

757-204/236
ILLUSTRATED PARTS CATALOGUE
CHAPTER 26 – FIRE PROTECTION

THOMSONFLY CUSTOMISATIONS

757 204/236

PUBLICATION REVISION
ILLUSTRATED PARTS CATALOGUE

CHAPTER 26 – FIRE PROTECTION

EFFECTIVE PAGES

CH-SECT- UNIT FIG	PAGE, SHEET OR FIG. NO.	DATE	CH-SECT- UNIT FIG	PAGE, SHEET OR FIG. NO.	DATE
* 26 CONTENTS	1	APR 09			
* 26-26-00-05	0	APR 09			
* 26-26-00-05	0A	APR 09			
* 26-26-00-05	0B	APR 09			
* 26-26-00-05	0C	APR 09			
* 26-26-00-05	0D	APR 09			
* 26-26-00-05	1	APR 09			
* 26-26-00-05	2	APR 09			
* 26-26-00-05	3	APR 09			
* 26-26-00-29	0	APR 09			
* 26-26-00-29	1	APR 09			
* 26-26-00-29	2	APR 09			
* 26-26-00-48	0	APR 09			
* 26-26-00-48	1	APR 09			
* 26-26-00-48	2	APR 09			
* 26-26-02-01	0	APR 09			
* 26-26-02-01	1	APR 09			
* 26-26-02-01	2	APR 09			
* 26-26-02-09	0	APR 09			
* 26-26-02-09	1	APR 09			

*INDICATES PAGES CHANGED OR ADDED BY THE CURRENT REVISION

757 204/236
PUBLICATION REVISION
ILLUSTRATED PARTS CATALOGUE

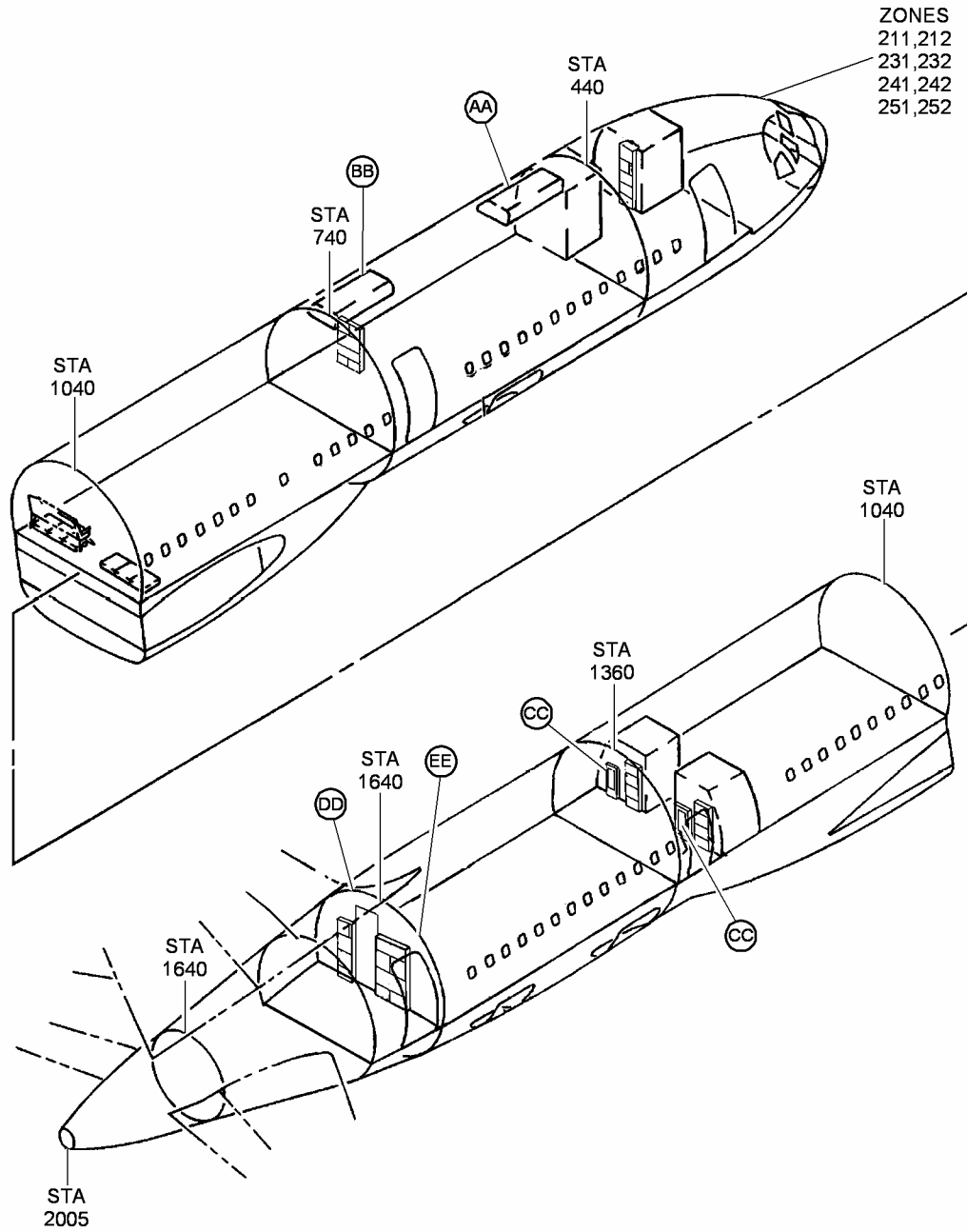
CHAPTER 21 – AIR CONDITIONING

TABLE OF CONTENTS

<u>SUBJECT</u>	<u>CHAPTER SECTION UNIT</u>	<u>FIGURE</u>
PORTABLE FIRE EXTINGUISHERS	26-26-00	
R EQUIPMENT INSTL-MISC EMER (FIRE PROTECTION ONLY)	26-26-00	05
R EQUIPMENT INSTL-MISC EMER (FIRE PROTECTION ONLY)	26-26-00	29
R EQUIPMENT INSTL-MISC EMER (FIRE PROTECTION ONLY)	26-26-00	48
R EXTINGUISHER INSTL – FIRE	26-26-02	01
R EXTINGUISHER INSTL – FIRE	26-26-02	09

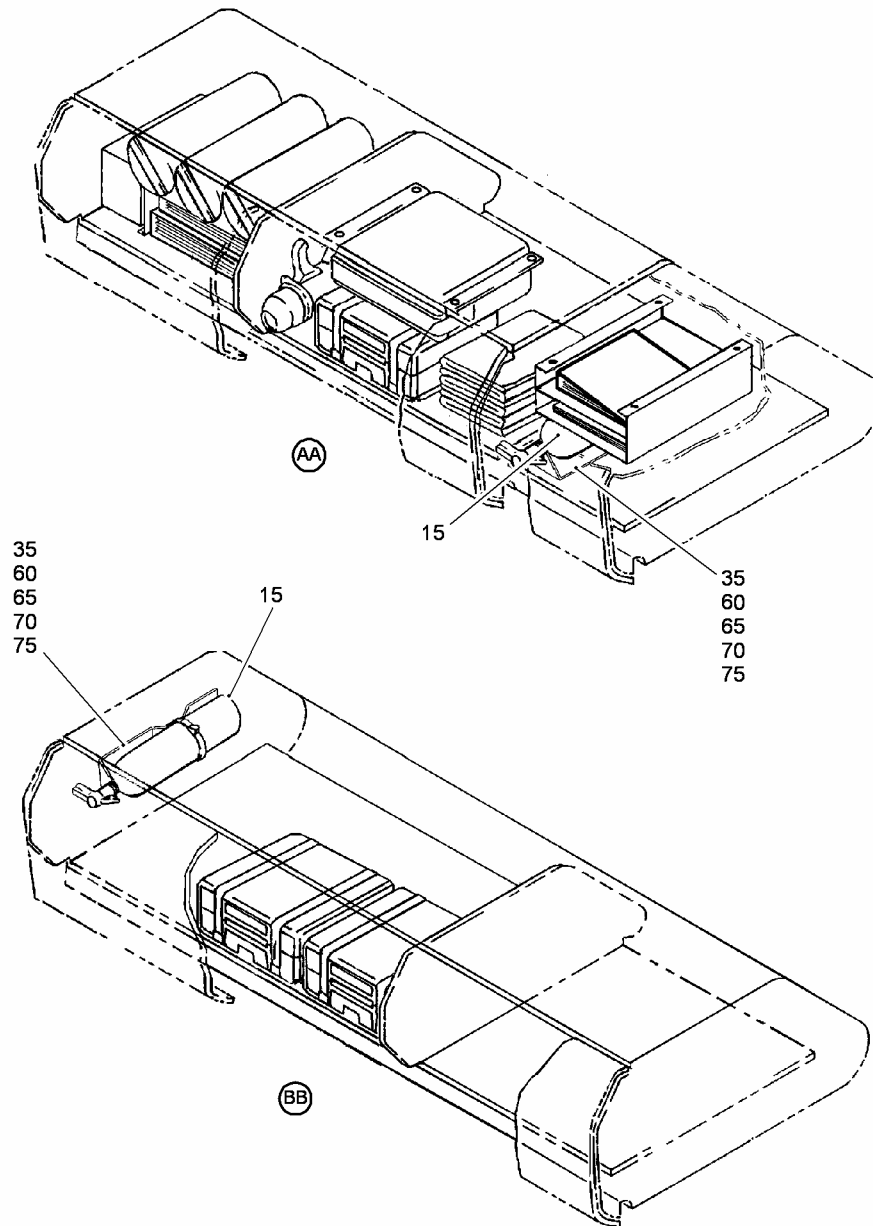
757 204/236

PUBLICATION REVISION
ILLUSTRATED PARTS CATALOGUE



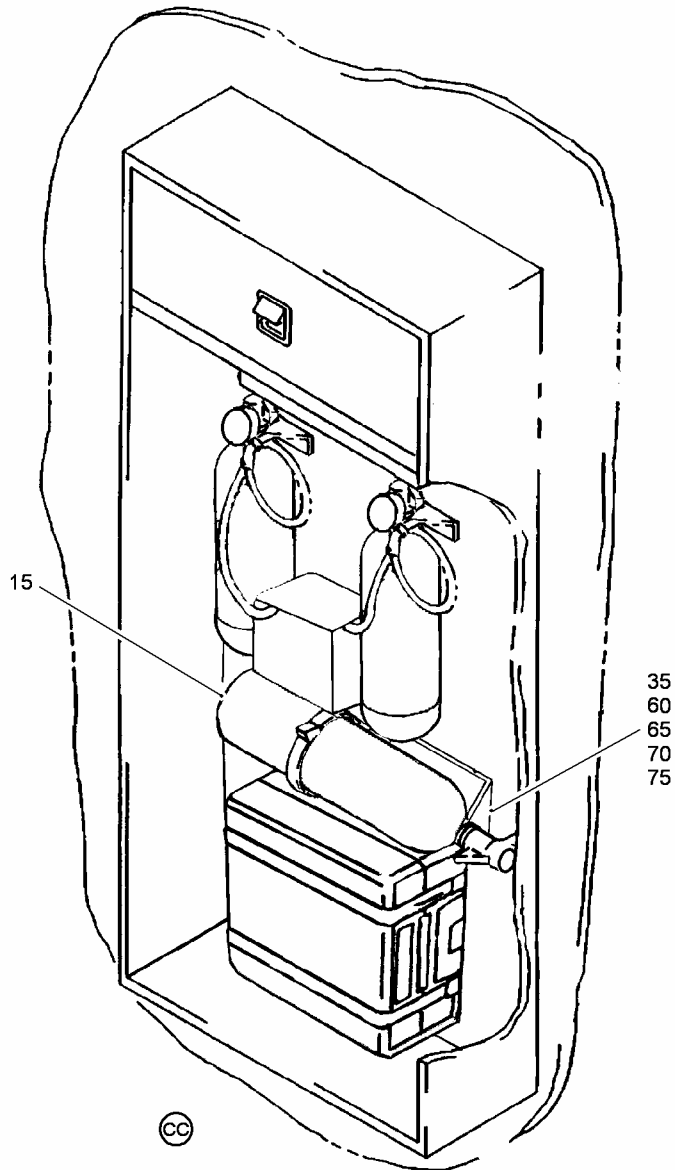
EQUIPMENT INSTL-MISC EMER (FIRE PROTECTION ONLY)
FIGURE 5 (SHEET 1)

757 204/236
PUBLICATION REVISION
ILLUSTRATED PARTS CATALOGUE



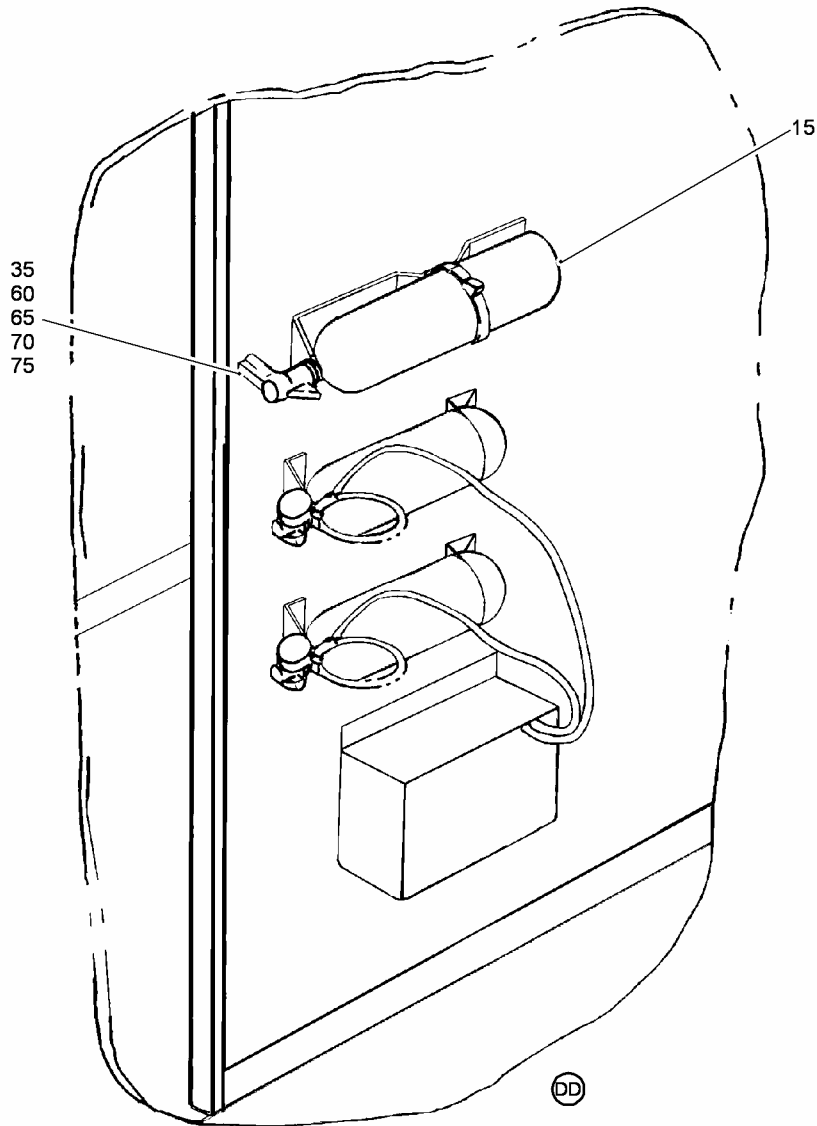
EQUIPMENT INSTL-MISC EMER (FIRE PROTECTION ONLY)
FIGURE 5 (SHEET 2)

757 204/236
PUBLICATION REVISION
ILLUSTRATED PARTS CATALOGUE



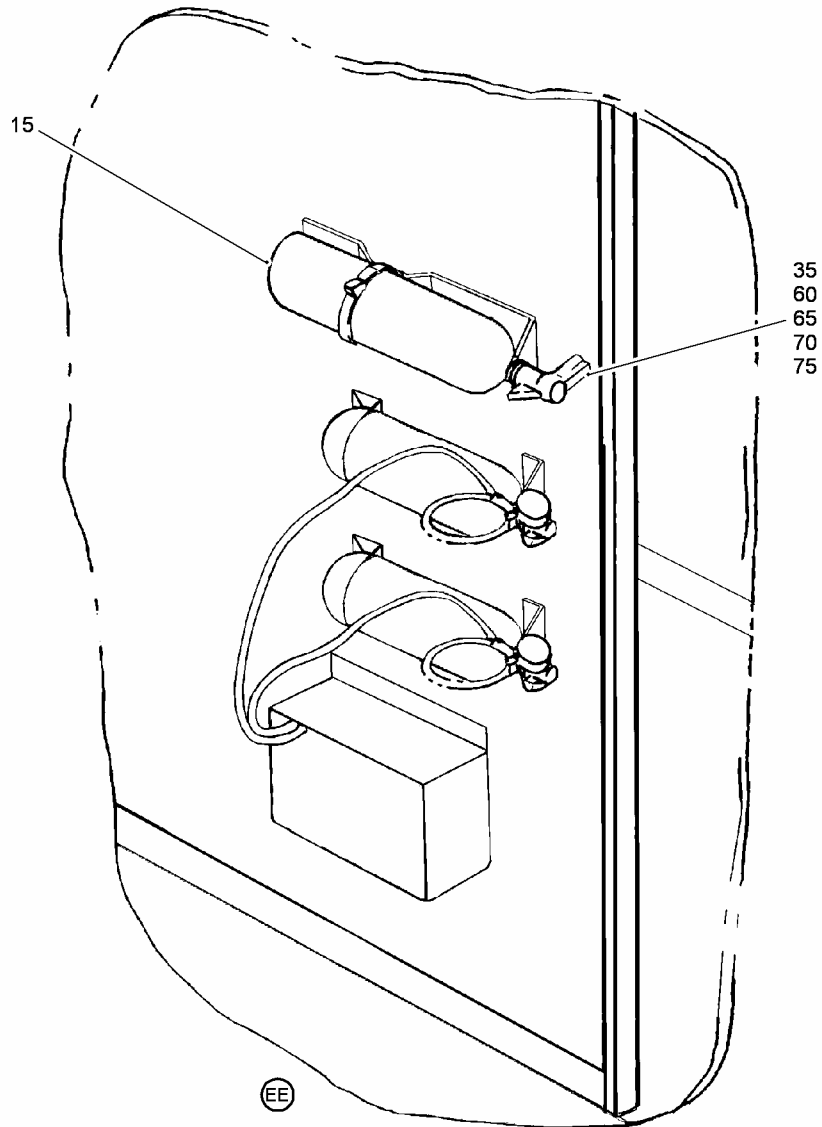
EQUIPMENT INSTL-MISC EMER (FIRE PROTECTION ONLY)
FIGURE 5 (SHEET 3)

757 204/236
PUBLICATION REVISION
ILLUSTRATED PARTS CATALOGUE



EQUIPMENT INSTL-MISC EMER (FIRE PROTECTION ONLY)
FIGURE 5 (SHEET 4)

757 204/236
PUBLICATION REVISION
ILLUSTRATED PARTS CATALOGUE



EQUIPMENT INSTL-MISC EMER (FIRE PROTECTION ONLY)
FIGURE 5 (SHEET 5)

757 204/236

PUBLICATION REVISION
ILLUSTRATED PARTS CATALOGUE

FIG. ITEM	PART NUMBER	DESCRIPTION	EFFECT FROM -TO	UNITS PER ASSY	
5		EQUIPMENT INSTL-MISC EMER (FIRE PROTECTION ONLY) <u>MOD/757/1201 Issue 3 & TEO/757/1201 Issue 4</u> <u>MOD/757/1202 Issue 4 & TEO/757/1202 Issue 9</u> Includes DOI's 1078, 1152, 1176, 1179, 1224, 1274 & 1294			
R * 1	757-1284	SAFETY EQUIPMENT LAYOUT DELETED BY TEO/757/1201 Issue 4	904904	RF	
R * 1	757-1290	INSTALLATION OF MANDATORY & MISC. EMERGENCY EQUIPMENT (SE-DUO) ADDED BY TEO/757/1201 Issue 4	904904	RF	
R * 3	757-1285	SAFETY EQUIPMENT LAYOUT DELETED BY TEO/757/1202 Issue 9	905999	RF	
R * 3	757-1291	INSTALLATION OF MANDATORY & MISC. EMERGENCY EQUIPMENT (SE-DUP) ADDED BY TEO/757/1202 Issue 9	905999	RF	
R * 3	757-1439	END OF LEASE SAFETY EQUIPMENT LAYOUT (SE-DUP) ADDED BY TEO/757/1202 Issue 9	905999	RF	
	15	BA51015	. FIRE EXTINGUISHER – BCF (RPL BY BA51015S3 & BA51015-3)	904999	8
R	15	BA51015-3	. FIRE EXTINGUISHER – BCF (RPLS BA51015) LOCATED ITEM DATA: (1) S.E.P AT LH DOOR 3 (1) FWD FACE, AFT LH BULKHEAD (1) S.E.P AT RH DOOR 3 (1) FWD FACE, AFT RH BULKHEAD OPTIONAL PART: BA51015G-3 POST MOD TEO/757/1201 Issue 4 & TEO/757/1202 Issue 9	904999	4

* Not Illustrated

757 204/236

PUBLICATION REVISION
ILLUSTRATED PARTS CATALOGUE

FIG. ITEM	PART NUMBER	DESCRIPTION	EFFECT FROM -TO	UNITS PER ASSY
5				
R 15	BA51015G-3	. FIRE EXTINGUISHER – BCF OPTIONAL PART: BA51015-3 ADDED BY TEO/757/1201 Issue 4 TEO/757/1202 Issue 9	904999	4
R 15	BA51015S3	. FIRE EXTINGUISHER – BCF (RPLS BA51015) LOCATED ITEM DATA: (1) LH OVERHEAD BIN (STA 416.70) (1) LH OVERHEAD BIN (STA 620) OPTIONAL PART: BA51015GS3 POST MOD TEO/757/1201 Issue 4 & TEO/757/1202 Issue 9	904999	2
R 15	BA51015GS3	. FIRE EXTINGUISHER OPTIONAL PART: BA51015S3 ADDED BY TEO/757/1201 Issue 4 & TEO/757/1202 Issue 9	904999	2
R 35	BA50102	. BRACKET (ALT TO BA21479-1) DELETED BY TEO/757/1201 Issue 4 & TEO/757/1202 Issue 9	904999	6
R 35	BA21479-1	. BRACKET (ALT TO BA50102) DELETED BY TEO/757/1201 Issue 4 & TEO/757/1202 Issue 9	904999	6
R 35	BA21479-1	. BRACKET, FIRE EXTINGUISHER ADDED BY TEO/757/1201 Issue 4 & TEO/757/1202 Issue 9	904999	6
		ATTACHING PARTS		
R *	NAS1801-08-6	. SCREW DELETED BY TEO/757/1201 Issue 4 & TEO/757/1202 Issue 9	904999	24

* Not Illustrated

757 204/236
PUBLICATION REVISION
ILLUSTRATED PARTS CATALOGUE

FIG. ITEM	PART NUMBER	DESCRIPTION	EFFECT FROM -TO	UNITS PER ASSY
5				
R * 40	BACS12GU8K5	. SCREW DELETED BY TEO/757/1201 Issue 4 & TEO/757/1202 Issue 9	904999	24
R * 45	NAS1149DO316J	. WASHER DELETED BY TEO/757/1201 Issue 4 & TEO/757/1202 Issue 9	904999	24
R * 50	NAS1149DO316J	. WASHER DELETED BY TEO/757/1201 Issue 4 & TEO/757/1202 Issue 9	904999	24
R 60	NAS43DD3-16	. SPACER ADDED BY TEO/757/1201 Issue 4 & TEO/757/1202 Issue 9	904999	24
R 65	NAS603-9P	. SCREW ADDED BY TEO/757/1201 Issue 4 & TEO/757/1202 Issue 9	904999	24
R 70	NAS1836-3-10	. INSERT ADDED BY TEO/757/1201 Issue 4 & TEO/757/1202 Issue 9	904999	24
R 75	EPOCAST1618AB	. POTTING COMPOUND ADDED BY TEO/757/1201 Issue 4 & TEO/757/1202 Issue 9	904999	AR
		* * * * *		

* Not Illustrated

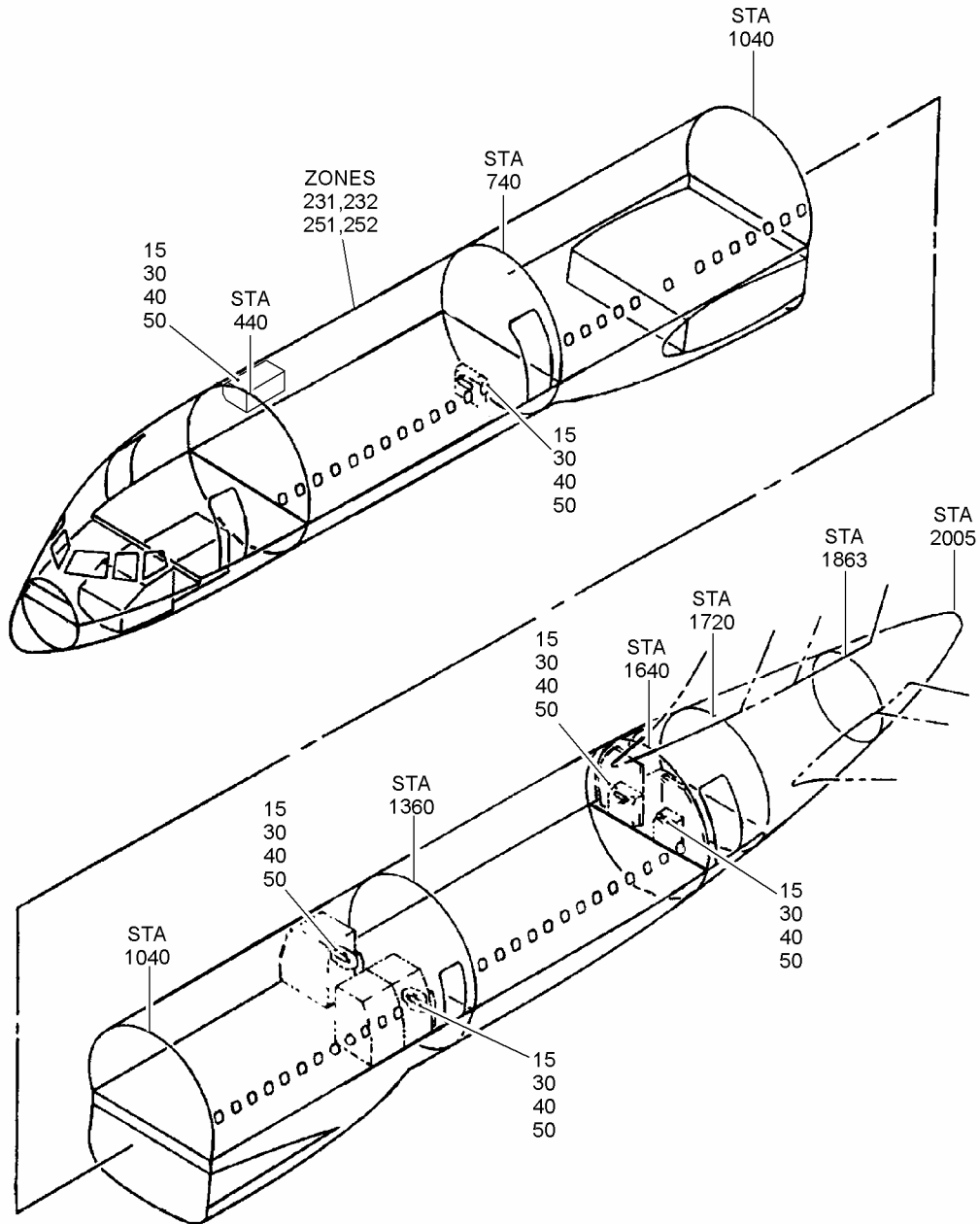
757-204/236

PUBLICATION REVISION
ILLUSTRATED PARTS CATALOGUE

FIG. ITEM	PART NUMBER	DESCRIPTION	EFFECT FROM -TO	UNITS PER ASSY
05		EQUIPMENT INSTL-MISC EMER (FIRE PROTECTION ONLY) <u>MOD/757/1201 ISSUE: 3</u> <u>MOD/757/1202 ISSUE: 4</u> Including DOI's 1078, 1152, 1176, 1179, 1224, 1274 & 1294		RF
1	757-1284	SAFETY EQUIPMENT LAYOUT	904	RF
3	757-1285	SAFETY EQUIPMENT LAYOUT	905	RF
15	BA51015	. FIRE EXTINGUISHER – BCF (RPL BY BA51015S3 & BA51015-3)	904 - 905	8
15	BA51015S3	. FIRE EXTINGUISHER – BCF (RPLS BA51015)	904 – 905	2
15	BA51015-3	. FIRE EXTINGUISHER – BCF (RPLS BA51015)	904 – 905	4
35	BA50102	. BRACKET (ALT TO BA21479-1)	904 - 905	6
35	BA21479-1	. BRACKET (ALT TO BA50102)	904 - 905	6
* 35	NAS1801-08-6	. SCREW	904 - 905	24
* 40	BACS12GU8K5	. SCREW	904 - 905	24
* 45	NAS1149D0316J	. WASHER	904 - 905	24
* 50	NAS1149D0316J	. WASHER	904 - 905	24

* Not Illustrated

757 204/236
PUBLICATION REVISION
ILLUSTRATED PARTS CATALOGUE



EQUIPMENT INSTL-MISC EMER (FIRE PROTECTION ONLY)
FIGURE 29

757 204/236

PUBLICATION REVISION
ILLUSTRATED PARTS CATALOGUE

FIG. ITEM	PART NUMBER	DESCRIPTION	EFFECT FROM -TO	UNITS PER ASSY
29		EQUIPMENT INST - MISC EMER (FIRE PROTECTION ONLY)		
		<u>MOD/757/1037 Issue 12 & TEO/757/1347/GO Issue 1</u> Including DOI's 1176, 1248, 1274 & 1294		
* 1	757-1045	SAFETY EQUIPMENT LAYOUT	002099	RF
R * 1	757-1470	SAFETY EQUIPMENT LAYOUT T'FLY/FCA (-204) POST MOD TEO/757/1347/GO	002099	RF
* 5	BA51015S2	. FIRE EXTINGUISHER – BCF (RPL BY BA51015S3)	002007	7
* 5	BA51015S3	. FIRE EXTINGUISHER – BCF (RPL BY BA51015S2)	002010	6
R 15	BA51015S3	. FIRE EXTINGUISHER – BCF (DELETED)	011099	1
R 15	BA51015S3	. FIRE EXTINGUISHER – BCF LOCATED ITEM DATA: (1) FWD OF CREW SEAT – DOOR L2 (1) CREW SEAT – DOOR L3 (1) FWD OF CREW SEAT – DOOR L4 (1) RH O/HEAD BIN - AFT OF STA 440 (1) CREW SEAT – DOOR R3 (1) FWD OF CREW SEAT – DOOR R4 OPTIONAL PART: BA51015GS3 POST MOD TEO/757/1347/GO	002010	6
R 15	BA51015GS3	. FIRE EXTINGUISHER – BCF OPTIONAL PART: BA51015S3 POST MOD TEO/757/1347/GO	002010	6
* 20	BA21479-1	. BRACKET	002010	6
30	BA21479-1	. BRACKET (DELETED)	011099	1
R 30	BA21479-1	. BRACKET – BCF EXTINGUISHER	002010	6

* Not Illustrated

757 204/236

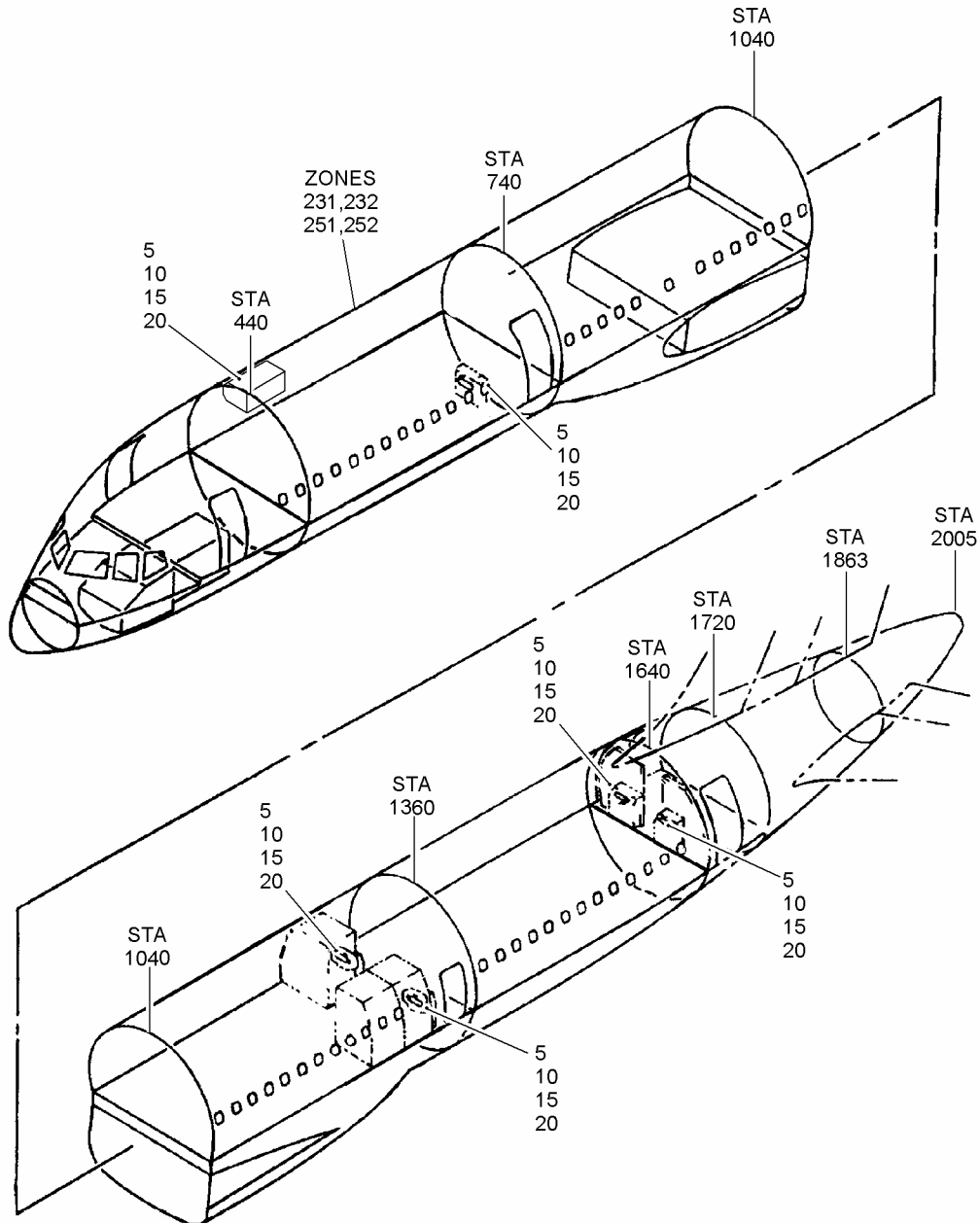
PUBLICATION REVISION
ILLUSTRATED PARTS CATALOGUE

FIG. ITEM	PART NUMBER	DESCRIPTION	EFFECT FROM -TO	UNITS PER ASSY
29		POST MOD TEO/757/1347/GO		
		ATTACHING PARTS		
R 35	NAS1801-08-6	. SCREW DELETED BY TEO/757/1347/GO	002010	24
R 40	BACS12GU8KS	. SCREW DELETED BY MOD TEO/757/1347/GO	011099	24
R 40	NAS1801-3-4	. HEXAGONAL HEAD SCREW POST MOD TEO/757/1347/GO	002099	24
R 45	NAS1149D0316J	. WASHER DELETED BY MOD TEO/757/1347/GO	002010	24
R 50	NAS1149D0316J	. WASHER DELETED BY MOD TEO/757/1347/GO	011099	24
R 50	AN960-3L	. WASHER POST MOD TEO/757/1347/GO	002099	24
		* * * * *		

* Not Illustrated

757 204/236

PUBLICATION REVISION
ILLUSTRATED PARTS CATALOGUE



EQUIPMENT INSTL-MISC EMER (FIRE PROTECTION ONLY)
FIGURE 48

757 204/236

PUBLICATION REVISION
ILLUSTRATED PARTS CATALOGUE

FIG. ITEM	PART NUMBER	DESCRIPTION	EFFECT FROM -TO	UNITS PER ASSY
48		EQUIPMENT INST - MISC EMER (FIRE PROTECTION ONLY) <u>MOD/757/1037 Issue 12 & TEO/757/1347/GO Issue 1</u> Including DOI's 1176, 1248, 1274 & 1294		
* 1	757-1045	SAFETY EQUIPMENT LAYOUT	101899	RF
R * 1	757-1470	SAFETY EQUIPMENT LAYOUT T'FLY/FCA (-204) POST MOD TEO/757/1347/GO	101899	RF
R 5	BA51015S3	. FIRE EXTINGUISHER – BCF LOCATED ITEM DATA: (1) FWD OF CREW SEAT – DOOR L2 (1) CREW SEAT – DOOR L3 (1) FWD OF CREW SEAT – DOOR L4 (1) RH O/HEAD BIN - AFT OF STA 440 (1) CREW SEAT – DOOR R3 (1) FWD OF CREW SEAT – DOOR R4 OPTIONAL PART: BA51015GS3 POST MOD TEO/757/1347/GO	101899	6
R 5	BA51015GS3	. FIRE EXTINGUISHER – BCF OPTIONAL PART: BA51015S3 POST MOD TEO/757/1347/GO	101899	6
10	BA21479-1	. BRACKET – BCF EXTINGUISHER ATTACHING PARTS	101899	6
R 15	BACS12GU8KS	. SCREW DELETED BY MOD TEO/757/1347/GO	101899	24
R 15	NAS1801-3-4	. HEXAGONAL HEAD SCREW POST MOD TEO/757/1347/GO Issue 1	101899	24
R 20	NAS1149D0316J	. WASHER DELETED BY MOD TEO/757/1347/GO	101899	24

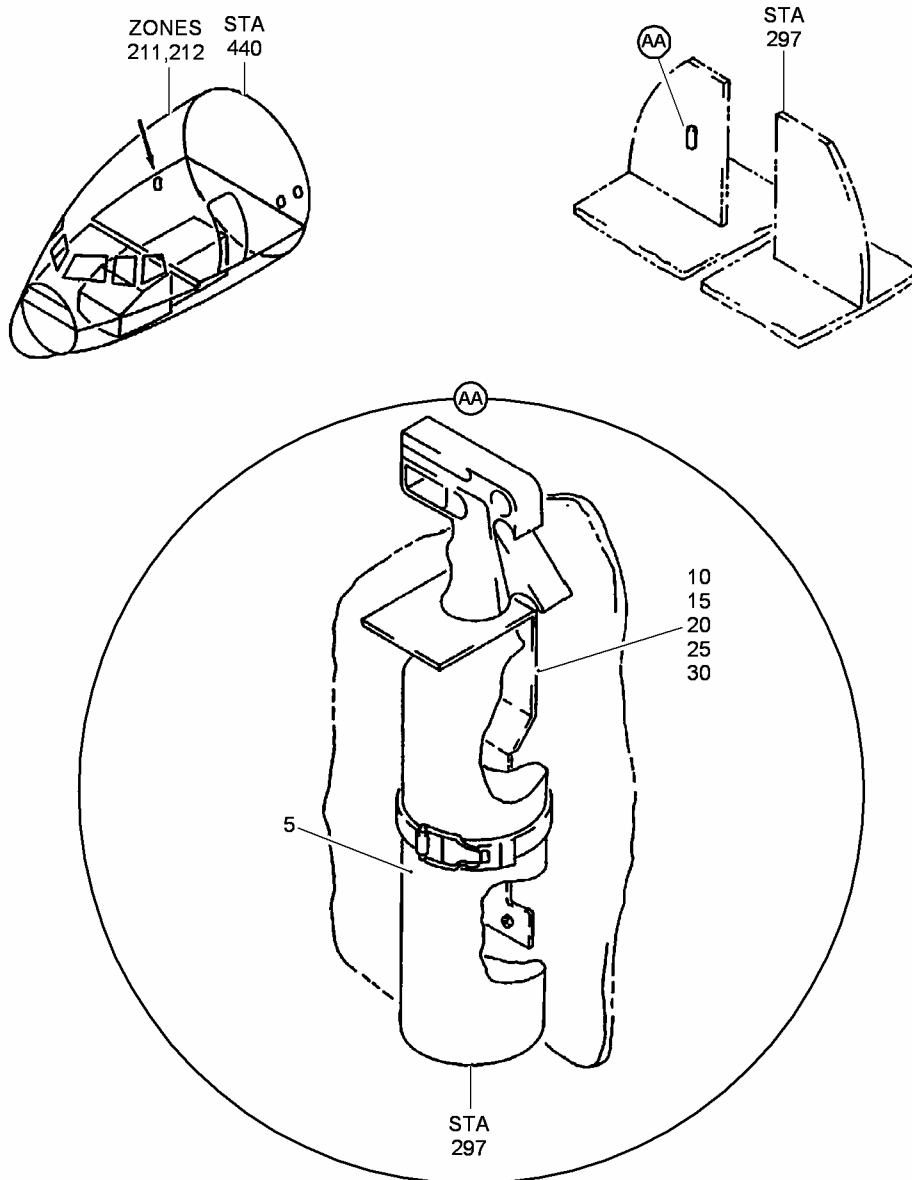
* Not Illustrated

757 204/236
PUBLICATION REVISION
ILLUSTRATED PARTS CATALOGUE

FIG. ITEM	PART NUMBER	DESCRIPTION	EFFECT FROM -TO	UNITS PER ASSY
R 48 20	AN960-3L	WASHER POST MOD TEO/757/1347/GO *****	101899	24

* Not Illustrated

757 204/236
PUBLICATION REVISION
ILLUSTRATED PARTS CATALOGUE



EXTINGUISHER INSTL - FIRE
FIGURE 1

757 204/236

PUBLICATION REVISION
ILLUSTRATED PARTS CATALOGUE

FIG. ITEM	PART NUMBER	DESCRIPTION	EFFECT FROM -TO	UNITS PER ASSY
1		EXTINGUISHER INSTL-FIRE <u>MOD/757/1201 Issue 3 & TEO/757/1201 Issue 4</u> <u>MOD/757/1202 Issue 4 & TEO/757/1202 Issue 9</u> Includes DOI's 1078, 1152, 1176, 1179, 1224, 1274, & 1294		
R *	1	757-1284 SAFETY EQUIPMENT LAYOUT DELETED BY TEO/757/1201 Issue 4	904904	RF
R *	1	757-1290 INSTALLATION OF MANDATORY & MISC. EMERGENCY EQUIPMENT (SE-DUO) ADDED BY TEO/757/1201 Issue 4	904904	RF
R *	3	757-1285 SAFETY EQUIPMENT LAYOUT DELETED BY TEO/757/1202 Issue 9	905999	RF
R *	3	757-1291 INSTALLATION OF MANDATORY & MISC. EMERGENCY EQUIPMENT (SE-DUP) ADDED BY TEO/757/1202 Issue 9	905999	RF
R *	3	757-1439 END OF LEASE SAFETY EQUIPMENT LAYOUT (SE-DUP) ADDED BY TEO/757/1202 Issue 9	905999	RF
	5	BA51015 . FIRE EXTINGUISHER – BCF (RPL BY BA51015S3 OR BA51015-3)	904999	1
	5	BA51015G . FIRE EXTINGUISHER - BCF (RPL BY BA51015S3 OR BA51015-3)	904999	1
	5	BA5101S3 . FIRE EXTINGUISHER - BCF (RPLS BA51015 & BA51015G)	904999	1
R	5	BA51015-3 . FIRE EXTINGUISHER – BCF (RPLS BA51015 OR BA51015G) LOCATED ITEM DATA: (1) FLIGHT DECK, FWD FACE RH GALLEY OPTIONAL PART: BA51015G-3 POST MOD TEO/757/1201 Issue 4 & TEO/757/1202 Issue 9	904999	1

* Not Illustrated

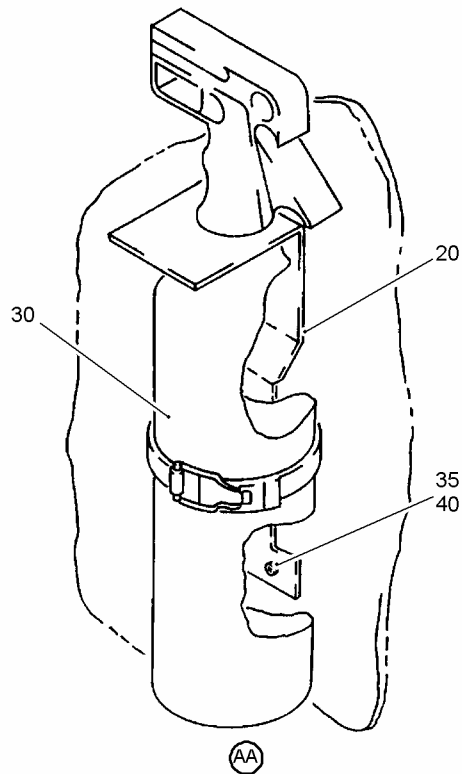
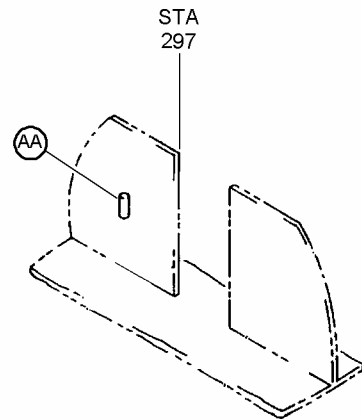
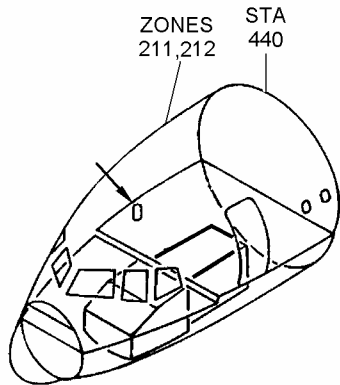
757 204/236

PUBLICATION REVISION
ILLUSTRATED PARTS CATALOGUE

FIG. ITEM	PART NUMBER	DESCRIPTION	EFFECT FROM -TO	UNITS PER ASSY
1				
R 5	BA51015G-3	. FIRE EXTINGUISHER – BCF OPTIONAL PART: BA51015-3 ADDED BY TEO/757/1201 Issue 4 & TEO/757/1202 Issue 9	904999	1
	10 BA50102	. BRACKET (RPL BY BA21479-1)	904999	1
R 10	BA21479-1	. BRACKET (RPLS BA50102) POST MOD TEO/757/1201 Issue 4 & TEO/757/1202 Issue 9	904999	1
		ATTACHING PARTS		
R 15	NAS603-9P	. SCREW ADDED BY TEO/757/1201 Issue 4 & TEO/757/1202 Issue 9	904999	4
R 20	NAS43DD3-16	. SPACER ADDED BY TEO/757/1201 Issue 4 & TEO/757/1202 Issue 9	904999	4
R 25	NAS1836-3-10	. INSERT ADDED BY TEO/757/1201 Issue 4 & TEO/757/1202 Issue 9	904999	4
R 30	EPOCAST1618AB	. POTTING COMPOUND ADDED BY TEO/757/1201 Issue 4 & TEO/757/1202 Issue 9	904999	AR
		* * * * *		

* Not Illustrated

757 204/236
PUBLICATION REVISION
ILLUSTRATED PARTS CATALOGUE



EXTINGUISHER INSTL - FIRE
FIGURE 09

757 204/236

PUBLICATION REVISION
ILLUSTRATED PARTS CATALOGUE

FIG. ITEM	PART NUMBER	DESCRIPTION	EFFECT FROM -TO	UNITS PER ASSY
09		EXTINGUISHER INST - FIRE <u>MOD/757/1037 Issue 12 & TEO/757/1347/GO Issue 1</u> Including DOI's 1176, 1248, 1274 & 1294		
* 1	757-1045	SAFETY EQUIPMENT LAYOUT	002099	RF
R * 1	757-1470	SAFETY EQUIPMENT LAYOUT T'FLY/FCA (-204) POST MOD TEO/757/1347/GO	002899	RF
R 20	BA21479-1	. BRACKET – BCF EXTINGUISHER POST MOD TEO/757/1347/GO	002899	1
30	BA51015S2	. FIRE EXTINGUISHER – BCF (RPL BY BA51015S3)	002007	1
R 30	BA51015S3	. FIRE EXTINGUISHER – BCF LOCATED ITEM DATA: (1) GALLEY G1A FWD BULKHEAD OPTIONAL PART: BA51015GS3 POST MOD TEO/757/1347/GO	002899	1
R 30	BA51015GS3	. FIRE EXTINGUISHER – BCF OPTIONAL PART: BA51015S3 POST MOD TEO/757/1347/GO	002899	1
		ATTACHING PARTS		
R 35	NAS1801-3-4	. HEXAGONAL HEAD SCREW POST MOD TEO/757/1347/GO	002899	4
R 40	AN960-3L	. WASHER POST MOD TEO/757/1347/GO	002899	4
		* * * * *		

* Not Illustrated

BOEING 757

Monarch

AIR 2000

757-28A

PARTS CATALOGUE

Fig.	Item	Part Number	Description	Units per Assy
1	8	200211-1 Spec N° S332T301-181	Printed Circuit Card.	2

SYSTRON DONNER SYSTEM

EFFECTIVITY

Aircraft incorporated M.A.E.L.
Modification MON/757/26/1327.

26-11-52
Fig MON 1
Page MON 1
1.11.90

BOEING 757 MONARCH

.757-28A
Parts Catalogue
AIR 2000

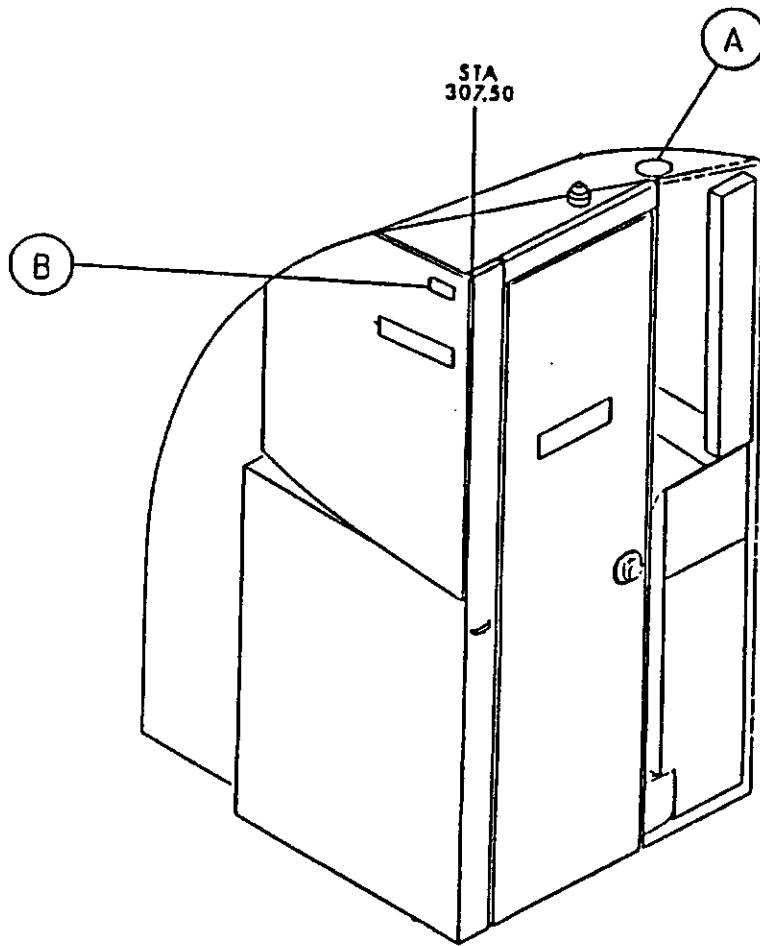
Lavatory Smoke Detection System

EFFECTIVITY

Aircraft incorporating MAEL
modification MON/757/756

26.14.01
Page MON 1
17.2.88

757-28A
Parts Catalogue
AIR 2000

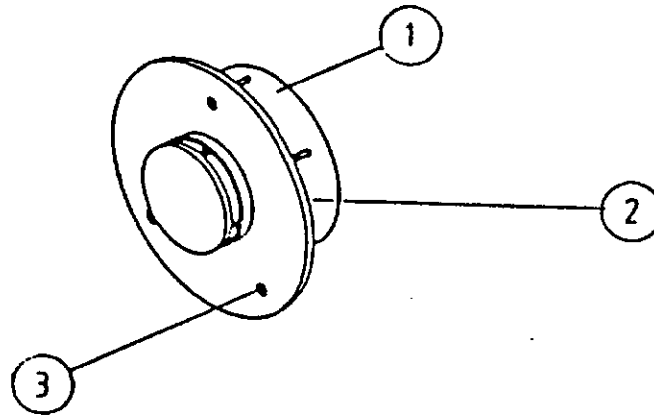


Lavatory Smoke Detection System
Compartment Instln - LAVATORY MODULE (TYPICAL)
Figure 1
26-14-01-01

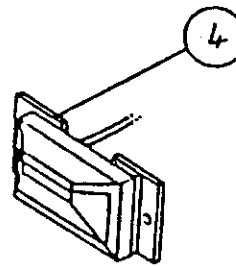
ACTIVITY

Aircraft incorporating MAEL
modification MON/757/756

26.14.01
Figure 1
Page MON 0
17.2.88



DETAIL A



DETAIL B

Lavatory Smoke Detection System
Smoke Detector and Response Indicator
Figure 2
26-14-01-02

ACTIVITY

Aircraft incorporating MAEL
modification MON/757/756

26.14.01
Figure 2
Page MON 0
17.2.88

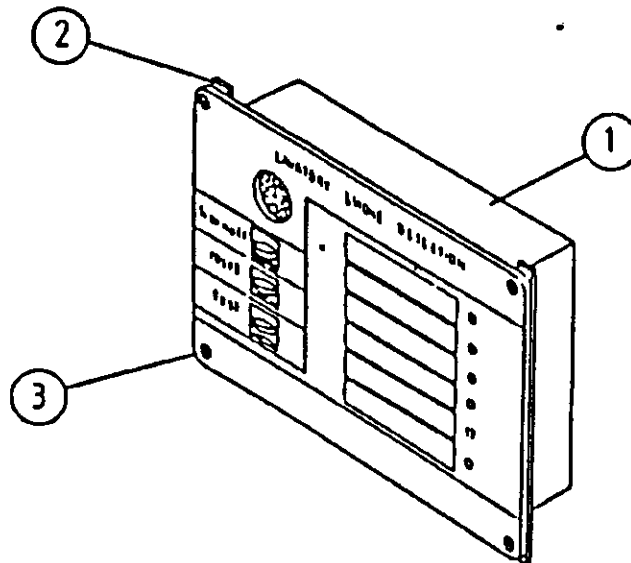
Fig.	Item	Part Number	Description	Units per Assy
	1	FTA 716	Smoke Detector	2
	2	056398	Ring attachment	1
	3	UNC32-6	Screw - 1 inch	6
	4	A1 130	Response Indicator	2
			Items 1 to 4 supplied by Cerebus Guinard	

ACTIVITY

Aircraft incorporating MAEL
modification MON/757/75626.14.01
Figure 2
Page MON 1
17.2.88

757- 28A
Parts Catalogue
AIR 2000

The lavatory Smoke Detector Control Panel is located on 'A' Lavatory aft bulkhead adjacent to Passenger entrance door 1L.



Lavatory Smoke Detection System
Smoke Detector Control Panel
Figure 3
20-14-01- 03

ACTIVITY

Aircraft incorporating MAEL
modification MON/757/756

26.14.01
Figure 3
Page MON 0
17.2.88

BOEING 757

Monarch

757- 28A
Parts Catalogue
AIR 2000

Fig.	Item	Part Numbers	Description	Units per Assy
3	1	TRA72-60	Control Panel	1
	2	056405	Attaching Plate	2
	3	UNC32-6	Screw - 1 inch	
			Items 1 to 3 supplied by Cerebus Guinard	

ACTIVITY

Aircraft incorporating MAEL
modification MON/757/756

26.14.01
Figure 3
Page MON 1
17.2.88

**B757 MANUAL SUPPLEMENT - ATP 3510
SECTION 2 CHAPTER 26
CONTROL PAGE - INITIAL ISSUE**

- A. File the attached Temporary Revision/Alerts in the Manual Supplement in ATA Chapter/Section/Subject/Page sequence
- B. File this Control Page in front of the Chapter TRs/Alerts.
- C. The following list shows active TRs/Alerts together with TRs/Alerts added by this control page.

Chapter Section Subject	Page	TR/Alert No.
26-14-01-03	3	* 26-522
26-14-01-03	7	* 26-523

- D. Remove and Destroy the following TRs/Alerts:

* Indicates TRs/Alerts issued with this control page

**ATP
TEMPORARY
REVISION**

BRITISH AIRWAYS

B757 NB322

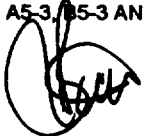
TR Page 1 of 1

16 July, 1997

ILLUSTRATED PARTS CATALOGUE

TEMPORARY REVISION No. 26-522

THIS TEMPORARY REVISION IS ISSUED BY BRITISH AIRWAYS QUALITY AND TECHNICAL SERVICES AND COMPLIES WITH BCAR'S CHAPTER A5-3, B5-3 AND/OR TSS No. 0-2 AS REQUIRED. CAA DESIGN APPROVAL No. DAI/8566/78.



For CHIEF ENGINEER QUALITY AND TECHNICAL SERVICES.

Manual Reference 26-14-01-03 Page 3

REASON FOR REVISION

To update Smoke Detector part number.

ACTION

Read the following for the new Smoke Detector part number:-

Fig Item	Part Number	Nomenclature	Effect	Units/ Assy
3 50	PU90-499R3	.DETECTOR ASSY-SMOKE LAV A	002	1
55	PU90-499R3	.DETECTOR ASSY-SMOKE LAV C, D, AND S	002	1

Originator: C L Anstey
Reference: 26G024
Workbook: CC 26-100

26-14-01-03
Page 3

**ATP
TEMPORARY
REVISION**

BRITISH AIRWAYS

B757 NB322

TR Page 1 of 1

16 July, 1997

ILLUSTRATED PARTS CATALOGUE

TEMPORARY REVISION No. 26-523

THIS TEMPORARY REVISION IS ISSUED BY BRITISH AIRWAYS QUALITY AND TECHNICAL SERVICES AND COMPLIES WITH BCAR'S CHAPTER A5-3, B53 AND/OR TSS No. 0-2 AS REQUIRED. CAA DESIGN APPROVAL No. DAI/8566/78.



For CHIEF ENGINEER QUALITY AND TECHNICAL SERVICES.

Manual Reference 26-14-01-03 Page 7

REASON FOR REVISION

To update parts list.

ACTION

Read the following for the new additional part numbers:-

Fig Item	Part Number	Nomenclature	Effect	Units/ Assy
3				
-300	A130-10	.LED INDICATOR	002	1
-310	2-51544-23	.DECAL -L9001	002	1
-320	2-51544-24	.DECAL -L9002	002	1
-330	2-51544-25	.DECAL -L9003	002	1
-340	2-51544-26	.DECAL -L9004	002	1

Originator: C L Anstey
Reference: 26G024
Workbook: CC 26-100

26-14-01-03
Page 7

←

BOEING 757

Parts Catalog (Maintenance)

CHAPTER 26 - FIRE PROTECTION

AIR 2000 CUSTOMISATIONS NA352

757 MANUAL SUPPLEMENT - ATP.2860

SECTION 2 CHAPTER 26

CONTROL PAGE ISSUE 2

- A. File the attached Temporary Revisions/Alerts in the Manual supplement in ATA Chapter/Section/Subject/Page sequence.
- B. File this control page in front of the chapter TRs/Alerts.
- C. The following list shows active TRs/Alerts together with TRs/Alerts added by this control page.

Chapter Section Subject	Page	TR/Alert No.
26-13-01-01	1	BA.26-504
26-21-03-01	4	* BA.26-506
26-22-01-01	5	* BA.26-505
26-26-02-01	1	BA.26-502
26-26-03-01	1	BA.26-503
26-26-51-05	3	BA.26-501

- D Remove and Destroy the following TR's/Alerts:

* - TR's/Alerts issued with this control page


**ATP
TEMPORARY
REVISION**

NA351, NA352

TR page 1 of 1
7 September 1993

BOEING 757
ILLUSTRATED PARTS CATALOGUE

THIS TEMPORARY REVISION IS ISSUED BY BRITISH AIRWAYS TECHNICAL SERVICES AND COMPLIES WITH BCAR'S CHAPTER A5-3, B5-3 AND/OR TSS No. 0-2 AS REQUIRED. CAA DESIGN APPROVAL No. DAI/8668/78.



FOR CHIEF ENGINEER TECHNICAL SERVICES.

TEMPORARY REVISION No. 26-504

Manual Reference 26-13-01-01 page 1

REASON FOR REVISION:

Addition of ETOPS standard for figure 1, item 5.

ACTION:

Amend figure 1, item 5 as follows:-

Fig	Item	Part Number	Nomenclature	Effect	Units per Assy
1	5	0201K0S600	.SWITCH ASSY-O/H DET & IP DISC (VK5294) APPROVED FOR ETOPS PROVIDED "MOD 03" ON DATA PLATE	120121	2
1	5	0202K0S600	.SWITCH ASSY-O/H DET & IP DISC (VK0802) (SB77-6742 PTA) APPROVED FOR ETOPS PROVIDED "MOD 03" ON DATA PLATE	120121	2

Originator: R.W.VIDLER
Reference: MCR/EPA/378/RV
Workbook: 26-58

26-13-01-01
Page 1

ATP TEMPORARY REVISION

NA351 : NA 352

TR page 1 of 2
18 January 1994

BOEING 757
ILLUSTRATED PARTS CATALOGUE

THIS TEMPORARY REVISION IS ISSUED BY BRITISH AIRWAYS TECHNICAL SERVICES AND COMPLIES WITH BCAR'S
CHAPTER A6-3, B5-3 AND/OR TSS No. 0-2 AS REQUIRED. CAA DESIGN APPROVAL No. DA1/8666/78.

 FOR CHIEF ENGINEER TECHNICAL SERVICES

TEMPORARY REVISION No. 26-506

Manual Reference 26-21-03-01 page 4

REASON FOR REVISION:

Correction of Cartridge Assembly errors.

ACTION:

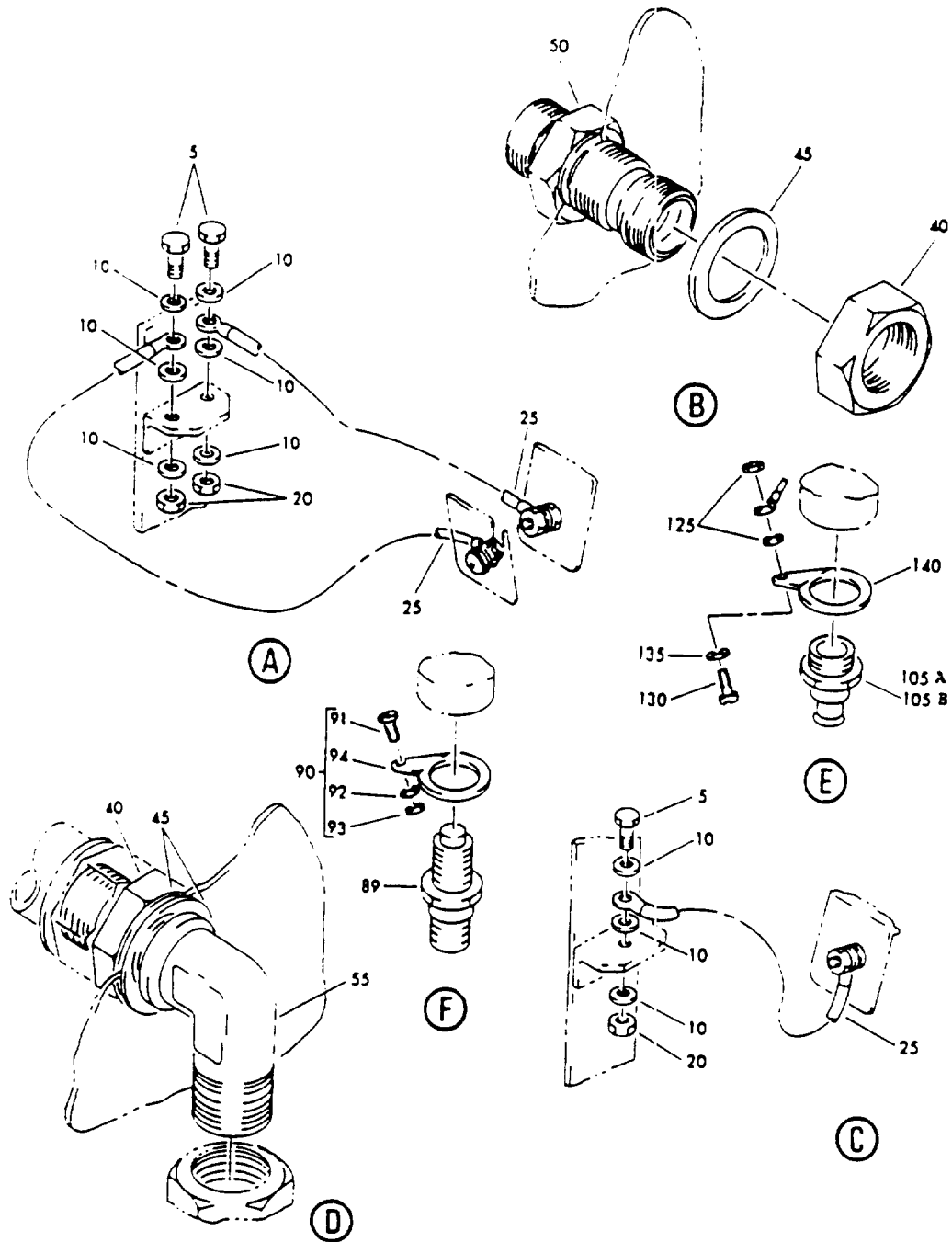
Amend Figure 1 as follows:-

Fig	Item	Part Number	Nomenclature	Effect	Units per Assy
1	105	262299	..CARTRIDGE ASS-ACTR (V61423) (USED ON DIS/HEAD P/N 878230-EXTINGUISHER 898867).(PRE WALTER KIDDE SB 8988627-26-327).	120121	2
1	105A	446189	..CARTRIDGE ASS-ACTR (V61423) (USED ON DIS/HEAD P/N 446188-EXTINGUISHER 898867-3).(POST WALTER KIDDE SB 8988627-26-327).	120121	1
1	105B	262299	..CARTRIDGE ASS-ACTR (V61423) (USED ON DIS/HEAD P/N 878230-EXTINGUISHER 898867-3).(POST WALTER KIDDE SB 8988627-26-327).	120121	1

Originator: MCR/EAA-E-8959
Reference: E.WRAY
Workbook: 26-60

26-21-03-01
Page 4

BOEING 757
ILLUSTRATED PARTS CATALOGUE
TEMPORARY REVISION. No. 25-506 (Cont'd)



FIRE BOTTLE AND PLUMBING INSTALLATION
AFT CARGO BAY ENG FIGURE 1 (SHEET 2)

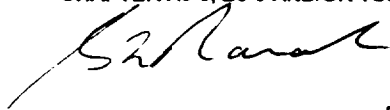
**ATP
TEMPORARY
REVISION**

NA351 : NA 352

TR page 1 of 2
18 January 1994

BOEING 757
ILLUSTRATED PARTS CATALOGUE

THIS TEMPORARY REVISION IS ISSUED BY BRITISH AIRWAYS TECHNICAL SERVICES AND COMPLIES WITH BCAR'S CHAPTER A5-3, B5-3 AND/OR TSS No. 0-2 AS REQUIRED. CAA DESIGN APPROVAL No. DA1/8566/78.



FOR CHIEF ENGINEER TECHNICAL SERVICES

TEMPORARY REVISION No.26-505

Manual Reference 26-22-01-01 page 5

REASON FOR REVISION:

Correction of Cartridge Assembly errors.

ACTION:

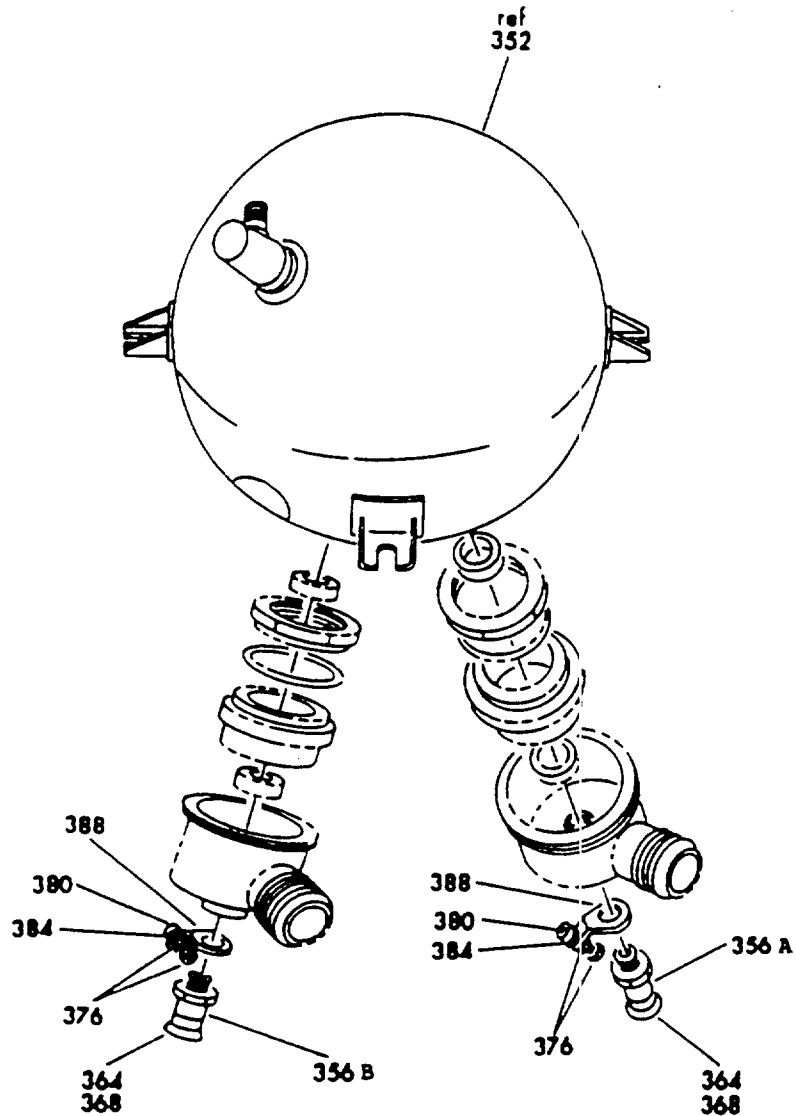
Amend Figure 1 as follows:-

Fig	Item	Part Number	Nomenclature	Effect	Units per Assy
1	356	262299	..CARTRIDGE ASS-ACTR (V61423) (USED ON DIS/HEAD P/N 878230-EXTINGUISHER 898867).(PRE WALTER KIDDE SB 8988627-26-327).	120121	2
1	356A	446189	..CARTRIDGE ASS-ACTR (V61423) (USED ON DIS/HEAD P/N 446188-EXTINGUISHER 898867-3).(POST WALTER KIDDE SB 8988627-26-327).	120121	1
1	356B	262299	..CARTRIDGE ASS-ACTR (V61423) (USED ON DIS/HEAD P/N 878230-EXTINGUISHER 898867-3).(POST WALTER KIDDE SB 8988627-26-327).	120121	1

Originator: MCR/EAA-E-8959
Reference: E.WRAY
Workbook: 26-60

26-22-01-01
Page 5

BOEING 757
ILLUSTRATED PARTS CATALOGUE
TEMPORARY REVISION. No. 26-505 (Cont'd)



FIRE EXTINGUISHER INSTALLATION
AUX. FIGURE 1 (SHEET 4)

**ATP
TEMPORARY
REVISION**

A/C NA351 & NA352

TR page 1 of 1
9 February 1993

BOEING 757
ILLUSTRATED PARTS CATALOGUE

THIS TEMPORARY REVISION IS ISSUED BY BRITISH AIRWAYS TECHNICAL SERVICES AND COMPLIES WITH BCAR'S CHAPTER A5-3, B5-3 AND/OR TSS No. 0-2 AS REQUIRED. CAA DESIGN APPROVAL No. DAI/8566/78.



FOR CHIEF ENGINEER TECHNICAL SERVICES.

TEMPORARY REVISION No.26-502

Manual Reference 26-26-02-01, page 1

REASON FOR REVISION:

Replacement of extinguisher trigger-revised extinguisher assembly part number added.

ACTION:

Amend figure 1 as follows:-

Fig	Item	Part Number	Nomenclature	Effect	Units per Assy
1	5	BA51015-3	.FIRE EXTINGUISHER-BCF (CUSTOMER FURNISHED) (VU3061) (POST MOD 26F089)	120121	1
	10	BA50102	.BRACKET-FIRE EXT. (CUSTOMER FURNISHED) (V0749B)	120121	1

Originator: J.H.WIVELL
Reference: MOD 26F089
Workbook: 26-53

26-26-02-01
Page 1


**ATP
TEMPORARY
REVISION**

A/C NA351 & NA352

TR page 1 of 1
9 February 1993

BOEING 757
ILLUSTRATED PARTS CATALOGUE

THIS TEMPORARY REVISION IS ISSUED BY BRITISH AIRWAYS TECHNICAL SERVICES AND COMPLIES WITH BCAR'S CHAPTER A5-3, B5-3 AND/OR TSS No. 0-2 AS REQUIRED. CAA DESIGN APPROVAL No. DA1/8666/78.



FOR CHIEF ENGINEER TECHNICAL SERVICES.

TEMPORARY REVISION No.26-503

Manual Reference 26-26-03-01, page 1

REASON FOR REVISION:

Replacement of extinguisher trigger-revised extinguisher assembly part number added.

ACTION:

Amend figure 1 as follows:-

Fig	Item	Part Number	Nomenclature	Effect	Units per Assy
1	5	BA51015-3	.FIRE EXTINGUISHER-3CF (CUSTOMER FURNISHED) (VU3061) (POST MOD 26F089)	120121	1
	10	BA50102	.BRACKET-FIRE EXT. (CUSTOMER FURNISHED) (V0749B)	120121	1

Originator: J.H.WIVELL
Reference: MOD 26F089
Workbook: 26-53

26-26-03-01
Page 1


**ATP
TEMPORARY
REVISION**

A/C NA351 & NA352

TR page 1 of 1
9 February 1993

BOEING 757
ILLUSTRATED PARTS CATALOGUE

THIS TEMPORARY REVISION IS ISSUED BY BRITISH AIRWAYS TECHNICAL SERVICES AND COMPLIES WITH BCAR'S CHAPTER A5-3, B5-3 AND/OR TSS No. 0-2 AS REQUIRED. CAA DESIGN APPROVAL No. DAI/8566/78.



FOR CHIEF ENGINEER TECHNICAL SERVICES.

TEMPORARY REVISION No.26-501

Manual Reference 26-26-51-05, page 3

REASON FOR REVISION:

Replacement of extinguisher trigger-revised extinguisher assembly part number added.

ACTION:

Amend figure 5 as follows:-

Fig	Item	Part Number	Nomenclature	Effect	Units per Assy
5	9	BA51015-3	.FIRE EXTINGUISHER--BCF (CUSTOMER FURNISHED) (VU3061) (POST MOD 26F089)	120121	8
	17	BA50102	.BRACKET-FIRE EXT. (CUSTOMER FURNISHED) (V0749B)	120121	8

Originator: J.H.WIVELL
Reference: MOD 26F089
Workbook: 26-53

26-26-51-05
Page 3


BOEING
 757
PARTS CATALOG (MAINTENANCE)

CH-SECT-UNIT-FIG	PAGE NO.	DATE	CH-SECT-UNIT-FIG	PAGE NO.	DATE
*26	1	MAY 20/09	26-11-00- 1	23	JAN 20/09
*26	2	MAY 20/09	26-11-01- 5	0	MAY 28/07
*26	3	MAY 20/09	26-11-01- 5	0A	MAY 28/07
*26	4	MAY 20/09	26-11-01- 5	1	JAN 20/09
*26	5	MAY 20/09	26-11-01- 5	2	JAN 20/09
*26	6	MAY 20/09	26-11-01- 5	3	JAN 20/09
*26	7	MAY 20/09	26-11-01- 5	4	JAN 20/09
*26	8	MAY 20/09	26-11-01- 5	5	JAN 20/09
*26	9	MAY 20/09	26-11-01- 5	6	JAN 20/09
*26	10	MAY 20/09	26-11-01- 5	7	JAN 20/09
*26	11	MAY 20/09	26-11-01- 5	8	JAN 20/09
*26	12	MAY 20/09	26-11-01- 5	9	JAN 20/09
*26	13	MAY 20/09	26-11-01- 5	10	JAN 20/09
*26	14	MAY 20/09	26-11-01- 5	11	JAN 20/09
*26	15	MAY 20/09	26-11-01- 5A	0	JAN 20/09
26-00-00	1	MAY 28/07	26-11-01- 5A	1	JAN 20/09
26-00-00- 1	0	MAY 28/07	26-11-01- 5A	2	JAN 20/09
26-00-00- 1	1	JAN 20/09	26-11-01- 7	0	MAY 28/07
26-00-00- 1	2	JAN 20/09	26-11-01- 7	0A	MAY 28/07
26-00-00- 1A	0	JAN 20/09	26-11-01- 7	0B	MAY 28/07
26-00-00- 1A	1	JAN 20/09	26-11-01- 7	0C	MAY 28/07
26-11-00	1	MAY 28/07	26-11-01- 7	0D	MAY 28/07
26-11-00- 1	0	MAY 28/07	26-11-01- 7	0E	MAY 28/07
26-11-00- 1	0A	MAY 28/07	26-11-01- 7	0F	MAY 28/07
26-11-00- 1	0B	MAY 28/07	26-11-01- 7	0G	MAY 28/07
26-11-00- 1	0C	MAY 28/07	26-11-01- 7	0H	MAY 28/07
26-11-00- 1	0D	MAY 28/07	26-11-01- 7	1	JAN 20/09
26-11-00- 1	0E	MAY 28/07	26-11-01- 7	2	JAN 20/09
26-11-00- 1	0F	MAY 28/07	26-11-01- 7	3	JAN 20/09
26-11-00- 1	1	JAN 20/09	26-11-01- 7	4	JAN 20/09
26-11-00- 1	2	JAN 20/09	26-11-01- 7	5	JAN 20/09
26-11-00- 1	3	JAN 20/09	26-11-01- 7	6	JAN 20/09
26-11-00- 1	4	JAN 20/09	26-11-01- 7	7	JAN 20/09
26-11-00- 1	5	JAN 20/09	26-11-01- 7	8	JAN 20/09
26-11-00- 1	6	JAN 20/09	26-11-01- 7	9	JAN 20/09
26-11-00- 1	7	JAN 20/09	26-11-01- 7	10	JAN 20/09
26-11-00- 1	8	JAN 20/09	26-11-01- 7	11	JAN 20/09
26-11-00- 1	9	JAN 20/09	26-11-01- 7	12	JAN 20/09
26-11-00- 1	10	JAN 20/09	26-11-01- 7	13	JAN 20/09
26-11-00- 1	11	JAN 20/09	26-11-01- 7	14	JAN 20/09
26-11-00- 1	12	JAN 20/09	26-11-01- 7	15	JAN 20/09
26-11-00- 1	13	JAN 20/09	26-11-01- 7	16	JAN 20/09
26-11-00- 1	14	JAN 20/09	26-11-01- 7	17	JAN 20/09
26-11-00- 1	15	JAN 20/09	26-11-01- 7	18	JAN 20/09
26-11-00- 1	16	JAN 20/09	26-11-01-12	0	MAY 28/07
26-11-00- 1	17	JAN 20/09	26-11-01-12	1	JAN 20/09
26-11-00- 1	18	JAN 20/09	26-11-01-12	2	JAN 20/09
26-11-00- 1	19	JAN 20/09	26-11-01-12	3	JAN 20/09
26-11-00- 1	20	JAN 20/09	26-11-01-14	0	MAY 28/07
26-11-00- 1	21	JAN 20/09	26-11-01-14	0A	MAY 28/07
26-11-00- 1	22	JAN 20/09	26-11-01-14	0B	MAY 28/07

* THE ASTERISK INDICATES PAGES CHANGED OR ADDED BY THE CURRENT REVISION



757
PARTS CATALOG (MAINTENANCE)

CH-SECT-UNIT-FIG	PAGE NO.	DATE	CH-SECT-UNIT-FIG	PAGE NO.	DATE
26-11-01-14	0C	MAY 28/07	26-11-51- 8	0	JAN 20/09
26-11-01-14	0D	MAY 28/07	26-11-51- 8	1	JAN 20/09
26-11-01-14	0E	MAY 28/07	26-11-51- 8	2	JAN 20/09
26-11-01-14	1	JAN 20/09	26-11-51- 8	3	JAN 20/09
26-11-01-14	2	JAN 20/09	26-11-51- 8	4	JAN 20/09
26-11-01-14	3	JAN 20/09	26-11-51- 9	0	JAN 20/09
26-11-01-14	4	JAN 20/09	26-11-51- 9	1	JAN 20/09
26-11-01-14	5	JAN 20/09	26-11-52- 1	0	JAN 20/09
26-11-01-14	6	JAN 20/09	26-11-52- 1	1	JAN 20/09
26-11-01-14	7	JAN 20/09	26-11-52- 1	2	JAN 20/09
26-11-01-14	8	JAN 20/09	26-11-52- 1	3	JAN 20/09
26-11-01-14	9	JAN 20/09	26-11-52- 1	4	JAN 20/09
26-11-01-14	10	JAN 20/09	26-11-52- 1	5	JAN 20/09
26-11-01-14	11	JAN 20/09	26-11-52- 1	6	JAN 20/09
26-11-01-14	12	JAN 20/09	26-11-52- 1	7	JAN 20/09
26-11-01-14	13	JAN 20/09	26-11-52- 1	8	JAN 20/09
26-11-02- 1	0	MAY 28/07	26-11-52- 1	9	JAN 20/09
26-11-02- 1	0A	MAY 28/07	26-11-52- 1B	0	MAY 28/07
26-11-02- 1	1	JAN 20/09	26-11-52- 1B	1	JAN 20/09
26-11-02- 1	2	JAN 20/09	26-11-52- 1B	2	JAN 20/09
26-11-02- 1	3	JAN 20/09	26-11-52- 1B	3	JAN 20/09
26-11-02- 1	4	JAN 20/09	26-11-52- 1B	4	JAN 20/09
26-11-02- 1	5	JAN 20/09	26-11-52- 1B	5	JAN 20/09
26-11-02- 1	6	JAN 20/09	26-11-52- 2	0	JAN 20/09
*26-11-02- 1	7	MAY 20/09	26-11-52- 2	1	JAN 20/09
*26-11-02- 1	8	MAY 20/09	26-11-52- 2	2	JAN 20/09
*26-11-02- 1	9	MAY 20/09	26-11-53- 1A	0	MAY 28/07
*26-11-02- 1	10	MAY 20/09	26-11-53- 1A	0A	MAY 28/07
26-11-02- 2	0	MAY 28/07	26-11-53- 1A	0B	MAY 28/07
26-11-02- 2	0A	MAY 28/07	26-11-53- 1A	0C	MAY 28/07
26-11-02- 2	0B	MAY 28/07	26-11-53- 1A	0D	MAY 28/07
26-11-02- 2	1	JAN 20/09	26-11-53- 1A	0E	MAY 28/07
26-11-02- 2	2	JAN 20/09	26-11-53- 1A	1	JAN 20/09
26-11-02- 2	3	JAN 20/09	26-11-53- 1A	2	JAN 20/09
26-11-02- 2	4	JAN 20/09	26-11-53- 1A	3	JAN 20/09
26-11-02- 2	5	JAN 20/09	26-11-53- 1A	4	JAN 20/09
26-11-02- 2	6	JAN 20/09	26-11-53- 1A	5	JAN 20/09
26-11-02- 3	0	MAY 28/07	26-11-53- 1A	6	JAN 20/09
26-11-02- 3	0A	MAY 28/07	26-11-53- 1A	7	JAN 20/09
26-11-02- 3	1	JAN 20/09	26-11-53- 1A	8	JAN 20/09
26-11-02- 3	2	JAN 20/09	26-11-53- 1A	9	JAN 20/09
26-11-02- 3	3	JAN 20/09	26-11-53- 1A	10	JAN 20/09
26-11-02- 3	4	JAN 20/09	26-11-53- 1A	11	JAN 20/09
26-11-51- 1	0	JAN 20/09	26-11-53- 1A	12	JAN 20/09
26-11-51- 1	0A	JAN 20/09	26-11-53- 1A	13	JAN 20/09
26-11-51- 1	0B	JAN 20/09	26-11-54- 1	0	MAY 28/07
26-11-51- 1	0C	JAN 20/09	26-11-54- 1	1	JAN 20/09
26-11-51- 1	0D	JAN 20/09	*26-11-54- 1	2	MAY 20/09
26-11-51- 1	1	JAN 20/09	26-11-54- 1	3	JAN 20/09
26-11-51- 1	2	JAN 20/09	26-11-54- 1	4	JAN 20/09
26-11-51- 1	3	JAN 20/09	26-11-54- 1	5	JAN 20/09

* THE ASTERISK INDICATES PAGES CHANGED OR ADDED BY THE CURRENT REVISION



757

PARTS CATALOG (MAINTENANCE)

CH-SECT-UNIT-FIG	PAGE NO.	DATE
26-11-54- 1	6	JAN 20/09
26-11-54- 1	7	JAN 20/09
26-11-54- 2	0	MAY 28/07
26-11-54- 2	0A	MAY 28/07
*26-11-54- 2	1	MAY 20/09
*26-11-54- 2	2	MAY 20/09
26-11-54- 2A	0	MAY 28/07
26-11-54- 2A	1	JAN 20/09
26-11-54- 2A	2	JAN 20/09
26-11-56- 1	0	MAY 28/07
26-11-56- 1	1	JAN 20/09
26-11-56- 1	2	SEP 20/08
26-12-00	1	MAY 28/07
26-12-01- 5	0	MAY 28/07
26-12-01- 5	1	JAN 20/09
26-12-51- 1	0	MAY 28/07
26-12-51- 1	1	JAN 20/09
26-12-51- 1	2	JAN 20/09
26-12-51- 1	3	JAN 20/09
26-12-51- 2	0	MAY 28/07
26-12-51- 2	1	JAN 20/09
26-12-51- 2	2	JAN 20/09
26-12-51- 2	3	JAN 20/09
26-12-51- 3	0	MAY 28/07
26-12-51- 3	1	JAN 20/09
26-12-51- 3	2	JAN 20/09
26-12-51- 3	3	JAN 20/09
26-12-51- 3	4	JAN 20/09
26-12-51- 8	0	JAN 20/09
26-12-51- 8	1	JAN 20/09
26-12-51- 8	2	JAN 20/09
26-12-52- 1	0	MAY 28/07
26-12-52- 1	1	JAN 20/09
26-12-52- 1	2	JAN 20/09
26-12-52- 1	3	JAN 20/09
26-12-52- 1	4	JAN 20/09
26-12-52- 1	5	JAN 20/09
26-12-52- 1B	0	MAY 28/07
26-12-52- 1B	1	JAN 20/09
26-12-52- 1B	2	JAN 20/09
26-13-00	1	MAY 28/07
26-13-01- 2	0	MAY 28/07
26-13-01- 2	1	JAN 20/09
26-13-01- 2	2	JAN 20/09
26-13-01- 2	3	JAN 20/09
26-13-01- 2	4	JAN 20/09
26-13-01- 2	5	JAN 20/09
26-13-01- 2	6	JAN 20/09
26-14-00	1	MAY 28/07
26-14-01- 1A	0	JAN 20/09
26-14-01- 1A	1	JAN 20/09

CH-SECT-UNIT-FIG	PAGE NO.	DATE
26-14-01- 3	0	MAY 28/07
26-14-01- 3	0A	MAY 28/07
26-14-01- 3	0B	MAY 28/07
26-14-01- 3	1	JAN 20/09
26-14-01- 3	2	JAN 20/09
26-14-01- 3	3	JAN 20/09
26-14-01- 3	4	JAN 20/09
26-14-01- 3	5	JAN 20/09
26-14-01- 3	6	JAN 20/09
26-14-01-10A	0	MAY 28/07
26-14-01-10A	1	JAN 20/09
26-14-01-10A	2	JAN 20/09
26-14-01-15C	0	MAY 28/07
26-14-01-15C	1	JAN 20/09
26-14-01-15C	2	JAN 20/09
26-14-01-15E	0	JAN 20/09
26-14-01-15E	1	JAN 20/09
26-14-01-16	0	JAN 20/09
26-14-01-16	1	JAN 20/09
26-14-01-18A	0	JAN 20/09
26-14-01-18A	1	JAN 20/09
26-14-01-50	0	MAY 28/07
26-14-01-50	0A	MAY 28/07
26-14-01-50	0B	MAY 28/07
26-14-01-50	1	JAN 20/09
26-14-01-50	2	JAN 20/09
26-14-01-50	3	JAN 20/09
26-14-01-50A	0	MAY 28/07
26-14-01-50A	0A	MAY 28/07
26-14-01-50A	0B	MAY 28/07
26-14-01-50A	1	JAN 20/09
26-14-01-50A	2	JAN 20/09
26-14-01-50A	3	JAN 20/09
26-14-01-50A	4	JAN 20/09
26-14-01-50B	0	MAY 28/07
26-14-01-50B	0A	MAY 28/07
26-14-01-50B	0B	MAY 28/07
26-14-01-50B	1	JAN 20/09
26-14-01-50B	2	JAN 20/09
26-14-01-50B	3	JAN 20/09
26-14-01-50B	4	JAN 20/09
26-14-01-50B	5	JAN 20/09
26-14-01-50B	6	JAN 20/09
26-14-01-50C	0	JAN 20/09
26-14-01-50C	0A	JAN 20/09
26-14-01-50C	0B	JAN 20/09
26-14-01-50C	1	JAN 20/09
26-14-01-50C	2	JAN 20/09
26-14-01-50C	3	JAN 20/09
26-14-51- 1	0	MAY 28/07
26-14-51- 1	1	JAN 20/09

* THE ASTERISK INDICATES PAGES CHANGED OR ADDED BY THE CURRENT REVISION



757

PARTS CATALOG (MAINTENANCE)

CH-SECT-UNIT-FIG	PAGE NO.	DATE	CH-SECT-UNIT-FIG	PAGE NO.	DATE
26-14-55- 1	0	MAY 28/07	26-15-71- 1	0	MAY 28/07
26-14-55- 1	1	JAN 20/09	26-15-71- 1	1	JAN 20/09
26-15-00	1	MAY 28/07	26-15-71- 1	2	JAN 20/09
26-15-02- 1	0	MAY 28/07	26-15-71- 1A	0	MAY 28/07
26-15-02- 1	0A	MAY 28/07	26-15-71- 1A	1	JAN 20/09
26-15-02- 1	0B	MAY 28/07	26-15-71- 1A	2	JAN 20/09
26-15-02- 1	1	JAN 20/09	26-15-71- 1B	0	JAN 20/09
26-15-02- 1	2	JAN 20/09	26-15-71- 1B	1	JAN 20/09
26-15-02- 1	3	JAN 20/09	26-15-71- 1B	2	JAN 20/09
26-15-02- 1	4	JAN 20/09	26-15-71- 2	0	MAY 28/07
26-15-02- 1	5	JAN 20/09	26-15-71- 2	1	JAN 20/09
26-15-02- 1	6	JAN 20/09	26-15-71- 2	2	JAN 20/09
26-15-02- 1	7	JAN 20/09	26-15-71- 2	3	JAN 20/09
26-15-02- 1	8	JAN 20/09	26-15-71- 2	4	JAN 20/09
26-15-02- 1	9	JAN 20/09	26-15-71- 2A	0	MAY 28/07
26-15-51- 8	0	JAN 20/09	26-15-71- 2A	1	JAN 20/09
26-15-51- 8	1	JAN 20/09	26-15-71- 2A	2	JAN 20/09
26-15-51- 8	2	JAN 20/09	26-15-71- 2A	3	JAN 20/09
26-15-51- 8	3	JAN 20/09	26-15-71- 2C	0	JAN 20/09
26-15-51- 8	4	JAN 20/09	26-15-71- 2C	1	JAN 20/09
26-15-52- 1	0	MAY 28/07	26-15-71- 2C	2	JAN 20/09
26-15-52- 1	1	JAN 20/09	26-15-71- 2C	3	JAN 20/09
26-15-52- 1	2	JAN 20/09	26-15-71- 2C	4	JAN 20/09
26-15-52- 1	3	JAN 20/09	26-16-00	1	MAY 28/07
26-15-52- 1	4	JAN 20/09	26-16-01- 1	0	MAY 28/07
26-15-52- 1	5	JAN 20/09	26-16-01- 1	0A	MAY 28/07
26-15-52- 1	6	JAN 20/09	26-16-01- 1	0B	MAY 28/07
26-15-52- 1	7	JAN 20/09	26-16-01- 1	0C	MAY 28/07
26-15-52- 1B	0	MAY 28/07	26-16-01- 1	0D	MAY 28/07
26-15-52- 1B	1	JAN 20/09	26-16-01- 1	0E	MAY 28/07
26-15-52- 1B	2	MAY 28/07	26-16-01- 1	0F	MAY 28/07
26-15-52- 1B	3	JAN 20/09	26-16-01- 1	1	JAN 20/09
26-15-52- 1B	4	JAN 20/09	26-16-01- 1	2	JAN 20/09
26-15-52- 2	0	JAN 20/09	26-16-01- 1	3	JAN 20/09
26-15-52- 2	1	JAN 20/09	26-16-01- 1	4	JAN 20/09
26-15-52- 2	2	JAN 20/09	26-16-01- 1	5	JAN 20/09
26-15-52- 2	3	JAN 20/09	26-16-01- 1	6	JAN 20/09
26-15-53- 1	0	MAY 28/07	26-16-01- 1	7	JAN 20/09
26-15-53- 1	0A	MAY 28/07	26-16-01- 1	8	JAN 20/09
26-15-53- 1	1	JAN 20/09	26-16-01- 1	9	JAN 20/09
26-15-53- 1	2	JAN 20/09	26-16-01- 1	10	JAN 20/09
26-15-53- 1	3	JAN 20/09	26-16-01- 1	11	JAN 20/09
26-15-53- 1	4	JAN 20/09	26-16-01- 1	12	JAN 20/09
26-15-53- 1	5	JAN 20/09	26-16-01- 1	13	JAN 20/09
26-15-53- 1	6	JAN 20/09	26-16-01- 1	14	JAN 20/09
26-15-53- 1	7	JAN 20/09	26-16-01- 1	15	JAN 20/09
26-15-53- 1B	0	MAY 28/07	26-16-01- 1	16	JAN 20/09
26-15-53- 1B	0A	MAY 28/07	26-16-01- 1	17	JAN 20/09
26-15-53- 1B	1	JAN 20/09	26-16-01- 1A	0	MAY 28/07
26-15-53- 1B	2	JAN 20/09	26-16-01- 1A	1	JAN 20/09
26-15-53- 1B	3	JAN 20/09	26-16-01- 1A	2	JAN 20/09

* THE ASTERISK INDICATES PAGES CHANGED OR ADDED BY THE CURRENT REVISION



757

PARTS CATALOG (MAINTENANCE)

CH-SECT-UNIT-FIG	PAGE NO.	DATE	CH-SECT-UNIT-FIG	PAGE NO.	DATE
26-16-01- 5	0	JAN 20/08	26-16-01-11	0D	MAY 28/07
26-16-01- 5	0A	MAY 28/07	26-16-01-11	1	JAN 20/09
26-16-01- 5	0B	MAY 28/07	26-16-01-11	2	JAN 20/09
26-16-01- 5	1	JAN 20/09	26-16-01-11	3	JAN 20/09
26-16-01- 5	2	JAN 20/09	26-16-01-11	4	JAN 20/09
26-16-01- 5	3	JAN 20/09	26-16-01-11	5	JAN 20/09
26-16-01- 5	4	JAN 20/09	26-16-01-11	6	JAN 20/09
26-16-01- 5	5	JAN 20/09	26-16-01-13A	0	MAY 28/07
26-16-01- 5	6	JAN 20/09	26-16-01-13A	0A	MAY 28/07
26-16-01- 5	7	JAN 20/09	26-16-01-13A	0B	MAY 28/07
26-16-01- 5	8	JAN 20/09	26-16-01-13A	0C	MAY 28/07
26-16-01- 5	9	JAN 20/09	26-16-01-13A	0D	MAY 28/07
26-16-01- 5	10	JAN 20/09	26-16-01-13A	0E	MAY 28/07
26-16-01- 5	11	JAN 20/09	26-16-01-13A	0F	MAY 28/07
26-16-01- 5	12	JAN 20/09	26-16-01-13A	1	JAN 20/09
26-16-01- 5	13	JAN 20/09	26-16-01-13A	2	JAN 20/09
26-16-01- 5	14	JAN 20/09	26-16-01-13A	3	JAN 20/09
26-16-01- 5	15	JAN 20/09	26-16-01-13A	4	JAN 20/09
26-16-01- 5	16	JAN 20/09	26-16-01-13A	5	JAN 20/09
26-16-01- 5	17	JAN 20/09	26-16-01-13A	6	JAN 20/09
26-16-01- 5	18	JAN 20/09	26-16-01-13A	7	JAN 20/09
26-16-01- 5	19	JAN 20/09	26-16-01-13A	8	JAN 20/09
26-16-01- 5	20	JAN 20/09	26-16-01-13A	9	JAN 20/09
26-16-01- 5	21	JAN 20/09	26-16-01-13A	10	JAN 20/09
26-16-01- 5	22	JAN 20/09	26-16-01-13A	11	JAN 20/09
26-16-01- 5	23	JAN 20/09	26-16-01-13A	12	JAN 20/09
26-16-01- 5	24	JAN 20/09	26-16-01-13A	13	JAN 20/09
26-16-01- 5	25	JAN 20/09	26-16-01-14	0	MAY 28/07
26-16-01- 8	0	JAN 20/09	26-16-01-14	0A	MAY 28/07
26-16-01- 8	0A	JAN 20/09	26-16-01-14	0B	MAY 28/07
26-16-01- 8	0B	JAN 20/09	26-16-01-14	1	JAN 20/09
26-16-01- 8	1	JAN 20/09	26-16-01-14	2	JAN 20/09
26-16-01- 8	2	JAN 20/09	26-16-01-14	3	JAN 20/09
26-16-01- 8	3	JAN 20/09	26-16-01-14	4	JAN 20/09
26-16-01- 8	4	JAN 20/09	26-16-01-14	5	JAN 20/09
26-16-01- 8	5	JAN 20/09	26-16-01-14	6	JAN 20/09
26-16-01- 9	0	MAY 28/07	26-16-51- 3	0	JAN 20/09
26-16-01- 9	0A	MAY 28/07	26-16-51- 3	0A	JAN 20/09
26-16-01- 9	0B	MAY 28/07	26-16-51- 3	0B	JAN 20/09
26-16-01- 9	1	JAN 20/09	26-16-51- 3	1	JAN 20/09
26-16-01- 9	2	JAN 20/09	26-16-51- 3	2	JAN 20/09
26-16-01- 9	3	JAN 20/09	26-16-51- 3	3	JAN 20/09
26-16-01- 9	4	JAN 20/09	26-16-51- 3	4	JAN 20/09
26-16-01- 9	5	JAN 20/09	26-16-51- 3	5	JAN 20/09
26-16-01- 9	6	JAN 20/09	26-16-51- 4	0	JAN 20/09
26-16-01- 9	7	JAN 20/09	26-16-51- 4	0A	JAN 20/09
26-16-01- 9	8	JAN 20/09	26-16-51- 4	1	JAN 20/09
26-16-01-11	0	MAY 28/07	26-16-51- 4	2	JAN 20/09
26-16-01-11	0A	MAY 28/07	26-16-51- 8	0	JAN 20/09
26-16-01-11	0B	MAY 28/07	26-16-51- 8	1	JAN 20/09
26-16-01-11	0C	MAY 28/07	26-16-51- 8	2	JAN 20/09

* THE ASTERISK INDICATES PAGES CHANGED OR ADDED BY THE CURRENT REVISION


BOEING
 757
PARTS CATALOG (MAINTENANCE)

CH-SECT-UNIT-FIG	PAGE NO.	DATE	CH-SECT-UNIT-FIG	PAGE NO.	DATE
26-16-51- 8	3	JAN 20/09	26-16-71- 1	2	JAN 20/09
26-16-52- 1	0	MAY 28/07	26-16-71- 1A	0	MAY 28/07
26-16-52- 1	1	JAN 20/09	26-16-71- 1A	1	JAN 20/09
26-16-52- 1	2	JAN 20/09	26-16-71- 1C	0	JAN 20/09
26-16-52- 1	3	JAN 20/09	26-16-71- 1C	1	JAN 20/09
26-16-52- 1	4	JAN 20/09	26-16-71- 1C	2	JAN 20/09
26-16-52- 1	5	JAN 20/09	26-16-71- 1C	3	JAN 20/09
26-16-52- 1	6	JAN 20/09	26-17-00	1	MAY 28/07
26-16-52- 1	7	JAN 20/09	26-17-01- 1	0	MAY 28/07
26-16-52- 1	8	JAN 20/09	26-17-01- 1	0A	MAY 28/07
26-16-52- 1B	0	MAY 28/07	26-17-01- 1	0B	MAY 28/07
26-16-52- 1B	1	JAN 20/09	26-17-01- 1	1	JAN 20/09
26-16-52- 1B	2	JAN 20/09	26-17-01- 1	2	JAN 20/09
26-16-52- 1B	3	JAN 20/09	26-17-01- 1	3	JAN 20/09
26-16-58- 1	0	MAY 28/07	26-17-01- 1	4	JAN 20/09
26-16-58- 1	0A	MAY 28/07	26-17-51- 1	0	MAY 28/07
26-16-58- 1	0B	MAY 28/07	26-17-51- 1	1	JAN 20/09
26-16-58- 1	0C	MAY 28/07	26-17-51- 1	2	JAN 20/09
26-16-58- 1	0D	MAY 28/07	26-17-51- 1	3	JAN 20/09
26-16-58- 1	1	JAN 20/09	26-17-51- 1	4	JAN 20/09
26-16-58- 1	2	JAN 20/09	26-17-51- 1	5	JAN 20/09
26-16-58- 1	3	JAN 20/09	26-17-51- 1	6	JAN 20/09
26-16-58- 1	4	JAN 20/09	26-17-51- 2	0	MAY 28/07
26-16-58- 1	5	JAN 20/09	26-17-51- 2	1	JAN 20/09
26-16-58- 2	0	MAY 28/07	26-17-51- 2	2	JAN 20/09
26-16-58- 2	0A	MAY 28/07	26-17-51- 2	3	JAN 20/09
26-16-58- 2	1	JAN 20/09	26-17-51- 3	0	MAY 28/07
26-16-58- 2	2	JAN 20/09	26-17-51- 3	0A	MAY 28/07
26-16-59- 1	0	MAY 28/07	26-17-51- 3	1	JAN 20/09
26-16-59- 1	0A	MAY 28/07	26-17-51- 3	2	JAN 20/09
26-16-59- 1	0B	MAY 28/07	26-17-51- 3	3	JAN 20/09
26-16-59- 1	1	JAN 20/09	26-17-51- 4	0	MAY 28/07
26-16-59- 1	2	JAN 20/09	26-17-51- 4	0A	MAY 28/07
26-16-59- 1	3	JAN 20/09	26-17-51- 4	1	JAN 20/09
26-16-59- 1	4	JAN 20/09	26-17-51- 4	2	JAN 20/09
26-16-59- 1	5	JAN 20/09	26-17-51- 4	3	MAY 20/09
26-16-59- 1	6	JAN 20/09	*26-17-51- 4	4	MAY 20/09
26-16-59- 1	7	JAN 20/09	*26-17-51- 4	5	JAN 20/09
26-16-59- 1	8	JAN 20/09	26-17-51- 4	5	JAN 20/09
26-16-59- 1	9	JAN 20/09	26-17-51- 5	0	MAY 28/07
26-16-59- 1	10	JAN 20/09	26-17-51- 5	1	JAN 20/09
26-16-59- 3	0	MAY 28/07	26-17-51- 5	2	JAN 20/09
26-16-59- 3	0A	MAY 28/07	26-17-51- 5	3	JAN 20/09
26-16-59- 3	0B	MAY 28/07	26-17-51- 5	4	JAN 20/09
26-16-59- 3	0C	MAY 28/07	26-17-51- 5	5	JAN 20/09
26-16-59- 3	0D	MAY 28/07	26-17-51- 5	6	JAN 20/09
26-16-59- 3	1	JAN 20/09	26-17-51- 5	7	JAN 20/09
26-16-59- 3	2	JAN 20/09	26-17-51- 5	8	JAN 20/09
26-16-59- 3	3	JAN 20/09	26-17-51- 5	9	JAN 20/09
26-16-71- 1	0	MAY 28/07	26-17-51- 6	0	MAY 28/07
26-16-71- 1	1	JAN 20/09	26-17-51- 6	0A	MAY 28/07
			26-17-51- 6	1	JAN 20/09

* THE ASTERISK INDICATES PAGES CHANGED OR ADDED BY THE CURRENT REVISION

BRI
MAY 20/09

26 - LIST OF EFFECTIVE PAGES
PAGE 6



757
PARTS CATALOG (MAINTENANCE)

CH-SECT-UNIT-FIG	PAGE NO.	DATE	CH-SECT-UNIT-FIG	PAGE NO.	DATE
26-17-51- 6	2	JAN 20/09	26-18-01- 4	7	JAN 20/09
26-17-51- 6	3	JAN 20/09	26-18-01- 4	8	JAN 20/09
26-17-51- 6	4	JAN 20/09	26-18-01- 5	0	MAY 28/07
*26-17-51- 6	5	MAY 20/09	26-18-01- 5	0A	MAY 28/07
*26-17-51- 6	6	MAY 20/09	26-18-01- 5	0B	MAY 28/07
*26-17-51- 6	7	MAY 20/09	26-18-01- 5	0C	MAY 28/07
26-18-00	1	MAY 28/07	26-18-01- 5	1	JAN 20/09
26-18-01- 1	0	MAY 28/07	26-18-01- 5	2	JAN 20/09
26-18-01- 1	0A	MAY 28/07	26-18-01- 5	3	JAN 20/09
26-18-01- 1	0B	MAY 28/07	26-18-01- 5	4	JAN 20/09
26-18-01- 1	0C	JAN 20/08	26-18-01- 5	5	JAN 20/09
26-18-01- 1	0D	JAN 20/08	26-18-01- 5	6	JAN 20/09
26-18-01- 1	1	JAN 20/09	26-18-01- 5	7	JAN 20/09
26-18-01- 1	2	JAN 20/09	26-18-01- 5	8	JAN 20/09
26-18-01- 1	3	JAN 20/09	26-18-01- 5	9	JAN 20/09
26-18-01- 1	4	JAN 20/09	26-18-01- 5	10	JAN 20/09
26-18-01- 1	5	JAN 20/09	26-18-01- 5	11	JAN 20/09
26-18-01- 1	6	JAN 20/09	26-18-01- 6	0	MAY 28/07
26-18-01- 1	7	JAN 20/09	26-18-01- 6	0A	MAY 28/07
26-18-01- 1	8	JAN 20/09	26-18-01- 6	0B	JAN 20/08
26-18-01- 1	9	JAN 20/09	26-18-01- 6	0C	JAN 20/08
26-18-01- 1A	0	JAN 20/09	26-18-01- 6	1	JAN 20/09
26-18-01- 1A	0A	JAN 20/09	26-18-01- 6	2	JAN 20/09
26-18-01- 1A	0B	JAN 20/09	26-18-01- 6	3	JAN 20/09
26-18-01- 1A	0C	JAN 20/09	26-18-01- 6	4	JAN 20/09
26-18-01- 1A	0D	JAN 20/09	26-18-01- 6	5	JAN 20/09
26-18-01- 1A	1	JAN 20/09	26-18-01- 6	6	JAN 20/09
26-18-01- 1A	2	JAN 20/09	26-18-01- 6A	0	JAN 20/09
26-18-01- 1A	3	JAN 20/09	26-18-01- 6A	0A	JAN 20/09
26-18-01- 1A	4	JAN 20/09	26-18-01- 6A	1	JAN 20/09
26-18-01- 2	0	MAY 28/07	26-18-01- 6A	2	JAN 20/09
26-18-01- 2	0A	MAY 28/07	26-18-01- 6A	3	JAN 20/09
26-18-01- 2	1	JAN 20/09	26-18-01- 6A	4	JAN 20/09
26-18-01- 2	2	JAN 20/09	26-18-51- 1	0	MAY 28/07
26-18-01- 2	3	JAN 20/09	26-18-51- 1	0A	MAY 28/07
26-18-01- 2	4	JAN 20/09	26-18-51- 1	0B	MAY 28/07
26-18-01- 2	5	JAN 20/09	26-18-51- 1	0C	MAY 28/07
26-18-01- 3	0	MAY 28/07	26-18-51- 1	0D	MAY 28/07
26-18-01- 3	1	JAN 20/09	26-18-51- 1	0E	MAY 28/07
26-18-01- 3	2	JAN 20/09	26-18-51- 1	1	JAN 20/09
26-18-01- 3	3	JAN 20/09	26-18-51- 1	2	JAN 20/09
26-18-01- 3	4	JAN 20/09	26-18-51- 1	3	JAN 20/09
26-18-01- 4	0	MAY 28/07	26-18-51- 2	0	MAY 28/07
26-18-01- 4	0A	MAY 28/07	26-18-51- 2	1	JAN 20/09
26-18-01- 4	0B	MAY 28/07	26-18-51- 2	2	JAN 20/09
26-18-01- 4	1	JAN 20/09	26-18-51- 2	3	JAN 20/09
26-18-01- 4	2	JAN 20/09	26-18-51- 2	4	JAN 20/09
26-18-01- 4	3	JAN 20/09	26-18-51- 2	5	JAN 20/09
26-18-01- 4	4	JAN 20/09	26-18-51- 3	0	MAY 28/07
26-18-01- 4	5	JAN 20/09	26-18-51- 3	1	JAN 20/09
*26-18-01- 4	6	MAY 20/09	26-18-51- 3	2	JAN 20/09

* THE ASTERISK INDICATES PAGES CHANGED OR ADDED BY THE CURRENT REVISION



757

PARTS CATALOG (MAINTENANCE)

CH-SECT-UNIT-FIG	PAGE NO.	DATE
26-18-51- 3	3	JAN 20/09
26-18-51- 4	0	MAY 28/07
26-18-51- 4	1	JAN 20/09
26-18-51- 4	2	JAN 20/09
26-18-51- 4	3	JAN 20/09
26-18-51- 4	4	JAN 20/09
26-18-51- 4	5	JAN 20/09
26-18-51- 4	6	JAN 20/09
26-18-51- 4	7	JAN 20/09
26-18-51- 4	8	JAN 20/09
26-18-51- 4	9	JAN 20/09
26-18-51- 8	0	JAN 20/09
26-18-51- 8	1	JAN 20/09
26-18-51- 8	2	JAN 20/09
26-18-51- 8	3	JAN 20/09
26-18-51- 8	4	JAN 20/09
26-18-51- 8	5	JAN 20/09
26-18-52- 1	0	MAY 28/07
26-18-52- 1	0A	MAY 28/07
26-18-52- 1	1	JAN 20/09
26-18-52- 1	2	JAN 20/09
26-18-52- 1	3	JAN 20/09
26-18-52- 1	4	JAN 20/09
26-18-52- 1	5	JAN 20/09
26-18-52- 1	6	JAN 20/09
26-18-52- 1B	0	MAY 28/07
26-18-52- 1B	1	JAN 20/09
26-18-52- 1B	2	JAN 20/09
26-18-52- 1B	3	JAN 20/09
26-18-52- 1B	4	JAN 20/09
26-18-52- 1B	5	JAN 20/09
26-18-53- 1	0	MAY 28/07
26-18-53- 1	1	JAN 20/09
26-18-53- 1	2	JAN 20/09
26-18-53- 2	0	MAY 28/07
26-18-53- 2	1	JAN 20/09
26-18-53- 2	2	JAN 20/09
26-18-53- 2	3	JAN 20/09
26-19-00	1	JAN 20/09
26-19-00- 1	0	JAN 20/09
26-19-00- 1	0A	JAN 20/09
26-19-00- 1	1	JAN 20/09
26-19-00- 1	2	JAN 20/09
26-19-00- 1	3	JAN 20/09
26-19-00- 1	4	JAN 20/09
26-21-00	1	MAY 28/07
26-21-00- 3	0	MAY 28/07
26-21-00- 3	1	JAN 20/09
26-21-00- 3	2	JAN 20/09
26-21-00- 3	3	JAN 20/09
26-21-00- 3	4	JAN 20/09

CH-SECT-UNIT-FIG	PAGE NO.	DATE
26-21-00- 3	5	JAN 20/09
26-21-00- 3	6	JAN 20/09
26-21-00- 4	0	MAY 28/07
26-21-00- 4	0A	MAY 28/07
26-21-00- 4	1	JAN 20/09
26-21-00- 4	2	JAN 20/09
26-21-00- 4	3	JAN 20/09
26-21-00- 4	4	JAN 20/09
26-21-00- 4	5	JAN 20/09
26-21-00- 4	6	JAN 20/09
26-21-00- 5	0	MAY 28/07
26-21-00- 5	0A	MAY 28/07
26-21-00- 5	0B	MAY 28/07
26-21-00- 5	1	JAN 20/09
26-21-00- 5	2	JAN 20/09
26-21-00- 5	3	JAN 20/09
26-21-00- 5	4	JAN 20/09
26-21-00- 5	5	JAN 20/09
26-21-00- 5	6	JAN 20/09
26-21-00- 5	7	JAN 20/09
26-21-00- 5	8	JAN 20/09
26-21-01- 1	0	MAY 28/07
26-21-01- 1	1	JAN 20/09
*26-21-01- 1	2	MAY 20/09
26-21-01- 1	3	JAN 20/09
26-21-01- 1	4	JAN 20/09
26-21-01- 1	5	JAN 20/09
26-21-01- 1	6	JAN 20/09
26-21-01- 1	7	JAN 20/09
26-21-01- 1	8	JAN 20/09
26-21-01- 1	9	JAN 20/09
26-21-01- 2	0	MAY 28/07
26-21-01- 2	1	JAN 20/09
26-21-01- 2	2	JAN 20/09
26-21-01- 2	3	JAN 20/09
26-21-01- 2	4	JAN 20/09
26-21-01-50	0	MAY 28/07
26-21-01-50	1	JAN 20/09
26-21-01-50	2	JAN 20/09
26-21-01-50	3	JAN 20/09
26-21-01-50	4	JAN 20/09
26-21-01-51	0	JAN 20/09
26-21-01-51	1	JAN 20/09
26-21-01-51	2	JAN 20/09
26-21-01-51	3	JAN 20/09
26-21-01-51	4	JAN 20/09
26-21-01-51	5	JAN 20/09
26-21-01-51	6	JAN 20/09
26-21-51-21	0	JAN 20/09
26-21-51-21	1	JAN 20/09
26-21-51-22	0	MAY 28/07

* THE ASTERISK INDICATES PAGES CHANGED OR ADDED BY THE CURRENT REVISION



757
PARTS CATALOG (MAINTENANCE)

CH-SECT-UNIT-FIG	PAGE NO.	DATE	CH-SECT-UNIT-FIG	PAGE NO.	DATE
26-21-51-22	1	JAN 20/09	26-22-00- 6	0A	MAY 28/07
26-21-51-22	2	JAN 20/09	26-22-00- 6	0B	MAY 28/07
26-21-51-22	3	JAN 20/09	26-22-00- 6	1	JAN 20/09
26-21-51-23	0	JAN 20/09	26-22-00- 6	2	JAN 20/09
26-21-51-23	1	JAN 20/09	26-22-00- 6	3	JAN 20/09
26-21-51-23	2	JAN 20/09	26-22-00- 6	4	JAN 20/09
26-21-51-24	0	JAN 20/09	26-22-00- 6	5	JAN 20/09
26-21-51-24	1	JAN 20/09	26-22-00- 8	0	JAN 20/09
26-21-51-25	0	JAN 20/09	26-22-00- 8	1	JAN 20/09
26-21-51-25	1	JAN 20/09	26-22-00- 8	2	JAN 20/09
26-21-52- 1	0	MAY 28/07	26-22-00- 8	3	JAN 20/09
26-21-52- 1	1	JAN 20/09	26-22-00- 8	4	JAN 20/09
26-21-52- 1	2	JAN 20/09	26-22-00- 9	0	MAY 28/07
26-21-52- 1	3	JAN 20/09	26-22-00- 9	1	JAN 20/09
26-21-52- 1	4	JAN 20/09	26-22-00- 9	2	JAN 20/09
26-21-52- 2	0	MAY 28/07	26-22-00- 9	3	JAN 20/09
26-21-52- 2	1	JAN 20/09	26-22-00- 9	4	JAN 20/09
26-21-52- 2	2	JAN 20/09	26-22-00- 9	5	JAN 20/09
26-21-52- 2	3	JAN 20/09	26-22-03- 1	0	MAY 28/07
26-21-55- 1	0	MAY 28/07	26-22-03- 1	0A	MAY 28/07
26-21-55- 1	0A	MAY 28/07	26-22-03- 1	1	JAN 20/09
26-21-55- 1	1	JAN 20/09	26-22-03- 1	2	JAN 20/09
26-21-55- 1	2	JAN 20/09	26-22-03- 1	3	JAN 20/09
26-21-55- 1	3	JAN 20/09	26-22-03- 1	4	JAN 20/09
26-21-55- 1	4	JAN 20/09	26-22-03- 2	0	MAY 28/07
26-21-55- 1	5	JAN 20/09	26-22-03- 2	0A	MAY 28/07
26-21-55- 1	6	JAN 20/09	26-22-03- 2	0B	MAY 28/07
26-21-55- 1	7	JAN 20/09	26-22-03- 2	1	JAN 20/09
26-21-55- 1	8	JAN 20/09	26-22-03- 2	2	JAN 20/09
26-21-55- 1	9	JAN 20/09	26-22-03- 2	3	JAN 20/09
26-21-55- 1	10	JAN 20/09	26-22-03- 2	4	JAN 20/09
26-21-55- 1	11	JAN 20/09	26-22-03- 2	5	JAN 20/09
26-21-55- 1	12	JAN 20/09	26-22-03- 2	6	JAN 20/09
26-21-55- 1	13	JAN 20/09	26-22-03- 3	0	MAY 28/07
26-21-55- 5	0	MAY 28/07	26-22-03- 3	0A	MAY 28/07
26-21-55- 5	1	JAN 20/09	26-22-03- 3	0B	MAY 28/07
26-21-55- 5	2	JAN 20/09	26-22-03- 3	1	JAN 20/09
26-21-55- 5	3	JAN 20/09	26-22-03- 3	2	JAN 20/09
26-21-55- 5	4	JAN 20/09	26-22-03- 3	3	JAN 20/09
26-21-55- 5	5	JAN 20/09	26-22-03- 3	4	JAN 20/09
26-22-00	1	MAY 28/07	26-22-03- 3	5	JAN 20/09
26-22-00- 4	0	MAY 28/07	26-22-03- 3	6	JAN 20/09
26-22-00- 4	0A	MAY 28/07	26-22-03- 3	7	JAN 20/09
26-22-00- 4	1	JAN 20/09	26-22-52- 1	0	MAY 28/07
26-22-00- 4	2	JAN 20/09	26-22-52- 1	1	JAN 20/09
26-22-00- 4	3	JAN 20/09	26-22-52- 1	2	JAN 20/09
26-22-00- 4	4	JAN 20/09	26-22-52- 1	3	JAN 20/09
26-22-00- 4	5	JAN 20/09	26-22-52- 2	0	MAY 28/07
26-22-00- 4	6	JAN 20/09	26-22-52- 2	1	JAN 20/09
26-22-00- 4	7	JAN 20/09	26-22-52- 2	2	JAN 20/09
26-22-00- 6	0	MAY 28/07	26-22-71- 1	0	MAY 28/07

* THE ASTERISK INDICATES PAGES CHANGED OR ADDED BY THE CURRENT REVISION



757

PARTS CATALOG (MAINTENANCE)

CH-SECT-UNIT-FIG	PAGE NO.	DATE
26-22-71- 1	1	JAN 20/09
26-22-71- 1	2	JAN 20/09
26-22-71- 1A	0	MAY 28/07
26-22-71- 1A	1	JAN 20/09
26-22-71- 1C	0	JAN 20/09
26-22-71- 1C	1	JAN 20/09
26-22-71- 1C	2	JAN 20/09
26-22-71- 1C	3	JAN 20/09
26-23-00	1	MAY 28/07
26-23-02- 1	0	JAN 20/08
26-23-02- 1	0A	MAY 28/07
26-23-02- 1	0B	MAY 28/07
26-23-02- 1	0C	MAY 28/07
26-23-02- 1	0D	MAY 28/07
26-23-02- 1	0E	MAY 28/07
26-23-02- 1	0F	MAY 28/07
26-23-02- 1	0G	MAY 28/07
26-23-02- 1	0H	MAY 28/07
26-23-02- 1	0I	MAY 28/07
26-23-02- 1	1	JAN 20/09
26-23-02- 1	2	JAN 20/09
26-23-02- 1	3	JAN 20/09
26-23-02- 1	4	JAN 20/09
26-23-02- 1	5	JAN 20/09
26-23-02- 1	6	JAN 20/09
26-23-02- 1	7	JAN 20/09
26-23-02- 1	8	JAN 20/09
26-23-02- 1	9	JAN 20/09
26-23-02- 1	10	JAN 20/09
26-23-02- 4	0	MAY 28/07
26-23-02- 4	0A	MAY 28/07
26-23-02- 4	0B	MAY 28/07
26-23-02- 4	0C	MAY 28/07
26-23-02- 4	1	JAN 20/09
26-23-02- 4	2	JAN 20/09
26-23-02- 4	3	JAN 20/09
26-23-02- 4	4	JAN 20/09
26-23-02- 4	5	JAN 20/09
26-23-51- 1	0	JAN 20/09
26-23-51- 1	1	JAN 20/09
26-23-51- 1	2	JAN 20/09
26-23-51- 2	0	JAN 20/09
26-23-51- 2	0A	JAN 20/09
26-23-51- 2	0B	JAN 20/09
26-23-51- 2	0C	MAY 28/07
26-23-51- 2	0D	MAY 28/07
26-23-51- 2	0E	MAY 28/07
26-23-51- 2	0F	MAY 28/07
26-23-51- 2	1	JAN 20/09
26-23-51- 2	2	JAN 20/09
26-23-51- 2	3	JAN 20/09

CH-SECT-UNIT-FIG	PAGE NO.	DATE
26-23-51- 2	4	JAN 20/09
26-23-51- 2	5	JAN 20/09
26-23-51- 2	6	JAN 20/09
26-23-51- 2	7	JAN 20/09
26-23-51- 2	8	JAN 20/09
26-23-51- 2	9	JAN 20/09
26-23-51- 2	10	JAN 20/09
26-23-51- 2	11	JAN 20/09
26-23-51- 2	12	JAN 20/09
26-23-51- 2	13	JAN 20/09
26-23-51- 2	14	JAN 20/09
26-23-51- 2	15	JAN 20/09
26-23-51- 2	16	JAN 20/09
26-23-51- 2	17	JAN 20/09
26-23-51- 2	18	JAN 20/09
26-23-51- 2	19	JAN 20/09
26-23-51- 2	20	JAN 20/09
26-23-51- 2	21	JAN 20/09
26-23-51- 2	22	JAN 20/09
26-23-51- 2	23	JAN 20/09
26-23-51- 2	24	JAN 20/09
26-23-51- 2	25	JAN 20/09
26-23-51- 2	26	JAN 20/09
26-23-51- 2	27	JAN 20/09
26-23-51- 2	28	JAN 20/09
26-23-51- 2	29	JAN 20/09
26-23-51- 2	30	JAN 20/09
26-23-51- 2	31	JAN 20/09
26-23-51- 2	32	JAN 20/09
26-23-51- 2	33	JAN 20/09
26-23-51- 2	34	JAN 20/09
26-23-51- 2	35	JAN 20/09
26-23-51- 2	36	JAN 20/09
26-23-51- 2B	0	MAY 28/07
26-23-51- 2B	0A	MAY 28/07
26-23-51- 2B	0B	MAY 28/07
26-23-51- 2B	1	JAN 20/09
26-23-51- 2B	2	JAN 20/09
26-23-51- 2B	3	JAN 20/09
26-23-51- 2B	4	JAN 20/09
26-23-51- 2B	5	JAN 20/09
26-23-51- 2B	6	JAN 20/09
26-23-51- 2B	7	JAN 20/09
26-23-51- 2B	8	JAN 20/09
26-23-51- 5	0	JAN 20/09
26-23-51- 5	0A	JAN 20/09
26-23-51- 5	1	JAN 20/09
26-23-51- 5	2	JAN 20/09
26-23-51- 5	3	JAN 20/09
26-23-51- 5	4	JAN 20/09
26-23-51- 5	5	JAN 20/09

* THE ASTERISK INDICATES PAGES CHANGED OR ADDED BY THE CURRENT REVISION



757

PARTS CATALOG (MAINTENANCE)

CH-SECT-UNIT-FIG	PAGE NO.	DATE
26-23-51- 6	0	JAN 20/09
26-23-51- 6	1	JAN 20/09
26-23-51- 6	2	JAN 20/09
26-23-52- 2	0	MAY 28/07
26-23-52- 2	0A	MAY 28/07
26-23-52- 2	0B	MAY 28/07
26-23-52- 2	1	JAN 20/09
26-23-52- 2	2	JAN 20/09
26-23-52- 2	3	JAN 20/09
26-23-52- 2	4	JAN 20/09
26-23-52- 2	5	JAN 20/09
26-23-52- 2	6	JAN 20/09
26-23-52- 2	7	JAN 20/09
26-23-52- 2	8	JAN 20/09
26-23-52- 2	9	JAN 20/09
26-23-52- 2	10	JAN 20/09
26-23-52- 2	11	JAN 20/09
26-23-52- 2	12	JAN 20/09
26-23-52- 2	13	JAN 20/09
26-23-52- 2	14	JAN 20/09
26-23-52- 2	15	JAN 20/09
26-23-52- 2	16	JAN 20/09
26-23-52- 2	17	JAN 20/09
26-23-52- 2	18	JAN 20/09
26-23-52- 2	19	JAN 20/09
26-23-52- 2	20	JAN 20/09
26-23-52- 3	0	MAY 28/07
26-23-52- 3	1	JAN 20/09
26-23-52- 3	2	JAN 20/09
26-23-52- 3	3	JAN 20/09
26-23-52- 4	0	MAY 28/07
26-23-52- 4	0A	MAY 28/07
26-23-52- 4	0B	MAY 28/07
26-23-52- 4	1	JAN 20/09
26-23-52- 4	2	JAN 20/09
26-23-52- 4	3	JAN 20/09
26-23-52- 4	4	JAN 20/09
26-23-52- 4	5	JAN 20/09
26-23-52- 4	6	JAN 20/09
26-23-52- 4	7	JAN 20/09
26-23-52- 4	8	JAN 20/09
26-23-52- 4	9	JAN 20/09
26-23-52- 4	10	JAN 20/09
26-23-52- 4	11	JAN 20/09
26-23-52- 4	12	JAN 20/09
26-23-52- 4A	0	MAY 28/07
26-23-52- 4A	0A	MAY 28/07
26-23-52- 4A	0B	MAY 28/07
26-23-52- 4A	1	JAN 20/09
26-23-52- 4A	2	JAN 20/09
26-23-52- 4A	3	JAN 20/09

CH-SECT-UNIT-FIG	PAGE NO.	DATE
26-23-52- 4A	4	JAN 20/09
26-23-52- 4A	5	JAN 20/09
26-23-52- 4A	6	JAN 20/09
26-23-52- 4A	7	JAN 20/09
26-23-52- 4A	8	JAN 20/09
26-23-52- 4A	9	JAN 20/09
26-23-52- 4A	10	JAN 20/09
26-23-52- 4A	11	JAN 20/09
26-23-52- 4A	12	JAN 20/09
26-23-52- 4A	13	JAN 20/09
26-23-52- 4A	14	JAN 20/09
26-23-52- 4A	15	JAN 20/09
26-23-53- 1	0	MAY 28/07
26-23-53- 1	0A	MAY 28/07
26-23-53- 1	0B	MAY 28/07
26-23-53- 1	0C	MAY 28/07
26-23-53- 1	1	JAN 20/09
26-23-53- 1	2	JAN 20/09
26-23-53- 1	3	JAN 20/09
26-23-53- 1	4	JAN 20/09
26-23-53- 1	5	JAN 20/09
26-23-53- 1	6	JAN 20/09
26-23-53- 1	7	JAN 20/09
26-23-53- 1	8	JAN 20/09
26-23-53- 1	9	JAN 20/09
26-23-53- 1	10	JAN 20/09
26-23-53- 1	11	JAN 20/09
26-23-53- 1	12	JAN 20/09
26-23-53- 1A	0	MAY 28/07
26-23-53- 1A	0A	MAY 28/07
26-23-53- 1A	0B	MAY 28/07
26-23-53- 1A	1	JAN 20/09
26-23-53- 1A	2	JAN 20/09
26-23-53- 1A	3	JAN 20/09
26-23-53- 1A	4	JAN 20/09
26-23-53- 1A	5	JAN 20/09
26-23-53- 1A	6	JAN 20/09
26-23-53- 1A	7	JAN 20/09
26-24-00	1	MAY 28/07
26-24-01- 1	0	MAY 28/07
26-24-01- 1	0A	MAY 28/07
26-24-01- 1	1	JAN 20/09
26-24-01- 1	2	JAN 20/09
26-24-01- 1A	0	JAN 20/09
26-24-01- 1A	1	JAN 20/09
26-24-01- 2	0	MAY 28/07
26-24-01- 2	0A	MAY 28/07
26-24-01- 2	1	JAN 20/09
26-24-01- 2	2	JAN 20/09
26-24-01- 2	3	JAN 20/09
26-24-01- 2A	0	JAN 20/09

* THE ASTERISK INDICATES PAGES CHANGED OR ADDED BY THE CURRENT REVISION


BOEING
 757
PARTS CATALOG (MAINTENANCE)

CH-SECT-UNIT-FIG	PAGE NO.	DATE	CH-SECT-UNIT-FIG	PAGE NO.	DATE
26-24-01- 2A	1	JAN 20/09	26-26-02- 6	1	JAN 20/09
26-24-01- 2A	2	JAN 20/09	26-26-02- 9	0	JAN 20/09
26-24-01- 2D	0	JAN 20/09	26-26-02- 9	1	JAN 20/09
26-24-01- 2D	1	JAN 20/09	26-26-02-10	0	JAN 20/09
26-24-51- 1	0	MAY 28/07	26-26-02-10	1	JAN 20/09
26-24-51- 1	1	JAN 20/09	26-26-02-25	0	JAN 20/09
26-24-51- 1	2	JAN 20/09	26-26-02-25	0A	JAN 20/09
26-24-52- 1	0	MAY 28/07	26-26-02-25	1	JAN 20/09
26-24-52- 1	1	JAN 20/09	26-26-02-25	2	JAN 20/09
26-24-52- 1	2	JAN 20/09	26-26-02-25	3	JAN 20/09
26-24-52- 1	3	JAN 20/09	26-26-02-25	4	JAN 20/09
26-24-52- 1	4	JAN 20/09	26-26-02-30A	0	JAN 20/09
26-24-52- 1A	0	MAY 28/07	26-26-02-30A	0A	JAN 20/09
26-24-52- 1A	1	JAN 20/09	26-26-02-30A	1	JAN 20/09
26-24-52- 1A	2	JAN 20/09	26-26-03- 1G	0	JAN 20/09
26-26-00	1	MAY 28/07	26-26-03- 1G	0A	JAN 20/09
26-26-00- 5	0	MAY 28/07	26-26-03- 1G	1	JAN 20/09
26-26-00- 5	0A	MAY 28/07	26-26-03-20	0	JAN 20/09
26-26-00- 5	0B	MAY 28/07	26-26-03-20	1	JAN 20/09
26-26-00- 5	0C	MAY 28/07	26-26-03-20	2	JAN 20/09
26-26-00- 5	1	JAN 20/09	26-26-03-20	3	JAN 20/09
26-26-00- 5	2	JAN 20/09	26-26-03-20	4	JAN 20/09
26-26-00-12	0	JAN 20/09	26-26-03-20	5	JAN 20/09
26-26-00-12	1	JAN 20/09	26-26-03-20	6	JAN 20/09
26-26-00-28	0	JAN 20/09			
26-26-00-28	0A	JAN 20/09			
26-26-00-28	1	JAN 20/09			
26-26-00-28	2	JAN 20/09			
26-26-00-29	0	MAY 28/07			
26-26-00-29	1	JAN 20/09			
26-26-00-29	2	JAN 20/09			
26-26-00-33	0	JAN 20/09			
26-26-00-33	0A	JAN 20/09			
26-26-00-33	1	JAN 20/09			
26-26-00-40	0	JAN 20/09			
26-26-00-40	1	JAN 20/09			
26-26-00-48	0	MAY 28/07			
26-26-00-48	1	JAN 20/09			
26-26-02- 1	0	MAY 28/07			
26-26-02- 1	1	JAN 20/09			
26-26-02- 1	2	JAN 20/09			
26-26-02- 1G	0	JAN 20/09			
26-26-02- 1G	0A	JAN 20/09			
26-26-02- 1G	1	JAN 20/09			
26-26-02- 5	0	JAN 20/09			
26-26-02- 5	0A	JAN 20/09			
26-26-02- 5	0B	JAN 20/09			
26-26-02- 5	0C	JAN 20/09			
26-26-02- 5	1	JAN 20/09			
26-26-02- 5	2	JAN 20/09			
26-26-02- 6	0	JAN 20/09			

* THE ASTERISK INDICATES PAGES CHANGED OR ADDED BY THE CURRENT REVISION

BRI
MAY 20/09

26 - LIST OF EFFECTIVE PAGES
PAGE 12

 **BOEING**
757
PARTS CATALOG (MAINTENANCE)

CHAPTER 26 — FIRE PROTECTION

TABLE OF CONTENTS

SUBJECT	CC-SS-UU	FIGURE	EFFECT
FIRE PROTECTION - GENERAL	26-00-00		
PREMODULE COLLECTOR-757 RB211 SYSTEMS (FIRE PROTECTION ONLY)	26-00-00	01	101102 108120 504903
STRUT SYSTEM INSTL 757 RB211 SYSTEMS (FIRE PROTECTION ONLY)	26-00-00	01A	103106


BOEING
 757
PARTS CATALOG (MAINTENANCE)

CHAPTER 26 — FIRE PROTECTION

TABLE OF CONTENTS

SUBJECT	CC-SS-UU	FIGURE	EFFECT
ENGINE FIRE AND OVERHEAT DETECTION	26-11-00		
BRACKETS-ENGINE FIRE AND OVERHEAT DETECTORS (RB211-535)	26-11-01	12	002004 006999
DETECTOR INSTL-NAC OVERHEAT	26-11-01	05	002004 006999
DETECTORS-FIRE AND OVERHEAT AFT (RB211-535)	26-11-01	07	002004 006999
DETECTORS-FIRE AND OVERHEAT FORWARD (RB211-535)	26-11-01	14	002004 006999
EQUIPMENT INSTL-MAIN ELECTRONICS EQPT CTR (ENGINE FIRE AND OVERHEAT DETECTION ONLY)	26-11-52	01	002004 006100 107107 121503 904999
EQUIPMENT INSTL-MAIN ELECTRONICS EQPT CTR (ENGINE FIRE AND OVERHEAT DETECTION ONLY)	26-11-52	01B	101102
EQUIPMENT INSTL-MAIN ELECTRONICS EQPT CTR (ENGINE FIRE AND OVERHEAT DETECTION ONLY)	26-11-52	02	504903
EQUIPMENT INSTL-MAIN ELECTRONICS EQPT CTR FIRE AND OVERHEAT DETECTION	26-11-51	08	103106 108120
EQUIPMENT INSTL-MAIN ELECTRONICS EQPT CTR FIRE AND OVERHEAT DETECTION	26-11-51	09	106106
FILE ASSY-FIRE DETECTION CARD (FIRE PROTECTION ONLY)	26-11-00	01	002004 006101 107107 121503 904999
FILE ASSY-FIRE DETECTION P54 CARD (FIRE PROTECTION ONLY)	26-11-53	01A	102102 108120 504903
PANEL INSTL-P8 ELECTRONIC (ENGINE FIRE AND OVERHEAT DETECTION ONLY)	26-11-54	01	002004 006010 107107 121503 904999

 **BOEING**
757
PARTS CATALOG (MAINTENANCE)

CHAPTER 26 — FIRE PROTECTION

TABLE OF CONTENTS

SUBJECT	CC-SS-UU	FIGURE	EFFECT
PANEL INSTL-P8 ELECTRONIC (FIRE/OVERHEAT TEST PANEL ONLY)	26-11-02	02	002004 006010 107107 121503 904999
PANEL INSTL-P8 ELECTRONIC (FIRE/OVERHEAT TEST PANEL ONLY)	26-11-02	03	011100
PANEL INSTL-P8, P9, P10 ELECTRONIC (ENGINE FIRE AND OVERHEAT DETECTION ONLY)	26-11-54	02	011100
PANEL INSTL-P8, P9, P10 ELECTRONICS (ENGINE FIRE AND OVERHEAT DETECTION ONLY)	26-11-54	02A	101106 108120 504903
PANEL INSTL-P8, P9, P10 ELECTRONICS (FIRE/OVERHEAT TEST PANEL ONLY)	26-11-02	01	101106 108120 504903
STRUCTURE ASSY- CONT STAND (ENGINE FIRE DETECTION ONLY)	26-11-56	01	002004 006999
WIRE INSTL-STRUT (FIRE PROTECTION ONLY) (PW2000)	26-11-51	01	103106
WIRING INSTL RB211 (NAC OVERHEAT DETECTOER ONLY)	26-11-01	05A	103106
STRUT OVERHEAT DETECTION (RR)	26-12-00		
EQUIPMENT INSTL-MAIN ELECTRONICS EQPT CTR (STRUT OVERHEAT DETECTION ONLY)	26-12-52	01	002004 006100 107107 121999
EQUIPMENT INSTL-MAIN ELECTRONICS EQPT CTR (STRUT OVERHEAT DETECTION ONLY)	26-12-52	01B	101102
EQUIPMENT INSTL-MAIN ELECTRONICS EQPT CTR FIRE OVERHEAT LOGIC TEST	26-12-51	08	103106 108120
PANEL ASSY-P8 ELECTRONICS (STRUT OVERHEAT DETECTION ONLY)	26-12-51	01	002004 006010 107107 121503 904999
PANEL ASSY-P8,P9,P10 ELECTRONICS (STRUT OVERHEAT DETECTION ONLY)	26-12-51	02	011100

 **BOEING**
757
PARTS CATALOG (MAINTENANCE)

CHAPTER 26 — FIRE PROTECTION

TABLE OF CONTENTS

SUBJECT	CC-SS-UU	FIGURE	EFFECT
PANEL INSTL-P8,P9,P10 ELECTRONICS (STRUT OVERHEAT DETECTION ONLY)	26-12-51	03	101106 108120 504903
SWITCH INSTL-STRUT OVERHEAT (RB211-535)	26-12-01	05	002004 006999
ENGINE TURBINE COOLING OVERHEAT DETECTION (RR)	26-13-00		
SWITCH-TURBINE COOLING OVERHEAT DETECTION DIFF EXPANSION (RB211-535)	26-13-01	02	002004 006999
LAVATORY SMOKE DETECTION	26-14-00		
CEILING ASSY-SEG 150 LAV (FIRE PROTECTION ONLY)	26-14-01	15E	108120
CEILING ASSY-SEG 150 LAV (FIRE PROTECTION ONLY)	26-14-01	18A	103106
CEILING ASSY-SEG 150, LAV (FIRE PROTECTION ONLY)	26-14-01	15C	101102
CEILING ASSY-SEG 150, LAV (FIRE PROTECTION ONLY)	26-14-01	16	504903
DETECTOR ASSY-SMOKE M4 LAV	26-14-01	50	002004 006102 950951
DETECTOR ASSY-SMOKE M4 LAV	26-14-01	50A	002004 006102 950951
DETECTOR ASSY-SMOKE M4 LAV	26-14-01	50B	103503 904949 952999
DETECTOR ASSY-SMOKE M4 LAV	26-14-01	50C	103120 952999
ELECTRICAL ASSY-LAV (FIRE PROTECTION ONLY)	26-14-01	03	002004 006100 107107 121503 904999
PANEL ASSY-P37 MISC RELAY R (LAVATORY SMOKE DETECTION ONLY)	26-14-55	01	002004 006102
PANEL INSTL-P5 OVHD (LAVATORY SMOKE DETECTION ONLY)	26-14-51	01	002004 006100
WALL ASSY-OUT SEG 110 LAV (FIRE PROTECTION ONLY)	26-14-01	01A	504903

 **BOEING**
757
PARTS CATALOG (MAINTENANCE)

CHAPTER 26 — FIRE PROTECTION

TABLE OF CONTENTS

SUBJECT	CC-SS-UU	FIGURE	EFFECT
WALL ASSY-OUT, SEG 100, LAV A (FIRE PROTECTION ONLY)	26-14-01	10A	101106 108120
APU FIRE DETECTION	26-15-00		
DETECTOR INSTL-AUX PWR SYS FIRE	26-15-02	01	002004 006999
EQUIPMENT INSTL-MAIN ELECTRONICS EQPT CTR (APU FIRE DETECTION ONLY)	26-15-52	01	002004 006100 107107 121503 904999
EQUIPMENT INSTL-MAIN ELECTRONICS EQPT CTR (APU FIRE DETECTION ONLY)	26-15-52	01B	101102
EQUIPMENT INSTL-MAIN ELECTRONICS EQPT CTR (APU FIRE DETECTION ONLY)	26-15-52	02	504903
EQUIPMENT INSTL-MAIN ELECTRONICS EQPT CTR FIRE AND OVERHEAT DETECTION	26-15-51	08	103106 108120
OPTION PACKAGE ASSY-P36 MISC RELAY LH (AUXILIARY POWER UNIT FIRE DETECTION ONLY)	26-15-71	02A	101102 504903
PACKAGE ASSY-OPTION P33 MISC ELEC EQPT (FIRE PROTECTION ONLY)	26-15-71	01A	101102 108120 504903
PANEL ASSY-P36 MISC RELAY L (APU FIRE DETECTION ONLY)	26-15-71	02	002004 006100 107107 121503 904999
PANEL ASSY-P62 AND P63 NLG LDG AND TURNOFF LTS (APU FIRE DETECTION ONLY)	26-15-53	01B	102106 108120 504903
PANEL INSTL-P36 L MISC RELAY (APU FIRE DETECTION ONLY)	26-15-71	02C	103106 108120
PANEL INSTL-P62 AND P63 NLG LDG AND TURNOFF LTS (APU FIRE DETECTION ONLY)	26-15-53	01	002004 006101 107107 121503 904999

 **BOEING**
757
PARTS CATALOG (MAINTENANCE)

CHAPTER 26 — FIRE PROTECTION

TABLE OF CONTENTS

SUBJECT	CC-SS-UU	FIGURE	EFFECT
SHIELD ASSY-P33 MISC ELEC EQPT (FIRE PROTECTION ONLY)	26-15-71	01	002004 006100 107107 121503 904999
SHIELD INSTL-P33 MISC ELEC EQPT (FIRE PROTECTION ONLY)	26-15-71	01B	103106
CARGO COMPARTMENT SMOKE DETECTION	26-16-00		
DETECTOR AND COVER INSTL FWD AND AFT CARGO COMPT SMOKE	26-16-01	01A	002004 006999
DETECTOR AND COVER INSTL-FWD AND AFT CARGO COMPT SMOKE	26-16-01	01	002004 006100 103107 121503 904999
DETECTOR AND COVER INSTL-FWD CARGO COMPT SMOKE	26-16-01	11	011100
DETECTOR ASSY-SMOKE (FIRE PROTECTION ONLY)	26-16-01	05	002004 006999
DETECTOR INSTL-AFT CARGO COMPT SMOKE	26-16-01	08	952952
DETECTOR INSTL-AFT CARGO COMPT SMOKE	26-16-01	09	002004 006010 121503 950951 953999
DETECTOR INSTL-AFT CARGO COMPT SMOKE	26-16-01	14	011106 108120 504903
DETECTOR INSTL-SMOKE	26-16-01	13A	101106 108120 504903
EQUIPMENT INSTL-MAIN ELECTRONICS EQPT CTR (LOWER CARGO COMPARTMENT SMOKE DETECTION ONLY)	26-16-52	01	002004 006100 107107 121999
EQUIPMENT INSTL-MAIN ELECTRONICS EQPT CTR (LOWER CARGO COMPARTMENT SMOKE DETECTION ONLY)	26-16-52	01B	101102
EQUIPMENT INSTL-MAIN ELECTRONICS EQPT CTR FIRE AND OVERHEAT DETECTION	26-16-51	08	103106 108120

 **BOEING**
757
PARTS CATALOG (MAINTENANCE)

CHAPTER 26 — FIRE PROTECTION

TABLE OF CONTENTS

SUBJECT	CC-SS-UU	FIGURE	EFFECT
OPTION PACKAGE ASSY-P36 MISC RELAY L (LOWER CARGO COMPARTMENT FIRE DETECTION ONLY)	26-16-71	01A	101102 504903
PANEL ASSY-P36 MISC RELAY L (LOWER CARGO COMPARTMENT FIRE DETECTION ONLY)	26-16-71	01	002004 006100 107107 121503 904999
PANEL INSTL-P36 L MISC RELAY (LOWER CARGO COMPARTMENT SMOKE DETECTION ONLY)	26-16-71	01C	103106 108120
TUBING INSTL- SMOKE DETECTION SYS, AFT CARGO COMPT, 757-200 W/ VACUUM WASTE SYS	26-16-51	04	103106
TUBING INSTL- SMOKE DETECTION SYS, FWD CARGO COMPT, 757-200 W/ VACUUM WASTE SYS	26-16-51	03	103106
TUBING INSTL-AFT CARGO COMPT SMOKE DETECTION	26-16-59	01	002004 006100 107107 121503 904999
TUBING INSTL-FWD CARGO COMPT SMOKE DETECTOR	26-16-58	01	002004 006100 107503 904999
TUBING INSTL-SMOKE DETECTION AFT CARGO COMPT	26-16-59	03	101102 108120 504903
TUBING INSTL-SMOKE DETECTION SYS FWD CARGO COMPT	26-16-58	02	101102 504903
WHEEL WELL FIRE DETECTION SYSTEM	26-17-00		
DETECTOR INSTL-MAIN WHL WELL OVERHEAT (FIRE PROTECTION ONLY)	26-17-01	01	002004 006999
PANEL INSTL-CAPT AND FIRST OFFICER FWD (WHEEL WELL OVERHEAT DETECTION ONLY)	26-17-51	01	002010 107107 121503 904999
PANEL INSTL-CAPT AND FIRST OFFICER FWD (WHEEL WELL OVERHEAT DETECTION ONLY)	26-17-51	02	011100
PANEL INSTL-P3-1 (FIRE PROTECTION ONLY)	26-17-51	05	101106 108120 504903



BOEING
757
PARTS CATALOG (MAINTENANCE)

CHAPTER 26 — FIRE PROTECTION

TABLE OF CONTENTS

SUBJECT	CC-SS-UU	FIGURE	EFFECT
PANEL INSTL-P8 ELECTRONIC (WHEEL WELL OVERHEAT DETECTION)	26-17-51	03	002004 006010 107107 121503 904999
PANEL INSTL-P8, P9, P10 ELECTRONIC (WHEEL WELL OVERHEAT DETECTION)	26-17-51	04	011100
PANEL INSTL-P8, P9, P10 ELECTRONICS (WHEEL WELL FIRE DETECTION ONLY)	26-17-51	06	101106 108120 504903
DUCT LEAK AND OVERHEAT DETECTION SYSTEM EQUIPMENT INSTL-MAIN ELECTRONICS EQPT CTR (DUCT LEAK AND WHEEL WELL FIRE DETECTION ONLY)	26-18-00 26-18-52	01	002004 006100 107107 121999
EQUIPMENT INSTL-MAIN ELECTRONICS EQPT CTR (DUCT LEAK AND WHEEL WELL FIRE DETECTION ONLY)	26-18-52	01B	101102
EQUIPMENT INSTL-MAIN ELECTRONICS EQPT CTR DUCT LEAK AND WHL WELL OVERHEAT	26-18-51	08	103106 108120
PANEL INSTL-P5 OVHD (DUCT LEAK PROTECTION ONLY)	26-18-51	03	011100
PANEL INSTL-P5 OVHD (FIRE PROTECTION ONLY)	26-18-51	02	002004 006010 101107 121999
PANEL INSTL-P5 OVHD (FIRE PROTECTION ONLY)	26-18-51	04	101106 108120 504903
PANEL INSTL-P61 R SIDEWALL (DUCT LEAK DETECTION ONLY)	26-18-53	01	002004 006100 107107 121503 904999
PANEL INSTL-P61 R SIDEWALL (DUCT LEAK DETECTION ONLY)	26-18-53	02	101106 108120 504903
PROVISION INSTL-SECT. 46 DUCT LEAK DETECTION	26-18-51	01	002004 006999



BOEING
757
PARTS CATALOG (MAINTENANCE)

CHAPTER 26 — FIRE PROTECTION

TABLE OF CONTENTS

SUBJECT	CC-SS-UU	FIGURE	EFFECT
SENSOR AND PARTITION INSTL-DETECTION WING LE SPRT	26-18-01	01	002004 006102 107999
SENSOR INSTL-DUCT LEAK DETECTION WING LE	26-18-01	01A	103106
SENSOR INSTL-DUCT LEAK DETECTION WING LE	26-18-01	06A	103106
SENSOR INSTL-DUCT LEAK DETECTION WING LE COMPATIBLE WITH ROLLS-ROYCE ENGS	26-18-01	06	002004 006102 107999
SENSOR INSTL-SECT. 46 DUCT LEAK DETECTION	26-18-01	02	002004 006999
SENSOR INSTL-SECT. 48 DUCT LEAK DETECTION	26-18-01	05	002004 006999
SENSOR INSTL-UNDER WING DUCT LEAK DETECTION	26-18-01	04	002004 006999
SENSOR INSTL-WHL WELL DUCT LEAK DETECTION	26-18-01	03	002004 006999
ELECTRICAL AND ELECTRONIC COOLING SMOKE DETECTION	26-19-00		
DETECTOR INSTL-SMOKE E/E COMPT FWD	26-19-00	01	103106

 **BOEING**
757
PARTS CATALOG (MAINTENANCE)

CHAPTER 26 — FIRE PROTECTION

TABLE OF CONTENTS

SUBJECT	CC-SS-UU	FIGURE	EFFECT
ENGINE FIRE EXTINGUISHING	26-21-00		
EXTINGUISHER ASSY-BOTTLE AND VALVE 536 CU IN. DUAL OUTLET FIRE	26-21-01	50	002004 006949 952999
EXTINGUISHER ASSY-BOTTLE AND VALVE 536 CU. IN. DUAL OUTLET FIRE	26-21-01	51	950951
FIRE BOTTLE AND PLUMBING INSTL-AFT CARGO BAY ENG	26-21-00	05	002004 006100 107107 121503 904999
FIRE EXTINGUISHER INSTL AFT CARGO BAY ENG	26-21-00	04	101106 108120 504903
PANEL INSTL-P61 R SIDEWALL (ENGINE FIRE EXTINGUISHING ONLY)	26-21-52	01	101106 108120 504903
PANEL INSTL-P61 R SIDEWALL (ENGINE FIRE EXTINGUISHING ONLY)	26-21-52	02	002004 006100 107107 121503 904999
PANEL INSTL-P8,P9,P10 ELECTRONICS (ENGINE FIRE EXTINGUISHING ONLY)	26-21-01	01	002004 006100 107107 121503 904999
PANEL INSTL-P8,P9,P10 ELECTRONICS (ENGINE FIRE EXTINGUISHING ONLY)	26-21-01	02	101106 108120 504903
PLUMBING INSTL-CARGO BAY TO STRUT ENG FIRE EXT AFT	26-21-55	01	002004 006999
PLUMBING INSTL-SECT. 12 L TRAILING EDGE CTR SYS (FIRE PROTECTION ONLY)	26-21-51	21	103106
PLUMBING INSTL-SECT. 12 R TRAILING EDGE CTR SYS (FIRE PROTECTION ONLY)	26-21-51	23	103106


BOEING
 757
PARTS CATALOG (MAINTENANCE)

CHAPTER 26 — FIRE PROTECTION

TABLE OF CONTENTS

SUBJECT	CC-SS-UU	FIGURE	EFFECT
PLUMBING INSTL-SECT. 31.1 HYDR (FIRE PROTECTION ONLY)	26-21-51	22	002004 006100 107107 121503 904999
PLUMBING INSTL-SECT. 31.1 LEFT AFT ENG STRUT BASIC AND STABLE (FIRE PROTECTION ONLY)	26-21-51	24	103106
PLUMBING INSTL-SECT. 31.1 RIGHT AFT ENG STRUT BASIC AND STABLE (FIRE PROTECTION ONLY)	26-21-51	25	103106
PLUMBING INSTL-STRUT FIRE EXTINGUISHING SYS	26-21-00	03	101106 108120 504903
SYSTEM INSTL-STRUT FIRE EXTINGUISHING (RB211-535)	26-21-55	05	002004 006100 107107 121503 904999
APU FIRE EXTINGUISHING	26-22-00		
EXTINGUISHER ASSY-BOTTLE APU FIRE EXTINGUISHING	26-22-00	09	002004 006949 952999
EXTINGUISHER ASSY-FIRE BOTTLE, AUX PWR SYS	26-22-00	08	950951
FIRE EXTINGUISHER INSTL-AUX PWR SYS ROLLS ROYCE ENGINE COMMON 536 CU IN BOTTLE	26-22-00	06	101106 108120 504903
FIRE EXTINGUISHER INSTL-AUX PWR SYS 536 CU IN. SINGLE BOTTLE WITH ROLLS ROYCE ENGINES	26-22-00	04	002004 006100 107107 121503 904999
OPTION PACKAGE ASSY-P36 MISC RELAY LH (AUXILIARY POWER UNIT FIRE EXTINGUISHING ONLY)	26-22-71	01A	101102 504903

BOEING
757
PARTS CATALOG (MAINTENANCE)

CHAPTER 26 — FIRE PROTECTION

TABLE OF CONTENTS

SUBJECT	CC-SS-UU	FIGURE	EFFECT
PANEL ASSY-P36 MISC RELAY L (APU FIRE EXTINGUISHING ONLY)	26-22-71	01	002004 006100 107107 121503 904999
PANEL INSTL-P36 L MISC RELAY (APU FIRE EXTINGUISHING ONLY)	26-22-71	01C	103106 108120
PANEL INSTL-P61 R SIDEWALL (APU FIRE EXTINGUISHING ONLY)	26-22-52	01	101106 108120 504903
PANEL INSTL-P61 R SIDEWALL (APU FIRE EXTINGUISHING ONLY)	26-22-52	02	002004 006100 107107 121503 904999
PANEL INSTL-P8 ELECTRONIC (APU FIRE EXTINGUISHING ONLY)	26-22-03	01	011100
PANEL INSTL-P8 ELECTRONIC (APU FIRE EXTINGUISHING ONLY)	26-22-03	02	002004 006100 107107 121503 904999
PANEL INSTL-P8,P9,P10 ELECTRONICS (APU FIRE EXTINGUISHING ONLY)	26-22-03	03	101106 108120 504903
CARGO COMPARTMENT FIRE EXTINGUISHING BOTTLE AND SUPPORT INSTL-CARGO COMPT	26-23-00		
FIRE EXT SYS AFT	26-23-02	01	002004 006999
EXTINGUISHER ASSY	26-23-02	04	002004 006999
PANEL INSTL-P61 R SIDEWALL (CARGO COMPARTMENT FIRE EXTINGUISHING ONLY)	26-23-52	03	002004 006999
PANEL INSTL-P8 ELECTRONIC (CARGO COMPARTMENT FIRE EXTINGUISHING ONLY)	26-23-52	02	002004 006010 107107 121503 904999
PANEL INSTL-P8 ELECTRONIC (CARGO COMPARTMENT FIRE EXTINGUISHING ONLY)	26-23-52	04	011100



BOEING
757
PARTS CATALOG (MAINTENANCE)

CHAPTER 26 — FIRE PROTECTION

TABLE OF CONTENTS

SUBJECT	CC-SS-UU	FIGURE	EFFECT
PANEL INSTL-P8 ELECTRONICS (CARGO COMPARTMENT FIRE EXTINGUISHING ONLY)	26-23-52	04A	101106 108120 504903
TUBING INSTL- FIRE EXTINGUISHING SYS, 757-200 W/ VACUUM WASTE SYS, AFT CARGO COMPT	26-23-51	05	103106
TUBING INSTL- FIRE EXTINGUISHING SYS, 757-200 W/ VACUUM WASTE SYS, FWD CARGO COMPT	26-23-51	01	103106
TUBING INSTL- FIRE EXTINGUISHING, FWD CARGO COMPT	26-23-51	06	103106
TUBING INSTL-AFT CARGO COMPT FIRE EXTINGUISHING	26-23-51	02	002004 006100 107107 121503 904999
TUBING INSTL-AFT CARGO COMPT FIRE EXTINGUISHING	26-23-51	02B	101102 108120 504903
TUBING INSTL-FWD CARGO COMPT FIRE EXTINGUISHING	26-23-53	01	002004 006100 107107 121503 904999
TUBING INSTL-FWD CARGO COMPT FIRE EXTINGUISHING	26-23-53	01A	101102 108120 504903
LAVATORY WASTE COMPARTMENT FIRE EXTINGUISHING	26-24-00		
CABINET ASSY-SINK (FIRE PROTECTION ONLY)	26-24-52	01	121503 904999
CABINET ASSY-SINK AND FLOOR (FIRE PROTECTION ONLY)	26-24-51	01	002004 006100 121503 904999
CABINET ASSY-SINK LAV (FIRE PROTECTION ONLY)	26-24-01	02A	107107
CABINET ASSY-SINK SEG 170 LAV (FIRE PROTECTION ONLY)	26-24-01	02D	103106



BOEING
757
PARTS CATALOG (MAINTENANCE)

CHAPTER 26 — FIRE PROTECTION

TABLE OF CONTENTS

SUBJECT	CC-SS-UU	FIGURE	EFFECT
CABINET ASSY-SINK, SEG 170 LAV A (FIRE PROTECTION ONLY)	26-24-01	01	101106 108120 504903
CABINET ASSY-SINK, SEG 170 LAV (FIRE PROTECTION ONLY)	26-24-01	02	101102 108120 504903
CABINET INSTL-SINK AND FLOOR LAV A (FIRE PROTECTION ONLY)	26-24-01	01A	107107
CABINET INSTL-SINK, LAV (FIRE PROTECTION ONLY)	26-24-52	01A	002004 006100
PORTABLE FIRE EXTINGUISHERS	26-26-00		
EQUIPMENT INSTL-MISC EMER (FIRE PROTECTION ONLY)	26-26-00	05	121503 904949
EQUIPMENT INSTL-MISC EMER (FIRE PROTECTION ONLY)	26-26-00	28	952999
EQUIPMENT INSTL-MISC EMER (FIRE PROTECTION ONLY)	26-26-00	29	002004 006100
EQUIPMENT INSTL-MISC EMER (FIRE PROTECTION ONLY)	26-26-00	48	101102
EQUIPMENT INSTL-MISC EMER (FIRE PROTECTION ONLY)	26-26-02	01G	108120
EQUIPMENT INSTL-MISC EMER (FIRE PROTECTION ONLY)	26-26-02	30A	103106
EQUIPMENT INSTL-MISC EMER (FIRE PROTECTION ONLY)	26-26-03	01G	108120
EQUIPMENT INSTL-MISC. EMER (FIRE PROTECTION ONLY)	26-26-00	12	107107
EQUIPMENT INSTL-MISC. EMER (FIRE PROTECTION ONLY)	26-26-00	33	950951
EQUIPMENT INSTL-MISC. EMER (FIRE PROTECTION ONLY)	26-26-00	40	504504 506506
EXTINGUISHER ASSY-FIRE LIQUID TYPE (FIRE PROTECTION ONLY)	26-26-03	20	108120 950999
EXTINGUISHER INSTL-FIRE	26-26-02	01	121504 506506 904949
EXTINGUISHER INSTL-FIRE	26-26-02	06	950951
EXTINGUISHER INSTL-FIRE	26-26-02	09	002004 006102
EXTINGUISHER INSTL-FIRE	26-26-02	10	107107

 **BOEING**
757
PARTS CATALOG (MAINTENANCE)

CHAPTER 26 — FIRE PROTECTION

TABLE OF CONTENTS

SUBJECT	CC-SS-UU	FIGURE	EFFECT
EXTINGUISHER INSTL-FIRE (EQUIPMENT/FURNISHINGS ONLY)	26-26-02	05	103106 108120 505505 507903 952999
FIRE EXTINGUISHER ASSY-HALON 1211	26-26-02	25	103106 108120 505505 507903 952999

FIRE PROTECTION - GENERAL

BRI
MAY 28/07

26-00-00
SECTION TITLE
PAGE 1

 **BOEING**
757
PARTS CATALOG (MAINTENANCE)

NON-ILLUSTRATED FIGURE

THE ITEMS REFLECTED IN THIS FIGURE ARE INTENTIONALLY
NON-ILLUSTRATED. THEY ARE REFERENCED TO EITHER A
NEXT HIGHER OR NEXT LOWER ASSEMBLY/INSTALLATION FIGURE.

Y 26000001 REV 237

PREMODULE COLLECTOR-757 RB211 SYSTEMS (FIRE PROTECTION ONLY)

FIGURE 1

26-00-00-01

BRI
MAY 28/07

26-00-00-01
PAGE 0



757

PARTS CATALOG (MAINTENANCE)

FIG ITEM	PART NUMBER	1 2 3 4 5 6 7	NOMENCLATURE	EFFECT FROM TO	UNITS PER ASSY
1			PREMODULE COLLECTOR- 757 RB211 SYSTEMS (FIRE PROTECTION ONLY)	101102 108120 504903	
- 1	301N5090-300		PREMODULE COLLECTOR-RB211 757 RB211 SYSTEMS (FIRE PROTECTION ONLY) POSITION DATA: ENG POS 1 AND 2 FOR OTHER SYS DETAILS SEE: 28-00-00-02 29-00-51-11 30-00-00-01 36-00-00-01 54-00-00-06 71-00-01-02A 78-00-00-05 80-00-00-01	101102 108120 504903	RF
- 40	312N5080-7		.PREMODULE COLLECTOR-RB211 STRUT SYSTEM (INSTALLED BY ROHR) POSITION DATA: ENG POS 1	101102 504505	1
- 40	312N5080-9		.PREMODULE COLLECTOR-RB211 STRUT SYSTEM (INSTALLED BY ROHR) POSITION DATA: ENG POS 1	506903	1
- 40	312N5080-11		.PREMODULE COLLECTOR-RB211 STRUT SYSTEM (INSTALLED BY ROHR) POSITION DATA: ENG POS 1	108120	1
- 45	312N5080-8		.PREMODULE COLLECTOR-RB211 STRUT SYSTEM (INSTALLED BY ROHR) POSITION DATA: ENG POS 2	101102 504505	RF
- 45	312N5080-10		.PREMODULE COLLECTOR-RB211 STRUT SYSTEM (INSTALLED BY ROHR) POSITION DATA: ENG POS 2	506903	RF
- 45	312N5080-12		.PREMODULE COLLECTOR-RB211 STRUT SYSTEM (INSTALLED BY ROHR) POSITION DATA: ENG POS 2	108120	RF

MISSING ITEM NUMBERS NOT APPLICABLE

- ITEM NOT ILLUSTRATED

BRI

26-00-00-01

26-00-00
FIG. 01
PAGE 1
JAN 20/09



757

PARTS CATALOG (MAINTENANCE)

FIG ITEM	PART NUMBER	1 2 3 4 5 6 7	NOMENCLATURE	EFFECT FROM TO	UNITS PER ASSY
1					
- 50	312N5150-504		..PLUMBING INSTL-STRUT FIRE EXTINGUISHING SYS POSITION DATA: ENG POSITION 1 AND 2 FOR DETAILS SEE: 26-21-00-03	101102 108120 504903	1
- 55	312N5504-2		..SWITCH INSTL-STRUT OVERHEAT FOR DETAILS SEE: 26-12-01-05	101102 504903	1
- 55	312N5504-15		..SWITCH INSTL-STRUT OVERHEAT FOR DETAILS SEE: 26-12-01-05	108120	1
- 60	312N5150-503		.PLUMBING INSTL-STRUT FIRE EXTINGUISHING POSITION DATA: ENG POSITION 1 AND 2 FOR DETAILS SEE: 26-21-00-03	101102 108120 504903	1

MISSING ITEM NUMBERS NOT APPLICABLE

- ITEM NOT ILLUSTRATED

BRI

26-00-00-01

BOEING PROPRIETARY - Copyright © - Unpublished Work - See title page for details.

26-00-00
FIG. 01
PAGE 2
JAN 20/09

 **BOEING**
757
PARTS CATALOG (MAINTENANCE)

NON-ILLUSTRATED FIGURE

THE ITEMS REFLECTED IN THIS FIGURE ARE INTENTIONALLY
NON-ILLUSTRATED. THEY ARE REFERENCED TO EITHER A
NEXT HIGHER OR NEXT LOWER ASSEMBLY/INSTALLATION FIGURE.

Y 2600001A REV 251

STRUT SYSTEM INSTL 757 RB211 SYSTEMS (FIRE PROTECTION ONLY)
FIGURE 1A

26-00-00-01A

BRI
JAN 20/09

26-00-00-01A
PAGE 0



757

PARTS CATALOG (MAINTENANCE)

FIG ITEM	PART NUMBER	1 2 3 4 5 6 7	NOMENCLATURE	EFFECT FROM TO	UNITS PER ASSY
1 A			STRUT SYSTEM INSTL 757 RB211 SYSTEMS (FIRE PROTECTION ONLY)	103106	
- 1	MODREF23488		STRUT SYSTEMS INSTL-RB211 (FIRE PROTECTION ONLY) MODULE NUMBER: 312N5080-13 REV B POSITION DATA: ENG POSITION 1 FOR OTHER SYS DETAILS SEE: 28-00-00-02A 29-00-51-11A 30-00-00-01A 36-00-00-01A 54-00-00-06A 78-00-00-05A 80-00-00-01A	103106	1
- 5	MODREF23489		STRUT SYSTEMS INSTL-RB211 (FIRE PROTECTION ONLY) MODULE NUMBER: 312N5080-14 REV B POSITION DATA: ENG POSITION 2 FOR OTHER SYS DETAILS SEE: 28-00-00-02A 29-00-51-11A 30-00-00-01A 36-00-00-01A 78-00-00-05A 80-00-00-01A	103106	1
- 10	312N5150-504		.PLUMBING INSTL-STRUT FIRE EXTINGUISHING SYS POSITION DATA: ENG POSITION 1 AND 2 FOR DETAILS SEE: 26-21-00-03	103106	1
- 15	312N5504-15		.SWITCH INSTL-STRUT OVERHEAT FOR DETAILS SEE: 26-12-01-05	103106	1

MISSING ITEM NUMBERS NOT APPLICABLE

- ITEM NOT ILLUSTRATED

26-00-00-01A

26-00-00
FIG. 01A
PAGE 1
JAN 20/09

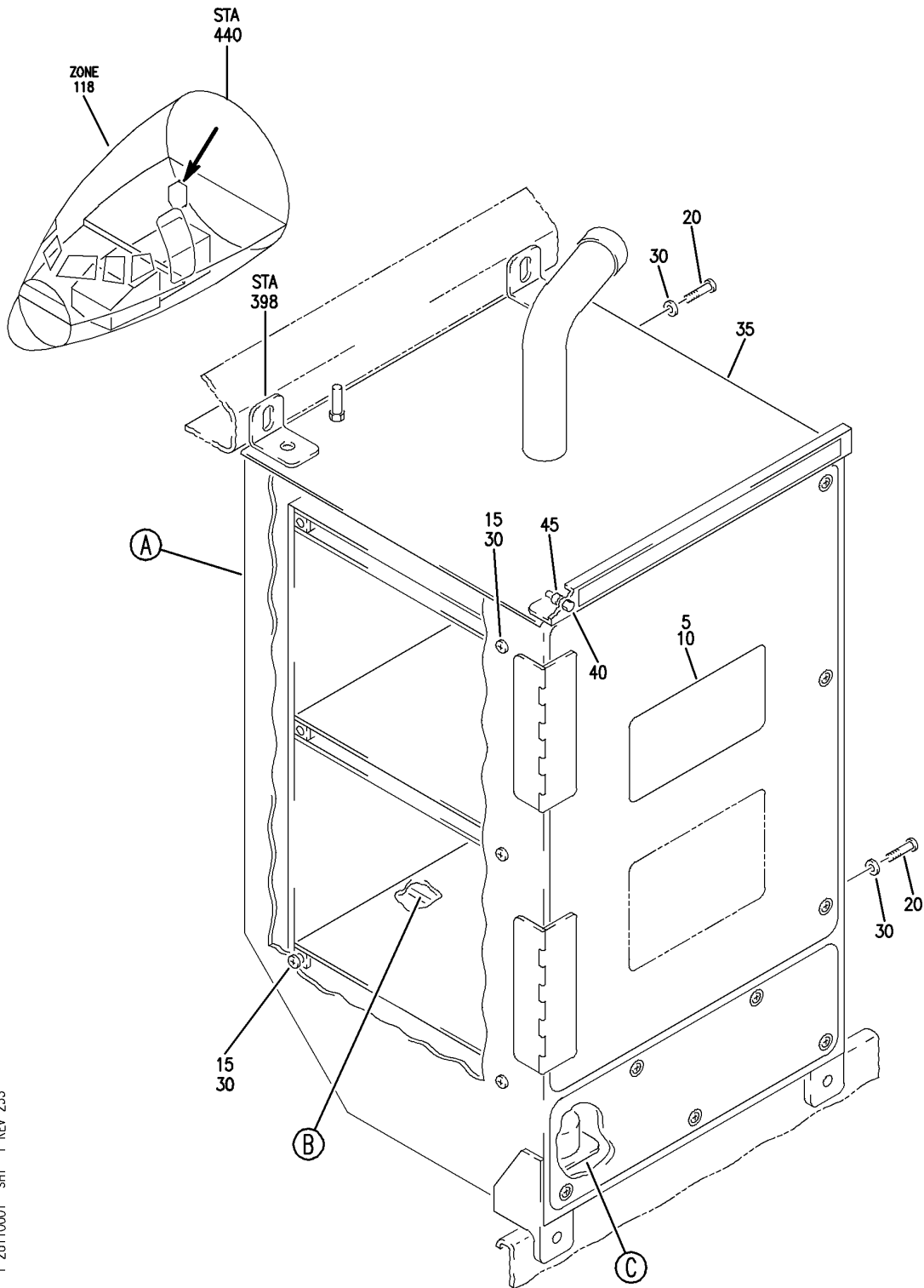
BRI

ENGINE FIRE AND OVERHEAT DETECTION

BRI
MAY 28/07

26-11-00
SECTION TITLE
PAGE 1

BOEING
757
PARTS CATALOG (MAINTENANCE)



Y 26110001 SHT 1 REV 233

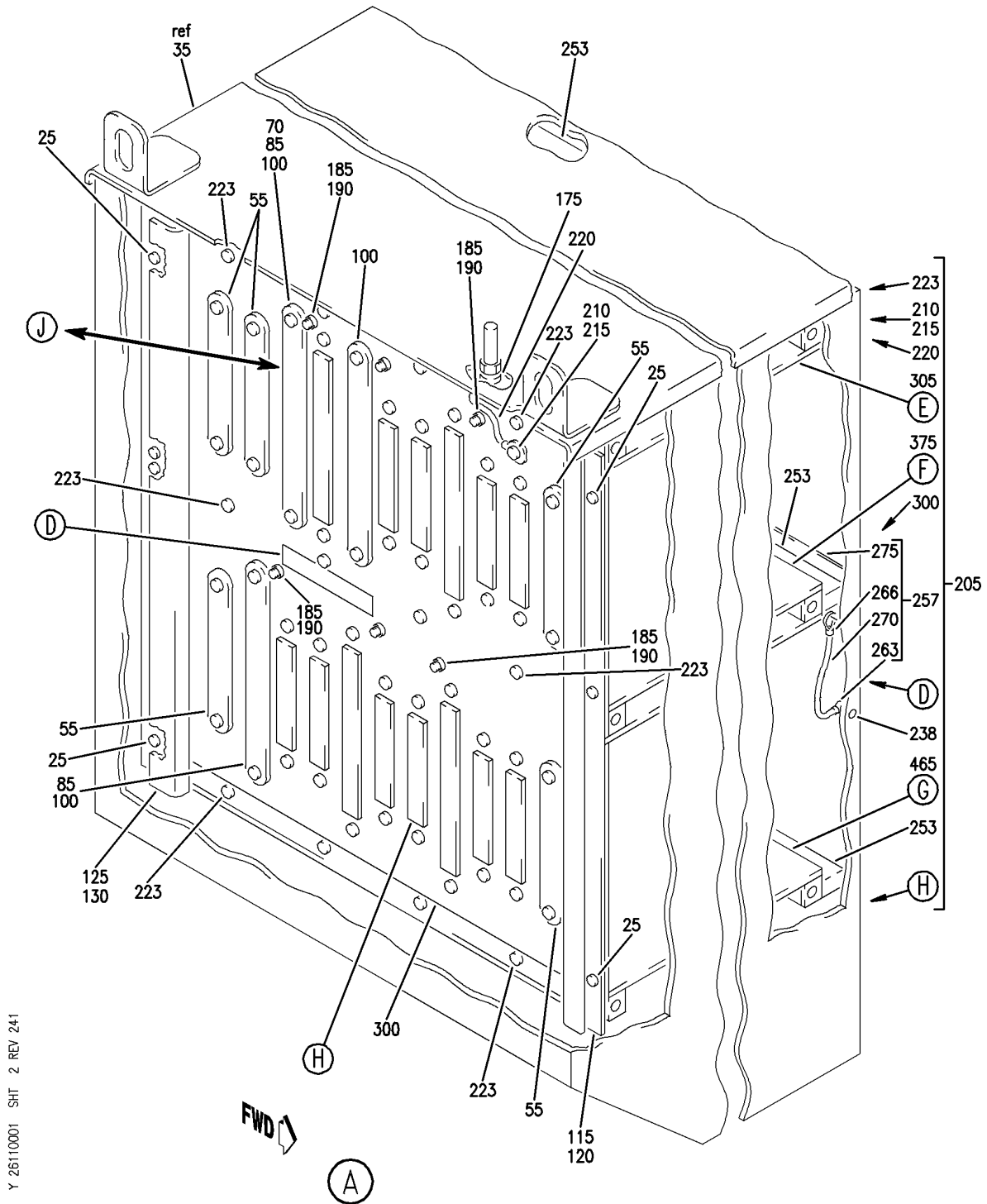
FILE ASSY-FIRE DETECTION CARD (FIRE PROTECTION ONLY)
FIGURE 1 (SHEET 1)

26-11-00-01

BRI
MAY 28/07

26-11-00-01
PAGE 0


BOEING
 757
PARTS CATALOG (MAINTENANCE)



Y 26110001 SH1 2 REV 241

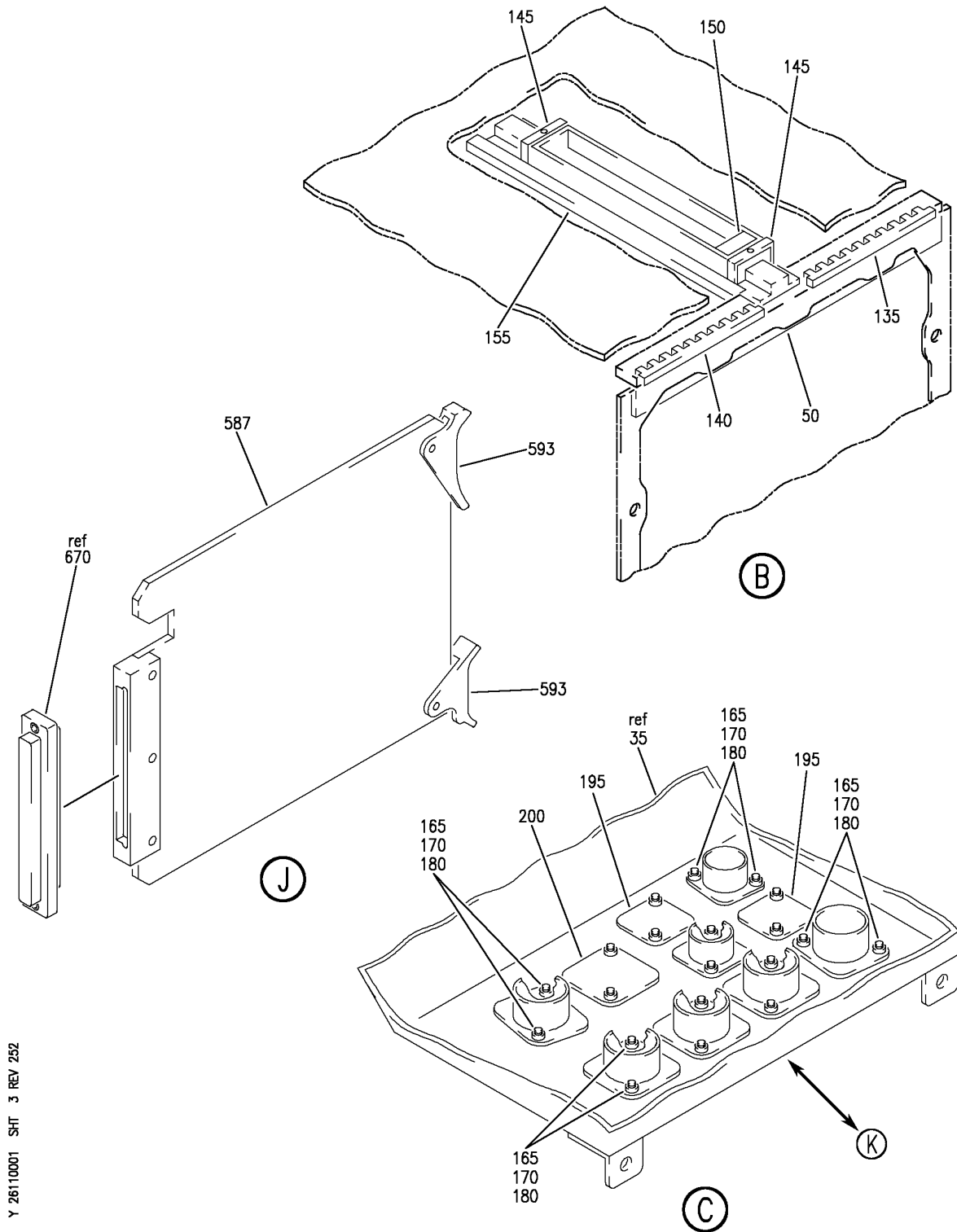
FILE ASSY-FIRE DETECTION CARD (FIRE PROTECTION ONLY)
FIGURE 1 (SHEET 2)

26-11-00-01

BRI
MAY 28/07

26-11-00-01
PAGE 0A

BOEING
757
PARTS CATALOG (MAINTENANCE)



Y 26110001 SHT 3 REV 252

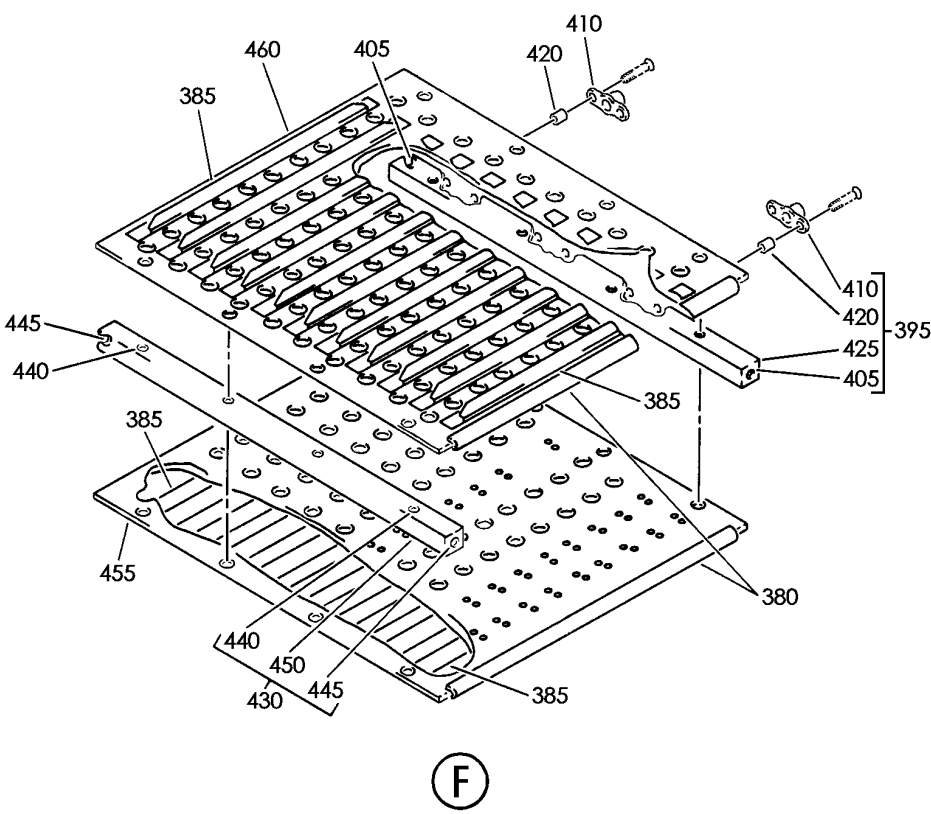
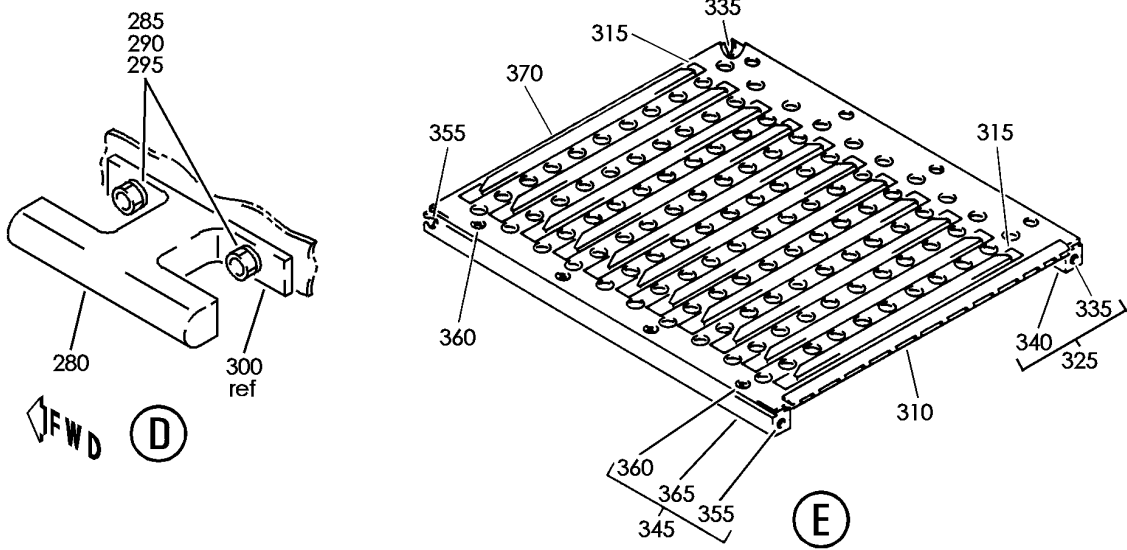
FILE ASSY-FIRE DETECTION CARD (FIRE PROTECTION ONLY)
FIGURE 1 (SHEET 3)

26-11-00-01

BRI
MAY 28/07

26-11-00-01
PAGE 0B

BOEING
757
PARTS CATALOG (MAINTENANCE)



Y 26110001 SH4 4 REV 233

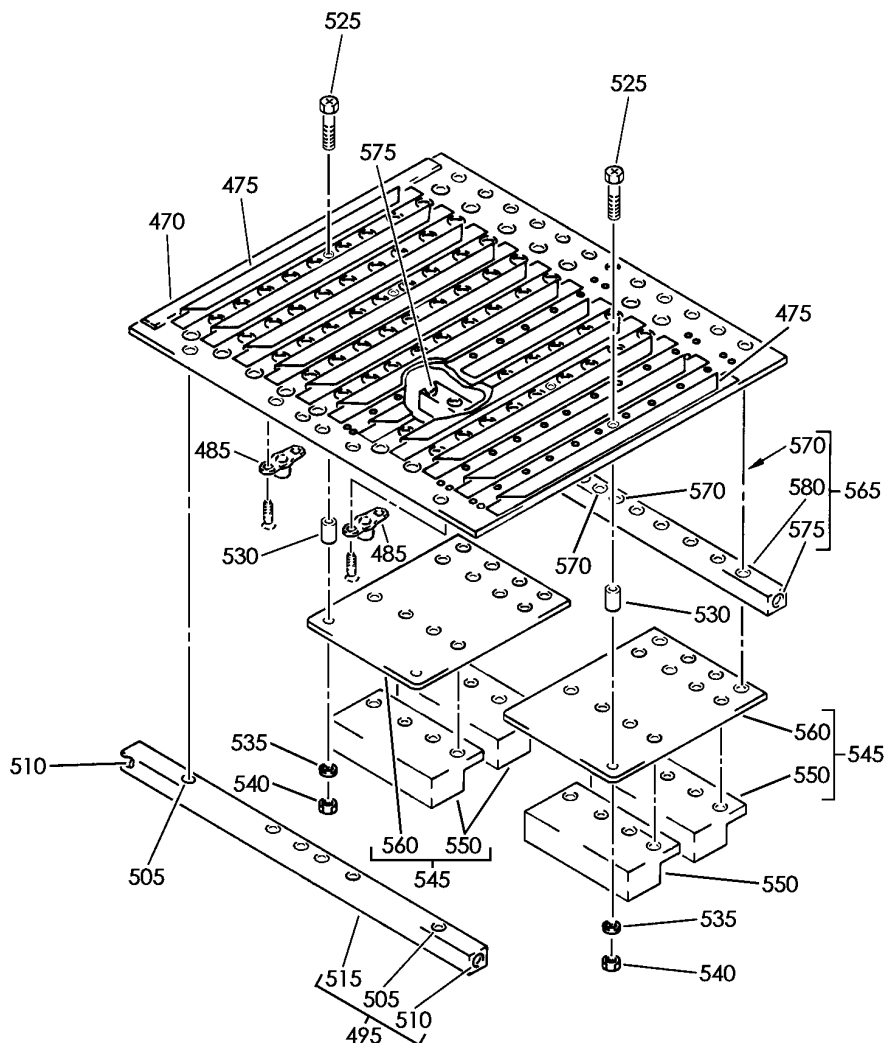
FILE ASSY-FIRE DETECTION CARD (FIRE PROTECTION ONLY)
FIGURE 1 (SHEET 4)

26-11-00-01

BRI
MAY 28/07

26-11-00-01
PAGE 0C

BOEING
757
PARTS CATALOG (MAINTENANCE)



(G)

Y 26110001 SHT 5 REV 233

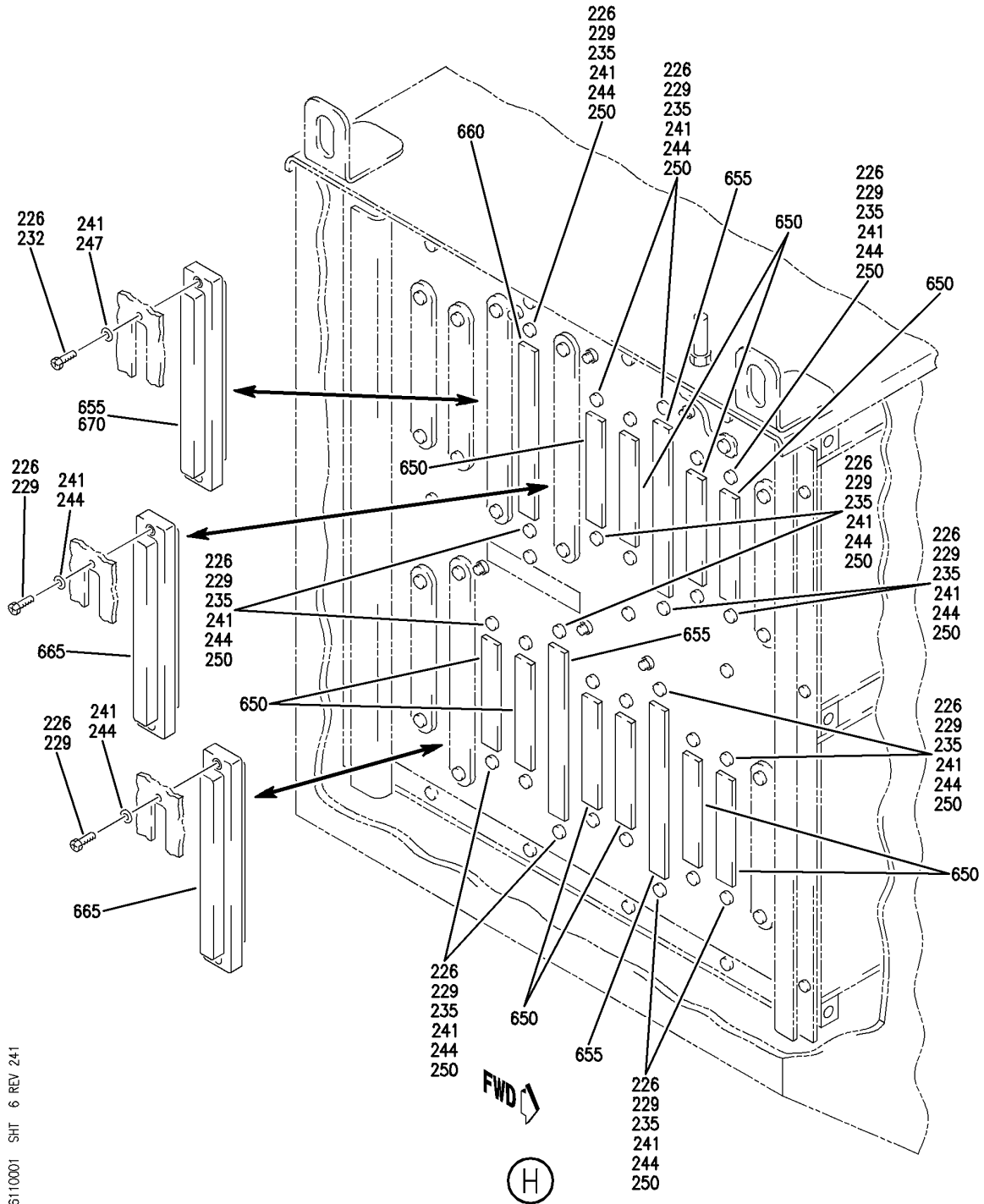
FILE ASSY-FIRE DETECTION CARD (FIRE PROTECTION ONLY)
FIGURE 1 (SHEET 5)

26-11-00-01

BRI
MAY 28/07

26-11-00-01
PAGE 0D

BOEING
757
PARTS CATALOG (MAINTENANCE)



Y 26110001 SH1 6 REV 241

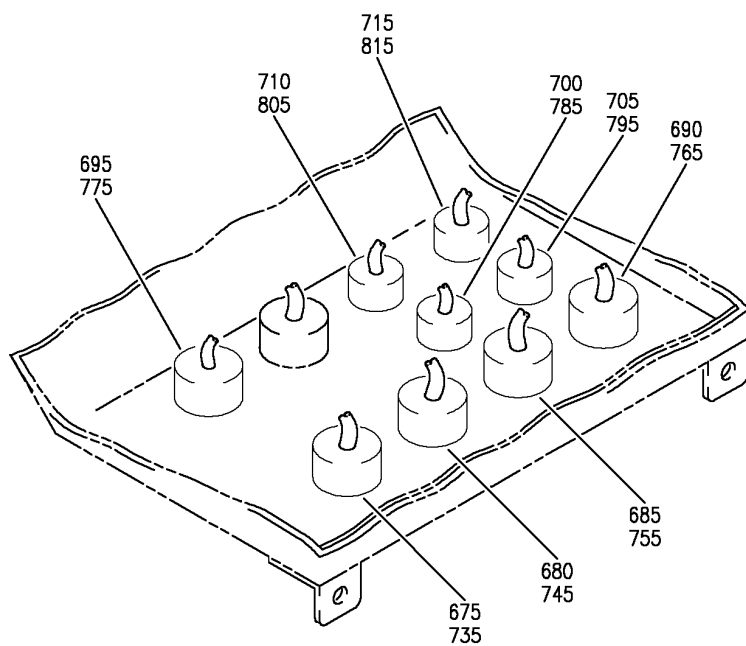
FILE ASSY-FIRE DETECTION CARD (FIRE PROTECTION ONLY)
FIGURE 1 (SHEET 6)

26-11-00-01

BRI
MAY 28/07

26-11-00-01
PAGE 0E

BOEING
757
PARTS CATALOG (MAINTENANCE)



(K)

Y 26110001 SH1 7 REV 252

FILE ASSY-FIRE DETECTION CARD (FIRE PROTECTION ONLY)
FIGURE 1 (SHEET 7)

26-11-00-01

BRI
MAY 28/07

26-11-00-01
PAGE OF



757

PARTS CATALOG (MAINTENANCE)

FIG ITEM	PART NUMBER	1 2 3 4 5 6 7	NOMENCLATURE	EFFECT FROM TO	UNITS PER ASSY
1			FILE ASSY-FIRE DETECTION CARD (FIRE PROTECTION ONLY)	002004 006101 107107 121503 904999	
- 1	285N0031-11		FILE ASSY-FIRE DETECTION CARD (FIRE PROTECTION ONLY) SUPPLIER CODE: V89954 ELECTRICAL EQUIP NUMBER: AP0054 WIRING DIAGRAM REF: 910406 FOR NHA/OTHER SYS DET SEE: 53-11-63-03	107107	RF
- 1	285N0031-15		FILE ASSY-FIRE DETECTION CARD (FIRE PROTECTION ONLY) SUPPLIER CODE: V89954 VARIABLE DRAWING REF: 285N0031-5005 285N0031-5009 FOR NHA/OTHER SYS DET SEE: 53-11-63-03	002004 006100 121503 904999	RF
- 1	285N0031-30		FILE ASSY-FIRE DETECTION CARD (FIRE PROTECTION ONLY) SUPPLIER CODE: V89954 FOR NHA/OTHER SYS DET SEE: 53-11-63-03A	101101	RF
5	BAC27NEX1373		.MARKER- SUPPLIER CODE: V89954 PLACARD CONTENT: P54 FIRE DETECTION CARD FILE PART NO. 285N0031- SERIAL NO. OPTIONAL PART: BAC27NEX2414 V89954	002004 006100 107107 121503 904999	1

MISSING ITEM NUMBERS NOT APPLICABLE

- ITEM NOT ILLUSTRATED

26-11-00-01

26-11-00
FIG. 01
PAGE 1
JAN 20/09

BRI



757

PARTS CATALOG (MAINTENANCE)

FIG ITEM	PART NUMBER	1 2 3 4 5 6 7	NOMENCLATURE	EFFECT FROM TO	UNITS PER ASSY
1					
10	BAC27NEX2414		.DECAL- SUPPLIER CODE: V89954 PLACARD CONTENT: P54 FIRE DETECTION CARD FILE OPTIONAL PART: BAC27NEX1373 V89954	002004 006101 950999	1
15	NAS1801-08-15		.SCREW	002004 006101 107107 121503 904999	6
20	NAS1801-08-19		.SCREW	002004 006101 107107 121503 904999	6
25	NAS1801-06-8		.SCREW	002004 006101 107107 121503 904999	6
30	BACW10P178AL		.WASHER	002004 006101 107107 121503 904999	12
35	13491000-3		.ENCLOSURE ASSY- SUPPLIER CODE: V23296 OPTIONAL PART: 285N0084-6 V89954	002004 006101 107107 121503 904999	1
35	285N0084-6		.ENCLOSURE ASSY- SUPPLIER CODE: V89954 OPTIONAL PART: 13491000-3 V23296	107107	1
40	108-0740-001		.JACK-STATIC GND BANANA SUPPLIER CODE: V74970	002004 006101 107107 121503 904999	1

MISSING ITEM NUMBERS NOT APPLICABLE

- ITEM NOT ILLUSTRATED

26-11-00-01

26-11-00
FIG. 01
PAGE 2
JAN 20/09

BRI



757

PARTS CATALOG (MAINTENANCE)

FIG ITEM	PART NUMBER	1 2 3 4 5 6 7	NOMENCLATURE	EFFECT FROM TO	UNITS PER ASSY
1	45 NAS43DD4-6	.	SPACER-	002004 006100 107107 121503 904999	1
	45 NAS43DD4-6FC	.	SPACER	101101	1
	50 285N0039-6	.	SEAL	002004 006101 107107 121503 904999	1
	55 285T0018-10	.	COVER-PLATE	002004 006101 107107 121503 904999	5
-	60 NAS1801-04-6	.	ATTACHING PARTS SCREW	002004 006101 107107 121503 904999	10
-	65 BRH10A04	.	NUT SUPPLIER CODE: V52828 SPECIFICATION NUMBER: BACN10JC04 OPTIONAL PART: NS202101-40 V80539 RMLH9075-40W V72962 VN303A40 V92215 96-40 V80539 T6S440J V11815 H10-04BAC V15653 -----*-----	002004 006101 107107 121503 904999	10
	70 285T0018-11	.	COVER-PLATE	002004 006101 107107 121503 904999	1

MISSING ITEM NUMBERS NOT APPLICABLE

- ITEM NOT ILLUSTRATED

BRI

26-11-00-01

BOEING PROPRIETARY - Copyright © - Unpublished Work - See title page for details.

26-11-00
FIG. 01
PAGE 3
JAN 20/09



757

PARTS CATALOG (MAINTENANCE)

FIG ITEM	PART NUMBER	1 2 3 4 5 6 7	NOMENCLATURE	EFFECT FROM TO	UNITS PER ASSY
1			ATTACHING PARTS		
- 75	NAS1801-04-6		.SCREW-	002004 006101 107107 121503 904999	2
- 80	BRH10A04		.NUT- SUPPLIER CODE: V52828 SPECIFICATION NUMBER: BACN10JC04 OPTIONAL PART: NS202101-40 V80539 RMLH9075-40W V72962 VN303A40 V92215 96-40 V80539 T6S440J V11815 H10-04BAC V15653 -----*-----	002004 006101 107107 121503 904999	2
115	285N0040-1		.SEAL ASSY- SUPPLIER CODE: V89954	002004 006101 107107 121503 904999	1
120	285N0040-4		..SEAL- SUPPLIER CODE: V89954	002004 006101 107107 121503 904999	AR
125	285N0040-5		.SEAL ASSY- SUPPLIER CODE: V89954	002004 006101 107107 121503 904999	1
130	285N0040-8		..SEAL- SUPPLIER CODE: V89954	002004 006101 107107 121503 904999	AR

MISSING ITEM NUMBERS NOT APPLICABLE

- ITEM NOT ILLUSTRATED

26-11-00-01

26-11-00
FIG. 01
PAGE 4
JAN 20/09

BRI



757

PARTS CATALOG (MAINTENANCE)

FIG ITEM	PART NUMBER	1 2 3 4 5 6 7	NOMENCLATURE	EFFECT FROM TO	UNITS PER ASSY
1					
135	BACG20ZA350	.	GROMMET	002004 006101 107107 121503 904999	1
140	BACG20ZA325	.	GROMMET	002004 006101 107107 121503 904999	1
145	BACC49A1	.	CLAMP SUPPLIER CODE: V09922 SPECIFICATION NUMBER: BACC49A1 OPTIONAL PART: FAB278 V15805 H28-1 V34941 UP103 V6E102	107107	2
145	H49-2	.	CLAMP SUPPLIER CODE: V34941 SPECIFICATION NUMBER: BACC49A2 OPTIONAL PART: MF104-2 V6E102	002004 006101 121503 904999	2
150	H21-1	.	SPACER SUPPLIER CODE: V34941 SPECIFICATION NUMBER: BACS18AR1 OPTIONAL PART: FAB276A V15805 YHLZ1C2 V09922	107107	1
155	285N0031-3	.	TRACK-TERM. BLOCK SUPPLIER CODE: V89954 ALTERED FROM PART NUMBER: BACT44A0770U	002004 006101 107107 121503 904999	1

MISSING ITEM NUMBERS NOT APPLICABLE

- ITEM NOT ILLUSTRATED

BRI

26-11-00-01

26-11-00
FIG. 01
PAGE 5
JAN 20/09



757

PARTS CATALOG (MAINTENANCE)

FIG ITEM	PART NUMBER	1 2 3 4 5 6 7	NOMENCLATURE	EFFECT FROM TO	UNITS PER ASSY
1			ATTACHING PARTS		
- 160	NAS1801-06-6		.SCREW	002004 006101 107107 121503 904999	4
165	NAS1801-04-6		-----*----- .SCREW	002004 006101 107107 121503 904999	20
170	AN960-4		.WASHER	002004 006100 107107 121503 904999	20
170	NAS1149FN432P		.WASHER	101101	20
175	AN960PD416		..WASHER-	002004 006100 107107 121503 904999	1
175	AN960JD416		..WASHER-	002004 006100 107107 121503 904999	1
175	NAS1149D0463J		..WASHER	101101	1
180	BRH10A04		.NUT	002004 006100 107107 121503 904999	20
			SUPPLIER CODE: V52828		
			SPECIFICATION NUMBER: BACN10JC04		
			OPTIONAL PART: NS202101-40		
			V80539		
			RMLH9075-40W		
			V72962		
			VN303A40		
			V92215		
			96-40		
			V80539		
			T6S440J		
			V11815		
			H10-04BAC		
			V15653		

MISSING ITEM NUMBERS NOT APPLICABLE

- ITEM NOT ILLUSTRATED

26-11-00-01

26-11-00
FIG. 01
PAGE 6
JAN 20/09

BRI



757

PARTS CATALOG (MAINTENANCE)

FIG ITEM	PART NUMBER	1 2 3 4 5 6 7	NOMENCLATURE	EFFECT FROM TO	UNITS PER ASSY
1 180	BRH10C04D	.NUT	SUPPLIER CODE: V52828 SPECIFICATION NUMBER: BACN10JC04CD OPTIONAL PART: H51650-04BAC V15653 102LH9075-40W V72962 NS202486-40 V80539 T6C440JCD V11815 T6C440JCD V11815	101101	20
185	MS21042L3	.NUT		002004 006101 107107 121503 904999	6
190	VNS1924CA1-8	.STUD	SUPPLIER CODE: V5M902 SPECIFICATION NUMBER: BACS53B1EA1 OPTIONAL PART: VNS1924CA3-1-8 V92215	002004 006101 107107 121503 904999	6
200	284N0034-8	.PLATE-COVER		002004 006101 107107 121503 904999	1
205	285N0031-2	.CARDGUIDE ASSY-	SUPPLIER CODE: V89954	107107	1
205	285N0031-16	.CARDGUIDE ASSY-	SUPPLIER CODE: V89954	002004 006100 121503 904999	1
205	285N0031-41	.CARDGUIDE ASSY-	SUPPLIER CODE: V89954	101101	1

MISSING ITEM NUMBERS NOT APPLICABLE

- ITEM NOT ILLUSTRATED

BRI

26-11-00-01

BOEING PROPRIETARY - Copyright © - Unpublished Work - See title page for details.

26-11-00
FIG. 01
PAGE 7
JAN 20/09



757

PARTS CATALOG (MAINTENANCE)

FIG ITEM	PART NUMBER	1 2 3 4 5 6 7	NOMENCLATURE	EFFECT FROM TO	UNITS PER ASSY
1					
210	VNS1924CA1-8	..	STUD- SUPPLIER CODE: V5M902 SPECIFICATION NUMBER: BACS53B1EA1 OPTIONAL PART: VNS1924CA3-1-8 V92215	002004 006101 107107 121503 904999	1
215	MS21042L3	..	NUT	002004 006101 107107 121503 904999	1
220	740A21-4	..	JUMPER ASSY- SUPPLIER CODE: V91812 SPECIFICATION NUMBER: BACJ40A21-4 OPTIONAL PART: TJEJ40A21-4 V33483 RBEJ21-4 V1GK47	002004 006101 107107 121503 904999	1
223	NAS1801-06-4	..	SCREW	002004 006101 107107 121503 904999	12
229	NAS1801-04-5	..	SCREW	002004 006101 107107 121503 904999	32
238	NAS601-9P	..	SCREW	002004 006101 107107 121503 904999	1
244	BACW10EC04S	..	WASHER	101101	32
247	MS35338-40	..	WASHER	002004 006100 107107 121503 904999	2
257	285N0035-32	..	BAR ASSY-RETAINING	002004 006101 107107 121503 904999	1

MISSING ITEM NUMBERS NOT APPLICABLE

- ITEM NOT ILLUSTRATED

26-11-00-01

26-11-00
FIG. 01
PAGE 8
JAN 20/09

BRI



757

PARTS CATALOG (MAINTENANCE)

FIG ITEM	PART NUMBER	1 2 3 4 5 6 7	NOMENCLATURE	EFFECT FROM TO	UNITS PER ASSY
1			ATTACHING PARTS		
- 260	NAS603-5		.. SCREW	002004 006101 107107 121503 904999	3
263	BB839-10		-----*----- ... TERMINAL SUPPLIER CODE: V98410 SPECIFICATION NUMBER: BACT12AC8 OPTIONAL PART: R1903SN V14726 36160 V00779 51864-2 V00779	002004 006101 107107 121503 904999	1
266	CL4F		... FERRULE SUPPLIER CODE: V99862 SPECIFICATION NUMBER: BACF22U2 OPTIONAL PART: 325167 V00779	002004 006101 107107 121503 904999	1
270	285N0035-33		... CABLE	002004 006101 107107 121503 904999	1
275	285N0035-31		... BAR	002004 006101 107107 121503 904999	1
300	285N0034-23		.. PLATE-CONN SUPPLIER CODE: V89954 OPTIONAL PART: 285N0034-25 V89954	002004 006101 107107 121503 904999	1
300	285N0034-25		.. PLATE-CONN SUPPLIER CODE: V89954 OPTIONAL PART: 285N0034-23 V89954	101101	1

MISSING ITEM NUMBERS NOT APPLICABLE

- ITEM NOT ILLUSTRATED

BRI

26-11-00-01

26-11-00
FIG. 01
PAGE 9
JAN 20/09



757

PARTS CATALOG (MAINTENANCE)

FIG ITEM	PART NUMBER	1 2 3 4 5 6 7	NOMENCLATURE	EFFECT FROM TO	UNITS PER ASSY
1 305	285N0034-18	..	PLATE ASSY- SUPPLIER CODE: V89954	002004 006101 107107 121503 904999	1
310	285N0034-6	...	SEAL- SUPPLIER CODE: V89954	002004 006101 107107 121503 904999	1
315	35-1B2-12-3	...	GUIDE- SUPPLIER CODE: V18915	002004 006101 107107 121503 904999	11
- 320	AF5170-3	...	ATTACHING PARTS RIVET- SUPPLIER CODE: V53551 SPECIFICATION NUMBER: BACR15DR3P OPTIONAL PART: RV570A3 V98996 CCR274SS3 V11815 SIZE DETERMINED ON INSTL. BACR15BB2ADC	002004 006101 107107 121503 904999	22
- 320	BACR15BB2ADC	...	RIVET- SIZE DETERMINED ON INSTL. OPTIONAL PART: BACR15DR3P	002004 006101 107107 121503 904999	22
325	285N0035-26	-----*	BAR ASSY	002004 006101 107107 121503 904999	1
- 330	BACR15BA4BC	...	ATTACHING PARTS RIVET- SIZE DETERMINED ON INSTL. OPTIONAL PART: BACR15BA5DC	002004 006101 107107 121503 904999	4

MISSING ITEM NUMBERS NOT APPLICABLE

- ITEM NOT ILLUSTRATED

26-11-00-01

26-11-00
FIG. 01
PAGE 10
JAN 20/09

BRI



757

PARTS CATALOG (MAINTENANCE)

FIG ITEM	PART NUMBER	1 2 3 4 5 6 7	NOMENCLATURE	EFFECT FROM TO	UNITS PER ASSY
1					
- 330	BACR15BA5DC	...	RIVET- SIZE DETERMINED ON INSTL. OPTIONAL PART: BACR15BA4BC	002004 006101 107107 121503 904999	4
			-----*-----		
335	MS21209C0825	INSERT	002004 006101 107107 121503 904999	2
340	285N0035-16	BAR	002004 006101 107107 121503 904999	1
345	285N0035-28	...	BAR ASSY	002004 006101 107107 121503 904999	1
			ATTACHING PARTS		
- 350	BACR15BB4BC	...	RIVET- SIZE DETERMINED ON INSTL. OPTIONAL PART: BACR15BB5DC	002004 006101 107107 121503 904999	4
- 350	BACR15BB5DC	...	RIVET- SIZE DETERMINED ON INSTL. OPTIONAL PART: BACR15BB4BC	002004 006101 107107 121503 904999	4
			-----*-----		
355	MS21209C0825	INSERT	002004 006101 107107 121503 904999	2
360	MS21209C0615	INSERT	002004 006101 107107 121503 904999	4
365	285N0035-16	BAR	002004 006101 107107 121503 904999	1

MISSING ITEM NUMBERS NOT APPLICABLE

- ITEM NOT ILLUSTRATED

26-11-00-01

26-11-00
FIG. 01
PAGE 11
JAN 20/09

BRI

BOEING PROPRIETARY - Copyright © - Unpublished Work - See title page for details.



757

PARTS CATALOG (MAINTENANCE)

FIG ITEM	PART NUMBER	1 2 3 4 5 6 7	NOMENCLATURE	EFFECT FROM TO	UNITS PER ASSY
1					
370	285N0035-13	...	BAR	002004 006101 107107 121503 904999	1
375	285N0034-24	..	PLATE ASSY- SUPPLIER CODE: V89954	002004 006101 107107 121503 904999	1
380	285N0034-6	...	SEAL- SUPPLIER CODE: V89954	002004 006101 107107 121503 904999	2
385	35-1B2-12-3	...	GUIDE- SUPPLIER CODE: V18915	002004 006101 107107 121503 904999	22
- 390	AF5170-3		ATTACHING PARTS ...RIVET- SUPPLIER CODE: V53551 SPECIFICATION NUMBER: BACR15DR3P OPTIONAL PART: RV570A3 V98996 CCR274SS3 V11815 SIZE DETERMINED ON INSTL. USED ON: 285N0034-24 -----*-----	002004 006101 107107 121503 904999	44
395	285N0035-30	...	BAR ASSY- USED ON: 285N0034-24	002004 006101 107107 121503 904999	1
- 400	BACR15BA4BC		ATTACHING PARTS ...RIVET- SIZE DETERMINED ON INSTL. OPTIONAL PART: BACR15BA5DC	002004 006101 107107 121503 904999	4

MISSING ITEM NUMBERS NOT APPLICABLE

- ITEM NOT ILLUSTRATED

26-11-00-01

26-11-00
FIG. 01
PAGE 12
JAN 20/09

BRI



757

PARTS CATALOG (MAINTENANCE)

FIG ITEM	PART NUMBER	1 2 3 4 5 6 7	NOMENCLATURE	EFFECT FROM TO	UNITS PER ASSY
1					
- 400	BACR15BA5DC		...RIVET- SIZE DETERMINED ON INSTL. OPTIONAL PART: BACR15BA4BC	002004 006101 107107 121503 904999	4
			-----*-----		
405	MS21209C0825	INSERT	002004 006101 107107 121503 904999	2
410	285N0035-34	NUTPLATE- USED ON: 285N0035-30	002004 006101 107107 121503 904999	3
			ATTACHING PARTS		
- 415	NAS514P440-5	SCREW- USED ON: 285N0035-30	002004 006101 107107 121503 904999	6
			-----*-----		
420	MS21209C0420	INSERT- USED ON: 285N0035-30	002004 006101 107107 121503 904999	6
425	285N0035-16	BAR	002004 006101 107107 121503 904999	1
430	285N0035-28		...BAR ASSY	002004 006101 107107 121503 904999	1
			ATTACHING PARTS		
- 435	BACR15BA4BC		...RIVET- SIZE DETERMINED ON INSTL. OPTIONAL PART: BACR15BA5DC	002004 006101 107107 121503 904999	4

MISSING ITEM NUMBERS NOT APPLICABLE

- ITEM NOT ILLUSTRATED

BRI

26-11-00-01

BOEING PROPRIETARY - Copyright © - Unpublished Work - See title page for details.

26-11-00
FIG. 01
PAGE 13
JAN 20/09



757

PARTS CATALOG (MAINTENANCE)

FIG ITEM	PART NUMBER	1 2 3 4 5 6 7	NOMENCLATURE	EFFECT FROM TO	UNITS PER ASSY
1					
- 435	BACR15BA5DC		...RIVET- SIZE DETERMINED ON INSTL. OPTIONAL PART: BACR15BA4BC	002004 006101 107107 121503 904999	4
			-----*-----		
440	MS21209C0615	INSERT	002004 006101 107107 121503 904999	4
445	MS21209C0825	INSERT	002004 006101 107107 121503 904999	2
450	285N0035-16	BAR	002004 006101 107107 121503 904999	1
455	285N0034-13		...PLATE- SUPPLIER CODE: V89954	002004 006101 107107 121503 904999	1
460	285N0034-12		...PLATE- SUPPLIER CODE: V89954	002004 006101 107107 121503 904999	1
465	285N0034-20		..PLATE ASSY- SUPPLIER CODE: V89954	002004 006101 107107 121503 904999	1
470	285N0034-6		...SEAL- SUPPLIER CODE: V89954	002004 006101 107107 121503 904999	1
475	35-1B2-12-3		...GUIDE- SUPPLIER CODE: V18915	002004 006101 107107 121503 904999	11

MISSING ITEM NUMBERS NOT APPLICABLE

- ITEM NOT ILLUSTRATED

BRI

26-11-00-01

26-11-00
FIG. 01
PAGE 14
JAN 20/09



757

PARTS CATALOG (MAINTENANCE)

FIG ITEM	PART NUMBER	1 2 3 4 5 6 7	NOMENCLATURE	EFFECT FROM TO	UNITS PER ASSY
1			ATTACHING PARTS		
- 480	AF5170-3	...	RIVET- SUPPLIER CODE: V53551 SPECIFICATION NUMBER: BACR15DR3P OPTIONAL PART: RV570A3 V98996 CCR274SS3 V11815 SIZE DETERMINED ON INSTL. BACR15BB2ADC	002004 006101 107107 121503 904999	22
- 480	BACR15BB2ADC	...	RIVET- SIZE DETERMINED ON INSTL. OPTIONAL PART: BACR15DR3P	002004 006101 107107 121503 904999	22
485	WS1-4A6	-----*-----	...NUT SUPPLIER CODE: V04169 SPECIFICATION NUMBER: BACN10TL3A6	002004 006101 107107 121503 904999	2
- 490	BACR15BA4ADC	...	ATTACHING PARTS RIVET- SIZE DETERMINED ON INSTL.	002004 006101 107107 121503 904999	4
495	285N0035-29	-----*-----	...BAR ASSY	002004 006101 107107 121503 904999	1
- 500	BACR15BA4BC	...	ATTACHING PARTS RIVET- SIZE DETERMINED ON INSTL. OPTIONAL PART: BACR15BA5DC	002004 006101 107107 121503 904999	4
- 500	BACR15BA5DC	...	RIVET- SIZE DETERMINED ON INSTL. OPTIONAL PART: BACR15BA4BC	002004 006101 107107 121503 904999	4
			-----*-----		

MISSING ITEM NUMBERS NOT APPLICABLE

- ITEM NOT ILLUSTRATED

26-11-00-01

26-11-00
FIG. 01
PAGE 15
JAN 20/09

BRI



757

PARTS CATALOG (MAINTENANCE)

FIG ITEM	PART NUMBER	1 2 3 4 5 6 7	NOMENCLATURE	EFFECT FROM TO	UNITS PER ASSY
1					
505	MS21209C0615	INSERT	002004 006101 107107 121503 904999	6
510	MS21209C0825	INSERT	002004 006101 107107 121503 904999	2
515	285N0035-16	BAR	002004 006101 107107 121503 904999	1
520	BACR15BA4BC	...	RIVET- SIZE DETERMINED ON INSTL. OPTIONAL PART: BACR15BA5DC	002004 006101 107107 121503 904999	10
520	BACR15BA5DC	...	RIVET- SIZE DETERMINED ON INSTL. OPTIONAL PART: BACR15BA4BC	002004 006101 107107 121503 904999	10
525	NAS1801-06-10	...	SCREW	002004 006101 107107 121503 904999	4
530	NAS43DD1-24	...	SPACER	002004 006101 107107 121503 904999	4
535	MS35338-41	...	WASHER	002004 006101 107107 121503 904999	4

MISSING ITEM NUMBERS NOT APPLICABLE

- ITEM NOT ILLUSTRATED

BRI

26-11-00-01

BOEING PROPRIETARY - Copyright © - Unpublished Work - See title page for details.

26-11-00
FIG. 01
PAGE 16
JAN 20/09



**757
PARTS CATALOG (MAINTENANCE)**

FIG ITEM	PART NUMBER	1 2 3 4 5 6 7	NOMENCLATURE	EFFECT FROM TO	UNITS PER ASSY
1 540	BRH10A06		...NUT SUPPLIER CODE: V52828 SPECIFICATION NUMBER: BACN10JC06 OPTIONAL PART: H10-06BAC V15653 RMLH9075-62W V72962 VN303A62 V92215 96-62 V80539 NS202101-62 V80539 T6S632J V11815	002004 006101 107107 121503 904999	4
545	285N0034-16		...PLATE ASSY-GND SUPPLIER CODE: V89954	002004 006101 107107 121503 904999	2
550	YHLZG16-1	BLOCK-TERM. SUPPLIER CODE: V09922	002004 006101 107107 121503 904999	2
- 555	BACR15BB4BC		ATTACHING PARTSRIVET- SIZE DETERMINED ON INSTL. OPTIONAL PART: BACR15BB5DC	002004 006101 107107 121503 904999	8
- 555	BACR15BB5DC	RIVET- SIZE DETERMINED ON INSTL. OPTIONAL PART: BACR15BB4BC	002004 006101 107107 121503 904999	8
560	285N0034-17		-----*-----PLATE- SUPPLIER CODE: V89954	002004 006101 107107 121503 904999	1

MISSING ITEM NUMBERS NOT APPLICABLE

- ITEM NOT ILLUSTRATED

BRI

26-11-00-01

BOEING PROPRIETARY - Copyright © - Unpublished Work - See title page for details.

26-11-00
FIG. 01
PAGE 17
JAN 20/09



757

PARTS CATALOG (MAINTENANCE)

FIG ITEM	PART NUMBER	1 2 3 4 5 6 7	NOMENCLATURE	EFFECT FROM TO	UNITS PER ASSY
1					
565	285N0035-27	...	BAR ASSY	002004 006101 107107 121503 904999	1
570	MS21209C0615	INSERT	002004 006101 107107 121503 904999	2
575	MS21209C0825	INSERT	002004 006101 107107 121503 904999	2
580	285N0035-16	BAR	002004 006101 107107 121503 904999	1
585	285N0034-15	...	PLATE- SUPPLIER CODE: V89954	002004 006101 107107 121503 904999	1
- 600	286N1120-002		WIRE BUNDLE ASSY-	107107 121503 904949	1
- 600	286N1120-004		WIRE BUNDLE ASSY-	002004 006100 950999	1
- 600	286N1120-305		WIRE BUNDLE ASSY	101101	1
- 600	286N1120-307		WIRE BUNDLE ASSY	101101	1

MISSING ITEM NUMBERS NOT APPLICABLE

- ITEM NOT ILLUSTRATED

26-11-00-01

26-11-00
FIG. 01
PAGE 18
JAN 20/09

BRI



757

PARTS CATALOG (MAINTENANCE)

FIG ITEM	PART NUMBER	1 2 3 4 5 6 7	NOMENCLATURE	EFFECT FROM TO	UNITS PER ASSY
1 650	300055-001		.CONNECTOR- SUPPLIER CODE: V0D9V3 SPECIFICATION NUMBER: BACC65L41 OPTIONAL PART: 300055-001 V03877 192-341-0005 V26742 S1022-00833 V03877 ELECTRICAL EQUIP NUMBER: D02362 D01598 D02110 D01596 D01590 D02080 D02400 D01592 D01916 D01918	002004 006101 107107 121503 904999	10
655	300052-001		.CONNECTOR- SUPPLIER CODE: V0D9V3 SPECIFICATION NUMBER: BACC65L66 OPTIONAL PART: 200620-01 V16512 300052-001 V03877 192-366-0010 V26742 S1009-00833 V03877 ELECTRICAL EQUIP NUMBER: D04254 D01822 D02330 D04708	002004 006101 107107 121503 904999	4

MISSING ITEM NUMBERS NOT APPLICABLE

- ITEM NOT ILLUSTRATED

BRI

26-11-00-01

BOEING PROPRIETARY - Copyright © - Unpublished Work - See title page for details.

26-11-00
FIG. 01
PAGE 19
JAN 20/09



757

PARTS CATALOG (MAINTENANCE)

FIG ITEM	PART NUMBER	1 2 3 4 5 6 7	NOMENCLATURE	EFFECT FROM TO	UNITS PER ASSY
1 665	300052-001		.CONNECTOR- SUPPLIER CODE: V0D9V3 SPECIFICATION NUMBER: BACC65L66 OPTIONAL PART: 200620-01 V16512 300052-001 V03877 192-366-0010 V26742 S1009-00833 V03877 ELECTRICAL EQUIP NUMBER: D04334 D04252	002004 006100 107107 121503 904999	2
675	BACC45FN22-55P		.CONNECTOR- ELECTRICAL EQUIP NUMBER: D41944J WIRING DIAGRAM REF: 261111	101101	1
680	BACC45FN22-55S7		.RECEPTACLE- ELECTRICAL EQUIP NUMBER: D41946J WIRING DIAGRAM REF: 261111	101101	1
685	BACC45FN18-31S9		.RECEPTACLE- ELECTRICAL EQUIP NUMBER: D40946J WIRING DIAGRAM REF: 261511	101101	1
690	BACC45FN22-55S6		.RECEPTACLE- ELECTRICAL EQUIP NUMBER: D40218J WIRING DIAGRAM REF: 261511	101101	1
695	BACC45FN16-24P6		.CONNECTOR- ELECTRICAL EQUIP NUMBER: D41986J WIRING DIAGRAM REF: 261111	101101	1
700	BACC45FN14-15P		.CONNECTOR- ELECTRICAL EQUIP NUMBER: D41936J WIRING DIAGRAM REF: 261111	101101	1

MISSING ITEM NUMBERS NOT APPLICABLE

- ITEM NOT ILLUSTRATED

26-11-00-01

26-11-00
FIG. 01
PAGE 20
JAN 20/09

BRI



757

PARTS CATALOG (MAINTENANCE)

FIG ITEM	PART NUMBER	1 2 3 4 5 6 7	NOMENCLATURE	EFFECT FROM TO	UNITS PER ASSY
1 705	BACC45FN14-15P8	.	CONNECTOR- ELECTRICAL EQUIP NUMBER: D41992J WIRING DIAGRAM REF: 261121	101101	1
710	BACC45FN14-15P6	.	CONNECTOR- ELECTRICAL EQUIP NUMBER: D41940J WIRING DIAGRAM REF: 261121	101101	1
715	BACC45FN16-24S9	.	RECEPTACLE- ELECTRICAL EQUIP NUMBER: D40220J WIRING DIAGRAM REF: 261511	101101	1
- 720	YHLZ16-4	.	MODULE- SUPPLIER CODE: V09922 SPECIFICATION NUMBER: BACM15C3B OPTIONAL PART: 421120-452 V58982 TBH120452 V58982 ELECTRICAL EQUIP NUMBER: TB0069Y WIRING DIAGRAM REF: 261111	101101	5
- 725	YHLZ16-8	.	MODULE- SUPPLIER CODE: V09922 SPECIFICATION NUMBER: BACM15C3C OPTIONAL PART: 421120-454 V58982 TBH120454 V58982 ELECTRICAL EQUIP NUMBER: TB0069Z WIRING DIAGRAM REF: 261111	101101	5
- 730	286N4228-329		WIRE BUNDLE ASSY	101101	RF
735	BACC45FT22-55S	.	RECEPTACLE- ELECTRICAL EQUIP NUMBER: D41944P WIRING DIAGRAM REF: 772212	101101	1

MISSING ITEM NUMBERS NOT APPLICABLE

- ITEM NOT ILLUSTRATED

26-11-00-01

26-11-00
FIG. 01
PAGE 21
JAN 20/09

BRI



757

PARTS CATALOG (MAINTENANCE)

FIG ITEM	PART NUMBER	1 2 3 4 5 6 7	NOMENCLATURE	EFFECT FROM TO	UNITS PER ASSY
1					
- 740	286N4236-326		WIRE BUNDLE ASSY	101101	RF
745	BACC45FT22-55P7		.PLUG-	101101	1
			ELECTRICAL EQUIP NUMBER: D41946P		
			WIRING DIAGRAM REF: 261121		
- 750	286N2134-306		WIRE BUNDLE ASSY	101101	RF
755	BACC45FT18-31P9		.CONNECTOR-	101101	1
			ELECTRICAL EQUIP NUMBER: D40946P		
			WIRING DIAGRAM REF: 261511		
- 760	286N2626-304		WIRE BUNDLE ASSY	101101	RF
765	BACC45FT22-55P6		.CONNECTOR-	101101	1
			ELECTRICAL EQUIP NUMBER: D40218P		
			WIRING DIAGRAM REF: 261811		
- 770	286N4210-306		WIRE BUNDLE ASSY	101101	RF
- 770	286N4210-309		WIRE BUNDLE ASSY	101101	RF
775	BACC45FT16-24S6		.CONNECTOR-	101101	1
			ELECTRICAL EQUIP NUMBER: D41986P		
			WIRING DIAGRAM REF: 261511		
- 780	286N4230-306		WIRE BUNDLE ASSY	101101	RF
- 780	286N4230-308		WIRE BUNDLE ASSY	101101	RF
785	BACC45FT14A15S		.CONNECTOR-	101101	1
			ELECTRICAL EQUIP NUMBER: D41936P		
			WIRING DIAGRAM REF: 772212		
- 790	286N4220-305		WIRE BUNDLE ASSY	101101	RF
795	BACC45FT14-15S8		.PLUG-	101101	1
			ELECTRICAL EQUIP NUMBER: D41992P		
			WIRING DIAGRAM REF: 261122		
- 800	286N4234-308		WIRE BUNDLE ASSY	101101	RF
805	BACC45FT14A15S6		.CONNECTOR-	101101	1
			ELECTRICAL EQUIP NUMBER: D41940P		
			WIRING DIAGRAM REF: 772213		
- 810	286N2628-303		WIRE BUNDLE ASSY	101101	RF

MISSING ITEM NUMBERS NOT APPLICABLE

- ITEM NOT ILLUSTRATED

26-11-00-01

26-11-00
FIG. 01
PAGE 22
JAN 20/09

BRI



757

PARTS CATALOG (MAINTENANCE)

FIG ITEM	PART NUMBER	1 2 3 4 5 6 7	NOMENCLATURE	EFFECT FROM TO	UNITS PER ASSY
1 815	BACC45FT16-24P9		.CONNECTOR- ELECTRICAL EQUIP NUMBER: D40220P WIRING DIAGRAM REF: 261511	101101	1

MISSING ITEM NUMBERS NOT APPLICABLE

- ITEM NOT ILLUSTRATED

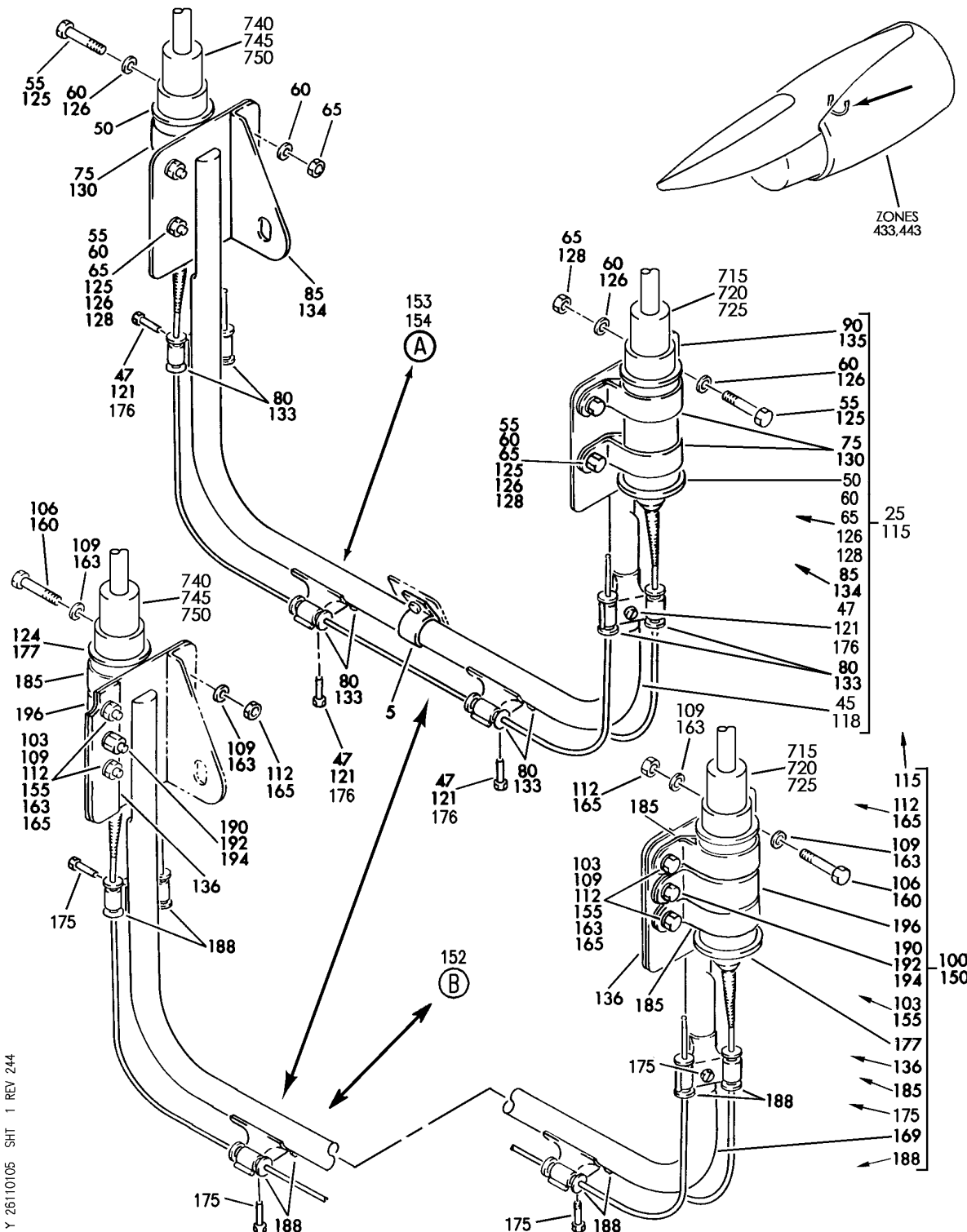
BRI

26-11-00-01

BOEING PROPRIETARY - Copyright © - Unpublished Work - See title page for details.

26-11-00
FIG. 01
PAGE 23
JAN 20/09

BOEING
757
PARTS CATALOG (MAINTENANCE)



Y 26110105 SHT 1 REV 244

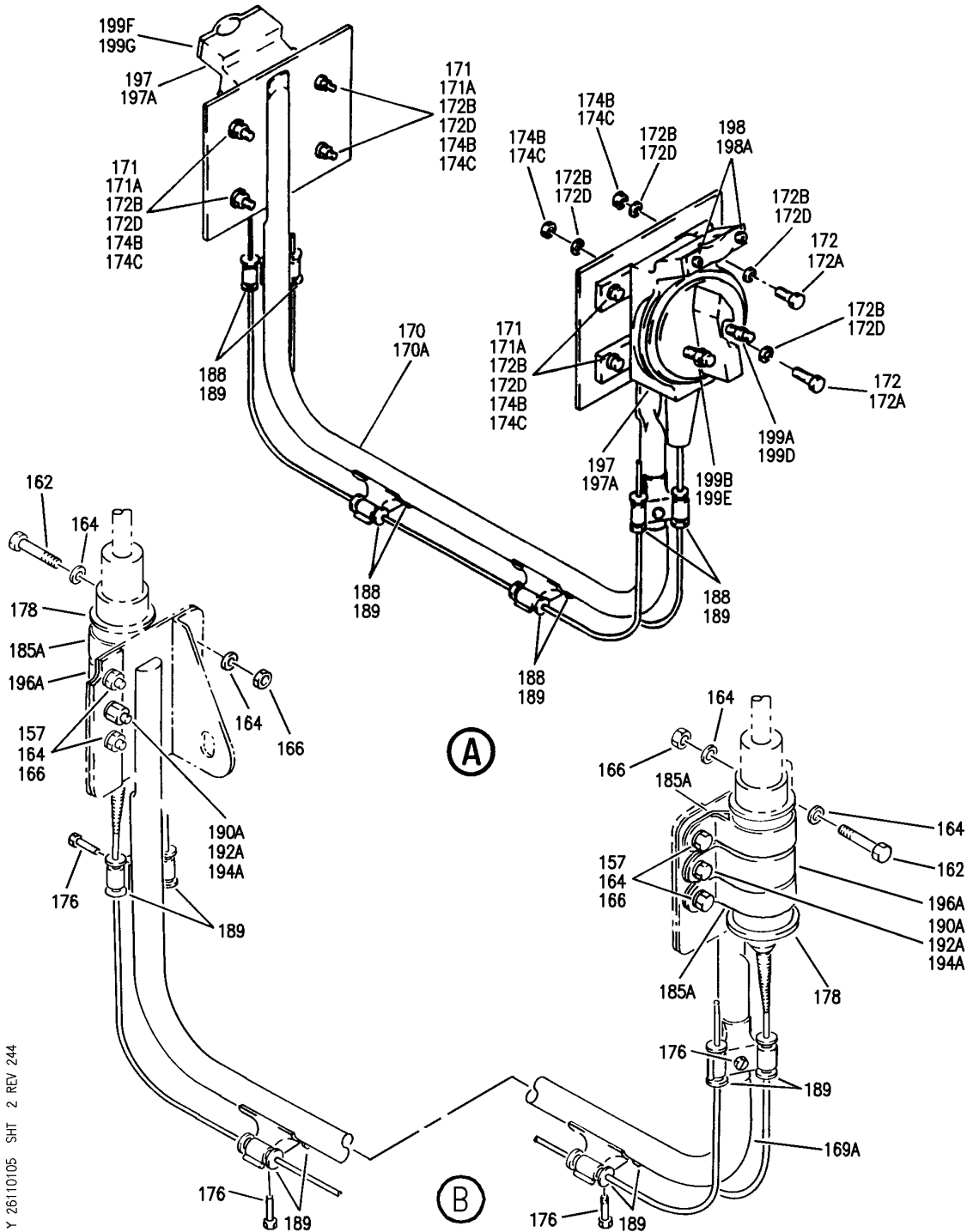
DETECTOR INSTL-NAC OVERHEAT
FIGURE 5 (SHEET 1)

26-11-01-05

BRI
MAY 28/07

26-11-01-05
PAGE 0

BOEING
757
PARTS CATALOG (MAINTENANCE)



Y 26110105 SHT 2 REV 244

DETECTOR INSTL-NAC OVERHEAT
FIGURE 5 (SHEET 2)

26-11-01-05

BRI
MAY 28/07

26-11-01-05
PAGE 0A



757

PARTS CATALOG (MAINTENANCE)

FIG ITEM	PART NUMBER	1 2 3 4 5 6 7	NOMENCLATURE	EFFECT FROM TO	UNITS PER ASSY
5			DETECTOR INSTL-NAC OVERHEAT	002004 006999	
- 1	312N5504-3		DETECTOR INSTL-NAC OVERHEAT VARIABLE	002004 006100 107107 121503 904999	RF
- 2	312N5504-9		DETECTOR INSTL-NAC OVERHEAT POSITION DATA: ENGINE POSITION 1,LH FOR NHA SEE: 71-00-01-03A	101102 108120 504903	RF
- 2	MODREF24553		DETECTOR INSTL-NAC OVERHEAT MODULE NUMBER: 312N5504-19 REV A POSITION DATA: ENGINE POSITION 1,LH	103106	1
- 4	312N5504-10		DETECTOR INSTL-NAC OVERHEAT POSITION DATA: ENGINE POSITION 2,RH FOR NHA SEE: 71-00-01-03A	101102 108120 504903	RF
- 4	MODREF24554		DETECTOR INSTL-NAC OVERHEAT VARIABLE MODULE NUMBER: 312N5504-20 REV A POSITION DATA: ENGINE POSITION 2,RH	103106	1
5	S500-8		.CLAMP- SUPPLIER CODE: V18076 SPECIFICATION NUMBER: BACC10HS08 OPTIONAL PART: 025029-08 V84971 44LC17H8PB V22175 490-08RPB V83930	002004 006999	1
- 10	NAS1802-3-7		ATTACHING PARTS .SCREW-	002004 006999	1
15	NAS1149C0332R		-----*----- .WASHER-	002004 006999	1

MISSING ITEM NUMBERS NOT APPLICABLE

- ITEM NOT ILLUSTRATED

26-11-01-05

26-11-01
FIG. 05
PAGE 1
JAN 20/09

BRI

 **BOEING**
757
PARTS CATALOG (MAINTENANCE)

FIG ITEM	PART NUMBER	1 2 3 4 5 6 7	NOMENCLATURE	EFFECT FROM TO	UNITS PER ASSY
5			ATTACHING PARTS		
- 20	PLH53C		.NUT- SUPPLIER CODE: V62554 SPECIFICATION NUMBER: BACN10YR3C OPTIONAL PART: H52732-3C V15653	002004 006999	1
100	312N5519-1		-----*----- .DETECTOR ASSY- OPTIONAL PART: 5796-01 V25693	002004 006100 107107 121503 904999	1
103	NAS1802-3-15		..SCREW- USED ON: 312N5519-1	002004 006100 107107 121503 904999	4
106	NAS1802-3-9		..SCREW- USED ON: 312N5519-1	002004 006100 107107 121503 904999	4
109	AN960C10L		..WASHER- USED ON: 312N5519-1	002004 006100 107107 121503 904999	16

MISSING ITEM NUMBERS NOT APPLICABLE

- ITEM NOT ILLUSTRATED

BRI

26-11-01-05

BOEING PROPRIETARY - Copyright © - Unpublished Work - See title page for details.

26-11-01
FIG. 05
PAGE 2
JAN 20/09



757

PARTS CATALOG (MAINTENANCE)

FIG ITEM	PART NUMBER	1 2 3 4 5 6 7	NOMENCLATURE	EFFECT FROM TO	UNITS PER ASSY
5 112	BRH10C3		..NUT- SUPPLIER CODE: V52828 SPECIFICATION NUMBER: BACN10JC3C OPTIONAL PART: T6C1032J V11815 97-02 V80539 101LH9075-3W V72962 VN303B02 V92215 NS202101S02 V80539 H31-3BAC V15653 USED ON: 312N5519-1	002004 006100 107107 121503 904999	8
115	5796		..DETECTOR ASSY-FIRE/ OVERHEAT SUPPLIER CODE: V25693 SPECIFICATION NUMBER: S332T301-42 NOT APPROVED FOR ETOPS WITHOUT INCORP OF SB: 26-0009 ELECTRICAL EQUIP NUMBER: TS05064 TS05065 TS05073 TS05074 COMPONENT MAINT MANUAL REF: 26-10-46 USED ON: 312N5519-1	002004 006100 107107 121503 904999	1
118	5797		...TUBE ASSY-SPRT SUPPLIER CODE: V25693	002004 006100 107107 121503 904999	1
121	6017-1	PIN ASSY-LOCKING SUPPLIER CODE: V25693	002004 006100 107107 121503 904999	4

MISSING ITEM NUMBERS NOT APPLICABLE

- ITEM NOT ILLUSTRATED

26-11-01-05

26-11-01
 FIG. 05
 PAGE 3
 JAN 20/09

BRI



757

PARTS CATALOG (MAINTENANCE)

FIG ITEM	PART NUMBER	1 2 3 4 5 6 7	NOMENCLATURE	EFFECT FROM TO	UNITS PER ASSY
5					
124	3601-40	...	DETECTOR ASSY-FIRE / OVERHEAT SUPPLIER CODE: V25693	002004 006100 107107 121503 904999	2
125	NAS501-3-4A	...	ATTACHING PARTS BOLT	002004 006100 107107 121503 904999	8
126	AN960C10L	...	WASHER	002004 006100 107107 121503 904999	16
128	NAS679C3	...	NUT	002004 006100 107107 121503 904999	8
130	TA01C30H16	-----*-----	CLAMP- SUPPLIER CODE: V84971	002004 006100 107107 121503 904999	4
133	3106	...	BUSHING- SUPPLIER CODE: V25693	002004 006100 107107 121503 904999	8
134	5889-1	...	BRACKET- SUPPLIER CODE: V25693	002004 006100 107107 121503 904999	1
135	5889-2	...	BRACKET- SUPPLIER CODE: V25693	002004 006100 107107 121503 904999	1
136	312N5867-9	.	SHIM-	002004 006999	AR

MISSING ITEM NUMBERS NOT APPLICABLE

- ITEM NOT ILLUSTRATED

BRI

26-11-01-05

BOEING PROPRIETARY - Copyright © - Unpublished Work - See title page for details.

26-11-01
FIG. 05
PAGE 4
JAN 20/09



757

PARTS CATALOG (MAINTENANCE)

FIG ITEM	PART NUMBER	1 2 3 4 5 6 7	NOMENCLATURE	EFFECT FROM TO	UNITS PER ASSY
5 150	5796-01	.	DETECTOR ASSY- SUPPLIER CODE: V25693 SPECIFICATION NUMBER: S332T301-240 ELECTRICAL EQUIP NUMBER: TS5064 TS5065 COMPONENT MAINT MANUAL REF: 26-10-46 OPTIONAL PART: 312N5519-1	002004 006100 107107 121503 904999	1
152	5796-01	.	DETECTOR ASSY- SUPPLIER CODE: V25693 SPECIFICATION NUMBER: S332T301-240 ELECTRICAL EQUIP NUMBER: TS5064 TS5065 COMPONENT MAINT MANUAL REF: 26-10-46	101106 108120 504903	2
155	NAS1802-3-15	..	SCREW	002004 006100 107107 121503 904999	4
157	NAS1802-3-15	..	SCREW	101106 108120 504903	4
160	NAS1802-3-9	..	SCREW	002004 006100 107107 121503 904999	4
162	NAS1802-3-9	..	SCREW	101106 108120 504903	4
163	AN960C10L	..	WASHER	002004 006100 107107 121503 904999	16
164	AN960C10L	..	WASHER	101106 108120 504903	16

MISSING ITEM NUMBERS NOT APPLICABLE

- ITEM NOT ILLUSTRATED

26-11-01-05

26-11-01
FIG. 05
PAGE 5
JAN 20/09

BRI



757

PARTS CATALOG (MAINTENANCE)

FIG ITEM	PART NUMBER	1 2 3 4 5 6 7	NOMENCLATURE	EFFECT FROM TO	UNITS PER ASSY
5					
165	NAS679C3	..	NUT	002004 006100 107107 121503 904999	8
166	NAS679C3	..	NUT	101106 108120 504903	8
169	5797-01	..	TUBE ASSY-SPRT SUPPLIER CODE: V25693	002004 006100 107107 121503 904999	1
169A	5797-01	..	TUBE ASSY-SPRT SUPPLIER CODE: V25693	101106 108120 504903	1
175	6017-1	..	PIN ASSY-LOCKING SUPPLIER CODE: V25693	002004 006100 107107 121503 904999	4
176	6017-1	..	PIN ASSY-LOCKING SUPPLIER CODE: V25693	101106 108120 504903	4
177	3601-40	..	DETECTOR ASSY-FIRE/ OVERHEAT SUPPLIER CODE: V25693	002004 006100 107107 121503 904999	1
178	3601-40	..	DETECTOR ASSY-FIRE/ OVERHEAT SUPPLIER CODE: V25693	101106 108120 504903	1
185	TA01C30H16	..	CLAMP- SUPPLIER CODE: V84971	002004 006100 107107 121503 904999	4
185A	TA01C30H16	..	CLAMP- SUPPLIER CODE: V84971	101106 108120 504903	4
188	3106	..	BUSHING- SUPPLIER CODE: V25693	002004 006100 107107 121503 904999	8
189	3106	..	BUSHING- SUPPLIER CODE: V25693	101106 108120 504903	8

MISSING ITEM NUMBERS NOT APPLICABLE

- ITEM NOT ILLUSTRATED

26-11-01-05

26-11-01
FIG. 05
PAGE 6
JAN 20/09

BRI



757

PARTS CATALOG (MAINTENANCE)

FIG ITEM	PART NUMBER	1 2 3 4 5 6 7	NOMENCLATURE	EFFECT FROM TO	UNITS PER ASSY
5					
190	MS24594C5	..	BOLT	002004 006100 107107 121503 904999	2
190A	MS24594C5	..	BOLT	101106 108120 504903	2
192	AN960C08L	..	WASHER	002004 006100 107107 121503 904999	2
192A	AN960C08L	..	WASHER	101106 108120 504903	2
194	MS21043-08	..	NUT	002004 006100 107107 121503 904999	2
194A	MS21043-08	..	NUT	101106 108120 504903	2
196	TA02005PH16	..	CLAMP- SUPPLIER CODE: V84971	002004 006100 107107 121503 904999	2
196A	TA02005PH16	..	CLAMP- SUPPLIER CODE: V84971	101106 108120 504903	2
- 200	286N3368-001		WIRE BUNDLE ASSY	002004 006010 107107 121503 904999	RF
- 200	286N3366-001		WIRE BUNDLE ASSY	002004 006010 107107 121503 904999	RF
- 200	286N3368-003		WIRE BUNDLE ASSY	011100 504903	RF
- 200	286N3368-302		WIRE BUNDLE ASSY	101102 108120	RF
- 200	286N3366-003		WIRE BUNDLE ASSY	011100 504903	RF

MISSING ITEM NUMBERS NOT APPLICABLE

- ITEM NOT ILLUSTRATED

26-11-01-05

26-11-01
FIG. 05
PAGE 7
JAN 20/09

BRI



757

PARTS CATALOG (MAINTENANCE)

FIG ITEM	PART NUMBER	1 2 3 4 5 6 7	NOMENCLATURE	EFFECT FROM TO	UNITS PER ASSY
5					
- 200	286N3366-302		WIRE BUNDLE ASSY	101102 108120	RF
- 200	286N3366-303		WIRE BUNDLE ASSY	504903	RF
- 205	MS3459KS14S5S		.PLUG- ELECTRICAL EQUIP NUMBER: D02122 WIRING DIAGRAM REF: 261112	002004 006102 107999	1
- 250	286N3366-001		WIRE BUNDLE ASSY	002004 006010 107107 121503 904999	RF
- 250	286N3368-001		WIRE BUNDLE ASSY	002004 006010 107107 121503 904999	RF
- 250	286N3368-003		WIRE BUNDLE ASSY	011100 504903	RF
- 250	286N3368-302		WIRE BUNDLE ASSY	101102 108120	RF
- 250	286N3366-003		WIRE BUNDLE ASSY	011100 504903	RF
- 250	286N3366-302		WIRE BUNDLE ASSY	101102 108120	RF
- 250	286N3366-303		WIRE BUNDLE ASSY	504903	RF
- 255	MS3459KS14S5S		.PLUG- ELECTRICAL EQUIP NUMBER: D02402 WIRING DIAGRAM REF: 261112	101102 107949	1
- 350	286N3466-001		WIRE BUNDLE ASSY	002004 006010 107107 121503 904999	RF
- 350	286N3366-003		WIRE BUNDLE ASSY	011100 504903	RF
- 350	286N3366-302		WIRE BUNDLE ASSY	101102 108120	RF
- 355	286N3468-001		WIRE BUNDLE ASSY	002004 006010 107107 121503 904999	RF
- 355	286N3368-003		WIRE BUNDLE ASSY	011100 504903	RF

MISSING ITEM NUMBERS NOT APPLICABLE

- ITEM NOT ILLUSTRATED

26-11-01-05

26-11-01
FIG. 05
PAGE 8
JAN 20/09

BRI



757

PARTS CATALOG (MAINTENANCE)

FIG ITEM	PART NUMBER	1 2 3 4 5 6 7	NOMENCLATURE	EFFECT FROM TO	UNITS PER ASSY
5					
- 355	286N3368-302		WIRE BUNDLE ASSY	101102 108120	RF
- 360	MS3459KS14S5S		.PLUG- ELECTRICAL EQUIP NUMBER: D02800 D02804 WIRING DIAGRAM REF: 261122	002004 006102 107999	1
- 700	286N3366-302		WIRE BUNDLE ASSY-(FIRE PROTECTION ONLY) POSITION DATA: LH	101102 108120	RF
- 700	286N3366-303		WIRE BUNDLE ASSY-(FIRE PROTECTION ONLY) POSITION DATA: LH	504903	RF
- 705	286N3466-302		WIRE BUNDLE ASSY-(FIRE PROTECTION ONLY) POSITION DATA: RH	101102 108120	RF
- 705	286N3466-303		WIRE BUNDLE ASSY-(FIRE PROTECTION ONLY) POSITION DATA: RH	504903	RF
715	MS3459KS14S5S		.PLUG- ELECTRICAL EQUIP NUMBER: D02122 D02800 WIRING DIAGRAM REF: 261112 261122	002004 006102 107999	1
720	5100-179-16-1		.SOCKET- SUPPLIER CODE: V14283 ELECTRICAL EQUIP NUMBER: D02122U D02800U WIRING DIAGRAM REF: 261112 261122	002004 006102 107999	1

MISSING ITEM NUMBERS NOT APPLICABLE

- ITEM NOT ILLUSTRATED

26-11-01-05

26-11-01
FIG. 05
PAGE 9
JAN 20/09

BRI



757

PARTS CATALOG (MAINTENANCE)

FIG ITEM	PART NUMBER	1 2 3 4 5 6 7	NOMENCLATURE	EFFECT FROM TO	UNITS PER ASSY
5 725	G899314S		.CLAMP- SUPPLIER CODE: V06324 SPECIFICATION NUMBER: BACC10HD14A OPTIONAL PART: G8993M14S V06324 S2251-14-30S V07418 6000-123-01 V14283 900-555F14-10 V31461 ELECTRICAL EQUIP NUMBER: D02122T D02800T WIRING DIAGRAM REF: 261112 261122	002004 006102 107999	1
- 730	286N3368-302		WIRE BUNDLE ASSY-(FIRE PROTECTION ONLY) POSITION DATA: LH	101102 108120	RF
- 730	286N3368-303		WIRE BUNDLE ASSY-(FIRE PROTECTION ONLY) POSITION DATA: LH	504903	RF
- 735	286N3468-302		WIRE BUNDLE ASSY-(FIRE PROTECTION ONLY) POSITION DATA: RH	101102 108120	RF
- 735	286N3468-303		WIRE BUNDLE ASSY-(FIRE PROTECTION ONLY) POSITION DATA: RH	504903	RF
740	MS3459KS14S5S		.PLUG- ELECTRICAL EQUIP NUMBER: D02402 D02804 WIRING DIAGRAM REF: 261112 261122	002004 006102 107999	1

MISSING ITEM NUMBERS NOT APPLICABLE

- ITEM NOT ILLUSTRATED

BRI

26-11-01-05

BOEING PROPRIETARY - Copyright © - Unpublished Work - See title page for details.

26-11-01
FIG. 05
PAGE 10
JAN 20/09



757

PARTS CATALOG (MAINTENANCE)

FIG ITEM	PART NUMBER	1 2 3 4 5 6 7	NOMENCLATURE	EFFECT FROM TO	UNITS PER ASSY
5 745	5100-179-16-1		. SOCKET- SUPPLIER CODE: V14283 ELECTRICAL EQUIP NUMBER: D02402U D02804U WIRING DIAGRAM REF: 261112 261122	002004 006102 107999	1
750	G899314S		. CLAMP- SUPPLIER CODE: V06324 SPECIFICATION NUMBER: BACC10HD14A OPTIONAL PART: G8993M14S V06324 S2251-14-30S V07418 6000-123-01 V14283 900-555F14-10 V31461 ELECTRICAL EQUIP NUMBER: D02402T D02804T WIRING DIAGRAM REF: 261112 261122	002004 006102 107999	1

MISSING ITEM NUMBERS NOT APPLICABLE

- ITEM NOT ILLUSTRATED

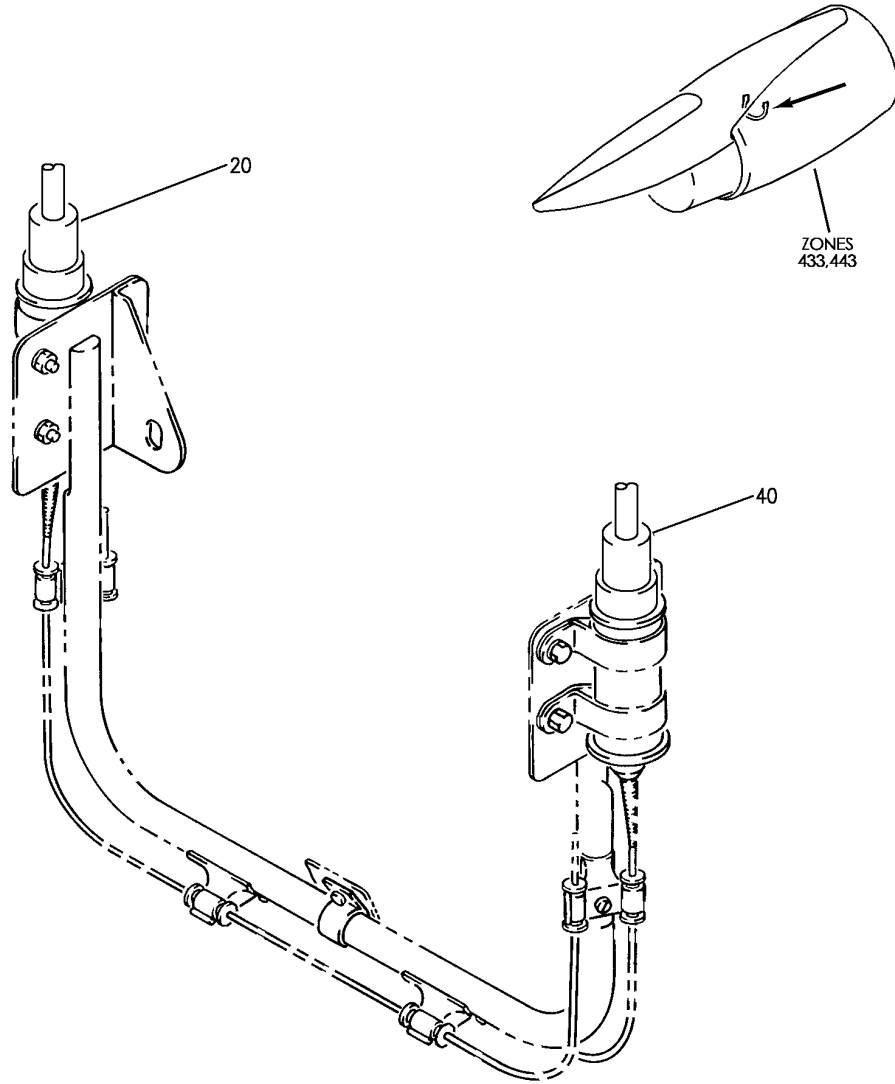
BRI

26-11-01-05

BOEING PROPRIETARY - Copyright © - Unpublished Work - See title page for details.

26-11-01
FIG. 05
PAGE 11
JAN 20/09

BOEING
757
PARTS CATALOG (MAINTENANCE)



Y 26110105A REV 257

WIRING INSTL RB211 (NAC OVERHEAT DETECTOR ONLY)
FIGURE 5A

26-11-01-05A

BRI
JAN 20/09

26-11-01-05A
PAGE 0



757

PARTS CATALOG (MAINTENANCE)

FIG ITEM	PART NUMBER	1 2 3 4 5 6 7	NOMENCLATURE	EFFECT FROM TO	UNITS PER ASSY
5A			WIRING INSTL RB211 (NAC OVERHEAT DECTECTOR ONLY)	103106	
- 1	MODREF23510		WIRING INSTL-RB211 STRUT (NAC OVERHEAT DECTECTOR ONLY) PSD INSTALLED MODULE NUMBER: 312N5250-225 REV B POSITION DATA: LH FOR OTHER SYS DETAILS SEE: 36-11-08-05 36-11-18-04A 54-51-51-04	103106	1
- 5	MODREF23511		WIRING INSTL-RB211 STRUT (NAC OVERHEAT DECTECTOR ONLY) PSD INSTALLED MODULE NUMBER: 312N5250-226 REV B POSITION DATA: RH FOR OTHER SYS DETAILS SEE: 36-11-08-05 36-11-18-04A 54-51-51-04	103106	1
- 10	286N3366-701		.WIRE BUNDLE ASSY- POSITION DATA: LH	103106	1
- 15	286N3466-701		.WIRE BUNDLE ASSY- POSITION DATA: RH	103106	1
20	MS3459KS14S5S		.PLUG- ELECTRICAL EQUIP NUMBER: D02122 D02800 WIRING DIAGRAM REF: 261112 261122	103106	1
- 30	286N3368-701		.WIRE BUNDLE ASSY- POSITION DATA: LH	103106	1
- 35	286N3468-701		.WIRE BUNDLE ASSY- POSITION DATA: RH	103106	1

MISSING ITEM NUMBERS NOT APPLICABLE

- ITEM NOT ILLUSTRATED

26-11-01-05A

26-11-01
FIG. 05A
PAGE 1
JAN 20/09

BRI



757

PARTS CATALOG (MAINTENANCE)

FIG ITEM	PART NUMBER	1 2 3 4 5 6 7	NOMENCLATURE	EFFECT FROM TO	UNITS PER ASSY
5A 40	MS3459KS14S5S		.. PLUG- ELECTRICAL EQUIP NUMBER: D02402 D02804 WIRING DIAGRAM REF: 261112 261122	103106	1

MISSING ITEM NUMBERS NOT APPLICABLE

- ITEM NOT ILLUSTRATED

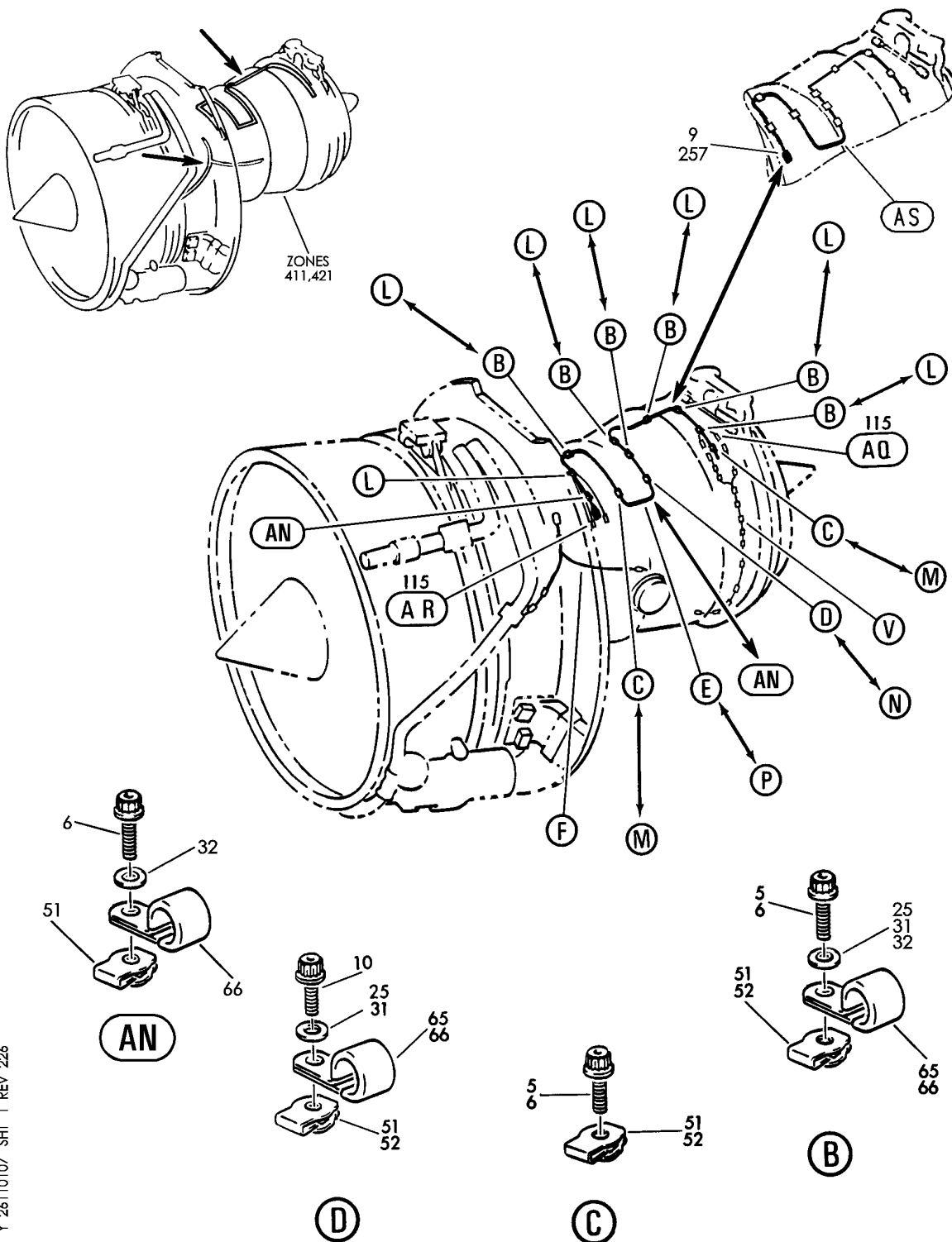
BRI

26-11-01-05A

BOEING PROPRIETARY - Copyright © - Unpublished Work - See title page for details.

26-11-01
FIG. 05A
PAGE 2
JAN 20/09

BOEING
757
PARTS CATALOG (MAINTENANCE)



Y 26110107 SHT 1 REV 226

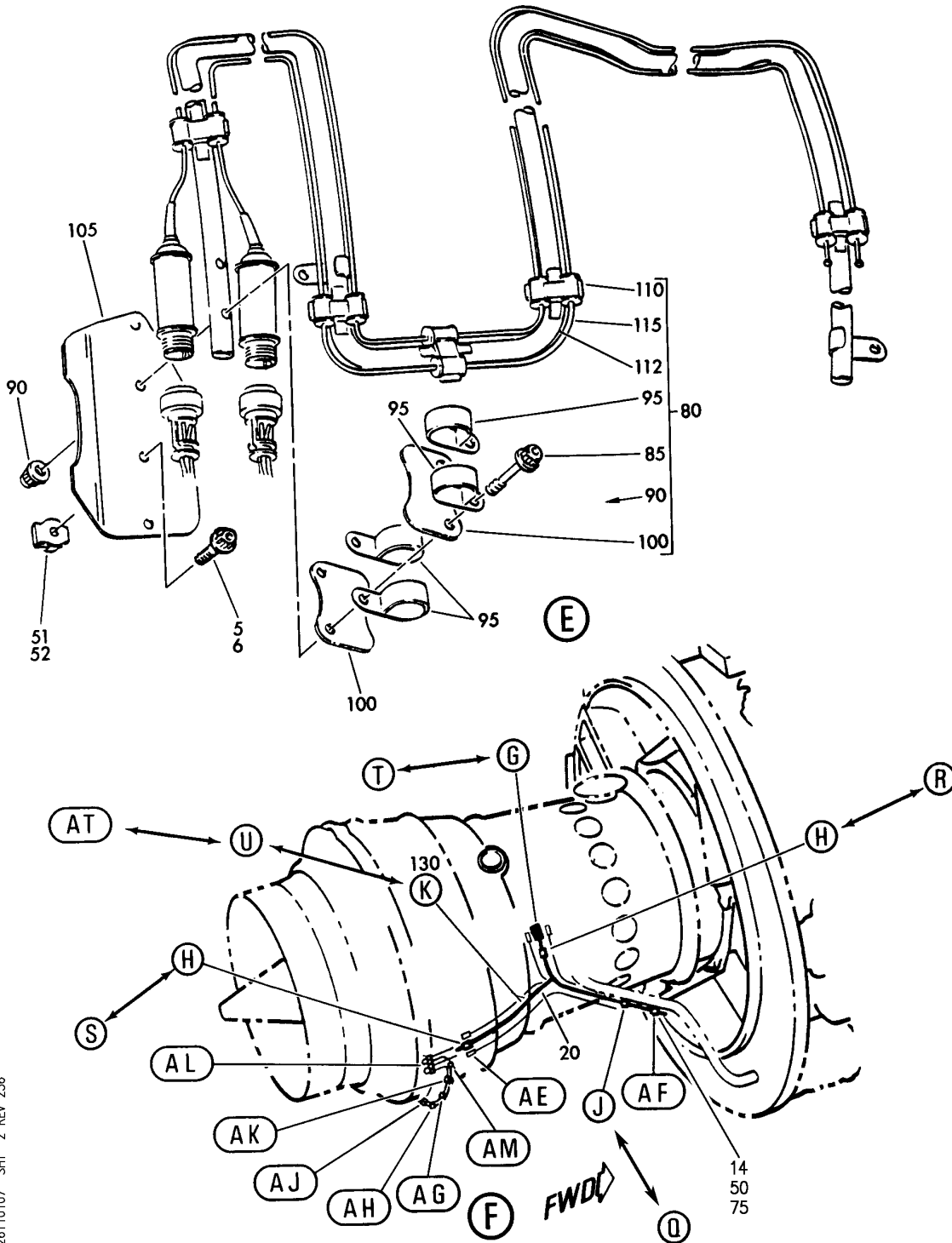
DETECTORS-FIRE AND OVERHEAT AFT (RB211-535)
FIGURE 7 (SHEET 1)

26-11-01-07

BRI
MAY 28/07

26-11-01-07
PAGE 0

BOEING
757
PARTS CATALOG (MAINTENANCE)



Y 26110107 SHT 2 REV 256

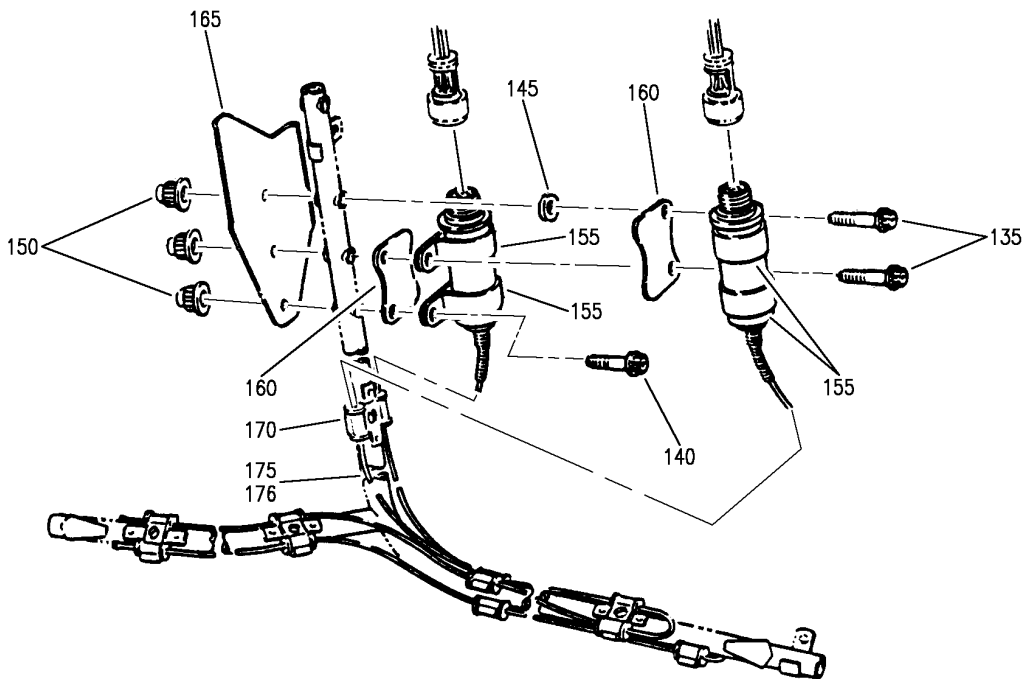
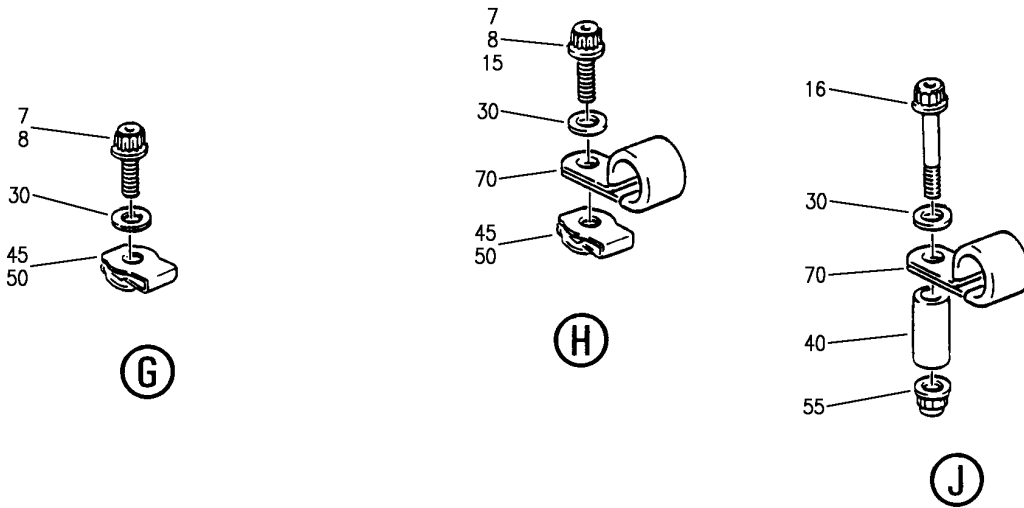
DETECTORS-FIRE AND OVERHEAT AFT (RB211-535)
FIGURE 7 (SHEET 2)

26-11-01-07

BRI
MAY 28/07

26-11-01-07
PAGE 0A

BOEING
757
PARTS CATALOG (MAINTENANCE)



Y 26110107 SHT 3 REV 27B

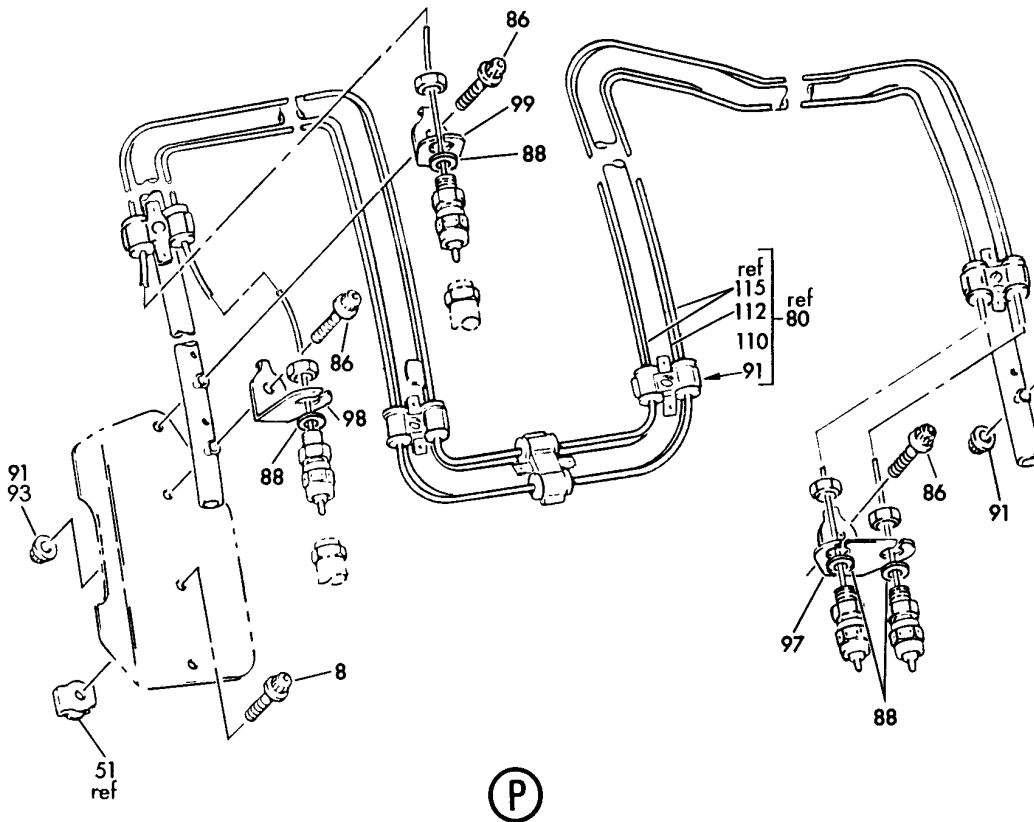
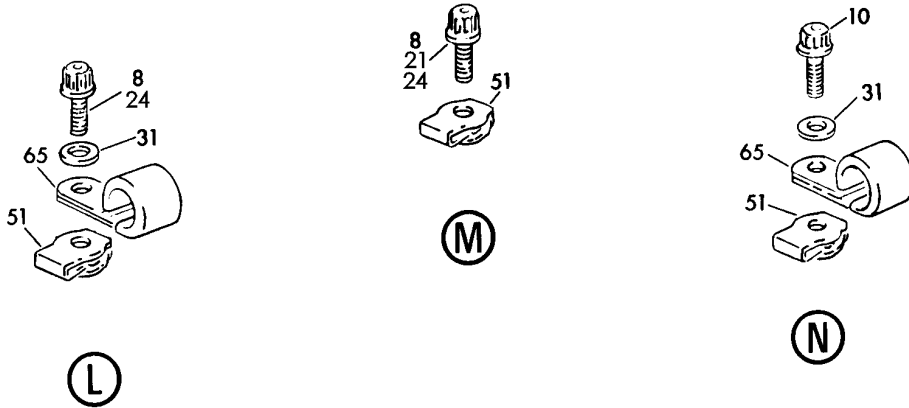
DETECTORS-FIRE AND OVERHEAT AFT (RB211-535)
FIGURE 7 (SHEET 3)

26-11-01-07

BRI
MAY 28/07

26-11-01-07
PAGE 0B

BOEING
757
PARTS CATALOG (MAINTENANCE)



Y 26110107 SHT 4 REV 228

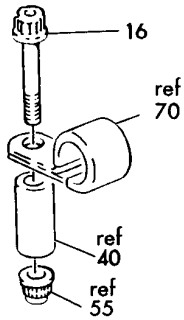
DETECTORS-FIRE AND OVERHEAT AFT (RB211-535)
FIGURE 7 (SHEET 4)

26-11-01-07

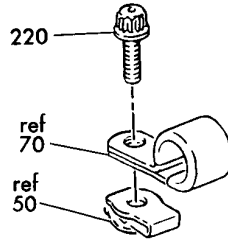
BRI
MAY 28/07

26-11-01-07
PAGE 0C

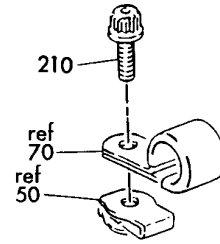
BOEING
757
PARTS CATALOG (MAINTENANCE)



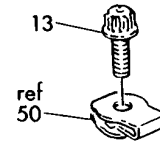
Q



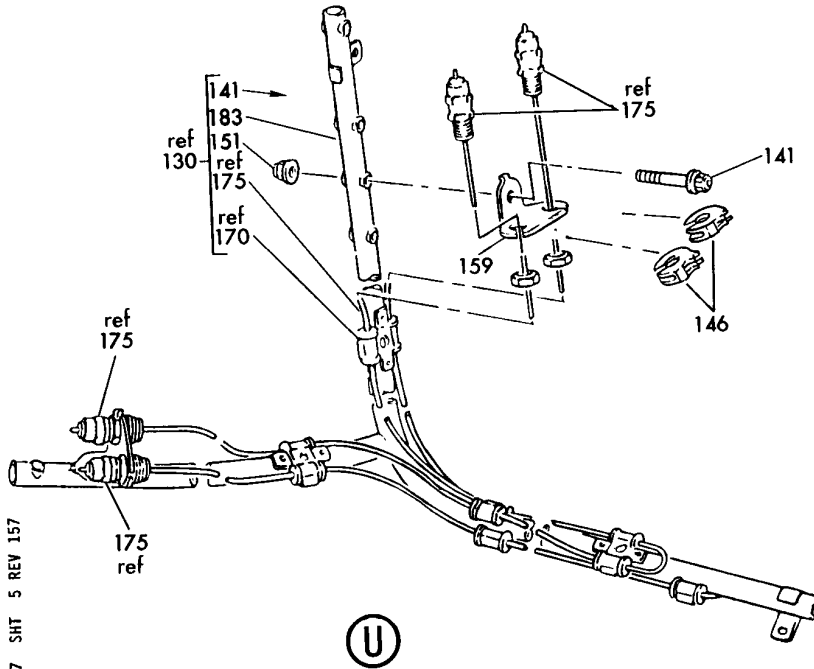
R



S



T



U

Y 26110107 SHT 5 REV 157

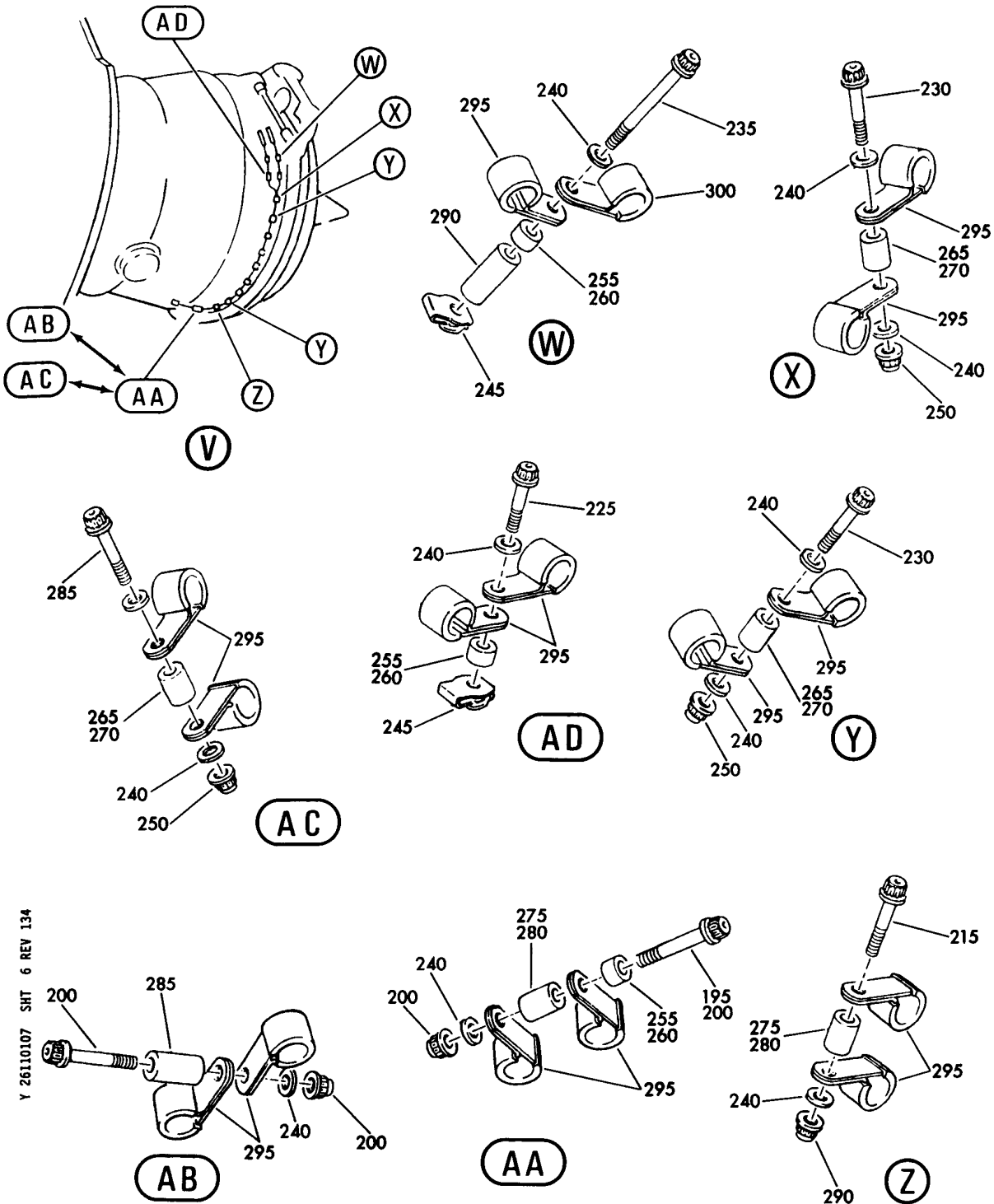
DETECTORS-FIRE AND OVERHEAT AFT (RB211-535)
FIGURE 7 (SHEET 5)

26-11-01-07

BRI
MAY 28/07

26-11-01-07
PAGE 0D

BOEING
 757
 PARTS CATALOG (MAINTENANCE)

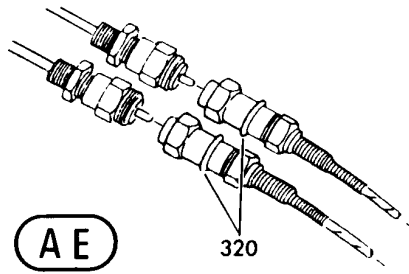


Y 26110107 SHT 6 REV 134

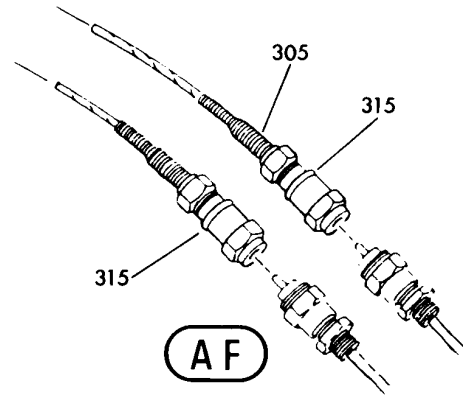
DETECTORS-FIRE AND OVERHEAT AFT (RB211-535)
 FIGURE 7 (SHEET 6)

26-11-01-07

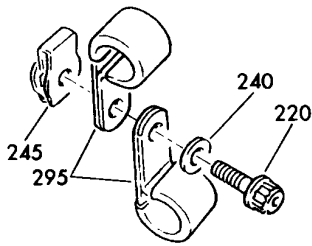
BOEING
757
PARTS CATALOG (MAINTENANCE)



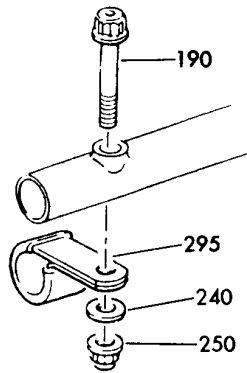
AE



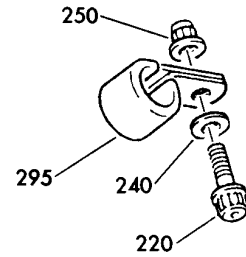
AF



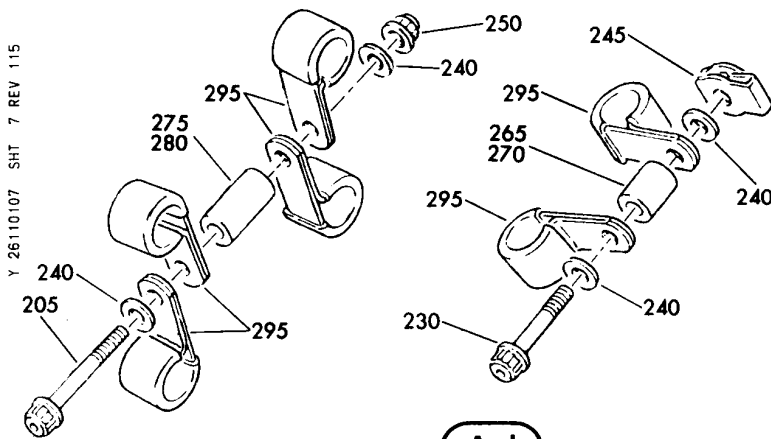
AL



AM

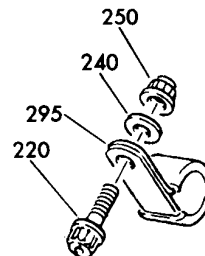


AG



AK

AJ



AH

Y 26110107 SHT 7 REV 115

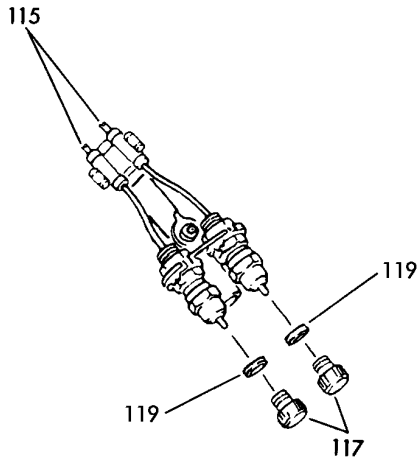
DETECTORS-FIRE AND OVERHEAT AFT (RB211-535)
FIGURE 7 (SHEET 7)

26-11-01-07

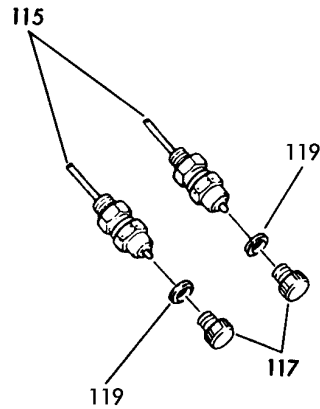
BRI
MAY 28/07

26-11-01-07
PAGE OF

BOEING
757
PARTS CATALOG (MAINTENANCE)



AQ



AR

Y 26110107 SHT 8 REV 221

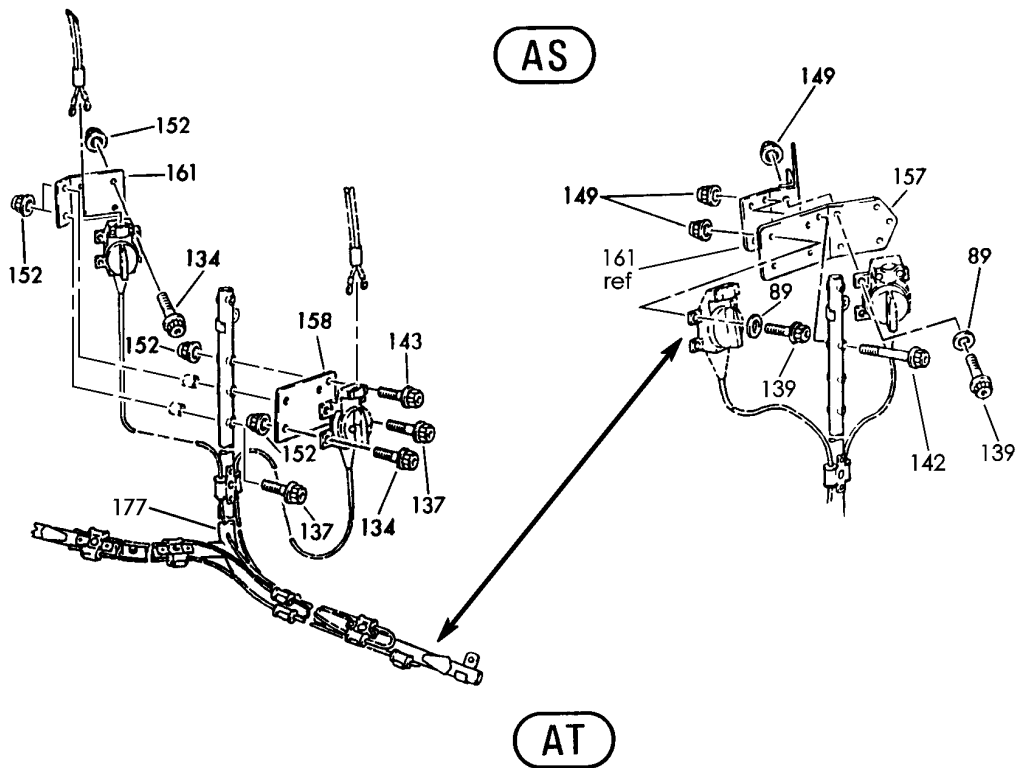
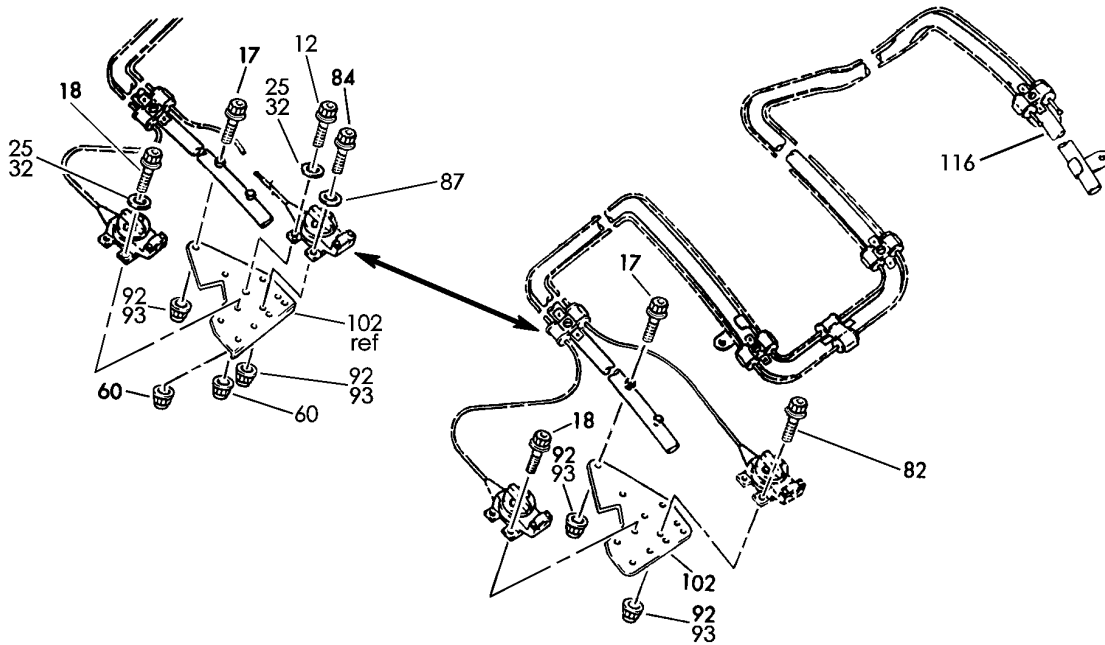
DETECTORS-FIRE AND OVERHEAT AFT (RB211-535)
FIGURE 7 (SHEET 8)

26-11-01-07

BRI
MAY 28/07

26-11-01-07
PAGE 0G

BOEING
757
PARTS CATALOG (MAINTENANCE)



Y 26110107 SHT 9 REV 228

DETECTORS-FIRE AND OVERHEAT AFT (RB211-535)
FIGURE 7 (SHEET 9)

26-11-01-07

BRI
MAY 28/07

26-11-01-07
PAGE 0H



757

PARTS CATALOG (MAINTENANCE)

FIG ITEM	PART NUMBER	1 2 3 4 5 6 7	NOMENCLATURE	EFFECT FROM TO	UNITS PER ASSY
7			DETECTORS-FIRE AND OVERHEAT	002004	
- 1	UL19722		AFT (RB211-535)	006999	
			ENGINE ASSY-Q.E.C.U.	107107	RF
			RB211-535E43711		
			MAXIMUM NEUT		
			SUPPLIER CODE:		
			VK0680		
			FOR NHA/OTHER SYS DET SEE:		
			71-00-02-04		
- 1	UL20697		ENGINE ASSY-Q.E.C.U.	121503	RF
			RB211-535E43711	904949	
			MAXIMUM NEUT WITH	952999	
			GRAVINER FIRE DETECTORS,		
			BAYONET MCD,		
			NON-MODULATED IDG		
			COOLING 40,000 LB THRUST		
			SUPPLIER CODE:		
			VK0680		
			REFERENCE SERVICE BULLETIN:		
			71-0058R4		
			QUALIFIED SB I/W DATA:		
			INTERMIX OF ONE OR		
			SUBSTITUTION OF TWO		
			DIFFERENT CONFIGURATION		
			RB211-535E4-37/()		
			ENGINES FOR RB211-535		
			E4 BASE ENGINES		
			REFERENCE SERVICE BULLETIN:		
			RB211-72-C547		
			VK0680		
			FOR NHA/OTHER SYS DET SEE:		
			71-00-02-04		

MISSING ITEM NUMBERS NOT APPLICABLE

- ITEM NOT ILLUSTRATED

BRI

26-11-01-07

BOEING PROPRIETARY - Copyright © - Unpublished Work - See title page for details.

26-11-01
FIG. 07
PAGE 1
JAN 20/09



757

PARTS CATALOG (MAINTENANCE)

FIG ITEM	PART NUMBER	1 2 3 4 5 6 7	NOMENCLATURE	EFFECT FROM TO	UNITS PER ASSY
7 - 1	UL20698		ENGINE ASSY-Q.E.C.U. RB211-535E43712 MAXIMUM NEUT SUPPLIER CODE: VK0680 REFERENCE SERVICE BULLETIN: 71-0058R7 QUALIFIED SB I/W DATA: INTERMIX OF ONE OR SUBSTITUTION OF TWO DIFFERENT CONFIGURATION RB211-535E4-37/() ENGINES FOR RB211-535E4 BASE ENGINES OR DIFFERENT CONFIGURATION RB211-535E4-B-37/() ENGINES FOR RB211-535E4-B BASE ENGINES REFERENCE SERVICE BULLETIN: RB211-72C547 VK0680 RB211-72-8910 VK0680 POST RAPID REVISION: RR92014-183A-RC-E FOR NHA/OTHER SYS DET SEE: 71-00-02-04	002004 006100 102102	RF
- 1	UL20702		ENGINE ASSY-Q.E.C.U. RB211-535E43711 BASIC ENG CONFIGURATION WITH GRAVINER FIRE DETECTORS, BAYONET MCD, NON-MODULATED IDG COOLING 40,100 LB THRUST SUPPLIER CODE: VK0680 FOR NHA/OTHER SYS DET SEE: 71-00-02-10	504903	RF
- 1	UL36209		ENGINE ASSY-Q.E.C.U. RB211-535E43719 MAXIMUM NEUT SUPPLIER CODE: VK0680 FOR NHA/OTHER SYS DET SEE: 71-00-02-04	950951	RF

MISSING ITEM NUMBERS NOT APPLICABLE

- ITEM NOT ILLUSTRATED

26-11-01-07

26-11-01
FIG. 07
PAGE 2
JAN 20/09

BRI



757

PARTS CATALOG (MAINTENANCE)

FIG ITEM	PART NUMBER	1 2 3 4 5 6 7	NOMENCLATURE	EFFECT FROM TO	UNITS PER ASSY
7 -	3 BCREF17395		ENGINE ASSY-Q.E.C.U. RB211-535E43739 BASIC ENG CONFIGURATION AND PHASE 5 COMBUSTOR 40,100 LB THRUST SUPPLIER CODE: VK0680 OVERLENGTH PART NUMBER: RB211-535E4-37-39E FOR NHA/OTHER SYS DET SEE: 71-00-02-10	108120	RF
-	3 BCREF17101		ENGINE ASSY-Q.E.C.U. RB211-535E43744 BASIC ENG CONFIGURATION, BAYONET MCD AND PHASE 5 COMBUSTOR 40,100 LB THRUST SUPPLIER CODE: VK0680 OVERLENGTH PART NUMBER: RB211-535E4-3744E FOR NHA/OTHER SYS DET SEE: 71-00-02-10	103106	RF
-	3 UL38163		ENGINE ASSY-Q.E.C.U. RB211-535E43724 BASIC ENG CONFIGURATION, BAYONET MCD, 40,100 LB THRUST SUPPLIER CODE: VK0680 FOR NHA/OTHER SYS DET SEE: 71-00-02-10	101101	RF
-	4 UL19086		. FIRE DETECTION SYSTEM- SUPPLIER CODE: VK0680 POST SERVICE BULLETIN: 26-7205PT01 VK0680	107107 121949 952999	RF
-	4 UL27438		. FIRE DETECTION SYSTEM- SUPPLIER CODE: VK0680 POST SERVICE BULLETIN: 26-9064PT01 VK0680	101101 103106 108120 950951	RF
	6 AS21407		.. BOLT- POST SERVICE BULLETIN: 26-8032PTA VK0680	002004 006106 108120 950951	10

MISSING ITEM NUMBERS NOT APPLICABLE

- ITEM NOT ILLUSTRATED

26-11-01-07

26-11-01
FIG. 07
PAGE 3
JAN 20/09

BRI



757

PARTS CATALOG (MAINTENANCE)

FIG ITEM	PART NUMBER	1 2 3 4 5 6 7	NOMENCLATURE	EFFECT FROM TO	UNITS PER ASSY
7					
8	AS21407	..	BOLT- POST SERVICE BULLETIN: 26-9064PT01 VK0680	002004 006106 108120 950951	3
9	AS21414	..	BOLT- POST SERVICE BULLETIN: 72-C230PT01 VK0680	103106 108120	1
10	AS21409	..	BOLT-	002004 006100 102102 107107 121949 952999	1
- 11	AS21407	..	BOLT- PRE SERVICE BULLETIN: 26-8032 VK0680	002004 006106 108120 950951	9
12	AS21419	..	BOLT- POST SERVICE BULLETIN: 26-9064PT01 VK0680	101101 103106 108120 950951	2
13	AS21407	..	BOLT- POST SERVICE BULLETIN: 26-7205PT01 VK0680	107107 121949 952999	1
14	AS21408	..	BOLT- POST SERVICE BULLETIN: 72-D352PT01 VK0680	103106 108120	1
16	AS21418	..	BOLT- PRE SERVICE BULLETIN: 72-D352 VK0680	002004 006999	1
16	AS21412	..	BOLT- POST SERVICE BULLETIN: 72-D352PT01 VK0680	103106 108120	1
17	AS21416	..	BOLT- POST SERVICE BULLETIN: 26-8875PT01 VK0680	101101 103106 108120 950951	2
18	AS21411	..	BOLT- POST SERVICE BULLETIN: 26-9064PT01 VK0680	101101 103106 108120 950951	1
20	AS21416	..	BOLT	002004 006999	1

MISSING ITEM NUMBERS NOT APPLICABLE

- ITEM NOT ILLUSTRATED

26-11-01-07

26-11-01
FIG. 07
PAGE 4
JAN 20/09

BRI



757

PARTS CATALOG (MAINTENANCE)

FIG ITEM	PART NUMBER	1 2 3 4 5 6 7	NOMENCLATURE	EFFECT FROM TO	UNITS PER ASSY
7 21	AS21407	..	BOLT- POST SERVICE BULLETIN: 26-7205PT01 VK0680 PRE SERVICE BULLETIN: 26-8032 VK0680	107107 121949 952999	3
24	AS21407	..	BOLT- POST SERVICE BULLETIN: 26-8032PTA VK0680	107107 121949 952999	4
25	K8831	..	WASHER- SUPPLIER CODE: VK0680 POST SERVICE BULLETIN: 26-9064PT01 VK0680	101102 108120	12
30	K8831	..	WASHER- SUPPLIER CODE: VK0680 POST SERVICE BULLETIN: 26-7205PT01 VK0680 26-9210PT01 VK0680	002004 006102 107107 121999	4
31	K8831	..	WASHER- SUPPLIER CODE: VK0680 POST SERVICE BULLETIN: 26-8032PTA VK0680 PRE SERVICE BULLETIN: 26-8032 VK0680	002004 006100 102102 107107 121949 952999	8
31	K8831	..	WASHER- SUPPLIER CODE: VK0680 POST SERVICE BULLETIN: 26-7205PT01 VK0680 PRE SERVICE BULLETIN: 26-8032 VK0680	107107 121949 952999	8
32	K8831	..	WASHER- SUPPLIER CODE: VK0680 POST SERVICE BULLETIN: 26-9064PT01 VK0680	101101 103106 108120 950951	11

MISSING ITEM NUMBERS NOT APPLICABLE

- ITEM NOT ILLUSTRATED

BRI

26-11-01-07

26-11-01
FIG. 07
PAGE 5
JAN 20/09



757

PARTS CATALOG (MAINTENANCE)

FIG ITEM	PART NUMBER	1 2 3 4 5 6 7	NOMENCLATURE	EFFECT FROM TO	UNITS PER ASSY
7					
35	K8831		.. WASHER- SUPPLIER CODE: VK0680 POST SERVICE BULLETIN: 26-9210PT01 VK0680	103106 108120	3
40	UP10478		.. SPACER- SUPPLIER CODE: VK0680 POST SERVICE BULLETIN: 72-D352PT01 VK0680	103106 108120	1
40	UP10480		.. SPACER- SUPPLIER CODE: VK0680 PRE SERVICE BULLETIN: 72-D352 VK0680	002004 006999	1
45	AS41104		.. NUT- POST SERVICE BULLETIN: 26-9210PT01 VK0680	101101 103106 108120 950951	2
50	AS20624		.. NUT- POST SERVICE BULLETIN: 72-D352PT01 VK0680	103106 108120	2
50	AS41104		.. NUT-	002004 006100 102102 107107 121949 952999	3
51	AS41104		.. NUT- POST SERVICE BULLETIN: 26-9064PT01 VK0680 26-7205PT01 VK0680 PRE SERVICE BULLETIN: 26-8032 VK0680	101101 103999	10
52	AS41104		.. NUT- POST SERVICE BULLETIN: 26-8032PTA VK0680	002004 006100 102102 107107 121949 952999	11

MISSING ITEM NUMBERS NOT APPLICABLE

- ITEM NOT ILLUSTRATED

BRI

26-11-01-07

26-11-01
FIG. 07
PAGE 6
JAN 20/09



757

PARTS CATALOG (MAINTENANCE)

FIG ITEM	PART NUMBER	1 2 3 4 5 6 7	NOMENCLATURE	EFFECT FROM TO	UNITS PER ASSY
7					
- 53	AS41104	..	NUT- PRE SERVICE BULLETIN: 26-8032 VK0680	002004 006100 102102 107107 121949 952999	10
55	AS20624	..	NUT- PRE SERVICE BULLETIN: 72-D352 VK0680	002004 006999	1
60	AS20624	..	NUT- POST SERVICE BULLETIN: 26-9064PT01 VK0680	101101 103106 108120 950951	3
65	UL12509	..	CLIP- SUPPLIER CODE: VK0680 POST SERVICE BULLETIN: 26-7205PT01 VK0680 PRE SERVICE BULLETIN: 26-8032 VK0680	107107 121949 952999	7
66	UL12509	..	CLIP- SUPPLIER CODE: VK0680 POST SERVICE BULLETIN: 26-8032PTA VK0680	002004 006999	8
- 67	UL12509	..	CLIP- SUPPLIER CODE: VK0680 PRE SERVICE BULLETIN: 26-8032 VK0680	002004 006999	7
70	400WSS8	..	CLIP- SUPPLIER CODE: V83930 PRE SERVICE BULLETIN: 72-D352 VK0680	002004 006999	3
75	400WSS8	..	CLIP- SUPPLIER CODE: V83930 POST SERVICE BULLETIN: 72-D352PT01 VK0680	103106 108120	4

MISSING ITEM NUMBERS NOT APPLICABLE

- ITEM NOT ILLUSTRATED

26-11-01-07

26-11-01
FIG. 07
PAGE 7
JAN 20/09

BRI

BOEING PROPRIETARY - Copyright © - Unpublished Work - See title page for details.



757

PARTS CATALOG (MAINTENANCE)

FIG ITEM	PART NUMBER	1 2 3 4 5 6 7	NOMENCLATURE	EFFECT FROM TO	UNITS PER ASSY
7					
80	UL16581	..	SENSOR ASSY-FIRE COMBUSTION AND TURB CASE SUPPLIER CODE: VK0680 POSITION DATA: ZONE 3 UPR	002004 006100 102102	1
80	UL16580	..	SENSOR ASSY-FIRE COMBUSTION AND TURB CASE SUPPLIER CODE: VK0680 POSITION DATA: ZONE 3 UPR POST SERVICE BULLETIN: 26-7205PT01 VK0680	107107 121949 952999	1
80	UL26039	..	SENSOR ASSY-FIRE COMBUSTION AND TURB CASE SUPPLIER CODE: VK0680 POSITION DATA: ZONE 3 UPR POST SERVICE BULLETIN: 26-9064PT01 VK0680	002004 006101 950951	1
80	UL39033	..	SENSOR ASSY-FIRE COMBUSTION AND TURB CASE SUPPLIER CODE: VK0680 POST SERVICE BULLETIN: 72-C230PT01 VK0680	103106 108120	1
84	AS21409	...	BOLT- POST SERVICE BULLETIN: 26-9064PT01 VK0680	101101 103106 108120 950951	5
85	AS21420	...	BOLT	002004 006100 102102	2
86	AS21416	...	BOLT- POST SERVICE BULLETIN: 26-7205PT01 VK0680	107107 121949 952999	3
88	36211-201	...	WASHER-KEY TAB SUPPLIER CODE: VK1536 POST SERVICE BULLETIN: 26-7205PT01 VK0680	107107 121949 952999	4

MISSING ITEM NUMBERS NOT APPLICABLE

- ITEM NOT ILLUSTRATED

26-11-01-07

26-11-01
FIG. 07
PAGE 8
JAN 20/09

BRI



757

PARTS CATALOG (MAINTENANCE)

FIG ITEM	PART NUMBER	1 2 3 4 5 6 7	NOMENCLATURE	EFFECT FROM TO	UNITS PER ASSY
7					
89	K8831		...WASHER- SUPPLIER CODE: VK0680 POST SERVICE BULLETIN: 26-9064PT01 VK0680	101101 103106 108120 950951	5
90	AS20624		...NUT	002004 006100 102102 107107	2
91	AS20624		...NUT- POST SERVICE BULLETIN: 26-7205PT01 VK0680	107107 121949 952999	3
93	AS20624		...NUT- POST SERVICE BULLETIN: 26-8875PT01 VK0680	101101 103106 108120 950951	9
95	TA12C59H16CC		...CLIP- SUPPLIER CODE: V84971	002004 006100 102102	4
97	36311-206		...BRACKET-SUPPORT SUPPLIER CODE: VK1536 POST SERVICE BULLETIN: 26-7205PT01 VK0680	107107 121949 952999	1
98	36311-207		...BRACKET-SUPPORT SUPPLIER CODE: VK1536 POST SERVICE BULLETIN: 26-7205PT01 VK0680	107107 121949 952999	1
99	36311-208		...BRACKET-SUPPORT SUPPLIER CODE: VK1536 POST SERVICE BULLETIN: 26-7205PT01 VK0680	107107 121949 952999	1
100	LK67306		...BRACKET- SUPPLIER CODE: VK0680	002004 006100 102102	2

MISSING ITEM NUMBERS NOT APPLICABLE

- ITEM NOT ILLUSTRATED

BRI

26-11-01-07

26-11-01
FIG. 07
PAGE 9
JAN 20/09



757

PARTS CATALOG (MAINTENANCE)

FIG ITEM	PART NUMBER	1 2 3 4 5 6 7	NOMENCLATURE	EFFECT FROM TO	UNITS PER ASSY
7 102	UL27288	...	BRACKET-FLAT SUPPLIER CODE: VK0680 POST SERVICE BULLETIN: 26-9064PT01 VK0680 PRE SERVICE BULLETIN: 72-C230 VK0680	101101 103106 108120 950951	1
102	UL39032	...	BRACKET-FLAT SUPPLIER CODE: VK0680 POST SERVICE BULLETIN: 72-C230PT01 VK0680	103106 108120	1
105	UL10843	...	PLATE-HEAT SHIELD SUPPLIER CODE: VK0680	002004 006100 102102 107107 121949 952999	1
110	3106	...	BUSHING-SPLIT SUPPLIER CODE: V25693	002004 006106 108120 950951	54
110	51476-101	...	BUSHING-SPLIT SUPPLIER CODE: VK1536 POST SERVICE BULLETIN: 26-7205PT01 VK0680	107107 121949 952999	54
115	3601-23	...	SENSOR ASSY- SUPPLIER CODE: V25693	002004 006100 102102	2
115	51236-001	...	SENSOR- SUPPLIER CODE: VK1536 POST SERVICE BULLETIN: 26-7205PT01 VK0680	107107 121949 952999	2
115	7101-27	...	SENSOR ASSY-FIRE SUPPLIER CODE: V25693 POST SERVICE BULLETIN: 26-8875PT01 VK0680	002004 006101 103106 108120 950951	2

MISSING ITEM NUMBERS NOT APPLICABLE

- ITEM NOT ILLUSTRATED

BRI

26-11-01-07

26-11-01
FIG. 07
PAGE 10
JAN 20/09



757

PARTS CATALOG (MAINTENANCE)

FIG ITEM	PART NUMBER	1 2 3 4 5 6 7	NOMENCLATURE	EFFECT FROM TO	UNITS PER ASSY
7 117	D913	CAP- SUPPLIER CODE: VK1536 POST SERVICE BULLETIN: 26-7989PTA VK0680	107107 121949 952999	4
119	3704276	WASHER- SUPPLIER CODE: VK1536 POST SERVICE BULLETIN: 26-7989PTA VK0680	107107 121949 952999	4
130	UL16582	..	SENSOR ASSY-FIRE TURBINE CASE SUPPLIER CODE: VK0680 POSITION DATA: LWR	002004 006100 102102	1
130	UL16576	..	SENSOR ASSY-FIRE TURBINE CASE SUPPLIER CODE: VK0680 POSITION DATA: LWR POST SERVICE BULLETIN: 26-7205PT01 VK0680	107107 121949 952999	1
130	UL27939	..	SENSOR ASSY-TURBINE CASE SUPPLIER CODE: VK0680 POSITION DATA: LWR POST SERVICE BULLETIN: 26-9210PT01 VK0680	002004 006101 108120 950951	1
- 132	AS21409	...	BOLT- POST SERVICE BULLETIN: 26-8875PT01 VK0680	101101 950951	8
134	AS21409	...	BOLT- POST SERVICE BULLETIN: 26-8875PT01 VK0680	103106 108120	1
135	AS21419	...	BOLT	002004 006100 102102	2

MISSING ITEM NUMBERS NOT APPLICABLE

- ITEM NOT ILLUSTRATED

BRI

26-11-01-07

26-11-01
FIG. 07
PAGE 11
JAN 20/09



757

PARTS CATALOG (MAINTENANCE)

FIG ITEM	PART NUMBER	1 2 3 4 5 6 7	NOMENCLATURE	EFFECT FROM TO	UNITS PER ASSY
7					
138	AS21417	...	BOLT- POST SERVICE BULLETIN: 26-9064PT01 VK0680	101101 103106 108120 950951	8
140	AS21417	...	BOLT	002004 006100 102102	1
141	AS21416	...	BOLT- POST SERVICE BULLETIN: 26-7205PT01 VK0680	107107 121949 952999	2
142	AS21417	...	BOLT- POST SERVICE BULLETIN: 26-9064PT01 VK0680	101101 103106 108120 950951	2
145	K20061	...	WASHER- SUPPLIER CODE: VK0680	002004 006100 102102	1
146	36211-201	...	WASHER-KEY TAB SUPPLIER CODE: VK1536 POST SERVICE BULLETIN: 26-7205PT01 VK0680	107107 121949 952999	4
149	AS20624	...	NUT- POST SERVICE BULLETIN: 26-9064PT01 VK0680	101101 103106 108120 950951	10
150	AS20624	...	NUT	002004 006100 102102	3
151	AS20624	...	NUT-SELF LOCKING POST SERVICE BULLETIN: 26-7205PT01 VK0680	107107 121949 952999	2
155	TA12C59H16CC	...	CLIP- SUPPLIER CODE: V84971	002004 006100 102102	4
157	UL27286	...	BRACKET- SUPPLIER CODE: VK0680 POST SERVICE BULLETIN: 26-9064PT01 VK0680	101101 103106 108120 950951	1

MISSING ITEM NUMBERS NOT APPLICABLE

- ITEM NOT ILLUSTRATED

BRI

26-11-01-07

26-11-01
FIG. 07
PAGE 12
JAN 20/09



757

PARTS CATALOG (MAINTENANCE)

FIG ITEM	PART NUMBER	1 2 3 4 5 6 7	NOMENCLATURE	EFFECT FROM TO	UNITS PER ASSY
7 159	36311-206	...	BRACKET- SUPPLIER CODE: VK1536 POST SERVICE BULLETIN: 26-7205PT01 VK0680	107107 121949 952999	2
160	LK67306	...	BRACKET- SUPPLIER CODE: VK0680	002004 006100 102102	2
161	UL27285	...	BRACKET- SUPPLIER CODE: VK0680 POST SERVICE BULLETIN: 26-9064PT01 VK0680	101101 103106 108120 950951	1
165	UL10839	...	PLATE-HEATSHIELD SUPPLIER CODE: VK0680	002004 006100 102102	1
170	3106	...	BUSHING-SPLIT SUPPLIER CODE: V25693	002004 006999	36
175	3601-51	...	SENSOR ASSY- SUPPLIER CODE: V25693	002004 006100 102102	2
175	51236-003	...	SENSOR ASSY- SUPPLIER CODE: VK1536 POST SERVICE BULLETIN: 26-7205PT01 VK0680	107107 121949 952999	2
175	7101-28	...	SENSOR ASSY- SUPPLIER CODE: V25693 POST SERVICE BULLETIN: 26-8875PT01 VK0680	002004 006101 103106 108120 950951	2
185	AS21417	..	BOLT- NOT APPROVED FOR ETOPS. POST SERVICE BULLETIN: 26-7205PT01 VK0680 PRE SERVICE BULLETIN: 26-8008 VK0680	107107 121949 952999	2
190	AS21417	..	BOLT- POST SERVICE BULLETIN: 26-8008PT01 VK0680	107107 121949 952999	1

MISSING ITEM NUMBERS NOT APPLICABLE

- ITEM NOT ILLUSTRATED

26-11-01-07

26-11-01
FIG. 07
PAGE 13
JAN 20/09

BRI



757

PARTS CATALOG (MAINTENANCE)

FIG ITEM	PART NUMBER	1 2 3 4 5 6 7	NOMENCLATURE	EFFECT FROM TO	UNITS PER ASSY
7 195	AS21422	..	BOLT- NOT APPROVED FOR ETOPS. POST SERVICE BULLETIN: 26-7205PT01 VK0680 PRE SERVICE BULLETIN: 26-8008 VK0680	107107 121949 952999	1
200	AS21422	..	BOLT- POST SERVICE BULLETIN: 26-8008PT01 VK0680	107107 121949 952999	2
205	AS21421	..	BOLT- POST SERVICE BULLETIN: 26-7205PT01 VK0680	107107 121949 952999	1
210	AS21407	..	BOLT- POST SERVICE BULLETIN: 26-7205PT01 VK0680	107107 121949 952999	1
215	AS21418	..	BOLT- POST SERVICE BULLETIN: 26-7205PT01 VK0680	107107 121949 952999	1
220	AS21408	..	BOLT- POST SERVICE BULLETIN: 26-7205PT01 VK0680	107107 121949 952999	4
225	AS21412	..	BOLT- POST SERVICE BULLETIN: 26-7205PT01 VK0680	107107 121949 952999	1
230	AS21416	..	BOLT- POST SERVICE BULLETIN: 26-7205PT01 VK0680	107107 121949 952999	9
235	AS21428	..	BOLT- POST SERVICE BULLETIN: 26-7205PT01 VK0680	107107 121949 952999	1
240	K8831	..	WASHER- SUPPLIER CODE: VK0680 POST SERVICE BULLETIN: 26-7205PT01 VK0680	107107 121949 952999	29

MISSING ITEM NUMBERS NOT APPLICABLE

- ITEM NOT ILLUSTRATED

26-11-01-07

26-11-01
FIG. 07
PAGE 14
JAN 20/09

BRI

BOEING PROPRIETARY - Copyright © - Unpublished Work - See title page for details.



757

PARTS CATALOG (MAINTENANCE)

FIG ITEM	PART NUMBER	1 2 3 4 5 6 7	NOMENCLATURE	EFFECT FROM TO	UNITS PER ASSY
7 245	AS41104	..	NUT- POST SERVICE BULLETIN: 26-7205PT01 VK0680	107107 121949 952999	3
250	AS20624	..	NUT- POST SERVICE BULLETIN: 26-7205PT01 VK0680	107107 121949 952999	16
255	UP10478	..	SPACER- SUPPLIER CODE: VK0680 NOT APPROVED FOR ETOPS. POST SERVICE BULLETIN: 26-7205PT01 VK0680 PRE SERVICE BULLETIN: 26-8008 VK0680	107107 121949 952999	3
257	UP10478	..	SPACER- SUPPLIER CODE: VK0680 POST SERVICE BULLETIN: 72-C230PT01 VK0680	103106 108120	1
- 260	UP10478	..	SPACER- SUPPLIER CODE: VK0680 POST SERVICE BULLETIN: 26-8008PT01 VK0680	107107 121949 952999	2
265	UP10479	..	SPACER- SUPPLIER CODE: VK0680 NOT APPROVED FOR ETOPS. POST SERVICE BULLETIN: 26-7205PT01 VK0680 PRE SERVICE BULLETIN: 26-8008 VK0680	107107 121949 952999	10
270	UP10479	..	SPACER- SUPPLIER CODE: VK0680 POST SERVICE BULLETIN: 26-8008PT01 VK0680	107107 121949 952999	9

MISSING ITEM NUMBERS NOT APPLICABLE

- ITEM NOT ILLUSTRATED

26-11-01-07

26-11-01
FIG. 07
PAGE 15
JAN 20/09

BRI



757

PARTS CATALOG (MAINTENANCE)

FIG ITEM	PART NUMBER	1 2 3 4 5 6 7	NOMENCLATURE	EFFECT FROM TO	UNITS PER ASSY
7 275	UP10480		.. SPACER- SUPPLIER CODE: VK0680 NOT APPROVED FOR ETOPS. POST SERVICE BULLETIN: 26-7205PT01 VK0680 PRE SERVICE BULLETIN: 26-8008 VK0680	107107 121949 952999	3
280	UP10480		.. SPACER- SUPPLIER CODE: VK0680 POST SERVICE BULLETIN: 26-8008PT01 VK0680	107107 121949 952999	2
285	UP10481		.. SPACER- SUPPLIER CODE: VK0680 POST SERVICE BULLETIN: 26-8008PT01 VK0680	107107 121949 952999	2
290	UP10482		.. SPACER- SUPPLIER CODE: VK0680 POST SERVICE BULLETIN: 26-7205PT01 VK0680	107107 121949 952999	1
295	UL12504		.. CLIP- SUPPLIER CODE: VK0680 POST SERVICE BULLETIN: 26-7205PT01 VK0680	107107 121949 952999	37
- 300	U440053		.. SLEEVE- SUPPLIER CODE: VK0680 MISCELLANEOUS DATA: (BLK SPIRATEMPIP) POST SERVICE BULLETIN: 26-8008PT01 VK0680	107107 121949 952999	1
305	UL17946		.. LOOM ASSY-FIRE DETECTION SENSORS NO. 3 TO NO. 4 SUPPLIER CODE: VK0680 POST SERVICE BULLETIN: 26-7205PT01 VK0680	107107 121949 952999	1

MISSING ITEM NUMBERS NOT APPLICABLE

- ITEM NOT ILLUSTRATED

26-11-01-07

26-11-01
FIG. 07
PAGE 16
JAN 20/09

BRI



757

PARTS CATALOG (MAINTENANCE)

FIG ITEM	PART NUMBER	1 2 3 4 5 6 7	NOMENCLATURE	EFFECT FROM TO	UNITS PER ASSY
7 310	UL17947		..LOOM ASSY-FIRE DETECTION SENSORS NO. 3 TO NO. 4 SUPPLIER CODE: VK0680 POST SERVICE BULLETIN: 26-7205PT01 VK0680	107107 121949 952999	1
315	51444-137		...CONNECTOR ASSY-FIRE DETECTOR ELEMENTS SUPPLIER CODE: VK1536 POST SERVICE BULLETIN: 26-7205PT01 VK0680	107107 121949 952999	1
320	51444-138		...CONNECTOR ASSY-FIRE DETECTOR ELEMENTS SUPPLIER CODE: VK1536 POST SERVICE BULLETIN: 26-7205PT01 VK0680	107107 121949 952999	1
- 325	3106086		...CABLE- SUPPLIER CODE: VK1390 POST SERVICE BULLETIN: 26-7205PT01 VK0680	107107 121949 952999	RF
- 330	U323092		...SLEEVE- SUPPLIER CODE: VK0680 OPTIONAL PART: U440261 VK0680 POST SERVICE BULLETIN: 26-7205PT01 VK0680 71-C341PTA VK0680 PRE SERVICE BULLETIN: 71-C341 VK0680	107107 121949 952999	RF

MISSING ITEM NUMBERS NOT APPLICABLE

- ITEM NOT ILLUSTRATED

BRI

26-11-01-07

26-11-01
FIG. 07
PAGE 17
JAN 20/09



757

PARTS CATALOG (MAINTENANCE)

FIG ITEM	PART NUMBER	1 2 3 4 5 6 7	NOMENCLATURE	EFFECT FROM TO	UNITS PER ASSY
7 - 330	U440261		. . . SLEEVE- SUPPLIER CODE: VK0680 OPTIONAL PART: U323092 VK0680 POST SERVICE BULLETIN: 71-C341PTA VK0680	107107 121949 952999	RF

MISSING ITEM NUMBERS NOT APPLICABLE

- ITEM NOT ILLUSTRATED

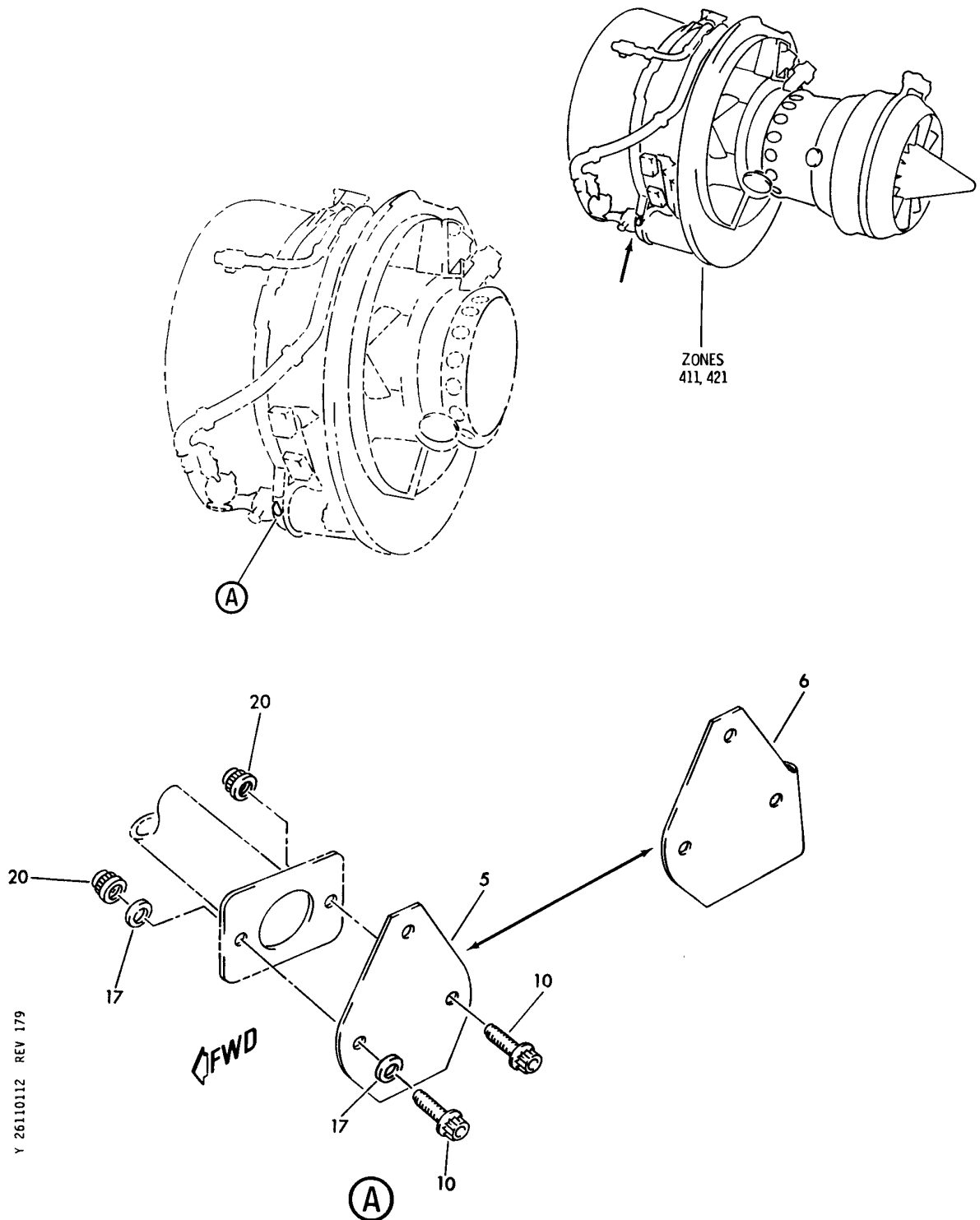
BRI

26-11-01-07

BOEING PROPRIETARY - Copyright © - Unpublished Work - See title page for details.

26-11-01
FIG. 07
PAGE 18
JAN 20/09

BOEING
757
PARTS CATALOG (MAINTENANCE)



Y 26110112 REV 179

BRACKETS-ENGINE FIRE AND OVERHEAT DETECTORS (RB211-535)
FIGURE 12

26-11-01-12

BRI
MAY 28/07

26-11-01-12
PAGE 0



757

PARTS CATALOG (MAINTENANCE)

FIG ITEM	PART NUMBER	1 2 3 4 5 6 7	NOMENCLATURE	EFFECT FROM TO	UNITS PER ASSY
12			BRACKETS-ENGINE FIRE AND OVERHEAT DETECTORS (RB211-535)	002004 006999	
- 1	UL20702		ENGINE ASSY-Q.E.C.U. RB211-535E43711 BASIC ENG CONFIGURATION WITH GRAVINER FIRE DETECTORS, BAYONET MCD, NON-MODULATED IDG COOLING 40,100 LB THRUST SUPPLIER CODE: VK0680 FOR NHA/OTHER SYS DET SEE: 71-00-02-10	504903	RF
- 1	UL19722		ENGINE ASSY-Q.E.C.U. RB211-535E43711 MAXIMUM NEUT SUPPLIER CODE: VK0680 FOR NHA/OTHER SYS DET SEE: 71-00-02-04	107107	RF
- 2	UL20697		ENGINE ASSY-Q.E.C.U. RB211-535E43711 MAXIMUM NEUT WITH GRAVINER FIRE DETECTORS, BAYONET MCD, NON-MODULATED IDG COOLING 40,000 LB THRUST SUPPLIER CODE: VK0680 REFERENCE SERVICE BULLETIN: 71-0058R4 QUALIFIED SB I/W DATA: INTERMIX OF ONE OR SUBSTITUTION OF TWO DIFFERENT CONFIGURATION RB211-535E4-37/() ENGINES FOR RB211-535 E4 BASE ENGINES REFERENCE SERVICE BULLETIN: RB211-72-C547 VK0680 FOR NHA/OTHER SYS DET SEE: 71-00-02-04	121503 904949 952999	RF

MISSING ITEM NUMBERS NOT APPLICABLE

- ITEM NOT ILLUSTRATED

BRI

26-11-01-12

26-11-01
FIG. 12
PAGE 1
JAN 20/09



757

PARTS CATALOG (MAINTENANCE)

FIG ITEM	PART NUMBER	1 2 3 4 5 6 7	NOMENCLATURE	EFFECT FROM TO	UNITS PER ASSY
12 - 2	UL20698		ENGINE ASSY-Q.E.C.U. RB211-535E43712 MAXIMUM NEUT SUPPLIER CODE: VK0680 REFERENCE SERVICE BULLETIN: 71-0058R7 QUALIFIED SB I/W DATA: INTERMIX OF ONE OR SUBSTITUTION OF TWO DIFFERENT CONFIGURATION RB211-535E4-37/() ENGINES FOR RB211-535E4 BASE ENGINES OR DIFFERENT CONFIGURATION RB211-535E4-B-37/() ENGINES FOR RB211-535E4-B BASE ENGINES REFERENCE SERVICE BULLETIN: RB211-72C547 VK0680 RB211-72-8910 VK0680 POST RAPID REVISION: RR92014-183A-RC-E FOR NHA/OTHER SYS DET SEE: 71-00-02-04	002004 006100 102102	RF
- 2	UL36209		ENGINE ASSY-Q.E.C.U. RB211-535E43719 MAXIMUM NEUT SUPPLIER CODE: VK0680 FOR NHA/OTHER SYS DET SEE: 71-00-02-04	950951	RF
- 3	BCREF17101		ENGINE ASSY-Q.E.C.U. RB211-535E43744 BASIC ENG CONFIGURATION, BAYONET MCD AND PHASE 5 COMBUSTOR 40,100 LB THRUST SUPPLIER CODE: VK0680 OVERLENGTH PART NUMBER: RB211-535E4-3744E FOR NHA/OTHER SYS DET SEE: 71-00-02-10	103106	RF

MISSING ITEM NUMBERS NOT APPLICABLE

- ITEM NOT ILLUSTRATED

26-11-01-12

26-11-01
FIG. 12
PAGE 2
JAN 20/09

BRI



757

PARTS CATALOG (MAINTENANCE)

FIG ITEM	PART NUMBER	1 2 3 4 5 6 7	NOMENCLATURE	EFFECT FROM TO	UNITS PER ASSY
12					
- 3	BCREF17395		ENGINE ASSY-Q.E.C.U. RB211-535E43739 BASIC ENG CONFIGURATION AND PHASE 5 COMBUSTOR 40,100 LB THRUST SUPPLIER CODE: VK0680 OVERLENGTH PART NUMBER: RB211-535E4-37-39E FOR NHA/OTHER SYS DET SEE: 71-00-02-10	108120	RF
- 3	UL38163		ENGINE ASSY-Q.E.C.U. RB211-535E43724 BASIC ENG CONFIGURATION, BAYONET MCD, 40,100 LB THRUST SUPPLIER CODE: VK0680 FOR NHA/OTHER SYS DET SEE: 71-00-02-10	101101	RF
5	LK82064		.BRACKET-HARNESS SUPPORT-INTEGRATED DRIVE GENERATOR SUPPLIER CODE: VK0680 PRE SERVICE BULLETIN: 79-9179 VK0680	002004 006100 102102 107107 121949 952999	1
6	UL27839		.BRACKET-HARNESS SUPPORT-INTEGRATED DRIVE GENERATOR SUPPLIER CODE: VK0680 POST SERVICE BULLETIN: 79-9179PT01 VK0680	002004 006999	1
10	AS21411		ATTACHING PARTS .BOLT-	002004 006999	2
17	K8831		.WASHER- SUPPLIER CODE: VK0680	002004 006999	2
20	AS20624		.NUT -----*-----	002004 006999	2

MISSING ITEM NUMBERS NOT APPLICABLE

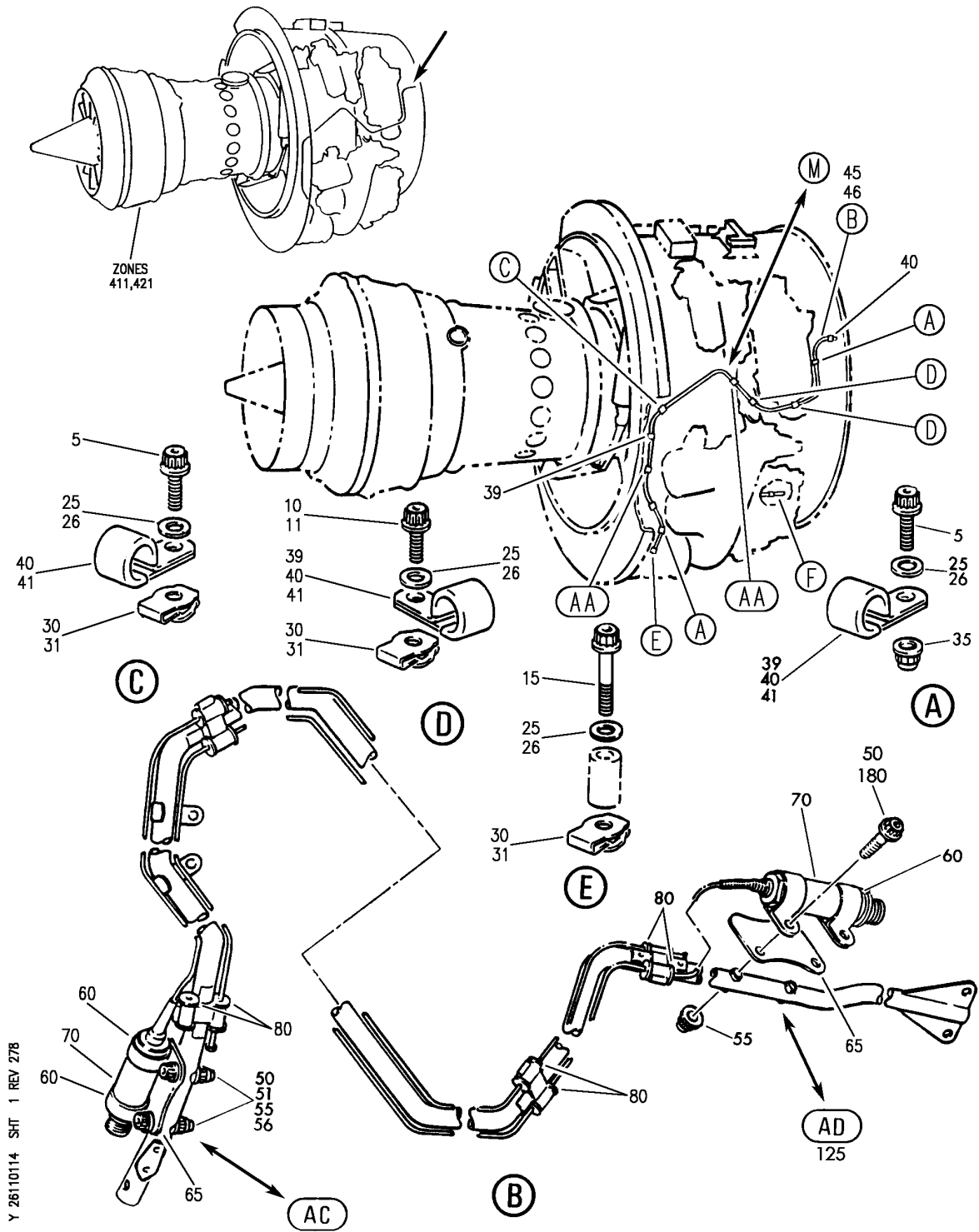
- ITEM NOT ILLUSTRATED

26-11-01-12

26-11-01
FIG. 12
PAGE 3
JAN 20/09

BRI

BOEING
757
PARTS CATALOG (MAINTENANCE)



Y 26110114 SHT 1 REV 27B

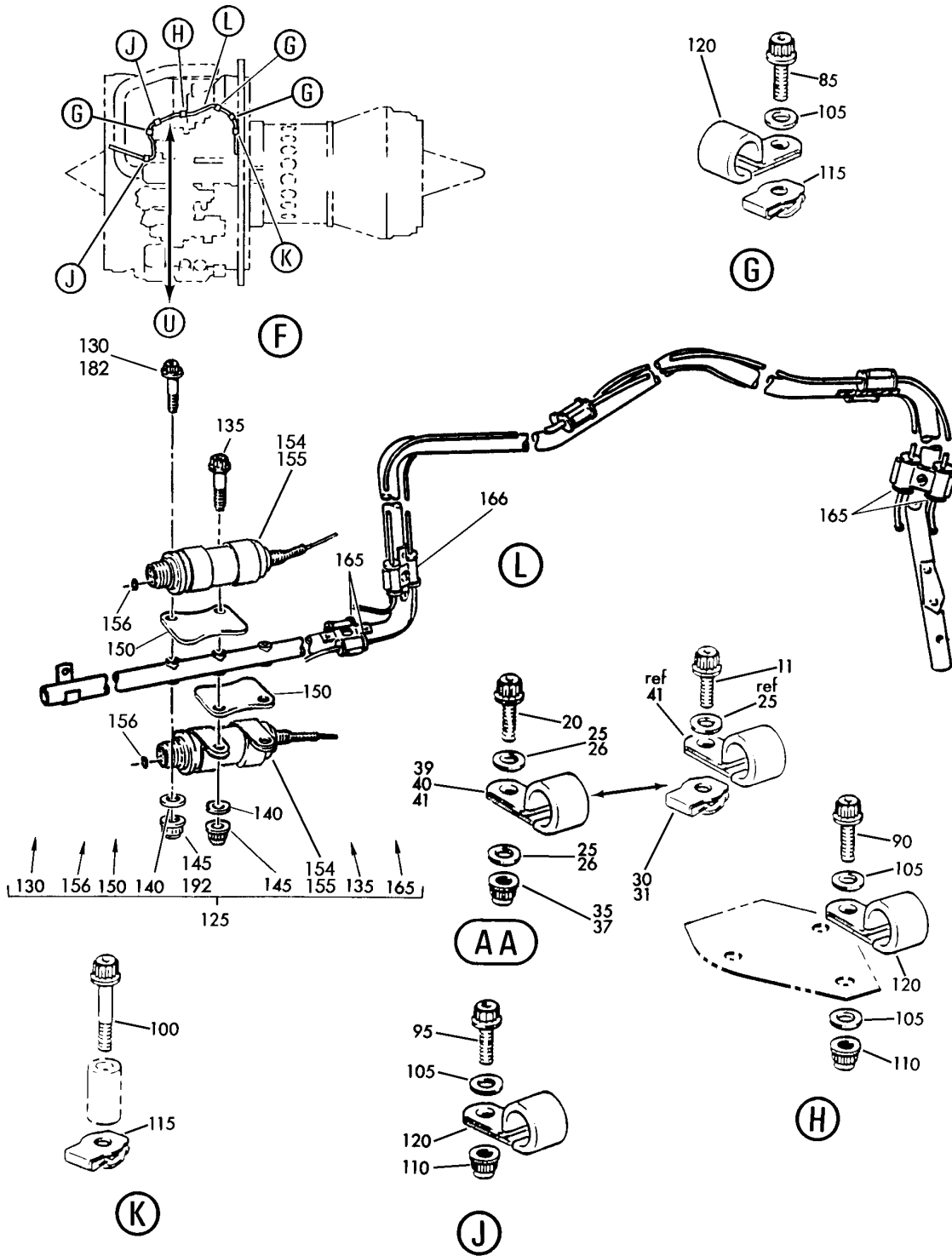
DETECTORS-FIRE AND OVERHEAT FORWARD (RB211-535)
FIGURE 14 (SHEET 1)

26-11-01-14

BRI
MAY 28/07

26-11-01-14
PAGE 0

BOEING
757
PARTS CATALOG (MAINTENANCE)



Y 26110114 SHT 2 REV 229

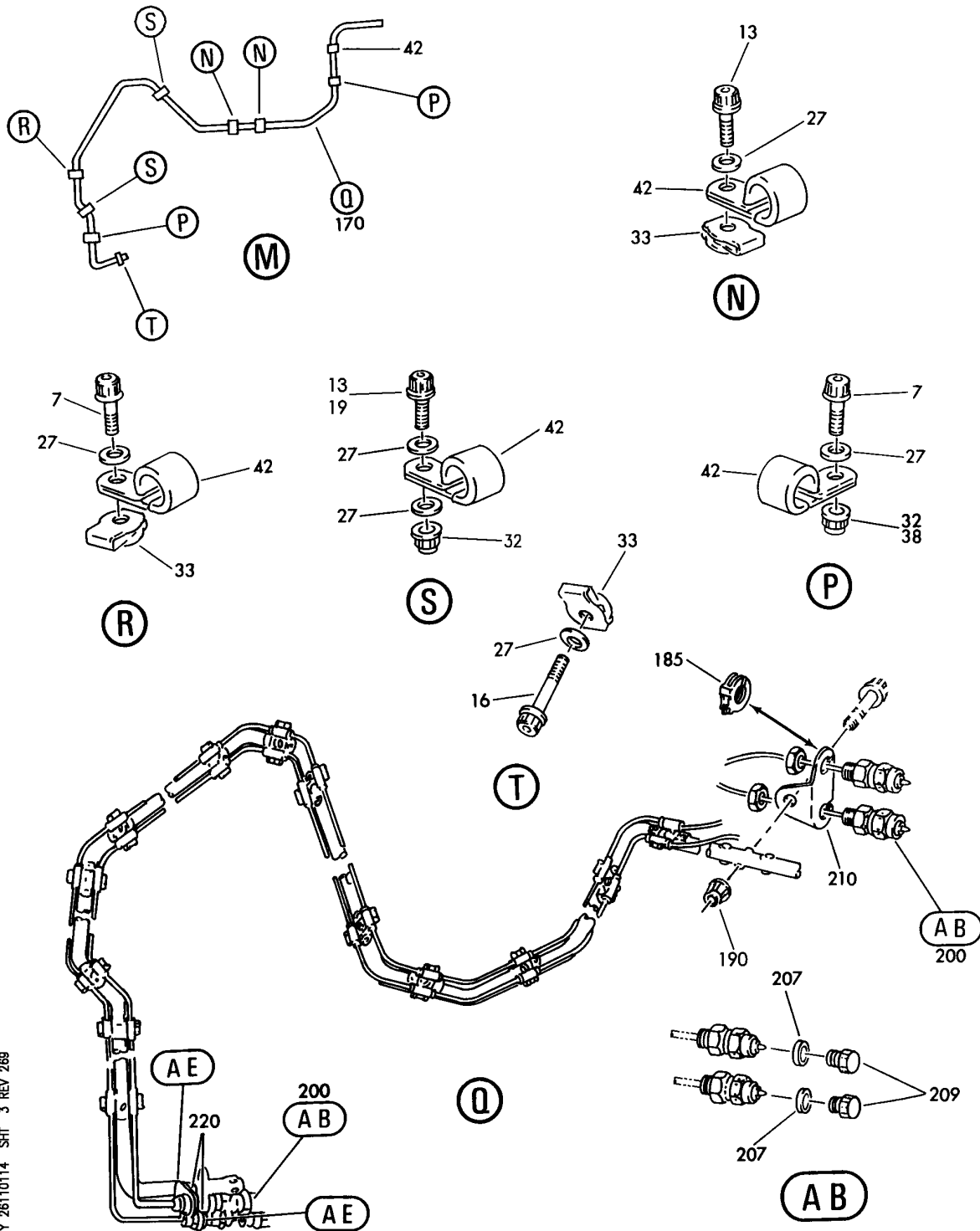
DETECTORS-FIRE AND OVERHEAT FORWARD (RB211-535)
FIGURE 14 (SHEET 2)

26-11-01-14

BRI
MAY 28/07

26-11-01-14
PAGE 0A


BOEING
 757
PARTS CATALOG (MAINTENANCE)



Y 26110114 SHT 3 REV 269

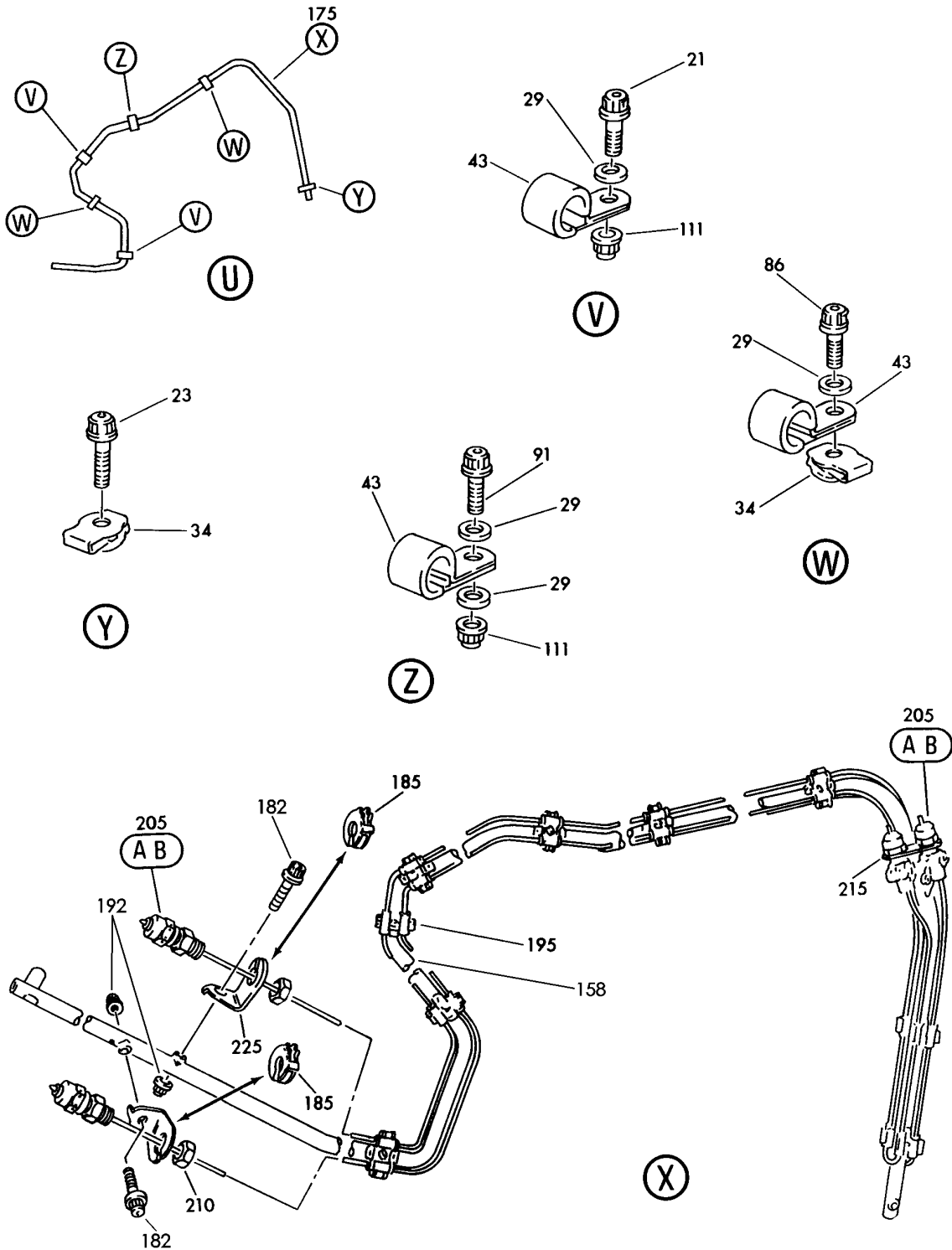
DETECTORS-FIRE AND OVERHEAT FORWARD (RB211-535)
 FIGURE 14 (SHEET 3)

26-11-01-14

BRI
 MAY 28/07

26-11-01-14
 PAGE 0B

BOEING
757
PARTS CATALOG (MAINTENANCE)



Y 26110114 SHT 4 REV 229

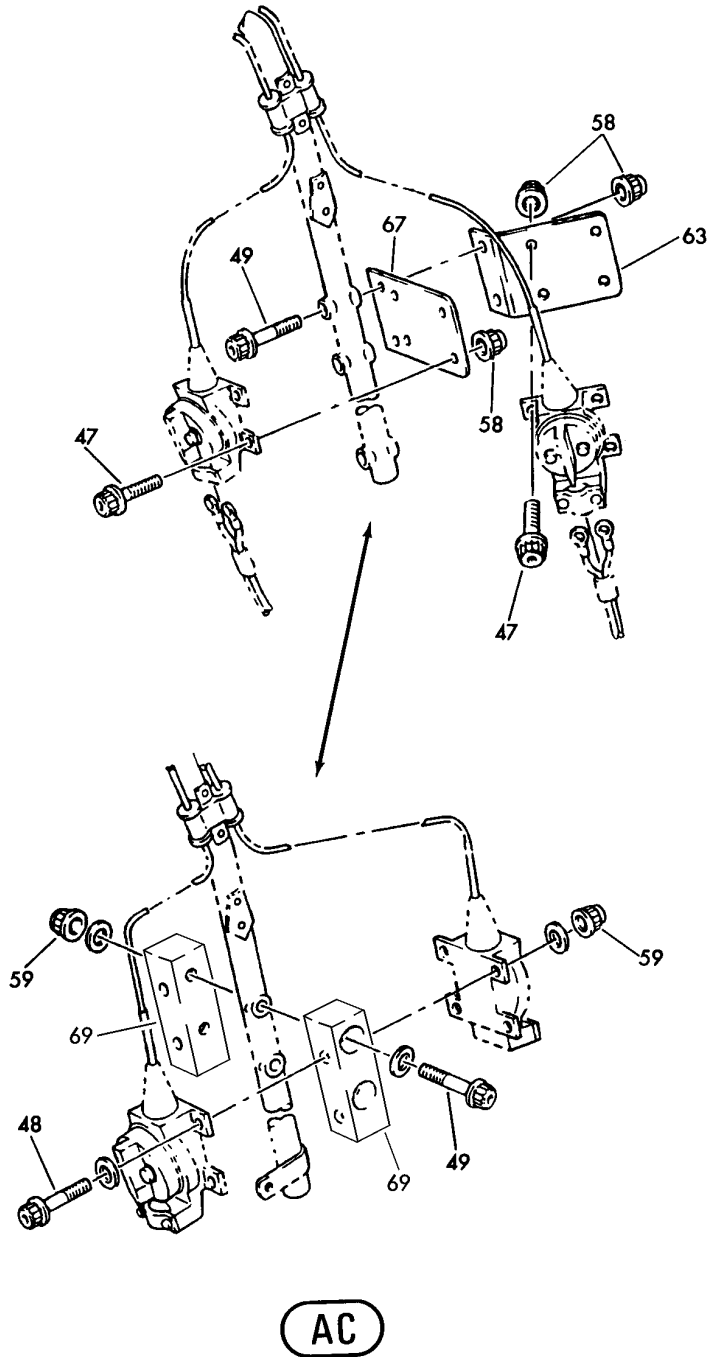
DETECTORS-FIRE AND OVERHEAT FORWARD (RB211-535)
FIGURE 14 (SHEET 4)

26-11-01-14

BRI
MAY 28/07

26-11-01-14
PAGE 0C

BOEING
757
PARTS CATALOG (MAINTENANCE)



Y 26110114_SHT 5 REV 221

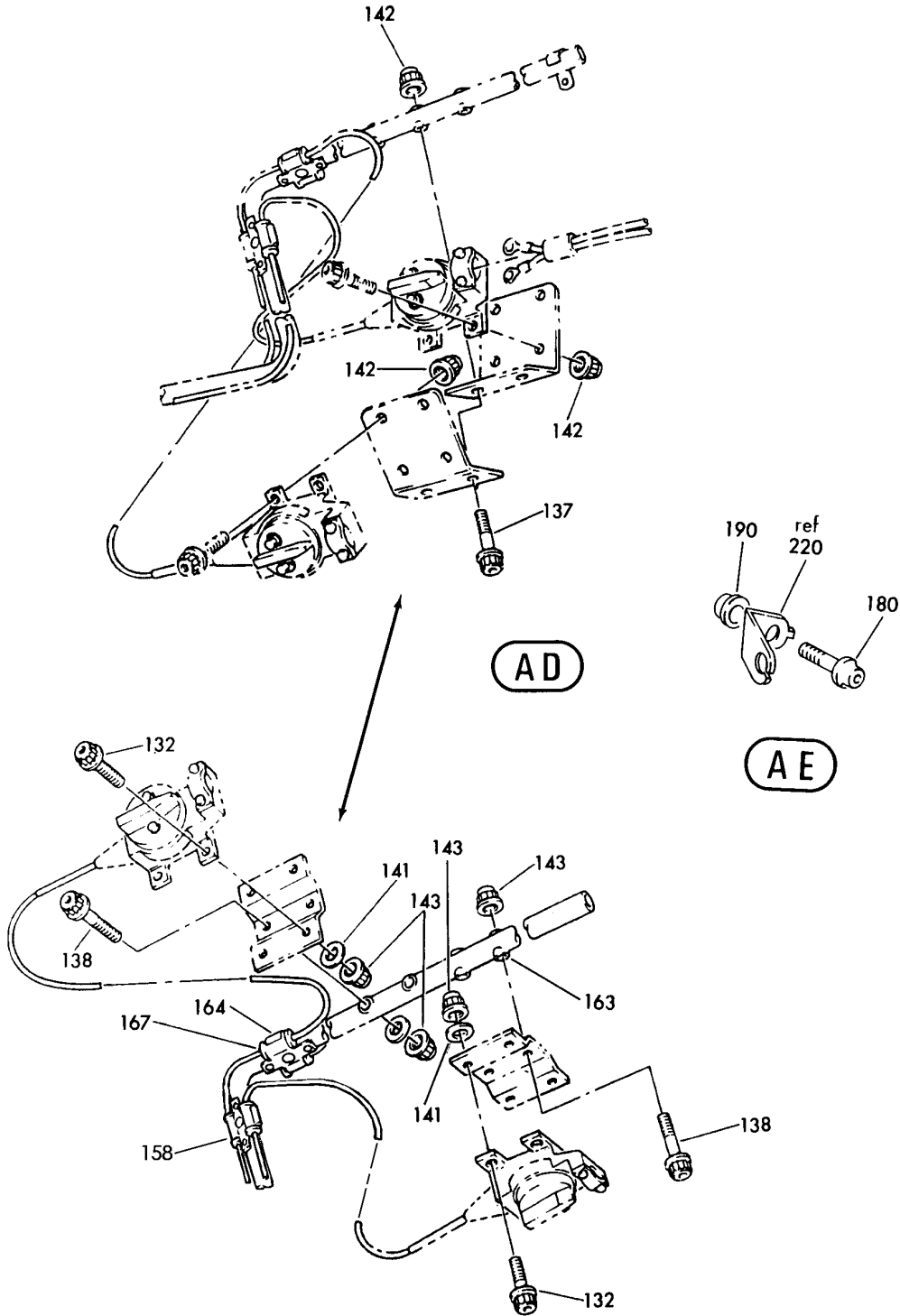
DETECTORS-FIRE AND OVERHEAT FORWARD (RB211-535)
FIGURE 14 (SHEET 5)

26-11-01-14

BRI
MAY 28/07

26-11-01-14
PAGE 0D

BOEING
757
PARTS CATALOG (MAINTENANCE)



Y 26110114 SHT 6 REV 221

DETECTORS-FIRE AND OVERHEAT FORWARD (RB211-535)
FIGURE 14 (SHEET 6)

26-11-01-14

BRI
MAY 28/07

26-11-01-14
PAGE 0E



757

PARTS CATALOG (MAINTENANCE)

FIG ITEM	PART NUMBER	1 2 3 4 5 6 7	NOMENCLATURE	EFFECT FROM TO	UNITS PER ASSY
14					
- 1	UL19722		DETECTORS-FIRE AND OVERHEAT FORWARD (RB211-535) ENGINE ASSY-Q.E.C.U. RB211-535E43711 MAXIMUM NEUT SUPPLIER CODE: VK0680 FOR NHA/OTHER SYS DET SEE: 71-00-02-04	002004 006999 107107	RF
- 1	UL20697		ENGINE ASSY-Q.E.C.U. RB211-535E43711 MAXIMUM NEUT WITH GRAVINER FIRE DETECTORS, BAYONET MCD, NON-MODULATED IDG COOLING 40,000 LB THRUST SUPPLIER CODE: VK0680 REFERENCE SERVICE BULLETIN: 71-0058R4 QUALIFIED SB I/W DATA: ABINTERMIX OF ONE OR SUBSTITUTION OF TWO DIFFERENT CONFIGURATION RB211-535E4-37/() ENGINES FOR RB211-535 E4 BASE ENGINES REFERENCE SERVICE BULLETIN: RB211-72-C547 VK0680 FOR NHA/OTHER SYS DET SEE: 71-00-02-04	121503 904949 952999	RF

MISSING ITEM NUMBERS NOT APPLICABLE

- ITEM NOT ILLUSTRATED

BRI

26-11-01-14

BOEING PROPRIETARY - Copyright © - Unpublished Work - See title page for details.

26-11-01
FIG. 14
PAGE 1
JAN 20/09



757

PARTS CATALOG (MAINTENANCE)

FIG ITEM	PART NUMBER	1 2 3 4 5 6 7	NOMENCLATURE	EFFECT FROM TO	UNITS PER ASSY
14 - 1	UL20698		ENGINE ASSY-Q.E.C.U. RB211-535E43712 MAXIMUM NEUT SUPPLIER CODE: VK0680 REFERENCE SERVICE BULLETIN: 71-0058R7 QUALIFIED SB I/W DATA: INTERMIX OF ONE OR SUBSTITUTION OF TWO DIFFERENT CONFIGURATION RB211-535E4-37/() ENGINES FOR RB211-535E4 BASE ENGINES OR DIFFERENT CONFIGURATION RB211-535E4-B-37/() ENGINES FOR RB211-535E4-B BASE ENGINES REFERENCE SERVICE BULLETIN: RB211-72C547 VK0680 RB211-72-8910 VK0680 POST RAPID REVISION: RR92014-183A-RC-E FOR NHA/OTHER SYS DET SEE: 71-00-02-04	002004 006100 102102	RF
- 1	UL20702		ENGINE ASSY-Q.E.C.U. RB211-535E43711 BASIC ENG CONFIGURATION. WITH GRAVINER FIRE DETECTORS, BAYONET MCD, NON-MODUATED IDG COOLING 40,100 LB THRUST SUPPLIER CODE: VK0680 FOR NHA/OTHER SYS DET SEE: 71-00-02-10	504903	RF
- 1	UL36209		ENGINE ASSY-Q.E.C.U. RB211-535E43719 MAXIMUM NEUT SUPPLIER CODE: VK0680 FOR NHA/OTHER SYS DET SEE: 71-00-02-04	950951	RF

MISSING ITEM NUMBERS NOT APPLICABLE

- ITEM NOT ILLUSTRATED

26-11-01-14

26-11-01
FIG. 14
PAGE 2
JAN 20/09

BRI



757

PARTS CATALOG (MAINTENANCE)

FIG ITEM	PART NUMBER	1 2 3 4 5 6 7	NOMENCLATURE	EFFECT FROM TO	UNITS PER ASSY
14 -	3 UL38163		ENGINE ASSY-Q.E.C.U. RB211-535E43724 BASIC ENG CONFIGURATION, BAYONET MCD, 40,100 LB THRUST SUPPLIER CODE: VK0680 FOR NHA/OTHER SYS DET SEE: 71-00-02-10	101101	RF
-	3 BCREP17101		ENGINE ASSY-Q.E.C.U. RB211-535E43744 BASIC ENG CONFIGURATION, BAYONET MCD AND PHASE 5 COMBUSTOR 40,100 LB THRUST SUPPLIER CODE: VK0680 OVERLENGTH PART NUMBER: RB211-535E4-3744E FOR NHA/OTHER SYS DET SEE: 71-00-02-10	103106	RF
-	3 BCREP17395		ENGINE ASSY-Q.E.C.U. RB211-535E43739 BASIC ENG CONFIGURATION AND PHASE 5 COMBUSTOR 40,100 LB THRUST SUPPLIER CODE: VK0680 OVERLENGTH PART NUMBER: RB211-535E4-37-39E FOR NHA/OTHER SYS DET SEE: 71-00-02-10	108120	RF
	5 AS21408		.BOLT	002004 006106 108120 950951	3
	7 AS21408		.BOLT- POST SERVICE BULLETIN: 26-7205PT01 VK0680	107107 121949 952999	3
	10 AS21407		.BOLT- POST SERVICE BULLETIN: 77-9062PTC VK0680 PRE SERVICE BULLETIN: 79-C947 VK0680	002004 006999	2

MISSING ITEM NUMBERS NOT APPLICABLE

- ITEM NOT ILLUSTRATED

BRI

26-11-01-14

26-11-01
FIG. 14
PAGE 3
JAN 20/09



757

PARTS CATALOG (MAINTENANCE)

FIG ITEM	PART NUMBER	1 2 3 4 5 6 7	NOMENCLATURE	EFFECT FROM TO	UNITS PER ASSY
14					
11	AS21407		.BOLT- NOT APPROVED FOR ETOPS. POST SERVICE BULLETIN: 26-7816PT01 VK0680 PRE SERVICE BULLETIN: 77-9062 VK0680	002004 006100 102102	4
- 12	AS21407		.BOLT- POST SERVICE BULLETIN: 79-C947PT01 VK0680	002004 006999	3
13	AS21407		.BOLT- POST SERVICE BULLETIN: 26-8420PTA VK0680	107107 121949 952999	6
15	AS21416		.BOLT	002004 006106 108120 950951	1
16	AS21416		.BOLT	107107 121949 952999	1
- 17	AS21417		.BOLT- POST SERVICE BULLETIN: 26-7205PT01 VK0680 PRE SERVICE BULLETIN: 71-7934 VK0680	107107 121949 952999	1
19	AS21410		.BOLT- POST SERVICE BULLETIN: 77-9062PTC VK0680	107107 121949 952999	2
20	AS21410		.BOLT- POST SERVICE BULLETIN: 77-9062PTC VK0680	002004 006106 108120 950951	2
21	AS21408		.BOLT	107107 121949 952999	2
23	AS21415		.BOLT	107107 121949 952999	1

MISSING ITEM NUMBERS NOT APPLICABLE

- ITEM NOT ILLUSTRATED

26-11-01-14

26-11-01
FIG. 14
PAGE 4
JAN 20/09

BRI



757

PARTS CATALOG (MAINTENANCE)

FIG ITEM	PART NUMBER	1 2 3 4 5 6 7	NOMENCLATURE	EFFECT FROM TO	UNITS PER ASSY
14 25	K8831		.WASHER- SUPPLIER CODE: VK0680 POST SERVICE BULLETIN: 26-7816PT01 VK0680 PRE SERVICE BULLETIN: 77-9062 VK0680	002004 006100 102102	8
26	K8831		.WASHER- SUPPLIER CODE: VK0680 POST SERVICE BULLETIN: 77-9062PTC VK0680 79-C947PT01 VK0680 PRE SERVICE BULLETIN: 79-C947 VK0680	002004 006999	10
27	K8831		.WASHER- SUPPLIER CODE: VK0680 POST SERVICE BULLETIN: 26-7205PT01 VK0680 PRE SERVICE BULLETIN: 79-C947 VK0680	107107 121949 952999	9
- 28	K8831		.WASHER- SUPPLIER CODE: VK0680 POST SERVICE BULLETIN: 79-C947PT01 VK0680	002004 006106 108120 950951	11
29	K8831		.WASHER- SUPPLIER CODE: VK0680	107107 121949 952999	7
30	AS41104		.NUT- POST SERVICE BULLETIN: 77-9062PTC VK0680 PRE SERVICE BULLETIN: 79-C947 VK0680	002004 006999	4

MISSING ITEM NUMBERS NOT APPLICABLE

- ITEM NOT ILLUSTRATED

26-11-01-14

26-11-01
FIG. 14
PAGE 5
JAN 20/09

BRI



757

PARTS CATALOG (MAINTENANCE)

FIG ITEM	PART NUMBER	1 2 3 4 5 6 7	NOMENCLATURE	EFFECT FROM TO	UNITS PER ASSY
14					
31	AS41104		.NUT- NOT APPROVED FOR ETOPS. POST SERVICE BULLETIN: 26-7816PT01 VK0680 PRE SERVICE BULLETIN: 77-9062 VK0680	002004 006100 102102	6
32	AS20624		.NUT- POST SERVICE BULLETIN: 77-9062PTC VK0680	107107 121949 952999	4
33	AS41104		.NUT- POST SERVICE BULLETIN: 26-7205PT01 VK0680 PRE SERVICE BULLETIN: 77-9062 VK0680	107107 121949 952999	6
34	AS41104		.NUT	107107 121949 952999	4
37	AS20624		.NUT- NOT APPROVED FOR ETOPS. POST SERVICE BULLETIN: 26-7816PT01 VK0680	002004 006106 108120 950951	2
- 38	AS20624		.NUT- POST SERVICE BULLETIN: 26-8420PTA VK0680	107107 121949 952999	8
- 39	AS41104		.NUT- POST SERVICE BULLETIN: 79-C947PT01 VK0680	002004 006999	5
40	UL12510		.CLIP- SUPPLIER CODE: VK0680 POST SERVICE BULLETIN: 26-7205PT01 VK0680 79-C947PT01 VK0680 PRE SERVICE BULLETIN: 79-C947 VK0680	002004 006999	8

MISSING ITEM NUMBERS NOT APPLICABLE

- ITEM NOT ILLUSTRATED

26-11-01-14

26-11-01
FIG. 14
PAGE 6
JAN 20/09

BRI



757

PARTS CATALOG (MAINTENANCE)

FIG ITEM	PART NUMBER	1 2 3 4 5 6 7	NOMENCLATURE	EFFECT FROM TO	UNITS PER ASSY
14 41	UL12510		.CLIP- SUPPLIER CODE: VK0680 POST SERVICE BULLETIN: 26-7816PT01 VK0680 PRE SERVICE BULLETIN: 79-C947 VK0680	002004 006106 108120 950951	7
42	UL12510		.CLIP- SUPPLIER CODE: VK0680 NOT APPROVED FOR ETOPS. POST SERVICE BULLETIN: 26-7205PT01 VK0680 PRE SERVICE BULLETIN: 79-C947 VK0680	107107 121949 952999	8
43	UL12510		.CLIP- SUPPLIER CODE: VK0680	107107 121949 952999	6
- 44	UL12510		.CLIP- SUPPLIER CODE: VK0680 POST SERVICE BULLETIN: 79-C947PT01 VK0680	107107 121949 952999	9
46	UL16652		.SENSOR ASSY-LP COMP CASE SUPPLIER CODE: VK0680 POSITION DATA: ZONE 1 RH REFERENCE SERVICE BULLETIN: 26-7816PT01 VK0680	002004 006100 102102	1
46	UL26042		.SENSOR ASSY-LP COMP CASE RAIL SUPPLIER CODE: VK0680 POSITION DATA: ZONE 1 RH POST SERVICE BULLETIN: 26-9064PT01 VK0680	101101 103106 108120 950951	1
48	AS21422		..BOLT- POST SERVICE BULLETIN: 26-9064PT01 VK0680	101101 103106 108120 950951	2

MISSING ITEM NUMBERS NOT APPLICABLE

- ITEM NOT ILLUSTRATED

26-11-01-14

26-11-01
FIG. 14
PAGE 7
JAN 20/09

BRI



757

PARTS CATALOG (MAINTENANCE)

FIG ITEM	PART NUMBER	1 2 3 4 5 6 7	NOMENCLATURE	EFFECT FROM TO	UNITS PER ASSY
14					
49	AS21424	..	BOLT- POST SERVICE BULLETIN: 26-9064PT01 VK0680	101101 103106 108120 950951	2
51	AS21421	..	BOLT- POST SERVICE BULLETIN: 26-7816PT01 VK0680	002004 006100 102102	2
56	AS20624	..	NUT-SELF LOCKING POST SERVICE BULLETIN: 26-7816PT01 VK0680	002004 006100 102102	2
59	AS20624	..	NUT-SELF LOCKING POST SERVICE BULLETIN: 26-9064PT01 VK0680	101101 103106 108120 950951	6
60	TA12C59H16CC	..	CLIP- SUPPLIER CODE: V84971	002004 006100 102102	4
63	UL26276	..	BRACKET-ANGLE MTG SUPPLIER CODE: VK0680 POST SERVICE BULLETIN: 26-8875PT01 VK0680	101101 103106 108120 950951	1
65	LK67306	..	BRACKET-SENSOR MOUNTING SUPPORT SUPPLIER CODE: VK0680	002004 006100 102102	2
70	3601-21	..	SENSOR-FIRE SUPPLIER CODE: V25693	002004 006100 102102	2
70	7101-25	..	SENSOR-FIRE SUPPLIER CODE: V25693 POST SERVICE BULLETIN: 26-8875PT01 VK0680	101101 103106 108120 950951	2
80	3106	..	BUSHING-SPLIT SUPPLIER CODE: V25693	002004 006106 108120 950951	54
85	AS21407	.	BOLT	002004 006106 108120 950951	3
86	AS21407	.	BOLT	107107 121949 952999	3

MISSING ITEM NUMBERS NOT APPLICABLE

- ITEM NOT ILLUSTRATED

BRI

26-11-01-14

26-11-01
FIG. 14
PAGE 8
JAN 20/09



757

PARTS CATALOG (MAINTENANCE)

FIG ITEM	PART NUMBER	1 2 3 4 5 6 7	NOMENCLATURE	EFFECT FROM TO	UNITS PER ASSY
14					
90	AS21410	.	BOLT	002004 006106 108120 950951	1
91	AS21410	.	BOLT	107107 121949 952999	1
95	AS21408	.	BOLT	002004 006106 108120 950951	2
100	AS21415	.	BOLT	002004 006106 108120 950951	1
105	K8831	.	WASHER- SUPPLIER CODE: VK0680	002004 006106 108120 950951	7
110	AS20624	.	NUT	002004 006106 108120 950951	3
111	AS20624	.	NUT	107107 121949 952999	3
115	AS41104	.	NUT	002004 006106 108120 950951	4
120	UL12510	.	CLIP- SUPPLIER CODE: VK0680	002004 006106 108120 950951	6
125	UL16604	.	SENSOR ASSY-FIRE LP COMP CASE SUPPLIER CODE: VK0680 POSITION DATA: ZONE 1 LH SIDE POST SERVICE BULLETIN: 26-7685PT01 VK0680	002004 006100 102102	1

MISSING ITEM NUMBERS NOT APPLICABLE

- ITEM NOT ILLUSTRATED

BRI

26-11-01-14

BOEING PROPRIETARY - Copyright © - Unpublished Work - See title page for details.

26-11-01
FIG. 14
PAGE 9
JAN 20/09



757

PARTS CATALOG (MAINTENANCE)

FIG ITEM	PART NUMBER	1 2 3 4 5 6 7	NOMENCLATURE	EFFECT FROM TO	UNITS PER ASSY
14 125	UL26048		. SENSOR ASSY-FIRE LP COMP CASE SUPPLIER CODE: VK0680 POSITION DATA: ZONE 1 LH POST SERVICE BULLETIN: 26-9064PT01 VK0680	101101 103106 108120 950951	1
130	AS21417		..BOLT	002004 006100 102102	2
132	AS21409		..BOLT- POST SERVICE BULLETIN: 26-8875PT01 VK0680	101101 103106 108120 950951	4
135	AS21419		..BOLT	002004 006100 102102	1
138	AS21416		..BOLT- POST SERVICE BULLETIN: 26-9064PT01 VK0680	101101 103106 108120 950951	2
140	K8831		..WASHER- SUPPLIER CODE: VK0680	002004 006106 108120 950951	3
141	K8831		..WASHER- SUPPLIER CODE: VK0680 POST SERVICE BULLETIN: 26-9064PT01 VK0680	101101 103106 108120 950951	4
143	AS20624		..NUT-SELF LOCKING POST SERVICE BULLETIN: 26-9064PT01 VK0680	101101 103106 108120 950951	12
145	AS20624		..NUT-SELF LOCKING	002004 006100 102102	3
147	TA12C59H16CC		..CLIP- SUPPLIER CODE: V84971	002004 006100 102102	4
150	LK67306		..BRACKET-SUPPORT SUPPLIER CODE: VK0680	002004 006100 102102	2

MISSING ITEM NUMBERS NOT APPLICABLE

- ITEM NOT ILLUSTRATED

BRI

26-11-01-14

26-11-01
FIG. 14
PAGE 10
JAN 20/09



757

PARTS CATALOG (MAINTENANCE)

FIG ITEM	PART NUMBER	1 2 3 4 5 6 7	NOMENCLATURE	EFFECT FROM TO	UNITS PER ASSY
14 150	UL27287	..	BRACKET-SENSOR MOUNTING SUPPLIER CODE: VK0680 POST SERVICE BULLETIN: 26-9064PT01 VK0680	101101 103106 108120 950951	2
154	7101-26	..	SENSOR-FIRE SUPPLIER CODE: V25693 POST SERVICE BULLETIN: 26-8875PT01 VK0680	101101 103106 108120 950951	1
155	3601-22	..	SENSOR-FIRE SUPPLIER CODE: V25693	002004 006100 102102	2
- 162	LK39606	...	CLIP-TUBE SUPPLIER CODE: VK0680 POST SERVICE BULLETIN: 26-9064PT01 VK0680	101101 103106 108120 950951	2
163	NPL7595	...	SPACER- SUPPLIER CODE: VK0680 POST SERVICE BULLETIN: 26-9064PT01 VK0680	101101 103106 108120 950951	5
164	7C66-1-2AA	...	CLAMP-SUPPORT SUPPLIER CODE: VC0613 POST SERVICE BULLETIN: 26-9064PT01 VK0680	101101 103106 108120 950951	25
166	3106	..	BUSHING-SPLIT SUPPLIER CODE: V25693 POST SERVICE BULLETIN: 26-7685PT01 VK0680	002004 006100 102102	56
167	3106	..	BUSHING-SPLIT SUPPLIER CODE: V25693 POST SERVICE BULLETIN: 26-9064PT01 VK0680	101101 103106 108120 950951	50

MISSING ITEM NUMBERS NOT APPLICABLE

- ITEM NOT ILLUSTRATED

26-11-01-14

26-11-01
FIG. 14
PAGE 11
JAN 20/09

BRI



757

PARTS CATALOG (MAINTENANCE)

FIG ITEM	PART NUMBER	1 2 3 4 5 6 7	NOMENCLATURE	EFFECT FROM TO	UNITS PER ASSY
14 170	UL16623	.	SENSOR ASSY-FIRE LP COMP CASE SUPPLIER CODE: VK0680 POSITION DATA: ZONE 1 RH POST SERVICE BULLETIN: 26-7205PT01 VK0680	107107 121949 952999	1
175	UL16603	.	SENSOR ASSY-LP COMP CASE SUPPLIER CODE: VK0680 POSITION DATA: ZONE 1 RH POST SERVICE BULLETIN: 26-7250PT01 VK0680	107107 121949 952999	1
180	AS21416	..	BOLT- POST SERVICE BULLETIN: 26-7205PT01 VK0680	107107 121949 952999	3
182	AS21416	..	BOLT- POST SERVICE BULLETIN: 26-7205PT01 VK0680	107107 121949 952999	3
185	36211-201	..	WASHER-KEY TAB SUPPLIER CODE: VK1536 POST SERVICE BULLETIN: 26-7205PT01 VK0680	107107 121949 952999	4
190	AS20624	..	NUT-SELF LOCKING POST SERVICE BULLETIN: 26-7205PT01 VK0680	107107 121949 952999	3
192	AS20624	..	NUT-SELF LOCKING	107107 121949 952999	3
195	51476-101	..	BUSHING-SPLIT SUPPLIER CODE: VK1536 POST SERVICE BULLETIN: 26-7205PT01 VK0680	107107 121949 952999	112

MISSING ITEM NUMBERS NOT APPLICABLE

- ITEM NOT ILLUSTRATED

BRI

26-11-01-14

26-11-01
FIG. 14
PAGE 12
JAN 20/09



757

PARTS CATALOG (MAINTENANCE)

FIG ITEM	PART NUMBER	1 2 3 4 5 6 7	NOMENCLATURE	EFFECT FROM TO	UNITS PER ASSY
14 200	51216-001	..	SENSOR-FIRE SUPPLIER CODE: VK1536 POST SERVICE BULLETIN: 26-7205PT01 VK0680	107107 121949 952999	2
205	51216-002	..	SENSOR- SUPPLIER CODE: VK1536 POST SERVICE BULLETIN: 26-7205PT01 VK0680	107107 121949 952999	2
207	3704276	...	WASHER- SUPPLIER CODE: VK1536 POST SERVICE BULLETIN: 26-7989PTA VK0680	107107 121949 952999	4
209	D913	...	CAP- SUPPLIER CODE: VK1536 POST SERVICE BULLETIN: 26-7989PTA VK0680	107107 121949 952999	4
210	36311-207	..	BRACKET-SUPPORT SUPPLIER CODE: VK1536 POST SERVICE BULLETIN: 26-7205PT01 VK0680	107107 121949 952999	1
215	36311-206	..	BRACKET-SUPPORT SUPPLIER CODE: VK1536 POST SERVICE BULLETIN: 26-7205PT01 VK0680	107107 121949 952999	1
220	36311-207	..	BRACKET-SUPPORT SUPPLIER CODE: VK1536 POST SERVICE BULLETIN: 26-7205PT01 VK0680	107107 121949 952999	2
225	36311-208	..	BRACKET-SUPPORT SUPPLIER CODE: VK1536 POST SERVICE BULLETIN: 26-7205PT01 VK0680	107107 121949 952999	1

MISSING ITEM NUMBERS NOT APPLICABLE

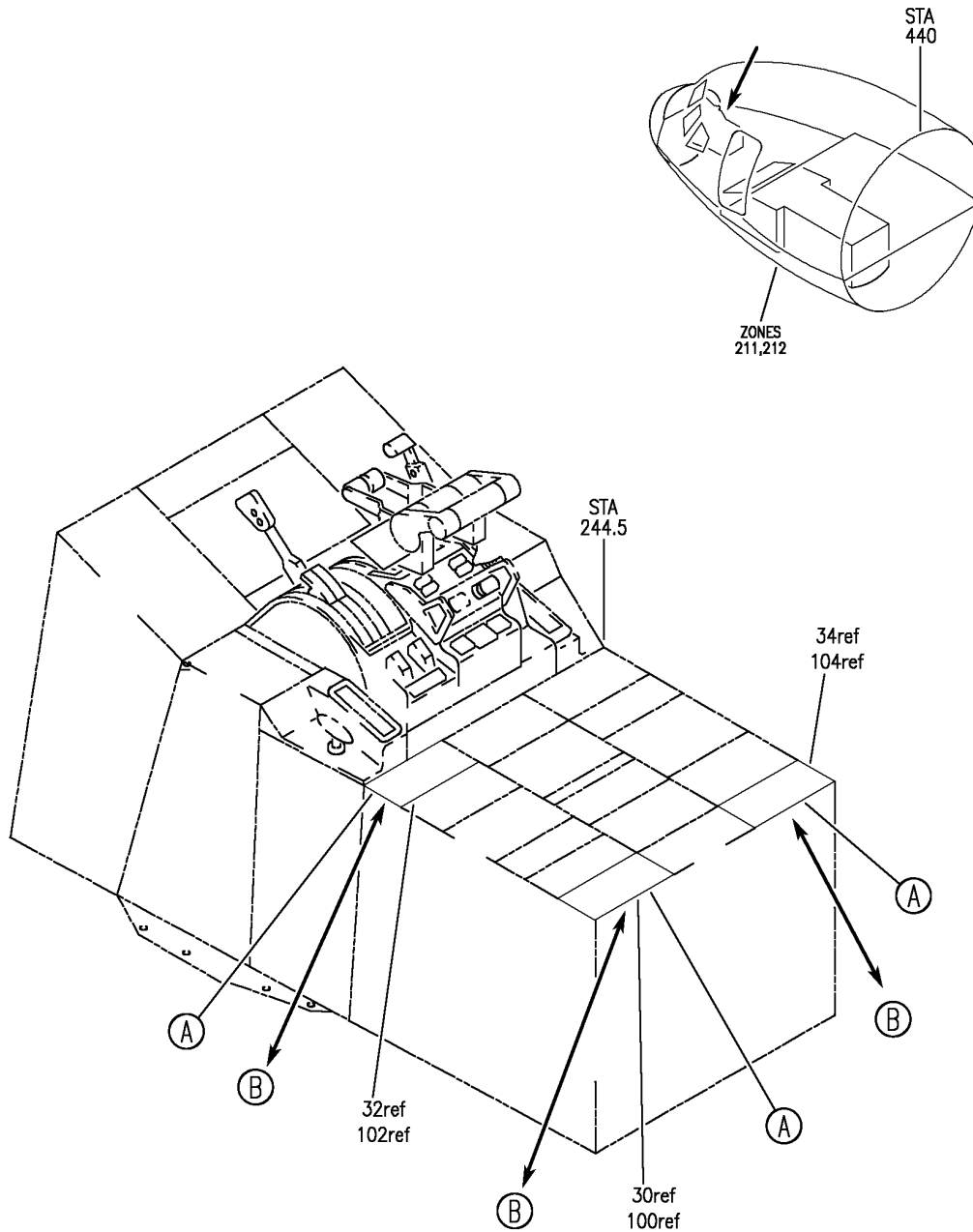
- ITEM NOT ILLUSTRATED

26-11-01-14

26-11-01
FIG. 14
PAGE 13
JAN 20/09

BRI

BOEING
757
PARTS CATALOG (MAINTENANCE)



Y 26110201 SHT 1 REV 247

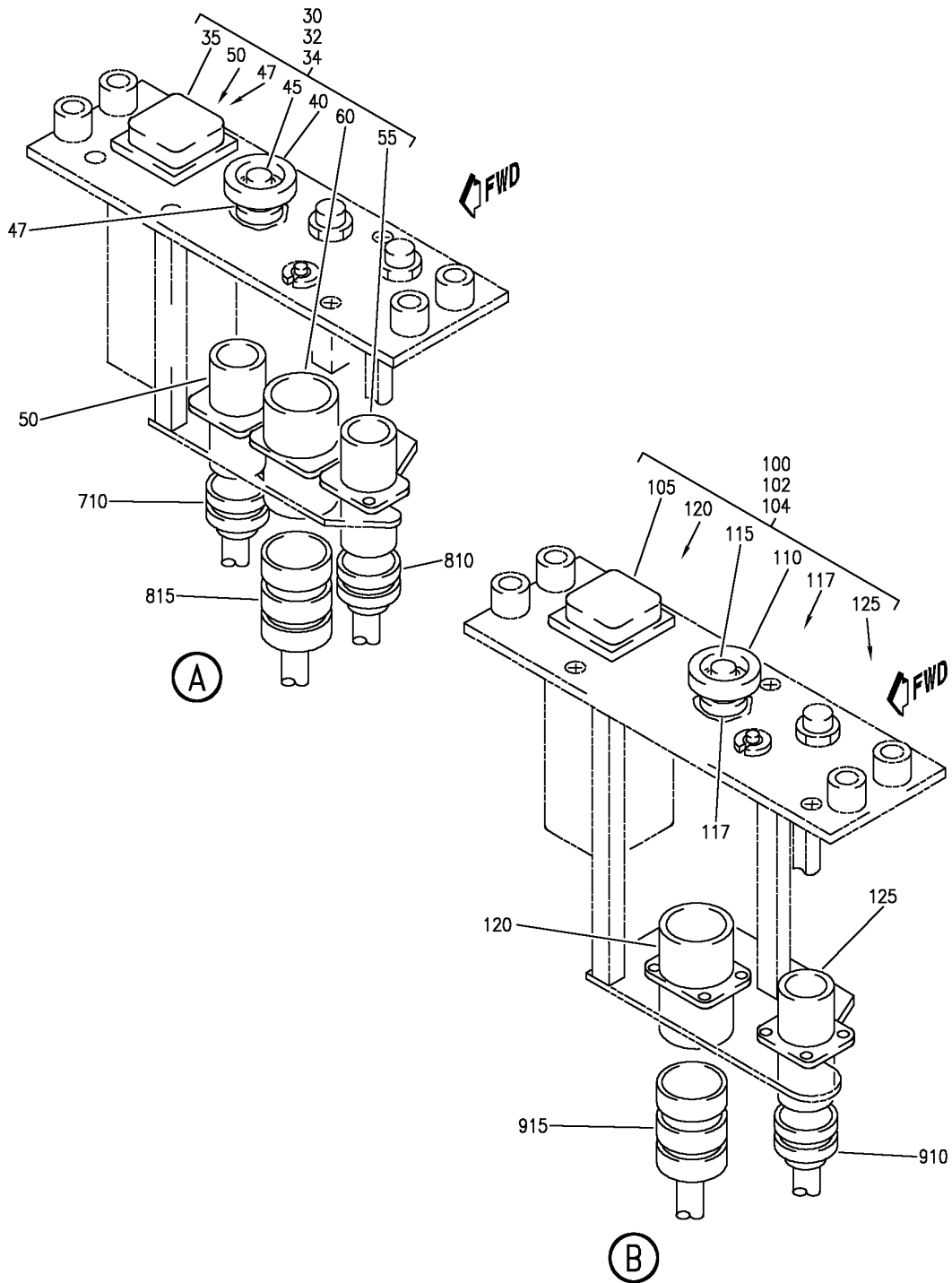
PANEL INSTL-P8, P9, P10 ELECTRONICS (FIRE/OVERHEAT TEST PANEL ONLY)
FIGURE 1 (SHEET 1)

BRI
MAY 28/07

26-11-02-01

26-11-02-01
PAGE 0


BOEING
 757
PARTS CATALOG (MAINTENANCE)



Y 26110201 SHT 2 REV 249

PANEL INSTL-P8, P9, P10 ELECTRONICS (FIRE/OVERHEAT TEST PANEL ONLY)
 FIGURE 1 (SHEET 2)

26-11-02-01

BRI
 MAY 28/07

26-11-02-01
 PAGE 0A



757

PARTS CATALOG (MAINTENANCE)

FIG ITEM	PART NUMBER	1 2 3 4 5 6 7	NOMENCLATURE	EFFECT FROM TO	UNITS PER ASSY
1			PANEL INSTL-P8, P9, P10 ELECTRONICS (FIRE/OVERHEAT TEST PANEL ONLY)	101106 108120 504903	
- 2	233N6103-28		PANEL INSTL-P8, P9, P10 ELECTRONICS (FIRE/OVERHEAT TEST PANEL ONLY) FOR NHA/OTHER SYS DET SEE: 25-10-00-15B	101101	RF
- 3	233N6103-62		PANEL INSTL-P8, P9, P10 ELECTRONICS (FIRE/OVERHEAT TEST PANEL ONLY) FOR NHA/OTHER SYS DET SEE: 25-10-00-15B	108120	RF
- 4	233N6103-122		PANEL INSTL-P8, P9, P10 ELECTRONICS (FIRE/OVERHEAT TEST PANEL ONLY) FOR NHA/OTHER SYS DET SEE: 25-10-00-15B	504903	RF
- 5	233N6103-128		PANEL INSTL-P8, P9, P10 ELECTRONICS (FIRE/OVERHEAT TEST PANEL ONLY) FOR NHA/OTHER SYS DET SEE: 25-10-00-15B	102102	RF

MISSING ITEM NUMBERS NOT APPLICABLE

- ITEM NOT ILLUSTRATED

BRI

26-11-02-01

BOEING PROPRIETARY - Copyright © - Unpublished Work - See title page for details.

26-11-02
FIG. 01
PAGE 1
JAN 20/09



757

PARTS CATALOG (MAINTENANCE)

FIG ITEM	PART NUMBER	1 2 3 4 5 6 7	NOMENCLATURE	EFFECT FROM TO	UNITS PER ASSY
1 -	7 MODREF33990		PANEL INSTL-P8, P9, P10 ELECTRONICS (FIRE/OVERHEAT TEST PANEL ONLY) MODULE NUMBER: 233N6103-253 REV B FOR OTHER SYS DETAILS SEE: 11-31-05-66F 23-12-02-03 23-51-01-05 26-12-51-03 26-17-51-06 26-21-01-02 26-22-03-03 26-23-52-04A 27-11-23-03 27-21-23-03 27-28-02-01A 31-11-31-02 31-11-36-78 31-11-41-02 31-41-03-02 33-13-01-07 34-22-02-03 34-31-02-02 34-43-02-02 34-53-02-02 34-57-02-03 34-61-02-03 FOR ADDITIONAL DETAILS SEE: 26-11-54-02A	103106	1
-	15 233N6204-301		.PANEL ASSY-FIRE/OVERHEAT TEST SUPPLIER CODE: V89954 ELECTRICAL EQUIP NUMBER: M10445 COMPONENT MAINT MANUAL REF: 26-11-52 QUALIFIED I/W DATA: THE 233N6204-301 PANEL ASSY IS I/W THE 233N6204-15 PANEL ASSY T/W THE S233T100-5508 LIGHTPLATE.	504903	RF

MISSING ITEM NUMBERS NOT APPLICABLE

- ITEM NOT ILLUSTRATED

BRI

26-11-02-01

26-11-02
FIG. 01
PAGE 2
JAN 20/09



757

PARTS CATALOG (MAINTENANCE)

FIG ITEM	PART NUMBER	1 2 3 4 5 6 7	NOMENCLATURE	EFFECT FROM TO	UNITS PER ASSY
1					
- 15	233T6204-301		.PANEL ASSY-FIRE/OVERHEAT TEST SUPPLIER CODE: V89954 ELECTRICAL EQUIP NUMBER: M10445 COMPONENT MAINT MANUAL REF: 26-11-51 QUALIFIED I/W DATA: 233T6204-301 PANEL ASSY IS I/W 233T6204-13 PANEL ASSY T/W S233T100-538 LIGHTPLATE.	504903	RF
- 15	233N6204-302		.PANEL ASSY-FIRE/OVERHEAT TEST SUPPLIER CODE: V89954 ELECTRICAL EQUIP NUMBER: M10445 COMPONENT MAINT MANUAL REF: 26-11-52	504903	RF
- 25	233N6204-301		.PANEL ASSY-FIRE/OVERHEAT TEST SUPPLIER CODE: V89954 ELECTRICAL EQUIP NUMBER: M10445 COMPONENT MAINT MANUAL REF: 26-11-52 QUALIFIED I/W DATA: THE 233N6204-301 PANEL ASSY IS I/W THE 233N6204-15 PANEL ASSY T/W THE S233T100-5508 LIGHTPLATE.	101106 108120	RF
- 25	233T6204-301		.PANEL ASSY-FIRE/OVERHEAT TEST SUPPLIER CODE: V89954 ELECTRICAL EQUIP NUMBER: M10445 COMPONENT MAINT MANUAL REF: 26-11-51 QUALIFIED I/W DATA: 233T6204-301 PANEL ASSY IS I/W 233T6204-13 PANEL ASSY T/W S233T100-538 LIGHTPLATE.	101106 108120	RF

MISSING ITEM NUMBERS NOT APPLICABLE

- ITEM NOT ILLUSTRATED

26-11-02-01

26-11-02
FIG. 01
PAGE 3
JAN 20/09

BRI



757

PARTS CATALOG (MAINTENANCE)

FIG ITEM	PART NUMBER	1 2 3 4 5 6 7	NOMENCLATURE	EFFECT FROM TO	UNITS PER ASSY
1 - 25	233N6204-302		. PANEL ASSY-FIRE/OVERHEAT TEST SUPPLIER CODE: V89954 ELECTRICAL EQUIP NUMBER: M10445 COMPONENT MAINT MANUAL REF: 26-11-52	101106 108120	RF
30	233N6204-15		.. PANEL ASSY- SUPPLIER CODE: V89954 COMPONENT MAINT MANUAL REF: 26-11-52 QUALIFIED I/W DATA: THE 233N6204-301 PANEL ASSY IS I/W THE 233N6204-15 PANEL ASSY T/W THE S233T100-5508 LIGHTPLATE. USED ON: 233N6204-301	101106 108120	1
34	233N6204-15		.. PANEL ASSY- SUPPLIER CODE: V89954 COMPONENT MAINT MANUAL REF: 26-11-52 QUALIFIED I/W DATA: THE 233N6204-301 PANEL ASSY IS I/W THE 233N6204-15 PANEL ASSY T/W THE S233T100-5508 LIGHTPLATE. USED ON: 233N6204-301	504903	1
34	233N6204-16		.. PANEL ASSY- SUPPLIER CODE: V89954 COMPONENT MAINT MANUAL REF: 26-11-52 USED ON: 233N6204-302	504903	1

MISSING ITEM NUMBERS NOT APPLICABLE

- ITEM NOT ILLUSTRATED

BRI

26-11-02-01

26-11-02
FIG. 01
PAGE 4
JAN 20/09



757

PARTS CATALOG (MAINTENANCE)

FIG ITEM	PART NUMBER	1 2 3 4 5 6 7	NOMENCLATURE	EFFECT FROM TO	UNITS PER ASSY
1					
35	BCREFA0528		...SWITCH ASSY-LIGHTED PUSH BUTTON IND FAIL P-RESET SUPPLIER CODE: V81590 OVERLENGTH PART NUMBER: 433-673-1004-4063 SPECIFICATION NUMBER: S231T290-4063 FOR DETAILS SEE: 33-13-00-41	101106 108120 504903	1
35	851-35100-5063		...SWITCH ASSY-LIGHTED PUSH BUTTON IND FAIL P-RESET SUPPLIER CODE: V81590 SPECIFICATION NUMBER: S231T290-5063 OPTIONAL PART: 4336731004-4263 V81590 USED ON: 233N6204-15	101106 108120 504903	1
35	4336731004-4263		...SWITCH ASSY-LIGHTED PUSH BUTTON SUPPLIER CODE: V81590 SPECIFICATION NUMBER: S231T290-4263 OPTIONAL PART: 851-35100-5063 V81590	101106 108120 504903	1
40	120092		...GUARD-SWITCH SUPPLIER CODE: V81640	101106 108120 504903	1
45	704PB1		...SWITCH-PUSH BUTTON SUPPLIER CODE: V91929	101106 108120 504903	1
47	NAS1149C0816R		...WASHER- OPTIONAL PART: SGD002H V9V172 SGD005H V9V172 SGD015H V9V172	101106 108120 504903	AR

MISSING ITEM NUMBERS NOT APPLICABLE

- ITEM NOT ILLUSTRATED

BRI

26-11-02-01

BOEING PROPRIETARY - Copyright © - Unpublished Work - See title page for details.

26-11-02
FIG. 01
PAGE 5
JAN 20/09



757

PARTS CATALOG (MAINTENANCE)

FIG ITEM	PART NUMBER	1 2 3 4 5 6 7	NOMENCLATURE	EFFECT FROM TO	UNITS PER ASSY
1					
47	SGD002H	...	WASHER- SUPPLIER CODE: V9V172 OPTIONAL PART: NAS1149C0816R SGD005H V9V172 SGD015H V9V172	101106 108120 504903	AR
47	SGD005H	...	WASHER- SUPPLIER CODE: V9V172 OPTIONAL PART: NAS1149C0816R SGD002H V9V172 SGD015H V9V172	101106 108120 504903	AR
47	SGD015H	...	WASHER- SUPPLIER CODE: V9V172 OPTIONAL PART: NAS1149C0816R SGD002H V9V172 SGD005H V9V172	101106 108120 504903	AR
50	BACC45FN10-5P8	...	CONNECTOR	101106 108120 504903	1
55	BACC45FN10-5P9	...	CONNECTOR	101106 108120 504903	1
60	BACC45FN14-15P	...	CONNECTOR	101106 108120 504903	1
-	65	NAS1801-04-5	ATTACHING PARTS ...SCREW- OPTIONAL PART: BACS12HN04-5	101106 108120 504903	6
-	65	BACS12HN04-5	...SCREW- OPTIONAL PART: NAS1801-04-5	101106 108120 504903	6

MISSING ITEM NUMBERS NOT APPLICABLE

- ITEM NOT ILLUSTRATED

26-11-02-01

26-11-02
FIG. 01
PAGE 6
JAN 20/09

BRI

BOEING
757
PARTS CATALOG (MAINTENANCE)

FIG ITEM	PART NUMBER	1 2 3 4 5 6 7	NOMENCLATURE	EFFECT FROM TO	UNITS PER ASSY
1 - 70	K19798-04		...NUT SUPPLIER CODE: V15653 SPECIFICATION NUMBER: BACN10NW1 OPTIONAL PART: RMA4812-160-40 V72962 293162 V60119 -----*-----	101106 108120 504903	6
100	233T6204-13		..PANEL ASSY- SUPPLIER CODE: V89954 ELECTRICAL EQUIP NUMBER: M10445 COMPONENT MAINT MANUAL REF: 26-11-51 QUALIFIED I/W DATA: 233T6204-301 PANEL ASSY IS I/W 233T6204-13 PANEL ASSY T/W S233T100-538 LIGHTPLATE USED ON: 233T6204-301	101106 108120	1
R R R R R R R R	100	233T6204-16	..PANEL ASSY- SUPPLIER CODE: V89954 ELECTRICAL EQUIP NUMBER: M10445 COMPONENT MAINT MANUAL REF: 26-11-51 USED ON: 233T6204-301	101106 108120	1
104	233T6204-13		..PANEL ASSY- SUPPLIER CODE: V89954 ELECTRICAL EQUIP NUMBER: M10445 COMPONENT MAINT MANUAL REF: 26-11-51 QUALIFIED I/W DATA: 233T6204-301 PANEL ASSY IS I/W 233T6204-13 PANEL ASSY T/W S233T100-538 LIGHTPLATE USED ON: 233T6204-301	504903	1

MISSING ITEM NUMBERS NOT APPLICABLE

- ITEM NOT ILLUSTRATED

BRI

26-11-02-01

BOEING PROPRIETARY - Copyright © - Unpublished Work - See title page for details.

26-11-02
FIG. 01
PAGE 7
MAY 20/09



757

PARTS CATALOG (MAINTENANCE)

FIG ITEM	PART NUMBER	1 2 3 4 5 6 7	NOMENCLATURE	EFFECT FROM TO	UNITS PER ASSY
R R R R R R R R	104	233T6204-16	..PANEL ASSY- SUPPLIER CODE: V89954 ELECTRICAL EQUIP NUMBER: M10445 COMPONENT MAINT MANUAL REF: 26-11-51 USED ON: 233T6204-301	504903	1
	105	BCREFA0528	...SWITCH ASSY-LIGHTED PUSH BUTTON IND FAIL P-RESET SUPPLIER CODE: V81590 OVERLENGTH PART NUMBER: 433-673-1004-4063 SPECIFICATION NUMBER: S231T290-4063 FOR DETAILS SEE: 33-13-00-41	101106 108120 504903	1
	105	4336731004-4263	...SWITCH ASSY-LIGHTED PUSHBUTTON IND SUPPLIER CODE: V81590 SPECIFICATION NUMBER: S231T290-4263	101106 108120 504903	1
	110	120092	...GUARD-SWITCH SUPPLIER CODE: V81640	101106 108120 504903	1
	115	P4-10082-2	...SWITCH- SUPPLIER CODE: V21649	101106 108120 504903	1
	117	NAS1149C0816R	...WASHER- OPTIONAL PART: SGD002H V9V172 SGD005H V9V172 SGD015H V9V172	101106 108120 504903	AR
	117	SGD002H	...WASHER- SUPPLIER CODE: V9V172 OPTIONAL PART: NAS1149C0816R SGD005H V9V172 SGD015H V9V172	101106 108120 504903	AR
	MISSING ITEM NUMBERS NOT APPLICABLE				

- ITEM NOT ILLUSTRATED

26-11-02-01

26-11-02
FIG. 01
PAGE 8
MAY 20/09

BRI



757

PARTS CATALOG (MAINTENANCE)

FIG ITEM	PART NUMBER	1 2 3 4 5 6 7	NOMENCLATURE	EFFECT FROM TO	UNITS PER ASSY
1 117	SGD005H	...	WASHER- SUPPLIER CODE: V9V172 OPTIONAL PART: NAS1149C0816R SGD002H V9V172 SGD015H V9V172	101106 108120 504903	AR
117	SGD015H	...	WASHER- SUPPLIER CODE: V9V172 OPTIONAL PART: NAS1149C0816R SGD002H V9V172 SGD005H V9V172	101106 108120 504903	AR
120	BACC45FN12-12P	...	CONNECTOR	101106 108120 504903	1
125	BACC45FN16-24P	...	CONNECTOR	101106 108120 504903	1
- 130	BACS12CK04U5	...	ATTACHING PARTS SCREW	101106 108120 504903	4
- 135	K19798-04	...	NUT SUPPLIER CODE: V15653 SPECIFICATION NUMBER: BACN10NW1 OPTIONAL PART: RMA4812-160-40 V72962 293162 V60119	101106 108120 504903	4
- 700	286N2134-306	-----*	WIRE BUNDLE ASSY	101102 108120	RF
- 700	286N2134-310		WIRE BUNDLE ASSY	504903	RF
- 700	286N2134-701		WIRE BUNDLE ASSY	103106	RF
710	BACC45FT10A5S8	.	CONNECTOR- ELECTRICAL EQUIP NUMBER: D03494 WIRING DIAGRAM REF: 261511	101106 108120 504903	1
- 801	286N4228-329		WIRE BUNDLE ASSY	101102	RF

MISSING ITEM NUMBERS NOT APPLICABLE

- ITEM NOT ILLUSTRATED

26-11-02-01

26-11-02
FIG. 01
PAGE 9
MAY 20/09

BRI



757

PARTS CATALOG (MAINTENANCE)

FIG ITEM	PART NUMBER	1 2 3 4 5 6 7	NOMENCLATURE	EFFECT FROM TO	UNITS PER ASSY
1					
- 801	286N4228-340		WIRE BUNDLE ASSY	504903	RF
- 802	286N4228-355		WIRE BUNDLE ASSY	108120	RF
- 803	286N6662-601		WIRE BUNDLE ASSY	103106	RF
810	BACC45FT10A5S9		.CONNECTOR- ELECTRICAL EQUIP NUMBER: D03490 WIRING DIAGRAM REF: 262111	101106 108120 504903	1
- 901	286N4236-326		WIRE BUNDLE ASSY	101102	RF
- 901	286N4236-340		WIRE BUNDLE ASSY	504903	RF
- 902	286N4236-346		WIRE BUNDLE ASSY	108120	RF
- 903	286N6670-601		WIRE BUNDLE ASSY	103106	RF
910	BACC45FT14A15S		.CONNECTOR- ELECTRICAL EQUIP NUMBER: D03492 WIRING DIAGRAM REF: 261221	101106 108120 504903	1

MISSING ITEM NUMBERS NOT APPLICABLE

- ITEM NOT ILLUSTRATED

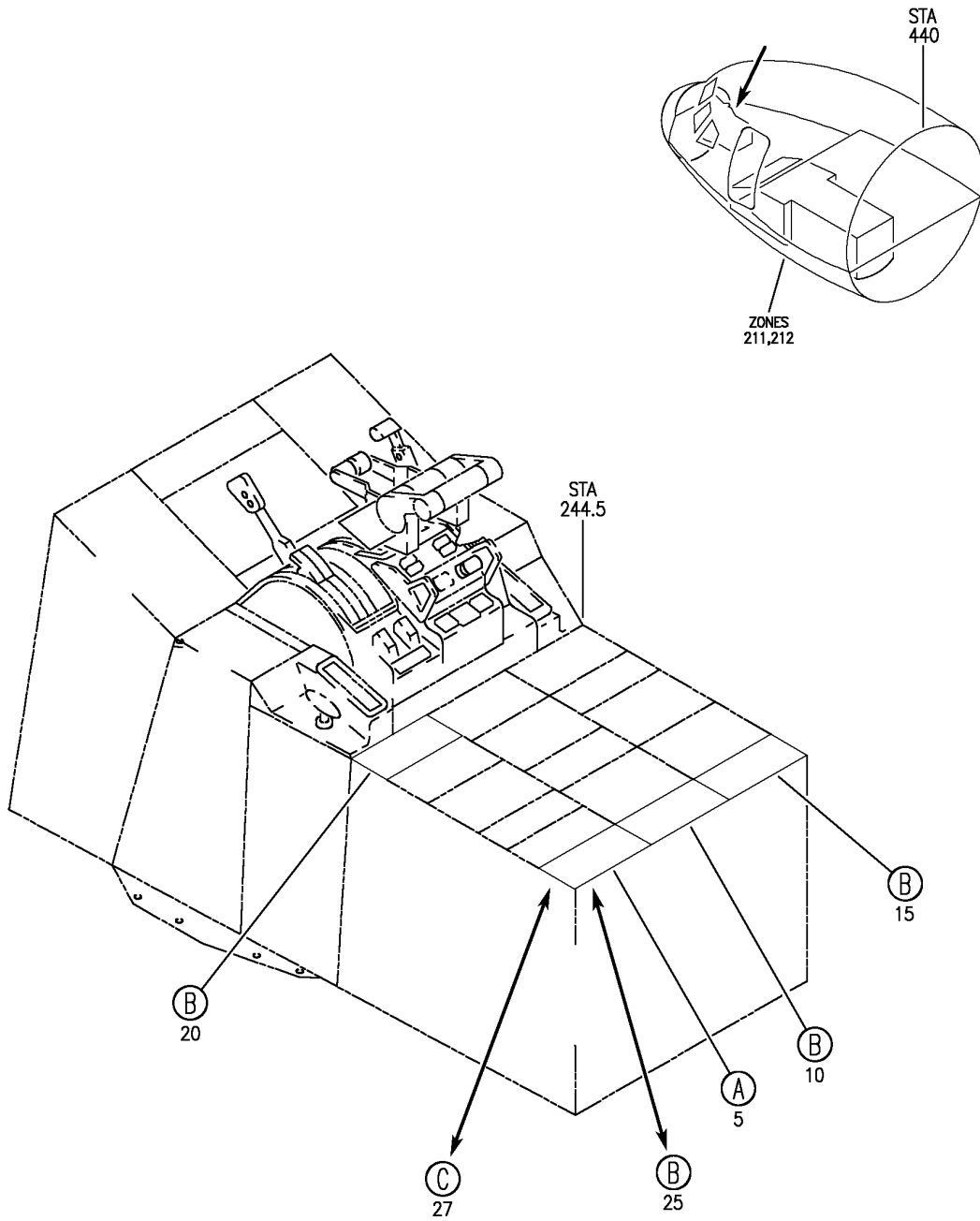
BRI

26-11-02-01

BOEING PROPRIETARY - Copyright © - Unpublished Work - See title page for details.

26-11-02
FIG. 01
PAGE 10
MAY 20/09

BOEING
757
PARTS CATALOG (MAINTENANCE)



Y 26110202 SHT 1 REV 249

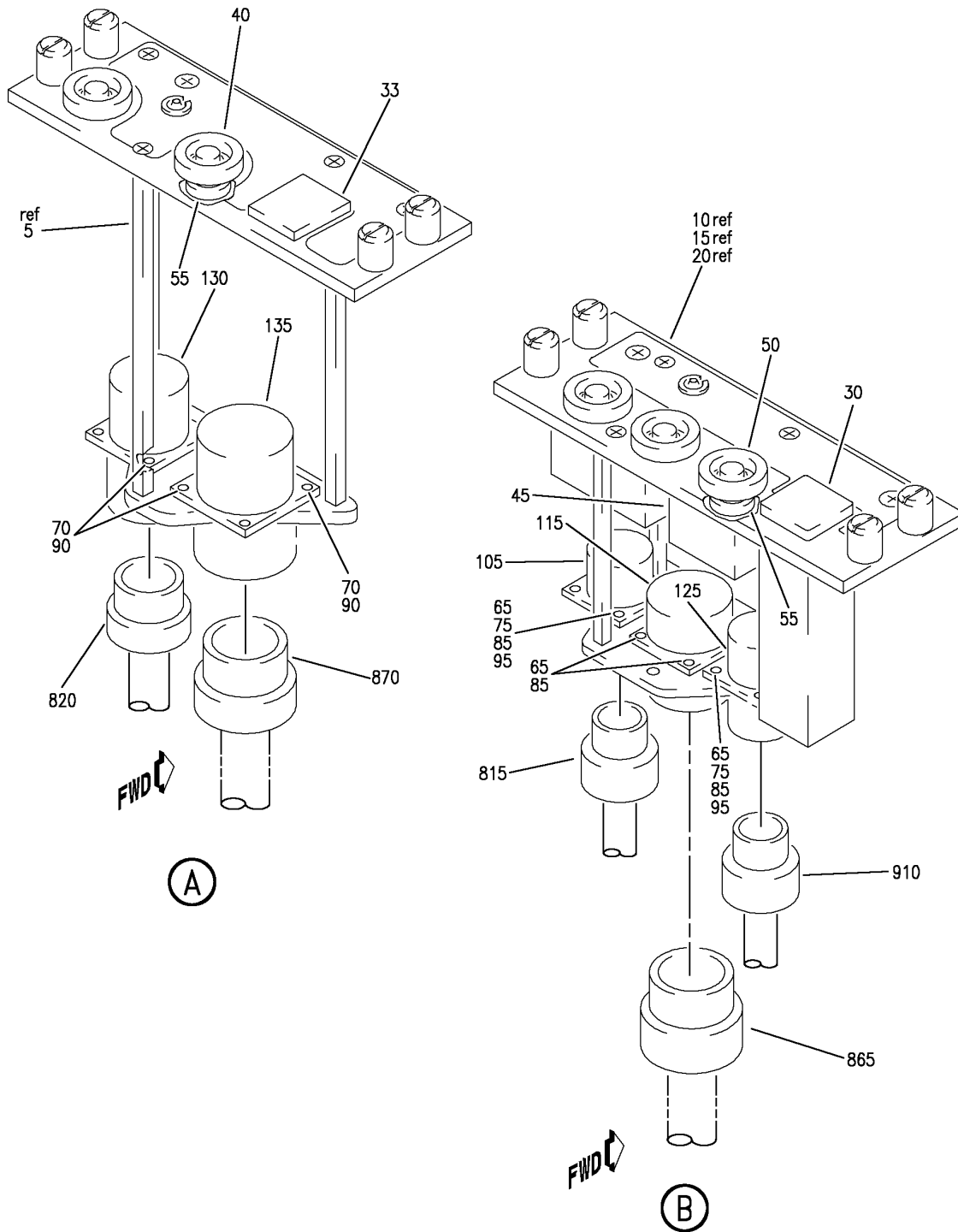
PANEL INSTL-P8 ELECTRONIC (FIRE/OVERHEAT TEST PANEL ONLY)
FIGURE 2 (SHEET 1)

26-11-02-02

BRI
MAY 28/07

26-11-02-02
PAGE 0

BOEING
757
PARTS CATALOG (MAINTENANCE)



Y 26110202 SHT 2 REV 249

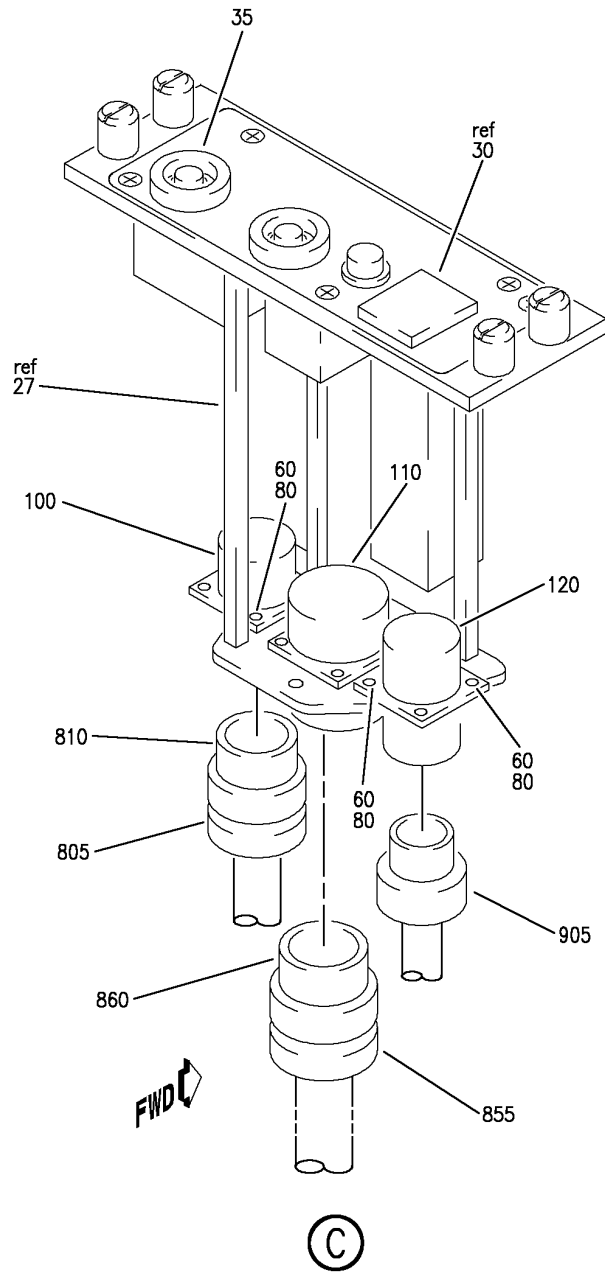
PANEL INSTL-P8 ELECTRONIC (FIRE/OVERHEAT TEST PANEL ONLY)
FIGURE 2 (SHEET 2)

26-11-02-02

BRI
MAY 28/07

26-11-02-02
PAGE 0A

BOEING
757
PARTS CATALOG (MAINTENANCE)



Y 26110202 SHT 3 REV 249

PANEL INSTL-P8 ELECTRONIC (FIRE/OVERHEAT TEST PANEL ONLY)
FIGURE 2 (SHEET 3)

26-11-02-02

BRI
MAY 28/07

26-11-02-02
PAGE 0B



757

PARTS CATALOG (MAINTENANCE)

FIG ITEM	PART NUMBER	1 2 3 4 5 6 7	NOMENCLATURE	EFFECT FROM TO	UNITS PER ASSY
2			PANEL INSTL-P8 ELECTRONIC (FIRE/OVERHEAT TEST PANEL ONLY)	002004 006010 107107 121503 904999	
- 1	233N6101-1		PANEL INSTL-P8 ELECTRONIC (FIRE/OVERHEAT TEST PANEL ONLY) VARIABLE DRAWING REF: 233N6101-5004 233N6101-5028 233N6101-5041 233N6101-5042 233N6101-5046 FOR NHA/OTHER SYS DET SEE: 25-10-00-05A	002004 006010 107107 121503 904999	RF
25	233N6204-14		.PANEL ASSY-FIRE/OVERHEAT TEST SUPPLIER CODE: V89954 ELECTRICAL EQUIP NUMBER: M10445 COMPONENT MAINT MANUAL REF: 26-11-52 QUALIFIED I/W DATA: 233N6204-13, -14, -15, -17 ARE ALL INTERCHANGEABLE EXCEPT SUBJECT TO CUSTOMER PREFERENCE 233N6204-13, -14, -15, -16, -17 ARE ALL INTERCHANGEABLE EXCEPT SUBJECT TO CUSTOMER PREFERENCE	107107	RF

MISSING ITEM NUMBERS NOT APPLICABLE

- ITEM NOT ILLUSTRATED

BRI

26-11-02-02

26-11-02
FIG. 02
PAGE 1
JAN 20/09



757

PARTS CATALOG (MAINTENANCE)

FIG ITEM	PART NUMBER	1 2 3 4 5 6 7	NOMENCLATURE	EFFECT FROM TO	UNITS PER ASSY
2					
25	233N6204-15		.PANEL ASSY-FIRE/OVERHEAT TEST SUPPLIER CODE: V89954 ELECTRICAL EQUIP NUMBER: M10445 COMPONENT MAINT MANUAL REF: 26-11-52 QUALIFIED I/W DATA: 233N6204-12, -14, -15, -17 ARE ALL INTERCHANGEABLE EXCEPT SUBJECT TO CUSTOMER PREFERENCE THE 233N6204-301 PANEL ASSY IS I/W 233N6204-15 PANEL ASSY T/W THE S233T100-5508 LIGHTPLATE	002004 006010 950999	RF
25	233N6204-17		.PANEL ASSY-FIRE/OVERHEAT TEST SUPPLIER CODE: V89954 ELECTRICAL EQUIP NUMBER: M10445 COMPONENT MAINT MANUAL REF: 26-11-52 QUALIFIED I/W DATA: 233N6204-13, -14, -15, -17 ARE ALL INTERCHANGEABLE EXCEPT SUBJECT TO CUSTOMER PREFERENCE	121503 904949	RF
30	BCREF7633		..SWITCH ASSY-LIGHTED PUSH BUTTON IND FAIL P-RESET SUPPLIER CODE: V81590 OVERLENGTH PART NUMBER: 433-673-1001-1063 SPECIFICATION NUMBER: S231T290-1063 FOR DETAILS SEE: 33-13-00-11	107107	1

MISSING ITEM NUMBERS NOT APPLICABLE

- ITEM NOT ILLUSTRATED

BRI

26-11-02-02

26-11-02
FIG. 02
PAGE 2
JAN 20/09



757

PARTS CATALOG (MAINTENANCE)

FIG ITEM	PART NUMBER	1 2 3 4 5 6 7	NOMENCLATURE	EFFECT FROM TO	UNITS PER ASSY
2					
30	BCREFA0528		..SWITCH ASSY-LIGHTED PUSH BUTTON IND FAIL P-RESET SUPPLIER CODE: V81590 OVERLENGTH PART NUMBER: 433-673-1004-4063 SPECIFICATION NUMBER: S231T290-4063 PRE SERVICE LETTER: 33-027 FOR DETAILS SEE: 33-13-00-41	002004 006010 107107 121503 904999	1
30	851-30768-2063		..SWITCH ASSY-LIGHTED PUSH BUTTON IND FAIL P-RESET SUPPLIER CODE: V96182 SPECIFICATION NUMBER: S231T290-2063 FOR DETAILS SEE: 33-13-00-21	107107	1
30	851-30768-3063		..SWITCH ASSY-LIGHTED PUSH BUTTON IND FAIL P-RESET SUPPLIER CODE: V96182 SPECIFICATION NUMBER: S231T290-3063 FOR DETAILS SEE: 33-13-00-31	107107 121503 904949	1
30	851-35100-5063		..SWITCH ASSY-LIGHTED PUSH BUTTON IND FAIL P-RESET SUPPLIER CODE: V81590 SPECIFICATION NUMBER: S231T290-5063 OPTIONAL PART: 4336731004-4263 V81590	002004 006010 107107 121503 904999	1

MISSING ITEM NUMBERS NOT APPLICABLE

- ITEM NOT ILLUSTRATED

BRI

26-11-02-02

BOEING PROPRIETARY - Copyright © - Unpublished Work - See title page for details.

26-11-02
FIG. 02
PAGE 3
JAN 20/09



757

PARTS CATALOG (MAINTENANCE)

FIG ITEM	PART NUMBER	1 2 3 4 5 6 7	NOMENCLATURE	EFFECT FROM TO	UNITS PER ASSY
2					
30	4336731004-4263	..	SWITCH ASSY-LIGHTED PUSH BUTTON IND FAIL P-RESET SUPPLIER CODE: V81590 SPECIFICATION NUMBER: S231T290-4263 OPTIONAL PART: 851-35100-5063 V81590 POST SERVICE LETTER: 33-027	002004 006010 107107 121503 904999	1
45	704PB1	..	SWITCH-PUSH BUTTON SUPPLIER CODE: V91929	002004 006010 107107 121503 904999	1
50	120092	..	GUARD-SWITCH SUPPLIER CODE: V81640	002004 006010 107107 121503 904999	1
55	NAS1149C0816R	..	WASHER- OPTIONAL PART: SGD002H V9V172 SGD005H V9V172 SGD015H V9V172	002004 006010 107107 121503 904999	AR
55	SGD002H	..	WASHER- SUPPLIER CODE: V9V172 OPTIONAL PART: NAS1149C0816R SGD005H V9V172 SGD015H V9V172	002004 006010 107107 121503 904999	AR
55	SGD005H	..	WASHER- SUPPLIER CODE: V9V172 OPTIONAL PART: NAS1149C0816R SGD002H V9V172 SGD015H V9V172	002004 006010 107107 121503 904999	AR

MISSING ITEM NUMBERS NOT APPLICABLE

- ITEM NOT ILLUSTRATED

BRI

26-11-02-02

26-11-02
FIG. 02
PAGE 4
JAN 20/09



757

PARTS CATALOG (MAINTENANCE)

FIG ITEM	PART NUMBER	1 2 3 4 5 6 7	NOMENCLATURE	EFFECT FROM TO	UNITS PER ASSY
2	55	SGD015H	.. WASHER- SUPPLIER CODE: V9V172 OPTIONAL PART: NAS1149C0816R SGD002H V9V172 SGD005H V9V172	002004 006010 107107 121503 904999	AR
	65	BACS12CB04-5	.. SCREW	107107	8
	75	NAS1801-04-5	.. SCREW-	121503 904949	6
	75	NAS1801-04-5	.. SCREW- OPTIONAL PART: BACS12HN04-5	002004 006010 950999	6
	75	BACS12HN04-5	.. SCREW- OPTIONAL PART: NAS1801-04-5	002004 006010 950999	6
	85	K19798-04	.. NUT SUPPLIER CODE: V15653 SPECIFICATION NUMBER: BACN10NW1 OPTIONAL PART: RMA4812-160-40 V72962 293162 V60119	107107	8
	95	K19798-04	.. NUT SUPPLIER CODE: V15653 SPECIFICATION NUMBER: BACN10NW1 OPTIONAL PART: RMA4812-160-40 V72962 293162 V60119	002004 006010 121503 904999	6
	105	BACC45FN10-5P9	.. CONNECTOR	002004 006010 107107 121503 904999	1
	115	BACC45FN14-15P7	.. CONNECTOR	107107	1
	115	BACC45FN14-15P7	.. CONNECTOR	002004 006010 121503 904999	1

MISSING ITEM NUMBERS NOT APPLICABLE

- ITEM NOT ILLUSTRATED

BRI

26-11-02-02

26-11-02
FIG. 02
PAGE 5
JAN 20/09



757

PARTS CATALOG (MAINTENANCE)

FIG ITEM	PART NUMBER	1 2 3 4 5 6 7	NOMENCLATURE	EFFECT FROM TO	UNITS PER ASSY
2					
125	BACC45FN10-5P8	. .	CONNECTOR	002004 006010 107107 121503 904999	1
- 800	286N4228-013		WIRE BUNDLE ASSY	107107 121503 904949	RF
- 800	286N4228-015		WIRE BUNDLE ASSY-	002004 006010 950999	RF
815	BACC45FT10A5S9	. .	CONNECTOR- ELECTRICAL EQUIP NUMBER: D03490 WIRING DIAGRAM REF: 262111	002004 006010 107107 121503 904999	1
- 850	286N4236-010		WIRE BUNDLE ASSY	107107 121503 904949	RF
- 850	286N4236-015		WIRE BUNDLE ASSY	002004 006010 950999	RF
865	BACC45FT14A15S	. .	CONNECTOR- ELECTRICAL EQUIP NUMBER: D03492 WIRING DIAGRAM REF: 261221	002004 006010 107107 121503 904999	1
- 900	286N2134-004		WIRE BUNDLE ASSY	107107	RF
- 900	286N2134-005		WIRE BUNDLE ASSY	121503 904949	RF
- 900	286N2134-005		WIRE BUNDLE ASSY	002004 006010 950999	RF
910	BACC45FT10A5S8	. .	CONNECTOR- ELECTRICAL EQUIP NUMBER: D03494 WIRING DIAGRAM REF: 261511	002004 006010 107107 121503 904999	1

MISSING ITEM NUMBERS NOT APPLICABLE

- ITEM NOT ILLUSTRATED

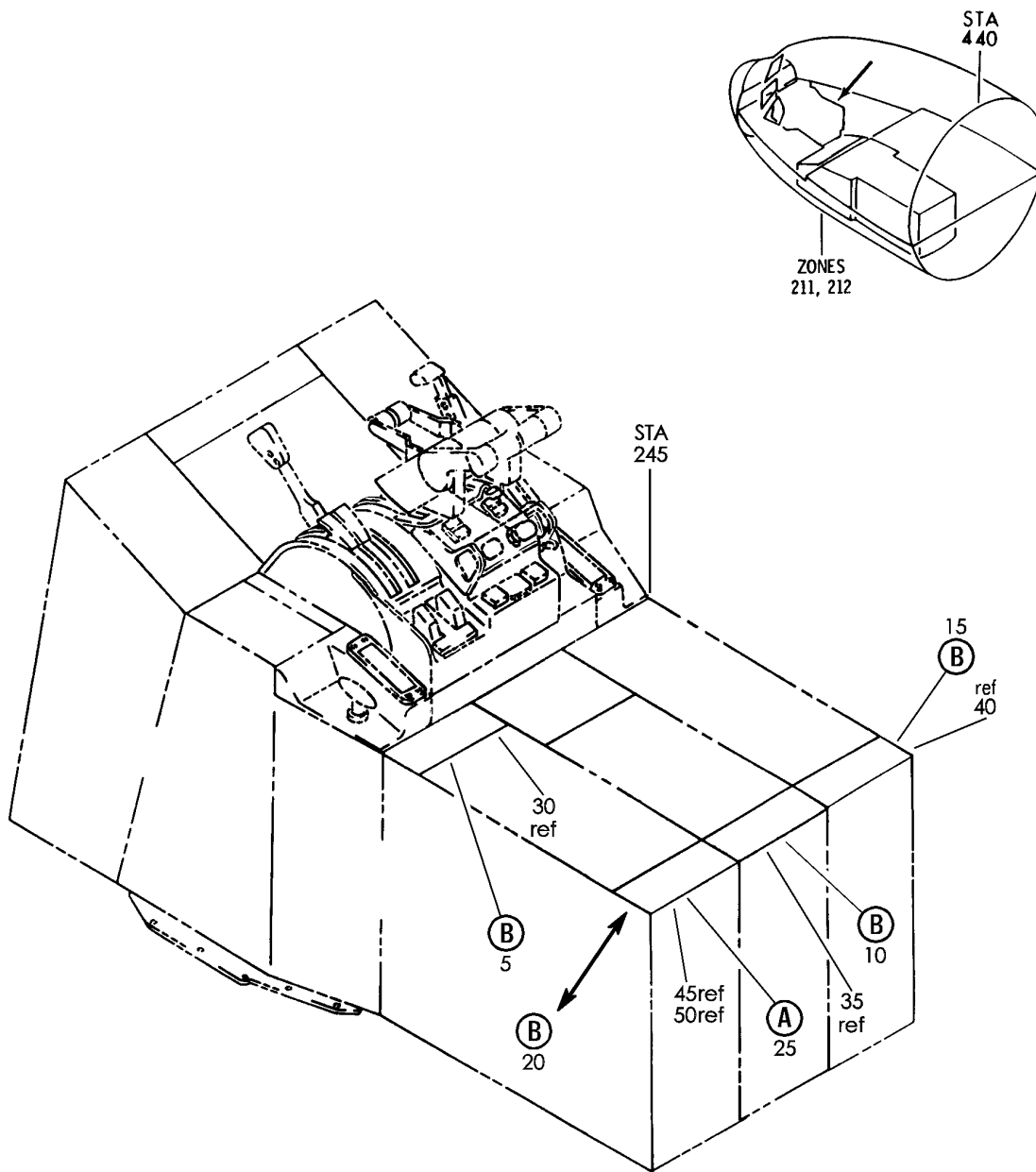
BRI

26-11-02-02

BOEING PROPRIETARY - Copyright © - Unpublished Work - See title page for details.

26-11-02
FIG. 02
PAGE 6
JAN 20/09

BOEING
757
PARTS CATALOG (MAINTENANCE)



Y 26110203 SHT 1 REV 239

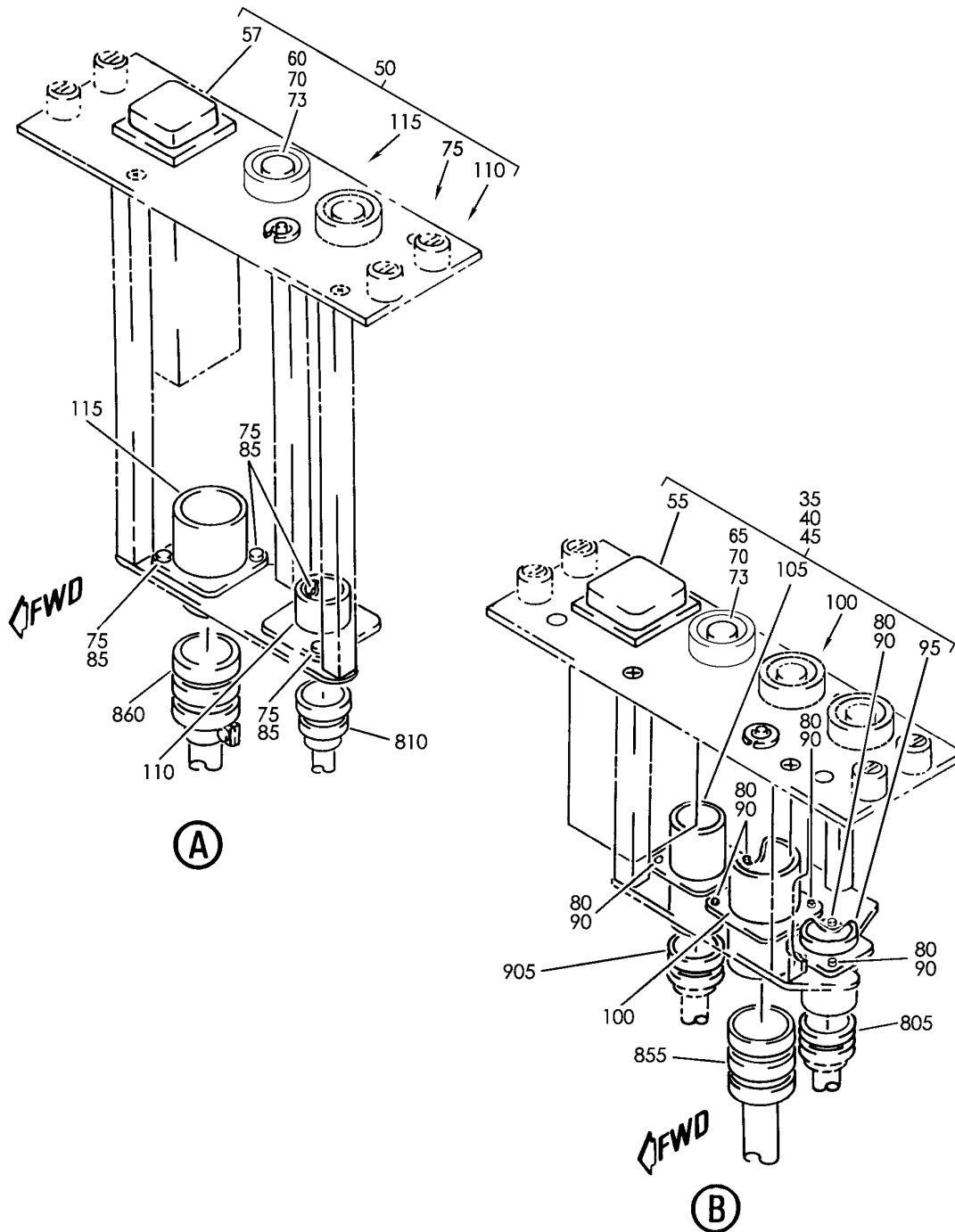
PANEL INSTL-P8 ELECTRONIC (FIRE/OVERHEAT TEST PANEL ONLY)
FIGURE 3 (SHEET 1)

26-11-02-03

BRI
MAY 28/07

26-11-02-03
PAGE 0

BOEING
757
PARTS CATALOG (MAINTENANCE)



Y 26110203 SH1 2 REV 249

PANEL INSTL-P8 ELECTRONIC (FIRE/OVERHEAT TEST PANEL ONLY)
FIGURE 3 (SHEET 2)

26-11-02-03

BRI
MAY 28/07

26-11-02-03
PAGE 0A



757

PARTS CATALOG (MAINTENANCE)

FIG ITEM	PART NUMBER	1 2 3 4 5 6 7	NOMENCLATURE	EFFECT FROM TO	UNITS PER ASSY
3			PANEL INSTL-P8 ELECTRONIC (FIRE/OVERHEAT TEST PANEL ONLY)	011100	
- 1	233N6101-1		PANEL INSTL-P8 ELECTRONIC (FIRE/OVERHEAT TEST PANEL ONLY) VARIABLE DRAWING REF: 233N6101-5042 FOR NHA/OTHER SYS DET SEE: 25-10-00-05A	011100	RF
20	233N6204-301		.PANEL ASSY-FIRE/ OVERHEAT TEST SUPPLIER CODE: V89954 ELECTRICAL EQUIP NUMBER: M10445 COMPONENT MAINT MANUAL REF: 26-11-52 QUALIFIED I/W DATA: THE 233N6204-301 PANEL ASSY IS I/W THE 233N6204-15 PANEL ASSY T/W THE S233T100-5508 LIGHTPLATE.	011100	RF
20	233N6204-302		.PANEL ASSY-FIRE/ OVERHEAT TEST SUPPLIER CODE: V89954 ELECTRICAL EQUIP NUMBER: M10445 COMPONENT MAINT MANUAL REF: 26-11-52	011100	RF
45	233N6204-15		..PANEL ASSY- SUPPLIER CODE: V89954 ELECTRICAL EQUIP NUMBER: M10445 COMPONENT MAINT MANUAL REF: 26-11-52 QUALIFIED I/W DATA: THE 233N6204-301 PANEL ASSY IS I/W THE 233N6204-15 PANEL ASSY T/W THE S233T100-5508 LIGHTPLATE. USED ON: 233N6204-301	011100	1

MISSING ITEM NUMBERS NOT APPLICABLE

- ITEM NOT ILLUSTRATED

BRI

26-11-02-03

26-11-02
FIG. 03
PAGE 1
JAN 20/09



757

PARTS CATALOG (MAINTENANCE)

FIG ITEM	PART NUMBER	1 2 3 4 5 6 7	NOMENCLATURE	EFFECT FROM TO	UNITS PER ASSY
3					
55	BCREFA0528		...SWITCH ASSY-LIGHTED PUSH BUTTON IND FAIL P-RESET SUPPLIER CODE: V81590 OVERLENGTH PART NUMBER: 433-673-1004-4063 SPECIFICATION NUMBER: S231T290-4063 FOR DETAILS SEE: 33-13-00-41	011100	1
55	851-35100-5063		...SWITCH ASSY-LIGHTED PUSH BUTTON IND FAIL P-RESET SUPPLIER CODE: V81590 SPECIFICATION NUMBER: S231T290-5063 OPTIONAL PART: 4336731004-4263 V81590	011100	1
55	4336731004-4263		...SWITCH ASSY-LIGHTED PUSH BUTTON IND FAIL P-RESET SUPPLIER CODE: V81590 SPECIFICATION NUMBER: S231T290-4263 OPTIONAL PART: 851-35100-5063 V81590	011100	1
65	704PB1		...SWITCH-PUSH BUTTON SUPPLIER CODE: V91929	011100	1
70	120092		...GUARD-SWITCH SUPPLIER CODE: V81640	011100	1
73	NAS1149C0816R		...WASHER- OPTIONAL PART: SGD002H V9V172 SGD005H V9V172 SGD015H V9V172	011100	AR

MISSING ITEM NUMBERS NOT APPLICABLE

- ITEM NOT ILLUSTRATED

BRI

26-11-02-03

BOEING PROPRIETARY - Copyright © - Unpublished Work - See title page for details.

26-11-02
FIG. 03
PAGE 2
JAN 20/09



757

PARTS CATALOG (MAINTENANCE)

FIG ITEM	PART NUMBER	1 2 3 4 5 6 7	NOMENCLATURE	EFFECT FROM TO	UNITS PER ASSY
3					
73	SGD002H	...	WASHER- SUPPLIER CODE: V9V172 OPTIONAL PART: NAS1149C0816R SGD005H V9V172 SGD015H V9V172	011100	AR
73	SGD005H	...	WASHER- SUPPLIER CODE: V9V172 OPTIONAL PART: NAS1149C0816R SGD002H V9V172 SGD015H V9V172	011100	AR
73	SGD015H	...	WASHER- SUPPLIER CODE: V9V172 OPTIONAL PART: NAS1149C0816R SGD002H V9V172 SGD005H V9V172	011100	AR
80	NAS1801-04-5	...	SCREW- OPTIONAL PART: BACS12HN04-5	011100	6
80	BACS12HN04-5	...	SCREW- OPTIONAL PART: NAS1801-04-5	011100	6
90	K19798-04	...	NUT SUPPLIER CODE: V15653 SPECIFICATION NUMBER: BACN10NW1 OPTIONAL PART: RMA4812-160-40 V72962 293162 V60119	011100	6
95	BACC45FN10-5P9	...	CONNECTOR	011100	1
100	BACC45FN14-15P7	...	CONNECTOR	011100	1
105	BACC45FN10-5P8	...	CONNECTOR	011100	1
- 800	286N4228-015		WIRE BUNDLE ASSY	011100	RF

MISSING ITEM NUMBERS NOT APPLICABLE

- ITEM NOT ILLUSTRATED

26-11-02-03

26-11-02
FIG. 03
PAGE 3
JAN 20/09

BRI

BOEING PROPRIETARY - Copyright © - Unpublished Work - See title page for details.



757

PARTS CATALOG (MAINTENANCE)

FIG ITEM	PART NUMBER	1 2 3 4 5 6 7	NOMENCLATURE	EFFECT FROM TO	UNITS PER ASSY
3 805	BACC45FT10A5S9		.CONNECTOR- ELECTRICAL EQUIP NUMBER: D03490 WIRING DIAGRAM REF: 262111	011100	1
- 850	286N4236-013		WIRE BUNDLE ASSY	011100	RF
855	BACC45FT14A15S		.CONNECTOR- ELECTRICAL EQUIP NUMBER: D03492 WIRING DIAGRAM REF: 261221	011100	1
- 900	286N2134-007		WIRE BUNDLE ASSY	011100	RF
905	BACC45FT10A5S8		.CONNECTOR- ELECTRICAL EQUIP NUMBER: D03494 WIRING DIAGRAM REF: 261511	011100	1

MISSING ITEM NUMBERS NOT APPLICABLE

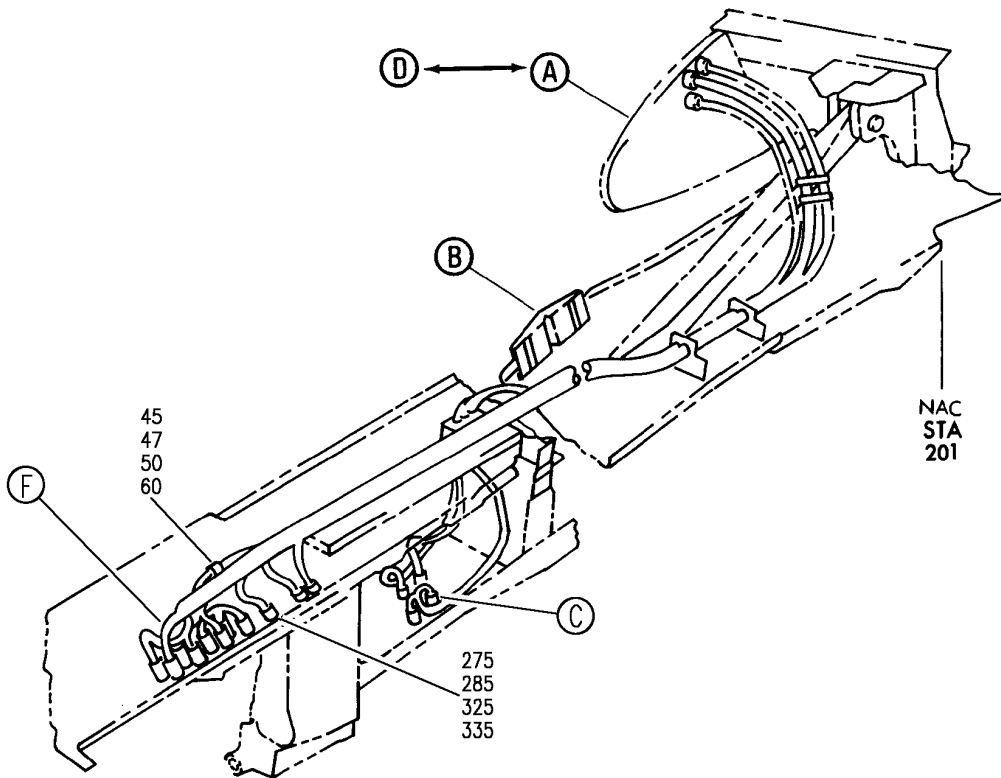
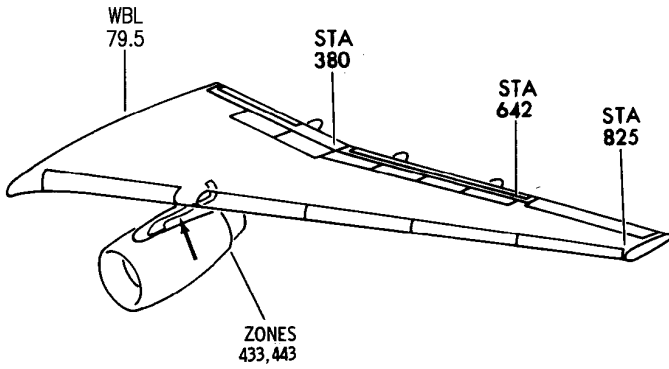
- ITEM NOT ILLUSTRATED

26-11-02-03

26-11-02
FIG. 03
PAGE 4
JAN 20/09

BRI

BOEING
757
PARTS CATALOG (MAINTENANCE)



Y 26115101 SHT 1 REV 248

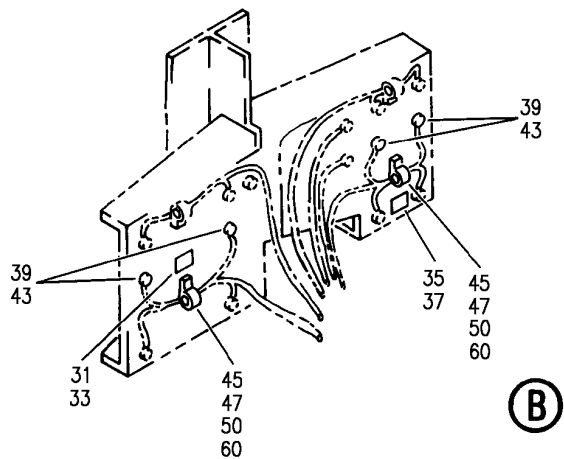
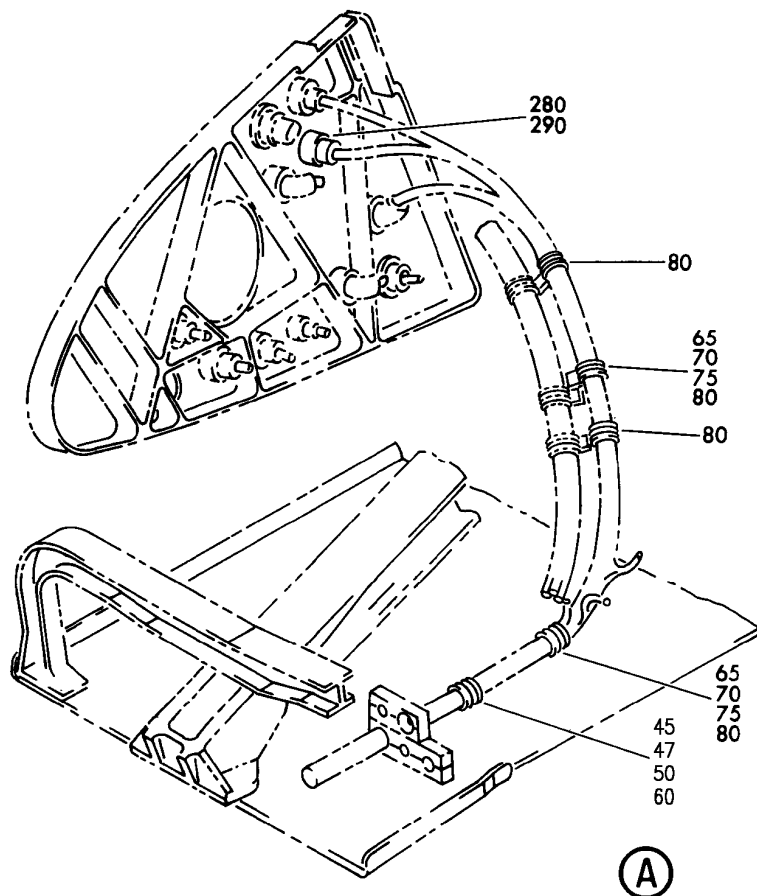
WIRE INSTL-STRUT (FIRE PROTECTION ONLY) (PW2000)
FIGURE 1 (SHEET 1)

26-11-51-01

BRI
JAN 20/09

26-11-51-01
PAGE 0

BOEING
757
PARTS CATALOG (MAINTENANCE)



Y 26115101 SHT 2 REV 248

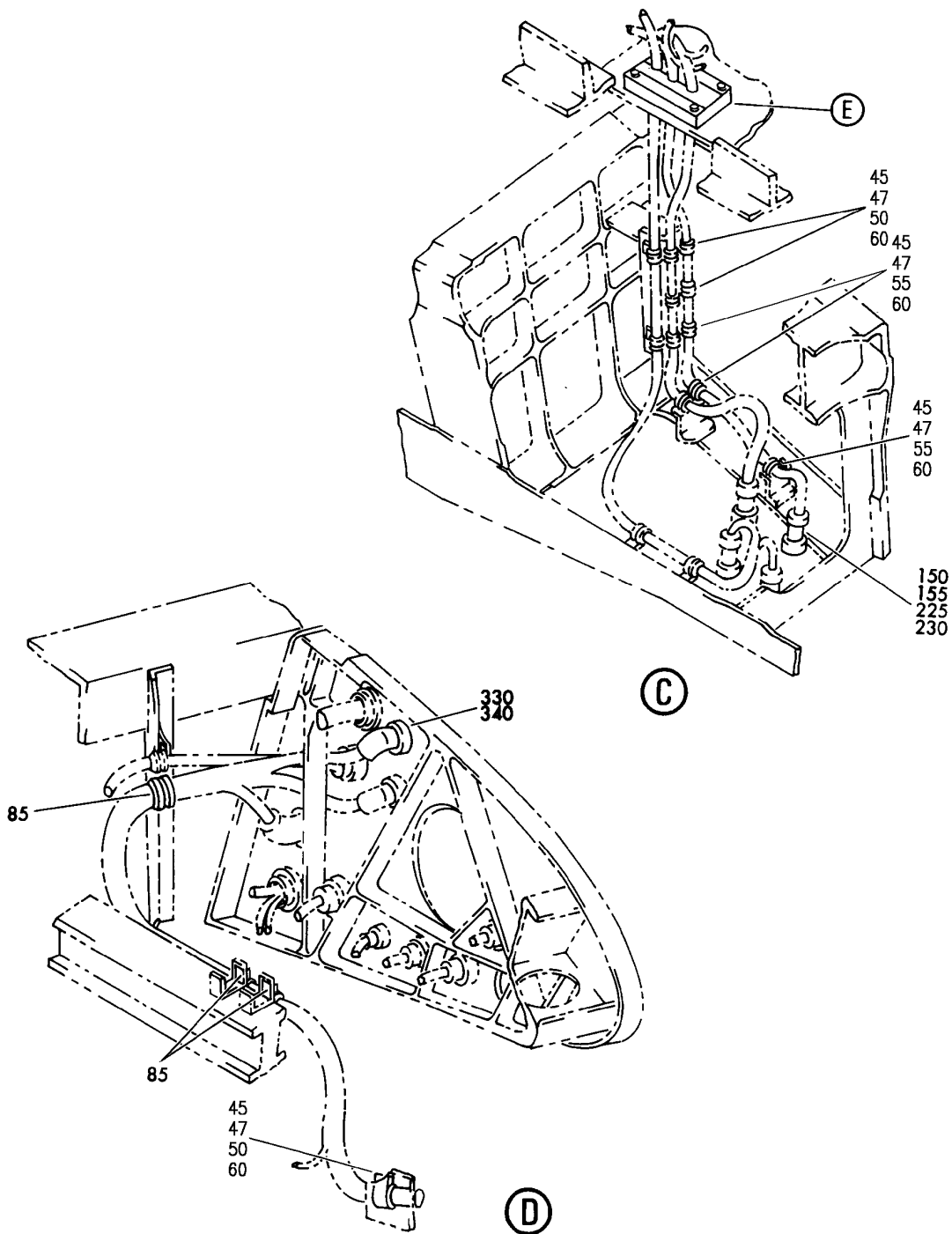
WIRE INSTL-STRUT (FIRE PROTECTION ONLY) (PW2000)
FIGURE 1 (SHEET 2)

26-11-51-01

BRI
JAN 20/09

26-11-51-01
PAGE 0A

BOEING
757
PARTS CATALOG (MAINTENANCE)



Y 26115101 SHT 3 REV 248

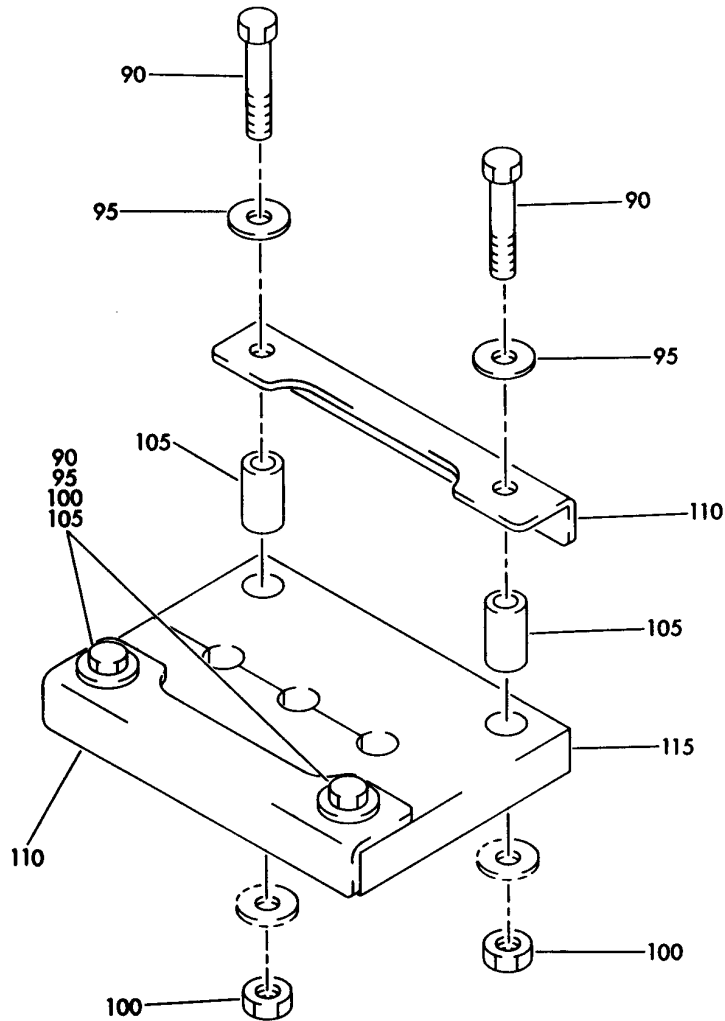
WIRE INSTL-STRUT (FIRE PROTECTION ONLY) (PW2000)
FIGURE 1 (SHEET 3)

26-11-51-01

BRI
JAN 20/09

26-11-51-01
PAGE 0B

BOEING
757
PARTS CATALOG (MAINTENANCE)



Y 26115101 SMT 4 REV 155

(E)

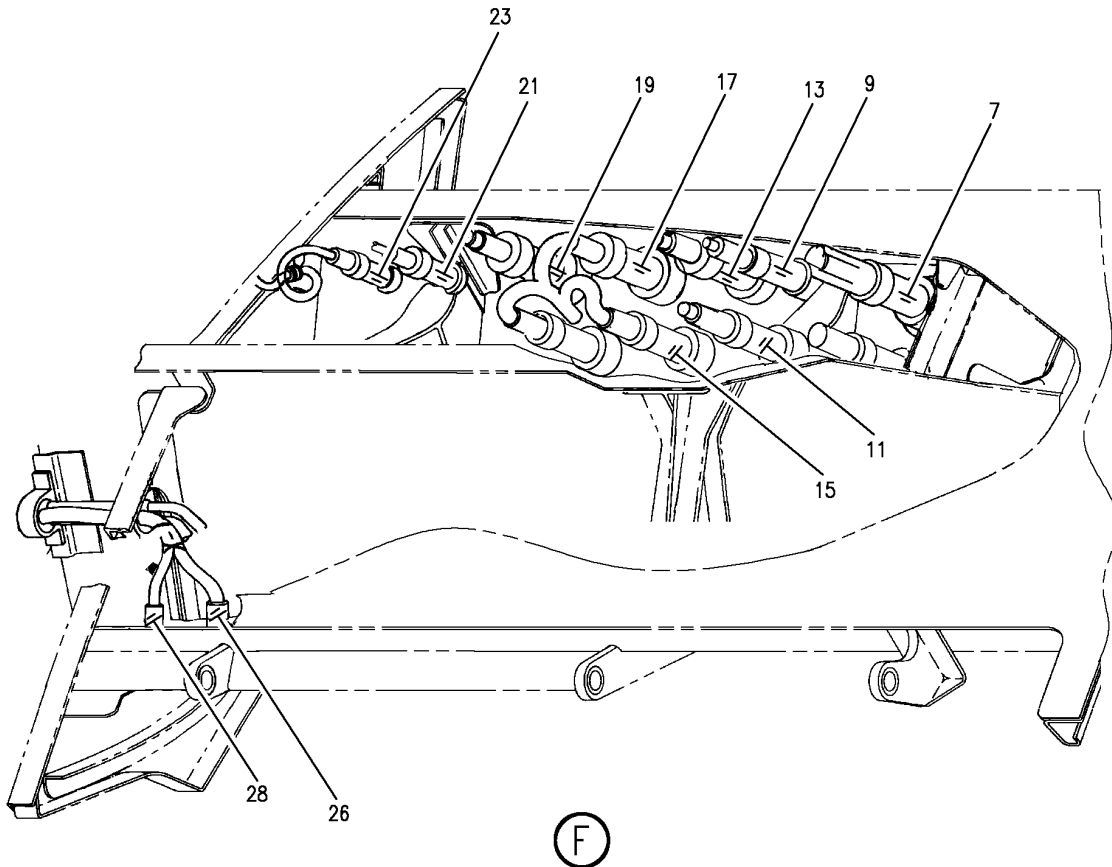
WIRE INSTL-STRUT (FIRE PROTECTION ONLY) (PW2000)
FIGURE 1 (SHEET 4)

26-11-51-01

BRI
JAN 20/09

26-11-51-01
PAGE 0C

BOEING
757
PARTS CATALOG (MAINTENANCE)



Y 26115101 SHT 5 REV 248

WIRE INSTL-STRUT (FIRE PROTECTION ONLY) (PW2000)
FIGURE 1 (SHEET 5)

26-11-51-01

BRI
JAN 20/09

26-11-51-01
PAGE 0D



757

PARTS CATALOG (MAINTENANCE)

FIG ITEM	PART NUMBER	1 2 3 4 5 6 7	NOMENCLATURE	EFFECT FROM TO	UNITS PER ASSY
1			WIRE INSTL-STRUT (FIRE PROTECTION ONLY) (PW2000)	103106	
- 120	286N5400-020		.WIRE BUNDLE ASSY- POSITION DATA: LH SIDE	103106	1
150	G899324NF		..CLAMP- SUPPLIER CODE: V06324 SPECIFICATION NUMBER: BACC10HF24C OPTIONAL PART: S2251-24-65 V07418 900-555F24-55 V31461 GS3417-24C V06324 S2125-24C8 V07418 ELECTRICAL EQUIP NUMBER: D01082JK	103106	1
155	BACC63BT24B30S8		..RECEPTACLE- ELECTRICAL EQUIP NUMBER: D01082J WIRING DIAGRAM REF: 261111	103106	1
- 200	286N5500-019		.WIRE BUNDLE ASSY- POSITION DATA: RH SIDE	103106	1
225	G899324NF		..CLAMP- SUPPLIER CODE: V06324 SPECIFICATION NUMBER: BACC10HF24C OPTIONAL PART: S2251-24-65 V07418 900-555F24-55 V31461 GS3417-24C V06324 S2125-24C8 V07418 ELECTRICAL EQUIP NUMBER: D01282JK	103106	1

MISSING ITEM NUMBERS NOT APPLICABLE

- ITEM NOT ILLUSTRATED

BRI

26-11-51-01

26-11-51
FIG. 01
PAGE 1
JAN 20/09



757

PARTS CATALOG (MAINTENANCE)

FIG ITEM	PART NUMBER	1 2 3 4 5 6 7	NOMENCLATURE	EFFECT FROM TO	UNITS PER ASSY
1 230	BACC63BT24B30S8		..RECEPTACLE- ELECTRICAL EQUIP NUMBER: D01282J WIRING DIAGRAM REF: 261121	103106	1
- 250	286N5402-024		.WIRE BUNDLE ASSY- POSITION DATA: LH SIDE	103106	1
275	G899328NF		..CLAMP- SUPPLIER CODE: V06324 SPECIFICATION NUMBER: BACC10HF28C OPTIONAL PART: S2251-28-65 V07418 900-555F28-55 V31461 GS3417-28C V06324 S2125-28C8 V07418 ELECTRICAL EQUIP NUMBER: D01080JK	103106	1
280	G899328NF		..CLAMP- SUPPLIER CODE: V06324 SPECIFICATION NUMBER: BACC10HF28C OPTIONAL PART: S2251-28-65 V07418 900-555F28-55 V31461 GS3417-28C V06324 S2125-28C8 V07418 ELECTRICAL EQUIP NUMBER: D42054PQ	103106	1
285	BACC63CN2842SB		..RECEPTACLE- ELECTRICAL EQUIP NUMBER: D01080J WIRING DIAGRAM REF: 261111	103106	1

MISSING ITEM NUMBERS NOT APPLICABLE

- ITEM NOT ILLUSTRATED

BRI

26-11-51-01

BOEING PROPRIETARY - Copyright © - Unpublished Work - See title page for details.

26-11-51
FIG. 01
PAGE 2
JAN 20/09



757

PARTS CATALOG (MAINTENANCE)

FIG ITEM	PART NUMBER	1 2 3 4 5 6 7	NOMENCLATURE	EFFECT FROM TO	UNITS PER ASSY
1 290	BACC63CB28-42P7	..	PLUG- ELECTRICAL EQUIP NUMBER: D42054P WIRING DIAGRAM REF: 261112	103106	1
- 300	286N5502-024	.WIRE BUNDLE ASSY-	POSITION DATA: RH SIDE	103106	1
325	G899328NF	..	CLAMP- SUPPLIER CODE: V06324 SPECIFICATION NUMBER: BACC10HF28C OPTIONAL PART: S2251-28-65 V07418 900-555F28-55 V31461 GS3417-28C V06324 S2125-28C8 V07418 ELECTRICAL EQUIP NUMBER: D01280JK	103106	1
330	S2277-28-34	..	CLAMP- SUPPLIER CODE: V06324 ELECTRICAL EQUIP NUMBER: D40140PQ	103106	1
335	BACC63CN2842SB	..	RECEPTACLE- ELECTRICAL EQUIP NUMBER: D01280J WIRING DIAGRAM REF: 261121	103106	1
340	BACC63CB28-42P7	..	PLUG- ELECTRICAL EQUIP NUMBER: D40140P WIRING DIAGRAM REF: 261122	103106	1

MISSING ITEM NUMBERS NOT APPLICABLE

- ITEM NOT ILLUSTRATED

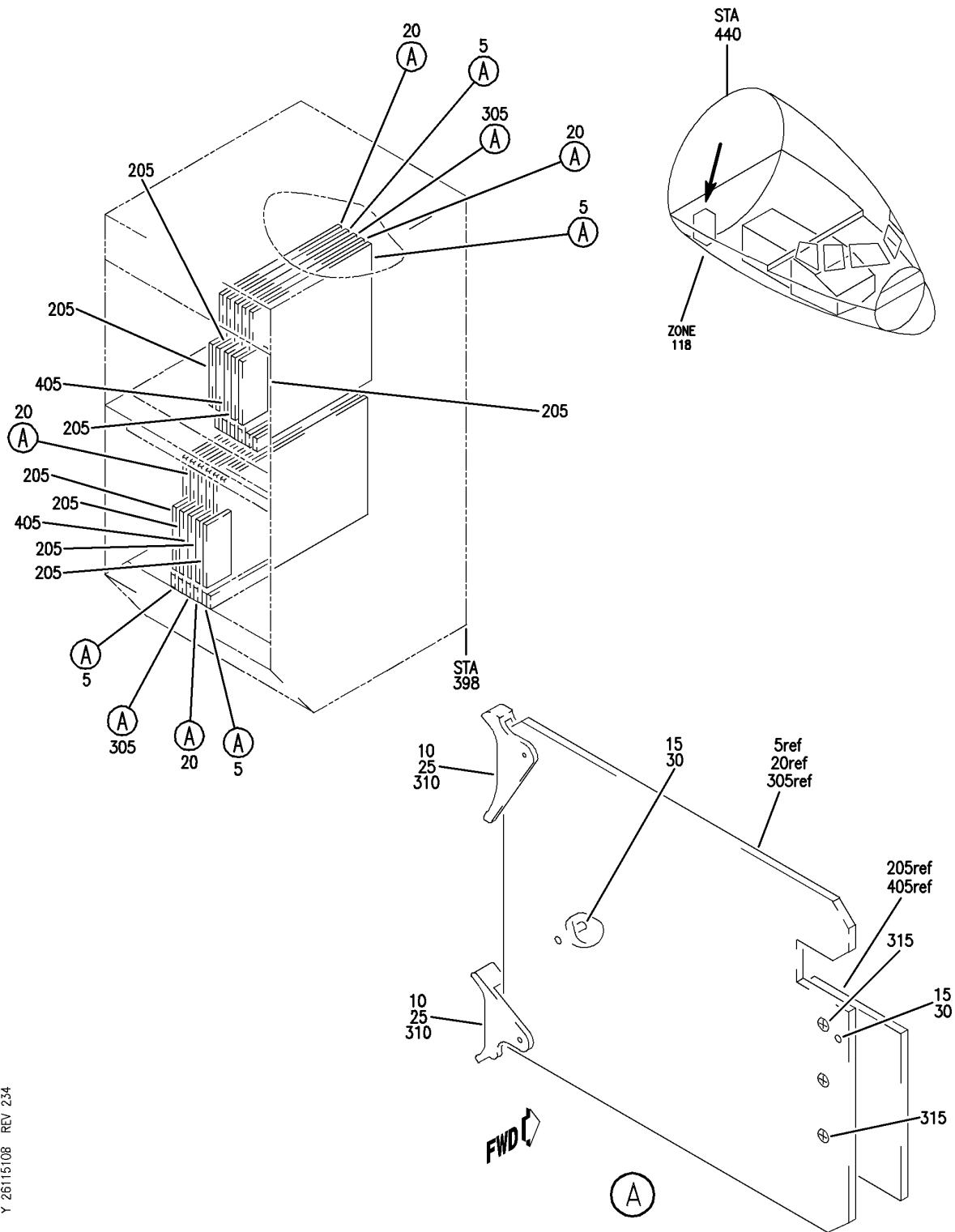
BRI

26-11-51-01

BOEING PROPRIETARY - Copyright © - Unpublished Work - See title page for details.

26-11-51
FIG. 01
PAGE 3
JAN 20/09

BOEING
757
PARTS CATALOG (MAINTENANCE)



Y 26115108 REV 234

EQUIPMENT INSTL-MAIN ELECTRONICS EQPT CTR FIRE AND OVERHEAT DETECTION
FIGURE 8

26-11-51-08

BRI
JAN 20/09

26-11-51-08
PAGE 0



757

PARTS CATALOG (MAINTENANCE)

FIG ITEM	PART NUMBER	1 2 3 4 5 6 7	NOMENCLATURE	EFFECT FROM TO	UNITS PER ASSY
8			EQUIPMENT INSTL-MAIN ELECTRONICS EQPT CTR FIRE AND OVERHEAT DETECTION	103106 108120	
- 1	284N4000-260000		EQUIPMENT INSTL-MAIN ELECTRONICS EQPT CTR FIRE AND OVERHEAT DETECTION	108120	RF
- 1	MODREF9949		FOR NHA/ADDITIONAL DET SEE: 24-00-58-05F EQUIPMENT INSTL-MAIN ELECTRONICS EQPT CTR FIRE AND OVERHEAT DETECTION	103106	1
5	6445-01		MODULE NUMBER: 284N4000-260000 REV A .CARD ASSY- SUPPLIER CODE: V25693 SPECIFICATION NUMBER: S332T301-181 ELECTRICAL EQUIP NUMBER: M00681 M00682 M00683 M00684 COMPONENT MAINT MANUAL REF: 26-11-46	103106 108120	4
10	S202-1		..EJECTOR-CARD SUPPLIER CODE: V18677	103106 108120	2
20	6445-01		.CARD ASSY-FIRE AND OVERHEAT DETECTION SUPPLIER CODE: V25693 SPECIFICATION NUMBER: S332T301-181 ELECTRICAL EQUIP NUMBER: M10229 M10230 M10275 M10276 COMPONENT MAINT MANUAL REF: 26-11-46	103106 108120	4
25	S202-1		..EJECTOR-CARD SUPPLIER CODE: V18677	103106 108120	2
30	MS16562-209		..PIN	103106 108120	2
- 200	286N1120-305		WIRE BUNDLE ASSY	108120	RF
- 200	286N1120-601		WIRE BUNDLE ASSY	103106	RF

MISSING ITEM NUMBERS NOT APPLICABLE

- ITEM NOT ILLUSTRATED

26-11-51-08

26-11-51
FIG. 08
PAGE 1
JAN 20/09

BRI



757

PARTS CATALOG (MAINTENANCE)

FIG ITEM	PART NUMBER	1 2 3 4 5 6 7	NOMENCLATURE	EFFECT FROM TO	UNITS PER ASSY
8 205	300055-001		.CONNECTOR- SUPPLIER CODE: V0D9V3 SPECIFICATION NUMBER: BACC65L41 OPTIONAL PART: 300055-001 V03877 192-341-0005 V26742 S1022-00833 V03877 ELECTRICAL EQUIP NUMBER: D01590 D01592 D01596 D01598 D02110 D02080 D02362 D02400 WIRING DIAGRAM REF: 261111 261112 261121 261122	103106 108120	8
- 300	284N4000-260003		EQUIPMENT INSTL-MAIN ELECTRONICS EQPT CTR FIRE AND OVERHEAT DETECTION FOR NHA/ADDITIONAL DET SEE: 24-00-58-05	108120	RF
- 300	MODREF10030		EQUIPMENT INSTL-MAIN ELECTRONICS EQPT CTR FIRE AND OVERHEAT DETECTION MODULE NUMBER: 284N4000-260003 REV A	103106	1

MISSING ITEM NUMBERS NOT APPLICABLE

- ITEM NOT ILLUSTRATED

BRI

26-11-51-08

BOEING PROPRIETARY - Copyright © - Unpublished Work - See title page for details.

26-11-51
FIG. 08
PAGE 2
JAN 20/09



757

PARTS CATALOG (MAINTENANCE)

FIG ITEM	PART NUMBER	1 2 3 4 5 6 7	NOMENCLATURE	EFFECT FROM TO	UNITS PER ASSY
8 305	285N0028-136		.PRINTED WIRING ASSY- SUPPLIER CODE: V89954 FUNCTIONAL DESCRIPTION: THE (AFOLTS) (PWA) HAS TWO ELECTRICALLY ISOLATED CIRCUITS UTILIZING PROGRAMMABLE LOGIC. EACH AFOLTS CIRCUIT MONITORS INPUTS FROM FIRE, CARGO SMOKE, OR OVERHEAT DETECTORS AND PROCESSES THOSE SIGNALS. MISCELLANEOUS DATA: NOT APPROVED FOR ETOPS IN POSITIONS 4 (M10325) AND 5 (M10426) ONLY ON ROLLS-ROYCE ENGINES, FOR 757 OTHERWISE APPROVED FOR ETOPS ELECTRICAL EQUIP NUMBER: M10224 M10274 COMPONENT MAINT MANUAL REF: 26-10-54 QUALIFIED I/W DATA: 285N0028-36 IS INTERCHANGEABLE WITH 285N0028-136 IN THE ENGINE/APU FIRE AND OVERHEAT DETECTION APPLICATIONS, EXCEPT IN THE CARGO SMOKE DETECTION APPLICATION ON THE 757-300 AND 767-400, -36 IS ONE WAY INTERCHANGEABLE WITH -136. FUNCTIONAL REFERENCE: PLACARDS AND MARKINGS FOR DETAILS SEE 11-36-19-08	103106 108120	2
310	S202		..EJECTOR-CARD SUPPLIER CODE: V18677	103106 108120	2

MISSING ITEM NUMBERS NOT APPLICABLE

- ITEM NOT ILLUSTRATED

26-11-51-08

26-11-51
FIG. 08
PAGE 3
JAN 20/09

BRI



757

PARTS CATALOG (MAINTENANCE)

FIG ITEM	PART NUMBER	1 2 3 4 5 6 7	NOMENCLATURE	EFFECT FROM TO	UNITS PER ASSY
8					
315	PL1801-04-6		.. SCREW- SUPPLIER CODE: V03038 SPECIFICATION NUMBER: S285T004-6	103106 108120	3
- 400	286N1120-305		WIRE BUNDLE ASSY	108120	RF
- 400	286N1120-601		WIRE BUNDLE ASSY	103106	RF
405	300052-001		.CONNECTOR- SUPPLIER CODE: V0D9V3 SPECIFICATION NUMBER: BACC65L66 OPTIONAL PART: 200620-01 V16512 300052-001 V03877 192-366-0010 V26742 S1009-00833 V03877 ELECTRICAL EQUIP NUMBER: D01822 D02330 WIRING DIAGRAM REF: 261111	103106 108120	2

MISSING ITEM NUMBERS NOT APPLICABLE

- ITEM NOT ILLUSTRATED

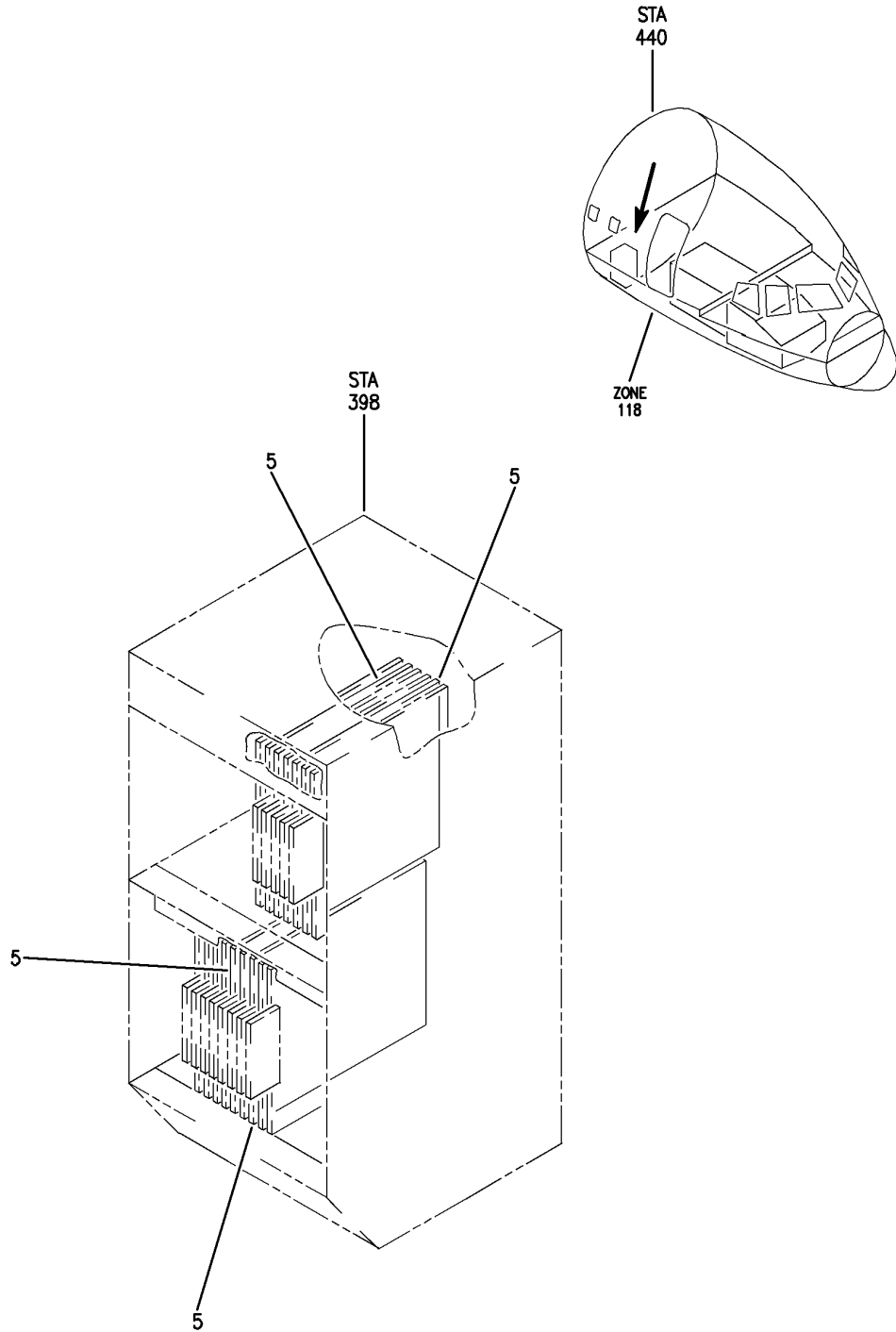
BRI

26-11-51-08

BOEING PROPRIETARY - Copyright © - Unpublished Work - See title page for details.

26-11-51
FIG. 08
PAGE 4
JAN 20/09

BOEING
757
PARTS CATALOG (MAINTENANCE)



Y 26115109 REV 238

EQUIPMENT INSTL-MAIN ELECTRONICS EQPT CTR FIRE AND OVERHEAT DETECTION
FIGURE 9

BRI
JAN 20/09

26-11-51-09

26-11-51-09
PAGE 0



**757
PARTS CATALOG (MAINTENANCE)**

FIG ITEM	PART NUMBER	1 2 3 4 5 6 7	NOMENCLATURE	EFFECT FROM TO	UNITS PER ASSY
9			EQUIPMENT INSTL-MAIN ELECTRONICS EQPT CTR FIRE AND OVERHEAT DETECTION	106106	
- 1	284N4000-260006		EQUIPMENT INSTL-MAIN ELECTRONICS EQPT CTR FIRE AND OVERHEAT DETECTION	106106	RF
5	6445-01		.CARD ASSY- SUPPLIER CODE: V25693 SPECIFICATION NUMBER: S332T301-181 ELECTRICAL EQUIP NUMBER: M10229 M10230 M10275 M10276 COMPONENT MAINT MANUAL REF: 26-11-46	106106	4

MISSING ITEM NUMBERS NOT APPLICABLE

- ITEM NOT ILLUSTRATED

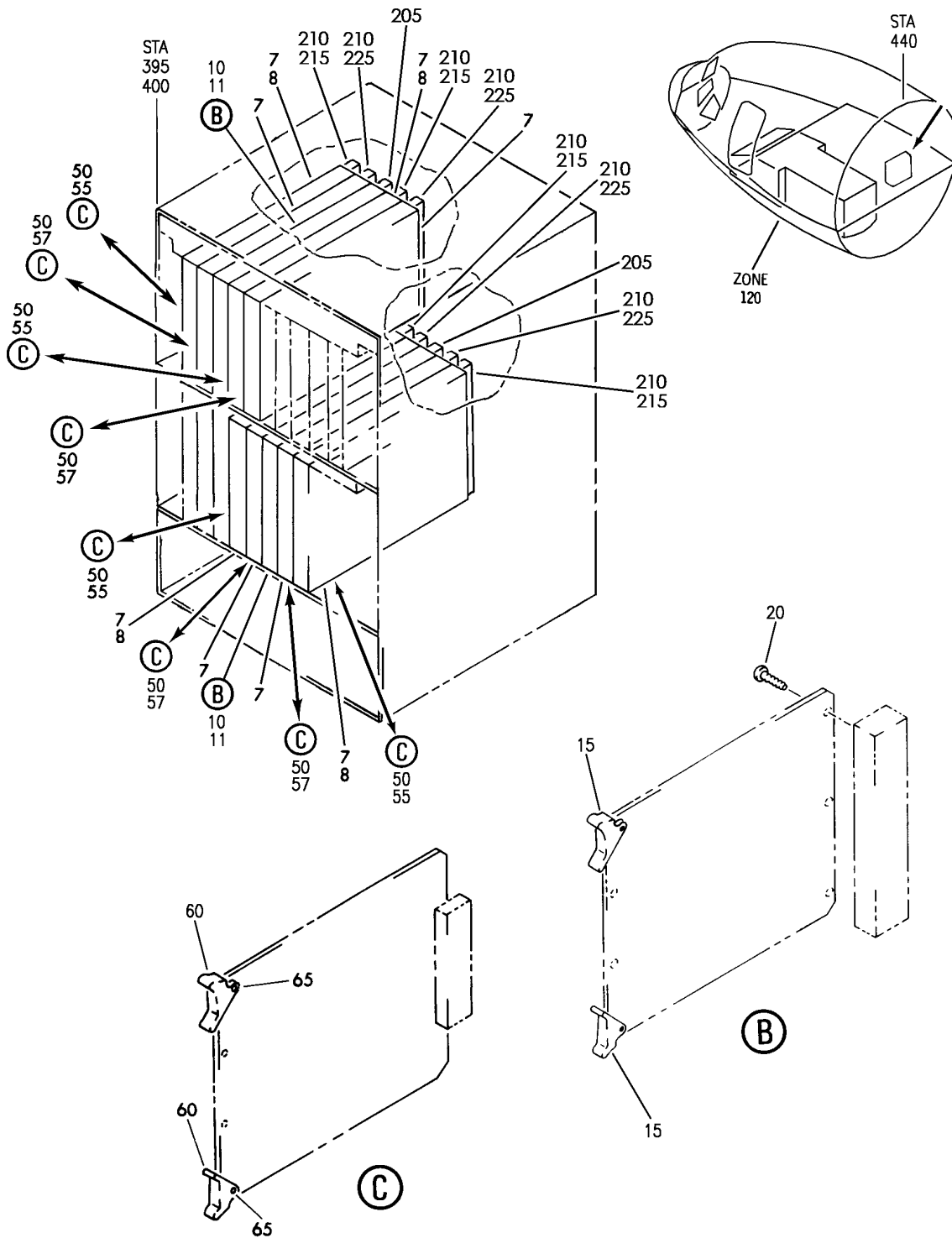
BRI

26-11-51-09

BOEING PROPRIETARY - Copyright © - Unpublished Work - See title page for details.

26-11-51
FIG. 09
PAGE 1
JAN 20/09

BOEING
757
PARTS CATALOG (MAINTENANCE)



Y 26115201 REV 331

EQUIPMENT INSTL-MAIN ELECTRONICS EQPT CTR (ENGINE FIRE AND OVERHEAT DETECTION ONLY)

FIGURE 1

26-11-52-01

BRI
JAN 20/09

26-11-52-01
PAGE 0



757

PARTS CATALOG (MAINTENANCE)

FIG ITEM	PART NUMBER	1 2 3 4 5 6 7	NOMENCLATURE	EFFECT FROM TO	UNITS PER ASSY
1			EQUIPMENT INSTL-MAIN ELECTRONICS EQPT CTR (ENGINE FIRE AND OVERHEAT DETECTION ONLY)	002004 006100 107107 121503 904999	
- 2	284N1307-33		EQUIPMENT INSTL-MAIN ELECTRONICS EQPT CTR (ENGINE FIRE AND OVERHEAT DETECTION ONLY) FOR NHA/OTHER SYS DET SEE: 24-00-58-01	107107	RF
- 2	284N1800-32		EQUIPMENT INSTL-MAIN ELECTRONICS EQPT CTR (ENGINE FIRE AND OVERHEAT DETECTION ONLY) FOR NHA/OTHER SYS DET SEE: 24-00-58-01	952999	RF
- 4	284N1800-16		EQUIPMENT INSTL-MAIN ELECTRONICS EQPT CTR (ENGINE FIRE AND OVERHEAT DETECTION ONLY) FOR NHA/OTHER SYS DET SEE: 24-00-58-01	121503 904949	RF
- 5	284N1800-34		EQUIPMENT INSTL-MAIN ELECTRONICS EQPT CTR (ENGINE FIRE AND OVERHEAT DETECTION ONLY) FOR NHA/OTHER SYS DET SEE: 24-00-58-01	002004 006100	RF
- 5	284N1800-38		EQUIPMENT INSTL-MAIN ELECTRONICS EQPT CTR (ENGINE FIRE AND OVERHEAT DETECTION ONLY) FOR NHA/OTHER SYS DET SEE: 24-00-58-01	950951	RF
8	200211-1		.PRINTED CIRCUIT CARD ASSY- SUPPLIER CODE: V05167 SPECIFICATION NUMBER: S332T301-21 ELECTRICAL EQUIP NUMBER: M00681 M00682 M00683 M00684 COMPONENT MAINT MANUAL REF: 26-10-03	107107 904949	4

MISSING ITEM NUMBERS NOT APPLICABLE

- ITEM NOT ILLUSTRATED

26-11-52-01

26-11-52
FIG. 01
PAGE 1
JAN 20/09

BRI



757

PARTS CATALOG (MAINTENANCE)

FIG ITEM	PART NUMBER	1 2 3 4 5 6 7	NOMENCLATURE	EFFECT FROM TO	UNITS PER ASSY
1	8 51653-177		.PRINTED CIRCUIT CARD ASSY- SUPPLIER CODE: VK1536 SPECIFICATION NUMBER: S332T301-256 ELECTRICAL EQUIP NUMBER: M00681 M00682 M00683 M00684 COMPONENT MAINT MANUAL REF: 26-11-76	107107 121503 904949 952999	4
	10 285N0028-10		.PRINTED WIRING ASSY-AUTO FIRE/HEAT LOGIC/TEST SYS SUPPLIER CODE: V89954 MISCELLANEOUS DATA: NOT APPROVED FOR ETOPS IN POSITIONS 4 (M10325) AND 5 (M10426) ONLY ON ROLLS-ROYCE ENGINES, FOR 757 OTHERWISE APPROVED FOR ETOPS ELECTRICAL EQUIP NUMBER: M10224 M10274 COMPONENT MAINT MANUAL REF: 26-10-53	107107	2
	10 285N0028-17		.PRINTED WIRING ASSY-AUTO FIRE/HEAT LOGIC/TEST SYS SUPPLIER CODE: V89954 MISCELLANEOUS DATA: NOT APPROVED FOR ETOPS IN POSITIONS 4 (M10325) AND 5 (M10426) ONLY ON ROLLS ROYCE ENGINES, FOR 757 OTHERWISE APPROVED FOR ETOPS ELECTRICAL EQUIP NUMBER: M10224 M10274 COMPONENT MAINT MANUAL REF: 26-10-53	107107	2

MISSING ITEM NUMBERS NOT APPLICABLE

- ITEM NOT ILLUSTRATED

26-11-52-01

26-11-52
FIG. 01
PAGE 2
JAN 20/09

BRI



757

PARTS CATALOG (MAINTENANCE)

FIG ITEM	PART NUMBER	1 2 3 4 5 6 7	NOMENCLATURE	EFFECT FROM TO	UNITS PER ASSY
1 10	285N0028-20		.PRINTED WIRING ASSY-AUTO FIRE/HEAT LOGIC/TEST SYS SUPPLIER CODE: V89954 MISCELLANEOUS DATA: NOT APPROVED FOR ETOPS IN POSITIONS 4 (M10325) AND 5 (M10426) ONLY ON ROLLS-ROYCE ENGINES, FOR 757 OTHERWISE APPROVED FOR ETOPS ELECTRICAL EQUIP NUMBER: M10224 M10274 COMPONENT MAINT MANUAL REF: 26-10-53 OPTIONAL PART: 285N0028-21 V89954	107107	2
10	285N0028-21		.PRINTED WIRING ASSY-AUTO FIRE/HEAT LOGIC/TEST SYS SUPPLIER CODE: V89954 MISCELLANEOUS DATA: NOT APPROVED FOR ETOPS IN POSITIONS 4 (M10325) AND 5 (M10426) ONLY ON ROLLS ROYCE ENGINES, FOR 757 OTHERWISE APPROVED FOR ETOPS ELECTRICAL EQUIP NUMBER: M10224 M10274 COMPONENT MAINT MANUAL REF: 26-10-53 OPTIONAL PART: 285N0028-20 V89954	107107	2

MISSING ITEM NUMBERS NOT APPLICABLE

- ITEM NOT ILLUSTRATED

BRI

26-11-52-01

BOEING PROPRIETARY - Copyright © - Unpublished Work - See title page for details.

26-11-52
FIG. 01
PAGE 3
JAN 20/09



757

PARTS CATALOG (MAINTENANCE)

FIG ITEM	PART NUMBER	1 2 3 4 5 6 7	NOMENCLATURE	EFFECT FROM TO	UNITS PER ASSY
1 10	285N0028-36		.PRINTED WIRING ASSY-AUTO FIRE/HEAT LOGIC/TEST SYS SUPPLIER CODE: V89954 MISCELLANEOUS DATA: NOT APPROVED FOR ETOPS IN POSITIONS 4 (M10325) AND 5 (M10426) ONLY ON ROLLS-ROYCE ENGINES, FOR 757 OTHERWISE APPROVED FOR ETOPS ELECTRICAL EQUIP NUMBER: M10224 M10274 COMPONENT MAINT MANUAL REF: 26-10-53	107107	2
10	285N0028-20		.PRINTED WIRING ASSY-AUTO FIRE/HEAT LOGIC/TEST SYS SUPPLIER CODE: V89954 MISCELLANEOUS DATA: NOT APPROVED FOR ETOPS IN POSITIONS 4 (M10325) AND 5 (M10426) ONLY ON ROLLS-ROYCE ENGINES, FOR 757 OTHERWISE APPROVED FOR ETOPS ELECTRICAL EQUIP NUMBER: M10224 M10274 COMPONENT MAINT MANUAL REF: 26-10-53 OPTIONAL PART: 285N0028-21 V89954	904949 952952	2

MISSING ITEM NUMBERS NOT APPLICABLE

- ITEM NOT ILLUSTRATED

BRI

26-11-52-01

BOEING PROPRIETARY - Copyright © - Unpublished Work - See title page for details.

26-11-52
FIG. 01
PAGE 4
JAN 20/09



757

PARTS CATALOG (MAINTENANCE)

FIG ITEM	PART NUMBER	1 2 3 4 5 6 7	NOMENCLATURE	EFFECT FROM TO	UNITS PER ASSY
1 10	285N0028-21		.PRINTED WIRING ASSY-AUTO FIRE/HEAT LOGIC/TEST SYS SUPPLIER CODE: V89954 MISCELLANEOUS DATA: NOT APPROVED FOR ETOPS IN POSITIONS 4 (M10325) AND 5 (M10426) ONLY ON ROLLS ROYCE ENGINES, FOR 757 OTHERWISE APPROVED FOR ETOPS ELECTRICAL EQUIP NUMBER: M10224 M10274 COMPONENT MAINT MANUAL REF: 26-10-53 OPTIONAL PART: 285N0028-20 V89954	904949 952952	2
10	285N0028-36		.PRINTED WIRING ASSY-AUTO FIRE/HEAT LOGIC/TEST SYS SUPPLIER CODE: V89954 MISCELLANEOUS DATA: NOT APPROVED FOR ETOPS IN POSITIONS 4 (M10325) AND 5 (M10426) ONLY ON ROLLS-ROYCE ENGINES, FOR 757 OTHERWISE APPROVED FOR ETOPS ELECTRICAL EQUIP NUMBER: M10224 M10274 COMPONENT MAINT MANUAL REF: 26-10-53 QUALIFIED I/W DATA: 285N0028-36 IS INTERCHANGEABLE WITH 285N0028-136 IN THE ENGINE/APU FIRE AND OVERHEAT DETECTION APPLICATIONS, EXCEPT IN THE CARGO SMOKE DETECTION APPLICATION ON THE 757-300 AND 767-400, -36 IS ONE WAY INTERCHANGEABLE WITH -136.	002004 006100 121503 904999	2

MISSING ITEM NUMBERS NOT APPLICABLE

- ITEM NOT ILLUSTRATED

BRI

26-11-52-01

26-11-52
FIG. 01
PAGE 5
JAN 20/09

 **BOEING**
757
PARTS CATALOG (MAINTENANCE)

FIG ITEM	PART NUMBER	1 2 3 4 5 6 7	NOMENCLATURE	EFFECT FROM TO	UNITS PER ASSY
1					
15	S202		.. EJECTOR-CARD SUPPLIER CODE: V18677	002004 006100 107107 121503 904999	2
20	MS35214-14		.. SCREW- USED ON: 285N0028-1 285N0028-10 285N0028-17 285N0028-20 285N0028-21	107107 904949 952952	3
20	S285T004-6		.. SCREW- USED ON: 285N0028-36	002004 006100 107107 121503 904999	3
50	6445-01		.CARD ASSY-FIRE AND OVERHEAT DETECTION SUPPLIER CODE: V25693 SPECIFICATION NUMBER: S332T301-181 ELECTRICAL EQUIP NUMBER: M00681 M00682 M00683 M00684 M10229 M10230 M10275 M10276 COMPONENT MAINT MANUAL REF: 26-11-46 QUALIFIED I/W DATA: 6445 I/W 6445-01 EXCEPT FOR ETOPS WHERE 6445-01 MUST BE INSTALLED	002004 006100	8

MISSING ITEM NUMBERS NOT APPLICABLE

— ITEM NOT ILLUSTRATED

BRI

26-11-52-01

BOEING PROPRIETARY - Copyright © - Unpublished Work - See title page for details.

26-11-52
FIG. 01
PAGE 6
JAN 20/09



757

PARTS CATALOG (MAINTENANCE)

FIG ITEM	PART NUMBER	1 2 3 4 5 6 7	NOMENCLATURE	EFFECT FROM TO	UNITS PER ASSY
1 50	6445-01		.CARD ASSY-FIRE AND OVERHEAT DETECTION SUPPLIER CODE: V25693 SPECIFICATION NUMBER: S332T301-181 ELECTRICAL EQUIP NUMBER: M00681 M00682 M00683 M00684 M10229 M10230 M10275 M10276 COMPONENT MAINT MANUAL REF: 26-11-46	121503 904999	8
55	6445-01		.CARD ASSY-FIRE AND OVERHEAT DETECTION SUPPLIER CODE: V25693 SPECIFICATION NUMBER: S332T301-181 ELECTRICAL EQUIP NUMBER: M10229 M10230 M10275 M10276 COMPONENT MAINT MANUAL REF: 26-11-46 QUALIFIED I/W DATA: 6445 I/W 6445-01 EXCEPT FOR ETOPS WHERE 6445-01 MUST BE INSTALLED	107107 121503 904949 952999	4
60	S202-1		..EJECTOR-CARD SUPPLIER CODE: V18677	002004 006100 950951	2
60	S202-1		..EJECTOR-CARD SUPPLIER CODE: V18677	107107 121503 904949 952999	2
65	MS16562-209		..PIN	002004 006100 950951	2
65	MS16562-209		..PIN	107107 121503 904949 952999	2

MISSING ITEM NUMBERS NOT APPLICABLE

- ITEM NOT ILLUSTRATED

26-11-52-01

26-11-52
FIG. 01
PAGE 7
JAN 20/09

BRI



757

PARTS CATALOG (MAINTENANCE)

FIG ITEM	PART NUMBER	1 2 3 4 5 6 7	NOMENCLATURE	EFFECT FROM TO	UNITS PER ASSY
1					
- 200	286N1120-002		WIRE BUNDLE ASSY-	107107 121503 904949	RF
- 200	286N1120-004		WIRE BUNDLE ASSY	002004 006100 950999	RF
205	300052-001		.CONNECTOR- SUPPLIER CODE: V0D9V3 SPECIFICATION NUMBER: BACC65L66 OPTIONAL PART: 200620-01 V16512 300052-001 V03877 192-366-0010 V26742 S1009-00833 V03877 ELECTRICAL EQUIP NUMBER: D01822 D02330 WIRING DIAGRAM REF: 261111	002004 006100 107107 121503 904999	2

MISSING ITEM NUMBERS NOT APPLICABLE

- ITEM NOT ILLUSTRATED

BRI

26-11-52-01

BOEING PROPRIETARY - Copyright © - Unpublished Work - See title page for details.

26-11-52
FIG. 01
PAGE 8
JAN 20/09



757

PARTS CATALOG (MAINTENANCE)

FIG ITEM	PART NUMBER	1 2 3 4 5 6 7	NOMENCLATURE	EFFECT FROM TO	UNITS PER ASSY
1 210	300055-001		.CONNECTOR- SUPPLIER CODE: V0D9V3 SPECIFICATION NUMBER: BACC65L41 OPTIONAL PART: 300055-001 V03877 192-341-0005 V26742 S1022-00833 V03877 ELECTRICAL EQUIP NUMBER: D01596 D01598 D01590 D01592 D02110 D02080 D02400 D02362 WIRING DIAGRAM REF: 261111 261112 261122	002004 006100 950951	8
215	300055-001		.CONNECTOR- SUPPLIER CODE: V0D9V3 SPECIFICATION NUMBER: BACC65L41 OPTIONAL PART: 300055-001 V03877 192-341-0005 V26742 S1022-00833 V03877 ELECTRICAL EQUIP NUMBER: D01590 D01592 D01596 D01598 WIRING DIAGRAM REF: 261111 261121	107107 121503 904949 952999	4

MISSING ITEM NUMBERS NOT APPLICABLE

- ITEM NOT ILLUSTRATED

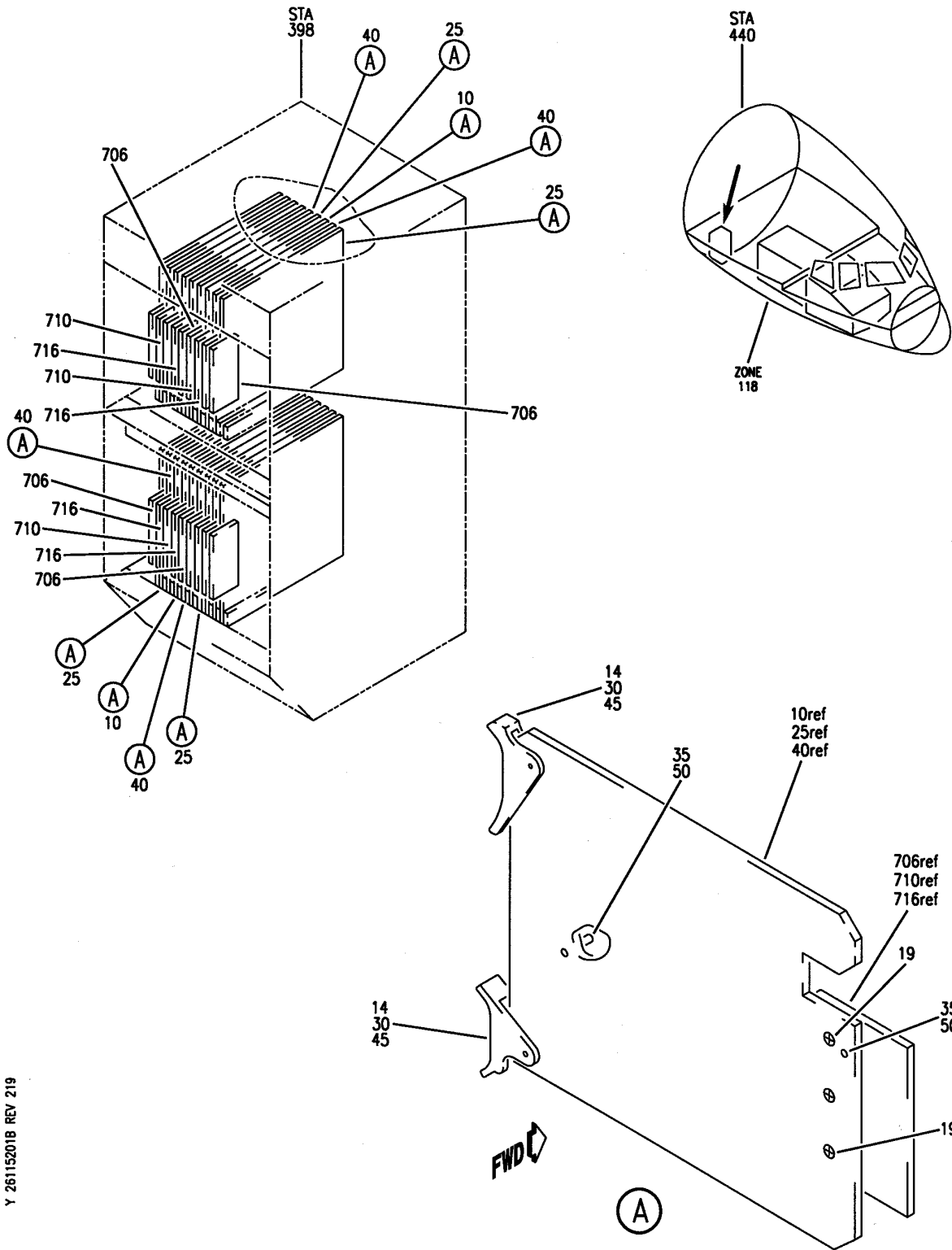
BRI

26-11-52-01

BOEING PROPRIETARY - Copyright © - Unpublished Work - See title page for details.

26-11-52
FIG. 01
PAGE 9
JAN 20/09

BOEING
757
PARTS CATALOG (MAINTENANCE)



Y 26115201B REV 219

EQUIPMENT INSTL-MAIN ELECTRONICS EQPT CTR (ENGINE FIRE AND OVERHEAT DETECTION ONLY)
FIGURE 1B

26-11-52-01B

BRI
MAY 28/07

26-11-52-01B
PAGE 0



757

PARTS CATALOG (MAINTENANCE)

FIG ITEM	PART NUMBER	1 2 3 4 5 6 7	NOMENCLATURE	EFFECT FROM TO	UNITS PER ASSY
1B			EQUIPMENT INSTL-MAIN ELECTRONICS EQPT CTR (ENGINE FIRE AND OVERHEAT DETECTION ONLY)	101102	
- 2	284N1800-140		EQUIPMENT INSTL-MAIN ELECTRONICS EQPT CTR (ENGINE FIRE AND OVERHEAT DETECTION ONLY) FOR NHA/OTHER SYS DET SEE: 24-00-58-05E	101101	RF
- 3	284N1800-141		EQUIPMENT INSTL-MAIN ELECTRONICS EQPT CTR (ENGINE FIRE AND OVERHEAT DETECTION ONLY) FOR NHA/OTHER SYS DET SEE: 24-00-58-05E	102102	RF
10	285N0028-36		.PRINTED WIRING ASSY-AUTO FIRE/HEAT LOGIC/TEST SYS SUPPLIER CODE: V89954 MISCELLANEOUS DATA: NOT APPROVED FOR ETOPS IN POSITIONS 4 (M10325) AND 5 (M10426) ONLY ON ROLLS-ROYCE ENGINES, FOR 757 OTHERWISE APPROVED FOR ETOPS ELECTRICAL EQUIP NUMBER: M10224 M10274 COMPONENT MAINT MANUAL REF: 26-10-53 QUALIFIED I/W DATA: 285N0028-36 IS INTERCHANGEABLE WITH 285N0028-136 IN THE ENGINE/APU FIRE AND OVERHEAT DETECTION APPLICATIONS, EXCEPT IN THE CARGO SMOKE DETECTION APPLICATION ON THE 757-300 AND 767-400, -36 IS ONE WAY INTERCHANGEABLE WITH -136. USED ON: 284N1800-102	101101	2

MISSING ITEM NUMBERS NOT APPLICABLE

- ITEM NOT ILLUSTRATED

26-11-52-01B

26-11-52
FIG. 01B
PAGE 1
JAN 20/09

BRI



757

PARTS CATALOG (MAINTENANCE)

FIG ITEM	PART NUMBER	1 2 3 4 5 6 7	NOMENCLATURE	EFFECT FROM TO	UNITS PER ASSY
1B 10	285N0028-136	.	PRINTED WIRING ASSY-AUTO FIRE/HEAT LOGIC/TEST SYS SUPPLIER CODE: V89954 FUNCTIONAL DESCRIPTION: THE (AFOLTS) (PWA) HAS TWO ELECTRICALLY ISOLATED CIRCUITS UTILIZING PROGRAMMABLE LOGIC. EACH AFOLTS CIRCUIT MONITORS INPUTS FROM FIRE, CARGO SMOKE, OR OVERHEAT DETECTORS AND PROCESSES THOSE SIGNALS. MISCELLANEOUS DATA: NOT APPROVED FOR ETOPS IN POSITIONS 4 (M10325) AND 5 (M10426) ONLY ON ROLLS-ROYCE ENGINES, FOR 757 OTHERWISE APPROVED FOR ETOPS ELECTRICAL EQUIP NUMBER: M10224 M10274 COMPONENT MAINT MANUAL REF: 26-10-54 QUALIFIED I/W DATA: 285N0028-36 IS INTERCHANGEABLE WITH 285N0028-136 IN THE ENGINE/APU FIRE AND OVERHEAT DETECTION APPLICATIONS, EXCEPT IN THE CARGO SMOKE DETECTION APPLICATION ON THE 757-300 AND 767-400, -36 IS ONE WAY INTERCHANGEABLE WITH -136.	102102	2
14	S202	..	EJECTOR-CARD SUPPLIER CODE: V18677	101102	2
19	PL1801-04-6	..	SCREW- SUPPLIER CODE: V03038 SPECIFICATION NUMBER: S285T004-6	101102	3

MISSING ITEM NUMBERS NOT APPLICABLE

- ITEM NOT ILLUSTRATED

26-11-52-01B

26-11-52
FIG. 01B
PAGE 2
JAN 20/09

BRI

BOEING PROPRIETARY - Copyright © - Unpublished Work - See title page for details.



757

PARTS CATALOG (MAINTENANCE)

FIG ITEM	PART NUMBER	1 2 3 4 5 6 7	NOMENCLATURE	EFFECT FROM TO	UNITS PER ASSY
1B 25	6445-01		.CARD ASSY-FIRE AND OVERHEAT DETECTION SUPPLIER CODE: V25693 SPECIFICATION NUMBER: S332T301-181 ELECTRICAL EQUIP NUMBER: M00681 M00682 M00683 M00684 COMPONENT MAINT MANUAL REF: 26-11-46 USED ON: 284N1800-54 284N1800-76	101102	4
30	S202-1		..EJECTOR-CARD SUPPLIER CODE: V18677	101102	2
35	MS16562-209		..PIN	101102	2
40	6445-01		.CARD ASSY-FIRE AND OVERHEAT DETECTION SUPPLIER CODE: V25693 SPECIFICATION NUMBER: S332T301-181 ELECTRICAL EQUIP NUMBER: M10229 M10230 M10275 M10276 COMPONENT MAINT MANUAL REF: 26-11-46 USED ON: 284N1800-102	101102	4
45	S202-1		..EJECTOR-CARD SUPPLIER CODE: V18677	101102	2
50 - 700	MS16562-209 286N1120-305		..PIN WIRE BUNDLE ASSY	101102 101102	2 RF

MISSING ITEM NUMBERS NOT APPLICABLE

- ITEM NOT ILLUSTRATED

26-11-52-01B

26-11-52
FIG. 01B
PAGE 3
JAN 20/09

BRI

BOEING PROPRIETARY - Copyright © - Unpublished Work - See title page for details.



**757
PARTS CATALOG (MAINTENANCE)**

FIG ITEM	PART NUMBER	1 2 3 4 5 6 7	NOMENCLATURE	EFFECT FROM TO	UNITS PER ASSY
1B 706	300055-001		.CONNECTOR- SUPPLIER CODE: V0D9V3 SPECIFICATION NUMBER: BACC65L41 OPTIONAL PART: 300055-001 V03877 192-341-0005 V26742 S1022-00833 V03877 ELECTRICAL EQUIP NUMBER: D01590 D01592 D01596 D01598 WIRING DIAGRAM REF: 261121 261111	101102	4
710	300052-001		.CONNECTOR- SUPPLIER CODE: V0D9V3 SPECIFICATION NUMBER: BACC65L66 OPTIONAL PART: 200620-01 V16512 300052-001 V03877 192-366-0010 V26742 S1009-00833 V03877 ELECTRICAL EQUIP NUMBER: D01822 D02330 WIRING DIAGRAM REF: 261111	101102	2

MISSING ITEM NUMBERS NOT APPLICABLE

— ITEM NOT ILLUSTRATED

BRI

26-11-52-01B

BOEING PROPRIETARY - Copyright © - Unpublished Work - See title page for details.

26-11-52
FIG. 01B
PAGE 4
JAN 20/09



757

PARTS CATALOG (MAINTENANCE)

FIG ITEM	PART NUMBER	1 2 3 4 5 6 7	NOMENCLATURE	EFFECT FROM TO	UNITS PER ASSY
1B 716	300055-001		.CONNECTOR- SUPPLIER CODE: V0D9V3 SPECIFICATION NUMBER: BACC65L41 OPTIONAL PART: 300055-001 V03877 192-341-0005 V26742 S1022-00833 V03877 ELECTRICAL EQUIP NUMBER: D02110 D02080 D04078 D02400 WIRING DIAGRAM REF: 261112 261121 261122	101102	4

MISSING ITEM NUMBERS NOT APPLICABLE

- ITEM NOT ILLUSTRATED

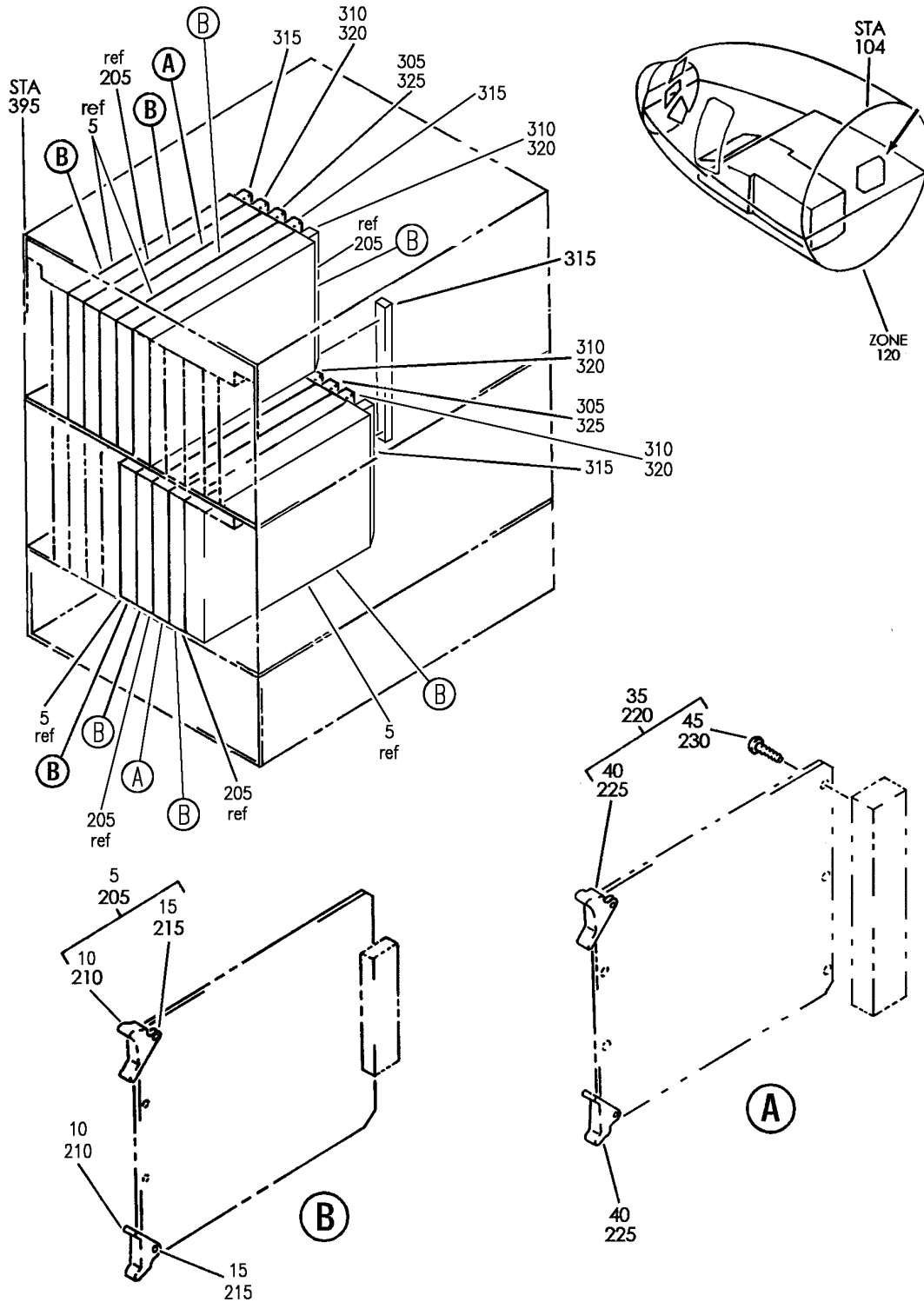
BRI

26-11-52-01B

BOEING PROPRIETARY - Copyright © - Unpublished Work - See title page for details.

26-11-52
FIG. 01B
PAGE 5
JAN 20/09

BOEING
757
PARTS CATALOG (MAINTENANCE)



Y 26115202 REV 269

EQUIPMENT INSTL-MAIN ELECTRONICS EQPT CTR (ENGINE FIRE AND OVERHEAT DETECTION ONLY)
FIGURE 2

26-11-52-02

BRI
JAN 20/09

26-11-52-02
PAGE 0



757

PARTS CATALOG (MAINTENANCE)

FIG ITEM	PART NUMBER	1 2 3 4 5 6 7	NOMENCLATURE	EFFECT FROM TO	UNITS PER ASSY
2			EQUIPMENT INSTL-MAIN ELECTRONICS EQPT CTR (ENGINE FIRE AND OVERHEAT DETECTION ONLY)	504903	
- 3	284N1800-88		EQUIPMENT INSTL-MAIN ELECTRONICS EQPT CTR (ENGINE FIRE AND OVERHEAT DETECTION ONLY)	505505	RF
- 4	284N1800-190		FOR NHA/OTHER SYS DET SEE: 24-00-58-05E EQUIPMENT INSTL-MAIN ELECTRONICS EQPT CTR (ENGINE FIRE AND OVERHEAT DETECTION ONLY)	504504 506903	RF
5	6445-01		FOR NHA/OTHER SYS DET SEE: 24-00-58-05E .CARD ASSY-FIRE AND OVERHEAT DETECTION SUPPLIER CODE: V25693 SPECIFICATION NUMBER: S332T301-181 ELECTRICAL EQUIP NUMBER: M00681 M00682 M00683 M00684 COMPONENT MAINT MANUAL REF: 26-11-46 USED ON: 284N1800-78 284N1800-97 284N1800-98 284N1800-133 284N1800-150	504903	4
5	51653-177		.PRINTED CIRCUIT CARD ASSY- SUPPLIER CODE: VK1536 SPECIFICATION NUMBER: S332T301-256 ELECTRICAL EQUIP NUMBER: M00681 M00682 M00683 M00684 COMPONENT MAINT MANUAL REF: 26-11-76	504903	4

MISSING ITEM NUMBERS NOT APPLICABLE

- ITEM NOT ILLUSTRATED

BRI

26-11-52-02

26-11-52
FIG. 02
PAGE 1
JAN 20/09



757

PARTS CATALOG (MAINTENANCE)

FIG ITEM	PART NUMBER	1 2 3 4 5 6 7	NOMENCLATURE	EFFECT FROM TO	UNITS PER ASSY
2					
10	S202-1		..EJECTOR-CARD SUPPLIER CODE: V18677	504903	2
10	S202		..EJECTOR-CARD SUPPLIER CODE: V18677	504903	2
15	MS16562-209		..PIN	504903	2
- 300	286N1120-312		WIRE BUNDLE ASSY	504903	RF
315	300055-001		.CONNECTOR- SUPPLIER CODE: V0D9V3 SPECIFICATION NUMBER: BACC65L41 OPTIONAL PART: 300055-001 V03877 192-341-0005 V26742 S1022-00833 V03877 ELECTRICAL EQUIP NUMBER: D01590 D01592 D01596 D01598 WIRING DIAGRAM REF: 261121 261111	504903	4

MISSING ITEM NUMBERS NOT APPLICABLE

- ITEM NOT ILLUSTRATED

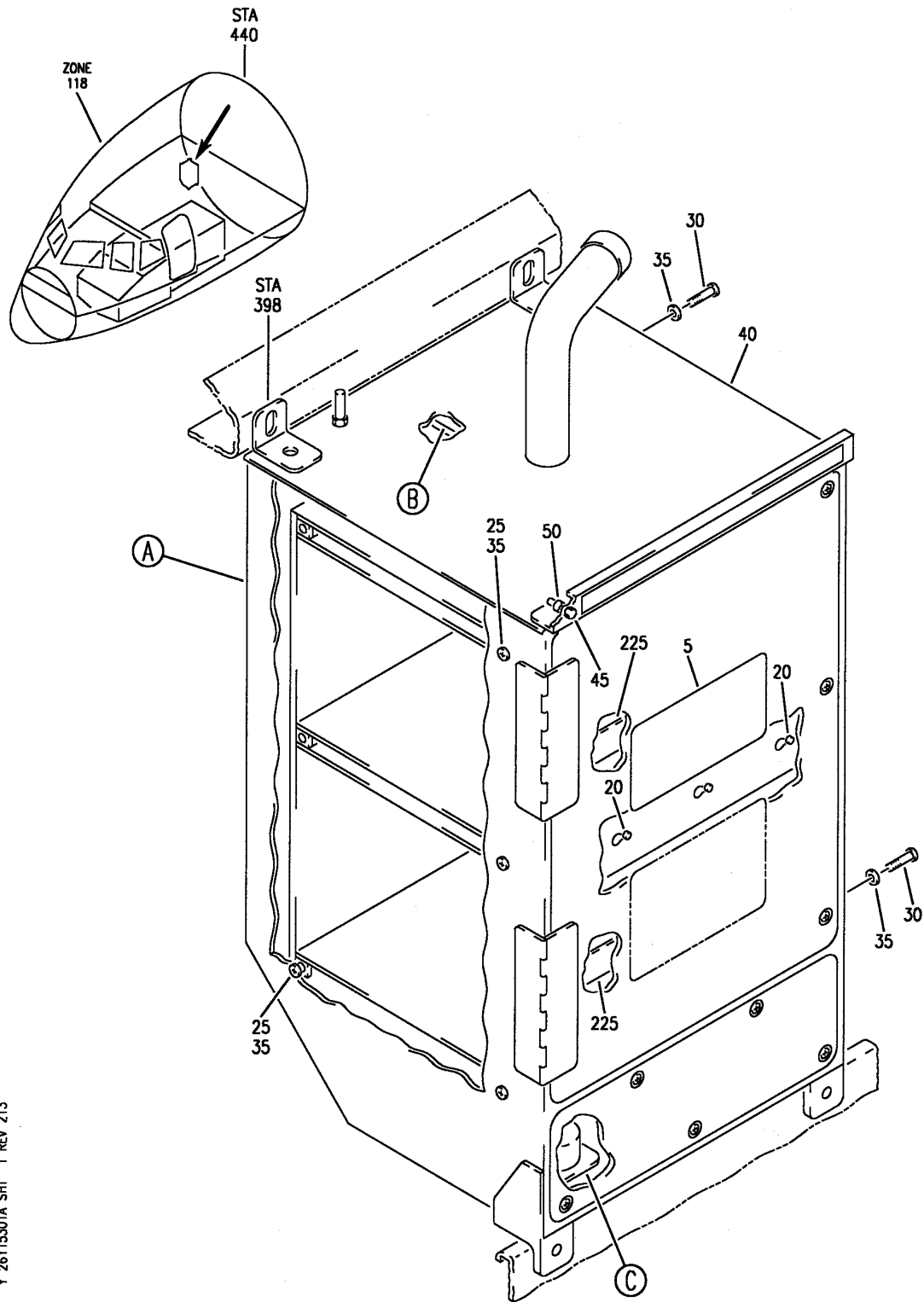
BRI

26-11-52-02

BOEING PROPRIETARY - Copyright © - Unpublished Work - See title page for details.

26-11-52
FIG. 02
PAGE 2
JAN 20/09

BOEING
757
PARTS CATALOG (MAINTENANCE)



Y 26115301A SHT 1 REV 213

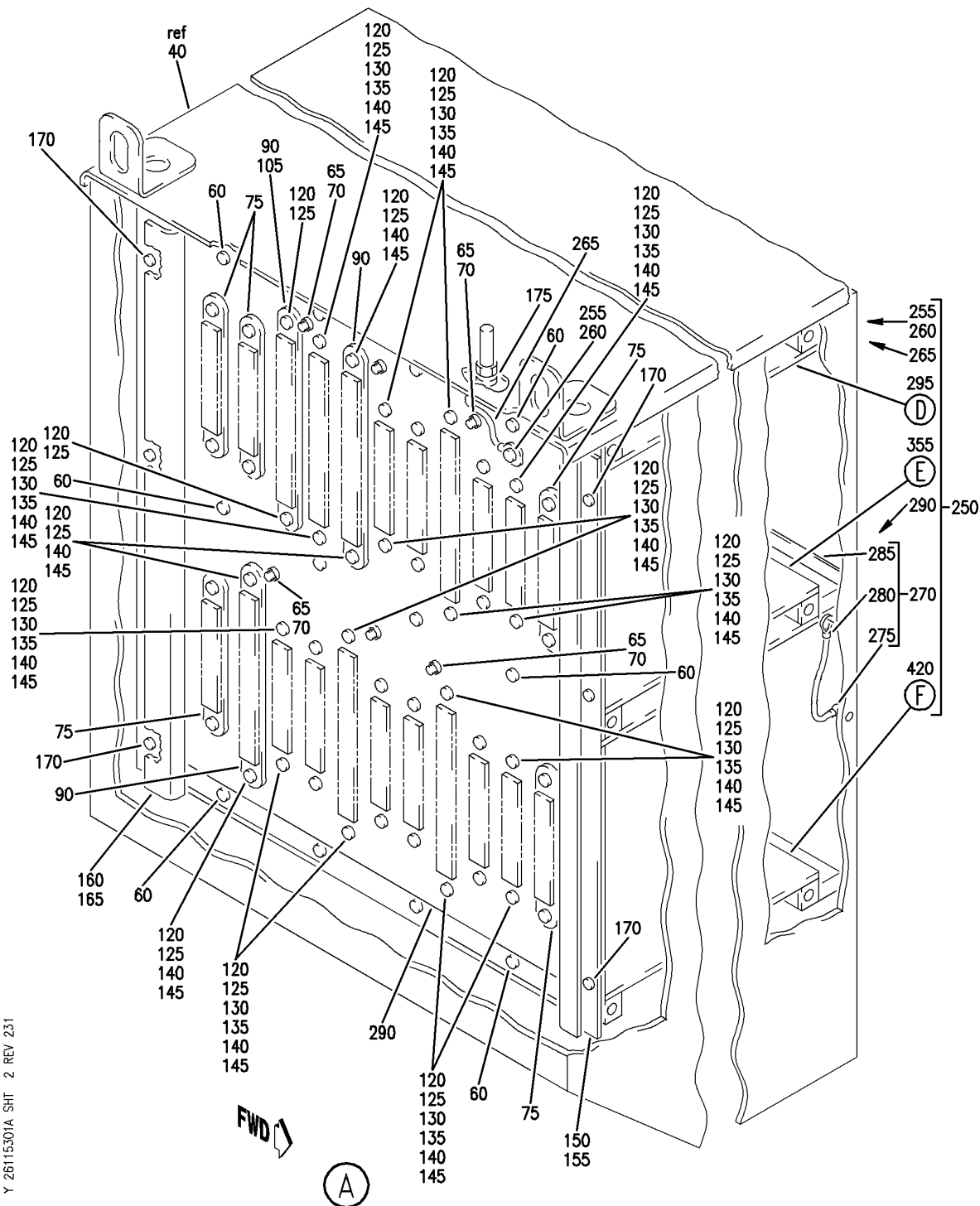
FILE ASSY-FIRE DETECTION P54 CARD (FIRE PROTECTION ONLY)
FIGURE 1A (SHEET 1)

26-11-53-01A

BRI
MAY 28/07

26-11-53-01A
PAGE 0

BOEING
757
PARTS CATALOG (MAINTENANCE)



Y 26115301A SH1 2 REV 231

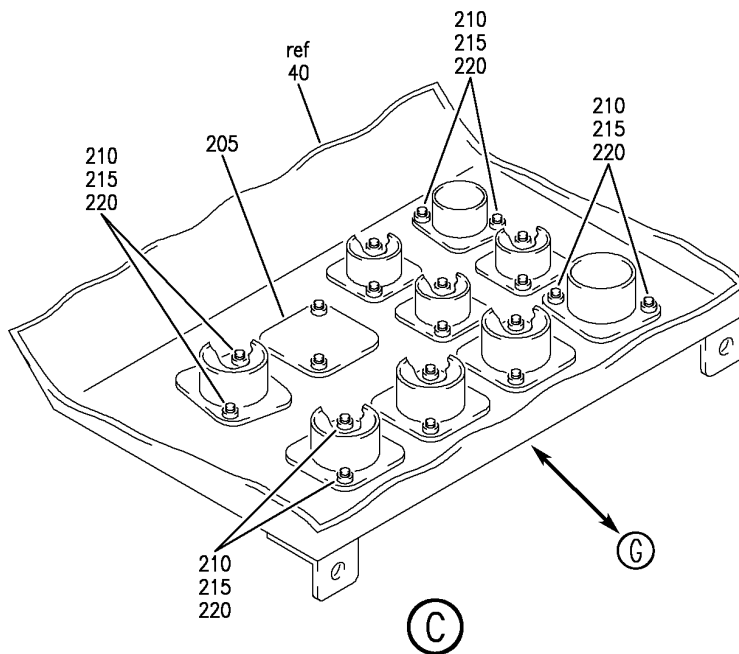
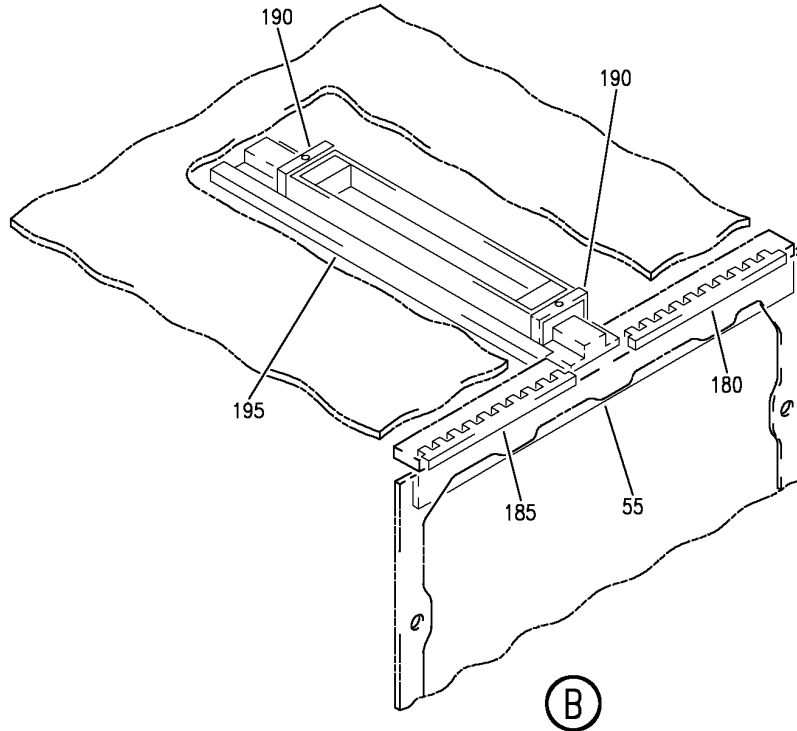
FILE ASSY-FIRE DETECTION P54 CARD (FIRE PROTECTION ONLY)
FIGURE 1A (SHEET 2)

26-11-53-01A

BRI
MAY 28/07

26-11-53-01A
PAGE 0A

BOEING
757
PARTS CATALOG (MAINTENANCE)



Y 26115301A SHT 3 REV 252

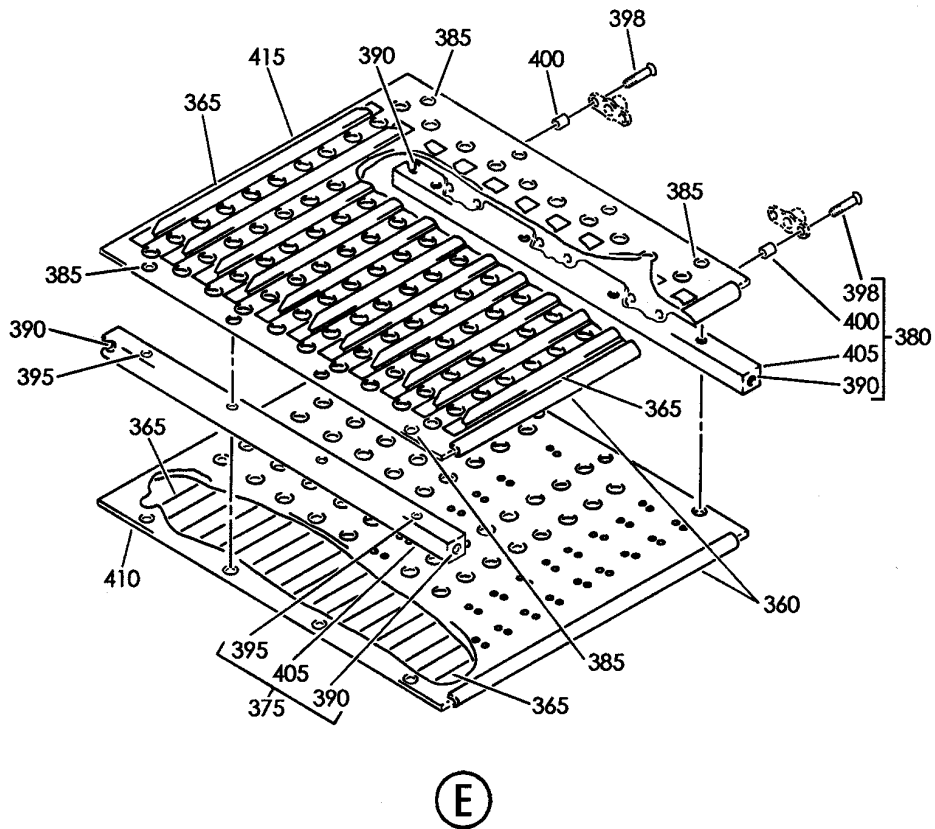
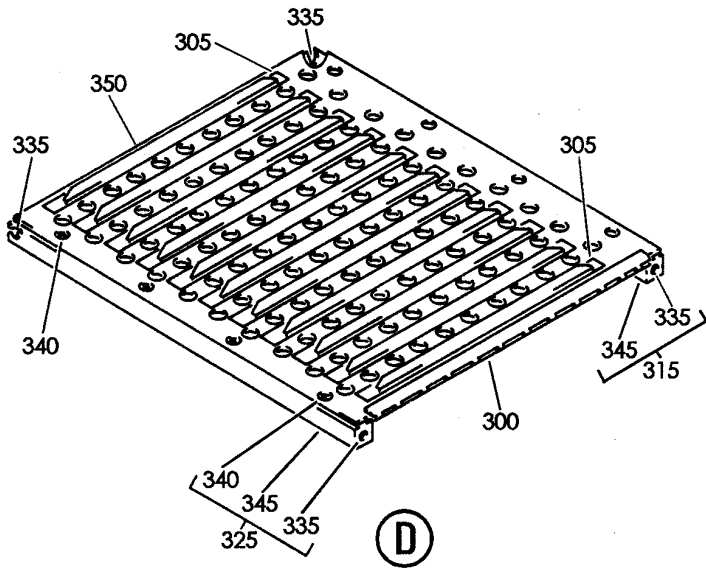
FILE ASSY-FIRE DETECTION P54 CARD (FIRE PROTECTION ONLY)
FIGURE 1A (SHEET 3)

26-11-53-01A

BRI
MAY 28/07

26-11-53-01A
PAGE 0B

BOEING
757
PARTS CATALOG (MAINTENANCE)



Y 26115301A SHT 4 REV 213

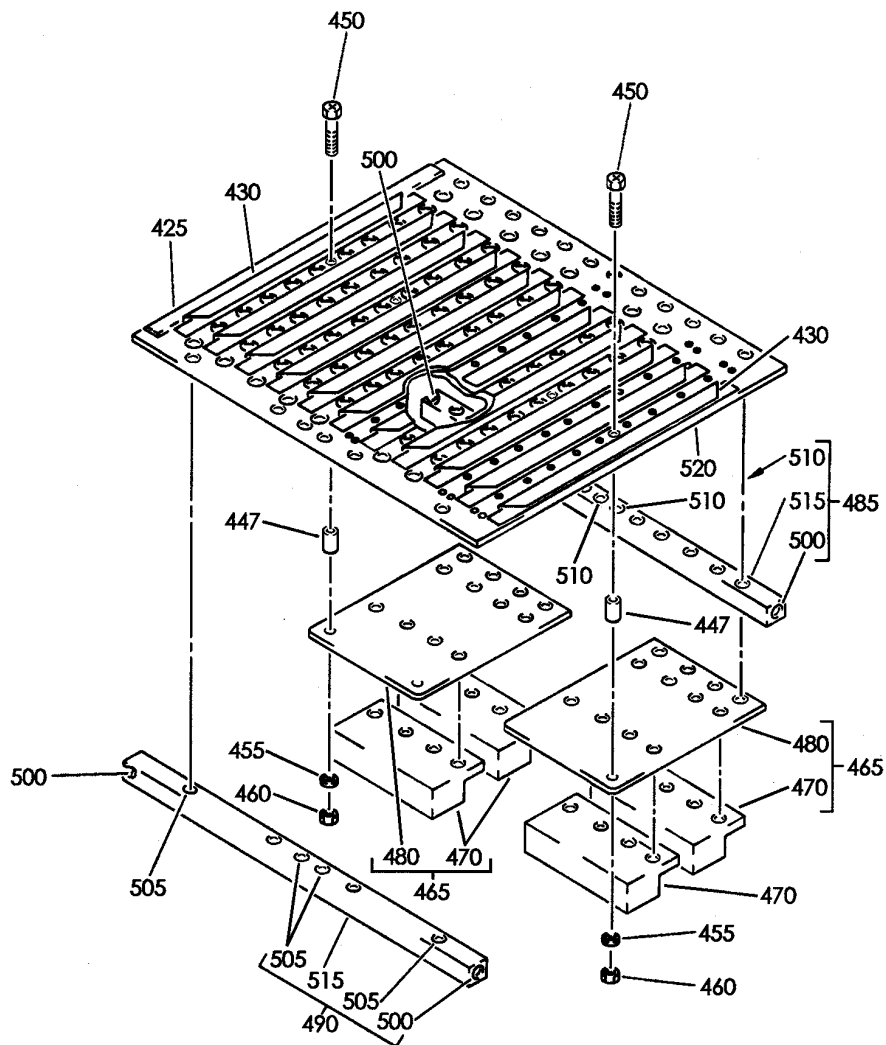
FILE ASSY-FIRE DETECTION P54 CARD (FIRE PROTECTION ONLY)
FIGURE 1A (SHEET 4)

26-11-53-01A

BRI
MAY 28/07

26-11-53-01A
PAGE 0C

BOEING
757
PARTS CATALOG (MAINTENANCE)



(F)

Y 26115301A SHT 5 REV 213

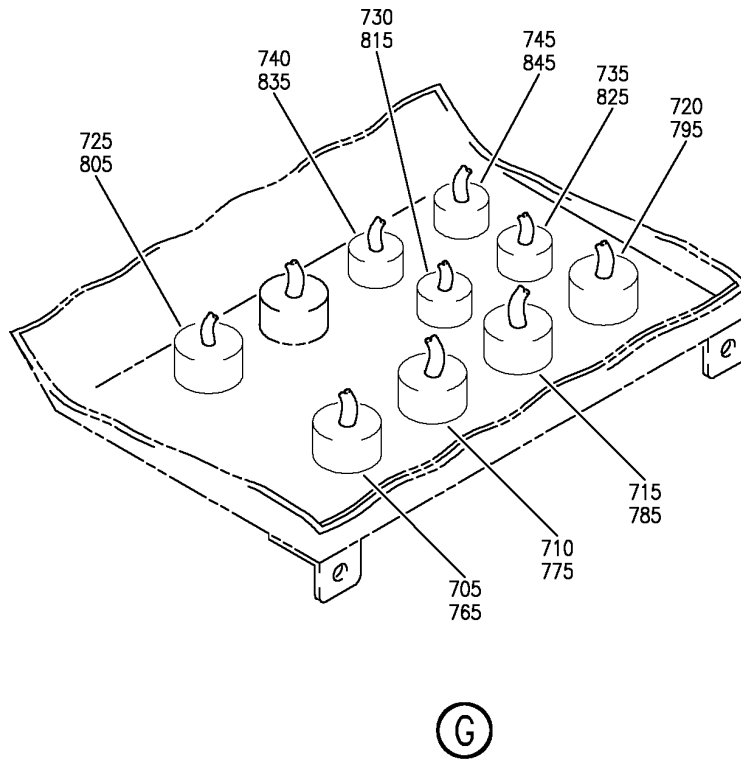
FILE ASSY-FIRE DETECTION P54 CARD (FIRE PROTECTION ONLY)
FIGURE 1A (SHEET 5)

26-11-53-01A

BRI
MAY 28/07

26-11-53-01A
PAGE 0D

BOEING
757
PARTS CATALOG (MAINTENANCE)



Y 26115301A SHT 6 REV 252

FILE ASSY-FIRE DETECTION P54 CARD (FIRE PROTECTION ONLY)
FIGURE 1A (SHEET 6)

26-11-53-01A

BRI
MAY 28/07

26-11-53-01A
PAGE 0E



757

PARTS CATALOG (MAINTENANCE)

FIG ITEM	PART NUMBER	1 2 3 4 5 6 7	NOMENCLATURE	EFFECT FROM TO	UNITS PER ASSY
1 A			FILE ASSY-FIRE DETECTION P54 CARD (FIRE PROTECTION ONLY)	102102 108120 504903	
- 1	285N0031-46		FILE ASSY-FIRE DETECTION P54 CARD (FIRE PROTECTION ONLY) SUPPLIER CODE: V89954 FOR NHA/OTHER SYS DET SEE: 24-00-58-05F	102102 108120 504903	RF
	5 BAC27NEX2414		.DECAL- SUPPLIER CODE: V89954	102102 108120 504903	1
	20 NAS603-5P		.SCREW	102102 108120 504903	3
	25 NAS1801-08-15		.SCREW	102102 108120 504903	6
	30 NAS1801-08-19		.SCREW	102102 108120 504903	6
	35 BACW10P178AL		.WASHER	102102 108120 504903	12
	40 13491000-3		.ENCLOSURE ASSY- SUPPLIER CODE: V23296	102102 108120 504903	1
	45 108-0740-001		.JACK-STATIC GND BANANA SUPPLIER CODE: V74970	102102 108120 504903	1
	50 NAS43DD4-6FC		.SPACER	102102 108120 504903	1
	55 285N0039-6		.SEAL	102102 108120 504903	1
	60 NAS1801-06-4		.SCREW	102102 108120 504903	12
	65 VNS1924CA1-8		.STUD SUPPLIER CODE: V5M902 SPECIFICATION NUMBER: BACS53B1EA1 OPTIONAL PART: VNS1924CA3-1-8 V92215	102102 108120 504903	6

MISSING ITEM NUMBERS NOT APPLICABLE

- ITEM NOT ILLUSTRATED

26-11-53-01A

26-11-53
FIG. 01A
PAGE 1
JAN 20/09

BRI

BOEING PROPRIETARY - Copyright © - Unpublished Work - See title page for details.



757

PARTS CATALOG (MAINTENANCE)

FIG ITEM	PART NUMBER	1 2 3 4 5 6 7	NOMENCLATURE	EFFECT FROM TO	UNITS PER ASSY
1 A					
70	MS21042L3	.NUT-	OPTIONAL PART: BACN10YR3CD	102102 108120 504903	6
70	PLH53CD	..NUT-	SUPPLIER CODE: VFO224 SPECIFICATION NUMBER: BACN10YR3CD OPTIONAL PART: H52732-3CD V15653 MS21042L3	102102 108120 504903	6
75	285T0018-10	.COVER-PLATE		102102 108120 504903	5
- 80	NAS1801-04-6	ATTACHING PARTS .SCREW		102102 108120 504903	10
- 85	BRH10A04	.NUT	SUPPLIER CODE: V52828 SPECIFICATION NUMBER: BACN10JC04 OPTIONAL PART: NS202101-40 V80539 RMLH9075-40W V72962 VN303A40 V92215 96-40 V80539 T6S440J V11815 H10-04BAC V15653	102102 108120 504903	10
105	285T0018-11	-----*----- .COVER-PLATE		102102 108120 504903	1
- 110	NAS1801-04-6	ATTACHING PARTS .SCREW		102102 108120 504903	2

MISSING ITEM NUMBERS NOT APPLICABLE

- ITEM NOT ILLUSTRATED

26-11-53-01A

26-11-53
FIG. 01A
PAGE 2
JAN 20/09

BRI

BOEING PROPRIETARY - Copyright © - Unpublished Work - See title page for details.



757

PARTS CATALOG (MAINTENANCE)

FIG ITEM	PART NUMBER	1 2 3 4 5 6 7	NOMENCLATURE	EFFECT FROM TO	UNITS PER ASSY
1 A - 115	BRH10A04		.NUT SUPPLIER CODE: V52828 SPECIFICATION NUMBER: BACN10JC04 OPTIONAL PART: NS202101-40 V80539 RMLH9075-40W V72962 VN303A40 V92215 96-40 V80539 T6S440J V11815 H10-04BAC V15653 -----*-----	102102 108120 504903	2
140	NAS1801-04-5		.SCREW	102102 108120 504903	32
145	BACW10EC04S		.WASHER	102102 108120 504903	32
150	285N0040-1		.SEAL ASSY- SUPPLIER CODE: V89954	102102 108120 504903	1
155	285N0040-4		..SEAL- SUPPLIER CODE: V89954	102102 108120 504903	AR
160	285N0040-5		.SEAL ASSY- SUPPLIER CODE: V89954	102102 108120 504903	1
165	285N0040-8		..SEAL- SUPPLIER CODE: V89954	102102 108120 504903	AR
170	NAS1801-06-8		.SCREW	102102 108120 504903	6
175	NAS1149D0463J		.WASHER	102102 108120 504903	1
180	BACG20ZA350		.GROMMET	102102 108120 504903	1
185	BACG20ZA325		.GROMMET	102102 108120 504903	1

MISSING ITEM NUMBERS NOT APPLICABLE

- ITEM NOT ILLUSTRATED

26-11-53-01A

26-11-53
FIG. 01A
PAGE 3
JAN 20/09

BRI

BOEING PROPRIETARY - Copyright © - Unpublished Work - See title page for details.



757

PARTS CATALOG (MAINTENANCE)

FIG ITEM	PART NUMBER	1 2 3 4 5 6 7	NOMENCLATURE	EFFECT FROM TO	UNITS PER ASSY
1A 190	H49-2	.	CLAMP SUPPLIER CODE: V34941 SPECIFICATION NUMBER: BACC49A2 OPTIONAL PART: MF104-2 V6E102	102102 108120 504903	2
195	285N0031-3	.	TRACK-TERM. BLOCK SUPPLIER CODE: V89954 ALTERED FROM PART NUMBER: BACT44A0770U OPTIONAL PART: 285N0031-52 V89954	102102 108120 504903	1
195	285N0031-52	.	TRACK-TERM. BLOCK SUPPLIER CODE: V89954 OPTIONAL PART: 285N0031-3 V89954	102102 108120 504903	1
- 200	NAS1801-06-6	.	ATTACHING PARTS SCREW	102102 108120 504903	4
205	284N0034-8	-----*	PLATE-COVER	102102 108120 504903	1
210	NAS1801-04-6	.	SCREW	102102 108120 504903	20
215	NAS1149FN432P	.	WASHER	102102 108120 504903	20

MISSING ITEM NUMBERS NOT APPLICABLE

- ITEM NOT ILLUSTRATED

26-11-53-01A

26-11-53
FIG. 01A
PAGE 4
JAN 20/09

BRI



757

PARTS CATALOG (MAINTENANCE)

FIG ITEM	PART NUMBER	1 2 3 4 5 6 7	NOMENCLATURE	EFFECT FROM TO	UNITS PER ASSY
1A 220	BRH10C04D	.NUT	SUPPLIER CODE: V52828 SPECIFICATION NUMBER: BACN10JC04CD OPTIONAL PART: H51650-04BAC V15653 102LH9075-40W V72962 NS202486-40 V80539 T6C440JCD V11815 T6C440JCD V11815	102102 108120 504903	20
225	285N0031-10	.SEAL-	SUPPLIER CODE: V89954	102102 108120 504903	2
250	285N0031-50	.CARD FILE ASSY-	SUPPLIER CODE: V89954	102102 108120 504903	1
255	VNS1924CA1-8	..STUD	SUPPLIER CODE: V5M902 SPECIFICATION NUMBER: BACS53B1EA1 OPTIONAL PART: VNS1924CA3-1-8 V92215	102102 108120 504903	1
260	MS21042L3	..NUT-	OPTIONAL PART: BACN10YR3CD	102102 108120 504903	1
260	PLH53CD	..NUT-	SUPPLIER CODE: VF0224 SPECIFICATION NUMBER: BACN10YR3CD OPTIONAL PART: H52732-3CD V15653 MS21042L3	102102 108120 504903	1

MISSING ITEM NUMBERS NOT APPLICABLE

- ITEM NOT ILLUSTRATED

26-11-53-01A

26-11-53
FIG. 01A
PAGE 5
JAN 20/09

BRI



757

PARTS CATALOG (MAINTENANCE)

FIG ITEM	PART NUMBER	1 2 3 4 5 6 7	NOMENCLATURE	EFFECT FROM TO	UNITS PER ASSY
1A 265	740A21-4	..	JUMPER ASSY SUPPLIER CODE: V91812 SPECIFICATION NUMBER: BACJ40A21-4 OPTIONAL PART: TJEJ40A21-4 V33483 RBEJ21-4 V1GK47	102102 108120 504903	1
270	285N0035-32	..	BAR ASSY-RETAINING	102102 108120 504903	1
275	BB839-10	...	TERMINAL SUPPLIER CODE: V98410 SPECIFICATION NUMBER: BACT12AC8 OPTIONAL PART: R1903SN V14726 36160 V00779 51864-2 V00779	102102 108120 504903	1
280	CL4F	...	FERRULE SUPPLIER CODE: V99862 SPECIFICATION NUMBER: BACF22U2 OPTIONAL PART: 325167 V00779	102102 108120 504903	1
285	285N0035-31	...	BAR-RETAINING	102102 108120 504903	1
290	285N0034-23	..	PLATE-CONN. SUPPLIER CODE: V89954	102102 108120 504903	1
295	285N0034-18	..	PLATE ASSY- SUPPLIER CODE: V89954	102102 108120 504903	1
300	285N0034-6	...	SEAL- SUPPLIER CODE: V89954	102102 108120 504903	1
305	35-1B2-12-3	...	GUIDE-CARD SUPPLIER CODE: V18915	102102 108120 504903	11

MISSING ITEM NUMBERS NOT APPLICABLE

- ITEM NOT ILLUSTRATED

26-11-53-01A

26-11-53
FIG. 01A
PAGE 6
JAN 20/09

BRI

BOEING PROPRIETARY - Copyright © - Unpublished Work - See title page for details.



757

PARTS CATALOG (MAINTENANCE)

FIG ITEM	PART NUMBER	1 2 3 4 5 6 7	NOMENCLATURE	EFFECT FROM TO	UNITS PER ASSY
1 A			ATTACHING PARTS		
- 310	AF5170-3	...	RIVET- SUPPLIER CODE: V53551 SPECIFICATION NUMBER: BACR15DR3P OPTIONAL PART: RV570A3 V98996 CCR274SS3 V11815 SIZE DETERMINED ON INSTL. -----*-----	102102 108120 504903	22
315	285N0035-26	...	BAR ASSY	102102 108120 504903	1
- 320	BACR15BA5D	...	ATTACHING PARTS RIVET- SIZE DETERMINED ON INSTL. -----*-----	102102 108120 504903	8
325	285N0035-28	...	BAR ASSY	102102 108120 504903	1
- 330	BACR15BB5D	...	ATTACHING PARTS RIVET- SIZE DETERMINED ON INSTL. -----*-----	102102 108120 504903	8
335	MS21209C0825	INSERT	102102 108120 504903	2
340	MS21209C0615	INSERT- USED ON: 285N0035-28	102102 108120 504903	4
345	285N0035-16	BAR	102102 108120 504903	1
350	285N0034-13	...	PLATE- SUPPLIER CODE: V89954	102102 108120 504903	1
355	285N0034-24	..	PLATE ASSY- SUPPLIER CODE: V89954	102102 108120 504903	1
360	285N0034-6	...	SEAL- SUPPLIER CODE: V89954	102102 108120 504903	2

MISSING ITEM NUMBERS NOT APPLICABLE

- ITEM NOT ILLUSTRATED

26-11-53-01A

26-11-53
FIG. 01A
PAGE 7
JAN 20/09

BRI

BOEING PROPRIETARY - Copyright © - Unpublished Work - See title page for details.



757

PARTS CATALOG (MAINTENANCE)

FIG ITEM	PART NUMBER	1 2 3 4 5 6 7	NOMENCLATURE	EFFECT FROM TO	UNITS PER ASSY
1 A					
365	35-1B2-12-3		...GUIDE-CARD SUPPLIER CODE: V18915 ATTACHING PARTS	102102 108120 504903	22
- 370	AF5170-3		...RIVET- SUPPLIER CODE: V53551 SPECIFICATION NUMBER: BACR15DR3P OPTIONAL PART: RV570A3 V98996 CCR274SS3 V11815 SIZE DETERMINED ON INSTL. -----*-----	102102 108120 504903	44
375	285N0035-28		...BAR ASSY	102102 108120 504903	1
380	285N0035-30		...BAR ASSY	102102 108120 504903	1
385	BACR15BA5DC		...RIVET- SIZE DETERMINED ON INSTL. OPTIONAL PART: BACR15BA4BC	102102 108120 504903	4
385	BACR15BA4BC		...RIVET- SIZE DETERMINED ON INSTL. OPTIONAL PART: BACR15BA5DC	102102 108120 504903	4
390	MS21209C0825	INSERT	102102 108120 504903	2
395	MS21209C0615	INSERT- USED ON: 285N0035-28	102102 108120 504903	4
398	NAS514P440-5	SCREW- USED ON: 285N0035-30	102102 108120 504903	6
400	MS21209C0420	INSERT- USED ON: 285N0035-30	102102 108120 504903	6
405	285N0035-16	BAR-RETAINING	102102 108120 504903	1
410	285N0034-13		...PLATE- SUPPLIER CODE: V89954	102102 108120 504903	1

MISSING ITEM NUMBERS NOT APPLICABLE

- ITEM NOT ILLUSTRATED

26-11-53-01A

26-11-53
FIG. 01A
PAGE 8
JAN 20/09

BRI

BOEING PROPRIETARY - Copyright © - Unpublished Work - See title page for details.



757

PARTS CATALOG (MAINTENANCE)

FIG ITEM	PART NUMBER	1 2 3 4 5 6 7	NOMENCLATURE	EFFECT FROM TO	UNITS PER ASSY
1 A					
415	285N0034-12	...	PLATE- SUPPLIER CODE: V89954	102102 108120 504903	1
420	285N0034-20	..	PLATE ASSY- SUPPLIER CODE: V89954	102102 108120 504903	1
425	285N0034-6	...	SEAL- SUPPLIER CODE: V89954	102102 108120 504903	1
430	35-1B2-12-3	...	GUIDE-CARD SUPPLIER CODE: V18915	102102 108120 504903	11
- 435	AF5170-3		ATTACHING PARTS ...RIVET- SUPPLIER CODE: V53551 SPECIFICATION NUMBER: BACR15DR3P OPTIONAL PART: RV570A3 V98996 CCR274SS3 V11815 SIZE DETERMINED ON INSTL. -----*-----	102102 108120 504903	22
- 440	WS1-4A6	...	NUT-SPACER SUPPLIER CODE: V04169 SPECIFICATION NUMBER: BACN10TL3A6 ATTACHING PARTS	102102 108120 504903	2
- 445	BACR15BA4AD	...	RIVET- SIZE DETERMINED ON INSTL. -----*-----	102102 108120 504903	4
447	NAS43DD4-24	...	SPACER	102102 108120 504903	4
450	NAS1801-06-10	...	SCREW	102102 108120 504903	4
455	BACW10EC06S	...	WASHER	102102 108120 504903	4

MISSING ITEM NUMBERS NOT APPLICABLE

- ITEM NOT ILLUSTRATED

26-11-53-01A

26-11-53
FIG. 01A
PAGE 9
JAN 20/09

BRI

BOEING PROPRIETARY - Copyright © - Unpublished Work - See title page for details.

 **BOEING**
757
PARTS CATALOG (MAINTENANCE)

FIG ITEM	PART NUMBER	1 2 3 4 5 6 7	NOMENCLATURE	EFFECT FROM TO	UNITS PER ASSY
1 A 460	BRH10C06D	...	NUT SUPPLIER CODE: V52828 SPECIFICATION NUMBER: BACN10JC06CD OPTIONAL PART: T6C632JCD V11815 NS202486-62 V80539 102LH9075-62W V72962 H51650-06BAC V15653	102102 108120 504903	4
465	285N0034-16	...	PLATE ASSY-GND SUPPLIER CODE: V89954	102102 108120 504903	2
470	YHLZG16-1	BLOCK-TERM. SUPPLIER CODE: V09922 ATTACHING PARTS	102102 108120 504903	2
- 475	BACR15BB5AD	RIVET- SIZE DETERMINED ON INSTL. -----*-----	102102 108120 504903	8
480	285N0034-17	PLATE- SUPPLIER CODE: V89954	102102 108120 504903	1
485	285N0035-27	...	BAR ASSY	102102 108120 504903	1
490	285N0035-29	...	BAR ASSY ATTACHING PARTS	102102 108120 504903	1
- 495	BACR15BA5D	...	RIVET- SIZE DETERMINED ON INSTL. -----*-----	102102 108120 504903	14
500	MS21209C0825	INSERT	102102 108120 504903	2
505	MS21209C0615	INSERT- USED ON: 285N0035-29	102102 108120 504903	6
510	MS21209C0615	INSERT- USED ON: 285N0035-27	102102 108120 504903	2

MISSING ITEM NUMBERS NOT APPLICABLE

- ITEM NOT ILLUSTRATED

BRI

26-11-53-01A

BOEING PROPRIETARY - Copyright © - Unpublished Work - See title page for details.

26-11-53
FIG. 01A
PAGE 10
JAN 20/09

 **BOEING**
757
PARTS CATALOG (MAINTENANCE)

FIG ITEM	PART NUMBER	1 2 3 4 5 6 7	NOMENCLATURE	EFFECT FROM TO	UNITS PER ASSY
1A 515	285N0035-16	BAR	102102 108120 504903	1
520	285N0034-15	...	PLATE- SUPPLIER CODE: V89954	102102 108120 504903	1
- 700 705	286N1120-305 BACC45FN22-55P		WIRE BUNDLE ASSY .CONNECTOR- ELECTRICAL EQUIP NUMBER: D41944J WIRING DIAGRAM REF: 261111	102102 102102	RF 1
710	BACC45FN22-55S7	.RECEPTACLE-	ELECTRICAL EQUIP NUMBER: D41946J WIRING DIAGRAM REF: 261111	102102	1
715	BACC45FN18-31S9	.RECEPTACLE-	ELECTRICAL EQUIP NUMBER: D40946J WIRING DIAGRAM REF: 261511	102102	1
720	BACC45FN22-55S6	.RECEPTACLE-	ELECTRICAL EQUIP NUMBER: D40218J WIRING DIAGRAM REF: 261511	102102	1
725	BACC45FN16-24P6	.CONNECTOR-	ELECTRICAL EQUIP NUMBER: D41986J WIRING DIAGRAM REF: 261111	102102	1
730	BACC45FN14-15P	.CONNECTOR-	ELECTRICAL EQUIP NUMBER: D41936J WIRING DIAGRAM REF: 261111	102102	1
735	BACC45FN14-15P8	.CONNECTOR-	ELECTRICAL EQUIP NUMBER: D41992J WIRING DIAGRAM REF: 261121	102102	1
740	BACC45FN14-15P6	.CONNECTOR-	ELECTRICAL EQUIP NUMBER: D41940J WIRING DIAGRAM REF: 261121	102102	1

MISSING ITEM NUMBERS NOT APPLICABLE

- ITEM NOT ILLUSTRATED

BRI

26-11-53-01A

BOEING PROPRIETARY - Copyright © - Unpublished Work - See title page for details.

26-11-53
FIG. 01A
PAGE 11
JAN 20/09



757

PARTS CATALOG (MAINTENANCE)

FIG ITEM	PART NUMBER	1 2 3 4 5 6 7	NOMENCLATURE	EFFECT FROM TO	UNITS PER ASSY
1A 745	BACC45FN16-24S9	.	RECEPTACLE- ELECTRICAL EQUIP NUMBER: D40220J WIRING DIAGRAM REF: 261511	102102	1
- 750	YHLZ16-4	.	MODULE- SUPPLIER CODE: V09922 SPECIFICATION NUMBER: BACM15C3B OPTIONAL PART: 421120-452 V58982 TBH120452 V58982 ELECTRICAL EQUIP NUMBER: TB0069Y WIRING DIAGRAM REF: 261111	102102	5
- 755	YHLZ16-8	.	MODULE- SUPPLIER CODE: V09922 SPECIFICATION NUMBER: BACM15C3C OPTIONAL PART: 421120-454 V58982 TBH120454 V58982 ELECTRICAL EQUIP NUMBER: TB0069Z WIRING DIAGRAM REF: 261111	102102	5
- 760	286N4228-329		WIRE BUNDLE ASSY	102102	RF
765	BACC45FT22-55S	.	RECEPTACLE- ELECTRICAL EQUIP NUMBER: D41944P WIRING DIAGRAM REF: 772212	102102	1
- 770	286N4236-326		WIRE BUNDLE ASSY	102102	RF
775	BACC45FT22-55P7	.	PLUG- ELECTRICAL EQUIP NUMBER: D41946P WIRING DIAGRAM REF: 261121	102102	1
- 780	286N2134-306		WIRE BUNDLE ASSY	102102	RF

MISSING ITEM NUMBERS NOT APPLICABLE

- ITEM NOT ILLUSTRATED

26-11-53-01A

26-11-53
FIG. 01A
PAGE 12
JAN 20/09

BRI



757

PARTS CATALOG (MAINTENANCE)

FIG ITEM	PART NUMBER	1 2 3 4 5 6 7	NOMENCLATURE	EFFECT FROM TO	UNITS PER ASSY
1A 785	BACC45FT18-31P9		.CONNECTOR- ELECTRICAL EQUIP NUMBER: D40946P WIRING DIAGRAM REF: 261511	102102	1
- 790	286N2626-304		WIRE BUNDLE ASSY	102102	RF
795	BACC45FT22-55P6		.CONNECTOR- ELECTRICAL EQUIP NUMBER: D40218P WIRING DIAGRAM REF: 261811	102102	1
- 800	286N4210-306		WIRE BUNDLE ASSY	102102	RF
805	BACC45FT16-24S6		.CONNECTOR- ELECTRICAL EQUIP NUMBER: D41986P WIRING DIAGRAM REF: 261511	102102	1
- 810	286N4230-306		WIRE BUNDLE ASSY	102102	RF
815	BACC45FT14A15S		.CONNECTOR- ELECTRICAL EQUIP NUMBER: D41936P WIRING DIAGRAM REF: 772212	102102	1
- 820	286N4220-305		WIRE BUNDLE ASSY	102102	RF
825	BACC45FT14-15S8		.PLUG- ELECTRICAL EQUIP NUMBER: D41992P WIRING DIAGRAM REF: 261122	102102	1
- 830	286N4234-316		WIRE BUNDLE ASSY	102102	RF
835	BACC45FT14A15S6		.CONNECTOR- ELECTRICAL EQUIP NUMBER: D41940P WIRING DIAGRAM REF: 772213	102102	1
- 840	286N2628-303		WIRE BUNDLE ASSY	102102	RF
845	BACC45FT16-24P9		.CONNECTOR- ELECTRICAL EQUIP NUMBER: D40220P WIRING DIAGRAM REF: 261511	102102	1

MISSING ITEM NUMBERS NOT APPLICABLE

- ITEM NOT ILLUSTRATED

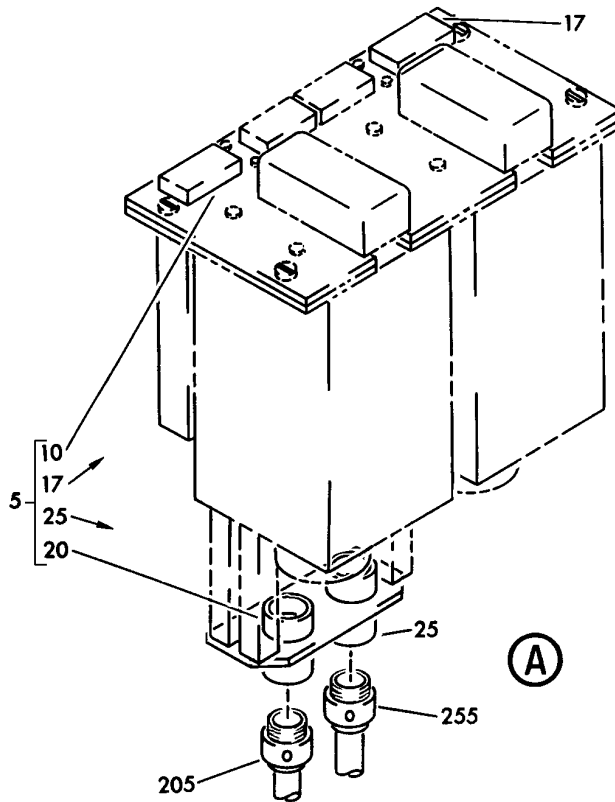
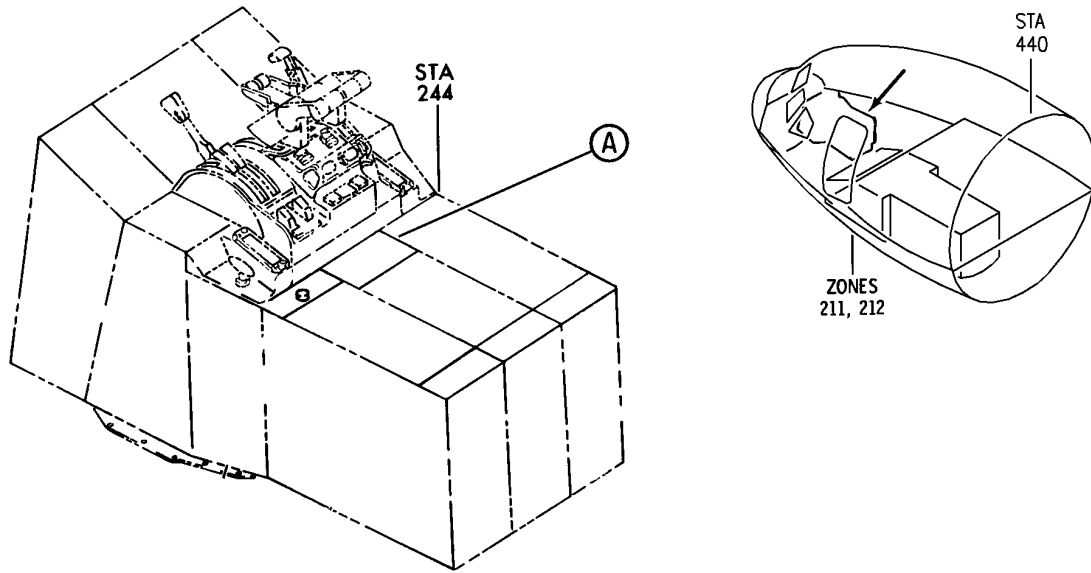
26-11-53-01A

26-11-53
FIG. 01A
PAGE 13
JAN 20/09

BRI

BOEING PROPRIETARY - Copyright © - Unpublished Work - See title page for details.

BOEING
757
PARTS CATALOG (MAINTENANCE)



Y 26115401 REV 239

PANEL INSTL-P8 ELECTRONIC (ENGINE FIRE AND OVERHEAT DETECTION ONLY)
FIGURE 1

26-11-54-01

BRI
MAY 28/07

26-11-54-01
PAGE 0



757

PARTS CATALOG (MAINTENANCE)

FIG ITEM	PART NUMBER	1 2 3 4 5 6 7	NOMENCLATURE	EFFECT FROM TO	UNITS PER ASSY
1			PANEL INSTL-P8 ELECTRONIC (ENGINE FIRE AND OVERHEAT DETECTION ONLY)	002004 006010 107107 121503 904999	
- 1	233N6101-1		PANEL INSTL-P8 ELECTRONIC (ENGINE FIRE AND OVERHEAT DETECTION ONLY) VARIABLE DRAWING REF: 233N6101-5004 233N6101-5028 233N6101-5041 233N6101-5042 233N6101-5046 FOR NHA/OTHER SYS DET SEE: 25-10-00-05A	002004 006010 107107 121503 904999	RF
5	233N6205-1		.PANEL ASSY-ENG FIRE CONT SUPPLIER CODE: V89954 ELECTRICAL EQUIP NUMBER: M10433 WIRING DIAGRAM REF: 261111 COMPONENT MAINT MANUAL REF: 26-15-41 OPTIONAL PART: 233N6205-8 V89954 233N6205-6 V89954	904949	RF
5	233N6205-6		.PANEL ASSY-ENG FIRE CONT SUPPLIER CODE: V89954 ELECTRICAL EQUIP NUMBER: M10443 WIRING DIAGRAM REF: 261111 COMPONENT MAINT MANUAL REF: 26-15-41 OPTIONAL PART: 233N6205-1 V89954 233N6205-8 V89954	904949	RF

MISSING ITEM NUMBERS NOT APPLICABLE

- ITEM NOT ILLUSTRATED

BRI

26-11-54-01

BOEING PROPRIETARY - Copyright © - Unpublished Work - See title page for details.

26-11-54
FIG. 01
PAGE 1
JAN 20/09

 **BOEING**
757
PARTS CATALOG (MAINTENANCE)

FIG ITEM	PART NUMBER	1 2 3 4 5 6 7	NOMENCLATURE	EFFECT FROM TO	UNITS PER ASSY
1					
5	233N6205-8		.PANEL ASSY-ENG FIRE CONT SUPPLIER CODE: V89954 ELECTRICAL EQUIP NUMBER: M10443 WIRING DIAGRAM REF: 261111 COMPONENT MAINT MANUAL REF: 26-15-41 OPTIONAL PART: 233N6205-1 V89954 233N6205-6 V89954	904949	RF
5	233N6205-12		.PANEL ASSY-ENG FIRE CONT SUPPLIER CODE: V89954 ELECTRICAL EQUIP NUMBER: M10443 WIRING DIAGRAM REF: 261111 COMPONENT MAINT MANUAL REF: 26-15-41 QUALIFIED I/W DATA: 233N6205-12 MAY REPLACE BUT MAY NOT BE REPLACED BY 233N6205-8 OR 233N6205-6 OR 233N6205-1 IN ACCORDANCE WITH SERVICE BULLETIN 757-26-0023 FOR 757 AIRCRAFTS ONLY. POST SERVICE BULLETIN: 26-0023	002004 006010 107107 121503 950999	RF
10	BCREF8536		..LIGHT ASSY-ENG OVERHEAT IND SUPPLIER CODE: V81590 POSITION DATA: L OVERLENGTH PART NUMBER: 434-674-1031-2056 SPECIFICATION NUMBER: S231T300-2056 USED ON: 233N6205-12 FOR DETAILS SEE: 33-14-70-01	002004 006010 121503 950999	1

R
R
R
R
R
R
R
R
R
R
R
R
R
R
R
R
R
R
R
R
R

MISSING ITEM NUMBERS NOT APPLICABLE

- ITEM NOT ILLUSTRATED

BRI

26-11-54-01

BOEING PROPRIETARY - Copyright © - Unpublished Work - See title page for details.

26-11-54
FIG. 01
PAGE 2
MAY 20/09



757

PARTS CATALOG (MAINTENANCE)

FIG ITEM	PART NUMBER	1 2 3 4 5 6 7	NOMENCLATURE	EFFECT FROM TO	UNITS PER ASSY
1 10	BCREF6142		..LIGHT ASSY-ENG OVERHEAT IND SUPPLIER CODE: V81590 POSITION DATA: L OVERLENGTH PART NUMBER: 434-674-1005-1056 SPECIFICATION NUMBER: S231T300-1056 USED ON: 233N6205-1 233N6205-6 FOR DETAILS SEE: 33-14-70-01	904949	1
10	BCREF8536		..LIGHT ASSY-ENG OVERHEAT IND SUPPLIER CODE: V81590 POSITION DATA: L OVERLENGTH PART NUMBER: 434-674-1031-2056 SPECIFICATION NUMBER: S231T300-2056 USED ON: 233N6205-12 POST SERVICE BULLETIN: 26-0023 FOR DETAILS SEE: 33-14-70-01	107107	1

MISSING ITEM NUMBERS NOT APPLICABLE

- ITEM NOT ILLUSTRATED

BRI

26-11-54-01

BOEING PROPRIETARY - Copyright © - Unpublished Work - See title page for details.

26-11-54
FIG. 01
PAGE 3
JAN 20/09



757

PARTS CATALOG (MAINTENANCE)

FIG ITEM	PART NUMBER	1 2 3 4 5 6 7	NOMENCLATURE	EFFECT FROM TO	UNITS PER ASSY
1 10	BCREF8536		..LIGHT ASSY-ENG OVERHEAT IND SUPPLIER CODE: V81590 POSITION DATA: L OVERLENGTH PART NUMBER: 434-674-1031-2056 SPECIFICATION NUMBER: S231T300-2056 QUALIFIED OPTIONAL DATA: S231T300-1056 WITH WHITE DOT IDENTIFIER ON CAP ASSEMBLY IS OPTIONAL TO S231T300-2056. USED ON: 233N6205-8 233N6205-6 FOR DETAILS SEE: 33-14-70-01	904949	1
10	BCREF6142		..LIGHT ASSY-ENG OVERHEAT IND SUPPLIER CODE: V81590 POSITION DATA: L OVERLENGTH PART NUMBER: 434-674-1005-1056 SPECIFICATION NUMBER: S231T300-1056 QUALIFIED OPTIONAL DATA: S231T300-1056 WITH WHITE DOT IDENTIFIER ON CAP ASSEMBLY IS OPTIONAL TO S231T300-2056. USED ON: 233N6205-8 FOR DETAILS SEE: 33-14-70-01	904949	1

MISSING ITEM NUMBERS NOT APPLICABLE

- ITEM NOT ILLUSTRATED

BRI

26-11-54-01

BOEING PROPRIETARY - Copyright © - Unpublished Work - See title page for details.

26-11-54
 FIG. 01
 PAGE 4
 JAN 20/09



757

PARTS CATALOG (MAINTENANCE)

FIG ITEM	PART NUMBER	1 2 3 4 5 6 7	NOMENCLATURE	EFFECT FROM TO	UNITS PER ASSY
1 17	BCREF6144		..LIGHT ASSY-ENG OVERHEAT IND SUPPLIER CODE: V81590 POSITION DATA: R OVERLENGTH PART NUMBER: 434-647-1005-1097 SPECIFICATION NUMBER: S231T300-1097 USED ON: 233N6205-1 233N6205-6 FOR DETAILS SEE: 33-14-70-01	904949	1
17	BCREF8544		..LIGHT ASSY-ENG OVERHEAT IND SUPPLIER CODE: V81590 POSITION DATA: R OVERLENGTH PART NUMBER: 434-674-1031-2097 SPECIFICATION NUMBER: S231T300-2097 USED ON: 233N6205-12 FOR DETAILS SEE: 33-14-70-01	002004 006010 121503 950999	1
17	BCREF8544		..LIGHT ASSY-ENG OVERHEAT IND SUPPLIER CODE: V81590 POSITION DATA: R OVERLENGTH PART NUMBER: 434-674-1031-2097 SPECIFICATION NUMBER: S231T300-2097 USED ON: 233N6205-12 POST SERVICE BULLETIN: 26-0023 FOR DETAILS SEE: 33-14-70-01	107107	1

MISSING ITEM NUMBERS NOT APPLICABLE

- ITEM NOT ILLUSTRATED

BRI

26-11-54-01

26-11-54
FIG. 01
PAGE 5
JAN 20/09

 **BOEING**
757
PARTS CATALOG (MAINTENANCE)

FIG ITEM	PART NUMBER	1 2 3 4 5 6 7	NOMENCLATURE	EFFECT FROM TO	UNITS PER ASSY
1	17 BCRE6144		..LIGHT ASSY-ENG OVERHEAT IND SUPPLIER CODE: V81590 POSITION DATA: R OVERLENGTH PART NUMBER: 434-647-1005-1097 SPECIFICATION NUMBER: S231T300-1097 QUALIFIED OPTIONAL DATA: S231T300-1097 WITH WHITE DOT IDENTIFIER ON CAP ASSEMBLY IS OPTIONAL TO S231T300-2097. USED ON: 233N6205-8 FOR DETAILS SEE: 33-14-70-01	904949	1
	17 BCRE8544		..LIGHT ASSY-ENG OVERHEAT IND SUPPLIER CODE: V81590 POSITION DATA: R OVERLENGTH PART NUMBER: 434-674-1031-2097 SPECIFICATION NUMBER: S231T300-2097 QUALIFIED OPTIONAL DATA: S231T300-1097 WITH WHITE DOT IDENTIFIER ON CAP ASSEMBLY IS OPTIONAL TO S231T300-2097. USED ON: 233N6205-8 FOR DETAILS SEE: 33-14-70-01	904949	1
	20 BACC45FN10-5P6		..CONNECTOR	002004 006010 107107 121503 904999	1
	25 BACC45FN10-5P7		..CONNECTOR-	904949	1
	25 BACC45FN12-12P7		..CONNECTOR- POST SERVICE BULLETIN: 26-0023	002004 006010 107107 121503 950999	1

MISSING ITEM NUMBERS NOT APPLICABLE

— ITEM NOT ILLUSTRATED

BRI

26-11-54-01

26-11-54
FIG. 01
PAGE 6
JAN 20/09



757

PARTS CATALOG (MAINTENANCE)

FIG ITEM	PART NUMBER	1 2 3 4 5 6 7	NOMENCLATURE	EFFECT FROM TO	UNITS PER ASSY
1			ATTACHING PARTS		
- 30	NAS1801-4-5		.. SCREW-	002004 006010 107107 121503 904999	4
- 35	K19798-04		.. NUT-	002004 006010 107107 121503 904999	4
			SUPPLIER CODE: V15653		
			SPECIFICATION NUMBER: BACN10NW1		
			OPTIONAL PART: RMA4812-160-40 V72962 293162 V60119		
			-----*-----		
- 200	286N4228-013		WIRE BUNDLE ASSY-	107107 121503 904949	RF
- 200	286N4228-015		WIRE BUNDLE ASSY-	002004 006010 950999	RF
205	BACC45FT10A5S6		.CONNECTOR-	002004 006010 107107 121503 904999	1
			ELECTRICAL EQUIP NUMBER: D03232		
			WIRING DIAGRAM REF: 262111		
- 250	286N4236-010		WIRE BUNDLE ASSY-	107107 121503 904949	RF
- 250	286N4236-015		WIRE BUNDLE ASSY-	002004 006010 950999	RF
255	BACC45FT12A12S7		.CONNECTOR-	107107	1
			POST SERVICE BULLETIN: 26-0023		
255	BACC45FT10A5S7		.CONNECTOR-	002004 006010 121503 904999	1
			ELECTRICAL EQUIP NUMBER: D03234		
			WIRING DIAGRAM REF: 262111		

MISSING ITEM NUMBERS NOT APPLICABLE

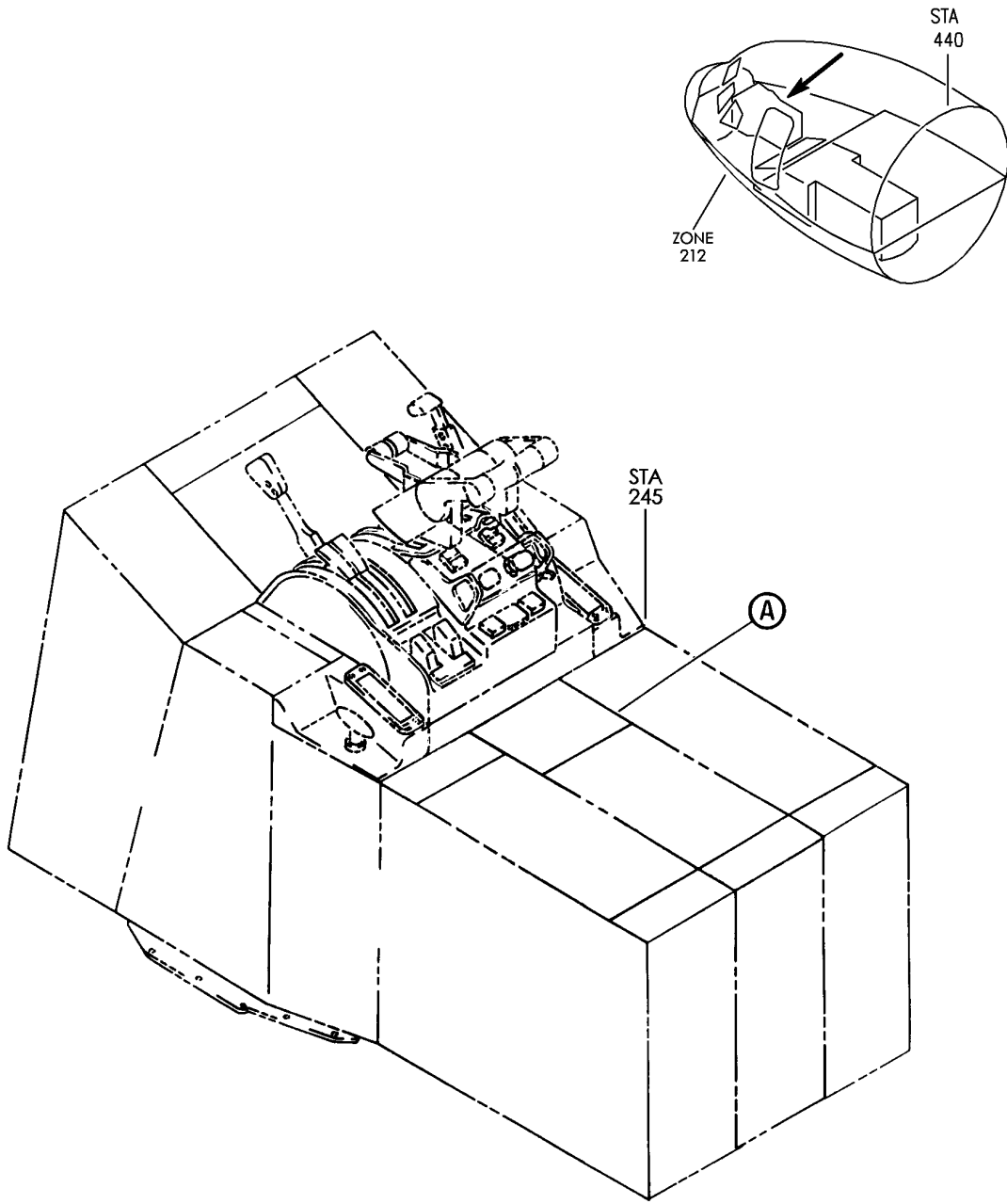
- ITEM NOT ILLUSTRATED

BRI

26-11-54-01

26-11-54
FIG. 01
PAGE 7
JAN 20/09

BOEING
757
PARTS CATALOG (MAINTENANCE)



Y 26115402 SHT 1 REV 239

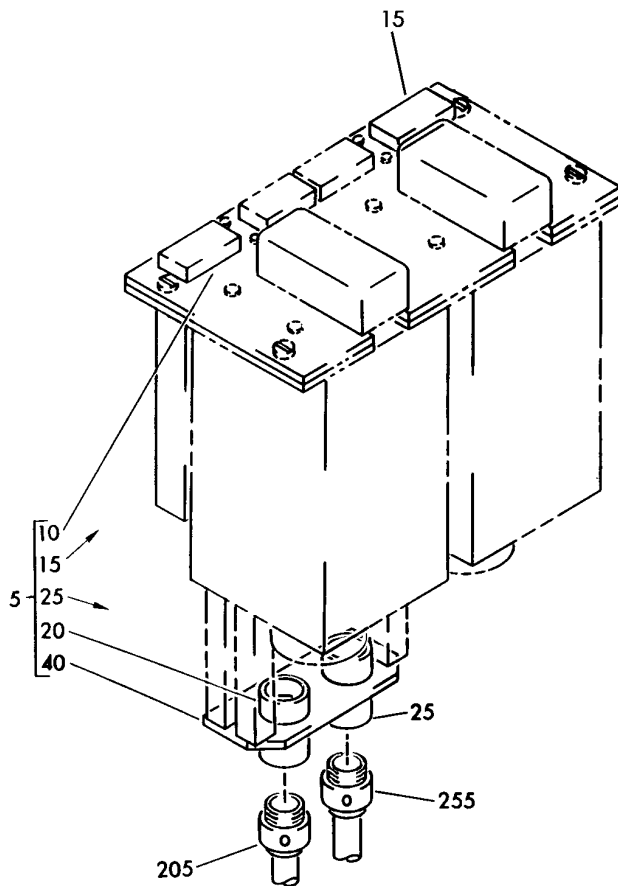
PANEL INSTL-P8, P9, P10 ELECTRONIC (ENGINE FIRE AND OVERHEAT DETECTION ONLY)
FIGURE 2 (SHEET 1)

BRI
MAY 28/07

26-11-54-02

26-11-54-02
PAGE 0

BOEING
757
PARTS CATALOG (MAINTENANCE)



Y 26115402 SHT 2 REV 239

PANEL INSTL-P8, P9, P10 ELECTRONIC (ENGINE FIRE AND OVERHEAT DETECTION ONLY)
FIGURE 2 (SHEET 2)

BRI
MAY 28/07

26-11-54-02

26-11-54-02
PAGE 0A

 **BOEING**
757
PARTS CATALOG (MAINTENANCE)

FIG ITEM	PART NUMBER	1 2 3 4 5 6 7	NOMENCLATURE	EFFECT FROM TO	UNITS PER ASSY
2			PANEL INSTL-P8, P9, P10 ELECTRONIC (ENGINE FIRE AND OVERHEAT DETECTION ONLY)	011100	
- 1	233N6101-1		PANEL INSTL-P8 ELECTRONIC (ENGINE FIRE DETECTION ONLY) VARIABLE DRAWING REF: 233N6101-5042 FOR NHA/OTHER SYS DET SEE: 25-10-00-05A	011100	RF
R R R R R R R R R R R R	5	233N6205-12	.PANEL ASSY-ENG FIRE CONT SUPPLIER CODE: V89954 ELECTRICAL EQUIP NUMBER: M10443 COMPONENT MAINT MANUAL REF: 26-15-41 QUALIFIED I/W DATA: 233N6205-12 MAY REPLACE BUT MAY NOT BE REPLACED BY 233N6205-8 OR 233N6205-6 OR 233N6205-1 IN ACCORDANCE WITH SERVICE BULLETIN 757-26-0023 FOR 757 AIRCRAFTS ONLY.	011100	RF
	10	BCREF8536	..LIGHT ASSY-L ENG OVERHEAT IND SUPPLIER CODE: V81590 OVERLENGTH PART NUMBER: 434-674-1031-2056 SPECIFICATION NUMBER: S231T300-2056 FOR DETAILS SEE: 33-14-70-01	011100	1
	15	BCREF8544	..LIGHT ASSY-R ENG OVERHEAT IND SUPPLIER CODE: V81590 OVERLENGTH PART NUMBER: 434-674-1031-2097 SPECIFICATION NUMBER: S231T300-2097 FOR DETAILS SEE: 33-14-70-01	011100	1
	20	BACC45FN10-5P6	..CONNECTOR	011100	1
	25	BACC45FN12-12P7	..CONNECTOR	011100	1

MISSING ITEM NUMBERS NOT APPLICABLE

- ITEM NOT ILLUSTRATED

BRI

26-11-54-02

26-11-54
FIG. 02
PAGE 1
MAY 20/09



757

PARTS CATALOG (MAINTENANCE)

FIG ITEM	PART NUMBER	1 2 3 4 5 6 7	NOMENCLATURE	EFFECT FROM TO	UNITS PER ASSY
2			ATTACHING PARTS		
- 30	NAS1801-4-5	..	SCREW	011100	4
- 35	K19798-04	..	NUT	011100	4
			SUPPLIER CODE: V15653		
			SPECIFICATION NUMBER: BACN10NW1		
			OPTIONAL PART: RMA4812-160-40		
			V72962		
			293162		
			V60119		
			-----*-----		
40	233N3250-61	..	BRACKET-SPRT	011100	1
			ATTACHING PARTS		
- 45	NAS1801-6-5	..	SCREW	011100	3
			-----*-----		
- 200	286N4228-015		WIRE BUNDLE ASSY-(ENGINE FIRE DETECTION ONLY)	011100	RF
205	BACC45FT10A5S6	.CON	NECTOR-	011100	1
			ELECTRICAL EQUIP NUMBER: D03232		
			WIRING DIAGRAM REF: 262111		
- 250	286N4236-015		WIRE BUNDLE ASSY-(ENGINE FIRE DETECTION ONLY)	011100	RF
255	BACC45FT12A12S7	.CON	NECTOR-	011100	1
			ELECTRICAL EQUIP NUMBER: D03234		
			WIRING DIAGRAM REF: 262111		

MISSING ITEM NUMBERS NOT APPLICABLE

- ITEM NOT ILLUSTRATED

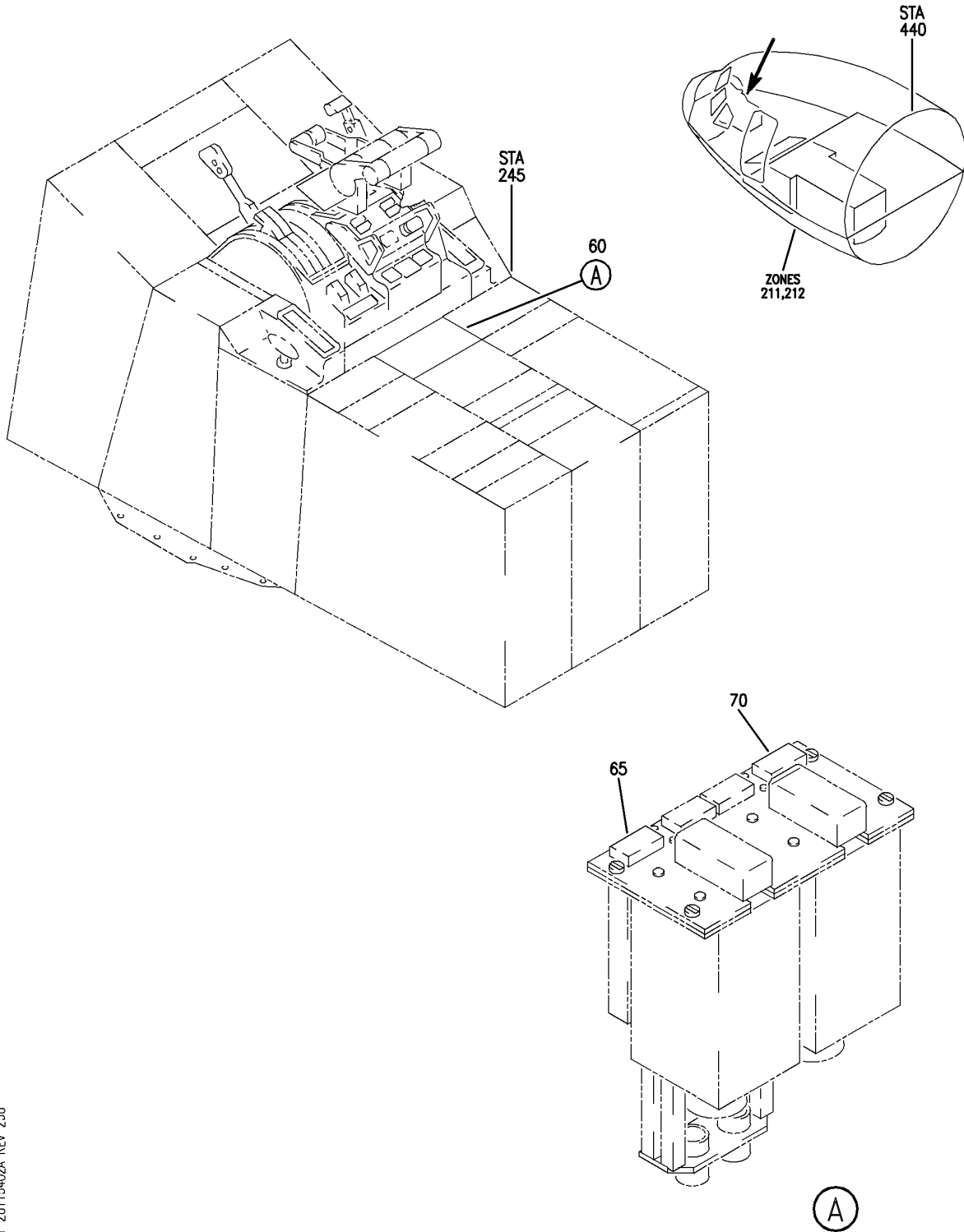
BRI

26-11-54-02

BOEING PROPRIETARY - Copyright © - Unpublished Work - See title page for details.

26-11-54
FIG. 02
PAGE 2
MAY 20/09

BOEING
757
PARTS CATALOG (MAINTENANCE)



Y 26115402A REV 256

PANEL INSTL-P8, P9, P10 ELECTRONICS (ENGINE FIRE AND OVERHEAT DETECTION ONLY)
FIGURE 2A

BRI
MAY 28/07

26-11-54-02A

26-11-54-02A
PAGE 0



757

PARTS CATALOG (MAINTENANCE)

FIG ITEM	PART NUMBER	1 2 3 4 5 6 7	NOMENCLATURE	EFFECT FROM TO	UNITS PER ASSY
2A			PANEL INSTL-P8, P9, P10 ELECTRONICS (ENGINE FIRE AND OVERHEAT DETECTION ONLY)	101106 108120 504903	
- 2	233N6103-28		PANEL INSTL-P8, P9, P10 ELECTRONICS (ENGINE FIRE AND OVERHEAT DETECTION ONLY) FOR NHA/OTHER SYS DET SEE: 25-10-00-15B	101101	RF
- 2	MODREF33990		PANEL INSTL-P8, P9, P10 ELECTRONICS (ENGINE FIRE AND OVERHEAT DETECTION ONLY) MODULE NUMBER: 233N6103-253 REV B FOR OTHER SYS DETAILS SEE: 11-31-05-66F 23-12-02-03 23-51-01-05 26-12-51-03 26-17-51-06 26-21-01-02 26-22-03-03 26-23-52-04A 27-11-23-03 27-21-23-03 27-28-02-01A 31-11-31-02 31-11-36-78 31-11-41-02 31-41-03-02 33-13-01-07 34-22-02-03 34-31-02-02 34-43-02-02 34-53-02-02 34-57-02-03 34-61-02-03 FOR ADDITIONAL DETAILS SEE: 26-11-02-01	103106	1
- 3	233N6103-122		PANEL INSTL-P8, P9, P10 ELECTRONICS (ENGINE FIRE AND OVERHEAT DETECTION ONLY) FOR NHA/OTHER SYS DET SEE: 25-10-00-15B	504903	RF

MISSING ITEM NUMBERS NOT APPLICABLE

- ITEM NOT ILLUSTRATED

BRI

26-11-54-02A

BOEING PROPRIETARY - Copyright © - Unpublished Work - See title page for details.

26-11-54
FIG. 02A
PAGE 1
JAN 20/09



757

PARTS CATALOG (MAINTENANCE)

FIG ITEM	PART NUMBER	1 2 3 4 5 6 7	NOMENCLATURE	EFFECT FROM TO	UNITS PER ASSY
2A - 3	233N6103-128		PANEL INSTL-P8, P9, P10 ELECTRONICS (ENGINE FIRE AND OVERHEAT DETECTION ONLY) FOR NHA/OTHER SYS DET SEE: 25-10-00-15B	102102	RF
- 6	233N6103-62		PANEL INSTL-P8, P9, P10 ELECTRONICS (ENGINE FIRE AND OVERHEAT DETECTION ONLY) FOR NHA/OTHER SYS DET SEE: 25-10-00-15B	108120	RF
60	233N6205-12		.PANEL ASSY-ENG FIRE CONT SUPPLIER CODE: V89954 ELECTRICAL EQUIP NUMBER: M10443 COMPONENT MAINT MANUAL REF: 26-15-41	101106 108120 504903	RF
65	BCREF8536		..LIGHT ASSY-L ENG OVERHEAT IND SUPPLIER CODE: V81590 OVERLENGTH PART NUMBER: 434-674-1031-2056 SPECIFICATION NUMBER: S231T300-2056 FOR DETAILS SEE: 33-14-70-01	101106 108120 504903	1
70	BCREF8544		..LIGHT ASSY-R ENG OVERHEAT IND SUPPLIER CODE: V81590 OVERLENGTH PART NUMBER: 434-674-1031-2097 SPECIFICATION NUMBER: S231T300-2097 FOR DETAILS SEE: 33-14-70-01	101106 108120 504903	1

MISSING ITEM NUMBERS NOT APPLICABLE

- ITEM NOT ILLUSTRATED

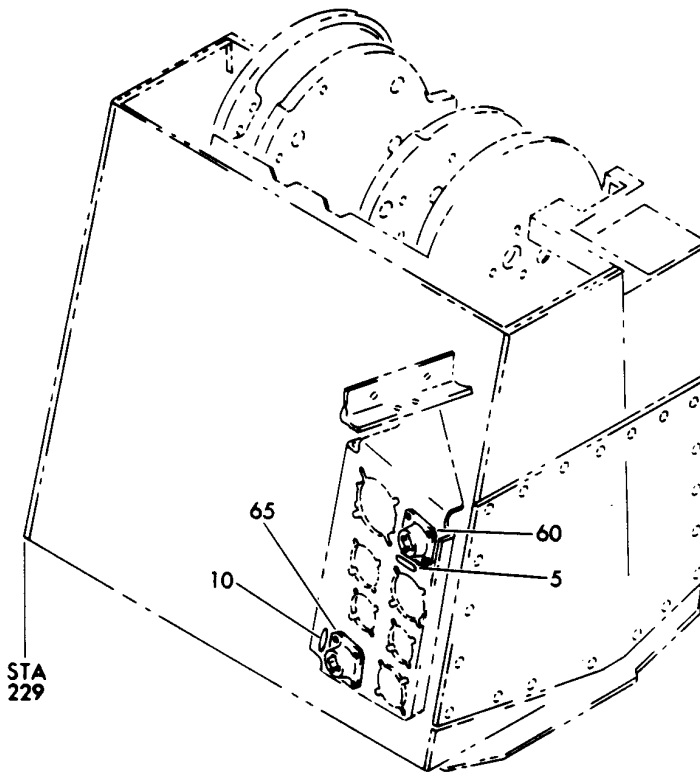
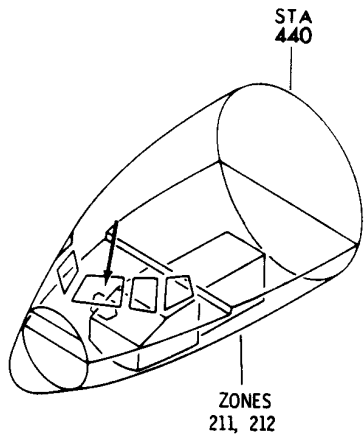
BRI

26-11-54-02A

BOEING PROPRIETARY - Copyright © - Unpublished Work - See title page for details.

26-11-54
FIG. 02A
PAGE 2
JAN 20/09

BOEING
757
PARTS CATALOG (MAINTENANCE)



Y 26115801 SHT 1 REV 084

STRUCTURE ASSY- CONT STAND (ENGINE FIRE DETECTION ONLY)
FIGURE 1

BRI
MAY 28/07

26-11-56-01

26-11-56-01
PAGE 0



757

PARTS CATALOG (MAINTENANCE)

FIG ITEM	PART NUMBER	1 2 3 4 5 6 7	NOMENCLATURE	EFFECT FROM TO	UNITS PER ASSY
1			STRUCTURE ASSY- CONT STAND (ENGINE FIRE DETECTION ONLY)	002004 006999	
- 1	254N1051-8		STRUCTURE ASSY-CONT STAND (ENGINE FIRE DETECTION ONLY) FOR NHA/OTHER SYS DET SEE: 76-11-04-02	006106 108120 504903 950951 953999	RF
- 1	254N1051-6		STRUCTURE ASSY-CONT STAND (ENGINE FIRE DETECTION ONLY) FOR NHA/OTHER SYS DET SEE: 76-11-04-02	107107 904949	RF
- 1	254N1051-7		STRUCTURE ASSY-CONT STAND (ENGINE FIRE DETECTION ONLY) FOR NHA/OTHER SYS DET SEE: 76-11-04-02	002004 121503 952952	RF
5	BAC27NEL0126		.DECAL- PLACARD CONTENT: D40901J	002004 006999	1
10	BAC27NEL0127		.DECAL- PLACARD CONTENT: D40899J	002004 006999	1
- 55	254N1115-9		WIRE BUNDLE ASSY-CONT STAND (ENGINE FIRE DETECTION ONLY) OPTIONAL PART: 254N1115-7 FOR NHA/OTHER SYS DET SEE: 76-11-04-02	006100 950951 953999	RF
- 55	254N1115-5		WIRE BUNDLE ASSY-CONT STAND (ENGINE FIRE DETECTION ONLY) FOR NHA/OTHER SYS DET SEE: 76-11-04-02	107107 904949	RF
- 55	254N1115-7		WIRE BUNDLE ASSY-CONT STAND (ENGINE FIRE DETECTION ONLY) OPTIONAL PART: 254N1115-9 FOR NHA/OTHER SYS DET SEE: 76-11-04-02	002004 006100 121503 950999	RF
- 55	254N1115-11		WIRE BUNDLE ASSY-CONT STAND (ENGINE FIRE DETECTION ONLY) FOR NHA/OTHER SYS DET SEE: 76-11-04-02	101106 108120 504903	RF

MISSING ITEM NUMBERS NOT APPLICABLE

- ITEM NOT ILLUSTRATED

26-11-56-01

26-11-56
FIG. 01
PAGE 1
JAN 20/09

BRI



757

PARTS CATALOG (MAINTENANCE)

FIG ITEM	PART NUMBER	1 2 3 4 5 6 7	NOMENCLATURE	EFFECT FROM TO	UNITS PER ASSY
1	60 BACC45FN18-31P7	.	CONNECTOR- ELECTRICAL EQUIP NUMBER: D40901J	002004 006999	1
	65 BACC45FN16-24P7	.	CONNECTOR- ELECTRICAL EQUIP NUMBER: D40899J	002004 006999	1

MISSING ITEM NUMBERS NOT APPLICABLE

- ITEM NOT ILLUSTRATED

BRI

26-11-56-01

BOEING PROPRIETARY - Copyright © - Unpublished Work - See title page for details.

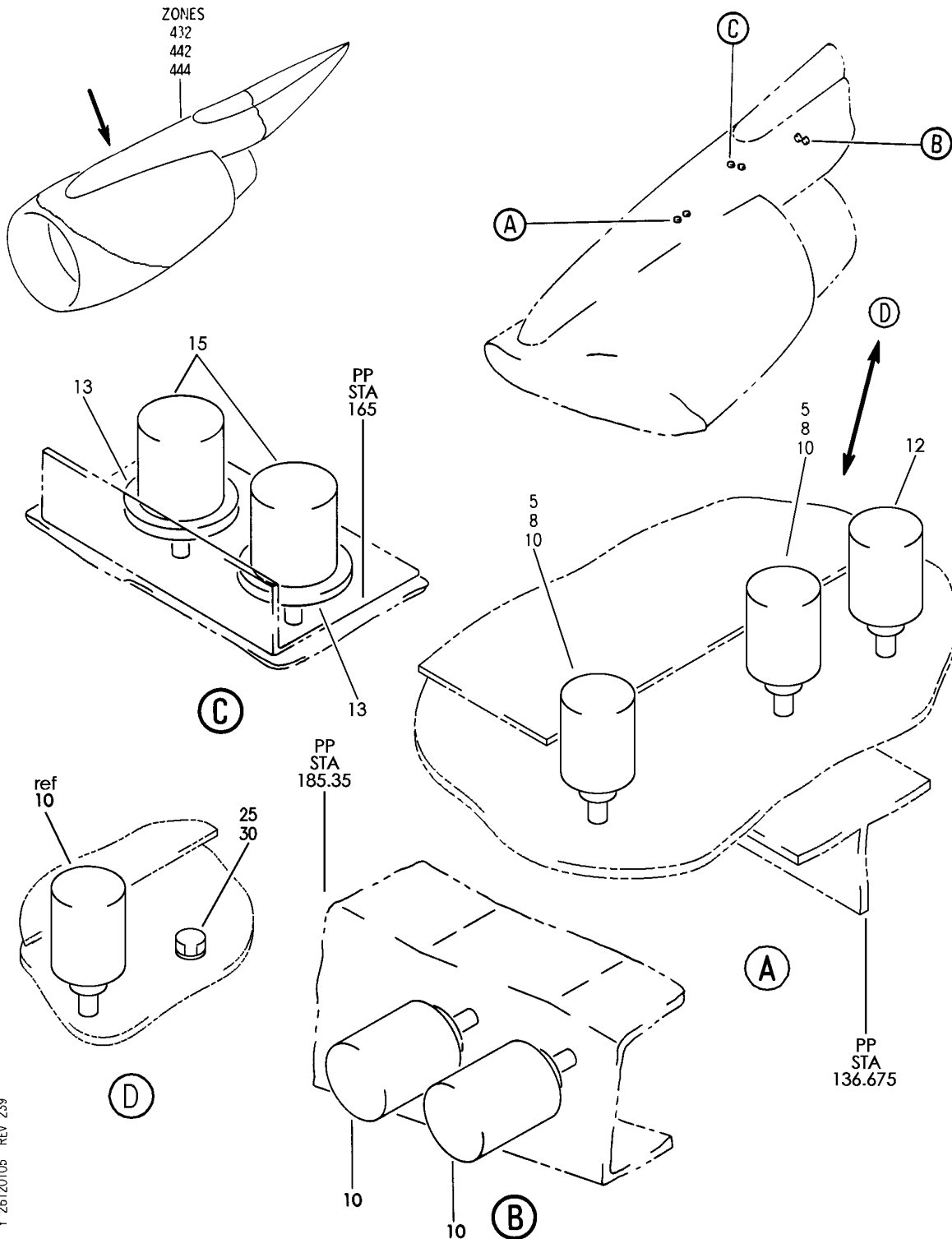
26-11-56
FIG. 01
PAGE 2
SEP 20/08

STRUT OVERHEAT DETECTION (RR)

BRI
MAY 28/07

26-12-00
SECTION TITLE
PAGE 1

BOEING
757
PARTS CATALOG (MAINTENANCE)



Y 26120105 REV 239

SWITCH INSTL-STRUT OVERHEAT (RB211-535)
FIGURE 5

26-12-01-05

BRI
MAY 28/07

26-12-01-05
PAGE 0



757

PARTS CATALOG (MAINTENANCE)

FIG ITEM	PART NUMBER	1 2 3 4 5 6 7	NOMENCLATURE	EFFECT FROM TO	UNITS PER ASSY
5			SWITCH INSTL-STRUT OVERHEAT (RB211-535)	002004 006999	
- 1	312N5504-2		SWITCH INSTL-STRUT OVERHEAT FOR NHA SEE: 54-00-51-01 26-00-00-01	002004 006102 107107 121999	RF
- 1	312N5504-15		SWITCH INSTL-STRUT OVERHEAT FOR NHA SEE: 26-00-00-01 26-00-00-01A	103106 108120	RF
10	975-0304-003		.SWITCH-THRM SUPPLIER CODE: V97896	002004 006999	4
13	BACW10P45S		.WASHER	002004 006999	2
15	975-0304-004		.SWITCH-THRM SUPPLIER CODE: V97896	002004 006999	2

MISSING ITEM NUMBERS NOT APPLICABLE

- ITEM NOT ILLUSTRATED

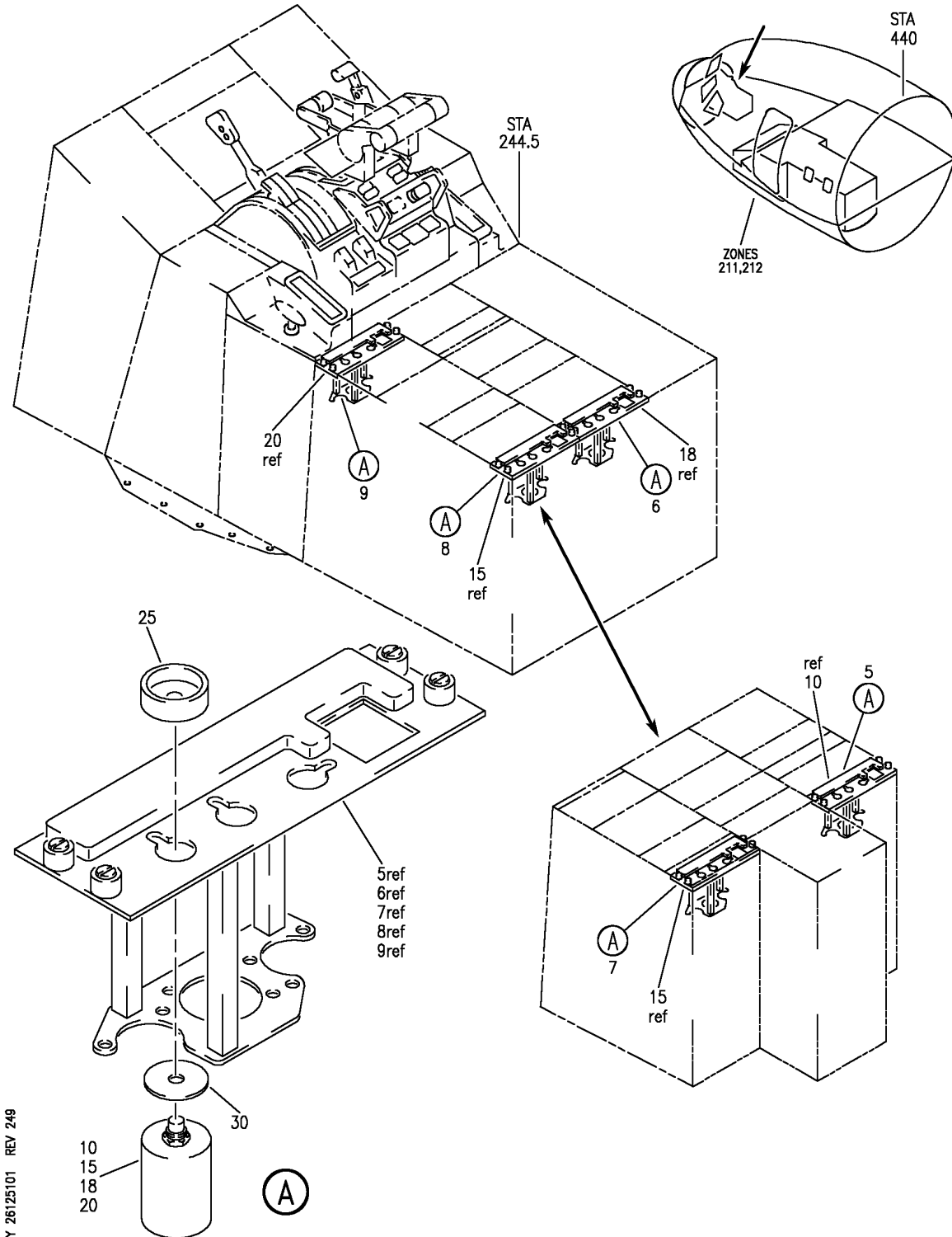
BRI

26-12-01-05

BOEING PROPRIETARY - Copyright © - Unpublished Work - See title page for details.

26-12-01
FIG. 05
PAGE 1
JAN 20/09

BOEING
757
PARTS CATALOG (MAINTENANCE)



Y 26125101 REV 249

PANEL ASSY-P8 ELECTRONICS (STRUT OVERHEAT DETECTION ONLY)
FIGURE 1

26-12-51-01

BRI
MAY 28/07

26-12-51-01
PAGE 0



757

PARTS CATALOG (MAINTENANCE)

FIG ITEM	PART NUMBER	1 2 3 4 5 6 7	NOMENCLATURE	EFFECT FROM TO	UNITS PER ASSY
1			PANEL ASSY-P8 ELECTRONICS (STRUT OVERHEAT DETECTION ONLY)	002004 006010 107107 121503 904999	
- 1	233N6101-1		PANEL INSTL-P8 ELECTRONICS (STRUT OVERHEAT DETECTION ONLY) VARIABLE DRAWING REF: 233N6101-5004 233N6101-5028 233N6101-5041 233N6101-5042 233N6101-5046 FOR NHA/OTHER SYS DET SEE: 25-10-00-05A	002004 006010 107107 121503 904949	RF
7	233N6204-17		.PANEL ASSY-FIRE/ OVERHEAT TEST SUPPLIER CODE: V89954 ELECTRICAL EQUIP NUMBER: M10445 COMPONENT MAINT MANUAL REF: 26-11-52 QUALIFIED I/W DATA: 233N6204-13, -14, -15, -17 ARE ALL INTERCHANGEABLE EXCEPT SUBJECT TO CUSTOMER PREFERENCE	121503 904949	RF
8	233N6204-14		.PANEL ASSY-FIRE/ OVERHEAT TEST SUPPLIER CODE: V89954 ELECTRICAL EQUIP NUMBER: M10445 COMPONENT MAINT MANUAL REF: 26-11-52 QUALIFIED I/W DATA: 233N6204-13, -14, -15, -16, -17 ARE ALL INTECHANGEABLE EXCEPT SUBJECT TO CUSTOMER PREFERENCE 233N6204-13, -14, -15, -16, -17 ARE ALL INTERCHANGEABLE EXCEPT SUBJECT TO CUSTOMER PREFERENCE	107107	RF

MISSING ITEM NUMBERS NOT APPLICABLE

- ITEM NOT ILLUSTRATED

BRI

26-12-51-01

26-12-51
FIG. 01
PAGE 1
JAN 20/09



757

PARTS CATALOG (MAINTENANCE)

FIG ITEM	PART NUMBER	1 2 3 4 5 6 7	NOMENCLATURE	EFFECT FROM TO	UNITS PER ASSY
1	8 233N6204-15		. PANEL ASSY-FIRE/ OVERHEAT TEST SUPPLIER CODE: V89954 ELECTRICAL EQUIP NUMBER: M10445 COMPONENT MAINT MANUAL REF: 26-11-52 QUALIFIED I/W DATA: 233N62104-13, -14, -15, -17 ARE ALL INTERCHANGEABLE EXCEPT SUBJECT TO CUSTOMER PREFERERNC THE 233N6204-301 PANEL ASSY IS I/W 233N6204-15 PANEL ASSY T/W THE S233T100-5508 LIGHTPLATE	002004 006010 950999	RF
	15 702PB1		.. SWITCH-PUSH BUTTON SUPPLIER CODE: V91929	002004 006010 107107 121503 904999	1
	25 120092		.. GUARD-SWITCH SUPPLIER CODE: V81640	002004 006010 107107 121503 904949	1
	30 NAS1149C0816R		.. WASHER- OPTIONAL PART: SGD002H V9V172 SGD005H V9V172 SGD015H V9V172	002004 006010 107107 121503 904949	AR
	30 SGD002H		.. WASHER- SUPPLIER CODE: V9V172 OPTIONAL PART: NAS1149C0816R SGD005H V9V172 SGD015H V9V172	002004 006010 107107 121503 904949	AR

MISSING ITEM NUMBERS NOT APPLICABLE

- ITEM NOT ILLUSTRATED

BRI

26-12-51-01

BOEING PROPRIETARY - Copyright © - Unpublished Work - See title page for details.

26-12-51
FIG. 01
PAGE 2
JAN 20/09



757

PARTS CATALOG (MAINTENANCE)

FIG ITEM	PART NUMBER	1 2 3 4 5 6 7	NOMENCLATURE	EFFECT FROM TO	UNITS PER ASSY
1 30	SGD005H		.. WASHER- SUPPLIER CODE: V9V172 OPTIONAL PART: NAS1149C0816R SGD002H V9V172 SGD015H V9V172	002004 006010 107107 121503 904949	AR
30	SGD015H		.. WASHER- SUPPLIER CODE: V9V172 OPTIONAL PART: NAS1149C0816R SGD002H V9V172 SGD005H V9V172	002004 006010 107107 121503 904949	AR

MISSING ITEM NUMBERS NOT APPLICABLE

- ITEM NOT ILLUSTRATED

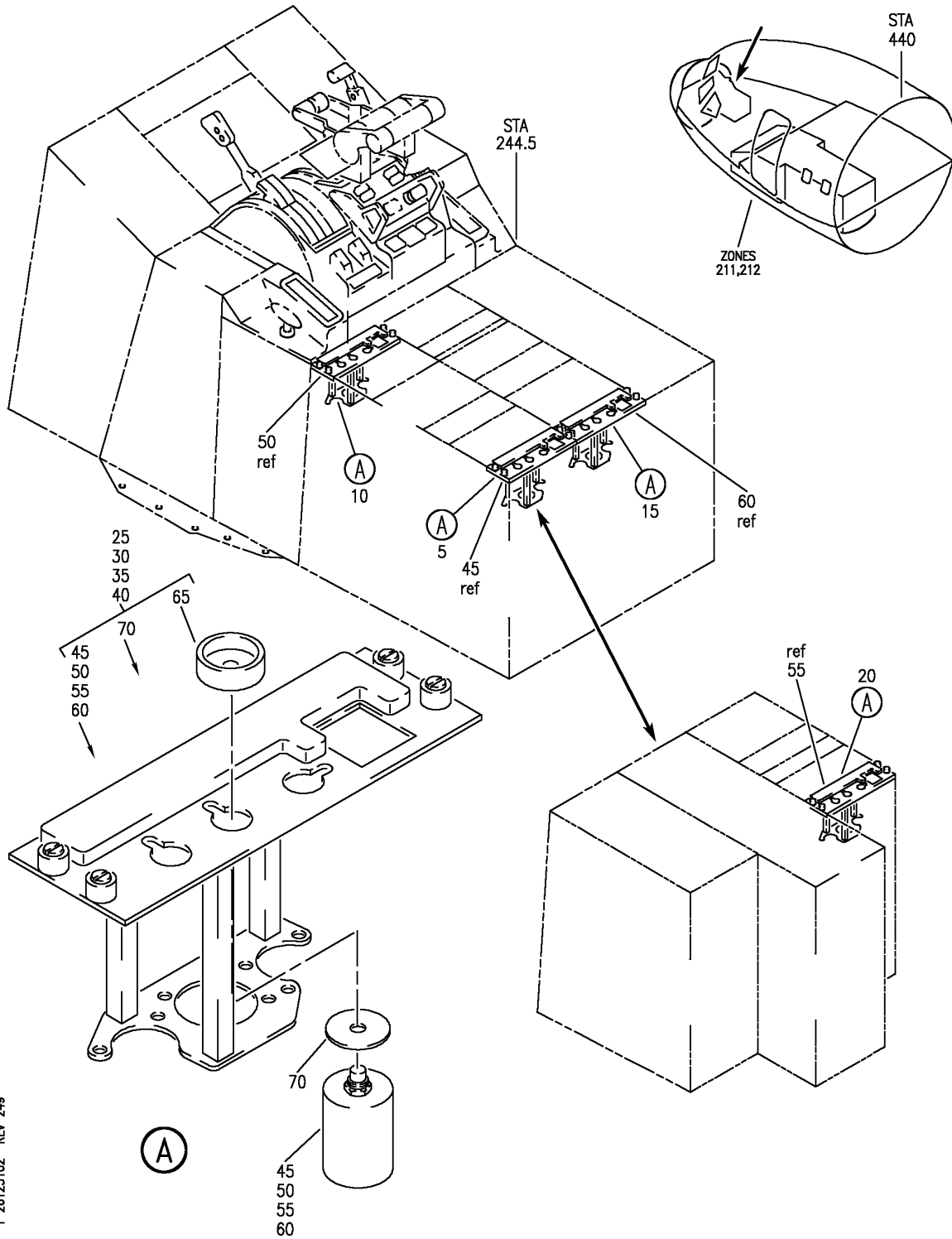
BRI

26-12-51-01

BOEING PROPRIETARY - Copyright © - Unpublished Work - See title page for details.

26-12-51
FIG. 01
PAGE 3
JAN 20/09

BOEING
757
PARTS CATALOG (MAINTENANCE)



Y 26125102 REV 249

PANEL ASSY-P8,P9,P10 ELECTRONICS (STRUT OVERHEAT DETECTION ONLY)
FIGURE 2

BRI
MAY 28/07

26-12-51-02

26-12-51-02
PAGE 0



757

PARTS CATALOG (MAINTENANCE)

FIG ITEM	PART NUMBER	1 2 3 4 5 6 7	NOMENCLATURE	EFFECT FROM TO	UNITS PER ASSY
2			PANEL ASSY-P8,P9,P10 ELECTRONICS (STRUT OVERHEAT DETECTION ONLY)	011100	
- 1	233N6101-1		PANEL INSTL-P8 ELECTRONICS (STRUT OVERHEAT DETECTION ONLY) VARIABLE DRAWING REF: 233N6101-5042 FOR NHA/OTHER SYS DET SEE: 25-10-00-05A	011100	RF
5	233N6204-301		.PANEL ASSY-FIRE/OVERHEAT TEST SUPPLIER CODE: V89954 MISCELLANEOUS DATA: THE 233N6204-301 PANEL ASSY IS I/W THE 233N6204-15 PANEL ASSY T/W THE S233T100-5508 LIGHTPLATE. COMPONENT MAINT MANUAL REF: 26-11-52	011100	RF
5	233N6204-302		.PANEL ASSY-FIRE/OVERHEAT TEST SUPPLIER CODE: V89954 COMPONENT MAINT MANUAL REF: 26-11-51	011100	RF

MISSING ITEM NUMBERS NOT APPLICABLE

- ITEM NOT ILLUSTRATED

BRI

26-12-51-02

BOEING PROPRIETARY - Copyright © - Unpublished Work - See title page for details.

26-12-51
FIG. 02
PAGE 1
JAN 20/09



**757
PARTS CATALOG (MAINTENANCE)**

FIG ITEM	PART NUMBER	1 2 3 4 5 6 7	NOMENCLATURE	EFFECT FROM TO	UNITS PER ASSY
2 25	233N6204-15		.. PANEL ASSY- SUPPLIER CODE: V89954 MISCELLANEOUS DATA: (THE 233N6204-301 PANEL ASSY IS I/W THE 233N6204-15 PANEL ASSY T/W THE S233T100-5508 LIGHTPLATE.) ELECTRICAL EQUIP NUMBER: M10445 COMPONENT MAINT MANUAL REF: 26-11-52 QUALIFIED I/W DATA: 233N6204-13 -14 -15 -16 -17 ARE ALL INTERCHANGEABLE EXCEPT SUBJECT TO CUSTOMER PREFERENCE USED ON: 233N6204-301	011100	1
45	702PB1		...SWITCH-PUSH BUTTON SUPPLIER CODE: V91929	011100	1
65	120092		...GUARD-SWITCH SUPPLIER CODE: V81640	011100	1
70	NAS1149C0816R		...WASHER- OPTIONAL PART: SGD002H V9V172 SGD005H V9V172 SGD015H V9V172	011100	AR
70	SGD002H		...WASHER- SUPPLIER CODE: V9V172 OPTIONAL PART: NAS1149C0816R SGD005H V9V172 SGD015H V9V172	011100	AR

MISSING ITEM NUMBERS NOT APPLICABLE

- ITEM NOT ILLUSTRATED

BRI

26-12-51-02

BOEING PROPRIETARY - Copyright © - Unpublished Work - See title page for details.

26-12-51
FIG. 02
PAGE 2
JAN 20/09



757

PARTS CATALOG (MAINTENANCE)

FIG ITEM	PART NUMBER	1 2 3 4 5 6 7	NOMENCLATURE	EFFECT FROM TO	UNITS PER ASSY
2 70	SGD005H		...WASHER- SUPPLIER CODE: V9V172 OPTIONAL PART: NAS1149C0816R SGD002H V9V172 SGD015H V9V172	011100	AR
70	SGD015H		...WASHER- SUPPLIER CODE: V9V172 OPTIONAL PART: NAS1149C0816R SGD002H V9V172 SGD005H V9V172	011100	AR

MISSING ITEM NUMBERS NOT APPLICABLE

- ITEM NOT ILLUSTRATED

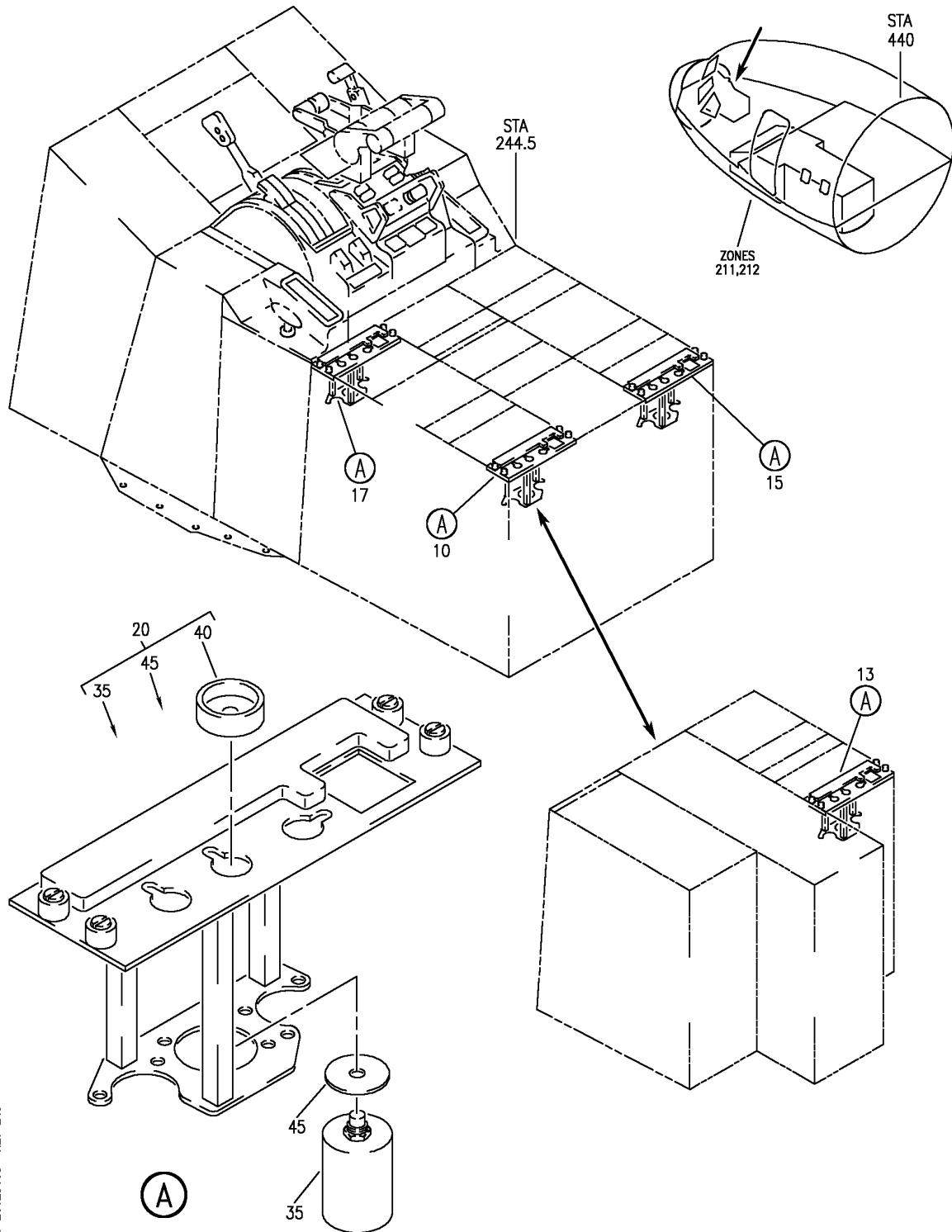
BRI

26-12-51-02

BOEING PROPRIETARY - Copyright © - Unpublished Work - See title page for details.

26-12-51
FIG. 02
PAGE 3
JAN 20/09

BOEING
757
PARTS CATALOG (MAINTENANCE)



Y 26125103 REV 249

PANEL INSTL-P8,P9,P10 ELECTRONICS (STRUT OVERHEAT DETECTION ONLY)
FIGURE 3

BRI
MAY 28/07

26-12-51-03

26-12-51-03
PAGE 0



757

PARTS CATALOG (MAINTENANCE)

FIG ITEM	PART NUMBER	1 2 3 4 5 6 7	NOMENCLATURE	EFFECT FROM TO	UNITS PER ASSY
3			PANEL INSTL-P8,P9,P10 ELECTRONICS (STRUT OVERHEAT DETECTION ONLY)	101106 108120 504903	
- 1	233N6103-28		PANEL INSTL-P8,P9,P10 ELECTRONICS (STRUT OVERHEAT DETECTION ONLY) FOR NHA/OTHER SYS DET SEE: 25-10-00-15B	101101	RF
- 2	233N6103-62		PANEL INSTL-P8,P9,P10 ELECTRONICS (STRUT OVERHEAT DETECTION ONLY) FOR NHA/OTHER SYS DET SEE: 25-10-00-15B	108120	RF
- 2	233N6103-122		PANEL INSTL-P8,P9,P10 ELECTRONICS (STRUT OVERHEAT DETECTION ONLY) FOR NHA/OTHER SYS DET SEE: 25-10-00-15B	504903	RF
- 2	233N6103-128		PANEL INSTL-P8,P9,P10 ELECTRONICS (STRUT OVERHEAT DETECTION ONLY) FOR NHA/OTHER SYS DET SEE: 25-10-00-15B	102102	RF

MISSING ITEM NUMBERS NOT APPLICABLE

- ITEM NOT ILLUSTRATED

26-12-51-03

26-12-51
FIG. 03
PAGE 1
JAN 20/09

BRI



757

PARTS CATALOG (MAINTENANCE)

FIG ITEM	PART NUMBER	1 2 3 4 5 6 7	NOMENCLATURE	EFFECT FROM TO	UNITS PER ASSY
3 -	2 MODREF33990		PANEL INSTL-P8,P9,P10 ELECTRONICS (STRUT OVERHEAT DETECTION ONLY) MODULE NUMBER: 233N6103-253 REV B FOR OTHER SYS DETAILS SEE: 11-31-05-66F 23-12-02-03 23-51-01-05 26-11-02-01 26-11-54-02A 26-17-51-06 26-21-01-02 26-22-03-03 26-23-52-04A 27-11-23-03 27-21-23-03 27-28-02-01A 31-11-31-02 31-11-36-78 31-11-41-02 31-41-03-02 33-13-01-07 34-22-02-03 34-31-02-02 34-43-02-02 34-53-02-02 34-57-02-03 34-61-02-03	103106	1
10	233N6204-301		.PANEL ASSY-FIRE/OVERHEAT TEST SUPPLIER CODE: V89954 ELECTRICAL EQUIP NUMBER: M10445 COMPONENT MAINT MANUAL REF: 26-11-52 QUALIFIED I/W DATA: THE 233N6204-301 PANEL ASSY IS I/W THE 233N6204-15 PANEL ASSY T/W THE S233T100-5508 LIGHTPLATE.	101106 108120	RF

MISSING ITEM NUMBERS NOT APPLICABLE

- ITEM NOT ILLUSTRATED

BRI

26-12-51-03

BOEING PROPRIETARY - Copyright © - Unpublished Work - See title page for details.

26-12-51
FIG. 03
PAGE 2
JAN 20/09



757

PARTS CATALOG (MAINTENANCE)

FIG ITEM	PART NUMBER	1 2 3 4 5 6 7	NOMENCLATURE	EFFECT FROM TO	UNITS PER ASSY
3					
10	233N6204-302		.PANEL ASSY-FIRE/OVERHEAT TEST SUPPLIER CODE: V89954 ELECTRICAL EQUIP NUMBER: M10445 COMPONENT MAINT MANUAL REF: 26-11-52	101106 108120	RF
13	233N6204-301		.PANEL ASSY-FIRE/OVERHEAT TEST SUPPLIER CODE: V89954 ELECTRICAL EQUIP NUMBER: M10445 COMPONENT MAINT MANUAL REF: 26-11-52 QUALIFIED I/W DATA: THE 233N6204-301 PANEL ASSY IS I/W THE 233N6204-15 PANEL ASSY T/W THE S233T100-5508 LIGHTPLATE.	504903	RF
13	233N6204-302		.PANEL ASSY-FIRE/OVERHEAT TEST SUPPLIER CODE: V89954 ELECTRICAL EQUIP NUMBER: M10445 COMPONENT MAINT MANUAL REF: 26-11-52	504903	RF
20	233N6204-15		..PANEL ASSY- SUPPLIER CODE: V89954 COMPONENT MAINT MANUAL REF: 26-11-52 QUALIFIED I/W DATA: THE 233N6204-301 PANEL ASSY IS I/W THE 233N6204-15 PANEL ASSY T/W THE S233T100-5508 LIGHTPLATE. USED ON: 233N6204-301	101106 108120 504903	1
35	702PB1		...SWITCH-PUSH BUTTON SUPPLIER CODE: V91929	101106 108120 504903	1
40	120092		...GUARD-SWITCH SUPPLIER CODE: V81640	101106 108120 504903	1

MISSING ITEM NUMBERS NOT APPLICABLE

- ITEM NOT ILLUSTRATED

26-12-51-03

26-12-51
FIG. 03
PAGE 3
JAN 20/09

BRI



757

PARTS CATALOG (MAINTENANCE)

FIG ITEM	PART NUMBER	1 2 3 4 5 6 7	NOMENCLATURE	EFFECT FROM TO	UNITS PER ASSY
3					
45	NAS1149C0816R		... WASHER- OPTIONAL PART: SGD002H V9V172 SGD005H V9V172 SGD015H V9V172	101106 108120 504903	AR
45	SGD002H		... WASHER- SUPPLIER CODE: V9V172 OPTIONAL PART: NAS1149C0816R SGD005H V9V172 SGD015H V9V172	101106 108120 504903	AR
45	SGD005H		... WASHER- SUPPLIER CODE: V9V172 OPTIONAL PART: NAS1149C0816R SGD002H V9V172 SGD015H V9V172	101106 108120 504903	AR
45	SGD015H		... WASHER- SUPPLIER CODE: V9V172 OPTIONAL PART: NAS1149C0816R SGD002H V9V172 SGD005H V9V172	101106 108120 504903	AR

MISSING ITEM NUMBERS NOT APPLICABLE

- ITEM NOT ILLUSTRATED

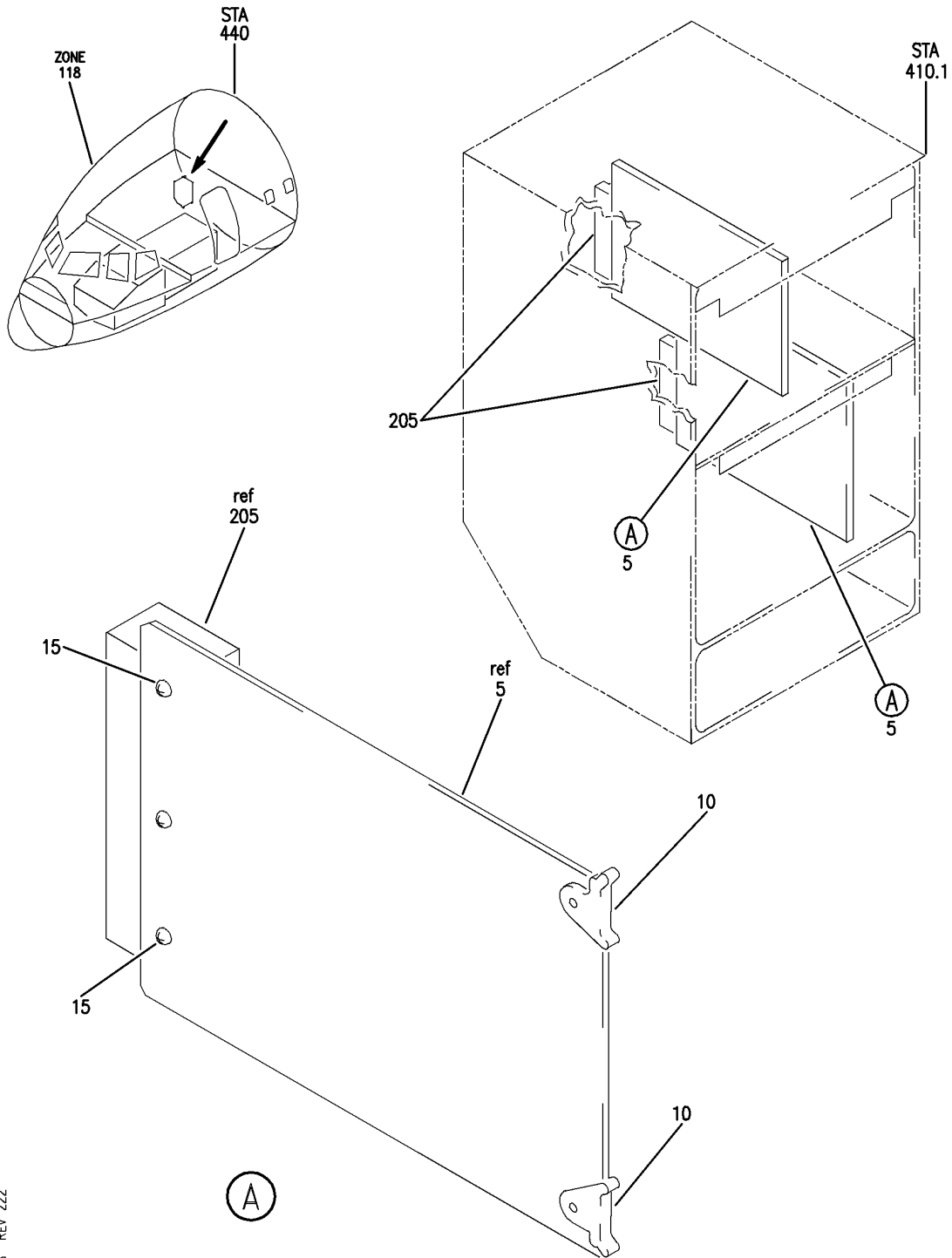
26-12-51-03

26-12-51
FIG. 03
PAGE 4
JAN 20/09

BRI

BOEING PROPRIETARY - Copyright © - Unpublished Work - See title page for details.

BOEING
757
PARTS CATALOG (MAINTENANCE)



Y 26125108 REV 222

EQUIPMENT INSTL-MAIN ELECTRONICS EQPT CTR FIRE OVERHEAT LOGIC TEST
FIGURE 8

26-12-51-08

BRI
JAN 20/09

26-12-51-08
PAGE 0



757

PARTS CATALOG (MAINTENANCE)

FIG ITEM	PART NUMBER	1 2 3 4 5 6 7	NOMENCLATURE	EFFECT FROM TO	UNITS PER ASSY
8			EQUIPMENT INSTL-MAIN ELECTRONICS EQPT CTR FIRE OVERHEAT LOGIC TEST	103106 108120	
- 1	284N4000-260002		EQUIPMENT INSTL-MAIN ELECTRONICS EQPT CTR FIRE OVERHEAT LOGIC TEST	108120	RF
- 1	MODREF9951		FOR NHA SEE: 24-00-58-05F EQUIPMENT INSTL-MAIN ELECTRONICS EQPT CTR FIRE OVERHEAT LOGIC TEST	103106	1
	5 285N0028-37		MODULE NUMBER: 284N4000-260002 REV A .PRINTED WIRING ASSY- SUPPLIER CODE: V89954 ELECTRICAL EQUIP NUMBER: M10425 M10426 COMPONENT MAINT MANUAL REF: 26-10-53 FUNCTIONAL REFERENCE: PLACARDS AND MARKINGS FOR DETAILS SEE 11-36-19-08	103106 108120	2
	10 S202		..EJECTOR-CARD SUPPLIER CODE: V18677	103106 108120	2
	15 MS35214-14		..SCREW	103106 108120	3
- 200	286N1120-305		WIRE BUNDLE ASSY-	108120	RF
- 200	286N1120-601		WIRE BUNDLE ASSY	103106	RF

MISSING ITEM NUMBERS NOT APPLICABLE

- ITEM NOT ILLUSTRATED

BRI

26-12-51-08

BOEING PROPRIETARY - Copyright © - Unpublished Work - See title page for details.

26-12-51
FIG. 08
PAGE 1
JAN 20/09



757

PARTS CATALOG (MAINTENANCE)

FIG ITEM	PART NUMBER	1 2 3 4 5 6 7	NOMENCLATURE	EFFECT FROM TO	UNITS PER ASSY
8 205	300052-001		.CONNECTOR- SUPPLIER CODE: V0D9V3 SPECIFICATION NUMBER: BACC65L66 OPTIONAL PART: 200620-01 V16512 300052-001 V03877 192-366-0010 V26742 S1009-00833 V03877 ELECTRICAL EQUIP NUMBER: D04334 D04252 WIRING DIAGRAM REF: 261211 261221	103106 108120	2

MISSING ITEM NUMBERS NOT APPLICABLE

- ITEM NOT ILLUSTRATED

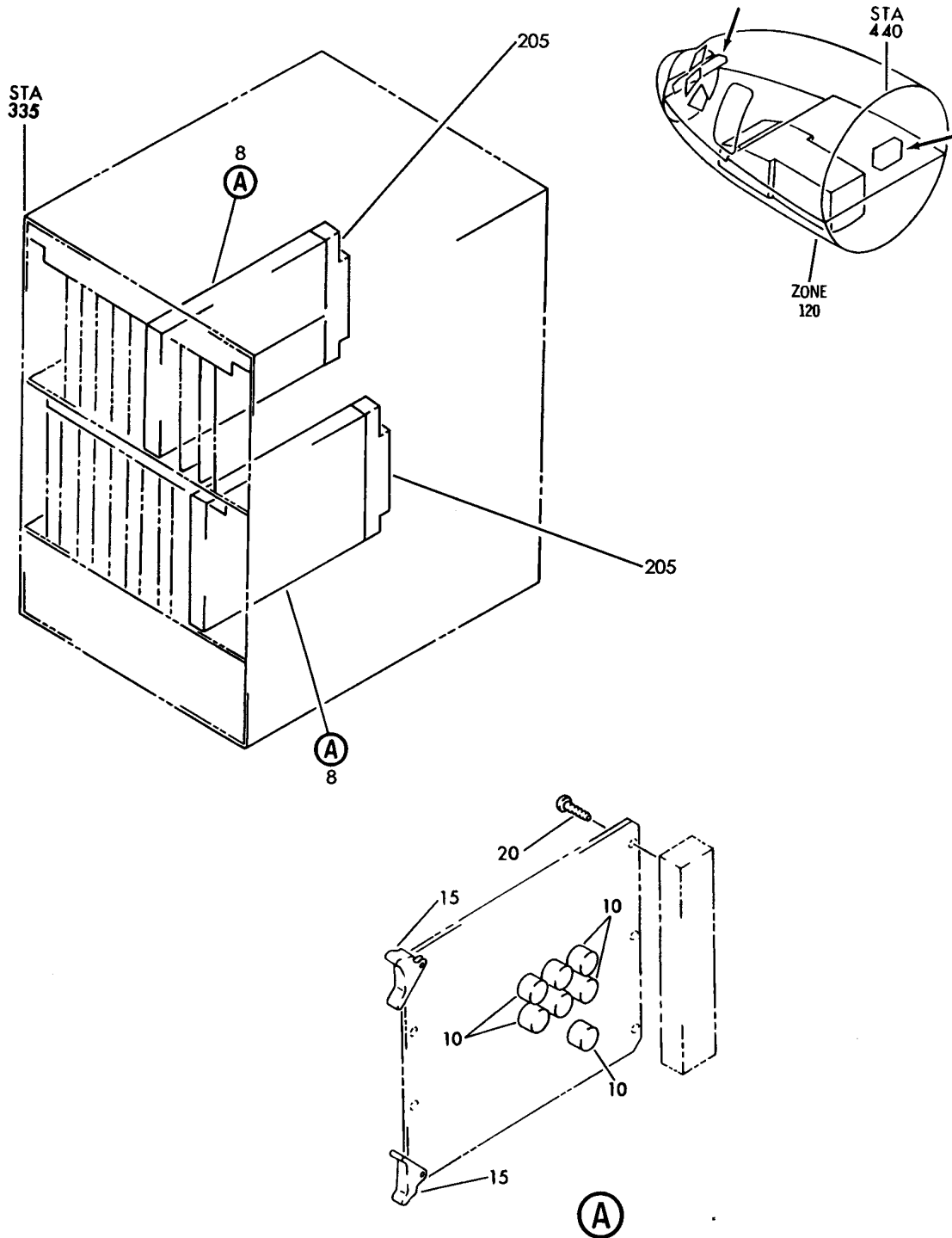
BRI

26-12-51-08

BOEING PROPRIETARY - Copyright © - Unpublished Work - See title page for details.

26-12-51
FIG. 08
PAGE 2
JAN 20/09

BOEING
757
PARTS CATALOG (MAINTENANCE)



Y 26125201 REV 205

EQUIPMENT INSTL-MAIN ELECTRONICS EQPT CTR (STRUT OVERHEAT DETECTION ONLY)
FIGURE 1

26-12-52-01

BRI
MAY 28/07

26-12-52-01
PAGE 0



757

PARTS CATALOG (MAINTENANCE)

FIG ITEM	PART NUMBER	1 2 3 4 5 6 7	NOMENCLATURE	EFFECT FROM TO	UNITS PER ASSY
1			EQUIPMENT INSTL-MAIN ELECTRONICS EQPT CTR (STRUT OVERHEAT DETECTION ONLY)	002004 006100 107107 121999	
- 2	284N1307-33		EQUIPMENT INSTL-MAIN ELECTRONICS EQPT CTR (STRUT OVERHEAT DETECTION ONLY) FOR NHA/OTHER SYS DET SEE: 24-00-58-01	107107	RF
- 3	284N1800-16		EQUIPMENT INSTL-MAIN ELECTRONICS EQPT CTR (STRUT OVERHEAT DETECTION ONLY) FOR NHA/OTHER SYS DET SEE: 24-00-58-01	121503 904949	RF
- 3	284N1800-32		EQUIPMENT INSTL-MAIN ELECTRONICS EQPT CTR (STRUT OVERHEAT DETECTION ONLY) FOR NHA/OTHER SYS DET SEE: 24-00-58-01	952999	RF
- 3	284N1800-34		EQUIPMENT INSTL-MAIN ELECTRONICS EQPT CTR (STRUT OVERHEAT DETECTION ONLY) FOR NHA/OTHER SYS DET SEE: 24-00-58-01	002004 006100	RF
- 4	284N1800-38		EQUIPMENT INSTL-MAIN ELECTRONICS EQPT CTR (STRUT OVERHEAT DETECTION ONLY) FOR NHA/OTHER SYS DET SEE: 24-00-58-01	950951	RF
- 5	284N1800-88		EQUIPMENT INSTL-MAIN ELECTRONICS EQPT CTR (STRUT OVERHEAT DETECTION ONLY) FOR NHA/OTHER SYS DET SEE: 24-00-58-05E	505505	RF
- 5	284N1800-190		EQUIPMENT INSTL-MAIN ELECTRONICS EQPT CTR (STRUT OVERHEAT DETECTION ONLY) FOR NHA/OTHER SYS DET SEE: 24-00-58-05E	504504 506903	RF

MISSING ITEM NUMBERS NOT APPLICABLE

- ITEM NOT ILLUSTRATED

26-12-52-01

26-12-52
FIG. 01
PAGE 1
JAN 20/09

BRI



757

PARTS CATALOG (MAINTENANCE)

FIG ITEM	PART NUMBER	1 2 3 4 5 6 7	NOMENCLATURE	EFFECT FROM TO	UNITS PER ASSY
1	8 285N0028-23		.PRINTED WIRING ASSY- AUTO FIRE/OVERHEAT LOGIC/TEST SYS SUPPLIER CODE: V89954 ELECTRICAL EQUIP NUMBER: M10425 M10426 COMPONENT MAINT MANUAL REF: 26-10-53 OPTIONAL PART: 285N0028-24 V89954	107107 904949 952952	2
	8 285N0028-24		.PRINTED WIRING ASSY- AUTO FIRE/OVERHEAT LOGIC/TEST SYS SUPPLIER CODE: V89954 ELECTRICAL EQUIP NUMBER: M10425 M10426 COMPONENT MAINT MANUAL REF: 26-10-53 OPTIONAL PART: 285N0028-23 V89954	107107 904949 952952	2
	8 285N0028-25		.PRINTED WIRING ASSY- AUTO FIRE/OVERHEAT LOGIC/TEST SYS SUPPLIER CODE: V89954 ELECTRICAL EQUIP NUMBER: M10425 M10426 COMPONENT MAINT MANUAL REF: 26-10-53 OPTIONAL PART: 285N0028-23 V89954 285N0028-24 V89954	107107 904949 952952	2

MISSING ITEM NUMBERS NOT APPLICABLE

- ITEM NOT ILLUSTRATED

BRI

26-12-52-01

BOEING PROPRIETARY - Copyright © - Unpublished Work - See title page for details.

26-12-52
FIG. 01
PAGE 2
JAN 20/09



757

PARTS CATALOG (MAINTENANCE)

FIG ITEM	PART NUMBER	1 2 3 4 5 6 7	NOMENCLATURE	EFFECT FROM TO	UNITS PER ASSY
1	8 285N0028-35		.PRINTED WIRING ASSY- AUTO FIRE/OVERHEAT LOGIC/TEST SYS SUPPLIER CODE: V89954 ELECTRICAL EQUIP NUMBER: M10425 M10426 COMPONENT MAINT MANUAL REF: 26-10-53 VARIABLE DRAWING REF: 285N0028-5003 285N0028-5004	002004 006100 107107 121999	2
	8 285N0028-37		.PRINTED WIRING ASSY- AUTO FIRE/OVERHEAT LOGIC/TEST SYS SUPPLIER CODE: V89954 ELECTRICAL EQUIP NUMBER: M10425 M10426 COMPONENT MAINT MANUAL REF: 26-10-53	002004 006100 107107 121999	2
	10 H00212-2		..TRANSISTOR- SUPPLIER CODE: V59640 SPECIFICATION NUMBER: S182-10802-5 VARIABLE DRAWING REF: 285N0028-5003 285N0028-5004 OPTIONAL PART: ITS4094 V32293 S182-10802-1 USED ON: 285N0028-1 285N0028-10 285N0028-17 285N0028-20 285N0028-25	002004 006100 107107 121999	7

MISSING ITEM NUMBERS NOT APPLICABLE

- ITEM NOT ILLUSTRATED

BRI

26-12-52-01

BOEING PROPRIETARY - Copyright © - Unpublished Work - See title page for details.

26-12-52
FIG. 01
PAGE 3
JAN 20/09

 **BOEING**
757
PARTS CATALOG (MAINTENANCE)

FIG ITEM	PART NUMBER	1 2 3 4 5 6 7	NOMENCLATURE	EFFECT FROM TO	UNITS PER ASSY
1 10	ITS4094		.. TRANSISTOR- SUPPLIER CODE: V32293 SPECIFICATION NUMBER: S182-10802-3 VARIABLE DRAWING REF: 285N0028-5003 285N0028-5004 OPTIONAL PART: H00212-2 V59460 S182-10802-1 USED ON: 285N0028-1 285N0028-10 285N0028-17 285N0028-20 285N0028-25	107107 904949 952952	7
10	S182-10802-1		.. TRANSISTOR- VARIABLE DRAWING REF: 285N0028-5003 285N0028-5004 OPTIONAL PART: ITS4094 V32293 H00212-2 V59640 USED ON: 285N0028-1 285N0028-10 285N0028-17 285N0028-20 285N0028-25	002004 006100 107107 121999	7
15	S202		.. EJECTOR-CARD SUPPLIER CODE: V18677	002004 006100 107107 121999	2
20	MS35214-14		.. SCREW	002004 006100 107107 121999	3
- 200	286N1120-002		WIRE BUNDLE ASSY-	107107 121503 904949	RF
- 200	286N1120-004		WIRE BUNDLE ASSY	002004 006100 950999	RF
- 200	286N1120-312		WIRE BUNDLE ASSY	504903	RF

MISSING ITEM NUMBERS NOT APPLICABLE

- ITEM NOT ILLUSTRATED

BRI

26-12-52-01

BOEING PROPRIETARY - Copyright © - Unpublished Work - See title page for details.

26-12-52
FIG. 01
PAGE 4
JAN 20/09



757

PARTS CATALOG (MAINTENANCE)

FIG ITEM	PART NUMBER	1 2 3 4 5 6 7	NOMENCLATURE	EFFECT FROM TO	UNITS PER ASSY
1 205	300052-001		.CONNECTOR- SUPPLIER CODE: V0D9V3 SPECIFICATION NUMBER: BACC65L66 OPTIONAL PART: 200620-01 V16512 300052-001 V03877 192-366-0010 V26742 S1009-00833 V03877 ELECTRICAL EQUIP NUMBER: D04334 D04252 WIRING DIAGRAM REF: 261211 261221	002004 006100 107107 121999	2

MISSING ITEM NUMBERS NOT APPLICABLE

- ITEM NOT ILLUSTRATED

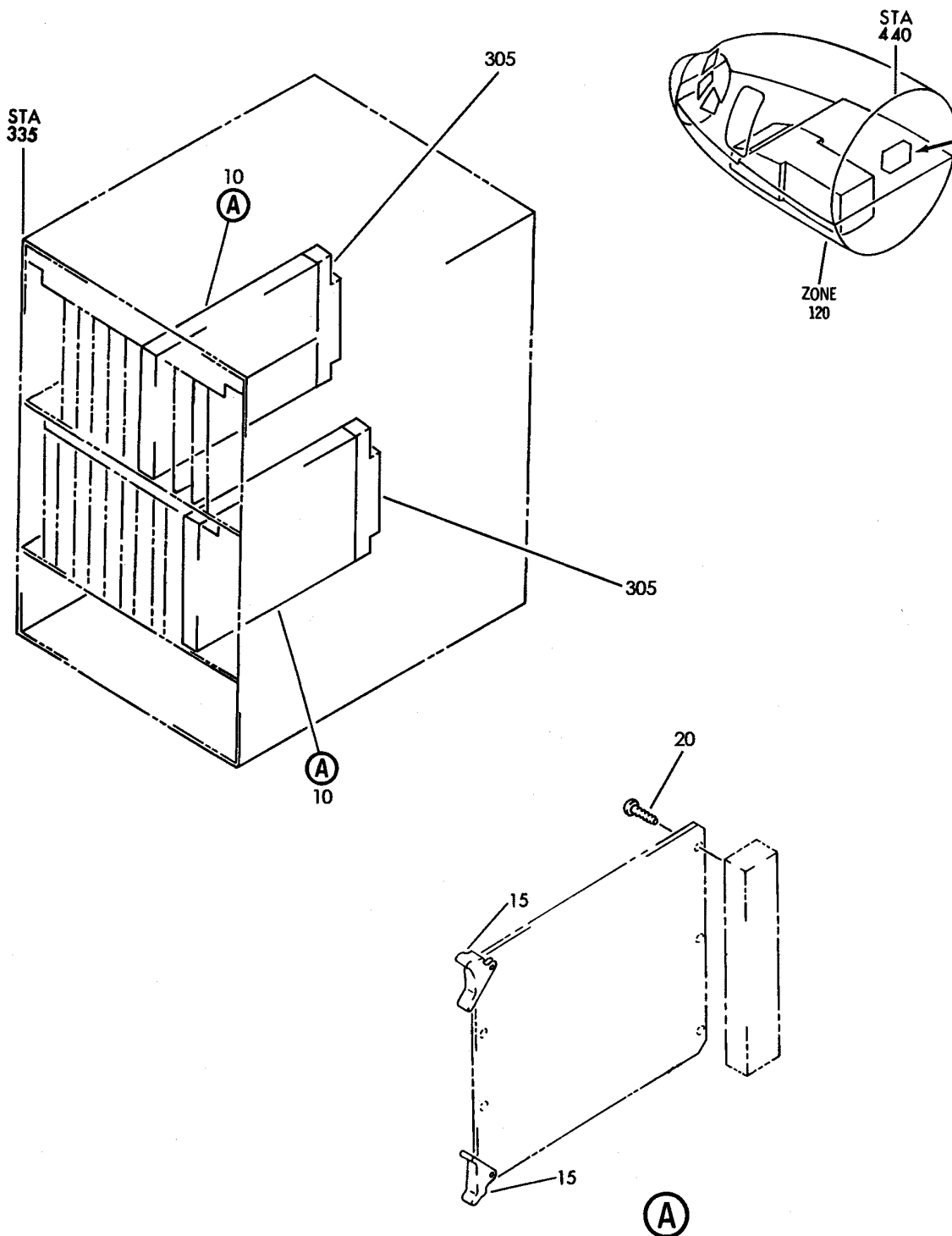
BRI

26-12-52-01

BOEING PROPRIETARY - Copyright © - Unpublished Work - See title page for details.

26-12-52
FIG. 01
PAGE 5
JAN 20/09

BOEING
757
PARTS CATALOG (MAINTENANCE)



Y 26125201B REV 213

EQUIPMENT INSTL-MAIN ELECTRONICS EQPT CTR (STRUT OVERHEAT DETECTION ONLY)
FIGURE 1B

BRI
MAY 28/07

26-12-52-01B

26-12-52-01B
PAGE 0



757

PARTS CATALOG (MAINTENANCE)

FIG ITEM	PART NUMBER	1 2 3 4 5 6 7	NOMENCLATURE	EFFECT FROM TO	UNITS PER ASSY
1B			EQUIPMENT INSTL-MAIN ELECTRONICS EQPT CTR (STRUT OVERHEAT DETECTION ONLY)	101102	
- 2	284N1800-140		EQUIPMENT INSTL-MAIN ELECTRONICS EQPT CTR (STRUT OVERHEAT DETECTION ONLY)	101101	RF
- 2	284N1800-141		FOR NHA/OTHER SYS DET SEE: 24-00-58-05E EQUIPMENT INSTL-MAIN ELECTRONICS EQPT CTR (STRUT OVERHEAT DETECTION ONLY)	102102	RF
10	285N0028-37		.PRINTED WIRING ASSY- AUTO FIRE/OVERHEAT LOGIC/TEST SYS SUPPLIER CODE: V89954 ELECTRICAL EQUIP NUMBER: M10425 M10426 COMPONENT MAINT MANUAL REF: 26-10-53	101102	2
10	285N0028-35		.PRINTED WIRING ASSY- AUTO FIRE/OVERHEAT LOGIC/TEST SYS SUPPLIER CODE: V89954 ELECTRICAL EQUIP NUMBER: M10425 M10426 COMPONENT MAINT MANUAL REF: 26-10-53	101102	2
15	S202		..EJECTOR-CARD SUPPLIER CODE: V18677	101102	2
20	MS35214-14		..SCREW	101102	3
- 300	286N1120-305		WIRE BUNDLE ASSY	101102	RF

MISSING ITEM NUMBERS NOT APPLICABLE

- ITEM NOT ILLUSTRATED

26-12-52-01B

26-12-52
FIG. 01B
PAGE 1
JAN 20/09

BRI

BOEING PROPRIETARY - Copyright © - Unpublished Work - See title page for details.



757

PARTS CATALOG (MAINTENANCE)

FIG ITEM	PART NUMBER	1 2 3 4 5 6 7	NOMENCLATURE	EFFECT FROM TO	UNITS PER ASSY
1B 305	300052-001		.CONNECTOR- SUPPLIER CODE: V0D9V3 SPECIFICATION NUMBER: BACC65L66 OPTIONAL PART: 200620-01 V16512 300052-001 V03877 192-366-0010 V26742 S1009-00833 V03877 ELECTRICAL EQUIP NUMBER: D04334 D04252 WIRING DIAGRAM REF: 261211 261221	101102	2

MISSING ITEM NUMBERS NOT APPLICABLE

- ITEM NOT ILLUSTRATED

BRI

26-12-52-01B

BOEING PROPRIETARY - Copyright © - Unpublished Work - See title page for details.

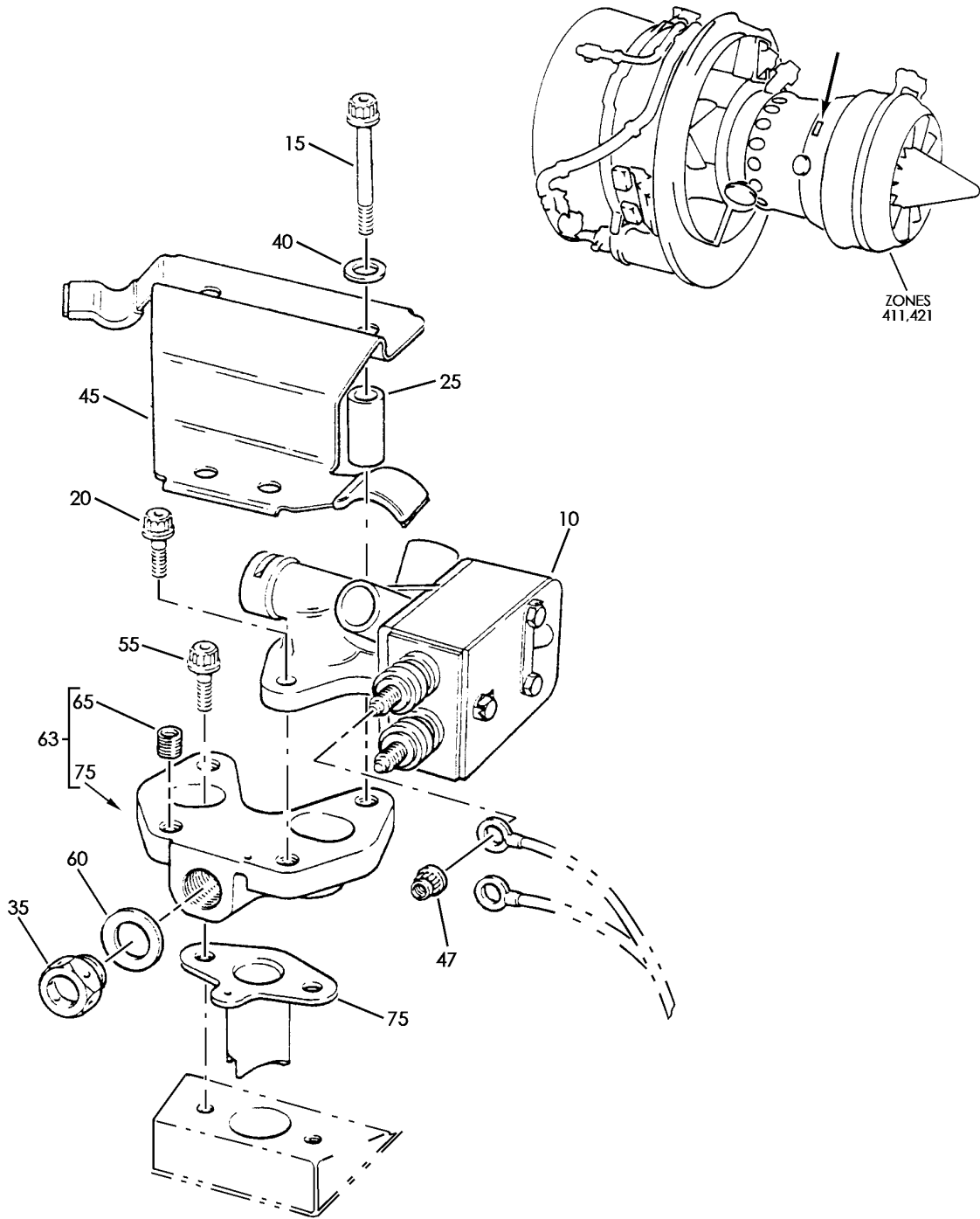
26-12-52
FIG. 01B
PAGE 2
JAN 20/09

ENGINE TURBINE COOLING OVERHEAT DETECTION (RR)

BRI
MAY 28/07

26-13-00
SECTION TITLE
PAGE 1

BOEING
757
PARTS CATALOG (MAINTENANCE)



Y 26130102 REV 223

SWITCH-TURBINE COOLING OVERHEATED DETECTION DIFF EXPANSION (RB211-535)
FIGURE 2

26-13-01-02

BRI
MAY 28/07

26-13-01-02
PAGE 0



757

PARTS CATALOG (MAINTENANCE)

FIG ITEM	PART NUMBER	1 2 3 4 5 6 7	NOMENCLATURE	EFFECT FROM TO	UNITS PER ASSY
2			SWITCH-TURBINE COOLING OVERHEAT DETECTION DIFF EXPANSION (RB211-535)	002004 006999	
- 1	UL19722		ENGINE ASSY-Q.E.C.U. RB211-535E43711 MAXIMUM NEUT SUPPLIER CODE: VK0680 FOR NHA/OTHER SYS DET SEE: 71-00-02-04	107107	RF
- 1	UL20697		ENGINE ASSY-Q.E.C.U. RB211-535E43711 MAXIMUM NEUT WITH GRAVINER FIRE DETECTORS, BAYONET MCD, NON-MODULATED IDG COOLING 40,000 LB THRUST SUPPLIER CODE: VK0680 REFERENCE SERVICE BULLETIN: 71-0058R4 QUALIFIED SB I/W DATA: INTERMIX OF ONE OR SUBSTITUTION OF TWO DIFFERENT CONFIGURATION RB211-535E4-37/() ENGINES FOR RB211-535 E4 BASE ENGINES REFERENCE SERVICE BULLETIN: RB211-72-C547 VK0680 FOR NHA/OTHER SYS DET SEE: 71-00-02-04	121503 904949 952999	RF
- 1	UL20702		ENGINE ASSY-Q.E.C.U. RB211-535E43711 BASIC ENG CONFIGURATION WITH GRAVINER FIRE DETECTORS, BAYONET MCD, NON-MODULATED IDG COOLING 40,100 LB THRUST SUPPLIER CODE: VK0680 FOR NHA/OTHER SYS DET SEE: 71-00-02-10	504903	RF

MISSING ITEM NUMBERS NOT APPLICABLE

- ITEM NOT ILLUSTRATED

26-13-01-02

26-13-01
FIG. 02
PAGE 1
JAN 20/09

BRI



757

PARTS CATALOG (MAINTENANCE)

FIG ITEM	PART NUMBER	1 2 3 4 5 6 7	NOMENCLATURE	EFFECT FROM TO	UNITS PER ASSY
2 -	1 UL20698		ENGINE ASSY-Q.E.C.U. RB211-535E43712 MAXIMUM NEUT SUPPLIER CODE: VK0680 REFERENCE SERVICE BULLETIN: 71-0058R7 QUALIFIED SB I/W DATA: INTERMIX OF ONE OR SUBSTITUTION OF TWO DIFFERENT CONFIGURATION RB211-535E4-37/() ENGINES FOR RB211-535E4 BASE ENGINES OR DIFFERENT CONFIGURATION RB211-535E4-B-37/() ENGINES FOR RB211-535E4-B BASE ENGINES REFERENCE SERVICE BULLETIN: RB211-72C547 VK0680 RB211-72-8910 VK0680 POST RAPID REVISION: RR902014-183A-RC-E FOR NHA/OTHER SYS DET SEE: 71-00-02-04	002004 006100 102102	RF
-	2 UL36209		ENGINE ASSY-Q.E.C.U. RB211-535E43719 MAXIMUM NEUT SUPPLIER CODE: VK0680 FOR NHA/OTHER SYS DET SEE: 71-00-02-04	950951	RF
-	3 BCREP17101		ENGINE ASSY-Q.E.C.U. RB211-535E43744 BASIC ENG CONFIGURATION, BAYONET MCD AND PHASE 5 COMBUSTOR 40,100 LB SUPPLIER CODE: VK0680 OVERLENGTH PART NUMBER: RB211-535E4-3744E FOR NHA/OTHER SYS DET SEE: 71-00-02-10	103106	RF

MISSING ITEM NUMBERS NOT APPLICABLE

- ITEM NOT ILLUSTRATED

26-13-01-02

26-13-01
FIG. 02
PAGE 2
JAN 20/09

BRI



757

PARTS CATALOG (MAINTENANCE)

FIG ITEM	PART NUMBER	1 2 3 4 5 6 7	NOMENCLATURE	EFFECT FROM TO	UNITS PER ASSY
2					
- 3	BCREF17395		ENGINE ASSY-Q.E.C.U. RB211-535E43739 BASIC ENG CONFIGURATION AND PHASE 5 COMBUSTOR 40,100 LB THRUST SUPPLIER CODE: VK0680 OVERLENGTH PART NUMBER: RB211-535E4-37-39E FOR NHA/OTHER SYS DET SEE: 71-00-02-10	108120	RF
- 3	UL38163		ENGINE ASSY-Q.E.C.U. RB211-535E43724 BASIC ENG CONFIGURATION, BAYONET MCD, 40,100 LB THRUST SUPPLIER CODE: VK0680 FOR NHA/OTHER SYS DET SEE: 71-00-02-10	101101	RF
- 5	UL17839		.IP TURBINE-MINI MODULE 05/1 SUPPLIER CODE: VK0680 PRE SERVICE BULLETIN: 72-9812 VK0680	002004 006102 107999	RF
- 5	UL36920		.IP TURBINE-MINI MODULE 05/1 SUPPLIER CODE: VK0680 POST SERVICE BULLETIN: 72-9812PT02 VK0680	002004 006999	RF
- 5	FW34822		.IP TURBINE-MINI MODULE 05/1 SUPPLIER CODE: VK0680 POST SERVICE BULLETIN: 72-E292PT01 VK0680 PRE SERVICE BULLETIN: 72-E912 VK0680	002004 006100 102999	RF

MISSING ITEM NUMBERS NOT APPLICABLE

- ITEM NOT ILLUSTRATED

BRI

26-13-01-02

BOEING PROPRIETARY - Copyright © - Unpublished Work - See title page for details.

26-13-01
FIG. 02
PAGE 3
JAN 20/09



757

PARTS CATALOG (MAINTENANCE)

FIG ITEM	PART NUMBER	1 2 3 4 5 6 7	NOMENCLATURE	EFFECT FROM TO	UNITS PER ASSY
2 -	5 FW43170		.IP TURBINE-MINI MODULE 05/1 SUPPLIER CODE: VK0680 POST SERVICE BULLETIN: 72-E912PT01 VK0680	002004 006100 102999	RF
	10 0204KOS600		..SWITCH ASSY-0/H DET HP& IP DISC SUPPLIER CODE: VK0802 CONFIG CHG DATA FROM A CMM: FOR INTRCHG SEE RR IPC POST SERVICE BULLETIN: 77-9354PT01 VK0680 PRE SERVICE BULLETIN: 77-B284 VK0680	002004 006999	2
	10 0202KOS600		..SWITCH ASSY-0/H DET HP& IP DISC SUPPLIER CODE: VK5294 POST SERVICE BULLETIN: 77-6742PTA VK0680 77-7421PT90 VK0680 PRE SERVICE BULLETIN: 77-7421 VK0680 77-9354 VK0680	002004 006102 107999	2
	10 0205KOS600		..SWITCH ASSY-0/H DET HP & IP DISC SUPPLIER CODE: VK0802 CONFIG CHG DATA FROM A CMM: FOR INTRCHG SEE RR IPC POST SERVICE BULLETIN: 77-B284PT01 VK0680 KOS-77-212 V35012 POST AIRLINE MOD: PCR11-96 VALP	002004 006999	2

MISSING ITEM NUMBERS NOT APPLICABLE

- ITEM NOT ILLUSTRATED

BRI

26-13-01-02

BOEING PROPRIETARY - Copyright © - Unpublished Work - See title page for details.

26-13-01
FIG. 02
PAGE 4
JAN 20/09



757

PARTS CATALOG (MAINTENANCE)

FIG ITEM	PART NUMBER	1 2 3 4 5 6 7	NOMENCLATURE	EFFECT FROM TO	UNITS PER ASSY
2					
10	0201KOS600		..SWITCH ASSY-0/H DET HP & IP DISC SUPPLIER CODE: VK5294 POST SERVICE BULLETIN: 77-7421PT91 VK0680 PRE SERVICE BULLETIN: 77-9354 VK0680	002004 006102 107999	2
15	AS21527		..BOLT	002004 006999	2
20	AS21508		..BOLT	002004 006999	2
25	LK66851		..SPACER- SUPPLIER CODE: VK0680	002004 006999	2
35	AS27907		..PLUG	002004 006999	1
40	AS12944		..WASHER	002004 006999	2
45	UL17786		..BRACKET ASSY- SUPPLIER CODE: VK0680	002004 006999	1
47	U755103		...NUT- SUPPLIER CODE: VK0680 PRE SERVICE BULLETIN: 77-9448 VK0680	002004 006100 102102 107107 121949 952999	4
47	AS20624		...NUT- POST SERVICE BULLETIN: 77-9448PTA VK0680	002004 006999	4
55	AS21512		..BOLT	002004 006999	2
60	KB29661		..WASHER- SUPPLIER CODE: VK0680	002004 006999	1
63	LK72970		..BLOCK ASSY-MIXER OVERHEAT DETECTOR SUPPLIER CODE: VK0680 PRE SERVICE BULLETIN: 77-9428 VK0680	002004 006100 102102 107107 121949 952999	1

MISSING ITEM NUMBERS NOT APPLICABLE

- ITEM NOT ILLUSTRATED

26-13-01-02

26-13-01
FIG. 02
PAGE 5
JAN 20/09

BRI



757

PARTS CATALOG (MAINTENANCE)

FIG ITEM	PART NUMBER	1 2 3 4 5 6 7	NOMENCLATURE	EFFECT FROM TO	UNITS PER ASSY
2					
63	UL29578		..BLOCK ASSY-MIXER OVERHEAT DETECTOR SUPPLIER CODE: VK0680 POST SERVICE BULLETIN: 77-9428PT01 VK0680	002004 006999	1
65	AGS3707		...INSERT	002004 006999	4
- 70	LK72971		...BLOCK-MIXER SUPPLIER CODE: VK0680 PRE SERVICE BULLETIN: 77-9428 VK0680	002004 006100 102102 107107 121949 952999	RF
- 70	UL29579		...BLOCK-MIXER SUPPLIER CODE: VK0680 POST SERVICE BULLETIN: 77-9428PT01 VK0680	002004 006999	RF
75	LK74594		..HOUSING- SUPPLIER CODE: VK0680	002004 006999	1

MISSING ITEM NUMBERS NOT APPLICABLE

- ITEM NOT ILLUSTRATED

BRI

26-13-01-02

BOEING PROPRIETARY - Copyright © - Unpublished Work - See title page for details.

26-13-01
FIG. 02
PAGE 6
JAN 20/09

LAVATORY SMOKE DETECTION

BRI
MAY 28/07

26-14-00
SECTION TITLE
PAGE 1

 **BOEING**
757
PARTS CATALOG (MAINTENANCE)

NON-ILLUSTRATED FIGURE

THE ITEMS REFLECTED IN THIS FIGURE ARE INTENTIONALLY
NON-ILLUSTRATED. THEY ARE REFERENCED TO EITHER A
NEXT HIGHER OR NEXT LOWER ASSEMBLY/INSTALLATION FIGURE.

Y 26140101A REV 238

WALL ASSY-OUT SEG 110 LAV (FIRE PROTECTION ONLY)
FIGURE 1A

26-14-01-01A

BRI
JAN 20/09

26-14-01-01A
PAGE 0



757

PARTS CATALOG (MAINTENANCE)

FIG ITEM	PART NUMBER	1 2 3 4 5 6 7	NOMENCLATURE	EFFECT FROM TO	UNITS PER ASSY
1 A			WALL ASSY-OUT SEG 110 LAV (FIRE PROTECTION ONLY)	504903	
- 1	D75D11263-111		WALL ASSY-OUT SEG 110, LAV A (FIRE PROTECTION ONLY) SUPPLIER CODE: VS5825 FOR NHA/OTHER SYS DET SEE: 25-41-01-12	504903	RF
- 50	D75D095099-111		.HARNES ASSY-SMOKE DETEC. SUPPLIER CODE: VS5825	504903	1
- 55	D75D095100-111		.SMOKE DECTECTOR ASSY- SUPPLIER CODE: VS5825	504903	1

MISSING ITEM NUMBERS NOT APPLICABLE

- ITEM NOT ILLUSTRATED

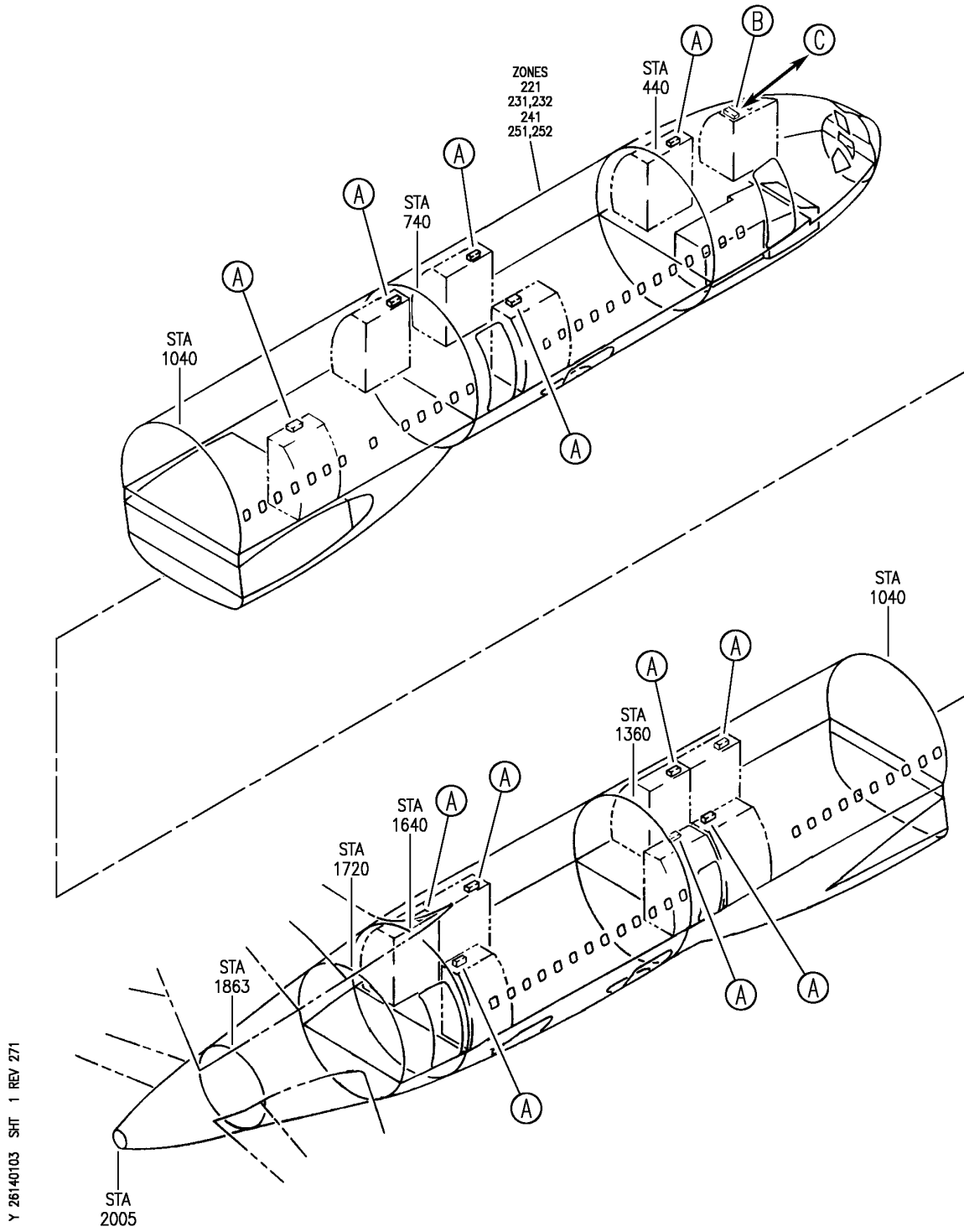
BRI

26-14-01-01A

BOEING PROPRIETARY - Copyright © - Unpublished Work - See title page for details.

26-14-01
FIG. 01A
PAGE 1
JAN 20/09

BOEING
757
PARTS CATALOG (MAINTENANCE)



Y 26140103 SHT 1 REV 271

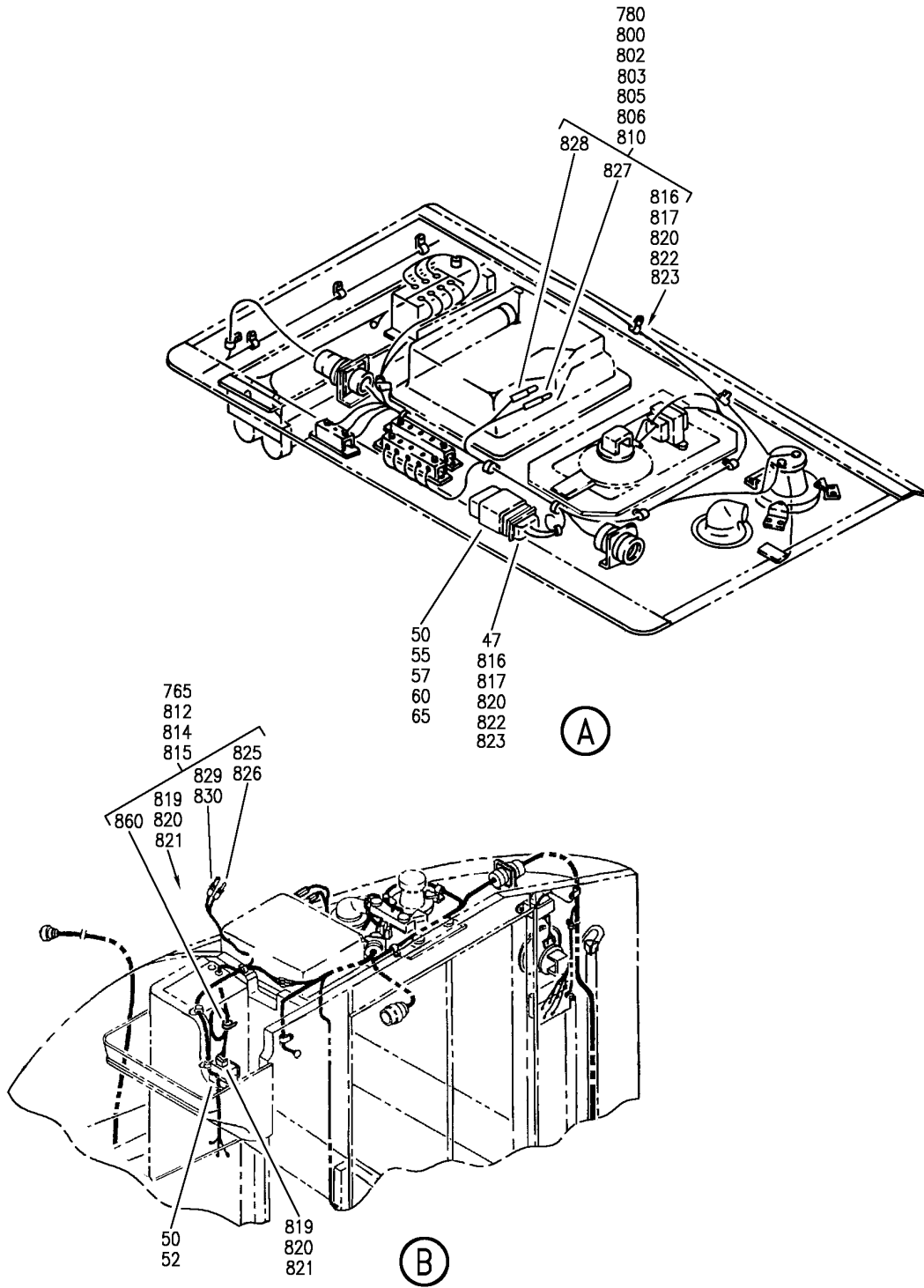
ELECTRICAL ASSY-LAV (FIRE PROTECTION ONLY)
FIGURE 3 (SHEET 1)

26-14-01-03

BRI
MAY 28/07

26-14-01-03
PAGE 0

BOEING
757
PARTS CATALOG (MAINTENANCE)



Y 26140103 SH1 2 REV 272

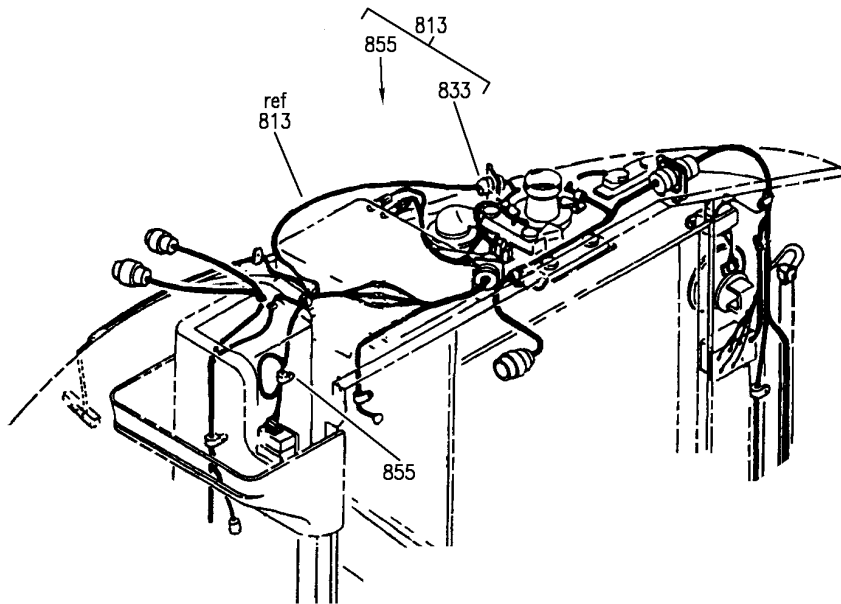
ELECTRICAL ASSY-LAV (FIRE PROTECTION ONLY)
FIGURE 3 (SHEET 2)

26-14-01-03

BRI
MAY 28/07

26-14-01-03
PAGE 0A

BOEING
757
PARTS CATALOG (MAINTENANCE)



©

Y 26140103 SH1 3 REV 271

ELECTRICAL ASSY-LAV (FIRE PROTECTION ONLY)
FIGURE 3 (SHEET 3)

26-14-01-03

BRI
MAY 28/07

26-14-01-03
PAGE 0B



757

PARTS CATALOG (MAINTENANCE)

FIG ITEM	PART NUMBER	1 2 3 4 5 6 7	NOMENCLATURE	EFFECT FROM TO	UNITS PER ASSY
3			ELECTRICAL ASSY-LAV (FIRE PROTECTION ONLY)	002004 006100 107107 121503 904999	
- 1	1A112-0088-137		ELECTRICAL ASSY-LAV A (FIRE PROTECTION ONLY) SUPPLIER CODE: VS5825 FOR NHA/OTHER SYS DET SEE: 25-41-01-06E	107107	RF
- 1	1A112-0088-317		ELECTRICAL ASSY-LAV A (FIRE PROTECTION ONLY) SUPPLIER CODE: VS5825 FOR NHA/OTHER SYS DET SEE: 25-41-01-06	952999	RF
- 1	1A112-0088NPA		ELECTRICAL ASSY-LAV A (FIRE PROTECTION ONLY) SUPPLIER CODE: VS5825 FOR NHA/OTHER SYS DET SEE: 25-41-01-06F	002004 006100	RF
- 1	1A112-0088NRA		ELECTRICAL ASSY-LAV A (FIRE PROTECTION ONLY) SUPPLIER CODE: VS5825 FOR NHA/OTHER SYS DET SEE: 25-41-01-06B	950951	RF
- 5	1A122-0089-131		ELECTRICAL ASSY-LAV D (FIRE PROTECTION ONLY) SUPPLIER CODE: VS5825 FOR NHA/OTHER SYS DET SEE: 25-41-04-95 25-41-03-51B	107107 121503 904949	RF
- 5	1A122-0089-221		ELECTRICAL ASSY-LAV D (FIRE PROTECTION ONLY) SUPPLIER CODE: VS5825 FOR NHA/OTHER SYS DET SEE: 25-41-04-57	952999	RF
- 5	1A122-0089NRB		ELECTRICAL ASSY-LAV D (FIRE PROTECTION ONLY) SUPPLIER CODE: VS5825 FOR NHA/OTHER SYS DET SEE: 25-41-04-43	950951	RF

MISSING ITEM NUMBERS NOT APPLICABLE

- ITEM NOT ILLUSTRATED

26-14-01-03

26-14-01
FIG. 03
PAGE 1
JAN 20/09

BRI



757

PARTS CATALOG (MAINTENANCE)

FIG ITEM	PART NUMBER	1 2 3 4 5 6 7	NOMENCLATURE	EFFECT FROM TO	UNITS PER ASSY
3					
- 5	1A122-0089NPC		ELECTRICAL ASSY-LAV D (FIRE PROTECTION ONLY) SUPPLIER CODE: VS5825 FOR NHA/OTHER SYS DET SEE: 25-41-04-44	002004 006100	RF
- 10	1A122-0089-132		ELECTRICAL ASSY-LAV C (FIRE PROTECTION ONLY) SUPPLIER CODE: VS5825 CONFIG CHG DATA FROM A CMM: SUPERSEDES 1A122-1189-2 FOR NHA/OTHER SYS DET SEE: 25-41-03-50B 25-41-04-96	107107 121503 904949	RF
- 10	1A122-0089-222		ELECTRICAL ASSY-LAV C (FIRE PROTECTION ONLY) SUPPLIER CODE: VS5825 FOR NHA/OTHER SYS DET SEE: 25-41-04-60	952999	RF
- 10	1A122-0089NPB		ELECTRICAL ASSY-LAV C (FIRE PROTECTION ONLY) SUPPLIER CODE: VS5825 FOR NHA/OTHER SYS DET SEE: 25-41-04-28	002004 006100	RF
- 10	1A122-0089NRA		ELECTRICAL ASSY-LAV C (FIRE PROTECTION ONLY) SUPPLIER CODE: VS5825 FOR NHA/OTHER SYS DET SEE: 25-41-04-27	950951	RF
- 20	1A122-0089-191		ELECTRICAL ASSY-LAV F (FIRE PROTECTION ONLY) SUPPLIER CODE: VS5825 FOR NHA/OTHER SYS DET SEE: 25-41-01-09E	107107	RF
- 20	1A122-0089-301		ELECTRICAL ASSY-LAV F (FIRE PROTECTION ONLY) SUPPLIER CODE: VS5825 FOR NHA/OTHER SYS DET SEE: 25-41-01-09D	121503 904949	RF

MISSING ITEM NUMBERS NOT APPLICABLE

- ITEM NOT ILLUSTRATED

26-14-01-03

26-14-01
FIG. 03
PAGE 2
JAN 20/09

BRI



757

PARTS CATALOG (MAINTENANCE)

FIG ITEM	PART NUMBER	1 2 3 4 5 6 7	NOMENCLATURE	EFFECT FROM TO	UNITS PER ASSY
3					
- 25	1A122-0089NRC		ELECTRICAL ASSY-LAV S (FIRE PROTECTION ONLY) SUPPLIER CODE: VS5825 FOR NHA/OTHER SYS DET SEE: 25-41-03-08A	950951	RF
- 25	1A122-0089-431		ELECTRICAL ASSY-LAV S (FIRE PROTECTION ONLY) SUPPLIER CODE: VS5825	953999	RF
- 30	1A122-0089NPA		ELECTRICAL ASSY-LAV B (FIRE PROTECTION ONLY) SUPPLIER CODE: VS5825	002004 006100	RF
50	PU90-499R4		.DETECTOR ASSY-SMOKE LAV A LAV S M4 SUPPLIER CODE: VS5065 COMPONENT MAINT MANUAL REF: 26-10-02 FOR DETAILS SEE: 26-14-01-50C	107107 952999	1
50	PU90-461R4		.DETECTOR ASSY-SMOKE LAV A M4 SUPPLIER CODE: VS5065 COMPONENT MAINT MANUAL REF: 26-10-02 FOR DETAILS SEE: 26-14-01-50A	002004 006100 950951	1
55	PU90-499R3		.DETECTOR ASSY-SMOKE LAV B, C AND D LAV C, D AND T LAV C, D AND F LAV K, M AND S LAV C, D AND S LAV K, M AND T M4 SUPPLIER CODE: VS5065 COMPONENT MAINT MANUAL REF: 26-10-02 FOR DETAILS SEE: 26-14-01-50B	107107 121503 904949 953999	1

MISSING ITEM NUMBERS NOT APPLICABLE

- ITEM NOT ILLUSTRATED

BRI

26-14-01-03

26-14-01
FIG. 03
PAGE 3
JAN 20/09



757

PARTS CATALOG (MAINTENANCE)

FIG ITEM	PART NUMBER	1 2 3 4 5 6 7	NOMENCLATURE	EFFECT FROM TO	UNITS PER ASSY
3					
55	PU90-461R3		.DETECTOR ASSY-SMOKE LAV B, C AND D B, C AND F C, D AND S F, K AND M K, M AND S C, D AND F M4 SUPPLIER CODE: VS5065 COMPONENT MAINT MANUAL REF: 26-10-02 FOR DETAILS SEE: 26-14-01-50	002004 006100 950951	1
55	PU90-499R3		.DETECTOR ASSY-SMOKE LAV C AND D SUPPLIER CODE: VS5065 COMPONENT MAINT MANUAL REF: 26-10-02 FOR DETAILS SEE: 26-14-01-50B	952952	1
765	2A112-0086-79		.HARNESS ASSY- SUPPLIER CODE: VS5825	107107	1
765	2A112-0086-109		.HARNESS ASSY- SUPPLIER CODE: VS5825	952999	1
- 775	2A112-0086-159		.HARNESS ASSY- SUPPLIER CODE: VS5825	107107 121503 904949	1
780	2A122-0089-193		.HARNESS ASSY- LAV D SUPPLIER CODE: VS5825	107107 121503 904949	RF
- 785	2A122-0089-194		.HARNESS ASSY- LAV C SUPPLIER CODE: VS5825	107107 121503 904949	RF
- 785	2A122-0089-224		.HARNESS ASSY- LAV C SUPPLIER CODE: VS5825	952999	RF
- 790	2A122-0089-203		.HARNESS ASSY- LAV F SUPPLIER CODE: VS5825	107107	RF

MISSING ITEM NUMBERS NOT APPLICABLE

- ITEM NOT ILLUSTRATED

26-14-01-03

26-14-01
FIG. 03
PAGE 4
JAN 20/09

BRI



**757
PARTS CATALOG (MAINTENANCE)**

FIG ITEM	PART NUMBER	1 2 3 4 5 6 7	NOMENCLATURE	EFFECT FROM TO	UNITS PER ASSY
3					
817	DAMA15SWS	..	CONNECTOR-P15 SUPPLIER CODE: V71468	107107 121503 904949	1
- 818	DAMA15SWS	..	CONNECTOR-P15 SUPPLIER CODE: V71468	107107 121503 904949	1
820	DAMA15SWS	..	CONNECTOR-P15 SUPPLIER CODE: V71468	002004 006100 107107 121503 904999	1
821	DAMA15SWS	..	CONNECTOR-P16 SUPPLIER CODE: V71468	107107	1
- 824	DAMA15SWS	..	CONNECTOR-P16 SUPPLIER CODE: V71468	952999	8
825	48-7190	..	CONNECTOR-P11 SUPPLIER CODE: V02660	002004 006100 107107 121503 904999	1
827	48-7190	..	CONNECTOR-J4 SUPPLIER CODE: V02660	107107 121503 904949 952999	1
828	48-7191	..	CONNECTOR-J5 SUPPLIER CODE: V02660	107107 121503 904949 952999	1
830	48-7191	..	CONNECTOR-J12 SUPPLIER CODE: V02660	002004 006100 107107 121503 904999	1
- 832	BACC45FT16-24P	..	CONNECTOR-P16	107107 121503 904949	1
- 832	BACC45FT16-24S	..	CONNECTOR-P17	107107 121503 904949	1
- 835	T18R	..	TIE-INSULOCK SUPPLIER CODE: VU3384 OPTIONAL PART: 89176-0001 VS5006	002004 006100 107107 121503 904999	1

MISSING ITEM NUMBERS NOT APPLICABLE

- ITEM NOT ILLUSTRATED

26-14-01-03

26-14-01
FIG. 03
PAGE 5
JAN 20/09

BRI



757

PARTS CATALOG (MAINTENANCE)

FIG ITEM	PART NUMBER	1 2 3 4 5 6 7	NOMENCLATURE	EFFECT FROM TO	UNITS PER ASSY
3 - 845	T18R		. . TIE-INSULOCK SUPPLIER CODE: VU3384 OPTIONAL PART: 89176-0001 VS5006	002004 006100 107107 121503 904999	1

MISSING ITEM NUMBERS NOT APPLICABLE

- ITEM NOT ILLUSTRATED

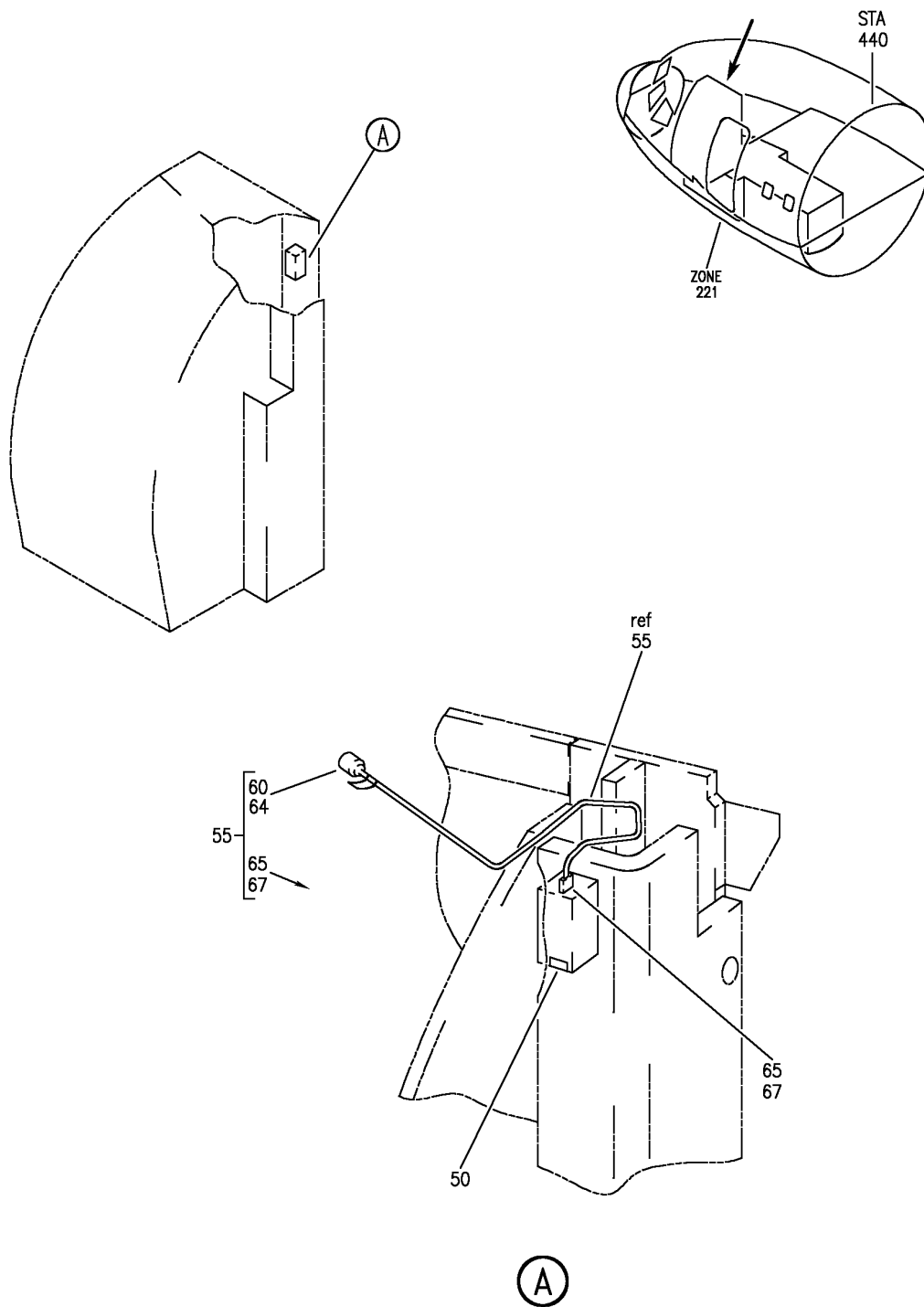
BRI

26-14-01-03

BOEING PROPRIETARY - Copyright © - Unpublished Work - See title page for details.

26-14-01
FIG. 03
PAGE 6
JAN 20/09

BOEING
757
PARTS CATALOG (MAINTENANCE)



Y 26140110A REV 273

WALL ASSY-OUT, SEG 100, LAV A (FIRE PROTECTION ONLY)
FIGURE 10A

26-14-01-10A

BRI
MAY 28/07

26-14-01-10A
PAGE 0



757

PARTS CATALOG (MAINTENANCE)

FIG ITEM	PART NUMBER	1 2 3 4 5 6 7	NOMENCLATURE	EFFECT FROM TO	UNITS PER ASSY
10A			WALL ASSY-OUT, SEG 100, LAV A (FIRE PROTECTION ONLY)	101106	
- 1	D75D11230-111		WALL ASSY-OUT SEG 110, LAV A (FIRE PROTECTION ONLY) SUPPLIER CODE: VS5825 FOR NHA/OTHER SYS DET SEE: 25-41-01-46A	108120 101102	RF
- 1	D75D11273-111		WALL ASSY-OUT SEG 110, LAV A (FIRE PROTECTION ONLY) SUPPLIER CODE: VS5825 FOR NHA/OTHER SYS DET SEE: 25-41-01-06Q	108120	RF
- 1	D71D10049-111A		WALL ASSY-OUT SEG 100 LAV A (FIRE PROTECTION ONLY) SUPPLIER CODE: VS5825 FOR NHA/OTHER SYS DET SEE: 25-41-01-40E	103106	RF
50	PU90-499R4		.DETECTOR ASSY-SMOKE M4 SUPPLIER CODE: VS5065 COMPONENT MAINT MANUAL REF: 26-10-02 FOR DETAILS SEE: 26-14-01-50C	103106 108120	1
50	PU90-461R4		.DETECTOR ASSY-SMOKE M4 SUPPLIER CODE: VS5065 COMPONENT MAINT MANUAL REF: 26-10-02 FOR DETAILS SEE: 26-14-01-50A	101102	1
55	D75D95026-111		.HARNES ASSY-SMOKE DETECTOR SUPPLIER CODE: VS5825	101102	1
55	D71D95012-111		.HARNES ASSY-SMOKE DETECTOR SUPPLIER CODE: VS5825	103106	1
55	D75D95025-111		.HARNES ASSY-SMOKE DETECTOR SUPPLIER CODE: VS5825	108120	1
60	BACC45FT14-15P		..CONNECTOR-P104	101102	1

MISSING ITEM NUMBERS NOT APPLICABLE

- ITEM NOT ILLUSTRATED

26-14-01-10A

26-14-01
FIG. 10A
PAGE 1
JAN 20/09

BRI

BOEING PROPRIETARY - Copyright © - Unpublished Work - See title page for details.



757

PARTS CATALOG (MAINTENANCE)

FIG ITEM	PART NUMBER	1 2 3 4 5 6 7	NOMENCLATURE	EFFECT FROM TO	UNITS PER ASSY
10A					
64	48-7190	..	CONNECTOR-P131 SUPPLIER CODE: V02660	103106	1
64	48-7190	..	CONNECTOR-P11 SUPPLIER CODE: V02660	108120	1
65	DAMA15SWS	..	CONNECTOR-P15 SUPPLIER CODE: V71468	101106 108120	1
67	48-7191	..	CONNECTOR-J132 SUPPLIER CODE: V02660	103106	1
67	48-7191	..	CONNECTOR-J12 SUPPLIER CODE: V02660	108120	1
- 70	T18R	..	TIE-INSULOK SUPPLIER CODE: VU3384 OPTIONAL PART: 89176-0001 VS5006	101102	2
- 75	T18R	..	TIE-INSULOK SUPPLIER CODE: VU3384 OPTIONAL PART: 89176-0001 VS5006	103106 108120	1

MISSING ITEM NUMBERS NOT APPLICABLE

- ITEM NOT ILLUSTRATED

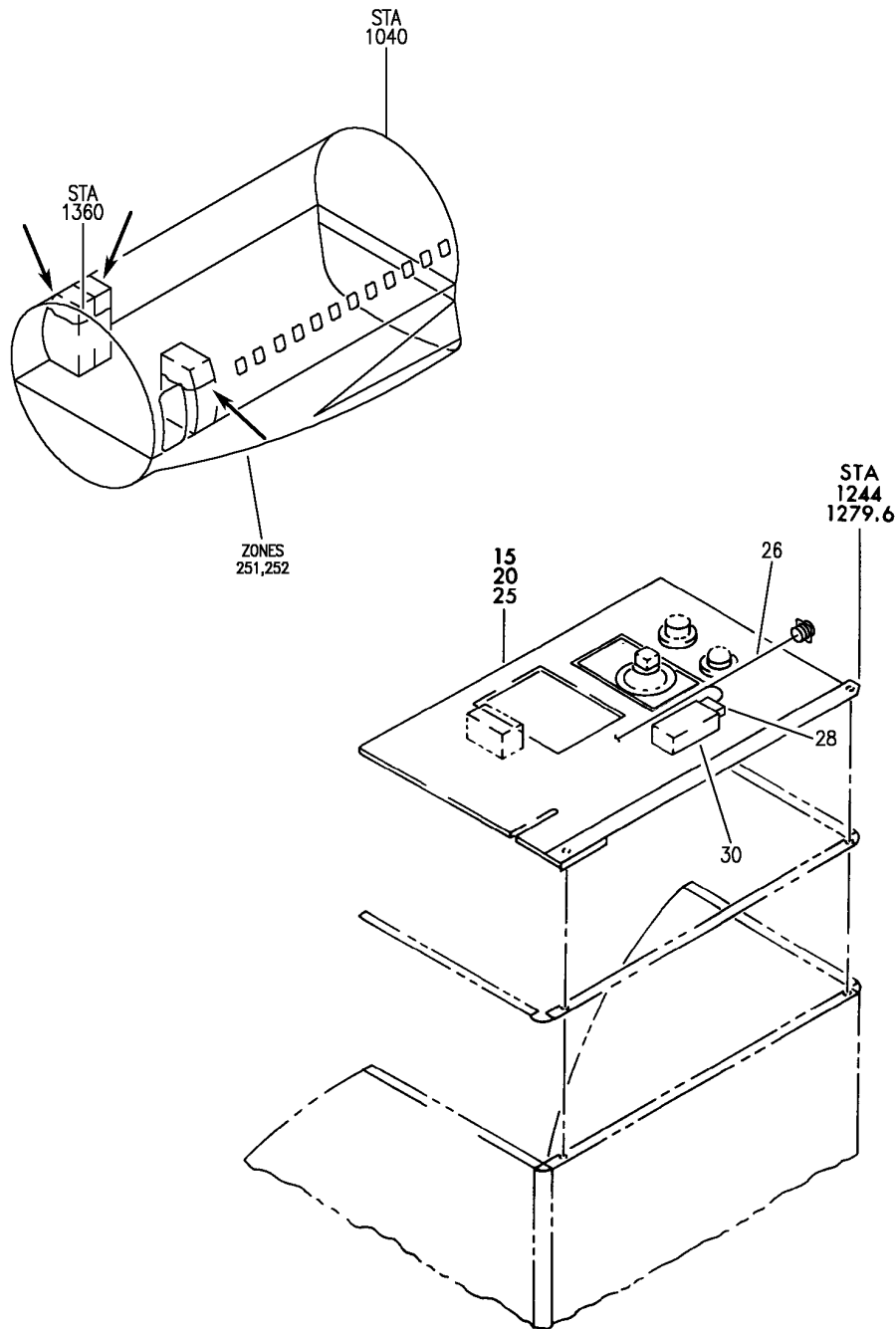
BRI

26-14-01-10A

BOEING PROPRIETARY - Copyright © - Unpublished Work - See title page for details.

26-14-01
FIG. 10A
PAGE 2
JAN 20/09

BOEING
757
PARTS CATALOG (MAINTENANCE)



Y 26140115C REV 247

CEILING ASSY-SEG 150, LAV (FIRE PROTECTION ONLY)
FIGURE 15C

26-14-01-15C

BRI
MAY 28/07

26-14-01-15C
PAGE 0



757

PARTS CATALOG (MAINTENANCE)

FIG ITEM	PART NUMBER	1 2 3 4 5 6 7	NOMENCLATURE	EFFECT FROM TO	UNITS PER ASSY
15C			CEILING ASSY-SEG 150, LAV (FIRE PROTECTION ONLY)	101102	
- 1	D75D15033-111		CEILING ASSY-SEG 150, LAV B (FIRE PROTECTION ONLY) SUPPLIER CODE: VS5825 FOR NHA/OTHER SYS DET SEE: 25-41-03-52C	101102	RF
- 5	D75D15034-111		CEILING ASSY-SEG 150, LAV C (FIRE PROTECTION ONLY) SUPPLIER CODE: VS5825 FOR NHA/OTHER SYS DET SEE: 25-41-03-50H	101102	RF
- 10	D75D15035-111		CEILING ASSY-SEG 150, LAV D (FIRE PROTECTION ONLY) SUPPLIER CODE: VS5825 FOR NHA/OTHER SYS DET SEE: 25-41-03-51H	101102	RF
15	D75D37024-111A		.CEILING ASSY- LAV B SUPPLIER CODE: VS5825	101102	RF
20	D75D37025-111A		.CEILING ASSY- LAV C SUPPLIER CODE: VS5825	101102	RF
25	D75D37026-111A		.CEILING ASSY- LAV D SUPPLIER CODE: VS5825	101102	RF
26	D75D92036-111		..HARNES ASSY-CEILING LAV B AND D SUPPLIER CODE: VS5825	101102	RF
26	D75D92036-211		..HARNES ASSY-CEILING LAV C SUPPLIER CODE: VS5825	101102	RF
28	DAMA15SWS		...CONNECTOR-P15 SUPPLIER CODE: V71468	101102	1

MISSING ITEM NUMBERS NOT APPLICABLE

- ITEM NOT ILLUSTRATED

26-14-01-15C

26-14-01
FIG. 15C
PAGE 1
JAN 20/09

BRI



757

PARTS CATALOG (MAINTENANCE)

FIG ITEM	PART NUMBER	1 2 3 4 5 6 7	NOMENCLATURE	EFFECT FROM TO	UNITS PER ASSY
15C 30	PU90-461R3		.. DETECTOR ASSY-SMOKE, M4 SUPPLIER CODE: VS5065 FOR DETAILS SEE: 26-14-01-50	101102	1

MISSING ITEM NUMBERS NOT APPLICABLE

- ITEM NOT ILLUSTRATED

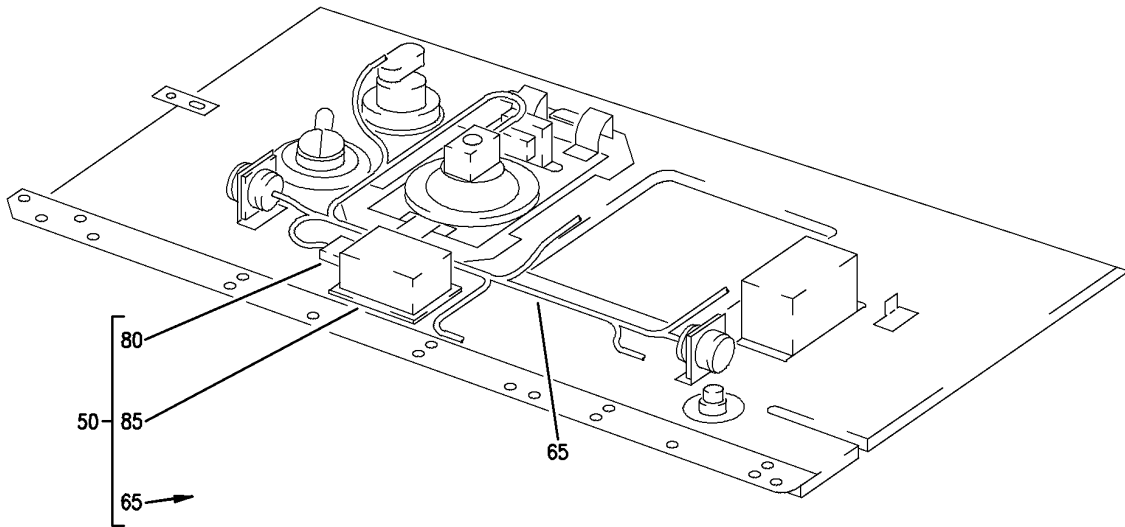
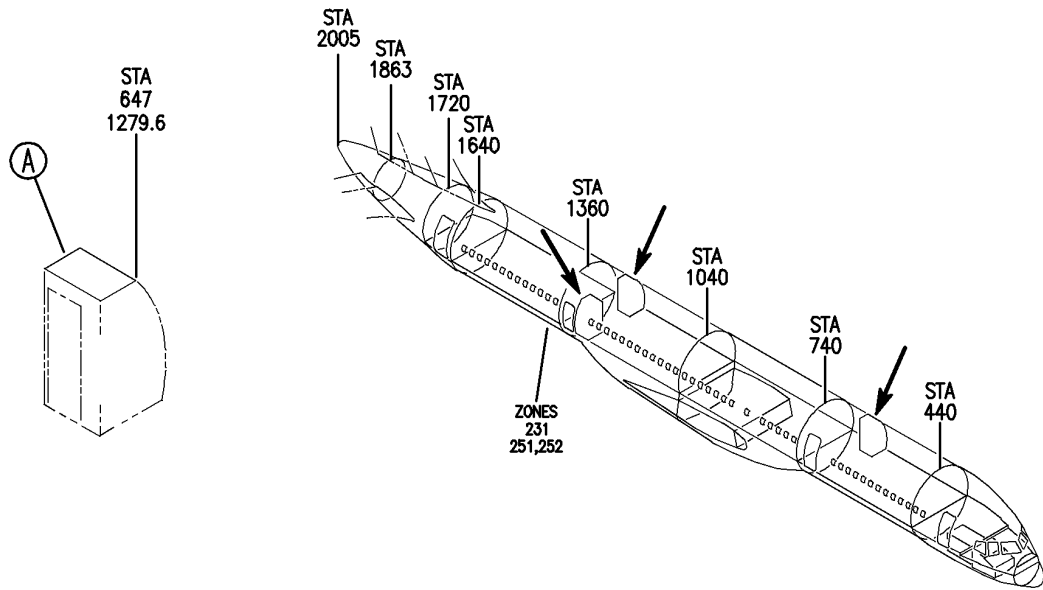
BRI

26-14-01-15C

BOEING PROPRIETARY - Copyright © - Unpublished Work - See title page for details.

26-14-01
FIG. 15C
PAGE 2
JAN 20/09

BOEING
757
PARTS CATALOG (MAINTENANCE)



(A)

Y 26140115E REV 250

CEILING ASSY-SEG 150 LAV (FIRE PROTECTION ONLY)
FIGURE 15E

26-14-01-15E

BRI
JAN 20/09

26-14-01-15E
PAGE 0



757

PARTS CATALOG (MAINTENANCE)

FIG ITEM	PART NUMBER	1 2 3 4 5 6 7	NOMENCLATURE	EFFECT FROM TO	UNITS PER ASSY
15E			CEILING ASSY-SEG 150 LAV (FIRE PROTECTION ONLY)	108120	
- 1	D75D15066-111A		CEILING ASSY-SEG 150 LAV C (FIRE PROTECTION ONLY) SUPPLIER CODE: VS5825 FOR NHA/OTHER SYS DET SEE: 25-41-03-25A	108120	RF
- 5	D75D15042-111		CEILING ASSY-SEG 150 LAV D (FIRE PROTECTION ONLY) SUPPLIER CODE: VS5825 FOR NHA/OTHER SYS DET SEE: 25-41-03-51M	108120	RF
- 10	D75D15103-111		CEILING ASSY-SEG 150 LAV S (FIRE PROTECTION ONLY) SUPPLIER CODE: VS5825 FOR NHA/OTHER SYS DET SEE: 25-41-03-08Q	108120	RF
50	D75D37054-111A		.CEILING ASSY-LAV C SUPPLIER CODE: VS5825	108120	RF
- 55	D75D37033-111A		.CEILING ASSY-LAV D SUPPLIER CODE: VS5825	108120	RF
- 60	D75D37082-111A		.CEILING ASSY-LAV S SUPPLIER CODE: VS5825	108120	RF
65	D75D92054-211		..HARNES ASSY-LAV C SUPPLIER CODE: VS5825	108120	RF
- 70	D75D92042-111		..HARNES ASSY-LAV D SUPPLIER CODE: VS5825	108120	RF
- 75	D75D92078-111		..HARNES ASSY-LAV S SUPPLIER CODE: VS5825	108120	RF
80	DAMA15SWS		...CONNECTOR-P15 SUPPLIER CODE: V71468	108120	1
85	PU90-499R3		..DETECTOR ASSY-SMOKE, M4 SUPPLIER CODE: VS5065 FOR DETAILS SEE: 26-14-01-50B	108120	1

MISSING ITEM NUMBERS NOT APPLICABLE

- ITEM NOT ILLUSTRATED

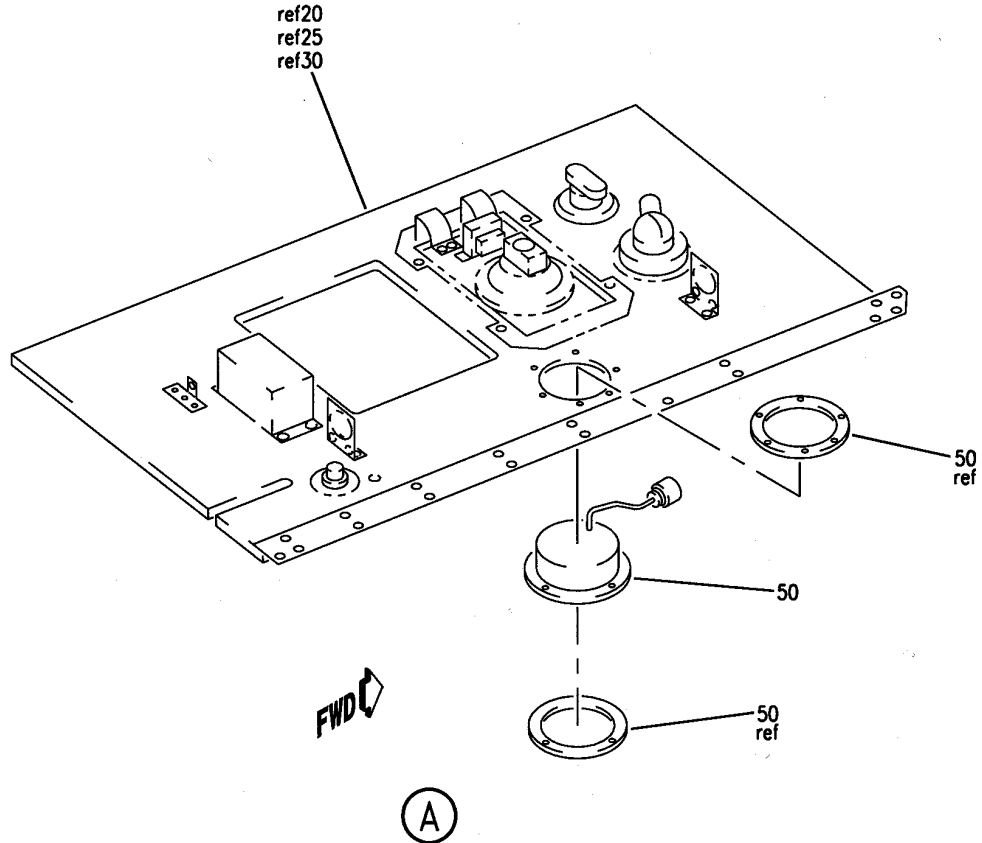
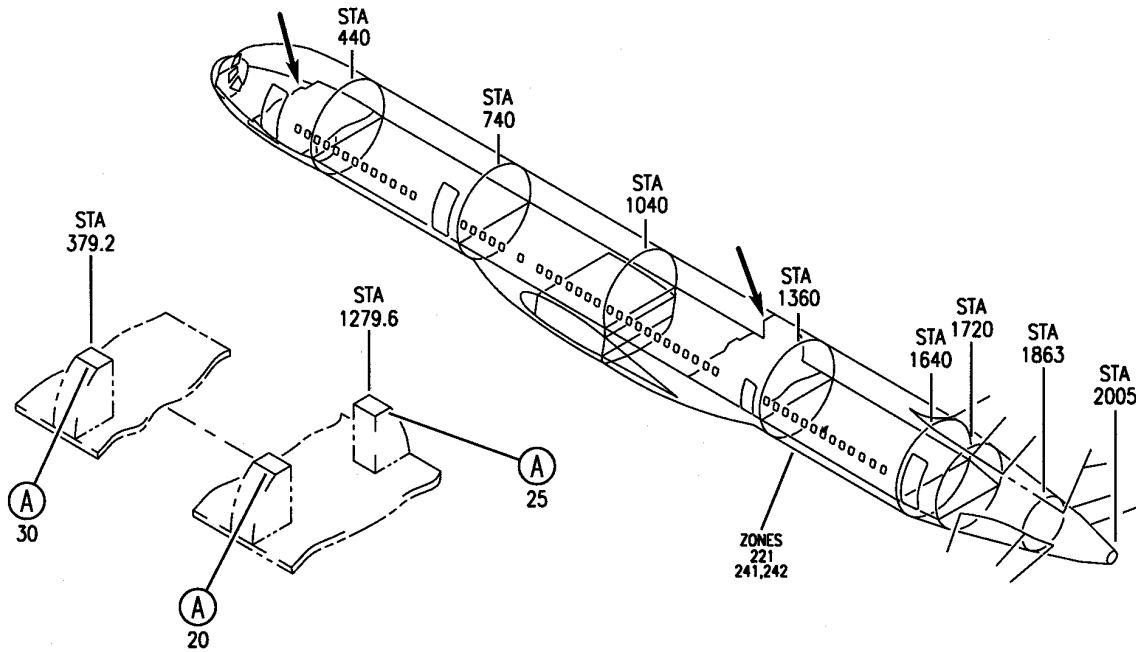
26-14-01-15E

26-14-01
FIG. 15E
PAGE 1
JAN 20/09

BRI

BOEING PROPRIETARY - Copyright © - Unpublished Work - See title page for details.

BOEING
757
PARTS CATALOG (MAINTENANCE)



Y 26140116 REV 213

CEILING ASSY-SEG 150, LAV (FIRE PROTECTION ONLY)
FIGURE 16

26-14-01-16

BRI
JAN 20/09

26-14-01-16
PAGE 0



757

PARTS CATALOG (MAINTENANCE)

FIG ITEM	PART NUMBER	1 2 3 4 5 6 7	NOMENCLATURE	EFFECT FROM TO	UNITS PER ASSY
16			CEILING ASSY-SEG 150, LAV (FIRE PROTECTION ONLY)	504903	
- 1	D75D15074-111		CEILING ASSY-SEG 150,LAV C (FIRE PROTECTION ONLY) SUPPLIER CODE: VS5825 FOR NHA/OTHER SYS DET SEE: 25-41-03-50A	504903	RF
- 5	D75D15073-111		CEILING ASSY-SEG 150,LAV D (FIRE PROTECTION ONLY) SUPPLIER CODE: VS5825 FOR NHA/OTHER SYS DET SEE: 25-41-03-51A	504903	RF
- 10	D75D15075-111		CEILING ASSY-SEG 150,LAV F (FIRE PROTECTION ONLY) SUPPLIER CODE: VS5825 FOR NHA/OTHER SYS DET SEE: 25-41-01-12B	504903	RF
20	D75D37060-111A		.CEILING ASSY-LAV C SUPPLIER CODE: VS5825	504903	RF
25	D75D37059-111A		.CEILING ASSY-LAV D SUPPLIER CODE: VS5825	504903	RF
30	D75D37061-111A		.CEILING ASSY-LAV F SUPPLIER CODE: VS5825	504903	RF
50	D75D95101-111		..DETECTOR-LAV C AND D SUPPLIER CODE: VS5825	504903	1
- 55	D75D95101-111		..DETECTOR-LAV F SUPPLIER CODE: VS5825	504903	1

MISSING ITEM NUMBERS NOT APPLICABLE

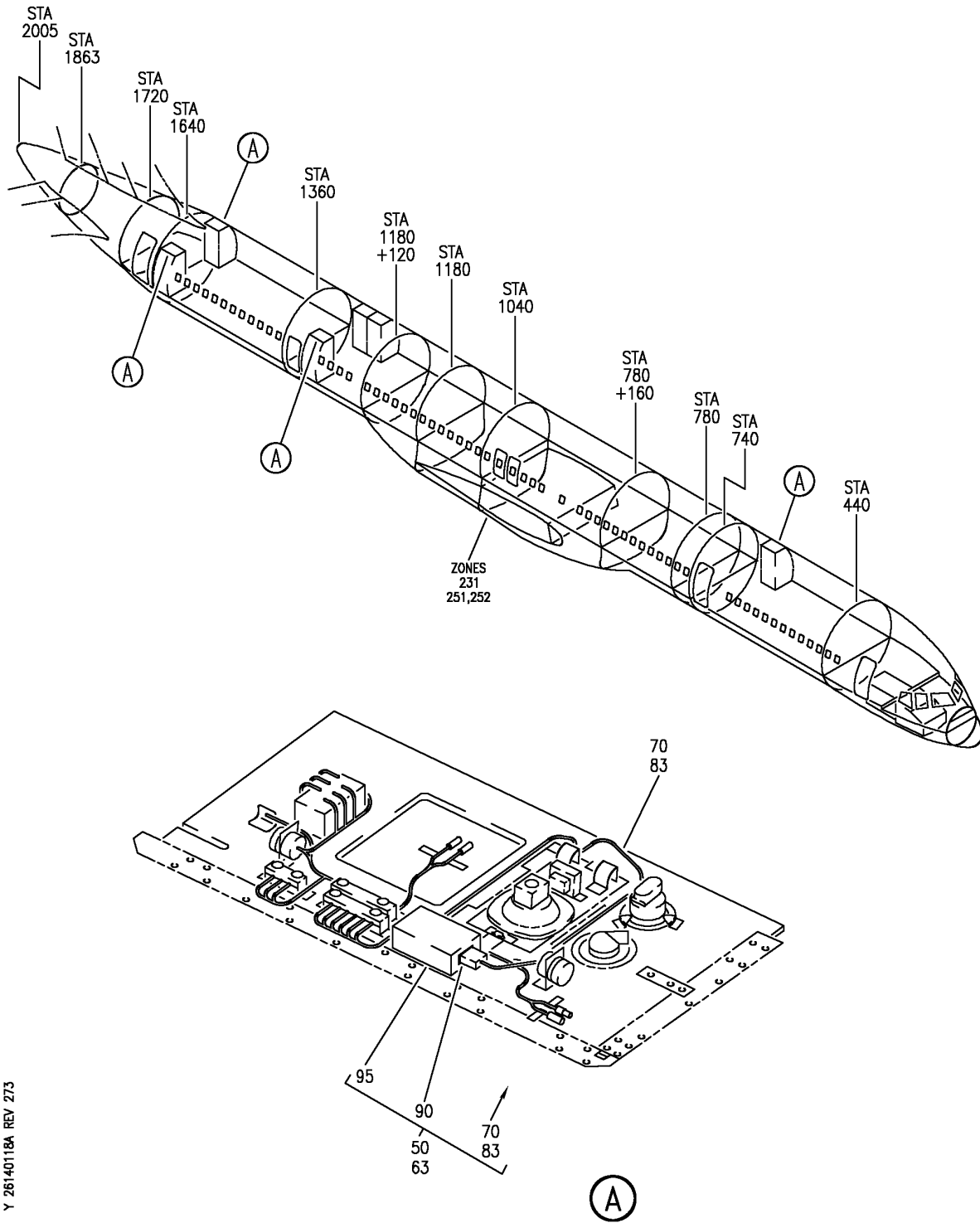
- ITEM NOT ILLUSTRATED

26-14-01-16

26-14-01
FIG. 16
PAGE 1
JAN 20/09

BRI

BOEING
757
PARTS CATALOG (MAINTENANCE)



Y 26140118A REV 273

CEILING ASSY-SEG 150 LAV (FIRE PROTECTION ONLY)
FIGURE 18A

26-14-01-18A

BRI
JAN 20/09

26-14-01-18A
PAGE 0



757

PARTS CATALOG (MAINTENANCE)

FIG ITEM	PART NUMBER	1 2 3 4 5 6 7	NOMENCLATURE	EFFECT FROM TO	UNITS PER ASSY
18A			CEILING ASSY-SEG 150 LAV (FIRE PROTECTION ONLY)	103106	
- 1	D71D15036-111A		CEILING ASSY-SEG 150 LAV B (FIRE PROTECTION ONLY) SUPPLIER CODE: VS5825 FOR NHA/OTHER SYS DET SEE: 25-41-03-52F	103106	RF
- 5	D71D15040-111A		CEILING ASSY-SEG 150 LAV C (FIRE PROTECTION ONLY) SUPPLIER CODE: VS5825 FOR NHA/OTHER SYS DET SEE: 25-41-03-50Q	103106	RF
- 10	D71D15038-111A		CEILING ASSY-SEG 150 LAV D (FIRE PROTECTION ONLY) SUPPLIER CODE: VS5825 FOR NHA/OTHER SYS DET SEE: 25-41-03-51R	103106	RF
50	D71D37028-111A		.CEILING ASSY-LAV B SUPPLIER CODE: VS5825	103106	RF
- 55	D71D37032-111A		.CEILING ASSY-LAV C SUPPLIER CODE: VS5825	103106	RF
- 60	D71D37030-111A		.CEILING ASSY-LAV D SUPPLIER CODE: VS5825	103106	RF
70	D71D92027-111		..HARNES ASSY-CLG, LAV B SUPPLIER CODE: VS5825	103106	RF
- 75	D71D92033-111		..HARNES ASSY-CLG, LAV C SUPPLIER CODE: VS5825	103106	RF
- 80	D71D92029-111		..HARNES ASSY-CLG, LAV D SUPPLIER CODE: VS5825	103106	RF
90	DAMA15SWS		...CONNECTOR-P15 SUPPLIER CODE: V71468	103106	1
95	PU90-499R3		..DETECTOR ASSY-SMOKE, M4 SUPPLIER CODE: VS5065 COMPONENT MAINT MANUAL REF: 26-10-02 FOR DETAILS SEE: 26-14-01-50B	103106	1

MISSING ITEM NUMBERS NOT APPLICABLE

- ITEM NOT ILLUSTRATED

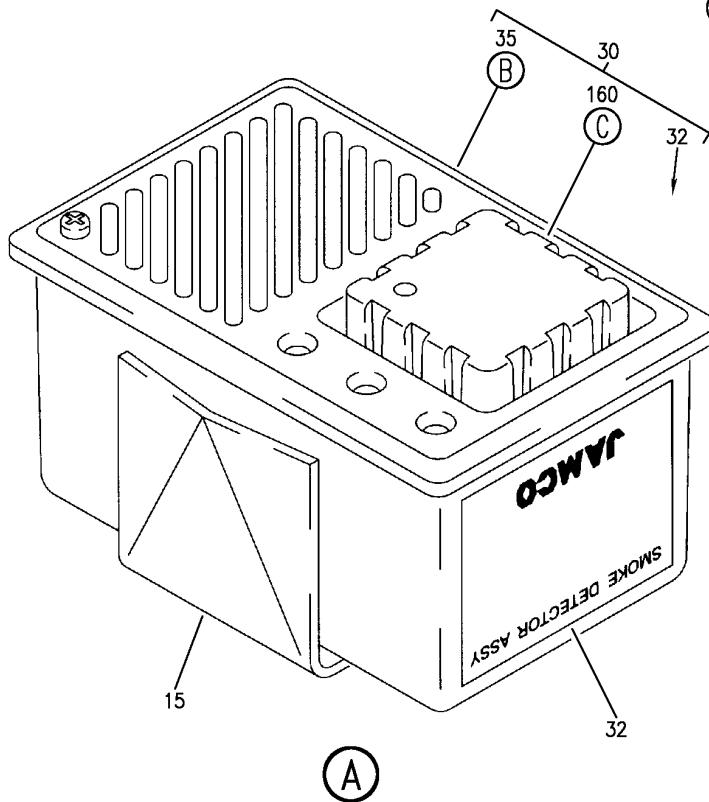
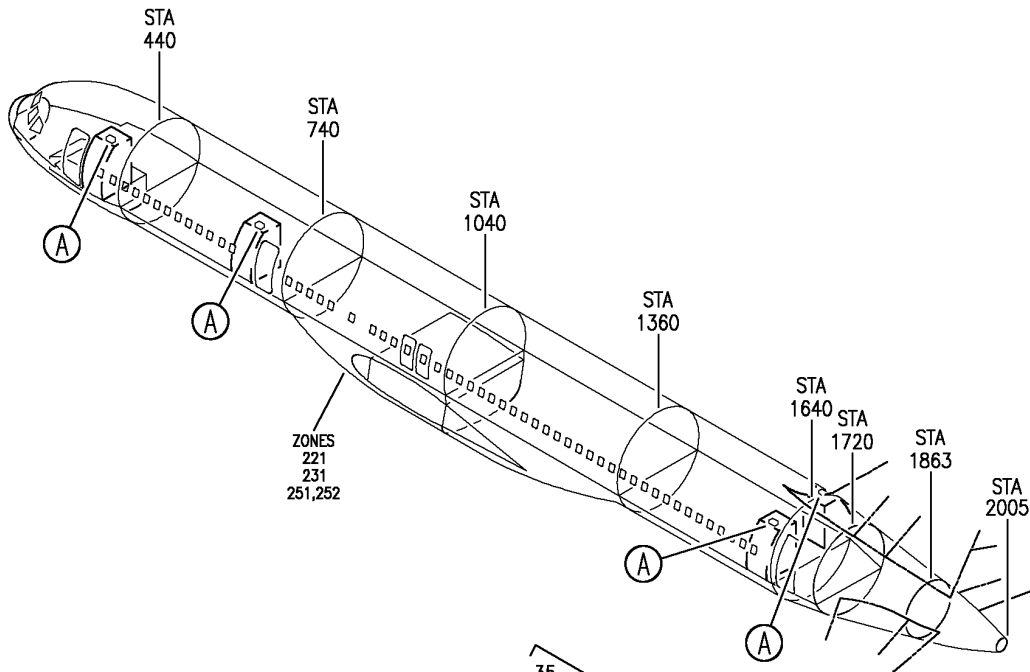
26-14-01-18A

26-14-01
FIG. 18A
PAGE 1
JAN 20/09

BRI

BOEING PROPRIETARY - Copyright © - Unpublished Work - See title page for details.

BOEING
757
PARTS CATALOG (MAINTENANCE)



Y 26140150 SHT 1 REV 260

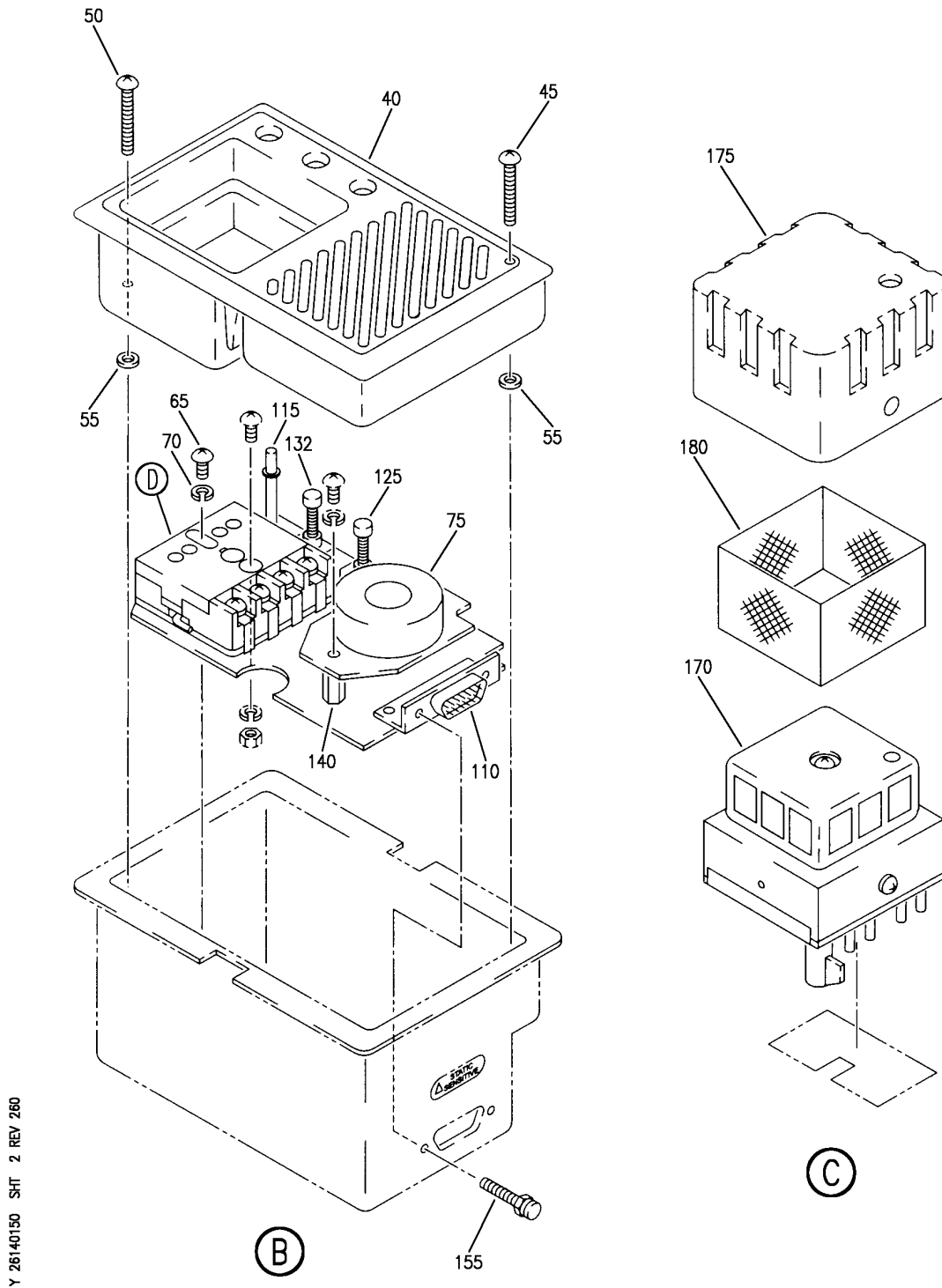
DETECTOR ASSY-SMOKE M4 LAV
FIGURE 50 (SHEET 1)

26-14-01-50

BRI
MAY 28/07

26-14-01-50
PAGE 0

BOEING
757
PARTS CATALOG (MAINTENANCE)



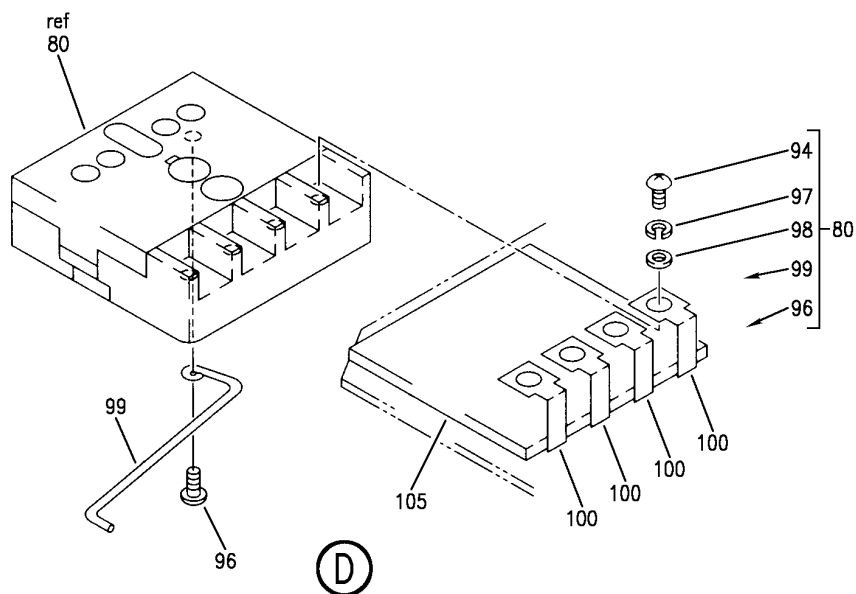
DETECTOR ASSY-SMOKE M4 LAV
FIGURE 50 (SHEET 2)

26-14-01-50

BRI
MAY 28/07

26-14-01-50
PAGE 0A

BOEING
757
PARTS CATALOG (MAINTENANCE)



Y 26140150 SH1 3 REV 260

DETECTOR ASSY-SMOKE M4 LAV
FIGURE 50 (SHEET 3)

BRI
MAY 28/07

26-14-01-50

26-14-01-50
PAGE 0B



757

PARTS CATALOG (MAINTENANCE)

FIG ITEM	PART NUMBER	1 2 3 4 5 6 7	NOMENCLATURE	EFFECT FROM TO	UNITS PER ASSY
50			DETECTOR ASSY-SMOKE M4 LAV	002004 006102 950951	
- 1	PU90-461R3		DETECTOR ASSY-SMOKE M4 LAV K, M AND S SUPPLIER CODE: VS5065 COMPONENT MAINT MANUAL REF: 26-10-02 FOR NHA SEE: 26-14-01-03 26-14-01-15C	002004 006102 950951	RF
15	P90-41901R3		.BRACKET- SUPPLIER CODE: VS5065	002004 006102 950951	1
20	MS35206-231		.SCREW	002004 006102 950951	2
25	MS35206-214		.SCREW	002004 006102 950951	1
30	P90-40000-61		-----*----- .SUB ASSY-SMOKE DETECTOR SUPPLIER CODE: VS5065	002004 006102 950951	1
32	P90-41931-15		..DECAL-NAMEPLATE SUPPLIER CODE: VS5065	002004 006102 950951	1
35	P90-40200-61		..FRAME ASSY-MAIN SUPPLIER CODE: VS5065	002004 006102 950951	1
40	P90-41102-3		...COVER ASSY-CASE SUPPLIER CODE: VS5065	002004 006102 950951	1
45	MS35206-219	SCREW	002004 006102 950951	1
50	MS35206-223	SCREW	002004 006102 950951	1
55	GK041631	WASHER- SUPPLIER CODE: VS5065	002004 006102 950951	2
60	P90-41107-61		...BOARD ASSY-PRINTED CKT SUPPLIER CODE: VS5065	002004 006102 950951	1

MISSING ITEM NUMBERS NOT APPLICABLE

- ITEM NOT ILLUSTRATED

26-14-01-50

26-14-01
FIG. 50
PAGE 1
JAN 20/09

BRI

 **BOEING**
757
PARTS CATALOG (MAINTENANCE)

FIG ITEM	PART NUMBER	1 2 3 4 5 6 7	NOMENCLATURE	EFFECT FROM TO	UNITS PER ASSY
50			ATTACHING PARTS		
65	MS35206-217	...	SCREW	002004 006102 950951	1
70	MS35338-40	...	WASHER	002004 006102 950951	1
			-----*-----		
75	P90-41108-1	BUZZER- SUPPLIER CODE: VS5065	002004 006102 950951	1
80	PU90-21050-1	BASE ASSY-SOCKET SUPPLIER CODE: VS5065	002004 006102 950951	1
			ATTACHING PARTS		
- 85	MS35206-217	SCREW	002004 006102 950951	1
- 90	MS35338-40	WASHER	002004 006102 950951	1
- 93	MS35649-242	NUT	002004 006102 950951	1
			-----*-----		
94	MS35206-227	SCREW	002004 006102 950951	4
96	JISB1122PAN3	SCREW- SUPPLIER CODE: VS5065	002004 006102 950951	1
97	MS35338-41	WASHER	002004 006102 950951	4
98	NAS620-06	WASHER	002004 006102 950951	4
99	IB85005-2	LEVER-SPRING SUPPLIER CODE: VS5065	002004 006102 950951	1
100	IB85013-1	PLATE-LEAD SUPPLIER CODE: VS5065	002004 006102 950951	4
105	P90-41913-3	SPACER-BASE SUPPLIER CODE: VS5065	002004 006102 950951	1
110	DALCJ15PAF23L9	CONNECTOR- SUPPLIER CODE: VS5065	002004 006102 950951	1

MISSING ITEM NUMBERS NOT APPLICABLE

- ITEM NOT ILLUSTRATED

BRI

26-14-01-50

26-14-01
FIG. 50
PAGE 2
JAN 20/09



757

PARTS CATALOG (MAINTENANCE)

FIG ITEM	PART NUMBER	1 2 3 4 5 6 7	NOMENCLATURE	EFFECT FROM TO	UNITS PER ASSY
50					
115	GL5KG8	DIODE ASSY- SUPPLIER CODE: V8P309	002004 006102 950951	1
- 120	IB85015	POST-L.E.D. SUPPLIER CODE: VS5065	002004 006102 950951	1
125	MB2011P	SWITCH ASSY- SUPPLIER CODE: VS5065	002004 006102 950951	1
- 130	AT4138K	BUTTON- SUPPLIER CODE: VS5065	002004 006102 950951	1
132	MB2011P	SWITCH ASSY- SUPPLIER CODE: VS5065	002004 006102 950951	1
- 134	AT4138K	BUTTON- SUPPLIER CODE: VS5065	002004 006102 950951	1
140	P90-41612-3	...	STUD-BUZZER SUPPLIER CODE: VS5065	002004 006102 950951	2
- 145	MS35206-229	...	SCREW	002004 006102 950951	2
- 150	MS35338-41	...	WASHER	002004 006102 950951	2
155	D53018	...	POST-CONN. SUPPLIER CODE: V71468	002004 006102 950951	2
160	PU90-41000-1	..	SENSOR ASSY- SUPPLIER CODE: VS5065	002004 006102 950951	1
- 165	P90-41930-3	...	DECAL-NAME PLATE SUPPLIER CODE: VS5065	002004 006102 950951	1
170	P90-41100-1	...	BODY ASSY- SUPPLIER CODE: VS5065	002004 006102 950951	1
175	P90-21002-3	...	COVER- SUPPLIER CODE: VS5065	002004 006102 950951	1
180	P90-21003-3	...	MESH- SUPPLIER CODE: VS5065	002004 006102 950951	1

MISSING ITEM NUMBERS NOT APPLICABLE

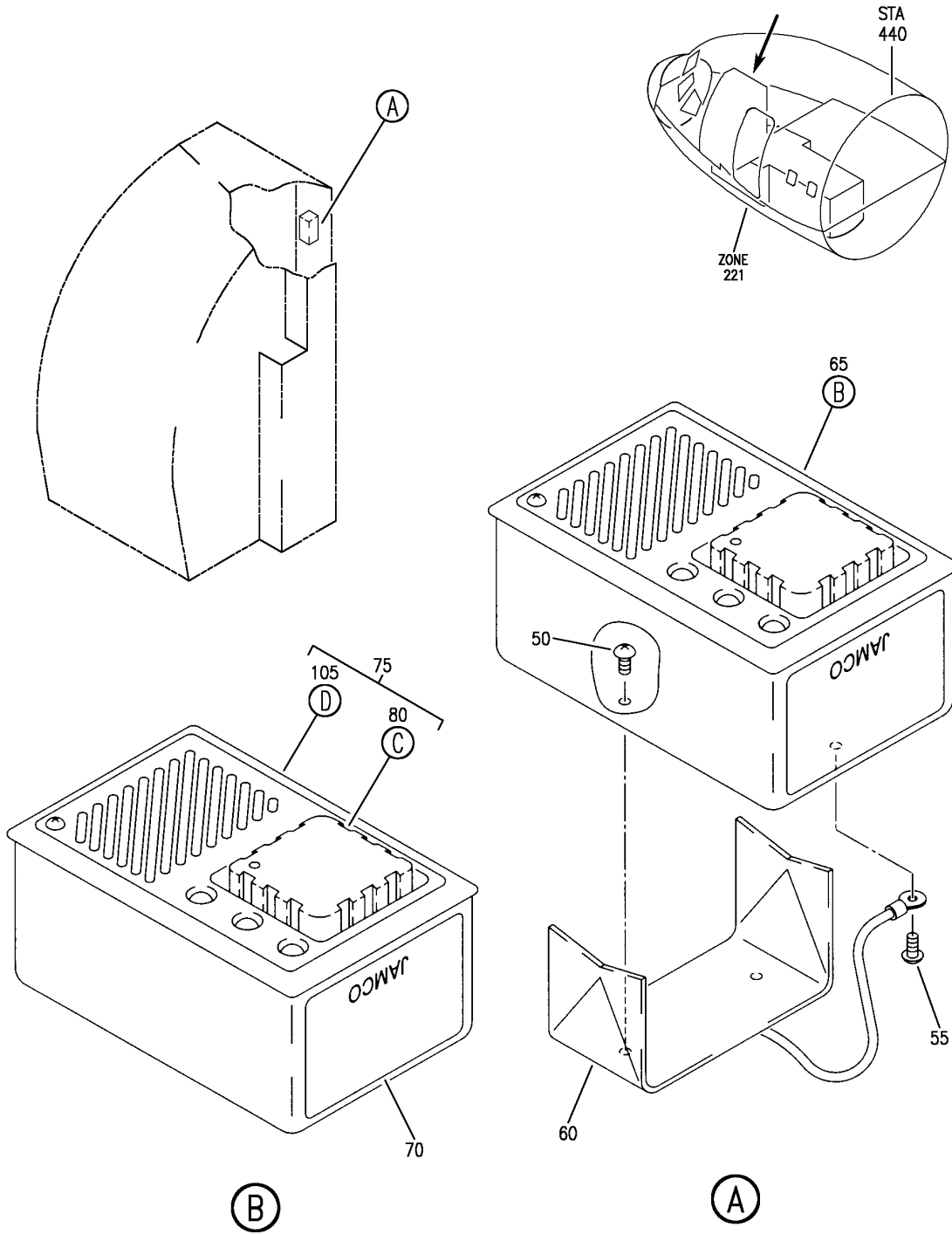
- ITEM NOT ILLUSTRATED

26-14-01-50

26-14-01
FIG. 50
PAGE 3
JAN 20/09

BRI

BOEING
 757
 PARTS CATALOG (MAINTENANCE)



Y 26140150A SHT 1 REV 260

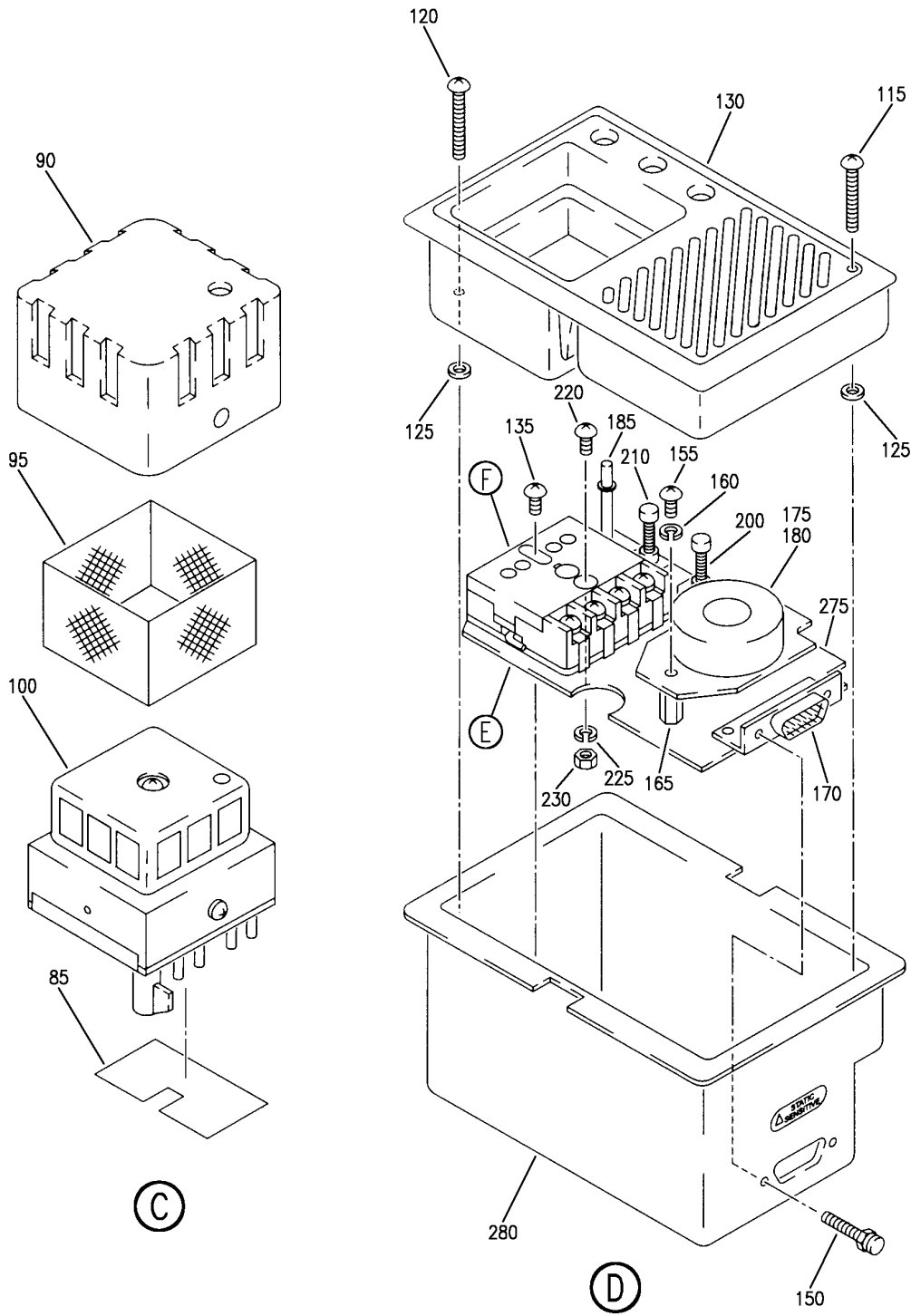
DETECTOR ASSY-SMOKE M4 LAV
 FIGURE 50A (SHEET 1)

26-14-01-50A

BRI
 MAY 28/07

26-14-01-50A
 PAGE 0

BOEING
757
PARTS CATALOG (MAINTENANCE)



Y 26140150A SHT 2 REV 260

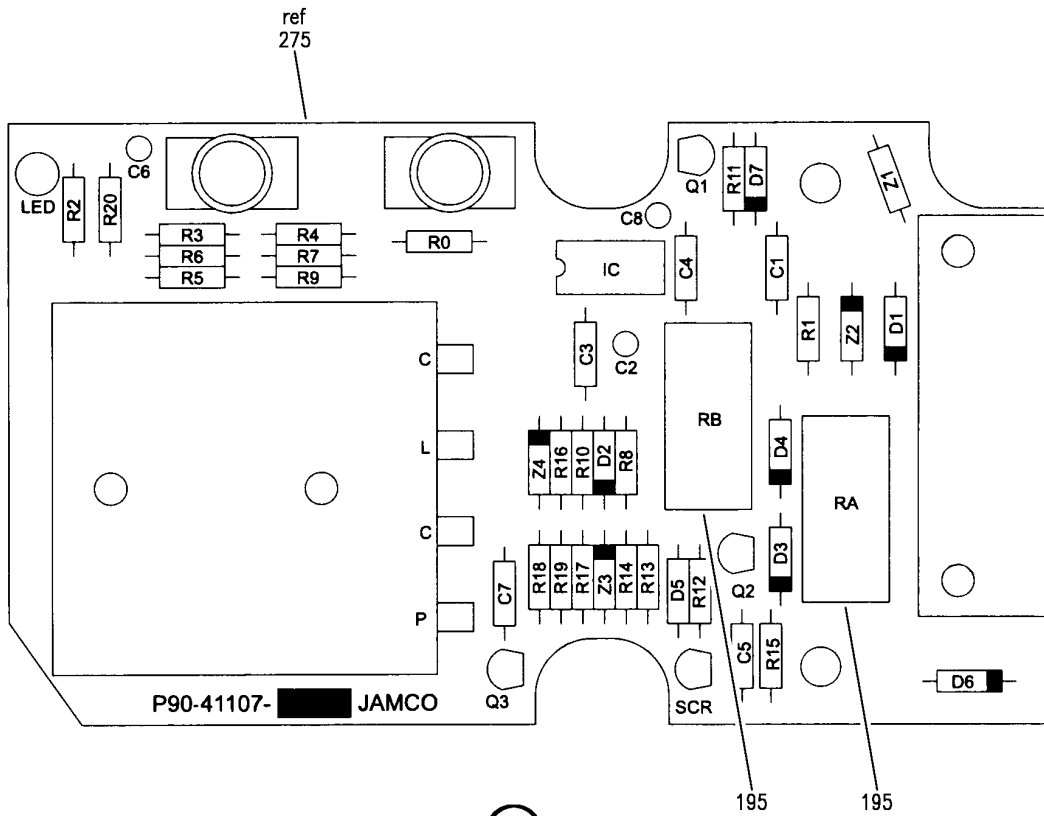
DETECTOR ASSY-SMOKE M4 LAV
FIGURE 50A (SHEET 2)

26-14-01-50A

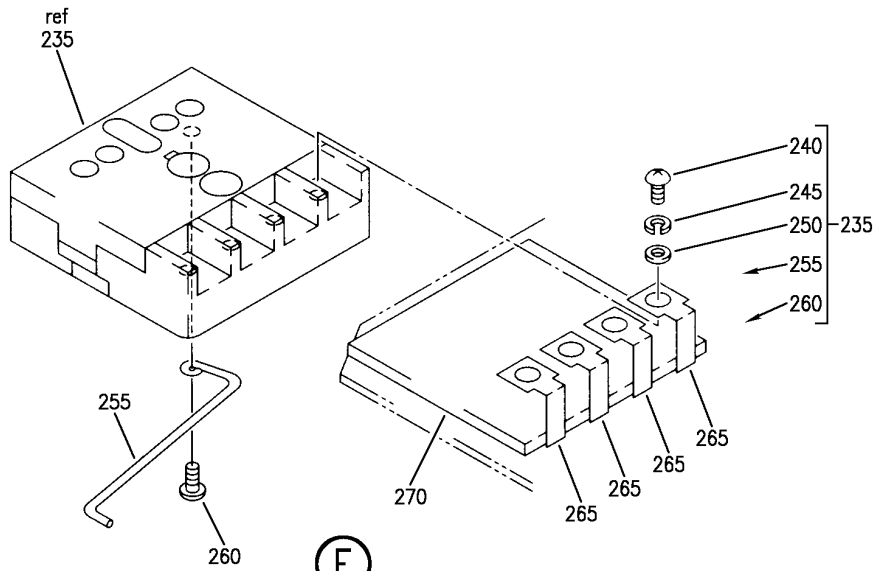
BRI
MAY 28/07

26-14-01-50A
PAGE 0A

BOEING
757
PARTS CATALOG (MAINTENANCE)



(E)



(F)

Y 26140150A SHT. 3 REV 260

DETECTOR ASSY-SMOKE M4 LAV
FIGURE 50A (SHEET 3)

26-14-01-50A

BRI
MAY 28/07

26-14-01-50A
PAGE 0B



757

PARTS CATALOG (MAINTENANCE)

FIG ITEM	PART NUMBER	1 2 3 4 5 6 7	NOMENCLATURE	EFFECT FROM TO	UNITS PER ASSY
50A			DETECTOR ASSY-SMOKE M4 LAV	002004 006102 950951	
- 1	PU90-461R4		DETECTOR ASSY-SMOKE M4 LAV SUPPLIER CODE: VS5065 COMPONENT MAINT MANUAL REF: 26-10-02 FOR NHA SEE: 26-14-01-03 26-14-01-10A	002004 006102 950951	RF
50	MS35206-231		.SCREW	002004 006102 950951	2
55	MS35206-214		.SCREW	002004 006102 950951	1
60	P90-41901R4		.BRACKET- SUPPLIER CODE: VS5065	002004 006102 950951	1
65	P90-40000-61		.SUB ASSY-SMOKE DETECTOR SUPPLIER CODE: VS5065	002004 006102 950951	1
70	P90-41931-15		..DECAL-NAMEPLATE SUPPLIER CODE: VS5065	002004 006102 950951	1
75	P90-40100-61		..SUB ASSY- SUPPLIER CODE: VS5065	002004 006102 950951	1
80	PU90-41000-1		...SENSOR ASSY- SUPPLIER CODE: VS5065	002004 006102 950951	1
85	P90-41930-3	DECAL-NAMEPLATE SUPPLIER CODE: VS5065	002004 006102 950951	1
90	P90-21002-3	COVER- SUPPLIER CODE: VS5065	002004 006102 950951	1
95	P90-21003-3	MESH- SUPPLIER CODE: VS5065	002004 006102 950951	1
100	P90-41100-1	BODY ASSY- SUPPLIER CODE: VS5065	002004 006102 950951	1
105	P90-40200-61		...FRAME ASSY-MAIN SUPPLIER CODE: VS5065	002004 006102 950951	1

MISSING ITEM NUMBERS NOT APPLICABLE

- ITEM NOT ILLUSTRATED

26-14-01-50A

26-14-01
FIG. 50A
PAGE 1
JAN 20/09

BRI



757

PARTS CATALOG (MAINTENANCE)

FIG ITEM	PART NUMBER	1 2 3 4 5 6 7	NOMENCLATURE	EFFECT FROM TO	UNITS PER ASSY
50A					
- 110	P90-41102-1	COVER ASSY-CASE SUPPLIER CODE: VS5065	002004 006102 950951	1
115	MS35206-219	SCREW	002004 006102 950951	1
120	MS35206-223	SCREW	002004 006102 950951	1
125	GK041631	WASHER- SUPPLIER CODE: VS5065	002004 006102 950951	2
130	P90-41102-3	COVER ASSY- SUPPLIER CODE: VS5065	002004 006102 950951	1
135	MS35206-217	SCREW	002004 006102 950951	1
- 140	MS35338-40	WASHER	002004 006102 950951	1
150	D53018	POST-CONNECTOR SUPPLIER CODE: V71468	002004 006102 950951	2
155	MS35206-229	SCREW	002004 006102 950951	2
160	MS35338-41	WASHER	002004 006102 950951	2
165	P90-41912-3	STUD-BUZZER SUPPLIER CODE: VS5065	002004 006102 950951	1
- 167	P90-41107-61	BOARD ASSY-PRINTED CKT SUPPLIER CODE: VS5065	002004 006102 950951	1
170	DALCJ15PAF23L9	CONNECTOR- SUPPLIER CODE: VS5065	002004 006102 950951	1
175	P90-41108-1	BUZZER- SUPPLIER CODE: VS5065	002004 006102 950951	1
180	PKM29-3A0	HORN- SUPPLIER CODE: VS5065	002004 006102 950951	1
185	GL5KG8	DIODE ASSY- SUPPLIER CODE: V8P309	002004 006102 950951	1

MISSING ITEM NUMBERS NOT APPLICABLE

- ITEM NOT ILLUSTRATED

26-14-01-50A

26-14-01
FIG. 50A
PAGE 2
JAN 20/09

BRI

BOEING PROPRIETARY - Copyright © - Unpublished Work - See title page for details.



757

PARTS CATALOG (MAINTENANCE)

FIG ITEM	PART NUMBER	1 2 3 4 5 6 7	NOMENCLATURE	EFFECT FROM TO	UNITS PER ASSY
50A - 190	IB85015	POST- SUPPLIER CODE: VS5065	002004 006102 950951	2
195	G6A2H	RELAY- SUPPLIER CODE: VS5065 ELECTRICAL EQUIP NUMBER: R0000A R0000B	002004 006102 950951	2
200	MB2011P	SWITCH ASSY- SUPPLIER CODE: VS5065 ELECTRICAL EQUIP NUMBER: S00001	002004 006102 950951	1
- 205	AT4138K	BUTTON- SUPPLIER CODE: VS5065	002004 006102 950951	1
210	MB2011P	SWITCH ASSY- SUPPLIER CODE: VS5065 ELECTRICAL EQUIP NUMBER: S00002	002004 006102 950951	1
- 215	AT4138K	BUTTON- SUPPLIER CODE: VS5065	002004 006102 950951	1
220	MS35206-217	SCREW	002004 006102 950951	1
225	MS35338-40	WASHER	002004 006102 950951	1
230	MS35649-242	NUT	002004 006102 950951	1
235	PU90-21050-1	BASE ASSY-SOCKET SUPPLIER CODE: VS5065	002004 006102 950951	1
240	MS35206-227	SCREW	002004 006102 950951	4
245	MS35338-41	WASHER	002004 006102 950951	4
250	NAS620-06	WASHER	002004 006102 950951	4
255	IB85005-2	LEVER-SPRING SUPPLIER CODE: VS5065	002004 006102 950951	1

MISSING ITEM NUMBERS NOT APPLICABLE

- ITEM NOT ILLUSTRATED

26-14-01-50A

26-14-01
FIG. 50A
PAGE 3
JAN 20/09

BRI

BOEING PROPRIETARY - Copyright © - Unpublished Work - See title page for details.



757

PARTS CATALOG (MAINTENANCE)

FIG ITEM	PART NUMBER	1 2 3 4 5 6 7	NOMENCLATURE	EFFECT FROM TO	UNITS PER ASSY
50A			ATTACHING PARTS		
260	JISB1122PAN3	SCREW- SUPPLIER CODE: VS5065	002004 006102 950951	1
265	IB85013-1	PLATE- SUPPLIER CODE: VS5065	002004 006102 950951	4
270	P90-41913-3	SPACER-BASE SUPPLIER CODE: VS5065	002004 006102 950951	1
275	P90-41107-3	BOARD-PRINTED CKT SUPPLIER CODE: VS5065	002004 006102 950951	1
280	P90-41103-1	CASE- SUPPLIER CODE: VS5065	002004 006102 950951	1

MISSING ITEM NUMBERS NOT APPLICABLE

- ITEM NOT ILLUSTRATED

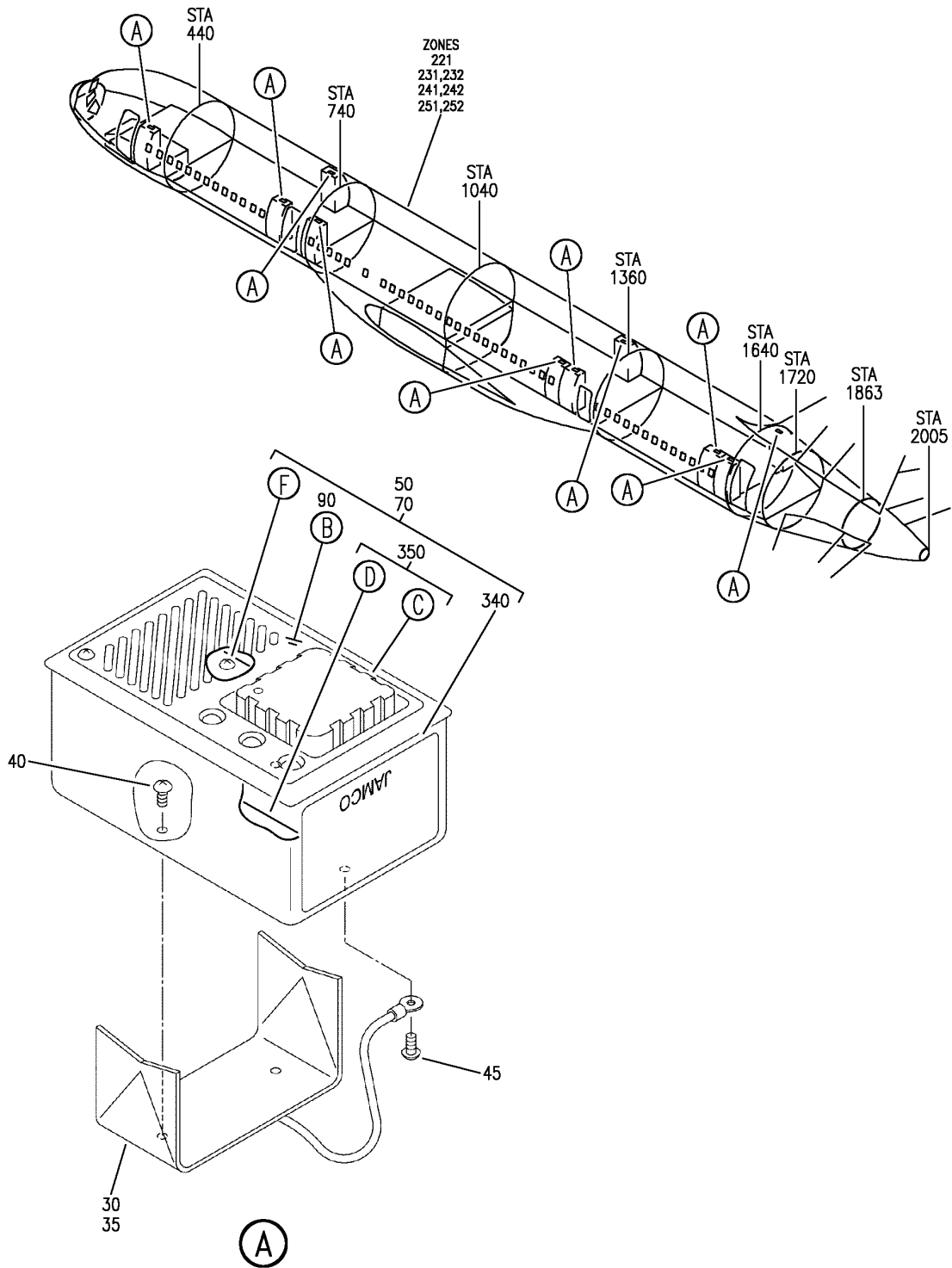
BRI

26-14-01-50A

BOEING PROPRIETARY - Copyright © - Unpublished Work - See title page for details.

26-14-01
FIG. 50A
PAGE 4
JAN 20/09

BOEING
757
PARTS CATALOG (MAINTENANCE)



Y 26140150B SHT 1 REV 295

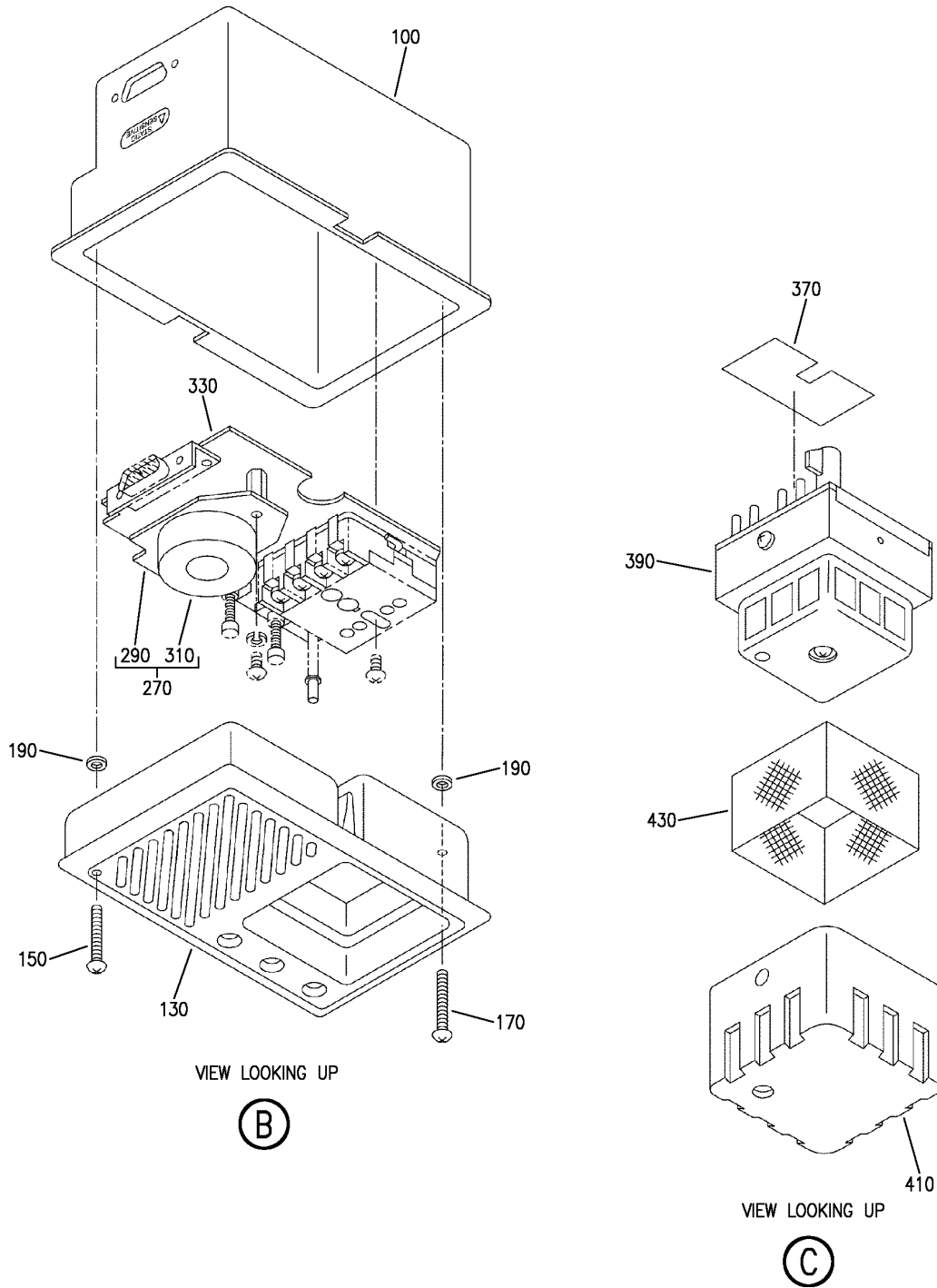
DETECTOR ASSY-SMOKE M4 LAV
FIGURE 50B (SHEET 1)

26-14-01-50B

BRI
MAY 28/07

26-14-01-50B
PAGE 0

BOEING
757
PARTS CATALOG (MAINTENANCE)



Y 26140150B SHT 2 REV 295

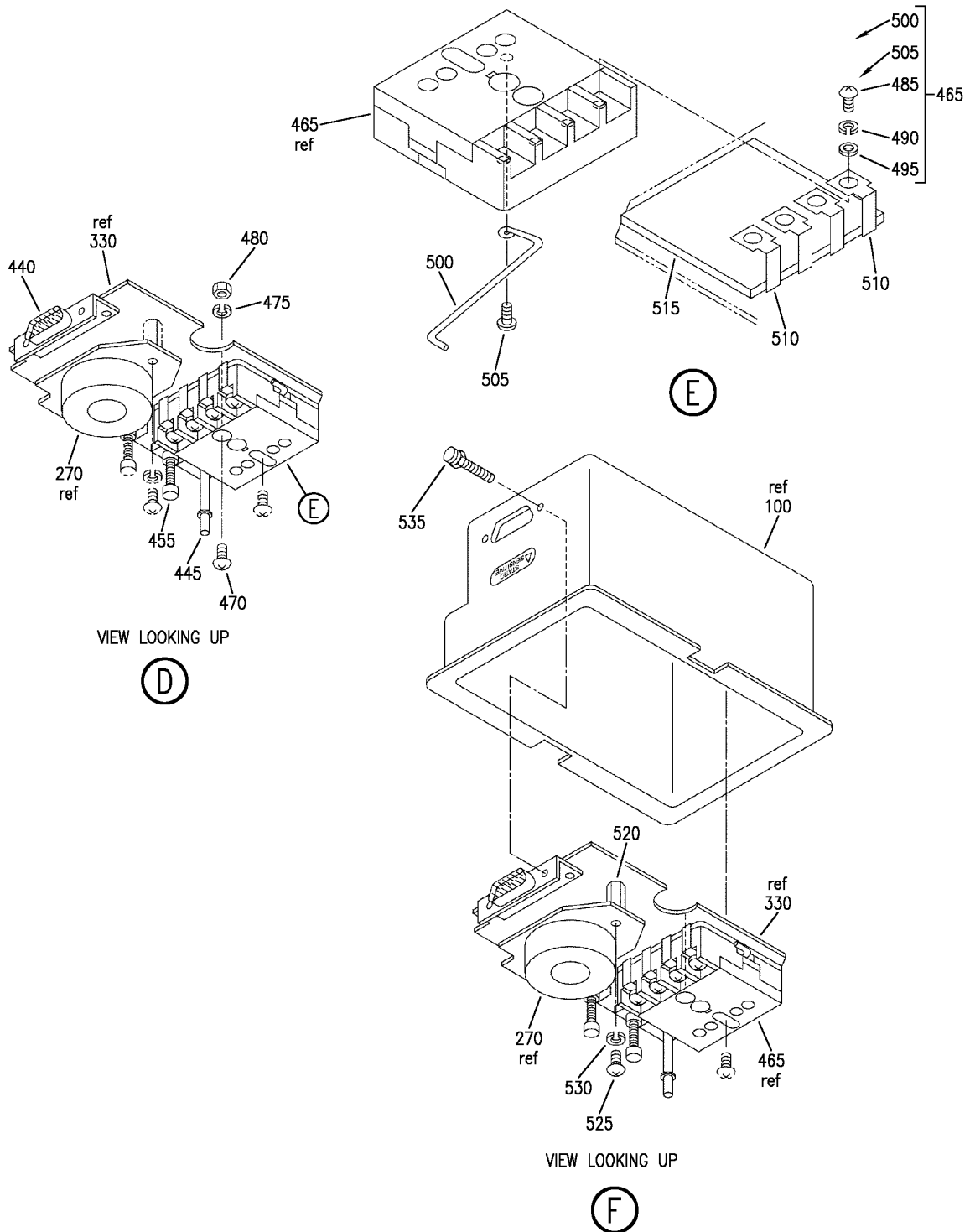
DETECTOR ASSY-SMOKE M4 LAV
FIGURE 50B (SHEET 2)

26-14-01-50B

BRI
MAY 28/07

26-14-01-50B
PAGE 0A

BOEING
757
PARTS CATALOG (MAINTENANCE)



Y 26140150B SHT 3 REV 295

DETECTOR ASSY-SMOKE M4 LAV
FIGURE 50B (SHEET 3)

26-14-01-50B

BRI
MAY 28/07

26-14-01-50B
PAGE 0B



757

PARTS CATALOG (MAINTENANCE)

FIG ITEM	PART NUMBER	1 2 3 4 5 6 7	NOMENCLATURE	EFFECT FROM TO	UNITS PER ASSY
50B			DETECTOR ASSY-SMOKE M4 LAV	103503	
				904949	
				952999	
- 1	PU90-499R3		DETECTOR ASSY-SMOKE M4 LAV	103503	RF
			SUPPLIER CODE:	904949	
			VS5065	952999	
			COMPONENT MAINT MANUAL REF:		
			26-10-02		
			FOR NHA SEE:		
			26-14-01-03		
			26-14-01-15E		
			26-14-01-18A		
35	P90-41901R3		.BRACKET-	952952	1
			SUPPLIER CODE:		
			VS5065		
35	P90-41901R3		.BRACKET-	103503	1
			SUPPLIER CODE:	904949	
			VS5065	953999	
			ATTACHING PARTS		
40	MS35206-231		.SCREW	952952	2
40	MS35206-231		.SCREW	103503	2
				904949	
				953999	
45	MS35206-214		.SCREW	952952	1
45	MS35206-214		.SCREW	103503	1
				904949	
				953999	
			-----*-----		
50	P90-40000-91		.SUB ASSY-	952952	1
			SUPPLIER CODE:		
			VS5065		
50	P90-40000-91		.SUB ASSY-	103503	1
			SUPPLIER CODE:	904949	
			VS5065	953999	
70	P90-40100-91		..SUB ASSY-	952952	1
			SUPPLIER CODE:		
			VS5065		
70	P90-40100-91		..SUB ASSY-	103503	1
			SUPPLIER CODE:	904949	
			VS5065	953999	
90	P90-40200-91		...FRAME ASSY-MAIN	952952	1
			SUPPLIER CODE:		
			VS5065		
90	P90-40200-91		...FRAME ASSY-MAIN	103503	1
			SUPPLIER CODE:	904949	
			VS5065	953999	
100	P90-41103-1	CASE-	952952	1
			SUPPLIER CODE:		
			VS5065		

MISSING ITEM NUMBERS NOT APPLICABLE

- ITEM NOT ILLUSTRATED

26-14-01-50B

26-14-01
FIG. 50B
PAGE 1
JAN 20/09

BRI

BOEING PROPRIETARY - Copyright © - Unpublished Work - See title page for details.

 **BOEING**
757
PARTS CATALOG (MAINTENANCE)

FIG ITEM	PART NUMBER	1 2 3 4 5 6 7	NOMENCLATURE	EFFECT FROM TO	UNITS PER ASSY
50B 100	P90-41103-1	CASE- SUPPLIER CODE: VS5065	103503 904949 953999	1
- 110	P90-41102-11	COVER ASSY- SUPPLIER CODE: VS5065	952952	1
- 110	P90-41102-11	COVER ASSY- SUPPLIER CODE: VS5065	103503 904949 953999	1
130	P90-41102-3	COVER ASSY- SUPPLIER CODE: VS5065	952952	1
130	P90-41102-3	COVER ASSY- SUPPLIER CODE: VS5065 ATTACHING PARTS	103503 904949 953999	1
150	MS35206-219	SCREW	952952	1
150	MS35206-219	SCREW	103503 904949 953999	1
170	MS35206-223	SCREW	952952	1
170	MS35206-223	SCREW	103503 904949 953999	1
190	GK041631	WASHER- SUPPLIER CODE: VS5065	952952	2
190	GK041631	WASHER- SUPPLIER CODE: VS5065	103503 904949 953999	2
- 210	P90-41107-91	BOARD ASSY-PRINTED CKT SUPPLIER CODE: VS5065	952952	1
- 210	P90-41107-91	BOARD ASSY-PRINTED CKT SUPPLIER CODE: VS5065 ATTACHING PARTS	103503 904949 953999	1
- 230	MS35206-217	SCREW	952952	1
- 230	MS35206-217	SCREW	103503 904949 953999	1
- 250	MS35338-40	WASHER	952952	1
- 250	MS35338-40	WASHER	103503 904949 953999	1
			-----*-----		

MISSING ITEM NUMBERS NOT APPLICABLE

- ITEM NOT ILLUSTRATED

26-14-01-50B

26-14-01
FIG. 50B
PAGE 2
JAN 20/09

BRI

BOEING PROPRIETARY - Copyright © - Unpublished Work - See title page for details.



757

PARTS CATALOG (MAINTENANCE)

FIG ITEM	PART NUMBER	1 2 3 4 5 6 7	NOMENCLATURE	EFFECT FROM TO	UNITS PER ASSY
50B 270	P90-41108-91	BUZZER- SUPPLIER CODE: VS5065	952952	1
270	P90-41108-91	BUZZER- SUPPLIER CODE: VS5065	103503 904949 953999	1
290	P90-41108-93	BOARD- SUPPLIER CODE: VS5065	952952	1
290	P90-41108-93	BOARD- SUPPLIER CODE: VS5065	103503 904949 953999	1
310	PKM29-3A0	HORN- SUPPLIER CODE: V18796	952952	1
310	PKM29-3A0	HORN- SUPPLIER CODE: V18796	103503 904949 953999	1
330	P90-41107-93	BOARD- SUPPLIER CODE: VS5065	952952	1
330	P90-41107-93	BOARD- SUPPLIER CODE: VS5065	103503 904949 953999	1
340	P90-41931-17	...	DECAL-NAMEPLATE SUPPLIER CODE: VS5065	952952	1
340	P90-41931-17	...	DECAL-NAMEPLATE SUPPLIER CODE: VS5065	103503 904949 953999	1
350	PU90-21000-1	...	SENSOR ASSY- SUPPLIER CODE: VS5065	952952	1
350	PU90-21000-1	...	SENSOR ASSY- SUPPLIER CODE: VS5065	103503 904949 953999	1
370	P90-21001-3	DECAL-NAME PLATE SUPPLIER CODE: VS5065	952952	1
370	P90-21001-3	DECAL-NAME PLATE SUPPLIER CODE: VS5065 PLACARD CONTENT: SMOKE DETECTOR IONIZATION TYPE	103503 904949 953999	1

MISSING ITEM NUMBERS NOT APPLICABLE

- ITEM NOT ILLUSTRATED

26-14-01-50B

26-14-01
FIG. 50B
PAGE 3
JAN 20/09

BRI

BOEING PROPRIETARY - Copyright © - Unpublished Work - See title page for details.

 **BOEING**
757
PARTS CATALOG (MAINTENANCE)

FIG ITEM	PART NUMBER	1 2 3 4 5 6 7	NOMENCLATURE	EFFECT FROM TO	UNITS PER ASSY
50B					
390	P90-21100-1	BODY ASSY- SUPPLIER CODE: VS5065	952952	1
390	P90-21100-1	BODY ASSY- SUPPLIER CODE: VS5065	103503 904949 953999	1
410	P90-21002-3	COVER- SUPPLIER CODE: VS5065	952952	1
410	P90-21002-3	COVER- SUPPLIER CODE: VS5065	103503 904949 953999	1
430	P90-21003-3	MESH- SUPPLIER CODE: VS5065	952952	1
430	P90-21003-3	MESH- SUPPLIER CODE: VS5065	103503 904949 953999	1
440	DALCJ15PAF23L9	CONNECTOR- SUPPLIER CODE: VS5065	952952	1
440	DALCJ15PAF23L9	CONNECTOR- SUPPLIER CODE: VS5065	103503 904949 953999	1
445	GL5KG8	DIODE ASSY- SUPPLIER CODE: V8P309	952952	1
445	GL5KG8	DIODE ASSY- SUPPLIER CODE: V8P309	103503 904949 953999	1
- 450	IB85015	POST-L.E.D. SUPPLIER CODE: VS5065	952952	1
- 450	IB85015	POST-L.E.D. SUPPLIER CODE: VS5065	103503 904949 953999	1
455	MB2011P	SWITCH ASSY- SUPPLIER CODE: VS5065	952952	1
455	MB2011P	SWITCH ASSY- SUPPLIER CODE: VS5065	103503 904949 953999	1
- 460	AT4138K	BUTTON- SUPPLIER CODE: VS5065	952952	1
- 460	AT4138K	BUTTON- SUPPLIER CODE: VS5065	103503 904949 953999	1

MISSING ITEM NUMBERS NOT APPLICABLE

- ITEM NOT ILLUSTRATED

BRI

26-14-01-50B

BOEING PROPRIETARY - Copyright © - Unpublished Work - See title page for details.

26-14-01
FIG. 50B
PAGE 4
JAN 20/09

BOEING
757
PARTS CATALOG (MAINTENANCE)

FIG ITEM	PART NUMBER	1 2 3 4 5 6 7	NOMENCLATURE	EFFECT FROM TO	UNITS PER ASSY
50B					
465	PU90-21050-1	BASE ASSY-SOCKET SUPPLIER CODE: VS5065	952952	1
465	PU90-21050-1	BASE ASSY-SOCKET SUPPLIER CODE: VS5065 ATTACHING PARTS	103503 904949 953999	1
470	MS35206-217	SCREW	952952	1
470	MS35206-217	SCREW	103503 904949 953999	1
475	MS35338-40	WASHER	952952	1
475	MS35338-40	WASHER	103503 904949 953999	1
480	MS35649-242	NUT	952952	1
480	MS35649-242	NUT	103503 904949 953999	1
			-----*-----		
485	MS35206-227	SCREW	952952	4
485	MS35206-227	SCREW	103503 904949 953999	4
490	MS35338-41	WASHER	952952	4
490	MS35338-41	WASHER	103503 904949 953999	4
495	NAS620-06	WASHER	952952	4
495	NAS620-06	WASHER	103503 904949 953999	4
500	IB85005-2	LEVER-SPRING SUPPLIER CODE: VS5065	952952	1
500	IB85005-2	LEVER-SPRING SUPPLIER CODE: VS5065	103503 904949 953999	1
505	JISB1122PAN3	SCREW- SUPPLIER CODE: VS5065	952952	1
505	JISB1122PAN3	SCREW- SUPPLIER CODE: VS5065	103503 904949 953999	1
510	IB85013-1	PLATE-LEAD SUPPLIER CODE: VS5065	952952	4

MISSING ITEM NUMBERS NOT APPLICABLE

— ITEM NOT ILLUSTRATED

BRI

26-14-01-50B

26-14-01
FIG. 50B
PAGE 5
JAN 20/09

BOEING PROPRIETARY - Copyright © - Unpublished Work - See title page for details.

 **BOEING**
757
PARTS CATALOG (MAINTENANCE)

FIG ITEM	PART NUMBER	1 2 3 4 5 6 7	NOMENCLATURE	EFFECT FROM TO	UNITS PER ASSY
50B					
510	IB85013-1	PLATE-LEAD SUPPLIER CODE: VS5065	103503 904949 953999	4
515	P90-41913-3	SPACER-BASE SUPPLIER CODE: VS5065	952952	1
515	P90-41913-3	SPACER-BASE SUPPLIER CODE: VS5065	103503 904949 953999	1
520	P90-41612-3	...	STUD-BUZZER SUPPLIER CODE: VS5065	952952	2
520	P90-41612-3	...	STUD-BUZZER SUPPLIER CODE: VS5065	103503 904949 953999	2
525	MS35206-229	...	SCREW	952952	2
525	MS35206-229	...	SCREW	103503 904949 953999	2
530	MS35338-41	...	WASHER	952952	2
530	MS35338-41	...	WASHER	103503 904949 953999	2
535	D53018	...	POST-CONN. SUPPLIER CODE: V71468	952952	2

MISSING ITEM NUMBERS NOT APPLICABLE

— ITEM NOT ILLUSTRATED

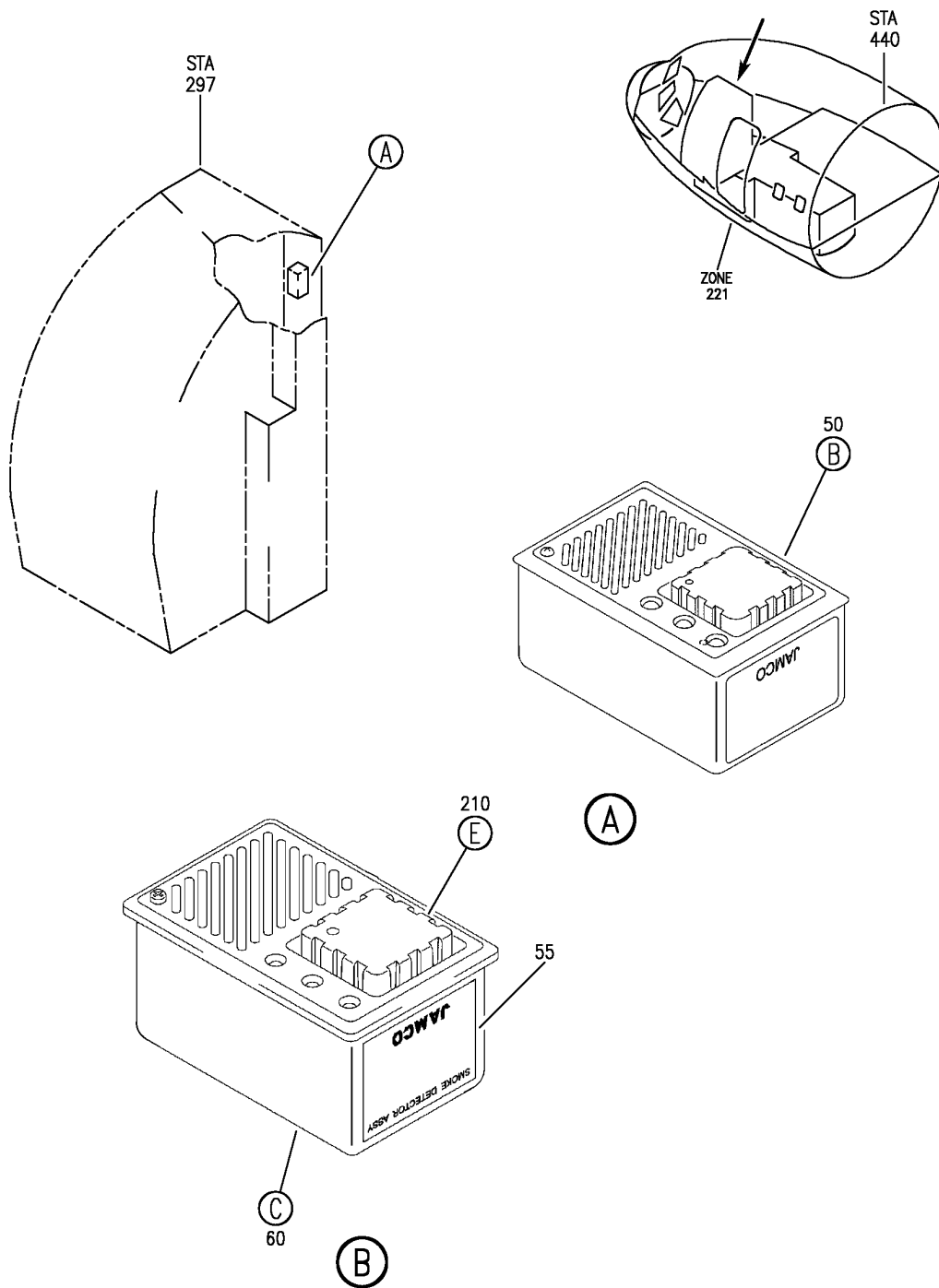
BRI

26-14-01-50B

BOEING PROPRIETARY - Copyright © - Unpublished Work - See title page for details.

26-14-01
FIG. 50B
PAGE 6
JAN 20/09

BOEING
757
PARTS CATALOG (MAINTENANCE)



Y 26140150C SHT 1 REV 260

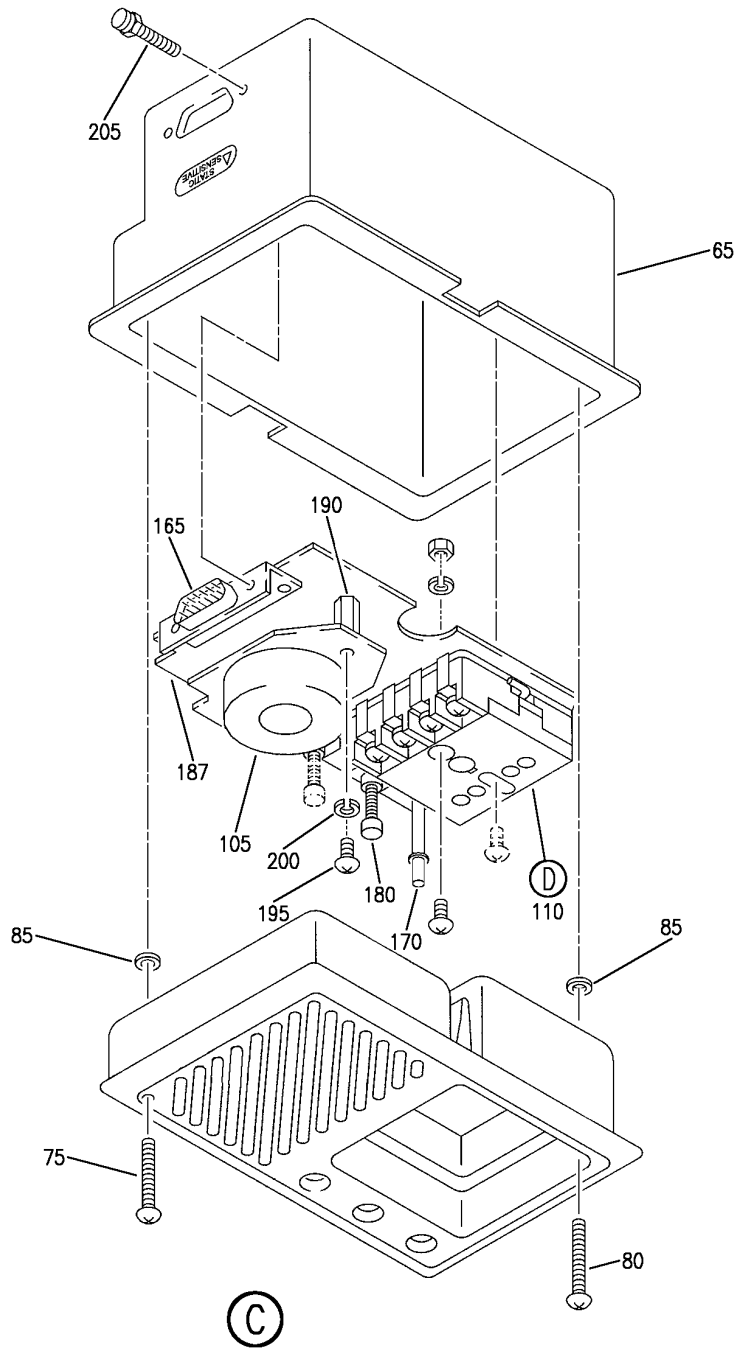
DETECTOR ASSY-SMOKE M4 LAV
FIGURE 50C (SHEET 1)

26-14-01-50C

BRI
JAN 20/09

26-14-01-50C
PAGE 0

BOEING
757
PARTS CATALOG (MAINTENANCE)



Y 26140150C SHT 2 REV 260

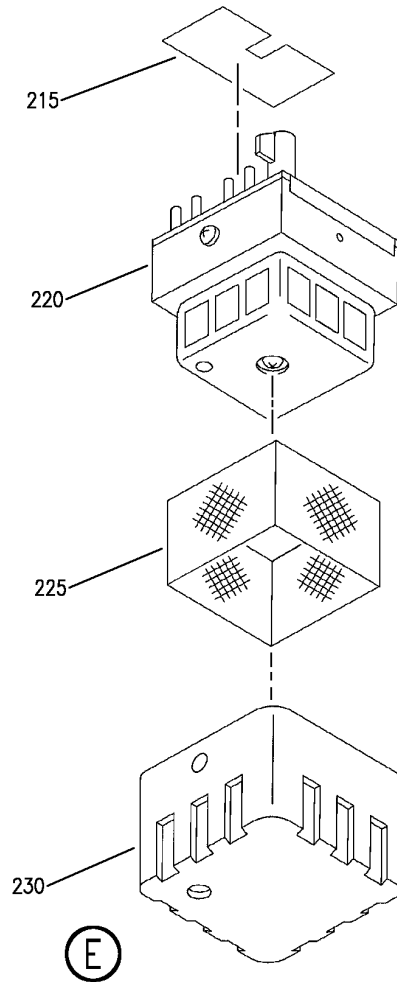
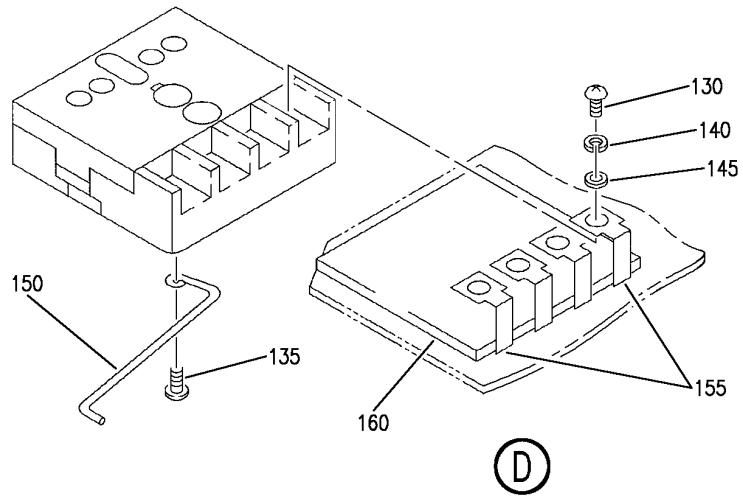
DETECTOR ASSY-SMOKE M4 LAV
FIGURE 50C (SHEET 2)

26-14-01-50C

BRI
JAN 20/09

26-14-01-50C
PAGE 0A

BOEING
757
PARTS CATALOG (MAINTENANCE)



Y 26140150C SHT 3 REV 260

DETECTOR ASSY-SMOKE M4 LAV
FIGURE 50C (SHEET 3)

26-14-01-50C

BRI
JAN 20/09

26-14-01-50C
PAGE 0B



757

PARTS CATALOG (MAINTENANCE)

FIG ITEM	PART NUMBER	1 2 3 4 5 6 7	NOMENCLATURE	EFFECT FROM TO	UNITS PER ASSY
50C			DETECTOR ASSY-SMOKE M4 LAV	103120 952999	
- 1	PU90-499R4		DETECTOR ASSY-SMOKE M4 SUPPLIER CODE: VS5065 COMPONENT MAINT MANUAL REF: 26-10-02 FOR NHA SEE: 26-14-01-03 26-14-01-10A	103120 952999	RF
50	P90-40000-91	.	SUB ASSY- SUPPLIER CODE: VS5065	103120 952999	1
55	P90-41931-17	..	DECAL-NAMEPLATE SUPPLIER CODE: VS5065	103120 952999	1
60	P90-40200-91	..	FRAME ASSY-MAIN SUPPLIER CODE: VS5065	103120 952999	1
65	P90-41103-1	...	CASE- SUPPLIER CODE: VS5065	103120 952999	1
- 70	P90-41102-11	...	COVER ASSY- SUPPLIER CODE: VS5065	103120 952999	1
75	MS35206-219	...	SCREW	103120 952999	1
80	MS35206-223	...	SCREW	103120 952999	1
85	P90-41102-5	...	WASHER- SUPPLIER CODE: VS5065	103120 952999	2
- 90	P90-41107-91	...	BOARD ASSY-PRINTED CKT SUPPLIER CODE: VS5065	103120 952999	1
- 95	MS35206-217	...	ATTACHING PARTS SCREW	103120 952999	1
- 100	MS35338-40	...	WASHER	103120 952999	1
105	P90-41108-91	*----- BUZZER- SUPPLIER CODE: VS5065	103120 952999	1
110	PU90-21050-1	BASE ASSY-SOCKET SUPPLIER CODE: VS5065	103120 952999	1

MISSING ITEM NUMBERS NOT APPLICABLE

- ITEM NOT ILLUSTRATED

26-14-01-50C

26-14-01
FIG. 50C
PAGE 1
JAN 20/09

BRI

BOEING PROPRIETARY - Copyright © - Unpublished Work - See title page for details.

BOEING
757
PARTS CATALOG (MAINTENANCE)

FIG ITEM	PART NUMBER	1 2 3 4 5 6 7	NOMENCLATURE	EFFECT FROM TO	UNITS PER ASSY
50C			ATTACHING PARTS		
- 115	MS35206-217	SCREW	103120 952999	1
- 120	MS35338-40	WASHER	103120 952999	1
- 125	MS35649-242	NUT	103120 952999	1
			-----*-----		
130	MS35206-227	SCREW	103120 952999	4
135	JISB1122PAN3	SCREW- SUPPLIER CODE: VS5065	103120 952999	1
140	MS35338-41	WASHER	103120 952999	4
145	NAS620-06	WASHER	103120 952999	4
150	IB85005-2	LEVER-SPRING SUPPLIER CODE: VS5065	103120 952999	1
155	IB85013-1	PLATE-LEAD SUPPLIER CODE: VS5065	103120 952999	4
160	P90-41913-3	SPACER-BASE SUPPLIER CODE: VS5065	103120 952999	1
165	DALCJ15PAF23L9	CONNECTOR- SUPPLIER CODE: VS5065	103120 952999	1
170	GL5KG8	DIODE ASSY- SUPPLIER CODE: V8P309	103120 952999	1
- 175	IB85015	POST- SUPPLIER CODE: VS5065	103120 952999	2
180	MB2011P	SWITCH ASSY- SUPPLIER CODE: VS5065	103120 952999	1
- 185	AT4138K	BUTTON- SUPPLIER CODE: VS5065	103120 952999	1
187	P90-41107-93	BOARD-CKT SUPPLIER CODE: VS5065	103120 952999	1
190	P90-41612-3	...	STUD-BUZZER SUPPLIER CODE: VS5065	103120 952999	2

MISSING ITEM NUMBERS NOT APPLICABLE

- ITEM NOT ILLUSTRATED

BRI

26-14-01-50C

BOEING PROPRIETARY - Copyright © - Unpublished Work - See title page for details.

26-14-01
FIG. 50C
PAGE 2
JAN 20/09

 **BOEING**
757
PARTS CATALOG (MAINTENANCE)

FIG ITEM	PART NUMBER	1 2 3 4 5 6 7	NOMENCLATURE	EFFECT FROM TO	UNITS PER ASSY
50C			ATTACHING PARTS		
195	MS35206-229	...	SCREW	103120 952999	4
200	MS35338-41	...	WASHER	103120 952999	4
			-----*-----		
205	D53018	...	POST-CONNECTOR SUPPLIER CODE: V71468	103120 952999	1
210	PU90-21000-1	..	SENSOR ASSY- SUPPLIER CODE: VS5065	103120 952999	1
215	P90-21001-3	...	DECAL-NAMEPLATE SUPPLIER CODE: VS5065	103120 952999	1
220	P90-21100-1	...	BODY ASSY- SUPPLIER CODE: VS5065	103120 952999	1
225	P90-21003-3	...	MESH- SUPPLIER CODE: VS5065	103120 952999	1
230	P90-21002-3	...	COVER- SUPPLIER CODE: VS5065	103120 952999	1

MISSING ITEM NUMBERS NOT APPLICABLE

— ITEM NOT ILLUSTRATED

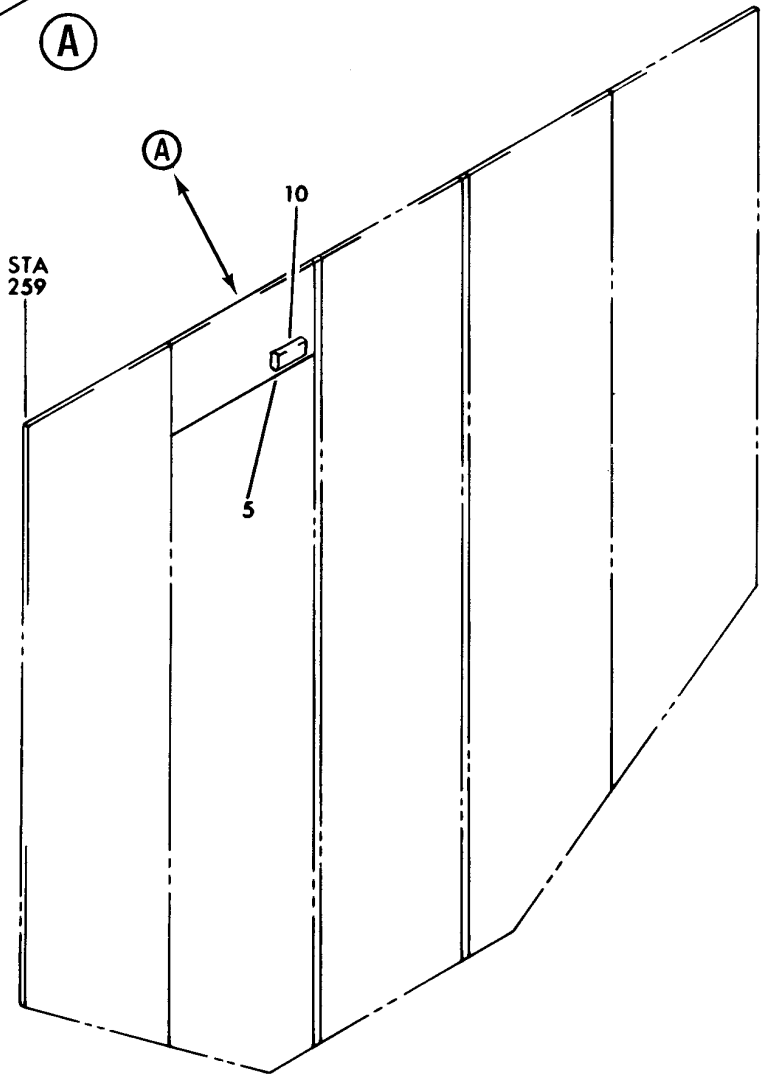
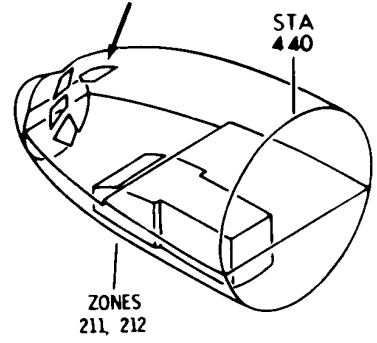
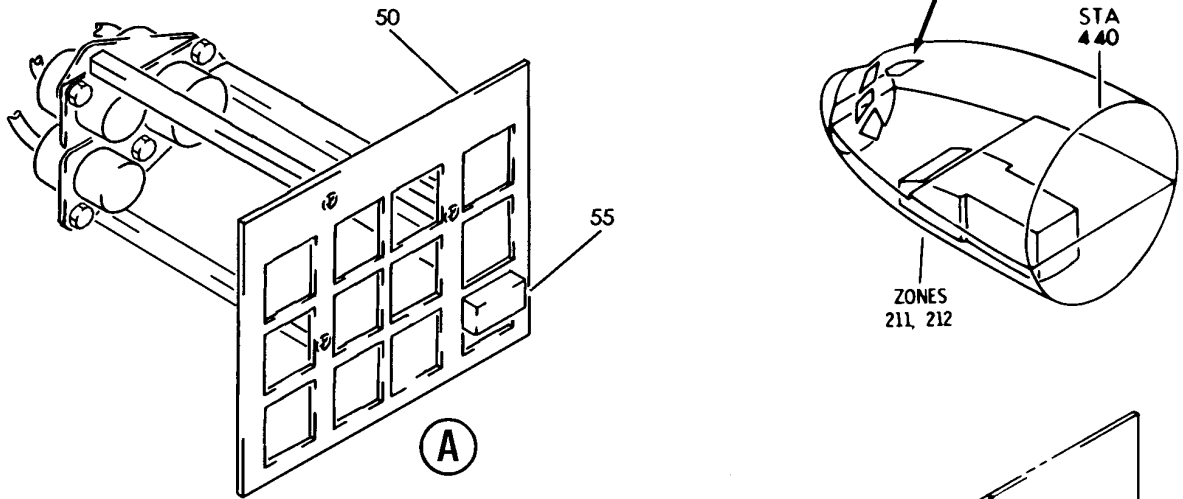
BRI

26-14-01-50C

BOEING PROPRIETARY - Copyright © - Unpublished Work - See title page for details.

26-14-01
FIG. 50C
PAGE 3
JAN 20/09

BOEING
757
PARTS CATALOG (MAINTENANCE)



Y 26145101 REV 205

PANEL INSTL-P5 OVHD (LAVATORY SMOKE DETECTION ONLY)
FIGURE 1

26-14-51-01

BRI
MAY 28/07

26-14-51-01
PAGE 0

BOEING PROPRIETARY - Copyright © - Unpublished Work - See title page for details.

 **BOEING**
757
PARTS CATALOG (MAINTENANCE)

FIG ITEM	PART NUMBER	1 2 3 4 5 6 7	NOMENCLATURE	EFFECT FROM TO	UNITS PER ASSY
1			PANEL INSTL-P5 OVHD (LAVATORY SMOKE DETECTION ONLY)	002004 006100	
- 1	233N3101-1		PANEL INSTL-P5 OVHD (LAVATORY SMOKE DETECTION ONLY) VARIABLE DRAWING REF: 233N3101-5042 233N3101-5142 FOR NHA/OTHER SYS DET SEE: 25-10-00-05A	002004 006100	RF
5	233N3202-21		.PANEL ASSY-ANN. SUPPLIER CODE: V89954 ELECTRICAL EQUIP NUMBER: M10394 COMPONENT MAINT MANUAL REF: 33-16-71	002004 006100	RF
10	BCREF108377		..LIGHT ASSY- SUPPLIER CODE: V81590 OVERLENGTH PART NUMBER: 434-674-1031-2307 SPECIFICATION NUMBER: S231T300-2307	002004 006100	1

MISSING ITEM NUMBERS NOT APPLICABLE

- ITEM NOT ILLUSTRATED

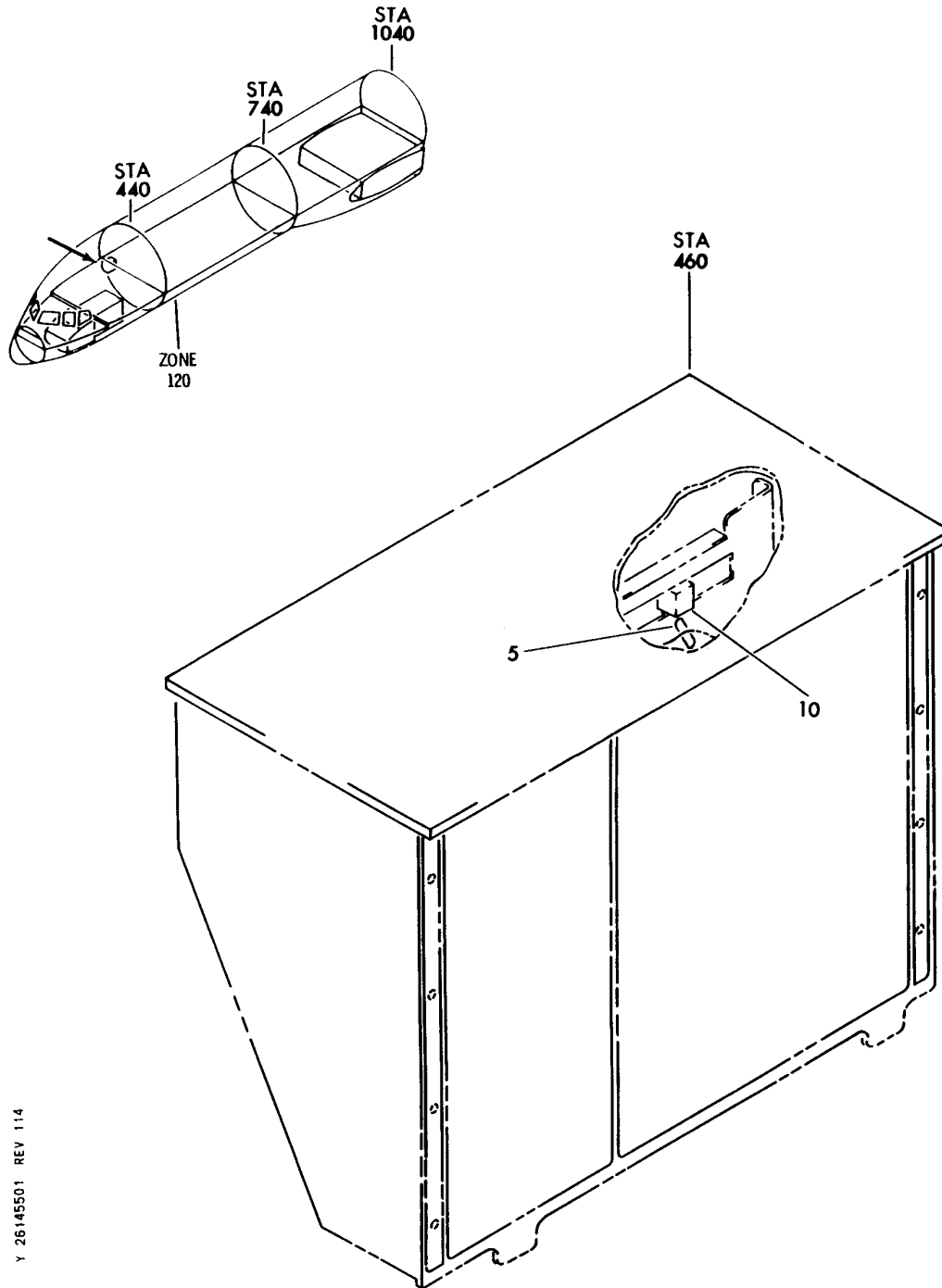
BRI

26-14-51-01

BOEING PROPRIETARY - Copyright © - Unpublished Work - See title page for details.

26-14-51
FIG. 01
PAGE 1
JAN 20/09

BOEING
757
PARTS CATALOG (MAINTENANCE)



Y 26145501 REV 114

PANEL ASSY-P37 MISC RELAY R (LAVATORY SMOKE DETECTION ONLY)

FIGURE 1

26-14-55-01

BRI
MAY 28/07

26-14-55-01
PAGE 0



757

PARTS CATALOG (MAINTENANCE)

FIG ITEM	PART NUMBER	1 2 3 4 5 6 7	NOMENCLATURE	EFFECT FROM TO	UNITS PER ASSY
1			PANEL ASSY-P37 MISC RELAY R (LAVATORY SMOKE DETECTION ONLY)	002004 006102	
- 1	284N1127-1		PANEL ASSY-P37 MISC RELAY (LAVATORY SMOKE DETECTION ONLY) VARIABLE DRAWING REF: 284N1127-5064 REWORKED BY SB: 33-0039 REWORKED BY ALERT SB: 27A0130 FOR NHA/OTHER SYS DET SEE: 31-01-37-01B	002004 006100	RF
- 1	284N1127-1048		PACKAGE ASSY-OPTION P37 MISC RELAY R (LAVATORY SMOKE DETECTION ONLY) REWORKED BY ALERT SB: 27A0130 FOR NHA SEE: 31-01-37-02	101102	RF
5	BAC27NEX2558		ATTACHING PARTS .DECAL- PLACARD CONTENT: K10676	002004 006100	1
10	ES210-1632		-----*----- .RELAY- SUPPLIER CODE: V99699 SPECIFICATION NUMBER: BACR13CF2AB OPTIONAL PART: JD4L018 V35344 JD4L031 V35344 BR246S0111 V56623 BR64S105 V56623 FCA210-71 V78290 61GB2319-1A320 V98927 ELECTRICAL EQUIP NUMBER: K10676	002004 006102	1

MISSING ITEM NUMBERS NOT APPLICABLE

- ITEM NOT ILLUSTRATED

BRI

26-14-55-01

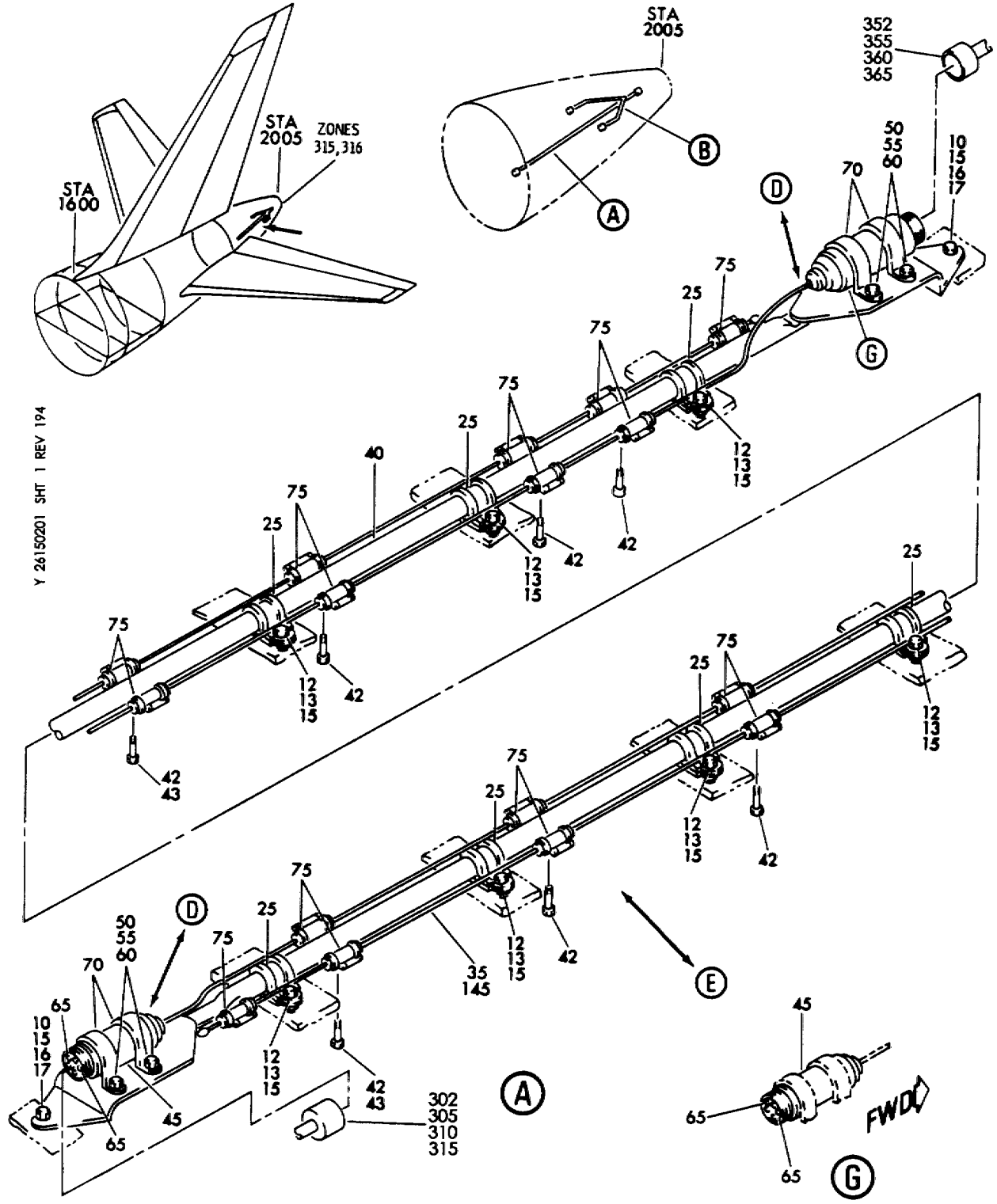
26-14-55
FIG. 01
PAGE 1
JAN 20/09

APU FIRE DETECTION

BRI
MAY 28/07

26-15-00
SECTION TITLE
PAGE 1

BOEING
757
PARTS CATALOG (MAINTENANCE)



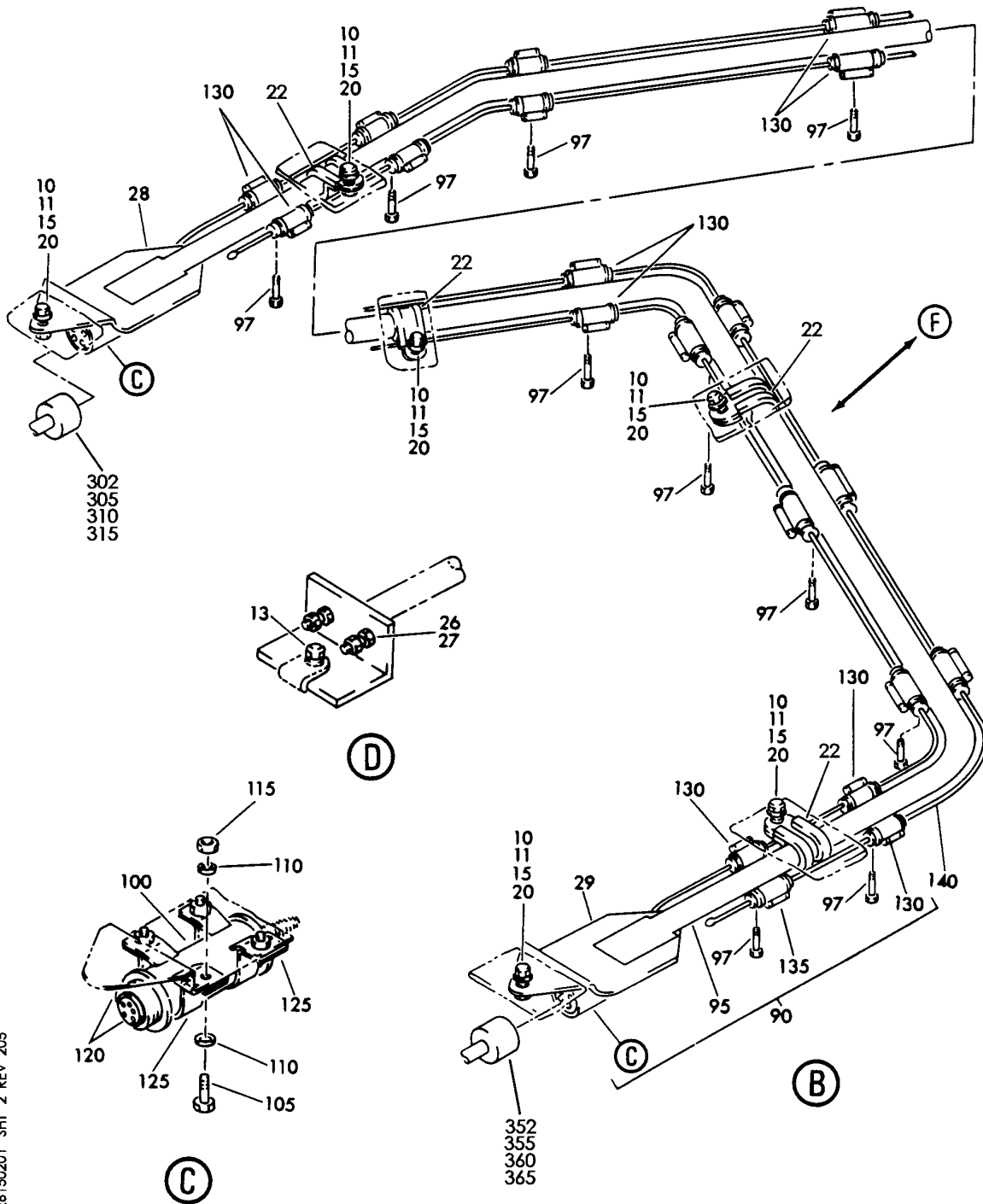
DETECTOR INSTL-AUX PWR SYS FIRE
FIGURE 1 (SHEET 1)

26-15-02-01

BRI
MAY 28/07

26-15-02-01
PAGE 0

BOEING
757
PARTS CATALOG (MAINTENANCE)



Y 26150201 SHT 2 REV 205

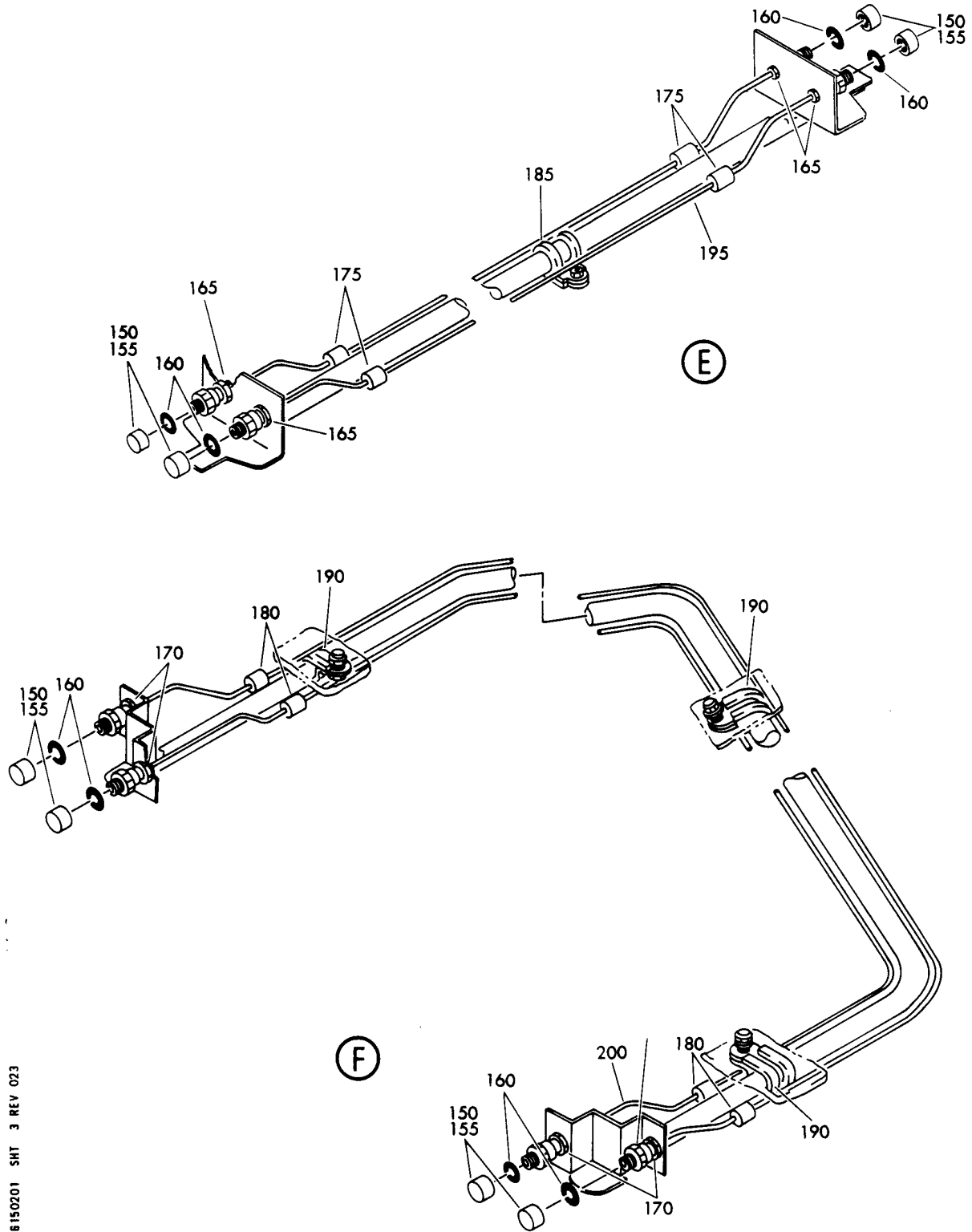
DETECTOR INSTL-AUX PWR SYS FIRE
FIGURE 1 (SHEET 2)

26-15-02-01

BRI
MAY 28/07

26-15-02-01
PAGE 0A

BOEING
757
PARTS CATALOG (MAINTENANCE)



Y 26150201 SHT 3 REV 023

DETECTOR INSTL-AUX PWR SYS FIRE
FIGURE 1 (SHEET 3)

26-15-02-01

BRI
MAY 28/07

26-15-02-01
PAGE 0B



757

PARTS CATALOG (MAINTENANCE)

FIG ITEM	PART NUMBER	1 2 3 4 5 6 7	NOMENCLATURE	EFFECT FROM TO	UNITS PER ASSY
1			DETECTOR INSTL-AUX PWR SYS FIRE	002004 006999	
- 1	355N5101-1		DETECTOR INSTL-AUX PWR SYS SYSTRON DONNER FIRE FOR NHA SEE: 49-00-51-01 49-00-00-01	002004 006102 108120 950951	RF
- 1	MODREF22806		DETECTOR INSTL-AUX PWR SYS SYSTRON DONNER FIRE MODULE NUMBER: 355N5101-1 REV B	103106	1
- 5	355N5101-2		DETECTOR INSTL-AUX PWR SYS GRAVINER FIRE FOR NHA SEE: 49-00-51-01 49-00-00-01	107107 121949 952999	RF
10	BACB30NT3K2		.BOLT-	002004 006106 108120 950951	8
11	BACB30NT3K2		.BOLT-	107107 121949 952999	6
12	BACB30NT3K3		.BOLT-	002004 006106 108120 950951	7
13	BACB30NT3K3		.BOLT-	107107 121949 952999	9
15	NAS1149C0363R		.WASHER-	002004 006999	15
17	AN960D10L		.WASHER	107107 121949 952999	4

MISSING ITEM NUMBERS NOT APPLICABLE

- ITEM NOT ILLUSTRATED

BRI

26-15-02-01

BOEING PROPRIETARY - Copyright © - Unpublished Work - See title page for details.

26-15-02
FIG. 01
PAGE 1
JAN 20/09



757

PARTS CATALOG (MAINTENANCE)

FIG ITEM	PART NUMBER	1 2 3 4 5 6 7	NOMENCLATURE	EFFECT FROM TO	UNITS PER ASSY
1 20	BRH10C3M	.NUT	SUPPLIER CODE: V52828 SPECIFICATION NUMBER: BACN10JC3M OPTIONAL PART: T6C1032JM V11815 97E02 V80539 109LH9075-3W V72962 VN303D02 V92215 NS202101SE02 V80539 H01-3BAC V15653	002004 006999	6
22	S500-8	.CLAMP-	SUPPLIER CODE: V18076 SPECIFICATION NUMBER: BACC10HS08 OPTIONAL PART: 025029-08 V84971 44LC17H8PB V22175 490-08RPB V83930	002004 006999	4
25	025029-20	.CLAMP-	SUPPLIER CODE: V84971 SPECIFICATION NUMBER: BACC10HS20 OPTIONAL PART: 44LC17H20PB V22175 S500-20 V18076 490-20RPB V83930	002004 006999	7
26	355N5104-1	.BRACKET		107107 121949 952999	1
27	355N5104-2	.BRACKET		107107 121949 952999	1

MISSING ITEM NUMBERS NOT APPLICABLE

- ITEM NOT ILLUSTRATED

BRI

26-15-02-01

BOEING PROPRIETARY - Copyright © - Unpublished Work - See title page for details.

26-15-02
FIG. 01
PAGE 2
JAN 20/09



757

PARTS CATALOG (MAINTENANCE)

FIG ITEM	PART NUMBER	1 2 3 4 5 6 7	NOMENCLATURE	EFFECT FROM TO	UNITS PER ASSY
1					
28	355N5104-3	.	BRACKET	107107 121949 952999	1
29	355N5104-4	.	BRACKET	107107 121949 952999	1
35	5565	.	DETECTOR ASSY- SUPPLIER CODE: V25693 POSITION DATA: LWR SPECIFICATION NUMBER: S332T301-5 ELECTRICAL EQUIP NUMBER: TS5062 TS5066 COMPONENT MAINT MANUAL REF: 26-10-45	002004 006106 108120 950951	1
40	5665	..	TUBE ASSY-SPRT SUPPLIER CODE: V25693	002004 006106 108120 950951	1
42	6017-1	...	PIN ASSY-LOCKING DUAL CLAMP SUPPLIER CODE: V25693	002004 006106 108120 950951	7
43	6017-2	...	PIN ASSY-LOCKING SINGLE CLAMP SUPPLIER CODE: V25693	002004 006106 108120 950951	2
45	3601-29	..	DETECTOR ASSY-FIRE OVERHEAT SUPPLIER CODE: V25693 ATTACHING PARTS	002004 006106 108120 950951	2
50	NAS501-3-4A	..	BOLT	002004 006106 108120 950951	8
55	AN960C10L	..	WASHER	002004 006106 108120 950951	8
60	NAS679C3	..	NUT	002004 006106 108120 950951	8
			-----*		

MISSING ITEM NUMBERS NOT APPLICABLE

- ITEM NOT ILLUSTRATED

BRI

26-15-02-01

26-15-02
FIG. 01
PAGE 3
JAN 20/09



757

PARTS CATALOG (MAINTENANCE)

FIG ITEM	PART NUMBER	1 2 3 4 5 6 7	NOMENCLATURE	EFFECT FROM TO	UNITS PER ASSY
1					
70	TA01C30H16	..	CLAMP- SUPPLIER CODE: V84971	002004 006106 108120 950951	4
75	3106	..	BUSHING- SUPPLIER CODE: V25693	002004 006106 108120 950951	16
90	5816	.DETECTOR ASSY- SUPPLIER CODE: V25693 POSITION DATA: UPR SPECIFICATION NUMBER: S332T301-37 ELECTRICAL EQUIP NUMBER: TS5063 TS5067 COMPONENT MAINT MANUAL REF: 26-10-46		002004 006106 108120 950951	1
95	5817	..	SUPPORT ASSY-TUBE SUPPLIER CODE: V25693	002004 006106 108120 950951	1
97	6017-1	...	PIN ASSY-LOCKING DUAL CLAMP SUPPLIER CODE: V25693	002004 006106 108120 950951	10
100	BCREF6316	..	DETECTOR ASSY-FIRE OVERHEAT SUPPLIER CODE: V25693 OVERLENGTH PART NUMBER: 3601-39-800-450-4 ATTACHING PARTS	002004 006106 108120 950951	2
105	NAS501-3-4A	..	BOLT	002004 006106 108120 950951	8
110	AN960C10L	..	WASHER	002004 006106 108120 950951	16
115	NAS679C3	..	NUT	002004 006106 108120 950951	8
			-----*		

MISSING ITEM NUMBERS NOT APPLICABLE

- ITEM NOT ILLUSTRATED

BRI

26-15-02-01

26-15-02
FIG. 01
PAGE 4
JAN 20/09



757

PARTS CATALOG (MAINTENANCE)

FIG ITEM	PART NUMBER	1 2 3 4 5 6 7	NOMENCLATURE	EFFECT FROM TO	UNITS PER ASSY
1					
120	M25988-1-003	...	PACKING- CONFIG CHG DATA FROM A CMM: REPLS ARP568-003	002004 006106 108120 950951	10
125	TA01C30H16	..	CLAMP- SUPPLIER CODE: V84971	002004 006106 108120 950951	4
130	3106	..	BUSHING- SUPPLIER CODE: V25693	002004 006106 108120 950951	19
135	5787	..	LINER- SUPPLIER CODE: V25693	002004 006106 108120 950951	1
140	70050042	.	DETECTOR ASSY- SUPPLIER CODE: V05167 POSITION DATA: UPR SPECIFICATION NUMBER: S332T301-39 ELECTRICAL EQUIP NUMBER: TS5063 TS5067 COMPONENT MAINT MANUAL REF: 26-10-01 OPTIONAL PART: 51291-066 VK1536	107107 121949 952999	1
140	51291-066	.	ELEMENT ASSY- SUPPLIER CODE: VK1536 POSITION DATA: UPR SPECIFICATION NUMBER: S332T301-39 ELECTRICAL EQUIP NUMBER: TS5063 TS5067 COMPONENT MAINT MANUAL REF: 26-11-81 OPTIONAL PART: 70050042 V05167	107107 121949 952999	1

MISSING ITEM NUMBERS NOT APPLICABLE

- ITEM NOT ILLUSTRATED

BRI

26-15-02-01

26-15-02
FIG. 01
PAGE 5
JAN 20/09



757

PARTS CATALOG (MAINTENANCE)

FIG ITEM	PART NUMBER	1 2 3 4 5 6 7	NOMENCLATURE	EFFECT FROM TO	UNITS PER ASSY
1 145	70050041	.	DETECTOR ASSY- SUPPLIER CODE: V05167 POSITION DATA: LWR SPECIFICATION NUMBER: S332T301-19 ELECTRICAL EQUIP NUMBER: TS5062 TS5066 COMPONENT MAINT MANUAL REF: 26-10-01 OPTIONAL PART: 51291-065 VK1536	107107 121949 952999	1
145	51291-065	.	ELEMENT ASSY- SUPPLIER CODE: VK1536 POSITION DATA: LWR SPECIFICATION NUMBER: S332T301-19 ELECTRICAL EQUIP NUMBER: TS5062 TS5066 COMPONENT MAINT MANUAL REF: 26-11-81 OPTIONAL PART: 70050041 V05167	107107 121949 952999	1
150	38531-712	..	CAP-TRANSIT SUPPLIER CODE: VK1536	107107 121949 952999	4
155	38531-711	..	CUP-SEALING SUPPLIER CODE: VK1536	107107 121949 952999	4
160	37731-301	..	WASHER-COPPER SEALING SUPPLIER CODE: VK1536	107107 121949 952999	4
165	35281-212	..	WASHER-TAB SUPPLIER CODE: VK1536 USED ON: 51291-065	107107 121949 952999	4
170	36211-201	..	WASHER-TAB SUPPLIER CODE: VK1536 USED ON: 51291-066	107107 121949 952999	4

MISSING ITEM NUMBERS NOT APPLICABLE

- ITEM NOT ILLUSTRATED

26-15-02-01

26-15-02
FIG. 01
PAGE 6
JAN 20/09

BRI



757

PARTS CATALOG (MAINTENANCE)

FIG ITEM	PART NUMBER	1 2 3 4 5 6 7	NOMENCLATURE	EFFECT FROM TO	UNITS PER ASSY
1					
175	51476-101	..	BUSHING- SUPPLIER CODE: VK1536 USED ON: 70050041	107107 121949 952999	16
180	51476-101	..	BUSHING- SUPPLIER CODE: VK1536 USED ON: 70050042	107107 121949 952999	24
185	TA02212H108HC	..	CLIP-P SUPPLIER CODE: VK0685 USED ON: 70050041	107107 121949 952999	7
190	TA02212H108HC	..	CLIP-P SUPPLIER CODE: VK0685 USED ON: 70050042	107107 121949 952999	4
195	51216-082	..	DETECTOR-ELEMENT SUPPLIER CODE: VK1536 USED ON: 70050041	107107 121949 952999	2
200	51216-083	..	DETECTOR-ELEMENT SUPPLIER CODE: VK1536 USED ON: 70050042	107107 121949 952999	2
- 300	286N2826-001		WIRE BUNDLE ASSY-	002004 006100 950999	RF
- 300	286N2826-002		WIRE BUNDLE ASSY-	107107 121503 904949	RF
- 300	286N2826-308		WIRE BUNDLE ASSY	101102 108120	RF
- 300	286N2826-307		WIRE BUNDLE ASSY	504903	RF

MISSING ITEM NUMBERS NOT APPLICABLE

- ITEM NOT ILLUSTRATED

26-15-02-01

26-15-02
FIG. 01
PAGE 7
JAN 20/09

BRI

BOEING PROPRIETARY - Copyright © - Unpublished Work - See title page for details.



757

PARTS CATALOG (MAINTENANCE)

FIG ITEM	PART NUMBER	1 2 3 4 5 6 7	NOMENCLATURE	EFFECT FROM TO	UNITS PER ASSY
1 302	G899314S		.CLAMP- SUPPLIER CODE: V06324 SPECIFICATION NUMBER: BACC10HD14A OPTIONAL PART: G8993M14S V06324 S2251-14-30S V07418 6000-123-01 V14283 900-555F14-10 V31461 ELECTRICAL EQUIP NUMBER: D01900T D01908T WIRING DIAGRAM REF: 261511	002004 006102 108120 950951	2
305	MS3459KS14S5S		.PLUG- ELECTRICAL EQUIP NUMBER: D01900 D01908 WIRING DIAGRAM REF: 261511	002004 006102 108120 950951	2
310	51444-130		.PLUG- SUPPLIER CODE: VK1536 ELECTRICAL EQUIP NUMBER: D01900 D01910 WIRING DIAGRAM REF: 261511	107107 121949 952999	2
315	51444-129		.PLUG- SUPPLIER CODE: VK1536 ELECTRICAL EQUIP NUMBER: D01902 D01908 WIRING DIAGRAM REF: 261511	107107 121949 952999	2
- 350	286N2828-307		WIRE BUNDLE ASSY	504903	RF
- 350	286N2828-001		WIRE BUNDLE ASSY-	002004 006100 950999	RF
- 350	286N2828-002		WIRE BUNDLE ASSY-	107107 121503 904949	RF

MISSING ITEM NUMBERS NOT APPLICABLE

- ITEM NOT ILLUSTRATED

26-15-02-01

26-15-02
FIG. 01
PAGE 8
JAN 20/09

BRI

 **BOEING**
757
PARTS CATALOG (MAINTENANCE)

FIG ITEM	PART NUMBER	1 2 3 4 5 6 7	NOMENCLATURE	EFFECT FROM TO	UNITS PER ASSY
1					
- 350	286N2828-301		WIRE BUNDLE ASSY-	101102 108120	RF
352	G899314S		.CLAMP- SUPPLIER CODE: V06324 SPECIFICATION NUMBER: BACC10HD14A OPTIONAL PART: G8993M14S V06324 S2251-14-30S V07418 6000-123-01 V14283 900-555F14-10 V31461 ELECTRICAL EQUIP NUMBER: D01904T D01912T WIRING DIAGRAM REF: 261511	002004 006102 108120 950951	2
355	MS3459KS14S5S		.PLUG- ELECTRICAL EQUIP NUMBER: D01904 D01912 WIRING DIAGRAM REF: 261511	002004 006102 108120 950951	2
360	51444-130		.PLUG- SUPPLIER CODE: VK1536 ELECTRICAL EQUIP NUMBER: D01904 D01914 WIRING DIAGRAM REF: 261511	107107 121949 952999	2
365	51444-129		.PLUG- SUPPLIER CODE: VK1536 ELECTRICAL EQUIP NUMBER: D01906 D01912 WIRING DIAGRAM REF: 261511	107107 121949 952999	2

MISSING ITEM NUMBERS NOT APPLICABLE

- ITEM NOT ILLUSTRATED

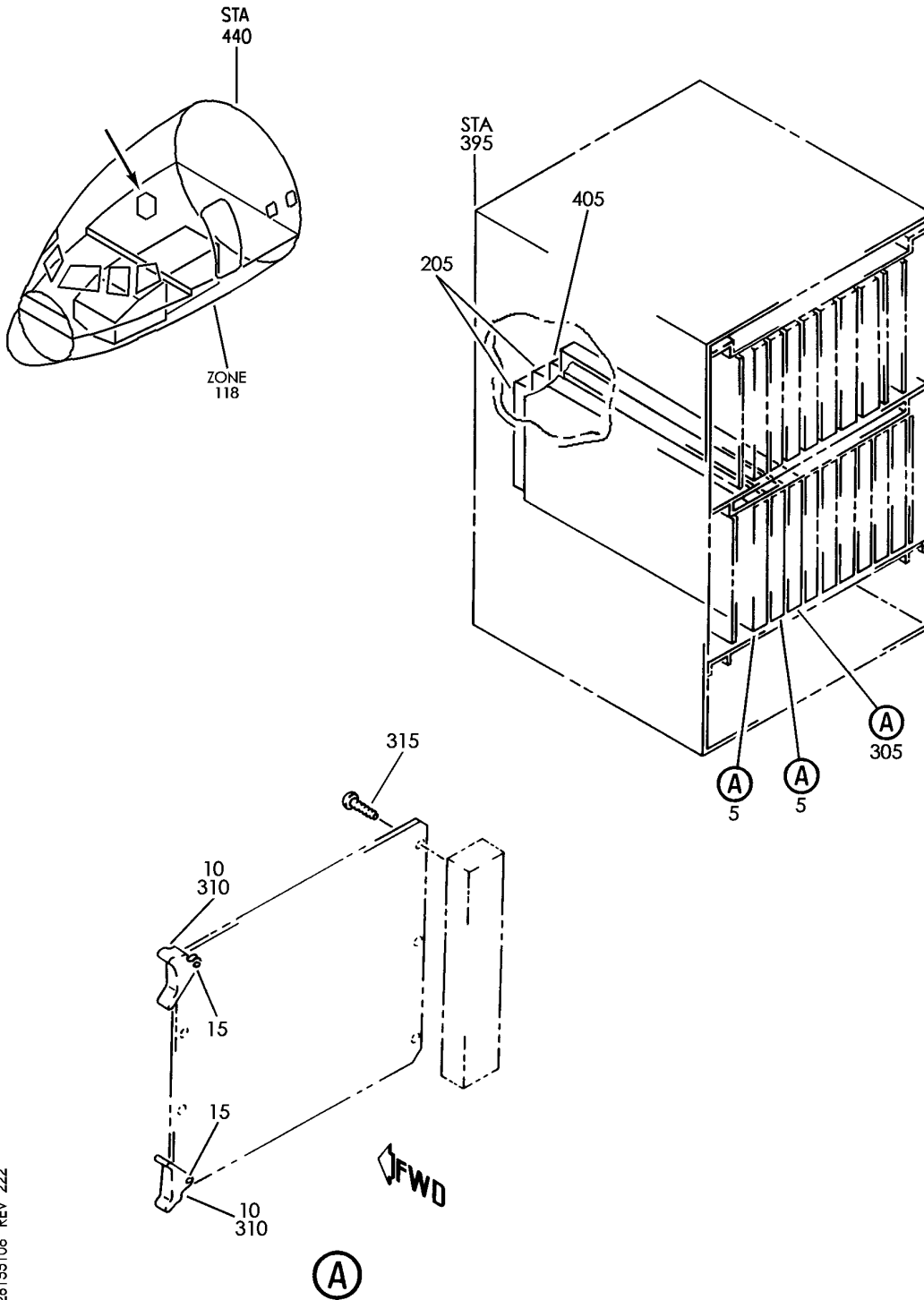
BRI

26-15-02-01

BOEING PROPRIETARY - Copyright © - Unpublished Work - See title page for details.

26-15-02
FIG. 01
PAGE 9
JAN 20/09

BOEING
757
PARTS CATALOG (MAINTENANCE)



Y 26155108 REV 222

EQUIPMENT INSTL-MAIN ELECTRONICS EQPT CTR FIRE AND OVERHEAT DETECTION
FIGURE 8

26-15-51-08

BRI
JAN 20/09

26-15-51-08
PAGE 0



757

PARTS CATALOG (MAINTENANCE)

FIG ITEM	PART NUMBER	1 2 3 4 5 6 7	NOMENCLATURE	EFFECT FROM TO	UNITS PER ASSY
8			EQUIPMENT INSTL-MAIN ELECTRONICS EQPT CTR FIRE AND OVERHEAT DETECTION	103106 108120	
- 1	284N4000-260000		EQUIPMENT INSTL-MAIN ELECTRONICS EQPT CTR FIRE AND OVERHEAT DETECTION	108120	RF
- 1	MODREF9949		FOR NHA/ADDITIONAL DET SEE: 24-00-58-05F		
			EQUIPMENT INSTL-MAIN ELECTRONICS EQPT CTR FIRE AND OVERHEAT DETECTION	103106	1
			MODULE NUMBER: 284N4000-260000 REV A		
5	6445-01		.CARD ASSY- SUPPLIER CODE: V25693	103106 108120	2
			SPECIFICATION NUMBER: S332T301-181		
			ELECTRICAL EQUIP NUMBER: M00685 M00686		
			COMPONENT MAINT MANUAL REF: 26-11-46		
10	S202-1		..EJECTOR-CARD SUPPLIER CODE: V18677	103106 108120	2
15	MS16562-209		..PIN	103106 108120	2
- 200	286N1120-305		WIRE BUNDLE ASSY	108120	RF
- 200	286N1120-601		WIRE BUNDLE ASSY	103106	RF
205	300055-001		.CONNECTOR- SUPPLIER CODE: V0D9V3	103106 108120	2
			SPECIFICATION NUMBER: BACC65L41		
			OPTIONAL PART: 300055-001 V03877 192-341-0005 V26742 S1022-00833 V03877		
			ELECTRICAL EQUIP NUMBER: D01916 D01918		
			WIRING DIAGRAM REF: 261511		

MISSING ITEM NUMBERS NOT APPLICABLE

- ITEM NOT ILLUSTRATED

26-15-51-08

26-15-51
FIG. 08
PAGE 1
JAN 20/09

BRI



757
PARTS CATALOG (MAINTENANCE)

FIG ITEM	PART NUMBER	1 2 3 4 5 6 7	NOMENCLATURE	EFFECT FROM TO	UNITS PER ASSY
8 - 300	284N4000-260003		EQUIPMENT INSTL-MAIN ELECTRONICS EQPT CTR FIRE AND OVERHEAT DETECTION FOR NHA/ADDITIONAL DET SEE: 24-00-58-05	108120	RF
- 300	MODREF10030		EQUIPMENT INSTL-MAIN ELECTRONICS EQPT CTR FIRE AND OVERHEAT DETECTION MODULE NUMBER: 284N4000-260003 REV A	103106	1

MISSING ITEM NUMBERS NOT APPLICABLE

- ITEM NOT ILLUSTRATED

BRI

26-15-51-08

BOEING PROPRIETARY - Copyright © - Unpublished Work - See title page for details.

26-15-51
FIG. 08
PAGE 2
JAN 20/09



757

PARTS CATALOG (MAINTENANCE)

FIG ITEM	PART NUMBER	1 2 3 4 5 6 7	NOMENCLATURE	EFFECT FROM TO	UNITS PER ASSY
8 305	285N0028-136		.PRINTED WIRING ASSY- SUPPLIER CODE: V89954 FUNCTIONAL DESCRIPTION: THE (AFOLTS) (PWA) HAS TWO ELECTRICALLY ISOLATED CIRCUITS UTILIZING PROGRAMMABLE LOGIC. EACH AFOLTS CIRCUIT MONITORS INPUTS FROM FIRE, CARGO SMOKE, OR OVERHEAT DETECTORS AND PROCESSES THOSE SIGNALS. MISCELLANEOUS DATA: NOT APPROVED FOR ETOPS IN POSITIONS 4 (M10325) AND 5 (M10426) ONLY ON ROLLS-ROYCE ENGINES, FOR 757 OTHERWISE APPROVED FOR ETOPS ELECTRICAL EQUIP NUMBER: M10400 COMPONENT MAINT MANUAL REF: 26-10-54 QUALIFIED I/W DATA: 285N0028-36 IS INTERCHANGEABLE WITH 285N0028-136 IN THE ENGINE/APU FIRE AND OVERHEAT DETECTION APPLICATIONS, EXCEPT IN THE CARGO SMOKE DETECTION APPLICATION ON THE 757-300 AND 767-400, -36 IS ONE WAY INTERCHANGEABLE WITH -136. FUNCTIONAL REFERENCE: PLACARDS AND MARKINGS FOR DETAILS SEE 11-36-19-08	103106 108120	1
310	S202		..EJECTOR-CARD SUPPLIER CODE: V18677	103106 108120	2

MISSING ITEM NUMBERS NOT APPLICABLE

- ITEM NOT ILLUSTRATED

26-15-51-08

26-15-51
FIG. 08
PAGE 3
JAN 20/09

BRI



757

PARTS CATALOG (MAINTENANCE)

FIG ITEM	PART NUMBER	1 2 3 4 5 6 7	NOMENCLATURE	EFFECT FROM TO	UNITS PER ASSY
8 315	PL1801-04-6		.. SCREW- SUPPLIER CODE: V03038 SPECIFICATION NUMBER: S285T004-6	103106 108120	3
- 400	286N1120-305		WIRE BUNDLE ASSY	108120	RF
- 400	286N1120-601		WIRE BUNDLE ASSY	103106	RF
405	300052-001		. CONNECTOR- SUPPLIER CODE: V0D9V3 SPECIFICATION NUMBER: BACC65L66 OPTIONAL PART: 200620-01 V16512 300052-001 V03877 192-366-0010 V26742 S1009-00833 V03877 ELECTRICAL EQUIP NUMBER: D04078 WIRING DIAGRAM REF: 261511	103106 108120	1

MISSING ITEM NUMBERS NOT APPLICABLE

- ITEM NOT ILLUSTRATED

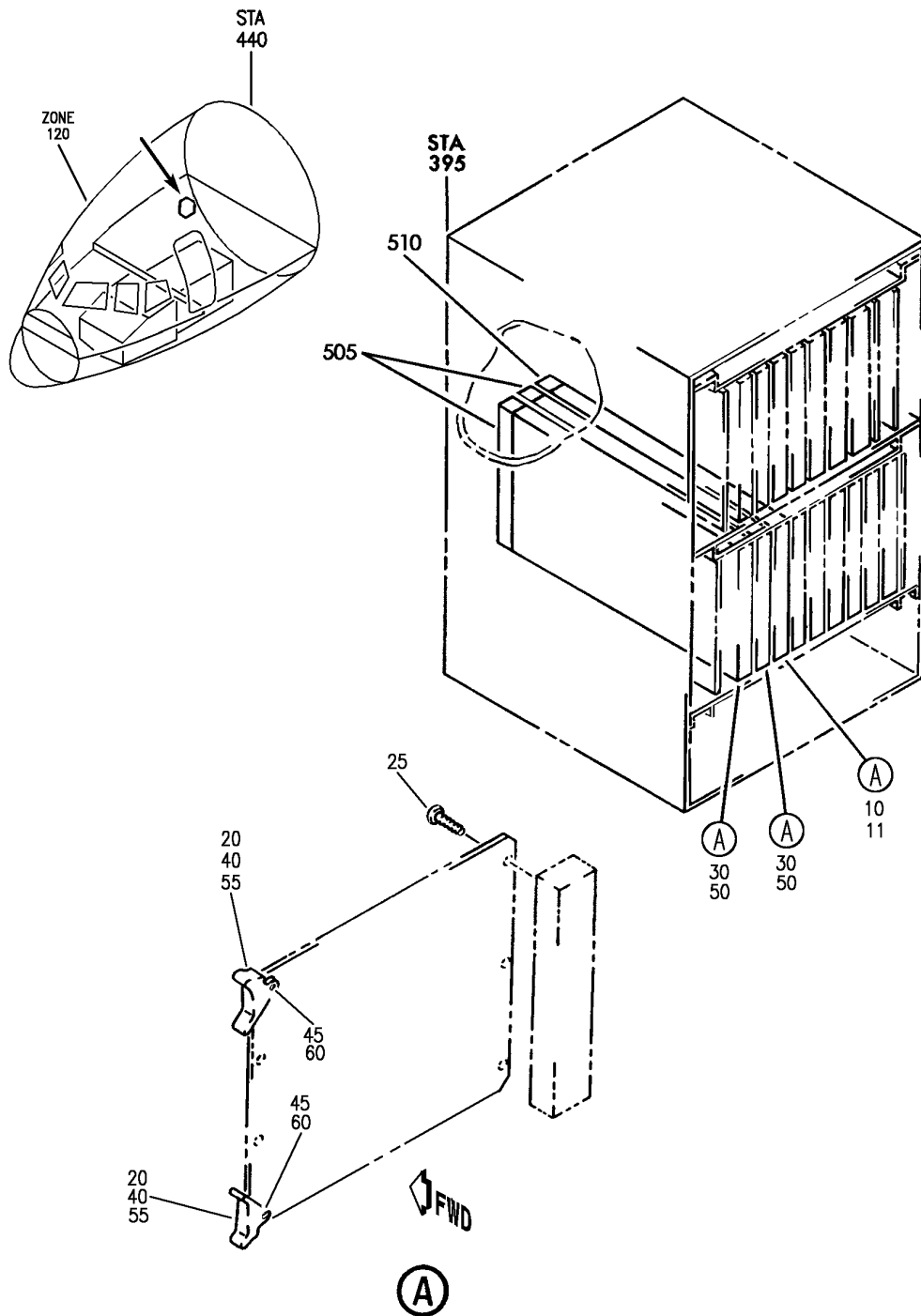
BRI

26-15-51-08

BOEING PROPRIETARY - Copyright © - Unpublished Work - See title page for details.

26-15-51
FIG. 08
PAGE 4
JAN 20/09

BOEING
757
PARTS CATALOG (MAINTENANCE)



Y 28155201 REV 281

EQUIPMENT INSTL-MAIN ELECTRONICS EQPT CTR (APU FIRE DETECTION ONLY)

FIGURE 1

26-15-52-01

BRI
MAY 28/07

26-15-52-01
PAGE 0



757

PARTS CATALOG (MAINTENANCE)

FIG ITEM	PART NUMBER	1 2 3 4 5 6 7	NOMENCLATURE	EFFECT FROM TO	UNITS PER ASSY
1			EQUIPMENT INSTL-MAIN ELECTRONICS EQPT CTR (APU FIRE DETECTION ONLY)	002004 006100 107107 121503 904999	
- 2	284N1307-33		EQUIPMENT INSTL-MAIN ELECTRONICS EQPT CTR (APU FIRE DETECTION ONLY) FOR NHA/OTHER SYS DET SEE: 24-00-58-01	107107	RF
- 2	284N1800-32		EQUIPMENT INSTL-MAIN ELECTRONICS EQPT CTR (APU FIRE DETECTION ONLY) FOR NHA/OTHER SYS DET SEE: 24-00-58-01	952999	RF
- 4	284N1800-16		EQUIPMENT INSTL-MAIN ELECTRONICS EQPT CTR (APU FIRE DETECTION ONLY) FOR NHA/OTHER SYS DET SEE: 24-00-58-01	121503 904949	RF
- 5	284N1800-34		EQUIPMENT INSTL-MAIN ELECTRONICS EQPT CTR (APU FIRE DETECTION ONLY) FOR NHA/OTHER SYS DET SEE: 24-00-58-01	002004 006100	RF
- 5	284N1800-38		EQUIPMENT INSTL-MAIN ELECTRONICS EQPT CTR (APU FIRE DETECTION ONLY) FOR NHA/OTHER SYS DET SEE: 24-00-58-01	950951	RF
10	285N0028-10		.PRINTED WIRING ASSY-AUTO FIRE/OVERHEAT LOGIC/TEST SYS SUPPLIER CODE: V89954 MISCELLANEOUS DATA: NOT APPROVED FOR ETOPS IN POSITIONS 4 (M10325) AND 5 (M10426) ONLY ON ROLLS-ROYCE ENGINES, FOR 757 OTHERWISE APPROVED FOR ETOPS ELECTRICAL EQUIP NUMBER: M10400 COMPONENT MAINT MANUAL REF: 26-10-53	107107	1

MISSING ITEM NUMBERS NOT APPLICABLE

- ITEM NOT ILLUSTRATED

26-15-52-01

26-15-52
FIG. 01
PAGE 1
JAN 20/09

BRI



757

PARTS CATALOG (MAINTENANCE)

FIG ITEM	PART NUMBER	1 2 3 4 5 6 7	NOMENCLATURE	EFFECT FROM TO	UNITS PER ASSY
1 10	285N0028-17		.PRINTED WIRING ASSY-AUTO FIRE/OVERHEAT LOGIC/TEST SYS SUPPLIER CODE: V89954 MISCELLANEOUS DATA: NOT APPROVED FOR ETOPS IN POSITIONS 4 (M10325) AND 5 (M10426) ONLY ON ROLLS ROYCE ENGINES, FOR 757 OTHERWISE APPROVED FOR ETOPS ELECTRICAL EQUIP NUMBER: M10400 COMPONENT MAINT MANUAL REF: 26-10-53	107107	1
10	285N0028-20		.PRINTED WIRING ASSY-AUTO FIRE/OVERHEAT LOGIC/TEST SYS SUPPLIER CODE: V89954 MISCELLANEOUS DATA: NOT APPROVED FOR ETOPS IN POSITIONS 4 (M10325) AND 5 (M10426) ONLY ON ROLLS-ROYCE ENGINES, FOR 757 OTHERWISE APPROVED FOR ETOPS ELECTRICAL EQUIP NUMBER: M10400 COMPONENT MAINT MANUAL REF: 26-10-53 OPTIONAL PART: 285N0028-21 V89954	107107	1

MISSING ITEM NUMBERS NOT APPLICABLE

- ITEM NOT ILLUSTRATED

BRI

26-15-52-01

BOEING PROPRIETARY - Copyright © - Unpublished Work - See title page for details.

26-15-52
FIG. 01
PAGE 2
JAN 20/09



757

PARTS CATALOG (MAINTENANCE)

FIG ITEM	PART NUMBER	1 2 3 4 5 6 7	NOMENCLATURE	EFFECT FROM TO	UNITS PER ASSY
1 10	285N0028-21		.PRINTED WIRING ASSY-AUTO FIRE/OVERHEAT LOGIC/TEST SYS SUPPLIER CODE: V89954 MISCELLANEOUS DATA: NOT APPROVED FOR ETOPS IN POSITIONS 4 (M10325) AND 5 (M10426) ONLY ON ROLLS ROYCE ENGINES, FOR 757 OTHERWISE APPROVED FOR ETOPS ELECTRICAL EQUIP NUMBER: M10400 COMPONENT MAINT MANUAL REF: 26-10-53 OPTIONAL PART: 285N0028-20 V89954	107107	1
10	285N0028-36		.PRINTED WIRING ASSY-AUTO FIRE/OVERHEAT LOGIC/TEST SYS SUPPLIER CODE: V89954 MISCELLANEOUS DATA: NOT APPROVED FOR ETOPS IN POSITIONS 4 (M10325) AND 5 (M10426) ONLY ON ROLLS-ROYCE ENGINES, FOR 757 OTHERWISE APPROVED FOR ETOPS ELECTRICAL EQUIP NUMBER: M10400 COMPONENT MAINT MANUAL REF: 26-10-53	107107	1

MISSING ITEM NUMBERS NOT APPLICABLE

- ITEM NOT ILLUSTRATED

BRI

26-15-52-01

BOEING PROPRIETARY - Copyright © - Unpublished Work - See title page for details.

26-15-52
FIG. 01
PAGE 3
JAN 20/09



757

PARTS CATALOG (MAINTENANCE)

FIG ITEM	PART NUMBER	1 2 3 4 5 6 7	NOMENCLATURE	EFFECT FROM TO	UNITS PER ASSY
1 10	285N0028-20		.PRINTED WIRING ASSY-AUTO FIRE/OVERHEAT LOGIC/TEST SYS SUPPLIER CODE: V89954 MISCELLANEOUS DATA: NOT APPROVED FOR ETOPS IN POSITIONS 4 (M10325) AND 5 (M10426) ONLY ON ROLLS-ROYCE ENGINES, FOR 757 OTHERWISE APPROVED FOR ETOPS ELECTRICAL EQUIP NUMBER: M10400 COMPONENT MAINT MANUAL REF: 26-10-53 OPTIONAL PART: 285N0028-21 V89954	904949 952952	1
10	285N0028-21		.PRINTED WIRING ASSY-AUTO FIRE/OVERHEAT LOGIC/TEST SYS SUPPLIER CODE: V89954 MISCELLANEOUS DATA: NOT APPROVED FOR ETOPS IN POSITIONS 4 (M10325) AND 5 (M10426) ONLY ON ROLLS ROYCE ENGINES, FOR 757 OTHERWISE APPROVED FOR ETOPS ELECTRICAL EQUIP NUMBER: M10400 COMPONENT MAINT MANUAL REF: 26-10-53 OPTIONAL PART: 285N0028-20 V89954	904949 952952	1

MISSING ITEM NUMBERS NOT APPLICABLE

- ITEM NOT ILLUSTRATED

BRI

26-15-52-01

BOEING PROPRIETARY - Copyright © - Unpublished Work - See title page for details.

26-15-52
FIG. 01
PAGE 4
JAN 20/09



757

PARTS CATALOG (MAINTENANCE)

FIG ITEM	PART NUMBER	1 2 3 4 5 6 7	NOMENCLATURE	EFFECT FROM TO	UNITS PER ASSY
1 10	285N0028-36	.	PRINTED WIRING ASSY-AUTO FIRE/OVERHEAT LOGIC/TEST SYS SUPPLIER CODE: V89954 MISCELLANEOUS DATA: NOT APPROVED FOR ETOPS IN POSITIONS 4 (M10325) AND 5 (M10426) ONLY ON ROLLS-ROYCE ENGINES, FOR 757 OTHERWISE APPROVED FOR ETOPS ELECTRICAL EQUIP NUMBER: M10400 COMPONENT MAINT MANUAL REF: 26-10-53 QUALIFIED I/W DATA: 285N0028-36 IS INTERCHANGEABLE WITH 285N0028-136 IN THE ENGINE/APU FIRE AND OVERHEAT DETECTION APPLICATIONS, EXCEPT IN THE CARGO SMOKE DETECTION APPLICATION ON THE 757-300 AND 767-400, -36 IS ONE WAY INTERCHANGEABLE WITH -136.	002004 006100 121503 904999	1
20	S202	..	EJECTOR-CARD SUPPLIER CODE: V18677	002004 006100 107107 121503 904999	2
25	MS35214-14	..	SCREW- USED ON: 285N0028-1 285N0028-10 285N0028-17 285N0028-20 285N0028-21	107107 904949 952952	3
25	S285T004-6	..	SCREW- USED ON: 285N0028-36	002004 006100 107107 121503 904999	3

MISSING ITEM NUMBERS NOT APPLICABLE

- ITEM NOT ILLUSTRATED

26-15-52-01

26-15-52
FIG. 01
PAGE 5
JAN 20/09

BRI



757

PARTS CATALOG (MAINTENANCE)

FIG ITEM	PART NUMBER	1 2 3 4 5 6 7	NOMENCLATURE	EFFECT FROM TO	UNITS PER ASSY
1					
30	6445-01	.	CARD ASSY-FIRE AND OVERHEAT DETECTION SUPPLIER CODE: V25693 SPECIFICATION NUMBER: S332T301-181 ELECTRICAL EQUIP NUMBER: M00685 M00686 COMPONENT MAINT MANUAL REF: 26-11-46 QUALIFIED I/W DATA: 6445 I/W 6445-01 EXCEPT FOR ETOPS WHERE 6445-01 MUST BE USED	002004 006100 950951	2
40	S202-1	..	EJECTOR-CARD SUPPLIER CODE: V18677	002004 006100 950951	2
45	MS16562-209	..	PIN	002004 006100 950951	2
50	51653-177	.	PRINTED CIRCUIT CARD ASSY- SUPPLIER CODE: VK1536 SPECIFICATION NUMBER: S332T301-256 ELECTRICAL EQUIP NUMBER: M00685 M00686 COMPONENT MAINT MANUAL REF: 26-11-76	107107 121503 904949 952999	2
50	200211-1	.	PRINTED CIRCUIT CARD ASSY- SUPPLIER CODE: V05167 SPECIFICATION NUMBER: S332T301-21 ELECTRICAL EQUIP NUMBER: M00685 M00686 COMPONENT MAINT MANUAL REF: 26-10-03	107107 904949	2
55	S202	..	EJECTOR- SUPPLIER CODE: V18677	107107 121503 904949 952999	2
60	MS16562-209	..	PIN	107107 904949	2

MISSING ITEM NUMBERS NOT APPLICABLE

- ITEM NOT ILLUSTRATED

26-15-52-01

26-15-52
FIG. 01
PAGE 6
JAN 20/09

BRI



757

PARTS CATALOG (MAINTENANCE)

FIG ITEM	PART NUMBER	1 2 3 4 5 6 7	NOMENCLATURE	EFFECT FROM TO	UNITS PER ASSY
1					
- 500	286N1120-002		WIRE BUNDLE ASSY-	107107 121503 904949	RF
- 500	286N1120-004		WIRE BUNDLE ASSY	002004 006100 950999	RF
505	300055-001		.CONNECTOR- SUPPLIER CODE: V0D9V3 SPECIFICATION NUMBER: BACC65L41 OPTIONAL PART: 300055-001 V03877 192-341-0005 V26742 S1022-00833 V03877 ELECTRICAL EQUIP NUMBER: D01916 D01918 WIRING DIAGRAM REF: 261511	002004 006100 107107 121503 904999	2
510	300052-001		.CONNECTOR- SUPPLIER CODE: V0D9V3 SPECIFICATION NUMBER: BACC65L66 OPTIONAL PART: 200620-01 V16512 300052-001 V03877 192-366-0010 V26742 S1009-00833 V03877 ELECTRICAL EQUIP NUMBER: D04078 WIRING DIAGRAM REF: 261511	002004 006100 107107 121503 904999	1

MISSING ITEM NUMBERS NOT APPLICABLE

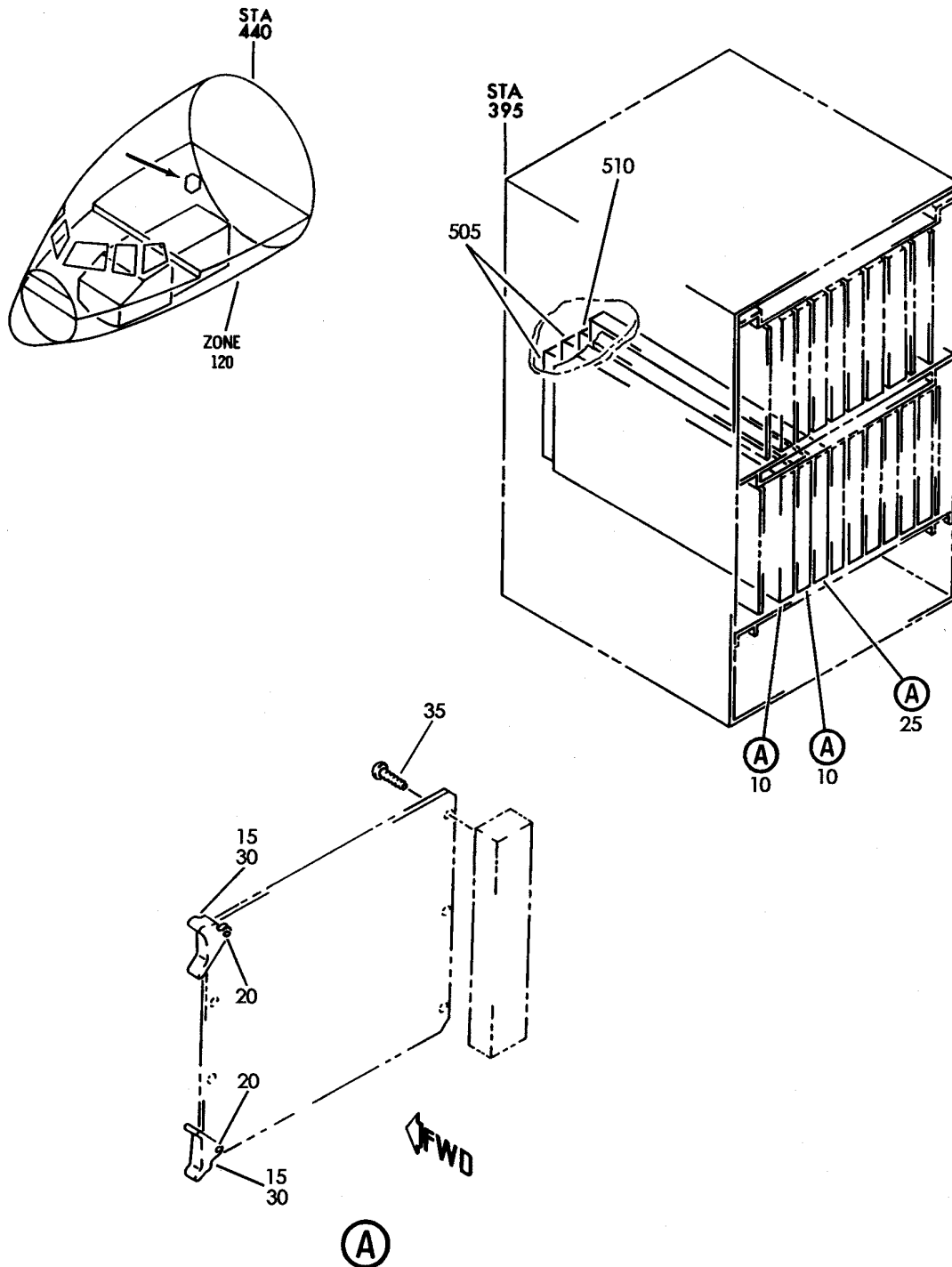
- ITEM NOT ILLUSTRATED

BRI

26-15-52-01

26-15-52
FIG. 01
PAGE 7
JAN 20/09

BOEING
757
PARTS CATALOG (MAINTENANCE)



Y 26155201B REV 213

EQUIPMENT INSTL-MAIN ELECTRONICS EQPT CTR (APU FIRE DETECTION ONLY)
FIGURE 1B

26-15-52-01B

BRI
MAY 28/07

26-15-52-01B
PAGE 0



757

PARTS CATALOG (MAINTENANCE)

FIG ITEM	PART NUMBER	1 2 3 4 5 6 7	NOMENCLATURE	EFFECT FROM TO	UNITS PER ASSY
1B			EQUIPMENT INSTL-MAIN ELECTRONICS EQPT CTR (APU FIRE DETECTION ONLY)	101102	
- 3	284N1800-140		EQUIPMENT INSTL-MAIN ELECTRONICS EQPT CTR (APU FIRE DETECTION ONLY) FOR NHA/OTHER SYS DET SEE: 24-00-58-05E	101101	RF
- 3	284N1800-141		EQUIPMENT INSTL-MAIN ELECTRONICS EQPT CTR (APU FIRE DETECTION ONLY) FOR NHA/OTHER SYS DET SEE: 24-00-58-05E	102102	RF
10	6445-01		.CARD ASSY-FIRE AND OVERHEAT DETECTION SUPPLIER CODE: V25693 SPECIFICATION NUMBER: S332T301-181 ELECTRICAL EQUIP NUMBER: M00685 M00686 COMPONENT MAINT MANUAL REF: 26-11-46 USED ON: 284N1800-54 284N1800-76	101102	2
15	S202-1		..EJECTOR-CARD SUPPLIER CODE: V18677	101102	2
20	MS16562-209		..PIN	101102	2

MISSING ITEM NUMBERS NOT APPLICABLE

- ITEM NOT ILLUSTRATED

26-15-52-01B

26-15-52
FIG. 01B
PAGE 1
JAN 20/09

BRI

BOEING PROPRIETARY - Copyright © - Unpublished Work - See title page for details.



757

PARTS CATALOG (MAINTENANCE)

FIG ITEM	PART NUMBER	1 2 3 4 5 6 7	NOMENCLATURE	EFFECT FROM TO	UNITS PER ASSY
1B 25	285N0028-36		.PRINTED WIRING ASSY-AUTO FIRE/OVERHEAT LOGIC/TEST SYS SUPPLIER CODE: V89954 MISCELLANEOUS DATA: NOT APPROVED FOR ETOPS IN POSITIONS 4 (M10325) AND 5 (M10426) ONLY ON ROLLS-ROYCE ENGINES, FOR 757 OTHERWISE APPROVED FOR ETOPS ELECTRICAL EQUIP NUMBER: M10400 COMPONENT MAINT MANUAL REF: 26-10-53 QUALIFIED I/W DATA: 285N0028-36 IS INTERCHANGEABLE WITH 285N0028-136 IN THE ENGINE/APU FIRE AND OVERHEAT DETECTION APPLICATIONS, EXCEPT IN THE CARGO SMOKE DETECTION APPLICATION ON THE 757-300 AND 767-400, -36 IS ONE WAY INTERCHANGEABLE WITH -136. USED ON: 284N1800-102	101101	1

MISSING ITEM NUMBERS NOT APPLICABLE

- ITEM NOT ILLUSTRATED

BRI

26-15-52-01B

BOEING PROPRIETARY - Copyright © - Unpublished Work - See title page for details.

26-15-52
FIG. 01B
PAGE 2
MAY 28/07



757

PARTS CATALOG (MAINTENANCE)

FIG ITEM	PART NUMBER	1 2 3 4 5 6 7	NOMENCLATURE	EFFECT FROM TO	UNITS PER ASSY
1B 25	285N0028-136	.	PRINTED WIRING ASSY-AUTO FIRE/OVERHEAT LOGIC/TEST SYS SUPPLIER CODE: V89954 FUNCTIONAL DESCRIPTION: THE (AFOLTS) (PWA) HAS TWO ELECTRICALLY ISOLATED CIRCUITS UTILIZING PROGRAMMABLE LOGIC. EACH AFOLTS CIRCUIT MONITORS INPUTS FROM FIRE, CARGO SMOKE, OR OVERHEAT DETECTORS AND PROCESSES THOSE SIGNALS. MISCELLANEOUS DATA: NOT APPROVED FOR ETOPS IN POSITIONS 4 (M10325) AND 5 (M10426) ONLY ON ROLLS-ROYCE ENGINES, FOR 757 OTHERWISE APPROVED FOR ETOPS ELECTRICAL EQUIP NUMBER: M10400 COMPONENT MAINT MANUAL REF: 26-10-53 QUALIFIED I/W DATA: 285N0028-36 IS INTERCHANGEABLE WITH 285N0028-136 IN THE ENGINE/APU FIRE AND OVERHEAT DETECTION APPLICATIONS, EXCEPT IN THE CARGO SMOKE DETECTION APPLICATION ON THE 757-300 AND 767-400, -36 IS ONE WAY INTERCHANGEABLE WITH -136.	102102	1
30	S202	..	EJECTOR-CARD SUPPLIER CODE: V18677	101102	2
35	PL1801-04-6	..	SCREW- SUPPLIER CODE: V03038 SPECIFICATION NUMBER: S285T004-6	101102	3
- 500	286N1120-305		WIRE BUNDLE ASSY	101102	RF

MISSING ITEM NUMBERS NOT APPLICABLE

- ITEM NOT ILLUSTRATED

26-15-52-01B

26-15-52
FIG. 01B
PAGE 3
JAN 20/09

BRI

BOEING PROPRIETARY - Copyright © - Unpublished Work - See title page for details.



757

PARTS CATALOG (MAINTENANCE)

FIG ITEM	PART NUMBER	1 2 3 4 5 6 7	NOMENCLATURE	EFFECT FROM TO	UNITS PER ASSY
1B 505	300055-001		.CONNECTOR- SUPPLIER CODE: V0D9V3 SPECIFICATION NUMBER: BACC65L41 OPTIONAL PART: 300055-001 V03877 192-341-0005 V26742 S1022-00833 V03877 ELECTRICAL EQUIP NUMBER: D01916 D01918 WIRING DIAGRAM REF: 261511	101102	2
510	300052-001		.CONNECTOR- SUPPLIER CODE: V0D9V3 SPECIFICATION NUMBER: BACC65L66 OPTIONAL PART: 200620-01 V16512 300052-001 V03877 192-366-0010 V26742 S1009-00833 V03877 ELECTRICAL EQUIP NUMBER: D04078 WIRING DIAGRAM REF: 261511	101102	1

MISSING ITEM NUMBERS NOT APPLICABLE

- ITEM NOT ILLUSTRATED

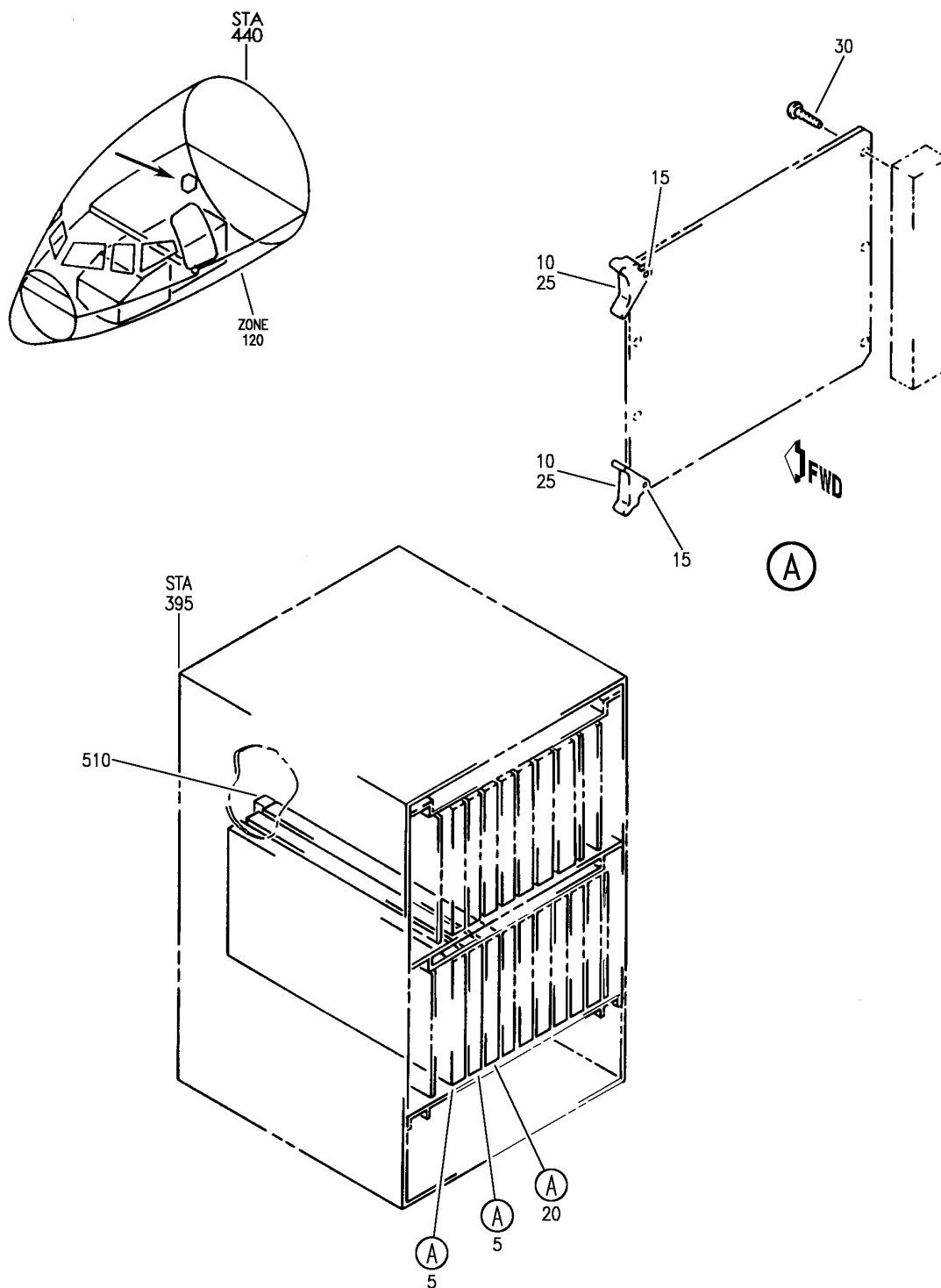
BRI

26-15-52-01B

BOEING PROPRIETARY - Copyright © - Unpublished Work - See title page for details.

26-15-52
FIG. 01B
PAGE 4
JAN 20/09

BOEING
757
PARTS CATALOG (MAINTENANCE)



Y 26155202 REV 269

EQUIPMENT INSTL-MAIN ELECTRONICS EQPT CTR (APU FIRE DETECTION ONLY)

FIGURE 2

26-15-52-02

BRI
JAN 20/09

26-15-52-02
PAGE 0



757

PARTS CATALOG (MAINTENANCE)

FIG ITEM	PART NUMBER	1 2 3 4 5 6 7	NOMENCLATURE	EFFECT FROM TO	UNITS PER ASSY
2			EQUIPMENT INSTL-MAIN ELECTRONICS EQPT CTR (APU FIRE DETECTION ONLY)	504903	
- 2	284N1800-88		EQUIPMENT INSTL-MAIN ELECTRONICS EQPT CTR (APU FIRE DETECTION ONLY) FOR NHA/OTHER SYS DET SEE: 24-00-58-05E	505505	RF
- 4	284N1800-190		EQUIPMENT INSTL-MAIN ELECTRONICS EQPT CTR (APU FIRE DETECTION ONLY) FOR NHA/OTHER SYS DET SEE: 24-00-58-05E	504504 506903	RF
5	51653-177		.PRINTED CIRCUIT CARD ASSY- SUPPLIER CODE: VK1536 SPECIFICATION NUMBER: S332T301-256 ELECTRICAL EQUIP NUMBER: M00685 M00686 COMPONENT MAINT MANUAL REF: 26-11-76	504903	2
10	S202		..EJECTOR-CARD SUPPLIER CODE: V18677	504903	2
15	MS16562-209		..PIN	504903	2

MISSING ITEM NUMBERS NOT APPLICABLE

- ITEM NOT ILLUSTRATED

BRI

26-15-52-02

BOEING PROPRIETARY - Copyright © - Unpublished Work - See title page for details.

26-15-52
FIG. 02
PAGE 1
JAN 20/09



757

PARTS CATALOG (MAINTENANCE)

FIG ITEM	PART NUMBER	1 2 3 4 5 6 7	NOMENCLATURE	EFFECT FROM TO	UNITS PER ASSY
2 20	285N0028-136		.PRINTED WIRING ASSY-AUTO FIRE/OVERHEAT LOGIC/TEST SYS SUPPLIER CODE: V89954 FUNCTIONAL DESCRIPTION: THE (AFOLTS) (PWA) HAS TWO ELECTRICALLY ISOLATED CIRCUITS UTILIZING PROGRAMMABLE LOGIC. EACH AFOLTS CIRCUIT MONITORS INPUTS FROM FIRE, CARGO SMOKE, OR OVERHEAT DETECTORS AND PROCESSES THOSE SIGNALS. MISCELLANEOUS DATA: NOT APPROVED FOR ETOPS IN POSITIONS 4 (M10325) AND 5 (M10426) ONLY ON ROLLS-ROYCE ENGINES, FOR 757 OTHERWISE APPROVED FOR ETOPS ELECTRICAL EQUIP NUMBER: M10400 COMPONENT MAINT MANUAL REF: 26-10-54 QUALIFIED I/W DATA: 285N0028-36 IS INTERCHANGEABLE WITH 285N0028-136 IN THE ENGINE/APU FIRE AND OVERHEAT DETECTION APPLICATIONS, EXCEPT IN THE CARGO SMOKE DETECTION APPLICATION ON THE 757-300 AND 767-400, -36 IS ONE WAY INTERCHANGEABLE WITH -136. USED ON: 284N1800-156	504903	1
25	S202		..EJECTOR-CARD SUPPLIER CODE: V18677	504903	2

MISSING ITEM NUMBERS NOT APPLICABLE

- ITEM NOT ILLUSTRATED

BRI

26-15-52-02

26-15-52
FIG. 02
PAGE 2
JAN 20/09



757

PARTS CATALOG (MAINTENANCE)

FIG ITEM	PART NUMBER	1 2 3 4 5 6 7	NOMENCLATURE	EFFECT FROM TO	UNITS PER ASSY
2	30 PL1801-04-6		.. SCREW- SUPPLIER CODE: V03038 SPECIFICATION NUMBER: S285T004-6	504903	3
- 500	286N1120-312		WIRE BUNDLE ASSY	504903	RF
505	300055-001		.CONNECTOR- SUPPLIER CODE: V0D9V3 SPECIFICATION NUMBER: BACC65L41 OPTIONAL PART: 300055-001 V03877 192-341-0005 V26742 S1022-00833 V03877 ELECTRICAL EQUIP NUMBER: D01916 D01918 WIRING DIAGRAM REF: 261511	504903	2
510	300052-001		.CONNECTOR- SUPPLIER CODE: V0D9V3 SPECIFICATION NUMBER: BACC65L66 OPTIONAL PART: 200620-01 V16512 300052-001 V03877 192-366-0010 V26742 S1009-00833 V03877 ELECTRICAL EQUIP NUMBER: D04078 WIRING DIAGRAM REF: 261511	504903	1

MISSING ITEM NUMBERS NOT APPLICABLE

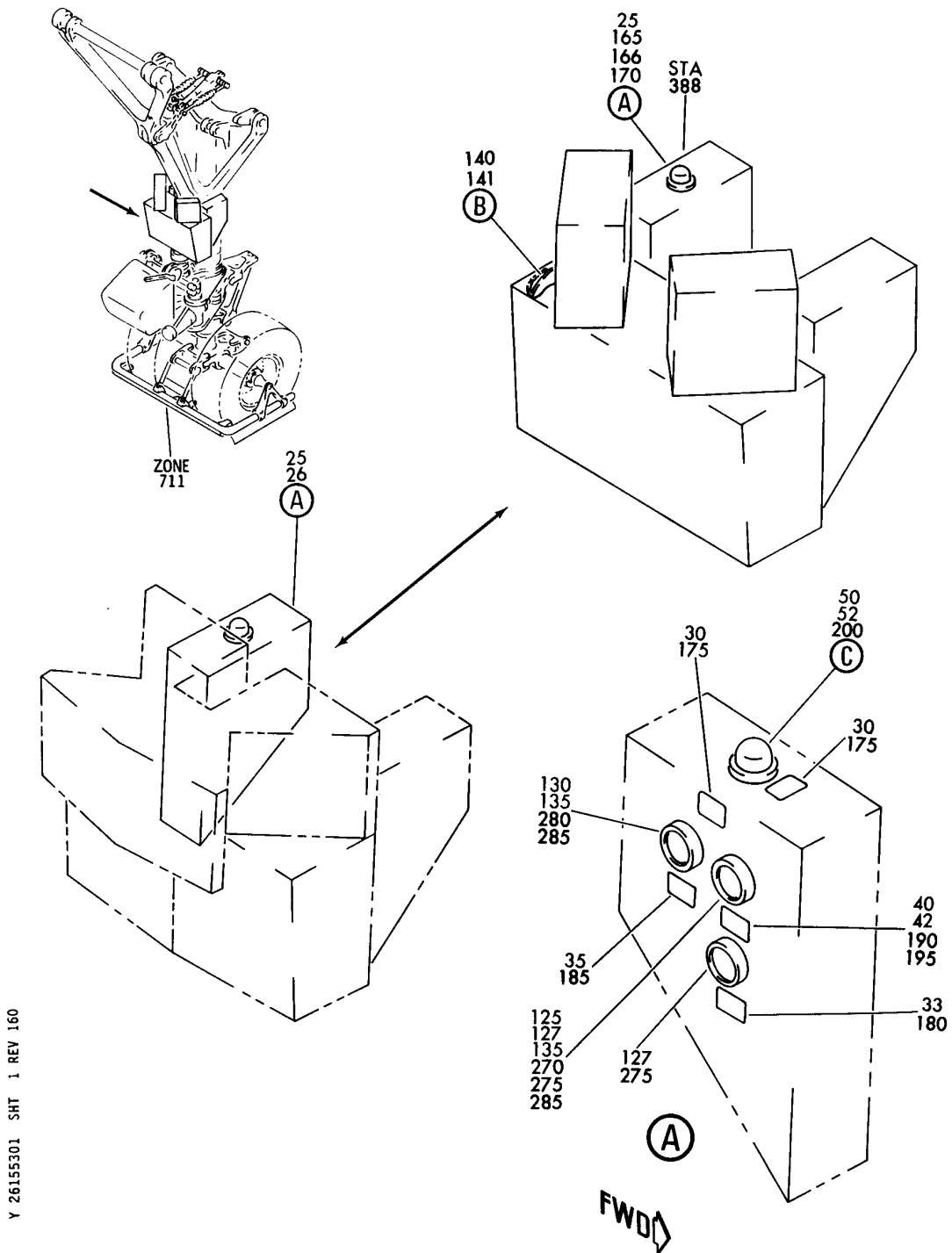
- ITEM NOT ILLUSTRATED

26-15-52-02

26-15-52
FIG. 02
PAGE 3
JAN 20/09

BRI

BOEING
757
PARTS CATALOG (MAINTENANCE)



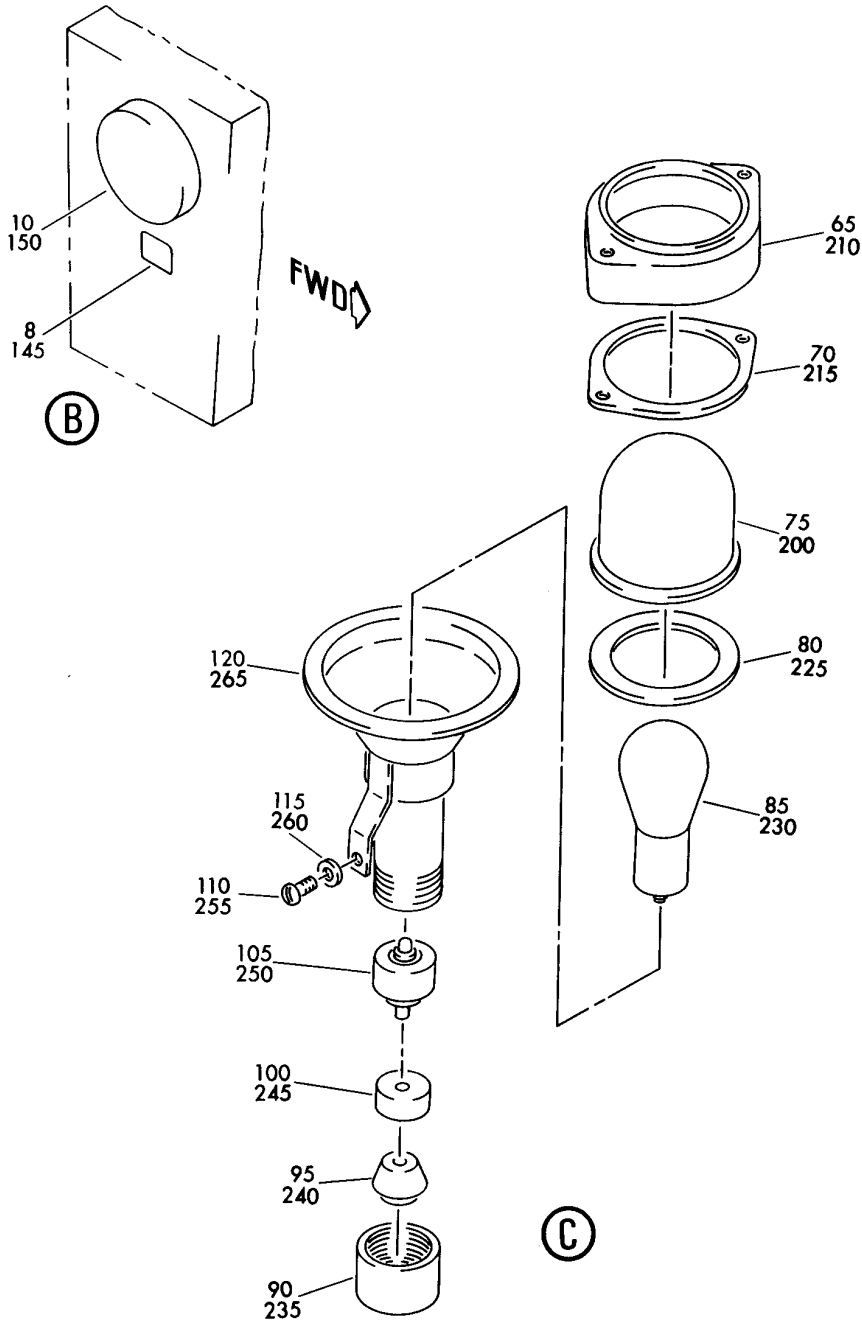
PANEL INSTL-P62 AND P63 NLG LDG AND TURNOFF LTS (APU FIRE DETECTION ONLY)
FIGURE 1 (SHEET 1)

26-15-53-01

BRI
MAY 28/07

26-15-53-01
PAGE 0

BOEING
757
PARTS CATALOG (MAINTENANCE)



Y 26155301 SHT 2 REV 160

PANEL INSTL-P62 AND P63 NLG LDG AND TURNOFF LTS (APU FIRE DETECTION ONLY)
FIGURE 1 (SHEET 2)

26-15-53-01

BRI
MAY 28/07

26-15-53-01
PAGE 0A



757

PARTS CATALOG (MAINTENANCE)

FIG ITEM	PART NUMBER	1 2 3 4 5 6 7	NOMENCLATURE	EFFECT FROM TO	UNITS PER ASSY
1			PANEL INSTL-P62 AND P63 NLG LDG AND TURNOFF LTS (APU FIRE DETECTION ONLY)	002004 006101 107107 121503 904999	
- 2	284N1761-30		PANEL INSTL-P62 AND P63 NLG LDG AND TURNOFF LTS (APU FIRE DETECTION ONLY) FOR NHA/OTHER SYS DET SEE: 24-00-58-01C	107107	RF
- 2	284N1761-31		PANEL INSTL-P62 AND P63 NLG LDG AND TURNOFF LTS (APU FIRE DETECTION ONLY) FOR NHA/OTHER SYS DET SEE: 24-00-58-01C	904949	RF
- 2	284N1761-34		PANEL INSTL-P62 AND P63 NLG LDG AND TURNOFF LTS (APU FIRE DETECTION ONLY) FOR NHA/OTHER SYS DET SEE: 24-00-58-01C	952952	RF
- 2	284N1761-38		PANEL INSTL-P62 AND P63 NLG LDG AND TURNOFF LTS (APU FIRE DETECTION ONLY) FOR NHA/OTHER SYS DET SEE: 24-00-58-01C	002004	RF
- 3	284N1761-42		PANEL INSTL-P62 AND P63 NLG LDG AND TURNOFF LTS (APU FIRE DETECTION ONLY) FOR NHA/OTHER SYS DET SEE: 24-00-58-01C	121503	RF
- 3	284N1761-48		PANEL INSTL-P62 AND P63 NLG LDG AND TURNOFF LTS (APU FIRE DETECTION ONLY) FOR NHA/OTHER SYS DET SEE: 24-00-58-01C	006017	RF
- 3	284N1761-54		PANEL INSTL-P62 AND P63 NLG LDG AND TURNOFF LTS (APU FIRE DETECTION ONLY) FOR NHA/OTHER SYS DET SEE: 24-00-58-01C	953999	RF
- 3	284N1761-57		PANEL INSTL-P62 AND P63 NLG LDG AND TURNOFF LTS (APU FIRE DETECTION ONLY) FOR NHA/OTHER SYS DET SEE: 24-00-58-01C	950951	RF

MISSING ITEM NUMBERS NOT APPLICABLE

- ITEM NOT ILLUSTRATED

26-15-53-01

26-15-53
FIG. 01
PAGE 1
JAN 20/09

BRI



757

PARTS CATALOG (MAINTENANCE)

FIG ITEM	PART NUMBER	1 2 3 4 5 6 7	NOMENCLATURE	EFFECT FROM TO	UNITS PER ASSY
1					
- 4	284N1761-60		PANEL INSTL-P62 AND P63 NLG LDG AND TURNOFF LTS (APU FIRE DETECTION ONLY) FOR NHA/OTHER SYS DET SEE: 24-00-58-01C	018100	RF
- 5	284N1761-90		PANEL INSTL-P62 AND P63 NLG LDG AND TURNOFF LTS (APU FIRE DETECTION ONLY) FOR NHA/OTHER SYS DET SEE: 24-00-58-05E	101101	RF
8	BAC27NEL0168		.MARKER-ALUMINUM FOIL PLACARD CONTENT: B00122 HORN-APU FIRE WARNING	002004 006017 107107 121503 904999	1
10	9643		.HORN- SUPPLIER CODE: V80252 ELECTRICAL EQUIP NUMBER: B00122	002004 006017 107107 121503 904999	1
- 15	NAS1801-3-12		ATTACHING PARTS .SCREW	002004 006017 107107 121503 904999	4
- 20	BRH10A3		.NUT- SUPPLIER CODE: V52828 SPECIFICATION NUMBER: BACN10JC3 OPTIONAL PART: H10-3BAC V15653 NS202101-02 V80539 RMLH9075-3W V72962 VN303A02 V92215 96-02 V80539 T6S1032J V11815	002004 006017 107107 121503 904999	4

MISSING ITEM NUMBERS NOT APPLICABLE

- ITEM NOT ILLUSTRATED

26-15-53-01

26-15-53
FIG. 01
PAGE 2
JAN 20/09

BRI



757

PARTS CATALOG (MAINTENANCE)

FIG ITEM	PART NUMBER	1 2 3 4 5 6 7	NOMENCLATURE	EFFECT FROM TO	UNITS PER ASSY
1					
- 20	MS21042-3	.	NUT-	002004 006017 107107 121503 904999	4
25	284N1758-20	.	HOUSING ASSY-P62 CONT PNL POSITION DATA: RH	002004 952952	RF
25	284N1758-22	.	HOUSING ASSY-P62 CONT PNL POSITION DATA: RH	107107	RF
25	284N1758-23	.	HOUSING ASSY-P62 CONT PNL POSITION DATA: RH	121503 904949	RF
26	284N1758-35	.	HOUSING ASSY-P62 CONT PNL POSITION DATA: RH	006017 950951 953999	RF
30	BAC27NEL0167	..	MARKER-ALUMINUM FOIL PLACARD CONTENT: L00401 LIGHT-FIRE APU	002004 006017 107107 121503 904999	2
35	BAC27NEL1023	..	MARKER-ALUMINUM FOIL PLACARD CONTENT: S00484 SWITCH-APU FIRE SHT/DN	002004 006017 107107 121503 904999	1
40	BAC27NEL0163	..	MARKER-ALUMINUM FOIL PLACARD CONTENT: S00485 SWITCH-APU BTL DISCH	002004 006017 107107 121503 904999	1
42	BAC27NEL1075	..	MARKER-ALUMINUM FOIL PLACARD CONTENT: S00485 SWITCH-APU BTL 1 DISCH	002004 006017 107107 121503 904999	1
50	A8985-4	..	LIGHT ASSY-FLOOD SUPPLIER CODE: V72914 ELECTRICAL EQUIP NUMBER: L00401	002004 006017 107107 121503 904999	1
- 55	NAS1801-06-10	..	ATTACHING PARTS SCREW	002004 006017 107107 121503 904999	2

MISSING ITEM NUMBERS NOT APPLICABLE

- ITEM NOT ILLUSTRATED

26-15-53-01

26-15-53
FIG. 01
PAGE 3
JAN 20/09

BRI

BOEING
757
PARTS CATALOG (MAINTENANCE)

FIG ITEM	PART NUMBER	1 2 3 4 5 6 7	NOMENCLATURE	EFFECT FROM TO	UNITS PER ASSY
1 - 60	BRH10A06		..NUT SUPPLIER CODE: V52828 SPECIFICATION NUMBER: BACN10JCO6 OPTIONAL PART: H10-06BAC V15653 RMLH9075-62W V72962 VN303A62 V92215 96-62 V80539 NS202101-62 V80539 T6S632J V11815 -----*-----	002004 006017 107107 121503 904999	2
65	A4861-1		...RETAINER- SUPPLIER CODE: V72914	002004 006017 107107 121503 904999	1
70	A4865-1		...WASHER- SUPPLIER CODE: V72914	002004 006017 107107 121503 904999	1
75	A4513-2		...LENS- SUPPLIER CODE: V72914	002004 006017 107107 121503 904999	1
80	A2109-4		...GASKET- SUPPLIER CODE: V72914	002004 006017 107107 121503 904999	1
85	MS35478-307		...LAMP	002004 006017 107107 121503 904999	1
90	A4711		...NUT-CONDUIT SUPPLIER CODE: V72914	002004 006017 107107 121503 904999	1

MISSING ITEM NUMBERS NOT APPLICABLE

- ITEM NOT ILLUSTRATED

BRI

26-15-53-01

BOEING PROPRIETARY - Copyright © - Unpublished Work - See title page for details.

26-15-53
FIG. 01
PAGE 4
JAN 20/09

 **BOEING**
757
PARTS CATALOG (MAINTENANCE)

FIG ITEM	PART NUMBER	1 2 3 4 5 6 7	NOMENCLATURE	EFFECT FROM TO	UNITS PER ASSY
1					
95	A9314-1	...	GROMMET- SUPPLIER CODE: V72914	002004 006017 107107 121503 904999	1
100	A8333-1	...	SPACER- SUPPLIER CODE: V72914	002004 006017 107107 121503 904999	1
105	A8331-1	...	CONTACT ASSY- SUPPLIER CODE: V72914	002004 006017 107107 121503 904999	1
110	MS35206-226		ATTACHING PARTS ...SCREW	002004 006017 107107 121503 904999	1
115	MS35338-41	...	WASHER	002004 006017 107107 121503 904999	1
120	A8515-1	-----*-----	...LAMPHOLDER ASSY- SUPPLIER CODE: V72914	002004 006017 107107 121503 904999	1
125	1HE48	..	SWITCH- SUPPLIER CODE: V91929 ELECTRICAL EQUIP NUMBER: S00485	002004 006017 107107 121503 904999	1
130	1HE49	..	SWITCH- SUPPLIER CODE: V91929 ELECTRICAL EQUIP NUMBER: S00484	002004 006017 107107 121503 904999	1
135	284N1067-71	..	GUARD-SWITCH	002004 006017 107107 121503 904999	2
140	284N1209-2	.	PANEL ASSY-P62 AND P63, NLG, LDG AND TURNOFF LTS	018100	RF

MISSING ITEM NUMBERS NOT APPLICABLE

— ITEM NOT ILLUSTRATED

BRI

26-15-53-01

BOEING PROPRIETARY - Copyright © - Unpublished Work - See title page for details.

26-15-53
FIG. 01
PAGE 5
JAN 20/09



757

PARTS CATALOG (MAINTENANCE)

FIG ITEM	PART NUMBER	1 2 3 4 5 6 7	NOMENCLATURE	EFFECT FROM TO	UNITS PER ASSY
1					
141	284N1209-42		.PANEL ASSY-P62 AND P63, NLG, LDG AND TURNOFF LTS	101101	RF
145	BAC27NEL0168		..MARKER-ALUMINUM FOIL PLACARD CONTENT: B00122 HORN-APU FIRE WARNING	018101	1
150	9643		..HORN- SUPPLIER CODE: V80252 ELECTRICAL EQUIP NUMBER: B00122 ATTACHING PARTS	018101	1
- 155	NAS1801-3-12		..SCREW	018101	4
- 160	MS21042L3		..NUT- -----*-----	018101	4
165	284N1209-13		..HOUSING ASSY-	018100	RF
166	284N1209-49		..HOUSING ASSY-	101101	RF
170	284N1758-46		...CONTROL PANEL ASSY-P62	018100	RF
170	284N1758-66		...CONTROL PANEL ASSY-P62	101101	RF
175	BAC27NEL0167	MARKER-ALUMINUM FOIL PLACARD CONTENT: L00401 LIGHT-FIRE APU	018101	2
185	BAC27NEL1023	MARKER-ALUMINUM FOIL PLACARD CONTENT: S00484 SWITCH-APU FIRE SHT/DN	018101	1
190	BAC27NEL0163	MARKER-ALUMINUM FOIL PLACARD CONTENT: S00485 SWITCH-APU BTL DISCH	018100	1
195	BAC27NEL1075	MARKER-ALUMINUM FOIL PLACARD CONTENT: S00485 SWITCH-APU BLT 1 DISCH	018100	1
200	A8985-4	LIGHT ASSY-FLOOD SUPPLIER CODE: V72914 ELECTRICAL EQUIP NUMBER: L00401 ATTACHING PARTS	018100	1
- 205	NAS1801-06-10	SCREW -----*-----	018100	2
210	A4861-1	RETAINER- SUPPLIER CODE: V72914	018100	1
215	A4865-1	WASHER- SUPPLIER CODE: V72914	018100	1

MISSING ITEM NUMBERS NOT APPLICABLE

- ITEM NOT ILLUSTRATED

26-15-53-01

26-15-53
FIG. 01
PAGE 6
JAN 20/09

BRI



757

PARTS CATALOG (MAINTENANCE)

FIG ITEM	PART NUMBER	1 2 3 4 5 6 7	NOMENCLATURE	EFFECT FROM TO	UNITS PER ASSY
1					
220	A4513-2	LENS- SUPPLIER CODE: V72914	018100	1
225	A2109-4	GASKET- SUPPLIER CODE: V72914	018100	1
230	MS35478-307	LAMP	018100	1
235	A4711	NUT-CONDUIT SUPPLIER CODE: V72914	018100	1
240	A9314-1	GROMMET- SUPPLIER CODE: V72914	018100	1
245	A8333-1	SPACER- SUPPLIER CODE: V72914	018100	1
250	A8331-1	CONTACT ASSY- SUPPLIER CODE: V72914	018100	1
			ATTACHING PARTS		
255	MS35206-226	SCREW	018100	1
260	MS35338-41	WASHER	018100	1
			-----*-----		
265	A8515-1	LAMPHOLDER ASSY- SUPPLIER CODE: V72914	018100	1
270	1HE48	SWITCH- SUPPLIER CODE: V91929 ELECTRICAL EQUIP NUMBER: S00485	018100	1
280	1HE49	SWITCH- SUPPLIER CODE: V91929 ELECTRICAL EQUIP NUMBER: S00484	018101	1
285	284N1067-71	GUARD-SWITCH	018101	2

MISSING ITEM NUMBERS NOT APPLICABLE

- ITEM NOT ILLUSTRATED

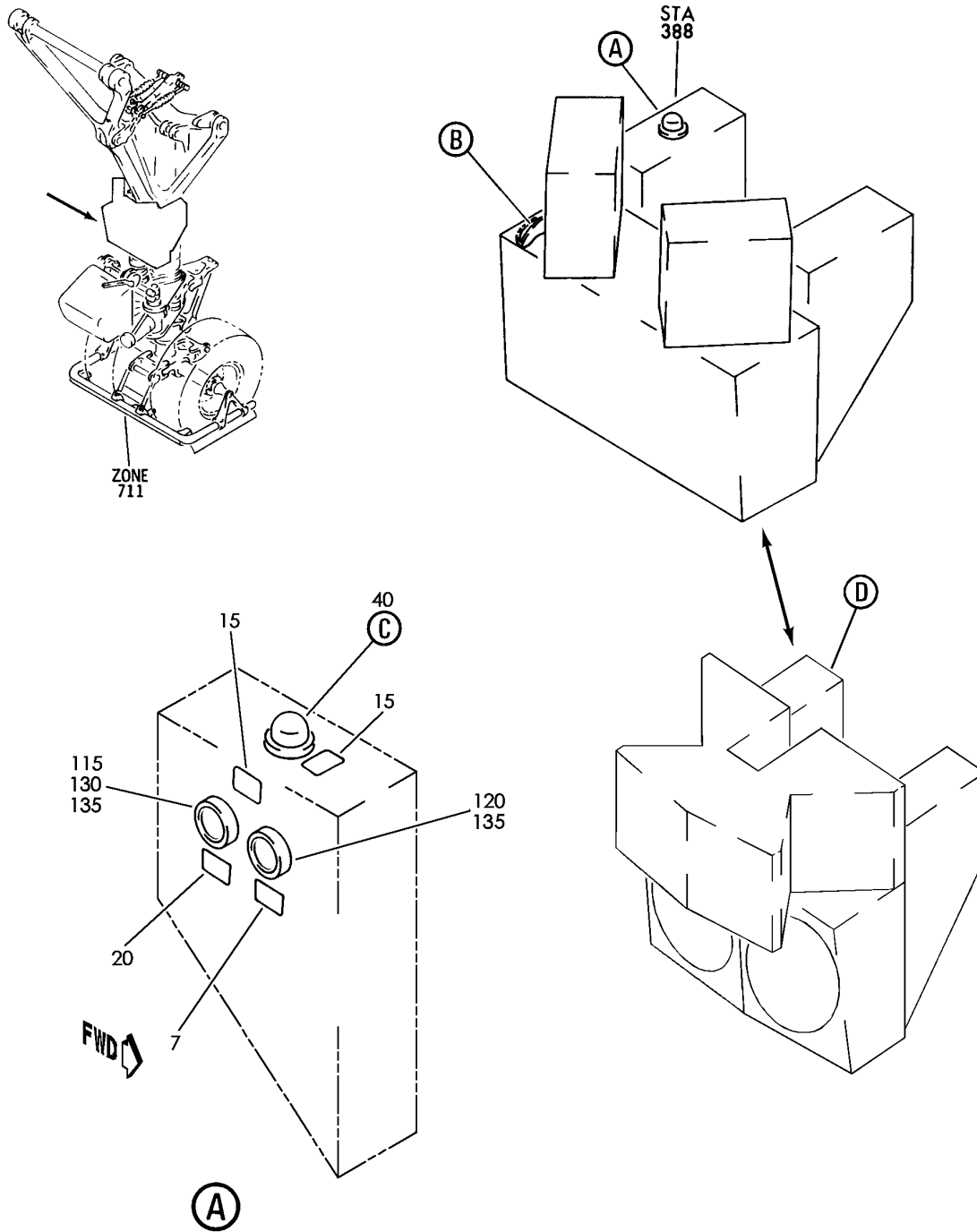
26-15-53-01

26-15-53
FIG. 01
PAGE 7
JAN 20/09

BRI

BOEING PROPRIETARY - Copyright © - Unpublished Work - See title page for details.

BOEING
757
PARTS CATALOG (MAINTENANCE)



Y 26155301B SHT 1 REV 27B

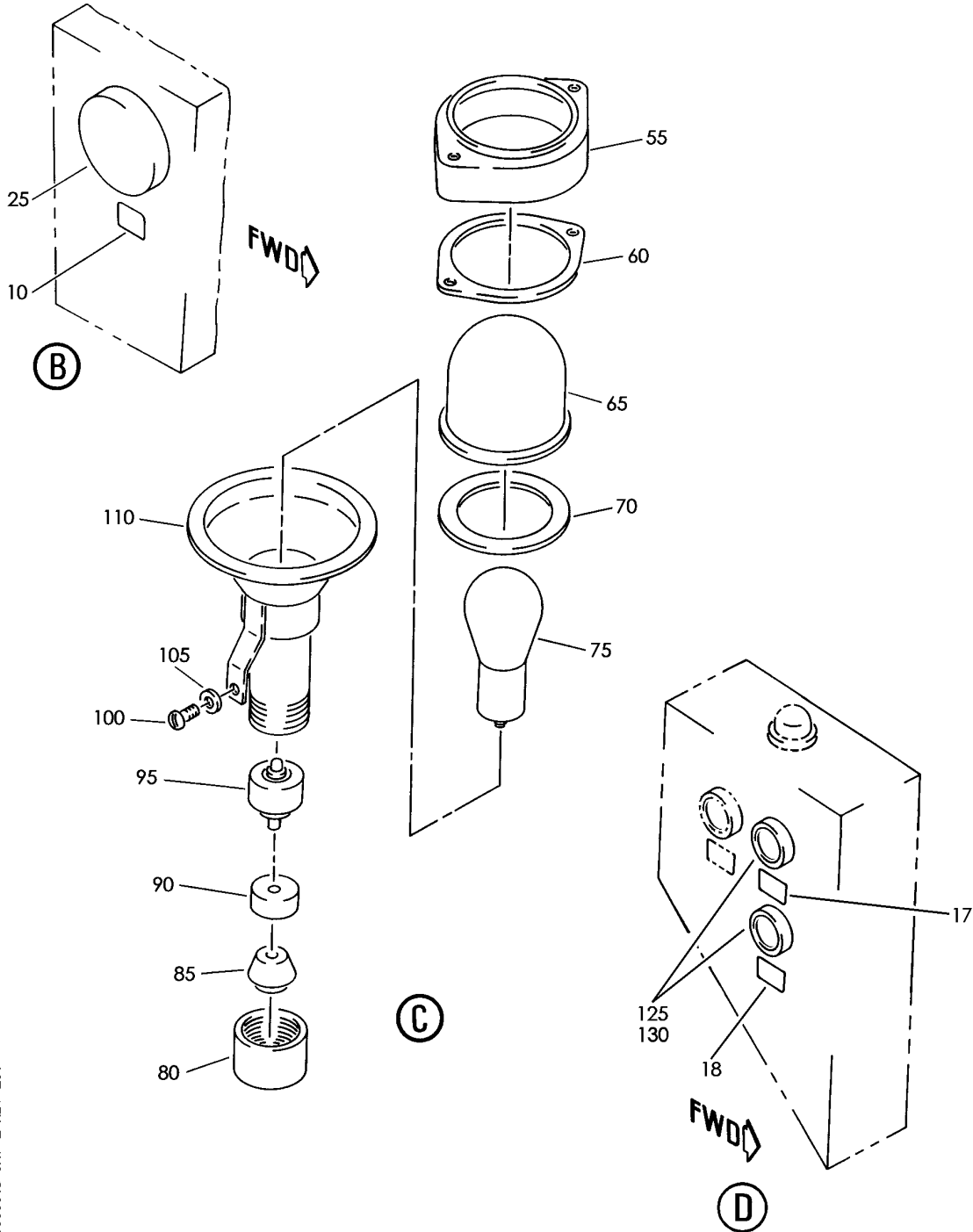
PANEL ASSY-P62 AND P63 NLG LDG AND TURNOFF LTS (APU FIRE DETECTION ONLY)
FIGURE 1B (SHEET 1)

BRI
MAY 28/07

26-15-53-01B

26-15-53-01B
PAGE 0

BOEING
757
PARTS CATALOG (MAINTENANCE)



Y 26155301B SHT 2 REV 231

PANEL ASSY-P62 AND P63 NLG LDG AND TURNOFF LTS (APU FIRE DETECTION ONLY)
FIGURE 1B (SHEET 2)

BRI
MAY 28/07

26-15-53-01B

26-15-53-01B
PAGE 0A



757

PARTS CATALOG (MAINTENANCE)

FIG ITEM	PART NUMBER	1 2 3 4 5 6 7	NOMENCLATURE	EFFECT FROM TO	UNITS PER ASSY
1B			PANEL ASSY-P62 AND P63 NLG LDG AND TURNOFF LTS (APU FIRE DETECTION ONLY)	102106 108120 504903	
- 1	284N1209-103		PANEL ASSY-P62 AND P63, NLG, LDG AND TURNOFF LTS (APU FIRE DETECTION ONLY) FOR NHA/OTHER SYS DET SEE: 33-42-04-01	102102	RF
- 1	284N1209-108		PANEL ASSY-P62 AND P63, NLG, LDG AND TURNOFF LTS (APU FIRE DETECTION ONLY) FOR NHA/OTHER SYS DET SEE: 33-42-04-01	504903	RF
- 2	284N1209-134		PANEL ASSY-P62 AND P63 NLG LDG AND TURNOFF LTS (APU FIRE DETECTION ONLY) FOR NHA/OTHER SYS DET SEE: 33-42-04-01	108120	RF
- 3	284N1209-140		PANEL ASSY-P62 AND P63, NLG, LDG AND TURNOFF LTS (APU FIRE DETECTION ONLY) FOR NHA/OTHER SYS DET SEE: 33-42-04-01	103106	RF
7	BAC27NEL0163		.MARKER-ALUMINUM FOIL PLACARD CONTENT: S00485 SWITCH-APU BTL DISCH OPTIONAL PART: BAC27NEL1075	102102 108120 504903	1
7	BAC27NEL1075		.MARKER-ALUMINUM FOIL PLACARD CONTENT: S00485 SWITCH-APU BTL DISCH OPTIONAL PART: BAC27NEL0163	108120	1
10	BAC27NEL0168		.MARKER-ALUMINUM FOIL PLACARD CONTENT: B00122 HORN-APU FIRE WARNING	102106 108120 504903	1
15	BAC27NEL0167		.MARKER-ALUMINUM FOIL PLACARD CONTENT: L00401 LIGHT-FIRE APU	102106 108120 504903	2
17	BAC27NEL1075		.MARKER-ALUMINUM FOIL PLACARD CONTENT: S00485 SWITCH-APU BLT 1 DISCH	103106	1

MISSING ITEM NUMBERS NOT APPLICABLE

- ITEM NOT ILLUSTRATED

26-15-53-01B

26-15-53
FIG. 01B
PAGE 1
JAN 20/09

BRI

BOEING PROPRIETARY - Copyright © - Unpublished Work - See title page for details.



757

PARTS CATALOG (MAINTENANCE)

FIG ITEM	PART NUMBER	1 2 3 4 5 6 7	NOMENCLATURE	EFFECT FROM TO	UNITS PER ASSY
1B					
20	BAC27NEL1023		.MARKER-ALUMINUM FOIL PLACARD CONTENT: S00484 SWITCH-APU FIRE SHT/DN	102106 108120 504903	1
25	9643		.HORN- SUPPLIER CODE: V80252 ELECTRICAL EQUIP NUMBER: B00122 ATTACHING PARTS	102106 108120 504903	1
- 30	NAS1801-3-12		.SCREW	102106 108120 504903	4
- 35	MS21042-3		.NUT	102106 108120 504903	4
40	A8985-4		-----*----- .LIGHT ASSY-FLOOD SUPPLIER CODE: V72914 ELECTRICAL EQUIP NUMBER: L00401 ATTACHING PARTS	102106 108120 504903	1
- 45	NAS1801-06-10		.SCREW	102106 108120 504903	2
- 50	BRH10A06		.NUT SUPPLIER CODE: V52828 SPECIFICATION NUMBER: BACN10JC06 OPTIONAL PART: H10-06BAC V15653 RMLH9075-62W V72962 VN303A62 V92215 96-62 V80539 NS202101-62 V80539 T6S632J V11815 -----*-----	102106 108120 504903	2
55	A4861-1		..RETAINER- SUPPLIER CODE: V72914	102106 108120 504903	1

MISSING ITEM NUMBERS NOT APPLICABLE

- ITEM NOT ILLUSTRATED

26-15-53-01B

26-15-53
FIG. 01B
PAGE 2
JAN 20/09

BRI

BOEING PROPRIETARY - Copyright © - Unpublished Work - See title page for details.



757

PARTS CATALOG (MAINTENANCE)

FIG ITEM	PART NUMBER	1 2 3 4 5 6 7	NOMENCLATURE	EFFECT FROM TO	UNITS PER ASSY
1B					
60	A4865-1	..	WASHER- SUPPLIER CODE: V72914	102106 108120 504903	1
65	A4513-2	..	LENS- SUPPLIER CODE: V72914	102106 108120 504903	1
70	A2109-4	..	GASKET- SUPPLIER CODE: V72914	102106 108120 504903	1
75	MS35478-307	..	LAMP	102106 108120 504903	1
80	A4711	..	NUT-CONDUIT SUPPLIER CODE: V72914	102106 108120 504903	1
85	A9314-1	..	GROMMET- SUPPLIER CODE: V72914	102106 108120 504903	1
90	A8333-1	..	SPACER- SUPPLIER CODE: V72914	102106 108120 504903	1
95	A8331-1	..	CONTACT ASSY- SUPPLIER CODE: V72914	102106 108120 504903	1
100	MS35206-226	..	ATTACHING PARTS SCREW	102106 108120 504903	1
105	MS35338-41	..	WASHER	102106 108120 504903	1
110	A8515-1	..	-----*----- LAMPHOLDER ASSY- SUPPLIER CODE: V72914	102106 108120 504903	1
115	1HE49	.S	SWITCH- SUPPLIER CODE: V91929 ELECTRICAL EQUIP NUMBER: S00484	102106 108120 504903	1
120	1HE48	.S	SWITCH- SUPPLIER CODE: V91929 ELECTRICAL EQUIP NUMBER: S00485	102106 108120 504903	1
135	284N1067-71	..	GUARD-SWITCH	102106 108120 504903	2

MISSING ITEM NUMBERS NOT APPLICABLE

- ITEM NOT ILLUSTRATED

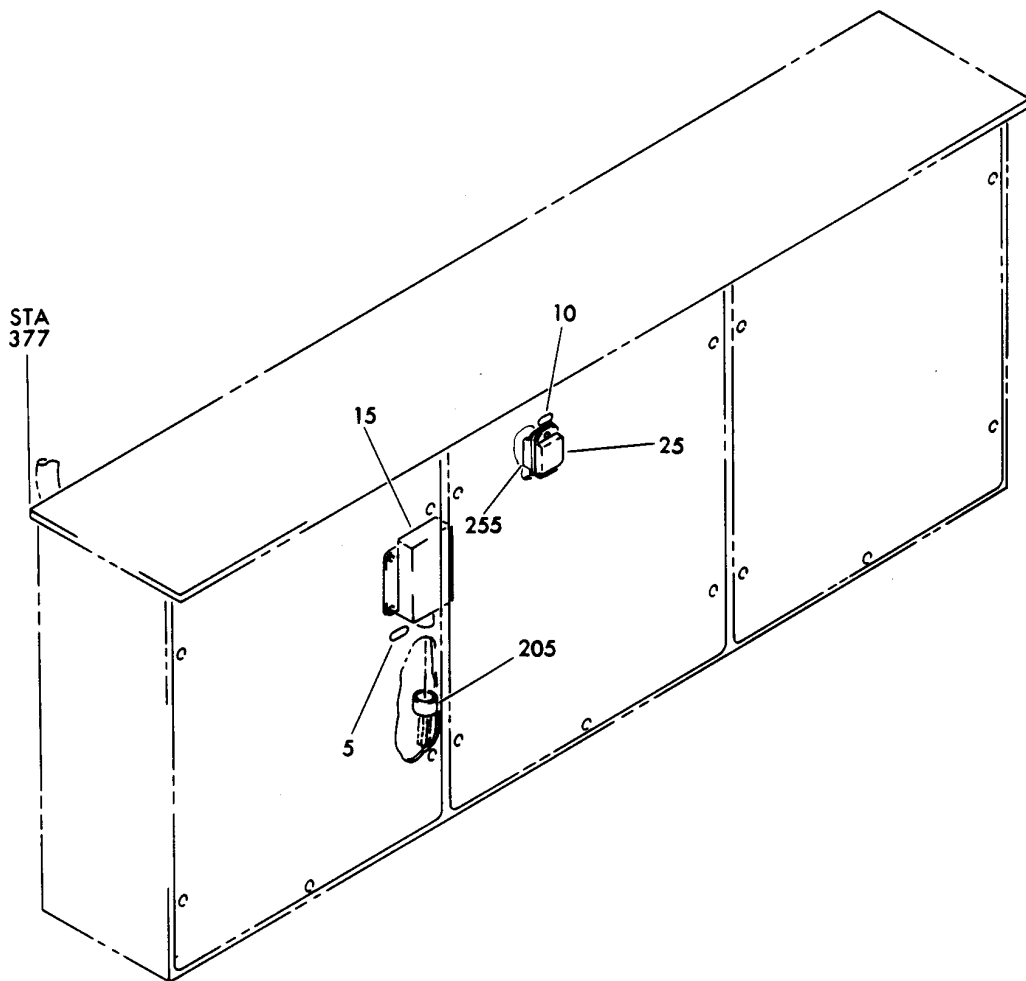
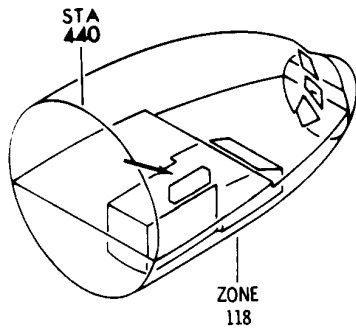
26-15-53-01B

26-15-53
FIG. 01B
PAGE 3
JAN 20/09

BRI

BOEING PROPRIETARY - Copyright © - Unpublished Work - See title page for details.

BOEING
757
PARTS CATALOG (MAINTENANCE)



Y 26157101 SH1 1 REV 023

SHIELD ASSY-P33 MISC ELEC EQPT (FIRE PROTECTION ONLY)
FIGURE 1

26-15-71-01

BRI
MAY 28/07

26-15-71-01
PAGE 0



757

PARTS CATALOG (MAINTENANCE)

FIG ITEM	PART NUMBER	1 2 3 4 5 6 7	NOMENCLATURE	EFFECT FROM TO	UNITS PER ASSY
1			SHIELD ASSY-P33 MISC ELEC EQPT (FIRE PROTECTION ONLY)	002004 006100 107107 121503 904999	
- 1	284N1318-1		SHIELD ASSY-P33 MISC ELEC EQPT (FIRE PROTECTION ONLY) VARIABLE DRAWING REF: 284N1318-5010 284N1318-5016 284N1318-5019 284N1318-5021 284N1318-5023 FOR NHA/OTHER SYS DET SEE: 31-01-33-03	002004 006100 107107 121503 904999	RF
5	BAC27TEX0349		.DECAL- PLACARD CONTENT: K420	002004 006100 107107 121503 904999	1
10	BAC27TEX0350		.DECAL- PLACARD CONTENT: K421	002004 006100 107107 121503 904999	1
15	083-20229-01		.FLASHER- SUPPLIER CODE: V95266 ELECTRICAL EQUIP NUMBER: K00420 ATTACHING PARTS	002004 006100 107107 121503 904999	1
- 20	NAS1801-08-6		.SCREW	002004 006100 107107 121503 904999	4
- 23	AN960JD8L		.WASHER- -----*-----	107107 950999	4

MISSING ITEM NUMBERS NOT APPLICABLE

- ITEM NOT ILLUSTRATED

BRI

26-15-71-01

BOEING PROPRIETARY - Copyright © - Unpublished Work - See title page for details.

26-15-71
FIG. 01
PAGE 1
JAN 20/09



757

PARTS CATALOG (MAINTENANCE)

FIG ITEM	PART NUMBER	1 2 3 4 5 6 7	NOMENCLATURE	EFFECT FROM TO	UNITS PER ASSY
1 25	E410-1537		.RELAY- SUPPLIER CODE: V99699 SPECIFICATION NUMBER: BACR13CG2A OPTIONAL PART: E415-1078 V99699 BR230S0116 V56623 KD4A017 V58687 FCA410-62 V78290 ELECTRICAL EQUIP NUMBER: K00421	002004 006100 107107 121503 904999	1
- 200	286N1234-002		WIRE BUNDLE ASSY	107107 121503 904949	RF
- 200	286N1230-004		WIRE BUNDLE ASSY	002004 006100 950999	RF
205	FC3406D14SC6S		.CONNECTOR- SUPPLIER CODE: V28680 SPECIFICATION NUMBER: BACC63BW14SC6S OPTIONAL PART: WFB614SC6S V17549 ELECTRICAL EQUIP NUMBER: D02422 WIRING DIAGRAM REF: 261512	002004 006100 107107 121503 904999	1
- 250	286N1230-002		WIRE BUNDLE ASSY	121503 904949	RF
- 250	286N1230-003		WIRE BUNDLE ASSY	107107	RF
- 250	286N1230-004		WIRE BUNDLE ASSY	002004 006100 950999	RF
255	BACS16W1		.SOCKET- ELECTRICAL EQUIP NUMBER: D02424 WIRING DIAGRAM REF: 261512	002004 006100 107107 121503 904999	1

MISSING ITEM NUMBERS NOT APPLICABLE

- ITEM NOT ILLUSTRATED

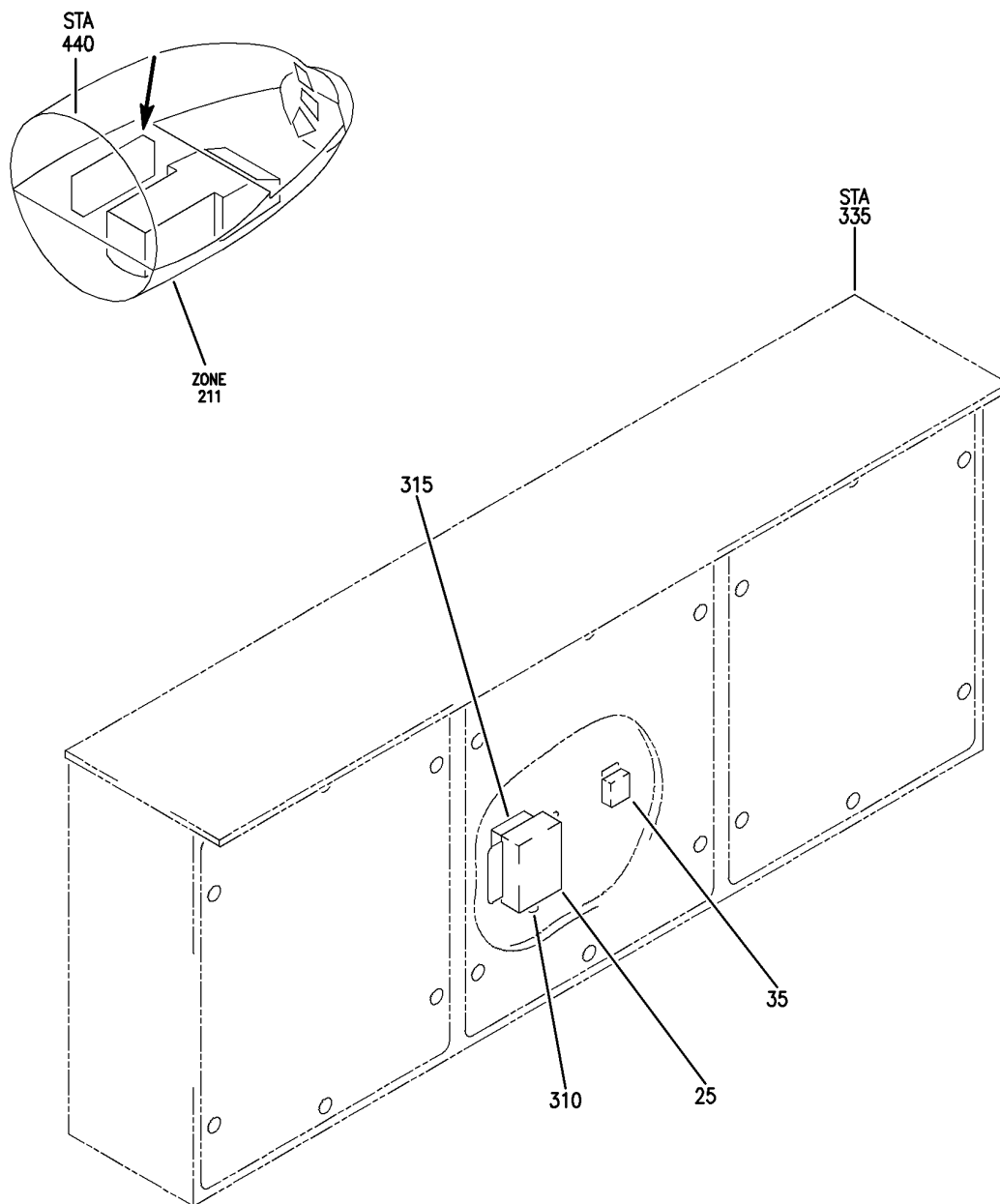
BRI

26-15-71-01

BOEING PROPRIETARY - Copyright © - Unpublished Work - See title page for details.

26-15-71
FIG. 01
PAGE 2
JAN 20/09

BOEING
757
PARTS CATALOG (MAINTENANCE)



Y 26157101A REV 234

PACKAGE ASSY-OPTION P33 MISC ELEC EQPT (FIRE PROTECTION ONLY)
FIGURE 1A

BRI
MAY 28/07

26-15-71-01A

26-15-71-01A
PAGE 0

BOEING PROPRIETARY - Copyright © - Unpublished Work - See title page for details.



757

PARTS CATALOG (MAINTENANCE)

FIG ITEM	PART NUMBER	1 2 3 4 5 6 7	NOMENCLATURE	EFFECT FROM TO	UNITS PER ASSY
1A			PACKAGE ASSY-OPTION P33 MISC ELEC EQPT (FIRE PROTECTION ONLY)	101102 108120 504903	
- 1	284N1318-1000		PACKAGE ASSY-OPTION P33 MISC ELEC EQPT (FIRE PROTECTION ONLY) FOR NHA/OTHER SYS DET SEE: 31-01-33-01	101102 108120 504903	RF
25	083-20229-01		.FLASHER- SUPPLIER CODE: V95266 ELECTRICAL EQUIP NUMBER: K00420 WIRING DIAGRAM REF: 261512	101102 108120 504903	1
- 30	NAS1801-08-6		ATTACHING PARTS .SCREW	101102 108120 504903	4
35	E410-1537		-----*----- .RELAY- SUPPLIER CODE: V99699 SPECIFICATION NUMBER: BACR13CG2A OPTIONAL PART: E415-1078 V99699 BR230S0116 V56623 KD4A017 V58687 FCA410-62 V78290 ELECTRICAL EQUIP NUMBER: K00421 WIRING DIAGRAM REF: 261512	101102 108120 504903	1
- 300	286N1230-303		WIRE BUNDLE ASSY	101102	1
- 305	286N1230-322		WIRE BUNDLE ASSY	504903	1
- 305	286N1230-323		WIRE BUNDLE ASSY	108120	1
310	BACC63CE14S6S		.CONNECTOR- ELECTRICAL EQUIP NUMBER: D02422 WIRING DIAGRAM REF: 261512	101102 108120 504903	1

MISSING ITEM NUMBERS NOT APPLICABLE

- ITEM NOT ILLUSTRATED

26-15-71-01A

26-15-71
FIG. 01A
PAGE 1
JAN 20/09

BRI

BOEING PROPRIETARY - Copyright © - Unpublished Work - See title page for details.



757

PARTS CATALOG (MAINTENANCE)

FIG ITEM	PART NUMBER	1 2 3 4 5 6 7	NOMENCLATURE	EFFECT FROM TO	UNITS PER ASSY
1 A 315	BACS16W1		. SOCKET- ELECTRICAL EQUIP NUMBER: D02424 WIRING DIAGRAM REF: 261512	101102 108120 504903	1

MISSING ITEM NUMBERS NOT APPLICABLE

- ITEM NOT ILLUSTRATED

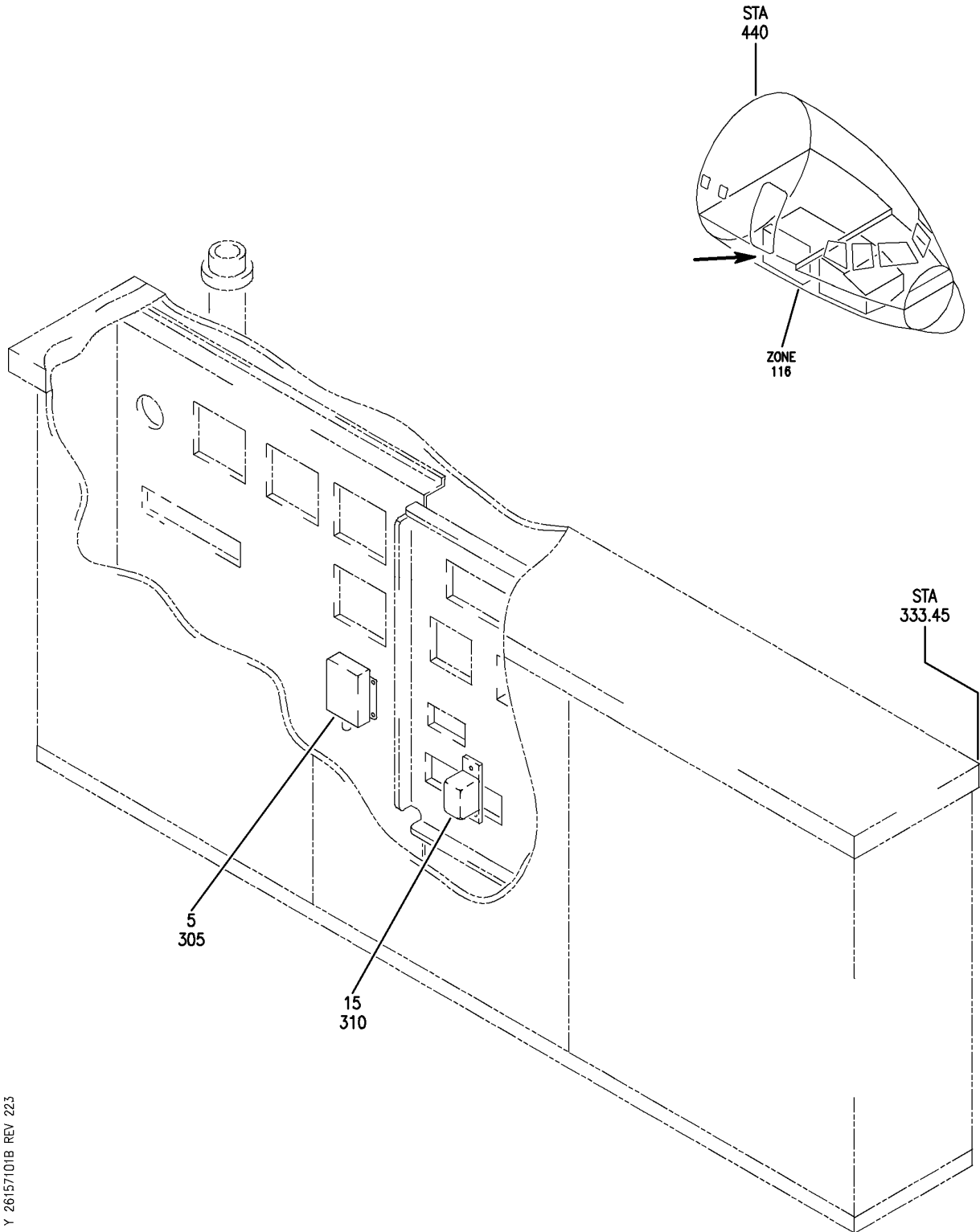
BRI

26-15-71-01A

BOEING PROPRIETARY - Copyright © - Unpublished Work - See title page for details.

26-15-71
FIG. 01A
PAGE 2
JAN 20/09

BOEING
757
PARTS CATALOG (MAINTENANCE)



Y 26157101B REV 223

SHIELD INSTL-P33 MISC ELEC EQPT (FIRE PROTECTION ONLY)
FIGURE 1B

26-15-71-01B

BRI
JAN 20/09

26-15-71-01B
PAGE 0



757

PARTS CATALOG (MAINTENANCE)

FIG ITEM	PART NUMBER	1 2 3 4 5 6 7	NOMENCLATURE	EFFECT FROM TO	UNITS PER ASSY
1B			SHIELD INSTL-P33 MISC ELEC EQPT (FIRE PROTECTION ONLY)	103106	
- 1	MODREF33173		SHIELD INSTL-P33 MISC ELEC EQPT (FIRE PROTECTION ONLY) MODULE NUMBER: 284N1318-107 REV B FOR OTHER SYS DETAILS SEE: 11-36-06-01B 24-53-71-03B 27-51-71-01B 27-81-71-01B 28-21-71-01B 28-22-71-01B 28-26-71-01B 29-11-71-01B 29-21-71-03B 29-22-71-01B 30-31-71-03B 30-32-71-03B 31-01-33-10 33-42-71-02B	103105	1
- 1	MODREF34797		SHIELD INSTL-P33 MISC ELEC EQPT (FIRE PROTECTION ONLY) MODULE NUMBER: 284N1318-107 REV C FOR OTHER SYS DETAILS SEE: 11-36-06-01B 24-53-71-03B 27-51-71-01B 27-81-71-01B 28-21-71-01B 28-22-71-01B 28-26-71-01B 29-11-71-01B 29-21-71-03B 29-22-71-01B 30-31-71-03B 30-32-71-03B 31-01-33-10 33-42-71-02B	106106	1
5	083-20229-01		. FLASHER- SUPPLIER CODE: V95266 ELECTRICAL EQUIP NUMBER: K00420	103106	1

MISSING ITEM NUMBERS NOT APPLICABLE

- ITEM NOT ILLUSTRATED

BRI

26-15-71-01B

BOEING PROPRIETARY - Copyright © - Unpublished Work - See title page for details.

26-15-71
FIG. 01B
PAGE 1
JAN 20/09



757

PARTS CATALOG (MAINTENANCE)

FIG ITEM	PART NUMBER	1 2 3 4 5 6 7	NOMENCLATURE	EFFECT FROM TO	UNITS PER ASSY
1B			ATTACHING PARTS		
- 10	NAS1801-08-6	.	SCREW-	103105	4
- 10	BACS12HN08-6	.	SCREW-	106106	4
		-----*	-----		
15	E410-1537	.	RELAY-	103106	1
			SUPPLIER CODE: V99699		
			SPECIFICATION NUMBER: BACR13CG2A		
			OPTIONAL PART: E415-1078		
			V99699		
			BR230S0116		
			V56623		
			KD4A017		
			V58687		
			FCA410-62		
			V78290		
			ELECTRICAL EQUIP NUMBER: K00421		
- 300	286N1230-701		WIRE BUNDLE ASSY	103106	RF
305	BACC63CE14S6S	.	CONNECTOR-	103106	1
			ELECTRICAL EQUIP NUMBER: D02422		
			WIRING DIAGRAM REF: 261512		
310	BACS16W1	.	SOCKET-	103106	1
			ELECTRICAL EQUIP NUMBER: D02424		
			WIRING DIAGRAM REF: 261512		

MISSING ITEM NUMBERS NOT APPLICABLE

- ITEM NOT ILLUSTRATED

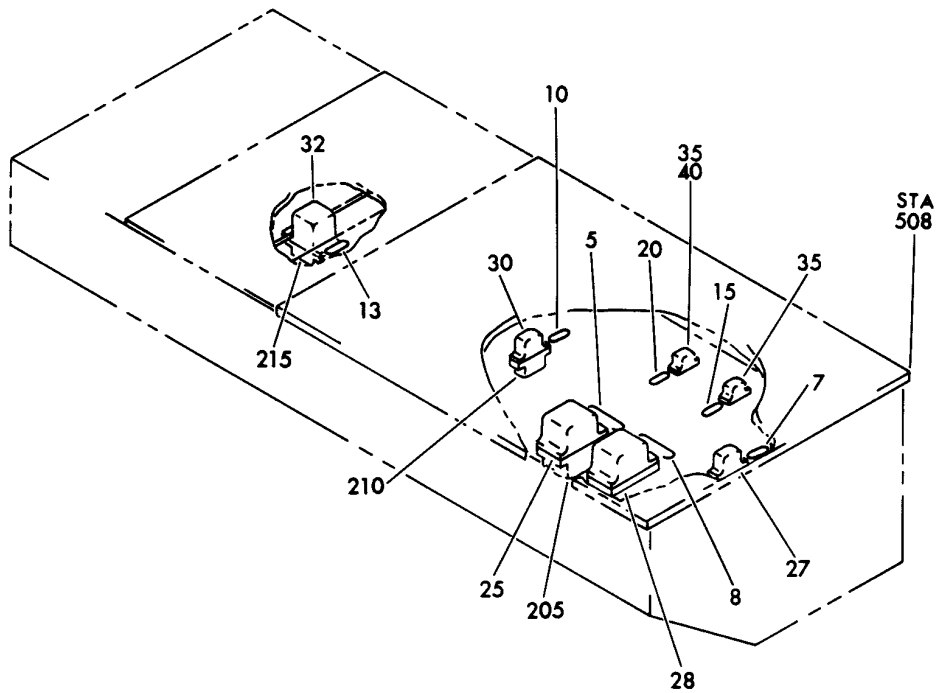
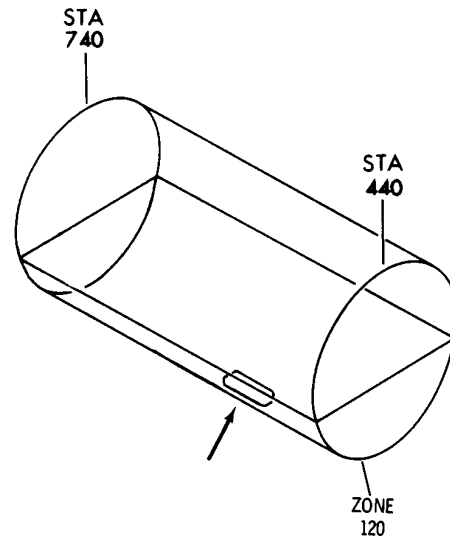
26-15-71-01B

26-15-71
FIG. 01B
PAGE 2
JAN 20/09

BRI

BOEING PROPRIETARY - Copyright © - Unpublished Work - See title page for details.

BOEING
757
PARTS CATALOG (MAINTENANCE)



Y 26157102 SHT 1 REV 061

PANEL ASSY-P36 MISC RELAY L (APU FIRE DETECTION ONLY)
FIGURE 2

26-15-71-02

BRI
MAY 28/07

26-15-71-02
PAGE 0



757

PARTS CATALOG (MAINTENANCE)

FIG ITEM	PART NUMBER	1 2 3 4 5 6 7	NOMENCLATURE	EFFECT FROM TO	UNITS PER ASSY
2			PANEL ASSY-P36 MISC RELAY L (APU FIRE DETECTION ONLY)	002004 006100 107107 121503 904999	
- 1	284N1125-1		PANEL ASSY-P36 MISC RELAY (APU FIRE DETECTION ONLY) POSITION DATA: L VARIABLE DRAWING REF: 284N1125-5023 284N1125-5030 284N1125-5049 284N1125-5050 284N1125-5054 REWORKED BY SB: 34-0200 REWORKED BY ALERT SB: 27A0130 FOR NHA/OTHER SYS DET SEE: 31-01-36-01B	002004 006100 107107 121503 904999	RF
5	BAC27NEX0890		.DECAL- PLACARD CONTENT: K10334	107107 121503 904949	1
5	BAC27NEX0820		.DECAL- PLACARD CONTENT: K10334	002004 006100 950999	1
10	BAC27NEX0906		.DECAL- PLACARD CONTENT: K10374	107107 121503 904949	1
10	BAC27NEX0826		.DECAL- PLACARD CONTENT: K10374	002004 006100 950999	1
15	BAC27NEX0891		.DECAL- PLACARD CONTENT: K10335	107107 121503 904949	1
15	BAC27NEX0821		.DECAL- PLACARD CONTENT: K10335	002004 006100 950999	1
20	BAC27NEX0905		.DECAL- PLACARD CONTENT: K10373	107107 121503 904949	1
20	BAC27NEX0825		.DECAL- PLACARD CONTENT: K10373	002004 006100 950999	1

MISSING ITEM NUMBERS NOT APPLICABLE

- ITEM NOT ILLUSTRATED

26-15-71-02

26-15-71
FIG. 02
PAGE 1
JAN 20/09

BRI



757

PARTS CATALOG (MAINTENANCE)

FIG ITEM	PART NUMBER	1 2 3 4 5 6 7	NOMENCLATURE	EFFECT FROM TO	UNITS PER ASSY
2	25 TDH8119-1001	.	RELAY- SUPPLIER CODE: V58657 ELECTRICAL EQUIP NUMBER: K10334 OPTIONAL PART: TDH8116-1001 V35344	002004 006100 107107 121503 904999	1
	25 TDH8116-1001	.	RELAY- SUPPLIER CODE: V35344 ELECTRICAL EQUIP NUMBER: K10334 OPTIONAL PART: TDH8119-1001 V58657	107107 121503 904949	1
	30 E210-1631	.	RELAY- SUPPLIER CODE: V99699 SPECIFICATION NUMBER: BACR13CF2A OPTIONAL PART: BR246S0112 V56623 FCA210-70 V78290 E215-1050 V99699 JD4A017 V35344 BR64S104 V56623 61GB19-1A320 V98927 ELECTRICAL EQUIP NUMBER: K10374	002004 006100 107107 121503 904999	1

MISSING ITEM NUMBERS NOT APPLICABLE

- ITEM NOT ILLUSTRATED

BRI

26-15-71-02

BOEING PROPRIETARY - Copyright © - Unpublished Work - See title page for details.

26-15-71
FIG. 02
PAGE 2
JAN 20/09



757

PARTS CATALOG (MAINTENANCE)

FIG ITEM	PART NUMBER	1 2 3 4 5 6 7	NOMENCLATURE	EFFECT FROM TO	UNITS PER ASSY
2 35	W260F4AM11		.RELAY- SUPPLIER CODE: VF0219 SPECIFICATION NUMBER: BACR13CD2 OPTIONAL PART: BR16S233 V09026 EE4AA005 V35344 3SAV1338A2 V01526 HFW1206K03 V58614 HFW1204K01 V71482 ELECTRICAL EQUIP NUMBER: K10335 K10373	002004 006100 107107 121503 904999	2
- 200	286N1260-002		WIRE BUNDLE ASSY-(APU FIRE DETECTION ONLY) REWORKED BY ALERT SB: 27A0130	121503 904949	RF
- 200	286N1260-003		WIRE BUNDLE ASSY-(APU FIRE DETECTION ONLY) REWORKED BY ALERT SB: 27A0130	107107	RF
- 200	286N1260-005		WIRE BUNDLE ASSY-(APU FIRE DETECTION ONLY) REWORKED BY SB: 34-0200 REWORKED BY ALERT SB: 27A0130	002004 006100 950999	RF
205	RSF116416		.SOCKET- SUPPLIER CODE: V58982 SPECIFICATION NUMBER: BACS16W5A OPTIONAL PART: 102-010-1 V09922 000300-1545 V05574 ELECTRICAL EQUIP NUMBER: D04394 WIRING DIAGRAM REF: 261511	002004 006100 107107 121503 904999	1

MISSING ITEM NUMBERS NOT APPLICABLE

- ITEM NOT ILLUSTRATED

BRI

26-15-71-02

BOEING PROPRIETARY - Copyright © - Unpublished Work - See title page for details.

26-15-71
FIG. 02
PAGE 3
JAN 20/09



757

PARTS CATALOG (MAINTENANCE)

FIG ITEM	PART NUMBER	1 2 3 4 5 6 7	NOMENCLATURE	EFFECT FROM TO	UNITS PER ASSY
2 210	RSF116200		. SOCKET- SUPPLIER CODE: V58982 SPECIFICATION NUMBER: BACS16X1A OPTIONAL PART: 102-006-1 V09922 000300-1538 V05574 ELECTRICAL EQUIP NUMBER: D04396 WIRING DIAGRAM REF: 261511	002004 006100 107107 121503 904999	1

MISSING ITEM NUMBERS NOT APPLICABLE

- ITEM NOT ILLUSTRATED

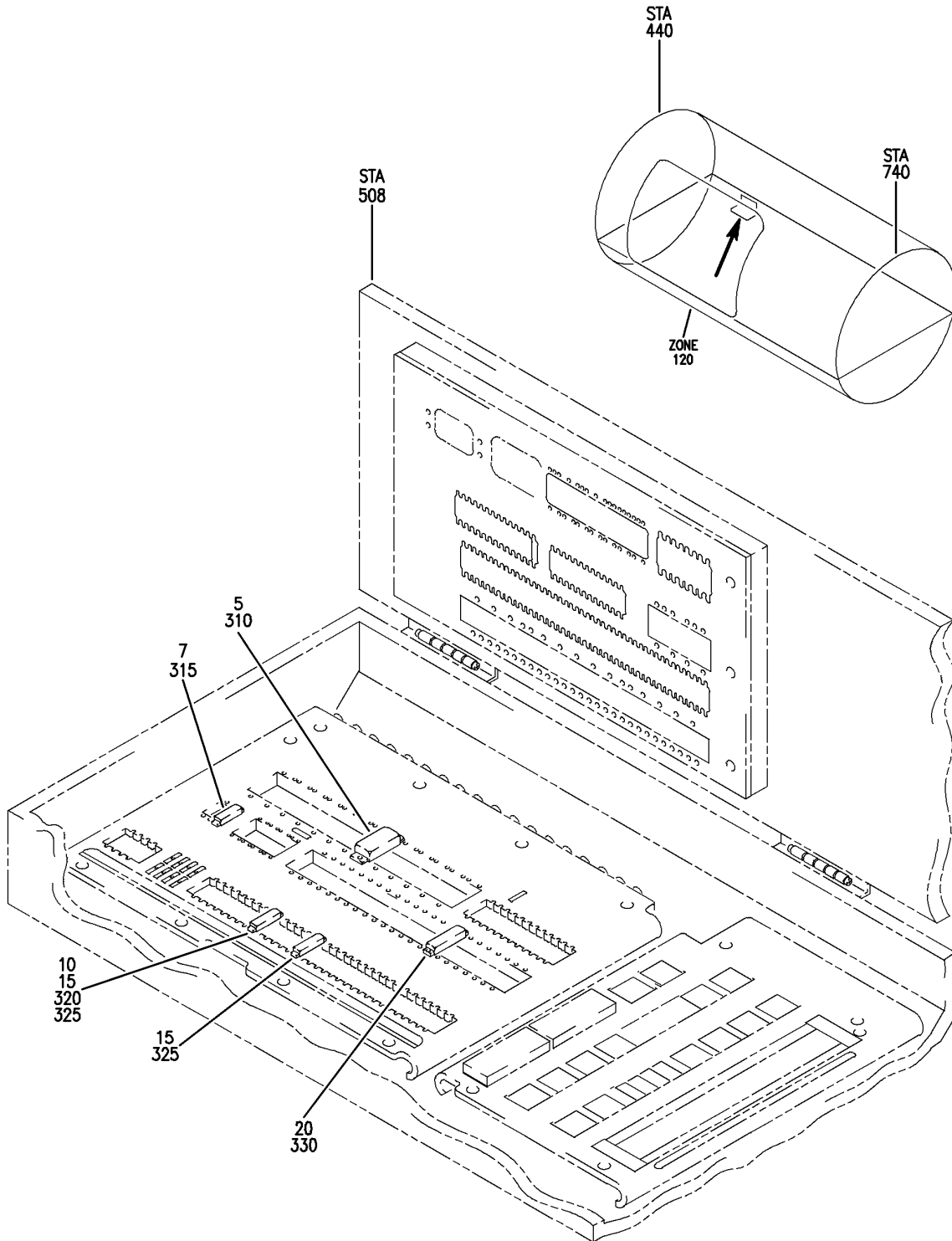
BRI

26-15-71-02

BOEING PROPRIETARY - Copyright © - Unpublished Work - See title page for details.

26-15-71
FIG. 02
PAGE 4
JAN 20/09

BOEING
757
PARTS CATALOG (MAINTENANCE)



Y 26157102A REV 225

OPTION PACKAGE ASSY-P36 MISC RELAY LH (AUXILIARY POWER UNIT FIRE DETECTION ONLY)
FIGURE 2A

BRI
MAY 28/07

26-15-71-02A

26-15-71-02A
PAGE 0



757

PARTS CATALOG (MAINTENANCE)

FIG ITEM	PART NUMBER	1 2 3 4 5 6 7	NOMENCLATURE	EFFECT FROM TO	UNITS PER ASSY
2A			OPTION PACKAGE ASSY-P36 MISC RELAY LH (AUXILIARY POWER UNIT FIRE DETECTION ONLY)	101102 504903	
- 1	284N1125-1018		OPTION PACKAGE ASSY-P36 MISC RELAY (AUXILIARY POWER UNIT FIRE DETECTION ONLY) POSITION DATA: LH REWORKED BY ALERT SB: 27A0130 FOR NHA/OTHER SYS DET SEE: 31-01-36-05	101102 504903	RF
5	TDH8119-1001		.RELAY- SUPPLIER CODE: V58657 ELECTRICAL EQUIP NUMBER: K10334 REWORKED BY ALERT SB: 27A0130	101102 504903	1
15	W260F4AM11		.RELAY- SUPPLIER CODE: VF0219 SPECIFICATION NUMBER: BACR13CD2 OPTIONAL PART: BR16S233 V09026 EE4AA005 V35344 3SAV1338A2 V01526 HFW1206K03 V58614 HFW1204K01 V71482 ELECTRICAL EQUIP NUMBER: K10335 K10373	101102 504903	2

MISSING ITEM NUMBERS NOT APPLICABLE

- ITEM NOT ILLUSTRATED

BRI

26-15-71-02A

BOEING PROPRIETARY - Copyright © - Unpublished Work - See title page for details.

26-15-71
FIG. 02A
PAGE 1
JAN 20/09



757

PARTS CATALOG (MAINTENANCE)

FIG ITEM	PART NUMBER	1 2 3 4 5 6 7	NOMENCLATURE	EFFECT FROM TO	UNITS PER ASSY
2A 20	E210-1631		.RELAY- SUPPLIER CODE: V99699 SPECIFICATION NUMBER: BACR13CF2A OPTIONAL PART: BR246S0112 V56623 FCA210-70 V78290 E215-1050 V99699 JD4A017 V35344 BR64S104 V56623 61GB19-1A320 V98927 ELECTRICAL EQUIP NUMBER: K10374	101102 504903	1
- 301	286N1260-358		WIRE BUNDLE ASSY- REWORKED BY ALERT SB: 27A0130	101102	RF
- 301	286N1260-364		WIRE BUNDLE ASSY- REWORKED BY ALERT SB: 27A0130	504903	RF
310	RSF116416		.SOCKET- SUPPLIER CODE: V58982 SPECIFICATION NUMBER: BACS16W5A OPTIONAL PART: 102-010-1 V09922 000300-1545 V05574 ELECTRICAL EQUIP NUMBER: D04394 WIRING DIAGRAM REF: 261511	101102 504903	1

MISSING ITEM NUMBERS NOT APPLICABLE

- ITEM NOT ILLUSTRATED

26-15-71-02A

26-15-71
FIG. 02A
PAGE 2
JAN 20/09

BRI



757

PARTS CATALOG (MAINTENANCE)

FIG ITEM	PART NUMBER	1 2 3 4 5 6 7	NOMENCLATURE	EFFECT FROM TO	UNITS PER ASSY
2A 325	RSE120026		.SOCKET- SUPPLIER CODE: V58982 SPECIFICATION NUMBER: BACS16AG1 OPTIONAL PART: 451120-026 V58982 ELECTRICAL EQUIP NUMBER: D04398 D04400 WIRING DIAGRAM REF: 261511	101102 504903	2
330	RSF116200		.SOCKET- SUPPLIER CODE: V58982 SPECIFICATION NUMBER: BACS16X1A OPTIONAL PART: 102-006-1 V09922 000300-1538 V05574 ELECTRICAL EQUIP NUMBER: D04396 WIRING DIAGRAM REF: 261511	101102 504903	1

MISSING ITEM NUMBERS NOT APPLICABLE

- ITEM NOT ILLUSTRATED

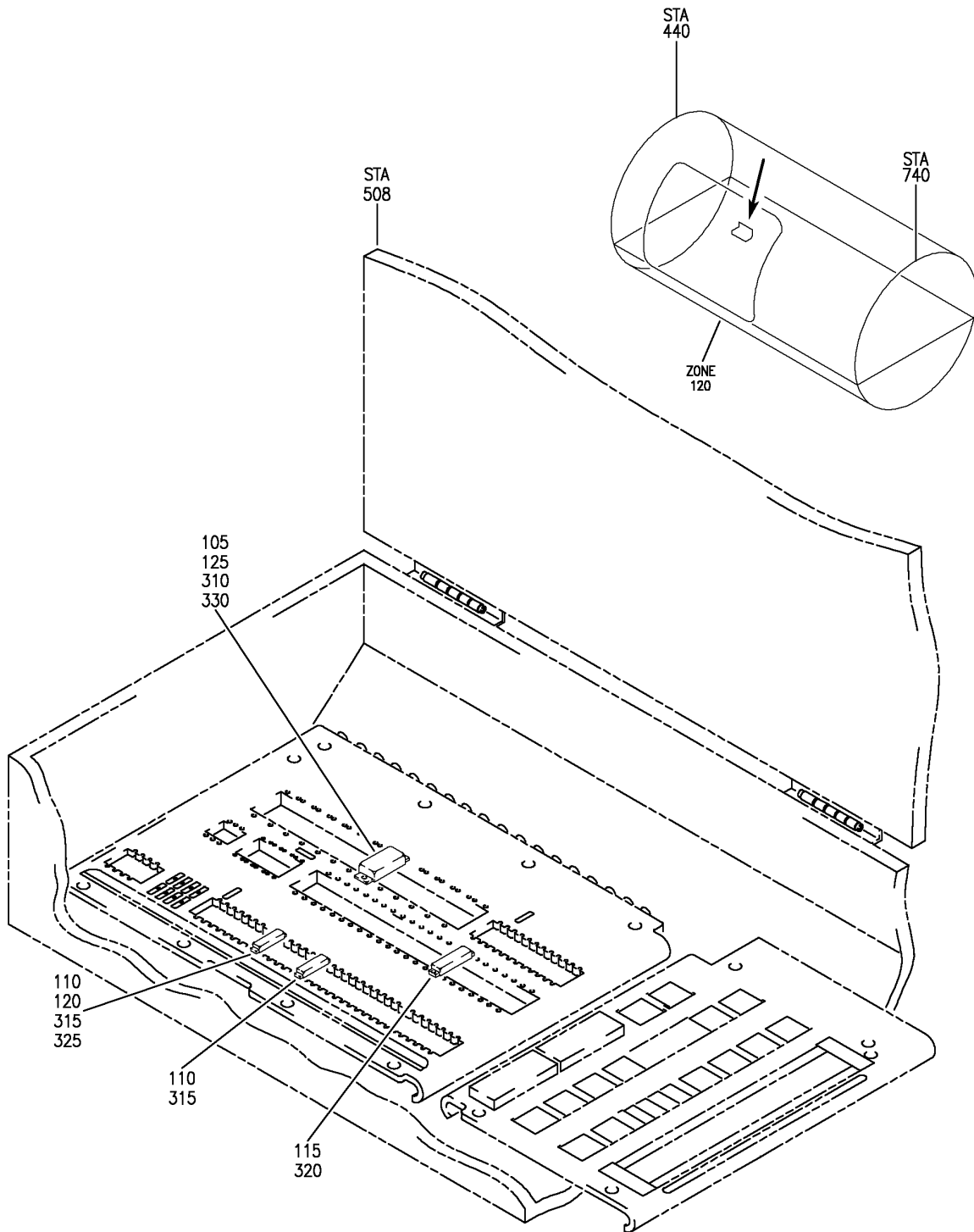
BRI

26-15-71-02A

BOEING PROPRIETARY - Copyright © - Unpublished Work - See title page for details.

26-15-71
FIG. 02A
PAGE 3
JAN 20/09

BOEING
757
PARTS CATALOG (MAINTENANCE)



Y 26157102C REV 250

PANEL INSTL-P36 L MISC RELAY (APU FIRE DETECTION ONLY)
FIGURE 2C

26-15-71-02C

BRI
JAN 20/09

26-15-71-02C
PAGE 0



757

PARTS CATALOG (MAINTENANCE)

FIG ITEM	PART NUMBER	1 2 3 4 5 6 7	NOMENCLATURE	EFFECT FROM TO	UNITS PER ASSY
2C			PANEL INSTL-P36 L MISC RELAY (APU FIRE DETECTION ONLY)	103106 108120	
- 3	284N1125-94		PANEL INSTL-P36 L MISC RELAY (APU FIRE DETECTION ONLY) FOR NHA/OTHER SYS DET SEE: 24-00-58-05C	108120	RF

MISSING ITEM NUMBERS NOT APPLICABLE

- ITEM NOT ILLUSTRATED

BRI

26-15-71-02C

BOEING PROPRIETARY - Copyright © - Unpublished Work - See title page for details.

26-15-71
FIG. 02C
PAGE 1
JAN 20/09



**757
PARTS CATALOG (MAINTENANCE)**

FIG ITEM	PART NUMBER	1 2 3 4 5 6 7	NOMENCLATURE	EFFECT FROM TO	UNITS PER ASSY
2C - 6	MODREF31944		PANEL INSTL-P36 L MISC RELAY (APU FIRE DETECTION ONLY) MODULE NUMBER: 284N1125-123 REV A FOR OTHER SYS DETAILS SEE: 11-36-08-03C 21-25-71-02C 21-33-71-02C 21-51-56-01C 21-58-71-02C 23-12-00-05 23-31-54-01C 23-34-52-01C 24-21-51-01A 26-16-71-01C 26-22-71-01C 27-48-52-03C 27-51-71-03C 27-58-71-02C 27-62-71-03C 29-11-71-03C 29-21-71-01C 30-21-71-03C 30-34-51-01C 31-01-36-01 32-09-02-03C 32-35-71-01C 32-42-71-02C 32-44-71-02C 32-61-71-02C 34-12-71-02C 34-21-71-02C 34-22-52-01C 34-61-52-01C 36-11-71-02C 73-21-55-01C 74-31-71-02C 76-11-71-02C 77-12-71-01C 78-34-71-02C 78-36-71-02C 80-11-71-02C	103106	1
105	TDH8119-1001		.RELAY- SUPPLIER CODE: V58657 ELECTRICAL EQUIP NUMBER: K10334	103106 108120	1

MISSING ITEM NUMBERS NOT APPLICABLE

- ITEM NOT ILLUSTRATED

BRI

26-15-71-02C

BOEING PROPRIETARY - Copyright © - Unpublished Work - See title page for details.

26-15-71
FIG. 02C
PAGE 2
JAN 20/09



757

PARTS CATALOG (MAINTENANCE)

FIG ITEM	PART NUMBER	1 2 3 4 5 6 7	NOMENCLATURE	EFFECT FROM TO	UNITS PER ASSY
2C 110	W260F4AM11		.RELAY- SUPPLIER CODE: VF0219 SPECIFICATION NUMBER: BACR13CD2 OPTIONAL PART: BR16S233 V09026 EE4AA005 V35344 3SAV1338A2 V01526 HFW1206K03 V58614 HFW1204K01 V71482 ELECTRICAL EQUIP NUMBER: K10335 K10373	103106 108120	2
115	E210-1631		.RELAY- SUPPLIER CODE: V99699 SPECIFICATION NUMBER: BACR13CF2A OPTIONAL PART: BR246S0112 V56623 FCA210-70 V78290 E215-1050 V99699 JD4A017 V35344 BR64S104 V56623 61GB19-1A320 V98927 ELECTRICAL EQUIP NUMBER: K10374	103106 108120	1
- 300	286N1260-357		WIRE BUNDLE ASSY	108120	RF
- 302	286N1260-601		WIRE BUNDLE ASSY	103106	RF

MISSING ITEM NUMBERS NOT APPLICABLE

- ITEM NOT ILLUSTRATED

26-15-71-02C

26-15-71
FIG. 02C
PAGE 3
JAN 20/09

BRI



757

PARTS CATALOG (MAINTENANCE)

FIG ITEM	PART NUMBER	1 2 3 4 5 6 7	NOMENCLATURE	EFFECT FROM TO	UNITS PER ASSY
2C 310	RSF116416	.	SOCKET- SUPPLIER CODE: V58982 SPECIFICATION NUMBER: BACS16W5A OPTIONAL PART: 102-010-1 V09922 000300-1545 V05574 ELECTRICAL EQUIP NUMBER: D04394 WIRING DIAGRAM REF: 261511	103106 108120	1
315	RSE120026	.	SOCKET- SUPPLIER CODE: V58982 SPECIFICATION NUMBER: BACS16AG1 OPTIONAL PART: 451120-026 V58982 ELECTRICAL EQUIP NUMBER: D04398 D04400 WIRING DIAGRAM REF: 261511	103106 108120	2
320	RSF116200	.	SOCKET- SUPPLIER CODE: V58982 SPECIFICATION NUMBER: BACS16X1A OPTIONAL PART: 102-006-1 V09922 000300-1538 V05574 ELECTRICAL EQUIP NUMBER: D04396 WIRING DIAGRAM REF: 261511	103106 108120	1

MISSING ITEM NUMBERS NOT APPLICABLE

- ITEM NOT ILLUSTRATED

BRI

26-15-71-02C

BOEING PROPRIETARY - Copyright © - Unpublished Work - See title page for details.

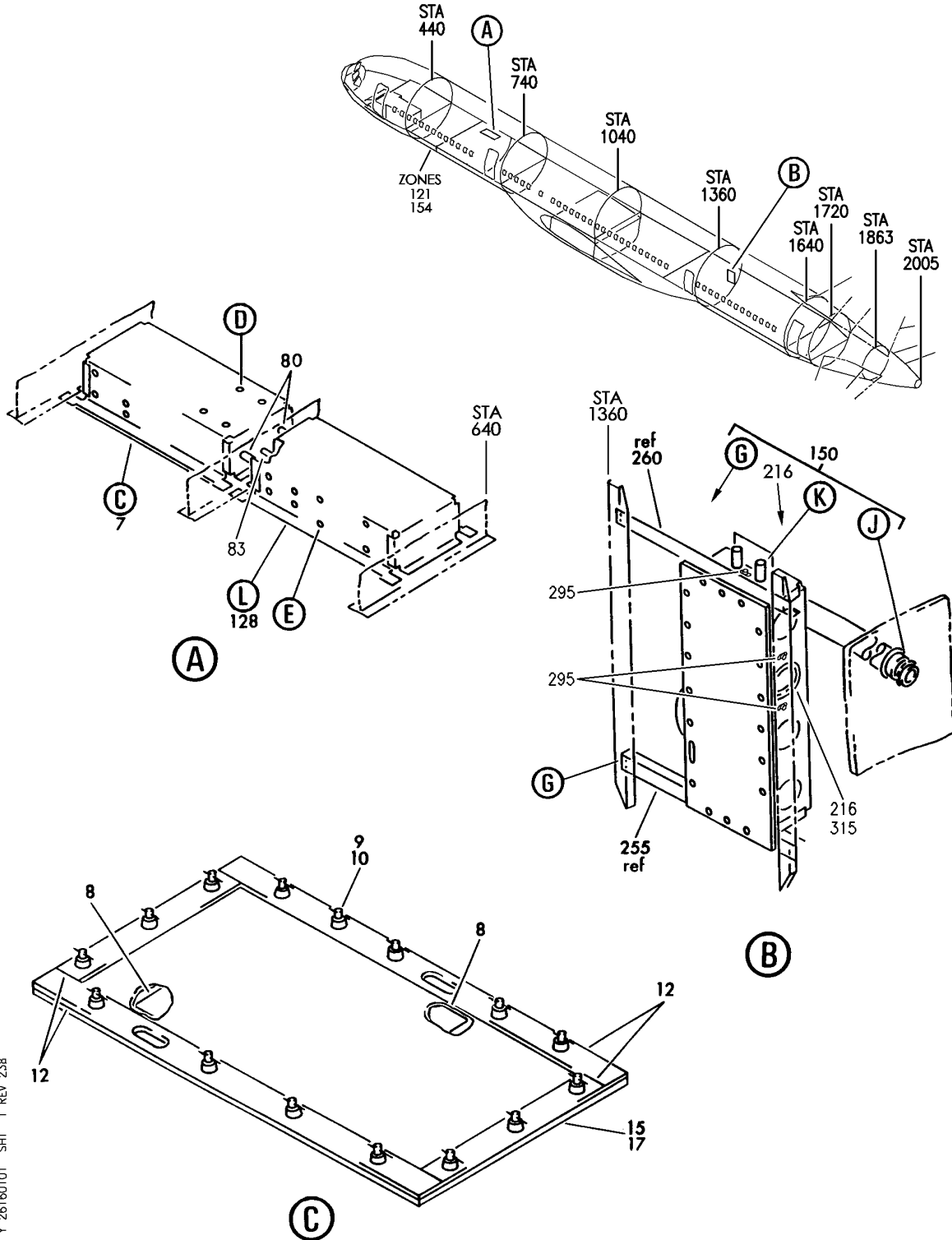
26-15-71
FIG. 02C
PAGE 4
JAN 20/09

CARGO COMPARTMENT SMOKE DETECTION

BRI
MAY 28/07

26-16-00
SECTION TITLE
PAGE 1

BOEING
757
PARTS CATALOG (MAINTENANCE)



Y 26160101 SHT 1 REV 238

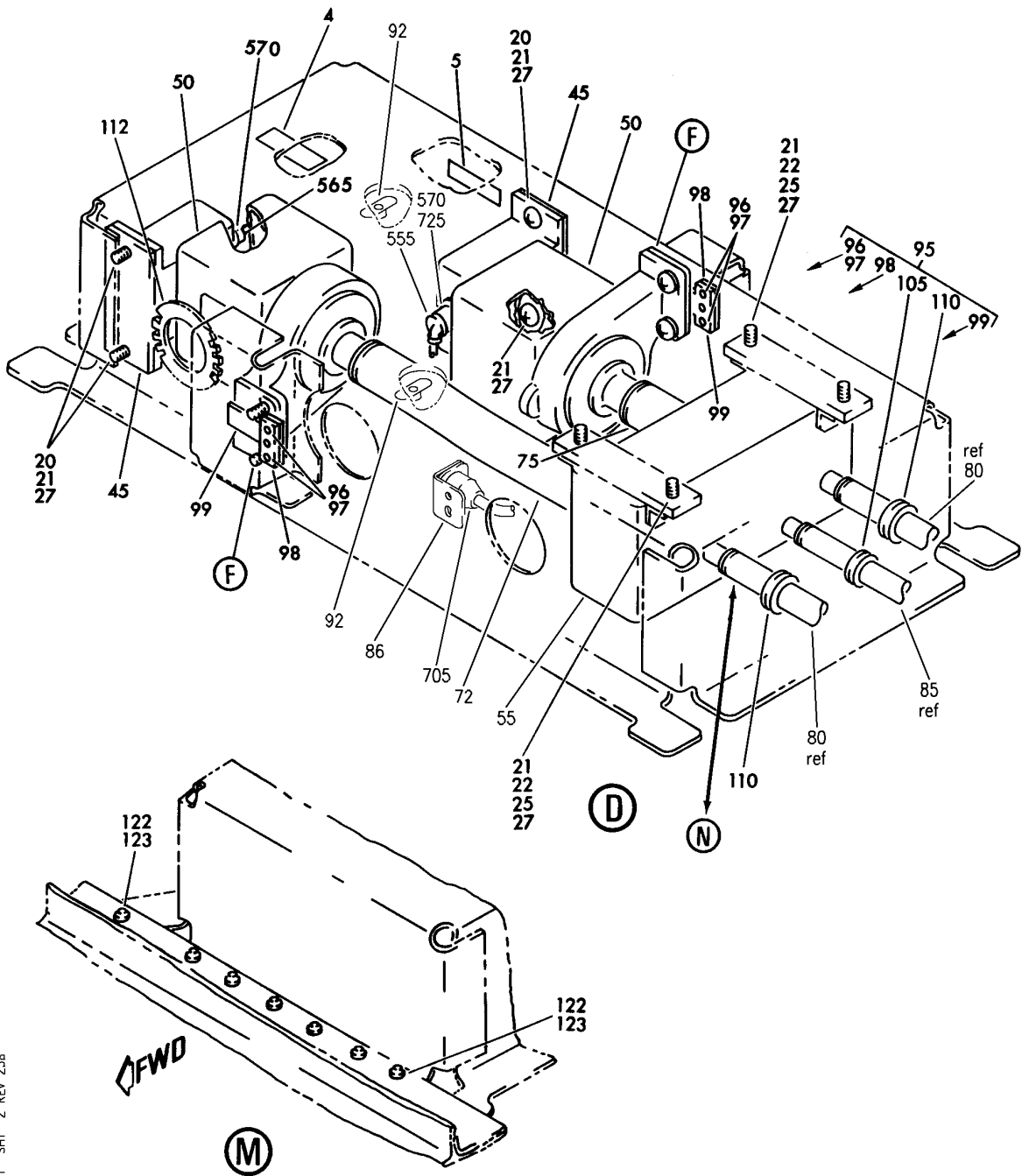
DETECTOR AND COVER INSTL-FWD AND AFT CARGO COMPT SMOKE
FIGURE 1 (SHEET 1)

26-16-01-01

BRI
MAY 28/07

26-16-01-01
PAGE 0


BOEING
 757
PARTS CATALOG (MAINTENANCE)



Y 26160101 SH 2 REV 238

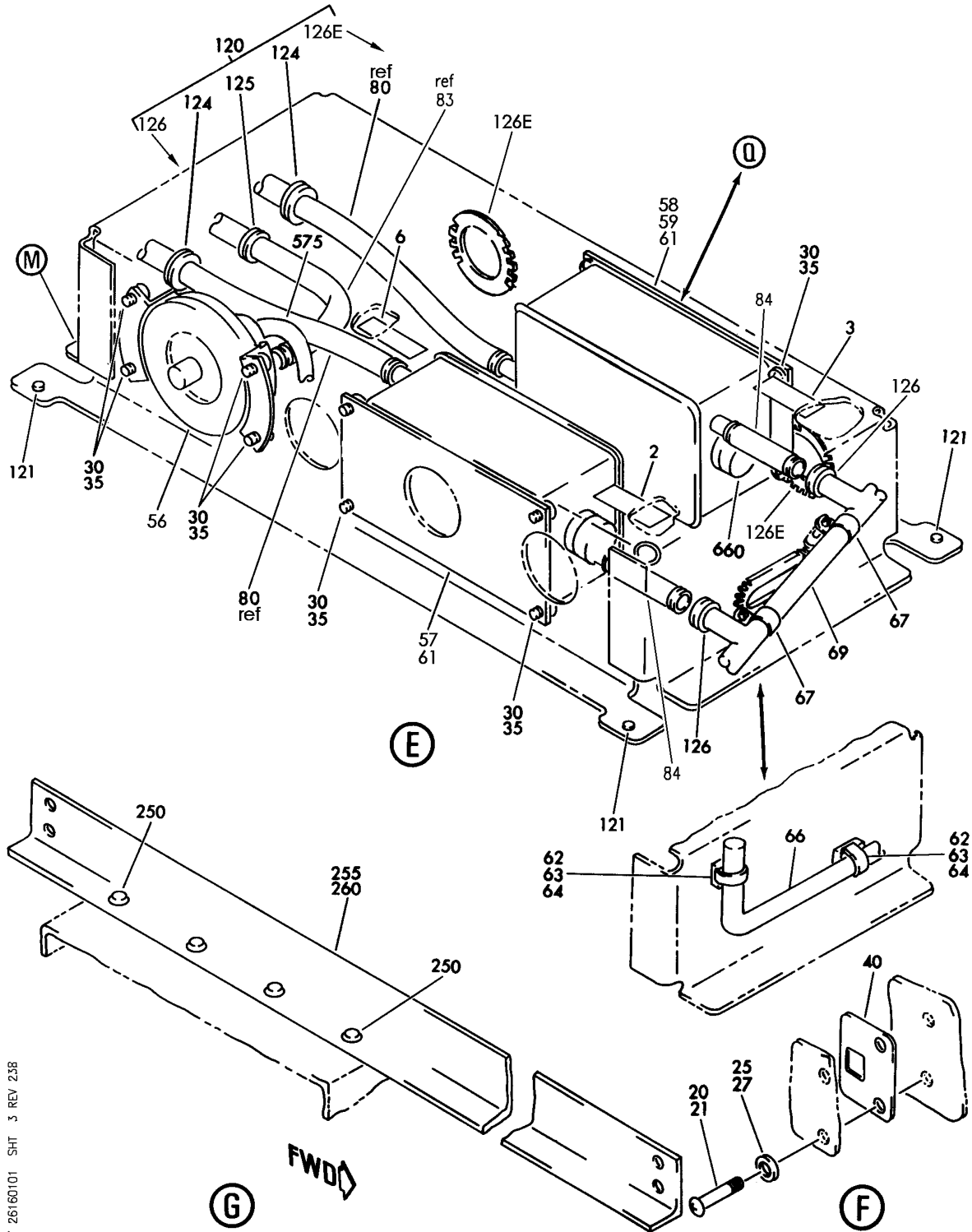
DETECTOR AND COVER INSTL-FWD AND AFT CARGO COMPT SMOKE
 FIGURE 1 (SHEET 2)

26-16-01-01

BRI
 MAY 28/07

26-16-01-01
 PAGE 0A

BOEING
757
PARTS CATALOG (MAINTENANCE)



Y 26160101 SHT 3 REV 238

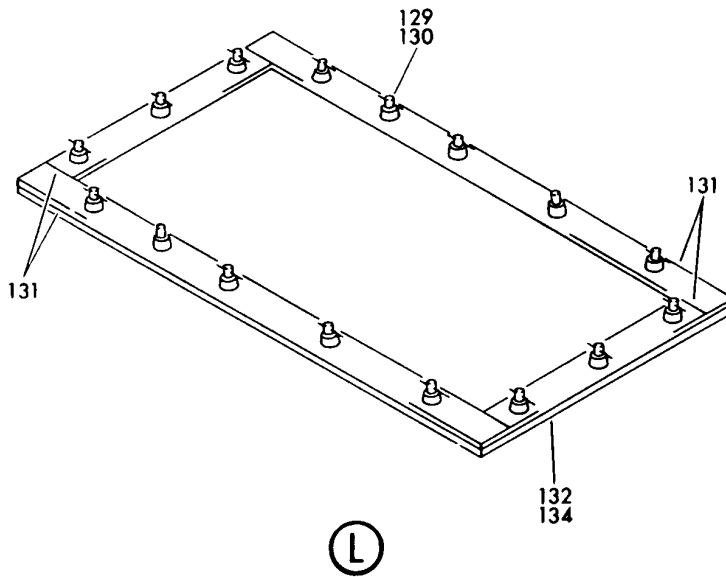
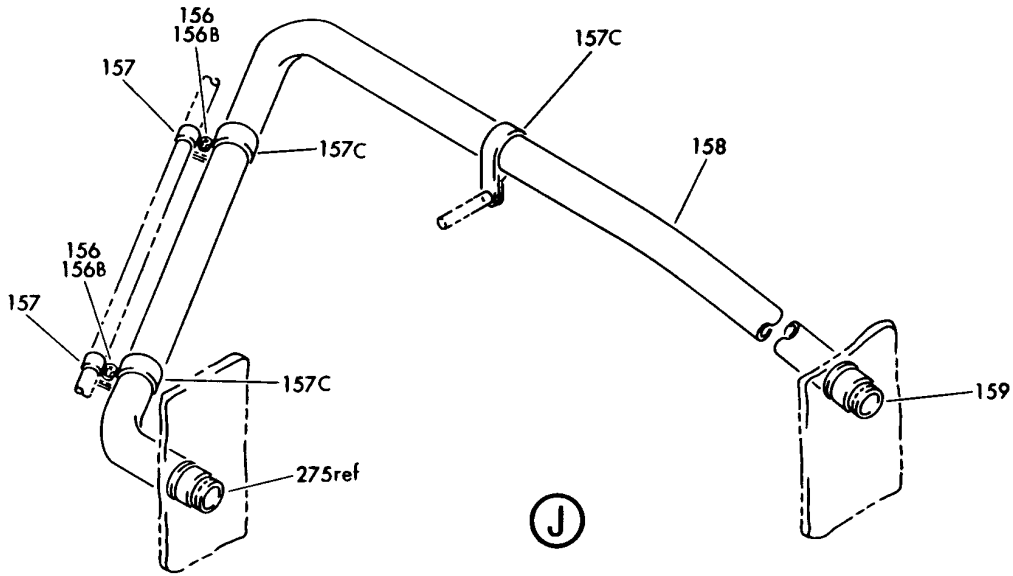
DETECTOR AND COVER INSTL-FWD AND AFT CARGO COMPT SMOKE
FIGURE 1 (SHEET 3)

26-16-01-01

BRI
MAY 28/07

26-16-01-01
PAGE 0B

BOEING
757
PARTS CATALOG (MAINTENANCE)



Y 26160101 SHT 4 REV 205

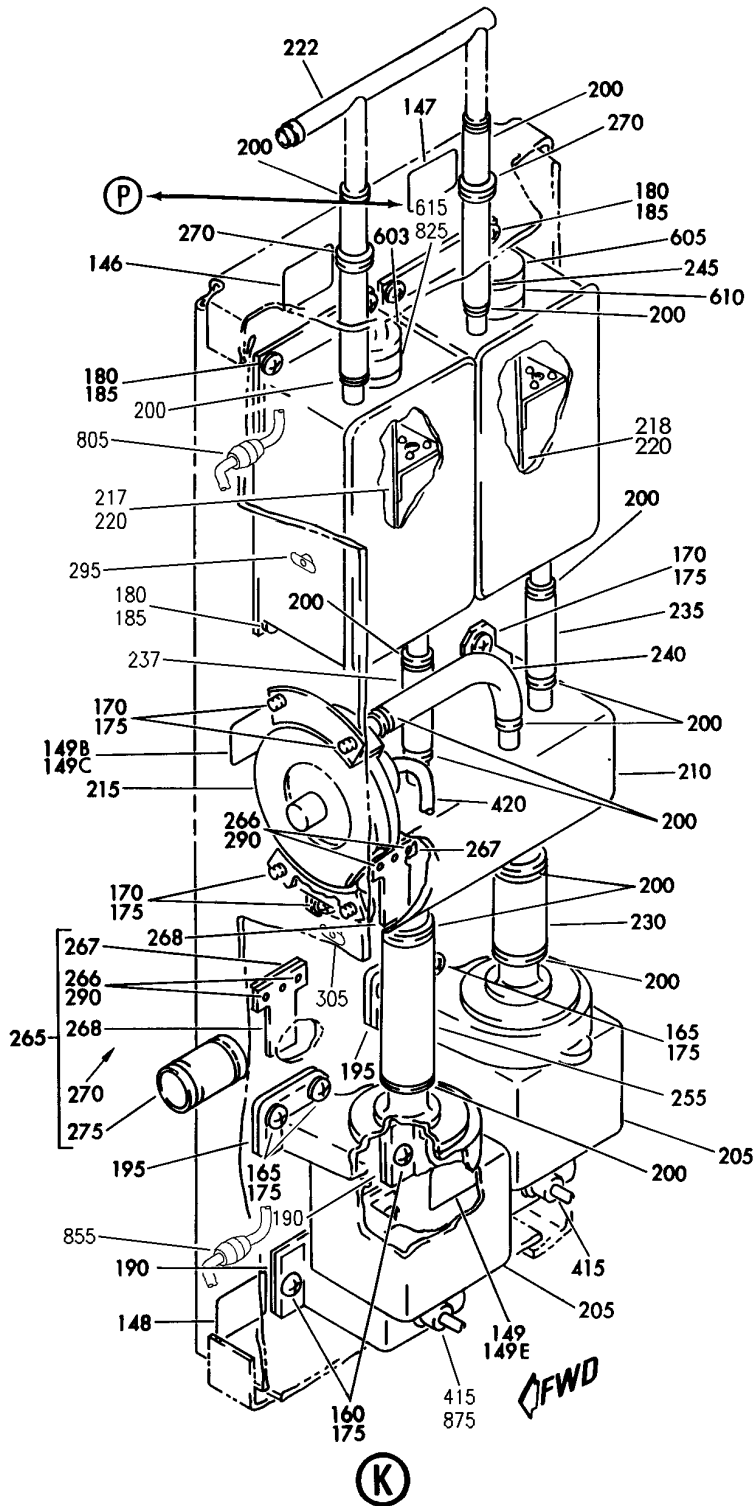
DETECTOR AND COVER INSTL-FWD AND AFT CARGO COMPT SMOKE
FIGURE 1 (SHEET 4)

26-16-01-01

BRI
MAY 28/07

26-16-01-01
PAGE 0C

BOEING
757
PARTS CATALOG (MAINTENANCE)



Y 26160101 SHT 5 REV 238

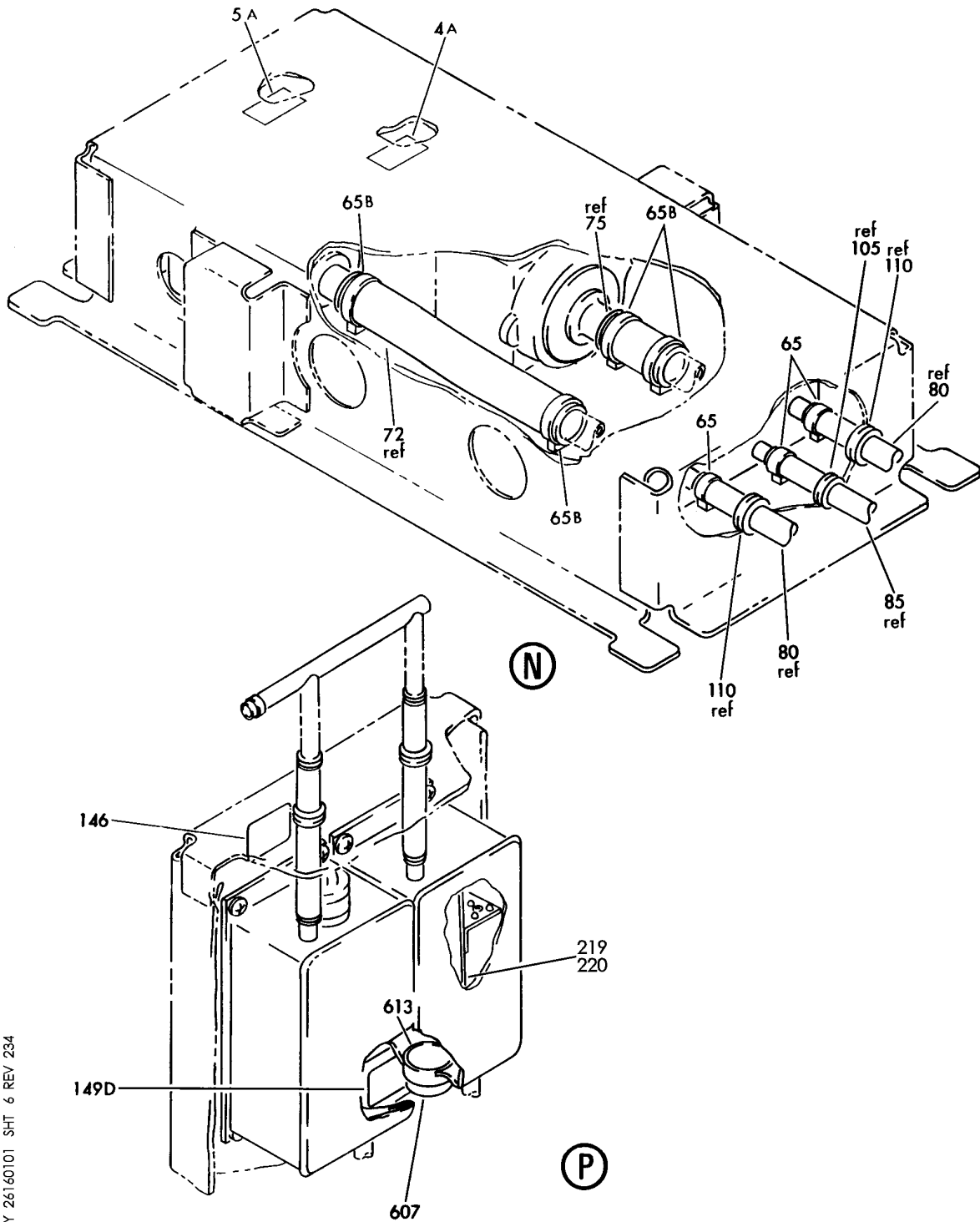
DETECTOR AND COVER INSTL-FWD AND AFT CARGO COMPT SMOKE
FIGURE 1 (SHEET 5)

26-16-01-01

BRI
MAY 28/07

26-16-01-01
PAGE 0D

BOEING
757
PARTS CATALOG (MAINTENANCE)



Y 26160101 SHT 6 REV 234

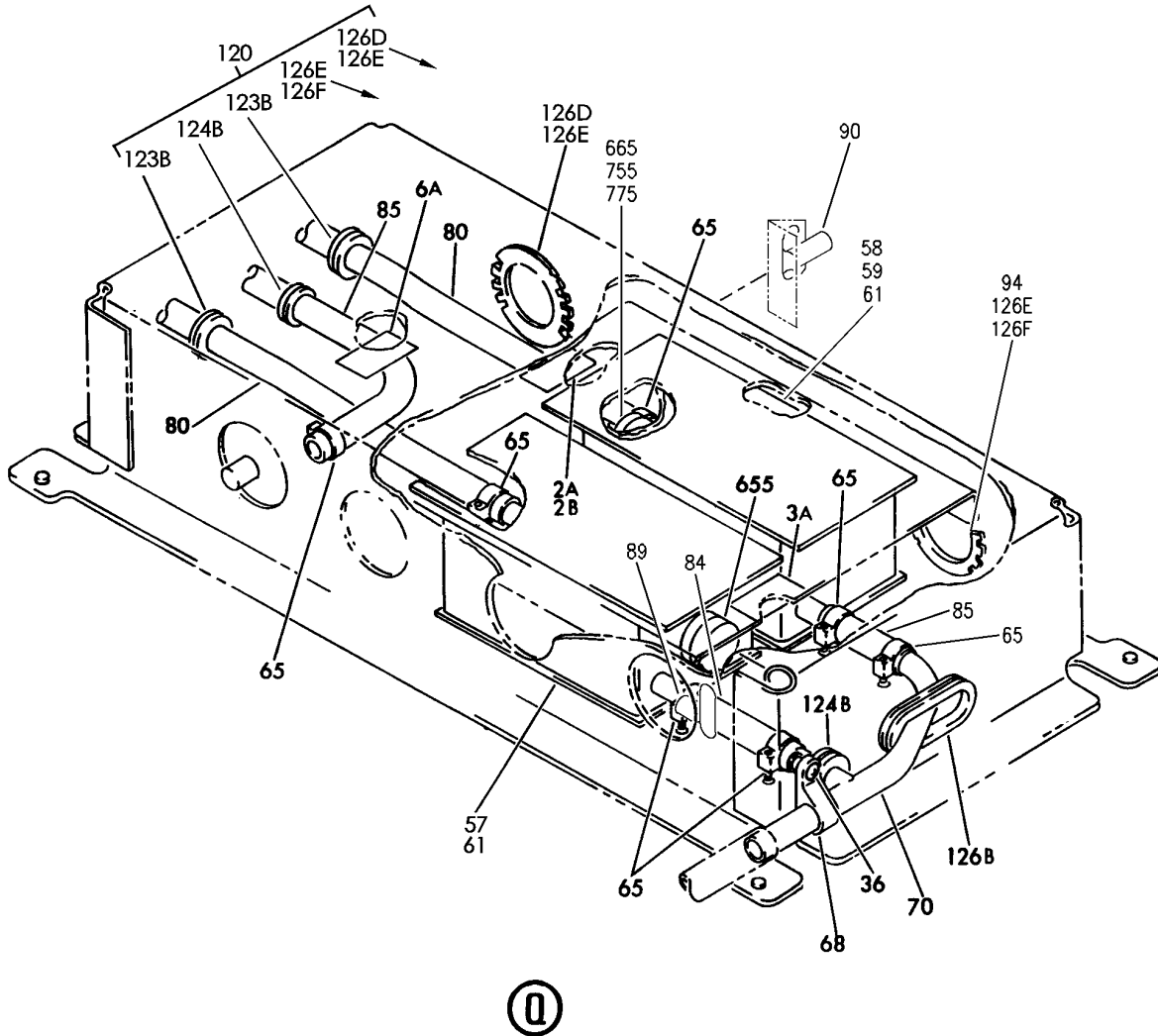
DETECTOR AND COVER INSTL-FWD AND AFT CARGO COMPT SMOKE
FIGURE 1 (SHEET 6)

26-16-01-01

BRI
MAY 28/07

26-16-01-01
PAGE 0E

BOEING
757
PARTS CATALOG (MAINTENANCE)



Y 26160101 SHT 7 REV 23B

DETECTOR AND COVER INSTL-FWD AND AFT CARGO COMPT SMOKE
FIGURE 1 (SHEET 7)

26-16-01-01

BRI
MAY 28/07

26-16-01-01
PAGE OF



757

PARTS CATALOG (MAINTENANCE)

FIG ITEM	PART NUMBER	1 2 3 4 5 6 7	NOMENCLATURE	EFFECT FROM TO	UNITS PER ASSY
1			DETECTOR AND COVER INSTL- FWD AND AFT CARGO COMPT SMOKE	002004 006100 103107 121503 904999	
- 1	453N2110-20		DETECTOR INSTL-SMOKE POSITION DATA: FWD CARGO COMPT FOR NHA SEE: 21-00-00-04	904949	RF
- 1	453N2110-21		DETECTOR INSTL-SMOKE POSITION DATA: FWD CARGO COMPT FOR NHA SEE: 21-00-00-04	107107	RF
- 1	453N2110-23		DETECTOR INSTL-SMOKE POSITION DATA: FWD CARGO COMPT FOR NHA SEE: 21-00-00-04	002004 006010 121503 950999	RF
2	BAC27NCA0012		.MARKER-ALUMINUM FOIL- PLACARD CONTENT: M10458	107107 904949	1
2A	BAC27NEC0180		.MARKER-ALUMINUM FOIL- PLACARD CONTENT: M10458 DETECTOR D4402	002004 006010 121503 950999	1
3	BAC27NCA0013		.MARKER-ALUMINUM FOIL- PLACARD CONTENT: M10459	107107 904949	1
3A	BAC27NEC0181		.MARKER-ALUMINUM FOIL- PLACARD CONTENT: M10459 DETECTOR D4404	002004 006010 121503 950999	1
4	BAC27NCA0016		.MARKER-ALUMINUM FOIL PLACARD CONTENT: M10462	107107 904949	1
4A	BAC27NEC0182		.MARKER-ALUMINUM FOIL- PLACARD CONTENT: M10462 BLOWER D4424	002004 006010 121503 950999	1
5	BAC27NCA0017		.MARKER-ALUMINUM FOIL- PLACARD CONTENT: M10463	107107 904949	1
5A	BAC27NEC0183		.MARKER-ALUMINUM FOIL- PLACARD CONTENT: M10463 BLOWER D4426	002004 006010 121503 950999	1

MISSING ITEM NUMBERS NOT APPLICABLE

- ITEM NOT ILLUSTRATED

26-16-01-01

26-16-01
FIG. 01
PAGE 1
JAN 20/09

BRI



757

PARTS CATALOG (MAINTENANCE)

FIG ITEM	PART NUMBER	1 2 3 4 5 6 7	NOMENCLATURE	EFFECT FROM TO	UNITS PER ASSY
1					
6	BAC27NCA0022		.MARKER-ALUMINUM FOIL- PLACARD CONTENT: S10333	107107 904949	1
6A	BAC27NEC0184		.MARKER-ALUMINUM FOIL- PLACARD CONTENT: S10333 PRESSURE SW. D4434	002004 006010 121503 950999	1
7	453N2605-20		.COVER ASSY- FUNCTIONAL REFERENCE: PLACARDS AND MARKINGS FOR DETAILS SEE 11-37-53-01	002004 006010 107107 121503 904999	1
9	BACS21Y4R		..STUD ASSY	002004 006010 107107 121503 904999	15
10	1127700		..WASHER SUPPLIER CODE: V60119 SPECIFICATION NUMBER: BACW10X4 OPTIONAL PART: 2600LW V71286	002004 006010 107107 121503 904999	15
12	453N2605-17		..SEAL- USED ON: 453N2605-20	002004 006010 107107 121503 904999	AR
17	453N1755-6		..COVER- USED ON: 453N2605-20	002004 006010 107107 121503 904999	1
20	NAS623-2-4		.SCREW-	107107 904949	8
21	NAS623-3-1		.SCREW-	002004 006010 121503 950999	12
22	NAS623-3-4		.SCREW-	107107 904949	4
25	AN960PD10L		.WASHER-	002004 006010 107107 121503 904999	8

MISSING ITEM NUMBERS NOT APPLICABLE

- ITEM NOT ILLUSTRATED

26-16-01-01

26-16-01
FIG. 01
PAGE 2
JAN 20/09

BRI

BOEING PROPRIETARY - Copyright © - Unpublished Work - See title page for details.



757

PARTS CATALOG (MAINTENANCE)

FIG ITEM	PART NUMBER	1 2 3 4 5 6 7	NOMENCLATURE	EFFECT FROM TO	UNITS PER ASSY
1	25	AN960KD10LL	.WASHER-	002004 006010 107107 121503 904999	8
	27	AN960KD10LL	.WASHER	002004 006010 121503 950999	4
	30	NAS623-2-2	.SCREW	002004 006010 107107 121503 904999	12
	35	AN960PD8L	.WASHER	002004 006010 107107 121503 904999	12
	36	NAS1801-3-6	.SCREW	002004 006010 121503 950999	1
	40	453T2252-1	.GASKET-SMOKE DETECTOR BLOWER	002004 006010 107107 121503 904999	2
	45	453T2252-2	.SPACER-SMOKE DETECTOR BLOWER GSKT	002004 006010 107107 121503 904999	2
	50	033638	.BLOWER ASSY- SUPPLIER CODE: V82877 ELECTRICAL EQUIP NUMBER: M10462 M10463 COMPONENT MAINT MANUAL REF: 21-58-01 OPTIONAL PART: 033638500 V82877	002004 006010 107107 121503 904999	2

MISSING ITEM NUMBERS NOT APPLICABLE

- ITEM NOT ILLUSTRATED

BRI

26-16-01-01

26-16-01
FIG. 01
PAGE 3
JAN 20/09



757

PARTS CATALOG (MAINTENANCE)

FIG ITEM	PART NUMBER	1 2 3 4 5 6 7	NOMENCLATURE	EFFECT FROM TO	UNITS PER ASSY
1 50	033638500		.BLOWER ASSY- SUPPLIER CODE: V82877 FUNCTIONAL DESCRIPTION: PULLS AIR INTO SAMPLING TUBES LOCATED IN THE CARGO COMPARTMENT & THEN THROUGH SMOKE DETECTORS COMPONENT MAINT MANUAL REF: 21-58-02 OPTIONAL PART: 033638 V82877	002004 006010 107107 121503 904999	2
55	453T0211-1		.PLENUM ASSY	002004 006010 107107 121503 904999	1
56	32V92		.SWITCH-VACUUM SUPPLIER CODE: V09049 ELECTRICAL EQUIP NUMBER: S10333	002004 006010 107107 121503 904999	1
61	2156-204A		.DETECTOR ASSY-SMOKE SUPPLIER CODE: V03972 ELECTRICAL EQUIP NUMBER: M10458 M10459 COMPONENT MAINT MANUAL REF: 26-16-04 PRE ALERT SB: 26A0042 REWORKED BY ALERT SB: 26A0028 26A0028R1 REWORKED BY SB: 2156204A-26-02 V03972 FUNCTIONAL REFERENCE: PLACARDS AND MARKINGS FOR DETAILS SEE 11-37-14-01 FIRE PROTECTION FOR DETAILS SEE 26-16-01-05	002004 006010 107107 121503 904949 952999	2

MISSING ITEM NUMBERS NOT APPLICABLE

- ITEM NOT ILLUSTRATED

BRI

26-16-01-01

26-16-01
FIG. 01
PAGE 4
JAN 20/09



757

PARTS CATALOG (MAINTENANCE)

FIG ITEM	PART NUMBER	1 2 3 4 5 6 7 NOMENCLATURE	EFFECT FROM TO	UNITS PER ASSY
1 61	2156-604	.DETECTOR ASSY-SMOKE SUPPLIER CODE: V03972 FUNCTIONAL DESCRIPTION: DETECTS SMOKE & PROVIDES AN OUTPUT SIGNAL TO THE FIRE/OVERHEAT LOGIC/TEST CARD ELECTRICAL EQUIP NUMBER: M10458 M10459 COMPONENT MAINT MANUAL REF: 26-16-11 POST ALERT SB: 26A0042 FUNCTIONAL REFERENCE: PLACARDS AND MARKINGS FOR DETAILS SEE 11-37-14-01 FIRE PROTECTION FOR DETAILS SEE 26-16-01-05	002004 006010 107107 121503 904949 952999	2

MISSING ITEM NUMBERS NOT APPLICABLE

- ITEM NOT ILLUSTRATED

BRI

26-16-01-01

BOEING PROPRIETARY - Copyright © - Unpublished Work - See title page for details.

26-16-01
FIG. 01
PAGE 5
JAN 20/09



757

PARTS CATALOG (MAINTENANCE)

FIG ITEM	PART NUMBER	1 2 3 4 5 6 7	NOMENCLATURE	EFFECT FROM TO	UNITS PER ASSY
1 61	2156-604A		.DETECTOR ASSY-SMOKE SUPPLIER CODE: V03972 FUNCTIONAL DESCRIPTION: DETECTS SMOKE & PROVIDES AN OUTPUT SIGNAL TO THE FIRE/OVERHEAT LOGIC/TEST CARD ELECTRICAL EQUIP NUMBER: M10458 M10459 COMPONENT MAINT MANUAL REF: 26-16-11 POST ALERT SB: 26A0042 REWORKED BY SB: 2156-26-01 V03972 2156-26-02 V03972 POST SERVICE LETTER: 26-021 FUNCTIONAL REFERENCE: PLACARDS AND MARKINGS FOR DETAILS SEE 11-37-14-01 FIRE PROTECTION FOR DETAILS SEE 26-16-01-05	002004 006010 107107 121503 904999	2
62	NAS1801-08-7		.SCREW	904949	2
63	T05R0		.STRAP SUPPLIER CODE: V53421 SPECIFICATION NUMBER: BACS38K1 OPTIONAL PART: PLT2SM V06383	904949	2
64	TM2S8		.PLATE SUPPLIER CODE: V06383 SPECIFICATION NUMBER: STBP19M9	904949	2
65	NAS1922-0050-3		.CLAMP	002004 006010 121503 950999	10

MISSING ITEM NUMBERS NOT APPLICABLE

- ITEM NOT ILLUSTRATED

26-16-01-01

26-16-01
FIG. 01
PAGE 6
JAN 20/09

BRI



757

PARTS CATALOG (MAINTENANCE)

FIG ITEM	PART NUMBER	1 2 3 4 5 6 7	NOMENCLATURE	EFFECT FROM TO	UNITS PER ASSY
1					
65B	NAS1922-0100-3	.	CLAMP	002004 006010 121503 950999	4
66	453N2601-17	.	TUBE ASSY	904949	1
67	BACC10DK8A	.	CLAMP-	107107	2
68	BACC10DK8A	.	CLAMP	002004 006010 121503 950999	1
69	453N2601-15	.	TUBE ASSY-	107107	1
70	453N2601-26	.	TUBE ASSY- USED ON: 453N2110-23	002004 006010 121503 950999	1
72	453N2110-8	.	TUBE-RUBBER	002004 006010 107107 121503 904999	1
75	453N2110-9	.	TUBE-RUBBER	002004 006010 107107 121503 904999	1
80	453N2110-12	.	TUBE-RUBBER	002004 006010 107107 121503 904999	2
83	453N2110-10	.	TUBE-RUBBER	002004 006010 107107 121503 904999	1
84	453N2110-11	.	TUBE-RUBBER	002004 006010 121503 950999	2
85	453N2110-26	.	TUBE-	002004 006010 121503 950999	1
95	453N2603-32	.	PAN ASSY-SPRT	107107 904949	1
95	453N2603-37	.	PAN ASSY-SUPPORT	002004 006010 121503 950999	1

MISSING ITEM NUMBERS NOT APPLICABLE

- ITEM NOT ILLUSTRATED

26-16-01-01

26-16-01
FIG. 01
PAGE 7
JAN 20/09

BRI

 **BOEING**
757
PARTS CATALOG (MAINTENANCE)

FIG ITEM	PART NUMBER	1 2 3 4 5 6 7	NOMENCLATURE	EFFECT FROM TO	UNITS PER ASSY
1	96	BACR15BB3AD	..RIVET- SIZE DETERMINED ON INSTL.	002004 006010 107107 121503 904999	6
	97	NAS42DD3-6	..SPACER	002004 006010 107107 121503 904999	6
	98	453T2150-2	..RETAINER-	002004 006010 107107 121503 904999	2
	99	453T2150-4	..VALVE-FLAP	002004 006010 107107 121503 904999	2
- 100	BACR15FT6D		ATTACHING PARTS .RIVET- SIZE DETERMINED ON INSTL.	002004 006010 107107 121503 904999	10
	105	NAS1368N10A	-----*----- ..GROMMET	002004 006010 107107 121503 904999	1
	110	NAS1368N12A	..GROMMET	002004 006010 107107 121503 904999	2
	112	BACG20AD550	..GROMMET	002004 006010 107107 121503 904999	1
	120	453N2603-25	.PAN ASSY-SPRT	107107	1
	120	453N2603-27	.PAN ASSY-SPRT	904949	1
	120	453N2603-36	.PAN ASSY-SUPPORT	002004 006010 121503 950999	1

MISSING ITEM NUMBERS NOT APPLICABLE

- ITEM NOT ILLUSTRATED

BRI

26-16-01-01

BOEING PROPRIETARY - Copyright © - Unpublished Work - See title page for details.

26-16-01
FIG. 01
PAGE 8
JAN 20/09



757

PARTS CATALOG (MAINTENANCE)

FIG ITEM	PART NUMBER	1 2 3 4 5 6 7	NOMENCLATURE	EFFECT FROM TO	UNITS PER ASSY
1			ATTACHING PARTS		
121	BACR15FT6D		.RIVET- SIZE DETERMINED ON INSTL.	002004 006010 107107 121503 904999	3
122	BACB30NX6K		.BOLT- SIZE DETERMINED ON INSTL.	002004 006010 107107 121503 904999	7
123	HL1187-6		.COLLAR SUPPLIER CODE: V5M902 SPECIFICATION NUMBER: BACC30X6 OPTIONAL PART: HL87-6 V92215 HL87-6 V73197 HL1187-6 V56878 HL1187-6 V92215 HL87-6 V56878 HL1187-6 V73197 -----*	002004 006010 107107 121503 904999	7
123B	NAS1368N12A		..GROMMET	002004 006010 121503 950999	2
124	NAS1368N12A		..GROMMET	107107 904949	2
124B	NAS1368N10A		..GROMMET	002004 006010 121503 950999	2
125	NAS1368N10A		..GROMMET	107107 904949	1
126	NAS1368N8A		..GROMMET-	107107 904949	2
126B	BACG20ZM0486B		..GROMMET	002004 006010 121503 950999	1

MISSING ITEM NUMBERS NOT APPLICABLE

- ITEM NOT ILLUSTRATED

26-16-01-01

26-16-01
FIG. 01
PAGE 9
JAN 20/09

BRI

BOEING PROPRIETARY - Copyright © - Unpublished Work - See title page for details.



757

PARTS CATALOG (MAINTENANCE)

FIG ITEM	PART NUMBER	1 2 3 4 5 6 7	NOMENCLATURE	EFFECT FROM TO	UNITS PER ASSY
1					
126D	BACG20AD550	..	GROMMET	002004 006010 121503 950999	1
126F	BACG20AD380	..	GROMMET	002004 006010 121503 950999	1
128	453N2605-19	.	COVER ASSY-	002004 006010 107107 121503 904999	1
129	BACS21Y4R	..	STUD ASSY-	002004 006010 107107 121503 904999	16
130	1127700	..	WASHER SUPPLIER CODE: V60119 SPECIFICATION NUMBER: BACW10X4 OPTIONAL PART: 2600LW V71286	002004 006010 107107 121503 904999	16
131	453N2605-17	..	SEAL- USED ON: 453N2605-19	002004 006010 107107 121503 904999	AR
134	453N1755-5	..	COVER- USED ON: 453N2605-19	002004 006010 107107 121503 904999	1
- 145	453N2210-23		DETECTOR INSTL-SMOKE POSITION DATA: AFT CARGO COMPT FOR NHA SEE: 21-00-00-04	107107 904949	RF
146	BAC27NCA0014	.	MARKER-ALUMINUM FOIL- PLACARD CONTENT: M10460	107107 904949	1
147	BAC27NCA0015	.	MARKER-ALUMINUM FOIL- PLACARD CONTENT: M10461	107107 904949	1

MISSING ITEM NUMBERS NOT APPLICABLE

- ITEM NOT ILLUSTRATED

BRI

26-16-01-01

26-16-01
FIG. 01
PAGE 10
JAN 20/09



757

PARTS CATALOG (MAINTENANCE)

FIG ITEM	PART NUMBER	1 2 3 4 5 6 7	NOMENCLATURE	EFFECT FROM TO	UNITS PER ASSY
1					
148	BAC27NCA0018		.MARKER-ALUMINUM FOIL- PLACARD CONTENT: M10464	107107 904949	1
149	BAC27NCA0019		.MARKER-ALUMINUM FOIL- PLACARD CONTENT: M10465	107107 904949	1
149B	BAC27NCA0021		.MARKER-ALUMINUM FOIL- PLACARD CONTENT: S10332	107107 904949	1
150	453N2210-24		.DETECTOR ASSY-SMOKE	107107 904949	1
			ATTACHING PARTS		
- 155	BACS12FA3K9		.SCREW-	107107 904949	8
			-----*-----		
156	NAS1801-3-7		..SCREW	107107 904949	2
156B	BRH10A3		..NUT SUPPLIER CODE: V52828 SPECIFICATION NUMBER: BACN10JC3 OPTIONAL PART: H10-3BAC V15653 NS202101-02 V80539 RMLH9075-3W V72962 VN303A02 V92215 96-02 V80539 T6S1032J V11815	107107 904949	2
157	BACC10DK10		..CLAMP	107107 904949	2
157C	JM44LC13WS26R		..CLAMP SUPPLIER CODE: V22175 SPECIFICATION NUMBER: BACC10GE26 OPTIONAL PART: S369WH26 V18076 TA12C32WS26 V84971 509S26 V83930	107107 904949	3

MISSING ITEM NUMBERS NOT APPLICABLE

- ITEM NOT ILLUSTRATED

26-16-01-01

26-16-01
FIG. 01
PAGE 11
JAN 20/09

BRI



757

PARTS CATALOG (MAINTENANCE)

FIG ITEM	PART NUMBER	1 2 3 4 5 6 7	NOMENCLATURE	EFFECT FROM TO	UNITS PER ASSY
1					
158	AS1504-06B0482	..	HOSE-	107107 904949	1
159	453N2210-15	..	TUBE	107107 904949	2
160	NAS623-3-3	..	SCREW	107107 904949	4
165	NAS623-3-5	..	SCREW	107107 904949	4
170	NAS623-3-2	..	SCREW	107107 904949	8
175	AN960D10L	..	WASHER	107107 904949	16
180	NAS623-2-2	..	SCREW	107107 904949	8
185	AN960D8L	..	WASHER	107107 904949	8
190	453T2252-2	..	SPACER-SMOKE DETECTOR BLOWER GSKT	107107 904949	2
195	453T2252-1	..	GASKET-SMOKE DETECTOR BLOWER	107107 904949	2
200	MS3367-1-9	..	STRAP	107107 904949	14
205	033638	..	BLOWER ASSY- SUPPLIER CODE: V82877 ELECTRICAL EQUIP NUMBER: M10464 M10465 COMPONENT MAINT MANUAL REF: 21-58-01 OPTIONAL PART: 033638500 V82877	107107 904949	2
205	033638500	..	BLOWER ASSY- SUPPLIER CODE: V82877 FUNCTIONAL DESCRIPTION: PULLS AIR INTO SAMPLING TUBES LOCATED IN THE CARGO COMPARTMENT & THEN THROUGH SMOKE DETECTORS COMPONENT MAINT MANUAL REF: 21-58-02 OPTIONAL PART: 033638 V82877	107107 904949	2
210	453T0211-1	..	PLENUM ASSY	107107 904949	1

MISSING ITEM NUMBERS NOT APPLICABLE

- ITEM NOT ILLUSTRATED

BRI

26-16-01-01

26-16-01
FIG. 01
PAGE 12
JAN 20/09



757

PARTS CATALOG (MAINTENANCE)

FIG ITEM	PART NUMBER	1 2 3 4 5 6 7	NOMENCLATURE	EFFECT FROM TO	UNITS PER ASSY
1	215 32V92		.. SWITCH-VACUUM SUPPLIER CODE: V09049 ELECTRICAL EQUIP NUMBER: S10332	107107 904949	1
	220 2156-204A		.. DETECTOR ASSY-SMOKE SUPPLIER CODE: V03972 ELECTRICAL EQUIP NUMBER: M10460 M10461 COMPONENT MAINT MANUAL REF: 26-16-04 PRE ALERT SB: 26A0042 REWORKED BY ALERT SB: 26A0028R1 REWORKED BY SB: 2156204A-26-02 V03972 FUNCTIONAL REFERENCE: PLACARDS AND MARKINGS FOR DETAILS SEE 11-37-14-01 FIRE PROTECTION FOR DETAILS SEE 26-16-01-05	107107 904949	2
	220 2156-604		.. DETECTOR ASSY-SMOKE SUPPLIER CODE: V03972 FUNCTIONAL DESCRIPTION: DETECTS SMOKE & PROVIDES AN OUTPUT SIGNAL TO THE FIRE/OVERHEAT LOGIC/TEST CARD ELECTRICAL EQUIP NUMBER: M10460 M10461 COMPONENT MAINT MANUAL REF: 26-16-11 POST ALERT SB: 26A0042 FUNCTIONAL REFERENCE: PLACARDS AND MARKINGS FOR DETAILS SEE 11-37-14-01 FIRE PROTECTION FOR DETAILS SEE 26-16-01-05	107107 904949	2

MISSING ITEM NUMBERS NOT APPLICABLE

- ITEM NOT ILLUSTRATED

26-16-01-01

26-16-01
FIG. 01
PAGE 13
JAN 20/09

BRI



757

PARTS CATALOG (MAINTENANCE)

FIG ITEM	PART NUMBER	1 2 3 4 5 6 7	NOMENCLATURE	EFFECT FROM TO	UNITS PER ASSY
1 220	2156-604A		.. DETECTOR ASSY-SMOKE SUPPLIER CODE: V03972 FUNCTIONAL DESCRIPTION: DETECTS SMOKE & PROVIDES AN OUTPUT SIGNAL TO THE FIRE/OVERHEAT LOGIC/TEST CARD ELECTRICAL EQUIP NUMBER: M10460 M10461 COMPONENT MAINT MANUAL REF: 26-16-11 POST ALERT SB: 26A0042 REWORKED BY SB: 2156-26-01 V03972 2156-26-02 V03972 POST SERVICE LETTER: 26-021 FUNCTIONAL REFERENCE: PLACARDS AND MARKINGS FOR DETAILS SEE 11-37-14-01 FIRE PROTECTION FOR DETAILS SEE 26-16-01-05	107107 904951	2
222	453N2601-4		. TUBE ASSY-	107107 904949	1
225	453N2210-10		.. TUBE-RUBBER	107107 904949	1
230	453N2210-9		.. TUBE-RUBBER	107107 904949	1
235	453N2210-11		.. TUBE-RUBBER	107107 904949	1
237	453N2210-11		.. TUBE-RUBBER	107107 904949	1
240	453N2210-12		.. TUBE-RUBBER	107107 904949	1
245	453N2210-13		.. TUBE-RUBBER	107107 904949	1
250	BACR15FT5D		.. RIVET- SIZE DETERMINED ON INSTL.	107107 904949	8
255	453N2704-2		.. ANGLE-SPRT	107107 904949	1
260	453N2704-1		.. ANGLE-SPRT	107107 904949	1

MISSING ITEM NUMBERS NOT APPLICABLE

- ITEM NOT ILLUSTRATED

26-16-01-01

26-16-01
FIG. 01
PAGE 14
JAN 20/09

BRI



757

PARTS CATALOG (MAINTENANCE)

FIG ITEM	PART NUMBER	1 2 3 4 5 6 7	NOMENCLATURE	EFFECT FROM TO	UNITS PER ASSY
1					
265	453N2603-31	..	PAN ASSY-SPRT	107107 904949	1
266	BACR15BB3AD	...	RIVET- SIZE DETERMINED ON INSTL.	107107 904949	6
267	453T2150-2	...	RETAINER-	107107 904949	2
268	453T2150-4	...	VALVE-FLAP	107107 904949	2
270	NAS1368N10A	...	GROMMET	107107 904949	2
275	453N2706-1	...	SPUD DETAIL	107107 904949	1
			ATTACHING PARTS		
- 280	NAS623-3-2	...	SCREW	107107 904949	4
- 285	AN960PD10L	...	WASHER	107107 904949	4
			-----*-----		
290	NAS42DD3-6	...	SPACER	107107 904949	6
- 410	286N2358-001		WIRE BUNDLE ASSY	002004 006010 950999	RF
- 410	286N2358-002		WIRE BUNDLE ASSY-	121503 904949	RF
- 410	286N2358-003		WIRE BUNDLE ASSY	107107	RF
415	C0909A08-03SN	.	CONNECTOR- SUPPLIER CODE: V13556 SPECIFICATION NUMBER: BACC63BN8-3S OPTIONAL PART: 48-63N8-3S V02660 R07128-3S V41118 ELECTRICAL EQUIP NUMBER: D04428 D04430 WIRING DIAGRAM REF: 261621	002004 006010 107107 121503 904999	2
420	BACC45FS10D5S	.	CONNECTOR- ELECTRICAL EQUIP NUMBER: D04432 WIRING DIAGRAM REF: 261621	002004 006010 107107 121503 904999	1
- 550	286N2358-001		WIRE BUNDLE ASSY	002004 006010 950999	RF

MISSING ITEM NUMBERS NOT APPLICABLE

- ITEM NOT ILLUSTRATED

26-16-01-01

26-16-01
FIG. 01
PAGE 15
JAN 20/09

BRI



757

PARTS CATALOG (MAINTENANCE)

FIG ITEM	PART NUMBER	1 2 3 4 5 6 7	NOMENCLATURE	EFFECT FROM TO	UNITS PER ASSY
1					
- 550	286N2358-002		WIRE BUNDLE ASSY-	121503 904949	RF
- 550	286N2358-003		WIRE BUNDLE ASSY	107107	RF
570	BACC45FT8D3S		.CONNECTOR- ELECTRICAL EQUIP NUMBER: D04424 D04426 WIRING DIAGRAM REF: 261621	002004 006010 107107 121503 904999	2
575	BACC45FS10A5S		.CONNECTOR- ELECTRICAL EQUIP NUMBER: D04434 WIRING DIAGRAM REF: 261621	002004 006010 107107 121503 904999	1
- 600	286N2626-005		WIRE BUNDLE ASSY-	107107	RF
- 600	286N2626-006		WIRE BUNDLE ASSY-	121503 904949	RF
- 600	286N2626-007		WIRE BUNDLE ASSY-	002004 006100 103106 950999	RF
603	MS27559-3		.SUPPORT- ELECTRICAL EQUIP NUMBER: D04406T WIRING DIAGRAM REF: 261611	002004 006010 107107 121503 904999	1
605	MS27559-3		.SUPPORT- ELECTRICAL EQUIP NUMBER: D04408T WIRING DIAGRAM REF: 261611	002004 006010 107107 121503 904999	1
610	BACC45FT12D12S		.CONNECTOR- ELECTRICAL EQUIP NUMBER: D04408 WIRING DIAGRAM REF: 261611	002004 006010 107107 121503 904999	1
615	BACC45FT12D12S		.CONNECTOR- ELECTRICAL EQUIP NUMBER: D04406 WIRING DIAGRAM REF: 261611	002004 006010 107107 121503 904999	1
- 650	286N2628-007		WIRE BUNDLE ASSY-	121503 904949	RF
- 650	286N2628-008		WIRE BUNDLE ASSY	107107	RF
- 650	286N2628-009		WIRE BUNDLE ASSY-	002004 006010 950999	RF

MISSING ITEM NUMBERS NOT APPLICABLE

- ITEM NOT ILLUSTRATED

26-16-01-01

26-16-01
FIG. 01
PAGE 16
JAN 20/09

BRI



757

PARTS CATALOG (MAINTENANCE)

FIG ITEM	PART NUMBER	1 2 3 4 5 6 7	NOMENCLATURE	EFFECT FROM TO	UNITS PER ASSY
1 655	BACC45FT12-12S	.	CONNECTOR- ELECTRICAL EQUIP NUMBER: D04402 WIRING DIAGRAM REF: 261611	002004 006010 107107 121503 904999	1
660	BACC45FT12-12S	.	CONNECTOR- ELECTRICAL EQUIP NUMBER: D04404 WIRING DIAGRAM REF: 261611	002004 006010 107107 121503 904999	1

MISSING ITEM NUMBERS NOT APPLICABLE

- ITEM NOT ILLUSTRATED

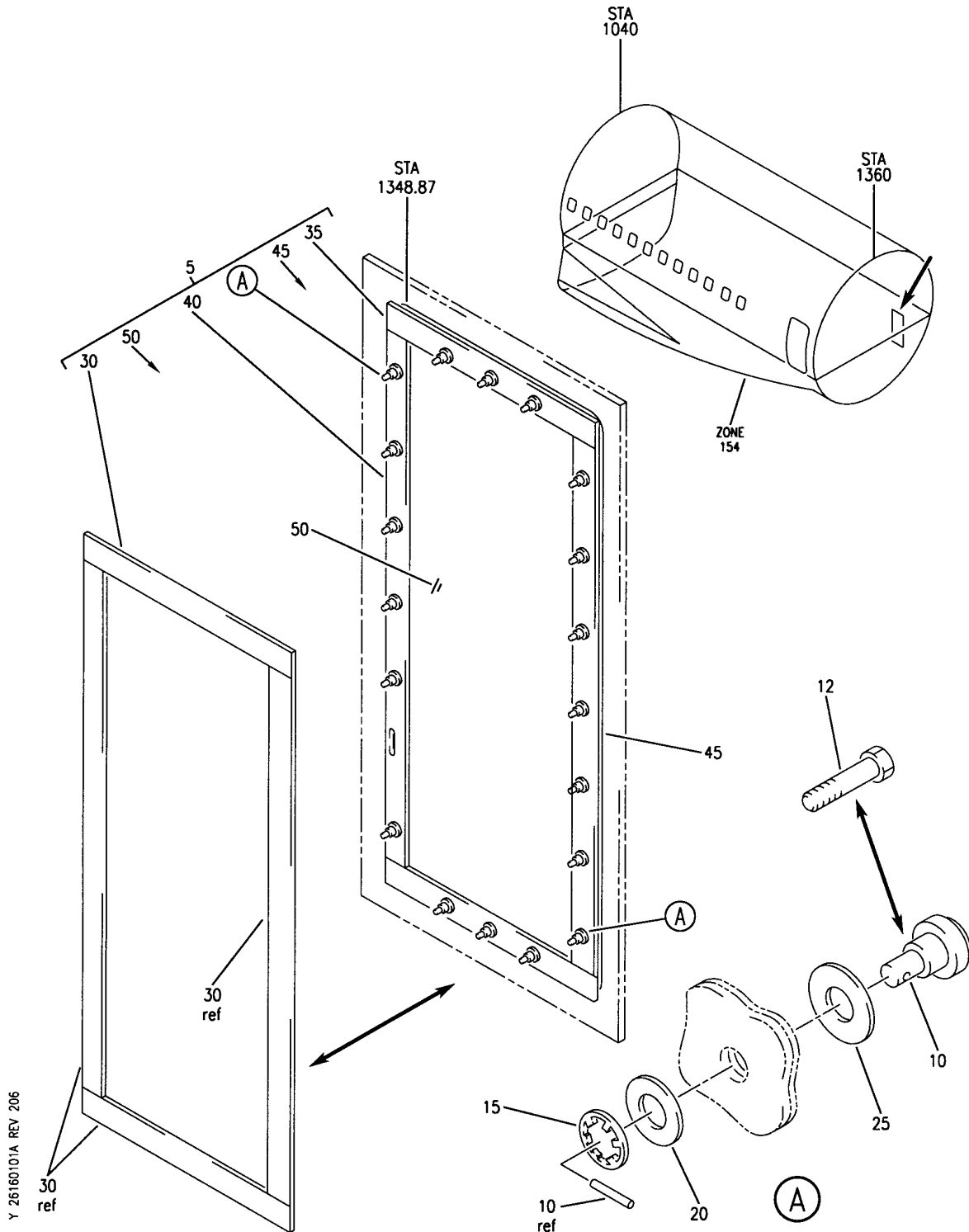
BRI

26-16-01-01

BOEING PROPRIETARY - Copyright © - Unpublished Work - See title page for details.

26-16-01
FIG. 01
PAGE 17
JAN 20/09

BOEING
757
PARTS CATALOG (MAINTENANCE)



Y 26160101A REV 206

DETECTOR AND COVER INSTL FWD AND AFT CARGO COMPT SMOKE
FIGURE 1A

26-16-01-01A

BRI
MAY 28/07

26-16-01-01A
PAGE 0



757

PARTS CATALOG (MAINTENANCE)

FIG ITEM	PART NUMBER	1 2 3 4 5 6 7	NOMENCLATURE	EFFECT FROM TO	UNITS PER ASSY
1 A			DETECTOR AND COVER INSTL FWD AND AFT CARGO COMPT SMOKE	002004 006999	
- 1	453N2210-19		COVER INSTL-SMOKE DETECTOR POSITION DATA: AFT CARGO COMPT FOR NHA SEE: 21-00-00-04 21-00-00-15	002004 006102 107999	RF
- 1	MODREF18639		COVER INSTL-SMOKE DETECTOR MODULE NUMBER: 453N2210-19 REV A POSITION DATA: AFT CARGO COMPT	103106	1
5	453N2605-18		.COVER ASSY- OPTIONAL PART: 453N2605-22	002004 006999	1
5	453N2605-22		.COVER ASSY- OPTIONAL PART: 453N2605-18 FUNCTIONAL REFERENCE: PLACARDS AND MARKINGS FOR DETAILS SEE 11-38-59-01	002004 006999	1
10	BACS21Y6R		..STUD ASSY- USED ON: 453N2605-16 453N2605-18	002004 006999	19
10	BACS21Y5R		..STUD ASSY- USED ON: 453N2605-22	002004 006999	19
15	1127700		..WASHER- SUPPLIER CODE: V60119 SPECIFICATION NUMBER: BACW10X4 OPTIONAL PART: 2600LW V71286 USED ON: 453N2605-22	002004 006999	19
20	BACW10P227TF		..WASHER- USED ON: 453N2605-22	002004 006999	19
25	BACW10P246M		..WASHER- USED ON: 453N2605-22	002004 006999	19

MISSING ITEM NUMBERS NOT APPLICABLE

- ITEM NOT ILLUSTRATED

26-16-01-01A

26-16-01
FIG. 01A
PAGE 1
JAN 20/09

BRI

BOEING PROPRIETARY - Copyright © - Unpublished Work - See title page for details.



757

PARTS CATALOG (MAINTENANCE)

FIG ITEM	PART NUMBER	1 2 3 4 5 6 7	NOMENCLATURE	EFFECT FROM TO	UNITS PER ASSY
1 A					
30	453N2605-17	..	SEAL- USED ON: 453N2605-16 453N2605-18	002004 006999	AR
35	453N2605-23	..	SEAL- USED ON: 453N2605-22	002004 006999	AR
40	453N2605-24	..	SEAL- USED ON: 453N2605-22	002004 006999	AR
45	453N2605-25	..	SEAL- USED ON: 453N2605-22	002004 006999	AR
50	453N1755-1	..	COVER- USED ON: 453N2605-11 453N2605-15 453N2605-16 453N2605-18	002004 006999	1
50	453N1755-8	..	COVER- USED ON: 453N2605-22	002004 006999	1

MISSING ITEM NUMBERS NOT APPLICABLE

- ITEM NOT ILLUSTRATED

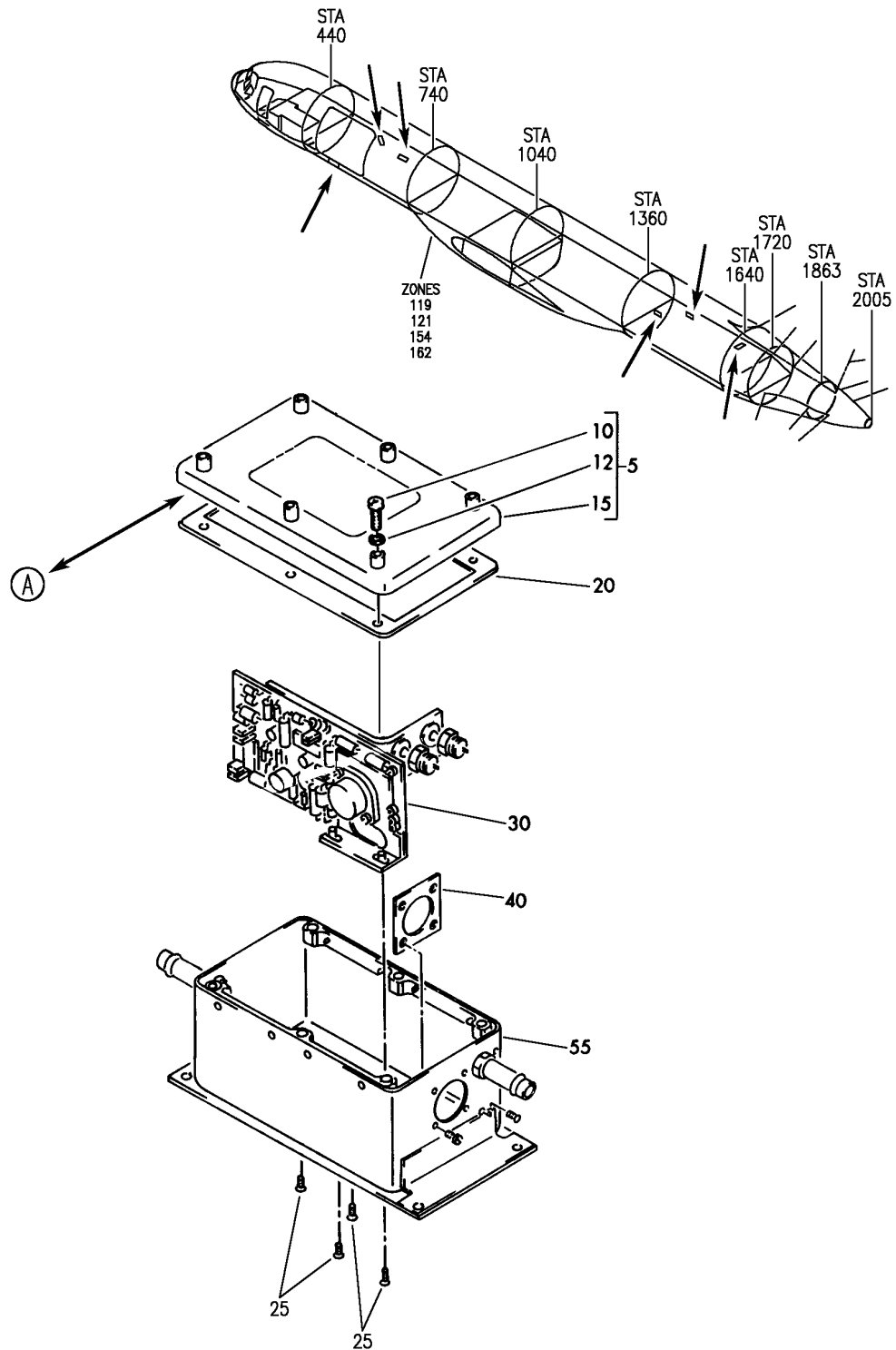
BRI

26-16-01-01A

BOEING PROPRIETARY - Copyright © - Unpublished Work - See title page for details.

26-16-01
FIG. 01A
PAGE 2
JAN 20/09

BOEING
757
PARTS CATALOG (MAINTENANCE)



Y 26160105 SHT 1 REV 319

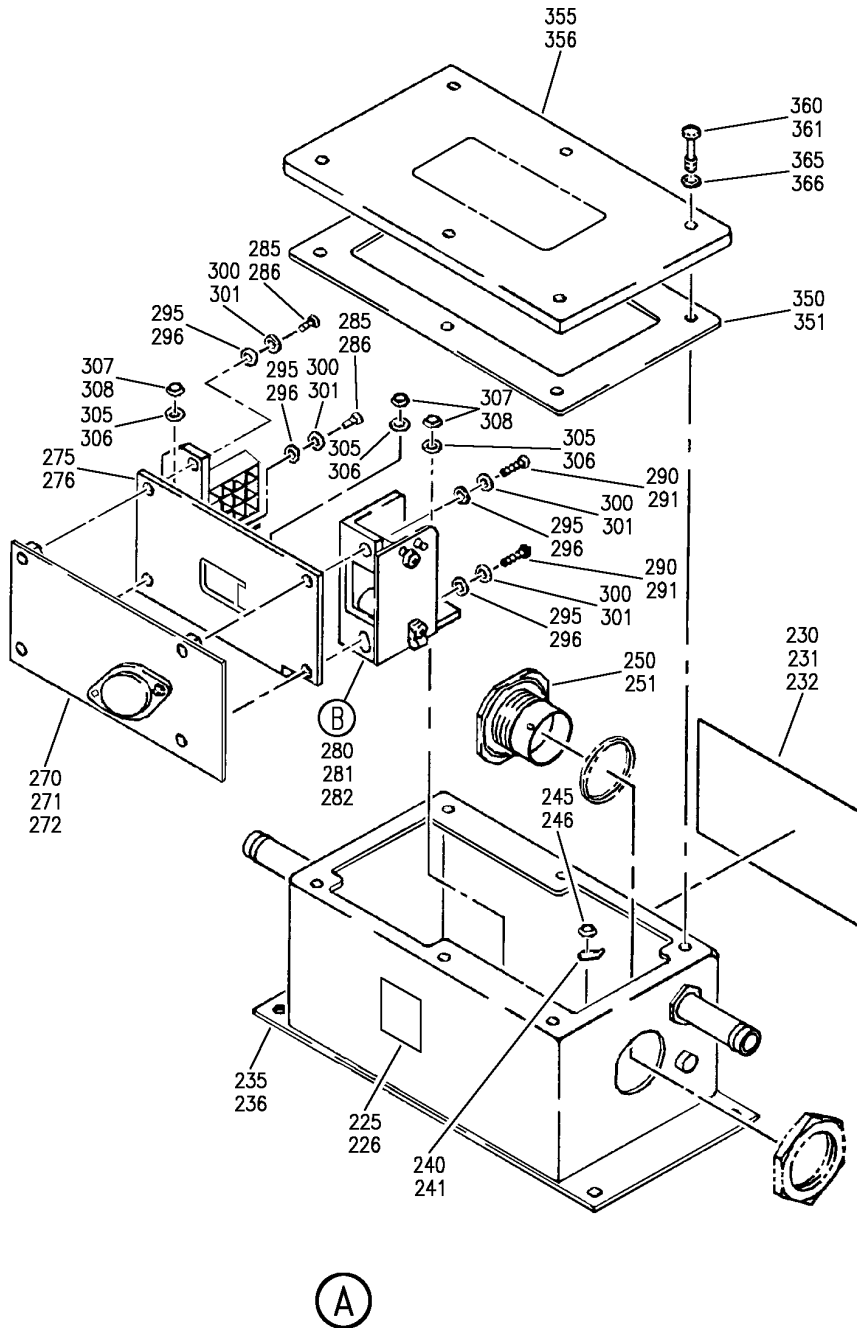
DETECTOR ASSY-SMOKE (FIRE PROTECTION ONLY)
FIGURE 5 (SHEET 1)

26-16-01-05

BRI
JAN 20/08

26-16-01-05
PAGE 0

BOEING
757
PARTS CATALOG (MAINTENANCE)



Y 26160105 SH1 2 REV 294

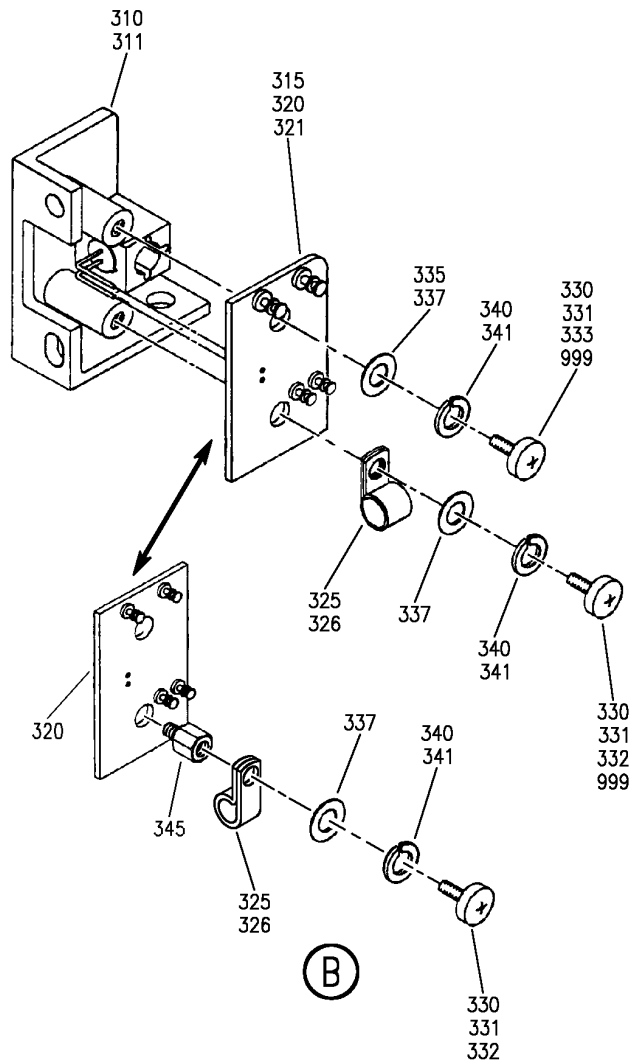
DETECTOR ASSY-SMOKE (FIRE PROTECTION ONLY)
FIGURE 5 (SHEET 2)

26-16-01-05

BRI
MAY 28/07

26-16-01-05
PAGE 0A

BOEING
757
PARTS CATALOG (MAINTENANCE)



Y 26160105 SH1 3 REV 294

DETECTOR ASSY-SMOKE (FIRE PROTECTION ONLY)
FIGURE 5 (SHEET 3)

26-16-01-05

BRI
MAY 28/07

26-16-01-05
PAGE 0B



757

PARTS CATALOG (MAINTENANCE)

FIG ITEM	PART NUMBER	1 2 3 4 5 6 7	NOMENCLATURE	EFFECT FROM TO	UNITS PER ASSY
5			DETECTOR ASSY-SMOKE (FIRE PROTECTION ONLY)	002004 006999	
- 1	2156-204A		DETECTOR ASSY-SMOKE (FIRE PROTECTION ONLY) SUPPLIER CODE: V03972 COMPONENT MAINT MANUAL REF: 26-16-04 REWORKED BY ALERT SB: 26A0028 26A0028R1 REWORKED BY SB: 2156204A-26-02 V03972 FOR NHA/OTHER SYS DET SEE: 21-58-06-05 26-16-01-01 26-16-01-08	002004 006949 952999	RF
- 1	2156-204A		DETECTOR ASSY-SMOKE (FIRE PROTECTION ONLY) SUPPLIER CODE: V03972 ELECTRICAL EQUIP NUMBER: M10460 M10461 COMPONENT MAINT MANUAL REF: 26-16-04 REWORKED BY ALERT SB: 26A0028R1 REWORKED BY SB: 2156204A-26-02 V03972 FOR NHA/OTHER SYS DET SEE: 26-16-01-08	952952	RF

MISSING ITEM NUMBERS NOT APPLICABLE

- ITEM NOT ILLUSTRATED

BRI

26-16-01-05

BOEING PROPRIETARY - Copyright © - Unpublished Work - See title page for details.

26-16-01
FIG. 05
PAGE 1
JAN 20/09



757

PARTS CATALOG (MAINTENANCE)

FIG ITEM	PART NUMBER	1 2 3 4 5 6 7	NOMENCLATURE	EFFECT FROM TO	UNITS PER ASSY
5 - 1	2156-204A		DETECTOR ASSY-SMOKE (FIRE PROTECTION ONLY) SUPPLIER CODE: V03972 ELECTRICAL EQUIP NUMBER: TS0164 TS5267 TS5268 COMPONENT MAINT MANUAL REF: 26-16-04 PRE ALERT SB: 26A0042 REWORKED BY ALERT SB: 26A0028R1 REWORKED BY SB: 2156204A-26-02 V03972 FOR NHA/OTHER SYS DET SEE: 21-58-06-05	002004 006102 107107 121999	RF
- 1	2156-204A		DETECTOR ASSY-SMOKE (FIRE PROTECTION ONLY) SUPPLIER CODE: V03972 ELECTRICAL EQUIP NUMBER: M10460 M10461 COMPONENT MAINT MANUAL REF: 26-16-04 PRE ALERT SB: 26A0042 FOR NHA/OTHER SYS DET SEE: 26-16-01-09	002004 006999	RF

MISSING ITEM NUMBERS NOT APPLICABLE

- ITEM NOT ILLUSTRATED

BRI

26-16-01-05

BOEING PROPRIETARY - Copyright © - Unpublished Work - See title page for details.

26-16-01
FIG. 05
PAGE 2
JAN 20/09



757

PARTS CATALOG (MAINTENANCE)

FIG ITEM	PART NUMBER	1 2 3 4 5 6 7	NOMENCLATURE	EFFECT FROM TO	UNITS PER ASSY
5 - 1	2156-204A		DETECTOR ASSY-SMOKE (FIRE PROTECTION ONLY) SUPPLIER CODE: V03972 ELECTRICAL EQUIP NUMBER: M10460 M10461 COMPONENT MAINT MANUAL REF: 26-16-04 PRE ALERT SB: 26A0042 REWORKED BY ALERT SB: 26A0028R1 REWORKED BY SB: 2156204A-26-02 V03972 FOR NHA/OTHER SYS DET SEE: 26-16-01-01	107107 904949	RF
- 1	2156-204A		DETECTOR ASSY-SMOKE (FIRE PROTECTION ONLY) SUPPLIER CODE: V03972 ELECTRICAL EQUIP NUMBER: M10458 M10459 COMPONENT MAINT MANUAL REF: 26-16-04 PRE ALERT SB: 26A0042 REWORKED BY ALERT SB: 26A0028 26A0028R1 REWORKED BY SB: 2156204A-26-02 V03972 FOR NHA/OTHER SYS DET SEE: 26-16-01-01	002004 006010 107107 121503 904949 952999	RF
- 1	2156-204A		DETECTOR ASSY-SMOKE (FIRE PROTECTION ONLY) SUPPLIER CODE: V03972 ELECTRICAL EQUIP NUMBER: M10458 M10459 COMPONENT MAINT MANUAL REF: 26-16-04 PRE ALERT SB: 26A0042	011100 103106	RF

MISSING ITEM NUMBERS NOT APPLICABLE

- ITEM NOT ILLUSTRATED

BRI

26-16-01-05

26-16-01
FIG. 05
PAGE 3
JAN 20/09



757

PARTS CATALOG (MAINTENANCE)

FIG ITEM	PART NUMBER	1 2 3 4 5 6 7	NOMENCLATURE	EFFECT FROM TO	UNITS PER ASSY
5	5 98-0427		.COVER ASSY- SUPPLIER CODE: V03972 USED ON: 2156-204	002004 006100 107107 121503 904999	1
	5 49-0176		.COVER ASSY- SUPPLIER CODE: V03972 USED ON: 2156-204A	002004 006100 103107 121503 904999	1
	5 49-0176		.COVER ASSY- SUPPLIER CODE: V03972 USED ON: 2156-204A	002004 006100 107107 121503 904999	1
	10 6235SS0632		..SCREW- SUPPLIER CODE: V03972	002004 006100 107107 121503 904999	6
	10 6235SS0632		..SCREW- SUPPLIER CODE: V03972	002004 006100 103107 121503 904999	6
	12 5176-7-43T		..WASHER-FLAT SUPPLIER CODE: V86928 USED ON: 49-0176	002004 006100 103107 121503 904999	6
	12 5176-7-43T		..WASHER-FLAT SUPPLIER CODE: V86928 USED ON: 49-0176	002004 006100 107107 121503 904999	6
	15 49-0160		..COVER ASSY- SUPPLIER CODE: V03972	002004 006100 103107 121503 904999	1
	20 74-0101		.PACKING- SUPPLIER CODE: V03972	002004 006100 103107 121503 904999	1

MISSING ITEM NUMBERS NOT APPLICABLE

- ITEM NOT ILLUSTRATED

26-16-01-05

26-16-01
FIG. 05
PAGE 4
JAN 20/09

BRI

BOEING PROPRIETARY - Copyright © - Unpublished Work - See title page for details.



757

PARTS CATALOG (MAINTENANCE)

FIG ITEM	PART NUMBER	1 2 3 4 5 6 7	NOMENCLATURE	EFFECT FROM TO	UNITS PER ASSY
5					
25	AN507C440R6	.	SCREW	002004 006100 103107 121503 904999	4
30	98-0415	.	ELECTRONICS ASSY- SUPPLIER CODE: V03972 USED ON: 2156-204A FOR DETAILS SEE: 33-37-51-60	952952	1
30	98-0415	.	ELECTRONICS ASSY- SUPPLIER CODE: V03972 USED ON: 2156-204A FOR DETAILS SEE: 33-37-51-60	002004 006100 103107 121503 904999	1
40	10-101949-12	.	GASKET- SUPPLIER CODE: V77820	002004 006100 103107 121503 904999	1
- 50	98-0418	.	CASE ASSY- SUPPLIER CODE: V03972 USED ON: 2156-204	002004 006100 107107 121503 904999	1
55	48-0238	.	CASE ASSY- SUPPLIER CODE: V03972	002004 006100 103107 121503 904999	1
55	48-0238	.	CASE ASSY- SUPPLIER CODE: V03972	002004 006100 107107 121503 904999	1

MISSING ITEM NUMBERS NOT APPLICABLE

- ITEM NOT ILLUSTRATED

26-16-01-05

26-16-01
FIG. 05
PAGE 5
JAN 20/09

BRI



757

PARTS CATALOG (MAINTENANCE)

FIG ITEM	PART NUMBER	1 2 3 4 5 6 7 NOMENCLATURE	EFFECT FROM TO	UNITS PER ASSY
5 - 202	2156-604	DETECTOR ASSY-SMOKE (FIRE PROTECTION ONLY) SUPPLIER CODE: V03972 FUNCTIONAL DESCRIPTION: DETECTS SMOKE & PROVIDES AN OUTPUT SIGNAL TO THE FIRE/OVERHEAT LOGIC/TEST CARD ELECTRICAL EQUIP NUMBER: TS0164 TS5267 TS5268 COMPONENT MAINT MANUAL REF: 26-16-11 REFERENCE SERVICE BULLETIN: 26A0042 POST ALERT SB: 26A0042 REWORKED BY SB: 2156-26-01 V03972 2156-26-02 V03972 FOR NHA/OTHER SYS DET SEE: 21-58-06-05	002004 006102 107999	RF

MISSING ITEM NUMBERS NOT APPLICABLE

- ITEM NOT ILLUSTRATED

BRI

26-16-01-05

BOEING PROPRIETARY - Copyright © - Unpublished Work - See title page for details.

26-16-01
FIG. 05
PAGE 6
JAN 20/09



757

PARTS CATALOG (MAINTENANCE)

FIG ITEM	PART NUMBER	1 2 3 4 5 6 7	NOMENCLATURE	EFFECT FROM TO	UNITS PER ASSY
5 - 202	2156-604A		DETECTOR ASSY-SMOKE (FIRE PROTECTION ONLY) SUPPLIER CODE: V03972 FUNCTIONAL DESCRIPTION: DETECTS SMOKE & PROVIDES AN OUTPUT SIGNAL TO THE FIRE/OVERHEAT LOGIC/TEST CARD ELECTRICAL EQUIP NUMBER: TS0164 TS5267 TS5268 COMPONENT MAINT MANUAL REF: 26-16-11 REFERENCE SERVICE BULLETIN: 26A0042 POST ALERT SB: 26A0042 REWORKED BY SB: 2156-26-01 V03972 2156-26-02 V03972 POST SERVICE LETTER: 26-021 FOR NHA/OTHER SYS DET SEE: 21-58-06-05	002004 006102 107999	RF
- 204	2156-606		DETECTOR ASSY-SMOKE (FIRE PROTECTION ONLY) SUPPLIER CODE: V03972 ELECTRICAL EQUIP NUMBER: TS5267 TS5268 COMPONENT MAINT MANUAL REF: 26-16-12 OPTIONAL PART: 2156-606A V03972 FOR NHA/OTHER SYS DET SEE: 26-19-00-01	103106	RF

MISSING ITEM NUMBERS NOT APPLICABLE

- ITEM NOT ILLUSTRATED

BRI

26-16-01-05

26-16-01
FIG. 05
PAGE 7
JAN 20/09



757

PARTS CATALOG (MAINTENANCE)

FIG ITEM	PART NUMBER	1 2 3 4 5 6 7	NOMENCLATURE	EFFECT FROM TO	UNITS PER ASSY
5 - 204	2156-606A		DETECTOR ASSY-SMOKE (FIRE PROTECTION ONLY) SUPPLIER CODE: V03972 ELECTRICAL EQUIP NUMBER: TS5267 TS5268 COMPONENT MAINT MANUAL REF: 26-16-12 OPTIONAL PART: 2156-606 V03972 FOR NHA/OTHER SYS DET SEE: 26-19-00-01	103106	RF
- 206	2156-604		DETECTOR ASSY-SMOKE (FIRE PROTECTION ONLY) SUPPLIER CODE: V03972 FUNCTIONAL DESCRIPTION: DETECTS SMOKE & PROVIDES AN OUTPUT SIGNAL TO THE FIRE/OVERHEAT LOGIC/TEST CARD ELECTRICAL EQUIP NUMBER: M10458 M10459 COMPONENT MAINT MANUAL REF: 26-16-11 POST ALERT SB: 26A0042 FOR NHA/OTHER SYS DET SEE: 26-16-01-01	002004 006010 107107 121503 904949 952999	RF

MISSING ITEM NUMBERS NOT APPLICABLE

- ITEM NOT ILLUSTRATED

BRI

26-16-01-05

BOEING PROPRIETARY - Copyright © - Unpublished Work - See title page for details.

26-16-01
FIG. 05
PAGE 8
JAN 20/09



757

PARTS CATALOG (MAINTENANCE)

FIG ITEM	PART NUMBER	1 2 3 4 5 6 7	NOMENCLATURE	EFFECT FROM TO	UNITS PER ASSY
5 - 206	2156-604		DETECTOR ASSY-SMOKE (FIRE PROTECTION ONLY) SUPPLIER CODE: V03972 FUNCTIONAL DESCRIPTION: DETECTS SMOKE & PROVIDES AN OUTPUT SIGNAL TO THE FIRE/OVERHEAT LOGIC/TEST CARD ELECTRICAL EQUIP NUMBER: M10458 M10459 COMPONENT MAINT MANUAL REF: 26-16-11 REFERENCE SERVICE BULLETIN: 26A0042 POST ALERT SB: 26A0042 FOR NHA/OTHER SYS DET SEE: 26-16-01-13A 26-16-01-11	011100 103106	RF
- 206	2156-604A		DETECTOR ASSY-SMOKE (FIRE PROTECTION ONLY) SUPPLIER CODE: V03972 FUNCTIONAL DESCRIPTION: DETECTS SMOKE & PROVIDES AN OUTPUT SIGNAL TO THE FIRE/OVERHEAT LOGIC/TEST CARD ELECTRICAL EQUIP NUMBER: M10458 M10459 COMPONENT MAINT MANUAL REF: 26-16-11 POST ALERT SB: 26A0042 REWORKED BY SB: 2156-26-01 V03972 2156-26-02 V03972 POST SERVICE LETTER: 26-021 FOR NHA/OTHER SYS DET SEE: 26-16-01-01 26-16-01-11	002004 006100 107107 121503 904999	RF

MISSING ITEM NUMBERS NOT APPLICABLE

- ITEM NOT ILLUSTRATED

BRI

26-16-01-05

26-16-01
FIG. 05
PAGE 9
JAN 20/09



757

PARTS CATALOG (MAINTENANCE)

FIG ITEM	PART NUMBER	1 2 3 4 5 6 7	NOMENCLATURE	EFFECT FROM TO	UNITS PER ASSY
5 - 206	2156-604A		DETECTOR ASSY-SMOKE (FIRE PROTECTION ONLY) SUPPLIER CODE: V03972 FUNCTIONAL DESCRIPTION: DETECTS SMOKE & PROVIDES AN OUTPUT SIGNAL TO THE FIRE/OVERHEAT LOGIC/TEST CARD ELECTRICAL EQUIP NUMBER: M10458 M10459 COMPONENT MAINT MANUAL REF: 26-16-11 OPTIONAL PART: 2156-204A V03972 FOR NHA/OTHER SYS DET SEE: 26-16-01-13A	101106 108120 504903	RF
- 208	2156-604		DETECTOR ASSY-SMOKE (FIRE PROTECTION ONLY) SUPPLIER CODE: V03972 FUNCTIONAL DESCRIPTION: DETECTS SMOKE & PROVIDES AN OUTPUT SIGNAL TO THE FIRE/OVERHEAT LOGIC/TEST CARD MISCELLANEOUS DATA: (PREFERRED SPARE) SUPERSEDES 2156-204A ELECTRICAL EQUIP NUMBER: M10460 M10461 COMPONENT MAINT MANUAL REF: 26-16-11 POST ALERT SB: 26A0042 FOR NHA/OTHER SYS DET SEE: 26-16-01-01 26-16-01-08 26-16-01-09 26-16-01-14	002004 006999	RF

MISSING ITEM NUMBERS NOT APPLICABLE

- ITEM NOT ILLUSTRATED

BRI

26-16-01-05

26-16-01
FIG. 05
PAGE 10
JAN 20/09



757

PARTS CATALOG (MAINTENANCE)

FIG ITEM	PART NUMBER	1 2 3 4 5 6 7	NOMENCLATURE	EFFECT FROM TO	UNITS PER ASSY
5 - 208	2156-604A		DETECTOR ASSY-SMOKE (FIRE PROTECTION ONLY) SUPPLIER CODE: V03972 FUNCTIONAL DESCRIPTION: DETECTS SMOKE & PROVIDES AN OUTPUT SIGNAL TO THE FIRE/OVERHEAT LOGIC/TEST CARD MISCELLANEOUS DATA: 2156-604A OR 2156-604 CAN REPLACE BUT NOT BE REPLACED BY 2156-204 OR 2156-201A ELECTRICAL EQUIP NUMBER: M10460 M10461 COMPONENT MAINT MANUAL REF: 26-16-11 POST ALERT SB: 26A0042 REWORKED BY SB: 2156-26-01 V03972 2156-26-02 V03972 POST SERVICE LETTER: 26-021 26-037 FOR NHA/OTHER SYS DET SEE: 26-16-01-01 26-16-01-08 26-16-01-09 26-16-01-14	002004 006999	RF
225	29-0967		.DECAL-FINAL TEST SUPPLIER CODE: V03972 CONFIG CHG DATA FROM A CMM: SUPSD BY 29-1230 USED ON: 2156-604	103106	1
225	29-0967		.DECAL-FINAL TEST SUPPLIER CODE: V03972 CONFIG CHG DATA FROM A CMM: SUPSD BY 29-1230 USED ON: 2156-604	950951	1

MISSING ITEM NUMBERS NOT APPLICABLE

- ITEM NOT ILLUSTRATED

26-16-01-05

26-16-01
FIG. 05
PAGE 11
JAN 20/09

BRI



757

PARTS CATALOG (MAINTENANCE)

FIG ITEM	PART NUMBER	1 2 3 4 5 6 7	NOMENCLATURE	EFFECT FROM TO	UNITS PER ASSY
5					
225	29-0967		.DECAL-FINAL TEST SUPPLIER CODE: V03972 CONFIG CHG DATA FROM A CMM: SUPSD BY 29-1230 USED ON: 2156-604A	002004 006102 107949 952999	1
225	29-0967		.DECAL-FINAL TEST SUPPLIER CODE: V03972 CONFIG CHG DATA FROM A CMM: SUPSD BY 29-1230 USED ON: 2156-604	107107	1
226	29-1230		.DECAL-FINAL TEST SUPPLIER CODE: V03972	103106	1
226	29-1230		.DECAL-FINAL TEST SUPPLIER CODE: V03972 CONFIG CHG DATA FROM A CMM: SUPSDS 29-0967 USED ON: 2156-604A	103106	1
226	29-1230		.DECAL-FINAL TEST SUPPLIER CODE: V03972 CONFIG CHG DATA FROM A CMM: SUPSDS 29-0967 USED ON: 2156-604	002004 006102 107949 952999	1
226	29-1230		.DECAL-FINAL TEST SUPPLIER CODE: V03972 USED ON: 2156-604	950951	1
230	29-1158		.NAMEPLATE- SUPPLIER CODE: V03972	103106	1
230	29-1128		.NAMEPLATE- SUPPLIER CODE: V03972 CONFIG CHG DATA FROM A CMM: SUPSD BY 29-1178 USED ON: 2156-604	103106	1

MISSING ITEM NUMBERS NOT APPLICABLE

- ITEM NOT ILLUSTRATED

26-16-01-05

26-16-01
FIG. 05
PAGE 12
JAN 20/09

BRI



757

PARTS CATALOG (MAINTENANCE)

FIG ITEM	PART NUMBER	1 2 3 4 5 6 7	NOMENCLATURE	EFFECT FROM TO	UNITS PER ASSY
5 230	29-1128		.NAMEPLATE- SUPPLIER CODE: V03972 CONFIG CHG DATA FROM A CMM: SUPSD BY 29-1178 USED ON: 2156-604	950951	1
230	29-1128		.NAMEPLATE- SUPPLIER CODE: V03972 CONFIG CHG DATA FROM A CMM: SUPSD BY 29-1178 USED ON: 2156-604 2156-604A	002004 006102 107949 952999	1
230	29-1128		.NAMEPLATE- SUPPLIER CODE: V03972 CONFIG CHG DATA FROM A CMM: SUPSD BY 29-1178 USED ON: 2156-604	107107	1
231	29-1178		.NAMEPLATE- SUPPLIER CODE: V03972 CONFIG CHG DATA FROM A CMM: SUPSDS 29-1128 USED ON: 2156-604	103106	1
231	29-1178		.NAMEPLATE- SUPPLIER CODE: V03972 CONFIG CHG DATA FROM A CMM: SUPSDS 29-1128 USED ON: 2156-604	950951	1
231	29-1178		.NAMEPLATE- SUPPLIER CODE: V03972 CONFIG CHG DATA FROM A CMM: SUPSDS 29-1128 USED ON: 2156-604	002004 006102 107949 952999	1

MISSING ITEM NUMBERS NOT APPLICABLE

- ITEM NOT ILLUSTRATED

BRI

26-16-01-05

BOEING PROPRIETARY - Copyright © - Unpublished Work - See title page for details.

26-16-01
FIG. 05
PAGE 13
JAN 20/09



757

PARTS CATALOG (MAINTENANCE)

FIG ITEM	PART NUMBER	1 2 3 4 5 6 7	NOMENCLATURE	EFFECT FROM TO	UNITS PER ASSY
5 231	29-1178		.NAMEPLATE- SUPPLIER CODE: V03972 CONFIG CHG DATA FROM A CMM: SUPSDS 29-1128 USED ON: 2156-604	107107	1
232	29-1226		.NAMEPLATE- SUPPLIER CODE: V03972 USED ON: 2156-604A	103106	1
232	29-1226		.NAMEPLATE- SUPPLIER CODE: V03972 USED ON: 2156-604A	002004 006102 107949 952999	1
232	29-1226		.NAMEPLATE- SUPPLIER CODE: V03972 USED ON: 2156-604A	950951	1
235	48-0301		.CASE ASSY- SUPPLIER CODE: V03972	101106 108120 504903	1
235	48-0301		.CASE ASSY- SUPPLIER CODE: V03972	002004 006100 107107 121503 904949 952999 950951	1
235	48-0301		.CASE ASSY- SUPPLIER CODE: V03972	950951	1
240	1416-6		.TERMINAL- SUPPLIER CODE: V83330	101106 108120 504903	1
240	1416-6		.TERMINAL- SUPPLIER CODE: V83330	002004 006100 107107 121503 904949 952999 950951	1
240	1416-6		.TERMINAL- SUPPLIER CODE: V83330	950951	1

MISSING ITEM NUMBERS NOT APPLICABLE

- ITEM NOT ILLUSTRATED

BRI

26-16-01-05

BOEING PROPRIETARY - Copyright © - Unpublished Work - See title page for details.

26-16-01
FIG. 05
PAGE 14
JAN 20/09

 **BOEING**
757
PARTS CATALOG (MAINTENANCE)

FIG ITEM	PART NUMBER	1 2 3 4 5 6 7	NOMENCLATURE	EFFECT FROM TO	UNITS PER ASSY
5			ATTACHING PARTS		
245	50FA632		.NUT-	101106	1
			SUPPLIER CODE:	108120	
			V80539	504903	
245	50FA632		.NUT-	002004	1
			SUPPLIER CODE:	006100	
			V80539	107107	
				121503	
				904949	
				952999	
245	50FA632		.NUT-	950951	1
			SUPPLIER CODE:		
			V80539		
			-----*-----		
250	M8372374R12126		.CONNECTOR-	103106	1
			SUPPLIER CODE:		
			V03972		
			USED ON:		
			2156-606		
			2156-606A		
250	M83723-74R1212N		.CONNECTOR-	103106	1
			SUPPLIER CODE:		
			V03972		
			USED ON:		
			2156-604		
			2156-604A		
251	M83723-74R1212N		.CONNECTOR-	101102	1
			SUPPLIER CODE:	108120	
			V03972	504903	
251	M83723-74R1212N		.CONNECTOR-	002004	1
			SUPPLIER CODE:	006100	
			V03972	107107	
				121503	
				904949	
				952999	
251	M83723-74R1212N		.CONNECTOR-	950951	1
			SUPPLIER CODE:		
			V03972		
- 255	K5001003B		.BEAD-EMI	101106	1
			SUPPLIER CODE:	108120	
			V02114	504903	
- 255	K5001003B		.BEAD-EMI	002004	1
			SUPPLIER CODE:	006100	
			V02114	107107	
				121503	
				904949	
				952999	

MISSING ITEM NUMBERS NOT APPLICABLE

- ITEM NOT ILLUSTRATED

BRI

26-16-01-05

BOEING PROPRIETARY - Copyright © - Unpublished Work - See title page for details.

26-16-01
FIG. 05
PAGE 15
JAN 20/09



757

PARTS CATALOG (MAINTENANCE)

FIG ITEM	PART NUMBER	1 2 3 4 5 6 7	NOMENCLATURE	EFFECT FROM TO	UNITS PER ASSY
5					
- 255	K5001003B		.BEAD-EMI SUPPLIER CODE: V02114	950951	1
- 260	M230535-105C		.TUBING-HEAT SHRINK SUPPLIER CODE: V03972	101106 108120 504903	1
- 260	M230535-105C		.TUBING-HEAT SHRINK SUPPLIER CODE: V03972	002004 006100 107107 121503 904949 952999	1
- 260	M230535-105C		.TUBING-HEAT SHRINK SUPPLIER CODE: V03972	950951	1
- 265	PLT1MMP		.TIE-CABLE SUPPLIER CODE: V06383	101106 108120 504903	3
- 265	PLT1MMP		.TIE-CABLE SUPPLIER CODE: V06383	002004 006100 107107 121503 904949 952999	3
- 265	PLT1MMP		.TIE-CABLE SUPPLIER CODE: V06383	950951	3
270	98-0927		.PRINTED WIRING ASSY-MAIN USED ON SERIAL NUMBERS 101-599 AND 101A-599A SUPPLIER CODE: V03972 USED ON: 2156-606	103106	1
270	98-0977		.PRINTED WIRING ASSY-MAIN USED ON 2156-606 SERIAL NUMBERS 600A-1685A 101B-1986B AND 2156-606A SERIAL NUMBER 10101B-999 SUPPLIER CODE: V03972 USED ON: 2156-606 2156-606A	103106	1

MISSING ITEM NUMBERS NOT APPLICABLE

- ITEM NOT ILLUSTRATED

26-16-01-05

26-16-01
FIG. 05
PAGE 16
JAN 20/09

BRI

 **BOEING**
757
PARTS CATALOG (MAINTENANCE)

FIG ITEM	PART NUMBER	1 2 3 4 5 6 7	NOMENCLATURE	EFFECT FROM TO	UNITS PER ASSY
5 270	98-0926		.PRINTED WIRING ASSY-MAIN SUPPLIER CODE: V03972 MISCELLANEOUS DATA: SERIAL NOS. 101-1499 SERIAL NOS. 101A-1499A USED ON: 2156-604	103106	1
270	98-0926		.PRINTED WIRING ASSY-MAIN SUPPLIER CODE: V03972 MISCELLANEOUS DATA: SERIAL NOS. 101-1499 SERIAL NOS. 101A-1499A USED ON: 2156-604	950951	1
270	98-0926		.PRINTED WIRING ASSY-MAIN SUPPLIER CODE: V03972 MISCELLANEOUS DATA: SERIAL NOS. 101-1499 SERIAL NOS. 101A-1499A USED ON: 2156-604	002004 006102 107949 952999	1
271	98-0926		.PRINTED WIRING ASSY-MAIN SUPPLIER CODE: V03972 MISCELLANEOUS DATA: SERIAL NOS. 101-1499 SERIAL NOS. 101A-1499A USED ON: 2156-604	107107	1
271	98-0976		.PRINTED WIRING ASSY-MAIN SUPPLIER CODE: V03972 MISCELLANEOUS DATA: SERIAL NOS. 1500A-2844A SERIAL NOS. 101B-3523B SERIAL NOS. 10101B-999 USED ON: 2156-604 2156-604A	103106	1

MISSING ITEM NUMBERS NOT APPLICABLE

— ITEM NOT ILLUSTRATED

BRI

26-16-01-05

BOEING PROPRIETARY - Copyright © - Unpublished Work - See title page for details.

26-16-01
FIG. 05
PAGE 17
JAN 20/09



757

PARTS CATALOG (MAINTENANCE)

FIG ITEM	PART NUMBER	1 2 3 4 5 6 7	NOMENCLATURE	EFFECT FROM TO	UNITS PER ASSY
5 271	98-0976		.PRINTED WIRING ASSY-MAIN SUPPLIER CODE: V03972 MISCELLANEOUS DATA: SERIAL NOS. 1500A-2844 SERIAL NOS. 101B-3523B SERIAL NOS. 10101B-999 USED ON: 2156-604 2156-604A	002004 006102 107949 952999	1
271	98-0976		.PRINTED WIRING ASSY-MAIN SUPPLIER CODE: V03972 MISCELLANEOUS DATA: SERIAL NOS. 155A-2844A SERIAL NOS. 101B-3523B SERIAL NOS. 10101B-999 USED ON: 2156-604 2156-604A	950951	1
275	50-0224		.BRACKET- SUPPLIER CODE: V03972	101106 108120 504903	1
275	50-0224		.BRACKET- SUPPLIER CODE: V03972	002004 006100 107107 121503 904949 952999	1
275	50-0224		.BRACKET- SUPPLIER CODE: V03972	950951	1
280	98-0978		.LED ASSY- USED ON SERIAL NUMBER 101A-1685A AND 101B-1986B SUPPLIER CODE: V03972 USED ON: 2156-606	103106	1
280	98-0878		.LED ASSY- USED ON SERIAL NUMBERS 101-1499 101A-2844A 101B-3523B SUPPLIER CODE: V03972 USED ON: 2156-604	103106	1

MISSING ITEM NUMBERS NOT APPLICABLE

- ITEM NOT ILLUSTRATED

26-16-01-05

26-16-01
FIG. 05
PAGE 18
JAN 20/09

BRI



757

PARTS CATALOG (MAINTENANCE)

FIG ITEM	PART NUMBER	1 2 3 4 5 6 7	NOMENCLATURE	EFFECT FROM TO	UNITS PER ASSY
5 280	98-0878		.LED ASSY- USED ON SERIAL NUMBERS 101-1499 101A-2844A 101B-3523B SUPPLIER CODE: V03972 USED ON: 2156-604	950951	1
280	98-0878		.LED ASSY- USED ON SERIAL NUMBERS 101-1499 101A-2844A 101B-3523B SUPPLIER CODE: V03972 USED ON: 2156-604	002004 006102 107949 952999	1
281	98-0878		.LED ASSY- USED ON SERIAL NUMBERS 101-1499 101A-2844A 101B-3523B SUPPLIER CODE: V03972 USED ON: 2156-604	107107	1
281	98-1123		.LED ASSY- USED ON SERIAL NUMBER 10101B-999 SUPPLIER CODE: V03972 USED ON: 2156-604A 2156-606A	002004 006949 952999	1
281	98-1123		.LED ASSY- USED ON SERIAL NUMBER 10101B-999 SUPPLIER CODE: V03972 USED ON: 2156-604A 2156-606A	950951	1
281	98-0878		.LED ASSY- USED ON SERIAL NUMBERS 101-599 SUPPLIER CODE: V03972 USED ON: 2156-606	103106	1

MISSING ITEM NUMBERS NOT APPLICABLE

- ITEM NOT ILLUSTRATED

26-16-01-05

26-16-01
FIG. 05
PAGE 19
JAN 20/09

BRI



757

PARTS CATALOG (MAINTENANCE)

FIG ITEM	PART NUMBER	1 2 3 4 5 6 7	NOMENCLATURE	EFFECT FROM TO	UNITS PER ASSY
5			ATTACHING PARTS		
285	MS51957-16		.SCREW- USED ON: 2156-604 2156-606	950951	2
285	MS51957-16		.SCREW- USED ON: 2156-604A 2156-606	002004 006949 952999	2
285	MS51957-16		.SCREW- USED ON: 2156-604 2156-606	107107	2
286	MS51957-18		.SCREW- USED ON: 2156-604A 2156-606A 2156-604	002004 006949 952999	2
286	MS51957-18		.SCREW- USED ON: 2156-604A 2156-606A	950951	2
290	MS51957-18		.SCREW	101106 108120 504903	2
290	MS51957-18		.SCREW	002004 006100 107107 121503 904949 952999	2
290	MS51957-18		.SCREW	950951	2
295	NAS620C4L		.WASHER	101106 108120 504903	4
295	NAS620C4L		.WASHER	002004 006100 107107 121503 904949 952999	4
295	NAS620C4L		.WASHER	950951	4
300	MS35338-135		.WASHER	101106 108120 504903	4

MISSING ITEM NUMBERS NOT APPLICABLE

- ITEM NOT ILLUSTRATED

26-16-01-05

26-16-01
FIG. 05
PAGE 20
JAN 20/09

BRI

BOEING PROPRIETARY - Copyright © - Unpublished Work - See title page for details.



757

PARTS CATALOG (MAINTENANCE)

FIG ITEM	PART NUMBER	1 2 3 4 5 6 7	NOMENCLATURE	EFFECT FROM TO	UNITS PER ASSY
5					
300	MS35338-135		.WASHER- USED ON: 2156-604 2156-606 2156-606A	002004 006100 107107 121503 904949 952999	4
300	MS35338-135		.WASHER	950951	4
305	NAS620C6L		.WASHER	101106 108120 504903	3
305	NAS620C6L		.WASHER	002004 006100 107107 121503 904949 952999	3
305	NAS620C6L		.WASHER	950951	3
307	50FA632		.NUT- SUPPLIER CODE: V80539	101106 108120 504903	3
307	50FA632		.NUT- SUPPLIER CODE: V80539	002004 006100 107107 121503 904949 952999	3
307	50FA632		.NUT- SUPPLIER CODE: V80539	950951	3
310	98-0921		-----*----- ..BLOCK-MTG SUPPLIER CODE: V03972	101106 108120 504903	1
310	98-0921		..BLOCK-MTG SUPPLIER CODE: V03972	002004 006100 107107 121503 904949 952999	1
310	98-0921		..BLOCK-MTG SUPPLIER CODE: V03972	950951	1
315	98-0925		..PRINTED WIRING ASSY- SUPPLIER CODE: V03972 USED ON: 98-0878 98-0978	950951	1

MISSING ITEM NUMBERS NOT APPLICABLE

- ITEM NOT ILLUSTRATED

26-16-01-05

26-16-01
FIG. 05
PAGE 21
JAN 20/09

BRI



757

PARTS CATALOG (MAINTENANCE)

FIG ITEM	PART NUMBER	1 2 3 4 5 6 7	NOMENCLATURE	EFFECT FROM TO	UNITS PER ASSY
5					
315	98-0925		..PRINTED WIRING ASSY- SUPPLIER CODE: V03972 USED ON: 98-0878 98-0978	002004 006949 952999	1
315	98-0925		..PRINTED WIRING ASSY- SUPPLIER CODE: V03972 USED ON: 98-0878 98-0978	107107	1
320	98-1122		..PRINTED WIRING ASSY- SUPPLIER CODE: V03972 USED ON: 98-1123	950951	1
325	TA02101H0-03TF		..CLAMP- SUPPLIER CODE: V84971	101106 108120 504903	1
325	TA02101H0-03TF		..CLAMP- SUPPLIER CODE: V84971	002004 006100 107107 121503 904949 952999	1
325	TA02101H0-03TF		..CLAMP- SUPPLIER CODE: V84971 ATTACHING PARTS	950951	1
330	MS51957-27		..SCREW	103106	2
330	MS51957-27		..SCREW	101102 108120 504903	2
330	MS51957-27		..SCREW	002004 006100 107107 121503 904949 952999	2
330	MS51957-27		..SCREW	950951	2
331	MS57957-29		..SCREW- USED ON: 98-0878 98-0978	103106	2
332	MS57957-26		..SCREW- USED ON: 98-1123	103106	1

MISSING ITEM NUMBERS NOT APPLICABLE

- ITEM NOT ILLUSTRATED

26-16-01-05

26-16-01
FIG. 05
PAGE 22
JAN 20/09

BRI

BOEING PROPRIETARY - Copyright © - Unpublished Work - See title page for details.



757

PARTS CATALOG (MAINTENANCE)

FIG ITEM	PART NUMBER	1 2 3 4 5 6 7	NOMENCLATURE	EFFECT FROM TO	UNITS PER ASSY
5					
333	MS51957-29	..	SCREW- USED ON: 98-1123	103106	1
			ATTACHING PARTS		
335	NAS620C6L	..	WASHER- USED ON: 98-0878 98-0978	950951	1
335	NAS620C6L	..	WASHER- USED ON: 98-0878 98-0978	002004 006949 952999	1
335	NAS620C6L	..	WASHER- USED ON: 98-0878 98-0978	107107	1
337	NAS620C6L	..	WASHER- USED ON: 98-1123	950951	2
340	MS35338-136	..	WASHER	101106 108120 504903	2
340	MS35338-136	..	WASHER	002004 006100 107107 121503 904949 952999	2
340	MS35338-136	..	WASHER	950951	2
			-----*-----		
345	SS6981025001	..	STANDOFF- SUPPLIER CODE: V05791 USED ON: 98-1123	950951	1
350	74-0252	.GASKET-	SUPPLIER CODE: V03972	101106 108120 504903	1
350	74-0252	.GASKET-	SUPPLIER CODE: V03972	002004 006100 107107 121503 904949 952999	1
350	74-0252	.GASKET-	SUPPLIER CODE: V03972	950951	1

MISSING ITEM NUMBERS NOT APPLICABLE

- ITEM NOT ILLUSTRATED

BRI

26-16-01-05

BOEING PROPRIETARY - Copyright © - Unpublished Work - See title page for details.

26-16-01
FIG. 05
PAGE 23
JAN 20/09



757

PARTS CATALOG (MAINTENANCE)

FIG ITEM	PART NUMBER	1 2 3 4 5 6 7	NOMENCLATURE	EFFECT FROM TO	UNITS PER ASSY
5					
355	49-0260		.COVER- SUPPLIER CODE: V03972	101106 108120 504903	1
355	49-0260		.COVER- SUPPLIER CODE: V03972	002004 006100 107107 121503 904949 952999 950951	1
355	49-0260		.COVER- SUPPLIER CODE: V03972		1
360	114054PP625SS12		ATTACHING PARTS .SCREW- SUPPLIER CODE: V51506 OPTIONAL PART: 6764SS0632 V06540	101106 108120 504903	6
360	114054PP625SS12		.SCREW- SUPPLIER CODE: V51506 OPTIONAL PART: 6764SS0632 V06540	002004 006100 107107 121503 904949 952999 950951	6
360	6764SS0632		.SCREW- SUPPLIER CODE: V06540 OPTIONAL PART: 114054PP625SS12 V51506	101106 108120 504903	6
360	6764SS0632		.SCREW- SUPPLIER CODE: V06540 OPTIONAL PART: 114054PP625SS12 V51506	002004 006100 107107 121503 904949 952999 950951	6
361	114054PP625SS12		.SCREW- SUPPLIER CODE: V51506 OPTIONAL PART: 6764SS0632 V06540		6
361	6764SS0632		.SCREW- SUPPLIER CODE: V06540 OPTIONAL PART: 114054PP625SS12 V51506	950951	6

MISSING ITEM NUMBERS NOT APPLICABLE

- ITEM NOT ILLUSTRATED

26-16-01-05

26-16-01
FIG. 05
PAGE 24
JAN 20/09

BRI



757

PARTS CATALOG (MAINTENANCE)

FIG ITEM	PART NUMBER	1 2 3 4 5 6 7	NOMENCLATURE	EFFECT FROM TO	UNITS PER ASSY
5 365	MS35338-136	.	WASHER	101106 108120	6
365	MS35338-136	.	WASHER	504903 002004 006100 107107 121503 904949 952999 950951	6
365	MS35338-136	.	WASHER -----*		6

MISSING ITEM NUMBERS NOT APPLICABLE

- ITEM NOT ILLUSTRATED

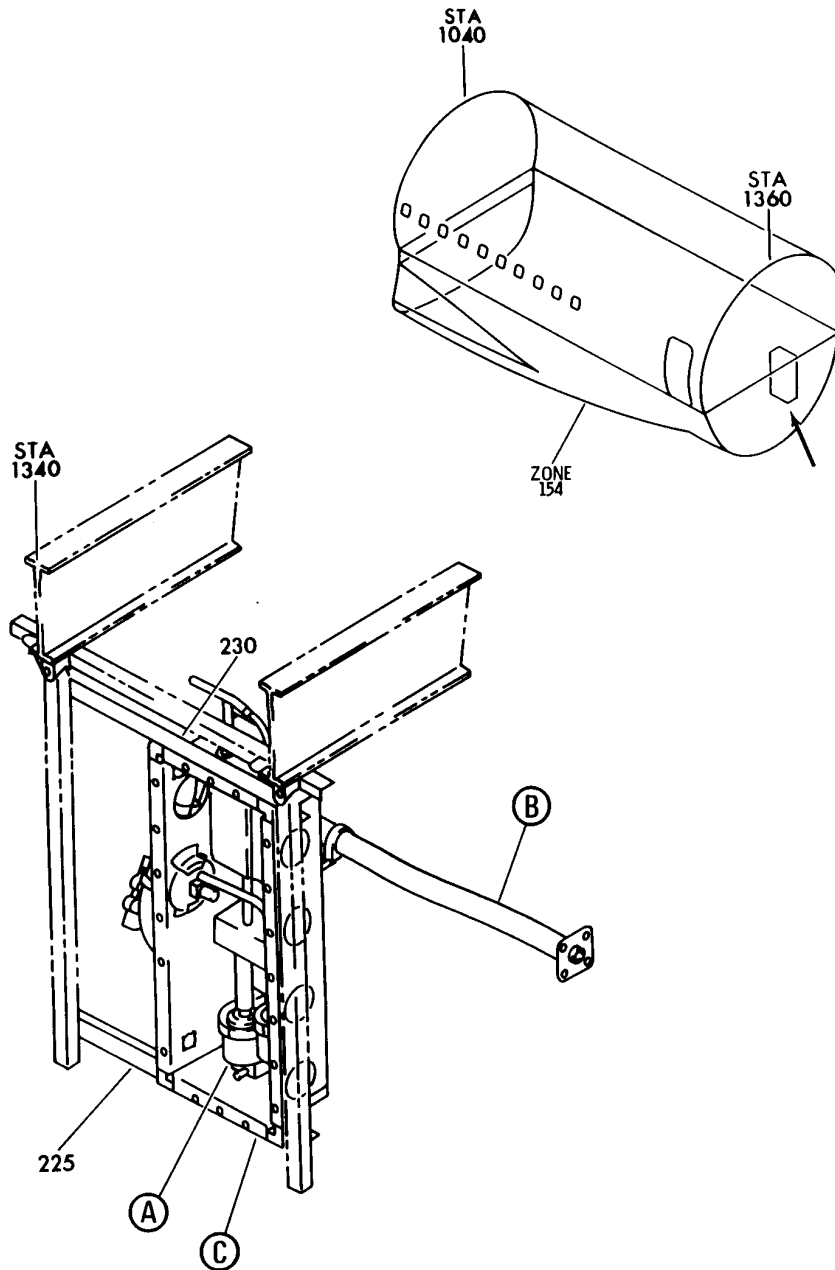
BRI

26-16-01-05

BOEING PROPRIETARY - Copyright © - Unpublished Work - See title page for details.

26-16-01
FIG. 05
PAGE 25
JAN 20/09

BOEING
757
PARTS CATALOG (MAINTENANCE)



Y 26160108 SHT 1 REV 109

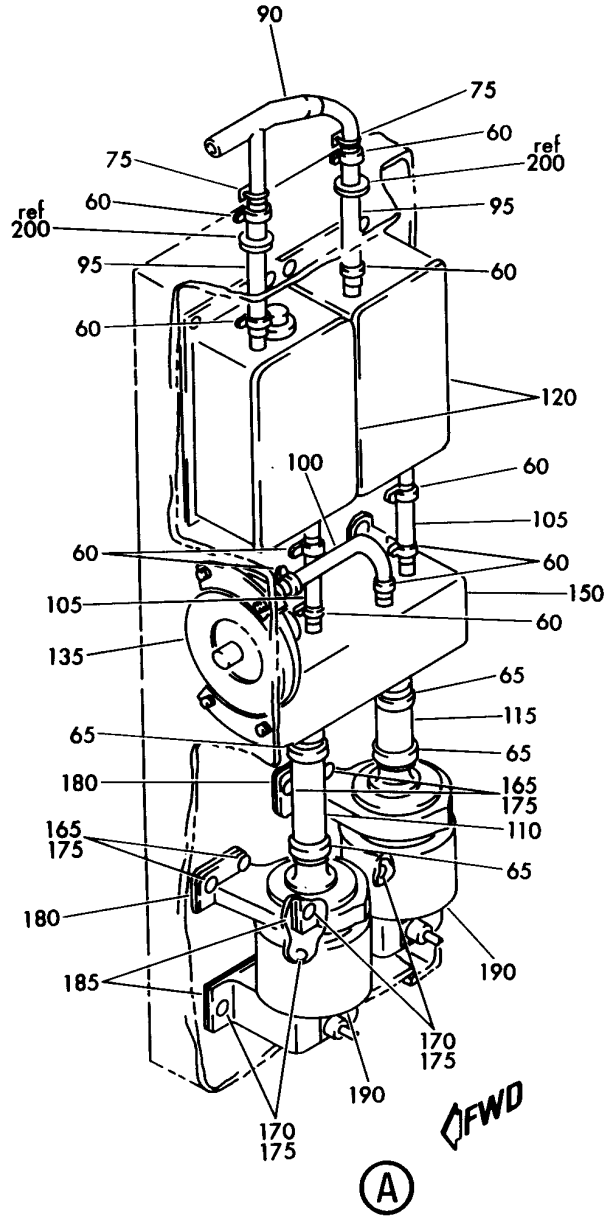
DETECTOR INSTL-AFT CARGO COMPT SMOKE
FIGURE 8 (SHEET 1)

26-16-01-08

BRI
JAN 20/09

26-16-01-08
PAGE 0

BOEING
757
PARTS CATALOG (MAINTENANCE)



Y 26160108 SHT 2 REV 109

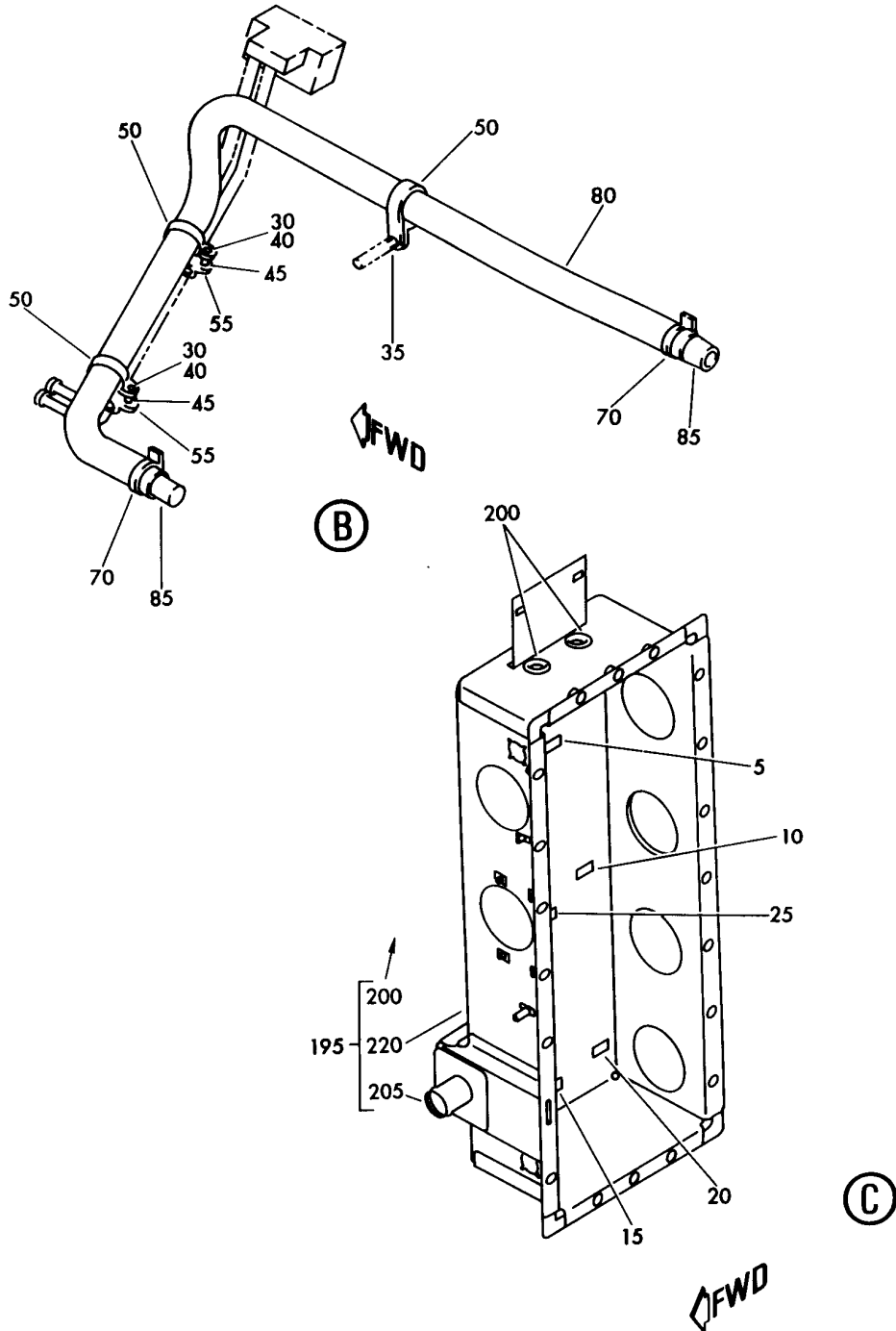
DETECTOR INSTL-AFT CARGO COMPT SMOKE
FIGURE 8 (SHEET 2)

26-16-01-08

BRI
JAN 20/09

26-16-01-08
PAGE 0A

BOEING
757
PARTS CATALOG (MAINTENANCE)



Y 26160108 SHT 3 REV 109

DETECTOR INSTL-AFT CARGO COMPT SMOKE
FIGURE 8 (SHEET 3)

26-16-01-08

BRI
JAN 20/09

26-16-01-08
PAGE 08



757

PARTS CATALOG (MAINTENANCE)

FIG ITEM	PART NUMBER	1 2 3 4 5 6 7	NOMENCLATURE	EFFECT FROM TO	UNITS PER ASSY
8			DETECTOR INSTL-AFT CARGO COMPT SMOKE	952952	
- 1	453N2210-26		DETECTOR INSTL-SMOKE POSITION DATA: AFT CARGO COMPT FOR NHA SEE: 21-00-00-04	952952	RF
5	BAC27NEC0185		.MARKER-ALUMINUM FOIL PLACARD CONTENT: M10460 DETECTOR D4406	952952	1
10	BAC27NEC0186		.MARKER-ALUMINUM FOIL PLACARD CONTENT: M10461 DETECTOR D4408	952952	1
15	BAC27NEC0187		.MARKER-ALUMINUM FOIL PLACARD CONTENT: M10464 BLOWER D4428	952952	1
20	BAC27NEC0188		.MARKER-ALUMINUM FOIL PLACARD CONTENT: M10465 BLOWER D4430	952952	1
25	BAC27NEC0189		.MARKER-ALUMINUM FOIL PLACARD CONTENT: S10332 PRESSURE SW. D4432	952952	1
30	NAS1801-3-16		.SCREW	952952	2
35	NAS1801-3-4		.SCREW	952952	1
40	BRH10A3		.NUT	952952	2
			SUPPLIER CODE: V52828 SPECIFICATION NUMBER: BACN10JC3 OPTIONAL PART: H10-3BAC V15653 NS202101-02 V80539 RMLH9075-3W V72962 VN303A02 V92215 96-02 V80539 T6S1032J V11815		
45	NAS42DD6-32		.SPACER	952952	2

MISSING ITEM NUMBERS NOT APPLICABLE

- ITEM NOT ILLUSTRATED

BRI

26-16-01-08

26-16-01
FIG. 08
PAGE 1
JAN 20/09



757

PARTS CATALOG (MAINTENANCE)

FIG ITEM	PART NUMBER	1 2 3 4 5 6 7	NOMENCLATURE	EFFECT FROM TO	UNITS PER ASSY
8					
50	JM44LC13WS26R	.CLAMP	SUPPLIER CODE: V22175 SPECIFICATION NUMBER: BACC10GE26 OPTIONAL PART: S369WH26 V18076 TA12C32WS26 V84971 509S26 V83930	952952	3
55	BACC10DK10	.CLAMP		952952	2
60	NAS1922-0050-3	.CLAMP		952952	10
65	NAS1922-0100-3	.CLAMP		952952	4
70	NAS1922-0175-1	.CLAMP-		952952	2
75	MS3367-4-9	.STRAP		952952	2
80	AS1504-06B0502	.HOSE-		952952	1
85	453N2210-15	.TUBE		952952	2
90	453N2601-26	.TUBE ASSY-		952952	1
95	453N2210-28	.TUBE-RUBBER		952952	2
100	453N2210-12	.TUBE-RUBBER		952952	1
105	453N2210-29	.TUBE-RUBBER		952952	2
110	453N2210-10	.TUBE-RUBBER		952952	1
115	453N2210-9	.TUBE-RUBBER		952952	1
120	2156-204A	.DETECTOR ASSY-SMOKE	SUPPLIER CODE: V03972 ELECTRICAL EQUIP NUMBER: M10460 M10461 COMPONENT MAINT MANUAL REF: 26-16-04 PRE ALERT SB: 26A0042 REWORKED BY ALERT SB: 26A0028R1 REWORKED BY SB: 2156204A-26-02 V03972 FUNCTIONAL REFERENCE: PLACARDS AND MARKINGS FOR DETAILS SEE 11-37-14-01 FIRE PROTECTION FOR DETAILS SEE 26-16-01-05	952952	2

MISSING ITEM NUMBERS NOT APPLICABLE

- ITEM NOT ILLUSTRATED

BRI

26-16-01-08

26-16-01
FIG. 08
PAGE 2
JAN 20/09



757

PARTS CATALOG (MAINTENANCE)

FIG ITEM	PART NUMBER	1 2 3 4 5 6 7	NOMENCLATURE	EFFECT FROM TO	UNITS PER ASSY
8 120	2156-604		.DETECTOR ASSY-SMOKE SUPPLIER CODE: V03972 FUNCTIONAL DESCRIPTION: DETECTS SMOKE & PROVIDES AN OUTPUT SIGNAL TO THE FIRE/OVERHEAT LOGIC/TEST CARD MISCELLANEOUS DATA: (PREFERRED SPARE) SUPERSEDES 2156-204A ELECTRICAL EQUIP NUMBER: M10460 M10461 COMPONENT MAINT MANUAL REF: 26-16-11 SERVICE BULLETIN OPT DATA: 2156-604A V03972 POST ALERT SB: 26A0042 FUNCTIONAL REFERENCE: PLACARDS AND MARKINGS FOR DETAILS SEE 11-37-14-01 FIRE PROTECTION FOR DETAILS SEE 26-16-01-05	952952	2

MISSING ITEM NUMBERS NOT APPLICABLE

- ITEM NOT ILLUSTRATED

BRI

26-16-01-08

BOEING PROPRIETARY - Copyright © - Unpublished Work - See title page for details.

26-16-01
FIG. 08
PAGE 3
JAN 20/09

 **BOEING**
757
PARTS CATALOG (MAINTENANCE)

FIG ITEM	PART NUMBER	1 2 3 4 5 6 7	NOMENCLATURE	EFFECT FROM TO	UNITS PER ASSY
8 120	2156-604A		.DETECTOR ASSY-SMOKE SUPPLIER CODE: V03972 FUNCTIONAL DESCRIPTION: DETECTS SMOKE & PROVIDES AN OUTPUT SIGNAL TO THE FIRE/OVERHEAT LOGIC/TEST CARD MISCELLANEOUS DATA: 2156-604A OR 2156-604 CAN REPLACE BUT NOT BE REPLACED BY 2156-204 OR 2156-201A ELECTRICAL EQUIP NUMBER: M10460 M10461 COMPONENT MAINT MANUAL REF: 26-16-11 SERVICE BULLETIN OPT DATA: 2156-604 V03972 POST ALERT SB: 26A0042 FUNCTIONAL REFERENCE: PLACARDS AND MARKINGS FOR DETAILS SEE 11-37-14-01 FIRE PROTECTION FOR DETAILS SEE 26-16-01-05 ATTACHING PARTS	952952	2
- 125	NAS623-2-2		.SCREW	952952	8
- 130	AN960D8L		.WASHER	952952	8
			-----*-----		
135	32V92		.SWITCH-VACUUM SUPPLIER CODE: V09049 ATTACHING PARTS	952952	1
- 140	NAS623-3-2		.SCREW	952952	4
- 145	AN960D10L		.WASHER	952952	4
			-----*-----		
150	453T0211-1		.PLENUM ASSY ATTACHING PARTS	952952	1
- 155	NAS623-3-2		.SCREW	952952	4
- 160	AN960D10L		.WASHER	952952	4
			-----*-----		
165	NAS623-3-5		.SCREW	952952	4
170	NAS623-3-3		.SCREW	952952	4
175	AN960D10L		.WASHER	952952	8

MISSING ITEM NUMBERS NOT APPLICABLE

- ITEM NOT ILLUSTRATED

26-16-01-08

26-16-01
FIG. 08
PAGE 4
JAN 20/09

BRI

BOEING PROPRIETARY - Copyright © - Unpublished Work - See title page for details.



757

PARTS CATALOG (MAINTENANCE)

FIG ITEM	PART NUMBER	1 2 3 4 5 6 7	NOMENCLATURE	EFFECT FROM TO	UNITS PER ASSY
8					
180	453T2252-1	.	GASKET	952952	2
185	453T2252-2	.	SPACER	952952	2
190	033638	.	BLOWER ASSY-	952952	2
			SUPPLIER CODE: V82877		
			COMPONENT MAINT MANUAL REF: 21-58-01		
			OPTIONAL PART: 033638500 V82877		
190	033638500	.	BLOWER ASSY-	952952	2
			SUPPLIER CODE: V82877		
			FUNCTIONAL DESCRIPTION: PULLS AIR INTO SAMPLING TUBES LOCATED IN THE CARGO COMPARTMENT & THEN THROUGH SMOKE DETECTORS COMPONENT MAINT MANUAL REF: 21-58-02		
			OPTIONAL PART: 033638 V82877		
195	453N2603-41	.	PAN ASSY-	952952	1
200	NAS1368N10A	..	GROMMET	952952	2
205	453N2706-1	..	SPUD DETAIL	952952	1
			ATTACHING PARTS		
- 210	NAS623-3-2	..	SCREW	952952	4
- 215	AN960JD10L	..	WASHER	952952	4
			-----*-----		
220	453N2801-19	..	PAN	952952	1
225	453N2704-1	.	ANGLE	952952	1
230	453N2704-2	.	ANGLE	952952	1
			ATTACHING PARTS		
- 235	BACS12FA3K9	.	SCREW	952952	8
			-----*-----		

MISSING ITEM NUMBERS NOT APPLICABLE

- ITEM NOT ILLUSTRATED

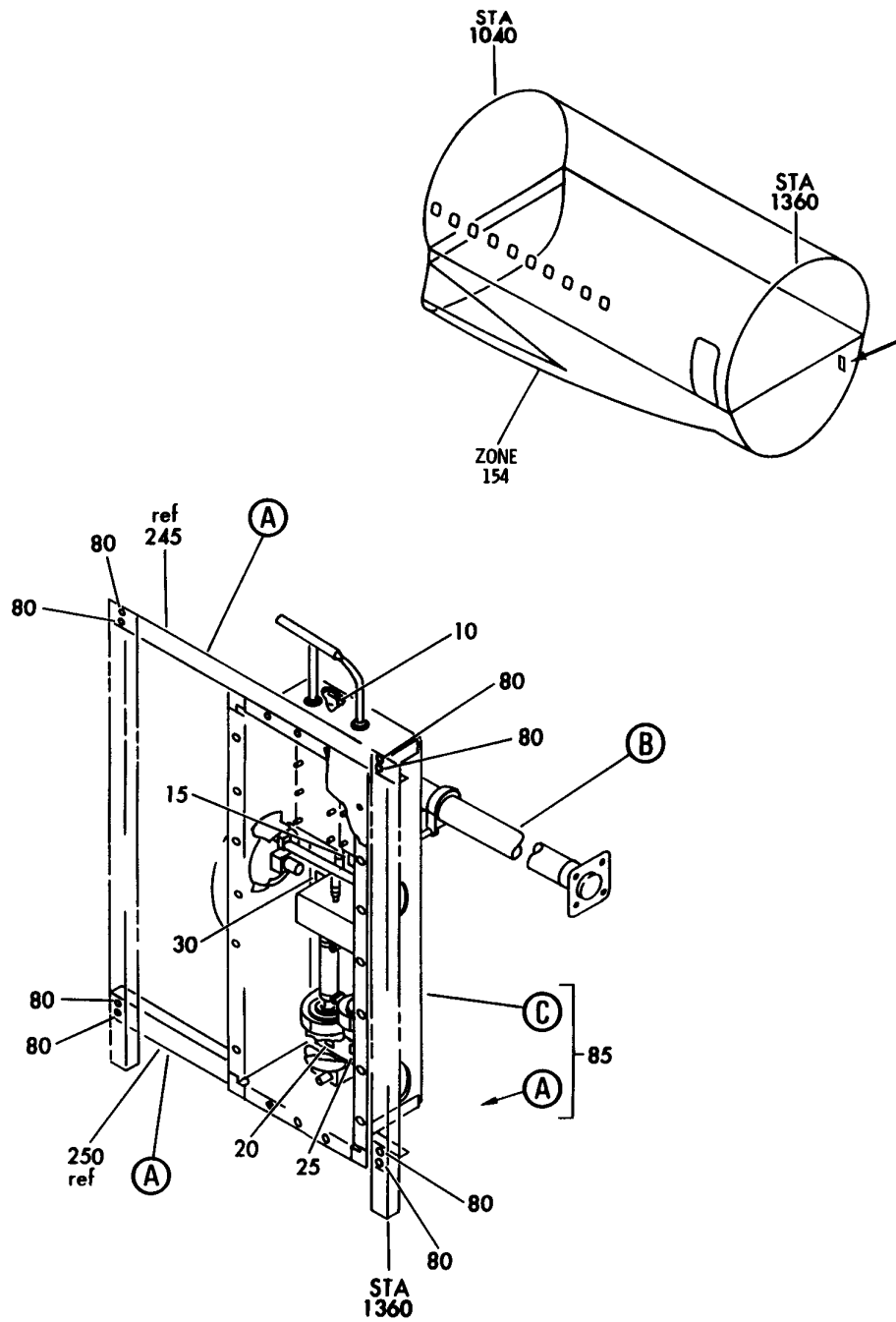
BRI

26-16-01-08

BOEING PROPRIETARY - Copyright © - Unpublished Work - See title page for details.

26-16-01
FIG. 08
PAGE 5
JAN 20/09

BOEING
757
PARTS CATALOG (MAINTENANCE)



Y 26160109 SHT 1 REV 127

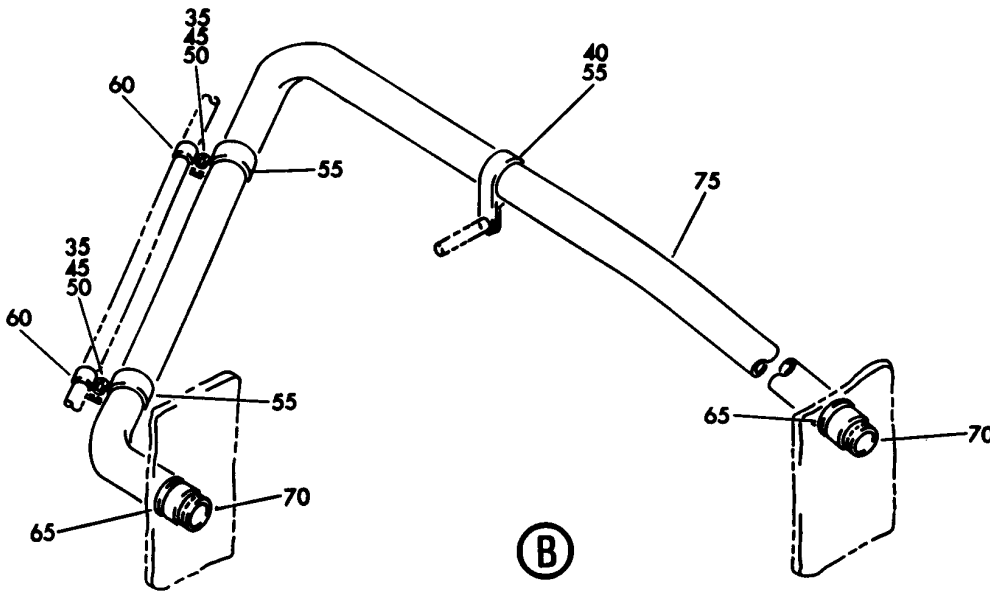
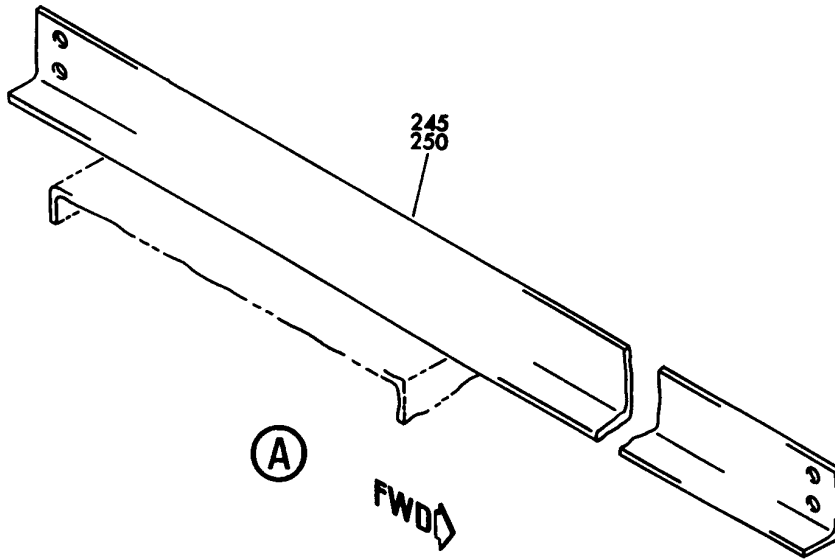
DETECTOR INSTL-AFT CARGO COMPT SMOKE
FIGURE 9 (SHEET 1)

26-16-01-09

BRI
MAY 28/07

26-16-01-09
PAGE 0

BOEING
757
PARTS CATALOG (MAINTENANCE)



Y 26160109 SHT 2 REV 127

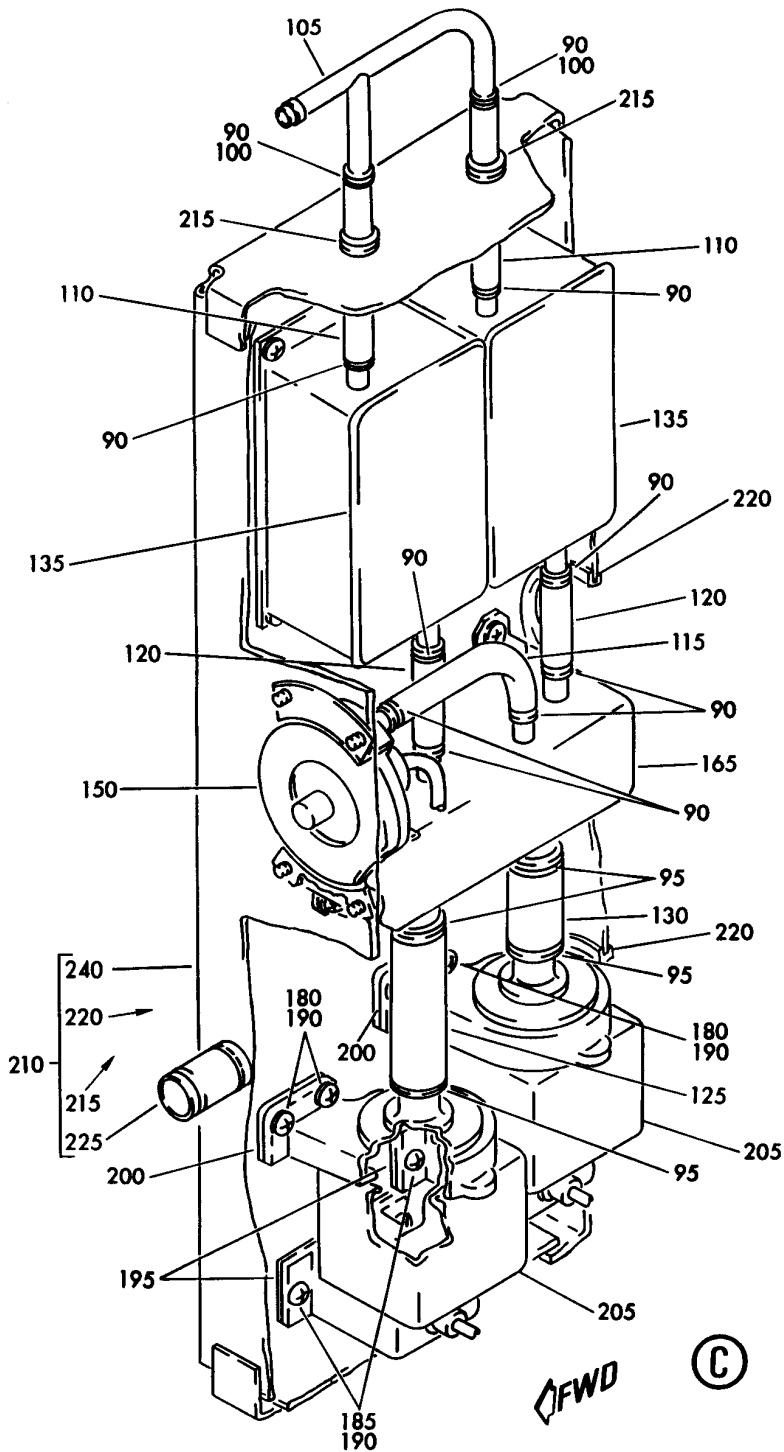
DETECTOR INSTL-AFT CARGO COMPT SMOKE
FIGURE 9 (SHEET 2)

26-16-01-09

BRI
MAY 28/07

26-16-01-09
PAGE 0A

BOEING
757
PARTS CATALOG (MAINTENANCE)



Y 26160109 SHT 3 REV 127

DETECTOR INSTL-AFT CARGO COMPT SMOKE
FIGURE 9 (SHEET 3)

26-16-01-09

BRI
MAY 28/07

26-16-01-09
PAGE 0B



757

PARTS CATALOG (MAINTENANCE)

FIG ITEM	PART NUMBER	1 2 3 4 5 6 7	NOMENCLATURE	EFFECT FROM TO	UNITS PER ASSY
9			DETECTOR INSTL-AFT CARGO COMPT SMOKE	002004 006010 121503 950951 953999	
- 1	453N2210-30		DETECTOR INSTL-SMOKE POSITION DATA: AFT CARGO COMPT FOR NHA SEE: 21-00-00-04	002004 006010 121503 950951 953999	RF
10	BAC27NEC0185		.MARKER-ALUMINUM FOIL PLACARD CONTENT: M10460 DETECTOR D4406	002004 006010 121503 950951 953999	1
15	BAC27NEC0186		.MARKER-ALUMINUM FOIL PLACARD CONTENT: M10461 DETECTOR D4408	002004 006010 121503 950951 953999	1
20	BAC27NEC0187		.MARKER-ALUMINUM FOIL PLACARD CONTENT: M10464 BLOWER D4428	002004 006010 121503 950951 953999	1
25	BAC27NEC0188		.MARKER-ALUMINUM FOIL PLACARD CONTENT: M10465 BLOWER D4430	002004 006010 121503 950951 953999	1
30	BAC27NEC0189		.MARKER-ALUMINUM FOIL D4432 PLACARD CONTENT: S10332 PRESSURE SW.	002004 006010 121503 950951 953999	1
35	NAS1801-3-16		.SCREW	002004 006010 121503 950951 953999	2
40	NAS1801-3-4		.SCREW	002004 006010 121503 950951 953999	1

MISSING ITEM NUMBERS NOT APPLICABLE

- ITEM NOT ILLUSTRATED

26-16-01-09

26-16-01
FIG. 09
PAGE 1
JAN 20/09

BRI

 **BOEING**
757
PARTS CATALOG (MAINTENANCE)

FIG ITEM	PART NUMBER	1 2 3 4 5 6 7	NOMENCLATURE	EFFECT FROM TO	UNITS PER ASSY
9	45	MS21042L3	.NUT	002004 006010 121503 950951 953999	2
	50	NAS42DD6-32	.SPACER	002004 006010 121503 950951 953999	2
	55	JM44LC13WS26R	.CLAMP SUPPLIER CODE: V22175 SPECIFICATION NUMBER: BACC10GE26 OPTIONAL PART: S369WH26 V18076 TA12C32WS26 V84971 509S26 V83930	002004 006010 121503 950951 953999	3
	60	BACC10DK10	.CLAMP	002004 006010 121503 950951 953999	2
	65	NAS1922-0175-1	.CLAMP	002004 006010 121503 950951 953999	2
	70	453N2210-15	.TUBE	002004 006010 121503 950951 953999	2
	75	AS1504-06B0502	.HOSE	002004 006010 121503 950951 953999	1
	80	BACS12FA3K9	.SCREW	002004 006010 121503 950951 953999	8
	MISSING ITEM NUMBERS NOT APPLICABLE				

— ITEM NOT ILLUSTRATED

BRI

26-16-01-09

BOEING PROPRIETARY - Copyright © - Unpublished Work - See title page for details.

26-16-01
FIG. 09
PAGE 2
JAN 20/09

 **BOEING**
757
PARTS CATALOG (MAINTENANCE)

FIG ITEM	PART NUMBER	1 2 3 4 5 6 7	NOMENCLATURE	EFFECT FROM TO	UNITS PER ASSY
9					
85	218N2010-1	.	DETECTOR ASSY	002004 006010 121503 950951 953999	1
90	NAS1922-0050-3	..	CLAMP	002004 006010 121503 950951 953999	10
95	NAS1922-0100-3	..	CLAMP	002004 006010 121503 950951 953999	4
100	MS3367-4-9	..	STRAP	002004 006010 121503 950951 953999	2
105	453N2601-26	..	TUBE ASSY	002004 006010 121503 950951 953999	1
110	453N2210-28	..	TUBE-RUBBER	002004 006010 121503 950951 953999	2
115	453N2210-12	..	TUBE-RUBBER	002004 006010 121503 950951 953999	1
120	453N2210-29	..	TUBE-RUBBER	002004 006010 121503 950951 953999	2
125	453N2210-10	..	TUBE-RUBBER	002004 006010 121503 950951 953999	1

MISSING ITEM NUMBERS NOT APPLICABLE

— ITEM NOT ILLUSTRATED

BRI

26-16-01-09

BOEING PROPRIETARY - Copyright © - Unpublished Work - See title page for details.

26-16-01
FIG. 09
PAGE 3
JAN 20/09



757

PARTS CATALOG (MAINTENANCE)

FIG ITEM	PART NUMBER	1 2 3 4 5 6 7	NOMENCLATURE	EFFECT FROM TO	UNITS PER ASSY
9					
130	453N2210-9		.. TUBE-RUBBER	002004 006010 121503 950951 953999	1
135	2156-204A		.. DETECTOR ASSY- SUPPLIER CODE: V03972 ELECTRICAL EQUIP NUMBER: M10460 M10461 COMPONENT MAINT MANUAL REF: 26-16-04 PRE ALERT SB: 26A0042 FUNCTIONAL REFERENCE: PLACARDS AND MARKINGS FOR DETAILS SEE 11-37-14-01 FIRE PROTECTION FOR DETAILS SEE 26-16-01-05	002004 006010 121503 950951 953999	2
135	2156-604		.. DETECTOR ASSY- SUPPLIER CODE: V03972 FUNCTIONAL DESCRIPTION: DETECTS SMOKE & PROVIDES AN OUTPUT SIGNAL TO THE FIRE/OVERHEAT LOGIC/TEST CARD ELECTRICAL EQUIP NUMBER: M10460 M10461 COMPONENT MAINT MANUAL REF: 26-16-11 SERVICE BULLETIN OPT DATA: 2156-604A V03972 POST ALERT SB: 26A0042 FUNCTIONAL REFERENCE: PLACARDS AND MARKINGS FOR DETAILS SEE 11-37-14-01 FIRE PROTECTION FOR DETAILS SEE 26-16-01-05	002004 006010 121503 950951 953999	2

MISSING ITEM NUMBERS NOT APPLICABLE

- ITEM NOT ILLUSTRATED

BRI

26-16-01-09

26-16-01
FIG. 09
PAGE 4
JAN 20/09



757

PARTS CATALOG (MAINTENANCE)

FIG ITEM	PART NUMBER	1 2 3 4 5 6 7	NOMENCLATURE	EFFECT FROM TO	UNITS PER ASSY
9 135	2156-604A		.. DETECTOR ASSY-SMOKE SUPPLIER CODE: V03972 FUNCTIONAL DESCRIPTION: DETECTS SMOKE & PROVIDES AN OUTPUT SIGNAL TO THE FIRE/OVERHEAT LOGIC/TEST CARD ELECTRICAL EQUIP NUMBER: M10460 M10461 COMPONENT MAINT MANUAL REF: 26-16-11 SERVICE BULLETIN OPT DATA: 2156-604 V03972 POST ALERT SB: 26A0042 POST SERVICE LETTER: 26-037 FUNCTIONAL REFERENCE: PLACARDS AND MARKINGS FOR DETAILS SEE 11-37-14-01 FIRE PROTECTION FOR DETAILS SEE 26-16-01-05 ATTACHING PARTS	002004 006010 121503 950951 953999	2
- 140	NAS623-2-2		.. SCREW ATTACHING PARTS	002004 006010 121503 950951 953999	8
- 145	AN960D8L		.. WASHER	002004 006010 121503 950951 953999	8
150	32V92		-----*----- .. SWITCH-VACUUM SUPPLIER CODE: V09049	002004 006010 121503 950951 953999	1

MISSING ITEM NUMBERS NOT APPLICABLE

- ITEM NOT ILLUSTRATED

BRI

26-16-01-09

BOEING PROPRIETARY - Copyright © - Unpublished Work - See title page for details.

26-16-01
 FIG. 09
 PAGE 5
 JAN 20/09



757

PARTS CATALOG (MAINTENANCE)

FIG ITEM	PART NUMBER	1 2 3 4 5 6 7	NOMENCLATURE	EFFECT FROM TO	UNITS PER ASSY
9			ATTACHING PARTS		
- 155	NAS623-3-2		.. SCREW	002004 006010 121503 950951 953999	4
- 160	AN960D10L		.. WASHER	002004 006010 121503 950951 953999	4
165	453T0211-1		-----*----- .. PLENUM ASSY	002004 006010 121503 950951 953999	1
- 170	NAS623-3-2		ATTACHING PARTS .. SCREW	002004 006010 121503 950951 953999	4
- 175	AN960D10L		.. WASHER	002004 006010 121503 950951 953999	4
180	NAS623-3-5		-----*----- .. SCREW	002004 006010 121503 950951 953999	4
185	NAS623-3-3		.. SCREW	002004 006010 121503 950951 953999	4
190	AN960D10L		.. WASHER	002004 006010 121503 950951 953999	8
195	453T2252-2		.. SPACER	002004 006010 121503 950951 953999	2

MISSING ITEM NUMBERS NOT APPLICABLE

- ITEM NOT ILLUSTRATED

26-16-01-09

26-16-01
FIG. 09
PAGE 6
JAN 20/09

BRI

BOEING PROPRIETARY - Copyright © - Unpublished Work - See title page for details.



**757
PARTS CATALOG (MAINTENANCE)**

FIG ITEM	PART NUMBER	1 2 3 4 5 6 7	NOMENCLATURE	EFFECT FROM TO	UNITS PER ASSY
9					
200	453T2252-1	..	GASKET	002004 006010 121503 950951 953999	2
205	033638	..	BLOWER ASSY- SUPPLIER CODE: V82877 COMPONENT MAINT MANUAL REF: 21-58-01 OPTIONAL PART: 033638500 V82877	002004 006010 121503 950951 953999	2
205	033638500	..	BLOWER ASSY- SUPPLIER CODE: V82877 FUNCTIONAL DESCRIPTION: PULLS AIR INTO SAMPLING TUBES LOCATED IN THE CARGO COMPARTMENT & THEN THROUGH SMOKE DETECTORS COMPONENT MAINT MANUAL REF: 21-58-02 OPTIONAL PART: 033638 V82877	002004 006010 121503 950951 953999	2
210	453N2603-41	..	PAN ASSY	002004 006010 121503 950951 953999	1
215	NAS1368N10A	...	GROMMET	002004 006010 121503 950951 953999	2
220	BACG20AD0933	...	GROMMET	002004 006010 121503 950951 953999	2
225	453N2706-1	...	SPUD DETAIL	002004 006010 121503 950951 953999	1

MISSING ITEM NUMBERS NOT APPLICABLE

— ITEM NOT ILLUSTRATED

BRI

26-16-01-09

BOEING PROPRIETARY - Copyright © - Unpublished Work - See title page for details.

26-16-01
FIG. 09
PAGE 7
JAN 20/09



757

PARTS CATALOG (MAINTENANCE)

FIG ITEM	PART NUMBER	1 2 3 4 5 6 7	NOMENCLATURE	EFFECT FROM TO	UNITS PER ASSY
9			ATTACHING PARTS		
- 230	NAS623-3-2	...	SCREW	002004 006010 121503 950951 953999	4
- 235	AN960JD10L	...	WASHER	002004 006010 121503 950951 953999	4
240	453N2801-19	-----*----- ...	PAN	002004 006010 121503 950951 953999	1
245	453N2704-2	..	ANGLE	002004 006010 121503 950951 953999	1
250	453N2704-1	..	ANGLE	002004 006010 121503 950951 953999	1

MISSING ITEM NUMBERS NOT APPLICABLE

- ITEM NOT ILLUSTRATED

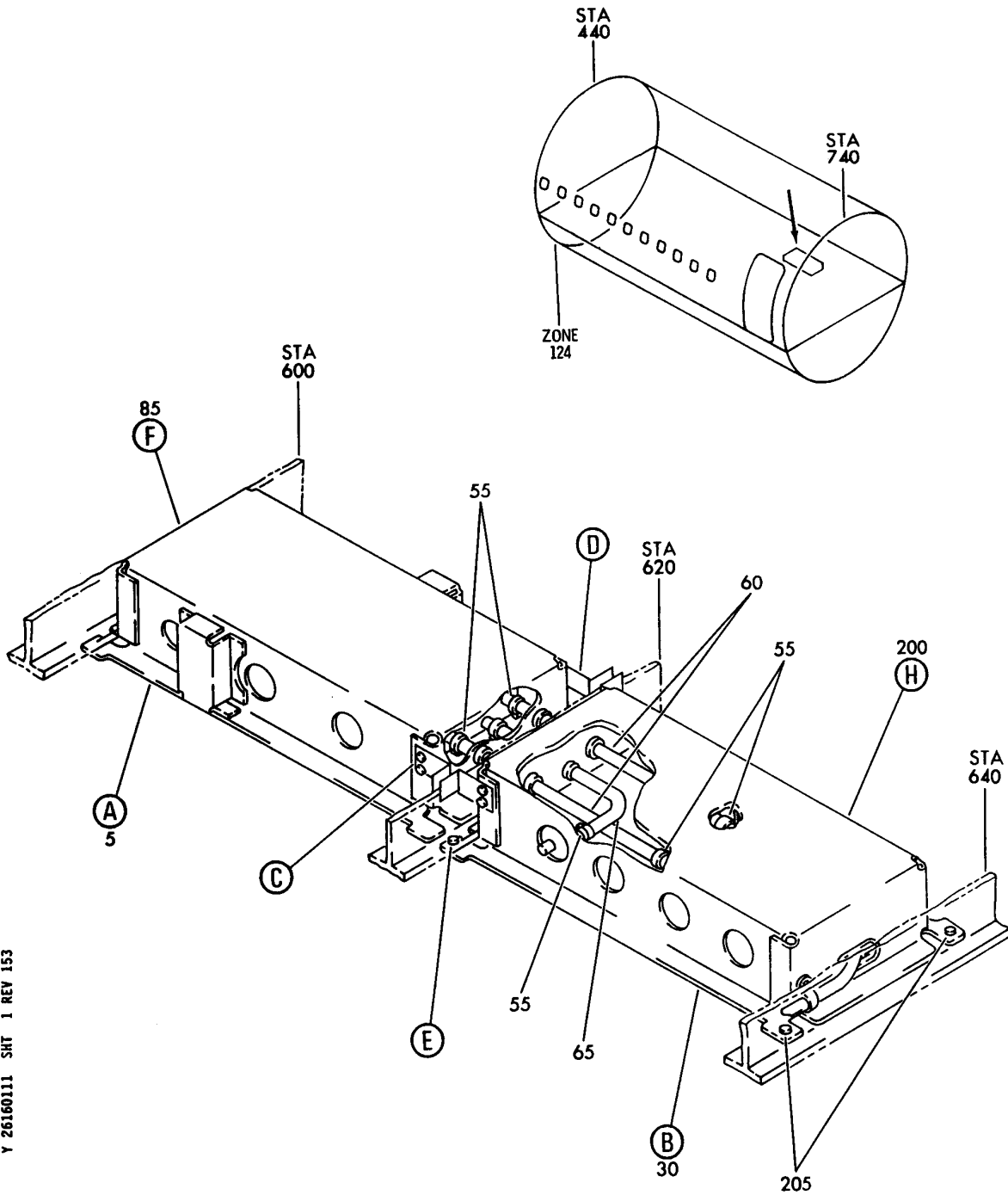
BRI

26-16-01-09

BOEING PROPRIETARY - Copyright © - Unpublished Work - See title page for details.

26-16-01
FIG. 09
PAGE 8
JAN 20/09

BOEING
757
PARTS CATALOG (MAINTENANCE)



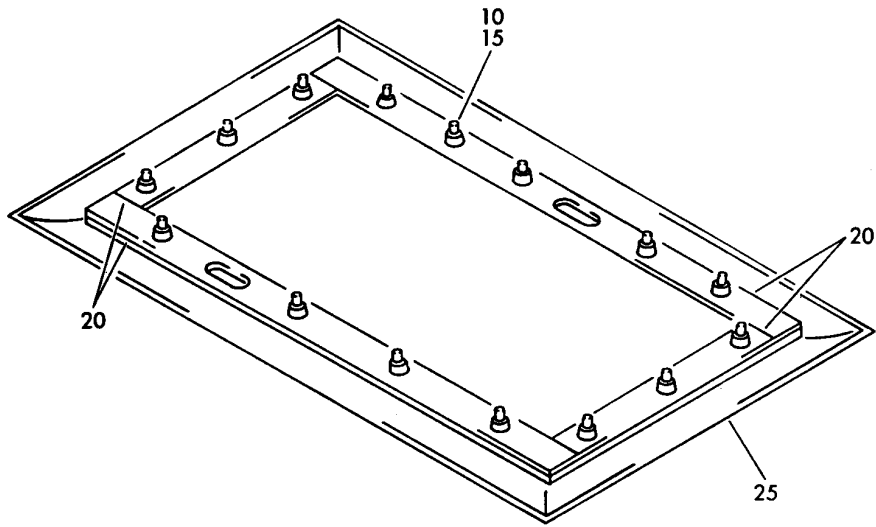
DETECTOR AND COVER INSTL-FWD CARGO COMPT SMOKE
FIGURE 11 (SHEET 1)

26-16-01-11

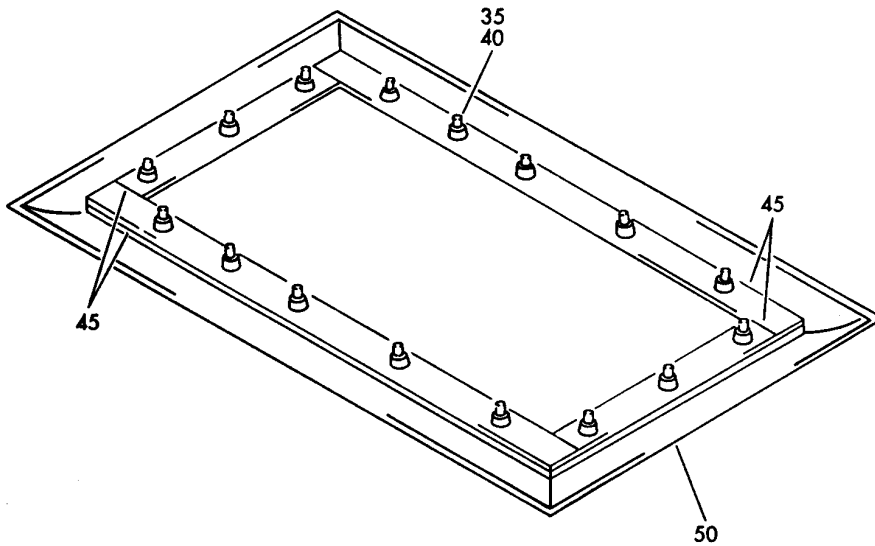
BRI
MAY 28/07

26-16-01-11
PAGE 0

BOEING
757
PARTS CATALOG (MAINTENANCE)



(A)



(B)

Y 26160111 SHT 2 REV 153

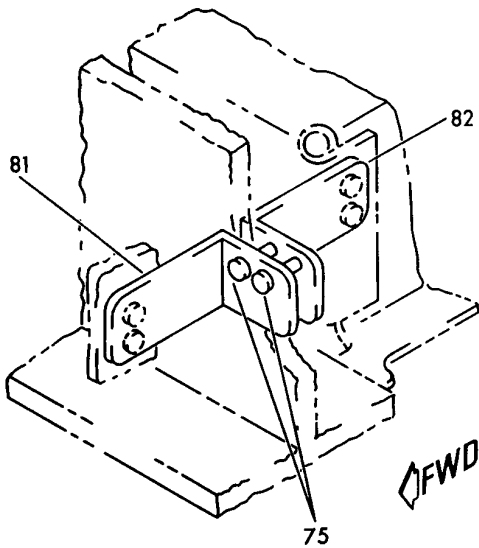
DETECTOR AND COVER INSTL-FWD CARGO COMPT SMOKE
FIGURE 11 (SHEET 2)

26-16-01-11

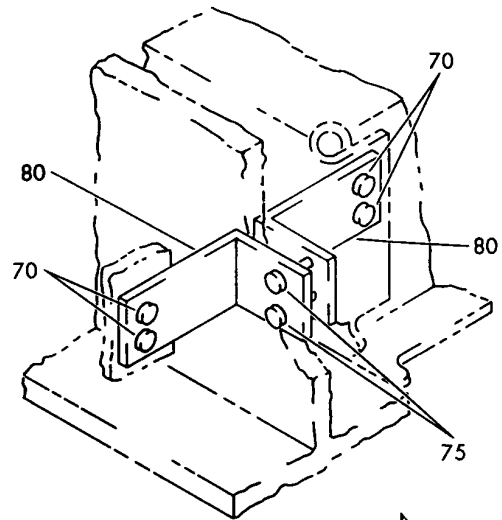
BRI
MAY 28/07

26-16-01-11
PAGE 0A

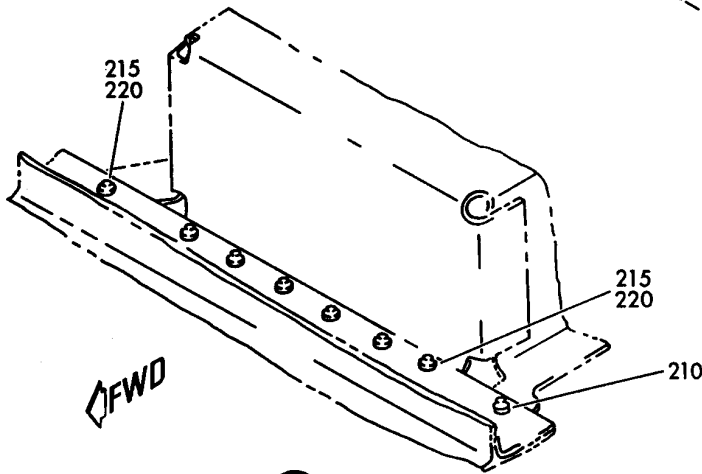
BOEING
757
PARTS CATALOG (MAINTENANCE)



(C)



(D)



(E)

Y 26160111 SH1 3 REV 153

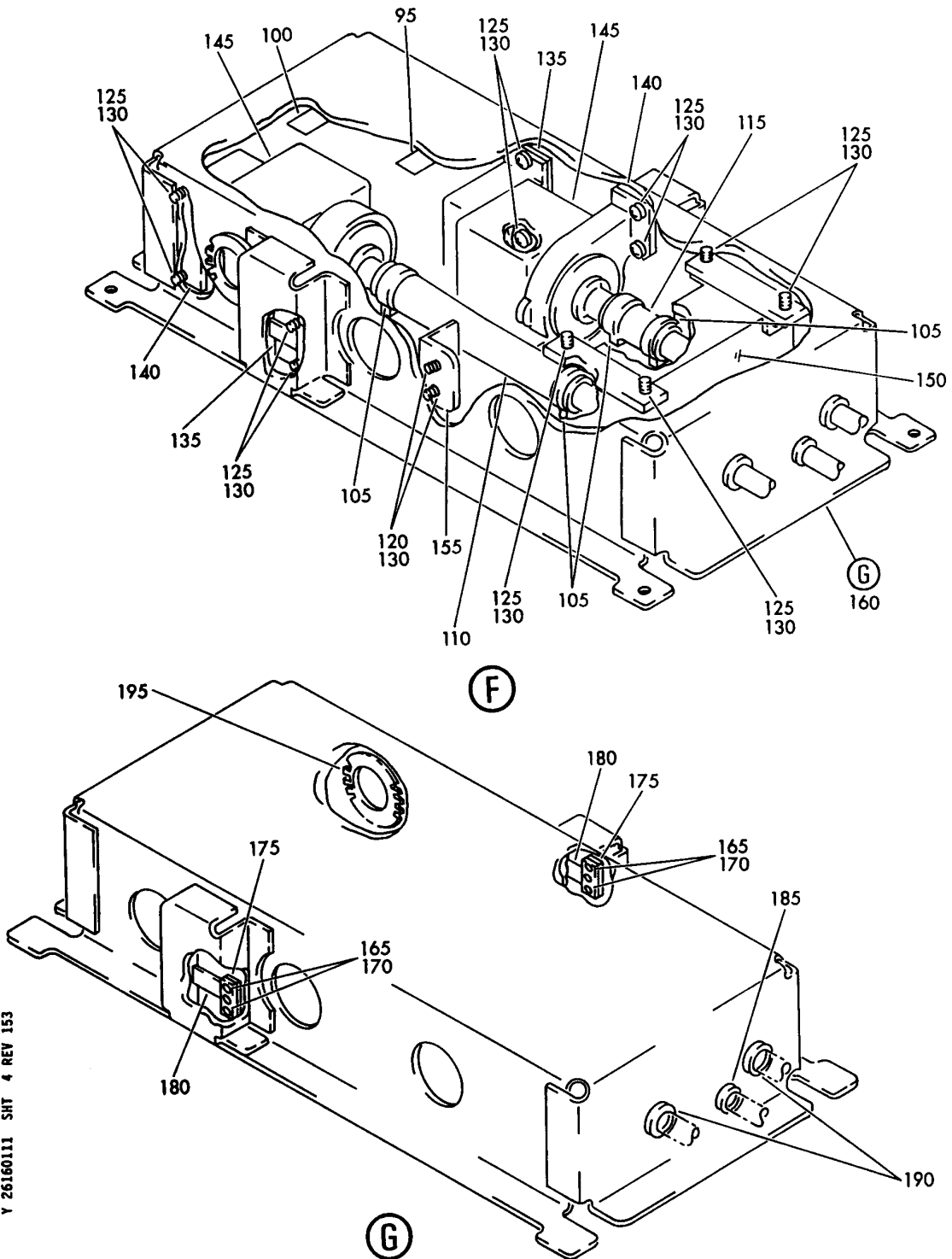
DETECTOR AND COVER INSTL-FWD CARGO COMPT SMOKE
FIGURE 11 (SHEET 3)

26-16-01-11

BRI
MAY 28/07

26-16-01-11
PAGE 0B

BOEING
757
PARTS CATALOG (MAINTENANCE)



Y 26160111 SHIT 4 REV 153

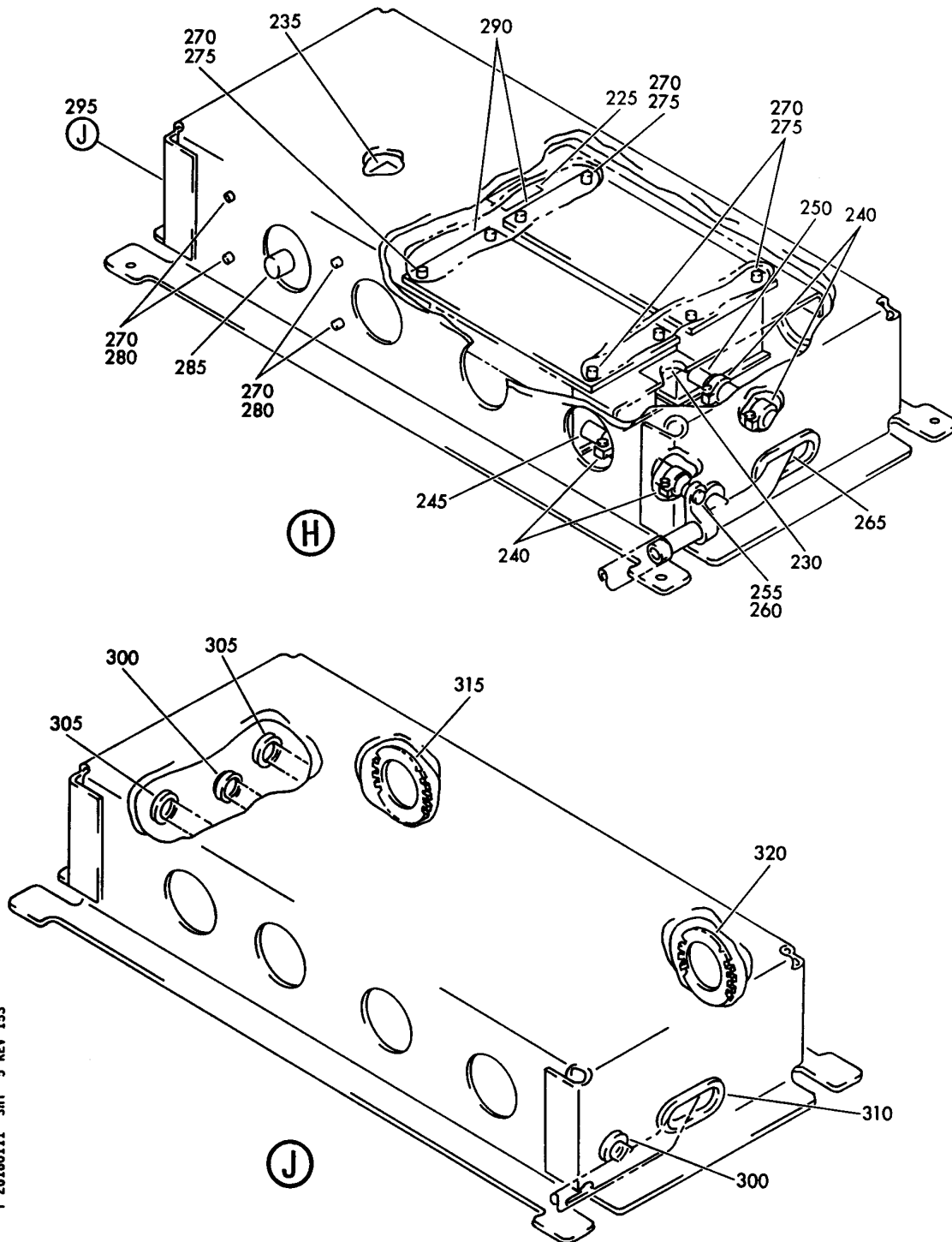
DETECTOR AND COVER INSTL-FWD CARGO COMPT SMOKE
FIGURE 11 (SHEET 4)

26-16-01-11

BRI
MAY 28/07

26-16-01-11
PAGE 0C

BOEING
757
PARTS CATALOG (MAINTENANCE)



Y 26160111 SHT 5 REV 153

DETECTOR AND COVER INSTL-FWD CARGO COMPT SMOKE
FIGURE 11 (SHEET 5)

26-16-01-11

BRI
MAY 28/07

26-16-01-11
PAGE 0D



757

PARTS CATALOG (MAINTENANCE)

FIG ITEM	PART NUMBER	1 2 3 4 5 6 7	NOMENCLATURE	EFFECT FROM TO	UNITS PER ASSY
11			DETECTOR AND COVER INSTL-	011100	
- 1	453N2110-27		FWD CARGO COMPT SMOKE DETECTOR INSTL-SMOKE	011100	RF
			POSITION DATA: FWD CARGO COMPT		
			FOR NHA SEE: 21-00-00-04		
5	453N2605-20		.COVER ASSY-	011100	1
			FUNCTIONAL REFERENCE: PLACARDS AND MARKINGS		
			FOR DETAILS SEE 11-37-53-01		
10	BACS21Y6R		..STUD ASSY-	011100	15
15	1127700		..WASHER	011100	15
			SUPPLIER CODE: V60119		
			SPECIFICATION NUMBER: BACW10X4		
			OPTIONAL PART: 2600LW V71286		
20	453N2605-17		..SEAL	011100	AR
25	453N1755-6		..COVER	011100	1
30	453N2605-19		.COVER ASSY	011100	1
35	BACS21Y6R		..STUD ASSY-	011100	16
40	1127700		..WASHER	011100	16
			SUPPLIER CODE: V60119		
			SPECIFICATION NUMBER: BACW10X4		
			OPTIONAL PART: 2600LW V71286		
45	453N2605-17		..SEAL	011100	AR
50	453N1755-5		..COVER	011100	1
55	NAS1922-0050-3		.CLAMP	011100	6
60	453N2110-12		.TUBE-RUBBER	011100	2
65	453N2110-10		.TUBE-RUBBER	011100	1
70	BACR15FT5D2		.RIVET	011100	4
75	BACR15FT5D3		.RIVET	011100	4
80	453N2803-1		.BRACKET	011100	2
81	453N2803-7		.BRACKET	011100	1
82	453N2803-8		.BRACKET	011100	1
85	218N2020-1		.DETECTOR ASSY-SPRT	011100	1
			ATTACHING PARTS		
- 90	BACR15FT6D2		.RIVET	011100	10
			-----*-----		

MISSING ITEM NUMBERS NOT APPLICABLE

- ITEM NOT ILLUSTRATED

BRI

26-16-01-11

26-16-01
FIG. 11
PAGE 1
JAN 20/09



757

PARTS CATALOG (MAINTENANCE)

FIG ITEM	PART NUMBER	1 2 3 4 5 6 7	NOMENCLATURE	EFFECT FROM TO	UNITS PER ASSY
11					
95	BAC27NEC0182	..	MARKER-ALUMINUM FOIL PLACARD CONTENT: M10462 BLOWER D4424	011100	1
100	BAC27NEC0183	..	MARKER-ALUMINUM FOIL PLACARD CONTENT: M10463 BLOWER D4426	011100	1
105	NAS1922-0100-3	..	CLAMP	011100	4
110	218N2020-3	..	TUBE-FLEXIBLE	011100	1
115	218N2020-4	..	TUBE-FLEXIBLE	011100	1
120	NAS623-3-2	..	SCREW	011100	2
125	NAS623-3-1	..	SCREW	011100	12
130	AN960KD10LL	..	WASHER	011100	14
135	453T2252-1	..	GASKET	011100	2
140	453T2252-2	..	SPACER	011100	2
145	033638	..	BLOWER ASSY- SUPPLIER CODE: V82877 ELECTRICAL EQUIP NUMBER: M10462 M10463 COMPONENT MAINT MANUAL REF: 21-58-01 OPTIONAL PART: 033638500 V82877	011100	2
145	033638500	..	BLOWER ASSY- SUPPLIER CODE: V82877 FUNCTIONAL DESCRIPTION: PULLS AIR INTO SAMPLING TUBES LOCATED IN THE CARGO COMPARTMENT & THEN THROUGH SMOKE DETECTORS ELECTRICAL EQUIP NUMBER: M10462 M10463 COMPONENT MAINT MANUAL REF: 21-58-02 OPTIONAL PART: 033638 V82877	011100	2
150	453T0211-1	..	PLENUM ASSY	011100	1
155	218N2801-1	..	BRACKET	011100	1
160	453N2603-37	..	PAN ASSY-SUPPORT	011100	1
165	BACR15BB3AD	...	RIVET- SIZE DETERMINED ON INSTL.	011100	6
170	NAS42DD3-6	...	SPACER	011100	6
175	453T2150-2	...	RETAINER	011100	2
180	453T2150-4	...	VALVE-FLAP	011100	2

MISSING ITEM NUMBERS NOT APPLICABLE

- ITEM NOT ILLUSTRATED

26-16-01-11

26-16-01
FIG. 11
PAGE 2
JAN 20/09

BRI



757

PARTS CATALOG (MAINTENANCE)

FIG ITEM	PART NUMBER	1 2 3 4 5 6 7	NOMENCLATURE	EFFECT FROM TO	UNITS PER ASSY
11					
185	NAS1368N10A	...	GROMMET	011100	1
190	NAS1368N12A	...	GROMMET	011100	2
195	BACG20AD550	...	GROMMET	011100	1
200	218N2020-2	.	DETECTOR ASSY-SPRT ATTACHING PARTS	011100	1
205	BACR15FT6D2	.	RIVET	011100	2
210	BACR15FT6D	.	RIVET- SIZE DETERMINED ON INSTL.	011100	1
215	HL1012AZ6-2	.	BOLT SUPPLIER CODE: V97928 SPECIFICATION NUMBER: BACB30NX6K2 OPTIONAL PART: HL12VAZ6-2 V73197 HL12VAZ6-2 V92215 HL12VAZ6-2 V97928 L802-6K2 V06725 HL12VAZ6-2 V56878 HL1012AZ6-2 VOPTK6 HL1012AZ6-2 V06725 HL1012AZ6-2 V06950 HL1012AZ6-2 V17446 HL1012AZ6-2 V56878 HL1012AZ6-2 V60516 HL1012AZ6-2 V73197	011100	7

MISSING ITEM NUMBERS NOT APPLICABLE

- ITEM NOT ILLUSTRATED

26-16-01-11

26-16-01
FIG. 11
PAGE 3
JAN 20/09

BRI



757

PARTS CATALOG (MAINTENANCE)

FIG ITEM	PART NUMBER	1 2 3 4 5 6 7	NOMENCLATURE	EFFECT FROM TO	UNITS PER ASSY
11 220	HL1187-6		. COLLAR SUPPLIER CODE: V5M902 SPECIFICATION NUMBER: BACC30X6 OPTIONAL PART: HL87-6 V92215 HL87-6 V73197 HL1187-6 V56878 HL1187-6 V92215 HL87-6 V56878 HL1187-6 V73197 -----*-----	011100	7
225	BAC27NEC0180		.. MARKER-ALUMINUM FOIL PLACARD CONTENT: M10458 DETECTOR D4402	011100	1
230	BAC27NEC0181		.. MARKER-ALUMINUM FOIL PLACARD CONTENT: M10459 DETECTOR D4404	011100	1
235	BAC27NEC0184		.. MARKER-ALUMINUM FOIL PLACARD CONTENT: S10333 PRESSURE SW. D4434	011100	1
240	NAS1922-0050-3		ATTACHING PARTS .. CLAMP -----*-----	011100	4
245	218N2020-5		.. TUBE-FLEXIBLE	011100	1
250	218N2020-6		.. TUBE-FLEXIBLE	011100	1
255	NAS1801-3-6		.. SCREW	011100	1
260	BACC10DK8A		.. CLAMP	011100	1
265	453N2601-26		.. TUBE ASSY	011100	1
270	NAS623-2-2		.. SCREW-	011100	12
275	AN960KD8L		.. WASHER	011100	8
280	AN960KD6L		.. WASHER	011100	4
285	32V92		.. SWITCH-VACUUM SUPPLIER CODE: V09049 ELECTRICAL EQUIP NUMBER: S10333	011100	1

MISSING ITEM NUMBERS NOT APPLICABLE

- ITEM NOT ILLUSTRATED

26-16-01-11

26-16-01
FIG. 11
PAGE 4
JAN 20/09

BRI



757

PARTS CATALOG (MAINTENANCE)

FIG ITEM	PART NUMBER	1 2 3 4 5 6 7	NOMENCLATURE	EFFECT FROM TO	UNITS PER ASSY
11 290	2156-604		<p>.. DETECTOR ASSY-SMOKE SUPPLIER CODE: V03972 FUNCTIONAL DESCRIPTION: DETECTS SMOKE & PROVIDES AN OUTPUT SIGNAL TO THE FIRE/OVERHEAT LOGIC/TEST CARD ELECTRICAL EQUIP NUMBER: M10458 M10459 COMPONENT MAINT MANUAL REF: 26-16-11 SERVICE BULLETIN OPT DATA: 2156-604A V03972 REFERENCE SERVICE BULLETIN: 26A0042 POST ALERT SB: 26A0042 FUNCTIONAL REFERENCE: PLACARDS AND MARKINGS FOR DETAILS SEE 11-37-14-01 FIRE PROTECTION FOR DETAILS SEE 26-16-01-05</p>	011100	2

MISSING ITEM NUMBERS NOT APPLICABLE

- ITEM NOT ILLUSTRATED

BRI

26-16-01-11

BOEING PROPRIETARY - Copyright © - Unpublished Work - See title page for details.

26-16-01
FIG. 11
PAGE 5
JAN 20/09



757

PARTS CATALOG (MAINTENANCE)

FIG ITEM	PART NUMBER	1 2 3 4 5 6 7	NOMENCLATURE	EFFECT FROM TO	UNITS PER ASSY
11 290	2156-604A		.. DETECTOR ASSY-SMOKE SUPPLIER CODE: V03972 FUNCTIONAL DESCRIPTION: DETECTS SMOKE & PROVIDES AN OUTPUT SIGNAL TO THE FIRE/OVERHEAT LOGIC/TEST CARD ELECTRICAL EQUIP NUMBER: M10458 M10459 COMPONENT MAINT MANUAL REF: 26-16-11 SERVICE BULLETIN OPT DATA: 2156-604 V03972 POST ALERT SB: 26A0042 FUNCTIONAL REFERENCE: PLACARDS AND MARKINGS FOR DETAILS SEE 11-37-14-01 FIRE PROTECTION FOR DETAILS SEE 26-16-01-05	011100	2
295	453N2603-36		.. PAN ASSY-SUPPORT	011100	1
300	NAS1368N10A		... GROMMET-	011100	2
305	NAS1368N12A		... GROMMET	011100	2
310	BACG20ZM0486B		... GROMMET	011100	1
315	BACG20AD550		... GROMMET	011100	1
320	BACG20AD380		... GROMMET	011100	1

MISSING ITEM NUMBERS NOT APPLICABLE

- ITEM NOT ILLUSTRATED

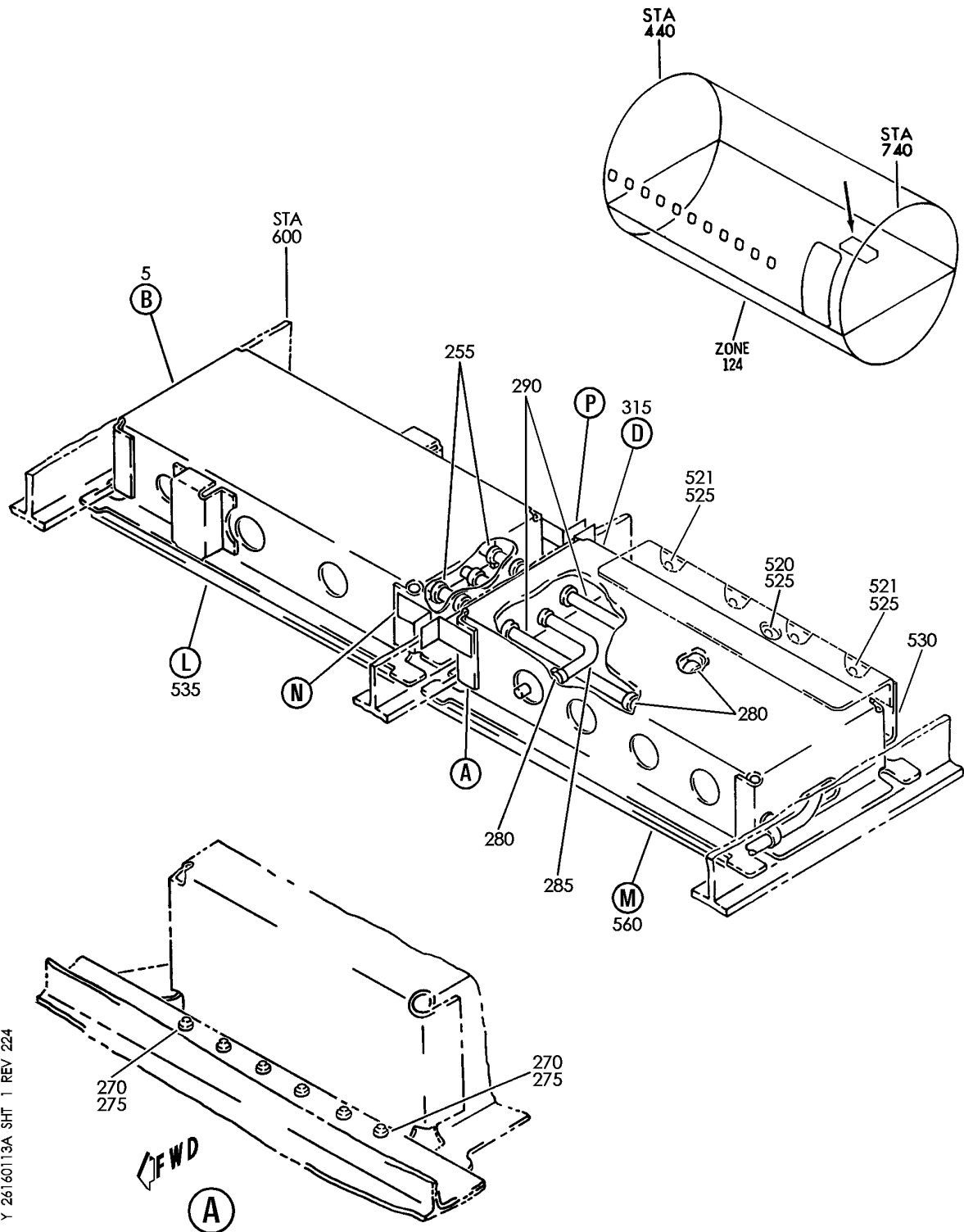
BRI

26-16-01-11

BOEING PROPRIETARY - Copyright © - Unpublished Work - See title page for details.

26-16-01
 FIG. 11
 PAGE 6
 JAN 20/09

BOEING
757
PARTS CATALOG (MAINTENANCE)



Y 26160113A SHT 1 REV 224

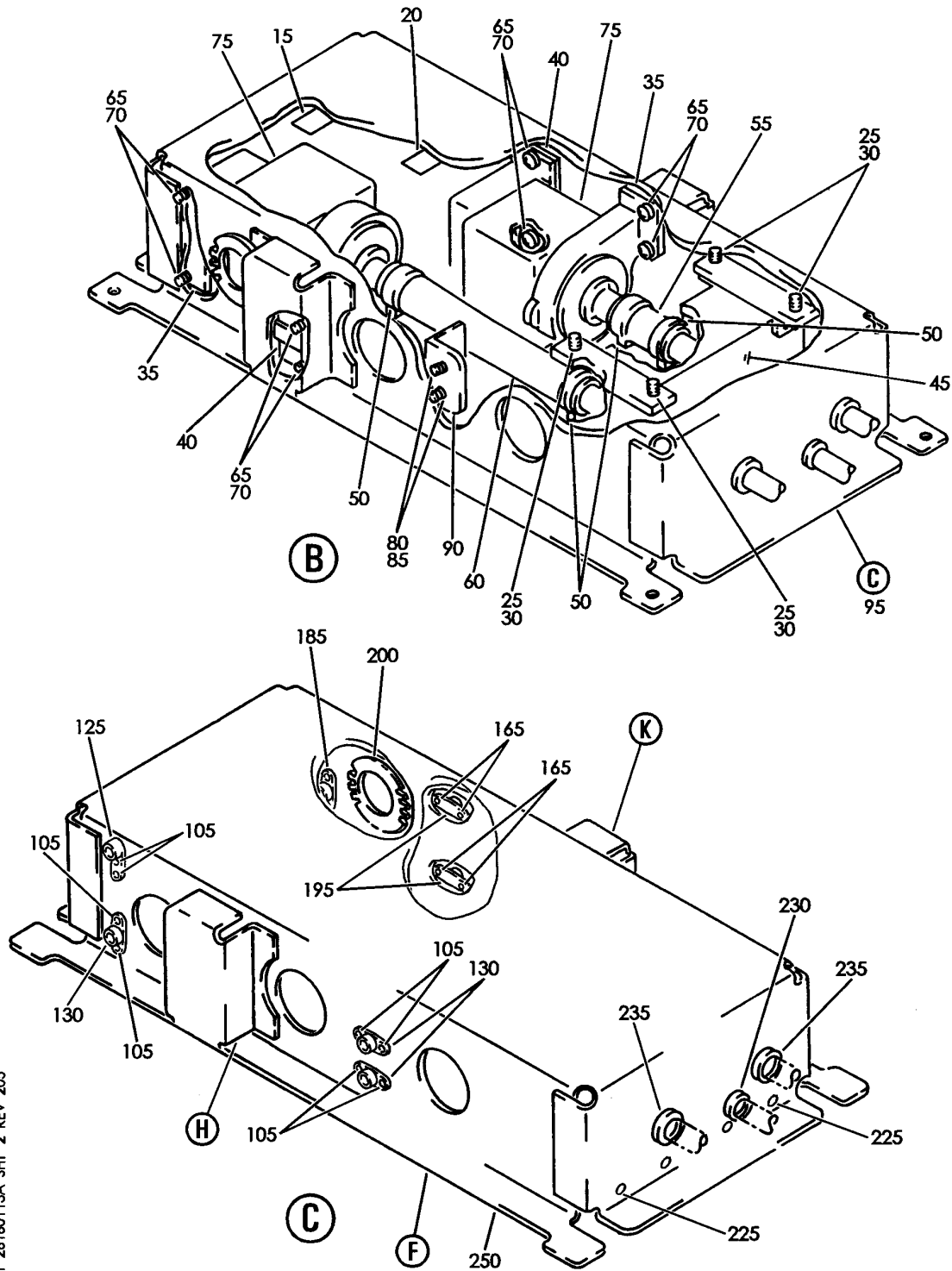
DETECTOR INSTL-SMOKE
FIGURE 13A (SHEET 1)

26-16-01-13A

BRI
MAY 28/07

26-16-01-13A
PAGE 0

BOEING
757
PARTS CATALOG (MAINTENANCE)



Y 26160113A SHT 2 REV 205

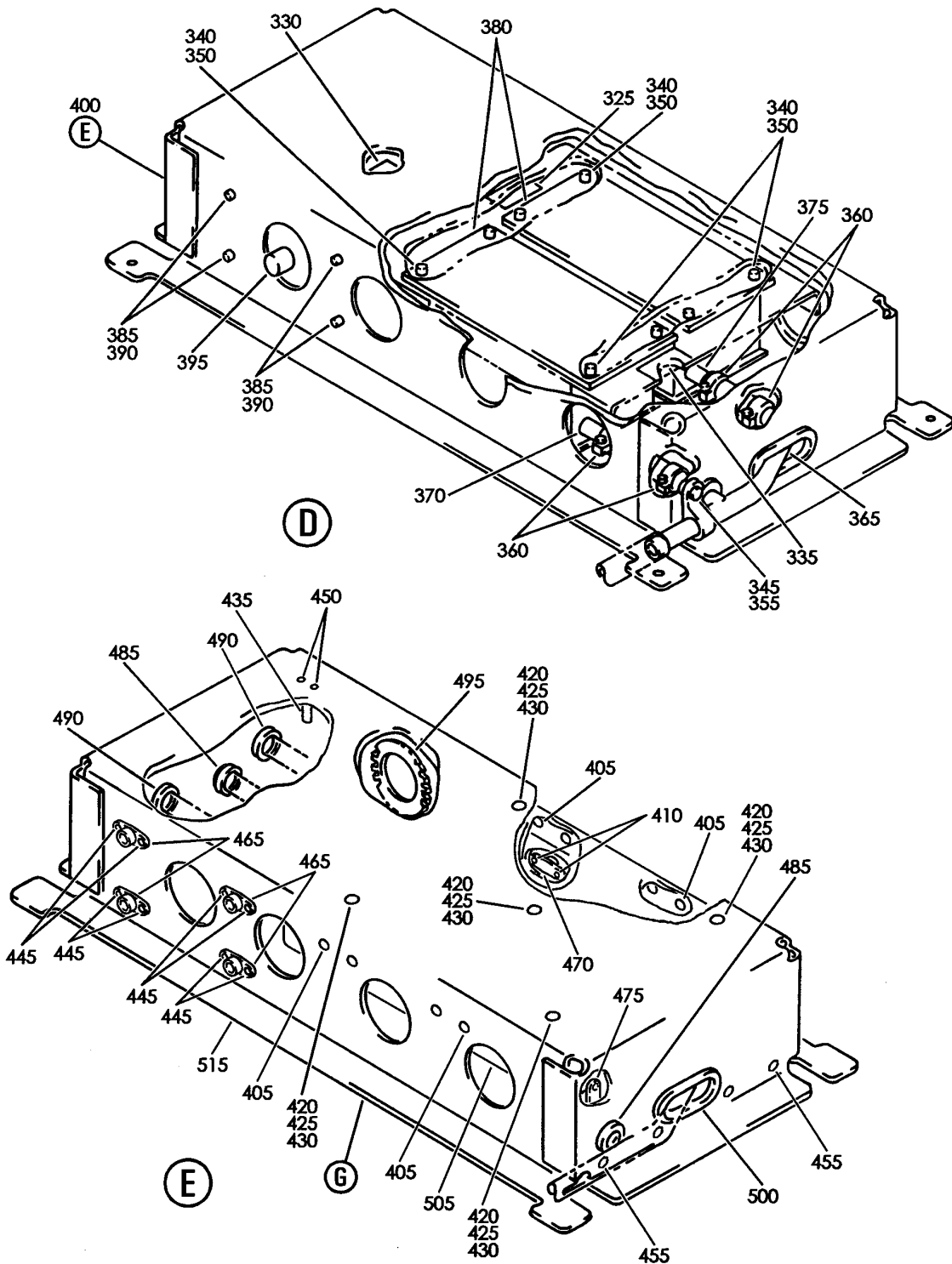
DETECTOR INSTL-SMOKE
FIGURE 13A (SHEET 2)

26-16-01-13A

BRI
MAY 28/07

26-16-01-13A
PAGE 0A


BOEING
 757
PARTS CATALOG (MAINTENANCE)



Y 26160113A SHT 3 REV 205

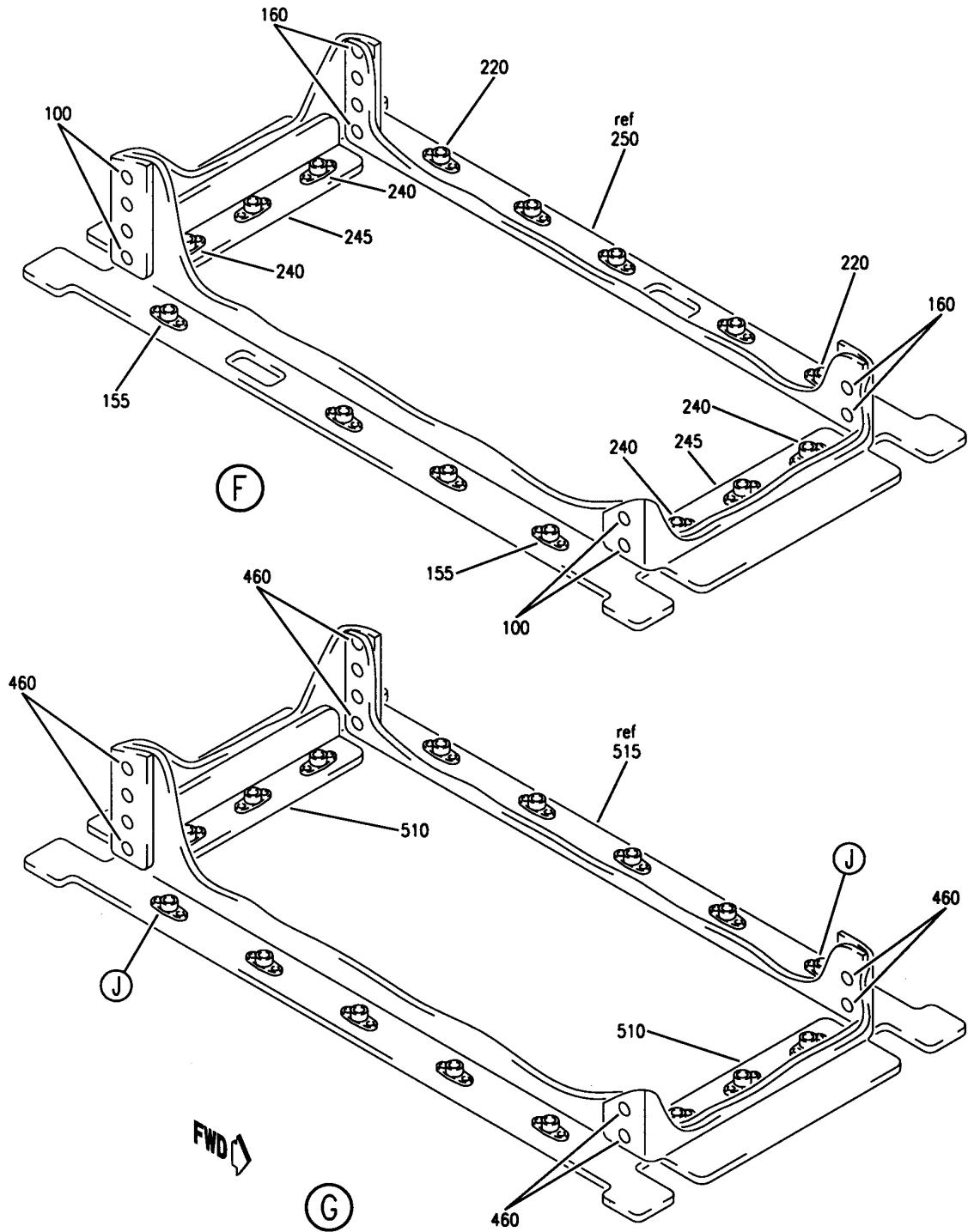
DETECTOR INSTL-SMOKE
FIGURE 13A (SHEET 3)

26-16-01-13A

BRI
MAY 28/07

26-16-01-13A
PAGE 0B

BOEING
757
PARTS CATALOG (MAINTENANCE)



Y 26160113A SHT 4 REV 205

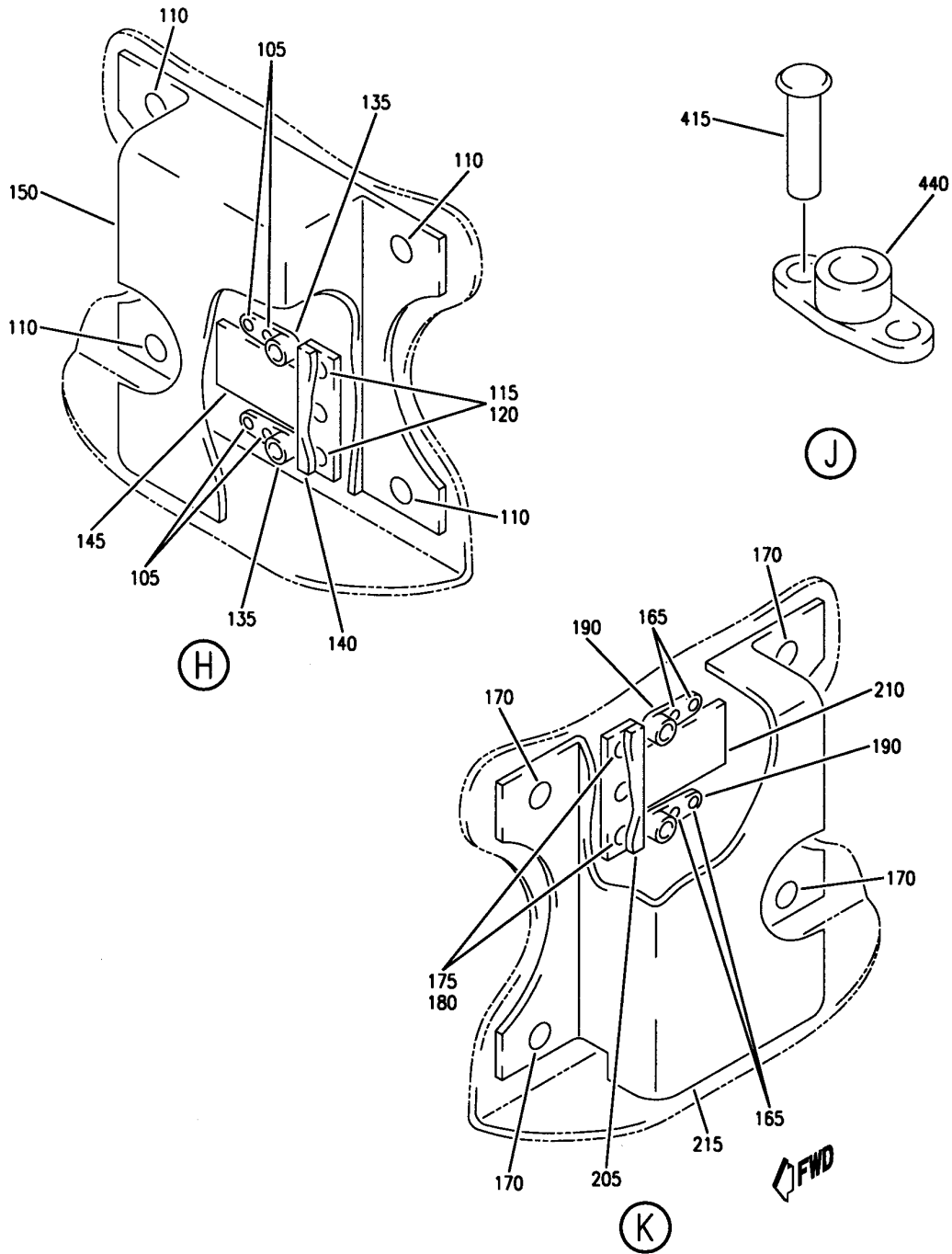
DETECTOR INSTL-SMOKE
FIGURE 13A (SHEET 4)

26-16-01-13A

BRI
MAY 28/07

26-16-01-13A
PAGE 0C

BOEING
757
PARTS CATALOG (MAINTENANCE)



Y 26160113A SHT 5 REV 205

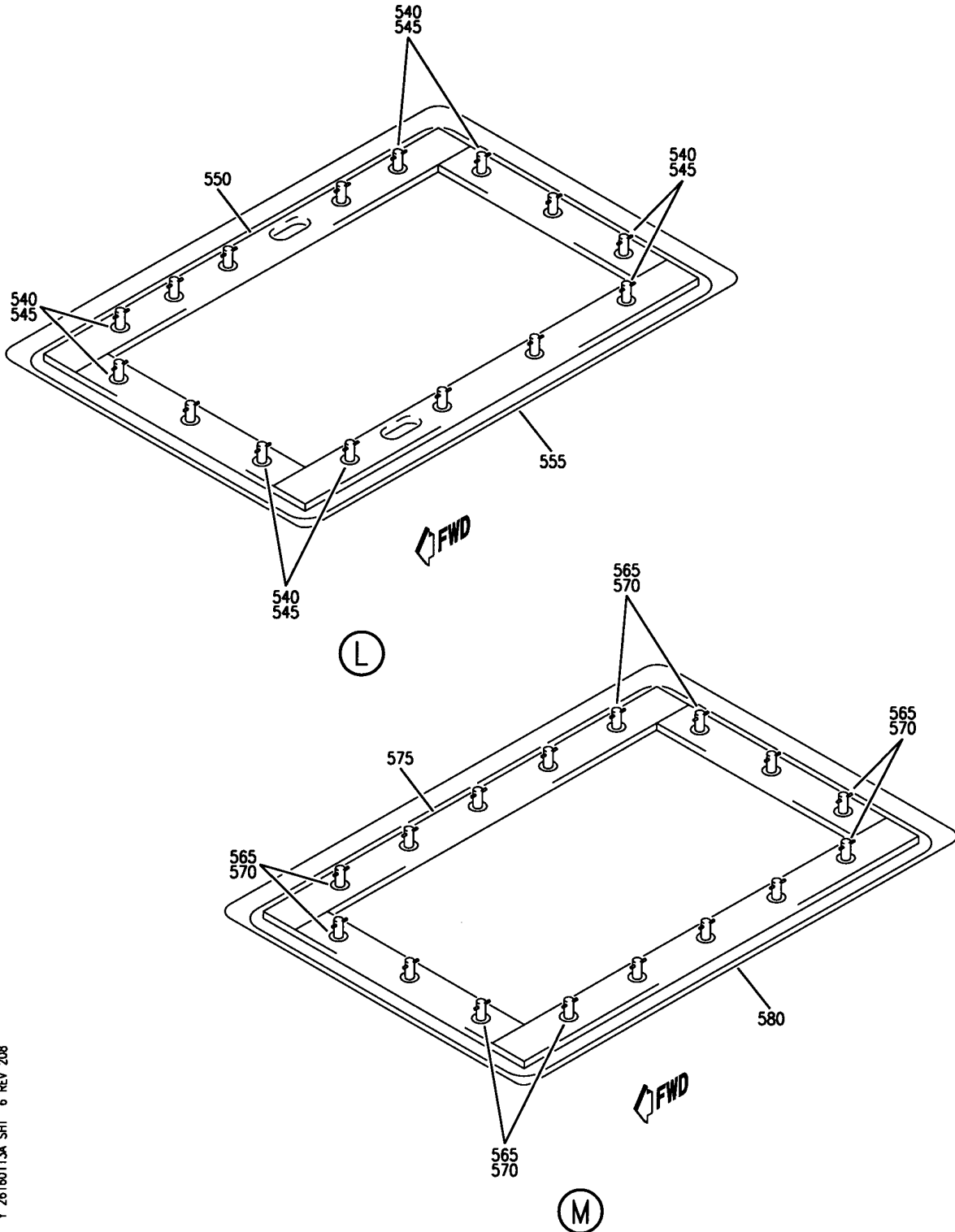
DETECTOR INSTL-SMOKE
FIGURE 13A (SHEET 5)

26-16-01-13A

BRI
MAY 28/07

26-16-01-13A
PAGE 0D

BOEING
757
PARTS CATALOG (MAINTENANCE)



Y 26160113A SHT 6 REV 208

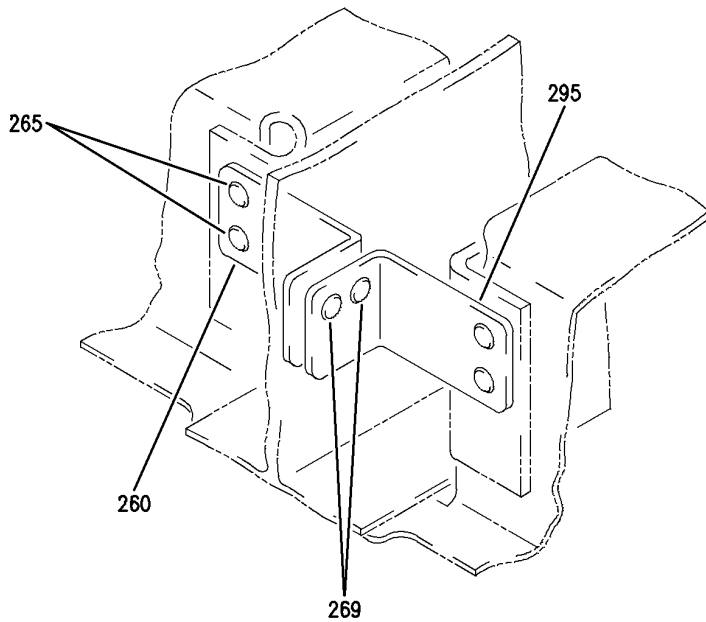
DETECTOR INSTL-SMOKE
FIGURE 13A (SHEET 6)

26-16-01-13A

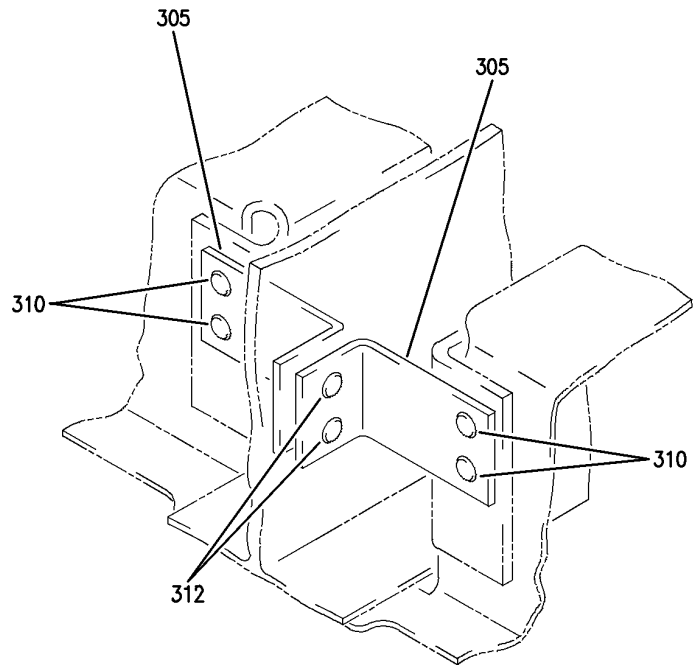
BRI
MAY 28/07

26-16-01-13A
PAGE 0E

BOEING
757
PARTS CATALOG (MAINTENANCE)



(N)



FWD

(P)

Y 26160113A SHT 7 REV 224

DETECTOR INSTL-SMOKE
FIGURE 13A (SHEET 7)

26-16-01-13A

BRI
MAY 28/07

26-16-01-13A
PAGE OF

 **BOEING**
757
PARTS CATALOG (MAINTENANCE)

FIG ITEM	PART NUMBER	1 2 3 4 5 6 7	NOMENCLATURE	EFFECT FROM TO	UNITS PER ASSY
13A			DETECTOR INSTL-SMOKE	101106 108120 504903	
- 1	453N2110-30		DETECTOR INSTL-SMOKE CARGO COMPT POSITION DATA: FWD FOR NHA SEE: 21-00-00-15	101102 504903	RF
- 1	453N2110-34		DETECTOR INSTL-SMOKE CARGO COMPT POSITION DATA: FWD FOR NHA SEE: 21-00-00-15	108120	RF
- 1	MODREF18624		DETECTOR INSTL-SMOKE CARGO COMPT MODULE NUMBER: 453N2110-34 REV A POSITION DATA: FWD	103106	1
5	218N2020-1		.DETECTOR ASSY-	101106 108120 504903	1
- 10	BACR15FT6D2		ATTACHING PARTS .RIVET-	101106 108120 504903	10
15	BAC27NEC0183		-----*----- ..MARKER-ALUMINUM FOIL PLACARD CONTENT: M10463 BLOWER D4426	101106 108120 504903	1
20	BAC27NEC0182		..MARKER-ALUMINUM FOIL PLACARD CONTENT: M10462 BLOWER D4424	101106 108120 504903	1
25	NAS623-3-1		..SCREW	101106 108120 504903	4
30	AN960KD10LL		..WASHER-	101106 108120 504903	4
35	453T2252-2		..SPACER	101106 108120 504903	2
40	453T2252-1		..GASKET	101106 108120 504903	2

MISSING ITEM NUMBERS NOT APPLICABLE

- ITEM NOT ILLUSTRATED

BRI

26-16-01-13A

BOEING PROPRIETARY - Copyright © - Unpublished Work - See title page for details.

26-16-01
FIG. 13A
PAGE 1
JAN 20/09



757

PARTS CATALOG (MAINTENANCE)

FIG ITEM	PART NUMBER	1 2 3 4 5 6 7	NOMENCLATURE	EFFECT FROM TO	UNITS PER ASSY
13A					
45	453T0211-1	..	PLENUM ASSY	101106 108120 504903	1
50	NAS1922-0100-3	..	CLAMP	101106 108120 504903	4
55	218N2020-4	..	TUBE	101106 108120 504903	1
60	218N2020-3	..	TUBE	101106 108120 504903	1
65	NAS623-3-1	..	SCREW	101106 108120 504903	8
70	AN960KD10LL	..	WASHER-	101106 108120 504903	8
75	033638500	..	BLOWER ASSY- SUPPLIER CODE: V82877 FUNCTIONAL DESCRIPTION: PULLS AIR INTO SAMPLING TUBES LOCATED IN THE CARGO COMPARTMENT & THEN THROUGH SMOKE DETECTORS ELECTRICAL EQUIP NUMBER: M10462 M10463 COMPONENT MAINT MANUAL REF: 21-58-02 OPTIONAL PART: 033638 V82877	101106 108120 504903	2
80	NAS623-3-2	..	SCREW	101106 108120 504903	2
85	AN960KD10LL	..	WASHER-	101106 108120 504903	2
90	218N2801-1	..	BRACKET	101106 108120 504903	1
95	453N2603-37	..	PAN ASSY	101106 108120 504903	1

MISSING ITEM NUMBERS NOT APPLICABLE

- ITEM NOT ILLUSTRATED

26-16-01-13A

26-16-01
FIG. 13A
PAGE 2
JAN 20/09

BRI

BOEING PROPRIETARY - Copyright © - Unpublished Work - See title page for details.



757

PARTS CATALOG (MAINTENANCE)

FIG ITEM	PART NUMBER	1 2 3 4 5 6 7	NOMENCLATURE	EFFECT FROM TO	UNITS PER ASSY
13A			ATTACHING PARTS		
100	BACR15FT5D	...	RIVET	101106 108120 504903	6
105	BACR15BA3AD	...	RIVET	101106 108120 504903	12
110	BACR15BB4AD	...	RIVET	101106 108120 504903	4
115	BACR15BB3AD	...	RIVET	101106 108120 504903	3
			-----*-----		
120	NAS42DD3-6	...	SPACER	101106 108120 504903	3
125	F2000-3	...	NUTPLATE	101106 108120 504903	1
			SUPPLIER CODE: V15653		
			SPECIFICATION NUMBER: BACN10KB3F		
			OPTIONAL PART: NS103185-02		
			V80539		
			RMF9207-3		
			V72962		
			T8114S1032S		
			V11815		
			VN151A1-02		
			V92215		
			BRF100A3		
			V52828		

MISSING ITEM NUMBERS NOT APPLICABLE

- ITEM NOT ILLUSTRATED

26-16-01-13A

26-16-01
FIG. 13A
PAGE 3
JAN 20/09

BRI

BOEING PROPRIETARY - Copyright © - Unpublished Work - See title page for details.



757

PARTS CATALOG (MAINTENANCE)

FIG ITEM	PART NUMBER	1 2 3 4 5 6 7	NOMENCLATURE	EFFECT FROM TO	UNITS PER ASSY
13A 130	MF53049-3	...	NUTPLATE SUPPLIER CODE: V15653 SPECIFICATION NUMBER: BACN10JN3 OPTIONAL PART: BRFM20A3 V52828 MF1000-3BAC V15653 NS103218-02 V80539 RMF9201M3 V72962 VN252A02 V92215 T8124S3S V11815	101106 108120 504903	3
135	BACN10JP3BCD	...	NUTPLATE	101106 108120 504903	2
140	453T2150-2	...	RETAINER	101106 108120 504903	1
145	453T2150-4	...	VALVE	101106 108120 504903	1
150	453N2804-3	...	DUCT	101106 108120 504903	1
155	BACR11Y2	...	RECEPTACLE	101106 108120 504903	4
160	BACR15FT5D	...	RIVET	101106 108120 504903	6
165	BACR15BA3AD	...	RIVET	101106 108120 504903	8
170	BACR15BB4AD	...	RIVET	101106 108120 504903	4
175	BACR15BB3AD	...	RIVET	101106 108120 504903	3
180	NAS42DD3-6	...	SPACER	101106 108120 504903	3

MISSING ITEM NUMBERS NOT APPLICABLE

- ITEM NOT ILLUSTRATED

26-16-01-13A

26-16-01
FIG. 13A
PAGE 4
JAN 20/09

BRI

BOEING PROPRIETARY - Copyright © - Unpublished Work - See title page for details.



757

PARTS CATALOG (MAINTENANCE)

FIG ITEM	PART NUMBER	1 2 3 4 5 6 7	NOMENCLATURE	EFFECT FROM TO	UNITS PER ASSY
13A 185	BACN10GH3A6	...	NUTPLATE	101106 108120 504903	1
190	BACN10JP3BCD	...	NUTPLATE	101106 108120 504903	2
195	MF53049-3	...	NUTPLATE SUPPLIER CODE: V15653 SPECIFICATION NUMBER: BACN10JN3 OPTIONAL PART: BRFM20A3 V52828 MF1000-3BAC V15653 NS103218-02 V80539 RMF9201M3 V72962 VN252A02 V92215 T8124S3S V11815	101106 108120 504903	2
200	BACG20AD550	...	GROMMET	101106 108120 504903	1
205	453T2150-2	...	RETAINER	101106 108120 504903	1
210	453T2150-4	...	VALVE	101106 108120 504903	1
215	453N2804-3	...	DUCT	101106 108120 504903	1
220	BACR11Y2	...	RECEPTACLE	101106 108120 504903	5
225	BACR15FT5D	...	RIVET	101106 108120 504903	4
230	NAS1368N10A	...	GROMMET	101106 108120 504903	1
235	NAS1368N12A	...	GROMMET	101106 108120 504903	2

MISSING ITEM NUMBERS NOT APPLICABLE

- ITEM NOT ILLUSTRATED

26-16-01-13A

26-16-01
FIG. 13A
PAGE 5
JAN 20/09

BRI

BOEING PROPRIETARY - Copyright © - Unpublished Work - See title page for details.



757

PARTS CATALOG (MAINTENANCE)

FIG ITEM	PART NUMBER	1 2 3 4 5 6 7	NOMENCLATURE	EFFECT FROM TO	UNITS PER ASSY
13A 240	BACR11Y2	. . .	RECEPTACLE	101106 108120 504903	6
245	453N2704-10	. . .	ANGLE ASSY	101106 108120 504903	2
250	453N2801-18	. . .	SUPPORT PAN	101106 108120 504903	1
255	NAS1922-0050-3	.	CLAMP	101106 108120 504903	3
257	BACR15FT5D3	.	RIVET	101106 108120 504903	2
260	453N2803-7	.	BRACKET	101106 108120 504903	1
- 265	BACR15FT5D		ATTACHING PARTS .RIVET- SIZE DETERMINED ON INSTL. -----*-----	101106 108120 504903	1

MISSING ITEM NUMBERS NOT APPLICABLE

- ITEM NOT ILLUSTRATED

BRI

26-16-01-13A

BOEING PROPRIETARY - Copyright © - Unpublished Work - See title page for details.

26-16-01
FIG. 13A
PAGE 6
JAN 20/09



757

PARTS CATALOG (MAINTENANCE)

FIG ITEM	PART NUMBER	1 2 3 4 5 6 7	NOMENCLATURE	EFFECT FROM TO	UNITS PER ASSY
13A 270	HL1012AZ6-2	.BOLT-	SUPPLIER CODE: V97928 SPECIFICATION NUMBER: BACB30NX6K2 OPTIONAL PART: HL12VAZ6-2 V73197 HL12VAZ6-2 V92215 HL12VAZ6-2 V97928 L802-6K2 V06725 HL12VAZ6-2 V56878 HL1012AZ6-2 VOPTK6 HL1012AZ6-2 V06725 HL1012AZ6-2 V06950 HL1012AZ6-2 V17446 HL1012AZ6-2 V56878 HL1012AZ6-2 V60516 HL1012AZ6-2 V73197	101106 108120 504903	6
275	HL1187-6	.COLLAR	SUPPLIER CODE: V5M902 SPECIFICATION NUMBER: BACC30X6 OPTIONAL PART: HL87-6 V92215 HL87-6 V73197 HL1187-6 V56878 HL1187-6 V92215 HL87-6 V56878 HL1187-6 V73197	101106 108120 504903	6

MISSING ITEM NUMBERS NOT APPLICABLE

- ITEM NOT ILLUSTRATED

26-16-01-13A

26-16-01
FIG. 13A
PAGE 7
JAN 20/09

BRI

BOEING
757
PARTS CATALOG (MAINTENANCE)

FIG ITEM	PART NUMBER	1 2 3 4 5 6 7	NOMENCLATURE	EFFECT FROM TO	UNITS PER ASSY
13A 280	NAS1922-0050-3	.	CLAMP	101106 108120 504903	3
285	453N2110-10	.	TUBE	101106 108120 504903	1
290	453N2110-12	.	TUBE	101106 108120 504903	2
295	453N2803-8	.	BRACKET	101106 108120 504903	1
- 297	BACR15FT5D		ATTACHING PARTS .RIVET- SIZE DETERMINED ON INSTL.	101106 108120 504903	1
305	453N2803-1		-----*----- .BRACKET	101106 108120 504903	2
310	BACR15FT5D2		ATTACHING PARTS .RIVET-	101106 108120 504903	4
312	BACR15FT5D3		.RIVET	101106 108120 504903	2
315	218N2020-13		-----*----- .DETECTOR ASSY-	101102 504903	1
315	218N2020-16		.DETECTOR ASSY-	103106 108120	1
- 320	BACR15FT6D2		ATTACHING PARTS .RIVET-	101106 108120 504903	4
325	BAC27NEC0180		-----*----- ..MARKER-ALUMINUM FOIL PLACARD CONTENT: M10458 DETECTOR D4402	101106 108120 504903	1
330	BAC27NEC0184		..MARKER-ALUMINUM FOIL PLACARD CONTENT: S10333 PRESSURE SW D4434	101106 108120 504903	1
335	BAC27NEC0181		..MARKER-ALUMINUM FOIL PLACARD CONTENT: M10459 DETECTOR D4404	101106 108120 504903	1

MISSING ITEM NUMBERS NOT APPLICABLE

- ITEM NOT ILLUSTRATED

BRI

26-16-01-13A

BOEING PROPRIETARY - Copyright © - Unpublished Work - See title page for details.

26-16-01
FIG. 13A
PAGE 8
JAN 20/09



757

PARTS CATALOG (MAINTENANCE)

FIG ITEM	PART NUMBER	1 2 3 4 5 6 7	NOMENCLATURE	EFFECT FROM TO	UNITS PER ASSY
13A 340	NAS623-2-2	..	SCREW	101106 108120 504903	8
345	NAS1801-3-6	..	SCREW	101106 108120 504903	1
350	NAS1149DN816J	..	WASHER-	101106 108120 504903	8
355	BACC10DK8A	..	CLAMP	101106 108120 504903	1
360	NAS1922-0050-3	..	CLAMP	101106 108120 504903	4
365	453N2601-26	..	TUBE ASSY-	101106 108120 504903	1
370	218N2020-5	..	TUBE	101106 108120 504903	1
375	218N2020-6	..	TUBE	101106 108120 504903	1
380	2156-604	..	DETECTOR ASSY- SUPPLIER CODE: V03972 FUNCTIONAL DESCRIPTION: DETECTS SMOKE & PROVIDES AN OUTPUT SIGNAL TO THE FIRE/OVERHEAT LOGIC/TEST CARD ELECTRICAL EQUIP NUMBER: M10458 M10459 COMPONENT MAINT MANUAL REF: 26-16-11 OPTIONAL PART: 2156-604A V03972 FUNCTIONAL REFERENCE: PLACARDS AND MARKINGS FOR DETAILS SEE 11-37-14-01 FIRE PROTECTION FOR DETAILS SEE 26-16-01-05	101106 108120 504903	2

MISSING ITEM NUMBERS NOT APPLICABLE

- ITEM NOT ILLUSTRATED

26-16-01-13A

26-16-01
FIG. 13A
PAGE 9
JAN 20/09

BRI



757

PARTS CATALOG (MAINTENANCE)

FIG ITEM	PART NUMBER	1 2 3 4 5 6 7	NOMENCLATURE	EFFECT FROM TO	UNITS PER ASSY
13A 380	2156-604A		.. DETECTOR ASSY- SUPPLIER CODE: V03972 FUNCTIONAL DESCRIPTION: DETECTS SMOKE & PROVIDES AN OUTPUT SIGNAL TO THE FIRE/OVERHEAT LOGIC/TEST CARD ELECTRICAL EQUIP NUMBER: M10458 M10459 COMPONENT MAINT MANUAL REF: 26-16-11 OPTIONAL PART: 2156-604 V03972 2156-204A V03972 FUNCTIONAL REFERENCE: PLACARDS AND MARKINGS FOR DETAILS SEE 11-37-14-01 FIRE PROTECTION FOR DETAILS SEE 26-16-01-05	101106 108120 504903	2
385	NAS623-2-2		.. SCREW	101106 108120 504903	4
390	NAS1149DN816J		.. WASHER-	101106 108120 504903	4
395	32V92		.. SWITCH-VAC SUPPLIER CODE: V09049 ELECTRICAL EQUIP NUMBER: S10333	101106 108120 504903	1
400	453N2603-45		.. SUPPORT ASSY-	101106 108120 504903	1
405	BACR15FR4E2		ATTACHING PARTS ... RIVET	101106 108120 504903	8
410	BACR15BB4AD		... RIVET	101106 108120 504903	2

MISSING ITEM NUMBERS NOT APPLICABLE

- ITEM NOT ILLUSTRATED

26-16-01-13A

26-16-01
FIG. 13A
PAGE 10
JAN 20/09

BRI



757

PARTS CATALOG (MAINTENANCE)

FIG ITEM	PART NUMBER	1 2 3 4 5 6 7	NOMENCLATURE	EFFECT FROM TO	UNITS PER ASSY
13A 415	BACR15BA3AD	...	RIVET	101106 108120 504903	32
420	HST10AG6-11*.....	...BOLT- SUPPLIER CODE: VOPTK6 SPECIFICATION NUMBER: BACB30VT6K11 OPTIONAL PART: HST10AG6-11 V06725 HST10AG6-11 V56878 HST10AG6-11 V73197 WC10K6-11 V60516	101106 108120 504903	5
425	BACC30BL6	...	COLLAR SUPPLIER CODE: V73197 SPECIFICATION NUMBER: BACC30BL6 OPTIONAL PART: HST79-6 V92215 HST79CY6 V56878 HST79CY6 V5M902	101106 108120 504903	5
430	NAS43DD3-38N	...	SPACER	101106 108120 504903	5
435	WSI4A16	...	NUT SUPPLIER CODE: V04169 SPECIFICATION NUMBER: BACN10TL3A16	101106 108120 504903	1
440	BACR11Y2	...	RECEPTACLE	101106 108120 504903	16
445	BACR15BA3AD	...	RIVET	101106 108120 504903	8
450	BACR15BB4AD	...	RIVET	101106 108120 504903	2

MISSING ITEM NUMBERS NOT APPLICABLE

- ITEM NOT ILLUSTRATED

26-16-01-13A

26-16-01
FIG. 13A
PAGE 11
JAN 20/09

BRI

BOEING PROPRIETARY - Copyright © - Unpublished Work - See title page for details.



757

PARTS CATALOG (MAINTENANCE)

FIG ITEM	PART NUMBER	1 2 3 4 5 6 7	NOMENCLATURE	EFFECT FROM TO	UNITS PER ASSY
13A 455	BACR15FR4E2	...	RIVET	101106 108120 504903	4
460	BACR15FT5D	...	RIVET	101106 108120 504903	12
465	MF53049-08	...	NUT- SUPPLIER CODE: V15653 SPECIFICATION NUMBER: BACN10JN08 OPTIONAL PART: BRFM20A08 V52828 MF1000-08BAC V15653 NS103218-82 V80539 RMF9201M82 V72962 VN252A82 V92215 T8124S08S V11815	101106 108120 504903	4
470	WSI4A4	...	NUTPLATE SUPPLIER CODE: V04169 SPECIFICATION NUMBER: BACN10TL3A4	101106 108120 504903	1
475	BACN10TL3A3	...	NUT	101106 108120 504903	1
485	NAS1368N10A	...	GROMMET	101106 108120 504903	2
490	NAS1368N12A	...	GROMMET	101106 108120 504903	2
495	BACG20AD550	...	GROMMET	101106 108120 504903	1
500	BACG20ZM0486B	...	GROMMET	101106 108120 504903	1
505	453N2001-3	...	PLATE	101106 108120 504903	1

MISSING ITEM NUMBERS NOT APPLICABLE

- ITEM NOT ILLUSTRATED

26-16-01-13A

26-16-01
FIG. 13A
PAGE 12
JAN 20/09

BRI

BOEING PROPRIETARY - Copyright © - Unpublished Work - See title page for details.

 **BOEING**
757
PARTS CATALOG (MAINTENANCE)

FIG ITEM	PART NUMBER	1 2 3 4 5 6 7	NOMENCLATURE	EFFECT FROM TO	UNITS PER ASSY
13A 510	453N2704-10	. . .	ANGLE ASSY	101106 108120 504903	2
515	453N2801-17	. . .	SUPPORT	101106 108120 504903	1
520	BACS12GU3K27	. .	SCREW	101106 108120 504903	1
523	BACS12GU3K7	. .	SCREW	101106 108120 504903	4
525	NAS1149D0332J	. .	WASHER	101106 108120 504903	5
530	453N2704-22	. .	ANGLE ASSY	101106 108120 504903	1
535	453N2605-20	. .	COVER ASSY-(FIRE PROTECTION ONLY) FUNCTIONAL REFERENCE: PLACARDS AND MARKINGS FOR DETAILS SEE 11-37-53-01	101106 108120 504903	1
540	BACS21Y6R	. . .	STUD ASSY	101106 108120 504903	15
550	453N2605-17	. . .	SEAL	101106 108120 504903	AR
555	453N1755-6	. . .	COVER	101106 108120 504903	1
560	453N2605-19	. .	COVER ASSY	101106 108120 504903	1
565	BACS21Y6R	. . .	STUD ASSY	101106 108120 504903	16
575	453N2605-17	. . .	SEAL	101106 108120 504903	AR
580	453N1755-5	. . .	COVER	101106 108120 504903	1

MISSING ITEM NUMBERS NOT APPLICABLE

— ITEM NOT ILLUSTRATED

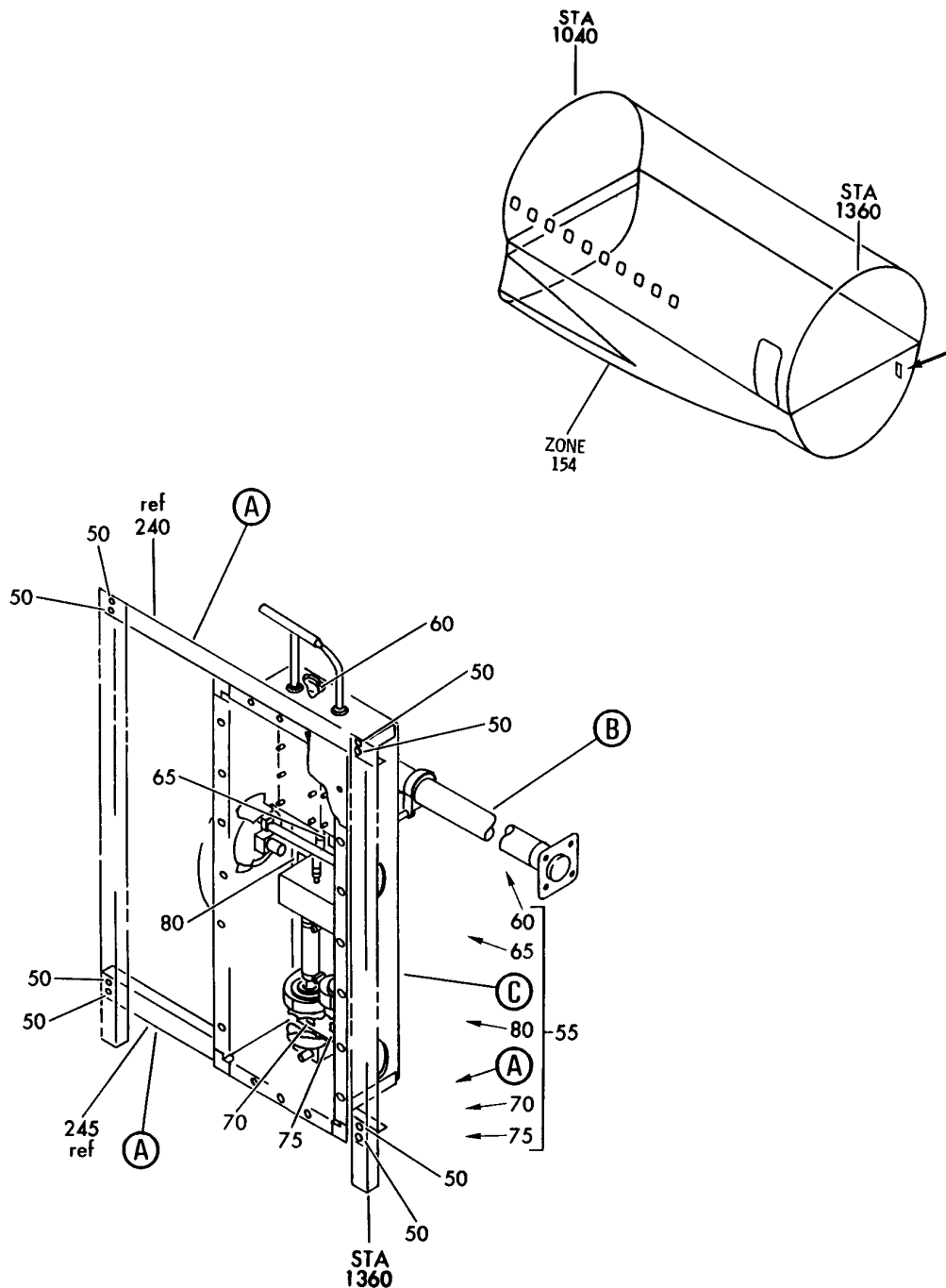
BRI

26-16-01-13A

BOEING PROPRIETARY - Copyright © - Unpublished Work - See title page for details.

26-16-01
FIG. 13A
PAGE 13
JAN 20/09

BOEING
757
PARTS CATALOG (MAINTENANCE)



Y 26160114 SHT 1 REV 159

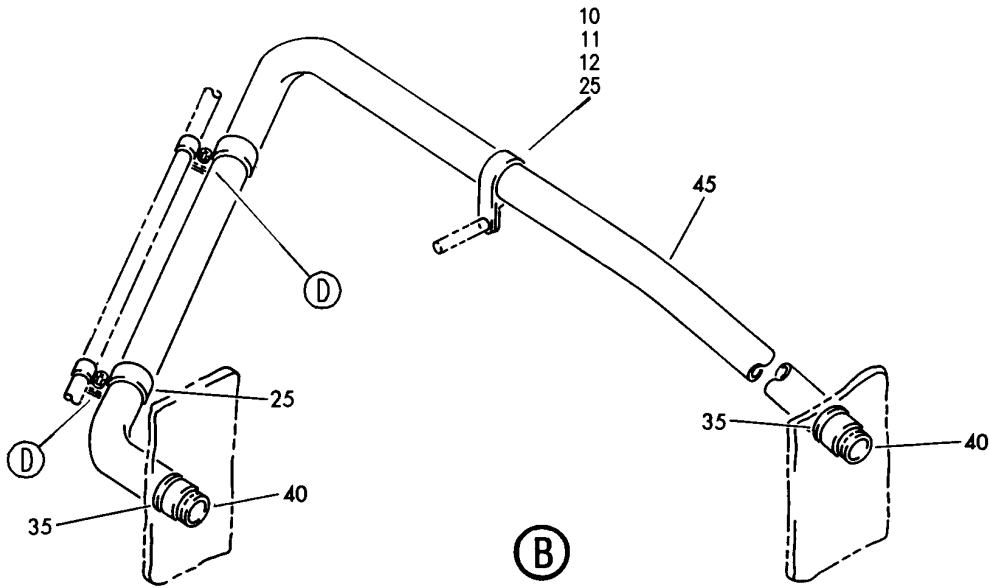
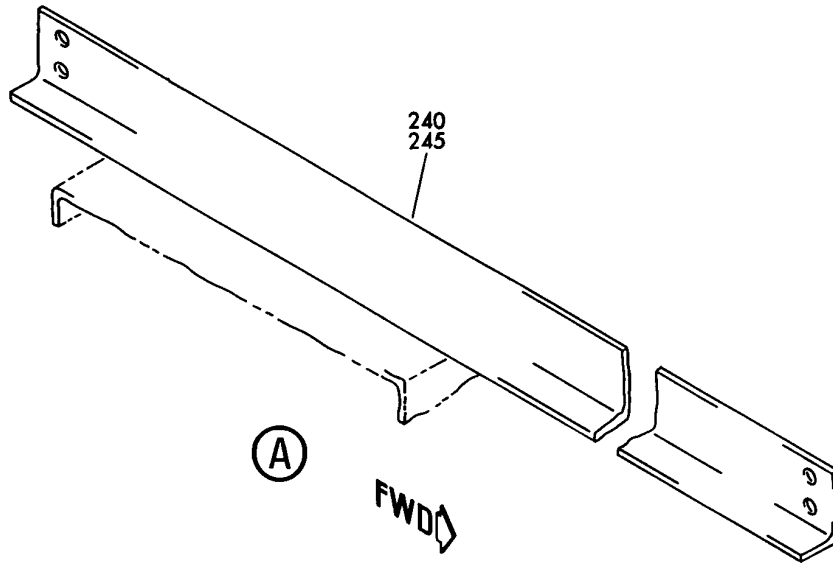
DETECTOR INSTL-AFT CARGO COMPT SMOKE
FIGURE 14 (SHEET 1)

26-16-01-14

BRI
MAY 28/07

26-16-01-14
PAGE 0

BOEING
757
PARTS CATALOG (MAINTENANCE)



Y 26160114 SH1 2 REV 243

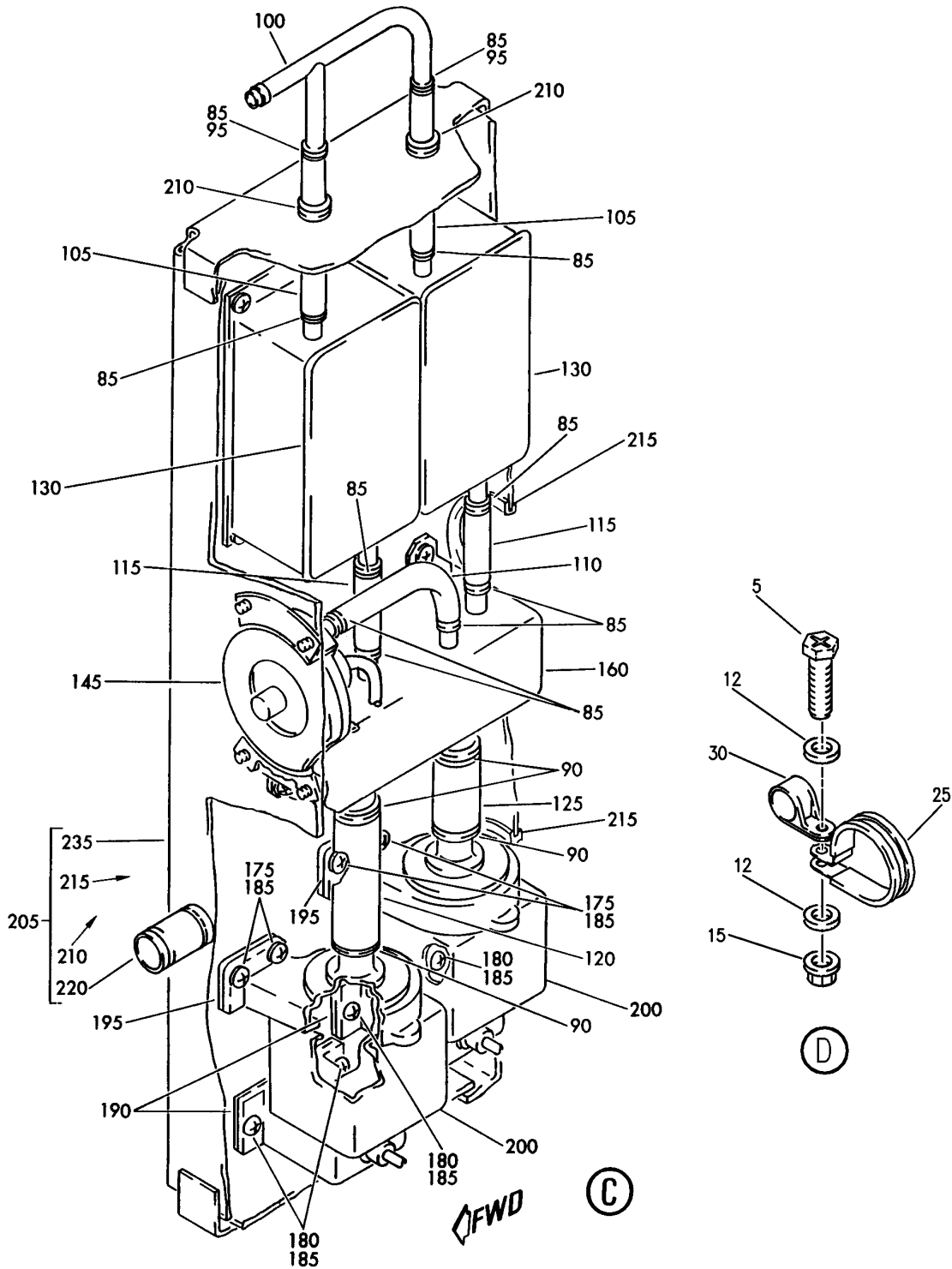
DETECTOR INSTL-AFT CARGO COMPT SMOKE
FIGURE 14 (SHEET 2)

26-16-01-14

BRI
MAY 28/07

26-16-01-14
PAGE 0A

BOEING
757
PARTS CATALOG (MAINTENANCE)



DETECTOR INSTL-AFT CARGO COMPT SMOKE
FIGURE 14 (SHEET 3)

26-16-01-14

BRI
MAY 28/07

26-16-01-14
PAGE 0B



757

PARTS CATALOG (MAINTENANCE)

FIG ITEM	PART NUMBER	1 2 3 4 5 6 7	NOMENCLATURE	EFFECT FROM TO	UNITS PER ASSY
14			DETECTOR INSTL-AFT CARGO COMPT SMOKE	011106 108120 504903	
- 1	453N2210-32		DETECTOR INSTL-SMOKE POSITION DATA: AFT CARGO COMPT FOR NHA SEE: 21-00-00-04 21-00-00-15	011102 504903	RF
- 1	453N2210-39		DETECTOR INSTL-SMOKE POSITION DATA: AFT CARGO COMPT FOR NHA SEE: 21-00-00-15	108120	RF
- 1	MODREF18642		DETECTOR INSTL-SMOKE MODULE NUMBER: 453N2210-39 REV A POSITION DATA: AFT CARGO COMPT	103106	1
5	NAS1801-3-16		.SCREW	011106 108120 504903	2
10	NAS1801-3-4		.SCREW-	011102 504903	1
11	BACS12HN3-12		.SCREW-	103106 108120	1
12	NAS1149D0332J		.WASHER	103106 108120	5
15	MS21042L3		.NUT	011106 108120 504903	2
25	JM44LC13WS26R		.CLAMP SUPPLIER CODE: V22175 SPECIFICATION NUMBER: BACC10GE26 OPTIONAL PART: S369WH26 V18076 TA12C32WS26 V84971 509S26 V83930	011106 108120 504903	3
30	BACC10DK10		.CLAMP	011106 108120 504903	2
35	NAS1922-0175-1		.CLAMP	011106 108120 504903	2

MISSING ITEM NUMBERS NOT APPLICABLE

- ITEM NOT ILLUSTRATED

26-16-01-14

26-16-01
FIG. 14
PAGE 1
JAN 20/09

BRI



757

PARTS CATALOG (MAINTENANCE)

FIG ITEM	PART NUMBER	1 2 3 4 5 6 7	NOMENCLATURE	EFFECT FROM TO	UNITS PER ASSY
14					
40	453N2210-15	.	TUBE	011106 108120 504903	2
45	AS1504-06B0502	.	HOSE	011106 108120 504903	1
50	BACS12FA3K9	.	SCREW	011106 108120 504903	8
55	218N2010-15	.	DETECTOR ASSY-	103106 108120	1
55	218N2010-3	.	DETECTOR ASSY-	011102 504903	1
60	BAC27NEC0185	..	MARKER-ALUMINUM FOIL PLACARD CONTENT: M10460 DETECTOR D4406	011106 108120 504903	1
65	BAC27NEC0186	..	MARKER-ALUMINUM FOIL PLACARD CONTENT: M10461 DETECTOR D4408	011106 108120 504903	1
70	BAC27NEC0187	..	MARKER-ALUMINUM FOIL PLACARD CONTENT: M10464 BLOWER D4428	011106 108120 504903	1
75	BAC27NEC0188	..	MARKER-ALUMINUM FOIL PLACARD CONTENT: M10465 BLOWER D4430	011106 108120 504903	1
80	BAC27NEC0189	..	MARKER-ALUMINUM FOIL PLACARD CONTENT: S10332 PRESSURE SW. D4432	011106 108120 504903	1
85	NAS1922-0050-3	..	CLAMP	011106 108120 504903	10
90	NAS1922-0100-3	..	CLAMP	011106 108120 504903	4
95	MS3367-4-9	..	STRAP	011106 108120 504903	2
100	453N2601-26	..	TUBE ASSY	011106 108120 504903	1
105	218N2010-6	..	TUBE-RUBBER	011106 108120 504903	2
110	218N2010-5	..	TUBE-RUBBER	011106 108120 504903	1

MISSING ITEM NUMBERS NOT APPLICABLE

- ITEM NOT ILLUSTRATED

26-16-01-14

26-16-01
FIG. 14
PAGE 2
JAN 20/09

BRI



757

PARTS CATALOG (MAINTENANCE)

FIG ITEM	PART NUMBER	1 2 3 4 5 6 7	NOMENCLATURE	EFFECT FROM TO	UNITS PER ASSY
14					
115	218N2010-7	..	TUBE-RUBBER	011106 108120 504903	2
120	218N2010-4	..	TUBE-RUBBER	011106 108120 504903	1
125	218N2010-8	..	TUBE-RUBBER	011106 108120 504903	1
130	2156-604	..	DETECTOR ASSY- SUPPLIER CODE: V03972 FUNCTIONAL DESCRIPTION: DETECTS SMOKE & PROVIDES AN OUTPUT SIGNAL TO THE FIRE/OVERHEAT LOGIC/TEST CARD ELECTRICAL EQUIP NUMBER: M10460 M10461 COMPONENT MAINT MANUAL REF: 26-16-11 OPTIONAL PART: 2156-604A POST ALERT SB: 26A0042 FUNCTIONAL REFERENCE: PLACARDS AND MARKINGS FOR DETAILS SEE 11-37-14-01 FIRE PROTECTION FOR DETAILS SEE 26-16-01-05	011106 108120 504903	2

MISSING ITEM NUMBERS NOT APPLICABLE

- ITEM NOT ILLUSTRATED

BRI

26-16-01-14

BOEING PROPRIETARY - Copyright © - Unpublished Work - See title page for details.

26-16-01
FIG. 14
PAGE 3
JAN 20/09



757

PARTS CATALOG (MAINTENANCE)

FIG ITEM	PART NUMBER	1 2 3 4 5 6 7	NOMENCLATURE	EFFECT FROM TO	UNITS PER ASSY
14 130	2156-604A		.. DETECTOR ASSY- SUPPLIER CODE: V03972 FUNCTIONAL DESCRIPTION: DETECTS SMOKE & PROVIDES AN OUTPUT SIGNAL TO THE FIRE/OVERHEAT LOGIC/TEST CARD ELECTRICAL EQUIP NUMBER: M10460 M10461 COMPONENT MAINT MANUAL REF: 26-16-11 OPTIONAL PART: 2156-604 V03972 POST ALERT SB: 26A0042 FUNCTIONAL REFERENCE: PLACARDS AND MARKINGS FOR DETAILS SEE 11-37-14-01 FIRE PROTECTION FOR DETAILS SEE 26-16-01-05 ATTACHING PARTS	011106 108120 504903	2
- 135	NAS623-2-2		.. SCREW	011106 108120 504903	8
- 140	AN960D8L		.. WASHER-	011102 504903	8
- 140	NAS1149DN816H		.. WASHER-	103106 108120	8
145	32V92		-----*----- .. SWITCH-VACUUM SUPPLIER CODE: V09049 ATTACHING PARTS	011106 108120 504903	1
- 150	NAS623-3-2		.. SCREW	011106 108120 504903	4
- 155	AN960D10L		.. WASHER-	011102 504903	4
- 155	NAS1149D0316H		.. WASHER-	103106 108120	4
160	453T0211-1		-----*----- .. PLENUM ASSY	011106 108120 504903	1

MISSING ITEM NUMBERS NOT APPLICABLE

- ITEM NOT ILLUSTRATED

26-16-01-14

26-16-01
FIG. 14
PAGE 4
JAN 20/09

BRI



757

PARTS CATALOG (MAINTENANCE)

FIG ITEM	PART NUMBER	1 2 3 4 5 6 7	NOMENCLATURE	EFFECT FROM TO	UNITS PER ASSY
14			ATTACHING PARTS		
- 165	NAS623-3-2	..	SCREW	011106 108120 504903	4
- 170	AN960D10L	..	WASHER-	011102 504903	4
- 170	NAS1149D0316H	..	WASHER-	103106 108120	4
			-----*-----		
175	NAS623-3-5	..	SCREW	011106 108120 504903	4
180	NAS623-3-3	..	SCREW	011106 108120 504903	4
185	AN960D10L	..	WASHER-	011102 504903	8
			ATTACHING PARTS		
185	NAS1149D0316H	..	WASHER-	103106 108120	8
			-----*-----		
190	453T2252-2	..	SPACER	011106 108120 504903	2
195	453T2252-1	..	GASKET	011106 108120 504903	2
200	033638	..	BLOWER ASSY- SUPPLIER CODE: V82877 COMPONENT MAINT MANUAL REF: 21-58-01 OPTIONAL PART: 033638500 V82877	011106 108120 504903	2
200	033638500	..	BLOWER ASSY- SUPPLIER CODE: V82877 FUNCTIONAL DESCRIPTION: PULLS AIR INTO SAMPLING TUBES LOCATED IN THE CARGO COMPARTMENT & THEN THROUGH SMOKE DETECTORS COMPONENT MAINT MANUAL REF: 21-58-02 OPTIONAL PART: 033638 V82877	011106 108120 504903	2

MISSING ITEM NUMBERS NOT APPLICABLE

- ITEM NOT ILLUSTRATED

26-16-01-14

26-16-01
FIG. 14
PAGE 5
JAN 20/09

BRI



757

PARTS CATALOG (MAINTENANCE)

FIG ITEM	PART NUMBER	1 2 3 4 5 6 7	NOMENCLATURE	EFFECT FROM TO	UNITS PER ASSY
14					
205	453N2603-41	..	PAN ASSY	011106 108120 504903	1
210	NAS1368N10A	...	GROMMET	011106 108120 504903	2
215	BACG20AD0933	...	GROMMET	011106 108120 504903	2
220	453N2706-1	...	SPUD DETAIL	011106 108120 504903	1
			ATTACHING PARTS		
- 225	NAS623-3-2	...	SCREW	011106 108120 504903	4
- 230	AN960JD10L	...	WASHER	011106 108120 504903	4
			-----*-----		
235	453N2801-19	...	PAN	011106 108120 504903	1
240	453N2704-2	..	ANGLE	011106 108120 504903	1
245	453N2704-1	..	ANGLE	011106 108120 504903	1

MISSING ITEM NUMBERS NOT APPLICABLE

- ITEM NOT ILLUSTRATED

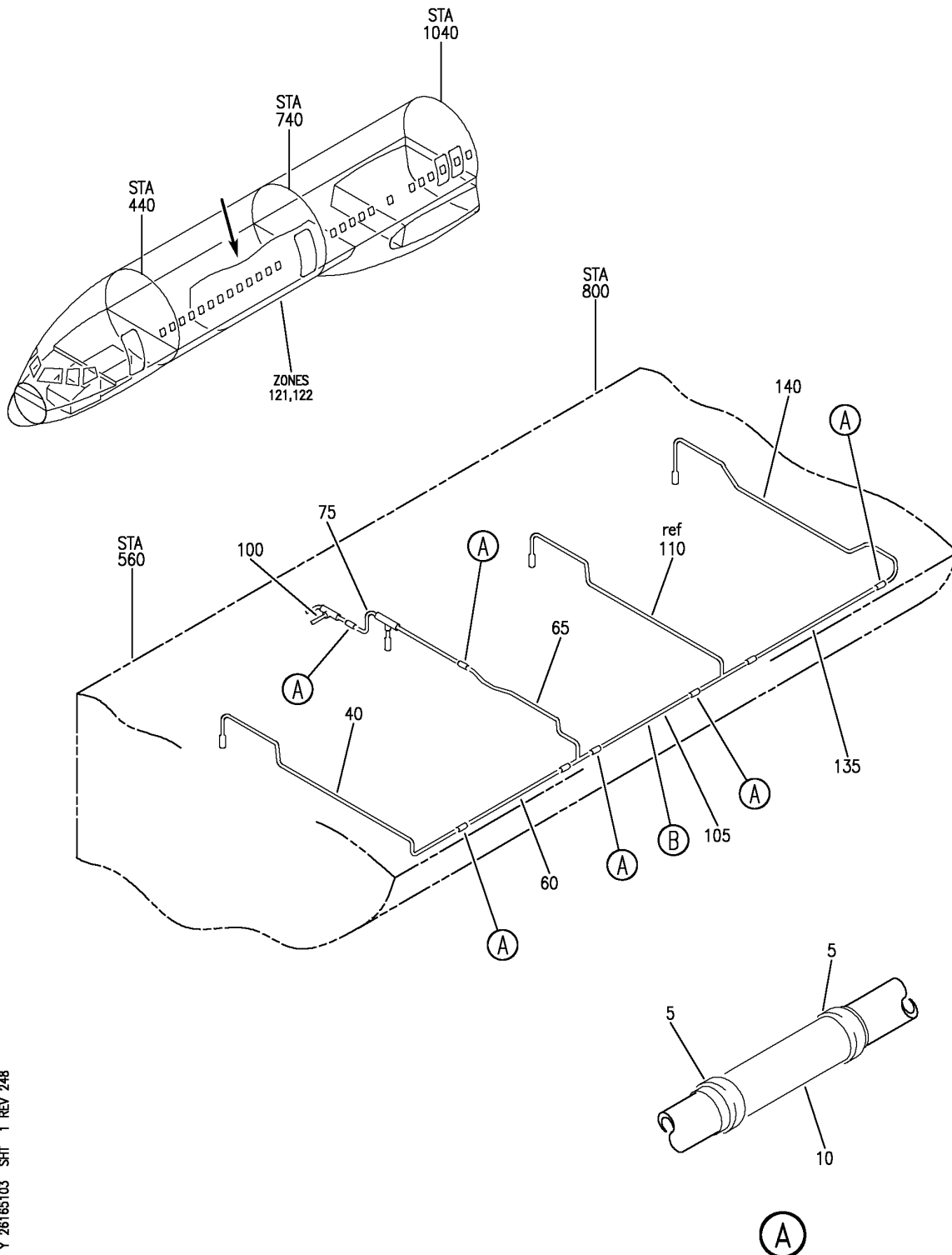
BRI

26-16-01-14

BOEING PROPRIETARY - Copyright © - Unpublished Work - See title page for details.

26-16-01
FIG. 14
PAGE 6
JAN 20/09

BOEING
757
PARTS CATALOG (MAINTENANCE)



Y 26165103 SHT 1 REV 248

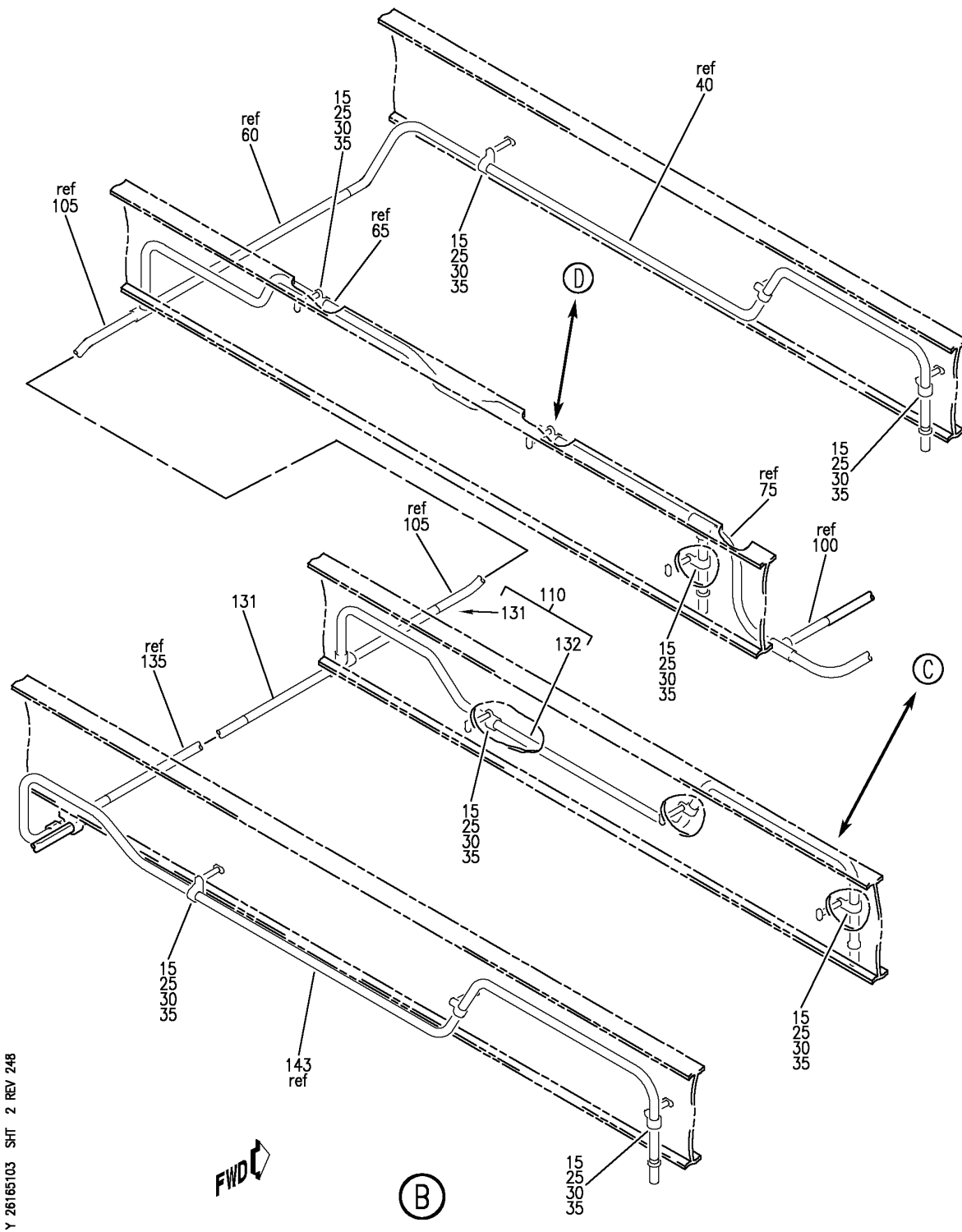
TUBING INSTL- SMOKE DETECTION SYS, FWD CARGO COMPT, 757-200 W/ VACUUM WASTE SYS
FIGURE 3 (SHEET 1)

BRI
JAN 20/09

26-16-51-03

26-16-51-03
PAGE 0

BOEING
757
PARTS CATALOG (MAINTENANCE)



Y 26165103 SHT 2 REV 248

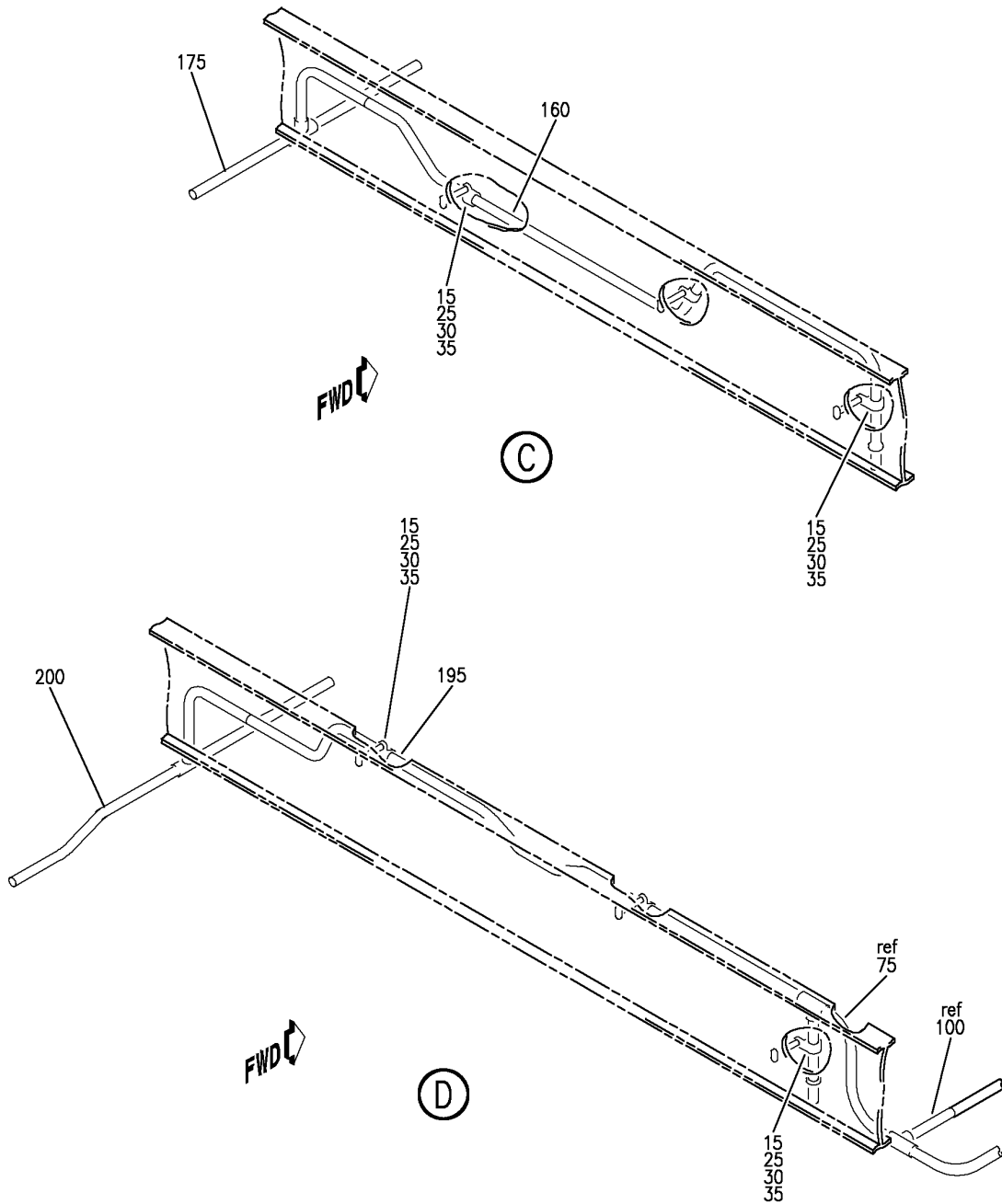
TUBING INSTL- SMOKE DETECTION SYS, FWD CARGO COMPT, 757-200 W/ VACUUM WASTE SYS
FIGURE 3 (SHEET 2)

BRI
JAN 20/09

26-16-51-03

26-16-51-03
PAGE 0A

BOEING
757
PARTS CATALOG (MAINTENANCE)



Y 26165103 SHT 3 REV 248

TUBING INSTL- SMOKE DETECTION SYS, FWD CARGO COMPT, 757-200 W/ VACUUM WASTE SYS
FIGURE 3 (SHEET 3)

BRI
JAN 20/09

26-16-51-03

26-16-51-03
PAGE 0B



757

PARTS CATALOG (MAINTENANCE)

FIG ITEM	PART NUMBER	1 2 3 4 5 6 7	NOMENCLATURE	EFFECT FROM TO	UNITS PER ASSY
3			TUBING INSTL- SMOKE DETECTION SYS, FWD CARGO COMPT, 757-200 W/ VACUUM WASTE SYS	103106	
- 1	MODREF22050		TUBING INSTL-SMOKE DETECTION SYS, CARGO COMPT, 757-200 W/ VACUUM WASTE SYS MODULE NUMBER: 453N2150-28 REV A POSITION DATA: FWD	103106	1
5	T05R0		.STRAP SUPPLIER CODE: V53421 SPECIFICATION NUMBER: BACS38K1 OPTIONAL PART: PLT2SM V06383	103106	16
10	0030-138		.TYGON-BRAIDED SUPPLIER CODE: V2W347	103106	8
15	NAS1801-3		.SCREW- SIZE DETERMINED ON INSTL.	103106	12
- 20	NAS43DD3-64FC		.SPACER	103106	12
25	AN960JD10L		.WASHER	103106	12
30	MS21042L3		.NUT	103106	12
35	BACC10DK8A		.CLAMP	103106	12
40	453N2604-241		.TUBE ASSY- TUBING MATERIAL: WW-T-700/6 6061 T4 TUBING MR474V WITH .035 THICKNESS IS OPTIONAL TO MR474V WITH .028 THICKNESS OPTIONAL TO MR474V WITH .022 THICKNESS. .022 IS THE PREFERRED THICKNESS. OUTER DIAMETER .5 WALL THICKNESS .022	103106	1
- 45	T05R0		..STRAP SUPPLIER CODE: V53421 SPECIFICATION NUMBER: BACS38K1 OPTIONAL PART: PLT2SM V06383	103106	1

MISSING ITEM NUMBERS NOT APPLICABLE

- ITEM NOT ILLUSTRATED

26-16-51-03

26-16-51
FIG. 03
PAGE 1
JAN 20/09

BRI



757

PARTS CATALOG (MAINTENANCE)

FIG ITEM	PART NUMBER	1 2 3 4 5 6 7	NOMENCLATURE	EFFECT FROM TO	UNITS PER ASSY
3					
- 50	453T6611-65	..	ORIFICE	103106	1
- 55	453N2604-186	..	SLEEVE	103106	1
60	453N2604-252	.TUBE ASSY-		103106	1
			TUBING MATERIAL: WW-T-700/6 6061 T4 TUBING MR474V WITH .035 THICKNESS IS OPTIONAL TO MR474V WITH .028 THICKNESS OPTIONAL TO MR474V WITH .022 THICKNESS. .022 IS THE PREFERRED THICKNESS. OUTER DIAMETER .5 WALL THICKNESS .022		
75	453N2604-250	.TUBE ASSY		103106	1
- 80	T05R0	..STRAP		103106	1
			SUPPLIER CODE: V53421 SPECIFICATION NUMBER: BACS38K1 OPTIONAL PART: PLT2SM V06383		
- 85	453T6611-64	..	ORIFICE	103106	1
- 90	453N2604-186	..	SLEEVE	103106	1
- 95	453U4191-56	..	TEE	103106	1
- 96	453N2601-48	..TUBE-		103106	1
			TUBING MATERIAL: STOCK .500 O.D. X .028 WALL THICKNESS 6061-T4 TUBE WW-T-700/6		
- 97	453N2601-49	..TUBE-		103106	1
			TUBING MATERIAL: STOCK .500 O.D. X .028 WALL THICKNESS 6061-T4 TUBE WW-T-700/6		
- 98	453N2604-254	..TUBE-		103106	1
			TUBING MATERIAL: WW-T-700/6 6061 T4 TUBING MR474V WITH .035 THICKNESS IS OPTIONAL TO MR474V WITH .028 THICKNESS OPTIONAL TO MR474V WITH .022 THICKNESS. .022 IS THE PREFERRED THICKNESS. OUTER DIAMETER .5 WALL THICKNESS .022		
100	453N2601-26	.TUBE ASSY		103106	1

MISSING ITEM NUMBERS NOT APPLICABLE

- ITEM NOT ILLUSTRATED

26-16-51-03

26-16-51
FIG. 03
PAGE 2
JAN 20/09

BRI



757

PARTS CATALOG (MAINTENANCE)

FIG ITEM	PART NUMBER	1 2 3 4 5 6 7	NOMENCLATURE	EFFECT FROM TO	UNITS PER ASSY
3					
- 101	453N2601-27	..	TUBE- TUBING MATERIAL: STOCK .50 O.D. X .028 WALL X 5.6 6061-0 ALUMINUM TUBE PER WW-T-700/6	103106	1
- 102	453N2601-28	..	TUBE- TUBING MATERIAL: STOCK .375 O.D. X .022 WALL X 3.0 6061-0 ALUMINUM TUBE PER WW-T-700/6	103106	1
- 103	453N2601-29	..	TUBE- TUBING MATERIAL: STOCK .375 O.D. X .022 WALL X 2.2 6061-0 ALUMINUM TUBE PER WW-T-700/6	103106	1
105	453N2604-258	.TUBE	ASSY- TUBING MATERIAL: WW-T-700/6 6061 T4 TUBING MR474V WITH .035 THICKNESS IS OPTIONAL TO MR474V WITH .028 THICKNESS OPTIONAL TO MR474V WITH .022 THICKNESS. .022 IS THE PREFERRED THICKNESS. OUTER DIAMETER .5 WALL THICKNESS .022	103106	1
135	453N2604-260	.TUBE	ASSY- TUBING MATERIAL: WW-T-700/6 6061 T4 TUBING MR474V WITH .035 THICKNESS IS OPTIONAL TO MR474V WITH .028 THICKNESS OPTIONAL TO MR474V WITH .022 THICKNESS. .022 IS THE PREFERRED THICKNESS. OUTER DIAMETER .5 WALL THICKNESS .022	103106	1

MISSING ITEM NUMBERS NOT APPLICABLE

- ITEM NOT ILLUSTRATED

26-16-51-03

26-16-51
FIG. 03
PAGE 3
JAN 20/09

BRI



757

PARTS CATALOG (MAINTENANCE)

FIG ITEM	PART NUMBER	1 2 3 4 5 6 7	NOMENCLATURE	EFFECT FROM TO	UNITS PER ASSY
3					
140	453N2604-243		.TUBE ASSY- TUBING MATERIAL: WW-T-700/6 6061 T4 TUBING MR474V WITH .035 THICKNESS IS OPTIONAL TO MR474V WITH .028 THICKNESS OPTIONAL TO MR474V WITH .022 THICKNESS. .022 IS THE PREFERRED THICKNESS.	103106	1
- 145	T05R0		..STRAP SUPPLIER CODE: V53421 SPECIFICATION NUMBER: BACS38K1 OPTIONAL PART: PLT2SM V06383	103106	1
- 150	453T6611-67		..ORIFICE	103106	1
- 155	453N2604-186		..SLEEVE	103106	1
160	453N2604-286		.TUBE ASSY- TUBING MATERIAL: WW-T-700/6 6061 T4 TUBING OUTER DIAMETER .5 WALL THICKNESS .022 LENGTH 54	103106	1
- 165	453N2604-186		..SLEEVE	103106	1
- 170	453T6611-67		..ORIFICE	103106	1
175	453N2604-285		.TUBE ASSY	103106	1
- 180	453U4191-56		..TEE	103106	1
- 185	453N2604-256		..TUBE- TUBING MATERIAL: WW-T-700/6 6061 T4 TUBING MR474V WITH .035 THICKNESS IS OPTIONAL TO MR474V WITH .028 THICKNESS OPTIONAL TO MR474V WITH .022 THICKNESS. .022 IS THE PREFERRED THICKNESS.	103106	1
- 190	453N2604-282		..TUBE ASSY- TUBING MATERIAL: WW-T-700/6 6061 T4 TUBING OUTER DIAMETER .5 WALL THICKNESS .022 LENGTH 11	103106	1

MISSING ITEM NUMBERS NOT APPLICABLE

- ITEM NOT ILLUSTRATED

26-16-51-03

26-16-51
FIG. 03
PAGE 4
JAN 20/09

BRI



757

PARTS CATALOG (MAINTENANCE)

FIG ITEM	PART NUMBER	1 2 3 4 5 6 7	NOMENCLATURE	EFFECT FROM TO	UNITS PER ASSY
3					
195	453N2604-281		.TUBE ASSY- TUBING MATERIAL: WW-T-700/6 6061 T4 TUBING OUTER DIAMETER .5 WALL THICKNESS .022 LENGTH 37	103106	1
200	453N2604-284		.TUBE ASSY	103106	1
- 205	453U4191-56		..TEE	103106	1
- 210	453N2604-256		..TUBE- TUBING MATERIAL: WW-T-700/6 6061 T4 TUBING MR474V WITH .035 THICKNESS IS OPTIONAL TO MR474V WITH .028 THICKNESS OPTIONAL TO MR474V WITH .022 THICKNESS. .022 IS THE PREFERRED THICKNESS.	103106	1
- 215	453N2604-257		..TUBE- TUBING MATERIAL: WW-T-700/6 6061 T4 TUBING MR474V WITH .035 THICKNESS IS OPTIONAL TO MR474V WITH .028 THICKNESS OPTIONAL TO MR474V WITH .022 THICKNESS. .022 IS THE PREFERRED THICKNESS.	103106	1
- 220	453N2604-280		..TUBE ASSY- TUBING MATERIAL: WW-T-700/6 6061 T4 TUBING OUTER DIAMETER .5 WALL THICKNESS .022 LENGTH 9	103106	1

MISSING ITEM NUMBERS NOT APPLICABLE

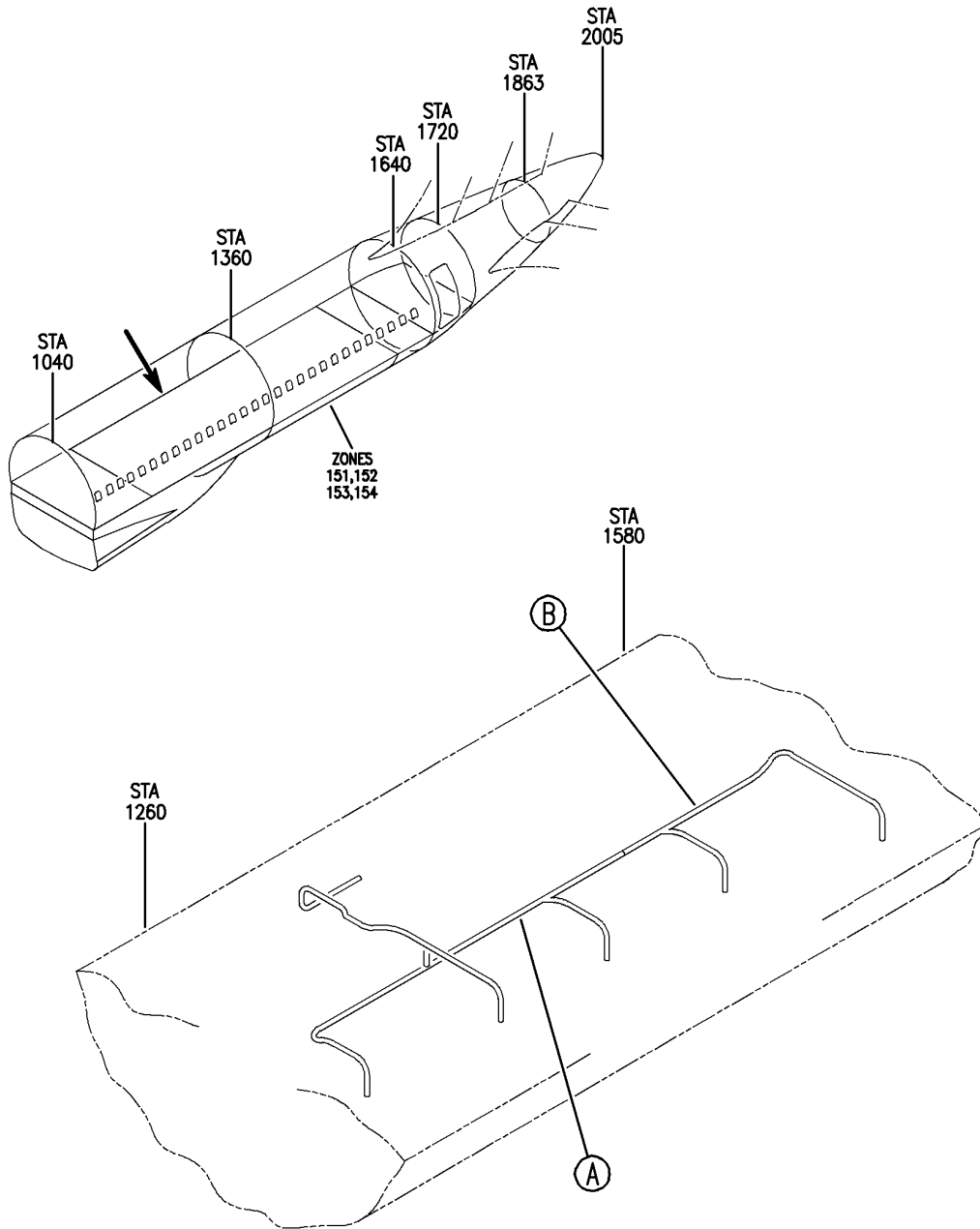
- ITEM NOT ILLUSTRATED

BRI

26-16-51-03

26-16-51
FIG. 03
PAGE 5
JAN 20/09

BOEING
757
PARTS CATALOG (MAINTENANCE)



Y 26165104 SHT 1 REV 225

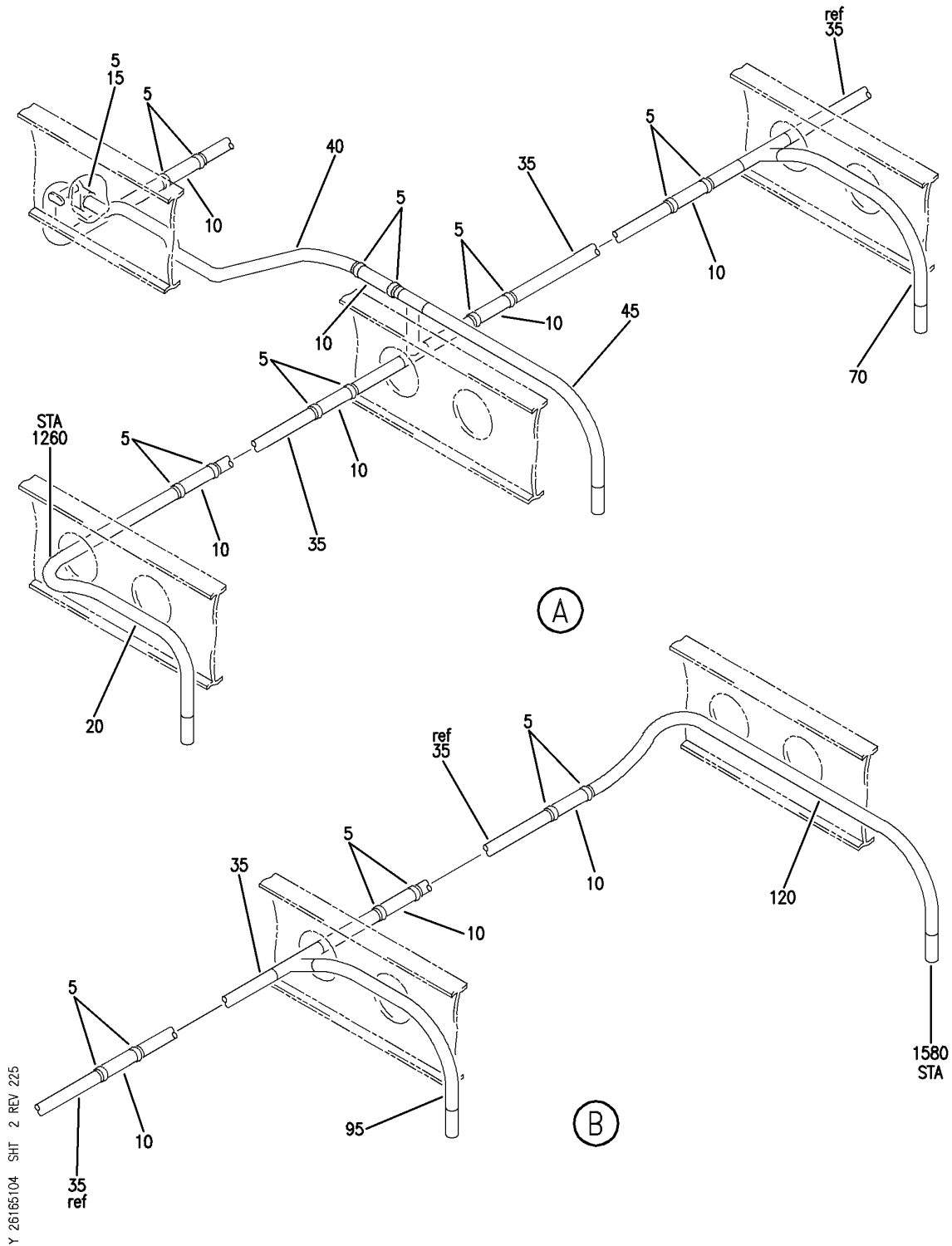
TUBING INSTL- SMOKE DETECTION SYS, AFT CARGO COMPT, 757-200 W/ VACUUM WASTE SYS
FIGURE 4 (SHEET 1)

BRI
JAN 20/09

26-16-51-04

26-16-51-04
PAGE 0

BOEING
757
PARTS CATALOG (MAINTENANCE)



TUBING INSTL- SMOKE DETECTION SYS, AFT CARGO COMPT, 757-200 W/ VACUUM WASTE SYS
FIGURE 4 (SHEET 2)

BRI
JAN 20/09

26-16-51-04

26-16-51-04
PAGE 0A



757

PARTS CATALOG (MAINTENANCE)

FIG ITEM	PART NUMBER	1 2 3 4 5 6 7	NOMENCLATURE	EFFECT FROM TO	UNITS PER ASSY
4			TUBING INSTL- SMOKE DETECTION SYS, AFT CARGO COMPT, 757-200 W/ VACUUM WASTE SYS	103106	
- 1	MODREF18705		TUBING INSTL-SMOKE DETECTION SYS, CARGO COMPT, 757-200 W/ VACUUM WASTE SYS MODULE NUMBER: 453N2250-200 REV A POSITION DATA: AFT	103106	1
5	T05R0		.STRAP SUPPLIER CODE: V53421 SPECIFICATION NUMBER: BACS38K1 OPTIONAL PART: PLT2SM V06383	103106	19
10	0030-138		.TYGON- SUPPLIER CODE: V2W347	103106	9
15	TM2S8		.PLATE SUPPLIER CODE: V06383 SPECIFICATION NUMBER: STBP19M9	103106	1
20	453N2604-244		.TUBE ASSY	103106	1
- 25	T05R0		..STRAP SUPPLIER CODE: V53421 SPECIFICATION NUMBER: BACS38K1 OPTIONAL PART: PLT2SM V06383	103106	1
- 30	453T6611-66		..ORIFICE	103106	1
35	453N2604-269		.TUBE	103106	3
40	453N2604-239		.TUBE ASSY-STOCK .50 OD TUBING MATERIAL: X .022 WALL LENGTH AS REQUIRED OPTIONAL - .50 OD X .020 WALL	103106	1
45	453N2604-245		.TUBE ASSY	103106	1

MISSING ITEM NUMBERS NOT APPLICABLE

- ITEM NOT ILLUSTRATED

26-16-51-04

26-16-51
FIG. 04
PAGE 1
JAN 20/09

BRI



757

PARTS CATALOG (MAINTENANCE)

FIG ITEM	PART NUMBER	1 2 3 4 5 6 7	NOMENCLATURE	EFFECT FROM TO	UNITS PER ASSY
4					
- 50	T05R0	..	STRAP SUPPLIER CODE: V53421 SPECIFICATION NUMBER: BACS38K1 OPTIONAL PART: PLT2SM V06383	103106	1
- 55	453T6611-65	..	ORIFICE	103106	1
- 60	453N2604-186	..	SLEEVE	103106	1
- 65	453U4191-56	..	TEE	103106	1
70	453N2604-246	.	TUBE ASSY	103106	1
- 75	T05R0	..	STRAP SUPPLIER CODE: V53421 SPECIFICATION NUMBER: BACS38K1 OPTIONAL PART: PLT2SM V06383	103106	1
- 80	453T6611-69	..	ORIFICE	103106	1
- 85	453N2604-186	..	SLEEVE	103106	1
- 90	453U4191-56	..	TEE	103106	1
95	453N2604-247	.	TUBE ASSY	103106	1
- 100	T05R0	..	STRAP SUPPLIER CODE: V53421 SPECIFICATION NUMBER: BACS38K1 OPTIONAL PART: PLT2SM V06383	103106	1
- 105	453T6611-71	..	ORIFICE	103106	1
- 110	453N2604-186	..	SLEEVE	103106	1
- 115	453U4191-56	..	TEE	103106	1
120	453N2604-248	.	TUBE ASSY	103106	1
- 125	T05R0	..	STRAP SUPPLIER CODE: V53421 SPECIFICATION NUMBER: BACS38K1 OPTIONAL PART: PLT2SM V06383	103106	1
- 130	453T6611-72	..	ORIFICE	103106	1
- 135	453N2604-186	..	SLEEVE	103106	1

MISSING ITEM NUMBERS NOT APPLICABLE

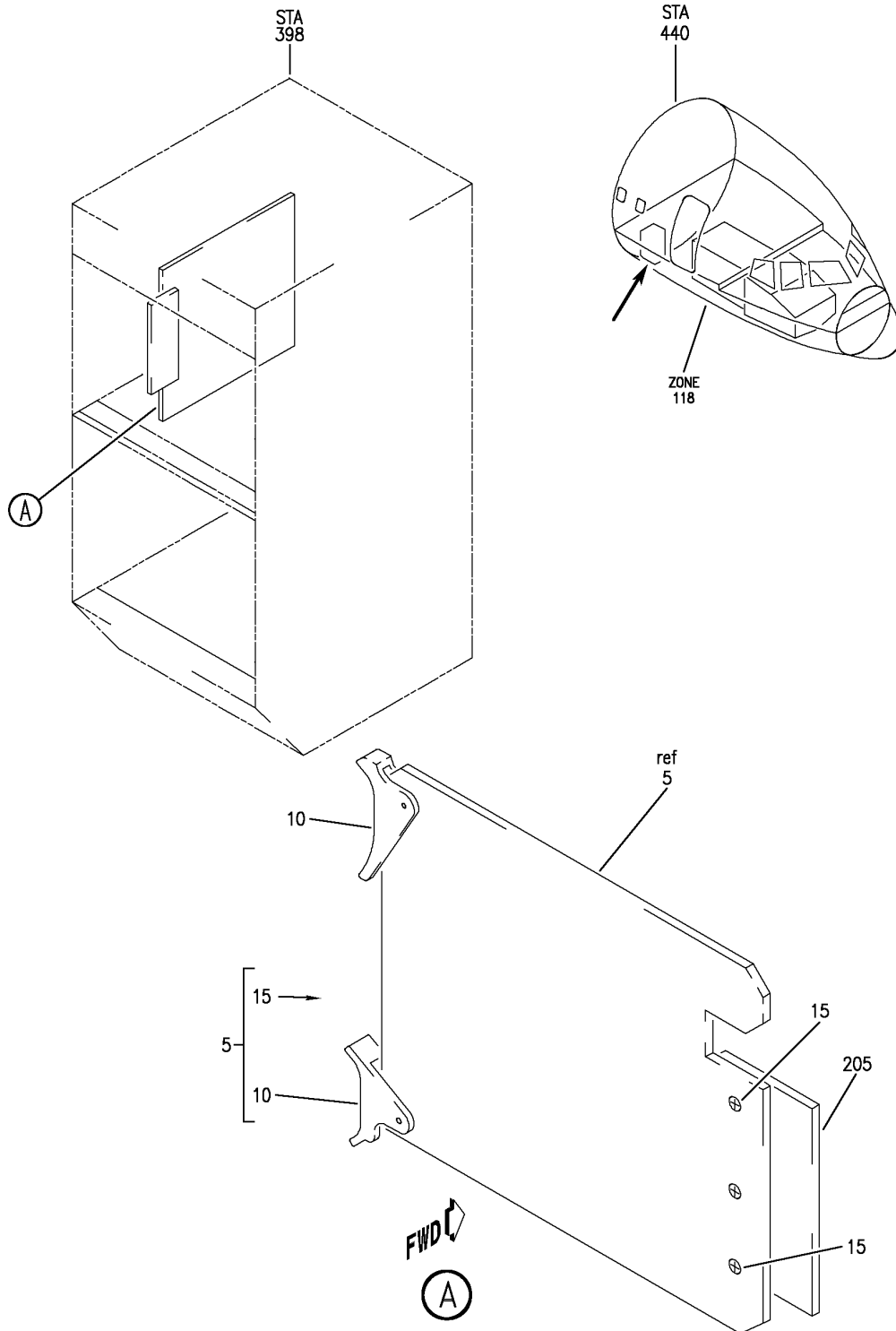
- ITEM NOT ILLUSTRATED

26-16-51-04

26-16-51
FIG. 04
PAGE 2
JAN 20/09

BRI

BOEING
757
PARTS CATALOG (MAINTENANCE)



Y 26165108 REV 331

EQUIPMENT INSTL-MAIN ELECTRONICS EQPT CTR FIRE AND OVERHEAT DETECTION
FIGURE 8

26-16-51-08

BRI
JAN 20/09

26-16-51-08
PAGE 0



757

PARTS CATALOG (MAINTENANCE)

FIG ITEM	PART NUMBER	1 2 3 4 5 6 7	NOMENCLATURE	EFFECT FROM TO	UNITS PER ASSY
8			EQUIPMENT INSTL-MAIN ELECTRONICS EQPT CTR FIRE AND OVERHEAT DETECTION	103106 108120	
- 1	284N4000-260003		EQUIPMENT INSTL-MAIN ELECTRONICS EQPT CTR FIRE AND OVERHEAT DETECTION	108120	RF
- 1	MODREF10030		FOR NHA/ADDITIONAL DET SEE: 24-00-58-05 EQUIPMENT INSTL-MAIN ELECTRONICS EQPT CTR FIRE AND OVERHEAT DETECTION MODULE NUMBER: 284N4000-260003 REV A	103106	1

MISSING ITEM NUMBERS NOT APPLICABLE

- ITEM NOT ILLUSTRATED

BRI

26-16-51-08

BOEING PROPRIETARY - Copyright © - Unpublished Work - See title page for details.

26-16-51
FIG. 08
PAGE 1
JAN 20/09



757

PARTS CATALOG (MAINTENANCE)

FIG ITEM	PART NUMBER	1 2 3 4 5 6 7	NOMENCLATURE	EFFECT FROM TO	UNITS PER ASSY
8	5 285N0028-136		.PRINTED WIRING ASSY- SUPPLIER CODE: V89954 FUNCTIONAL DESCRIPTION: THE (AFOLTS) (PWA) HAS TWO ELECTRICALLY ISOLATED CIRCUITS UTILIZING PROGRAMMABLE LOGIC. EACH AFOLTS CIRCUIT MONITORS INPUTS FROM FIRE, CARGO SMOKE, OR OVERHEAT DETECTORS AND PROCESSES THOSE SIGNALS. MISCELLANEOUS DATA: NOT APPROVED FOR ETOPS IN POSITIONS 4 (M10325) AND 5 (M10426) ONLY ON ROLLS-ROYCE ENGINES, FOR 757 OTHERWISE APPROVED FOR ETOPS ELECTRICAL EQUIP NUMBER: M10427 COMPONENT MAINT MANUAL REF: 26-10-54 QUALIFIED I/W DATA: 285N0028-36 IS INTERCHANGEABLE WITH 285N0028-136 IN THE ENGINE/APU FIRE AND OVERHEAT DETECTION APPLICATIONS, EXCEPT IN THE CARGO SMOKE DETECTION APPLICATION ON THE 757-300 AND 767-400, -36 IS ONE WAY INTERCHANGEABLE WITH -136. FUNCTIONAL REFERENCE: PLACARDS AND MARKINGS FOR DETAILS SEE 11-36-19-08	103106 108120	1
10	S202		..EJECTOR-CARD SUPPLIER CODE: V18677	103106 108120	2

MISSING ITEM NUMBERS NOT APPLICABLE

- ITEM NOT ILLUSTRATED

26-16-51-08

26-16-51
FIG. 08
PAGE 2
JAN 20/09

BRI



757

PARTS CATALOG (MAINTENANCE)

FIG ITEM	PART NUMBER	1 2 3 4 5 6 7	NOMENCLATURE	EFFECT FROM TO	UNITS PER ASSY
8					
15	PL1801-04-6		.. SCREW-	103106	3
			SUPPLIER CODE:	108120	
			V03038		
			SPECIFICATION NUMBER:		
			S285T004-6		
- 200	286N1120-305		WIRE BUNDLE ASSY	108120	RF
- 200	286N1120-601		WIRE BUNDLE ASSY	103106	RF
205	300052-001		.CONNECTOR-	103106	1
			SUPPLIER CODE:	108120	
			V0D9V3		
			SPECIFICATION NUMBER:		
			BACC65L66		
			OPTIONAL PART:		
			200620-01		
			V16512		
			300052-001		
			V03877		
			192-366-0010		
			V26742		
			S1009-00833		
			V03877		
			ELECTRICAL EQUIP NUMBER:		
			D04254		
			WIRING DIAGRAM REF:		
			261611		

MISSING ITEM NUMBERS NOT APPLICABLE

- ITEM NOT ILLUSTRATED

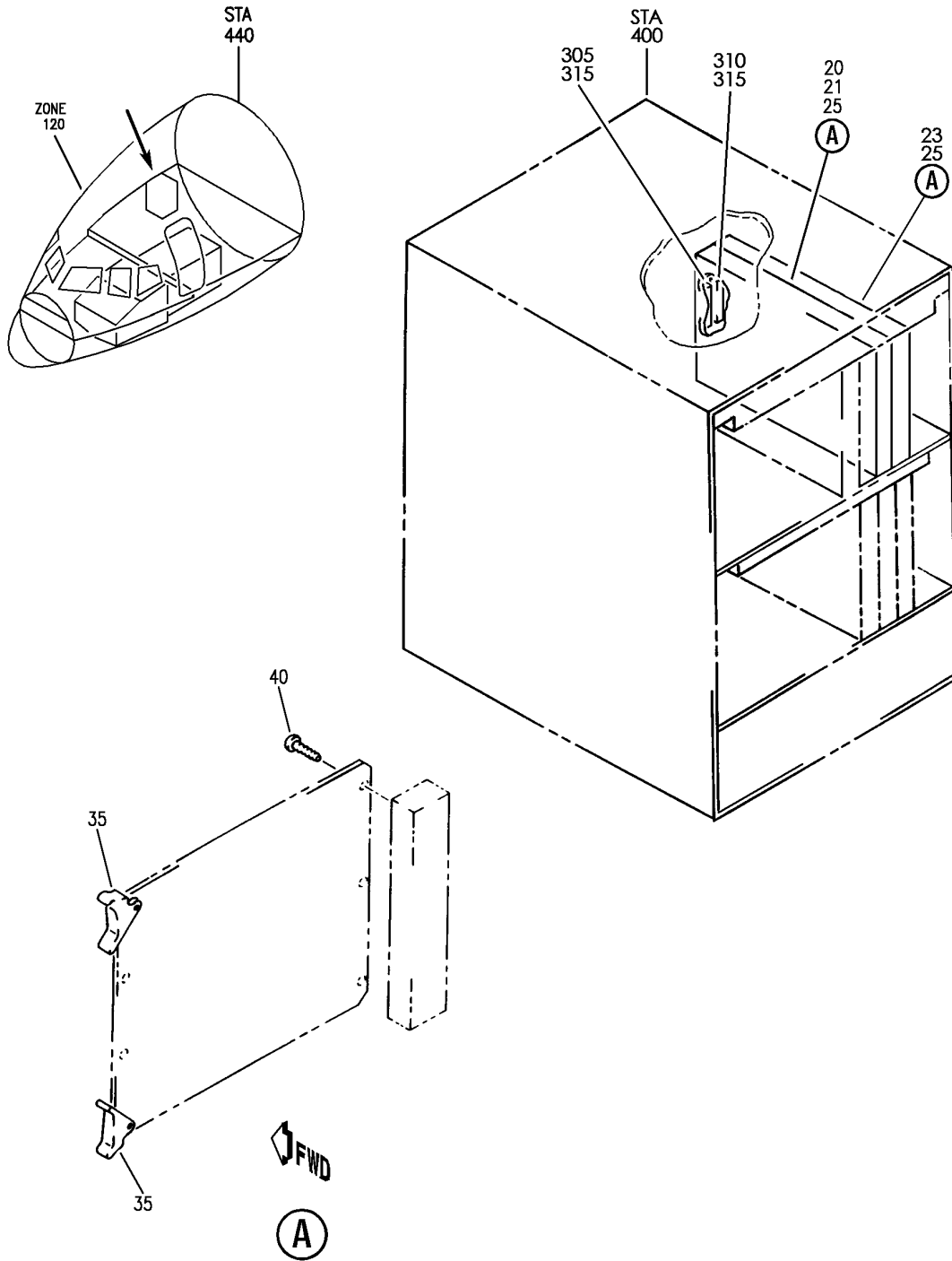
BRI

26-16-51-08

BOEING PROPRIETARY - Copyright © - Unpublished Work - See title page for details.

26-16-51
FIG. 08
PAGE 3
JAN 20/09

BOEING
757
PARTS CATALOG (MAINTENANCE)



Y 26165201 REV 291

EQUIPMENT INSTL-MAIN ELECTRONICS EQPT CTR (LOWER CARGO COMPARTMENT SMOKE DETECTION ONLY)

FIGURE 1

26-16-52-01

BRI
MAY 28/07

26-16-52-01
PAGE 0



757

PARTS CATALOG (MAINTENANCE)

FIG ITEM	PART NUMBER	1 2 3 4 5 6 7	NOMENCLATURE	EFFECT FROM TO	UNITS PER ASSY
1			EQUIPMENT INSTL-MAIN ELECTRONICS EQPT CTR (LOWER CARGO COMPARTMENT SMOKE DETECTION ONLY)	002004 006100 107107 121999	
- 2	284N1307-33		EQUIPMENT INSTL-MAIN ELECTRONICS EQPT CTR (LOWER CARGO COMPARTMENT SMOKE DETECTION ONLY) FOR NHA/OTHER SYS DET SEE: 24-00-58-01	107107	RF
- 2	284N1800-32		EQUIPMENT INSTL-MAIN ELECTRONICS EQPT CTR (LOWER CARGO COMPARTMENT SMOKE DETECTION ONLY) FOR NHA/OTHER SYS DET SEE: 24-00-58-01	952999	RF
- 4	284N1800-16		EQUIPMENT INSTL-MAIN ELECTRONICS EQPT CTR (LOWER CARGO COMPARTMENT SMOKE DETECTION ONLY) FOR NHA/OTHER SYS DET SEE: 24-00-58-01	121503 904949	RF
- 5	284N1800-38		EQUIPMENT INSTL-MAIN ELECTRONICS EQPT CTR (LOWER CARGO COMPARTMENT SMOKE DETECTION ONLY) FOR NHA/OTHER SYS DET SEE: 24-00-58-01	950951	RF
- 5	284N1800-34		EQUIPMENT INSTL-MAIN ELECTRONICS EQPT CTR (LOWER CARGO COMPARTMENT SMOKE DETECTION ONLY) FOR NHA/OTHER SYS DET SEE: 24-00-58-01	002004 006100	RF
- 7	284N1800-88		EQUIPMENT INSTL-MAIN ELECTRONICS EQPT CTR (LOWER CARGO COMPARTMENT SMOKE DETECTION ONLY) FOR NHA/OTHER SYS DET SEE: 24-00-58-05E	505505	RF
- 8	284N1800-190		EQUIPMENT INSTL-MAIN ELECTRONICS EQPT CTR (LOWER CARGO COMPARTMENT SMOKE DETECTION ONLY) FOR NHA/OTHER SYS DET SEE: 24-00-58-05E	504504 506903	RF

MISSING ITEM NUMBERS NOT APPLICABLE

- ITEM NOT ILLUSTRATED

26-16-52-01

26-16-52
FIG. 01
PAGE 1
JAN 20/09

BRI



757

PARTS CATALOG (MAINTENANCE)

FIG ITEM	PART NUMBER	1 2 3 4 5 6 7	NOMENCLATURE	EFFECT FROM TO	UNITS PER ASSY
1 20	285N0028-17		.PRINTED WIRING ASSY-AUTO FIRE/OVERHEAT LOGIC/TEST SYS SUPPLIER CODE: V89954 MISCELLANEOUS DATA: NOT APPROVED FOR ETOPS IN POSITIONS 4 (M10325) AND 5 (M10426) ONLY ON ROLLS ROYCE ENGINES, FOR 757 OTHERWISE APPROVED FOR ETOPS ELECTRICAL EQUIP NUMBER: M10427 COMPONENT MAINT MANUAL REF: 26-10-53	107107	1
20	285N0028-10		.PRINTED WIRING ASSY-AUTO FIRE/OVERHEAT LOGIC/TEST SYS SUPPLIER CODE: V89954 MISCELLANEOUS DATA: NOT APPROVED FOR ETOPS IN POSITIONS 4 (M10325) AND 5 (M10426) ONLY ON ROLLS-ROYCE ENGINES, FOR 757 OTHERWISE APPROVED FOR ETOPS ELECTRICAL EQUIP NUMBER: M10427 COMPONENT MAINT MANUAL REF: 26-10-53	107107	1

MISSING ITEM NUMBERS NOT APPLICABLE

- ITEM NOT ILLUSTRATED

BRI

26-16-52-01

BOEING PROPRIETARY - Copyright © - Unpublished Work - See title page for details.

26-16-52
FIG. 01
PAGE 2
JAN 20/09



757

PARTS CATALOG (MAINTENANCE)

FIG ITEM	PART NUMBER	1 2 3 4 5 6 7	NOMENCLATURE	EFFECT FROM TO	UNITS PER ASSY
1 20	285N0028-20		.PRINTED WIRING ASSY-AUTO FIRE/OVERHEAT LOGIC/TEST SYS SUPPLIER CODE: V89954 MISCELLANEOUS DATA: NOT APPROVED FOR ETOPS IN POSITIONS 4 (M10325) AND 5 (M10426) ONLY ON ROLLS-ROYCE ENGINES, FOR 757 OTHERWISE APPROVED FOR ETOPS ELECTRICAL EQUIP NUMBER: M10427 COMPONENT MAINT MANUAL REF: 26-10-53 OPTIONAL PART: 285N0028-21 V89954	107107	1
20	285N0028-21		.PRINTED WIRING ASSY-AUTO FIRE/OVERHEAT LOGIC/TEST SYS SUPPLIER CODE: V89954 MISCELLANEOUS DATA: NOT APPROVED FOR ETOPS IN POSITIONS 4 (M10325) AND 5 (M10426) ONLY ON ROLLS ROYCE ENGINES, FOR 757 OTHERWISE APPROVED FOR ETOPS ELECTRICAL EQUIP NUMBER: M10427 COMPONENT MAINT MANUAL REF: 26-10-53 OPTIONAL PART: 285N0028-20 V89954	107107	1

MISSING ITEM NUMBERS NOT APPLICABLE

- ITEM NOT ILLUSTRATED

BRI

26-16-52-01

BOEING PROPRIETARY - Copyright © - Unpublished Work - See title page for details.

26-16-52
FIG. 01
PAGE 3
JAN 20/09



757

PARTS CATALOG (MAINTENANCE)

FIG ITEM	PART NUMBER	1 2 3 4 5 6 7	NOMENCLATURE	EFFECT FROM TO	UNITS PER ASSY
1 20	285N0028-36		.PRINTED WIRING ASSY-AUTO FIRE/OVERHEAT LOGIC/TEST SYS SUPPLIER CODE: V89954 MISCELLANEOUS DATA: NOT APPROVED FOR ETOPS IN POSITIONS 4 (M10325) AND 5 (M10426) ONLY ON ROLLS-ROYCE ENGINES, FOR 757 OTHERWISE APPROVED FOR ETOPS ELECTRICAL EQUIP NUMBER: M10427 COMPONENT MAINT MANUAL REF: 26-10-53	107107	1
20	285N0028-20		.PRINTED WIRING ASSY-AUTO FIRE/OVERHEAT LOGIC/TEST SYS SUPPLIER CODE: V89954 MISCELLANEOUS DATA: NOT APPROVED FOR ETOPS IN POSITIONS 4 (M10325) AND 5 (M10426) ONLY ON ROLLS-ROYCE ENGINES, FOR 757 OTHERWISE APPROVED FOR ETOPS ELECTRICAL EQUIP NUMBER: M10427 COMPONENT MAINT MANUAL REF: 26-10-53 OPTIONAL PART: 285N0028-21 V89954	904949 952952	1

MISSING ITEM NUMBERS NOT APPLICABLE

- ITEM NOT ILLUSTRATED

BRI

26-16-52-01

BOEING PROPRIETARY - Copyright © - Unpublished Work - See title page for details.

26-16-52
FIG. 01
PAGE 4
JAN 20/09



757

PARTS CATALOG (MAINTENANCE)

FIG ITEM	PART NUMBER	1 2 3 4 5 6 7	NOMENCLATURE	EFFECT FROM TO	UNITS PER ASSY
1 20	285N0028-21		.PRINTED WIRING ASSY-AUTO FIRE/OVERHEAT LOGIC/TEST SYS SUPPLIER CODE: V89954 MISCELLANEOUS DATA: NOT APPROVED FOR ETOPS IN POSITIONS 4 (M10325) AND 5 (M10426) ONLY ON ROLLS ROYCE ENGINES, FOR 757 OTHERWISE APPROVED FOR ETOPS ELECTRICAL EQUIP NUMBER: M10427 COMPONENT MAINT MANUAL REF: 26-10-53 OPTIONAL PART: 285N0028-20 V89954	904949 952952	1

MISSING ITEM NUMBERS NOT APPLICABLE

- ITEM NOT ILLUSTRATED

BRI

26-16-52-01

BOEING PROPRIETARY - Copyright © - Unpublished Work - See title page for details.

26-16-52
FIG. 01
PAGE 5
JAN 20/09



757

PARTS CATALOG (MAINTENANCE)

FIG ITEM	PART NUMBER	1 2 3 4 5 6 7	NOMENCLATURE	EFFECT FROM TO	UNITS PER ASSY
1 20	285N0028-36		.PRINTED WIRING ASSY-AUTO FIRE/OVERHEAT LOGIC/TEST SYS SUPPLIER CODE: V89954 MISCELLANEOUS DATA: NOT APPROVED FOR ETOPS IN POSITIONS 4 (M10325) AND 5 (M10426) ONLY ON ROLLS-ROYCE ENGINES, FOR 757 OTHERWISE APPROVED FOR ETOPS ELECTRICAL EQUIP NUMBER: M10427 COMPONENT MAINT MANUAL REF: 26-10-53 QUALIFIED I/W DATA: 285N0028-36 IS INTERCHANGEABLE WITH 285N0028-136 IN THE ENGINE/APU FIRE AND OVERHEAT DETECTION APPLICATIONS, EXCEPT IN THE CARGO SMOKE DETECTION APPLICATION ON THE 757-300 AND 767-400, -36 IS ONE WAY INTERCHANGEABLE WITH -136. USED ON: 284N1800-52 284N1800-112 284N1800-135	002004 006100 121503 904999	1

MISSING ITEM NUMBERS NOT APPLICABLE

- ITEM NOT ILLUSTRATED

BRI

26-16-52-01

BOEING PROPRIETARY - Copyright © - Unpublished Work - See title page for details.

26-16-52
FIG. 01
PAGE 6
JAN 20/09



757

PARTS CATALOG (MAINTENANCE)

FIG ITEM	PART NUMBER	1 2 3 4 5 6 7	NOMENCLATURE	EFFECT FROM TO	UNITS PER ASSY
1 20	285N0028-136		.PRINTED WIRING ASSY-AUTO FIRE/OVERHEAT LOGIC/TEST SYS SUPPLIER CODE: V89954 FUNCTIONAL DESCRIPTION: THE (AFOLTS) (PWA) HAS TWO ELECTRICALLY ISOLATED CIRCUITS UTILIZING PROGRAMMABLE LOGIC. EACH AFOLTS CIRCUIT MONITORS INPUTS FROM FIRE, CARGO SMOKE, OR OVERHEAT DETECTORS AND PROCESSES THOSE SIGNALS. MISCELLANEOUS DATA: NOT APPROVED FOR ETOPS IN POSITIONS 4 (M10325) AND 5 (M10426) ONLY ON ROLLS-ROYCE ENGINES, FOR 757 OTHERWISE APPROVED FOR ETOPS ELECTRICAL EQUIP NUMBER: M10427 COMPONENT MAINT MANUAL REF: 26-10-54 QUALIFIED I/W DATA: 285N0028-36 IS INTERCHANGEABLE WITH 285N0028-136 IN THE ENGINE/APU FIRE AND OVERHEAT DETECTION APPLICATIONS, EXCEPT IN THE CARGO SMOKE DETECTION APPLICATION ON THE 757-300 AND 767-400, -36 IS ONE WAY INTERCHANGEABLE WITH -136. USED ON: 284N1800-156	504903	1
35	S202		..EJECTOR-CARD SUPPLIER CODE: V18677	002004 006100 107107 121999	2

MISSING ITEM NUMBERS NOT APPLICABLE

- ITEM NOT ILLUSTRATED

BRI

26-16-52-01

26-16-52
FIG. 01
PAGE 7
JAN 20/09



757

PARTS CATALOG (MAINTENANCE)

FIG ITEM	PART NUMBER	1 2 3 4 5 6 7	NOMENCLATURE	EFFECT FROM TO	UNITS PER ASSY
1 40	MS35214-14	. .	SCREW	002004 006100 107107 121999	3
- 300	286N1120-002		WIRE BUNDLE ASSY-	107107 121503 904949	RF
- 300	286N1120-004		WIRE BUNDLE ASSY	002004 006100 950999	RF
- 300 305	286N1120-312 300052-001		WIRE BUNDLE ASSY .CONNECTOR- SUPPLIER CODE: V0D9V3 SPECIFICATION NUMBER: BACC65L66 OPTIONAL PART: 200620-01 V16512 300052-001 V03877 192-366-0010 V26742 S1009-00833 V03877 ELECTRICAL EQUIP NUMBER: D04254 WIRING DIAGRAM REF: 261111	505505 002004 006100 107107 121999	RF 1

MISSING ITEM NUMBERS NOT APPLICABLE

- ITEM NOT ILLUSTRATED

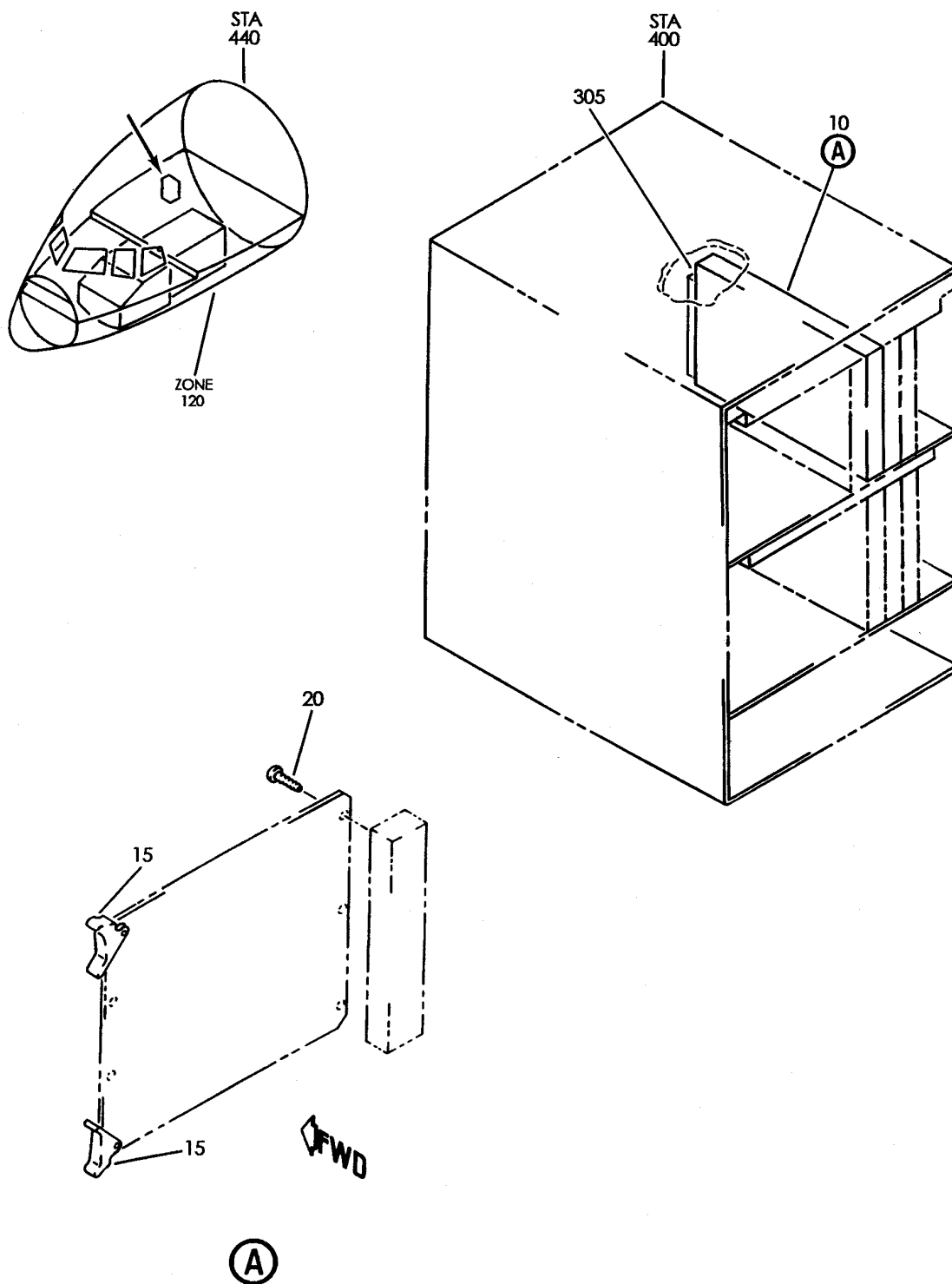
BRI

26-16-52-01

BOEING PROPRIETARY - Copyright © - Unpublished Work - See title page for details.

26-16-52
FIG. 01
PAGE 8
JAN 20/09

BOEING
757
PARTS CATALOG (MAINTENANCE)



Y 26165201B REV 213

EQUIPMENT INSTL-MAIN ELECTRONICS EQPT CTR (LOWER CARGO COMPARTMENT SMOKE DETECTION ONLY)
FIGURE 1B

BRI
MAY 28/07

26-16-52-01B

26-16-52-01B
PAGE 0



757

PARTS CATALOG (MAINTENANCE)

FIG ITEM	PART NUMBER	1 2 3 4 5 6 7	NOMENCLATURE	EFFECT FROM TO	UNITS PER ASSY
1B			EQUIPMENT INSTL-MAIN ELECTRONICS EQPT CTR (LOWER CARGO COMPARTMENT SMOKE DETECTION ONLY)	101102	
- 3	284N1800-140		EQUIPMENT INSTL-MAIN ELECTRONICS EQPT CTR (LOWER CARGO COMPARTMENT SMOKE DETECTION ONLY) FOR NHA/OTHER SYS DET SEE: 24-00-58-05E	101101	RF
- 3	284N1800-141		EQUIPMENT INSTL-MAIN ELECTRONICS EQPT CTR (LOWER CARGO COMPARTMENT SMOKE DETECTION ONLY) FOR NHA/OTHER SYS DET SEE: 24-00-58-05E	102102	RF
10	285N0028-36		.PRINTED WIRING ASSY-AUTO FIRE/OVERHEAT LOGIC/TEST SYS SUPPLIER CODE: V89954 MISCELLANEOUS DATA: NOT APPROVED FOR ETOPS IN POSITIONS 4 (M10325) AND 5 (M10426) ONLY ON ROLLS-ROYCE ENGINES, FOR 757 OTHERWISE APPROVED FOR ETOPS ELECTRICAL EQUIP NUMBER: M10427 COMPONENT MAINT MANUAL REF: 26-10-53 QUALIFIED I/W DATA: 285N0028-36 IS INTERCHANGEABLE WITH 285N0028-136 IN THE ENGINE/APU FIRE AND OVERHEAT DETECTION APPLICATIONS, EXCEPT IN THE CARGO SMOKE DETECTION APPLICATION ON THE 757-300 AND 767-400, -36 IS ONE WAY INTERCHANGEABLE WITH -136.	101101	1

MISSING ITEM NUMBERS NOT APPLICABLE

- ITEM NOT ILLUSTRATED

26-16-52-01B

26-16-52
FIG. 01B
PAGE 1
JAN 20/09

BRI



757

PARTS CATALOG (MAINTENANCE)

FIG ITEM	PART NUMBER	1 2 3 4 5 6 7	NOMENCLATURE	EFFECT FROM TO	UNITS PER ASSY
1B 10	285N0028-136		.PRINTED WIRING ASSY-AUTO FIRE/OVERHEAT LOGIC/TEST SYS SUPPLIER CODE: V89954 FUNCTIONAL DESCRIPTION: THE (AFOLTS) (PWA) HAS TWO ELECTRICALLY ISOLATED CIRCUITS UTILIZING PROGRAMMABLE LOGIC. EACH AFOLTS CIRCUIT MONITORS INPUTS FROM FIRE, CARGO SMOKE, OR OVERHEAT DETECTORS AND PROCESSES THOSE SIGNALS. MISCELLANEOUS DATA: NOT APPROVED FOR ETOPS IN POSITIONS 4 (M10325) AND 5 (M10426) ONLY ON ROLLS-ROYCE ENGINES, FOR 757 OTHERWISE APPROVED FOR ETOPS ELECTRICAL EQUIP NUMBER: M10427 COMPONENT MAINT MANUAL REF: 26-10-54 QUALIFIED I/W DATA: 285N0028-36 IS INTERCHANGEABLE WITH 285N0028-136 IN THE ENGINE/APU FIRE AND OVERHEAT DETECTION APPLICATIONS, EXCEPT IN THE CARGO SMOKE DETECTION APPLICATION ON THE 757-300 AND 767-400, -36 IS ONE WAY INTERCHANGEABLE WITH -136.	102102	1
15	S202		..EJECTOR-CARD SUPPLIER CODE: V18677	101102	2
20	PL1801-04-6		..SCREW- SUPPLIER CODE: V03038 SPECIFICATION NUMBER: S285T004-6	101102	3
- 300	286N1120-305		WIRE BUNDLE ASSY	101102	RF

MISSING ITEM NUMBERS NOT APPLICABLE

- ITEM NOT ILLUSTRATED

26-16-52-01B

26-16-52
FIG. 01B
PAGE 2
JAN 20/09

BRI



**757
PARTS CATALOG (MAINTENANCE)**

FIG ITEM	PART NUMBER	1 2 3 4 5 6 7 NOMENCLATURE	EFFECT FROM TO	UNITS PER ASSY
1B 305	300052-001	.CONNECTOR- SUPPLIER CODE: V0D9V3 SPECIFICATION NUMBER: BACC65L66 OPTIONAL PART: 200620-01 V16512 300052-001 V03877 192-366-0010 V26742 S1009-00833 V03877 ELECTRICAL EQUIP NUMBER: D04254 WIRING DIAGRAM REF: 261111	101102	1

MISSING ITEM NUMBERS NOT APPLICABLE

— ITEM NOT ILLUSTRATED

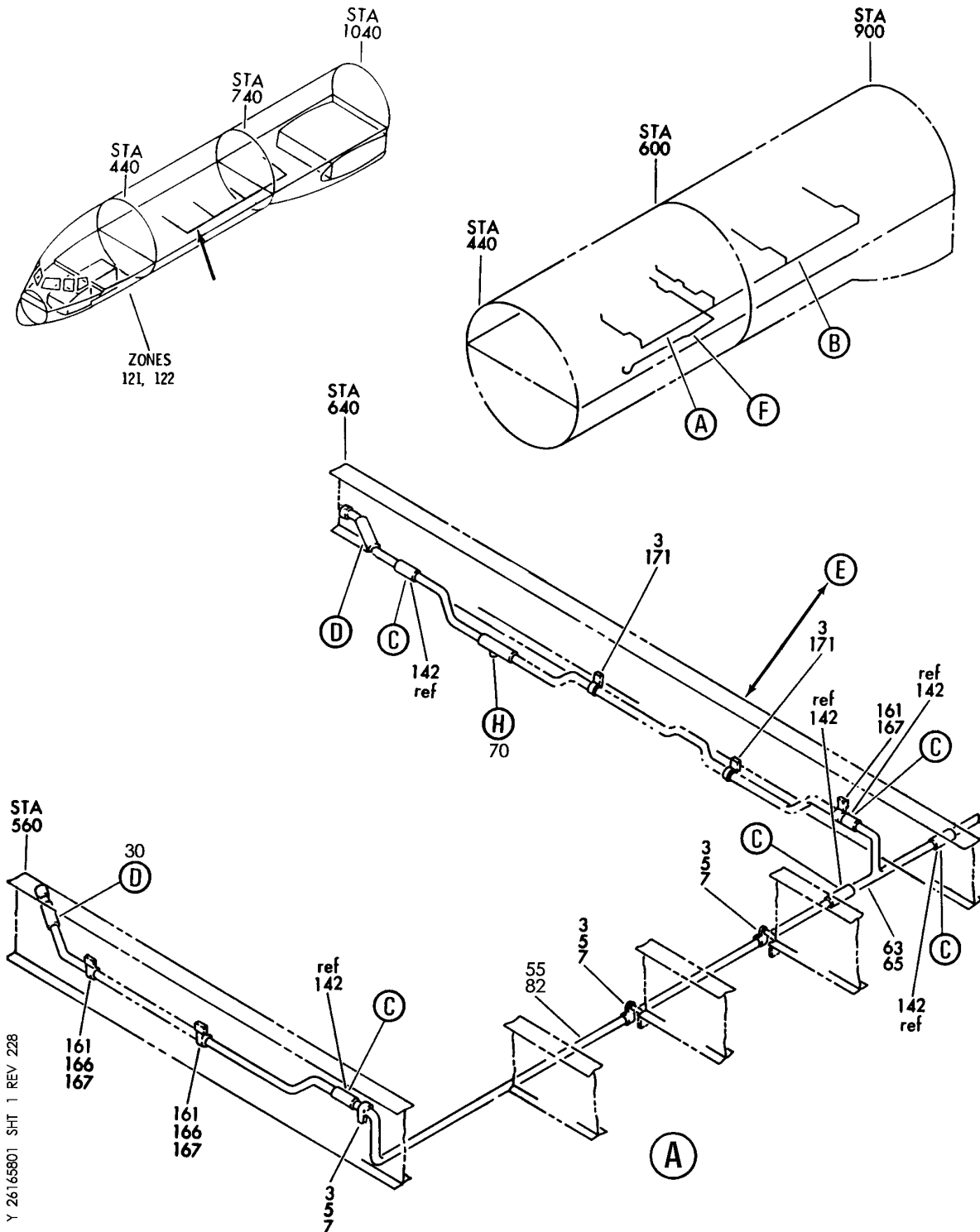
BRI

26-16-52-01B

BOEING PROPRIETARY - Copyright © - Unpublished Work - See title page for details.

26-16-52
FIG. 01B
PAGE 3
JAN 20/09

BOEING
757
PARTS CATALOG (MAINTENANCE)



Y 26165801 SHT 1 REV 228

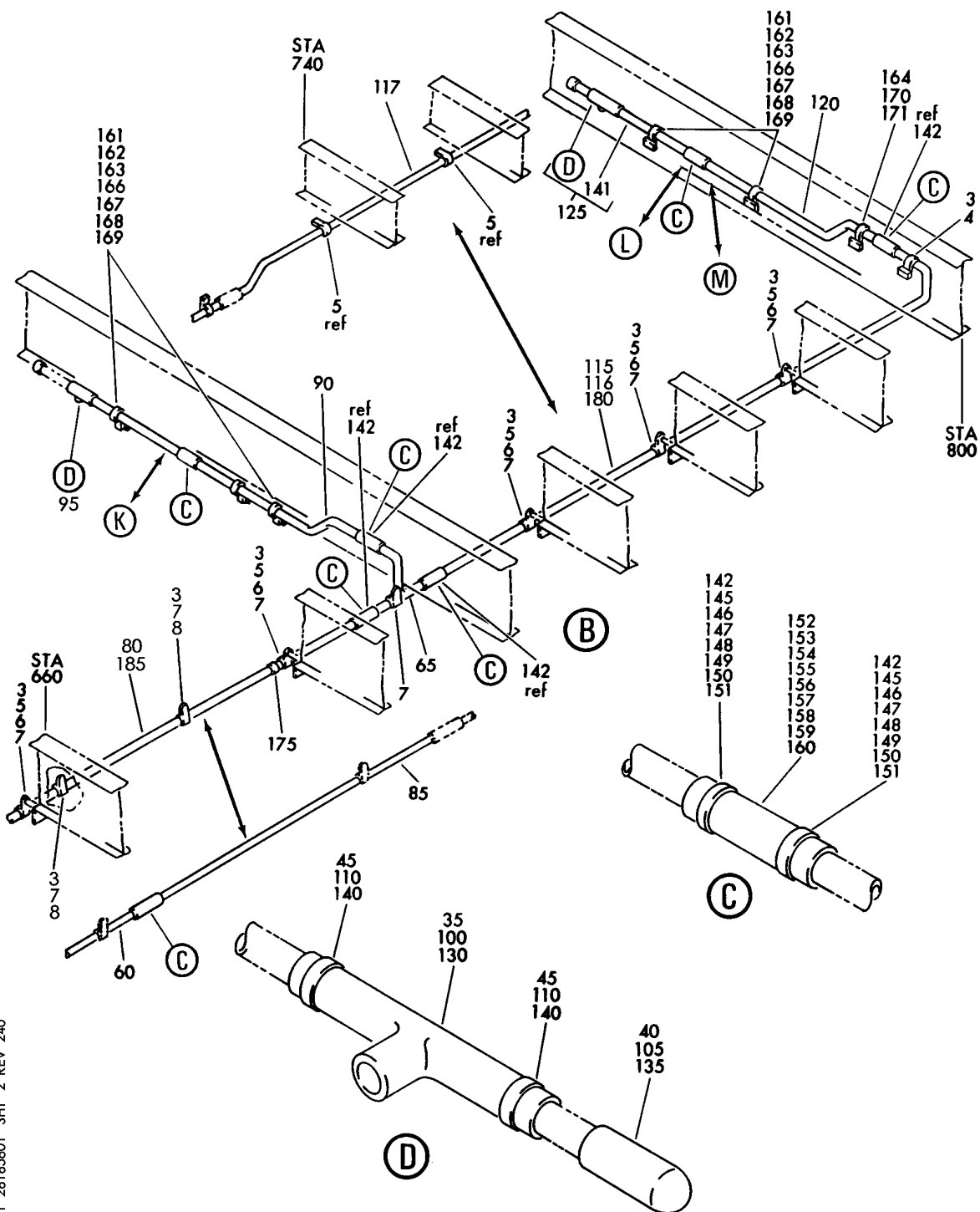
TUBING INSTL-FWD CARGO COMPT SMOKE DETECTOR
FIGURE 1 (SHEET 1)

26-16-58-01

BRI
MAY 28/07

26-16-58-01
PAGE 0

BOEING
757
PARTS CATALOG (MAINTENANCE)



Y 26165801 SHT 2 REV 240

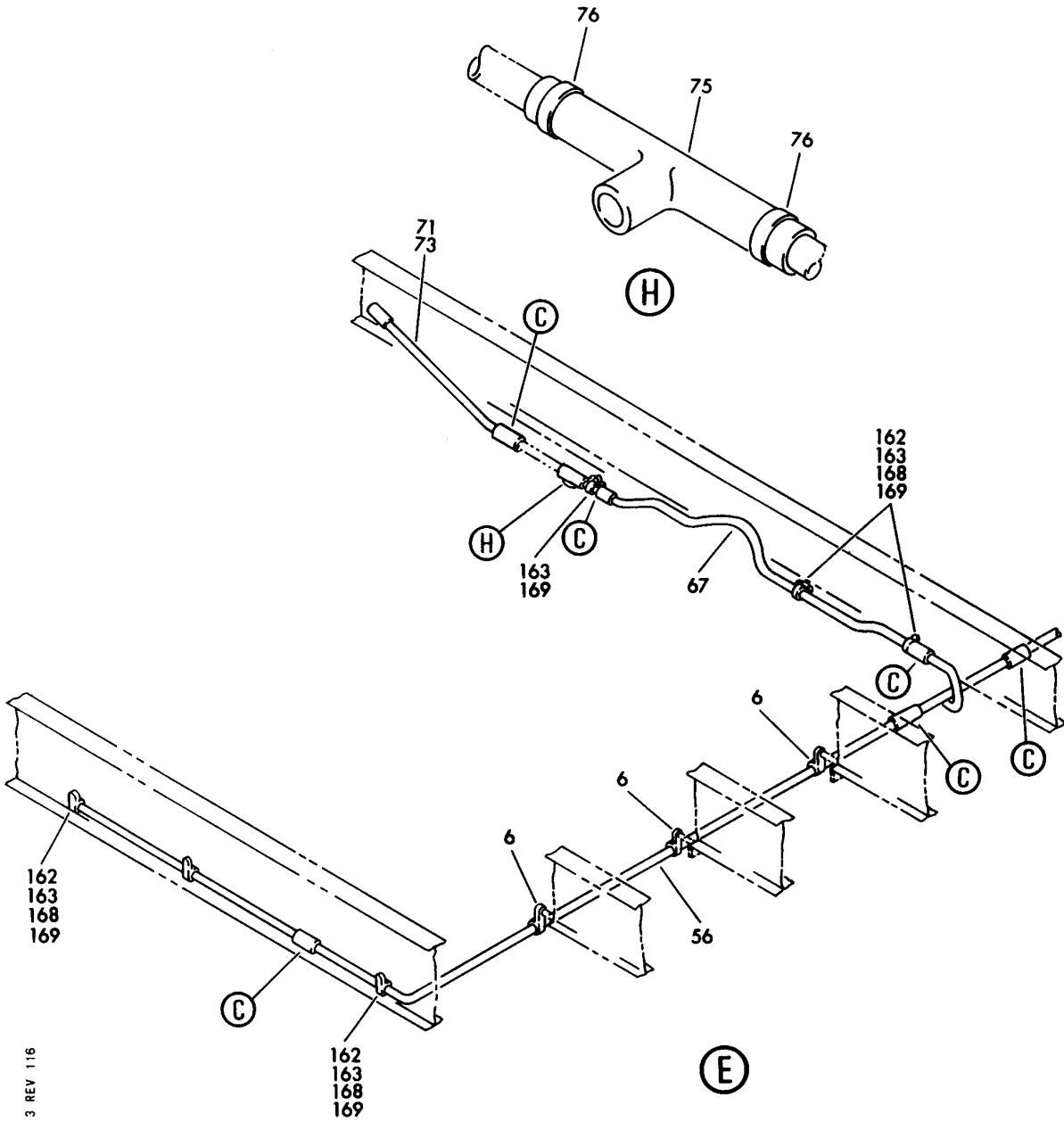
TUBING INSTL-FWD CARGO COMPT SMOKE DETECTOR
FIGURE 1 (SHEET 2)

26-16-58-01

BRI
MAY 28/07

26-16-58-01
PAGE 0A

BOEING
757
PARTS CATALOG (MAINTENANCE)



Y 26165801 SHT 3 REV 116

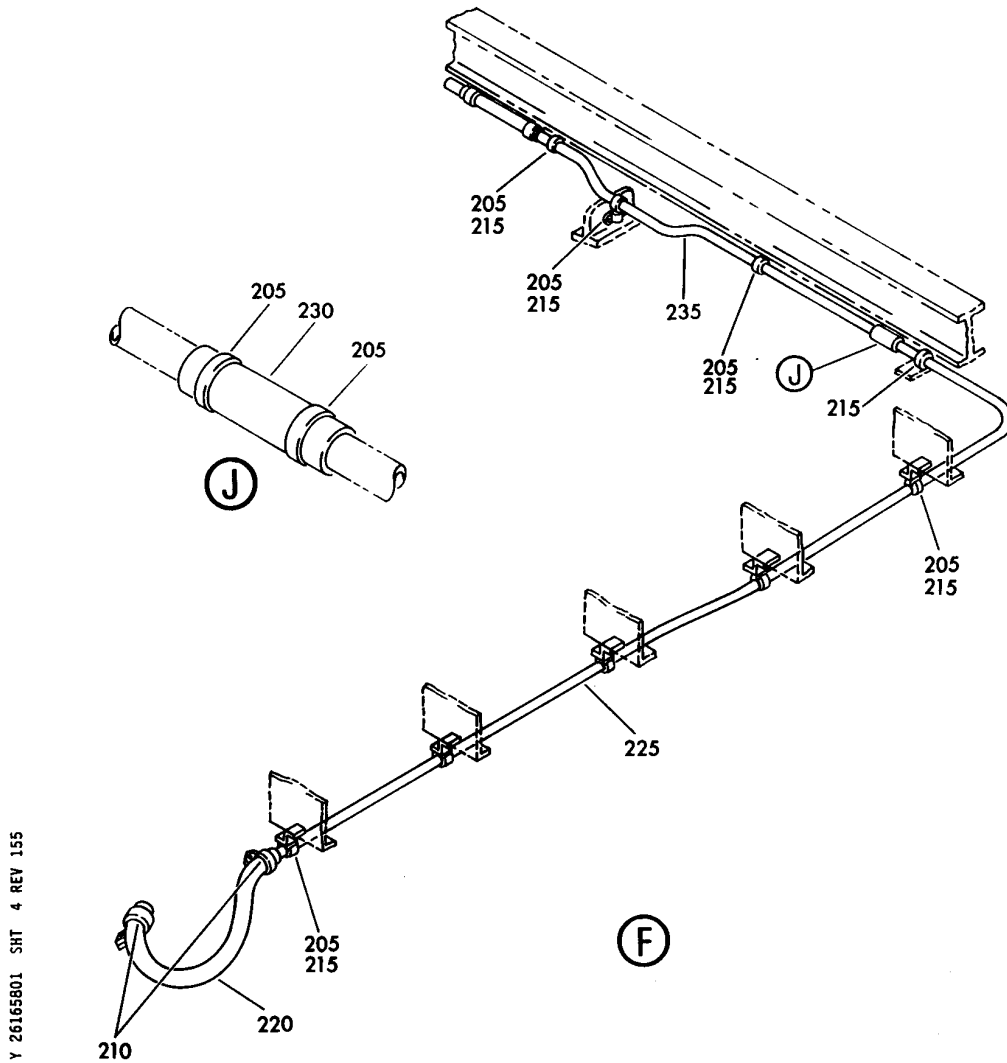
TUBING INSTL-FWD CARGO COMPT SMOKE DETECTOR
FIGURE 1 (SHEET 3)

26-16-58-01

BRI
MAY 28/07

26-16-58-01
PAGE 0B

BOEING
757
PARTS CATALOG (MAINTENANCE)



Y 26165801 SHT 4 REV 155

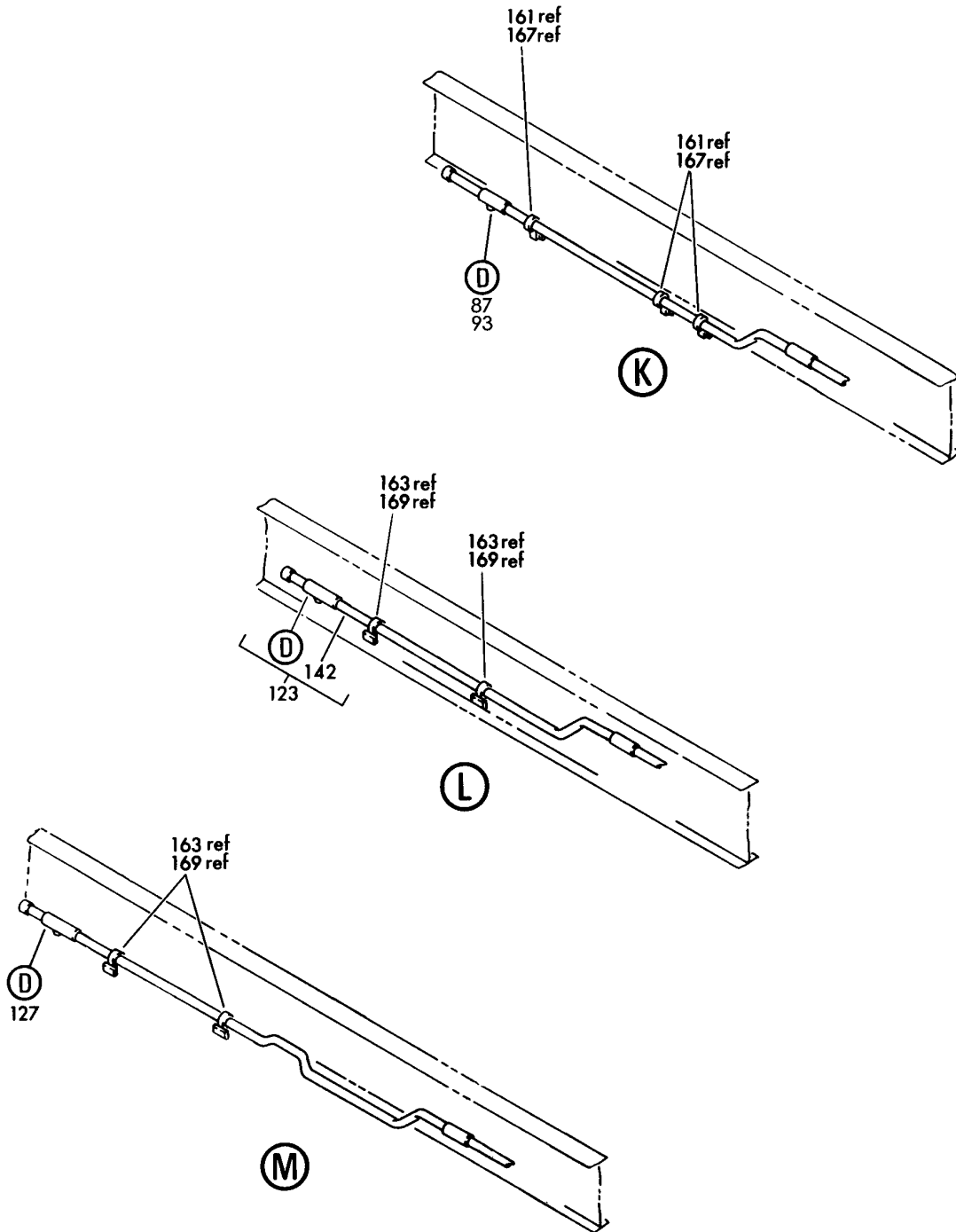
TUBING INSTL-FWD CARGO COMPT SMOKE DETECTOR
FIGURE 1 (SHEET 4)

26-16-58-01

BRI
MAY 28/07

26-16-58-01
PAGE 0C

BOEING
757
PARTS CATALOG (MAINTENANCE)



Y 26165801 SHT 5 REV 228

TUBING INSTL-FWD CARGO COMPT SMOKE DETECTOR
FIGURE 1 (SHEET 5)

26-16-58-01

BRI
MAY 28/07

26-16-58-01
PAGE 0D



757

PARTS CATALOG (MAINTENANCE)

FIG ITEM	PART NUMBER	1 2 3 4 5 6 7	NOMENCLATURE	EFFECT FROM TO	UNITS PER ASSY
1			TUBING INSTL-FWD CARGO COMPT SMOKE DETECTOR	002004 006100 107503 904999	
- 1	453N2150-1		TUBING INSTL-SMOKE DETECTOR POSITION DATA: FWD CARGO COMPT FOR NHA SEE: 21-00-00-04	002004 006100 107107 121503 904949	RF
- 1	453N2150-3		TUBING INSTL-SMOKE DETECTOR POSITION DATA: FWD CARGO COMPT FOR NHA SEE: 21-00-00-04	950999	RF
- 1	453N2150-22		TUBING INSTL-SMOKE DETECTOR POSITION DATA: FWD CARGO COMPT FOR NHA SEE: 21-00-00-12	108120	RF
3	BACC10DK8A		.CLAMP	108120	13
5	BACC10DK8A		.CLAMP	002004 006100 107503 904999 950999	8
8	BACC10DK8A		.CLAMP ATTACHING PARTS		2
- 10	NAS1801-3		.SCREW- SIZE DETERMINED ON INSTL.	002004 006100 107503 904999	8
- 15	AN960PD10L		.WASHER	002004 006100 107503 904999	8

MISSING ITEM NUMBERS NOT APPLICABLE

- ITEM NOT ILLUSTRATED

26-16-58-01

26-16-58
FIG. 01
PAGE 1
JAN 20/09

BRI



757

PARTS CATALOG (MAINTENANCE)

FIG ITEM	PART NUMBER	1 2 3 4 5 6 7	NOMENCLATURE	EFFECT FROM TO	UNITS PER ASSY
1 - 25	BRH10A3		.NUT SUPPLIER CODE: V52828 SPECIFICATION NUMBER: BACN10JC3 OPTIONAL PART: H10-3BAC V15653 NS202101-02 V80539 RMLH9075-3W V72962 VN303A02 V92215 96-02 V80539 T6S1032J V11815 -----*-----	002004 006100 107503 904999	8
30	453N2604-63		.TUBE ASSY-	002004 006100 107503 904999	1
35	69B63587-1		..TEE	002004 006100 107503 904999	1
40	BACT63D5		..CAP-END OPTIONAL PART: 8-1000 V25205	002004 006100 107503 904999	1
40	8-1000		..CAP-END SUPPLIER CODE: V25205 OPTIONAL PART: BACT63D5 USED ON: 453N2604-63	002004 006100 107503 904999	1
45	MS3367-1-9		..STRAP	002004 006100 107503 904999	2
55	453N2604-19		.TUBE- TUBING MATERIAL: .500 IN. OD .022 IN. WALL 87.50 IN. LG AL	002004 006100 107503 904999	1

MISSING ITEM NUMBERS NOT APPLICABLE

- ITEM NOT ILLUSTRATED

26-16-58-01

26-16-58
FIG. 01
PAGE 2
JAN 20/09

BRI



757

PARTS CATALOG (MAINTENANCE)

FIG ITEM	PART NUMBER	1 2 3 4 5 6 7	NOMENCLATURE	EFFECT FROM TO	UNITS PER ASSY
1					
60	453N2604-20	.TUBE-	TUBING MATERIAL: .500 IN. OD .022 IN. WALL 74.25 IN. LG AL	002004 006100 107107 121503 904949	1
65	453N2601-1	.TUBE ASSY-		002004 006100 107503 904999	2
70	453N2604-55	.TUBE ASSY-		002004 006100 107503 904999	1
75	69B63587-1	..TEE		002004 006100 107503 904999	1
76	MS3367-1-9	..STRAP		002004 006100 107503 904999	2
80	453N2604-60	.TUBE-	TUBING MATERIAL: .500 IN. OD .022 IN. WALL 23.50 IN. LG AL	108120 950999	1
85	453N2604-62	.TUBE-	TUBING MATERIAL: .500 IN. OD .022 IN. WALL 54.70 IN. LG AL	108120 950999	1
93	453N2604-105	.TUBE ASSY-		002004 006100 107107 121503 904999	1
93	453N2604-161	.TUBE ASSY-		108120	1
100	69B63587-1	..TEE		002004 006100 107503 904999	1
105	BACT63D5	..CAP-END	OPTIONAL PART: 8-1000 V25205	002004 006100 107503 904999	1

MISSING ITEM NUMBERS NOT APPLICABLE

- ITEM NOT ILLUSTRATED

BRI

26-16-58-01

26-16-58
FIG. 01
PAGE 3
JAN 20/09



757

PARTS CATALOG (MAINTENANCE)

FIG ITEM	PART NUMBER	1 2 3 4 5 6 7	NOMENCLATURE	EFFECT FROM TO	UNITS PER ASSY
1					
105	8-1000	..	CAP-END SUPPLIER CODE: V25205 OPTIONAL PART: BACT63D5	002004 006100 107503 904999	1
110	MS3367-1-9	..	STRAP	002004 006100 107503 904999	2
115	453N2604-104	.TUBE-	TUBING MATERIAL: .500 IN. OD .022 IN. WALL 90.30 IN. LG AL	107107 904949 952952	1
116	453N2604-120	.TUBE ASSY-	TUBING MATERIAL: .500 IN. OD .022 IN. WALL 99.00 IN. LG AL	002004 006100 108503 950951 953999	1
123	453N2604-101	.TUBE ASSY-		002004 006100 107503 904999	1
130	69B63587-1	..	TEE	002004 006100 107503 904999	1
135	BACT63D5	..	CAP-END OPTIONAL PART: 8-1000 V25205	002004 006100 107503 904999	1
135	8-1000	..	CAP-END SUPPLIER CODE: V25205 OPTIONAL PART: BACT63D5	002004 006100 107503 904999	1
140	MS3367-1-9	..	STRAP	002004 006100 107503 904999	2
142	T05R0	.STRAP	SUPPLIER CODE: V53421 SPECIFICATION NUMBER: BACS38K1 OPTIONAL PART: PLT2SM V06383	108120	18

MISSING ITEM NUMBERS NOT APPLICABLE

- ITEM NOT ILLUSTRATED

26-16-58-01

26-16-58
FIG. 01
PAGE 4
JAN 20/09

BRI



757

PARTS CATALOG (MAINTENANCE)

FIG ITEM	PART NUMBER	1 2 3 4 5 6 7	NOMENCLATURE	EFFECT FROM TO	UNITS PER ASSY
1					
145	MS3367-1-9	.	STRAP	002004 006100 107503 904949	18
146	MS3367-1-9	.	STRAP	950999	20
151	MS3367-1-9	.	STRAP	108120	2
153	453N2150-2	.	TUBE	002004 006100 107503 904949	9
154	453N2150-2	.	TUBE	950999	10
158	453N2150-2	.	TUBE	002004 006100 107503 904949	2
159	453N2150-2	.	TUBE	108120	1
161	MS3367-1-9	.	STRAP	002004 006100 107503 904949	8
167	TM2S8	.	PLATE SUPPLIER CODE: V06383 SPECIFICATION NUMBER: STBP19M9	002004 006100 107503 904949	8
175	MS21921-8D	.	NUT	950999	1

MISSING ITEM NUMBERS NOT APPLICABLE

- ITEM NOT ILLUSTRATED

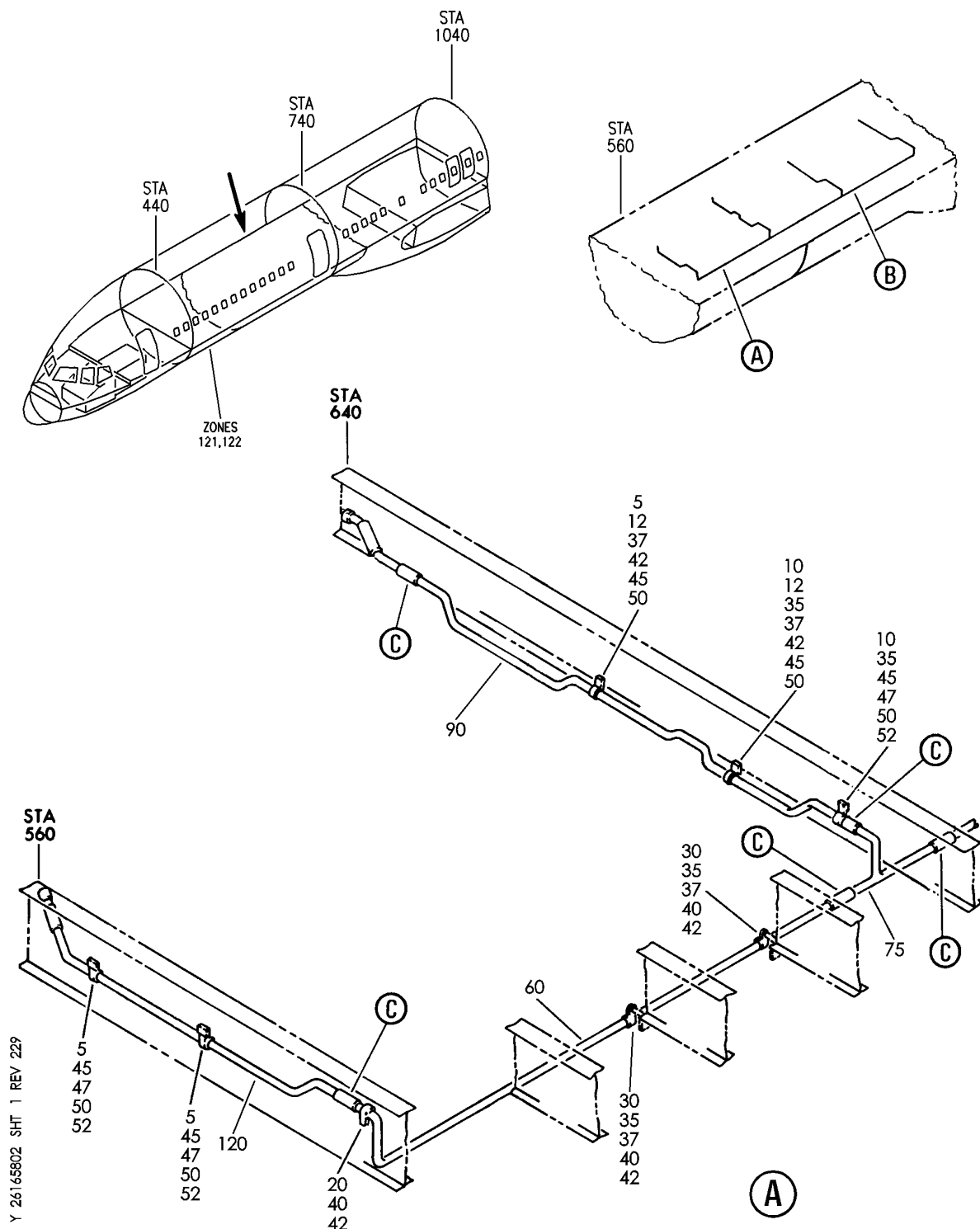
BRI

26-16-58-01

BOEING PROPRIETARY - Copyright © - Unpublished Work - See title page for details.

26-16-58
FIG. 01
PAGE 5
JAN 20/09

BOEING
757
PARTS CATALOG (MAINTENANCE)



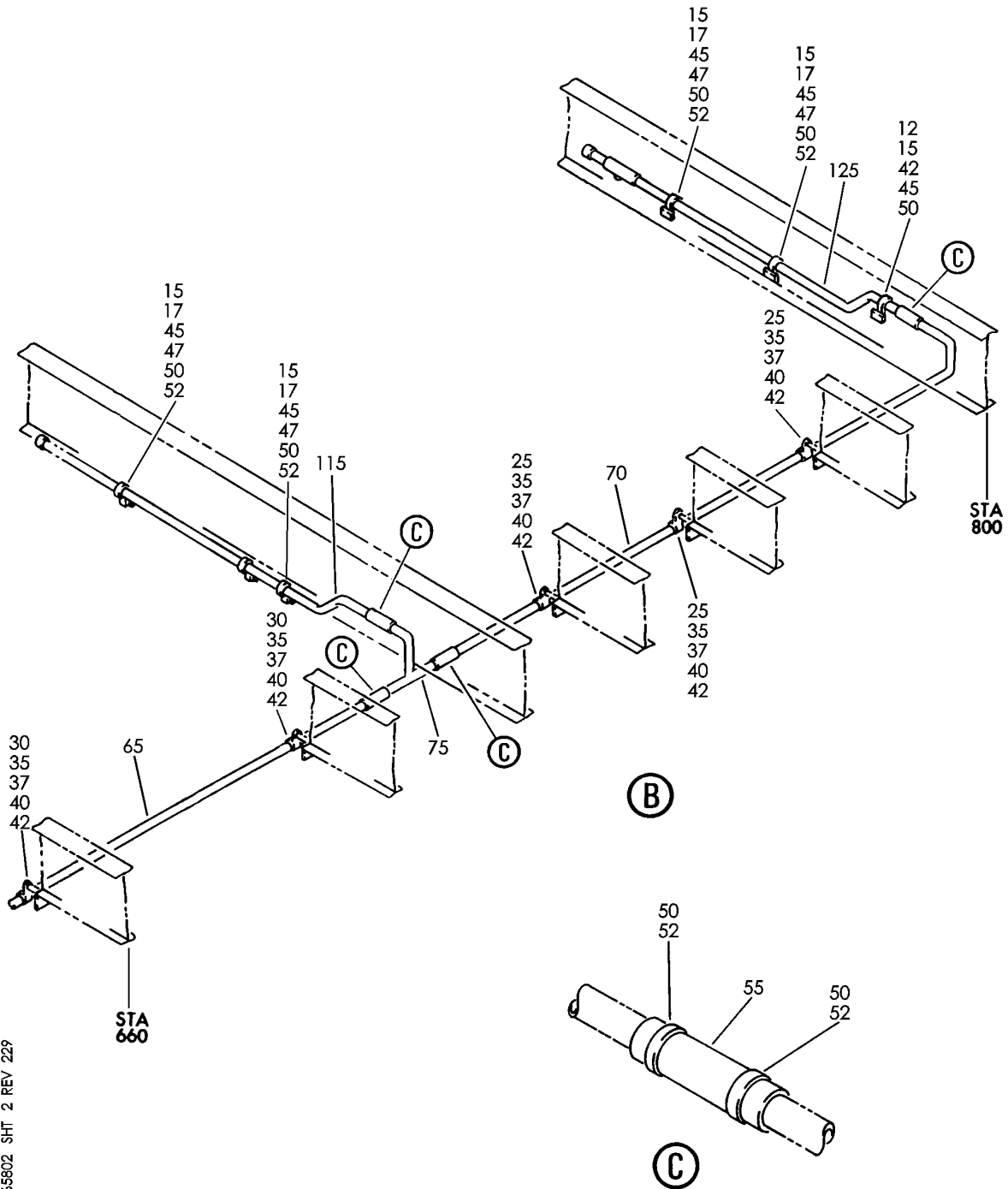
TUBING INSTL-SMOKE DETECTION SYS FWD CARGO COMPT
FIGURE 2 (SHEET 1)

26-16-58-02

BRI
MAY 28/07

26-16-58-02
PAGE 0

BOEING
757
PARTS CATALOG (MAINTENANCE)



Y 26165802 SHT 2 REV 229

TUBING INSTL-SMOKE DETECTION SYS FWD CARGO COMPT
FIGURE 2 (SHEET 2)

26-16-58-02

BRI
MAY 28/07

26-16-58-02
PAGE 0A



757

PARTS CATALOG (MAINTENANCE)

FIG ITEM	PART NUMBER	1 2 3 4 5 6 7	NOMENCLATURE	EFFECT FROM TO	UNITS PER ASSY
2			TUBING INSTL-SMOKE DETECTION SYS FWD CARGO COMPT	101102 504903	
- 1	453N2150-20		TUBING INSTL-SMOKE DETECTION SYS POSITION DATA: FWD CARGO COMPT FOR NHA SEE: 21-00-00-12 21-00-00-15	101102 504903	RF
5	BACS12GU08K5		.SCREW- OPTIONAL PART: BACB30VF3K2	101102 504903	3
5	BACB30VF3K2		.BOLT- OPTIONAL PART: BACS12GU08K5	101102 504903	3
12	BACS12GU3K		.SCREW- SIZE DETERMINED ON INSTL.	101102 504903	3
17	BACS12GU3K5		.SCREW- OPTIONAL PART: BACB30VF3K2	101102 504903	5
17	BACB30VF3K2		.BOLT- OPTIONAL PART: BACS12GU3K5	101102 504903	5
20	NAS42DD6-128		.SPACER	101102 504903	1
25	NAS42DD6-40		.SPACER	101102 504903	3
30	NAS42DD6-32		.SPACER	101102 504903	4
37	NAS1149D0316H		.WASHER	101102 504903	9
42	BACC10DK8A		.CLAMP	101102 504903	11
47	TM2S8		.PLATE SUPPLIER CODE: V06383 SPECIFICATION NUMBER: STBP19M9	101102 504903	6
52	T05R0		.STRAP SUPPLIER CODE: V53421 SPECIFICATION NUMBER: BACS38K1 OPTIONAL PART: PLT2SM V06383	101102 504903	26
55	453N2150-2		.TUBE	101102 504903	9

MISSING ITEM NUMBERS NOT APPLICABLE

- ITEM NOT ILLUSTRATED

26-16-58-02

26-16-58
FIG. 02
PAGE 1
JAN 20/09

BRI

BOEING PROPRIETARY - Copyright © - Unpublished Work - See title page for details.

 **BOEING**
757
PARTS CATALOG (MAINTENANCE)

FIG ITEM	PART NUMBER	1 2 3 4 5 6 7	NOMENCLATURE	EFFECT FROM TO	UNITS PER ASSY
2					
60	453N2604-19	. TUBE		101102 504903	1
65	453N2604-20	. TUBE		101102 504903	1
70	453N2604-120	. TUBE ASSY		101102 504903	1
75	453N2601-1	. TUBE ASSY		101102 504903	2
- 80	453N2601-5	.. TUBE		101102 504903	1
- 85	453N2601-7	.. TUBE		101102 504903	1
90	453N2604-55	. TUBE ASSY-		101102 504903	1
- 95	69B63587-1	.. TEE		101102 504903	1
- 100	453N2604-56	.. TUBE-		101102 504903	1
115	453N2604-105	. TUBE ASSY		101102 504903	1
120	453N2604-63	. TUBE ASSY		101102 504903	1
125	453N2604-101	. TUBE ASSY		101102 504903	1
- 130	69B63587-1	.. TEE		101102 504903	1
- 135	BACT63D5	.. CAP-END		101102 504903	1
		OPTIONAL PART:			
		8-1000			
		V25205			
- 135	8-1000	.. CAP-END		101102 504903	1
		SUPPLIER CODE:			
		V25205			
		OPTIONAL PART:			
		BACT63D5			
- 140	453N2604-106	.. TUBE-		101102 504903	1
		USED ON:			
		453N2604-105			
- 145	453N2604-64	.. TUBE-		101102 504903	1
		USED ON:			
		453N2604-63			
- 150	453N2604-103	.. TUBE-		101102 504903	1
		USED ON:			
		453N2604-101			

MISSING ITEM NUMBERS NOT APPLICABLE

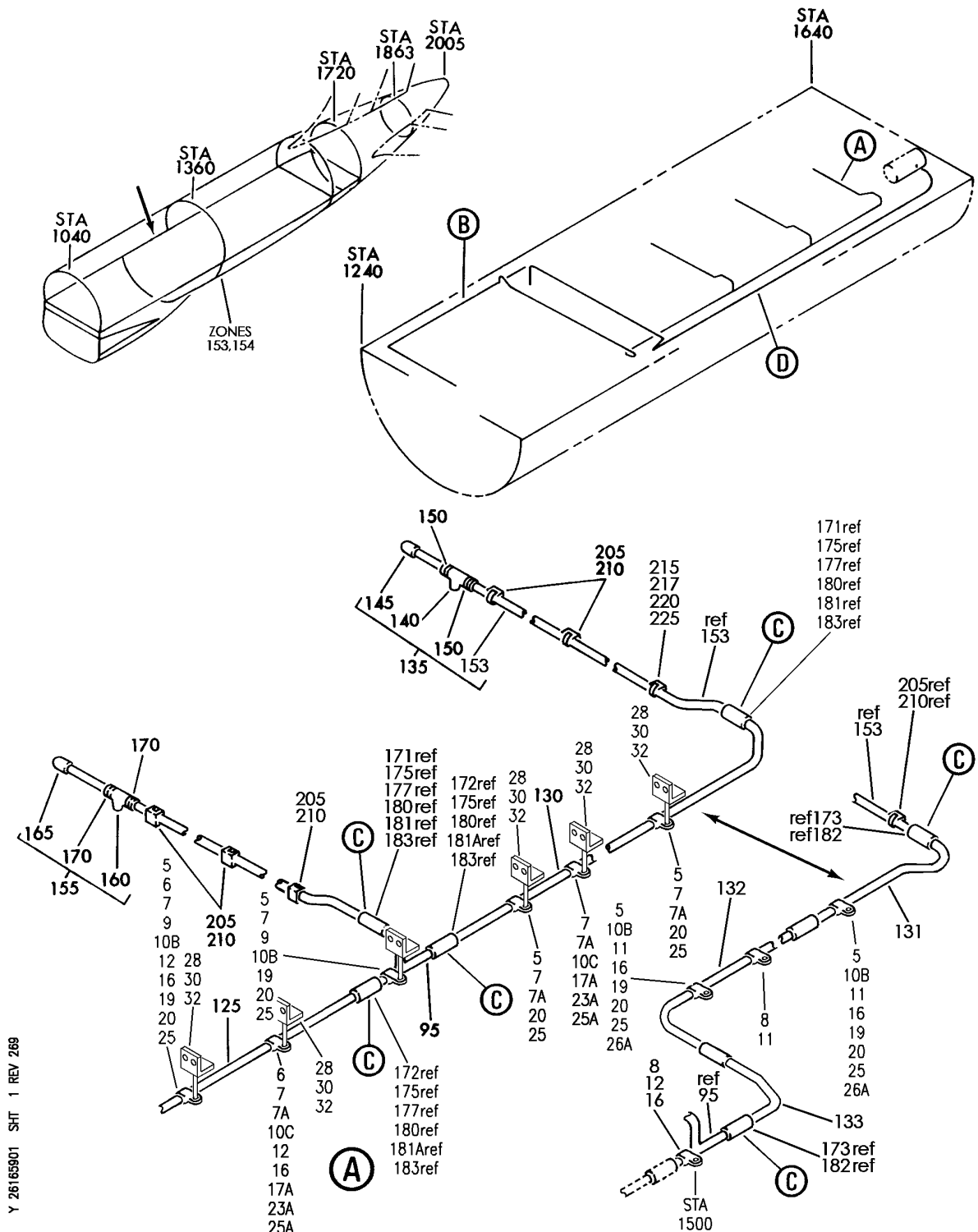
- ITEM NOT ILLUSTRATED

BRI

26-16-58-02

26-16-58
FIG. 02
PAGE 2
JAN 20/09

BOEING
757
PARTS CATALOG (MAINTENANCE)



Y 26165901 SHT 1 REV 269

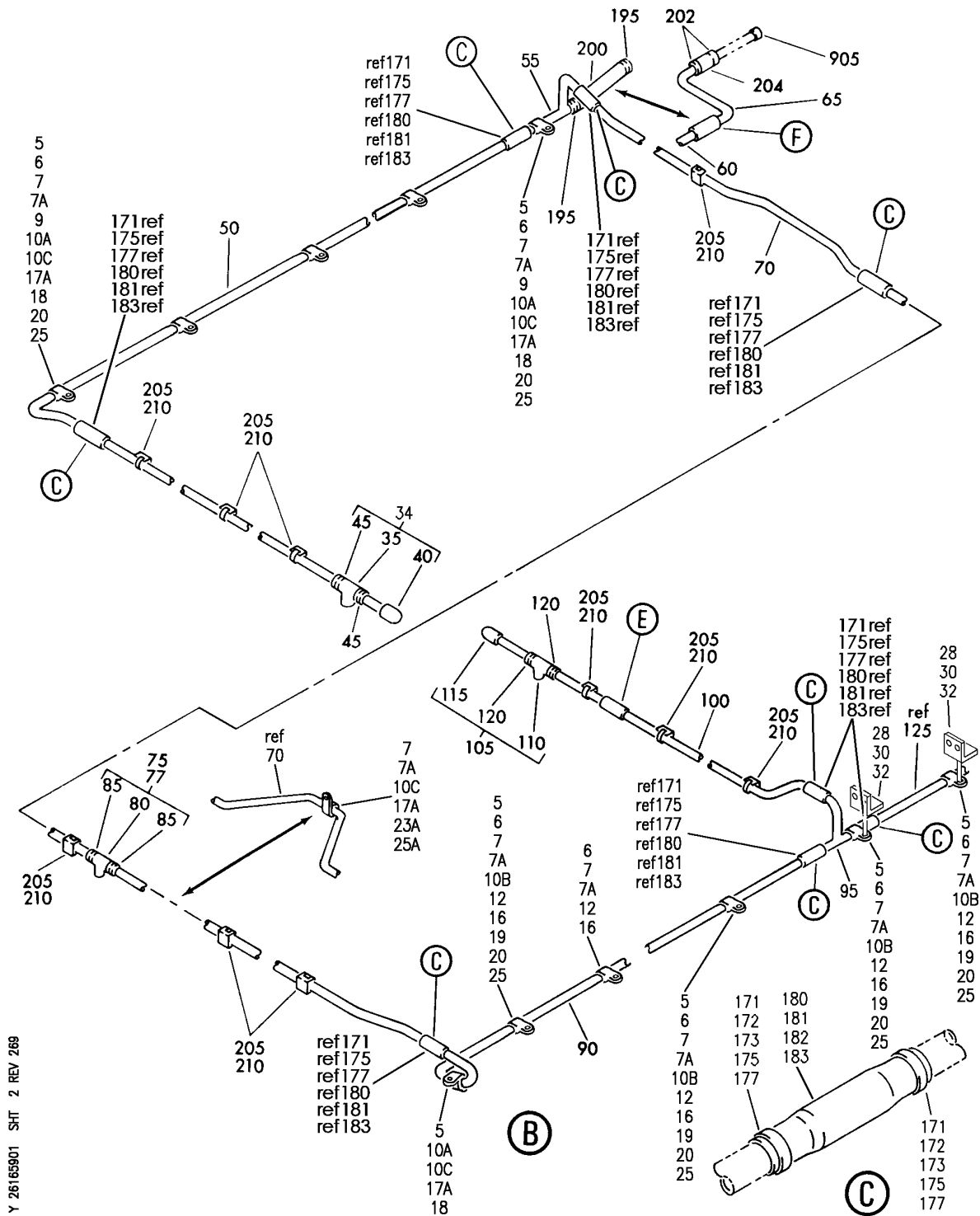
TUBING INSTL-AFT CARGO COMPT SMOKE DETECTION
FIGURE 1 (SHEET 1)

26-16-59-01

BRI
MAY 28/07

26-16-59-01
PAGE 0


BOEING
 757
PARTS CATALOG (MAINTENANCE)



Y 26165901 SHT 2 REV 269

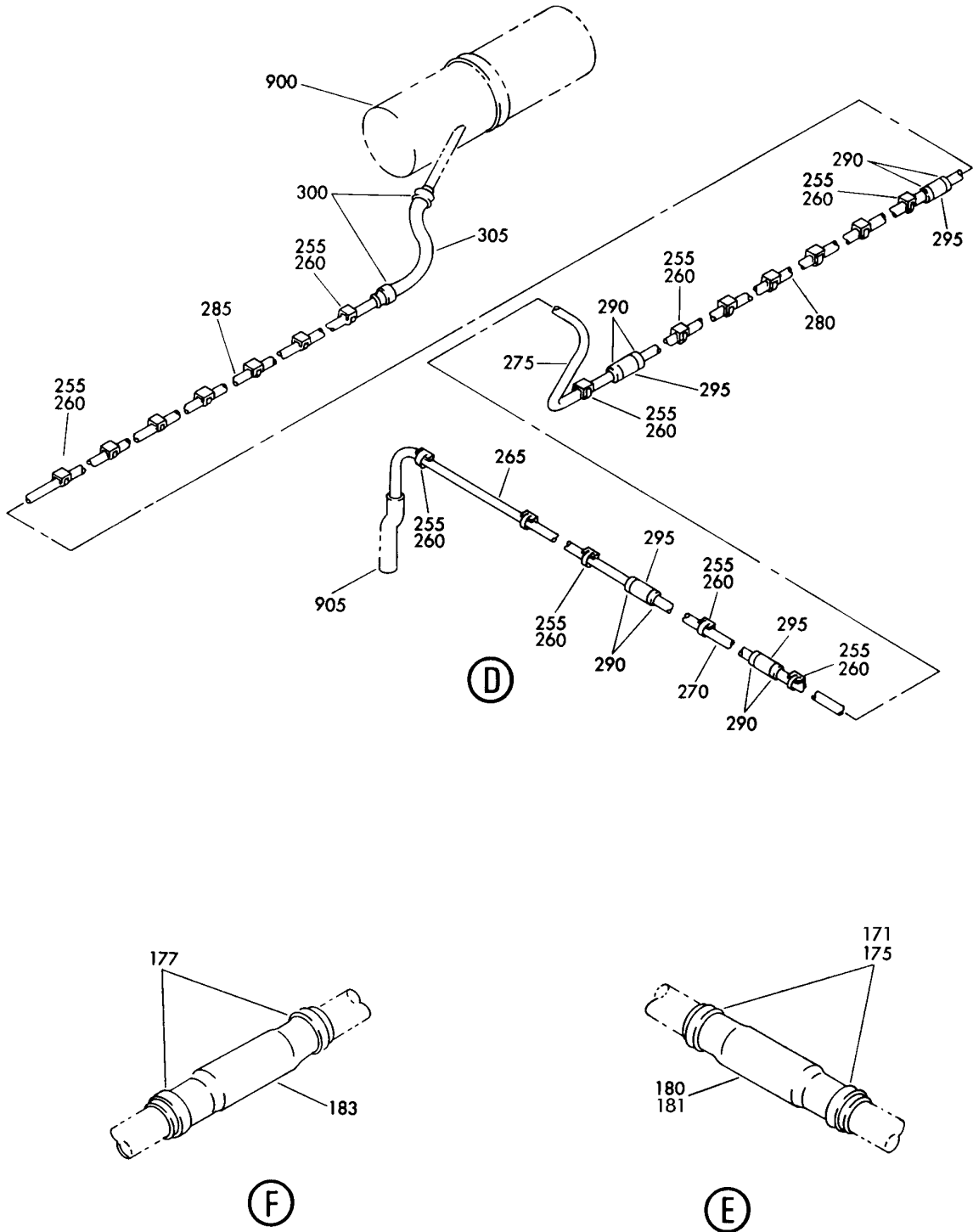
TUBING INSTL-AFT CARGO COMPT SMOKE DETECTION
 FIGURE 1 (SHEET 2)

26-16-59-01

BRI
 MAY 28/07

26-16-59-01
 PAGE 0A

BOEING
757
PARTS CATALOG (MAINTENANCE)



Y 26165901 SHT 3 REV 226

TUBING INSTL-AFT CARGO COMPT SMOKE DETECTION
FIGURE 1 (SHEET 3)

26-16-59-01

BRI
MAY 28/07

26-16-59-01
PAGE 08



757

PARTS CATALOG (MAINTENANCE)

FIG ITEM	PART NUMBER	1 2 3 4 5 6 7	NOMENCLATURE	EFFECT FROM TO	UNITS PER ASSY
1			TUBING INSTL-AFT CARGO COMPT SMOKE DETECTION	002004 006100 107107 121503 904999	RF
- 1	453N2250-1		TUBING INSTL-SMOKE DETECTION POSITION DATA: AFT CARGO COMPT FOR NHA SEE: 21-00-00-04	002004 006100 107107 121503 904999	RF
6	BACC10DK8A		.CLAMP	002004 006100 107107 121503 904999	12
8	BACC10DK8A		.CLAMP- POST ALERT SB: 26A0040R1	002004 006100 107107 121503 904999	2
9	BACC10DK8A		.CLAMP- PRE ALERT SB: 26A0040R1	002004 006100 904949	2
10A	NAS1801-3		ATTACHING PARTS .SCREW	002004 006100 107107 121503 904999	6
10B	NAS1801-3		.SCREW- PRE ALERT SB: 26A0040R1	002004 006100 904949	8
11	BACS12GU3K10		.SCREW- POST ALERT SB: 26A0040R1	002004 006100 107107 121503 904999	3
12	BACS12GU3K13		.SCREW- POST ALERT SB: 26A0040R1	002004 006100 107107 121503 904999	8
16	NAS1149D0332J		.WASHER- POST ALERT SB: 26A0040R1	002004 006100 107107 121503 904999	11

MISSING ITEM NUMBERS NOT APPLICABLE

- ITEM NOT ILLUSTRATED

26-16-59-01

26-16-59
FIG. 01
PAGE 1
JAN 20/09

BRI



757

PARTS CATALOG (MAINTENANCE)

FIG ITEM	PART NUMBER	1 2 3 4 5 6 7	NOMENCLATURE	EFFECT FROM TO	UNITS PER ASSY
1	18 AN960PD10L		.WASHER	002004 006100 107107 121503 904999	6
	19 AN960PD10L		.WASHER- PRE ALERT SB: 26A0040R1	002004 006100 904949	8
	20 NAS42DD6-36		.SPACER- PRE ALERT SB: 26A0040R1	002004 006100 904949	14
	25 BRH10A3		.NUT- SUPPLIER CODE: V52828 SPECIFICATION NUMBER: BACN10JC3 OPTIONAL PART: H10-3BAC V15653 NS202101-02 V80539 RMLH9075-3W V72962 VN303A02 V92215 96-02 V80539 T6S1032J V11815 PRE ALERT SB: 26A0040R1	002004 006100 904949	14
	26A WSI332-14		-----*----- .NUT- SUPPLIER CODE: V04169 SPECIFICATION NUMBER: BACN10GH3-14 POST ALERT SB: 26A0040R1	002004 006100 107107 121503 904999	3
	- 26B BACR15BB3AD4C		ATTACHING PARTS .RIVET- POST ALERT SB: 26A0040R1 -----*-----	002004 006100 107107 121503 904999	6

MISSING ITEM NUMBERS NOT APPLICABLE

- ITEM NOT ILLUSTRATED

26-16-59-01

26-16-59
FIG. 01
PAGE 2
JAN 20/09

BRI

BOEING
757
PARTS CATALOG (MAINTENANCE)

FIG ITEM	PART NUMBER	1 2 3 4 5 6 7	NOMENCLATURE	EFFECT FROM TO	UNITS PER ASSY
1 28	453N9001-4		.BRACKET ASSY- POST ALERT SB: 26A0040R1	002004 006100 107107 121503 904999	8
- 29	BACR15BB3AD4C		ATTACHING PARTS .RIVET	002004 006100 107107 121503 904999	16
30	WSI4-20		-----*----- ..NUTPLATE SUPPLIER CODE: V04169 SPECIFICATION NUMBER: BACN10TL3-20 ATTACHING PARTS	002004 006100 107107 121503 904999	1
- 31	BACR15BB3AD4C		..RIVET	002004 006100 107107 121503 904999	2
32	453N9001-5		-----*----- ..BRACKET	002004 006100 107107 121503 904999	1
34	453N2604-43		.TUBE ASSY-	002004 006100 107107 121503 904999	1
35	69B63587-1		..TEE	002004 006100 107107 121503 904999	1
40	BACT63D5		..CAP- OPTIONAL PART: 8-1000 V25205	002004 006100 107107 121503 904999	1
40	8-1000		..CAP-END SUPPLIER CODE: V25205 OPTIONAL PART: BACT63D5	002004 006100 107107 121503 904999	1

MISSING ITEM NUMBERS NOT APPLICABLE

- ITEM NOT ILLUSTRATED

BRI

26-16-59-01

BOEING PROPRIETARY - Copyright © - Unpublished Work - See title page for details.

26-16-59
FIG. 01
PAGE 3
JAN 20/09



757

PARTS CATALOG (MAINTENANCE)

FIG ITEM	PART NUMBER	1 2 3 4 5 6 7	NOMENCLATURE	EFFECT FROM TO	UNITS PER ASSY
1					
45	MS3367-1-9	..	STRAP	002004 006100 107107 121503 904999	2
50	453N2604-22	.TUBE-	TUBING MATERIAL: .500 IN. OD .022 IN. WALL 87.00 IN. LG ALUMINUM	002004 006100 107107 121503 904999	1
55	453N2601-2	.TUBE ASSY-		002004 006100 107107 121503 904999	1
70	453N2604-23	.TUBE-	TUBING MATERIAL: .500 IN. OD .022 IN. WALL 44.50 IN. LG ALUMINUM	002004 006100 107107 121503 904999	1
75	453N2604-49	.TUBE ASSY-		002004 006100 107107 121503 904999	1
80	69B63587-1	..	TEE	002004 006100 107107 121503 904999	1
85	MS3367-1-9	..	STRAP	002004 006100 107107 121503 904999	2
90	453N2604-24	.TUBE-	TUBING MATERIAL: .500 IN. OD .022 IN. WALL 86.00 IN. LG ALUMINUM	002004 006100 107107 121503 904999	1
95	453N2601-1	.TUBE ASSY		002004 006100 107107 121503 904999	2

MISSING ITEM NUMBERS NOT APPLICABLE

- ITEM NOT ILLUSTRATED

BRI

26-16-59-01

BOEING PROPRIETARY - Copyright © - Unpublished Work - See title page for details.

26-16-59
FIG. 01
PAGE 4
JAN 20/09



757

PARTS CATALOG (MAINTENANCE)

FIG ITEM	PART NUMBER	1 2 3 4 5 6 7	NOMENCLATURE	EFFECT FROM TO	UNITS PER ASSY
1					
100	453N2604-30	.	TUBE- TUBING MATERIAL: .500 IN. OD .022 IN. WALL 44.00 IN. LG ALUMINUM	002004 006100 107107 121503 904999	1
105	453N2604-45	.	TUBE ASSY-	002004 006100 107107 121503 904999	1
110	69B63587-1	..	TEE	002004 006100 107107 121503 904999	1
115	BACT63D5	..	CAP- OPTIONAL PART: 8-1000 V25205	002004 006100 107107 121503 904999	1
115	8-1000	..	CAP-END SUPPLIER CODE: V25205 OPTIONAL PART: BACT63D5	002004 006100 107107 121503 904999	1
120	MS3367-1-9	..	STRAP	002004 006100 107107 121503 904999	2
125	453N2604-25	.	TUBE- TUBING MATERIAL: .500 IN. OD .022 IN. WALL 78.00 IN. LG ALUMINUM	002004 006100 107107 121503 904999	1
130	453N2604-26	.	TUBE- TUBING MATERIAL: .500 IN. OD .022 IN. WALL 80.50 IN. LG ALUMINUM PRE ALERT SB: 26A0040R1	002004 006100 904949	1
131	453N2604-171	.	TUBE- TUBING MATERIAL: .50 O.D. X .022 WALL OPTIONAL .020 WALL 6061-T4 WW-T-700/6 POST ALERT SB: 26A0040R1	002004 006100 107107 121503 904999	1

MISSING ITEM NUMBERS NOT APPLICABLE

- ITEM NOT ILLUSTRATED

BRI

26-16-59-01

26-16-59
FIG. 01
PAGE 5
JAN 20/09



757

PARTS CATALOG (MAINTENANCE)

FIG ITEM	PART NUMBER	1 2 3 4 5 6 7	NOMENCLATURE	EFFECT FROM TO	UNITS PER ASSY
1					
132	453N2604-172	. TUBE-	TUBING MATERIAL: .50 O.D. X .022 WALL OPTIONAL .020 WALL 6061-T4 WW-T-700/6 POST ALERT SB: 26A0040R1	002004 006100 107107 121503 904999	1
133	453N2604-173	. TUBE-	TUBING MATERIAL: .50 O.D. X .022 WALL OPTIONAL .020 WALL 6061-T4 WW-T-700/6 POST ALERT SB: 26A0040R1	002004 006100 107107 121503 904999	1
135	453N2604-51	. TUBE ASSY-	PRE ALERT SB: 26A0040R1	002004 006100 904949	1
135	453N2604-191	. TUBE ASSY-	POST ALERT SB: 26A0040R1	002004 006100 107107 121503 904999	1
140	69B63587-1	.. TEE		002004 006100 107107 121503 904999	1
145	8-1000	.. CAP-END	SUPPLIER CODE: V25205 OPTIONAL PART: BACT63D5	002004 006100 107107 121503 904999	1
145	BACT63D5	.. CAP-	OPTIONAL PART: 8-1000 V25205	002004 006100 107107 121503 904999	1
150	MS3367-1-9	.. STRAP-	PRE ALERT SB: 26A0040R1	002004 006100 904949	2

MISSING ITEM NUMBERS NOT APPLICABLE

- ITEM NOT ILLUSTRATED

26-16-59-01

26-16-59
FIG. 01
PAGE 6
JAN 20/09

BRI

BOEING PROPRIETARY - Copyright © - Unpublished Work - See title page for details.



757

PARTS CATALOG (MAINTENANCE)

FIG ITEM	PART NUMBER	1 2 3 4 5 6 7	NOMENCLATURE	EFFECT FROM TO	UNITS PER ASSY
1 150	T05R0		.. STRAP- SUPPLIER CODE: V53421 SPECIFICATION NUMBER: BACS38K1 OPTIONAL PART: PLT2SM V06383 POST ALERT SB: 26A0040R1	002004 006100 107107 121503 904999	2
153	453N2604-187		.. TUBE- TUBING MATERIAL: .50 O.D. X .022 WALL THICKNESS - OPTIONAL .50 6061-T4 ALUM WW-T-700/6 POST ALERT SB: 26A0040R1	002004 006100 107107 121503 904999	1
153	453N2604-52		.. TUBE- TUBING MATERIAL: .50 O.D. X .022 WALL OPTIONAL .50 O.D. X .020 6061-T4 WW-T-700/6 PRE ALERT SB: 26A0040R1	002004 006100 904949	1
155	453N2604-47		. TUBE ASSY-	002004 006100 107107 121503 904999	1
160	69B63587-1		.. TEE	002004 006100 107107 121503 904999	1
165	BACT63D5		.. CAP- OPTIONAL PART: 8-1000 V25205	002004 006100 107107 121503 904999	1
165	8-1000		.. CAP-END SUPPLIER CODE: V25205 OPTIONAL PART: BACT63D5	002004 006100 107107 121503 904999	1
170	MS3367-1-9		.. STRAP	002004 006100 107107 121503 904999	2

MISSING ITEM NUMBERS NOT APPLICABLE

- ITEM NOT ILLUSTRATED

26-16-59-01

26-16-59
FIG. 01
PAGE 7
JAN 20/09

BRI

BOEING PROPRIETARY - Copyright © - Unpublished Work - See title page for details.



757

PARTS CATALOG (MAINTENANCE)

FIG ITEM	PART NUMBER	1 2 3 4 5 6 7	NOMENCLATURE	EFFECT FROM TO	UNITS PER ASSY
1					
171	MS3367-1-9	.	STRAP	002004 006100 107107 121503 904999	22
172	MS3367-1-9	.	STRAP- PRE ALERT SB: 26A0040R1	002004 006100 904949	4
173	T05R0	.	STRAP- SUPPLIER CODE: V53421 SPECIFICATION NUMBER: BACS38K1 OPTIONAL PART: PLT2SM V06383 POST ALERT SB: 26A0040R1	002004 006100 107107 121503 904999	8
181	453N2250-2	.	TUBE	002004 006100 107107 121503 904999	11
181A	453N2250-2	.	TUBE- PRE ALERT SB: 26A0040R1	002004 006100 904949	2
182	453N9001-3	.	TUBE- POST ALERT SB: 26A0040R1	002004 006100 107107 121503 904999	4
195	MS3367-1-9	.	STRAP	002004 006100 107107 121503 904999	2
200	453N2250-4	.	TUBE	002004 006100 107107 121503 904999	1
210	TM2S8	.	PLATE SUPPLIER CODE: V06383 SPECIFICATION NUMBER: STBP19M9	002004 006100 107107 121503 904999	15

MISSING ITEM NUMBERS NOT APPLICABLE

- ITEM NOT ILLUSTRATED

26-16-59-01

26-16-59
FIG. 01
PAGE 8
JAN 20/09

BRI

BOEING PROPRIETARY - Copyright © - Unpublished Work - See title page for details.



757

PARTS CATALOG (MAINTENANCE)

FIG ITEM	PART NUMBER	1 2 3 4 5 6 7	NOMENCLATURE	EFFECT FROM TO	UNITS PER ASSY
1 215	T05R0		.STRAP- SUPPLIER CODE: V53421 SPECIFICATION NUMBER: BACS38K1 OPTIONAL PART: PLT2SM V06383 POST ALERT SB: 26A0040R1	002004 006100 107107 121503 904999	1
217	BACS12GU3K8		.SCREW- POST ALERT SB: 26A0040R1	002004 006100 107107 121503 904999	1
225	T8059S1032B2		.NUTPLATE- SUPPLIER CODE: V52828 SPECIFICATION NUMBER: BACN10MK3-65 OPTIONAL PART: RM52LHA71-6-02 V72962 POST ALERT SB: 26A0040R1	002004 006100 107107 121503 904999	1
- 230	BACR15BB3AD5C		ATTACHING PARTS .RIVET- POST ALERT SB: 26A0040R1	002004 006100 107107 121503 904999	2
900			-----*----- ILLUSTRATION REFERENCE: DUCT INSTL-SECT. 46 LAV/ GALLEY VENT SYS 21-26-09-05	002004	
900			ILLUSTRATION REFERENCE: DUCT INSTL-SECT. 46 LAV/ GALLEY VENT SYS 21-26-09-09	107107 121503 904949 952952	
900			ILLUSTRATION REFERENCE: DUCT INSTL-SECT.46 LAV/ GALLEY VENT SYS 21-26-09-22	006100 950951	
900			ILLUSTRATION REFERENCE: DUCT INSTL-SECT. 46 LAV/ GALLEY VENT SYS 21-26-09-25	953999	

MISSING ITEM NUMBERS NOT APPLICABLE

- ITEM NOT ILLUSTRATED

26-16-59-01

26-16-59
FIG. 01
PAGE 9
JAN 20/09

BRI



757

PARTS CATALOG (MAINTENANCE)

FIG ITEM	PART NUMBER	1 2 3 4 5 6 7	NOMENCLATURE	EFFECT FROM TO	UNITS PER ASSY
1 905			ILLUSTRATION REFERENCE: DETECTOR AND COVER INSTL- FWD AND AFT CARGO COMPT SMOKE 26-16-01-01	002004 006100 107107 121503 904999	

MISSING ITEM NUMBERS NOT APPLICABLE

- ITEM NOT ILLUSTRATED

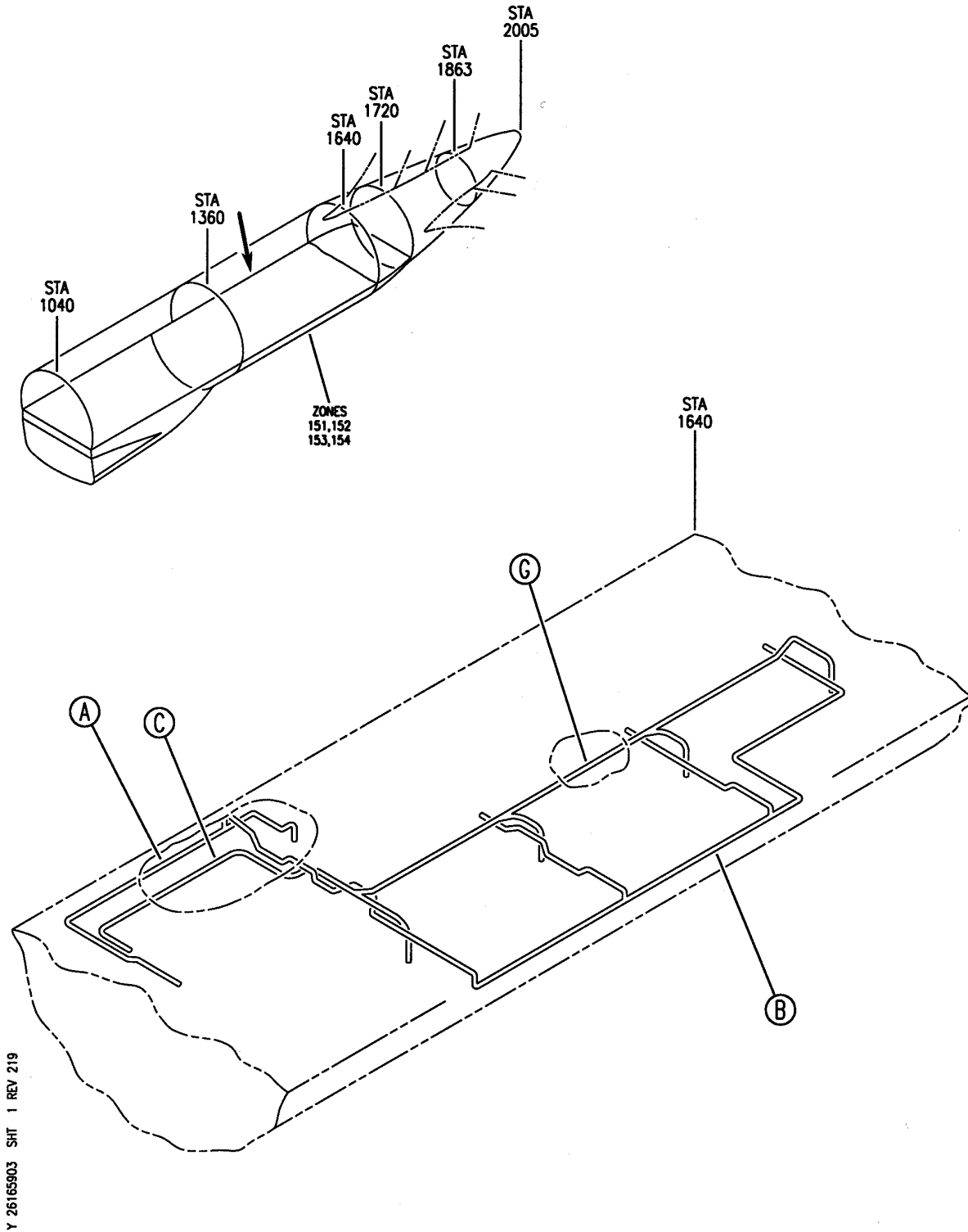
BRI

26-16-59-01

BOEING PROPRIETARY - Copyright © - Unpublished Work - See title page for details.

26-16-59
FIG. 01
PAGE 10
JAN 20/09

BOEING
757
PARTS CATALOG (MAINTENANCE)



Y 26165903 SH1 1 REV 219

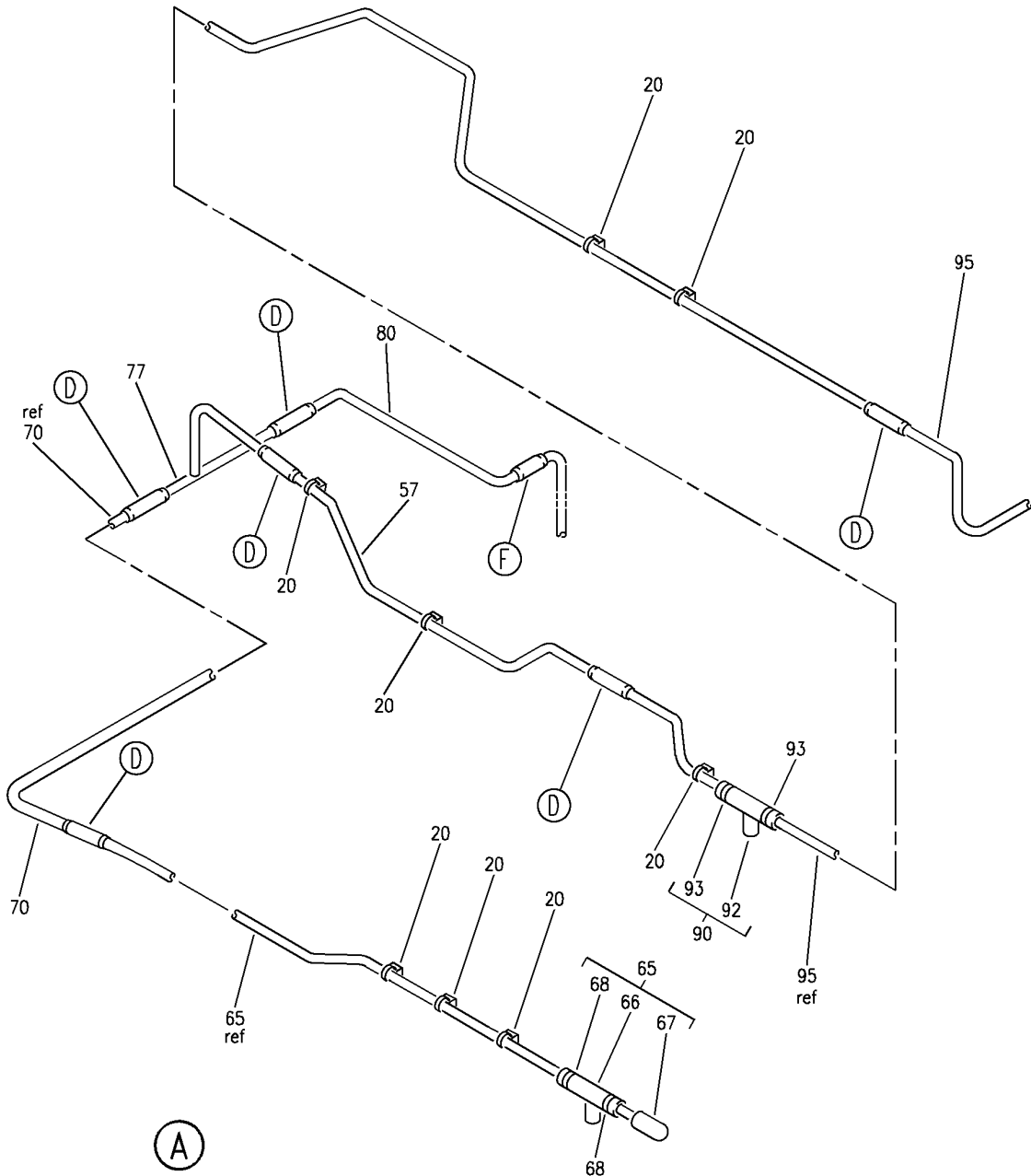
TUBING INSTL-SMOKE DETECTION AFT CARGO COMPT
FIGURE 3 (SHEET 1)

26-16-59-03

BRI
MAY 28/07

26-16-59-03
PAGE 0

BOEING
757
PARTS CATALOG (MAINTENANCE)



Y 26165903 SHT 2 REV 287

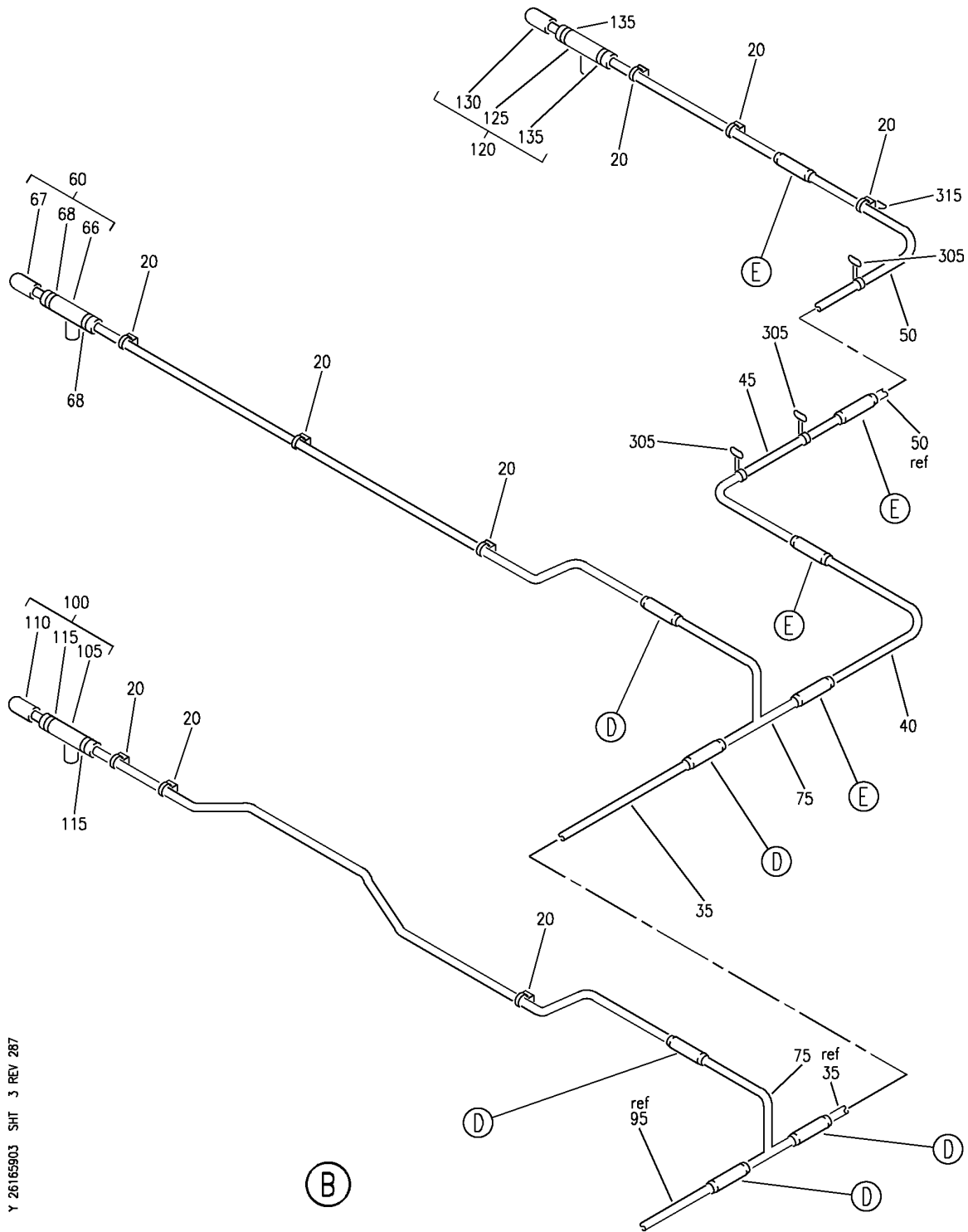
TUBING INSTL-SMOKE DETECTION AFT CARGO COMPT
FIGURE 3 (SHEET 2)

26-16-59-03

BRI
MAY 28/07

26-16-59-03
PAGE 0A

BOEING
757
PARTS CATALOG (MAINTENANCE)



Y 26165903 SHT 3 REV 287

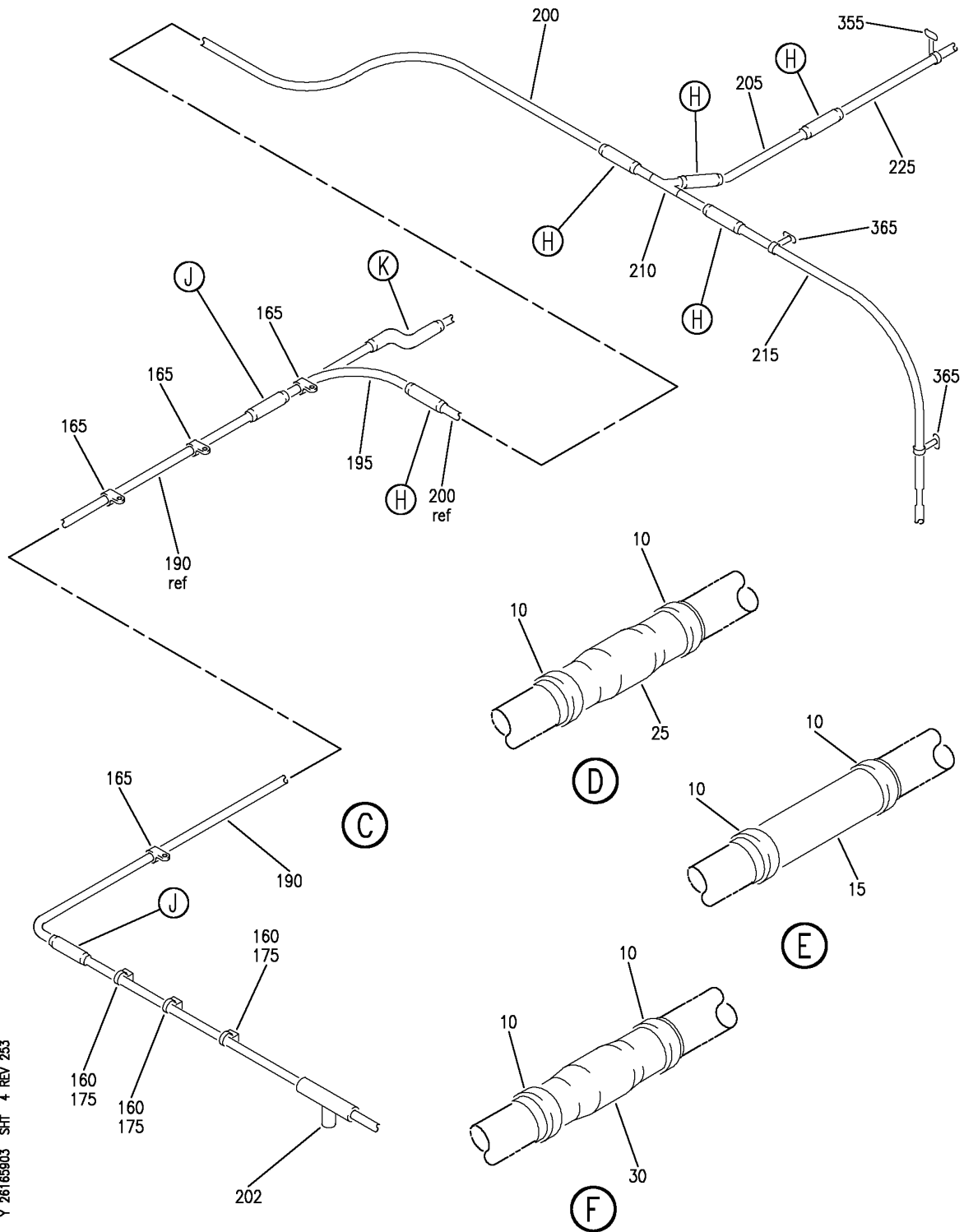
TUBING INSTL-SMOKE DETECTION AFT CARGO COMPT
FIGURE 3 (SHEET 3)

26-16-59-03

BRI
MAY 28/07

26-16-59-03
PAGE 0B

BOEING
757
PARTS CATALOG (MAINTENANCE)



Y 26165903 SHT 4 REV 253

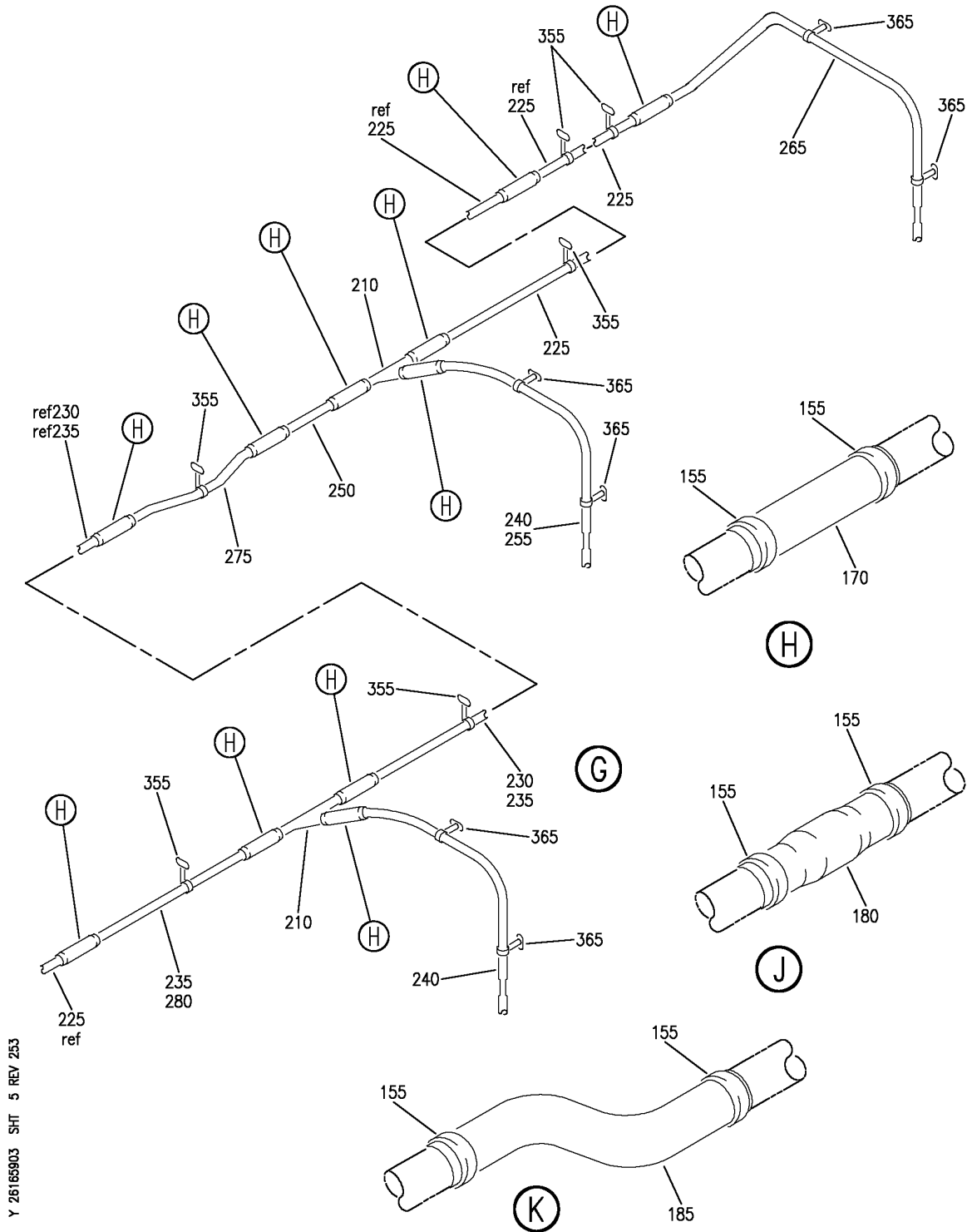
TUBING INSTL-SMOKE DETECTION AFT CARGO COMPT
FIGURE 3 (SHEET 4)

26-16-59-03

BRI
MAY 28/07

26-16-59-03
PAGE 0C

BOEING
757
PARTS CATALOG (MAINTENANCE)



TUBING INSTL-SMOKE DETECTION AFT CARGO COMPT
FIGURE 3 (SHEET 5)

26-16-59-03

BRI
MAY 28/07

26-16-59-03
PAGE 0D



757

PARTS CATALOG (MAINTENANCE)

FIG ITEM	PART NUMBER	1 2 3 4 5 6 7	NOMENCLATURE	EFFECT FROM TO	UNITS PER ASSY
3			TUBING INSTL-SMOKE DETECTION	101102 108120	
- 150	453N2250-23		AFT CARGO COMPT TUBING INSTL-OVERWING CONFG FOUR DOOR AND SBL UNIT FOR NHA SEE: 21-00-00-15	504903 101102 108120 504903	RF
155	T05R0		.STRAP SUPPLIER CODE: V53421 SPECIFICATION NUMBER: BACS38K1 OPTIONAL PART: PLT2SM V06383	101102 108120 504903	38
160	MS3367-1-9		.STRAP	101102 108120 504903	3
165	BACC10DK8A		.CLAMP	101102 108120 504903	4
170	0030-138		.TYGON- SUPPLIER CODE: V2W347	101102 108120 504903	16
175	TM2S8		.PLATE SUPPLIER CODE: V06383 SPECIFICATION NUMBER: STBP19M9	101102 108120 504903	3
180	453N2250-2		.TUBE- TUBING MATERIAL: .500 I.D. X .06 WALL X 3.0 IN. LG.	101102 108120 504903	2
185	453N2250-4		.TUBE- TUBING MATERIAL: .500 I.D. X .06 WALL X 8.0 IN. LG.	101102 108120 504903	1
190	453N2604-22		.TUBE	101102 108120 504903	1
195	453N2601-2		.TUBE ASSY	101102 108120 504903	1
200	453N2604-158		.TUBE ASSY- TUBING MATERIAL: .500 O.D. X .22 WALL THICKNESS-OPTIONAL .500 O.D. X .020 WALL THICKNESS ALUMINUM	101102 108120 504903	1

MISSING ITEM NUMBERS NOT APPLICABLE

- ITEM NOT ILLUSTRATED

BRI

26-16-59-03

26-16-59
FIG. 03
PAGE 1
JAN 20/09



757

PARTS CATALOG (MAINTENANCE)

FIG ITEM	PART NUMBER	1 2 3 4 5 6 7	NOMENCLATURE	EFFECT FROM TO	UNITS PER ASSY
3					
202	453N2604-43	.	TUBE ASSY	101102 108120 504903	1
205	453N2604-177	.	TUBE ASSY- TUBING MATERIAL: .500 O.D. X .22 WALL THICKNESS-OPTIONAL .500 O.D. X .020 WALL THICKNESS ALUMINUM	101102 108120 504903	1
210	453N6611-7	.	TEE ASSY	101102 108120 504903	3
215	453N2604-175	.	TUBE ASSY	101102 108120 504903	1
- 220	453N2604-186	..	SLEEVE	101102 108120 504903	1
225	453N2604-178	.	TUBE ASSY- TUBING MATERIAL: .500 O.D. X .22 WALL THICKNESS-OPTIONAL .500 O.D. X .020 WALL THICKNESS ALUMINUM	101102 108120 504903	3
230	453N2604-179	.	TUBE ASSY- TUBING MATERIAL: .500 O.D. X .22 WALL THICKNESS-OPTIONAL .500 O.D. X .020 WALL THICKNESS ALUMINUM	101102 108120 504903	1
240	453N2604-180	.	TUBE ASSY	101102 108120 504903	2
- 245	453N2604-186	..	SLEEVE	101102 108120 504903	1
250	453N2604-183	.	TUBE ASSY- TUBING MATERIAL: .500 O.D. X .22 WALL THICKNESS-OPTIONAL .500 O.D. X .020 WALL THICKNESS ALUMINUM	101102 108120 504903	1
255	453N2604-180	.	TUBE ASSY	101102 108120 504903	1
- 260	453N2604-186	..	SLEEVE	101102 108120 504903	1

MISSING ITEM NUMBERS NOT APPLICABLE

- ITEM NOT ILLUSTRATED

26-16-59-03

26-16-59
FIG. 03
PAGE 2
JAN 20/09

BRI



757

PARTS CATALOG (MAINTENANCE)

FIG ITEM	PART NUMBER	1 2 3 4 5 6 7	NOMENCLATURE	EFFECT FROM TO	UNITS PER ASSY
3					
265	453N2604-184	.	TUBE ASSY	101102 108120 504903	1
- 270	453N2604-186	..	SLEEVE	101102 108120 504903	1
275	453N2604-182	.	TUBE ASSY- TUBING MATERIAL: .500 O.D. X .22 WALL THICKNESS-OPTIONAL .500 O.D. X .020 WALL THICKNESS ALUMINUM	101102 108120 504903	1
280	453N2604-236	.	TUBE ASSY- TUBING MATERIAL: .500 O.D. X .022 WALL THICKNESS X LG OPT .50 X .020 IN. WALL THICKNESS AL	101102 108120 504903	1
- 350	453N2250-16		PROVISION INSTL-SMOKE DETECTION POSITION DATA: AFT CARGO COMPT FOR NHA SEE: 21-00-00-15	101102 108120 504903	RF
355	WSI332-14	.	NUT SUPPLIER CODE: V04169 SPECIFICATION NUMBER: BACN10GH3-14 ATTACHING PARTS	101102 108120 504903	7
- 360	BACR15BB3AD	.	RIVET	101102 108120 504903	14
365	WSI4-12	.	NUT SUPPLIER CODE: V04169 SPECIFICATION NUMBER: BACN10TL3-12 ATTACHING PARTS	101102 108120 504903	8
- 370	BACR15BB3AD	.	RIVET	101102 108120 504903	16

MISSING ITEM NUMBERS NOT APPLICABLE

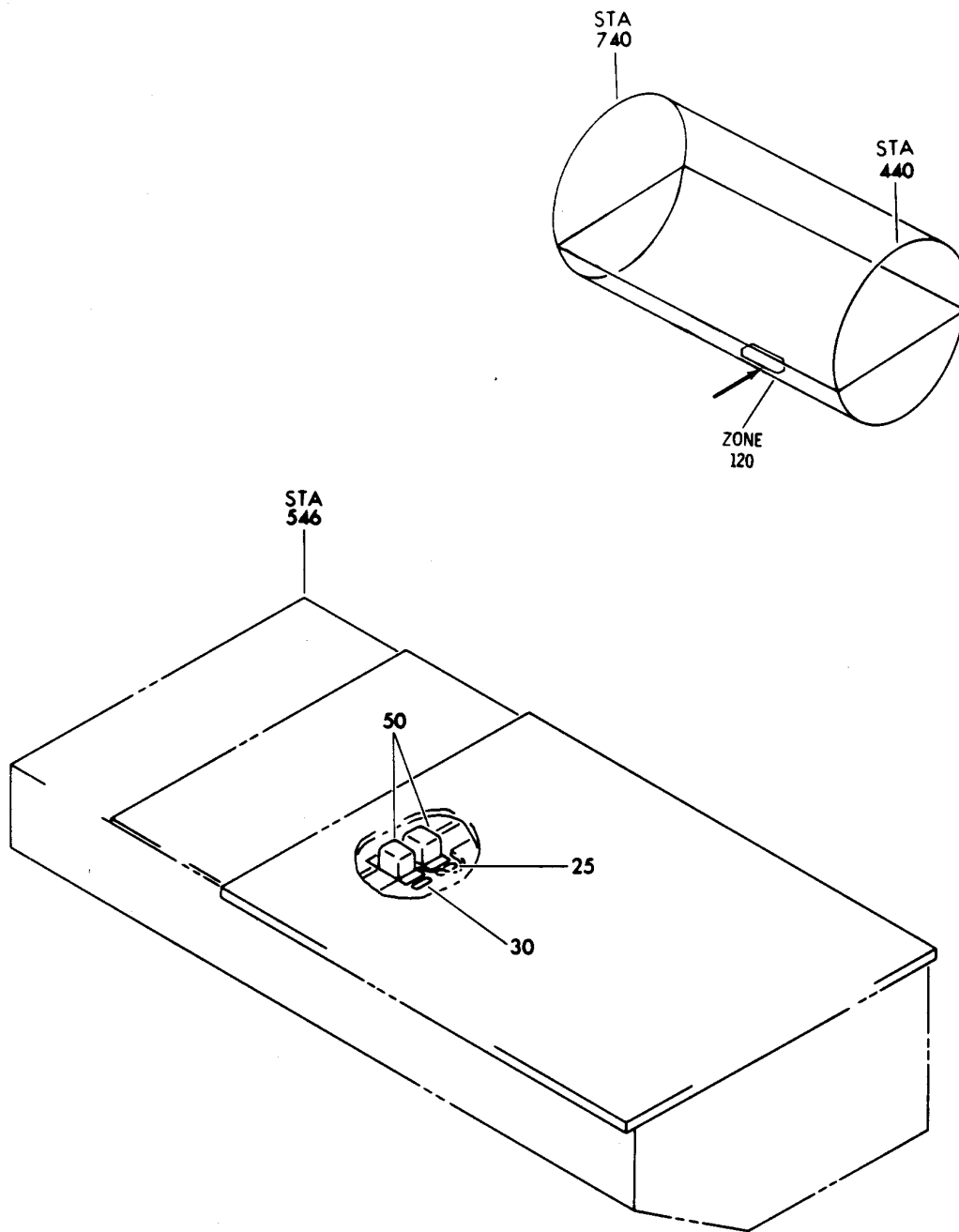
- ITEM NOT ILLUSTRATED

BRI

26-16-59-03

26-16-59
FIG. 03
PAGE 3
JAN 20/09

BOEING
757
PARTS CATALOG (MAINTENANCE)



Y 28187101 SHY 1 REV 018

PANEL ASSY-P36 MISC RELAY L (LOWER CARGO COMPARTMENT FIRE DETECTION ONLY)

FIGURE 1

26-16-71-01

BRI
MAY 28/07

26-16-71-01
PAGE 0



757

PARTS CATALOG (MAINTENANCE)

FIG ITEM	PART NUMBER	1 2 3 4 5 6 7	NOMENCLATURE	EFFECT FROM TO	UNITS PER ASSY
1			PANEL ASSY-P36 MISC RELAY L (LOWER CARGO COMPARTMENT FIRE DETECTION ONLY)	002004 006100 107107 121503 904999	
- 1	284N1125-1		PANEL ASSY-P36 MISC RELAY (LOWER CARGO COMPARTMENT FIRE DETECTION ONLY) POSITION DATA: L VARIABLE DRAWING REF: 284N1125-5023 284N1125-5030 284N1125-5049 284N1125-5050 284N1125-5054 REWORKED BY SB: 34-0200 REWORKED BY ALERT SB: 27A0130 FOR NHA/OTHER SYS DET SEE: 31-01-36-01B	002004 006100 107107 121503 904999	RF
25	BAC27NEX0909		.DECAL- PLACARD CONTENT: K10378	107107 121503 904949	1
25	BAC27NEX0842		.DECAL- PLACARD CONTENT: K10378	002004 006100 950999	1
30	BAC27NEX0910		.DECAL- PLACARD CONTENT: K10379	107107 121503 904949	1
30	BAC27NEX0843		.DECAL- PLACARD CONTENT: K10379	002004 006100 950999	1
50	TDH8119-1002		.RELAY- SUPPLIER CODE: V58657 ELECTRICAL EQUIP NUMBER: K10378 K10379 OPTIONAL PART: TDH8116-1002 V35344	107107	2

MISSING ITEM NUMBERS NOT APPLICABLE

- ITEM NOT ILLUSTRATED

BRI

26-16-71-01

26-16-71
FIG. 01
PAGE 1
JAN 20/09



757

PARTS CATALOG (MAINTENANCE)

FIG ITEM	PART NUMBER	1 2 3 4 5 6 7	NOMENCLATURE	EFFECT FROM TO	UNITS PER ASSY
1					
50	TDH8116-1002		.RELAY- SUPPLIER CODE: V35344 ELECTRICAL EQUIP NUMBER: K10378 K10379 OPTIONAL PART: TDH8119-1002 V58657	107107	2
50	TDH8116-6002		.RELAY- SUPPLIER CODE: V58657 ELECTRICAL EQUIP NUMBER: K10378 K10379	002004 006100 121503 904999	2

MISSING ITEM NUMBERS NOT APPLICABLE

- ITEM NOT ILLUSTRATED

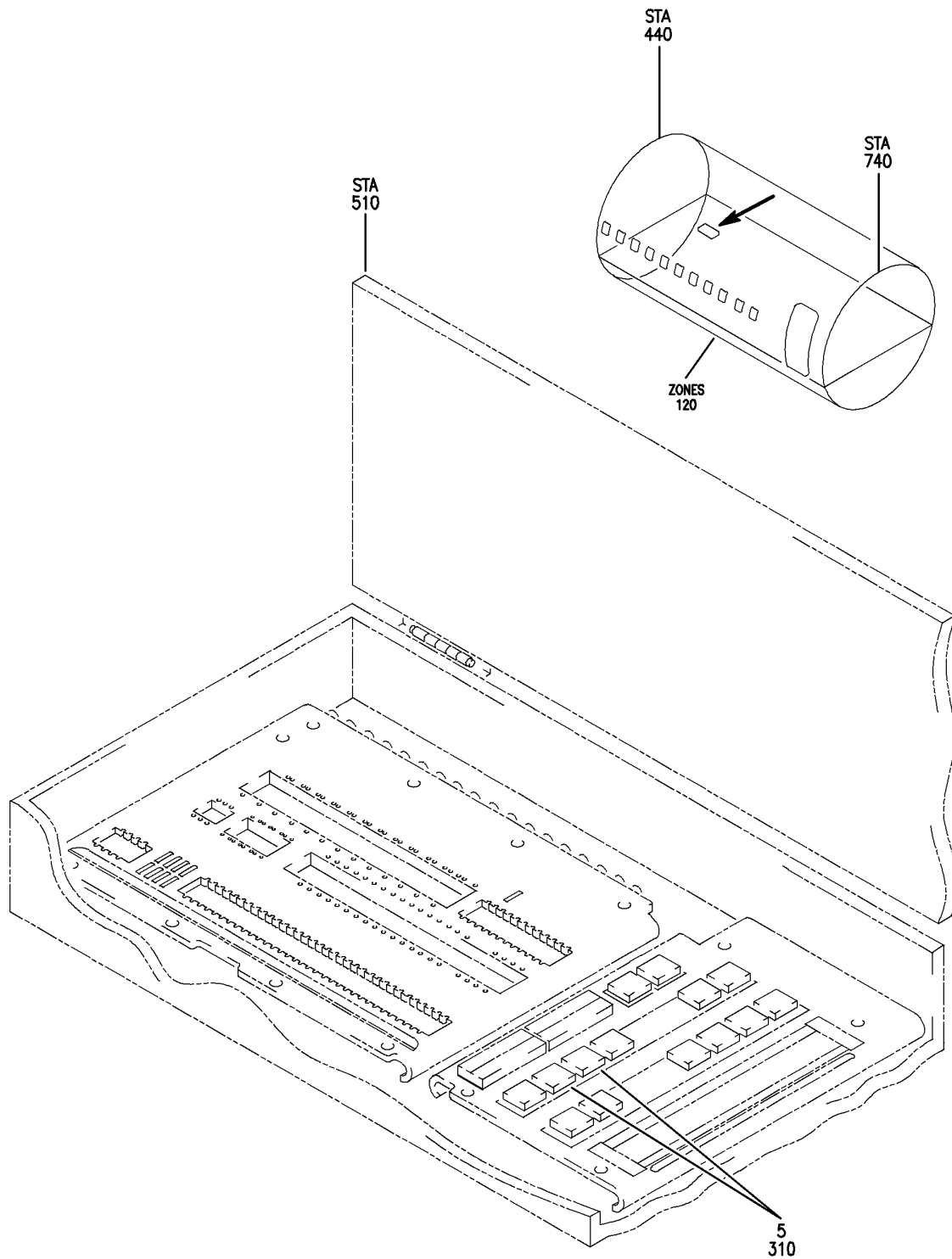
BRI

26-16-71-01

BOEING PROPRIETARY - Copyright © - Unpublished Work - See title page for details.

26-16-71
FIG. 01
PAGE 2
JAN 20/09

BOEING
757
PARTS CATALOG (MAINTENANCE)



Y 26167101A REV 225

OPTION PACKAGE ASSY-P36 MISC RELAY L (LOWER CARGO COMPARTMENT FIRE DETECTION ONLY)
FIGURE 1A

BRI
MAY 28/07

26-16-71-01A

26-16-71-01A
PAGE 0



757

PARTS CATALOG (MAINTENANCE)

FIG ITEM	PART NUMBER	1 2 3 4 5 6 7	NOMENCLATURE	EFFECT FROM TO	UNITS PER ASSY
1 A			OPTION PACKAGE ASSY-P36 MISC RELAY L (LOWER CARGO COMPARTMENT FIRE DETECTION ONLY)	101102 504903	
- 1	284N1125-1013		OPTION PACKAGE ASSY-P36 MISC RELAY L OPTION PACKAGE (LOWER CARGO COMPARTMENT FIRE DETECTION ONLY) REWORKED BY ALERT SB: 27A0130 FOR NHA/OTHER SYS DET SEE: 31-01-36-05	101102 504903	RF
5	TDH8116-6002		.RELAY- SUPPLIER CODE: V58657 ELECTRICAL EQUIP NUMBER: K10378 K10379	101102 504903	2
- 301	286N1260-358		WIRE BUNDLE ASSY- REWORKED BY ALERT SB: 27A0130	101102	RF
- 301	286N1260-364		WIRE BUNDLE ASSY- REWORKED BY ALERT SB: 27A0130	504903	RF
310	RSF116416		.SOCKET- SUPPLIER CODE: V58982 SPECIFICATION NUMBER: BACS16W5A OPTIONAL PART: 102-010-1 V09922 000300-1545 V05574 ELECTRICAL EQUIP NUMBER: D04438 D04440 WIRING DIAGRAM REF: 261621	101102 504903	2

MISSING ITEM NUMBERS NOT APPLICABLE

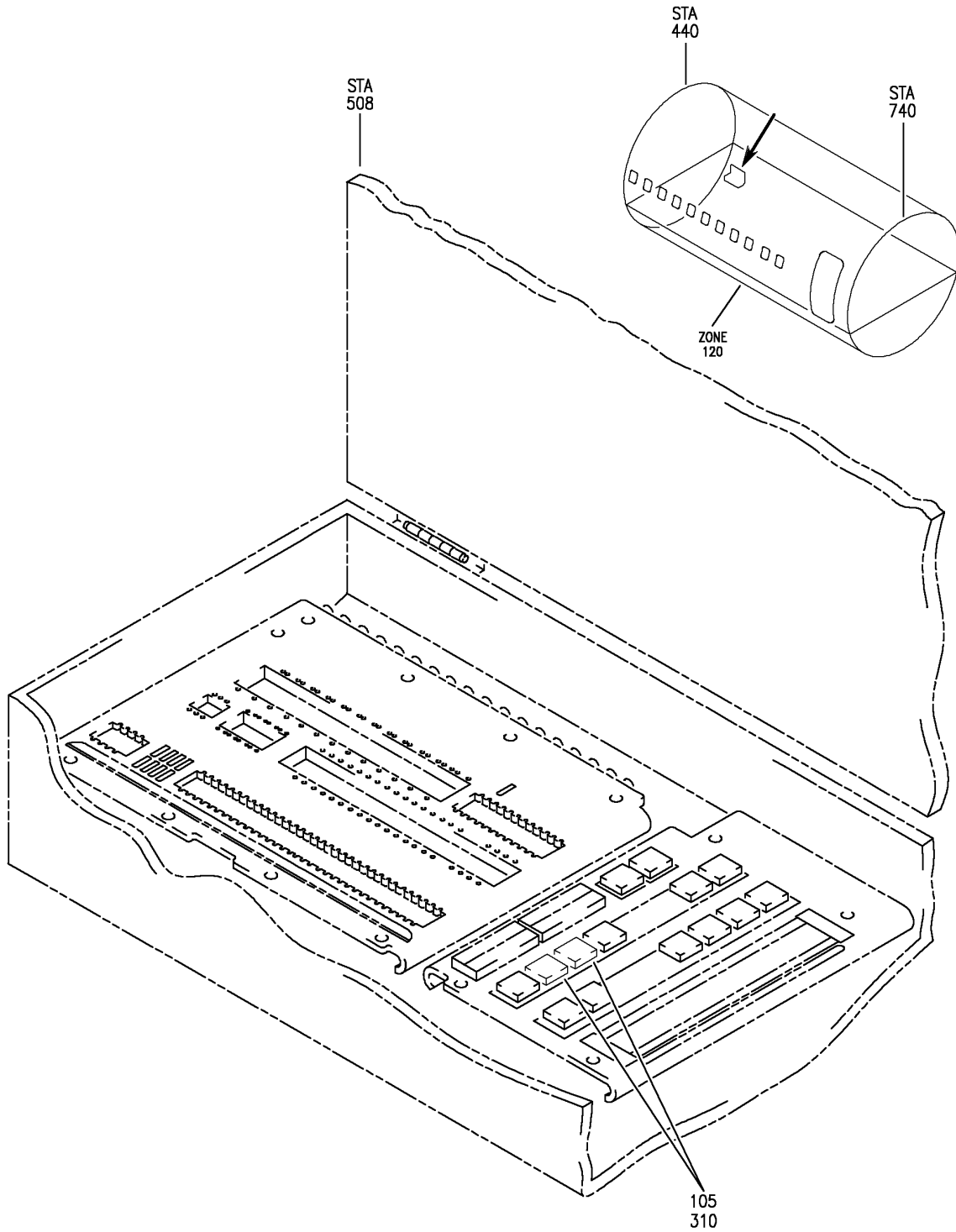
- ITEM NOT ILLUSTRATED

26-16-71-01A

26-16-71
FIG. 01A
PAGE 1
JAN 20/09

BRI

BOEING
757
PARTS CATALOG (MAINTENANCE)



Y 26167101C REV 250

PANEL INSTL-P36 L MISC RELAY (LOWER CARGO COMPARTMENT SMOKE DETECTION ONLY)
FIGURE 1C

BRI
JAN 20/09

26-16-71-01C

26-16-71-01C
PAGE 0



757

PARTS CATALOG (MAINTENANCE)

FIG ITEM	PART NUMBER	1 2 3 4 5 6 7	NOMENCLATURE	EFFECT FROM TO	UNITS PER ASSY
1 C			PANEL INSTL-P36 L MISC RELAY (LOWER CARGO COMPARTMENT SMOKE DETECTION ONLY)	103106 108120	
- 2	284N1125-94		PANEL INSTL-P36 L MISC RELAY (LOWER CARGO COMPARTMENT SMOKE DETECTION ONLY) FOR NHA/OTHER SYS DET SEE: 24-00-58-05C	108120	RF

MISSING ITEM NUMBERS NOT APPLICABLE

- ITEM NOT ILLUSTRATED

BRI

26-16-71-01C

BOEING PROPRIETARY - Copyright © - Unpublished Work - See title page for details.

26-16-71
FIG. 01C
PAGE 1
JAN 20/09



757

PARTS CATALOG (MAINTENANCE)

FIG ITEM	PART NUMBER	1 2 3 4 5 6 7	NOMENCLATURE	EFFECT FROM TO	UNITS PER ASSY
1C - 7	MODREF31944		PANEL INSTL-P36 L MISC RELAY (LOWER CARGO COMPARTMENT SMOKE DETECTION ONLY) MODULE NUMBER: 284N1125-123 REV A FOR OTHER SYS DETAILS SEE: 11-36-08-03C 21-25-71-02C 21-33-71-02C 21-51-56-01C 21-58-71-02C 23-12-00-05 23-31-54-01C 23-34-52-01C 24-21-51-01A 26-22-71-01C 27-48-52-03C 27-51-71-03C 27-58-71-02C 27-62-71-03C 29-11-71-03C 29-21-71-01C 30-21-71-03C 30-34-51-01C 31-01-36-01 32-09-02-03C 32-35-71-01C 32-42-71-02C 32-44-71-02C 32-61-71-02C 34-12-71-02C 34-21-71-02C 34-22-52-01C 34-61-52-01C 36-11-71-02C 73-21-55-01C 74-31-71-02C 76-11-71-02C 77-12-71-01C 78-34-71-02C 78-36-71-02C 80-11-71-02C	103106	1
105	TDH8116-6002		.RELAY- SUPPLIER CODE: V58657 ELECTRICAL EQUIP NUMBER: K10378 K10379	103106 108120	2

MISSING ITEM NUMBERS NOT APPLICABLE

- ITEM NOT ILLUSTRATED

BRI

26-16-71-01C

BOEING PROPRIETARY - Copyright © - Unpublished Work - See title page for details.

26-16-71
FIG. 01C
PAGE 2
JAN 20/09



757

PARTS CATALOG (MAINTENANCE)

FIG ITEM	PART NUMBER	1 2 3 4 5 6 7 NOMENCLATURE	EFFECT FROM TO	UNITS PER ASSY
1C - 300 - 302 310	286N1260-357 286N1260-601 RSF116416	WIRE BUNDLE ASSY WIRE BUNDLE ASSY .SOCKET- SUPPLIER CODE: V58982 SPECIFICATION NUMBER: BACS16W5A OPTIONAL PART: 102-010-1 V09922 000300-1545 V05574 ELECTRICAL EQUIP NUMBER: D04438 D04440 WIRING DIAGRAM REF: 261621	108120 103106 103106 108120	RF RF 2

MISSING ITEM NUMBERS NOT APPLICABLE

- ITEM NOT ILLUSTRATED

BRI

26-16-71-01C

BOEING PROPRIETARY - Copyright © - Unpublished Work - See title page for details.

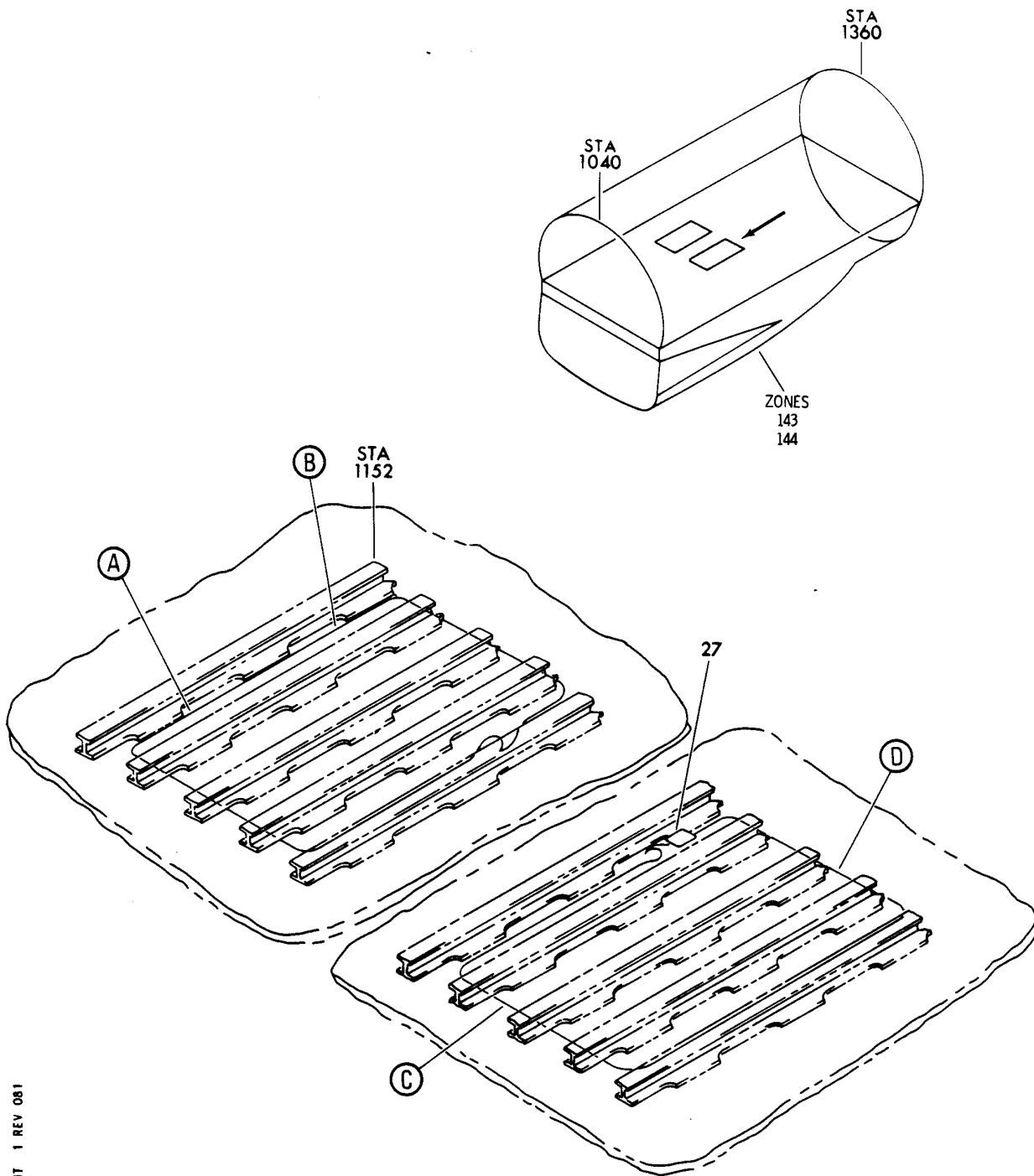
26-16-71
FIG. 01C
PAGE 3
JAN 20/09

WHEEL WELL FIRE DETECTION SYSTEM

BRI
MAY 28/07

26-17-00
SECTION TITLE
PAGE 1

BOEING
757
PARTS CATALOG (MAINTENANCE)



Y 26170101 SHT 1 REV 081

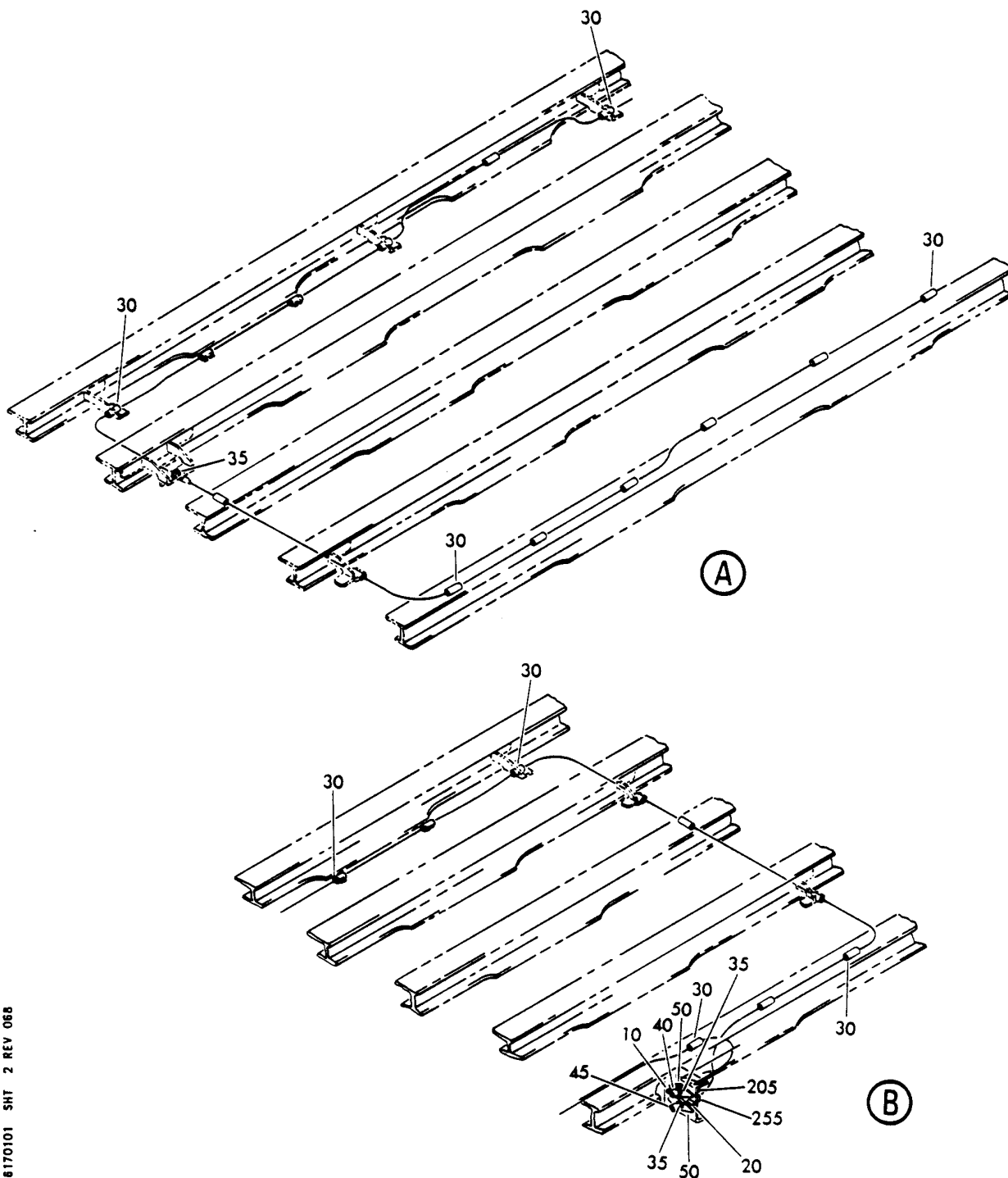
DETECTOR INSTL-MAIN WHL WELL OVERHEAT (FIRE PROTECTION ONLY)
FIGURE 1 (SHEET 1)

26-17-01-01

BRI
MAY 28/07

26-17-01-01
PAGE 0

BOEING
757
PARTS CATALOG (MAINTENANCE)



Y 26170101 SHT 2 REV 06B

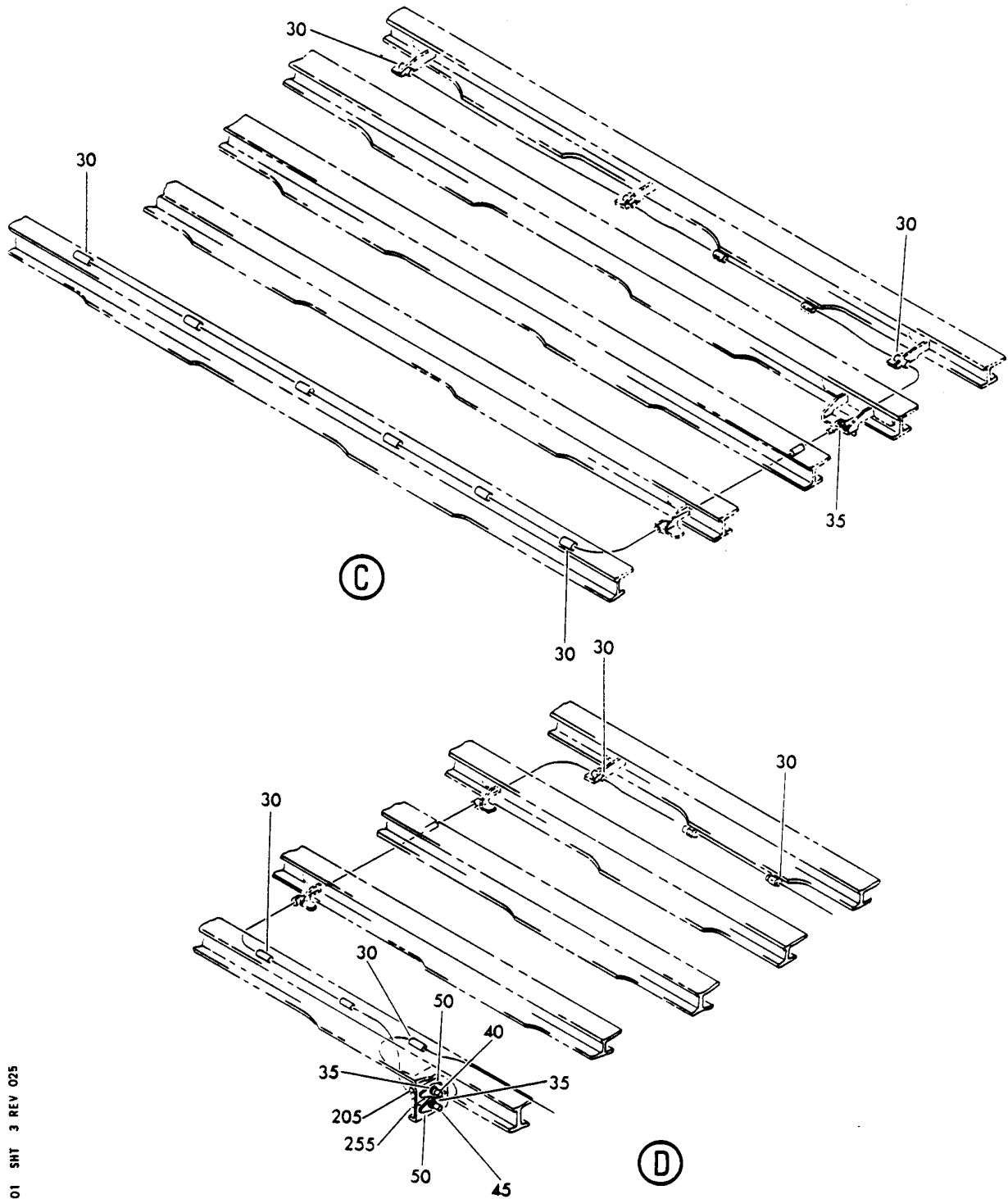
DETECTOR INSTL-MAIN WHL WELL OVERHEAT (FIRE PROTECTION ONLY)
FIGURE 1 (SHEET 2)

26-17-01-01

BRI
MAY 28/07

26-17-01-01
PAGE 0A

BOEING
757
PARTS CATALOG (MAINTENANCE)



Y 26170101 SHT 3 REV 025

DETECTOR INSTL-MAIN WHL WELL OVERHEAT (FIRE PROTECTION ONLY)
FIGURE 1 (SHEET 3)

26-17-01-01

BRI
MAY 28/07

26-17-01-01
PAGE 0B



757

PARTS CATALOG (MAINTENANCE)

FIG ITEM	PART NUMBER	1 2 3 4 5 6 7	NOMENCLATURE	EFFECT FROM TO	UNITS PER ASSY
1			DETECTOR INSTL-MAIN WHL WELL OVERHEAT (FIRE PROTECTION ONLY)	002004 006999	
- 1	284N1443-1		DETECTOR INSTL-OVERHEAT (FIRE PROTECTION ONLY) POSITION DATA: MAIN WHL WELL LH FOR NHA/OTHER SYS DET SEE: 24-00-58-01A	107107	RF
- 1	284N1443-3		DETECTOR INSTL-OVERHEAT (FIRE PROTECTION ONLY) POSITION DATA: MAIN WHL WELL LH FOR NHA/OTHER SYS DET SEE: 24-00-58-01A 24-00-58-05	002004 006102 108999	RF
- 1	MODREF10424		DETECTOR INSTL-OVERHEAT (FIRE PROTECTION ONLY) MODULE NUMBER: 284N1443-3 REV A POSITION DATA: MAIN WHL WELL LH	103106	1
- 5	284N1443-2		DETECTOR INSTL-OVERHEAT (FIRE PROTECTION ONLY) POSITION DATA: MAIN WHL WELL RH FOR NHA/OTHER SYS DET SEE: 24-00-58-01A	107107	RF
- 5	284N1443-4		DETECTOR INSTL-OVERHEAT (FIRE PROTECTION ONLY) POSITION DATA: MAIN WHL WELL RH FOR NHA/OTHER SYS DET SEE: 24-00-58-01A 24-00-58-05	002004 006102 108999	RF
- 5	MODREF10425		DETECTOR INSTL-OVERHEAT (FIRE PROTECTION ONLY) MODULE NUMBER: 284N1443-4 REV A POSITION DATA: MAIN WHL WELL RH	103106	1
10	BAC27NEX0753		.MARKER-ALUMINUM FOIL POSITION DATA: LH SIDE PLACARD CONTENT: D02798	002004 006999	RF

MISSING ITEM NUMBERS NOT APPLICABLE

- ITEM NOT ILLUSTRATED

26-17-01-01

26-17-01
FIG. 01
PAGE 1
JAN 20/09

BRI



757

PARTS CATALOG (MAINTENANCE)

FIG ITEM	PART NUMBER	1 2 3 4 5 6 7	NOMENCLATURE	EFFECT FROM TO	UNITS PER ASSY
1					
- 15	BAC27NEX0756		.MARKER-ALUMINUM FOIL POSITION DATA: RH SIDE PLACARD CONTENT: D02820	002004 006999	RF
20	BAC27NEX0754		.MARKER-ALUMINUM FOIL POSITION DATA: LH SIDE PLACARD CONTENT: D02796	002004 006999	RF
- 25	BAC27NEX0755		.MARKER-ALUMINUM FOIL POSITION DATA: RH SIDE PLACARD CONTENT: D02822	002004 006999	RF
27	BAC27NEX0871		.MARKER-ALUMINUM FOIL POSITION DATA: LH SIDE	002004 006999	RF
- 28	BAC27NEX2237		.MARKER-ALUMINUM FOIL POSITION DATA: RH SIDE	002004 006999	RF
30	35450-1		.BUSHING-RUBBER SUPPLIER CODE: V73168	002004 006999	23
35	135930		.NUT-FLANGE SUPPLIER CODE: V73168 OPTIONAL PART: S09401 V92595	002004 006999	3
35	S09401		.NUT-FLANGE SUPPLIER CODE: V92595 OPTIONAL PART: 135930 V73168	002004 006999	3
35	06-135930-000		.NUT-FLANGE SUPPLIER CODE: V73168	002004 006999	3
40	35578-2-400		.ELEMENTS-DETECTOR SUPPLIER CODE: V73168 SPECIFICATION NUMBER: S283N001-50 ELECTRICAL EQUIP NUMBER: TS0202 TS0204	002004 006100 103503 904999	1

MISSING ITEM NUMBERS NOT APPLICABLE

- ITEM NOT ILLUSTRATED

BRI

26-17-01-01

26-17-01
FIG. 01
PAGE 2
JAN 20/09



757

PARTS CATALOG (MAINTENANCE)

FIG ITEM	PART NUMBER	1 2 3 4 5 6 7	NOMENCLATURE	EFFECT FROM TO	UNITS PER ASSY
1					
45	35614-4-400		.ELEMENTS-DETECTOR SUPPLIER CODE: V73168 SPECIFICATION NUMBER: S283N001-51 ELECTRICAL EQUIP NUMBER: TS0203 TS0205	002004 006999	1
50	284N1449-9		.FLANGE ASSY	002004 006999	2
- 55	NAS1801-06-6		ATTACHING PARTS .SCREW	002004 006999	4
- 60	BRH10A06		.NUT SUPPLIER CODE: V52828 SPECIFICATION NUMBER: BACN10JCO6 OPTIONAL PART: H10-06BAC V15653 RMLH9075-62W V72962 VN303A62 V92215 96-62 V80539 NS202101-62 V80539 T6S632J V11815 -----*-----	002004 006999	4
- 200	286N2416-003		WIRE BUNDLE ASSY	002004 006100 950999	RF
- 200	286N2416-004		WIRE BUNDLE ASSY	107107 121503 904949	RF
- 200	286N2416-309		WIRE BUNDLE ASSY-	101102	RF
- 201	286N2416-312		WIRE BUNDLE ASSY-	108120	RF
- 201	286N2416-315		WIRE BUNDLE ASSY	504903	RF
205	35303-75		.PLUG- SUPPLIER CODE: V73168 ELECTRICAL EQUIP NUMBER: D02796 D02798 WIRING DIAGRAM REF: 261711	002004 006102 107999	2

MISSING ITEM NUMBERS NOT APPLICABLE

- ITEM NOT ILLUSTRATED

26-17-01-01

26-17-01
FIG. 01
PAGE 3
JAN 20/09

BRI



757

PARTS CATALOG (MAINTENANCE)

FIG ITEM	PART NUMBER	1 2 3 4 5 6 7	NOMENCLATURE	EFFECT FROM TO	UNITS PER ASSY
1					
- 250	286N2514-004		WIRE BUNDLE ASSY	002004 006100 950999	RF
- 250	286N2514-005		WIRE BUNDLE ASSY	107107 121503 904949	RF
- 250	286N2514-303		WIRE BUNDLE ASSY-	108120	RF
255	35303-75		.PLUG-	002004	2
			SUPPLIER CODE: V73168	006100	
			ELECTRICAL EQUIP NUMBER: D02820 D02822	107503 904999	
			WIRING DIAGRAM REF: 261711 261711		

MISSING ITEM NUMBERS NOT APPLICABLE

- ITEM NOT ILLUSTRATED

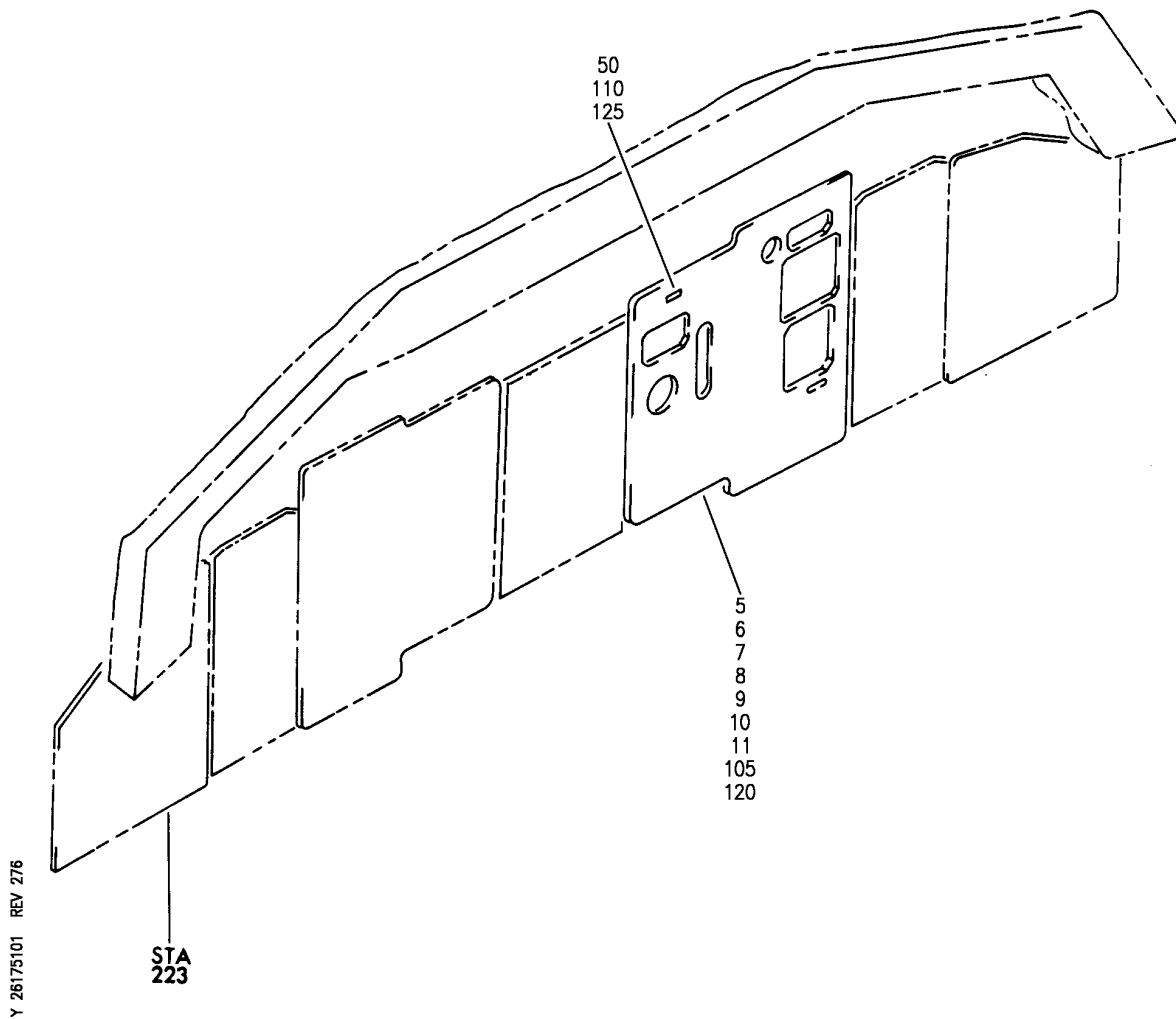
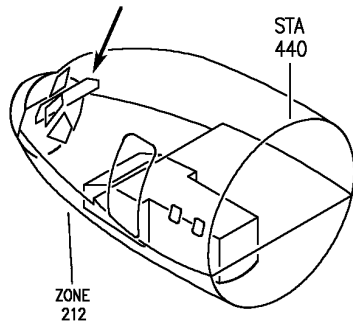
BRI

26-17-01-01

BOEING PROPRIETARY - Copyright © - Unpublished Work - See title page for details.

26-17-01
FIG. 01
PAGE 4
JAN 20/09

BOEING
757
PARTS CATALOG (MAINTENANCE)



Y 26175101 REV 276

PANEL INSTL-CAPT AND FIRST OFFICER FWD (WHEEL WELL OVERHEAT DETECTION ONLY)
FIGURE 1

BRI
MAY 28/07

26-17-51-01

26-17-51-01
PAGE 0



757

PARTS CATALOG (MAINTENANCE)

FIG ITEM	PART NUMBER	1 2 3 4 5 6 7	NOMENCLATURE	EFFECT FROM TO	UNITS PER ASSY
1			PANEL INSTL-CAPT AND FIRST OFFICER FWD (WHEEL WELL OVERHEAT DETECTION ONLY)	002010 107107 121503 904999	
- 1	233N2101-1		PANEL INSTL-CAPT AND FIRST OFFICER (WHEEL WELL OVERHEAT DETECTION ONLY) POSITION DATA: FWD VARIABLE DRAWING REF: 233N2101-5003 233N2101-5004 233N2101-5037 233N2101-5039 233N2101-5041 FOR NHA/OTHER SYS DET SEE: 25-10-00-05A	002004 006010 107107 121503 904999	RF
5	233N2222-53		.MODULE ASSY-P3-1 PRE ALERT SB: 33A0044	107107	RF
6	233N2222-1077		.MODULE ASSY-P3-1 POST ALERT SB: 33A0044	002010 950951 953999	RF
7	233N2222-77		.MODULE ASSY-P3-1 PRE SERVICE BULLETIN: 34-0200 PRE ALERT SB: 33A0044	002004 006010 950999	RF
7	233N2222-85		.MODULE ASSY-P3-1 PRE ALERT SB: 33A0044R1	121503 904949	RF
10	233N2222-1053		.MODULE ASSY-P3-1 POST ALERT SB: 33A0044	107107	RF
11	233N2222-1085		.MODULE ASSY-P3-1 POST ALERT SB: 33A0044R1	121503 904949	RF
50	BCREF6413		..LIGHT ASSY-WHL WELL FIRE IND SUPPLIER CODE: V81590 OVERLENGTH PART NUMBER: 434-674-1005-1294 SPECIFICATION NUMBER: S231T300-1294 ELECTRICAL EQUIP NUMBER: L00445 OPTIONAL PART: BCREF8596	002010 107107 121503 904999	1

MISSING ITEM NUMBERS NOT APPLICABLE

- ITEM NOT ILLUSTRATED

BRI

26-17-51-01

26-17-51
FIG. 01
PAGE 1
JAN 20/09



757

PARTS CATALOG (MAINTENANCE)

FIG ITEM	PART NUMBER	1 2 3 4 5 6 7	NOMENCLATURE	EFFECT FROM TO	UNITS PER ASSY
1			V81590 USED ON: 233N2222-18 233N2222-19 233N2222-20 233N2222-32 233N2222-34 233N2222-36 233N2222-37 233N2222-40 233N2222-43 233N2222-44 233N2222-45 233N2222-46 233N2222-49 233N2222-50 233N2222-51 233N2222-52 233N2222-53 233N2222-54 233N2222-55 233N2222-56 233N2222-58 233N2222-59 233N2222-61 233N2222-68 233N2222-73 233N2222-74 233N2222-75 233N2222-76 233N2222-77 233N2222-78 233N2222-79 233N2222-80 233N2222-81 233N2222-82 233N2222-83 233N2222-85 233N2222-86 233N2222-87 233N2222-89 233N2222-90 233N2222-91 233N2222-114 233N2222-1019 233N2222-1032 233N2222-1034 233N2222-1036 233N2222-1037		

MISSING ITEM NUMBERS NOT APPLICABLE

- ITEM NOT ILLUSTRATED

BRI

26-17-51-01

BOEING PROPRIETARY - Copyright © - Unpublished Work - See title page for details.

26-17-51
FIG. 01
PAGE 2
JAN 20/09



757

PARTS CATALOG (MAINTENANCE)

FIG ITEM	PART NUMBER	1 2 3 4 5 6 7 NOMENCLATURE	EFFECT FROM TO	UNITS PER ASSY
1		233N2222-1040 233N2222-1043 233N2222-1044 233N2222-1045 233N2222-1050 233N2222-1051 233N2222-1052 233N2222-1053 233N2222-1054 233N2222-1055 233N2222-1056 233N2222-1058 233N2222-1059 233N2222-1061 233N2222-1073 233N2222-1074 233N2222-1075 233N2222-1076 233N2222-1077 233N2222-1078 233N2222-1080 233N2222-1081 233N2222-1082 233N2222-1083 233N2222-1085 233N2222-1086 233N2222-1089 233N2222-1090 233N2222-1091 233N2222-1103 PRE SERVICE BULLETIN: 34-0200 FOR DETAILS SEE: 33-14-70-03 ..LIGHT ASSY-WHL WELL FIRE IND SUPPLIER CODE: V81590 OVERLENGTH PART NUMBER: 434-674-1031-2294 SPECIFICATION NUMBER: S231T300-2294 ELECTRICAL EQUIP NUMBER: L00445 OPTIONAL PART: BCREf6413 V81590 USED ON: 233N2222-49		
50	BCREF8596	..LIGHT ASSY-WHL WELL FIRE IND SUPPLIER CODE: V81590 OVERLENGTH PART NUMBER: 434-674-1031-2294 SPECIFICATION NUMBER: S231T300-2294 ELECTRICAL EQUIP NUMBER: L00445 OPTIONAL PART: BCREf6413 V81590 USED ON: 233N2222-49	002010 107107 121503 904999	1

MISSING ITEM NUMBERS NOT APPLICABLE

- ITEM NOT ILLUSTRATED

BRI

26-17-51-01

BOEING PROPRIETARY - Copyright © - Unpublished Work - See title page for details.

26-17-51
 FIG. 01
 PAGE 3
 JAN 20/09



757

PARTS CATALOG (MAINTENANCE)

FIG ITEM	PART NUMBER	1 2 3 4 5 6 7	NOMENCLATURE	EFFECT FROM TO	UNITS PER ASSY
1			233N2222-50 233N2222-51 233N2222-52 233N2222-53 233N2222-54 233N2222-55 233N2222-56 233N2222-58 233N2222-59 233N2222-61 233N2222-68 233N2222-73 233N2222-74 233N2222-75 233N2222-76 233N2222-77 233N2222-78 233N2222-79 233N2222-80 233N2222-81 233N2222-82 233N2222-83 233N2222-85 233N2222-86 233N2222-87 233N2222-89 233N2222-90 233N2222-91 233N2222-114 233N2222-1050 233N2222-1051 233N2222-1052 233N2222-1053 233N2222-1054 233N2222-1055 233N2222-1056 233N2222-1058 233N2222-1059 233N2222-1061 233N2222-1073 233N2222-1074 233N2222-1075 233N2222-1076 233N2222-1077 233N2222-1078 233N2222-1080 233N2222-1081 233N2222-1082 233N2222-1083		

MISSING ITEM NUMBERS NOT APPLICABLE

- ITEM NOT ILLUSTRATED

BRI

26-17-51-01

BOEING PROPRIETARY - Copyright © - Unpublished Work - See title page for details.

26-17-51
FIG. 01
PAGE 4
JAN 20/09



757

PARTS CATALOG (MAINTENANCE)

FIG ITEM	PART NUMBER	1 2 3 4 5 6 7	NOMENCLATURE	EFFECT FROM TO	UNITS PER ASSY
1			233N2222-1085 233N2222-1086 233N2222-1089 233N2222-1090 233N2222-1091 233N2222-1103 PRE SERVICE BULLETIN: 34-0200 FOR DETAILS SEE: 33-14-70-03		
- 100	233N2222-329	.MODULE ASSY-	COMPONENT MAINT MANUAL REF: 31-11-49 POST SERVICE BULLETIN: 34-0200 PRE ALERT SB: 33A0044	952952	RF
- 100	233N2222-1329	.MODULE ASSY-	COMPONENT MAINT MANUAL REF: 31-11-49 POST ALERT SB: 33A0044	952952	RF
105	233N2222-111	..MODULE ASSY-	PRE ALERT SB: 33A0044	952952	RF
105	233N2222-1111	..MODULE ASSY-	POST ALERT SB: 33A0044	952952	RF
110	BCREF8596	...LIGHT ASSY-WHL WELL	FIRE IND SUPPLIER CODE: V81590 OVERLENGTH PART NUMBER: 434-674-1031-2294 SPECIFICATION NUMBER: S231T300-2294 ELECTRICAL EQUIP NUMBER: L00445 POST SERVICE BULLETIN: 34-0200 FOR DETAILS SEE: 33-14-70-03	952952	1

MISSING ITEM NUMBERS NOT APPLICABLE

- ITEM NOT ILLUSTRATED

BRI

26-17-51-01

BOEING PROPRIETARY - Copyright © - Unpublished Work - See title page for details.

26-17-51
FIG. 01
PAGE 5
JAN 20/09



757

PARTS CATALOG (MAINTENANCE)

FIG ITEM	PART NUMBER	1 2 3 4 5 6 7	NOMENCLATURE	EFFECT FROM TO	UNITS PER ASSY
1 110	BCREF6413		...LIGHT ASSY-WHL WELL FIRE IND SUPPLIER CODE: V81590 OVERLENGTH PART NUMBER: 434-674-1005-1294 SPECIFICATION NUMBER: S231T300-1294 ELECTRICAL EQUIP NUMBER: L00445 FOR DETAILS SEE: 33-14-70-03	952952	1

MISSING ITEM NUMBERS NOT APPLICABLE

- ITEM NOT ILLUSTRATED

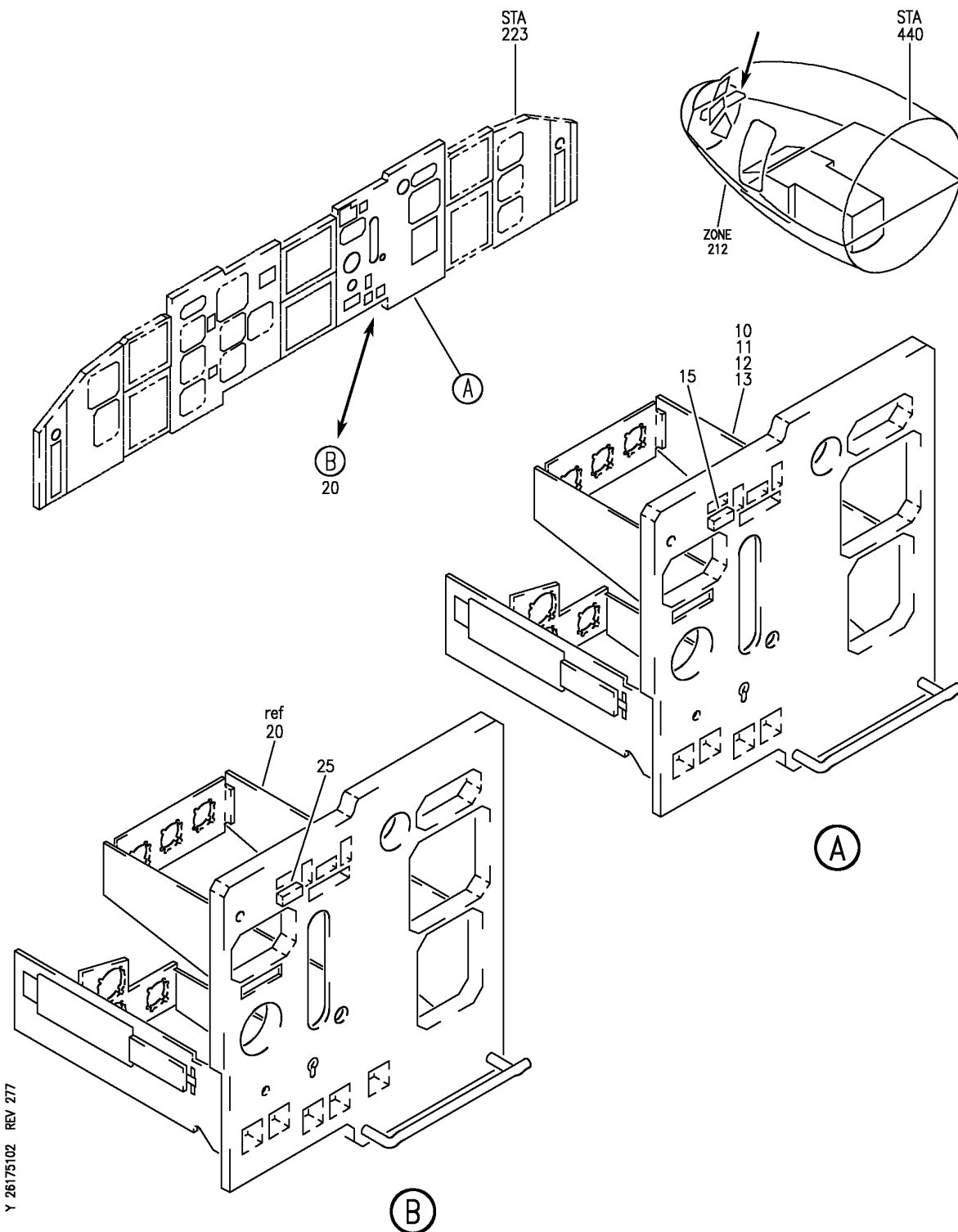
BRI

26-17-51-01

BOEING PROPRIETARY - Copyright © - Unpublished Work - See title page for details.

26-17-51
FIG. 01
PAGE 6
JAN 20/09

BOEING
757
PARTS CATALOG (MAINTENANCE)



Y 26175102 REV 277

PANEL INSTL-CAPT AND FIRST OFFICER FWD (WHEEL WELL OVERHEAT DETECTION ONLY)
FIGURE 2

26-17-51-02

BRI
MAY 28/07

26-17-51-02
PAGE 0



757

PARTS CATALOG (MAINTENANCE)

FIG ITEM	PART NUMBER	1 2 3 4 5 6 7	NOMENCLATURE	EFFECT FROM TO	UNITS PER ASSY
2			PANEL INSTL-CAPT AND FIRST OFFICER FWD (WHEEL WELL OVERHEAT DETECTION ONLY)	011100	
- 1	233N2101-1		PANEL INSTL-CAPT AND FIRST OFFICER (WHEEL WELL OVERHEAT DETECTION ONLY) POSITION DATA: FWD VARIABLE DRAWING REF: 233N2101-5039 FOR NHA/OTHER SYS DET SEE: 25-10-00-05A	011100	RF
- 5	233N2222-301		.MODULE ASSY-P3-1 COMPONENT MAINT MANUAL REF: 31-11-49 PRE ALERT SB: 33A0044	011100	RF
- 6	233N2222-1301		.MODULE ASSY-P3-1 COMPONENT MAINT MANUAL REF: 31-11-49 POST ALERT SB: 33A0044	011100	RF
10	233N2222-77		..MODULE ASSY- PRE ALERT SB: 33A0044	011100	RF
10	233N2222-1077		..MODULE ASSY- POST ALERT SB: 33A0044	011100	RF

MISSING ITEM NUMBERS NOT APPLICABLE

- ITEM NOT ILLUSTRATED

BRI

26-17-51-02

BOEING PROPRIETARY - Copyright © - Unpublished Work - See title page for details.

26-17-51
FIG. 02
PAGE 1
JAN 20/09



757

PARTS CATALOG (MAINTENANCE)

FIG ITEM	PART NUMBER	1 2 3 4 5 6 7 NOMENCLATURE	EFFECT FROM TO	UNITS PER ASSY
2 15	BCREF6413	...LIGHT ASSY-WHL WELL FIRE IND SUPPLIER CODE: V81590 OVERLENGTH PART NUMBER: 434-674-1005-1294 SPECIFICATION NUMBER: S231T300-1294 ELECTRICAL EQUIP NUMBER: L00445 OPTIONAL PART: BCREP8596 V81590 USED ON: 233N2222-77 233N2222-78 233N2222-80 233N2222-81 233N2222-82 233N2222-87 233N2222-89 233N2222-90 233N2222-91 233N2222-93 233N2222-94 233N2222-114 233N2222-1077 233N2222-1078 233N2222-1080 233N2222-1082 233N2222-1089 233N2222-1090 233N2222-1091 233N2222-1093 233N2222-1094 233N2222-1103 FOR DETAILS SEE: 33-14-70-03	011100	1

MISSING ITEM NUMBERS NOT APPLICABLE

- ITEM NOT ILLUSTRATED

BRI

26-17-51-02

BOEING PROPRIETARY - Copyright © - Unpublished Work - See title page for details.

26-17-51
FIG. 02
PAGE 2
JAN 20/09



757

PARTS CATALOG (MAINTENANCE)

FIG ITEM	PART NUMBER	1 2 3 4 5 6 7	NOMENCLATURE	EFFECT FROM TO	UNITS PER ASSY
2 15	BCREF8596		...LIGHT ASSY-WHL WELL FIRE IND SUPPLIER CODE: V81590 OVERLENGTH PART NUMBER: 434-674-1031-2294 SPECIFICATION NUMBER: S231T300-2294 ELECTRICAL EQUIP NUMBER: L00445 OPTIONAL PART: BCREf6413 V81590 USED ON: 233N2222-77 233N2222-78 233N2222-80 233N2222-81 233N2222-82 233N2222-87 233N2222-89 233N2222-90 233N2222-91 233N2222-93 233N2222-94 233N2222-114 233N2222-125 233N2222-139 233N2222-153 233N2222-1077 233N2222-1078 233N2222-1080 233N2222-1082 233N2222-1089 233N2222-1090 233N2222-1091 233N2222-1093 233N2222-1094 233N2222-1103 233N2222-1125 FOR DETAILS SEE: 33-14-70-03	011100	1

MISSING ITEM NUMBERS NOT APPLICABLE

- ITEM NOT ILLUSTRATED

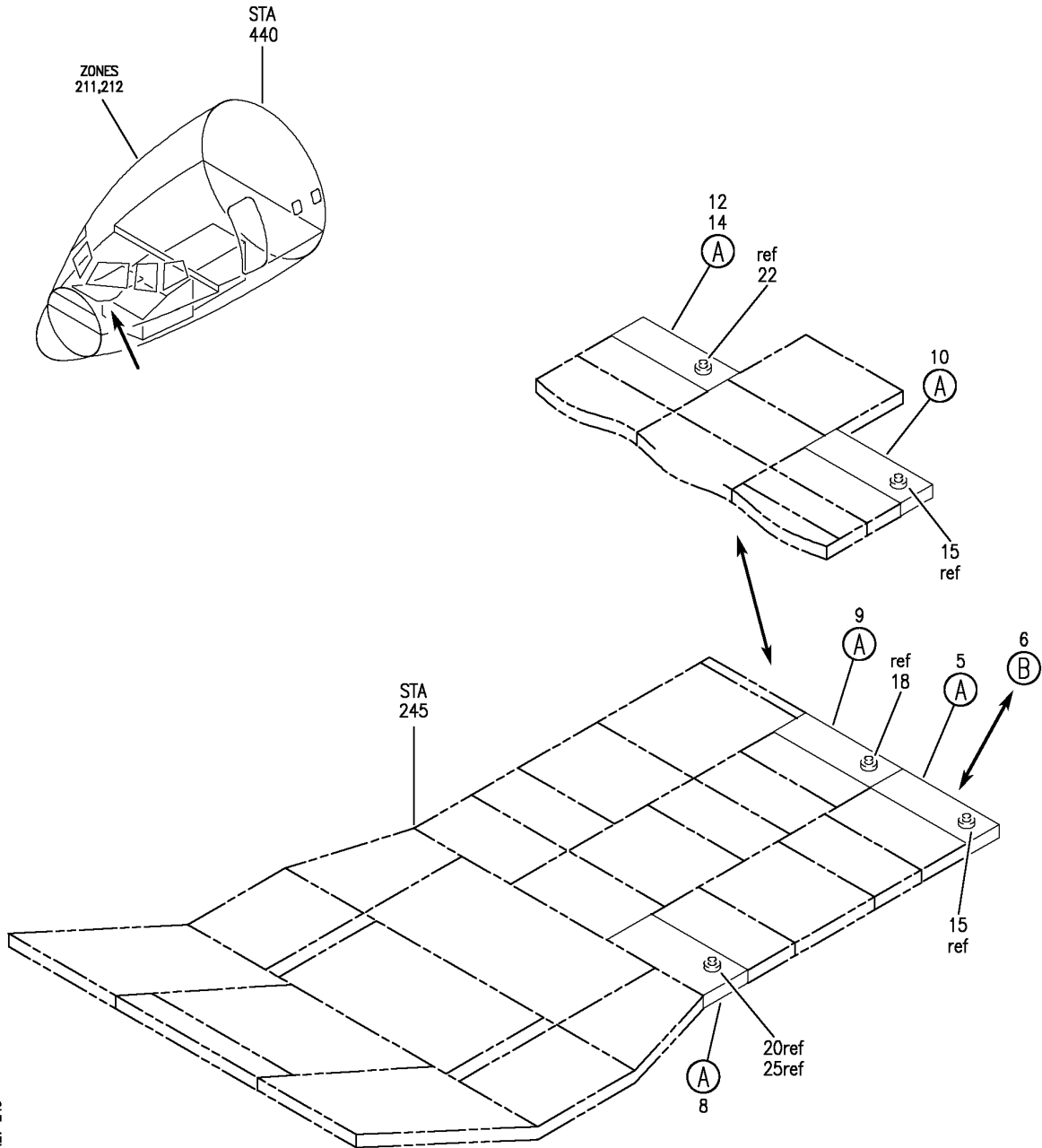
BRI

26-17-51-02

BOEING PROPRIETARY - Copyright © - Unpublished Work - See title page for details.

26-17-51
FIG. 02
PAGE 3
JAN 20/09

BOEING
757
PARTS CATALOG (MAINTENANCE)



Y 26175103 SH1 1 REV 249

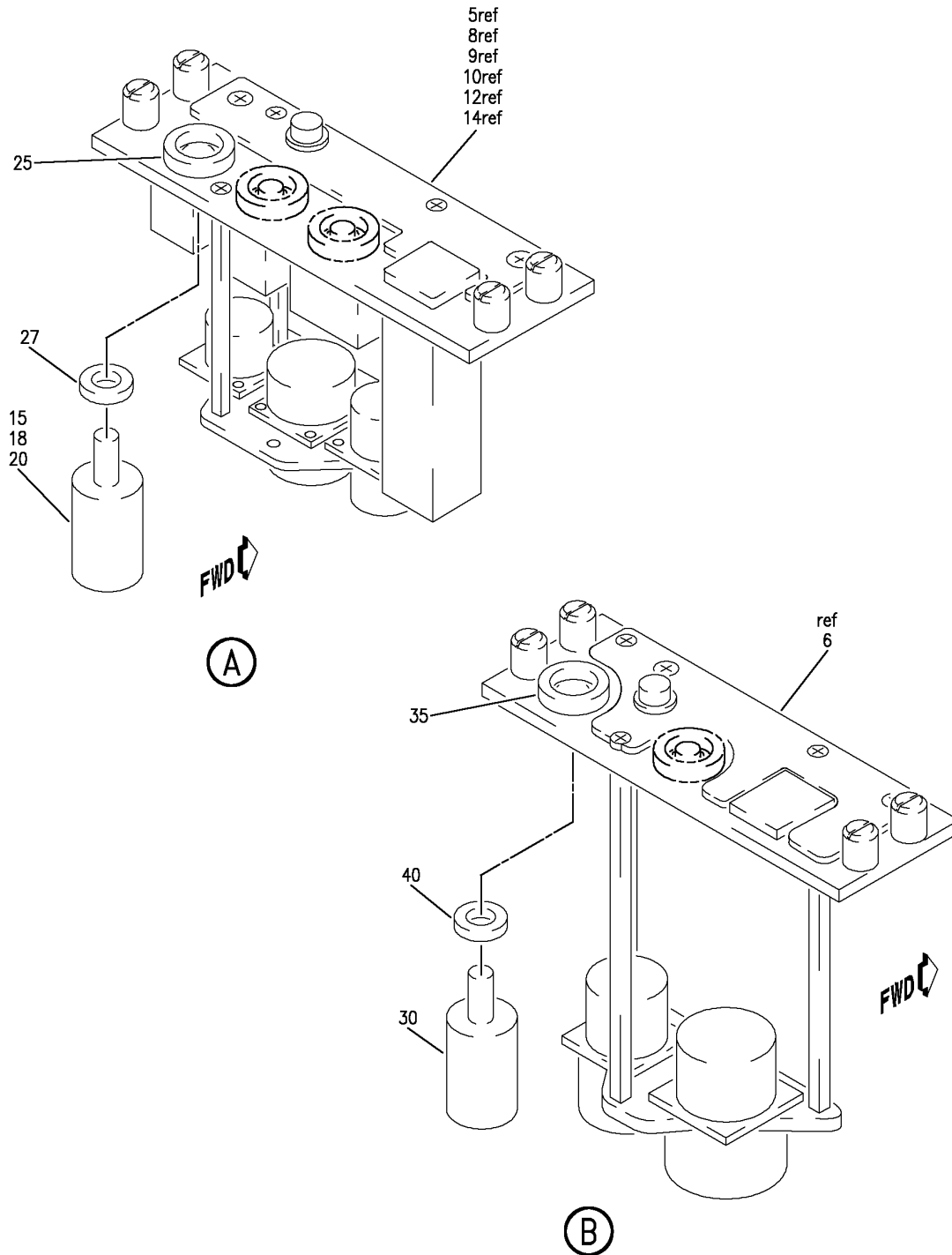
PANEL INSTL-P8 ELECTRONIC (WHEEL WELL OVERHEAT DETECTION)
FIGURE 3 (SHEET 1)

26-17-51-03

BRI
MAY 28/07

26-17-51-03
PAGE 0

BOEING
757
PARTS CATALOG (MAINTENANCE)



Y 26175103 SH1 2 REV 249

PANEL INSTL-P8 ELECTRONIC (WHEEL WELL OVERHEAT DETECTION)
FIGURE 3 (SHEET 2)

26-17-51-03

BRI
MAY 28/07

26-17-51-03
PAGE 0A



757

PARTS CATALOG (MAINTENANCE)

FIG ITEM	PART NUMBER	1 2 3 4 5 6 7	NOMENCLATURE	EFFECT FROM TO	UNITS PER ASSY
3			PANEL INSTL-P8 ELECTRONIC (WHEEL WELL OVERHEAT DETECTION)	002004 006010 107107 121503 904999	
- 1	233N6101-1		PANEL INSTL-P8 ELECTRONIC WHEEL WELL OVERHEAT DETECTION VARIABLE DRAWING REF: 233N6101-5004 233N6101-5028 233N6101-5041 233N6101-5042 233N6101-5046 FOR NHA/OTHER SYS DET SEE: 25-10-00-05A	002004 006010 107107 121503 904999	RF
5	233N6204-14		.PANEL ASSY-FIRE/OVERHEAT TEST SUPPLIER CODE: V89954 ELECTRICAL EQUIP NUMBER: M10445 COMPONENT MAINT MANUAL REF: 26-11-52 QUALIFIED I/W DATA: 233N6204-13 -14 -15 -16 -17 ARE ALL INTERCHANGEABLE EXCEPT SUBJECT TO CUSTOMER PREFERENCE	107107	RF
5	233N6204-15		.PANEL ASSY-FIRE/OVERHEAT TEST SUPPLIER CODE: V89954 ELECTRICAL EQUIP NUMBER: M10445 COMPONENT MAINT MANUAL REF: 26-11-52 QUALIFIED I/W DATA: 233N6204-13 -14 -15 -17 ARE ALL INTERCHANGEABLE EXCEPT SUBJECT TO CUSTOMER PREFERENCE	002004 006010 950999	RF

MISSING ITEM NUMBERS NOT APPLICABLE

- ITEM NOT ILLUSTRATED

26-17-51-03

26-17-51
FIG. 03
PAGE 1
JAN 20/09

BRI



757

PARTS CATALOG (MAINTENANCE)

FIG ITEM	PART NUMBER	1 2 3 4 5 6 7	NOMENCLATURE	EFFECT FROM TO	UNITS PER ASSY
3					
10	233N6204-17		.PANEL ASSY-FIRE/OVERHEAT TEST SUPPLIER CODE: V89954 ELECTRICAL EQUIP NUMBER: M10445 COMPONENT MAINT MANUAL REF: 26-11-52 QUALIFIED I/W DATA: 233N6204-13 -14 -15 -16 -17 ARE ALL INTERCHANGEABLE EXCEPT SUBJECT TO CUSTOMER PREFERENCE	121503 904949	RF
15	702PB1		..SWITCH-PUSH BUTTON SUPPLIER CODE: V91929	002004 006010 107107 121503 904999	1
25	120092		..GUARD-SWITCH SUPPLIER CODE: V81640	002004 006010 107107 121503 904999	1
27	NAS1149C0816R		..WASHER- OPTIONAL PART: SGD002H V9V172 SGD005H V9V172 SGD015H V9V172	002004 006010 107107 121503 904999	AR
27	SGD002H		..WASHER- SUPPLIER CODE: V9V172 OPTIONAL PART: NAS1149C0816R SGD005H V9V172 SGD015H V9V172	002004 006010 107107 121503 904999	AR

MISSING ITEM NUMBERS NOT APPLICABLE

- ITEM NOT ILLUSTRATED

26-17-51-03

26-17-51
FIG. 03
PAGE 2
JAN 20/09

BRI



757

PARTS CATALOG (MAINTENANCE)

FIG ITEM	PART NUMBER	1 2 3 4 5 6 7	NOMENCLATURE	EFFECT FROM TO	UNITS PER ASSY
3 27	SGD005H		.. WASHER- SUPPLIER CODE: V9V172 OPTIONAL PART: NAS1149C0816R SGD002H V9V172 SGD015H V9V172	002004 006010 107107 121503 904999	AR
27	SGD015H		.. WASHER- SUPPLIER CODE: V9V172 OPTIONAL PART: NAS1149C0816R SGD002H V9V172 SGD005H V9V172	002004 006010 107107 121503 904999	AR

MISSING ITEM NUMBERS NOT APPLICABLE

- ITEM NOT ILLUSTRATED

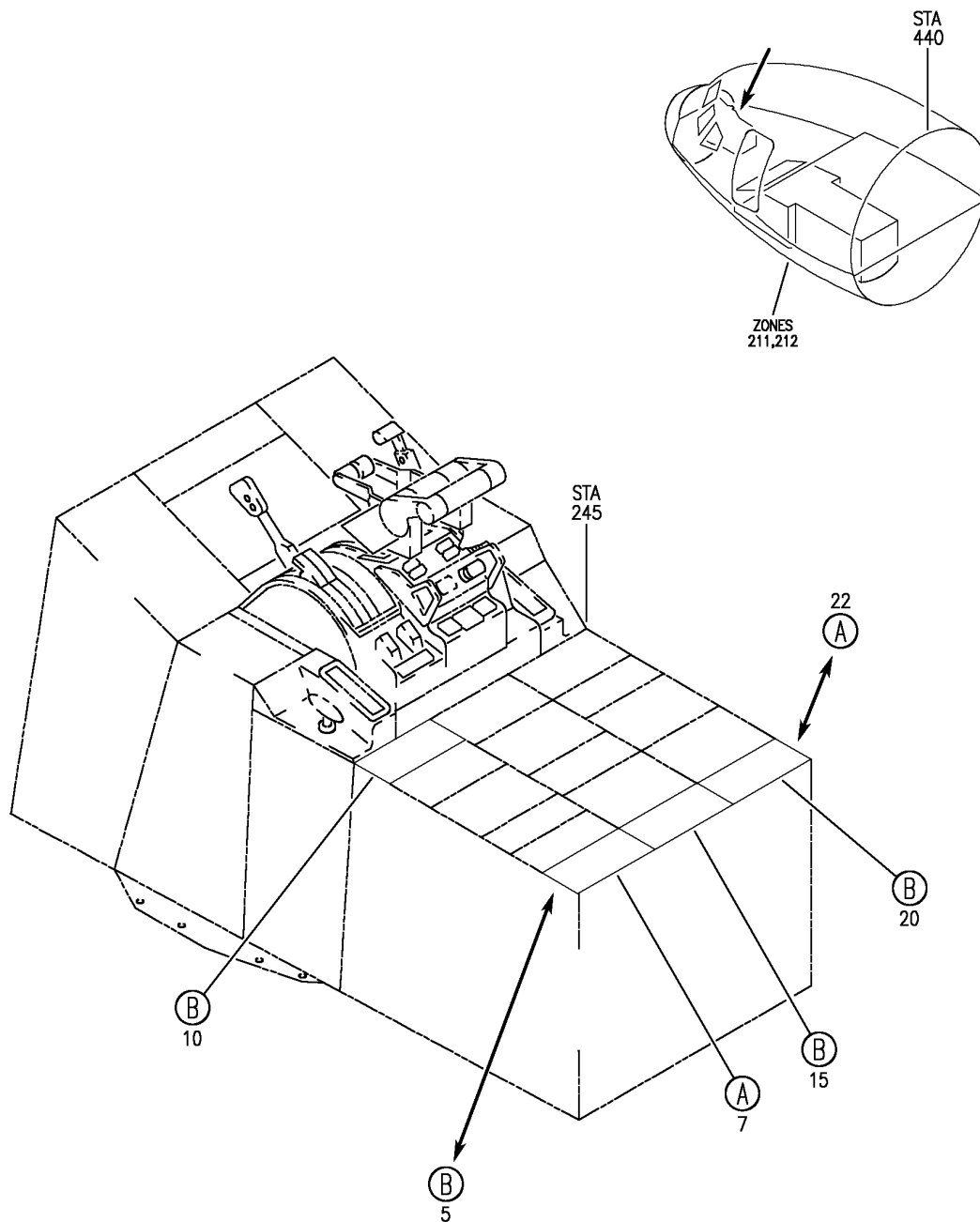
BRI

26-17-51-03

BOEING PROPRIETARY - Copyright © - Unpublished Work - See title page for details.

26-17-51
FIG. 03
PAGE 3
JAN 20/09

BOEING
757
PARTS CATALOG (MAINTENANCE)



Y 26175104 SHT 1 REV 249

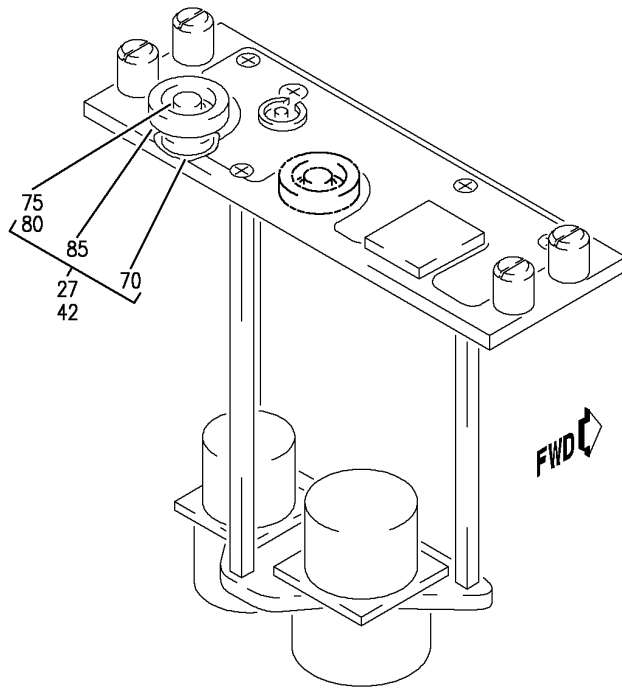
PANEL INSTL-P8, P9, P10 ELECTRONIC (WHEEL WELL OVERHEAT DETECTION)
FIGURE 4 (SHEET 1)

26-17-51-04

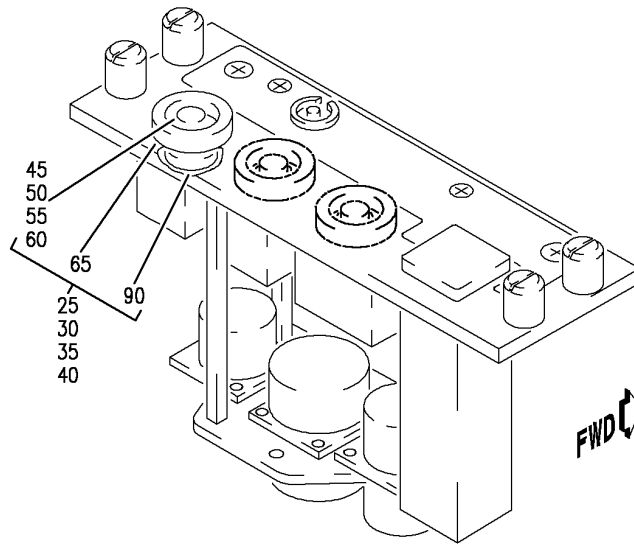
BRI
MAY 28/07

26-17-51-04
PAGE 0

BOEING
757
PARTS CATALOG (MAINTENANCE)



(A)



(B)

Y 26175104 SH1 2 REV 249

PANEL INSTL-P8, P9, P10 ELECTRONIC (WHEEL WELL OVERHEAT DETECTION)
FIGURE 4 (SHEET 2)

BRI
MAY 28/07

26-17-51-04

26-17-51-04
PAGE 0A



757

PARTS CATALOG (MAINTENANCE)

FIG ITEM	PART NUMBER	1 2 3 4 5 6 7	NOMENCLATURE	EFFECT FROM TO	UNITS PER ASSY
4			PANEL INSTL-P8, P9, P10 ELECTRONIC (WHEEL WELL OVERHEAT DETECTION)	011100	
- 1	233N6101-1		PANEL INSTL-P8 ELECTRONIC WHEEL WELL OVERHEAT DETECTION VARIABLE DRAWING REF: 233N6101-5042 FOR NHA/OTHER SYS DET SEE: 25-10-00-05A	011100	RF
5	233N6204-301		.PANEL ASSY-FIRE/OVERHEAT TEST SUPPLIER CODE: V89954 ELECTRICAL EQUIP NUMBER: M10445 COMPONENT MAINT MANUAL REF: 26-11-52 QUALIFIED I/W DATA: THE 233N6204-301 PANEL ASSY IS I/W THE 233N6204-15 PANEL ASSY T/W THE S233T100-5508 LIGHTPLATE.	011100	RF
5	233N6204-302		.PANEL ASSY-FIRE/OVERHEAT TEST SUPPLIER CODE: V89954 ELECTRICAL EQUIP NUMBER: M10445 COMPONENT MAINT MANUAL REF: 26-11-52	011100	RF
22	233T6204-301		.PANEL ASSY-FIRE/OVERHEAT TEST SUPPLIER CODE: V89954 COMPONENT MAINT MANUAL REF: 26-11-51 QUALIFIED I/W DATA: 233T6204-301 PANEL ASSY IS I/W 233T6204-13 PANEL ASSY T/W S233T100-538 LIGHTPLATE	011100	RF

MISSING ITEM NUMBERS NOT APPLICABLE

- ITEM NOT ILLUSTRATED

BRI

26-17-51-04

BOEING PROPRIETARY - Copyright © - Unpublished Work - See title page for details.

26-17-51
FIG. 04
PAGE 1
JAN 20/09



757

PARTS CATALOG (MAINTENANCE)

FIG ITEM	PART NUMBER	1 2 3 4 5 6 7	NOMENCLATURE	EFFECT FROM TO	UNITS PER ASSY
4 25	233N6204-15		<p>.. PANEL ASSY- SUPPLIER CODE: V89954 ELECTRICAL EQUIP NUMBER: M10445 COMPONENT MAINT MANUAL REF: 26-11-52 QUALIFIED I/W DATA: 233N6204-13 -14 -15 -16 -17 ARE ALL INTERCHANGEABLE EXCEPT SUBJECT TO CUSTOMER PREFERENCE THE 233N6204-301 PANEL ASSY IS I/W THE 233N6204-15 PANEL ASSY T/W THE S233T100-5508 LIGHTPLATE. USED ON: 233N6204-301</p>	011100	RF
42	233T6204-13		<p>.. PANEL ASSY- SUPPLIER CODE: V89954 ELECTRICAL EQUIP NUMBER: M10445 COMPONENT MAINT MANUAL REF: 26-11-51 QUALIFIED I/W DATA: 233T6204-13 I/W 233T6204-14 EXCEPT SUBJECT TO CUSTOMER PREFERENCE 233T6204-301 PANEL ASSY IS I/W 233T6204-13 PANEL ASSY T/W S233T100-538 LIGHTPLATE</p>	011100	RF

MISSING ITEM NUMBERS NOT APPLICABLE

- ITEM NOT ILLUSTRATED

BRI

26-17-51-04

BOEING PROPRIETARY - Copyright © - Unpublished Work - See title page for details.

26-17-51
 FIG. 04
 PAGE 2
 JAN 20/09



757

PARTS CATALOG (MAINTENANCE)

FIG ITEM	PART NUMBER	1 2 3 4 5 6 7	NOMENCLATURE	EFFECT FROM TO	UNITS PER ASSY
4					
42	233T6204-14	..	PANEL ASSY- SUPPLIER CODE: V89954 ELECTRICAL EQUIP NUMBER: M10445 COMPONENT MAINT MANUAL REF: 26-11-51 QUALIFIED I/W DATA: 233T6204-13 I/W 233T6204-14 EXCEPT SUBJECT TO CUSTOMER PREFERENCE 233T6204-302 PANEL ASSY IS I/W 233T6204-14 PANEL ASSY T/W S233T100-538 LIGHTPLATE	011100	RF
42	233T6204-11	..	PANEL ASSY- SUPPLIER CODE: V89954 ELECTRICAL EQUIP NUMBER: M10445 COMPONENT MAINT MANUAL REF: 26-11-51	011100	RF
42	233T6204-12	..	PANEL ASSY- SUPPLIER CODE: V89954 ELECTRICAL EQUIP NUMBER: M10445 COMPONENT MAINT MANUAL REF: 26-11-51	011100	RF
42	233T6204-16	..	PANEL ASSY- SUPPLIER CODE: V89954 ELECTRICAL EQUIP NUMBER: M10445 COMPONENT MAINT MANUAL REF: 26-11-51	011100	RF
45	702PB1	...	SWITCH-PUSH BUTTON SUPPLIER CODE: V91929	011100	1
65	120092	...	GUARD-SWITCH SUPPLIER CODE: V81640	011100	1

R
R
R
R
R
R

MISSING ITEM NUMBERS NOT APPLICABLE

- ITEM NOT ILLUSTRATED

26-17-51-04

26-17-51
FIG. 04
PAGE 3
MAY 20/09

BRI



757

PARTS CATALOG (MAINTENANCE)

FIG ITEM	PART NUMBER	1 2 3 4 5 6 7	NOMENCLATURE	EFFECT FROM TO	UNITS PER ASSY
4	70 NAS1149C0816R		...WASHER- OPTIONAL PART: SGD002H V9V172 SGD005H V9V172 SGD015H V9V172	011100	AR
	70 SGD002H		...WASHER- SUPPLIER CODE: V9V172 OPTIONAL PART: NAS1149C0816R SGD005H V9V172 SGD015H V9V172	011100	AR
	70 SGD005H		...WASHER- SUPPLIER CODE: V9V172 OPTIONAL PART: NAS1149C0816R SGD002H V9V172 SGD015H V9V172	011100	AR
	70 SGD015H		...WASHER- SUPPLIER CODE: V9V172 OPTIONAL PART: NAS1149C0816R SGD002H V9V172 SGD005H V9V172	011100	AR
	80 702PB1		...SWITCH-PUSH BUTTON SUPPLIER CODE: V91929	011100	1
	85 120092		...GUARD-SWITCH SUPPLIER CODE: V81640	011100	1
	90 NAS1149C0816R		...WASHER- OPTIONAL PART: SGD002H V9V172 SGD005H V9V172 SGD015H V9V172	011100	AR

MISSING ITEM NUMBERS NOT APPLICABLE

- ITEM NOT ILLUSTRATED

26-17-51-04

26-17-51
FIG. 04
PAGE 4
MAY 20/09

BRI



757

PARTS CATALOG (MAINTENANCE)

FIG ITEM	PART NUMBER	1 2 3 4 5 6 7	NOMENCLATURE	EFFECT FROM TO	UNITS PER ASSY
4 90	SGD002H		...WASHER- SUPPLIER CODE: V9V172 OPTIONAL PART: NAS1149C0816R SGD005H V9V172 SGD015H V9V172	011100	AR
90	SGD005H		...WASHER- SUPPLIER CODE: V9V172 OPTIONAL PART: NAS1149C0816R SGD002H V9V172 SGD015H V9V172	011100	AR
90	SGD015H		...WASHER- SUPPLIER CODE: V9V172 OPTIONAL PART: NAS1149C0816R SGD002H V9V172 SGD005H V9V172	011100	AR

MISSING ITEM NUMBERS NOT APPLICABLE

- ITEM NOT ILLUSTRATED

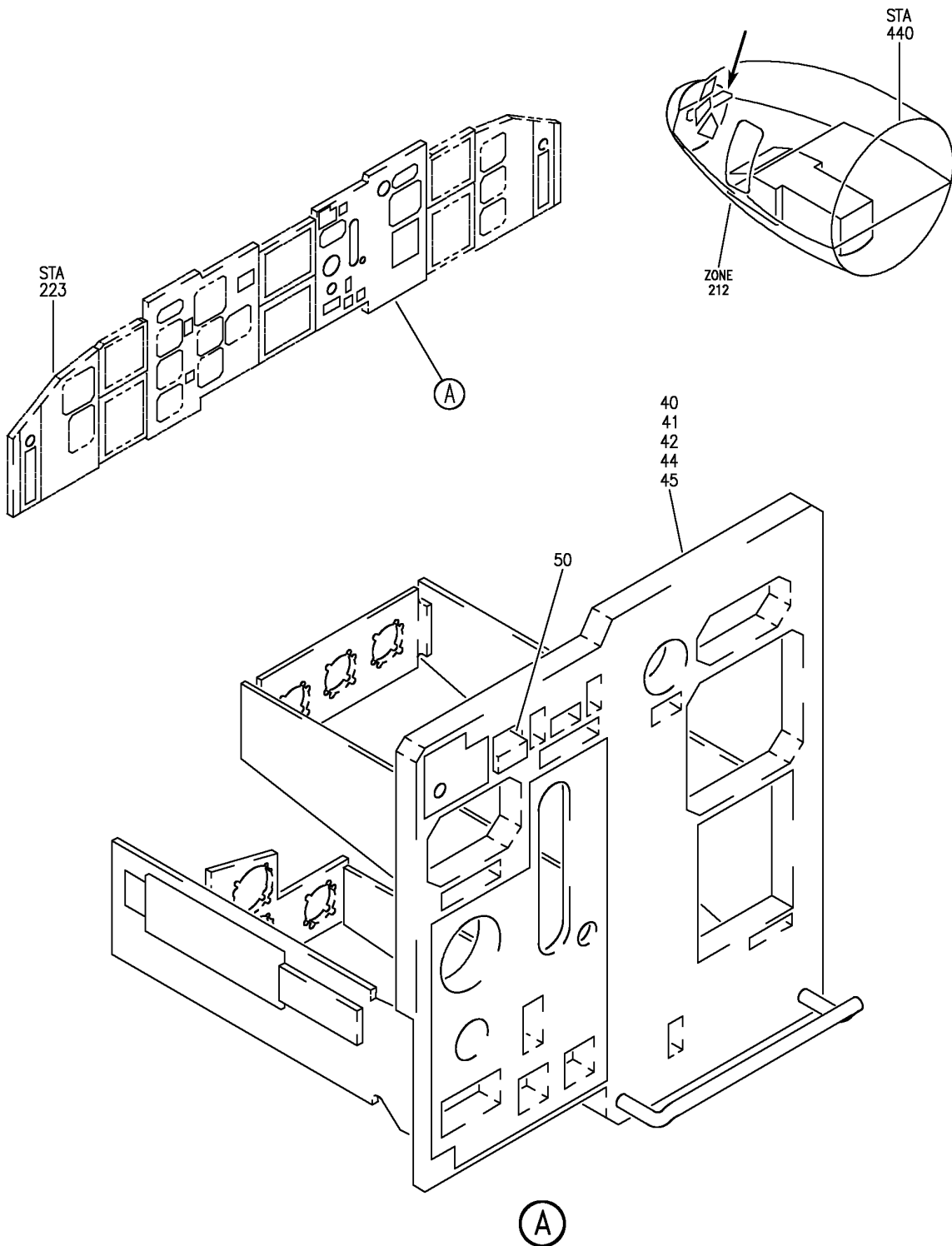
BRI

26-17-51-04

BOEING PROPRIETARY - Copyright © - Unpublished Work - See title page for details.

26-17-51
FIG. 04
PAGE 5
JAN 20/09

BOEING
757
PARTS CATALOG (MAINTENANCE)



Y 26175105 REV 278

PANEL INSTL-P3-1 (FIRE PROTECTION ONLY)
FIGURE 5

26-17-51-05

BRI
MAY 28/07

26-17-51-05
PAGE 0



757

PARTS CATALOG (MAINTENANCE)

FIG ITEM	PART NUMBER	1 2 3 4 5 6 7	NOMENCLATURE	EFFECT FROM TO	UNITS PER ASSY
5			PANEL INSTL-P3-1 (FIRE PROTECTION ONLY)	101106 108120 504903	
- 1	233N2103-17		PANEL INSTL-P3-1 (FIRE PROTECTION ONLY) FOR NHA/OTHER SYS DET SEE: 25-10-00-15B	101101	RF
- 1	233N2103-217		PANEL INSTL-P3-1 (FIRE PROTECTION ONLY) FOR NHA/OTHER SYS DET SEE: 25-10-00-15B	102102	RF
- 1	233N2103-371		PANEL INSTL-P3-1 (FIRE PROTECTION ONLY) FOR NHA/OTHER SYS DET SEE: 25-10-00-15B	108120	RF
- 2	233N2103-254		PANEL INSTL-P3-1 (FIRE PROTECTION ONLY) FOR NHA/OTHER SYS DET SEE: 25-10-00-15B	504903	RF

MISSING ITEM NUMBERS NOT APPLICABLE

- ITEM NOT ILLUSTRATED

BRI

26-17-51-05

BOEING PROPRIETARY - Copyright © - Unpublished Work - See title page for details.

26-17-51
FIG. 05
PAGE 1
JAN 20/09



757

PARTS CATALOG (MAINTENANCE)

FIG ITEM	PART NUMBER	1 2 3 4 5 6 7	NOMENCLATURE	EFFECT FROM TO	UNITS PER ASSY
5 - 9	MODREF31741		PANEL INSTL-P3-1 (FIRE PROTECTION ONLY) MODULE NUMBER: 233N2103-425 REV A FOR OTHER SYS DETAILS SEE: 11-31-01-38 22-11-02-03 22-14-01-03 22-31-02-01 22-34-51-02 27-51-57-03 27-58-00-02 27-81-00-01 29-21-55-02 31-11-11-19 31-11-16-01 31-11-26-38 31-25-01-03 31-41-52-02 31-51-52-02 32-35-52-03 32-41-52-02 32-42-55-03 32-46-00-01 32-61-51-03 33-13-57-01 A 33-16-52-03 34-12-01-03 34-13-01-03 34-13-02-01 34-13-05-01 34-13-06-01 34-16-51-03 34-21-02-02 34-22-02-02 34-22-05-01 A 34-22-06-01 34-24-01-03 34-32-00-02 34-46-51-02 34-51-02-02 34-57-00-01 34-61-01-07 34-61-02-02 77-41-01-01 79-33-51-05	103105	1

MISSING ITEM NUMBERS NOT APPLICABLE

- ITEM NOT ILLUSTRATED

BRI

26-17-51-05

BOEING PROPRIETARY - Copyright © - Unpublished Work - See title page for details.

26-17-51
FIG. 05
PAGE 2
JAN 20/09



757

PARTS CATALOG (MAINTENANCE)

FIG ITEM	PART NUMBER	1 2 3 4 5 6 7	NOMENCLATURE	EFFECT FROM TO	UNITS PER ASSY
5 - 9	MODREF104335		PANEL INSTL-P3-1 (FIRE PROTECTION ONLY) MODULE NUMBER: 233N2103-425 REV B FOR OTHER SYS DETAILS SEE: 11-31-01-38 22-11-02-03 22-14-01-03 22-31-02-01 22-34-51-02 27-51-57-03 27-58-00-02 27-81-00-01 29-21-55-02 31-11-11-19 31-11-16-01 31-11-26-38 31-25-01-03 31-41-52-02 31-51-52-02 32-35-52-03 32-41-52-02 32-42-55-03 32-46-00-01 32-61-51-03 33-13-57-01 A 33-16-52-03 34-12-01-03 34-13-01-03 34-13-02-01 34-13-05-01 34-13-06-01 34-16-51-03 34-21-02-02 34-22-02-02 34-22-05-01 A 34-22-06-01 34-24-01-03 34-32-00-02 34-46-51-02 34-51-02-02 34-57-00-01 34-61-01-07 34-61-02-02 77-41-01-01 79-33-51-05	106106	1

MISSING ITEM NUMBERS NOT APPLICABLE

- ITEM NOT ILLUSTRATED

BRI

26-17-51-05

BOEING PROPRIETARY - Copyright © - Unpublished Work - See title page for details.

26-17-51
FIG. 05
PAGE 3
JAN 20/09



757

PARTS CATALOG (MAINTENANCE)

FIG ITEM	PART NUMBER	1 2 3 4 5 6 7	NOMENCLATURE	EFFECT FROM TO	UNITS PER ASSY
5					
- 30	233N2222-301		.MODULE ASSY- COMPONENT MAINT MANUAL REF: 31-11-49 PRE ALERT SB: 33A0044	101101	RF
- 30	233N2222-321		.MODULE ASSY- COMPONENT MAINT MANUAL REF: 31-11-49 PRE ALERT SB: 33A0044	102102	RF
- 30	233N2222-326		.MODULE ASSY- COMPONENT MAINT MANUAL REF: 31-11-49 PRE ALERT SB: 33A0044	504903	RF
- 30	233N2222-329		.MODULE ASSY- COMPONENT MAINT MANUAL REF: 31-11-49 PRE ALERT SB: 33A0044	102102	RF
- 30	233N2222-334		.MODULE ASSY- COMPONENT MAINT MANUAL REF: 31-11-49 PRE ALERT SB: 33A0044	504903	RF
- 31	233N2222-342		.MODULE ASSY- COMPONENT MAINT MANUAL REF: 31-11-49 PRE ALERT SB: 33A0044	102102 108120	RF
- 31	233N2222-1342		.MODULE ASSY- COMPONENT MAINT MANUAL REF: 31-11-49 POST ALERT SB: 33A0044	102102 108120	RF
- 31	233N2222-347		.MODULE ASSY- COMPONENT MAINT MANUAL REF: 31-11-49 PRE ALERT SB: 33A0044	504903	RF
- 33	233N2222-379		.MODULE ASSY- COMPONENT MAINT MANUAL REF: 31-11-49	103106	RF
- 33	233N2222-1301		.MODULE ASSY- COMPONENT MAINT MANUAL REF: 31-11-49 POST ALERT SB: 33A0044	101101	RF

MISSING ITEM NUMBERS NOT APPLICABLE

- ITEM NOT ILLUSTRATED

26-17-51-05

26-17-51
FIG. 05
PAGE 4
JAN 20/09

BRI



757

PARTS CATALOG (MAINTENANCE)

FIG ITEM	PART NUMBER	1 2 3 4 5 6 7	NOMENCLATURE	EFFECT FROM TO	UNITS PER ASSY
5					
- 33	233N2222-1321		.MODULE ASSY- COMPONENT MAINT MANUAL REF: 31-11-49 POST ALERT SB: 33A0044	102102	RF
- 33	233N2222-1329		.MODULE ASSY- COMPONENT MAINT MANUAL REF: 31-11-49 POST ALERT SB: 33A0044	102102	RF
- 34	233N2222-1326		.MODULE ASSY- COMPONENT MAINT MANUAL REF: 31-11-49 POST ALERT SB: 33A0044	504903	RF
- 34	233N2222-1334		.MODULE ASSY- COMPONENT MAINT MANUAL REF: 31-11-49 POST ALERT SB: 33A0044	504903	RF
- 34	233N2222-1347		.MODULE ASSY- COMPONENT MAINT MANUAL REF: 31-11-49 POST ALERT SB: 33A0044	504903	RF
40	233N2222-77		..MODULE ASSY- PRE ALERT SB: 33A0044	101101	RF
40	233N2222-100		..MODULE ASSY- USED ON: 233N2222-321 PRE ALERT SB: 33A0044	102102	RF
40	233N2222-105		..MODULE ASSY- PRE ALERT SB: 33A0044	504903	RF
40	233N2222-111		..MODULE ASSY- USED ON: 233N2222-329 PRE ALERT SB: 33A0044	102102	RF
40	233N2222-116		..MODULE ASSY- USED ON: 233N2222-334 PRE ALERT SB: 33A0044	504903	RF

MISSING ITEM NUMBERS NOT APPLICABLE

- ITEM NOT ILLUSTRATED

26-17-51-05

26-17-51
FIG. 05
PAGE 5
JAN 20/09

BRI

BOEING PROPRIETARY - Copyright © - Unpublished Work - See title page for details.



757

PARTS CATALOG (MAINTENANCE)

FIG ITEM	PART NUMBER	1 2 3 4 5 6 7	NOMENCLATURE	EFFECT FROM TO	UNITS PER ASSY
5					
41	233N2222-122	..	MODULE ASSY- USED ON: 233N2222-342 PRE ALERT SB: 33A0044	102102 108120	RF
41	233N2222-127	..	MODULE ASSY- USED ON: 233N2222-347 PRE ALERT SB: 33A0044	504903	RF
42	233N2222-153	..	MODULE ASSY-	103106	RF
43	233N2222-1077	..	MODULE ASSY- POST ALERT SB: 33A0044	101101	RF
43	233N2222-1100	..	MODULE ASSY- USED ON: 233N2222-1321 POST ALERT SB: 33A0044	102102	RF
43	233N2222-1111	..	MODULE ASSY- USED ON: 233N2222-1329 POST ALERT SB: 33A0044	102102	RF
43	233N2222-1122	..	MODULE ASSY- USED ON: 233N2222-1342 POST ALERT SB: 33A0044	102102 108120	RF
43	233N2222-1105	..	MODULE ASSY- POST ALERT SB: 33A0044	504903	RF
43	233N2222-1116	..	MODULE ASSY- USED ON: 233N2222-1334 POST ALERT SB: 33A0044	504903	RF
44	233N2222-1127	..	MODULE ASSY- USED ON: 233N2222-1347 POST ALERT SB: 33A0044	504903	RF
50	BCREF8596	...	LIGHT ASSY-WHL WELL FIRE IND SUPPLIER CODE: V81590 OVERLENGTH PART NUMBER: 434-674-1031-2294 SPECIFICATION NUMBER:	101106 108120 504903	1

MISSING ITEM NUMBERS NOT APPLICABLE

- ITEM NOT ILLUSTRATED

BRI

26-17-51-05

BOEING PROPRIETARY - Copyright © - Unpublished Work - See title page for details.

26-17-51
FIG. 05
PAGE 6
JAN 20/09



757

PARTS CATALOG (MAINTENANCE)

FIG ITEM	PART NUMBER	1 2 3 4 5 6 7 NOMENCLATURE	EFFECT FROM TO	UNITS PER ASSY
5		S231T300-2294 ELECTRICAL EQUIP NUMBER: L00445 OPTIONAL PART: BCRE6413 V81590 USED ON: 233N2222-77 233N2222-78 233N2222-82 233N2222-89 233N2222-90 233N2222-95 233N2222-96 233N2222-97 233N2222-98 233N2222-99 233N2222-100 233N2222-103 233N2222-105 233N2222-111 233N2222-113 233N2222-114 233N2222-116 233N2222-117 233N2222-118 233N2222-119 233N2222-120 233N2222-121 233N2222-122 233N2222-123 233N2222-124 233N2222-125 233N2222-126 233N2222-127 233N2222-128 233N2222-129 233N2222-130 233N2222-131 233N2222-132 233N2222-133 233N2222-134 233N2222-135 233N2222-136 233N2222-146 233N2222-148 233N2222-149 233N2222-150 233N2222-151		

MISSING ITEM NUMBERS NOT APPLICABLE

- ITEM NOT ILLUSTRATED

BRI

26-17-51-05

BOEING PROPRIETARY - Copyright © - Unpublished Work - See title page for details.

26-17-51
FIG. 05
PAGE 7
JAN 20/09



757

PARTS CATALOG (MAINTENANCE)

FIG ITEM	PART NUMBER	1 2 3 4 5 6 7	NOMENCLATURE	EFFECT FROM TO	UNITS PER ASSY
5			233N2222-152 233N2222-153 233N2222-155 233N2222-154 233N2222-157 233N2222-1077 233N2222-1078 233N2222-1082 233N2222-1089 233N2222-1090 233N2222-1096 233N2222-1098 233N2222-1099 233N2222-1105 233N2222-1113 233N2222-1114 233N2222-1116 233N2222-1117 233N2222-1119 233N2222-1120 233N2222-1121 233N2222-1100 233N2222-1103 233N2222-1111 233N2222-1122 233N2222-1123 233N2222-1124 233N2222-1125 233N2222-1126 233N2222-1127 233N2222-1128 233N2222-1130 233N2222-1131 FOR DETAILS SEE: 33-14-70-03		

MISSING ITEM NUMBERS NOT APPLICABLE

- ITEM NOT ILLUSTRATED

BRI

26-17-51-05

BOEING PROPRIETARY - Copyright © - Unpublished Work - See title page for details.

26-17-51
FIG. 05
PAGE 8
JAN 20/09



757

PARTS CATALOG (MAINTENANCE)

FIG ITEM	PART NUMBER	1 2 3 4 5 6 7	NOMENCLATURE	EFFECT FROM TO	UNITS PER ASSY
5 50	BCREF6413		...LIGHT ASSY-WHL WELL FIRE IND SUPPLIER CODE: V81590 OVERLENGTH PART NUMBER: 434-674-1005-1294 SPECIFICATION NUMBER: S231T300-1294 ELECTRICAL EQUIP NUMBER: L00445 OPTIONAL PART: BCREF8596 V81590 USED ON: 233N2222-77 233N2222-78 233N2222-82 233N2222-89 233N2222-90 233N2222-95 233N2222-96 233N2222-1077 233N2222-1078 233N2222-1082 233N2222-1089 233N2222-1090 233N2222-1096 FOR DETAILS SEE: 33-14-70-03	101106 108120 504903	1

MISSING ITEM NUMBERS NOT APPLICABLE

- ITEM NOT ILLUSTRATED

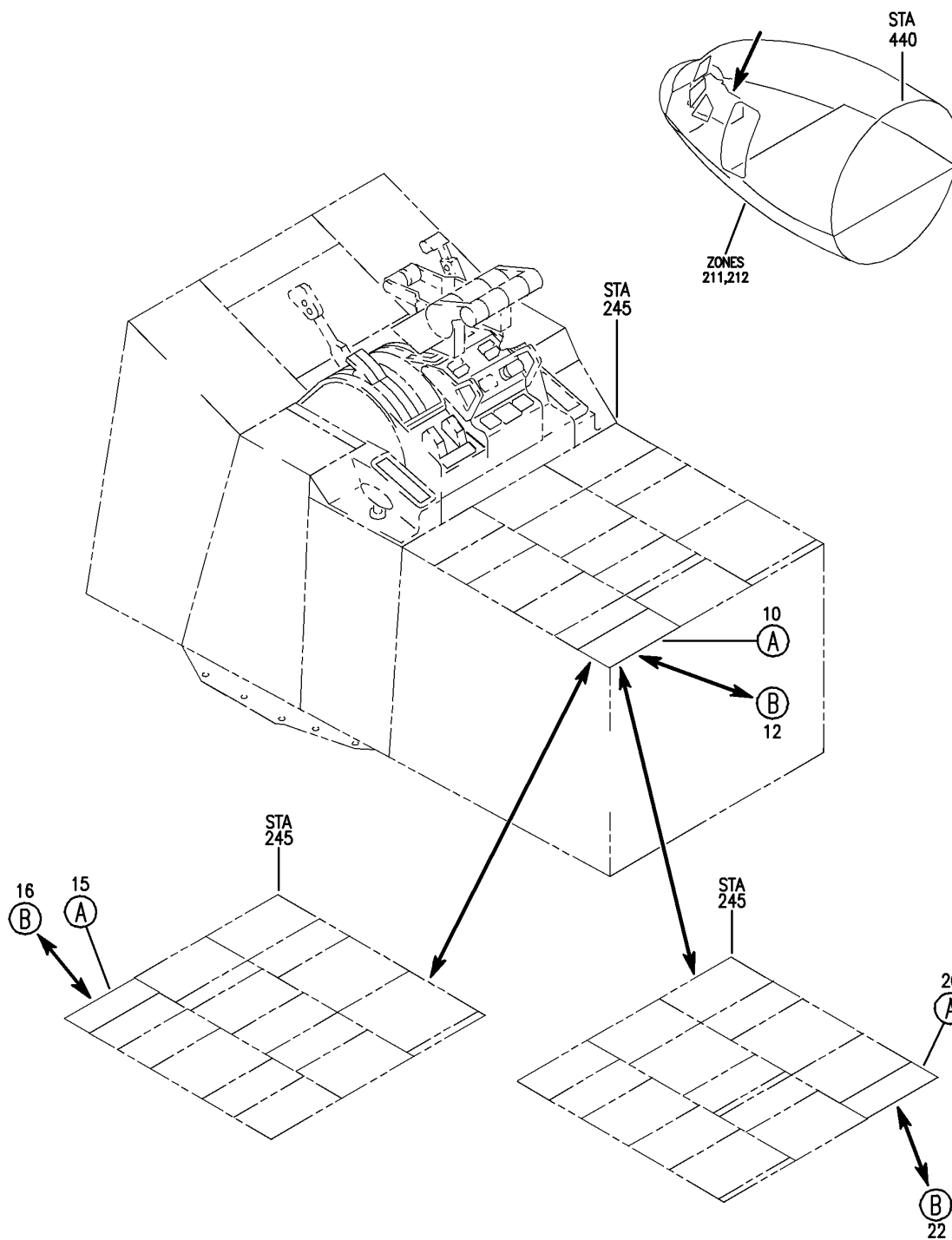
BRI

26-17-51-05

BOEING PROPRIETARY - Copyright © - Unpublished Work - See title page for details.

26-17-51
FIG. 05
PAGE 9
JAN 20/09

BOEING
757
PARTS CATALOG (MAINTENANCE)



Y 26175106 SHT 1 REV 240

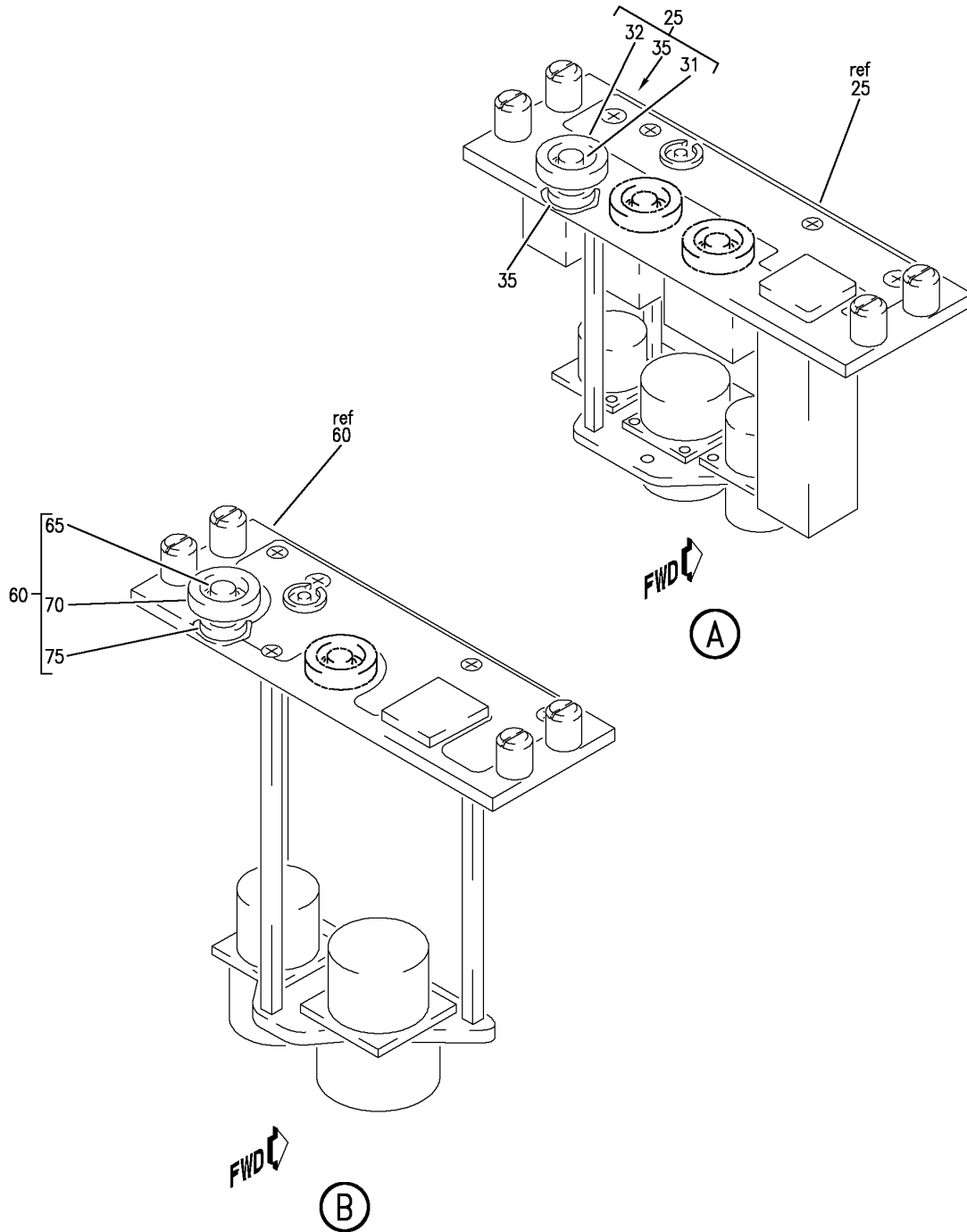
PANEL INSTL-P8, P9, P10 ELECTRONICS (WHEEL WELL FIRE DETECTION ONLY)
FIGURE 6 (SHEET 1)

26-17-51-06

BRI
MAY 28/07

26-17-51-06
PAGE 0

BOEING
757
PARTS CATALOG (MAINTENANCE)



Y 26175106 SHT 2 REV 249

PANEL INSTL-P8, P9, P10 ELECTRONICS (WHEEL WELL FIRE DETECTION ONLY)
FIGURE 6 (SHEET 2)

26-17-51-06

BRI
MAY 28/07

26-17-51-06
PAGE 0A



757

PARTS CATALOG (MAINTENANCE)

FIG ITEM	PART NUMBER	1 2 3 4 5 6 7	NOMENCLATURE	EFFECT FROM TO	UNITS PER ASSY
6			PANEL INSTL-P8, P9, P10 ELECTRONICS (WHEEL WELL FIRE DETECTION ONLY)	101106 108120 504903	
- 2	233N6103-28		PANEL INSTL-P8, P9, P10 ELECTRONICS (WHEEL WELL FIRE DETECTION ONLY) FOR NHA/OTHER SYS DET SEE: 25-10-00-15B	101101	RF
- 4	233N6103-122		PANEL INSTL-P8, P9, P10 ELECTRONICS (WHEEL WELL FIRE DETECTION ONLY) FOR NHA/OTHER SYS DET SEE: 25-10-00-15B	504903	RF
- 4	233N6103-128		PANEL INSTL-P8, P9, P10 ELECTRONICS (WHEEL WELL FIRE DETECTION ONLY) FOR NHA/OTHER SYS DET SEE: 25-10-00-15B	102102	RF

MISSING ITEM NUMBERS NOT APPLICABLE

- ITEM NOT ILLUSTRATED

BRI

26-17-51-06

BOEING PROPRIETARY - Copyright © - Unpublished Work - See title page for details.

26-17-51
FIG. 06
PAGE 1
JAN 20/09



757

PARTS CATALOG (MAINTENANCE)

FIG ITEM	PART NUMBER	1 2 3 4 5 6 7	NOMENCLATURE	EFFECT FROM TO	UNITS PER ASSY
6 -	5 MODREF33990		PANEL INSTL-P8, P9, P10 ELECTRONICS (WHEEL WELL FIRE DETECTION ONLY) MODULE NUMBER: 233N6103-253 REV B FOR OTHER SYS DETAILS SEE: 11-31-05-66F 23-12-02-03 23-51-01-05 26-11-02-01 26-11-54-02A 26-12-51-03 26-21-01-02 26-22-03-03 26-23-52-04A 27-11-23-03 27-21-23-03 27-28-02-01A 31-11-31-02 31-11-36-78 31-11-41-02 31-41-03-02 33-13-01-07 34-22-02-03 34-31-02-02 34-43-02-02 34-53-02-02 34-57-02-03 34-61-02-03	103106	1
-	6 233N6103-62		PANEL INSTL-P8, P9, P10 ELECTRONICS (WHEEL WELL FIRE DETECTION ONLY) FOR NHA/OTHER SYS DET SEE: 25-10-00-15B	108120	RF

MISSING ITEM NUMBERS NOT APPLICABLE

- ITEM NOT ILLUSTRATED

BRI

26-17-51-06

BOEING PROPRIETARY - Copyright © - Unpublished Work - See title page for details.

26-17-51
FIG. 06
PAGE 2
JAN 20/09



757

PARTS CATALOG (MAINTENANCE)

FIG ITEM	PART NUMBER	1 2 3 4 5 6 7	NOMENCLATURE	EFFECT FROM TO	UNITS PER ASSY
6					
10	233N6204-301		.PANEL ASSY-FIRE/OVERHEAT TEST SUPPLIER CODE: V89954 ELECTRICAL EQUIP NUMBER: M10445 COMPONENT MAINT MANUAL REF: 26-11-52 QUALIFIED I/W DATA: THE 233N6204-301 PANEL ASSY IS I/W THE 233N6204-15 PANEL ASSY T/W THE S233T100-5508 LIGHTPLATE.	101106 108120	RF
10	233N6204-302		.PANEL ASSY-FIRE/OVERHEAT TEST SUPPLIER CODE: V89954 ELECTRICAL EQUIP NUMBER: M10445 COMPONENT MAINT MANUAL REF: 26-11-52	101106 108120	RF
12	233T6204-301		.PANEL ASSY-FIRE/OVERHEAT TEST SUPPLIER CODE: V89954 ELECTRICAL EQUIP NUMBER: M10445 COMPONENT MAINT MANUAL REF: 26-11-51 QUALIFIED I/W DATA: 233T6204-301 PANEL ASSY IS I/W 233T6204-13 PANEL ASSY T/W S233T100-538 LIGHTPLATE	101106 108120	RF
20	233N6204-301		.PANEL ASSY-FIRE/OVERHEAT TEST SUPPLIER CODE: V89954 ELECTRICAL EQUIP NUMBER: M10445 COMPONENT MAINT MANUAL REF: 26-11-52 QUALIFIED I/W DATA: THE 233N6204-301 PANEL ASSY IS I/W THE 233N6204-15 PANEL ASSY T/W THE S233T100-5508 LIGHTPLATE.	504903	RF

MISSING ITEM NUMBERS NOT APPLICABLE

- ITEM NOT ILLUSTRATED

26-17-51-06

26-17-51
FIG. 06
PAGE 3
JAN 20/09

BRI



757

PARTS CATALOG (MAINTENANCE)

FIG ITEM	PART NUMBER	1 2 3 4 5 6 7	NOMENCLATURE	EFFECT FROM TO	UNITS PER ASSY
6 20	233N6204-302		.PANEL ASSY-FIRE/OVERHEAT TEST SUPPLIER CODE: V89954 ELECTRICAL EQUIP NUMBER: M10445 COMPONENT MAINT MANUAL REF: 26-11-52	504903	RF
22	233T6204-301		.PANEL ASSY-FIRE/OVERHEAT TEST SUPPLIER CODE: V89954 ELECTRICAL EQUIP NUMBER: M10445 COMPONENT MAINT MANUAL REF: 26-11-51 QUALIFIED I/W DATA: 233T6204-301 PANEL ASSY IS I/W 233T6204-13 PANEL ASSY T/W S233T100-538 LIGHTPLATE	504903	RF
25	233N6204-15		..PANEL ASSY- SUPPLIER CODE: V89954 COMPONENT MAINT MANUAL REF: 26-11-52 QUALIFIED I/W DATA: THE 233N6204-301 PANEL ASSY IS I/W THE 233N6204-15 PANEL ASSY T/W THE S233T100-5508 LIGHTPLATE. USED ON: 233N6204-301	101106 108120 504903	1
31	702PB1		...SWITCH-PUSH BUTTON SUPPLIER CODE: V91929	101106 108120 504903	1
32	120092		...GUARD-SWITCH SUPPLIER CODE: V81640	101106 108120 504903	1
35	NAS1149C0816R		...WASHER- OPTIONAL PART: SGD002H V9V172 SGD005H V9V172 SGD015H V9V172	101106 108120 504903	AR

MISSING ITEM NUMBERS NOT APPLICABLE

- ITEM NOT ILLUSTRATED

26-17-51-06

26-17-51
FIG. 06
PAGE 4
JAN 20/09

BRI

 **BOEING**
757
PARTS CATALOG (MAINTENANCE)

FIG ITEM	PART NUMBER	1 2 3 4 5 6 7	NOMENCLATURE	EFFECT FROM TO	UNITS PER ASSY
6	35	SGD002H	...WASHER- SUPPLIER CODE: V9V172 OPTIONAL PART: NAS1149C0816R SGD005H V9V172 SGD015H V9V172	101106 108120 504903	AR
	35	SGD005H	...WASHER- SUPPLIER CODE: V9V172 OPTIONAL PART: NAS1149C0816R SGD002H V9V172 SGD015H V9V172	101106 108120 504903	AR
	35	SGD015H	...WASHER- SUPPLIER CODE: V9V172 OPTIONAL PART: NAS1149C0816R SGD002H V9V172 SGD005H V9V172	101106 108120 504903	AR
	60	233T6204-13	..PANEL ASSY- SUPPLIER CODE: V89954 COMPONENT MAINT MANUAL REF: 26-11-51 QUALIFIED I/W DATA: 233T6204-301 PANEL ASSY IS I/W 233T6204-13 PANEL ASSY T/W S233T100-538 LIGHTPLATE USED ON: 233T6204-301	101106 108120 504903	1
	60	233T6204-16	..PANEL ASSY- SUPPLIER CODE: V89954 COMPONENT MAINT MANUAL REF: 26-11-51 USED ON: 233T6204-301	101106 108120 504903	1

R
R
R
R
R
R

MISSING ITEM NUMBERS NOT APPLICABLE

- ITEM NOT ILLUSTRATED

BRI

26-17-51-06

BOEING PROPRIETARY - Copyright © - Unpublished Work - See title page for details.

26-17-51
FIG. 06
PAGE 5
MAY 20/09



757

PARTS CATALOG (MAINTENANCE)

FIG ITEM	PART NUMBER	1 2 3 4 5 6 7	NOMENCLATURE	EFFECT FROM TO	UNITS PER ASSY
6					
65	702PB1		...SWITCH-PUSH BUTTON SUPPLIER CODE: V91929 USED ON: 233T6204-13	101106 108120 504903	1
65	2PB901T2		...SWITCH-PUSH BUTTON SUPPLIER CODE: V91929 USED ON: 233T6204-13	101106 108120 504903	1
70	120092		...GUARD-SWITCH SUPPLIER CODE: V81640 USED ON: 233T6204-13	101106 108120 504903	1
75	NAS1149C0816R		...WASHER- OPTIONAL PART: SGD002H V9V172 SGD005H V9V172 SGD015H V9V172	101106 108120 504903	AR
75	SGD002H		...WASHER- SUPPLIER CODE: V9V172 OPTIONAL PART: NAS1149C0816R SGD005H V9V172 SGD015H V9V172	101106 108120 504903	AR
75	SGD005H		...WASHER- SUPPLIER CODE: V9V172 OPTIONAL PART: NAS1149C0816R SGD002H V9V172 SGD015H V9V172	101106 108120 504903	AR

MISSING ITEM NUMBERS NOT APPLICABLE

- ITEM NOT ILLUSTRATED

BRI

26-17-51-06

BOEING PROPRIETARY - Copyright © - Unpublished Work - See title page for details.

26-17-51
FIG. 06
PAGE 6
MAY 20/09



757

PARTS CATALOG (MAINTENANCE)

FIG ITEM	PART NUMBER	1 2 3 4 5 6 7	NOMENCLATURE	EFFECT FROM TO	UNITS PER ASSY
6 75	SGD015H		... WASHER- SUPPLIER CODE: V9V172 OPTIONAL PART: NAS1149C0816R SGD002H V9V172 SGD005H V9V172	101106 108120 504903	AR

MISSING ITEM NUMBERS NOT APPLICABLE

- ITEM NOT ILLUSTRATED

BRI

26-17-51-06

BOEING PROPRIETARY - Copyright © - Unpublished Work - See title page for details.

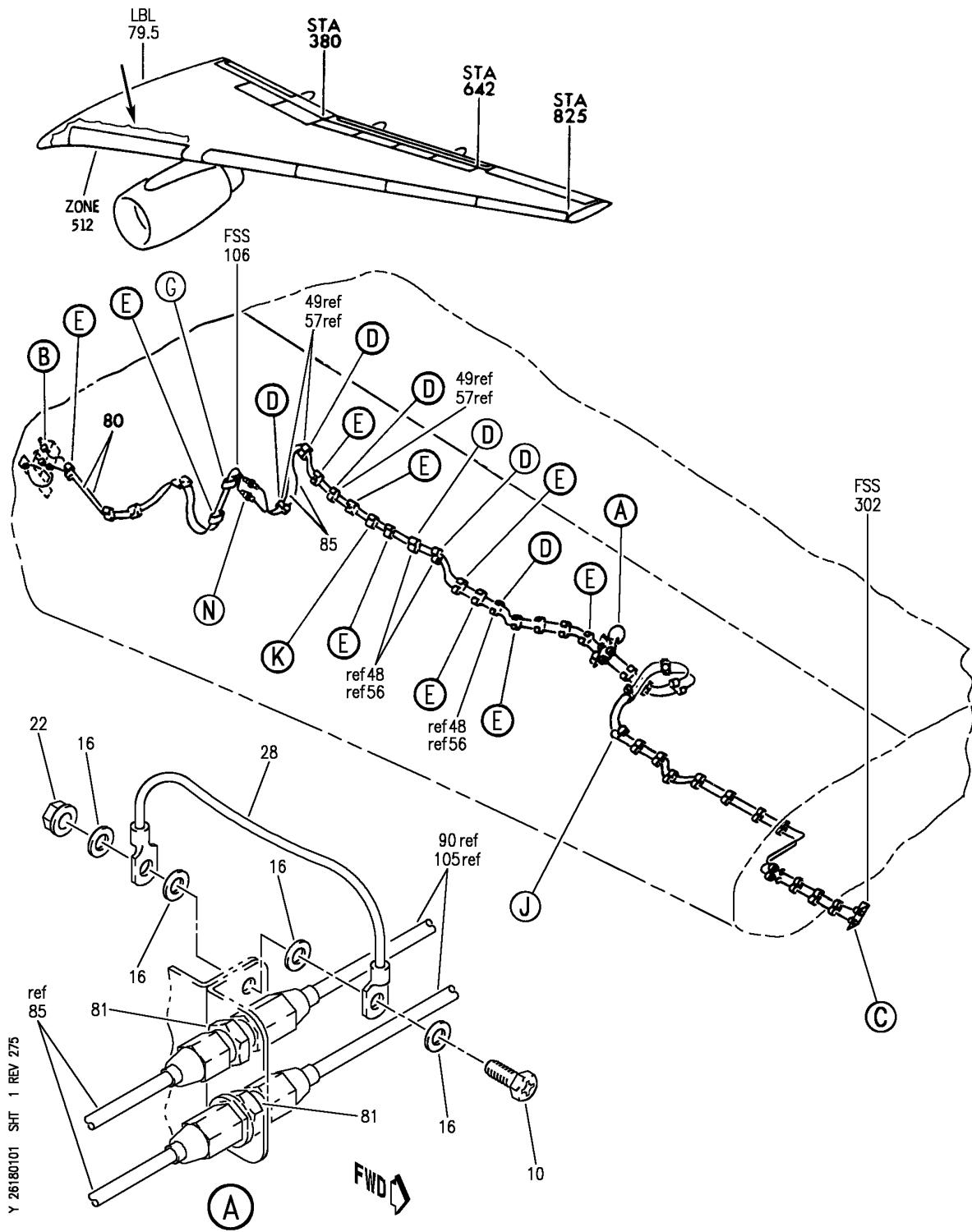
26-17-51
FIG. 06
PAGE 7
MAY 20/09

DUCT LEAK AND OVERHEAT DETECTION SYSTEM

BRI
MAY 28/07

26-18-00
SECTION TITLE
PAGE 1


BOEING
 757
PARTS CATALOG (MAINTENANCE)



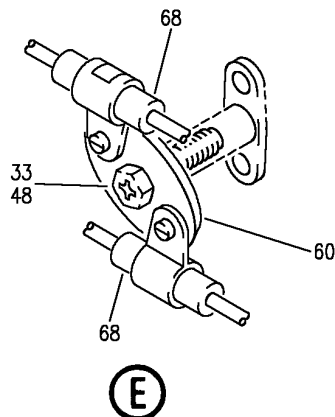
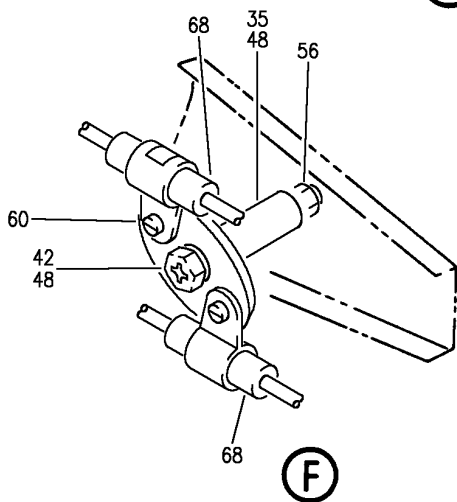
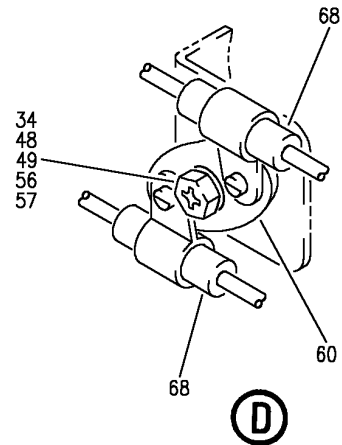
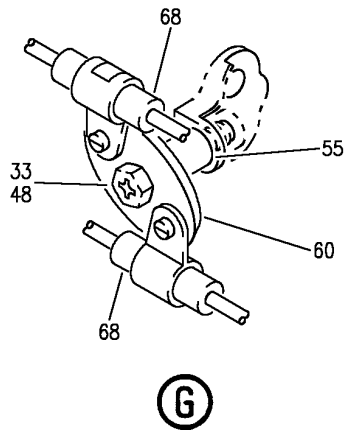
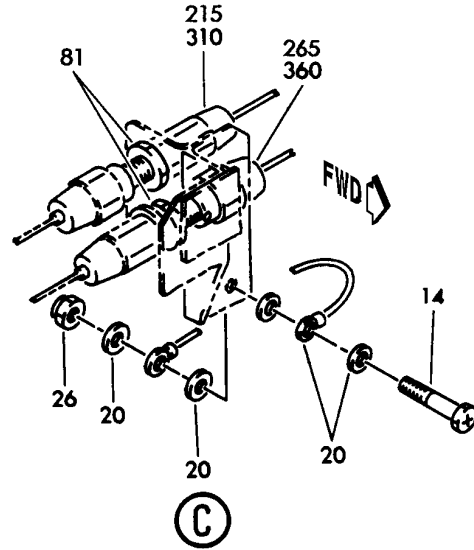
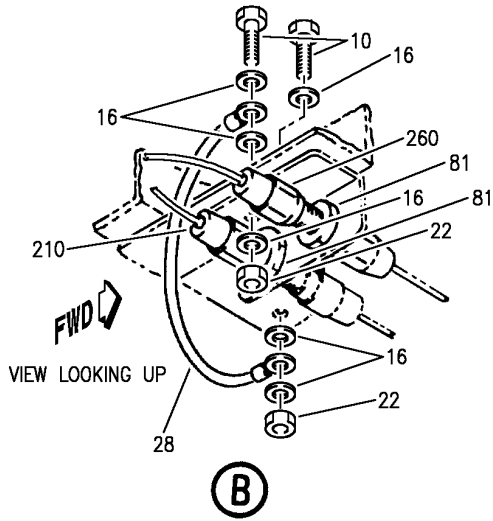
SENSOR AND PARTITION INSTL-DETECTION WING LE SPRT
 FIGURE 1 (SHEET 1)

26-18-01-01

BRI
 MAY 28/07

26-18-01-01
 PAGE 0

BOEING
757
PARTS CATALOG (MAINTENANCE)



Y 26180101 SHT 2 REV 275

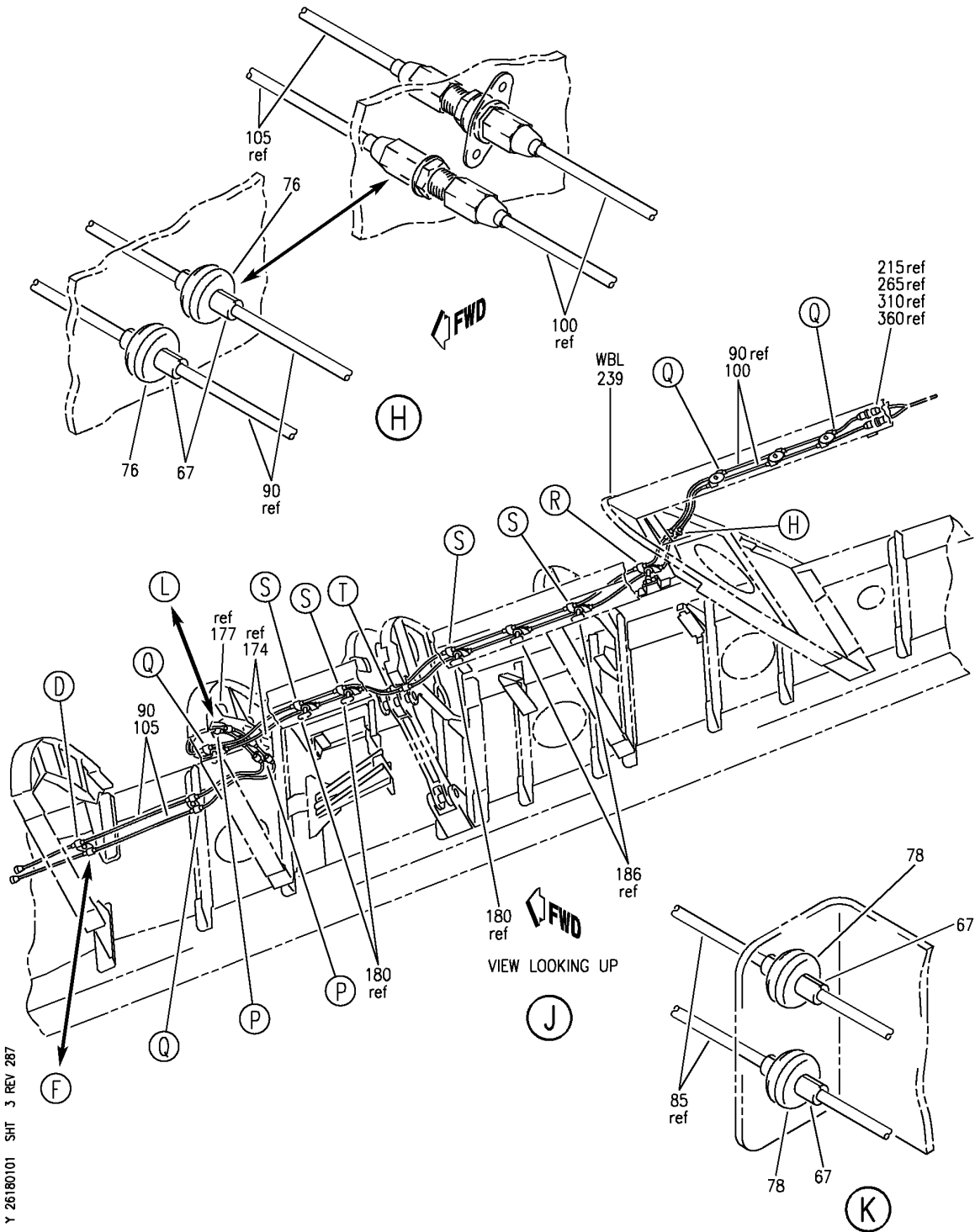
SENSOR AND PARTITION INSTL-DETECTION WING LE SPRT
FIGURE 1 (SHEET 2)

26-18-01-01

BRI
MAY 28/07

26-18-01-01
PAGE 0A

BOEING
757
PARTS CATALOG (MAINTENANCE)



Y 26180101 SHT 3 REV 287

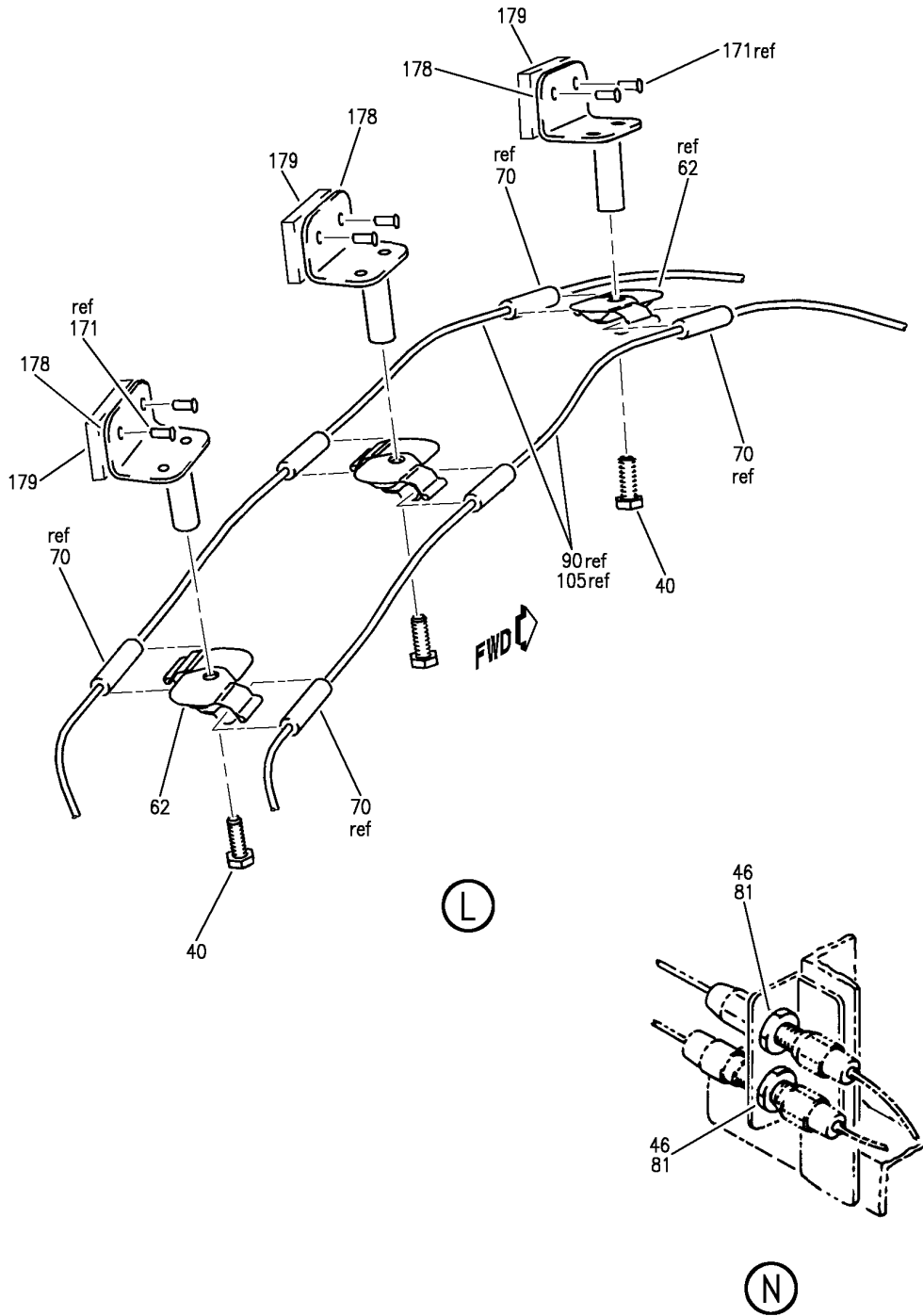
SENSOR AND PARTITION INSTL-DETECTION WING LE SPRT
FIGURE 1 (SHEET 3)

26-18-01-01

BRI
MAY 28/07

26-18-01-01
PAGE 0B

BOEING
757
PARTS CATALOG (MAINTENANCE)



Y 26180101 SH1 4 REV 319

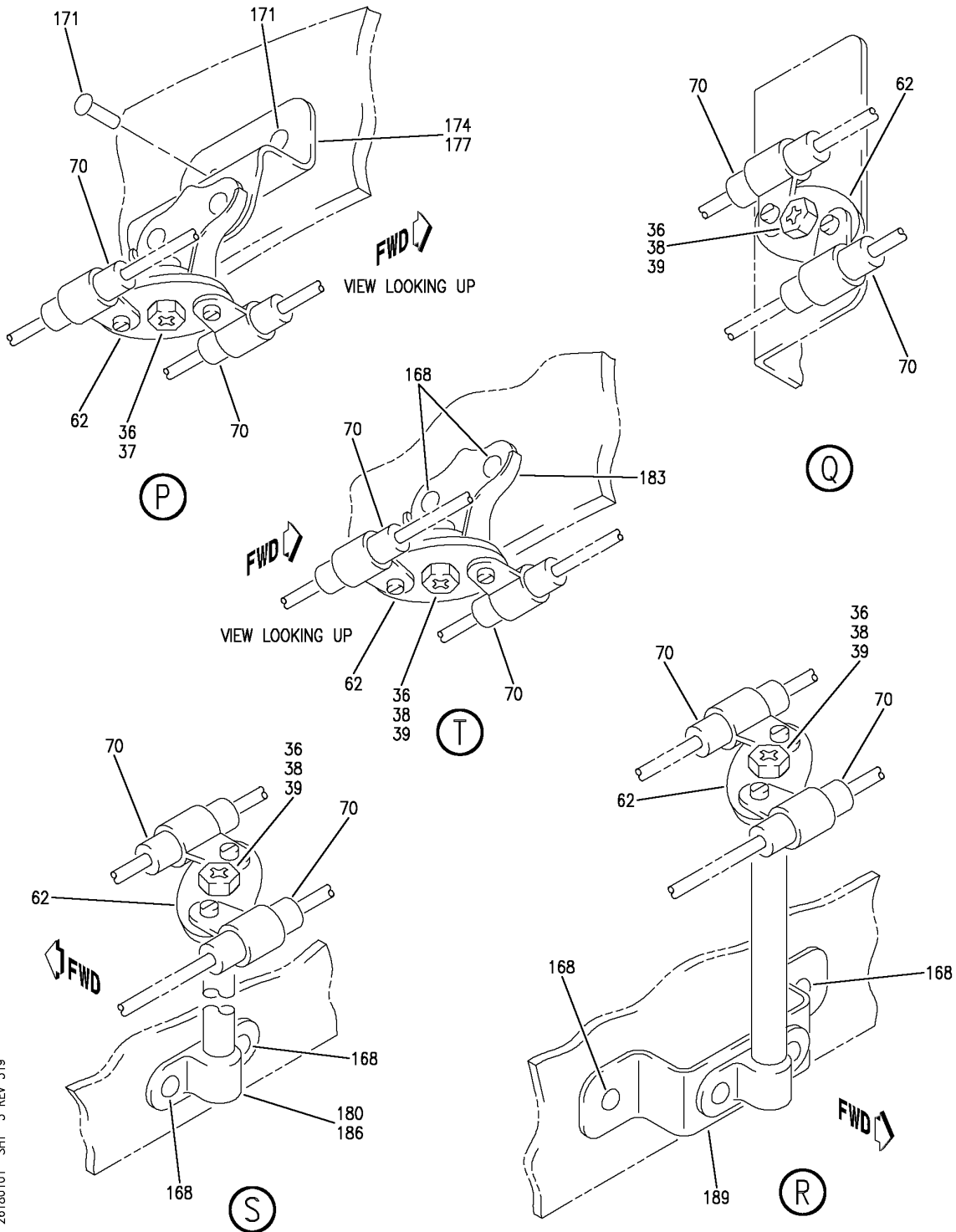
SENSOR AND PARTITION INSTL-DETECTION WING LE SPRT
FIGURE 1 (SHEET 4)

26-18-01-01

BRI
JAN 20/08

26-18-01-01
PAGE 0C

BOEING
757
PARTS CATALOG (MAINTENANCE)



Y 26180101 SHT 5 REV 319

SENSOR AND PARTITION INSTL-DETECTION WING LE SPRT
FIGURE 1 (SHEET 5)

26-18-01-01

BRI
JAN 20/08

26-18-01-01
PAGE 08



757

PARTS CATALOG (MAINTENANCE)

FIG ITEM	PART NUMBER	1 2 3 4 5 6 7	NOMENCLATURE	EFFECT FROM TO	UNITS PER ASSY
1			SENSOR AND PARTITION INSTL- DETECTION WING LE SPRT	002004 006102 107999	
- 1	218N4009-3		SENSOR INSTL-DUCT LEAK DETECTION WING LE POSITION DATA: LH FOR NHA SEE: 21-00-00-04	002004 006100 107107 121503 904999	RF
- 1	218N4009-11		SENSOR INSTL-DUCT LEAK DETECTION WING LE POSITION DATA: LH FOR NHA SEE: 21-00-00-12 21-00-00-15	101102 108120 504903	RF
33	NAS1801-3-13		.SCREW-	002004 006102 107999	1
34	NAS1801-3-5		.SCREW-	002004 006100 107107 121503 904999	21
34	BACS12HN3-7		.SCREW- OPTIONAL PART: NAS1801-3-7	101102 108120 504903	21
34	NAS1801-3-7		.SCREW- OPTIONAL PART: BACS12HN3-7	101102 108120 504903	21
35	NAS43DD3-64		.SPACER	002004 006102 107999	1
36	NAS1801-3-5		.SCREW-	002004 006100 107107 121503 904999	15
36	BACS12HN3-7		.SCREW- OPTIONAL PART: NAS1801-3-7	101102 504903	15
36	NAS1801-3-7		.SCREW- OPTIONAL PART: BACS12HN3-7	101102 504903	15
39	BACS12HN3-7		.SCREW- OPTIONAL PART: NAS1801-3-7	108120	12

MISSING ITEM NUMBERS NOT APPLICABLE

- ITEM NOT ILLUSTRATED

BRI

26-18-01-01

26-18-01
FIG. 01
PAGE 1
JAN 20/09



757

PARTS CATALOG (MAINTENANCE)

FIG ITEM	PART NUMBER	1 2 3 4 5 6 7	NOMENCLATURE	EFFECT FROM TO	UNITS PER ASSY
1					
39	NAS1801-3-7	.	SCREW- OPTIONAL PART: BACS12HN3-7	108120	12
40	BACS12HN3-8	.	SCREW- POST SERVICE BULLETIN: 26-0046	108120	3
42	NAS1801-3-5	.	SCREW-	002004 006100 107107 121503 904999	1
42	BACS12HN3-7	.	SCREW- OPTIONAL PART: NAS1801-3-7	101102 108120 504903	1
42	NAS1801-3-7	.	SCREW- OPTIONAL PART: BACS12HN3-7	101102 108120 504903	1
46	AN960-516L	.	WASHER-	002004 006102 107999	2
48	AN960KD10L	.	WASHER-	002004 006100 107107 121503 904999	5
48	NAS1149D0332J	.	WASHER-	101102 108120 504903	5
49	AN960KD10L	.	WASHER- POSITION DATA: LH SIDE	002004 006100 107107 121503 904999	3
49	NAS1149D0332J	.	WASHER- POSITION DATA: LH SIDE	101102 108120 504903	3
55	NAS43DD3-32	.	SPACER	002004 006102 107999	1

MISSING ITEM NUMBERS NOT APPLICABLE

- ITEM NOT ILLUSTRATED

BRI

26-18-01-01

BOEING PROPRIETARY - Copyright © - Unpublished Work - See title page for details.

26-18-01
FIG. 01
PAGE 2
JAN 20/09



757

PARTS CATALOG (MAINTENANCE)

FIG ITEM	PART NUMBER	1 2 3 4 5 6 7	NOMENCLATURE	EFFECT FROM TO	UNITS PER ASSY
1	56 BRH10A3		.NUT SUPPLIER CODE: V52828 SPECIFICATION NUMBER: BACN10JC3 OPTIONAL PART: H10-3BAC V15653 NS202101-02 V80539 RMLH9075-3W V72962 VN303A02 V92215 96-02 V80539 T6S1032J V11815	002004 006100 107107 121503 904999	4
	56 BRH10C3D		.NUT SUPPLIER CODE: V52828 SPECIFICATION NUMBER: BACN10JC3CD OPTIONAL PART: T6C1032JCD V11815 NS202486-02 V80539 102LH9075-3W V72962 H51650-3BAC V15653	101102 108120 504903	4

MISSING ITEM NUMBERS NOT APPLICABLE

- ITEM NOT ILLUSTRATED

BRI

26-18-01-01

BOEING PROPRIETARY - Copyright © - Unpublished Work - See title page for details.

26-18-01
FIG. 01
PAGE 3
JAN 20/09



757

PARTS CATALOG (MAINTENANCE)

FIG ITEM	PART NUMBER	1 2 3 4 5 6 7	NOMENCLATURE	EFFECT FROM TO	UNITS PER ASSY
1	57 BRH10A3		.NUT- SUPPLIER CODE: V52828 SPECIFICATION NUMBER: BACN10JC3 OPTIONAL PART: H10-3BAC V15653 NS202101-02 V80539 RMLH9075-3W V72962 VN303A02 V92215 96-02 V80539 T6S1032J V11815 POSITION DATA: LH SIDE	002004 006100 107107 121503 904999	3
	57 BRH10C3D		.NUT- SUPPLIER CODE: V52828 SPECIFICATION NUMBER: BACN10JC3CD OPTIONAL PART: T6C1032JCD V11815 NS202486-02 V80539 102LH9075-3W V72962 H51650-3BAC V15653 POSITION DATA: LH SIDE	101102 108120 504903	3
	60 7C74-4-1AA		.CLAMP- SUPPLIER CODE: V71286 OPTIONAL PART: HK7CAF74 V69370 35401-5 V73168	002004 006102 107999	23

MISSING ITEM NUMBERS NOT APPLICABLE

- ITEM NOT ILLUSTRATED

BRI

26-18-01-01

BOEING PROPRIETARY - Copyright © - Unpublished Work - See title page for details.

26-18-01
FIG. 01
PAGE 4
JAN 20/09



757

PARTS CATALOG (MAINTENANCE)

FIG ITEM	PART NUMBER	1 2 3 4 5 6 7	NOMENCLATURE	EFFECT FROM TO	UNITS PER ASSY
1					
60	35401-5		.CLIP- SUPPLIER CODE: V73168 OPTIONAL PART: 7C74-4-1AA V71286 HK7CAF74 V69370	002004 006102 107999	23
60	HK7CAF74		.CLIP- SUPPLIER CODE: V69370 OPTIONAL PART: 35401-5 V73168 7C74-4-1AA V71286	002004 006102 107999	23
62	35401-5		.CLIP- SUPPLIER CODE: V73168 OPTIONAL PART: 7C74-4-1AA V71286 HK7CAF74 V69370	002004 006102 107999	15
62	HK7CAF74		.CLIP- SUPPLIER CODE: V69370 OPTIONAL PART: 35401-5 V73168 7C74-4-1AA V71286	002004 006102 107999	15
62	7C74-4-1AA		.CLAMP- SUPPLIER CODE: V71286 OPTIONAL PART: HK7CAF74 V69370 35401-5 V73168	002004 006102 107999	15
67	35450-1		.BUSHING-RUBBER SUPPLIER CODE: V73168 OPTIONAL PART: 8507 V6F140	002004 006102 107999	4

MISSING ITEM NUMBERS NOT APPLICABLE

- ITEM NOT ILLUSTRATED

BRI

26-18-01-01

BOEING PROPRIETARY - Copyright © - Unpublished Work - See title page for details.

26-18-01
FIG. 01
PAGE 5
JAN 20/09



757

PARTS CATALOG (MAINTENANCE)

FIG ITEM	PART NUMBER	1 2 3 4 5 6 7	NOMENCLATURE	EFFECT FROM TO	UNITS PER ASSY
1					
67	8507		.BUSHING- SUPPLIER CODE: V6F140 OPTIONAL PART: 35450-1 V73168	002004 006102 107999	4
68	35450-1		.BUSHING-RUBBER SUPPLIER CODE: V73168 OPTIONAL PART: 8507 V6F140	002004 006102 107999	46
68	8507		.BUSHING- SUPPLIER CODE: V6F140 OPTIONAL PART: 35450-1 V73168	002004 006102 107999	46
70	8507		.BUSHING- SUPPLIER CODE: V6F140 OPTIONAL PART: 35450-1 V73168	002004 006102 107999	30
70	35450-1		.BUSHING-RUBBER SUPPLIER CODE: V73168 OPTIONAL PART: 8507 V6F140	002004 006102 107999	30
76	RR2002-4B6		.GROMMET SUPPLIER CODE: V57268 SPECIFICATION NUMBER: BACG20AF4B6 OPTIONAL PART: H4B6 V74687 SZ6924-4B6 V95272 701-4B6 V07096 E4B6 V60980 G6940-4B6 V75345	002004 006100 107107 121503 904999	2

MISSING ITEM NUMBERS NOT APPLICABLE

- ITEM NOT ILLUSTRATED

BRI

26-18-01-01

26-18-01
FIG. 01
PAGE 6
JAN 20/09



757

PARTS CATALOG (MAINTENANCE)

FIG ITEM	PART NUMBER	1 2 3 4 5 6 7	NOMENCLATURE	EFFECT FROM TO	UNITS PER ASSY
1 76	RR2002-4B6J		.GROMMET SUPPLIER CODE: V57268 SPECIFICATION NUMBER: BACG20AF4B6J OPTIONAL PART: H4B6J V60980 701-4B6J V07096 SZ6924-4B6J V95272 G6940-4B6J V75345 E4B6J V60980	101102 108120 504903	2
80	35542-2-255		.ELEMENT-DETECTOR SUPPLIER CODE: V73168 SPECIFICATION NUMBER: S283N001-12 ELECTRICAL EQUIP NUMBER: TS5157 TS5158	002004 006102 107999	2
81	135930		.NUT- SUPPLIER CODE: V73168 OPTIONAL PART: S09401 V92592	002004 006102 107999	6
81	S09401		.NUT- SUPPLIER CODE: V92595 OPTIONAL PART: 135930 V73168	002004 006102 107999	6
85	35618-2-255		.ELEMENT-DETECTOR SUPPLIER CODE: V73168 SPECIFICATION NUMBER: S283N001-13	002004 006102 107999	2

MISSING ITEM NUMBERS NOT APPLICABLE

- ITEM NOT ILLUSTRATED

26-18-01-01

26-18-01
FIG. 01
PAGE 7
JAN 20/09

BRI



757

PARTS CATALOG (MAINTENANCE)

FIG ITEM	PART NUMBER	1 2 3 4 5 6 7	NOMENCLATURE	EFFECT FROM TO	UNITS PER ASSY
1 90	35624-2-255		.ELEMENT-DETECTOR SUPPLIER CODE: V73168 SPECIFICATION NUMBER: S283N001-31 ELECTRICAL EQUIP NUMBER: TS5161 TS5162 QUALIFIED I/W DATA: 35624-2-255 MAY REPL 35619-2-255 ON NHA 218N2009-3 & -4 ONLY	002004 006102 107999	2
171	BACR15BB5AD5C		.RIVET- POST SERVICE BULLETIN: 26-0046	108120	6
178	218N4028-8		.BRACKET ASSY- POST SERVICE BULLETIN: 26-0046	108120	3
- 200	286N3302-301		WIRE BUNDLE ASSY	108120	RF
- 200	286N3302-003		WIRE BUNDLE ASSY	002004 006100 107107 121503 904999	RF
- 200	286N3302-302		WIRE BUNDLE ASSY	101102	RF
- 200	286N3302-306		WIRE BUNDLE ASSY	504903	RF
210	35303-75		.PLUG- SUPPLIER CODE: V73168 ELECTRICAL EQUIP NUMBER: D01948 WIRING DIAGRAM REF: 261811	002004 006102 107999	1
- 250	286N3300-003		WIRE BUNDLE ASSY	002004 006100 950999	RF
- 250	286N3300-005		WIRE BUNDLE ASSY	107107 121503 904949	RF
- 250	286N3300-312		WIRE BUNDLE ASSY	101102 108120	RF
- 251	286N3300-320		WIRE BUNDLE ASSY	504903	RF
260	35303-77		.PLUG- SUPPLIER CODE: V73168 ELECTRICAL EQUIP NUMBER: D01952 WIRING DIAGRAM REF: 261811	002004 006102 107999	1

MISSING ITEM NUMBERS NOT APPLICABLE

- ITEM NOT ILLUSTRATED

26-18-01-01

26-18-01
FIG. 01
PAGE 8
JAN 20/09

BRI



757

PARTS CATALOG (MAINTENANCE)

FIG ITEM	PART NUMBER	1 2 3 4 5 6 7	NOMENCLATURE	EFFECT FROM TO	UNITS PER ASSY
1					
- 300	286N5102-004		WIRE BUNDLE ASSY	011100	RF
- 300	286N5102-002		WIRE BUNDLE ASSY	002004	RF
				006010	
				107107	
				121503	
				904999	
- 300	286N5102-302		WIRE BUNDLE ASSY	101102	RF
- 300	286N5102-304		WIRE BUNDLE ASSY	504903	RF
- 300	286N5102-305		WIRE BUNDLE ASSY	108120	RF
310	35303-77		.PLUG-	002004	1
			SUPPLIER CODE:	006102	
			V73168	107999	
			ELECTRICAL EQUIP NUMBER:		
			D01946		
			WIRING DIAGRAM REF:		
			261811		
- 350	286N5100-012		WIRE BUNDLE ASSY	121503	RF
- 350	286N5100-013		WIRE BUNDLE ASSY	002004	RF
				952952	
- 350	286N5100-008		WIRE BUNDLE ASSY	107107	RF
				904949	
- 351	286N5100-017		WIRE BUNDLE ASSY	006010	RF
				950951	
				953999	
- 351	286N5100-026		WIRE BUNDLE ASSY	011100	RF
- 351	286N5100-301		WIRE BUNDLE ASSY	101102	RF
- 351	286N5100-302		WIRE BUNDLE ASSY	108120	RF
- 351	286N5100-306		WIRE BUNDLE ASSY	504903	RF
360	35303-75		.PLUG-	002004	1
			SUPPLIER CODE:	006102	
			V73168	107999	
			ELECTRICAL EQUIP NUMBER:		
			D01950		
			WIRING DIAGRAM REF:		
			261811		

MISSING ITEM NUMBERS NOT APPLICABLE

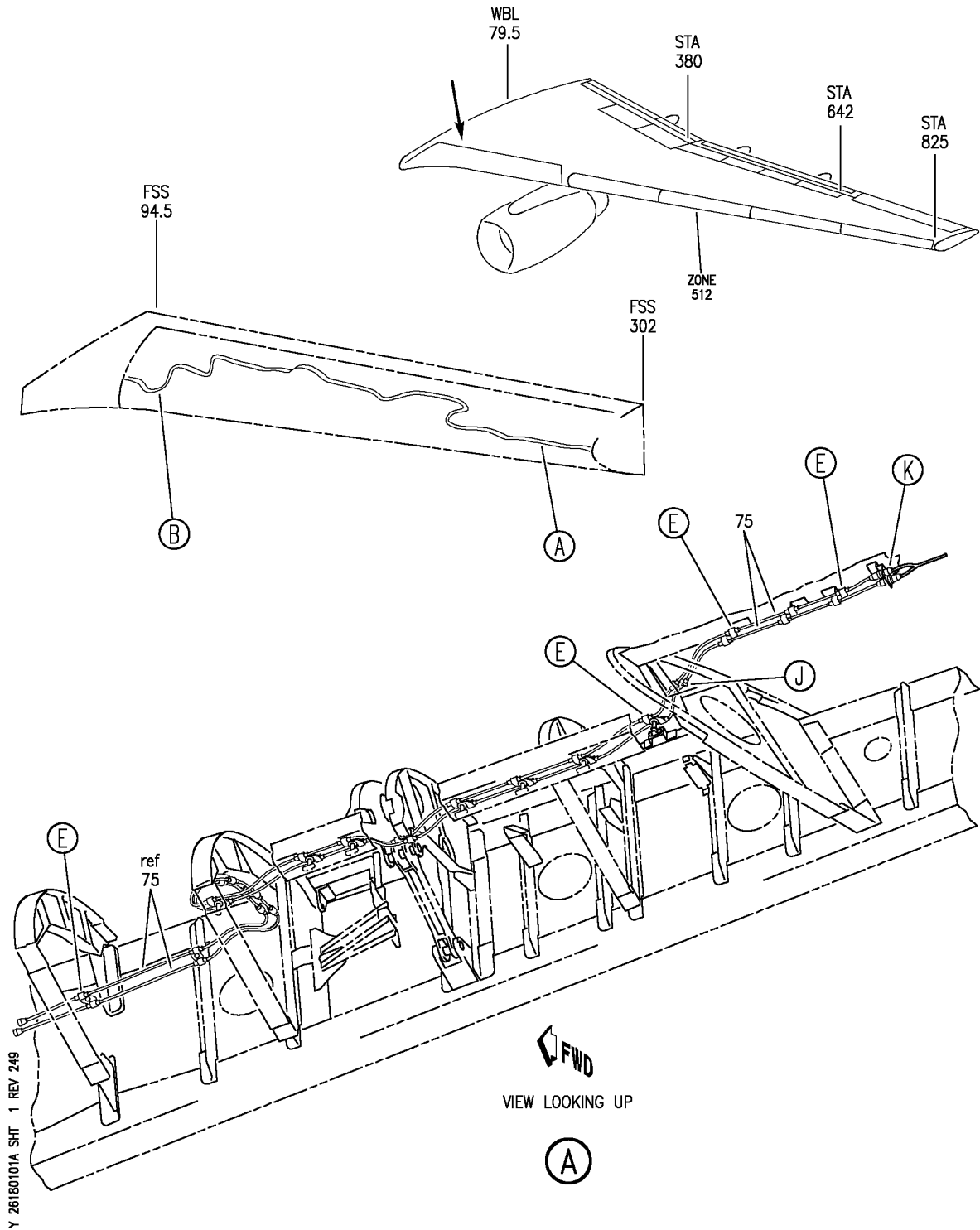
- ITEM NOT ILLUSTRATED

BRI

26-18-01-01

26-18-01
FIG. 01
PAGE 9
JAN 20/09

BOEING
757
PARTS CATALOG (MAINTENANCE)



Y 26180101A SHT 1 REV 249

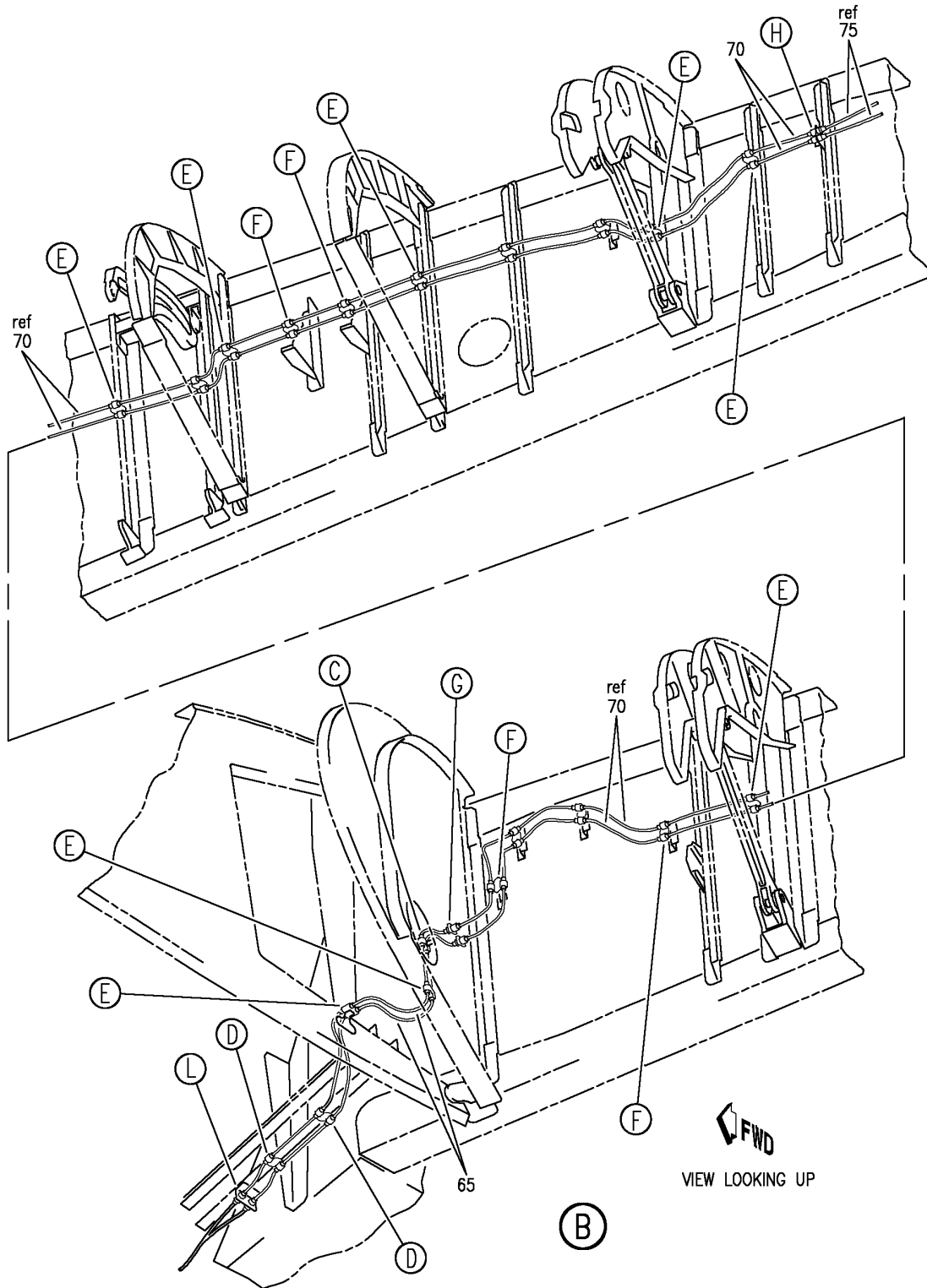
SENSOR INSTL-DUCT LEAK DETECTION WING LE
FIGURE 1A (SHEET 1)

26-18-01-01A

BRI
JAN 20/09

26-18-01-01A
PAGE 0

BOEING
757
PARTS CATALOG (MAINTENANCE)



Y 26180101A SHT 2 REV 249

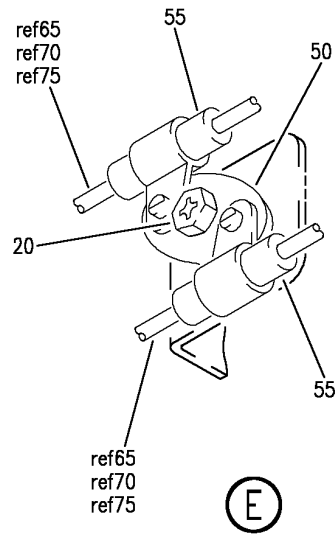
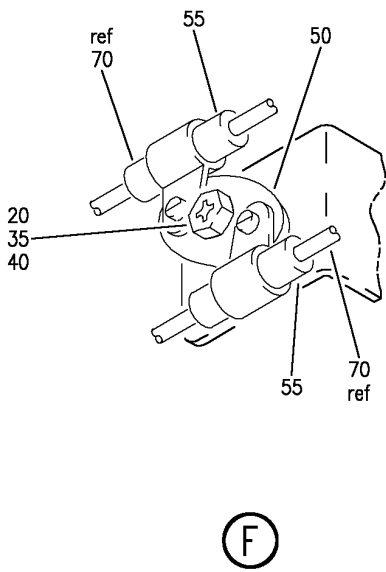
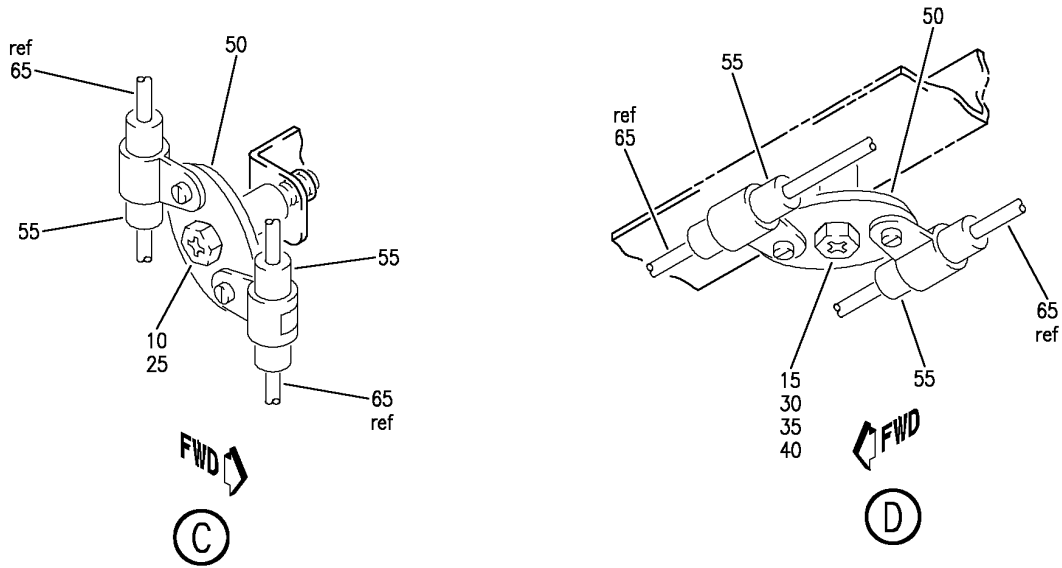
SENSOR INSTL-DUCT LEAK DETECTION WING LE
FIGURE 1A (SHEET 2)

26-18-01-01A

BRI
JAN 20/09

26-18-01-01A
PAGE 0A

BOEING
757
PARTS CATALOG (MAINTENANCE)



Y 26180101A SHT. 3 REV. 249

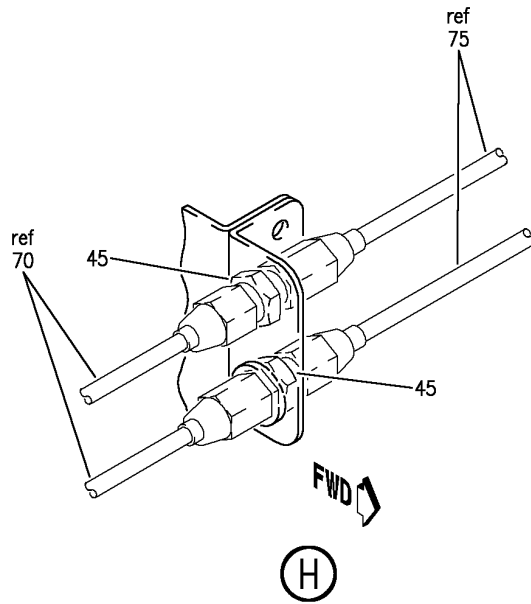
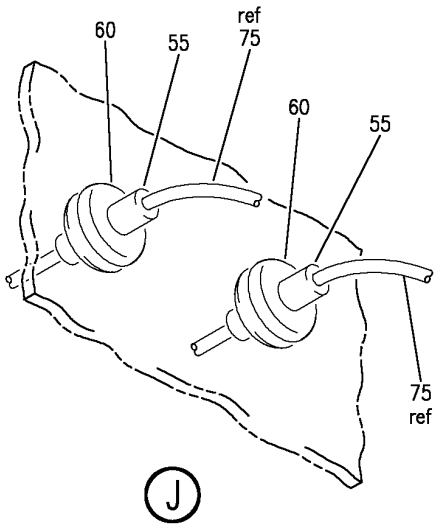
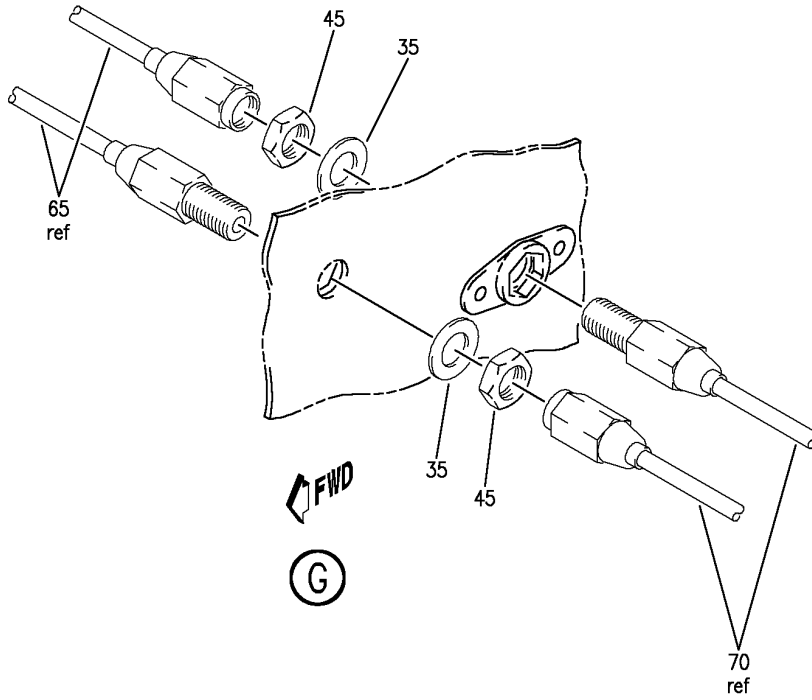
SENSOR INSTL-DUCT LEAK DETECTION WING LE
FIGURE 1A (SHEET 3)

26-18-01-01A

BRI
JAN 20/09

26-18-01-01A
PAGE 0B

BOEING
757
PARTS CATALOG (MAINTENANCE)



Y 26180101A SHT 4 REV 249

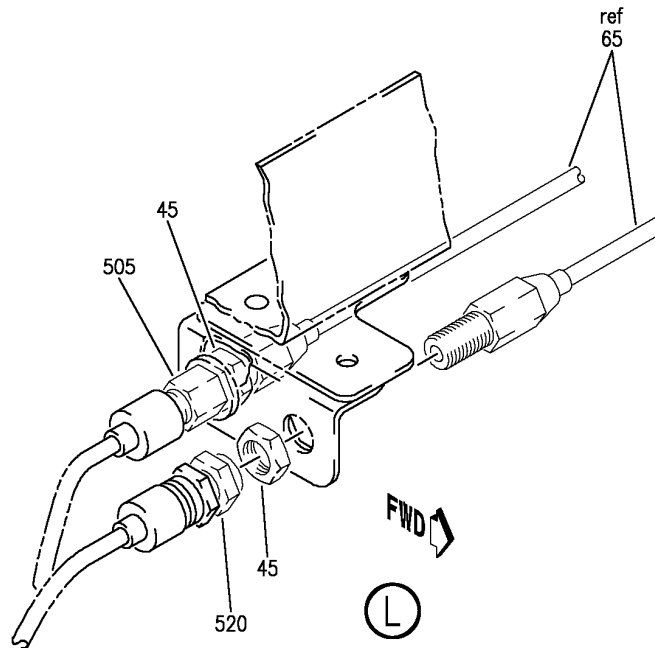
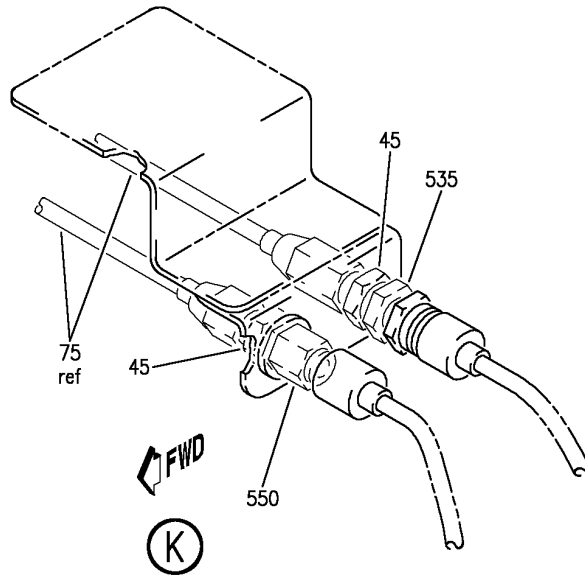
SENSOR INSTL-DUCT LEAK DETECTION WING LE
FIGURE 1A (SHEET 4)

26-18-01-01A

BRI
JAN 20/09

26-18-01-01A
PAGE 0C

BOEING
757
PARTS CATALOG (MAINTENANCE)



Y 26180101A SHT 5 REV 249

SENSOR INSTL-DUCT LEAK DETECTION WING LE
FIGURE 1A (SHEET 5)

26-18-01-01A

BRI
JAN 20/09

26-18-01-01A
PAGE 0D



757

PARTS CATALOG (MAINTENANCE)

FIG ITEM	PART NUMBER	1 2 3 4 5 6 7	NOMENCLATURE	EFFECT FROM TO	UNITS PER ASSY
1 A			SENSOR INSTL-DUCT LEAK DETECTION WING LE	103106	
- 1	MODREF21378		SENSOR INSTL-DUCK LEAK DETECTION WING LE MODULE NUMBER: 218N4009-15 REV A POSITION DATA: LH	103103	1
- 1	MODREF27314		SENSOR INSTL-DUCK LEAK DETECTION WING LE MODULE NUMBER: 218N4009-15 REV B POSITION DATA: LH	104106	1
10	BACS12HN3-17		.SCREW-	103106	1
15	BACS12HN3-12		.SCREW	103106	2
20	BACS12HN3-8		.SCREW-	103106	33
			OPTIONAL PART: NAS1801-3-8		
20	NAS1801-3-8		.SCREW-	103106	33
			OPTIONAL PART: BACS12HN3-8		
25	NAS43DD3-36FC		.SPACER	103106	1
30	NAS43DD3-16FC		.SPACER	103106	2
35	NAS1149D0332J		.WASHER	103106	10
40	BRH10C3D		.NUT	103106	8
			SUPPLIER CODE: V52828 SPECIFICATION NUMBER: BACN10JC3CD OPTIONAL PART: T6C1032JCD V11815 NS202486-02 V80539 102LH9075-3W V72962 H51650-3BAC V15653		
45	S09401		.NUT-	103106	8
			SUPPLIER CODE: V92595 OPTIONAL PART: 06-135930-000 V73168		

MISSING ITEM NUMBERS NOT APPLICABLE

- ITEM NOT ILLUSTRATED

26-18-01-01A

26-18-01
FIG. 01A
PAGE 1
JAN 20/09

BRI



757

PARTS CATALOG (MAINTENANCE)

FIG ITEM	PART NUMBER	1 2 3 4 5 6 7	NOMENCLATURE	EFFECT FROM TO	UNITS PER ASSY
1 A					
45	06-135930-000	.	NUT-FLANGE SUPPLIER CODE: V73168 OPTIONAL PART: S09401 V92595	103106	8
50	HK7CAF74	.	CLIP- SUPPLIER CODE: V69370 OPTIONAL PART: 35401-5 V73168	103106	36
50	35401-5	.	CLIP- SUPPLIER CODE: V73168 OPTIONAL PART: HK7CAF74 V69370	103106	36
50	7C74-4-1AA	.	CLAMP- SUPPLIER CODE: V71286	103106	36
55	35450-1	.	BUSHING-RUBBER SUPPLIER CODE: V73168 OPTIONAL PART: 8507 V6F140	103106	74
55	8507	.	BUSHING- SUPPLIER CODE: V6F140 OPTIONAL PART: 35450-1 V73168	103106	74
60	RR2002-4B6J	.	GROMMET SUPPLIER CODE: V57268 SPECIFICATION NUMBER: BACG20AF4B6J OPTIONAL PART: H4B6J V60980 701-4B6J V07096 SZ6924-4B6J V95272 G6940-4B6J V75345 E4B6J V60980	103106	2

MISSING ITEM NUMBERS NOT APPLICABLE

- ITEM NOT ILLUSTRATED

26-18-01-01A

26-18-01
FIG. 01A
PAGE 2
JAN 20/09

BRI

BOEING PROPRIETARY - Copyright © - Unpublished Work - See title page for details.



757

PARTS CATALOG (MAINTENANCE)

FIG ITEM	PART NUMBER	1 2 3 4 5 6 7	NOMENCLATURE	EFFECT FROM TO	UNITS PER ASSY
1A 65	35542-2-255	.	ELEMENT-DETECTOR SUPPLIER CODE: V73168 SPECIFICATION NUMBER: S283N001-12 ELECTRICAL EQUIP NUMBER: TS5157 TS5158	103106	2
70	35618-2-255	.	ELEMENT-DETECTOR SUPPLIER CODE: V73168 SPECIFICATION NUMBER: S283N001-13 ELECTRICAL EQUIP NUMBER: TS5159 TS5160	103106	2
75	35624-2-255	.	ELEMENT-DETECTOR SUPPLIER CODE: V73168 SPECIFICATION NUMBER: S283N001-31 ELECTRICAL EQUIP NUMBER: TS5161 TS5162	103106	2
- 500 505	286N3300-601 35303-77		WIRE BUNDLE ASSY .PLUG- SUPPLIER CODE: V73168 ELECTRICAL EQUIP NUMBER: D01952 WIRING DIAGRAM REF: 261811	103106 103106	RF 1
- 515 520	286N3302-601 35303-75		WIRE BUNDLE ASSY .PLUG- SUPPLIER CODE: V73168 ELECTRICAL EQUIP NUMBER: D01948 WIRING DIAGRAM REF: 261811	103106 103106	RF 1
- 530 - 530 535	286N5100-601 286N5100-602 35303-75		WIRE BUNDLE ASSY WIRE BUNDLE ASSY .PLUG- SUPPLIER CODE: V73168 ELECTRICAL EQUIP NUMBER: D01950 WIRING DIAGRAM REF: 261811	103105 106106 103106	RF RF 1

MISSING ITEM NUMBERS NOT APPLICABLE

- ITEM NOT ILLUSTRATED

26-18-01-01A

26-18-01
FIG. 01A
PAGE 3
JAN 20/09

BRI



757

PARTS CATALOG (MAINTENANCE)

FIG ITEM	PART NUMBER	1 2 3 4 5 6 7	NOMENCLATURE	EFFECT FROM TO	UNITS PER ASSY
1 A - 545 550	286N5102-601 35303-77		WIRE BUNDLE ASSY .PLUG- SUPPLIER CODE: V73168 ELECTRICAL EQUIP NUMBER: D01946 WIRING DIAGRAM REF: 261811	103106 103106	RF 1

MISSING ITEM NUMBERS NOT APPLICABLE

- ITEM NOT ILLUSTRATED

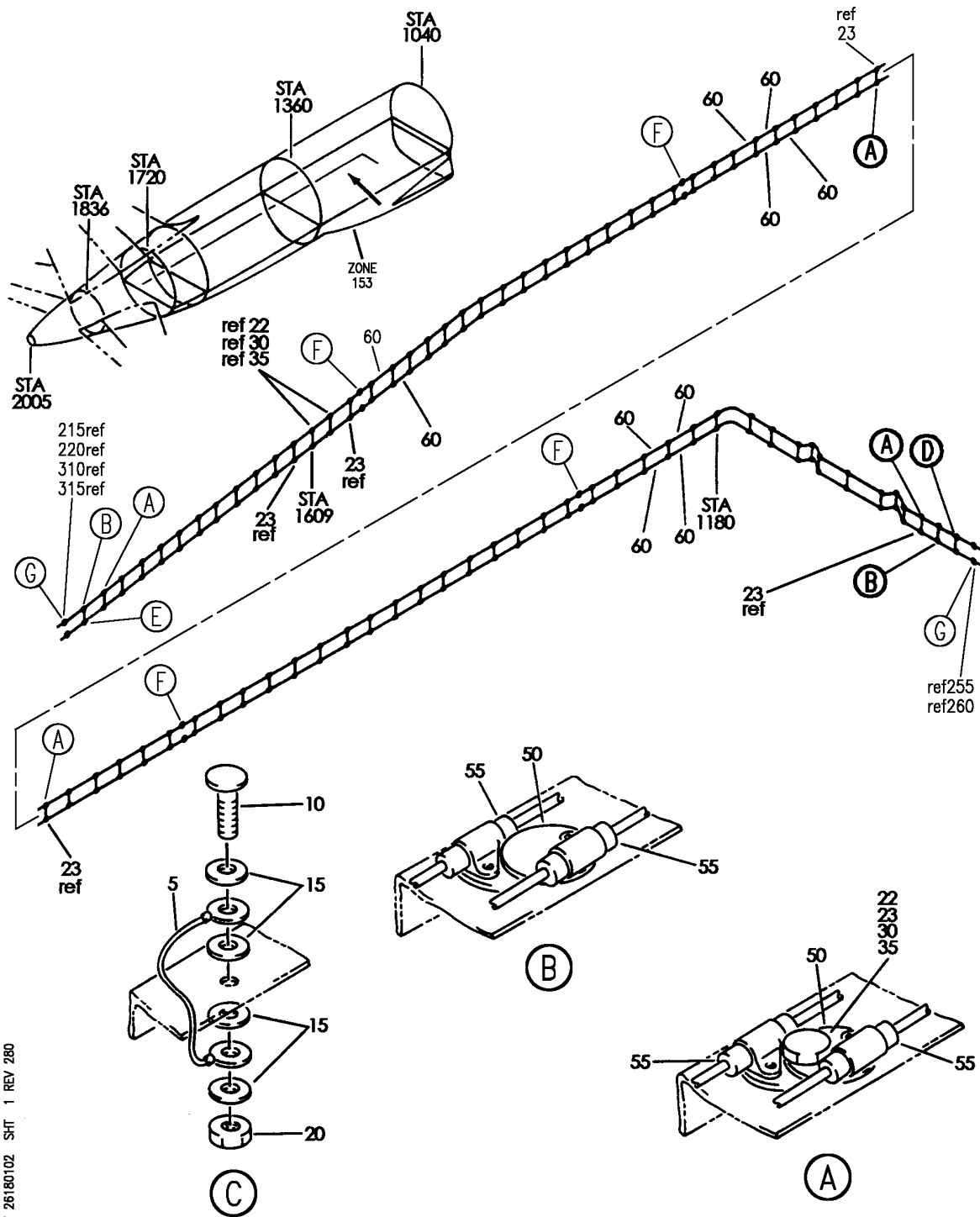
BRI

26-18-01-01A

BOEING PROPRIETARY - Copyright © - Unpublished Work - See title page for details.

26-18-01
FIG. 01A
PAGE 4
JAN 20/09


BOEING
 757
PARTS CATALOG (MAINTENANCE)



Y 26180102 SHT 1 REV 280

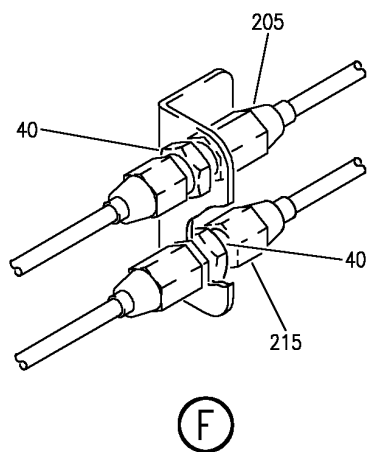
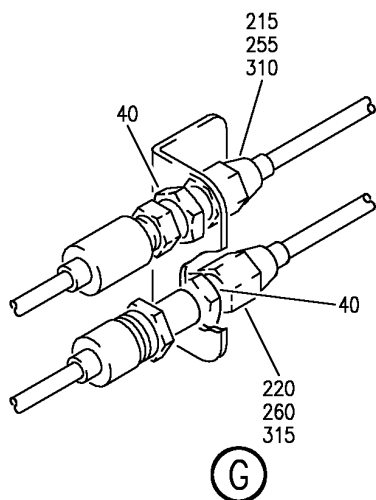
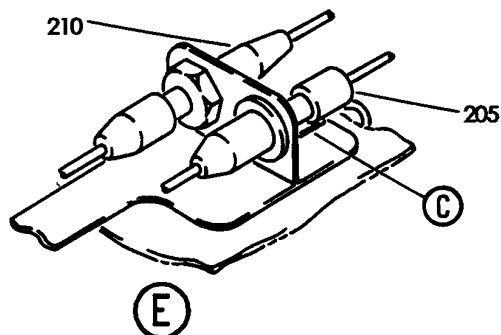
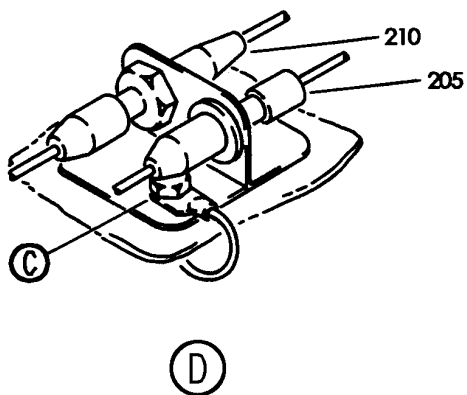
SENSOR INSTL-SECT. 46 DUCT LEAK DETECTION
 FIGURE 2 (SHEET 1)

26-18-01-02

BRI
 MAY 28/07

26-18-01-02
 PAGE 0

BOEING
757
PARTS CATALOG (MAINTENANCE)



Y 26180102 SH1 2 REV 280

SENSOR INSTL-SECT. 46 DUCT LEAK DETECTION
FIGURE 2 (SHEET 2)

26-18-01-02

BRI
MAY 28/07

26-18-01-02
PAGE 0A



757

PARTS CATALOG (MAINTENANCE)

FIG ITEM	PART NUMBER	1 2 3 4 5 6 7	NOMENCLATURE	EFFECT FROM TO	UNITS PER ASSY
2			SENSOR INSTL-SECT. 46 DUCT LEAK DETECTION	002004 006999	
- 1	218N4004-1		SENSOR INSTL-DUCT LEAK DETECTION POSITION DATA: SECT. 46 FOR NHA SEE: 21-00-00-04	002004 006100 107503 904999	RF
- 1	218N4004-2		SENSOR INSTL-DUCT LEAK DETECTION POSITION DATA: SECT. 46 FOR NHA SEE: 21-00-00-15	101102 108120 504903	RF
- 1	MODREF23763		SENSOR INSTL-DUCT LEAK DETECTION MODULE NUMBER: 218N4004-2 REV B POSITION DATA: SECT. 46	103105	1
- 1	MODREF104115		SENSOR INSTL-DUCT LEAK DETECTION MODULE NUMBER: 218N4004-2 REV C POSITION DATA: SECT. 46	106106	1
22	NAS1801-3-8		.SCREW	002004 006011 107107 121503 904999	2
22	BACS12GU3K8		.SCREW	012106 108120 504903	2
23	NAS1801-3-5		.SCREW-	002004 006011 107107 121503 904999	76
23	BACS12GU3K8		.SCREW	012106 108120 504903	76
30	NAS43DD3-13		.SPACER	002004 006100 103107 121503 904999	2

MISSING ITEM NUMBERS NOT APPLICABLE

- ITEM NOT ILLUSTRATED

26-18-01-02

26-18-01
FIG. 02
PAGE 1
JAN 20/09

BRI



757

PARTS CATALOG (MAINTENANCE)

FIG ITEM	PART NUMBER	1 2 3 4 5 6 7	NOMENCLATURE	EFFECT FROM TO	UNITS PER ASSY
2					
30	NAS43DD3-13FC	.	SPACER	101106 108120 504903	2
35	MS21042L3	.	NUT	002004 006999	2
40	06-135930-000	.	NUT-FENWAL SUPPLIER CODE: V73168	106106	12
50	35401-5	.	CLIP-MTG SUPPLIER CODE: V73168 OPTIONAL PART: 7C74-4-1AA V71286 HK7CAF74 V69370	002004 006999	80
50	HK7CAF74	.	CLIP- SUPPLIER CODE: V69370 OPTIONAL PART: 35401-5 V73168 7C74-4-1AA V71286	002004 006999	80
50	7C74-4-1AA	.	CLAMP- SUPPLIER CODE: V71286 OPTIONAL PART: HK7CAF74 V69370 35401-5 V73168	002004 006999	80
55	35450-1	.	BUSHING-RUBBER SUPPLIER CODE: V73168 OPTIONAL PART: 8507 V6F140	002004 006999	160
55	8507	.	BUSHING- SUPPLIER CODE: V6F140 OPTIONAL PART: 35450-1 V73168	002004 006999	160

MISSING ITEM NUMBERS NOT APPLICABLE

- ITEM NOT ILLUSTRATED

BRI

26-18-01-02

BOEING PROPRIETARY - Copyright © - Unpublished Work - See title page for details.

26-18-01
FIG. 02
PAGE 2
JAN 20/09



757

PARTS CATALOG (MAINTENANCE)

FIG ITEM	PART NUMBER	1 2 3 4 5 6 7	NOMENCLATURE	EFFECT FROM TO	UNITS PER ASSY
2 60	35619-2-255		.ELEMENT-DETECTOR SUPPLIER CODE: V73168 SPECIFICATION NUMBER: S283N001-16 ELECTRICAL EQUIP NUMBER: TS5171 TS5172 TS5173 TS5174 TS5175 TS5176 TS5177 TS5178 TS5179 TS5180	002004 006999	10
- 200	286N2626-005		WIRE BUNDLE ASSY-	107107	RF
- 200	286N2626-006		WIRE BUNDLE ASSY-	904949	RF
- 200	286N2626-012		WIRE BUNDLE ASSY-	121503	RF
- 200	286N2626-013		WIRE BUNDLE ASSY-	002004 006100 950999	RF
- 200	286N2626-302		WIRE BUNDLE ASSY-	108120	RF
- 201	286N2626-304		WIRE BUNDLE ASSY-	101102	RF
- 201	286N2626-309		WIRE BUNDLE ASSY	504903	RF
205	35303-75		.PLUG- SUPPLIER CODE: V73168 ELECTRICAL EQUIP NUMBER: D01974 WIRING DIAGRAM REF: 261811 USED ON: 286N2626-001 286N2626-002 286N2626-003 286N2626-005 286N2626-006 286N2626-007 286N2626-008 286N2626-009 286N2626-010 286N2626-013	002004 006100 107107 904999	1

MISSING ITEM NUMBERS NOT APPLICABLE

- ITEM NOT ILLUSTRATED

BRI

26-18-01-02

BOEING PROPRIETARY - Copyright © - Unpublished Work - See title page for details.

26-18-01
FIG. 02
PAGE 3
JAN 20/09



757

PARTS CATALOG (MAINTENANCE)

FIG ITEM	PART NUMBER	1 2 3 4 5 6 7	NOMENCLATURE	EFFECT FROM TO	UNITS PER ASSY
2 210	35303-77		.PLUG- SUPPLIER CODE: V73168 ELECTRICAL EQUIP NUMBER: D01970 WIRING DIAGRAM REF: 261811 USED ON: 286N2626-001 286N2626-002 286N2626-003 286N2626-005 286N2626-006 286N2626-007 286N2626-008 286N2626-009 286N2626-010	002004 006100 107107 904999	1
215	35303-75		.PLUG- SUPPLIER CODE: V73168 ELECTRICAL EQUIP NUMBER: D01972 WIRING DIAGRAM REF: 261811	002004 006102 107999	1
220	35303-77		.PLUG- SUPPLIER CODE: V73168 ELECTRICAL EQUIP NUMBER: D01976 WIRING DIAGRAM REF: 261811	002004 006102 107999	1
- 250	286N5736-601		WIRE BUNDLE ASSY	103106	RF
255	35303-75		.PLUG- SUPPLIER CODE: V73168 ELECTRICAL EQUIP NUMBER: D01972 WIRING DIAGRAM REF: 261811	103106	1
260	35303-77		.PLUG- SUPPLIER CODE: V73168 ELECTRICAL EQUIP NUMBER: D01976 WIRING DIAGRAM REF: 261811	103106	1
- 300	286N2028-001		WIRE BUNDLE ASSY	002004 006100 950952	RF

MISSING ITEM NUMBERS NOT APPLICABLE

- ITEM NOT ILLUSTRATED

26-18-01-02

26-18-01
FIG. 02
PAGE 4
JAN 20/09

BRI



757

PARTS CATALOG (MAINTENANCE)

FIG ITEM	PART NUMBER	1 2 3 4 5 6 7	NOMENCLATURE	EFFECT FROM TO	UNITS PER ASSY
2					
- 300	286N2028-002		WIRE BUNDLE ASSY	121503 953999	RF
- 300	286N2028-302		WIRE BUNDLE ASSY	101102	RF
- 300	286N2028-309		WIRE BUNDLE ASSY	504903	RF
- 300	286N2028-314		WIRE BUNDLE ASSY	108120	RF
310	35303-75		.PLUG- SUPPLIER CODE: V73168 ELECTRICAL EQUIP NUMBER: D01974 WIRING DIAGRAM REF: 261811	002004 006102 108903 950999	1
315	35303-77		.PLUG- SUPPLIER CODE: V73168 ELECTRICAL EQUIP NUMBER: D01970 WIRING DIAGRAM REF: 261811	002004 006102 108903 950999	1

MISSING ITEM NUMBERS NOT APPLICABLE

- ITEM NOT ILLUSTRATED

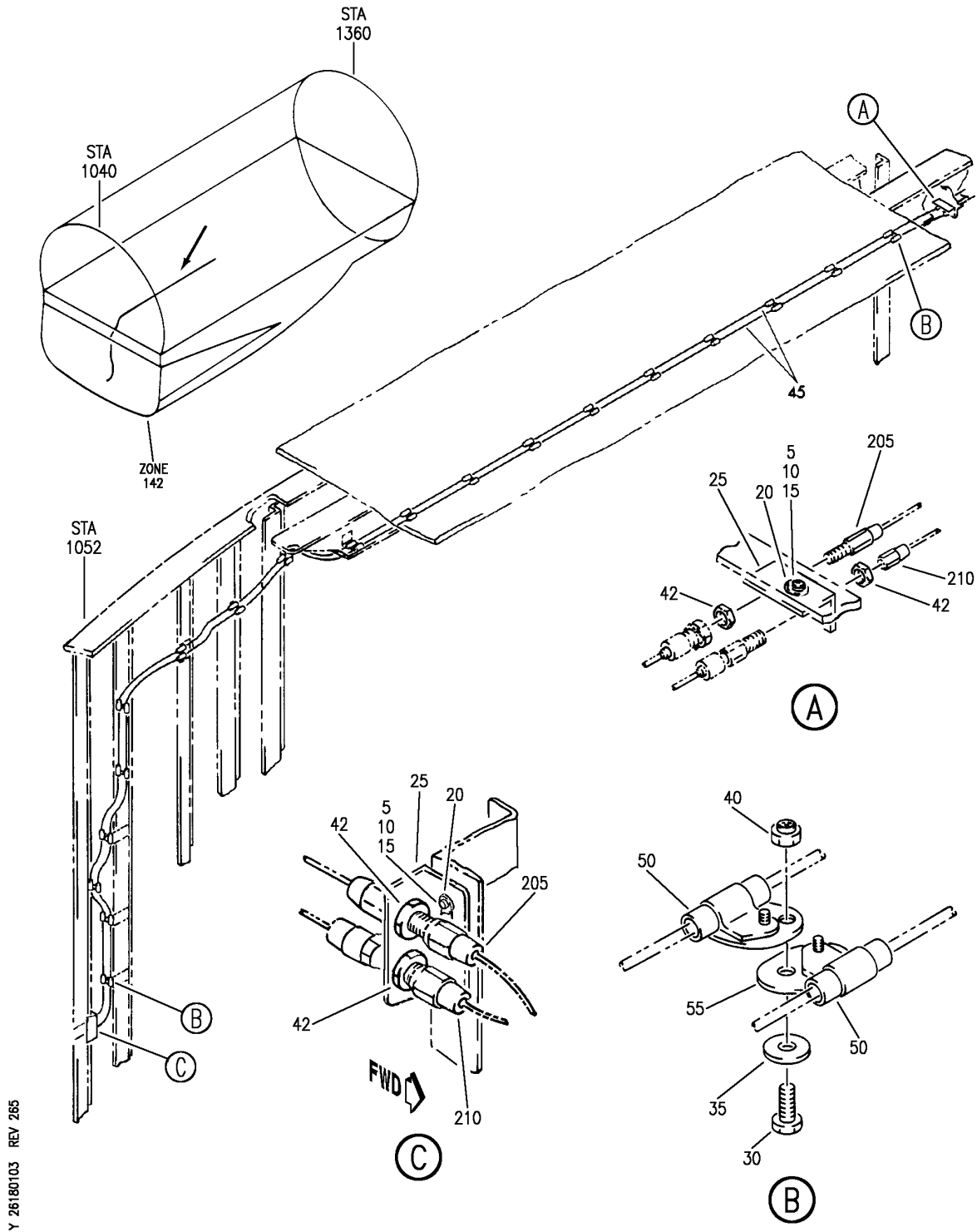
BRI

26-18-01-02

BOEING PROPRIETARY - Copyright © - Unpublished Work - See title page for details.

26-18-01
FIG. 02
PAGE 5
JAN 20/09

BOEING
757
PARTS CATALOG (MAINTENANCE)



Y 26180103 REV 265

SENSOR INSTL-WHL WELL DUCT LEAK DETECTION
FIGURE 3

26-18-01-03

BRI
MAY 28/07

26-18-01-03
PAGE 0



757

PARTS CATALOG (MAINTENANCE)

FIG ITEM	PART NUMBER	1 2 3 4 5 6 7	NOMENCLATURE	EFFECT FROM TO	UNITS PER ASSY
3			SENSOR INSTL-WHL WELL DUCT LEAK DETECTION	002004 006999	
- 1	218N4006-1		SENSOR INSTL-WHL WELL DUCT LEAK DETECTION FOR NHA SEE: 21-00-00-04	002004 006100 107107 121503 904999	RF
- 1	218N4006-2		SENSOR INSTL-WHL WELL DUCT LEAK DETECTION FOR NHA SEE: 21-00-00-14	101102 108120 504903	RF
- 1	MODREF5856		SENSOR INSTL-WHL WELL DUCT LEAK DETECTION MODULE NUMBER: 218N4006-2 REV A	103105	1
- 1	MODREF104117		SENSOR INSTL-WHL WELL DUCT LEAK DETECTION MODULE NUMBER: 218N4006-2 REV B	106106	1
5	NAS1801-3-10		.SCREW	002004 006100 107107 121503 904999	2
10	AN960-10L		.WASHER	002004 006100 107107 121503 904999	8
15	BRH10A3		.NUT SUPPLIER CODE: V52828 SPECIFICATION NUMBER: BACN10JC3 OPTIONAL PART: H10-3BAC V15653 NS202101-02 V80539 RMLH9075-3W V72962 VN303A02 V92215 96-02 V80539 T6S1032J V11815	002004 006100 107107 121503 904999	2

MISSING ITEM NUMBERS NOT APPLICABLE

- ITEM NOT ILLUSTRATED

26-18-01-03

26-18-01
FIG. 03
PAGE 1
JAN 20/09

BRI



757

PARTS CATALOG (MAINTENANCE)

FIG ITEM	PART NUMBER	1 2 3 4 5 6 7	NOMENCLATURE	EFFECT FROM TO	UNITS PER ASSY
3	20	740A20-3	. JUMPER ASSY SUPPLIER CODE: V91812 SPECIFICATION NUMBER: BACJ40A20-3 OPTIONAL PART: TJEJ40A20-3 V33483 RBEJ20-3 V1GK47	002004 006100 107107 121503 904999	2
	25	35410-14	. FLANGE ASSY- SUPPLIER CODE: V73168	002004 006100 107107 121503 904999	2
	30	NAS1801-3-5	. SCREW	002004 006999	19
	35	AN960KD10L	. WASHER	002004 006100 107107 121503 904999	19
	35	NAS1149D0332J	. WASHER	101106 108120 504903	19
	40	BRH10A3	. NUT SUPPLIER CODE: V52828 SPECIFICATION NUMBER: BACN10JC3 OPTIONAL PART: H10-3BAC V15653 NS202101-02 V80539 RMLH9075-3W V72962 VN303A02 V92215 96-02 V80539 T6S1032J V11815	002004 006100 107107 121503 904999	19

MISSING ITEM NUMBERS NOT APPLICABLE

- ITEM NOT ILLUSTRATED

BRI

26-18-01-03

BOEING PROPRIETARY - Copyright © - Unpublished Work - See title page for details.

26-18-01
FIG. 03
PAGE 2
JAN 20/09



757

PARTS CATALOG (MAINTENANCE)

FIG ITEM	PART NUMBER	1 2 3 4 5 6 7	NOMENCLATURE	EFFECT FROM TO	UNITS PER ASSY
3					
40	BRH10C3D	.	NUT SUPPLIER CODE: V52828 SPECIFICATION NUMBER: BACN10JC3CD OPTIONAL PART: T6C1032JCD V11815 NS202486-02 V80539 102LH9075-3W V72962 H51650-3BAC V15653	101106 108120 504903	19
42	06-135930-000	.	NUT-FENWAL SUPPLIER CODE: V73168	106106	4
45	35660-2-255	.	SENSING ELEMENT- SUPPLIER CODE: V73168 SPECIFICATION NUMBER: S283N001-11 ELECTRICAL EQUIP NUMBER: TS5169 TS5170	002004 006999	2
50	35450-1	.	BUSHING-RUBBER SUPPLIER CODE: V73168 OPTIONAL PART: 8507 V6F140	002004 006999	38
50	8507	.	BUSHING- SUPPLIER CODE: V6F140 OPTIONAL PART: 35450-1 V73168	002004 006999	38
55	35401-5	.	CLIP- SUPPLIER CODE: V73168 OPTIONAL PART: 7C74-4-1AA V71286 HK7CAF74 V69370	002004 006999	19

MISSING ITEM NUMBERS NOT APPLICABLE

- ITEM NOT ILLUSTRATED

26-18-01-03

26-18-01
FIG. 03
PAGE 3
JAN 20/09

BRI



757

PARTS CATALOG (MAINTENANCE)

FIG ITEM	PART NUMBER	1 2 3 4 5 6 7	NOMENCLATURE	EFFECT FROM TO	UNITS PER ASSY
3					
55	HK7CAF74		.CLIP- SUPPLIER CODE: V69370 OPTIONAL PART: 35401-5 V73168 7C74-4-1AA V71286	002004 006999	19
55	7C74-4-1AA		.CLAMP- SUPPLIER CODE: V71286 OPTIONAL PART: 35401-5 V73168 HK7CAF74 V69370	002004 006999	19
- 200	286N2514-701		WIRE BUNDLE ASSY	002004 006999	RF
- 200	286N2514-303		WIRE BUNDLE ASSY	101102 108120	RF
- 200	286N2514-310		WIRE BUNDLE ASSY	504903	RF
- 200	286N2514-004		WIRE BUNDLE ASSY	002004 006100 950999	RF
- 200	286N2514-005		WIRE BUNDLE ASSY	107107 121503 904949	RF
205	35303-77		.PLUG- SUPPLIER CODE: V73168 ELECTRICAL EQUIP NUMBER: D01962 D01968 WIRING DIAGRAM REF: 261811	002004 006999	2
210	35303-75		.PLUG- SUPPLIER CODE: V73168 ELECTRICAL EQUIP NUMBER: D01964 D01966 WIRING DIAGRAM REF: 261811	002004 006999	2

MISSING ITEM NUMBERS NOT APPLICABLE

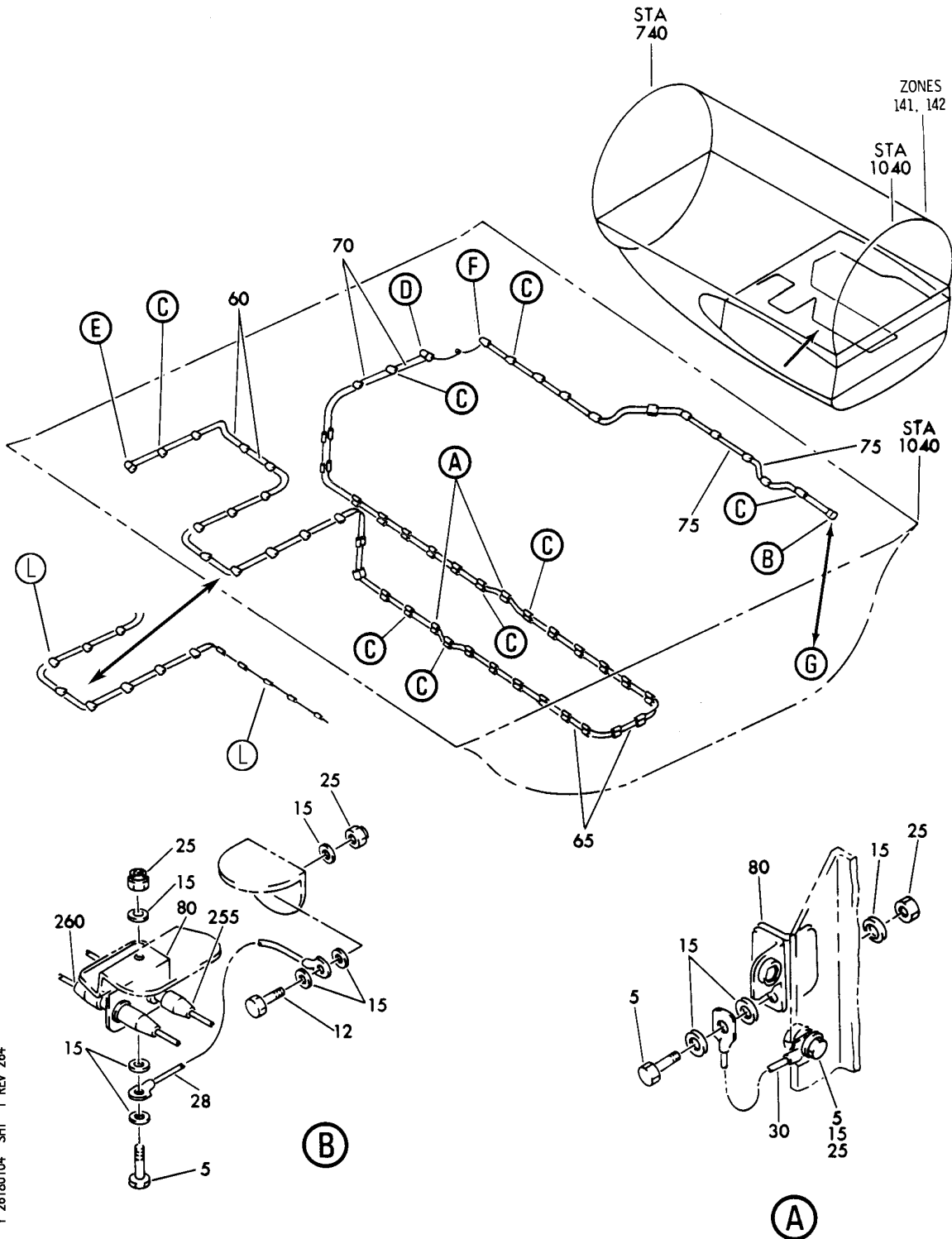
- ITEM NOT ILLUSTRATED

26-18-01-03

26-18-01
FIG. 03
PAGE 4
JAN 20/09

BRI

BOEING
757
PARTS CATALOG (MAINTENANCE)



Y 26180104 SHT 1 REV 264

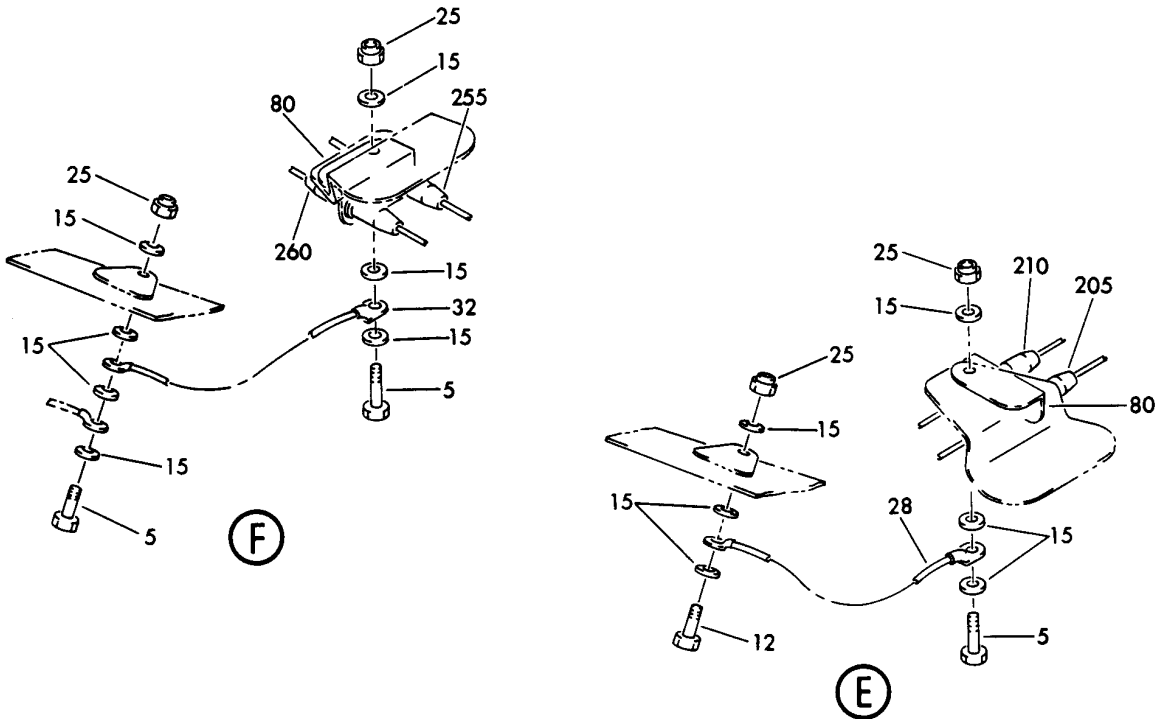
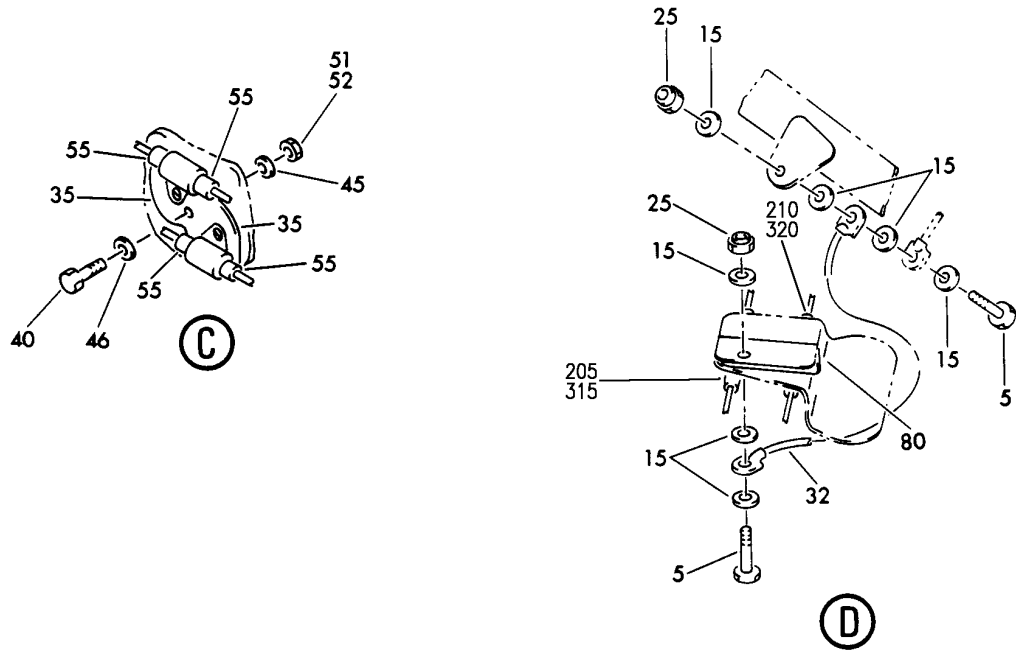
SENSOR INSTL-UNDER WING DUCT LEAK DETECTION
FIGURE 4 (SHEET 1)

26-18-01-04

BRI
MAY 28/07

26-18-01-04
PAGE 0


BOEING
 757
PARTS CATALOG (MAINTENANCE)



Y 26180104 SHT 2 REV 280

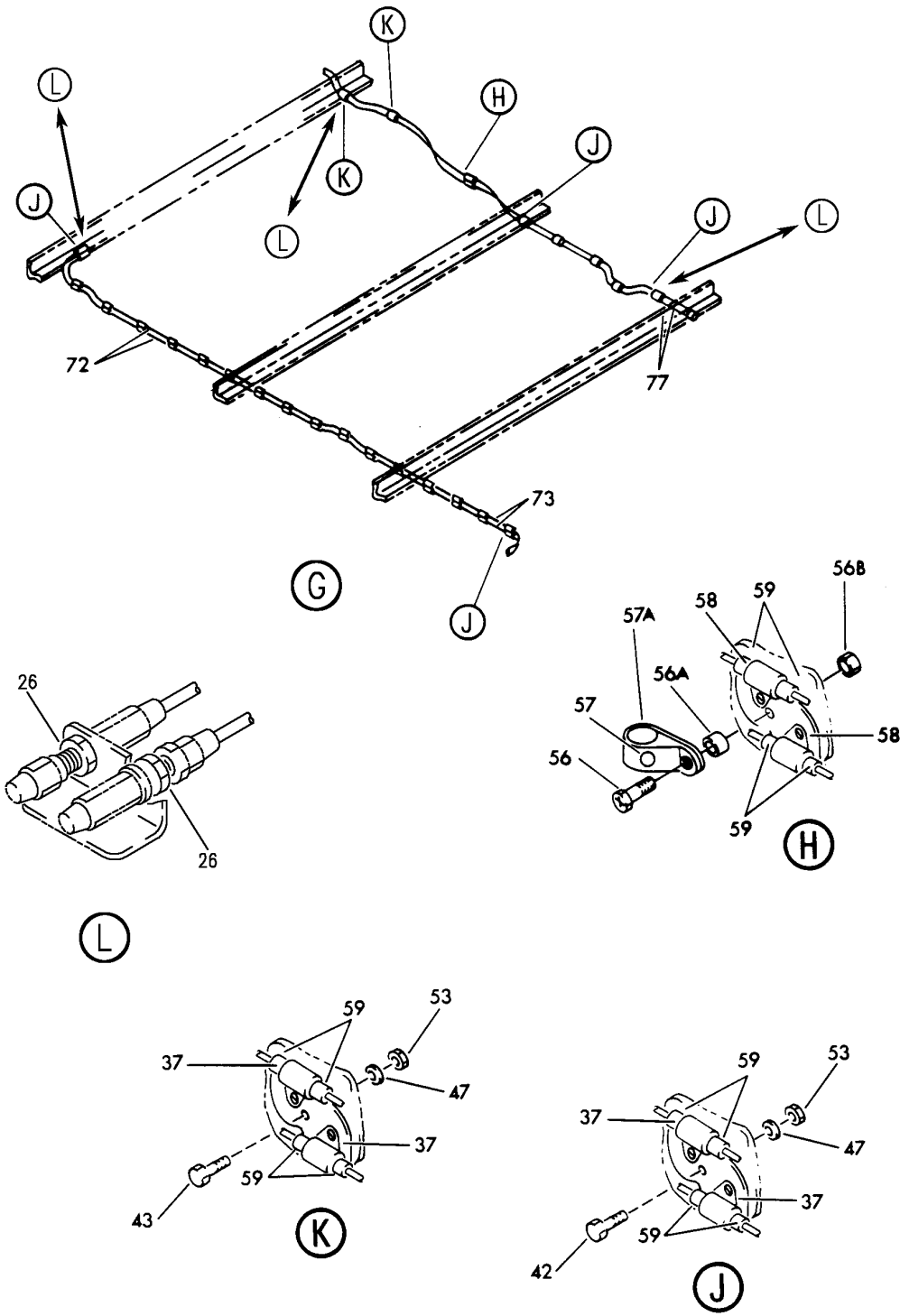
SENSOR INSTL-UNDER WING DUCT LEAK DETECTION
 FIGURE 4 (SHEET 2)

26-18-01-04

BRI
 MAY 28/07

26-18-01-04
 PAGE 0A

BOEING
757
PARTS CATALOG (MAINTENANCE)



Y 26180104 SHT 3 REV 264

SENSOR INSTL-UNDER WING DUCT LEAK DETECTION
FIGURE 4 (SHEET 3)

26-18-01-04

BRI
MAY 28/07

26-18-01-04
PAGE 0B



757

PARTS CATALOG (MAINTENANCE)

FIG ITEM	PART NUMBER	1 2 3 4 5 6 7	NOMENCLATURE	EFFECT FROM TO	UNITS PER ASSY
4			SENSOR INSTL-UNDER WING DUCT LEAK DETECTION	002004 006999	
- 1	218N4008-1		SENSOR INSTL-DUCT LEAK DETECTION POSITION DATA: UNDER WING MODIFICATION DRAWING REF: 218N4001-1 FOR NHA SEE: 21-00-00-04	107107	RF
- 1	218N4008-2		SENSOR INSTL-DUCT LEAK DETECTION POSITION DATA: UNDER WING FOR NHA SEE: 21-00-00-04 21-00-00-14	002004 006102 108999	RF
- 1	MODREF5859		SENSOR INSTL-DUCT LEAK DETECTION MODULE NUMBER: 218N4008-2 REV A POSITION DATA: UNDER WING	103105	1
- 1	MODREF104118		SENSOR INSTL-DUCT LEAK DETECTION MODULE NUMBER: 218N4008-2 REV B POSITION DATA: UNDER WING	106106	1
26	06-135930-000		.NUT-FENWAL SUPPLIER CODE: V73168	106106	10
35	35401-5		.CLIP-MTG SUPPLIER CODE: V73168 OPTIONAL PART: 7C74-4-1AA V71286	107107	51
35	HK7CAF74		.CLIP- SUPPLIER CODE: V69370	107107	51
35	7C74-4-1AA		.CLAMP- SUPPLIER CODE: V71286 OPTIONAL PART: 35401-5 V73168	107107	51

MISSING ITEM NUMBERS NOT APPLICABLE

- ITEM NOT ILLUSTRATED

BRI

26-18-01-04

26-18-01
FIG. 04
PAGE 1
JAN 20/09



757

PARTS CATALOG (MAINTENANCE)

FIG ITEM	PART NUMBER	1 2 3 4 5 6 7	NOMENCLATURE	EFFECT FROM TO	UNITS PER ASSY
4	37 35401-5		.CLIP-MTG SUPPLIER CODE: V73168 OPTIONAL PART: 7C74-4-1AA V71286 HK7CAF74 V69370	002004 006999	50
	37 7C74-4-1AA		.CLAMP- SUPPLIER CODE: V71286 OPTIONAL PART: 35401-5 V73168 HK7CAF74 V69370	002004 006999	50
	37 HK7CAF74		.CLIP- SUPPLIER CODE: V69370 OPTIONAL PART: 35401-5 V73168 7C74-4-1AA V71286 ATTACHING PARTS	002004 006999	50
	40 NAS1801-3-5		.SCREW- USED ON: 218N4008-1	107107	51
	42 NAS1801-3-5		.SCREW- USED ON: 218N4008-2	002004 006999	46
	43 NAS1801-3-24		.SCREW- USED ON: 218N4008-2	002004 006999	2
	45 AN960KD10L		.WASHER- USED ON: 218N4008-1	107107	29
	46 AN960KD10L		.WASHER- QUALIFIED OPTIONAL DATA: (OPT BACN10FX16) USED ON: 218N4008-1 USED WITH: BACN10JC3	107107	22
	47 AN960KD10L		.WASHER- QUALIFIED OPTIONAL DATA: (OPT BACN10FX16) USED WITH: MS21042L3	002004 006999	17

MISSING ITEM NUMBERS NOT APPLICABLE

- ITEM NOT ILLUSTRATED

26-18-01-04

26-18-01
FIG. 04
PAGE 2
JAN 20/09

BRI



757

PARTS CATALOG (MAINTENANCE)

FIG ITEM	PART NUMBER	1 2 3 4 5 6 7	NOMENCLATURE	EFFECT FROM TO	UNITS PER ASSY
4 50	BRH10A3	.NUT	SUPPLIER CODE: V52828 SPECIFICATION NUMBER: BACN10JC3 OPTIONAL PART: H10-3BAC V15653 NS202101-02 V80539 RMLH9075-3W V72962 VN303A02 V92215 96-02 V80539 T6S1032J V11815	107107	29
51	BRH10A3	.NUT-	SUPPLIER CODE: V52828 SPECIFICATION NUMBER: BACN10JC3 OPTIONAL PART: H10-3BAC V15653 NS202101-02 V80539 RMLH9075-3W V72962 VN303A02 V92215 96-02 V80539 T6S1032J V11815 QUALIFIED OPTIONAL DATA: (OPT BACN10FX16) USED WITH: AN960KD10L	107107	22

MISSING ITEM NUMBERS NOT APPLICABLE

- ITEM NOT ILLUSTRATED

BRI

26-18-01-04

BOEING PROPRIETARY - Copyright © - Unpublished Work - See title page for details.

26-18-01
FIG. 04
PAGE 3
JAN 20/09



757

PARTS CATALOG (MAINTENANCE)

FIG ITEM	PART NUMBER	1 2 3 4 5 6 7	NOMENCLATURE	EFFECT FROM TO	UNITS PER ASSY
4 52	130069		.NUT- SUPPLIER CODE: V60119 SPECIFICATION NUMBER: BACN10FX16 OPTIONAL PART: A11330-6-3 V72962 A4972-6-02 V72962 A4972-6-02 V72962 QUALIFIED OPTIONAL DATA: (OPT BACN10JC3 USED WITH AN960KD10L)	107107	22
53	130069		.NUT- SUPPLIER CODE: V60119 SPECIFICATION NUMBER: BACN10FX16 OPTIONAL PART: A11330-6-3 V72962 A4972-6-02 V72962 A4972-6-02 V72962 QUALIFIED OPTIONAL DATA: (OPT MS21042L3 USED WITH AN960KD10L)	002004 006999	17
53	MS21042L3		.NUT- QUALIFIED OPTIONAL DATA: (OPT BACN10FX16) USED WITH: AN960KD10L -----*-----	002004 006999	17
55	35450-1		.BUSHING-RUBBER SUPPLIER CODE: V73168 OPTIONAL PART: 8507 V6F140	107107	102
55	8507		.BUSHING- SUPPLIER CODE: V6F140 OPTIONAL PART: 35450-1 V73168	107107	102

MISSING ITEM NUMBERS NOT APPLICABLE

- ITEM NOT ILLUSTRATED

26-18-01-04

26-18-01
FIG. 04
PAGE 4
JAN 20/09

BRI



757

PARTS CATALOG (MAINTENANCE)

FIG ITEM	PART NUMBER	1 2 3 4 5 6 7	NOMENCLATURE	EFFECT FROM TO	UNITS PER ASSY
4	56 NAS1801-3-10	.	SCREW	002004 006999	1
	56A NAS42DD6-16	.	SPACER	002004 006999	1
	56B MS21042L3	.	NUT	002004 006999	1
	57 BACC10DK12	.	CLAMP	002004 006999	1
	57A N2088	.	PLUG SUPPLIER CODE: V75345 SPECIFICATION NUMBER: BACP20BA1 OPTIONAL PART: SZ7105 V95272 4841 V84914	002004 006999	1
	58 35401-5	.	CLIP-MTG SUPPLIER CODE: V73168 OPTIONAL PART: 7C74-4-1AA V71286 HK7CAF74 V69370	002004 006999	1
	58 7C74-4-1AA	.	CLAMP- SUPPLIER CODE: V71286 OPTIONAL PART: 35401-5 V73168 HK7CAF74 V69370	002004 006999	1
	58 HK7CAF74	.	CLIP- SUPPLIER CODE: V69370 OPTIONAL PART: 35401-5 V73168 7C74-4-1AA V71286	002004 006999	1
	59 35450-1	.	BUSHING-RUBBER SUPPLIER CODE: V73168 OPTIONAL PART: 8507 V6F140	002004 006999	100

MISSING ITEM NUMBERS NOT APPLICABLE

- ITEM NOT ILLUSTRATED

26-18-01-04

26-18-01
FIG. 04
PAGE 5
JAN 20/09

BRI

BOEING PROPRIETARY - Copyright © - Unpublished Work - See title page for details.

 **BOEING**
757
PARTS CATALOG (MAINTENANCE)

FIG ITEM	PART NUMBER	1 2 3 4 5 6 7	NOMENCLATURE	EFFECT FROM TO	UNITS PER ASSY
4					
59	8507		.BUSHING- SUPPLIER CODE: V6F140 OPTIONAL PART: 35450-1 V73168	002004 006999	100
60	35641-2-255		.ELEMENTS-DETECTOR SUPPLIER CODE: V73168 SPECIFICATION NUMBER: S283N001-18 ELECTRICAL EQUIP NUMBER: TS5167 TS5168	002004 006999	2
65	35652-2-255		.ELEMENTS-DETECTOR SUPPLIER CODE: V73168 SPECIFICATION NUMBER: S283N001-15 ELECTRICAL EQUIP NUMBER: TS5163 TS5164	002004 006999	2
70	35593-2-255		.ELEMENTS-DETECTOR SUPPLIER CODE: V73168 SPECIFICATION NUMBER: S283N001-17 ELECTRICAL EQUIP NUMBER: TS5165 TS5166	107107	2
72	35593-2-255		.ELEMENTS-DETECTOR SUPPLIER CODE: V73168 SPECIFICATION NUMBER: S283N001-17 ELECTRICAL EQUIP NUMBER: TS5165 TS5166	002004 006999	2
75	35600-2-255		.ELEMENTS-DETECTOR SUPPLIER CODE: V73168 SPECIFICATION NUMBER: S283N001-14 ELECTRICAL EQUIP NUMBER: TS5191 TS5192	107107	2

MISSING ITEM NUMBERS NOT APPLICABLE

— ITEM NOT ILLUSTRATED

BRI

26-18-01-04

BOEING PROPRIETARY - Copyright © - Unpublished Work - See title page for details.

26-18-01
FIG. 04
PAGE 6
MAY 20/09



757

PARTS CATALOG (MAINTENANCE)

FIG ITEM	PART NUMBER	1 2 3 4 5 6 7	NOMENCLATURE	EFFECT FROM TO	UNITS PER ASSY
4	77 35600-2-255		.ELEMENTS-DETECTOR SUPPLIER CODE: V73168 SPECIFICATION NUMBER: S283N001-14 ELECTRICAL EQUIP NUMBER: TS5191 TS5192	002004 006999	2
- 85	NAS1398D4		.RIVET- SIZE DETERMINED ON INSTL. -----*-----	002004 006999	6
- 200	286N2400-003		WIRE BUNDLE ASSY	107107	RF
- 200	286N2400-004		WIRE BUNDLE ASSY	002004 952952	RF
- 200	286N2400-006		WIRE BUNDLE ASSY	121503 904949	RF
- 200	286N2400-009		WIRE BUNDLE ASSY	006100 950951 953999	RF
- 200	286N2400-301		WIRE BUNDLE ASSY	101102	RF
- 201	286N2400-307		WIRE BUNDLE ASSY	108120	RF
205	35303-75		.PLUG- SUPPLIER CODE: V73168 ELECTRICAL EQUIP NUMBER: D01956 D01958 WIRING DIAGRAM REF: 261811	002004 006102 107503 904999	2
210	35303-77		.PLUG- SUPPLIER CODE: V73168 ELECTRICAL EQUIP NUMBER: D01954 D01960 WIRING DIAGRAM REF: 261811	002004 006102 107503 904999	2
- 250	286N2502-002		WIRE BUNDLE ASSY	107107	RF
- 250	286N2502-005		WIRE BUNDLE ASSY	121503 904949	RF
- 250	286N2502-006		WIRE BUNDLE ASSY	002004 006007 952952	RF
- 250	286N2502-301		WIRE BUNDLE ASSY	108120	RF
- 250	286N2502-302		WIRE BUNDLE ASSY	101102	RF

MISSING ITEM NUMBERS NOT APPLICABLE

- ITEM NOT ILLUSTRATED

26-18-01-04

26-18-01
FIG. 04
PAGE 7
JAN 20/09

BRI



757

PARTS CATALOG (MAINTENANCE)

FIG ITEM	PART NUMBER	1 2 3 4 5 6 7	NOMENCLATURE	EFFECT FROM TO	UNITS PER ASSY
4 255	35303-77		.PLUG- SUPPLIER CODE: V73168 ELECTRICAL EQUIP NUMBER: D01994 D01996 WIRING DIAGRAM REF: 261820	002004 006007 101102 107503 904949 952952	2
260	353303-75		.PLUG- SUPPLIER CODE: V73168 ELECTRICAL EQUIP NUMBER: D01998 D02026 WIRING DIAGRAM REF: 261821	002004 006007 101102 107503 904949 952952	2
- 310 315	286N2404-701 35303-75		WIRE BUNDLE ASSY .PLUG- SUPPLIER CODE: V73168 ELECTRICAL EQUIP NUMBER: D01956 D01958 WIRING DIAGRAM REF: 261811	103106 103106	RF 2
320	35303-77		.PLUG- SUPPLIER CODE: V73168 ELECTRICAL EQUIP NUMBER: D01954 D01960 WIRING DIAGRAM REF: 261811	103106	2

MISSING ITEM NUMBERS NOT APPLICABLE

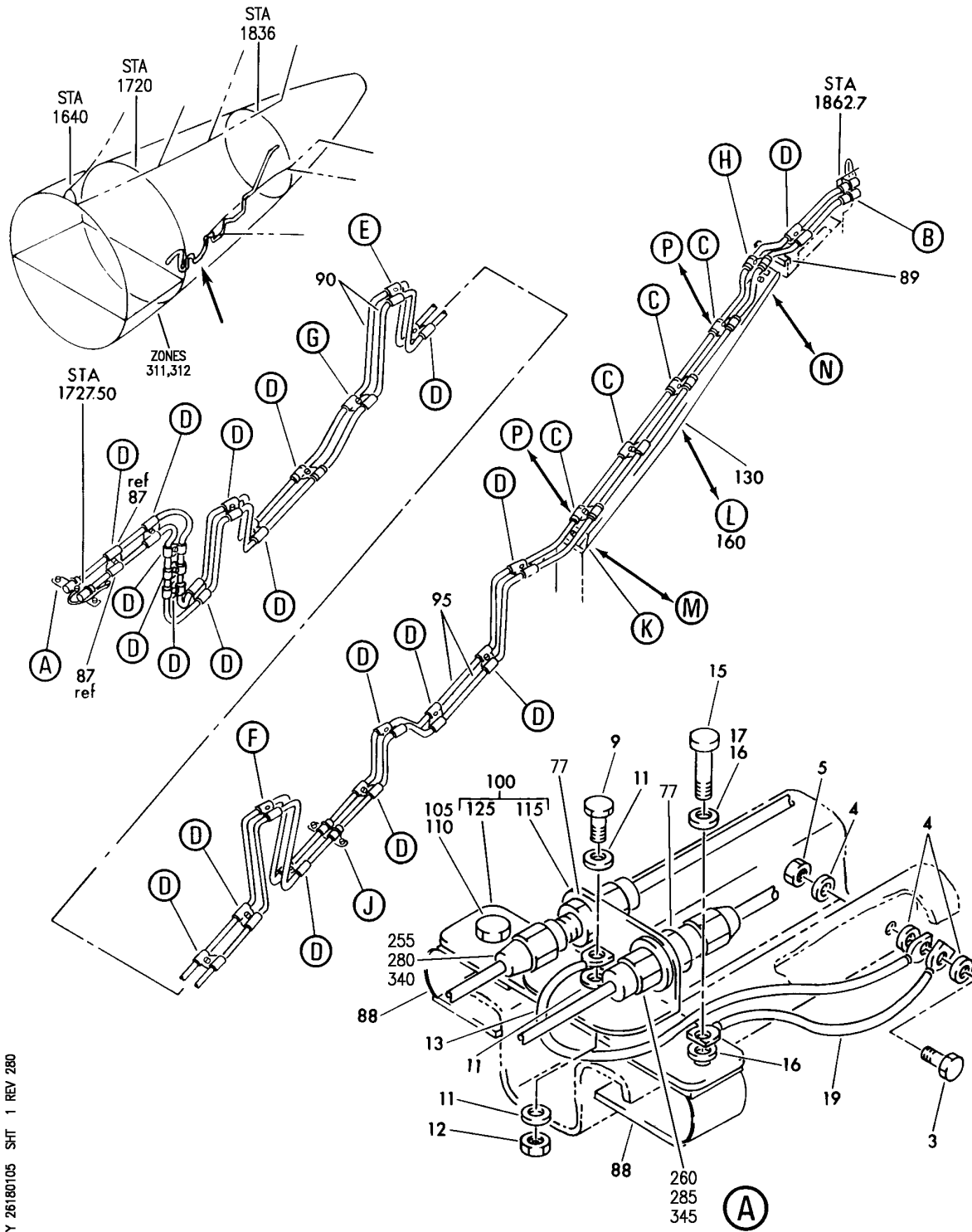
- ITEM NOT ILLUSTRATED

BRI

26-18-01-04

BOEING PROPRIETARY - Copyright © - Unpublished Work - See title page for details.

26-18-01
FIG. 04
PAGE 8
JAN 20/09



Y 26180105 SHT 1 REV 280

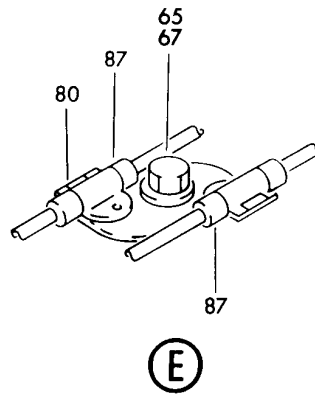
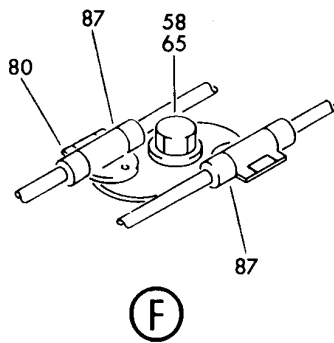
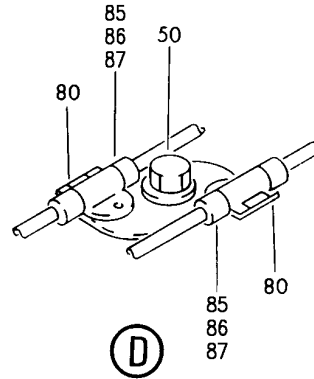
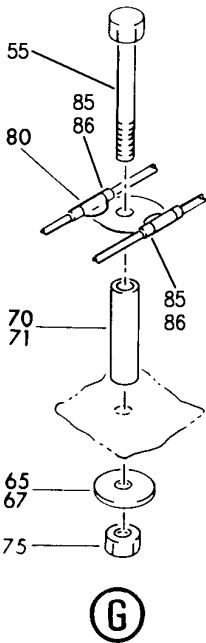
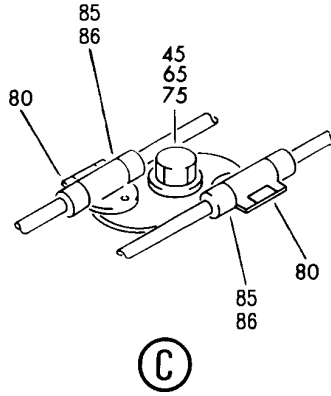
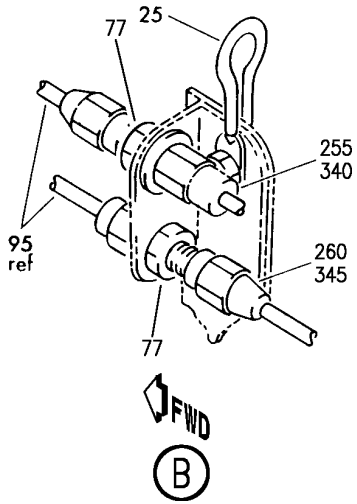
SENSOR INSTL-SECT. 48 DUCT LEAK DETECTION
FIGURE 5 (SHEET 1)

26-18-01-05

BRI
MAY 28/07

26-18-01-05
PAGE 0

BOEING
757
PARTS CATALOG (MAINTENANCE)



Y 26180105 SHT 2 REV 280

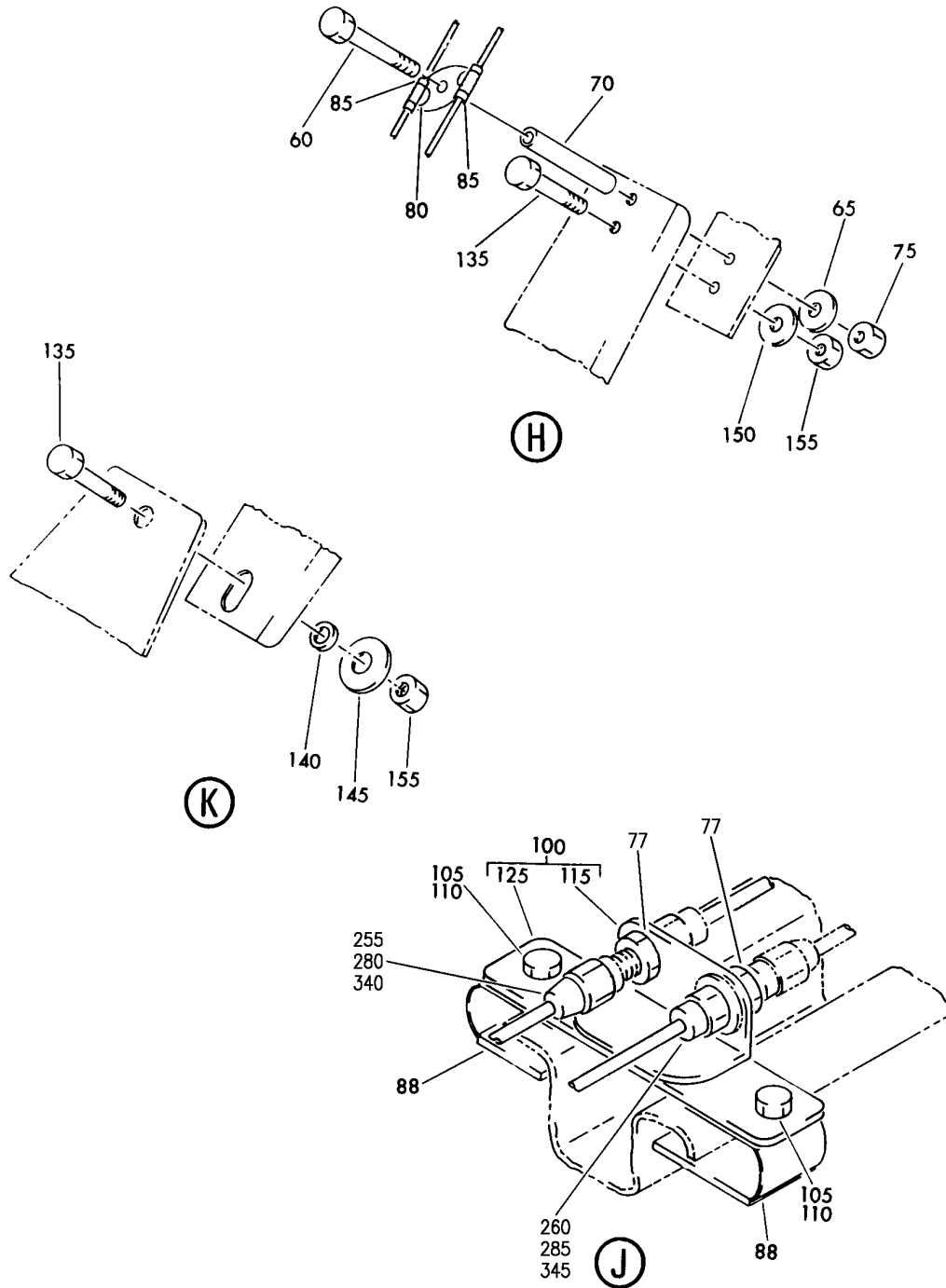
SENSOR INSTL-SECT. 48 DUCT LEAK DETECTION
FIGURE 5 (SHEET 2)

26-18-01-05

BRI
MAY 28/07

26-18-01-05
PAGE 0A

BOEING
757
PARTS CATALOG (MAINTENANCE)



Y 26180105 SHT 3 REV 280

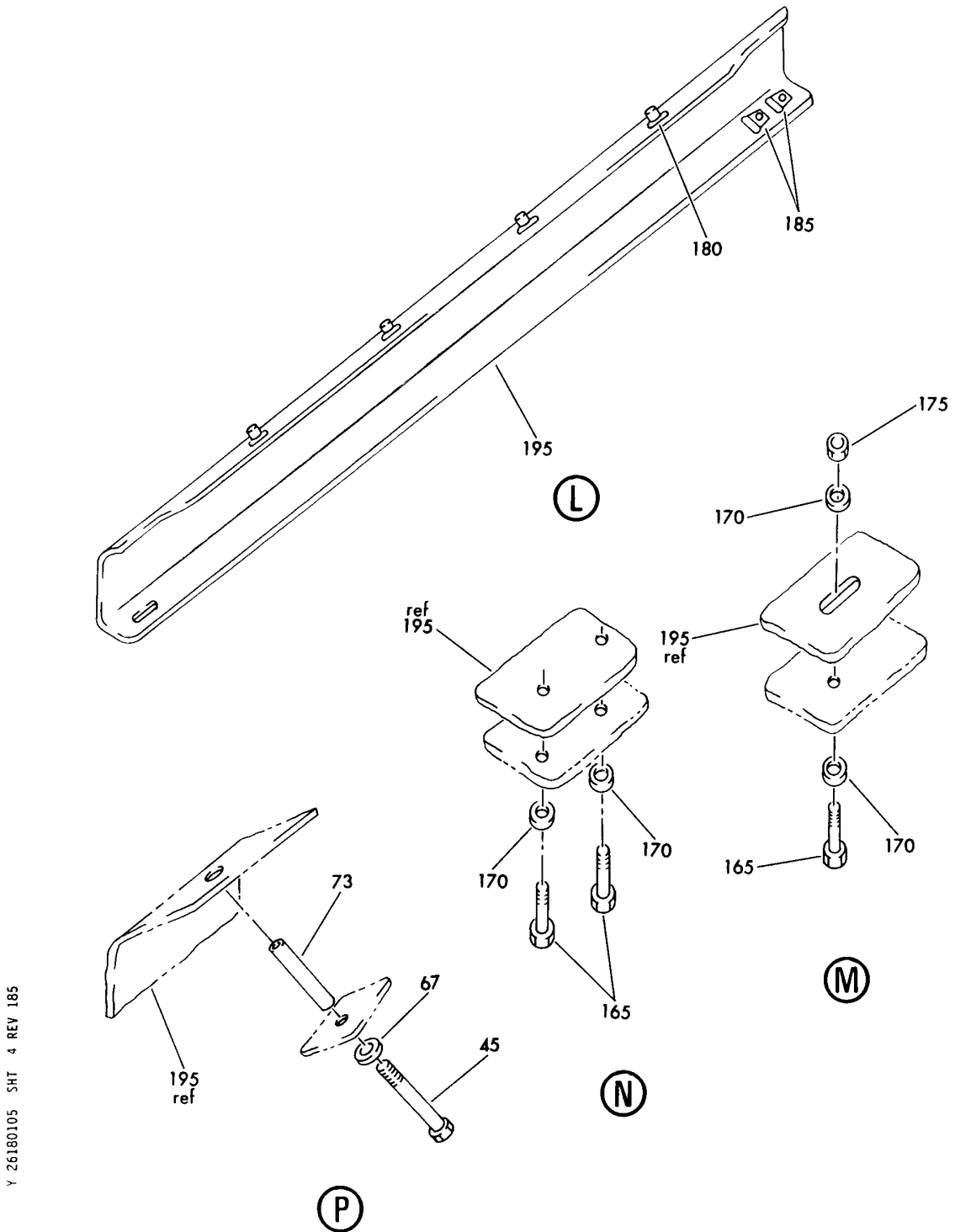
SENSOR INSTL-SECT. 48 DUCT LEAK DETECTION
FIGURE 5 (SHEET 3)

26-18-01-05

BRI
MAY 28/07

26-18-01-05
PAGE 0B

BOEING
757
PARTS CATALOG (MAINTENANCE)



SENSOR INSTL-SECT. 48 DUCT LEAK DETECTION
FIGURE 5 (SHEET 4)

26-18-01-05

BRI
MAY 28/07

26-18-01-05
PAGE 0C

 **BOEING**
757
PARTS CATALOG (MAINTENANCE)

FIG ITEM	PART NUMBER	1 2 3 4 5 6 7	NOMENCLATURE	EFFECT FROM TO	UNITS PER ASSY
5			SENSOR INSTL-SECT. 48 DUCT LEAK DETECTION	002004 006999	
- 1	218N4002-1		SENSOR INSTL-DUCT LEAK DETECTION POSITION DATA: SECT. 48 FOR NHA SEE: 21-00-00-04	002004 006009 107107 121503 904949 952999	RF
- 1	218N4002-2		SENSOR INSTL-DUCT LEAK DETECTION POSITION DATA: SECT. 48 FOR NHA SEE: 21-00-00-15	010102 108120 504903 950951	RF
- 1	MODREF5848		SENSOR INSTL-DUCT LEAK DETECTION MODULE NUMBER: 218N4002-2 REV A POSITION DATA: SECT. 48	103105	1
- 1	MODREF104113		SENSOR INSTL-DUCT LEAK DETECTION MODULE NUMBER: 218N4002-2 REV B POSITION DATA: SECT. 48	106106	1
2	BRC600-10-3		.NUT SUPPLIER CODE: V52828 SPECIFICATION NUMBER: BACN10YD2 OPTIONAL PART: 130121 V60119	002004 006999	2
3	NAS1801-3-8		.SCREW	002004 006999	3
4	AN960JD10L		.WASHER	002004 006999	3

MISSING ITEM NUMBERS NOT APPLICABLE

- ITEM NOT ILLUSTRATED

BRI

26-18-01-05

BOEING PROPRIETARY - Copyright © - Unpublished Work - See title page for details.

26-18-01
FIG. 05
PAGE 1
JAN 20/09



757

PARTS CATALOG (MAINTENANCE)

FIG ITEM	PART NUMBER	1 2 3 4 5 6 7	NOMENCLATURE	EFFECT FROM TO	UNITS PER ASSY
5	5 BRH10A3	.NUT	SUPPLIER CODE: V52828 SPECIFICATION NUMBER: BACN10JC3 OPTIONAL PART: H10-3BAC V15653 NS202101-02 V80539 RMLH9075-3W V72962 VN303A02 V92215 96-02 V80539 T6S1032J V11815	002004 006999	1
15	NAS1801-3-12	.SCREW		002004 006999	1
16	AN960KD10L	.WASHER		002004 006009 107107 121503 904949 952999	2
16	AN960JD10L	.WASHER		010106 108120 504903 950951	2
19	740A20-5	.JUMPER ASSY	SUPPLIER CODE: V91812 SPECIFICATION NUMBER: BACJ40A20-5 OPTIONAL PART: TJEJ40A20-5 V33483 RBEJ20-5 V1GK47	002004 006999	1
45	NAS1801-3-6	.SCREW-		002004 006009 107107 121503 904949 952999	4

MISSING ITEM NUMBERS NOT APPLICABLE

- ITEM NOT ILLUSTRATED

26-18-01-05

26-18-01
FIG. 05
PAGE 2
JAN 20/09

BRI

BOEING PROPRIETARY - Copyright © - Unpublished Work - See title page for details.



757

PARTS CATALOG (MAINTENANCE)

FIG ITEM	PART NUMBER	1 2 3 4 5 6 7	NOMENCLATURE	EFFECT FROM TO	UNITS PER ASSY
5					
45	NAS1801-3-15	.	SCREW-	010106 108120 504903 950951	4
50	NAS1801-3-5	.	SCREW	002004 006999	19
52	AN960JD10L		ATTACHING PARTS . WASHER	010106 108120 504903 950951	16
			-----*		
55	NAS1801-3-21	.	SCREW	002004 006999	1
60	NAS1801-3-27	.	SCREW	002004 006999	1
65	AN960KD10L	.	WASHER	002004 006009 107107 121503 904949 952999	6
67	AN960JD10L	.	WASHER	010106 108120 504903 950951	6
70	NAS43DD3-64	.	SPACER	002004 006009 107107 121503 904949 952999	2
71	NAS43DD3-64FC	.	SPACER	010106 108120 504903 950951	1
73	NAS43DD3-32FC	.	SPACER	010106 108120 504903 950951	4

MISSING ITEM NUMBERS NOT APPLICABLE

- ITEM NOT ILLUSTRATED

26-18-01-05

26-18-01
FIG. 05
PAGE 3
JAN 20/09

BRI

BOEING PROPRIETARY - Copyright © - Unpublished Work - See title page for details.



757

PARTS CATALOG (MAINTENANCE)

FIG ITEM	PART NUMBER	1 2 3 4 5 6 7	NOMENCLATURE	EFFECT FROM TO	UNITS PER ASSY
5	75 BRH10A3	.	NUT SUPPLIER CODE: V52828 SPECIFICATION NUMBER: BACN10JC3 OPTIONAL PART: H10-3BAC V15653 NS202101-02 V80539 RMLH9075-3W V72962 VN303A02 V92215 96-02 V80539 T6S1032J V11815	002004 006009 107107 121503 904949 952999	6
	77 06-135930-000	.	NUT-FENWAL SUPPLIER CODE: V73168	106106	6
	80 35401-5	.	CLIP-MTG SUPPLIER CODE: V73168 OPTIONAL PART: 7C74-4-1AA V71286	002004 006009 107107 121503 904949 952999	27
	80 HK7CAF74	.	CLIP- SUPPLIER CODE: V69370	002004 006009 107107 121503 904949 952999	27
	80 7C74-4-1AA	.	CLAMP- SUPPLIER CODE: V71286 OPTIONAL PART: 35401-5 V73168	002004 006009 107107 121503 904949 952999	27
	82 35401-5	.	CLIP-MTG SUPPLIER CODE: V73168 OPTIONAL PART: 7C74-4-1AA V71286 HK7CAF74 V69370	010106 108120 504903 950951	26

MISSING ITEM NUMBERS NOT APPLICABLE

- ITEM NOT ILLUSTRATED

26-18-01-05

26-18-01
FIG. 05
PAGE 4
JAN 20/09

BRI



757

PARTS CATALOG (MAINTENANCE)

FIG ITEM	PART NUMBER	1 2 3 4 5 6 7	NOMENCLATURE	EFFECT FROM TO	UNITS PER ASSY
5					
82	7C74-4-1AA	.CLAMP-	SUPPLIER CODE: V71286	010106 108120	26
			OPTIONAL PART: 35401-5 V73168 HK7CAF74 V69370	504903 950951	
82	HK7CAF74	.CLIP-	SUPPLIER CODE: V69370	010106 108120	26
			OPTIONAL PART: 35401-5 V73168 7C74-4-1AA V71286	504903 950951	
85	35450-1	.BUSHING-RUBBER	SUPPLIER CODE: V73168	002004 006009	50
			OPTIONAL PART: 8507 V6F140	107107 121503 904949 952999	
85	8507	.BUSHING-	SUPPLIER CODE: V6F140	002004 006009	50
			OPTIONAL PART: 35450-1 V73168	107107 121503 904949 952999	
86	35450-1	.BUSHING-RUBBER	SUPPLIER CODE: V73168	010106 108120	48
			OPTIONAL PART: 8507 V6F140	504903 950951	
86	8507	.BUSHING-	SUPPLIER CODE: V6F140	010106 108120	48
			OPTIONAL PART: 35450-1 V73168	504903 950951	
87	35453-2	.BUSHING-	SUPPLIER CODE: V73168	002004 006999	4
			OPTIONAL PART: CPC9715G09 V73168		

MISSING ITEM NUMBERS NOT APPLICABLE

- ITEM NOT ILLUSTRATED

BRI

26-18-01-05

26-18-01
FIG. 05
PAGE 5
JAN 20/09



757

PARTS CATALOG (MAINTENANCE)

FIG ITEM	PART NUMBER	1 2 3 4 5 6 7	NOMENCLATURE	EFFECT FROM TO	UNITS PER ASSY	
5	87	CPC9715G09	.BUSHING- SUPPLIER CODE: V73168 OPTIONAL PART: 35453-2 V73186	002004 006999	4	
	88	293255	.BRACKET-MTG SUPPLIER CODE: V60119	002004 006999	4	
	89	BACG20ZC1275	.GROMMET	002004 006999	1	
	90	35624-2-255	.ELEMENT-DETECTOR SUPPLIER CODE: V73168 SPECIFICATION NUMBER: S283N001-31 ELECTRICAL EQUIP NUMBER: TS5181 TS5182	002004 006999	2	
	95	35587-2-255	.ELEMENTS-DETECTOR SUPPLIER CODE: V73168 SPECIFICATION NUMBER: S283N001-32 ELECTRICAL EQUIP NUMBER: TS5183 TS5184	002004 006999	2	
	100	218N4024-7	.BRACKET ASSY-BODY SPRT POSITION DATA: AFT	002004 006999	2	
	100	218N4024-29	.BRACKET ASSY-BODY SPRT POSITION DATA: AFT ATTACHING PARTS	002004 006999	2	
	105	NAS1801-3-12	.SCREW	002004 006999	3	
	110	AN960KD10L	.WASHER	002004 006009 107107 121503 904949 952999	3	
	110	AN960JD10L	.WASHER	010106 108120 504903 950951	3	
			-----*-----			

MISSING ITEM NUMBERS NOT APPLICABLE

- ITEM NOT ILLUSTRATED

26-18-01-05

26-18-01
FIG. 05
PAGE 6
JAN 20/09

BRI

BOEING PROPRIETARY - Copyright © - Unpublished Work - See title page for details.

 **BOEING**
757
PARTS CATALOG (MAINTENANCE)

FIG ITEM	PART NUMBER	1 2 3 4 5 6 7	NOMENCLATURE	EFFECT FROM TO	UNITS PER ASSY
5					
115	35410-14	..	FLANGE ASSY- SUPPLIER CODE: V73168	002004 006999	1
115	35410-23	..	FLANGE ASSY- SUPPLIER CODE: V73168	002004 006999	1
- 120	BACR15BA4AD	..	RIVET- SIZE DETERMINED ON INSTL. -----*-----	002004 006999	2
125	218N4024-30	..	BRACKET-	002004 006999	1
130	218N4024-4	.	CHANNEL	002004 006009 107107 121503 904949 952999	1
135	NAS1801-3-8	.	ATTACHING PARTS SCREW	002004 006009 107107 121503 904949 952999	2
140	AN960-10	.	WASHER	002004 006009 107107 121503 904949 952999	1
145	AN970-3	.	WASHER	002004 006009 107107 121503 904949 952999	1
150	AN960KD10L	.	WASHER	002004 006009 107107 121503 904949 952999	1

MISSING ITEM NUMBERS NOT APPLICABLE

- ITEM NOT ILLUSTRATED

BRI

26-18-01-05

BOEING PROPRIETARY - Copyright © - Unpublished Work - See title page for details.

26-18-01
FIG. 05
PAGE 7
JAN 20/09

 **BOEING**
757
PARTS CATALOG (MAINTENANCE)

FIG ITEM	PART NUMBER	1 2 3 4 5 6 7	NOMENCLATURE	EFFECT FROM TO	UNITS PER ASSY
5 155	BRH10A3	.NUT	SUPPLIER CODE: V52828 SPECIFICATION NUMBER: BACN10JC3 OPTIONAL PART: H10-3BAC V15653 NS202101-02 V80539 RMLH9075-3W V72962 VN303A02 V92215 96-02 V80539 T6S1032J V11815	002004 006009 107107 121503 904949 952999	2
160	218N4024-34	-----*----- .BRACKET ASSY	ATTACHING PARTS	010106 108120 504903 950951	1
165	NAS1801-3-8	.SCREW		010106 108120 504903 950951	3
170	AN960JD10L	.WASHER		010106 108120 504903 950951	4

MISSING ITEM NUMBERS NOT APPLICABLE

— ITEM NOT ILLUSTRATED

BRI

26-18-01-05

BOEING PROPRIETARY - Copyright © - Unpublished Work - See title page for details.

26-18-01
FIG. 05
PAGE 8
JAN 20/09

BOEING
757
PARTS CATALOG (MAINTENANCE)

FIG ITEM	PART NUMBER	1 2 3 4 5 6 7	NOMENCLATURE	EFFECT FROM TO	UNITS PER ASSY
5 175	BRH10A3	.	NUT SUPPLIER CODE: V52828 SPECIFICATION NUMBER: BACN10JC3 OPTIONAL PART: H10-3BAC V15653 NS202101-02 V80539 RMLH9075-3W V72962 VN303A02 V92215 96-02 V80539 T6S1032J V11815	010106 108120 504903 950951	1
180	T8076S1032	..	NUTPLATE SUPPLIER CODE: V11815 SPECIFICATION NUMBER: BACN10JP3A OPTIONAL PART: MK1000-3BAC V15653 NS103197-02 V80539 RMA9201M3 V72962 VN202A1-02 V92215 BRM200A3 V52828	010106 108120 504903 950951	4
185	F29779-3	..	NUTPLATE SUPPLIER CODE: V15653 SPECIFICATION NUMBER: BACN10KH3 OPTIONAL PART: NS103225-02 V80539 RMF9209M3 V72962	010106 108120 504903 950951	2

MISSING ITEM NUMBERS NOT APPLICABLE

— ITEM NOT ILLUSTRATED

BRI

26-18-01-05

BOEING PROPRIETARY - Copyright © - Unpublished Work - See title page for details.

26-18-01
FIG. 05
PAGE 9
JAN 20/09



757

PARTS CATALOG (MAINTENANCE)

FIG ITEM	PART NUMBER	1 2 3 4 5 6 7	NOMENCLATURE	EFFECT FROM TO	UNITS PER ASSY
5			ATTACHING PARTS		
- 190	BACR15BA3AD3		.. RIVET	010106 108120 504903 950951	12
195	218N4024-35		-----*----- .. CHANNEL	010106 108120 504903 950951	1
- 252	286N2028-001		WIRE BUNDLE ASSY-	002004 006100 950952	RF
- 252	286N2028-302		WIRE BUNDLE ASSY-	101102	RF
- 252	286N2028-309		WIRE BUNDLE ASSY	504903	RF
- 252	286N2028-314		WIRE BUNDLE ASSY-	108120	RF
255	35303-75		.PLUG- SUPPLIER CODE: V73168 ELECTRICAL EQUIP NUMBER: D01978 D01984 WIRING DIAGRAM REF: 261811	002004 006102 108120 504903 950952	2
260	35303-77		.PLUG- SUPPLIER CODE: V73168 ELECTRICAL EQUIP NUMBER: D01980 D01982 WIRING DIAGRAM REF: 261811 261822	002004 006102 108120 504903 950952	2
- 275	286N2820-702		WIRE BUNDLE ASSY	103106	RF
280	35303-75		.PLUG- SUPPLIER CODE: V73168 ELECTRICAL EQUIP NUMBER: D01978 D01984 WIRING DIAGRAM REF: 261811	103106	2

MISSING ITEM NUMBERS NOT APPLICABLE

- ITEM NOT ILLUSTRATED

26-18-01-05

26-18-01
FIG. 05
PAGE 10
JAN 20/09

BRI



**757
PARTS CATALOG (MAINTENANCE)**

FIG ITEM	PART NUMBER	1 2 3 4 5 6 7	NOMENCLATURE	EFFECT FROM TO	UNITS PER ASSY
5 285	35303-77		.PLUG- SUPPLIER CODE: V73168 ELECTRICAL EQUIP NUMBER: D01980 D01982 WIRING DIAGRAM REF: 261811 261822	103106	2
- 290	286N2626-005		WIRE BUNDLE ASSY-	107107	RF
- 290	286N2626-006		WIRE BUNDLE ASSY-	904949	RF
- 335	286N2626-005		WIRE BUNDLE ASSY-	107107	RF
- 335	286N2626-006		WIRE BUNDLE ASSY-	904949	RF
340	35303-75		.PLUG- SUPPLIER CODE: V73168 ELECTRICAL EQUIP NUMBER: D01978 D01984 WIRING DIAGRAM REF: 261811	107107 904949	2
345	35303-77		.PLUG- SUPPLIER CODE: V73168 ELECTRICAL EQUIP NUMBER: D01980 D01982 WIRING DIAGRAM REF: 261811 261822	107107 904949	2

MISSING ITEM NUMBERS NOT APPLICABLE

- ITEM NOT ILLUSTRATED

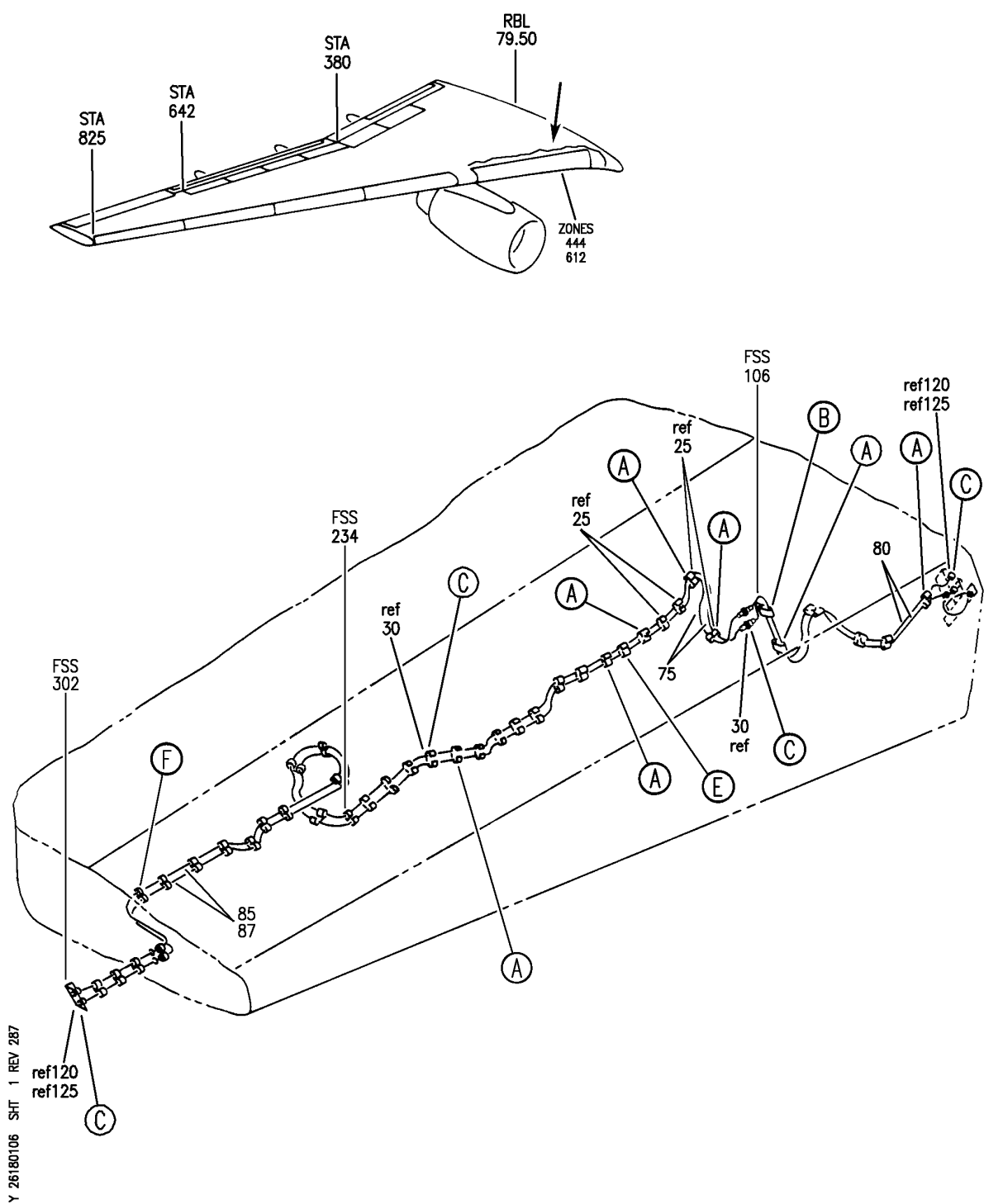
BRI

26-18-01-05

BOEING PROPRIETARY - Copyright © - Unpublished Work - See title page for details.

26-18-01
FIG. 05
PAGE 11
JAN 20/09


BOEING
 757
PARTS CATALOG (MAINTENANCE)



Y 26180106 SH1 1 REV 287

SENSOR INSTL-DUCT LEAK DETECTION WING LE COMPATIBLE WITH ROLLS-ROYCE ENGS
 FIGURE 6 (SHEET 1)

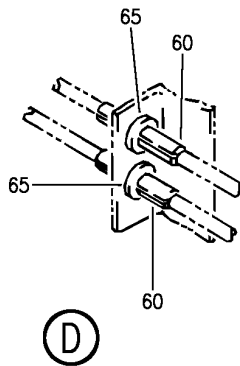
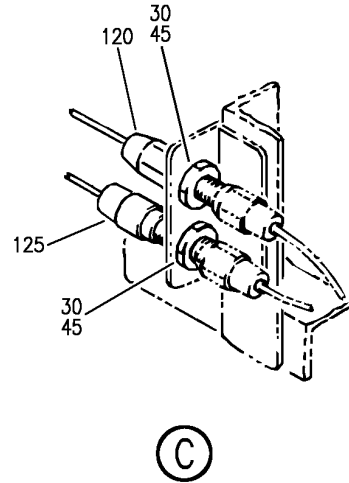
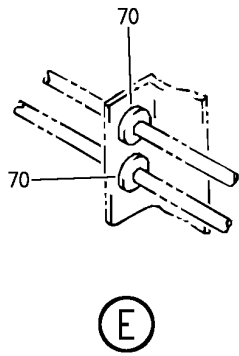
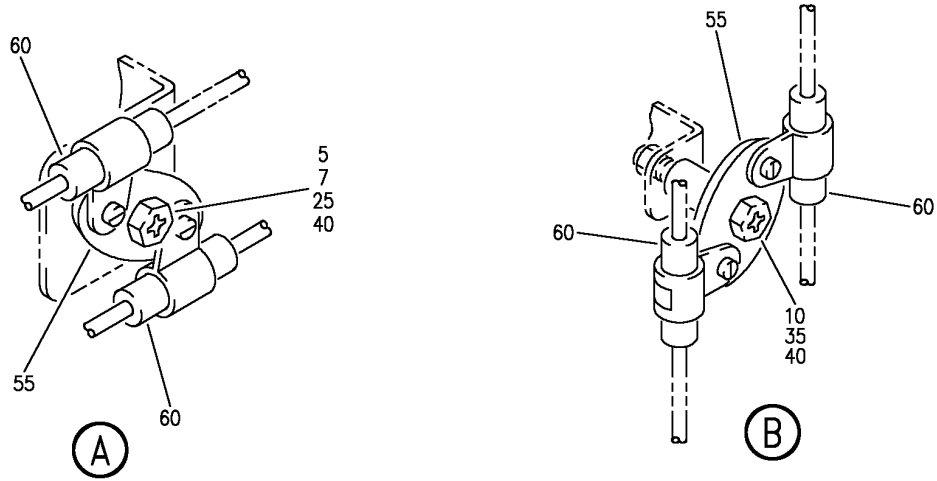
BRI
 MAY 28/07

26-18-01-06

26-18-01-06
 PAGE 0

BOEING PROPRIETARY - Copyright © - Unpublished Work - See title page for details.

BOEING
757
PARTS CATALOG (MAINTENANCE)



Y 26180106 SH1 2 REV 27B

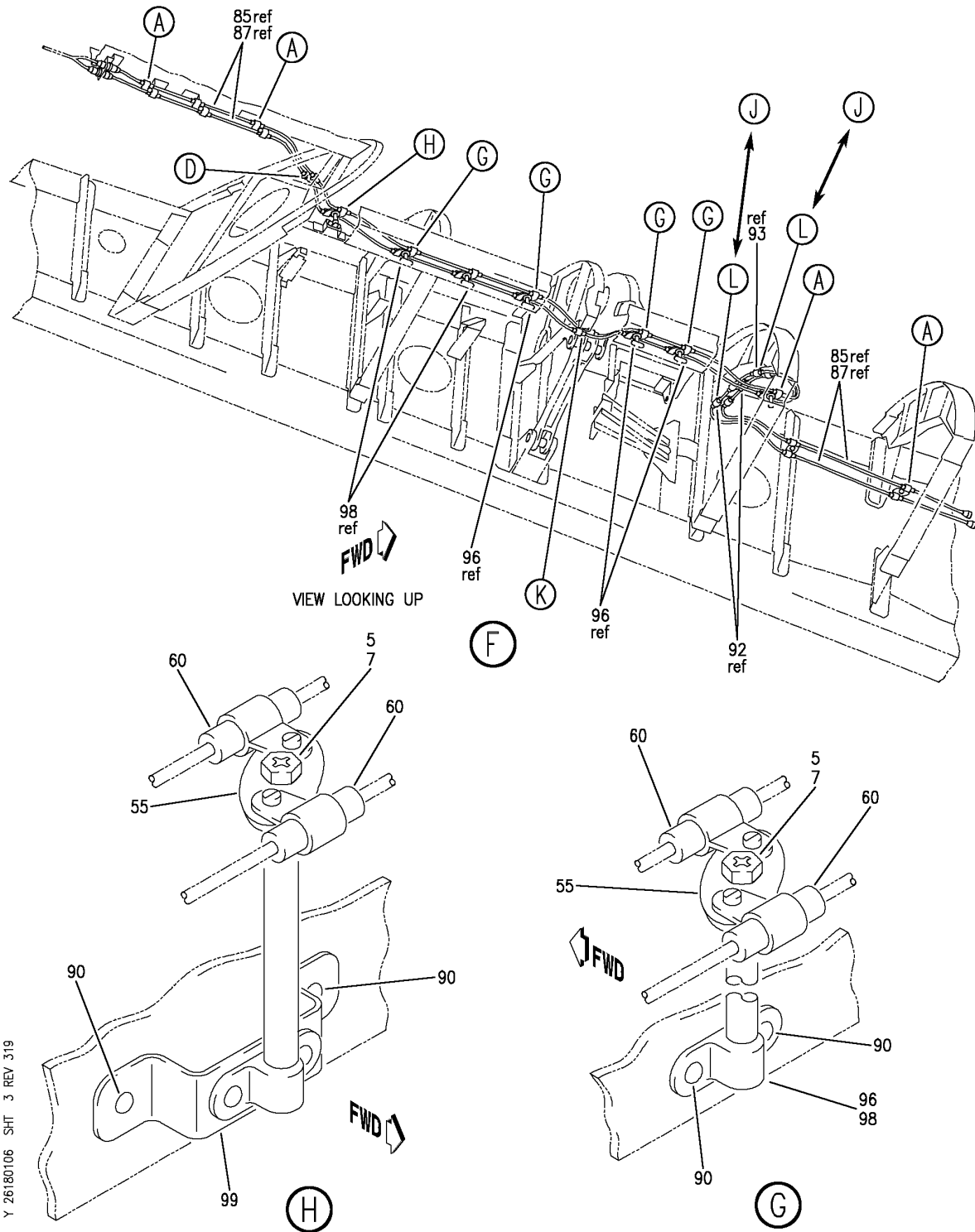
SENSOR INSTL-DUCT LEAK DETECTION WING LE COMPATIBLE WITH ROLLS-ROYCE ENGS
FIGURE 6 (SHEET 2)

26-18-01-06

BRI
MAY 28/07

26-18-01-06
PAGE 0A

BOEING
757
PARTS CATALOG (MAINTENANCE)



Y 26180106 SHT 3 REV 319

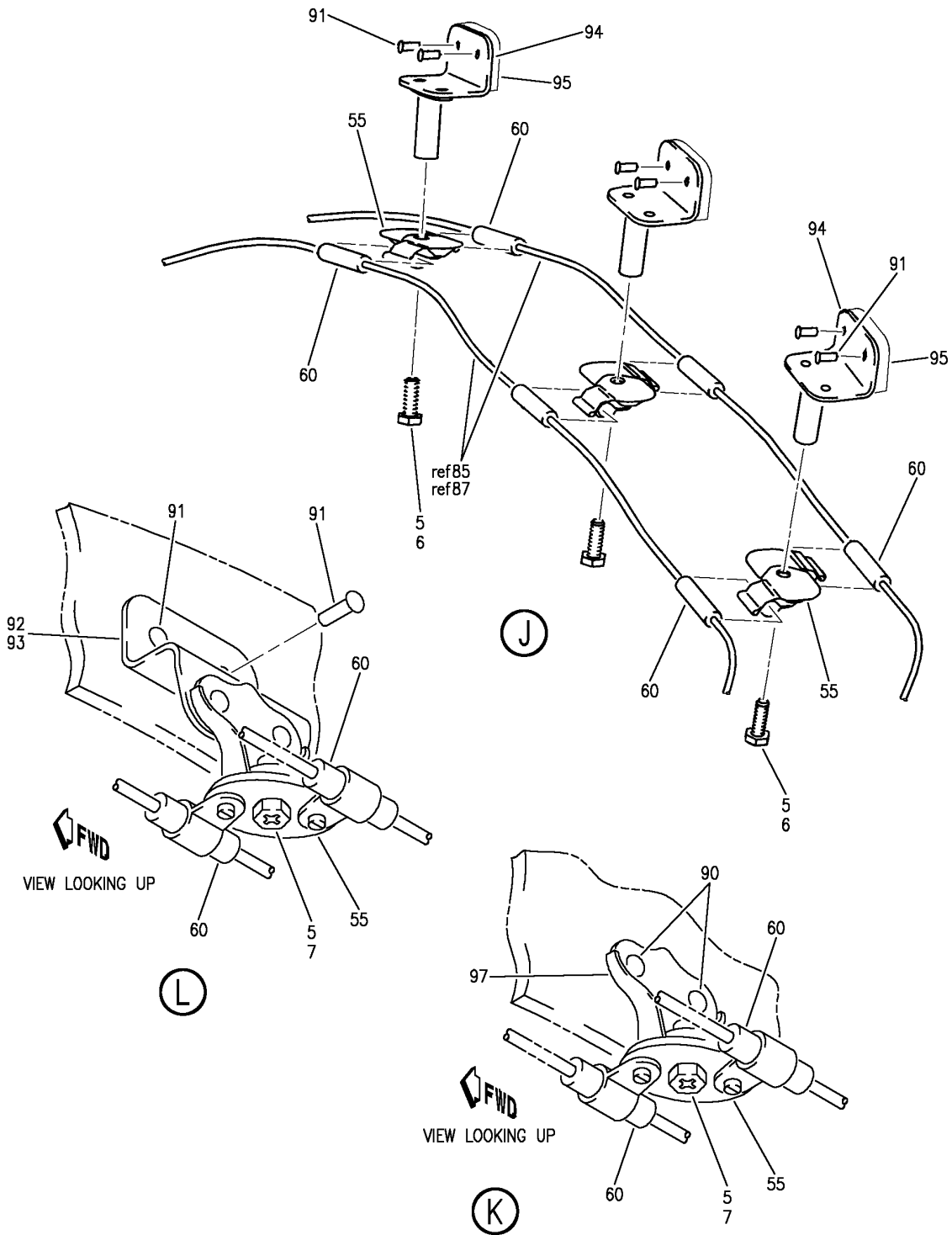
SENSOR INSTL-DUCT LEAK DETECTION WING LE COMPATIBLE WITH ROLLS-ROYCE ENGS
FIGURE 6 (SHEET 3)

BRI
JAN 20/08

26-18-01-06

26-18-01-06
PAGE 0B

BOEING
757
PARTS CATALOG (MAINTENANCE)



Y 26180106 SH1 4 REV 319

SENSOR INSTL-DUCT LEAK DETECTION WING LE COMPATIBLE WITH ROLLS-ROYCE ENGS
FIGURE 6 (SHEET 4)

BRI
JAN 20/08

26-18-01-06

26-18-01-06
PAGE 0C



757

PARTS CATALOG (MAINTENANCE)

FIG ITEM	PART NUMBER	1 2 3 4 5 6 7	NOMENCLATURE	EFFECT FROM TO	UNITS PER ASSY
6			SENSOR INSTL-DUCT LEAK DETECTION WING LE COMPATIBLE WITH ROLLS-ROYCE ENGS	002004 006102 107999	
- 1	218N4009-4		SENSOR INSTL-DUCT LEAK DETECTION WING LE POSITION DATA: RH FOR NHA SEE: 21-00-00-04	002004 006100 107107 121503 904999	RF
- 1	218N4009-12		SENSOR INSTL-DUCT LEAK DETECTION WING LE POSITION DATA: RH FOR NHA SEE: 21-00-00-12 21-00-00-15	101102 108120 504903	RF
5	BACS12HN3-7		.SCREW- OPTIONAL PART: NAS1801-3-7	101102 504903	37
5	NAS1801-3-7		.SCREW- OPTIONAL PART: BACS12HN3-7	101102 504903	37
6	NAS1801-3-5		.SCREW-	002004 006100 107107 121503 904999 108120	3
6	BACS12HN3-8		.SCREW- POST SERVICE BULLETIN: 26-0046	108120	3
7	NAS1801-3-5		.SCREW	002004 006100 107107 121503 904999 108120	34
7	BACS12HN3-7		.SCREW- OPTIONAL PART: NAS1801-3-7	108120	34
7	NAS1801-3-7		.SCREW- OPTIONAL PART: BACS12HN3-7	108120	34
10	NAS1801-3-13		.SCREW	002004 006100 107107 121503 904999	1

MISSING ITEM NUMBERS NOT APPLICABLE

- ITEM NOT ILLUSTRATED

26-18-01-06

26-18-01
FIG. 06
PAGE 1
JAN 20/09

BRI



757

PARTS CATALOG (MAINTENANCE)

FIG ITEM	PART NUMBER	1 2 3 4 5 6 7	NOMENCLATURE	EFFECT FROM TO	UNITS PER ASSY
6					
10	BACS12HN3-7	.SCREW-		101102	1
		OPTIONAL PART:		108120	
		NAS1801-3-7		504903	
10	NAS1801-3-7	.SCREW-		101102	1
		OPTIONAL PART:		108120	
		BACS12HN3-7		504903	
25	NAS1149D0332J	.WASHER		101102	4
				108120	
				504903	
35	AN960KD10L	.WASHER		002004	1
				006100	
				107107	
				121503	
				904999	
45	135930	.NUT-		002004	8
		SUPPLIER CODE:		006102	
		V73168		107999	
		OPTIONAL PART:			
		S09401			
		V92592			
45	S09401	.NUT-		002004	8
		SUPPLIER CODE:		006102	
		V92595		107999	
		OPTIONAL PART:			
		135930			
		V73168			
55	7C74-4-1AA	.CLAMP-		002004	38
		SUPPLIER CODE:		006102	
		V71286		107999	
		OPTIONAL PART:			
		35401-5			
		V73168			
		HK7CAF74			
		V69370			
55	35401-5	.CLIP-		002004	38
		SUPPLIER CODE:		006102	
		V73168		107999	
		OPTIONAL PART:			
		7C74-4-1AA			
		V71286			
		HK7CAF74			
		V69370			

MISSING ITEM NUMBERS NOT APPLICABLE

- ITEM NOT ILLUSTRATED

26-18-01-06

26-18-01
FIG. 06
PAGE 2
JAN 20/09

BRI



757

PARTS CATALOG (MAINTENANCE)

FIG ITEM	PART NUMBER	1 2 3 4 5 6 7	NOMENCLATURE	EFFECT FROM TO	UNITS PER ASSY
6					
55	HK7CAF74		.CLIP- SUPPLIER CODE: V69370 OPTIONAL PART: 35401-5 V73168 7C74-4-1AA V71286	002004 006102 107999	38
60	35450-1		.BUSHING-RUBBER SUPPLIER CODE: V73168 OPTIONAL PART: 8507 V6F140	002004 006102 107999	78
60	8507		.BUSHING- SUPPLIER CODE: V6F140 OPTIONAL PART: 35450-1 V73168	002004 006102 107999	78
65	RR2002-4B6		.GROMMET SUPPLIER CODE: V57268 SPECIFICATION NUMBER: BACG20AF4B6 OPTIONAL PART: H4B6 V74687 SZ6924-4B6 V95272 701-4B6 V07096 E4B6 V60980 G6940-4B6 V75345	002004 006100 107107 121503 904999	2

MISSING ITEM NUMBERS NOT APPLICABLE

- ITEM NOT ILLUSTRATED

BRI

26-18-01-06

BOEING PROPRIETARY - Copyright © - Unpublished Work - See title page for details.

26-18-01
FIG. 06
PAGE 3
JAN 20/09



757

PARTS CATALOG (MAINTENANCE)

FIG ITEM	PART NUMBER	1 2 3 4 5 6 7	NOMENCLATURE	EFFECT FROM TO	UNITS PER ASSY
6	70 RR2002-4B6J	.	GROMMET SUPPLIER CODE: V57268 SPECIFICATION NUMBER: BACG20AF4B6J OPTIONAL PART: H4B6J V60980 701-4B6J V07096 SZ6924-4B6J V95272 G6940-4B6J V75345 E4B6J V60980	101102 108120 504903	2
	75 35618-2-255	.	ELEMENT-DETECTOR SUPPLIER CODE: V73168 SPECIFICATION NUMBER: S283N001-13 ELECTRICAL EQUIP NUMBER: TS5187 TS5188	002004 006102 107999	2
	80 35542-2-255	.	ELEMENT-DETECTOR SUPPLIER CODE: V73168 SPECIFICATION NUMBER: S283N001-12 ELECTRICAL EQUIP NUMBER: TS5185 TS5186 TS5261 TS5262	002004 006102 107999	2
	85 35624-2-255	.	ELEMENT-DETECTOR SUPPLIER CODE: V73168 SPECIFICATION NUMBER: S283N001-31 ELECTRICAL EQUIP NUMBER: TS5189 TS5190 TS5261 TS5262 QUALIFIED I/W DATA: 35624-2-255 MAY REPL 35619-2-255 ON NHA 218N2009-3 & -4 ONLY	002004 006102 107999	2

MISSING ITEM NUMBERS NOT APPLICABLE

- ITEM NOT ILLUSTRATED

26-18-01-06

26-18-01
FIG. 06
PAGE 4
JAN 20/09

BRI



757

PARTS CATALOG (MAINTENANCE)

FIG ITEM	PART NUMBER	1 2 3 4 5 6 7	NOMENCLATURE	EFFECT FROM TO	UNITS PER ASSY
6					
87	35619-2-255		.ELEMENT-DETECTOR SUPPLIER CODE: V73168 SPECIFICATION NUMBER: S283N001-16 QUALIFIED I/W DATA: 35624-2-255 MAY REPL 35619-2-255 ON NHA 218N2009-3 & -4 ONLY	002004 006100 107107 121503 904999	2
91	BACR15BB5AD5C		.RIVET- POST SERVICE BULLETIN: 26-0046	108120	6
94	218N4028-8		.BRACKET ASSY- POST SERVICE BULLETIN: 26-0046	108120	3
- 100	286N3400-003		WIRE BUNDLE ASSY	002004 006100 950999	RF
- 100	286N3400-005		WIRE BUNDLE ASSY	107107 121503 904949	RF
- 100	286N3400-312		WIRE BUNDLE ASSY	101102 108120	RF
- 101	286N3400-320		WIRE BUNDLE ASSY	504903	RF
- 105	286N5200-013		WIRE BUNDLE ASSY	002004 952952	RF
- 105	286N5200-021		WIRE BUNDLE ASSY	011100	RF
- 105	286N5200-301		WIRE BUNDLE ASSY	101102	RF
- 105	286N5200-008		WIRE BUNDLE ASSY	107107 121503 904949	RF
- 105	286N5200-015		WIRE BUNDLE ASSY	006010 950951 953999	RF
- 106	286N5200-302		WIRE BUNDLE ASSY	108120	RF
- 106	286N5200-306		WIRE BUNDLE ASSY	504903	RF
- 110	286N5202-002		WIRE BUNDLE ASSY	002004 006010 107107 121503 904999	RF
- 110	286N5202-003		WIRE BUNDLE ASSY	011100	RF
- 110	286N5202-305		WIRE BUNDLE ASSY	108120	RF
- 110	286N5202-302		WIRE BUNDLE ASSY	101102	RF
- 110	286N5202-304		WIRE BUNDLE ASSY	504903	RF

MISSING ITEM NUMBERS NOT APPLICABLE

- ITEM NOT ILLUSTRATED

26-18-01-06

26-18-01
FIG. 06
PAGE 5
JAN 20/09

BRI



757

PARTS CATALOG (MAINTENANCE)

FIG ITEM	PART NUMBER	1 2 3 4 5 6 7	NOMENCLATURE	EFFECT FROM TO	UNITS PER ASSY
6					
- 115	286N3402-003		WIRE BUNDLE ASSY	002004 006100 107107 121503 904999	RF
- 115	286N3402-301		WIRE BUNDLE ASSY	108120	RF
- 115	286N3402-302		WIRE BUNDLE ASSY	101102	RF
- 115	286N3402-306		WIRE BUNDLE ASSY	504903	RF
120	35303-77		.PLUG- SUPPLIER CODE: V73168 ELECTRICAL EQUIP NUMBER: D01986 D01992 WIRING DIAGRAM REF: 261821	002004 006102 107999	2
125	35303-75		.PLUG- SUPPLIER CODE: V73168 ELECTRICAL EQUIP NUMBER: D01990 D01988 WIRING DIAGRAM REF: 261821	002004 006102 107999	2

MISSING ITEM NUMBERS NOT APPLICABLE

- ITEM NOT ILLUSTRATED

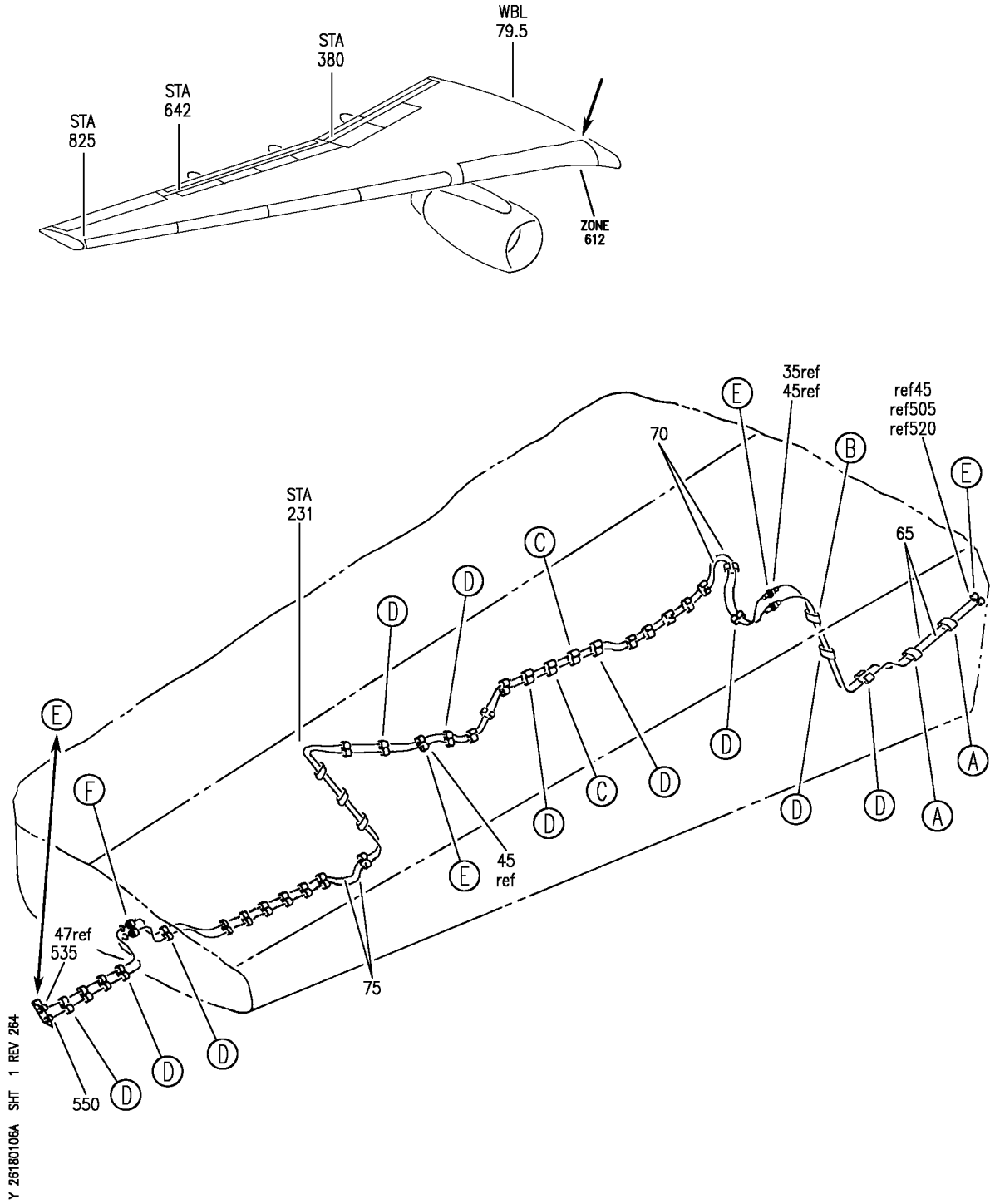
BRI

26-18-01-06

BOEING PROPRIETARY - Copyright © - Unpublished Work - See title page for details.

26-18-01
FIG. 06
PAGE 6
JAN 20/09

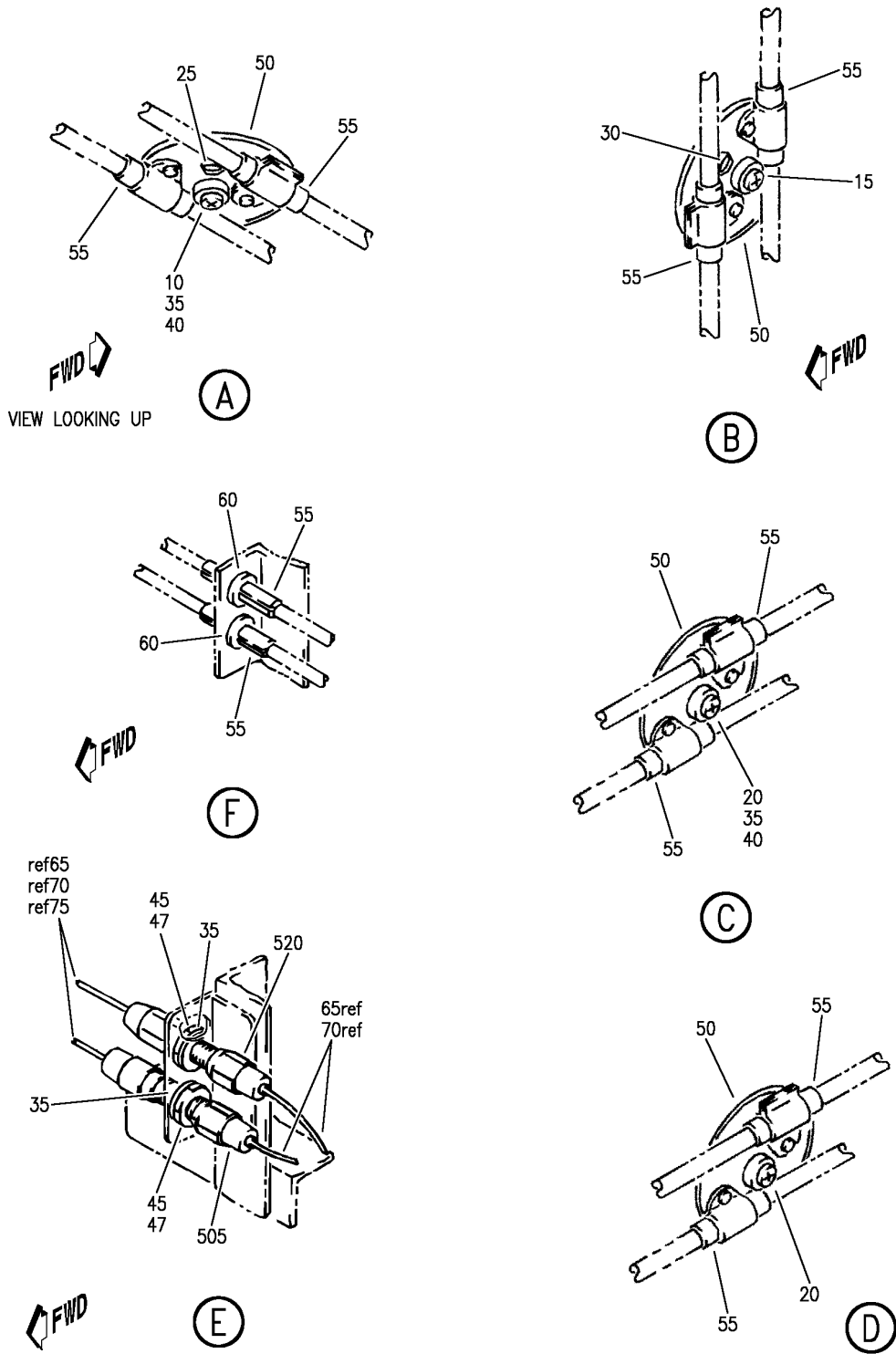
BOEING
757
PARTS CATALOG (MAINTENANCE)



SENSOR INSTL-DUCT LEAK DETECTION WING LE
FIGURE 6A (SHEET 1)

26-18-01-06A

BOEING
757
PARTS CATALOG (MAINTENANCE)



Y 26180106A SHT 2 REV 264

SENSOR INSTL-DUCT LEAK DETECTION WING LE
FIGURE 6A (SHEET 2)

26-18-01-06A

BRI
JAN 20/09

26-18-01-06A
PAGE 0A



757

PARTS CATALOG (MAINTENANCE)

FIG ITEM	PART NUMBER	1 2 3 4 5 6 7	NOMENCLATURE	EFFECT FROM TO	UNITS PER ASSY
6A			SENSOR INSTL-DUCT LEAK DETECTION WING LE	103106	
- 1	MODREF21379		SENSOR INSTL-DUCT LEAK DETECTION WING LE MODULE NUMBER: 218N4009-16 REV A POSITION DATA: RH	103103	1
- 1	MODREF27315		SENSOR INSTL-DUCT LEAK DETECTION WING LE MODULE NUMBER: 218N4009-16 REV B POSITION DATA: RH	104105	1
- 1	MODREF104122		SENSOR INSTL-DUCT LEAK DETECTION WING LE MODULE NUMBER: 218N4009-16 REV C POSITION DATA: RH	106106	1
10	BACS12HN3-12	.SCREW		103106	2
15	BACS12HN3-17	.SCREW		103106	1
20	BACS12HN3-8	.SCREW-		103106	34
			OPTIONAL PART: NAS1801-3-8		
20	NAS1801-3-8	.SCREW-		103106	34
			OPTIONAL PART: BACS12HN3-8		
25	NAS43DD3-16FC	.SPACER		103106	2
30	NAS43DD3-36FC	.SPACER		103106	1
35	NAS1149D0332J	.WASHER		103106	6
40	BRH10C3D	.NUT		103106	4
			SUPPLIER CODE: V52828 SPECIFICATION NUMBER: BACN10JC3CD OPTIONAL PART: T6C1032JCD V11815 NS202486-02 V80539 102LH9075-3W V72962 H51650-3BAC V15653		

MISSING ITEM NUMBERS NOT APPLICABLE

- ITEM NOT ILLUSTRATED

26-18-01-06A

26-18-01
FIG. 06A
PAGE 1
JAN 20/09

BRI



757

PARTS CATALOG (MAINTENANCE)

FIG ITEM	PART NUMBER	1 2 3 4 5 6 7	NOMENCLATURE	EFFECT FROM TO	UNITS PER ASSY
6A					
45	S09401	.	NUT- SUPPLIER CODE: V92595 OPTIONAL PART: 06-135930-000 V73168	103106	6
45	06-135930-000	.	NUT-FLANGE SUPPLIER CODE: V73168 OPTIONAL PART: S09401 V92595	103106	6
47	S09401	.	NUT- SUPPLIER CODE: V92595 OPTIONAL PART: 06-135930-000 V73168	106106	2
47	06-135930-000	.	NUT-FLANGE SUPPLIER CODE: V73168 OPTIONAL PART: S09401 V92595	106106	2
50	HK7CAF74	.	CLIP- SUPPLIER CODE: V69370 OPTIONAL PART: 35401-5 V73168	103106	37
50	35401-5	.	CLIP- SUPPLIER CODE: V73168 OPTIONAL PART: HK7CAF74 V69370	103106	37
50	7C74-4-1AA	.	CLAMP- SUPPLIER CODE: V71286	103106	37
55	35450-1	.	BUSHING-RUBBER SUPPLIER CODE: V73168 OPTIONAL PART: 8507 V6F140	103106	76

MISSING ITEM NUMBERS NOT APPLICABLE

- ITEM NOT ILLUSTRATED

26-18-01-06A

26-18-01
FIG. 06A
PAGE 2
JAN 20/09

BRI

BOEING PROPRIETARY - Copyright © - Unpublished Work - See title page for details.



757

PARTS CATALOG (MAINTENANCE)

FIG ITEM	PART NUMBER	1 2 3 4 5 6 7	NOMENCLATURE	EFFECT FROM TO	UNITS PER ASSY
6A 55	8507	.	BUSHING- SUPPLIER CODE: V6F140 OPTIONAL PART: 35450-1 V73168	103106	76
60	RR2002-4B6J	.	GROMMET SUPPLIER CODE: V57268 SPECIFICATION NUMBER: BACG20AF4B6J OPTIONAL PART: H4B6J V60980 701-4B6J V07096 SZ6924-4B6J V95272 G6940-4B6J V75345 E4B6J V60980	103106	2
65	35542-2-255	.	ELEMENT-DETECTOR SUPPLIER CODE: V73168 SPECIFICATION NUMBER: S283N001-12 ELECTRICAL EQUIP NUMBER: TS5185 TS5186	103106	2
70	35618-2-255	.	ELEMENT-DETECTOR SUPPLIER CODE: V73168 SPECIFICATION NUMBER: S283N001-13 ELECTRICAL EQUIP NUMBER: TS5187 TS5188	103106	2
75	35624-2-255	.	ELEMENT-DETECTOR SUPPLIER CODE: V73168 SPECIFICATION NUMBER: S283N001-31 ELECTRICAL EQUIP NUMBER: TS5189 TS5190	103106	2
- 500	286N3400-601		WIRE BUNDLE ASSY	103106	RF

MISSING ITEM NUMBERS NOT APPLICABLE

- ITEM NOT ILLUSTRATED

26-18-01-06A

26-18-01
FIG. 06A
PAGE 3
JAN 20/09

BRI



757

PARTS CATALOG (MAINTENANCE)

FIG ITEM	PART NUMBER	1 2 3 4 5 6 7	NOMENCLATURE	EFFECT FROM TO	UNITS PER ASSY
6A 505	35303-77		.PLUG- SUPPLIER CODE: V73168 ELECTRICAL EQUIP NUMBER: D01992 WIRING DIAGRAM REF: 261821	103106	1
- 515 520	286N3402-601 35303-75		WIRE BUNDLE ASSY .PLUG- SUPPLIER CODE: V73168 ELECTRICAL EQUIP NUMBER: D01988 WIRING DIAGRAM REF: 261821	103106 103106	RF 1
- 530 535	286N5200-601 35303-75		WIRE BUNDLE ASSY .PLUG- SUPPLIER CODE: V73168 ELECTRICAL EQUIP NUMBER: D01990 WIRING DIAGRAM REF: 261821	103105 103105	RF 1
- 545 550	286N5202-601 35303-77		WIRE BUNDLE ASSY .PLUG- SUPPLIER CODE: V73168 ELECTRICAL EQUIP NUMBER: D01986 WIRING DIAGRAM REF: 261821	103106 103106	RF 1

MISSING ITEM NUMBERS NOT APPLICABLE

- ITEM NOT ILLUSTRATED

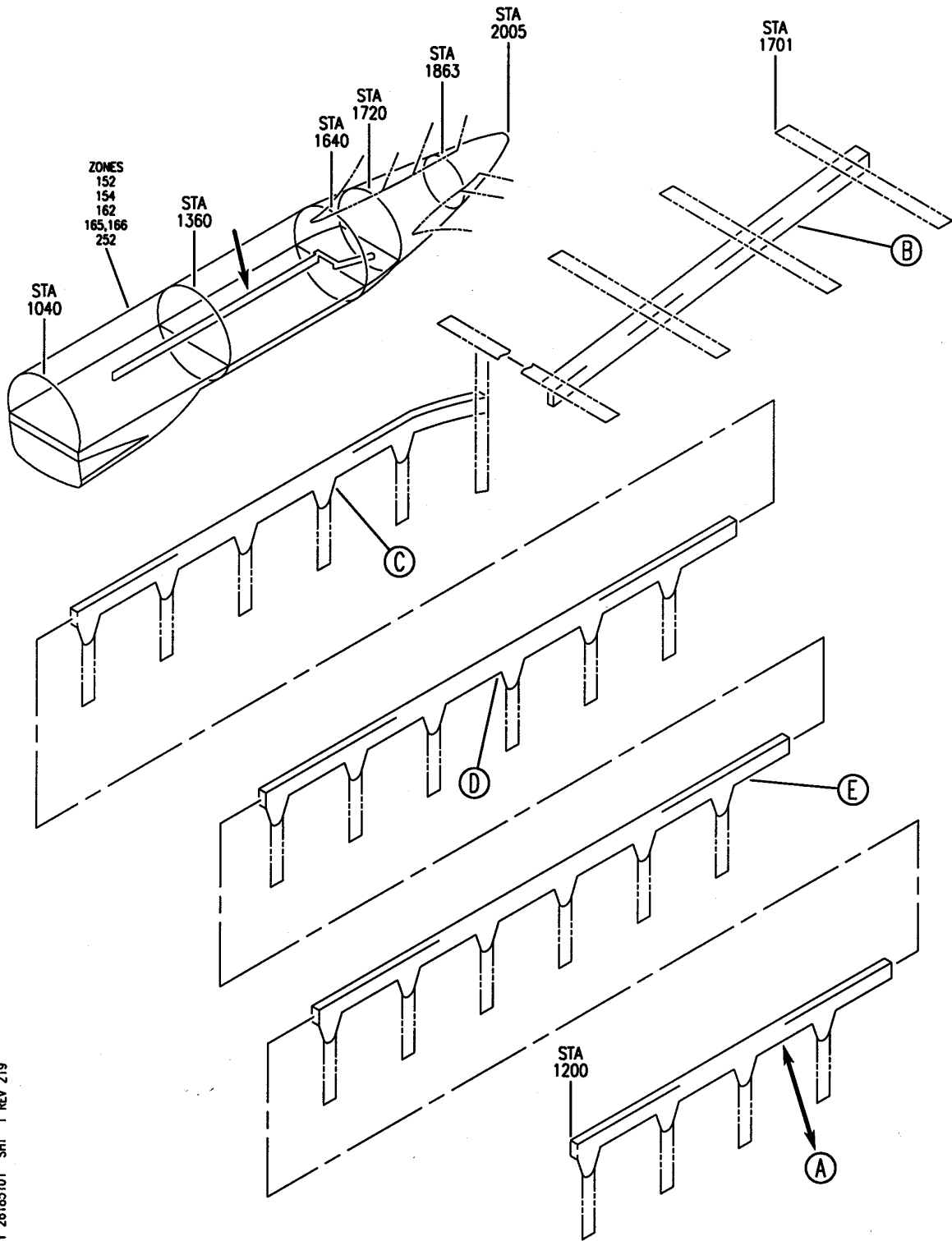
BRI

26-18-01-06A

BOEING PROPRIETARY - Copyright © - Unpublished Work - See title page for details.

26-18-01
FIG. 06A
PAGE 4
JAN 20/09

BOEING
757
PARTS CATALOG (MAINTENANCE)



Y 26185101 SHT 1 REV 219

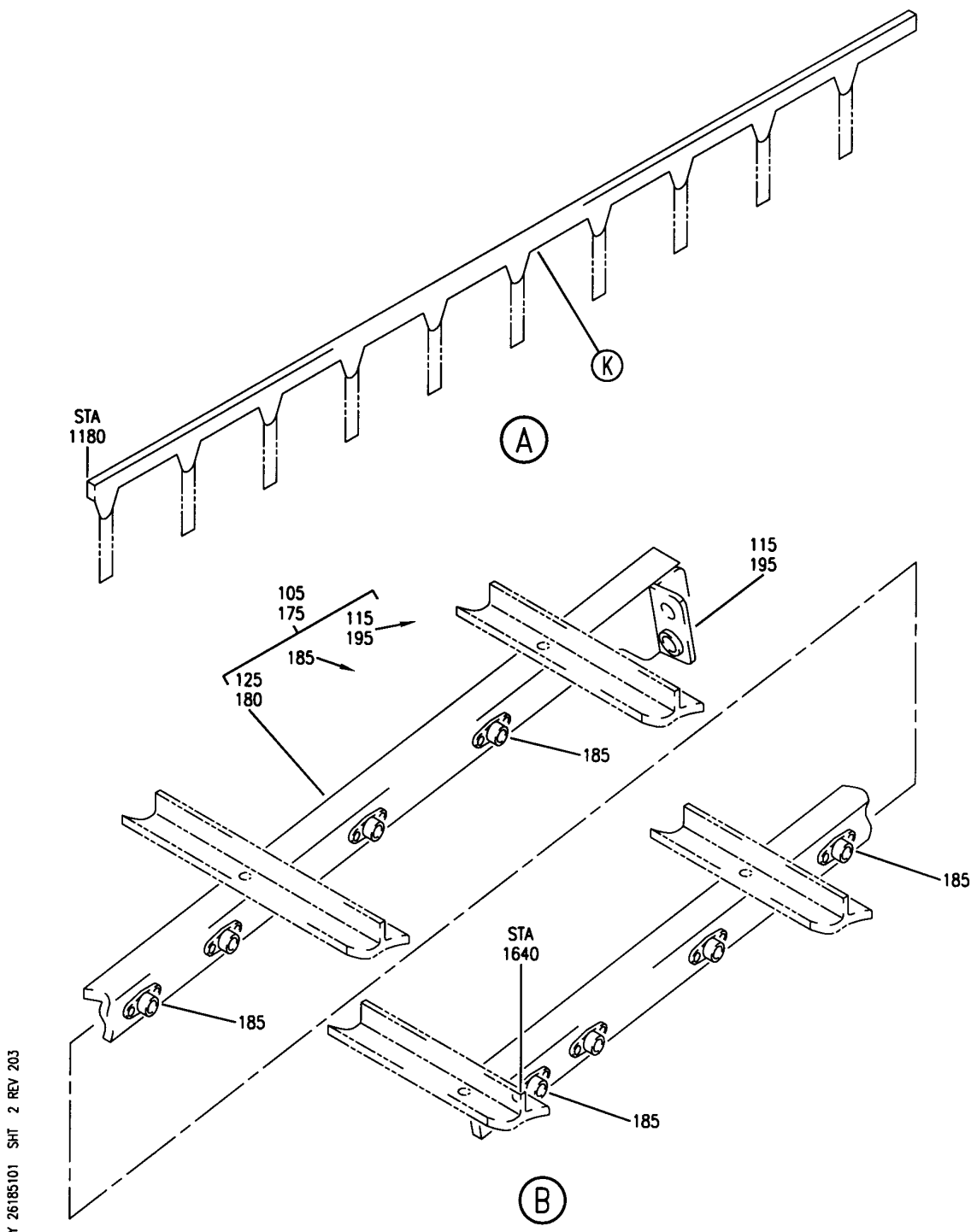
PROVISION INSTL-SECT. 46 DUCT LEAK DETECTION
FIGURE 1 (SHEET 1)

26-18-51-01

BRI
MAY 28/07

26-18-51-01
PAGE 0

BOEING
757
PARTS CATALOG (MAINTENANCE)



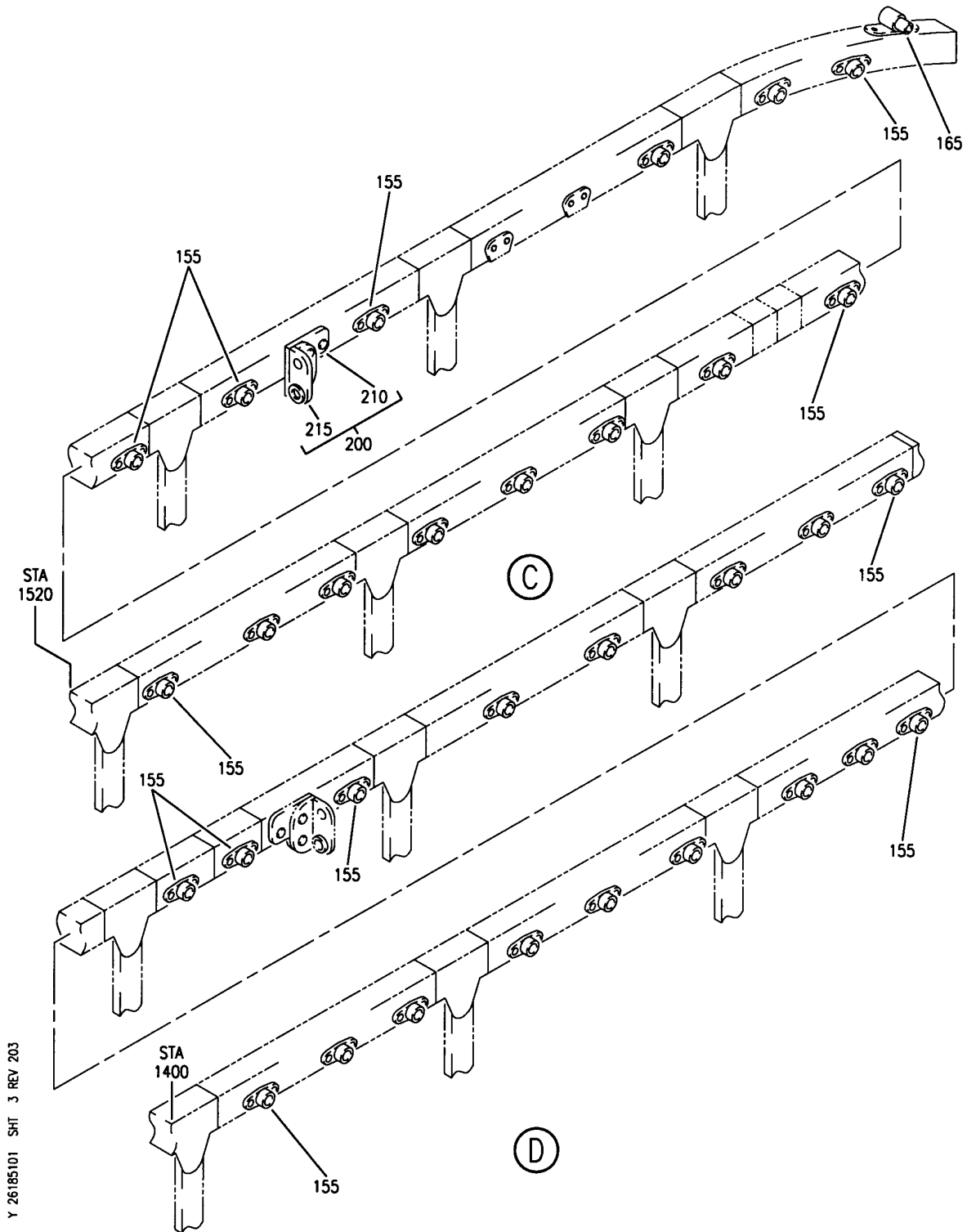
PROVISION INSTL-SECT. 46 DUCT LEAK DETECTION
FIGURE 1 (SHEET 2)

26-18-51-01

BRI
MAY 28/07

26-18-51-01
PAGE 0A

BOEING
757
PARTS CATALOG (MAINTENANCE)



Y 26185101 SHT 3 REV 203

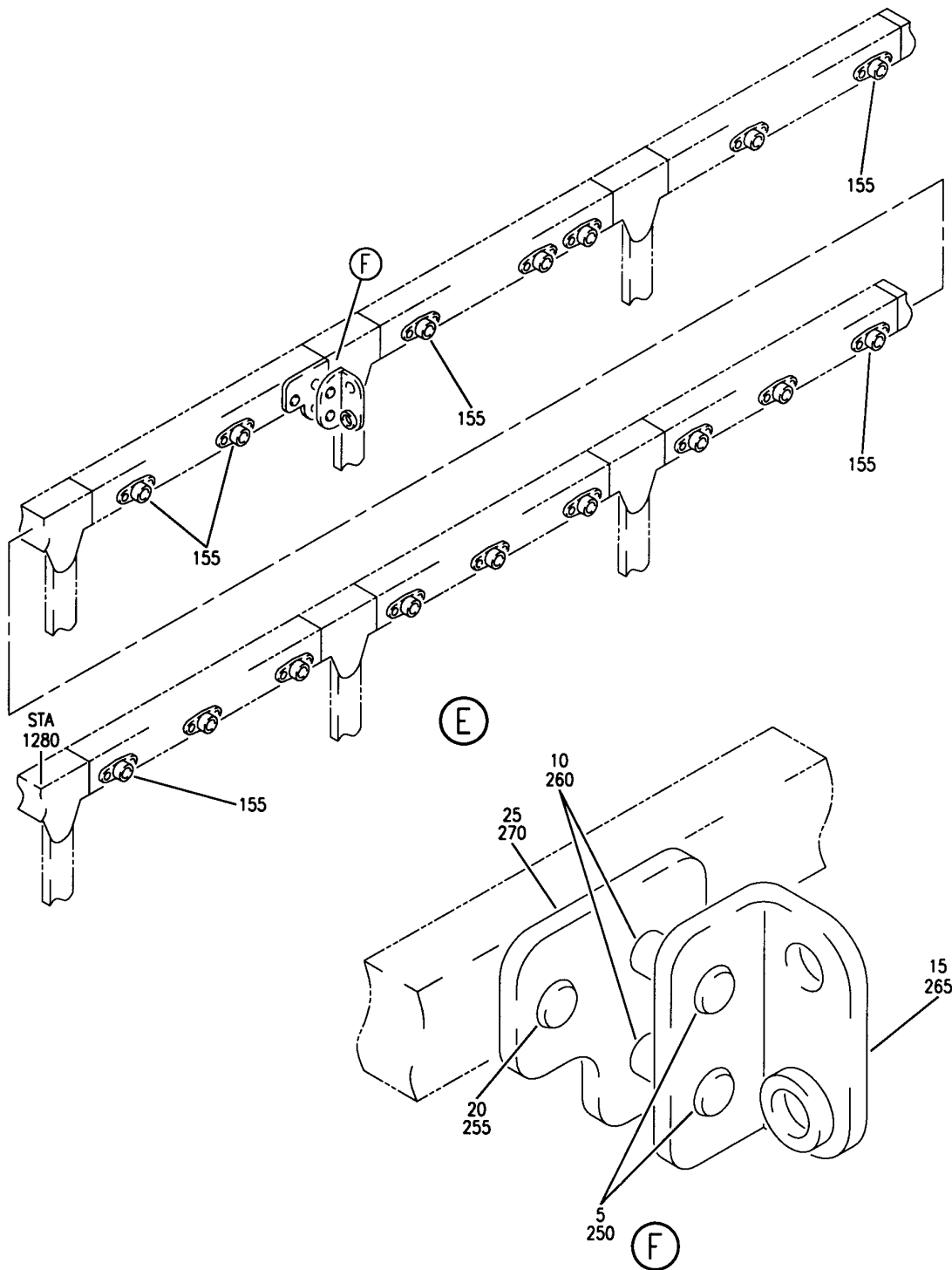
PROVISION INSTL-SECT. 46 DUCT LEAK DETECTION
FIGURE 1 (SHEET 3)

26-18-51-01

BRI
MAY 28/07

26-18-51-01
PAGE 0B

BOEING
757
PARTS CATALOG (MAINTENANCE)



Y 26185101 SH1 4 REV 203

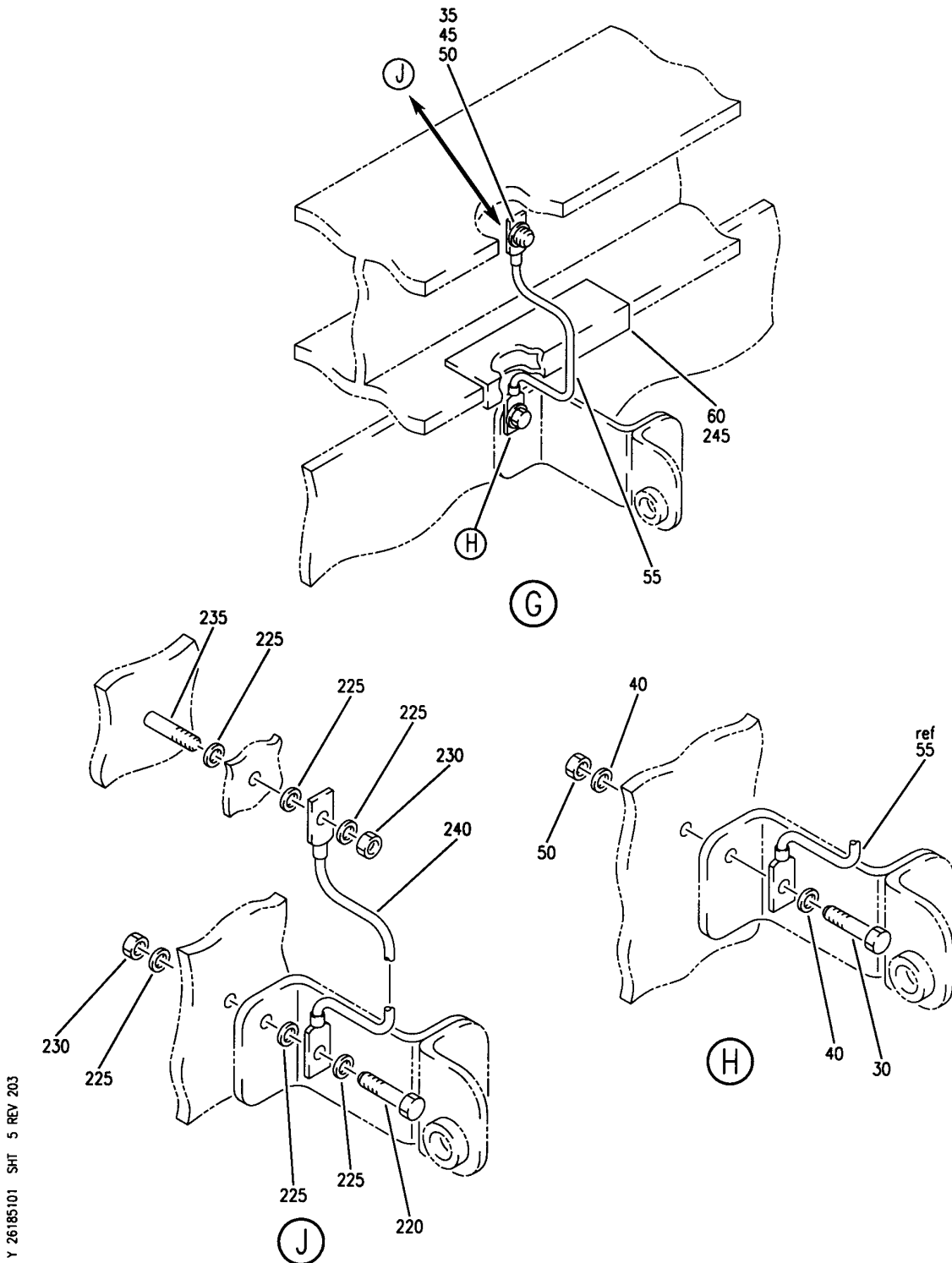
PROVISION INSTL-SECT. 46 DUCT LEAK DETECTION
FIGURE 1 (SHEET 4)

26-18-51-01

BRI
MAY 28/07

26-18-51-01
PAGE 0C

BOEING
757
PARTS CATALOG (MAINTENANCE)



Y 26185101 SHT 5 REV 203

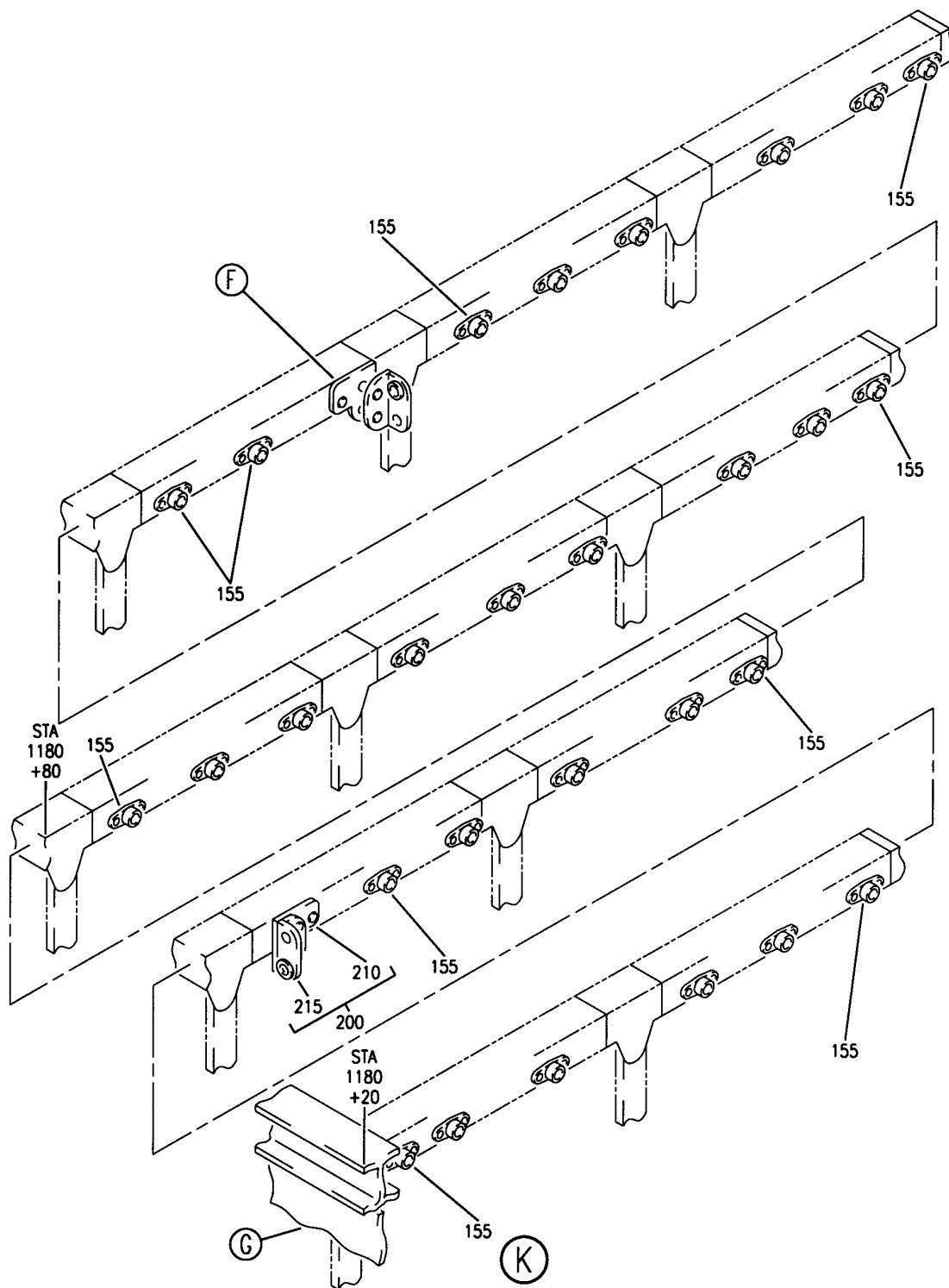
PROVISION INSTL-SECT. 46 DUCT LEAK DETECTION
FIGURE 1 (SHEET 5)

26-18-51-01

BRI
MAY 28/07

26-18-51-01
PAGE 0D

BOEING
757
PARTS CATALOG (MAINTENANCE)



Y 26185101 SHT 6 REV 203

PROVISION INSTL-SECT. 46 DUCT LEAK DETECTION
FIGURE 1 (SHEET 6)

26-18-51-01

BRI
MAY 28/07

26-18-51-01
PAGE 0E



757

PARTS CATALOG (MAINTENANCE)

FIG ITEM	PART NUMBER	1 2 3 4 5 6 7	NOMENCLATURE	EFFECT FROM TO	UNITS PER ASSY
1			PROVISION INSTL-SECT. 46	002004	
- 1	218N4003-3		DUCT LEAK DETECTION	006999	
			PROVISIONS INSTL-	002004	RF
			DUCT LEAK DETECTION	006100	
			POSITION DATA:	107107	
			SECT. 46	121503	
			FOR NHA SEE:	904999	
			21-00-00-04		
- 1	218N4003-11		PROVISIONS INSTL-	101101	RF
			DUCT LEAK DETECTION		
			POSITION DATA:		
			SECT. 46		
			FOR NHA SEE:		
			21-00-00-15		
5	BACR15BA4AD		.RIVET-	002004	2
			SIZE DETERMINED ON INSTL.	006101	
				107107	
				121503	
				904999	
10	NAS42DD4-32		.SPACER	002004	2
				006101	
				107107	
				121503	
				904999	
15	35410-14		.FLANGE ASSY-	002004	1
			SUPPLIER CODE:	006101	
			V73168	107107	
				121503	
				904999	
15	35410-23		.FLANGE ASSY-	002004	1
			SUPPLIER CODE:	006101	
			V73168	107107	
				121503	
				904999	
20	BACR15BA5AD		.RIVET-	002004	1
			SIZE DETERMINED ON INSTL.	006101	
				107107	
				121503	
				904999	
25	218N4024-17		.BRACKET	002004	1
				006101	
				107107	
				121503	
				904999	
30	NAS6603-4		.BOLT	002004	1
				006101	
				107107	
				121503	
				904999	

MISSING ITEM NUMBERS NOT APPLICABLE

- ITEM NOT ILLUSTRATED

BRI

26-18-51-01

26-18-51
FIG. 01
PAGE 1
JAN 20/09



757

PARTS CATALOG (MAINTENANCE)

FIG ITEM	PART NUMBER	1 2 3 4 5 6 7	NOMENCLATURE	EFFECT FROM TO	UNITS PER ASSY
1					
35	VNS1924CA2-8	.STUD	SUPPLIER CODE: V5M902 SPECIFICATION NUMBER: BACS53B1EA2 OPTIONAL PART: VNS1924CA3-2-8 V92215	002004 006101 107107 121503 904999	1
40	AN960D10	.WASHER-		002004 006100 107107 121503 904999	2
40	NAS1149D0332J	.WASHER-		101101	2
45	AN960D10L	.WASHER-		002004 006100 107107 121503 904999	1
45	NAS1149D0332J	.WASHER-		101101	1
50	BRH10A3	.NUT	SUPPLIER CODE: V52828 SPECIFICATION NUMBER: BACN10JC3 OPTIONAL PART: H10-3BAC V15653 NS202101-02 V80539 RMLH9075-3W V72962 VN303A02 V92215 96-02 V80539 T6S1032J V11815	002004 006101 107107 121503 904999	2
55	BACJ40A20-7	.JUMPER ASSY		002004 006101 107107 121503 904999	1
60	BACG20ZC000400	.GROMMET		101101	1
60	BACG20ZC400	.GROMMET-		002004 006100 107107 121503 904999	1

MISSING ITEM NUMBERS NOT APPLICABLE

- ITEM NOT ILLUSTRATED

26-18-51-01

26-18-51
FIG. 01
PAGE 2
JAN 20/09

BRI



757

PARTS CATALOG (MAINTENANCE)

FIG ITEM	PART NUMBER	1 2 3 4 5 6 7	NOMENCLATURE	EFFECT FROM TO	UNITS PER ASSY
1					
- 100	218N4003-6		PROVISION INSTL-PASS MODEL W/O LR LAV POSITION DATA: SECT. 46 FOR NHA SEE: 21-00-00-12	101102 108120 504903	RF
- 100	MODREF5850		PROVISION INSTL-PASS MODEL W/O LR LAV MODULE NUMBER: 218N4003-6 REV A POSITION DATA: SECT. 46	103106	1
105	218N4024-23		.BRACKET ASSY-SENSOR SPRT POSITION DATA: AFT BODY ATTACHING PARTS	101106 108120 504903	1
- 110	BACR15FT5D		.RIVET- SIZE DETERMINED ON INSTL.	101106 108120 504903	2
115	35410-23		-----*----- ..FLANGE ASSY- SUPPLIER CODE: V73168 ATTACHING PARTS	101106 108120 504903	1
- 120	BACR15BB4AD		..RIVET- SIZE DETERMINED ON INSTL.	101106 108120 504903	2
125	218N4024-28		-----*----- ..ANGLE	101106 108120 504903	1

MISSING ITEM NUMBERS NOT APPLICABLE

- ITEM NOT ILLUSTRATED

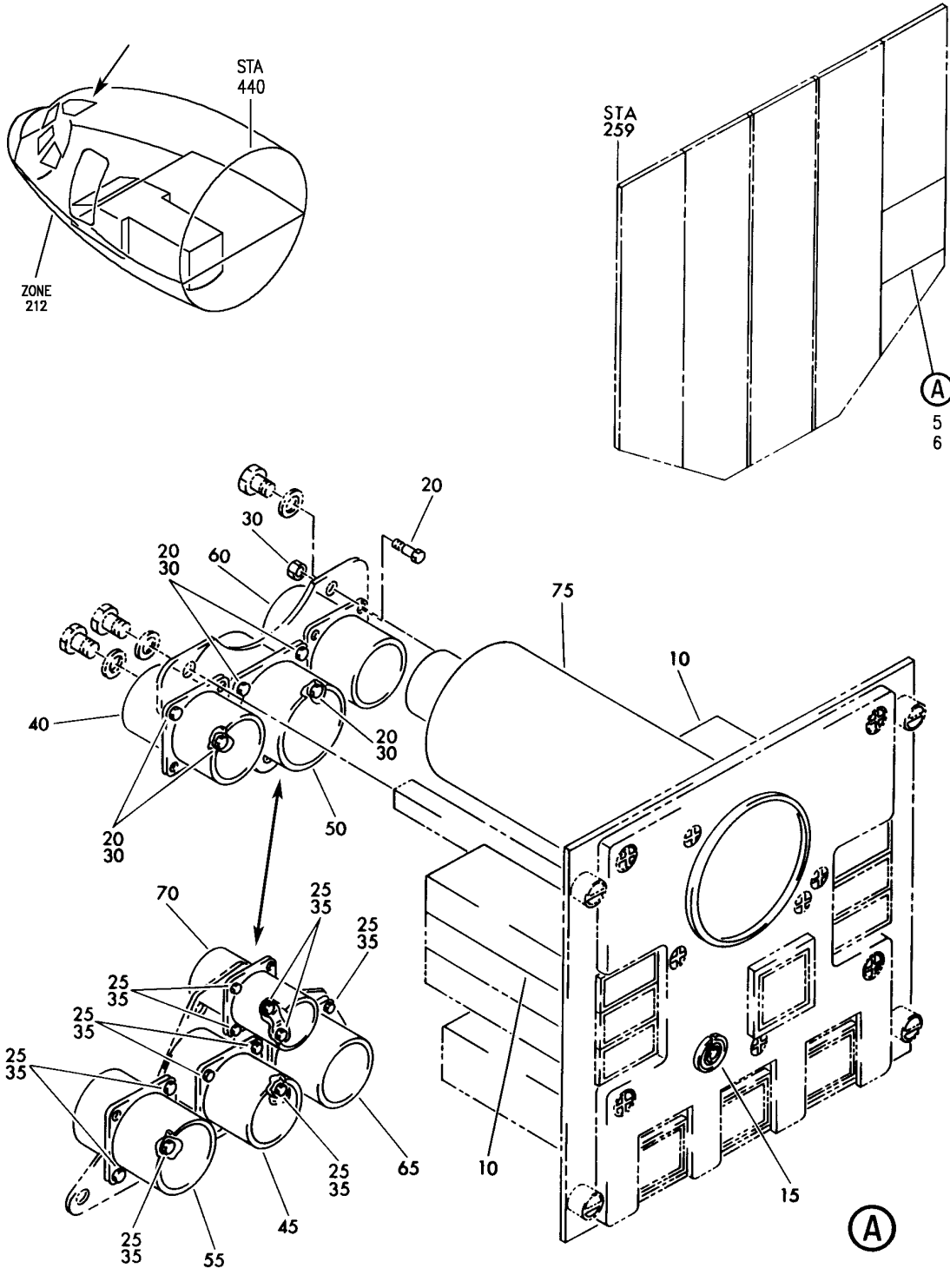
BRI

26-18-51-01

BOEING PROPRIETARY - Copyright © - Unpublished Work - See title page for details.

26-18-51
FIG. 01
PAGE 3
JAN 20/09

BOEING
757
PARTS CATALOG (MAINTENANCE)



Y 26185102 REV 278

PANEL INSTL-P5 OVHD (FIRE PROTECTION ONLY)
FIGURE 2

26-18-51-02

BRI
MAY 28/07

26-18-51-02
PAGE 0



757

PARTS CATALOG (MAINTENANCE)

FIG ITEM	PART NUMBER	1 2 3 4 5 6 7	NOMENCLATURE	EFFECT FROM TO	UNITS PER ASSY
2			PANEL INSTL-P5 OVHD (FIRE PROTECTION ONLY)	002004 006010 101107 121999	
- 1	233N3101-1		PANEL INSTL-P5 OVERHEAD (FIRE PROTECTION ONLY) VARIABLE DRAWING REF: 233N3101-5005 233N3101-5025 233N3101-5041 233N3101-5042 233N3101-5045 FOR NHA/OTHER SYS DET SEE: 25-10-00-05A	002004 006010 107107 121503 904999	RF
5	233N3215-15		.PANEL ASSY-BLEED AIR SUPPLIER CODE: V89954 ELECTRICAL EQUIP NUMBER: M10259 COMPONENT MAINT MANUAL REF: 36-11-71 QUALIFIED I/W DATA: 233N3215-9 -15 -19 -20 ARE ALL INTERCHANGEABLE EXCEPT SUBJECT TO CUSTOMER PREFERENCE PRE ALERT SB: 33A0044	107107	RF

MISSING ITEM NUMBERS NOT APPLICABLE

- ITEM NOT ILLUSTRATED

BRI

26-18-51-02

BOEING PROPRIETARY - Copyright © - Unpublished Work - See title page for details.

26-18-51
FIG. 02
PAGE 1
JAN 20/09



757

PARTS CATALOG (MAINTENANCE)

FIG ITEM	PART NUMBER	1 2 3 4 5 6 7	NOMENCLATURE	EFFECT FROM TO	UNITS PER ASSY
2	5 233N3215-16		.PANEL ASSY-BLEED AIR SUPPLIER CODE: V89954 MISCELLANEOUS DATA: FOR SPARES PROCURE NEXT HIGHER ASSY ELECTRICAL EQUIP NUMBER: M10259 COMPONENT MAINT MANUAL REF: 36-11-71 QUALIFIED I/W DATA: 233N3215-13 -14 -16 -17 ARE ALL INTERCHANGEABLE EXCEPT SUBJECT TO CUSTOMER PREFERENCE THE 233N3215-300 PANEL ASSY IS I/W THE 233N3215-16 PANEL ASSY T/W THE S233T100-6009 LIGHTPLATE PRE ALERT SB: 33A0044	002004 006010 950999	RF
	5 233N3215-19		.PANEL ASSY-BLEED AIR SUPPLIER CODE: V89954 ELECTRICAL EQUIP NUMBER: M10259 COMPONENT MAINT MANUAL REF: 36-11-71 QUALIFIED I/W DATA: 233N3215-9 -15 -19 -20 ARE ALL INTERCHANGEABLE EXCEPT SUBJECT TO CUSTOMER PREFERENCE PRE ALERT SB: 33A0044R1	121503 904949	RF
	5 233N3215-1016		.PANEL ASSY-BLEED AIR SUPPLIER CODE: V89954 ELECTRICAL EQUIP NUMBER: M10259 COMPONENT MAINT MANUAL REF: 36-11-71 POST ALERT SB: 33A0044	002004 006010 950999	RF

MISSING ITEM NUMBERS NOT APPLICABLE

- ITEM NOT ILLUSTRATED

26-18-51-02

26-18-51
FIG. 02
PAGE 2
JAN 20/09

BRI



757

PARTS CATALOG (MAINTENANCE)

FIG ITEM	PART NUMBER	1 2 3 4 5 6 7	NOMENCLATURE	EFFECT FROM TO	UNITS PER ASSY
2	5 233N3215-1015		.PANEL ASSY-BLEED AIR SUPPLIER CODE: V89954 ELECTRICAL EQUIP NUMBER: M10259 COMPONENT MAINT MANUAL REF: 36-11-71 QUALIFIED I/W DATA: 233N3215-1009,-1015, -1019 AND -1020 ARE INTERCHANGEABLE PER CUSTOMER PREFERENCE. POST ALERT SB: 33A0044	107107	RF
	6 233N3215-1019		.PANEL ASSY-BLEED AIR SUPPLIER CODE: V89954 ELECTRICAL EQUIP NUMBER: M10259 COMPONENT MAINT MANUAL REF: 36-11-71 QUALIFIED I/W DATA: 233N3215-1009,-1015, -1019 AND -1020 ARE INTERCHANGEABLE PER CUSTOMER PREFERENCE. POST ALERT SB: 33A0044R1	121503 904949	RF
	6 233N3215-22		.PANEL ASSY-BLEED AIR SUPPLIER CODE: V89954 ELECTRICAL EQUIP NUMBER: M10259	101106 504903	RF
	10 BCREf6203		..LIGHT ASSY-DUCT LEAK IND SUPPLIER CODE: V81590 OVERLENGTH PART NUMBER: 434-674-1005-1272 SPECIFICATION NUMBER: S231T300-1272 OPTIONAL PART: BCREF8588 V81590 FOR DETAILS SEE: 33-14-70-02	002004 006010 107107 121503 904999	2

MISSING ITEM NUMBERS NOT APPLICABLE

- ITEM NOT ILLUSTRATED

BRI

26-18-51-02

BOEING PROPRIETARY - Copyright © - Unpublished Work - See title page for details.

26-18-51
FIG. 02
PAGE 3
JAN 20/09



757

PARTS CATALOG (MAINTENANCE)

FIG ITEM	PART NUMBER	1 2 3 4 5 6 7	NOMENCLATURE	EFFECT FROM TO	UNITS PER ASSY
2					
10	BCREF8588		..LIGHT ASSY-DUCT LEAK IND SUPPLIER CODE: V81590 OVERLENGTH PART NUMBER: 434-674-1031-2272 SPECIFICATION NUMBER: S231T300-2272 OPTIONAL PART: BCREF6203 V81590 FOR DETAILS SEE: 33-14-70-02	002004 006010 107107 121503 904999	2
15	800000121-1		..CONNECTOR- SUPPLIER CODE: V05617	002004 006010 107107 121503 904999	1
25	NAS1801-04-5		..SCREW	002004 006010 107107 121503 904999	14
35	K19798-04		..NUT SUPPLIER CODE: V15653 SPECIFICATION NUMBER: BACN10NW1 OPTIONAL PART: RMA4812-160-40 V72962 293162 V60119	002004 006010 107107 121503 904999	14
45	BCREF4925		..CONNECTOR- OVERLENGTH PART NUMBER: BACC45FN12-12P10	002004 006010 107107 121503 904999	1
55	BACC45FN16-24P9		..CONNECTOR	002004 006010 107107 121503 904999	1
65	BACC45FN12-12P9		..CONNECTOR	002004 006010 107107 121503 904999	1

MISSING ITEM NUMBERS NOT APPLICABLE

- ITEM NOT ILLUSTRATED

BRI

26-18-51-02

BOEING PROPRIETARY - Copyright © - Unpublished Work - See title page for details.

26-18-51
FIG. 02
PAGE 4
JAN 20/09



757

PARTS CATALOG (MAINTENANCE)

FIG ITEM	PART NUMBER	1 2 3 4 5 6 7	NOMENCLATURE	EFFECT FROM TO	UNITS PER ASSY
2	70	BACC45FN10-5P8	.. CONNECTOR	002004 006010 107107 121503 904999	1
	75	C0909A12-12S102	.. CONNECTOR SUPPLIER CODE: V13556 SPECIFICATION NUMBER: BACC63BN12-12S OPTIONAL PART: 48-63N12-12S V02660 C0909A12-12SN V13556	002004 006010 107107 121503 904999	1

MISSING ITEM NUMBERS NOT APPLICABLE

- ITEM NOT ILLUSTRATED

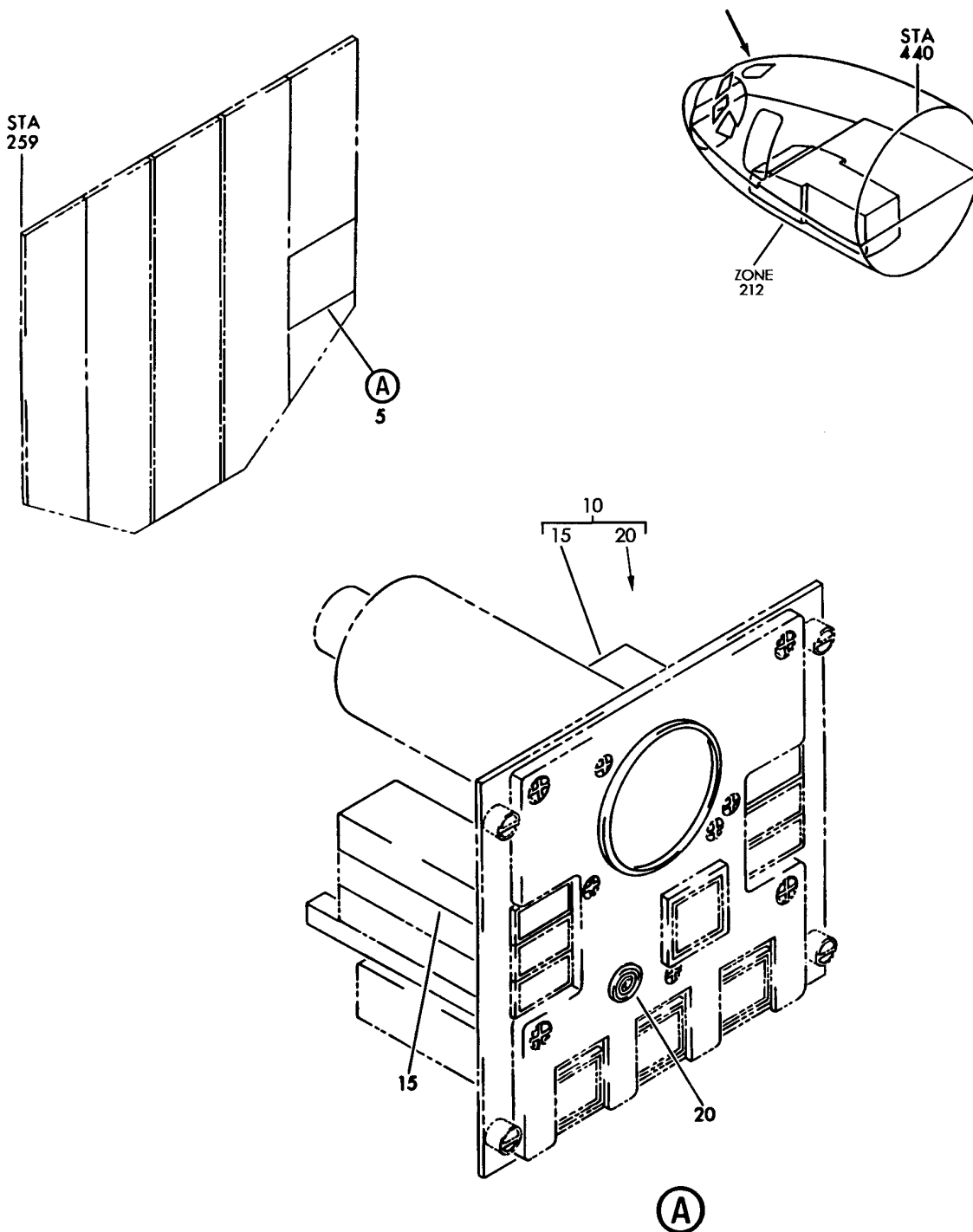
BRI

26-18-51-02

BOEING PROPRIETARY - Copyright © - Unpublished Work - See title page for details.

26-18-51
FIG. 02
PAGE 5
JAN 20/09

BOEING
757
PARTS CATALOG (MAINTENANCE)



Y 26185103 REV 205

PANEL INSTL-P5 OVHD (DUCT LEAK PROTECTION ONLY)
FIGURE 3

26-18-51-03

BRI
MAY 28/07

26-18-51-03
PAGE 0



757

PARTS CATALOG (MAINTENANCE)

FIG ITEM	PART NUMBER	1 2 3 4 5 6 7	NOMENCLATURE	EFFECT FROM TO	UNITS PER ASSY
3			PANEL INSTL-P5 OVHD (DUCT LEAK PROTECTION ONLY)	011100	
- 1	233N3101-1		PANEL INSTL-P5 OVERHEAD (DUCT LEAK PROTECTION ONLY) VARIABLE DRAWING REF: 233N3101-5142 FOR NHA/OTHER SYS DET SEE: 25-10-00-05A	011100	RF
5	233N3215-300		.PANEL ASSY-BLEED AIR SUPPLIER CODE: V89954 ELECTRICAL EQUIP NUMBER: M10259 COMPONENT MAINT MANUAL REF: 36-11-71 QUALIFIED I/W DATA: THE 233N3215-300 PANEL ASSY IS I/W THE 233N3215-16 PANEL ASSY T/W THE S233T100-6009 LIGHTPLATE PRE ALERT SB: 33A0044	011100	RF
5	233N3215-1300		.PANEL ASSY-BLEED AIR SUPPLIER CODE: V89954 ELECTRICAL EQUIP NUMBER: M10259 COMPONENT MAINT MANUAL REF: 36-11-71 POST ALERT SB: 33A0044	011100	RF
5	233N3215-303		.PANEL ASSY-BLEED AIR SUPPLIER CODE: V89954 ELECTRICAL EQUIP NUMBER: M10259	011100	RF

MISSING ITEM NUMBERS NOT APPLICABLE

- ITEM NOT ILLUSTRATED

BRI

26-18-51-03

26-18-51
FIG. 03
PAGE 1
JAN 20/09



757

PARTS CATALOG (MAINTENANCE)

FIG ITEM	PART NUMBER	1 2 3 4 5 6 7	NOMENCLATURE	EFFECT FROM TO	UNITS PER ASSY
3 10	233N3215-16		..PANEL ASSY-BLEED AIR SUPPLIER CODE: V89954 MISCELLANEOUS DATA: FOR SPARES PROCURE NEXT HIGHER ASSY ELECTRICAL EQUIP NUMBER: M10259 COMPONENT MAINT MANUAL REF: 36-11-71 QUALIFIED I/W DATA: 233N3215-13 -14 -16 -17 ARE ALL INTERCHANGEABLE EXCEPT SUBJECT TO CUSTOMER PREFERENCE THE 233N3215-300 PANEL ASSY IS I/W THE 233N3215-16 PANEL ASSY T/W THE S233T100-6009 LIGHTPLATE PRE ALERT SB: 33A0044	011100	1
10	233N3215-1016		..PANEL ASSY-BLEED AIR SUPPLIER CODE: V89954 ELECTRICAL EQUIP NUMBER: M10259 COMPONENT MAINT MANUAL REF: 36-11-71 POST ALERT SB: 33A0044	011100	1
10	233N3215-22		..PANEL ASSY- SUPPLIER CODE: V89954 MISCELLANEOUS DATA: FOR SPARES PROCURE NEXT HIGHER ASSY ELECTRICAL EQUIP NUMBER: M10259 COMPONENT MAINT MANUAL REF: 36-11-71	011100	1

MISSING ITEM NUMBERS NOT APPLICABLE

- ITEM NOT ILLUSTRATED

26-18-51-03

26-18-51
 FIG. 03
 PAGE 2
 JAN 20/09

BRI



757

PARTS CATALOG (MAINTENANCE)

FIG ITEM	PART NUMBER	1 2 3 4 5 6 7	NOMENCLATURE	EFFECT FROM TO	UNITS PER ASSY
3					
15	BCREF6203		...LIGHT ASSY-DUCT LEAK IND SUPPLIER CODE: V81590 OVERLENGTH PART NUMBER: 434-674-1005-1272 SPECIFICATION NUMBER: S231T300-1272 OPTIONAL PART: BCREF8588 V81590 FOR DETAILS SEE: 33-14-70-02	011100	2
15	BCREF8588		...LIGHT ASSY-DUCT LEAK IND SUPPLIER CODE: V81590 OVERLENGTH PART NUMBER: 434-674-1031-2272 SPECIFICATION NUMBER: S231T300-2272 OPTIONAL PART: BCREF6203 V81590 FOR DETAILS SEE: 33-14-70-02	011100	2
20	800-000121-1		...CONNECTOR- SUPPLIER CODE: V05617	011100	1

MISSING ITEM NUMBERS NOT APPLICABLE

- ITEM NOT ILLUSTRATED

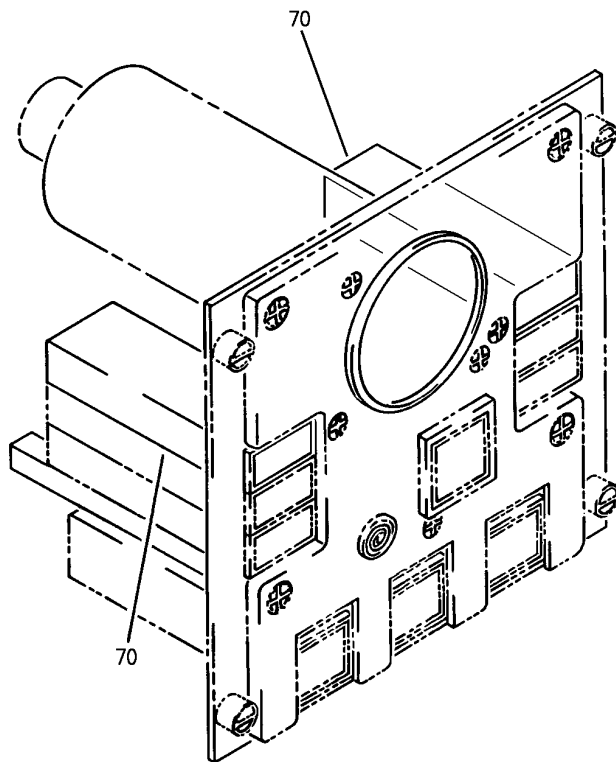
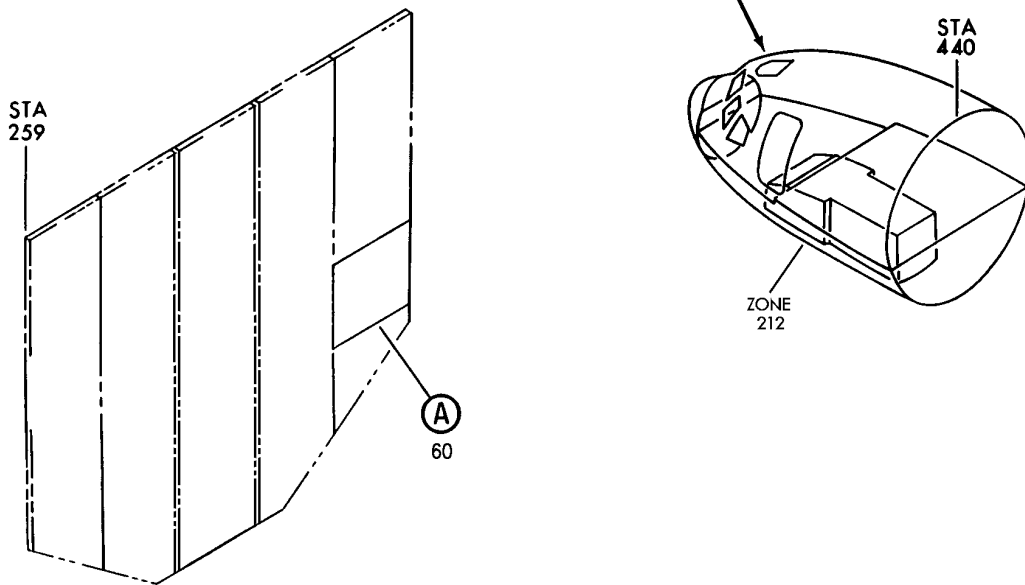
BRI

26-18-51-03

BOEING PROPRIETARY - Copyright © - Unpublished Work - See title page for details.

26-18-51
FIG. 03
PAGE 3
JAN 20/09

BOEING
757
PARTS CATALOG (MAINTENANCE)



Y 26185104 REV 251

PANEL INSTL-P5 OVHD (FIRE PROTECTION ONLY)
FIGURE 4

26-18-51-04

BRI
MAY 28/07

26-18-51-04
PAGE 0



757

PARTS CATALOG (MAINTENANCE)

FIG ITEM	PART NUMBER	1 2 3 4 5 6 7	NOMENCLATURE	EFFECT FROM TO	UNITS PER ASSY
4			PANEL INSTL-P5 OVHD (FIRE PROTECTION ONLY)	101106 108120 504903	
- 3	233N3103-132		PANEL INSTL-P5 OVHD (FIRE PROTECTION ONLY) FOR NHA/OTHER SYS DET SEE: 25-10-00-15E	101102	RF
- 3	233N3103-136		PANEL INSTL-P5 OVHD (FIRE PROTECTION ONLY) FOR NHA/OTHER SYS DET SEE: 25-10-00-15E	504903	RF
- 6	233N3103-59		PANEL INSTL-P5 OVHD (FIRE PROTECTION ONLY) FOR NHA/OTHER SYS DET SEE: 25-10-00-15E	108120	RF
- 7	MODREF170180		PANEL INSTL-P5 OVHD (FIRE PROTECTION ONLY) MODULE NUMBER: 233N3103-353 REV B FOR OTHER SYS DETAILS SEE: 11-31-10-12 21-25-55-03 21-31-01-02 21-33-51-03 21-51-54-03 21-58-19-10 21-58-51-03 21-61-04-03 21-65-51-01 22-21-01-04 22-24-51-02 23-24-01-01 23-32-00-11 23-42-02-02 23-71-05-02 24-11-52-05 24-22-01-03 24-31-01-10 24-31-03-09 24-33-04-01 24-41-51-04 24-51-62-01 27-21-53-02 27-41-55-01 27-61-51-03 27-62-52-02 28-22-51-02 28-41-04-01 28-41-51-03	106106	1

MISSING ITEM NUMBERS NOT APPLICABLE

- ITEM NOT ILLUSTRATED

26-18-51-04

26-18-51
FIG. 04
PAGE 1
JAN 20/09

BRI



757

PARTS CATALOG (MAINTENANCE)

FIG ITEM	PART NUMBER	1 2 3 4 5 6 7	NOMENCLATURE	EFFECT FROM TO	UNITS PER ASSY
4			29-11-02-03 29-11-05-04 29-11-52-07 29-21-54-03 29-31-00-01 29-32-51-03 29-33-52-03 30-11-51-03 30-21-51-03 30-31-51-02 30-32-51-01 30-33-51-02 30-41-51-03 30-42-51-03 31-12-11-84 31-12-11-84 A 32-42-52-03 33-11-03-03 33-11-51-17 33-13-01-65 33-13-02-03 33-16-51-03 33-24-51-02 33-41-52-04 33-42-01-04 33-42-02-04 33-42-52-04 33-43-51-04 33-44-51-05 33-45-53-03 33-51-08-05 34-21-02-01 35-21-51-04 36-11-04-01 36-21-00-01 36-21-02-05 36-22-51-03 49-41-00-02 49-52-00-01 49-70-00-01 52-51-51-03 52-71-51-02 73-21-52-02 74-31-51-05 75-32-00-01 80-11-09-02		
- 8	MODREF33760		PANEL INSTL-P5 OVHD (FIRE PROTECTION ONLY) MODULE NUMBER: MISSING ITEM NUMBERS NOT APPLICABLE	103103	1

- ITEM NOT ILLUSTRATED

BRI

26-18-51-04

BOEING PROPRIETARY - Copyright © - Unpublished Work - See title page for details.

26-18-51
 FIG. 04
 PAGE 2
 JAN 20/09



757

PARTS CATALOG (MAINTENANCE)

FIG ITEM	PART NUMBER	1 2 3 4 5 6 7	NOMENCLATURE	EFFECT FROM TO	UNITS PER ASSY
4			233N3103-351 REV C FOR OTHER SYS DETAILS SEE: 11-31-10-12 21-25-55-03 21-31-01-02 21-33-51-03 21-51-54-03 21-58-19-10 21-58-51-03 21-61-04-03 21-65-51-01 22-21-01-04 22-24-51-02 23-24-01-01 23-32-00-11 23-42-02-02 23-71-05-02 24-11-52-05 24-22-01-03 24-31-01-10 24-31-03-09 24-33-04-01 24-41-51-04 24-51-62-01 27-21-53-02 27-41-55-01 27-61-51-03 27-62-52-02 28-22-51-02 28-41-04-01 28-41-51-03 29-11-02-03 29-11-05-04 29-11-52-07 29-21-54-03 29-31-00-01 29-32-51-03 29-33-52-03 30-11-51-03 30-21-51-03 30-31-51-02 30-32-51-01 30-33-51-02 30-41-51-03 30-42-51-03 31-12-11-91 31-12-11-91A 32-42-52-03 33-11-03-03		

MISSING ITEM NUMBERS NOT APPLICABLE

- ITEM NOT ILLUSTRATED

26-18-51-04

26-18-51
FIG. 04
PAGE 3
JAN 20/09

BRI



757

PARTS CATALOG (MAINTENANCE)

FIG ITEM	PART NUMBER	1 2 3 4 5 6 7	NOMENCLATURE	EFFECT FROM TO	UNITS PER ASSY
4			33-11-51-17 33-13-01-65 33-13-02-03 33-16-51-03 33-24-51-02 33-41-52-04 33-42-01-04 33-42-02-04 33-42-52-04 33-43-51-04 33-44-51-05 33-45-53-03 33-51-08-05 34-21-02-01 35-21-51-04 36-11-04-01 36-21-00-01 36-21-02-05 36-22-51-03 49-41-00-02 49-52-00-01 49-70-00-01 52-51-51-03 52-71-51-02 73-21-52-02 74-31-51-05 75-32-00-01 80-11-09-02		
- 8	MODREF34038		PANEL INSTL-P5 OVHD (FIRE PROTECTION ONLY) MODULE NUMBER: 233N3103-351 REV D FOR OTHER SYS DETAILS SEE: 11-31-10-12 21-25-55-03 21-31-01-02 21-33-51-03 21-51-54-03 21-58-19-10 21-58-51-03 21-61-04-03 21-65-51-01 22-21-01-04 22-24-51-02 23-24-01-01 23-32-00-11 23-42-02-02 23-71-05-02 24-11-52-05	104105	1

MISSING ITEM NUMBERS NOT APPLICABLE

- ITEM NOT ILLUSTRATED

BRI

26-18-51-04

BOEING PROPRIETARY - Copyright © - Unpublished Work - See title page for details.

26-18-51
 FIG. 04
 PAGE 4
 JAN 20/09



757

PARTS CATALOG (MAINTENANCE)

FIG ITEM	PART NUMBER	1 2 3 4 5 6 7 NOMENCLATURE	EFFECT FROM TO	UNITS PER ASSY
4		24-22-01-03 24-31-01-10 24-31-03-09 24-33-04-01 24-41-51-04 24-51-62-01 27-21-53-02 27-41-55-01 27-61-51-03 27-62-52-02 28-22-51-02 28-41-04-01 28-41-51-03 29-11-02-03 29-11-05-04 29-11-52-07 29-21-54-03 29-31-00-01 29-32-51-03 29-33-52-03 30-11-51-03 30-21-51-03 30-31-51-02 30-32-51-01 30-33-51-02 30-41-51-03 30-42-51-03 31-12-11-91 31-12-11-91 A 32-42-52-03 33-11-03-03 33-11-51-17 33-13-01-65 33-13-02-03 33-16-51-03 33-24-51-02 33-41-52-04 33-42-01-04 33-42-02-04 33-42-52-04 33-43-51-04 33-44-51-05 33-45-53-03 33-51-08-05 34-21-02-01 35-21-51-04 36-11-04-01 36-21-00-01 36-21-02-05		

MISSING ITEM NUMBERS NOT APPLICABLE

- ITEM NOT ILLUSTRATED

26-18-51-04

26-18-51
FIG. 04
PAGE 5
JAN 20/09

BRI



757

PARTS CATALOG (MAINTENANCE)

FIG ITEM	PART NUMBER	1 2 3 4 5 6 7	NOMENCLATURE	EFFECT FROM TO	UNITS PER ASSY
4			36-22-51-03 49-41-00-02 49-52-00-01 49-70-00-01 52-51-51-03 52-71-51-02 73-21-52-02 74-31-51-05 75-32-00-01 80-11-09-02		
- 50	233N3215-300		.PANEL ASSY-BLEED AIR SUPPLIER CODE: V89954 ELECTRICAL EQUIP NUMBER: M10259 COMPONENT MAINT MANUAL REF: 36-11-71 QUALIFIED I/W DATA: THE 233N3215-300 PANEL ASSY IS I/W THE 233N3215-16 PANEL ASSY T/W THE S233T100-6009 LIGHTPLATE PRE ALERT SB: 33A0044	101102 504903	RF
- 50	233N3215-1300		.PANEL ASSY-BLEED AIR SUPPLIER CODE: V89954 ELECTRICAL EQUIP NUMBER: M10259 COMPONENT MAINT MANUAL REF: 36-11-71 POST ALERT SB: 33A0044	101102 504903	RF
- 50	233N3215-302		.PANEL ASSY-BLEED AIR SUPPLIER CODE: V89954 ELECTRICAL EQUIP NUMBER: M10259 COMPONENT MAINT MANUAL REF: 36-11-71 QUALIFIED I/W DATA: THW 233N3215-302 PANEL ASSY IS I/W THE 233N3215-20 PANEL ASSY T/W THE S233T100-6009 LIGHTPLATE PRE ALERT SB: 33A0044	108120	RF

MISSING ITEM NUMBERS NOT APPLICABLE

- ITEM NOT ILLUSTRATED

BRI

26-18-51-04

BOEING PROPRIETARY - Copyright © - Unpublished Work - See title page for details.

26-18-51
FIG. 04
PAGE 6
JAN 20/09



757

PARTS CATALOG (MAINTENANCE)

FIG ITEM	PART NUMBER	1 2 3 4 5 6 7	NOMENCLATURE	EFFECT FROM TO	UNITS PER ASSY
4					
- 50	233N3215-1302		.PANEL ASSY-BLEED AIR SUPPLIER CODE: V89954 ELECTRICAL EQUIP NUMBER: M10259 COMPONENT MAINT MANUAL REF: 36-11-71 REWORK DRAWING REF: 233N6251-4 POST ALERT SB: 33A0044	108120	RF
- 50	233N3215-303		.PANEL ASSY-BLEED AIR SUPPLIER CODE: V89954 ELECTRICAL EQUIP NUMBER: M10259 COMPONENT MAINT MANUAL REF: 36-11-71	101106 504903	RF
- 50	233N3215-305		.PANEL ASSY-BLEED AIR SUPPLIER CODE: V89954 ELECTRICAL EQUIP NUMBER: M10259	108120	RF
60	233N3215-16		..PANEL ASSY- SUPPLIER CODE: V89954 MISCELLANEOUS DATA: FOR SPARES PROCURE NEXT HIGHER ASSY COMPONENT MAINT MANUAL REF: 36-11-71 QUALIFIED I/W DATA: THE 233N3215-300 PANEL ASSY IS I/W THE 233N3215-16 PANEL ASSY T/W THE S233T100-6009 LIGHTPLATE USED ON: 233N3215-300 PRE ALERT SB: 33A0044	101102 504903	1

MISSING ITEM NUMBERS NOT APPLICABLE

- ITEM NOT ILLUSTRATED

BRI

26-18-51-04

BOEING PROPRIETARY - Copyright © - Unpublished Work - See title page for details.

26-18-51
FIG. 04
PAGE 7
JAN 20/09



757

PARTS CATALOG (MAINTENANCE)

FIG ITEM	PART NUMBER	1 2 3 4 5 6 7	NOMENCLATURE	EFFECT FROM TO	UNITS PER ASSY
4 60	233N3215-20		..PANEL ASSY- SUPPLIER CODE: V89954 MISCELLANEOUS DATA: FOR SPARES PROCURE NEXT HIGHER ASSY COMPONENT MAINT MANUAL REF: 36-11-71 QUALIFIED I/W DATA: THE233N3215-302 PANEL ASSY IS I/W THE 233N3215-20 PANEL ASSY T/W THE S233T100-6009 LIGHTPLATE PRE ALERT SB: 33A0044	108120	1
60	233N3215-22		..PANEL ASSY- SUPPLIER CODE: V89954 MISCELLANEOUS DATA: FOR SPARES PROCURE NEXT HIGHER ASSY COMPONENT MAINT MANUAL REF: 36-11-71 USED ON: 233N3215-303	101106 504903	1
60	233N3215-23		..PANEL ASSY- SUPPLIER CODE: V89954 MISCELLANEOUS DATA: FOR SPARES PROCURE NEXT HIGHER ASSY COMPONENT MAINT MANUAL REF: 36-11-71	108120	1
60	233N3215-1016		..PANEL ASSY- SUPPLIER CODE: V89954 COMPONENT MAINT MANUAL REF: 36-11-71 USED ON: 233N3215-1300 POST ALERT SB: 33A0044	101102 504903	1

MISSING ITEM NUMBERS NOT APPLICABLE

- ITEM NOT ILLUSTRATED

26-18-51-04

26-18-51
FIG. 04
PAGE 8
JAN 20/09

BRI



757

PARTS CATALOG (MAINTENANCE)

FIG ITEM	PART NUMBER	1 2 3 4 5 6 7	NOMENCLATURE	EFFECT FROM TO	UNITS PER ASSY
4 60	233N3215-1020		.. PANEL ASSY- SUPPLIER CODE: V89954 COMPONENT MAINT MANUAL REF: 36-11-71 QUALIFIED I/W DATA: 233N3215-1009,-1015, -1019 AND -1020 ARE INTERCHANGEABLE PER CUSTOMER PREFERENCE. USED ON: 233N3215-1302 POST ALERT SB: 33A0044	108120	1
70	BCREF8588		...LIGHT ASSY-DUCT LEAK IND SUPPLIER CODE: V81590 OVERLENGTH PART NUMBER: 434-674-1031-2272 SPECIFICATION NUMBER: S231T300-2272 OPTIONAL PART: BCREF6203 V81590 FOR DETAILS SEE: 33-14-70-02	101106 108120 504903	2
70	BCREF6203		...LIGHT ASSY-DUCT LEAK IND SUPPLIER CODE: V81590 OVERLENGTH PART NUMBER: 434-674-1005-1272 SPECIFICATION NUMBER: S231T300-1272 OPTIONAL PART: BCREF8588 V81590 FOR DETAILS SEE: 33-14-70-02	101106 108120 504903	2

MISSING ITEM NUMBERS NOT APPLICABLE

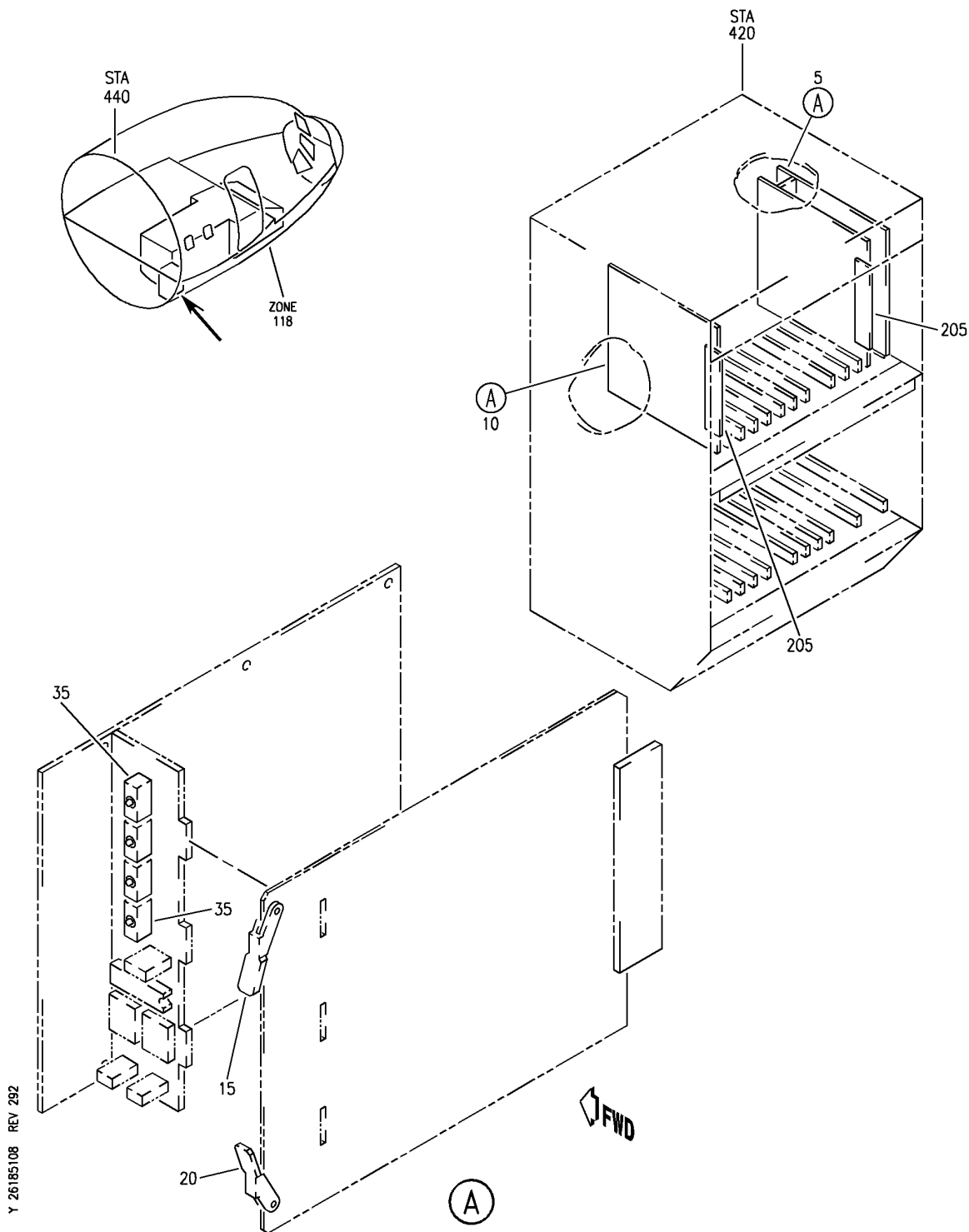
- ITEM NOT ILLUSTRATED

BRI

26-18-51-04

26-18-51
FIG. 04
PAGE 9
JAN 20/09

BOEING
757
PARTS CATALOG (MAINTENANCE)



EQUIPMENT INSTL-MAIN ELECTRONICS EQPT CTR DUCT LEAK AND WHL WELL OVERHEAT
FIGURE 8

BRI
JAN 20/09

26-18-51-08

26-18-51-08
PAGE 0



757

PARTS CATALOG (MAINTENANCE)

FIG ITEM	PART NUMBER	1 2 3 4 5 6 7	NOMENCLATURE	EFFECT FROM TO	UNITS PER ASSY
8			EQUIPMENT INSTL-MAIN ELECTRONICS EQPT CTR DUCT LEAK AND WHL WELL OVERHEAT	103106 108120	
- 1	284N4000-260001		EQUIPMENT INSTL-MAIN ELECTRONICS EQPT CTR DUCT LEAK AND WHL WELL OVERHEAT	108120	RF
- 1	MODREF9950		FOR NHA SEE: 24-00-58-05 EQUIPMENT INSTL-MAIN ELECTRONICS EQPT CTR DUCT LEAK AND WHL WELL OVERHEAT	103106	1
5	35008-38		MODULE NUMBER: 284N4000-260001 REV A .CARD- SUPPLIER CODE: V73168 SPECIFICATION NUMBER: S283N001-1 ELECTRICAL EQUIP NUMBER: M00691 COMPONENT MAINT MANUAL REF: 26-10-11 OPTIONAL PART: 35008-72 V73168	103106 108120	1
5	35008-72		.CARD- SUPPLIER CODE: V73168 SPECIFICATION NUMBER: S283N001-5 ELECTRICAL EQUIP NUMBER: M00691 COMPONENT MAINT MANUAL REF: 26-14-40 OPTIONAL PART: 35008-38 V73168	103106 108120	1

MISSING ITEM NUMBERS NOT APPLICABLE

- ITEM NOT ILLUSTRATED

26-18-51-08

26-18-51
FIG. 08
PAGE 1
JAN 20/09

BRI



757

PARTS CATALOG (MAINTENANCE)

FIG ITEM	PART NUMBER	1 2 3 4 5 6 7	NOMENCLATURE	EFFECT FROM TO	UNITS PER ASSY
8					
10	35008-138	.CARD-	SUPPLIER CODE: V73168 SPECIFICATION NUMBER: S283N001-2 ELECTRICAL EQUIP NUMBER: M10428 COMPONENT MAINT MANUAL REF: 26-10-10 OPTIONAL PART: 35008-172 V73168	103106 108120	1
10	35008-172	.CARD-	SUPPLIER CODE: V73168 SPECIFICATION NUMBER: S283N001-6 ELECTRICAL EQUIP NUMBER: M10428 COMPONENT MAINT MANUAL REF: 26-14-41 OPTIONAL PART: 35008-138 V73168	103106 108120	1
15	71-2LA	..EXTRACTOR-	SUPPLIER CODE: V18915 MISCELLANEOUS DATA: FENWAL SPEC NO. V73168 06-233212-001 USED ON: 35008-38 USED ON: 35008-38	103106 108120	1
15	84191-11CA	..EXTRACTOR-	SUPPLIER CODE: V037Z3 MISCELLANEOUS DATA: FENWAL SPEC NO. V73168 06-233212-001 OPTIONAL PART: 71-2LA V18915 USED ON: 35008-72	103106 108120	1

MISSING ITEM NUMBERS NOT APPLICABLE

- ITEM NOT ILLUSTRATED

26-18-51-08

26-18-51
FIG. 08
PAGE 2
JAN 20/09

BRI



757

PARTS CATALOG (MAINTENANCE)

FIG ITEM	PART NUMBER	1 2 3 4 5 6 7	NOMENCLATURE	EFFECT FROM TO	UNITS PER ASSY
8	15 71-2LA		..EXTRACTOR- SUPPLIER CODE: V18915 MISCELLANEOUS DATA: FENWAL SPEC NO. V73168 06-233212-001 OPTIONAL PART: 84191-11CA V037Z3 USED ON: 35008-72	103106 108120	1
	15 71-2LA		..EXTRACTOR- SUPPLIER CODE: V18915 MISCELLANEOUS DATA: FENWAL SPEC NO. V73168 06-233212-001 USED ON: 35008-138 35008-172	103106 108120	1
	20 71-2RA		..EXTRACTOR- SUPPLIER CODE: V18915 MISCELLANEOUS DATA: FENWAL SPEC NO. V73168 06-233213-001 USED ON: 35008-38 USED ON: 35008-38	103106 108120	1
	20 84191-12CA		..EXTRACTOR- SUPPLIER CODE: V037Z3 MISCELLANEOUS DATA: FENWAL SPEC NO. V73168 06-233213-001 OPTIONAL PART: 71-2RA V18915 USED ON: 35008-72	103106 108120	1

MISSING ITEM NUMBERS NOT APPLICABLE

- ITEM NOT ILLUSTRATED

26-18-51-08

26-18-51
FIG. 08
PAGE 3
JAN 20/09

BRI

BOEING PROPRIETARY - Copyright © - Unpublished Work - See title page for details.



757

PARTS CATALOG (MAINTENANCE)

FIG ITEM	PART NUMBER	1 2 3 4 5 6 7	NOMENCLATURE	EFFECT FROM TO	UNITS PER ASSY
8					
20	71-2RA		.. EXTRACTOR- SUPPLIER CODE: V18915 MISCELLANEOUS DATA: FENWAL SPEC NO. V73168 06-233213-001 OPTIONAL PART: 84191-12CA V037Z3 USED ON: 35008-72	103106 108120	1
20	71-2RA		.. EXTRACTOR- SUPPLIER CODE: V18915 MISCELLANEOUS DATA: FENWAL SPEC NO. V73168 06-233213-001 USED ON: 35008-138 35008-172	103106 108120	1
35	B3-21141		.. SWITCH-PUSHBUTTON S201-S204 SUPPLIER CODE: V21649 OPTIONAL PART: B3-22141 V21649 USED ON: 35008-38	103106 108120	4
35	B3-22141		.. SWITCH-PUSHBUTTON S201-S204 SUPPLIER CODE: V21649 OPTIONAL PART: B3-21141 V21649 USED ON: 35008-38	103106 108120	4
- 200	286N1140-324		WIRE BUNDLE ASSY-	108120	RF
- 200	286N1140-701		WIRE BUNDLE ASSY	103106	RF

MISSING ITEM NUMBERS NOT APPLICABLE

- ITEM NOT ILLUSTRATED

26-18-51-08

26-18-51
FIG. 08
PAGE 4
JAN 20/09

BRI



757

PARTS CATALOG (MAINTENANCE)

FIG ITEM	PART NUMBER	1 2 3 4 5 6 7	NOMENCLATURE	EFFECT FROM TO	UNITS PER ASSY
8 205	300052-001		.CONNECTOR- SUPPLIER CODE: V0D9V3 SPECIFICATION NUMBER: BACC65L66 OPTIONAL PART: 200620-01 V16512 300052-001 V03877 192-366-0010 V26742 S1009-00833 V03877 ELECTRICAL EQUIP NUMBER: D04258 D02824 WIRING DIAGRAM REF: 261811	103106 108120	2

MISSING ITEM NUMBERS NOT APPLICABLE

- ITEM NOT ILLUSTRATED

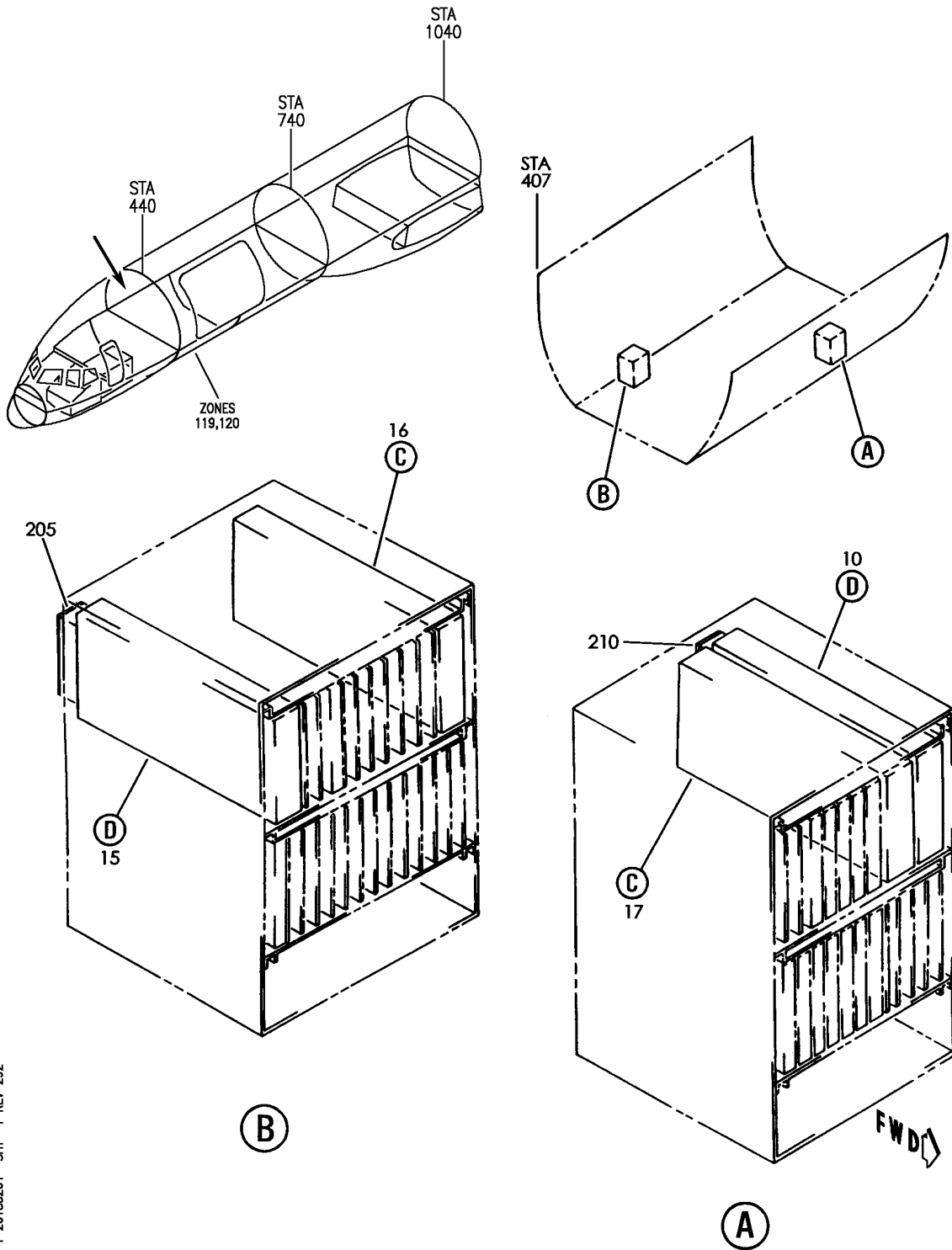
BRI

26-18-51-08

BOEING PROPRIETARY - Copyright © - Unpublished Work - See title page for details.

26-18-51
FIG. 08
PAGE 5
JAN 20/09

BOEING
757
PARTS CATALOG (MAINTENANCE)



Y 26185201 SH1 1 REV 292

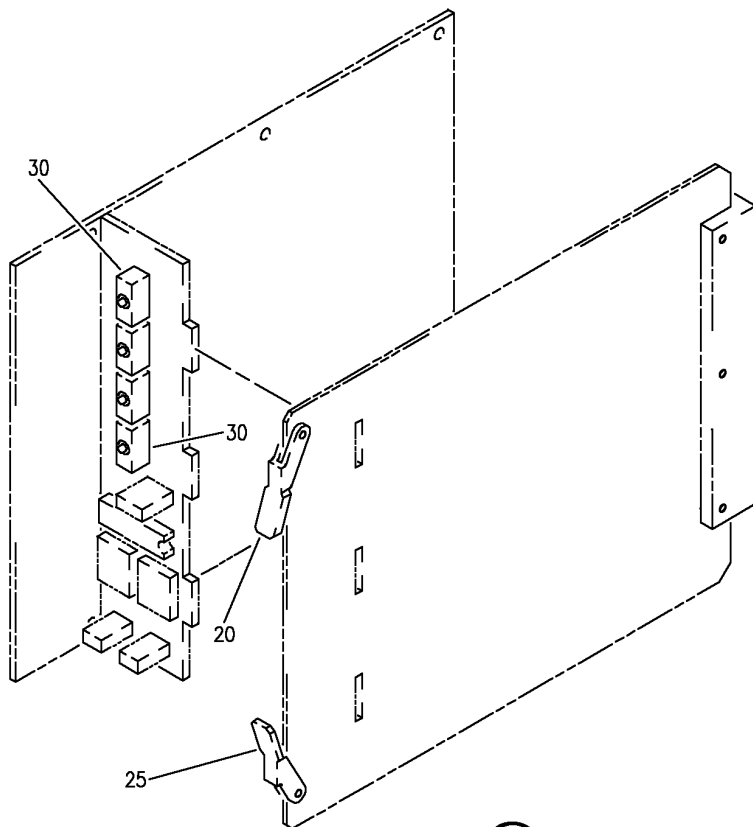
EQUIPMENT INSTL-MAIN ELECTRONICS EQPT CTR (DUCT LEAK AND WHEEL WELL FIRE DETECTION ONLY)
FIGURE 1 (SHEET 1)

BRI
MAY 28/07

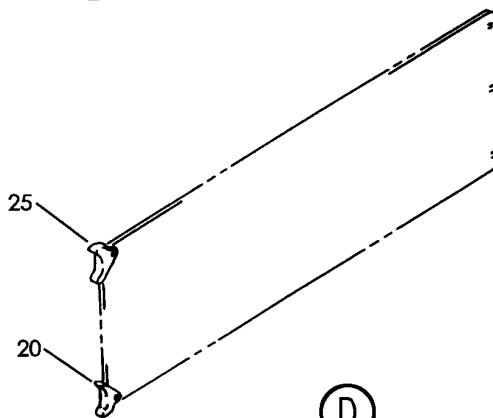
26-18-52-01

26-18-52-01
PAGE 0

BOEING
757
PARTS CATALOG (MAINTENANCE)



(C)



(D)

Y 26185201 SH1 2 REV 292

EQUIPMENT INSTL-MAIN ELECTRONICS EQPT CTR (DUCT LEAK AND WHEEL WELL FIRE DETECTION ONLY)
FIGURE 1 (SHEET 2)

BRI
MAY 28/07

26-18-52-01

26-18-52-01
PAGE 0A



757

PARTS CATALOG (MAINTENANCE)

FIG ITEM	PART NUMBER	1 2 3 4 5 6 7	NOMENCLATURE	EFFECT FROM TO	UNITS PER ASSY
1			EQUIPMENT INSTL-MAIN ELECTRONICS EQPT CTR (DUCT LEAK AND WHEEL WELL FIRE DETECTION ONLY)	002004 006100 107107 121999	
- 2	284N1307-33		EQUIPMENT INSTL-MAIN ELECTRONICS EQPT CTR (DUCT LEAK AND WHEEL WELL FIRE DETECTION ONLY)	107107	RF
- 2	284N1800-32		FOR NHA/OTHER SYS DET SEE: 24-00-58-01	952999	RF
- 4	284N1800-16		EQUIPMENT INSTL-MAIN ELECTRONICS EQPT CTR (DUCT LEAK AND WHEEL WELL FIRE DETECTION ONLY)	121503 904949	RF
- 5	284N1800-34		FOR NHA/OTHER SYS DET SEE: 24-00-58-01	002004 006100	RF
- 5	284N1800-38		EQUIPMENT INSTL-MAIN ELECTRONICS EQPT CTR (DUCT LEAK AND WHEEL WELL FIRE DETECTION ONLY)	950951	RF
- 7	284N1800-190		FOR NHA/OTHER SYS DET SEE: 24-00-58-01	504504 506903	RF
- 7	284N1800-88		EQUIPMENT INSTL-MAIN ELECTRONICS EQPT CTR (DUCT LEAK AND WHEEL WELL FIRE DETECTION ONLY)	505505	RF
			FOR NHA/OTHER SYS DET SEE: 24-00-58-05E		

MISSING ITEM NUMBERS NOT APPLICABLE

- ITEM NOT ILLUSTRATED

BRI

26-18-52-01

26-18-52
FIG. 01
PAGE 1
JAN 20/09



757

PARTS CATALOG (MAINTENANCE)

FIG ITEM	PART NUMBER	1 2 3 4 5 6 7	NOMENCLATURE	EFFECT FROM TO	UNITS PER ASSY
1 15	35008-172		.CARD-DUCT LEAK AND WHL WELL OVERHEAT PWR SUPPLY SUPPLIER CODE: V73168 SPECIFICATION NUMBER: S283N001-6 ELECTRICAL EQUIP NUMBER: M10428 COMPONENT MAINT MANUAL REF: 26-14-41 OPTIONAL PART: 35008-138 V73168	002004 006100 107107 121999	1
15	35008-138		.CARD-DUCT LEAK AND WHL WELL OVERHEAT PWR SUPPLY SUPPLIER CODE: V73168 SPECIFICATION NUMBER: S283N001-2 ELECTRICAL EQUIP NUMBER: M10428 COMPONENT MAINT MANUAL REF: 26-10-10 OPTIONAL PART: 35008-172 V73168	002004 006100 107107 121999	1
16	35008-38		.CARD-DUCT LEAK AND WHL WELL OVERHEAT SUPPLIER CODE: V73168 SPECIFICATION NUMBER: S283N001-1 ELECTRICAL EQUIP NUMBER: M00691 COMPONENT MAINT MANUAL REF: 26-10-11 OPTIONAL PART: 35008-72 V73168	002004 006100 121999	1

MISSING ITEM NUMBERS NOT APPLICABLE

- ITEM NOT ILLUSTRATED

BRI

26-18-52-01

BOEING PROPRIETARY - Copyright © - Unpublished Work - See title page for details.

26-18-52
FIG. 01
PAGE 2
JAN 20/09



757

PARTS CATALOG (MAINTENANCE)

FIG ITEM	PART NUMBER	1 2 3 4 5 6 7	NOMENCLATURE	EFFECT FROM TO	UNITS PER ASSY
1 16	35008-72		.CARD-DUCT LEAK AND WHL WELL OVERHEAT SUPPLIER CODE: V73168 SPECIFICATION NUMBER: S283N001-5 ELECTRICAL EQUIP NUMBER: M00691 COMPONENT MAINT MANUAL REF: 26-14-40 OPTIONAL PART: 35008-38 V73168	002004 006100 121999	1
17	35008-38		.CARD-DUCT LEAK AND WHL WELL OVERHEAT SUPPLIER CODE: V73168 SPECIFICATION NUMBER: S283N001-1 ELECTRICAL EQUIP NUMBER: M00691 COMPONENT MAINT MANUAL REF: 26-10-11	107107	1
17	35008-72		.CARD-DUCT LEAK AND WHL WELL OVERHEAT SUPPLIER CODE: V73168 SPECIFICATION NUMBER: S283N001-5 ELECTRICAL EQUIP NUMBER: M00691 COMPONENT MAINT MANUAL REF: 26-14-40	107107	1
20	71-2LA		..EXTRACTOR- SUPPLIER CODE: V18915 MISCELLANEOUS DATA: FENWAL SPEC NO. V73168 06-233212-001 USED ON: 35008-38 USED ON: 35008-38	002004 006100 107107 121999	1

MISSING ITEM NUMBERS NOT APPLICABLE

- ITEM NOT ILLUSTRATED

BRI

26-18-52-01

BOEING PROPRIETARY - Copyright © - Unpublished Work - See title page for details.

26-18-52
FIG. 01
PAGE 3
JAN 20/09



757

PARTS CATALOG (MAINTENANCE)

FIG ITEM	PART NUMBER	1 2 3 4 5 6 7	NOMENCLATURE	EFFECT FROM TO	UNITS PER ASSY
1	20 84191-11CA		..EXTRACTOR- SUPPLIER CODE: V037Z3 MISCELLANEOUS DATA: FENWAL SPEC NO. V73168 06-233212-001 OPTIONAL PART: 71-2LA V18915 USED ON: 35008-72	002004 006100 107107 121999	1
	20 71-2LA		..EXTRACTOR- SUPPLIER CODE: V18915 MISCELLANEOUS DATA: FENWAL SPEC NO. V73168 06-233212-001 OPTIONAL PART: 84191-11CA V037Z3 USED ON: 35008-72	002004 006100 107107 121999	1
	20 71-2LA		..EXTRACTOR- SUPPLIER CODE: V18915 MISCELLANEOUS DATA: FENWAL SPEC NO. V73168 06-233212-001 USED ON: 35008-138 35008-172	002004 006100 107107 121999	1
	25 71-2RA		..EXTRACTOR- SUPPLIER CODE: V18915 MISCELLANEOUS DATA: FENWAL SPEC NO. V73168 06-233213-001 USED ON: 35008-38 USED ON: 35008-38	002004 006100 107107 121999	1

MISSING ITEM NUMBERS NOT APPLICABLE

- ITEM NOT ILLUSTRATED

26-18-52-01

26-18-52
FIG. 01
PAGE 4
JAN 20/09

BRI



757

PARTS CATALOG (MAINTENANCE)

FIG ITEM	PART NUMBER	1 2 3 4 5 6 7	NOMENCLATURE	EFFECT FROM TO	UNITS PER ASSY
1					
25	84191-12CA		..EXTRACTOR- SUPPLIER CODE: V037Z3 MISCELLANEOUS DATA: FENWAL SPEC NO. V73168 06-233213-001 OPTIONAL PART: 71-2RA V18915 USED ON: 35008-72	002004 006100 107107 121999	1
25	71-2RA		..EXTRACTOR- SUPPLIER CODE: V18915 MISCELLANEOUS DATA: FENWAL SPEC NO. V73168 06-233213-001 OPTIONAL PART: 84191-12CA V037Z3 USED ON: 35008-72	002004 006100 107107 121999	1
25	71-2RA		..EXTRACTOR- SUPPLIER CODE: V18915 MISCELLANEOUS DATA: FENWAL SPEC NO. V73168 06-233213-001 USED ON: 35008-138 35008-172	002004 006100 107107 121999	1
30	B3-21141		..SWITCH-PUSHBUTTON SUPPLIER CODE: V21649 OPTIONAL PART: B3-22141 V21649 USED ON: 35008-38	002004 006100 107107 121999	4
30	B3-22141		..SWITCH-PUSHBUTTON SUPPLIER CODE: V21649 OPTIONAL PART: B3-21141 V21649 USED ON: 35008-38	002004 006100 107107 121999	4

MISSING ITEM NUMBERS NOT APPLICABLE

- ITEM NOT ILLUSTRATED

26-18-52-01

26-18-52
FIG. 01
PAGE 5
JAN 20/09

BRI



757

PARTS CATALOG (MAINTENANCE)

FIG ITEM	PART NUMBER	1 2 3 4 5 6 7	NOMENCLATURE	EFFECT FROM TO	UNITS PER ASSY
1					
- 200	286N1140-002		WIRE BUNDLE ASSY	107107 121503 904949	RF
- 200	286N1140-004		WIRE BUNDLE ASSY	002004 006100 950999	RF
- 201	286N1140-314		WIRE BUNDLE ASSY	505505	RF
210	300052-001		.CONNECTOR- SUPPLIER CODE: V0D9V3 SPECIFICATION NUMBER: BACC65L66 OPTIONAL PART: 200620-01 V16512 300052-001 V03877 192-366-0010 V26742 S1009-00833 V03877 ELECTRICAL EQUIP NUMBER: D04258 WIRING DIAGRAM REF: 261811	002004 006100 107107 121999	1

MISSING ITEM NUMBERS NOT APPLICABLE

- ITEM NOT ILLUSTRATED

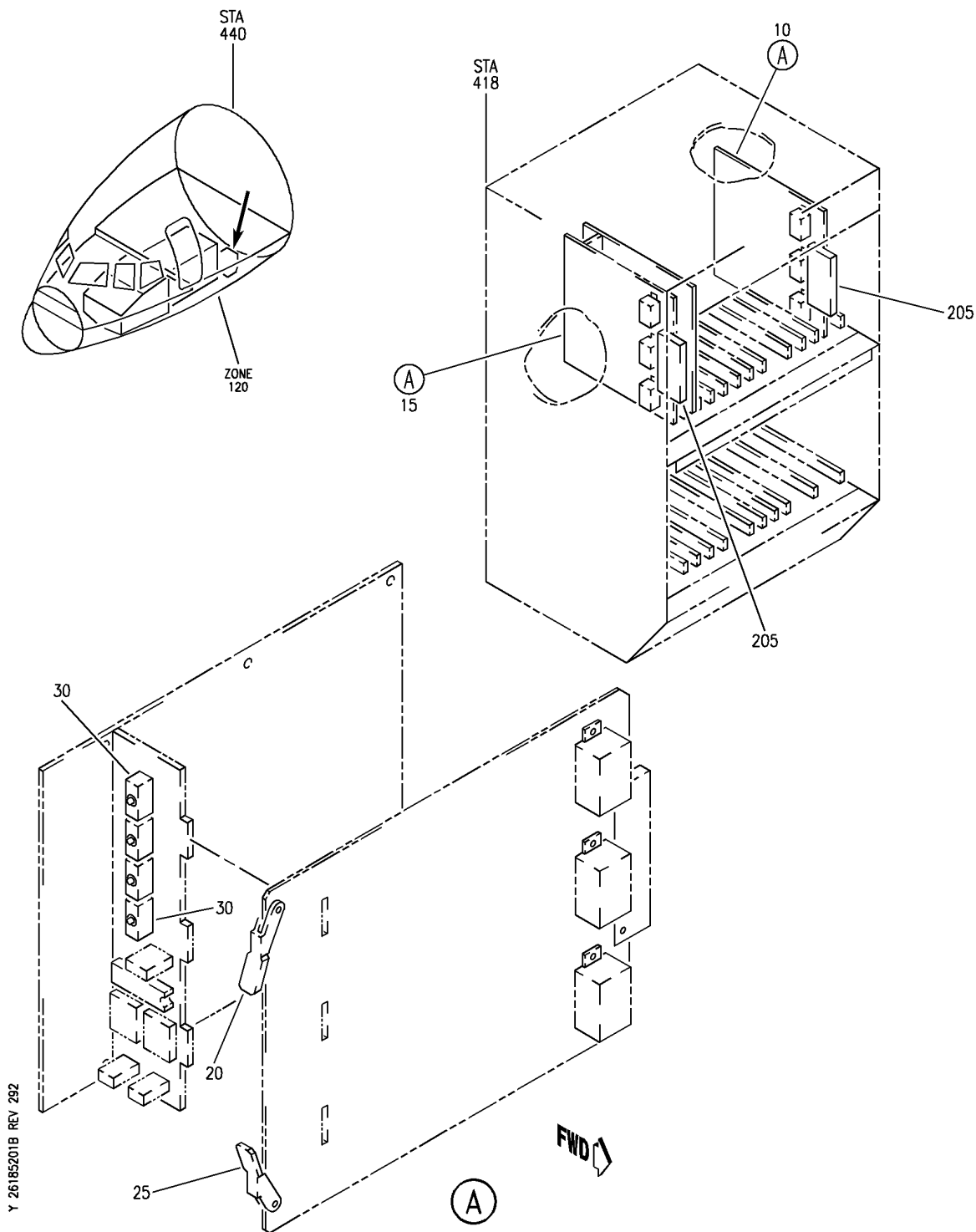
BRI

26-18-52-01

BOEING PROPRIETARY - Copyright © - Unpublished Work - See title page for details.

26-18-52
FIG. 01
PAGE 6
JAN 20/09

BOEING
757
PARTS CATALOG (MAINTENANCE)



EQUIPMENT INSTL-MAIN ELECTRONICS EQPT CTR (DUCT LEAK AND WHEEL WELL FIRE DETECTION ONLY)
FIGURE 1B

BRI
MAY 28/07

26-18-52-01B

26-18-52-01B
PAGE 0



757

PARTS CATALOG (MAINTENANCE)

FIG ITEM	PART NUMBER	1 2 3 4 5 6 7	NOMENCLATURE	EFFECT FROM TO	UNITS PER ASSY
1B			EQUIPMENT INSTL-MAIN ELECTRONICS EQPT CTR (DUCT LEAK AND WHEEL WELL FIRE DETECTION ONLY)	101102	
- 2	284N1800-140		EQUIPMENT INSTL-MAIN ELECTRONICS EQPT CTR (DUCT LEAK AND WHEEL WELL FIRE DETECTION ONLY)	101101	RF
- 2	284N1800-141		FOR NHA/OTHER SYS DET SEE: 24-00-58-05E		
			EQUIPMENT INSTL-MAIN ELECTRONICS EQPT CTR (DUCT LEAK AND WHEEL WELL FIRE DETECTION ONLY)	102102	RF
			FOR NHA/OTHER SYS DET SEE: 24-00-58-05E		
10	35008-138		.CARD-DUCT AND LEAK WHL WELL OVERHEAT PWR SUPPLY SUPPLIER CODE: V73168 SPECIFICATION NUMBER: S283N001-2 ELECTRICAL EQUIP NUMBER: M10428 COMPONENT MAINT MANUAL REF: 26-10-10 OPTIONAL PART: 35008-172 V73168	101102	1
10	35008-172		.CARD-DUCT LEAK AND WHL WELL OVERHEAT PWR SUPPLY SUPPLIER CODE: V73168 SPECIFICATION NUMBER: S283N001-6 ELECTRICAL EQUIP NUMBER: M10428 COMPONENT MAINT MANUAL REF: 26-14-41 OPTIONAL PART: 35008-138 V73168	101102	1

MISSING ITEM NUMBERS NOT APPLICABLE

- ITEM NOT ILLUSTRATED

26-18-52-01B

26-18-52
FIG. 01B
PAGE 1
JAN 20/09

BRI



757

PARTS CATALOG (MAINTENANCE)

FIG ITEM	PART NUMBER	1 2 3 4 5 6 7	NOMENCLATURE	EFFECT FROM TO	UNITS PER ASSY
1B 15	35008-38		.CARD-DUCT LEAK AND WHL WELL OVERHEAT SUPPLIER CODE: V73168 SPECIFICATION NUMBER: S283N001-1 ELECTRICAL EQUIP NUMBER: M00691 COMPONENT MAINT MANUAL REF: 26-10-11 OPTIONAL PART: 35008-72 V73168	101102	1
15	35008-72		.CARD-DUCT LEAK AND WHL WELL OVERHEAT SUPPLIER CODE: V73168 SPECIFICATION NUMBER: S283N001-5 ELECTRICAL EQUIP NUMBER: M00691 COMPONENT MAINT MANUAL REF: 26-14-40 OPTIONAL PART: 35008-38 V73168	101102	1
20	71-2LA		..EXTRACTOR- SUPPLIER CODE: V18915 MISCELLANEOUS DATA: FENWAL SPEC NO. V73168 06-233212-001 USED ON: 35008-38 USED ON: 35008-38	101102	1
20	84191-11CA		..EXTRACTOR- SUPPLIER CODE: V037Z3 MISCELLANEOUS DATA: FENWAL SPEC NO. V73168 06-233212-001 OPTIONAL PART: 71-2LA V18915 USED ON: 35008-72	101102	1

MISSING ITEM NUMBERS NOT APPLICABLE

- ITEM NOT ILLUSTRATED

26-18-52-01B

26-18-52
FIG. 01B
PAGE 2
JAN 20/09

BRI

BOEING PROPRIETARY - Copyright © - Unpublished Work - See title page for details.



757

PARTS CATALOG (MAINTENANCE)

FIG ITEM	PART NUMBER	1 2 3 4 5 6 7	NOMENCLATURE	EFFECT FROM TO	UNITS PER ASSY
1B 20	71-2LA	..	EXTRACTOR- SUPPLIER CODE: V18915 MISCELLANEOUS DATA: FENWAL SPEC NO. V73168 06-233212-001 OPTIONAL PART: 84191-11CA V037Z3 USED ON: 35008-72	101102	1
20	71-2LA	..	EXTRACTOR- SUPPLIER CODE: V18915 MISCELLANEOUS DATA: FENWAL SPEC NO. V73168 06-233212-001 USED ON: 35008-138 35008-172	101102	1
25	71-2RA	..	EXTRACTOR- SUPPLIER CODE: V18915 MISCELLANEOUS DATA: FENWAL SPEC NO. V73168 06-233213-001 USED ON: 35008-38 USED ON: 35008-38	101102	1
25	84191-12CA	..	EXTRACTOR- SUPPLIER CODE: V037Z3 MISCELLANEOUS DATA: FENWAL SPEC NO. V73168 06-233213-001 OPTIONAL PART: 71-2RA V18915 USED ON: 35008-72	101102	1

MISSING ITEM NUMBERS NOT APPLICABLE

- ITEM NOT ILLUSTRATED

26-18-52-01B

26-18-52
FIG. 01B
PAGE 3
JAN 20/09

BRI

BOEING PROPRIETARY - Copyright © - Unpublished Work - See title page for details.



757

PARTS CATALOG (MAINTENANCE)

FIG ITEM	PART NUMBER	1 2 3 4 5 6 7	NOMENCLATURE	EFFECT FROM TO	UNITS PER ASSY
1B 25	71-2RA	..	EXTRACTOR- SUPPLIER CODE: V18915 MISCELLANEOUS DATA: FENWAL SPEC NO. V73168 06-233213-001 OPTIONAL PART: 84191-12CA V037Z3 USED ON: 35008-72	101102	1
25	71-2RA	..	EXTRACTOR- SUPPLIER CODE: V18915 MISCELLANEOUS DATA: FENWAL SPEC NO. V73168 06-233213-001 USED ON: 35008-138 35008-172	101102	1
30	B3-21141	..	SWITCH-PUSHBUTTON S201-S204 SUPPLIER CODE: V21649 OPTIONAL PART: B3-22141 V21649 USED ON: 35008-38	101102	4
30	B3-22141	..	SWITCH-PUSHBUTTON S201-S204 SUPPLIER CODE: V21649 OPTIONAL PART: B3-21141 V21649 USED ON: 35008-38	101102	4
- 200	286N1140-306		WIRE BUNDLE ASSY	101102	RF

MISSING ITEM NUMBERS NOT APPLICABLE

- ITEM NOT ILLUSTRATED

26-18-52-01B

26-18-52
FIG. 01B
PAGE 4
JAN 20/09

BRI

BOEING PROPRIETARY - Copyright © - Unpublished Work - See title page for details.



757

PARTS CATALOG (MAINTENANCE)

FIG ITEM	PART NUMBER	1 2 3 4 5 6 7	NOMENCLATURE	EFFECT FROM TO	UNITS PER ASSY
1B 205	300052-001		.CONNECTOR- SUPPLIER CODE: V0D9V3 SPECIFICATION NUMBER: BACC65L66 OPTIONAL PART: 200620-01 V16512 300052-001 V03877 192-366-0010 V26742 S1009-00833 V03877 ELECTRICAL EQUIP NUMBER: D04258 D02824 WIRING DIAGRAM REF: 261811	101102	2

MISSING ITEM NUMBERS NOT APPLICABLE

- ITEM NOT ILLUSTRATED

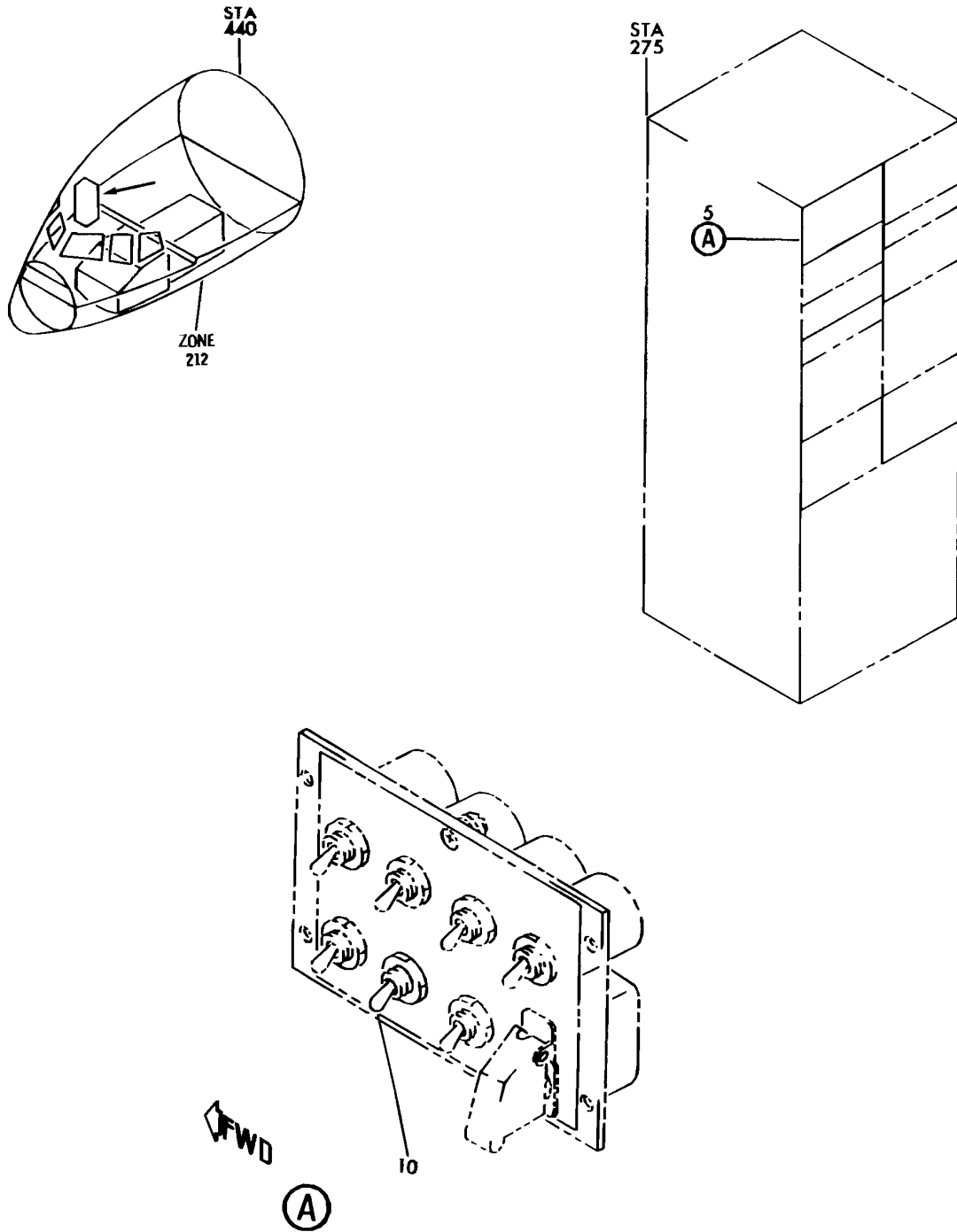
BRI

26-18-52-01B

BOEING PROPRIETARY - Copyright © - Unpublished Work - See title page for details.

26-18-52
FIG. 01B
PAGE 5
JAN 20/09

BOEING
757
PARTS CATALOG (MAINTENANCE)



Y 26185301 REV 309

PANEL INSTL-P61 R SIDEWALL (DUCT LEAK DETECTION ONLY)
FIGURE 1

26-18-53-01

BRI
MAY 28/07

26-18-53-01
PAGE 0



757

PARTS CATALOG (MAINTENANCE)

FIG ITEM	PART NUMBER	1 2 3 4 5 6 7	NOMENCLATURE	EFFECT FROM TO	UNITS PER ASSY
1			PANEL INSTL-P61 R SIDEWALL (DUCT LEAK DETECTION ONLY)	002004 006100 107107 121503 904999	
- 1	233N7401-1		PANEL INSTL-P61 SIDEWALL (DUCT LEAK DETECTION ONLY) POSITION DATA: R VARIABLE DRAWING REF: 233N7401-5004 233N7401-5005 233N7401-5036 233N7401-5038 233N7401-5042 233N7401-5047 FOR NHA/OTHER SYS DET SEE: 25-10-00-05A	002004 006100 107107 121503 904999	RF
5	233N7501-23		.PANEL ASSY-TEST SUPPLIER CODE: V89954 NOT APPROVED FOR ETOPS. SB DATA FROM A CMM: PRE 233N7501-31-01 PRE 233N7501-31-03 ELECTRICAL EQUIP NUMBER: M10398 COMPONENT MAINT MANUAL REF: 31-51-61	950951	RF
5	233N7501-35		.PANEL ASSY-TEST SUPPLIER CODE: V89954 ELECTRICAL EQUIP NUMBER: M10398 COMPONENT MAINT MANUAL REF: 31-51-61 POST SERVICE BULLETIN: 24-0048	107107 904949 952952	RF

MISSING ITEM NUMBERS NOT APPLICABLE

- ITEM NOT ILLUSTRATED

BRI

26-18-53-01

26-18-53
FIG. 01
PAGE 1
JAN 20/09



757

PARTS CATALOG (MAINTENANCE)

FIG ITEM	PART NUMBER	1 2 3 4 5 6 7	NOMENCLATURE	EFFECT FROM TO	UNITS PER ASSY
1	5 233N7501-36		.PANEL ASSY-TEST SUPPLIER CODE: V89954 SB DATA FROM A CMM: POST 233N7501-31-03 ELECTRICAL EQUIP NUMBER: M10398 COMPONENT MAINT MANUAL REF: 31-51-61 QUALIFIED I/W DATA: 233N7501-36 CAN REPLACE 233N7501-35,BUT 233N7501-35 CANNOT REPLACE 233N7501-36 IF VICKER HMG, 520850 OR 3022008-000 IS INSTALLED.	002004 006100 121503 953999	RF
10	64AT22-7		..SWITCH- SUPPLIER CODE: V91929 SPECIFICATION NUMBER: BACS30EM44 OPTIONAL PART: 64AT11-7 V91929 A3-1110-04-1 V81640 A3-1110-04 V81640 ELECTRICAL EQUIP NUMBER: S00006	002004 006100 107107 121503 904999	1

MISSING ITEM NUMBERS NOT APPLICABLE

- ITEM NOT ILLUSTRATED

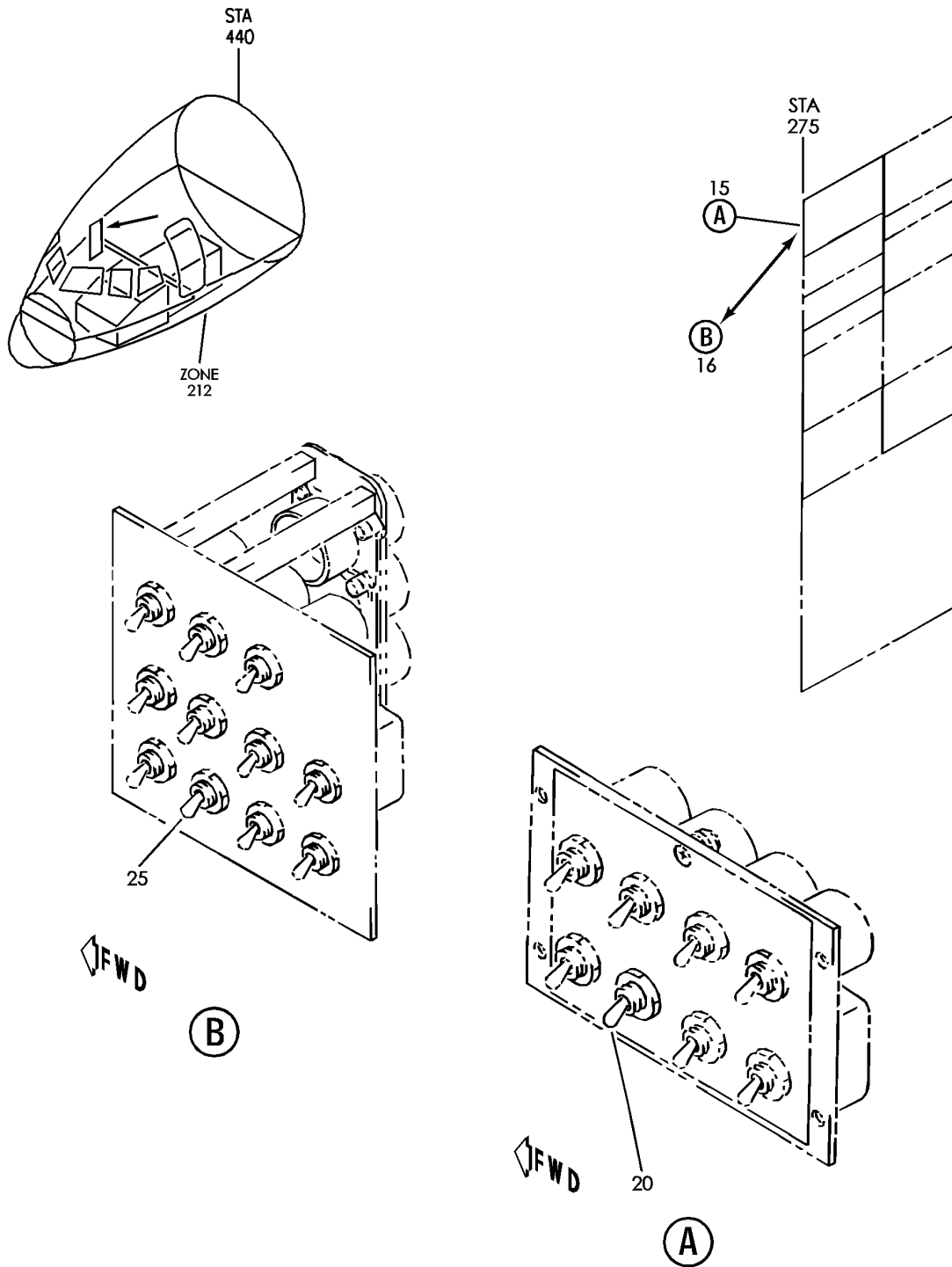
BRI

26-18-53-01

BOEING PROPRIETARY - Copyright © - Unpublished Work - See title page for details.

26-18-53
FIG. 01
PAGE 2
JAN 20/09

BOEING
757
PARTS CATALOG (MAINTENANCE)



Y 26185302 REV 220

PANEL INSTL-P61 R SIDEWALL (DUCT LEAK DETECTION ONLY)
FIGURE 2

26-18-53-02

BRI
MAY 28/07

26-18-53-02
PAGE 0



757

PARTS CATALOG (MAINTENANCE)

FIG ITEM	PART NUMBER	1 2 3 4 5 6 7	NOMENCLATURE	EFFECT FROM TO	UNITS PER ASSY
2			PANEL INSTL-P61 R SIDEWALL (DUCT LEAK DETECTION ONLY)	101106 108120	
- 6	233N7403-28		PANEL INSTL-P61 SIDEWALL (DUCT LEAK DETECTION ONLY) POSITION DATA: R FOR NHA/OTHER SYS DET SEE: 25-10-00-15B	504903 101101	RF
- 7	233N7403-117		PANEL INSTL-P61 SIDEWALL (DUCT LEAK DETECTION ONLY) POSITION DATA: R FOR NHA/OTHER SYS DET SEE: 25-10-00-15B	504903	RF
- 7	233N7403-128		PANEL INSTL-P61 SIDEWALL (DUCT LEAK DETECTION ONLY) POSITION DATA: R FOR NHA/OTHER SYS DET SEE: 25-10-00-15B	102102	RF
- 9	233N7403-158		PANEL INSTL-P61 SIDEWALL (DUCT LEAK DETECTION ONLY) POSITION DATA: R FOR NHA/OTHER SYS DET SEE: 25-10-00-15B	108120	RF

MISSING ITEM NUMBERS NOT APPLICABLE

- ITEM NOT ILLUSTRATED

BRI

26-18-53-02

BOEING PROPRIETARY - Copyright © - Unpublished Work - See title page for details.

26-18-53
FIG. 02
PAGE 1
JAN 20/09



757

PARTS CATALOG (MAINTENANCE)

FIG ITEM	PART NUMBER	1 2 3 4 5 6 7	NOMENCLATURE	EFFECT FROM TO	UNITS PER ASSY
2 - 11	MODREF33342		PANEL INSTL- (DUCT LEAK DETECTION ONLY) MODULE NUMBER: 233N7403-171 REV A FOR OTHER SYS DETAILS SEE: 11-32-01-98 21-58-51-04 22-21-51-01 23-41-52-01 24-22-73-02 26-21-52-01 26-22-52-01 26-23-52-03 27-23-51-02 28-41-51-04 29-22-52-01 30-11-52-01 30-41-51-04 31-14-16-87 31-31-04-01 31-41-53-01 31-51-51-01 34-12-54-01 34-21-51-02 34-46-51-05 34-61-53-03	103106	1
15	233N7501-23		.PANEL ASSY-TEST SUPPLIER CODE: V89954 NOT APPROVED FOR ETOPS. ELECTRICAL EQUIP NUMBER: M10398 COMPONENT MAINT MANUAL REF: 31-51-61	504903	RF
15	233N7501-36		.PANEL ASSY-TEST SUPPLIER CODE: V89954 ELECTRICAL EQUIP NUMBER: M10398 COMPONENT MAINT MANUAL REF: 31-51-61	101102 108120	RF
15	233N7501-35		.PANEL ASSY-TEST SUPPLIER CODE: V89954 ELECTRICAL EQUIP NUMBER: M10398 COMPONENT MAINT MANUAL REF: 31-51-61	101102 108120	RF

MISSING ITEM NUMBERS NOT APPLICABLE

- ITEM NOT ILLUSTRATED

26-18-53-02

26-18-53
FIG. 02
PAGE 2
JAN 20/09

BRI



757

PARTS CATALOG (MAINTENANCE)

FIG ITEM	PART NUMBER	1 2 3 4 5 6 7	NOMENCLATURE	EFFECT FROM TO	UNITS PER ASSY
2					
16	233N7501-41		.PANEL ASSY-TEST SUPPLIER CODE: V89954 ELECTRICAL EQUIP NUMBER: M10398 COMPONENT MAINT MANUAL REF: 31-51-61	103106	RF
20	64AT22-7		..SWITCH- SUPPLIER CODE: V91929 SPECIFICATION NUMBER: BACS30EM44 OPTIONAL PART: 64AT11-7 V91929 A3-1110-04-1 V81640 A3-1110-04 V81640	101102 108120 504903	1
25	64AT22-7		..SWITCH-TG SUPPLIER CODE: V91929	103106	1

MISSING ITEM NUMBERS NOT APPLICABLE

- ITEM NOT ILLUSTRATED

BRI

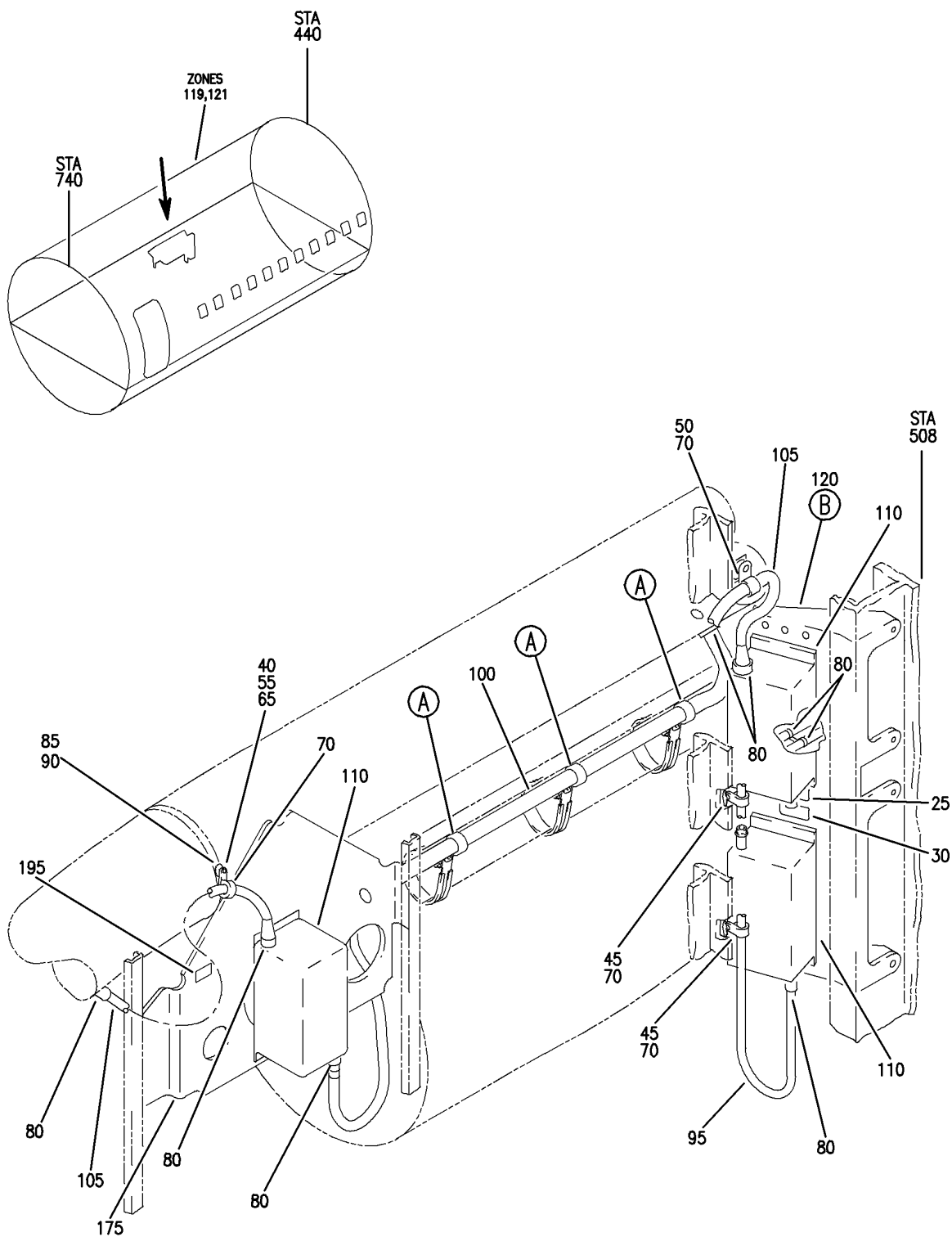
26-18-53-02

BOEING PROPRIETARY - Copyright © - Unpublished Work - See title page for details.

26-18-53
FIG. 02
PAGE 3
JAN 20/09

ELECTRICAL AND ELECTRONIC COOLING SMOKE DETECTION

BOEING
757
PARTS CATALOG (MAINTENANCE)



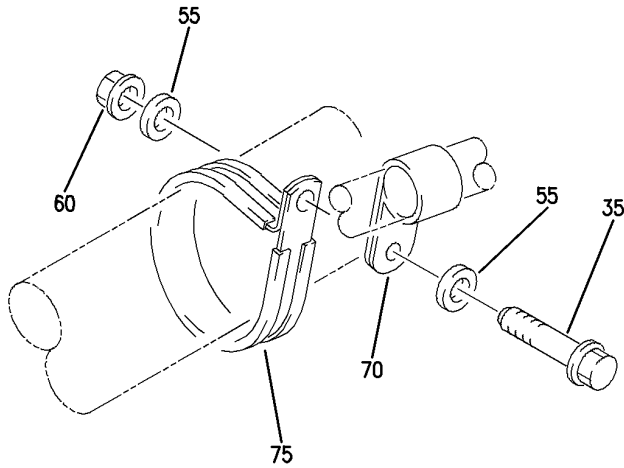
DETECTOR INSTL-SMOKE E/E COMPT FWD
FIGURE 1 (SHEET 1)

26-19-00-01

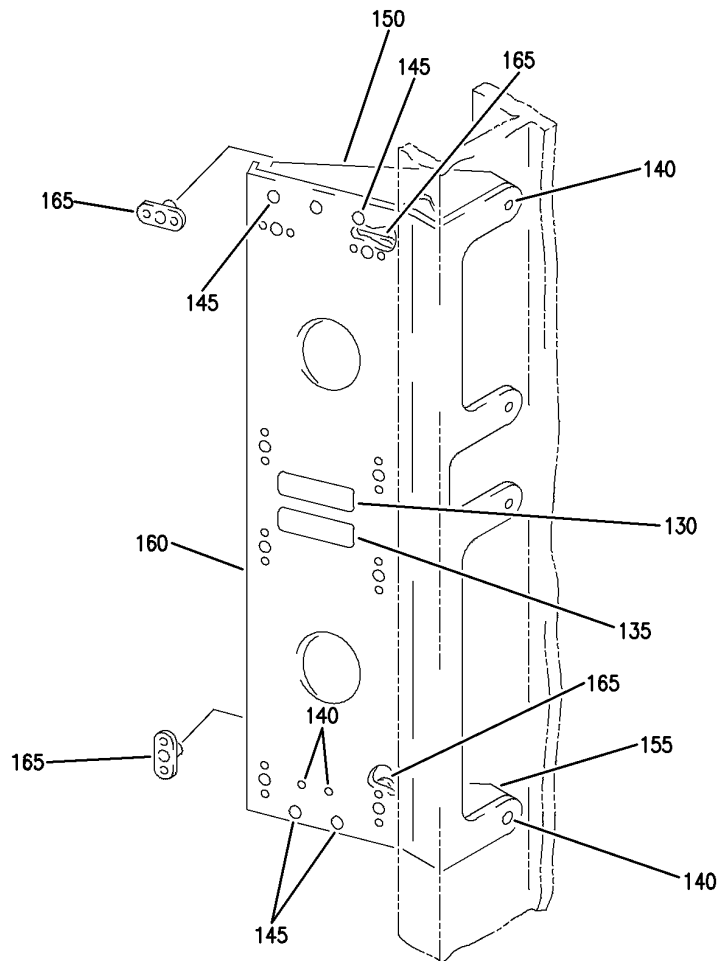
BRI
JAN 20/09

26-19-00-01
PAGE 0

BOEING
757
PARTS CATALOG (MAINTENANCE)



(A)



(B)

Y 26190001 SHT 2 REV 232

DETECTOR INSTL-SMOKE E/E COMPT FWD
FIGURE 1 (SHEET 2)

26-19-00-01

BRI
JAN 20/09

26-19-00-01
PAGE 0A



757

PARTS CATALOG (MAINTENANCE)

FIG ITEM	PART NUMBER	1 2 3 4 5 6 7	NOMENCLATURE	EFFECT FROM TO	UNITS PER ASSY
1			DETECTOR INSTL-SMOKE E/E COMPT FWD	103106	
- 1	MODREF5632		DETECTOR INSTL-SMOKE DETECTOR, AIR EXH, E/E COMPT MODULE NUMBER: 217N1017-34 REV A POSITION DATA: FWD, SECT. 43	103106	1
25	BAC27NEC0116		.DECAL- PLACARD CONTENT: TS5267 DETECTOR, SMOKE	103106	1
30	BAC27NEC0117		.DECAL- PLACARD CONTENT: TS5268 DETECTOR, SMOKE	103106	1
35	NAS1801-3-20		.SCREW	103106	3
40	BACB30NM3K6		.BOLT	103106	1
45	BAC12GU3K10		.SCREW	103106	2
50	BAC12GU3K20		.SCREW	103106	1
55	NAS1149D0332J		.WASHER	103106	7
60	BRH10C3D		.NUT SUPPLIER CODE: V52828 SPECIFICATION NUMBER: BACN10JC3CD OPTIONAL PART: T6C1032JCD V11815 NS202486-02 V80539 102LH9075-3W V72962 H51650-3BAC V15653	103106	3
65	MS21042L3		.NUT	103106	1
70	BACC10DK10		.CLAMP	103106	7
75	JM44LC13WS23R		.CLAMP SUPPLIER CODE: V22175 SPECIFICATION NUMBER: BACC10GE23 OPTIONAL PART: TA12C32WS23 V84971 509S23 V83930 S714WH23 V18076	103106	3
80	NAS1922-0075-3		.CLAMP	103106	8

MISSING ITEM NUMBERS NOT APPLICABLE

- ITEM NOT ILLUSTRATED

BRI

26-19-00-01

BOEING PROPRIETARY - Copyright © - Unpublished Work - See title page for details.

26-19-00
FIG. 01
PAGE 1
JAN 20/09



757

PARTS CATALOG (MAINTENANCE)

FIG ITEM	PART NUMBER	1 2 3 4 5 6 7	NOMENCLATURE	EFFECT FROM TO	UNITS PER ASSY
1					
85	BACC15AN10	.	CLIP	103106	1
90	BACB19F10S	.	BLOCK	103106	1
95	217N1017-19	.	TUBE-SMOKE DETECTOR TUBING MATERIAL: .375 IN. ID .675 IN. OD 35.0 IN. LG SILICON RUBBER	103106	1
100	217N1017-21	.	TUBE-SMOKE DETECTOR TUBING MATERIAL: .375 IN. ID .675 IN. OD 59.0 IN. LG SILICON RUBBER	103106	1
105	217N1017-20	.	TUBE- TUBING MATERIAL: .375 IN. ID .675 IN. OD 28.0 IN. LG SILICON RUBBER	103106	2
110	2156-606	.	DETECTOR ASSY-SMOKE SUPPLIER CODE: V03972 ELECTRICAL EQUIP NUMBER: TS5267 TS5268 COMPONENT MAINT MANUAL REF: 26-16-12 OPTIONAL PART: 2156-606A V03972 FUNCTIONAL REFERENCE: PLACARDS AND MARKINGS FOR DETAILS SEE 11-37-14-01 FIRE PROTECTION FOR DETAILS SEE 26-16-01-05	103106	3
110	2156-606A	.	DETECTOR ASSY-SMOKE SUPPLIER CODE: V03972 ELECTRICAL EQUIP NUMBER: TS5267 TS5268 COMPONENT MAINT MANUAL REF: 26-16-12 OPTIONAL PART: 2156-606 V03972	103106	3
- 115	BACS12FA08K7	.	ATTACHING PARTS SCREW -----*-----	103106	12

MISSING ITEM NUMBERS NOT APPLICABLE

- ITEM NOT ILLUSTRATED

26-19-00-01

26-19-00
FIG. 01
PAGE 2
JAN 20/09

BRI

 **BOEING**
757
PARTS CATALOG (MAINTENANCE)

FIG ITEM	PART NUMBER	1 2 3 4 5 6 7	NOMENCLATURE	EFFECT FROM TO	UNITS PER ASSY
1					
120	217N1043-16		.BRACKET ASSY ATTACHING PARTS	103106	1
- 125	BACR15BA5D		.RIVET- SIZE DETERMINED ON INSTL. -----*-----	103106	11
140	BACR15BA4DC		..RIVET- SIZE DETERMINED ON INSTL.	103106	4
145	BACR15BB5DC		..RIVET- SIZE DETERMINED ON INSTL.	103106	5
150	217N1043-4		..BRACKET	103106	1
155	217N1043-12		..BRACKET	103106	1
160	217N1043-9		..BRACKET	103106	1
165	BRF200A08		..NUTPLATE SUPPLIER CODE: V52828 SPECIFICATION NUMBER: BACN10JR08F OPTIONAL PART: NS103203-82 V80539 RMF9201-82 V72962 VN152A1-82 V92215 T8091S832 V11815 F5000-08BAC V15653 ATTACHING PARTS	103106	8
- 170	BACR15BA3ADC		..RIVET- SIZE DETERMINED ON INSTL. -----*-----	103106	16
175	217N1043-10		.BRACKET ASSY ATTACHING PARTS	103106	1
- 180	BACB30NM3K2		.BOLT	103106	4
- 185	NAS1149D0332J		.WASHER	103106	4

MISSING ITEM NUMBERS NOT APPLICABLE

- ITEM NOT ILLUSTRATED

BRI

26-19-00-01

BOEING PROPRIETARY - Copyright © - Unpublished Work - See title page for details.

26-19-00
FIG. 01
PAGE 3
JAN 20/09



757

PARTS CATALOG (MAINTENANCE)

FIG ITEM	PART NUMBER	1 2 3 4 5 6 7	NOMENCLATURE	EFFECT FROM TO	UNITS PER ASSY
1 - 190	BRH10C3D	.	NUT SUPPLIER CODE: V52828 SPECIFICATION NUMBER: BACN10JC3CD OPTIONAL PART: T6C1032JCD V11815 NS202486-02 V80539 102LH9075-3W V72962 H51650-3BAC V15653	103106	4
195	BAC27NEC0108	..	DECAL- PLACARD CONTENT: TS164 DETECTOR, SMOKE	103106	1

MISSING ITEM NUMBERS NOT APPLICABLE

- ITEM NOT ILLUSTRATED

BRI

26-19-00-01

BOEING PROPRIETARY - Copyright © - Unpublished Work - See title page for details.

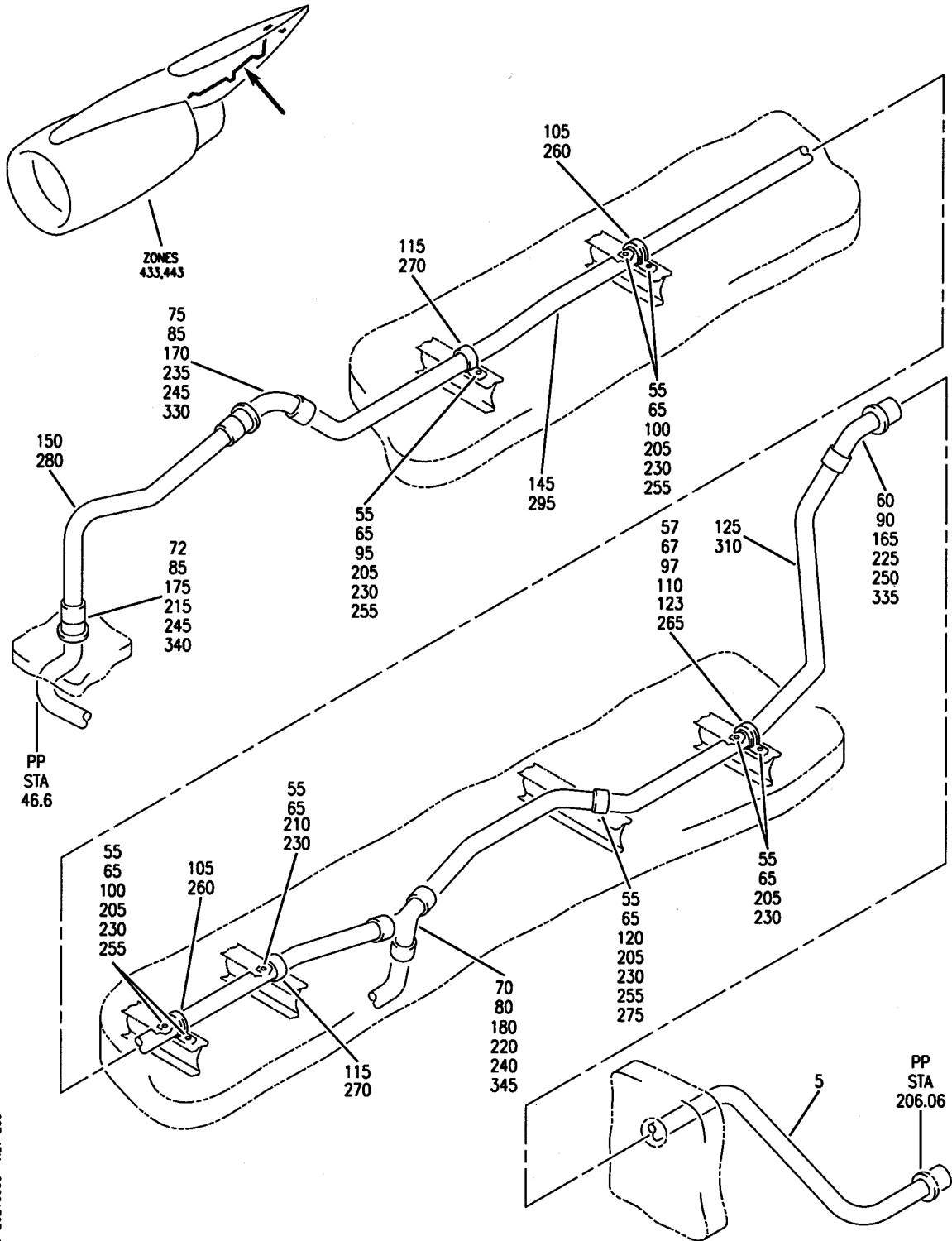
26-19-00
FIG. 01
PAGE 4
JAN 20/09

ENGINE FIRE EXTINGUISHING

BRI
MAY 28/07

26-21-00
SECTION TITLE
PAGE 1

BOEING
757
PARTS CATALOG (MAINTENANCE)



Y 26210003 REV 209

PLUMBING INSTL-STRUT FIRE EXTINGUISHING SYS
FIGURE 3

26-21-00-03

BRI
MAY 28/07

26-21-00-03
PAGE 0



757

PARTS CATALOG (MAINTENANCE)

FIG ITEM	PART NUMBER	1 2 3 4 5 6 7	NOMENCLATURE	EFFECT FROM TO	UNITS PER ASSY
3			PLUMBING INSTL-STRUT FIRE EXTINGUISHING SYS	101106 108120 504903	
- 1	312N5150-503		PLUMBING INSTL-FIRE EXTINGUISHER SYSTEM POSITION DATA: ENG POSITION 1 AND 2 FOR NHA/OTHER SYS DET SEE: 26-00-00-01	101102 108120 504903	RF
- 1	MODREF14076		PLUMBING INSTL-FIRE EXTINGUISHER SYSTEM MODULE NUMBER: 312N5150-503 REV A POSITION DATA: ENG POSITION 1 AND 2	103106	1
5	312N5511-21		.TUBE ASSY- TUBING MATERIAL: 1.00 IN. OD .035 IN. WALL 16.00 IN. LG WW-T-700/6 6061 T6 TUBING 1.00 IN. OD .035 IN. WALL 16.00 IN. LG MIL-T-7081 6061 T6 TUBING	101106 108120 504903	2
- 10	AP2097HP16		..SLEEVE SUPPLIER CODE: V01673 SPECIFICATION NUMBER: BACS13BX16HP OPTIONAL PART: 2-02903-16HP V11328 35235VN16 V08199 AFP175V16P V30974 DBOS13BX16HP V14798	101106 108120 504903	1

MISSING ITEM NUMBERS NOT APPLICABLE

- ITEM NOT ILLUSTRATED

26-21-00-03

26-21-00
FIG. 03
PAGE 1
JAN 20/09

BRI



757

PARTS CATALOG (MAINTENANCE)

FIG ITEM	PART NUMBER	1 2 3 4 5 6 7	NOMENCLATURE	EFFECT FROM TO	UNITS PER ASSY
3					
- 15	35056GV16A		.. UNION SUPPLIER CODE: V08199 SPECIFICATION NUMBER: BACU24AB16AW OPTIONAL PART: 31875-16AW V14397 DBOU24AB16AW V14798 AP1004W16A V01673	101106 108120 504903	1
- 20	MS21921-16D		.. NUT	101106 108120 504903	1
- 50	312N5150-504		PLUMBING INSTL- FIRE EXTINGUISHER SYSTEM POSITION DATA: ENG POSITION 1 AND 2 FOR NHA SEE: 26-00-00-01 26-00-00-01A	101106 108120 504903	RF
55	NAS1801-3-6		. SCREW	101106 108120 504903	9
57	NAS1801-3-8		. SCREW	101106 108120 504903	1
60	BACW10P206AL		. WASHER	101106 108120 504903	2
65	NAS1149C0332R		. WASHER	101106 108120 504903	9
67	NAS1149C0332R		. WASHER	101106 108120 504903	2
70	NAS1149C1490R		. WASHER	101106 108120 504903	1
72	312N5515-1		. WASHER	101106 108120 504903	1
75	NAS1149D1716J		. WASHER	101106 108120 504903	2
80	AN924-10J		. NUT	101106 108120 504903	1

MISSING ITEM NUMBERS NOT APPLICABLE

- ITEM NOT ILLUSTRATED

BRI

26-21-00-03

BOEING PROPRIETARY - Copyright © - Unpublished Work - See title page for details.

26-21-00
FIG. 03
PAGE 2
JAN 20/09



757

PARTS CATALOG (MAINTENANCE)

FIG ITEM	PART NUMBER	1 2 3 4 5 6 7	NOMENCLATURE	EFFECT FROM TO	UNITS PER ASSY
3	85 AN924-12J	.NUT		101106 108120 504903	2
	90 AN924-16D	.NUT		101106 108120 504903	1
	95 BRH10A3	.NUT	SUPPLIER CODE: V52828 SPECIFICATION NUMBER: BACN10JC3 OPTIONAL PART: H10-3BAC V15653 NS202101-02 V80539 RMLH9075-3W V72962 VN303A02 V92215 96-02 V80539 T6S1032J V11815	101106 108120 504903	1
97	BRH10A3	.NUT	SUPPLIER CODE: V52828 SPECIFICATION NUMBER: BACN10JC3 OPTIONAL PART: H10-3BAC V15653 NS202101-02 V80539 RMLH9075-3W V72962 VN303A02 V92215 96-02 V80539 T6S1032J V11815	101106 108120 504903	1

MISSING ITEM NUMBERS NOT APPLICABLE

- ITEM NOT ILLUSTRATED

BRI

26-21-00-03

BOEING PROPRIETARY - Copyright © - Unpublished Work - See title page for details.

26-21-00
FIG. 03
PAGE 3
JAN 20/09



757

PARTS CATALOG (MAINTENANCE)

FIG ITEM	PART NUMBER	1 2 3 4 5 6 7	NOMENCLATURE	EFFECT FROM TO	UNITS PER ASSY
3 100	H52732-3	.NUT	SUPPLIER CODE: V15653 SPECIFICATION NUMBER: BACN10YR3 OPTIONAL PART: T6113C1032 V11815 LH3858-3 V72962 LH3858-3 V72962 BRH30C3 V52828 BH00312-3 V27238 H52732-3 V15653	101106 108120 504903	4
105	TA0910005H112	.CLAMP	SUPPLIER CODE: V84971 SPECIFICATION NUMBER: BACC10HC12C	101106 108120 504903	2
110	TA0910005H116	.CLAMP	SUPPLIER CODE: V84971 SPECIFICATION NUMBER: BACC10HC16C	101106 108120 504903	1
115	M85052-3-12	.CLAMP		101106 108120 504903	2
120	M85052-3-16	.CLAMP		101106 108120 504903	1
123	M85052-3-16	.CLAMP		101106 108120 504903	1
125	312N5505-2	.TUBE ASSY		101106 108120 504903	1

MISSING ITEM NUMBERS NOT APPLICABLE

- ITEM NOT ILLUSTRATED

26-21-00-03

26-21-00
FIG. 03
PAGE 4
JAN 20/09

BRI



757

PARTS CATALOG (MAINTENANCE)

FIG ITEM	PART NUMBER	1 2 3 4 5 6 7	NOMENCLATURE	EFFECT FROM TO	UNITS PER ASSY
3					
- 130	AP2097HP16	..	SLEEVE SUPPLIER CODE: V01673 SPECIFICATION NUMBER: BACS13BX16HP OPTIONAL PART: 2-02903-16HP V11328 35235VN16 V08199 AFP175V16P V30974 DBOS13BX16HP V14798	101106 108120 504903	2
- 135	BACN10YE16L	..	NUT	101106 108120 504903	1
- 140	MS21921-16D	..	NUT	101106 108120 504903	1
145	312N5505-7	.TUBE ASSY-	TUBING MATERIAL: .75 IN. OD X .02 IN. WALL X 64.6 IN. LG MIL-T-8808 321 ANNEALED TUBING MIL-T-8808 347 ANNEALED TUBING	101106 108120 504903	1
150	312N5505-8	.TUBE ASSY		101106 108120 504903	1
- 155	AP2097HP12	..	SLEEVE SUPPLIER CODE: V01673 SPECIFICATION NUMBER: BACS13BX12HP OPTIONAL PART: 2-02903-12HP V11328 35235VN12 V08199 AFP175V12P V30974 DBOS13BX12HP V14798	101106 108120 504903	2
- 160	BACN10YE12L	..	NUT	101106 108120 504903	2

MISSING ITEM NUMBERS NOT APPLICABLE

- ITEM NOT ILLUSTRATED

26-21-00-03

26-21-00
FIG. 03
PAGE 5
JAN 20/09

BRI

BOEING PROPRIETARY - Copyright © - Unpublished Work - See title page for details.



757

PARTS CATALOG (MAINTENANCE)

FIG ITEM	PART NUMBER	1 2 3 4 5 6 7	NOMENCLATURE	EFFECT FROM TO	UNITS PER ASSY
3					
165	MS21907D16	.	ELBOW	101106 108120 504903	1
170	MS21907J12	.	ELBOW	101106 108120 504903	1
175	312N5516-1	.	NOZZLE- OPTIONAL PART: 312N5514-1	101106 108120 504903	1
175	312N5514-1	.	NOZZLE- OPTIONAL PART: 312N5516-1	101106 108120 504903	1
180	312N5507-1	.	NOZZLE	101106 108120 504903	1

MISSING ITEM NUMBERS NOT APPLICABLE

- ITEM NOT ILLUSTRATED

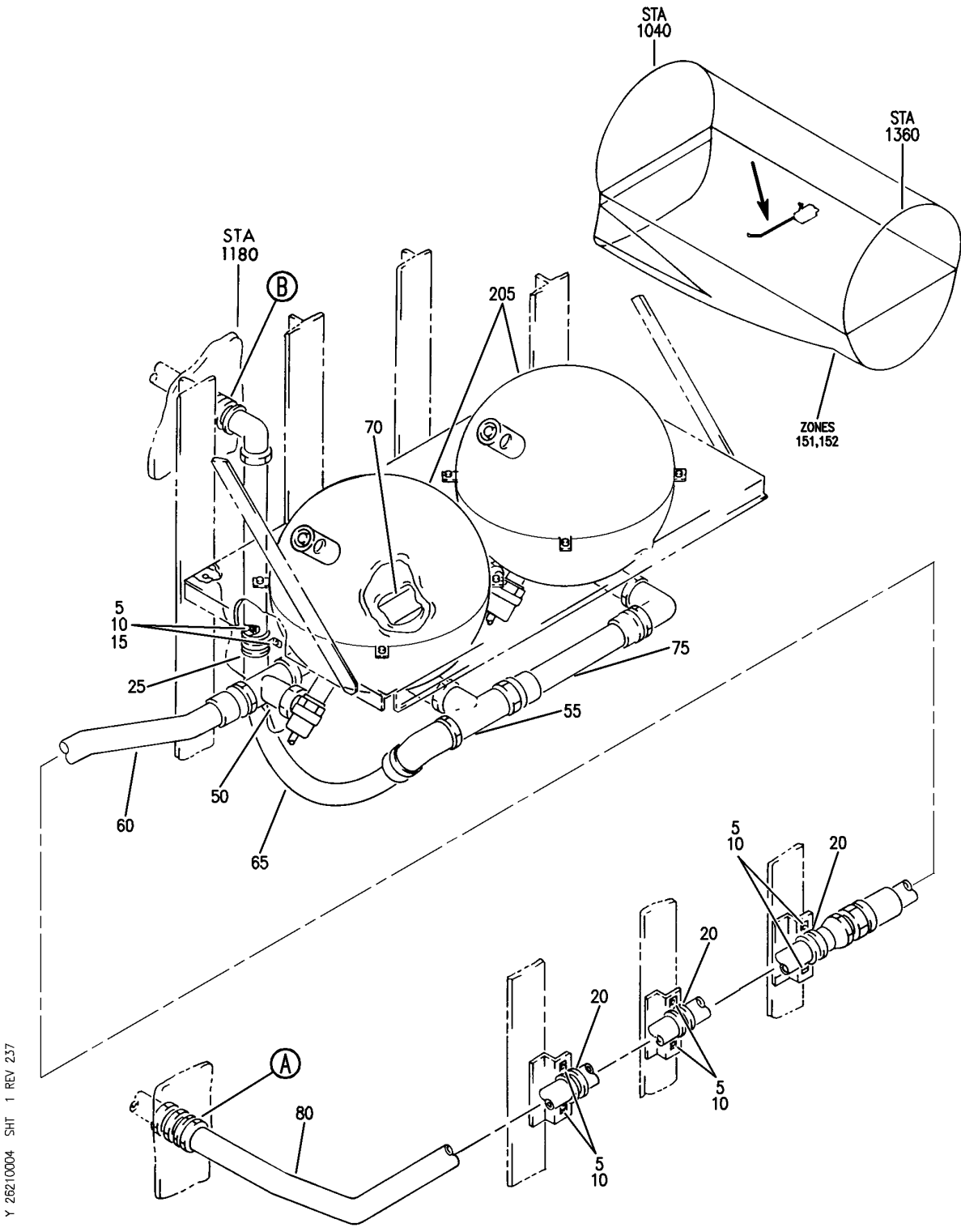
BRI

26-21-00-03

BOEING PROPRIETARY - Copyright © - Unpublished Work - See title page for details.

26-21-00
FIG. 03
PAGE 6
JAN 20/09

BOEING
757
PARTS CATALOG (MAINTENANCE)



Y 26210004 SHT 1 REV 237

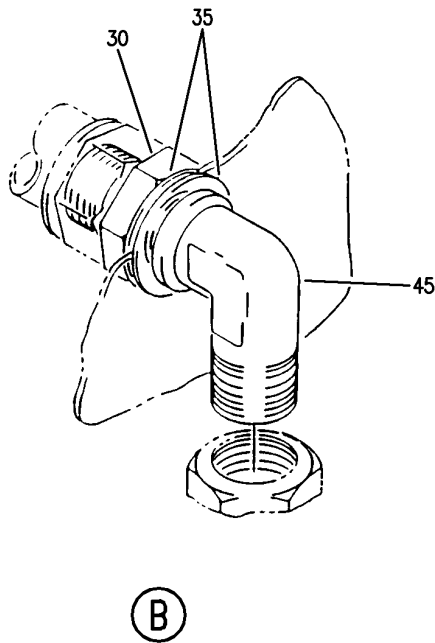
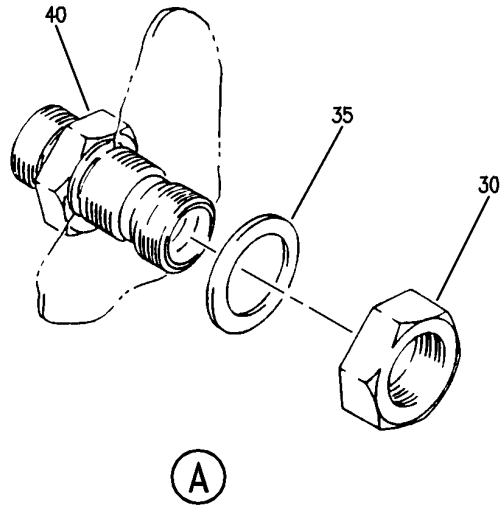
FIRE EXTINGUISHER INSTL AFT CARGO BAY ENG
FIGURE 4 (SHEET 1)

26-21-00-04

BRI
MAY 28/07

26-21-00-04
PAGE 0

BOEING
757
PARTS CATALOG (MAINTENANCE)



Y 26210004 SH1 2 REV 237

FIRE EXTINGUISHER INSTL AFT CARGO BAY ENG
FIGURE 4 (SHEET 2)

26-21-00-04

BRI
MAY 28/07

26-21-00-04
PAGE 0A



757

PARTS CATALOG (MAINTENANCE)

FIG ITEM	PART NUMBER	1 2 3 4 5 6 7	NOMENCLATURE	EFFECT FROM TO	UNITS PER ASSY
4			FIRE EXTINGUISHER INSTL AFT CARGO BAY ENG	101106 108120 504903	
- 1	312N5503-26		FIRE EXTINGUISHER INSTL- PLUMBING (INSTALLED BY RENTON) POSITION DATA: AFT CARGO BAY FOR NHA SEE: 71-00-00-01	101102 108120 504903	RF
- 1	MODREF14177		FIRE EXTINGUISHER INSTL- PLUMBING (INSTALLED BY RENTON) MODULE NUMBER: 312N5503-26 REV A POSITION DATA: AFT CARGO BAY	103106	1
5	NAS6603-3		.BOLT	101106 108120 504903	8
10	NAS1149C0332R		.WASHER	101106 108120 504903	8
15	PLH53CD		.NUT SUPPLIER CODE: VF0224 SPECIFICATION NUMBER: BACN10YR3CD OPTIONAL PART: H52732-3CD V15653	101106 108120 504903	2
20	TA0910005H116		.CLAMP SUPPLIER CODE: V84971 SPECIFICATION NUMBER: BACC10HC16C	101106 108120 504903	3
25	TA0910005H120		.CLAMP SUPPLIER CODE: V84971 SPECIFICATION NUMBER: BACC10HC20C	101106 108120 504903	1
30	AN924-16D		.NUT	101106 108120 504903	2
35	NAS1149D2190J		.WASHER	101106 108120 504903	3

MISSING ITEM NUMBERS NOT APPLICABLE

- ITEM NOT ILLUSTRATED

BRI

26-21-00-04

26-21-00
FIG. 04
PAGE 1
JAN 20/09



757

PARTS CATALOG (MAINTENANCE)

FIG ITEM	PART NUMBER	1 2 3 4 5 6 7	NOMENCLATURE	EFFECT FROM TO	UNITS PER ASSY
4					
40	MS21924D16	.	UNION	101106 108120 504903	1
45	MS21908W16	.	ELBOW	101106 108120 504903	1
50	NAS1764W161620	.	TEE- OPTIONAL PART: 3421BW161620G V14397	101106 108120 504903	1
50	3421BW161620G	.	TEE- SUPPLIER CODE: V14397 OPTIONAL PART: NAS1764D161620	101106 108120 504903	1
55	NAS1764W161616	.	TEE- OPTIONAL PART: 3421BW161616B V14397	101106 108120 504903	1
55	3421BW161616B	.	TEE- SUPPLIER CODE: V14397 OPTIONAL PART: NAS1764D161616	101106 108120 504903	1
60	312N5503-18	.	HOSE ASSY- OPTIONAL PART: B631-2 V98441	101106 108120 504903	1
60	B631-2	.	HOSE ASSY- SUPPLIER CODE: V98441 SPECIFICATION NUMBER: S312N512-2 OPTIONAL PART: 113701-2 V78570 AE708693-2 V00624 OPTIONAL PART: 312N5503-18	101106 108120 504903	1

MISSING ITEM NUMBERS NOT APPLICABLE

- ITEM NOT ILLUSTRATED

BRI

26-21-00-04

26-21-00
FIG. 04
PAGE 2
JAN 20/09



757

PARTS CATALOG (MAINTENANCE)

FIG ITEM	PART NUMBER	1 2 3 4 5 6 7	NOMENCLATURE	EFFECT FROM TO	UNITS PER ASSY
4 60	113701-2		.HOSE ASSY- SUPPLIER CODE: V78570 SPECIFICATION NUMBER: S312N512-2 OPTIONAL PART: B631-2 V98441 AE708693-2 V00624	101106 108120 504903	1
65	312N5503-20		.HOSE ASSY- OPTIONAL PART: B631-4 V98441 AE708693-4 V00624 113701-4 V78570	101106 108120 504903	1
65	B631-4		.HOSE ASSY- SUPPLIER CODE: V98441 SPECIFICATION NUMBER: S312N512-4 OPTIONAL PART: 113701-4 V78570 AE708693-4 V00624 OPTIONAL PART: 312N5503-20 113701-4 V78570 AE708693-4 V00624	101106 108120 504903	1
65	AE708693-4		.HOSE ASSY- SUPPLIER CODE: V00624 OPTIONAL PART: 312N5503-20 B631-4 V98441 113701-4 V78570	101106 108120 504903	1

MISSING ITEM NUMBERS NOT APPLICABLE

- ITEM NOT ILLUSTRATED

BRI

26-21-00-04

BOEING PROPRIETARY - Copyright © - Unpublished Work - See title page for details.

26-21-00
FIG. 04
PAGE 3
JAN 20/09



**757
PARTS CATALOG (MAINTENANCE)**

FIG ITEM	PART NUMBER	1 2 3 4 5 6 7	NOMENCLATURE	EFFECT FROM TO	UNITS PER ASSY
4 65	113701-4		.HOSE ASSY- SUPPLIER CODE: V78570 SPECIFICATION NUMBER: S312N512-4 OPTIONAL PART: B631-4 V98441 AE708693-4 V00624 OPTIONAL PART: B631-4 V98441 AE708693-4 V00624 312N5503-20	101106 108120 504903	1
70	312N5503-17		.HOSE ASSY- OPTIONAL PART: B631-1 V98441	101106 108120 504903	1
70	B631-1		.HOSE ASSY- SUPPLIER CODE: V98441 SPECIFICATION NUMBER: S312N512-1 OPTIONAL PART: 113701-1 V78570 AE708693 V00624 OPTIONAL PART: 312N5503-17	101106 108120 504903	1
70	113701-1		.HOSE ASSY- SUPPLIER CODE: V78570 SPECIFICATION NUMBER: S312N512-1 OPTIONAL PART: B631-1 V98441 AE708693 V00624	101106 108120 504903	1
75	312N5503-19		.HOSE ASSY- OPTIONAL PART: B631-3 V98441	101106 108120 504903	1

MISSING ITEM NUMBERS NOT APPLICABLE

— ITEM NOT ILLUSTRATED

BRI

26-21-00-04

BOEING PROPRIETARY - Copyright © - Unpublished Work - See title page for details.

26-21-00
FIG. 04
PAGE 4
JAN 20/09



757

PARTS CATALOG (MAINTENANCE)

FIG ITEM	PART NUMBER	1 2 3 4 5 6 7	NOMENCLATURE	EFFECT FROM TO	UNITS PER ASSY
4					
75	B631-3		.HOSE ASSY- SUPPLIER CODE: V98441 SPECIFICATION NUMBER: S312N512-3 OPTIONAL PART: 113701-3 V78570 AE708693-3 V00624 OPTIONAL PART: 312N5503-19	101106 108120 504903	1
75	113701-3		.HOSE ASSY- SUPPLIER CODE: V78570 SPECIFICATION NUMBER: S312N512-3 OPTIONAL PART: B631-3 V98441 AE708693-3 V00624	101106 108120 504903	1
80	312N5503-24		.TUBE ASSY- TUBING MATERIAL: 1 IN. OD X .035 IN. WALL 54.5 LG MIL-T-7081 6061 T6 TUBING	101106 108120 504903	1
- 85	AP2097HP16		..SLEEVE SUPPLIER CODE: V01673 SPECIFICATION NUMBER: BACS13BX16HP OPTIONAL PART: 2-02903-16HP V11328 35235VN16 V08199 AFP175V16P V30974 DBOS13BX16HP V14798	101106 108120 504903	1
- 90	BACU24AB16W		..UNION	101106 108120 504903	1
- 95	MS21921-16D		..NUT	101106 108120 504903	1

MISSING ITEM NUMBERS NOT APPLICABLE

- ITEM NOT ILLUSTRATED

26-21-00-04

26-21-00
FIG. 04
PAGE 5
JAN 20/09

BRI



757

PARTS CATALOG (MAINTENANCE)

FIG ITEM	PART NUMBER	1 2 3 4 5 6 7	NOMENCLATURE	EFFECT FROM TO	UNITS PER ASSY
4					
- 200	312N5503-28		FIRE EXTINGUISHER INSTL-COMMON BOTTLE (WALTER KIDDE 9.3 LBS AGENT)-APU AND RB211-535 ENGINE (INSTALLED BY RENTON) POSITION DATA: AFT CARGO BAY FOR NHA SEE: 71-00-01-03A	101102 108120 504903	RF
- 200	MODREF14179		FIRE EXTINGUISHER INSTL-COMMON BOTTLE (WALTER KIDDE 9.3 LBS AGENT)-APU AND RB211-535 ENGINE (INSTALLED BY RENTON) MODULE NUMBER: 312N5503-28 REV A POSITION DATA: AFT CARGO BAY	103106	1
205	898867-3		.EXTINGUISHER ASSY-BOTTLE FIRE SUPPLIER CODE: V61423 SPECIFICATION NUMBER: S332T011-18 ELECTRICAL EQUIP NUMBER: B00017 B00018 COMPONENT MAINT MANUAL REF: 26-20-97 FOR DETAILS SEE: 26-21-01-50	101106 108120 504903	2
- 210	NAS6605-4		ATTACHING PARTS .SCREW	101106 108120 504903	8
- 215	BACW10P95A		.WASHER -----*-----	101106 108120 504903	8

MISSING ITEM NUMBERS NOT APPLICABLE

- ITEM NOT ILLUSTRATED

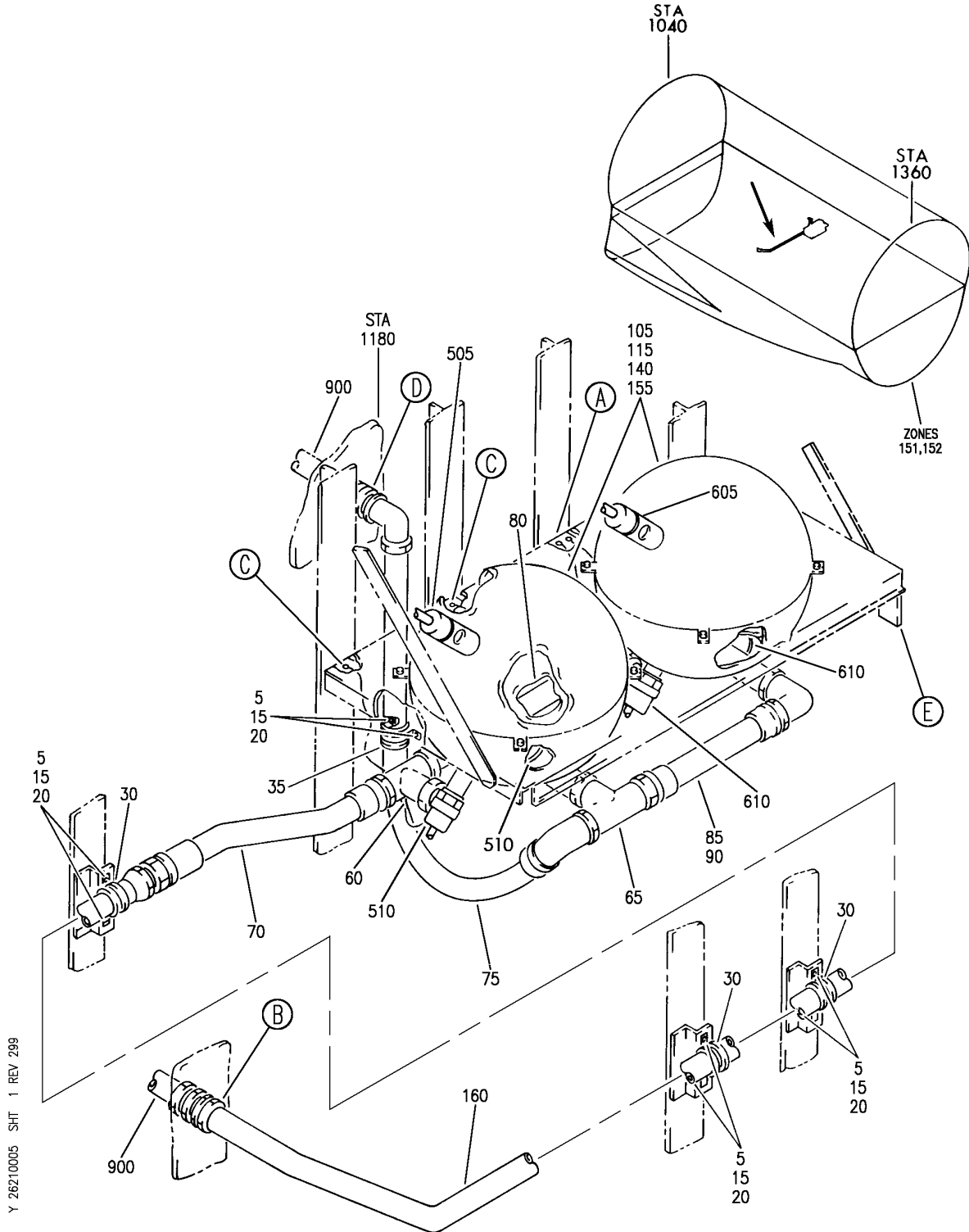
BRI

26-21-00-04

BOEING PROPRIETARY - Copyright © - Unpublished Work - See title page for details.

26-21-00
FIG. 04
PAGE 6
JAN 20/09

BOEING
757
PARTS CATALOG (MAINTENANCE)



Y 26210005 SHT 1 REV 299

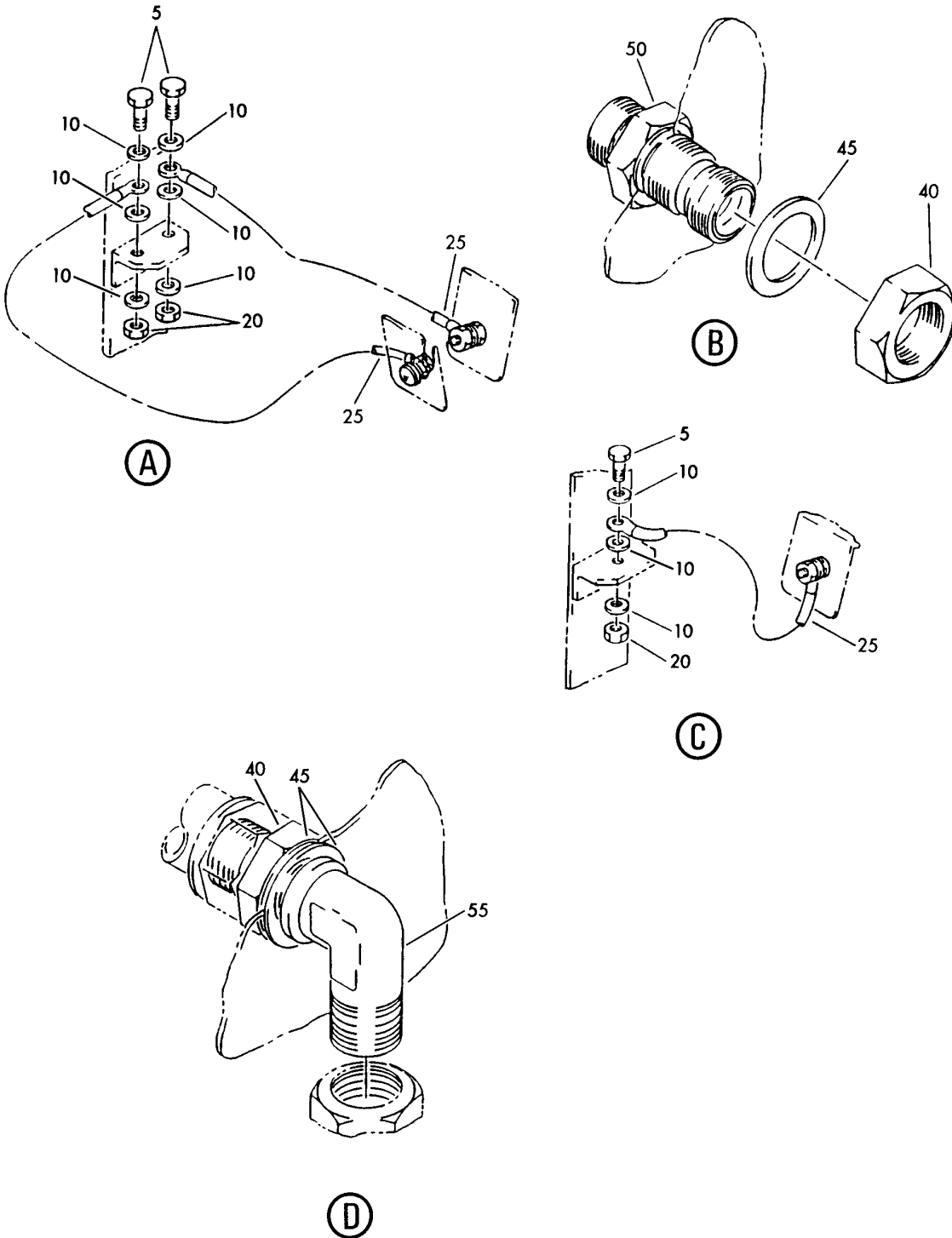
FIRE BOTTLE AND PLUMBING INSTL-AFT CARGO BAY ENG
FIGURE 5 (SHEET 1)

26-21-00-05

BRI
MAY 28/07

26-21-00-05
PAGE 0

BOEING
757
PARTS CATALOG (MAINTENANCE)



Y 26210005 SHT 2 REV 238

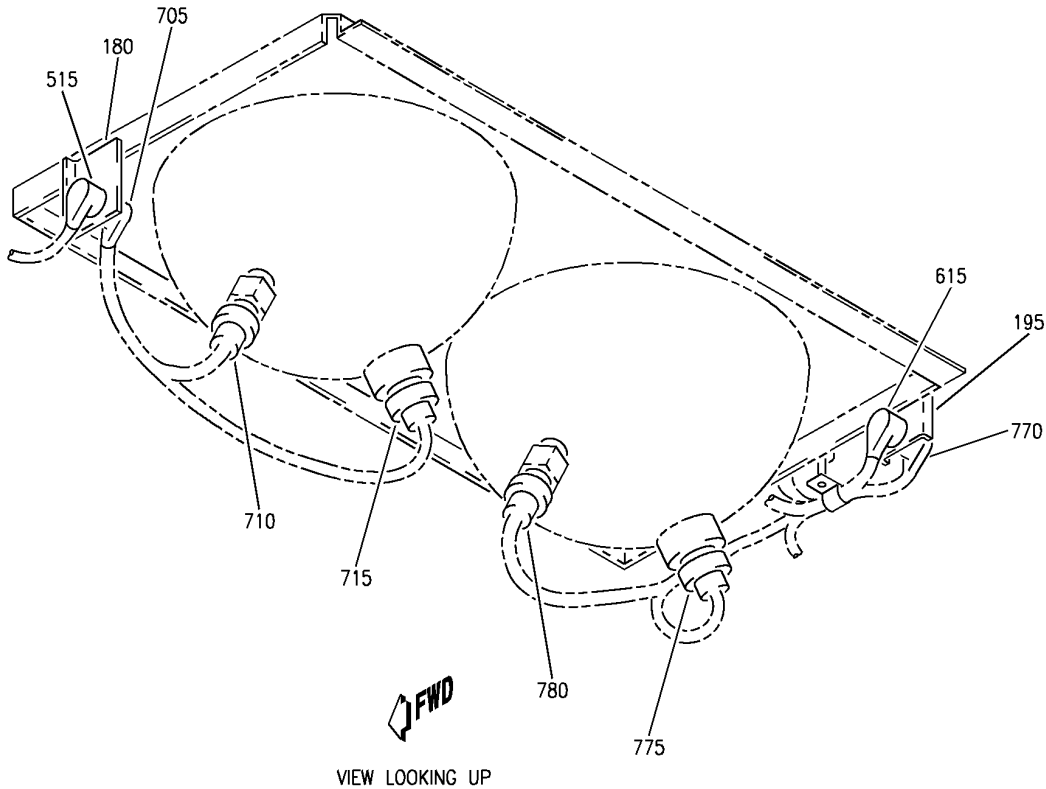
FIRE BOTTLE AND PLUMBING INSTL-AFT CARGO BAY ENG
FIGURE 5 (SHEET 2)

26-21-00-05

BRI
MAY 28/07

26-21-00-05
PAGE 0A

BOEING
757
PARTS CATALOG (MAINTENANCE)



(E)

Y 26210005 SH1 3 REV 299

FIRE BOTTLE AND PLUMBING INSTL-AFT CARGO BAY ENG
FIGURE 5 (SHEET 3)

26-21-00-05

BRI
MAY 28/07

26-21-00-05
PAGE 0B



757

PARTS CATALOG (MAINTENANCE)

FIG ITEM	PART NUMBER	1 2 3 4 5 6 7	NOMENCLATURE	EFFECT FROM TO	UNITS PER ASSY
5			FIRE BOTTLE AND PLUMBING INSTL-AFT CARGO BAY ENG	002004 006100 107107 121503 904999	
- 1	312N5503-1		FIRE BOTTLE AND PLUMBING- INSTL-ENG POSITION DATA: AFT CARGO BAY	107107	RF
- 1	312N5503-7		FIRE BOTTLE AND PLUMBING- INSTL-ENG POSITION DATA: AFT CARGO BAY	002004 006100 121503 904999	RF
15	AN960PD10L		.WASHER	002004 006100 107107 121503 904999	8
30	TA0910005H116		.CLAMP SUPPLIER CODE: V84971 SPECIFICATION NUMBER: BACC10HC16C	002004 006100 107107 121503 904999	3
35	TA0910005H120		.CLAMP SUPPLIER CODE: V84971 SPECIFICATION NUMBER: BACC10HC20C	002004 006100 107107 121503 904999	1
40	AN924-16D		.NUT	002004 006100 107107 121503 904999	2
45	AN960PD2116		.WASHER	002004 006100 107107 121503 904999	3
50	MS21924D16		.UNION	002004 006100 107107 121503 904999	1
55	MS21908D16		.ELBOW	002004 006100 107107 121503 904999	1

MISSING ITEM NUMBERS NOT APPLICABLE

- ITEM NOT ILLUSTRATED

26-21-00-05

26-21-00
FIG. 05
PAGE 1
JAN 20/09

BRI



757

PARTS CATALOG (MAINTENANCE)

FIG ITEM	PART NUMBER	1 2 3 4 5 6 7	NOMENCLATURE	EFFECT FROM TO	UNITS PER ASSY
5					
60	NAS1764D161620	.TEE-	OPTIONAL PART: 3421BW161620G V14397	002004 006100 107107 121503 904999	1
60	3421BW161620G	.TEE-	SUPPLIER CODE: V14397 OPTIONAL PART: NAS1764D161620	904949	1
65	NAS1764D161616	.TEE-	OPTIONAL PART: 3421BW161616B V14397	002004 006100 107107 121503 904999	1
65	3421BW161616B	.TEE-	SUPPLIER CODE: V14397 OPTIONAL PART: NAS1764D161616	904949	1
70	108272-2	.HOSE ASSY-	SUPPLIER CODE: V78570 OPTIONAL PART: 312N5503-18 REWORKED BY SB: 26-0020	002004 006100 107107 121503 904999	1
70	312N5503-18	.HOSE ASSY-	OPTIONAL PART: B631-2 V98441 108272-2 V78570	002004 006100 107107 121503 904999	1
70	B631-2	.HOSE ASSY-	SUPPLIER CODE: V98441 SPECIFICATION NUMBER: S312N512-2 OPTIONAL PART: 113701-2 V78570 AE708693-2 V00624 OPTIONAL PART: 312N5503-18	002004 006100 107107 121503 904999	1

MISSING ITEM NUMBERS NOT APPLICABLE

- ITEM NOT ILLUSTRATED

26-21-00-05

26-21-00
FIG. 05
PAGE 2
JAN 20/09

BRI



757

PARTS CATALOG (MAINTENANCE)

FIG ITEM	PART NUMBER	1 2 3 4 5 6 7	NOMENCLATURE	EFFECT FROM TO	UNITS PER ASSY
5	70 113701-2		.HOSE ASSY- SUPPLIER CODE: V78570 SPECIFICATION NUMBER: S312N512-2 OPTIONAL PART: B631-2 V98441 AE708693-2 V00624	002004 006100 107107 121503 904999	1
	75 108272-4		.HOSE ASSY- SUPPLIER CODE: V78570 OPTIONAL PART: 312N5503-20 REWORKED BY SB: 26-0020	002004 006100 107107 121503 904999	1
	75 312N5503-20		.HOSE ASSY- OPTIONAL PART: B631-4 V98441 108272-4 V78570	002004 006100 107107 121503 904999	1
	75 B631-4		.HOSE ASSY- SUPPLIER CODE: V98441 SPECIFICATION NUMBER: S312N512-4 OPTIONAL PART: 113701-4 V78570 AE708693-4 V00624	002004 006100 107107 121503 904999	1
	75 113701-4		.HOSE ASSY- SUPPLIER CODE: V78570 SPECIFICATION NUMBER: S312N512-4 OPTIONAL PART: B631-4 V98441 AE708693-4 V00624	002004 006100 107107 121503 904999	1

MISSING ITEM NUMBERS NOT APPLICABLE

- ITEM NOT ILLUSTRATED

BRI

26-21-00-05

BOEING PROPRIETARY - Copyright © - Unpublished Work - See title page for details.

26-21-00
FIG. 05
PAGE 3
JAN 20/09



757

PARTS CATALOG (MAINTENANCE)

FIG ITEM	PART NUMBER	1 2 3 4 5 6 7	NOMENCLATURE	EFFECT FROM TO	UNITS PER ASSY
5					
80	108272-1		.HOSE ASSY- SUPPLIER CODE: V78570 OPTIONAL PART: 312N5503-17 REWORKED BY SB: 26-0020	002004 006100 107107 121503 904999	1
80	312N5503-17		.HOSE ASSY- OPTIONAL PART: B631-1 V98441 108272-1 V78570	002004 006100 107107 121503 904999	1
80	B631-1		.HOSE ASSY- SUPPLIER CODE: V98441 SPECIFICATION NUMBER: S312N512-1 OPTIONAL PART: 113701-1 V78570 AE708693 V00624 OPTIONAL PART: 312N5503-17	002004 006100 107107 121503 904999	1
80	113701-1		.HOSE ASSY- SUPPLIER CODE: V78570 SPECIFICATION NUMBER: S312N512-1 OPTIONAL PART: B631-1 V98441 AE708693 V00624	002004 006100 107107 121503 904999	1
85	108272-3		.HOSE ASSY- SUPPLIER CODE: V78570 OPTIONAL PART: 312N5503-19 REWORKED BY SB: 26-0020	002004 006100 107107 121503 904999	1
85	312N5503-19		.HOSE ASSY- OPTIONAL PART: B631-3 V98441 108272-3 V78570	002004 006100 107107 121503 904999	1

MISSING ITEM NUMBERS NOT APPLICABLE

- ITEM NOT ILLUSTRATED

26-21-00-05

26-21-00
FIG. 05
PAGE 4
JAN 20/09

BRI



**757
PARTS CATALOG (MAINTENANCE)**

FIG ITEM	PART NUMBER	1 2 3 4 5 6 7	NOMENCLATURE	EFFECT FROM TO	UNITS PER ASSY
5 85	B631-3		.HOSE ASSY- SUPPLIER CODE: V98441 SPECIFICATION NUMBER: S312N512-3 OPTIONAL PART: 113701-3 V78570 AE708693-3 V00624 OPTIONAL PART: 312N5503-19	002004 006100 107107 121503 904999	1
85	113701-3		.HOSE ASSY- SUPPLIER CODE: V78570 SPECIFICATION NUMBER: S312N512-3 OPTIONAL PART: B631-3 V98441 AE708693-3 V00624 OPTIONAL PART: 312N5503-19	002004 006100 107107 121503 904999	1
90	B631-3		.HOSE ASSY- SUPPLIER CODE: V98441 SPECIFICATION NUMBER: S312N512-3 OPTIONAL PART: 113701-3 V78570 AE708693-3 V00624 OPTIONAL PART: 312N5503-19	904949	1

MISSING ITEM NUMBERS NOT APPLICABLE

— ITEM NOT ILLUSTRATED

BRI

26-21-00-05

BOEING PROPRIETARY - Copyright © - Unpublished Work - See title page for details.

26-21-00
FIG. 05
PAGE 5
JAN 20/09



757

PARTS CATALOG (MAINTENANCE)

FIG ITEM	PART NUMBER	1 2 3 4 5 6 7	NOMENCLATURE	EFFECT FROM TO	UNITS PER ASSY
5 115	898867-3		.EXTINGUISHER ASSY-BOTTLE FIRE SUPPLIER CODE: V61423 SPECIFICATION NUMBER: S332T011-18 SB DATA FROM A CMM: POST 898867-26-327 ELECTRICAL EQUIP NUMBER: B00017 B00018 COMPONENT MAINT MANUAL REF: 26-20-97 POST SERVICE BULLETIN: 26-0020 FOR DETAILS SEE: 26-21-01-50	002004 006100 107107 121503 904949 952999	2
115	34300000-20		.EXTINGUISHER ASSY-BOTTLE FIRE SUPPLIER CODE: V05167 SPECIFICATION NUMBER: S332T011-20 ELECTRICAL EQUIP NUMBER: B00017 B00018 COMPONENT MAINT MANUAL REF: 26-22-31 FOR DETAILS SEE: 26-21-01-51 ATTACHING PARTS	950951	2
- 120	NAS6605-4		.SCREW	002004 006100 107107 121503 904999	8
- 125	BACW10P95A		.WASHER -----*-----	002004 006100 107107 121503 904999	8

MISSING ITEM NUMBERS NOT APPLICABLE

- ITEM NOT ILLUSTRATED

26-21-00-05

26-21-00
FIG. 05
PAGE 6
JAN 20/09

BRI



757

PARTS CATALOG (MAINTENANCE)

FIG ITEM	PART NUMBER	1 2 3 4 5 6 7	NOMENCLATURE	EFFECT FROM TO	UNITS PER ASSY
5 155	34300000-32		.EXTINGUISHER ASSY- BOTTLE FIRE SUPPLIER CODE: V05167 SPECIFICATION NUMBER: S332T011-32 COMPONENT MAINT MANUAL REF: 26-22-31 FOR DETAILS SEE: 26-21-01-51	950951	2
160	312N5503-2		.TUBE ASSY	002004 107107 121503 904949 952952	1
160	312N5503-24		.TUBE ASSY- TUBING MATERIAL: 1 IN. OD X .035 IN. WALL 54.5 LG MIL-T-7081 6061 T6 TUBING	006100 950951 953999	1
- 165	AP2097HP16		..SLEEVE SUPPLIER CODE: V01673 SPECIFICATION NUMBER: BACS13BX16HP OPTIONAL PART: 2-02903-16HP V11328 35235VN16 V08199 AFP175V16P V30974 DBOS13BX16HP V14798	002004 006100 107107 121503 904999	1
- 170	BACU24AB16W		..UNION	002004 006100 107107 121503 904999	1
- 175	MS21921-16D		..NUT	002004 006100 107107 121503 904999	1
- 500	286N2626-005		WIRE BUNDLE ASSY-	107107	RF
- 500	286N2626-006		WIRE BUNDLE ASSY	904949	RF
- 500	286N2626-012		WIRE BUNDLE ASSY	121503	RF

MISSING ITEM NUMBERS NOT APPLICABLE

- ITEM NOT ILLUSTRATED

26-21-00-05

26-21-00
FIG. 05
PAGE 7
JAN 20/09

BRI



**757
PARTS CATALOG (MAINTENANCE)**

FIG ITEM	PART NUMBER	1 2 3 4 5 6 7	NOMENCLATURE	EFFECT FROM TO	UNITS PER ASSY
5					
- 500	286N2626-013		WIRE BUNDLE ASSY	002004 006100 950999	RF
- 600	286N2628-007		WIRE BUNDLE ASSY	904949	RF
- 600	286N2628-008		WIRE BUNDLE ASSY-	107107	RF
605	BACC45FS10C5S		.CONNECTOR-	107107	1
			ELECTRICAL EQUIP NUMBER: D02270		
			WIRING DIAGRAM REF: 262111		
900			ILLUSTRATION REFERENCE: PLUMBING INSTL-CARGO BAY TO STRUT ENG FIRE EXT AFT 26-21-55-01	002004 006100 107107 121503 904999	RF

MISSING ITEM NUMBERS NOT APPLICABLE

- ITEM NOT ILLUSTRATED

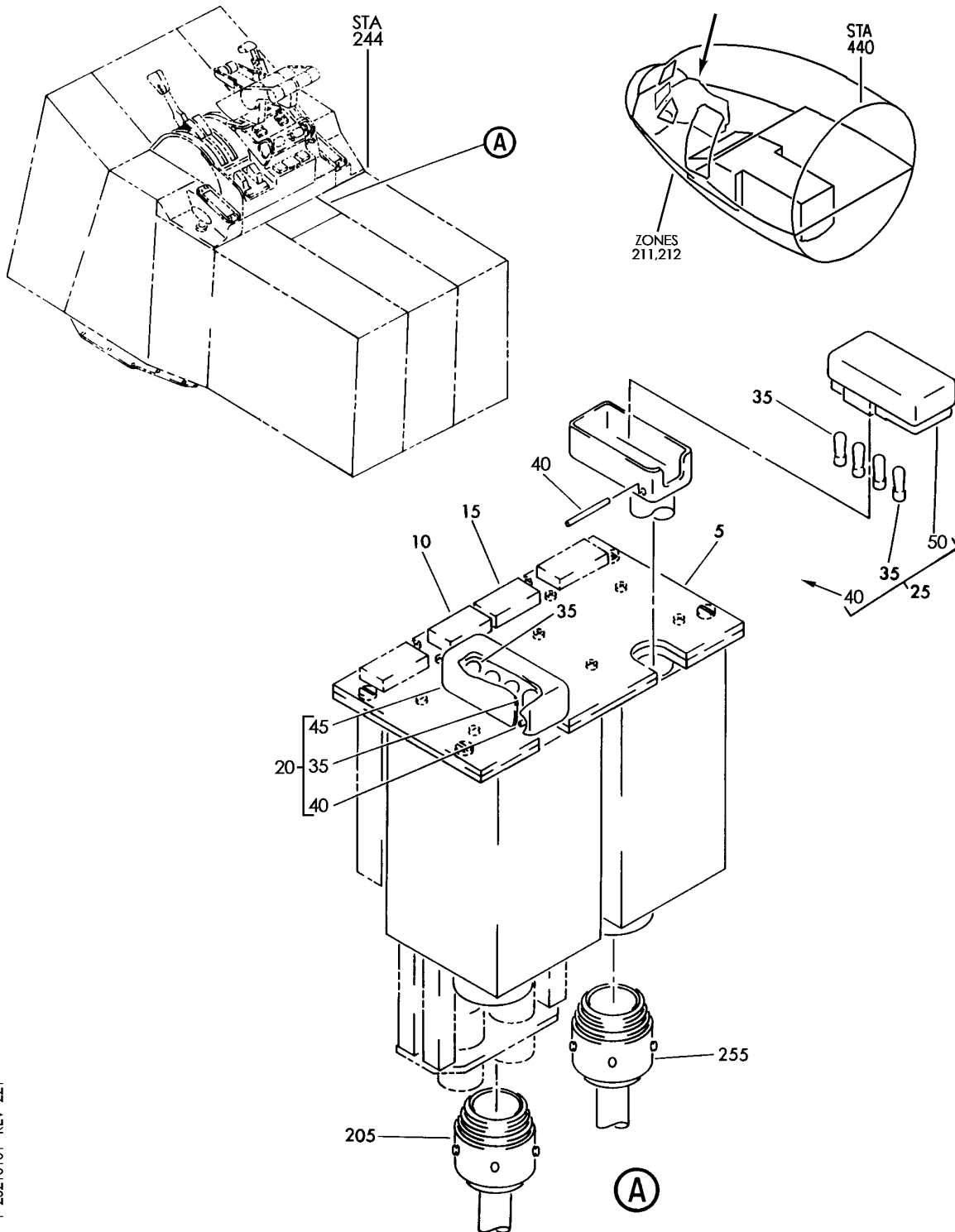
BRI

26-21-00-05

BOEING PROPRIETARY - Copyright © - Unpublished Work - See title page for details.

26-21-00
FIG. 05
PAGE 8
JAN 20/09

BOEING
757
PARTS CATALOG (MAINTENANCE)



Y 26210101 REV 221

PANEL INSTL-P8,P9,P10 ELECTRONICS (ENGINE FIRE EXTINGUISHING ONLY)
FIGURE 1

26-21-01-01

BRI
MAY 28/07

26-21-01-01
PAGE 0



757

PARTS CATALOG (MAINTENANCE)

FIG ITEM	PART NUMBER	1 2 3 4 5 6 7	NOMENCLATURE	EFFECT FROM TO	UNITS PER ASSY
1			PANEL INSTL-P8,P9,P10 ELECTRONICS (ENGINE FIRE EXTINGUISHING ONLY)	002004 006100 107107 121503 904999	
- 1	233N6101-1		PANEL INSTL-P8 ELECTRONIC (ENGINE FIRE EXTINGUISHING ONLY) VARIABLE DRAWING REF: 233N6101-5004 233N6101-5028 233N6101-5041 233N6101-5042 233N6101-5046 FOR NHA/OTHER SYS DET SEE: 25-10-00-05A	002004 006100 107107 121503 904999	RF
5	233N6205-1		.PANEL ASSY-ENG FIRE CONT SUPPLIER CODE: V89954 ELECTRICAL EQUIP NUMBER: M10443 WIRING DIAGRAM REF: 261111 COMPONENT MAINT MANUAL REF: 26-15-41 OPTIONAL PART: 233N6205-8 V89954 233N6205-6 V89954	002004 006100 121503 904999	RF
5	233N6205-6		.PANEL ASSY-ENG FIRE CONT SUPPLIER CODE: V89954 ELECTRICAL EQUIP NUMBER: M10443 WIRING DIAGRAM REF: 261111 COMPONENT MAINT MANUAL REF: 26-15-41 OPTIONAL PART: 233N6205-8 V89954 233N6205-1 V89954	002004 006100 121503 904999	RF

MISSING ITEM NUMBERS NOT APPLICABLE

- ITEM NOT ILLUSTRATED

BRI

26-21-01-01

26-21-01
FIG. 01
PAGE 1
JAN 20/09


BOEING
 757
PARTS CATALOG (MAINTENANCE)

FIG ITEM	PART NUMBER	1 2 3 4 5 6 7	NOMENCLATURE	EFFECT FROM TO	UNITS PER ASSY
1	5		.PANEL ASSY-ENG FIRE CONT SUPPLIER CODE: V89954 ELECTRICAL EQUIP NUMBER: M10443 WIRING DIAGRAM REF: 261111 COMPONENT MAINT MANUAL REF: 26-15-41 OPTIONAL PART: 233N6205-1 V89954 233N6205-6 V89954	002004 006100 121503 904999	RF
	5		.PANEL ASSY-ENG FIRE CONT SUPPLIER CODE: V89954 ELECTRICAL EQUIP NUMBER: M10443 WIRING DIAGRAM REF: 261111 COMPONENT MAINT MANUAL REF: 26-15-41 QUALIFIED I/W DATA: 233N6205-12 MAY REPLACE BUT MAY NOT BE REPLACED BY 233N6205-8 OR 233N6205-6 OR 233N6205-1 IN ACCORDANCE WITH SERVICE BULLETIN 757-26-0023 FOR 757 AIRCRAFTS ONLY. POST SERVICE BULLETIN: 26-0023	002004 006100 107107 121503 950999	RF
	10	BCREF8529	..LIGHT ASSY-ENG BOTTLE 1 DISCH IND SUPPLIER CODE: V81590 OVERLENGTH PART NUMBER: 434-674-1031-2016 SPECIFICATION NUMBER: S231T300-2016 USED ON: 233N6205-12 FOR DETAILS SEE: 33-14-70-01	002004 006100 121503 950999	1

R
R
R
R
R
R
R
R
R
R
R
R
R
R
R
R
R
R
R
R
R
R

MISSING ITEM NUMBERS NOT APPLICABLE

- ITEM NOT ILLUSTRATED

26-21-01-01

26-21-01
 FIG. 01
 PAGE 2
 MAY 20/09

BRI



757

PARTS CATALOG (MAINTENANCE)

FIG ITEM	PART NUMBER	1 2 3 4 5 6 7	NOMENCLATURE	EFFECT FROM TO	UNITS PER ASSY
1					
10	BCREF6140		..LIGHT ASSY-ENG BOTTLE 1 DISCH IND SUPPLIER CODE: V81590 OVERLENGTH PART NUMBER: 434-674-1005-1016 SPECIFICATION NUMBER: S231T300-1016 USED ON: 233N6205-1 233N6205-6 FOR DETAILS SEE: 33-14-70-01	002004 006100 121503 904999	1
10	BCREF8529		..LIGHT ASSY-ENG BOTTLE 1 DISCH IND SUPPLIER CODE: V81590 OVERLENGTH PART NUMBER: 434-674-1031-2016 SPECIFICATION NUMBER: S231T300-2016 USED ON: 233N6205-12 POST SERVICE BULLETIN: 26-0023 FOR DETAILS SEE: 33-14-70-01	107107	1
10	BCREF8529		..LIGHT ASSY-ENG BOTTLE 1 DISCH IND SUPPLIER CODE: V81590 OVERLENGTH PART NUMBER: 434-674-1031-2016 SPECIFICATION NUMBER: S231T300-2016 QUALIFIED OPTIONAL DATA: S231T300-1016 WITH WHITE DOT IDENTIFIER ON CAP ASSEMBLY IS OPTIONAL TO S231T300-2016. USED ON: 233N6205-8 233N6205-6 FOR DETAILS SEE: 33-14-70-01	002004 006100 121503 904999	1

MISSING ITEM NUMBERS NOT APPLICABLE

- ITEM NOT ILLUSTRATED

26-21-01-01

26-21-01
FIG. 01
PAGE 3
JAN 20/09

BRI



757

PARTS CATALOG (MAINTENANCE)

FIG ITEM	PART NUMBER	1 2 3 4 5 6 7	NOMENCLATURE	EFFECT FROM TO	UNITS PER ASSY
1 10	BCREF6140		..LIGHT ASSY-ENG BOTTLE 1 DISCH IND SUPPLIER CODE: V81590 OVERLENGTH PART NUMBER: 434-674-1005-1016 SPECIFICATION NUMBER: S231T300-1016 QUALIFIED OPTIONAL DATA: S231T300-1016 WITH WHITE DOT IDENTIFIER ON CAP ASSEMBLY IS OPTIONAL TO S231T300-2016. USED ON: 233N6205-8 FOR DETAILS SEE: 33-14-70-01	002004 006100 121503 904999	1
15	BCREF8530		..LIGHT ASSY-ENG BOTTLE 2 DISCH IND SUPPLIER CODE: V81590 OVERLENGTH PART NUMBER: 434-674-1031-2017 SPECIFICATION NUMBER: S231T300-2017 USED ON: 233N6205-12 FOR DETAILS SEE: 33-14-70-01	002004 006100 121503 950999	1
15	BCREF6141		..LIGHT ASSY-ENG BOTTLE 2 DISCH IND SUPPLIER CODE: V81590 OVERLENGTH PART NUMBER: 434-674-1005-1017 SPECIFICATION NUMBER: S231T300-1017 USED ON: 233N6205-1 233N6205-6 FOR DETAILS SEE: 33-14-70-01	002004 006100 121503 904999	1

MISSING ITEM NUMBERS NOT APPLICABLE

- ITEM NOT ILLUSTRATED

BRI

26-21-01-01

BOEING PROPRIETARY - Copyright © - Unpublished Work - See title page for details.

26-21-01
FIG. 01
PAGE 4
JAN 20/09



757

PARTS CATALOG (MAINTENANCE)

FIG ITEM	PART NUMBER	1 2 3 4 5 6 7	NOMENCLATURE	EFFECT FROM TO	UNITS PER ASSY
1	15 BCREF8530		..LIGHT ASSY-ENG BOTTLE 2 DISCH IND SUPPLIER CODE: V81590 OVERLENGTH PART NUMBER: 434-674-1031-2017 SPECIFICATION NUMBER: S231T300-2017 USED ON: 233N6205-12 POST SERVICE BULLETIN: 26-0023 FOR DETAILS SEE: 33-14-70-01	107107	1
	15 BCREF8530		..LIGHT ASSY-ENG BOTTLE 2 DISCH IND SUPPLIER CODE: V81590 OVERLENGTH PART NUMBER: 434-674-1031-2017 SPECIFICATION NUMBER: S231T300-2017 QUALIFIED OPTIONAL DATA: S231T300-1017 WITH WHITE DOT IDENTIFIER ON CAP ASSEMBLY IS OPTIONAL TO S231T300-2017. USED ON: 233N6205-8 FOR DETAILS SEE: 33-14-70-01	002004 006100 121503 904999	1
	15 BCREF6141		..LIGHT ASSY-ENG BOTTLE 2 DISCH IND SUPPLIER CODE: V81590 OVERLENGTH PART NUMBER: 434-674-1005-1017 SPECIFICATION NUMBER: S231T300-1017 QUALIFIED OPTIONAL DATA: S231T300-1017 WITH WHITE DOT IDENTIFIER ON CAP ASSEMBLY IS OPTIONAL TO S231T300-2017. USED ON: 233N6205-8 FOR DETAILS SEE: 33-14-70-01	002004 006100 121503 904999	1

MISSING ITEM NUMBERS NOT APPLICABLE

- ITEM NOT ILLUSTRATED

BRI

26-21-01-01

26-21-01
FIG. 01
PAGE 5
JAN 20/09



757

PARTS CATALOG (MAINTENANCE)

FIG ITEM	PART NUMBER	1 2 3 4 5 6 7	NOMENCLATURE	EFFECT FROM TO	UNITS PER ASSY
1 20	D455-05-001		.. SWITCH ASSY-SHUTOFF SUPPLIER CODE: VK0673 SPECIFICATION NUMBER: 10-61318-14 ELECTRICAL EQUIP NUMBER: S00037 WIRING DIAGRAM REF: 261111 COMPONENT MAINT MANUAL REF: 26-01-07 USED ON: 233N6205-1 233N6205-6 233N6205-8	904949	1
20	D455-24-001		.. SWITCH ASSY-SHUTOFF SUPPLIER CODE: VK0673 SPECIFICATION NUMBER: 10-61318-51 ELECTRICAL EQUIP NUMBER: S00037 WIRING DIAGRAM REF: 261111 COMPONENT MAINT MANUAL REF: 26-21-06	002004 006100 121503 904999	1
20	D455-24-001		.. SWITCH ASSY-SHUTOFF SUPPLIER CODE: VK0673 SPECIFICATION NUMBER: 10-61318-51 ELECTRICAL EQUIP NUMBER: S00037 WIRING DIAGRAM REF: 261111 COMPONENT MAINT MANUAL REF: 26-21-06 POST SERVICE BULLETIN: 26-0023	107107	1

MISSING ITEM NUMBERS NOT APPLICABLE

- ITEM NOT ILLUSTRATED

BRI

26-21-01-01

BOEING PROPRIETARY - Copyright © - Unpublished Work - See title page for details.

26-21-01
FIG. 01
PAGE 6
JAN 20/09



757

PARTS CATALOG (MAINTENANCE)

FIG ITEM	PART NUMBER	1 2 3 4 5 6 7	NOMENCLATURE	EFFECT FROM TO	UNITS PER ASSY
1 25	D455-06-001		.. SWITCH ASSY-SHUTOFF SUPPLIER CODE: VK0673 SPECIFICATION NUMBER: 10-61318-15 ELECTRICAL EQUIP NUMBER: S00038 WIRING DIAGRAM REF: 261121 COMPONENT MAINT MANUAL REF: 26-01-07 USED ON: 233N6205-1 233N6205-6 233N6205-8	904949	1
25	D455-25-001		.. SWITCH ASSY-SHUTOFF SUPPLIER CODE: VK0673 SPECIFICATION NUMBER: 10-61318-52 ELECTRICAL EQUIP NUMBER: S00038 WIRING DIAGRAM REF: 261121 COMPONENT MAINT MANUAL REF: 26-21-06	002004 006100 121503 950999	1
25	D455-25-001		.. SWITCH ASSY-SHUTOFF SUPPLIER CODE: VK0673 SPECIFICATION NUMBER: 10-61318-52 ELECTRICAL EQUIP NUMBER: S00038 WIRING DIAGRAM REF: 261121 COMPONENT MAINT MANUAL REF: 26-21-06 POST SERVICE BULLETIN: 26-0023	107107	1
- 30	FH8C6CPL12BN		ATTACHING PARTS .. SCREW- SUPPLIER CODE: V12324 POST SERVICE BULLETIN: 26-0023 -----*-----	002004 006100 107107 121503 904999	8

MISSING ITEM NUMBERS NOT APPLICABLE

- ITEM NOT ILLUSTRATED

BRI

26-21-01-01

BOEING PROPRIETARY - Copyright © - Unpublished Work - See title page for details.

26-21-01
FIG. 01
PAGE 7
JAN 20/09



757

PARTS CATALOG (MAINTENANCE)

FIG ITEM	PART NUMBER	1 2 3 4 5 6 7	NOMENCLATURE	EFFECT FROM TO	UNITS PER ASSY
1					
35	MS25237-387	...	LAMP-	002004 006100 107107 121503 904999	4
40	1-5-18MCP	...	PIN-SPIRAL SUPPLIER CODE: VK3297	002004 006100 107107 121503 904999	1
45	D455-05-100	...	CAP ASSY- SUPPLIER CODE: VK0673 USED ON: D455-05-001	002004 006100 107107 121503 904999	1
45	D455-05-200	...	CAP ASSY- SUPPLIER CODE: VK0673 USED ON: D455-05-001 D455-24-001	002004 006100 107107 121503 904999	1
50	D455-06-100	...	CAP ASSY- SUPPLIER CODE: VK0673 USED ON: D455-06-001	002004 006100 107107 121503 904999	1
50	D455-06-200	...	CAP ASSY- SUPPLIER CODE: VK0673 USED ON: D455-06-001 D455-25-001	002004 006100 107107 121503 904999	1
- 200	286N4236-010		WIRE BUNDLE ASSY	107107 121503 904949	RF
- 200	286N4236-015		WIRE BUNDLE ASSY	002004 006100 950999	RF
205	BACC45FT20A41S	.	CONNECTOR- ELECTRICAL EQUIP NUMBER: D01588 WIRING DIAGRAM REF: 761112	002004 006100 107107 121503 904999	1
- 250	286N4228-013		WIRE BUNDLE ASSY	107107 121503 904949	RF
- 250	286N4228-015		WIRE BUNDLE ASSY-	002004 006100 950999	RF

MISSING ITEM NUMBERS NOT APPLICABLE

- ITEM NOT ILLUSTRATED

26-21-01-01

26-21-01
FIG. 01
PAGE 8
JAN 20/09

BRI



757

PARTS CATALOG (MAINTENANCE)

FIG ITEM	PART NUMBER	1 2 3 4 5 6 7	NOMENCLATURE	EFFECT FROM TO	UNITS PER ASSY
1 255	BACC45FT20A41S6		.CONNECTOR- ELECTRICAL EQUIP NUMBER: D01594 WIRING DIAGRAM REF: 761111	002004 006100 107107 121503 904999	1

MISSING ITEM NUMBERS NOT APPLICABLE

- ITEM NOT ILLUSTRATED

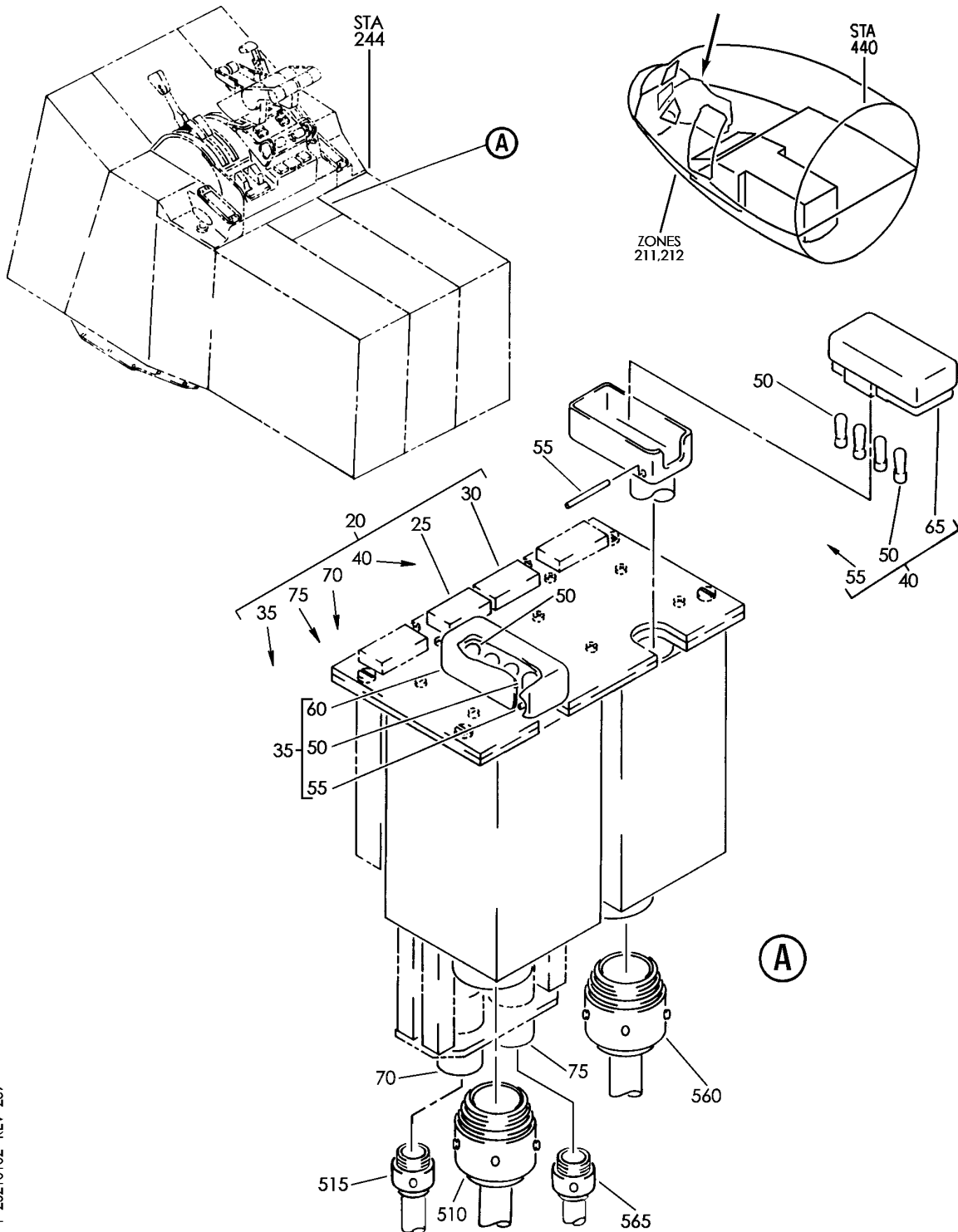
BRI

26-21-01-01

BOEING PROPRIETARY - Copyright © - Unpublished Work - See title page for details.

26-21-01
FIG. 01
PAGE 9
JAN 20/09

BOEING
757
PARTS CATALOG (MAINTENANCE)



Y 26210102 REV 239

PANEL INSTL-P8,P9,P10 ELECTRONICS (ENGINE FIRE EXTINGUISHING ONLY)
FIGURE 2

26-21-01-02

BRI
MAY 28/07

26-21-01-02
PAGE 0



757

PARTS CATALOG (MAINTENANCE)

FIG ITEM	PART NUMBER	1 2 3 4 5 6 7	NOMENCLATURE	EFFECT FROM TO	UNITS PER ASSY
2			PANEL INSTL-P8,P9,P10 ELECTRONICS (ENGINE FIRE EXTINGUISHING ONLY)	101106 108120 504903	
- 2	233N6103-28		PANEL INSTL-P8,P9,P10 ELECTRONICS (ENGINE FIRE EXTINGUISHING ONLY) FOR NHA/OTHER SYS DET SEE: 25-10-00-15B	101101	RF
- 2	233N6103-122		PANEL INSTL-P8,P9,P10 ELECTRONICS (ENGINE FIRE EXTINGUISHING ONLY) FOR NHA/OTHER SYS DET SEE: 25-10-00-15B	504903	RF
- 3	233N6103-128		PANEL INSTL-P8,P9,P10 ELECTRONICS (ENGINE FIRE EXTINGUISHING ONLY) FOR NHA/OTHER SYS DET SEE: 25-10-00-15B	102102	RF
- 6	233N6103-62		PANEL INSTL-P8,P9,P10 ELECTRONICS (ENGINE FIRE EXTINGUISHING ONLY) FOR NHA/OTHER SYS DET SEE: 25-10-00-15B	108120	RF

MISSING ITEM NUMBERS NOT APPLICABLE

- ITEM NOT ILLUSTRATED

BRI

26-21-01-02

BOEING PROPRIETARY - Copyright © - Unpublished Work - See title page for details.

26-21-01
FIG. 02
PAGE 1
JAN 20/09

BOEING
757
PARTS CATALOG (MAINTENANCE)

FIG ITEM	PART NUMBER	1 2 3 4 5 6 7	NOMENCLATURE	EFFECT FROM TO	UNITS PER ASSY
2 -	8 MODREF33990		PANEL INSTL-P8,P9,P10 ELECTRONICS (ENGINE FIRE EXTINGUISHING ONLY) MODULE NUMBER: 233N6103-253 REV B FOR OTHER SYS DETAILS SEE: 11-31-05-66F 23-12-02-03 23-51-01-05 26-11-02-01 26-11-54-02A 26-12-51-03 26-17-51-06 26-22-03-03 26-23-52-04A 27-11-23-03 27-21-23-03 27-28-02-01A 31-11-31-02 31-11-36-78 31-11-41-02 31-41-03-02 33-13-01-07 34-22-02-03 34-31-02-02 34-43-02-02 34-53-02-02 34-57-02-03 34-61-02-03	103106	1
	20 233N6205-12		.PANEL ASSY-ENG FIRE CONT SUPPLIER CODE: V89954 ELECTRICAL EQUIP NUMBER: M10443 COMPONENT MAINT MANUAL REF: 26-15-41	101106 108120 504903	RF
	25 BCREF8529		..LIGHT ASSY-ENG BOTTLE 1 DISCH IND SUPPLIER CODE: V81590 OVERLENGTH PART NUMBER: 434-674-1031-2016 SPECIFICATION NUMBER: S231T300-2016 FOR DETAILS SEE: 33-14-70-01	101106 108120 504903	1

MISSING ITEM NUMBERS NOT APPLICABLE

- ITEM NOT ILLUSTRATED

BRI

26-21-01-02

BOEING PROPRIETARY - Copyright © - Unpublished Work - See title page for details.

26-21-01
FIG. 02
PAGE 2
JAN 20/09



757

PARTS CATALOG (MAINTENANCE)

FIG ITEM	PART NUMBER	1 2 3 4 5 6 7	NOMENCLATURE	EFFECT FROM TO	UNITS PER ASSY
2					
30	BCREF8530		..LIGHT ASSY-ENG BOTTLE 2 DISCH IND SUPPLIER CODE: V81590 OVERLENGTH PART NUMBER: 434-674-1031-2017 SPECIFICATION NUMBER: S231T300-2017 FOR DETAILS SEE: 33-14-70-01	101106 108120 504903	1
35	D455-24-001		..SWITCH ASSY-SHUTOFF SUPPLIER CODE: VK0673 SPECIFICATION NUMBER: 10-61318-51 COMPONENT MAINT MANUAL REF: 26-21-06	101106 108120 504903	1
40	D455-25-001		..SWITCH ASSY-SHUTOFF SUPPLIER CODE: VK0673 SPECIFICATION NUMBER: 10-61318-52 COMPONENT MAINT MANUAL REF: 26-21-06 ATTACHING PARTS	101106 108120 504903	1
- 45	FH8C6CPL12BN		..SCREW- SUPPLIER CODE: V12324 -----*-----	101106 108120 504903	8
50	MS25237-387		...LAMP	101106 108120 504903	4
55	1-5-18MCP		...PIN-SPIRAL SUPPLIER CODE: VK3297	101106 108120 504903	1
60	D455-05-200		...CAP ASSY- SUPPLIER CODE: VK0673 USED ON: D455-24-001	101106 108120 504903	1
65	D455-06-200		...CAP ASSY- SUPPLIER CODE: VK0673 USED ON: D455-25-001	101106 108120 504903	1
70	BACC45FN10-5P6		..CONNECTOR	101106 108120 504903	1

MISSING ITEM NUMBERS NOT APPLICABLE

- ITEM NOT ILLUSTRATED

26-21-01-02

26-21-01
FIG. 02
PAGE 3
JAN 20/09

BRI



757

PARTS CATALOG (MAINTENANCE)

FIG ITEM	PART NUMBER	1 2 3 4 5 6 7	NOMENCLATURE	EFFECT FROM TO	UNITS PER ASSY
2	75 BACC45FN12-12P7	..	CONNECTOR	101106 108120 504903	1
- 80	NAS1801-4-5	..	ATTACHING PARTS SCREW	101106 108120 504903	4
- 85	K19798-04	..	NUT SUPPLIER CODE: V15653 SPECIFICATION NUMBER: BACN10NW1 OPTIONAL PART: RMA4812-160-40 V72962 293162 V60119 -----*-----	101106 108120 504903	4
- 501	286N4228-329		WIRE BUNDLE ASSY-	101102	RF
- 501	286N4228-340		WIRE BUNDLE ASSY	504903	RF
- 502	286N4228-355		WIRE BUNDLE ASSY-	108120	RF
- 505	286N6662-601		WIRE BUNDLE ASSY	103106	RF
510	BACC45FT20A41S6	.	CONNECTOR- ELECTRICAL EQUIP NUMBER: D01594 WIRING DIAGRAM REF: 761111	101106 108120 504903	1
515	BACC45FT10A5S6	.	CONNECTOR- ELECTRICAL EQUIP NUMBER: D03232 WIRING DIAGRAM REF: 262111	101106 108120 504903	1
- 551	286N4236-326		WIRE BUNDLE ASSY-	101102	RF
- 551	286N4236-340		WIRE BUNDLE ASSY	504903	RF
- 552	286N4236-346		WIRE BUNDLE ASSY-	108120	RF
- 555	286N6670-601		WIRE BUNDLE ASSY	103106	RF
560	BACC45FT20A41S	.	CONNECTOR- ELECTRICAL EQUIP NUMBER: D01588 WIRING DIAGRAM REF: 761112	101106 108120 504903	1
565	BACC45FT12A12S7	.	CONNECTOR- ELECTRICAL EQUIP NUMBER: D03234 WIRING DIAGRAM REF: 262111	101106 108120 504903	1

MISSING ITEM NUMBERS NOT APPLICABLE

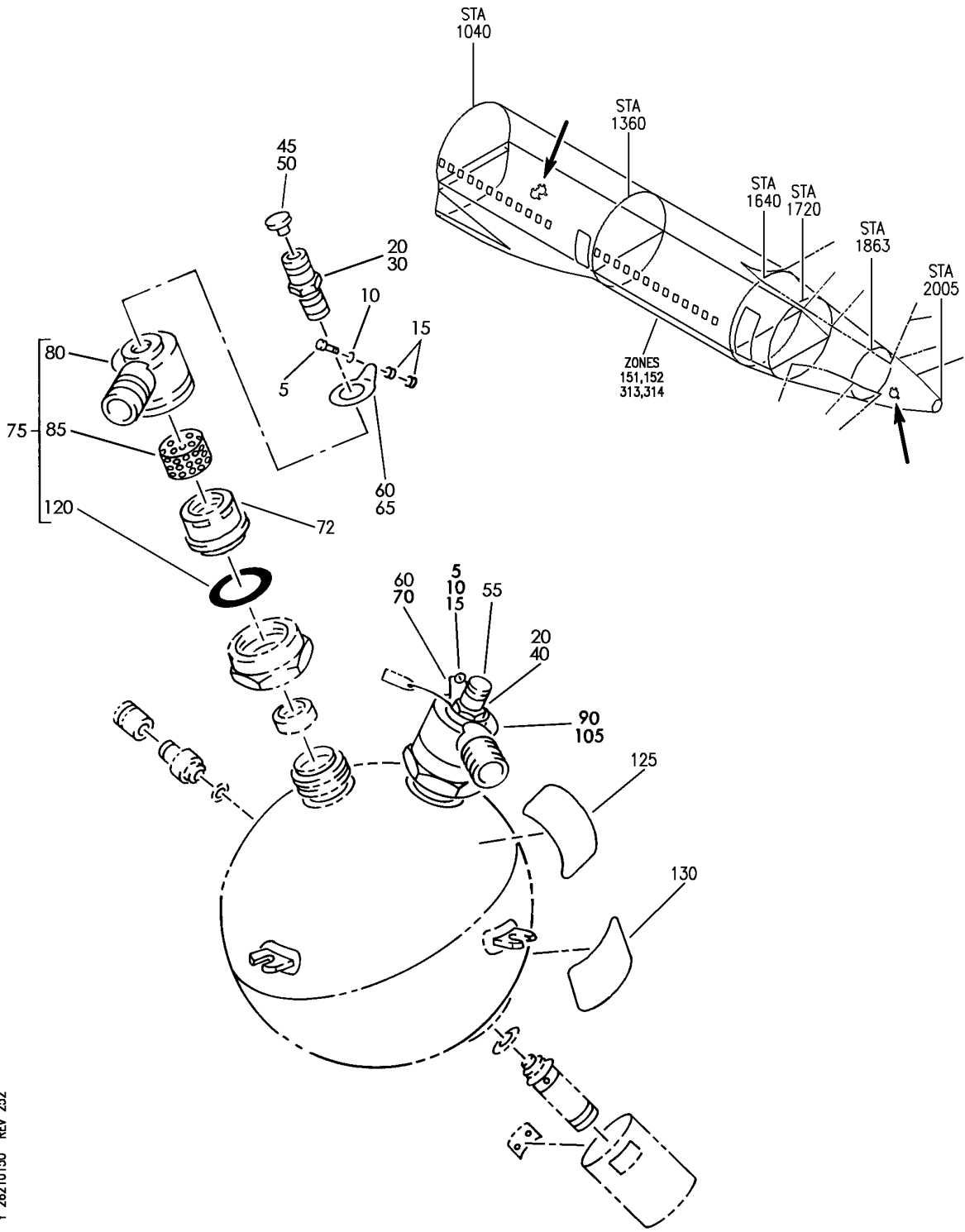
- ITEM NOT ILLUSTRATED

26-21-01-02

26-21-01
FIG. 02
PAGE 4
JAN 20/09

BRI

BOEING
757
PARTS CATALOG (MAINTENANCE)



Y 26210150 REV 252

EXTINGUISHER ASSY-BOTTLE AND VALVE 536 CU IN. DUAL OUTLET FIRE
FIGURE 50

26-21-01-50

BRI
MAY 28/07

26-21-01-50
PAGE 0



757

PARTS CATALOG (MAINTENANCE)

FIG ITEM	PART NUMBER	1 2 3 4 5 6 7	NOMENCLATURE	EFFECT FROM TO	UNITS PER ASSY
50			EXTINGUISHER ASSY-BOTTLE AND VALVE 536 CU IN. DUAL OUTLET FIRE	002004 006949 952999	
- 1	898867-3		EXTINGUISHER ASSY-BOTTLE FIRE SUPPLIER CODE: V61423 SPECIFICATION NUMBER: S332T011-18 SB DATA FROM A CMM: POST 898867-26-327 ELECTRICAL EQUIP NUMBER: B00017 B00018 COMPONENT MAINT MANUAL REF: 26-20-97 FOR NHA SEE: 26-21-00-04 26-21-00-05	002004 006106 108949 952999	RF
5	1686-1108		.SCREW-FIL HD 10-32 X 1/2 IN. LG BRASS SUPPLIER CODE: V61423	002004 006949 952999	2
10	1799-1000		.WASHER-FLAT NO. 10 BRASS SUPPLIER CODE: V61423	002004 006949 952999	2
15	1350-1100		.NUT-HEX NO. 10-32 SUPPLIER CODE: V61423	002004 006949 952999	4
30	262299		.CARTRIDGE ASSY-ACTR SUPPLIER CODE: V61423 SB DATA FROM A CMM: POST SB 898867-26-327 CONFIG CHG DATA FROM A CMM: REPLD BY 262299-1 USED ON: 898867-3 POST SERVICE BULLETIN: 898867-26-327 V61423	002004 006106 108949 952999	1

MISSING ITEM NUMBERS NOT APPLICABLE

- ITEM NOT ILLUSTRATED

BRI

26-21-01-50

26-21-01
FIG. 50
PAGE 1
JAN 20/09



757

PARTS CATALOG (MAINTENANCE)

FIG ITEM	PART NUMBER	1 2 3 4 5 6 7	NOMENCLATURE	EFFECT FROM TO	UNITS PER ASSY
50					
30	262299-1	.	CARTRIDGE ASSY-ACTR SUPPLIER CODE: V61423 CONFIG CHG DATA FROM A CMM: REPLS 262299 REPLD BY 262299-2 USED ON: 898867-3 POST SERVICE BULLETIN: 898867-26-327 V61423	002004 006106 108949 952999	1
30	262299-2	.	CARTRIDGE ASSY-ACTR SUPPLIER CODE: V61423 CONFIG CHG DATA FROM A CMM: REPLS 262299-1 USED ON: 898867-3 POST SERVICE BULLETIN: 898867-26-327 V61423	002004 006106 108949 952999	1
40	446189	.	CARTRIDGE ASSY-ACTR SUPPLIER CODE: V61423 SB DATA FROM A CMM: POST SB 898867-26-327 CONFIG CHG DATA FROM A CMM: REPLD BY 446189-1 POST SERVICE BULLETIN: 898867-26-327 V61423	002004 006106 108949 952999	1
40	446189-1	.	CARTRIDGE ASSY-ACTR SUPPLIER CODE: V61423 CONFIG CHG DATA FROM A CMM: REPLS 446189 USED ON: 898867-3	002004 006106 108949 952999	1
45	AP1008-20D	..	CAP SUPPLIER CODE: V01673 SPECIFICATION NUMBER: BACC14AD20D OPTIONAL PART: US2103-20D V50808	002004 006949 952999	1

MISSING ITEM NUMBERS NOT APPLICABLE

- ITEM NOT ILLUSTRATED

26-21-01-50

26-21-01
FIG. 50
PAGE 2
JAN 20/09

BRI



757

PARTS CATALOG (MAINTENANCE)

FIG ITEM	PART NUMBER	1 2 3 4 5 6 7	NOMENCLATURE	EFFECT FROM TO	UNITS PER ASSY
50					
55	6971-0008	..	SHUNT- SUPPLIER CODE: V61423 USED ON: 446189 POST SERVICE BULLETIN: 898867-26-327 V61423	002004 006106 108949 952999	1
65	262251	.W	WASHER-GND SUPPLIER CODE: V61423 SB DATA FROM A CMM: POST SB 898867-26-327 USED ON: 898867-3 POST SERVICE BULLETIN: 898867-26-327 V61423	002004 006106 108949 952999	1
70	324385	.W	WASHER-GND SUPPLIER CODE: V61423 SB DATA FROM A CMM: POST SB 898867-26-327 USED ON: 898867-3 POST SERVICE BULLETIN: 898867-26-327 V61423	002004 006106 108949 952999	1
72	282520	.R	RETAINER- SUPPLIER CODE: V61423	002004 006949 952999	1
75	878230	.H	HEAD-DISCHARGE SUPPLIER CODE: V61423	002004 006949 952999	1
80	282647	..	BODY- SUPPLIER CODE: V61423	002004 006949 952999	1
85	262934	..	SCREEN-DEBRIS SUPPLIER CODE: V61423	002004 006949 952999	1

MISSING ITEM NUMBERS NOT APPLICABLE

- ITEM NOT ILLUSTRATED

26-21-01-50

26-21-01
FIG. 50
PAGE 3
JAN 20/09

BRI



757

PARTS CATALOG (MAINTENANCE)

FIG ITEM	PART NUMBER	1 2 3 4 5 6 7	NOMENCLATURE	EFFECT FROM TO	UNITS PER ASSY
50 105	446188		.HEAD-DISCHARGE SUPPLIER CODE: V61423 SB DATA FROM A CMM: POST SB 898867-26-327 USED ON: 898867-3 POST SERVICE BULLETIN: 898867-26-327 V61423	002004 006106 108949 952999	1
- 110	346373		..BODY- SUPPLIER CODE: V61423	002004 006106 108949 952999	1
- 115	262934		..SCREEN-DEBRIS SUPPLIER CODE: V61423	002004 006106 108949 952999	1
120	212605		..GASKET- SUPPLIER CODE: V61423	002004 006106 108949 952999	2
125	262480		.PLATE-IDENT SUPPLIER CODE: V59364	002004 006949 952999	1
130	256070		.LABEL-CAUTION SUPPLIER CODE: V59364 CONFIG CHG DATA FROM A CMM: SUPSD BY 324174	002004 006949 952999	1
130	324174		.LABEL-CAUTION SUPPLIER CODE: V59364 CONFIG CHG DATA FROM A CMM: SUPERSEDES 256070	002004 006949 952999	1

MISSING ITEM NUMBERS NOT APPLICABLE

- ITEM NOT ILLUSTRATED

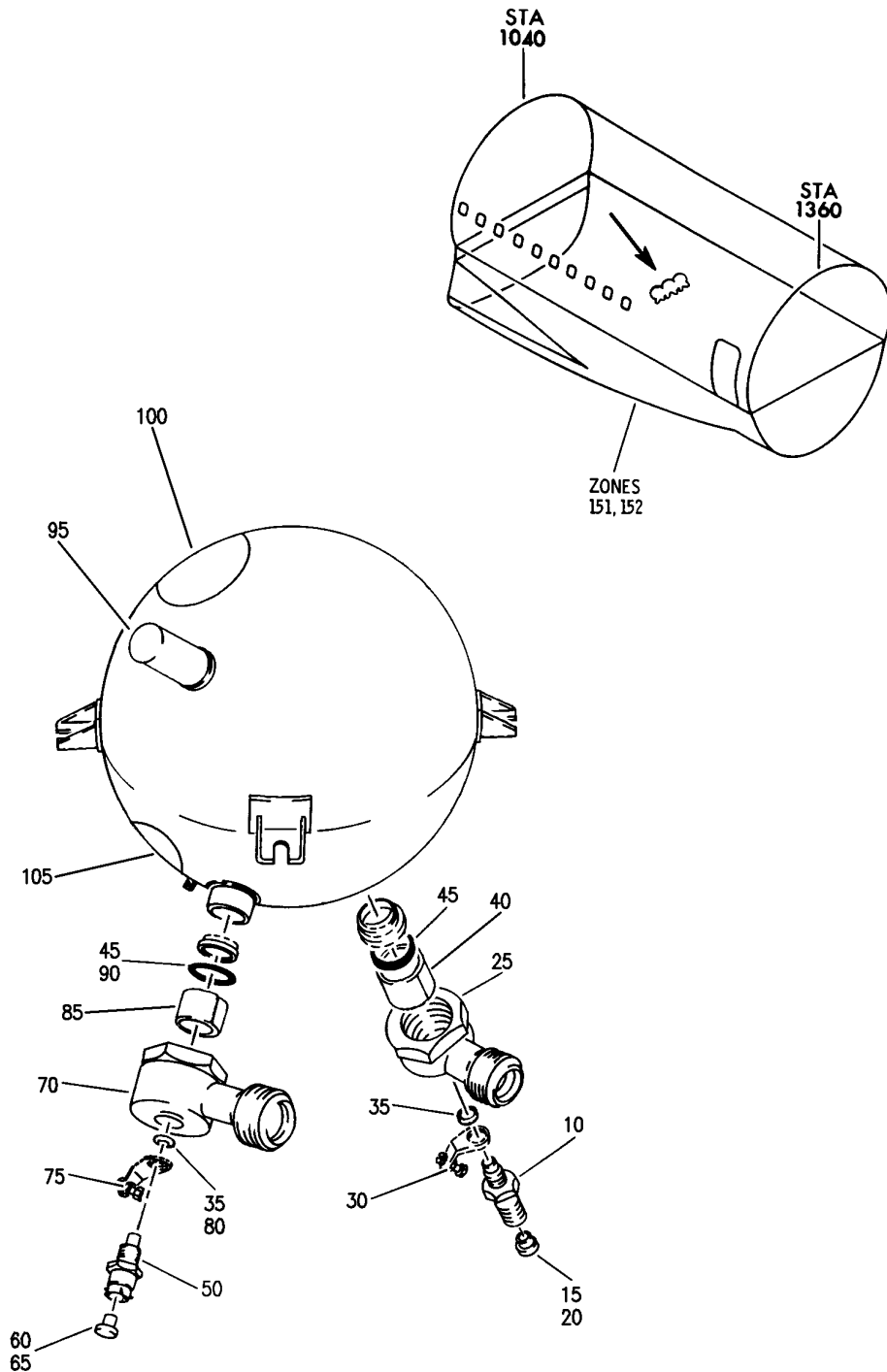
BRI

26-21-01-50

BOEING PROPRIETARY - Copyright © - Unpublished Work - See title page for details.

26-21-01
FIG. 50
PAGE 4
JAN 20/09

BOEING
757
PARTS CATALOG (MAINTENANCE)



Y 26210151 REV 256

EXTINGUISHER ASSY-BOTTLE AND VALVE 536 CU. IN. DUAL OUTLET FIRE
FIGURE 51

26-21-01-51

BRI
JAN 20/09

26-21-01-51
PAGE 0



757

PARTS CATALOG (MAINTENANCE)

FIG ITEM	PART NUMBER	1 2 3 4 5 6 7	NOMENCLATURE	EFFECT FROM TO	UNITS PER ASSY
51			EXTINGUISHER ASSY-BOTTLE AND VALVE 536 CU. IN. DUAL OUTLET FIRE	950951	
- 1	34300000-20		EXTINGUISHER ASSY-BOTTLE FIRE SUPPLIER CODE: V05167 SPECIFICATION NUMBER: S332T011-20 ELECTRICAL EQUIP NUMBER: B00017 B00018 COMPONENT MAINT MANUAL REF: 26-22-31 FOR NHA SEE: 26-21-00-05	950951	RF
- 1	34300000-32		EXTINGUISHER ASSY-BOTTLE SUPPLIER CODE: V05167 SPECIFICATION NUMBER: S332T011-32 ELECTRICAL EQUIP NUMBER: B00017 B00018 COMPONENT MAINT MANUAL REF: 26-22-31 FOR NHA SEE: 26-21-00-05	950951	RF
10	30903859		. CARTRIDGE ASSY- SUPPLIER CODE: V05167 POSITION DATA: OUTBD OPTIONAL PART: 30903936 V05167	950951	1
10	30903936		. CARTRIDGE ASSY- SUPPLIER CODE: V05167 POSITION DATA: OUTBD OPTIONAL PART: 30903859 V05167	950951	1

MISSING ITEM NUMBERS NOT APPLICABLE

- ITEM NOT ILLUSTRATED

26-21-01-51

26-21-01
FIG. 51
PAGE 1
JAN 20/09

BRI



757

PARTS CATALOG (MAINTENANCE)

FIG ITEM	PART NUMBER	1 2 3 4 5 6 7	NOMENCLATURE	EFFECT FROM TO	UNITS PER ASSY
51					
15	2-100405	..	PLUG-SHUNT SUPPLIER CODE: V05167 CONFIG CHG DATA FROM A CMM: SUPSD BY M83723-60-18AN	950951	1
15	M83723-60-18AN	..	PLUG- CONFIG CHG DATA FROM A CMM: SUPSDS 2-100405 OPTIONAL PART: M83723-60-18AC USED ON: 30903859	950951	1
15	M83723-60-18AC	..	PLUG- OPTIONAL PART: M83723-60-18AN	950951	1
20	M83723-60-108AN	..	COUPLING- SERVICE BULLETIN OPT DATA: M83723-60-108AC USED ON: 30903859 POST AIRLINE MOD: RFSA115084B VAAL	950951	1
25	35240411-1	.OUTLET ASSY-DISCH (CRES)	SUPPLIER CODE: V05167 POSITION DATA: OUTBD USED ON: 34300000-16 34300000-20 34300000-30	950951	1
25	35240410-1	.OUTLET ASSY-DISCH (ALUM)	SUPPLIER CODE: V05167 POSITION DATA: OUTBD USED ON: 34300000-32	950951	1
30	33540224	..	LUG ASSY-GND SUPPLIER CODE: V05167	950951	1
35	NAS1612-5	..	PACKING	950951	2
40	53100058-1	..	SCREEN- SUPPLIER CODE: V05167 USED ON: 35240411-1	950951	1

MISSING ITEM NUMBERS NOT APPLICABLE

- ITEM NOT ILLUSTRATED

26-21-01-51

26-21-01
FIG. 51
PAGE 2
JAN 20/09

BRI



757

PARTS CATALOG (MAINTENANCE)

FIG ITEM	PART NUMBER	1 2 3 4 5 6 7	NOMENCLATURE	EFFECT FROM TO	UNITS PER ASSY
51 40	53100272-1	..	SCREEN- SUPPLIER CODE: V05167 CONFIG CHG DATA FROM A CMM: SUPSD BY 53100684-1 USED ON: 35240410-1	950951	1
40	53100684-1	..	SCREEN- SUPPLIER CODE: V05167 CONFIG CHG DATA FROM A CMM: SUPSDS 53100272-1 USED ON: 35240410-1	950951	1
45 50	NAS1611-029 30903891	..	PACKING . CARTRIDGE ASSY- SUPPLIER CODE: V05167 POSITION DATA: INBD OPTIONAL PART: 30903943 V05167 USED ON: 34300000-20 34300000-32 POST SERVICE BULLETIN: 34300000-16-26-1 V05167	950951 950951	2 1
50	30903943	..	CARTRIDGE ASSY- SUPPLIER CODE: V05167 POSITION DATA: INBD OPTIONAL PART: 30903891 V05167 USED ON: 34300000-20 34300000-32	950951	1
60	30840067	..	PLUG-SHUNT SUPPLIER CODE: V05167 USED ON: 30903859 PRE SERVICE BULLETIN: 34300000-16-26-1 V05167	950951	1

MISSING ITEM NUMBERS NOT APPLICABLE

- ITEM NOT ILLUSTRATED

26-21-01-51

26-21-01
FIG. 51
PAGE 3
JAN 20/09

BRI



757

PARTS CATALOG (MAINTENANCE)

FIG ITEM	PART NUMBER	1 2 3 4 5 6 7	NOMENCLATURE	EFFECT FROM TO	UNITS PER ASSY
51					
60	2-100796-1	..	PLUG-SHUNT SUPPLIER CODE: V54181 CONFIG CHG DATA FROM A CMM: SUPSD BY M83723-60-210AN USED ON: 30903891 POST SERVICE BULLETIN: 34300000-16-26-1 V05167	950951	1
60	M83723-60-210AN	..	COUPLING- CONFIG CHG DATA FROM A CMM: SUPSDS 2-100769-1 OPTIONAL PART: M83723-60-210AC USED ON: 30903859 POST AIRLINE MOD: RFSA115084B VAAL 133 VAAL	950951	1
60	M83723-60-210AC	..	CAP- OPTIONAL PART: M83723-60-210AN USED ON: 30903859	950951	1
65	M83723-60-108AN	..	COUPLING- SERVICE BULLETIN OPT DATA: M83723-60-108AC USED ON: 30903859 POST AIRLINE MOD: RFSA115084B VAAL	950951	1
70	35240440-1	.	OUTLET ASSY-DISCH (CRES) SUPPLIER CODE: V05167 POSITION DATA: INBD USED ON: 34300000-20 POST SERVICE BULLETIN: 34300000-16-26-1 V05167	950951	1

MISSING ITEM NUMBERS NOT APPLICABLE

- ITEM NOT ILLUSTRATED

BRI

26-21-01-51

26-21-01
FIG. 51
PAGE 4
JAN 20/09



757

PARTS CATALOG (MAINTENANCE)

FIG ITEM	PART NUMBER	1 2 3 4 5 6 7	NOMENCLATURE	EFFECT FROM TO	UNITS PER ASSY
51					
70	35240439-1		.OUTLET ASSY-DISCH (ALUM) SUPPLIER CODE: V05167 POSITION DATA: INBD USED ON: 34300000-32	950951	1
75	51420003-1		..LUG ASSY-GND SUPPLIER CODE: V05167 POSITION DATA: INBD USED ON: 35240440-1 35240439-1 POST SERVICE BULLETIN: 34300000-16-26-1 V05167	950951	1
80	NAS1612-5		..PACKING- POST SERVICE BULLETIN: 34300000-16-26-1 V05167	950951	1
85	53100058-1		..SCREEN- SUPPLIER CODE: V05167 USED ON: 35240412-1 35240440-1	950951	1
85	53100272-1		..SCREEN- SUPPLIER CODE: V05167 CONFIG CHG DATA FROM A CMM: SUPSD BY 53100684-1 USED ON: 35240439-1	950951	1
85	53100684-1		..SCREEN- SUPPLIER CODE: V05167 CONFIG CHG DATA FROM A CMM: SUPSDS 53100272-1 USED ON: 35240439-1	950951	1
90	NAS1611-029		..PACKING- POST SERVICE BULLETIN: 34300000-16-26-1 V05167	950951	1

MISSING ITEM NUMBERS NOT APPLICABLE

- ITEM NOT ILLUSTRATED

26-21-01-51

26-21-01
FIG. 51
PAGE 5
JAN 20/09

BRI



757

PARTS CATALOG (MAINTENANCE)

FIG ITEM	PART NUMBER	1 2 3 4 5 6 7	NOMENCLATURE	EFFECT FROM TO	UNITS PER ASSY
51					
95	33670526		.GUARD-PRESS SWITCH SUPPLIER CODE: V05167 USED ON: 34300000-16 34300000-20	950951	1
95	53100730-1		.GUARD-PRESS SWITCH SUPPLIER CODE: V05167 USED ON: 34300000-30 34300000-32	950951	1
100	51900054-11		.PLATE-IDENT SUPPLIER CODE: V05167 USED ON: 34300000-20	950951	1
100	51900054-20		.PLATE-IDENT SUPPLIER CODE: V05167 USED ON: 34300000-32	950951	1
105	31576651		.PLATE-CAUTION SUPPLIER CODE: V05167 REFERENCE SERVICE BULLETIN: 34300000-16-26-1 V05167	950951	1

MISSING ITEM NUMBERS NOT APPLICABLE

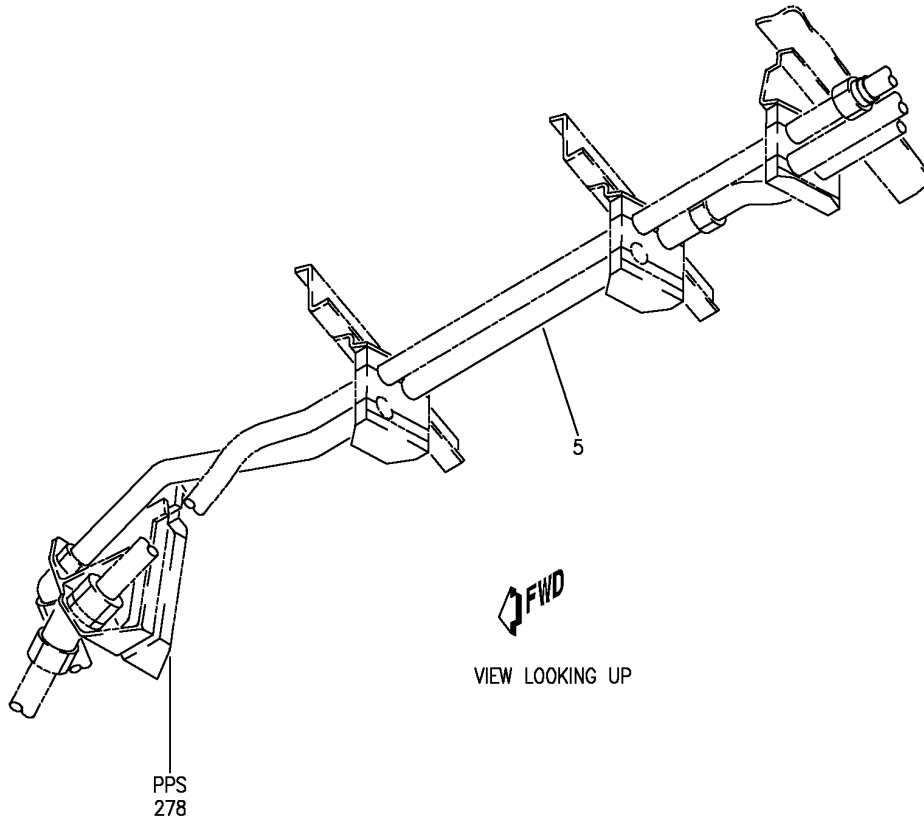
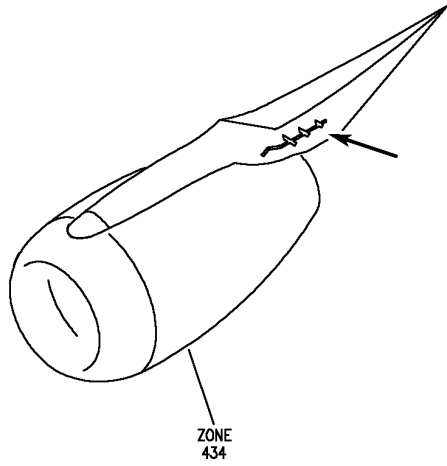
- ITEM NOT ILLUSTRATED

26-21-01-51

26-21-01
FIG. 51
PAGE 6
JAN 20/09

BRI

BOEING
757
PARTS CATALOG (MAINTENANCE)



Y 26215121 REV 247

PLUMBING INSTL-SECT. 12 L TRAILING EDGE CTR SYS (FIRE PROTECTION ONLY)
FIGURE 21

BRI
JAN 20/09

26-21-51-21

26-21-51-21
PAGE 0



757

PARTS CATALOG (MAINTENANCE)

FIG ITEM	PART NUMBER	1 2 3 4 5 6 7	NOMENCLATURE	EFFECT FROM TO	UNITS PER ASSY
21			PLUMBING INSTL-SECT. 12 L TRAILING EDGE CTR SYS (FIRE PROTECTION ONLY)	103106	
- 1	MODREF29850		PLUMBING INSTL-HYDR CTR SYS (FIRE PROTECTION ONLY) MODULE NUMBER: 271N6122-36 REV B POSITION DATA: SECT. 12 L TRAILING EDGE FOR OTHER SYS DETAILS SEE: 27-61-02-05 29-11-17-04 29-11-51-29	103106	1
5	271N6311-1107		.TUBE ASSY- POSITION DATA: LH SIDE TUBING MATERIAL: 1.00 IN. OD .035 IN. WALL 38.90 IN. LG AL AMS 4083 6061 T6 TUBING	103106	1
- 10	AP2097HP16		..SLEEVE SUPPLIER CODE: V01673 SPECIFICATION NUMBER: BACS13BX16HP OPTIONAL PART: 2-02903-16HP V11328 35235VN16 V08199 AFP175V16P V30974 DBOS13BX16HP V14798	103106	1
- 15	BACN10YL16L		..NUT	103106	1
- 20	BACU24AB16W		..UNION	103106	1

MISSING ITEM NUMBERS NOT APPLICABLE

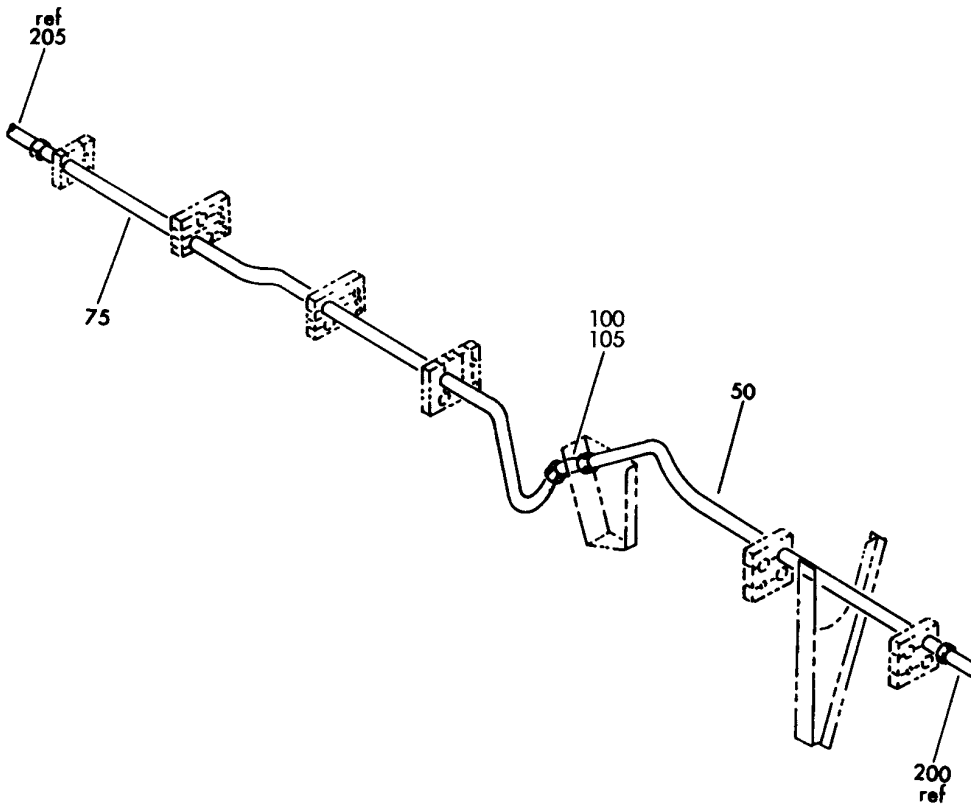
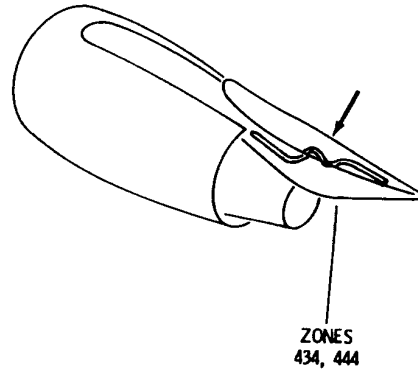
- ITEM NOT ILLUSTRATED

26-21-51-21

26-21-51
FIG. 21
PAGE 1
JAN 20/09

BRI

BOEING
757
PARTS CATALOG (MAINTENANCE)



Y 26215122 REV 200

PLUMBING INSTL-SECT. 31.1 HYDR (FIRE PROTECTION ONLY)
FIGURE 22

26-21-51-22

BRI
MAY 28/07

26-21-51-22
PAGE 0



757

PARTS CATALOG (MAINTENANCE)

FIG ITEM	PART NUMBER	1 2 3 4 5 6 7	NOMENCLATURE	EFFECT FROM TO	UNITS PER ASSY
22			PLUMBING INSTL-SECT. 31.1 HYDR (FIRE PROTECTION ONLY)	002004 006100 107107 121503 904999	
- 1	271N6311-3		PLUMBING INSTL-HYDR (FIRE PROTECTION ONLY) POSITION DATA: SECT. 31.1 LH VARIABLE DRAWING REF: 271N6311-5 FOR NHA/OTHER SYS DET SEE: 29-00-51-02	002004 006100 107107 121503 904999	RF
- 5	271N6311-4		PLUMBING INSTL-HYDR (FIRE PROTECTION ONLY) POSITION DATA: SECT. 31.1 RH VARIABLE DRAWING REF: 271N6311-6 FOR NHA/OTHER SYS DET SEE: 29-00-51-02	002004 006100 107107 121503 904999	RF
50	271N6311-1107		.TUBE ASSY- POSITION DATA: LH SIDE TUBING MATERIAL: 1.00 IN. OD .035 IN. WALL 38.90 IN. LG AL AMS 4083 6061 T6 TUBING	002004 006100 107107 121503 904999	1
- 55	271N6311-1108		.TUBE ASSY- POSITION DATA: RH SIDE TUBING MATERIAL: 1.00 IN. OD .035 IN. WALL 38.20 IN. LG AL AMS 4083 6061 T6 TUBING	002004 006100 107107 121503 904999	1

MISSING ITEM NUMBERS NOT APPLICABLE

- ITEM NOT ILLUSTRATED

BRI

26-21-51-22

26-21-51
FIG. 22
PAGE 1
JAN 20/09



757

PARTS CATALOG (MAINTENANCE)

FIG ITEM	PART NUMBER	1 2 3 4 5 6 7	NOMENCLATURE	EFFECT FROM TO	UNITS PER ASSY
22					
- 60	AP2097HP16	..	SLEEVE SUPPLIER CODE: V01673 SPECIFICATION NUMBER: BACS13BX16HP OPTIONAL PART: 2-02903-16HP V11328 35235VN16 V08199 AFP175V16P V30974 DBOS13BX16HP V14798	002004 006100 107107 121503 904999	1
- 65	BACN10YL16L	..	NUT-	002004 006100 107107 121503 904999	1
- 70	BACU24AB16W	..	UNION	002004 006100 107107 121503 904999	1
75	271N6311-1129	.TUBE ASSY-	POSITION DATA: LH SIDE TUBING MATERIAL: 1.00 IN. OD .035 IN. WALL 58.7 IN. LG AL AMS 4083 6061 T6 TUBING	002004 006100 107107 121503 904999	1
- 80	271N6311-1130	.TUBE ASSY-	POSITION DATA: RH SIDE TUBING MATERIAL: 1.00 IN. OD .035 IN. WALL 58.7 IN. LG AL AMS 4083 6061 T6 TUBING	002004 006100 107107 121503 904999	1

MISSING ITEM NUMBERS NOT APPLICABLE

- ITEM NOT ILLUSTRATED

BRI

26-21-51-22

26-21-51
FIG. 22
PAGE 2
JAN 20/09



**757
PARTS CATALOG (MAINTENANCE)**

FIG ITEM	PART NUMBER	1 2 3 4 5 6 7	NOMENCLATURE	EFFECT FROM TO	UNITS PER ASSY
22					
- 85	AP2097HP16	..	SLEEVE SUPPLIER CODE: V01673 SPECIFICATION NUMBER: BACS13BX16HP OPTIONAL PART: 2-02903-16HP V11328 35235VN16 V08199 AFP175V16P V30974 DBOS13BX16HP V14798	002004 006100 107107 121503 904999	2
- 90	BACN10YL16L	..	NUT-	002004 006100 107107 121503 904999	2
100	MS21907D16	.	ELBOW-	107107	1
100	MS21907W16	.	ELBOW-	002004 006100 121503 904999	1
105	AN924-16D	.	NUT	002004 006100 107107 121503 904999	1
200			ILLUSTRATION REFERENCE: PLUMBING INSTL-CARGO BAY TO STRUT ENG FIRE EXT AFT 26-21-55-01	002004 006100 107107 121503 904999	RF

MISSING ITEM NUMBERS NOT APPLICABLE

- ITEM NOT ILLUSTRATED

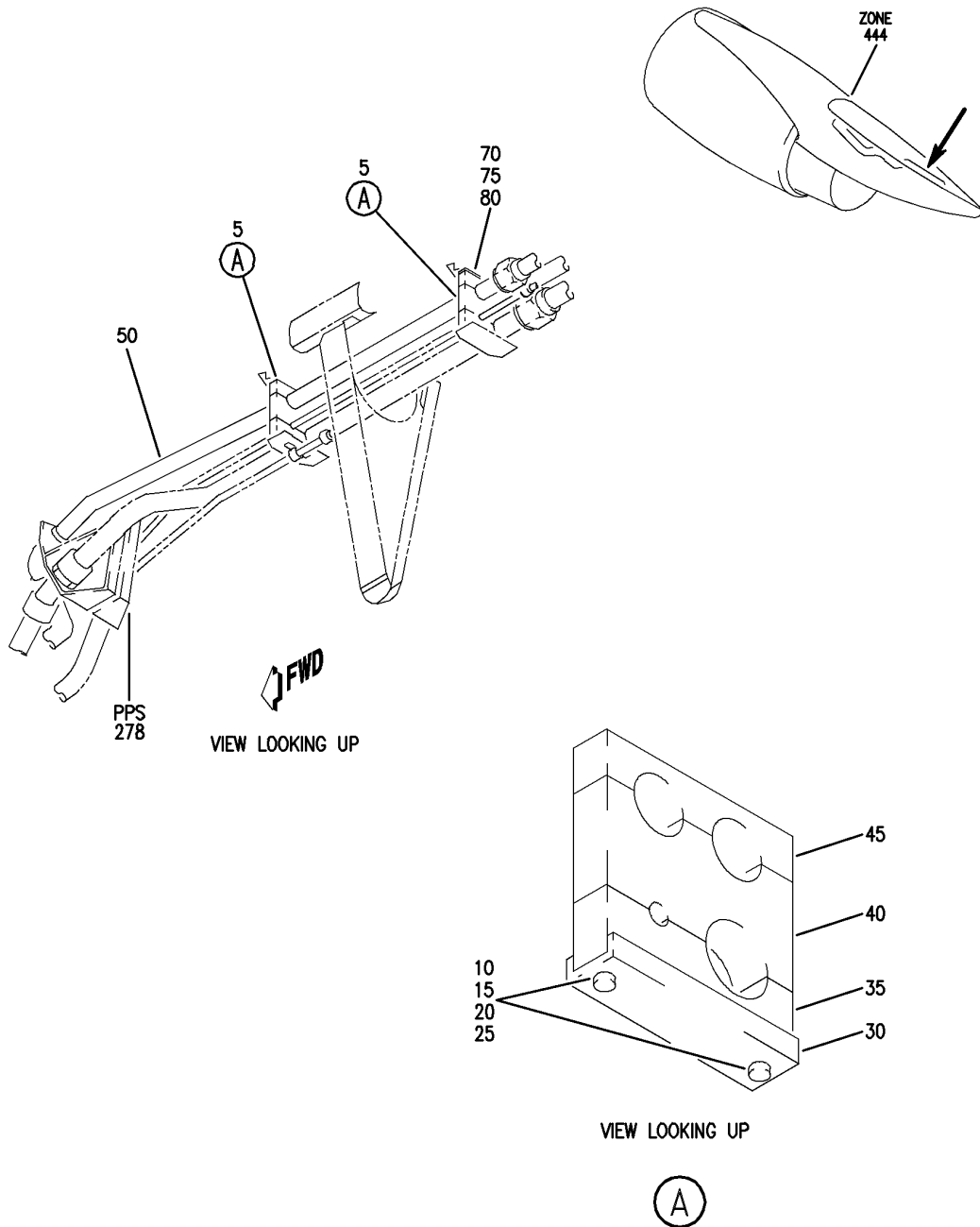
BRI

26-21-51-22

BOEING PROPRIETARY - Copyright © - Unpublished Work - See title page for details.

26-21-51
FIG. 22
PAGE 3
JAN 20/09

BOEING
757
PARTS CATALOG (MAINTENANCE)



Y 26215123 REV 248

PLUMBING INSTL-SECT. 12 R TRAILING EDGE CTR SYS (FIRE PROTECTION ONLY)
FIGURE 23

26-21-51-23

BRI
JAN 20/09

26-21-51-23
PAGE 0



757

PARTS CATALOG (MAINTENANCE)

FIG ITEM	PART NUMBER	1 2 3 4 5 6 7	NOMENCLATURE	EFFECT FROM TO	UNITS PER ASSY
23			PLUMBING INSTL-SECT. 12 R TRAILING EDGE CTR SYS (FIRE PROTECTION ONLY)	103106	
- 1	MODREF31799		PLUMBING INSTL-HYDR CTR SYS FIRE PROTECTION ONLY) MODULE NUMBER: 271N6123-23 REV B POSITION DATA: SECT. 12 R TRAILING EDGE FOR OTHER SYS DETAILS SEE: 27-61-02-07 29-11-17-05 29-11-51-50	103106	1
5	270N2000-240		.CLAMP ASSY	103106	2
10	NAS1801-3-67		..SCREW	103106	2
15	NAS43DD3-232		..SPACER	103106	2
20	AN960KD10L		..WASHER	103106	2
25	BRH10A3		..NUT SUPPLIER CODE: V52828 SPECIFICATION NUMBER: BACN10JC3 OPTIONAL PART: H10-3BAC V15653 NS202101-02 V80539 RMLH9075-3W V72962 VN303A02 V92215 96-02 V80539 T6S1032J V11815	103106	2
30	270N2000-824		..CHANNEL	103106	1
35	270N2000-454		..BLOCK	103106	1
40	270N2000-455		..BLOCK	103106	1
45	270N2000-456		..BLOCK	103106	1
50	271N6311-1108		.TUBE ASSY- TUBING MATERIAL: 1.00 IN. OD .035 IN. WALL 38.20 IN. LG AL AMS 4083 6061 T6 TUBING	103106	1

MISSING ITEM NUMBERS NOT APPLICABLE

- ITEM NOT ILLUSTRATED

26-21-51-23

26-21-51
FIG. 23
PAGE 1
JAN 20/09

BRI



757

PARTS CATALOG (MAINTENANCE)

FIG ITEM	PART NUMBER	1 2 3 4 5 6 7	NOMENCLATURE	EFFECT FROM TO	UNITS PER ASSY
23					
- 55	AP2097HP16	..	SLEEVE SUPPLIER CODE: V01673 SPECIFICATION NUMBER: BACS13BX16HP OPTIONAL PART: 2-02903-16HP V11328 35235VN16 V08199 AFP175V16P V30974 DBOS13BX16HP V14798	103106	1
- 60	BACN10YL16L	..	NUT	103106	1
- 65	BACU24AB16W	..	UNION	103106	1
70	270N2006-67	.	SHIM	103106	AR
75	270N2006-68	.	SHIM	103106	AR
80	270N2006-69	.	SHIM	103106	AR

MISSING ITEM NUMBERS NOT APPLICABLE

- ITEM NOT ILLUSTRATED

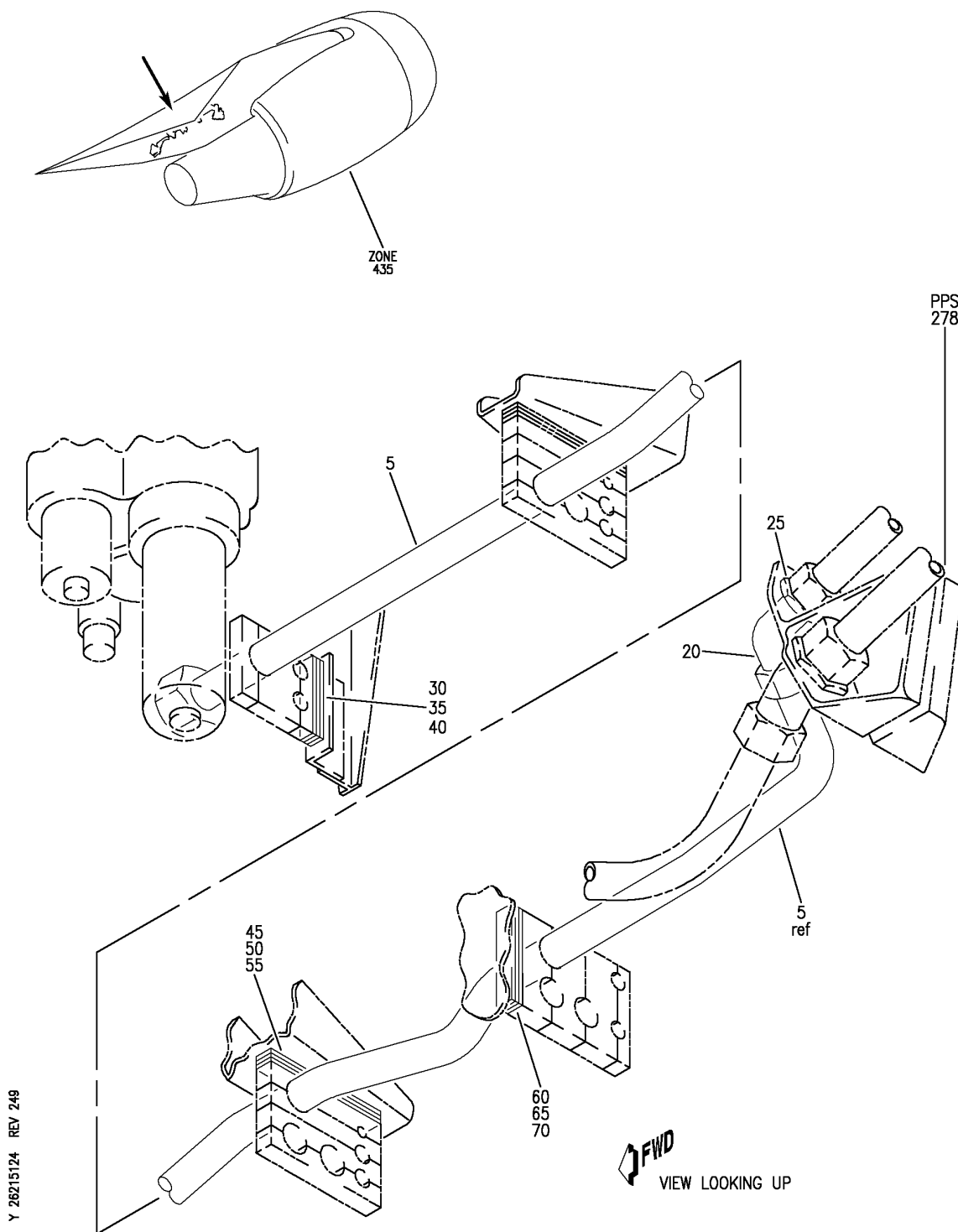
BRI

26-21-51-23

BOEING PROPRIETARY - Copyright © - Unpublished Work - See title page for details.

26-21-51
FIG. 23
PAGE 2
JAN 20/09

BOEING
757
PARTS CATALOG (MAINTENANCE)



Y 26215124 REV 249

PLUMBING INSTL-SECT. 31.1 LEFT AFT ENG STRUT BASIC AND STABLE (FIRE PROTECTION ONLY)
FIGURE 24

26-21-51-24

BRI
JAN 20/09

26-21-51-24
PAGE 0



757

PARTS CATALOG (MAINTENANCE)

FIG ITEM	PART NUMBER	1 2 3 4 5 6 7	NOMENCLATURE	EFFECT FROM TO	UNITS PER ASSY
24			PLUMBING INSTL-SECT. 31.1 LEFT AFT ENG STRUT BASIC AND STABLE (FIRE PROTECTION ONLY)	103106	RF
- 1	MODREF31365		PLUMBING INSTL-HYDR AFT STRUT BASIC AND STABLE (FIRE PROTECTION ONLY) MODULE NUMBER: 271N6311-23 REV B FOR OTHER SYS DETAILS SEE: 29-11-51-29B	103106	1
5	271N6311-1129		.TUBE ASSY-FIRE PRESSURE TUBING MATERIAL: 1.00 IN. OD .035 IN. WALL 58.7 IN. LG AL AMS 4083 6061 T6 TUBING	103106	1
- 10	AP2097HP16		..SLEEVE SUPPLIER CODE: V01673 SPECIFICATION NUMBER: BACS13BX16HP OPTIONAL PART: 2-02903-16HP V11328 35235VN16 V08199 AFP175V16P V30974 DBOS13BX16HP V14798	103106	2
- 15	BACN10YL16L		..NUT	103106	2
20	MS21907W16		.ELBOW-BHD-45	103106	1
25	AS5178D16		.NUT	103106	1
30	270N2006-37		.SHIM	103106	AR
35	270N2006-38		.SHIM	103106	AR
40	270N2006-39		.SHIM	103106	AR
45	270N2006-61		.SHIM	103106	AR
50	270N2006-62		.SHIM	103106	AR
55	270N2006-63		.SHIM	103106	AR
60	270N2006-7		.SHIM	103106	AR
65	270N2006-8		.SHIM	103106	AR
70	270N2006-9		.SHIM	103106	AR

MISSING ITEM NUMBERS NOT APPLICABLE

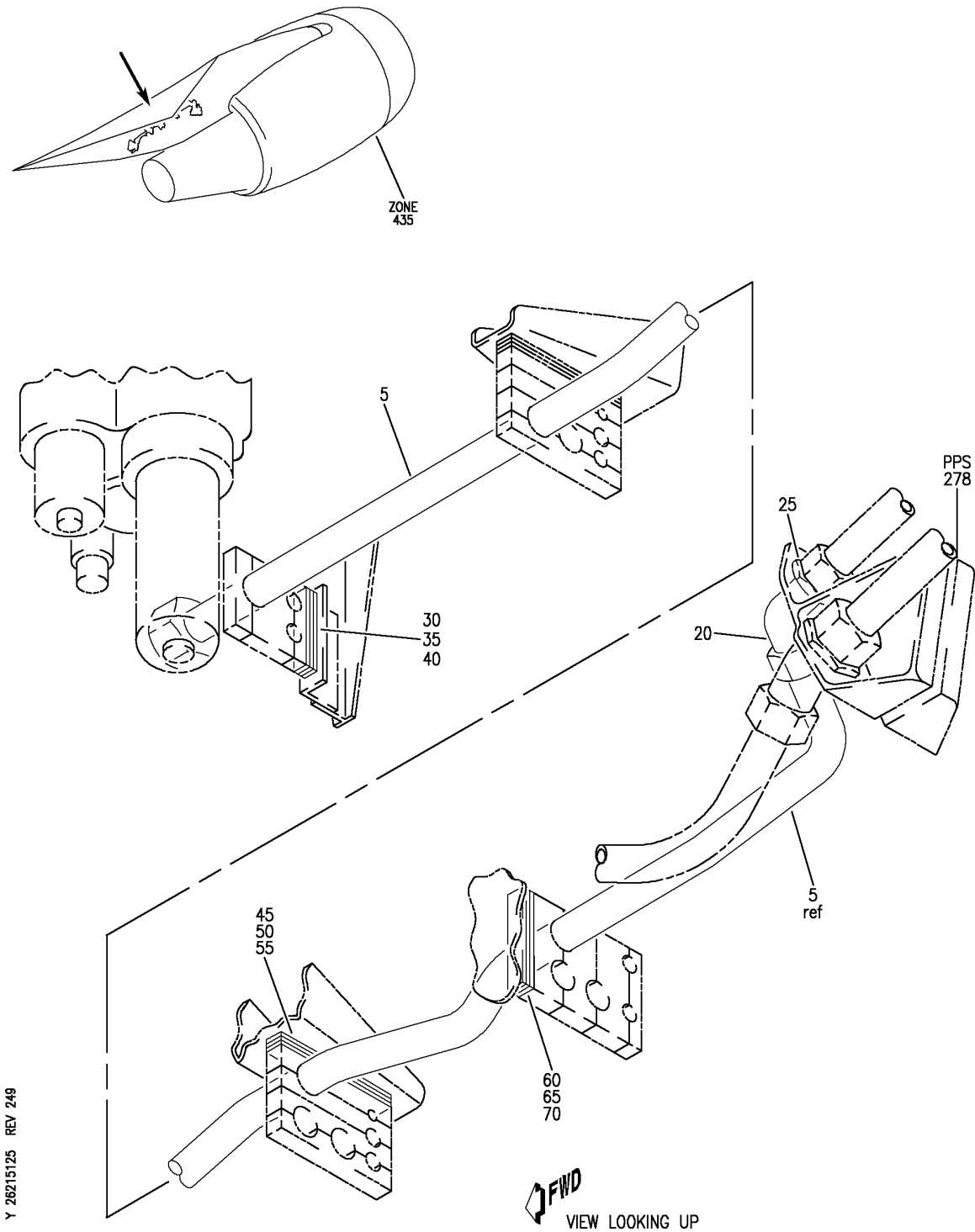
- ITEM NOT ILLUSTRATED

26-21-51-24

26-21-51
FIG. 24
PAGE 1
JAN 20/09

BRI

BOEING
757
PARTS CATALOG (MAINTENANCE)



PLUMBING INSTL-SECT. 31.1 RIGHT AFT ENG STRUT BASIC AND STABLE (FIRE PROTECTION ONLY)
FIGURE 25

BRI
JAN 20/09

26-21-51-25

26-21-51-25
PAGE 0



757

PARTS CATALOG (MAINTENANCE)

FIG ITEM	PART NUMBER	1 2 3 4 5 6 7	NOMENCLATURE	EFFECT FROM TO	UNITS PER ASSY
25			PLUMBING INSTL-SECT. 31.1 RIGHT AFT ENG STRUT BASIC AND STABLE (FIRE PROTECTION ONLY)	103106	RF
- 1	MODREF31366		PLUMBING INSTL-HYDR LEFT AFT STRUT BASIC AND STABLE (FIRE PROTECTION ONLY) MODULE NUMBER: 271N6311-24 REV B POSITION DATA: SECT. 31.1 R FOR OTHER SYS DETAILS SEE: 29-11-51-29C	103106	1
5	271N6311-1130		.TUBE ASSY-FIRE PRESSURE TUBING MATERIAL: 1.00 IN. OD .035 IN. WALL 58.7 IN. LG AL AMS 4083 6061 T6 TUBING	103106	1
- 10	AP2097HP16		..SLEEVE SUPPLIER CODE: V01673 SPECIFICATION NUMBER: BACS13BX16HP OPTIONAL PART: 2-02903-16HP V11328 35235VN16 V08199 AFP175V16P V30974 DBOS13BX16HP V14798	103106	2
- 15	BACN10YL16L		..NUT	103106	2
20	MS21907W16		.ELBOW-BHD-45	103106	1
25	AS5178D16		.NUT	103106	1
30	270N2006-37		.SHIM	103106	AR
35	270N2006-38		.SHIM	103106	AR
40	270N2006-39		.SHIM	103106	AR
45	270N2006-61		.SHIM	103106	AR
50	270N2006-62		.SHIM	103106	AR
55	270N2006-63		.SHIM	103106	AR
60	270N2006-7		.SHIM	103106	AR
65	270N2006-8		.SHIM	103106	AR
70	270N2006-9		.SHIM	103106	AR

MISSING ITEM NUMBERS NOT APPLICABLE

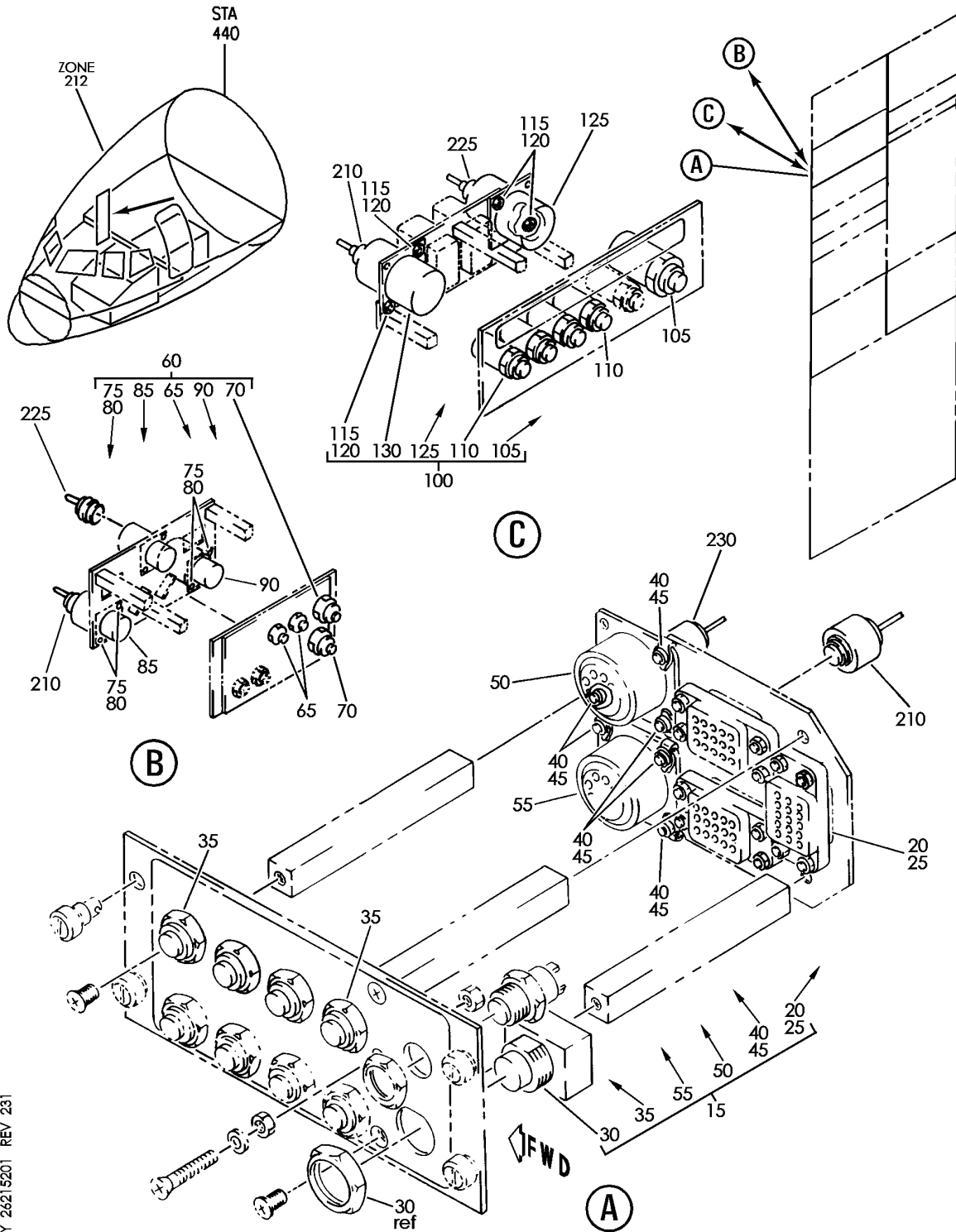
- ITEM NOT ILLUSTRATED

26-21-51-25

26-21-51
FIG. 25
PAGE 1
JAN 20/09

BRI

BOEING
757
PARTS CATALOG (MAINTENANCE)



Y 24215201 REV 231

PANEL INSTL-P61 R SIDEWALL (ENGINE FIRE EXTINGUISHING ONLY)
FIGURE 1

26-21-52-01

BRI
MAY 28/07

26-21-52-01
PAGE 0



757

PARTS CATALOG (MAINTENANCE)

FIG ITEM	PART NUMBER	1 2 3 4 5 6 7	NOMENCLATURE	EFFECT FROM TO	UNITS PER ASSY
1			PANEL INSTL-P61 R SIDEWALL (ENGINE FIRE EXTINGUISHING ONLY)	101106 108120	
- 2	233N7403-28		PANEL INSTL-P61 SIDEWALL (ENGINE FIRE EXTINGUISHING ONLY) POSITION DATA: R FOR NHA/OTHER SYS DET SEE: 25-10-00-15B	504903 101101	RF
- 3	233N7403-117		PANEL INSTL-P61 SIDEWALL (ENGINE FIRE EXTINGUISHING ONLY) POSITION DATA: R FOR NHA/OTHER SYS DET SEE: 25-10-00-15B	504903	RF
- 3	233N7403-128		PANEL INSTL-P61 SIDEWALL (ENGINE FIRE EXTINGUISHING ONLY) POSITION DATA: R FOR NHA/OTHER SYS DET SEE: 25-10-00-15B	102102	RF
- 5	233N7403-158		PANEL INSTL-P61 SIDEWALL (ENGINE FIRE EXTINGUISHING ONLY) POSITION DATA: R FOR NHA/OTHER SYS DET SEE: 25-10-00-15B	108120	RF

MISSING ITEM NUMBERS NOT APPLICABLE

- ITEM NOT ILLUSTRATED

26-21-52-01

26-21-52
FIG. 01
PAGE 1
JAN 20/09

BRI



757

PARTS CATALOG (MAINTENANCE)

FIG ITEM	PART NUMBER	1 2 3 4 5 6 7	NOMENCLATURE	EFFECT FROM TO	UNITS PER ASSY
1 - 8	MODREF33342		PANEL INSTL- (ENGINE FIRE EXTINGUISHING ONLY) MODULE NUMBER: 233N7403-171 REV A FOR OTHER SYS DETAILS SEE: 11-32-01-98 21-58-51-04 22-21-51-01 23-41-52-01 24-22-73-02 26-18-53-02 26-22-52-01 26-23-52-03 27-23-51-02 28-41-51-04 29-22-52-01 30-11-52-01 30-41-51-04 31-14-16-87 31-31-04-01 31-41-53-01 31-51-51-01 34-12-54-01 34-21-51-02 34-46-51-05 34-61-53-03	103106	1
15	233N7506-1	.	PANEL ASSY-SQUIB TEST SUPPLIER CODE: V89954 ELECTRICAL EQUIP NUMBER: M10401 COMPONENT MAINT MANUAL REF: 26-21-52	101106 108120 504903	RF
20	W460F1A	..	RELAY SUPPLIER CODE: VF0219 SPECIFICATION NUMBER: BACR13CE2 OPTIONAL PART: 3SAH5-13-4K1 V01526 3SAH1326A2 V01526	101106 108120 504903	1
25	451120-027	..	SOCKET- SUPPLIER CODE: V03743	101106 108120 504903	1

MISSING ITEM NUMBERS NOT APPLICABLE

- ITEM NOT ILLUSTRATED

BRI

26-21-52-01

26-21-52
FIG. 01
PAGE 2
JAN 20/09



757

PARTS CATALOG (MAINTENANCE)

FIG ITEM	PART NUMBER	1 2 3 4 5 6 7	NOMENCLATURE	EFFECT FROM TO	UNITS PER ASSY
1					
30	P4-10056-12	..	SWITCH-PUSHBUTTON SUPPLIER CODE: V21649	101106 108120 504903	1
35	BCREF4858	..	LIGHT ASSY-IND SUPPLIER CODE: V81590 OVERLENGTH PART NUMBER: 116-565-1042-001 FOR DETAILS SEE: 33-14-70-05	101106 108120 504903	4
40	BACS12CB04-5	..	SCREW-	101106 108120 504903	6
45	K19798-04	..	NUT SUPPLIER CODE: V15653 SPECIFICATION NUMBER: BACN10NW1 OPTIONAL PART: RMA4812-160-40 V72962 293162 V60119	101106 108120 504903	6
50	BACC45FN14-15P9	..	CONNECTOR	101106 108120 504903	1
55	BACC45FN14-15P7	..	CONNECTOR	101106 108120 504903	1
- 201	286N2078-328		WIRE BUNDLE ASSY	504903	RF
- 201	286N2078-330		WIRE BUNDLE ASSY	101102	RF
- 201	286N2078-331		WIRE BUNDLE ASSY	108120	RF
- 202	286N2078-601		WIRE BUNDLE ASSY	103106	RF
210	BACC45FT14A15S7	.	CONNECTOR- ELECTRICAL EQUIP NUMBER: D03734 WIRING DIAGRAM REF: 262111	103106	1
210	BACC45FT14A15S7	.	CONNECTOR- ELECTRICAL EQUIP NUMBER: D03734 WIRING DIAGRAM REF: 262111	101102 108120 504903	1
- 216	286N2156-326		WIRE BUNDLE ASSY	101102	RF
- 216	286N2156-331		WIRE BUNDLE ASSY	504903	RF
- 216	286N2156-335		WIRE BUNDLE ASSY	108120	RF
- 217	286N2156-601		WIRE BUNDLE ASSY	103106	RF

MISSING ITEM NUMBERS NOT APPLICABLE

- ITEM NOT ILLUSTRATED

26-21-52-01

26-21-52
FIG. 01
PAGE 3
JAN 20/09

BRI



757

PARTS CATALOG (MAINTENANCE)

FIG ITEM	PART NUMBER	1 2 3 4 5 6 7	NOMENCLATURE	EFFECT FROM TO	UNITS PER ASSY
1 225	BACC45FT14A15S9	.	CONNECTOR- ELECTRICAL EQUIP NUMBER: D03736 WIRING DIAGRAM REF: 262111	103106	1
230	BACC45FT14A15S9	.	CONNECTOR- ELECTRICAL EQUIP NUMBER: D03736 WIRING DIAGRAM REF: 262111	101102 108120 504903	1

MISSING ITEM NUMBERS NOT APPLICABLE

- ITEM NOT ILLUSTRATED

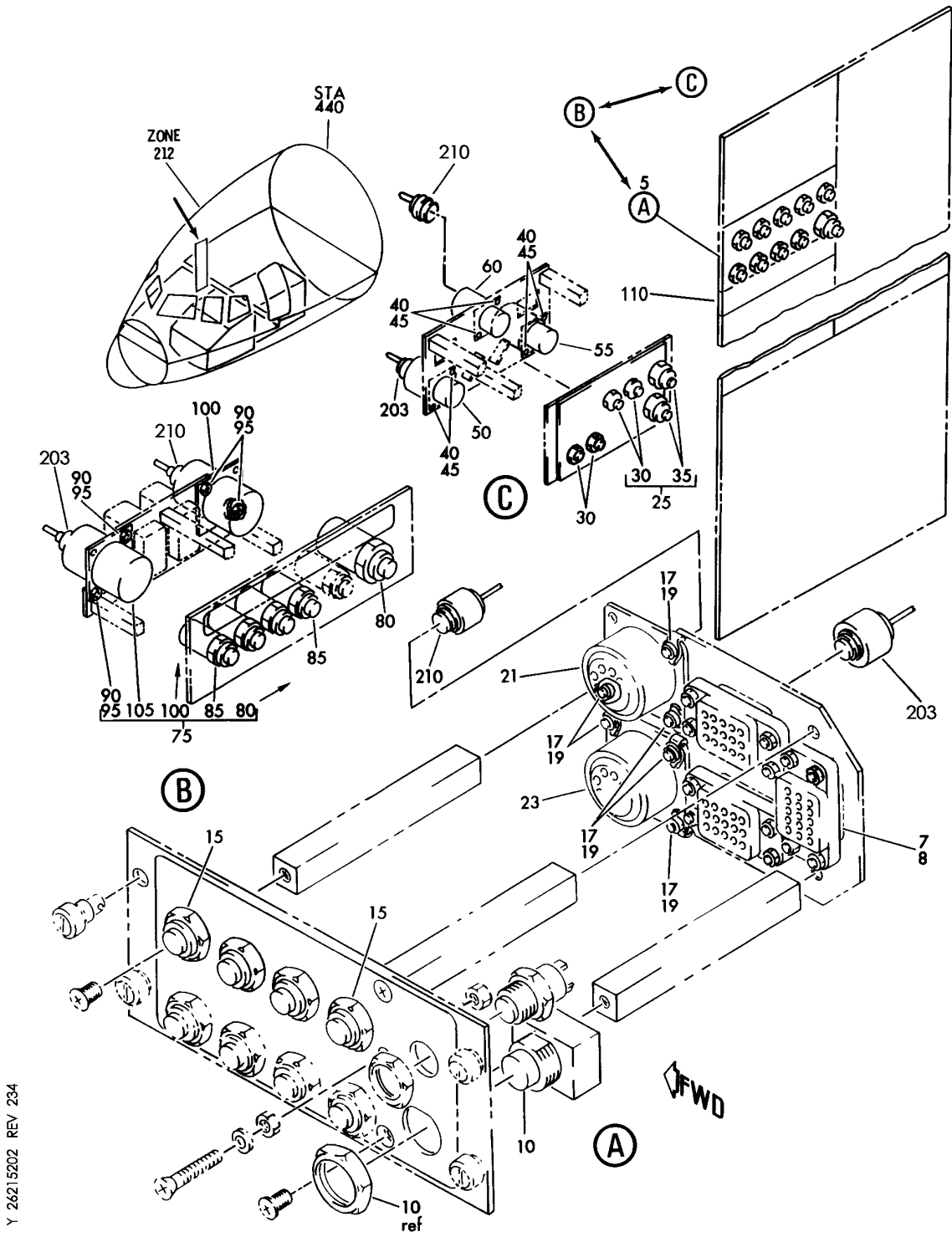
BRI

26-21-52-01

BOEING PROPRIETARY - Copyright © - Unpublished Work - See title page for details.

26-21-52
FIG. 01
PAGE 4
JAN 20/09

BOEING
757
PARTS CATALOG (MAINTENANCE)



Y 26215202 REV 234

PANEL INSTL-P61 R SIDEWALL (ENGINE FIRE EXTINGUISHING ONLY)
FIGURE 2

26-21-52-02

BRI
MAY 28/07

26-21-52-02
PAGE 0

 **BOEING**
757
PARTS CATALOG (MAINTENANCE)

FIG ITEM	PART NUMBER	1 2 3 4 5 6 7	NOMENCLATURE	EFFECT FROM TO	UNITS PER ASSY
2			PANEL INSTL-P61 R SIDEWALL (ENGINE FIRE EXTINGUISHING ONLY)	002004 006100 107107 121503 904999	
- 1	233N7401-1		PANEL INSTL-P61 SIDEWALL (ENGINE FIRE EXTINGUISHING ONLY) POSITION DATA: R VARIABLE DRAWING REF: 233N7401-5004 233N7401-5005 233N7401-5036 233N7401-5038 233N7401-5042 FOR NHA/OTHER SYS DET SEE: 25-10-00-05A	002004 006100 107107 121503 904999	RF
5	233N7506-1		.PANEL ASSY-SQUIB TEST SUPPLIER CODE: V89954 ELECTRICAL EQUIP NUMBER: M10401 COMPONENT MAINT MANUAL REF: 26-21-52	002004 006100 107107 121503 904999	1
7	W460F1A		..RELAY SUPPLIER CODE: VF0219 SPECIFICATION NUMBER: BACR13CE2 OPTIONAL PART: 3SAH5-13-4K1 V01526 3SAH1326A2 V01526	002004 006100 107107 121503 904999	1
8	451120-027		..SOCKET- SUPPLIER CODE: V03743	002004 006100 107107 121503 904999	1
10	P4-10056-12		..SWITCH-PUSHBUTTON SUPPLIER CODE: V21649	002004 006100 107107 121503 904999	1

MISSING ITEM NUMBERS NOT APPLICABLE

- ITEM NOT ILLUSTRATED

BRI

26-21-52-02

26-21-52
FIG. 02
PAGE 1
JAN 20/09



757

PARTS CATALOG (MAINTENANCE)

FIG ITEM	PART NUMBER	1 2 3 4 5 6 7	NOMENCLATURE	EFFECT FROM TO	UNITS PER ASSY
2					
15	BCREF4858		.. LIGHT ASSY-IND SUPPLIER CODE: V81590 OVERLENGTH PART NUMBER: 116-565-1042-001 FOR DETAILS SEE: 33-14-70-05	002004 006100 107107 121503 904999	4
17	NAS1801-04-5		.. SCREW	002004 006100 107107 121503 904999	6
19	K19798-04		.. NUT SUPPLIER CODE: V15653 SPECIFICATION NUMBER: BACN10NW1 OPTIONAL PART: RMA4812-160-40 V72962 293162 V60119	002004 006100 107107 121503 904999	6
21	BACC45FN14-15P9		.. CONNECTOR	002004 006100 107107 121503 904999	1
23	BACC45FN14-15P7		.. CONNECTOR	002004 006100 107107 121503 904999	1
- 200	286N2078-003		WIRE BUNDLE ASSY-	121503 904949	RF
- 200	286N2078-004		WIRE BUNDLE ASSY	107107	RF
- 200	286N2078-005		WIRE BUNDLE ASSY-	002004 006100 950999	RF
203	BACC45FT14A15S7		.CONNECTOR- ELECTRICAL EQUIP NUMBER: D03734 WIRING DIAGRAM REF: 262111	002004 006100 107107 121503 904999	1
- 207	286N2156-003		WIRE BUNDLE ASSY-	121503 904949	RF
- 207	286N2156-004		WIRE BUNDLE ASSY	107107	RF
- 207	286N2156-005		WIRE BUNDLE ASSY-	002004 006100 950999	RF

MISSING ITEM NUMBERS NOT APPLICABLE

- ITEM NOT ILLUSTRATED

26-21-52-02

26-21-52
FIG. 02
PAGE 2
JAN 20/09

BRI



757

PARTS CATALOG (MAINTENANCE)

FIG ITEM	PART NUMBER	1 2 3 4 5 6 7	NOMENCLATURE	EFFECT FROM TO	UNITS PER ASSY
2 210	BACC45FT14A15S9	.	CONNECTOR- ELECTRICAL EQUIP NUMBER: D03736 WIRING DIAGRAM REF: 262111	002004 006100 107107 121503 904999	1

MISSING ITEM NUMBERS NOT APPLICABLE

- ITEM NOT ILLUSTRATED

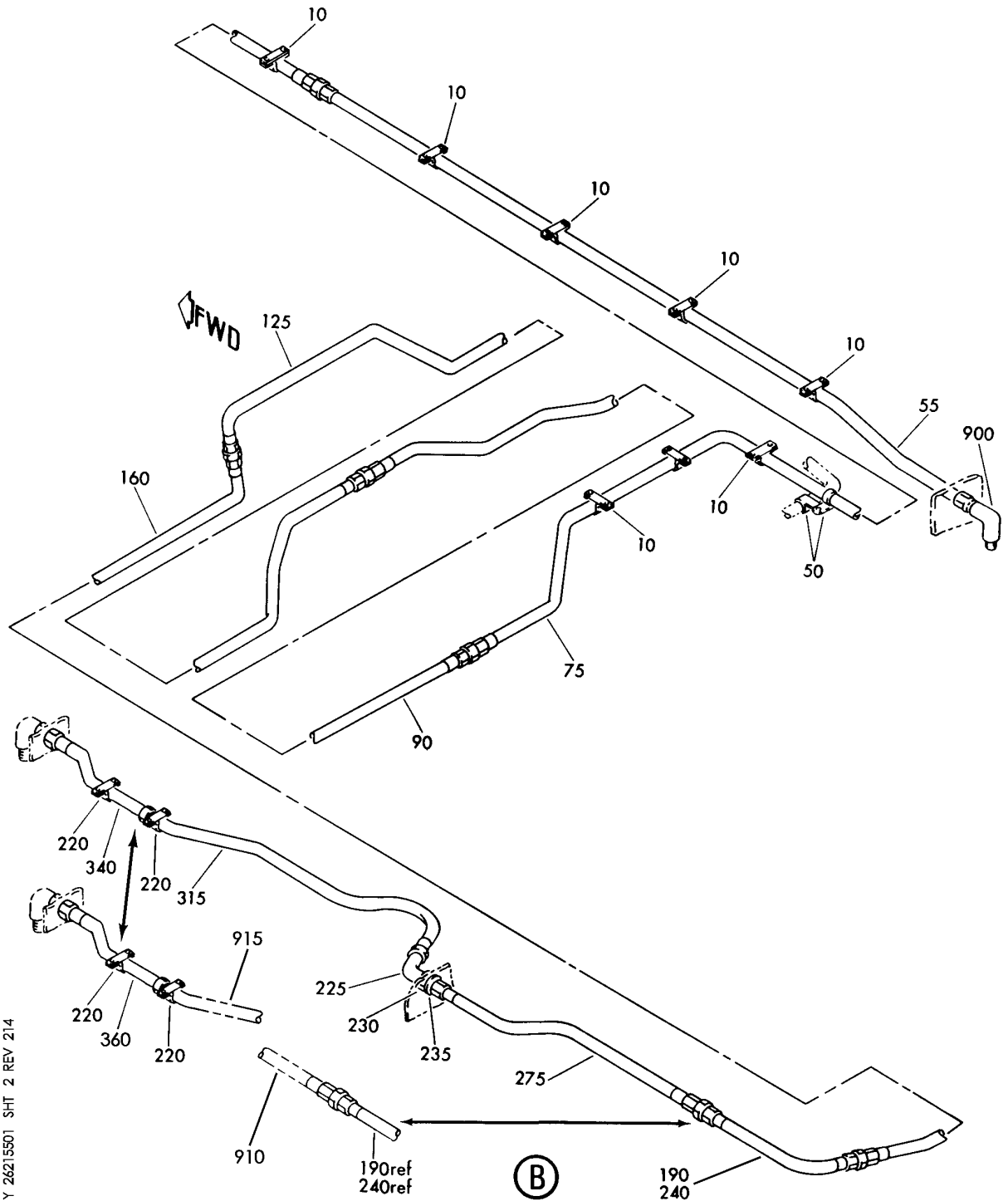
BRI

26-21-52-02

BOEING PROPRIETARY - Copyright © - Unpublished Work - See title page for details.

26-21-52
FIG. 02
PAGE 3
JAN 20/09

BOEING
757
PARTS CATALOG (MAINTENANCE)



Y 26215501 SHT 2 REV 214

PLUMBING INSTL-CARGO BAY TO STRUT ENG FIRE EXT AFT
FIGURE 1 (SHEET 2)

26-21-55-01

BRI
MAY 28/07

26-21-55-01
PAGE 0A



757

PARTS CATALOG (MAINTENANCE)

FIG ITEM	PART NUMBER	1 2 3 4 5 6 7	NOMENCLATURE	EFFECT FROM TO	UNITS PER ASSY
1			PLUMBING INSTL-CARGO BAY TO STRUT ENG FIRE EXT AFT	002004 006999	
- 1	312N5511-1		PLUMBING INSTL-WHL WELL AND REAR SPAR ENG FIRE EXT POSITION DATA: LH	002004 006100 107107 121503 904999	1
- 3	312N5511-23		PLUMBING INSTL-WHL WELL AND REAR SPAR ENG FIRE EXT POSITION DATA: LH	101102 108120 504903	RF
- 3	MODREF14187		FOR NHA SEE: 71-00-00-01 PLUMBING INSTL-WHL WELL AND REAR SPAR ENG FIRE EXT MODULE NUMBER: 312N5511-23 REV A POSITION DATA: LH	103106	1
- 5	312N5511-2		PLUMBING INSTL-WHL WELL AND REAR SPAR ENG FIRE EXT POSITION DATA: RH	002004 006100 107107 121503 904999	1
- 7	312N5511-24		PLUMBING INSTL-WHL WELL AND REAR SPAR ENG FIRE EXT POSITION DATA: RH	101102 108120 504903	RF
- 7	MODREF14188		FOR NHA SEE: 71-00-00-01 PLUMBING INSTL-WHL WELL AND REAR SPAR ENG FIRE EXT MODULE NUMBER: 312N5511-24 REV A POSITION DATA: RH	103106	1
10	TA0910004H116		.CLAMP- SUPPLIER CODE: V84971 SPECIFICATION NUMBER: BACC10HB16C POSITION DATA: LH SIDE	002004 006999	8
- 15	NAS1801-3-8		ATTACHING PARTS .SCREW	002004 006999	16

MISSING ITEM NUMBERS NOT APPLICABLE

- ITEM NOT ILLUSTRATED

26-21-55-01

26-21-55
FIG. 01
PAGE 1
JAN 20/09

BRI

BOEING
757
PARTS CATALOG (MAINTENANCE)

FIG ITEM	PART NUMBER	1 2 3 4 5 6 7	NOMENCLATURE	EFFECT FROM TO	UNITS PER ASSY
1					
- 20	AN960KD10L	.	WASHER-	002004 006100 107107 121503 904999	16
- 20	NAS1149D0332J	.	WASHER	101106 108120 504903	16
- 25	BRH10A3	.	NUT SUPPLIER CODE: V52828 SPECIFICATION NUMBER: BACN10JC3 OPTIONAL PART: H10-3BAC V15653 NS202101-02 V80539 RMLH9075-3W V72962 VN303A02 V92215 96-02 V80539 T6S1032J V11815	002004 006100 107107 121503 904999	16
- 25	PLH53CD	.	NUT SUPPLIER CODE: VF0224 SPECIFICATION NUMBER: BACN10YR3CD OPTIONAL PART: H52732-3CD V15653	101106 108120 504903	16
30	TA0910004H116	-----*	.CLAMP- SUPPLIER CODE: V84971 SPECIFICATION NUMBER: BACC10HB16C POSITION DATA: RH SIDE ATTACHING PARTS	002004 006999	8
- 35	NAS1801-3-8	.	SCREW	002004 006999	16

MISSING ITEM NUMBERS NOT APPLICABLE

- ITEM NOT ILLUSTRATED

BRI

26-21-55-01

BOEING PROPRIETARY - Copyright © - Unpublished Work - See title page for details.

26-21-55
FIG. 01
PAGE 2
JAN 20/09



757

PARTS CATALOG (MAINTENANCE)

FIG ITEM	PART NUMBER	1 2 3 4 5 6 7	NOMENCLATURE	EFFECT FROM TO	UNITS PER ASSY
1					
- 40	AN960KD10L	.	WASHER-	002004 006100 107107 121503 904999	16
- 40	NAS1149D0332J	.	WASHER	101106 108120 504903	16
- 45	BRH10A3	.	NUT SUPPLIER CODE: V52828 SPECIFICATION NUMBER: BACN10JC3 OPTIONAL PART: H10-3BAC V15653 NS202101-02 V80539 RMLH9075-3W V72962 VN303A02 V92215 96-02 V80539 T6S1032J V11815	002004 006100 107107 121503 904999	16
- 45	PLH53CD	.	NUT SUPPLIER CODE: VF0224 SPECIFICATION NUMBER: BACN10YR3CD OPTIONAL PART: H52732-3CD V15653 -----*-----	101106 108120 504903	16
50	M85052-2-16	.	CLAMP- POSITION DATA: LH SIDE	002004 006999	2
55	312N5511-1043	.	TUBE ASSY- POSITION DATA: LH SIDE	107107 904949 952952	1
55	312N5511-1049	.	TUBE ASSY- POSITION DATA: LH SIDE TUBING MATERIAL: 1.0 IN. OD .035 IN. WALL 102.8 IN. LG WW-T-700/6 6061 T6 TUBING	002004 006106 108903 950951 953999	1

MISSING ITEM NUMBERS NOT APPLICABLE

- ITEM NOT ILLUSTRATED

26-21-55-01

26-21-55
FIG. 01
PAGE 3
JAN 20/09

BRI



757

PARTS CATALOG (MAINTENANCE)

FIG ITEM	PART NUMBER	1 2 3 4 5 6 7	NOMENCLATURE	EFFECT FROM TO	UNITS PER ASSY
1					
60	312N5511-1006		.TUBE ASSY- POSITION DATA: RH SIDE TUBING MATERIAL: 1.00 IN. OD .035 IN. WALL 97.75 IN. LG AL	107107 904949	1
60	312N5511-1050		.TUBE ASSY- POSITION DATA: RH SIDE TUBING MATERIAL: 1.0 IN. OD .035 IN. WALL 98.2 IN. LG WW-T-700/6 6061 T6 TUBING	002004 006106 108903 950951 953999	1
60	312N5511-1059		.TUBE ASSY- POSITION DATA: RH SIDE TUBING MATERIAL: 1.00 IN. OD .035 IN. WALL 97.75 IN. LG AL	952952	1
- 65	AP2097HP16		..SLEEVE SUPPLIER CODE: V01673 SPECIFICATION NUMBER: BACS13BX16HP OPTIONAL PART: 2-02903-16HP V11328 35235VN16 V08199 AFP175V16P V30974 DBOS13BX16HP V14798	002004 006999	2
- 70	MS21921-16D		..NUT	002004 006999	2
75	312N5511-1045		.TUBE ASSY- POSITION DATA: LH SIDE TUBING MATERIAL: 1.00 IN. OD .035 IN. WALL 81.31 IN. LG AL	107107 904949	1

MISSING ITEM NUMBERS NOT APPLICABLE

- ITEM NOT ILLUSTRATED

BRI

26-21-55-01

BOEING PROPRIETARY - Copyright © - Unpublished Work - See title page for details.

26-21-55
FIG. 01
PAGE 4
JAN 20/09



757

PARTS CATALOG (MAINTENANCE)

FIG ITEM	PART NUMBER	1 2 3 4 5 6 7	NOMENCLATURE	EFFECT FROM TO	UNITS PER ASSY
1					
75	312N5511-1048		.TUBE ASSY- POSITION DATA: LH SIDE TUBING MATERIAL: 1 IN. OD .035 IN. WALL 82 IN. LG MIL-T-7081 6061 T6 1 IN. OD .035 IN. WALL 82 IN. LG WW-T-700/6 6061 T6	002004 006106 108903 950999	1
80	312N5511-1033		.TUBE ASSY- POSITION DATA: RH SIDE TUBING MATERIAL: 1.00 IN. OD .035 IN. WALL 88.00 IN. LG AL	107107	1
80	312N5511-1047		.TUBE ASSY- POSITION DATA: RH SIDE TUBING MATERIAL: 1.00 IN. OD .035 IN. WALL 88.00 IN. LG AL	904949 952952	1
80	312N5511-1052		.TUBE ASSY- POSITION DATA: RH SIDE TUBING MATERIAL: 1 IN. OD .035 IN. WALL 89.2 IN. LG WW-T-700-6 6061 T6 1 IN. OD .035 IN. WALL 89.2 IN. LG MIL-T-7081 6061 T6	002004 006106 108903 950951 953999	1
- 85	BACU24AB16W		..UNION	002004 006999	2
90	312N5511-1023		.TUBE ASSY- POSITION DATA: LH SIDE TUBING MATERIAL: 1.00 IN. OD .022 IN. WALL 62.00 IN. LG AL	107107 904949 952952	1
90	312N5511-1051		.TUBE ASSY- POSITION DATA: LH SIDE TUBING MATERIAL: 1.0 IN. OD .035 IN. WALL 60.6 IN. LG WW-T-700/6 6061 T6 TUBING	002004 006106 108903 950951 953999	1

MISSING ITEM NUMBERS NOT APPLICABLE

- ITEM NOT ILLUSTRATED

26-21-55-01

26-21-55
FIG. 01
PAGE 5
JAN 20/09

BRI



757

PARTS CATALOG (MAINTENANCE)

FIG ITEM	PART NUMBER	1 2 3 4 5 6 7	NOMENCLATURE	EFFECT FROM TO	UNITS PER ASSY
1	95 312N5511-1010		.TUBE ASSY- POSITION DATA: RH SIDE TUBING MATERIAL: 1.00 IN. OD .022 IN. WALL 65.75 IN. LG AL	107107 904949 952952	1
	95 312N5511-1054		.TUBE ASSY- POSITION DATA: RH SIDE TUBING MATERIAL: 1 IN. OD .035 IN. WALL 66.1 IN. LG MIL-T-7081 6061 T6 1 IN. OD .035 IN. WALL 66.1 IN. LG WW-T-700/6 6061 T6	002004 006106 108903 950951 953999	1
- 100	AP2097HP16		..SLEEVE- SUPPLIER CODE: V01673 SPECIFICATION NUMBER: BACS13BX16HP OPTIONAL PART: 2-02903-16HP V11328 35235VN16 V08199 AFP175V16P V30974 DBOS13BX16HP V14798 POSITION DATA: LH SIDE	002004 006999	1
- 105	AP2097HP16		..SLEEVE- SUPPLIER CODE: V01673 SPECIFICATION NUMBER: BACS13BX16HP OPTIONAL PART: 2-02903-16HP V11328 35235VN16 V08199 AFP175V16P V30974 DBOS13BX16HP V14798 POSITION DATA: RH SIDE	002004 006999	2

MISSING ITEM NUMBERS NOT APPLICABLE

- ITEM NOT ILLUSTRATED

BRI

26-21-55-01

BOEING PROPRIETARY - Copyright © - Unpublished Work - See title page for details.

26-21-55
FIG. 01
PAGE 6
JAN 20/09



757

PARTS CATALOG (MAINTENANCE)

FIG ITEM	PART NUMBER	1 2 3 4 5 6 7	NOMENCLATURE	EFFECT FROM TO	UNITS PER ASSY
1					
- 110	MS21921-16D	..	NUT- POSITION DATA: LH SIDE	002004 006999	1
- 115	MS21921-16D	..	NUT- POSITION DATA: RH SIDE	002004 006999	2
- 120	BACU24AB16W	..	UNION- POSITION DATA: LH SIDE	002004 006999	1
125	312N5511-1011	.TUBE ASSY-	POSITION DATA: LH SIDE TUBING MATERIAL: 1.00 IN. OD .022 IN. WALL 97.18 IN. LG AL	107107 904949 952952	1
125	312N5511-1053	.TUBE ASSY-	POSITION DATA: LH SIDE TUBING MATERIAL: 1.0 IN. OD .035 IN. WALL 95.9 IN. LG WW-T-700/6 6061 T6 TUBING	002004 006106 108903 950951 953999	1
130	312N5511-1012	.TUBE ASSY-	POSITION DATA: RH SIDE TUBING MATERIAL: 1.00 IN. OD .022 IN. WALL 88.00 IN. LG AL	107107 904949 952952	1
130	312N5511-1056	.TUBE ASSY-	POSITION DATA: RH SIDE TUBING MATERIAL: 1.0 IN. OD .035 IN. WALL 86.0 IN. LG WW-T-700/6 6061 T6 TUBING	002004 006106 108903 950951 953999	1

MISSING ITEM NUMBERS NOT APPLICABLE

- ITEM NOT ILLUSTRATED

26-21-55-01

26-21-55
FIG. 01
PAGE 7
JAN 20/09

BRI



757

PARTS CATALOG (MAINTENANCE)

FIG ITEM	PART NUMBER	1 2 3 4 5 6 7	NOMENCLATURE	EFFECT FROM TO	UNITS PER ASSY
1					
- 135	AP2097HP16		.. SLEEVE- SUPPLIER CODE: V01673 SPECIFICATION NUMBER: BACS13BX16HP OPTIONAL PART: 2-02903-16HP V11328 35235VN16 V08199 AFP175V16P V30974 DBOS13BX16HP V14798 POSITION DATA: LH SIDE	002004 006999	2
- 140	AP2097HP16		.. SLEEVE- SUPPLIER CODE: V01673 SPECIFICATION NUMBER: BACS13BX16HP OPTIONAL PART: 2-02903-16HP V11328 35235VN16 V08199 AFP175V16P V30974 DBOS13BX16HP V14798 POSITION DATA: RH SIDE	002004 006999	1
- 145	MS21921-16D		.. NUT- POSITION DATA: LH SIDE	002004 006999	2
- 150	MS21921-16D		.. NUT- POSITION DATA: RH SIDE	002004 006999	1
- 155	BACU24AB16W		.. UNION- POSITION DATA: RH SIDE	002004 006999	1
160	312N5511-1013		. TUBE ASSY- POSITION DATA: LH SIDE TUBING MATERIAL: 1.00 IN. OD .022 IN. WALL 37.93 IN. LG AL	107107 904949 952952	1

MISSING ITEM NUMBERS NOT APPLICABLE

- ITEM NOT ILLUSTRATED

26-21-55-01

26-21-55
FIG. 01
PAGE 8
JAN 20/09

BRI



757

PARTS CATALOG (MAINTENANCE)

FIG ITEM	PART NUMBER	1 2 3 4 5 6 7	NOMENCLATURE	EFFECT FROM TO	UNITS PER ASSY
1 160	312N5511-1055		.TUBE ASSY- POSITION DATA: LH SIDE TUBING MATERIAL: 1.0 IN. OD .035 IN. WALL 39.0 IN. LG WW-T-700/6 6061 T6 TUBING	002004 006106 108903 950951 953999	1
165	312N5511-1014		.TUBE ASSY- POSITION DATA: RH SIDE TUBING MATERIAL: 1.00 IN. OD .022 IN. WALL 40.50 IN. LG AL	107107 904949 952952	1
165	312N5511-1058		.TUBE ASSY- POSITION DATA: RH SIDE TUBING MATERIAL: 1.0 IN. OD .035 IN. WALL 40.0 IN. LG WW-T-700/6 6061 T6 TUBING	002004 006106 108903 950951 953999	1
- 170	AP2097HP16		..SLEEVE- SUPPLIER CODE: V01673 SPECIFICATION NUMBER: BACS13BX16HP OPTIONAL PART: 2-02903-16HP V11328 35235VN16 V08199 AFP175V16P V30974 DBOS13BX16HP V14798 POSITION DATA: LH SIDE	002004 006999	1
- 175	MS21921-16D		..NUT- POSITION DATA: LH SIDE	002004 006999	1
- 180	BACU24AB16W		..UNION- POSITION DATA: LH SIDE	002004 006999	1
- 185	BACU24AB16W		..UNION- POSITION DATA: RH SIDE	002004 006999	2

MISSING ITEM NUMBERS NOT APPLICABLE

- ITEM NOT ILLUSTRATED

26-21-55-01

26-21-55
FIG. 01
PAGE 9
JAN 20/09

BRI



757

PARTS CATALOG (MAINTENANCE)

FIG ITEM	PART NUMBER	1 2 3 4 5 6 7	NOMENCLATURE	EFFECT FROM TO	UNITS PER ASSY
1					
190	312N5511-1057	.	TUBE ASSY- POSITION DATA: LH SIDE	002004 121503	1
190	312N5511-1015	.	TUBE ASSY- POSITION DATA: LH SIDE	107107 904949 952952	1
190	312N5511-1061	.	TUBE ASSY- POSITION DATA: LH SIDE TUBING MATERIAL: 1.0 IN. OD .035 IN. WALL 29.8 IN. LG WW-T-700/6 6061 T6 TUBING	006102 108120 504903 950951 953999	1
- 192	AP2097HP16	..	SLEEVE SUPPLIER CODE: V01673 SPECIFICATION NUMBER: BACS13BX16HP OPTIONAL PART: 2-02903-16HP V11328 35235VN16 V08199 AFP175V16P V30974 DBOS13BX16HP V14798	002004 006102 107999	1
- 195	MS21921-16D	..	NUT	002004 006102 107999	1
- 200	BACU24AB16W	..	UNION	107107 904949 952952	1
- 200	35056GV16A	..	UNION SUPPLIER CODE: V08199 SPECIFICATION NUMBER: BACU24AB16AW OPTIONAL PART: 31875-16AW V14397 DBOU24AB16AW V14798 AP1004W16A V01673	002004 006100 121503 950951 953999	1
205	312N5511-1046	.	TUBE ASSY- POSITION DATA: RH SIDE	107107 904949 952952	1

MISSING ITEM NUMBERS NOT APPLICABLE

- ITEM NOT ILLUSTRATED

26-21-55-01

26-21-55
FIG. 01
PAGE 10
JAN 20/09

BRI

BOEING PROPRIETARY - Copyright © - Unpublished Work - See title page for details.



757

PARTS CATALOG (MAINTENANCE)

FIG ITEM	PART NUMBER	1 2 3 4 5 6 7	NOMENCLATURE	EFFECT FROM TO	UNITS PER ASSY
1					
205	312N5511-1060	.	TUBE ASSY- POSITION DATA: RH SIDE TUBING MATERIAL: 1.0 IN. OD .035 IN. WALL 29.0 IN. LG WW-T-700/6 6061 T6 TUBING	002004 006106 108903 950951 953999	1
- 207	AP2097HP16	..	SLEEVE SUPPLIER CODE: V01673 SPECIFICATION NUMBER: BACS13BX16HP OPTIONAL PART: 2-02903-16HP V11328 35235VN16 V08199 AFP175V16P V30974 DBOS13BX16HP V14798	002004 006102 107999	2
- 210	MS21921-16D	..	NUT	002004 006102 107999	2
- 358	312N5511-22		PLUMBING INSTL-STRUT FAIRING ENG FIRE EXT POSITION DATA: AFT	002004 006100 107107 121503 904999	1
360	312N5511-21	.	TUBE ASSY- TUBING MATERIAL: 1.00 IN. OD .035 IN. WALL 16.00 IN. LG WW-T-700/6 6061 T6 TUBING 1.00 IN. OD .035 IN. WALL 16.00 IN. LG MIL-T-7081 6061 T6 TUBING	002004 006100 107107 121503 904999	1

MISSING ITEM NUMBERS NOT APPLICABLE

- ITEM NOT ILLUSTRATED

BRI

26-21-55-01

26-21-55
FIG. 01
PAGE 11
JAN 20/09



757

PARTS CATALOG (MAINTENANCE)

FIG ITEM	PART NUMBER	1 2 3 4 5 6 7	NOMENCLATURE	EFFECT FROM TO	UNITS PER ASSY
1					
- 365	AP2097HP16	..	SLEEVE SUPPLIER CODE: V01673 SPECIFICATION NUMBER: BACS13BX16HP OPTIONAL PART: 2-02903-16HP V11328 35235VN16 V08199 AFP175V16P V30974 DBOS13BX16HP V14798	002004 006100 107107 121503 904999	1
- 370	MS21921-16D	..	NUT	002004 006100 107107 121503 904999	1
- 375	BACU24AB16W	..	UNION	002004 006100 107107 121503 904999	1
900			ILLUSTRATION REFERENCE: FIRE EXTINGUISHER INSTL AFT CARGO BAY ENG 26-21-00-04	101106 108120 504903	RF
905			ILLUSTRATION REFERENCE: SYSTEM INSTL-STRUT FIRE EXTINGUISHING (RB211-535) 26-21-55-05	002004 006100 107107 121503 904999	RF
910			ILLUSTRATION REFERENCE: PLUMBING INSTL-SECT. 31.1 HYDR (FIRE PROTECTION ONLY) 26-21-51-22	002004 006100 107107 121503 904999	RF
910			ILLUSTRATION REFERENCE: PLUMBING INSTL-SECT. 31.1 HYDR (LH) (HYDRAULIC POWER ONLY) 29-11-51-73	101102 108120 504903	RF

MISSING ITEM NUMBERS NOT APPLICABLE

- ITEM NOT ILLUSTRATED

26-21-55-01

26-21-55
FIG. 01
PAGE 12
JAN 20/09

BRI



757

PARTS CATALOG (MAINTENANCE)

FIG ITEM	PART NUMBER	1 2 3 4 5 6 7	NOMENCLATURE	EFFECT FROM TO	UNITS PER ASSY
1 910			ILLUSTRATION REFERENCE: PLUMBING INSTL-SECT. 31.1 HYDR (RH) (HYDRAULIC POWER ONLY) 29-11-52-06	101102 108120 504903	RF
915			ILLUSTRATION REFERENCE: PLUMBING INSTL-SECT. 31.1 HYDR (LH) (HYDRAULIC POWER ONLY) 29-11-51-73	101102 108120 504903	RF
915			ILLUSTRATION REFERENCE: PLUMBING INSTL-SECT. 31.1 HYDR (RH) (HYDRAULIC POWER ONLY) 29-11-52-06	101102 108120 504903	RF

MISSING ITEM NUMBERS NOT APPLICABLE

- ITEM NOT ILLUSTRATED

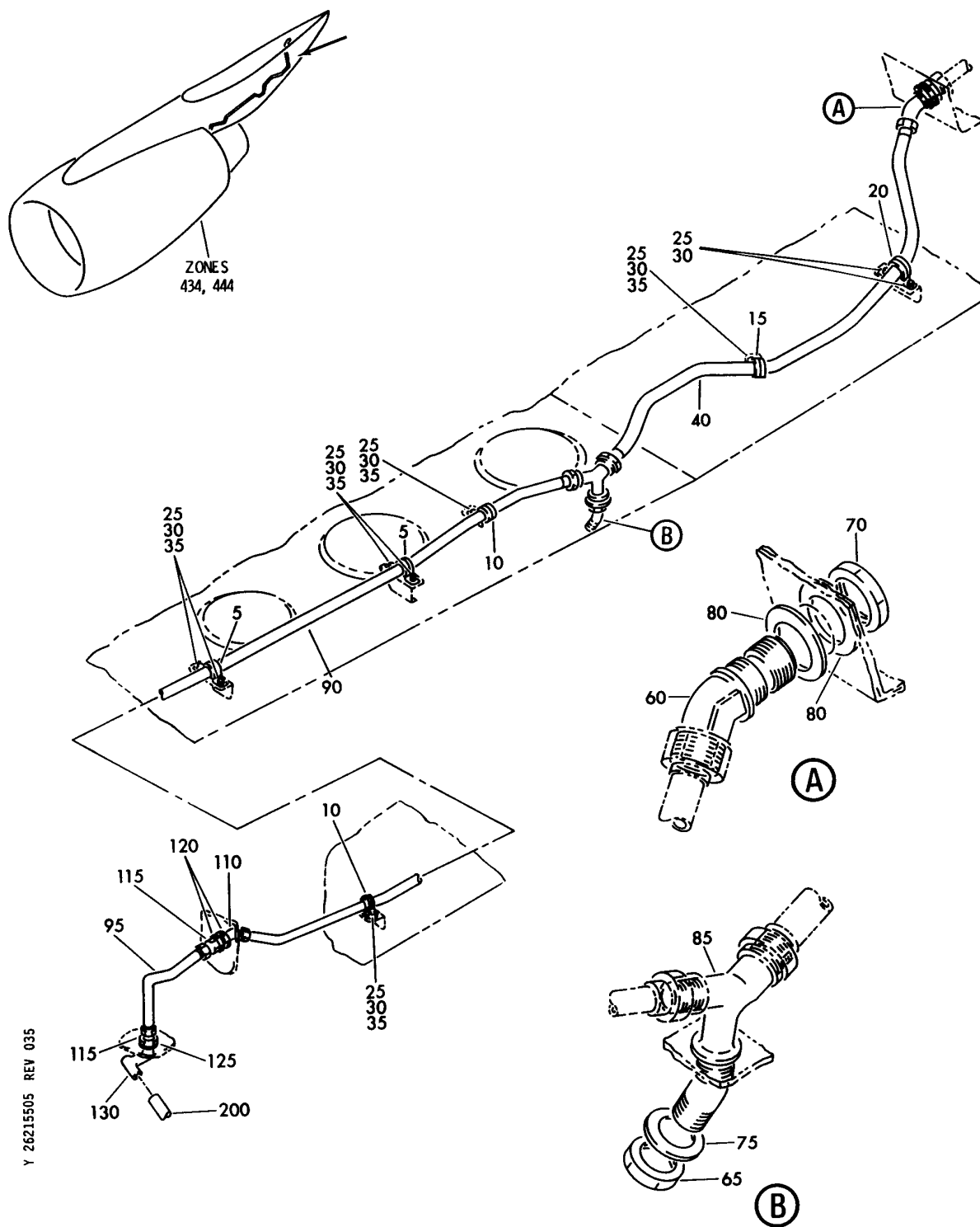
BRI

26-21-55-01

BOEING PROPRIETARY - Copyright © - Unpublished Work - See title page for details.

26-21-55
FIG. 01
PAGE 13
JAN 20/09

BOEING
757
PARTS CATALOG (MAINTENANCE)



Y 26215505 REV 035

SYSTEM INSTL-STRUT FIRE EXTINGUISHING (RB211-535)
FIGURE 5

26-21-55-05

BRI
MAY 28/07

26-21-55-05
PAGE 0



757

PARTS CATALOG (MAINTENANCE)

FIG ITEM	PART NUMBER	1 2 3 4 5 6 7	NOMENCLATURE	EFFECT FROM TO	UNITS PER ASSY
5			SYSTEM INSTL-STRUT FIRE EXTINGUISHING (RB211-535)	002004 006100 107107 121503 904999	
- 1	312N5505-6		SYSTEM INSTL-STRUT FIRE EXTINGUISHING	002004 006100 107107 121503 904999	RF
5	TA0910005H112		.CLAMP SUPPLIER CODE: V84971 SPECIFICATION NUMBER: BACC10HC12C	002004 006100 107107 121503 904999	2
10	M85052-3-12		.CLAMP	002004 006100 107107 121503 904999	2
15	M85052-3-16		.CLAMP	002004 006100 107107 121503 904999	1
20	TA0910005H116		.CLAMP SUPPLIER CODE: V84971 SPECIFICATION NUMBER: BACC10HC16C	002004 006100 107107 121503 904999	1
25	NAS1801-3-6		ATTACHING PARTS .SCREW	002004 006100 107107 121503 904999	9
30	AN960C10L		.WASHER	002004 006100 107107 121503 904999	9

MISSING ITEM NUMBERS NOT APPLICABLE

- ITEM NOT ILLUSTRATED

BRI

26-21-55-05

26-21-55
FIG. 05
PAGE 1
JAN 20/09

BOEING
757
PARTS CATALOG (MAINTENANCE)

FIG ITEM	PART NUMBER	1 2 3 4 5 6 7	NOMENCLATURE	EFFECT FROM TO	UNITS PER ASSY
5	35 BRH10A3	.	NUT SUPPLIER CODE: V52828 SPECIFICATION NUMBER: BACN10JC3 OPTIONAL PART: H10-3BAC V15653 NS202101-02 V80539 RMLH9075-3W V72962 VN303A02 V92215 96-02 V80539 T6S1032J V11815 -----*-----	002004 006100 107107 121503 904999	7
	40 312N5505-2	.	TUBE ASSY	002004 006100 107107 121503 904999	1
-	45 BACN10YE16	..	NUT	002004 006100 107107 121503 904999	1
-	50 MS21921-16D	..	NUT	002004 006100 107107 121503 904999	1
-	55 AP2097HP16	..	SLEEVE SUPPLIER CODE: V01673 SPECIFICATION NUMBER: BACS13BX16HP OPTIONAL PART: 2-02903-16HP V11328 35235VN16 V08199 AFP175V16P V30974 DBOS13BX16HP V14798	002004 006100 107107 121503 904999	2

MISSING ITEM NUMBERS NOT APPLICABLE

- ITEM NOT ILLUSTRATED

BRI

26-21-55-05

26-21-55
FIG. 05
PAGE 2
JAN 20/09

 **BOEING**
757
PARTS CATALOG (MAINTENANCE)

FIG ITEM	PART NUMBER	1 2 3 4 5 6 7	NOMENCLATURE	EFFECT FROM TO	UNITS PER ASSY
5	60 MS21907D16	.	ELBOW	002004	1
				006100	
				107107	
				121503	
				904999	
65	AN924-10J	.	NUT	002004	1
				006100	
				107107	
				121503	
				904999	
70	AN924-16D	.	NUT	002004	1
				006100	
				107107	
				121503	
				904999	
75	AN960C1416	.	WASHER	002004	1
				006100	
				107107	
				121503	
				904999	
80	BACW10P206AL	.	WASHER	002004	2
				006100	
				107107	
				121503	
				904999	
85	312N5507-1	.	NOZZLE	002004	1
				006100	
				107107	
				121503	
				904999	
90	312N5505-7	.	TUBE ASSY- TUBING MATERIAL: .75 IN. OD X .02 IN. WALL X 64.6 IN. LG MIL-T-8808 321 ANNEALED TUBING MIL-T-8808 347 ANNEALED TUBING	002004	1
				006100	
				107107	
				121503	
				904999	
95	312N5505-8	.	TUBE ASSY	002004	1
				006100	
				107107	
				121503	
				904999	
- 100	BACN10YE12	.	. NUT	002004	2
				006100	
				107107	
				121503	
				904999	

MISSING ITEM NUMBERS NOT APPLICABLE

- ITEM NOT ILLUSTRATED

BRI

26-21-55-05

BOEING PROPRIETARY - Copyright © - Unpublished Work - See title page for details.

26-21-55
FIG. 05
PAGE 3
JAN 20/09



757

PARTS CATALOG (MAINTENANCE)

FIG ITEM	PART NUMBER	1 2 3 4 5 6 7	NOMENCLATURE	EFFECT FROM TO	UNITS PER ASSY
5 - 105	AP2097HP12	. .	SLEEVE SUPPLIER CODE: V01673 SPECIFICATION NUMBER: BACS13BX12HP OPTIONAL PART: 2-02903-12HP V11328 35235VN12 V08199 AFP175V12P V30974 DBOS13BX12HP V14798	002004 006100 107107 121503 904999	2
110	MS21907J12	. .	ELBOW	002004 006100 107107 121503 904999	1
115	AN924-12J	. .	NUT	002004 006100 107107 121503 904999	2
120	AN960KD1716L	. .	WASHER	002004 006100 107107 121503 904999	2
125	312N5515-1	. .	WASHER	002004 006100 107107 121503 904999	1
130	312N5514-1	. .	NOZZLE- OPTIONAL PART: 312N5516-1	002004 006100 107107 121503 904999	1
130	312N5516-1	. .	NOZZLE- OPTIONAL PART: 312N5514-1	002004 006100 107107 121503 904999	1

MISSING ITEM NUMBERS NOT APPLICABLE

- ITEM NOT ILLUSTRATED

26-21-55-05

26-21-55
FIG. 05
PAGE 4
JAN 20/09

BRI



757

PARTS CATALOG (MAINTENANCE)

FIG ITEM	PART NUMBER	1 2 3 4 5 6 7	NOMENCLATURE	EFFECT FROM TO	UNITS PER ASSY
5 200			ILLUSTRATION REFERENCE: PLUMBING INSTL-CARGO BAY TO STRUT ENG FIRE EXT AFT 26-21-55-01	002004 006100 107107 121503 904999	RF

MISSING ITEM NUMBERS NOT APPLICABLE

- ITEM NOT ILLUSTRATED

BRI

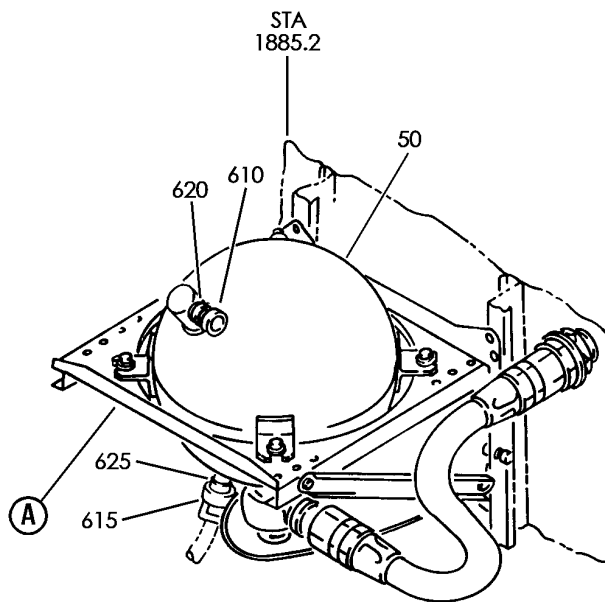
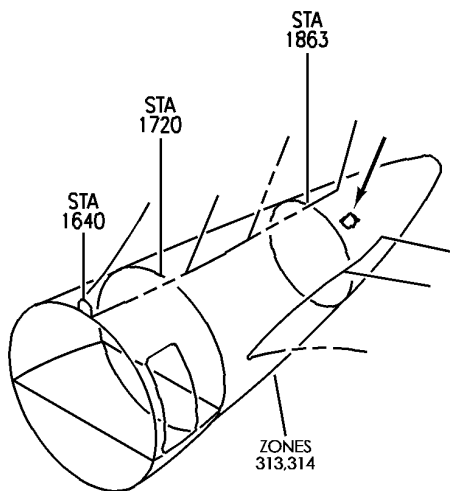
26-21-55-05

BOEING PROPRIETARY - Copyright © - Unpublished Work - See title page for details.

26-21-55
FIG. 05
PAGE 5
JAN 20/09

APU FIRE EXTINGUISHING

BOEING
757
PARTS CATALOG (MAINTENANCE)



Y 26220004 SH1 1 REV 239

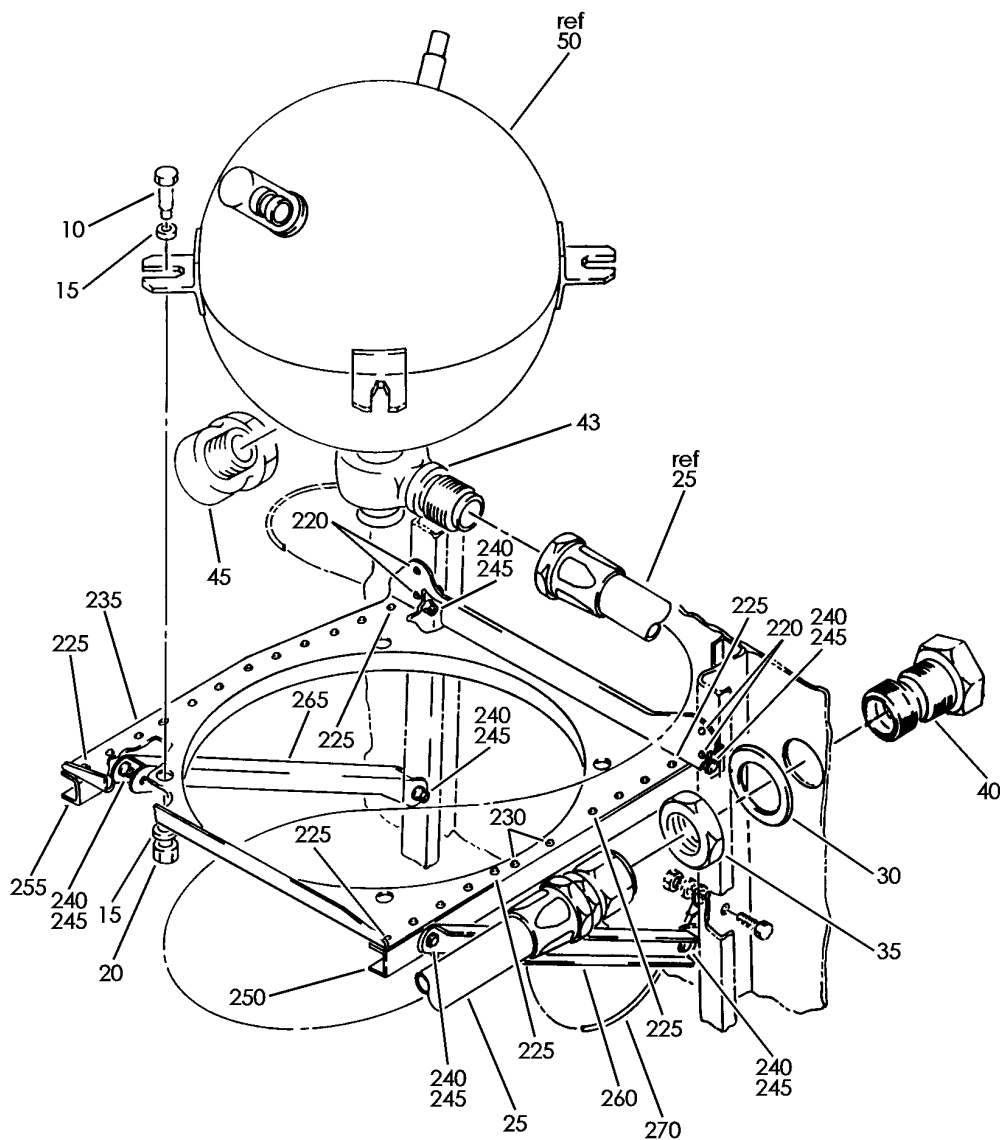
FIRE EXTINGUISHER INSTL-AUX PWR SYS 536 CU IN. SINGLE BOTTLE WITH ROLLS ROYCE ENGINES
FIGURE 4 (SHEET 1)

BRI
MAY 28/07

26-22-00-04

26-22-00-04
PAGE 0

BOEING
757
PARTS CATALOG (MAINTENANCE)



(A)

Y 26220004 SH1 2 REV 243

FIRE EXTINGUISHER INSTL-AUX PWR SYS 536 CU IN. SINGLE BOTTLE WITH ROLLS ROYCE ENGINES
FIGURE 4 (SHEET 2)

BRI
MAY 28/07

26-22-00-04

26-22-00-04
PAGE 0A

BOEING PROPRIETARY - Copyright © - Unpublished Work - See title page for details.



757

PARTS CATALOG (MAINTENANCE)

FIG ITEM	PART NUMBER	1 2 3 4 5 6 7	NOMENCLATURE	EFFECT FROM TO	UNITS PER ASSY
4			FIRE EXTINGUISHER INSTL-AUX PWR SYS 536 CU IN. SINGLE BOTTLE WITH ROLLS ROYCE ENGINES	002004 006100 107107 121503 904999	
- 1	355N5201-13		FIRE EXTINGUISHER INSTL-AUX PWR SYS 536 CU IN. SINGLE BOTTLE WITH ROLLS ROYCE ENGINES FOR NHA/OTHER SYS DET SEE: 49-00-51-01	950951	RF
- 1	355N5201-4		FIRE EXTINGUISHER INSTL-AUX PWR SYS 536 CU IN. SINGLE BOTTLE WITH ROLLS ROYCE ENGINES FOR NHA SEE: 49-00-51-01	107107	RF
- 1	355N5201-9		FIRE EXTINGUISHER INSTL-AUX PWR SYS 536 CU IN. SINGLE BOTTLE WITH ROLLS ROYCE ENGINES FOR NHA SEE: 49-00-51-01	002004 006100 121503 904949 952999	RF
- 5	CBE1092-1		.PLACARD- SUPPLIER CODE: V33586 POST AIRLINE MOD: RFS A122170 VAAL	002004 006100 121503 904949 952999	1
10	NAS6605-4		.SCREW	002004 006100 107107 121503 904999	4
15	BACW10P115S		.WASHER	002004 006100 107107 121503 904999	8

MISSING ITEM NUMBERS NOT APPLICABLE

- ITEM NOT ILLUSTRATED

26-22-00-04

26-22-00
FIG. 04
PAGE 1
JAN 20/09

BRI



757

PARTS CATALOG (MAINTENANCE)

FIG ITEM	PART NUMBER	1 2 3 4 5 6 7	NOMENCLATURE	EFFECT FROM TO	UNITS PER ASSY
4	20 BRH10C5M	.NUT	SUPPLIER CODE: V52828 SPECIFICATION NUMBER: BACN10JC5CM OPTIONAL PART: T6C524JM V11815 97E054 V80539 109LH9075-5W V72962 H01-5BAC V15653	002004 006100 107107 121503 904999	4
	25 108272-5	.HOSE-FLEXIBLE	SUPPLIER CODE: V78570	002004 006100 107107 121503 904999	1
	30 NAS1149C2190R	.WASHER		002004 006100 107107 121503 904999	1
	35 AN924-16S	.NUT		002004 006100 107107 121503 904999	1
	40 355N5202-1	.NOZZLE		002004 006100 107107 121503 904999	1
	43 355N5217-1	.FITTING-	POST SERVICE BULLETIN: 26-0039	002004 006100 107107 953999	1
	45 AP1008-20J	.CAP	SUPPLIER CODE: V01673 SPECIFICATION NUMBER: BACC14AD20J OPTIONAL PART: US2103-16JL V50808	002004 006100 107107 121503 904999	1

MISSING ITEM NUMBERS NOT APPLICABLE

- ITEM NOT ILLUSTRATED

26-22-00-04

26-22-00
FIG. 04
PAGE 2
JAN 20/09

BRI



757

PARTS CATALOG (MAINTENANCE)

FIG ITEM	PART NUMBER	1 2 3 4 5 6 7	NOMENCLATURE	EFFECT FROM TO	UNITS PER ASSY
4 50	898867		.EXTINGUISHER ASSY- AND VALVE 536 CU IN. DUAL OUTLET FIRE SUPPLIER CODE: V61423 SPECIFICATION NUMBER: S332T011-1 SB DATA FROM A CMM: PRE 898867-26-327 ELECTRICAL EQUIP NUMBER: B00025 COMPONENT MAINT MANUAL REF: 26-20-97 FOR DETAILS SEE: 26-22-00-09	107107	1
50	898867-3		.EXTINGUISHER ASSY- SUPPLIER CODE: V61423 SPECIFICATION NUMBER: S332T011-18 SB DATA FROM A CMM: POST 898867-26-327 ELECTRICAL EQUIP NUMBER: B00025 COMPONENT MAINT MANUAL REF: 26-20-97 FOR DETAILS SEE: 26-22-00-09	002004 006100 121503 904949 952999	1
50	34300000-32		.EXTINGUISHER ASSY- SUPPLIER CODE: V05167 SPECIFICATION NUMBER: S332T011-32 ELECTRICAL EQUIP NUMBER: B00025 COMPONENT MAINT MANUAL REF: 26-22-31 FOR DETAILS SEE: 26-22-00-08	950951	1
- 200	355N5201-3		FIRE EXTINGUISHER INSTL-AUX PWR SYS FOR NHA SEE: 49-00-51-01	002004 006100 107107 121503 904999	RF
220	MS20615-5M		.RIVET- SIZE DETERMINED ON INSTL.	002004 006100 107107 121503 904999	4

MISSING ITEM NUMBERS NOT APPLICABLE

- ITEM NOT ILLUSTRATED

26-22-00-04

26-22-00
FIG. 04
PAGE 3
JAN 20/09

BRI



757

PARTS CATALOG (MAINTENANCE)

FIG ITEM	PART NUMBER	1 2 3 4 5 6 7	NOMENCLATURE	EFFECT FROM TO	UNITS PER ASSY
4					
225	BACR15BB5D5	.	RIVET	002004 006100 107107 121503 904999	21
230	BACR15BB4D4	.	RIVET	002004 006100 107107 121503 904999	2
235	355N5209-2	.	BRACKET-SPRT	002004 006100 107107 121503 904999	1
240	BACB30MY6K	.	BOLT- SIZE DETERMINED ON INSTL.	002004 006100 107107 121503 904999	6
245	HL79-6	.	COLLAR SUPPLIER CODE: V5M902 SPECIFICATION NUMBER: BACC30M6 OPTIONAL PART: HL79-6 V73197 HL79-6 V92215 66014-6 V56878 HL79-6 V56878	002004 006100 107107 121503 904999	6
250	355N5207-1	.	BRACKET-SPRT	002004 006100 107107 121503 904999	1
255	355N5207-2	.	BRACKET-SPRT	002004 006100 107107 121503 904999	1
260	355N5207-3	.	BRACKET-SPRT	002004 006100 107107 121503 904999	1

MISSING ITEM NUMBERS NOT APPLICABLE

- ITEM NOT ILLUSTRATED

26-22-00-04

26-22-00
FIG. 04
PAGE 4
JAN 20/09

BRI



757

PARTS CATALOG (MAINTENANCE)

FIG ITEM	PART NUMBER	1 2 3 4 5 6 7	NOMENCLATURE	EFFECT FROM TO	UNITS PER ASSY
4 265	355N5207-4		.BRACKET-SPRT OPTIONAL PART: 355N5207-8000	002004 006100 107107 121503 904999	1
265	355N5207-8000		.BRACKET-SPRT OPTIONAL PART: 355N5207-4	002004 006100 107107 121503 904999	1
270	740A20-12		.JUMPER ASSY SUPPLIER CODE: V91812 SPECIFICATION NUMBER: BACJ40A20-12 OPTIONAL PART: TJEJ40A20-12 V33483 RBEJ20-12 V1GK47	002004 006100 107107 121503 904999	1
- 275	BACW10BP3APU		ATTACHING PARTS .WASHER	002004 006100 107107 121503 904999	2
- 280	BACW10BP3APU		.WASHER	002004 006100 107107 121503 904999	2

MISSING ITEM NUMBERS NOT APPLICABLE

- ITEM NOT ILLUSTRATED

26-22-00-04

26-22-00
FIG. 04
PAGE 5
JAN 20/09

BRI



757

PARTS CATALOG (MAINTENANCE)

FIG ITEM	PART NUMBER	1 2 3 4 5 6 7	NOMENCLATURE	EFFECT FROM TO	UNITS PER ASSY
4 - 285	BRH10A3	.NUT	SUPPLIER CODE: V52828 SPECIFICATION NUMBER: BACN10JC3 OPTIONAL PART: H10-3BAC V15653 NS202101-02 V80539 RMLH9075-3W V72962 VN303A02 V92215 96-02 V80539 T6S1032J V11815	002004 006100 107107 121503 904999	1
- 600	286N2028-001	-----*-----	WIRE BUNDLE ASSY	002004 006100 950951	RF
- 600	286N2028-002		WIRE BUNDLE ASSY	121503	RF
- 605	286N2626-005		WIRE BUNDLE ASSY	107107	RF
- 605	286N2626-006		WIRE BUNDLE ASSY	904949	RF
- 605	286N2626-007		WIRE BUNDLE ASSY	952999	RF
- 605	286N2626-013		WIRE BUNDLE ASSY	002004 006100 950951	RF
610	GS3417-10C	.CLAMP-	SUPPLIER CODE: V06324 SPECIFICATION NUMBER: BACC10HF10 OPTIONAL PART: S2125-10-8 V07418 ELECTRICAL EQUIP NUMBER: D02264T WIRING DIAGRAM REF: 262221	002004 006100 107107 121503 904999	1
615	MS27291-13	.CLAMP-	ELECTRICAL EQUIP NUMBER: D02262T WIRING DIAGRAM REF: 262221 OPTIONAL PART: 48-2840 V02660	002004 006100 107107 121503 904999	1

MISSING ITEM NUMBERS NOT APPLICABLE

- ITEM NOT ILLUSTRATED

26-22-00-04

26-22-00
FIG. 04
PAGE 6
JAN 20/09

BRI



757

PARTS CATALOG (MAINTENANCE)

FIG ITEM	PART NUMBER	1 2 3 4 5 6 7	NOMENCLATURE	EFFECT FROM TO	UNITS PER ASSY
4 615	48-2840		.CLAMP- SUPPLIER CODE: V02660 ELECTRICAL EQUIP NUMBER: D02262T WIRING DIAGRAM REF: 262221 OPTIONAL PART: MS27291-13	107107 904949	1
620	R071010A5SNL		.CONNECTOR- SUPPLIER CODE: V41118 SPECIFICATION NUMBER: BACC63BP10A5SNL ELECTRICAL EQUIP NUMBER: D02264 WIRING DIAGRAM REF: 262221	002004 006100 107107 121503 904999	1
625	MS24266R8T3SN		.CONNECTOR- ELECTRICAL EQUIP NUMBER: D02262 WIRING DIAGRAM REF: 262221	002004 006100 107107 121503 904999	1

MISSING ITEM NUMBERS NOT APPLICABLE

- ITEM NOT ILLUSTRATED

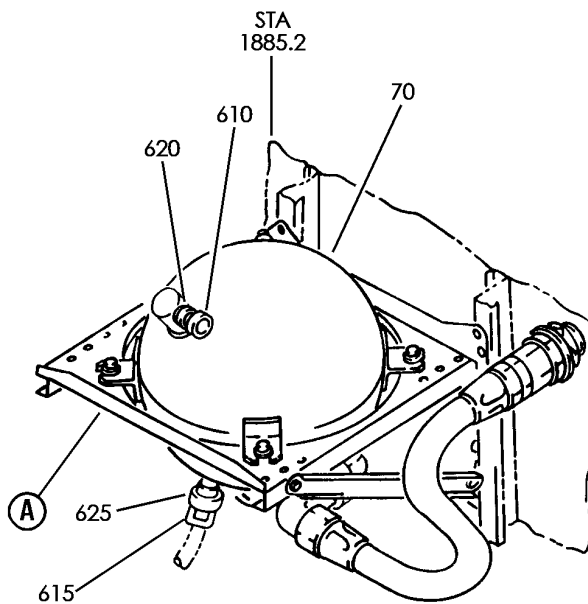
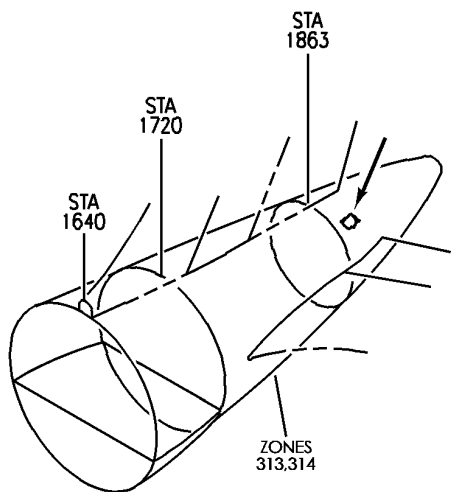
BRI

26-22-00-04

BOEING PROPRIETARY - Copyright © - Unpublished Work - See title page for details.

26-22-00
FIG. 04
PAGE 7
JAN 20/09

BOEING
757
PARTS CATALOG (MAINTENANCE)



Y 26220006 SH1 1 REV 239

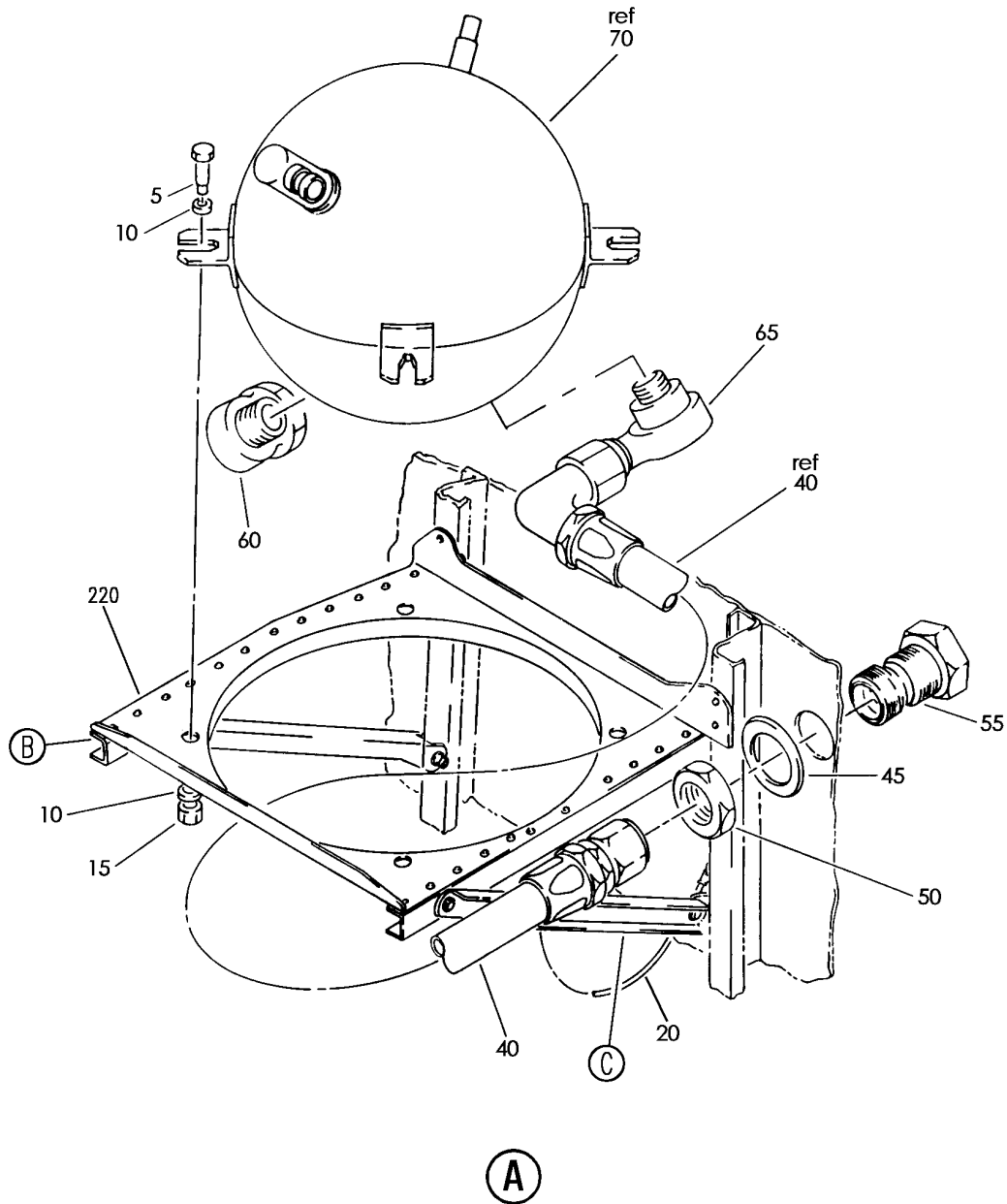
FIRE EXTINGUISHER INSTL-AUX PWR SYS ROLLS ROYCE ENGINE COMMON 536 CU IN BOTTLE
FIGURE 6 (SHEET 1)

BRI
MAY 28/07

26-22-00-06

26-22-00-06
PAGE 0

BOEING
757
PARTS CATALOG (MAINTENANCE)



Y 26220006 SH1 2 REV 260

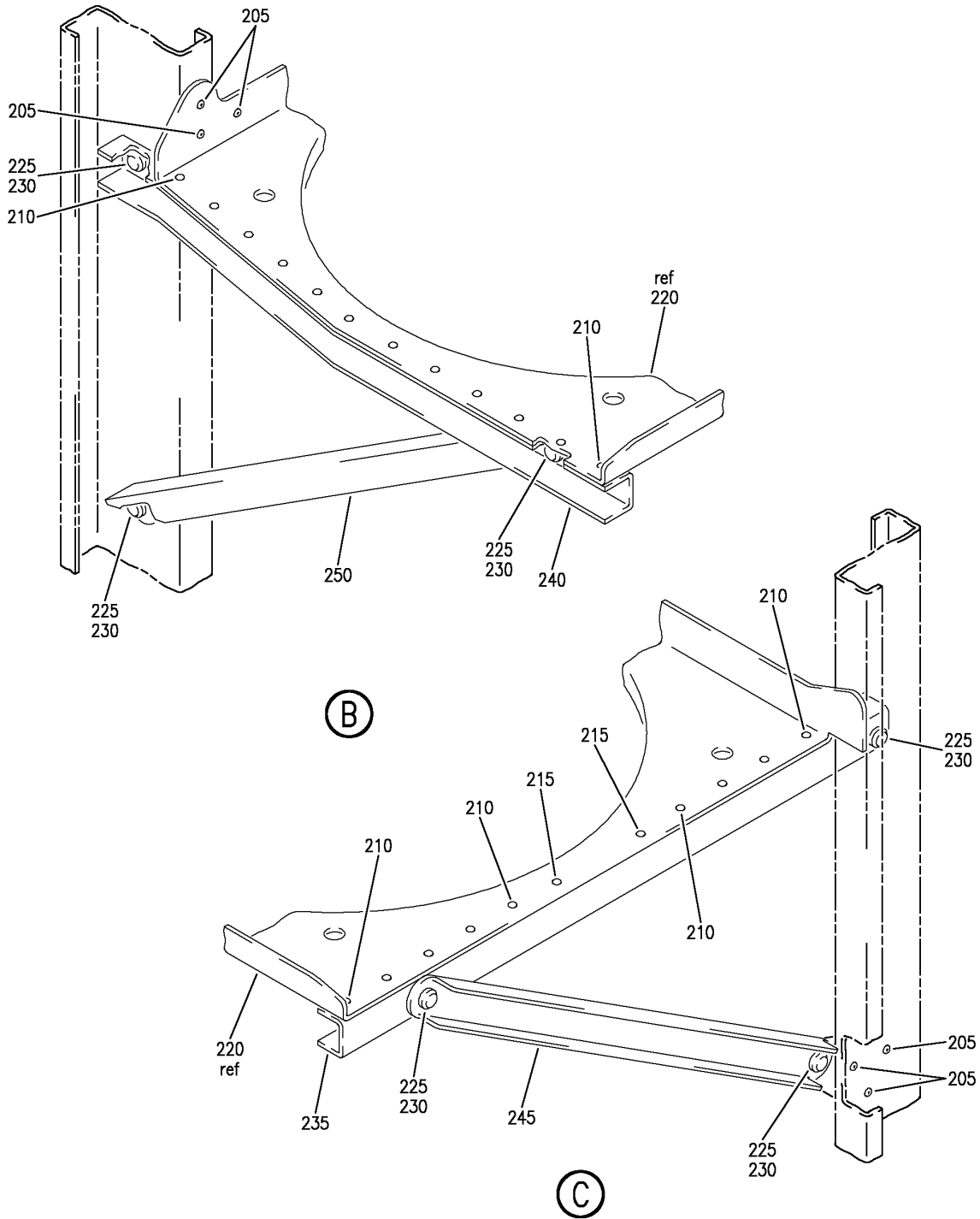
FIRE EXTINGUISHER INSTL-AUX PWR SYS ROLLS ROYCE ENGINE COMMON 536 CU IN BOTTLE
FIGURE 6 (SHEET 2)

26-22-00-06

BRI
MAY 28/07

26-22-00-06
PAGE 0A

BOEING
757
PARTS CATALOG (MAINTENANCE)



Y 26220006 SH1 3 REV 260

FIRE EXTINGUISHER INSTL-AUX PWR SYS ROLLS ROYCE ENGINE COMMON 536 CU IN BOTTLE
FIGURE 6 (SHEET 3)

26-22-00-06

BRI
MAY 28/07

26-22-00-06
PAGE 0B



757

PARTS CATALOG (MAINTENANCE)

FIG ITEM	PART NUMBER	1 2 3 4 5 6 7	NOMENCLATURE	EFFECT FROM TO	UNITS PER ASSY
6			FIRE EXTINGUISHER INSTL-AUX PWR SYS ROLLS ROYCE ENGINE COMMON 536 CU IN BOTTLE	101106 108120 504903	
- 1	355N5201-16		FIRE EXTINGUISHER INSTL-AUX PWR SYS ROLLS ROYCE ENGINE COMMON 536 CU IN BOTTLE FOR NHA SEE: 49-00-00-01	101101	RF
- 1	355N5201-21		FIRE EXTINGUISHER INSTL-AUX PWR SYS ROLLS ROYCE ENGINE COMMON 536 CU IN BOTTLE FOR NHA SEE: 49-00-00-01	102102 108120 504903	RF
- 1	MODREF13915		FIRE EXTINGUISHER INSTL-AUX PWR SYS ROLLS ROYCE ENGINE COMMON 536 CU IN BOTTLE MODULE NUMBER: 355N5201-21 REV A	103106	1
5	NAS6605-4		.SCREW	101106 108120 504903	4
10	BACW10P115S		.WASHER	101106 108120 504903	8
15	BRH10C5M		.NUT SUPPLIER CODE: V52828 SPECIFICATION NUMBER: BACN10JC5CM OPTIONAL PART: T6C524JM V11815 97E054 V80539 109LH9075-5W V72962 H01-5BAC V15653	101106 108120 504903	4

MISSING ITEM NUMBERS NOT APPLICABLE

- ITEM NOT ILLUSTRATED

26-22-00-06

26-22-00
FIG. 06
PAGE 1
JAN 20/09

BRI



757

PARTS CATALOG (MAINTENANCE)

FIG ITEM	PART NUMBER	1 2 3 4 5 6 7	NOMENCLATURE	EFFECT FROM TO	UNITS PER ASSY
6	20 740A20-12		. JUMPER ASSY SUPPLIER CODE: V91812 SPECIFICATION NUMBER: BACJ40A20-12 OPTIONAL PART: TJEJ40A20-12 V33483 RBEJ20-12 V1GK47 ATTACHING PARTS	102106 108120 504903	1
- 25	NAS1801-3-8		. SCREW	102106 108120 504903	1
- 30	BACW10BP3APU		. WASHER	102106 108120 504903	2
- 35	BRH10A3		. NUT SUPPLIER CODE: V52828 SPECIFICATION NUMBER: BACN10JC3 OPTIONAL PART: H10-3BAC V15653 NS202101-02 V80539 RMLH9075-3W V72962 VN303A02 V92215 96-02 V80539 T6S1032J V11815 -----*-----	102106 108120 504903	1
40	108272-5		. HOSE-FLEXIBLE SUPPLIER CODE: V78570	101106 108120 504903	1
45	NAS1149C2190R		. WASHER	101106 108120 504903	1
50	AN924-16S		. NUT	101106 108120 504903	1
55	355N5202-1		. NOZZLE	101106 108120 504903	1

MISSING ITEM NUMBERS NOT APPLICABLE

- ITEM NOT ILLUSTRATED

26-22-00-06

26-22-00
FIG. 06
PAGE 2
JAN 20/09

BRI



757

PARTS CATALOG (MAINTENANCE)

FIG ITEM	PART NUMBER	1 2 3 4 5 6 7	NOMENCLATURE	EFFECT FROM TO	UNITS PER ASSY
6					
60	AP1008-20J	.CAP	SUPPLIER CODE: V01673 SPECIFICATION NUMBER: BACC14AD20J OPTIONAL PART: US2103-16JL V50808	101106 108120 504903	1
65	355N5217-1	.FITTING-DRAIN		101106 108120 504903	1
70	898867-3	.EXTINGUISHER ASSY-	SUPPLIER CODE: V61423 SPECIFICATION NUMBER: S332T011-18 SB DATA FROM A CMM: POST 898867-26-327 ELECTRICAL EQUIP NUMBER: B00025 COMPONENT MAINT MANUAL REF: 26-20-97 FOR DETAILS SEE: 26-22-00-09	101106 108120 504903	1
- 200	355N5201-20	FIRE EXTINGUISHER INSTL-AUX PWR SYS	FOR NHA SEE: 49-00-00-01	101102 108120 504903	RF
- 200	MODREF13914	FIRE EXTINGUISHER INSTL-AUX PWR SYS	MODULE NUMBER: 355N5201-20 REV A	103106	1
205	MS20615-5M	.RIVET-	SIZE DETERMINED ON INSTL.	101106 108120 504903	6
210	BACR15BB5D	.RIVET-	SIZE DETERMINED ON INSTL.	101106 108120 504903	21
215	BACR15BB4D	.RIVET-	SIZE DETERMINED ON INSTL.	101106 108120 504903	2
220	355N5209-2	.BRACKET-SPRT		101106 108120 504903	1
225	BACB30MY6K	.BOLT-	SIZE DETERMINED ON INSTL.	101106 108120 504903	6

MISSING ITEM NUMBERS NOT APPLICABLE

- ITEM NOT ILLUSTRATED

26-22-00-06

26-22-00
FIG. 06
PAGE 3
JAN 20/09

BRI



757

PARTS CATALOG (MAINTENANCE)

FIG ITEM	PART NUMBER	1 2 3 4 5 6 7	NOMENCLATURE	EFFECT FROM TO	UNITS PER ASSY
6 230	HL79-6		.COLLAR SUPPLIER CODE: V5M902 SPECIFICATION NUMBER: BACC30M6 OPTIONAL PART: HL79-6 V73197 HL79-6 V92215 66014-6 V56878 HL79-6 V56878	101106 108120 504903	6
235	355N5207-1		.BRACKET-SPRT	101106 108120 504903	1
240	355N5207-2		.BRACKET-SPRT	101106 108120 504903	1
245	355N5207-3		.BRACKET-SPRT	101106 108120 504903	1
250	355N5207-5		.BRACKET-SPRT	101106 108120 504903	1
- 600	286N2028-002		WIRE BUNDLE ASSY	102102	RF
- 600	286N2028-309		WIRE BUNDLE ASSY	504903	RF
- 600	286N2028-314		WIRE BUNDLE ASSY	108120	RF
610	GS3417-10C		.CLAMP- SUPPLIER CODE: V06324 SPECIFICATION NUMBER: BACC10HF10 OPTIONAL PART: S2125-10-8 V07418 ELECTRICAL EQUIP NUMBER: D02264T WIRING DIAGRAM REF: 262221	102102 108120 504903	1
615	MS27291-13		.CLAMP- ELECTRICAL EQUIP NUMBER: D02262T WIRING DIAGRAM REF: 262221	102102 108120 504903	1

MISSING ITEM NUMBERS NOT APPLICABLE

- ITEM NOT ILLUSTRATED

26-22-00-06

26-22-00
FIG. 06
PAGE 4
JAN 20/09

BRI



757

PARTS CATALOG (MAINTENANCE)

FIG ITEM	PART NUMBER	1 2 3 4 5 6 7	NOMENCLATURE	EFFECT FROM TO	UNITS PER ASSY
6 615	G899310		.CLAMP- SUPPLIER CODE: V06324 SPECIFICATION NUMBER: BACC10HF10A OPTIONAL PART: G8993M10 V06324 S2251-10-8 V07418 6000-123-0010 V14283 900-555F10-34 V31461 ELECTRICAL EQUIP NUMBER: D02262T WIRING DIAGRAM REF: 262221	101101	1
620	R071010A5S7L		.CONNECTOR- SUPPLIER CODE: V41118 SPECIFICATION NUMBER: BACC63BP10A5S7L ELECTRICAL EQUIP NUMBER: D02264 WIRING DIAGRAM REF: 262221	101101	1
620	R071010A5SNL		.CONNECTOR- SUPPLIER CODE: V41118 SPECIFICATION NUMBER: BACC63BP10A5SNL ELECTRICAL EQUIP NUMBER: D02264 WIRING DIAGRAM REF: 262221	102102 108120 504903	1
625	MS24266R8T3SN		.CONNECTOR- ELECTRICAL EQUIP NUMBER: D02262 WIRING DIAGRAM REF: 262221	504903	1

MISSING ITEM NUMBERS NOT APPLICABLE

- ITEM NOT ILLUSTRATED

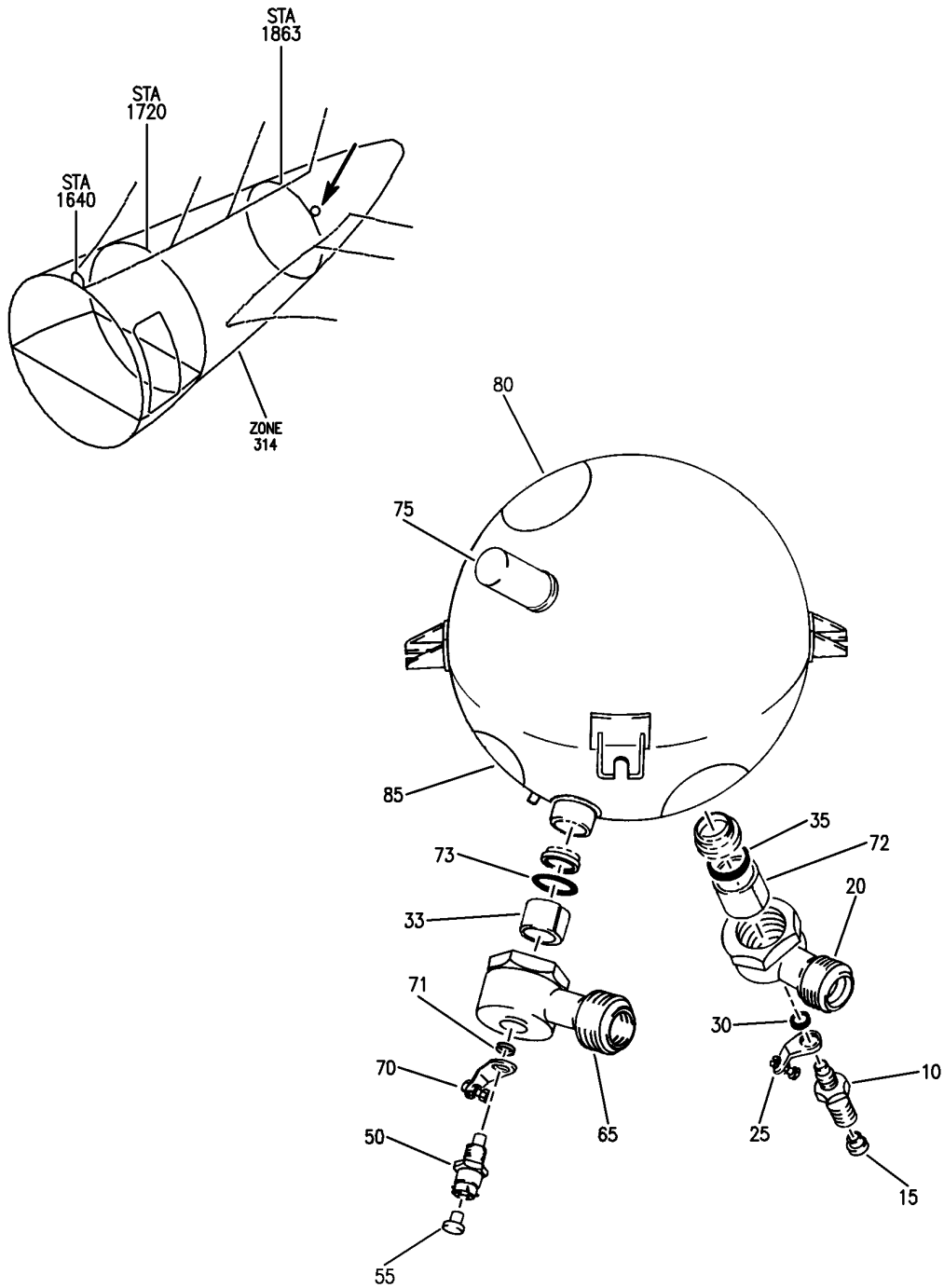
BRI

26-22-00-06

BOEING PROPRIETARY - Copyright © - Unpublished Work - See title page for details.

26-22-00
FIG. 06
PAGE 5
JAN 20/09

BOEING
757
PARTS CATALOG (MAINTENANCE)



Y 26220008 REV 256

EXTINGUISHER ASSY-FIRE BOTTLE, AUX PWR SYS
FIGURE 8

26-22-00-08

BRI
JAN 20/09

26-22-00-08
PAGE 0



757

PARTS CATALOG (MAINTENANCE)

FIG ITEM	PART NUMBER	1 2 3 4 5 6 7	NOMENCLATURE	EFFECT FROM TO	UNITS PER ASSY
8			EXTINGUISHER ASSY-FIRE BOTTLE, AUX PWR SYS	950951	
- 1	34300000-32		EXTINGUISHER ASSY-FIRE BOTTLE, AUX PWR SYS SUPPLIER CODE: V05167 SPECIFICATION NUMBER: S332T011-32 ELECTRICAL EQUIP NUMBER: B00025 COMPONENT MAINT MANUAL REF: 26-22-31 FOR NHA SEE: 26-22-00-04	950951	RF
10	30903859		. CARTRIDGE ASSY- SUPPLIER CODE: V05167 POSITION DATA: OUTBD OPTIONAL PART: 30903936 V05167	950951	1
10	30903936		. CARTRIDGE ASSY- SUPPLIER CODE: V05167 POSITION DATA: OUTBD OPTIONAL PART: 30903859 V05167	950951	1
15	2-100405		.. PLUG-SHUNT SUPPLIER CODE: V05167 CONFIG CHG DATA FROM A CMM: SUPSD BY M83723-60-18AN	950951	1
15	M83723-60-18AN		.. PLUG- CONFIG CHG DATA FROM A CMM: SUPSDS 2-100405 OPTIONAL PART: M83723-60-18AC	950951	1
15	M83723-60-18AC		.. PLUG- OPTIONAL PART: M83723-60-18AN	950951	1

MISSING ITEM NUMBERS NOT APPLICABLE

- ITEM NOT ILLUSTRATED

BRI

26-22-00-08

26-22-00
FIG. 08
PAGE 1
JAN 20/09



757

PARTS CATALOG (MAINTENANCE)

FIG ITEM	PART NUMBER	1 2 3 4 5 6 7	NOMENCLATURE	EFFECT FROM TO	UNITS PER ASSY
8 20	35240410-1		.OUTLET ASSY-DISCH SUPPLIER CODE: V05167 USED ON: 34300000-29 34300000-32	950951	1
25	33540224		..LUG ASSY-GND SUPPLIER CODE: V05167 USED ON: 35240411-1	950951	1
30	NAS1612-5		..PACKING	950951	1
33	53100272-1		..SCREEN- SUPPLIER CODE: V05167 CONFIG CHG DATA FROM A CMM: SUPSD BY 53100684-1 USED ON: 35240410-1	950951	1
33	53100684-1		..SCREEN- SUPPLIER CODE: V05167 CONFIG CHG DATA FROM A CMM: SUPSDS 53100272-1 USED ON: 35240410-1	950951	1
35	NAS1611-029		..PACKING	950951	1
50	30903891		.CARTRIDGE ASSY- SUPPLIER CODE: V05167 POSITION DATA: INBD OPTIONAL PART: 30903943 V05167 USED ON: 34300000-20 34300000-29 34300000-31 34300000-32 POST SERVICE BULLETIN: 34300000-16-26-01 V05167	950951	1

MISSING ITEM NUMBERS NOT APPLICABLE

- ITEM NOT ILLUSTRATED

BRI

26-22-00-08

BOEING PROPRIETARY - Copyright © - Unpublished Work - See title page for details.

26-22-00
FIG. 08
PAGE 2
JAN 20/09



757

PARTS CATALOG (MAINTENANCE)

FIG ITEM	PART NUMBER	1 2 3 4 5 6 7	NOMENCLATURE	EFFECT FROM TO	UNITS PER ASSY
8 50	30903943		. CARTRIDGE ASSY- SUPPLIER CODE: V05167 POSITION DATA: INBD OPTIONAL PART: 30903891 V05167 USED ON: 34300000-20 34300000-29 34300000-31 34300000-32	950951	1
55	M83723-60-210AN		.. COUPLING- CONFIG CHG DATA FROM A CMM: SUPSDS 2-100786-1 OPTIONAL PART: M83723-60-210AC USED ON: 30903859	950951	1
55	M83723-60-210AC		.. CAP- OPTIONAL PART: M83723-60-210AN USED ON: 30903859	950951	1
- 60	M83723-60-108AN		.. COUPLING- SERVICE BULLETIN OPT DATA: M83723-60-108AC USED ON: 30903859	950951	1
65	35240439-1		. OUTLET ASSY-DISCH ALUM SUPPLIER CODE: V05167 POSITION DATA: INBD	950951	1
70	51420003-1		.. LUG ASSY-GND SUPPLIER CODE: V05167 USED ON: 35240440-1 POST SERVICE BULLETIN: 34300000-16-26-01 V05167	950951	1
71	NAS1612-5		.. PACKING- POST SERVICE BULLETIN: 34300000-16-26-01 V05167	950951	1

MISSING ITEM NUMBERS NOT APPLICABLE

- ITEM NOT ILLUSTRATED

26-22-00-08

26-22-00
FIG. 08
PAGE 3
JAN 20/09

BRI



757

PARTS CATALOG (MAINTENANCE)

FIG ITEM	PART NUMBER	1 2 3 4 5 6 7	NOMENCLATURE	EFFECT FROM TO	UNITS PER ASSY
8					
72	53100272-1	..	SCREEN- SUPPLIER CODE: V05167 CONFIG CHG DATA FROM A CMM: SUPSD BY 53100684-1 USED ON: 35240439-1	950951	1
72	53100684-1	..	SCREEN- SUPPLIER CODE: V05167 CONFIG CHG DATA FROM A CMM: SUPSDS 53100272-1 USED ON: 35240439-1	950951	1
73	NAS1611-029	..	PACKING- POST SERVICE BULLETIN: 34300000-16-26-01 V05167	950951	1
75	53100730	.	GUARD-PRESS SWITCH SUPPLIER CODE: V05167 USED ON: 34300000-30 34300000-32	950951	1
80	51900054-20	.	PLATE-IDENT SUPPLIER CODE: V05167	950951	1
85	31576651	.	PLATE-CAUTION SUPPLIER CODE: V05167 REFERENCE SERVICE BULLETIN: 34300000-16-26-1 V05167	950951	1

MISSING ITEM NUMBERS NOT APPLICABLE

- ITEM NOT ILLUSTRATED

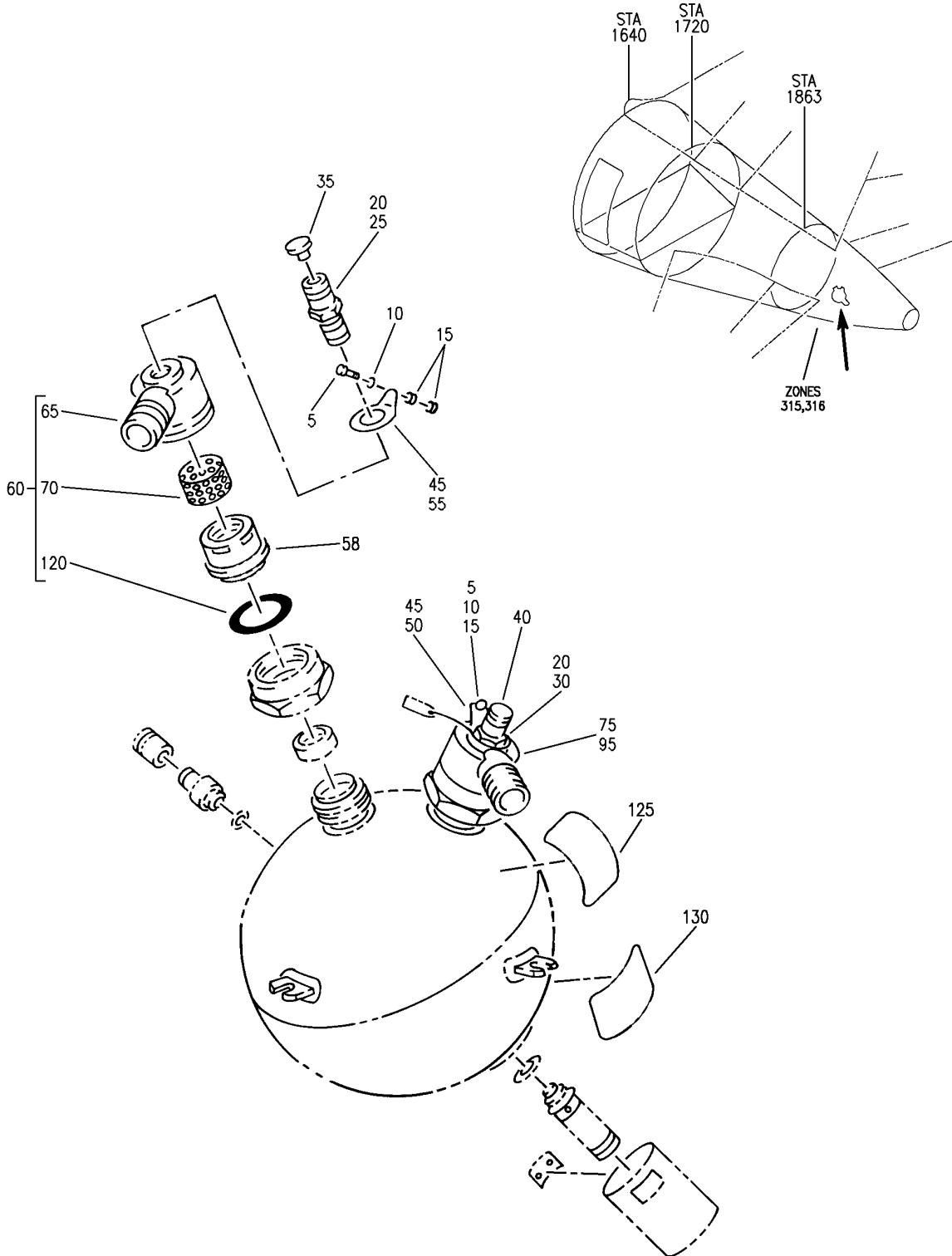
26-22-00-08

26-22-00
FIG. 08
PAGE 4
JAN 20/09

BRI

BOEING PROPRIETARY - Copyright © - Unpublished Work - See title page for details.

BOEING
757
PARTS CATALOG (MAINTENANCE)



Y 26220008 REV 252

EXTINGUISHER ASSY-BOTTLE APU FIRE EXTINGUISHING
FIGURE 9

26-22-00-09

BRI
MAY 28/07

26-22-00-09
PAGE 0



757

PARTS CATALOG (MAINTENANCE)

FIG ITEM	PART NUMBER	1 2 3 4 5 6 7	NOMENCLATURE	EFFECT FROM TO	UNITS PER ASSY
9			EXTINGUISHER ASSY-BOTTLE APU FIRE EXTINGUISHING	002004 006949 952999	
1	898867		EXTINGUISHER ASSY-BOTTLE AND VALVE 536 CU IN. DUAL OUTLET FIRE SUPPLIER CODE: V61423 SPECIFICATION NUMBER: S332T011-1 SB DATA FROM A CMM: PRE 898867-26-327 ELECTRICAL EQUIP NUMBER: B00025 COMPONENT MAINT MANUAL REF: 26-20-97 FOR NHA SEE: 26-22-00-04	107107	RF
1	898867-3		EXTINGUISHER ASSY-BOTTLE SUPPLIER CODE: V61423 SPECIFICATION NUMBER: S332T011-18 SB DATA FROM A CMM: POST 898867-26-327 ELECTRICAL EQUIP NUMBER: B00025 COMPONENT MAINT MANUAL REF: 26-20-97 FOR NHA SEE: 26-22-00-04 26-22-00-06	002004 006106 108949 952999	RF
5	1686-1108		.SCREW-FIL HD 10-32 X 1/2 IN. LG BRASS SUPPLIER CODE: V61423	002004 006949 952999	2
10	1799-1000		.WASHER-FLAT NO. 10 BRASS SUPPLIER CODE: V61423	002004 006949 952999	2
15	1350-1100		.NUT-HEX NO. 10-32 SUPPLIER CODE: V61423	002004 006949 952999	4

MISSING ITEM NUMBERS NOT APPLICABLE

- ITEM NOT ILLUSTRATED

BRI

26-22-00-09

26-22-00
FIG. 09
PAGE 1
JAN 20/09



757

PARTS CATALOG (MAINTENANCE)

FIG ITEM	PART NUMBER	1 2 3 4 5 6 7	NOMENCLATURE	EFFECT FROM TO	UNITS PER ASSY
9					
20	262299		. CARTRIDGE ASSY-ACTR SUPPLIER CODE: V61423 CONFIG CHG DATA FROM A CMM: REPLD BY 262299-1 USED ON: 898867 PRE SERVICE BULLETIN: 898867-26-327 V61423	107107	2
20	262299-1		. CARTRIDGE ASSY-ACTR SUPPLIER CODE: V61423 CONFIG CHG DATA FROM A CMM: REPLS 262299 REPLD BY 262299-2 USED ON: 898867	107107	2
20	262299-2		. CARTRIDGE ASSY-ACTR SUPPLIER CODE: V61423 CONFIG CHG DATA FROM A CMM: REPLS 262299-1 USED ON: 898867	107107	2
25	262299		. CARTRIDGE ASSY-ACTR SUPPLIER CODE: V61423 SB DATA FROM A CMM: POST SB 898867-26-327 CONFIG CHG DATA FROM A CMM: REPLD BY 262299-1 USED ON: 898867-3 POST SERVICE BULLETIN: 889867-26-327 V61423	002004 006949 952999	1
25	262299-1		. CARTRIDGE ASSY-ACTR SUPPLIER CODE: V61423 CONFIG CHG DATA FROM A CMM: REPLS 262299 REPLD BY 262299-2 USED ON: 898867-3 POST SERVICE BULLETIN: 889867-26-327 V61423	002004 006949 952999	1

MISSING ITEM NUMBERS NOT APPLICABLE

- ITEM NOT ILLUSTRATED

BRI

26-22-00-09

BOEING PROPRIETARY - Copyright © - Unpublished Work - See title page for details.

26-22-00
FIG. 09
PAGE 2
JAN 20/09



757

PARTS CATALOG (MAINTENANCE)

FIG ITEM	PART NUMBER	1 2 3 4 5 6 7	NOMENCLATURE	EFFECT FROM TO	UNITS PER ASSY
9					
25	262299-2		. CARTRIDGE ASSY-ACTR SUPPLIER CODE: V61423 CONFIG CHG DATA FROM A CMM: REPLS 262299-1 USED ON: 898867-3	002004 006949 952999	1
30	446189		. CARTRIDGE ASSY-ACTR SUPPLIER CODE: V61423 SB DATA FROM A CMM: POST SB 898867-26-327 CONFIG CHG DATA FROM A CMM: REPLD BY 446189-1 USED ON: 898867-3 POST SERVICE BULLETIN: 898867-26-327 V61423	002004 006949 952999	1
30	446189-1		. CARTRIDGE ASSY-ACTR SUPPLIER CODE: V61423 CONFIG CHG DATA FROM A CMM: REPLS 446189 USED ON: 898867-3	002004 006949 952999	1
35	AP1008-20D		.. CAP SUPPLIER CODE: V01673 SPECIFICATION NUMBER: BACC14AD20D OPTIONAL PART: US2103-20D V50808	002004 006949 952999	1
40	6971-0008		.. SHUNT- SUPPLIER CODE: V61423 USED ON: 446189	002004 006949 952999	1
45	262251		. WASHER-GND SUPPLIER CODE: V61423 SB DATA FROM A CMM: PRE SB 898867-26-327 USED ON: 898867	107107	2

MISSING ITEM NUMBERS NOT APPLICABLE

- ITEM NOT ILLUSTRATED

26-22-00-09

26-22-00
FIG. 09
PAGE 3
JAN 20/09

BRI



757

PARTS CATALOG (MAINTENANCE)

FIG ITEM	PART NUMBER	1 2 3 4 5 6 7	NOMENCLATURE	EFFECT FROM TO	UNITS PER ASSY
9					
50	262251		.WASHER-GND SUPPLIER CODE: V61423 SB DATA FROM A CMM: POST SB 898867-26-327 USED ON: 898867-3	002004 006949 952999	1
55	324385		.WASHER-GND SUPPLIER CODE: V61423 SB DATA FROM A CMM: POST SB 898867-26-327 USED ON: 898867-3	002004 006949 952999	1
58	282520		.RETAINER- SUPPLIER CODE: V61423	002004 006949 952999	1
60	878230		.HEAD-DISCHARGE SUPPLIER CODE: V61423	002004 006949 952999	1
65	282647		..BODY- SUPPLIER CODE: V61423	002004 006949 952999	1
70	262934		..SCREEN-DEBRIS SUPPLIER CODE: V61423	002004 006949 952999	1
75	878231		.HEAD-DISCHARGE SUPPLIER CODE: V61423 SB DATA FROM A CMM: PRE SB 898867-26-327 USED ON: 898867	107107	1
- 85	282648		..BODY- SUPPLIER CODE: V61423	107107	1
- 90	262934		..SCREEN-DEBRIS SUPPLIER CODE: V61423	107107	1
95	446188		.HEAD-DISCHARGE SUPPLIER CODE: V61423 SB DATA FROM A CMM: POST SB 898867-26-327 USED ON: 898867-3 POST SERVICE BULLETIN: 898867-26-327 V61423	002004 006949 952999	1

MISSING ITEM NUMBERS NOT APPLICABLE

- ITEM NOT ILLUSTRATED

26-22-00-09

26-22-00
FIG. 09
PAGE 4
JAN 20/09

BRI



757

PARTS CATALOG (MAINTENANCE)

FIG ITEM	PART NUMBER	1 2 3 4 5 6 7	NOMENCLATURE	EFFECT FROM TO	UNITS PER ASSY
9					
- 100	346373		.. BODY- SUPPLIER CODE: V61423	002004 006949 952999	1
- 105	262934		.. SCREEN-DEBRIS SUPPLIER CODE: V61423	002004 006949 952999	1
120	212605		.. GASKET- SUPPLIER CODE: V61423	002004 006949 952999	2
125	262480		. PLATE-IDENT SUPPLIER CODE: V59364	002004 006949 952999	1
130	256070		. LABEL-CAUTION SUPPLIER CODE: V59364 CONFIG CHG DATA FROM A CMM: SUPSD BY 324174	002004 006949 952999	1
130	324174		. LABEL-CAUTION SUPPLIER CODE: V59364 CONFIG CHG DATA FROM A CMM: SUPERSEDES 256070	002004 006949 952999	1

MISSING ITEM NUMBERS NOT APPLICABLE

- ITEM NOT ILLUSTRATED

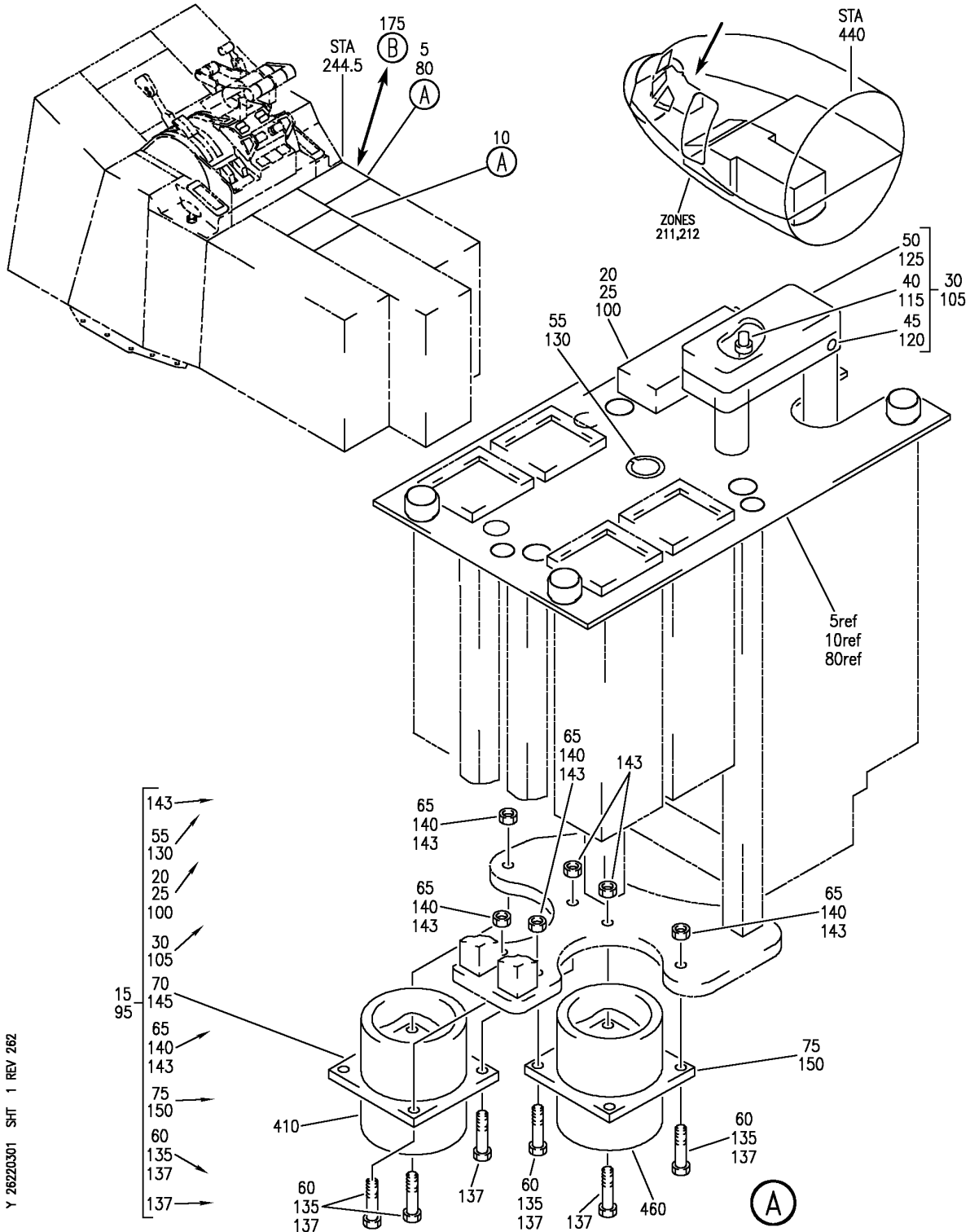
BRI

26-22-00-09

BOEING PROPRIETARY - Copyright © - Unpublished Work - See title page for details.

26-22-00
FIG. 09
PAGE 5
JAN 20/09

BOEING
757
PARTS CATALOG (MAINTENANCE)



Y 26220301 SH1 1 REV 262

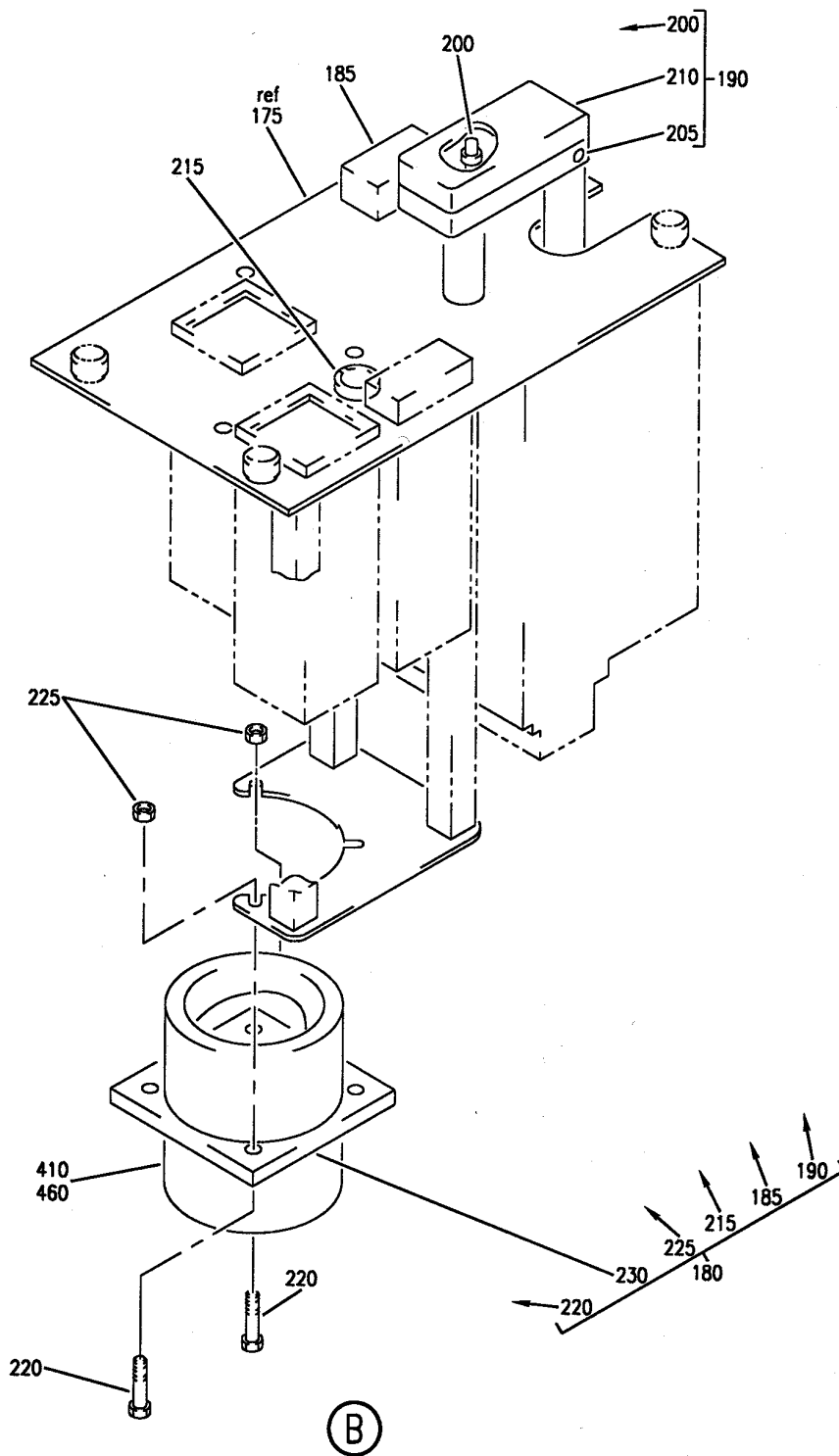
PANEL INSTL-P8 ELECTRONIC (APU FIRE EXTINGUISHING ONLY)
FIGURE 1 (SHEET 1)

26-22-03-01

BRI
MAY 28/07

26-22-03-01
PAGE 0

BOEING
757
PARTS CATALOG (MAINTENANCE)



PANEL INSTL-P8 ELECTRONIC (APU FIRE EXTINGUISHING ONLY)
FIGURE 1 (SHEET 2)

26-22-03-01

BRI
MAY 28/07

26-22-03-01
PAGE 0A



757

PARTS CATALOG (MAINTENANCE)

FIG ITEM	PART NUMBER	1 2 3 4 5 6 7	NOMENCLATURE	EFFECT FROM TO	UNITS PER ASSY
1			PANEL INSTL-P8 ELECTRONIC (APU FIRE EXTINGUISHING ONLY)	011100	
- 1	233N6101-1		PANEL INSTL-P8 ELECTRONIC (APU FIRE EXTINGUISHING ONLY) VARIABLE DRAWING REF: 233N6101-5042 FOR NHA/OTHER SYS DET SEE: 25-10-00-05A	011100	RF
5	233N6203-301		.PANEL ASSY-APU/CARGO FIRE CONT SUPPLIER CODE: V89954 COMPONENT MAINT MANUAL REF: 26-15-51 PRE ALERT SB: 33A0044	011100	RF
5	233N6203-355		.PANEL ASSY-APU/CARGO FIRE CONT SUPPLIER CODE: V89954	011100	RF
5	233N6203-1301		.PANEL ASSY-APU/CARGO FIRE CONT SUPPLIER CODE: V89954 COMPONENT MAINT MANUAL REF: 26-15-51 POST ALERT SB: 33A0044	011100	RF
15	233N6203-161		..PANEL ASSY- SUPPLIER CODE: V89954 ELECTRICAL EQUIP NUMBER: M10444 COMPONENT MAINT MANUAL REF: 26-15-51 USED ON: 233N6203-301 PRE ALERT SB: 33A0044	011100	1

MISSING ITEM NUMBERS NOT APPLICABLE

- ITEM NOT ILLUSTRATED

BRI

26-22-03-01

BOEING PROPRIETARY - Copyright © - Unpublished Work - See title page for details.

26-22-03
FIG. 01
PAGE 1
JAN 20/09



757

PARTS CATALOG (MAINTENANCE)

FIG ITEM	PART NUMBER	1 2 3 4 5 6 7	NOMENCLATURE	EFFECT FROM TO	UNITS PER ASSY
1	233N6203-252		..PANEL ASSY- SUPPLIER CODE: V89954 ELECTRICAL EQUIP NUMBER: M10444 COMPONENT MAINT MANUAL REF: 26-15-51 USED ON: 233N6203-355	011100	1
15	233N6203-1161		..PANEL ASSY- SUPPLIER CODE: V89954 ELECTRICAL EQUIP NUMBER: M10444 COMPONENT MAINT MANUAL REF: 26-15-51 POST ALERT SB: 33A0044	011100	1
20	BCREF8528		...LIGHT ASSY-APU BOTTLE DISCH IND SUPPLIER CODE: V81590 OVERLENGTH PART NUMBER: 434-674-1031-2015 SPECIFICATION NUMBER: S231T300-2015 OPTIONAL PART: BCREF6139 V81590 FOR DETAILS SEE: 33-14-70-01	011100	1
20	BCREF6139		...LIGHT ASSY-APU BOTTLE DISCH IND SUPPLIER CODE: V81590 OVERLENGTH PART NUMBER: 434-674-1005-1015 SPECIFICATION NUMBER: S231T300-1015 OPTIONAL PART: BCREF8528 V81590 FOR DETAILS SEE: 33-14-70-01	011100	1

MISSING ITEM NUMBERS NOT APPLICABLE

- ITEM NOT ILLUSTRATED

BRI

26-22-03-01

BOEING PROPRIETARY - Copyright © - Unpublished Work - See title page for details.

26-22-03
FIG. 01
PAGE 2
JAN 20/09



757

PARTS CATALOG (MAINTENANCE)

FIG ITEM	PART NUMBER	1 2 3 4 5 6 7	NOMENCLATURE	EFFECT FROM TO	UNITS PER ASSY
1	30 D455-07-001		...SWITCH ASSY-FIRE CONT SUPPLIER CODE: VK0673 SPECIFICATION NUMBER: 10-61318-16 COMPONENT MAINT MANUAL REF: 26-01-07	011100	1
-	35 NAS514P832-7		...SCREW- USED ON: 233N6203-161 233N6203-162 233N6203-163 233N6203-164 233N6203-165 233N6203-1161 233N6203-1164	011100	4
-	35 FH8C7TPKL12BN		...SCREW- SUPPLIER CODE: V12324 USED ON: 233N6203-252 233N6203-253 -----*-----	011100	4
	40 MS25237-387	LAMP	011100	4
	45 1-5-18MCP	PIN-SPIRAL SUPPLIER CODE: VK3297	011100	1
	50 D455-07-100	CAP ASSY- SUPPLIER CODE: VK0673	011100	1
	55 800000121-1		...CONNECTOR- SUPPLIER CODE: V05617	011100	1
	60 NAS1801-04-5		...SCREW- USED ON: 233N6203-161 233N6203-162 233N6203-163 233N6203-164 233N6203-165	011100	6
	60 BACS12HN04-5		...SCREW- USED ON: 233N6203-252 233N6203-253	011100	6

MISSING ITEM NUMBERS NOT APPLICABLE

- ITEM NOT ILLUSTRATED

BRI

26-22-03-01

BOEING PROPRIETARY - Copyright © - Unpublished Work - See title page for details.

26-22-03
FIG. 01
PAGE 3
JAN 20/09

 **BOEING**
757
PARTS CATALOG (MAINTENANCE)

FIG ITEM	PART NUMBER	1 2 3 4 5 6 7	NOMENCLATURE	EFFECT FROM TO	UNITS PER ASSY
1 65	K19798-04	...	NUT SUPPLIER CODE: V15653 SPECIFICATION NUMBER: BACN10NW1 OPTIONAL PART: RMA4812-160-40 V72962 293162 V60119	011100	6
70	BACC45FN18-31P6	...	CONNECTOR	011100	1
75	BACC45FN18-31P7	...	CONNECTOR	011100	1
- 400	286N4228-015		WIRE BUNDLE ASSY	011100	RF
410	BACC45FT18A31S6	.	CONNECTOR- ELECTRICAL EQUIP NUMBER: D03496 WIRING DIAGRAM REF: 262311	011100	1
- 450	286N4236-015		WIRE BUNDLE ASSY	011100	RF
460	BACC45FT18A31S7	.	CONNECTOR- ELECTRICAL EQUIP NUMBER: D03498 WIRING DIAGRAM REF: 315133	011100	1

MISSING ITEM NUMBERS NOT APPLICABLE

- ITEM NOT ILLUSTRATED

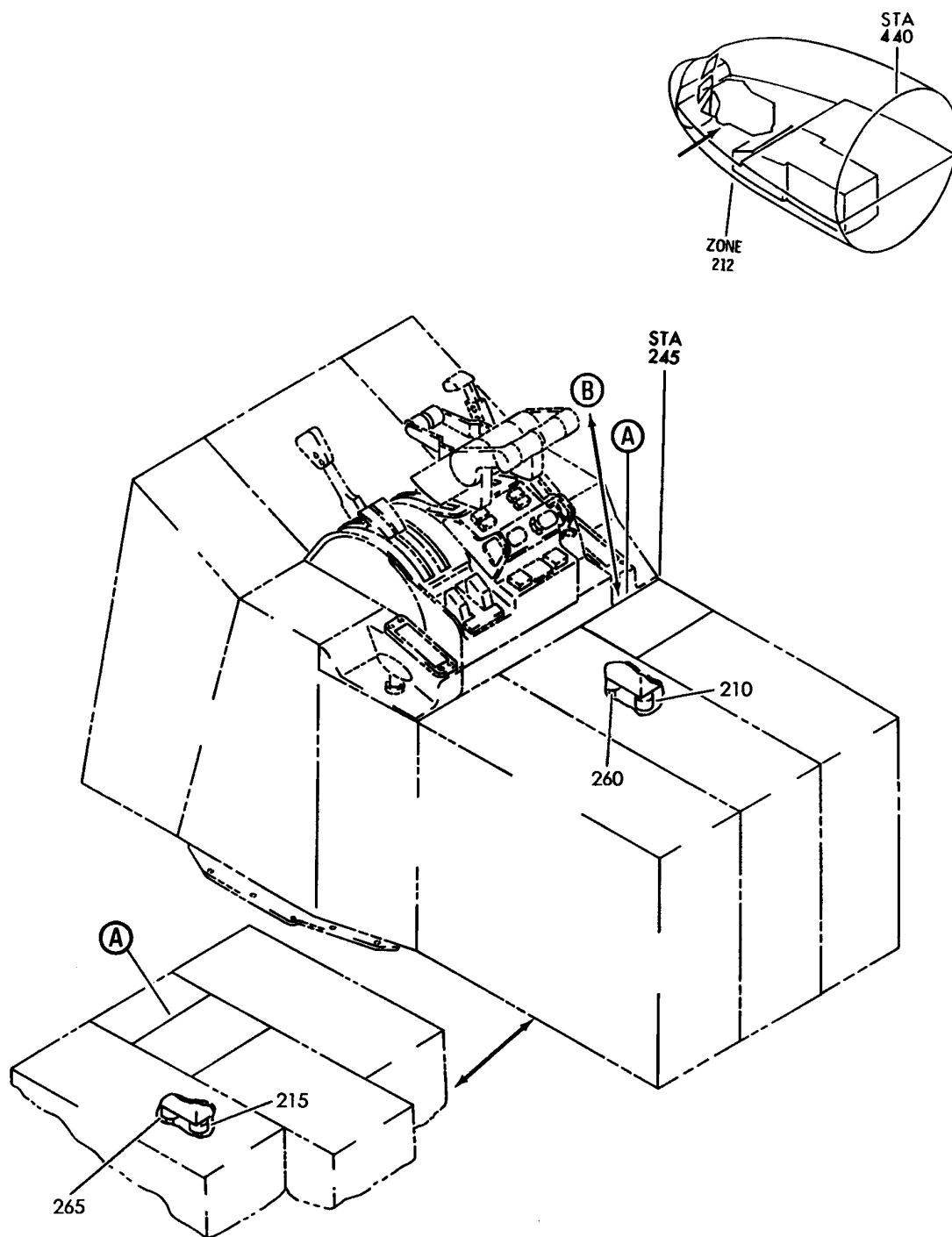
BRI

26-22-03-01

BOEING PROPRIETARY - Copyright © - Unpublished Work - See title page for details.

26-22-03
FIG. 01
PAGE 4
JAN 20/09

BOEING
757
PARTS CATALOG (MAINTENANCE)



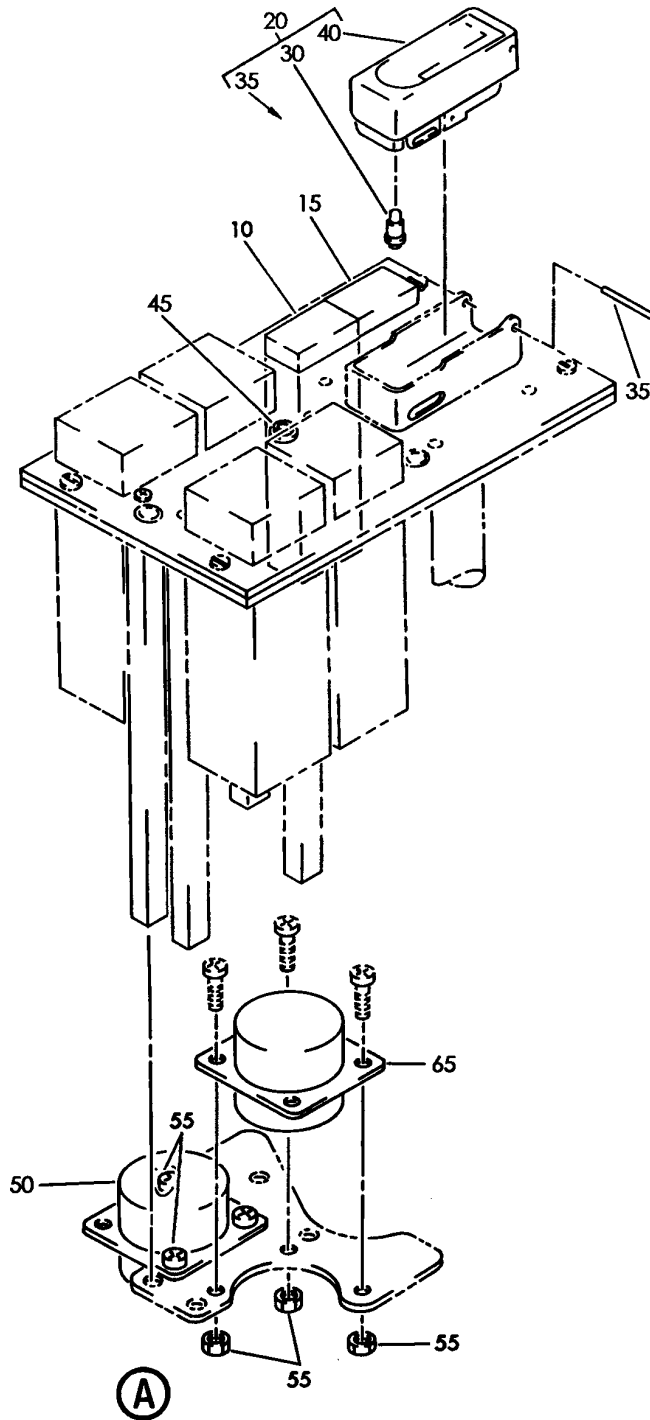
PANEL INSTL-P8 ELECTRONIC (APU FIRE EXTINGUISHING ONLY)
FIGURE 2 (SHEET 1)

26-22-03-02

BRI
MAY 28/07

26-22-03-02
PAGE 0

BOEING
757
PARTS CATALOG (MAINTENANCE)



Y 26220302 SHT 2 REV 209

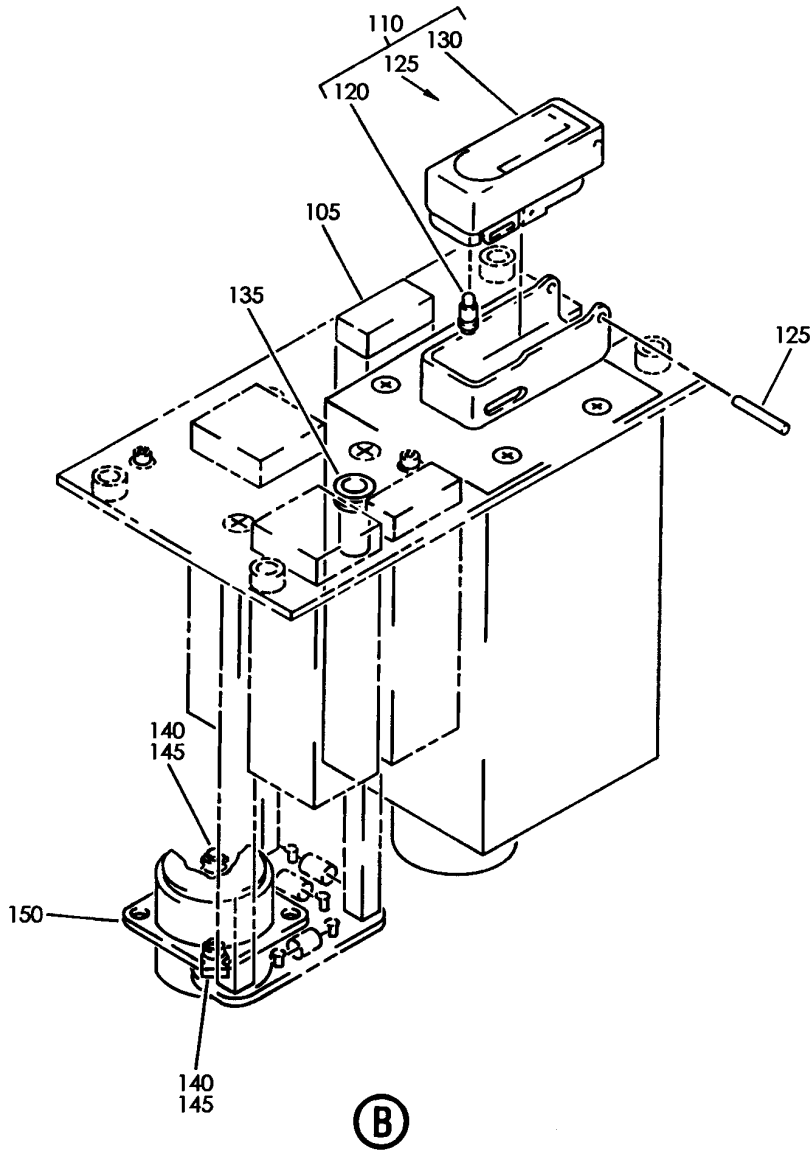
PANEL INSTL-P8 ELECTRONIC (APU FIRE EXTINGUISHING ONLY)
FIGURE 2 (SHEET 2)

26-22-03-02

BRI
MAY 28/07

26-22-03-02
PAGE 0A

BOEING
757
PARTS CATALOG (MAINTENANCE)



Y 26220302 SHT 3 REV 209

PANEL INSTL-P8 ELECTRONIC (APU FIRE EXTINGUISHING ONLY)
FIGURE 2 (SHEET 3)

26-22-03-02

BRI
MAY 28/07

26-22-03-02
PAGE 0B



757

PARTS CATALOG (MAINTENANCE)

FIG ITEM	PART NUMBER	1 2 3 4 5 6 7	NOMENCLATURE	EFFECT FROM TO	UNITS PER ASSY
2			PANEL INSTL-P8 ELECTRONIC (APU FIRE EXTINGUISHING ONLY)	002004 006100 107107 121503 904999	
- 1	233N6101-1		PANEL INSTL-P8 ELECTRONIC (APU FIRE EXTINGUISHING ONLY) VARIABLE DRAWING REF: 233N6101-5004 233N6101-5028 233N6101-5041 233N6101-5042 233N6101-5046 FOR NHA/OTHER SYS DET SEE: 25-10-00-05A	002004 006100 107107 121503 904999	RF
- 5	233N6203-45		.PANEL ASSY-APU AND CARGO FIRE CONT SUPPLIER CODE: V89954 ELECTRICAL EQUIP NUMBER: M10444 COMPONENT MAINT MANUAL REF: 26-15-51 QUALIFIED I/W DATA: 233N6203-9 -23 -45 -103 -104 -105 ARE ALL I/W EXCEPT SUBJECT TO CUSTOMER PREFERENCE 233N6203-9/-23/-45/-104/ -105/-161 ARE ALL INTERCHANGEABLE EXCEPT SUBJECT TO CUSTOMER PREFERENCE PRE ALERT SB: 33A0044	107107	RF

MISSING ITEM NUMBERS NOT APPLICABLE

- ITEM NOT ILLUSTRATED

BRI

26-22-03-02

26-22-03
FIG. 02
PAGE 1
JAN 20/09



757

PARTS CATALOG (MAINTENANCE)

FIG ITEM	PART NUMBER	1 2 3 4 5 6 7	NOMENCLATURE	EFFECT FROM TO	UNITS PER ASSY
- 2 5	233N6203-103		.PANEL ASSY-APU AND CARGO FIRE CONT SUPPLIER CODE: V89954 ELECTRICAL EQUIP NUMBER: M10444 COMPONENT MAINT MANUAL REF: 26-15-51 QUALIFIED I/W DATA: 233N6203-9 -23 -45 -103 -104 -105 ARE ALL I/W EXCEPT SUBJECT TO CUSTOMER PREFERENCE PRE ALERT SB: 33A0044	002004 006010 950999	RF
- 5	233N6203-105		.PANEL ASSY-APU AND CARGO FIRE CONT SUPPLIER CODE: V89954 ELECTRICAL EQUIP NUMBER: M10444 COMPONENT MAINT MANUAL REF: 26-15-51 QUALIFIED I/W DATA: 233N6203-9/-23/-45/-104/ -105/-161 ARE ALL INTERCHANGEABLE EXCEPT SUBJECT TO CUSTOMER PREFERENCE PRE ALERT SB: 33A0044R1	121503 904949	RF
- 5	233N6203-1103		.PANEL ASSY-APU AND CARGO FIRE CONT SUPPLIER CODE: V89954 ELECTRICAL EQUIP NUMBER: M10444 COMPONENT MAINT MANUAL REF: 26-15-51 POST ALERT SB: 33A0044	002004 006010 950999	RF

MISSING ITEM NUMBERS NOT APPLICABLE

- ITEM NOT ILLUSTRATED

BRI

26-22-03-02

BOEING PROPRIETARY - Copyright © - Unpublished Work - See title page for details.

26-22-03
FIG. 02
PAGE 2
JAN 20/09



757

PARTS CATALOG (MAINTENANCE)

FIG ITEM	PART NUMBER	1 2 3 4 5 6 7	NOMENCLATURE	EFFECT FROM TO	UNITS PER ASSY
2 -	6 233N6203-161		.PANEL ASSY-APU AND CARGO FIRE CONT SUPPLIER CODE: V89954 ELECTRICAL EQUIP NUMBER: M10444 COMPONENT MAINT MANUAL REF: 26-15-51 PRE ALERT SB: 33A0044	002004 006010 950999	RF
-	6 233N6203-1161		.PANEL ASSY-APU AND CARGO FIRE CONT SUPPLIER CODE: V89954 ELECTRICAL EQUIP NUMBER: M10444 COMPONENT MAINT MANUAL REF: 26-15-51 POST ALERT SB: 33A0044	002004 006010 950999	RF
-	7 233N6203-1045		.PANEL ASSY-APU AND CARGO FIRE CONT SUPPLIER CODE: V89954 ELECTRICAL EQUIP NUMBER: M10444 COMPONENT MAINT MANUAL REF: 26-15-51 POST ALERT SB: 33A0044	107107	RF
-	7 233N6203-1105		.PANEL ASSY-APU AND CARGO FIRE CONT ELECTRICAL EQUIP NUMBER: M10444 COMPONENT MAINT MANUAL REF: 26-15-55 POST ALERT SB: 33A0044R1	121503 904949	RF

MISSING ITEM NUMBERS NOT APPLICABLE

- ITEM NOT ILLUSTRATED

BRI

26-22-03-02

BOEING PROPRIETARY - Copyright © - Unpublished Work - See title page for details.

26-22-03
FIG. 02
PAGE 3
JAN 20/09



757

PARTS CATALOG (MAINTENANCE)

FIG ITEM	PART NUMBER	1 2 3 4 5 6 7	NOMENCLATURE	EFFECT FROM TO	UNITS PER ASSY
2					
10	BCREF8528		..LIGHT ASSY-APU BOTTLE DISCH IND SUPPLIER CODE: V81590 OVERLENGTH PART NUMBER: 434-674-1031-2015 SPECIFICATION NUMBER: S231T300-2015 OPTIONAL PART: BCREF6139 V81590 FOR DETAILS SEE: 33-14-70-01	002004 006010 107107 121503 904999	1
10	BCREF6139		..LIGHT ASSY-APU BOTTLE DISCH IND SUPPLIER CODE: V81590 OVERLENGTH PART NUMBER: 434-674-1005-1015 SPECIFICATION NUMBER: S231T300-1015 OPTIONAL PART: BCREF8528 V81590 FOR DETAILS SEE: 33-14-70-01	002004 006010 107107 121503 904999	1
20	D455-07-001		..SWITCH ASSY-FIRE CONT SUPPLIER CODE: VK0673 SPECIFICATION NUMBER: 10-61318-16 COMPONENT MAINT MANUAL REF: 26-01-07 ATTACHING PARTS	002004 006010 107107 121503 904999	1
- 25	NAS514P832-7		..SCREW	002004 006010 107107 121503 904999	4
30	MS25237-387		-----*----- ...LAMP	002004 006010 107107 121503 904999	4

MISSING ITEM NUMBERS NOT APPLICABLE

- ITEM NOT ILLUSTRATED

BRI

26-22-03-02

BOEING PROPRIETARY - Copyright © - Unpublished Work - See title page for details.

26-22-03
FIG. 02
PAGE 4
JAN 20/09



757

PARTS CATALOG (MAINTENANCE)

FIG ITEM	PART NUMBER	1 2 3 4 5 6 7	NOMENCLATURE	EFFECT FROM TO	UNITS PER ASSY
2					
35	1-5-18MCP	...	PIN-SPIRAL SUPPLIER CODE: VK3297	002004 006010 107107 121503 904999	1
40	D455-07-100	...	CAP ASSY- SUPPLIER CODE: VK0673	002004 006010 107107 121503 904999	1
45	800000121-1	..	CONNECTOR- SUPPLIER CODE: V05617	002004 006010 107107 121503 904999	1
50	BACC45FN18-31P6	..	CONNECTOR	002004 006010 107107 121503 904999	1
55	K19798-04	..	NUT SUPPLIER CODE: V15653 SPECIFICATION NUMBER: BACN10NW1 OPTIONAL PART: RMA4812-160-40 V72962 293162 V60119	002004 006010 107107 121503 904999	6
60	BACC45FN18-31P6	..	CONNECTOR	002004 006010 107107 121503 904999	1
65	BACC45FN18-31P7	..	CONNECTOR	002004 006010 107107 121503 904999	1
- 205	286N4228-013		WIRE BUNDLE ASSY-(APU FIRE EXTINGUISHING ONLY)	107107 121503 904949	RF
- 205	286N4228-015		WIRE BUNDLE ASSY-(APU FIRE EXTINGUISHING ONLY)	002004 006100 950999	RF

MISSING ITEM NUMBERS NOT APPLICABLE

- ITEM NOT ILLUSTRATED

26-22-03-02

26-22-03
FIG. 02
PAGE 5
JAN 20/09

BRI



757

PARTS CATALOG (MAINTENANCE)

FIG ITEM	PART NUMBER	1 2 3 4 5 6 7	NOMENCLATURE	EFFECT FROM TO	UNITS PER ASSY
2					
210	BACC45FT18A31S6	.	CONNECTOR- ELECTRICAL EQUIP NUMBER: D03496 WIRING DIAGRAM REF: 262311	002004 006010 107107 950999	1
215	BACC45FT18A31S6	.	CONNECTOR- ELECTRICAL EQUIP NUMBER: D03496 WIRING DIAGRAM REF: 262311	121503 904949	1
- 255	286N4236-010		WIRE BUNDLE ASSY-(APU FIRE EXTINGUISHING ONLY)	107107 121503 904949	RF
- 255	286N4236-015		WIRE BUNDLE ASSY-(APU FIRE EXTINGUISHING ONLY)	002004 006100 950999	RF
260	BACC45FT18A31S7	.	CONNECTOR- ELECTRICAL EQUIP NUMBER: D03498 WIRING DIAGRAM REF: 315133	002004 006010 107107 950999	1
265	BACC45FT18A31S7	.	CONNECTOR- ELECTRICAL EQUIP NUMBER: D03498 WIRING DIAGRAM REF: 315133	121503 904949	1

MISSING ITEM NUMBERS NOT APPLICABLE

- ITEM NOT ILLUSTRATED

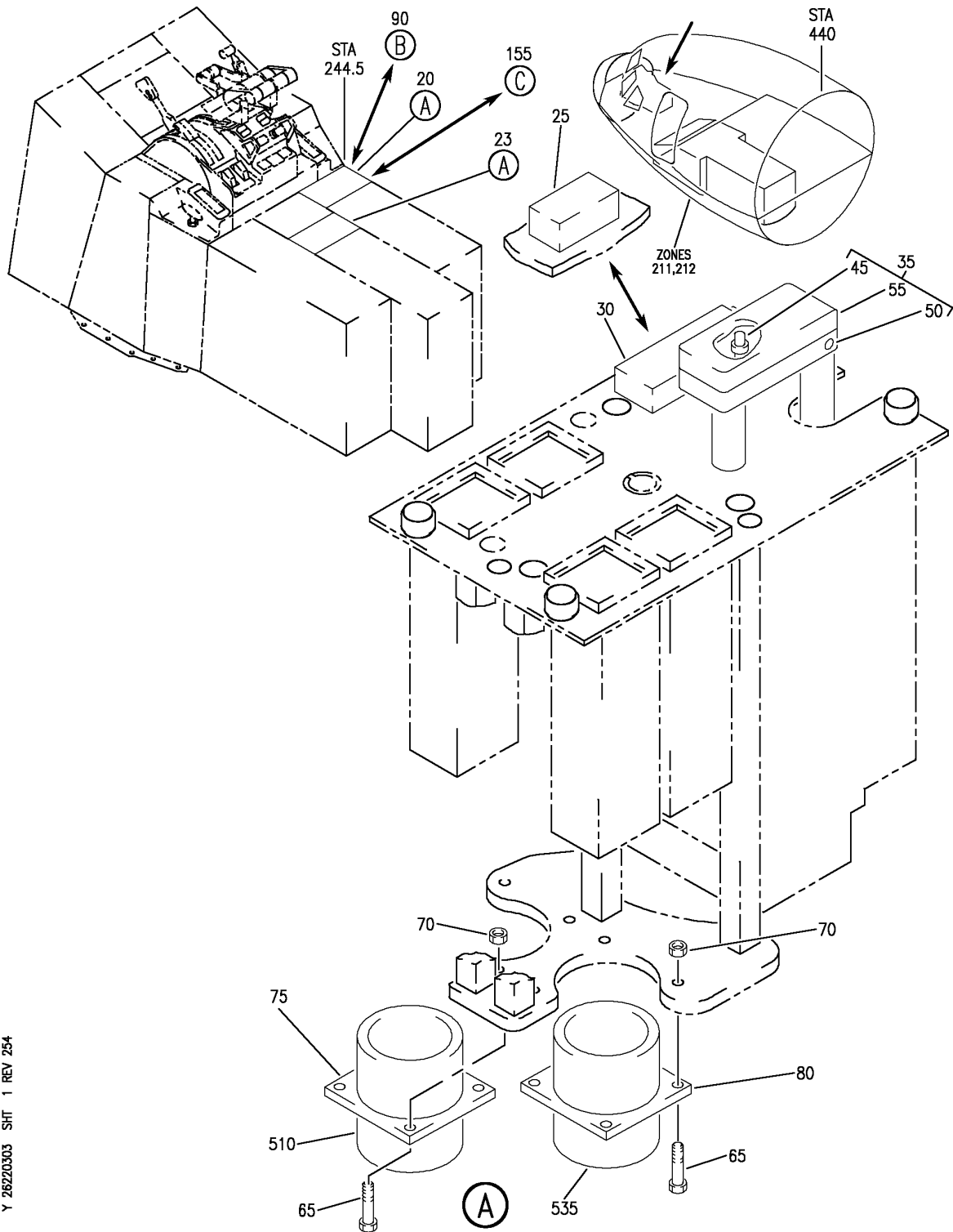
BRI

26-22-03-02

BOEING PROPRIETARY - Copyright © - Unpublished Work - See title page for details.

26-22-03
FIG. 02
PAGE 6
JAN 20/09

BOEING
757
PARTS CATALOG (MAINTENANCE)



Y 26220303 SH1 1 REV 254

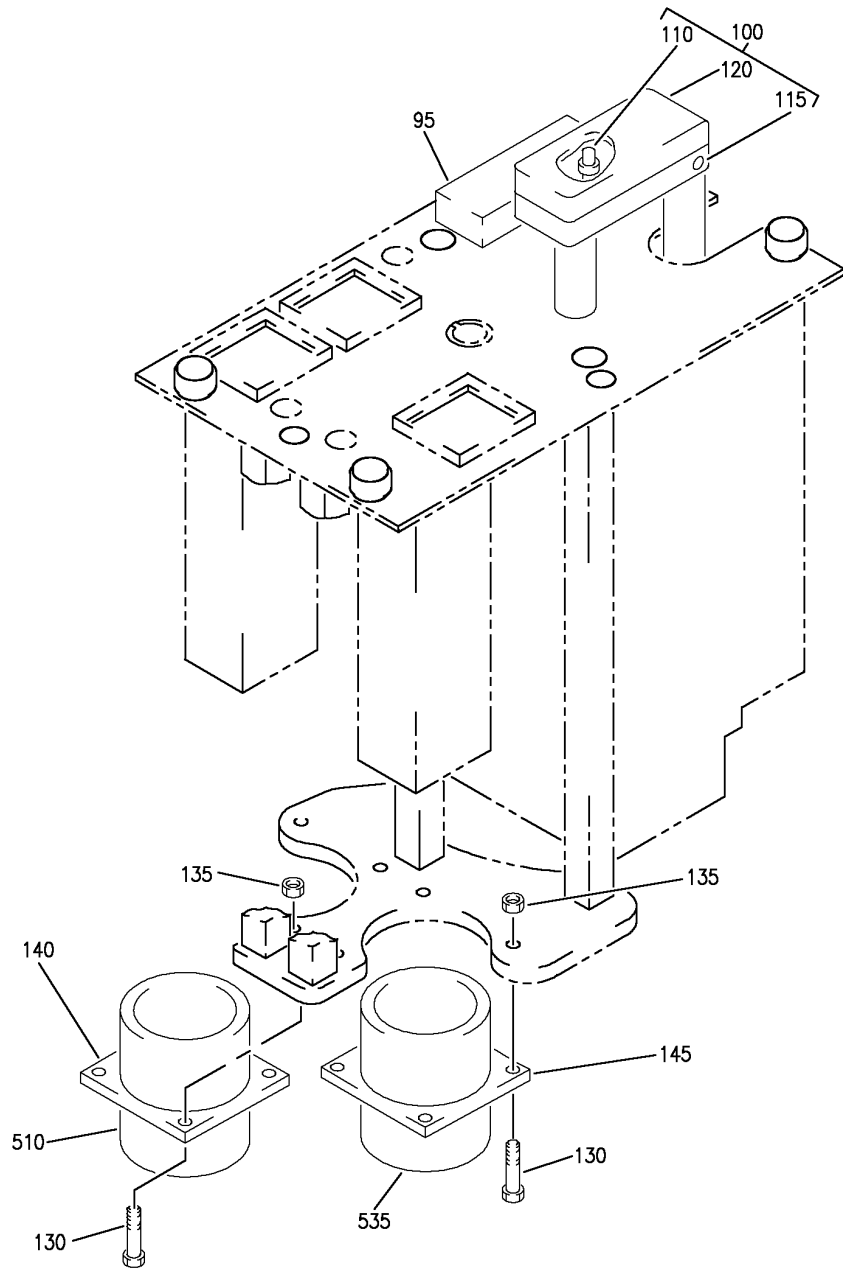
PANEL INSTL-P8,P9,P10 ELECTRONICS (APU FIRE EXTINGUISHING ONLY)
FIGURE 3 (SHEET 1)

26-22-03-03

BRI
MAY 28/07

26-22-03-03
PAGE 0

BOEING
757
PARTS CATALOG (MAINTENANCE)



(B)

Y 26220303 SH1 2 REV 254

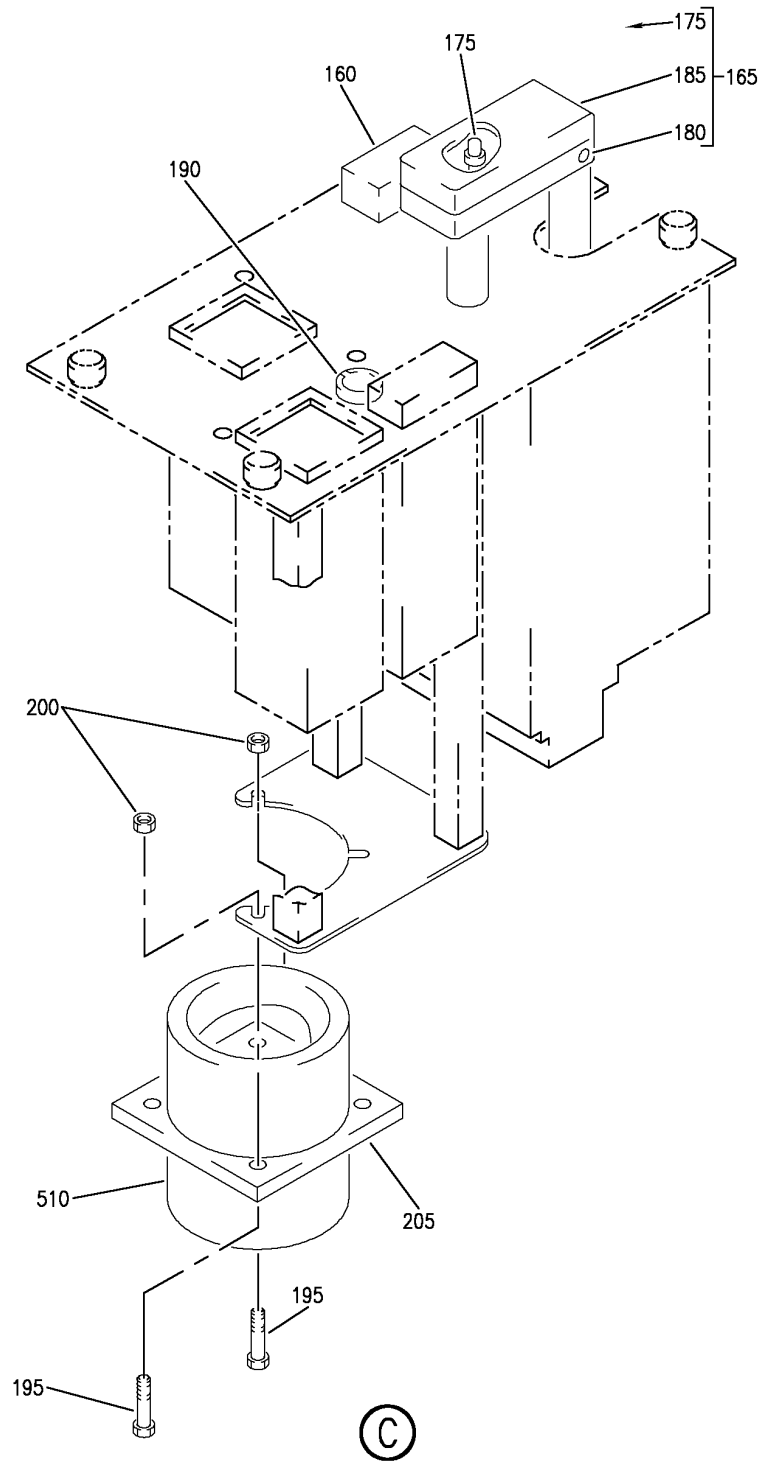
PANEL INSTL-P8,P9,P10 ELECTRONICS (APU FIRE EXTINGUISHING ONLY)
FIGURE 3 (SHEET 2)

26-22-03-03

BRI
MAY 28/07

26-22-03-03
PAGE 0A

BOEING
757
PARTS CATALOG (MAINTENANCE)



Y 26220303 SH1 3 REV 254

PANEL INSTL-P8,P9,P10 ELECTRONICS (APU FIRE EXTINGUISHING ONLY)
FIGURE 3 (SHEET 3)

26-22-03-03

BRI
MAY 28/07

26-22-03-03
PAGE 0B



757

PARTS CATALOG (MAINTENANCE)

FIG ITEM	PART NUMBER	1 2 3 4 5 6 7	NOMENCLATURE	EFFECT FROM TO	UNITS PER ASSY
3			PANEL INSTL-P8,P9,P10 ELECTRONICS (APU FIRE EXTINGUISHING ONLY)	101106 108120 504903	
- 1	233N6103-122		PANEL INSTL-P8,P9,P10 ELECTRONICS (APU FIRE EXTINGUISHING ONLY) FOR NHA/OTHER SYS DET SEE: 25-10-00-15B	504903	RF
- 1	233N6103-123		PANEL INSTL-P8,P9,P10 ELECTRONICS (APU FIRE EXTINGUISHING ONLY)	103106	RF
- 2	233N6103-128		PANEL INSTL-P8,P9,P10 ELECTRONICS (APU FIRE EXTINGUISHING ONLY) FOR NHA/OTHER SYS DET SEE: 25-10-00-15B	102102	RF
- 4	233N6103-28		PANEL INSTL-P8,P9,P10 ELECTRONICS (APU FIRE EXTINGUISHING ONLY) FOR NHA/OTHER SYS DET SEE: 25-10-00-15B	101101	RF
- 6	233N6103-62		PANEL INSTL-P8,P9,P10 ELECTRONICS (APU FIRE EXTINGUISHING ONLY) FOR NHA/OTHER SYS DET SEE: 25-10-00-15B	108120	RF

MISSING ITEM NUMBERS NOT APPLICABLE

- ITEM NOT ILLUSTRATED

26-22-03-03

26-22-03
FIG. 03
PAGE 1
JAN 20/09

BRI



757

PARTS CATALOG (MAINTENANCE)

FIG ITEM	PART NUMBER	1 2 3 4 5 6 7	NOMENCLATURE	EFFECT FROM TO	UNITS PER ASSY
3 -	8 MODREF33990		PANEL INSTL-P8,P9,P10 ELECTRONICS (APU FIRE EXTINGUISHING ONLY) MODULE NUMBER: 233N6103-253 REV B FOR OTHER SYS DETAILS SEE: 11-31-05-66F 23-12-02-03 23-51-01-05 26-11-02-01 26-11-54-02A 26-12-51-03 26-17-51-06 26-21-01-02 26-23-52-04A 27-11-23-03 27-21-23-03 27-28-02-01A 31-11-31-02 31-11-36-78 31-11-41-02 31-41-03-02 33-13-01-07 34-22-02-03 34-31-02-02 34-43-02-02 34-53-02-02 34-57-02-03 34-61-02-03	103106	1
-	10 233N6203-301		.PANEL ASSY-APU/CARGO FIRE CONT SUPPLIER CODE: V89954 COMPONENT MAINT MANUAL REF: 26-15-51 PRE ALERT SB: 33A0044	101102 108120	RF
-	10 233N6203-1301		.PANEL ASSY-APU/CARGO FIRE CONT SUPPLIER CODE: V89954 ELECTRICAL EQUIP NUMBER: M10444 COMPONENT MAINT MANUAL REF: 26-15-51 POST ALERT SB: 33A0044	101102 108120	RF

MISSING ITEM NUMBERS NOT APPLICABLE

- ITEM NOT ILLUSTRATED

26-22-03-03

26-22-03
FIG. 03
PAGE 2
JAN 20/09

BRI



757

PARTS CATALOG (MAINTENANCE)

FIG ITEM	PART NUMBER	1 2 3 4 5 6 7	NOMENCLATURE	EFFECT FROM TO	UNITS PER ASSY
3					
- 10	233N6203-355		.PANEL ASSY-APU/CARGO FIRE CONT SUPPLIER CODE: V89954	101106 108120	RF
- 15	233N6203-301		.PANEL ASSY-APU/CARGO FIRE CONT SUPPLIER CODE: V89954 COMPONENT MAINT MANUAL REF: 26-15-51 PRE ALERT SB: 33A0044	504903	RF
- 15	233N6203-355		.PANEL ASSY-APU/CARGO FIRE CONT SUPPLIER CODE: V89954	504903	RF
- 15	233N6203-1301		.PANEL ASSY-APU/CARGO FIRE CONT SUPPLIER CODE: V89954 COMPONENT MAINT MANUAL REF: 26-15-51 POST ALERT SB: 33A0044	504903	RF
20	233N6203-161		..PANEL ASSY- SUPPLIER CODE: V89954 ELECTRICAL EQUIP NUMBER: M10444 COMPONENT MAINT MANUAL REF: 26-15-51 USED ON: 233N6203-301 PRE ALERT SB: 33A0044	101102 108120	1
20	233N6203-252		..PANEL ASSY- SUPPLIER CODE: V89954 ELECTRICAL EQUIP NUMBER: M10444 COMPONENT MAINT MANUAL REF: 26-15-51 USED ON: 233N6203-355	101106 108120	1

MISSING ITEM NUMBERS NOT APPLICABLE

- ITEM NOT ILLUSTRATED

BRI

26-22-03-03

26-22-03
FIG. 03
PAGE 3
JAN 20/09



757

PARTS CATALOG (MAINTENANCE)

FIG ITEM	PART NUMBER	1 2 3 4 5 6 7	NOMENCLATURE	EFFECT FROM TO	UNITS PER ASSY
3 20	233N6203-1161		..PANEL ASSY- SUPPLIER CODE: V89954 ELECTRICAL EQUIP NUMBER: M10444 COMPONENT MAINT MANUAL REF: 26-15-51 USED ON: 233N6203-1301	101102 108120	1
23	233N6203-161		..PANEL ASSY- SUPPLIER CODE: V89954 ELECTRICAL EQUIP NUMBER: M10444 COMPONENT MAINT MANUAL REF: 26-15-51 USED ON: 233N6203-301 PRE ALERT SB: 33A0044	504903	1
23	233N6203-252		..PANEL ASSY- SUPPLIER CODE: V89954 ELECTRICAL EQUIP NUMBER: M10444 COMPONENT MAINT MANUAL REF: 26-15-51 USED ON: 233N6203-355	504903	1
23	233N6203-1161		..PANEL ASSY- SUPPLIER CODE: V89954 ELECTRICAL EQUIP NUMBER: M10444 COMPONENT MAINT MANUAL REF: 26-15-51 USED ON: 233N6203-1301 POST ALERT SB: 33A0044	504903	1

MISSING ITEM NUMBERS NOT APPLICABLE

- ITEM NOT ILLUSTRATED

26-22-03-03

26-22-03
FIG. 03
PAGE 4
JAN 20/09

BRI



757

PARTS CATALOG (MAINTENANCE)

FIG ITEM	PART NUMBER	1 2 3 4 5 6 7	NOMENCLATURE	EFFECT FROM TO	UNITS PER ASSY
3	25 BCREF8528		...LIGHT ASSY-APU BOTTLE DISCH IND SUPPLIER CODE: V81590 OVERLENGTH PART NUMBER: 434-674-1031-2015 SPECIFICATION NUMBER: S231T300-2015 OPTIONAL PART: BCREF6139 V81590 USED ON: 233N6203-1161 FOR DETAILS SEE: 33-14-70-01	101106 108120 504903	1
	25 BCREF6139		...LIGHT ASSY-APU BOTTLE DISCH IND SUPPLIER CODE: V81590 OVERLENGTH PART NUMBER: 434-674-1005-1015 SPECIFICATION NUMBER: S231T300-1015 OPTIONAL PART: BCREF8528 V81590 USED ON: 233N6203-1161 FOR DETAILS SEE: 33-14-70-01	101106 108120 504903	1
	35 D455-07-001		...SWITCH ASSY-FIRE CONT SUPPLIER CODE: VK0673 SPECIFICATION NUMBER: 10-61318-16 COMPONENT MAINT MANUAL REF: 26-01-07 ATTACHING PARTS	101106 108120 504903	1
-	40 NAS514P832-7		...SCREW- USED ON: 233N6203-161 233N6203-163 233N6203-164 233N6203-1161	101102 108120 504903	4

MISSING ITEM NUMBERS NOT APPLICABLE

- ITEM NOT ILLUSTRATED

26-22-03-03

26-22-03
FIG. 03
PAGE 5
JAN 20/09

BRI

BOEING
757
PARTS CATALOG (MAINTENANCE)

FIG ITEM	PART NUMBER	1 2 3 4 5 6 7	NOMENCLATURE	EFFECT FROM TO	UNITS PER ASSY
3					
- 40	FH8C7TPKL12BN	...	SCREW- SUPPLIER CODE: V12324 USED ON: 233N6203-252 233N6203-253 -----*-----	101106 108120 504903	4
45	MS25237-387	LAMP	101106 108120 504903	4
50	1-5-18MCP	PIN-SPIRAL SUPPLIER CODE: VK3297	101106 108120 504903	1
55	D455-07-100	CAP ASSY- SUPPLIER CODE: VK0673	101106 108120 504903	1
65	NAS1801-04-5	...	SCREW- USED ON: 233N6203-161 233N6203-163 233N6203-164 233N6203-1161	101102 108120 504903	6
65	BACS12HN04-5	...	SCREW- USED ON: 233N6203-252 233N6203-253	101106 108120 504903	6
70	K19798-04	...	NUT SUPPLIER CODE: V15653 SPECIFICATION NUMBER: BACN10NW1 OPTIONAL PART: RMA4812-160-40 V72962 293162 V60119	101106 108120 504903	6
75	BACC45FN18-31P6	...	CONNECTOR	101106 108120 504903	1
80	BACC45FN18-31P7	...	CONNECTOR	101106 108120 504903	1
- 501	286N4228-329		WIRE BUNDLE ASSY-	101102	RF
- 501	286N4228-340		WIRE BUNDLE ASSY	504903	RF
- 502	286N4228-355		WIRE BUNDLE ASSY-	108120	RF
- 505	286N6662-601		WIRE BUNDLE ASSY	103106	RF

MISSING ITEM NUMBERS NOT APPLICABLE

- ITEM NOT ILLUSTRATED

26-22-03-03

26-22-03
FIG. 03
PAGE 6
JAN 20/09

BRI

BOEING PROPRIETARY - Copyright © - Unpublished Work - See title page for details.



757

PARTS CATALOG (MAINTENANCE)

FIG ITEM	PART NUMBER	1 2 3 4 5 6 7	NOMENCLATURE	EFFECT FROM TO	UNITS PER ASSY
3 510	BACC45FT18A31S6		.CONNECTOR- ELECTRICAL EQUIP NUMBER: D03496 WIRING DIAGRAM REF: 315133	101106 108120 504903	1
- 526	286N4236-326		WIRE BUNDLE ASSY-	101102	RF
- 526	286N4236-340		WIRE BUNDLE ASSY	504903	RF
- 527	286N4236-346		WIRE BUNDLE ASSY-	108120	RF
- 530	286N6670-601		WIRE BUNDLE ASSY	103106	RF
535	BACC45FT18A31S7		.CONNECTOR- ELECTRICAL EQUIP NUMBER: D03498 WIRING DIAGRAM REF: 315133 262311	101106 108120 504903	1

MISSING ITEM NUMBERS NOT APPLICABLE

- ITEM NOT ILLUSTRATED

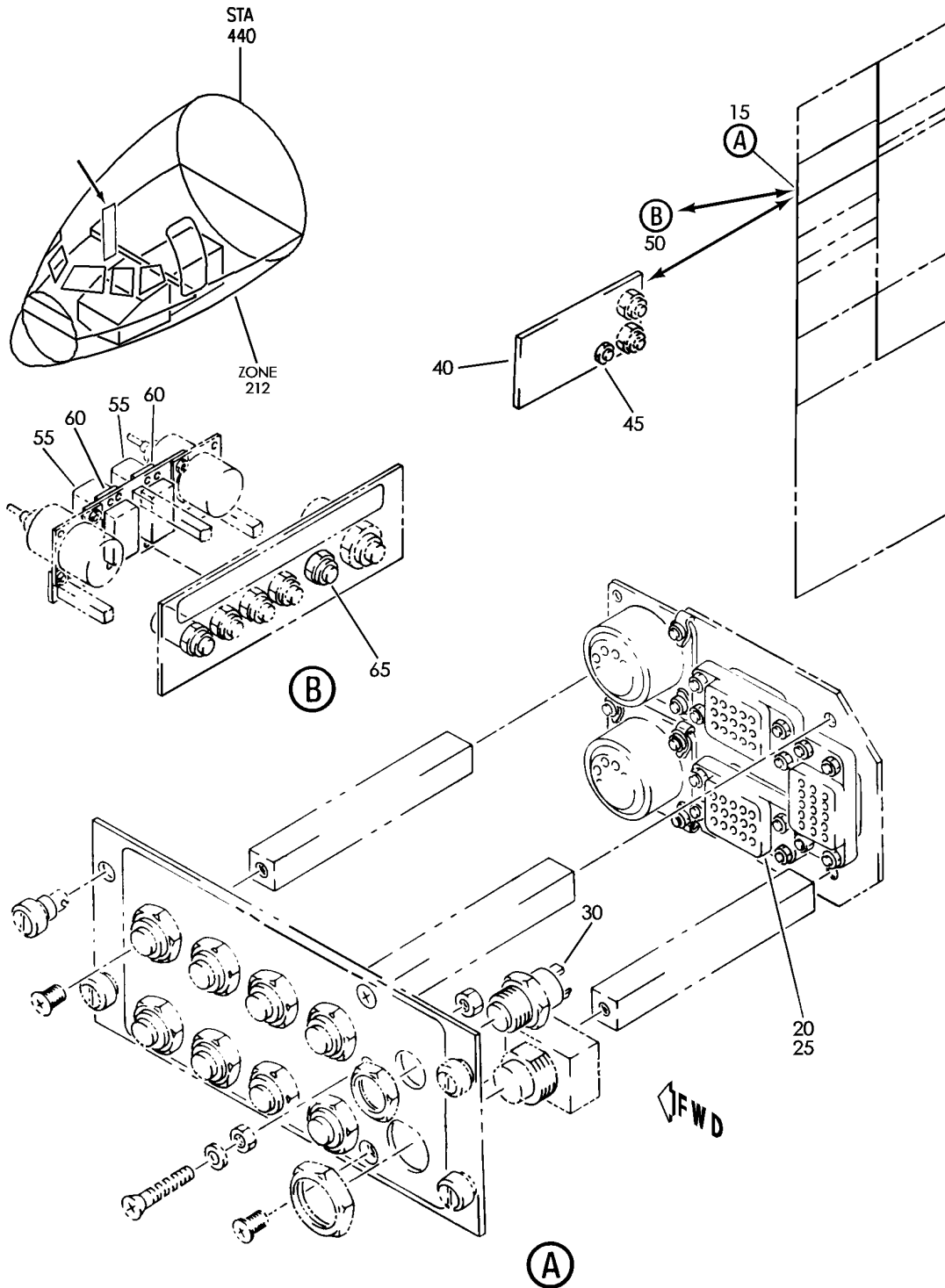
BRI

26-22-03-03

BOEING PROPRIETARY - Copyright © - Unpublished Work - See title page for details.

26-22-03
FIG. 03
PAGE 7
JAN 20/09

BOEING
757
PARTS CATALOG (MAINTENANCE)



Y 26225201 REV 231

PANEL INSTL-P61 R SIDEWALL (APU FIRE EXTINGUISHING ONLY)
FIGURE 1

26-22-52-01

BRI
MAY 28/07

26-22-52-01
PAGE 0



757

PARTS CATALOG (MAINTENANCE)

FIG ITEM	PART NUMBER	1 2 3 4 5 6 7	NOMENCLATURE	EFFECT FROM TO	UNITS PER ASSY
1			PANEL INSTL-P61 R SIDEWALL (APU FIRE EXTINGUISHING ONLY)	101106 108120 504903	
- 2	233N7403-28		PANEL INSTL-P61 SIDEWALL (APU FIRE EXTINGUISHING ONLY) POSITION DATA: R FOR NHA/OTHER SYS DET SEE: 25-10-00-15B	101101	RF
- 3	233N7403-117		PANEL INSTL-P61 SIDEWALL (APU FIRE EXTINGUISHING ONLY) POSITION DATA: R FOR NHA/OTHER SYS DET SEE: 25-10-00-15B	504903	RF
- 3	233N7403-128		PANEL INSTL-P61 SIDEWALL (APU FIRE EXTINGUISHING ONLY) POSITION DATA: R FOR NHA/OTHER SYS DET SEE: 25-10-00-15B	102102	RF
- 5	233N7403-158		PANEL INSTL-P61 SIDEWALL (APU FIRE EXTINGUISHING ONLY) POSITION DATA: R FOR NHA/OTHER SYS DET SEE: 25-10-00-15B	108120	RF

MISSING ITEM NUMBERS NOT APPLICABLE

- ITEM NOT ILLUSTRATED

BRI

26-22-52-01

BOEING PROPRIETARY - Copyright © - Unpublished Work - See title page for details.

26-22-52
FIG. 01
PAGE 1
JAN 20/09



757

PARTS CATALOG (MAINTENANCE)

FIG ITEM	PART NUMBER	1 2 3 4 5 6 7	NOMENCLATURE	EFFECT FROM TO	UNITS PER ASSY
1 - 8	MODREF33342		PANEL INSTL- (APU FIRE EXTINGUISHING ONLY) MODULE NUMBER: 233N7403-171 REV A FOR OTHER SYS DETAILS SEE: 11-32-01-98 21-58-51-04 22-21-51-01 23-41-52-01 24-22-73-02 26-18-53-02 26-21-52-01 26-23-52-03 27-23-51-02 28-41-51-04 29-22-52-01 30-11-52-01 30-41-51-04 31-14-16-87 31-31-04-01 31-41-53-01 31-51-51-01 34-12-54-01 34-21-51-02 34-46-51-05 34-61-53-03	103106	1
15	233N7506-1		.PANEL ASSY-SQUIB TEST SUPPLIER CODE: V89954 ELECTRICAL EQUIP NUMBER: M10401 COMPONENT MAINT MANUAL REF: 26-21-52	101106 108120 504903	RF
20	W460F1A		..RELAY SUPPLIER CODE: VF0219 SPECIFICATION NUMBER: BACR13CE2 OPTIONAL PART: 3SAH5-13-4K1 V01526 3SAH1326A2 V01526	101106 108120 504903	1
25	451120-027		..SOCKET- SUPPLIER CODE: V03743	101106 108120 504903	1

MISSING ITEM NUMBERS NOT APPLICABLE

- ITEM NOT ILLUSTRATED

26-22-52-01

26-22-52
FIG. 01
PAGE 2
JAN 20/09

BRI



757

PARTS CATALOG (MAINTENANCE)

FIG ITEM	PART NUMBER	1 2 3 4 5 6 7	NOMENCLATURE	EFFECT FROM TO	UNITS PER ASSY
1 30	BCREF4858		..LIGHT ASSY-IND SUPPLIER CODE: V81590 OVERLENGTH PART NUMBER: 116-565-1042-001 FOR DETAILS SEE: 33-14-70-05	101106 108120 504903	1

MISSING ITEM NUMBERS NOT APPLICABLE

- ITEM NOT ILLUSTRATED

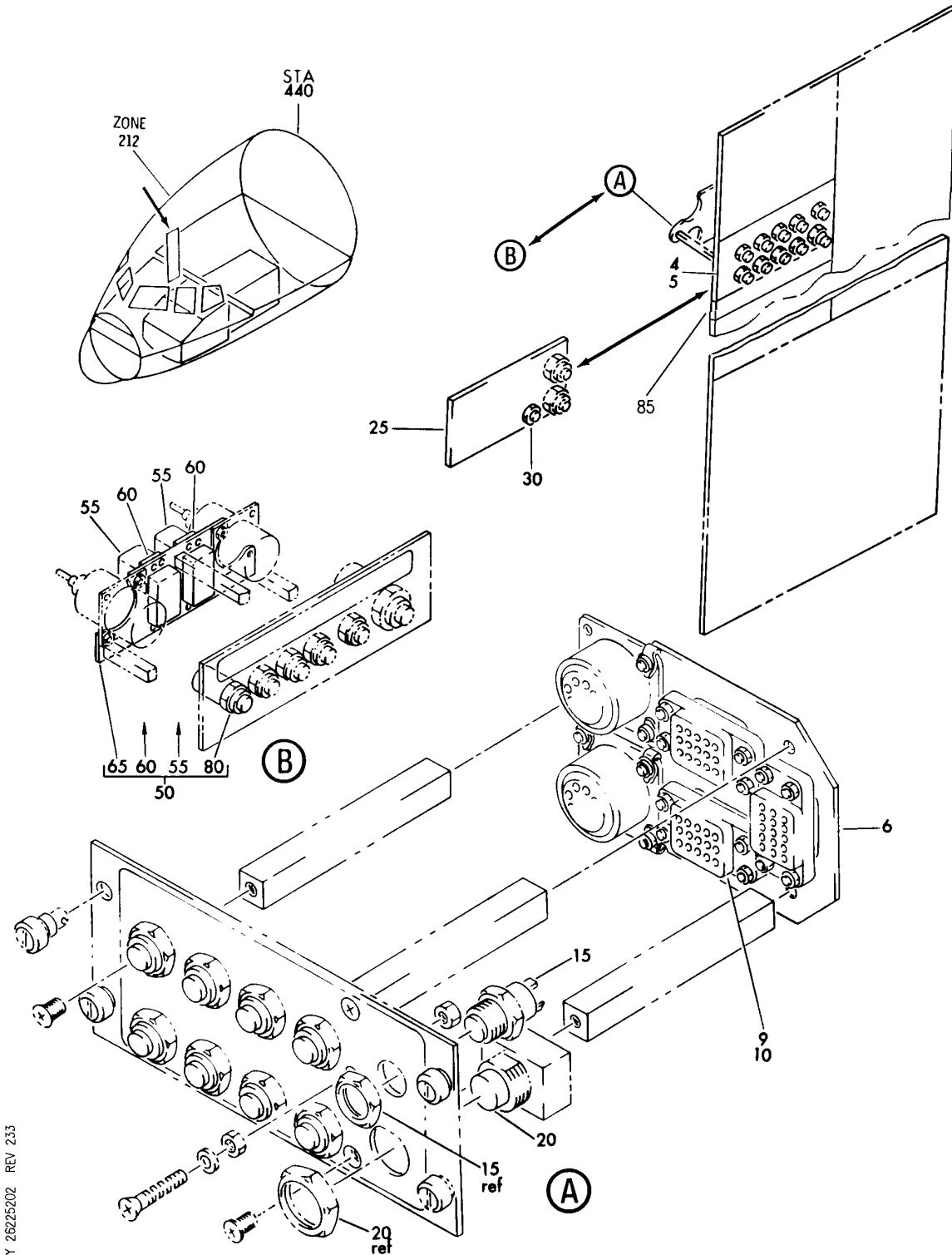
BRI

26-22-52-01

BOEING PROPRIETARY - Copyright © - Unpublished Work - See title page for details.

26-22-52
FIG. 01
PAGE 3
JAN 20/09

BOEING
757
PARTS CATALOG (MAINTENANCE)



PANEL INSTL-P61 R SIDEWALL (APU FIRE EXTINGUISHING ONLY)
FIGURE 2

26-22-52-02

BRI
MAY 28/07

26-22-52-02
PAGE 0



757

PARTS CATALOG (MAINTENANCE)

FIG ITEM	PART NUMBER	1 2 3 4 5 6 7	NOMENCLATURE	EFFECT FROM TO	UNITS PER ASSY
2			PANEL INSTL-P61 R SIDEWALL (APU FIRE EXTINGUISHING ONLY)	002004 006100 107107 121503 904999	
- 1	233N7401-1		PANEL INSTL-P61 SIDEWALL (APU FIRE EXTINGUISHING ONLY) POSITION DATA: R VARIABLE DRAWING REF: 233N7401-5004 233N7401-5005 233N7401-5036 233N7401-5038 233N7401-5042 FOR NHA/OTHER SYS DET SEE: 25-10-00-05A	002004 006100 107107 121503 904999	RF
5	233N7506-1		.PANEL ASSY-SQUIB TEST SUPPLIER CODE: V89954 ELECTRICAL EQUIP NUMBER: M10401 COMPONENT MAINT MANUAL REF: 26-21-52	002004 006100 107107 121503 904999	RF
6	233N3250-24		..BRACKET	002004 006100 107107 121503 904999	1
- 7	NAS1801-06-5		ATTACHING PARTS ..SCREW	002004 006100 107107 121503 904999	3
- 8	MS35338-41		..WASHER	002004 006100 107107 121503 904999	3
			-----*-----		

MISSING ITEM NUMBERS NOT APPLICABLE

- ITEM NOT ILLUSTRATED

BRI

26-22-52-02

26-22-52
FIG. 02
PAGE 1
JAN 20/09



757

PARTS CATALOG (MAINTENANCE)

FIG ITEM	PART NUMBER	1 2 3 4 5 6 7	NOMENCLATURE	EFFECT FROM TO	UNITS PER ASSY
2	9 W460F1A		..RELAY SUPPLIER CODE: VF0219 SPECIFICATION NUMBER: BACR13CE2 OPTIONAL PART: 3SAH5-13-4K1 V01526 3SAH1326A2 V01526	002004 006100 107107 121503 904999	1
	10 451120-027		.. SOCKET- SUPPLIER CODE: V03743	002004 006100 107107 121503 904999	1
	15 BCRE4858		..LIGHT ASSY-IND SUPPLIER CODE: V81590 OVERLENGTH PART NUMBER: 116-565-1042-001 FOR DETAILS SEE: 33-14-70-05	002004 006100 107107 121503 904999	1
	20 P4-10056-12		..SWITCH-PUSHBUTTON SUPPLIER CODE: V21649	002004 006100 107107 121503 904999	1

MISSING ITEM NUMBERS NOT APPLICABLE

- ITEM NOT ILLUSTRATED

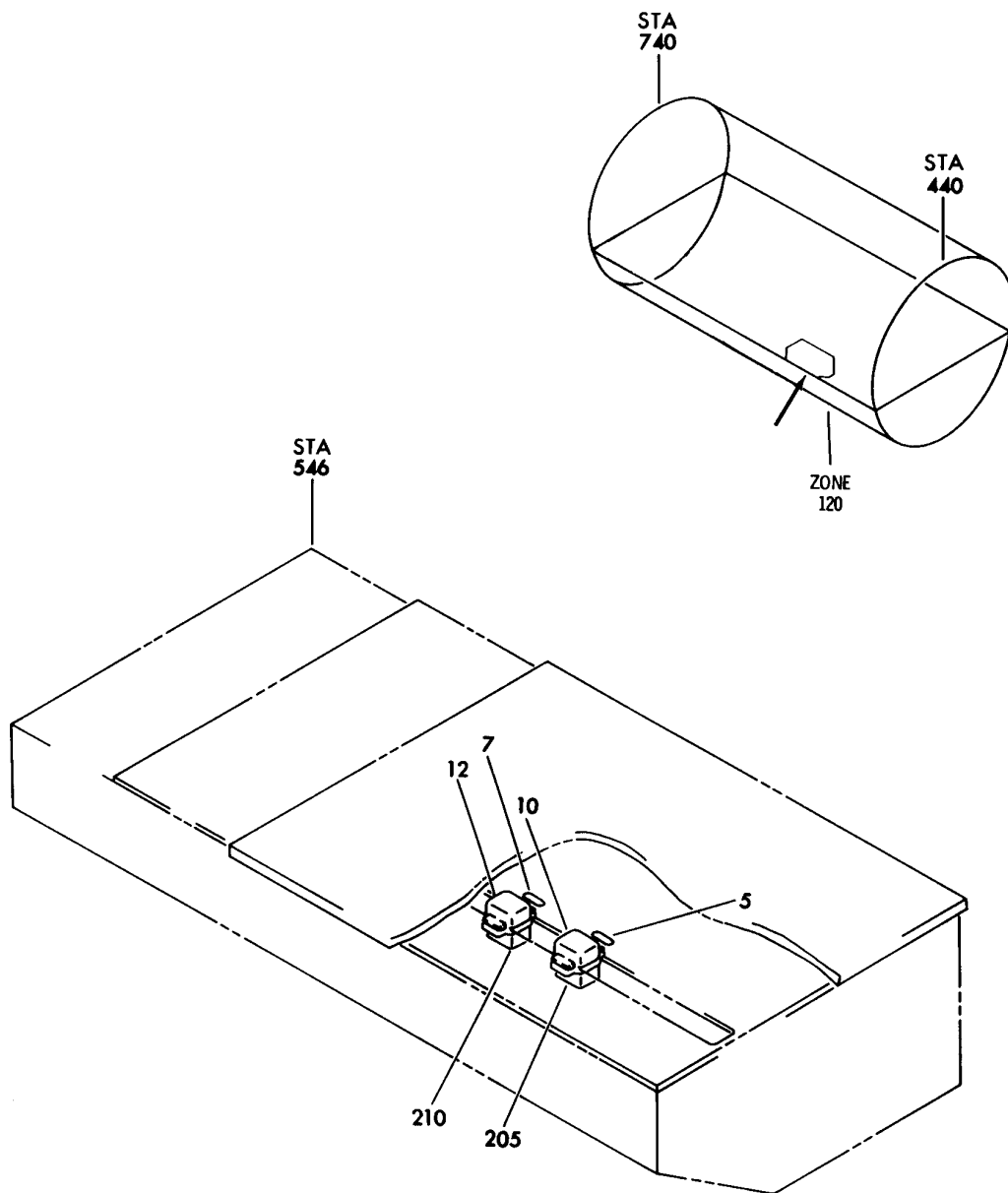
BRI

26-22-52-02

BOEING PROPRIETARY - Copyright © - Unpublished Work - See title page for details.

26-22-52
 FIG. 02
 PAGE 2
 JAN 20/09

BOEING
757
PARTS CATALOG (MAINTENANCE)



Y 26227101 REV 080

PANEL ASSY-P36 MISC RELAY L (APU FIRE EXTINGUISHING ONLY)
FIGURE 1

26-22-71-01

BRI
MAY 28/07

26-22-71-01
PAGE 0



**757
PARTS CATALOG (MAINTENANCE)**

FIG ITEM	PART NUMBER	1 2 3 4 5 6 7	NOMENCLATURE	EFFECT FROM TO	UNITS PER ASSY
1			PANEL ASSY-P36 MISC RELAY L (APU FIRE EXTINGUISHING ONLY)	002004 006100 107107 121503 904999	
- 1	284N1125-1		PANEL ASSY-P36 MISC RELAY (APU FIRE EXTINGUISHING ONLY) POSITION DATA: L VARIABLE DRAWING REF: 284N1125-5023 284N1125-5030 284N1125-5049 284N1125-5050 284N1125-5054 REWORKED BY SB: 34-0200 REWORKED BY ALERT SB: 27A0130 FOR NHA/OTHER SYS DET SEE: 31-01-36-01B	002004 006100 107107 121503 904999	RF
5	BAC27NEX0892		.DECAL- PLACARD CONTENT: K10336	107107 121503 904949	1
5	BAC27NEX0837		.DECAL- PLACARD CONTENT: K10336	002004 006100 950999	1
10	TDH8119-1002		.RELAY- SUPPLIER CODE: V58657 ELECTRICAL EQUIP NUMBER: K10336 OPTIONAL PART: THD8116-1002 V35344	002004 006100 107107 121503 904999	1
10	TDH8116-1002		.RELAY- SUPPLIER CODE: V35344 ELECTRICAL EQUIP NUMBER: K10336 OPTIONAL PART: TDH8119-1002 V58657	107107 121503 904949	1
- 200	286N1260-002		WIRE BUNDLE ASSY-(APU FIRE EXTINGUISHING ONLY) REWORKED BY ALERT SB: 27A0130	121503 904949	RF

MISSING ITEM NUMBERS NOT APPLICABLE

- ITEM NOT ILLUSTRATED

26-22-71-01

26-22-71
FIG. 01
PAGE 1
JAN 20/09

BRI



757

PARTS CATALOG (MAINTENANCE)

FIG ITEM	PART NUMBER	1 2 3 4 5 6 7	NOMENCLATURE	EFFECT FROM TO	UNITS PER ASSY
1 - 200	286N1260-005		WIRE BUNDLE ASSY-(APU FIRE EXTINGUISHING ONLY) REWORKED BY SB: 34-0200 REWORKED BY ALERT SB: 27A0130	002004 006100 950999	RF
205	BACS16W5		. SOCKET- ELECTRICAL EQUIP NUMBER: D04422 WIRING DIAGRAM REF: 262221	002004 006100 107107 121503 904999	1

MISSING ITEM NUMBERS NOT APPLICABLE

- ITEM NOT ILLUSTRATED

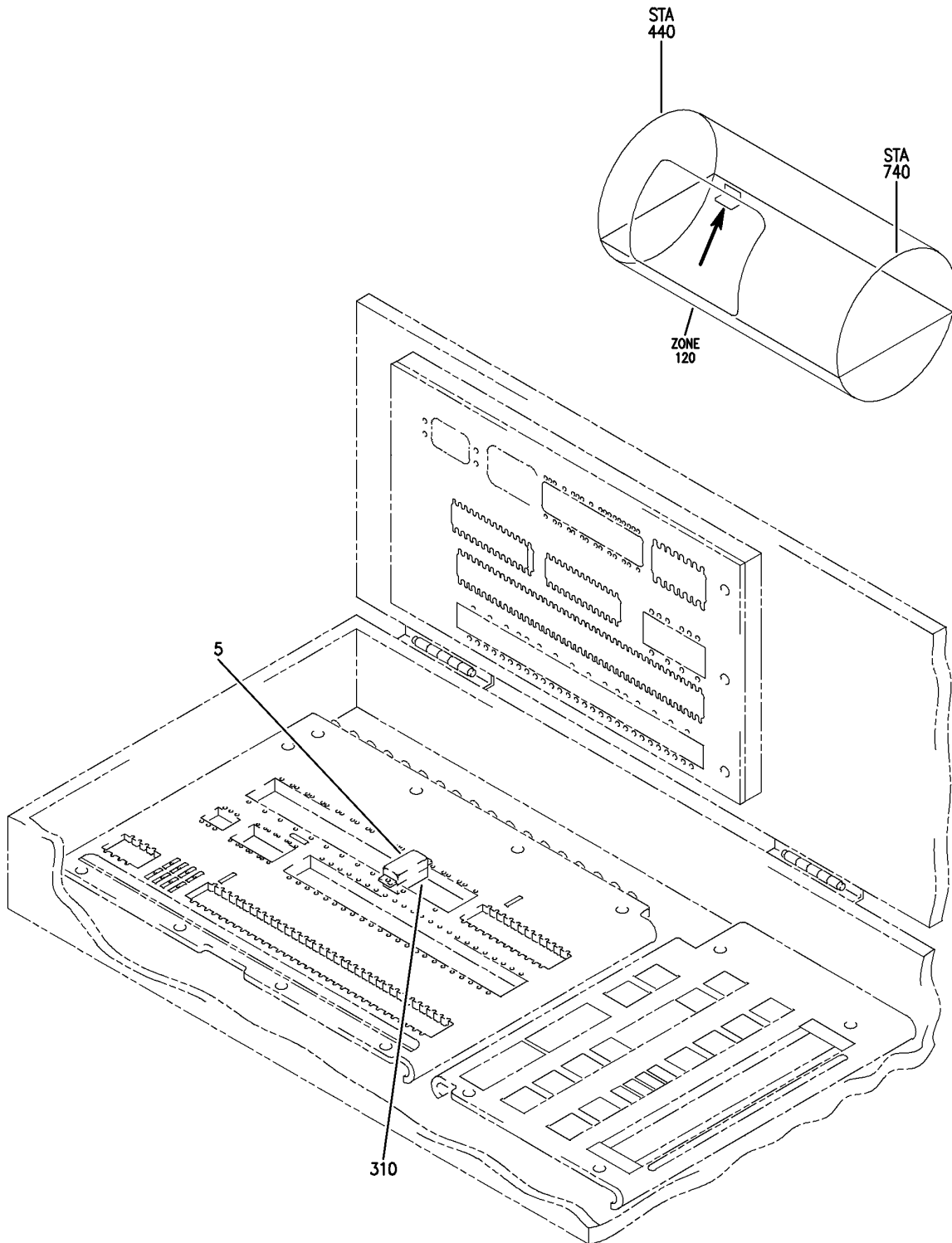
BRI

26-22-71-01

BOEING PROPRIETARY - Copyright © - Unpublished Work - See title page for details.

26-22-71
FIG. 01
PAGE 2
JAN 20/09

BOEING
757
PARTS CATALOG (MAINTENANCE)



Y 26227101A REV 225

OPTION PACKAGE ASSY-P36 MISC RELAY LH (AUXILIARY POWER UNIT FIRE EXTINGUISHING ONLY)
FIGURE 1A

BRI
MAY 28/07

26-22-71-01A

26-22-71-01A
PAGE 0



757

PARTS CATALOG (MAINTENANCE)

FIG ITEM	PART NUMBER	1 2 3 4 5 6 7	NOMENCLATURE	EFFECT FROM TO	UNITS PER ASSY
1 A			OPTION PACKAGE ASSY-P36 MISC RELAY LH (AUXILIARY POWER UNIT FIRE EXTINGUISHING ONLY)	101102 504903	
- 1	284N1125-1018		OPTION PACKAGE ASSY-P36 MISC RELAY (AUXILIARY POWER UNIT FIRE EXTINGUISHING ONLY) REWORKED BY ALERT SB: 27A0130 FOR NHA/OTHER SYS DET SEE: 31-01-36-05	101102 504903	RF
5	TDH8119-1002		.RELAY- SUPPLIER CODE: V58657 ELECTRICAL EQUIP NUMBER: K10336	101102 504903	1
- 301	286N1260-358		WIRE BUNDLE ASSY- REWORKED BY ALERT SB: 27A0130	101102	RF
- 301	286N1260-364		WIRE BUNDLE ASSY- REWORKED BY ALERT SB: 27A0130	504903	RF
310	RSF116416		.SOCKET- SUPPLIER CODE: V58982 SPECIFICATION NUMBER: BACS16W5A OPTIONAL PART: 102-010-1 V09922 000300-1545 V05574 ELECTRICAL EQUIP NUMBER: D04422 WIRING DIAGRAM REF: 262221	101102 504903	1

MISSING ITEM NUMBERS NOT APPLICABLE

- ITEM NOT ILLUSTRATED

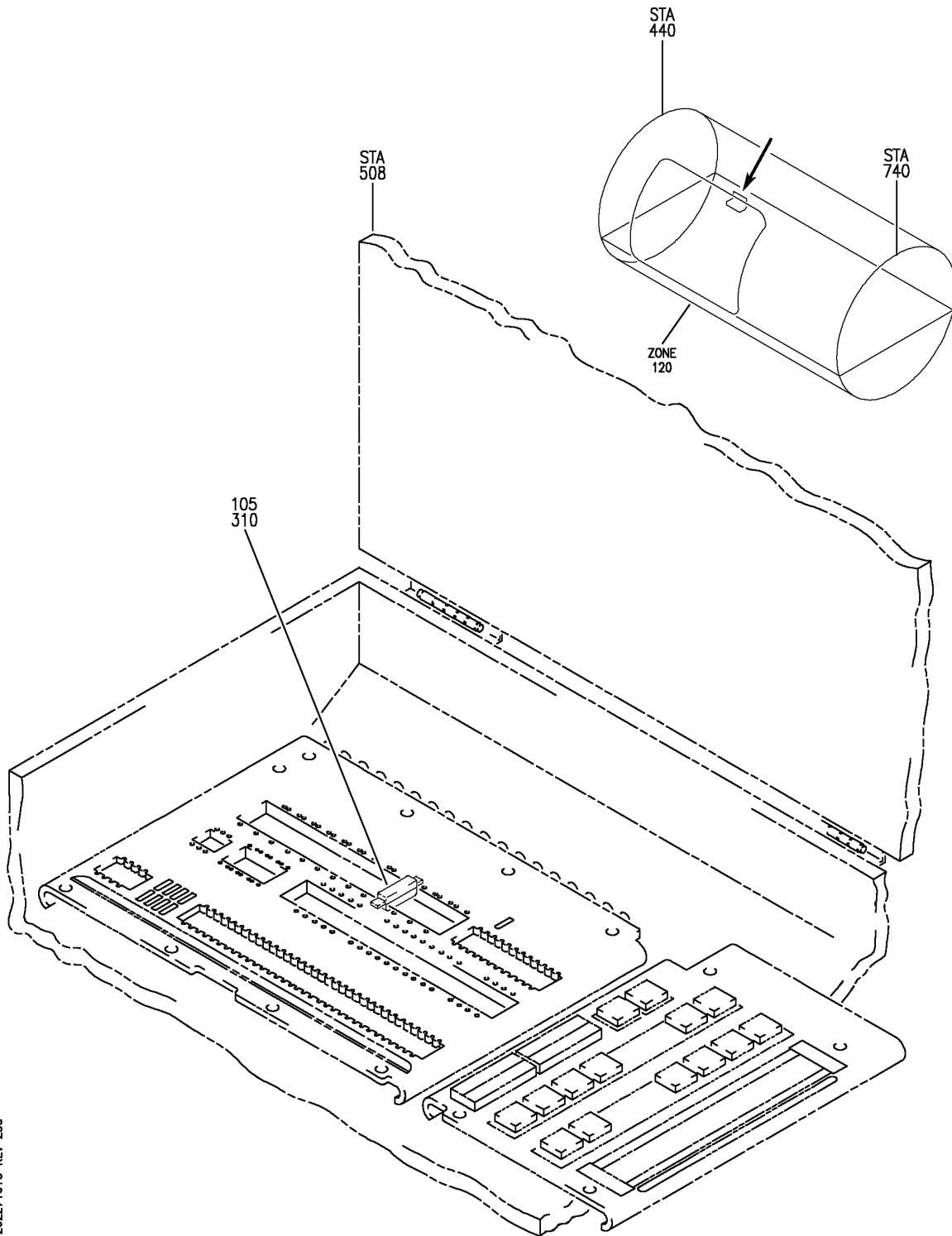
26-22-71-01A

26-22-71
FIG. 01A
PAGE 1
JAN 20/09

BRI

BOEING PROPRIETARY - Copyright © - Unpublished Work - See title page for details.

BOEING
757
PARTS CATALOG (MAINTENANCE)



Y 26227101C REV 250

PANEL INSTL-P36 L MISC RELAY (APU FIRE EXTINGUISHING ONLY)
FIGURE 1C

26-22-71-01C

BRI
JAN 20/09

26-22-71-01C
PAGE 0



757

PARTS CATALOG (MAINTENANCE)

FIG ITEM	PART NUMBER	1 2 3 4 5 6 7	NOMENCLATURE	EFFECT FROM TO	UNITS PER ASSY
1 C			PANEL INSTL-P36 L MISC RELAY (APU FIRE EXTINGUISHING ONLY)	103106 108120	
- 3	284N1125-94		PANEL INSTL-P36 L MISC RELAY (APU FIRE EXTINGUISHING ONLY) FOR NHA/OTHER SYS DET SEE: 24-00-58-05C	108120	RF

MISSING ITEM NUMBERS NOT APPLICABLE

- ITEM NOT ILLUSTRATED

BRI

26-22-71-01C

BOEING PROPRIETARY - Copyright © - Unpublished Work - See title page for details.

26-22-71
FIG. 01C
PAGE 1
JAN 20/09



757

PARTS CATALOG (MAINTENANCE)

FIG ITEM	PART NUMBER	1 2 3 4 5 6 7	NOMENCLATURE	EFFECT FROM TO	UNITS PER ASSY
1C - 6	MODREF31944		PANEL INSTL-P36 L MISC RELAY (APU FIRE EXTINGUISHING ONLY) DETECTION ONLY) MODULE NUMBER: 284N1125-123 REV A FOR OTHER SYS DETAILS SEE: 11-36-08-03C 21-25-71-02C 21-33-71-02C 21-51-56-01C 21-58-71-02C 23-12-00-05 23-31-54-01C 23-34-52-01C 24-21-51-01A 26-15-71-02C 26-16-71-01C 27-48-52-03C 27-51-71-03C 27-58-71-02C 27-62-71-03C 29-11-71-03C 29-21-71-01C 30-21-71-03C 30-34-51-01C 31-01-36-01 32-09-02-03C 32-35-71-01C 32-42-71-02C 32-44-71-02C 32-61-71-02C 34-12-71-02C 34-21-71-02C 34-22-52-01C 34-61-52-01C 36-11-71-02C 73-21-55-01C 74-31-71-02C 76-11-71-02C 77-12-71-01C 78-34-71-02C 78-36-71-02C 80-11-71-02C	103106	1
105	TDH8119-1002		.RELAY- SUPPLIER CODE: V58657 ELECTRICAL EQUIP NUMBER: K10336	103106 108120	1

MISSING ITEM NUMBERS NOT APPLICABLE

- ITEM NOT ILLUSTRATED

BRI

26-22-71-01C

BOEING PROPRIETARY - Copyright © - Unpublished Work - See title page for details.

26-22-71
FIG. 01C
PAGE 2
JAN 20/09



757

PARTS CATALOG (MAINTENANCE)

FIG ITEM	PART NUMBER	1 2 3 4 5 6 7	NOMENCLATURE	EFFECT FROM TO	UNITS PER ASSY
1C					
- 300	286N1260-357		WIRE BUNDLE ASSY	108120	RF
- 302	286N1260-601		WIRE BUNDLE ASSY	103106	RF
310	RSF116416		.SOCKET-	103106	1
			SUPPLIER CODE: V58982	108120	
			SPECIFICATION NUMBER: BACS16W5A		
			OPTIONAL PART: 102-010-1		
			V09922		
			000300-1545		
			V05574		
			ELECTRICAL EQUIP NUMBER: D04422		
			WIRING DIAGRAM REF: 262221		

MISSING ITEM NUMBERS NOT APPLICABLE

- ITEM NOT ILLUSTRATED

BRI

26-22-71-01C

BOEING PROPRIETARY - Copyright © - Unpublished Work - See title page for details.

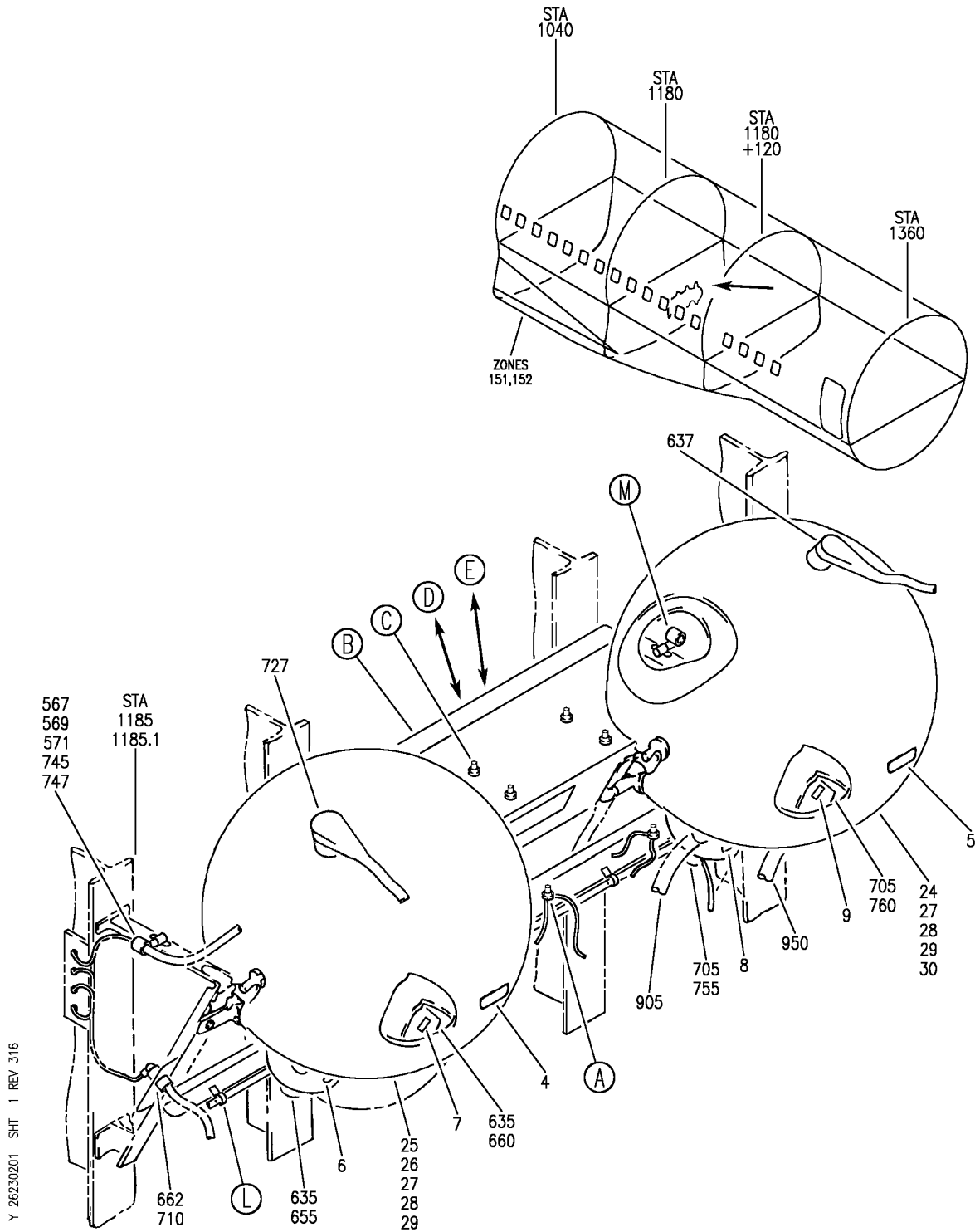
26-22-71
FIG. 01C
PAGE 3
JAN 20/09

CARGO COMPARTMENT FIRE EXTINGUISHING

BRI
MAY 28/07

26-23-00
SECTION TITLE
PAGE 1

BOEING
757
PARTS CATALOG (MAINTENANCE)



Y 26230201 SHT 1 REV 316

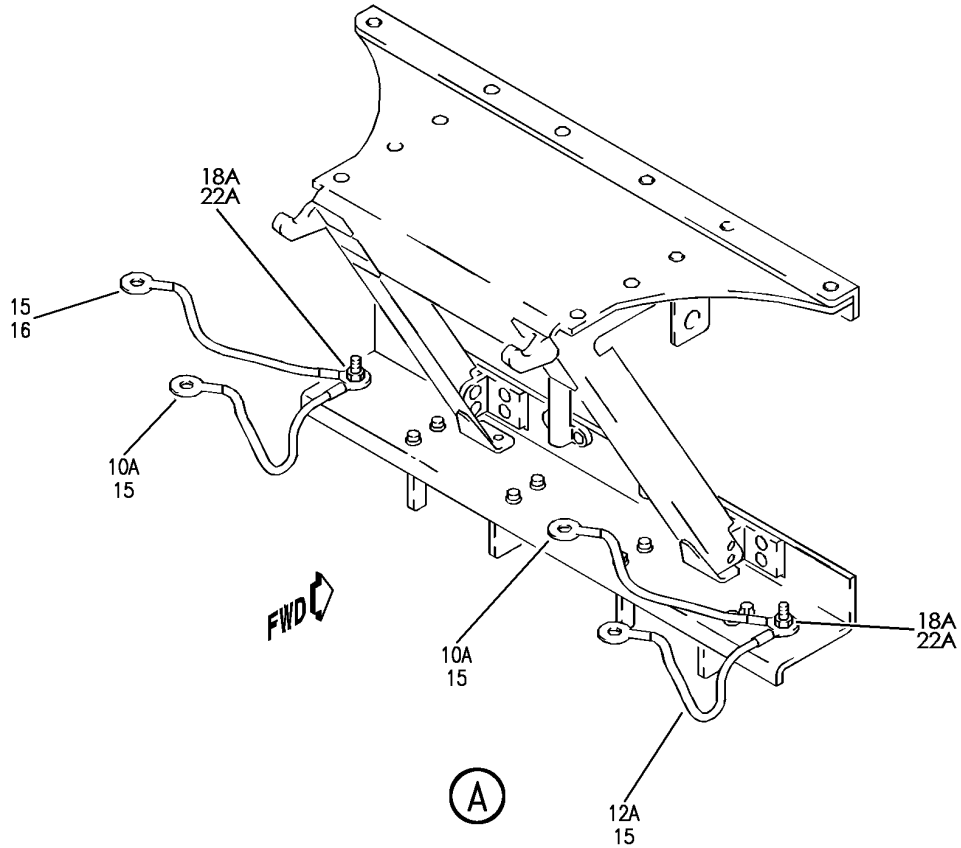
BOTTLE AND SUPPORT INSTL-CARGO COMPT FIRE EXT SYS AFT
FIGURE 1 (SHEET 1)

26-23-02-01

BRI
JAN 20/08

26-23-02-01
PAGE 0

BOEING
757
PARTS CATALOG (MAINTENANCE)



Y 26230201 SH1 2 REV 279

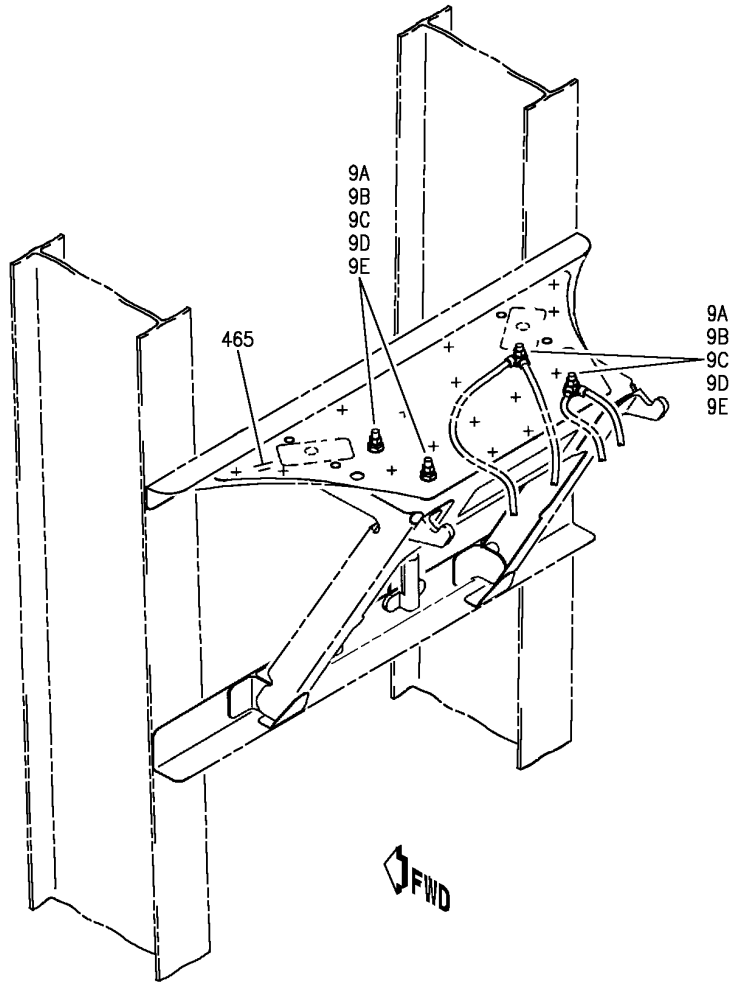
BOTTLE AND SUPPORT INSTL-CARGO COMPT FIRE EXT SYS AFT
FIGURE 1 (SHEET 2)

26-23-02-01

BRI
MAY 28/07

26-23-02-01
PAGE 0A

BOEING
757
PARTS CATALOG (MAINTENANCE)



(C)

Y 26230201 SH1 4 REV 303

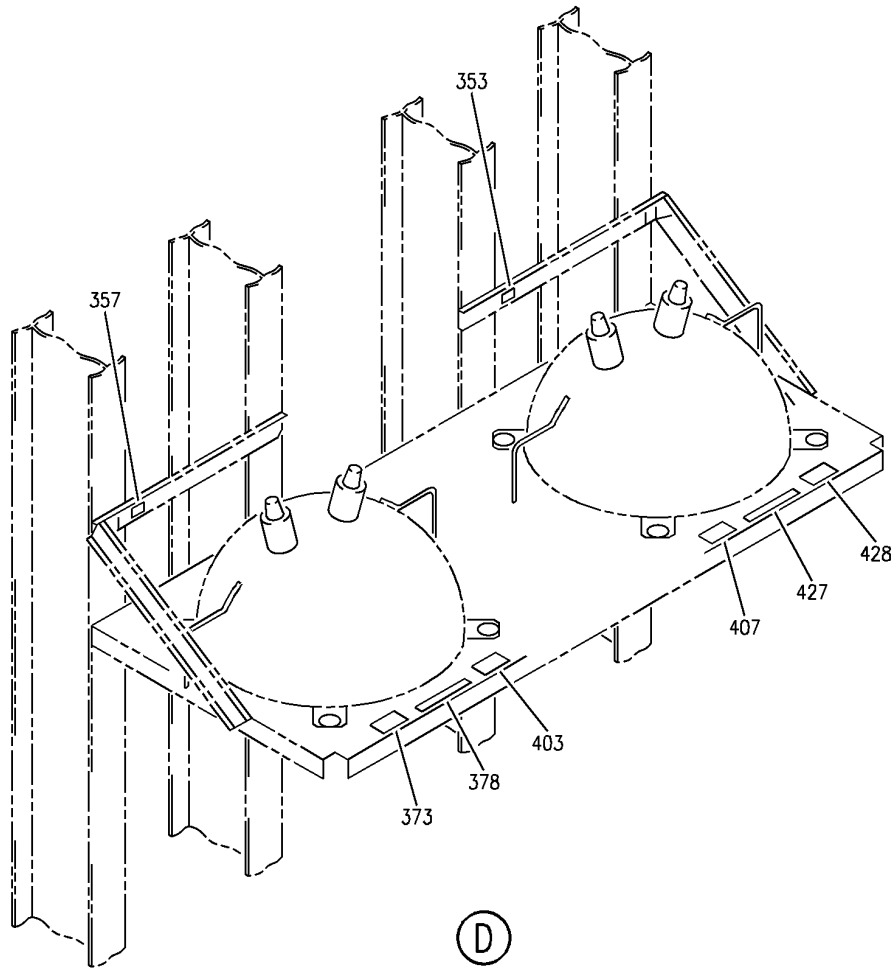
BOTTLE AND SUPPORT INSTL-CARGO COMPT FIRE EXT SYS AFT
FIGURE 1 (SHEET 4)

26-23-02-01

BRI
MAY 28/07

26-23-02-01
PAGE 0C

BOEING
757
PARTS CATALOG (MAINTENANCE)



Y 26230201 SHT 5 REV 295

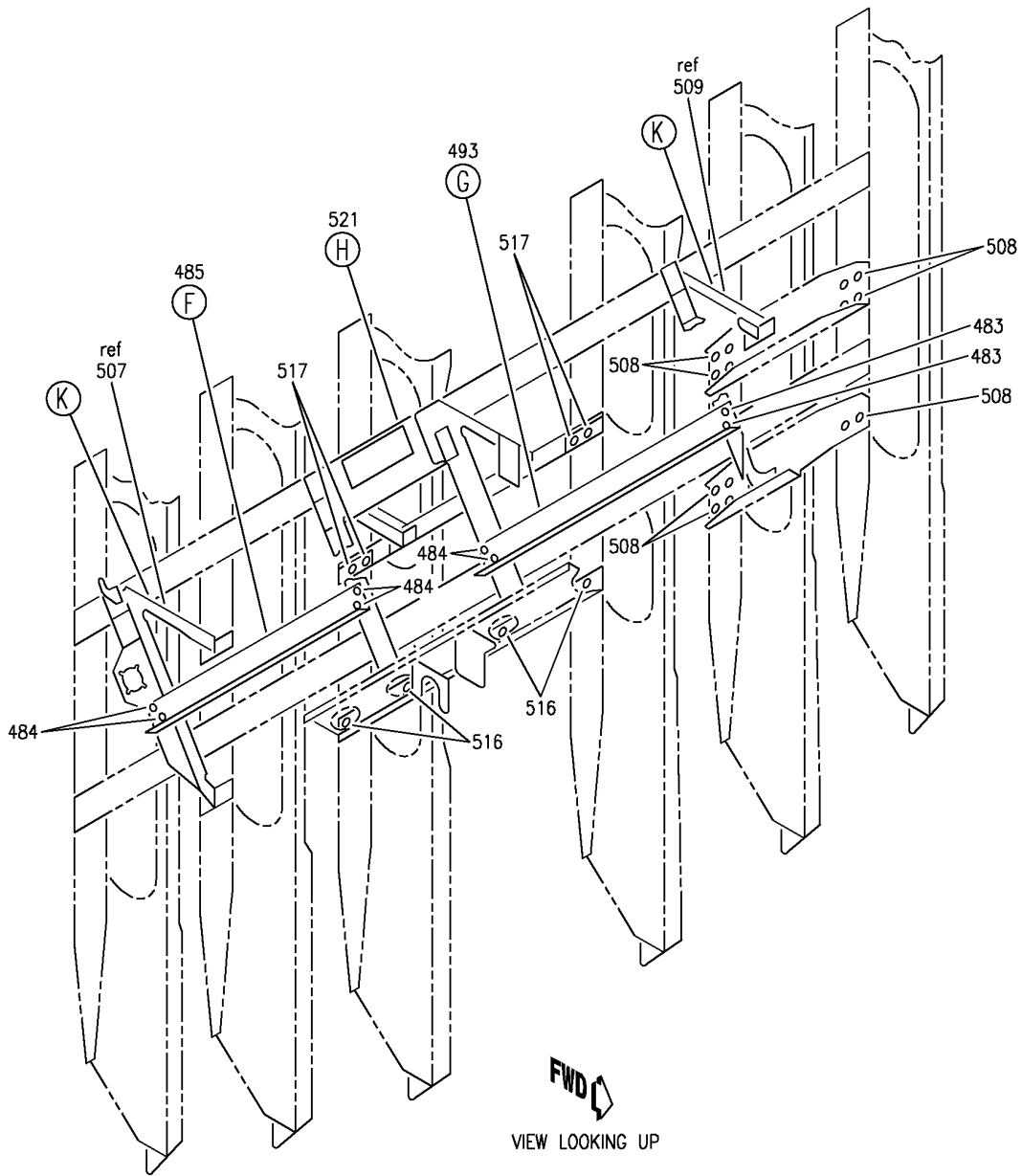
BOTTLE AND SUPPORT INSTL-CARGO COMPT FIRE EXT SYS AFT
FIGURE 1 (SHEET 5)

26-23-02-01

BRI
MAY 28/07

26-23-02-01
PAGE 0D

BOEING
757
PARTS CATALOG (MAINTENANCE)



(E)

Y 26230201 SH1 6 REV 295

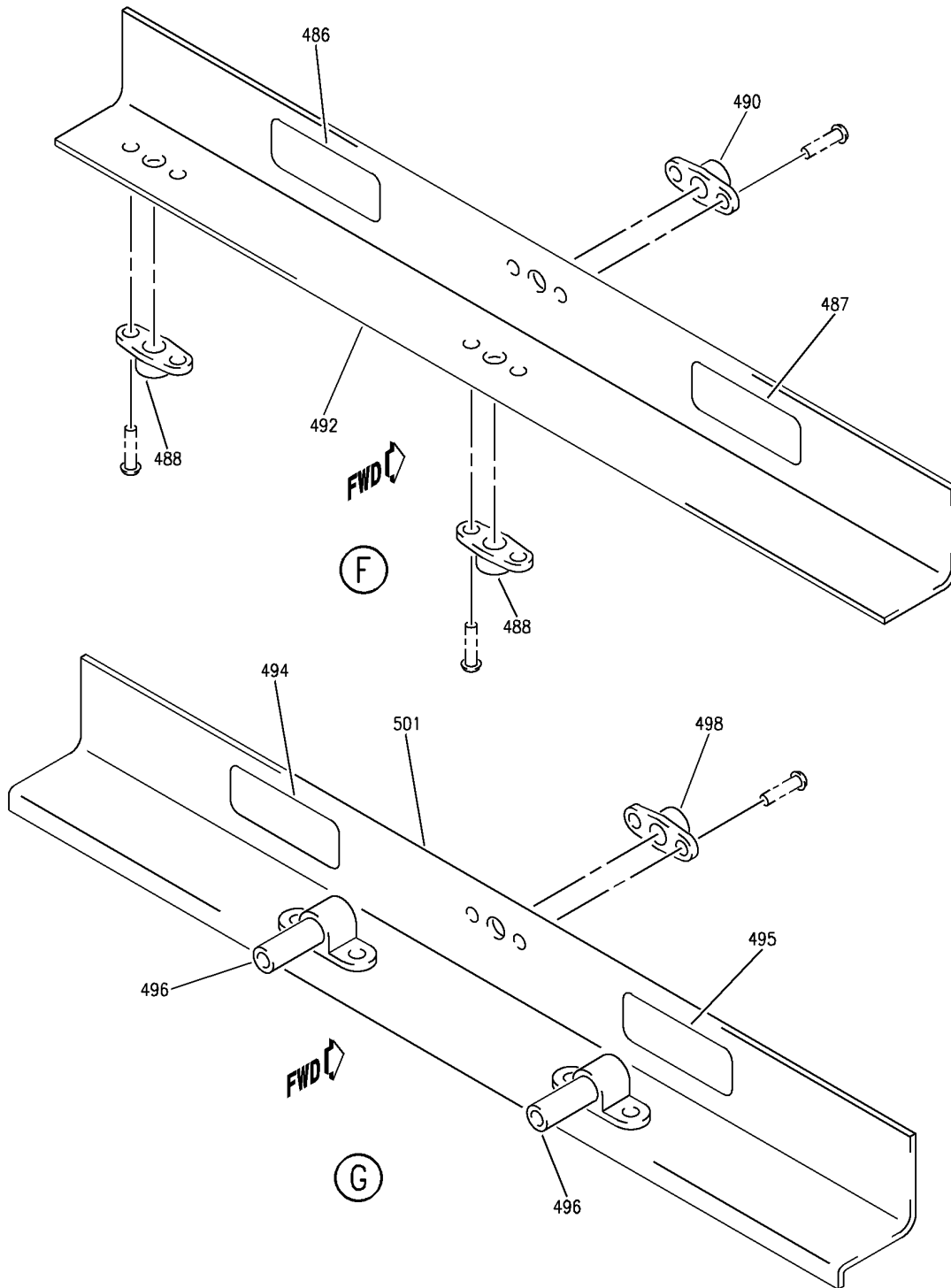
BOTTLE AND SUPPORT INSTL-CARGO COMPT FIRE EXT SYS AFT
FIGURE 1 (SHEET 6)

26-23-02-01

BRI
MAY 28/07

26-23-02-01
PAGE 0E

BOEING
757
PARTS CATALOG (MAINTENANCE)



Y 26230201 SH7 7 REV 295

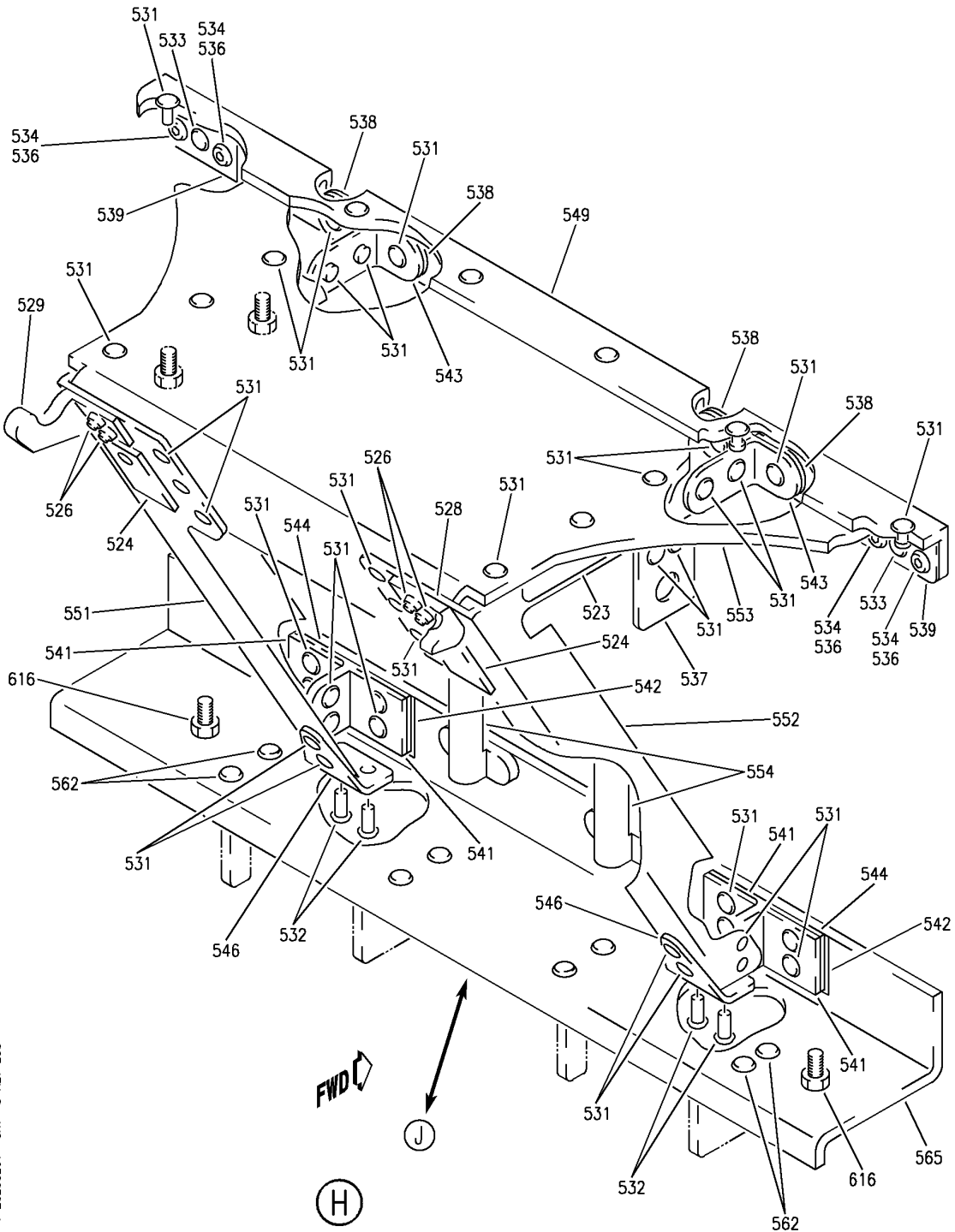
BOTTLE AND SUPPORT INSTL-CARGO COMPT FIRE EXT SYS AFT
FIGURE 1 (SHEET 7)

26-23-02-01

BRI
MAY 28/07

26-23-02-01
PAGE OF

BOEING
757
PARTS CATALOG (MAINTENANCE)



Y 26230201 SHT 8 REV 295

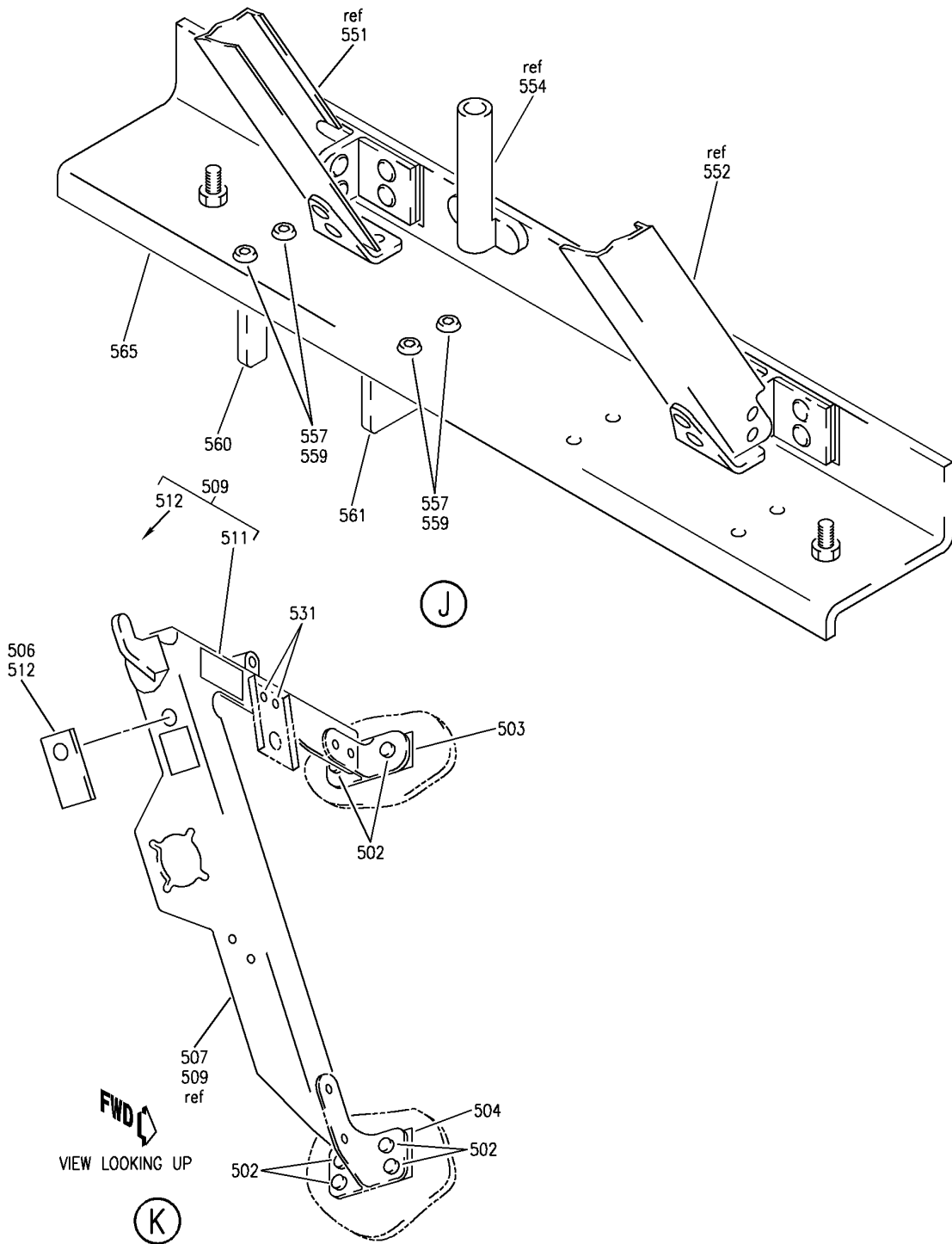
BOTTLE AND SUPPORT INSTL-CARGO COMPT FIRE EXT SYS AFT
FIGURE 1 (SHEET 8)

26-23-02-01

BRI
MAY 28/07

26-23-02-01
PAGE 08

BOEING
757
PARTS CATALOG (MAINTENANCE)



Y 26230201 SHT 9 REV 295

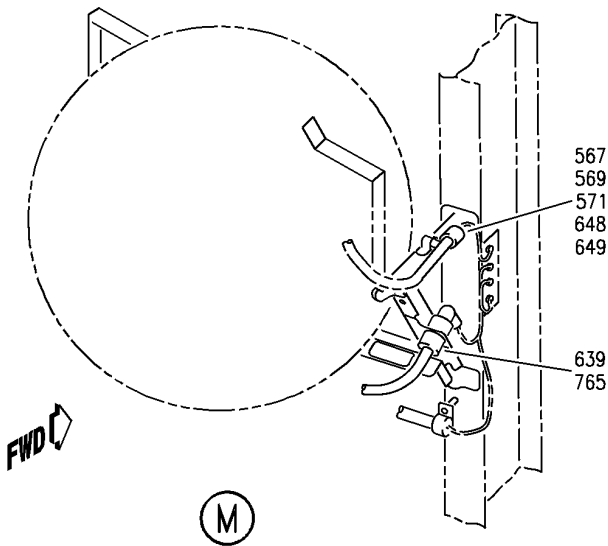
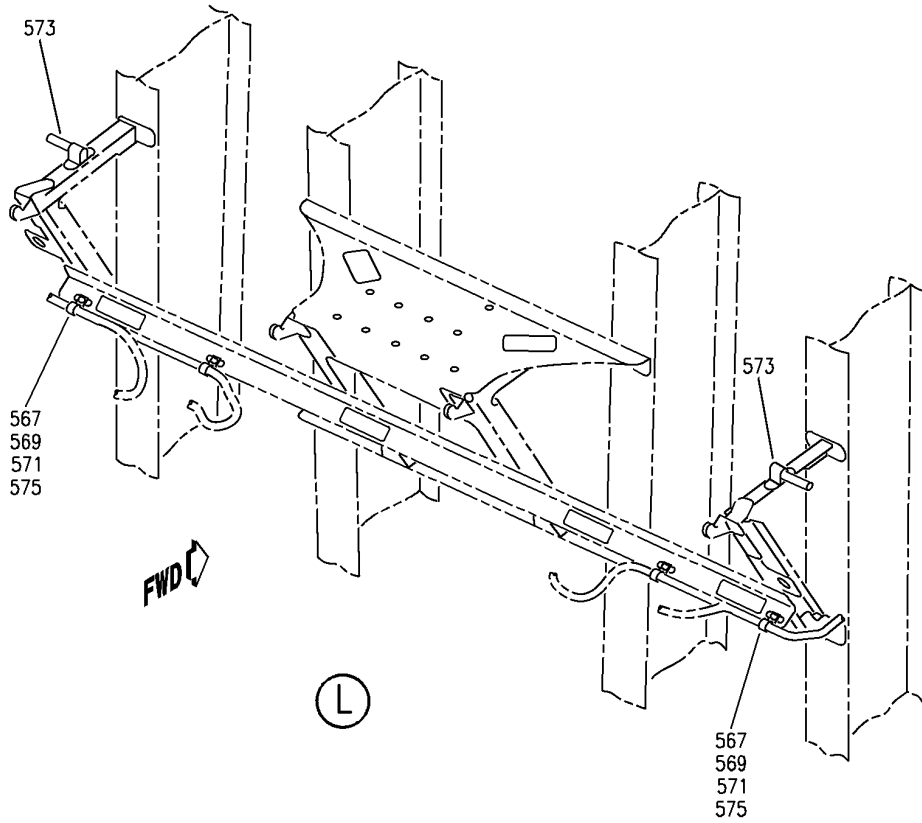
BOTTLE AND SUPPORT INSTL-CARGO COMPT FIRE EXT SYS AFT
FIGURE 1 (SHEET 9)

26-23-02-01

BRI
MAY 28/07

26-23-02-01
PAGE 0H

BOEING
757
PARTS CATALOG (MAINTENANCE)



Y 26230201 SHT 10 REV 299

BOTTLE AND SUPPORT INSTL-CARGO COMPT FIRE EXT SYS AFT
FIGURE 1 (SHEET 10)

BRI
MAY 28/07

26-23-02-01

26-23-02-01
PAGE 01



757

PARTS CATALOG (MAINTENANCE)

FIG ITEM	PART NUMBER	1 2 3 4 5 6 7	NOMENCLATURE	EFFECT FROM TO	UNITS PER ASSY
1			BOTTLE AND SUPPORT INSTL-CARGO COMPT FIRE EXT SYS AFT	002004 006999	
- 1	453N2220-1		BOTTLE INSTL-CARGO COMPT FIRE EXT SYS POSITION DATA: AFT FOR NHA SEE: 21-00-00-04	107107	RF
- 1	453N2220-8		BOTTLE INSTL-CARGO COMPT FIRE EXT SYS POSITION DATA: AFT FOR NHA SEE: 21-00-00-04	002004 006100 121503 904999	RF
- 1	453N2220-10		BOTTLE INSTL-CARGO COMPT FIRE EXT SYS POSITION DATA: AFT FOR NHA SEE: 21-00-00-04	101102 504903	RF
- 1	453N2220-12		BOTTLE INSTL-CARGO COMPT FIRE EXT SYS POSITION DATA: AFT FOR NHA SEE: 21-00-00-15	108120	RF
- 1	MODREF18643		BOTTLE INSTL-CARGO COMPT FIRE EXT SYS MODULE NUMBER: 453N2220-12 REV A POSITION DATA: AFT	103106	1
10	740A20-15		JUMPER ASSY-SUPPLIER CODE: V91812 SPECIFICATION NUMBER: BACJ40A20-15 OPTIONAL PART: TJEJ40A20-15 V33483 RBEJ20-15 V1GK47	107107	2

MISSING ITEM NUMBERS NOT APPLICABLE

- ITEM NOT ILLUSTRATED

26-23-02-01

26-23-02
FIG. 01
PAGE 1
JAN 20/09

BRI



757

PARTS CATALOG (MAINTENANCE)

FIG ITEM	PART NUMBER	1 2 3 4 5 6 7	NOMENCLATURE	EFFECT FROM TO	UNITS PER ASSY
1	11	940CW20-18	. JUMPER ASSY- SUPPLIER CODE: V91812 SPECIFICATION NUMBER: BACJ40AB20-18 OPTIONAL PART: 100220-18 V1FF12 RBEJ40AB20-18 V1GK47	002004 006102 121999	1
	12	940CW20-21	. JUMPER ASSY- SUPPLIER CODE: V91812 SPECIFICATION NUMBER: BACJ40AB20-21 OPTIONAL PART: 100220-21 V1FF12 RBEJ40AB20-21 V1GK47	107107	2
	12B	940CW20-24	. JUMPER ASSY- SUPPLIER CODE: V91812 SPECIFICATION NUMBER: BACJ40AB20-24 OPTIONAL PART: 100220-24 V1FF12 RBEJ40AB20-24 V1GK47	002004 006102 121999	1
	13	740A20-15	. JUMPER ASSY SUPPLIER CODE: V91812 SPECIFICATION NUMBER: BACJ40A20-15 OPTIONAL PART: TJEJ40A20-15 V33483 RBEJ20-15 V1GK47	002004 006102 121999	1

MISSING ITEM NUMBERS NOT APPLICABLE

- ITEM NOT ILLUSTRATED

BRI

26-23-02-01

BOEING PROPRIETARY - Copyright © - Unpublished Work - See title page for details.

26-23-02
FIG. 01
PAGE 2
JAN 20/09



757

PARTS CATALOG (MAINTENANCE)

FIG ITEM	PART NUMBER	1 2 3 4 5 6 7	NOMENCLATURE	EFFECT FROM TO	UNITS PER ASSY
1	14 940CW20-21		. JUMPER ASSY SUPPLIER CODE: V91812 SPECIFICATION NUMBER: BACJ40AB20-21 OPTIONAL PART: 100220-21 V1FF12 RBEJ40AB20-21 V1GK47	002004 006102 121999	1
	15 BACJ40A20-9		. JUMPER ASSY	103106 108120	4
	17 NAS6604-4		. BOLT	002004 006999	2
	17A BACF3008E008NN		. FILLER	002004 006999	2
	18A PLH53CD		. NUT SUPPLIER CODE: VF0224 SPECIFICATION NUMBER: BACN10YR3CD OPTIONAL PART: H52732-3CD V15653	103106 108120	2
	19 NAS6604-5		. BOLT	002004 006999	4
	21 AN960JD416		. WASHER-	002004 006100 107107 121503 904999	6
	21 NAS1149D0463J		. WASHER	101106 108120 504903	6
	23 BACS18K25-8W		. SPACER	002004 006100 107107 121503 904999	4

MISSING ITEM NUMBERS NOT APPLICABLE

- ITEM NOT ILLUSTRATED

BRI

26-23-02-01

BOEING PROPRIETARY - Copyright © - Unpublished Work - See title page for details.

26-23-02
FIG. 01
PAGE 3
JAN 20/09



757

PARTS CATALOG (MAINTENANCE)

FIG ITEM	PART NUMBER	1 2 3 4 5 6 7	NOMENCLATURE	EFFECT FROM TO	UNITS PER ASSY
1 25	34600010-26		.EXTINGUISHER- SUPPLIER CODE: V05167 SPECIFICATION NUMBER: S453T201-26 MISCELLANEOUS DATA: NOT APPROVED FOR ETOPS BEYOND 120 MINUTES ELECTRICAL EQUIP NUMBER: M10466 QUALIFIED I/W DATA: 34600010-26 (S453T201-26) CAN REPLACE BUT NOT BE REPLACED BY 34600010-4 (S453T201-4) WITH THE INCORPORATION OF SERVICE BULLETIN 757-26-0020 POST SERVICE BULLETIN: 26-0020 POST SERVICE BULLETIN: 34600010-4-26-1 V05167 FOR DETAILS SEE: 26-23-02-04	107107	1

MISSING ITEM NUMBERS NOT APPLICABLE

- ITEM NOT ILLUSTRATED

BRI

26-23-02-01

BOEING PROPRIETARY - Copyright © - Unpublished Work - See title page for details.

26-23-02
FIG. 01
PAGE 4
JAN 20/09



757

PARTS CATALOG (MAINTENANCE)

FIG ITEM	PART NUMBER	1 2 3 4 5 6 7	NOMENCLATURE	EFFECT FROM TO	UNITS PER ASSY
1 29	34600010-28		.EXTINGUISHER ASSY- SUPPLIER CODE: V05167 SPECIFICATION NUMBER: S453T201-28 MISCELLANEOUS DATA: FOR INTERCHANGEABILITY, SEE FIRE BOTTLE SPARES SUBSTITUTION AND INTERCHANGEABILITY DRAWING 218A6302 ELECTRICAL EQUIP NUMBER: M10466 M10467 COMPONENT MAINT MANUAL REF: 26-23-21 QUALIFIED I/W DATA: 473957-4 (S453T201-43) CAN REPLACE OR BE REPLACE BY 34600010-28 (S453T201-28) WITH THE INCORPORATION OF SUPPLIER SERVICE BULLETIN 473957-26-455 FOR DETAILS SEE: 26-23-02-04	002004 006106 108999	2
30	34600010-27		.EXTINGUISHER- SUPPLIER CODE: V05167 SPECIFICATION NUMBER: S453T201-27 MISCELLANEOUS DATA: NOT APPROVED FOR ETOPS BEYOND 120 MINUTES ELECTRICAL EQUIP NUMBER: M10467 POST SERVICE BULLETIN: 26-0020 POST SERVICE BULLETIN: 34600010-8-26-1 V05167 FOR DETAILS SEE: 26-23-02-04	107107	1

MISSING ITEM NUMBERS NOT APPLICABLE

- ITEM NOT ILLUSTRATED

BRI

26-23-02-01

26-23-02
FIG. 01
PAGE 5
JAN 20/09



757

PARTS CATALOG (MAINTENANCE)

FIG ITEM	PART NUMBER	1 2 3 4 5 6 7	NOMENCLATURE	EFFECT FROM TO	UNITS PER ASSY
1					
- 350	453N2221-20		SUPPORT INSTL-CARGO COMPT FIRE EXT SYS (FIRE PROTECTION ONLY) POSITION DATA: AFT FOR NHA/OTHER SYS DET SEE: 21-00-00-04	904949	RF
- 350	453N2221-14		SUPPORT INSTL-CARGO COMPT FIRE EXT SYS (FIRE PROTECTION ONLY) POSITION DATA: AFT FOR NHA/OTHER SYS DET SEE: 21-00-00-04	107107	RF
355	BAC27NEC0170		.MARKER-ALUMINUM FOIL PLACARD CONTENT: CARGO BOTTLE 1 M10466 POST SERVICE BULLETIN: 26-0020	107107 904949	1
365	BAC27NEC0171		.MARKER-ALUMINUM FOIL CARGO BOTTLE 2 M10467 POST SERVICE BULLETIN: 26-0020	107107 904949	1
375	BAC27NEC0176		.MARKER-ALUMINUM FOIL PLACARD CONTENT: FWD PRESS SW D10656 POST SERVICE BULLETIN: 26-0020	107107 904949	1
385	BAC27NEC0172		.MARKER-ALUMINUM FOIL PLACARD CONTENT: FWD YELLOW D4412 POST SERVICE BULLETIN: 26-0020	107107 904949	1
395	BAC27NEC0173		.MARKER-ALUMINUM FOIL PLACARD CONTENT: AFT BLUE D4414 POST SERVICE BULLETIN: 26-0020	107107 904949	1
405	BAC27NEC0179		.MARKER-ALUMINUM FOIL PLACARD CONTENT: AFT PRESS SW D6450 POST SERVICE BULLETIN: 26-0020	107107 904949	1
410	BAC27NEC0174		.MARKER-ALUMINUM FOIL PLACARD CONTENT: FWD YELLOW D4418 POST SERVICE BULLETIN: 26-0020	107107 904949	1

MISSING ITEM NUMBERS NOT APPLICABLE

- ITEM NOT ILLUSTRATED

26-23-02-01

26-23-02
FIG. 01
PAGE 6
JAN 20/09

BRI



757

PARTS CATALOG (MAINTENANCE)

FIG ITEM	PART NUMBER	1 2 3 4 5 6 7	NOMENCLATURE	EFFECT FROM TO	UNITS PER ASSY
1 420	BAC27NEC0175		.MARKER-ALUMINUM FOIL PLACARD CONTENT: AFT BLUE 4420 POST SERVICE BULLETIN: 26-0020	107107 904949	1
430	453N2700-15		.ANGLE ASSY- ATTACHING PARTS	904949	1
- 435	BACR15FT5D		.RIVET -----*-----	904949	8
- 440	453N2221-17		.SUPPORT ASSY	107107	1
445	453N2700-7		..ANGLE ASSY- NOT APPROVED FOR ETOPS. REWORKED BY SB: 26-0020 ATTACHING PARTS	107107	1
- 450	BACR15FT5D		..RIVET- SIZE DETERMINED ON INSTL. -----*-----	107107	8
- 600	453N2221-21		SUPPORT INSTL-CARGO COMPT FIRE EXT SYS POSITION DATA: AFT FOR NHA SEE: 21-00-00-04	002004 006008 952999	RF
- 600	453N2221-22		SUPPORT INSTL-CARGO COMPT FIRE EXT SYS POSITION DATA: AFT FOR NHA SEE: 21-00-00-04	121503	RF
- 600	453N2221-23		SUPPORT INSTL-CARGO COMPT FIRE EXT SYS POSITION DATA: AFT FOR NHA SEE: 21-00-00-04 21-00-00-15	009102 504903 950951	RF
- 600	453N2221-200		SUPPORT INSTL-CARGO COMPT FIRE EXT SYS POSITION DATA: AFT FOR NHA SEE: 21-00-00-15	108120	RF
- 600	MODREF18645		SUPPORT INSTL-CARGO COMPT FIRE EXT SYS MODULE NUMBER: 453N2221-202 REV A POSITION DATA: AFT	103106	1

MISSING ITEM NUMBERS NOT APPLICABLE

- ITEM NOT ILLUSTRATED

26-23-02-01

26-23-02
FIG. 01
PAGE 7
JAN 20/09

BRI

BOEING
757
PARTS CATALOG (MAINTENANCE)

FIG ITEM	PART NUMBER	1 2 3 4 5 6 7	NOMENCLATURE	EFFECT FROM TO	UNITS PER ASSY
1 602	BAC27NEC0176		.MARKER-ALUMINUM FOIL PLACARD CONTENT: FWD PRESS SW D10656	002004 006106 108903 950999	1
- 605	218N2802-11		.SUPPORT ASSY-(FIRE PROTECTION ONLY) FUNCTIONAL REFERENCE: PLACARDS AND MARKINGS FOR DETAILS SEE 11-38-57-02	108120	RF
- 605	218N2802-3		.SUPPORT ASSY-(FIRE PROTECTION ONLY) FUNCTIONAL REFERENCE: PLACARDS AND MARKINGS FOR DETAILS SEE 11-38-57-02	002004 006008 952999	RF
- 605	218N2802-4		.SUPPORT ASSY-(FIRE PROTECTION ONLY) FUNCTIONAL REFERENCE: PLACARDS AND MARKINGS FOR DETAILS SEE 11-38-57-02	121503	RF
- 605	218N2802-7		.SUPPORT ASSY-(FIRE PROTECTION ONLY) FUNCTIONAL REFERENCE: PLACARDS AND MARKINGS FOR DETAILS SEE 11-38-57-02	009102 504903 950951	RF
- 605	218N2802-13		.SUPPORT ASSY-(FIRE PROTECTION ONLY) FUNCTIONAL REFERENCE: PLACARDS AND MARKINGS FOR DETAILS SEE 11-38-57-02	103106	RF
606	BAC27NEC0170		..MARKER-ALUMINUM FOIL- PLACARD CONTENT: CARGO BOTTLE 1 M10466	002004 006106 108903 950999	1
607	BAC27NEC0171		..MARKER-ALUMINUM FOIL- PLACARD CONTENT: CARGO BOTTLE 2 M10467	002004 006106 108903 950999	1
608	BAC27NEC0172		..MARKER-ALUMINUM FOIL-FWD PLACARD CONTENT: FWD YELLOW D4412	002004 006106 108903 950999	1

MISSING ITEM NUMBERS NOT APPLICABLE

- ITEM NOT ILLUSTRATED

BRI

26-23-02-01

BOEING PROPRIETARY - Copyright © - Unpublished Work - See title page for details.

26-23-02
FIG. 01
PAGE 8
JAN 20/09

BOEING
757
PARTS CATALOG (MAINTENANCE)

FIG ITEM	PART NUMBER	1 2 3 4 5 6 7	NOMENCLATURE	EFFECT FROM TO	UNITS PER ASSY
1					
609	BAC27NEC0173	..	MARKER-ALUMINUM FOIL PLACARD CONTENT: AFT BLUE D4414	002004 006106 108903 950999	1
610	BAC27NEC0174	..	MARKER-ALUMINUM FOIL PLACARD CONTENT: FWD YELLOW D4418	002004 006106 108903 950999	1
611	BAC27NEC0175	..	MARKER-ALUMINUM FOIL PLACARD CONTENT: AFT BLUE 4420	002004 006106 108903 950999	1
612	BAC27NEC0179	..	MARKER-ALUMINUM FOIL PLACARD CONTENT: AFT PRESS SW D6450	002004 006106 108903 950999 121503	1
615	453N2600-55	..	SUPPORT ASSY-	108120	1
615	453N2600-60	..	SUPPORT ASSY-	103106	1
616	VNS1924CA1-8	...	STUD SUPPLIER CODE: V5M902 SPECIFICATION NUMBER: BACS53B1EA1 OPTIONAL PART: VNS1924CA3-1-8 V92215	103106 108120	2
620	453N2700-15	..	ANGLE ASSY	002004 006106 108903 950999	1
- 621	BACR15FT5D	..	ATTACHING PARTS RIVET	002004 006106 108903 950999	8
- 650	286N2024-001	-----*	WIRE BUNDLE ASSY-CARGO BOTTLE 1	002004 006100 121999	RF
- 650	286N2024-002		WIRE BUNDLE ASSY-CARGO BOTTLE 1	107107	RF
- 650	286N2024-301		WIRE BUNDLE ASSY-CARGO BOTTLE 1	101102 108120	RF
655	BACC45FT8D3S	.	CONNECTOR- ELECTRICAL EQUIP NUMBER: D04412 WIRING DIAGRAM REF: 262311	002004 006102 107999	1

MISSING ITEM NUMBERS NOT APPLICABLE

- ITEM NOT ILLUSTRATED

BRI

26-23-02-01

26-23-02
FIG. 01
PAGE 9
JAN 20/09



757

PARTS CATALOG (MAINTENANCE)

FIG ITEM	PART NUMBER	1 2 3 4 5 6 7	NOMENCLATURE	EFFECT FROM TO	UNITS PER ASSY
1 660	BACC45FT10D5S		.CONNECTOR- ELECTRICAL EQUIP NUMBER: D04414 WIRING DIAGRAM REF: 262311	002004 006102 107999	1
- 750	286N2026-001		WIRE BUNDLE ASSY-CARGO BOTTLE 2	002004 006100 121999	RF
- 750	286N2026-002		WIRE BUNDLE ASSY-CARGO BOTTLE 2	107107	RF
- 750	286N2026-301		WIRE BUNDLE ASSY-CARGO BOTTLE 2	108120	RF
755	BACC45FT8D3S		.CONNECTOR- ELECTRICAL EQUIP NUMBER: D04418 WIRING DIAGRAM REF: 262311	002004 006102 107999	1
760	BACC45FT10D5S		.CONNECTOR- ELECTRICAL EQUIP NUMBER: D04420 WIRING DIAGRAM REF: 262311	002004 006102 107999	1
950			ILLUSTRATION REFERENCE: TUBING INSTL-AFT CARGO COMPT FIRE EXTINGUISHING 26-23-51-02	002004 006100 107107 121503 904999	RF

MISSING ITEM NUMBERS NOT APPLICABLE

- ITEM NOT ILLUSTRATED

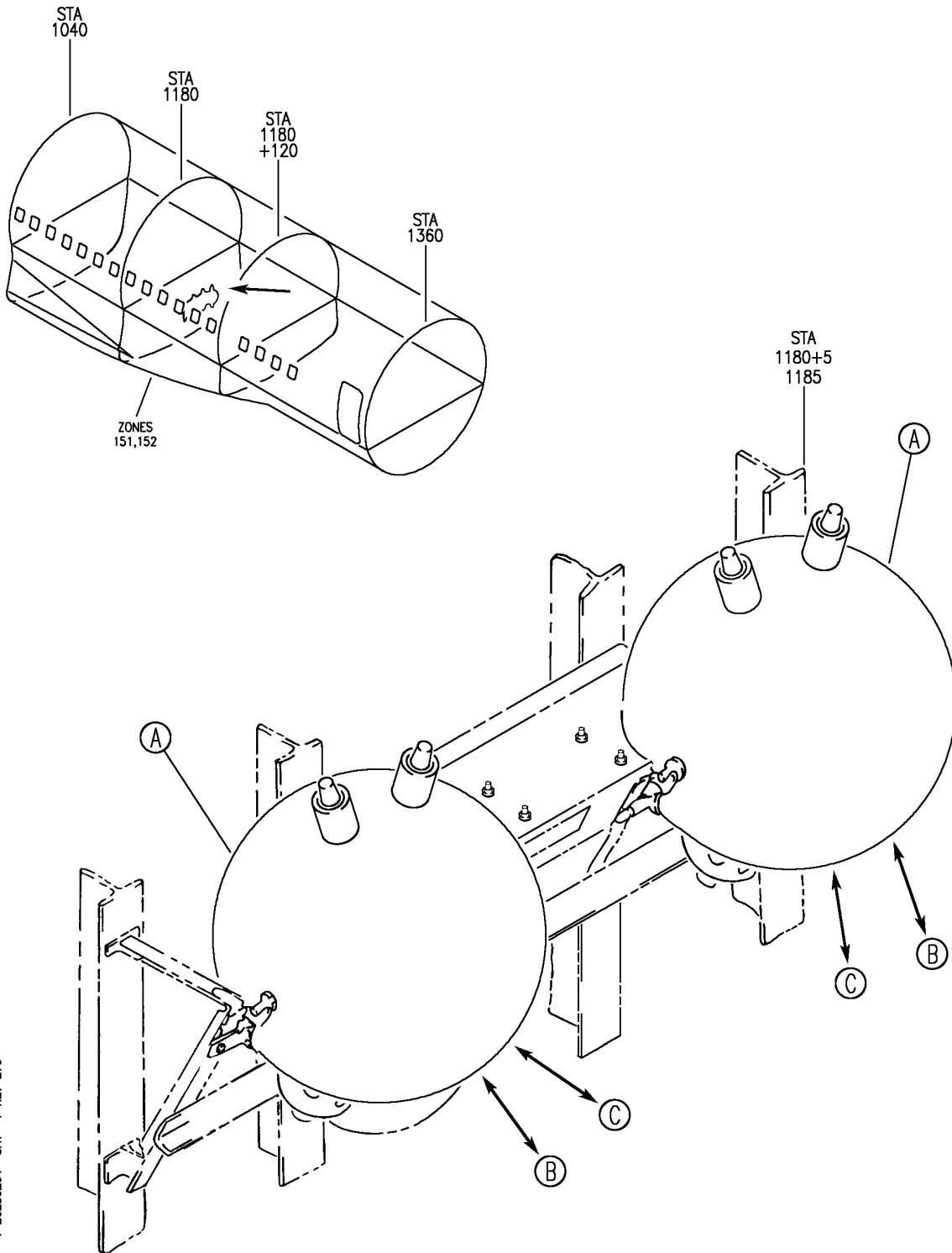
BRI

26-23-02-01

BOEING PROPRIETARY - Copyright © - Unpublished Work - See title page for details.

26-23-02
FIG. 01
PAGE 10
JAN 20/09

BOEING
757
PARTS CATALOG (MAINTENANCE)



Y 26230204 SHT 1 REV 279

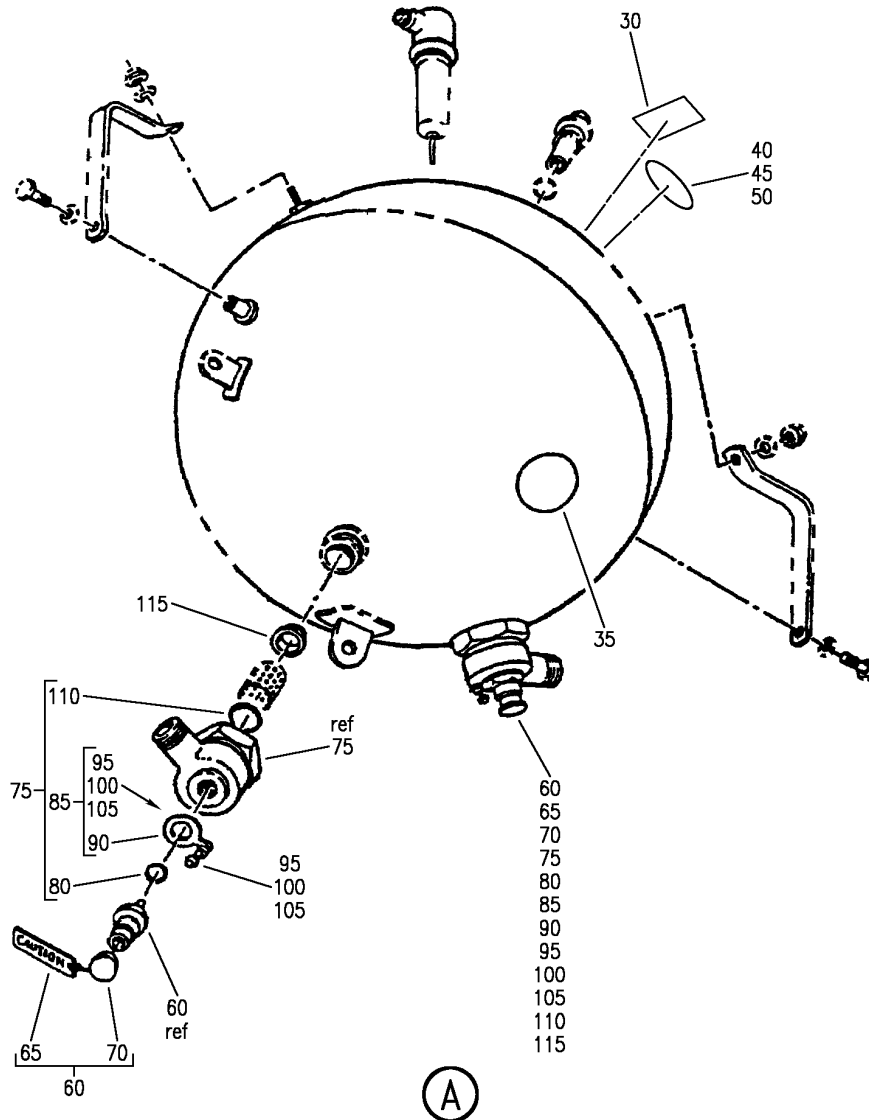
EXTINGUISHER ASSY
FIGURE 4 (SHEET 1)

26-23-02-04

BRI
MAY 28/07

26-23-02-04
PAGE 0

BOEING
757
PARTS CATALOG (MAINTENANCE)



Y 26230204 SH1 2 REV 279

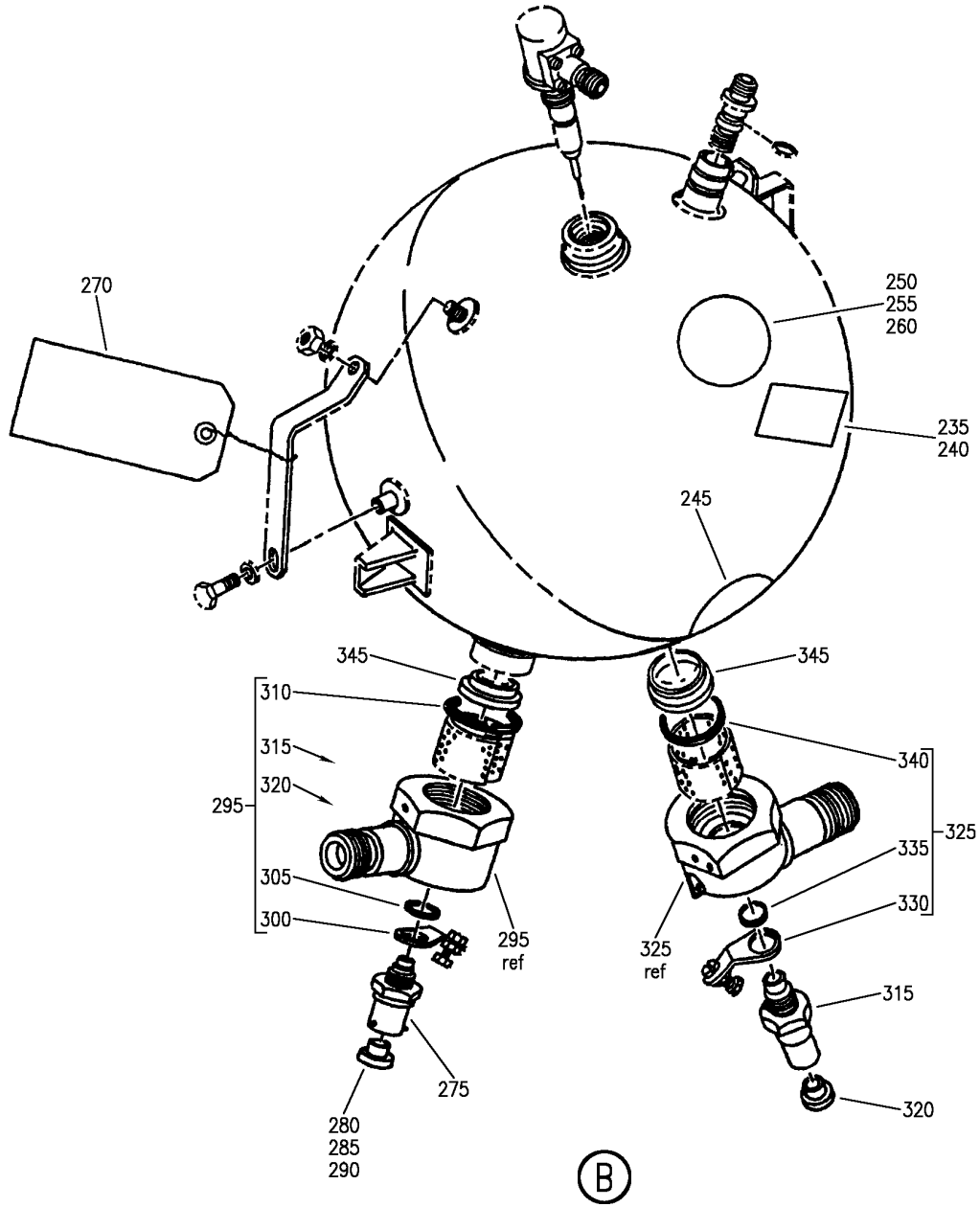
EXTINGUISHER ASSY
FIGURE 4 (SHEET 2)

26-23-02-04

BRI
MAY 28/07

26-23-02-04
PAGE 0A

BOEING
757
PARTS CATALOG (MAINTENANCE)



Y 26230204 SH1 3 REV 279

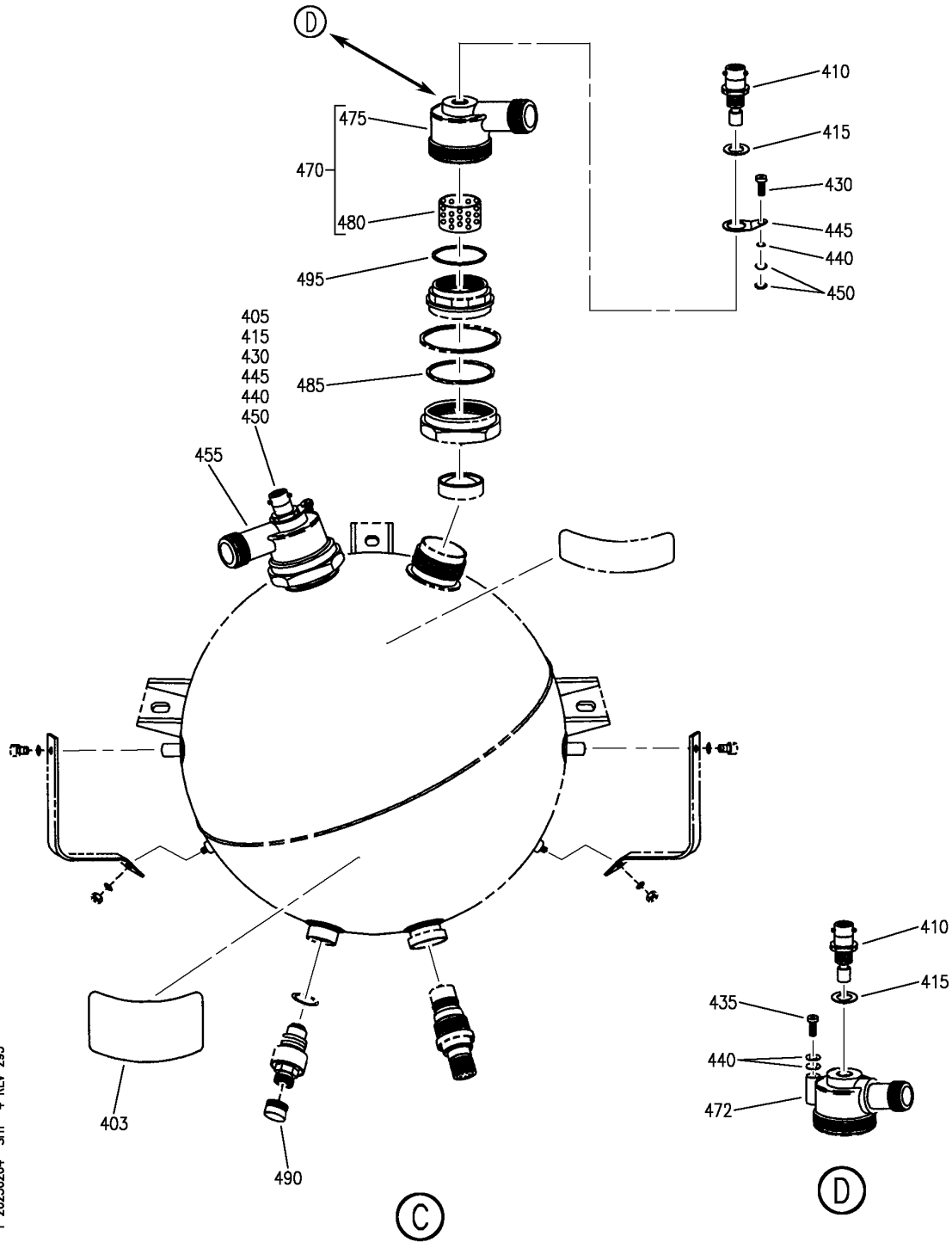
EXTINGUISHER ASSY
FIGURE 4 (SHEET 3)

26-23-02-04

BRI
MAY 28/07

26-23-02-04
PAGE 0B

BOEING
757
PARTS CATALOG (MAINTENANCE)



Y 26230204 SH 4 REV 295

EXTINGUISHER ASSY
FIGURE 4 (SHEET 4)

26-23-02-04

BRI
MAY 28/07

26-23-02-04
PAGE 0C



757

PARTS CATALOG (MAINTENANCE)

FIG ITEM	PART NUMBER	1 2 3 4 5 6 7	NOMENCLATURE	EFFECT FROM TO	UNITS PER ASSY
4			EXTINGUISHER ASSY	002004	
- 200	34600010-28		EXTINGUISHER ASSY- SUPPLIER CODE: V05167 SPECIFICATION NUMBER: S453T201-28 MISCELLANEOUS DATA: FOR INTERCHANGEABILITY, SEE FIRE BOTTLE SPARES SUBSTITUTION AND INTERCHANGEABILITY DRAWING 218A6302 ELECTRICAL EQUIP NUMBER: M10466 M10467 COMPONENT MAINT MANUAL REF: 26-23-21 QUALIFIED I/W DATA: 473957-4 (S453T201-43) CAN REPLACE OR BE REPLACE BY 34600010-28 (S453T201-28) WITH THE INCORPORATION OF SUPPLIER SERVICE BULLETIN 473957-26-455 FOR NHA SEE: 26-23-02-01	006999 002004 006106 108999	RF

MISSING ITEM NUMBERS NOT APPLICABLE

- ITEM NOT ILLUSTRATED

BRI

26-23-02-04

BOEING PROPRIETARY - Copyright © - Unpublished Work - See title page for details.

26-23-02
FIG. 04
PAGE 1
JAN 20/09



757

PARTS CATALOG (MAINTENANCE)

FIG ITEM	PART NUMBER	1 2 3 4 5 6 7	NOMENCLATURE	EFFECT FROM TO	UNITS PER ASSY
4 - 205	34600010-26		EXTINGUISHER- SUPPLIER CODE: V05167 SPECIFICATION NUMBER: S453T201-26 MISCELLANEOUS DATA: NOT APPROVED FOR ETOPS BEYOND 120 MINUTES ELECTRICAL EQUIP NUMBER: M10466 QUALIFIED I/W DATA: 34600010-26 (S453T201-26) CAN REPLACE BUT NOT BE REPLACED BY 34600010-4 (S453T201-4) WITH THE INCORPORATION OF SERVICE BULLETIN 757-26-0020 POST SERVICE BULLETIN: 26-0020 POST SERVICE BULLETIN: 34600010-4-26-1 V05167 FOR NHA SEE: 26-23-02-01	107107	RF
- 210	34600010-27		EXTINGUISHER- SUPPLIER CODE: V05167 SPECIFICATION NUMBER: S453T201-27 MISCELLANEOUS DATA: NOT APPROVED FOR ETOPS BEYOND 120 MINUTES ELECTRICAL EQUIP NUMBER: M10467 POST SERVICE BULLETIN: 26-0020 POST SERVICE BULLETIN: 34600010-8-26-1 V05167 FOR NHA SEE: 26-23-02-01	107107	RF
235	51950023-1		.DECAL- WEIGH INSTRUCTIONS SUPPLIER CODE: V05167	002004 006999	1
245	31576592		.PLATE-CAUTION SUPPLIER CODE: V05167	002004 006999	1

MISSING ITEM NUMBERS NOT APPLICABLE

- ITEM NOT ILLUSTRATED

26-23-02-04

26-23-02
FIG. 04
PAGE 2
JAN 20/09

BRI



757

PARTS CATALOG (MAINTENANCE)

FIG ITEM	PART NUMBER	1 2 3 4 5 6 7	NOMENCLATURE	EFFECT FROM TO	UNITS PER ASSY
4					
250	51900054-17		.PLATE-IDENT SUPPLIER CODE: V05167 USED ON: 34600010-28	002004 006106 108999	1
255	51900054-15		.PLATE-IDENT SUPPLIER CODE: V05167 USED ON: 34600010-26	107107	1
260	51900054-16		.PLATE-IDENT SUPPLIER CODE: V05167 USED ON: 34600010-27	107107	1
270	51950020-1		.TAG-FILL CAUTION SUPPLIER CODE: V05167	002004 006999	1
275	30903889		.CARTRIDGE ASSY-FWD COMPT SUPPLIER CODE: V05167 OPTIONAL PART: 30903941 V05167	002004 006999	1
275	30903941		.CARTRIDGE ASSY-FWD COMPT SUPPLIER CODE: V05167 OPTIONAL PART: 30903889 V05167	002004 006999	1
280	2-100452-1		..PLUG-SHUNT SUPPLIER CODE: V05167 CONFIG CHG DATA FROM A CMM: SUPSD BY M83723-60-28AN	002004 006999	1
280	M83723-60-28AN		..CAP-PROTECTIVE CONFIG CHG DATA FROM A CMM: SUPERSEDES 2-100452-1 OPTIONAL PART: M83723-60-28AC	002004 006999	1
280	M83723-60-28AC		..CAP-PROTECTIVE CONFIG CHG DATA FROM A CMM: SUPERSEDES 2-100452-1 OPTIONAL PART: M83723-60-28AN	002004 006999	1
280	M83723-60-18AN		..PLUG-SHUNT POST AIRLINE MOD: 133 VAAL	950951	1

MISSING ITEM NUMBERS NOT APPLICABLE

- ITEM NOT ILLUSTRATED

BRI

26-23-02-04

26-23-02
FIG. 04
PAGE 3
JAN 20/09



757

PARTS CATALOG (MAINTENANCE)

FIG ITEM	PART NUMBER	1 2 3 4 5 6 7	NOMENCLATURE	EFFECT FROM TO	UNITS PER ASSY
4					
295	35240437-1	.	OUTLET ASSY-DISCH FWD COMPT SUPPLIER CODE: V05167	002004 006999	1
300	51420003-1	..	LUG ASSY-GND SUPPLIER CODE: V05167	002004 006999	1
305	NAS1612-5	..	PACKING-	002004 006999	1
310	NAS1611-025	..	PACKING-	002004 006999	1
315	30903852	.	CARTRIDGE ASSY-AFT COMPT SUPPLIER CODE: V05167 OPTIONAL PART: 30903933 V05167	002004 006999	1
315	30903933	.	CARTRIDGE ASSY-AFT COMPT SUPPLIER CODE: V05167 OPTIONAL PART: 30903852 V05167	002004 006999	1
320	2-100555	..	PLUG-SHUNT SUPPLIER CODE: V05167 CONFIG CHG DATA FROM A CMM: SUPSD BY M83723-60-210AN	002004 006999	2
320	M83723-60-210AN	..	COUPLING-PROTECTIVE CONFIG CHG DATA FROM A CMM: SUPERSEDES 2-100555 OPTIONAL PART: M83723-60-210AC	002004 006999	2
320	M83723-60-210AC	..	CAP-PROTECTIVE OPTIONAL PART: M83723-60-210AN	002004 006999	2
320	M83723-60-210AN	..	COUPLING-SHUNT POST AIRLINE MOD: 133 VAAL	950951	1
325	35240405-1	.	OUTLET ASSY-DISCH AFT COMPT SUPPLIER CODE: V05167	002004 006999	1
330	33540224	..	LUG ASSY-GND SUPPLIER CODE: V05167	002004 006999	1
335	NAS1612-5	..	PACKING-	002004 006999	1

MISSING ITEM NUMBERS NOT APPLICABLE

- ITEM NOT ILLUSTRATED

26-23-02-04

26-23-02
FIG. 04
PAGE 4
JAN 20/09

BRI



757

PARTS CATALOG (MAINTENANCE)

FIG ITEM	PART NUMBER	1 2 3 4 5 6 7	NOMENCLATURE	EFFECT FROM TO	UNITS PER ASSY
4					
340	NAS1611-025	.	. PACKING-	002004 006999	1
345	33440018-6	.	. DISC-RUPTURE SUPPLIER CODE: V05167	002004 006999	2

MISSING ITEM NUMBERS NOT APPLICABLE

- ITEM NOT ILLUSTRATED

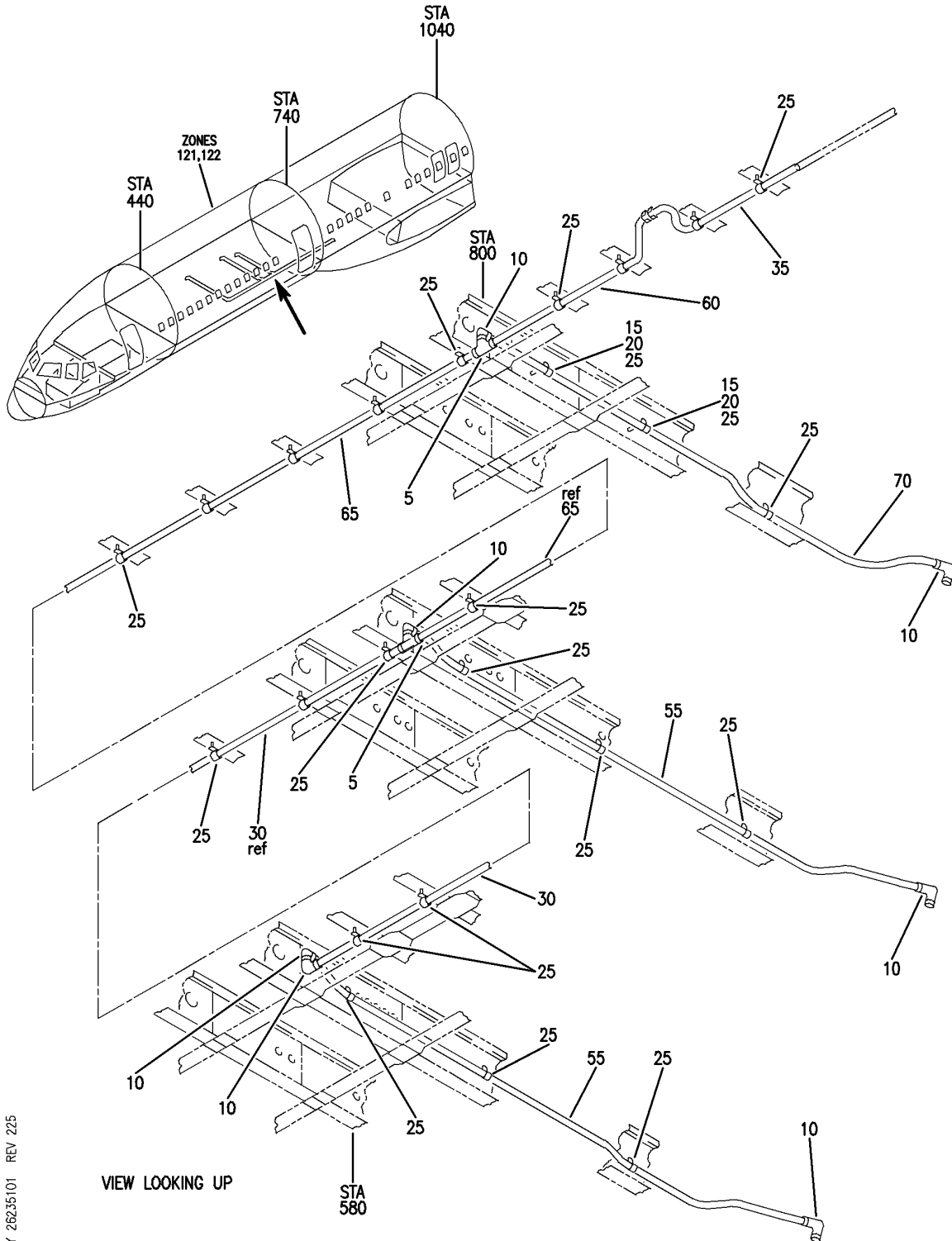
BRI

26-23-02-04

BOEING PROPRIETARY - Copyright © - Unpublished Work - See title page for details.

26-23-02
FIG. 04
PAGE 5
JAN 20/09

BOEING
757
PARTS CATALOG (MAINTENANCE)



Y 26235101 REV 225

TUBING INSTL- FIRE EXTINGUISHING SYS, 757-200 W/ VACUUM WASTE SYS, FWD CARGO COMPT
FIGURE 1

BRI
JAN 20/09

26-23-51-01

26-23-51-01
PAGE 0



757

PARTS CATALOG (MAINTENANCE)

FIG ITEM	PART NUMBER	1 2 3 4 5 6 7	NOMENCLATURE	EFFECT FROM TO	UNITS PER ASSY
1			TUBING INSTL- FIRE EXTINGUISHING SYS, 757-200 W/ VACUUM WASTE SYS, FWD CARGO COMPT	103106	
- 1	MODREF18630		TUBING INSTL-FIRE EXTINGUISHING SYS, 757-200 W/ VACUUM WASTE SYS MODULE NUMBER: 453N2140-200 REV A POSITION DATA: FWD CARGO COMPT	103106	1
5	MS21905W10		.TEE	103106	2
10	BACE21AW1010W		.ELBOW	103106	7
15	NAS43DD3-80FC		.SPACER	103106	2
20	NAS1149D0316J		.WASHER	103106	6
25	BACC10DK10		.CLAMP	103106	24
30	453N2602-228		.TUBE ASSY- TUBING MATERIAL: .625 OD X .028 WALL THICKNESS, OPTIONAL .625 OD X .035 WALL THICKNESS	103106	1
35	453N2602-225		.TUBE ASSY- TUBING MATERIAL: .625 OD X .028 WALL THICKNESS, OPTIONAL .625 OD X .035 WALL THICKNESS	103106	1
- 40	BACN10YL10L		..NUT	103106	1
- 45	AP2097HP10		..SLEEVE SUPPLIER CODE: V01673 SPECIFICATION NUMBER: BACS13BX10HP OPTIONAL PART: 2-02903-10HP V11328 35235VN10 V08199 AFP175V10P V30974 DBOS13BX10HP V14798	103106	1

MISSING ITEM NUMBERS NOT APPLICABLE

- ITEM NOT ILLUSTRATED

26-23-51-01

26-23-51
FIG. 01
PAGE 1
JAN 20/09

BRI



757

PARTS CATALOG (MAINTENANCE)

FIG ITEM	PART NUMBER	1 2 3 4 5 6 7	NOMENCLATURE	EFFECT FROM TO	UNITS PER ASSY
1					
- 50	35056GV10		.. UNION SUPPLIER CODE: V08199 SPECIFICATION NUMBER: BACU24AB10W OPTIONAL PART: 4671097W10 V50948 2-01027-10W V11328 31875-10W V14397 AP1004W10 V01673 AFP941W10 V30974 DBOU24AB10W V14798	103106	1
55	453N2602-227		.TUBE ASSY	103106	2
60	453N2602-253		.TUBE ASSY	103106	1
65	453N2602-229		.TUBE ASSY	103106	1
70	453N2602-230		.TUBE ASSY	103106	1
- 75	BACN10YL10L		.. NUT	103106	2
- 80	AP2097HP10		.. SLEEVE SUPPLIER CODE: V01673 SPECIFICATION NUMBER: BACS13BX10HP OPTIONAL PART: 2-02903-10HP V11328 35235VN10 V08199 AFP175V10P V30974 DBOS13BX10HP V14798	103106	2

MISSING ITEM NUMBERS NOT APPLICABLE

- ITEM NOT ILLUSTRATED

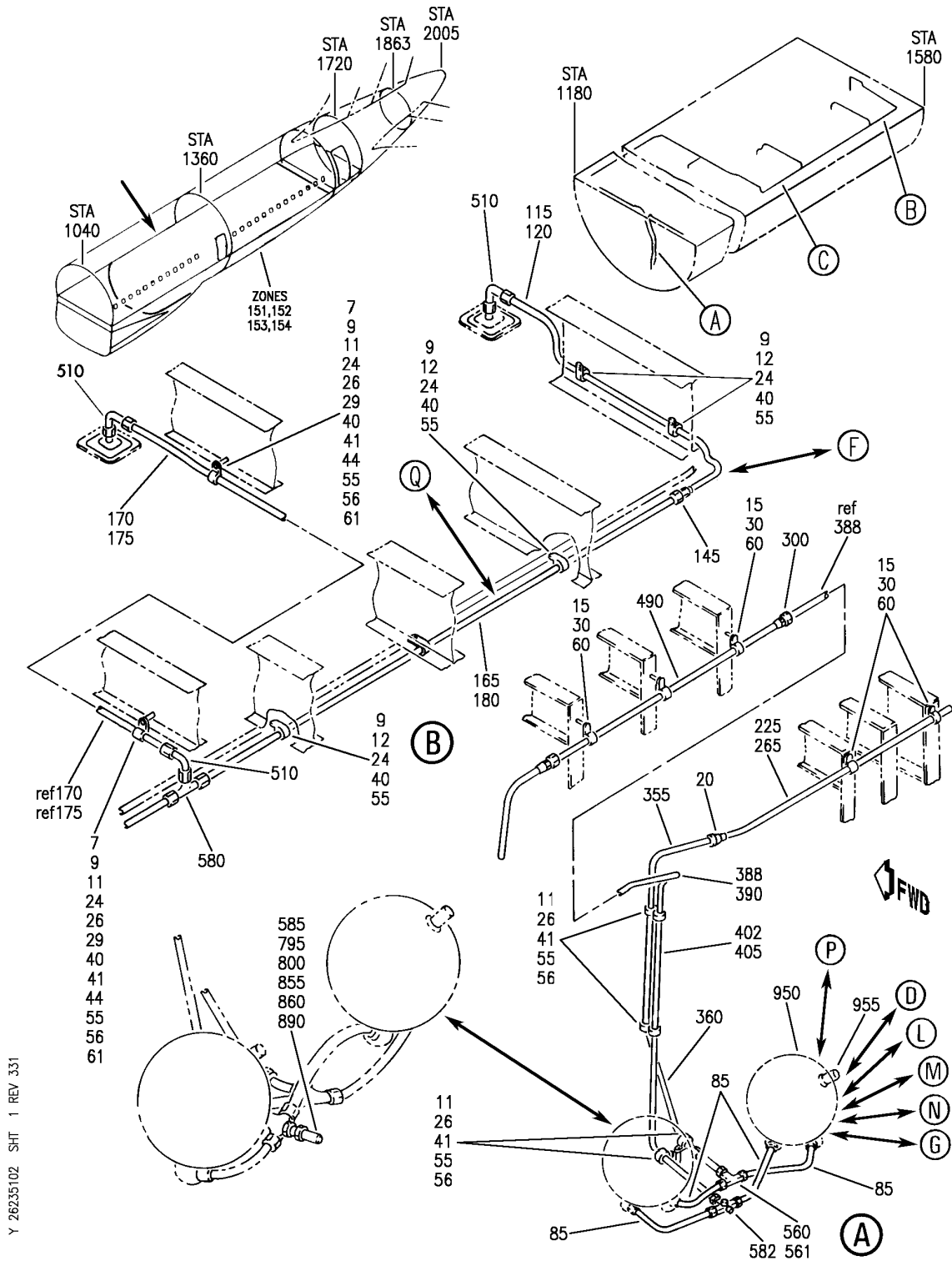
BRI

26-23-51-01

BOEING PROPRIETARY - Copyright © - Unpublished Work - See title page for details.

26-23-51
FIG. 01
PAGE 2
JAN 20/09

BOEING
757
PARTS CATALOG (MAINTENANCE)



Y 26235102 SH-T 1 REV 331

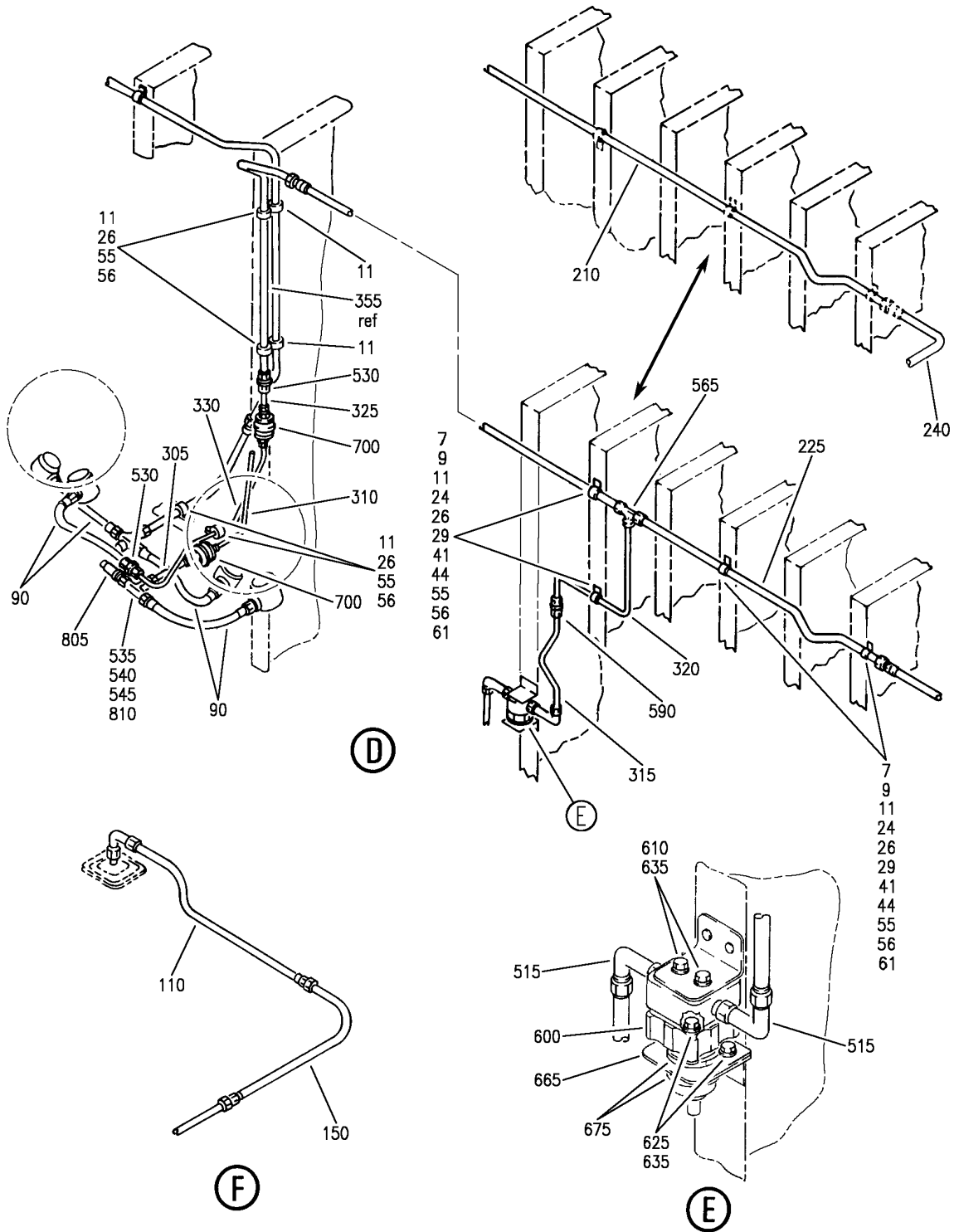
TUBING INSTL-AFT CARGO COMPT FIRE EXTINGUISHING
FIGURE 2 (SHEET 1)

26-23-51-02

BRI
JAN 20/09

26-23-51-02
PAGE 0

BOEING
757
PARTS CATALOG (MAINTENANCE)



Y 26235102 SH-T 3 REV 331

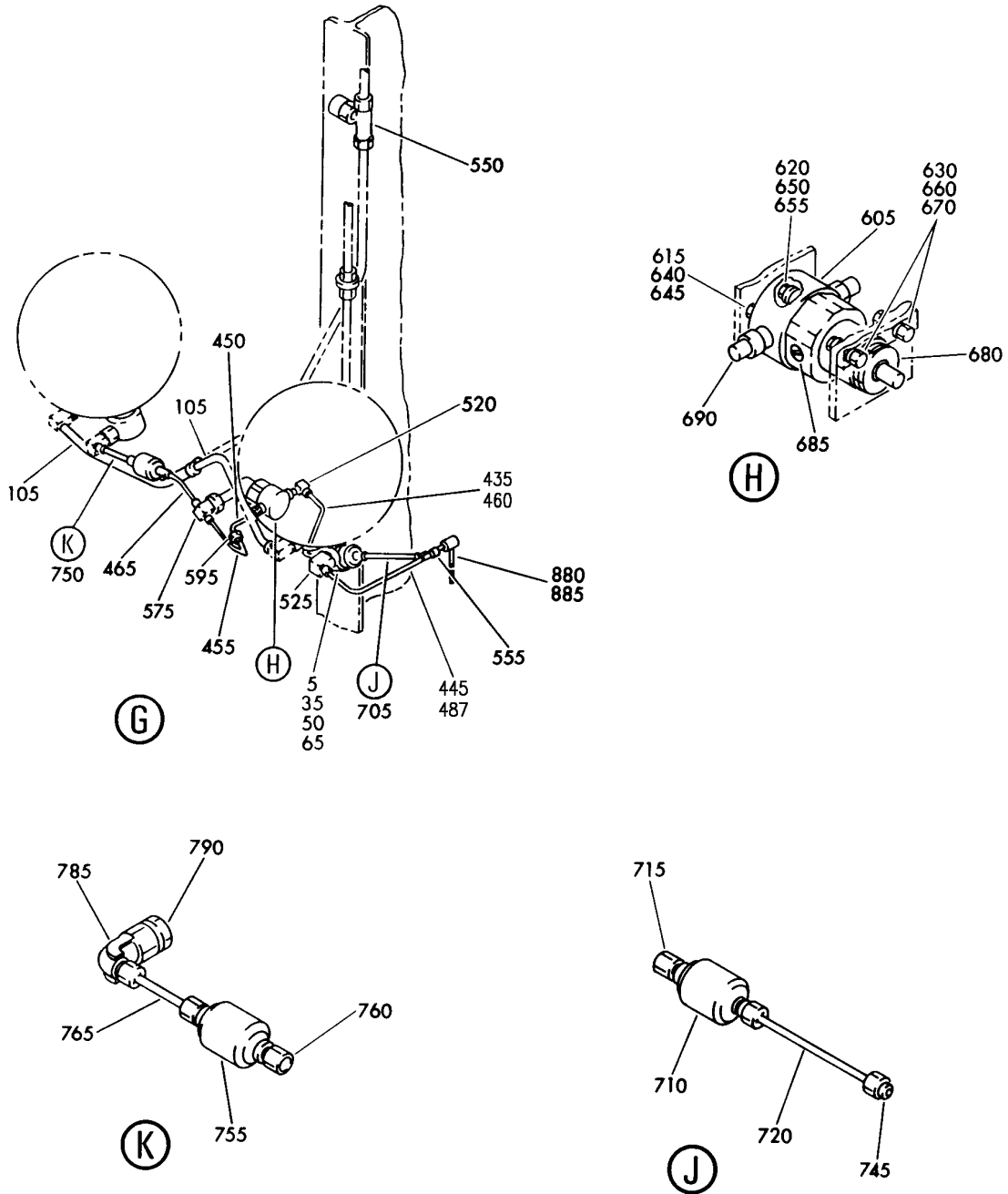
TUBING INSTL-AFT CARGO COMPT FIRE EXTINGUISHING
FIGURE 2 (SHEET 3)

26-23-51-02

BRI
JAN 20/09

26-23-51-02
PAGE 0B

BOEING
757
PARTS CATALOG (MAINTENANCE)



Y 26235102 SH1 4 REV 295

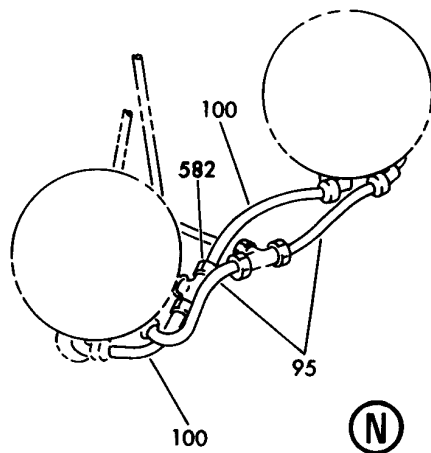
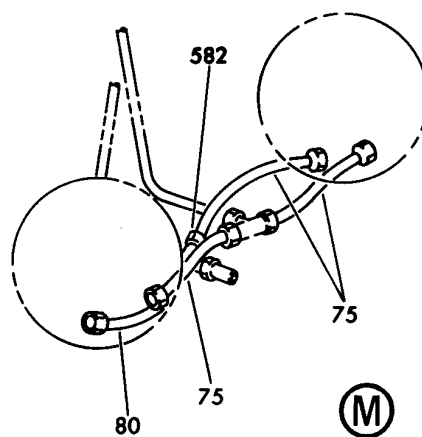
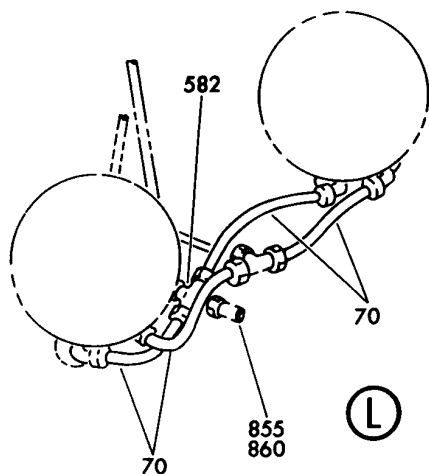
TUBING INSTL-AFT CARGO COMPT FIRE EXTINGUISHING
FIGURE 2 (SHEET 4)

26-23-51-02

BRI
MAY 28/07

26-23-51-02
PAGE 0C

BOEING
757
PARTS CATALOG (MAINTENANCE)



Y 26235102 SHT 5 REV 139

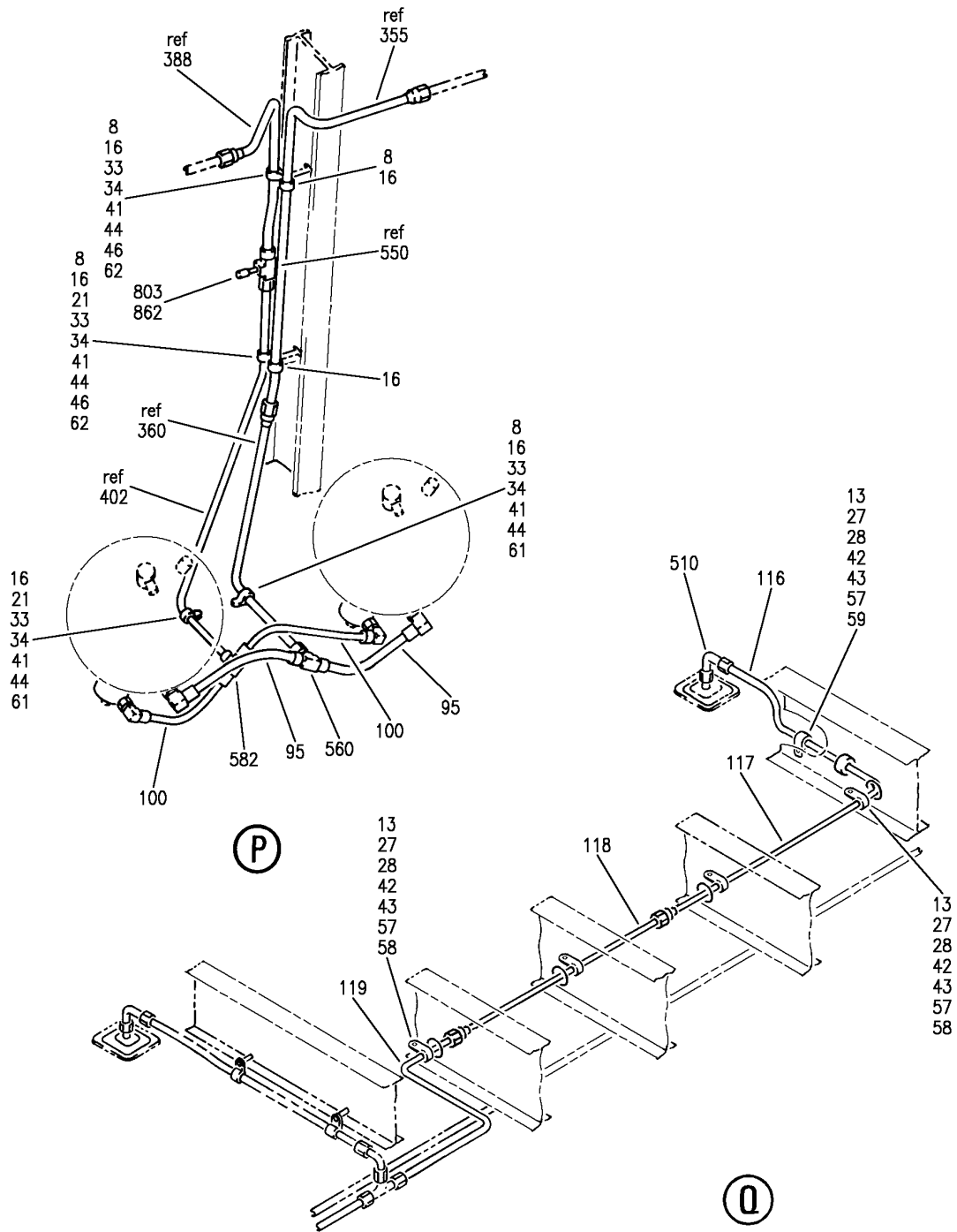
TUBING INSTL-AFT CARGO COMPT FIRE EXTINGUISHING
FIGURE 2 (SHEET 5)

26-23-51-02

BRI
MAY 28/07

26-23-51-02
PAGE 0D


BOEING
 757
PARTS CATALOG (MAINTENANCE)



Y 26235102 SH1 6 REV 299

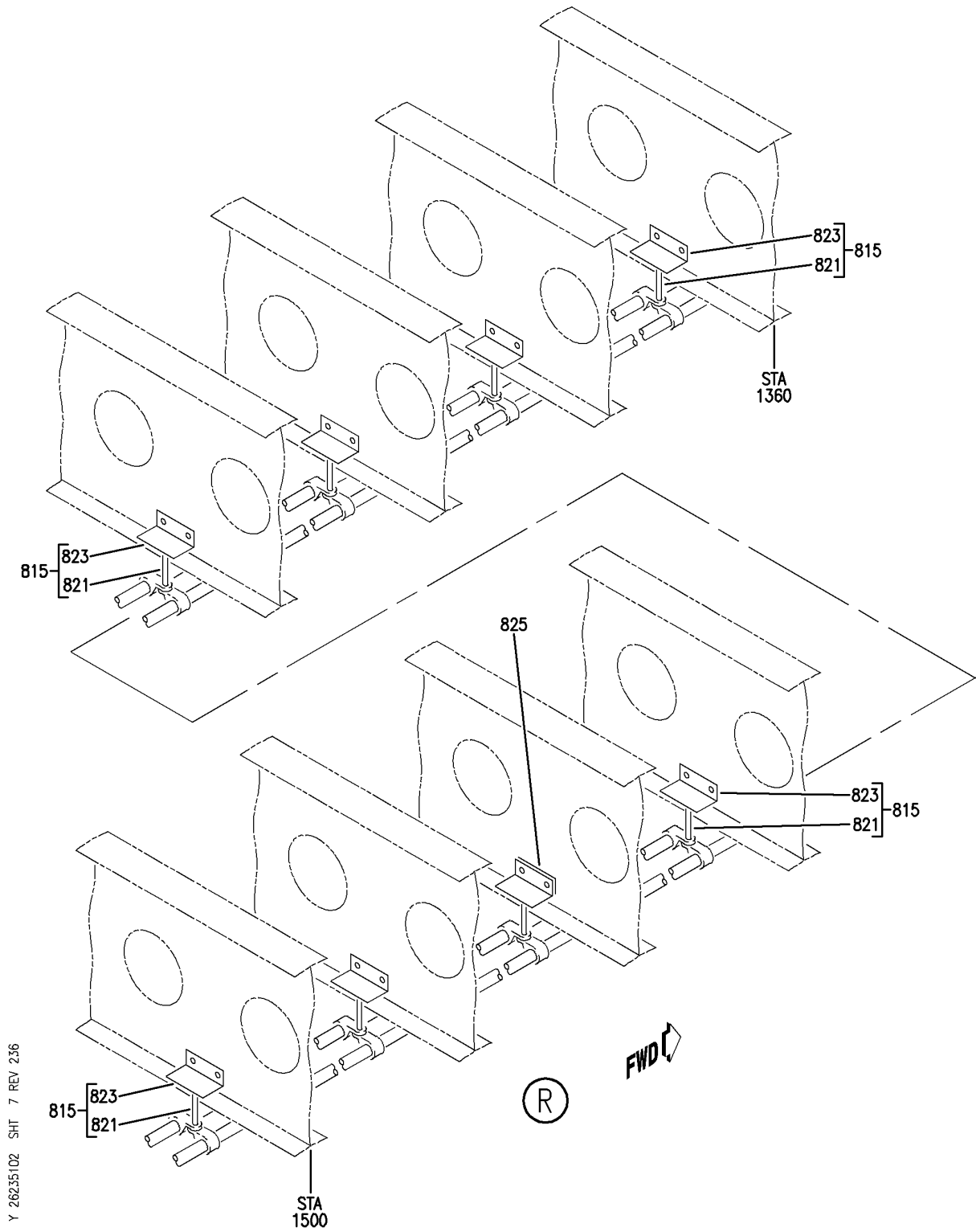
TUBING INSTL-AFT CARGO COMPT FIRE EXTINGUISHING
 FIGURE 2 (SHEET 6)

26-23-51-02

BRI
MAY 28/07

26-23-51-02
 PAGE 0E

BOEING
757
PARTS CATALOG (MAINTENANCE)



Y 26235102 SHT 7 REV 236

TUBING INSTL-AFT CARGO COMPT FIRE EXTINGUISHING
FIGURE 2 (SHEET 7)

26-23-51-02

BRI
MAY 28/07

26-23-51-02
PAGE OF



757

PARTS CATALOG (MAINTENANCE)

FIG ITEM	PART NUMBER	1 2 3 4 5 6 7	NOMENCLATURE	EFFECT FROM TO	UNITS PER ASSY
2			TUBING INSTL-AFT CARGO COMPT FIRE EXTINGUISHING	002004 006100 107107 121503 904999	
- 1	453N2240-5		TUBING INSTL-FIRE EXTINGUISHING POSITION DATA: AFT CARGO COMPT FOR NHA SEE: 21-00-00-04	107107	RF
- 1	453N2240-10		TUBING INSTL-FIRE EXTINGUISHING POSITION DATA: AFT CARGO COMPT FOR NHA SEE: 21-00-00-04	002004 006100 950999	RF
- 1	453N2240-12		TUBING INSTL-FIRE EXTINGUISHING POSITION DATA: AFT CARGO COMPT FOR NHA SEE: 21-00-00-04	121503	RF
- 1	453N2240-15		TUBING INSTL-FIRE EXTINGUISHING POSITION DATA: AFT CARGO COMPT FOR NHA SEE: 21-00-00-04	904949	RF
5	JM44LC13WS26R		.CLAMP- SUPPLIER CODE: V22175 SPECIFICATION NUMBER: BACC10GE26 OPTIONAL PART: S369WH26 V18076 TA12C32WS26 V84971 509S26 V83930 MS21919WDG26	121503 904949	1
5	MS21919WDG26		.CLAMP- OPTIONAL PART: BACC10GE26	121503 904949	1
8	BACC10DK10		.CLAMP- POST SERVICE BULLETIN: 26-0020	107107	4

MISSING ITEM NUMBERS NOT APPLICABLE

- ITEM NOT ILLUSTRATED

26-23-51-02

26-23-51
FIG. 02
PAGE 1
JAN 20/09

BRI

 **BOEING**
757
PARTS CATALOG (MAINTENANCE)

FIG ITEM	PART NUMBER	1 2 3 4 5 6 7	NOMENCLATURE	EFFECT FROM TO	UNITS PER ASSY
2					
11	BACC10DK	.	CLAMP	002004 006100 107107 121503 904999	31
12	BACC10DK	.	CLAMP- PRE ALERT SB: 26A0040R1	002004 006100 904949	5
13	BACC10DK10	.	CLAMP- POST ALERT SB: 26A0040R1	002004 006100 107107 121503 904999	5
20	BACC10DK4	.	CLAMP-	121503 904949	1
21	BACC10DK8A	.	CLAMP- POST SERVICE BULLETIN: 26-0020	107107	2
26	NAS1801-3	.	SCREW	002004 006100 107107 121503 904999	29
27	NAS1801-3	.	SCREW- PRE ALERT SB: 26A0040R1	002004 006100 904949	5
28	BACS12GU3K10	.	SCREW- POST ALERT SB: 26A0040R1	002004 006100 107107 121503 904999	5
34	NAS1801-3-3	.	SCREW- POST SERVICE BULLETIN: 26-0020	107107	4
35	NAS1801-3-3	.	SCREW-	121503 904949	1
40	AN960JD10L	.	WASHER	002004 006100 107107 121503 904949 952999	36
41	AN960JD10L	.	WASHER	002004 006100 107107 121503 904999	29

MISSING ITEM NUMBERS NOT APPLICABLE

— ITEM NOT ILLUSTRATED

BRI

26-23-51-02

BOEING PROPRIETARY - Copyright © - Unpublished Work - See title page for details.

26-23-51
FIG. 02
PAGE 2
JAN 20/09



757

PARTS CATALOG (MAINTENANCE)

FIG ITEM	PART NUMBER	1 2 3 4 5 6 7	NOMENCLATURE	EFFECT FROM TO	UNITS PER ASSY
2					
42	AN960JD10L		.WASHER- PRE ALERT SB: 26A0040R1	002004 006100 904949	5
43	NAS1149D0332J		.WASHER- POST ALERT SB: 26A0040R1	002004 006100 107107 121503 904999	5
50	AN960JD10L		.WASHER-	121503 904949	1
55	MS21042L3		.NUT	002004 006100 107107 121503 904949 952999	36
56	MS21042L3		.NUT	002004 006100 107107 121503 904999	31
57	MS21042L3		.NUT- PRE ALERT SB: 26A0040R1	002004 006100 904949	5
58	WSI332-14		.NUT- SUPPLIER CODE: V04169 SPECIFICATION NUMBER: BACN10GH3-14 POST ALERT SB: 26A0040R1	002004 006100 107107 121503 904999	4
59	WSI332-12		.NUTPLATE- SUPPLIER CODE: V04169 SPECIFICATION NUMBER: BACN10GH3-12 POST ALERT SB: 26A0040R1	002004 006100 107107 121503 904999	1
- 59A	BACR15BB3AD4C		ATTACHING PARTS .RIVET- POST ALERT SB: 26A0040R1	002004 006100 107107 121503 904999	2
65	MS21042L3		-----*----- .NUT-	121503 904949	1

MISSING ITEM NUMBERS NOT APPLICABLE

- ITEM NOT ILLUSTRATED

BRI

26-23-51-02

26-23-51
FIG. 02
PAGE 3
JAN 20/09



757

PARTS CATALOG (MAINTENANCE)

FIG ITEM	PART NUMBER	1 2 3 4 5 6 7	NOMENCLATURE	EFFECT FROM TO	UNITS PER ASSY
2	95 AS118J0110XN	.	HOSE SUPPLIER CODE: V00624 SPECIFICATION NUMBER: BACH5S0110XN OPTIONAL PART: 95850S0110XN V78570 R89180110XN V06851 R89180110XN V50599 R89190110XN V06851 R89190110XN V50599	002004 006100 950999	2
	95 AS118J0100XX	.	HOSE ASSY- SUPPLIER CODE: V00624 SPECIFICATION NUMBER: BACH5S0100XX OPTIONAL PART: 95850S0100XX V78570 R89190100XX V06851 R89190100XX V50599 R89180100XX V06851 R89180100XX V50599 MISCELLANEOUS DATA: AFT DISCHARGE	107107	2

MISSING ITEM NUMBERS NOT APPLICABLE

- ITEM NOT ILLUSTRATED

BRI

26-23-51-02

BOEING PROPRIETARY - Copyright © - Unpublished Work - See title page for details.

26-23-51
FIG. 02
PAGE 4
JAN 20/09



757

PARTS CATALOG (MAINTENANCE)

FIG ITEM	PART NUMBER	1 2 3 4 5 6 7	NOMENCLATURE	EFFECT FROM TO	UNITS PER ASSY
2 100	AS118H0110YP		.HOSE- SUPPLIER CODE: V00624 SPECIFICATION NUMBER: BACH5R0110YP OPTIONAL PART: R8918R0110YP V50599 AS118H0110YP V1P322 AS161H0110YP V00624 AS161H0110YP V1P322 95850R0110YP V78570 B309EEE0110D V03925 NOT APPROVED FOR ETOPS. MISCELLANEOUS DATA: FWD DISCHARGE NOT APPROVED FOR ETOPS FOR A180 MINUTE SYSTEM POST SERVICE BULLETIN: 26-0020	002004 006100 107107 950999	2
105	AS118H0110YP		.HOSE- SUPPLIER CODE: V00624 SPECIFICATION NUMBER: BACH5R0110YP OPTIONAL PART: R8918R0110YP V50599 AS118H0110YP V1P322 AS161H0110YP V00624 AS161H0110YP V1P322 95850R0110YP V78570 B309EEE0110D V03925 NOT APPROVED FOR ETOPS. MISCELLANEOUS DATA: NOT APPROVED FOR ETOPS FOR A180 MINUTE SYSTEM	121503 904949	2

MISSING ITEM NUMBERS NOT APPLICABLE

- ITEM NOT ILLUSTRATED

BRI

26-23-51-02

BOEING PROPRIETARY - Copyright © - Unpublished Work - See title page for details.

26-23-51
FIG. 02
PAGE 5
JAN 20/09



757

PARTS CATALOG (MAINTENANCE)

FIG ITEM	PART NUMBER	1 2 3 4 5 6 7	NOMENCLATURE	EFFECT FROM TO	UNITS PER ASSY
2 115	453N2602-93		.TUBE ASSY- TUBING MATERIAL: .625 IN. OD .020 IN. WALL 59.00 IN. LG AL PRE ALERT SB: 26A0040R1	002004 006100 904949	1
116	453N2602-162		.TUBE ASSY- TUBING MATERIAL: .625 O.D. X .020 WALL X LENGTH AS REQD OPTIONAL - .625 O.D. X .028 WALL 6061-T6 SEAMLESS WW-T-700/6 POST ALERT SB: 26A0040R1	002004 006100 107107 121503 904999	1
117	453N2602-163		.TUBE ASSY- TUBING MATERIAL: .625 O.D. X .020 WALL X LENGTH AS REQD OPTIONAL - .625 O.D. X .028 WALL 6061-T6 SEAMLESS WW-T-700/6 POST ALERT SB: 26A0040R1	002004 006100 107107 121503 904999	1
118	453N2602-164		.TUBE ASSY- TUBING MATERIAL: .625 O.D. X .020 WALL X LENGTH AS REQD OPTIONAL - .625 O.D. X .028 WALL 6061-T6 SEAMLESS WW-T-700/6 POST ALERT SB: 26A0040R1	002004 006100 107107 121503 904999	1
119	453N2602-165		.TUBE ASSY- TUBING MATERIAL: .625 O.D. X .020 WALL X LENGTH AS REQD OPTIONAL - .625 O.D. X .028 WALL 6061-T6 SEAMLESS WW-T-700/6 POST ALERT SB: 26A0040R1	002004 006100 107107 121503 904999	1

MISSING ITEM NUMBERS NOT APPLICABLE

- ITEM NOT ILLUSTRATED

26-23-51-02

26-23-51
FIG. 02
PAGE 6
JAN 20/09

BRI



757

PARTS CATALOG (MAINTENANCE)

FIG ITEM	PART NUMBER	1 2 3 4 5 6 7	NOMENCLATURE	EFFECT FROM TO	UNITS PER ASSY
2 - 125	AP2097H10		.. SLEEVE- SUPPLIER CODE: V01673 SPECIFICATION NUMBER: BACS13BX10H OPTIONAL PART: 2-02903-10H V11328 35235V10 V08199 AFP175V10 V30974 DBOS13BX10H V14798 PRE ALERT SB: 26A0040R1	002004 006100 904949	1
- 125	AP2097HP10		.. SLEEVE- SUPPLIER CODE: V01673 SPECIFICATION NUMBER: BACS13BX10HP OPTIONAL PART: 2-02903-10HP V11328 35235VN10 V08199 AFP175V10P V30974 DBOS13BX10HP V14798 USED ON: 453N2602-162 453N2602-163 453N2602-164 POST ALERT SB: 26A0040R1	002004 006100 107107 121503 904999	1

MISSING ITEM NUMBERS NOT APPLICABLE

- ITEM NOT ILLUSTRATED

BRI

26-23-51-02

BOEING PROPRIETARY - Copyright © - Unpublished Work - See title page for details.

26-23-51
FIG. 02
PAGE 7
JAN 20/09



757

PARTS CATALOG (MAINTENANCE)

FIG ITEM	PART NUMBER	1 2 3 4 5 6 7	NOMENCLATURE	EFFECT FROM TO	UNITS PER ASSY
2					
- 132	AP2097HP10		.. SLEEVE- SUPPLIER CODE: V01673 SPECIFICATION NUMBER: BACS13BX10HP OPTIONAL PART: 2-02903-10HP V11328 35235VN10 V08199 AFP175V10P V30974 DBOS13BX10HP V14798 USED ON: 453N2602-165 POST ALERT SB: 26A0040R1	002004 006100 107107 121503 904999	2
- 135	MS21921-10D		.. NUT- PRE ALERT SB: 26A0040R1	002004 006100 904949	1
- 135	BACN10YL10L		.. NUT- USED ON: 453N2602-162 453N2602-163 453N2602-164 POST ALERT SB: 26A0040R1	002004 006100 107107 121503 904999	1
- 137	BACN10YL10L		.. NUT- USED ON: 453N2602-165 POST ALERT SB: 26A0040R1	002004 006100 107107 121503 904999	2

MISSING ITEM NUMBERS NOT APPLICABLE

- ITEM NOT ILLUSTRATED

BRI

26-23-51-02

BOEING PROPRIETARY - Copyright © - Unpublished Work - See title page for details.

26-23-51
FIG. 02
PAGE 8
JAN 20/09



**757
PARTS CATALOG (MAINTENANCE)**

FIG ITEM	PART NUMBER	1 2 3 4 5 6 7	NOMENCLATURE	EFFECT FROM TO	UNITS PER ASSY
2 - 145	35056GV10		..UNION- SUPPLIER CODE: V08199 SPECIFICATION NUMBER: BACU24AB10W OPTIONAL PART: 4671097W10 V50948 2-01027-10W V11328 31875-10W V14397 AP1004W10 V01673 AFP941W10 V30974 DBOU24AB10W V14798 PRE ALERT SB: 26A0040R1	002004 006100 904949	1
- 145	35056GV10		..UNION- SUPPLIER CODE: V08199 SPECIFICATION NUMBER: BACU24AB10W OPTIONAL PART: 4671097W10 V50948 2-01027-10W V11328 31875-10W V14397 AP1004W10 V01673 AFP941W10 V30974 DBOU24AB10W V14798 USED ON: 453N2602-162 453N2602-163 453N2602-164 POST ALERT SB: 26A0040R1	002004 006100 107107 121503 904999	1
160	453N2602-160		.TUBE ASSY- TUBING MATERIAL: .625 IN. OD .020 IN. WALL 96.00 IN. LG AL	002004 006100 121503 950951 953999	1

MISSING ITEM NUMBERS NOT APPLICABLE

- ITEM NOT ILLUSTRATED

BRI

26-23-51-02

BOEING PROPRIETARY - Copyright © - Unpublished Work - See title page for details.

26-23-51
FIG. 02
PAGE 9
JAN 20/09



757

PARTS CATALOG (MAINTENANCE)

FIG ITEM	PART NUMBER	1 2 3 4 5 6 7	NOMENCLATURE	EFFECT FROM TO	UNITS PER ASSY
2					
160	453N2602-112		.TUBE ASSY- TUBING MATERIAL: .625 IN. OD .020 IN. WALL 86.85 IN. LG AL	952952	1
165	453N2602-12		.TUBE ASSY- TUBING MATERIAL: .625 IN. OD .020 IN. WALL 86.50 IN. LG AL PRE ALERT SB: 26A0040R1	904949	1
170	453N2602-161		.TUBE ASSY- TUBING MATERIAL: .625 IN. OD .020 IN. WALL 46.00 IN. LG AL	006100 950951 953999	1
170	453N2602-113		.TUBE ASSY- TUBING MATERIAL: .625 IN. OD .020 IN. WALL 43.50 IN. LG AL	002004 121503 952952	1
175	453N2602-11		.TUBE ASSY- TUBING MATERIAL: .625 IN. OD .020 IN. WALL 45.00 IN. LG AL	107107 904949	1
180	453N2602-159		.TUBE ASSY- TUBING MATERIAL: .625 IN. OD .020 IN. WALL 96.00 IN. LG AL PRE ALERT SB: 26A0040R1	002004 006100	1
185	453N2602-10		.TUBE ASSY- TUBING MATERIAL: .625 IN. OD .020 IN. WALL 86.62 IN. LG AL	107107 904949	1
190	453N2602-127		.TUBE ASSY- TUBING MATERIAL: .625 IN. OD .020 IN. WALL 18.00 IN. LG AL	002004 006100 121503 950999	1
195	453N2602-9		.TUBE ASSY- TUBING MATERIAL: .625 IN. OD .020 IN. WALL 44.00 IN. LG AL	107107 904949	1
200	453N2602-158		.TUBE ASSY- TUBING MATERIAL: .625 IN. OD .020 IN. WALL 89.00 IN. LG AL	002004 006100 121503 950951 953999	1
200	453N2602-135		.TUBE ASSY- TUBING MATERIAL: .625 IN. OD .020 IN. WALL 79.00 IN. LG AL	952952	1

MISSING ITEM NUMBERS NOT APPLICABLE

- ITEM NOT ILLUSTRATED

26-23-51-02

26-23-51
FIG. 02
PAGE 10
JAN 20/09

BRI

BOEING PROPRIETARY - Copyright © - Unpublished Work - See title page for details.



757

PARTS CATALOG (MAINTENANCE)

FIG ITEM	PART NUMBER	1 2 3 4 5 6 7	NOMENCLATURE	EFFECT FROM TO	UNITS PER ASSY
2					
205	453N2602-8		.TUBE ASSY- TUBING MATERIAL: .625 IN. OD .020 IN. WALL 79.00 IN. LG AL	107107 904949	1
210	453N2602-138		.TUBE ASSY- TUBING MATERIAL: .625 IN. OD .020 IN. WALL 42.00 IN. LG AL	002004 006100 121503 950999	1
215	453N2602-63		.TUBE ASSY- TUBING MATERIAL: .625 IN. OD .020 IN. WALL 15.00 IN. LG AL	107107 904949	1
220	453N2602-139		.TUBE ASSY- TUBING MATERIAL: .625 IN. OD .020 IN. WALL 44.00 IN. LG AL	002004 006100 121503 950999	1
225	453N2602-86		.TUBE ASSY- TUBING MATERIAL: .625 IN. OD .020 IN. WALL 45.00 IN. LG AL	107107 904949	1
- 230	AP2097H10		..SLEEVE- SUPPLIER CODE: V01673 SPECIFICATION NUMBER: BACS13BX10H OPTIONAL PART: 2-02903-10H V11328 35235V10 V08199 AFP175V10 V30974 DBOS13BX10H V14798 PRE ALERT SB: 26A0040R1	002004 006100 904949	2

MISSING ITEM NUMBERS NOT APPLICABLE

- ITEM NOT ILLUSTRATED

26-23-51-02

26-23-51
FIG. 02
PAGE 11
JAN 20/09

BRI



757

PARTS CATALOG (MAINTENANCE)

FIG ITEM	PART NUMBER	1 2 3 4 5 6 7	NOMENCLATURE	EFFECT FROM TO	UNITS PER ASSY
2					
- 231	AP2097H10	..	SLEEVE SUPPLIER CODE: V01673 SPECIFICATION NUMBER: BACS13BX10H OPTIONAL PART: 2-02903-10H V11328 35235V10 V08199 AFP175V10 V30974 DBOS13BX10H V14798	002004 006100 107107 121503 904999	2
- 232	AP2097H10	..	SLEEVE SUPPLIER CODE: V01673 SPECIFICATION NUMBER: BACS13BX10H OPTIONAL PART: 2-02903-10H V11328 35235V10 V08199 AFP175V10 V30974 DBOS13BX10H V14798	002004 006100 107107 121503 904949 952999	2
- 235	MS21921-10D	..	NUT- PRE ALERT SB: 26A0040R1	002004 006100 904949	2
- 236	MS21921-10D	..	NUT	002004 006100 107107 121503 904999	2
- 237	MS21921-10D	..	NUT	002004 006100 107107 121503 904949 952999	2
240	453N2602-118	.	TUBE ASSY- TUBING MATERIAL: .625 IN. OD .020 IN. WALL 103.00 IN. LG AL	002004 006100 121503 950999	1

MISSING ITEM NUMBERS NOT APPLICABLE

- ITEM NOT ILLUSTRATED

BRI

26-23-51-02

26-23-51
FIG. 02
PAGE 12
JAN 20/09



757

PARTS CATALOG (MAINTENANCE)

FIG ITEM	PART NUMBER	1 2 3 4 5 6 7	NOMENCLATURE	EFFECT FROM TO	UNITS PER ASSY
2					
- 245	AP2097H10	..	SLEEVE SUPPLIER CODE: V01673 SPECIFICATION NUMBER: BACS13BX10H OPTIONAL PART: 2-02903-10H V11328 35235V10 V08199 AFP175V10 V30974 DBOS13BX10H V14798	002004 006100 121503 950999	1
- 250	MS21921-10D	..	NUT	002004 006100 121503 950999	1
- 255	35056GV10	..	UNION SUPPLIER CODE: V08199 SPECIFICATION NUMBER: BACU24AB10W OPTIONAL PART: 4671097W10 V50948 2-01027-10W V11328 31875-10W V14397 AP1004W10 V01673 AFP941W10 V30974 DBOU24AB10W V14798	002004 006100 121503 950999	1
260	453N2602-67	.TUBE ASSY-	TUBING MATERIAL: .625 IN. OD .020 IN. WALL 52.00 IN. LG AL	107107 904949	1
265	453N2602-123	.TUBE ASSY-	TUBING MATERIAL: .625 IN. OD .020 IN. WALL 30.56 IN. LG AL	002004 006100 121503 950999	1
270	453N2602-65	.TUBE ASSY-	TUBING MATERIAL: .625 IN. OD .020 IN. WALL 83.00 IN. LG AL	107107 904949	1

MISSING ITEM NUMBERS NOT APPLICABLE

- ITEM NOT ILLUSTRATED

26-23-51-02

26-23-51
FIG. 02
PAGE 13
JAN 20/09

BRI



757

PARTS CATALOG (MAINTENANCE)

FIG ITEM	PART NUMBER	1 2 3 4 5 6 7	NOMENCLATURE	EFFECT FROM TO	UNITS PER ASSY
2					
275	453N2602-128	.TUBE ASSY-	TUBING MATERIAL: .625 IN. OD .020 IN. WALL 85.50 IN. LG AL	002004 006100 121503 950999	1
280	453N2602-17	.TUBE ASSY-	TUBING MATERIAL: .625 IN. OD .020 IN. WALL 103.00 IN. LG AL	107107 904949	1
285	453N2602-129	.TUBE ASSY-	TUBING MATERIAL: .625 IN. OD .020 IN. WALL 52.00 IN. LG AL	002004 006100 121503 950999	1
- 290	AP2097HP10	..SLEEVE	SUPPLIER CODE: V01673 SPECIFICATION NUMBER: BACS13BX10HP OPTIONAL PART: 2-02903-10HP V11328 35235VN10 V08199 AFP175V10P V30974 DBOS13BX10HP V14798	002004 006100 121503 950999	1
- 290	AP2097H10	..SLEEVE	SUPPLIER CODE: V01673 SPECIFICATION NUMBER: BACS13BX10H OPTIONAL PART: 2-02903-10H V11328 35235V10 V08199 AFP175V10 V30974 DBOS13BX10H V14798	107107 904949	1
- 295	MS21921-10D	..NUT		107107 904949	1
- 297	MS21921-10D	..NUT-	USED ON: 453N2602-128 453N2602-129	002004 006100 121503 950999	1

MISSING ITEM NUMBERS NOT APPLICABLE

- ITEM NOT ILLUSTRATED

26-23-51-02

26-23-51
FIG. 02
PAGE 14
JAN 20/09

BRI



757

PARTS CATALOG (MAINTENANCE)

FIG ITEM	PART NUMBER	1 2 3 4 5 6 7	NOMENCLATURE	EFFECT FROM TO	UNITS PER ASSY
2					
- 298	BACN10YL10		..NUT- USED ON: 453N2602-123	002004 006100 121503 950999	1
300	35056GV10		..UNION SUPPLIER CODE: V08199 SPECIFICATION NUMBER: BACU24AB10W OPTIONAL PART: 4671097W10 V50948 2-01027-10W V11328 31875-10W V14397 AP1004W10 V01673 AFP941W10 V30974 DBOU24AB10W V14798	002004 006100 107107 121503 904999	1
355	453N2602-124		.TUBE ASSY- TUBING MATERIAL: .625 IN. OD .020 IN. WALL 32.50 IN. LG AL POST SERVICE BULLETIN: 26-0020	002004 006100 107107 121503 904999	1
360	453N2602-117		.TUBE ASSY- TUBING MATERIAL: .625 IN. OD .020 IN. WALL 26.00 IN. LG AL POST SERVICE BULLETIN: 26-0020	002004 006100 107107 121503 904999	1
- 365	AP2097H10		..SLEEVE- SUPPLIER CODE: V01673 SPECIFICATION NUMBER: BACS13BX10H OPTIONAL PART: 2-02903-10H V11328 35235V10 V08199 AFP175V10 V30974 DBOS13BX10H V14798	002004 006100 121503 904999	1

MISSING ITEM NUMBERS NOT APPLICABLE

- ITEM NOT ILLUSTRATED

26-23-51-02

26-23-51
FIG. 02
PAGE 15
JAN 20/09

BRI



757

PARTS CATALOG (MAINTENANCE)

FIG ITEM	PART NUMBER	1 2 3 4 5 6 7	NOMENCLATURE	EFFECT FROM TO	UNITS PER ASSY
2 - 365	AP2097HP10		.. SLEEVE- SUPPLIER CODE: V01673 SPECIFICATION NUMBER: BACS13BX10HP OPTIONAL PART: 2-02903-10HP V11328 35235VN10 V08199 AFP175V10P V30974 DBOS13BX10HP V14798 POST SERVICE BULLETIN: 26-0020	107107	1
- 375	MS21921-10D		.. NUT- POST SERVICE BULLETIN: 26-0020	002004 006100 107107 121503 904999	1
- 385	35056GV10		.. UNION SUPPLIER CODE: V08199 SPECIFICATION NUMBER: BACU24AB10W OPTIONAL PART: 4671097W10 V50948 2-01027-10W V11328 31875-10W V14397 AP1004W10 V01673 AFP941W10 V30974 DBOU24AB10W V14798	002004 006100 107107 121503 904999	1
388	453N2602-125		. TUBE ASSY- TUBING MATERIAL: .625 IN. OD .020 IN. WALL 25.00 IN. LG AL POST SERVICE BULLETIN: 26-0020	002004 006100 107107 121503 904999	1

MISSING ITEM NUMBERS NOT APPLICABLE

- ITEM NOT ILLUSTRATED

BRI

26-23-51-02

BOEING PROPRIETARY - Copyright © - Unpublished Work - See title page for details.

26-23-51
FIG. 02
PAGE 16
JAN 20/09



757

PARTS CATALOG (MAINTENANCE)

FIG ITEM	PART NUMBER	1 2 3 4 5 6 7	NOMENCLATURE	EFFECT FROM TO	UNITS PER ASSY
2					
- 395	AP2097H10	..	SLEEVE- SUPPLIER CODE: V01673 SPECIFICATION NUMBER: BACS13BX10H OPTIONAL PART: 2-02903-10H V11328 35235V10 V08199 AFP175V10 V30974 DBOS13BX10H V14798	002004 006100 121503 904999	2
- 395	AP2097HP10	..	SLEEVE- SUPPLIER CODE: V01673 SPECIFICATION NUMBER: BACS13BX10HP OPTIONAL PART: 2-02903-10HP V11328 35235VN10 V08199 AFP175V10P V30974 DBOS13BX10HP V14798 POST SERVICE BULLETIN: 26-0020	002004 006100 107107 121503 904999	2
- 400	MS21921-10D	..	NUT-	002004 006100 107107 121503 904999	2
- 400	BACN10YL10	..	NUT- POST SERVICE BULLETIN: 26-0020	107107	2
402	453N2602-143	.TUBE	ASSY- TUBING MATERIAL: .625 IN. OD .020 IN. WALL 35.50 IN. LG AL POST SERVICE BULLETIN: 26-0020	002004 006100 107107 121503 904999	1

MISSING ITEM NUMBERS NOT APPLICABLE

- ITEM NOT ILLUSTRATED

26-23-51-02

26-23-51
FIG. 02
PAGE 17
JAN 20/09

BRI



757

PARTS CATALOG (MAINTENANCE)

FIG ITEM	PART NUMBER	1 2 3 4 5 6 7	NOMENCLATURE	EFFECT FROM TO	UNITS PER ASSY
2					
- 410	AP2097HP08		.. SLEEVE- SUPPLIER CODE: V01673 SPECIFICATION NUMBER: BACS13BX08HP OPTIONAL PART: 2-02903-08HP V11328 35235VN08 V08199 AFP175V08P V30974 DBOS13BX08HP V14798 USED ON: 453N2602-143 POST SERVICE BULLETIN: 26-0020	002004 006100 107107 121503 904999	2
- 415	AP2097H10		.. SLEEVE- SUPPLIER CODE: V01673 SPECIFICATION NUMBER: BACS13BX10H OPTIONAL PART: 2-02903-10H V11328 35235V10 V08199 AFP175V10 V30974 DBOS13BX10H V14798 USED ON: 453N2602-57 453N2602-84	107107	1
- 425	MS21921-10D		.. NUT- USED ON: 453N2602-57 453N2602-84	107107	1
- 427	MS21921-8D		.. NUT- USED ON: 453N2602-143 POST SERVICE BULLETIN: 26-0020	002004 006100 107107 121503 904999	2

MISSING ITEM NUMBERS NOT APPLICABLE

- ITEM NOT ILLUSTRATED

26-23-51-02

26-23-51
FIG. 02
PAGE 18
JAN 20/09

BRI



**757
PARTS CATALOG (MAINTENANCE)**

FIG ITEM	PART NUMBER	1 2 3 4 5 6 7	NOMENCLATURE	EFFECT FROM TO	UNITS PER ASSY
2 - 430	35056GV10		..UNION- SUPPLIER CODE: V08199 SPECIFICATION NUMBER: BACU24AB10W OPTIONAL PART: 4671097W10 V50948 2-01027-10W V11328 31875-10W V14397 AP1004W10 V01673 AFP941W10 V30974 DBOU24AB10W V14798 USED ON: 453N2602-57 453N2602-84	107107	1
450	453N2602-150		.TUBE ASSY- TUBING MATERIAL: .250 IN. OD .016 IN. WALL 9.00 IN. LG ST QUALIFIED OPTIONAL DATA: (218N2006-2 T/W 453N2602-146 AND 453N2602-150 OPT TO 218N2006-4 T/W 453N2602-155 AND 453N2602-156)	904949	1
450	453N2602-156		.TUBE ASSY- TUBING MATERIAL: .250 IN. OD .016 IN. WALL 4.00 IN. LG ST QUALIFIED OPTIONAL DATA: (218N2006-2 T/W 453N2602-146 AND 453N2602-150 OPT TO 218N2006-4 T/W 453N2602-155 AND 453N2602-156)	904949	1
450	453N2602-156		.TUBE ASSY- TUBING MATERIAL: .250 IN. OD .016 IN. WALL 4.00 IN. LG ST	121503	1

MISSING ITEM NUMBERS NOT APPLICABLE

- ITEM NOT ILLUSTRATED

BRI

26-23-51-02

BOEING PROPRIETARY - Copyright © - Unpublished Work - See title page for details.

26-23-51
FIG. 02
PAGE 19
JAN 20/09



757

PARTS CATALOG (MAINTENANCE)

FIG ITEM	PART NUMBER	1 2 3 4 5 6 7	NOMENCLATURE	EFFECT FROM TO	UNITS PER ASSY
2					
455	453N2602-151	.TUBE ASSY-	TUBING MATERIAL: .250 IN. OD .016 IN. WALL 9.00 IN. LG ST	121503 904949	1
460	453N2602-149	.TUBE ASSY-	TUBING MATERIAL: .250 IN. OD .016 IN. WALL 15.00 IN. LG ST	121503 904949	1
465	453N2602-146	.TUBE ASSY-	TUBING MATERIAL: .250 IN. OD .016 IN. WALL 5.25 IN. LG ST QUALIFIED OPTIONAL DATA: (218N2006-2 T/W 453N2602-146 AND 453N2602-150 OPT TO 218N2006-4 T/W 453N2602-155 AND 453N2602-156)	904949	1
465	453N2602-155	.TUBE ASSY-	TUBING MATERIAL: .250 IN. OD .016 IN. WALL 12.00 IN. LG ST QUALIFIED OPTIONAL DATA: (218N2006-2 T/W 453N2602-146 AND 453N2602-150 OPT TO 218N2006-4 T/W 453N2602-155 AND 453N2602-156)	904949	1
465	453N2602-155	.TUBE ASSY-	TUBING MATERIAL: .250 IN. OD .016 IN. WALL 12.00 IN. LG ST	121503	1
- 470	AP2097H04	..SLEEVE	SUPPLIER CODE: V01673 SPECIFICATION NUMBER: BACS13BX04H OPTIONAL PART: 2-02903-04H V11328 35235V04 V08199 AFP175V04 V30974 DBOS13BX04H V14798	121503 904949	1

MISSING ITEM NUMBERS NOT APPLICABLE

- ITEM NOT ILLUSTRATED

26-23-51-02

26-23-51
FIG. 02
PAGE 20
JAN 20/09

BRI



757

PARTS CATALOG (MAINTENANCE)

FIG ITEM	PART NUMBER	1 2 3 4 5 6 7	NOMENCLATURE	EFFECT FROM TO	UNITS PER ASSY
2					
- 475	MS20819-4J	..	SLEEVE	121503 904949	1
- 480	AN818-4J	..	NUT	121503 904949	1
- 485	MS21921-4J	..	NUT	121503 904949	1
490	453N2602-41	.TUBE ASSY-	TUBING MATERIAL: .625 IN. OD .020 IN. WALL 30.56 IN. LG AL	107107 904949	1
- 495	AP2097H10	..SLEEVE	SUPPLIER CODE: V01673 SPECIFICATION NUMBER: BACS13BX10H OPTIONAL PART: 2-02903-10H V11328 35235V10 V08199 AFP175V10 V30974 DBOS13BX10H V14798	107107 904949	1
- 500	MS21921-10D	..	NUT	107107 904949	1
- 505	35056GV10	..UNION	SUPPLIER CODE: V08199 SPECIFICATION NUMBER: BACU24AB10W OPTIONAL PART: 4671097W10 V50948 2-01027-10W V11328 31875-10W V14397 AP1004W10 V01673 AFP941W10 V30974 DBOU24AB10W V14798	107107 904949	1

MISSING ITEM NUMBERS NOT APPLICABLE

- ITEM NOT ILLUSTRATED

BRI

26-23-51-02

26-23-51
FIG. 02
PAGE 21
JAN 20/09



757

PARTS CATALOG (MAINTENANCE)

FIG ITEM	PART NUMBER	1 2 3 4 5 6 7	NOMENCLATURE	EFFECT FROM TO	UNITS PER ASSY
2 510	AP1010L1010	.	ELBOW SUPPLIER CODE: V01673 SPECIFICATION NUMBER: BACE21AW1010 OPTIONAL PART: AP1010-1010L V01673 DB0E21AW1010L V14798 ER10633L1010 V88334 FER1569-1010L V14397 W30833-1010L V11328 4671114-1010L V50948 US2109-1010L V50808 AFP344-1010L V30974	002004 006100 107107 121503 904999	6

MISSING ITEM NUMBERS NOT APPLICABLE

- ITEM NOT ILLUSTRATED

BRI

26-23-51-02

BOEING PROPRIETARY - Copyright © - Unpublished Work - See title page for details.

26-23-51
FIG. 02
PAGE 22
JAN 20/09



757

PARTS CATALOG (MAINTENANCE)

FIG ITEM	PART NUMBER	1 2 3 4 5 6 7	NOMENCLATURE	EFFECT FROM TO	UNITS PER ASSY
2 520	AP1010JM0404M	.ELBOW-	SUPPLIER CODE: V01673 SPECIFICATION NUMBER: BACE21AW0404M OPTIONAL PART: AP1010-0404M V01673 DB0E21AW0404M V14798 ER10633M0404 V88334 FER1569-0404M V14397 W30833-0404M V11328 4671114-0404M V50948 AFP334-0404M V30974 DB0E21AW0404M V61498 ER10633M0404M V88334 US2109-0404M V50808 AFP344-0404M V30974 BACE21AW0404JM NAS1762J0404	121503 904949	1

MISSING ITEM NUMBERS NOT APPLICABLE

- ITEM NOT ILLUSTRATED

BRI

26-23-51-02

BOEING PROPRIETARY - Copyright © - Unpublished Work - See title page for details.

26-23-51
FIG. 02
PAGE 23
JAN 20/09



757

PARTS CATALOG (MAINTENANCE)

FIG ITEM	PART NUMBER	1 2 3 4 5 6 7	NOMENCLATURE	EFFECT FROM TO	UNITS PER ASSY
2 520	AP1010JM0404JM	.	ELBOW-90 DEGREE SUPPLIER CODE: V01673 SPECIFICATION NUMBER: BACE21AW0404JM OPTIONAL PART: AP1010-0404JM V01673 DB0E21AW0404JM V61498 FER1569-0404JM V14397 US2109-0404JM V50808 W30833-0404JM V11328 AFP334-0404M V30974 BACE21AW0404M NAS1762J0404	121503 904949	1
520	NAS1762J0404	.	ELBOW- OPTIONAL PART: BACE21AW0404M BACE21AW0404JM	121503 904949	1
525	AP1010M1004	.	ELBOW- SUPPLIER CODE: V01673 SPECIFICATION NUMBER: BACE21AW1004M OPTIONAL PART: ER10633M1004 V88334 FER1569-1004M V14397 W30833-1004M V11328 4671114-1004M V50948 AFP334-1004M V30974 AP1010-1004M V01673 BACE21AW1004JM BACE21BT1004P NAS1762J1004	121503 904949	1

MISSING ITEM NUMBERS NOT APPLICABLE

- ITEM NOT ILLUSTRATED

BRI

26-23-51-02

BOEING PROPRIETARY - Copyright © - Unpublished Work - See title page for details.

26-23-51
FIG. 02
PAGE 24
JAN 20/09



757

PARTS CATALOG (MAINTENANCE)

FIG ITEM	PART NUMBER	1 2 3 4 5 6 7	NOMENCLATURE	EFFECT FROM TO	UNITS PER ASSY
2 525	AP1010JM1004	.ELBOW-	SUPPLIER CODE: V01673 SPECIFICATION NUMBER: BACE21AW1004JM OPTIONAL PART: AP1010-1004JM V01673 DB0E21AW1004JM V61498 FER1569-1004JM V14397 US2109-1004JM V50808 W30833-1004JM V11328 AFP334-1004JM V30974 BACE21AW1004M BACE21BT1004P NAS1762J1004	121503 904949	1
525	AP1042P1004	.ELBOW-	SUPPLIER CODE: V01673 SPECIFICATION NUMBER: BACE21BT1004P OPTIONAL PART: BACE21AW1004M BACE21AW1004JM NAS1762J1004	121503 904949	1
525	NAS1762J1004	.ELBOW-	OPTIONAL PART: BACE21AW1004M BACE21AW1004JM BACE21BT1004P	121503 904949	1

MISSING ITEM NUMBERS NOT APPLICABLE

- ITEM NOT ILLUSTRATED

BRI

26-23-51-02

BOEING PROPRIETARY - Copyright © - Unpublished Work - See title page for details.

26-23-51
FIG. 02
PAGE 25
JAN 20/09



757

PARTS CATALOG (MAINTENANCE)

FIG ITEM	PART NUMBER	1 2 3 4 5 6 7	NOMENCLATURE	EFFECT FROM TO	UNITS PER ASSY
2 550	AP1015L100804	.REDUCER-TEE	SUPPLIER CODE: V01673 SPECIFICATION NUMBER: BACT16AZ100804L OPTIONAL PART: AP1015-100804L V01673 DB0T16AZ100804L V14798 ER10634L100804 V88334 FER1572-100804L V14397 US2115100804L V50808 W30834L100804 V11328 467112-100804L V50948 AFP344-100804L V30974 NAS1764D100804 SERVICE BULLETIN OPT DATA: NAS1764D100804 POST SERVICE BULLETIN: 26-0020	002004 006100 107107 121503 904999	1
550	NAS1764D100804	.REDUCER-TEE	OPTIONAL PART: BACT16AZ100804L SERVICE BULLETIN OPT DATA: BACT16AZ100804L POST SERVICE BULLETIN: 26-0020	002004 006100 107107 121503 904999	1

MISSING ITEM NUMBERS NOT APPLICABLE

- ITEM NOT ILLUSTRATED

BRI

26-23-51-02

BOEING PROPRIETARY - Copyright © - Unpublished Work - See title page for details.

26-23-51
FIG. 02
PAGE 26
JAN 20/09



757

PARTS CATALOG (MAINTENANCE)

FIG ITEM	PART NUMBER	1 2 3 4 5 6 7	NOMENCLATURE	EFFECT FROM TO	UNITS PER ASSY
2 555	AP1013M040404		.REDUCER-TEE SUPPLIER CODE: V01673 SPECIFICATION NUMBER: BACT16AY040404M OPTIONAL PART: AP1013-040404M V01673 ER10604M040404 V88334 FER1573-040404M V14397 W30804M040404 V11328 4671113-040404M V50948 US1930-040404M V50808 DB0T16AY040404M V14798 AFP310-040404M V30974 NAS1763J040404	121503 904949	1
555	NAS1763J040404		.TEE- OPTIONAL PART: BACT16AY040404M	121503 904949	1
560	MS21905D10		.TEE	002004 006100 121503 904999	3
560	MS21905W10		.TEE	002004 006100 121503 904999	3
561	MS21905D10		.TEE	107107	3

MISSING ITEM NUMBERS NOT APPLICABLE

- ITEM NOT ILLUSTRATED

BRI

26-23-51-02

BOEING PROPRIETARY - Copyright © - Unpublished Work - See title page for details.

26-23-51
FIG. 02
PAGE 27
JAN 20/09



757

PARTS CATALOG (MAINTENANCE)

FIG ITEM	PART NUMBER	1 2 3 4 5 6 7	NOMENCLATURE	EFFECT FROM TO	UNITS PER ASSY
2 575	APX824J040410	. TEE-	SUPPLIER CODE: V01673 SPECIFICATION NUMBER: BACT16AS040410J OPTIONAL PART: ER824-040410J V50948 FER1571-040410J V14397 LER824-040410J V11328 NAF1824-040410J V52930 US1925-040410J V50808 AFP325-040410J V30974 DB0T16AS040410J V14798 APX824-010410J V01673 BACT16BL040410J BACT16BL040410P	121503 904949	1
575	BACT16BL040410J	. TEE-	OPTIONAL PART: BACT16AS040410J BACT16BL040410P	121503 904949	1
575	BACT16BL040410P	. TEE-	OPTIONAL PART: BACT16AS040410J BACT16BL040410J	121503 904949	1
575	MS21905D10	. TEE		002004 006100 107107 950999	1

MISSING ITEM NUMBERS NOT APPLICABLE

- ITEM NOT ILLUSTRATED

26-23-51-02

26-23-51
FIG. 02
PAGE 28
JAN 20/09

BRI



757

PARTS CATALOG (MAINTENANCE)

FIG ITEM	PART NUMBER	1 2 3 4 5 6 7	NOMENCLATURE	EFFECT FROM TO	UNITS PER ASSY
2 580	APX824D080808	. TEE-	SUPPLIER CODE: V01673 SPECIFICATION NUMBER: BACT16AS080808D OPTIONAL PART: ER824-080808D V50948 FER1571-080808D V14397 LER824-080808D V11328 NAF1824-080808D V52930 US1925-080808D V50808 AFP325-080808D V30974 DBOT16AS080808D V14798 APX824-080808D V01673 MS21905D8	002004 006100 121503 904999	1
580	MS21905D8	. TEE-	OPTIONAL PART: BACT16AS080808D	002004 006100 121503 904999	1
582	MS21905D8	. TEE-	POST SERVICE BULLETIN: 26-0020	107107	1
595	VXLA2500330D	. JET-AXIAL VISCO	SUPPLIER CODE: V92555	121503 904949	1
605	218N2007-1	. REGULATOR ASSY-	OPTIONAL PART: 218N2007-2	121503 904949	1
605	218N2007-2	. REGULATOR ASSY-	COMPONENT MAINT MANUAL REF: 26-23-01 OPTIONAL PART: 218N2007-1 ATTACHING PARTS	121503 904949	1
615	BACB30NM3K1	. BOLT		121503 904949	1
620	BACB30NM4K1	. BOLT		121503 904949	1
630	BACB30NM3K3	. BOLT		121503 904949	2

MISSING ITEM NUMBERS NOT APPLICABLE

- ITEM NOT ILLUSTRATED

26-23-51-02

26-23-51
FIG. 02
PAGE 29
JAN 20/09

BRI

BOEING
757
PARTS CATALOG (MAINTENANCE)

FIG ITEM	PART NUMBER	1 2 3 4 5 6 7	NOMENCLATURE	EFFECT FROM TO	UNITS PER ASSY
2					
640	AN960JD10	.	WASHER	121503 904949	1
645	MS35338-43	.	WASHER	121503 904949	1
650	AN960JD416	.	WASHER	121503 904949	1
655	MS35338-44	.	WASHER	121503 904949	1
660	AN960JD10L	.	WASHER	121503 904949	4
670	MS21042L3	.	NUT	121503 904949	2
680	453T2652-3	.	NUT	121503 904949	2
			-----*-----		
685	453T2652-2	..	PLUG- OPTIONAL PART: 453T2652-5	121503 904949	1
685	453T2652-5	..	PLUG- OPTIONAL PART: 453T2652-2	121503 904949	1
690	4-4FUSS	..	UNION- SUPPLIER CODE: V30780	121503 904949	1
705	218N2006-1	.	TUBE AND FILTER ASSY-	121503 904949	1
710	218N2006-3	..	FILTER ASSY-DRIER	121503 904949	1
715	4FNTXSS	...	CAP- SUPPLIER CODE: V30780	121503 904949	2
720	453N2602-148	..	TUBE ASSY- TUBING MATERIAL: .250 IN. OD .016 IN. WALL 8.85 IN. LG ST USED ON: 218N2006-1	121503 904949	1

MISSING ITEM NUMBERS NOT APPLICABLE

— ITEM NOT ILLUSTRATED

BRI

26-23-51-02

BOEING PROPRIETARY - Copyright © - Unpublished Work - See title page for details.

26-23-51
FIG. 02
PAGE 30
JAN 20/09



757

PARTS CATALOG (MAINTENANCE)

FIG ITEM	PART NUMBER	1 2 3 4 5 6 7	NOMENCLATURE	EFFECT FROM TO	UNITS PER ASSY
2 - 725	AP2097HP04	...	SLEEVE SUPPLIER CODE: V01673 SPECIFICATION NUMBER: BACS13BX04HP OPTIONAL PART: 2-02903-04HP V11328 35235VN04 V08199 AFP175V04P V30974 DBOS13BX04HP V14798	121503 904949	1
- 730	MS20819-4J	...	SLEEVE	121503 904949	1
- 735	BACN10CS04J	...	NUT- USED ON: 453N2602-148	121503 904949	1
- 740	AN818-4J	...	NUT- USED ON: 453N2602-148	121503 904949	1

MISSING ITEM NUMBERS NOT APPLICABLE

- ITEM NOT ILLUSTRATED

BRI

26-23-51-02

BOEING PROPRIETARY - Copyright © - Unpublished Work - See title page for details.

26-23-51
FIG. 02
PAGE 31
JAN 20/09



757

PARTS CATALOG (MAINTENANCE)

FIG ITEM	PART NUMBER	1 2 3 4 5 6 7	NOMENCLATURE	EFFECT FROM TO	UNITS PER ASSY
2 745	AP1016J4		.. PLUG- SUPPLIER CODE: V01673 SPECIFICATION NUMBER: BACP20AU4J OPTIONAL PART: ER0806-4J V88334 2-02700-4J V11328 AP10164J V01673 31794-4J V14397 AFP952-04J V30974 AP1016-04J V01673 4120-587204J V50948 DBOP20AU4J V14798 AP1016J04 V01673 GR220AU4J V84368 100130-4J V85254 MS21913J4	121503 904949	1
745	MS21913J4		.. PLUG- OPTIONAL PART: BACP20AU4J	121503 904949	1
750	218N2006-2		.TUBE AND FILTER ASSY- QUALIFIED OPTIONAL DATA: (218N2006-2 T/W 453N2602-146 AND 453N2602-150 OPT TO 218N2006-4 T/W 453N2602-155 AND 453N2602-156)	904949	1
750	218N2006-4		.TUBE AND FILTER ASSY- QUALIFIED OPTIONAL DATA: (218N2006-2 T/W 453N2602-146 AND 453N2602-150 OPT TO 218N2006-4 T/W 453N2602-155 AND 453N2602-156)	904949	1
750	218N2006-4		.TUBE AND FILTER ASSY	121503	1

MISSING ITEM NUMBERS NOT APPLICABLE

- ITEM NOT ILLUSTRATED

26-23-51-02

26-23-51
FIG. 02
PAGE 32
JAN 20/09

BRI



757

PARTS CATALOG (MAINTENANCE)

FIG ITEM	PART NUMBER	1 2 3 4 5 6 7	NOMENCLATURE	EFFECT FROM TO	UNITS PER ASSY
2					
755	218N2006-3	..	FILTER ASSY-DRIER	121503 904949	1
760	4FNTXSS	...	CAP- SUPPLIER CODE: V30780	121503 904949	2
765	453N2602-145	..	TUBE ASSY- TUBING MATERIAL: .250 IN. OD .016 IN. WALL 9.00 IN. LG ST USED ON: 218N2006-2	904949	1
765	453N2602-154	..	TUBE ASSY- TUBING MATERIAL: .250 IN. OD .016 IN. WALL 4.25 IN. LG ST USED ON: 218N2006-4	121503 904949	1
- 770	AP2097H04	...	SLEEVE SUPPLIER CODE: V01673 SPECIFICATION NUMBER: BACS13BX04H OPTIONAL PART: 2-02903-04H V11328 35235V04 V08199 AFP175V04 V30974 DBOS13BX04H V14798	121503 904949	1
- 775	MS20819-4J	...	SLEEVE	121503 904949	1
- 780	BACN10CS04J	...	NUT	121503 904949	1
- 781	AN818-4J	...	NUT	904949	1
- 781	BACN10CS04J	...	NUT	121503	1
785	218N2008-1	..	FITTING	121503 904949	1

MISSING ITEM NUMBERS NOT APPLICABLE

- ITEM NOT ILLUSTRATED

26-23-51-02

26-23-51
FIG. 02
PAGE 33
JAN 20/09

BRI



757

PARTS CATALOG (MAINTENANCE)

FIG ITEM	PART NUMBER	1 2 3 4 5 6 7	NOMENCLATURE	EFFECT FROM TO	UNITS PER ASSY
2 790	AP1016K10	..	PLUG- SUPPLIER CODE: V01673 SPECIFICATION NUMBER: BACP20AU10K OPTIONAL PART: ER0806-10K V88334 2-02700-10K V11328 AP101610K V01673 31794-10K V14397 AFP952-10K V30974 AP1016-10K V01673 4120-587210K V50948 DBOP20AU10K V14798 MS21913J10	121503 904949	1
790	MS21913J10	..	PLUG- OPTIONAL PART: BACP20AU10K	121503 904949	1
795	7GR159	.SWITCH-PRESSURE	SUPPLIER CODE: V09049 ELECTRICAL EQUIP NUMBER: S00633	002004 006100 121503 904999	1
803	7GR159	.SWITCH-PRESSURE	SUPPLIER CODE: V09049 ELECTRICAL EQUIP NUMBER: S00633 POST SERVICE BULLETIN: 26-0020	107107	1
810	7GR953	.SWITCH-GAUGE PRESSURE	SUPPLIER CODE: V09049 ELECTRICAL EQUIP NUMBER: S10565	121503 904949	1
815	453N9001-4	.BRACKET ASSY-	POST ALERT SB: 26A0040R1	002004 006100 107107 121503 904999	RF

MISSING ITEM NUMBERS NOT APPLICABLE

- ITEM NOT ILLUSTRATED

26-23-51-02

26-23-51
FIG. 02
PAGE 34
JAN 20/09

BRI



757

PARTS CATALOG (MAINTENANCE)

FIG ITEM	PART NUMBER	1 2 3 4 5 6 7	NOMENCLATURE	EFFECT FROM TO	UNITS PER ASSY
2			ATTACHING PARTS		
- 820	BACR15BB3AD4C		.RIVET- POST ALERT SB: 26A0040R1	002004 006100 107107 121503 904999	RF
			-----*-----		
821	WSI4-20		..NUTPLATE SUPPLIER CODE: V04169 SPECIFICATION NUMBER: BACN10TL3-20	002004 006100 107107 121503 904999	RF
- 822	BACR15BB3AD4C		ATTACHING PARTS ..RIVET	002004 006100 107107 121503 904999	RF
			-----*-----		
823	453N9001-5		..BRACKET	002004 006100 107107 121503 904999	RF
825	BACF3F008X015NN		.SHIM- POST ALERT SB: 26A0040R1	002004 006100 107107 121503 904999	1
- 850	286N2626-005		WIRE BUNDLE ASSY-	107107	RF
- 850	286N2626-006		WIRE BUNDLE ASSY	904949	RF
855	BACC45FT10A5S		.CONNECTOR- ELECTRICAL EQUIP NUMBER: D10656 WIRING DIAGRAM REF: 262311	002004 006100 121503 904999	1
860	BACC45FT10A5S		.CONNECTOR- ELECTRICAL EQUIP NUMBER: D10656 WIRING DIAGRAM REF: 262311	107107	1
- 875	286N2628-007		WIRE BUNDLE ASSY	904949	RF
- 875	286N2628-014		WIRE BUNDLE ASSY- REWORKED BY SB: 26-0011	121503	RF

MISSING ITEM NUMBERS NOT APPLICABLE

- ITEM NOT ILLUSTRATED

26-23-51-02

26-23-51
FIG. 02
PAGE 35
JAN 20/09

BRI



757

PARTS CATALOG (MAINTENANCE)

FIG ITEM	PART NUMBER	1 2 3 4 5 6 7	NOMENCLATURE	EFFECT FROM TO	UNITS PER ASSY
2 880	BACC45FT10D5S6		.CONNECTOR- ELECTRICAL EQUIP NUMBER: D06450 WIRING DIAGRAM REF: 262311	121503 904949	1
950			ILLUSTRATION REFERENCE: BOTTLE AND SUPPORT INSTL- CARGO COMPT FIRE EXT SYS AFT 26-23-02-01	002004 006100 107107 121503 904999	RF
955			ILLUSTRATION REFERENCE: TUBING INSTL-FWD CARGO COMPT FIRE EXTINGUISHING 26-23-53-01	002004 006100 107107 121503 904999	RF

MISSING ITEM NUMBERS NOT APPLICABLE

- ITEM NOT ILLUSTRATED

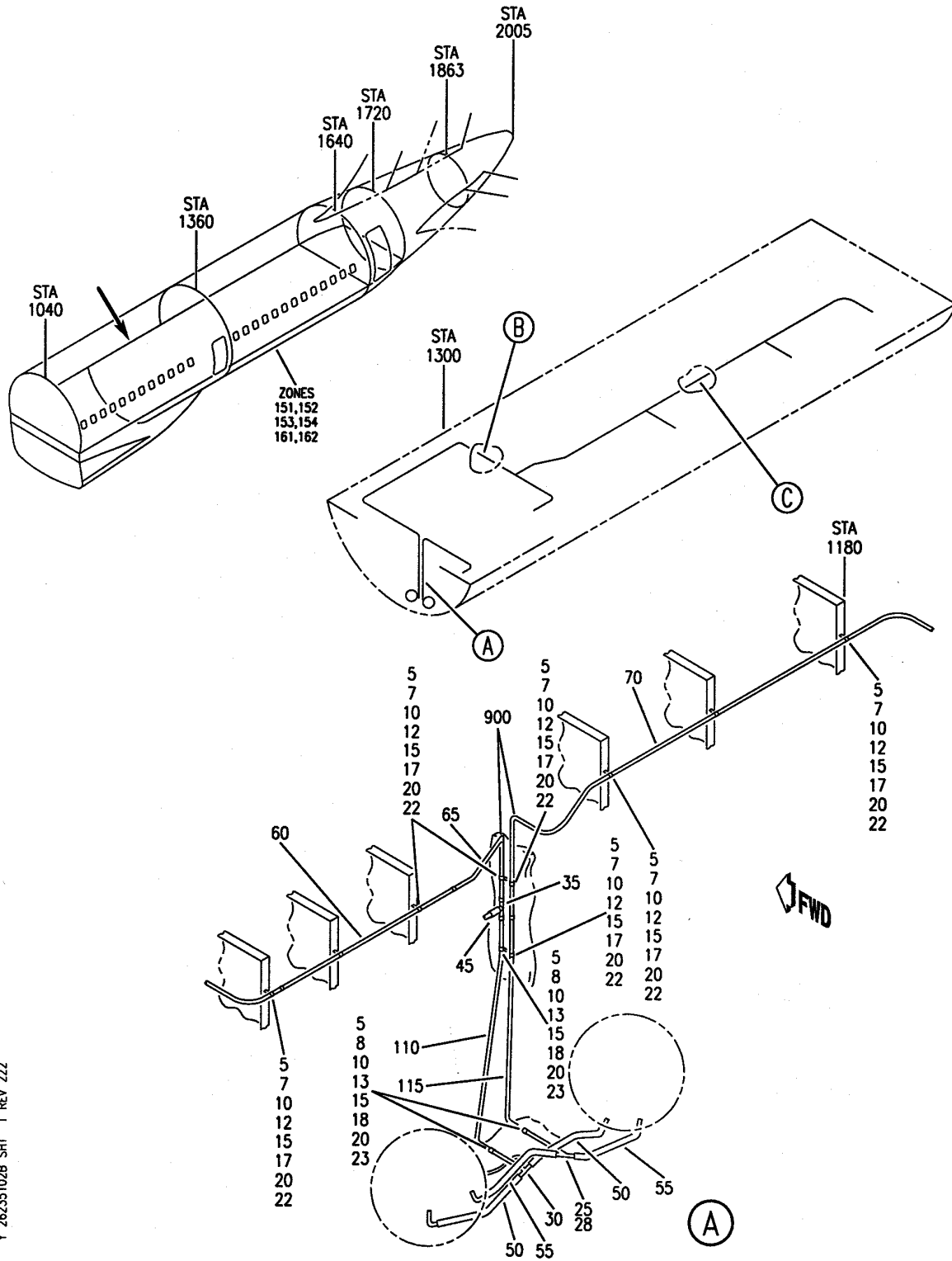
BRI

26-23-51-02

BOEING PROPRIETARY - Copyright © - Unpublished Work - See title page for details.

26-23-51
FIG. 02
PAGE 36
JAN 20/09

BOEING
757
PARTS CATALOG (MAINTENANCE)



Y 26235102B SH1 1 REV 222

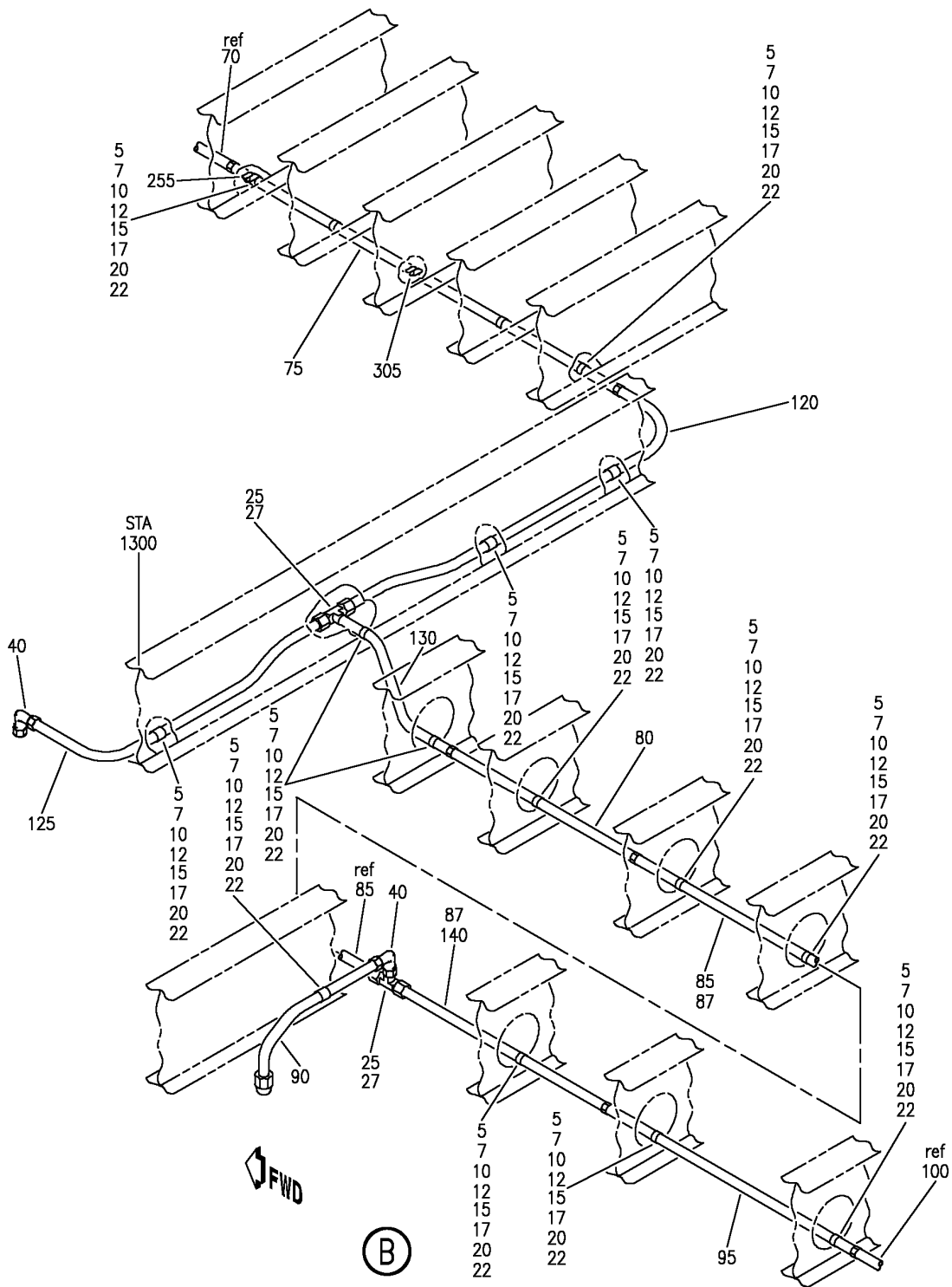
TUBING INSTL-AFT CARGO COMPT FIRE EXTINGUISHING
FIGURE 2B (SHEET 1)

26-23-51-02B

BRI
MAY 28/07

26-23-51-02B
PAGE 0

BOEING
757
PARTS CATALOG (MAINTENANCE)



Y 26235102B SHT 2 REV 266

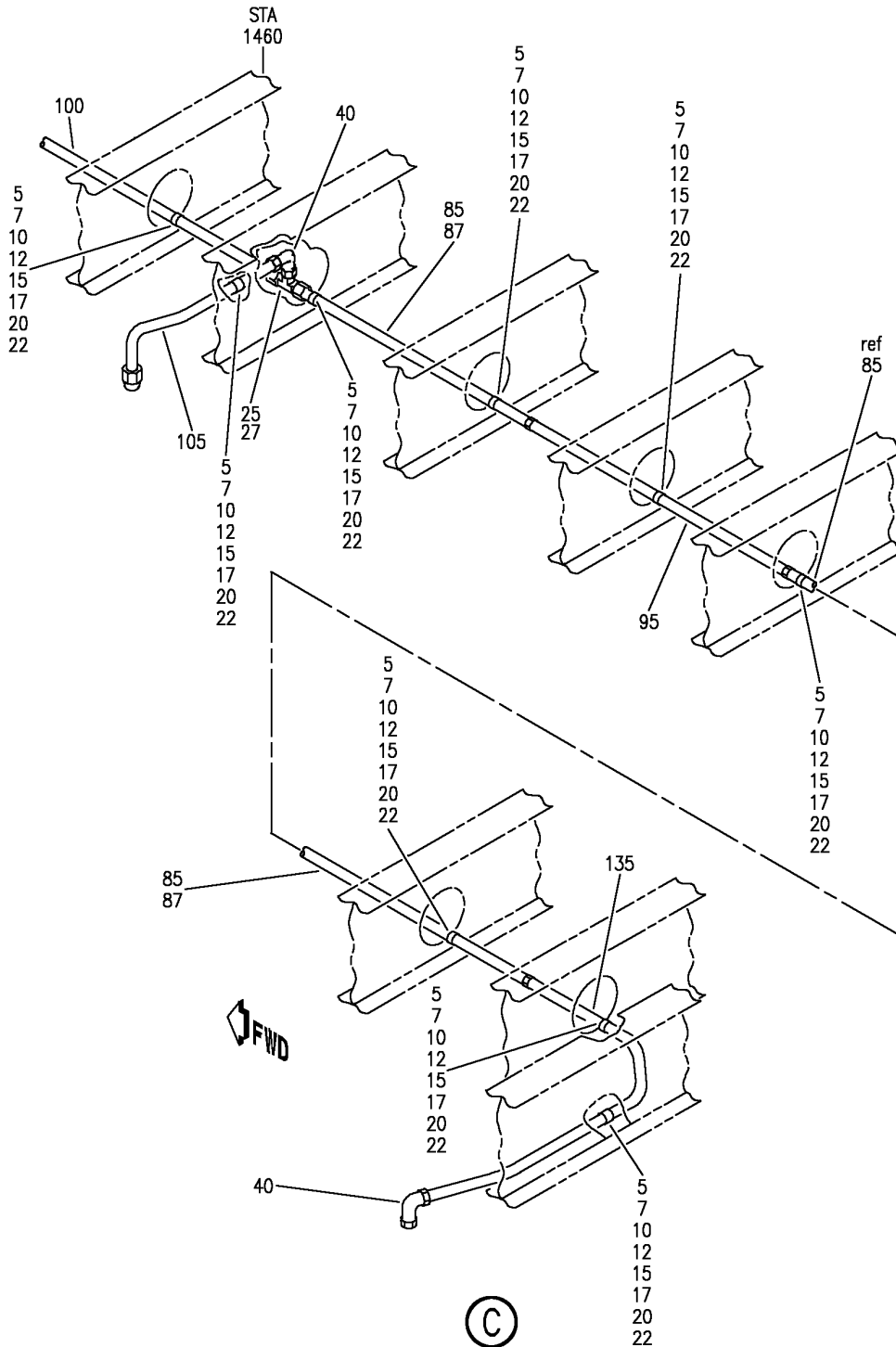
TUBING INSTL-AFT CARGO COMPT FIRE EXTINGUISHING
FIGURE 2B (SHEET 2)

26-23-51-02B

BRI
MAY 28/07

26-23-51-02B
PAGE 0A

BOEING
757
PARTS CATALOG (MAINTENANCE)



Y 26235102B SHT 3 REV 266

TUBING INSTL-AFT CARGO COMPT FIRE EXTINGUISHING
FIGURE 2B (SHEET 3)

26-23-51-02B

BRI
MAY 28/07

26-23-51-02B
PAGE 0B



757

PARTS CATALOG (MAINTENANCE)

FIG ITEM	PART NUMBER	1 2 3 4 5 6 7	NOMENCLATURE	EFFECT FROM TO	UNITS PER ASSY
2B			TUBING INSTL-AFT CARGO COMPT FIRE EXTINGUISHING	101102 108120 504903	
- 1	453N2240-23		TUBING INSTL-CARGO COMPT FIRE EXTINGUISHING 757-200 PASS. MINOR MODEL POSITION DATA: AFT FOR NHA SEE: 21-00-00-15	101102 108120 504903	RF
5	NAS1801-3		.SCREW	101102 108120 504903	38
10	AN960JD10L		.WASHER	101102 108120 504903	38
15	MS21042L3		.NUT-	101102 108120 504903	38
20	BACC10DK10		.CLAMP	101102 108120 504903	38
25	MS21905W10		.TEE	101102 108120 504903	4
30	MS21905W8		.TEE-	101102 108120 504903	1
35	NAS1764W100804		.REDUCER	101102 108120 504903	1
40	BACE21AW1010W		.ELBOW	101102 108120 504903	4
45	7GR159		.SWITCH-PRESSURE SUPPLIER CODE: V09049 ELECTRICAL EQUIP NUMBER: S00633	101102 108120 504903	1

MISSING ITEM NUMBERS NOT APPLICABLE

- ITEM NOT ILLUSTRATED

26-23-51-02B

26-23-51
FIG. 02B
PAGE 1
JAN 20/09

BRI

BOEING PROPRIETARY - Copyright © - Unpublished Work - See title page for details.



757

PARTS CATALOG (MAINTENANCE)

FIG ITEM	PART NUMBER	1 2 3 4 5 6 7	NOMENCLATURE	EFFECT FROM TO	UNITS PER ASSY
2B 50	AS118H0110YP	.HOSE-	SUPPLIER CODE: V00624 SPECIFICATION NUMBER: BACH5R0110YP OPTIONAL PART: R8918R0110YP V50599 AS118H0110YP V1P322 AS161H0110YP V00624 AS161H0110YP V1P322 95850R0110YP V78570 B309EEE0110D V03925 NOT APPROVED FOR ETOPS.	101102 108120 504903	2
55	AS118J0110XN	.HOSE	SUPPLIER CODE: V00624 SPECIFICATION NUMBER: BACH5S0110XN OPTIONAL PART: 95850S0110XN V78570 R89180110XN V06851 R89180110XN V50599 R89190110XN V06851 R89190110XN V50599	101102 108120 504903	2
60	453N2602-123	.TUBE ASSY		101102 108120 504903	1
65	453N2602-125	.TUBE ASSY		101102 108120 504903	1
70	453N2602-167	.TUBE ASSY		101102 108120 504903	1
75	453N2602-168	.TUBE ASSY		101102 108120 504903	1

MISSING ITEM NUMBERS NOT APPLICABLE

- ITEM NOT ILLUSTRATED

26-23-51-02B

26-23-51
FIG. 02B
PAGE 2
JAN 20/09

BRI

BOEING PROPRIETARY - Copyright © - Unpublished Work - See title page for details.



757

PARTS CATALOG (MAINTENANCE)

FIG ITEM	PART NUMBER	1 2 3 4 5 6 7	NOMENCLATURE	EFFECT FROM TO	UNITS PER ASSY
2B					
80	453N2602-172	.	TUBE ASSY	101102 108120 504903	1
85	453N2602-173	.	TUBE ASSY	101102 108120 504903	3
90	453N2602-174	.	TUBE ASSY	101102 108120 504903	1
95	453N2602-175	.	TUBE ASSY	101102 108120 504903	2
100	453N2602-176	.	TUBE ASSY	101102 108120 504903	1
105	453N2602-177	.	TUBE ASSY	101102 108120 504903	1
110	453N2602-189	.	TUBE ASSY-	101102 108120 504903	1
115	453N2602-190	.	TUBE ASSY-	101102 108120 504903	1
120	453N2602-200	.	TUBE ASSY	101102 108120 504903	1
125	453N2602-201	.	TUBE ASSY	101102 108120 504903	1
130	453N2602-202	.	TUBE ASSY	101102 108120 504903	1
135	453N2602-207	.	TUBE ASSY	101102 108120 504903	1
140	453N2602-211	.	TUBE ASSY	101102 108120 504903	1

MISSING ITEM NUMBERS NOT APPLICABLE

- ITEM NOT ILLUSTRATED

BRI

26-23-51-02B

BOEING PROPRIETARY - Copyright © - Unpublished Work - See title page for details.

26-23-51
FIG. 02B
PAGE 3
JAN 20/09



757

PARTS CATALOG (MAINTENANCE)

FIG ITEM	PART NUMBER	1 2 3 4 5 6 7	NOMENCLATURE	EFFECT FROM TO	UNITS PER ASSY
2B - 145	AP2097HP10		.. SLEEVE- SUPPLIER CODE: V01673 SPECIFICATION NUMBER: BACS13BX10HP OPTIONAL PART: 2-02903-10HP V11328 35235VN10 V08199 AFP175V10P V30974 DBOS13BX10HP V14798 USED ON: 453N2602-123 453N2602-167 453N2602-207	101102 108120 504903	1
- 150	AP2097HP10		.. SLEEVE- SUPPLIER CODE: V01673 SPECIFICATION NUMBER: BACS13BX10HP OPTIONAL PART: 2-02903-10HP V11328 35235VN10 V08199 AFP175V10P V30974 DBOS13BX10HP V14798 USED ON: 453N2602-125 453N2602-173 453N2602-174 453N2602-176 453N2602-177 453N2602-200 453N2602-201 453N2602-202	101102 108120 504903	2

MISSING ITEM NUMBERS NOT APPLICABLE

- ITEM NOT ILLUSTRATED

26-23-51-02B

26-23-51
FIG. 02B
PAGE 4
JAN 20/09

BRI



757

PARTS CATALOG (MAINTENANCE)

FIG ITEM	PART NUMBER	1 2 3 4 5 6 7	NOMENCLATURE	EFFECT FROM TO	UNITS PER ASSY
2B - 157	AP2097HP10		.. SLEEVE- SUPPLIER CODE: V01673 SPECIFICATION NUMBER: BACS13BX10HP OPTIONAL PART: 2-02903-10HP V11328 35235VN10 V08199 AFP175V10P V30974 DBOS13BX10HP V14798 USED ON: 453N2602-173	101102 108120 504903	2
- 160	AP2097HP10		.. SLEEVE- SUPPLIER CODE: V01673 SPECIFICATION NUMBER: BACS13BX10HP OPTIONAL PART: 2-02903-10HP V11328 35235VN10 V08199 AFP175V10P V30974 DBOS13BX10HP V14798 USED ON: 453N2602-190	101102 108120 504903	2
- 165	AP2097HP10		.. SLEEVE- SUPPLIER CODE: V01673 SPECIFICATION NUMBER: BACS13BX10HP OPTIONAL PART: 2-02903-10HP V11328 35235VN10 V08199 AFP175V10P V30974 DBOS13BX10HP V14798 USED ON: 453N2602-211	101102 108120 504903	2

MISSING ITEM NUMBERS NOT APPLICABLE

- ITEM NOT ILLUSTRATED

26-23-51-02B

26-23-51
FIG. 02B
PAGE 5
JAN 20/09

BRI



757

PARTS CATALOG (MAINTENANCE)

FIG ITEM	PART NUMBER	1 2 3 4 5 6 7	NOMENCLATURE	EFFECT FROM TO	UNITS PER ASSY
2B - 170	AP2097HP08		.. SLEEVE- SUPPLIER CODE: V01673 SPECIFICATION NUMBER: BACS13BX08HP OPTIONAL PART: 2-02903-08HP V11328 35235VN08 V08199 AFP175V08P V30974 DBOS13BX08HP V14798 USED ON: 453N2602-189	101102 108120 504903	2
- 175	35056GV10		.. UNION- SUPPLIER CODE: V08199 SPECIFICATION NUMBER: BACU24AB10W OPTIONAL PART: 4671097W10 V50948 2-01027-10W V11328 31875-10W V14397 AP1004W10 V01673 AFP941W10 V30974 DBOU24AB10W V14798 USED ON: 453N2602-123 453N2602-167 453N2602-207	101102 108120 504903	1

MISSING ITEM NUMBERS NOT APPLICABLE

- ITEM NOT ILLUSTRATED

26-23-51-02B

26-23-51
FIG. 02B
PAGE 6
JAN 20/09

BRI



757

PARTS CATALOG (MAINTENANCE)

FIG ITEM	PART NUMBER	1 2 3 4 5 6 7	NOMENCLATURE	EFFECT FROM TO	UNITS PER ASSY
2B - 180	35056GV10		..UNION- SUPPLIER CODE: V08199 SPECIFICATION NUMBER: BACU24AB10W OPTIONAL PART: 4671097W10 V50948 2-01027-10W V11328 31875-10W V14397 AP1004W10 V01673 AFP941W10 V30974 DBOU24AB10W V14798 USED ON: 453N2602-168 453N2602-172 453N2602-175	101102 108120 504903	2
- 185	BACN10YL10		..NUT- USED ON: 453N2602-123	101102 108120 504903	1
- 190	BACN10YL10		..NUT- USED ON: 453N2602-125	101102 108120 504903	2
- 195	BACN10YL10L		..NUT- USED ON: 453N2602-167 453N2602-207	101102 108120 504903	1
- 200	BACN10YL10L		..NUT- USED ON: 453N2602-174 453N2602-176 453N2602-177 453N2602-200 453N2602-201 453N2602-202	101102 108120 504903	2
- 210	BACN10YL10L		..NUT- USED ON: 453N2602-173	101102 108120 504903	2
- 215	BACN10YL10L		..NUT- USED ON: 453N2602-190	101102 108120 504903	2
- 220	BACN10YL10L		..NUT- USED ON: 453N2602-211	101102 108120 504903	2

MISSING ITEM NUMBERS NOT APPLICABLE

- ITEM NOT ILLUSTRATED

26-23-51-02B

26-23-51
FIG. 02B
PAGE 7
JAN 20/09

BRI



757

PARTS CATALOG (MAINTENANCE)

FIG ITEM	PART NUMBER	1 2 3 4 5 6 7	NOMENCLATURE	EFFECT FROM TO	UNITS PER ASSY
2B - 225	BACN10YLO8L		. . NUT- USED ON: 453N2602-189	101102 108120 504903	2
- 250	453N2240-30		TUBING INSTL-CARGO COMPT OVERWING AND FOUR DOOR CONFIGURATION PASS. MINOR MODEL POSITION DATA: STA 1200 AFT FOR NHA SEE: 21-00-00-15	504903	RF
255	WSI4-3		. NUT SUPPLIER CODE: V04169 SPECIFICATION NUMBER: BACN10TL3-3	504903	1
- 260	BACR15BB3AD		ATTACHING PARTS . RIVET- SIZE DETERMINED ON INSTL. -----*-----	504903	2

MISSING ITEM NUMBERS NOT APPLICABLE

- ITEM NOT ILLUSTRATED

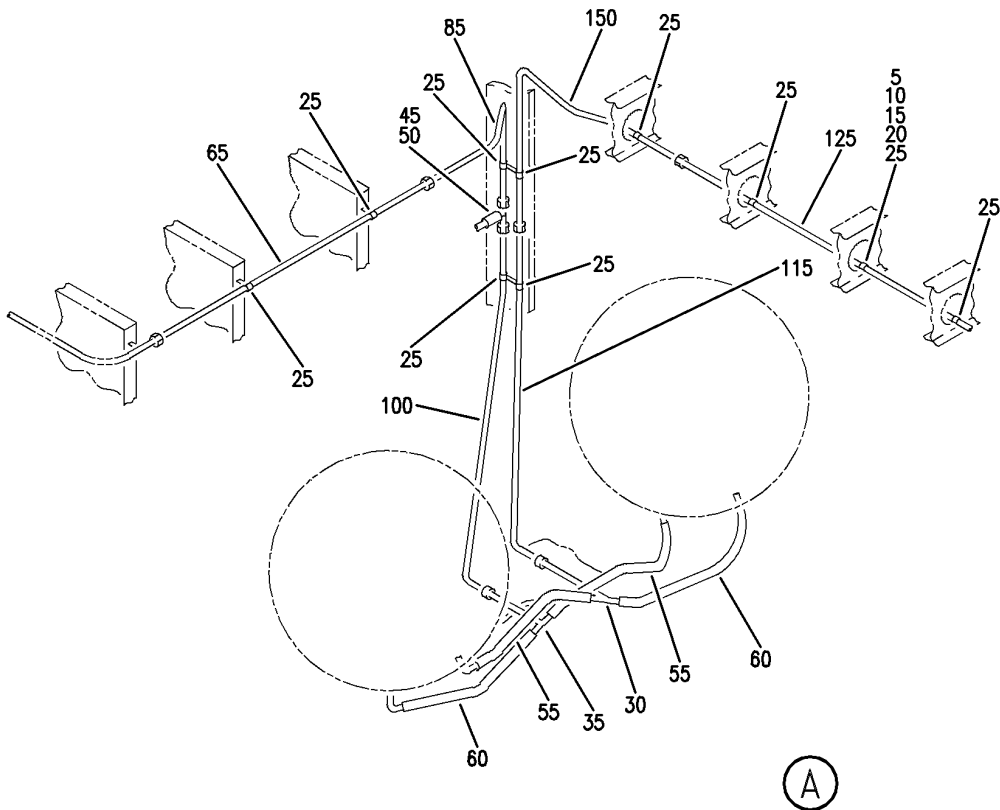
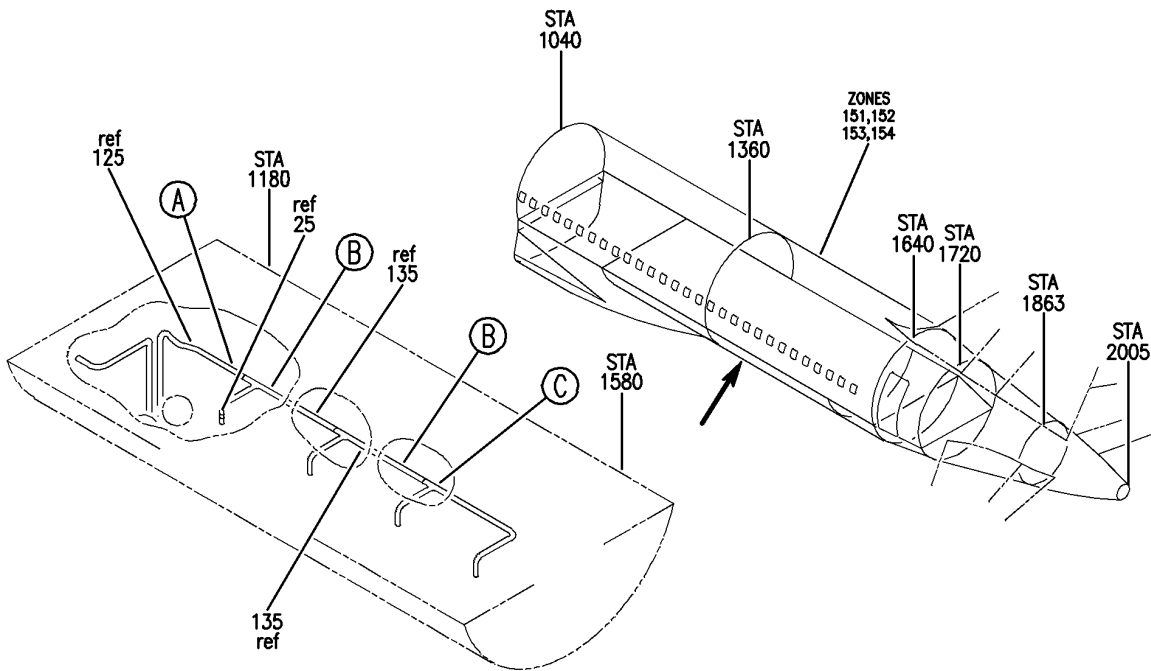
26-23-51-02B

26-23-51
FIG. 02B
PAGE 8
JAN 20/09

BRI

BOEING PROPRIETARY - Copyright © - Unpublished Work - See title page for details.

BOEING
757
PARTS CATALOG (MAINTENANCE)



Y 26235105 SHT 1 REV 225

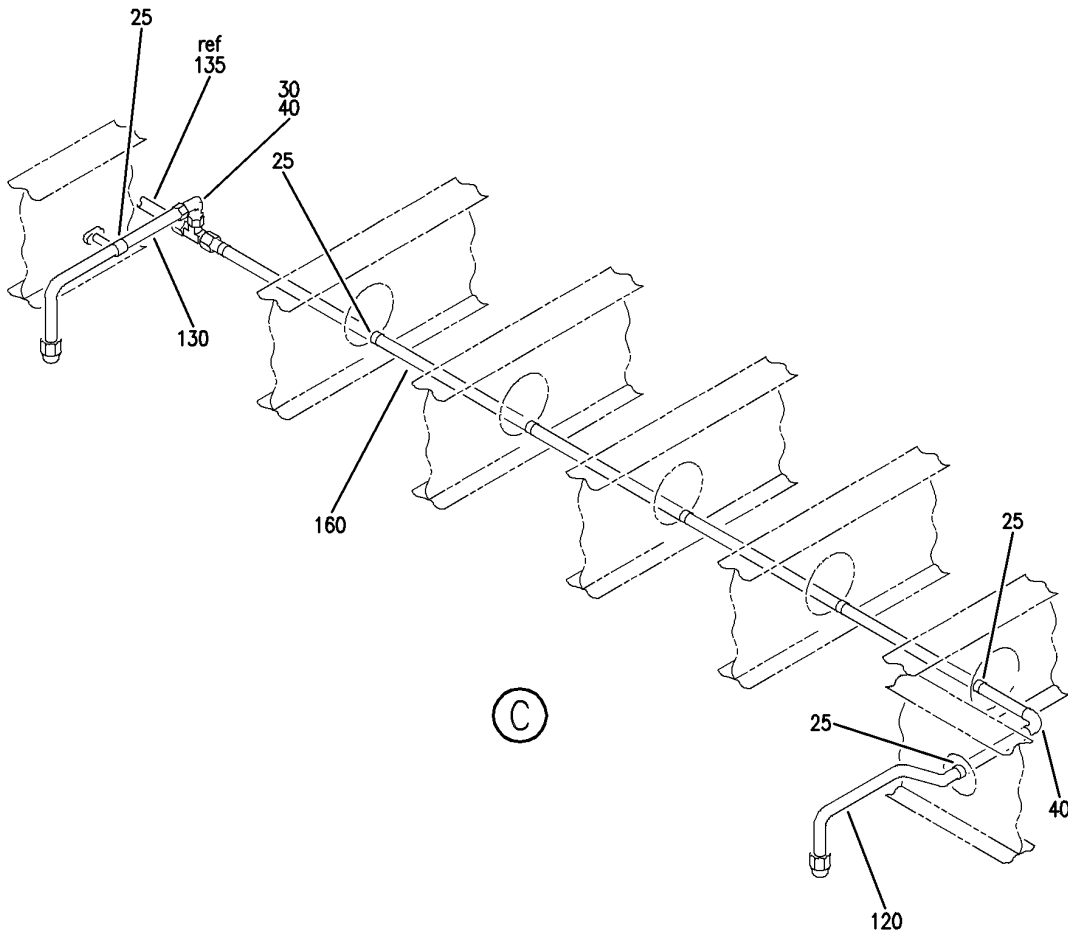
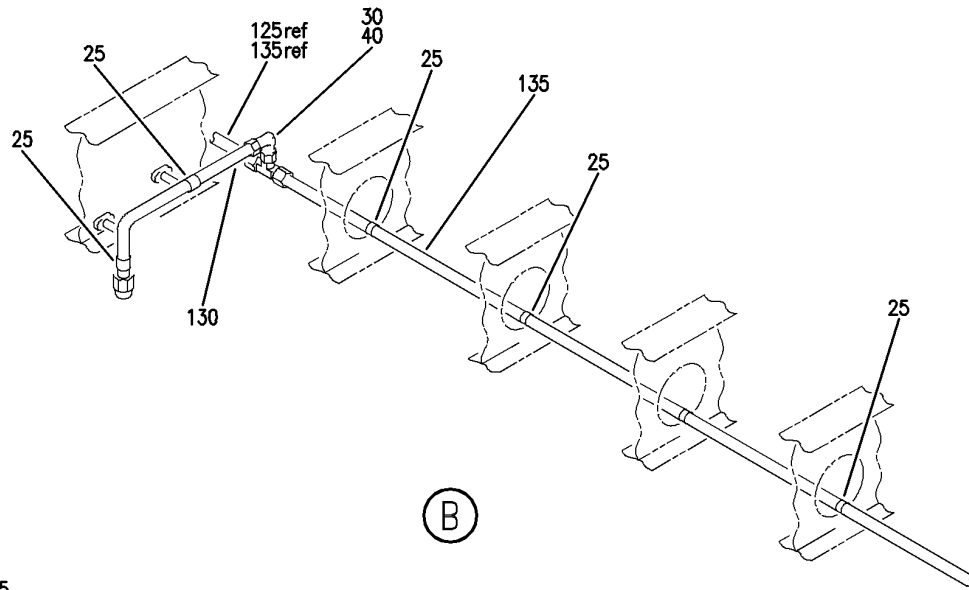
TUBING INSTL- FIRE EXTINGUISHING SYS, 757-200 W/ VACUUM WASTE SYS, AFT CARGO COMPT
FIGURE 5 (SHEET 1)

26-23-51-05

BRI
JAN 20/09

26-23-51-05
PAGE 0

BOEING
757
PARTS CATALOG (MAINTENANCE)



Y 26235105 SHT 2 REV 225

TUBING INSTL- FIRE EXTINGUISHING SYS, 757-200 W/ VACUUM WASTE SYS, AFT CARGO COMPT
FIGURE 5 (SHEET 2)

BRI
JAN 20/09

26-23-51-05

26-23-51-05
PAGE 0A



757

PARTS CATALOG (MAINTENANCE)

FIG ITEM	PART NUMBER	1 2 3 4 5 6 7	NOMENCLATURE	EFFECT FROM TO	UNITS PER ASSY
5			TUBING INSTL- FIRE EXTINGUISHING SYS, 757-200 W/ VACUUM WASTE SYS, AFT CARGO COMPT	103106	
- 1	MODREF18647		TUBING INSTL-FIRE EXTINGUISHING SYS, 757-200 W/ VACUUM WASTE SYS MODULE NUMBER: 453N2240-200 REV A POSITION DATA: AFT CARGO COMPT	103106	1
5	NAS1801-3		.SCREW- SIZE DETERMINED ON INSTL.	103106	1
10	AN960JD10L		.WASHER	103106	1
15	NAS43DD3-42		.SPACER	103106	1
20	MS21042L3		.NUT	103106	1
25	BACC10DK10		.CLAMP	103106	28
30	MS21905W10		.TEE	103106	4
35	MS21905W8		.TEE	103106	1
40	BACE21AW1010W		.ELBOW	103106	4
45	NAS1764W100804		.REDUCER	103106	1
50	7GR159		.SWITCH-PRESSURE SUPPLIER CODE: V09049 ELECTRICAL EQUIP NUMBER: D10656 WIRING DIAGRAM REF: 262311	103106	1
55	AS118H0110YP		.HOSE-FLEX SUPPLIER CODE: V00624 SPECIFICATION NUMBER: BACH5R0110YP OPTIONAL PART: R8918R0110YP V50599 AS118H0110YP V1P322 AS161H0110YP V00624 AS161H0110YP V1P322 95850R0110YP V78570 B309EEE0110D V03925	103106	2

MISSING ITEM NUMBERS NOT APPLICABLE

- ITEM NOT ILLUSTRATED

BRI

26-23-51-05

BOEING PROPRIETARY - Copyright © - Unpublished Work - See title page for details.

26-23-51
FIG. 05
PAGE 1
JAN 20/09



757

PARTS CATALOG (MAINTENANCE)

FIG ITEM	PART NUMBER	1 2 3 4 5 6 7	NOMENCLATURE	EFFECT FROM TO	UNITS PER ASSY
5 60	AS118J0110XN		.HOSE-FLEX SUPPLIER CODE: V00624 SPECIFICATION NUMBER: BACH5S0110XN OPTIONAL PART: 95850S0110XN V78570 R89180110XN V06851 R89180110XN V50599 R89190110XN V06851 R89190110XN V50599	103106	2
- 65	453N2602-123		.TUBE ASSY	103106	1
- 70	AP2097HP10		..SLEEVE SUPPLIER CODE: V01673 SPECIFICATION NUMBER: BACS13BX10HP OPTIONAL PART: 2-02903-10HP V11328 35235VN10 V08199 AFP175V10P V30974 DBOS13BX10HP V14798	103106	1
- 75	35056GV10		..UNION SUPPLIER CODE: V08199 SPECIFICATION NUMBER: BACU24AB10W OPTIONAL PART: 4671097W10 V50948 2-01027-10W V11328 31875-10W V14397 AP1004W10 V01673 AFP941W10 V30974 DBOU24AB10W V14798	103106	1

MISSING ITEM NUMBERS NOT APPLICABLE

- ITEM NOT ILLUSTRATED

26-23-51-05

26-23-51
FIG. 05
PAGE 2
JAN 20/09

BRI



757

PARTS CATALOG (MAINTENANCE)

FIG ITEM	PART NUMBER	1 2 3 4 5 6 7	NOMENCLATURE	EFFECT FROM TO	UNITS PER ASSY
5					
- 80	BACN10YL10	..	NUT-	103106	1
85	453N2602-125	.TUBE	ASSY	103106	1
- 90	AP2097HP10	..	SLEEVE	103106	2
			SUPPLIER CODE: V01673		
			SPECIFICATION NUMBER: BACS13BX10HP		
			OPTIONAL PART: 2-02903-10HP		
			V11328		
			35235VN10		
			V08199		
			AFP175V10P		
			V30974		
			DBOS13BX10HP		
			V14798		
- 95	MS21921-10D	..	NUT	103106	2
100	453N2602-189	.TUBE	ASSY	103106	1
- 105	BACN10YL08L	..	NUT	103106	2
- 110	AP2097HP08	..	SLEEVE	103106	2
			SUPPLIER CODE: V01673		
			SPECIFICATION NUMBER: BACS13BX08HP		
			OPTIONAL PART: 2-02903-08HP		
			V11328		
			35235VN08		
			V08199		
			AFP175V08P		
			V30974		
			DBOS13BX08HP		
			V14798		
115	453N2602-190	.TUBE	ASSY	103106	1
120	453N2602-192	.TUBE	ASSY	103106	1
125	453N2602-254	.TUBE	ASSY	103106	1
130	453N2602-255	.TUBE	ASSY	103106	3
135	453N2602-256	.TUBE	ASSY	103106	2
- 140	BACN10YL10	..	NUT	103106	2

MISSING ITEM NUMBERS NOT APPLICABLE

- ITEM NOT ILLUSTRATED

26-23-51-05

26-23-51
FIG. 05
PAGE 3
JAN 20/09

BRI



757

PARTS CATALOG (MAINTENANCE)

FIG ITEM	PART NUMBER	1 2 3 4 5 6 7	NOMENCLATURE	EFFECT FROM TO	UNITS PER ASSY
5					
- 145	AP2097HP10	..	SLEEVE SUPPLIER CODE: V01673 SPECIFICATION NUMBER: BACS13BX10HP OPTIONAL PART: 2-02903-10HP V11328 35235VN10 V08199 AFP175V10P V30974 DBOS13BX10HP V14798	103106	2
150	453N2602-195	.TUBE	ASSY	103106	1
- 155	35056GV10	..	UNION SUPPLIER CODE: V08199 SPECIFICATION NUMBER: BACU24AB10W OPTIONAL PART: 4671097W10 V50948 2-01027-10W V11328 31875-10W V14397 AP1004W10 V01673 AFP941W10 V30974 DBOU24AB10W V14798	103106	2
160	453N2602-257	.TUBE	ASSY	103106	1
- 165	BACN10YL10	..	NUT	103106	1
- 170	AP2097HP10	..	SLEEVE SUPPLIER CODE: V01673 SPECIFICATION NUMBER: BACS13BX10HP OPTIONAL PART: 2-02903-10HP V11328 35235VN10 V08199 AFP175V10P V30974 DBOS13BX10HP V14798	103106	1

MISSING ITEM NUMBERS NOT APPLICABLE

- ITEM NOT ILLUSTRATED

26-23-51-05

26-23-51
FIG. 05
PAGE 4
JAN 20/09

BRI



757

PARTS CATALOG (MAINTENANCE)

FIG ITEM	PART NUMBER	1 2 3 4 5 6 7	NOMENCLATURE	EFFECT FROM TO	UNITS PER ASSY
5 - 175	35056GV10		. . UNION SUPPLIER CODE: V08199 SPECIFICATION NUMBER: BACU24AB10W OPTIONAL PART: 4671097W10 V50948 2-01027-10W V11328 31875-10W V14397 AP1004W10 V01673 AFP941W10 V30974 DBOU24AB10W V14798	103106	1

MISSING ITEM NUMBERS NOT APPLICABLE

- ITEM NOT ILLUSTRATED

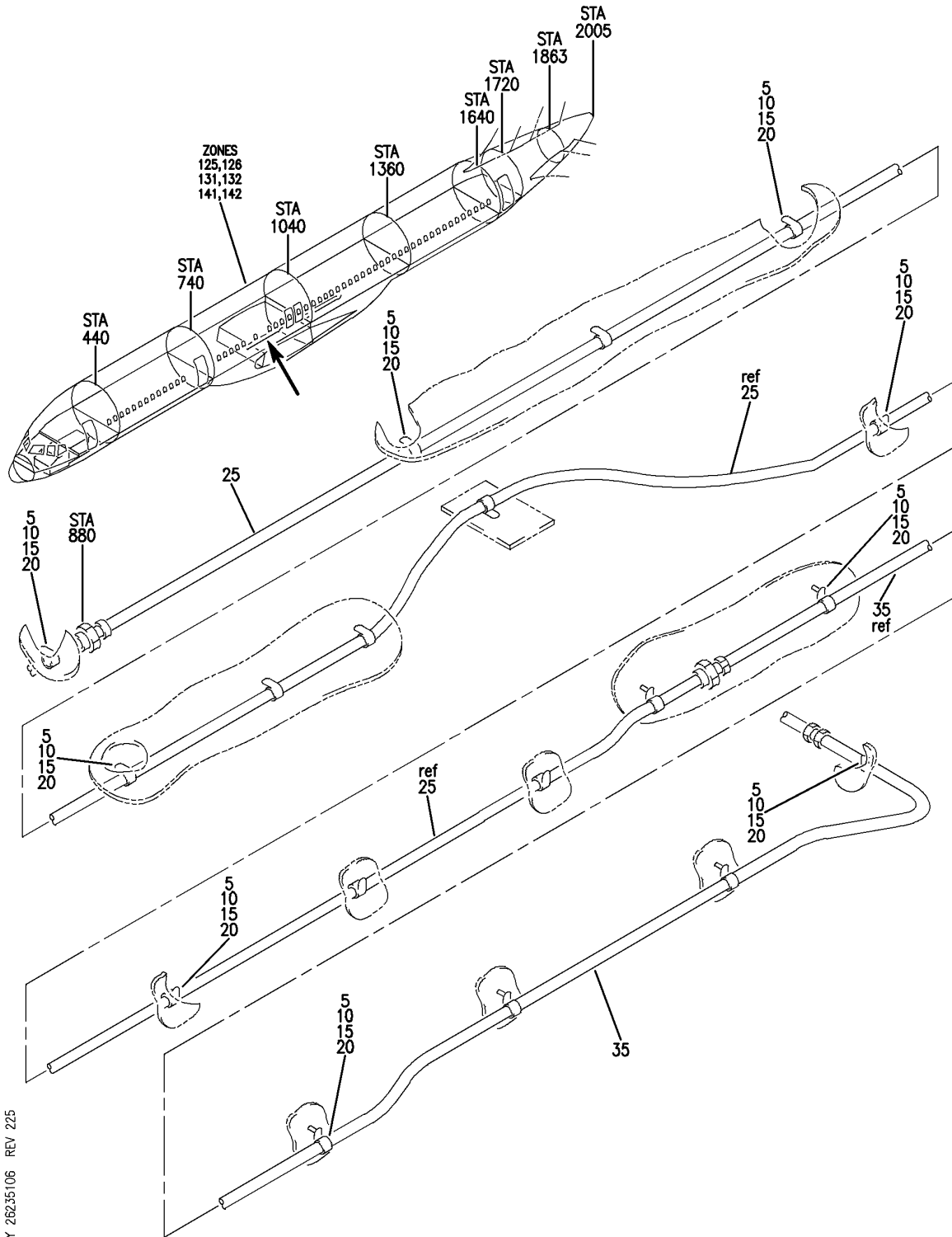
BRI

26-23-51-05

BOEING PROPRIETARY - Copyright © - Unpublished Work - See title page for details.

26-23-51
FIG. 05
PAGE 5
JAN 20/09


BOEING
 757
PARTS CATALOG (MAINTENANCE)



Y 26235106 REV 225

TUBING INSTL- FIRE EXTINGUISHING, FWD CARGO COMPT
 FIGURE 6

26-23-51-06

BRI
JAN 20/09

26-23-51-06
 PAGE 0



757

PARTS CATALOG (MAINTENANCE)

FIG ITEM	PART NUMBER	1 2 3 4 5 6 7	NOMENCLATURE	EFFECT FROM TO	UNITS PER ASSY
6			TUBING INSTL- FIRE EXTINGUISHING, FWD CARGO COMPT	103106	
- 1	MODREF18629		TUBING INSTL-FIRE EXTINGUISHING MODULE NUMBER: 453N2140-15 REV A POSITION DATA: FWD CARGO COMPT	103106	1
5	NAS1801-3		.SCREW	103106	18
10	AN960PD10L		.WASHER	103106	18
15	BRH10A3		.NUT	103106	18
			SUPPLIER CODE: V52828 SPECIFICATION NUMBER: BACN10JC3 OPTIONAL PART: H10-3BAC V15653 NS202101-02 V80539 RMLH9075-3W V72962 VN303A02 V92215 96-02 V80539 T6S1032J V11815		
20	BACC10DK		.CLAMP	103106	18
25	453N2602-130		.TUBE ASSY	103106	1
- 30	35056GV10		..UNION	103106	2
			SUPPLIER CODE: V08199 SPECIFICATION NUMBER: BACU24AB10W OPTIONAL PART: 4671097W10 V50948 2-01027-10W V11328 31875-10W V14397 AP1004W10 V01673 AFP941W10 V30974 DBOU24AB10W V14798		

MISSING ITEM NUMBERS NOT APPLICABLE

- ITEM NOT ILLUSTRATED

26-23-51-06

26-23-51
FIG. 06
PAGE 1
JAN 20/09

BRI



757

PARTS CATALOG (MAINTENANCE)

FIG ITEM	PART NUMBER	1 2 3 4 5 6 7	NOMENCLATURE	EFFECT FROM TO	UNITS PER ASSY
6					
- 35	453N2602-132	.	TUBE ASSY	103106	1
- 40	BACN10YL10	..	NUT-	103106	1
- 45	AP2097HP10	...	SLEEVE	103106	1
			SUPPLIER CODE: V01673		
			SPECIFICATION NUMBER: BACS13BX10HP		
			OPTIONAL PART: 2-02903-10HP		
			V11328		
			35235VN10		
			V08199		
			AFP175V10P		
			V30974		
			DBOS13BX10HP		
			V14798		
- 50	35056GV10	..	UNION	103106	1
			SUPPLIER CODE: V08199		
			SPECIFICATION NUMBER: BACU24AB10W		
			OPTIONAL PART: 4671097W10		
			V50948		
			2-01027-10W		
			V11328		
			31875-10W		
			V14397		
			AP1004W10		
			V01673		
			AFP941W10		
			V30974		
			DBOU24AB10W		
			V14798		

MISSING ITEM NUMBERS NOT APPLICABLE

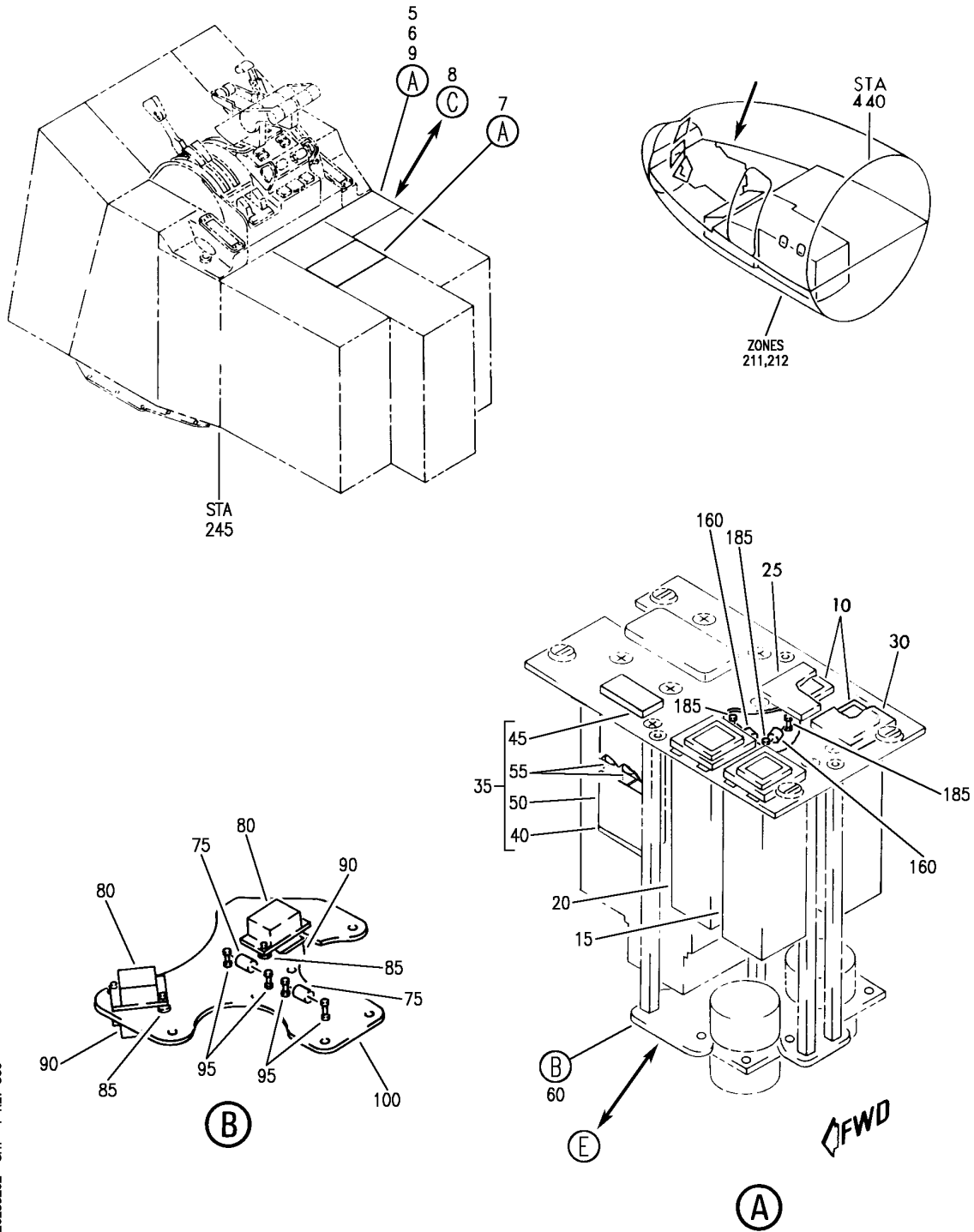
- ITEM NOT ILLUSTRATED

26-23-51-06

26-23-51
FIG. 06
PAGE 2
JAN 20/09

BRI

BOEING
757
PARTS CATALOG (MAINTENANCE)



Y 26235202 SH1 1 REV 300

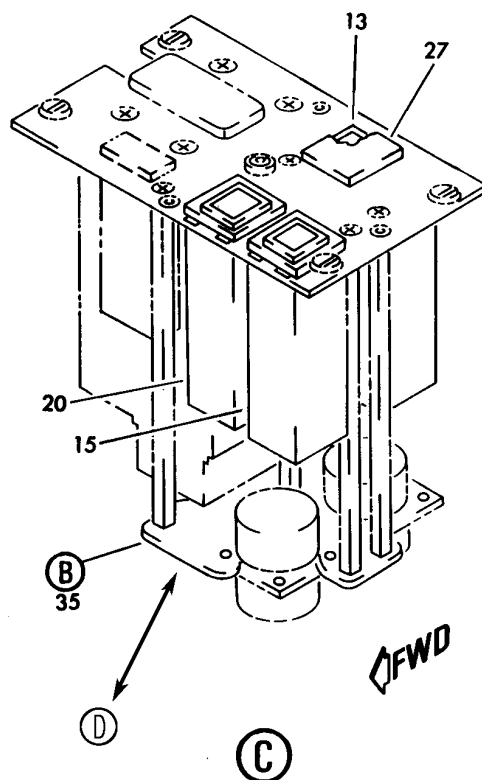
PANEL INSTL-P8 ELECTRONIC (CARGO COMPARTMENT FIRE EXTINGUISHING ONLY)
FIGURE 2 (SHEET 1)

26-23-52-02

BRI
MAY 28/07

26-23-52-02
PAGE 0

BOEING
757
PARTS CATALOG (MAINTENANCE)



Y 26235202 SH1 2 REV 266

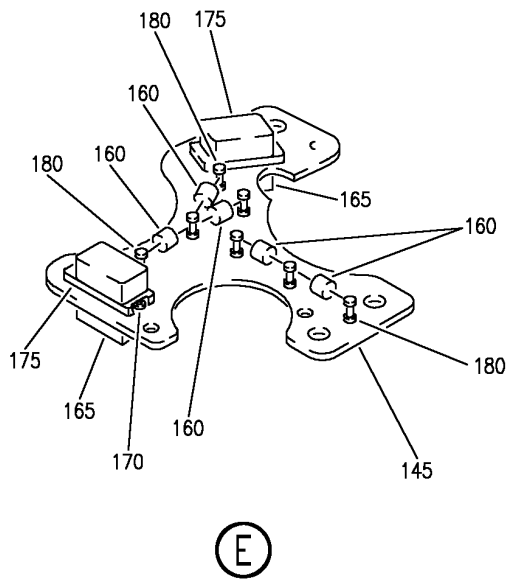
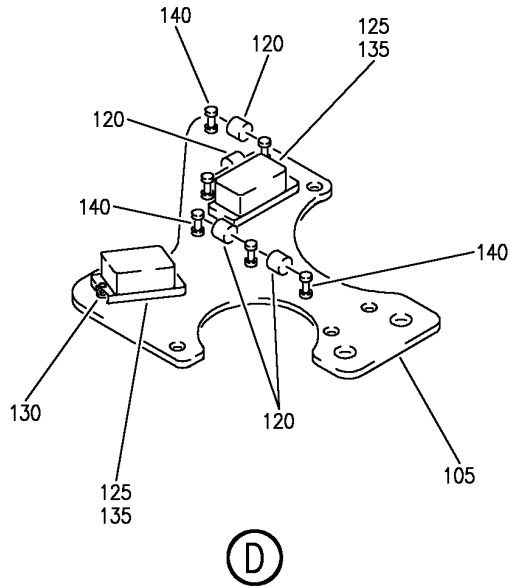
PANEL INSTL-P8 ELECTRONIC (CARGO COMPARTMENT FIRE EXTINGUISHING ONLY)
FIGURE 2 (SHEET 2)

BRI
MAY 28/07

26-23-52-02

26-23-52-02
PAGE 0A

BOEING
757
PARTS CATALOG (MAINTENANCE)



Y 26235202 SHT 3 REV 266

PANEL INSTL-P8 ELECTRONIC (CARGO COMPARTMENT FIRE EXTINGUISHING ONLY)
 FIGURE 2 (SHEET 3)

26-23-52-02

BRI
 MAY 28/07

26-23-52-02
 PAGE 0B



757

PARTS CATALOG (MAINTENANCE)

FIG ITEM	PART NUMBER	1 2 3 4 5 6 7	NOMENCLATURE	EFFECT FROM TO	UNITS PER ASSY
2			PANEL INSTL-P8 ELECTRONIC (CARGO COMPARTMENT FIRE EXTINGUISHING ONLY)	002004 006010 107107 121503 904999	
- 1	233N6101-1		PANEL INSTL-P8 ELECTRONIC (CARGO COMPARTMENT FIRE EXTINGUISHING ONLY) VARIABLE DRAWING REF: 233N6101-5004 233N6101-5028 233N6101-5041 233N6101-5042 233N6101-5046 FOR NHA/OTHER SYS DET SEE: 25-10-00-05A	002004 006010 107107 121503 904999	RF
5	233N6203-45		.PANEL ASSY-APU/CARGO FIRE CONT SUPPLIER CODE: V89954 ELECTRICAL EQUIP NUMBER: M10444 COMPONENT MAINT MANUAL REF: 26-15-51 QUALIFIED I/W DATA: 233N6203-9 -23 -45 -103 -105 ARE ALL INTERCHANGEABLE EXCEPT SUBJECT TO CUSTOMER PREFERENCE 233N6203-9/-23/-45/-104/ -105/-161 ARE ALL INTERCHANGEABLE EXCEPT SUBJECT TO CUSTOMER PREFERENCE PRE ALERT SB: 33A0044	107107	RF

MISSING ITEM NUMBERS NOT APPLICABLE

- ITEM NOT ILLUSTRATED

BRI

26-23-52-02

26-23-52
FIG. 02
PAGE 1
JAN 20/09



757

PARTS CATALOG (MAINTENANCE)

FIG ITEM	PART NUMBER	1 2 3 4 5 6 7	NOMENCLATURE	EFFECT FROM TO	UNITS PER ASSY
2	5 233N6203-103		.PANEL ASSY-APU/CARGO FIRE CONT SUPPLIER CODE: V89954 ELECTRICAL EQUIP NUMBER: M10444 COMPONENT MAINT MANUAL REF: 26-15-51 QUALIFIED I/W DATA: 233N6203-9 -23 -45 -103 -104 -105 ARE ALL I/W EXCEPT SUBJECT TO CUSTOMER PREFERENCE PRE ALERT SB: 33A0044	002004 006010 950999	RF
	5 233N6203-1103		.PANEL ASSY-APU/CARGO FIRE CONT SUPPLIER CODE: V89954 ELECTRICAL EQUIP NUMBER: M10444 COMPONENT MAINT MANUAL REF: 26-15-51 POST ALERT SB: 33A0044	002004 006010 950999	RF
	6 233N6203-161		.PANEL ASSY-APU/CARGO FIRE CONT SUPPLIER CODE: V89954 ELECTRICAL EQUIP NUMBER: M10444 COMPONENT MAINT MANUAL REF: 26-15-51 QUALIFIED I/W DATA: 233N6203-9/-23/-45/-104/ -105/-161 ARE ALL INTERCHANGEABLE EXCEPT SUBJECT TO CUSTOMER PREFERENCE PRE ALERT SB: 33A0044	002004 006010 950999	RF

MISSING ITEM NUMBERS NOT APPLICABLE

- ITEM NOT ILLUSTRATED

BRI

26-23-52-02

BOEING PROPRIETARY - Copyright © - Unpublished Work - See title page for details.

26-23-52
FIG. 02
PAGE 2
JAN 20/09



757

PARTS CATALOG (MAINTENANCE)

FIG ITEM	PART NUMBER	1 2 3 4 5 6 7	NOMENCLATURE	EFFECT FROM TO	UNITS PER ASSY
2	6 233N6203-1045		.PANEL ASSY-APU/CARGO FIRE CONT SUPPLIER CODE: V89954 ELECTRICAL EQUIP NUMBER: M10444 COMPONENT MAINT MANUAL REF: 26-15-51 POST ALERT SB: 33A0044	107107	RF
	6 233N6203-1161		.PANEL ASSY-APU/CARGO FIRE CONT SUPPLIER CODE: V89954 ELECTRICAL EQUIP NUMBER: M10444 COMPONENT MAINT MANUAL REF: 26-15-51 POST ALERT SB: 33A0044	002004 006010 950999	RF
	7 233N6203-105		.PANEL ASSY-APU/CARGO FIRE CONTROL SUPPLIER CODE: V89954 ELECTRICAL EQUIP NUMBER: M10444 COMPONENT MAINT MANUAL REF: 26-15-51 QUALIFIED I/W DATA: 233N6203-9/-23/-45/-104/ -105/-161 ARE ALL INTERCHANGEABLE EXCEPT SUBJECT TO CUSTOMER PREFERENCE PRE ALERT SB: 33A0044R1	121503 904949	RF
	7 233N6203-1105		.PANEL ASSY-APU/CARGO FIRE CONT ELECTRICAL EQUIP NUMBER: M10444 COMPONENT MAINT MANUAL REF: 26-15-55 POST ALERT SB: 33A0044R1	121503 904949	RF

MISSING ITEM NUMBERS NOT APPLICABLE

- ITEM NOT ILLUSTRATED

BRI

26-23-52-02

26-23-52
FIG. 02
PAGE 3
JAN 20/09



757

PARTS CATALOG (MAINTENANCE)

FIG ITEM	PART NUMBER	1 2 3 4 5 6 7 NOMENCLATURE	EFFECT FROM TO	UNITS PER ASSY
2 10	BCREF7749	<p>..SWITCH ASSY-LIGHTED PUSH BUTTON IND DISCH SUPPLIER CODE: V81590 OVERLENGTH PART NUMBER: 433-673-1001-1060 SPECIFICATION NUMBER: S231T290-1060 MISCELLANEOUS DATA: WHEN REPLACING THE PUSHBUTTON SWITCH ASSY OR THE MASTER MODULE WITHIN, VERIFY THAT A CONFIG D MASTER MODULE P/N 13202-001 IS INSTALLED IN LIEU OF ANY EARLIER CONFIGURATION MASTER MODULES. USED ON: 233N6203-23 233N6203-45 233N6203-46 233N6203-77 233N6203-104 233N6203-111 233N6203-153 233N6203-1045 233N6203-1046 233N6203-1077 233N6203-1104 233N6203-1111 233N6203-1153 REFERENCE SERVICE BULLETIN: 33A0044 REWORKED BY SB: 433-33-05 V81590 FOR DETAILS SEE: 33-13-00-11</p>	107107	2

MISSING ITEM NUMBERS NOT APPLICABLE

- ITEM NOT ILLUSTRATED

BRI

26-23-52-02

BOEING PROPRIETARY - Copyright © - Unpublished Work - See title page for details.

26-23-52
 FIG. 02
 PAGE 4
 JAN 20/09



757

PARTS CATALOG (MAINTENANCE)

FIG ITEM	PART NUMBER	1 2 3 4 5 6 7 NOMENCLATURE	EFFECT FROM TO	UNITS PER ASSY
2 10	BCREF10576	<p>.. SWITCH ASSY-LIGHTED PUSH BUTTON IND SUPPLIER CODE: V81590 OVERLENGTH PART NUMBER: 433-673-1004-4006 SPECIFICATION NUMBER: S231T290-4006 MISCELLANEOUS DATA: WHEN REPLACING THE PUSHBUTTON SWITCH ASSY OR THE MASTER MODULE WITHIN, VERIFY THAT A CONFIG D MASTER MODULE P/N 13203-001 IS INSTALLED IN LIEU OF ANY EARLIER CONFIGURATION MASTER MODULES. OPTIONAL PART: 851-30768-3060 V96182 851-35100-5060 V96182 USED ON: 233N6203-161 233N6203-162 233N6203-163 233N6203-164 233N6203-165 233N6203-170 233N6203-171 233N6203-1161 233N6203-1162 233N6203-1163 233N6203-1164 233N6203-1165 233N6203-1170 233N6203-1171 REFERENCE SERVICE BULLETIN: 33A0044 REWORKED BY SB: 433-33-05 V81590 PRE SERVICE LETTER: 33-027 FOR DETAILS SEE: 33-13-00-41</p>	002004 006010 950999	2

MISSING ITEM NUMBERS NOT APPLICABLE

- ITEM NOT ILLUSTRATED

26-23-52-02

26-23-52
FIG. 02
PAGE 5
JAN 20/09

BRI



757

PARTS CATALOG (MAINTENANCE)

FIG ITEM	PART NUMBER	1 2 3 4 5 6 7	NOMENCLATURE	EFFECT FROM TO	UNITS PER ASSY
2 10	4336731004-4206		.. SWITCH ASSY-LIGHTED PUSHBUTTON IND SUPPLIER CODE: V81590 SPECIFICATION NUMBER: S231T290-4206 MISCELLANEOUS DATA: WHEN REPLACING THE PUSHBUTTON SWITCH ASSY OR THE MASTER MODULE WITHIN, VERIFY THAT A CONFIG D MASTER MODULE P/N 13203-001 IS INSTALLED IN LIEU OF ANY EARLIER CONFIGURATION MASTER MODULES. POST SERVICE LETTER: 33-027	002004 006010 950999	2

MISSING ITEM NUMBERS NOT APPLICABLE

- ITEM NOT ILLUSTRATED

BRI

26-23-52-02

BOEING PROPRIETARY - Copyright © - Unpublished Work - See title page for details.

26-23-52
FIG. 02
PAGE 6
JAN 20/09



757

PARTS CATALOG (MAINTENANCE)

FIG ITEM	PART NUMBER	1 2 3 4 5 6 7	NOMENCLATURE	EFFECT FROM TO	UNITS PER ASSY
2 10	BCREFA0525		<p>.. SWITCH ASSY-LIGHTED PUSH BUTTON IND SUPPLIER CODE: V81590 OVERLENGTH PART NUMBER: 433-673-1004-4060 SPECIFICATION NUMBER: S231T290-4060 MISCELLANEOUS DATA: WHEN REPLACING THE PUSHBUTTON SWITCH ASSY OR THE MASTER MODULE WITHIN, VERIFY THAT A CONFIG D MASTER MODULE P/N 13202-001 IS INSTALLED IN LIEU OF ANY EARLIER CONFIGURATION MASTER MODULES. OPTIONAL PART: S231T290-5060 USED ON: 233N6203-103 233N6203-104 233N6203-109 233N6203-110 233N6203-111 233N6203-150 233N6203-1103 233N6203-1110 233N6203-1104 233N6203-1109 233N6203-1111 233N6203-1150 REFERENCE SERVICE BULLETIN: 33A0044 REWORKED BY SB: 433-33-05 V81590 FOR DETAILS SEE: 33-13-00-41</p>	002004 006010 107107 121503 904999	2

MISSING ITEM NUMBERS NOT APPLICABLE

- ITEM NOT ILLUSTRATED

BRI

26-23-52-02

BOEING PROPRIETARY - Copyright © - Unpublished Work - See title page for details.

26-23-52
FIG. 02
PAGE 7
JAN 20/09



**757
PARTS CATALOG (MAINTENANCE)**

FIG ITEM	PART NUMBER	1 2 3 4 5 6 7	NOMENCLATURE	EFFECT FROM TO	UNITS PER ASSY
2	10 851-30768-2060		..SWITCH ASSY-LIGHTED PUSH BUTTON IND DISCH SUPPLIER CODE: V96182 SPECIFICATION NUMBER: S231T290-2060 USED ON: 233N6203-9 233N6203-12 233N6203-32 FOR DETAILS SEE: 33-13-00-21	107107	2
	10 851-30768-3060		..SWITCH ASSY-LIGHTED PUSH BUTTON IND DISCH SUPPLIER CODE: V96182 SPECIFICATION NUMBER: S231T290-3060 OPTIONAL PART: S231T290-5060 851-35100-5060 V96182 BCREF10576 V81590 USED ON: 233N6203-9 233N6203-23 233N6203-45 233N6203-46 233N6203-77 233N6203-105 233N6203-153 233N6203-161 233N6203-163 233N6203-164 233N6203-170 233N6203-171 233N6203-1161 FOR DETAILS SEE: 33-13-00-31	002004 006010 107107 121503 904999	2

MISSING ITEM NUMBERS NOT APPLICABLE

— ITEM NOT ILLUSTRATED

BRI

26-23-52-02

BOEING PROPRIETARY - Copyright © - Unpublished Work - See title page for details.

26-23-52
FIG. 02
PAGE 8
JAN 20/09



757

PARTS CATALOG (MAINTENANCE)

FIG ITEM	PART NUMBER	1 2 3 4 5 6 7	NOMENCLATURE	EFFECT FROM TO	UNITS PER ASSY
2 10	S231T290-5060		..SWITCH ASSY-LIGHTED PUSH BUTTON IND OPTIONAL PART: BCREFA0525 V81590 851-30768-3060 V96182 USED ON: 233N6203-103 233N6203-105 233N6203-109 233N6203-110 233N6203-150 233N6203-170 233N6203-171 233N6203-1103	002004 006010 107107 121503 904999	2
10	851-35100-5060		..SWITCH ASSY-LIGHTED PUSHBUTTON IND SUPPLIER CODE: V96182 OPTIONAL PART: BCREF10576 V81590 851-30768-3060 V96182 USED ON: 233N6203-161 233N6203-163 233N6203-164 233N6203-1161	002004 006010 950999	2

MISSING ITEM NUMBERS NOT APPLICABLE

- ITEM NOT ILLUSTRATED

BRI

26-23-52-02

BOEING PROPRIETARY - Copyright © - Unpublished Work - See title page for details.

26-23-52
FIG. 02
PAGE 9
JAN 20/09



757

PARTS CATALOG (MAINTENANCE)

FIG ITEM	PART NUMBER	1 2 3 4 5 6 7 NOMENCLATURE	EFFECT FROM TO	UNITS PER ASSY
2 15	BCREF7750	<p>.. SWITCH ASSY-LIGHTED PUSH BUTTON IND (ARMED/FWD) SUPPLIER CODE: V81590 OVERLENGTH PART NUMBER: 433-673-1001-1061 SPECIFICATION NUMBER: S231T290-1061 MISCELLANEOUS DATA: WHEN REPLACING THE PUSHBUTTON SWITCH ASSY OR THE MASTER MODULE WITHIN, VERIFY THAT A CONFIG D MASTER MODULE P/N 13206-001 IS INSTALLED IN LIEU OF ANY EARLIER CONFIGURATION MASTER MODULES. USED ON: 233N6203-23 233N6203-45 233N6203-46 233N6203-77 233N6203-104 233N6203-111 233N6203-153 233N6203-162 233N6203-165 233N6203-170 233N6203-171 233N6203-1045 233N6203-1046 233N6203-1077 233N6203-1104 233N6203-1111 233N6203-1153 233N6203-1162 233N6203-1165 233N6203-1170 233N6203-1171 REFERENCE SERVICE BULLETIN: 33A0044 REWORKED BY SB: 433-33-05 V81590 FOR DETAILS SEE: 33-13-00-11</p>	107107	1

MISSING ITEM NUMBERS NOT APPLICABLE

- ITEM NOT ILLUSTRATED

26-23-52-02

26-23-52
FIG. 02
PAGE 10
JAN 20/09

BRI



757

PARTS CATALOG (MAINTENANCE)

FIG ITEM	PART NUMBER	1 2 3 4 5 6 7	NOMENCLATURE	EFFECT FROM TO	UNITS PER ASSY
2					
15	4336731004-4261		.. SWITCH ASSY-LIGHTED PUSHBUTTON IND SUPPLIER CODE: V81590 SPECIFICATION NUMBER: S231T290-4261 MISCELLANEOUS DATA: WHEN REPLACING THE PUSHBUTTON SWITCH ASSY OR THE MASTER MODULE WITHIN, VERIFY THAT A CONFIG D MASTER MODULE P/N 13203-001 IS INSTALLED IN LIEU OF ANY EARLIER CONFIGURATION MASTER MODULES. POST SERVICE LETTER: 33-027	002004 006010 107107 121503 904999	1
15	BCREFA0526		.. SWITCH ASSY-LIGHTED PUSH BUTTON IND SUPPLIER CODE: V81590 OVERLENGTH PART NUMBER: 433-673-1004-4061 SPECIFICATION NUMBER: S231T290-4061 MISCELLANEOUS DATA: WHEN REPLACING THE PUSHBUTTON SWITCH ASSY OR THE MASTER MODULE WITHIN, VERIFY THAT A CONFIG D MASTER MODULE P/N 13206-001 IS INSTALLED IN LIEU OF ANY EARLIER CONFIGURATION MASTER MODULES. OPTIONAL PART: S231T290-5061 851-35100-5061 V96182 USED ON: 233N6203-103 233N6203-104 233N6203-109 233N6203-110 233N6203-111 233N6203-138 233N6203-150 233N6203-161	002004 006010 107107 121503 904999	1

MISSING ITEM NUMBERS NOT APPLICABLE

- ITEM NOT ILLUSTRATED

26-23-52-02

26-23-52
FIG. 02
PAGE 11
JAN 20/09

BRI



757

PARTS CATALOG (MAINTENANCE)

FIG ITEM	PART NUMBER	1 2 3 4 5 6 7 NOMENCLATURE	EFFECT FROM TO	UNITS PER ASSY
2		233N6203-162 233N6203-163 233N6203-164 233N6203-165 233N6203-166 233N6203-1110 233N6203-1103 233N6203-1104 233N6203-1109 233N6203-1111 233N6203-1138 233N6203-1150 233N6203-1161 233N6203-1162 233N6203-1163 233N6203-1164 233N6203-1165 233N6203-1166 REFERENCE SERVICE BULLETIN: 33A0044 REWORKED BY SB: 433-33-05 V81590 PRE SERVICE LETTER: 33-027 FOR DETAILS SEE: 33-13-00-41		
15	851-30768-2061	.. SWITCH ASSY-LIGHTED PUSH BUTTON IND (ARMED/FWD) SUPPLIER CODE: V96182 SPECIFICATION NUMBER: S231T290-2061 USED ON: 233N6203-9 233N6203-12 233N6203-32 FOR DETAILS SEE: 33-13-00-21	002004 006010 107107 121503 904999	1

MISSING ITEM NUMBERS NOT APPLICABLE

- ITEM NOT ILLUSTRATED

BRI

26-23-52-02

BOEING PROPRIETARY - Copyright © - Unpublished Work - See title page for details.

26-23-52
 FIG. 02
 PAGE 12
 JAN 20/09



757

PARTS CATALOG (MAINTENANCE)

FIG ITEM	PART NUMBER	1 2 3 4 5 6 7	NOMENCLATURE	EFFECT FROM TO	UNITS PER ASSY
2 15	851-30768-3061		..SWITCH ASSY-LIGHTED PUSH BUTTON IND (ARMED/FWD) SUPPLIER CODE: V96182 SPECIFICATION NUMBER: S231T290-3061 OPTIONAL PART: S231T290-5061 USED ON: 233N6203-9 233N6203-23 233N6203-45 233N6203-46 233N6203-77 233N6203-105 233N6203-153 233N6203-170 233N6203-171 FOR DETAILS SEE: 33-13-00-31	002004 006010 107107 121503 904999	1
15	S231T290-5061		..SWITCH ASSY-LIGHTED PUSH BUTTON IND OPTIONAL PART: BCREFA0526 V81590 851-30768-3061 V96182 USED ON: 233N6203-103 233N6203-105 233N6203-109 233N6203-110 233N6203-138 233N6203-150 233N6203-161 233N6203-1110 233N6203-1103 233N6203-1138 233N6203-1161	002004 006010 107107 121503 904999	1

MISSING ITEM NUMBERS NOT APPLICABLE

- ITEM NOT ILLUSTRATED

BRI

26-23-52-02

BOEING PROPRIETARY - Copyright © - Unpublished Work - See title page for details.

26-23-52
FIG. 02
PAGE 13
JAN 20/09



757

PARTS CATALOG (MAINTENANCE)

FIG ITEM	PART NUMBER	1 2 3 4 5 6 7	NOMENCLATURE	EFFECT FROM TO	UNITS PER ASSY
2 15	851-35100-5061		..SWITCH ASSY-LIGHTED PUSHBUTTON IND SUPPLIER CODE: V96182 OPTIONAL PART: BCREFA0526 V81590 USED ON: 233N6203-161 233N6203-163 233N6203-164 233N6203-166 233N6203-1161 233N6203-1164 233N6203-1166	002004 006010 950999	1

MISSING ITEM NUMBERS NOT APPLICABLE

- ITEM NOT ILLUSTRATED

BRI

26-23-52-02

BOEING PROPRIETARY - Copyright © - Unpublished Work - See title page for details.

26-23-52
FIG. 02
PAGE 14
JAN 20/09



757

PARTS CATALOG (MAINTENANCE)

FIG ITEM	PART NUMBER	1 2 3 4 5 6 7 NOMENCLATURE	EFFECT FROM TO	UNITS PER ASSY
2 20	BCREF7751	<p>.. SWITCH ASSY-LIGHTED PUSH BUTTON IND (ARMED/AFT) SUPPLIER CODE: V81590 OVERLENGTH PART NUMBER: 433-673-1001-1062 SPECIFICATION NUMBER: S231T290-1062 MISCELLANEOUS DATA: WHEN REPLACING THE PUSHBUTTON SWITCH ASSY OR THE MASTER MODULE WITHIN, VERIFY THAT A CONFIG D MASTER MODULE P/N 13206-001 IS INSTALLED IN LIEU OF ANY EARLIER CONFIGURATION MASTER MODULES. USED ON: 233N6203-23 233N6203-45 233N6203-46 233N6203-77 233N6203-104 233N6203-111 233N6203-153 233N6203-162 233N6203-165 233N6203-170 233N6203-171 233N6203-1045 233N6203-1046 233N6203-1077 233N6203-1104 233N6203-1111 233N6203-1153 233N6203-1162 233N6203-1165 233N6203-1170 233N6203-1171 REFERENCE SERVICE BULLETIN: 33A0044 REWORKED BY SB: 433-33-05 V81590 FOR DETAILS SEE: 33-13-00-11</p>	107107	1

MISSING ITEM NUMBERS NOT APPLICABLE

- ITEM NOT ILLUSTRATED

26-23-52-02

26-23-52
FIG. 02
PAGE 15
JAN 20/09

BRI



757

PARTS CATALOG (MAINTENANCE)

FIG ITEM	PART NUMBER	1 2 3 4 5 6 7	NOMENCLATURE	EFFECT FROM TO	UNITS PER ASSY
2					
20	4336731004-4262		.. SWITCH ASSY-LIGHTED PUSHBUTTON IND SUPPLIER CODE: V81590 SPECIFICATION NUMBER: S231T290-4262 MISCELLANEOUS DATA: WHEN REPLACING THE PUSHBUTTON SWITCH ASSY OR THE MASTER MODULE WITHIN, VERIFY THAT A CONFIG D MASTER MODULE P/N 13203-001 IS INSTALLED IN LIEU OF ANY EARLIER CONFIGURATION MASTER MODULES. POST SERVICE LETTER: 33-027	002004 006010 107107 121503 904999	1
20	BCREFA0527		.. SWITCH ASSY-LIGHTED PUSH BUTTON IND SUPPLIER CODE: V81590 OVERLENGTH PART NUMBER: 433-673-1004-4062 SPECIFICATION NUMBER: S231T290-4062 MISCELLANEOUS DATA: WHEN REPLACING THE PUSHBUTTON SWITCH ASSY OR THE MASTER MODULE WITHIN, VERIFY THAT A CONFIG D MASTER MODULE P/N 13206-001 IS INSTALLED IN LIEU OF ANY EARLIER CONFIGURATION MASTER MODULES. OPTIONAL PART: S231T290-5062 851-35100-5062 V96182 USED ON: 233N6203-1166 233N6203-103 233N6203-104 233N6203-109 233N6203-110 233N6203-111 233N6203-138 233N6203-150	002004 006010 107107 121503 904999	1

MISSING ITEM NUMBERS NOT APPLICABLE

- ITEM NOT ILLUSTRATED

26-23-52-02

26-23-52
FIG. 02
PAGE 16
JAN 20/09

BRI



757

PARTS CATALOG (MAINTENANCE)

FIG ITEM	PART NUMBER	1 2 3 4 5 6 7	NOMENCLATURE	EFFECT FROM TO	UNITS PER ASSY
2			233N6203-161 233N6203-162 233N6203-163 233N6203-164 233N6203-165 233N6203-166 233N6203-1110 233N6203-1103 233N6203-1104 233N6203-1109 233N6203-1111 233N6203-1138 233N6203-1150 233N6203-1161 233N6203-1162 233N6203-1163 233N6203-1164 233N6203-1165 REFERENCE SERVICE BULLETIN: 33A0044 REWORKED BY SB: 433-33-05 V81590 PRE SERVICE LETTER: 33-027 FOR DETAILS SEE: 33-13-00-41		
20	851-30768-3062		.. SWITCH ASSY-LIGHTED PUSH BUTTON IND (ARMED/AFT) SUPPLIER CODE: V96182 SPECIFICATION NUMBER: S231T290-3062 OPTIONAL PART: S231T290-5062 USED ON: 233N6203-9 233N6203-23 233N6203-45 233N6203-46 233N6203-77 233N6203-105 233N6203-153 233N6203-170 233N6203-171 FOR DETAILS SEE: 33-13-00-31	002004 006010 107107 121503 904999	1

MISSING ITEM NUMBERS NOT APPLICABLE

- ITEM NOT ILLUSTRATED

BRI

26-23-52-02

BOEING PROPRIETARY - Copyright © - Unpublished Work - See title page for details.

26-23-52
FIG. 02
PAGE 17
JAN 20/09



757

PARTS CATALOG (MAINTENANCE)

FIG ITEM	PART NUMBER	1 2 3 4 5 6 7	NOMENCLATURE	EFFECT FROM TO	UNITS PER ASSY
2					
20	S231T290-5062		.. SWITCH ASSY-LIGHTED PUSH BUTTON IND OPTIONAL PART: BCREFA0527 V81590 851-30768-3062 V96182 USED ON: 233N6203-103 233N6203-105 233N6203-109 233N6203-110 233N6203-138 233N6203-150 233N6203-1110 233N6203-1103 233N6203-1138	002004 006010 107107 121503 904999	1
20	851-30768-2062		.. SWITCH ASSY-LIGHTED PUSH BUTTON IND ARMED/AFT SUPPLIER CODE: V96182 SPECIFICATION NUMBER: S231T290-2062 USED ON: 233N6203-9 233N6203-12 233N6203-32 FOR DETAILS SEE: 33-13-00-21	002004 006010 107107 121503 904999	1
20	851-35100-5062		.. SWITCH ASSY-LIGHTED PUSH BUTTON IND SUPPLIER CODE: V96182 OPTIONAL PART: BCREFA0527 V81590 USED ON: 233N6203-161 233N6203-163 233N6203-164 233N6203-166 233N6203-1161 233N6203-1164 233N6203-1166	002004 006010 950999	1
25	433-100-002		.. GUARD- SUPPLIER CODE: V81590 SPECIFICATION NUMBER: S231T290-821	002004 006010 107107 121503 904999	1

MISSING ITEM NUMBERS NOT APPLICABLE

- ITEM NOT ILLUSTRATED

26-23-52-02

26-23-52
FIG. 02
PAGE 18
JAN 20/09

BRI



757

PARTS CATALOG (MAINTENANCE)

FIG ITEM	PART NUMBER	1 2 3 4 5 6 7	NOMENCLATURE	EFFECT FROM TO	UNITS PER ASSY
2	30 433-100-005		.. GUARD- SUPPLIER CODE: V81590 SPECIFICATION NUMBER: S231T290-824	002004 006010 107107 121503 904999	1
	60 233N6203-6		.. BRACKET ASSY- SUPPLIER CODE: V89954	002004 006010 107107 121503 904999	1
			ATTACHING PARTS		
-	65 NAS1801-06-5		.. SCREW	002004 006010 107107 121503 904999	4
-	70 MS35338-41		.. WASHER	002004 006010 107107 121503 904999	4
			-----*-----		
	75 JANTX1N5061		... DIODE- OPTIONAL PART: JANTX1N5618	002004 006010 107107 121503 904999	2
	75 JANTX1N5618		... DIODE- OPTIONAL PART: JANTX1N5061	002004 006010 107107 121503 904999	2
	80 W260F4AM11		... RELAY SUPPLIER CODE: VF0219 SPECIFICATION NUMBER: BACR13CD2 OPTIONAL PART: BR16S233 V09026 EE4AA005 V35344 3SAV1338A2 V01526 HFW1206K03 V58614 HFW1204K01 V71482	002004 006010 107107 121503 904999	2

MISSING ITEM NUMBERS NOT APPLICABLE

- ITEM NOT ILLUSTRATED

26-23-52-02

26-23-52
FIG. 02
PAGE 19
JAN 20/09

BRI



757

PARTS CATALOG (MAINTENANCE)

FIG ITEM	PART NUMBER	1 2 3 4 5 6 7	NOMENCLATURE	EFFECT FROM TO	UNITS PER ASSY
2					
85	MS35338-40	. . .	WASHER	002004 006010 107107 121503 904999	AR
90	451120-026	. . .	SOCKET- SUPPLIER CODE: V03743	002004 006010 107107 121503 904999	2
95	4443B9	. . .	TERMINAL- SUPPLIER CODE: V88245	002004 006010 107107 121503 904999	4
100	233N3250-27	. . .	BRACKET-SPRT	002004 006010 107107 121503 904999	1

MISSING ITEM NUMBERS NOT APPLICABLE

- ITEM NOT ILLUSTRATED

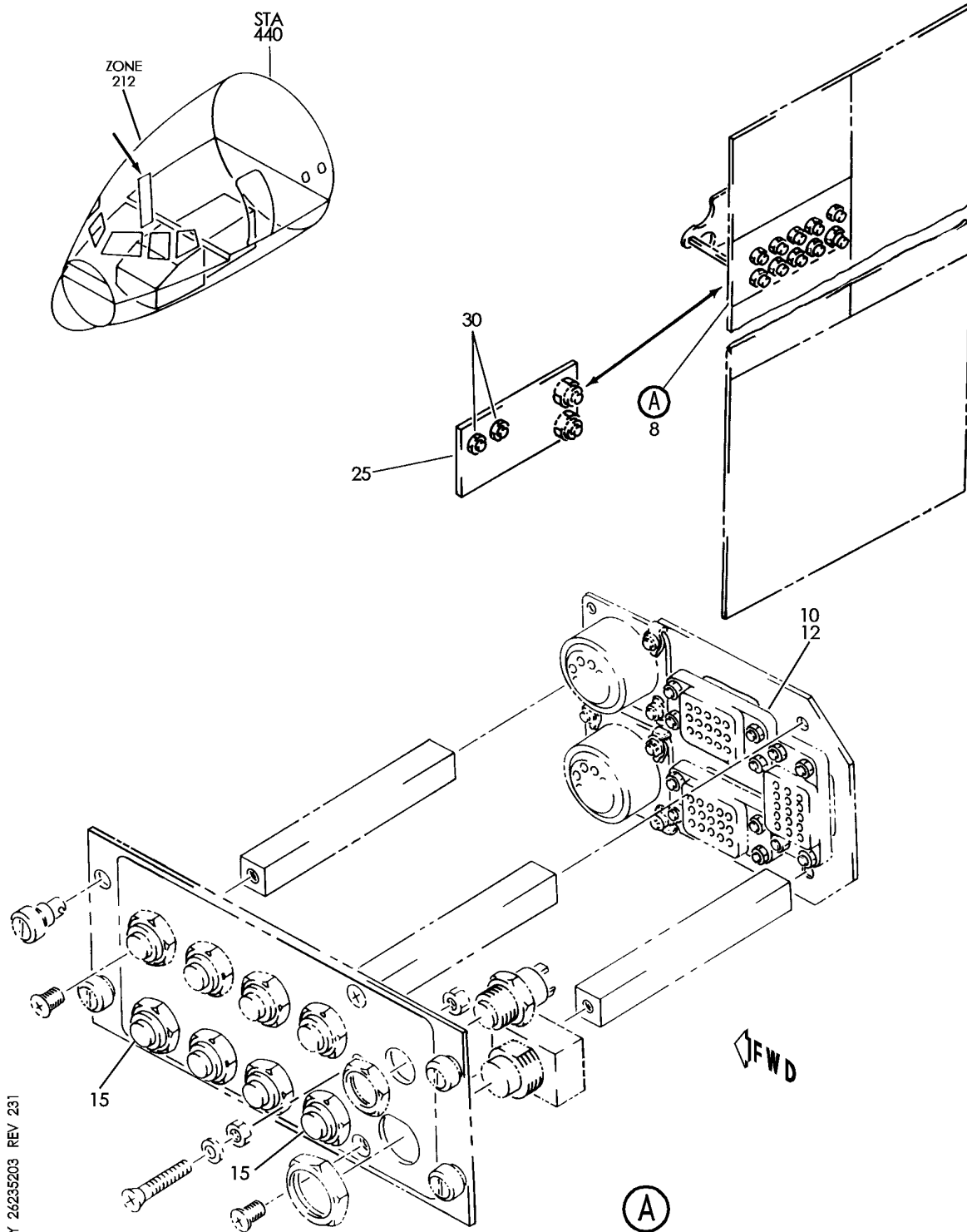
BRI

26-23-52-02

BOEING PROPRIETARY - Copyright © - Unpublished Work - See title page for details.

26-23-52
FIG. 02
PAGE 20
JAN 20/09

BOEING
757
PARTS CATALOG (MAINTENANCE)



PANEL INSTL-P61 R SIDEWALL (CARGO COMPARTMENT FIRE EXTINGUISHING ONLY)
FIGURE 3

26-23-52-03

BRI
MAY 28/07

26-23-52-03
PAGE 0



757

PARTS CATALOG (MAINTENANCE)

FIG ITEM	PART NUMBER	1 2 3 4 5 6 7	NOMENCLATURE	EFFECT FROM TO	UNITS PER ASSY
3			PANEL INSTL-P61 R SIDEWALL (CARGO COMPARTMENT FIRE EXTINGUISHING ONLY)	002004 006999	
- 1	233N7401-1		PANEL INSTL-P61 SIDEWALL (CARGO COMPARTMENT FIRE EXTINGUISHING ONLY) POSITION DATA: R VARIABLE DRAWING REF: 233N7401-5004 233N7401-5005 233N7401-5036 233N7401-5038 233N7401-5042 FOR NHA/OTHER SYS DET SEE: 25-10-00-05A	002004 006100 107107 121503 904999	RF
- 1	233N7403-158		PANEL INSTL-P61 SIDEWALL (CARGO COMPARTMENT FIRE EXTINGUISHING ONLY) POSITION DATA: R FOR NHA/OTHER SYS DET SEE: 25-10-00-15B	108120	RF
- 2	233N7403-28		PANEL INSTL-P61 SIDEWALL (CARGO COMPARTMENT FIRE EXTINGUISHING ONLY) POSITION DATA: R FOR NHA/OTHER SYS DET SEE: 25-10-00-15B	101101	RF
- 3	233N7403-117		PANEL INSTL-P61 SIDEWALL (CARGO COMPARTMENT FIRE EXTINGUISHING ONLY) POSITION DATA: R FOR NHA/OTHER SYS DET SEE: 25-10-00-15B	504903	RF
- 3	233N7403-128		PANEL INSTL-P61 SIDEWALL (CARGO COMPARTMENT FIRE EXTINGUISHING ONLY) POSITION DATA: R FOR NHA/OTHER SYS DET SEE: 25-10-00-15B	102102	RF

MISSING ITEM NUMBERS NOT APPLICABLE

- ITEM NOT ILLUSTRATED

26-23-52-03

26-23-52
FIG. 03
PAGE 1
JAN 20/09

BRI



757

PARTS CATALOG (MAINTENANCE)

FIG ITEM	PART NUMBER	1 2 3 4 5 6 7	NOMENCLATURE	EFFECT FROM TO	UNITS PER ASSY
3 - 7	MODREF33342		PANEL INSTL- (CARGO COMPARTMENT FIRE EXTINGUISHING ONLY) MODULE NUMBER: 233N7403-171 REV A FOR OTHER SYS DETAILS SEE: 11-32-01-98 21-58-51-04 22-21-51-01 23-41-52-01 24-22-73-02 26-18-53-02 26-21-52-01 26-22-52-01 27-23-51-02 28-41-51-04 29-22-52-01 30-11-52-01 30-41-51-04 31-14-16-87 31-31-04-01 31-41-53-01 31-51-51-01 34-12-54-01 34-21-51-02 34-46-51-05 34-61-53-03	103106	1
8	233N7506-1		.PANEL ASSY-SQUIB TEST SUPPLIER CODE: V89954 ELECTRICAL EQUIP NUMBER: M10401 COMPONENT MAINT MANUAL REF: 26-21-52	101120 504903	RF
10	451120-027		..SOCKET- SUPPLIER CODE: V03743	101120 504903	1
12	W460F1A		..RELAY SUPPLIER CODE: VF0219 SPECIFICATION NUMBER: BACR13CE2 OPTIONAL PART: 3SAH5-13-4K1 V01526 3SAH1326A2 V01526	101120 504903	1

MISSING ITEM NUMBERS NOT APPLICABLE

- ITEM NOT ILLUSTRATED

BRI

26-23-52-03

26-23-52
FIG. 03
PAGE 2
JAN 20/09



757

PARTS CATALOG (MAINTENANCE)

FIG ITEM	PART NUMBER	1 2 3 4 5 6 7	NOMENCLATURE	EFFECT FROM TO	UNITS PER ASSY
3 15	BCREF4858		..LIGHT ASSY-IND SUPPLIER CODE: V81590 OVERLENGTH PART NUMBER: 116-565-1042-001 FOR DETAILS SEE: 33-14-70-05	101120 504903	4

MISSING ITEM NUMBERS NOT APPLICABLE

- ITEM NOT ILLUSTRATED

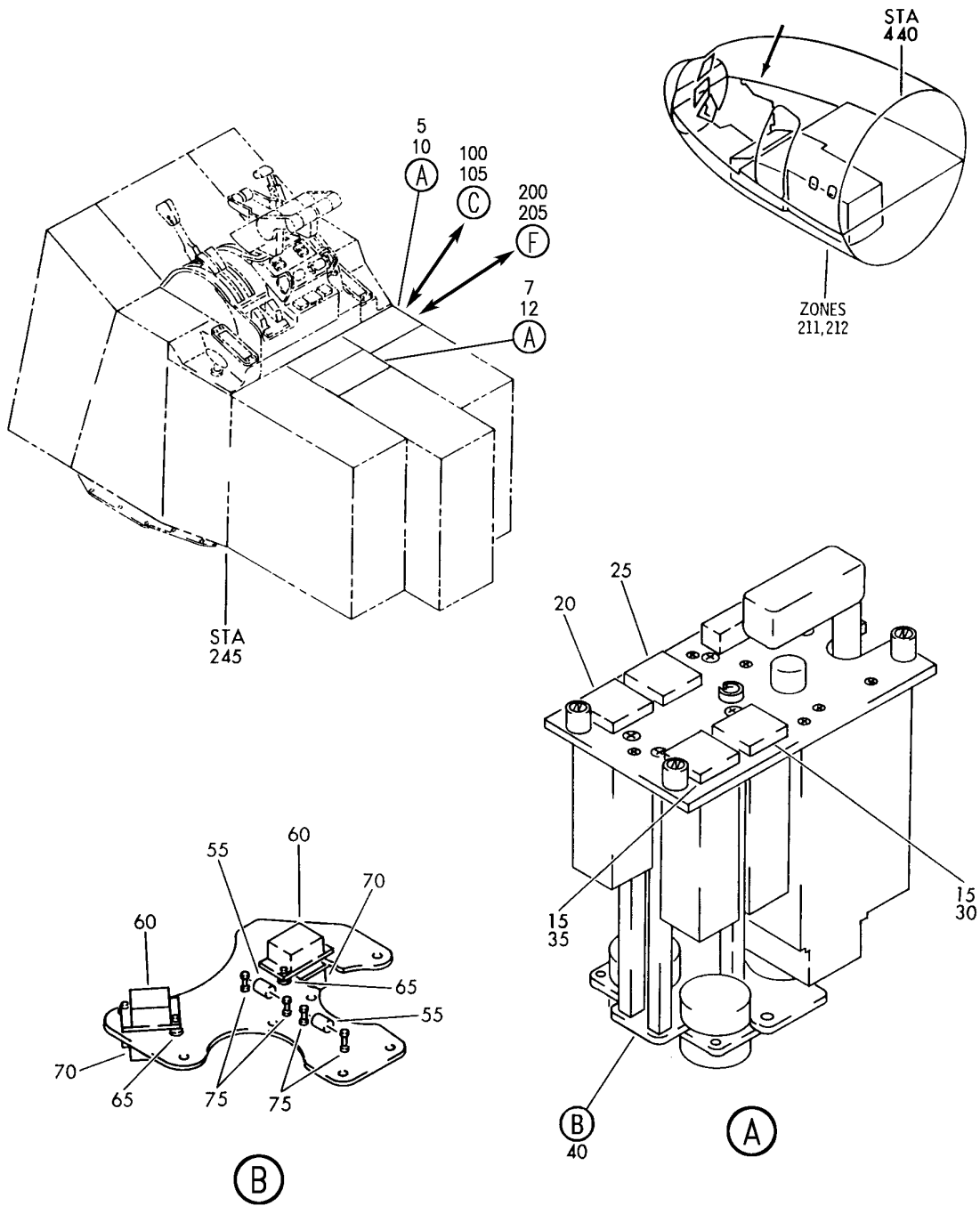
BRI

26-23-52-03

BOEING PROPRIETARY - Copyright © - Unpublished Work - See title page for details.

26-23-52
FIG. 03
PAGE 3
JAN 20/09

BOEING
757
PARTS CATALOG (MAINTENANCE)



Y 26235204 SH1 1 REV 277

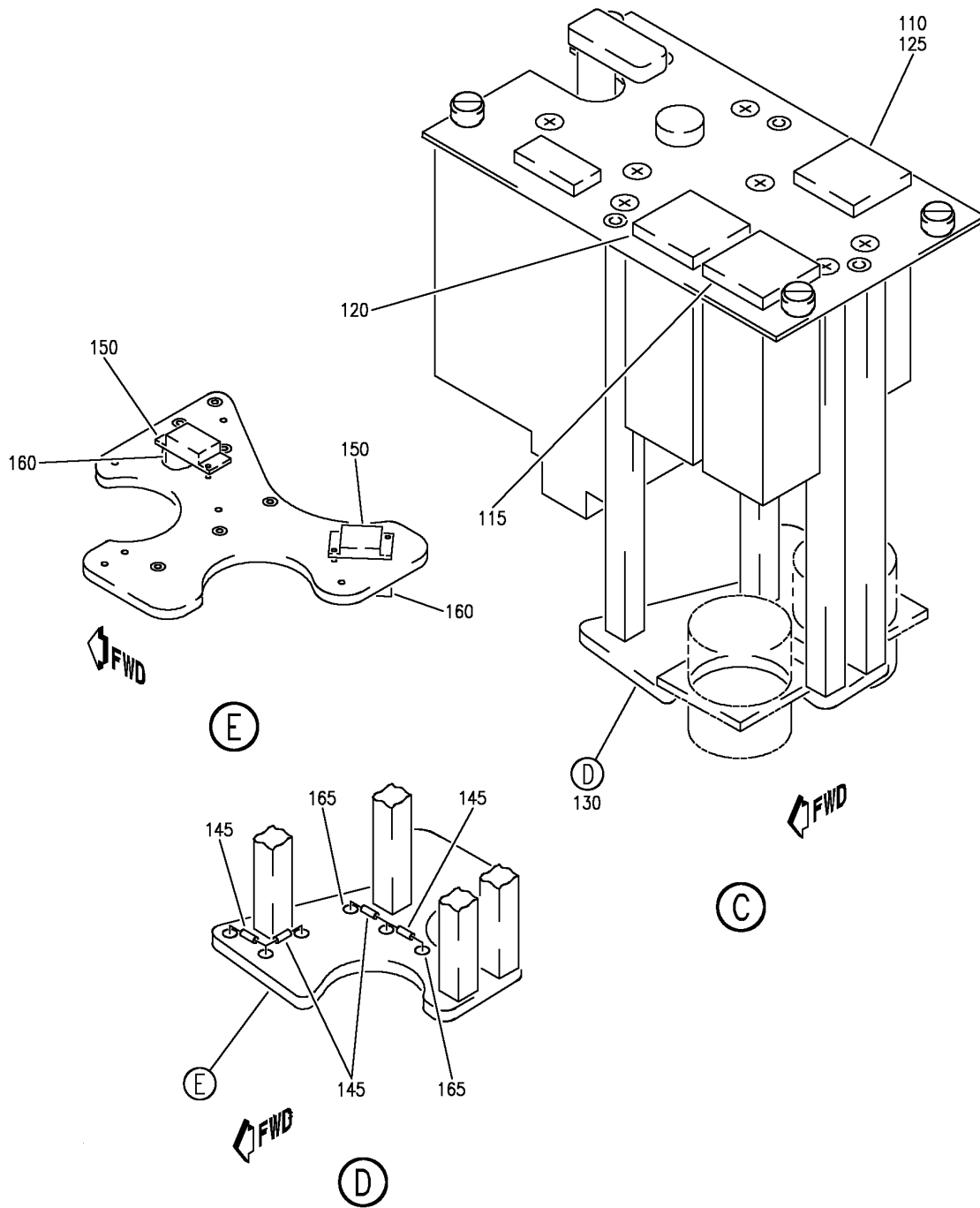
PANEL INSTL-P8 ELECTRONIC (CARGO COMPARTMENT FIRE EXTINGUISHING ONLY)
FIGURE 4 (SHEET 1)

26-23-52-04

BRI
MAY 28/07

26-23-52-04
PAGE 0

BOEING
757
PARTS CATALOG (MAINTENANCE)



Y 26235204 SH1 2 REV 262

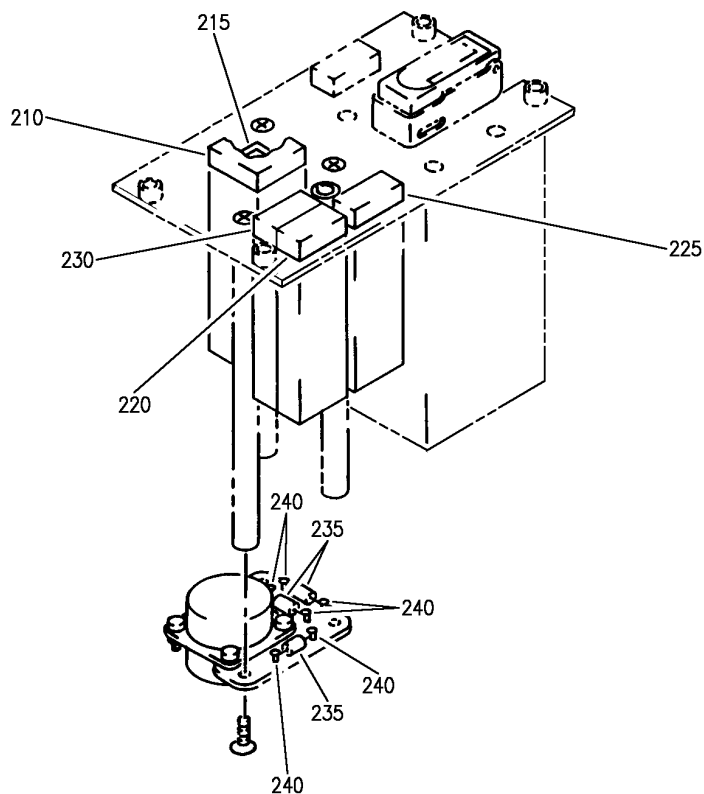
PANEL INSTL-P8 ELECTRONIC (CARGO COMPARTMENT FIRE EXTINGUISHING ONLY)
FIGURE 4 (SHEET 2)

BRI
MAY 28/07

26-23-52-04

26-23-52-04
PAGE 0A

BOEING
757
PARTS CATALOG (MAINTENANCE)



(F)

Y 26235204 SH1 3 REV 277

PANEL INSTL-P8 ELECTRONIC (CARGO COMPARTMENT FIRE EXTINGUISHING ONLY)
FIGURE 4 (SHEET 3)

26-23-52-04

BRI
MAY 28/07

26-23-52-04
PAGE 0B



757

PARTS CATALOG (MAINTENANCE)

FIG ITEM	PART NUMBER	1 2 3 4 5 6 7	NOMENCLATURE	EFFECT FROM TO	UNITS PER ASSY
4			PANEL INSTL-P8 ELECTRONIC (CARGO COMPARTMENT FIRE EXTINGUISHING ONLY)	011100	
- 1	233N6101-1		PANEL INSTL-P8 ELECTRONIC (CARGO COMPARTMENT FIRE EXTINGUISHING ONLY) VARIABLE DRAWING REF: 233N6101-5042 FOR NHA/OTHER SYS DET SEE: 25-10-00-05A	011100	RF
5	233N6203-301		.PANEL ASSY-APU/CARGO FIRE CONT SUPPLIER CODE: V89954 ELECTRICAL EQUIP NUMBER: M10444 COMPONENT MAINT MANUAL REF: 26-15-51 PRE ALERT SB: 33A0044	011100	RF
5	233N6203-1301		.PANEL ASSY-APU/CARGO FIRE CONT SUPPLIER CODE: V89954 ELECTRICAL EQUIP NUMBER: M10444 COMPONENT MAINT MANUAL REF: 26-15-51 POST ALERT SB: 33A0044	011100	RF
5	233N6203-355		.PANEL ASSY-APU/CARGO FIRE CONT SUPPLIER CODE: V89954	011100	RF

MISSING ITEM NUMBERS NOT APPLICABLE

- ITEM NOT ILLUSTRATED

BRI

26-23-52-04

BOEING PROPRIETARY - Copyright © - Unpublished Work - See title page for details.

26-23-52
FIG. 04
PAGE 1
JAN 20/09



757

PARTS CATALOG (MAINTENANCE)

FIG ITEM	PART NUMBER	1 2 3 4 5 6 7	NOMENCLATURE	EFFECT FROM TO	UNITS PER ASSY
4 10	233N6203-161		..PANEL ASSY- SUPPLIER CODE: V89954 COMPONENT MAINT MANUAL REF: 26-15-51 QUALIFIED I/W DATA: THE 233N6203-301 PANEL ASSY IS I/W THE 233N6203-161 PANEL ASSY T/W THE S233T100-573 LIGHTPLATE. 233N6203-9/-23/-45/-104/ -105/-161 ARE ALL INTERCHANGEABLE EXCEPT SUBJECT TO CUSTOMER PREFERENCE USED ON: 233N6203-301 PRE ALERT SB: 33A0044	011100	RF
10	233N6203-1161		..PANEL ASSY- SUPPLIER CODE: V89954 ELECTRICAL EQUIP NUMBER: M10444 COMPONENT MAINT MANUAL REF: 26-15-51 POST ALERT SB: 33A0044	011100	RF
10	233N6203-252		..PANEL ASSY- SUPPLIER CODE: V89954 ELECTRICAL EQUIP NUMBER: M10444 COMPONENT MAINT MANUAL REF: 26-15-51 USED ON: 233N6203-355	011100	RF

MISSING ITEM NUMBERS NOT APPLICABLE

- ITEM NOT ILLUSTRATED

26-23-52-04

26-23-52
 FIG. 04
 PAGE 2
 JAN 20/09

BRI



757

PARTS CATALOG (MAINTENANCE)

FIG ITEM	PART NUMBER	1 2 3 4 5 6 7	NOMENCLATURE	EFFECT FROM TO	UNITS PER ASSY
4 15	BCREFA0525		...SWITCH ASSY-LIGHTED PUSHBUTTON IND SUPPLIER CODE: V81590 OVERLENGTH PART NUMBER: 433-673-1004-4060 SPECIFICATION NUMBER: S231T290-4060 MISCELLANEOUS DATA: WHEN REPLACING THE PUSHBUTTON SWITCH ASSY OR THE MASTER MODULE WITHIN, VERIFY THAT A CONFIG D MASTER MODULE P/N 13202-001 IS INSTALLED IN LIEU OF ANY EARLIER CONFIGURATION MASTER MODULES. USED ON: 233N6203-161 233N6203-163 233N6203-164 233N6203-1161 233N6203-1164 REFERENCE SERVICE BULLETIN: 33A0044 REWORKED BY SB: 433-33-05 V81590 FOR DETAILS SEE: 33-13-00-41	011100	2

MISSING ITEM NUMBERS NOT APPLICABLE

- ITEM NOT ILLUSTRATED

BRI

26-23-52-04

BOEING PROPRIETARY - Copyright © - Unpublished Work - See title page for details.

26-23-52
FIG. 04
PAGE 3
JAN 20/09



757

PARTS CATALOG (MAINTENANCE)

FIG ITEM	PART NUMBER	1 2 3 4 5 6 7	NOMENCLATURE	EFFECT FROM TO	UNITS PER ASSY
4 15	BCREF10576		...SWITCH ASSY-LIGHTED PUSH BUTTON IND SUPPLIER CODE: V81590 OVERLENGTH PART NUMBER: 433-673-1004-4006 SPECIFICATION NUMBER: S231T290-4006 MISCELLANEOUS DATA: WHEN REPLACING THE PUSHBUTTON SWITCH ASSY OR THE MASTER MODULE WITHIN, VERIFY THAT A CONFIG D MASTER MODULE P/N 13203-001 IS INSTALLED IN LIEU OF ANY EARLIER CONFIGURATION MASTER MODULES. OPTIONAL PART: 851-30768-3060 V96182 851-35100-5060 V96182 USED ON: 233N6203-161 233N6203-162 233N6203-163 233N6203-164 233N6203-165 233N6203-1161 233N6203-1164 REFERENCE SERVICE BULLETIN: 33A0044 REWORKED BY SB: 433-33-05 V81590 FOR DETAILS SEE: 33-13-00-41	011100	2

MISSING ITEM NUMBERS NOT APPLICABLE

- ITEM NOT ILLUSTRATED

BRI

26-23-52-04

BOEING PROPRIETARY - Copyright © - Unpublished Work - See title page for details.

26-23-52
FIG. 04
PAGE 4
JAN 20/09



757

PARTS CATALOG (MAINTENANCE)

FIG ITEM	PART NUMBER	1 2 3 4 5 6 7	NOMENCLATURE	EFFECT FROM TO	UNITS PER ASSY
4	15 851-30768-3060		...SWITCH ASSY-LIGHTED PUSH BUTTON IND DISCH SUPPLIER CODE: V96182 SPECIFICATION NUMBER: S231T290-3060 OPTIONAL PART: BCREP10576 V81590 851-35100-5060 V96182 USED ON: 233N6203-161 233N6203-163 233N6203-164 233N6203-1161 233N6203-1164 FOR DETAILS SEE: 33-13-00-31	011100	2
	15 S231T290-5060		...SWITCH ASSY-LIGHTED PUSH BUTTON IND USED ON: 233N6203-161 233N6203-163 233N6203-164 233N6203-1161 233N6203-1164	011100	2
	15 4336731004-4206		...SWITCH ASSY-LIGHTED PUSH BUTTON IND SUPPLIER CODE: V81590 SPECIFICATION NUMBER: S231T290-4206 MISCELLANEOUS DATA: WHEN REPLACING THE PUSHBUTTON SWITCH ASSY OR THE MASTER MODULE WITHIN, VERIFY THAT A CONFIG D MASTER MODULE P/N 13203-001 IS INSTALLED IN LIEU OF ANY EARLIER CONFIGURATION MASTER MODULES. USED ON: 233N6203-252 233N6203-253	011100	2

MISSING ITEM NUMBERS NOT APPLICABLE

- ITEM NOT ILLUSTRATED

26-23-52-04

26-23-52
 FIG. 04
 PAGE 5
 JAN 20/09

BRI



757

PARTS CATALOG (MAINTENANCE)

FIG ITEM	PART NUMBER	1 2 3 4 5 6 7	NOMENCLATURE	EFFECT FROM TO	UNITS PER ASSY
4 15	851-35100-5060		...SWITCH ASSY-LIGHTED PUSHBUTTON IND SUPPLIER CODE: V96182 OPTIONAL PART: BCREF10576 V81590 851-30768-3060 V96182 USED ON: 233N6203-161 233N6203-163 233N6203-164 233N6203-1161 233N6203-1164	011100	2

MISSING ITEM NUMBERS NOT APPLICABLE

- ITEM NOT ILLUSTRATED

BRI

26-23-52-04

BOEING PROPRIETARY - Copyright © - Unpublished Work - See title page for details.

26-23-52
FIG. 04
PAGE 6
JAN 20/09



757

PARTS CATALOG (MAINTENANCE)

FIG ITEM	PART NUMBER	1 2 3 4 5 6 7 NOMENCLATURE	EFFECT FROM TO	UNITS PER ASSY
4 20	BCREFA0526	...SWITCH ASSY-LIGHTED PUSH BUTTON IND SUPPLIER CODE: V81590 OVERLENGTH PART NUMBER: 433-673-1004-4061 SPECIFICATION NUMBER: S231T290-4061 MISCELLANEOUS DATA: WHEN REPLACING THE PUSHBUTTON SWITCH ASSY OR THE MASTER MODULE WITHIN, VERIFY THAT A CONFIG D MASTER MODULE P/N 13206-001 IS INSTALLED IN LIEU OF ANY EARLIER CONFIGURATION MASTER MODULES. OPTIONAL PART: 851-35100-5061 V96182 USED ON: 233N6203-161 233N6203-162 233N6203-163 233N6203-164 233N6203-165 233N6203-1161 233N6203-1164 REFERENCE SERVICE BULLETIN: 33A0044 REWORKED BY SB: 433-33-05 V81590 FOR DETAILS SEE: 33-13-00-41	011100	1

MISSING ITEM NUMBERS NOT APPLICABLE

- ITEM NOT ILLUSTRATED

BRI

26-23-52-04

BOEING PROPRIETARY - Copyright © - Unpublished Work - See title page for details.

26-23-52
 FIG. 04
 PAGE 7
 JAN 20/09



757

PARTS CATALOG (MAINTENANCE)

FIG ITEM	PART NUMBER	1 2 3 4 5 6 7	NOMENCLATURE	EFFECT FROM TO	UNITS PER ASSY
4 20	4336731004-4261		...SWITCH ASSY-LIGHTED PUSH BUTTON IND SUPPLIER CODE: V81590 SPECIFICATION NUMBER: S231T290-4261 MISCELLANEOUS DATA: WHEN REPLACING THE PUSHBUTTON SWITCH ASSY OR THE MASTER MODULE WITHIN, VERIFY THAT A CONFIG D MASTER MODULE P/N 13203-001 IS INSTALLED IN LIEU OF ANY EARLIER CONFIGURATION MASTER MODULES. USED ON: 233N6203-252 233N6203-253	011100	1
20	851-35100-5061		...SWITCH ASSY-LIGHTED PUSHBUTTON IND SUPPLIER CODE: V96182 OPTIONAL PART: BCREFA0526 V81590 USED ON: 233N6203-161 233N6203-163 233N6203-164 233N6203-1161 233N6203-1164	011100	1

MISSING ITEM NUMBERS NOT APPLICABLE

- ITEM NOT ILLUSTRATED

BRI

26-23-52-04

BOEING PROPRIETARY - Copyright © - Unpublished Work - See title page for details.

26-23-52
FIG. 04
PAGE 8
JAN 20/09



757

PARTS CATALOG (MAINTENANCE)

FIG ITEM	PART NUMBER	1 2 3 4 5 6 7	NOMENCLATURE	EFFECT FROM TO	UNITS PER ASSY
4 25	BCREFA0527		...SWITCH ASSY-PUSH BUTTON IND SUPPLIER CODE: V81590 OVERLENGTH PART NUMBER: 433-673-1004-4062 SPECIFICATION NUMBER: S231T290-4062 MISCELLANEOUS DATA: WHEN REPLACING THE PUSHBUTTON SWITCH ASSY OR THE MASTER MODULE WITHIN, VERIFY THAT A CONFIG D MASTER MODULE P/N 13206-001 IS INSTALLED IN LIEU OF ANY EARLIER CONFIGURATION MASTER MODULES. OPTIONAL PART: S231T290-5062 851-35100-5062 V96182 USED ON: 233N6203-161 233N6203-162 233N6203-163 233N6203-164 233N6203-165 233N6203-1161 233N6203-1164 REFERENCE SERVICE BULLETIN: 33A0044 REWORKED BY SB: 433-33-05 V81590 FOR DETAILS SEE: 33-13-00-41	011100	1

MISSING ITEM NUMBERS NOT APPLICABLE

- ITEM NOT ILLUSTRATED

BRI

26-23-52-04

BOEING PROPRIETARY - Copyright © - Unpublished Work - See title page for details.

26-23-52
FIG. 04
PAGE 9
JAN 20/09



757

PARTS CATALOG (MAINTENANCE)

FIG ITEM	PART NUMBER	1 2 3 4 5 6 7	NOMENCLATURE	EFFECT FROM TO	UNITS PER ASSY
4 25	851-30768-3062		...SWITCH ASSY-LIGHTED PUSH BUTTON IND ARMED/AFT SUPPLIER CODE: V96182 SPECIFICATION NUMBER: S231T290-3062 USED ON: 233N6203-161 233N6203-162 233N6203-163 233N6203-164 233N6203-165 233N6203-1161 233N6203-1164 FOR DETAILS SEE: 33-13-00-31	011100	1
	25 S231T290-5062		...SWITCH ASSY-PUSH BUTTON IND OPTIONAL PART: BCREFA0527 V81590 USED ON: 233N6203-161 233N6203-163 233N6203-164 233N6203-1161 233N6203-1164	011100	1
	25 851-30768-2062		...SWITCH ASSY-LIGHTED PUSH BUTTON IND ARMED/AFT SUPPLIER CODE: V96182 SPECIFICATION NUMBER: S231T290-2062 USED ON: 233N6203-161 233N6203-162 233N6203-163 233N6203-164 233N6203-165 233N6203-1161 233N6203-1164 FOR DETAILS SEE: 33-13-00-21	011100	1

MISSING ITEM NUMBERS NOT APPLICABLE

- ITEM NOT ILLUSTRATED

BRI

26-23-52-04

BOEING PROPRIETARY - Copyright © - Unpublished Work - See title page for details.

26-23-52
FIG. 04
PAGE 10
JAN 20/09



757

PARTS CATALOG (MAINTENANCE)

FIG ITEM	PART NUMBER	1 2 3 4 5 6 7	NOMENCLATURE	EFFECT FROM TO	UNITS PER ASSY
4					
25	4336731004-4262	...	SWITCH ASSY-LIGHTED PUSH BUTTON IND SUPPLIER CODE: V81590 SPECIFICATION NUMBER: S231T290-4262 MISCELLANEOUS DATA: WHEN REPLACING THE PUSHBUTTON SWITCH ASSY OR THE MASTER MODULE WITHIN, VERIFY THAT A CONFIG D MASTER MODULE P/N 13203-001 IS INSTALLED IN LIEU OF ANY EARLIER CONFIGURATION MASTER MODULES. USED ON: 233N6203-252 233N6203-253	011100	1
25	851-35100-5062	...	SWITCH ASSY-LIGHTED PUSH BUTTON IND SUPPLIER CODE: V96182 OPTIONAL PART: BCREFA0527 V81590 USED ON: 233N6203-161 233N6203-163 233N6203-164 233N6203-1161 233N6203-1164	011100	1
30	433-100-002	...	GUARD- SUPPLIER CODE: V81590 SPECIFICATION NUMBER: S231T290-821	011100	1
35	433-100-005	...	GUARD- SUPPLIER CODE: V81590 SPECIFICATION NUMBER: S231T290-824	011100	1
40	233N6203-6	...	BRACKET ASSY- SUPPLIER CODE: V89954 ATTACHING PARTS	011100	1
- 45	NAS1801-06-5	...	SCREW	011100	4
- 50	MS35338-41	...	WASHER	011100	4
			-----*-----		

MISSING ITEM NUMBERS NOT APPLICABLE

- ITEM NOT ILLUSTRATED

26-23-52-04

26-23-52
FIG. 04
PAGE 11
JAN 20/09

BRI



757

PARTS CATALOG (MAINTENANCE)

FIG ITEM	PART NUMBER	1 2 3 4 5 6 7	NOMENCLATURE	EFFECT FROM TO	UNITS PER ASSY
4					
55	JANTX1N5061	DIODE- OPTIONAL PART: JANTX1N5618	011100	2
55	JANTX1N5618	DIODE- OPTIONAL PART: JANTX1N5061	011100	2
60	W260F4AM11	RELAY SUPPLIER CODE: VF0219 SPECIFICATION NUMBER: BACR13CD2 OPTIONAL PART: BR16S233 V09026 EE4AA005 V35344 3SAV1338A2 V01526 HFW1206K03 V58614 HFW1204K01 V71482	011100	2
65	MS35338-40	WASHER	011100	AR
70	451120-026	SOCKET- SUPPLIER CODE: V03743	011100	2
75	4443B9	TERMINAL- SUPPLIER CODE: V88245	011100	4

MISSING ITEM NUMBERS NOT APPLICABLE

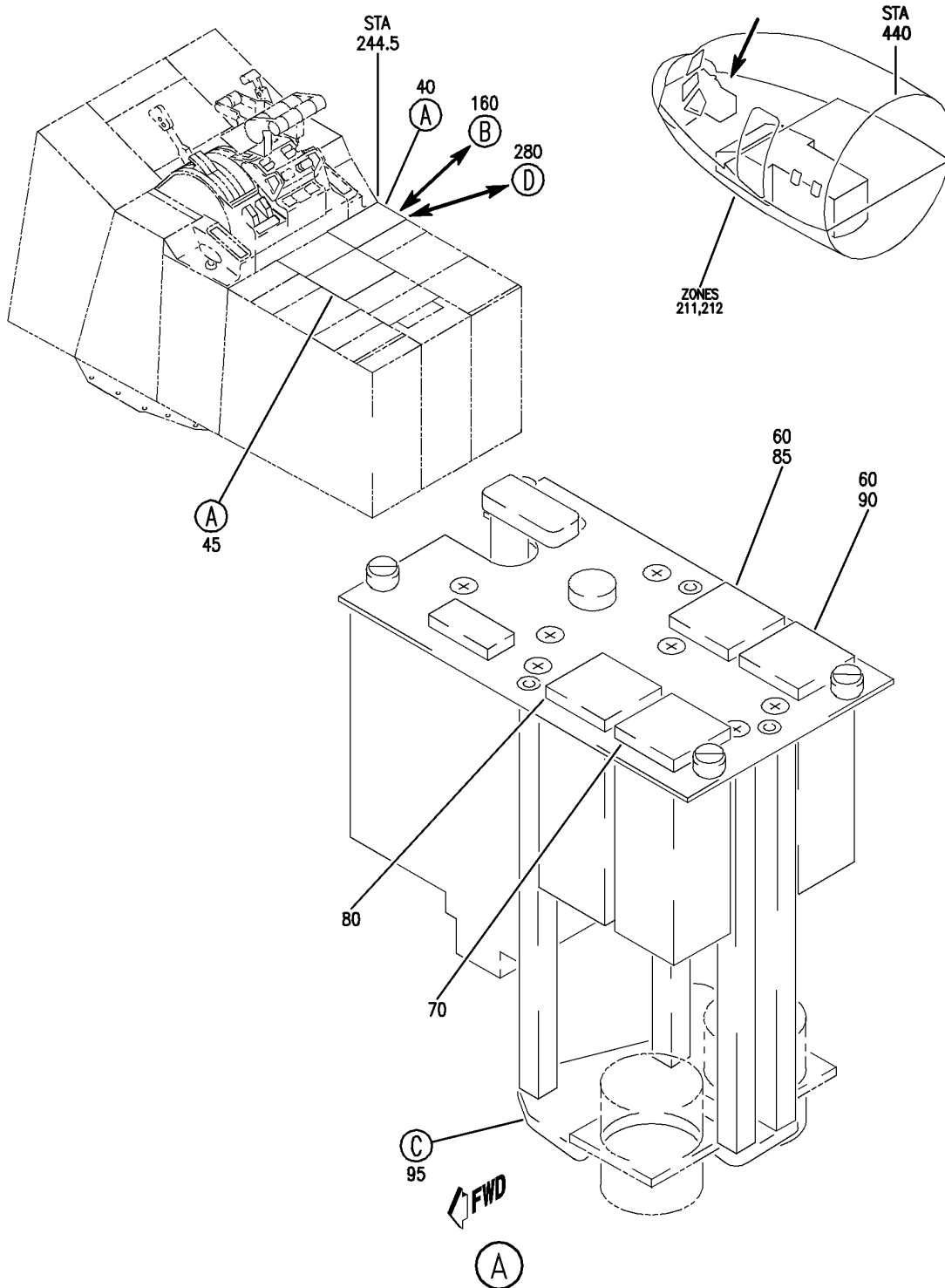
- ITEM NOT ILLUSTRATED

26-23-52-04

26-23-52
FIG. 04
PAGE 12
JAN 20/09

BRI

BOEING
757
PARTS CATALOG (MAINTENANCE)



Y 26235204A SH1 1 REV 239

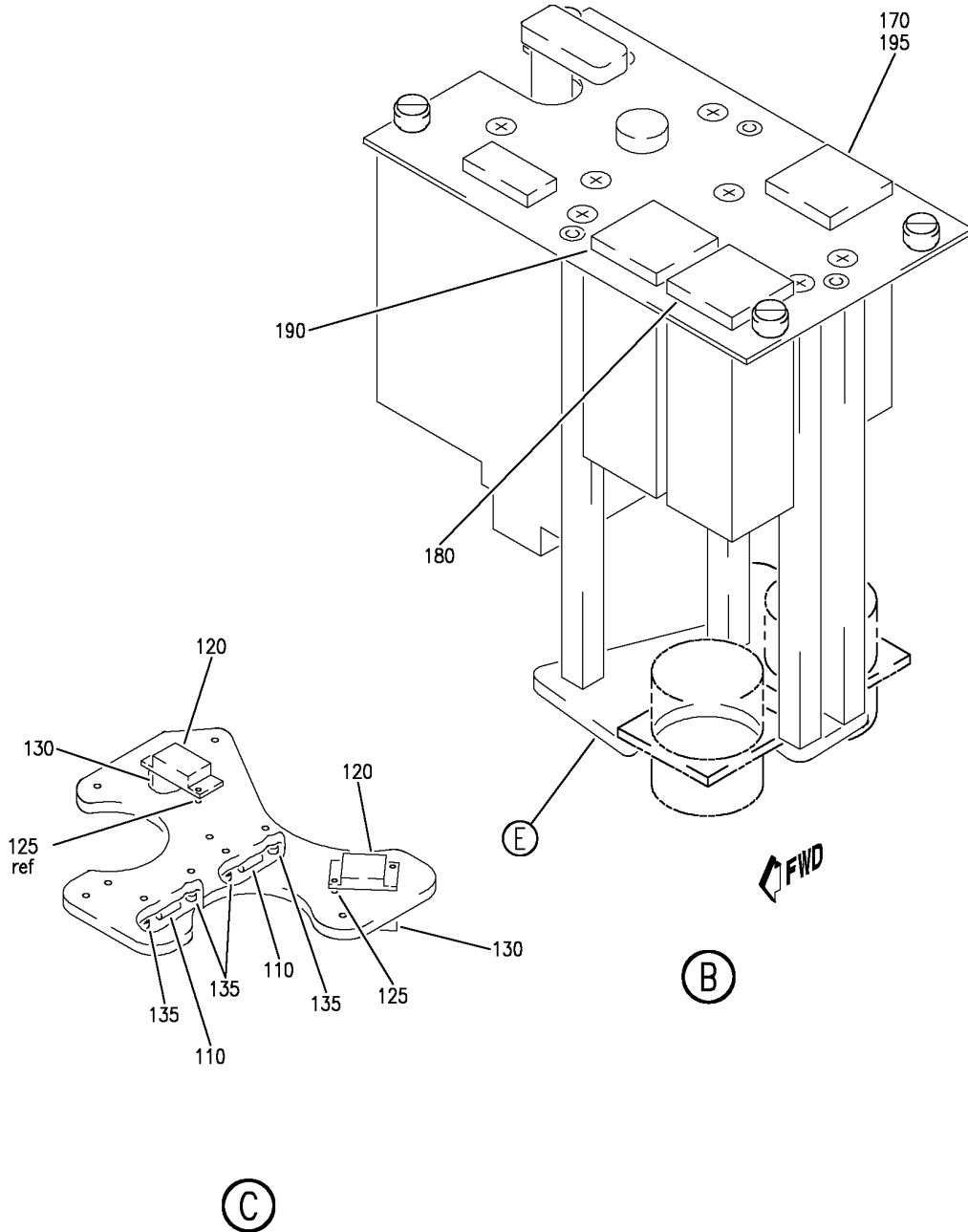
PANEL INSTL-P8 ELECTRONICS (CARGO COMPARTMENT FIRE EXTINGUISHING ONLY)
FIGURE 4A (SHEET 1)

26-23-52-04A

BRI
MAY 28/07

26-23-52-04A
PAGE 0

BOEING
757
PARTS CATALOG (MAINTENANCE)



Y 26235204A SH1 2 REV 255

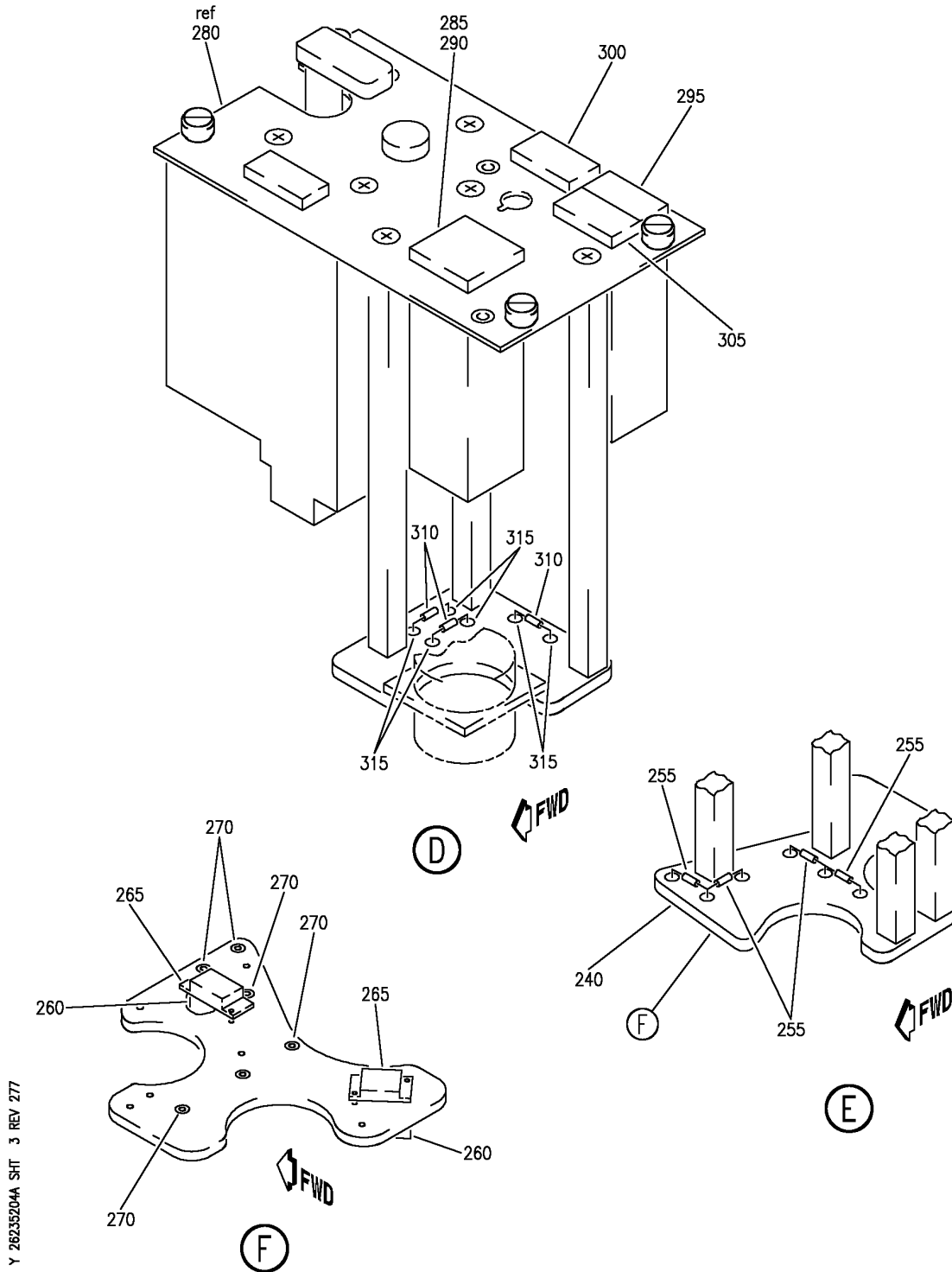
PANEL INSTL-P8 ELECTRONICS (CARGO COMPARTMENT FIRE EXTINGUISHING ONLY)
FIGURE 4A (SHEET 2)

26-23-52-04A

BRI
MAY 28/07

26-23-52-04A
PAGE 0A

BOEING
757
PARTS CATALOG (MAINTENANCE)



Y 26235204A SHT. 3 REV 277

PANEL INSTL-P8 ELECTRONICS (CARGO COMPARTMENT FIRE EXTINGUISHING ONLY)
FIGURE 4A (SHEET 3)

26-23-52-04A

BRI
MAY 28/07

26-23-52-04A
PAGE 0B



757

PARTS CATALOG (MAINTENANCE)

FIG ITEM	PART NUMBER	1 2 3 4 5 6 7	NOMENCLATURE	EFFECT FROM TO	UNITS PER ASSY
4 A			PANEL INSTL-P8 ELECTRONICS (CARGO COMPARTMENT FIRE EXTINGUISHING ONLY)	101106 108120 504903	
- 1	233N6103-28		PANEL INSTL-P8 ELECTRONICS (CARGO COMPARTMENT FIRE EXTINGUISHING ONLY) FOR NHA/OTHER SYS DET SEE: 25-10-00-15B	101101	RF
- 2	233N6103-62		PANEL INSTL-P8 ELECTRONICS (CARGO COMPARTMENT FIRE EXTINGUISHING ONLY) FOR NHA/OTHER SYS DET SEE: 25-10-00-15B	108120	RF
- 3	233N6103-122		PANEL INSTL-P8 ELECTRONICS (CARGO COMPARTMENT FIRE EXTINGUISHING ONLY) FOR NHA/OTHER SYS DET SEE: 25-10-00-15B	504903	RF
- 3	233N6103-128		PANEL INSTL-P8 ELECTRONICS (CARGO COMPARTMENT FIRE EXTINGUISHING ONLY) FOR NHA/OTHER SYS DET SEE: 25-10-00-15B	102102	RF

MISSING ITEM NUMBERS NOT APPLICABLE

- ITEM NOT ILLUSTRATED

26-23-52-04A

26-23-52
FIG. 04A
PAGE 1
JAN 20/09

BRI

BOEING PROPRIETARY - Copyright © - Unpublished Work - See title page for details.



757

PARTS CATALOG (MAINTENANCE)

FIG ITEM	PART NUMBER	1 2 3 4 5 6 7	NOMENCLATURE	EFFECT FROM TO	UNITS PER ASSY
4 A - 8	MODREF33990		PANEL INSTL-P8 ELECTRONICS (CARGO COMPARTMENT FIRE EXTINGUISHING ONLY) MODULE NUMBER: 233N6103-253 REV B FOR OTHER SYS DETAILS SEE: 11-31-05-66F 23-12-02-03 23-51-01-05 26-11-02-01 26-11-54-02A 26-12-51-03 26-17-51-06 26-21-01-02 26-22-03-03 27-11-23-03 27-21-23-03 27-28-02-01A 31-11-31-02 31-11-36-78 31-11-41-02 31-41-03-02 33-13-01-07 34-22-02-03 34-31-02-02 34-43-02-02 34-53-02-02 34-57-02-03 34-61-02-03	103106	1
- 15	233N6203-301		.PANEL ASSY-APU/CARGO FIRE CONT SUPPLIER CODE: V89954 COMPONENT MAINT MANUAL REF: 26-15-51 PRE ALERT SB: 33A0044	101102 108120	RF
- 15	233N6203-1301		.PANEL ASSY-APU/CARGO FIRE CONT SUPPLIER CODE: V89954 COMPONENT MAINT MANUAL REF: 26-15-51 POST ALERT SB: 33A0044	101102 108120	RF

MISSING ITEM NUMBERS NOT APPLICABLE

- ITEM NOT ILLUSTRATED

26-23-52-04A

26-23-52
FIG. 04A
PAGE 2
JAN 20/09

BRI



757

PARTS CATALOG (MAINTENANCE)

FIG ITEM	PART NUMBER	1 2 3 4 5 6 7	NOMENCLATURE	EFFECT FROM TO	UNITS PER ASSY
4 A					
- 15	233N6203-355		.PANEL ASSY-APU/CARGO FIRE CONT SUPPLIER CODE: V89954	101106 108120	RF
- 20	233N6203-301		.PANEL ASSY-APU/CARGO FIRE CONT SUPPLIER CODE: V89954 COMPONENT MAINT MANUAL REF: 26-15-51 PRE ALERT SB: 33A0044	504903	RF
- 20	233N6203-355		.PANEL ASSY-APU/CARGO FIRE CONT SUPPLIER CODE: V89954	504903	RF
- 20	233N6203-1301		.PANEL ASSY-APU/CARGO FIRE CONT SUPPLIER CODE: V89954 COMPONENT MAINT MANUAL REF: 26-15-51 POST ALERT SB: 33A0044	504903	RF
40	233N6203-161		..PANEL ASSY- SUPPLIER CODE: V89954 ELECTRICAL EQUIP NUMBER: M10444 COMPONENT MAINT MANUAL REF: 26-15-51 QUALIFIED I/W DATA: THE 233N6203-301 PANEL ASSY IS I/W THE 233N6203 -161 PANEL ASSY T/W THE S233T100-573 LIGHTPLATE 233N6203-9/-23/-45/-104/ -105/-161 ARE ALL INTERCHANGEABLE EXCEPT SUBJECT TO CUSTOMER PREFERENCE USED ON: 233N6203-301 PRE ALERT SB: 33A0044	101102 108120	RF

MISSING ITEM NUMBERS NOT APPLICABLE

- ITEM NOT ILLUSTRATED

26-23-52-04A

26-23-52
FIG. 04A
PAGE 3
JAN 20/09

BRI



757

PARTS CATALOG (MAINTENANCE)

FIG ITEM	PART NUMBER	1 2 3 4 5 6 7	NOMENCLATURE	EFFECT FROM TO	UNITS PER ASSY
4 A 40	233N6203-252		.. PANEL ASSY- SUPPLIER CODE: V89954 ELECTRICAL EQUIP NUMBER: M10444 COMPONENT MAINT MANUAL REF: 26-15-51 USED ON: 233N6203-355	101106 108120	RF
40	233N6203-1161		.. PANEL ASSY- SUPPLIER CODE: V89954 ELECTRICAL EQUIP NUMBER: M10444 COMPONENT MAINT MANUAL REF: 26-15-51 USED ON: 233N3203-1301 POST ALERT SB: 33A0044	101102 108120	RF
45	233N6203-161		.. PANEL ASSY- SUPPLIER CODE: V89954 ELECTRICAL EQUIP NUMBER: M10444 COMPONENT MAINT MANUAL REF: 26-15-51 QUALIFIED I/W DATA: THE 233N6203-301 PANEL ASSY IS I/W THE 233N6203 -161 PANEL ASSY T/W THE S233T100-573 LIGHTPLATE 233N6203-9/-23/-45/-104/ -105/-161 ARE ALL INTERCHANGEABLE EXCEPT SUBJECT TO CUSTOMER PREFERENCE USED ON: 233N6203-301 PRE ALERT SB: 33A0044	504903	RF

MISSING ITEM NUMBERS NOT APPLICABLE

- ITEM NOT ILLUSTRATED

26-23-52-04A

26-23-52
FIG. 04A
PAGE 4
JAN 20/09

BRI

BOEING PROPRIETARY - Copyright © - Unpublished Work - See title page for details.



757

PARTS CATALOG (MAINTENANCE)

FIG ITEM	PART NUMBER	1 2 3 4 5 6 7	NOMENCLATURE	EFFECT FROM TO	UNITS PER ASSY
4 A					
45	233N6203-252		.. PANEL ASSY- SUPPLIER CODE: V89954 ELECTRICAL EQUIP NUMBER: M10444 COMPONENT MAINT MANUAL REF: 26-15-51 USED ON: 233N6203-355	504903	RF
45	233N6203-1161		.. PANEL ASSY- SUPPLIER CODE: V89954 ELECTRICAL EQUIP NUMBER: M10444 COMPONENT MAINT MANUAL REF: 26-15-51 USED ON: 233N6203-1301 POST ALERT SB: 33A0044	504903	1
60	851-30768-3060		... SWITCH ASSY-LIGHTED PUSH BUTTON IND DISCH SUPPLIER CODE: V96182 SPECIFICATION NUMBER: S231T290-3060 OPTIONAL PART: 851-35100-5060 V96182 BCREF10576 V81590 USED ON: 233N6203-161 233N6203-163 233N6203-164 233N6203-1161 233N6203-1164 FOR DETAILS SEE: 33-13-00-31	101102 108120 504903	2
60	S231T290-5060		... SWITCH ASSY-LIGHTED PUSH BUTTON IND USED ON: 233N6203-161 233N6203-163 233N6203-164 233N6203-1161 233N6203-1164	101102 108120 504903	2

MISSING ITEM NUMBERS NOT APPLICABLE

- ITEM NOT ILLUSTRATED

26-23-52-04A

26-23-52
FIG. 04A
PAGE 5
JAN 20/09

BRI

BOEING PROPRIETARY - Copyright © - Unpublished Work - See title page for details.



757

PARTS CATALOG (MAINTENANCE)

FIG ITEM	PART NUMBER	1 2 3 4 5 6 7 NOMENCLATURE	EFFECT FROM TO	UNITS PER ASSY
4 A 60	BCREFA0525	...SWITCH ASSY-LIGHTED PUSH BUTTON IND SUPPLIER CODE: V81590 OVERLENGTH PART NUMBER: 433-673-1004-4060 SPECIFICATION NUMBER: S231T290-4060 MISCELLANEOUS DATA: WHEN REPLACING THE PUSHBUTTON SWITCH ASSY OR THE MASTER MODULE WITHIN, VERIFY THAT A CONFIG D MASTER MODULE P/N 13202-001 IS INSTALLED IN LIEU OF ANY EARLIER CONFIGURATION MASTER MODULES. USED ON: 233N6203-161 233N6203-163 233N6203-164 233N6203-1161 233N6203-1164 REFERENCE SERVICE BULLETIN: 33A0044 REWORKED BY SB: 433-33-05 V81590 FOR DETAILS SEE: 33-13-00-41	101102 108120 504903	2

MISSING ITEM NUMBERS NOT APPLICABLE

- ITEM NOT ILLUSTRATED

BRI

26-23-52-04A

BOEING PROPRIETARY - Copyright © - Unpublished Work - See title page for details.

26-23-52
FIG. 04A
PAGE 6
JAN 20/09



757

PARTS CATALOG (MAINTENANCE)

FIG ITEM	PART NUMBER	1 2 3 4 5 6 7	NOMENCLATURE	EFFECT FROM TO	UNITS PER ASSY
4 A 60	BCREF10576		...SWITCH ASSY-LIGHTED PUSH BUTTON IND SUPPLIER CODE: V81590 OVERLENGTH PART NUMBER: 433-673-1004-4006 SPECIFICATION NUMBER: S231T290-4006 MISCELLANEOUS DATA: WHEN REPLACING THE PUSHBUTTON SWITCH ASSY OR THE MASTER MODULE WITHIN, VERIFY THAT A CONFIG D MASTER MODULE P/N 13203-001 IS INSTALLED IN LIEU OF ANY EARLIER CONFIGURATION MASTER MODULES. OPTIONAL PART: 851-30768-3060 V96182 851-35100-5060 V96182 USED ON: 233N6203-161 233N6203-163 233N6203-164 233N6203-1161 233N6203-1164 REFERENCE SERVICE BULLETIN: 33A0044 REWORKED BY SB: 433-33-05 V81590 FOR DETAILS SEE: 33-13-00-41	101102 108120 504903	2

MISSING ITEM NUMBERS NOT APPLICABLE

- ITEM NOT ILLUSTRATED

BRI

26-23-52-04A

BOEING PROPRIETARY - Copyright © - Unpublished Work - See title page for details.

26-23-52
FIG. 04A
PAGE 7
JAN 20/09



757

PARTS CATALOG (MAINTENANCE)

FIG ITEM	PART NUMBER	1 2 3 4 5 6 7	NOMENCLATURE	EFFECT FROM TO	UNITS PER ASSY
4 A 60	4336731004-4206		...SWITCH ASSY-LIGHTED PUSH BUTTON IND SUPPLIER CODE: V81590 SPECIFICATION NUMBER: S231T290-4206 MISCELLANEOUS DATA: WHEN REPLACING THE PUSHBUTTON SWITCH ASSY OR THE MASTER MODULE WITHIN, VERIFY THAT A CONFIG D MASTER MODULE P/N 13203-001 IS INSTALLED IN LIEU OF ANY EARLIER CONFIGURATION MASTER MODULES. USED ON: 233N6203-252 233N6203-253	101106 108120 504903	2
60	851-35100-5060		...SWITCH ASSY-LIGHTED PUSHBUTTON IND SUPPLIER CODE: V96182 OPTIONAL PART: 851-30768-3060 V96182 BCREF10576 V81590 USED ON: 233N6203-161 233N6203-163 233N6203-164 233N6203-1161 233N6203-1164	101102 108120 504903	2

MISSING ITEM NUMBERS NOT APPLICABLE

- ITEM NOT ILLUSTRATED

BRI

26-23-52-04A

BOEING PROPRIETARY - Copyright © - Unpublished Work - See title page for details.

26-23-52
FIG. 04A
PAGE 8
JAN 20/09



757

PARTS CATALOG (MAINTENANCE)

FIG ITEM	PART NUMBER	1 2 3 4 5 6 7	NOMENCLATURE	EFFECT FROM TO	UNITS PER ASSY
4 A 70	BCREFA0526		...SWITCH ASSY-PUSH BUTTON IND SUPPLIER CODE: V81590 OVERLENGTH PART NUMBER: 433-673-1004-4061 SPECIFICATION NUMBER: S231T290-4061 MISCELLANEOUS DATA: WHEN REPLACING THE PUSHBUTTON SWITCH ASSY OR THE MASTER MODULE WITHIN, VERIFY THAT A CONFIG D MASTER MODULE P/N 13206-001 IS INSTALLED IN LIEU OF ANY EARLIER CONFIGURATION MASTER MODULES. OPTIONAL PART: 851-35100-5061 V96182 S231T290-5061 USED ON: 233N6203-161 233N6203-163 233N6203-164 233N6203-1161 233N6203-1164 REFERENCE SERVICE BULLETIN: 33A0044 REWORKED BY SB: 433-33-05 V81590 FOR DETAILS SEE: 33-13-00-41	101102 108120 504903	1
70	851-30768-2061		...SWITCH ASSY-LIGHTED PUSH BUTTON IND ARMED/FWD SUPPLIER CODE: V96182 SPECIFICATION NUMBER: S231T290-2061 USED ON: 233N6203-161 233N6203-163 233N6203-164 233N6203-1161 233N6203-1164 FOR DETAILS SEE: 33-13-00-21	101102 108120 504903	1

MISSING ITEM NUMBERS NOT APPLICABLE

- ITEM NOT ILLUSTRATED

26-23-52-04A

26-23-52
FIG. 04A
PAGE 9
JAN 20/09

BRI



757

PARTS CATALOG (MAINTENANCE)

FIG ITEM	PART NUMBER	1 2 3 4 5 6 7	NOMENCLATURE	EFFECT FROM TO	UNITS PER ASSY
4 A 70	851-30768-3061		...SWITCH ASSY-LIGHTED PUSH BUTTON IND ARMED/FWD SUPPLIER CODE: V96182 SPECIFICATION NUMBER: S231T290-3061 USED ON: 233N6203-161 233N6203-163 233N6203-164 233N6203-1161 233N6203-1164 FOR DETAILS SEE: 33-13-00-31	101102 108120 504903	1
70	S231T290-5061		...SWITCH ASSY-LIGHTED PUSH BUTTON IND OPTIONAL PART: BCREFA0526 V81590 851-35100-5061 V96182 USED ON: 233N6203-161 233N6203-163 233N6203-164 233N6203-1161 233N6203-1164	101102 108120 504903	1
70	4336731004-4261		...SWITCH ASSY-LIGHTED PUSH BUTTON IND SUPPLIER CODE: V81590 SPECIFICATION NUMBER: S231T290-4261 MISCELLANEOUS DATA: WHEN REPLACING THE PUSHBUTTON SWITCH ASSY OR THE MASTER MODULE WITHIN, VERIFY THAT A CONFIG D MASTER MODULE P/N 13203-001 IS INSTALLED IN LIEU OF ANY EARLIER CONFIGURATION MASTER MODULES. USED ON: 233N6203-252 233N6203-253	101106 108120 504903	1

MISSING ITEM NUMBERS NOT APPLICABLE

- ITEM NOT ILLUSTRATED

26-23-52-04A

26-23-52
FIG. 04A
PAGE 10
JAN 20/09

BRI



757

PARTS CATALOG (MAINTENANCE)

FIG ITEM	PART NUMBER	1 2 3 4 5 6 7	NOMENCLATURE	EFFECT FROM TO	UNITS PER ASSY
4 A 70	851-35100-5061		...SWITCH ASSY-LIGHTED PUSHBUTTON IND SUPPLIER CODE: V96182 OPTIONAL PART: BCREFA0526 V81590 S231T290-5061 V81590 USED ON: 233N6203-161 233N6203-163 233N6203-164 233N6203-1161 233N6203-1164	101102 108120 504903	1

MISSING ITEM NUMBERS NOT APPLICABLE

- ITEM NOT ILLUSTRATED

BRI

26-23-52-04A

BOEING PROPRIETARY - Copyright © - Unpublished Work - See title page for details.

26-23-52
FIG. 04A
PAGE 11
JAN 20/09



757

PARTS CATALOG (MAINTENANCE)

FIG ITEM	PART NUMBER	1 2 3 4 5 6 7	NOMENCLATURE	EFFECT FROM TO	UNITS PER ASSY
4 A 80	BCREFA0527		...SWITCH ASSY-PUSH BUTTON IND SUPPLIER CODE: V81590 OVERLENGTH PART NUMBER: 433-673-1004-4062 SPECIFICATION NUMBER: S231T290-4062 MISCELLANEOUS DATA: WHEN REPLACING THE PUSHBUTTON SWITCH ASSY OR THE MASTER MODULE WITHIN, VERIFY THAT A CONFIG D MASTER MODULE P/N 13206-001 IS INSTALLED IN LIEU OF ANY EARLIER CONFIGURATION MASTER MODULES. OPTIONAL PART: 851-35100-5062 V96182 S231T290-5062 USED ON: 233N6203-161 233N6203-163 233N6203-164 233N6203-1161 233N6203-1164 REFERENCE SERVICE BULLETIN: 33A0044 REWORKED BY SB: 433-33-05 V81590 FOR DETAILS SEE: 33-13-00-41	101102 108120 504903	1
80	851-30768-2062		...SWITCH ASSY-LIGHTED PUSH BUTTON IND ARMED/AFT SUPPLIER CODE: V96182 SPECIFICATION NUMBER: S231T290-2062 USED ON: 233N6203-161 233N6203-163 233N6203-164 233N6203-1161 233N6203-1164 FOR DETAILS SEE: 33-13-00-21	101102 108120 504903	1

MISSING ITEM NUMBERS NOT APPLICABLE

- ITEM NOT ILLUSTRATED

26-23-52-04A

26-23-52
FIG. 04A
PAGE 12
JAN 20/09

BRI



757

PARTS CATALOG (MAINTENANCE)

FIG ITEM	PART NUMBER	1 2 3 4 5 6 7	NOMENCLATURE	EFFECT FROM TO	UNITS PER ASSY
4 A 80	851-30768-3062		...SWITCH ASSY-LIGHTED PUSH BUTTON IND ARMED/AFT SUPPLIER CODE: V96182 SPECIFICATION NUMBER: S231T290-3062 USED ON: 233N6203-161 233N6203-163 233N6203-164 233N6203-1161 233N6203-1164 FOR DETAILS SEE: 33-13-00-31	101102 108120 504903	1
80	S231T290-5062		...SWITCH ASSY-PUSH BUTTON IND OPTIONAL PART: 851-35100-5062 V96182 BCREFA0527 V81590 USED ON: 233N6203-161 233N6203-163 233N6203-164 233N6203-1161 233N6203-1164	101102 108120 504903	1
80	4336731004-4262		...SWITCH ASSY-LIGHTED PUSH BUTTON IND SUPPLIER CODE: V81590 SPECIFICATION NUMBER: S231T290-4262 MISCELLANEOUS DATA: WHEN REPLACING THE PUSHBUTTON SWITCH ASSY OR THE MASTER MODULE WITHIN, VERIFY THAT A CONFIG D MASTER MODULE P/N 13203-001 IS INSTALLED IN LIEU OF ANY EARLIER CONFIGURATION MASTER MODULES. USED ON: 233N6203-252 233N6203-253	101106 108120 504903	1

MISSING ITEM NUMBERS NOT APPLICABLE

- ITEM NOT ILLUSTRATED

26-23-52-04A

26-23-52
FIG. 04A
PAGE 13
JAN 20/09

BRI



757

PARTS CATALOG (MAINTENANCE)

FIG ITEM	PART NUMBER	1 2 3 4 5 6 7	NOMENCLATURE	EFFECT FROM TO	UNITS PER ASSY
4 A					
80	851-35100-5062	...	SWITCH ASSY-LIGHTED PUSH BUTTON IND SUPPLIER CODE: V96182 OPTIONAL PART: S231T290-5062 BCREFA0527 V81590 USED ON: 233N6203-161 233N6203-164 233N6203-1161 233N6203-1164	101102 108120 504903	1
85	433-100-002	...	GUARD- SUPPLIER CODE: V81590 SPECIFICATION NUMBER: S231T290-821	101106 108120 504903	1
90	433-100-005	...	GUARD- SUPPLIER CODE: V81590 SPECIFICATION NUMBER: S231T290-824	101106 108120 504903	1
95	233N6203-6	...	BRACKET ASSY- SUPPLIER CODE: V89954 ATTACHING PARTS	101106 108120 504903	1
- 100	NAS1801-06-5	...	SCREW- OPTIONAL PART: BACS12HN06-5	101106 108120 504903	4
- 100	BACS12HN06-5	...	SCREW- OPTIONAL PART: NAS1801-06-5	103106	4
- 105	MS35338-41	...	WASHER-	101102 108120 504903	4
- 105	BACW10EC06S	...	WASHER- -----*-----	103106	4
110	JANTX1N5061	DIODE- OPTIONAL PART: JANTX1N5618	101106 108120 504903	2
110	JANTX1N5618	DIODE- OPTIONAL PART: JANTX1N5061	101106 108120 504903	2

MISSING ITEM NUMBERS NOT APPLICABLE

- ITEM NOT ILLUSTRATED

26-23-52-04A

26-23-52
FIG. 04A
PAGE 14
JAN 20/09

BRI

BOEING PROPRIETARY - Copyright © - Unpublished Work - See title page for details.



757

PARTS CATALOG (MAINTENANCE)

FIG ITEM	PART NUMBER	1 2 3 4 5 6 7	NOMENCLATURE	EFFECT FROM TO	UNITS PER ASSY
4 A 120	W260F4AM11	RELAY SUPPLIER CODE: VF0219 SPECIFICATION NUMBER: BACR13CD2 OPTIONAL PART: BR16S233 V09026 EE4AA005 V35344 3SAV1338A2 V01526 HFW1206K03 V58614 HFW1204K01 V71482	101106 108120 504903	2
125	MS35338-40	WASHER	101106 108120 504903	AR
130	451120-026	SOCKET- SUPPLIER CODE: V03743	101106 108120 504903	2
135	44443B9	SOCKET- SUPPLIER CODE: V88245	101106 108120 504903	4

MISSING ITEM NUMBERS NOT APPLICABLE

- ITEM NOT ILLUSTRATED

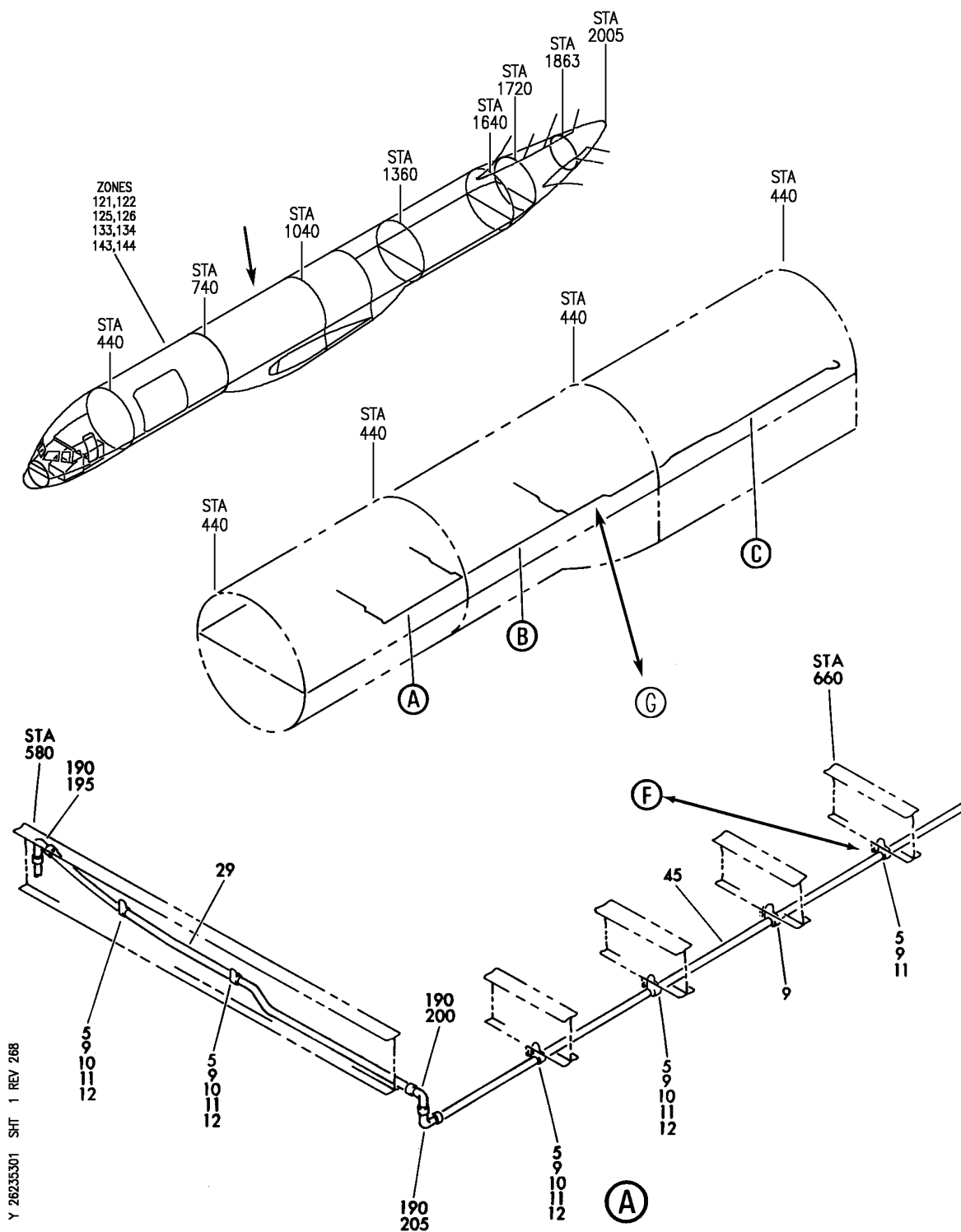
BRI

26-23-52-04A

BOEING PROPRIETARY - Copyright © - Unpublished Work - See title page for details.

26-23-52
FIG. 04A
PAGE 15
JAN 20/09

BOEING
757
PARTS CATALOG (MAINTENANCE)



Y 26235301 SHT 1 REV 268

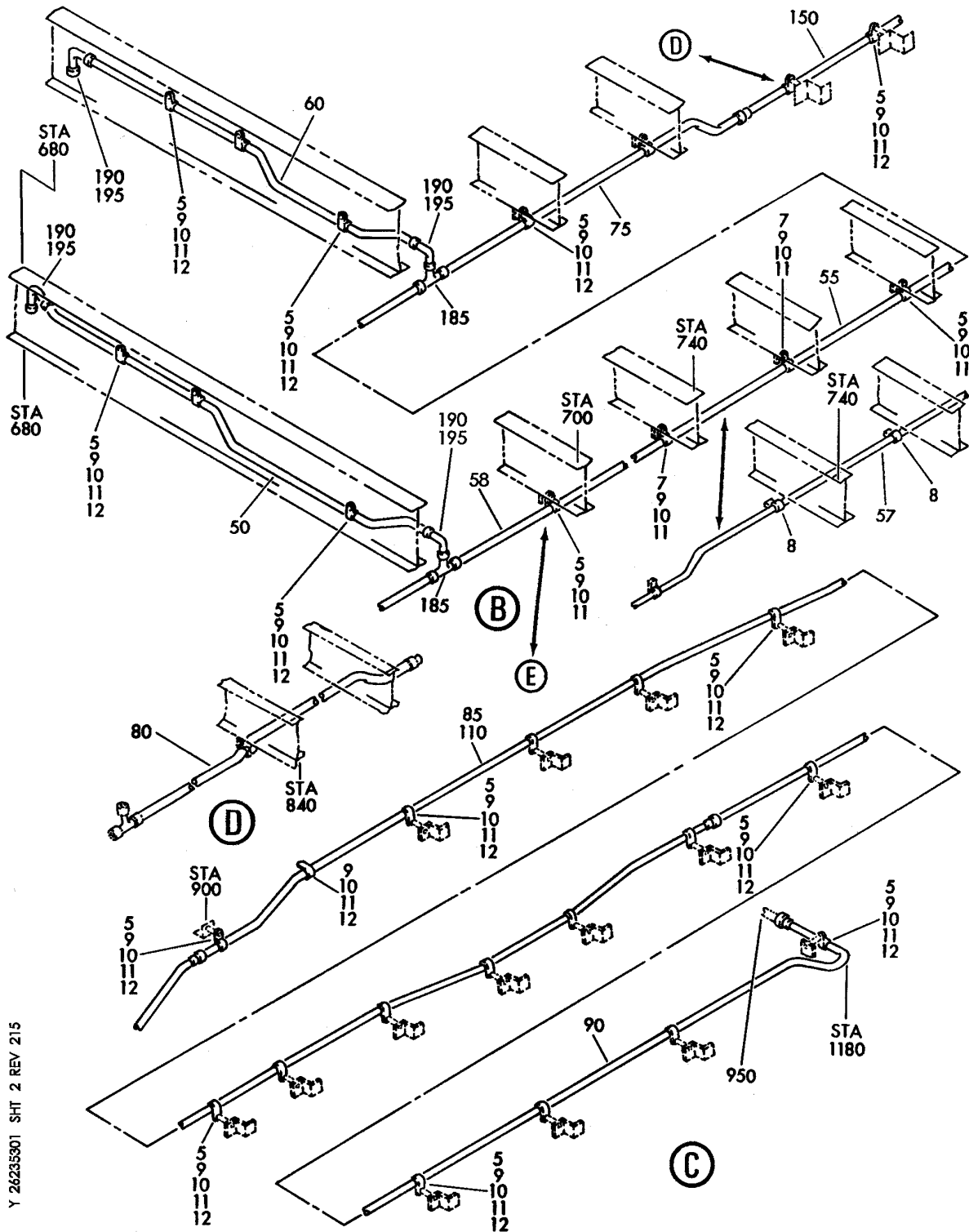
TUBING INSTL-FWD CARGO COMPT FIRE EXTINGUISHING
FIGURE 1 (SHEET 1)

26-23-53-01

BRI
MAY 28/07

26-23-53-01
PAGE 0

BOEING
757
PARTS CATALOG (MAINTENANCE)



Y 26235301 SHT 2 REV 215

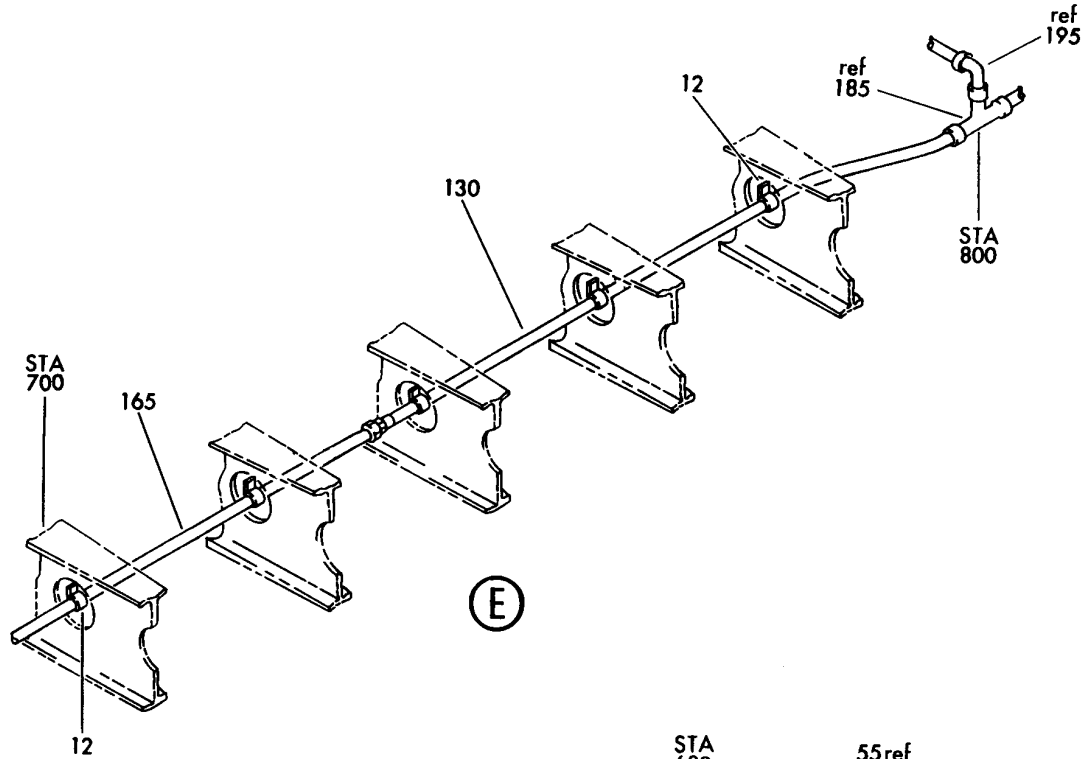
TUBING INSTL-FWD CARGO COMPT FIRE EXTINGUISHING
FIGURE 1 (SHEET 2)

26-23-53-01

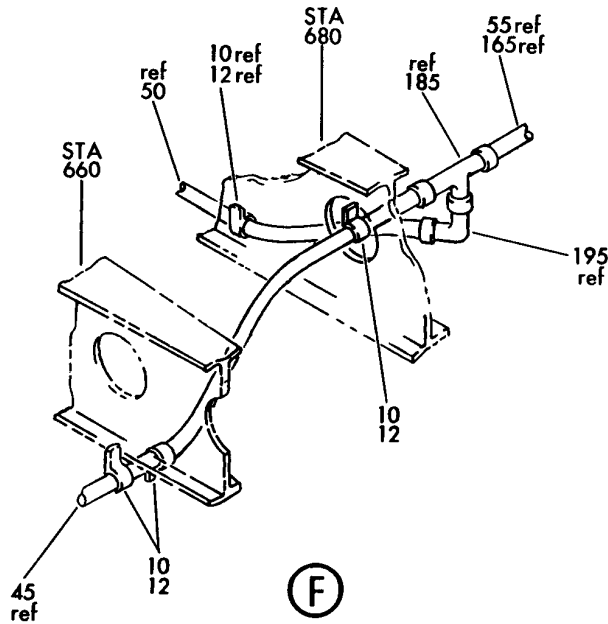
BRI
MAY 28/07

26-23-53-01
PAGE 0A

BOEING
757
PARTS CATALOG (MAINTENANCE)



(E)



(F)

Y 26235301 SHT 3 REV 155

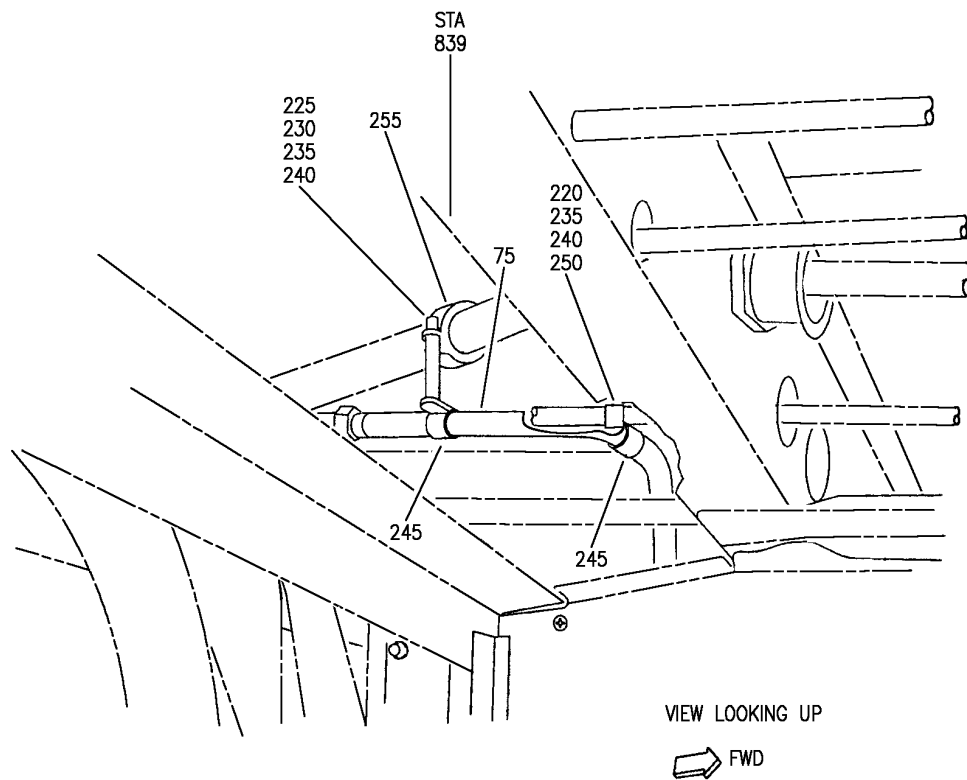
TUBING INSTL-FWD CARGO COMPT FIRE EXTINGUISHING
FIGURE 1 (SHEET 3)

26-23-53-01

BRI
MAY 28/07

26-23-53-01
PAGE 0B

BOEING
757
PARTS CATALOG (MAINTENANCE)



G

Y 26235301 SH1 4 REV 268

TUBING INSTL-FWD CARGO COMPT FIRE EXTINGUISHING
FIGURE 1 (SHEET 4)

26-23-53-01

BRI
MAY 28/07

26-23-53-01
PAGE 0C



757

PARTS CATALOG (MAINTENANCE)

FIG ITEM	PART NUMBER	1 2 3 4 5 6 7	NOMENCLATURE	EFFECT FROM TO	UNITS PER ASSY
1			TUBING INSTL-FWD CARGO COMPT FIRE EXTINGUISHING	002004 006100 107107 121503 904999	
- 1	453N2140-1		TUBING INSTL-FIRE EXTINGUISHING POSITION DATA: FWD CARGO COMPT FOR NHA SEE: 21-00-00-04	107107 904949	RF
- 1	453N2140-5		TUBING INSTL-FIRE EXTINGUISHING POSITION DATA: FWD CARGO COMPT FOR NHA SEE: 21-00-00-04	002004 006100 121503	RF
- 1	453N2140-6		TUBING INSTL-FIRE EXTINGUISHING POSITION DATA: FWD CARGO COMPT FOR NHA SEE: 21-00-00-04	950999	RF
5	BACC10DK10		.CLAMP	107107 904949	33
7	BACC10DK10		.CLAMP	107107 904949	2
9	BACC10DK10		.CLAMP	002004 006100 121503 950999	37
10	BACC10DK10		.CLAMP ATTACHING PARTS	950999	38
- 13	NAS1801-3		.SCREW- SIZE DETERMINED ON INSTL.	107107 904949	35
- 14	BACS12GU3K		.SCREW- SIZE DETERMINED ON INSTL.	002004 006100 121503 950999	37
- 15	BACS12GU3K		.SCREW- SIZE DETERMINED ON INSTL.	950999	38
- 18	AN960KD10L		.WASHER	107107 904949	35
- 19	NAS1149D0316H		.WASHER	002004 006100 121503 950999	37
- 20	NAS1149D0316H		.WASHER	950999	38

MISSING ITEM NUMBERS NOT APPLICABLE

- ITEM NOT ILLUSTRATED

26-23-53-01

26-23-53
FIG. 01
PAGE 1
JAN 20/09

BRI



757

PARTS CATALOG (MAINTENANCE)

FIG ITEM	PART NUMBER	1 2 3 4 5 6 7	NOMENCLATURE	EFFECT FROM TO	UNITS PER ASSY
1					
- 23	BRH10A3	.NUT	SUPPLIER CODE: V52828 SPECIFICATION NUMBER: BACN10JC3 OPTIONAL PART: H10-3BAC V15653 NS202101-02 V80539 RMLH9075-3W V72962 VN303A02 V92215 96-02 V80539 T6S1032J V11815	107107 904949	35
- 24	MS21042L3	.NUT		002004 006100 121503 950999	37
- 25	MS21042L3	.NUT		950999	38
			-----*-----		
	29 453N2602-13	.TUBE ASSY-	TUBING MATERIAL: .625 IN. OD .020 IN. WALL 67.00 IN. LG AL	107107 904949	1
	29 453N2602-115	.TUBE ASSY-	TUBING MATERIAL: .625 IN. OD .020 IN. 65.00 IN. LG AL	002004 006100 121503 950999	1
- 30	AP2097H10	..SLEEVE-	SUPPLIER CODE: V01673 SPECIFICATION NUMBER: BACS13BX10H OPTIONAL PART: 2-02903-10H V11328 35235V10 V08199 AFP175V10 V30974 DBOS13BX10H V14798	107107 904949	1

MISSING ITEM NUMBERS NOT APPLICABLE

- ITEM NOT ILLUSTRATED

26-23-53-01

26-23-53
FIG. 01
PAGE 2
JAN 20/09

BRI



757

PARTS CATALOG (MAINTENANCE)

FIG ITEM	PART NUMBER	1 2 3 4 5 6 7	NOMENCLATURE	EFFECT FROM TO	UNITS PER ASSY
1					
- 30	AP2097HP10	..	SLEEVE- SUPPLIER CODE: V01673 SPECIFICATION NUMBER: BACS13BX10HP OPTIONAL PART: 2-02903-10HP V11328 35235VN10 V08199 AFP175V10P V30974 DBOS13BX10HP V14798	002004 006100 121503 950999	1
- 35	BACN10YL10	..	NUT-	002004 006100 121503 950999	1
- 35	MS21921-10D	..	NUT-	107107 904949	1
- 40	35056GV10	..	UNION SUPPLIER CODE: V08199 SPECIFICATION NUMBER: BACU24AB10W OPTIONAL PART: 4671097W10 V50948 2-01027-10W V11328 31875-10W V14397 AP1004W10 V01673 AFP941W10 V30974 DBOU24AB10W V14798	002004 006100 107107 121503 904999	1
45	453N2602-1	.TUBE ASSY-	TUBING MATERIAL: .625 IN.OD.020 IN. WALL 97.93 IN. LG AL	107107 904949	1
45	453N2602-111	.TUBE ASSY-	TUBING MATERIAL: .625 IN.OD.020 IN. 98.00 IN.LG AL	002004 006100 121503	1

MISSING ITEM NUMBERS NOT APPLICABLE

- ITEM NOT ILLUSTRATED

26-23-53-01

26-23-53
FIG. 01
PAGE 3
JAN 20/09

BRI



757

PARTS CATALOG (MAINTENANCE)

FIG ITEM	PART NUMBER	1 2 3 4 5 6 7	NOMENCLATURE	EFFECT FROM TO	UNITS PER ASSY
1					
45	453N2602-133		.TUBE ASSY- TUBING MATERIAL: .625 IN.O.D.020 IN. WALL 104.00IN.LG AL	950999	1
50	453N2602-2		.TUBE ASSY- TUBING MATERIAL: .625 IN OD.020 IN. 66.00 IN.LG AL	107107 904949	1
50	453N2602-119		.TUBE ASSY- TUBING MATERIAL: .625 IN.O.D.020 IN. 65.00 IN.LG AL	002004 006100 121503	1
50	453N2602-134		.TUBE ASSY- TUBING MATERIAL: .625 IN.O.D.020 IN. WALL 63.00 IN.LG AL	950999	1
55	453N2602-3		.TUBE ASSY- TUBING MATERIAL: .625 IN.O.D.020 IN. WALL 116.90 IN.LG AL	107107 904949	1
55	453N2602-121		.TUBE ASSY- TUBING MATERIAL: .625 IN.O.D.020 IN. WALL 116.90 IN.LG AL	002004 006100 121503	1
55	453N2602-136		.TUBE ASSY- TUBING MATERIAL: .625 IN.O.D.020 IN. WALL 121.00 IN.LG AL	950999	1
60	453N2602-4		.TUBE ASSY- TUBING MATERIAL: .625 IN.O.D.020 IN. WALL 66.25 IN.LG AL	107107 904949	1
60	453N2602-122		.TUBE ASSY- TUBING MATERIAL: .625 IN.O.D.020 IN. WALL 69.25 IN.LG AL	002004 006100 121503 950999	1

MISSING ITEM NUMBERS NOT APPLICABLE

- ITEM NOT ILLUSTRATED

BRI

26-23-53-01

26-23-53
FIG. 01
PAGE 4
JAN 20/09



757

PARTS CATALOG (MAINTENANCE)

FIG ITEM	PART NUMBER	1 2 3 4 5 6 7	NOMENCLATURE	EFFECT FROM TO	UNITS PER ASSY
1					
- 65	AP2097H10		.. SLEEVE- SUPPLIER CODE: V01673 SPECIFICATION NUMBER: BACS13BX10H OPTIONAL PART: 2-02903-10H V11328 35235V10 V08199 AFP175V10 V30974 DBOS13BX10H V14798 USED ON: 453N2602-1 453N2602-2 453N2602-3 453N2602-4 453N2602-77 453N2602-79 453N2602-81 453N2602-83	107107 904949	2
- 65	AP2097HP10		.. SLEEVE- SUPPLIER CODE: V01673 SPECIFICATION NUMBER: BACS13BX10HP OPTIONAL PART: 2-02903-10HP V11328 35235VN10 V08199 AFP175V10P V30974 DBOS13BX10HP V14798 USED ON: 453N2602-111 453N2602-119 453N2602-121 453N2602-122 453N2602-133 453N2602-134 453N2602-136 453N2602-137	002004 006100 121503 950999	2

MISSING ITEM NUMBERS NOT APPLICABLE

- ITEM NOT ILLUSTRATED

26-23-53-01

26-23-53
FIG. 01
PAGE 5
JAN 20/09

BRI



757

PARTS CATALOG (MAINTENANCE)

FIG ITEM	PART NUMBER	1 2 3 4 5 6 7	NOMENCLATURE	EFFECT FROM TO	UNITS PER ASSY
1					
- 70	MS21921-10D	..	NUT- USED ON: 453N2602-1 453N2602-2 453N2602-3 453N2602-77 453N2602-79 453N2602-81 453N2602-83 453N2602-111 453N2602-119 453N2602-121 453N2602-133 453N2602-134 453N2602-136 453N2602-137	002004 006100 107107 121503 904999	2
- 70	MS21921-10D	..	NUT- OPTIONAL PART: BACN10YL10 USED ON: 453N2602-4 453N2602-122	002004 006100 107107 121503 904999	2
- 70	BACN10YL10	..	NUT- OPTIONAL PART: MS21921-10D USED ON: 453N2602-4 453N2602-122	002004 006100 107107 121503 904999	2
75	453N2602-14	.TUBE	ASSY- TUBING MATERIAL: .625 IN.OD.020 IN. WALL 57.00 IN.LG AL	107107 904949	1
75	453N2602-116	.TUBE	ASSY- TUBING MATERIAL: .625 IN.OD.020 IN. WALL 52.50 IN.LG AL	002004 006100 121503 950999	1
90	453N2602-132	.TUBE	ASSY- TUBING MATERIAL: 625 IN.OD.020 IN. WALL 107.00 IN.LG AL	002004 006100 121503 950999	1
90	453N2602-71	.TUBE	ASSY- TUBING MATERIAL: 625 IN.OD.020 IN. WALL 110.00 IN.LG AL	107107 904949	1

MISSING ITEM NUMBERS NOT APPLICABLE

- ITEM NOT ILLUSTRATED

26-23-53-01

26-23-53
FIG. 01
PAGE 6
JAN 20/09

BRI



757

PARTS CATALOG (MAINTENANCE)

FIG ITEM	PART NUMBER	1 2 3 4 5 6 7	NOMENCLATURE	EFFECT FROM TO	UNITS PER ASSY
1					
- 95	AP2097HP10		.. SLEEVE- SUPPLIER CODE: V01673 SPECIFICATION NUMBER: BACS13BX10HP OPTIONAL PART: 2-02903-10HP V11328 35235VN10 V08199 AFP175V10P V30974 DBOS13BX10HP V14798 USED ON: 453N2602-116 453N2602-132	002004 006100 121503 950999	1
- 95	AP2097H10		.. SLEEVE- SUPPLIER CODE: V01673 SPECIFICATION NUMBER: BACS13BX10H OPTIONAL PART: 2-02903-10H V11328 35235V10 V08199 AFP175V10 V30974 DBOS13BX10H V14798 USED ON: 453N2602-14 453N2602-71	107107 904949	1
- 100	BACN10YL10		.. NUT-	002004 006100 121503 950999	1
- 100	MS21921-10D		.. NUT- USED ON: 453N2602-14 453N2602-71	107107 904949	1

MISSING ITEM NUMBERS NOT APPLICABLE

- ITEM NOT ILLUSTRATED

26-23-53-01

26-23-53
 FIG. 01
 PAGE 7
 JAN 20/09

BRI



757

PARTS CATALOG (MAINTENANCE)

FIG ITEM	PART NUMBER	1 2 3 4 5 6 7	NOMENCLATURE	EFFECT FROM TO	UNITS PER ASSY
1 - 105	35056GV10		..UNION- SUPPLIER CODE: V08199 SPECIFICATION NUMBER: BACU24AB10W OPTIONAL PART: 4671097W10 V50948 2-01027-10W V11328 31875-10W V14397 AP1004W10 V01673 AFP941W10 V30974 DBOU24AB10W V14798 USED ON: 453N2602-14 453N2602-71	002004 006100 107107 121503 904999	1
110	453N2602-69		.TUBE ASSY- TUBING MATERIAL: 625 IN.OD.020 IN. WALL 206.00 IN.LG AL	107107 904949	1
110	453N2602-130		.TUBE ASSY- TUBING MATERIAL: 625 IN.OD.020 IN. WALL 206.00 IN.LG AL	002004 006100 121503 950999	1
- 115	35056GV10		..UNION SUPPLIER CODE: V08199 SPECIFICATION NUMBER: BACU24AB10W OPTIONAL PART: 4671097W10 V50948 2-01027-10W V11328 31875-10W V14397 AP1004W10 V01673 AFP941W10 V30974 DBOU24AB10W V14798	002004 006100 107107 121503 904999	1

MISSING ITEM NUMBERS NOT APPLICABLE

- ITEM NOT ILLUSTRATED

26-23-53-01

26-23-53
FIG. 01
PAGE 8
JAN 20/09

BRI



757

PARTS CATALOG (MAINTENANCE)

FIG ITEM	PART NUMBER	1 2 3 4 5 6 7	NOMENCLATURE	EFFECT FROM TO	UNITS PER ASSY
1 - 120	35056GV10	..	UNION SUPPLIER CODE: V08199 SPECIFICATION NUMBER: BACU24AB10W OPTIONAL PART: 4671097W10 V50948 2-01027-10W V11328 31875-10W V14397 AP1004W10 V01673 AFP941W10 V30974 DBOU24AB10W V14798	002004 006100 107107 121503 904999	1
- 145	35056GV10	..	UNION SUPPLIER CODE: V08199 SPECIFICATION NUMBER: BACU24AB10W OPTIONAL PART: 4671097W10 V50948 2-01027-10W V11328 31875-10W V14397 AP1004W10 V01673 AFP941W10 V30974 DBOU24AB10W V14798	002004 006100 121503 950999	1
150	453N2602-131	.TUBE ASSY-	TUBING MATERIAL: 625 IN.OD.020 IN. WALL 39.00 IN.LG AL	002004 006100 121503 950999	1
150	453N2602-70	.TUBE ASSY-	TUBING MATERIAL: 625 IN.OD.020 IN. WALL 39.00 IN.LG AL	107107 904949	1

MISSING ITEM NUMBERS NOT APPLICABLE

- ITEM NOT ILLUSTRATED

26-23-53-01

26-23-53
FIG. 01
PAGE 9
JAN 20/09

BRI



757

PARTS CATALOG (MAINTENANCE)

FIG ITEM	PART NUMBER	1 2 3 4 5 6 7	NOMENCLATURE	EFFECT FROM TO	UNITS PER ASSY
1					
- 155	AP2097H10	..	SLEEVE- SUPPLIER CODE: V01673 SPECIFICATION NUMBER: BACS13BX10H OPTIONAL PART: 2-02903-10H V11328 35235V10 V08199 AFP175V10 V30974 DBOS13BX10H V14798	107107 904949	2
- 155	AP2097HP10	..	SLEEVE- SUPPLIER CODE: V01673 SPECIFICATION NUMBER: BACS13BX10HP OPTIONAL PART: 2-02903-10HP V11328 35235VN10 V08199 AFP175V10P V30974 DBOS13BX10HP V14798	002004 006100 121503 950999	2
- 160	MS21921-10D	..	NUT-	107107 904949	2
- 160	BACN10YL10	..	NUT-	002004 006100 121503 950999	2
185	MS21905D10	.	TEE-	002004 006100 107107 121503 904999	2

MISSING ITEM NUMBERS NOT APPLICABLE

- ITEM NOT ILLUSTRATED

26-23-53-01

26-23-53
FIG. 01
PAGE 10
JAN 20/09

BRI



757

PARTS CATALOG (MAINTENANCE)

FIG ITEM	PART NUMBER	1 2 3 4 5 6 7	NOMENCLATURE	EFFECT FROM TO	UNITS PER ASSY
1 190	AP1010L1010	.ELBOW-	SUPPLIER CODE: V01673 SPECIFICATION NUMBER: BACE21AW1010L OPTIONAL PART: AP1010-1010L V01673 DB0E21AW1010L V14798 ER10633L1010 V88334 FER1569-1010L V14397 W30833-1010L V11328 4671114-1010L V50948 US2109-1010L V50808 AFP344-1010L V30974	107107 904949	7
195	AP1010L1010	.ELBOW	SUPPLIER CODE: V01673 SPECIFICATION NUMBER: BACE21AW1010L OPTIONAL PART: AP1010-1010L V01673 DB0E21AW1010L V14798 ER10633L1010 V88334 FER1569-1010L V14397 W30833-1010L V11328 4671114-1010L V50948 US2109-1010L V50808 AFP344-1010L V30974	002004 006100 121503 950999	5
200	NAS1762W1010	.ELBOW-		002004 006100 121503 950999	1

MISSING ITEM NUMBERS NOT APPLICABLE

- ITEM NOT ILLUSTRATED

BRI

26-23-53-01

26-23-53
FIG. 01
PAGE 11
JAN 20/09



757

PARTS CATALOG (MAINTENANCE)

FIG ITEM	PART NUMBER	1 2 3 4 5 6 7	NOMENCLATURE	EFFECT FROM TO	UNITS PER ASSY
1 205	NAS1762W1010	.	ELBOW-	002004 006100 121503 950999	1
950			ILLUSTRATION REFERENCE: TUBING INSTL-AFT CARGO COMPT FIRE EXTINGUISHING 26-23-51-02	002004 006100 107107 121503 904999	RF

MISSING ITEM NUMBERS NOT APPLICABLE

- ITEM NOT ILLUSTRATED

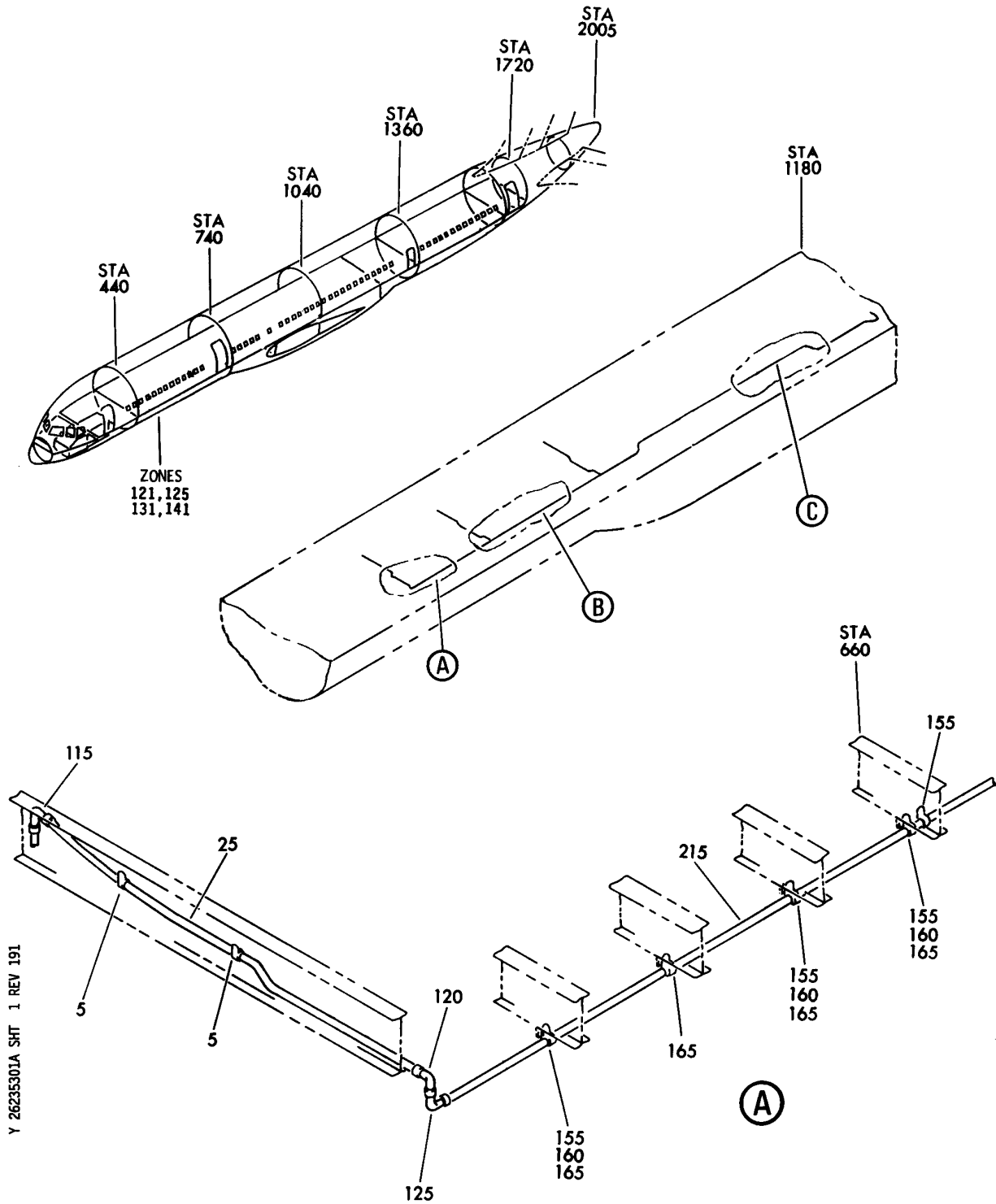
BRI

26-23-53-01

BOEING PROPRIETARY - Copyright © - Unpublished Work - See title page for details.

26-23-53
FIG. 01
PAGE 12
JAN 20/09

BOEING
757
PARTS CATALOG (MAINTENANCE)



Y 26235301A SH1 1 REV 191

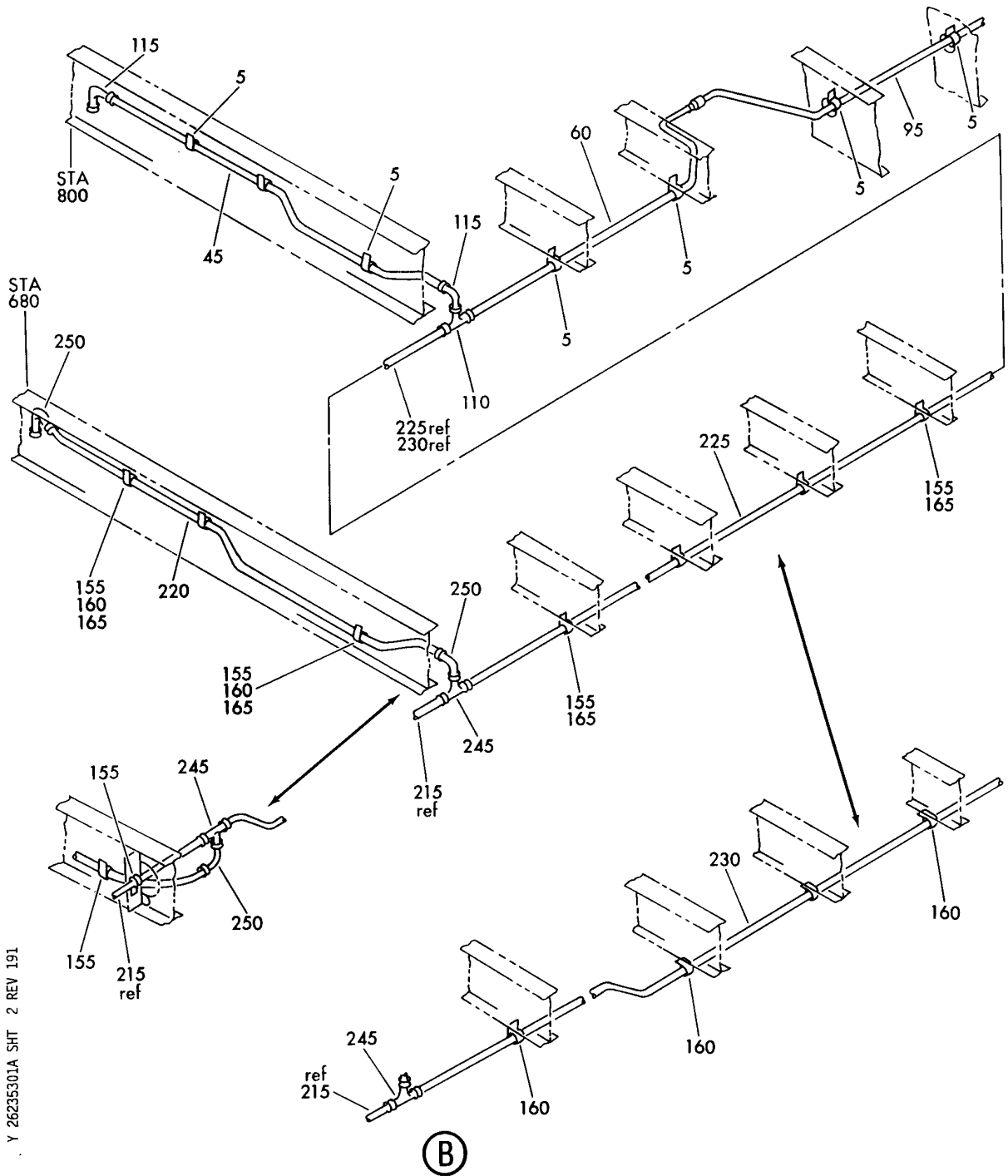
TUBING INSTL-FWD CARGO COMPT FIRE EXTINGUISHING
FIGURE 1A (SHEET 1)

26-23-53-01A

BRI
MAY 28/07

26-23-53-01A
PAGE 0

BOEING
757
PARTS CATALOG (MAINTENANCE)



Y 26235301A SHT 2 REV 191

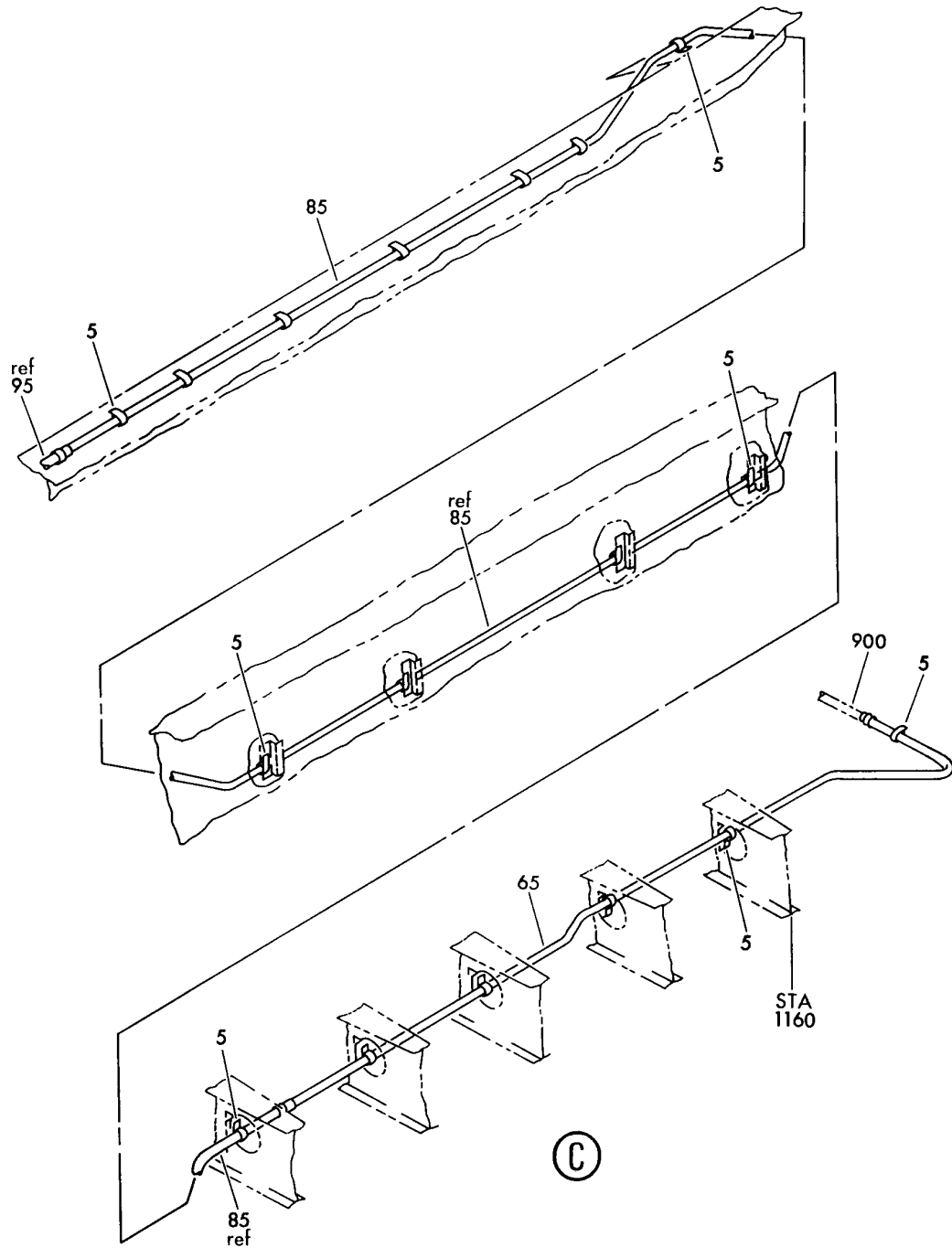
TUBING INSTL-FWD CARGO COMPT FIRE EXTINGUISHING
FIGURE 1A (SHEET 2)

26-23-53-01A

BRI
MAY 28/07

26-23-53-01A
PAGE 0A

BOEING
757
PARTS CATALOG (MAINTENANCE)



Y 26235301A SHT 3 REV 191

TUBING INSTL-FWD CARGO COMPT FIRE EXTINGUISHING
FIGURE 1A (SHEET 3)

26-23-53-01A

BRI
MAY 28/07

26-23-53-01A
PAGE 0B



757

PARTS CATALOG (MAINTENANCE)

FIG ITEM	PART NUMBER	1 2 3 4 5 6 7	NOMENCLATURE	EFFECT FROM TO	UNITS PER ASSY
1 A			TUBING INSTL-FWD CARGO COMPT FIRE EXTINGUISHING	101102 108120 504903	
- 1	453N2140-12		TUBING INSTL-FIRE EXTINGUISHING POSITION DATA: FWD CARGO COMPT FOR NHA SEE: 21-00-00-15	101102 108120 504903	RF
5	BACC10DK10		.CLAMP	101102 108120 504903	26
- 10	BACS12GU3K		ATTACHING PARTS .SCREW- SIZE DETERMINED ON INSTL.	101102 108120 504903	26
- 15	NAS1149D0316H		.WASHER	101102 108120 504903	26
- 20	MS21042L3		.NUT	101102 108120 504903	26
25	453N2602-115		-----*----- .TUBE ASSY- TUBING MATERIAL: STOCK .625 O.D. X .02 WALL X LENGTH AS REQUIRED 6061-T6 TUBE PER WW-T-700/6	101102 108120 504903	1
- 30	AP2097HP10		..SLEEVE SUPPLIER CODE: V01673 SPECIFICATION NUMBER: BACS13BX10HP OPTIONAL PART: 2-02903-10HP V11328 35235VN10 V08199 AFP175V10P V30974 DBOS13BX10HP V14798	101102 108120 504903	1
- 35	BACN10YL10		..NUT-	101102 108120 504903	1

MISSING ITEM NUMBERS NOT APPLICABLE

- ITEM NOT ILLUSTRATED

26-23-53-01A

26-23-53
FIG. 01A
PAGE 1
JAN 20/09

BRI

BOEING PROPRIETARY - Copyright © - Unpublished Work - See title page for details.



757

PARTS CATALOG (MAINTENANCE)

FIG ITEM	PART NUMBER	1 2 3 4 5 6 7	NOMENCLATURE	EFFECT FROM TO	UNITS PER ASSY
1A - 40	35056GV10		.. UNION SUPPLIER CODE: V08199 SPECIFICATION NUMBER: BACU24AB10W OPTIONAL PART: 4671097W10 V50948 2-01027-10W V11328 31875-10W V14397 AP1004W10 V01673 AFP941W10 V30974 DBOU24AB10W V14798	101102 108120 504903	1
	45 453N2602-122		. TUBE ASSY- TUBING MATERIAL: STOCK .625 O.D. X .02 WALL X LENGTH AS REQUIRED 6061-T6 TUBE PER WW-T-700/6	101102 108120 504903	1
- 50	AP2097HP10		.. SLEEVE SUPPLIER CODE: V01673 SPECIFICATION NUMBER: BACS13BX10HP OPTIONAL PART: 2-02903-10HP V11328 35235VN10 V08199 AFP175V10P V30974 DBOS13BX10HP V14798	101102 108120 504903	2
- 55	MS21921-10D		.. NUT- OPTIONAL PART: BACN10YL10	101102 108120 504903	2
- 55	BACN10YL10		.. NUT- OPTIONAL PART: MS21921-10D	101102 108120 504903	2

MISSING ITEM NUMBERS NOT APPLICABLE

- ITEM NOT ILLUSTRATED

26-23-53-01A

26-23-53
FIG. 01A
PAGE 2
JAN 20/09

BRI



757

PARTS CATALOG (MAINTENANCE)

FIG ITEM	PART NUMBER	1 2 3 4 5 6 7	NOMENCLATURE	EFFECT FROM TO	UNITS PER ASSY
1 A					
60	453N2602-116	.	TUBE ASSY- TUBING MATERIAL: STOCK .625 O.D. X .02 WALL X LENGTH AS REQUIRED 6061-T6 TUBE PER WW-T-700/6	101102 108120 504903	1
65	453N2602-132	.	TUBE ASSY- TUBING MATERIAL: STOCK .625 O.D. X .02 WALL X LENGTH AS REQUIRED 6061-T6 TUBE PER WW-T-700/6	101102 108120 504903	1
- 70	AP2097HP10	..	SLEEVE SUPPLIER CODE: V01673 SPECIFICATION NUMBER: BACS13BX10HP OPTIONAL PART: 2-02903-10HP V11328 35235VN10 V08199 AFP175V10P V30974 DBOS13BX10HP V14798	101102 108120 504903	1
- 75	BACN10YL10	..	NUT-	101102 108120 504903	1
- 80	35056GV10	..	UNION SUPPLIER CODE: V08199 SPECIFICATION NUMBER: BACU24AB10W OPTIONAL PART: 4671097W10 V50948 2-01027-10W V11328 31875-10W V14397 AP1004W10 V01673 AFP941W10 V30974 DBOU24AB10W V14798	101102 108120 504903	1

MISSING ITEM NUMBERS NOT APPLICABLE

- ITEM NOT ILLUSTRATED

BRI

26-23-53-01A

BOEING PROPRIETARY - Copyright © - Unpublished Work - See title page for details.

26-23-53
FIG. 01A
PAGE 3
JAN 20/09



757

PARTS CATALOG (MAINTENANCE)

FIG ITEM	PART NUMBER	1 2 3 4 5 6 7	NOMENCLATURE	EFFECT FROM TO	UNITS PER ASSY
1 A 85	453N2602-130	.	TUBE ASSY- TUBING MATERIAL: STOCK .625 O.D. X .035 WALL OPTIONAL TO .625 O.D. X .020 WALL X LENGTH AS REQUIRED 6061-T4 OPTIONAL TO 6061-T6 TUBE PER WW-T-700/6	101102 108120 504903	1
- 90	35056GV10	..	UNION SUPPLIER CODE: V08199 SPECIFICATION NUMBER: BACU24AB10W OPTIONAL PART: 4671097W10 V50948 2-01027-10W V11328 31875-10W V14397 AP1004W10 V01673 AFP941W10 V30974 DBOU24AB10W V14798	101102 108120 504903	2
95	453N2602-131	.	TUBE ASSY- TUBING MATERIAL: STOCK .625 O.D. X .02 WALL X LENGTH AS REQUIRED 6061-T6 TUBE PER WW-T-700/6	101102 108120 504903	1
- 100	AP2097HP10	..	SLEEVE SUPPLIER CODE: V01673 SPECIFICATION NUMBER: BACS13BX10HP OPTIONAL PART: 2-02903-10HP V11328 35235VN10 V08199 AFP175V10P V30974 DBOS13BX10HP V14798	101102 108120 504903	2

MISSING ITEM NUMBERS NOT APPLICABLE

- ITEM NOT ILLUSTRATED

26-23-53-01A

26-23-53
FIG. 01A
PAGE 4
JAN 20/09

BRI



757

PARTS CATALOG (MAINTENANCE)

FIG ITEM	PART NUMBER	1 2 3 4 5 6 7	NOMENCLATURE	EFFECT FROM TO	UNITS PER ASSY
1A - 105	BACN10YL10	. .	NUT-	101102 108120 504903	2
110	MS21905D10	. TEE		101102 108120 504903	1
115	AP1010L1010	. ELBOW	SUPPLIER CODE: V01673 SPECIFICATION NUMBER: BACE21AW1010L OPTIONAL PART: AP1010-1010L V01673 DBOE21AW1010L V14798 ER10633L1010 V88334 FER1569-1010L V14397 W30833-1010L V11328 4671114-1010L V50948 US2109-1010L V50808 AFP344-1010L V30974	101102 108120 504903	3
120	NAS1762W1010	. ELBOW-		101102 108120 504903	1
125	NAS1762W1010	. ELBOW-		101102 108120 504903	1
- 150	453N2140-10	TUBING INSTL-FIRE EXTINGUISHING POSITION DATA: FWD CARGO COMPT WITH LAV S FOR NHA SEE: 21-00-00-12		108120	RF
- 150	453N2140-13	TUBING INSTL-FIRE EXTINGUISHING POSITION DATA: FWD CARGO COMPT NO LAV S, NO LAV T FOR NHA SEE: 21-00-00-12 21-00-00-15		101102 504903	RF

MISSING ITEM NUMBERS NOT APPLICABLE

- ITEM NOT ILLUSTRATED

26-23-53-01A

26-23-53
FIG. 01A
PAGE 5
JAN 20/09

BRI

BOEING PROPRIETARY - Copyright © - Unpublished Work - See title page for details.



757

PARTS CATALOG (MAINTENANCE)

FIG ITEM	PART NUMBER	1 2 3 4 5 6 7	NOMENCLATURE	EFFECT FROM TO	UNITS PER ASSY
1A					
155	BACC10DK10	.	CLAMP	108120	12
165	BACC10DK10	.	CLAMP	101102	11
				504903	
			ATTACHING PARTS		
- 170	BACS12GU3K	.	SCREW-	108120	12
			SIZE DETERMINED ON INSTL.		
- 180	BACS12GU3K	.	SCREW-	101102	11
			SIZE DETERMINED ON INSTL.	504903	
- 185	NAS1149D0316H	.	WASHER	108120	12
- 195	NAS1149D0316H	.	WASHER	101102	11
				504903	
- 200	MS21042L3	.	NUT	108120	12
- 210	MS21042L3	.	NUT	101102	11
				504903	
			-----*-----		
215	453N2602-111	.	TUBE ASSY-	101102	1
			TUBING MATERIAL:	504903	
			STOCK .625 O.D. X .02		
			WALL X LENGTH AS		
			REQUIRED 6061-T6 TUBE		
			PER WW-T-700/6		
215	453N2602-133	.	TUBE ASSY-	108120	1
			TUBING MATERIAL:		
			STOCK .625 O.D. X .02		
			WALL X LENGTH AS		
			REQUIRED 6061-T6 TUBE		
			PER WW-T-700/6		
220	453N2602-119	.	TUBE ASSY-	101102	1
			TUBING MATERIAL:	504903	
			STOCK .625 O.D. X .02		
			WALL X LENGTH AS		
			REQUIRED 6061-T6 TUBE		
			PER WW-T-700/6		
220	453N2602-134	.	TUBE ASSY-	108120	1
			TUBING MATERIAL:		
			STOCK .625 O.D. X .02		
			WALL X LENGTH AS		
			REQUIRED 6061-T6 TUBE		
			PER WW-T-700/6		
225	453N2602-121	.	TUBE ASSY-	101102	1
			TUBING MATERIAL:	504903	
			STOCK .625 O.D. X .02		
			WALL X LENGTH AS		
			REQUIRED 6061-T6 TUBE		
			PER WW-T-700/6		

MISSING ITEM NUMBERS NOT APPLICABLE

- ITEM NOT ILLUSTRATED

26-23-53-01A

26-23-53
FIG. 01A
PAGE 6
JAN 20/09

BRI

BOEING PROPRIETARY - Copyright © - Unpublished Work - See title page for details.



757

PARTS CATALOG (MAINTENANCE)

FIG ITEM	PART NUMBER	1 2 3 4 5 6 7	NOMENCLATURE	EFFECT FROM TO	UNITS PER ASSY
1A 225	453N2602-136	.	TUBE ASSY- TUBING MATERIAL: STOCK .625 O.D. X .02 WALL X LENGTH AS REQUIRED 6061-T6 TUBE PER WW-T-700/6	108120	1
- 235	AP2097HP10	..	SLEEVE SUPPLIER CODE: V01673 SPECIFICATION NUMBER: BACS13BX10HP OPTIONAL PART: 2-02903-10HP V11328 35235VN10 V08199 AFP175V10P V30974 DBOS13BX10HP V14798	101102 108120 504903	2
- 240	MS21921-10D	..	NUT	101102 108120 504903	2
245	MS21905D10	.	TEE	101102 108120 504903	1
250	AP1010L1010	.	ELBOW SUPPLIER CODE: V01673 SPECIFICATION NUMBER: BACE21AW1010L OPTIONAL PART: AP1010-1010L V01673 DBOE21AW1010L V14798 ER10633L1010 V88334 FER1569-1010L V14397 W30833-1010L V11328 4671114-1010L V50948 US2109-1010L V50808 AFP344-1010L V30974	101102 108120 504903	2

MISSING ITEM NUMBERS NOT APPLICABLE

- ITEM NOT ILLUSTRATED

26-23-53-01A

26-23-53
FIG. 01A
PAGE 7
JAN 20/09

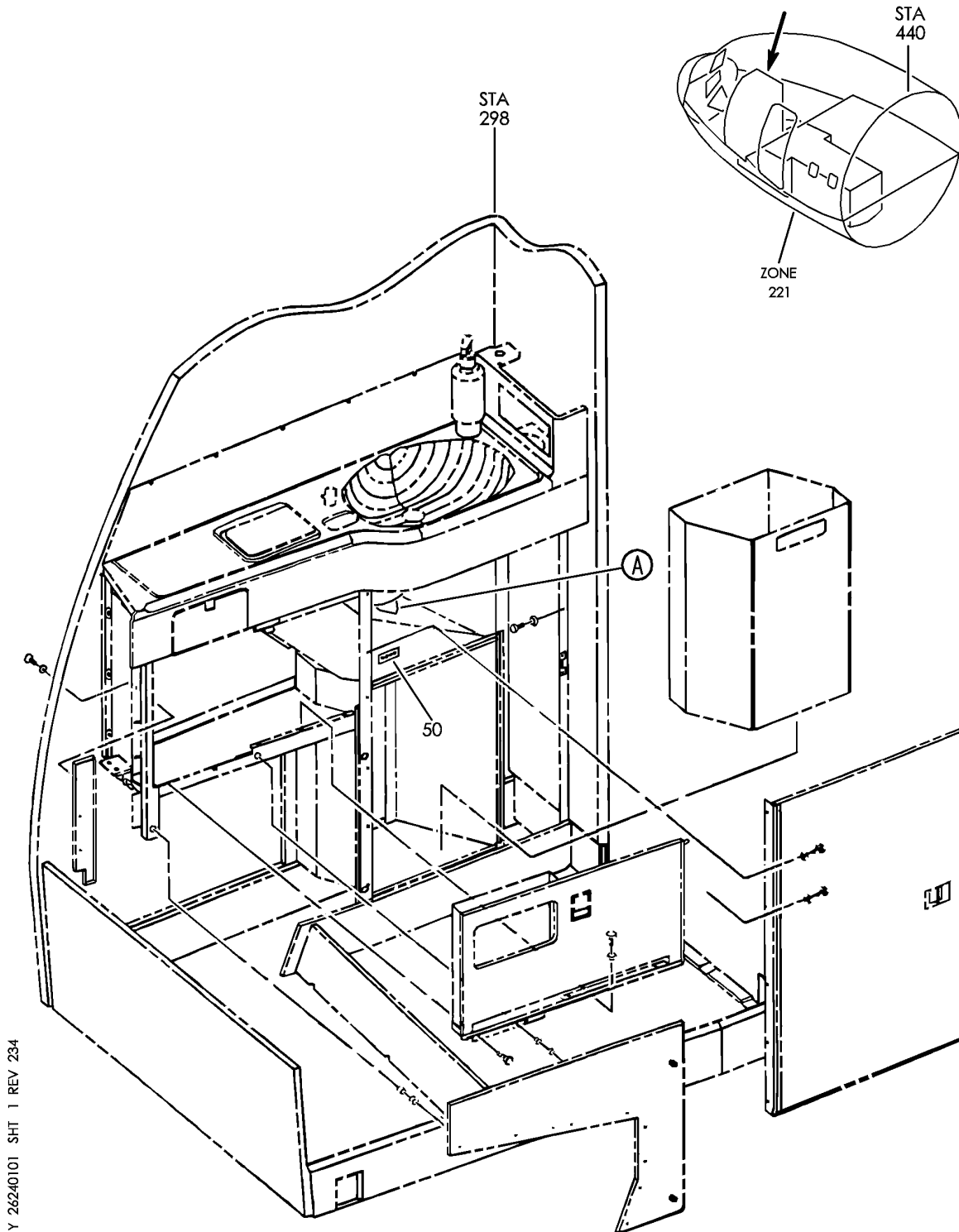
BRI

LAVATORY WASTE COMPARTMENT FIRE EXTINGUISHING

BRI
MAY 28/07

26-24-00
SECTION TITLE
PAGE 1

BOEING
757
PARTS CATALOG (MAINTENANCE)



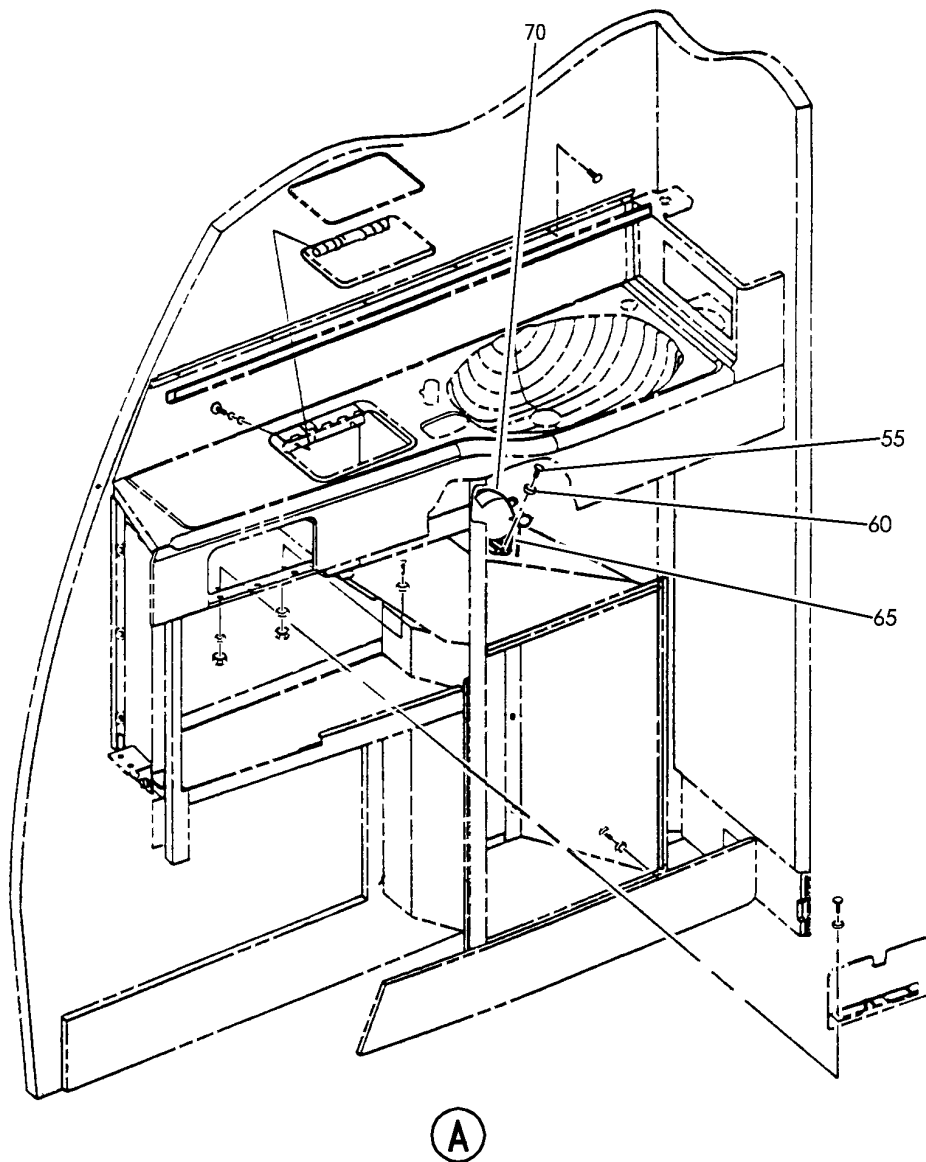
CABINET ASSY-SINK, SEG 170 LAV A (FIRE PROTECTION ONLY)
FIGURE 1 (SHEET 1)

26-24-01-01

BRI
MAY 28/07

26-24-01-01
PAGE 0

BOEING
757
PARTS CATALOG (MAINTENANCE)



Y 26240101 SH1 2 REV 304

CABINET ASSY-SINK, SEG 170 LAV A (FIRE PROTECTION ONLY)
FIGURE 1 (SHEET 2)

26-24-01-01

BRI
MAY 28/07

26-24-01-01
PAGE 0A



757

PARTS CATALOG (MAINTENANCE)

FIG ITEM	PART NUMBER	1 2 3 4 5 6 7	NOMENCLATURE	EFFECT FROM TO	UNITS PER ASSY
1			CABINET ASSY-SINK, SEG 170 LAV A (FIRE PROTECTION ONLY)	101106 108120 504903	
- 1	D75D17408-111A		CABINET ASSY-SINK, SEG 170 LAV A (FIRE PROTECTION ONLY) SUPPLIER CODE: VS5825 FOR NHA/OTHER SYS DET SEE: 25-41-01-12	504903	RF
- 1	D75D17093-111A		CABINET ASSY-SINK, SEG 170 LAV A (FIRE PROTECTION ONLY) SUPPLIER CODE: VS5825 FOR NHA/OTHER SYS DET SEE: 25-41-53-28R	101102	RF
- 2	D75D17416-111C		CABINET ASSY-SINK, SEG 170 LAV A (FIRE PROTECTION ONLY) SUPPLIER CODE: VS5825 FOR NHA/OTHER SYS DET SEE: 25-41-01-06Q	108120	RF
- 2	D71D17041-111A		CABINET ASSY-SINK, SEG 170 LAV A (FIRE PROTECTION ONLY) SUPPLIER CODE: VS5825 FOR NHA/OTHER SYS DET SEE: 25-41-01-40E	103106	RF
50	240-180-250F		.INDICATOR-TEMP SUPPLIER CODE: V08086	101106 108120 504903	1
55	NAS1801-3-6		.SCREW	101106 108120 504903	2
60	NAS1149D0332K		.WASHER	101106 108120	2
60	AN960KD10L		.WASHER	504903	2

MISSING ITEM NUMBERS NOT APPLICABLE

- ITEM NOT ILLUSTRATED

26-24-01-01

26-24-01
FIG. 01
PAGE 1
JAN 20/09

BRI



757

PARTS CATALOG (MAINTENANCE)

FIG ITEM	PART NUMBER	1 2 3 4 5 6 7	NOMENCLATURE	EFFECT FROM TO	UNITS PER ASSY
1 65	30100022-3		.EXTINGUISHER-FIRE SUPPLIER CODE: V05167 SPECIFICATION NUMBER: 10-61909-3 OPTIONAL PART: 30100022-33 V05167 800100-3 V96124	101106 108120	1
65	A800100-3		.EXTINGUISHER-FIRE SUPPLIER CODE: V61423 SPECIFICATION NUMBER: 10-61909-3 CONFIG CHG DATA FROM A CMM: REPLD BY 30100022-3	504903	1
65	30100022-3		.EXTINGUISHER-FIRE SUPPLIER CODE: V05167 SPECIFICATION NUMBER: 10-61909-3 CONFIG CHG DATA FROM A CMM: REPLS A800100-3 OPTIONAL PART: 30100022-33 V05167 800100-3 V96124	504903	1
70	51950046-1		..PLACARD-WEIGHT SUPPLIER CODE: V05167	101106 108120 504903	1

MISSING ITEM NUMBERS NOT APPLICABLE

- ITEM NOT ILLUSTRATED

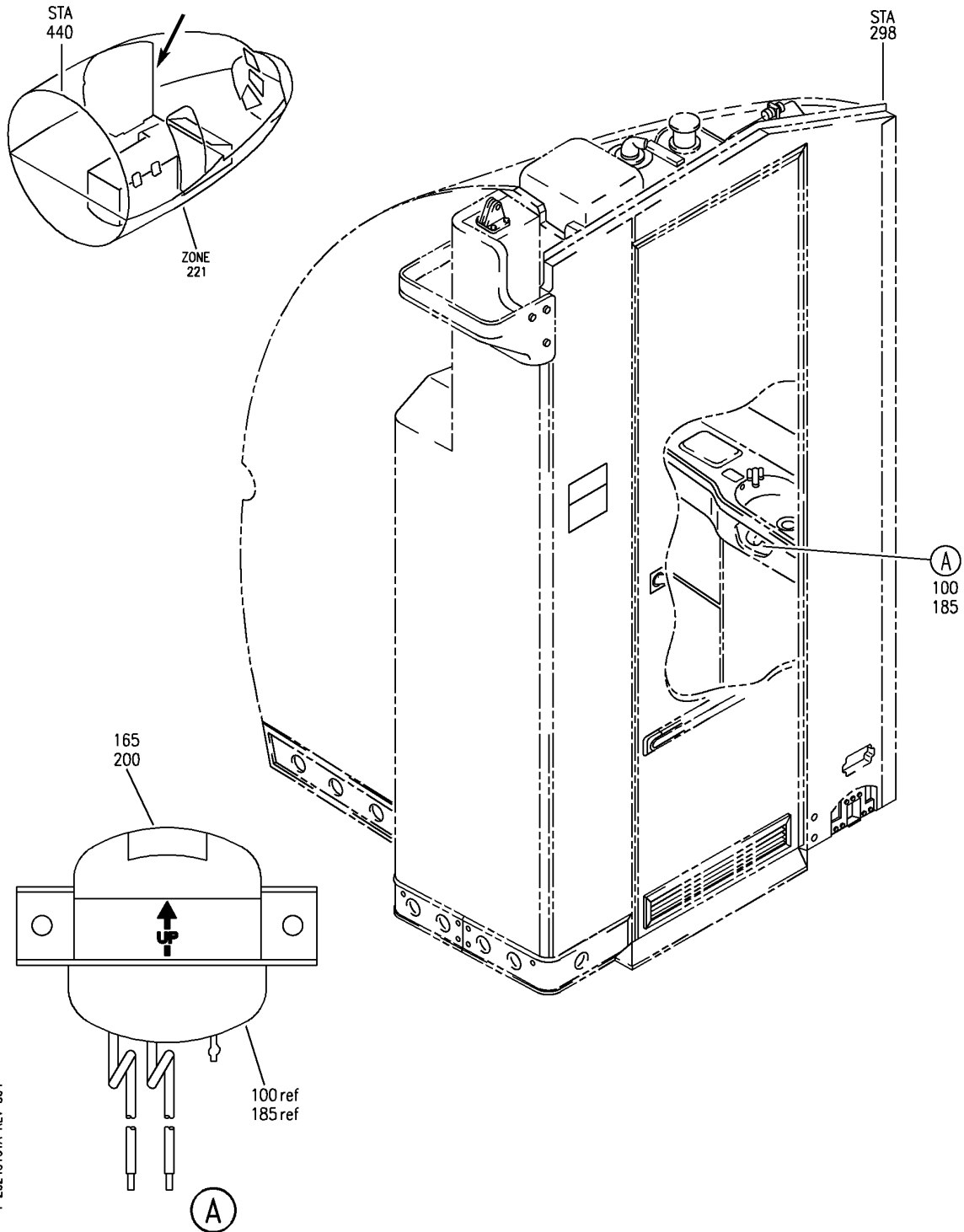
BRI

26-24-01-01

BOEING PROPRIETARY - Copyright © - Unpublished Work - See title page for details.

26-24-01
FIG. 01
PAGE 2
JAN 20/09

BOEING
757
PARTS CATALOG (MAINTENANCE)



Y 26240101A REV 304

CABINET INSTL-SINK AND FLOOR LAV A (FIRE PROTECTION ONLY)
FIGURE 1A

26-24-01-01A

BRI
JAN 20/09

26-24-01-01A
PAGE 0



757

PARTS CATALOG (MAINTENANCE)

FIG ITEM	PART NUMBER	1 2 3 4 5 6 7	NOMENCLATURE	EFFECT FROM TO	UNITS PER ASSY
1 A			CABINET INSTL-SINK AND FLOOR LAV A (FIRE PROTECTION ONLY)	107107	
- 1	0A112-0010-61		CABINET ASSY-SINK AND FLOOR LAV A (FIRE PROTECTION ONLY) SUPPLIER CODE: VS5825 FOR NHA/OTHER SYS DET SEE: 25-41-01-06E	107107	RF
100	800100-7		.EXTINGUISHER-FIRE SUPPLIER CODE: VS5825 CONFIG CHG DATA FROM A CMM: SUPSD BY A800100-7	107107	1
- 130	A800100-7		.EXTINGUISHER-FIRE SUPPLIER CODE: V61423 SPECIFICATION NUMBER: 10-61909-7 CONFIG CHG DATA FROM A CMM: SUPSDS 800100-7	107107	1
- 140	NAS603-5P		ATTACHING PARTS .SCREW	107107	2
- 160	AN960PD10L		.WASHER	107107	2
- 170	240-180-250		-----*----- .INDICATOR-TEMP SUPPLIER CODE: V08086 CONFIG CHG DATA FROM A CMM: SUPSD BY 240-180-250F	107107	1
- 170	240-180-250F		.INDICATOR-TEMP SUPPLIER CODE: V08086 CONFIG CHG DATA FROM A CMM: SUPERSEDES 240-180-250	107107	1

MISSING ITEM NUMBERS NOT APPLICABLE

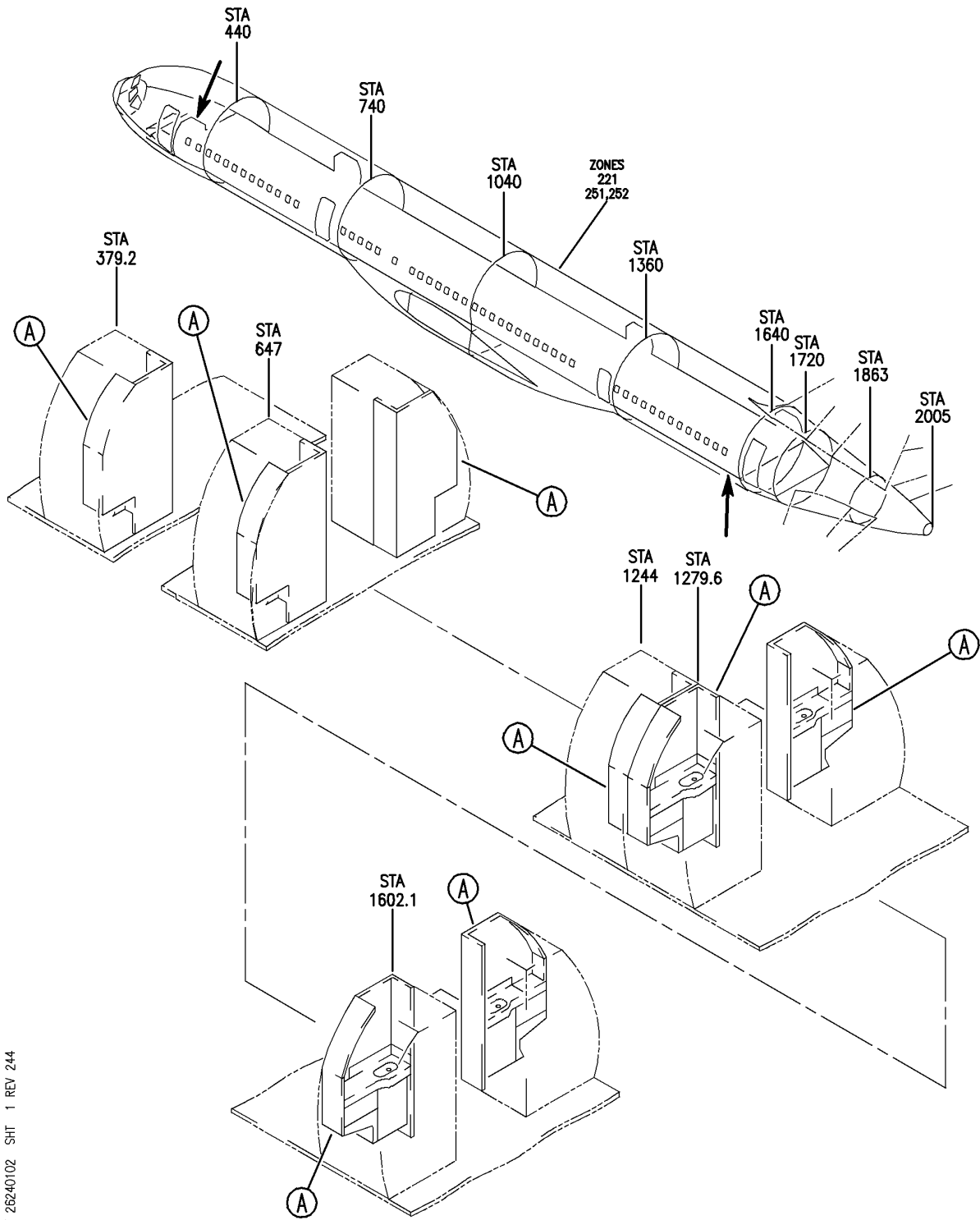
- ITEM NOT ILLUSTRATED

26-24-01-01A

26-24-01
FIG. 01A
PAGE 1
JAN 20/09

BRI

BOEING
757
PARTS CATALOG (MAINTENANCE)



Y 26240102 SHT 1 REV 244

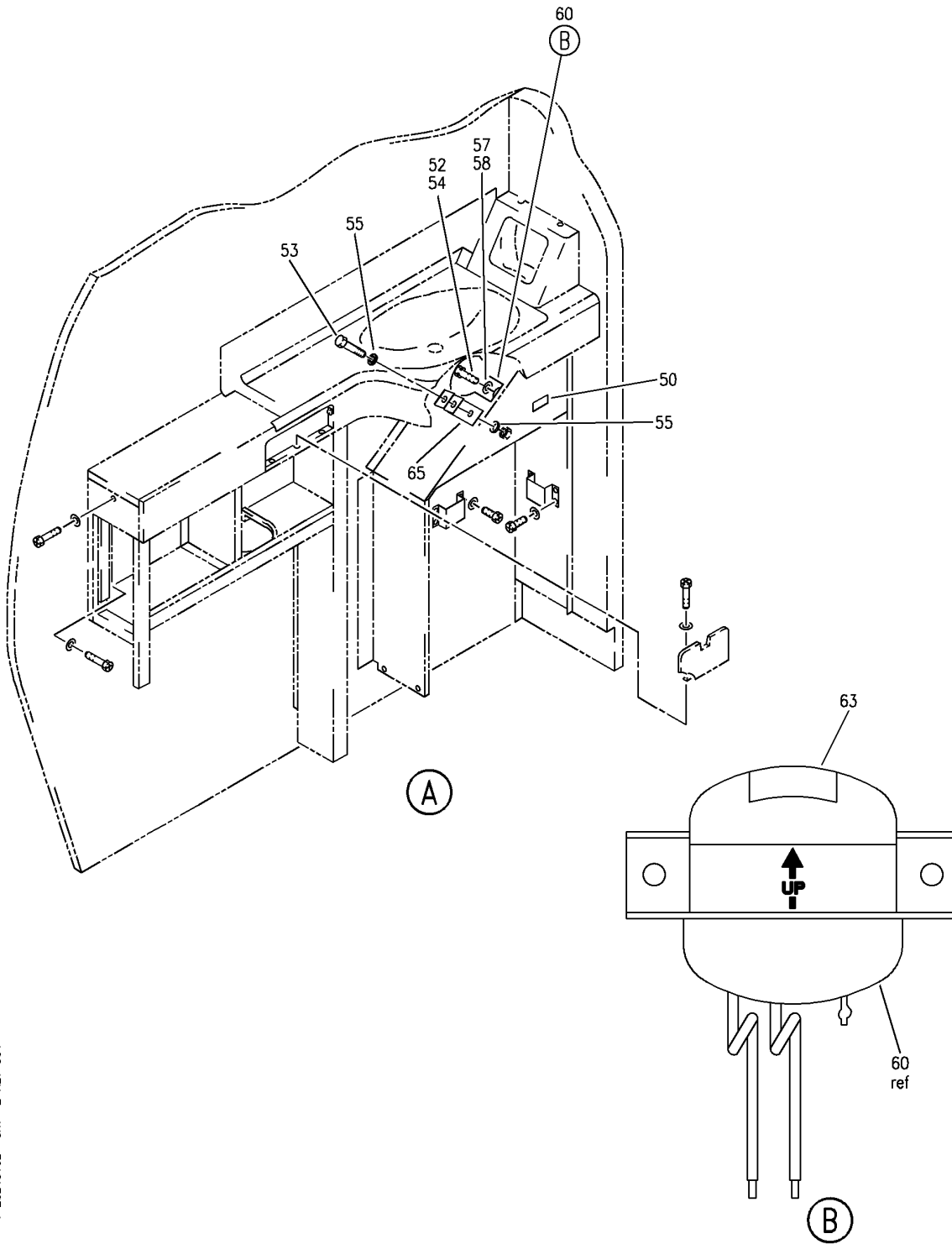
CABINET ASSY-SINK, SEG 170 LAV (FIRE PROTECTION ONLY)
FIGURE 2 (SHEET 1)

26-24-01-02

BRI
MAY 28/07

26-24-01-02
PAGE 0

BOEING
757
PARTS CATALOG (MAINTENANCE)



Y 26240102 SHT 2 REV 304

CABINET ASSY-SINK, SEG 170 LAV (FIRE PROTECTION ONLY)
FIGURE 2 (SHEET 2)

26-24-01-02

BRI
MAY 28/07

26-24-01-02
PAGE 0A



757

PARTS CATALOG (MAINTENANCE)

FIG ITEM	PART NUMBER	1 2 3 4 5 6 7	NOMENCLATURE	EFFECT FROM TO	UNITS PER ASSY
2			CABINET ASSY-SINK, SEG 170 LAV (FIRE PROTECTION ONLY)	101102 108120 504903	
- 1	D75D17056-111		CABINET ASSY-SINK, SEG 170 LAV C (FIRE PROTECTION ONLY) SUPPLIER CODE: VS5825 FOR NHA/OTHER SYS DET SEE: 25-41-03-50A	504903	RF
- 1	D75D17409-111A		CABINET ASSY-SINK, SEG 170 LAV C (FIRE PROTECTION ONLY) SUPPLIER CODE: VS5825 FOR NHA/OTHER SYS DET SEE: 25-41-03-50A	504903	RF
- 1	D75D17095-111A		CABINET ASSY-SINK, SEG 170 LAV C (FIRE PROTECTION ONLY) SUPPLIER CODE: VS5825 FOR NHA/OTHER SYS DET SEE: 25-41-03-50A	101102	RF
- 1	D75D17417-111C		CABINET ASSY-SINK, SEG 170 LAV C (FIRE PROTECTION ONLY) SUPPLIER CODE: VS5825 FOR NHA/OTHER SYS DET SEE: 25-41-03-50H	108120	RF
- 5	D75D17410-111A		CABINET ASSY-SINK, SEG 170 LAV D (FIRE PROTECTION ONLY) SUPPLIER CODE: VS5825 FOR NHA/OTHER SYS DET SEE: 25-41-03-25A	504903	RF
- 5	D75D17044-111D		CABINET ASSY-SINK, SEG 170 LAV D (FIRE PROTECTION ONLY) SUPPLIER CODE: VS5825 FOR NHA/OTHER SYS DET SEE: 25-41-03-51A	108120	RF
MISSING ITEM NUMBERS NOT APPLICABLE					

- ITEM NOT ILLUSTRATED

26-24-01-02

26-24-01
FIG. 02
PAGE 1
JAN 20/09

BRI



757

PARTS CATALOG (MAINTENANCE)

FIG ITEM	PART NUMBER	1 2 3 4 5 6 7	NOMENCLATURE	EFFECT FROM TO	UNITS PER ASSY
2					
- 10	D75D17411-111A		CABINET ASSY-SINK, SEG 170 LAV F (FIRE PROTECTION ONLY) SUPPLIER CODE: VS5825 FOR NHA/OTHER SYS DET SEE: 25-41-01-12B	504903	RF
- 25	D75D17428-111A		CABINET ASSY-SINK, SEG 170 LAV S (FIRE PROTECTION ONLY) SUPPLIER CODE: VS5825 FOR NHA/OTHER SYS DET SEE: 25-41-03-08Q	108120	RF
- 30	D75D17094-111A		CABINET ASSY-SINK, SEG 170 LAV B AND D (FIRE PROTECTION ONLY) SUPPLIER CODE: VS5825 FOR NHA/OTHER SYS DET SEE: 25-41-03-51H 25-41-03-52C	101102	RF
50	240-180-250F		.INDICATOR-TEMP SUPPLIER CODE: V08086	101102 108120 504903	1
52	NAS1801-3-6		.SCREW	101102 108120 504903	2
57	NAS1149D0332K		.WASHER	101102 108120 504903	2
60	A800100-3		.EXTINGUISHER-FIRE SUPPLIER CODE: V61423 SPECIFICATION NUMBER: 10-61909-3 CONFIG CHG DATA FROM A CMM: REPLD BY 30100022-3	504903	1
60	30100022-3		.EXTINGUISHER-FIRE SUPPLIER CODE: V05167 SPECIFICATION NUMBER: 10-61909-3 CONFIG CHG DATA FROM A CMM: REPLS A800100-3 OPTIONAL PART: 30100022-33 V05167 800100-3 V96124	504903	1

MISSING ITEM NUMBERS NOT APPLICABLE

- ITEM NOT ILLUSTRATED

26-24-01-02

26-24-01
FIG. 02
PAGE 2
JAN 20/09

BRI



757

PARTS CATALOG (MAINTENANCE)

FIG ITEM	PART NUMBER	1 2 3 4 5 6 7	NOMENCLATURE	EFFECT FROM TO	UNITS PER ASSY
2	60 30100022-3		.EXTINGUISHER-FIRE SUPPLIER CODE: V05167 SPECIFICATION NUMBER: 10-61909-3 OPTIONAL PART: 30100022-33 V05167 800100-3 V96124	101102 108120	1
	63 51950046-1		..PLACARD-WEIGHT SUPPLIER CODE: V05167	101102 108120 504903	1
	65 D75D80788-111		.BLANKET- SUPPLIER CODE: VS5825 SB DATA FROM A CMM: POST D757D-25-92	504903	1
	65 D75D31073-111		.BLANKET- SUPPLIER CODE: VS5825 SB DATA FROM A CMM: POST D757D-25-92	504903	1

MISSING ITEM NUMBERS NOT APPLICABLE

- ITEM NOT ILLUSTRATED

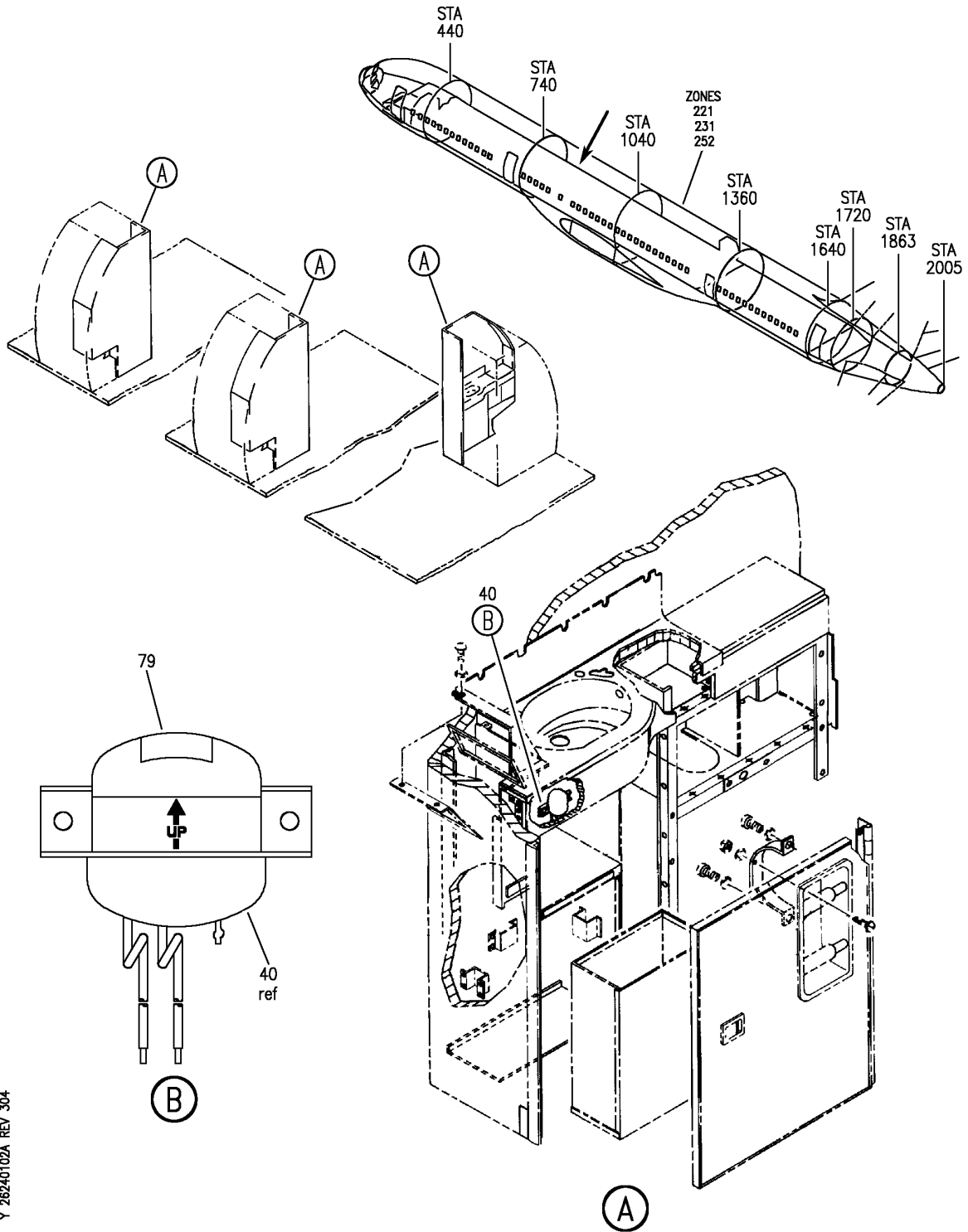
BRI

26-24-01-02

BOEING PROPRIETARY - Copyright © - Unpublished Work - See title page for details.

26-24-01
FIG. 02
PAGE 3
JAN 20/09

BOEING
757
PARTS CATALOG (MAINTENANCE)



Y 26240102A REV 304

CABINET ASSY-SINK LAV (FIRE PROTECTION ONLY)
FIGURE 2A

26-24-01-02A

BRI
JAN 20/09

26-24-01-02A
PAGE 0



757

PARTS CATALOG (MAINTENANCE)

FIG ITEM	PART NUMBER	1 2 3 4 5 6 7	NOMENCLATURE	EFFECT FROM TO	UNITS PER ASSY
2A			CABINET ASSY-SINK LAV (FIRE PROTECTION ONLY)	107107	
- 5	0A122-0017-262		CABINET ASSY-SINK LAV C (FIRE PROTECTION ONLY) SUPPLIER CODE: VS5825 FOR NHA/OTHER SYS DET SEE: 25-41-03-50B	107107	RF
- 10	0A122-0017-251		CABINET ASSY-SINK LAV D (FIRE PROTECTION ONLY) SUPPLIER CODE: VS5825 FOR NHA/OTHER SYS DET SEE: 25-41-03-51B	107107	RF
- 15	0A122-0017-271		CABINET ASSY-SINK LAV F (FIRE PROTECTION ONLY) SUPPLIER CODE: VS5825 FOR NHA/OTHER SYS DET SEE: 25-41-01-09E	107107	RF
40	800100-5		.EXTINGUISHER-FIRE LAV D AND F SUPPLIER CODE: V61423 SPECIFICATION NUMBER: 10-61909-5 CONFIG CHG DATA FROM A CMM: SUPSD BY A800100-5 OPTIONAL PART: 30100022-5 V05167 A800100-5 V61423	107107	1
40	A800100-5		.EXTINGUISHER-FIRE LAV D AND F SUPPLIER CODE: V61423 SPECIFICATION NUMBER: 10-61909-5 CONFIG CHG DATA FROM A CMM: SUPERSEDES 800100-5 REPLD BY 30100022-5	107107	1

MISSING ITEM NUMBERS NOT APPLICABLE

- ITEM NOT ILLUSTRATED

26-24-01-02A

26-24-01
FIG. 02A
PAGE 1
JAN 20/09

BRI

 **BOEING**
757
PARTS CATALOG (MAINTENANCE)

FIG ITEM	PART NUMBER	1 2 3 4 5 6 7	NOMENCLATURE	EFFECT FROM TO	UNITS PER ASSY
2A 40	30100022-5		.EXTINGUISHER-FIRE LAV D AND F SUPPLIER CODE: V05167 SPECIFICATION NUMBER: 10-61909-5 CONFIG CHG DATA FROM A CMM: REPLS A800100-5	107107	1
- 55	800100-6		.EXTINGUISHER-FIRE LAV C SUPPLIER CODE: V61423 SPECIFICATION NUMBER: 10-61909-6 CONFIG CHG DATA FROM A CMM: SUPSD BY A800100-6 OPTIONAL PART: 30100022-6 V05167 A800100-6 V61423	107107	1
- 55	A800100-6		.EXTINGUISHER-FIRE LAV C SUPPLIER CODE: V61423 SPECIFICATION NUMBER: 10-61909-6 CONFIG CHG DATA FROM A CMM: SUPSDS 800100-6 ATTACHING PARTS	107107	1
- 70	NAS603-5P		.SCREW	107107	2
- 75	AN960KD10L		.WASHER	107107	2
			-----*-----		
	79 51950046-1		..PLACARD-WEIGHT SUPPLIER CODE: V05167	107107	1
- 80	240-180-250		.INDICATOR-TEMP LAV C, D AND F SUPPLIER CODE: V08086 CONFIG CHG DATA FROM A CMM: SUPSD BY 240-180-250F	107107	1
- 80	240-180-250F		.INDICATOR-TEMP LAV C, D AND F SUPPLIER CODE: V08086 CONFIG CHG DATA FROM A CMM: SUPERSEDES 240-180-250	107107	1

MISSING ITEM NUMBERS NOT APPLICABLE

- ITEM NOT ILLUSTRATED

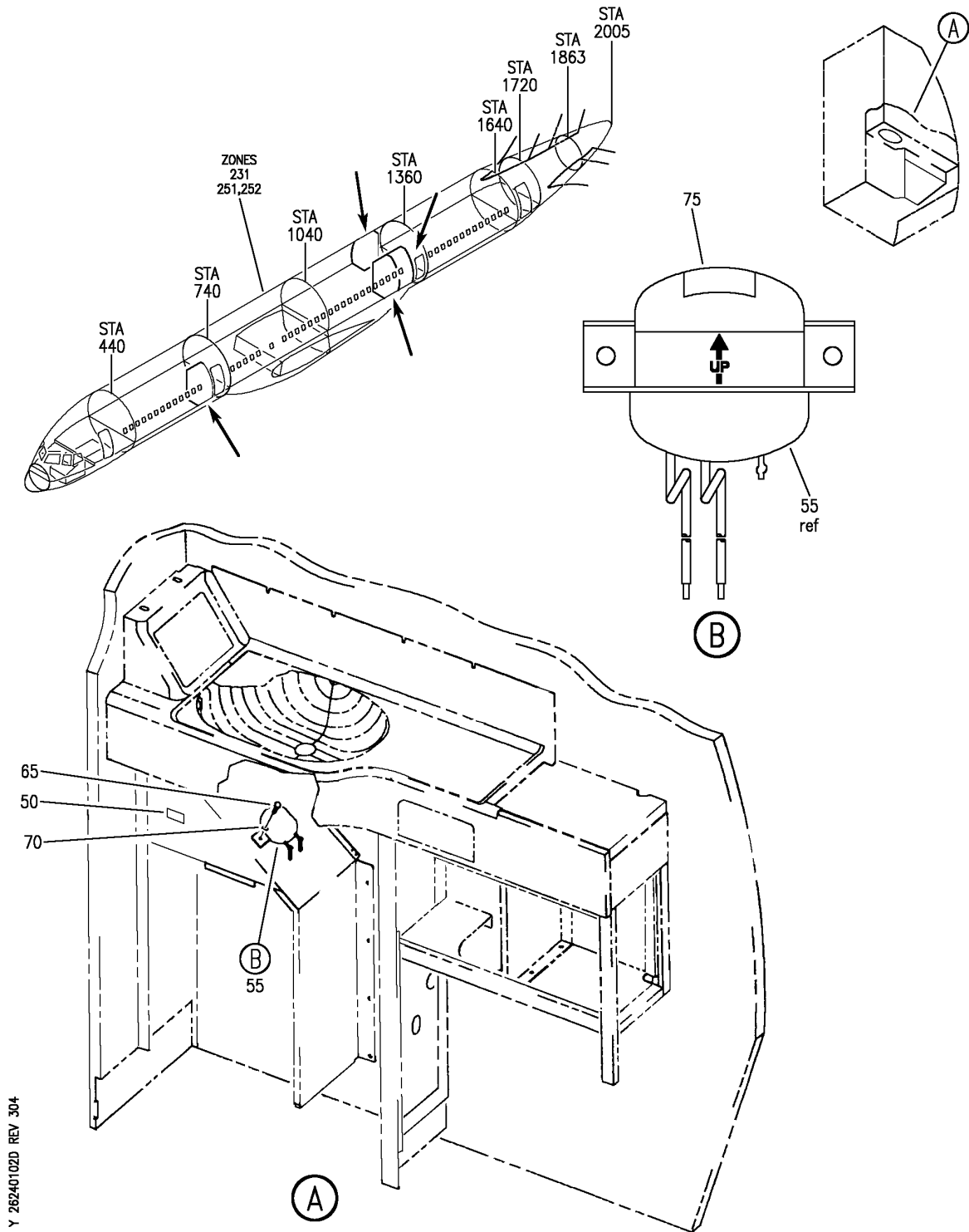
BRI

26-24-01-02A

BOEING PROPRIETARY - Copyright © - Unpublished Work - See title page for details.

26-24-01
FIG. 02A
PAGE 2
JAN 20/09

BOEING
757
PARTS CATALOG (MAINTENANCE)



Y 26240102D REV 304

CABINET ASSY-SINK SEG 170 LAV (FIRE PROTECTION ONLY)
FIGURE 2D

26-24-01-02D

BRI
JAN 20/09

26-24-01-02D
PAGE 0



757

PARTS CATALOG (MAINTENANCE)

FIG ITEM	PART NUMBER	1 2 3 4 5 6 7	NOMENCLATURE	EFFECT FROM TO	UNITS PER ASSY
2D			CABINET ASSY-SINK SEG 170 LAV (FIRE PROTECTION ONLY)	103106	
- 1	D71D17039-111A		CABINET ASSY-SINK SEG 170 LAV B AND D (FIRE PROTECTION ONLY) SUPPLIER CODE: VS5825 FOR NHA/OTHER SYS DET SEE: 25-41-03-52F 25-41-03-51R	103106	RF
- 5	D71D17040-111A		CABINET ASSY-SINK SEG 170 LAV C (FIRE PROTECTION ONLY) SUPPLIER CODE: VS5825 FOR NHA/OTHER SYS DET SEE: 25-41-03-50Q	103106	RF
50	240-180-250F		.INDICATOR-TEMP SUPPLIER CODE: V08086	103106	1
55	30100022-3		.EXTINGUISHER-FIRE SUPPLIER CODE: V05167 SPECIFICATION NUMBER: 10-61909-3 OPTIONAL PART: 30100022-33 V05167 800100-3 V96124	103106	1
65	NAS1801-3-6		ATTACHING PARTS .SCREW	103106	2
70	AN960KD10L		.WASHER	103106	2
75	51950046-1		-----*----- ..PLACARD-WEIGHT SUPPLIER CODE: V05167	103106	1

MISSING ITEM NUMBERS NOT APPLICABLE

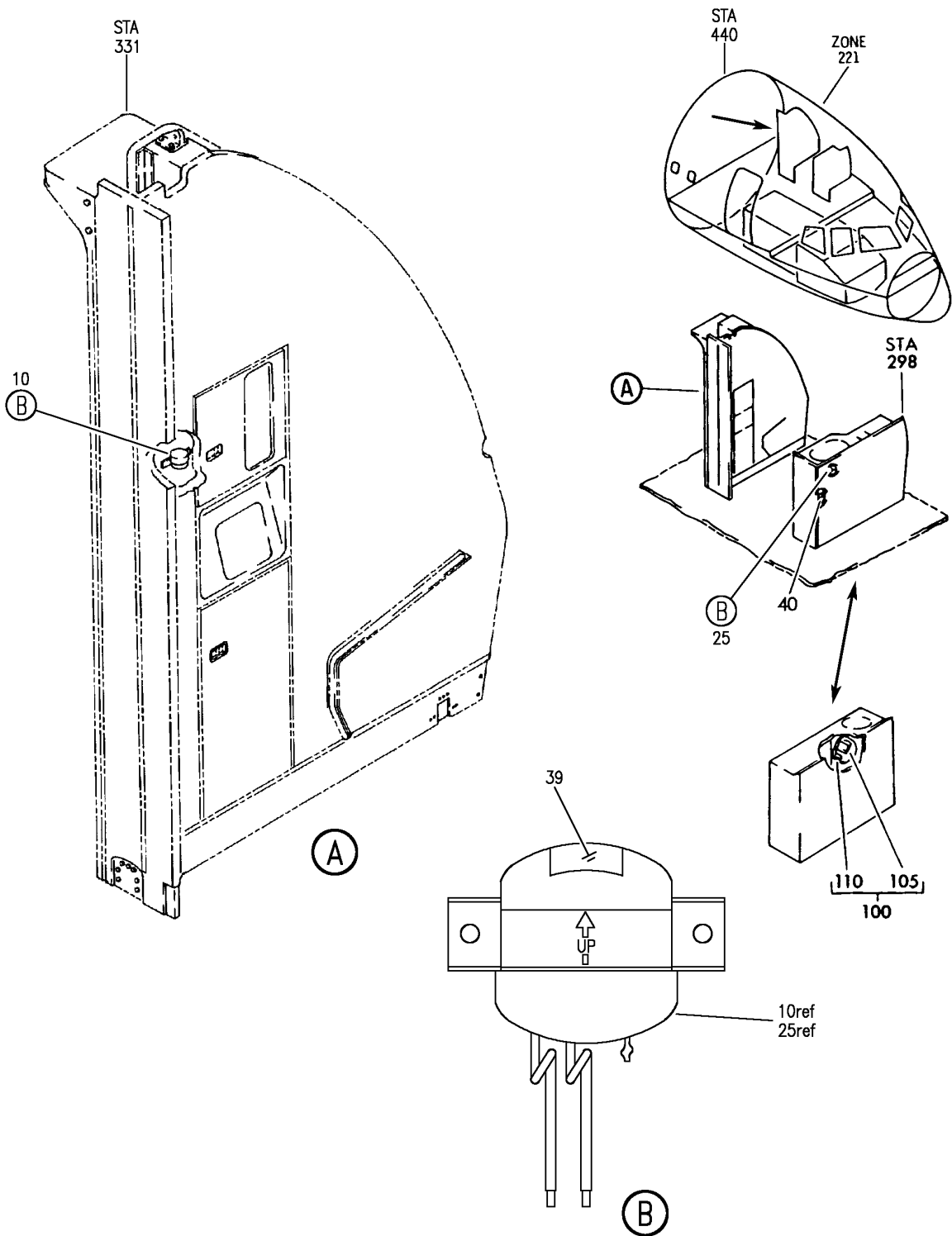
- ITEM NOT ILLUSTRATED

26-24-01-02D

26-24-01
FIG. 02D
PAGE 1
JAN 20/09

BRI

BOEING
757
PARTS CATALOG (MAINTENANCE)



Y 26245101 REV 304

CABINET ASSY-SINK AND FLOOR (FIRE PROTECTION ONLY)
FIGURE 1

26-24-51-01

BRI
MAY 28/07

26-24-51-01
PAGE 0



757

PARTS CATALOG (MAINTENANCE)

FIG ITEM	PART NUMBER	1 2 3 4 5 6 7	NOMENCLATURE	EFFECT FROM TO	UNITS PER ASSY
1			CABINET ASSY-SINK AND FLOOR (FIRE PROTECTION ONLY)	002004 006100 121503 904999 904949	
- 5	0A112-0010-111		CABINET ASSY-SINK AND FLOOR (FIRE PROTECTION ONLY) SUPPLIER CODE: VS5825 FOR NHA/OTHER SYS DET SEE: 25-41-01-06H		RF
- 6	0A112-0010-401		CABINET ASSY-SINK AND FLOOR (FIRE PROTECTION) SUPPLIER CODE: VS5825 FOR NHA/OTHER SYS DET SEE: 25-41-01-06	952999	RF
- 6	0A112-0010-411		CABINET ASSY-SINK AND FLOOR (FIRE PROTECTION ONLY) SUPPLIER CODE: VS5825 FOR NHA/OTHER SYS DET SEE: 25-41-01-06F	002004 006010	RF
- 6	0A112-0010-451		CABINET ASSY-SINK AND FLOOR (FIRE PROTECTION ONLY) SUPPLIER CODE: VS5825 FOR NHA/OTHER SYS DET SEE: 25-41-01-06B	950951	RF
- 7	0A112-0010-511		CABINET ASSY-SINK AND FLOOR (FIRE PROTECTION ONLY) SUPPLIER CODE: VS5825 FOR NHA/OTHER SYS DET SEE: 25-41-01-06F	011100	RF
- 7	0A112-0010-351		CABINET ASSY-SINK AND FLOOR (FIRE PROTECTION ONLY) SUPPLIER CODE: VS5825 FOR NHA/OTHER SYS DET SEE: 25-41-01-06H	121503	RF

MISSING ITEM NUMBERS NOT APPLICABLE

- ITEM NOT ILLUSTRATED

BRI

26-24-51-01

26-24-51
FIG. 01
PAGE 1
JAN 20/09



757

PARTS CATALOG (MAINTENANCE)

FIG ITEM	PART NUMBER	1 2 3 4 5 6 7	NOMENCLATURE	EFFECT FROM TO	UNITS PER ASSY
1					
25	30100022-3		.EXTINGUISHER-FIRE SUPPLIER CODE: V05167 SPECIFICATION NUMBER: 10-61909-3 OPTIONAL PART: 30100022-33 V05167 800100-3 V96124	002004 006100 950999	1
25	A800100-7		.EXTINGUISHER-FIRE SUPPLIER CODE: V61423 SPECIFICATION NUMBER: 10-61909-7 ATTACHING PARTS	121503 904949	1
- 30	NAS603-5P		.SCREW	002004 006100 121503 904949 952999	2
- 30	NAS603-6P		.SCREW	950951	2
- 32	NAS603-6P		.SCREW	950951	3
- 35	AN960PD10L		.WASHER	002004 006100 121503 904999	2
39	51950046-1		-----*----- . . PLACARD-WEIGHT SUPPLIER CODE: V05167	002004 006100 950999	1
40	240-180-250F		.INDICATOR-TEMP SUPPLIER CODE: V08086 CONFIG CHG DATA FROM A CMM: SUPERSEDES 240-180-250	002004 006100 952999	1
- 45	240-180-250		.INDICATOR-TEMP SUPPLIER CODE: V08086 CONFIG CHG DATA FROM A CMM: SUPSD BY 240-180-250F	121503 904949	1
- 45	240-180-250F		.INDICATOR-TEMP SUPPLIER CODE: V08086 CONFIG CHG DATA FROM A CMM: SUPERSEDES 240-180-250	121503 904949	1

MISSING ITEM NUMBERS NOT APPLICABLE

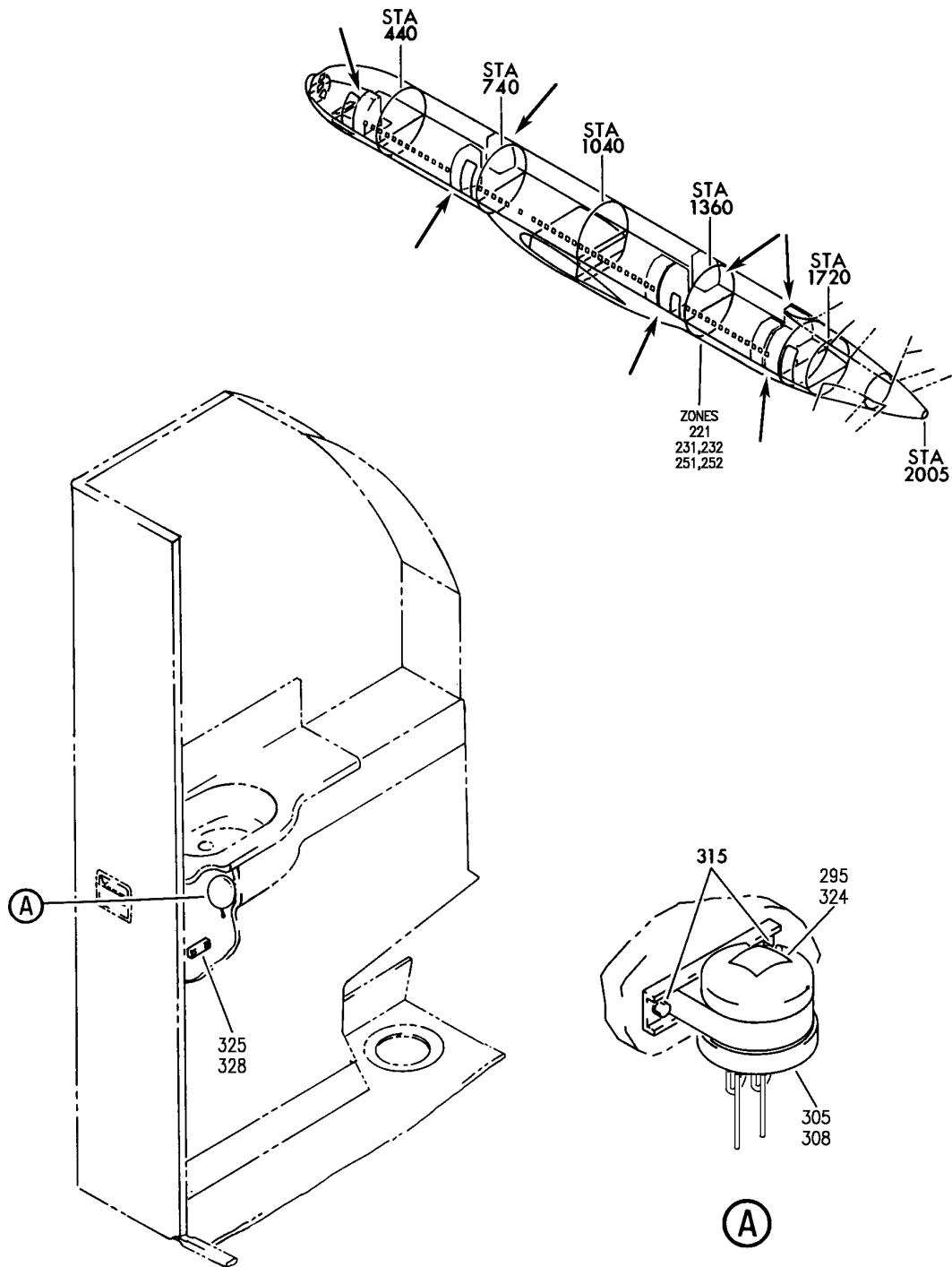
- ITEM NOT ILLUSTRATED

26-24-51-01

26-24-51
FIG. 01
PAGE 2
JAN 20/09

BRI

BOEING
757
PARTS CATALOG (MAINTENANCE)



Y 26245201 REV 304

CABINET ASSY-SINK (FIRE PROTECTION ONLY)

FIGURE 1

26-24-52-01

BRI
MAY 28/07

26-24-52-01
PAGE 0



757

PARTS CATALOG (MAINTENANCE)

FIG ITEM	PART NUMBER	1 2 3 4 5 6 7	NOMENCLATURE	EFFECT FROM TO	UNITS PER ASSY
1			CABINET ASSY-SINK (FIRE PROTECTION ONLY)	121503 904999	
- 70	0A122-0017-672		CABINET ASSY-SINK, LAV C (FIRE PROTECTION ONLY) SUPPLIER CODE: VS5825 FOR NHA/OTHER SYS DET SEE: 25-41-04-96	904949	RF
- 70	0A122-0017-1442		CABINET ASSY-SINK, LAV C (FIRE PROTECTION ONLY) SUPPLIER CODE: VS5825 FOR NHA/OTHER SYS DET SEE: 25-41-04-60	952999	RF
- 72	0A122-0017-1632		CABINET ASSY-SINK, LAV C (FIRE PROTECTION ONLY) SUPPLIER CODE: VS5825 FOR NHA/OTHER SYS DET SEE: 25-41-04-27	950951	RF
- 72	0A122-0017-1282		CABINET ASSY-SINK, LAV C (FIRE PROTECTION ONLY) SUPPLIER CODE: VS5825 FOR NHA/OTHER SYS DET SEE: 25-41-04-96	121503 904949	RF
- 86	0A122-0017-1641		CABINET ASSY-SINK, LAV D (FIRE PROTECTION ONLY) SUPPLIER CODE: VS5825 FOR NHA/OTHER SYS DET SEE: 25-41-04-43	950951	RF
- 90	0A122-0017-681		CABINET ASSY-SINK, LAV D (FIRE PROTECTION ONLY) SUPPLIER CODE: VS5825 FOR NHA/OTHER SYS DET SEE: 25-41-04-95	904949	RF
- 90	0A122-0017-1451		CABINET ASSY-SINK, LAV D (FIRE PROTECTION ONLY) SUPPLIER CODE: VS5825 FOR NHA/OTHER SYS DET SEE: 25-41-04-57	952999	RF

MISSING ITEM NUMBERS NOT APPLICABLE

- ITEM NOT ILLUSTRATED

26-24-52-01

26-24-52
FIG. 01
PAGE 1
JAN 20/09

BRI



757

PARTS CATALOG (MAINTENANCE)

FIG ITEM	PART NUMBER	1 2 3 4 5 6 7	NOMENCLATURE	EFFECT FROM TO	UNITS PER ASSY
1					
- 91	0A122-0017-1291		CABINET ASSY-SINK, LAV D (FIRE PROTECTION ONLY) SUPPLIER CODE: VS5825 FOR NHA/OTHER SYS DET SEE: 25-41-04-95	121503 904949	RF
- 110	0A122-0017-811		CABINET ASSY-SINK, LAV F (FIRE PROTECTION ONLY) SUPPLIER CODE: VS5825 FOR NHA/OTHER SYS DET SEE: 25-41-01-09D	904949	RF
- 111	0A122-0017-1271		CABINET ASSY-SINK, LAV F (FIRE PROTECTION ONLY) SUPPLIER CODE: VS5825 FOR NHA/OTHER SYS DET SEE: 25-41-01-09D	121503 904949	RF
- 115	0A122-0017-1651		CABINET ASSY-SINK, LAV S (FIRE PROTECTION ONLY) SUPPLIER CODE: VS5825 FOR NHA/OTHER SYS DET SEE: 25-41-03-08A	950951	RF
- 116	0A122-0017-1461		CABINET ASSY-SINK, LAV S (FIRE PROTECTION ONLY) SUPPLIER CODE: VS5825 FOR NHA/OTHER SYS DET SEE: 25-41-03-08C	952952	RF
- 300	800100-5		.EXTINGUISHER-FIRE LAV B AND D LAV D AND F SUPPLIER CODE: V61423 SPECIFICATION NUMBER: 10-61909-5 OPTIONAL PART: A800100-5 V61423 30100022-5 V05167	121503 904949	1

MISSING ITEM NUMBERS NOT APPLICABLE

- ITEM NOT ILLUSTRATED

BRI

26-24-52-01

BOEING PROPRIETARY - Copyright © - Unpublished Work - See title page for details.

26-24-52
FIG. 01
PAGE 2
JAN 20/09



757

PARTS CATALOG (MAINTENANCE)

FIG ITEM	PART NUMBER	1 2 3 4 5 6 7	NOMENCLATURE	EFFECT FROM TO	UNITS PER ASSY
1 305	30100022-3		.EXTINGUISHER-FIRE SUPPLIER CODE: V05167 SPECIFICATION NUMBER: 10-61909-3 OPTIONAL PART: 30100022-33 V05167 800100-3 V96124	950951	1
305	800100-6		.EXTINGUISHER-FIRE LAV C LAV K SUPPLIER CODE: V61423 SPECIFICATION NUMBER: 10-61909-6 OPTIONAL PART: A800100-6 V61423 30100022-6 V05167	121503 904949	1
305	30100022-3		.EXTINGUISHER-FIRE LAV C AND G LAV C AND S SUPPLIER CODE: V05167 SPECIFICATION NUMBER: 10-61909-3 OPTIONAL PART: 30100022-33 V05167 800100-3 V96124	121503 904951 953999	1
305	30100022-3		.EXTINGUISHER-FIRE LAV C SUPPLIER CODE: V05167 SPECIFICATION NUMBER: 10-61909-3 OPTIONAL PART: 30100022-33 V05167 800100-3 V96124	952952	1
- 310	NAS603-6P		ATTACHING PARTS .SCREW	950951	2
- 310	NAS603-5P		.SCREW	121503 904951 953999	2

MISSING ITEM NUMBERS NOT APPLICABLE

- ITEM NOT ILLUSTRATED

26-24-52-01

26-24-52
FIG. 01
PAGE 3
JAN 20/09

BRI



757

PARTS CATALOG (MAINTENANCE)

FIG ITEM	PART NUMBER	1 2 3 4 5 6 7	NOMENCLATURE	EFFECT FROM TO	UNITS PER ASSY
1					
- 310	NAS603-5P	.	SCREW	952952	2
- 313	NAS603-5P	.	SCREW-	121503	2
			LAV B	904949	
- 320	AN960PD10L	.	WASHER	121503	2
				904951	
- 320	AN960PD10L	.	WASHER	121503	2
				904951	
				953999	
- 320	AN960PD10L	.	WASHER	952952	2
			-----*-----		
324	51950046-1	..	PLACARD-WEIGHT	952952	1
			SUPPLIER CODE:		
			V05167		
324	51950046-1	..	PLACARD-WEIGHT	121503	1
			SUPPLIER CODE:	904951	
			V05167	953999	
324	51950046-1	..	PLACARD-WEIGHT	950951	1
			SUPPLIER CODE:		
			V05167		
325	240-180-250F	.	INDICATOR-TEMP	121503	1
			LAV C, D AND F	904951	
			SUPPLIER CODE:	953999	
			V08086		
			CONFIG CHG DATA FROM A CMM:		
			SUPERSEDES 240-180-250		
325	240-180-250F	.	INDICATOR-TEMP	952952	1
			LAV K AND S		
			LAV C AND D		
			SUPPLIER CODE:		
			V08086		
328	240-180-250F	.	INDICATOR-TEMP	121503	1
			LAV B	904951	
			SUPPLIER CODE:	953999	
			V08086		
			CONFIG CHG DATA FROM A CMM:		
			SUPERSEDES 240-180-250		
- 335	240-180-250	.	INDICATOR-TEMP	121503	1
			SUPPLIER CODE:	904949	
			V08086		
			CONFIG CHG DATA FROM A CMM:		
			SUPSD BY 240-180-250F		

MISSING ITEM NUMBERS NOT APPLICABLE

- ITEM NOT ILLUSTRATED

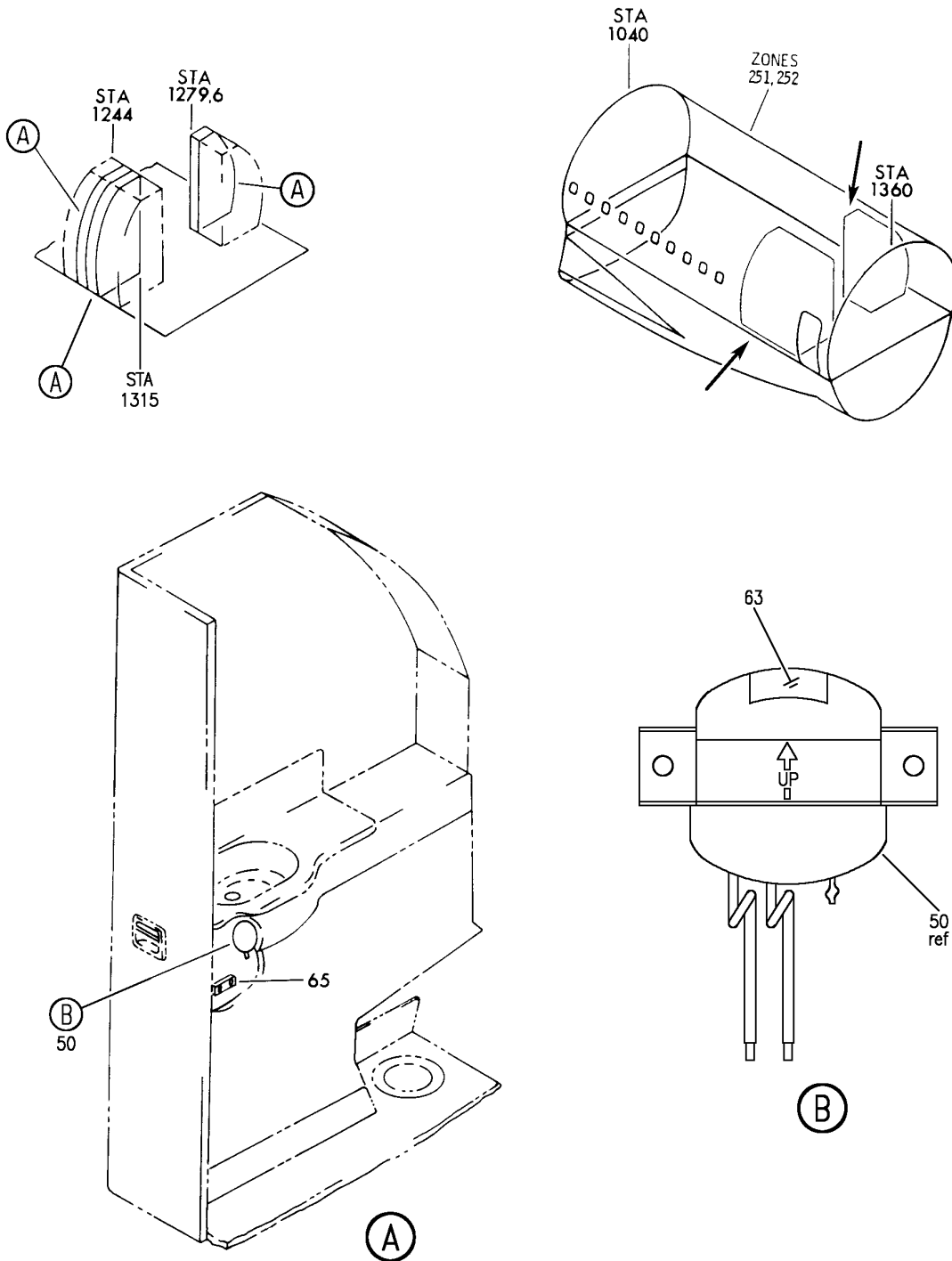
26-24-52-01

26-24-52
FIG. 01
PAGE 4
JAN 20/09

BRI

BOEING PROPRIETARY - Copyright © - Unpublished Work - See title page for details.

BOEING
757
PARTS CATALOG (MAINTENANCE)



Y 26245201A REV 304

CABINET INSTL-SINK, LAV (FIRE PROTECTION ONLY)
FIGURE 1A

26-24-52-01A

BRI
MAY 28/07

26-24-52-01A
PAGE 0



757

PARTS CATALOG (MAINTENANCE)

FIG ITEM	PART NUMBER	1 2 3 4 5 6 7	NOMENCLATURE	EFFECT FROM TO	UNITS PER ASSY
1 A			CABINET INSTL-SINK, LAV (FIRE PROTECTION ONLY)	002004 006100	
- 1	0A122-0017-1491		CABINET ASSY-SINK, LAV B (FIRE PROTECTION ONLY) SUPPLIER CODE: VS5825	002004 006010	RF
- 1	0A122-0017-1831		CABINET ASSY-SINK, LAV B (FIRE PROTECTION ONLY) SUPPLIER CODE: VS5825	011100	RF
- 5	0A122-0017-1502		CABINET ASSY-SINK, LAV C (FIRE PROTECTION ONLY) SUPPLIER CODE: VS5825	002004 006010	RF
- 5	0A122-0017-1842		FOR NHA/OTHER SYS DET SEE: 25-41-04-28 CABINET ASSY-SINK, LAV C (FIRE PROTECTION ONLY) SUPPLIER CODE: VS5825	011100	RF
- 10	0A122-0017-1511		FOR NHA/OTHER SYS DET SEE: 25-41-04-28 CABINET ASSY-SINK, LAV D (FIRE PROTECTION ONLY) SUPPLIER CODE: VS5825	002004 006010	RF
- 10	0A122-0017-1851		FOR NHA/OTHER SYS DET SEE: 25-41-04-44 CABINET ASSY-SINK, LAV D (FIRE PROTECTION ONLY) SUPPLIER CODE: VS5825	011100	RF
50	30100022-3		FOR NHA/OTHER SYS DET SEE: 25-41-04-44 .EXTINGUISHER-FIRE SUPPLIER CODE: V05167	002004 006100	1
			SPECIFICATION NUMBER: 10-61909-3 OPTIONAL PART: 30100022-33 V05167 800100-3 V96124		
- 55	NAS603-6P		ATTACHING PARTS .SCREW	002004 006100	2

MISSING ITEM NUMBERS NOT APPLICABLE

- ITEM NOT ILLUSTRATED

26-24-52-01A

26-24-52
FIG. 01A
PAGE 1
JAN 20/09

BRI

BOEING PROPRIETARY - Copyright © - Unpublished Work - See title page for details.



757

PARTS CATALOG (MAINTENANCE)

FIG ITEM	PART NUMBER	1 2 3 4 5 6 7	NOMENCLATURE	EFFECT FROM TO	UNITS PER ASSY
1 A					
- 60	AN960PD10L	.	WASHER	002004 006100	2
			-----*-----		
63	51950046-1	..	PLACARD-WEIGHT SUPPLIER CODE: V05167	002004 006100	1
65	240-180-250F	.	INDICATOR-TEMP SUPPLIER CODE: V08086	002004 006100	1

MISSING ITEM NUMBERS NOT APPLICABLE

- ITEM NOT ILLUSTRATED

BRI

26-24-52-01A

BOEING PROPRIETARY - Copyright © - Unpublished Work - See title page for details.

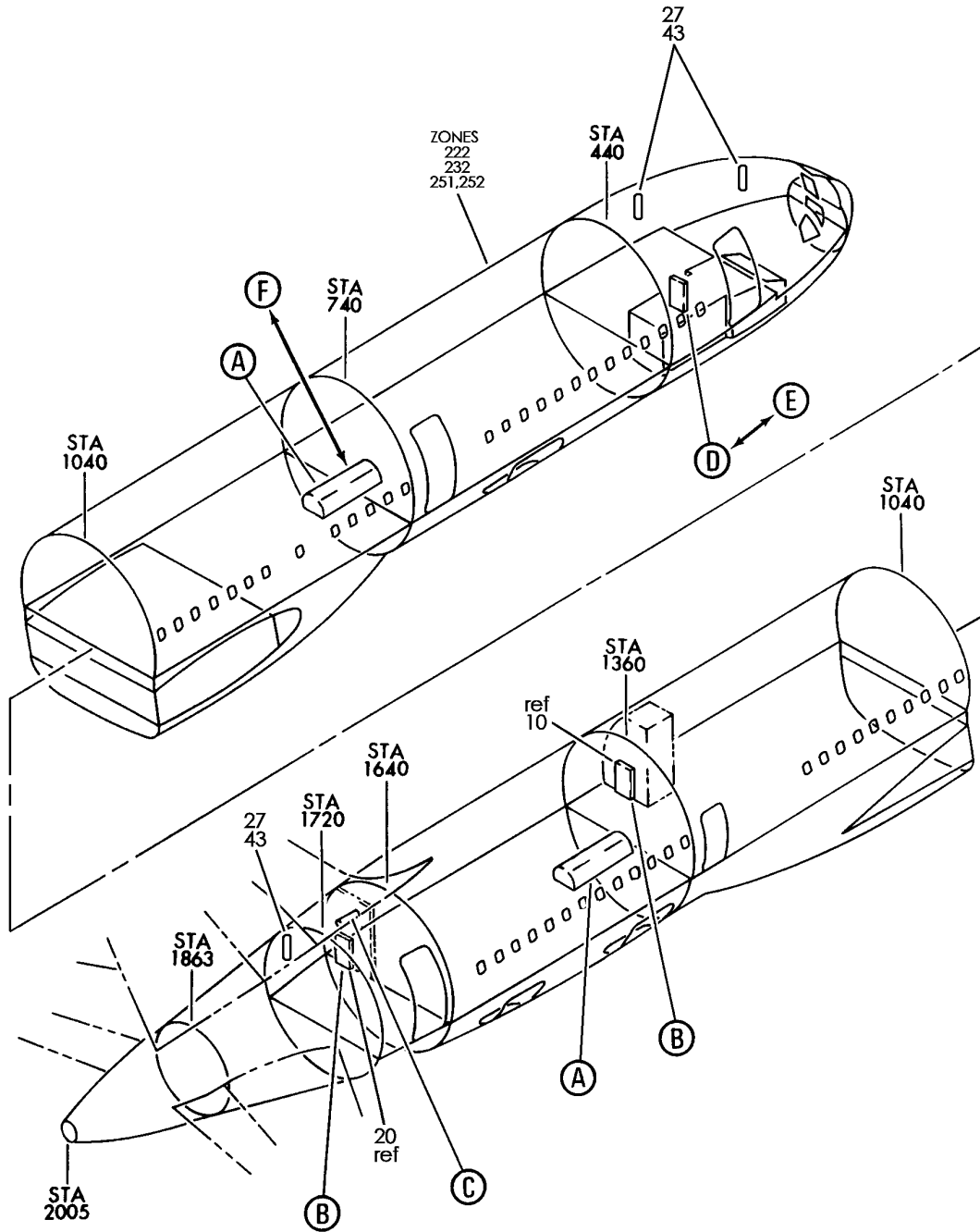
26-24-52
FIG. 01A
PAGE 2
JAN 20/09

PORTABLE FIRE EXTINGUISHERS

BRI
MAY 28/07

26-26-00
SECTION TITLE
PAGE 1

BOEING
757
PARTS CATALOG (MAINTENANCE)



Y 26260005 SHT 1 REV 224

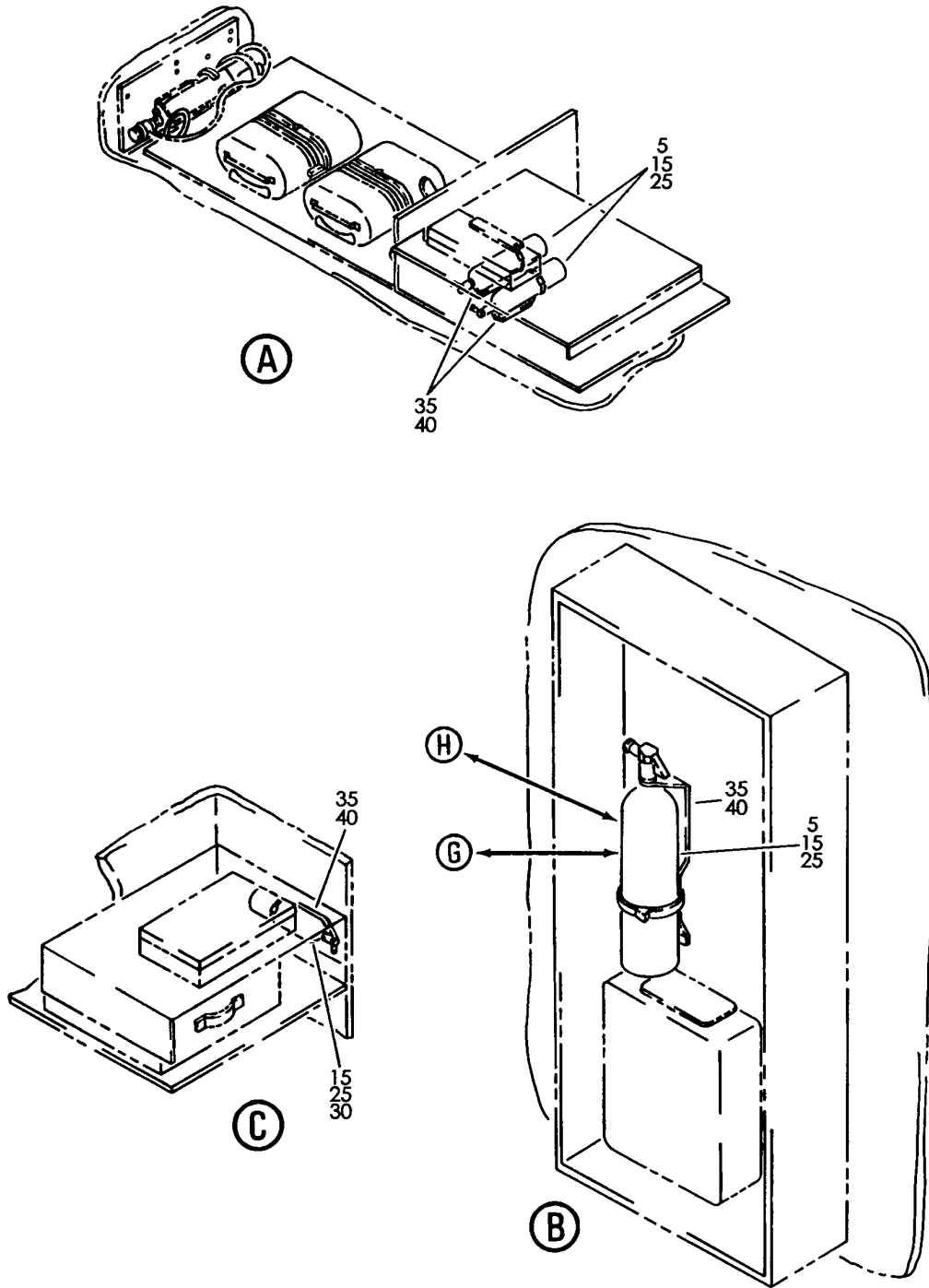
EQUIPMENT INSTL-MISC EMER (FIRE PROTECTION ONLY)
FIGURE 5 (SHEET 1)

26-26-00-05

BRI
MAY 28/07

26-26-00-05
PAGE 0

BOEING
757
PARTS CATALOG (MAINTENANCE)



Y 26260005 SHT 2 REV 207

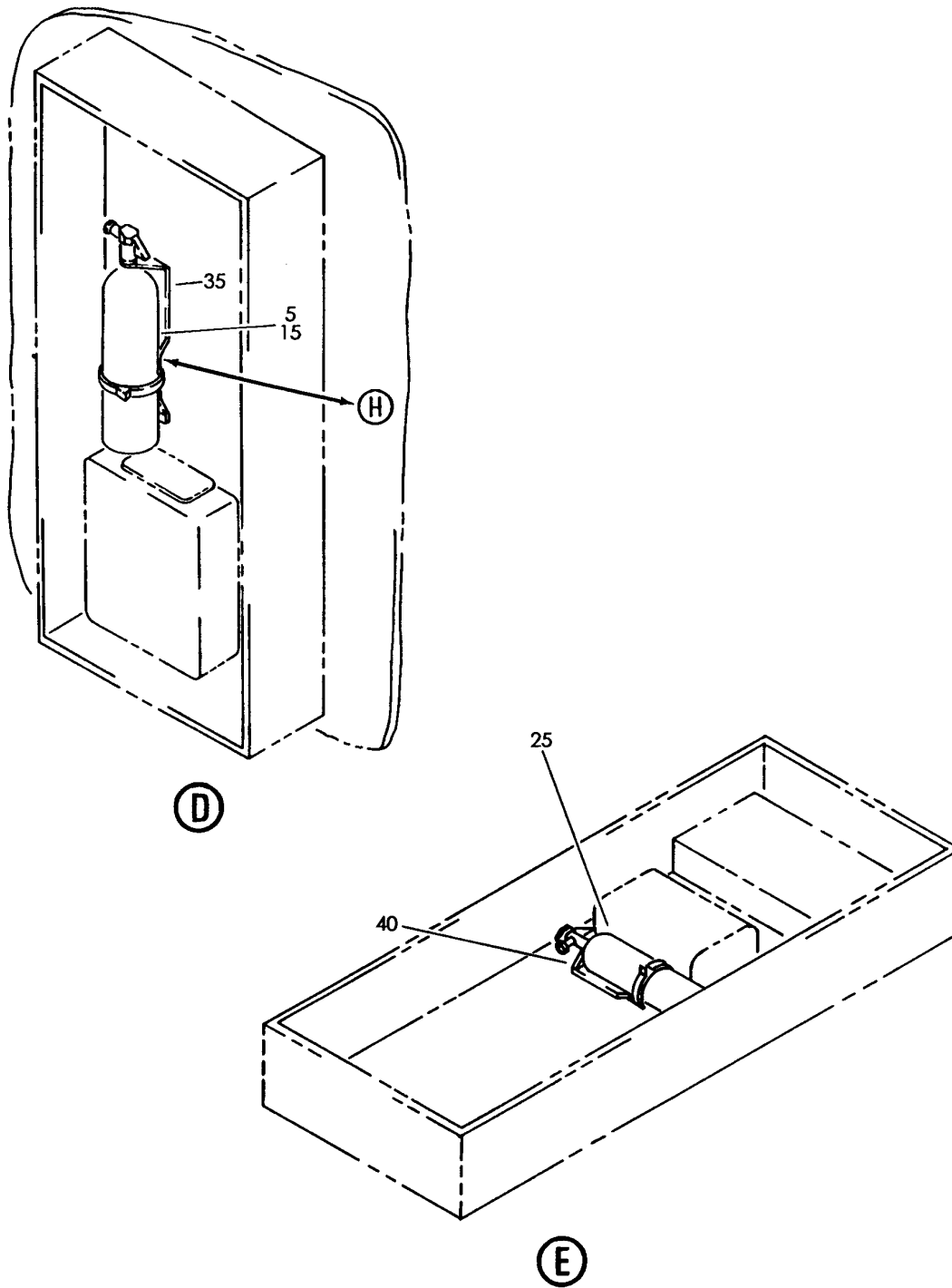
EQUIPMENT INSTL-MISC EMER (FIRE PROTECTION ONLY)
FIGURE 5 (SHEET 2)

26-26-00-05

BRI
MAY 28/07

26-26-00-05
PAGE 0A

BOEING
757
PARTS CATALOG (MAINTENANCE)



Y 26260005 SHT 3 REV 207

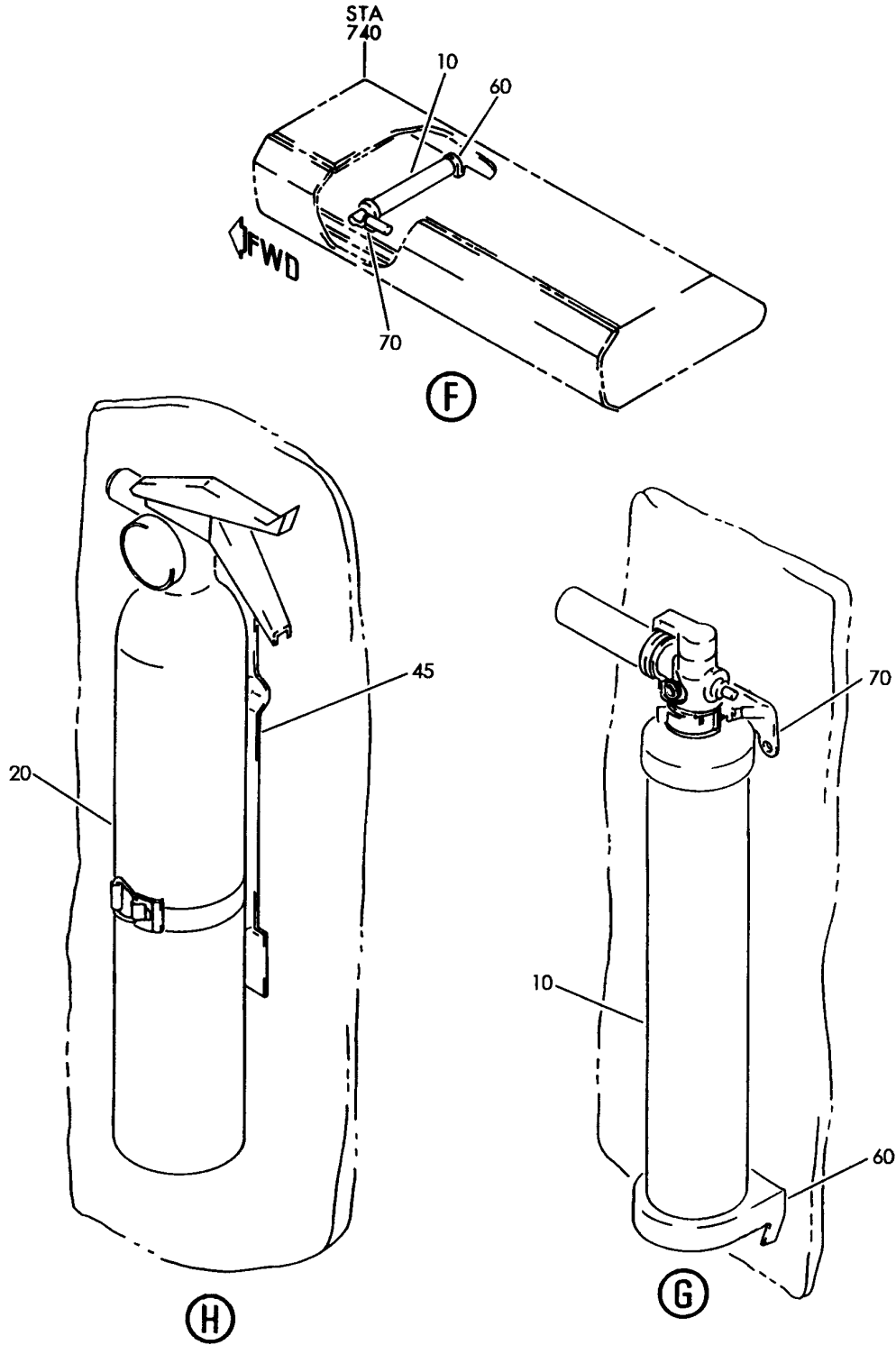
EQUIPMENT INSTL-MISC EMER (FIRE PROTECTION ONLY)
FIGURE 5 (SHEET 3)

26-26-00-05

BRI
MAY 28/07

26-26-00-05
PAGE 0B

BOEING
757
PARTS CATALOG (MAINTENANCE)



Y 26260005 SHT 4 REV 207

EQUIPMENT INSTL-MISC EMER (FIRE PROTECTION ONLY)
FIGURE 5 (SHEET 4)

26-26-00-05

BRI
MAY 28/07

26-26-00-05
PAGE 0C



757

PARTS CATALOG (MAINTENANCE)

FIG ITEM	PART NUMBER	1 2 3 4 5 6 7	NOMENCLATURE	EFFECT FROM TO	UNITS PER ASSY
5			EQUIPMENT INSTL-MISC EMER (FIRE PROTECTION ONLY)	121503 904949	
- 1	416N1001-26		EQUIPMENT INSTL-MISC. EMER (FIRE PROTECTION ONLY) POST RAPID REVISION: RR92003-19 FOR NHA/OTHER SYS DET SEE: 25-20-00-01D	904949	RF
- 1	416N1001-88		EQUIPMENT INSTL-MISC. EMER (FIRE PROTECTION ONLY) FOR NHA/OTHER SYS DET SEE: 25-20-00-01D	904949	RF
- 1	416N1001-131		EQUIPMENT INSTL-MISC. EMER (FIRE PROTECTION ONLY) FOR NHA/OTHER SYS DET SEE: 25-20-00-01D	121503	RF
15	BA51015		.FIRE EXTINGUISHER-BCF (CUSTOMER FURNISHED) SUPPLIER CODE: VU3061 POST RAPID REVISION: RR92003-19	904949	8
15	BA51015-3		.FIRE EXTINGUISHER-BCF (CUSTOMER FURNISHED) SUPPLIER CODE: VU3061 FUNCTIONAL DESCRIPTION: PROVIDES FIRE PROTECTION IN EMERGENCY SITUATIONS.	904949	8
25	BA51015-2		.FIRE EXTINGUISHER-BCF SUPPLIER CODE: VU3061 OPTIONAL PART: BA51015G2 VU3061	121503	8
25	BA51015G2		.FIRE EXTINGUISHER-BCF SUPPLIER CODE: VU3061 OPTIONAL PART: BA51015-2 VU3061	121503	8
35	BA50102		.BRACKET-FIRE EXT (CUSTOMER FURNISHED) SUPPLIER CODE: VU3061 POST RAPID REVISION: RR92003-19	904949	8

MISSING ITEM NUMBERS NOT APPLICABLE

- ITEM NOT ILLUSTRATED

26-26-00-05

26-26-00
FIG. 05
PAGE 1
JAN 20/09

BRI



757

PARTS CATALOG (MAINTENANCE)

FIG ITEM	PART NUMBER	1 2 3 4 5 6 7	NOMENCLATURE	EFFECT FROM TO	UNITS PER ASSY
5	40 BA50102		.BRACKET-FIRE EXT (CUSTOMER FURNISHED) SUPPLIER CODE: VU3061 ATTACHING PARTS	121503	8
-	50 NAS1801-3-6		.SCREW-	121503 904949	32
-	55 AN960KD10L		.WASHER-	121503 904949	32
-	55 AN960PD10L		.WASHER-	121503 904949	32
-	55 AN960JD10LL		.WASHER-	904949	32
-	55 NAS1149D0316J		.WASHER	121503	32
-	85 NAS1149D0316J		.WASHER -----*-----	121503	5

MISSING ITEM NUMBERS NOT APPLICABLE

- ITEM NOT ILLUSTRATED

BRI

26-26-00-05

BOEING PROPRIETARY - Copyright © - Unpublished Work - See title page for details.

26-26-00
FIG. 05
PAGE 2
JAN 20/09



757

PARTS CATALOG (MAINTENANCE)

FIG ITEM	PART NUMBER	1 2 3 4 5 6 7	NOMENCLATURE	EFFECT FROM TO	UNITS PER ASSY
12			EQUIPMENT INSTL-MISC. EMER (FIRE PROTECTION ONLY)	107107	
- 1	416N1001-19		EQUIPMENT INSTL-MISC EMER (FIRE PROTECTION ONLY) FOR NHA/OTHER SYS DET SEE: 25-20-00-01D	107107	RF
5	BA51015		.FIRE EXTINGUISHER-BCF (CUSTOMER FURNISHED) SUPPLIER CODE: VU3061	107107	6
5	BA51015-3		.FIRE EXTINGUISHER-BCF (CUSTOMER FURNISHED) SUPPLIER CODE: VU3061 FUNCTIONAL DESCRIPTION: PROVIDES FIRE PROTECTION IN EMERGENCY SITUATIONS.	107107	6
15	BA51015		.FIRE EXTINGUISHER-BCF (CUSTOMER FURNISHED) SUPPLIER CODE: VU3061	107107	1
15	BA51015-3		.FIRE EXTINGUISHER-BCF (CUSTOMER FURNISHED) SUPPLIER CODE: VU3061 FUNCTIONAL DESCRIPTION: PROVIDES FIRE PROTECTION IN EMERGENCY SITUATIONS.	107107	1
- 20	NAS1801-3-6		ATTACHING PARTS .SCREW	107107	28
- 30	AN960JD10L		.WASHER-	107107	28
- 30	AN960PD10L		.WASHER-	107107	28
- 30	AN960JD10LL		.WASHER-	107107	28
- 40	BA50102		-----*----- .BRACKET-(CUSTOMER FURNISHED) SUPPLIER CODE: VU3061	107107	6
- 50	BA50102		.BRACKET-(CUSTOMER FURNISHED) SUPPLIER CODE: VU3061	107107	1

MISSING ITEM NUMBERS NOT APPLICABLE

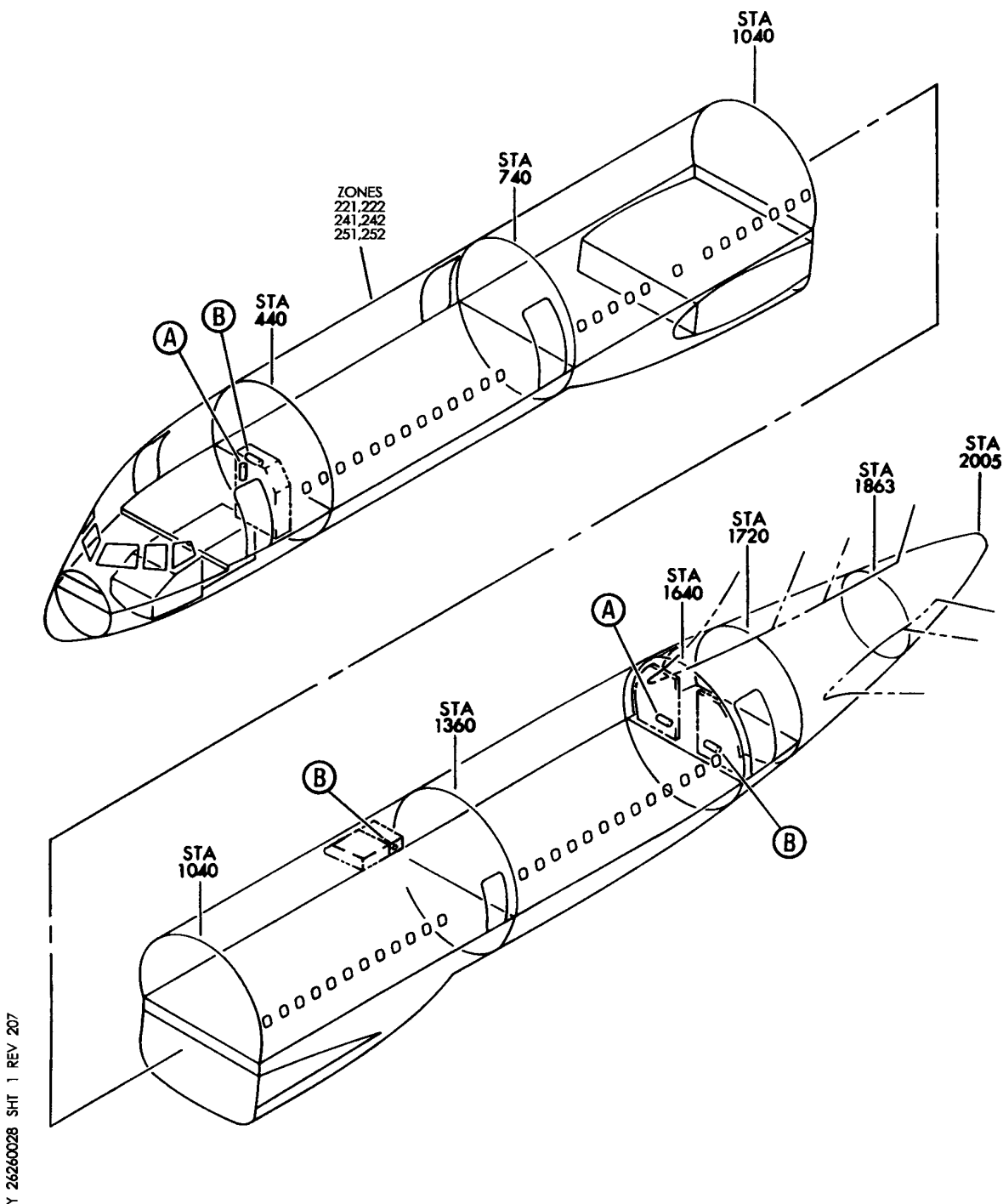
- ITEM NOT ILLUSTRATED

26-26-00-12

26-26-00
FIG. 12
PAGE 1
JAN 20/09

BRI

BOEING
757
PARTS CATALOG (MAINTENANCE)



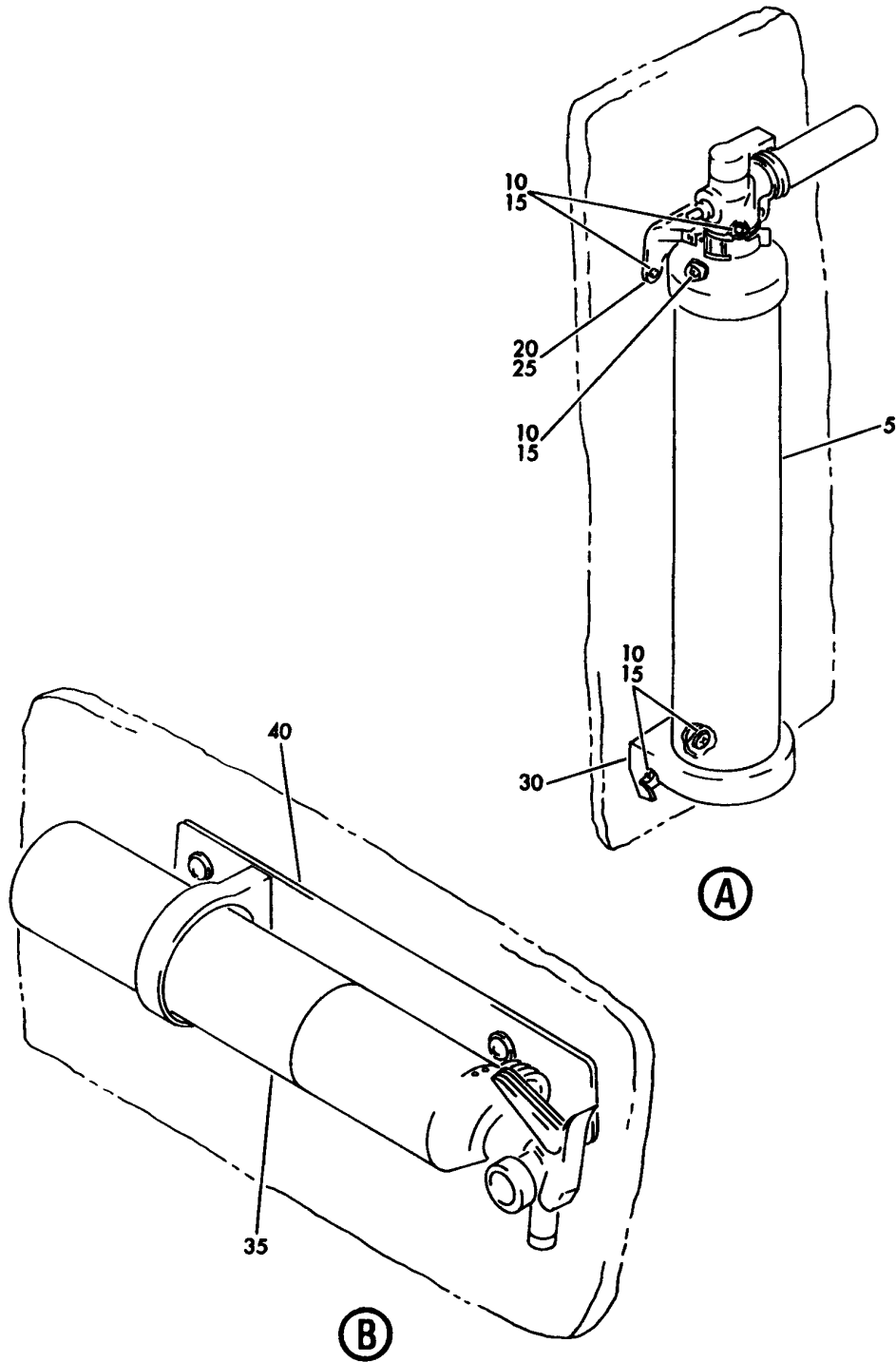
EQUIPMENT INSTL-MISC EMER (FIRE PROTECTION ONLY)
FIGURE 28 (SHEET 1)

26-26-00-28

BRI
JAN 20/09

26-26-00-28
PAGE 0

BOEING
757
PARTS CATALOG (MAINTENANCE)



Y 26260028 SHT 2 REV 207

EQUIPMENT INSTL-MISC EMER (FIRE PROTECTION ONLY)
FIGURE 28 (SHEET 2)

26-26-00-28

BRI
JAN 20/09

26-26-00-28
PAGE 0A



757

PARTS CATALOG (MAINTENANCE)

FIG ITEM	PART NUMBER	1 2 3 4 5 6 7	NOMENCLATURE	EFFECT FROM TO	UNITS PER ASSY
28			EQUIPMENT INSTL-MISC EMER (FIRE PROTECTION ONLY)	952999	
- 1	416N1001-106		EQUIPMENT INSTL-MISC EMER (FIRE PROTECTION ONLY) FOR NHA/OTHER SYS DET SEE: 25-20-00-01F	952952	RF
- 1	416N1001-152		EQUIPMENT INSTL-MISC EMER (FIRE PROTECTION ONLY) FOR NHA/OTHER SYS DET SEE: 25-20-00-01F	953999	RF
5	892480		.EXTINGUISHER ASSY-FIRE LIQUID TYPE SUPPLIER CODE: V61423 FUNCTIONAL DESCRIPTION: PROVIDES PRESSURIZED EXTINGUISHING AGENT TO BE DISCHARGED IN CASE OF FIRE COMPONENT MAINT MANUAL REF: 26-20-20 FUNCTIONAL REFERENCE: FIRE PROTECTION FOR DETAILS SEE 26-26-03-20 PLACARDS AND MARKINGS FOR DETAILS SEE 11-35-14-75	952999	2
10	NAS1801-3-7		.SCREW	952952	10
10	BACS12GU3K7		.SCREW	953999	10
15	AN960JD10LL		.WASHER	952952	10
15	NAS1149D0316J		.WASHER	953999	10
20	416N1040-3		.BRACKET	952999	2
25	H3-1301-2		.BRACKET- SUPPLIER CODE: V34941 POSITION DATA: UPR	952999	2
30	H3-1395-1		.BRACKET- SUPPLIER CODE: V34941	952999	2

MISSING ITEM NUMBERS NOT APPLICABLE

- ITEM NOT ILLUSTRATED

26-26-00-28

26-26-00
FIG. 28
PAGE 1
JAN 20/09

BRI



757

PARTS CATALOG (MAINTENANCE)

FIG ITEM	PART NUMBER	1 2 3 4 5 6 7	NOMENCLATURE	EFFECT FROM TO	UNITS PER ASSY
28					
35	898052		.FIRE EXTINGUISHER-BCF SUPPLIER CODE: V61423 FUNCTIONAL DESCRIPTION: PROVIDES FIRE PROTECTION TO EMERGENCY SITUATIONS COMPONENT MAINT MANUAL REF: 26-21-39 FOR DETAILS SEE: 26-26-02-25	952999	3
40	896698		.BRACKET ASSY-FIRE EXT SUPPLIER CODE: V61423 ATTACHING PARTS	952999	3
- 45	NAS1801-3-5		.SCREW	952952	12
- 45	BACS12GU3K5		.SCREW	953999	12
- 50	AN960JD10LL		.WASHER	952952	12
- 50	NAS1149D0316J		.WASHER	953999	12
			-----*-----		

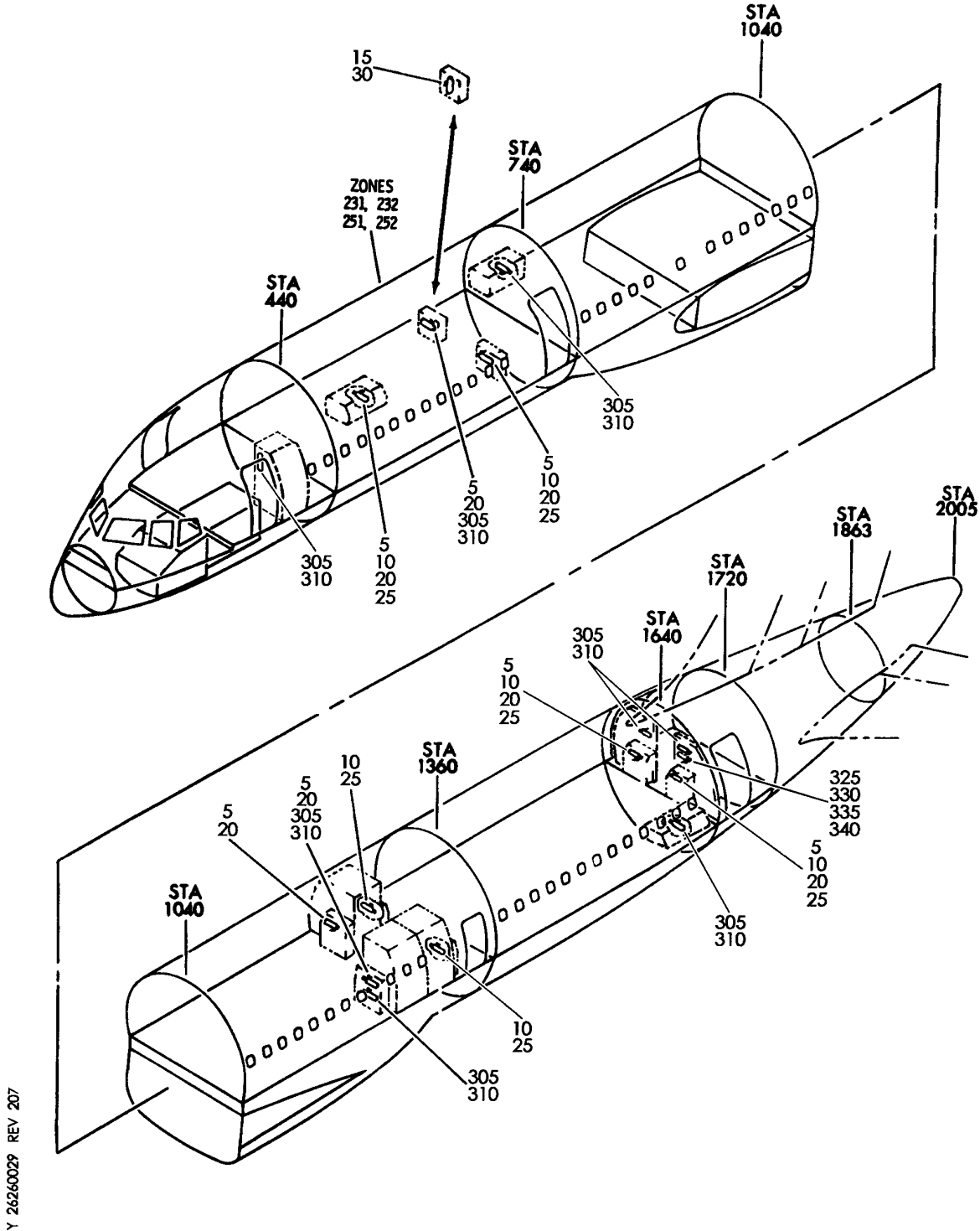
MISSING ITEM NUMBERS NOT APPLICABLE

- ITEM NOT ILLUSTRATED

26-26-00-28

26-26-00
FIG. 28
PAGE 2
JAN 20/09

BRI



EQUIPMENT INSTL-MISC EMER (FIRE PROTECTION ONLY)
FIGURE 29

26-26-00-29

BRI
MAY 28/07

26-26-00-29
PAGE 0



757

PARTS CATALOG (MAINTENANCE)

FIG ITEM	PART NUMBER	1 2 3 4 5 6 7	NOMENCLATURE	EFFECT FROM TO	UNITS PER ASSY
29			EQUIPMENT INSTL-MISC EMER (FIRE PROTECTION ONLY)	002004 006100	
- 1	416N1001-107		EQUIPMENT INSTL-MISC EMER (FIRE PROTECTION ONLY) FOR NHA/OTHER SYS DET SEE: 25-20-00-01F	002004	RF
- 1	416N1001-148		EQUIPMENT INSTL-MISC EMER (FIRE PROTECTION ONLY) FOR NHA/OTHER SYS DET SEE: 25-20-00-01F	006010	RF
- 1	416N1001-170		EQUIPMENT INSTL-MISC EMER (FIRE PROTECTION ONLY) FOR NHA/OTHER SYS DET SEE: 25-20-00-01F	011100	RF
5	BA51015S2		.FIRE EXTINGUISHER-BCF (CUSTOMER FURNISHED) SUPPLIER CODE: VU3061 OPTIONAL PART: BA51015S3 VU3061	002004 006007	7
5	BA51015S3		.FIRE EXTINGUISHER-BCF (CUSTOMER FURNISHED) SUPPLIER CODE: VU3061 OPTIONAL PART: BA51015S2 VU3061	006010	7
10	BA51015S3		.FIRE EXTINGUISHER-BCF (CUSTOMER FURNISHED) SUPPLIER CODE: VU3061	011100	6
15	BA51015S3		.FIRE EXTINGUISHER-BCF (CUSTOMER FURNISHED) SUPPLIER CODE: VU3061	011100	1
20	BA21479-1		.BRACKET-(CUSTOMER FURNISHED) SUPPLIER CODE: VU3061	002004 006010	7
25	BA21479-1		.BRACKET-(CUSTOMER FURNISHED) SUPPLIER CODE: VU3061	011100	6
30	BA21479-1		.BRACKET-(CUSTOMER FURNISHED) SUPPLIER CODE: VU3061	011100	1

MISSING ITEM NUMBERS NOT APPLICABLE

- ITEM NOT ILLUSTRATED

BRI

26-26-00-29

26-26-00
FIG. 29
PAGE 1
JAN 20/09



757

PARTS CATALOG (MAINTENANCE)

FIG ITEM	PART NUMBER	1 2 3 4 5 6 7	NOMENCLATURE	EFFECT FROM TO	UNITS PER ASSY
29			ATTACHING PARTS		
- 35	NAS1801-08-6	.	SCREW	002004 006010	28
- 40	BACS12GU08K5	.	SCREW	011100	28
- 45	NAS1149D0316J	.	WASHER	002004 006010	28
- 50	NAS1149D0316J	.	WASHER	011100	28
			-----*-----		

MISSING ITEM NUMBERS NOT APPLICABLE

- ITEM NOT ILLUSTRATED

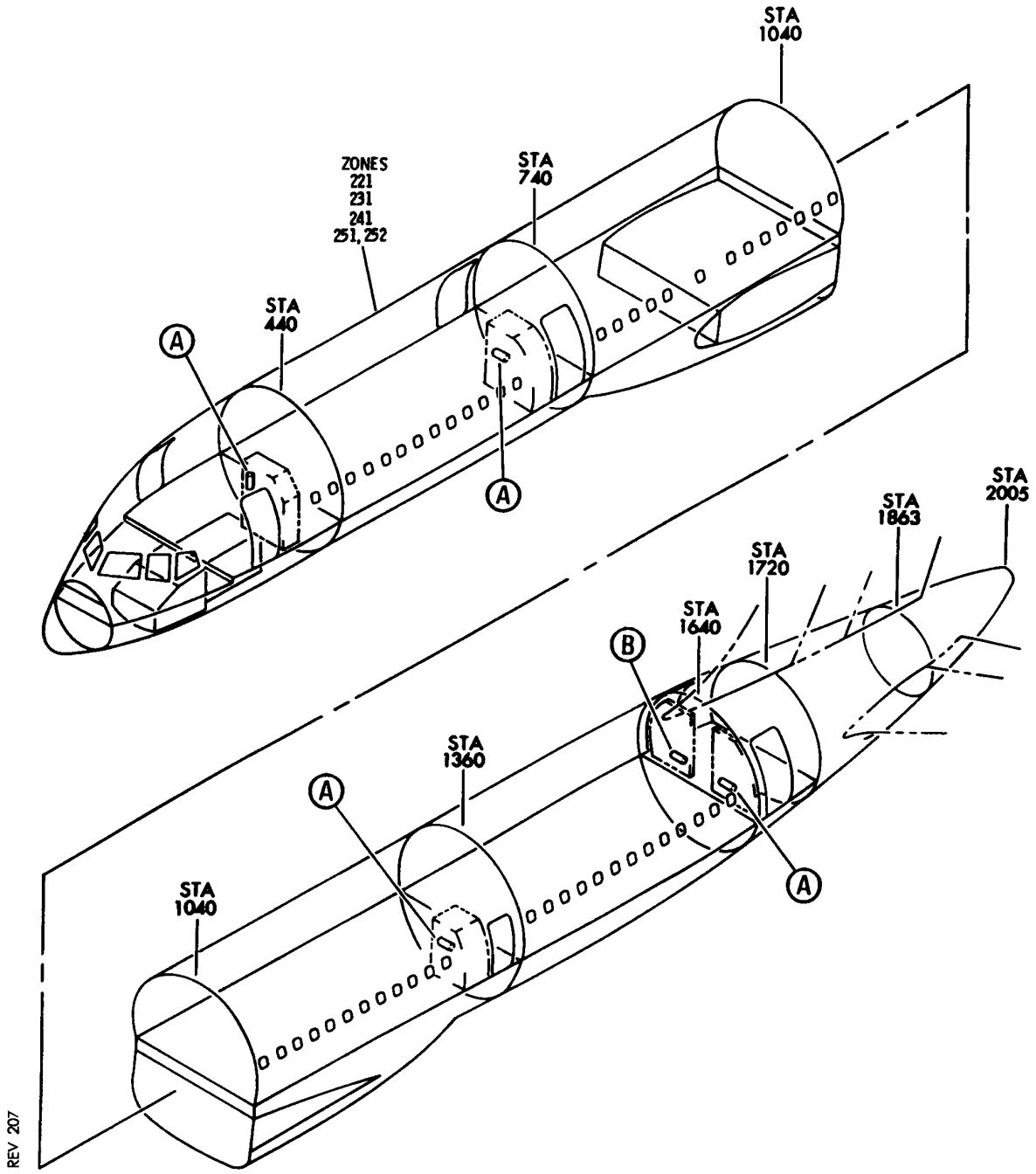
BRI

26-26-00-29

BOEING PROPRIETARY - Copyright © - Unpublished Work - See title page for details.

26-26-00
FIG. 29
PAGE 2
JAN 20/09

BOEING
757
PARTS CATALOG (MAINTENANCE)



Y 26260033 SHT 1 REV 207

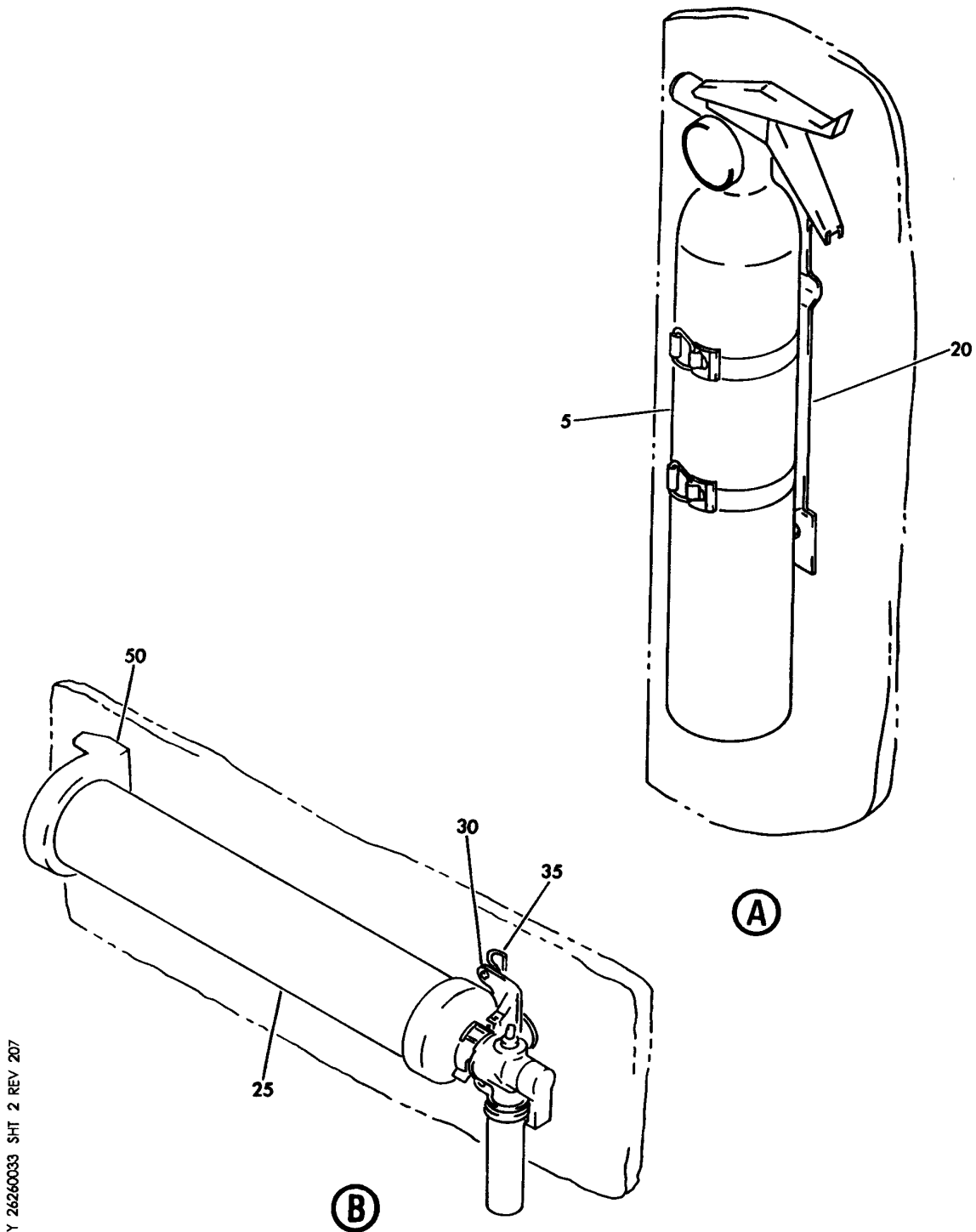
EQUIPMENT INSTL-MISC. EMER (FIRE PROTECTION ONLY)
FIGURE 33 (SHEET 1)

26-26-00-33

BRI
JAN 20/09

26-26-00-33
PAGE 0

BOEING
757
PARTS CATALOG (MAINTENANCE)



Y 26260033 SHT 2 REV 207

EQUIPMENT INSTL-MISC. EMER (FIRE PROTECTION ONLY)
FIGURE 33 (SHEET 2)

26-26-00-33

BRI
JAN 20/09

26-26-00-33
PAGE 0A



757

PARTS CATALOG (MAINTENANCE)

FIG ITEM	PART NUMBER	1 2 3 4 5 6 7	NOMENCLATURE	EFFECT FROM TO	UNITS PER ASSY
33			EQUIPMENT INSTL-MISC. EMER (FIRE PROTECTION ONLY)	950951	
- 1	416N1001-125		EQUIPMENT INSTL-MISC EMER (FIRE PROTECTION ONLY) FOR NHA/OTHER SYS DET SEE: 25-20-00-01F	950951	RF
5	11510		.FIRE EXTINGUISHER-BCF SUPPLIER CODE: V54905	950951	4
- 10	NAS1801-3-5		ATTACHING PARTS .SCREW	950951	16
- 15	NAS1149D0316J		.WASHER -----*-----	950951	16
20	12140		.BRACKET-FIRE EXTINGUISHER SUPPLIER CODE: V54905	950951	4
25	892480		.EXTINGUISHER ASSY-FIRE LIQUID TYPE SUPPLIER CODE: V61423 FUNCTIONAL DESCRIPTION: PROVIDES PRESSURIZED EXTINGUISHING AGENT TO BE DISCHARGED IN CASE OF FIRE COMPONENT MAINT MANUAL REF: 26-20-20 FUNCTIONAL REFERENCE: FIRE PROTECTION FOR DETAILS SEE 26-26-03-20 PLACARDS AND MARKINGS FOR DETAILS SEE 11-35-14-75	950951	1
30	H3-1301-2		.BRACKET- SUPPLIER CODE: V34941	950951	1
35	416N1040-3		.BRACKET ATTACHING PARTS	950951	1
- 40	NAS1801-3-7		.SCREW	950951	3
- 45	NAS1149D0316J		.WASHER -----*-----	950951	3
50	H3-1395-1		.BRACKET- SUPPLIER CODE: V34941	950951	1
- 55	NAS1801-3-7		ATTACHING PARTS .SCREW	950951	2
- 60	NAS1149D0316J		.WASHER -----*-----	950951	2

MISSING ITEM NUMBERS NOT APPLICABLE

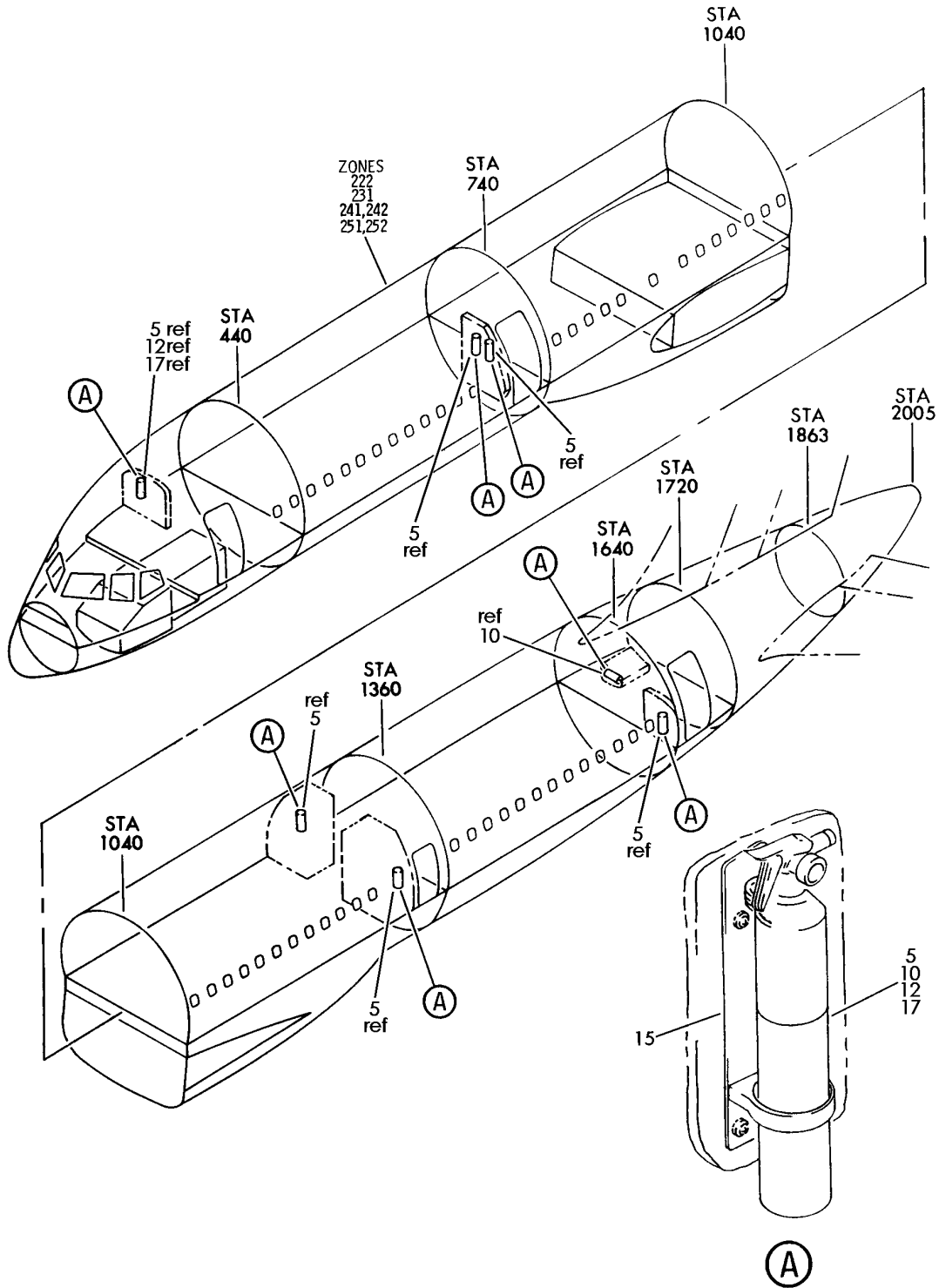
- ITEM NOT ILLUSTRATED

26-26-00-33

26-26-00
FIG. 33
PAGE 1
JAN 20/09

BRI

BOEING
757
PARTS CATALOG (MAINTENANCE)



Y 26260040 REV 213

EQUIPMENT INSTL-MISC. EMER (FIRE PROTECTION ONLY)
FIGURE 40

26-26-00-40

BRI
JAN 20/09

26-26-00-40
PAGE 0



757

PARTS CATALOG (MAINTENANCE)

FIG ITEM	PART NUMBER	1 2 3 4 5 6 7	NOMENCLATURE	EFFECT FROM TO	UNITS PER ASSY
40			EQUIPMENT INSTL-MISC. EMER (FIRE PROTECTION ONLY)	504504 506506	
- 1	416N1001-734B		EQUIPMENT INSTL-DISC EMER (FIRE PROTECTION ONLY) FOR NHA/OTHER SYS DET SEE: 25-20-00-07F	504504 506506	RF
5	BA51015-3		.FIRE EXTINGUISHER- (CUSTOMER FURNISHED) SUPPLIER CODE: VU3061 FUNCTIONAL DESCRIPTION: PROVIDES FIRE PROTECTION IN EMERGENCY SITUATIONS.	504504 506506	6
10	BA61016WG3		.FIRE EXTINGUISHER- (CUSTOMER FURNISHED) SUPPLIER CODE: VU3061 FUNCTIONAL DESCRIPTION: PROVIDES FIRE PROTECTION IN EMERGENCY SITUATIONS.	504504 506506	1
12	BA61016WG3		.FIRE EXTINGUISHER- (CUSTOMER FURNISHED) SUPPLIER CODE: VU3061 FUNCTIONAL DESCRIPTION: PROVIDES FIRE PROTECTION IN EMERGENCY SITUATIONS	504504 506506	1
15	BA21479-1		.BRACKET-FIRE EXTINGUISHER 2 STRAP (CUSTOMER FURNISHED) SUPPLIER CODE: VU3061	504504 506506	7
17	BA21479-1		.BRACKET-FIRE EXTINGUISHER 2 STRAP (CUSTOMER FURNISHED) SUPPLIER CODE: VU3061	504504 506506	1
- 20	BACS12GU3K6		ATTACHING PARTS .SCREW	504504 506506	28
- 22	BACS12GU3K6		.SCREW	504504 506506	4
- 25	NAS1149D0316J		.WASHER	504504 506506	28
- 30	NAS1149D0316J		.WASHER	504504 506506	4
			-----*-----		

MISSING ITEM NUMBERS NOT APPLICABLE

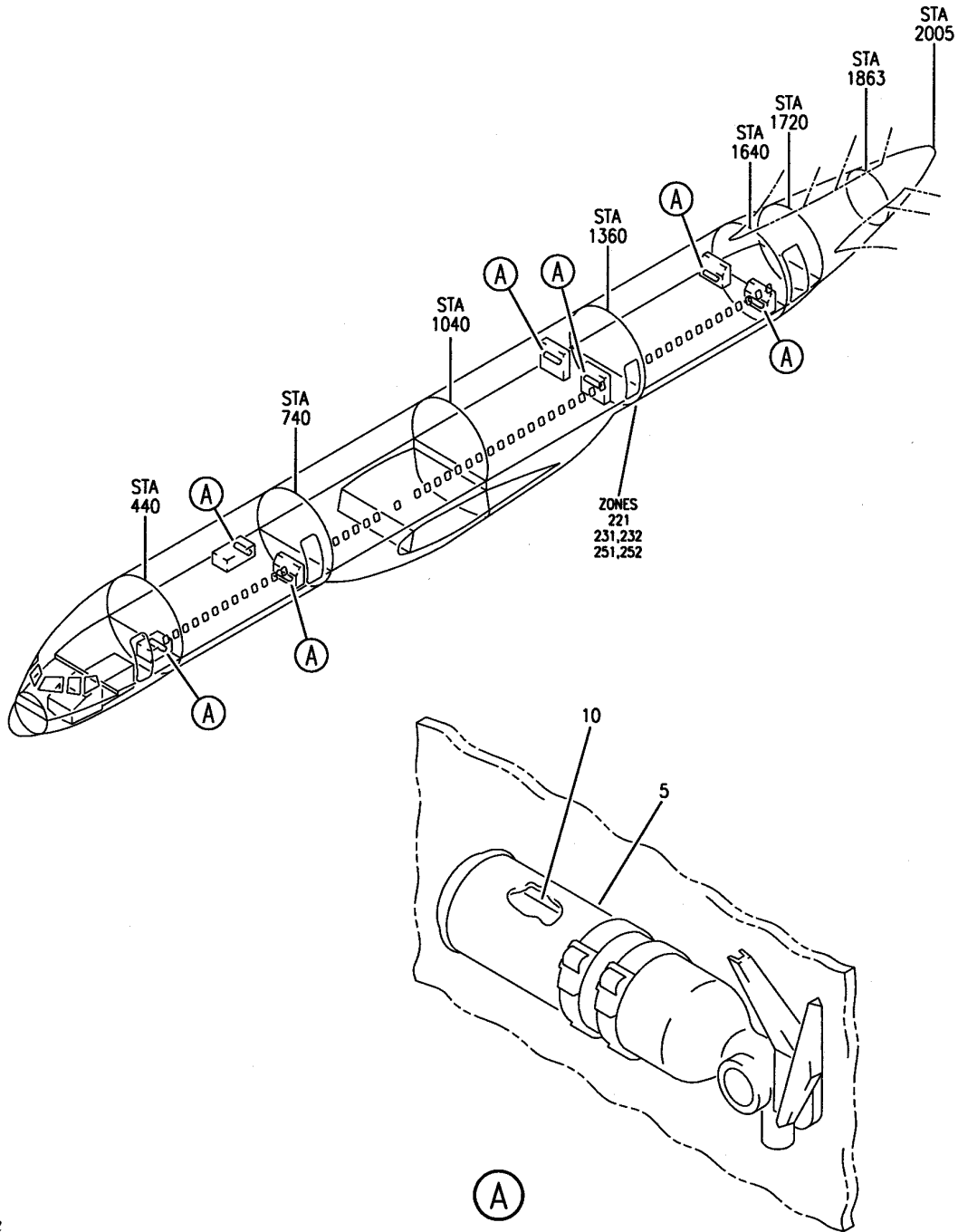
- ITEM NOT ILLUSTRATED

26-26-00-40

26-26-00
FIG. 40
PAGE 1
JAN 20/09

BRI

BOEING
757
PARTS CATALOG (MAINTENANCE)



Y 26260048 REV 210

EQUIPMENT INSTL-MISC EMER (FIRE PROTECTION ONLY)
FIGURE 48

26-26-00-48

BRI
MAY 28/07

26-26-00-48
PAGE 0



757

PARTS CATALOG (MAINTENANCE)

FIG ITEM	PART NUMBER	1 2 3 4 5 6 7	NOMENCLATURE	EFFECT FROM TO	UNITS PER ASSY
48			EQUIPMENT INSTL-MISC EMER (FIRE PROTECTION ONLY)	101102	
- 1	416N1001-729SP		EQUIPMENT INSTL-MISC EMER (FIRE PROTECTION ONLY)	101101	RF
			FOR NHA/OTHER SYS DET SEE: 25-20-00-07F		
- 1	416N1001-738SP		EQUIPMENT INSTL-MISC EMER (FIRE PROTECTION ONLY)	102102	RF
			FOR NHA/OTHER SYS DET SEE: 25-20-00-07F		
5	BA51015S3		.FIRE EXTINGUISHER-BCF (CUSTOMER FURNISHED)	101102	7
			SUPPLIER CODE: VU3061		
10	BA21479-1		.BRACKET-FIRE EXTINGUISHERS (CUSTOMER FURNISHED)	101102	7
			SUPPLIER CODE: VU3061		
			ATTACHING PARTS		
- 15	BACS12GU08K6		.SCREW	101102	28
- 20	NAS1149D0316J		.WASHER	101102	28
			-----*-----		

MISSING ITEM NUMBERS NOT APPLICABLE

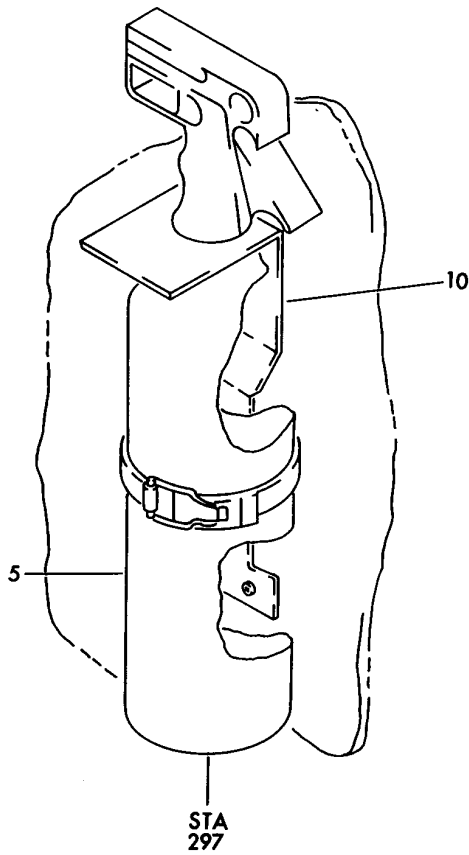
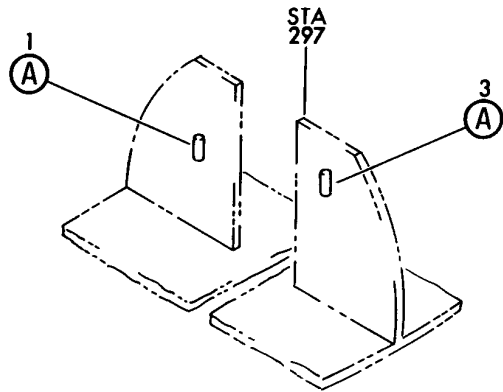
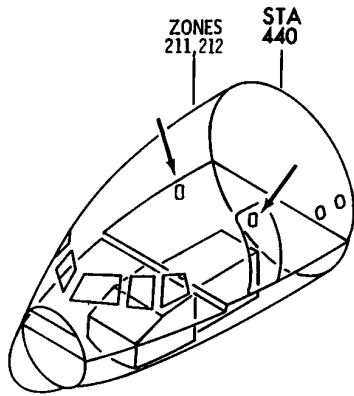
- ITEM NOT ILLUSTRATED

26-26-00-48

26-26-00
FIG. 48
PAGE 1
JAN 20/09

BRI

BOEING
757
PARTS CATALOG (MAINTENANCE)



(A)

Y 26260201 REV 145

EXTINGUISHER INSTL-FIRE
FIGURE 1

26-26-02-01

BRI
MAY 28/07

26-26-02-01
PAGE 0



757

PARTS CATALOG (MAINTENANCE)

FIG ITEM	PART NUMBER	1 2 3 4 5 6 7	NOMENCLATURE	EFFECT FROM TO	UNITS PER ASSY
1			EXTINGUISHER INSTL-FIRE	121504	
1	232N4003-16		EXTINGUISHER INSTL-FIRE POSITION DATA: RH FOR NHA SEE: 25-10-00-05C	506506 904949 121503 904949	RF
1	232N4003-50		EXTINGUISHER INSTL-FIRE POSITION DATA: RH FOR NHA SEE: 25-10-00-10A	504504 506506	RF
3	232N4003-4		EXTINGUISHER INSTL-FIRE POSITION DATA: LH FOR NHA SEE: 25-10-00-05C	121503 904949	RF
5	BA51015		.FIRE EXTINGUISHER- (CUSTOMER FURNISHED) SUPPLIER CODE: VU3061 OPTIONAL PART: BA51015G VU3061	904949	1
5	BA51015-3		.FIRE EXTINGUISHER- (CUSTOMER FURNISHED) SUPPLIER CODE: VU3061 FUNCTIONAL DESCRIPTION: PROVIDES FIRE PROTECTION IN EMERGENCY SITUATIONS.	904949	1
5	BA51015G		.FIRE EXTINGUISHER- (CUSTOMER FURNISHED) SUPPLIER CODE: VU3061 OPTIONAL PART: BA51015 VU3061	904949	1
5	BA51015-2		.FIRE EXTINGUISHER- SUPPLIER CODE: VU3061 OPTIONAL PART: BA51015G2 VU3061	121503	1

MISSING ITEM NUMBERS NOT APPLICABLE

- ITEM NOT ILLUSTRATED

BRI

26-26-02-01

26-26-02
FIG. 01
PAGE 1
JAN 20/09



757

PARTS CATALOG (MAINTENANCE)

FIG ITEM	PART NUMBER	1 2 3 4 5 6 7	NOMENCLATURE	EFFECT FROM TO	UNITS PER ASSY
1					
5	BA51015G2		.FIRE EXTINGUISHER- SUPPLIER CODE: VU3061 OPTIONAL PART: BA51015-2 VU3061	121503	1
5	BA51015-3		.FIRE EXTINGUISHER- SUPPLIER CODE: VU3061 FUNCTIONAL DESCRIPTION: PROVIDES FIRE PROTECTION IN EMERGENCY SITUATIONS.	504504 506506	1
10	BA50102		.BRACKET-(CUSTOMER FURNISHED) SUPPLIER CODE: VU3061	904949	1
10	BA50102-3		.BRACKET-(CUSTOMER FURNISHED) SUPPLIER CODE: VU3061	504504 506506	1
10	BA50102-3		.BRACKET- SUPPLIER CODE: VU3061 ATTACHING PARTS	121503	1
- 15	NAS603-5P		.SCREW	121503 904949	4
- 15	NAS603-5P		.SCREW	504504 506506	4
			-----*		

MISSING ITEM NUMBERS NOT APPLICABLE

- ITEM NOT ILLUSTRATED

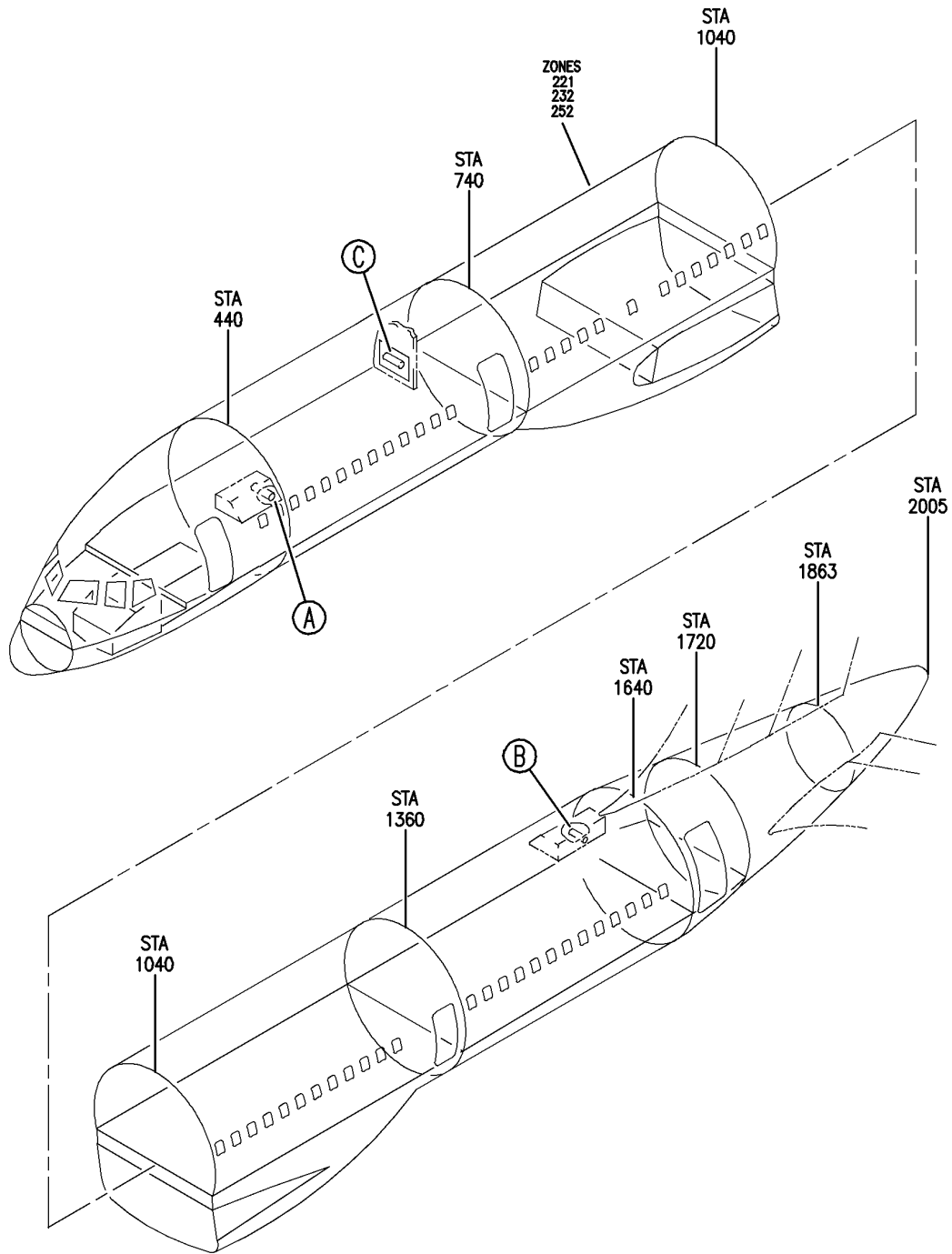
BRI

26-26-02-01

BOEING PROPRIETARY - Copyright © - Unpublished Work - See title page for details.

26-26-02
FIG. 01
PAGE 2
JAN 20/09

BOEING
757
PARTS CATALOG (MAINTENANCE)



Y 26260201G SHT 1 REV 239

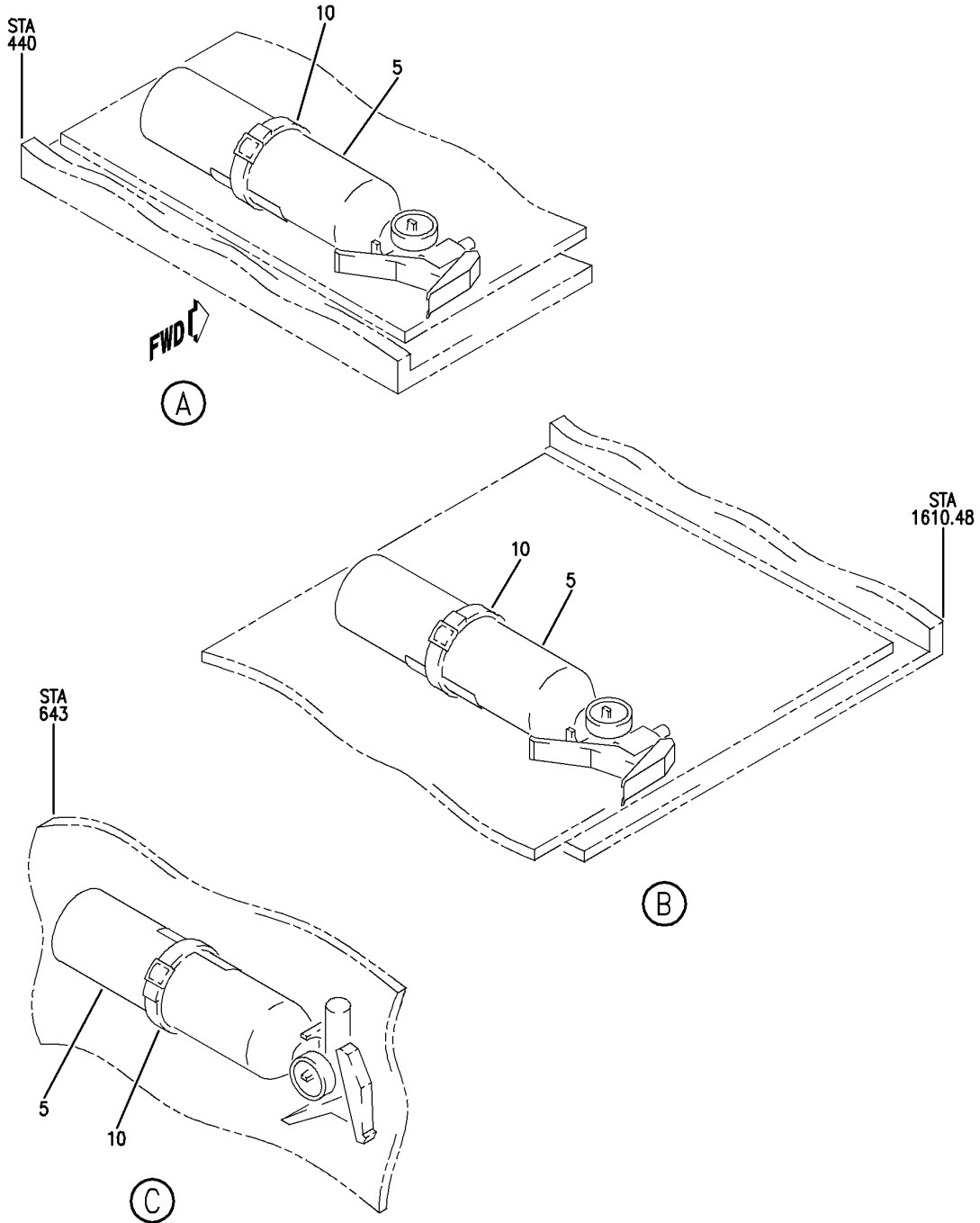
EQUIPMENT INSTL-MISC EMER (FIRE PROTECTION ONLY)
FIGURE 1G (SHEET 1)

26-26-02-01G

BRI
JAN 20/09

26-26-02-01G
PAGE 0

BOEING
757
PARTS CATALOG (MAINTENANCE)



Y 26260201G SHT 2 REV 239

EQUIPMENT INSTL-MISC EMER (FIRE PROTECTION ONLY)
FIGURE 1G (SHEET 2)

26-26-02-01G

BRI
JAN 20/09

26-26-02-01G
PAGE 0A



757

PARTS CATALOG (MAINTENANCE)

FIG ITEM	PART NUMBER	1 2 3 4 5 6 7	NOMENCLATURE	EFFECT FROM TO	UNITS PER ASSY
1G			EQUIPMENT INSTL-MISC EMER (FIRE PROTECTION ONLY)	108120	
- 1	416N1001-751B		EQUIPMENT INSTL-MISC EMER (FIRE PROTECTION ONLY)	108120	RF
			FOR NHA/OTHER SYS DET SEE: 25-20-00-07F		
5	898052		.FIRE EXTINGUISHER-BCF SUPPLIER CODE: V61423	108120	3
			FUNCTIONAL DESCRIPTION: PROVIDES FIRE PROTECTION IN EMERGENCY SITUATION		
			COMPONENT MAINT MANUAL REF: 26-21-39		
			FOR DETAILS SEE: 26-26-02-25		
10	896698-4		.BRACKET ASSY-FIRE EXT SUPPLIER CODE: V61423	108120	3
			ATTACHING PARTS		
- 15	BACS12GU3K5		.SCREW	108120	12
- 20	NAS1149D0316J		.WASHER	108120	12
			-----*-----		

MISSING ITEM NUMBERS NOT APPLICABLE

- ITEM NOT ILLUSTRATED

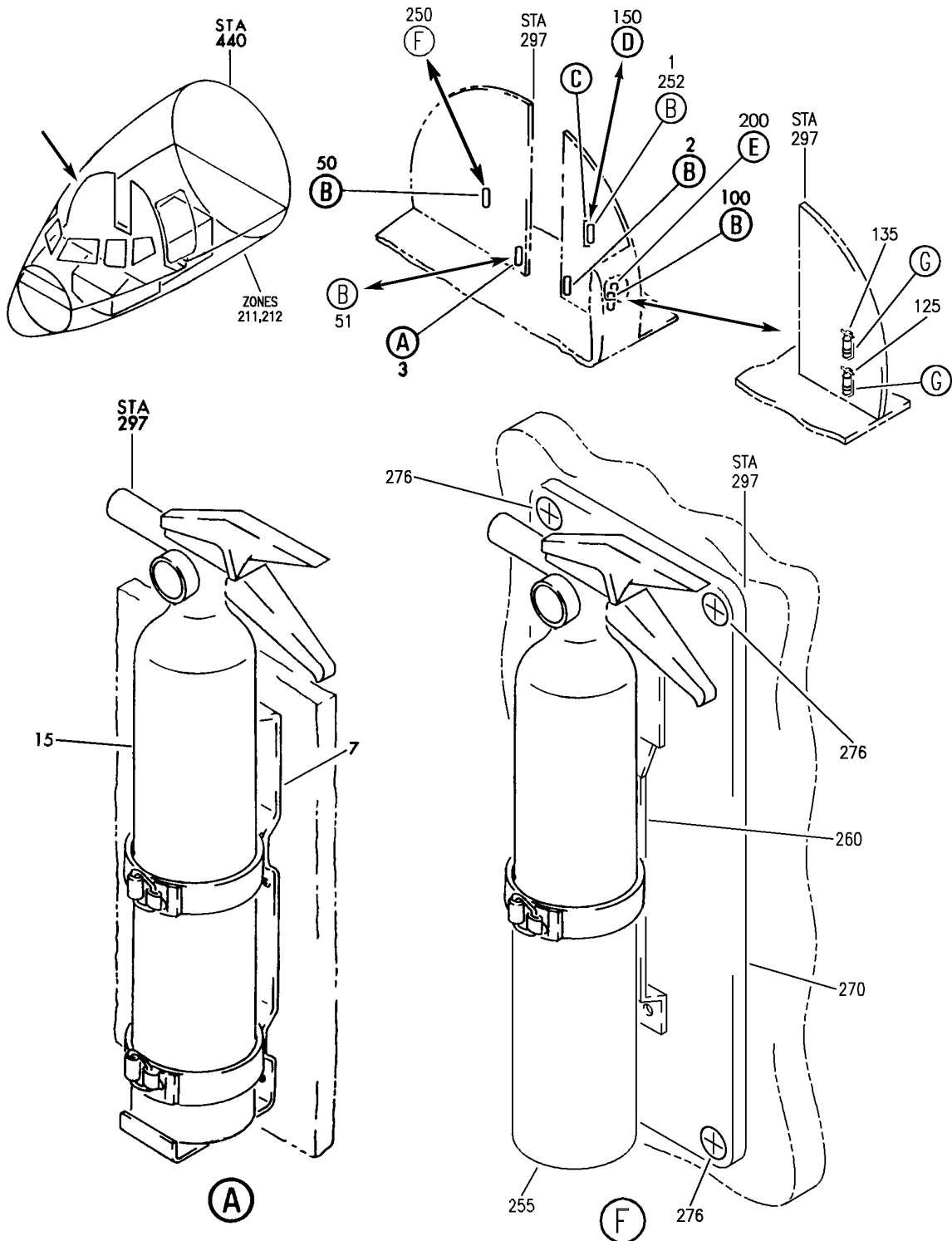
BRI

26-26-02-01G

BOEING PROPRIETARY - Copyright © - Unpublished Work - See title page for details.

26-26-02
FIG. 01G
PAGE 1
JAN 20/09

BOEING
757
PARTS CATALOG (MAINTENANCE)



Y 26260205 SHT 1 REV 307

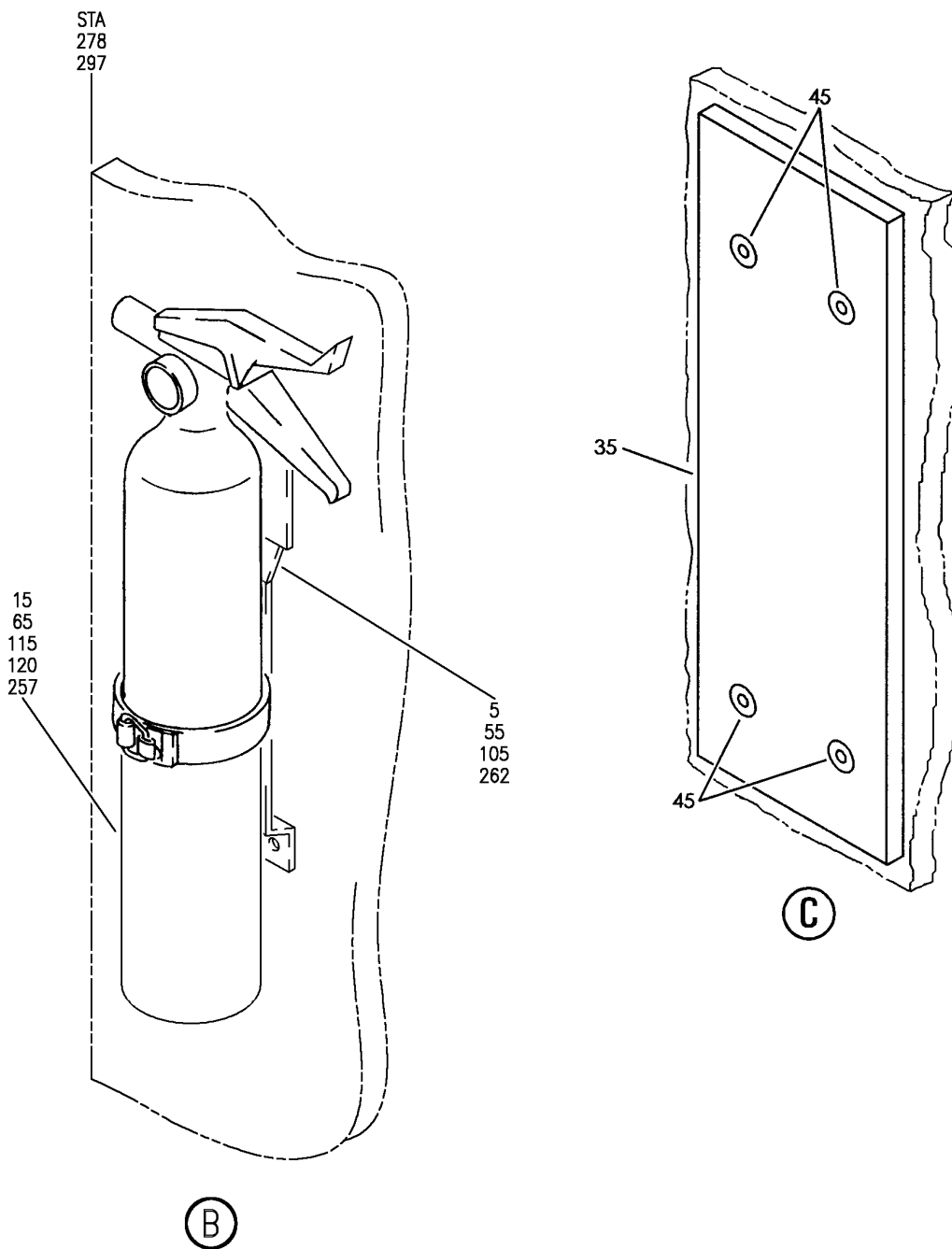
EXTINGUISHER INSTL-FIRE (EQUIPMENT/FURNISHINGS ONLY)
FIGURE 5 (SHEET 1)

26-26-02-05

BRI
JAN 20/09

26-26-02-05
PAGE 0

BOEING
757
PARTS CATALOG (MAINTENANCE)



Y 26260205 SH1 2 REV 257

EXTINGUISHER INSTL-FIRE (EQUIPMENT/FURNISHINGS ONLY)
FIGURE 5 (SHEET 2)

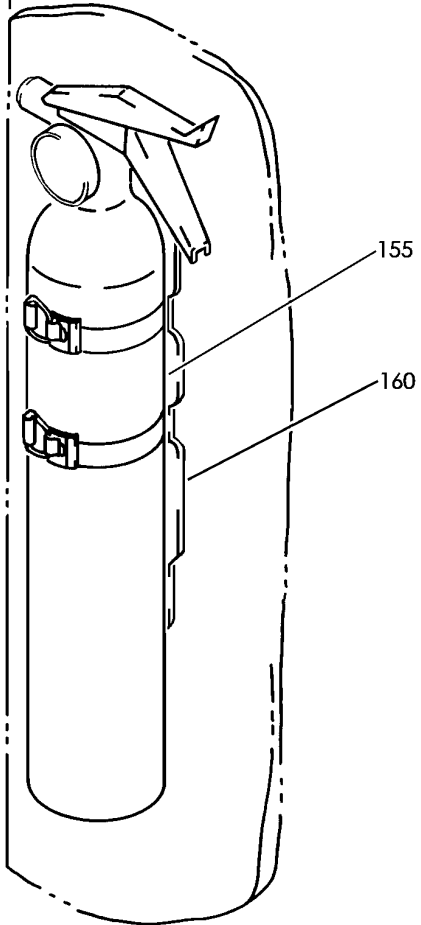
26-26-02-05

BRI
JAN 20/09

26-26-02-05
PAGE 0A

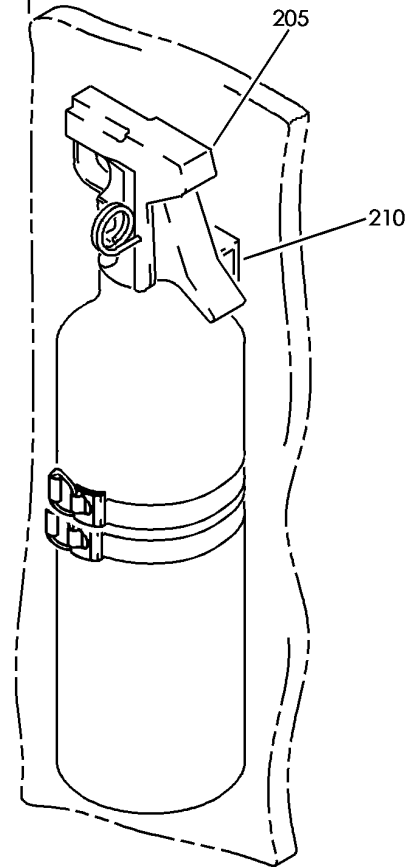
BOEING
757
PARTS CATALOG (MAINTENANCE)

STA
297



D

STA
297



E

Y 26260205 SHT 3 REV 218

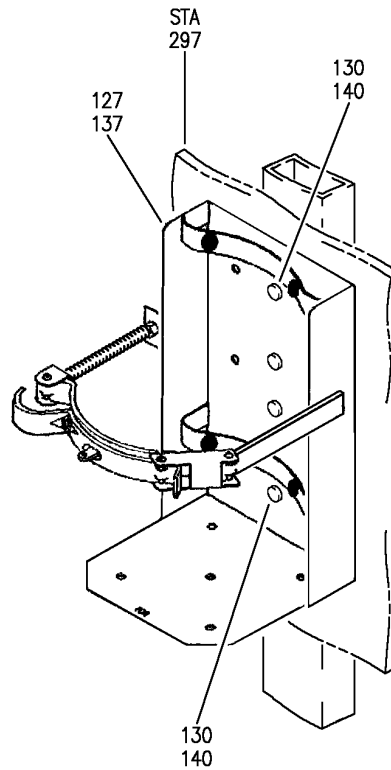
EXTINGUISHER INSTL-FIRE (EQUIPMENT/FURNISHINGS ONLY)
FIGURE 5 (SHEET 3)

26-26-02-05

BRI
JAN 20/09

26-26-02-05
PAGE 0B

BOEING
757
PARTS CATALOG (MAINTENANCE)



ⓐ

Y 26260205 SHIT 4 REV 307

EXTINGUISHER INSTL-FIRE (EQUIPMENT/FURNISHINGS ONLY)
FIGURE 5 (SHEET 4)

26-26-02-05

BRI
JAN 20/09

26-26-02-05
PAGE 0C

BOEING PROPRIETARY - Copyright © - Unpublished Work - See title page for details.



757

PARTS CATALOG (MAINTENANCE)

FIG ITEM	PART NUMBER	1 2 3 4 5 6 7	NOMENCLATURE	EFFECT FROM TO	UNITS PER ASSY
5			EXTINGUISHER INSTL-FIRE (EQUIPMENT/FURNISHINGS ONLY)	103106 108120 505505 507903 952999	
1	232N4003-12		EXTINGUISHER INSTL-FIRE FOR NHA SEE: 25-10-00-05C	952999	RF
5	896698		.BRACKET ASSY- SUPPLIER CODE: V61423	952999	1
- 10	NAS603-5P		ATTACHING PARTS .SCREW- -----*-----	952999	4
15	898052		.FIRE EXTINGUISHER- HALON 1211 SUPPLIER CODE: V61423 FUNCTIONAL DESCRIPTION: PROVIDES FIRE PROTECTION IN EMERGENCY SITUATIONS COMPONENT MAINT MANUAL REF: 26-21-39 FOR DETAILS SEE: 26-26-02-25	952999	1
50	232N4003-48		EXTINGUISHER INSTL-FIRE POST RAPID REVISION: RR92002-133A-B FOR NHA SEE: 25-10-00-10A	108120 505505 507903	RF
55	896698		.BRACKET ASSY- SUPPLIER CODE: V61423	108120 505505 507903	1
- 60	NAS603-5P		ATTACHING PARTS .SCREW-	505505 507903	4
- 60	PS10F5DL01BK		.SCREW- SUPPLIER CODE: V12324 -----*-----	108120	4

MISSING ITEM NUMBERS NOT APPLICABLE

- ITEM NOT ILLUSTRATED

26-26-02-05

26-26-02
FIG. 05
PAGE 1
JAN 20/09

BRI



757

PARTS CATALOG (MAINTENANCE)

FIG ITEM	PART NUMBER	1 2 3 4 5 6 7	NOMENCLATURE	EFFECT FROM TO	UNITS PER ASSY
5					
65	898052		.FIRE EXTINGUISHER- HALON 1211 SUPPLIER CODE: V61423 FUNCTIONAL DESCRIPTION: PROVIDES FIRE PROTECTION IN EMERGENCY SITUATIONS COMPONENT MAINT MANUAL REF: 26-21-39 FOR DETAILS SEE: 26-26-02-25	108120 505505 507903	1
250	MODREF6195		EXTINGUISHER INSTL-FIRE MODULE NUMBER: 232N4003-68 REV A	103106	1
255	898052		.FIRE EXTINGUISHER- HALON 1211 SUPPLIER CODE: V61423 FUNCTIONAL DESCRIPTION: PROVIDES FIRE PROTECTION IN EMERGENCY SITUATIONS COMPONENT MAINT MANUAL REF: 26-21-39 FOR DETAILS SEE: 26-26-02-25	103106	1
260	896698		.BRACKET ASSY- SUPPLIER CODE: V61423 ATTACHING PARTS	103106	1
- 265	NAS603-5P		.SCREW	103106	4
			-----*-----		
270	232N4024-2		.PANEL ASSY- ATTACHING PARTS	103106	1
- 275	BACS12ER3K14BG		.SCREW	103106	4
			-----*-----		

MISSING ITEM NUMBERS NOT APPLICABLE

- ITEM NOT ILLUSTRATED

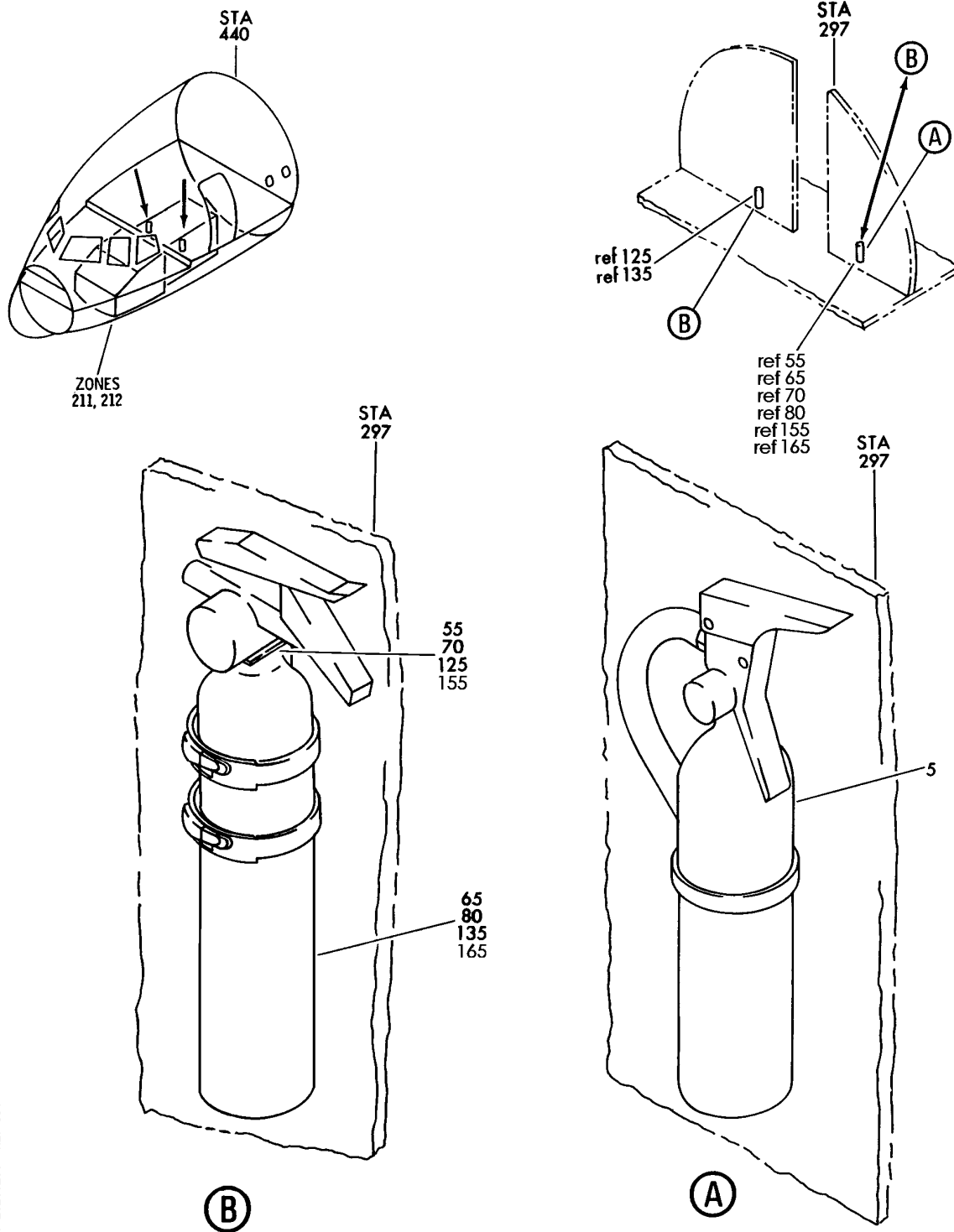
BRI

26-26-02-05

BOEING PROPRIETARY - Copyright © - Unpublished Work - See title page for details.

26-26-02
FIG. 05
PAGE 2
JAN 20/09

BOEING
757
PARTS CATALOG (MAINTENANCE)



Y 26260206 REV 331

EXTINGUISHER INSTL-FIRE
FIGURE 6

26-26-02-06

BRI
JAN 20/09

26-26-02-06
PAGE 0



757

PARTS CATALOG (MAINTENANCE)

FIG ITEM	PART NUMBER	1 2 3 4 5 6 7	NOMENCLATURE	EFFECT FROM TO	UNITS PER ASSY
6					
- 120	232N4003-37		EXTINGUISHER INSTL-FIRE EXTINGUISHER INSTL-FIRE FOR NHA SEE: 25-10-00-05C	950951 950951	RF
125	12140		.BRACKET-FIRE EXTINGUISH SUPPLIER CODE: V54905	950951	1
- 130	NAS603-6P		ATTACHING PARTS .SCREW	950951	4
135	11510		-----*----- .FIRE EXTINGUISHER-HALON SUPPLIER CODE: V54905	950951	1

MISSING ITEM NUMBERS NOT APPLICABLE

- ITEM NOT ILLUSTRATED

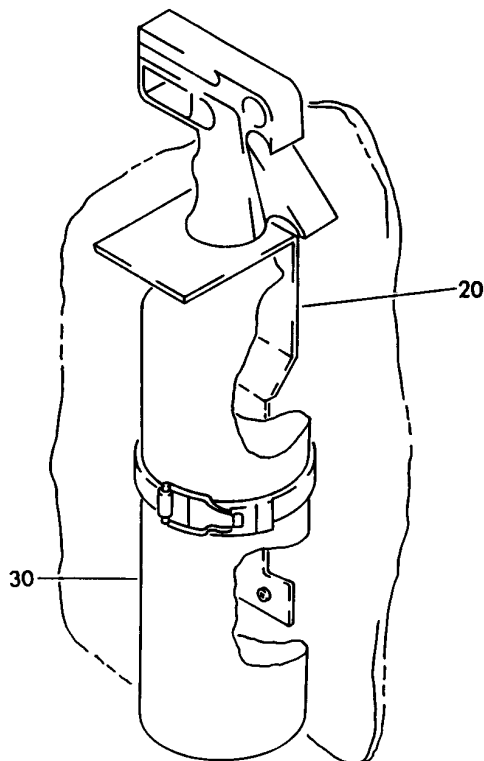
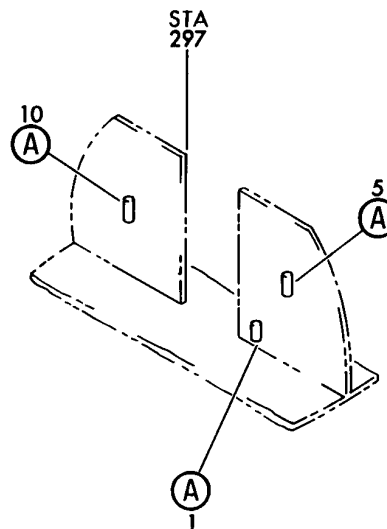
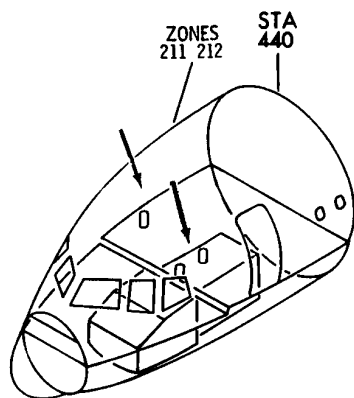
BRI

26-26-02-06

BOEING PROPRIETARY - Copyright © - Unpublished Work - See title page for details.

26-26-02
FIG. 06
PAGE 1
JAN 20/09

BOEING
757
PARTS CATALOG (MAINTENANCE)



(A)

Y 26260209 SH-T 1 REV 331

EXTINGUISHER INSTL-FIRE
FIGURE 9

26-26-02-09

BRI
JAN 20/09

26-26-02-09
PAGE 0



757

PARTS CATALOG (MAINTENANCE)

FIG ITEM	PART NUMBER	1 2 3 4 5 6 7	NOMENCLATURE	EFFECT FROM TO	UNITS PER ASSY
9			EXTINGUISHER INSTL-FIRE	002004 006102	
10	232N4003-23		EXTINGUISHER INSTL-FIRE FOR NHA SEE: 25-10-00-05C 25-10-00-10A	002004 006102	RF
20	BA21479-1		.BRACKET-(CUSTOMER FURNISHED) SUPPLIER CODE: VU3061	002004 006102	1
- 25	NAS603-5P		ATTACHING PARTS .SCREW-	002004 006102	4
30	BA51015S2		-----*----- .FIRE EXTINGUISHER- (CUSTOMER FURNISHED) SUPPLIER CODE: VU3061	002004 006007	1
30	BA51015S3		OPTIONAL PART: BA51015S3 VU3061 .FIRE EXTINGUISHER- (CUSTOMER FURNISHED) SUPPLIER CODE: VU3061	006102	1

MISSING ITEM NUMBERS NOT APPLICABLE

- ITEM NOT ILLUSTRATED

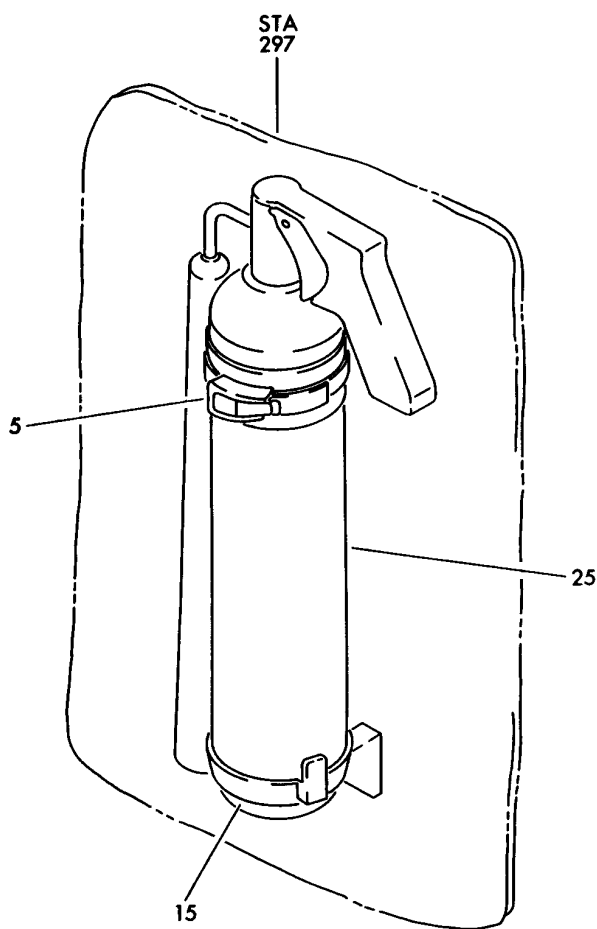
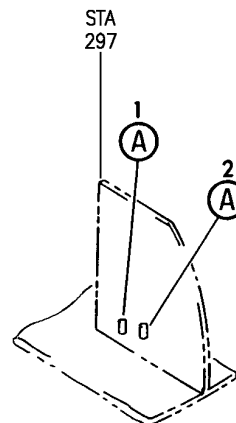
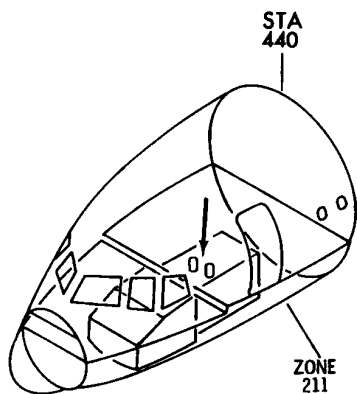
BRI

26-26-02-09

BOEING PROPRIETARY - Copyright © - Unpublished Work - See title page for details.

26-26-02
FIG. 09
PAGE 1
JAN 20/09

BOEING
757
PARTS CATALOG (MAINTENANCE)



(A)

Y 26260210 REV 331

EXTINGUISHER INSTL-FIRE
FIGURE 10

26-26-02-10

BRI
JAN 20/09

26-26-02-10
PAGE 0



757

PARTS CATALOG (MAINTENANCE)

FIG ITEM	PART NUMBER	1 2 3 4 5 6 7	NOMENCLATURE	EFFECT FROM TO	UNITS PER ASSY
10			EXTINGUISHER INSTL-FIRE	107107	
2	232N4003-11		EXTINGUISHER INSTL-FIRE CO2	107107	RF
			FOR NHA SEE: 25-10-00-05C		
5	69-40771-8		.BRACKET ASSY	107107	1
			ATTACHING PARTS		
- 10	NAS603-10P		.SCREW-	107107	4
			-----*-----		
15	H3-1056-1		.BRACKET	107107	1
			SUPPLIER CODE: V34941		
			SPECIFICATION NUMBER: BACB20J3A		
			OPTIONAL PART: 844584 V62142		
			ATTACHING PARTS		
- 20	NAS603-10P		.SCREW-	107107	2
- 23	NAS43DD3-20		.SPACER	107107	2
			-----*-----		
25	870905		.FIRE EXTINGUISHER- (CUSTOMER FURNISHED)	107107	1
			SUPPLIER CODE: V61423		

MISSING ITEM NUMBERS NOT APPLICABLE

- ITEM NOT ILLUSTRATED

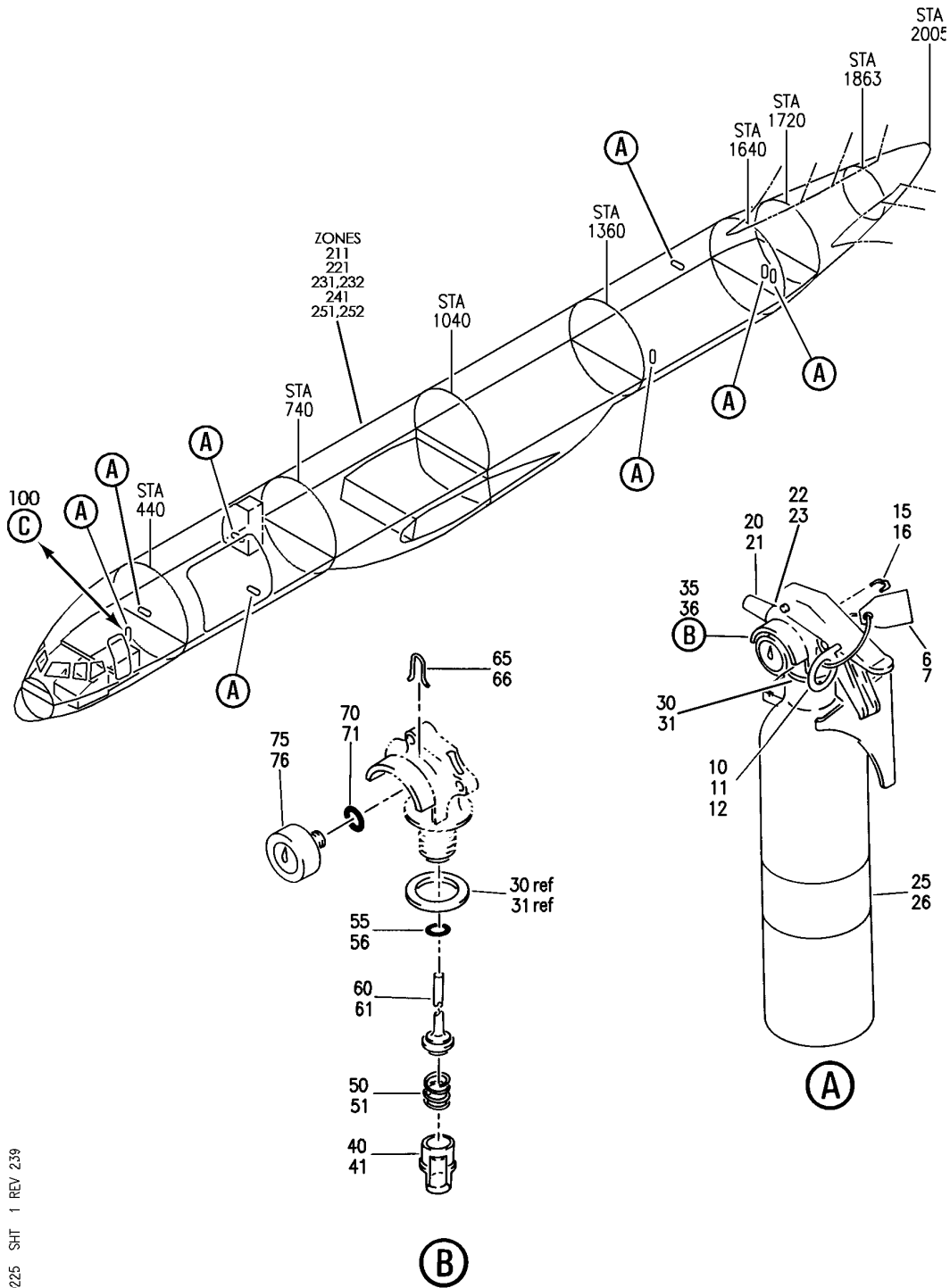
BRI

26-26-02-10

BOEING PROPRIETARY - Copyright © - Unpublished Work - See title page for details.

26-26-02
FIG. 10
PAGE 1
JAN 20/09

BOEING
757
PARTS CATALOG (MAINTENANCE)



Y 26260225 SHT 1 REV 239

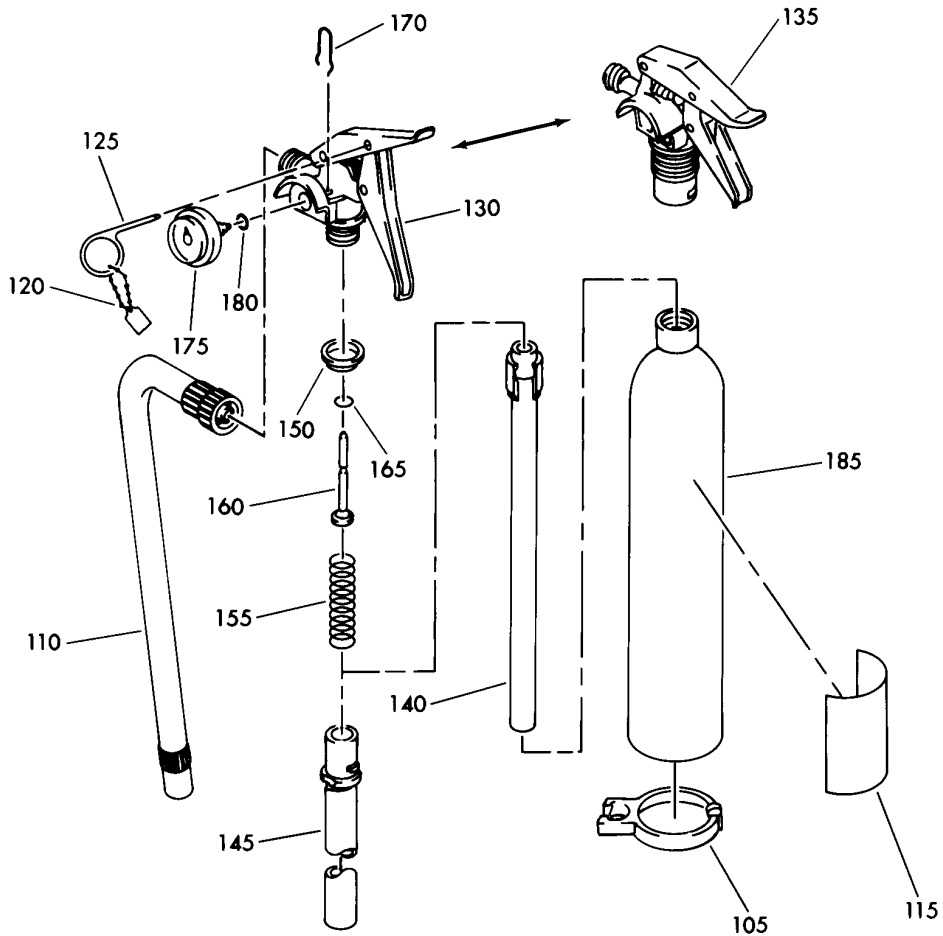
FIRE EXTINGUISHER ASSY-HALON 1211
FIGURE 25 (SHEET 1)

26-26-02-25

BRI
JAN 20/09

26-26-02-25
PAGE 0

BOEING
757
PARTS CATALOG (MAINTENANCE)



Ⓒ

Y 26260225 SH1 2 REV 096

FIRE EXTINGUISHER ASSY-HALON 1211
FIGURE 25 (SHEET 2)

26-26-02-25

BRI
JAN 20/09

26-26-02-25
PAGE 0A



757

PARTS CATALOG (MAINTENANCE)

FIG ITEM	PART NUMBER	1 2 3 4 5 6 7	NOMENCLATURE	EFFECT FROM TO	UNITS PER ASSY
25			FIRE EXTINGUISHER ASSY- HALON 1211	103106 108120 505505 507903 952999	
- 1	898052		FIRE EXTINGUISHER- HALON 1211 SUPPLIER CODE: V61423 FUNCTIONAL DESCRIPTION: PROVIDES FIRE PROTECTION IN EMERGENCY SITUATIONS COMPONENT MAINT MANUAL REF: 26-21-39 FOR NHA SEE: 26-26-02-05	103106 108120 505505 507903 952999	RF
- 2	898052		FIRE EXTINGUISHER- HALON 1211 SUPPLIER CODE: V61423 FUNCTIONAL DESCRIPTION: PROVIDES FIRE PROTECTION IN EMERGENCY SITUATIONS COMPONENT MAINT MANUAL REF: 26-21-39 FOR NHA SEE: 26-26-00-28 26-26-02-05	108120 952999	RF
6	261653		.SEAL-ANTI-TAMPER SUPPLIER CODE: V61423	103106 505505 507903 952999	1
6	261653		.SEAL-ANTI-TAMPER SUPPLIER CODE: V61423	108120	1
10	258416		.PIN-PULL OUT SUPPLIER CODE: V61423 CONFIG CHG DATA FROM A CMM: REPLD BY 320213	103106 505505 507903 952999	1
10	258416		.PIN-PULL OUT SUPPLIER CODE: V61423 CONFIG CHG DATA FROM A CMM: REPLD BY 320213	108120	1

MISSING ITEM NUMBERS NOT APPLICABLE

- ITEM NOT ILLUSTRATED

26-26-02-25

26-26-02
FIG. 25
PAGE 1
JAN 20/09

BRI



757

PARTS CATALOG (MAINTENANCE)

FIG ITEM	PART NUMBER	1 2 3 4 5 6 7	NOMENCLATURE	EFFECT FROM TO	UNITS PER ASSY
25					
11	320213		.PIN-PULL OUT SUPPLIER CODE: V61423 CONFIG CHG DATA FROM A CMM: REPLACES 258416	103106 505505 507903 952999	1
11	320213		.PIN-PULL OUT SUPPLIER CODE: V61423 CONFIG CHG DATA FROM A CMM: REPLACES 258416	108120	1
15	259770		.CLIP-NOZ RTNR SUPPLIER CODE: V33525	103106 505505 507903 952999	1
15	259770		.CLIP-NOZ RTNR SUPPLIER CODE: V33525	108120	1
20	282060		.NOZZLE- SUPPLIER CODE: V33525	103106 505505 507903 952999	1
20	282060		.NOZZLE- SUPPLIER CODE: V33525	108120	1
22	MS28775-011		.PACKING	103106 505505 507903 952999	1
22	MS28775-011		.PACKING	108120	1
25	340234		.NAMEPLATE- SUPPLIER CODE: V61423	103106 505505 507903 952999	1
25	340234		.NAMEPLATE- SUPPLIER CODE: V61423	108120	1
30	340036		.SEAL- SUPPLIER CODE: V61423	103106 505505 507903 952999	1
30	340036		.SEAL- SUPPLIER CODE: V61423	108120	1
35	440015		.VALVE ASSY- SUPPLIER CODE: V61423	103106 505505 507903 952999	1

MISSING ITEM NUMBERS NOT APPLICABLE

- ITEM NOT ILLUSTRATED

BRI

26-26-02-25

26-26-02
FIG. 25
PAGE 2
JAN 20/09



757

PARTS CATALOG (MAINTENANCE)

FIG ITEM	PART NUMBER	1 2 3 4 5 6 7	NOMENCLATURE	EFFECT FROM TO	UNITS PER ASSY
25					
35	440015		. VALVE ASSY- SUPPLIER CODE: V61423	108120	1
40	420044		.. COUPLING ASSY- SUPPLIER CODE: V61423	103106 505505 507903 952999	1
40	420044		.. COUPLING ASSY- SUPPLIER CODE: V61423	108120	1
50	263117		. SPRING- SUPPLIER CODE: V61423	103106 505505 507903 952999	1
50	263117		. SPRING- SUPPLIER CODE: V61423	108120	1
55	260614		. PACKING-PREFORMED SUPPLIER CODE: V61423	103106 505505 507903 952999	1
55	260614		. PACKING-PREFORMED SUPPLIER CODE: V61423	108120	1
60	440007		. STEM ASSY- SUPPLIER CODE: V61423	103106 505505 507903 952999	1
60	440007		. STEM ASSY- SUPPLIER CODE: V61423	108120	1
65	259053		. CLIP-RETAINING SUPPLIER CODE: V61423	103106 505505 507903 952999	1
65	259053		. CLIP-RETAINING SUPPLIER CODE: V61423	108120	1
70	260613		. PACKING-PREFORMED SUPPLIER CODE: V61423	103106 505505 507903 952999	1
70	260613		. PACKING-PREFORMED SUPPLIER CODE: V61423	108120	1
75	294400		. GAUGE- SUPPLIER CODE: V61423	103106 505505 507903 952999	1

MISSING ITEM NUMBERS NOT APPLICABLE

- ITEM NOT ILLUSTRATED

26-26-02-25

26-26-02
FIG. 25
PAGE 3
JAN 20/09

BRI



757

PARTS CATALOG (MAINTENANCE)

FIG ITEM	PART NUMBER	1 2 3 4 5 6 7	NOMENCLATURE	EFFECT FROM TO	UNITS PER ASSY
25 75	294400		. GAUGE- SUPPLIER CODE: V61423	108120	1

MISSING ITEM NUMBERS NOT APPLICABLE

- ITEM NOT ILLUSTRATED

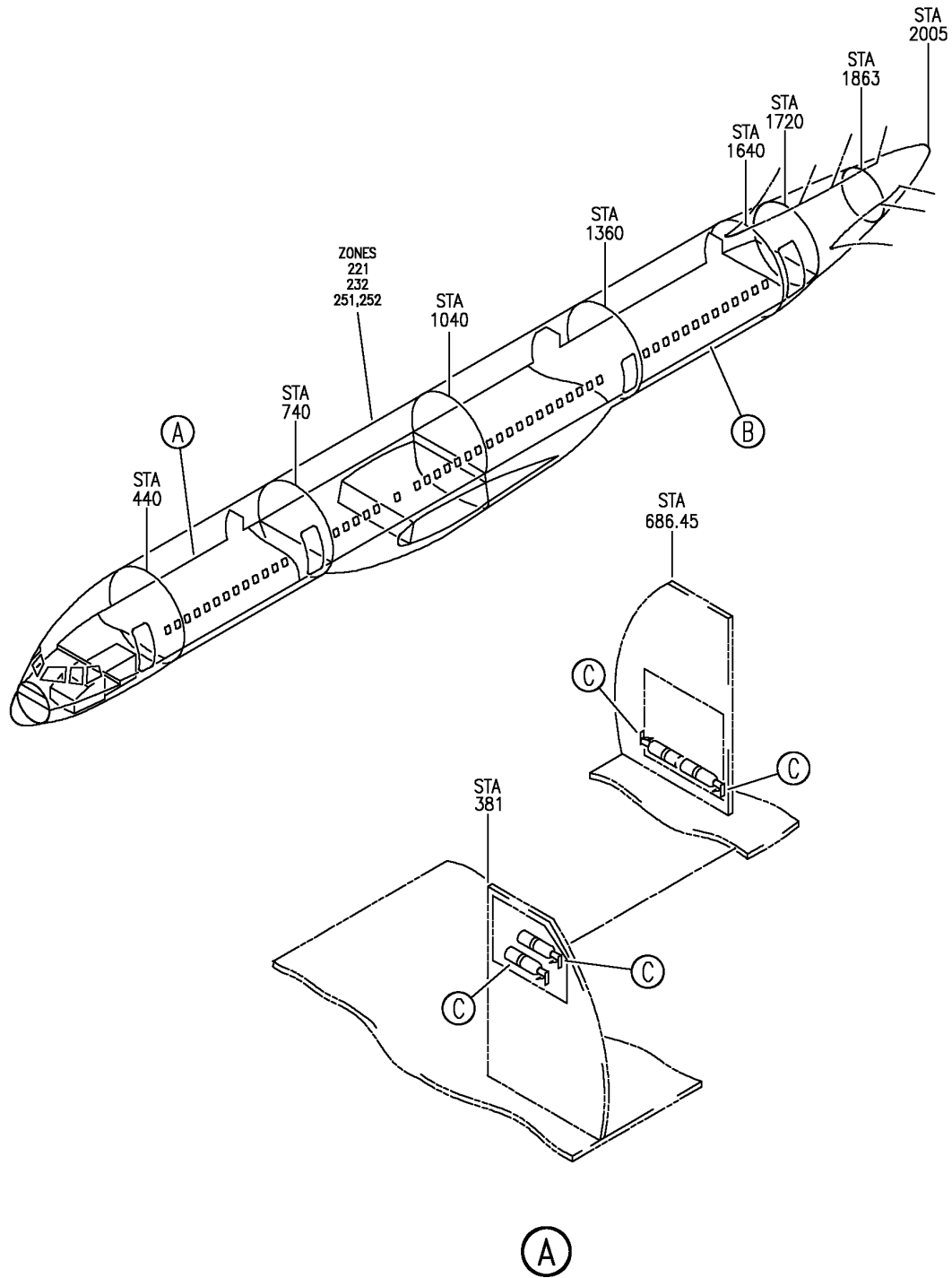
BRI

26-26-02-25

BOEING PROPRIETARY - Copyright © - Unpublished Work - See title page for details.

26-26-02
FIG. 25
PAGE 4
JAN 20/09

BOEING
757
PARTS CATALOG (MAINTENANCE)



Y 26260230A SHT 1 REV 265

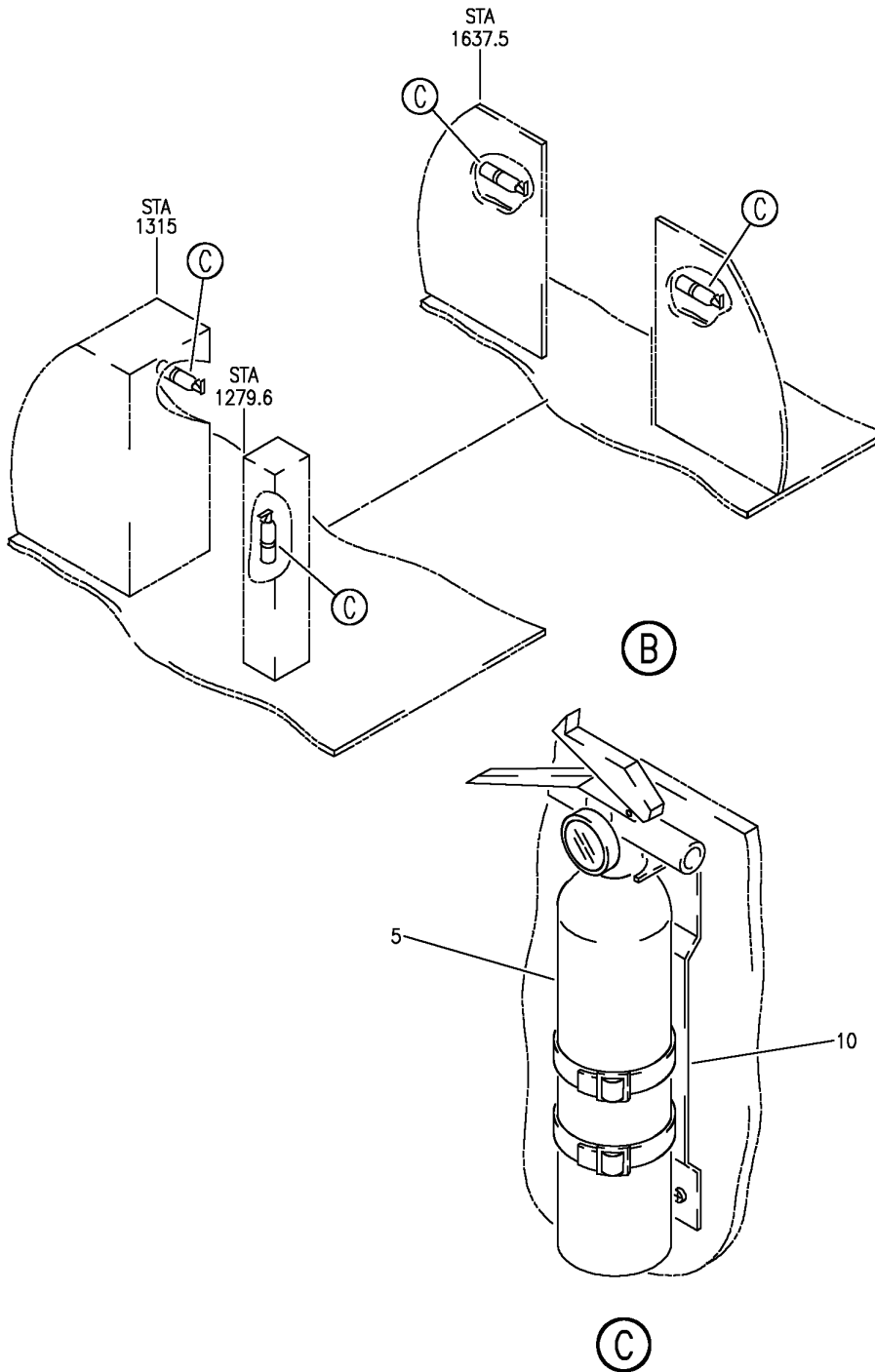
EQUIPMENT INSTL-MISC EMER (FIRE PROTECTION ONLY)
FIGURE 30A (SHEET 1)

26-26-02-30A

BRI
JAN 20/09

26-26-02-30A
PAGE 0

BOEING
757
PARTS CATALOG (MAINTENANCE)



Y 26260230A SHT 2 REV 265

EQUIPMENT INSTL-MISC EMER (FIRE PROTECTION ONLY)
FIGURE 30A (SHEET 2)

26-26-02-30A

BRI
JAN 20/09

26-26-02-30A
PAGE 0A



757

PARTS CATALOG (MAINTENANCE)

FIG ITEM	PART NUMBER	1 2 3 4 5 6 7	NOMENCLATURE	EFFECT FROM TO	UNITS PER ASSY
30A			EQUIPMENT INSTL-MISC EMER (FIRE PROTECTION ONLY)	103106	
- 1	MODREF99776		EQUIPMENT INSTL-MISC EMER (FIRE PROTECTION ONLY) MODULE NUMBER: 416N1203-3B REV C FOR OTHER SYS DETAILS SEE: 25-63-00-30A 25-64-00-30A 35-31-00-30A	103105	1
- 1	MODREF102194		EQUIPMENT INSTL-MISC EMER (FIRE PROTECTION ONLY) MODULE NUMBER: 416N1203-3B REV D FOR OTHER SYS DETAILS SEE: 25-63-00-30A 25-64-00-30A 35-31-00-30A	106106	1
5	BA51015S3		.FIRE EXTINGUISHER- SUPPLIER CODE: VU3061	103106	8
10	BA21479-1		.BRACKET- SUPPLIER CODE: VU3061	103106	8
- 15	BACS12FA3K5		ATTACHING PARTS .SCREW -----*-----	103106	32

MISSING ITEM NUMBERS NOT APPLICABLE

- ITEM NOT ILLUSTRATED

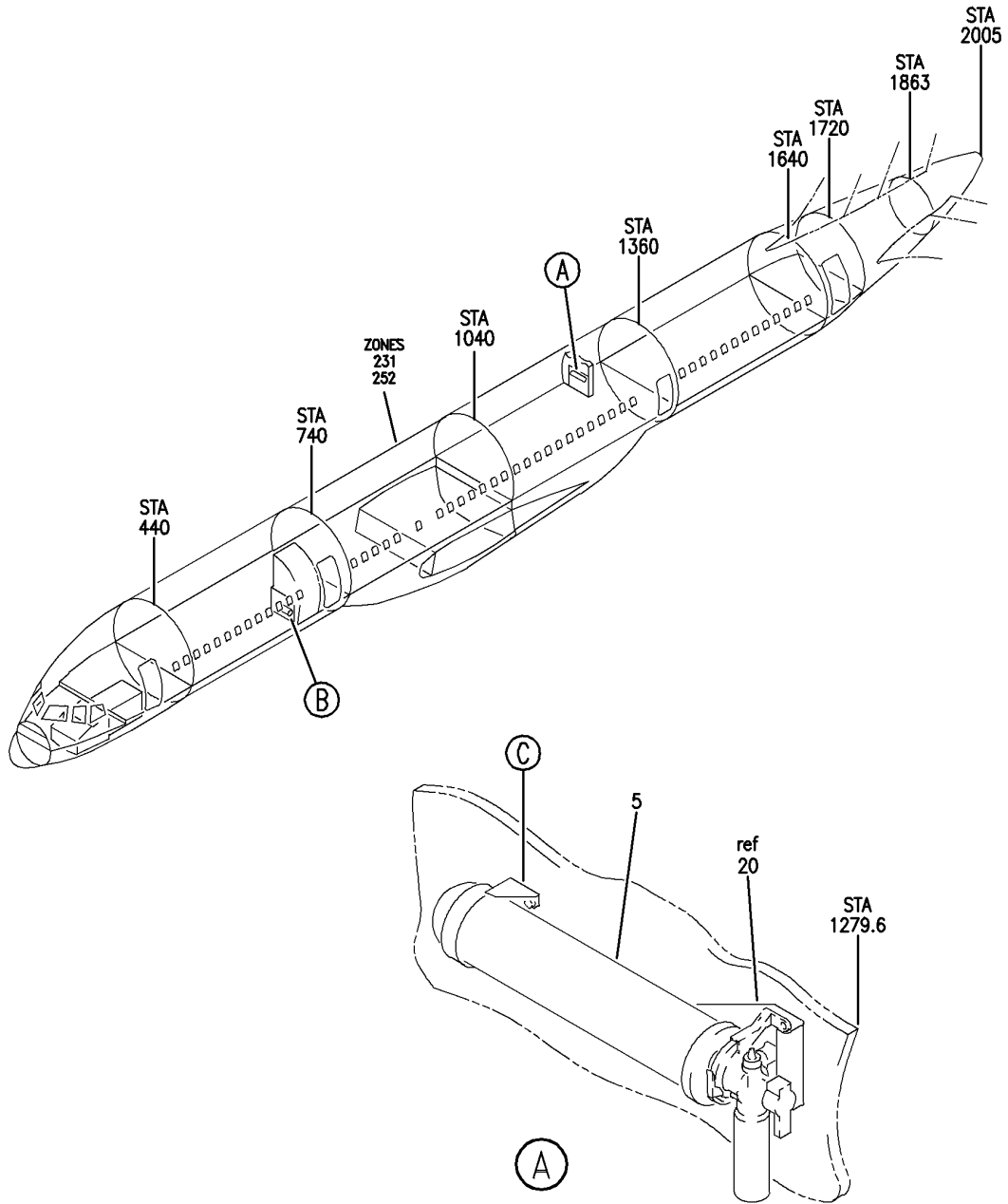
BRI

26-26-02-30A

BOEING PROPRIETARY - Copyright © - Unpublished Work - See title page for details.

26-26-02
FIG. 30A
PAGE 1
JAN 20/09

BOEING
757
PARTS CATALOG (MAINTENANCE)



Y 26260301G SHT 1 REV 239

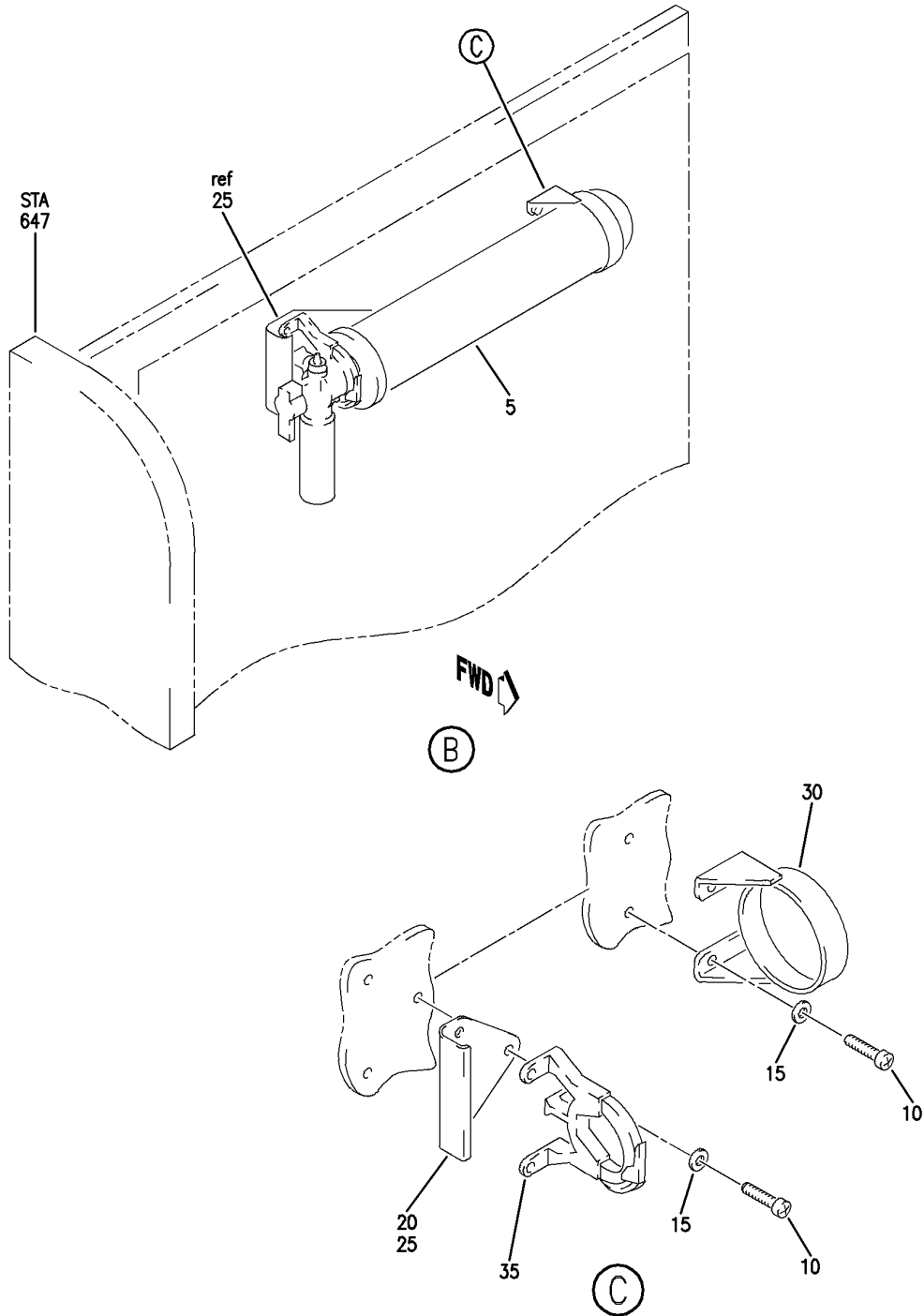
EQUIPMENT INSTL-MISC EMER (FIRE PROTECTION ONLY)
FIGURE 1G (SHEET 1)

26-26-03-01G

BRI
JAN 20/09

26-26-03-01G
PAGE 0

BOEING
757
PARTS CATALOG (MAINTENANCE)



Y 26260301G SHT 2 REV 239

EQUIPMENT INSTL-MISC EMER (FIRE PROTECTION ONLY)
FIGURE 1G (SHEET 2)

26-26-03-01G

BRI
JAN 20/09

26-26-03-01G
PAGE 0A



757

PARTS CATALOG (MAINTENANCE)

FIG ITEM	PART NUMBER	1 2 3 4 5 6 7	NOMENCLATURE	EFFECT FROM TO	UNITS PER ASSY
1G			EQUIPMENT INSTL-MISC EMER (FIRE PROTECTION ONLY)	108120	
- 1	416N1001-751B		EQUIPMENT INSTL-MISC EMER (FIRE PROTECTION ONLY)	108120	RF
			FOR NHA/OTHER SYS DET SEE: 25-20-00-07F		
5	892480		.EXTINGUISHER ASSY-FIRE LIQUID TYPE	108120	2
			SUPPLIER CODE: V61423		
			FUNCTIONAL DESCRIPTION: PROVIDES PRESSURIZED EXTINGUISHING AGENT TO BE DISCHARGED IN CASE OF FIRE		
			COMPONENT MAINT MANUAL REF: 26-20-20		
			FUNCTIONAL REFERENCE: FIRE PROTECTION FOR DETAILS SEE 26-26-03-20		
			PLACARDS AND MARKINGS FOR DETAILS SEE 11-35-14-75		
10	BACS12GU3K7		.SCREW	108120	10
15	NAS1149D0316J		.WASHER	108120	10
20	H3-1301-2		.BRACKET- SUPPLIER CODE: V34941	108120	1
			POSITION DATA: UPR		
25	H3-1301-3		.BRACKET- SUPPLIER CODE: V34941	108120	1
			POSITION DATA: UPR		
30	H3-1395-1		.BRACKET- SUPPLIER CODE: V34941	108120	2
			POSITION DATA: UPR		
35	416N1040-3		.BRACKET	108120	2

MISSING ITEM NUMBERS NOT APPLICABLE

- ITEM NOT ILLUSTRATED

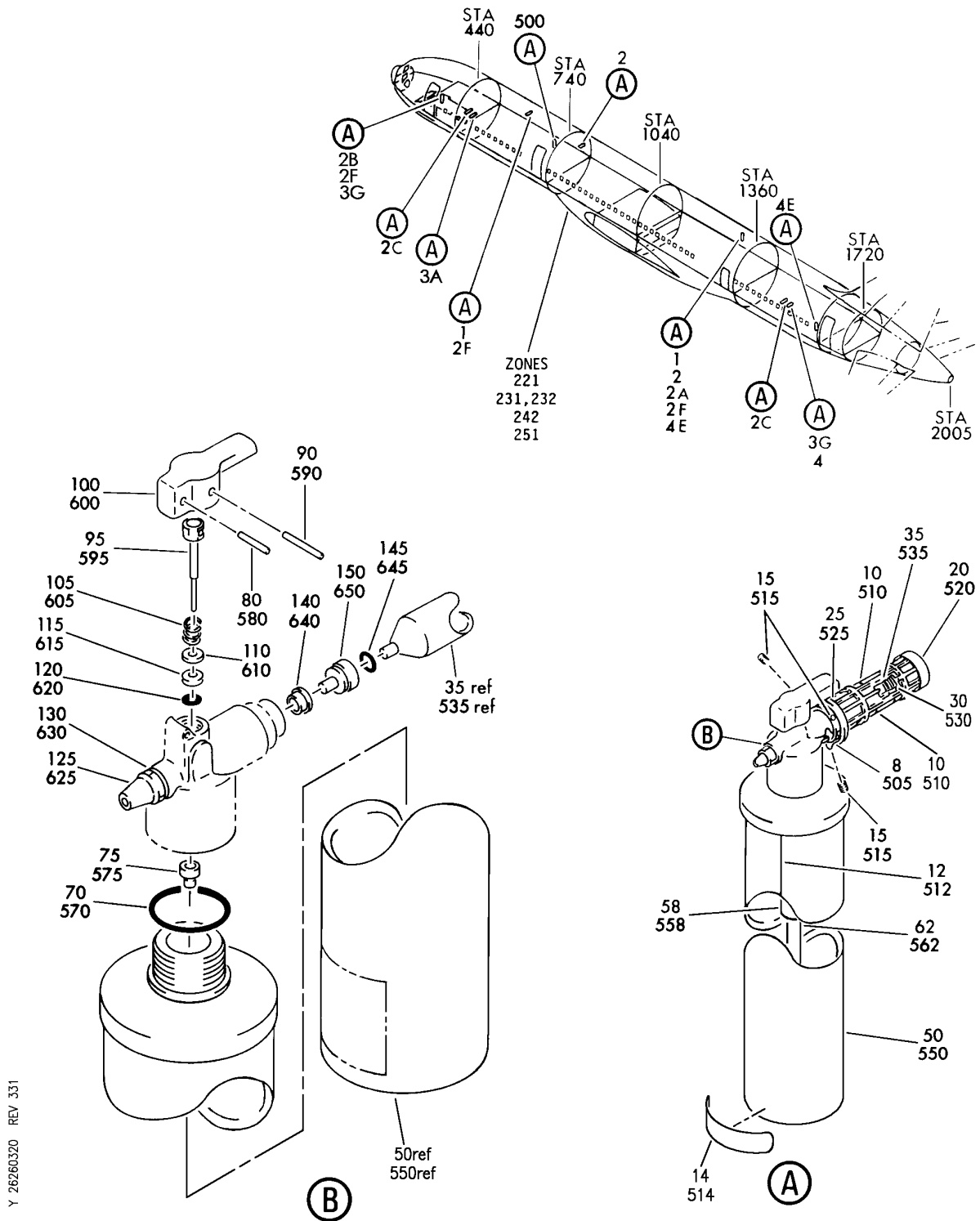
26-26-03-01G

26-26-03
FIG. 01G
PAGE 1
JAN 20/09

BRI

BOEING PROPRIETARY - Copyright © - Unpublished Work - See title page for details.

BOEING
757
PARTS CATALOG (MAINTENANCE)



Y 26260320 REV 331

EXTINGUISHER ASSY-FIRE LIQUID TYPE (FIRE PROTECTION ONLY)
FIGURE 20

26-26-03-20

BRI
JAN 20/09

26-26-03-20
PAGE 0



757

PARTS CATALOG (MAINTENANCE)

FIG ITEM	PART NUMBER	1 2 3 4 5 6 7	NOMENCLATURE	EFFECT FROM TO	UNITS PER ASSY
20			EXTINGUISHER ASSY-FIRE LIQUID TYPE (FIRE PROTECTION ONLY)	108120 950999	
1	892480		EXTINGUISHER ASSY-FIRE LIQUID TYPE (FIRE PROTECTION ONLY) SUPPLIER CODE: V61423 FUNCTIONAL DESCRIPTION: PROVIDES PRESSURIZED EXTINGUISHING AGENT TO BE DISCHARGED IN CASE OF FIRE SB DATA FROM A CMM: POST 26-20-245 COMPONENT MAINT MANUAL REF: 26-20-20 FOR NHA/OTHER SYS DET SEE: 26-26-00-33 26-26-03-01G	108120 950951	RF
3G	892480		EXTINGUISHER ASSY-FIRE LIQUID TYPE (FIRE PROTECTION ONLY) SUPPLIER CODE: V61423 FUNCTIONAL DESCRIPTION: PROVIDES PRESSURIZED EXTINGUISHING AGENT TO BE DISCHARGED IN CASE OF FIRE SB DATA FROM A CMM: POST 26-20-245 COMPONENT MAINT MANUAL REF: 26-20-20	952999	RF
8	204960		.SEAL-WIRE SUPPLIER CODE: V61423	952999	1
8	204960		.SEAL-WIRE SUPPLIER CODE: V61423	950951	1
10	211759		.LABEL- SUPPLIER CODE: V61423	952999	2
10	211759		.LABEL- SUPPLIER CODE: V61423	950951	2

MISSING ITEM NUMBERS NOT APPLICABLE

- ITEM NOT ILLUSTRATED

26-26-03-20

26-26-03
FIG. 20
PAGE 1
JAN 20/09

BRI



757

PARTS CATALOG (MAINTENANCE)

FIG ITEM	PART NUMBER	1 2 3 4 5 6 7	NOMENCLATURE	EFFECT FROM TO	UNITS PER ASSY
20					
12	240159		.DECAL-VINYL SUPPLIER CODE: V61423 SB DATA FROM A CMM: POST SB 26-20-245	952999	1
12	240159		.DECAL-VINYL SUPPLIER CODE: V61423 SB DATA FROM A CMM: POST SB 26-20-245	950951	1
14	325788		.LABEL-WEIGHT SUPPLIER CODE: V61423 CONFIG CHG DATA FROM A CMM: SUPSD BY 325962	952999	1
14	325788		.LABEL-WEIGHT SUPPLIER CODE: V61423 CONFIG CHG DATA FROM A CMM: SUPSD BY 325962	950951	1
14	325962		.LABEL-WEIGHT SUPPLIER CODE: V61423 CONFIG CHG DATA FROM A CMM: SUPERSEDES 325788	952999	1
14	325962		.LABEL-WEIGHT SUPPLIER CODE: V61423 CONFIG CHG DATA FROM A CMM: SUPERSEDES 325788	950951	1
15	5064-0402		.SCREW-4-40 X 1/8 IN. SUPPLIER CODE: V61423 SB DATA FROM A CMM: POST SB 26-20-245	952999	3
15	5064-0402		.SCREW-4-40 X 1/8 IN. SUPPLIER CODE: V61423 SB DATA FROM A CMM: POST SB 26-20-245	950951	3
20	208253		.HOLDER- SUPPLIER CODE: V61423 SB DATA FROM A CMM: POST SB 26-20-245	952999	1

MISSING ITEM NUMBERS NOT APPLICABLE

- ITEM NOT ILLUSTRATED

26-26-03-20

26-26-03
FIG. 20
PAGE 2
JAN 20/09

BRI



757

PARTS CATALOG (MAINTENANCE)

FIG ITEM	PART NUMBER	1 2 3 4 5 6 7	NOMENCLATURE	EFFECT FROM TO	UNITS PER ASSY
20					
20	208253		.HOLDER- SUPPLIER CODE: V61423 SB DATA FROM A CMM: POST SB 26-20-245	950951	1
25	208255		.RING-LOCK SUPPLIER CODE: V61423 SB DATA FROM A CMM: POST SB 26-20-245	952999	1
25	208255		.RING-LOCK SUPPLIER CODE: V61423 SB DATA FROM A CMM: POST SB 26-20-245	950951	1
30	201279		.SPRING- SUPPLIER CODE: V61423	952999	1
30	201279		.SPRING- SUPPLIER CODE: V61423	950951	1
35	201386		.CARTRIDGE- SUPPLIER CODE: V61423	952999	1
35	201386		.CARTRIDGE- SUPPLIER CODE: V61423	950951	1
50	840105		.CYLINDER ASSY- SUPPLIER CODE: V61423	952999	1
50	840105		.CYLINDER ASSY- SUPPLIER CODE: V61423	950951	1
58	201207		.TUBE-SYPHON SUPPLIER CODE: V61423	952999	1
58	201207		.TUBE-SYPHON SUPPLIER CODE: V61423	950951	1
62	800385		.STRAINER- SUPPLIER CODE: V61423	952999	1
62	800385		.STRAINER- SUPPLIER CODE: V61423	950951	1
70	AN6227-19		.PACKING- SB DATA FROM A CMM: SUPSD BY MS28775-214	952999	1

MISSING ITEM NUMBERS NOT APPLICABLE

- ITEM NOT ILLUSTRATED

26-26-03-20

26-26-03
FIG. 20
PAGE 3
JAN 20/09

BRI



757

PARTS CATALOG (MAINTENANCE)

FIG ITEM	PART NUMBER	1 2 3 4 5 6 7	NOMENCLATURE	EFFECT FROM TO	UNITS PER ASSY
20					
70	MS28775-214		.PACKING- CONFIG CHG DATA FROM A CMM: SUPSDS AN6227-19 SUPSD BY AS28775-214	952999	1
70	AN6227-19		.PACKING- CONFIG CHG DATA FROM A CMM: SUPSD BY MS28775-214	950951	1
70	MS28775-214		.PACKING- CONFIG CHG DATA FROM A CMM: SUPSDS AN6227-19 SUPSD BY AS28775-214	950951	1
75	802503		.CHECK ASSY- SUPPLIER CODE: V61423	952999	1
75	802503		.CHECK ASSY- SUPPLIER CODE: V61423	950951	1
80	21130		.PIN-SST 3/32 X 5/8 IN. TYPE 1 GROOVE SUPPLIER CODE: V61423	952999	1
80	21130		.PIN-SST 3/32 X 5/8 IN. TYPE 1 GROOVE SUPPLIER CODE: V61423	950951	1
-	82 201206		.TUBE-SYPHON UPR SUPPLIER CODE: V61423	952999	1
-	82 201206		.TUBE-SYPHON UPR SUPPLIER CODE: V61423	950951	1
90	32583		.PIN-SST 3/32 X 7/8 IN. TYPE 1 GROOVE SUPPLIER CODE: V61423	952999	1
90	32583		.PIN-SST 3/32 X 7/8 IN. TYPE 1 GROOVE SUPPLIER CODE: V61423	950951	1
95	201205		.STEM- SUPPLIER CODE: V61423	952999	1
95	201205		.STEM- SUPPLIER CODE: V61423	950951	1

MISSING ITEM NUMBERS NOT APPLICABLE

- ITEM NOT ILLUSTRATED

26-26-03-20

26-26-03
FIG. 20
PAGE 4
JAN 20/09

BRI



757

PARTS CATALOG (MAINTENANCE)

FIG ITEM	PART NUMBER	1 2 3 4 5 6 7	NOMENCLATURE	EFFECT FROM TO	UNITS PER ASSY
20 100	208254		. LEVER- SUPPLIER CODE: V61423 SB DATA FROM A CMM: POST SB 26-20-245	952999	1
100	208254		. LEVER- SUPPLIER CODE: V61423 SB DATA FROM A CMM: POST SB 26-20-245	950951	1
105	201278		. SPRING- SUPPLIER CODE: V61423	952999	1
105	201278		. SPRING- SUPPLIER CODE: V61423	950951	1
110	205677		. WASHER-SPR SUPPLIER CODE: V61423	952999	1
110	205677		. WASHER-SPR SUPPLIER CODE: V61423	950951	1
115	201253		. WASHER- SUPPLIER CODE: V61423	952999	1
115	201253		. WASHER- SUPPLIER CODE: V61423	950951	1
120	AN6227-1		. PACKING- CONFIG CHG DATA FROM A CMM: SUPSD BY MS28775-006	952999	1
120	MS28775-006		. PACKING- CONFIG CHG DATA FROM A CMM: SUPSDS AN6227-1	952999	1
120	AN6227-1		. PACKING- CONFIG CHG DATA FROM A CMM: SUPSD BY MS28775-006	950951	1
120	MS28775-006		. PACKING- CONFIG CHG DATA FROM A CMM: SUPSDS AN6227-1	950951	1
125	201208		. NOZZLE- SUPPLIER CODE: V61423	952999	1
125	201208		. NOZZLE- SUPPLIER CODE: V61423	950951	1
130	8665		. WASHER- SUPPLIER CODE: V61423	952999	1

MISSING ITEM NUMBERS NOT APPLICABLE

- ITEM NOT ILLUSTRATED

26-26-03-20

26-26-03
FIG. 20
PAGE 5
JAN 20/09

BRI

BOEING PROPRIETARY - Copyright © - Unpublished Work - See title page for details.



757

PARTS CATALOG (MAINTENANCE)

FIG ITEM	PART NUMBER	1 2 3 4 5 6 7	NOMENCLATURE	EFFECT FROM TO	UNITS PER ASSY
20					
130	8665		.WASHER- SUPPLIER CODE: V61423	950951	1
140	202381		.CHECK- SUPPLIER CODE: V61423	952999	1
140	202381		.CHECK- SUPPLIER CODE: V61423	950951	1
145	202331		.PACKING-PREFORMED SUPPLIER CODE: V61423	952999	1
145	202331		.PACKING-PREFORMED SUPPLIER CODE: V61423	950951	1
150	801944		.PIN ASSY- SUPPLIER CODE: V61423	952999	1
150	801944		.PIN ASSY- SUPPLIER CODE: V61423	950951	1
- 153	240155		.BODY- SUPPLIER CODE: V61423	952999	1
- 153	240155		.BODY- SUPPLIER CODE: V61423	950951	1

MISSING ITEM NUMBERS NOT APPLICABLE

- ITEM NOT ILLUSTRATED

26-26-03-20

26-26-03
FIG. 20
PAGE 6
JAN 20/09

BRI