





**BLENDED WINGLET PROGRAM**

**FAA STC No. ST01518SE**

**Supplement to D6-49286 for 757-200  
with APB Winglets  
Aircraft Illustrated Parts Catalog**

**Boeing Model 757-200**

**Doc. No. AP57.2-0614**

**Revision G April, 2008**

**PUBLISHED BY AVIATION PARTNERS BOEING**

**7299 PERIMETER ROAD SOUTH / SEATTLE, WA 98108  
(206) 830-7699 / FAX (206) 762-1158**

**THE DATA CONTAINED HEREON AND HEREIN IS  
PROPRIETARY TO AVIATION PARTNERS BOEING.  
NEITHER THIS DATA NOR THE DATA CONTAINED HEREIN  
SHALL BE REPRODUCED, USED OR DISCLOSED TO  
OTHERS WITHOUT THE WRITTEN AUTHORIZATION OF  
AVIATION PARTNERS BOEING**



**Aviation Partners Boeing**  
**757-200**  
**SUPPLEMENT – PARTS CATALOG (MAINTENANCE)**

**REVISION RECORD**

REVISION LEVEL	DATE	REVISED BY	APPROVED BY
Initial Release	APRIL-12-05	R. MANO	J. INMAN
A	JULY-15-05	R. MANO	S. NELSON
B	DEC-19-05	J. PLISKA	S. NELSON
C	FEB-15-06	R. MANO	S. NELSON
D	AUG-31-06	S. PERRY	J. INMAN
E	JULY-6-07	G.WULKOWICZ	C.KIEHN
F	JAN-31-08	R. CORRICK	G. BULLARD
G	APR-04-08	S.TAMERU	G. BULLARD

**REVISION DESCRIPTION**

REV LEVEL	DATE	PAGES AFFECTED	REMARKS
IR	APRIL-12-05		INITIAL RELEASE
A	JULY-15-05		
B	DEC-19-05		
C	FEB-15-06	<u>REVISION RECORD:</u> PG.1 <u>EFFECTIVE PAGES:</u> PG.1, 2 <u>28-44-01-01:</u> PG. 1 THRU 3 PG. 4 THRU 7  <u>33-44-01-02:</u> PG. 2 <u>57-31-01-01:</u> PG. 3, 4 <u>57-31-03-01:</u> PG. 2	ADDED REVISION DESCRIPTION TABLE.  UPDATED.  UPDATED FIGURE 1, SHEET 1, 2 & 3. ADDED FLEXI-STICK ASSY NO. 4 AND NO. 5, AND ALL COMPONENTS.  ADDED 757-5100-5/-6.  ADDED 757-5100-5/-6.  757-3381-2 WAS 757-3381-1.
D	AUG-31-06	<u>EFFECTIVE PAGES:</u> PG.1  <u>27-62-01-01</u> PG 1 THRU 9  <u>33-43-01-02</u> PG 2	UPDATED.  ADDED 757-3904-5/-6 CONFIGURATION AND UPDATED SKETCHED TO SHOW DIFFERENT CONFIGURATIONS OF CRANK ADAPTER.  CORRECTED LIGHT PART NUMBER TO READ 737-8800-1/-2.

# Aviation Partners Boeing

757-200

## SUPPLEMENT – PARTS CATALOG (MAINTENANCE)

E	JULY-6-07	<u>EFFECTIVE PAGES:</u> PG. 1 <u>33-44-01-01:</u> PG. 2, 3	UPDATED.  ADDED EXPLODED VIEW OF LIGHT, AND LENS ASSY, FLASHTUBE, & SCREWS.
F	JAN-31-08	<u>EFFECTIVE PAGES:</u> PG. 1, 2 <u>27-62-01-01:</u> PG. 1, 2, 3, 4, 7, 8, 9, 10, 11, 12	UPDATED.  UPDATED LIST OF PARTS, RENUMBERED FIGURE ITEMS.
G	APR-04-08	<u>EFFECTIVE PAGES:</u> PG. 1, 2 <u>28-44-01-01:</u> PG. 1, 2, 3, 4, 5, 6, 7, 8, 9, 10	UPDATED.  ADDED FIGURE, RENUMBERED FIGURES, CORRECTED FIGURES TITLE, UPDATED LIST OF PARTS.

**Aviation Partners Boeing**  
757-200  
SUPPLEMENT – PARTS CATALOG (MAINTENANCE)

**EFFECTIVE PAGES**

Chapter Page	Date
<u>Title Page</u>	
1	Jan 2008
<u>Revision Record</u>	
1	Jan 2008
<u>Effective Pages</u>	
1	Jan 2008
2	Jan 2008
<u>Table of Contents</u>	
1	Apr 2005
<u>Introduction</u>	
1	Apr 2005
<u>Zone Diagrams</u>	
1	Apr 2005
<u>Sect/Sta Diagrams</u>	
1	Apr 2005
2	Apr 2005
<u>Major Drawing Index</u>	
1	Apr 2005
<u>Suppliers Name and Address Index</u>	
1	July 2005
<u>Service Bulletin List</u>	
1	Apr 2005
<u>27-CONTENTS</u>	
1	Apr 2005
<u>27-62-00</u>	
1	Apr 2005
<u>27-62-01-01</u>	
1	Jan 2008
2	Jan 2008
3	Jan 2008
4	Jan 2008
5	Aug 2006
6	Aug 2006
7	Jan 2008
8	Jan 2008
9	Jan 2008

Chapter Page	Date
10	Jan 2008
11	Jan 2008
12	Jan 2008
<u>27-62-01-02</u>	
1	Apr 2005
2	Apr 2005
3	Apr 2005
4	Apr 2005
<u>27-62-01-03</u>	
1	Apr 2005
2	Apr 2005
3	Apr 2005
<u>28-CONTENTS</u>	
1	Apr 2005
<u>28-44-00</u>	
1	Apr 2005
<u>28-44-01-01</u>	
1	Apr 2008
2	Apr 2008
3	Apr 2008
4	Apr 2008
5	Apr 2008
6	Apr 2008
7	Apr 2008
8	Apr 2008
9	Apr 2008
10	Apr 2008
<u>33-CONTENTS</u>	
1	Apr 2005
<u>33-43-00</u>	
1	Apr 2005
<u>33-43-01-01</u>	
1	Apr 2005
2	Apr 2005
3	Dec 2005
4	Dec 2005
<u>33-43-01-02</u>	
1	Apr 2005

Chapter Page	Date
2	Aug 2006
3	Dec 2005
<u>33-43-01-03</u>	
1	Apr 2005
2	Apr 2005
<u>33-44-00</u>	
1	Apr 2005
<u>33-44-01-01</u>	
1	Apr 2005
2	July 2007
3	July 2007
<u>33-44-01-02</u>	
1	Apr 2005
2	Feb 2006
<u>57-CONTENTS</u>	
1	Apr 2005
<u>57-25-00</u>	
1	Apr 2005
<u>57-25-01-01</u>	
1	July 2005
2	July 2005
<u>57-31-00</u>	
1	Apr 2005
<u>57-31-01-01</u>	
1	Apr 2005
2	Apr 2005
3	Feb 2006
4	Feb 2006
5	Apr 2005
<u>57-31-02</u>	
1	Apr 2005
<u>57-31-02-01</u>	
1	July 2005
2	Apr 2005
3	Apr 2005
4	Apr 2005

# Aviation Partners Boeing

757-200

## SUPPLEMENT – PARTS CATALOG (MAINTENANCE)

5	Apr 2005		
6	Apr 2005		
7	Dec 2005		
8	Dec 2005		
9	Dec 2005		
10	Dec 2005		
<u>57-31-03</u>			
1	Apr 2005		
<u>57-31-03-01</u>			
1	Apr 2005		
2	Feb 2006		
3	Apr 2005		

Aviation Partners Boeing  
757-200  
SUPPLEMENT – PARTS CATALOG (MAINTENANCE)

TABLE OF CONTENTS

TITLE	PAGE
REVISION RECORD	1
REVISION DESCRIPTION	
EFFECTIVE PAGES	1
TABLE OF CONTENTS	1
INTRODUCTION	1
ZONE DIAGRAMS	1
SECT/STA DIAGRAMS	1
MAJOR DRAWING INDEX	1
SUPPLIERS NAME AND ADDRESS INDEX	1
SERVICE BULLETIN LIST (SB LIST)	1
DETAILED PARTS LIST	CHAPTER NO.
AIRFRAME SYSTEMS	
Flight Controls	27
Fuel	28
Lights	33
STRUCTURE	
Wings	57

# Aviation Partners Boeing

## 757-200

### SUPPLEMENT – PARTS CATALOG (MAINTENANCE)

## INTRODUCTION

### General

This document is prepared, issued and revised by Aviation Partners Boeing for the exclusive use of its customers and is intended for use in provisioning, requisitioning, storing and issuing line maintenance parts. The content of this document is proprietary to Aviation Partners and its customers and is subject to change. The use of any part of this document by any other person or persons for any other purpose without written consent of Aviation Partners Boeing is expressly prohibited. In addition, Aviation Partners Boeing expressly disclaims any and all responsibility arising from or in any way related to any such use without Aviation Partners prior written consent thereto. This document is produced to support the configuration of the aircraft at the time of delivery to the original customer and changes submitted by the customer after delivery. It does not necessarily reflect the current configuration of any specific aircraft.

There are two configurations defined by the 757-200 APB wing retrofit in accordance with STC No.ST01518SE. They are as follows:

The Dash –1 Kit contains all of the structural modifications in the wing for a winglet configuration, except, in lieu of winglets, the basic wing tip is reinstalled. The modifications consists of the following:

- Reinforcement of wing structure.
- New upper and lower outboard wing skin panels.
- Adapter plate between the modified wing and the basic wing tip.
- Installation of the Load Alleviation System (LAS), deactivated.

The Dash –2 Kit contains all of the structural modifications in the wing for a winglet configuration, including the installation of the winglets. The modifications consists of the following:

- Reinforcement of wing structure.
- New upper and lower outboard wing skin panels.
- Installation of Adapter Plug.
- Installation of blended winglets.
- Installation of the Load Alleviation System (LAS), activated.
- Flutter ballast weights (included in the adapter plugs)

From this point forward, an airplane configuration with the basic wing tips installed shall be referred to as a Dash –1 Kit. An airplane configuration with APB winglets installed shall be referred to as a Dash –2 Kit.

This document supplements D6-49286, Boeing 757-200 Aircraft Illustrated Parts Catalog (AIPC) for 757-200 aircraft retrofitted with Aviation Partners Boeing winglets. Only differences from the production 757-200 are addressed in this supplement.

### Manual Arrangement and Numbering System

Refer to the Boeing 757-200 Aircraft Illustrated Parts Catalog (AIPC), D6-49286 for definition.

### Publication Change Request

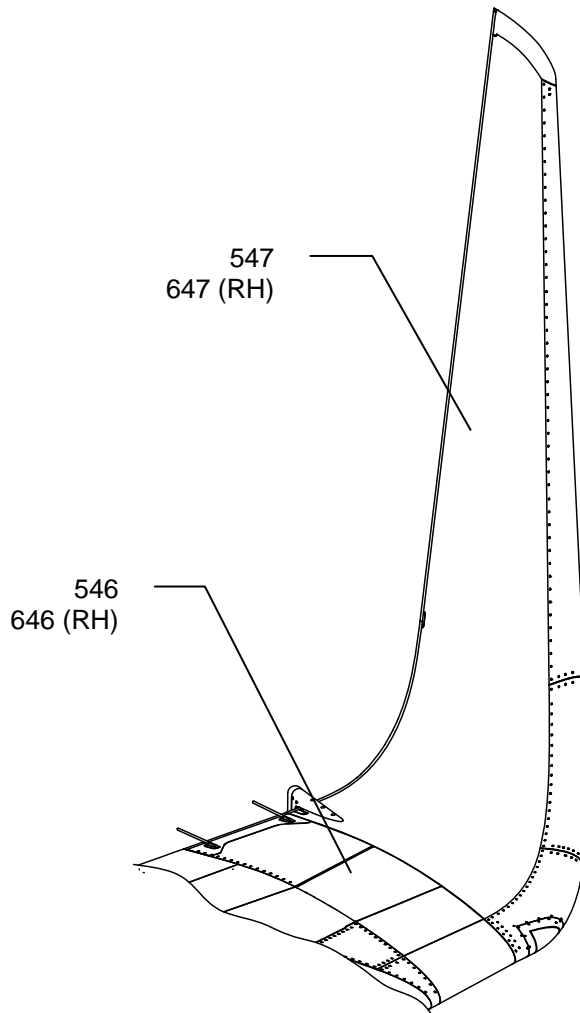
Communications concerning this publication should be directed to:

Aviation Partners Boeing  
Attn: Manager - Aircraft Illustrated Parts Catalog  
7299 Perimeter Road South  
Seattle, WA 98108

Aviation Partners Boeing  
757-200  
SUPPLEMENT – PARTS CATALOG (MAINTENANCE)

ZONE INDEX/DIAGRAMS

Revise wing zone diagram to replace Wing Tip (Zone 545/645) with Adapter Plug (Zone 546/646) and Winglet (Zone 547/647) as shown in Figure 1.



ZONE NO.	TITLE
546	ADAPTER PLUG – LEFT WING
547	WINGLET – LEFT WING
646	ADAPTER PLUG – RIGHT WING
647	WINGLET – RIGHT WING

FIGURE 1  
MAJOR ZONE 500 LEFT WING SHOWN  
600 RIGHT WING OPPOSITE

# Aviation Partners Boeing

757-200

## SUPPLEMENT – PARTS CATALOG (MAINTENANCE)

### AIRPLANE SECTION BREAKDOWN/STATION DIAGRAMS

Revise airplane sectional breakdown to replace wing tip with winglet and adapter plug as shown in Figure 1 and Figure 2.

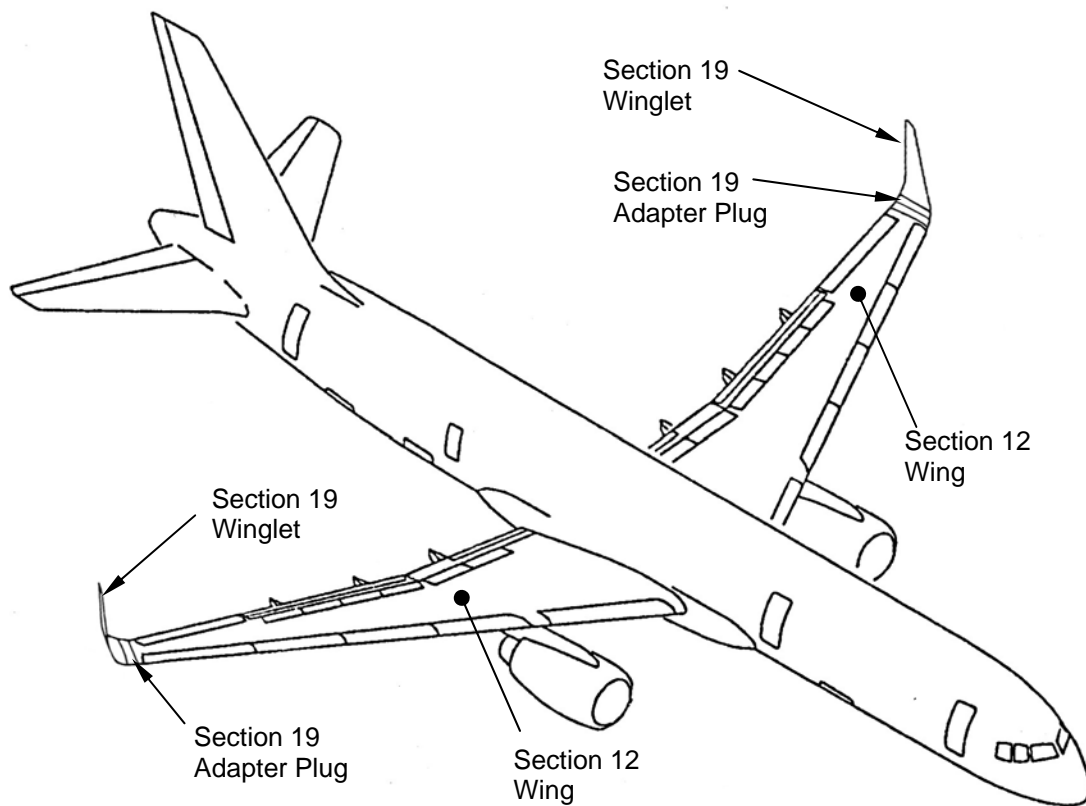
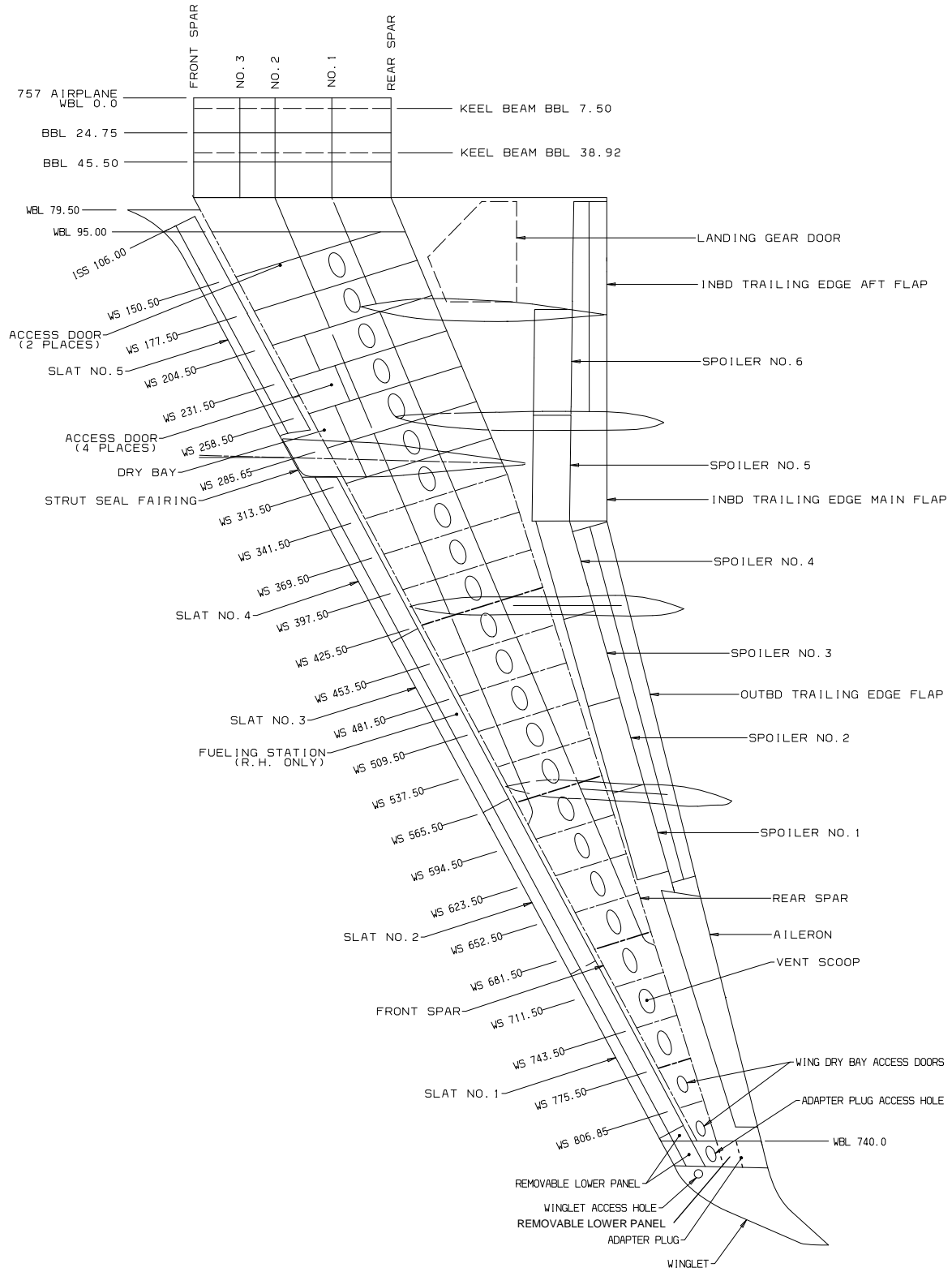


FIGURE 1  
CHANGES TO SECTION 19



# Aviation Partners Boeing 757-200 SUPPLEMENT – PARTS CATALOG (MAINTENANCE)



**FIGURE 2  
WING SECTION STATION DIAGRAM**

Aviation Partners Boeing  
757-200  
SUPPLEMENT – PARTS CATALOG (MAINTENANCE)

MAJOR DRAWING INDEX

757-2000	TOP COLLETOR – 757-200
757-0002	WINGLET INSTALLATION
757-3010	TOP KIT – WING MOD, MIDSPAN
757-3020	TOP KIT – WING MOD, OUTBOARD
757-3050	VORTEX GENERATOR INSTALLATION – WING UPPER SURFACE
757-3280	LEADING EDGE INSTALLATION (-2 KIT)
757-3380	WING TIP INSTALLATION (-1 KIT)
757-3810	EQUIPMENT INSTALLATION
757-3900	TOP KIT – MECHANICAL SYSTEMS
757-5000	WINGLET ADAPTER PLUG INSTALLATION
757-8800	WIRING CONFIGURATION – FLIGHT MANAGEMENT COMPUTER

Aviation Partners Boeing  
757-200  
SUPPLEMENT – PARTS CATALOG (MAINTENANCE)

SUPPLIERS NAME AND ADDRESS INDEX

CAGE CODE	SUPPLIER
0SEC3	ACCRA MANUFACTURING COMPANY 17703 15 <sup>TH</sup> AVE SE BOTHELL, WASHINGTON 98012-6170
0ABM0	KING MACHINE 11710 CYRUS WAY MUKILTEO, WASHINTION 98275-5423
3X2T2	BAE SYSTEMS CONTROLS, INC. 3131 STORY ROAD WEST IRVING, TEXAS 75038-3514
72914	HONEYWELL GRIMES AEROSPACE 550 STREET RT. 55 URBANA, OHIO 43078
14752	ECTROCUBE INC. 1307 S. MYRTLE AVE. MONROVIA, CA 91016-4150
55635	DAYTON-GRANGER INC. FORT LAUDERDALE, FL 33302
81039	SMITH INDUSTRIES, ACTUATION SYSTEMS, INC. WHIPPANY, NJ 07981
86831	KAISER ELECTROPRECISION A ROCKWELL COLLINS COMPANY 17000 SOUTH RED HILL AVENUE IRVINE, CA 92614-5676

Aviation Partners Boeing  
757-200  
SUPPLEMENT – PARTS CATALOG (MAINTENANCE)  
SERVICE BULLETIN

(RESERVED)

Aviation Partners Boeing  
757-200  
SUPPLEMENT – PARTS CATALOG (MAINTENANCE)

CHAPTER 27 – FLIGHT CONTROLS

TABLE OF CONTENTS

SUBJECT	CHAPTER SECTION UNIT	FIGURE	PAGE
SPEEDBRAKE CONTROL	27-62-00		1
INSTL – SPEEDBRAKE AUTOSTOW, MECH MODIFICATION	27-62-01	01	1
SPEEDBRAKE AUTOSTOW CONTROLLER INSTL	27-62-01	02	1
SPEEDBRAKE LIGHTPLATE – CONTROL STAND CONTROL STANDS WITH MOLDED PLASTIC COVER ASSEMBLY	27-62-01	03	1
SPEEDBRAKE LIGHTPLATE – CONTROL STAND CONTROL STANDS WITH SHEET METAL COVER ASSEMBLY	27-62-01	04	1

Aviation Partners Boeing  
757-200  
SUPPLEMENT – PARTS CATALOG (MAINTENANCE)

SPEEDBRAKE CONTROL

Aviation Partners Boeing  
757-200  
SUPPLEMENT – PARTS CATALOG (MAINTENANCE)

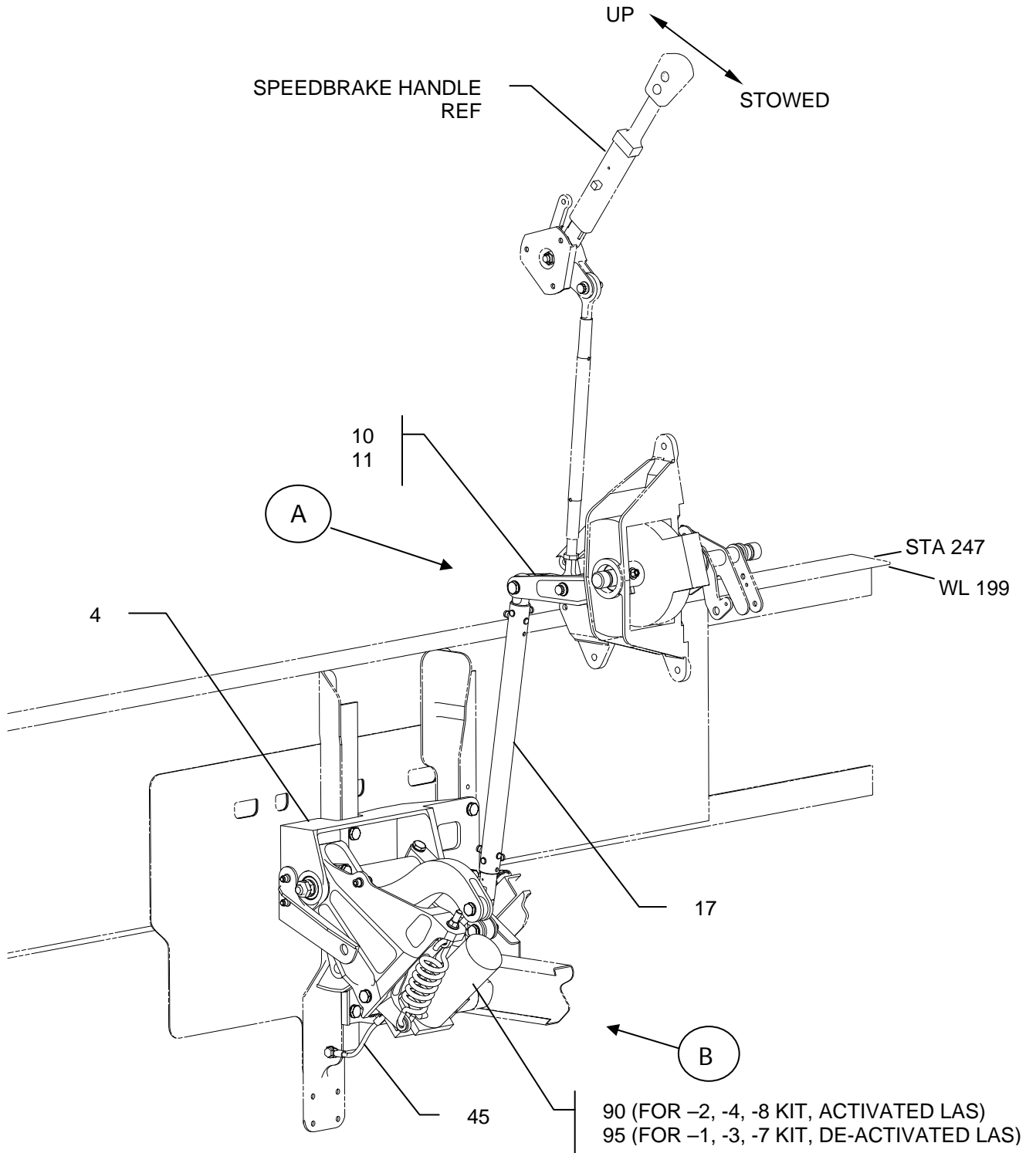


FIGURE 1 (SHEET 1)  
SPEEDBRAKE AUTOSTOW MECHANISM

Aviation Partners Boeing  
757-200  
SUPPLEMENT – PARTS CATALOG (MAINTENANCE)

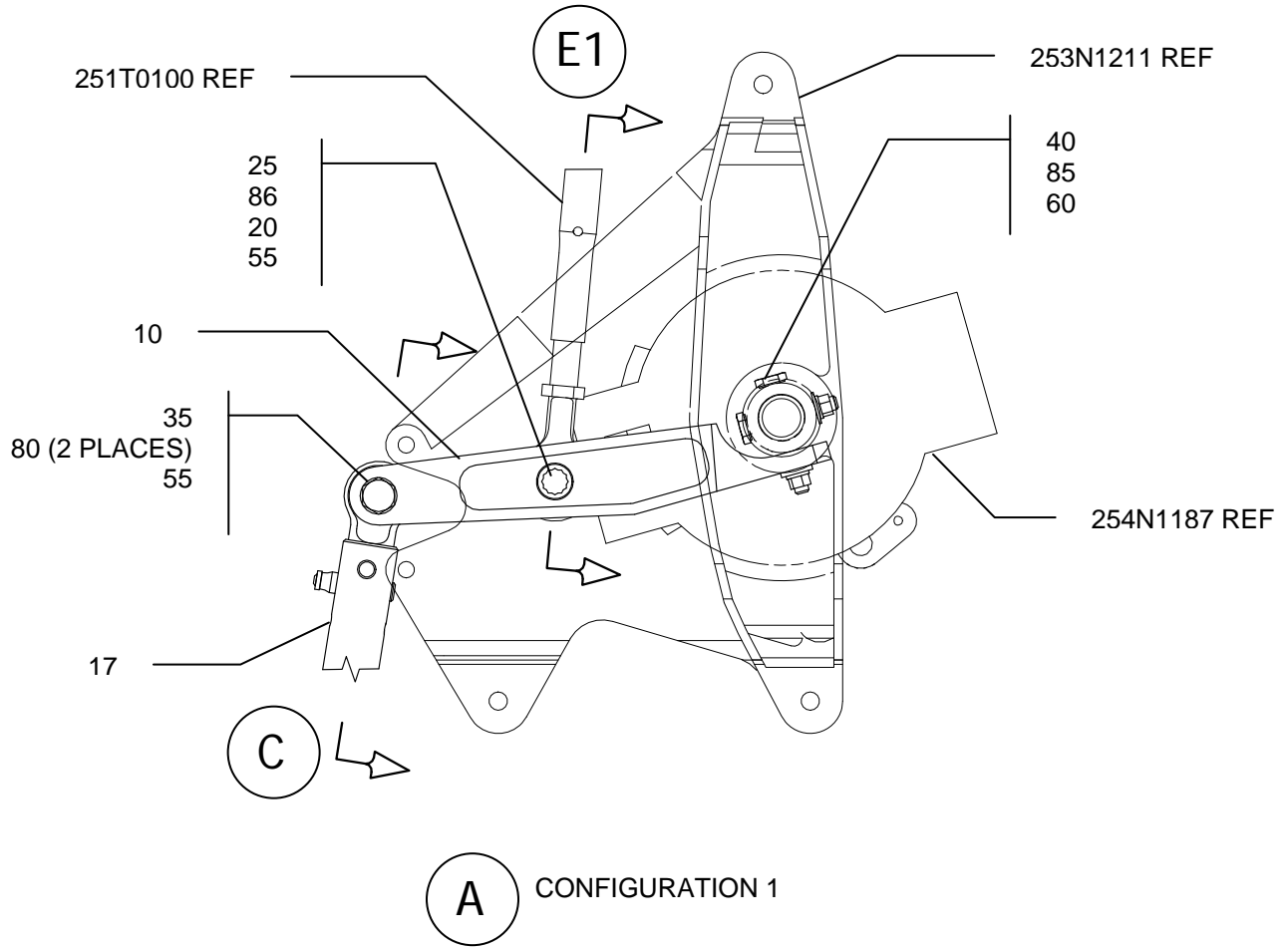


FIGURE 1 (SHEET 2)  
SPEEDBRAKE AUTOSTOW MECHANISM



Aviation Partners Boeing  
757-200  
SUPPLEMENT – PARTS CATALOG (MAINTENANCE)

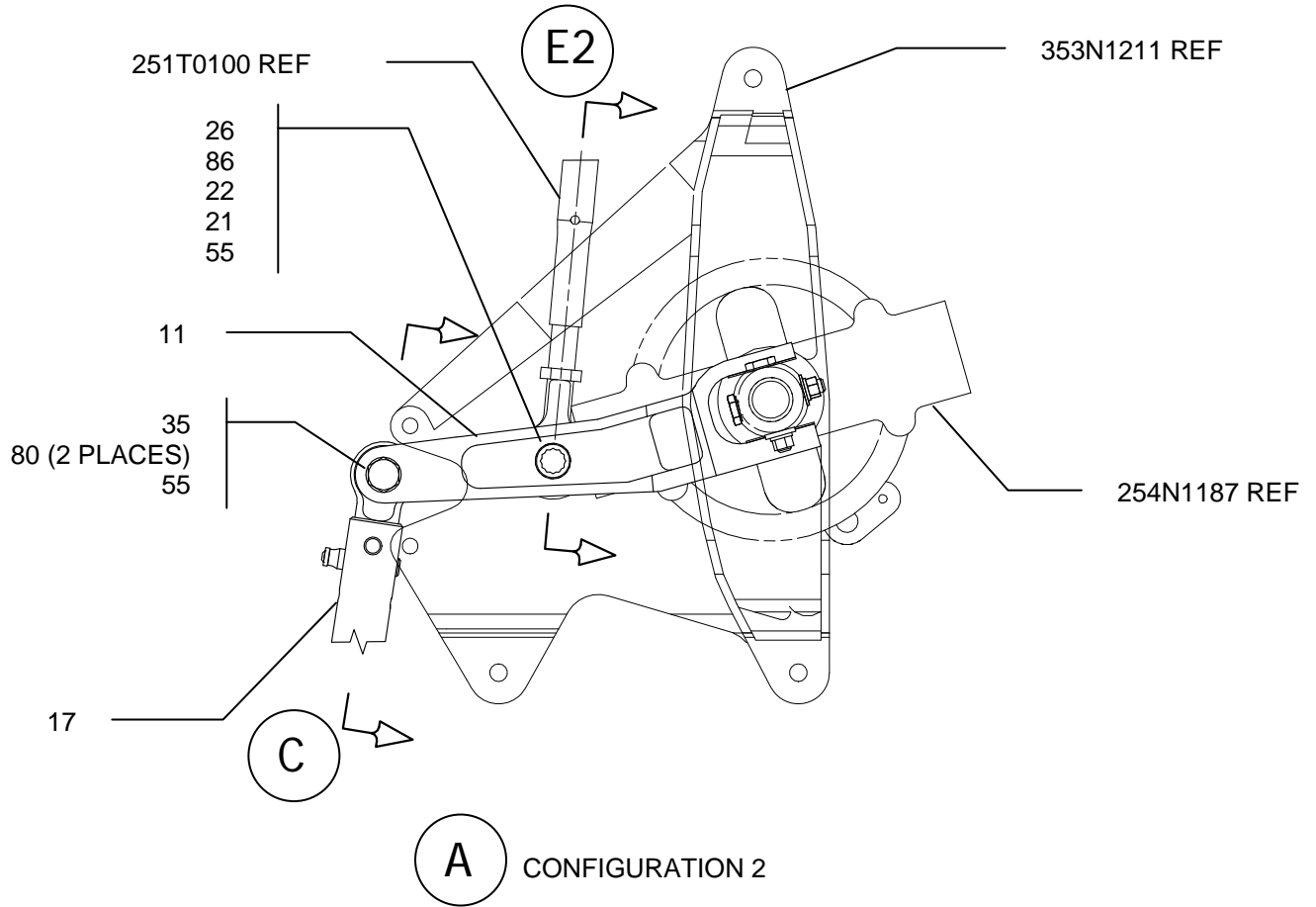


FIGURE 1 (SHEET 3)  
SPEEDBRAKE AUTOSTOW MECHANISM

Aviation Partners Boeing  
757-200  
SUPPLEMENT – PARTS CATALOG (MAINTENANCE)

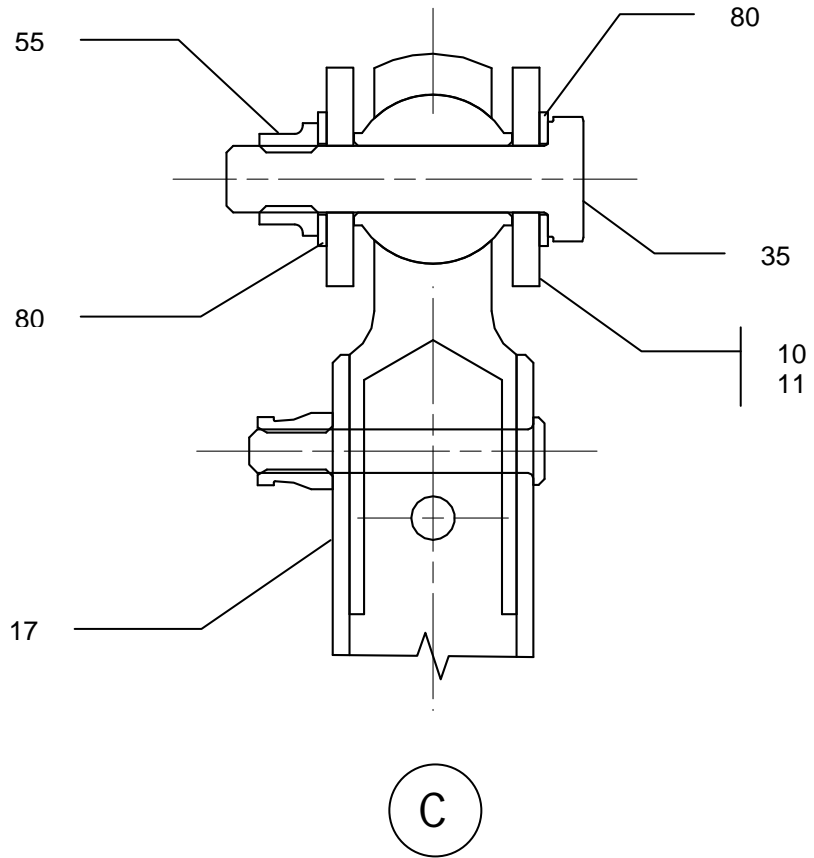
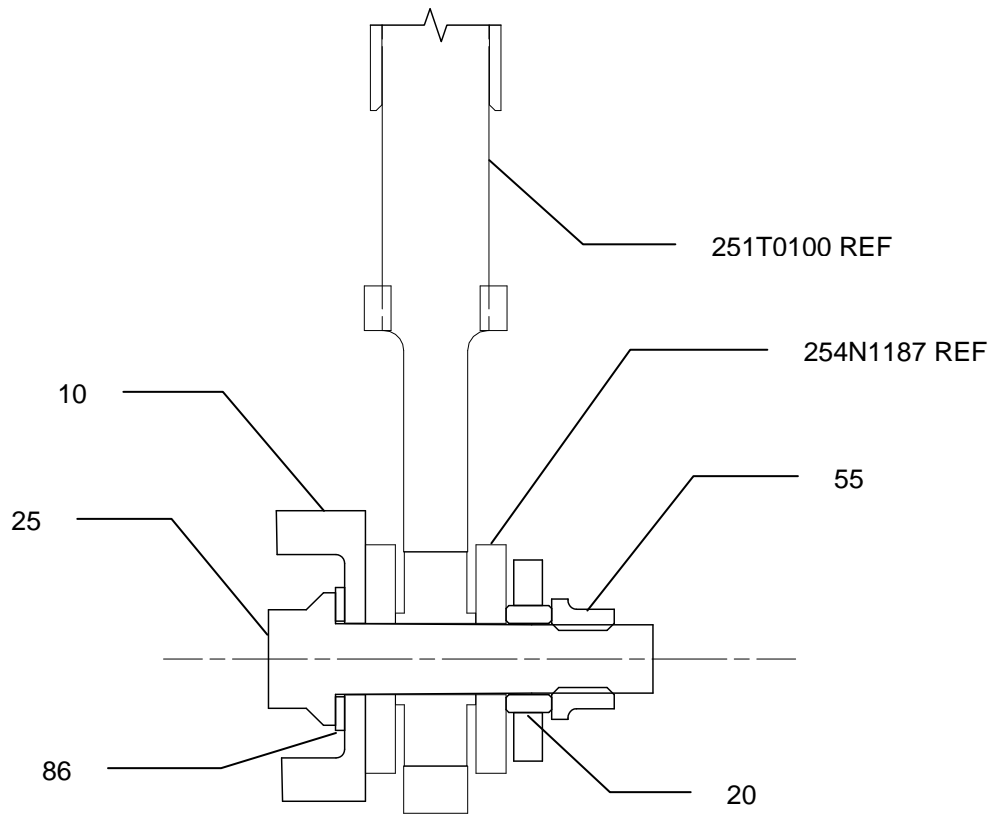


FIGURE 1 (SHEET 4)  
SPEEDBRAKE AUTOSTOW MECHANISM

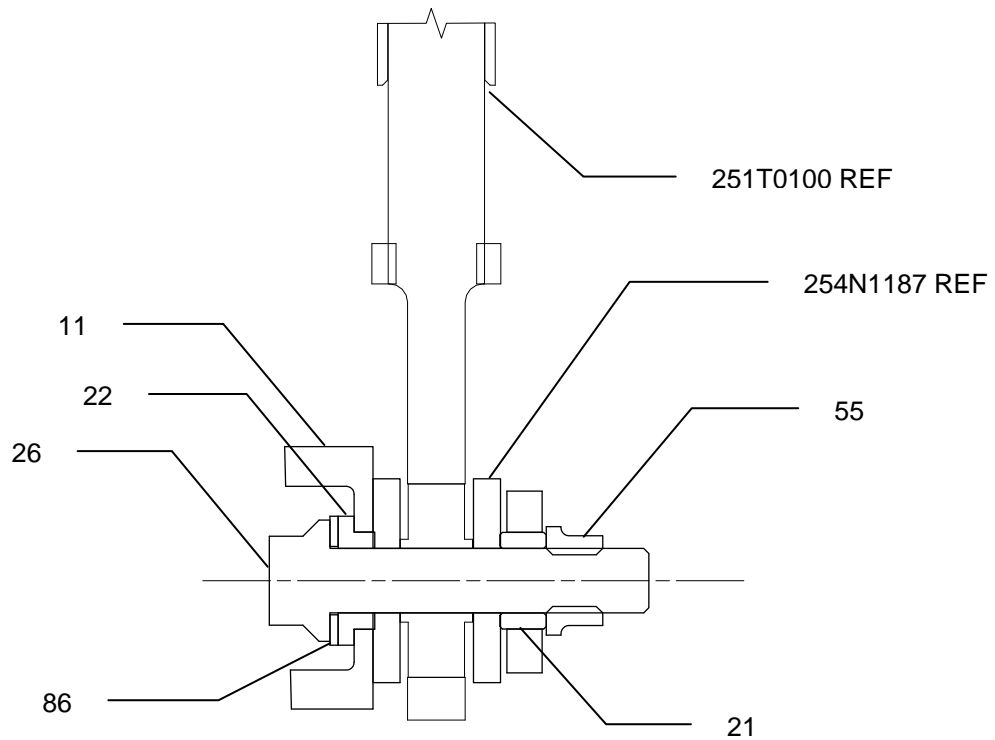
Aviation Partners Boeing  
757-200  
SUPPLEMENT – PARTS CATALOG (MAINTENANCE)



E1

FIGURE 1 (SHEET 5)  
SPEEDBRAKE AUTOSTOW MECHANISM

Aviation Partners Boeing  
757-200  
SUPPLEMENT – PARTS CATALOG (MAINTENANCE)



E2

FIGURE 1 (SHEET 6)  
SPEEDBRAKE AUTOSTOW MECHANISM

Aviation Partners Boeing  
757-200  
SUPPLEMENT – PARTS CATALOG (MAINTENANCE)

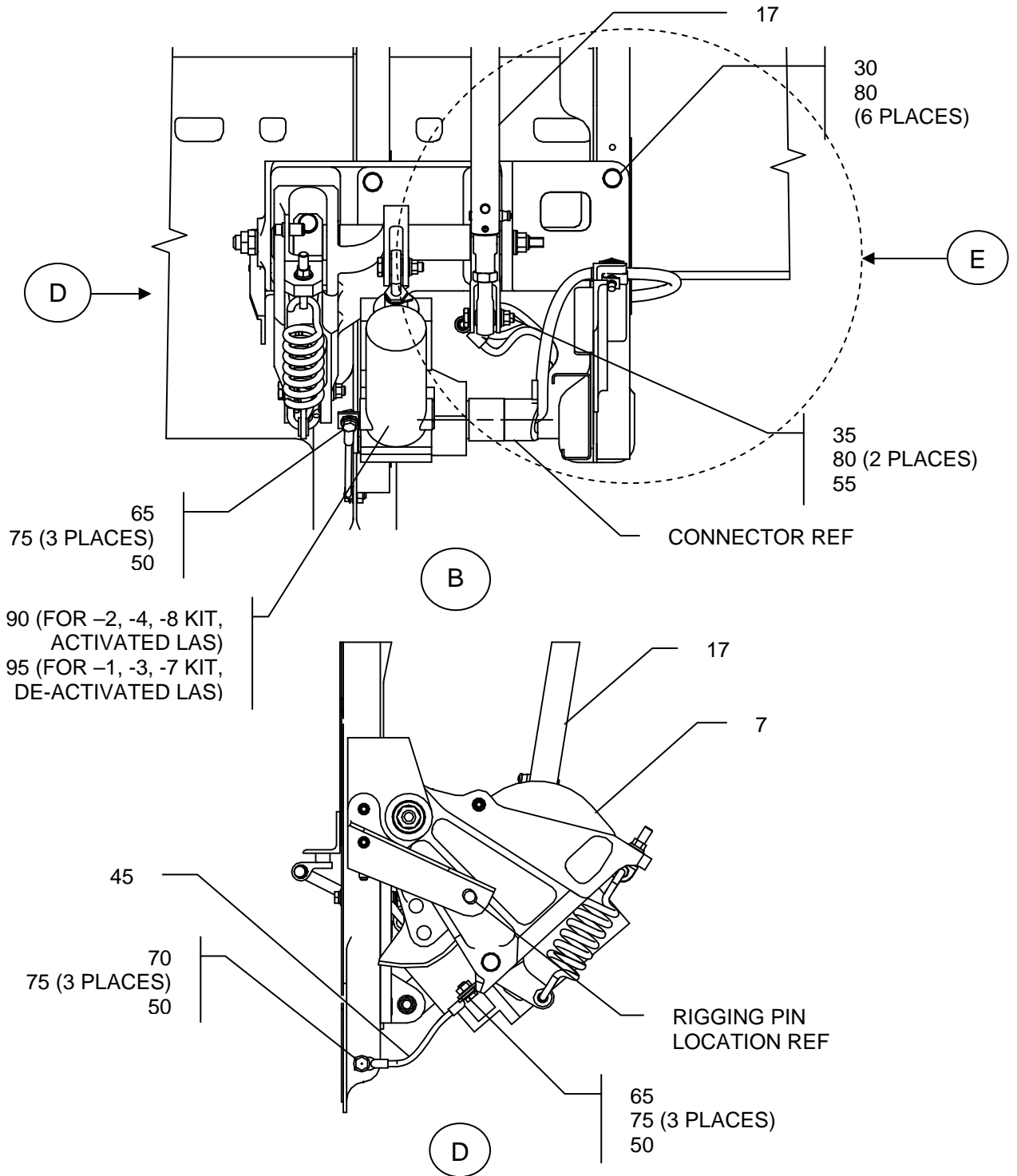
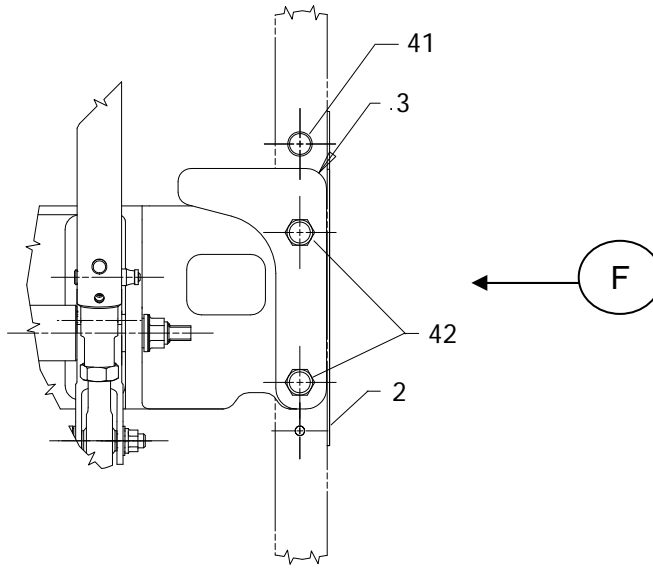
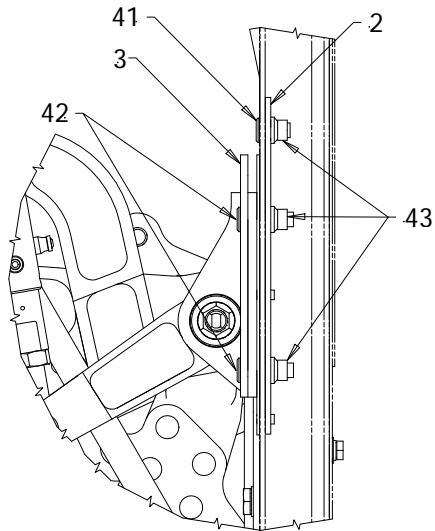


FIGURE 1 (SHEET 7)  
SPEEDBRAKE AUTOSTOW MECHANISM

Aviation Partners Boeing  
757-200  
SUPPLEMENT – PARTS CATALOG (MAINTENANCE)



E



F

FIGURE 1 (SHEET 8)  
SPEEDBRAKE AUTOSTOW MECHANISM

# Aviation Partners Boeing

757-200

## SUPPLEMENT – PARTS CATALOG (MAINTENANCE)

FIGURE ITEM	PART NUMBER	NOMENCLATURE 1 2 3 4 5 6 7	EFFECT	UNITS PER ASSY
			FROM TO	
	757-3904-2, -4	INSTL – SPEEDBRAKE AUTOSTOW, MECH MODIFICATION -2 KIT, ACTIVATED LOAD ALLEVIATION SYSTEM	1	RF
	757-3904-1, -3	INSTL – SPEEDBRAKE AUTOSTOW, MECH MODIFICATION -1 KIT, DE-ACTIVATED LOAD ALLEVIATION SYSTEM	1	RF
	757-3904-6	INSTL – SPEEDBRAKE AUTOSTOW, MECH MODIFICATION -4 KIT, ACTIVATED LOAD ALLEVIATION SYSTEM	2	RF
	757-3904-5	INSTL – SPEEDBRAKE AUTOSTOW, MECH MODIFICATION -3 KIT, DE-ACTIVATED LOAD ALLEVIATION SYSTEM	2	RF
	757-3904-8	INSTL – SPEEDBRAKE AUTOSTOW, MECH MODIFICATION -4 KIT, ACTIVATED LOAD ALLEVIATION SYSTEM	3	RF
	757-3904-7	INSTL – SPEEDBRAKE AUTOSTOW, MECH MODIFICATION -3 KIT, DE-ACTIVATED LOAD ALLEVIATION SYSTEM	3	RF
	757-3904-14	INSTL – SPEEDBRAKE AUTOSTOW, MECH MODIFICATION -8 KIT, ACTIVATED LOAD ALLEVIATION SYSTEM	4	RF
	757-3904-13	INSTL – SPEEDBRAKE AUTOSTOW, MECH MODIFICATION -7 KIT, DE-ACTIVATED LOAD ALLEVIATION SYSTEM	4	RF
2	757-3904-11	. SPLICE STRAP USED ON: 757-3904-13, -14		1
3	757-3904-12	. RUB PLATE USED ON: 757-3904-13, -14		1
4	757-3905-2	. MECHANISM ASSY – SPEEDBRAKE AUTOSTOW FOR -2, -4 KIT, ACTIVATED LOAD ALLEVIATION SYSTEM. SUPPLIER CODE: 0SEC3 COMPONENTS MAINTENANCE MANUAL REF: AP57.2-0613, 27-62-00 USED ON: 757-3904-2, -4, -6, -8		11

# Aviation Partners Boeing

757-200

## SUPPLEMENT – PARTS CATALOG (MAINTENANCE)

FIGURE ITEM	PART NUMBER	NOMENCLATURE 1 2 3 4 5 6 7	EFFECT FROM TO	UNITS PER ASSY
(5)	757-3905-1	. MECHANISM ASSY – SPEEDBRAKE AUTOSTOW FOR –1,-3 KIT, DE-ACTIVATED LOAD ALLEVIATION SYSTEM. SUPPLIER CODE: 0SEC3 COMPONENTS MAINTENANCE MANUAL REF: AP57.2-0613, 27-62-00 USED ON: 757-3904-1, -3,-5, -7		11
(8)	757-3905-5	. MECHANISM ASSY – SPEEDBRAKE AUTOSTOW FOR –8 KIT, DE-ACTIVATED LOAD ALLEVIATION SYSTEM. SUPPLIER CODE: 0SEC3 COMPONENTS MAINTENANCE MANUAL REF: AP57.2-0613, 27-62-00 USED ON: 757-3904-14		1
(9)	757-3905-6	. MECHANISM ASSY – SPEEDBRAKE AUTOSTOW FOR –7 KIT, DE-ACTIVATED LOAD ALLEVIATION SYSTEM. SUPPLIER CODE: 0SEC3 COMPONENTS MAINTENANCE MANUAL REF: AP57.2-0613, 27-62-00 USED ON: 757-3904-13		1
10	757-3910-1	. NO BACK ADAPTER SUPPLIER CODE: USED ON: 757-3904-1, -2, -3, -4. FOR 757-3904-5, -6 INSTL, 757-3910-1 IS USED IN 757-3912-1 ASSY	Ref Flag Note 1	1
11	757-3912-1	. NO BACK ADAPTER SUPPLIER CODE: PREFERRED CONFIGURATION TO 757- 3910-1 FOR 757-3904-1, -2, -3, -4 INSTL (REF: SERVICE BULLETIN AP757-27-001) USED ON: 757-3904-5, -6	Ref Flag Note 1	1
(12)	757-3912-3	. NO BACK ADAPTER SUPPLIER CODE: USED ON: 757-3904-7, -8		1
(13)	757-3912-5	. NO BACK ADAPTER SUPPLIER CODE: USED ON: 757-3904-13, -14		1
(14)	757-3910-3	. . NO BACK ADAPTER SUPPLIER CODE: USED ON: 757-3912-1		1
(15)	757-3910-5	. . NO BACK ADAPTER SUPPLIER CODE: USED ON: 757-3912-3		1



# Aviation Partners Boeing

757-200

## SUPPLEMENT – PARTS CATALOG (MAINTENANCE)

FIGURE ITEM	PART NUMBER	NOMENCLATURE 1 2 3 4 5 6 7	EFFECT FROM TO	UNITS PER ASSY
(16)	757-3910-7	. . NO BACK ADAPTER SUPPLIER CODE: USED ON: 757-3912-5		1
17	757-3921-1	. CONTROL ROD ASSY SUPPLIER CODE:	ALL	1
20	BACB28AK04-016	. BUSHING USED ON: 757-3904-1, -2, -3, -4		1
21	BACB28AK04-018	. BUSHING FOR USE WITH 757-3912-1, -3, -5 (ITEM 11, 12, 13)		1
22	BACB28X4C008	. BUSHING FOR USE WITH 757-3912-1, -3, -5 (ITEM 11, 12, 13)		1
25	BACB30MR4K11	. BOLT USED ON: 757-3904-1, -2, -3, -4		1
26	BACB30MR4K13	. BOLT FOR USE WITH 757-3912-1, -3, -5 (ITEM 11, 12, 13)		1
30	BACB30NR4K5	. BOLT	ALL	6
35	BACB30NR4K13	. BOLT USED ON: 757-3904-1, -2, -3, -4		2
40	BACB30NM3K19	. BOLT USED ON: 757-3904-1, -2, -3, -4		1
41	BACB30VT8K3	. BOLT FOR USE WITH 757-3904-13, -14		
42	BACB30VT8K9	. BOLT FOR USE WITH 757-3904-13, -14		
43	BACC30BL8	. COLLAR FOR USE WITH 757-3904-13, -14		
45	BACJ40AB20-4	. JUMPER	ALL	1
50	BACN10JC3CD	. NUT	ALL	2
55	BACN10YR4CD	. NUT	ALL	3
60	BACN10YR3CD	. NUT	ALL	2
65	BACS12HN3-6	. SCREW	ALL	1
70	BACS12HN3-7	. SCREW	ALL	1
75	NAS1149D0316H	. WASHER	ALL	6

# Aviation Partners Boeing

757-200

## SUPPLEMENT – PARTS CATALOG (MAINTENANCE)

FIGURE ITEM	PART NUMBER	NOMENCLATURE							EFFECT FROM TO	UNITS PER ASSY
		1	2	3	4	5	6	7		
80	NAS1149D0432J	.							ALL	11
85	NAS1149D0363J	.								1
86	BACW10BP4CD	.							ALL	1
90	10-61359-3	.	.							1
95	737-8915-1									1

- 1 757-3904-1, -2 are effective for Kit Serialization 52001 – 52036\*  
 757-3904-3, -4 are effective for Kit Serialization 52037 – 52054\*  
 The replacement installation for 757-3904-1, -3 is 757-3904-5  
 The replacement installation for 757-3904-2, -4 is 757-3904-6

\*Airplanes that have been modified per APB Service Bulletin AP757-27-001 will have 757-3912-1 installed in lieu of 757-3910-1

- 2 757-3904-5, -6 are effective for Kit Serialization 52055 – 52095
- 3 757-3904-7, -8 are effective for Kit Serialization 52096 – 52999
- 4 757-3904-13, -14 are required for Airplane Line Numbers 125 – 325 and interchangeable with 757-3904-7, -8 for Airplane Line Numbers 326 and on.

Aviation Partners Boeing  
757-200  
SUPPLEMENT – PARTS CATALOG (MAINTENANCE)

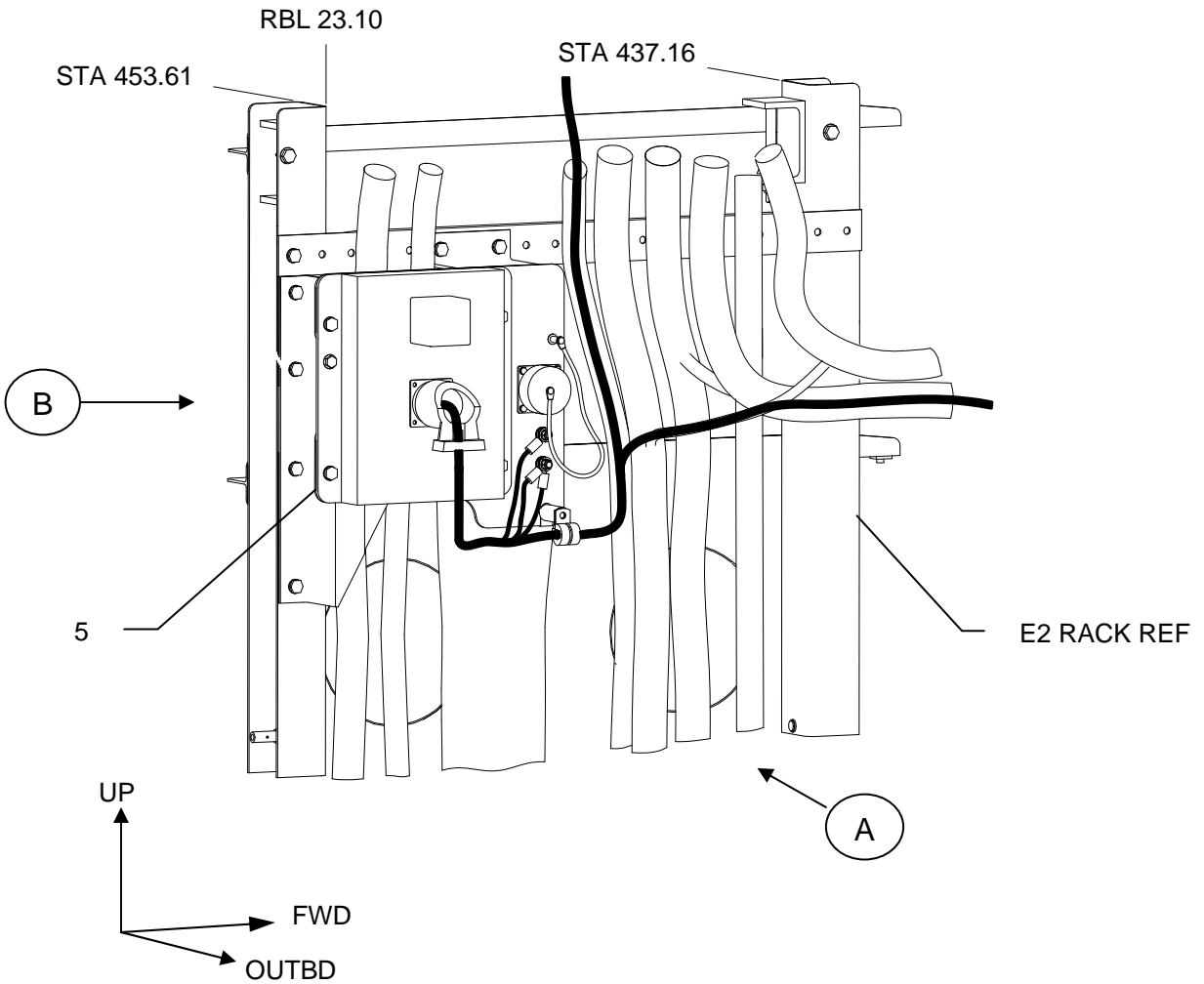
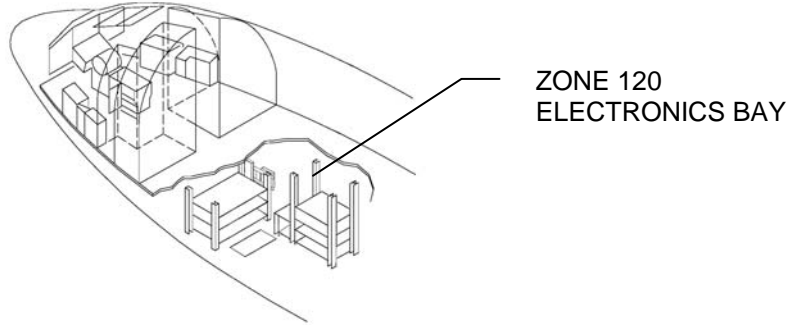


FIGURE 2 (SHEET 1)  
SPEEDBRAKE AUTOSTOW CONTROL MODULE

Aviation Partners Boeing  
757-200  
SUPPLEMENT – PARTS CATALOG (MAINTENANCE)

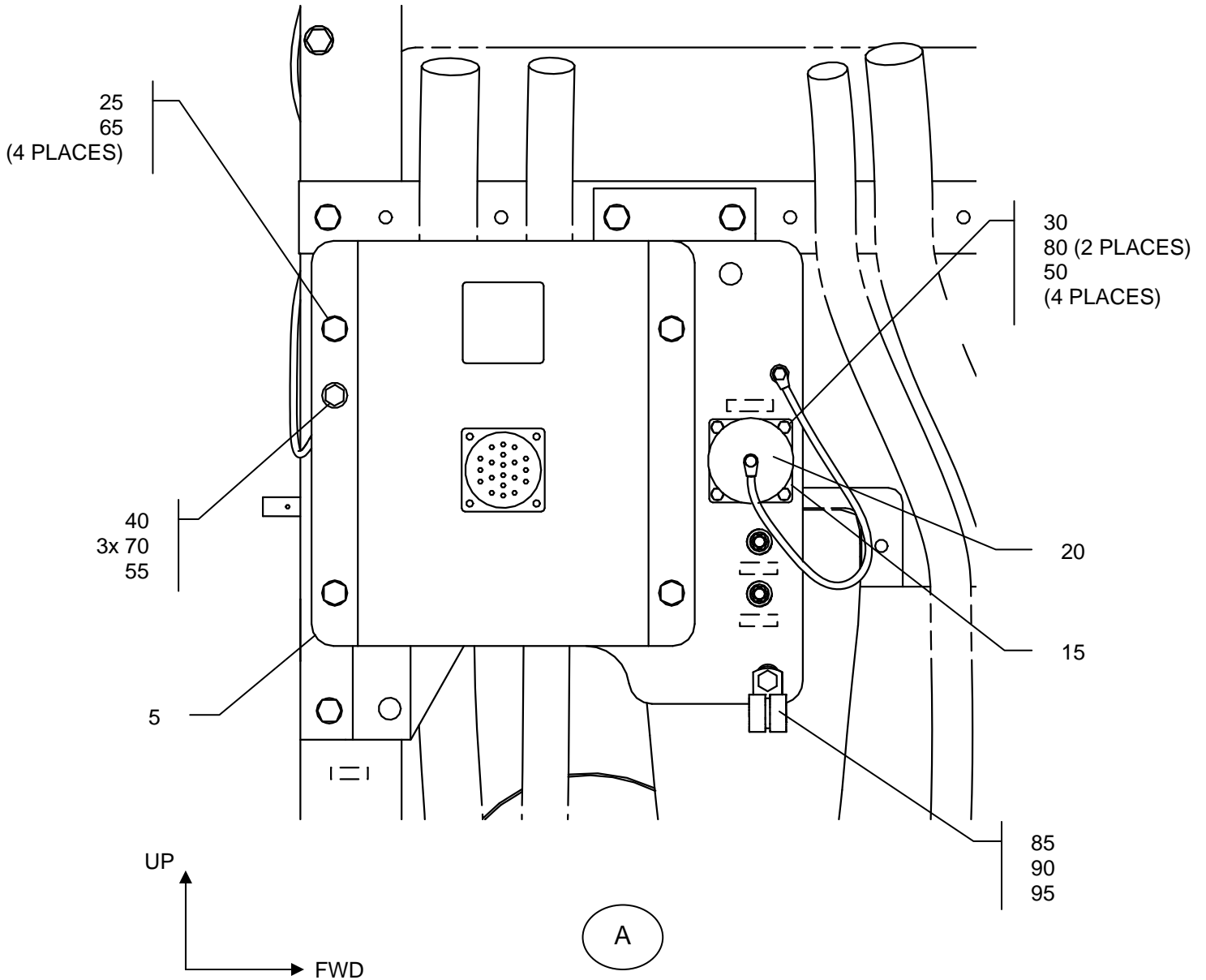


FIGURE 2 (SHEET 2)  
SPEEDBRAKE AUTOSTOW CONTROL MODULE

Aviation Partners Boeing  
757-200  
SUPPLEMENT – PARTS CATALOG (MAINTENANCE)

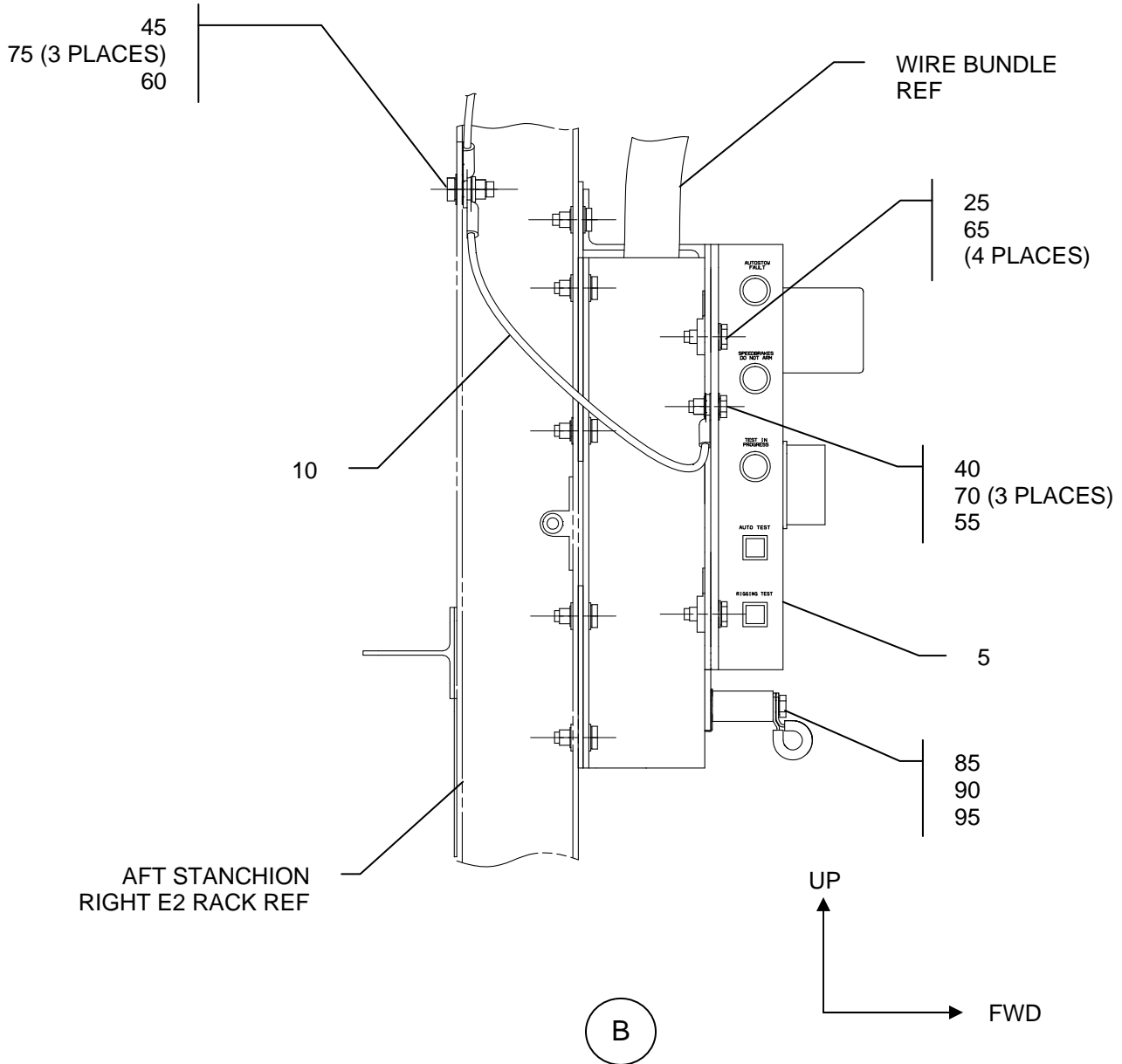
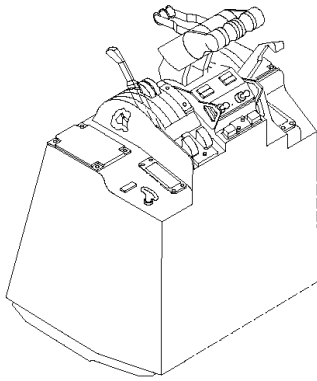


FIGURE 2 (SHEET 3)  
SPEEDBRAKE AUTOSTOW CONTROL MODULE

Aviation Partners Boeing  
757-200  
SUPPLEMENT – PARTS CATALOG (MAINTENANCE)

FIGURE ITEM	PART NUMBER	NOMENCLATURE							EFFECT FROM TO	UNITS PER ASSY
		1	2	3	4	5	6	7		
FIG. 2 1	757-3930-1	EQUIPMENT INSTL – AUTOSTOW CONTROLLER, E2 - RACK							ALL	RF
5	737S3900-2	. CONTROLLER SUPPLIER CODE: 3X2T2							ALL	1
10	BACJ40AB21-8	. JUMPER ASSY							ALL	1
15	BACC45FN20-41P	. CONNECTOR							ALL	1
20	M83723-60-220AT	. CAP							ALL	1
25	BACB30LM3-5	. BOLT							ALL	4
30	NAS1802-04-6P	. SCREW							ALL	4
40	NAS1802-3-8P	. SCREW							ALL	1
45	NAS1802-4-10P	. SCREW							ALL	1
50	BACN10YR04CD	. NUT							ALL	4
55	BACN10YR3CD	. NUT							ALL	1
60	BACN10YR4CD	. NUT							ALL	1
65	NAS1149D0332J	. WASHER							ALL	4
70	NAS1149D0316H	. WASHER							ALL	3
75	NAS1149D0416H	. WASHER							ALL	3
80	NAS620-4	. WASHER							ALL	8
85	BACC10GE5A	. CLAMP							ALL	1
90	NAS1802-3	. SCREW							ALL	1
95	BACS18K10-64W	. SPACER							ALL	1

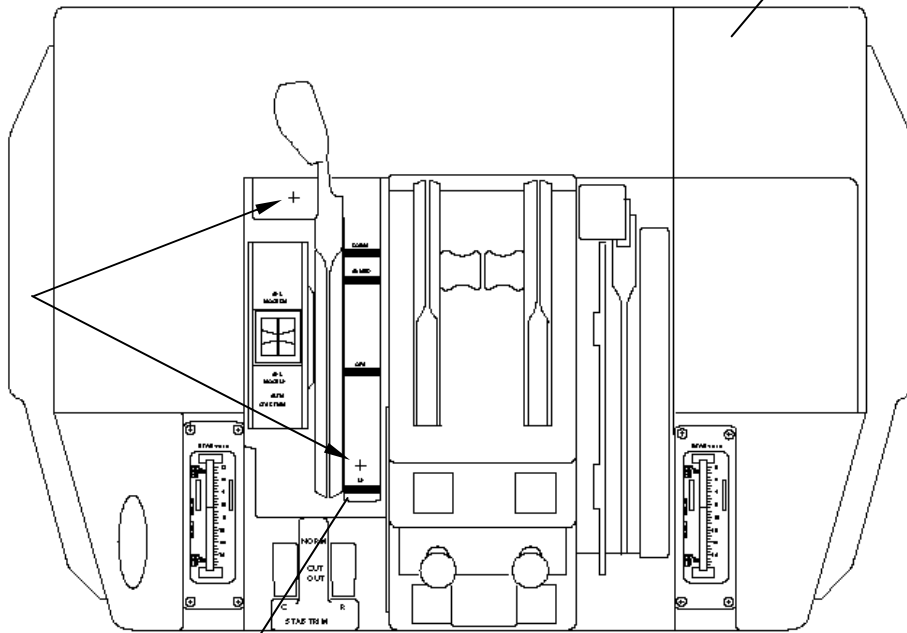
Aviation Partners Boeing  
757-200  
SUPPLEMENT – PARTS CATALOG (MAINTENANCE)



ZONE 211 / 212  
CONTROL CABIN

CONTROL STAND  
REF

SFSW6C5DL12BN REF  
LIGHTPLATE CAPTIVE  
FASTENER



5

FIGURE 3 (SHEET 1)  
SPEEDBRAKE LIGHTPLATE – CONTROL STAND  
CONTROL STANDS WITH MOLDED PLASTIC COVER ASSEMBLY

Aviation Partners Boeing  
757-200  
SUPPLEMENT – PARTS CATALOG (MAINTENANCE)

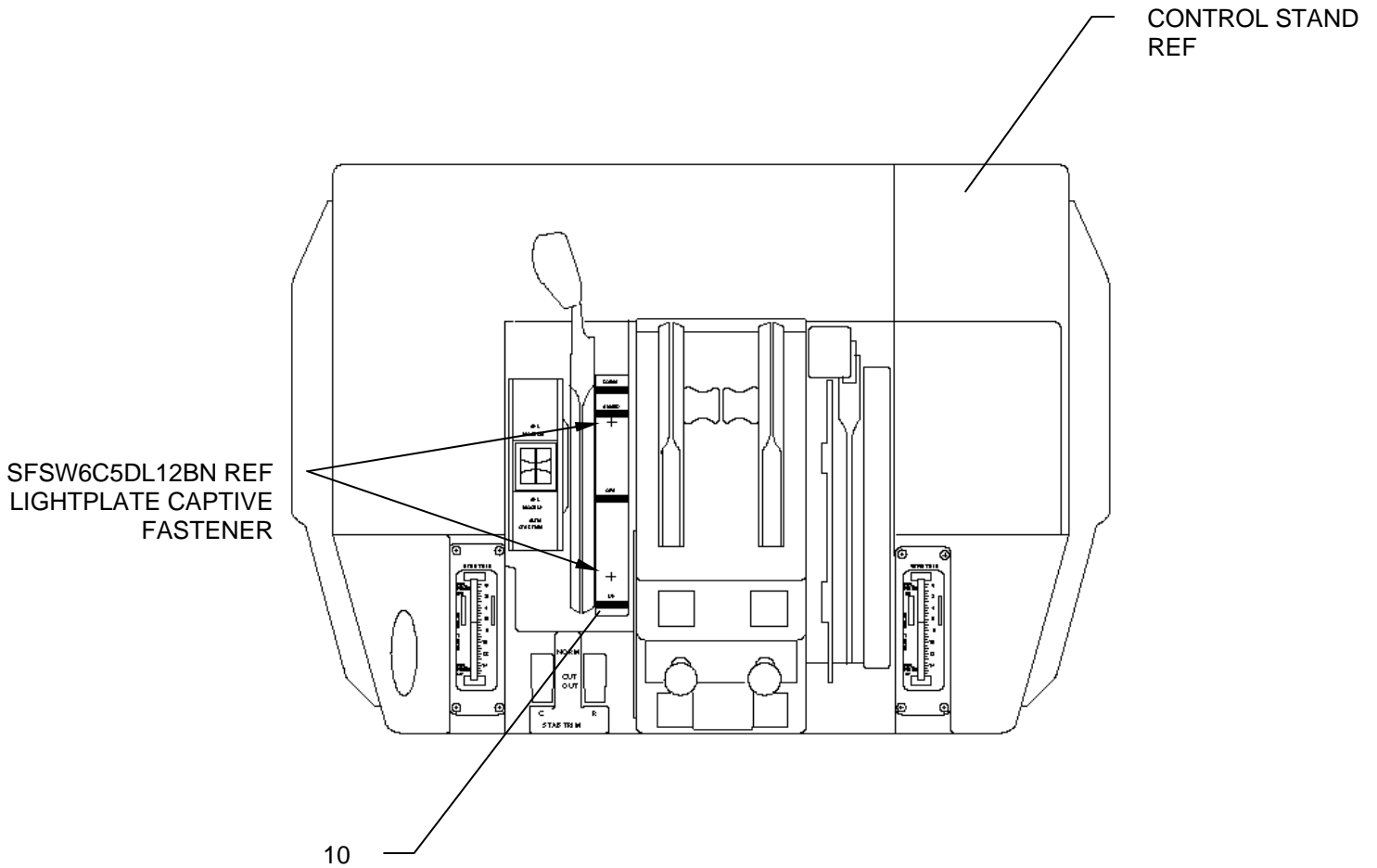


FIGURE 3 (SHEET 2)  
SPEEDBRAKE LIGHTPLATE – CONTROL STAND  
CONTROL STANDS WITH SHEET METAL COVER ASSEMBLY



# Aviation Partners Boeing

757-200

## SUPPLEMENT – PARTS CATALOG (MAINTENANCE)

FIGURE ITEM	PART NUMBER	NOMENCLATURE							EFFECT FROM TO	UNITS PER ASSY
		1	2	3	4	5	6	7		
FIG. 3 SHEET 1 -1	757-3965-2	LIGHTPLATE INSTL – SPEEDBRAKE AUTOSTOW NOTE: THIS INSTALLATION IS FOR CONTROL STANDS WITH MOLDED PLASTIC COVER ASSEMBLY.								RF
5	757-3966-1	. LIGHTPLATE – SPEEDBRAKE SUPPLIER CODE: 05617								1
FIG. 3 SHEET 2 -2	757-3965-4	LIGHTPLATE INSTL – SPEEDBRAKE AUTOSTOW NOTE: THIS INSTALLATION IS FOR CONTROL STANDS WITH SHEET METAL COVER ASSEMBLY.								RF
10	757-3966-2	. LIGHTPLATE – SPEEDBRAKE SUPPLIER CODE: 05617								1

Aviation Partners Boeing  
757-200  
SUPPLEMENT – PARTS CATALOG (MAINTENANCE)

CHAPTER 28 – FUEL

TABLE OF CONTENTS

SUBJECT	CHAPTER SECTION UNIT	FIGURE	WINGLET SERIAL NUMBER (EFFECT)
FUEL QUANTITY MEASURING STICKS	28-44-00		ALL
STICK INSTL FUEL QTY MEASURING	28-44-01	01	ALL
STICK ASSY FUEL QTY MEASURING	28-44-01	02	ALL

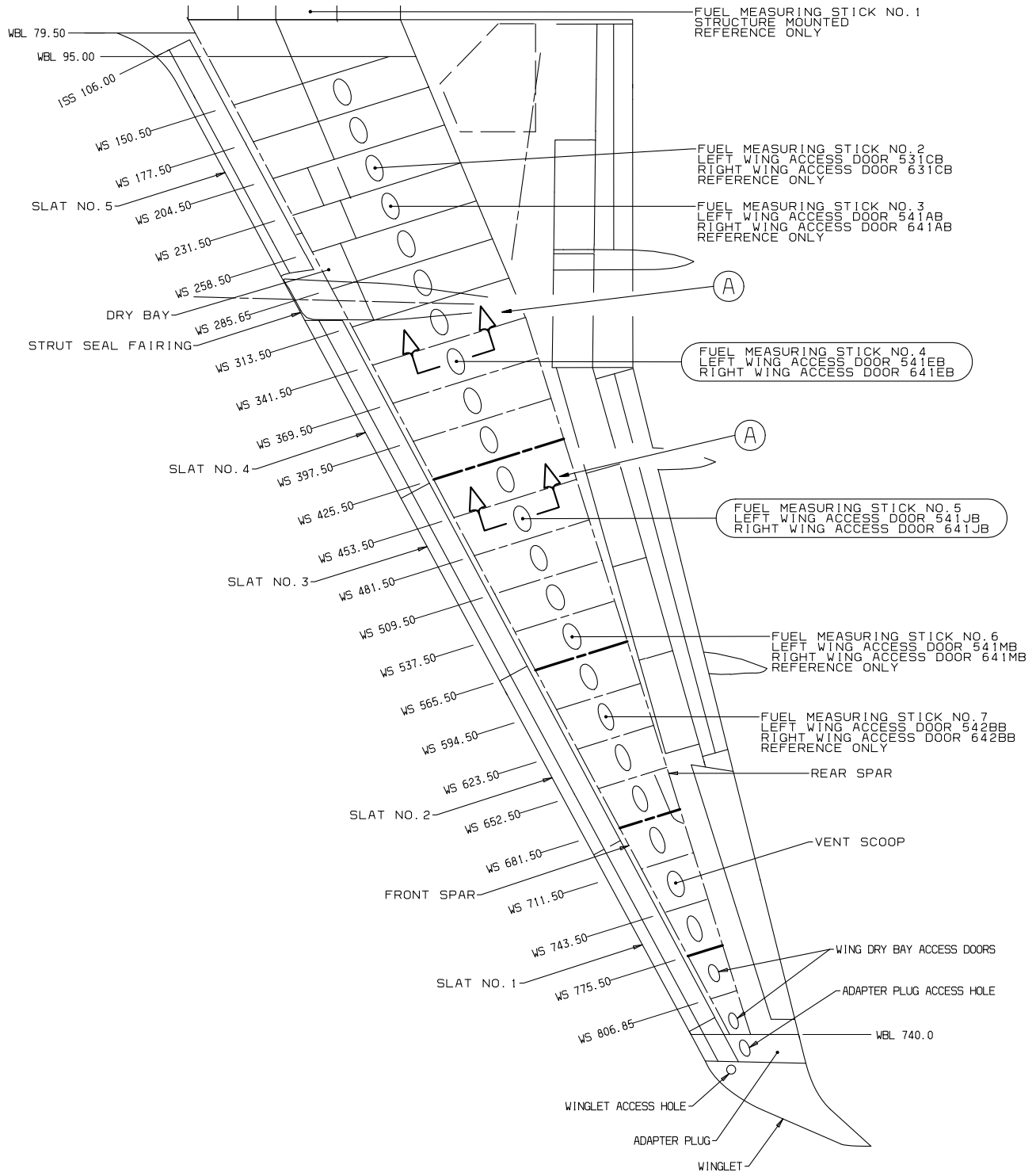
Aviation Partners Boeing  
757-200  
SUPPLEMENT – PARTS CATALOG (MAINTENANCE)

FUEL MEASURING STICKS

# Aviation Partners Boeing

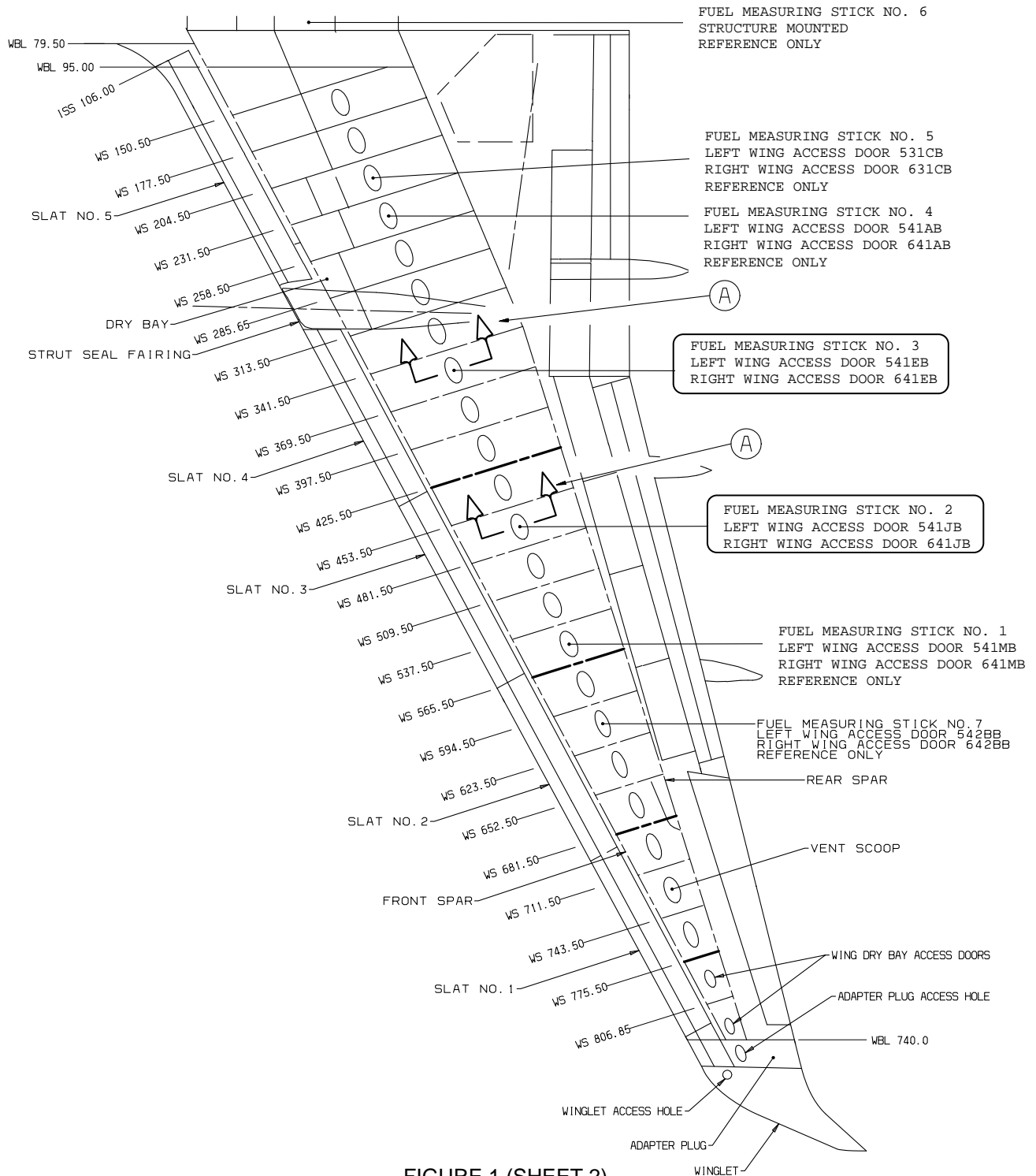
## 757-200

### SUPPLEMENT – PARTS CATALOG (MAINTENANCE)



**FIGURE 1 (SHEET 1)**  
**LEFT WING SHOWN**  
**RIGHT WING OPPOSITE**  
 Stick installation for airplane with sticks numbered INBD to OTBD 1, 2, 3, 4, 5, 6, 7

# Aviation Partners Boeing 757-200 SUPPLEMENT – PARTS CATALOG (MAINTENANCE)



**FIGURE 1 (SHEET 2)  
LEFT WING SHOWN  
RIGHT WING OPPOSITE**  
Stick installation for airplane with sticks numbered INBD to OTBD 6, 5, 4, 3, 2, 1, 7

Aviation Partners Boeing  
757-200  
SUPPLEMENT – PARTS CATALOG (MAINTENANCE)

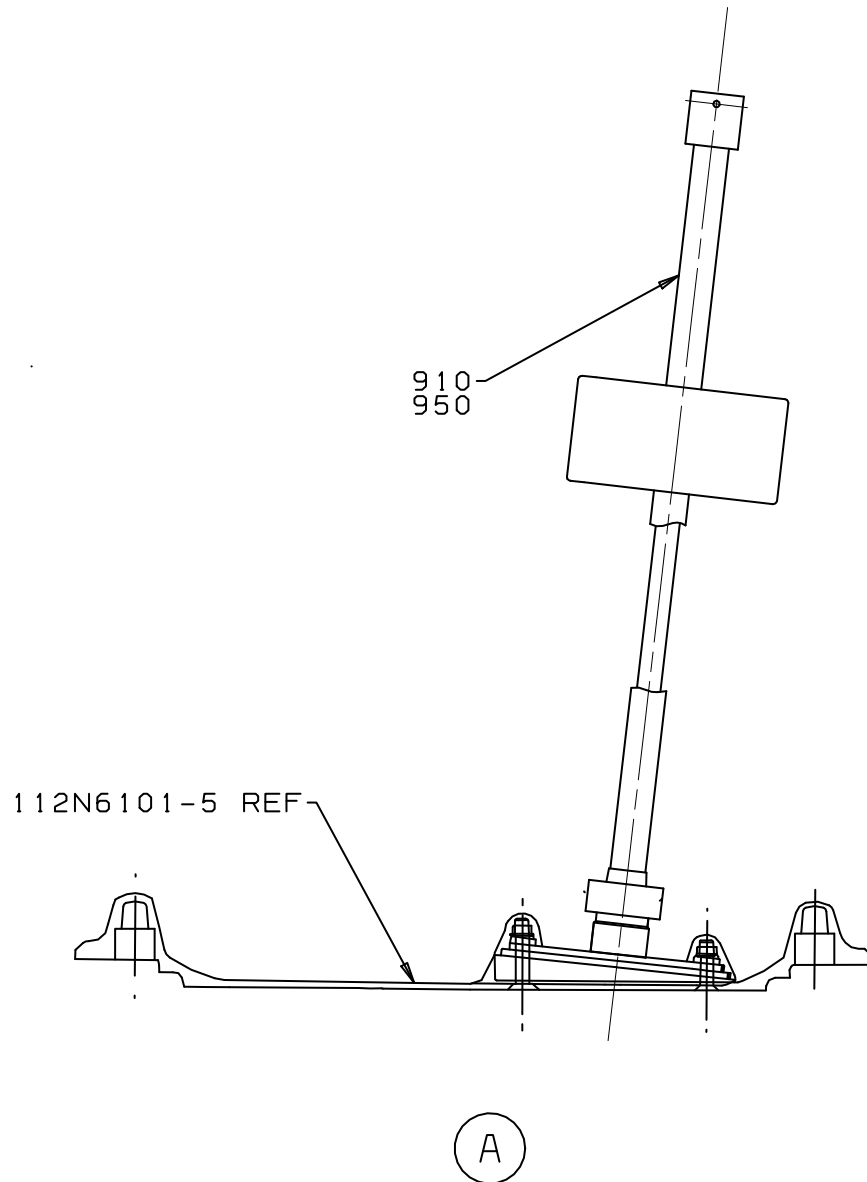


FIGURE 1 (SHEET 3)  
DOOR ASSY – FUEL QUANTITY MEASURING

- 900 - Fuel measuring stick no. 5 for airplane with sticks numbered INBD to OTBD 1, 2, 3, 4, 5, 6, 7 or stick no. 2 for airplane with sticks numbered INBD to OTBD 6, 5, 4, 3, 2, 1, 7.
- 905 - Fuel measuring stick no. 4 for airplane with sticks numbered INBD to OTBD 1, 2, 3, 4, 5, 6, 7 or stick no. 3 for airplane with sticks numbered INBD to OTBD 6, 5, 4, 3, 2, 1, 7.

Aviation Partners Boeing  
757-200  
SUPPLEMENT – PARTS CATALOG (MAINTENANCE)

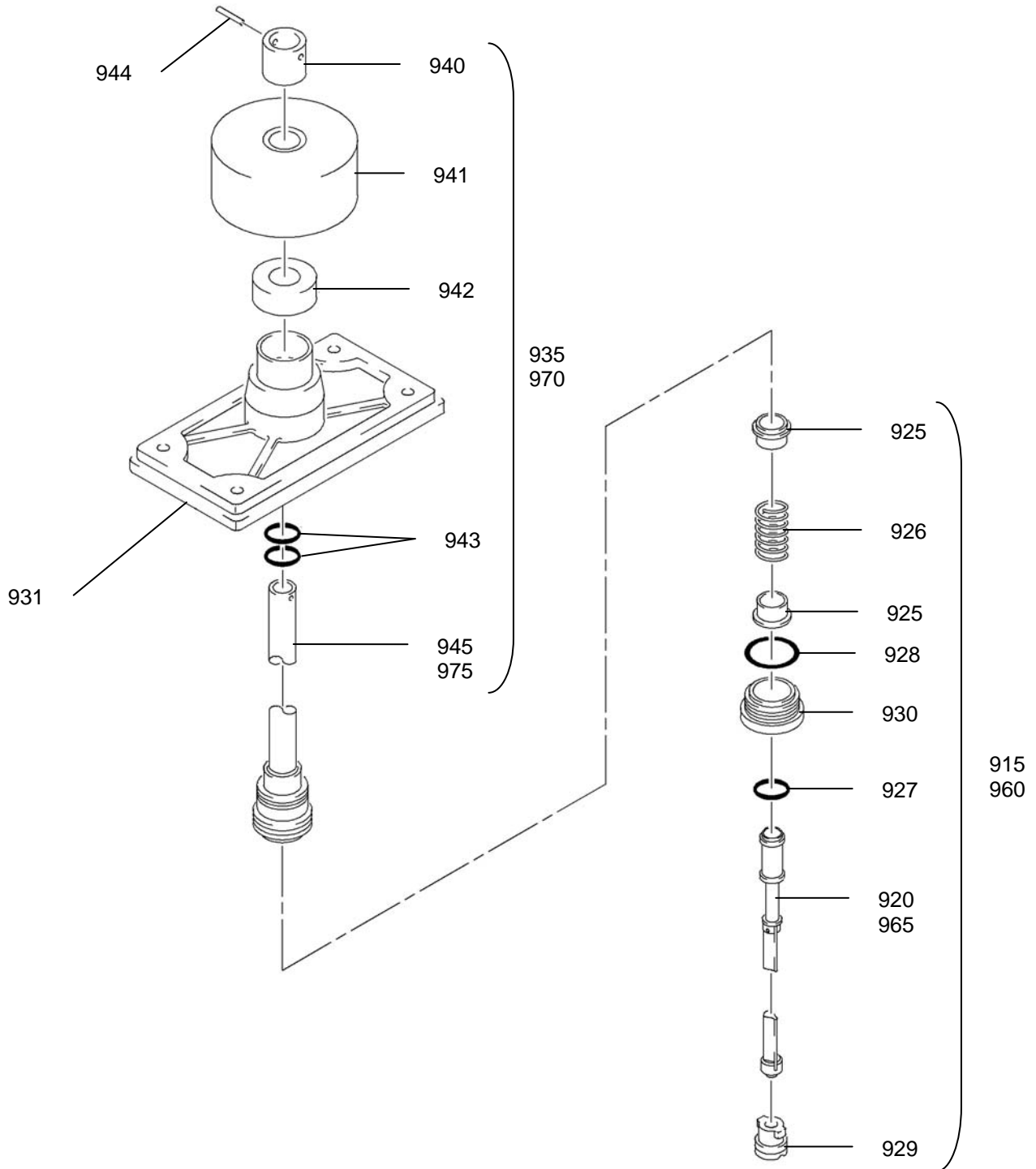


FIGURE 1 (SHEET 4)  
STICK ASSY – FUEL QUANTITY MEASURING

- 910 - Fuel measuring stick no. 5 for airplane with sticks numbered INBD to OTBD 1, 2, 3, 4, 5, 6, 7 or stick no. 2 for airplane with sticks numbered INBD to OTBD 6, 5, 4, 3, 2, 1, 7.
- 950 - Fuel measuring stick no. 4 for airplane with sticks numbered INBD to OTBD 1, 2, 3, 4, 5, 6, 7 or stick no. 3 for airplane with sticks numbered INBD to OTBD 6, 5, 4, 3, 2, 1, 7.

# Aviation Partners Boeing

757-200

## SUPPLEMENT – PARTS CATALOG (MAINTENANCE)

FIGURE ITEM	PART NUMBER	NOMENCLATURE 1 2 3 4 5 6 7	EFFECT FROM TO	UNITS PER ASSY
FIG. 1 900	757-3700-1	DOOR ASSEMBLY – STICK NO. 5 FOR AIRPLANE WITH STICKS NUMBERED INBD TO OTBD 1, 2, 3, 4, 5, 6, 7. OR DOOR ASSEMBLY - STICK NO. 2 FOR AIRPLANE WITH STICKS NUMBERED INBD TO OTBD 6, 5, 4, 3, 2, 1, 7. REWORKED DOOR ASSY 65-50748-26 FOR NHA SEE: 757-3010	ALL	RF
910	1140-0110-( )  -219 (INCHES) -229 (LBS) -239 (LITERS) -249 (KGS)	FLEXI-STICK ASSEMBLY - STICK NO. 5 FOR AIRPLANE WITH STICKS NUMBERED INBD TO OTBD 1, 2, 3, 4, 5, 6, 7. OR FLEXI-STICK ASSEMBLY - STICK NO. 2 FOR AIRPLANE WITH STICKS NUMBERED INBD TO OTBD 6, 5, 4, 3, 2, 1, 7. SUPPLIER CODE: 86831 BOEING SCD: S345T001-219 S345T001-229 S345T001-239 S345T001-249 COMPONENT MAINT MANUAL REF: 28-40-06	ALL	1
935	757-3701-1	REWORKED HOUSING ASSEMBLY – STICK NO. 5 FOR AIRPLANE WITH STICKS NUMBERED INBD TO OTBD 1, 2, 3, 4, 5, 6, 7. OR REWORKED HOUSING ASSEMBLY – STICK NO. 2 FOR AIRPLANE WITH STICKS NUMBERED INBD TO OTBD 6, 5, 4, 3, 2, 1, 7. OPTIONAL PART: 4090-0033-209	ALL	1
915	757-3701-3	REWORKED STICK ASSEMBLY – STICK NO. 5 FOR AIRPLANE WITH STICKS NUMBERED INBD TO OTBD 1, 2, 3, 4, 5, 6, 7. OR REWORKED STICK ASSEMBLY – STICK NO. 2 FOR AIRPLANE WITH STICKS NUMBERED INBD TO OTBD 6, 5, 4, 3, 2, 1, 7. OPTIONAL PART: 4177-0146-219 (INCHES) 4177-0146-229 (LBS) 4177-0146-239 (LITERS) 4177-0146-249 (KGS)	ALL	1



# Aviation Partners Boeing

757-200

## SUPPLEMENT – PARTS CATALOG (MAINTENANCE)

FIGURE ITEM	PART NUMBER	NOMENCLATURE 1 2 3 4 5 6 7	EFFECT FROM TO	UNITS PER ASSY
915	4177-0146-( )  -219 (INCHES) -229 (LBS) -239 (LITERS) -249 (KGS)	. . STICK ASSEMBLY – STICK NO. 5 FOR AIRPLANE WITH STICKS NUMBERED INBD TO OTBD 1, 2, 3, 4, 5, 6, 7. OR STICK ASSEMBLY - STICK NO. 2 FOR AIRPLANE WITH STICKS NUMBERED INBD TO OTBD 6, 5, 4, 3, 2, 1, 7. SUPPLIER CODE: 86831 USED ON: 1140-0110-219 1140-0110-229 1140-0110-239 1140-0110-249 OPTIONAL PART: 757-3701-3	ALL	1
920	4177-0169-( )  -219 (INCHES) -229 (LBS) -239 (LITERS) -249 (KGS)	. . . STICK SUB ASSEMBLY – STICK NO. 5 FOR AIRPLANE WITH STICKS NUMBERED INBD TO OTBD 1, 2, 3, 4, 5, 6, 7. OR STICK SUB ASSEMBLY - STICK NO. 2 FOR AIRPLANE WITH STICKS NUMBERED INBD TO OTBD 6, 5, 4, 3, 2, 1, 7. SUPPLIER CODE: 86831 USED ON: 4177-0146-219 4177-0146-229 4177-0146-239 4177-0146-249	ALL	1
925	2078-0058	. . . GUIDE - SUPPLIER CODE: 86831 OPTIONAL PART: 2078-0058-1	ALL	2
925	2078-0058-1	. . . GUIDE - SUPPLIER CODE: 86831 OPTIONAL PART: 2078-0058	ALL	2
926	2161-0210	. . . SPRING - SUPPLIER CODE: 86831	ALL	1
927	RS900BS015	. . . O-RING - SUPPLIER CODE: 86831 OPTIONAL PART: MS29513-015	ALL	1
927	MS29513-015	. . . O-RING - SUPPLIER CODE: 86831 OPTIONAL PART: RS900BS015	ALL	1
928	RS900BS022	. . . O-RING - SUPPLIER CODE: 86831 OPTIONAL PART: MS29513-022	ALL	1
928	MS29513-022	. . . O-RING - SUPPLIER CODE: 86831 OPTIONAL PART: RS900BS022	ALL	1
929	4115-0001	. . . LATCH ASSY - SUPPLIER CODE: 86831	ALL	1

# Aviation Partners Boeing

757-200

## SUPPLEMENT – PARTS CATALOG (MAINTENANCE)

FIGURE ITEM	PART NUMBER	NOMENCLATURE 1 2 3 4 5 6 7	EFFECT FROM TO	UNITS PER ASSY
930	2144-0074	. . . RETAINER - SUPPLIER CODE: 86831	ALL	1
931	2011-0012	. . BASE - SUPPLIER CODE: 86831	ALL	1
935	4090-0033-209	. . HOUSING ASSEMBLY – STICK NO. 5 FOR AIRPLANE WITH STICKS NUMBERED INBD TO OTBD 1, 2, 3, 4, 5, 6, 7. OR HOUSING ASSEMBLY - STICK NO. 2 FOR AIRPLANE WITH STICKS NUMBERED INBD TO OTBD 6, 5, 4, 3, 2, 1, 7. SUPPLIER CODE: 86831 USED ON: 1140-0110-219 1140-0110-229 1140-0110-239 1140-0110-249 OPTIONAL PART: 757-3701-1	ALL	1
940	2222-0018	. . . STOP - SUPPLIER CODE: 86831	ALL	1
941	4066-0053-1	. . . FLOAT ASSY - SUPPLIER CODE: 86831	ALL	1
942	2020-0011	. . . BUMPER - SUPPLIER CODE: 86831	ALL	1
943	RS900J016	. . . O-RING - SUPPLIER CODE: 86831	ALL	2
944	RS299-1	. . . PIN - SUPPLIER CODE: 86831	ALL	1
945	4177-0160-209	. . . TUBE ASSY - SUPPLIER CODE: 86831	ALL	1

# Aviation Partners Boeing

757-200

## SUPPLEMENT – PARTS CATALOG (MAINTENANCE)

FIGURE ITEM	PART NUMBER	NOMENCLATURE 1 2 3 4 5 6 7	EFFECT FROM TO	UNITS PER ASSY
FIG. 1 905	757-3700-3	DOOR ASSEMBLY – STICK NO. 4 FOR AIRPLANE WITH STICKS NUMBERED INBD TO OTBD 1, 2, 3, 4, 5, 6, 7. OR DOOR ASSEMBLY - STICK NO. 3 FOR AIRPLANE WITH STICKS NUMBERED INBD TO OTBD 6, 5, 4, 3, 2, 1, 7. REWORKED DOOR ASSY 65-50748-27 FOR NHA SEE: 757-3010	ALL	RF
950	1140-0110-( )  -220 (INCHES) -230 (LBS) -240 (LITERS) -250 (KGS)	FLEXI-STICK ASSEMBLY - STICK NO. 4 FOR AIRPLANE WITH STICKS NUMBERED INBD TO OTBD 1, 2, 3, 4, 5, 6, 7. OR FLEXI-STICK ASSEMBLY - STICK NO. 3 FOR AIRPLANE WITH STICKS NUMBERED INBD TO OTBD 6, 5, 4, 3, 2, 1, 7. SUPPLIER CODE: 86831 BOEING SCD: S345T001-220 S345T001-230 S345T001-240 S345T001-250 COMPONENT MAINT MANUAL REF: 28-40-06	ALL	1
970	757-3701-2	REWORKED HOUSING ASSEMBLY – STICK NO. 4 FOR AIRPLANE WITH STICKS NUMBERED INBD TO OTBD 1, 2, 3, 4, 5, 6, 7. OR REWORKED HOUSING ASSEMBLY – STICK NO. 3 FOR AIRPLANE WITH STICKS NUMBERED INBD TO OTBD 6, 5, 4, 3, 2, 1, 7. OPTIONAL PART: 4090-0033-210	ALL	1
960	757-3701-4	REWORKED STICK ASSEMBLY – STICK NO. 4 FOR AIRPLANE WITH STICKS NUMBERED INBD TO OTBD 1, 2, 3, 4, 5, 6, 7. OR REWORKED STICK ASSEMBLY – STICK NO. 3 FOR AIRPLANE WITH STICKS NUMBERED INBD TO OTBD 6, 5, 4, 3, 2, 1, 7. OPTIONAL PART: 4177-0146-220 (INCHES) 4177-0146-230 (LBS) 4177-0146-240 (LITERS) 4177-0146-250 (KGS)	ALL	1

# Aviation Partners Boeing

757-200

## SUPPLEMENT – PARTS CATALOG (MAINTENANCE)

FIGURE ITEM	PART NUMBER	NOMENCLATURE							EFFECT FROM TO	UNITS PER ASSY
		1	2	3	4	5	6	7		
960	4177-0146-( )  -220 (INCHES) -230 (LBS) -240 (LITERS) -250 (KGS)	.	.						ALL	1
		STICK ASSEMBLY – STICK NO. 4 FOR AIRPLANE WITH STICKS NUMBERED INBD TO OTBD 1, 2, 3, 4, 5, 6, 7. OR STICK ASSEMBLY - STICK NO. 3 FOR AIRPLANE WITH STICKS NUMBERED INBD TO OTBD 6, 5, 4, 3, 2, 1, 7. SUPPLIER CODE: 86831 USED ON: 1140-0110-220 1140-0110-230 1140-0110-240 1140-0110-250 OPTIONAL PART: 757-3701-4								
965	4177-0169-( )  -220 (INCHES) -230 (LBS) -240 (LITERS) -250 (KGS)	.	.	.					ALL	1
		STICK SUB ASSEMBLY – STICK NO. 4 FOR AIRPLANE WITH STICKS NUMBERED INBD TO OTBD 1, 2, 3, 4, 5, 6, 7. OR STICK SUB ASSEMBLY - STICK NO. 3 FOR AIRPLANE WITH STICKS NUMBERED INBD TO OTBD 6, 5, 4, 3, 2, 1, 7. SUPPLIER CODE: 86831 USED ON: 4177-0146-220 4177-0146-230 4177-0146-240 4177-0146-250								
925	2078-0058	.	.	.					ALL	2
		GUIDE - SUPPLIER CODE: 86831 OPTIONAL PART: 2078-0058-1								
925	2078-0058-1	.	.	.					ALL	2
		GUIDE - SUPPLIER CODE: 86831 OPTIONAL PART: 2078-0058								
926	2161-0210	.	.	.					ALL	1
		SPRING - SUPPLIER CODE: 86831								
927	RS900BS015	.	.	.					ALL	1
		O-RING - SUPPLIER CODE: 86831 OPTIONAL PART: MS29513-015								
927	MS29513-015	.	.	.					ALL	1
		O-RING - SUPPLIER CODE: 86831 OPTIONAL PART: RS900BS015								
928	RS900BS022	.	.	.					ALL	1
		O-RING - SUPPLIER CODE: 86831 OPTIONAL PART: MS29513-022								
928	MS29513-022	.	.	.					ALL	1
		O-RING - SUPPLIER CODE: 86831 OPTIONAL PART: RS900BS022								
929	4115-0001	.	.	.					ALL	1
		LATCH ASSY - SUPPLIER CODE: 86831								

# Aviation Partners Boeing

757-200

## SUPPLEMENT – PARTS CATALOG (MAINTENANCE)

FIGURE ITEM	PART NUMBER	NOMENCLATURE						EFFECT FROM TO	UNITS PER ASSY		
		1	2	3	4	5	6			7	
930	2144-0074	.	.	.	RETAINER - SUPPLIER CODE: 86831			ALL	1		
931	2011-0012	.	.	BASE - SUPPLIER CODE: 86831					ALL	1	
970	4090-0033-210	.	.	HOUSING ASSEMBLY – STICK NO. 4 FOR AIRPLANE WITH STICKS NUMBERED INBD TO OTBD 1, 2, 3, 4, 5, 6, 7. OR HOUSING ASSEMBLY - STICK NO. 3 FOR AIRPLANE WITH STICKS NUMBERED INBD TO OTBD 6, 5, 4, 3, 2, 1, 7. SUPPLIER CODE: 86831 USED ON: 1140-0110-220 1140-0110-230 1140-0110-240 1140-0110-250 OPTIONAL PART: 757-3701-2						ALL	1
940	2222-0018	.	.	.	STOP - SUPPLIER CODE: 86831			ALL	1		
941	4066-0053-1	.	.	.	FLOAT ASSY - SUPPLIER CODE: 86831			ALL	1		
942	2020-0011	.	.	.	BUMPER - SUPPLIER CODE: 86831			ALL	1		
943	RS900J016	.	.	.	O-RING - SUPPLIER CODE: 86831			ALL	2		
944	RS299-1	.	.	.	PIN - SUPPLIER CODE: 86831			ALL	1		
975	4177-0160-210	.	.	.	TUBE ASSY - SUPPLIER CODE: 86831			ALL	1		

Aviation Partners Boeing  
757-200  
SUPPLEMENT – PARTS CATALOG (MAINTENANCE)

CHAPTER 33 – LIGHTS

TABLE OF CONTENTS

SUBJECT	CHAPTER SECTION UNIT	FIGURE	PAGE
POSITION LIGHTS	33-43-00		1
FWD POSITION LIGHT	33-43-01	01	1
AFT POSITION LIGHT	33-43-01	02	1
TRANSFORMER INSTL	33-43-01	03	1
ANTI-COLLISION LIGHTS	33-44-00		1
LIGHT INSTALLATION	33-44-01	01	1
POWER SUPPLY INSTALLATION	33-44-01	02	1

Aviation Partners Boeing  
757-200  
SUPPLEMENT – PARTS CATALOG (MAINTENANCE)

POSITION (NAVIGATION) LIGHTS

Aviation Partners Boeing  
757-200  
SUPPLEMENT – PARTS CATALOG (MAINTENANCE)

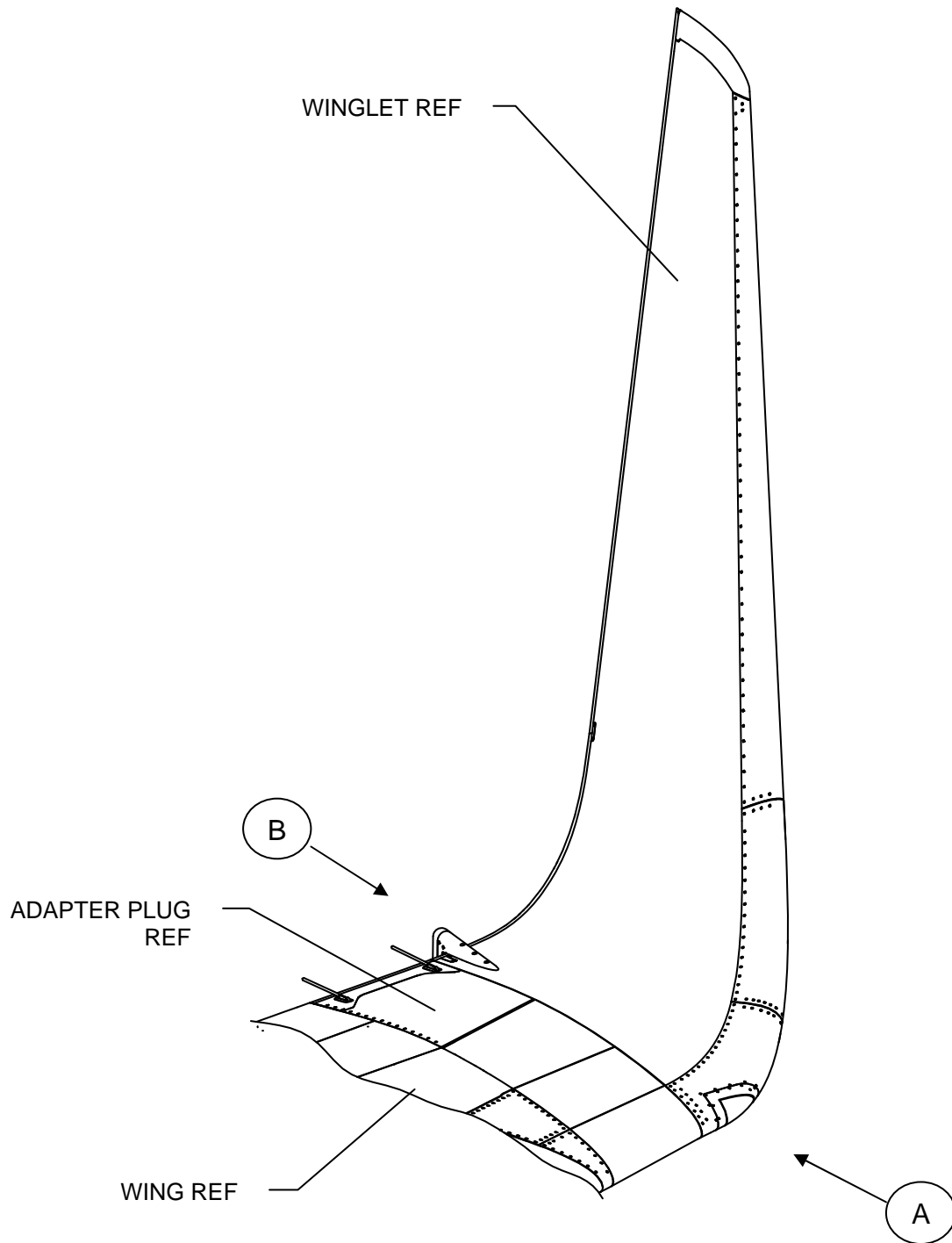


FIGURE 1 (SHEET 1)  
WINGLET POSITION (NAVIGATION) LIGHTS



Aviation Partners Boeing  
757-200  
SUPPLEMENT – PARTS CATALOG (MAINTENANCE)

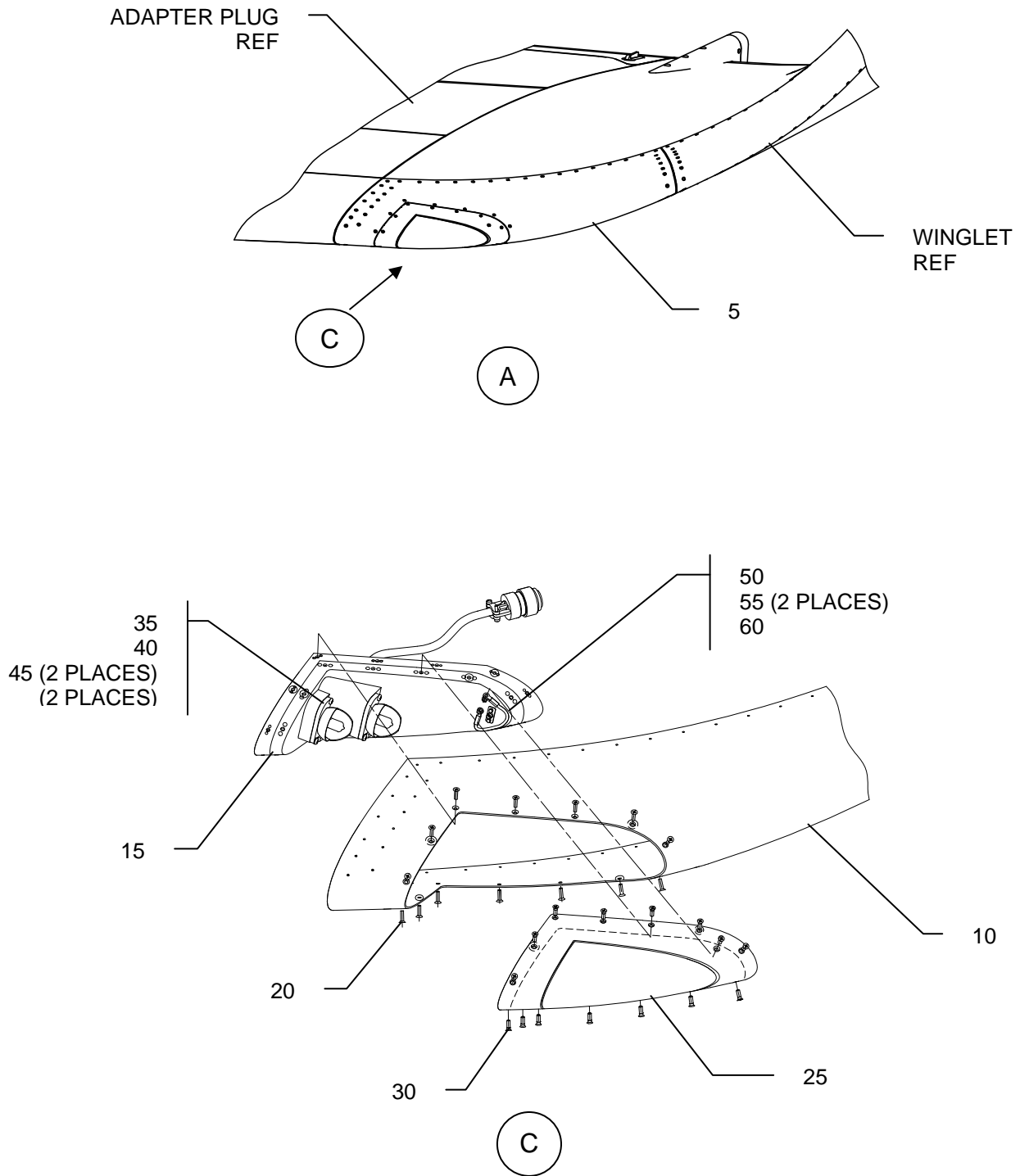


FIGURE 1 (SHEET 2)  
WINGLET FORWARD POSITION LIGHT

**Aviation Partners Boeing**  
**757-200**  
**SUPPLEMENT – PARTS CATALOG (MAINTENANCE)**

FIGURE ITEM	PART NUMBER	NOMENCLATURE 1 2 3 4 5 6 7	EFFECT FROM TO	UNITS PER ASSY
	757-0010-3	. WINGLET ASSY, LH SIDE USED ON: 757-0002-3		RF
--	757-0010-4	. WINGLET ASSY, RH SIDE USED ON: 757-0002-4		RF
	757-0010-5	. WINGLET ASSY, LH SIDE USED ON: 757-0002-5		RF
--	757-0010-6	. WINGLET ASSY, RH SIDE USED ON: 757-0002-6		RF
5	757-0353-1	. . LIGHT ASSY – INBD LEADING EDGE SKIN, L/H USED ON: 757-0350-1		1
-- 6	757-0353-2	. . LIGHT ASSY – INBD LEADING EDGE SKIN, RH USED ON: 757-0350-2		1
10	757-0351-1	. . . LEADING EDGE SKIN – INBD, LH		1
-- 11	757-0351-2	. . . LEADING EDGE SKIN – INBD, RH		1
15	31-9289-1	. . . POSITION LIGHT ASSY – LH SUPPLIER CODE: 72914		1
-- 16	31-9289-4	. . . POSITION LIGHT ASSY – RH SUPPLIER CODE: 72914		1
20	MS24693C28	. . . SCREW USED ON: 757-0350-1/-2		14
25	31-9292-1	. . . . LENS ASSY USED ON: 31-9289-1 SUPPLIER CODE: 72914		1
-- 26	31-9292-2	. . . . LENS ASSY USED ON: 31-9289-2 SUPPLIER CODE: 72914		1
30	NAS8702-2	. . . . BOLT USED ON: 31-9289-1/-2		14
35	31-9379-1	. . . . REFLECTOR ASSY, LH USED ON: 31-9290-1 SUPPLIER CODE: 72914		2
-- 36	31-9379-2	. . . . REFLECTOR ASSY, RH USED ON: 31-9290-2 SUPPLIER CODE: 72914		2
40	LP-64621	. . . . LAMP USED ON: 31-9290-1/-2		2
45	MS51957-12	. . . . SCREW USED ON: 31-9290-1/-2		4

# Aviation Partners Boeing

## 757-200

### SUPPLEMENT – PARTS CATALOG (MAINTENANCE)

FIGURE ITEM	PART NUMBER	NOMENCLATURE					EFFECT FROM TO	UNITS PER ASSY
		1	2	3	4	5 6 7		
50	BACJ40AB10-4	.	.	.	.	JUMPER ASSY USED ON: 31-9289-1/-2		1
55	MS21043-06	.	.	.	.	STOP NUT USED ON: 31-9289-1/-2		2
60	MS51957-27	.	.	.	.	SCREW USED ON: 31-9289-1/-2		1

Aviation Partners Boeing  
757-200  
SUPPLEMENT – PARTS CATALOG (MAINTENANCE)

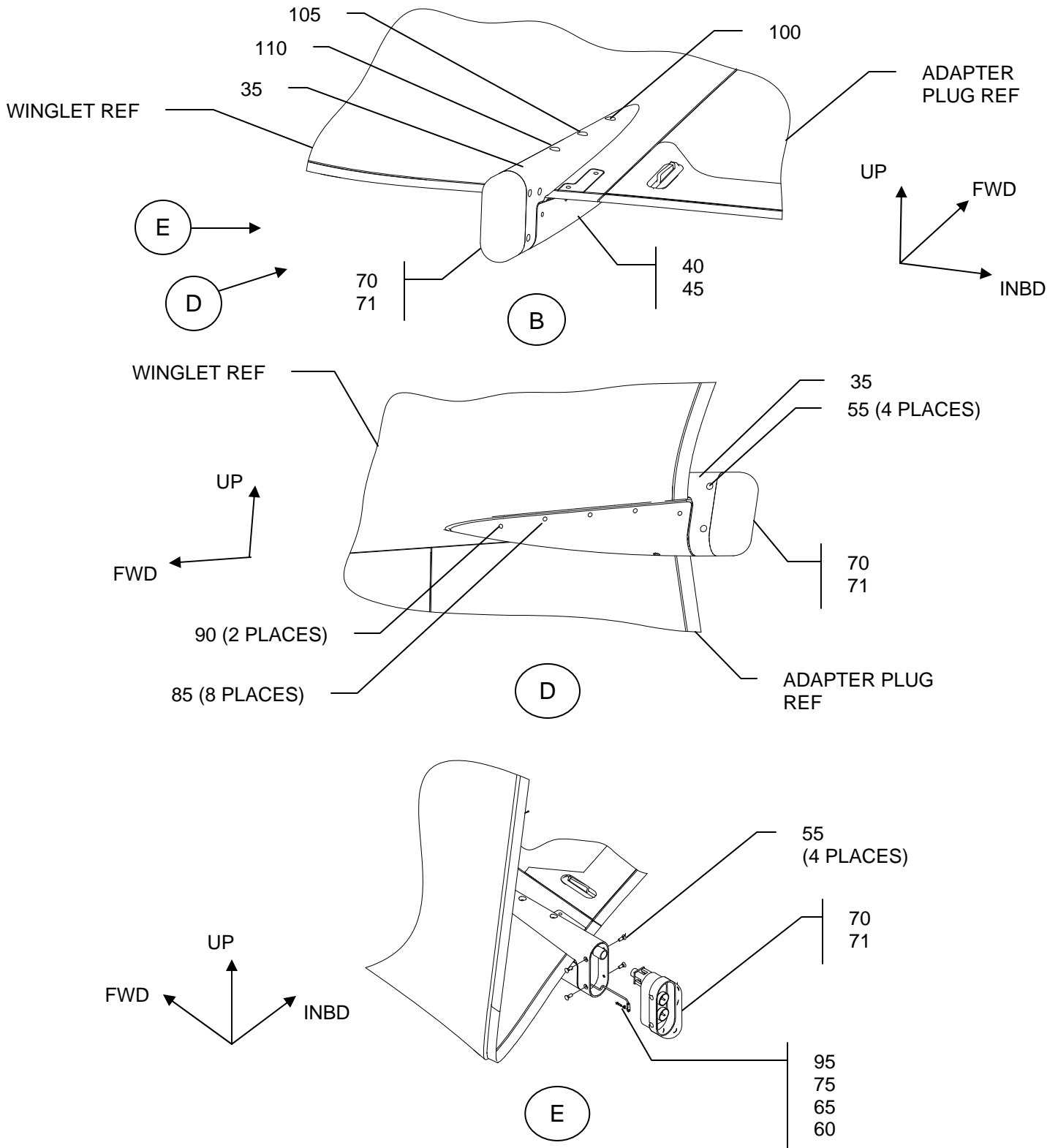


FIGURE 2 (SHEET 1)  
WINGLET AFT POSITION LIGHT

**Aviation Partners Boeing**  
**757-200**  
**SUPPLEMENT – PARTS CATALOG (MAINTENANCE)**

FIGURE ITEM	PART NUMBER	NOMENCLATURE							EFFECT FROM TO	UNITS PER ASSY
		1	2	3	4	5	6	7		
	757-0010-3	.								RF
--	757-0010-4	.								RF
	757-0010-5	.								RF
--	757-0010-6	.								RF
	737-8800-1	.	.							RF
--	737-8800-2	.	.							RF
35	737-8871-1	.	.							1
-- 36	737-8871-2	.	.							1
40	737-8872-1	.	.							1
-- 41	737-8872-2	.	.							1
45	737-8873-1	.	.							1
55	BACB30NN3K3	.	.	.						4
60	BACN10YR3CD	.	.	.						1
65	NAS1149D0316H	.	.	.						3
70	30-2481-5 NOTE: This is the preferred Spare.	.	.	.						1
71	30-2481-3	.	.	.						1
75	NAS514P1032-10P	.	.	.						1

Aviation Partners Boeing  
757-200  
SUPPLEMENT – PARTS CATALOG (MAINTENANCE)

FIGURE ITEM	PART NUMBER	NOMENCLATURE							EFFECT FROM TO	UNITS PER ASSY
		1	2	3	4	5	6	7		
85	NAS8702-2	.	.	.	SCREW					8
					USED ON: 737-8800-1/-2					
90	NAS8702-4	.	.	.	SCREW					2
					USED ON: 737-8800-1/-2					
95	BACJ40A20-7	.	.	.	JUMPER					1
					USED ON: 737-8800-1/-2					
100	BACB30NT3K6	.	.	.	BOLT					1
					USED ON: 737-8800-1/-2					
105	BACB30NT3K13	.	.	.	BOLT					1
					USED ON: 737-8800-1/-2					
110	BACB30NT3K21	.	.	.	BOLT					1
					USED ON: 737-8800-1/-2					

Aviation Partners Boeing  
757-200  
SUPPLEMENT – PARTS CATALOG (MAINTENANCE)

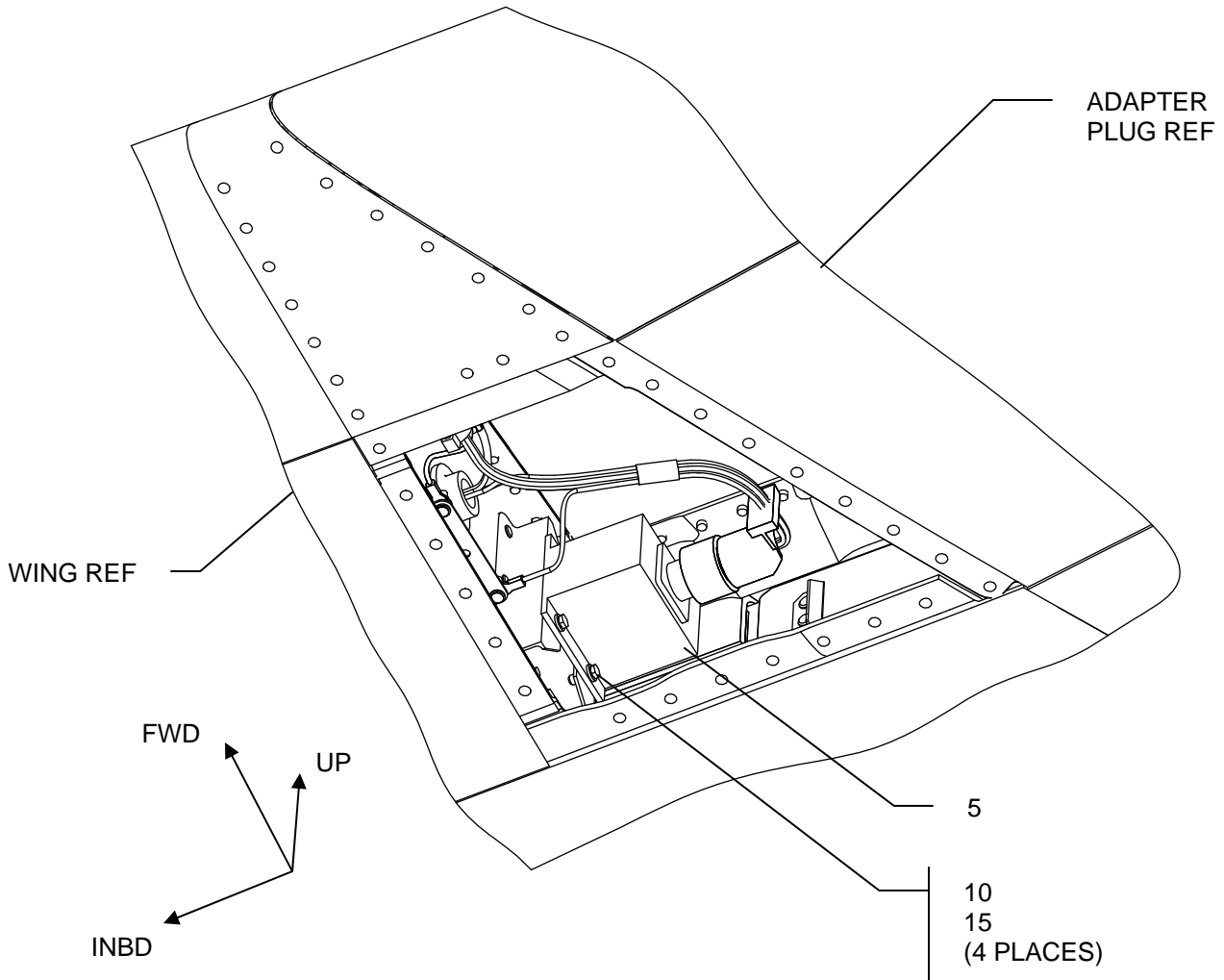


FIGURE 3 (SHEET 1)  
TRANSFORMER INSTALLATION - POSITION LIGHTS

Aviation Partners Boeing  
757-200  
SUPPLEMENT – PARTS CATALOG (MAINTENANCE)

FIGURE ITEM	PART NUMBER	NOMENCLATURE							EFFECT FROM TO	UNITS PER ASSY
		1	2	3	4	5	6	7		
FIG. 3	757-3810-1	EQUIPMENT INSTALLATION – LEFT WING -2 KIT, WINGLET FOR NHA SEE: 757-2000-2							ALL	RF
--	757-3810-2	EQUIPMENT INSTALLATION – RIGHT WING -2 KIT, WINGLET FOR NHA SEE: 757-2000-2							ALL	RF
	757-3810-3	EQUIPMENT INSTALLATION – LEFT WING -1 KIT, WING TIP FOR NHA SEE: 757-2000-1							ALL	RF
--	757-3810-4	EQUIPMENT INSTALLATION – LEFT WING -1 KIT, WING TIP FOR NHA SEE: 757-2000-1							ALL	RF
5	FT1348	. AUTO TRANSFORMER 10V SUPPLIER CODE: 14752							ALL	1
(6)	FT1246	. AUTO TRANSFORMER 9V SUPPLIER CODE: 14752							ALL	1
10	NAS1802—3-10P	. BOLT							ALL	4
15	NAS1149D0363J	. WASHER							ALL	4



Aviation Partners Boeing  
757-200  
SUPPLEMENT – PARTS CATALOG (MAINTENANCE)

WINGLET ANTI-COLLISION LIGHT

Aviation Partners Boeing  
757-200  
SUPPLEMENT – PARTS CATALOG (MAINTENANCE)

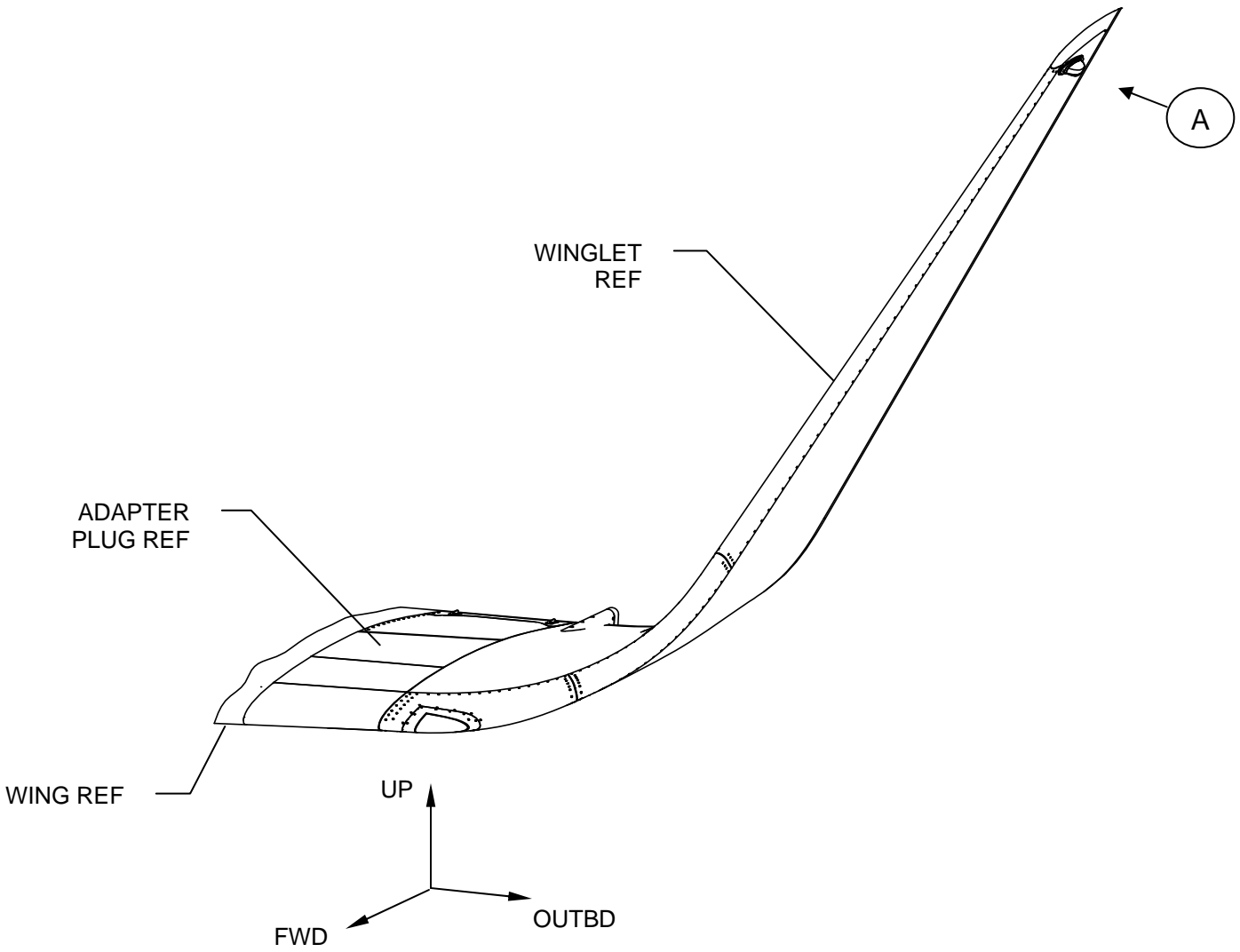


FIGURE 1 (SHEET 1)  
WINGLET ANTI-COLLISION LIGHT

Aviation Partners Boeing  
757-200  
SUPPLEMENT – PARTS CATALOG (MAINTENANCE)

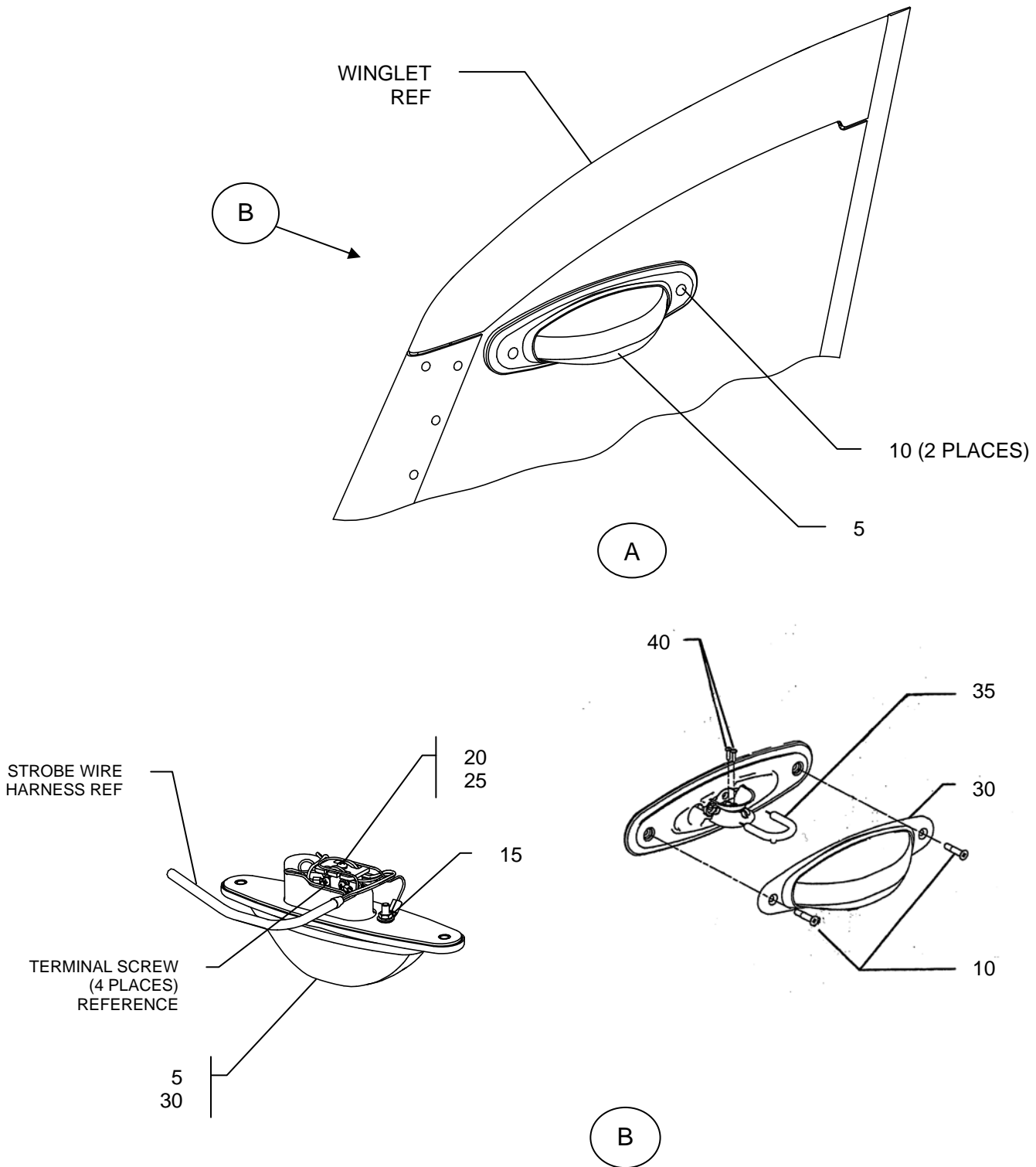


FIGURE 1 (SHEET 2) WINGLET ANTI-COLLISION LIGHT

Aviation Partners Boeing  
757-200  
SUPPLEMENT – PARTS CATALOG (MAINTENANCE)

FIGURE ITEM	PART NUMBER	NOMENCLATURE							EFFECT FROM TO	UNITS PER ASSY
		1	2	3	4	5	6	7		
FIG. 1	757-1800-1	LIGHT INSTL – STROBE, LEFT WING USED ON: 757-0010-3, -5							ALL	RF
--	757-1800-2	LIGHT INSTL – STROBE, RIGHT WING USED ON: 757-0010-4, -6							ALL	RF
5	30-2849-1	. LIGHT ASSY – STROBE SUPPLIER CODE: 72914 USED ON: 757-1800-1/-2							ALL	1
10	BACB30LH3-9	. BOLT							ALL	2
15	MS35650-304	. . NUT USED ON: 30-2849-1							ALL	1
20	MS51957-27	. . SCREW USED ON: 30-2849-1							ALL	1
25	MS35338-136	. . WASHER, LOCK USED ON: 30-2849-1							ALL	1
30	31-9366-1	. . LENS ASSY SUPPLIER CODE: 72914 USED ON: 30-2849-1							ALL	1
35	55-2199-3	. . FLASHTUBE SUPPLIER CODE: 72914 USED ON: 30-2849-1							ALL	1
40	MS51957-6	. . SCREW USED ON: 30-2849-1							ALL	2

Aviation Partners Boeing  
757-200  
SUPPLEMENT – PARTS CATALOG (MAINTENANCE)

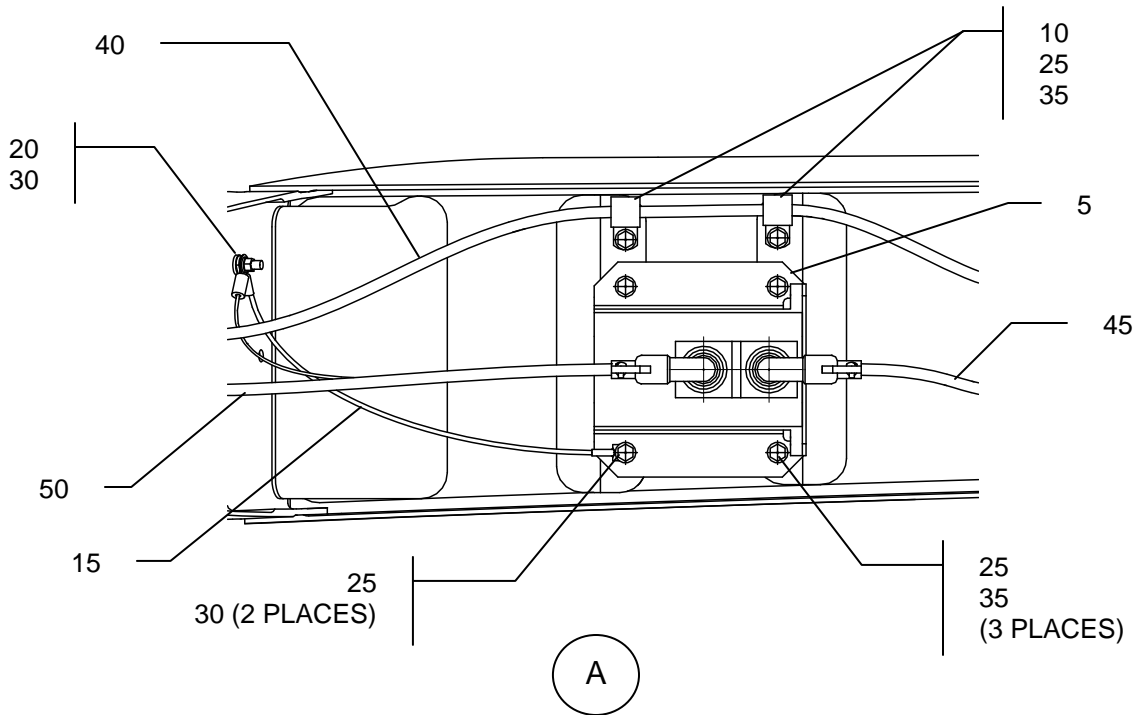
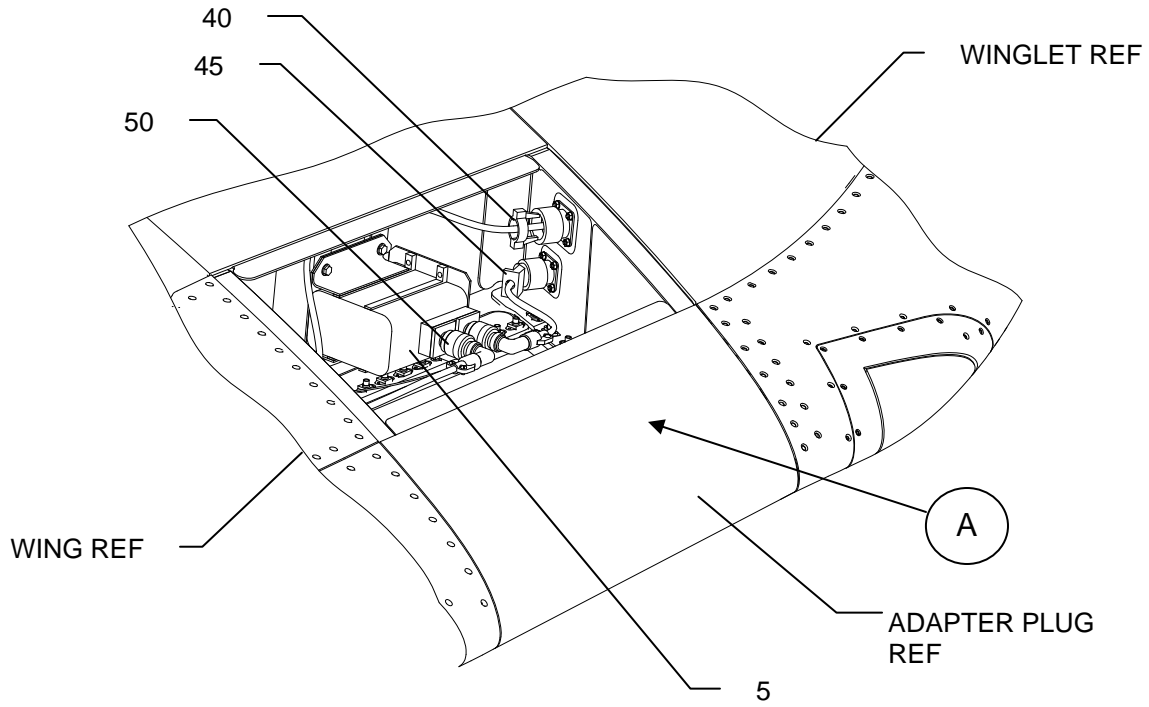


FIGURE 2 (SHEET 1)  
POWER SUPPLY INSTALLATION - WINGLET ANTI-COLLISION LIGHT

Aviation Partners Boeing  
757-200  
SUPPLEMENT – PARTS CATALOG (MAINTENANCE)

FIGURE ITEM	PART NUMBER	NOMENCLATURE							EFFECT FROM TO	UNITS PER ASSY	
		1	2	3	4	5	6	7			
FIG. 2 1	757-5100-1, -3, -5	.							ADAPTER PLUG ASSY – LEFT WING USED ON: 757-5000-1	ALL	RF
FIG. 2 -- 2	757-5100-2, -4, -6	.							ADAPTER PLUG ASSY – RIGHT WING USED ON: 757-5000-2	ALL	RF
5	60-5213-1	.	.						POWER SUPPLY SUPPLIER CODE: 72914	ALL	1
10	BACC10GU103	.	.						CLAMP	ALL	2
15	BACJ40AB20-10	.	.						JUMPER ASSY	ALL	1
20	BACN10YR3CD	.	.						NUT	ALL	1
25	NAS1802-3-11P	.	.						BOLT	ALL	6
30	NAS1149D0316J	.	.						WASHER	ALL	3
35	NAS1149D0332J	.	.						WASHER	ALL	5
40	757-1832-1								WIRE HARNESS ASSY – POSITION LIGHT WDM: AP57.2-0615-2 USED ON: 757-5100-1/-2, -3/-4, -5/-6	ALL	1
45	757-1834-2								WIRE HARNESS ASSY – STROBE LIGHT WDM: AP57.2-0615-2 USED ON: 757-5100-1/-2, -3/-4, -5/-6	ALL	1
50	757-1834-3								WIRE HARNESS ASSY – STROBE LIGHT WDM: AP57.2-0615-2 USED ON: 757-5100-1/-2, -3/-4, -5/-6	ALL	1

Aviation Partners Boeing  
757-200  
SUPPLEMENT – PARTS CATALOG (MAINTENANCE)

CHAPTER 57 – WINGS

TABLE OF CONTENTS

SUBJECT	CHAPTER SECTION UNIT	FIGURE	WINGLET SERIAL NUMBER (EFFECT)
VORTEX GENERATORS	57-25-00		
GENERATOR INSTALLATION	57-25-01	01	
DASH –2 KIT (WINGLET CONFIG.)			
WING ADAPTER PLUG	57-31-01		
ADAPTER PLUG INSTALLATION	57-31-01	01	
DASH –2 KIT (WINGLET CONFIG.)			
WINGLET	57-31-02		
WINGLET INSTALLATION	57-31-02	01	
DASH –2 KIT (WINGLET CONFIG.)			
WING TIP	57-31-03		
WING TIP INSTALLATION	57-31-03	01	
DASH –1 KIT (WING TIP CONFIG.)			

Aviation Partners Boeing  
757-200  
SUPPLEMENT – PARTS CATALOG (MAINTENANCE)

VORTEX GENERATORS



Aviation Partners Boeing  
757-200  
SUPPLEMENT – PARTS CATALOG (MAINTENANCE)

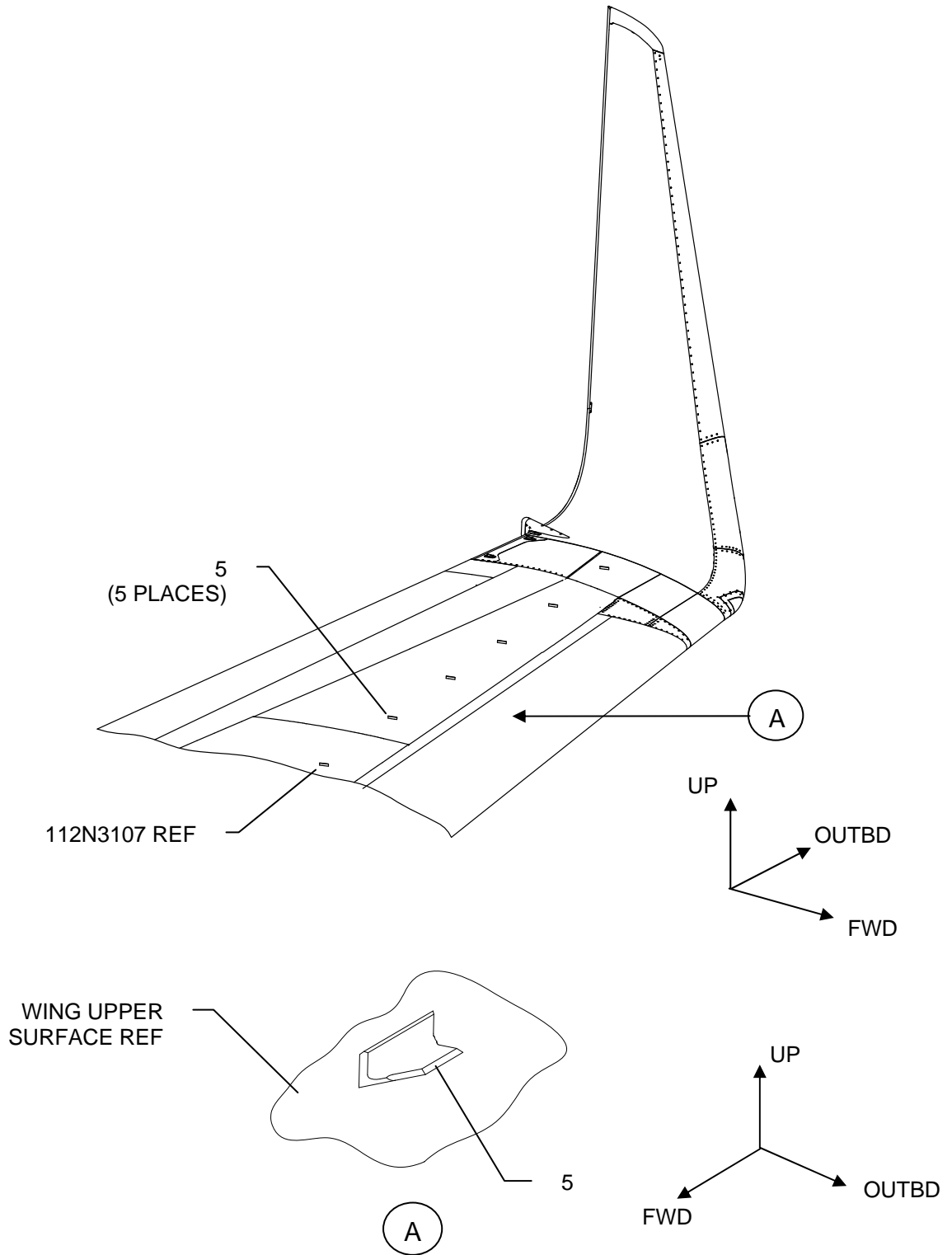


FIGURE 1 (SHEET 1)  
VORTEX GENERATOR INSTALLATION

Aviation Partners Boeing  
757-200  
SUPPLEMENT – PARTS CATALOG (MAINTENANCE)

FIGURE ITEM	PART NUMBER	NOMENCLATURE	EFFECT FROM TO	UNITS PER ASSY
		1 2 3 4 5 6 7		
FIG. 1	757-3050-1	VORTEX GENERATOR INSTL – WING UPPER SURFACE USED ON: 757-2000-2	ALL	RF
--	757-3050-2	VORTEX GENERATOR INSTL – WING UPPER SURFACE USED ON: 757-2000-2	ALL	1
5	757-3051-1	. VORTEX GENERATOR OPTIONAL PART: 112N3106-1	ALL	5
--	757-3051-2	. VORTEX GENERATOR OPTIONAL PART: 112N3106-2	ALL	5

Aviation Partners Boeing  
757-200  
SUPPLEMENT – PARTS CATALOG (MAINTENANCE)

ADAPTER PLUG

Aviation Partners Boeing  
757-200  
SUPPLEMENT – PARTS CATALOG (MAINTENANCE)

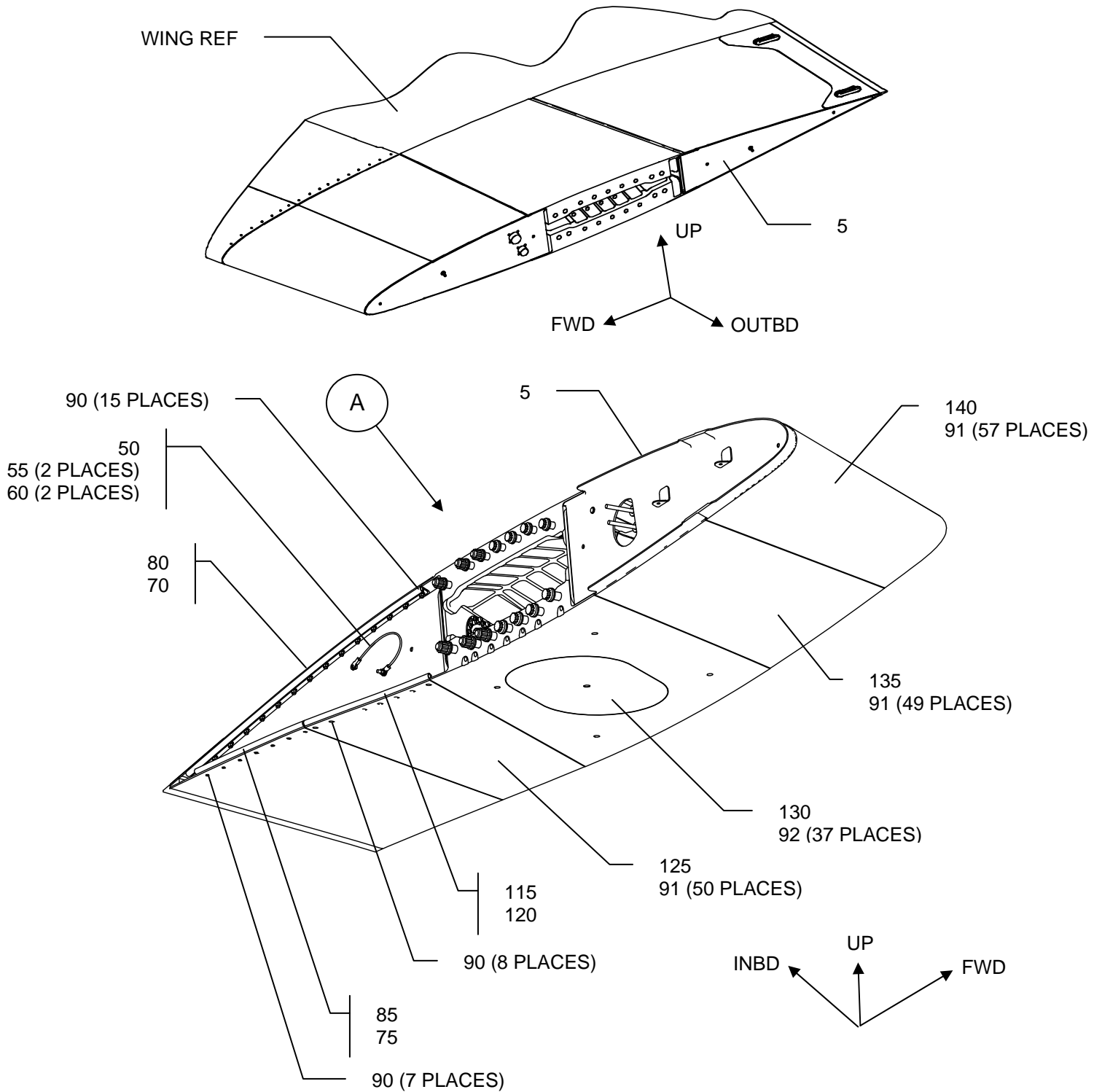


FIGURE 1 (SHEET 1)  
ADAPTER PLUG INSTALLATION – WING

Aviation Partners Boeing  
757-200  
SUPPLEMENT – PARTS CATALOG (MAINTENANCE)

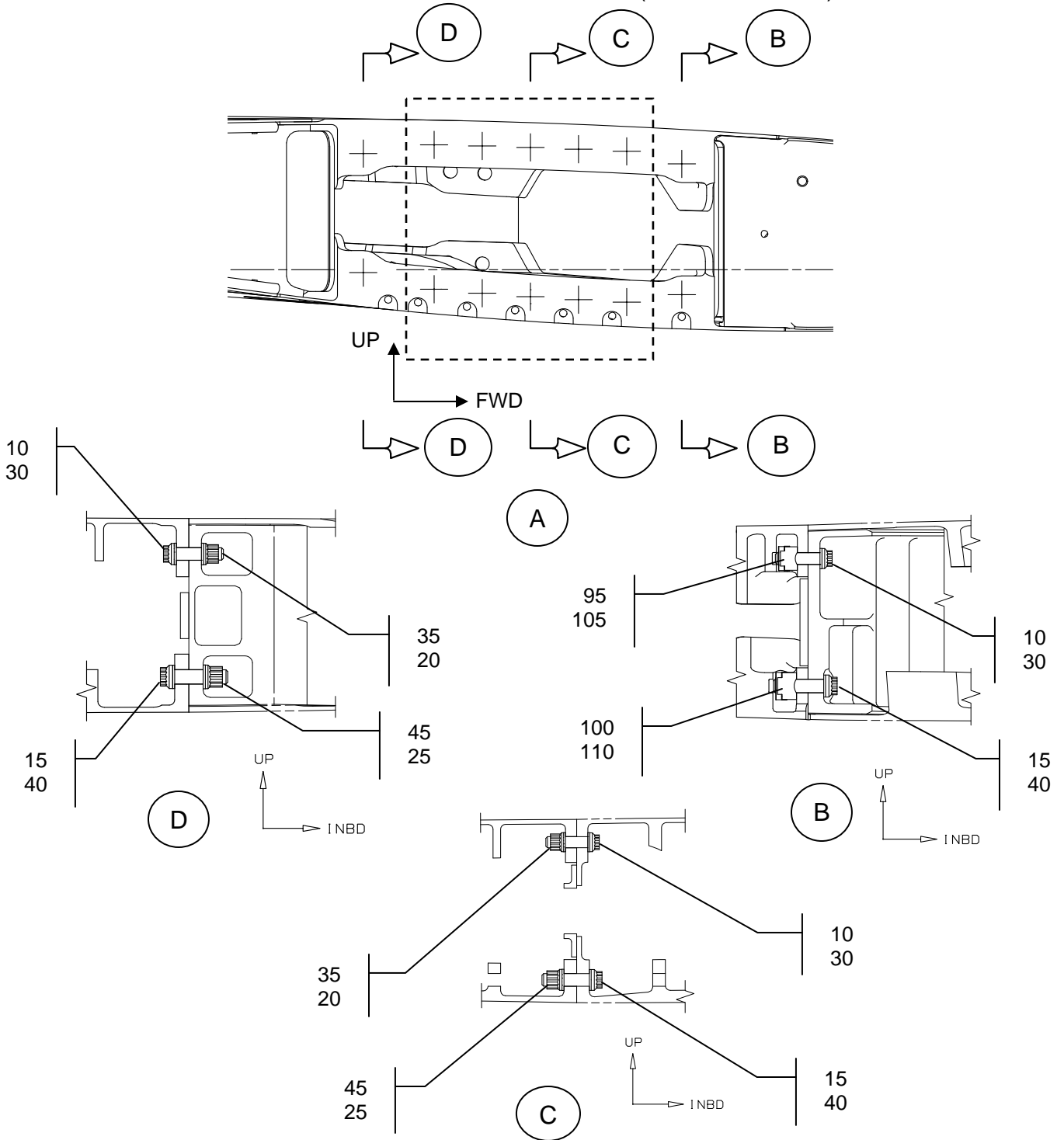


FIGURE 1 (SHEET 2)  
ADAPTER PLUG INSTALLATION – WING

**Aviation Partners Boeing**  
**757-200**  
**SUPPLEMENT – PARTS CATALOG (MAINTENANCE)**

FIGURE ITEM	PART NUMBER	NOMENCLATURE							EFFECT FROM TO	UNITS PER ASSY
		1	2	3	4	5	6	7		
FIG. 1	757-5000-1	ADAPTER PLUG INSTALLATION – LH USED ON: 757-2000-2							ALL	RF
--	757-5000-2	ADAPTER PLUG INSTALLATION – RH USED ON: 757-2000-2							ALL	RF
5	757-5100-1, -3, -5	.	ADAPTER PLUG ASSY, LH						ALL	1
-- 6	757-5100-2, -4, -6	.	ADAPTER PLUG ASSY, RH						ALL	1
10	BACB30US7K16	.	BOLT							7
15	BACB30US8K18	.	BOLT							7
20	BACN10HR7CD	.	NUT							6
25	BACN10HR8CD	.	NUT							6
30	BACW10BP7CD	.	WASHER							7
35	BACW10BP7DP	.	WASHER							6
40	BACW10BP8CD	.	WASHER							7
45	BACW10BP8DP	.	WASHER							6
50	BACJ40AB20-8	.	JUMPER ASSY							1
55	BACN10YR3CD	.	NUT							2
60	NAS1149D0316H	.	WASHER							2
65	16785	.	STATIC DISCHARGER SUPPLIER CODE: 55635							2
70	757-5320-1	.	.	RETAINER SEAL, LH USED ON: 757-5100-1, -3, -5					1	
-- 71	757-5320-2	.	.	RETAINER SEAL, RH USED ON: 757-5100-2, -4, -6					1	
75	757-5320-5	.	.	RETAINER SEAL, LH USED ON: 757-5100-1, -3, -5					1	

# Aviation Partners Boeing

757-200

## SUPPLEMENT – PARTS CATALOG (MAINTENANCE)

FIGURE ITEM	PART NUMBER	NOMENCLATURE 1 2 3 4 5 6 7	EFFECT FROM TO	UNITS PER ASSY
-- 76	757-5320-6	. . RETAINER SEAL, RH USED ON: 757-5100-2, -4, -6		1
80	757-5330-1	. . SEAL, LH USED ON: 757-5100-1, -3, -5		1
-- 81	757-5330-2	. . SEAL, RH USED ON: 757-5100-2, -4, -6		1
85	757-5330-5	. . SEAL, LH USED ON: 757-5100-1, -3, -5		1
-- 86	757-5330-6	. . SEAL, RH USED ON: 757-5100-2, -4, -6		1
90	BACB30VF3K3	. . BOLT		22
91	BACB30VF3K5	. . BOLT		156
92	BACB30VF4K8	. . BOLT		30
95	BACN11X7CD	. . BARREL NUT		1
100	BACN1X8CD	. . BARREL NUT		1
105	SLR4169C7EASP1	. . RETAINER		1
110	SLR4169C8EASP1	. . RETAINER		1
125	757-5105-1	. . PANEL ASSY – TE, LH		1
115	757-5330-3	. . . SEAL, LH		1
120	757-5320-3	. . . RETAINER – SEAL, LH		1
-- 126	757-5105-2	. . PANEL ASSY – TE, RH		1
-- 116	757-5330-4	. . . SEAL, RH		1
-- 121	757-5320-4	. . . RETAINER – SEAL, RH		1
130	757-5150-1, -5	. . ACCESS COVER, LH		1
-- 131	757-5150-2, -6	. . ACCESS COVER, RH		1
135	757-5220-1	. . PANEL ASSY – LE, LH		1

Aviation Partners Boeing  
757-200  
SUPPLEMENT – PARTS CATALOG (MAINTENANCE)

FIGURE ITEM	PART NUMBER	NOMENCLATURE							EFFECT FROM TO	UNITS PER ASSY
		1	2	3	4	5	6	7		
-- 136	757-5220-2	.	.	PANEL ASSY – LE, RH						1
140	757-5230-1	.	.	LEADING EDGE SKIN, LH						1
-- 141	757-5230-2	.	.	LEADING EDGE SKIN, RH						1



Aviation Partners Boeing  
757-200  
SUPPLEMENT – PARTS CATALOG (MAINTENANCE)

WINGLET

Aviation Partners Boeing  
757-200  
SUPPLEMENT – PARTS CATALOG (MAINTENANCE)

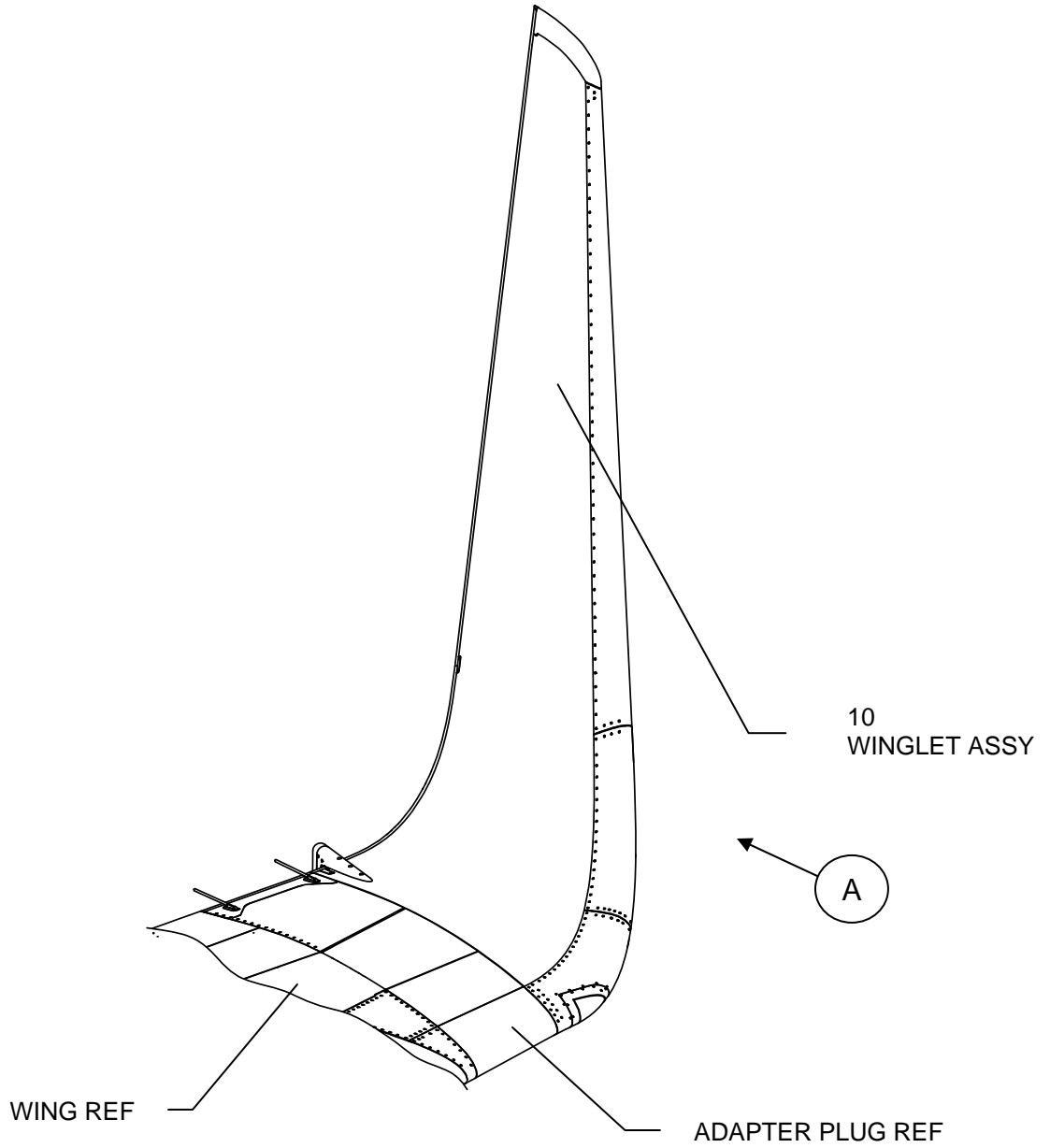


FIGURE 1 (SHEET 1)  
WINGLET INSTALLATION

Aviation Partners Boeing  
757-200  
SUPPLEMENT – PARTS CATALOG (MAINTENANCE)

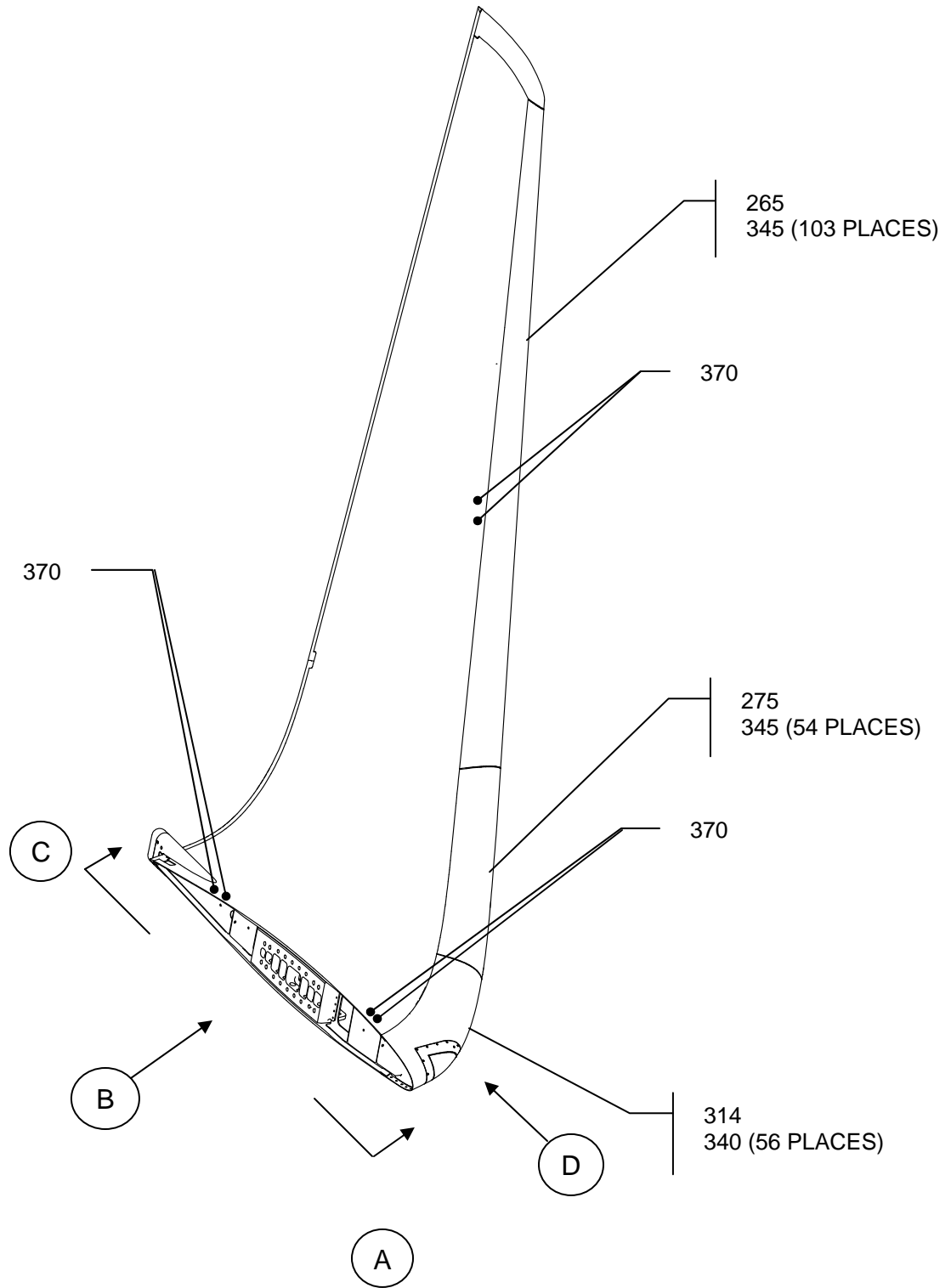


FIGURE 1 (SHEET 2)  
WINGLET INSTALLATION

Aviation Partners Boeing  
757-200  
SUPPLEMENT – PARTS CATALOG (MAINTENANCE)

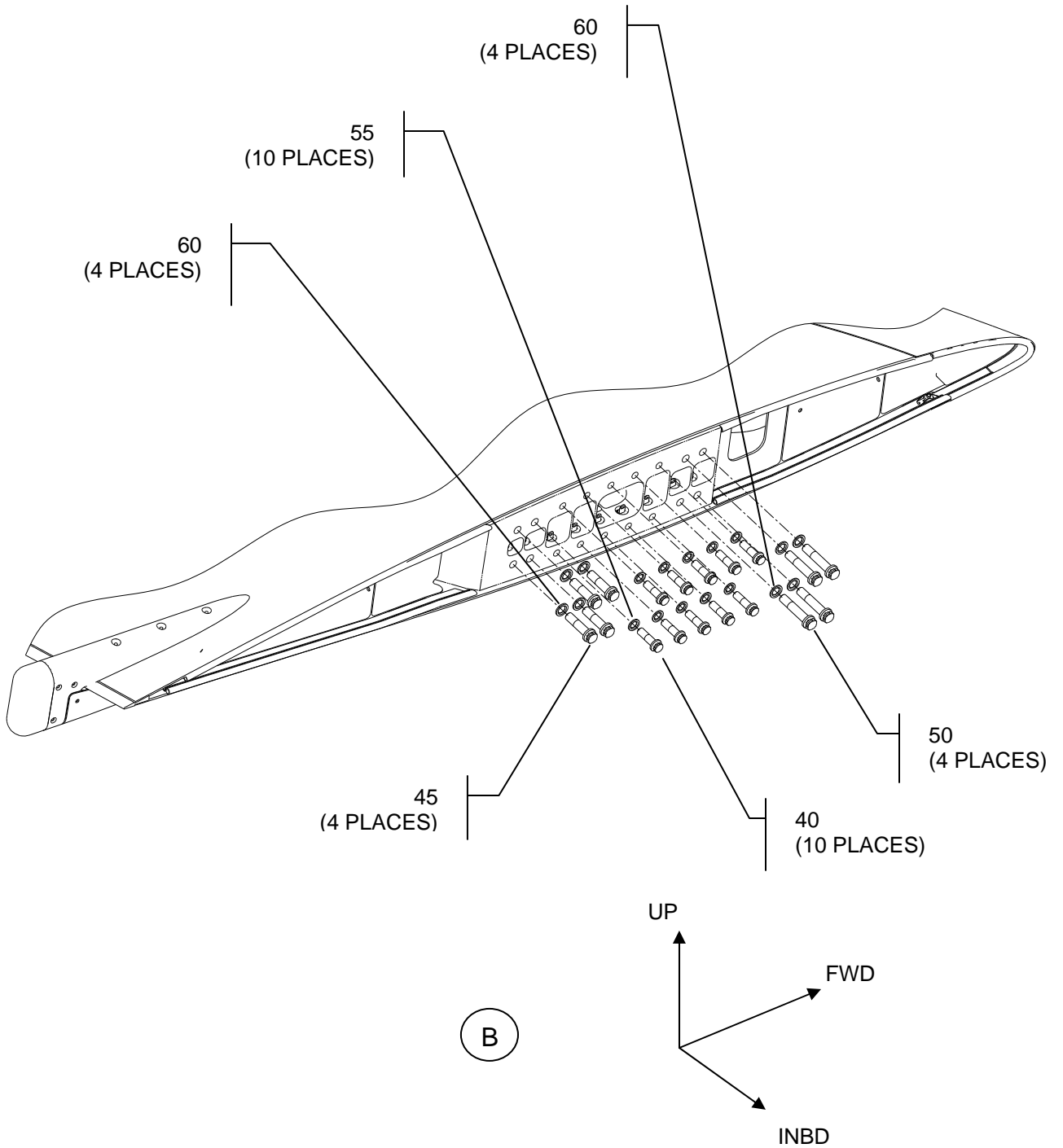


FIGURE 1 (SHEET 3)  
WINGLET INSTALLATION

# Aviation Partners Boeing

757-200

## SUPPLEMENT – PARTS CATALOG (MAINTENANCE)

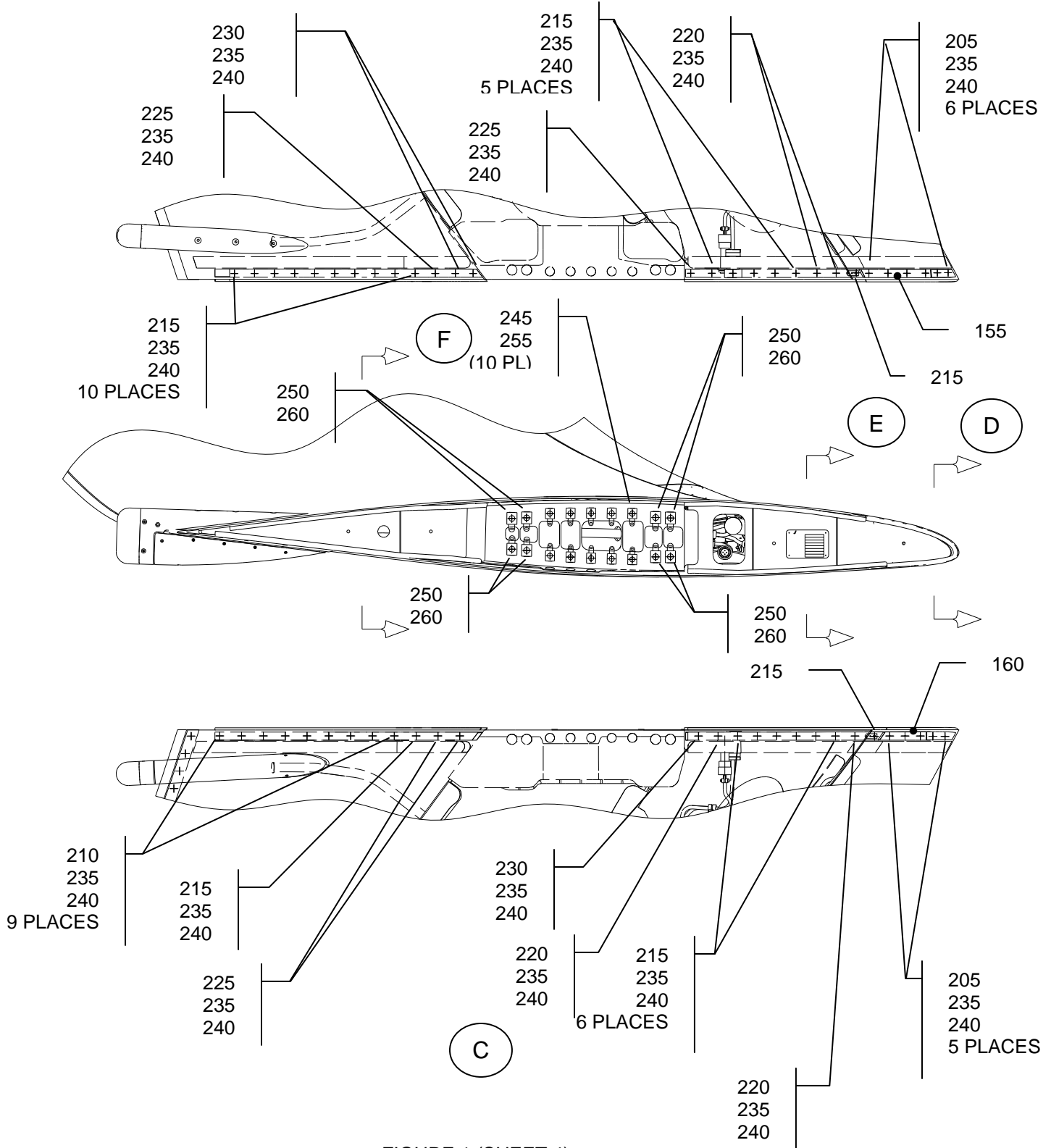


FIGURE 1 (SHEET 4)  
WINGLET INSTALLATION

Aviation Partners Boeing  
757-200  
SUPPLEMENT – PARTS CATALOG (MAINTENANCE)

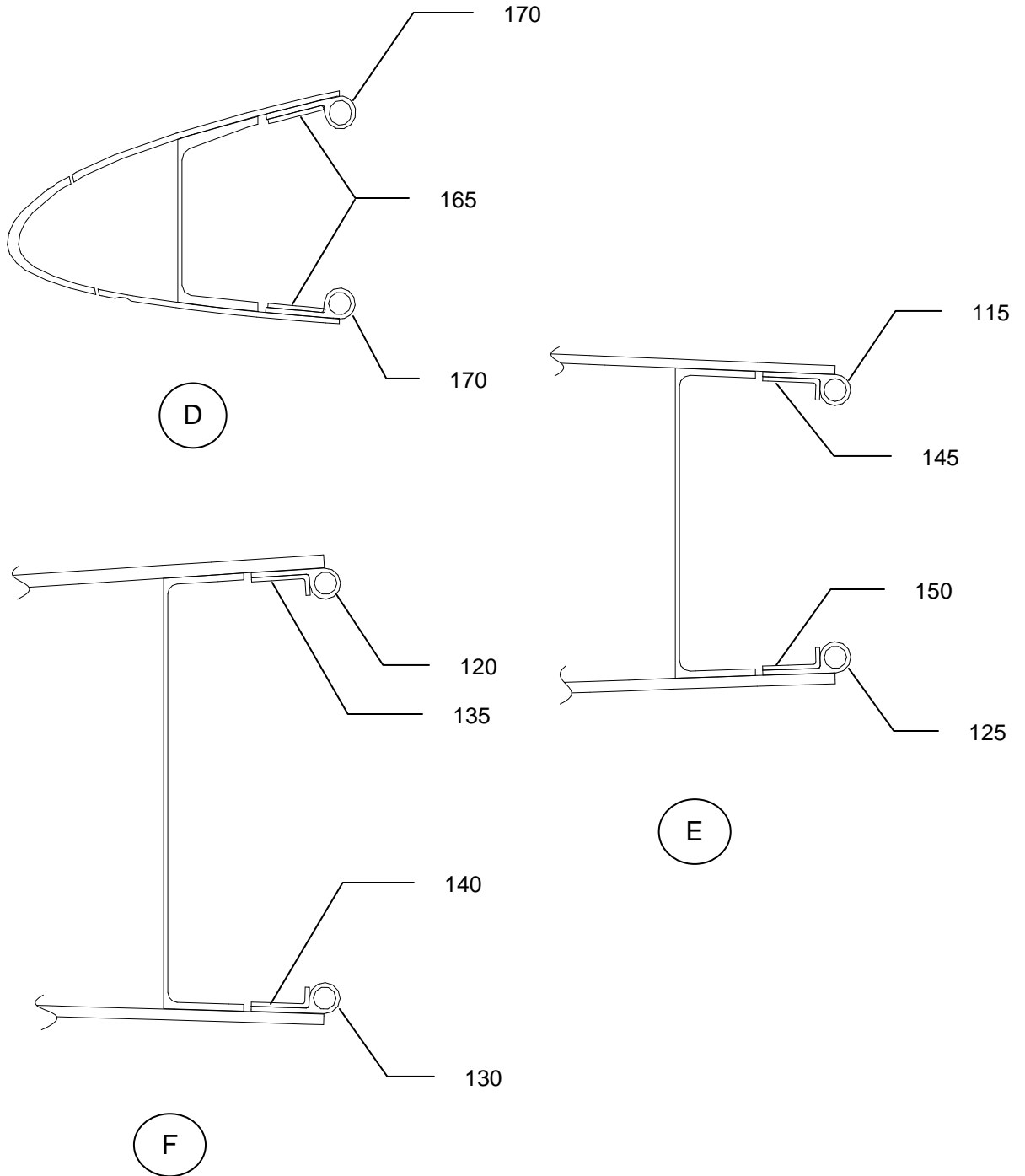
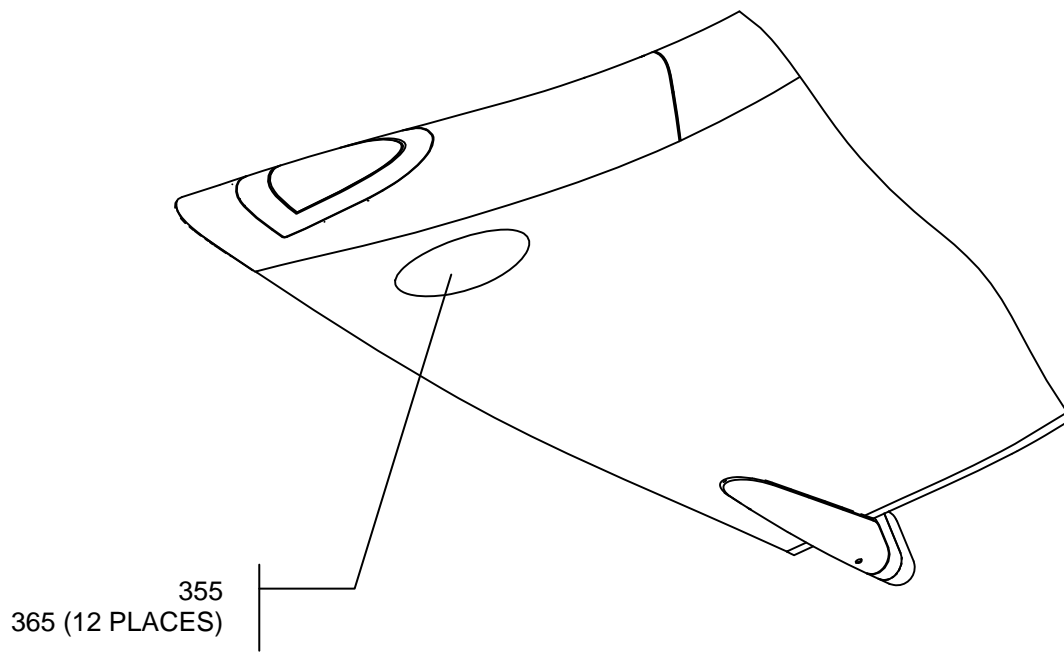


FIGURE 1 (SHEET 5)  
WINGLET INSTALLATION

Aviation Partners Boeing  
757-200  
SUPPLEMENT – PARTS CATALOG (MAINTENANCE)



D

FIGURE 1 (SHEET 6)  
WINGLET INSTALLATION

Aviation Partners Boeing  
757-200  
SUPPLEMENT – PARTS CATALOG (MAINTENANCE)

FIG. ITEM	PART NUMBER	NOMENCLATURE	EFFECT FROM TO	UNITS
				PER ASSY
FIG. 1 1	757-0002-3, -5	1 2 3 4 5 6 7 WINGLET INSTL, LH		RF
-- 5	757-0002-4, -6	WINGLET INSTL, RH		RF
10	757-0010-3	. WINGLET ASSY, LH USED ON: 757-0002-3		1
-- 11	757-0010-4	. WINGLET ASSY, RH USED ON: 757-0002-4		1
10	757-0010-5	. WINGLET ASSY, LH USED ON: 757-0002-5		1
-- 11	757-0010-6	. WINGLET ASSY, RH USED ON: 757-0002-6		1
40	BACB30US7K12	. BOLT USED ON: 757-0002-3/4, -5/-6		10
45	BACB30US8K18	. BOLT USED ON: 757-0002-3/4, -5/-6		4
50	BACB30US8K26	. BOLT USED ON: 757-0002-3/4, -5/-6		4
55	BACW10BP7CD	. WASHER USED ON: 757-0002-3/4, -5/-6		10
60	BACW10BP8CD	. WASHER USED ON: 757-0002-3/4, -5/-6		8
115	737-0010-3	. . SEAL, LH, FWD UPPER USED ON: 757-0010-3, -5		1
-- 116	737-0010-4	. . SEAL, RH, FWD UPPER USED ON: 757-0010-4, -6		1
120	737-0010-5	. . SEAL, LH, AFT UPPER USED ON: 757-0010-3, -5		1
-- 121	737-0010-6	. . SEAL, RH, AFT UPPER USED ON: 757-0010-4, -6		1
-- 125	737-0010-7	. . SEAL, LH, FWD LOWER USED ON: 757-0010-3, -5		1
-- 126	737-0010-8	. . SEAL, RH, FWD LOWER USED ON: 757-0010-4, -6		1
130	737-0010-9	. . SEAL, LH, AFT LOWER USED ON: 757-0010-3, -5		1
-- 131	737-0010-10	. . SEAL, RH, AFT LOWER USED ON: 757-0010-4, -6		1
135	737-0804-1	. . RETAINER, LH, AFT UPPER USED ON: 757-0010-3, -5		1



Aviation Partners Boeing  
757-200  
SUPPLEMENT – PARTS CATALOG (MAINTENANCE)

FIG. ITEM	PART NUMBER	NOMENCLATURE	EFFECT FROM TO	UNITS PER ASSY
-- 136	737-0804-2	. . RETAINER, RH, AFT UPPER USED ON: 757-0010-4, -6		1
140	737-0804-3	. . RETAINER, LH, AFT LOWER USED ON: 757-0010-3, -5		1
-- 141	737-0804-4	. . RETAINER, RH, AFT LOWER USED ON: 757-0010-4, -6		
145	737-0804-5	. . RETAINER, LH, FWD UPPER USED ON: 757-0010-3, -5		1
-- 146	737-0804-6	. . RETAINER, RH, FWD UPPER USED ON: 757-0010-4, -6		1
150	737-0804-7	. . RETAINER, LH, FWD LOWER USED ON: 757-0010-3, -5		1
-- 151	737-0804-8	. . RETAINER, RH, FWD LOWER USED ON: 757-0010-4, -6		1
155	737-0804-9	. . RETAINER, LH, FWD UPPER USED ON: 757-0010-3, -5		1
-- 156	737-0804-10	. . RETAINER, RH, FWD UPPER USED ON: 757-0010-4, -6		1
160	737-0804-11	. . RETAINER, LH, FWD LOWER USED ON: 757-0010-3, -5		1
-- 161	737-0804-12	. . RETAINER, RH, FWD LOWER USED ON: 757-0010-4, -6		1
165	737-0804-13	. . RETAINER, LH, FWD LOWER USED ON: 757-0010-3, -5		1
-- 166	737-0804-14	. . RETAINER, RH, FWD LOWER USED ON: 757-0010-4, -6		1
170	737-0805-1	. . SEAL, LH, FWD USED ON: 757-0010-3, -5		1
-- 171	737-0805-2	. . SEAL, RH, FWD USED ON: 757-0010-4, -6		1
205	BACB30VF3K3	. . BOLT USED ON: 757-0010-3/4, -5/-6		11
210	BACB30VF3K4	. . BOLT USED ON: 757-0010-3/4, -5/-6		9
215	BACB30VF3K5	. . BOLT USED ON: 757-0010-3/4, -5/-6		24
220	BACB30VF3K6	. . BOLT USED ON: 757-0010-3/4, -5/-6		4
225	BACB30VF3K7	. . BOLT USED ON: 757-0010-3/4, -5/-6		3

Aviation Partners Boeing  
757-200  
SUPPLEMENT – PARTS CATALOG (MAINTENANCE)

FIG. ITEM	PART NUMBER	NOMENCLATURE 1 2 3 4 5 6 7	EFFECT FROM TO	UNITS PER ASSY
230	BACB30VF3K8	. . BOLT USED ON: 757-0010-3/4, -5/-6		4
235	BACN10YR3CD	. . NUT USED ON: 757-0010-3/4, -5/-6		53
240	NAS1149EO332P	. . WASHER USED ON: 757-0010-3/4, -5/-6		53
245	SLR4169C7EASP1	. . RETAINER, BARREL NUT USED ON: 757-0010-3/4, -5/-6		10
250	SLR4169C8EASP1	. . RETAINER, BARREL NUT USED ON: 757-0010-3/4, -5/-6		8
255	BACN11X7CD	. . BARREL NUT USED ON: 757-0010-3/4, -5/-6 OPTIONAL: NAS577C7A OR SL4137A7A		10
260	BACN11X8CD	. . BARREL NUT USED ON: 757-0010-3/4, -5/-6 OPTIONAL: NAS577C8A OR SL4137A8A		8
265	737-0352-1	. . . SKIN, LE, OUTBD, LH USED ON: 757-0350-3 ALTERNATE PART: 757-0352-1		1
-- 270	737-0352-2	. . . SKIN, LE, OUTBD, RH USED ON: 757-0350-3 ALTERNATE PART: 757-0352-2		1
275	737-0351-3	. . . SKIN, LE, MID, LH USED ON: 757-0350-3		1
-- 280	737-0351-4	. . . SKIN, LE, MID, RH USED ON: 757-0350-4		1
285	757-0353-3	. . . LE ASSY, INBD, LH USED ON: 757-0350-3		1
-- 286	757-0353-4	. . . LE ASSY, INBD, RH USED ON: 757-0350-4		1
314	757-0351-1	. . . . SKIN, LE, INBD, LH USED ON: 757-0353-1		1
-- 315	757-0351-2	. . . . SKIN, LE, INBD, RH USED ON: 757-0353-2		1
335	BACB30VF3K2	. . . BOLT USED ON: 757-0350-3/-4		3

# Aviation Partners Boeing

## 757-200

### SUPPLEMENT – PARTS CATALOG (MAINTENANCE)

FIG. ITEM	PART NUMBER	NOMENCLATURE	EFFECT FROM TO	UNITS PER ASSY
340	BACB30VF3K5	. . . BOLT USED ON: 757-0350-3/-4		49
345	BACB30VF3K7	. . . BOLT USED ON: 757-0350-3/-4		156
350	NAS8703-5	. . . BOLT USED ON: 757-0350-3/-4		4
355	757-0391-5	. . . . ACCESS COVER, LH USED ON: 757-0330-1		1
-- 360	757-0391-6	. . . . ACCESS COVER, RH USED ON: 757-0330-2		1
365	BACB30VF3K4	. . . . BOLT USED ON: 757-0330-1/-2		12
370	BACB30VF4K4	. . . . BOLT (GSE) USED ON: 757-0310-1/-2		6

Aviation Partners Boeing  
757-200  
SUPPLEMENT – PARTS CATALOG (MAINTENANCE)

WING TIP

Aviation Partners Boeing  
757-200  
SUPPLEMENT – PARTS CATALOG (MAINTENANCE)

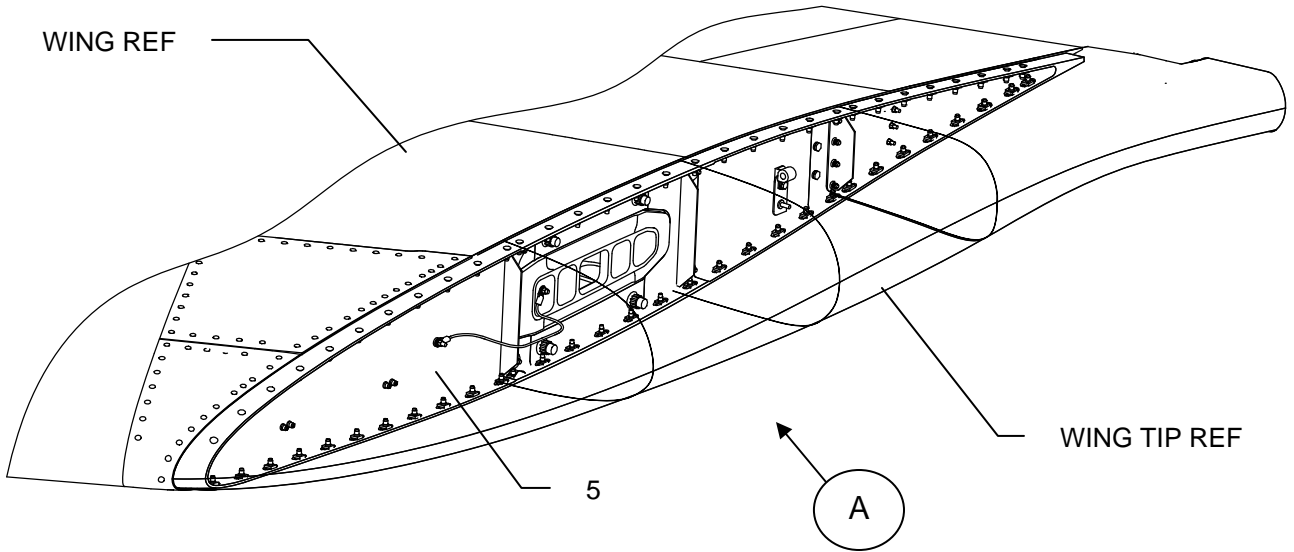
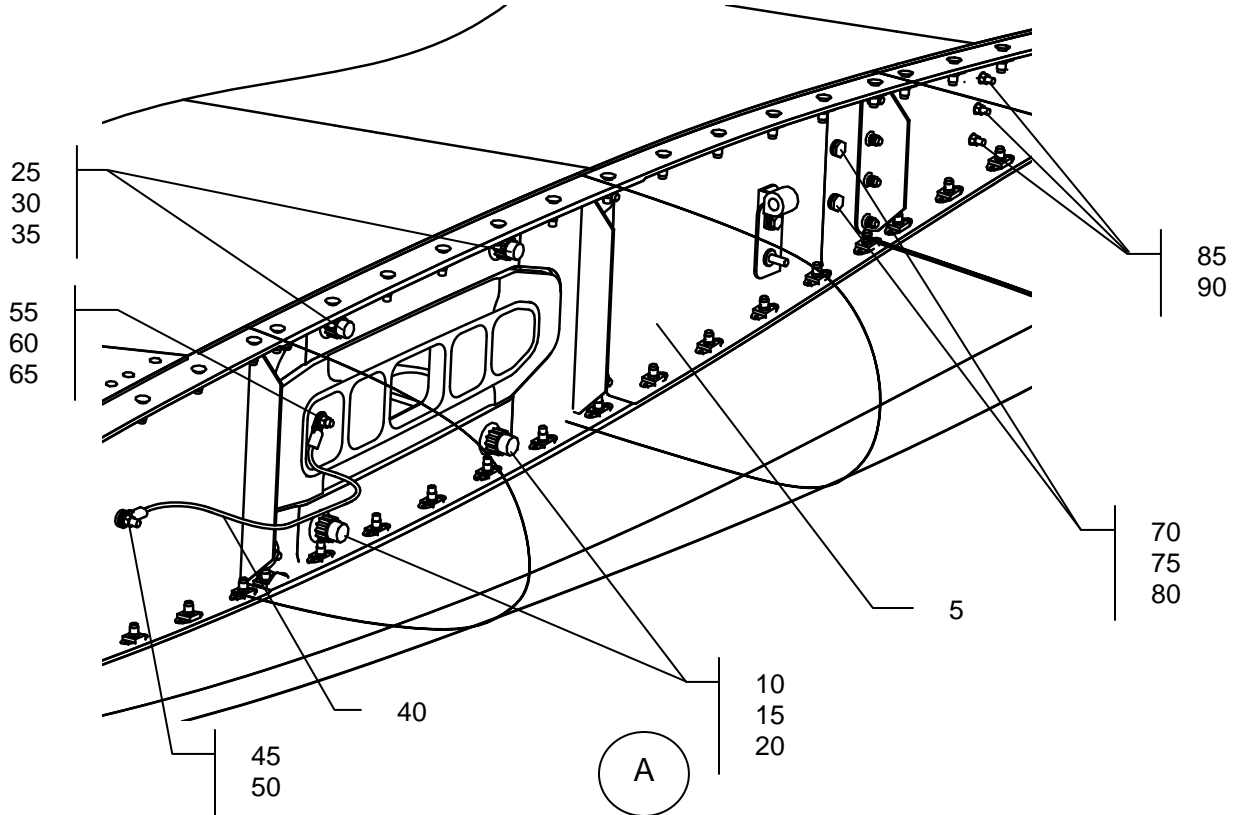


FIGURE 1 (SHEET 1)  
WIP TIP INSTALLATION



Aviation Partners Boeing  
757-200  
SUPPLEMENT – PARTS CATALOG (MAINTENANCE)

FIGURE ITEM	PART NUMBER	NOMENCLATURE 1 2 3 4 5 6 7	EFFECT FROM TO	UNITS PER ASSY
FIG. 1	757-3380-1	WING TIP INSTALLATION, LH USED ON: 757-2000-1	ALL	RF
--	757-3380-2	WING TIP INSTALLATION, RH USED ON: 757-2000-1	ALL	RF
5	757-3381-1	. ADAPTER RIB USED ON: 757-3380-1	ALL	1
-- 6	757-3381-2	. ADAPTER RIB USED ON: 757-3380-2	ALL	1
10	BACB30LE8K12	. BOLT	ALL	2
15	BACW10BP8DP	. WASHER	ALL	2
20	BACN10HY8M	. NUT	ALL	2
25	BACB30LE7K11	. BOLT	ALL	2
30	BACW10BP7DP	. WASHER	ALL	2
35	BACN10HY7M	. NUT	ALL	2
40	BACJ40AB21-11	. JUMPER ASSY	ALL	1
45	BACN10YR3CD	. NUT	ALL	3
50	NAS1149D0316H	. WASHER	ALL	1
55	BACB30NM4K6	. BOLT	ALL	1
60	BACN10YR4CD	. NUT	ALL	1
65	NAS1149D0416H	. WASHER	ALL	1
70	BACB30LM3K5	. BOLT	ALL	2
75	BACW10BP3DP	. WASHER	ALL	2

Aviation Partners Boeing  
757-200  
SUPPLEMENT – PARTS CATALOG (MAINTENANCE)

FIGURE ITEM	PART NUMBER	NOMENCLATURE	EFFECT	UNITS
			FROM TO	PER ASSY
80	BACB30LK2-5	1 2 3 4 5 6 7 . BOLT	ALL	3
85	BACN10YR08CD	. NUT	ALL	3

**AES Limited**

**PUBLICATION REVISION**

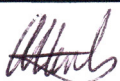



Document No. AES-TP-0087

**TRANSMITTAL SHEET**  
 THE TECHNICAL INFORMATION CONTAINED IN THIS DOCUMENT  
 HAS BEEN APPROVED UNDER THE AUTHORITY OF  
 EASA DESIGN ORGANISATION APPROVAL No. EASA.21J.036

**Project Number: 1010**  
**Document Release Note Number: 2608**  
**Issue Number: 1**

**Reason for Issue:** To introduce the supplements to the aircraft technical publications which are listed and described in the introduction to this transmittal.

**AIRCRAFT TECHNICAL PUBLICATION SUPPLEMENT - CERTIFICATION**

Manual & Chapter	Prepared by	Responsible for design	Date	Compliance Verification Engineer / Approval		
				Stress	Design	Systems
Illustrated Parts Catalog <b>27-48</b>	T N Gaunt		13-11-07			

**EFFECTIVITY**

33098(NJ001), 33101(NJ004)	33099(NJ002),	33100(NJ003),
-------------------------------	---------------	---------------

**TRANSMITTAL**



## INTRODUCTION - GENERAL

- 1 These modifications cover the Alternative stabilizer position module trim switch to the subject aircraft. This is under cover of AES modification AES-757-1010.
- 2 The only technical publication which is affected and which should be used with this supplement is the aircraft illustrated parts catalog.
- 3 Aircraft effectivity details are given in the table below.

Manufacturer's Serial Number (MSN)	Registration	Variable Number	Customer Effectivity Code
33098	G-OOBC	NJ001	101
33099	G-OOBD	NJ002	102
33100	G-OOBE	NJ003	103
33101	G-OOBF	NJ004	104

### EFFECTIVITY

33098(NJ001), 33099(NJ002), 33100(NJ003),  
33101(NJ004)

**TRANSMITTAL**

**AIRCRAFT ILLUSTRATED PARTS CATALOG SUPPLEMENT**

**LIST OF EFFECTIVE PAGES**

CHAP-SECT-UNIT	PAGE No.	DATE	CHAP-SECT-UNIT	PAGE No.	DATE
EFFECTIVE PAGES	i	Nov 15/2007			
REVISIONS	ii	Nov 15/2007			
INTRODUCTION	iii	Nov 15/2007			
CONTENTS	iv	Nov 15/2007			
27-48-51	1	Nov 15/2007			
27-48-51	2	Nov 15/2007			
27-48-51	3	Nov 15/2007			
27-48-51	4	Nov 15/2007			

**EFFECTIVITY**

**33098(NJ001), 33099(NJ002), 33100(NJ003),  
33101(NJ004)**

**IPC SUPP--LEP**

AIRCRAFT ILLUSTRATED PARTS CATALOG SUPPLEMENT

RECORD OF REVISIONS

REV No.	INSERTION DATE	BY	REV No.	INSERTION DATE	BY	REV No.	INSERTION DATE	BY

**EFFECTIVITY**

33098(NJ001), 33099(NJ002), 33100(NJ003), 33101(NJ004)
---

**IPC SUPP--REV**

AIRCRAFT ILLUSTRATED PARTS CATALOG SUPPLEMENT

INTRODUCTION

- 1 This section supplements the manufacturer's aircraft illustrated parts catalog.
- 2 Aircraft applicability and effectivity codes are given in the table below.

Manufacturer's Serial Number (MSN)	Registration	Variable Number	Customer Effectivity Code
33098	G-OOBC	NJ001	101
33099	G-OOBD	NJ002	102
33100	G-OOBE	NJ003	103
33101	G-OOBF	NJ004	104

**EFFECTIVITY**

**33098(NJ001), 33099(NJ002), 33100(NJ003),  
33101(NJ004)**

**IPC SUPP--INTRO**

AIRCRAFT ILLUSTRATED PARTS CATALOG SUPPLEMENT

TABLE OF CONTENTS

SUBJECT	CHAPTER SECTION UNIT	PAGEBLOCK
TRANSMITTER INSTALLATION - STABILIZER TRAVEL, LIMIT AND POSITION INDICATION	27-48-51	1

**EFFECTIVITY**  
33098(NJ001), 33099(NJ002), 33100(NJ003),  
33101(NJ004)

**IPC SUPP--TOC**

TRANSMITTER INSTALLATION - STABILIZER TRAVEL, LIMIT AND POSITION INDICATION

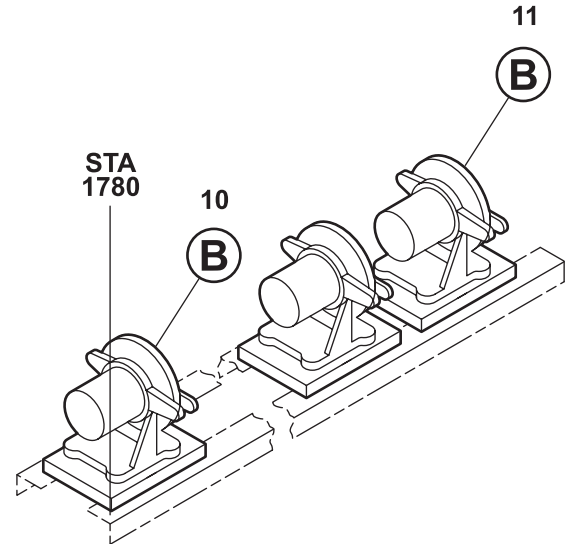
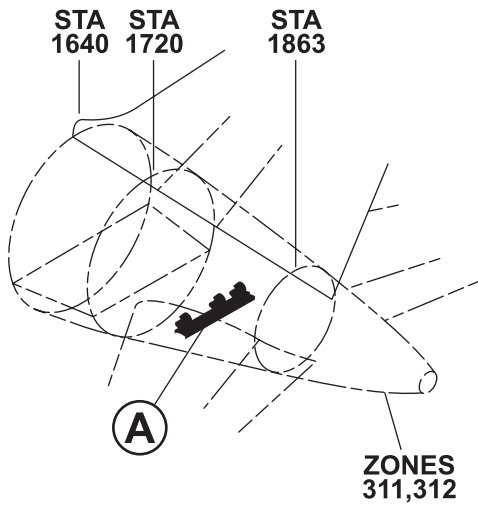
INTRODUCTION

- 1 This document supplements the aircraft illustrated parts catalog.

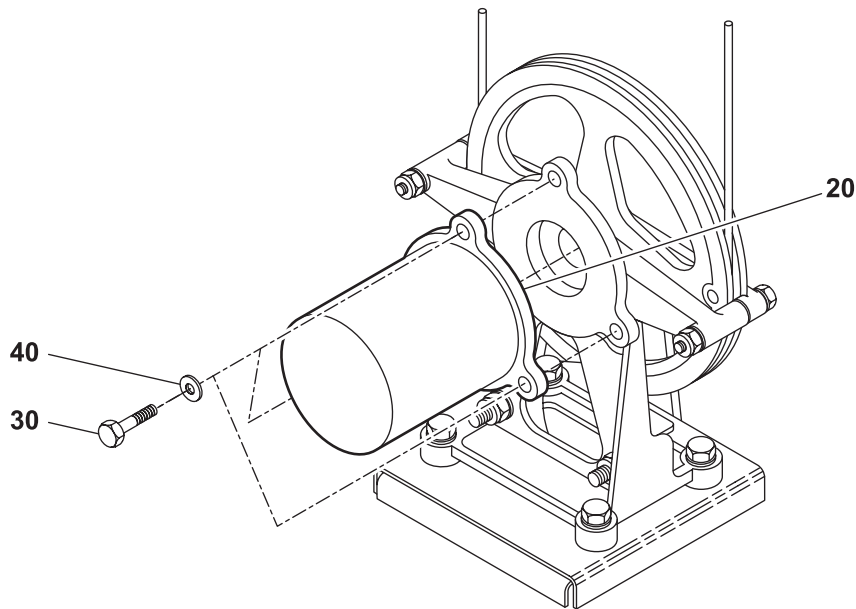
**EFFECTIVITY**

33098(NJ001), 33099(NJ002), 33100(NJ003),  
33101(NJ004)

**IPC SUPP 27-48-51**



**A** MODULE ASSEMBLY



**B** TRANSMITTER

Fig 1 Transmitter installation - stabilizer travel, limit and position indication

TP087-001

**EFFECTIVITY**

33098(NJ001), 33099(NJ002), 33100(NJ003),  
33101(NJ004)

FIG ITEM	PART NO.	1234567 NOMENCLATURE	EFF. FROM TO	QTY
1		TRANSMITTER INSTL-STAB. TRAVEL LIMIT AND POSITION IND		
10	251N2078-7	. TRANSMITTER ASSY-STAB POSITION POSITION DATA: LEFT MODULE, LBL 20 QUALIFIED I/W DATA: ONLY FOR LEFT MODULE LOCATION, 251N2078-7 CAN REPLACE OR BE REPLACED BY 251N2078-6 ONLY FOR LEFT MODULE LOCATION, 251N2078-7 CAN REPLACE OR BE REPLACED BY 251N2078-5	101104	1
11	251N2078-9	. TRANSMITTER ASSY-STAB POSITION POSITION DATA: RIGHT MODULE, RBL 22 QUALIFIED I/W DATA: ONLY FOR RIGHT MODULE LOCATION, 251N2078-9 CAN REPLACE OR BE REPLACED BY 251N2078-6 ONLY FOR RIGHT MODULE LOCATION, 251N2078-9 CAN REPLACE OR BE REPLACED BY 251N2078-5	101104	1
20	9000428-6	. . STAB - TR I M LIMIT SWITCH SUPPLIER CODE: V96774 POSITION DATA: LEFT SPECIFICATION NUMBER: 251T440-104 USED ON: 251N2078-7 INTERCHANGABLE WITH: P/N 80000000-16 MODULE ASSY-XMTR SUPPLIER CODE: V1K426 SPECIFICATION NUMBER: S251T440-103 COMPONENT MAINT MANUAL REF: 27-41-01	101104	1

- ITEM NOT ILLUSTRATED

**EFFECTIVITY**

33098(NJ001), 33099(NJ002), 33100(NJ003),  
33101(NJ004)



FIG ITEM	PART NO.	1234567 NOMENCLATURE	EFF. FROM TO	QTY
20	9000428-8	. . STAB - TRIM LIMIT SWITCH SUPPLIER CODE: V96774 POSITION DATA: RIGHT SPECIFICATION NUMBER: 251T440-106 USED ON: 251N2078-9 INTERCHANGABLE WITH: P/N 80000000-16 MODULE ASSY-XMTR SUPPLIER CODE: V1K426 009100 SPECIFICATION NUMBER: S251T440-103 COMPONENT MAINT MANUAL REF: 27-41-01	101104	1
20	80000000-16	. . MODULE ASSY - XMTR SUPPLIER CODE: V1K426 009100 SPECIFICATION NUMBER: S251T440-103 COMPONENT MAINT MANUAL REF: 27-41-01 FUNCTIONAL REFERENCE: PLACARDS AND MARKINGS FOR DETAILS SEE 11-26-02-01 INTERCHANGABLE WITH: P/N 9000428-6 STAB - TRIM LIMIT SWITCH SUPPLIER CODE: V96774 POSITION DATA: LEFT SPECIFICATION NUMBER: 251T440-104 USED ON: 251N2078-7 P/N 9000428-8 STAB-TRIM LIMIT SWITCH SUPPLIER CODE: V96774 POSITION DATA: RIGHT SPECIFICATION NUMBER: 251T440-106 USED ON: 251N2078-9  ATTACHING PARTS	101104	1
30	BACB30NF4-9	. . BOLT	101104	3
40	NAS1149D0463J	. . WASHER	101104	3

- ITEM NOT ILLUSTRATED

**EFFECTIVITY**

33098(NJ001), 33099(NJ002), 33100(NJ003),  
33101(NJ004)


**BOEING**  
 757  
**PARTS CATALOG (MAINTENANCE)**

CH-SECT-UNIT-FIG	PAGE NO.	DATE	CH-SECT-UNIT-FIG	PAGE NO.	DATE
*27	1	MAY 20/09	27-00-00- 2	8	JAN 20/09
*27	2	MAY 20/09	27-00-00- 2	9	JAN 20/09
*27	3	MAY 20/09	27-00-00- 2	10	JAN 20/09
*27	4	MAY 20/09	27-00-00- 2	11	JAN 20/09
*27	5	MAY 20/09	27-00-00- 2	12	JAN 20/09
*27	6	MAY 20/09	27-00-00- 2	13	JAN 20/09
*27	7	MAY 20/09	27-00-00- 2	14	JAN 20/09
*27	8	MAY 20/09	27-00-00- 2	15	JAN 20/09
*27	9	MAY 20/09	27-00-00- 2	16	JAN 20/09
*27	10	MAY 20/09	27-00-00- 2	17	JAN 20/09
*27	11	MAY 20/09	27-00-00- 2	18	JAN 20/09
*27	12	MAY 20/09	27-00-00- 2	19	JAN 20/09
*27	13	MAY 20/09	27-00-00- 2	20	JAN 20/09
*27	14	MAY 20/09	27-00-00- 2	21	JAN 20/09
*27	15	MAY 20/09	27-00-00- 2	22	JAN 20/09
*27	16	MAY 20/09	27-00-00- 2	23	JAN 20/09
*27	17	MAY 20/09	27-00-00- 2	24	JAN 20/09
*27	18	MAY 20/09	27-00-00- 3	0	MAY 28/07
*27	19	MAY 20/09	27-00-00- 3	1	JAN 20/09
*27	20	MAY 20/09	27-00-00- 3	2	JAN 20/09
*27	21	MAY 20/09	27-00-00- 3	3	JAN 20/09
*27	22	MAY 20/09	27-00-00- 3	4	JAN 20/09
*27	23	MAY 20/09	27-00-00- 3	5	JAN 20/09
*27	24	MAY 20/09	27-00-00- 4	0	MAY 28/07
*27	25	MAY 20/09	27-00-00- 4	1	JAN 20/09
*27	26	MAY 20/09	27-00-00- 5	0	MAY 28/07
*27	27	MAY 20/09	27-00-00- 5	1	JAN 20/09
*27	28	MAY 20/09	27-00-00-10	0	MAY 28/07
*27	29	MAY 20/09	27-00-00-10	1	JAN 20/09
*27	30	MAY 20/09	27-00-00-10	2	JAN 20/09
*27	31	MAY 20/09	27-00-00-22	0	MAY 28/07
*27	32	MAY 20/09	27-00-00-22	1	JAN 20/09
*27	33	MAY 20/09	27-00-00-22	2	JAN 20/09
27-00-00	1	MAY 28/07	27-00-00-22	3	JAN 20/09
27-00-00- 1	0	MAY 28/07	27-00-00-22	4	JAN 20/09
27-00-00- 1	1	JAN 20/09	27-00-01- 1	0	MAY 28/07
27-00-00- 1	2	JAN 20/09	27-00-01- 1	0A	JAN 20/08
27-00-00- 1	3	JAN 20/09	27-00-01- 1	0B	MAY 28/07
27-00-00- 1	4	JAN 20/09	27-00-01- 1	1	JAN 20/09
27-00-00- 1	5	JAN 20/09	27-00-01- 1	2	JAN 20/09
27-00-00- 1	6	JAN 20/09	27-00-01- 1	3	JAN 20/09
27-00-00- 2	0	MAY 28/07	*27-00-01- 1	4	MAY 20/09
27-00-00- 2	0A	MAY 28/07	*27-00-01- 1	5	MAY 20/09
27-00-00- 2	0B	MAY 28/07	27-00-01- 2	0	MAY 28/07
27-00-00- 2	1	JAN 20/09	27-00-01- 2	1	JAN 20/09
27-00-00- 2	2	JAN 20/09	27-00-01- 2	2	JAN 20/09
27-00-00- 2	3	JAN 20/09	27-00-01- 2	3	JAN 20/09
27-00-00- 2	4	JAN 20/09	27-09-00	1	MAY 28/07
*27-00-00- 2	5	MAY 20/09	27-09-01- 1	0	MAY 28/07
27-00-00- 2	6	JAN 20/09	27-09-01- 1	0A	JAN 20/09
27-00-00- 2	7	JAN 20/09	27-09-01- 1	0B	JAN 20/09

\* THE ASTERISK INDICATES PAGES CHANGED OR ADDED BY THE CURRENT REVISION

BRI  
MAY 20/09

27 - LIST OF EFFECTIVE PAGES  
PAGE 1



757

PARTS CATALOG (MAINTENANCE)

CH-SECT-UNIT-FIG	PAGE NO.	DATE	CH-SECT-UNIT-FIG	PAGE NO.	DATE
27-09-01- 1	0C	MAY 28/07	27-11-02- 1	23	JAN 20/09
27-09-01- 1	0D	MAY 28/07	27-11-02- 1	24	JAN 20/09
27-09-01- 1	0E	MAY 28/07	*27-11-02- 1	25	MAY 20/09
27-09-01- 1	0F	JAN 20/09	*27-11-02- 1	26	MAY 20/09
27-09-01- 1	0G	MAY 28/07	*27-11-02- 1	27	MAY 20/09
27-09-01- 1	0H	MAY 28/07	*27-11-02- 1	28	MAY 20/09
27-09-01- 1	0I	MAY 28/07	*27-11-02- 1	29	MAY 20/09
27-09-01- 1	0J	MAY 28/07	*27-11-02- 1	30	MAY 20/09
27-09-01- 1	0K	MAY 28/07	*27-11-02- 1	31	MAY 20/09
27-09-01- 1	1	JAN 20/09	*27-11-02- 1	32	MAY 20/09
*27-09-01- 1	2	MAY 20/09	*27-11-02- 1	33	MAY 20/09
*27-09-01- 1	3	MAY 20/09	*27-11-02- 1	34	MAY 20/09
*27-09-01- 1	4	MAY 20/09	*27-11-02- 1	35	MAY 20/09
*27-09-01- 1	5	MAY 20/09	*27-11-02- 1	36	MAY 20/09
*27-09-01- 1	6	MAY 20/09	*27-11-02- 1	37	MAY 20/09
*27-09-01- 1	7	MAY 20/09	*27-11-02- 1	38	MAY 20/09
*27-09-01- 1	8	MAY 20/09	*27-11-02- 1	39	MAY 20/09
*27-09-01- 1	9	MAY 20/09	27-11-02- 2	0	JAN 20/09
*27-09-01- 1	10	MAY 20/09	27-11-02- 2	0A	JAN 20/09
27-09-51- 8	0	JAN 20/09	27-11-02- 2	1	JAN 20/09
27-09-51- 8	0A	JAN 20/09	27-11-02- 2	2	JAN 20/09
*27-09-51- 8	1	MAY 20/09	27-11-02- 2	3	JAN 20/09
27-09-51- 8	2	JAN 20/09	27-11-02- 2	4	JAN 20/09
*27-09-51- 8	3	MAY 20/09	27-11-02- 2	5	JAN 20/09
27-09-51- 8	4	JAN 20/09	27-11-02- 3	0	JAN 20/08
27-09-51- 8	5	JAN 20/09	27-11-02- 3	0A	MAY 28/07
27-11-00	1	MAY 28/07	27-11-02- 3	0B	MAY 28/07
27-11-02- 1	0	MAY 28/07	27-11-02- 3	1	JAN 20/09
27-11-02- 1	0A	MAY 28/07	27-11-02- 3	2	JAN 20/09
27-11-02- 1	1	JAN 20/09	27-11-02- 3	3	JAN 20/09
27-11-02- 1	2	JAN 20/09	27-11-02- 3	4	JAN 20/09
27-11-02- 1	3	JAN 20/09	27-11-02- 3	5	JAN 20/09
27-11-02- 1	4	JAN 20/09	27-11-02- 3	6	JAN 20/09
27-11-02- 1	5	JAN 20/09	27-11-02- 3	7	JAN 20/09
27-11-02- 1	6	JAN 20/09	27-11-02- 3	8	JAN 20/09
27-11-02- 1	7	JAN 20/09	27-11-03- 1	0	MAY 28/07
27-11-02- 1	8	JAN 20/09	27-11-03- 1	0A	MAY 28/07
27-11-02- 1	9	JAN 20/09	27-11-03- 1	1	JAN 20/09
27-11-02- 1	10	JAN 20/09	27-11-03- 1	2	JAN 20/09
27-11-02- 1	11	JAN 20/09	27-11-03- 1	3	JAN 20/09
27-11-02- 1	12	JAN 20/09	27-11-03- 1	4	JAN 20/09
27-11-02- 1	13	JAN 20/09	*27-11-03- 1	5	MAY 20/09
27-11-02- 1	14	JAN 20/09	*27-11-03- 1	6	MAY 20/09
27-11-02- 1	15	JAN 20/09	*27-11-03- 1	7	MAY 20/09
27-11-02- 1	16	JAN 20/09	*27-11-03- 1	8	MAY 20/09
27-11-02- 1	17	JAN 20/09	*27-11-03- 1	9	MAY 20/09
27-11-02- 1	18	JAN 20/09	*27-11-03- 1	10	MAY 20/09
27-11-02- 1	19	JAN 20/09	27-11-03- 1	11	JAN 20/09
27-11-02- 1	20	JAN 20/09	27-11-03- 2	0	MAY 28/07
27-11-02- 1	21	JAN 20/09	27-11-03- 2	0A	MAY 28/07
27-11-02- 1	22	JAN 20/09	27-11-03- 2	1	JAN 20/09

\* THE ASTERISK INDICATES PAGES CHANGED OR ADDED BY THE CURRENT REVISION

BRI  
MAY 20/09

27 - LIST OF EFFECTIVE PAGES  
PAGE 2



**757**  
**PARTS CATALOG (MAINTENANCE)**

CH-SECT-UNIT-FIG	PAGE NO.	DATE	CH-SECT-UNIT-FIG	PAGE NO.	DATE
27-11-03- 2	2	JAN 20/09	27-11-20- 1	0A	MAY 28/07
27-11-03- 2	3	JAN 20/09	27-11-20- 1	0B	SEP 20/08
27-11-03- 2	4	JAN 20/09	27-11-20- 1	0C	MAY 28/07
*27-11-03- 2	5	MAY 20/09	27-11-20- 1	0D	MAY 28/07
*27-11-03- 2	6	MAY 20/09	27-11-20- 1	0E	MAY 28/07
*27-11-03- 2	7	MAY 20/09	27-11-20- 1	0F	MAY 28/07
*27-11-03- 2	8	MAY 20/09	27-11-20- 1	1	JAN 20/09
27-11-14- 2	0	SEP 20/08	27-11-20- 1	2	JAN 20/09
27-11-14- 2	0A	MAY 28/07	27-11-20- 1	3	JAN 20/09
27-11-14- 2	1	JAN 20/09	27-11-20- 1	4	JAN 20/09
27-11-14- 2	2	JAN 20/09	27-11-20- 1	5	JAN 20/09
27-11-14- 2	3	JAN 20/09	*27-11-20- 1	6	MAY 20/09
27-11-14- 2	4	JAN 20/09	27-11-20- 1	7	JAN 20/09
27-11-14- 2	5	JAN 20/09	27-11-20- 1	8	JAN 20/09
27-11-14- 2	6	JAN 20/09	27-11-20- 1	9	JAN 20/09
27-11-14- 2	7	JAN 20/09	27-11-20- 1	10	JAN 20/09
27-11-14- 2	8	JAN 20/09	27-11-20- 1	11	JAN 20/09
27-11-14- 2	9	JAN 20/09	27-11-20- 1	12	JAN 20/09
27-11-14- 2	10	JAN 20/09	27-11-20- 1	13	JAN 20/09
27-11-14- 2	11	JAN 20/09	27-11-20- 1	14	JAN 20/09
27-11-14- 2A	0	MAY 28/07	27-11-20- 2	0	MAY 28/07
27-11-14- 2A	0A	MAY 28/07	27-11-20- 2	0A	MAY 28/07
27-11-14- 2A	1	JAN 20/09	27-11-20- 2	0B	MAY 28/07
27-11-14- 2A	2	JAN 20/09	27-11-20- 2	0C	MAY 28/07
27-11-14- 2A	3	JAN 20/09	27-11-20- 2	0D	MAY 28/07
27-11-14- 2A	4	JAN 20/09	27-11-20- 2	0E	MAY 28/07
27-11-14- 2A	5	JAN 20/09	27-11-20- 2	0F	MAY 28/07
27-11-14-10	0	MAY 28/07	27-11-20- 2	1	JAN 20/09
27-11-14-10	1	JAN 20/09	27-11-20- 2	2	JAN 20/09
27-11-14-10	2	JAN 20/09	27-11-20- 2	3	JAN 20/09
27-11-14-10	3	JAN 20/09	27-11-20- 2	4	JAN 20/09
27-11-14-11	0	MAY 28/07	27-11-20- 2	5	SEP 20/08
27-11-14-11	1	JAN 20/09	27-11-20- 2	6	SEP 20/08
27-11-14-11	2	SEP 20/08	27-11-20- 2	7	JAN 20/09
*27-11-14-11	3	MAY 20/09	27-11-20- 2	8	JAN 20/09
*27-11-14-11	4	MAY 20/09	27-11-20- 2	9	SEP 20/08
27-11-14-12	0	JAN 20/09	27-11-20- 2	10	JAN 20/09
27-11-14-12	1	JAN 20/09	27-11-20- 2	11	JAN 20/09
27-11-14-12	2	JAN 20/09	27-11-20- 2	12	JAN 20/09
27-11-17- 1	0	MAY 28/07	27-11-20- 2	13	SEP 20/08
27-11-17- 1	0A	MAY 28/07	27-11-20- 2	14	JAN 20/09
27-11-17- 1	1	JAN 20/09	27-11-20- 3	0	MAY 28/07
27-11-17- 1	2	JAN 20/09	27-11-20- 3	0A	MAY 28/07
27-11-17- 1	3	JAN 20/09	27-11-20- 3	1	JAN 20/09
*27-11-17- 1	4	MAY 20/09	27-11-20- 3	2	JAN 20/09
*27-11-17- 1	5	MAY 20/09	27-11-20- 3	3	JAN 20/09
*27-11-17- 1	6	MAY 20/09	27-11-20- 3	4	JAN 20/09
*27-11-17- 1	7	MAY 20/09	27-11-20- 3	5	JAN 20/09
*27-11-17- 1	8	MAY 20/09	27-11-20- 3	6	JAN 20/09
*27-11-17- 1	9	MAY 20/09	27-11-20-51	0	MAY 28/07
27-11-20- 1	0	MAY 28/07	27-11-20-51	0A	MAY 28/07

\* THE ASTERISK INDICATES PAGES CHANGED OR ADDED BY THE CURRENT REVISION

BRI  
MAY 20/09

27 - LIST OF EFFECTIVE PAGES  
PAGE 3



**757**  
**PARTS CATALOG (MAINTENANCE)**

CH-SECT-UNIT-FIG	PAGE NO.	DATE	CH-SECT-UNIT-FIG	PAGE NO.	DATE
27-11-20-51	0B	MAY 28/07	27-11-21- 1	24	JAN 20/09
27-11-20-51	1	JAN 20/09	27-11-21- 1	25	JAN 20/09
27-11-20-51	2	JAN 20/09	27-11-21- 1	26	JAN 20/09
27-11-20-51	3	JAN 20/09	27-11-21- 1	27	JAN 20/09
27-11-20-51	4	JAN 20/09	27-11-21- 1	28	JAN 20/09
27-11-20-51	5	JAN 20/09	27-11-21- 1	29	JAN 20/09
27-11-20-51	6	JAN 20/09	27-11-21- 1	30	JAN 20/09
27-11-20-51	7	JAN 20/09	27-11-21- 1	31	JAN 20/09
27-11-20-52	0	MAY 28/07	27-11-21- 1	32	JAN 20/09
27-11-20-52	1	SEP 20/08	27-11-21- 1	33	JAN 20/09
27-11-20-52	2	SEP 20/08	27-11-21- 1	34	JAN 20/09
27-11-21- 1	0	MAY 28/07	27-11-21- 1	35	JAN 20/09
27-11-21- 1	0A	MAY 28/07	27-11-21- 1	36	JAN 20/09
27-11-21- 1	0B	MAY 28/07	27-11-21- 1	37	JAN 20/09
27-11-21- 1	0C	MAY 28/07	27-11-21- 1	38	JAN 20/09
27-11-21- 1	0D	MAY 28/07	27-11-21- 1	39	JAN 20/09
27-11-21- 1	0E	MAY 28/07	27-11-21- 1	40	JAN 20/09
27-11-21- 1	0F	MAY 28/07	27-11-21- 1	41	JAN 20/09
27-11-21- 1	0G	MAY 28/07	27-11-21- 1	42	JAN 20/09
27-11-21- 1	0H	MAY 28/07	27-11-21- 1	43	JAN 20/09
27-11-21- 1	0I	MAY 28/07	27-11-21- 1	44	JAN 20/09
27-11-21- 1	0J	MAY 28/07	27-11-21- 1	45	JAN 20/09
27-11-21- 1	0K	MAY 28/07	27-11-21- 1	46	JAN 20/09
27-11-21- 1	0L	MAY 28/07	27-11-21- 1	47	JAN 20/09
27-11-21- 1	0M	MAY 28/07	27-11-21- 1	48	JAN 20/09
27-11-21- 1	0N	MAY 28/07	27-11-21- 1	49	JAN 20/09
27-11-21- 1	0O	MAY 28/07	27-11-21- 1	50	JAN 20/09
27-11-21- 1	0P	MAY 28/07	27-11-21- 1	51	JAN 20/09
27-11-21- 1	1	JAN 20/09	27-11-21- 1	52	JAN 20/09
27-11-21- 1	2	JAN 20/09	27-11-21- 1	53	JAN 20/09
27-11-21- 1	3	JAN 20/09	27-11-21- 1	54	JAN 20/09
27-11-21- 1	4	JAN 20/09	27-11-21- 1	55	JAN 20/09
27-11-21- 1	5	JAN 20/09	27-11-21- 1	56	JAN 20/09
27-11-21- 1	6	JAN 20/09	27-11-21- 1	57	JAN 20/09
27-11-21- 1	7	JAN 20/09	27-11-21- 1	58	JAN 20/09
27-11-21- 1	8	JAN 20/09	27-11-21- 1	59	JAN 20/09
27-11-21- 1	9	JAN 20/09	27-11-21- 1	60	JAN 20/09
27-11-21- 1	10	JAN 20/09	27-11-21- 1	61	JAN 20/09
27-11-21- 1	11	JAN 20/09	27-11-21- 1	62	JAN 20/09
27-11-21- 1	12	JAN 20/09	27-11-21- 1	63	JAN 20/09
27-11-21- 1	13	JAN 20/09	27-11-21- 1	64	JAN 20/09
27-11-21- 1	14	JAN 20/09	27-11-21- 1	65	JAN 20/09
27-11-21- 1	15	JAN 20/09	27-11-21- 1	66	JAN 20/09
27-11-21- 1	16	JAN 20/09	27-11-21- 1	67	JAN 20/09
27-11-21- 1	17	JAN 20/09	27-11-21- 1	68	JAN 20/09
27-11-21- 1	18	JAN 20/09	27-11-21- 1	69	JAN 20/09
27-11-21- 1	19	JAN 20/09	27-11-21- 1	70	JAN 20/09
27-11-21- 1	20	JAN 20/09	27-11-21- 1	71	JAN 20/09
27-11-21- 1	21	JAN 20/09	27-11-21- 1	72	JAN 20/09
27-11-21- 1	22	JAN 20/09	27-11-21- 1	73	JAN 20/09
27-11-21- 1	23	JAN 20/09	27-11-21- 1	74	JAN 20/09

\* THE ASTERISK INDICATES PAGES CHANGED OR ADDED BY THE CURRENT REVISION

BRI  
MAY 20/09

27 - LIST OF EFFECTIVE PAGES  
PAGE 4



**757**  
**PARTS CATALOG (MAINTENANCE)**

CH-SECT-UNIT-FIG	PAGE NO.	DATE	CH-SECT-UNIT-FIG	PAGE NO.	DATE
27-11-21- 1	75	JAN 20/09	27-11-21- 1	126	JAN 20/09
27-11-21- 1	76	JAN 20/09	27-11-21- 1	127	JAN 20/09
27-11-21- 1	77	JAN 20/09	27-11-21- 1	128	JAN 20/09
27-11-21- 1	78	JAN 20/09	27-11-21- 1	129	JAN 20/09
27-11-21- 1	79	JAN 20/09	27-11-21- 1	130	JAN 20/09
27-11-21- 1	80	JAN 20/09	27-11-21- 1	131	JAN 20/09
27-11-21- 1	81	JAN 20/09	27-11-21- 1	132	JAN 20/09
27-11-21- 1	82	JAN 20/09	27-11-21- 1	133	JAN 20/09
27-11-21- 1	83	JAN 20/09	27-11-21- 1	134	JAN 20/09
27-11-21- 1	84	JAN 20/09	27-11-21- 1	135	JAN 20/09
27-11-21- 1	85	JAN 20/09	27-11-21- 1	136	JAN 20/09
27-11-21- 1	86	JAN 20/09	27-11-21- 1	137	JAN 20/09
27-11-21- 1	87	JAN 20/09	27-11-21- 1	138	JAN 20/09
27-11-21- 1	88	JAN 20/09	27-11-21- 1	139	JAN 20/09
27-11-21- 1	89	JAN 20/09	27-11-21- 1	140	JAN 20/09
27-11-21- 1	90	JAN 20/09	27-11-21- 1	141	JAN 20/09
27-11-21- 1	91	JAN 20/09	27-11-21- 1	142	JAN 20/09
27-11-21- 1	92	JAN 20/09	27-11-21- 1	143	JAN 20/09
27-11-21- 1	93	JAN 20/09	27-11-21- 1	144	JAN 20/09
27-11-21- 1	94	JAN 20/09	27-11-21- 1	145	JAN 20/09
27-11-21- 1	95	JAN 20/09	27-11-21- 1	146	JAN 20/09
27-11-21- 1	96	JAN 20/09	27-11-21- 1	147	JAN 20/09
27-11-21- 1	97	JAN 20/09	27-11-21- 1	148	JAN 20/09
27-11-21- 1	98	JAN 20/09	27-11-21- 1	149	JAN 20/09
27-11-21- 1	99	JAN 20/09	27-11-21- 1	150	JAN 20/09
27-11-21- 1	100	JAN 20/09	27-11-21- 1	151	JAN 20/09
27-11-21- 1	101	JAN 20/09	27-11-21- 1	152	JAN 20/09
27-11-21- 1	102	JAN 20/09	27-11-21- 1	153	JAN 20/09
27-11-21- 1	103	JAN 20/09	27-11-21- 1	154	JAN 20/09
27-11-21- 1	104	JAN 20/09	27-11-21- 1	155	JAN 20/09
27-11-21- 1	105	JAN 20/09	27-11-21- 1	156	JAN 20/09
27-11-21- 1	106	JAN 20/09	27-11-21- 1	157	JAN 20/09
27-11-21- 1	107	JAN 20/09	27-11-21- 1	158	JAN 20/09
27-11-21- 1	108	JAN 20/09	27-11-21- 1	159	JAN 20/09
27-11-21- 1	109	JAN 20/09	27-11-21- 1	160	JAN 20/09
27-11-21- 1	110	JAN 20/09	27-11-21- 1	161	JAN 20/09
27-11-21- 1	111	JAN 20/09	27-11-21- 1	162	JAN 20/09
27-11-21- 1	112	JAN 20/09	27-11-21- 1	163	JAN 20/09
27-11-21- 1	113	JAN 20/09	27-11-21- 1	164	JAN 20/09
27-11-21- 1	114	JAN 20/09	27-11-21- 1	165	JAN 20/09
27-11-21- 1	115	JAN 20/09	27-11-21- 1	166	JAN 20/09
27-11-21- 1	116	JAN 20/09	27-11-21- 1	167	JAN 20/09
27-11-21- 1	117	JAN 20/09	27-11-21- 1	168	JAN 20/09
27-11-21- 1	118	JAN 20/09	27-11-21- 1	169	JAN 20/09
27-11-21- 1	119	JAN 20/09	27-11-21- 1	170	JAN 20/09
27-11-21- 1	120	JAN 20/09	27-11-21- 1	171	JAN 20/09
27-11-21- 1	121	JAN 20/09	27-11-21- 1	172	JAN 20/09
27-11-21- 1	122	JAN 20/09	27-11-21- 1	173	JAN 20/09
27-11-21- 1	123	JAN 20/09	27-11-21- 1	174	JAN 20/09
27-11-21- 1	124	JAN 20/09	27-11-21- 1	175	JAN 20/09
27-11-21- 1	125	JAN 20/09	27-11-21- 1	176	JAN 20/09

\* THE ASTERISK INDICATES PAGES CHANGED OR ADDED BY THE CURRENT REVISION



757

PARTS CATALOG (MAINTENANCE)

CH-SECT-UNIT-FIG	PAGE NO.	DATE	CH-SECT-UNIT-FIG	PAGE NO.	DATE
27-11-21- 1	177	JAN 20/09	27-11-22- 6	3	JAN 20/09
27-11-21- 1	178	JAN 20/09	27-11-22- 6	4	JAN 20/09
27-11-21- 1	179	JAN 20/09	27-11-22- 6	5	JAN 20/09
27-11-21- 1	180	JAN 20/09	27-11-22-10	0	MAY 28/07
27-11-21- 1	181	JAN 20/09	27-11-22-10	0A	MAY 28/07
27-11-21- 1	182	JAN 20/09	27-11-22-10	1	JAN 20/09
27-11-21- 1	183	JAN 20/09	27-11-22-10	2	JAN 20/09
27-11-21- 1	184	JAN 20/09	27-11-22-10	3	JAN 20/09
27-11-21- 1	185	JAN 20/09	27-11-22-10	4	JAN 20/09
27-11-21- 1	186	JAN 20/09	27-11-22-10	5	JAN 20/09
27-11-22- 1	0	MAY 28/07	27-11-22-10	6	JAN 20/09
27-11-22- 1	0A	MAY 28/07	27-11-22-10	7	JAN 20/09
27-11-22- 1	0B	MAY 28/07	27-11-22-11	0	MAY 28/07
27-11-22- 1	1	JAN 20/09	27-11-22-11	1	JAN 20/09
27-11-22- 1	2	JAN 20/09	27-11-22-11	2	JAN 20/09
27-11-22- 1	3	JAN 20/09	27-11-22-11	3	JAN 20/09
27-11-22- 1	4	SEP 20/08	27-11-22-11	4	JAN 20/09
27-11-22- 1	5	JAN 20/09	27-11-22-12	0	JAN 20/09
27-11-22- 1	6	JAN 20/09	27-11-22-12	1	JAN 20/09
27-11-22- 1	7	JAN 20/09	27-11-22-12	2	JAN 20/09
27-11-22- 1	8	JAN 20/09	27-11-23- 1	0	MAY 28/07
27-11-22- 1	9	JAN 20/09	27-11-23- 1	1	JAN 20/09
27-11-22- 3	0	MAY 28/07	27-11-23- 1	2	JAN 20/09
27-11-22- 3	1	JAN 20/09	27-11-23- 2	0	MAY 28/07
27-11-22- 3	2	JAN 20/09	*27-11-23- 2	1	MAY 20/09
27-11-22- 3	3	JAN 20/09	27-11-23- 2	2	JAN 20/09
27-11-22- 3	4	JAN 20/09	27-11-23- 2	3	JAN 20/09
27-11-22- 3	5	JAN 20/09	27-11-23- 3	0	MAY 28/07
27-11-22- 3	6	JAN 20/09	27-11-23- 3	1	JAN 20/09
27-11-22- 3	7	JAN 20/09	*27-11-23- 3	2	MAY 20/09
27-11-22- 4	0	MAY 28/07	27-11-23- 3	3	JAN 20/09
27-11-22- 4	1	JAN 20/09	27-11-51-28	0	MAY 28/07
27-11-22- 4	2	JAN 20/09	27-11-51-28	0A	MAY 28/07
27-11-22- 4	3	JAN 20/09	27-11-51-28	1	JAN 20/09
27-11-22- 4	4	JAN 20/09	27-11-51-28	2	JAN 20/09
27-11-22- 5	0	MAY 28/07	27-11-51-28	3	JAN 20/09
27-11-22- 5	0A	MAY 28/07	27-11-51-28	4	JAN 20/09
27-11-22- 5	1	JAN 20/09	27-11-51-28	5	JAN 20/09
27-11-22- 5	2	JAN 20/09	27-11-51-28	6	JAN 20/09
27-11-22- 5	3	JAN 20/09	27-11-51-28	7	JAN 20/09
27-11-22- 5	4	JAN 20/09	27-11-51-28	8	JAN 20/09
27-11-22- 5	5	JAN 20/09	27-11-51-28	9	JAN 20/09
27-11-22- 5	6	JAN 20/09	27-11-51-28	10	JAN 20/09
27-11-22- 5	7	JAN 20/09	27-11-51-28	11	JAN 20/09
27-11-22- 5	8	JAN 20/09	27-11-51-28	12	JAN 20/09
27-11-22- 5	9	JAN 20/09	27-11-51-28	13	JAN 20/09
27-11-22- 5	10	JAN 20/09	27-11-51-28	14	JAN 20/09
27-11-22- 6	0	MAY 28/07	27-11-51-28A	0	MAY 28/07
27-11-22- 6	0A	MAY 28/07	27-11-51-28A	0A	MAY 28/07
27-11-22- 6	1	JAN 20/09	27-11-51-28A	0B	MAY 28/07
27-11-22- 6	2	JAN 20/09	27-11-51-28A	0C	MAY 28/07

\* THE ASTERISK INDICATES PAGES CHANGED OR ADDED BY THE CURRENT REVISION


**BOEING**  
 757  
**PARTS CATALOG (MAINTENANCE)**

CH-SECT-UNIT-FIG	PAGE NO.	DATE	CH-SECT-UNIT-FIG	PAGE NO.	DATE
27-11-51-28A	0D	MAY 28/07	27-20-00- 1	3	JAN 20/09
27-11-51-28A	0E	MAY 28/07	27-20-00- 1	4	JAN 20/09
27-11-51-28A	0F	MAY 28/07	27-20-00- 1	5	JAN 20/09
27-11-51-28A	1	JAN 20/09	27-20-50- 1	0	MAY 28/07
27-11-51-28A	2	JAN 20/09	27-20-50- 1	1	JAN 20/09
27-11-51-28A	3	JAN 20/09	27-20-50- 1	2	JAN 20/09
27-11-51-28A	4	JAN 20/09	27-20-50- 1	3	JAN 20/09
27-11-51-28A	5	JAN 20/09	27-21-00	1	MAY 28/07
27-11-51-28A	6	JAN 20/09	27-21-02- 1	0	MAY 28/07
27-11-51-28A	7	JAN 20/09	27-21-02- 1	0A	MAY 28/07
27-11-51-28A	8	JAN 20/09	27-21-02- 1	1	JAN 20/09
27-11-51-28A	9	JAN 20/09	27-21-02- 1	2	JAN 20/09
27-11-54- 2	0	MAY 28/07	27-21-02- 1	3	JAN 20/09
27-11-54- 2	0A	MAY 28/07	27-21-02- 1	4	JAN 20/09
27-11-54- 2	0B	MAY 28/07	27-21-02- 1	5	JAN 20/09
27-11-54- 2	1	JAN 20/09	27-21-02- 1	6	JAN 20/09
27-11-54- 2	2	JAN 20/09	27-21-02- 2	0	MAY 28/07
27-11-54- 2	3	JAN 20/09	27-21-02- 2	0A	MAY 28/07
27-11-54- 2	4	JAN 20/09	27-21-02- 2	0B	MAY 28/07
27-11-54- 2	5	JAN 20/09	27-21-02- 2	1	JAN 20/09
27-11-54- 2	6	JAN 20/09	27-21-02- 2	2	JAN 20/09
27-11-54- 2	7	JAN 20/09	27-21-02- 2	3	JAN 20/09
27-11-54- 2	8	JAN 20/09	27-21-02- 2	4	JAN 20/09
27-11-54- 2	9	JAN 20/09	27-21-02- 2	5	JAN 20/09
27-18-00	1	MAY 28/07	27-21-02- 2	6	JAN 20/09
27-18-01- 1	0	MAY 28/07	27-21-02- 2	7	JAN 20/09
27-18-01- 1	1	JAN 20/09	27-21-02- 2	8	JAN 20/09
27-18-01- 1	2	JAN 20/09	27-21-02- 2	9	JAN 20/09
27-18-01- 1	3	JAN 20/09	27-21-02- 2	10	JAN 20/09
27-18-01- 1	4	JAN 20/09	27-21-02- 2	11	JAN 20/09
27-18-01- 1	5	JAN 20/09	27-21-02- 2	12	JAN 20/09
27-18-01- 1	6	JAN 20/09	*27-21-02- 2	13	MAY 20/09
27-18-01- 1	7	JAN 20/09	27-21-02- 2	14	JAN 20/09
27-18-01- 1	8	JAN 20/09	27-21-02- 2	15	JAN 20/09
27-18-01- 1	9	JAN 20/09	*27-21-02- 2	16	MAY 20/09
27-18-51- 1	0	MAY 28/07	*27-21-02- 2	17	MAY 20/09
27-18-51- 1	0A	MAY 28/07	*27-21-02- 2	18	MAY 20/09
27-18-51- 1	1	JAN 20/09	27-21-02- 2	19	JAN 20/09
27-18-51- 1	2	JAN 20/09	27-21-02- 2	20	JAN 20/09
27-18-51- 1	3	JAN 20/09	27-21-02- 2	21	JAN 20/09
27-18-51- 1A	0	JAN 20/09	*27-21-02- 2	22	MAY 20/09
27-18-51- 1A	0A	JAN 20/09	27-21-02- 2	23	JAN 20/09
27-18-51- 1A	1	JAN 20/09	27-21-02- 2	24	JAN 20/09
27-18-51- 1A	2	JAN 20/09	*27-21-02- 2	25	MAY 20/09
27-18-51- 2	0	JAN 20/09	27-21-05- 1	0	MAY 28/07
27-18-51- 2	1	JAN 20/09	27-21-05- 1	1	JAN 20/09
27-18-51- 2	2	JAN 20/09	*27-21-05- 1	2	MAY 20/09
27-20-00	1	MAY 28/07	27-21-05- 1	3	SEP 20/08
27-20-00- 1	0	MAY 28/07	27-21-05- 1	4	JAN 20/09
27-20-00- 1	1	JAN 20/09	27-21-05- 1	5	JAN 20/09
27-20-00- 1	2	JAN 20/09	*27-21-05- 1	6	MAY 20/09

\* THE ASTERISK INDICATES PAGES CHANGED OR ADDED BY THE CURRENT REVISION





**757**  
**PARTS CATALOG (MAINTENANCE)**

CH-SECT-UNIT-FIG	PAGE NO.	DATE	CH-SECT-UNIT-FIG	PAGE NO.	DATE
27-21-05- 1	7	JAN 20/09	27-21-12- 1	6	JAN 20/09
27-21-05- 1	8	JAN 20/09	27-21-12- 1	7	JAN 20/09
27-21-05- 1	9	JAN 20/09	27-21-12- 1	8	JAN 20/09
27-21-06- 1	0	MAY 28/07	27-21-12- 1	9	JAN 20/09
27-21-06- 1	0A	MAY 28/07	27-21-12- 1	10	JAN 20/09
27-21-06- 1	0B	MAY 28/07	27-21-12- 1	11	JAN 20/09
27-21-06- 1	0C	MAY 28/07	27-21-13- 1	0	MAY 28/07
27-21-06- 1	0D	MAY 28/07	27-21-13- 1	0A	MAY 28/07
27-21-06- 1	0E	MAY 28/07	27-21-13- 1	1	JAN 20/09
*27-21-06- 1	1	MAY 20/09	27-21-13- 1	2	JAN 20/09
27-21-06- 1	2	JAN 20/09	27-21-13- 1	3	JAN 20/09
27-21-06- 1	3	JAN 20/09	27-21-13- 1	4	JAN 20/09
*27-21-06- 1	4	MAY 20/09	27-21-13- 1	5	JAN 20/09
27-21-06- 1	5	JAN 20/09	27-21-13- 1	6	JAN 20/09
27-21-06- 1	6	JAN 20/09	27-21-13- 1	7	JAN 20/09
27-21-06- 1	7	JAN 20/09	27-21-13- 1	8	JAN 20/09
*27-21-06- 1	8	MAY 20/09	27-21-13- 1	9	JAN 20/09
27-21-06- 1	9	JAN 20/09	27-21-13- 1	10	JAN 20/09
27-21-06- 1	10	JAN 20/09	27-21-13- 1	11	JAN 20/09
*27-21-06- 1	11	MAY 20/09	27-21-13- 1	12	JAN 20/09
27-21-06- 1A	0	JAN 20/09	27-21-13- 1	13	JAN 20/09
27-21-06- 1A	0A	JAN 20/09	27-21-13- 1	14	JAN 20/09
27-21-06- 1A	1	JAN 20/09	27-21-13- 1	15	JAN 20/09
27-21-06- 1A	2	JAN 20/09	27-21-13- 1	16	JAN 20/09
27-21-06- 1A	3	JAN 20/09	27-21-13- 1	17	JAN 20/09
27-21-06- 1A	4	JAN 20/09	27-21-13- 1	18	JAN 20/09
27-21-06- 1A	5	JAN 20/09	27-21-13- 1	19	JAN 20/09
27-21-06- 1B	0	JAN 20/09	27-21-13- 1	20	JAN 20/09
27-21-06- 1B	0A	JAN 20/09	27-21-13- 1	21	JAN 20/09
27-21-06- 1B	0B	JAN 20/09	27-21-13- 1	22	JAN 20/09
27-21-06- 1B	0C	JAN 20/09	27-21-13- 1	23	JAN 20/09
27-21-06- 1B	0D	JAN 20/09	27-21-13- 1	24	JAN 20/09
27-21-06- 1B	0E	JAN 20/09	27-21-17- 1	0	MAY 28/07
27-21-06- 1B	0F	JAN 20/09	27-21-17- 1	0A	MAY 28/07
27-21-06- 1B	0G	JAN 20/09	27-21-17- 1	0B	MAY 28/07
27-21-06- 1B	1	JAN 20/09	27-21-17- 1	0C	SEP 20/08
27-21-06- 1B	2	JAN 20/09	27-21-17- 1	1	JAN 20/09
27-21-06- 1B	3	JAN 20/09	27-21-17- 1	2	JAN 20/09
27-21-06- 1B	4	JAN 20/09	27-21-17- 1	3	JAN 20/09
27-21-06- 1B	5	JAN 20/09	*27-21-17- 1	4	MAY 20/09
27-21-06- 1B	6	JAN 20/09	*27-21-17- 1	5	MAY 20/09
*27-21-06- 1B	7	MAY 20/09	*27-21-17- 1	6	MAY 20/09
*27-21-06- 1B	8	MAY 20/09	*27-21-17- 1	7	MAY 20/09
27-21-12- 1	0	MAY 28/07	27-21-17- 1	8	JAN 20/09
27-21-12- 1	0A	MAY 28/07	27-21-17- 1	9	JAN 20/09
27-21-12- 1	0B	MAY 28/07	27-21-17- 1	10	JAN 20/09
27-21-12- 1	1	JAN 20/09	27-21-17- 1	11	JAN 20/09
27-21-12- 1	2	JAN 20/09	27-21-17- 1	12	JAN 20/09
27-21-12- 1	3	JAN 20/09	27-21-17- 1	13	JAN 20/09
*27-21-12- 1	4	MAY 20/09	27-21-17- 1	14	JAN 20/09
27-21-12- 1	5	JAN 20/09	27-21-17- 1	15	JAN 20/09

\* THE ASTERISK INDICATES PAGES CHANGED OR ADDED BY THE CURRENT REVISION



757

PARTS CATALOG (MAINTENANCE)

CH-SECT-UNIT-FIG	PAGE NO.	DATE	CH-SECT-UNIT-FIG	PAGE NO.	DATE
27-21-17- 1	16	JAN 20/09	27-21-23- 3	3	JAN 20/09
27-21-17- 1	17	JAN 20/09	27-21-51- 2	0	MAY 28/07
27-21-17- 1	18	JAN 20/09	27-21-51- 2	0A	MAY 28/07
27-21-17- 1	19	JAN 20/09	27-21-51- 2	0B	MAY 28/07
27-21-20- 1	0	MAY 28/07	27-21-51- 2	1	JAN 20/09
27-21-20- 1	0A	MAY 28/07	27-21-51- 2	2	JAN 20/09
27-21-20- 1	0B	MAY 28/07	27-21-51- 2	3	JAN 20/09
27-21-20- 1	0C	MAY 28/07	27-21-51- 2	4	JAN 20/09
27-21-20- 1	0D	MAY 28/07	27-21-51- 2	5	JAN 20/09
27-21-20- 1	1	JAN 20/09	27-21-51- 2	6	JAN 20/09
27-21-20- 1	2	JAN 20/09	27-21-51- 2	7	JAN 20/09
27-21-20- 1	3	JAN 20/09	27-21-51- 2	8	JAN 20/09
27-21-20- 1	4	SEP 20/08	27-21-51- 2	9	JAN 20/09
27-21-20- 1	5	JAN 20/09	27-21-51- 2	10	JAN 20/09
27-21-20- 1	6	JAN 20/09	27-21-51- 2	11	JAN 20/09
27-21-20- 1	7	JAN 20/09	27-21-51- 2	12	JAN 20/09
27-21-20- 1	8	SEP 20/08	27-21-51- 2	13	JAN 20/09
27-21-20- 1	9	SEP 20/08	27-21-51- 4	0	MAY 28/07
27-21-20- 1	10	JAN 20/09	27-21-51- 4	1	JAN 20/09
27-21-20- 1	11	JAN 20/09	27-21-51- 4	2	JAN 20/09
27-21-20- 1	12	JAN 20/09	27-21-51- 4	3	JAN 20/09
27-21-20- 1	13	JAN 20/09	27-21-51- 5	0	MAY 28/07
27-21-20- 1	14	JAN 20/09	27-21-51- 5	0A	MAY 28/07
27-21-20- 1	15	JAN 20/09	27-21-51- 5	0B	MAY 28/07
27-21-20- 1	16	JAN 20/09	27-21-51- 5	1	JAN 20/09
27-21-20- 1	17	JAN 20/09	27-21-51- 5	2	SEP 20/08
*27-21-20- 1	18	MAY 20/09	27-21-51- 5	3	SEP 20/08
27-21-20- 1	19	JAN 20/09	27-21-51- 5	4	JAN 20/09
27-21-20- 1	20	JAN 20/09	27-21-51- 5	5	JAN 20/09
27-21-20- 1	21	JAN 20/09	27-21-51- 5	6	JAN 20/09
27-21-20- 1	22	JAN 20/09	27-21-51- 5	7	JAN 20/09
27-21-20- 1	23	JAN 20/09	27-21-51- 8	0	JAN 20/09
27-21-20- 1	24	JAN 20/09	27-21-51- 8	1	JAN 20/09
27-21-20- 1	25	JAN 20/09	27-21-51- 8	2	JAN 20/09
27-21-20- 1	26	JAN 20/09	27-21-51- 8	3	JAN 20/09
27-21-20- 1	27	JAN 20/09	27-21-51-15	0	MAY 28/07
27-21-20- 1	28	JAN 20/09	27-21-51-15	0A	MAY 28/07
27-21-20- 1	29	JAN 20/09	27-21-51-15	0B	MAY 28/07
27-21-20- 1	30	JAN 20/09	27-21-51-15	1	JAN 20/09
27-21-20- 1	31	JAN 20/09	27-21-51-15	2	JAN 20/09
27-21-20- 1	32	JAN 20/09	27-21-51-15	3	JAN 20/09
27-21-23- 1	0	MAY 28/07	27-21-51-15	4	JAN 20/09
27-21-23- 1	1	JAN 20/09	27-21-51-15	5	JAN 20/09
27-21-23- 1	2	JAN 20/09	27-21-51-15	6	JAN 20/09
27-21-23- 2	0	MAY 28/07	27-21-51-15	7	JAN 20/09
*27-21-23- 2	1	MAY 20/09	27-21-51-15	8	JAN 20/09
27-21-23- 2	2	JAN 20/09	27-21-51-15	9	JAN 20/09
27-21-23- 2	3	JAN 20/09	27-21-51-15	10	JAN 20/09
27-21-23- 3	0	MAY 28/07	27-21-51-15	11	JAN 20/09
27-21-23- 3	1	JAN 20/09	27-21-51-15	12	JAN 20/09
*27-21-23- 3	2	MAY 20/09	27-21-51-15	13	JAN 20/09

\* THE ASTERISK INDICATES PAGES CHANGED OR ADDED BY THE CURRENT REVISION


**BOEING**  
 757  
**PARTS CATALOG (MAINTENANCE)**

CH-SECT-UNIT-FIG	PAGE NO.	DATE	CH-SECT-UNIT-FIG	PAGE NO.	DATE
27-21-51-15	14	JAN 20/09	27-21-56- 1	6	JAN 20/09
27-21-51-15	15	JAN 20/09	27-21-56- 1	7	JAN 20/09
27-21-51-15	16	JAN 20/09	27-21-56- 1	8	JAN 20/09
27-21-51-15	17	JAN 20/09	27-21-56- 1	9	JAN 20/09
27-21-51-15	18	JAN 20/09	27-21-57- 1	0	MAY 28/07
27-21-51-15	19	JAN 20/09	27-21-57- 1	0A	MAY 28/07
27-21-51-15	20	JAN 20/09	27-21-57- 1	1	JAN 20/09
27-21-51-15	21	JAN 20/09	27-21-57- 1	2	JAN 20/09
27-21-51-15	22	JAN 20/09	27-21-57- 1	3	JAN 20/09
27-21-51-15	23	JAN 20/09	27-21-57- 1	4	JAN 20/09
27-21-51-15	24	JAN 20/09	27-21-57- 1	5	JAN 20/09
27-21-51-15	25	JAN 20/09	27-21-57- 1	6	JAN 20/09
27-21-51-15	26	JAN 20/09	27-21-57- 1	7	JAN 20/09
27-21-51-20A	0	MAY 28/07	27-21-57- 1	8	JAN 20/09
27-21-51-20A	1	JAN 20/09	27-21-57- 1	9	JAN 20/09
27-21-51-20A	2	JAN 20/09	27-21-57- 1	10	JAN 20/09
27-21-51-20A	3	JAN 20/09	27-21-57- 1	11	JAN 20/09
27-21-53- 1	0	MAY 28/07	27-21-57- 1	12	JAN 20/09
27-21-53- 1	1	JAN 20/09	27-21-57- 1	13	JAN 20/09
27-21-53- 1	2	JAN 20/09	27-21-57- 1	14	JAN 20/09
27-21-53- 2	0	MAY 28/07	27-21-57- 1	15	JAN 20/09
27-21-53- 2	1	JAN 20/09	27-21-57- 1	16	JAN 20/09
27-21-53- 2	2	JAN 20/09	27-21-57- 1	17	JAN 20/09
27-21-53- 2	3	JAN 20/09	27-21-57- 1	18	JAN 20/09
27-21-53- 2	4	JAN 20/09	27-21-57- 1	19	JAN 20/09
27-21-53- 2	5	JAN 20/09	27-21-57- 1	20	JAN 20/09
27-21-53- 2	6	JAN 20/09	27-21-57- 1	21	JAN 20/09
27-21-53- 2	7	JAN 20/09	27-21-57- 1	22	JAN 20/09
27-21-54- 1	0	MAY 28/07	27-21-57- 1	23	JAN 20/09
27-21-54- 1	0A	MAY 28/07	27-21-57- 1	24	JAN 20/09
27-21-54- 1	1	JAN 20/09	27-21-57- 1	25	JAN 20/09
27-21-54- 1	2	JAN 20/09	27-21-57- 1	26	JAN 20/09
27-21-54- 1	3	JAN 20/09	27-21-57- 1	27	JAN 20/09
27-21-54- 1	4	JAN 20/09	27-21-57- 1	28	JAN 20/09
27-21-54- 1	5	JAN 20/09	27-21-57- 1B	0	MAY 28/07
27-21-54- 1	6	JAN 20/09	27-21-57- 1B	1	JAN 20/09
27-21-54- 1	7	JAN 20/09	27-21-57- 1B	2	JAN 20/09
27-21-54- 1	8	JAN 20/09	27-23-00	1	MAY 28/07
27-21-54- 1	9	JAN 20/09	27-23-00- 1	0	MAY 28/07
27-21-54- 1A	0	MAY 28/07	27-23-00- 1	0A	MAY 28/07
27-21-54- 1A	0A	MAY 28/07	27-23-00- 1	0B	MAY 28/07
27-21-54- 1A	1	JAN 20/09	27-23-00- 1	0C	MAY 28/07
27-21-54- 1A	2	JAN 20/09	27-23-00- 1	1	JAN 20/09
27-21-54- 1A	3	JAN 20/09	27-23-00- 1	2	JAN 20/09
27-21-56- 1	0	MAY 28/07	27-23-00- 1	3	JAN 20/09
27-21-56- 1	0A	MAY 28/07	27-23-00- 1	4	JAN 20/09
27-21-56- 1	1	JAN 20/09	27-23-00- 1	5	JAN 20/09
27-21-56- 1	2	JAN 20/09	27-23-00- 1	6	JAN 20/09
27-21-56- 1	3	JAN 20/09	27-23-00- 1	7	JAN 20/09
27-21-56- 1	4	JAN 20/09	27-23-00- 1	8	JAN 20/09
27-21-56- 1	5	JAN 20/09	27-23-00- 1	9	JAN 20/09

\* THE ASTERISK INDICATES PAGES CHANGED OR ADDED BY THE CURRENT REVISION


**BOEING**  
 757  
**PARTS CATALOG (MAINTENANCE)**

CH-SECT-UNIT-FIG	PAGE NO.	DATE	CH-SECT-UNIT-FIG	PAGE NO.	DATE
27-23-00- 1	10	JAN 20/09	27-23-01- 1	4	JAN 20/09
27-23-00- 1	11	JAN 20/09	27-23-01- 1	5	JAN 20/09
27-23-00- 1	12	JAN 20/09	27-23-01- 1	6	JAN 20/09
27-23-00- 1	13	JAN 20/09	27-23-01- 1	7	MAY 20/09
27-23-00- 1	14	JAN 20/09	*27-23-01- 1	8	JAN 20/09
27-23-00- 1	15	JAN 20/09	27-23-01- 1	9	MAY 20/09
27-23-00- 1	16	JAN 20/09	*27-23-01- 1	10	MAY 20/09
27-23-00- 1	17	JAN 20/09	*27-23-01- 1	11	MAY 20/09
27-23-00- 1	18	JAN 20/09	*27-23-01- 1	12	MAY 20/09
27-23-00- 1	19	JAN 20/09	*27-23-01- 1	13	MAY 20/09
27-23-00- 1	20	JAN 20/09	*27-23-01- 1	14	MAY 20/09
27-23-00- 1	21	JAN 20/09	27-23-01- 2	0	MAY 28/07
27-23-00- 1	22	JAN 20/09	27-23-01- 2	1	JAN 20/09
27-23-00- 1	23	JAN 20/09	27-23-01- 2	2	JAN 20/09
27-23-00- 1	24	JAN 20/09	27-23-01- 2	3	JAN 20/09
27-23-00- 1	25	JAN 20/09	27-23-01- 2	4	JAN 20/09
27-23-00- 1	26	JAN 20/09	*27-23-01- 2	5	MAY 20/09
27-23-00- 1	27	JAN 20/09	*27-23-01- 2	6	MAY 20/09
27-23-00- 2	0	MAY 28/07	*27-23-01- 2	7	MAY 20/09
27-23-00- 2	0A	MAY 28/07	*27-23-01- 2	8	MAY 20/09
27-23-00- 2	0B	MAY 28/07	*27-23-01- 2	9	MAY 20/09
27-23-00- 2	1	JAN 20/09	*27-23-01- 2	10	MAY 20/09
27-23-00- 2	2	JAN 20/09	27-23-01- 3	0	MAY 28/07
27-23-00- 2	3	JAN 20/09	27-23-01- 3	0A	MAY 28/07
27-23-00- 2	4	JAN 20/09	27-23-01- 3	1	JAN 20/09
27-23-00- 2	5	JAN 20/09	27-23-01- 3	2	JAN 20/09
27-23-00- 2	6	JAN 20/09	27-23-01- 3	3	JAN 20/09
27-23-00- 2	7	JAN 20/09	*27-23-01- 3	4	MAY 20/09
27-23-00- 2	8	JAN 20/09	*27-23-01- 3	5	MAY 20/09
27-23-00- 2	9	JAN 20/09	*27-23-01- 3	6	MAY 20/09
27-23-00- 2	10	JAN 20/09	*27-23-01- 3	7	MAY 20/09
27-23-00- 2	11	JAN 20/09	*27-23-01- 3	8	MAY 20/09
27-23-00- 2	12	JAN 20/09	*27-23-01- 3	9	MAY 20/09
27-23-00- 2	13	JAN 20/09	27-23-02- 1	0	MAY 28/07
27-23-00- 2	14	JAN 20/09	27-23-02- 1	1	JAN 20/09
27-23-00- 2	15	JAN 20/09	27-23-02- 1	2	JAN 20/09
27-23-00- 2	16	JAN 20/09	27-23-02- 1B	0	MAY 28/07
27-23-00- 2	17	JAN 20/09	27-23-02- 1B	1	JAN 20/09
27-23-00- 2	18	JAN 20/09	27-23-02- 8	0	JAN 20/09
27-23-00- 2	19	JAN 20/09	27-23-02- 8	1	JAN 20/09
27-23-00- 2	20	JAN 20/09	27-23-51- 1	0	MAY 28/07
27-23-00- 2	21	JAN 20/09	27-23-51- 1	0A	MAY 28/07
27-23-00- 2	22	JAN 20/09	27-23-51- 1	1	JAN 20/09
27-23-00- 2	23	JAN 20/09	27-23-51- 1	2	JAN 20/09
27-23-00- 2	24	JAN 20/09	27-23-51- 1	3	JAN 20/09
27-23-00- 2	25	JAN 20/09	27-23-51- 1	4	JAN 20/09
27-23-01- 1	0	MAY 28/07	27-23-51- 1	5	JAN 20/09
27-23-01- 1	0A	MAY 28/07	27-23-51- 1	6	JAN 20/09
27-23-01- 1	1	JAN 20/09	27-23-51- 1	7	JAN 20/09
27-23-01- 1	2	JAN 20/09	27-23-51- 1	8	JAN 20/09
27-23-01- 1	3	JAN 20/09	27-23-51- 1	9	JAN 20/09

\* THE ASTERISK INDICATES PAGES CHANGED OR ADDED BY THE CURRENT REVISION



**757**  
**PARTS CATALOG (MAINTENANCE)**

CH-SECT-UNIT-FIG	PAGE NO.	DATE	CH-SECT-UNIT-FIG	PAGE NO.	DATE
27-23-51- 1	10	JAN 20/09	27-23-51-31	8	JAN 20/09
27-23-51- 1	11	JAN 20/09	27-23-51-31	9	JAN 20/09
27-23-51- 1	12	JAN 20/09	27-23-51-31	10	JAN 20/09
27-23-51- 2	0	MAY 28/07	27-23-51-31	11	JAN 20/09
27-23-51- 2	0A	MAY 28/07	27-23-51-31	12	JAN 20/09
27-23-51- 2	1	JAN 20/09	27-23-51-31	13	JAN 20/09
27-23-51- 2	2	JAN 20/09	27-23-51-31A	0	MAY 28/07
27-23-51- 2	3	JAN 20/09	27-23-51-31A	0A	MAY 28/07
27-23-51- 2	4	JAN 20/09	27-23-51-31A	0B	MAY 28/07
27-23-51- 2	5	JAN 20/09	27-23-51-31A	0C	MAY 28/07
27-23-51- 2	6	JAN 20/09	27-23-51-31A	0D	MAY 28/07
27-23-51-20	0	MAY 28/07	27-23-51-31A	1	JAN 20/09
27-23-51-20	1	JAN 20/09	27-23-51-31A	2	JAN 20/09
27-23-51-20	2	JAN 20/09	27-23-51-31A	3	JAN 20/09
27-23-51-20	3	JAN 20/09	27-23-51-31A	4	JAN 20/09
27-23-51-20	4	JAN 20/09	27-23-51-31A	5	JAN 20/09
27-23-51-30	0	MAY 28/07	27-23-51-31A	6	JAN 20/09
27-23-51-30	0A	MAY 28/07	27-23-51-31A	7	JAN 20/09
27-23-51-30	0B	MAY 28/07	27-23-51-31A	8	JAN 20/09
27-23-51-30	1	JAN 20/09	27-23-51-31A	9	JAN 20/09
27-23-51-30	2	JAN 20/09	27-23-51-31A	10	JAN 20/09
27-23-51-30	3	JAN 20/09	27-23-51-31A	11	JAN 20/09
27-23-51-30	4	JAN 20/09	27-28-00	1	MAY 28/07
27-23-51-30	5	JAN 20/09	27-28-01- 1	0	MAY 28/07
27-23-51-30	6	JAN 20/09	27-28-01- 1	0A	MAY 28/07
27-23-51-30	7	JAN 20/09	27-28-01- 1	1	JAN 20/09
27-23-51-30	8	JAN 20/09	27-28-01- 1	2	JAN 20/09
27-23-51-30	9	JAN 20/09	27-28-01- 1	3	JAN 20/09
27-23-51-30	10	JAN 20/09	27-28-01- 1	4	JAN 20/09
27-23-51-30	11	JAN 20/09	27-28-01- 1	5	JAN 20/09
27-23-51-30	12	JAN 20/09	27-28-01- 1	6	SEP 20/08
27-23-51-30A	0	MAY 28/07	27-28-01- 1	7	JAN 20/09
27-23-51-30A	0A	MAY 28/07	27-28-01- 1	8	JAN 20/09
27-23-51-30A	1	JAN 20/09	27-28-01- 1	9	JAN 20/09
27-23-51-30A	2	JAN 20/09	27-28-01- 1	10	JAN 20/09
27-23-51-30A	3	JAN 20/09	27-28-02- 1	0	MAY 28/07
27-23-51-30A	4	JAN 20/09	27-28-02- 1	1	JAN 20/09
27-23-51-30A	5	JAN 20/09	27-28-02- 1	2	JAN 20/09
27-23-51-30A	6	JAN 20/09	27-28-02- 1	3	JAN 20/09
27-23-51-31	0	MAY 28/07	27-28-02- 1A	0	MAY 28/07
27-23-51-31	0A	MAY 28/07	27-28-02- 1A	1	JAN 20/09
27-23-51-31	0B	MAY 28/07	27-28-02- 1A	2	JAN 20/09
27-23-51-31	0C	MAY 28/07	27-28-02- 1A	3	JAN 20/09
27-23-51-31	0D	MAY 28/07	27-28-02- 1A	4	JAN 20/09
27-23-51-31	1	JAN 20/09	27-30-00	1	MAY 28/07
27-23-51-31	2	JAN 20/09	27-30-00- 1A	0	MAY 28/07
27-23-51-31	3	JAN 20/09	27-30-00- 1A	1	JAN 20/09
27-23-51-31	4	JAN 20/09	27-30-00- 1A	2	JAN 20/09
27-23-51-31	5	JAN 20/09	27-31-00	1	MAY 28/07
27-23-51-31	6	JAN 20/09	27-31-00- 1	0	MAY 28/07
27-23-51-31	7	JAN 20/09	27-31-00- 1	1	JAN 20/09

\* THE ASTERISK INDICATES PAGES CHANGED OR ADDED BY THE CURRENT REVISION

BRI  
MAY 20/09

27 - LIST OF EFFECTIVE PAGES  
PAGE 12



757

PARTS CATALOG (MAINTENANCE)

CH-SECT-UNIT-FIG	PAGE NO.	DATE	CH-SECT-UNIT-FIG	PAGE NO.	DATE
27-31-00- 1	2	JAN 20/09	*27-31-05- 1	12	MAY 20/09
27-31-00- 2	0	MAY 28/07	*27-31-05- 1	13	MAY 20/09
27-31-00- 2	0A	MAY 28/07	27-31-05- 1	14	JAN 20/09
27-31-00- 2	0B	MAY 28/07	27-31-05- 1	15	JAN 20/09
27-31-00- 2	0C	MAY 28/07	27-31-05- 1	16	JAN 20/09
27-31-00- 2	1	JAN 20/09	27-31-05- 1	17	JAN 20/09
27-31-00- 2	2	JAN 20/09	*27-31-05- 1	18	MAY 20/09
27-31-00- 2	3	JAN 20/09	27-31-05- 1	19	JAN 20/09
27-31-00- 2	4	JAN 20/09	*27-31-05- 1	20	MAY 20/09
27-31-00- 2	5	JAN 20/09	27-31-05- 1	21	JAN 20/09
27-31-00- 2	6	JAN 20/09	27-31-05- 1	22	JAN 20/09
27-31-00- 2	7	JAN 20/09	27-31-05- 1	23	JAN 20/09
27-31-00- 2	8	JAN 20/09	27-31-05- 1	24	JAN 20/09
27-31-00- 2	9	JAN 20/09	27-31-05- 1	25	JAN 20/09
27-31-00- 2	10	JAN 20/09	27-31-05- 1	26	JAN 20/09
27-31-00- 2	11	JAN 20/09	27-31-05- 1	27	JAN 20/09
27-31-00- 3	0	MAY 28/07	27-31-05- 1	28	JAN 20/09
27-31-00- 3	0A	MAY 28/07	27-31-05- 1	29	JAN 20/09
27-31-00- 3	0B	MAY 28/07	27-31-05- 1	30	JAN 20/09
27-31-00- 3	1	JAN 20/09	27-31-05- 1	31	JAN 20/09
27-31-00- 3	2	JAN 20/09	*27-31-05- 1	32	MAY 20/09
27-31-00- 3	3	JAN 20/09	27-31-05- 1	33	JAN 20/09
27-31-00- 3	4	JAN 20/09	27-31-05- 1	34	JAN 20/09
27-31-02- 1	0	MAY 28/07	27-31-05- 1	35	JAN 20/09
27-31-02- 1	1	JAN 20/09	27-31-05- 1	36	JAN 20/09
27-31-02- 2	0	MAY 28/07	27-31-05- 1	37	JAN 20/09
27-31-02- 2	1	JAN 20/09	27-31-05- 1	38	JAN 20/09
27-31-02- 2	2	JAN 20/09	27-31-05- 1	39	JAN 20/09
27-31-03- 1	0	MAY 28/07	27-31-05- 1	40	JAN 20/09
27-31-03- 1	1	SEP 20/08	27-31-05- 1	41	JAN 20/09
27-31-03- 1	2	SEP 20/08	27-31-05- 1	42	JAN 20/09
27-31-05- 1	0	MAY 28/07	27-31-05- 1	43	JAN 20/09
27-31-05- 1	0A	MAY 28/07	27-31-05- 1	44	JAN 20/09
27-31-05- 1	0B	MAY 28/07	27-31-10- 1	0	MAY 28/07
27-31-05- 1	0C	MAY 28/07	27-31-10- 1	0A	MAY 28/07
27-31-05- 1	0D	MAY 28/07	27-31-10- 1	0B	MAY 28/07
27-31-05- 1	0E	MAY 28/07	27-31-10- 1	0C	MAY 28/07
27-31-05- 1	0F	MAY 28/07	27-31-10- 1	1	JAN 20/09
27-31-05- 1	0G	MAY 28/07	27-31-10- 1	2	JAN 20/09
27-31-05- 1	0H	MAY 28/07	*27-31-10- 1	3	MAY 20/09
*27-31-05- 1	1	MAY 20/09	27-31-10- 1	4	JAN 20/09
*27-31-05- 1	2	MAY 20/09	27-31-10- 1	5	JAN 20/09
*27-31-05- 1	3	MAY 20/09	27-31-10- 1	6	JAN 20/09
27-31-05- 1	4	JAN 20/09	27-31-10- 1	7	JAN 20/09
27-31-05- 1	5	JAN 20/09	27-31-10- 1	8	JAN 20/09
*27-31-05- 1	6	MAY 20/09	27-31-10- 1	9	JAN 20/09
27-31-05- 1	7	JAN 20/09	27-31-10- 1	10	JAN 20/09
*27-31-05- 1	8	MAY 20/09	27-31-10- 1	11	JAN 20/09
*27-31-05- 1	9	MAY 20/09	27-31-10- 1	12	JAN 20/09
*27-31-05- 1	10	MAY 20/09	27-31-10- 1	13	JAN 20/09
27-31-05- 1	11	JAN 20/09	27-31-10- 1	14	JAN 20/09

\* THE ASTERISK INDICATES PAGES CHANGED OR ADDED BY THE CURRENT REVISION

BRI  
MAY 20/09

27 - LIST OF EFFECTIVE PAGES  
PAGE 13



**757**  
**PARTS CATALOG (MAINTENANCE)**

CH-SECT-UNIT-FIG	PAGE NO.	DATE	CH-SECT-UNIT-FIG	PAGE NO.	DATE
27-31-10- 1	15	JAN 20/09	27-31-16- 1	4	JAN 20/09
27-31-10- 1	16	JAN 20/09	27-31-16- 1	5	JAN 20/09
27-31-10- 1	17	JAN 20/09	*27-31-16- 1	6	MAY 20/09
27-31-10- 1	18	JAN 20/09	27-31-16- 1	7	JAN 20/09
27-31-10- 1	19	JAN 20/09	*27-31-16- 1	8	MAY 20/09
27-31-10- 1	20	JAN 20/09	*27-31-16- 1	9	MAY 20/09
27-31-10- 1	21	JAN 20/09	27-31-17- 1	0	MAY 28/07
27-31-10- 1	22	JAN 20/09	27-31-17- 1	0A	MAY 28/07
27-31-10- 1	23	JAN 20/09	27-31-17- 1	0B	MAY 28/07
27-31-10- 1	24	JAN 20/09	27-31-17- 1	0C	MAY 28/07
27-31-10- 1	25	JAN 20/09	27-31-17- 1	0D	MAY 28/07
27-31-10- 1	26	JAN 20/09	27-31-17- 1	1	SEP 20/08
27-31-10- 1	27	JAN 20/09	27-31-17- 1	2	SEP 20/08
27-31-10- 1	28	JAN 20/09	27-31-17- 1	3	SEP 20/08
27-31-10- 1	29	JAN 20/09	27-31-17- 1	4	JAN 20/09
*27-31-10- 1	30	MAY 20/09	27-31-17- 1	5	JAN 20/09
27-31-10- 1	31	JAN 20/09	27-31-17- 1	6	JAN 20/09
27-31-12- 1	0	MAY 28/07	27-31-17- 1	7	JAN 20/09
27-31-12- 1	0A	MAY 28/07	*27-31-17- 1	8	MAY 20/09
27-31-12- 1	1	JAN 20/09	*27-31-17- 1	9	MAY 20/09
27-31-12- 1	2	JAN 20/09	*27-31-17- 1	10	MAY 20/09
27-31-12- 1	3	SEP 20/08	*27-31-17- 1	11	MAY 20/09
27-31-12- 1	4	SEP 20/08	27-31-18- 1	0	MAY 28/07
27-31-12- 1	5	JAN 20/09	27-31-18- 1	1	SEP 20/08
27-31-12- 1	6	JAN 20/09	27-31-18- 1	2	SEP 20/08
27-31-12- 1	7	JAN 20/09	27-31-18- 1	3	JAN 20/09
*27-31-12- 1	8	MAY 20/09	27-31-18- 1	4	JAN 20/09
27-31-12- 1	9	JAN 20/09	27-31-18- 1	5	JAN 20/09
27-31-12- 1	10	SEP 20/08	27-31-18- 1	6	JAN 20/09
27-31-13- 1	0	MAY 28/07	27-31-18- 1	7	JAN 20/09
27-31-13- 1	1	JAN 20/09	27-31-18- 1	8	JAN 20/09
27-31-13- 1	2	JAN 20/09	27-31-18- 1	9	JAN 20/09
27-31-13- 1	3	SEP 20/08	27-31-18- 1	10	SEP 20/08
27-31-13- 1	4	JAN 20/09	27-31-19- 1	0	MAY 28/07
27-31-13- 1	5	JAN 20/09	27-31-19- 1	1	JAN 20/09
27-31-13- 5	0	MAY 28/07	27-31-19- 1	2	JAN 20/09
27-31-13- 5	1	JAN 20/09	27-31-19-50	0	MAY 28/07
27-31-13- 5	2	JAN 20/09	27-31-19-50	0A	MAY 28/07
27-31-13- 5	3	JAN 20/09	27-31-19-50	0B	MAY 28/07
27-31-13- 5	4	JAN 20/09	27-31-19-50	1	SEP 20/08
27-31-13- 5	5	JAN 20/09	27-31-19-50	2	SEP 20/08
27-31-15- 1	0	MAY 28/07	27-31-19-50	3	JAN 20/09
27-31-15- 1	0A	MAY 28/07	27-31-19-50	4	JAN 20/09
27-31-15- 1	1	JAN 20/09	27-31-19-50	5	JAN 20/09
27-31-15- 1	2	JAN 20/09	27-31-19-50	6	SEP 20/08
27-31-16- 1	0	JAN 20/09	27-31-19-50	7	SEP 20/08
27-31-16- 1	0A	MAY 28/07	27-31-21- 1	0	MAY 28/07
27-31-16- 1	0B	JAN 20/09	27-31-21- 1	0A	MAY 28/07
27-31-16- 1	1	JAN 20/09	27-31-21- 1	0B	MAY 28/07
27-31-16- 1	2	JAN 20/09	27-31-21- 1	1	JAN 20/09
27-31-16- 1	3	JAN 20/09	27-31-21- 1	2	JAN 20/09

\* THE ASTERISK INDICATES PAGES CHANGED OR ADDED BY THE CURRENT REVISION

BRI  
MAY 20/09

27 - LIST OF EFFECTIVE PAGES  
PAGE 14



**757**  
**PARTS CATALOG (MAINTENANCE)**

CH-SECT-UNIT-FIG	PAGE NO.	DATE	CH-SECT-UNIT-FIG	PAGE NO.	DATE
27-31-21- 1	3	JAN 20/09	27-31-51- 8	9	JAN 20/09
27-31-21- 1	4	JAN 20/09	27-31-51- 8	10	JAN 20/09
27-31-21- 1	5	JAN 20/09	27-31-51- 8	11	JAN 20/09
27-31-21- 1	6	JAN 20/09	27-31-51- 9	0	MAY 28/07
27-31-21- 1	7	JAN 20/09	27-31-51- 9	0A	MAY 28/07
27-31-21- 2	0	MAY 28/07	27-31-51- 9	1	JAN 20/09
27-31-21- 2	1	JAN 20/09	27-31-51- 9	2	JAN 20/09
27-31-21- 2	2	SEP 20/08	27-31-51- 9	3	JAN 20/09
27-31-21-10	0	MAY 28/07	27-31-51- 9	4	JAN 20/09
27-31-21-10	0A	MAY 28/07	27-31-51- 9	5	JAN 20/09
27-31-21-10	1	JAN 20/09	27-31-51- 9	6	JAN 20/09
27-31-21-10	2	JAN 20/09	27-31-51- 9	7	JAN 20/09
27-31-21-10	3	JAN 20/09	27-31-51-15	0	MAY 28/07
27-31-21-10	4	JAN 20/09	27-31-51-15	0A	MAY 28/07
*27-31-21-10	5	MAY 20/09	27-31-51-15	0B	MAY 28/07
*27-31-21-10	6	MAY 20/09	27-31-51-15	0C	MAY 28/07
*27-31-21-10	7	MAY 20/09	27-31-51-15	1	JAN 20/09
*27-31-21-10	8	MAY 20/09	27-31-51-15	2	JAN 20/09
27-31-23- 1	0	SEP 20/08	27-31-51-15	3	JAN 20/09
*27-31-23- 1	1	MAY 20/09	27-31-51-15	4	JAN 20/09
27-31-23- 1	2	JAN 20/09	27-31-51-15	5	JAN 20/09
*27-31-23- 1	3	MAY 20/09	27-31-51-15	6	JAN 20/09
27-31-51- 1	0	MAY 28/07	27-31-51-15	7	JAN 20/09
27-31-51- 1	1	JAN 20/09	27-31-51-15	8	JAN 20/09
27-31-51- 1	2	JAN 20/09	27-31-51-15	9	JAN 20/09
27-31-51- 1	3	SEP 20/08	27-31-51-15	10	JAN 20/09
27-31-51- 1	4	JAN 20/09	27-31-51-15	11	JAN 20/09
27-31-51- 1	5	JAN 20/09	27-31-51-15	12	JAN 20/09
27-31-51- 1	6	JAN 20/09	27-31-51-15	13	JAN 20/09
27-31-51- 4	0	JAN 20/09	27-31-51-15	14	JAN 20/09
27-31-51- 4	0A	JAN 20/09	27-31-51-15	15	JAN 20/09
27-31-51- 4	0B	JAN 20/09	27-31-51-15	16	JAN 20/09
27-31-51- 4	0C	JAN 20/09	27-31-51-15	17	JAN 20/09
27-31-51- 4	0D	JAN 20/09	27-31-51-15	18	JAN 20/09
27-31-51- 4	0E	JAN 20/09	27-31-51-15	19	JAN 20/09
27-31-51- 4	0F	JAN 20/09	27-31-51-15	20	JAN 20/09
27-31-51- 4	0G	JAN 20/09	27-31-51-15	21	JAN 20/09
27-31-51- 4	1	JAN 20/09	27-31-51-15	22	JAN 20/09
27-31-51- 7	0	MAY 28/07	27-31-51-15	23	JAN 20/09
27-31-51- 7	1	JAN 20/09	27-31-51-15	24	JAN 20/09
27-31-51- 7	2	JAN 20/09	27-31-51-15	25	JAN 20/09
27-31-51- 8	0	MAY 28/07	27-31-51-15	26	JAN 20/09
27-31-51- 8	0A	MAY 28/07	27-31-51-15	27	JAN 20/09
27-31-51- 8	1	JAN 20/09	27-31-51-15	28	JAN 20/09
27-31-51- 8	2	JAN 20/09	27-31-51-15	29	JAN 20/09
27-31-51- 8	3	JAN 20/09	27-31-51-15	30	JAN 20/09
27-31-51- 8	4	JAN 20/09	27-31-51-15	31	JAN 20/09
27-31-51- 8	5	JAN 20/09	27-31-51-15	32	JAN 20/09
27-31-51- 8	6	JAN 20/09	27-31-51-15A	0	MAY 28/07
27-31-51- 8	7	JAN 20/09	27-31-51-15A	0A	MAY 28/07
27-31-51- 8	8	JAN 20/09	27-31-51-15A	0B	MAY 28/07

\* THE ASTERISK INDICATES PAGES CHANGED OR ADDED BY THE CURRENT REVISION




**BOEING**  
 757  
**PARTS CATALOG (MAINTENANCE)**

CH-SECT-UNIT-FIG	PAGE NO.	DATE	CH-SECT-UNIT-FIG	PAGE NO.	DATE
27-31-51-15A	0C	MAY 28/07	27-31-51-16	29	JAN 20/09
27-31-51-15A	0D	MAY 28/07	27-31-51-16	30	JAN 20/09
27-31-51-15A	0E	MAY 28/07	27-31-51-16	31	JAN 20/09
27-31-51-15A	0F	MAY 28/07	27-31-51-16	32	JAN 20/09
27-31-51-15A	1	JAN 20/09	27-31-51-16A	0	MAY 28/07
27-31-51-15A	2	JAN 20/09	27-31-51-16A	0A	MAY 28/07
27-31-51-15A	3	JAN 20/09	27-31-51-16A	0B	MAY 28/07
27-31-51-15A	4	JAN 20/09	27-31-51-16A	0C	MAY 28/07
27-31-51-15A	5	JAN 20/09	27-31-51-16A	0D	MAY 28/07
27-31-51-15A	6	JAN 20/09	27-31-51-16A	0E	MAY 28/07
27-31-51-15A	7	JAN 20/09	27-31-51-16A	0F	MAY 28/07
27-31-51-15A	8	JAN 20/09	27-31-51-16A	1	JAN 20/09
27-31-51-15A	9	JAN 20/09	27-31-51-16A	2	JAN 20/09
27-31-51-15A	10	JAN 20/09	27-31-51-16A	3	JAN 20/09
27-31-51-15A	11	JAN 20/09	27-31-51-16A	4	JAN 20/09
27-31-51-15A	12	JAN 20/09	27-31-51-16A	5	JAN 20/09
27-31-51-15A	13	JAN 20/09	27-31-51-16A	6	JAN 20/09
27-31-51-15A	14	JAN 20/09	27-31-51-16A	7	JAN 20/09
27-31-51-15A	15	JAN 20/09	27-31-51-16A	8	JAN 20/09
27-31-51-15A	16	JAN 20/09	27-31-51-16A	9	JAN 20/09
27-31-51-16	0	MAY 28/07	27-31-51-16A	10	JAN 20/09
27-31-51-16	0A	MAY 28/07	27-31-51-16A	11	JAN 20/09
27-31-51-16	0B	MAY 28/07	27-31-51-16A	12	JAN 20/09
27-31-51-16	1	JAN 20/09	27-31-51-16A	13	JAN 20/09
27-31-51-16	2	JAN 20/09	27-31-51-16A	14	JAN 20/09
27-31-51-16	3	JAN 20/09	27-31-51-16A	15	JAN 20/09
27-31-51-16	4	JAN 20/09	27-31-51-20A	0	MAY 28/07
27-31-51-16	5	JAN 20/09	27-31-51-20A	0A	MAY 28/07
27-31-51-16	6	JAN 20/09	27-31-51-20A	0B	MAY 28/07
27-31-51-16	7	JAN 20/09	27-31-51-20A	1	JAN 20/09
27-31-51-16	8	JAN 20/09	27-31-51-20A	2	JAN 20/09
27-31-51-16	9	JAN 20/09	27-31-51-20A	3	JAN 20/09
27-31-51-16	10	JAN 20/09	27-31-51-20A	4	JAN 20/09
27-31-51-16	11	JAN 20/09	27-31-51-20A	5	JAN 20/09
27-31-51-16	12	JAN 20/09	27-31-51-20A	6	JAN 20/09
27-31-51-16	13	JAN 20/09	27-31-51-20A	7	JAN 20/09
27-31-51-16	14	JAN 20/09	27-31-51-20A	8	JAN 20/09
27-31-51-16	15	JAN 20/09	27-31-51-20A	9	JAN 20/09
27-31-51-16	16	JAN 20/09	27-31-51-20A	10	JAN 20/09
27-31-51-16	17	JAN 20/09	27-31-51-20A	11	JAN 20/09
27-31-51-16	18	JAN 20/09	27-31-51-20A	12	JAN 20/09
27-31-51-16	19	JAN 20/09	27-31-51-20A	13	JAN 20/09
27-31-51-16	20	JAN 20/09	27-31-51-20A	14	JAN 20/09
27-31-51-16	21	JAN 20/09	27-31-51-20A	15	JAN 20/09
27-31-51-16	22	JAN 20/09	27-31-51-20A	16	JAN 20/09
27-31-51-16	23	JAN 20/09	27-31-51-20A	17	JAN 20/09
27-31-51-16	24	JAN 20/09	27-31-51-20A	18	JAN 20/09
27-31-51-16	25	JAN 20/09	27-31-51-20A	19	JAN 20/09
27-31-51-16	26	JAN 20/09	27-31-51-20A	20	JAN 20/09
27-31-51-16	27	JAN 20/09	27-31-51-20A	21	JAN 20/09
27-31-51-16	28	JAN 20/09	27-31-51-30	0	MAY 28/07

\* THE ASTERISK INDICATES PAGES CHANGED OR ADDED BY THE CURRENT REVISION

BRI  
MAY 20/09

27 - LIST OF EFFECTIVE PAGES  
PAGE 16


**BOEING**  
 757  
**PARTS CATALOG (MAINTENANCE)**

CH-SECT-UNIT-FIG	PAGE NO.	DATE	CH-SECT-UNIT-FIG	PAGE NO.	DATE
27-31-51-30	0A	MAY 28/07	27-31-52- 2	0A	MAY 28/07
27-31-51-30	0B	MAY 28/07	27-31-52- 2	1	JAN 20/09
27-31-51-30	0C	MAY 28/07	27-31-52- 2	2	SEP 20/08
27-31-51-30	0D	MAY 28/07	27-31-52- 2	3	SEP 20/08
27-31-51-30	1	JAN 20/09	27-31-52- 2	4	SEP 20/08
27-31-51-30	2	JAN 20/09	27-31-52- 2	5	JAN 20/09
27-31-51-30	3	JAN 20/09	27-31-52- 2A	0	MAY 28/07
27-31-51-30	4	JAN 20/09	27-31-52- 2A	0A	MAY 28/07
27-31-51-30	5	JAN 20/09	27-31-52- 2A	0B	MAY 28/07
27-31-51-30	6	JAN 20/09	27-31-52- 2A	0C	MAY 28/07
27-31-51-30	7	JAN 20/09	27-31-52- 2A	1	JAN 20/09
27-31-51-30	8	JAN 20/09	27-31-52- 2A	2	JAN 20/09
27-31-51-30A	0	MAY 28/07	27-31-52- 2A	3	SEP 20/08
27-31-51-30A	0A	MAY 28/07	27-31-52- 3	0	MAY 28/07
27-31-51-30A	0B	MAY 28/07	27-31-52- 3	1	JAN 20/09
27-31-51-30A	0C	MAY 28/07	27-31-52- 3	2	SEP 20/08
27-31-51-30A	1	JAN 20/09	27-31-52- 3	3	JAN 20/09
27-31-51-30A	2	JAN 20/09	27-31-52- 3	4	SEP 20/08
27-31-51-30A	3	JAN 20/09	27-31-52- 4	0	MAY 28/07
27-31-51-30A	4	JAN 20/09	27-31-52- 4	0A	MAY 28/07
27-31-51-30A	5	JAN 20/09	27-31-52- 4	1	JAN 20/09
27-31-51-30A	6	JAN 20/09	27-31-52- 4	2	JAN 20/09
27-31-51-30A	7	JAN 20/09	27-31-52- 4	3	JAN 20/09
27-31-51-30A	8	JAN 20/09	27-31-52- 4	4	JAN 20/09
27-31-51-30A	9	JAN 20/09	27-31-52- 4	5	JAN 20/09
27-31-51-30A	10	JAN 20/09	27-31-52- 4	6	JAN 20/09
27-31-51-30A	11	JAN 20/09	27-31-53- 1	0	MAY 28/07
27-31-51-30B	0	JAN 20/09	27-31-53- 1	0A	MAY 28/07
27-31-51-30B	0A	JAN 20/09	27-31-53- 1	0B	MAY 28/07
27-31-51-30B	0B	JAN 20/09	27-31-53- 1	0C	MAY 28/07
27-31-51-30B	0C	JAN 20/09	27-31-53- 1	0D	MAY 28/07
27-31-51-30B	0D	JAN 20/09	27-31-53- 1	1	JAN 20/09
27-31-51-30B	0E	JAN 20/09	27-31-53- 1	2	JAN 20/09
27-31-51-30B	1	JAN 20/09	27-31-53- 1	3	JAN 20/09
27-31-51-30B	2	JAN 20/09	27-31-53- 1	4	JAN 20/09
27-31-51-30B	3	JAN 20/09	27-31-53- 1	5	JAN 20/09
27-31-51-30B	4	JAN 20/09	27-31-53- 1	6	JAN 20/09
27-31-51-30B	5	JAN 20/09	27-31-53- 1	7	JAN 20/09
27-31-51-30B	6	JAN 20/09	27-31-53- 1	8	JAN 20/09
27-31-51-30B	7	JAN 20/09	27-31-53- 1	9	JAN 20/09
27-31-51-30B	8	JAN 20/09	27-31-53- 1	10	JAN 20/09
27-31-51-30B	9	JAN 20/09	27-31-53- 1	11	JAN 20/09
27-31-52- 1	0	MAY 28/07	27-31-53- 1	12	JAN 20/09
27-31-52- 1	0A	MAY 28/07	27-31-53- 1	13	JAN 20/09
27-31-52- 1	0B	MAY 28/07	27-31-53- 1	14	JAN 20/09
27-31-52- 1	1	JAN 20/09	27-31-53- 1	15	JAN 20/09
27-31-52- 1	2	JAN 20/09	27-31-53- 1	16	JAN 20/09
27-31-52- 1	3	JAN 20/09	27-31-53- 1	17	JAN 20/09
27-31-52- 1	4	JAN 20/09	27-31-53- 1	18	JAN 20/09
27-31-52- 1	5	JAN 20/09	27-31-53- 1	19	JAN 20/09
27-31-52- 2	0	MAY 28/07	27-31-53- 1	20	JAN 20/09

\* THE ASTERISK INDICATES PAGES CHANGED OR ADDED BY THE CURRENT REVISION



**757**  
**PARTS CATALOG (MAINTENANCE)**

CH-SECT-UNIT-FIG	PAGE NO.	DATE	CH-SECT-UNIT-FIG	PAGE NO.	DATE
27-31-53- 1	21	JAN 20/09	27-31-56- 2	1	JAN 20/09
*27-31-53- 1	22	MAY 20/09	27-31-56- 2	2	JAN 20/09
27-31-53- 1	23	JAN 20/09	27-31-56- 2	3	JAN 20/09
*27-31-53- 1	24	MAY 20/09	27-31-57-10	0	MAY 28/07
27-31-53- 1	25	JAN 20/09	27-31-57-10	0A	MAY 28/07
27-31-53- 1	26	JAN 20/09	27-31-57-10	0B	MAY 28/07
27-31-53- 1	27	JAN 20/09	27-31-57-10	0C	MAY 28/07
27-31-53- 1	28	JAN 20/09	27-31-57-10	1	JAN 20/09
27-31-53- 1	29	JAN 20/09	27-31-57-10	2	JAN 20/09
27-31-53- 1	30	JAN 20/09	27-31-59- 1	0	MAY 28/07
27-31-53- 1	31	JAN 20/09	27-31-59- 1	0A	MAY 28/07
27-31-54- 1	0	MAY 28/07	27-31-59- 1	1	JAN 20/09
27-31-54- 1	0A	MAY 28/07	27-31-59- 1	2	JAN 20/09
27-31-54- 1	0B	MAY 28/07	27-31-59- 1	3	JAN 20/09
27-31-54- 1	1	JAN 20/09	27-31-59- 1	4	JAN 20/09
27-31-54- 1	2	JAN 20/09	27-31-59- 1	5	JAN 20/09
27-31-54- 1	3	JAN 20/09	27-31-59- 1	6	JAN 20/09
27-31-54- 1	4	JAN 20/09	27-31-59- 1	7	JAN 20/09
27-31-54- 1	5	JAN 20/09	27-31-59- 1	8	JAN 20/09
27-31-54- 1	6	JAN 20/09	*27-31-59- 1	9	MAY 20/09
27-31-54- 1	7	JAN 20/09	*27-31-59- 1	10	MAY 20/09
27-31-54- 1	8	JAN 20/09	*27-31-59- 1	11	MAY 20/09
27-31-54- 1S	0	MAY 28/07	27-31-59- 2	0	MAY 28/07
27-31-54- 1S	1	JAN 20/09	27-31-59- 2	1	JAN 20/09
27-31-54- 1S	2	JAN 20/09	27-31-59- 2	2	JAN 20/09
27-31-54- 1S	3	JAN 20/09	27-31-60- 1	0	MAY 28/07
27-31-54- 3	0	MAY 28/07	27-31-60- 1	1	JAN 20/09
27-31-54- 3	0A	MAY 28/07	27-31-60- 1	2	JAN 20/09
27-31-54- 3	1	JAN 20/09	27-31-63- 4	0	MAY 28/07
*27-31-54- 3	2	MAY 20/09	27-31-63- 4	1	JAN 20/09
*27-31-54- 3	3	MAY 20/09	27-31-63- 4	2	JAN 20/09
*27-31-54- 3	4	MAY 20/09	27-31-63- 5	0	MAY 28/07
27-31-55- 1	0	MAY 28/07	27-31-63- 5	0A	MAY 28/07
27-31-55- 1	0A	MAY 28/07	27-31-63- 5	0B	MAY 28/07
27-31-55- 1	1	JAN 20/09	27-31-63- 5	0C	MAY 28/07
27-31-55- 1	2	JAN 20/09	27-31-63- 5	0D	MAY 28/07
27-31-55- 1	3	JAN 20/09	27-31-63- 5	1	JAN 20/09
27-31-55- 1	4	JAN 20/09	27-31-63- 5	2	JAN 20/09
27-31-55- 1	5	JAN 20/09	27-31-63- 5	3	JAN 20/09
27-31-55- 1	6	JAN 20/09	27-31-63- 5	4	JAN 20/09
27-31-55- 1	7	JAN 20/09	27-31-63- 5	5	JAN 20/09
27-31-55- 1	8	JAN 20/09	27-31-63- 6	0	MAY 28/07
27-31-56- 1	0	MAY 28/07	27-31-63- 6	0A	MAY 28/07
27-31-56- 1	1	JAN 20/09	27-31-63- 6	0B	MAY 28/07
27-31-56- 1	2	JAN 20/09	27-31-63- 6	0C	MAY 28/07
27-31-56- 1	3	SEP 20/08	27-31-63- 6	0D	MAY 28/07
27-31-56- 1	4	JAN 20/09	27-31-63- 6	1	JAN 20/09
27-31-56- 1	5	SEP 20/08	27-31-63- 6	2	JAN 20/09
27-31-56- 1	6	SEP 20/08	27-31-63- 6	3	JAN 20/09
27-31-56- 1	7	SEP 20/08	27-31-63- 6	4	JAN 20/09
27-31-56- 2	0	MAY 20/08	27-31-63- 6	5	JAN 20/09

\* THE ASTERISK INDICATES PAGES CHANGED OR ADDED BY THE CURRENT REVISION



**757**  
**PARTS CATALOG (MAINTENANCE)**

CH-SECT-UNIT-FIG	PAGE NO.	DATE	CH-SECT-UNIT-FIG	PAGE NO.	DATE
27-31-63- 6	6	JAN 20/09	27-31-63-10	5	JAN 20/09
27-31-63- 6	7	JAN 20/09	27-31-63-10	6	JAN 20/09
27-31-63- 6	8	JAN 20/09	27-31-63-10	7	JAN 20/09
27-31-63- 6	9	JAN 20/09	27-31-63-12	0	JAN 20/09
27-31-63- 6	10	JAN 20/09	27-31-63-12	1	JAN 20/09
27-31-63- 7	0	MAY 28/07	27-32-00	1	MAY 28/07
27-31-63- 7	0A	MAY 28/07	27-32-01- 1	0	JAN 20/09
27-31-63- 7	0B	MAY 28/07	27-32-01- 1	1	JAN 20/09
27-31-63- 7	0C	MAY 28/07	27-32-01- 1	2	JAN 20/09
27-31-63- 7	0D	MAY 28/07	27-32-01- 1	3	JAN 20/09
27-31-63- 7	0E	MAY 28/07	27-32-01- 1	4	JAN 20/09
27-31-63- 7	0F	MAY 28/07	27-32-01- 1	5	JAN 20/09
27-31-63- 7	0G	MAY 28/07	27-32-01- 1B	0	MAY 28/07
27-31-63- 7	0H	MAY 28/07	27-32-01- 1B	1	JAN 20/09
27-31-63- 7	1	JAN 20/09	27-32-01- 1B	2	JAN 20/09
27-31-63- 7	2	JAN 20/09	27-32-01- 1B	3	JAN 20/09
27-31-63- 7	3	JAN 20/09	27-32-01- 8	0	JAN 20/09
27-31-63- 7	4	JAN 20/09	27-32-01- 8	1	JAN 20/09
27-31-63- 8	0	MAY 28/07	27-32-01- 8	2	JAN 20/09
27-31-63- 8	0A	MAY 28/07	27-32-05- 1	0	MAY 28/07
27-31-63- 8	0B	MAY 28/07	27-32-05- 1	0A	MAY 28/07
27-31-63- 8	0C	MAY 28/07	27-32-05- 1	1	JAN 20/09
27-31-63- 8	0D	MAY 28/07	27-32-05- 1	2	JAN 20/09
27-31-63- 8	1	JAN 20/09	27-32-05- 1	3	JAN 20/09
27-31-63- 8	2	JAN 20/09	27-32-05- 1	4	JAN 20/09
27-31-63- 8	3	JAN 20/09	27-32-05- 1	5	JAN 20/09
27-31-63- 9	0	MAY 28/07	27-32-05- 1	6	JAN 20/09
27-31-63- 9	0A	MAY 28/07	27-32-05- 1	7	JAN 20/09
27-31-63- 9	0B	MAY 28/07	27-38-00	1	MAY 28/07
27-31-63- 9	0C	MAY 28/07	27-38-02- 1	0	MAY 28/07
27-31-63- 9	0D	MAY 28/07	27-38-02- 1	1	JAN 20/09
27-31-63- 9	0E	MAY 28/07	27-38-02- 1	2	JAN 20/09
27-31-63- 9	1	JAN 20/09	27-38-02- 1	3	JAN 20/09
27-31-63- 9	2	JAN 20/09	27-38-02- 1	4	JAN 20/09
27-31-63- 9	3	JAN 20/09	27-38-02- 1	5	JAN 20/09
27-31-63- 9	4	JAN 20/09	27-38-02- 1	6	JAN 20/09
27-31-63- 9	5	JAN 20/09	27-38-02- 1	7	JAN 20/09
27-31-63- 9	6	JAN 20/09	27-38-02- 1	8	JAN 20/09
27-31-63- 9	7	JAN 20/09	27-40-00	1	MAY 28/07
27-31-63-10	0	MAY 28/07	27-40-00- 1	0	MAY 28/07
27-31-63-10	0A	MAY 28/07	27-40-00- 1	1	JAN 20/09
27-31-63-10	0B	MAY 28/07	27-41-00	1	MAY 28/07
27-31-63-10	0C	MAY 28/07	27-41-00- 2	0	MAY 28/07
27-31-63-10	0D	MAY 28/07	27-41-00- 2	0A	MAY 28/07
27-31-63-10	0E	MAY 28/07	27-41-00- 2	0B	MAY 28/07
27-31-63-10	0F	MAY 28/07	27-41-00- 2	1	JAN 20/09
27-31-63-10	0G	MAY 28/07	27-41-00- 2	2	JAN 20/09
27-31-63-10	1	JAN 20/09	27-41-00- 2	3	JAN 20/09
27-31-63-10	2	JAN 20/09	27-41-00- 2	4	JAN 20/09
27-31-63-10	3	JAN 20/09	27-41-00- 2	5	JAN 20/09
27-31-63-10	4	JAN 20/09	27-41-00- 2	6	JAN 20/09

\* THE ASTERISK INDICATES PAGES CHANGED OR ADDED BY THE CURRENT REVISION

BRI  
MAY 20/09

27 - LIST OF EFFECTIVE PAGES  
PAGE 19



757

PARTS CATALOG (MAINTENANCE)

CH-SECT-UNIT-FIG	PAGE NO.	DATE
27-41-00- 2	7	JAN 20/09
27-41-01- 1	0	MAY 28/07
27-41-01- 1	1	JAN 20/09
27-41-01- 2	0	MAY 28/07
27-41-01- 2	1	JAN 20/09
27-41-01- 2	2	JAN 20/09
27-41-02- 1	0	MAY 28/07
27-41-02- 1	0A	MAY 28/07
27-41-02- 1	0B	MAY 28/07
27-41-02- 1	0C	MAY 28/07
27-41-02- 1	1	JAN 20/09
*27-41-02- 1	2	MAY 20/09
*27-41-02- 1	3	MAY 20/09
*27-41-02- 1	4	MAY 20/09
*27-41-02- 1	5	MAY 20/09
*27-41-02- 1	6	MAY 20/09
*27-41-02- 1	7	MAY 20/09
*27-41-02- 1	8	MAY 20/09
*27-41-02- 1	9	MAY 20/09
*27-41-02- 1	10	MAY 20/09
*27-41-02- 1	11	MAY 20/09
*27-41-02- 1	12	MAY 20/09
27-41-05- 1	0	MAY 28/07
27-41-05- 1	0A	MAY 28/07
27-41-05- 1	0B	MAY 28/07
27-41-05- 1	1	JAN 20/09
27-41-05- 1	2	JAN 20/09
27-41-05- 1	3	JAN 20/09
27-41-05- 1	4	JAN 20/09
27-41-05- 1	5	JAN 20/09
27-41-05- 1	6	JAN 20/09
27-41-05- 1	7	JAN 20/09
27-41-05- 1	8	JAN 20/09
27-41-05- 1	9	JAN 20/09
27-41-05- 1	10	JAN 20/09
27-41-05- 1	11	JAN 20/09
27-41-05- 1	12	JAN 20/09
27-41-05- 1	13	JAN 20/09
27-41-05- 1	14	JAN 20/09
27-41-05- 1	15	JAN 20/09
27-41-05- 1	16	JAN 20/09
27-41-05- 1	17	JAN 20/09
27-41-05- 1	18	JAN 20/09
27-41-05-50	0	MAY 28/07
27-41-05-50	0A	MAY 28/07
27-41-05-50	1	JAN 20/09
27-41-05-50	2	JAN 20/09
27-41-05-50	3	JAN 20/09
27-41-05-50	4	JAN 20/09
27-41-05-50	5	JAN 20/09
27-41-05-50	6	JAN 20/09

CH-SECT-UNIT-FIG	PAGE NO.	DATE
27-41-05-50	7	JAN 20/09
27-41-05-50	8	JAN 20/09
27-41-05-50	9	JAN 20/09
27-41-05-50	10	JAN 20/09
27-41-05-50	11	JAN 20/09
27-41-05-50	12	JAN 20/09
27-41-05-50	13	JAN 20/09
27-41-05-50	14	JAN 20/09
27-41-05-50	15	JAN 20/09
27-41-05-50	16	JAN 20/09
27-41-05-50	17	JAN 20/09
*27-41-05-50	18	MAY 20/09
27-41-05-50	19	JAN 20/09
27-41-05-50	20	JAN 20/09
27-41-05-50	21	JAN 20/09
27-41-05-50	22	SEP 20/08
27-41-05-50	23	JAN 20/09
27-41-05-50	24	JAN 20/09
27-41-05-50	25	JAN 20/09
27-41-05-50	26	JAN 20/09
*27-41-05-50	27	MAY 20/09
*27-41-05-50	28	MAY 20/09
27-41-05-50	29	JAN 20/09
27-41-05-50	30	JAN 20/09
*27-41-05-50A	0	MAY 20/09
27-41-05-50A	0A	MAY 28/07
27-41-05-50A	0B	MAY 28/07
27-41-05-50A	0C	MAY 28/07
27-41-05-50A	1	JAN 20/09
*27-41-05-50A	2	MAY 20/09
*27-41-05-50A	3	MAY 20/09
*27-41-05-50A	4	MAY 20/09
*27-41-05-50A	5	MAY 20/09
*27-41-05-50A	6	MAY 20/09
*27-41-05-50A	7	MAY 20/09
*27-41-05-50A	8	MAY 20/09
*27-41-05-50A	9	MAY 20/09
*27-41-05-50A	10	MAY 20/09
*27-41-05-50A	11	MAY 20/09
*27-41-05-50A	12	MAY 20/09
*27-41-05-50A	13	MAY 20/09
*27-41-05-50A	14	MAY 20/09
*27-41-05-50A	15	MAY 20/09
*27-41-05-50A	16	MAY 20/09
*27-41-05-50A	17	MAY 20/09
*27-41-05-50A	18	MAY 20/09
*27-41-05-50A	19	MAY 20/09
27-41-10- 1	0	MAY 28/07
27-41-10- 1	0A	MAY 28/07
27-41-10- 1	0B	MAY 28/07
27-41-10- 1	0C	MAY 28/07

\* THE ASTERISK INDICATES PAGES CHANGED OR ADDED BY THE CURRENT REVISION



**757**  
**PARTS CATALOG (MAINTENANCE)**

CH-SECT-UNIT-FIG	PAGE NO.	DATE	CH-SECT-UNIT-FIG	PAGE NO.	DATE
27-41-10- 1	0D	MAY 28/07	27-41-51-20	13	JAN 20/09
27-41-10- 1	0E	MAY 28/07	27-41-51-20	14	JAN 20/09
27-41-10- 1	1	JAN 20/09	27-41-51-20	15	JAN 20/09
27-41-10- 1	2	JAN 20/09	27-41-51-20	16	JAN 20/09
27-41-10- 1	3	JAN 20/09	27-41-51-20	17	JAN 20/09
27-41-10- 1	4	JAN 20/09	27-41-51-20	18	JAN 20/09
27-41-10- 1	5	JAN 20/09	27-41-51-20	19	JAN 20/09
27-41-10- 1	6	JAN 20/09	27-41-51-20	20	JAN 20/09
27-41-10- 1	7	JAN 20/09	27-41-51-20	21	JAN 20/09
27-41-10- 1	8	JAN 20/09	27-41-51-20	22	JAN 20/09
27-41-10- 1	9	JAN 20/09	27-41-51-20	23	JAN 20/09
27-41-10- 1	10	JAN 20/09	27-41-51-20	24	JAN 20/09
27-41-10- 1	11	JAN 20/09	27-41-51-20	25	JAN 20/09
27-41-10- 1	12	JAN 20/09	27-41-51-20	26	JAN 20/09
27-41-10- 1	13	JAN 20/09	27-41-51-20	27	JAN 20/09
27-41-10- 1	14	JAN 20/09	27-41-51-20	28	JAN 20/09
27-41-10- 1	15	JAN 20/09	27-41-51-20A	0	MAY 28/07
*27-41-10- 1	16	MAY 20/09	27-41-51-20A	0A	MAY 28/07
27-41-10- 1	17	JAN 20/09	27-41-51-20A	0B	MAY 28/07
27-41-10- 1	18	JAN 20/09	27-41-51-20A	0C	MAY 28/07
27-41-10- 1	19	JAN 20/09	27-41-51-20A	0D	MAY 28/07
27-41-10- 1	20	JAN 20/09	27-41-51-20A	1	JAN 20/09
*27-41-10- 1	21	MAY 20/09	27-41-51-20A	2	JAN 20/09
27-41-10- 1	22	JAN 20/09	27-41-51-20A	3	JAN 20/09
27-41-10- 1	23	JAN 20/09	27-41-51-20A	4	JAN 20/09
27-41-11- 1B	0	MAY 28/07	27-41-51-20A	5	JAN 20/09
27-41-11- 1B	0A	MAY 28/07	27-41-51-20A	6	JAN 20/09
27-41-11- 1B	1	JAN 20/09	27-41-51-20A	7	JAN 20/09
27-41-51-15	0	MAY 28/07	27-41-51-20A	8	JAN 20/09
27-41-51-15	1	JAN 20/09	27-41-51-20A	9	JAN 20/09
27-41-51-15	2	JAN 20/09	27-41-51-20A	10	JAN 20/09
27-41-51-15	3	JAN 20/09	27-41-51-20A	11	JAN 20/09
27-41-51-15	4	JAN 20/09	27-41-51-20A	12	JAN 20/09
27-41-51-15	5	JAN 20/09	27-41-51-20A	13	JAN 20/09
27-41-51-15	6	JAN 20/09	27-41-51-20A	14	JAN 20/09
27-41-51-15	7	JAN 20/09	27-41-51-20A	15	JAN 20/09
27-41-51-20	0	JAN 20/09	27-41-51-20A	16	JAN 20/09
27-41-51-20	0A	JAN 20/09	27-41-51-21	0	MAY 28/07
27-41-51-20	0B	JAN 20/09	27-41-51-21	0A	MAY 28/07
27-41-51-20	1	JAN 20/09	27-41-51-21	1	JAN 20/09
27-41-51-20	2	JAN 20/09	27-41-51-21	2	JAN 20/09
27-41-51-20	3	JAN 20/09	27-41-51-21	3	JAN 20/09
27-41-51-20	4	JAN 20/09	27-41-51-21	4	JAN 20/09
27-41-51-20	5	JAN 20/09	27-41-51-21	5	JAN 20/09
27-41-51-20	6	JAN 20/09	27-41-51-21	6	JAN 20/09
27-41-51-20	7	JAN 20/09	27-41-51-21	7	JAN 20/09
27-41-51-20	8	JAN 20/09	27-41-51-21	8	JAN 20/09
27-41-51-20	9	JAN 20/09	27-41-51-21	9	JAN 20/09
27-41-51-20	10	JAN 20/09	27-41-51-21	10	JAN 20/09
27-41-51-20	11	JAN 20/09	27-41-51-21	11	JAN 20/09
27-41-51-20	12	JAN 20/09	27-41-51-21	12	JAN 20/09

\* THE ASTERISK INDICATES PAGES CHANGED OR ADDED BY THE CURRENT REVISION


**BOEING**  
 757  
**PARTS CATALOG (MAINTENANCE)**

CH-SECT-UNIT-FIG	PAGE NO.	DATE	CH-SECT-UNIT-FIG	PAGE NO.	DATE
27-41-51-21	13	JAN 20/09	27-41-51-24	23	JAN 20/09
27-41-51-21	14	JAN 20/09	27-41-51-24	24	JAN 20/09
27-41-51-21	15	JAN 20/09	27-41-51-24	25	JAN 20/09
27-41-51-21	16	JAN 20/09	27-41-51-24	26	JAN 20/09
27-41-51-21	17	JAN 20/09	27-41-51-24	27	JAN 20/09
27-41-51-21	18	JAN 20/09	27-41-51-24	28	JAN 20/09
27-41-51-21	19	JAN 20/09	27-41-51-24	29	JAN 20/09
27-41-51-21A	0	MAY 28/07	27-41-51-24	30	JAN 20/09
27-41-51-21A	0A	MAY 28/07	27-41-51-24	31	JAN 20/09
27-41-51-21A	1	JAN 20/09	27-41-51-24	32	JAN 20/09
27-41-51-21A	2	JAN 20/09	27-41-51-24	33	JAN 20/09
27-41-51-21A	3	JAN 20/09	27-41-51-24	34	JAN 20/09
27-41-51-21A	4	JAN 20/09	27-41-51-24	35	JAN 20/09
27-41-51-21A	5	JAN 20/09	27-41-51-24	36	JAN 20/09
27-41-51-21A	6	JAN 20/09	27-41-51-24	37	JAN 20/09
27-41-51-21A	7	JAN 20/09	27-41-51-24	38	JAN 20/09
27-41-51-21A	8	JAN 20/09	27-41-51-24	39	JAN 20/09
27-41-51-21A	9	JAN 20/09	27-41-51-24	40	JAN 20/09
27-41-51-21A	10	JAN 20/09	27-41-51-24	41	JAN 20/09
27-41-51-21A	11	JAN 20/09	27-41-51-24	42	JAN 20/09
27-41-51-21A	12	JAN 20/09	27-41-51-24	43	JAN 20/09
27-41-51-21A	13	JAN 20/09	27-41-51-24	44	JAN 20/09
27-41-51-21A	14	JAN 20/09	27-41-51-24	45	JAN 20/09
27-41-51-21A	15	JAN 20/09	27-41-51-24	46	JAN 20/09
27-41-51-21A	16	JAN 20/09	27-41-51-24	47	JAN 20/09
27-41-51-21A	17	JAN 20/09	27-41-51-24	48	JAN 20/09
27-41-51-24	0	JAN 20/09	27-41-51-24	49	JAN 20/09
27-41-51-24	0A	JAN 20/09	27-41-51-24	50	JAN 20/09
27-41-51-24	0B	MAY 28/07	27-41-51-24	51	JAN 20/09
27-41-51-24	1	JAN 20/09	27-41-51-24	52	JAN 20/09
27-41-51-24	2	JAN 20/09	27-41-51-24	53	JAN 20/09
27-41-51-24	3	JAN 20/09	27-41-51-24	54	JAN 20/09
27-41-51-24	4	JAN 20/09	27-41-51-24	55	JAN 20/09
27-41-51-24	5	JAN 20/09	27-41-51-24	56	JAN 20/09
27-41-51-24	6	JAN 20/09	27-41-51-24	57	JAN 20/09
27-41-51-24	7	JAN 20/09	27-41-51-24	58	JAN 20/09
27-41-51-24	8	JAN 20/09	27-41-51-24	59	JAN 20/09
27-41-51-24	9	JAN 20/09	27-41-51-24	60	JAN 20/09
27-41-51-24	10	JAN 20/09	27-41-51-24	61	JAN 20/09
27-41-51-24	11	JAN 20/09	27-41-51-24	62	JAN 20/09
27-41-51-24	12	JAN 20/09	27-41-52- 1	0	MAY 28/07
27-41-51-24	13	JAN 20/09	27-41-52- 1	0A	MAY 28/07
27-41-51-24	14	JAN 20/09	27-41-52- 1	1	JAN 20/09
27-41-51-24	15	JAN 20/09	27-41-52- 1	2	JAN 20/09
27-41-51-24	16	JAN 20/09	27-41-52- 1	3	JAN 20/09
27-41-51-24	17	JAN 20/09	27-41-52- 1	4	JAN 20/09
27-41-51-24	18	JAN 20/09	27-41-52- 1	5	JAN 20/09
27-41-51-24	19	JAN 20/09	27-41-52- 1	6	JAN 20/09
27-41-51-24	20	JAN 20/09	27-41-52- 1	7	JAN 20/09
27-41-51-24	21	JAN 20/09	27-41-52- 2	0	MAY 28/07
27-41-51-24	22	JAN 20/09	27-41-52- 2	0A	MAY 28/07

\* THE ASTERISK INDICATES PAGES CHANGED OR ADDED BY THE CURRENT REVISION

BRI  
MAY 20/09

27 - LIST OF EFFECTIVE PAGES  
PAGE 22



**757**  
**PARTS CATALOG (MAINTENANCE)**

CH-SECT-UNIT-FIG	PAGE NO.	DATE	CH-SECT-UNIT-FIG	PAGE NO.	DATE
27-41-52- 2	0B	MAY 28/07	27-41-55- 1	1	JAN 20/09
27-41-52- 2	1	JAN 20/09	27-41-55- 1	2	JAN 20/09
27-41-52- 2	2	JAN 20/09	27-41-55- 1	3	JAN 20/09
27-41-52- 2	3	JAN 20/09	27-41-55- 1	4	JAN 20/09
27-41-52- 2	4	JAN 20/09	27-41-55- 1	5	JAN 20/09
27-41-52- 2	5	JAN 20/09	*27-41-55- 1	6	MAY 20/09
27-41-52- 2	6	JAN 20/09	27-41-55- 1	7	JAN 20/09
27-41-52- 3	0	MAY 28/07	27-41-55- 1	8	JAN 20/09
27-41-52- 3	0A	MAY 28/07	27-41-55- 1	9	JAN 20/09
27-41-52- 3	1	JAN 20/09	27-41-55- 1	10	JAN 20/09
27-41-52- 3	2	JAN 20/09	27-41-56- 1	0	MAY 28/07
27-41-52- 3	3	JAN 20/09	27-41-56- 1	0A	MAY 28/07
27-41-52- 3	4	JAN 20/09	27-41-56- 1	1	JAN 20/09
27-41-52- 3	5	JAN 20/09	27-41-56- 1	2	JAN 20/09
27-41-52- 3	6	JAN 20/09	27-41-56- 1	3	JAN 20/09
27-41-52- 3	7	JAN 20/09	27-41-56- 1	4	SEP 20/08
27-41-52- 3	8	JAN 20/09	27-41-56- 1	5	SEP 20/08
27-41-52- 3	9	JAN 20/09	27-41-56- 1	6	SEP 20/08
27-41-52- 3	10	JAN 20/09	27-41-56- 1	7	SEP 20/08
27-41-52- 3	11	JAN 20/09	27-41-56- 1	8	JAN 20/09
27-41-52- 3	12	JAN 20/09	27-41-56- 1	9	SEP 20/08
27-41-53- 1	0	MAY 28/07	27-41-56- 1	10	SEP 20/08
27-41-53- 1	0A	MAY 28/07	27-41-56- 1	11	JAN 20/09
27-41-53- 1	1	JAN 20/09	27-41-71- 1	0	MAY 28/07
27-41-53- 1	2	JAN 20/09	27-41-71- 1	0A	MAY 28/07
27-41-53- 1	3	JAN 20/09	27-41-71- 1	1	JAN 20/09
27-41-53- 1	4	JAN 20/09	27-41-71- 1	2	JAN 20/09
27-41-53- 1	5	JAN 20/09	27-41-71- 1	3	JAN 20/09
27-41-53- 1	6	JAN 20/09	27-41-71- 1A	0	MAY 28/07
27-41-53- 1	7	JAN 20/09	27-41-71- 1A	1	JAN 20/09
27-41-53- 1	8	JAN 20/09	27-48-00	1	MAY 28/07
27-41-53- 1	9	JAN 20/09	27-48-03- 1	0	MAY 28/07
27-41-53- 1	10	JAN 20/09	27-48-03- 1	0A	MAY 28/07
27-41-53- 2	0	MAY 28/07	27-48-03- 1	1	JAN 20/09
27-41-53- 2	0A	MAY 28/07	27-48-03- 1	2	JAN 20/09
27-41-53- 2	1	JAN 20/09	27-48-03- 1	3	JAN 20/09
27-41-53- 2	2	JAN 20/09	27-48-03- 1	4	JAN 20/09
27-41-53- 2	3	JAN 20/09	27-48-03- 1B	0	MAY 28/07
27-41-53- 2	4	JAN 20/09	27-48-03- 1B	1	JAN 20/09
27-41-53- 2	5	JAN 20/09	27-48-03- 1B	2	JAN 20/09
27-41-53- 2	6	JAN 20/09	27-48-03- 8	0	JAN 20/09
27-41-53- 2	7	JAN 20/09	27-48-03- 8	1	JAN 20/09
27-41-54- 1	0	MAY 28/07	27-48-03- 8	2	JAN 20/09
27-41-54- 1	0A	MAY 28/07	27-48-03- 8	3	JAN 20/09
27-41-54- 1	0B	MAY 28/07	27-48-06- 1	0	MAY 28/07
27-41-54- 1	1	JAN 20/09	27-48-06- 1	0A	MAY 28/07
27-41-54- 1	2	SEP 20/08	27-48-06- 1	1	JAN 20/09
27-41-54- 1	3	SEP 20/08	27-48-06- 1	2	JAN 20/09
27-41-54- 1	4	SEP 20/08	27-48-06- 1	3	JAN 20/09
*27-41-54- 1	5	MAY 20/09	27-48-06- 1	4	JAN 20/09
27-41-55- 1	0	MAY 28/07	27-48-51- 1	0	MAY 28/07

\* THE ASTERISK INDICATES PAGES CHANGED OR ADDED BY THE CURRENT REVISION




**BOEING**  
 757  
**PARTS CATALOG (MAINTENANCE)**

CH-SECT-UNIT-FIG	PAGE NO.	DATE	CH-SECT-UNIT-FIG	PAGE NO.	DATE
27-48-51- 1	0A	MAY 28/07	27-51-01- 2	0D	MAY 28/07
27-48-51- 1	1	JAN 20/09	27-51-01- 2	0E	MAY 28/07
27-48-51- 1	2	SEP 20/08	27-51-01- 2	0F	MAY 28/07
27-48-51- 1	3	JAN 20/09	27-51-01- 2	0G	MAY 28/07
27-48-51- 1	4	SEP 20/08	27-51-01- 2	1	JAN 20/09
27-48-51- 1	5	JAN 20/09	27-51-01- 2	2	JAN 20/09
27-48-51- 1	6	JAN 20/09	27-51-01- 2	3	JAN 20/09
27-48-51- 1	7	JAN 20/09	27-51-01- 2	4	JAN 20/09
27-48-51- 1	8	JAN 20/09	27-51-01- 2	5	JAN 20/09
27-48-51- 2	0	MAY 28/07	27-51-01- 2	6	JAN 20/09
27-48-51- 2	0A	MAY 28/07	27-51-01- 2	7	JAN 20/09
27-48-51- 2	1	JAN 20/09	27-51-01- 2	8	JAN 20/09
27-48-51- 2	2	JAN 20/09	27-51-01- 2	9	JAN 20/09
*27-48-51- 2	3	MAY 20/09	27-51-01- 2	10	JAN 20/09
*27-48-51- 2	4	MAY 20/09	27-51-01- 2	11	JAN 20/09
27-48-51- 2	5	JAN 20/09	27-51-01- 2	12	JAN 20/09
27-48-51- 2	6	JAN 20/09	27-51-01- 2	13	JAN 20/09
27-48-51- 2	7	JAN 20/09	27-51-01- 2B	0	MAY 28/07
*27-48-51- 2	8	MAY 20/09	27-51-01- 2B	0A	MAY 28/07
*27-48-51- 2	9	MAY 20/09	27-51-01- 2B	0B	MAY 28/07
27-48-52- 3	0	MAY 28/07	27-51-01- 2B	0C	MAY 28/07
27-48-52- 3	1	JAN 20/09	27-51-01- 2B	1	JAN 20/09
27-48-52- 3	2	JAN 20/09	27-51-01- 2B	2	JAN 20/09
27-48-52- 3A	0	MAY 28/07	27-51-01- 2B	3	JAN 20/09
27-48-52- 3A	1	JAN 20/09	27-51-01- 2B	4	JAN 20/09
27-48-52- 3C	0	JAN 20/09	27-51-01- 2B	5	JAN 20/09
27-48-52- 3C	1	JAN 20/09	27-51-01- 8	0	JAN 20/09
27-48-52- 3C	2	JAN 20/09	27-51-01- 8	0A	JAN 20/09
27-48-52- 3C	3	JAN 20/09	27-51-01- 8	0B	JAN 20/09
27-50-00	1	MAY 28/07	27-51-01- 8	0C	JAN 20/09
27-50-00- 1	0	MAY 28/07	27-51-01- 8	1	JAN 20/09
27-50-00- 1	1	JAN 20/09	27-51-01- 8	2	JAN 20/09
27-50-00- 1	2	JAN 20/09	27-51-01- 8	3	JAN 20/09
27-50-00- 1	3	JAN 20/09	27-51-01- 8	4	JAN 20/09
27-50-00- 1	4	JAN 20/09	27-51-01- 8	5	JAN 20/09
27-50-00- 1	5	JAN 20/09	27-51-01- 8	6	JAN 20/09
27-50-00- 2	0	MAY 28/07	27-51-01- 8	7	JAN 20/09
27-50-00- 2	1	JAN 20/09	27-51-01- 8	8	JAN 20/09
27-50-00- 2	2	JAN 20/09	27-51-01- 8	9	JAN 20/09
27-50-00- 2	3	JAN 20/09	27-51-02- 2	0	MAY 28/07
27-50-00- 2	4	JAN 20/09	27-51-02- 2	0A	MAY 28/07
27-50-51- 1	0	MAY 28/07	27-51-02- 2	1	JAN 20/09
27-50-51- 1	1	JAN 20/09	27-51-02- 2	2	JAN 20/09
27-50-51- 1	2	JAN 20/09	27-51-02- 2	3	JAN 20/09
27-50-51- 1	3	JAN 20/09	27-51-02- 2	4	JAN 20/09
27-50-51- 1	4	JAN 20/09	27-51-02- 2	5	JAN 20/09
27-51-00	1	MAY 28/07	27-51-02- 2	6	JAN 20/09
27-51-01- 2	0	MAY 28/07	27-51-02- 2	7	JAN 20/09
27-51-01- 2	0A	MAY 28/07	27-51-02- 2	8	JAN 20/09
27-51-01- 2	0B	MAY 28/07	27-51-02- 2	9	JAN 20/09
27-51-01- 2	0C	MAY 28/07	27-51-02- 2	10	JAN 20/09

\* THE ASTERISK INDICATES PAGES CHANGED OR ADDED BY THE CURRENT REVISION



757

PARTS CATALOG (MAINTENANCE)

CH-SECT-UNIT-FIG	PAGE NO.	DATE	CH-SECT-UNIT-FIG	PAGE NO.	DATE
27-51-02- 2	11	JAN 20/09	*27-51-02-10	29	MAY 20/09
27-51-02- 2A	0	MAY 28/07	27-51-02-10	30	JAN 20/09
27-51-02- 2A	0A	MAY 28/07	27-51-02-10	31	JAN 20/09
27-51-02- 2A	0B	MAY 28/07	27-51-02-10	32	JAN 20/09
27-51-02- 2A	1	JAN 20/09	27-51-02-10	33	JAN 20/09
27-51-02- 2A	2	JAN 20/09	*27-51-02-10	34	MAY 20/09
27-51-02- 2A	3	JAN 20/09	27-51-02-10	35	JAN 20/09
27-51-02- 2A	4	JAN 20/09	27-51-02-10	36	JAN 20/09
27-51-02- 2A	5	JAN 20/09	27-51-02-10	37	JAN 20/09
27-51-02- 2A	6	JAN 20/09	27-51-02-10	38	JAN 20/09
27-51-02- 2A	7	JAN 20/09	*27-51-02-10	39	MAY 20/09
27-51-02- 2A	8	JAN 20/09	*27-51-02-10	40	MAY 20/09
27-51-02- 2A	9	JAN 20/09	27-51-02-10	41	JAN 20/09
27-51-02- 2A	10	JAN 20/09	27-51-02-10A	0	MAY 28/07
27-51-02- 2A	11	JAN 20/09	27-51-02-10A	0A	MAY 28/07
27-51-02-10	0	MAY 28/07	27-51-02-10A	0B	MAY 28/07
27-51-02-10	0A	MAY 28/07	27-51-02-10A	0C	MAY 28/07
27-51-02-10	0B	MAY 28/07	27-51-02-10A	0D	MAY 28/07
27-51-02-10	0C	MAY 28/07	27-51-02-10A	0E	MAY 28/07
27-51-02-10	0D	MAY 28/07	27-51-02-10A	0F	MAY 28/07
27-51-02-10	0E	MAY 28/07	27-51-02-10A	1	JAN 20/09
27-51-02-10	0F	MAY 28/07	27-51-02-10A	2	JAN 20/09
27-51-02-10	0G	MAY 28/07	27-51-02-10A	3	JAN 20/09
27-51-02-10	1	JAN 20/09	27-51-02-10A	4	JAN 20/09
27-51-02-10	2	JAN 20/09	27-51-02-10A	5	JAN 20/09
27-51-02-10	3	JAN 20/09	27-51-02-10A	6	JAN 20/09
27-51-02-10	4	JAN 20/09	27-51-02-10A	7	JAN 20/09
27-51-02-10	5	JAN 20/09	*27-51-02-10A	8	MAY 20/09
27-51-02-10	6	JAN 20/09	27-51-02-10A	9	JAN 20/09
27-51-02-10	7	JAN 20/09	27-51-02-10A	10	JAN 20/09
*27-51-02-10	8	MAY 20/09	27-51-02-10A	11	JAN 20/09
27-51-02-10	9	JAN 20/09	27-51-02-10A	12	JAN 20/09
27-51-02-10	10	JAN 20/09	27-51-02-10A	13	JAN 20/09
27-51-02-10	11	JAN 20/09	27-51-02-10A	14	JAN 20/09
27-51-02-10	12	JAN 20/09	27-51-02-10A	15	JAN 20/09
27-51-02-10	13	JAN 20/09	27-51-02-10A	16	JAN 20/09
27-51-02-10	14	JAN 20/09	27-51-02-10A	17	JAN 20/09
27-51-02-10	15	JAN 20/09	27-51-02-10A	18	JAN 20/09
27-51-02-10	16	JAN 20/09	27-51-02-10A	19	JAN 20/09
27-51-02-10	17	JAN 20/09	27-51-02-10A	20	JAN 20/09
27-51-02-10	18	JAN 20/09	27-51-02-10A	21	JAN 20/09
27-51-02-10	19	JAN 20/09	27-51-02-10A	22	JAN 20/09
27-51-02-10	20	JAN 20/09	27-51-02-10A	23	JAN 20/09
27-51-02-10	21	JAN 20/09	27-51-02-10A	24	JAN 20/09
27-51-02-10	22	JAN 20/09	27-51-02-10A	25	JAN 20/09
27-51-02-10	23	JAN 20/09	*27-51-02-10A	26	MAY 20/09
27-51-02-10	24	JAN 20/09	27-51-02-10A	27	JAN 20/09
27-51-02-10	25	JAN 20/09	27-51-02-10A	28	JAN 20/09
*27-51-02-10	26	MAY 20/09	*27-51-02-10A	29	MAY 20/09
*27-51-02-10	27	MAY 20/09	27-51-02-10A	30	JAN 20/09
*27-51-02-10	28	MAY 20/09	27-51-02-10A	31	JAN 20/09

\* THE ASTERISK INDICATES PAGES CHANGED OR ADDED BY THE CURRENT REVISION



757

PARTS CATALOG (MAINTENANCE)

CH-SECT-UNIT-FIG	PAGE NO.	DATE	CH-SECT-UNIT-FIG	PAGE NO.	DATE
27-51-02-10A	32	JAN 20/09	*27-51-02-10B	35	MAY 20/09
27-51-02-10A	33	JAN 20/09	27-51-02-10B	36	JAN 20/09
27-51-02-10A	34	JAN 20/09	27-51-02-10B	37	JAN 20/09
27-51-02-10B	0	JAN 20/08	27-51-02-10B	38	JAN 20/09
27-51-02-10B	0A	JAN 20/08	27-51-02-10B	39	JAN 20/09
27-51-02-10B	0B	MAY 28/07	*27-51-02-10B	40	MAY 20/09
27-51-02-10B	0C	MAY 28/07	*27-51-02-10B	41	MAY 20/09
27-51-02-10B	0D	MAY 28/07	27-51-02-10B	42	JAN 20/09
27-51-02-10B	0E	MAY 28/07	27-51-02-10C	0	MAY 28/07
27-51-02-10B	0F	MAY 28/07	27-51-02-10C	0A	MAY 28/07
27-51-02-10B	0G	MAY 28/07	27-51-02-10C	0B	MAY 28/07
27-51-02-10B	0H	MAY 28/07	27-51-02-10C	0C	MAY 28/07
27-51-02-10B	0I	MAY 28/07	27-51-02-10C	0D	MAY 28/07
27-51-02-10B	0J	MAY 28/07	27-51-02-10C	0E	MAY 28/07
27-51-02-10B	0K	MAY 28/07	27-51-02-10C	0F	MAY 28/07
27-51-02-10B	0L	MAY 28/07	27-51-02-10C	0G	MAY 28/07
27-51-02-10B	0M	MAY 28/07	27-51-02-10C	0H	MAY 28/07
27-51-02-10B	1	JAN 20/09	27-51-02-10C	0I	MAY 28/07
27-51-02-10B	2	JAN 20/09	27-51-02-10C	0J	MAY 28/07
27-51-02-10B	3	JAN 20/09	27-51-02-10C	0K	MAY 28/07
27-51-02-10B	4	JAN 20/09	27-51-02-10C	0L	MAY 28/07
27-51-02-10B	5	JAN 20/09	27-51-02-10C	0M	MAY 28/07
27-51-02-10B	6	JAN 20/09	27-51-02-10C	1	JAN 20/09
27-51-02-10B	7	JAN 20/09	27-51-02-10C	2	JAN 20/09
27-51-02-10B	8	JAN 20/09	27-51-02-10C	3	JAN 20/09
27-51-02-10B	9	JAN 20/09	27-51-02-10C	4	JAN 20/09
27-51-02-10B	10	JAN 20/09	27-51-02-10C	5	JAN 20/09
27-51-02-10B	11	JAN 20/09	27-51-02-10C	6	JAN 20/09
27-51-02-10B	12	JAN 20/09	27-51-02-10C	7	JAN 20/09
27-51-02-10B	13	JAN 20/09	27-51-02-10C	8	JAN 20/09
27-51-02-10B	14	JAN 20/09	27-51-02-10C	9	JAN 20/09
27-51-02-10B	15	JAN 20/09	27-51-02-10C	10	JAN 20/09
27-51-02-10B	16	JAN 20/09	27-51-02-10C	11	JAN 20/09
27-51-02-10B	17	JAN 20/09	27-51-02-10C	12	JAN 20/09
27-51-02-10B	18	JAN 20/09	27-51-02-10C	13	JAN 20/09
27-51-02-10B	19	JAN 20/09	27-51-02-10C	14	JAN 20/09
27-51-02-10B	20	JAN 20/09	27-51-02-10C	15	JAN 20/09
27-51-02-10B	21	JAN 20/09	27-51-02-10C	16	JAN 20/09
27-51-02-10B	22	JAN 20/09	27-51-02-10C	17	JAN 20/09
27-51-02-10B	23	JAN 20/09	27-51-02-10C	18	JAN 20/09
27-51-02-10B	24	JAN 20/09	27-51-02-10C	19	JAN 20/09
27-51-02-10B	25	JAN 20/09	27-51-02-10C	20	JAN 20/09
27-51-02-10B	26	JAN 20/09	27-51-02-10C	21	JAN 20/09
27-51-02-10B	27	JAN 20/09	27-51-02-10C	22	JAN 20/09
*27-51-02-10B	28	MAY 20/09	27-51-02-10C	23	JAN 20/09
*27-51-02-10B	29	MAY 20/09	*27-51-02-10C	24	MAY 20/09
*27-51-02-10B	30	MAY 20/09	*27-51-02-10C	25	MAY 20/09
27-51-02-10B	31	JAN 20/09	*27-51-02-10C	26	MAY 20/09
27-51-02-10B	32	JAN 20/09	27-51-02-10C	27	JAN 20/09
27-51-02-10B	33	JAN 20/09	*27-51-02-10C	28	MAY 20/09
27-51-02-10B	34	JAN 20/09	27-51-02-10C	29	JAN 20/09

\* THE ASTERISK INDICATES PAGES CHANGED OR ADDED BY THE CURRENT REVISION



757

PARTS CATALOG (MAINTENANCE)

CH-SECT-UNIT-FIG	PAGE NO.	DATE	CH-SECT-UNIT-FIG	PAGE NO.	DATE
27-51-02-10C	30	JAN 20/09	27-51-03- 1	3	JAN 20/09
27-51-02-10C	31	JAN 20/09	27-51-03- 1	4	JAN 20/09
27-51-02-10C	32	JAN 20/09	27-51-03- 1	5	JAN 20/09
27-51-02-10C	33	JAN 20/09	27-51-03- 1	6	JAN 20/09
27-51-02-10D	0	MAY 28/07	27-51-03- 1	7	JAN 20/09
27-51-02-10D	0A	MAY 28/07	27-51-03- 1	8	JAN 20/09
27-51-02-10D	0B	MAY 28/07	27-51-03- 1	9	JAN 20/09
27-51-02-10D	0C	MAY 28/07	27-51-03- 1	10	JAN 20/09
27-51-02-10D	0D	MAY 28/07	27-51-03- 1	11	JAN 20/09
27-51-02-10D	1	JAN 20/09	27-51-03- 1	12	JAN 20/09
27-51-02-10D	2	JAN 20/09	27-51-03- 1	13	JAN 20/09
*27-51-02-10D	3	MAY 20/09	27-51-03- 1	14	JAN 20/09
*27-51-02-10D	4	MAY 20/09	*27-51-03- 1	15	MAY 20/09
27-51-02-10D	5	JAN 20/09	27-51-03- 1	16	JAN 20/09
*27-51-02-10D	6	MAY 20/09	27-51-03- 1	17	JAN 20/09
27-51-02-10D	7	JAN 20/09	27-51-03- 1	18	JAN 20/09
27-51-02-10D	8	JAN 20/09	27-51-05- 1	0	MAY 28/07
27-51-02-10D	9	JAN 20/09	27-51-05- 1	0A	MAY 28/07
27-51-02-10D	10	JAN 20/09	27-51-05- 1	0B	MAY 28/07
27-51-02-10D	11	JAN 20/09	27-51-05- 1	0C	MAY 28/07
27-51-02-10D	12	JAN 20/09	27-51-05- 1	0D	MAY 28/07
27-51-02-10D	13	JAN 20/09	27-51-05- 1	1	SEP 20/08
*27-51-02-10D	14	MAY 20/09	27-51-05- 1	2	SEP 20/08
*27-51-02-10D	15	MAY 20/09	27-51-05- 1	3	JAN 20/09
27-51-02-10D	16	JAN 20/09	27-51-05- 1	4	SEP 20/08
*27-51-02-10D	17	MAY 20/09	27-51-05- 1	5	JAN 20/09
27-51-02-10D	18	JAN 20/09	27-51-05- 1	6	JAN 20/09
27-51-02-10D	19	JAN 20/09	27-51-05- 1	7	SEP 20/08
27-51-02-10D	20	JAN 20/09	27-51-05- 1	8	SEP 20/08
27-51-02-10D	21	JAN 20/09	27-51-05- 1	9	JAN 20/09
27-51-02-10D	22	JAN 20/09	27-51-05- 1	10	JAN 20/09
27-51-02-10D	23	JAN 20/09	27-51-05- 1	11	JAN 20/09
27-51-02-10D	24	JAN 20/09	27-51-05- 1	12	JAN 20/09
27-51-02-10D	25	JAN 20/09	27-51-05- 1	13	JAN 20/09
27-51-02-10D	26	JAN 20/09	27-51-05- 1	14	JAN 20/09
27-51-02-10D	27	JAN 20/09	27-51-06- 1	0	SEP 28/07
27-51-02-10D	28	JAN 20/09	27-51-06- 1	0A	SEP 28/07
27-51-02-10D	29	JAN 20/09	27-51-06- 1	0B	MAY 28/07
27-51-02-10D	30	JAN 20/09	27-51-06- 1	0C	MAY 28/07
27-51-02-10D	31	JAN 20/09	27-51-06- 1	0D	MAY 28/07
27-51-02-10D	32	JAN 20/09	27-51-06- 1	1	JAN 20/09
27-51-02-10D	33	JAN 20/09	27-51-06- 1	2	JAN 20/09
27-51-02-10D	34	JAN 20/09	27-51-06- 1	3	JAN 20/09
27-51-02-10D	35	JAN 20/09	27-51-06- 1	4	JAN 20/09
27-51-03- 1	0	MAY 28/07	27-51-06- 1	5	JAN 20/09
27-51-03- 1	0A	MAY 28/07	27-51-06- 1	6	JAN 20/09
27-51-03- 1	0B	MAY 28/07	27-51-06- 1	7	JAN 20/09
27-51-03- 1	0C	MAY 28/07	27-51-06- 1	8	JAN 20/09
27-51-03- 1	0D	MAY 28/07	27-51-06- 1	9	JAN 20/09
27-51-03- 1	1	JAN 20/09	27-51-06- 1	10	JAN 20/09
27-51-03- 1	2	JAN 20/09	27-51-06- 1	11	JAN 20/09

\* THE ASTERISK INDICATES PAGES CHANGED OR ADDED BY THE CURRENT REVISION



757

**PARTS CATALOG (MAINTENANCE)**

CH-SECT-UNIT-FIG	PAGE NO.	DATE	CH-SECT-UNIT-FIG	PAGE NO.	DATE
27-51-06- 1	12	JAN 20/09	27-51-06- 2	7	JAN 20/09
27-51-06- 1	13	JAN 20/09	27-51-06- 2	8	JAN 20/09
27-51-06- 1	14	JAN 20/09	27-51-06- 2	9	JAN 20/09
27-51-06- 1	15	JAN 20/09	27-51-06- 2	10	JAN 20/09
27-51-06- 1	16	JAN 20/09	27-51-06- 2	11	JAN 20/09
27-51-06- 1	17	JAN 20/09	27-51-06- 2	12	JAN 20/09
27-51-06- 1	18	JAN 20/09	27-51-06- 2	13	JAN 20/09
27-51-06- 1	19	JAN 20/09	27-51-06- 2	14	JAN 20/09
27-51-06- 1	20	JAN 20/09	27-51-06- 2	15	JAN 20/09
27-51-06- 1	21	JAN 20/09	27-51-06- 2	16	JAN 20/09
27-51-06- 1	22	JAN 20/09	27-51-06- 2	17	JAN 20/09
27-51-06- 1	23	JAN 20/09	27-51-06- 2	18	JAN 20/09
27-51-06- 1	24	JAN 20/09	27-51-06- 2	19	JAN 20/09
27-51-06- 1	25	JAN 20/09	27-51-06- 2	20	JAN 20/09
27-51-06- 1	26	JAN 20/09	27-51-06- 2	21	JAN 20/09
27-51-06- 1	27	JAN 20/09	27-51-06- 2	22	JAN 20/09
27-51-06- 1	28	JAN 20/09	27-51-06- 2	23	JAN 20/09
27-51-06- 1	29	JAN 20/09	27-51-06- 2	24	JAN 20/09
27-51-06- 1	30	JAN 20/09	27-51-06- 2	25	JAN 20/09
27-51-06- 1	31	JAN 20/09	27-51-06- 2	26	JAN 20/09
27-51-06- 1	32	JAN 20/09	27-51-06- 2	27	JAN 20/09
27-51-06- 1	33	JAN 20/09	27-51-06- 2	28	JAN 20/09
27-51-06- 1	34	JAN 20/09	27-51-06- 2	29	JAN 20/09
27-51-06- 1	35	JAN 20/09	27-51-06- 2	30	JAN 20/09
27-51-06- 1	36	JAN 20/09	27-51-06- 2	31	JAN 20/09
27-51-06- 1	37	JAN 20/09	27-51-06- 2	32	JAN 20/09
27-51-06- 1	38	JAN 20/09	27-51-06- 2	33	JAN 20/09
27-51-06- 1	39	JAN 20/09	27-51-06- 2	34	JAN 20/09
27-51-06- 1	40	JAN 20/09	27-51-06- 2	35	JAN 20/09
27-51-06- 1	41	JAN 20/09	27-51-06- 2	36	JAN 20/09
27-51-06- 1	42	JAN 20/09	27-51-06- 2	37	JAN 20/09
27-51-06- 1	43	JAN 20/09	27-51-06- 2	38	JAN 20/09
27-51-06- 1	44	JAN 20/09	27-51-06- 2	39	JAN 20/09
27-51-06- 1	45	JAN 20/09	27-51-06- 2	40	JAN 20/09
27-51-06- 1	46	JAN 20/09	27-51-06- 2	41	JAN 20/09
27-51-06- 1	47	JAN 20/09	27-51-06- 2	42	JAN 20/09
27-51-06- 1	48	JAN 20/09	27-51-06- 2	43	JAN 20/09
27-51-06- 1	49	JAN 20/09	27-51-06- 2	44	JAN 20/09
27-51-06- 1	50	JAN 20/09	27-51-06- 2	45	JAN 20/09
27-51-06- 1	51	JAN 20/09	27-51-06- 2	46	JAN 20/09
27-51-06- 1	52	JAN 20/09	27-51-06- 2	47	JAN 20/09
27-51-06- 2	0	MAY 28/07	27-51-07- 1	0	MAY 28/07
27-51-06- 2	0A	MAY 28/07	27-51-07- 1	1	JAN 20/09
27-51-06- 2	0B	MAY 28/07	27-51-07- 1	2	JAN 20/09
27-51-06- 2	0C	MAY 28/07	27-51-07- 1	3	JAN 20/09
27-51-06- 2	1	JAN 20/09	27-51-07- 1	4	JAN 20/09
27-51-06- 2	2	JAN 20/09	27-51-07- 1	5	JAN 20/09
27-51-06- 2	3	JAN 20/09	27-51-07- 1	6	JAN 20/09
27-51-06- 2	4	JAN 20/09	27-51-07- 1	7	JAN 20/09
27-51-06- 2	5	JAN 20/09	27-51-07- 1	8	JAN 20/09
27-51-06- 2	6	JAN 20/09	27-51-07- 1	9	JAN 20/09

\* THE ASTERISK INDICATES PAGES CHANGED OR ADDED BY THE CURRENT REVISION



**757**  
**PARTS CATALOG (MAINTENANCE)**

CH-SECT-UNIT-FIG	PAGE NO.	DATE	CH-SECT-UNIT-FIG	PAGE NO.	DATE
27-51-07- 1	10	JAN 20/09	27-51-11- 1	24	JAN 20/09
27-51-08- 1	0	JAN 20/08	27-51-11- 1	25	JAN 20/09
27-51-08- 1	1	JAN 20/09	27-51-11- 1	26	JAN 20/09
27-51-08- 1	2	JAN 20/09	27-51-11- 1	27	JAN 20/09
27-51-08- 1	3	JAN 20/09	27-51-11- 1	28	JAN 20/09
27-51-08- 1	4	JAN 20/09	27-51-11- 1	29	JAN 20/09
27-51-08- 1	5	JAN 20/09	27-51-11- 1	30	JAN 20/09
27-51-08- 1	6	JAN 20/09	27-51-11- 1	31	JAN 20/09
27-51-08- 1	7	JAN 20/09	27-51-11- 1	32	JAN 20/09
27-51-08- 1	8	JAN 20/09	27-51-11- 1	33	JAN 20/09
27-51-08- 1	9	JAN 20/09	27-51-11- 1	34	JAN 20/09
27-51-08- 1	10	JAN 20/09	27-51-11- 1	35	JAN 20/09
27-51-08- 1	11	JAN 20/09	27-51-11- 1	36	JAN 20/09
*27-51-08- 1	12	MAY 20/09	27-51-11- 1	37	JAN 20/09
*27-51-08- 1	13	MAY 20/09	27-51-11- 1	38	JAN 20/09
27-51-09- 1	0	MAY 28/07	27-51-11- 1	39	JAN 20/09
27-51-09- 1	1	JAN 20/09	27-51-12- 1	0	MAY 28/07
27-51-09- 1	2	JAN 20/09	27-51-12- 1	0A	MAY 28/07
27-51-09- 1	3	JAN 20/09	27-51-12- 1	0B	MAY 28/07
27-51-10- 1	0	MAY 28/07	27-51-12- 1	0C	MAY 28/07
27-51-10- 1	1	JAN 20/09	27-51-12- 1	0D	MAY 28/07
27-51-10- 1	2	JAN 20/09	27-51-12- 1	1	JAN 20/09
27-51-10- 1	3	JAN 20/09	*27-51-12- 1	2	MAY 20/09
27-51-10- 1	4	JAN 20/09	27-51-12- 1	3	JAN 20/09
27-51-11- 1	0	MAY 28/07	27-51-12- 1	4	JAN 20/09
27-51-11- 1	0A	MAY 28/07	*27-51-12- 1	5	MAY 20/09
27-51-11- 1	0B	MAY 28/07	*27-51-12- 1	6	MAY 20/09
27-51-11- 1	0C	MAY 28/07	*27-51-12- 1	7	MAY 20/09
27-51-11- 1	1	JAN 20/09	*27-51-12- 1	8	MAY 20/09
27-51-11- 1	2	JAN 20/09	27-51-12- 1	9	JAN 20/09
27-51-11- 1	3	JAN 20/09	27-51-12- 1	10	JAN 20/09
27-51-11- 1	4	JAN 20/09	*27-51-12- 1	11	MAY 20/09
27-51-11- 1	5	JAN 20/09	*27-51-12- 1	12	MAY 20/09
27-51-11- 1	6	JAN 20/09	*27-51-12- 1	13	MAY 20/09
27-51-11- 1	7	JAN 20/09	*27-51-12- 1	14	MAY 20/09
27-51-11- 1	8	JAN 20/09	27-51-12- 1	15	JAN 20/09
27-51-11- 1	9	JAN 20/09	27-51-12- 1	16	JAN 20/09
27-51-11- 1	10	JAN 20/09	27-51-12- 1	17	JAN 20/09
27-51-11- 1	11	JAN 20/09	27-51-12- 1	18	JAN 20/09
27-51-11- 1	12	JAN 20/09	27-51-12- 1	19	JAN 20/09
27-51-11- 1	13	JAN 20/09	27-51-12- 1	20	JAN 20/09
27-51-11- 1	14	JAN 20/09	27-51-12- 1	21	JAN 20/09
27-51-11- 1	15	JAN 20/09	27-51-12- 1	22	JAN 20/09
27-51-11- 1	16	JAN 20/09	27-51-12- 1	23	JAN 20/09
27-51-11- 1	17	JAN 20/09	27-51-12- 1	24	JAN 20/09
27-51-11- 1	18	JAN 20/09	27-51-12- 1	25	JAN 20/09
27-51-11- 1	19	JAN 20/09	27-51-14- 1	0	MAY 28/07
27-51-11- 1	20	JAN 20/09	27-51-14- 1	0A	MAY 28/07
27-51-11- 1	21	JAN 20/09	27-51-14- 1	0B	MAY 28/07
27-51-11- 1	22	JAN 20/09	27-51-14- 1	0C	MAY 28/07
27-51-11- 1	23	JAN 20/09	27-51-14- 1	0D	MAY 28/07

\* THE ASTERISK INDICATES PAGES CHANGED OR ADDED BY THE CURRENT REVISION



757

PARTS CATALOG (MAINTENANCE)

CH-SECT-UNIT-FIG	PAGE NO.	DATE	CH-SECT-UNIT-FIG	PAGE NO.	DATE
27-51-14- 1	0E	MAY 28/07	27-51-14- 1	50	JAN 20/09
27-51-14- 1	0F	MAY 28/07	27-51-14- 1	51	JAN 20/09
27-51-14- 1	1	JAN 20/09	27-51-14- 1	52	JAN 20/09
27-51-14- 1	2	JAN 20/09	27-51-14- 1	53	JAN 20/09
27-51-14- 1	3	JAN 20/09	27-51-14- 1	54	JAN 20/09
27-51-14- 1	4	JAN 20/09	27-51-14- 1	55	JAN 20/09
27-51-14- 1	5	JAN 20/09	27-51-14- 1	56	JAN 20/09
27-51-14- 1	6	JAN 20/09	27-51-14- 1	57	JAN 20/09
27-51-14- 1	7	JAN 20/09	27-51-14- 1	58	JAN 20/09
27-51-14- 1	8	JAN 20/09	27-51-14- 1	59	JAN 20/09
27-51-14- 1	9	JAN 20/09	*27-51-14- 1	60	MAY 20/09
27-51-14- 1	10	JAN 20/09	27-51-14- 1	61	JAN 20/09
27-51-14- 1	11	JAN 20/09	27-51-14-10	0	SEP 28/07
27-51-14- 1	12	JAN 20/09	27-51-14-10	0A	MAY 28/07
27-51-14- 1	13	JAN 20/09	27-51-14-10	0B	MAY 28/07
27-51-14- 1	14	JAN 20/09	27-51-14-10	0C	MAY 28/07
27-51-14- 1	15	JAN 20/09	27-51-14-10	0D	MAY 28/07
27-51-14- 1	16	JAN 20/09	27-51-14-10	1	JAN 20/09
27-51-14- 1	17	JAN 20/09	27-51-14-10	2	JAN 20/09
27-51-14- 1	18	JAN 20/09	27-51-14-10	3	JAN 20/09
27-51-14- 1	19	JAN 20/09	27-51-14-10	4	JAN 20/09
27-51-14- 1	20	JAN 20/09	27-51-14-10	5	JAN 20/09
27-51-14- 1	21	JAN 20/09	27-51-14-10	6	JAN 20/09
27-51-14- 1	22	JAN 20/09	27-51-14-10	7	JAN 20/09
27-51-14- 1	23	JAN 20/09	27-51-14-10	8	JAN 20/09
27-51-14- 1	24	JAN 20/09	*27-51-14-10	9	MAY 20/09
27-51-14- 1	25	JAN 20/09	27-51-14-10	10	JAN 20/09
27-51-14- 1	26	JAN 20/09	27-51-14-10	11	JAN 20/09
27-51-14- 1	27	JAN 20/09	27-51-14-10	12	JAN 20/09
27-51-14- 1	28	JAN 20/09	27-51-14-10	13	JAN 20/09
27-51-14- 1	29	JAN 20/09	27-51-14-10	14	JAN 20/09
27-51-14- 1	30	JAN 20/09	27-51-14-10	15	JAN 20/09
27-51-14- 1	31	JAN 20/09	27-51-14-10	16	JAN 20/09
27-51-14- 1	32	JAN 20/09	27-51-14-10	17	JAN 20/09
27-51-14- 1	33	JAN 20/09	*27-51-14-10	18	MAY 20/09
27-51-14- 1	34	JAN 20/09	27-51-14-10	19	JAN 20/09
27-51-14- 1	35	JAN 20/09	27-51-14-10	20	JAN 20/09
27-51-14- 1	36	JAN 20/09	*27-51-14-10	21	MAY 20/09
27-51-14- 1	37	JAN 20/09	27-51-14-10	22	JAN 20/09
27-51-14- 1	38	JAN 20/09	27-51-14-10	23	JAN 20/09
27-51-14- 1	39	JAN 20/09	27-51-14-10	24	JAN 20/09
27-51-14- 1	40	JAN 20/09	27-51-14-10	25	JAN 20/09
27-51-14- 1	41	JAN 20/09	27-51-14-10	26	JAN 20/09
27-51-14- 1	42	JAN 20/09	27-51-14-10	27	JAN 20/09
27-51-14- 1	43	JAN 20/09	27-51-14-10	28	JAN 20/09
27-51-14- 1	44	JAN 20/09	27-51-14-10	29	JAN 20/09
27-51-14- 1	45	JAN 20/09	27-51-15- 5	0	MAY 28/07
27-51-14- 1	46	JAN 20/09	27-51-15- 5	0A	MAY 28/07
27-51-14- 1	47	JAN 20/09	27-51-15- 5	0B	MAY 28/07
27-51-14- 1	48	JAN 20/09	27-51-15- 5	0C	MAY 28/07
*27-51-14- 1	49	MAY 20/09	27-51-15- 5	0D	MAY 28/07

\* THE ASTERISK INDICATES PAGES CHANGED OR ADDED BY THE CURRENT REVISION



**757**  
**PARTS CATALOG (MAINTENANCE)**

CH-SECT-UNIT-FIG	PAGE NO.	DATE	CH-SECT-UNIT-FIG	PAGE NO.	DATE
27-51-15- 5	0E	MAY 28/07	27-51-17- 1	1	JAN 20/09
27-51-15- 5	1	JAN 20/09	27-51-17- 1	2	JAN 20/09
27-51-15- 5	2	JAN 20/09	27-51-17- 1	3	JAN 20/09
27-51-15- 5	3	JAN 20/09	27-51-17- 1	4	JAN 20/09
27-51-15- 5	4	JAN 20/09	27-51-17- 1	5	JAN 20/09
27-51-15- 5	5	JAN 20/09	27-51-17- 1	6	JAN 20/09
27-51-15- 5	6	JAN 20/09	27-51-17- 1	7	JAN 20/09
27-51-15- 5	7	JAN 20/09	27-51-17- 1	8	JAN 20/09
27-51-15- 5	8	JAN 20/09	27-51-17- 1	9	JAN 20/09
27-51-15- 5	9	JAN 20/09	27-51-17- 1	10	JAN 20/09
27-51-15- 5	10	JAN 20/09	27-51-17- 1	11	JAN 20/09
27-51-15- 5	11	JAN 20/09	27-51-17- 1	12	JAN 20/09
27-51-15- 5	12	JAN 20/09	27-51-17- 1	13	JAN 20/09
27-51-15- 5	13	JAN 20/09	27-51-17- 1	14	JAN 20/09
27-51-15- 5	14	JAN 20/09	27-51-17- 1	15	JAN 20/09
27-51-15- 5	15	JAN 20/09	27-51-17- 1	16	JAN 20/09
27-51-15- 5	16	JAN 20/09	27-51-17- 1	17	JAN 20/09
27-51-15- 5	17	JAN 20/09	27-51-17- 1	18	JAN 20/09
27-51-15- 6	0	MAY 28/07	27-51-17- 1	19	JAN 20/09
27-51-15- 6	1	JAN 20/09	27-51-17- 1	20	JAN 20/09
27-51-15- 6	2	JAN 20/09	27-51-17- 1	21	JAN 20/09
27-51-15- 6	3	JAN 20/09	27-51-17- 1	22	JAN 20/09
27-51-15- 6	4	JAN 20/09	27-51-17- 1	23	JAN 20/09
27-51-15- 6	5	JAN 20/09	27-51-17- 1	24	JAN 20/09
27-51-15- 6	6	JAN 20/09	27-51-17- 1	25	JAN 20/09
27-51-15- 6	7	JAN 20/09	27-51-17- 1	26	JAN 20/09
27-51-15- 6A	0	MAY 28/07	27-51-17- 1	27	JAN 20/09
27-51-15- 6A	0A	MAY 28/07	27-51-17- 1	28	JAN 20/09
27-51-15- 6A	0B	MAY 28/07	27-51-17- 1	29	JAN 20/09
27-51-15- 6A	1	JAN 20/09	27-51-17- 1	30	JAN 20/09
27-51-15- 6A	2	JAN 20/09	27-51-17- 1	31	JAN 20/09
27-51-15- 6A	3	JAN 20/09	27-51-17- 1	32	JAN 20/09
27-51-15- 6A	4	JAN 20/09	27-51-17- 1	33	JAN 20/09
27-51-16- 1	0	MAY 28/07	27-51-17- 1	34	JAN 20/09
27-51-16- 1	0A	MAY 28/07	27-51-17- 1	35	JAN 20/09
27-51-16- 1	0B	MAY 28/07	27-51-17- 1	36	JAN 20/09
27-51-16- 1	1	SEP 20/08	27-51-17- 1	37	JAN 20/09
27-51-16- 1	2	SEP 20/08	27-51-17- 1	38	JAN 20/09
27-51-16- 1	3	JAN 20/09	27-51-17- 1	39	JAN 20/09
27-51-16- 1	4	JAN 20/09	27-51-17- 1	40	JAN 20/09
27-51-16- 1	5	JAN 20/09	27-51-17- 1	41	JAN 20/09
27-51-16- 1	6	JAN 20/09	27-51-17- 1	42	JAN 20/09
27-51-16- 1	7	JAN 20/09	27-51-17- 1	43	JAN 20/09
27-51-16- 1	8	JAN 20/09	27-51-17- 1	44	JAN 20/09
27-51-16- 1	9	SEP 20/08	27-51-17- 1	45	JAN 20/09
27-51-16- 1	10	JAN 20/09	27-51-17- 1	46	JAN 20/09
27-51-16- 1	11	JAN 20/09	27-51-17- 1	47	JAN 20/09
27-51-16- 1	12	JAN 20/09	27-51-17- 1	48	JAN 20/09
27-51-16- 1	13	JAN 20/09	27-51-17- 1	49	JAN 20/09
27-51-16- 1	14	JAN 20/09	27-51-17- 1	50	JAN 20/09
27-51-17- 1	0	MAY 28/07	27-51-17- 1	51	JAN 20/09

\* THE ASTERISK INDICATES PAGES CHANGED OR ADDED BY THE CURRENT REVISION





757

PARTS CATALOG (MAINTENANCE)

CH-SECT-UNIT-FIG	PAGE NO.	DATE
27-51-17- 1	52	JAN 20/09
27-51-17- 1	53	JAN 20/09
27-51-17- 1	54	JAN 20/09
27-51-17- 2	0	SEP 28/07
27-51-17- 2	1	JAN 20/09
27-51-17- 2	2	JAN 20/09
27-51-17- 2	3	JAN 20/09
27-51-17- 2	4	JAN 20/09
27-51-17- 2	5	JAN 20/09
27-51-17- 2	6	JAN 20/09
27-51-17- 2	7	JAN 20/09
27-51-17- 2	8	JAN 20/09
27-51-17- 2	9	JAN 20/09
27-51-17- 2	10	JAN 20/09
27-51-17- 2	11	JAN 20/09
27-51-17- 2	12	JAN 20/09
27-51-17- 2	13	JAN 20/09
27-51-17- 2	14	JAN 20/09
27-51-17- 2	15	JAN 20/09
27-51-17- 2	16	JAN 20/09
27-51-17- 2	17	JAN 20/09
27-51-17- 2	18	JAN 20/09
27-51-17- 2	19	JAN 20/09
27-51-17- 2	20	JAN 20/09
27-51-17- 2	21	JAN 20/09
27-51-17- 2	22	JAN 20/09
27-51-17- 2	23	JAN 20/09
27-51-17- 2	24	JAN 20/09
27-51-17- 2	25	JAN 20/09
27-51-17- 2	26	JAN 20/09
27-51-17- 2	27	JAN 20/09
27-51-17- 2	28	JAN 20/09
27-51-17- 2	29	JAN 20/09
27-51-17- 2	30	JAN 20/09
27-51-17- 2	31	JAN 20/09
27-51-17- 2	32	JAN 20/09
27-51-17- 2	33	JAN 20/09
27-51-17- 2	34	JAN 20/09
27-51-17- 2	35	JAN 20/09
27-51-17- 2	36	JAN 20/09
27-51-17- 2	37	JAN 20/09
27-51-17- 2	38	JAN 20/09
27-51-17- 2	39	JAN 20/09
27-51-17- 2	40	JAN 20/09
27-51-17- 2	41	JAN 20/09
27-51-17- 2	42	JAN 20/09
27-51-17- 2	43	JAN 20/09
27-51-17- 2	44	JAN 20/09
27-51-17- 2	45	JAN 20/09
27-51-17- 2	46	JAN 20/09
27-51-17- 2	47	JAN 20/09

CH-SECT-UNIT-FIG	PAGE NO.	DATE
27-51-17- 2	48	JAN 20/09
27-51-17- 2	49	JAN 20/09
27-51-17- 2	50	JAN 20/09
27-51-17- 2	51	JAN 20/09
27-51-17- 2	52	JAN 20/09
27-51-17- 2	53	JAN 20/09
27-51-17- 2	54	JAN 20/09
27-51-17- 2	55	JAN 20/09
27-51-17- 2	56	JAN 20/09
27-51-18- 1	0	MAY 28/07
27-51-18- 1	1	JAN 20/09
27-51-18- 1	2	JAN 20/09
27-51-18- 1	3	JAN 20/09
27-51-18- 1	4	JAN 20/09
27-51-18- 2	0	MAY 28/07
27-51-18- 2	1	JAN 20/09
27-51-18- 2	2	JAN 20/09
27-51-18- 2	3	JAN 20/09
27-51-18- 2	4	JAN 20/09
27-51-18- 2	5	JAN 20/09
27-51-21- 1	0	MAY 28/07
27-51-21- 1	0A	MAY 28/07
27-51-21- 1	0B	MAY 28/07
27-51-21- 1	0C	MAY 28/07
27-51-21- 1	1	JAN 20/09
27-51-21- 1	2	JAN 20/09
27-51-21- 1	3	JAN 20/09
27-51-21- 1	4	JAN 20/09
27-51-21- 1	5	JAN 20/09
27-51-21- 1	6	JAN 20/09
27-51-21- 1	7	JAN 20/09
27-51-21- 1	8	JAN 20/09
27-51-21- 1	9	JAN 20/09
27-51-21- 1	10	JAN 20/09
27-51-21- 1	11	JAN 20/09
27-51-21- 1	12	JAN 20/09
27-51-21- 1	13	JAN 20/09
27-51-21- 1	14	JAN 20/09
27-51-21- 1	15	JAN 20/09
27-51-21- 1	16	JAN 20/09
27-51-21- 1	17	JAN 20/09
27-51-21- 1	18	JAN 20/09
27-51-21- 1	19	JAN 20/09
27-51-21- 1	20	JAN 20/09
27-51-21- 1	21	JAN 20/09
27-51-21- 1	22	JAN 20/09
27-51-21- 1	23	JAN 20/09
27-51-21- 1	24	JAN 20/09
27-51-21- 1	25	JAN 20/09
27-51-21- 1	26	JAN 20/09
27-51-21- 1	27	JAN 20/09

\* THE ASTERISK INDICATES PAGES CHANGED OR ADDED BY THE CURRENT REVISION



**757**  
**PARTS CATALOG (MAINTENANCE)**

CH-SECT-UNIT-FIG	PAGE NO.	DATE	CH-SECT-UNIT-FIG	PAGE NO.	DATE
27-51-21- 1	28	JAN 20/09	27-51-21- 2	26	JAN 20/09
27-51-21- 1	29	JAN 20/09	27-51-21- 2	27	JAN 20/09
27-51-21- 1	30	JAN 20/09	27-51-21- 2	28	JAN 20/09
27-51-21- 1	31	JAN 20/09	27-51-21- 2	29	JAN 20/09
27-51-21- 1	32	JAN 20/09	27-51-21- 2	30	JAN 20/09
27-51-21- 1	33	JAN 20/09	27-51-21- 2	31	JAN 20/09
27-51-21- 1	34	JAN 20/09	27-51-21- 2	32	JAN 20/09
27-51-21- 1	35	JAN 20/09	27-51-21- 2	33	JAN 20/09
27-51-21- 1	36	JAN 20/09	27-51-21- 2	34	JAN 20/09
27-51-21- 1	37	JAN 20/09	27-51-21- 2	35	JAN 20/09
27-51-21- 1	38	JAN 20/09	27-51-21- 2	36	JAN 20/09
27-51-21- 1	39	JAN 20/09	27-51-21- 2	37	JAN 20/09
27-51-21- 1	40	JAN 20/09	27-51-21- 2	38	JAN 20/09
27-51-21- 1	41	JAN 20/09	27-51-21- 2	39	JAN 20/09
27-51-21- 1	42	SEP 20/08	27-51-21- 2	40	JAN 20/09
27-51-21- 1	43	JAN 20/09	27-51-21- 2	41	JAN 20/09
27-51-21- 1	44	JAN 20/09	27-51-21- 2	42	JAN 20/09
27-51-21- 1	45	JAN 20/09	27-51-21- 2	43	JAN 20/09
27-51-21- 1	46	JAN 20/09	27-51-21- 2	44	JAN 20/09
27-51-21- 1	47	JAN 20/09	27-51-21- 2	45	JAN 20/09
27-51-21- 1	48	SEP 20/08	27-51-21- 2	46	JAN 20/09
27-51-21- 2	0	MAY 28/07	27-51-21- 2	47	JAN 20/09
27-51-21- 2	0A	MAY 28/07	27-51-21- 2	48	JAN 20/09
27-51-21- 2	0B	MAY 28/07	27-51-21- 2	49	JAN 20/09
27-51-21- 2	0C	MAY 28/07	27-51-21- 2	50	JAN 20/09
27-51-21- 2	0D	MAY 28/07	27-51-21- 2	51	JAN 20/09
27-51-21- 2	1	JAN 20/09	27-51-21- 2	52	JAN 20/09
27-51-21- 2	2	JAN 20/09	27-51-22- 1	0	MAY 28/07
27-51-21- 2	3	JAN 20/09	27-51-22- 1	0A	MAY 28/07
27-51-21- 2	4	JAN 20/09	27-51-22- 1	0B	MAY 28/07
27-51-21- 2	5	JAN 20/09	27-51-22- 1	1	JAN 20/09
27-51-21- 2	6	JAN 20/09	27-51-22- 1	2	JAN 20/09
27-51-21- 2	7	JAN 20/09	27-51-22- 1	3	JAN 20/09
27-51-21- 2	8	JAN 20/09	27-51-22- 1	4	JAN 20/09
27-51-21- 2	9	JAN 20/09	27-51-22- 1	5	JAN 20/09
27-51-21- 2	10	JAN 20/09	27-51-22- 1	6	JAN 20/09
27-51-21- 2	11	JAN 20/09	27-51-22- 1	7	JAN 20/09
27-51-21- 2	12	JAN 20/09	27-51-22- 1	8	JAN 20/09
27-51-21- 2	13	JAN 20/09	27-51-22- 1	9	JAN 20/09
27-51-21- 2	14	JAN 20/09	27-51-22- 1	10	JAN 20/09
27-51-21- 2	15	JAN 20/09	27-51-22- 1	11	JAN 20/09
27-51-21- 2	16	JAN 20/09	27-51-22- 1	12	JAN 20/09
27-51-21- 2	17	JAN 20/09	27-51-22- 1	13	JAN 20/09
27-51-21- 2	18	JAN 20/09	27-51-22- 1	14	JAN 20/09
27-51-21- 2	19	JAN 20/09	27-51-22- 1	15	JAN 20/09
27-51-21- 2	20	JAN 20/09	27-51-25- 1	0	MAY 28/07
27-51-21- 2	21	JAN 20/09	27-51-25- 1	0A	MAY 28/07
27-51-21- 2	22	JAN 20/09	27-51-25- 1	1	JAN 20/09
27-51-21- 2	23	JAN 20/09	27-51-25- 1	2	JAN 20/09
27-51-21- 2	24	JAN 20/09	27-51-25- 1	3	JAN 20/09
27-51-21- 2	25	JAN 20/09	27-51-25- 1	4	JAN 20/09

\* THE ASTERISK INDICATES PAGES CHANGED OR ADDED BY THE CURRENT REVISION



757

PARTS CATALOG (MAINTENANCE)

CH-SECT-UNIT-FIG	PAGE NO.	DATE	CH-SECT-UNIT-FIG	PAGE NO.	DATE
27-51-25- 1	5	JAN 20/09	27-51-25- 3	25	JAN 20/09
27-51-25- 1	6	JAN 20/09	27-51-25- 3	26	JAN 20/09
27-51-25- 1	7	JAN 20/09	27-51-25- 3	27	JAN 20/09
27-51-25- 1	8	JAN 20/09	27-51-25- 3	28	JAN 20/09
27-51-25- 1	9	JAN 20/09	27-51-25- 3	29	JAN 20/09
27-51-25- 2	0	MAY 28/07	27-51-25- 3B	0	MAY 28/07
27-51-25- 2	0A	MAY 28/07	*27-51-25- 3B	0A	MAY 20/09
27-51-25- 2	1	JAN 20/09	27-51-25- 3B	0B	MAY 28/07
*27-51-25- 2	2	MAY 20/09	*27-51-25- 3B	0C	MAY 20/09
*27-51-25- 2	3	MAY 20/09	27-51-25- 3B	1	JAN 20/09
*27-51-25- 2	4	MAY 20/09	27-51-25- 3B	2	JAN 20/09
*27-51-25- 2	5	MAY 20/09	27-51-25- 3B	3	JAN 20/09
*27-51-25- 2	6	MAY 20/09	27-51-25- 3B	4	JAN 20/09
*27-51-25- 2	7	MAY 20/09	27-51-25- 3B	5	JAN 20/09
*27-51-25- 2	8	MAY 20/09	27-51-25- 3B	6	JAN 20/09
*27-51-25- 2	9	MAY 20/09	27-51-25- 3B	7	JAN 20/09
*27-51-25- 2	10	MAY 20/09	27-51-25- 3B	8	JAN 20/09
*27-51-25- 2	11	MAY 20/09	27-51-25- 3B	9	JAN 20/09
*27-51-25- 2	12	MAY 20/09	27-51-25- 3B	10	JAN 20/09
*27-51-25- 2	13	MAY 20/09	27-51-25- 6	0	MAY 28/07
*27-51-25- 2	14	MAY 20/09	27-51-25- 6	1	JAN 20/09
*27-51-25- 2	15	MAY 20/09	27-51-25- 6	2	JAN 20/09
27-51-25- 3	0	MAY 28/07	27-51-25-10	0	MAY 28/07
27-51-25- 3	0A	MAY 28/07	27-51-25-10	0A	MAY 28/07
27-51-25- 3	0B	MAY 28/07	27-51-25-10	0B	MAY 28/07
27-51-25- 3	0C	MAY 28/07	27-51-25-10	0C	JAN 20/09
27-51-25- 3	0D	MAY 28/07	27-51-25-10	1	JAN 20/09
27-51-25- 3	1	JAN 20/09	27-51-25-10	2	JAN 20/09
27-51-25- 3	2	JAN 20/09	27-51-25-10	3	JAN 20/09
27-51-25- 3	3	JAN 20/09	27-51-25-10	4	JAN 20/09
27-51-25- 3	4	JAN 20/09	27-51-25-10	5	JAN 20/09
27-51-25- 3	5	JAN 20/09	27-51-25-10	6	JAN 20/09
27-51-25- 3	6	JAN 20/09	27-51-25-10	7	JAN 20/09
27-51-25- 3	7	JAN 20/09	27-51-25-10	8	JAN 20/09
27-51-25- 3	8	JAN 20/09	27-51-25-10	9	JAN 20/09
27-51-25- 3	9	JAN 20/09	27-51-25-10	10	JAN 20/09
27-51-25- 3	10	JAN 20/09	27-51-25-10	11	JAN 20/09
27-51-25- 3	11	JAN 20/09	27-51-25-10	12	JAN 20/09
27-51-25- 3	12	JAN 20/09	27-51-25-10	13	JAN 20/09
27-51-25- 3	13	JAN 20/09	27-51-25-10	14	JAN 20/09
27-51-25- 3	14	JAN 20/09	27-51-25-10	15	JAN 20/09
27-51-25- 3	15	JAN 20/09	27-51-25-10	16	JAN 20/09
27-51-25- 3	16	JAN 20/09	27-51-25-10	17	JAN 20/09
27-51-25- 3	17	JAN 20/09	27-51-26- 1	0	MAY 28/07
27-51-25- 3	18	JAN 20/09	27-51-26- 1	0A	MAY 28/07
27-51-25- 3	19	JAN 20/09	27-51-26- 1	0B	MAY 28/07
27-51-25- 3	20	JAN 20/09	27-51-26- 1	0C	MAY 28/07
27-51-25- 3	21	JAN 20/09	27-51-26- 1	0D	MAY 28/07
27-51-25- 3	22	JAN 20/09	27-51-26- 1	0E	MAY 28/07
27-51-25- 3	23	JAN 20/09	27-51-26- 1	1	JAN 20/09
27-51-25- 3	24	JAN 20/09	27-51-26- 1	2	JAN 20/09

\* THE ASTERISK INDICATES PAGES CHANGED OR ADDED BY THE CURRENT REVISION



757

PARTS CATALOG (MAINTENANCE)

CH-SECT-UNIT-FIG	PAGE NO.	DATE
27-51-26- 1	3	JAN 20/09
27-51-26- 1	4	JAN 20/09
27-51-26- 1	5	JAN 20/09
27-51-26- 1	6	JAN 20/09
27-51-26- 1	7	JAN 20/09
27-51-26- 1	8	JAN 20/09
27-51-26- 1	9	JAN 20/09
27-51-26- 1	10	JAN 20/09
27-51-26- 1	11	JAN 20/09
27-51-26- 1	12	JAN 20/09
27-51-26- 1	13	JAN 20/09
27-51-26- 1	14	JAN 20/09
27-51-26- 1	15	JAN 20/09
27-51-26- 1	16	JAN 20/09
27-51-26- 1	17	JAN 20/09
27-51-26- 1	18	JAN 20/09
27-51-26- 1	19	JAN 20/09
27-51-26- 1	20	JAN 20/09
27-51-26- 1	21	JAN 20/09
27-51-26- 1	22	JAN 20/09
27-51-26- 1	23	JAN 20/09
27-51-26- 1	24	JAN 20/09
27-51-26- 1	25	JAN 20/09
27-51-26- 1	26	JAN 20/09
27-51-26- 1	27	JAN 20/09
27-51-26- 1	28	JAN 20/09
27-51-26- 1	29	JAN 20/09
27-51-26- 1	30	JAN 20/09
27-51-26- 1	31	JAN 20/09
27-51-26- 2	0	JAN 20/09
27-51-26- 2	1	JAN 20/09
27-51-26- 2	2	JAN 20/09
27-51-29- 1	0	MAY 28/07
27-51-29- 1	0A	MAY 28/07
27-51-29- 1	0B	MAY 28/07
27-51-29- 1	1	JAN 20/09
27-51-29- 1	2	JAN 20/09
27-51-29- 1	3	JAN 20/09
27-51-29- 1	4	JAN 20/09
27-51-29- 1	5	JAN 20/09
27-51-29- 1	6	JAN 20/09
27-51-29- 1	7	JAN 20/09
27-51-29- 1	8	JAN 20/09
27-51-29- 1	9	JAN 20/09
27-51-29- 1	10	JAN 20/09
27-51-29- 1	11	JAN 20/09
27-51-30- 1	0	MAY 28/07
27-51-30- 1	0A	MAY 28/07
27-51-30- 1	0B	MAY 28/07
27-51-30- 1	0C	MAY 28/07
27-51-30- 1	0D	MAY 28/07

CH-SECT-UNIT-FIG	PAGE NO.	DATE
27-51-30- 1	1	JAN 20/09
27-51-30- 1	2	JAN 20/09
27-51-30- 1	3	JAN 20/09
27-51-30- 1	4	JAN 20/09
27-51-30- 1	5	JAN 20/09
27-51-30- 1	6	JAN 20/09
27-51-30- 1	7	JAN 20/09
27-51-30- 1	8	JAN 20/09
27-51-30- 1	9	JAN 20/09
27-51-30- 1	10	JAN 20/09
27-51-30- 1	11	JAN 20/09
27-51-30- 1	12	JAN 20/09
27-51-30- 1	13	JAN 20/09
27-51-30- 1	14	JAN 20/09
*27-51-30- 1	15	MAY 20/09
27-51-30- 1	16	JAN 20/09
27-51-30- 1	17	JAN 20/09
27-51-30- 1	18	JAN 20/09
27-51-30- 1	19	JAN 20/09
27-51-30- 1	20	JAN 20/09
27-51-30- 1	21	JAN 20/09
27-51-30- 1	22	JAN 20/09
27-51-30- 1	23	JAN 20/09
27-51-30- 1	24	JAN 20/09
27-51-30- 1	25	JAN 20/09
27-51-30- 1	26	JAN 20/09
27-51-30- 1	27	JAN 20/09
27-51-30- 1	28	JAN 20/09
27-51-30- 1	29	JAN 20/09
27-51-30- 1	30	JAN 20/09
27-51-30- 1	31	JAN 20/09
27-51-30- 1	32	JAN 20/09
27-51-30- 1	33	JAN 20/09
27-51-30- 1	34	JAN 20/09
27-51-30- 1	35	JAN 20/09
27-51-30- 1	36	JAN 20/09
27-51-30- 1	37	JAN 20/09
27-51-30- 1	38	JAN 20/09
27-51-30- 1	39	JAN 20/09
27-51-30- 1	40	JAN 20/09
27-51-30- 1	41	JAN 20/09
27-51-30- 1	42	JAN 20/09
27-51-30- 1	43	JAN 20/09
27-51-30- 1	44	JAN 20/09
27-51-30- 1	45	JAN 20/09
27-51-31- 1	0	MAY 28/07
27-51-31- 1	0A	MAY 28/07
27-51-31- 1	0B	MAY 28/07
27-51-31- 1	0C	MAY 28/07
27-51-31- 1	0D	MAY 28/07
27-51-31- 1	0E	MAY 28/07

\* THE ASTERISK INDICATES PAGES CHANGED OR ADDED BY THE CURRENT REVISION



**757**  
**PARTS CATALOG (MAINTENANCE)**

CH-SECT-UNIT-FIG	PAGE NO.	DATE	CH-SECT-UNIT-FIG	PAGE NO.	DATE
27-51-31- 1	1	JAN 20/09	27-51-31- 3	0B	MAY 28/07
27-51-31- 1	2	JAN 20/09	27-51-31- 3	0C	MAY 28/07
27-51-31- 1	3	JAN 20/09	27-51-31- 3	1	JAN 20/09
27-51-31- 1	4	JAN 20/09	27-51-31- 3	2	JAN 20/09
27-51-31- 1	5	JAN 20/09	*27-51-31- 3	3	MAY 20/09
27-51-31- 1	6	JAN 20/09	27-51-31- 3	4	JAN 20/09
27-51-31- 1	7	JAN 20/09	27-51-31- 3	5	JAN 20/09
27-51-31- 1	8	JAN 20/09	27-51-31- 3	6	JAN 20/09
27-51-31- 1	9	JAN 20/09	27-51-31- 3	7	JAN 20/09
27-51-31- 1	10	JAN 20/09	27-51-31- 3	8	JAN 20/09
27-51-31- 1	11	JAN 20/09	27-51-31- 3	9	JAN 20/09
27-51-31- 1	12	JAN 20/09	27-51-31- 3	10	JAN 20/09
27-51-31- 1	13	JAN 20/09	27-51-31- 4	0	MAY 28/07
27-51-31- 1	14	JAN 20/09	27-51-31- 4	0A	MAY 28/07
27-51-31- 1	15	JAN 20/09	27-51-31- 4	0B	MAY 28/07
27-51-31- 1	16	JAN 20/09	27-51-31- 4	0C	MAY 28/07
27-51-31- 1	17	JAN 20/09	27-51-31- 4	0D	MAY 28/07
27-51-31- 1	18	JAN 20/09	27-51-31- 4	0E	MAY 28/07
27-51-31- 1	19	JAN 20/09	27-51-31- 4	1	JAN 20/09
27-51-31- 1	20	JAN 20/09	27-51-31- 4	2	JAN 20/09
27-51-31- 1	21	JAN 20/09	27-51-31- 4	3	JAN 20/09
27-51-31- 1	22	JAN 20/09	27-51-31- 4	4	JAN 20/09
27-51-31- 2	0	MAY 28/07	27-51-31- 4	5	JAN 20/09
27-51-31- 2	0A	MAY 28/07	27-51-31- 4	6	JAN 20/09
27-51-31- 2	0B	MAY 28/07	27-51-31- 4	7	JAN 20/09
27-51-31- 2	0C	MAY 28/07	27-51-31- 4	8	JAN 20/09
27-51-31- 2	1	JAN 20/09	27-51-31- 4	9	JAN 20/09
27-51-31- 2	2	JAN 20/09	27-51-31- 4	10	JAN 20/09
27-51-31- 2	3	JAN 20/09	27-51-31- 4	11	JAN 20/09
27-51-31- 2	4	JAN 20/09	27-51-32- 1	0	MAY 28/07
27-51-31- 2	5	JAN 20/09	27-51-32- 1	1	JAN 20/09
27-51-31- 2	6	JAN 20/09	27-51-32- 1	2	SEP 20/08
27-51-31- 2	7	JAN 20/09	*27-51-32- 1	3	MAY 20/09
27-51-31- 2	8	JAN 20/09	*27-51-32- 1	4	MAY 20/09
27-51-31- 2	9	JAN 20/09	*27-51-32- 1	5	MAY 20/09
27-51-31- 2	10	JAN 20/09	27-51-51- 2	0	MAY 28/07
27-51-31- 2	11	JAN 20/09	27-51-51- 2	1	JAN 20/09
27-51-31- 2	12	JAN 20/09	27-51-51-20	0	MAY 28/07
27-51-31- 2	13	JAN 20/09	27-51-51-20	1	JAN 20/09
27-51-31- 2	14	JAN 20/09	27-51-51-20	2	JAN 20/09
27-51-31- 2	15	JAN 20/09	27-51-51-20	3	JAN 20/09
27-51-31- 2	16	JAN 20/09	27-51-51-20	4	JAN 20/09
27-51-31- 2	17	JAN 20/09	27-51-51-20	5	JAN 20/09
27-51-31- 2	18	JAN 20/09	27-51-51-21	0	MAY 28/07
27-51-31- 2	19	JAN 20/09	27-51-51-21	0A	MAY 28/07
27-51-31- 2	20	JAN 20/09	27-51-51-21	1	JAN 20/09
27-51-31- 2	21	JAN 20/09	27-51-51-21	2	JAN 20/09
27-51-31- 2	22	JAN 20/09	27-51-51-21	3	JAN 20/09
27-51-31- 2	23	JAN 20/09	27-51-51-22	0	MAY 28/07
27-51-31- 3	0	MAY 28/07	27-51-51-22	1	JAN 20/09
27-51-31- 3	0A	MAY 28/07	27-51-51-22	2	JAN 20/09

\* THE ASTERISK INDICATES PAGES CHANGED OR ADDED BY THE CURRENT REVISION



757

PARTS CATALOG (MAINTENANCE)

CH-SECT-UNIT-FIG	PAGE NO.	DATE
27-51-52- 1	0	MAY 28/07
27-51-52- 1	0A	MAY 28/07
27-51-52- 1	1	JAN 20/09
27-51-52- 1	2	SEP 20/08
27-51-52- 1	3	SEP 20/08
27-51-52- 1	4	SEP 20/08
27-51-52- 1	5	SEP 20/08
27-51-52- 1	6	JAN 20/09
27-51-52- 1	7	SEP 20/08
27-51-52- 1	8	SEP 20/08
27-51-52- 1	9	SEP 20/08
27-51-52- 1	10	SEP 20/08
27-51-52- 1	11	JAN 20/09
27-51-52- 1	12	JAN 20/09
27-51-56- 1	0	MAY 28/07
27-51-56- 1	0A	MAY 28/07
27-51-56- 1	1	JAN 20/09
27-51-56- 1	2	JAN 20/09
27-51-56- 1	3	JAN 20/09
27-51-56- 1	4	JAN 20/09
27-51-56- 1	5	JAN 20/09
27-51-56- 1	6	JAN 20/09
27-51-56- 1	7	JAN 20/09
27-51-56- 2	0	MAY 28/07
27-51-56- 2	0A	MAY 28/07
27-51-56- 2	0B	MAY 28/07
27-51-56- 2	1	JAN 20/09
27-51-56- 2	2	SEP 20/08
27-51-56- 2	3	SEP 20/08
27-51-56- 2	4	SEP 20/08
27-51-56- 2	5	SEP 20/08
27-51-56- 2	6	SEP 20/08
27-51-56- 2	7	SEP 20/08
27-51-57- 1	0	MAY 28/07
27-51-57- 1	1	JAN 20/09
27-51-57- 1	2	JAN 20/09
27-51-57- 1	3	JAN 20/09
27-51-57- 1	4	JAN 20/09
27-51-57- 1	5	JAN 20/09
27-51-57- 1	6	JAN 20/09
27-51-57- 1	7	JAN 20/09
27-51-57- 2	0	MAY 28/07
27-51-57- 2	0A	MAY 28/07
27-51-57- 2	1	JAN 20/09
27-51-57- 2	2	JAN 20/09
27-51-57- 2	3	JAN 20/09
27-51-57- 2	4	JAN 20/09
27-51-57- 2	5	JAN 20/09
27-51-57- 3	0	MAY 28/07
27-51-57- 3	1	JAN 20/09
27-51-57- 3	2	JAN 20/09

CH-SECT-UNIT-FIG	PAGE NO.	DATE
27-51-57- 3	3	JAN 20/09
27-51-57- 3	4	JAN 20/09
27-51-57- 3	5	JAN 20/09
27-51-57- 3	6	JAN 20/09
27-51-57- 3	7	JAN 20/09
27-51-57- 3	8	JAN 20/09
27-51-57- 3	9	JAN 20/09
27-51-71- 1	0	MAY 28/07
27-51-71- 1	0A	MAY 28/07
27-51-71- 1	1	JAN 20/09
*27-51-71- 1	2	MAY 20/09
*27-51-71- 1	3	MAY 20/09
27-51-71- 1	4	JAN 20/09
27-51-71- 1A	0	MAY 28/07
27-51-71- 1A	0A	MAY 28/07
*27-51-71- 1A	1	MAY 20/09
27-51-71- 1A	2	JAN 20/09
27-51-71- 1A	3	JAN 20/09
27-51-71- 1B	0	JAN 20/09
27-51-71- 1B	1	JAN 20/09
*27-51-71- 1B	2	MAY 20/09
*27-51-71- 1B	3	MAY 20/09
27-51-71- 3	0	MAY 28/07
27-51-71- 3	1	JAN 20/09
27-51-71- 3	2	JAN 20/09
27-51-71- 3A	0	MAY 28/07
27-51-71- 3A	1	JAN 20/09
27-51-71- 3C	0	JAN 20/09
27-51-71- 3C	1	JAN 20/09
27-51-71- 3C	2	JAN 20/09
27-51-71- 3C	3	JAN 20/09
27-51-71- 4	0	MAY 28/07
27-51-71- 4	1	JAN 20/09
27-51-71- 4	2	JAN 20/09
27-51-71- 4A	0	MAY 28/07
27-51-71- 4A	1	JAN 20/09
27-51-71- 4B	0	JAN 20/09
27-51-71- 4B	1	JAN 20/09
27-51-71- 4B	2	JAN 20/09
27-51-71- 5	0	MAY 28/07
27-51-71- 5	1	JAN 20/09
27-58-00	1	MAY 28/07
27-58-00- 1	0	MAY 28/07
27-58-00- 1	1	JAN 20/09
27-58-00- 1	2	JAN 20/09
27-58-00- 2	0	MAY 28/07
27-58-00- 2	1	JAN 20/09
27-58-00- 2	2	JAN 20/09
27-58-00- 2	3	JAN 20/09
27-58-00- 2	4	JAN 20/09
27-58-00- 2	5	JAN 20/09

\* THE ASTERISK INDICATES PAGES CHANGED OR ADDED BY THE CURRENT REVISION



757

PARTS CATALOG (MAINTENANCE)

CH-SECT-UNIT-FIG	PAGE NO.	DATE	CH-SECT-UNIT-FIG	PAGE NO.	DATE
27-58-00- 2	6	JAN 20/09	27-61-02- 1	4	JAN 20/09
27-58-00- 2	7	JAN 20/09	27-61-02- 1	5	JAN 20/09
27-58-00- 2	8	JAN 20/09	27-61-02- 1	6	JAN 20/09
27-58-00- 3	0	MAY 28/07	27-61-02- 1	7	JAN 20/09
27-58-00- 3	1	JAN 20/09	27-61-02- 1	8	JAN 20/09
27-58-00- 3	2	JAN 20/09	27-61-02- 1	9	JAN 20/09
27-58-52- 1	0	MAY 28/07	27-61-02- 1	10	JAN 20/09
27-58-52- 1	1	JAN 20/09	27-61-02- 1	11	JAN 20/09
27-58-52- 1	2	JAN 20/09	27-61-02- 1	12	JAN 20/09
27-58-71- 2	0	MAY 28/07	27-61-02- 1	13	JAN 20/09
27-58-71- 2	1	JAN 20/09	27-61-02- 1	14	JAN 20/09
27-58-71- 2	2	JAN 20/09	27-61-02- 1	15	JAN 20/09
27-58-71- 2A	0	MAY 28/07	27-61-02- 1	16	JAN 20/09
27-58-71- 2A	1	JAN 20/09	27-61-02- 1	17	JAN 20/09
27-58-71- 2A	2	JAN 20/09	27-61-02- 1	18	JAN 20/09
27-58-71- 2C	0	JAN 20/09	27-61-02- 1	19	JAN 20/09
27-58-71- 2C	1	JAN 20/09	27-61-02- 1	20	JAN 20/09
27-58-71- 2C	2	JAN 20/09	27-61-02- 1	21	JAN 20/09
27-58-71- 2C	3	JAN 20/09	27-61-02- 1	22	JAN 20/09
27-59-00	1	JAN 20/09	27-61-02- 1	23	JAN 20/09
27-59-01- 8	0	JAN 20/09	27-61-02- 1	24	JAN 20/09
27-59-01- 8	0A	JAN 20/09	27-61-02- 1	25	JAN 20/09
27-59-01- 8	0B	JAN 20/09	27-61-02- 1	26	JAN 20/09
27-59-01- 8	0C	JAN 20/09	27-61-02- 1	27	JAN 20/09
27-59-01- 8	0D	JAN 20/09	27-61-02- 1	28	JAN 20/09
27-59-01- 8	0E	JAN 20/09	27-61-02- 1	29	JAN 20/09
27-59-01- 8	0F	JAN 20/09	27-61-02- 1	30	JAN 20/09
27-59-01- 8	0G	JAN 20/09	27-61-02- 1	31	JAN 20/09
27-59-01- 8	0H	JAN 20/09	27-61-02- 1	32	JAN 20/09
27-59-01- 8	0I	JAN 20/09	27-61-02- 1	33	JAN 20/09
27-59-01- 8	0J	JAN 20/09	27-61-02- 1	34	JAN 20/09
27-59-01- 8	0K	JAN 20/09	27-61-02- 1	35	JAN 20/09
27-59-01- 8	0L	JAN 20/09	27-61-02- 1	36	JAN 20/09
27-59-01- 8	0M	JAN 20/09	27-61-02- 1	37	JAN 20/09
27-59-01- 8	0N	JAN 20/09	27-61-02- 1	38	JAN 20/09
27-59-01- 8	0O	JAN 20/09	27-61-02- 1	39	JAN 20/09
27-59-01- 8	1	JAN 20/09	27-61-02- 1	40	JAN 20/09
27-59-01- 8	2	JAN 20/09	27-61-02- 1	41	JAN 20/09
27-59-01- 8	3	JAN 20/09	27-61-02- 1	42	JAN 20/09
27-59-02- 1	0	JAN 20/09	27-61-02- 1	43	JAN 20/09
27-59-02- 1	0A	JAN 20/09	27-61-02- 1	44	JAN 20/09
27-59-02- 1	1	JAN 20/09	27-61-02- 1	45	JAN 20/09
27-59-02- 1	2	JAN 20/09	27-61-02- 1	46	JAN 20/09
27-59-02- 1	3	JAN 20/09	27-61-02- 1	47	JAN 20/09
27-59-02- 1	4	JAN 20/09	27-61-02- 2	0	MAY 28/07
27-59-02- 1	5	JAN 20/09	27-61-02- 2	1	JAN 20/09
27-61-00	1	MAY 28/07	27-61-02- 2	2	JAN 20/09
27-61-02- 1	0	MAY 28/07	27-61-02- 2	3	JAN 20/09
27-61-02- 1	1	JAN 20/09	27-61-02- 2	4	JAN 20/09
27-61-02- 1	2	JAN 20/09	27-61-02- 2	5	JAN 20/09
27-61-02- 1	3	JAN 20/09	27-61-02- 2	6	JAN 20/09

\* THE ASTERISK INDICATES PAGES CHANGED OR ADDED BY THE CURRENT REVISION



757

PARTS CATALOG (MAINTENANCE)

CH-SECT-UNIT-FIG	PAGE NO.	DATE	CH-SECT-UNIT-FIG	PAGE NO.	DATE
27-61-02- 2	7	JAN 20/09	27-61-02- 4A	10	JAN 20/09
27-61-02- 2	8	JAN 20/09	27-61-02- 4A	11	JAN 20/09
27-61-02- 2	9	JAN 20/09	27-61-02- 4A	12	JAN 20/09
27-61-02- 2	10	JAN 20/09	27-61-02- 4A	13	JAN 20/09
27-61-02- 2	11	JAN 20/09	27-61-02- 4A	14	JAN 20/09
27-61-02- 2	12	JAN 20/09	27-61-02- 4A	15	JAN 20/09
27-61-02- 2	13	JAN 20/09	27-61-02- 4A	16	JAN 20/09
27-61-02- 2	14	JAN 20/09	27-61-02- 4A	17	JAN 20/09
27-61-02- 3	0	MAY 28/07	27-61-02- 4A	18	JAN 20/09
27-61-02- 3	1	JAN 20/09	27-61-02- 4A	19	JAN 20/09
27-61-02- 3	2	JAN 20/09	27-61-02- 4A	20	JAN 20/09
27-61-02- 4	0	MAY 28/07	27-61-02- 4A	21	JAN 20/09
27-61-02- 4	0A	MAY 28/07	27-61-02- 4A	22	JAN 20/09
27-61-02- 4	0B	MAY 28/07	27-61-02- 4A	23	JAN 20/09
27-61-02- 4	0C	MAY 28/07	27-61-02- 4A	24	JAN 20/09
27-61-02- 4	0D	MAY 28/07	27-61-02- 4A	25	JAN 20/09
27-61-02- 4	0E	MAY 28/07	27-61-02- 4A	26	JAN 20/09
27-61-02- 4	0F	MAY 28/07	27-61-02- 4A	27	JAN 20/09
27-61-02- 4	1	JAN 20/09	27-61-02- 4A	28	JAN 20/09
27-61-02- 4	2	JAN 20/09	27-61-02- 4A	29	JAN 20/09
27-61-02- 4	3	JAN 20/09	27-61-02- 4A	30	JAN 20/09
27-61-02- 4	4	JAN 20/09	27-61-02- 5	0	JAN 20/09
27-61-02- 4	5	JAN 20/09	27-61-02- 5	0A	JAN 20/09
27-61-02- 4	6	JAN 20/09	27-61-02- 5	0B	JAN 20/09
27-61-02- 4	7	JAN 20/09	27-61-02- 5	1	JAN 20/09
27-61-02- 4	8	JAN 20/09	27-61-02- 5	2	JAN 20/09
27-61-02- 4	9	JAN 20/09	27-61-02- 5	3	JAN 20/09
27-61-02- 4	10	JAN 20/09	27-61-02- 5	4	JAN 20/09
27-61-02- 4	11	JAN 20/09	27-61-02- 5	5	JAN 20/09
27-61-02- 4	12	JAN 20/09	27-61-02- 6	0	JAN 20/09
27-61-02- 4	13	JAN 20/09	27-61-02- 6	0A	JAN 20/09
27-61-02- 4	14	JAN 20/09	27-61-02- 6	1	JAN 20/09
27-61-02- 4	15	JAN 20/09	27-61-02- 6	2	JAN 20/09
27-61-02- 4	16	JAN 20/09	27-61-02- 6	3	JAN 20/09
27-61-02- 4	17	JAN 20/09	27-61-02- 6	4	JAN 20/09
27-61-02- 4	18	JAN 20/09	27-61-02- 6	5	JAN 20/09
27-61-02- 4	19	JAN 20/09	27-61-02- 7	0	JAN 20/09
27-61-02- 4A	0	MAY 28/07	27-61-02- 7	0A	JAN 20/09
27-61-02- 4A	0A	MAY 28/07	27-61-02- 7	1	JAN 20/09
27-61-02- 4A	0B	MAY 28/07	27-61-02- 7	2	JAN 20/09
27-61-02- 4A	0C	MAY 28/07	27-61-02- 7	3	JAN 20/09
27-61-02- 4A	0D	MAY 28/07	27-61-02- 7	4	JAN 20/09
27-61-02- 4A	1	JAN 20/09	27-61-02- 7	5	JAN 20/09
27-61-02- 4A	2	JAN 20/09	27-61-02- 8	0	JAN 20/09
27-61-02- 4A	3	JAN 20/09	27-61-02- 8	0A	JAN 20/09
27-61-02- 4A	4	JAN 20/09	27-61-02- 8	0B	JAN 20/09
27-61-02- 4A	5	JAN 20/09	27-61-02- 8	0C	JAN 20/09
27-61-02- 4A	6	JAN 20/09	27-61-02- 8	0D	JAN 20/09
27-61-02- 4A	7	JAN 20/09	27-61-02- 8	0E	JAN 20/09
27-61-02- 4A	8	JAN 20/09	27-61-02- 8	1	JAN 20/09
27-61-02- 4A	9	JAN 20/09	27-61-02- 8	2	JAN 20/09

\* THE ASTERISK INDICATES PAGES CHANGED OR ADDED BY THE CURRENT REVISION





757

PARTS CATALOG (MAINTENANCE)

CH-SECT-UNIT-FIG	PAGE NO.	DATE	CH-SECT-UNIT-FIG	PAGE NO.	DATE
27-61-02- 8	3	JAN 20/09	27-61-04- 1	8	JAN 20/09
27-61-02- 8	4	JAN 20/09	27-61-04- 1	9	JAN 20/09
27-61-02- 8	5	JAN 20/09	27-61-04- 1	10	JAN 20/09
27-61-02- 8	6	JAN 20/09	27-61-04- 1	11	JAN 20/09
27-61-02- 8	7	JAN 20/09	27-61-04- 1	12	JAN 20/09
27-61-02- 8	8	JAN 20/09	27-61-04- 1	13	JAN 20/09
27-61-02- 8	9	JAN 20/09	27-61-04- 1	14	JAN 20/09
27-61-02- 8	10	JAN 20/09	27-61-04- 1	15	JAN 20/09
27-61-02- 8	11	JAN 20/09	27-61-04- 1	16	JAN 20/09
27-61-02- 8	12	JAN 20/09	27-61-04- 1	17	JAN 20/09
27-61-02- 8	13	JAN 20/09	27-61-04- 1	18	JAN 20/09
27-61-02- 8	14	JAN 20/09	27-61-04- 1	19	JAN 20/09
27-61-02- 8	15	JAN 20/09	27-61-04- 1	20	JAN 20/09
27-61-02- 9	0	MAY 28/07	27-61-04- 1	21	JAN 20/09
27-61-02- 9	0A	MAY 28/07	27-61-04- 1	22	JAN 20/09
27-61-02- 9	0B	MAY 28/07	27-61-04- 1	23	JAN 20/09
27-61-02- 9	0C	MAY 28/07	27-61-04- 1	24	JAN 20/09
27-61-02- 9	0D	MAY 28/07	27-61-04- 1	25	JAN 20/09
27-61-02- 9	0E	MAY 28/07	27-61-51- 1	0	MAY 28/07
27-61-02- 9	1	JAN 20/09	*27-61-51- 1	1	MAY 20/09
27-61-02- 9	2	JAN 20/09	27-61-51- 1	2	JAN 20/09
27-61-02- 9	3	JAN 20/09	27-61-51- 2	0	MAY 28/07
27-61-02- 9	4	JAN 20/09	27-61-51- 2	0A	MAY 28/07
27-61-02- 9	5	JAN 20/09	27-61-51- 2	0B	MAY 28/07
27-61-02- 9	6	JAN 20/09	27-61-51- 2	0C	MAY 28/07
27-61-02- 9	7	JAN 20/09	27-61-51- 2	1	JAN 20/09
27-61-02- 9	8	JAN 20/09	27-61-51- 2	2	JAN 20/09
27-61-02- 9	9	JAN 20/09	27-61-51- 2	3	JAN 20/09
27-61-02- 9	10	JAN 20/09	27-61-51- 2	4	JAN 20/09
27-61-02- 9	11	JAN 20/09	27-61-51- 2	5	JAN 20/09
27-61-02- 9	12	JAN 20/09	27-61-51- 2	6	JAN 20/09
27-61-02- 9	13	JAN 20/09	27-61-51- 2	7	JAN 20/09
27-61-02- 9	14	JAN 20/09	27-61-51- 2	8	JAN 20/09
27-61-02- 9	15	JAN 20/09	27-61-51- 2	9	JAN 20/09
27-61-02- 9	16	JAN 20/09	27-61-51- 2	10	JAN 20/09
27-61-02- 9	17	JAN 20/09	27-61-51- 2	11	JAN 20/09
27-61-02- 9	18	JAN 20/09	27-61-51- 2	12	JAN 20/09
27-61-02- 9	19	JAN 20/09	27-61-51- 2	13	JAN 20/09
27-61-02- 9	20	JAN 20/09	27-61-51- 2	14	JAN 20/09
27-61-02- 9	21	JAN 20/09	27-61-51- 2	15	JAN 20/09
27-61-02- 9	22	JAN 20/09	27-61-51- 2	16	JAN 20/09
27-61-02- 9	23	JAN 20/09	27-61-51- 2	17	JAN 20/09
27-61-04- 1	0	MAY 28/07	27-61-51- 2	18	JAN 20/09
27-61-04- 1	0A	MAY 28/07	27-61-51- 2	19	JAN 20/09
27-61-04- 1	1	JAN 20/09	27-61-51- 2B	0	MAY 28/07
27-61-04- 1	2	JAN 20/09	27-61-51- 2B	0A	MAY 28/07
27-61-04- 1	3	JAN 20/09	27-61-51- 2B	0B	MAY 28/07
27-61-04- 1	4	JAN 20/09	27-61-51- 2B	1	JAN 20/09
27-61-04- 1	5	JAN 20/09	27-61-51- 2B	2	JAN 20/09
27-61-04- 1	6	JAN 20/09	27-61-51- 2B	3	JAN 20/09
27-61-04- 1	7	JAN 20/09	27-61-51- 3	0	MAY 28/07

\* THE ASTERISK INDICATES PAGES CHANGED OR ADDED BY THE CURRENT REVISION

BRI  
MAY 20/09

27 - LIST OF EFFECTIVE PAGES  
PAGE 40


**BOEING**  
 757  
**PARTS CATALOG (MAINTENANCE)**

CH-SECT-UNIT-FIG	PAGE NO.	DATE	CH-SECT-UNIT-FIG	PAGE NO.	DATE
27-61-51- 3	1	JAN 20/09	27-61-51-28A	0	MAY 28/07
27-61-51- 3	2	JAN 20/09	27-61-51-28A	0A	MAY 28/07
27-61-51- 3	3	JAN 20/09	27-61-51-28A	1	JAN 20/09
27-61-51- 3	4	JAN 20/09	27-61-51-28A	2	JAN 20/09
27-61-51- 3	5	JAN 20/09	27-61-51-28A	3	JAN 20/09
27-61-51- 3	6	JAN 20/09	27-61-51-28A	4	JAN 20/09
27-61-51- 3	7	JAN 20/09	27-61-51-28A	5	JAN 20/09
27-61-51- 8	0	JAN 20/09	27-61-51-28A	6	JAN 20/09
27-61-51- 8	0A	JAN 20/09	27-61-51-28A	7	JAN 20/09
27-61-51- 8	0B	JAN 20/09	27-61-51-28A	8	JAN 20/09
27-61-51- 8	1	JAN 20/09	27-61-51-28A	9	JAN 20/09
27-61-51- 8	2	JAN 20/09	27-61-51-28A	10	JAN 20/09
27-61-51- 8	3	JAN 20/09	27-61-51-28A	11	JAN 20/09
27-61-51- 8	4	JAN 20/09	27-61-51-28A	12	JAN 20/09
27-61-51- 8	5	JAN 20/09	27-61-51-28A	13	JAN 20/09
27-61-51- 8	6	JAN 20/09	27-61-51-28A	14	JAN 20/09
27-61-51-17	0	MAY 28/07	27-61-51-28A	15	JAN 20/09
27-61-51-17	0A	MAY 28/07	27-62-00	1	MAY 28/07
27-61-51-17	0B	MAY 28/07	27-62-51- 2	0	SEP 28/07
27-61-51-17	1	JAN 20/09	27-62-51- 2	0A	MAY 28/07
27-61-51-17	2	JAN 20/09	27-62-51- 2	0B	MAY 28/07
27-61-51-17	3	JAN 20/09	27-62-51- 2	0C	MAY 28/07
27-61-51-17	4	JAN 20/09	27-62-51- 2	0D	MAY 28/07
27-61-51-17	5	JAN 20/09	27-62-51- 2	0E	SEP 28/07
27-61-51-17	6	JAN 20/09	27-62-51- 2	0F	MAY 28/07
27-61-51-17	7	JAN 20/09	27-62-51- 2	0G	SEP 28/07
27-61-51-17	8	JAN 20/09	27-62-51- 2	1	JAN 20/09
27-61-51-28	0	MAY 28/07	27-62-51- 2	2	JAN 20/09
27-61-51-28	0A	MAY 28/07	*27-62-51- 2	3	MAY 20/09
27-61-51-28	1	JAN 20/09	*27-62-51- 2	4	MAY 20/09
27-61-51-28	2	JAN 20/09	*27-62-51- 2	5	MAY 20/09
27-61-51-28	3	JAN 20/09	*27-62-51- 2	6	MAY 20/09
27-61-51-28	4	JAN 20/09	*27-62-51- 2	7	MAY 20/09
27-61-51-28	5	JAN 20/09	*27-62-51- 2	8	MAY 20/09
27-61-51-28	6	JAN 20/09	*27-62-51- 2	9	MAY 20/09
27-61-51-28	7	JAN 20/09	*27-62-51- 2	10	MAY 20/09
27-61-51-28	8	JAN 20/09	*27-62-51- 2	11	MAY 20/09
27-61-51-28	9	JAN 20/09	*27-62-51- 2	12	MAY 20/09
27-61-51-28	10	JAN 20/09	*27-62-51- 2	13	MAY 20/09
27-61-51-28	11	JAN 20/09	*27-62-51- 2	14	MAY 20/09
27-61-51-28	12	JAN 20/09	*27-62-51- 2	15	MAY 20/09
27-61-51-28	13	JAN 20/09	*27-62-51- 2	16	MAY 20/09
27-61-51-28	14	JAN 20/09	*27-62-51- 2	17	MAY 20/09
27-61-51-28	15	JAN 20/09	*27-62-51- 2	18	MAY 20/09
27-61-51-28	16	JAN 20/09	*27-62-51- 2	19	MAY 20/09
27-61-51-28	17	JAN 20/09	*27-62-51- 2	20	MAY 20/09
27-61-51-28	18	JAN 20/09	*27-62-51- 2	21	MAY 20/09
27-61-51-28	19	JAN 20/09	*27-62-51- 2	22	MAY 20/09
27-61-51-28	20	JAN 20/09	*27-62-51- 2	23	MAY 20/09
27-61-51-28	21	JAN 20/09	*27-62-51- 2	24	MAY 20/09
27-61-51-28	22	JAN 20/09	*27-62-51- 2	25	MAY 20/09

\* THE ASTERISK INDICATES PAGES CHANGED OR ADDED BY THE CURRENT REVISION


**BOEING**  
 757  
**PARTS CATALOG (MAINTENANCE)**

CH-SECT-UNIT-FIG	PAGE NO.	DATE	CH-SECT-UNIT-FIG	PAGE NO.	DATE
27-62-51- 3	0	JAN 20/09	27-62-71- 3C	1	JAN 20/09
27-62-51- 3	1	JAN 20/09	27-62-71- 3C	2	JAN 20/09
27-62-51- 5	0	MAY 28/07	27-62-71- 3C	3	JAN 20/09
27-62-51- 5	1	JAN 20/09	27-62-71- 3C	4	JAN 20/09
27-62-51-10	0	MAY 28/07	27-62-71- 3C	5	JAN 20/09
27-62-51-10	0A	MAY 28/07	27-62-71- 3D	0	JAN 20/09
27-62-51-10	1	SEP 20/08	27-62-71- 3D	1	JAN 20/09
27-62-51-10	2	SEP 20/08	27-62-71- 3D	2	JAN 20/09
27-62-51-10	3	SEP 20/08	27-62-71- 3D	3	JAN 20/09
27-62-51-10	4	SEP 20/08	27-62-71- 3D	4	JAN 20/09
27-62-51-10	5	SEP 20/08	27-62-71- 3D	5	JAN 20/09
27-62-51-10	6	SEP 20/08	27-62-71- 3D	6	JAN 20/09
27-62-51-10	7	SEP 20/08	27-80-00	1	MAY 28/07
27-62-51-10	8	SEP 20/08	27-80-00- 1	0	MAY 28/07
27-62-51-10	9	JAN 20/09	27-80-00- 1	1	JAN 20/09
27-62-51-10	10	SEP 20/08	27-80-00- 1	2	JAN 20/09
27-62-51-10	11	SEP 20/08	27-80-00- 1	3	JAN 20/09
27-62-51-10	12	SEP 20/08	27-80-00- 1	4	JAN 20/09
27-62-52- 1	0	MAY 28/07	27-81-00	1	MAY 28/07
27-62-52- 1	1	JAN 20/09	27-81-00- 1	0	MAY 28/07
*27-62-52- 1	2	MAY 20/09	27-81-00- 1	1	JAN 20/09
27-62-52- 2	0	MAY 28/07	27-81-00- 1	2	JAN 20/09
27-62-52- 2	1	JAN 20/09	27-81-00- 1	3	JAN 20/09
27-62-52- 2	2	JAN 20/09	27-81-00- 1	4	JAN 20/09
27-62-52- 2	3	JAN 20/09	27-81-00- 1	5	JAN 20/09
27-62-52- 2	4	JAN 20/09	27-81-00- 1	6	JAN 20/09
27-62-52- 2	5	JAN 20/09	27-81-00- 1	7	JAN 20/09
27-62-52- 2	6	JAN 20/09	27-81-00- 1	8	JAN 20/09
27-62-52- 2	7	JAN 20/09	27-81-00- 1	9	JAN 20/09
27-62-71- 3	0	MAY 28/07	27-81-00- 2	0	MAY 28/07
27-62-71- 3	0A	SEP 20/08	27-81-00- 2	1	JAN 20/09
27-62-71- 3	1	JAN 20/09	27-81-00- 2	2	JAN 20/09
27-62-71- 3	2	JAN 20/09	27-81-00- 2	3	JAN 20/09
27-62-71- 3	3	JAN 20/09	27-81-00- 2	4	JAN 20/09
27-62-71- 3	4	JAN 20/09	27-81-00- 2	5	JAN 20/09
27-62-71- 3	5	JAN 20/09	27-81-00- 2	6	JAN 20/09
27-62-71- 3	6	JAN 20/09	27-81-00- 2	7	JAN 20/09
27-62-71- 3	7	JAN 20/09	27-81-00- 2	8	JAN 20/09
27-62-71- 3	8	JAN 20/09	27-81-00- 2	9	JAN 20/09
27-62-71- 3	9	JAN 20/09	27-81-00- 3	0	MAY 28/07
27-62-71- 3A	0	MAY 28/07	27-81-00- 3	0A	MAY 28/07
27-62-71- 3A	0A	MAY 28/07	27-81-00- 3	1	JAN 20/09
27-62-71- 3A	1	JAN 20/09	27-81-00- 3	2	JAN 20/09
27-62-71- 3A	2	JAN 20/09	27-81-00- 3	3	JAN 20/09
27-62-71- 3A	3	JAN 20/09	27-81-00- 3	4	JAN 20/09
27-62-71- 3A	4	JAN 20/09	27-81-00- 3	5	JAN 20/09
27-62-71- 3B	0	MAY 28/07	27-81-01- 1	0	MAY 28/07
27-62-71- 3B	1	JAN 20/09	27-81-01- 1	1	JAN 20/09
27-62-71- 3B	2	JAN 20/09	27-81-01- 1	2	JAN 20/09
27-62-71- 3B	3	JAN 20/09	27-81-01- 1	3	JAN 20/09
27-62-71- 3C	0	JAN 20/09	27-81-01- 1	4	JAN 20/09

\* THE ASTERISK INDICATES PAGES CHANGED OR ADDED BY THE CURRENT REVISION


**BOEING**  
 757  
**PARTS CATALOG (MAINTENANCE)**

CH-SECT-UNIT-FIG	PAGE NO.	DATE	CH-SECT-UNIT-FIG	PAGE NO.	DATE
27-81-01- 1	5	JAN 20/09	*27-81-01- 1	56	MAY 20/09
27-81-01- 1	6	JAN 20/09	*27-81-01- 1	57	MAY 20/09
27-81-01- 1	7	JAN 20/09	27-81-01- 1A	0	MAY 28/07
27-81-01- 1	8	JAN 20/09	27-81-01- 1A	0A	MAY 28/07
27-81-01- 1	9	JAN 20/09	27-81-01- 1A	0B	MAY 28/07
27-81-01- 1	10	JAN 20/09	27-81-01- 1A	0C	MAY 28/07
27-81-01- 1	11	JAN 20/09	27-81-01- 1A	0D	MAY 28/07
27-81-01- 1	12	JAN 20/09	27-81-01- 1A	0E	MAY 28/07
27-81-01- 1	13	JAN 20/09	27-81-01- 1A	0F	MAY 28/07
27-81-01- 1	14	JAN 20/09	27-81-01- 1A	1	JAN 20/09
*27-81-01- 1	15	MAY 20/09	27-81-01- 1A	2	JAN 20/09
*27-81-01- 1	16	MAY 20/09	27-81-01- 1A	3	JAN 20/09
*27-81-01- 1	17	MAY 20/09	27-81-01- 1A	4	JAN 20/09
*27-81-01- 1	18	MAY 20/09	27-81-01- 1A	5	JAN 20/09
27-81-01- 1	19	JAN 20/09	27-81-01- 1A	6	JAN 20/09
27-81-01- 1	20	JAN 20/09	27-81-01- 1A	7	JAN 20/09
27-81-01- 1	21	JAN 20/09	27-81-01- 1A	8	JAN 20/09
27-81-01- 1	22	JAN 20/09	27-81-01- 1A	9	JAN 20/09
27-81-01- 1	23	JAN 20/09	27-81-01- 1A	10	JAN 20/09
27-81-01- 1	24	JAN 20/09	27-81-01- 1A	11	JAN 20/09
27-81-01- 1	25	JAN 20/09	27-81-01- 1A	12	JAN 20/09
27-81-01- 1	26	JAN 20/09	27-81-01- 1A	13	JAN 20/09
27-81-01- 1	27	JAN 20/09	27-81-01- 1A	14	JAN 20/09
27-81-01- 1	28	JAN 20/09	27-81-01- 1A	15	JAN 20/09
*27-81-01- 1	29	MAY 20/09	27-81-01- 1A	16	JAN 20/09
*27-81-01- 1	30	MAY 20/09	27-81-01- 1A	17	JAN 20/09
*27-81-01- 1	31	MAY 20/09	27-81-01- 1A	18	JAN 20/09
*27-81-01- 1	32	MAY 20/09	27-81-01- 1A	19	JAN 20/09
*27-81-01- 1	33	MAY 20/09	27-81-01- 1A	20	JAN 20/09
*27-81-01- 1	34	MAY 20/09	27-81-01- 1A	21	JAN 20/09
*27-81-01- 1	35	MAY 20/09	27-81-01- 1A	22	JAN 20/09
*27-81-01- 1	36	MAY 20/09	27-81-01- 1A	23	JAN 20/09
*27-81-01- 1	37	MAY 20/09	27-81-01- 1A	24	JAN 20/09
*27-81-01- 1	38	MAY 20/09	27-81-01- 1A	25	JAN 20/09
*27-81-01- 1	39	MAY 20/09	27-81-01- 1A	26	JAN 20/09
*27-81-01- 1	40	MAY 20/09	27-81-01- 1A	27	JAN 20/09
*27-81-01- 1	41	MAY 20/09	27-81-01- 1A	28	JAN 20/09
*27-81-01- 1	42	MAY 20/09	27-81-01- 1A	29	JAN 20/09
*27-81-01- 1	43	MAY 20/09	27-81-01- 1A	30	JAN 20/09
*27-81-01- 1	44	MAY 20/09	27-81-01- 1A	31	JAN 20/09
*27-81-01- 1	45	MAY 20/09	27-81-01- 1A	32	JAN 20/09
*27-81-01- 1	46	MAY 20/09	27-81-01- 1A	33	JAN 20/09
*27-81-01- 1	47	MAY 20/09	27-81-01- 1A	34	JAN 20/09
*27-81-01- 1	48	MAY 20/09	27-81-01- 1A	35	JAN 20/09
*27-81-01- 1	49	MAY 20/09	27-81-01- 1A	36	JAN 20/09
*27-81-01- 1	50	MAY 20/09	27-81-01- 1A	37	JAN 20/09
*27-81-01- 1	51	MAY 20/09	27-81-01- 1A	38	JAN 20/09
*27-81-01- 1	52	MAY 20/09	27-81-01- 1A	39	JAN 20/09
*27-81-01- 1	53	MAY 20/09	27-81-01- 1A	40	JAN 20/09
*27-81-01- 1	54	MAY 20/09	27-81-01- 1A	41	JAN 20/09
*27-81-01- 1	55	MAY 20/09	27-81-01- 1A	42	JAN 20/09

\* THE ASTERISK INDICATES PAGES CHANGED OR ADDED BY THE CURRENT REVISION


**BOEING**  
 757  
**PARTS CATALOG (MAINTENANCE)**

CH-SECT-UNIT-FIG	PAGE NO.	DATE	CH-SECT-UNIT-FIG	PAGE NO.	DATE
27-81-01- 1A	43	JAN 20/09	27-81-01- 2A	14	JAN 20/09
27-81-01- 1A	44	JAN 20/09	27-81-01- 2A	15	JAN 20/09
27-81-01- 1A	45	JAN 20/09	27-81-01- 2A	16	JAN 20/09
27-81-01- 1A	46	JAN 20/09	27-81-01- 2A	17	JAN 20/09
27-81-01- 1A	47	JAN 20/09	27-81-01- 2A	18	JAN 20/09
27-81-01- 2	0	MAY 28/07	*27-81-01- 2A	19	MAY 20/09
27-81-01- 2	1	JAN 20/09	*27-81-01- 2A	20	MAY 20/09
27-81-01- 2	2	JAN 20/09	*27-81-01- 2A	21	MAY 20/09
27-81-01- 2	3	JAN 20/09	*27-81-01- 2A	22	MAY 20/09
27-81-01- 2	4	JAN 20/09	*27-81-01- 2A	23	MAY 20/09
27-81-01- 2	5	JAN 20/09	*27-81-01- 2A	24	MAY 20/09
27-81-01- 2	6	JAN 20/09	*27-81-01- 2A	25	MAY 20/09
27-81-01- 2	7	JAN 20/09	*27-81-01- 2A	26	MAY 20/09
27-81-01- 2	8	JAN 20/09	*27-81-01- 2A	27	MAY 20/09
27-81-01- 2	9	JAN 20/09	*27-81-01- 2A	28	MAY 20/09
27-81-01- 2	10	JAN 20/09	*27-81-01- 2A	29	MAY 20/09
27-81-01- 2	11	JAN 20/09	*27-81-01- 2A	30	MAY 20/09
27-81-01- 2	12	JAN 20/09	*27-81-01- 2A	31	MAY 20/09
27-81-01- 2	13	JAN 20/09	*27-81-01- 2A	32	MAY 20/09
27-81-01- 2	14	JAN 20/09	*27-81-01- 2A	33	MAY 20/09
27-81-01- 2	15	JAN 20/09	*27-81-01- 2A	34	MAY 20/09
27-81-01- 2	16	JAN 20/09	*27-81-01- 2A	35	MAY 20/09
27-81-01- 2	17	JAN 20/09	*27-81-01- 2A	36	MAY 20/09
27-81-01- 2	18	JAN 20/09	*27-81-01- 2A	37	MAY 20/09
27-81-01- 2	19	JAN 20/09	27-81-02- 1	0	MAY 28/07
27-81-01- 2	20	JAN 20/09	27-81-02- 1	0A	MAY 28/07
27-81-01- 2	21	JAN 20/09	27-81-02- 1	0B	MAY 28/07
27-81-01- 2	22	JAN 20/09	27-81-02- 1	0C	MAY 28/07
27-81-01- 2	23	JAN 20/09	27-81-02- 1	0D	MAY 28/07
27-81-01- 2	24	JAN 20/09	27-81-02- 1	1	JAN 20/09
27-81-01- 2	25	JAN 20/09	27-81-02- 1	2	JAN 20/09
27-81-01- 2	26	JAN 20/09	27-81-02- 1	3	JAN 20/09
27-81-01- 2	27	JAN 20/09	27-81-02- 1	4	JAN 20/09
27-81-01- 2	28	JAN 20/09	27-81-02- 1	5	JAN 20/09
27-81-01- 2	29	JAN 20/09	27-81-02- 1	6	JAN 20/09
27-81-01- 2	30	JAN 20/09	27-81-02- 1	7	JAN 20/09
27-81-01- 2A	0	MAY 28/07	27-81-02- 1	8	JAN 20/09
27-81-01- 2A	0A	MAY 28/07	27-81-02- 1	9	JAN 20/09
27-81-01- 2A	1	JAN 20/09	27-81-02- 1	10	JAN 20/09
27-81-01- 2A	2	JAN 20/09	27-81-02- 1	11	JAN 20/09
27-81-01- 2A	3	JAN 20/09	27-81-02- 1	12	JAN 20/09
27-81-01- 2A	4	JAN 20/09	27-81-02- 1	13	JAN 20/09
27-81-01- 2A	5	JAN 20/09	27-81-02- 1	14	JAN 20/09
27-81-01- 2A	6	JAN 20/09	27-81-02- 1	15	JAN 20/09
27-81-01- 2A	7	JAN 20/09	27-81-02- 1	16	JAN 20/09
27-81-01- 2A	8	JAN 20/09	27-81-02- 1	17	JAN 20/09
27-81-01- 2A	9	JAN 20/09	27-81-02- 1	18	JAN 20/09
27-81-01- 2A	10	JAN 20/09	27-81-02- 1	19	JAN 20/09
27-81-01- 2A	11	JAN 20/09	27-81-02- 1A	0	MAY 28/07
27-81-01- 2A	12	JAN 20/09	27-81-02- 1A	0A	MAY 28/07
27-81-01- 2A	13	JAN 20/09	27-81-02- 1A	0B	MAY 28/07

\* THE ASTERISK INDICATES PAGES CHANGED OR ADDED BY THE CURRENT REVISION



757

PARTS CATALOG (MAINTENANCE)

CH-SECT-UNIT-FIG	PAGE NO.	DATE	CH-SECT-UNIT-FIG	PAGE NO.	DATE
27-81-02- 1A	0C	MAY 28/07	27-81-02- 1E	0F	MAY 28/07
27-81-02- 1A	0D	MAY 28/07	27-81-02- 1E	0G	MAY 28/07
27-81-02- 1A	0E	MAY 28/07	27-81-02- 1E	1	JAN 20/09
27-81-02- 1A	1	JAN 20/09	27-81-02- 1E	2	JAN 20/09
27-81-02- 1A	2	JAN 20/09	27-81-02- 1E	3	JAN 20/09
27-81-02- 1A	3	JAN 20/09	27-81-02- 1E	4	JAN 20/09
27-81-02- 1A	4	JAN 20/09	27-81-02- 1E	5	JAN 20/09
27-81-02- 1A	5	JAN 20/09	27-81-02- 1E	6	JAN 20/09
27-81-02- 1A	6	JAN 20/09	27-81-02- 1E	7	JAN 20/09
27-81-02- 1A	7	JAN 20/09	27-81-02- 1E	8	JAN 20/09
27-81-02- 1A	8	JAN 20/09	27-81-02- 1E	9	JAN 20/09
27-81-02- 1A	9	JAN 20/09	27-81-02- 1E	10	JAN 20/09
27-81-02- 1A	10	JAN 20/09	27-81-02- 1E	11	JAN 20/09
27-81-02- 1A	11	JAN 20/09	27-81-02- 1E	12	JAN 20/09
27-81-02- 1A	12	JAN 20/09	27-81-02- 1E	13	JAN 20/09
27-81-02- 1A	13	JAN 20/09	27-81-02- 1E	14	JAN 20/09
27-81-02- 1A	14	JAN 20/09	27-81-02- 1E	15	JAN 20/09
27-81-02- 1A	15	JAN 20/09	27-81-02- 2	0	MAY 28/07
27-81-02- 1A	16	JAN 20/09	27-81-02- 2	0A	MAY 28/07
27-81-02- 1A	17	JAN 20/09	27-81-02- 2	0B	MAY 28/07
27-81-02- 1A	18	JAN 20/09	27-81-02- 2	0C	MAY 28/07
27-81-02- 1D	0	MAY 28/07	27-81-02- 2	0D	MAY 28/07
27-81-02- 1D	0A	MAY 28/07	27-81-02- 2	0E	MAY 28/07
27-81-02- 1D	0B	MAY 28/07	27-81-02- 2	0F	MAY 28/07
27-81-02- 1D	0C	MAY 28/07	27-81-02- 2	0G	MAY 28/07
27-81-02- 1D	0D	MAY 28/07	27-81-02- 2	0H	JAN 20/08
27-81-02- 1D	0E	MAY 28/07	27-81-02- 2	0I	MAY 28/07
27-81-02- 1D	0F	MAY 28/07	27-81-02- 2	0J	MAY 28/07
27-81-02- 1D	0G	MAY 28/07	27-81-02- 2	1	JAN 20/09
27-81-02- 1D	1	JAN 20/09	27-81-02- 2	2	JAN 20/09
*27-81-02- 1D	2	MAY 20/09	27-81-02- 2	3	JAN 20/09
*27-81-02- 1D	3	MAY 20/09	27-81-02- 2	4	JAN 20/09
*27-81-02- 1D	4	MAY 20/09	27-81-02- 2	5	JAN 20/09
*27-81-02- 1D	5	MAY 20/09	27-81-02- 2	6	JAN 20/09
*27-81-02- 1D	6	MAY 20/09	27-81-02- 2	7	JAN 20/09
*27-81-02- 1D	7	MAY 20/09	27-81-02- 2	8	JAN 20/09
*27-81-02- 1D	8	MAY 20/09	27-81-02- 2	9	JAN 20/09
*27-81-02- 1D	9	MAY 20/09	27-81-02- 2	10	JAN 20/09
*27-81-02- 1D	10	MAY 20/09	27-81-02- 2	11	JAN 20/09
*27-81-02- 1D	11	MAY 20/09	27-81-02- 2	12	JAN 20/09
*27-81-02- 1D	12	MAY 20/09	27-81-02- 2	13	JAN 20/09
*27-81-02- 1D	13	MAY 20/09	27-81-02- 2	14	JAN 20/09
*27-81-02- 1D	14	MAY 20/09	27-81-02- 2	15	JAN 20/09
*27-81-02- 1D	15	MAY 20/09	27-81-02- 2	16	JAN 20/09
*27-81-02- 1D	16	MAY 20/09	27-81-02- 2	17	JAN 20/09
27-81-02- 1E	0	MAY 28/07	27-81-02- 2	18	JAN 20/09
27-81-02- 1E	0A	MAY 28/07	27-81-02- 2	19	JAN 20/09
27-81-02- 1E	0B	MAY 28/07	27-81-02- 2	20	JAN 20/09
27-81-02- 1E	0C	MAY 28/07	27-81-02- 2	21	JAN 20/09
27-81-02- 1E	0D	MAY 28/07	27-81-02- 2A	0	MAY 28/07
27-81-02- 1E	0E	MAY 28/07	27-81-02- 2A	0A	MAY 28/07

\* THE ASTERISK INDICATES PAGES CHANGED OR ADDED BY THE CURRENT REVISION


**BOEING**  
 757  
**PARTS CATALOG (MAINTENANCE)**

CH-SECT-UNIT-FIG	PAGE NO.	DATE	CH-SECT-UNIT-FIG	PAGE NO.	DATE
27-81-02- 2A	0B	MAY 28/07	27-81-02- 2E	0A	MAY 28/07
27-81-02- 2A	0C	MAY 28/07	27-81-02- 2E	0B	MAY 28/07
27-81-02- 2A	0D	MAY 28/07	27-81-02- 2E	0C	MAY 28/07
27-81-02- 2A	0E	MAY 28/07	27-81-02- 2E	0D	MAY 28/07
27-81-02- 2A	0F	MAY 28/07	27-81-02- 2E	0E	MAY 28/07
27-81-02- 2A	0G	MAY 28/07	27-81-02- 2E	0F	JAN 20/08
27-81-02- 2A	0H	JAN 20/08	27-81-02- 2E	0G	MAY 28/07
27-81-02- 2A	0I	MAY 28/07	27-81-02- 2E	0H	MAY 28/07
27-81-02- 2A	0J	MAY 28/07	27-81-02- 2E	0I	MAY 28/07
27-81-02- 2A	1	JAN 20/09	27-81-02- 2E	1	JAN 20/09
27-81-02- 2A	2	JAN 20/09	27-81-02- 2E	2	JAN 20/09
27-81-02- 2A	3	JAN 20/09	27-81-02- 2E	3	JAN 20/09
27-81-02- 2A	4	JAN 20/09	27-81-02- 2E	4	JAN 20/09
27-81-02- 2A	5	JAN 20/09	27-81-02- 2E	5	JAN 20/09
27-81-02- 2A	6	JAN 20/09	27-81-02- 2E	6	JAN 20/09
27-81-02- 2A	7	JAN 20/09	27-81-02- 2E	7	JAN 20/09
27-81-02- 2A	8	JAN 20/09	27-81-02- 2E	8	JAN 20/09
27-81-02- 2A	9	JAN 20/09	27-81-02- 2E	9	JAN 20/09
27-81-02- 2A	10	JAN 20/09	27-81-02- 2E	10	JAN 20/09
27-81-02- 2A	11	JAN 20/09	27-81-02- 2E	11	JAN 20/09
27-81-02- 2A	12	JAN 20/09	27-81-02- 3	0	MAY 28/07
27-81-02- 2A	13	JAN 20/09	27-81-02- 3	0A	MAY 28/07
27-81-02- 2A	14	JAN 20/09	27-81-02- 3	0B	MAY 28/07
27-81-02- 2A	15	JAN 20/09	27-81-02- 3	0C	MAY 28/07
27-81-02- 2A	16	JAN 20/09	27-81-02- 3	0D	MAY 28/07
27-81-02- 2A	17	JAN 20/09	27-81-02- 3	0E	MAY 28/07
27-81-02- 2A	18	JAN 20/09	27-81-02- 3	0F	MAY 28/07
27-81-02- 2A	19	JAN 20/09	27-81-02- 3	0G	MAY 28/07
27-81-02- 2A	20	JAN 20/09	27-81-02- 3	0H	MAY 28/07
27-81-02- 2A	21	JAN 20/09	27-81-02- 3	0I	MAY 28/07
27-81-02- 2D	0	MAY 28/07	27-81-02- 3	0J	MAY 28/07
27-81-02- 2D	0A	MAY 28/07	27-81-02- 3	0K	MAY 28/07
27-81-02- 2D	0B	MAY 28/07	27-81-02- 3	0L	MAY 28/07
27-81-02- 2D	0C	MAY 28/07	27-81-02- 3	1	JAN 20/09
27-81-02- 2D	0D	MAY 28/07	27-81-02- 3	2	JAN 20/09
27-81-02- 2D	0E	MAY 28/07	27-81-02- 3	3	JAN 20/09
27-81-02- 2D	0F	MAY 28/07	27-81-02- 3	4	JAN 20/09
27-81-02- 2D	0G	MAY 28/07	27-81-02- 3	5	JAN 20/09
27-81-02- 2D	0H	MAY 28/07	27-81-02- 3	6	JAN 20/09
27-81-02- 2D	1	JAN 20/09	27-81-02- 3	7	JAN 20/09
27-81-02- 2D	2	JAN 20/09	27-81-02- 3	8	JAN 20/09
27-81-02- 2D	3	JAN 20/09	27-81-02- 3	9	JAN 20/09
27-81-02- 2D	4	JAN 20/09	27-81-02- 3	10	JAN 20/09
27-81-02- 2D	5	JAN 20/09	27-81-02- 3	11	JAN 20/09
27-81-02- 2D	6	JAN 20/09	27-81-02- 3	12	JAN 20/09
27-81-02- 2D	7	JAN 20/09	27-81-02- 3	13	JAN 20/09
27-81-02- 2D	8	JAN 20/09	27-81-02- 3	14	JAN 20/09
27-81-02- 2D	9	JAN 20/09	27-81-02- 3	15	JAN 20/09
27-81-02- 2D	10	JAN 20/09	27-81-02- 3	16	JAN 20/09
27-81-02- 2D	11	JAN 20/09	27-81-02- 3	17	JAN 20/09
27-81-02- 2E	0	MAY 28/07	27-81-02- 3	18	JAN 20/09

\* THE ASTERISK INDICATES PAGES CHANGED OR ADDED BY THE CURRENT REVISION

BRI  
MAY 20/09

27 - LIST OF EFFECTIVE PAGES  
PAGE 46



757

PARTS CATALOG (MAINTENANCE)

CH-SECT-UNIT-FIG	PAGE NO.	DATE
27-81-02- 3A	0	MAY 28/07
27-81-02- 3A	0A	MAY 28/07
27-81-02- 3A	0B	MAY 28/07
27-81-02- 3A	0C	MAY 28/07
27-81-02- 3A	0D	MAY 28/07
27-81-02- 3A	0E	MAY 28/07
27-81-02- 3A	0F	MAY 28/07
27-81-02- 3A	0G	MAY 28/07
27-81-02- 3A	0H	MAY 28/07
27-81-02- 3A	0I	MAY 28/07
27-81-02- 3A	0J	MAY 28/07
27-81-02- 3A	0K	MAY 28/07
27-81-02- 3A	0L	MAY 28/07
27-81-02- 3A	1	JAN 20/09
27-81-02- 3A	2	JAN 20/09
27-81-02- 3A	3	JAN 20/09
27-81-02- 3A	4	JAN 20/09
27-81-02- 3A	5	JAN 20/09
27-81-02- 3A	6	JAN 20/09
27-81-02- 3A	7	JAN 20/09
27-81-02- 3A	8	JAN 20/09
27-81-02- 3A	9	JAN 20/09
27-81-02- 3A	10	JAN 20/09
27-81-02- 3A	11	JAN 20/09
27-81-02- 3A	12	JAN 20/09
27-81-02- 3A	13	JAN 20/09
27-81-02- 3A	14	JAN 20/09
27-81-02- 3A	15	JAN 20/09
27-81-02- 3A	16	JAN 20/09
27-81-02- 3A	17	JAN 20/09
27-81-02- 3A	18	JAN 20/09
27-81-02- 3A	19	JAN 20/09
27-81-02- 3D	0	MAY 28/07
27-81-02- 3D	0A	MAY 28/07
27-81-02- 3D	0B	MAY 28/07
27-81-02- 3D	0C	MAY 28/07
27-81-02- 3D	0D	MAY 28/07
27-81-02- 3D	0E	MAY 28/07
27-81-02- 3D	0F	MAY 28/07
27-81-02- 3D	0G	MAY 28/07
27-81-02- 3D	0H	MAY 28/07
27-81-02- 3D	0I	MAY 28/07
27-81-02- 3D	1	JAN 20/09
27-81-02- 3D	2	JAN 20/09
27-81-02- 3D	3	JAN 20/09
27-81-02- 3D	4	JAN 20/09
27-81-02- 3D	5	JAN 20/09
27-81-02- 3D	6	JAN 20/09
27-81-02- 3D	7	JAN 20/09
27-81-02- 3D	8	JAN 20/09
27-81-02- 3D	9	JAN 20/09

CH-SECT-UNIT-FIG	PAGE NO.	DATE
27-81-02- 3D	10	JAN 20/09
27-81-02- 3D	11	JAN 20/09
27-81-02- 3D	12	JAN 20/09
27-81-02- 3D	13	JAN 20/09
27-81-02- 3D	14	JAN 20/09
27-81-02- 3D	15	JAN 20/09
27-81-02- 3D	16	JAN 20/09
27-81-02- 3D	17	JAN 20/09
27-81-02- 3E	0	MAY 28/07
27-81-02- 3E	0A	MAY 28/07
27-81-02- 3E	0B	MAY 28/07
27-81-02- 3E	0C	MAY 28/07
27-81-02- 3E	0D	MAY 28/07
27-81-02- 3E	0E	MAY 28/07
27-81-02- 3E	0F	MAY 28/07
27-81-02- 3E	0G	MAY 28/07
27-81-02- 3E	0H	MAY 28/07
27-81-02- 3E	0I	MAY 28/07
27-81-02- 3E	1	JAN 20/09
27-81-02- 3E	2	JAN 20/09
27-81-02- 3E	3	JAN 20/09
27-81-02- 3E	4	JAN 20/09
27-81-02- 3E	5	JAN 20/09
27-81-02- 3E	6	JAN 20/09
27-81-02- 3E	7	JAN 20/09
27-81-02- 3E	8	JAN 20/09
27-81-02- 3E	9	JAN 20/09
27-81-02- 4	0	JAN 20/08
27-81-02- 4	0A	JAN 20/08
27-81-02- 4	0B	JAN 20/08
27-81-02- 4	0C	MAY 28/07
27-81-02- 4	0D	JAN 20/08
27-81-02- 4	0E	MAY 28/07
27-81-02- 4	0F	JAN 20/08
27-81-02- 4	0G	JAN 20/08
27-81-02- 4	1	JAN 20/09
27-81-02- 4	2	JAN 20/09
27-81-02- 4	3	JAN 20/09
27-81-02- 4	4	JAN 20/09
27-81-02- 4	5	JAN 20/09
27-81-02- 4	6	JAN 20/09
27-81-02- 4	7	JAN 20/09
27-81-02- 4	8	JAN 20/09
27-81-02- 4	9	JAN 20/09
27-81-02- 4	10	JAN 20/09
27-81-02- 4	11	JAN 20/09
27-81-02- 4	12	JAN 20/09
27-81-02- 4	13	JAN 20/09
27-81-02- 4	14	JAN 20/09
27-81-02- 4	15	JAN 20/09
27-81-02- 4	16	JAN 20/09

\* THE ASTERISK INDICATES PAGES CHANGED OR ADDED BY THE CURRENT REVISION





**757**  
**PARTS CATALOG (MAINTENANCE)**

CH-SECT-UNIT-FIG	PAGE NO.	DATE	CH-SECT-UNIT-FIG	PAGE NO.	DATE
27-81-02- 4	17	JAN 20/09	27-81-02- 4A	27	JAN 20/09
27-81-02- 4	18	JAN 20/09	27-81-02- 4D	0	MAY 28/07
27-81-02- 4	19	JAN 20/09	27-81-02- 4D	0A	MAY 28/07
27-81-02- 4	20	JAN 20/09	27-81-02- 4D	0B	MAY 28/07
27-81-02- 4	21	JAN 20/09	27-81-02- 4D	0C	MAY 28/07
27-81-02- 4	22	JAN 20/09	27-81-02- 4D	0D	MAY 28/07
27-81-02- 4	23	JAN 20/09	27-81-02- 4D	0E	MAY 28/07
27-81-02- 4	24	JAN 20/09	27-81-02- 4D	0F	MAY 28/07
27-81-02- 4	25	JAN 20/09	27-81-02- 4D	0G	MAY 28/07
27-81-02- 4	26	JAN 20/09	27-81-02- 4D	0H	MAY 28/07
27-81-02- 4	27	JAN 20/09	27-81-02- 4D	0I	MAY 28/07
27-81-02- 4	28	JAN 20/09	27-81-02- 4D	0J	MAY 28/07
27-81-02- 4	29	JAN 20/09	27-81-02- 4D	1	JAN 20/09
27-81-02- 4	30	JAN 20/09	27-81-02- 4D	2	JAN 20/09
27-81-02- 4	31	JAN 20/09	27-81-02- 4D	3	JAN 20/09
27-81-02- 4	32	JAN 20/09	27-81-02- 4D	4	JAN 20/09
27-81-02- 4	33	JAN 20/09	27-81-02- 4D	5	JAN 20/09
27-81-02- 4A	0	JAN 20/08	27-81-02- 4D	6	JAN 20/09
27-81-02- 4A	0A	MAY 28/07	27-81-02- 4D	7	JAN 20/09
27-81-02- 4A	0B	JAN 20/08	27-81-02- 4D	8	JAN 20/09
27-81-02- 4A	0C	MAY 28/07	27-81-02- 4D	9	JAN 20/09
27-81-02- 4A	0D	JAN 20/08	27-81-02- 4D	10	JAN 20/09
27-81-02- 4A	0E	JAN 20/08	27-81-02- 4D	11	JAN 20/09
27-81-02- 4A	0F	JAN 20/08	27-81-02- 4D	12	JAN 20/09
27-81-02- 4A	0G	JAN 20/08	27-81-02- 4D	13	JAN 20/09
27-81-02- 4A	1	JAN 20/09	27-81-02- 4D	14	JAN 20/09
27-81-02- 4A	2	JAN 20/09	27-81-02- 4D	15	JAN 20/09
27-81-02- 4A	3	JAN 20/09	27-81-02- 4D	16	JAN 20/09
27-81-02- 4A	4	JAN 20/09	27-81-02- 4D	17	JAN 20/09
27-81-02- 4A	5	JAN 20/09	27-81-02- 4E	0	MAY 28/07
27-81-02- 4A	6	JAN 20/09	27-81-02- 4E	0A	MAY 28/07
27-81-02- 4A	7	JAN 20/09	27-81-02- 4E	0B	MAY 28/07
27-81-02- 4A	8	JAN 20/09	27-81-02- 4E	0C	MAY 28/07
27-81-02- 4A	9	JAN 20/09	27-81-02- 4E	0D	MAY 28/07
27-81-02- 4A	10	JAN 20/09	27-81-02- 4E	0E	MAY 28/07
27-81-02- 4A	11	JAN 20/09	27-81-02- 4E	0F	MAY 28/07
27-81-02- 4A	12	JAN 20/09	27-81-02- 4E	0G	MAY 28/07
27-81-02- 4A	13	JAN 20/09	27-81-02- 4E	0H	MAY 28/07
27-81-02- 4A	14	JAN 20/09	27-81-02- 4E	0I	MAY 28/07
27-81-02- 4A	15	JAN 20/09	27-81-02- 4E	0J	MAY 28/07
27-81-02- 4A	16	JAN 20/09	27-81-02- 4E	1	JAN 20/09
27-81-02- 4A	17	JAN 20/09	27-81-02- 4E	2	JAN 20/09
27-81-02- 4A	18	JAN 20/09	27-81-02- 4E	3	JAN 20/09
27-81-02- 4A	19	JAN 20/09	27-81-02- 4E	4	JAN 20/09
27-81-02- 4A	20	JAN 20/09	27-81-02- 4E	5	JAN 20/09
27-81-02- 4A	21	JAN 20/09	27-81-02- 4E	6	JAN 20/09
27-81-02- 4A	22	JAN 20/09	27-81-02- 4E	7	JAN 20/09
27-81-02- 4A	23	JAN 20/09	27-81-02- 4E	8	JAN 20/09
27-81-02- 4A	24	JAN 20/09	27-81-02- 4E	9	JAN 20/09
27-81-02- 4A	25	JAN 20/09	27-81-02- 4E	10	JAN 20/09
27-81-02- 4A	26	JAN 20/09	27-81-02- 4E	11	JAN 20/09

\* THE ASTERISK INDICATES PAGES CHANGED OR ADDED BY THE CURRENT REVISION



**757**  
**PARTS CATALOG (MAINTENANCE)**

CH-SECT-UNIT-FIG	PAGE NO.	DATE	CH-SECT-UNIT-FIG	PAGE NO.	DATE
27-81-02- 4E	12	JAN 20/09	27-81-02- 5	43	JAN 20/09
27-81-02- 4E	13	JAN 20/09	27-81-02- 5A	0	MAY 28/07
27-81-02- 4E	14	JAN 20/09	27-81-02- 5A	0A	MAY 28/07
27-81-02- 4E	15	JAN 20/09	27-81-02- 5A	0B	MAY 28/07
27-81-02- 4E	16	JAN 20/09	27-81-02- 5A	1	JAN 20/09
27-81-02- 4E	17	JAN 20/09	27-81-02- 5A	2	JAN 20/09
27-81-02- 5	0	MAY 28/07	27-81-02- 5A	3	JAN 20/09
27-81-02- 5	0A	MAY 28/07	27-81-02- 5A	4	JAN 20/09
27-81-02- 5	0B	MAY 28/07	27-81-02- 5A	5	JAN 20/09
27-81-02- 5	1	JAN 20/09	27-81-02- 5A	6	JAN 20/09
27-81-02- 5	2	JAN 20/09	27-81-02- 5A	7	JAN 20/09
27-81-02- 5	3	JAN 20/09	27-81-02- 5A	8	JAN 20/09
27-81-02- 5	4	JAN 20/09	27-81-02- 5A	9	JAN 20/09
27-81-02- 5	5	JAN 20/09	27-81-02- 5A	10	JAN 20/09
27-81-02- 5	6	JAN 20/09	27-81-02- 5A	11	JAN 20/09
27-81-02- 5	7	JAN 20/09	27-81-02- 5A	12	JAN 20/09
27-81-02- 5	8	JAN 20/09	27-81-02- 5A	13	JAN 20/09
27-81-02- 5	9	JAN 20/09	27-81-02- 5A	14	JAN 20/09
27-81-02- 5	10	JAN 20/09	27-81-02- 5A	15	JAN 20/09
27-81-02- 5	11	JAN 20/09	27-81-02- 5A	16	JAN 20/09
27-81-02- 5	12	JAN 20/09	27-81-02- 5A	17	JAN 20/09
27-81-02- 5	13	JAN 20/09	27-81-02- 5A	18	JAN 20/09
27-81-02- 5	14	JAN 20/09	27-81-02- 5A	19	JAN 20/09
27-81-02- 5	15	JAN 20/09	27-81-02- 5A	20	JAN 20/09
27-81-02- 5	16	JAN 20/09	27-81-02- 5A	21	JAN 20/09
27-81-02- 5	17	JAN 20/09	27-81-02- 5A	22	JAN 20/09
27-81-02- 5	18	JAN 20/09	27-81-02- 5A	23	JAN 20/09
27-81-02- 5	19	JAN 20/09	27-81-02- 5A	24	JAN 20/09
27-81-02- 5	20	JAN 20/09	27-81-02- 5A	25	JAN 20/09
27-81-02- 5	21	JAN 20/09	27-81-02- 5A	26	JAN 20/09
27-81-02- 5	22	JAN 20/09	27-81-02- 5A	27	JAN 20/09
27-81-02- 5	23	JAN 20/09	27-81-02- 5A	28	JAN 20/09
27-81-02- 5	24	JAN 20/09	27-81-02- 5A	29	JAN 20/09
27-81-02- 5	25	JAN 20/09	27-81-02- 5A	30	JAN 20/09
27-81-02- 5	26	JAN 20/09	27-81-02- 5A	31	JAN 20/09
27-81-02- 5	27	JAN 20/09	27-81-02- 5A	32	JAN 20/09
27-81-02- 5	28	JAN 20/09	27-81-02- 5A	33	JAN 20/09
27-81-02- 5	29	JAN 20/09	27-81-02- 5A	34	JAN 20/09
27-81-02- 5	30	JAN 20/09	27-81-02- 5A	35	JAN 20/09
27-81-02- 5	31	JAN 20/09	27-81-02- 5A	36	JAN 20/09
27-81-02- 5	32	JAN 20/09	27-81-02- 5A	37	JAN 20/09
27-81-02- 5	33	JAN 20/09	27-81-02- 5A	38	JAN 20/09
27-81-02- 5	34	JAN 20/09	27-81-02- 5A	39	JAN 20/09
27-81-02- 5	35	JAN 20/09	27-81-02- 5A	40	JAN 20/09
27-81-02- 5	36	JAN 20/09	27-81-02- 5A	41	JAN 20/09
27-81-02- 5	37	JAN 20/09	27-81-02- 7	0	MAY 28/07
27-81-02- 5	38	JAN 20/09	27-81-02- 7	0A	MAY 28/07
27-81-02- 5	39	JAN 20/09	27-81-02- 7	0B	MAY 28/07
27-81-02- 5	40	JAN 20/09	27-81-02- 7	1	JAN 20/09
27-81-02- 5	41	JAN 20/09	*27-81-02- 7	2	MAY 20/09
27-81-02- 5	42	JAN 20/09	*27-81-02- 7	3	MAY 20/09

\* THE ASTERISK INDICATES PAGES CHANGED OR ADDED BY THE CURRENT REVISION

BRI  
MAY 20/09

27 - LIST OF EFFECTIVE PAGES  
PAGE 49


**BOEING**  
 757  
**PARTS CATALOG (MAINTENANCE)**

CH-SECT-UNIT-FIG	PAGE NO.	DATE	CH-SECT-UNIT-FIG	PAGE NO.	DATE
*27-81-02- 7	4	MAY 20/09	27-81-08- 1	4	JAN 20/09
*27-81-02- 7	5	MAY 20/09	27-81-08- 1	5	JAN 20/09
*27-81-02- 7	6	MAY 20/09	27-81-08- 1	6	JAN 20/09
*27-81-02- 7	7	MAY 20/09	27-81-08- 2	0	MAY 28/07
*27-81-02- 7	8	MAY 20/09	27-81-08- 2	1	JAN 20/09
*27-81-02- 7	9	MAY 20/09	27-81-08- 2	2	JAN 20/09
*27-81-02- 7	10	MAY 20/09	27-81-08- 2	3	SEP 20/08
*27-81-02- 7	11	MAY 20/09	27-81-08- 2	4	JAN 20/09
*27-81-02- 7	12	MAY 20/09	27-81-09- 1	0	MAY 28/07
*27-81-02- 7	13	MAY 20/09	27-81-09- 1	0A	MAY 28/07
*27-81-02- 7	14	MAY 20/09	27-81-09- 1	1	JAN 20/09
*27-81-02- 7	15	MAY 20/09	27-81-09- 1	2	JAN 20/09
*27-81-02- 7	16	MAY 20/09	27-81-09- 1	3	SEP 20/08
*27-81-02- 7	17	MAY 20/09	27-81-09- 1	4	SEP 20/08
*27-81-02- 7	18	MAY 20/09	27-81-09- 1	5	SEP 20/08
27-81-02- 7A	0	MAY 28/07	27-81-09- 1	6	JAN 20/09
27-81-02- 7A	0A	MAY 28/07	27-81-09- 1	7	JAN 20/09
27-81-02- 7A	1	JAN 20/09	27-81-09- 1	8	JAN 20/09
27-81-02- 7A	2	JAN 20/09	27-81-09- 1	9	JAN 20/09
27-81-02- 7A	3	JAN 20/09	27-81-09- 1	10	JAN 20/09
27-81-02- 7A	4	JAN 20/09	27-81-09- 1	11	JAN 20/09
27-81-02- 7A	5	JAN 20/09	27-81-09- 1	12	JAN 20/09
27-81-02- 7A	6	JAN 20/09	27-81-10- 1	0	MAY 28/07
27-81-02- 7A	7	JAN 20/09	27-81-10- 1	1	JAN 20/09
27-81-02- 7A	8	JAN 20/09	27-81-10- 1	2	JAN 20/09
27-81-02- 7A	9	JAN 20/09	27-81-10- 1	3	JAN 20/09
27-81-02- 7A	10	JAN 20/09	27-81-10- 1	4	JAN 20/09
27-81-02- 7A	11	JAN 20/09	27-81-10- 1	5	JAN 20/09
27-81-02- 7A	12	JAN 20/09	27-81-10- 1	6	JAN 20/09
27-81-02- 7A	13	JAN 20/09	27-81-10- 1	7	JAN 20/09
27-81-02- 7A	14	JAN 20/09	27-81-10- 1	8	JAN 20/09
27-81-06- 1	0	MAY 28/07	27-81-11- 5	0	MAY 28/07
27-81-06- 1	0A	MAY 28/07	27-81-11- 5	0A	MAY 28/07
27-81-06- 1	1	JAN 20/09	27-81-11- 5	0B	MAY 28/07
27-81-06- 1	2	JAN 20/09	27-81-11- 5	1	JAN 20/09
27-81-06- 1	3	SEP 20/08	27-81-11- 5	2	JAN 20/09
27-81-06- 1	4	SEP 20/08	27-81-11- 5	3	JAN 20/09
27-81-06- 1	5	JAN 20/09	27-81-11- 5	4	JAN 20/09
27-81-06- 1	6	JAN 20/09	27-81-11- 5	5	JAN 20/09
27-81-07- 1	0	MAY 28/07	27-81-11- 5	6	JAN 20/09
27-81-07- 1	1	JAN 20/09	27-81-11- 5	7	JAN 20/09
27-81-07- 1	2	JAN 20/09	27-81-11- 5	8	JAN 20/09
27-81-07- 1	3	JAN 20/09	27-81-11- 5	9	JAN 20/09
27-81-07- 1	4	JAN 20/09	27-81-11- 5	10	JAN 20/09
27-81-07- 2	0	MAY 28/07	27-81-11- 5	11	JAN 20/09
27-81-07- 2	1	JAN 20/09	27-81-11- 5	12	JAN 20/09
27-81-08- 1	0	MAY 28/07	27-81-11- 5	13	JAN 20/09
27-81-08- 1	0A	MAY 28/07	27-81-11- 5	14	JAN 20/09
27-81-08- 1	1	JAN 20/09	27-81-11- 5	15	JAN 20/09
27-81-08- 1	2	JAN 20/09	27-81-11- 5	16	JAN 20/09
27-81-08- 1	3	JAN 20/09	27-81-11- 5	17	JAN 20/09

\* THE ASTERISK INDICATES PAGES CHANGED OR ADDED BY THE CURRENT REVISION


**BOEING**  
 757  
**PARTS CATALOG (MAINTENANCE)**

CH-SECT-UNIT-FIG	PAGE NO.	DATE	CH-SECT-UNIT-FIG	PAGE NO.	DATE
27-81-11- 5	18	JAN 20/09	27-81-13- 1	5	JAN 20/09
27-81-11- 5	19	JAN 20/09	27-81-13- 1	6	JAN 20/09
27-81-11- 5	20	JAN 20/09	27-81-13- 1	7	JAN 20/09
27-81-11- 5	21	JAN 20/09	27-81-13- 1	8	JAN 20/09
27-81-11- 5	22	JAN 20/09	27-81-13- 1	9	JAN 20/09
27-81-11-10	0	MAY 28/07	27-81-13- 1	10	JAN 20/09
27-81-11-10	0A	MAY 28/07	27-81-13- 1	11	JAN 20/09
27-81-11-10	0B	MAY 28/07	27-81-13- 1	12	JAN 20/09
27-81-11-10	1	JAN 20/09	27-81-13- 1	13	JAN 20/09
27-81-11-10	2	JAN 20/09	27-81-13- 1A	0	JAN 20/09
27-81-11-10	3	JAN 20/09	27-81-13- 1A	0A	JAN 20/09
27-81-11-10	4	JAN 20/09	27-81-13- 1A	0B	JAN 20/09
27-81-11-10	5	JAN 20/09	27-81-13- 1A	0C	JAN 20/09
27-81-11-10	6	JAN 20/09	27-81-13- 1A	0D	JAN 20/09
27-81-11-10	7	JAN 20/09	27-81-13- 1A	1	JAN 20/09
27-81-11-10	8	JAN 20/09	27-81-13- 1A	2	JAN 20/09
27-81-11-10	9	JAN 20/09	27-81-13- 1A	3	JAN 20/09
27-81-11-10	10	JAN 20/09	27-81-13- 1A	4	JAN 20/09
27-81-11-10	11	JAN 20/09	27-81-13- 1A	5	JAN 20/09
27-81-11-10	12	JAN 20/09	27-81-13- 1A	6	JAN 20/09
27-81-11-10	13	JAN 20/09	27-81-13- 1A	7	JAN 20/09
27-81-11-10	14	JAN 20/09	27-81-13- 2	0	JAN 20/09
27-81-11-10	15	JAN 20/09	27-81-13- 2	0A	JAN 20/09
27-81-11-10	16	JAN 20/09	27-81-13- 2	0B	JAN 20/09
27-81-11-10	17	JAN 20/09	27-81-13- 2	1	JAN 20/09
27-81-11-10	18	JAN 20/09	27-81-13- 2	2	JAN 20/09
27-81-11-10	19	JAN 20/09	27-81-13- 2	3	JAN 20/09
27-81-11-10	20	JAN 20/09	27-81-13- 2	4	JAN 20/09
27-81-11-10	21	JAN 20/09	27-81-13- 2	5	JAN 20/09
27-81-11-10	22	JAN 20/09	27-81-13- 2	6	JAN 20/09
27-81-11-10	23	JAN 20/09	27-81-13- 2A	0	JAN 20/09
27-81-12-10	0	MAY 28/07	27-81-13- 2A	0A	JAN 20/09
27-81-12-10	0A	MAY 28/07	27-81-13- 2A	0B	JAN 20/09
27-81-12-10	0B	MAY 28/07	27-81-13- 2A	0C	JAN 20/09
27-81-12-10	1	JAN 20/09	27-81-13- 2A	1	JAN 20/09
27-81-12-10	2	JAN 20/09	27-81-13- 2A	2	JAN 20/09
27-81-12-10	3	JAN 20/09	27-81-13- 2A	3	JAN 20/09
27-81-12-10	4	JAN 20/09	27-81-13- 2A	4	JAN 20/09
27-81-12-10	5	JAN 20/09	27-81-13- 2A	5	JAN 20/09
27-81-12-10	6	JAN 20/09	27-81-13- 2A	6	JAN 20/09
27-81-12-10B	0	MAY 28/07	27-81-13- 2B	0	JAN 20/09
27-81-12-10B	0A	MAY 28/07	27-81-13- 2B	0A	JAN 20/09
27-81-12-10B	0B	MAY 28/07	27-81-13- 2B	0B	JAN 20/09
27-81-12-10B	1	JAN 20/09	27-81-13- 2B	0C	JAN 20/09
27-81-12-10B	2	JAN 20/09	27-81-13- 2B	0D	JAN 20/09
27-81-13- 1	0	MAY 28/07	27-81-13- 2B	1	JAN 20/09
27-81-13- 1	0A	MAY 28/07	27-81-13- 2B	2	JAN 20/09
27-81-13- 1	1	JAN 20/09	27-81-13- 2B	3	JAN 20/09
27-81-13- 1	2	JAN 20/09	27-81-13- 2B	4	JAN 20/09
27-81-13- 1	3	JAN 20/09	27-81-13- 2B	5	JAN 20/09
27-81-13- 1	4	JAN 20/09	27-81-13- 2B	6	JAN 20/09

\* THE ASTERISK INDICATES PAGES CHANGED OR ADDED BY THE CURRENT REVISION



**757**  
**PARTS CATALOG (MAINTENANCE)**

CH-SECT-UNIT-FIG	PAGE NO.	DATE	CH-SECT-UNIT-FIG	PAGE NO.	DATE
27-81-13-10	0	MAY 28/07	27-81-18- 1	39	JAN 20/09
27-81-13-10	1	JAN 20/09	27-81-18- 1	40	JAN 20/09
27-81-13-10	2	JAN 20/09	27-81-18- 1	41	JAN 20/09
27-81-13-10	3	JAN 20/09	27-81-18- 1	42	JAN 20/09
27-81-13-10	4	JAN 20/09	27-81-18- 1	43	JAN 20/09
27-81-13-10	5	JAN 20/09	27-81-18- 1	44	JAN 20/09
27-81-15- 1	0	MAY 28/07	27-81-18- 1	45	JAN 20/09
27-81-15- 1	0A	MAY 28/07	27-81-18- 1	46	JAN 20/09
27-81-15- 1	1	JAN 20/09	27-81-18- 1	47	JAN 20/09
27-81-15- 1	2	JAN 20/09	27-81-18- 1	48	JAN 20/09
27-81-15- 1	3	JAN 20/09	27-81-18- 1	49	JAN 20/09
27-81-18- 1	0	MAY 28/07	27-81-18- 1	50	JAN 20/09
27-81-18- 1	0A	MAY 28/07	27-81-18- 1	51	JAN 20/09
27-81-18- 1	1	JAN 20/09	27-81-18- 1	52	JAN 20/09
27-81-18- 1	2	JAN 20/09	27-81-18- 1	53	JAN 20/09
*27-81-18- 1	3	MAY 20/09	27-81-18- 2	0	MAY 28/07
27-81-18- 1	4	JAN 20/09	27-81-18- 2	1	JAN 20/09
27-81-18- 1	5	JAN 20/09	27-81-18- 2	2	JAN 20/09
27-81-18- 1	6	JAN 20/09	27-81-18- 2	3	JAN 20/09
27-81-18- 1	7	JAN 20/09	*27-81-18- 2	4	MAY 20/09
27-81-18- 1	8	JAN 20/09	27-81-18- 2	5	JAN 20/09
27-81-18- 1	9	JAN 20/09	27-81-18- 2	6	JAN 20/09
27-81-18- 1	10	JAN 20/09	27-81-18- 2	7	JAN 20/09
27-81-18- 1	11	JAN 20/09	27-81-18- 2	8	JAN 20/09
27-81-18- 1	12	JAN 20/09	27-81-18- 2	9	JAN 20/09
27-81-18- 1	13	JAN 20/09	27-81-18- 2	10	JAN 20/09
27-81-18- 1	14	JAN 20/09	27-81-18- 2	11	JAN 20/09
27-81-18- 1	15	JAN 20/09	27-81-18- 2	12	JAN 20/09
27-81-18- 1	16	JAN 20/09	27-81-18- 2	13	JAN 20/09
27-81-18- 1	17	JAN 20/09	27-81-18- 2	14	JAN 20/09
27-81-18- 1	18	JAN 20/09	27-81-18- 2	15	JAN 20/09
27-81-18- 1	19	JAN 20/09	27-81-18- 2	16	JAN 20/09
27-81-18- 1	20	JAN 20/09	27-81-18- 2	17	JAN 20/09
27-81-18- 1	21	JAN 20/09	27-81-18- 2	18	JAN 20/09
27-81-18- 1	22	JAN 20/09	27-81-18- 2	19	JAN 20/09
27-81-18- 1	23	JAN 20/09	27-81-18- 2	20	JAN 20/09
27-81-18- 1	24	JAN 20/09	27-81-18- 2	21	JAN 20/09
27-81-18- 1	25	JAN 20/09	27-81-18- 2	22	JAN 20/09
27-81-18- 1	26	JAN 20/09	27-81-18- 2	23	JAN 20/09
27-81-18- 1	27	JAN 20/09	27-81-18- 2	24	JAN 20/09
27-81-18- 1	28	JAN 20/09	27-81-18- 2	25	JAN 20/09
27-81-18- 1	29	JAN 20/09	27-81-18- 2	26	JAN 20/09
*27-81-18- 1	30	MAY 20/09	27-81-18- 2	27	JAN 20/09
27-81-18- 1	31	JAN 20/09	27-81-18- 2	28	JAN 20/09
27-81-18- 1	32	JAN 20/09	27-81-18- 2	29	JAN 20/09
27-81-18- 1	33	JAN 20/09	27-81-18- 2	30	JAN 20/09
27-81-18- 1	34	JAN 20/09	27-81-18- 2	31	JAN 20/09
27-81-18- 1	35	JAN 20/09	27-81-18- 3	0	MAY 28/07
27-81-18- 1	36	JAN 20/09	27-81-18- 3	1	JAN 20/09
27-81-18- 1	37	JAN 20/09	*27-81-18- 3	2	MAY 20/09
27-81-18- 1	38	JAN 20/09	27-81-18- 3	3	JAN 20/09

\* THE ASTERISK INDICATES PAGES CHANGED OR ADDED BY THE CURRENT REVISION



**757**  
**PARTS CATALOG (MAINTENANCE)**

CH-SECT-UNIT-FIG	PAGE NO.	DATE	CH-SECT-UNIT-FIG	PAGE NO.	DATE
27-81-18- 3	4	JAN 20/09	27-81-18- 4	28	JAN 20/09
27-81-18- 3	5	JAN 20/09	27-81-18- 4	29	JAN 20/09
27-81-18- 3	6	JAN 20/09	27-81-18- 4	30	JAN 20/09
27-81-18- 3	7	JAN 20/09	27-81-18- 4	31	JAN 20/09
27-81-18- 3	8	JAN 20/09	27-81-18- 4	32	JAN 20/09
27-81-18- 3	9	JAN 20/09	27-81-18- 4	33	JAN 20/09
27-81-18- 3	10	JAN 20/09	27-81-18- 4	34	JAN 20/09
27-81-18- 3	11	JAN 20/09	27-81-18- 4	35	JAN 20/09
27-81-18- 3	12	JAN 20/09	27-81-18- 4	36	JAN 20/09
27-81-18- 3	13	JAN 20/09	27-81-18- 4	37	JAN 20/09
27-81-18- 3	14	JAN 20/09	27-81-18- 4	38	JAN 20/09
27-81-18- 3	15	JAN 20/09	27-81-18- 4	39	JAN 20/09
27-81-18- 3	16	JAN 20/09	27-81-18- 4	40	JAN 20/09
27-81-18- 3	17	JAN 20/09	27-81-18- 4	41	JAN 20/09
27-81-18- 3	18	JAN 20/09	27-81-20- 1	0	MAY 28/07
27-81-18- 3	19	JAN 20/09	27-81-20- 1	0A	MAY 28/07
27-81-18- 3	20	JAN 20/09	27-81-20- 1	1	JAN 20/09
27-81-18- 3	21	JAN 20/09	27-81-20- 1	2	JAN 20/09
27-81-18- 3	22	JAN 20/09	27-81-20- 1	3	JAN 20/09
27-81-18- 3	23	JAN 20/09	*27-81-20- 1	4	MAY 20/09
27-81-18- 3	24	JAN 20/09	27-81-20- 2	0	MAY 28/07
27-81-18- 3	25	JAN 20/09	27-81-20- 2	0A	MAY 28/07
27-81-18- 4	0	MAY 28/07	27-81-20- 2	0B	MAY 28/07
27-81-18- 4	0A	MAY 28/07	27-81-20- 2	0C	MAY 28/07
27-81-18- 4	1	JAN 20/09	27-81-20- 2	0D	MAY 28/07
27-81-18- 4	2	JAN 20/09	27-81-20- 2	1	JAN 20/09
*27-81-18- 4	3	MAY 20/09	27-81-20- 2	2	JAN 20/09
27-81-18- 4	4	JAN 20/09	27-81-20- 2	3	JAN 20/09
27-81-18- 4	5	JAN 20/09	27-81-20- 2	4	JAN 20/09
27-81-18- 4	6	JAN 20/09	27-81-20- 2	5	JAN 20/09
27-81-18- 4	7	JAN 20/09	27-81-20- 2	6	JAN 20/09
27-81-18- 4	8	JAN 20/09	27-81-20- 2	7	JAN 20/09
27-81-18- 4	9	JAN 20/09	27-81-20- 2	8	JAN 20/09
27-81-18- 4	10	JAN 20/09	27-81-20- 2	9	JAN 20/09
27-81-18- 4	11	JAN 20/09	27-81-20- 2	10	JAN 20/09
27-81-18- 4	12	JAN 20/09	27-81-20- 2	11	JAN 20/09
27-81-18- 4	13	JAN 20/09	27-81-20- 2	12	JAN 20/09
27-81-18- 4	14	JAN 20/09	27-81-20- 2A	0	MAY 28/07
27-81-18- 4	15	JAN 20/09	27-81-20- 2A	0A	MAY 28/07
27-81-18- 4	16	JAN 20/09	27-81-20- 2A	0B	MAY 28/07
27-81-18- 4	17	JAN 20/09	27-81-20- 2A	0C	MAY 28/07
27-81-18- 4	18	JAN 20/09	27-81-20- 2A	0D	MAY 28/07
27-81-18- 4	19	JAN 20/09	27-81-20- 2A	1	JAN 20/09
27-81-18- 4	20	JAN 20/09	27-81-20- 2A	2	JAN 20/09
27-81-18- 4	21	JAN 20/09	27-81-20- 2A	3	JAN 20/09
27-81-18- 4	22	JAN 20/09	27-81-20- 2A	4	JAN 20/09
27-81-18- 4	23	JAN 20/09	27-81-20- 2A	5	JAN 20/09
27-81-18- 4	24	JAN 20/09	27-81-41- 1	0	MAY 28/07
27-81-18- 4	25	JAN 20/09	*27-81-41- 1	0A	MAY 20/09
27-81-18- 4	26	JAN 20/09	27-81-41- 1	1	JAN 20/09
27-81-18- 4	27	JAN 20/09	27-81-41- 1	2	JAN 20/09

\* THE ASTERISK INDICATES PAGES CHANGED OR ADDED BY THE CURRENT REVISION

BRI  
MAY 20/09

27 - LIST OF EFFECTIVE PAGES  
PAGE 53



**757**  
**PARTS CATALOG (MAINTENANCE)**

CH-SECT-UNIT-FIG	PAGE NO.	DATE	CH-SECT-UNIT-FIG	PAGE NO.	DATE
27-81-41- 1	3	JAN 20/09	27-81-51-40A	1	JAN 20/09
27-81-41- 1	4	JAN 20/09	27-81-51-40A	2	JAN 20/09
27-81-41- 1	5	JAN 20/09	27-81-51-40A	3	JAN 20/09
27-81-41- 1	6	JAN 20/09	27-81-51-40A	4	JAN 20/09
27-81-41- 1	7	JAN 20/09	27-81-51-40A	5	JAN 20/09
27-81-41- 1	8	JAN 20/09	27-81-51-40A	6	JAN 20/09
27-81-41- 1	9	JAN 20/09	27-81-51-40A	7	JAN 20/09
27-81-41- 1	10	JAN 20/09	27-81-51-40A	8	JAN 20/09
27-81-41- 1	11	JAN 20/09	27-81-52- 1	0	MAY 28/07
27-81-41- 1	12	JAN 20/09	27-81-52- 1	0A	MAY 28/07
27-81-41- 1	13	JAN 20/09	27-81-52- 1	1	JAN 20/09
27-81-42- 1	0	MAY 28/07	*27-81-52- 1	2	MAY 20/09
27-81-42- 1	0A	MAY 28/07	27-81-52- 1	3	JAN 20/09
27-81-42- 1	1	JAN 20/09	27-81-52- 1	4	JAN 20/09
27-81-42- 1	2	JAN 20/09	27-81-52- 1	5	JAN 20/09
27-81-42- 1	3	JAN 20/09	27-81-52- 1	6	JAN 20/09
27-81-42- 1	4	JAN 20/09	27-81-52- 1	7	JAN 20/09
27-81-42- 1	5	JAN 20/09	27-81-52- 1	8	JAN 20/09
27-81-42- 1	6	JAN 20/09	27-81-52- 1	9	JAN 20/09
27-81-51- 1	0	MAY 28/07	27-81-52- 1	10	JAN 20/09
27-81-51- 1	0A	MAY 28/07	27-81-52- 1	11	JAN 20/09
27-81-51- 1	1	JAN 20/09	27-81-52- 1	12	JAN 20/09
27-81-51- 1	2	JAN 20/09	27-81-52- 1	13	JAN 20/09
27-81-51- 1	3	JAN 20/09	27-81-52- 1	14	JAN 20/09
27-81-51- 1	4	JAN 20/09	27-81-52- 1	15	JAN 20/09
27-81-51- 1	5	JAN 20/09	27-81-52- 1	16	JAN 20/09
27-81-51- 1	6	JAN 20/09	27-81-52- 1	17	JAN 20/09
27-81-51-16	0	MAY 28/07	27-81-52- 1	18	JAN 20/09
27-81-51-16	1	JAN 20/09	27-81-52- 2	0	MAY 28/07
27-81-51-16	2	JAN 20/09	27-81-52- 2	0A	MAY 28/07
27-81-51-16	3	JAN 20/09	27-81-52- 2	1	JAN 20/09
27-81-51-16	4	JAN 20/09	*27-81-52- 2	2	MAY 20/09
27-81-51-16	5	JAN 20/09	27-81-52- 2	3	JAN 20/09
27-81-51-16	6	JAN 20/09	27-81-52- 2	4	JAN 20/09
27-81-51-16	7	JAN 20/09	27-81-52- 2	5	JAN 20/09
27-81-51-16	8	JAN 20/09	27-81-52- 2	6	JAN 20/09
27-81-51-40	0	MAY 28/07	27-81-52- 2	7	JAN 20/09
27-81-51-40	0A	MAY 28/07	27-81-52- 2	8	JAN 20/09
27-81-51-40	0B	MAY 28/07	27-81-52- 2	9	JAN 20/09
27-81-51-40	1	JAN 20/09	27-81-52- 2	10	JAN 20/09
27-81-51-40	2	JAN 20/09	27-81-52- 2	11	JAN 20/09
27-81-51-40	3	JAN 20/09	27-81-52- 2	12	JAN 20/09
27-81-51-40	4	JAN 20/09	27-81-52- 2	13	JAN 20/09
27-81-51-40	5	JAN 20/09	27-81-52- 3	0	MAY 28/07
27-81-51-40	6	JAN 20/09	27-81-52- 3	1	JAN 20/09
27-81-51-40	7	JAN 20/09	*27-81-52- 3	2	MAY 20/09
27-81-51-40	8	JAN 20/09	27-81-52- 3	3	JAN 20/09
27-81-51-40	9	JAN 20/09	27-81-52- 3	4	JAN 20/09
27-81-51-40A	0	MAY 28/07	27-81-52- 3	5	JAN 20/09
27-81-51-40A	0A	MAY 28/07	27-81-52- 3	6	JAN 20/09
27-81-51-40A	0B	MAY 28/07	27-81-52- 3	7	JAN 20/09

\* THE ASTERISK INDICATES PAGES CHANGED OR ADDED BY THE CURRENT REVISION



757

PARTS CATALOG (MAINTENANCE)

CH-SECT-UNIT-FIG	PAGE NO.	DATE
27-81-52- 3	8	JAN 20/09
27-81-52- 3	9	JAN 20/09
27-81-52- 3	10	JAN 20/09
27-81-52- 3	11	JAN 20/09
27-81-52- 3	12	JAN 20/09
27-81-52- 3	13	JAN 20/09
27-81-52- 3	14	JAN 20/09
27-81-52- 3	15	JAN 20/09
27-81-52- 4	0	MAY 28/07
27-81-52- 4	0A	MAY 28/07
27-81-52- 4	1	JAN 20/09
*27-81-52- 4	2	MAY 20/09
27-81-52- 4	3	JAN 20/09
27-81-52- 4	4	JAN 20/09
27-81-52- 4	5	JAN 20/09
27-81-52- 4	6	JAN 20/09
27-81-52- 4	7	JAN 20/09
27-81-52- 4	8	JAN 20/09
27-81-52- 4	9	JAN 20/09
27-81-52- 4	10	JAN 20/09
27-81-52- 4	11	JAN 20/09
27-81-52- 4	12	JAN 20/09
27-81-52- 4	13	JAN 20/09
27-81-52- 4	14	JAN 20/09
27-81-52- 5	0	MAY 28/07
27-81-52- 5	1	JAN 20/09
*27-81-52- 5	2	MAY 20/09
27-81-52- 5	3	JAN 20/09
27-81-52- 5	4	JAN 20/09
27-81-52- 5	5	JAN 20/09
27-81-52- 5	6	JAN 20/09
27-81-52- 5	7	JAN 20/09
27-81-52- 5	8	JAN 20/09
27-81-52- 5	9	JAN 20/09
27-81-52- 5	10	JAN 20/09
27-81-52- 5	11	JAN 20/09
27-81-52- 5	12	JAN 20/09
27-81-52- 6	0	MAY 28/07
27-81-52- 6	1	JAN 20/09
*27-81-52- 6	2	MAY 20/09
27-81-52- 6	3	JAN 20/09
27-81-52- 6	4	JAN 20/09
27-81-52- 6	5	JAN 20/09
27-81-52- 6	6	JAN 20/09
27-81-52- 6	7	JAN 20/09
27-81-52- 6	8	JAN 20/09
27-81-52- 6	9	JAN 20/09
27-81-52- 6	10	JAN 20/09
27-81-52- 6	11	JAN 20/09
27-81-52- 6	12	JAN 20/09
27-81-52- 7	0	MAY 28/07

CH-SECT-UNIT-FIG	PAGE NO.	DATE
27-81-52- 7	1	JAN 20/09
*27-81-52- 7	2	MAY 20/09
27-81-52- 7	3	JAN 20/09
27-81-52- 7	4	JAN 20/09
27-81-52- 7	5	JAN 20/09
27-81-52- 7	6	JAN 20/09
27-81-52- 7	7	JAN 20/09
27-81-52- 7	8	JAN 20/09
27-81-52- 7	9	JAN 20/09
27-81-52- 7	10	JAN 20/09
27-81-52- 7	11	JAN 20/09
27-81-52- 7	12	JAN 20/09
27-81-52- 7	13	JAN 20/09
27-81-52- 7	14	JAN 20/09
27-81-52- 8	0	MAY 28/07
27-81-52- 8	1	JAN 20/09
*27-81-52- 8	2	MAY 20/09
27-81-52- 8	3	JAN 20/09
27-81-52- 8	4	JAN 20/09
27-81-52- 8	5	JAN 20/09
27-81-52- 8	6	JAN 20/09
27-81-52- 8	7	JAN 20/09
27-81-52- 8	8	JAN 20/09
27-81-52- 8	9	JAN 20/09
27-81-52- 8	10	JAN 20/09
27-81-52- 8	11	JAN 20/09
27-81-52- 8	12	JAN 20/09
27-81-71- 1	0	MAY 28/07
27-81-71- 1	1	JAN 20/09
*27-81-71- 1	2	MAY 20/09
27-81-71- 1A	0	MAY 28/07
*27-81-71- 1A	1	MAY 20/09
27-81-71- 1B	0	JAN 20/09
27-81-71- 1B	1	JAN 20/09
*27-81-71- 1B	2	MAY 20/09
27-81-71- 1B	3	JAN 20/09
27-88-00	1	MAY 28/07
27-88-01- 1	0	MAY 28/07
27-88-01- 1	1	JAN 20/09
27-88-01- 1	2	JAN 20/09
27-88-01- 1	3	JAN 20/09
27-88-01- 2	0	MAY 28/07
27-88-01- 2	1	JAN 20/09
27-88-01- 2	2	JAN 20/09
27-88-01- 2	3	JAN 20/09

\* THE ASTERISK INDICATES PAGES CHANGED OR ADDED BY THE CURRENT REVISION





**BOEING**  
757  
PARTS CATALOG (MAINTENANCE)

CHAPTER 27 — FLIGHT CONTROLS

TABLE OF CONTENTS

SUBJECT	CC-SS-UU	FIGURE	EFFECT
FLIGHT CONTROLS - GENERAL	27-00-00		
CABLE INSTL-AIL. AND SPOILER (FLIGHT CONTROL CABLES ONLY)	27-00-01	01	101106 108120 504903
COLLECTOR INSTL-BASIC AND STABLE (FLIGHT CONTROLS ONLY)	27-00-00	03	101102 108120 504903
COLLECTOR INSTL-PASS. MINOR MODEL (FLIGHT CONTROLS ONLY)	27-00-00	04	101102 108120 504903
COLLECTOR INSTL-PASS. 4-DOOR OPTION (FLIGHT CONTROLS ONLY)	27-00-00	05	101102 108120 504903
CONTROL INSTL-AIL. AND SPOILER (FLIGHT CONTROL CABLES ONLY)	27-00-01	02	002004 006100 107107 121503 904999
CONTROL INSTL-AIL. AND SPOILER (FLIGHT CONTROLS ONLY)	27-00-00	02	002004 006100 107107 121503 904999
CONTROL INSTL-ELEV AND STAB. TRIM SYS	27-00-00	10	002004 006100 107107 121503 904999
MANAGEMENT COLLECTOR AILERON AND SPOILER SYSTEMS	27-00-00	01	101102 108120 504903
MANAGEMENT COLLECTOR ELEV CONT SYS	27-00-00	22	101102 108120 504903
FLIGHT CONTROL SYSTEM ELECTRONIC EQUIPMENT INSTL-MAIN ELECTRONICS EQPT CTR (FLIGHT CONTROL SYSTEM ELECTRONICS UNIT ONLY)	27-09-00 27-09-01	01	002004 006100 107107 121999

 **BOEING**  
757  
**PARTS CATALOG (MAINTENANCE)**

**CHAPTER 27 — FLIGHT CONTROLS**

**TABLE OF CONTENTS**

<b>SUBJECT</b>	<b>CC-SS-UU</b>	<b>FIGURE</b>	<b>EFFECT</b>
EQUIPMENT INSTL-MAIN ELECTRONICS EQPT	27-09-51	08	103106
CTR PWR SUPPLY CSEU			108120



**BOEING**  
757  
PARTS CATALOG (MAINTENANCE)

CHAPTER 27 — FLIGHT CONTROLS

TABLE OF CONTENTS

SUBJECT	CC-SS-UU	FIGURE	EFFECT
AILERON AND AILERON TRIM CONTROL SYSTEM	27-11-00		
AILERON INSTL	27-11-21	01	002004 006999
BOX INSTL AND FASTENER INSTL-LATERAL CONT SPRT	27-11-54	02	002004 006999
BRACKET INSTL-AIL. PULLEY STA 1040, BL 15, A1B, A2A	27-11-22	04	002004 006999
BRACKET INSTL-AIL. TURNAROUND PULLEY	27-11-22	11	002004 006999
BRACKET INSTL-BODY STA 1040 PULLEY	27-11-22	05	002004 006999
BRACKET INSTL-SPRT	27-11-22	12	103106
BRACKET INSTL-STA 1040-1063 AIL. CABLES PULLEY	27-11-22	03	002004 006999
BRACKET INSTL-STA 345 PULLEY	27-11-22	01	002004 006999
BRACKET INSTL-WING STA 287 PULLEY	27-11-22	06	002004 006999
BRACKET INSTL-WING STA 528 PULLEY	27-11-22	10	002004 006999
CONTROL UNIT ASSY-PWR	27-11-20	51	002004 006999
CONTROL UNIT ASSY-PWR	27-11-20	52	002004 006999
CONTROL UNIT INSTL-L WING AIL. PWR	27-11-20	01	002004 006999
CONTROL UNIT INSTL-R WING AIL. PWR	27-11-20	02	002004 006999
DAMPER INSTL-CONTROL WHEEL LATERAL CONTROLS	27-11-02	02	106106
DRUM INSTL-LATERAL CONT PILOT AND COPILOT	27-11-03	01	002004 006100 107107 121503 904999
DRUM INSTL-PILOT AND CO-PILOT AILERON AND SPOILER CONTROL	27-11-03	02	101106 108120 504903

 **BOEING**  
757  
**PARTS CATALOG (MAINTENANCE)**

**CHAPTER 27 — FLIGHT CONTROLS**

**TABLE OF CONTENTS**

SUBJECT	CC-SS-UU	FIGURE	EFFECT
LATERAL CONTROL WHEEL DAMPER-KIT (AILERON AND AILERON TRIM CONTROL SYSTEM ONLY)	27-11-02	03	002004 006105 107999
MECHANISM ASSY-FEEL AND TRIM	27-11-14	10	002004 006999
MECHANISM ASSY-OVERRIDE	27-11-14	11	002004 006999
MECHANISM INSTL-LATERAL CONT WHL WELL	27-11-14	02	002004 006100 107107 121503 904999
MECHANISM INSTL-LATERAL CONT WHL WELL	27-11-14	02A	101106 108120 504903
PANEL INSTL-P8 ELECTRONIC (AILERON AND AILERON TRIM CONTROL SYSTEM ONLY)	27-11-23	01	002004 006010 107107 121503 904999
PANEL INSTL-P8, P9, P10 ELECTRONIC (AILERON AND AILERON TRIM CONTROL SYSTEM ONLY)	27-11-23	02	011100 107107
PANEL INSTL-P8, P9, P10 ELECTRONICS (AILERON AND AILERON TRIM CONTROL SYSTEM ONLY)	27-11-23	03	101106 108120 504903
PLUMBING INSTL-HYDR WING SECT. 12 R OUTBD	27-11-51	28A	101106 108120 504903
PLUMBING INSTL-MAIN WHL WELL BHD HYDR (AILERON AND AILERON TRIM CONTROL SYSTEM ONLY)	27-11-14	12	103106
PLUMBING INSTL-SECT. 12 HYDR R WING OUTBD (AILERON AND AILERON TRIM CONTROL SYSTEM ONLY)	27-11-51	28	002004 006100 107107 121503 904999
PLUMBING INSTL-SECT. 13 L WING OUTBD HYDR (AILERON AND AILERON TRIM CONTROL SYSTEM ONLY)	27-11-20	03	002004 006999



**BOEING**  
757  
PARTS CATALOG (MAINTENANCE)

CHAPTER 27 — FLIGHT CONTROLS

TABLE OF CONTENTS

SUBJECT	CC-SS-UU	FIGURE	EFFECT
QUADRANT AND LINK AND CABLE GUARD INSTL-AIL.	27-11-17	01	002004 006999
WHEEL AND COLUMN ASSY-(LATERAL CONTROL WHEEL ONLY)	27-11-02	01	002004 006999
AILERON POSITION INDICATING SYSTEM	27-18-00		
SENSOR INSTL-AIL. POSITION	27-18-01	01	002004 006999
SHELF ASSY-ELECTRONICS EQPT CTR E4-2 (FLIGHT CONTROLS ONLY)	27-18-51	01	002004 006999
SHELF ASSY-ELECTRONICS EQPT CTR E4-2 (FLIGHT CONTROLS ONLY)	27-18-51	01A	108120 504903
SHELF ASSY-ELECTRONICS EQPT CTR E4-2 (FLIGHT CONTROLS ONLY)	27-18-51	02	103105

 **BOEING**  
757  
**PARTS CATALOG (MAINTENANCE)**

**CHAPTER 27 — FLIGHT CONTROLS**

**TABLE OF CONTENTS**

SUBJECT	CC-SS-UU	FIGURE	EFFECT
RUDDER	27-20-00		
RUDDER CONTROL SYSTEM MANAGEMENT COLLECTOR, MAJOR MODEL	27-20-00	01	101102 108120 504903
SENSOR AND MODIFICATION INSTL- FLT RECORDER RUDDER CONT POSITION	27-20-50	01	002004 006106 108903 950999
RUDDER AND RUDDER TRIM CONTROL SYSTEM	27-21-00		
ADJUST INSTL-RUD PEDAL (FLIGHT CONTROLS ONLY)	27-21-02	01	002004 006999
BRACKET INSTL-STA 1720 RUD A AND RUD B CABLES PULLEY	27-21-51	02	002004 006999
BRACKET INSTL-STA 351 RA AND RB	27-21-51	05	002004 006999
CHANGER INSTL-RUD CONT RATIO (RUDDER RATIO CHANGER ACTUATOR ONLY)	27-21-13	01	002004 006999
CHANGER INSTL-RUD CONT RATIO (RUDDER RATIO CHANGER MECHANISM ONLY)	27-21-12	01	002004 006999
CONTROL AND INDEX PLATE INSTL-RUD AND RUD TRIM	27-21-54	01A	101106 108120 504903
CONTROL INSTL-RUD AND RUD TRIM	27-21-54	01	002004 006100 107107 121503 904999
CONTROL UNIT INSTL-RUD PWR AND MARKER INSTL-FOIL	27-21-20	01	002004 006999
EQUIPMENT INSTL-MAIN ELECTRONICS EQPT CTR (RUDDER AND RUDDER TRIM CONTROL SYSTEM ONLY)	27-21-57	01	002004 006100 107107 121999
EQUIPMENT INSTL-MAIN ELECTRONICS EQPT CTR (RUDDER AND RUDDER TRIM CONTROL SYSTEM ONLY)	27-21-57	01B	101102
EQUIPMENT INSTL-MAIN ELECTRONICS EQPT CTR RUD RATIO CHANGER CSEU	27-21-51	08	103106 108120
JACKSHAFT INSTL-RUD CONT	27-21-05	01	002004 006999


**BOEING**  
 757  
**PARTS CATALOG (MAINTENANCE)**

**CHAPTER 27 — FLIGHT CONTROLS**

**TABLE OF CONTENTS**

SUBJECT	CC-SS-UU	FIGURE	EFFECT
LINKAGE INSTL-RUD CONT YAW DAMPER AND SUMMING (FLIGHT CONTROLS ONLY)	27-21-17	01	002004 006999
LINKAGE INSTL-RUD THRM COMPENSATION	27-21-56	01	002004 006999
PANEL INSTL-P5 OVHD (RUDDER AND RUDDER TRIM CONTROL SYSTEM ONLY)	27-21-53	01	002004 006100 107107 121503 904999
PANEL INSTL-P5 OVHD (RUDDER AND RUDDER TRIM CONTROL SYSTEM ONLY)	27-21-53	02	101106 108120 504903
PANEL INSTL-P8 ELECTRONIC (RUDDER TRIM CONTROL SWITCH ONLY)	27-21-23	01	002004 006010 107107 121503 904999
PANEL INSTL-P8,P9,P10 ELECTRONICS (RUDDER AND RUDDER TRIM CONTROL SYSTEM ONLY)	27-21-23	03	101106 108120 504903
PANEL INSTL-P8,P9,P10 ELECTRONICS (RUDDER TRIM CONTROL SWITCH ONLY)	27-21-23	02	011100
PEDAL INSTL-RUD	27-21-02	02	002004 006999
PLUMBING INSTL-SECT. 48 HYDR (RUDDER ONLY)	27-21-51	20A	101106 108120 504903
PLUMBING INSTL-VERT. FIN SECT. 70 HYDR (RUDDER AND RUDDER TRIM ONLY)	27-21-51	15	002004 006999
QUADRANT ASSY-RUDDER CONT AFT	27-21-06	01B	103106
QUADRANT INSTL-FEEL CENTERING AND TRIM AFT	27-21-06	01A	103106
QUADRANT INSTL-RUD CONT FEEL CENTERING AND TRIM AFT	27-21-06	01	002004 006102 107999
SUPPORT INSTL-STA 1720 RUD RA AND RB CABLES	27-21-51	04	002004 006102 107999
RUDDER AND ELEVATOR HYDRAULIC SYSTEM	27-23-00		

 **BOEING**  
757  
**PARTS CATALOG (MAINTENANCE)**

**CHAPTER 27 — FLIGHT CONTROLS**

**TABLE OF CONTENTS**

SUBJECT	CC-SS-UU	FIGURE	EFFECT
EQUIPMENT INSTL-MAIN ELECTRONICS EQPT CTR (RUDDER AND ELEVATOR HYDRAULIC SYSTEMS ONLY)	27-23-02	01	002004 006100 107107 121999
EQUIPMENT INSTL-MAIN ELECTRONICS EQPT CTR (RUDDER AND ELEVATOR HYDRAULIC SYSTEMS ONLY)	27-23-02	01B	101102
EQUIPMENT INSTL-MAIN ELECTRONICS EQPT CTR PWR CONT UNIT MON MODULE	27-23-02	08	103106 108120
PANEL INSTL-P61 R SIDEWALL (FLIGHT CONTROLS ONLY)	27-23-51	01	002004 006100 107107 121503 904999
PANEL INSTL-P61 R SIDEWALL (FLIGHT CONTROLS ONLY)	27-23-51	02	101106 108120 504903
PLUMBING INSTL-MAIN WHL WELL AFT BHD HYDR (FLIGHT CONTROL ONLY)	27-23-51	20	002004 006100 107107 121503 904999
PLUMBING INSTL-SECT. 46 HYDR (RUDDER AND ELEVATOR HYDRAULIC SYSTEMS ONLY)	27-23-51	30	002004 006999
PLUMBING INSTL-SECT. 46 HYDR (RUDDER AND ELEVATOR HYDRAULIC SYSTEMS ONLY)	27-23-51	30A	101106 108120 504903
PLUMBING INSTL-SECT. 46 HYDR (RUDDER AND ELEVATOR HYDRAULIC SYSTEMS ONLY)	27-23-51	31	002004 006999
PLUMBING INSTL-SECT. 46 HYDR (RUDDER AND ELEVATOR HYDRAULIC SYSTEMS ONLY)	27-23-51	31A	101106 108120 504903
PLUMBING INSTL-SECT. 48 (RUDDER AND ELEVATOR HYDRAULIC SYSTEMS ONLY)	27-23-00	01	002004 006100 107107 121503 904999
PLUMBING INSTL-SECT. 48 (RUDDER AND ELEVATOR HYDRAULIC SYSTEMS ONLY)	27-23-00	02	002004 006999




**BOEING**  
 757  
**PARTS CATALOG (MAINTENANCE)**

**CHAPTER 27 — FLIGHT CONTROLS**

**TABLE OF CONTENTS**

SUBJECT	CC-SS-UU	FIGURE	EFFECT
VALVE INSTL-CTR SYS EMPENNAGE ISOLATION	27-23-01	01	002004 006999
VALVE INSTL-L SYS EMPENNAGE ISOLATION	27-23-01	03	002004 006999
VALVE INSTL-R SYS EMPENNAGE ISOLATION	27-23-01	02	002004 006999
RUDDER POSITION INDICATING SYSTEM	27-28-00		
PANEL INSTL-P8, P9, P10 ELECTRONIC (RUDDER POSITION INDICATING SYSTEM ONLY)	27-28-02	01	002004 006100 107107 121503 904999
PANEL INSTL-P8,P9,P10 ELECTRONICS (RUDDER POSITION INDICATING SYSTEM ONLY)	27-28-02	01A	101106 108120 504903
TRANSMITTER INSTL-RUD CONT POSITION	27-28-01	01	002004 006999


**BOEING**  
 757  
**PARTS CATALOG (MAINTENANCE)**

**CHAPTER 27 — FLIGHT CONTROLS**

**TABLE OF CONTENTS**

SUBJECT	CC-SS-UU	FIGURE	EFFECT
ELEVATOR	27-30-00		
MANAGEMENT COLLECTOR ELEV CONT SYS	27-30-00	01A	101102 108120 504903
ELEVATOR CONTROL	27-31-00		
ACTUATOR ASSY-LINEAR	27-31-03	01	002004 006999
BOX INSTL-ELEV CONT AFT MECH TORQUE	27-31-16	01	002004 006999
BRACKET INSTL AND SUPPORT INSTL-STA 336 E1A AND E1B PULLEY	27-31-52	01	002004 006999
BRACKET INSTL-STA 1720 ELEV 2A AND 2B CABLES PULLEY	27-31-52	04	002004 006999
BRACKET INSTL-STA 336 ELEV 1A AND 1B PULLEY	27-31-52	02	002004 006999
BRACKET INSTL-STA 370 ELEV 1A AND 1B PULLEY L UPR	27-31-52	03	002004 006999
BRACKET INSTL-STA 395 E2A AND E2B PULLEY (ELEVATOR CONTROL SYSTEM ONLY)	27-31-55	01	002004 006999
COLUMN INSTL-AIL. AND ELEV (COLUMN ELEVATOR SYSTEM ONLY)	27-31-10	01	002004 006999
COMPUTER ASSY-ELEVATOR FEEL SYS	27-31-19	50	002004 006999
COMPUTER INSTL-ELEV CONT FEEL	27-31-19	01	002004 006999
CONTROL INSTL-ELEV AND STAB. TRIM SYS (ELEVATOR CONTROL SYSTEM ONLY)	27-31-00	02	002004 006100 107107 121503 904999
CONTROL INSTL-ELEV AND STAB. TRIM SYS (ELEVATOR CONTROL SYSTEM ONLY)	27-31-00	03	101106 108120 504903
CONTROL INSTL-ELEV AND STAB. TRIM SYS (ELEVATOR INDEX PLATE ONLY)	27-31-02	02	101106 108120 504903



**BOEING**  
757  
PARTS CATALOG (MAINTENANCE)

CHAPTER 27 — FLIGHT CONTROLS

TABLE OF CONTENTS

SUBJECT	CC-SS-UU	FIGURE	EFFECT
CONTROL INSTL-SECT. 48 (ELEVATOR CONTROL SYSTEM INDEX PLATE ONLY)	27-31-02	01	002004 006100 107107 121503 904999
CONTROL UNIT INSTL-ELEV CONT PWR	27-31-05	01	002004 006999
CRANK AND SHAFT ASSY	27-31-59	02	011102 504903 951951
CRANK AND SHAFT ASSY (FLIGHT CONTROLS ONLY)	27-31-59	01	002004 006010 103105 107503 904950 952999
CRANK INSTL-ELEV CONT	27-31-54	01S	101106 108120 504903
CRANK INSTL-IDLER LINK ELEVATOR CONTROL	27-31-54	03	101106 108120 504903
HOUSING INSTL-RUD PEDAL	27-31-51	08	002004 006107 121999
HOUSING INSTL-RUD PEDAL	27-31-51	09	102106 108120 504903
LINKAGE AND COMPUTER INSTL ELEV CONT NEUT SHIFT MECH	27-31-21	01	002004 006999
LINKAGE INSTL-ELEV CONT	27-31-54	01	002004 006999
MECHANISM ASSY-NEUT SHIFT	27-31-21	02	002004 006999
MECHANISM INSTL-ELEV CONT AFT	27-31-15	01	002004 006999
MECHANISM INSTL-ELEV CONT AFT	27-31-53	01	002004 006999
OVERRIDE ASSY-ELEV CONT	27-31-21	10	002004 006999



**BOEING**  
757  
PARTS CATALOG (MAINTENANCE)

CHAPTER 27 — FLIGHT CONTROLS

TABLE OF CONTENTS

SUBJECT	CC-SS-UU	FIGURE	EFFECT
PLUMBING INSTL-SEC. 82 HYDR	27-31-51	15A	101106 108120 504903
PLUMBING INSTL-SEC. 82 HYDR	27-31-51	16A	101106 108120 504903
PLUMBING INSTL-SECT. 46 HYDR (ELEVATOR CONTROL SYSTEM ONLY)	27-31-51	30	002004 006999
PLUMBING INSTL-SECT. 46 HYDR (ELEVATOR CONTROL SYSTEM ONLY)	27-31-51	30A	101102 108120 504903
PLUMBING INSTL-SECT. 46 HYDR (ELEVATOR CONTROL SYSTEM ONLY)	27-31-51	30B	103106
PLUMBING INSTL-SECT. 48 HYDR L (ELEVATOR CONTROL SYSTEM ONLY)	27-31-51	20A	101106 108120 504903
PLUMBING INSTL-SECT. 82 HYDR	27-31-51	15	002004 006100 107107 121503 904999
PLUMBING INSTL-SECT. 82 HYDR	27-31-51	16	002004 006100 107107 121503 904999
PORT INSTL-ELEV FEEL COMPUTER STATIC PRESSURE (FLIGHT CONTROLS ONLY)	27-31-60	01	002004 006999
REGULATOR INSTL-ELEV CONT TNSN	27-31-12	01	002004 006999
SEAL INSTL-PRESSURE	27-31-57	10	002004 006999
SHROUD AND GUARD INSTL CONT CABLE ELEV STA 1240 TO 1500	27-31-63	09	002004 006102 107999
SHROUD AND GUARD INSTL CONT CABLE ELEV STA. 1500 TO 1620	27-31-63	10	002004 006102 107999
SHROUD INSTL- CONTROL CABLE, ELEVATOR STA 1180 TO STA 1240	27-31-63	12	103106


**BOEING**  
 757  
**PARTS CATALOG (MAINTENANCE)**

**CHAPTER 27 — FLIGHT CONTROLS**

**TABLE OF CONTENTS**

SUBJECT	CC-SS-UU	FIGURE	EFFECT
SHROUD INSTL- CONTROL CABLE, ELEVATOR STA 500-STA 900	27-31-63	07	002004 006102 107999
SHROUD INSTL-CONTROL CABLE ELEVATOR STA. 900-STA. 1240	27-31-63	08	002004 006102 107999
SHROUD INSTL-CONTROL CABLE, ELEVATOR STA. 350-STA. 365.25	27-31-63	04	002004 006999
SHROUD INSTL-ELEV CONT CABLE	27-31-00	01	101102 108120 504903
SHROUD INSTL-ELEV STA 377.70 TO 500 CONT CABLE	27-31-63	05	002004 006100 107503 904999
SHROUD INSTL-ELEV STA 377.70 TO 500 CONT CABLE	27-31-63	06	002004 006102 121949 952999
SHROUD INSTL-SECT 43 CONT CABLE, ELEV STANCHION INSTL-STA 337 E1A AND E1B	27-31-51 27-31-51	04 07	103106 002004 006999
SUPPORT INSTL-SECT. 46 ELEV FEEL COMPUTER STATIC PRESSURE TUBE	27-31-56	02	002004 006999
SUPPORT INSTL-STA 336 PULLEY	27-31-52	02A	002004 006999
SUPPORT INSTL-TNSN REGULATOR ELEV	27-31-56	01	002004 006999
UNIT ASSY-FEEL AND CENTERING (ELEVATOR FEEL ACTUATORS ONLY)	27-31-18	01	002004 006999
UNIT ASSY-FEEL AND CENTERING (ELEVATOR FEEL UNIT ONLY)	27-31-17	01	002004 006999
VALVE INSTL-BYPASS ELEV PRESSURE REDUCER	27-31-23	01	002004 006999
VALVE INSTL-CTR SYS PRESSURE REDUCING	27-31-13	05	002004 006999
VALVE INSTL-L SYS PRESS REDUCING	27-31-51	01	002004 006999
VALVE INSTL-R SYS PRESSURE REDUCING	27-31-13	01	002004 006999


**BOEING**  
 757  
**PARTS CATALOG (MAINTENANCE)**

**CHAPTER 27 — FLIGHT CONTROLS**

**TABLE OF CONTENTS**

SUBJECT	CC-SS-UU	FIGURE	EFFECT
STALL WARNING	27-32-00		
COLUMN SHAKER INSTL-ALTITUDE WARNING SYS	27-32-05	01	002004 006999
EQUIPMENT INSTL-MAIN ELECTRONICS EQPT CTR (STALL WARNING SYSTEM ONLY)	27-32-01	01	002004 006100 107107 121999
EQUIPMENT INSTL-MAIN ELECTRONICS EQPT CTR (STALL WARNING SYSTEM ONLY)	27-32-01	01B	101102
EQUIPMENT INSTL-MAIN ELECTRONICS EQPT CTR STALL WARNING	27-32-01	08	103106 108120
ELEVATOR POSITION INDICATING SYSTEM	27-38-00		
TRANSMITTER INSTL-ELEV CONT POSITION	27-38-02	01	002004 006999


**BOEING**  
 757  
**PARTS CATALOG (MAINTENANCE)**

**CHAPTER 27 — FLIGHT CONTROLS**

**TABLE OF CONTENTS**

SUBJECT	CC-SS-UU	FIGURE	EFFECT
HORIZONTAL STABILIZER	27-40-00		
MANAGEMENT COLLECTOR/ STAB TRIM	27-40-00	01	101102
CONTROL SYS			108120
			504903
HORIZONTAL STABILIZER CONTROL	27-41-00		
BRACKET INSTL-STA 1720 PULLEY	27-41-52	02	107107
			904949
BRACKET INSTL-STA 1720 STAB. TRIM 2A	27-41-52	01	107107
AND 2B CABLES PULLEY			904949
BRACKET INSTL-STA 230 THRU STA 247	27-41-53	02	107107
PULLEY			904949
BRACKET INSTL-STA 230 THRU STA 247	27-41-53	01	002004
PULLEY (STABILIZER TRIM CONTROL ONLY)			006999
BRACKET INSTL-STA 377.7 AND STA 395,	27-41-52	03	107107
ST1A, ST1B, ST2A, ST2B PULLEY (FLIGHT			904949
CONTROLS ONLY)			
CABLE INSTL-SYSTEM CONTROL	27-41-01	01	101106
			108120
			504903
CONTROL INSTL-ELEV AND STAB. TRIM SYS	27-41-00	02	002004
(HORIZONTAL STABILIZER TRIM CONTROL			006100
SYSTEM ONLY)			107107
			121503
			904999
FITTING INSTL-HORIZ STAB. JACKSCREW SPRT	27-41-56	01	002004
			006999
JACKSCREW INSTL-STAB. TRIM CONT	27-41-10	01	002004
			006999
LEVER INSTL AND TRIM INSTL-STAB. CONT	27-41-02	01	002004
			006999
MODULE ASSY-STAB. TRIM CONT	27-41-05	50	002004
			006999
MODULE ASSY-STAB. TRIM CONT	27-41-05	50A	002004
			006106
			108903
			950999
MODULE INSTL-STAB. TRIM CONT	27-41-05	01	002004
(HORIZONTAL STABILIZER TRIM CONTROL			006999
ONLY)			



**BOEING**  
757  
PARTS CATALOG (MAINTENANCE)

CHAPTER 27 — FLIGHT CONTROLS

TABLE OF CONTENTS

SUBJECT	CC-SS-UU	FIGURE	EFFECT
PANEL INSTL-P5 OVHD (HORIZONTAL STABILIZER TRIM CONTROL SYSTEM ONLY)	27-41-55	01	002004 006999
PLUMBING INSTL-SECT. 48 L HYDR (HORIZONTAL STABILIZER TRIM CONTROL ONLY)	27-41-51	20	002004 006100 107107 121503 904999
PLUMBING INSTL-SECT. 48 L HYDR (HORIZONTAL STABILIZER TRIM CONTROL ONLY)	27-41-51	20A	101106 108120 504903
PLUMBING INSTL-SECT. 48 L HYDR (HORIZONTAL STABILIZER TRIM CONTROL ONLY)	27-41-51	21	002004 006100 107107 121503 904999
PLUMBING INSTL-SECT. 48 L HYDR (HORIZONTAL STABILIZER TRIM CONTROL ONLY)	27-41-51	21A	101106 108120 504903
PLUMBING INSTL-SECT. 48 R HYDR (HORIZONTAL STABILIZER TRIM CONTROL ONLY)	27-41-51	24	002004 006999
PLUMBING INSTL-VERT. FIN SECT. 70 HYDR (HORIZONTAL STABILIZER TRIM CONTROL ONLY)	27-41-51	15	002004 006999
SHELF ASSY-ELECTRONIC EQPT E3-1 (FLIGHT CONTROL ONLY)	27-41-11	01B	101102 108120 504903
SHELF ASSY-ELECTRONICS EQPT CTR E4-1 (FLIGHT CONTROLS ONLY)	27-41-71	01A	101106 108120 504903
SHELF ASSY-ELECTRONICS EQPT E2-1, E3-1 AND E4-1 (FLIGHT CONTROLS ONLY)	27-41-71	01	002004 006100 103999
SWITCH INSTL-STAB. CUTOFF	27-41-54	01	002004 006999
WHEEL ASSY-CONT COLUMN (STABILIZER TRIM CONTROL WHEEL SWITCH ONLY)	27-41-01	02	002004 006999
HORIZONTAL STABILIZER POSITION INDICATION	27-48-00		




**BOEING**  
 757  
**PARTS CATALOG (MAINTENANCE)**

**CHAPTER 27 — FLIGHT CONTROLS**

**TABLE OF CONTENTS**

SUBJECT	CC-SS-UU	FIGURE	EFFECT
EQUIPMENT INSTL-MAIN ELECTRONICS EQPT CTR (STABILIZER TRIM POSITION INDICATING SYSTEM ONLY)	27-48-03	01	002004 006100 107107 121999
EQUIPMENT INSTL-MAIN ELECTRONICS EQPT CTR (STABILIZER TRIM POSITION INDICATING SYSTEM ONLY)	27-48-03	01B	101102
EQUIPMENT INSTL-MAIN ELECTRONICS EQPT CTR STAB. POSITION MODULE	27-48-03	08	103106 108120
OPTION PACKAGE ASSY-P36 MISC RELAY LH (STABILIZER TRIM INDICATING SYSTEM ONLY)	27-48-52	03A	101102 504903
PANEL ASSY-P36 MISC RELAY L (STABILIZER TRIM INDICATING SYSTEM ONLY)	27-48-52	03	002004 006100 107107 121503 904999
PANEL INSTL-P36 L MISC RELAY (STABILIZER TRIM POSITION INDICATING SYSTEM ONLY)	27-48-52	03C	103106 108120
PULLEY INSTL-STAB. TRAVEL LIMIT AND POSITION INDICATOR	27-48-51	01	002004 006999
STAND ASSY-CONT VAR (FLIGHT CONTROLS ONLY)	27-48-06	01	002004 006999
TRANSMITTER INSTL-STAB. TRAVEL LIMIT AND POSITION IND	27-48-51	02	002004 006999

 **BOEING**  
757  
**PARTS CATALOG (MAINTENANCE)**

**CHAPTER 27 — FLIGHT CONTROLS**

**TABLE OF CONTENTS**

SUBJECT	CC-SS-UU	FIGURE	EFFECT
FLAPS	27-50-00		
MANAGEMENT COLLECTOR-TE FLAP SYS MAJOR MODEL	27-50-00	01	101102 108120 504903
MANAGEMENT COLLECTOR-TE FLAP SYS MINOR MODEL	27-50-00	02	101102 108120 504903
PLATE INSTL-INBD TE FLAP SEAL	27-50-51	01	002004 006999
TRAILING EDGE FLAPS	27-51-00		
BEARING INSTL-TE FLAP DRIVE TORQUE TUBE SPRT	27-51-25	02	002004 006999
BRACKET INSTL-STA 1056 WING FLAP CABLES PULLEY	27-51-56	02	002004 006999
BRACKET INSTL-STA 230 THRU STA 247 PULLEY	27-51-52	01	002004 006999
BRACKET INSTL-STA 395 WFA AND WFB PULLEY	27-51-56	01	002004 006999
CARRIAGE ASSY-INBD	27-51-05	01	002004 006999
CARRIAGE ASSY-OUTBD TE FLAP	27-51-16	01	002004 006999
CONTROL AND DRIVE INSTL-TE FLAP	27-51-25	03	002004 006100 107107 121503 904999
CONTROL AND DRIVE INSTL-TE FLAP	27-51-25	03B	101106 108120 504903
EQUIPMENT INSTL-MAIN ELECTRONICS EQPT CTR (TRAILING EDGE FLAP SYSTEM ONLY)	27-51-01	02	002004 006100 107107 121999
EQUIPMENT INSTL-MAIN ELECTRONICS EQPT CTR (TRAILING EDGE FLAP SYSTEM ONLY)	27-51-01	02B	101102
EQUIPMENT INSTL-MAIN ELECTRONICS EQPT CTR FLAP SLAT UNIT	27-51-01	08	103106 108120
FAIRING ASSY-OUTBD TE FLAP INBD TRACK FWD AND AFT	27-51-31	04	002004 006999



**BOEING**  
757  
PARTS CATALOG (MAINTENANCE)

CHAPTER 27 — FLIGHT CONTROLS

TABLE OF CONTENTS

SUBJECT	CC-SS-UU	FIGURE	EFFECT
FAIRING ASSY-OUTBD TE FLAP OUTBD TRACK FWD AND AFT	27-51-31	03	002004 006999
FAIRING INSTL-INBD MAIN FLAP	27-51-30	01	002004 006999
FAIRING INSTL-OUTBD TE FLAP INBD TRACK	27-51-31	02	002004 006999
FAIRING INSTL-OUTBD TE FLAP OUTBD TRACK	27-51-31	01	002004 006999
FITTING INSTL-WING BL 361.00 AND 490.778 OUTBD FLAP	27-51-15	06	002004 006100 107107 121503 904999
FITTING INSTL-WING BL 361,00 AND 490.778 OUTBD FLAP	27-51-15	06A	101106 108120 504903
FLAP ASSY-INBD MAIN	27-51-02	10D	002004 006999
FLAP ASSY-INBD TE	27-51-02	10B	107107 904949
FLAP ASSY-INBD TE AFT (INBD TE FLAP ONLY)	27-51-12	01	002004 006999
FLAP ASSY-INBD TE LH SIDE	27-51-02	10C	002004 006106 108903 950999
FLAP ASSY-OUTBD AFT (OUTBD AFT FLAP ONLY)	27-51-22	01	002004 006999
FLAP ASSY-OUTBD MAIN (OUTBD TE FLAP ONLY)	27-51-14	10	002004 006999
FLAP ASSY-T.E INBD	27-51-02	10A	002004 006106 108903 950999
FLAP ASSY-T.E. INBD	27-51-02	10	107107 904949
FLAP INSTL-T.E. INBD RH	27-51-02	02A	002004 006999
FLAP INSTL-TE INBD	27-51-02	02	002004 006999


**BOEING**  
 757  
**PARTS CATALOG (MAINTENANCE)**

**CHAPTER 27 — FLIGHT CONTROLS**

**TABLE OF CONTENTS**

SUBJECT	CC-SS-UU	FIGURE	EFFECT
FLAP INSTL-TE OUTBD	27-51-14	01	002004 006999
GEAR BOX INSTL-INBD TE FLAP DRIVE INBD ANGLE	27-51-09	01	002004 006999
GEAR BOX INSTL-INBD TE FLAP DRIVE INBD TEE	27-51-07	01	002004 006999
GEAR BOX INSTL-OUTBD INBD TE FLAP DRIVE TEE	27-51-08	01	002004 006999
LEVER INSTL-FLAP CONT	27-51-32	01	002004 006999
MODULE INSTL-FLAP AND SLAT DEPRESSURIZATION	27-51-29	01	002004 006999
OPTION PACKAGE ASSY-P36 MISC RELAY LH (FLAP SYSTEM ONLY)	27-51-71	03A	101102 504903
PACKAGE ASSY-OPTION P33 MISC ELEC EQPT (TE FLAP SYSTEM ONLY)	27-51-71	01A	101102 108120 504903
PACKAGE ASSY-OPTION P70 MISC RELAY (FLIGHT CONTROLS ONLY)	27-51-71	04A	101102 504903
PANEL ASSY-P36 MISC RELAY L (TE FLAP SYSTEM ONLY)	27-51-71	03	002004 006100 107107 121503 904999
PANEL ASSY-P70 MISC RELAY (FLIGHT CONTROLS ONLY)	27-51-71	04	002004 006100 103999
PANEL INSTL-CAPT AND FIRST OFFICER FWD (TE FLAP SYSTEM ONLY)	27-51-57	01	002010 107107 121503 904999
PANEL INSTL-CAPT AND FIRST OFFICER FWD (TRAILING EDGE FLAP SYSTEM ONLY)	27-51-57	02	011100
PANEL INSTL-EQPT CTR SVCE (FLIGHT CONTROLS ONLY)	27-51-71	05	002004 006999
PANEL INSTL-P3-1 (TRAILING EDGE (TE) FLAP SYSTEM ONLY)	27-51-57	03	101106 108120 504903
PANEL INSTL-P36 L MISC RELAY (TRAILING EDGE FLAP SYSTEM ONLY)	27-51-71	03C	103106 108120



**BOEING**  
757  
PARTS CATALOG (MAINTENANCE)

CHAPTER 27 — FLIGHT CONTROLS

TABLE OF CONTENTS

SUBJECT	CC-SS-UU	FIGURE	EFFECT
PANEL INSTL-P70 MISC RELAY (FLIGHT CONTROLS ONLY)	27-51-71	04B	103106 108120
PLUMBING INSTL-MAIN WHL WELL BHD HYDR (TRAILING EDGE (TE) FLAP SYSYEM ONLY)	27-51-26	02	103106
PLUMBING INSTL-MAIN WHL WELL HYDR FWD BHD (TRAILING EDGE FLAP SYS)	27-51-51	21	002004 006100 107107 121503 904999
PLUMBING INSTL-PRESSURE DECK L HYDR SECT. 44 (TRAILING EDGE FLAP SYS)	27-51-51	22	002004 006100 107107 121503 904999
PLUMBING INSTL-SECT. 44 MLG WHL WELL HYDR (TRAILING EDGE FLAP SYSTEM ONLY)	27-51-51	20	002004 006100 107107 121503 904999
SEAL INSTL-STA 1040 TO 1060 SLOPING PRESSURE DECK PRESSURE	27-51-25	10	002004 006999
SEAL INSTL-VAPOR	27-51-25	06	101106 108120 504903
SHIELD ASSY-P33 MISC ELEC EQPT (TE FLAP SYSTEM ONLY)	27-51-71	01	002004 006100 107107 121503 904999
SHIELD INSTL-P33 MISC ELEC EQPT (TRAILING EDGE (TE) FLAP SYSTEM ONLY)	27-51-71	01B	103106
STRAP INSTL-TE FLAP DRIVE TORQUE TUBE SAFETY	27-51-25	01	002004 006999
STRUCTURE ASSY-CONT STAND (TE FLAP SYSTEM ONLY)	27-51-51	02	002004 006999
SUPPORT INSTL-INBD MAIN FLAP TRACK	27-51-03	01	002004 006999
TRACK INSTL-FLAP	27-51-15	05	002004 006999


**BOEING**  
 757  
**PARTS CATALOG (MAINTENANCE)**

**CHAPTER 27 — FLIGHT CONTROLS**

**TABLE OF CONTENTS**

SUBJECT	CC-SS-UU	FIGURE	EFFECT
TRANSMISSION INSTL-INBD TE FLAP DRIVE INBD	27-51-06	02	002004 006999
TRANSMISSION INSTL-INBD TE FLAP DRIVE OUTBD (INBD TE FLAP BALLSCREW ONLY)	27-51-11	01	002004 006999
TRANSMISSION INSTL-INBD TE FLAP DRIVE OUTBD (INBOARD TE FLAP TRANSMISSIONS ONLY)	27-51-06	01	002004 006999
TRANSMISSION INSTL-INBD TE OUTBD FLAP DRIVE (INBOARD TE FLAP DRIVE OUTBOARD ANGLE GEARBOX ONLY)	27-51-10	01	002004 006999
TRANSMISSION INSTL-OUTBD TE FLAP DRIVE (INBOARD BALLSCREWS ONLY)	27-51-21	02	002004 006999
TRANSMISSION INSTL-OUTBD TE FLAP DRIVE (OUTBOARD BALLSCREWS ONLY)	27-51-21	01	002004 006999
TRANSMISSION INSTL-OUTBD TE FLAP DRIVE INBD (OUTBOARD FLAP TEE GEARBOXES ONLY)	27-51-18	02	002004 006999
TRANSMISSION INSTL-OUTBD TE FLAP DRIVE INBD (OUTBOARD FLAP TRANSMISSIONS ONLY)	27-51-17	02	002004 006999
TRANSMISSION INSTL-OUTBD TE FLAP DRIVE OUTBD	27-51-17	01	002004 006999
TRANSMISSION INSTL-OUTBD TE FLAP DRIVE OUTBD (OUTBD FLAP TEE GEARBOXES)	27-51-18	01	002004 006999
UNIT AND FITTING INSTL-TE FLAP	27-51-26	01	002004 006999
TRAILING EDGE FLAP POSITION INDICATING SYSTEM	27-58-00		
OPTION PACKAGE ASSY-P36 MISC RELAY LH (TRAILING EDGE FLAP POSITION INDICATING SYSTEM ONLY)	27-58-71	02A	101102 504903
PANEL ASSY-P36 MISC RELAY L (TE FLAP POSITION INDICATING SYSTEM ONLY)	27-58-71	02	002004 006100 107107 121503 904999
PANEL INSTL-CAPT AND FIRST OFFICER AND P3-1 (TRAILING EDGE FLAP POSITION INDICATING SYSTEM ONLY)	27-58-00	02	101106 108120 504903
PANEL INSTL-CAPT AND FIRST OFFICER FWD (TRAILING EDGE FLAP POSITION INDICATING SYSTEM ONLY)	27-58-00	01	011100



**BOEING**  
757  
PARTS CATALOG (MAINTENANCE)

CHAPTER 27 — FLIGHT CONTROLS

TABLE OF CONTENTS

SUBJECT	CC-SS-UU	FIGURE	EFFECT
PANEL INSTL-CAPT AND FIRST OFFICER FWD (TRAILING EDGE FLAP POSITION INDICATING SYSTEM ONLY)	27-58-00	03	002010 107107 121503 904999
PANEL INSTL-EQPT CTR SVCE (TE FLAP POSITION INDICATING SYSTEM ONLY)	27-58-52	01	002004 006999
PANEL INSTL-P36 L MISC RELAY (TRAILING EDGE FLAP POSITION INDICATING SYSTEM ONLY)	27-58-71	02C	103106 108120
FLAP SKEW DETECTION	27-59-00		
EQUIPMENT INSTL-MAIN ELECTRONICS EQPT CTR FLAP SLAT ASYMMETRY MODULE	27-59-01	08	103106
SENSOR INSTL TE FLAP SKEW DETECTION	27-59-02	01	103106


**BOEING**  
 757  
**PARTS CATALOG (MAINTENANCE)**

**CHAPTER 27 — FLIGHT CONTROLS**

**TABLE OF CONTENTS**

SUBJECT	CC-SS-UU	FIGURE	EFFECT
SPOILER AND SPEEDBRAKE CONTROL	27-61-00		
ACTUATOR ASSY-FLIGHT SPOILER PWR CONT UNIT (SPOILER POWER CONTROL ACTUATOR ONLY)	27-61-02	04	002004 006999
ACTUATOR ASSY-FLIGHT SPOILER PWR CONT UNIT (SPOILER POWER CONTROL ACTUATOR ONLY)	27-61-02	04A	002004 006999
ACTUATOR ASSY-FLIGHT SPOILER PWR CONT UNIT (SPOILER RVDT UNIT ONLY)	27-61-04	01	002004 006999
ACTUATOR INSTL-SPOILER NO. 1 THRU 5 AND 8 THRU 12 (SPOILER POWER CONTROL ACTUATOR ONLY)	27-61-02	01	002004 006999
ACTUATOR INSTL-SPOILER NO. 6 AND 7 (FLIGHT CONTROLS ONLY)	27-61-02	02	002004 006999
EQUIPMENT INSTL-MAIN ELECTRONICS EQPT CTR (SPOILER/SPEEDBRAKE CONTROL SYSTEM ONLY)	27-61-51	02	002004 006100 107107 121999
EQUIPMENT INSTL-MAIN ELECTRONICS EQPT CTR (SPOILER/SPEEDBRAKE CONTROL SYSTEM ONLY)	27-61-51	02B	101102
EQUIPMENT INSTL-MAIN ELECTRONICS EQPT CTR SPOILER CONT CSEU	27-61-51	08	103106 108120
PANEL INSTL-P5 OVHD (SPOILER/SPEEDBRAKE CONTROL SYSTEM ONLY)	27-61-51	01	002004 006100 107107 121503 904999
PANEL INSTL-P5 OVHD (SPOILER/SPEEDBRAKE CONTROL SYSTEM ONLY)	27-61-51	03	101106 108120 504903
PLUMBING INSTL-HYDR WING SECT. 12 R OUTBD	27-61-51	28A	101106 108120 504903
PLUMBING INSTL-SECT. 12 L TRAILING EDGE CTR SYS (SPOILER POWER CONTROL ACTUATOR ONLY)	27-61-02	05	103106
PLUMBING INSTL-SECT. 12 R TRAILING EDGE CTR SYS	27-61-02	07	103106



 **BOEING**  
757  
**PARTS CATALOG (MAINTENANCE)**

**CHAPTER 27 — FLIGHT CONTROLS**

**TABLE OF CONTENTS**

SUBJECT	CC-SS-UU	FIGURE	EFFECT
PLUMBING INSTL-SECT. 12 R TRAILING EDGE CTR SYS (SPOILER CONTROL SYSTEM ONLY)	27-61-02	06	103106
PLUMBING INSTL-SECT. 12 R WING INBD HYDR (SPOILER CONTROL SYSTEM ONLY)	27-61-51	17	002004 006102 107999
PLUMBING INSTL-SECT. 12 R WING OUTBD HYDR (SPOILER CONTROL SYSTEM)	27-61-51	28	002004 006100 107107 121503 904999
PLUMBING INSTL-SECT. 13 L TRAILING EDGE CTR SYS (SPOILER POWER CONTROL SYSTEM ONLY)	27-61-02	03	002004 006999
PLUMBING INSTL-SECT. 13 L WING OUTBD HYDR (SPOILER POWER CONTROL SYSTEM ONLY)	27-61-02	08	103106
PLUMBING INSTL-SECT. 13 L WING OUTBD HYDR (SPOILER POWER CONTROL SYSTEM ONLY)	27-61-02	09	002004 006102 107999
AUTO SPEEDBRAKE CONTROL	27-62-00		
ACTUATOR ASSY-LINEAR	27-62-51	10	002004 006999
LEVER INSTL-SPEED BRAKE CONT AND ACTR	27-62-51	02	002004 006999
OPTION PACKAGE ASSY-P36 MISC RELAY LH (SPEEDBRAKE CONTROL SYSTEM ONLY)	27-62-71	03A	101102 504903
PACKAGE ASSY-OPTION P37 MISC RELAY (SPEEDBRAKE CONTROL SYSTEM ONLY)	27-62-71	03B	101102 504903
PANEL ASSY-P36 AND P37 MISC RELAY (SPEEDBRAKE CONTROL SYSTEM ONLY)	27-62-71	03	002004 006100 107107 121503 904999
PANEL INSTL-P36 L MISC RELAY(AUTO-SPEEDBRAKE CONTROL SYSTEM ONLY)	27-62-71	03C	103106 108120
PANEL INSTL-P37 R MISC RELAY (FLIGHT CONTROLS ONLY)	27-62-71	03D	103106 108120

 **BOEING**  
757  
**PARTS CATALOG (MAINTENANCE)**

**CHAPTER 27 — FLIGHT CONTROLS**

**TABLE OF CONTENTS**

<b>SUBJECT</b>	<b>CC-SS-UU</b>	<b>FIGURE</b>	<b>EFFECT</b>
PANEL INSTL-P5 OVHD (AUTO-SPEEDBRAKE CONTROL SYSTEM ONLY)	27-62-52	01	002004 006100 107107 121503 904999
PANEL INSTL-P5 OVHD (AUTO-SPEEDBRAKE CONTROL SYSTEM ONLY)	27-62-52	02	101106 108120 504903
SENSOR INSTL-MLG TRUCK TILT	27-62-51	03	103105 108120
WIRE BUNDLE ASSY AND STRUCTURE ASSY-CONT STAND (SPEEDBRAKE CONTROL SYSTEM)	27-62-51	05	002004 006999



**BOEING**  
757  
PARTS CATALOG (MAINTENANCE)

CHAPTER 27 — FLIGHT CONTROLS

TABLE OF CONTENTS

SUBJECT	CC-SS-UU	FIGURE	EFFECT
LIFT AUGMENTATION	27-80-00		
MANAGEMENT COLLECTOR LEADING EDGE SLAT SYSTEMS	27-80-00	01	101102 108120 504903
LEADING EDGE SLATS	27-81-00		
ACTUATOR INSTL-LE SLAT DRIVE ROTARY INBD	27-81-18	02	002004 006100 107107 121503 904999
ACTUATOR INSTL-LE SLAT DRIVE ROTARY INBD	27-81-18	03	101106 108120 504903
ACTUATOR INSTL-LE SLAT DRIVE ROTARY OUTBD	27-81-18	01	002004 006100 107107 121503 904999
ACTUATOR INSTL-LE SLAT DRIVE ROTARY OUTBD (LEADING EDGE SLAT DRIVE ROTARY ACTUATOR ONLY)	27-81-18	04	101106 108120 504903
BRACKET INSTL-ST A 1064 LE SLATS A AND B CABLE PULLEY	27-81-51	01	002004 006999
CONTROL AND DRIVE INSTL-LE SLAT	27-81-20	02	002004 006100 107107 121503 904999
DRIVE UNIT ASSY-PWR LE SLAT DRIVE (LE SLAT PDU CONT VALVE MODULE AND COMPONENTS ONLY)	27-81-06	01	002004 006999
DRIVE UNIT ASSY-PWR LE SLAT DRIVE (LEADING EDGE SLAT POWER DRIVE UNIT COMPONENTS ONLY)	27-81-08	02	002004 006999
DRIVE UNIT INSTL-LE SLAT DRIVE PWR (LEADING EDGE SLAT POWER DRIVE UNIT COMPONENTS ONLY)	27-81-08	01	002004 006999
DRIVE UNIT INSTL-LE SLAT DRIVE PWR (LEADING EDGE SLAT POWER DRIVE UNIT ONLY)	27-81-07	01	002004 006999

 **BOEING**  
757  
**PARTS CATALOG (MAINTENANCE)**

**CHAPTER 27 — FLIGHT CONTROLS**

**TABLE OF CONTENTS**

SUBJECT	CC-SS-UU	FIGURE	EFFECT
FITTING INSTL-WING FXD LE OSS 356.50 AUX TRACK SPRT	27-81-52	01	002004 006102 107999
FITTING INSTL-WING FXD LE OSS 392.80 AUX TRACK SPRT	27-81-52	02	002004 006102 107999
FITTING INSTL-WING FXD LE OSS 483.30 AUX TRACK SPRT	27-81-52	03	002004 006102 107999
FITTING INSTL-WING FXD LE OSS 530.70 AUX TRACK SPRT	27-81-52	04	002004 006102 107999
FITTING INSTL-WING FXD LE OSS 617.30 AUX TRACK SPRT	27-81-52	05	002004 006102 107999
FITTING INSTL-WING FXD LE OSS 665.50 AUX TRACK SPRT	27-81-52	06	002004 006102 107999
FITTING INSTL-WING FXD LE OSS 748.70 AUX TRACK SPRT	27-81-52	07	002004 006102 107999
FITTING INSTL-WING FXD LE OSS 797.46 AUX TRACK SPRT	27-81-52	08	002004 006102 107999
GEARBOX AND SEAL INSTL-LE SLAT DRIVE ANGLE	27-81-15	01	002004 006999
PACKAGE ASSY-OPTION P33 MISC ELECT EQPT (LEADING EDGE SLAT SYSTEM ONLY)	27-81-71	01A	101102 108120 504903
PANEL INSTL-CAPT AND FIRST OFFICER FWD (LE SLAT SYSTEM ONLY)	27-81-00	02	002010 107107 121503 904999
PANEL INSTL-CAPT AND FIRST OFFICER FWD (LEADING EDGE SLAT SYSTEM ONLY)	27-81-00	03	011100
PANEL INSTL-P3-1 (LEADING EDGE SLAT SYSTEM ONLY)	27-81-00	01	101106 108120 504903
PLUMBING INSTL-SECT. 12 LE (LEADING EDGE SLAT SYSTEM ONLY)	27-81-51	16	002004 006999



**BOEING**  
757  
PARTS CATALOG (MAINTENANCE)

CHAPTER 27 — FLIGHT CONTROLS

TABLE OF CONTENTS

SUBJECT	CC-SS-UU	FIGURE	EFFECT
PLUMBING INSTL-SECT. 49 AC BAY HYDR (FLIGHT CONTROLS ONLY)	27-81-51	40	002004 006100 107107 121503 904999
PLUMBING INSTL-SECT. 49 AND SECT. 44 AC BAY HYDR	27-81-51	40A	101106 108120 504903
SENSOR INSTL-INBD LE SLAT LOSS	27-81-41	01	002004 006101 103503 506999
SENSOR INSTL-OUTBD LE SLAT LOSS	27-81-42	01	002004 006999
SHIELD ASSY-P33 MISC ELEC EQPT (LEADING EDGE SLAT SYSTEM ONLY)	27-81-71	01	002004 006100 107107 121503 904999
SHIELD INSTL-P33 MISC ELEC EQPT (LEADING EDGE SLAT SYSTEM ONLY)	27-81-71	01B	103106
SLAT ASSY WING LE NO. 5 AND NO. 6 INBD	27-81-01	01A	002004 006102 107999
SLAT ASSY WING LE NO. 5 AND NO. 6 INBD	27-81-01	02A	002004 006949 952999
SLAT ASSY-NO. 1 OSS 707.00 TO 838.37 WING LE LH	27-81-02	01	002004 006100 107107 121503 904999
SLAT ASSY-NO. 10 OSS 707.00 TO 836.87 WING LE RH	27-81-02	01A	002004 006100 107107 121503 904999
SLAT ASSY-NO. 10 OSS 707.00 TO 838.37 WING LE (RH)	27-81-02	01E	101106 108120 504903



**BOEING**  
757  
PARTS CATALOG (MAINTENANCE)

CHAPTER 27 — FLIGHT CONTROLS

TABLE OF CONTENTS

SUBJECT	CC-SS-UU	FIGURE	EFFECT
SLAT ASSY-NO. 2 WING LE OSS 574.80 TO 705.50, LH	27-81-02	02D	101106 108120 504903
SLAT ASSY-NO. 2 WING LE OSS 574.80 TO 707.00 WING LE	27-81-02	02	002004 006100 107107 121503 904999
SLAT ASSY-NO. 3 OSS 438.10 TO 573.30 WING LE LH	27-81-02	03	002004 006100 107107 121503 904999
SLAT ASSY-NO. 4 OSS 438.10 TO 305.47 WING LE LH	27-81-02	04	002004 006100 107107 121503 904999
SLAT ASSY-NO. 4 WING LE OSS 305.47 TO 438.10	27-81-02	04D	101106 108120 504903
SLAT ASSY-NO. 7 WING LE OSS 305.47 TO OSS 438.10	27-81-02	04E	101106 108120 504903
SLAT ASSY-NO. 7 WING LE OSS 305.47 TO OSS 438.10 RH	27-81-02	04A	002004 006100 107107 121503 904999
SLAT ASSY-NO. 8 OSS 438.10 TO 573.30 WING LE RH	27-81-02	03A	002004 006100 107107 121503 904999
SLAT ASSY-NO. 8 WING LE OSS 438.10 TO 573.30, RH	27-81-02	03E	101106 108120 504903
SLAT ASSY-NO. 9 WING LE OSS 574.80 TO 705.50, RH	27-81-02	02E	101106 108120 504903


**BOEING**  
 757  
**PARTS CATALOG (MAINTENANCE)**

**CHAPTER 27 — FLIGHT CONTROLS**

**TABLE OF CONTENTS**

SUBJECT	CC-SS-UU	FIGURE	EFFECT
SLAT ASSY-NO. 9 WING LE OSS 574.80 TO 707.00 RH	27-81-02	02A	002004 006100 107107 121503 904999
SLAT ASSY-NO.3 WING LE OSS 438.10 TO 573.30, LH	27-81-02	03D	101106 108120 504903
SLAT ASSY-NO. 1 OSS 707.00 TO 838.37 WING LE (LH)	27-81-02	01D	101106 108120 504903
SLAT INSTL-INBD WING LE NO. 5 AND NO. 6	27-81-01	02	102106 108120 504903
SLAT INSTL-WING LE NO. 5 AND NO. 6 INBD	27-81-01	01	002004 006101 107107 121503 904999
SLAT INSTL-WING LE OUTBD LH	27-81-02	05	002004 006100 107107 121503 904999
SLAT INSTL-WING LE OUTBD LH	27-81-02	07	101106 108120 504903
SLAT INSTL-WING LE OUTBD RH	27-81-02	05A	002004 006100 107107 121503 904999
SLAT INSTL-WING LE OUTBD RH	27-81-02	07A	101106 108120 504903
SUPPORT INSTL-LE SLAT DRIVE ENG STRUT TORQUE TUBE	27-81-20	01	002004 006999
SUPPORT INSTL-LE SLAT DRIVE PWR DRIVE UNIT	27-81-07	02	002004 006102 107999

 **BOEING**  
757  
**PARTS CATALOG (MAINTENANCE)**

**CHAPTER 27 — FLIGHT CONTROLS**

**TABLE OF CONTENTS**

SUBJECT	CC-SS-UU	FIGURE	EFFECT
TRACK ASSY MAIN INBOARD LEADING EDGE SLAT	27-81-10	01	002004 006100 102999
TRACK ASSY-MAIN	27-81-12	10B	101106 108120 504903
TRACK ASSY-MAIN OUTBD LE SLATS	27-81-12	10	002004 006100 107107 121503 904999
TRACK INSTL-OSS 356.5-392.8 OUTBD WING FXD LE SPRT FTG AUX	27-81-13	01A	103106
TRACK INSTL-OSS 483.3-530.7 OUTBD WING FXD LE SPRT FTG AUX	27-81-13	02B	103106
TRACK INSTL-OSS617.3-665.5 OUTBD WING FXD LE SPRT FTG AUX	27-81-13	02A	103106
TRACK INSTL-OSS748.7-797.46 OUTBD WING FXD LE SPRT FTG AUX	27-81-13	02	103106
TRACK INSTL-OUTBD FXD LE AUX	27-81-13	01	101106 108120 504903
TRACK INSTL-OUTBD FXD LE AUX	27-81-13	10	002004 006100 107107 121503 904999
TRACK INSTL-WING LE AUX	27-81-11	05	002004 006999
TRACK INSTL-WING LE INBD AUX	27-81-11	10	002004 006999
TUBE INSTL-TORQUE	27-81-20	02A	101106 108120 504903
VALVE INSTL-LE SLAT BYPASS (FLIGHT CONTROLS ONLY)	27-81-09	01	002004 006999
LEADING EDGE SLAT POSITION INDICATION	27-88-00		
ACTUATOR INSTL-OUTBD LE SLAT DRIVE ROTARY (LEADING EDGE SLAT POSITION TRANSMITTER ONLY)	27-88-01	01	101106 108120 504903



 **BOEING**  
757  
**PARTS CATALOG (MAINTENANCE)**

**CHAPTER 27 — FLIGHT CONTROLS**

**TABLE OF CONTENTS**

<b>SUBJECT</b>	<b>CC-SS-UU</b>	<b>FIGURE</b>	<b>EFFECT</b>
DRIVE UNIT INSTL-LE SLAT DRIVE PWR (LEADING EDGE SLAT POSITION TRANSMITTER ONLY)	27-88-01	02	002004 006999

## FLIGHT CONTROLS - GENERAL

BRI  
MAY 28/07

27-00-00  
SECTION TITLE  
PAGE 1

 **BOEING**  
757  
**PARTS CATALOG (MAINTENANCE)**

NON-ILLUSTRATED FIGURE

THE ITEMS REFLECTED IN THIS FIGURE ARE INTENTIONALLY  
NON-ILLUSTRATED. THEY ARE REFERENCED TO EITHER A  
NEXT HIGHER OR NEXT LOWER ASSEMBLY/INSTALLATION FIGURE.

Y 2700001 REV 235

MANAGEMENT COLLECTOR AILERON AND SPOILER SYSTEMS  
FIGURE 1

**27-00-00-01**

BRI  
MAY 28/07

27-00-00-01  
PAGE 0



757

PARTS CATALOG (MAINTENANCE)

FIG ITEM	PART NUMBER	1 2 3 4 5 6 7	NOMENCLATURE	EFFECT FROM TO	UNITS PER ASSY
1			MANAGEMENT COLLECTOR AILERON AND SPOILER SYSTEMS	101102 108120 504903	
- 1	251N0001-1000		AILERON AND SPOILER- VARIABLE DRAWING REF: 251N0001-5019 251N0001-5021	101102 108120 504903	1
- 5	251N1002-15		.CONTROL UNIT INSTL-WING AIL. PWR POSITION DATA: LH FOR DETAILS SEE: 27-11-20-01	101102 108120 504903	1
- 10	251N1002-16		.CONTROL UNIT INSTL-WING AIL. PWR POSITION DATA: RH FOR DETAILS SEE: 27-11-20-02	101102 108120 504903	1
- 15	251N1006-5		.QUADRANT AND LINK INSTL- AIL. POSITION DATA: LH FOR DETAILS SEE: 27-11-17-01	101102 108120 504903	1
- 20	251N1006-6		.QUADRANT AND LINK INSTL- AIL. POSITION DATA: RH FOR DETAILS SEE: 27-11-17-01	101102 108120 504903	1
- 25	251N1022-13		.BOX INSTL-LATERAL CONT SPRT FOR DETAILS SEE: 27-11-54-02	101102 108120 504903	1
- 25	251N1022-3		.BOX INSTL-LATERAL CONT SPRT FOR DETAILS SEE: 27-11-54-02	108120	1
- 30	251N1007-13		.SENSOR INSTL-AIL. POSITION POSITION DATA: LH FOR DETAILS SEE: 27-18-01-01	101102 108120 504903	1

MISSING ITEM NUMBERS NOT APPLICABLE

- ITEM NOT ILLUSTRATED

BRI

27-00-00-01

27-00-00  
FIG. 01  
PAGE 1  
JAN 20/09



757

PARTS CATALOG (MAINTENANCE)

FIG ITEM	PART NUMBER	1 2 3 4 5 6 7	NOMENCLATURE	EFFECT FROM TO	UNITS PER ASSY
1					
- 35	251N1007-14		.SENSOR INSTL-AIL. POSITION POSITION DATA: RH FOR DETAILS SEE: 27-18-01-01	101102 108120 504903	1
- 40	251N1023-5		.MECHANISM INSTL-LATERAL CONT WHEEL WELL FOR DETAILS SEE: 27-11-14-02A	101102 108120 504903	1
- 45	251N6009-10		.BRACKET INSTL-AIL. 2A AND 2B PULLEY POSITION DATA: STA 345 FOR DETAILS SEE: 27-11-22-01	101102 108120 504903	1
- 50	251N6009-9		.BRACKET INSTL-AIL. 1A AND 1B PULLEY POSITION DATA: STA 345 FOR DETAILS SEE: 27-11-22-01	101102 108120 504903	1
- 55	251N6021-1		.BRACKET INSTL-AIL. PULLEY A1B POSITION DATA: STA 1040, BL 15 LH SIDE FOR DETAILS SEE: 27-11-22-04	101102 108120 504903	1
- 60	251N6021-2		.BRACKET INSTL-AIL. PULLEY A1B, A2A POSITION DATA: STA 1040, RH FOR DETAILS SEE: 27-11-22-04	101102 108120 504903	1
- 65	251N6025-15		.BRACKET INSTL-AIL. CABLES PULLEY POSITION DATA: STA 1040-1063 LH FOR DETAILS SEE: 27-11-22-03	101102 108120 504903	1
- 70	251N6025-16		.BRACKET INSTL-AIL. CABLES PULLEY POSITION DATA: STA 1040-1063 RH FOR DETAILS SEE: 27-11-22-03	101102 108120 504903	1

MISSING ITEM NUMBERS NOT APPLICABLE

- ITEM NOT ILLUSTRATED

BRI

27-00-00-01

BOEING PROPRIETARY - Copyright © - Unpublished Work - See title page for details.

27-00-00  
FIG. 01  
PAGE 2  
JAN 20/09



757

PARTS CATALOG (MAINTENANCE)

FIG ITEM	PART NUMBER	1 2 3 4 5 6 7	NOMENCLATURE	EFFECT FROM TO	UNITS PER ASSY
1					
- 75	251N6028-10		.SEAL INSTL-SLOPING PRESSURE DECK POSITION DATA: STA 1040 TO STA 1063 FOR DETAILS SEE: 53-41-52-03	101102 108120 504903	1
- 80	251N6043-10		.BRACKET INSTL-BODY PULLEY POSITION DATA: STA 1040 RH FOR DETAILS SEE: 27-11-22-05	101102 108120 504903	1
- 85	251N6043-9		.BRACKET INSTL-BODY PULLEY POSITION DATA: STA 1040 LH FOR DETAILS SEE: 27-11-22-05	101102 108120 504903	1
- 100	251N6049-5		.BRACKET INSTL-WING PULLEY POSITION DATA: STA 528 LH FOR DETAILS SEE: 27-11-22-10	101102 108120 504903	1
- 105	251N6049-6		.BRACKET INSTL-WING PULLEY POSITION DATA: STA 528 RH FOR DETAILS SEE: 27-11-22-10	101102 108120 504903	1
- 120	251N6051-5		.BRACKET INSTL-AIL. TURNAROUND PULLEY POSITION DATA: LH FOR DETAILS SEE: 27-11-22-11	101102 108120 504903	1
- 125	251N6051-6		.BRACKET INSTL-AIL. TURNAROUND PULLEY POSITION DATA: RH FOR DETAILS SEE: 27-11-22-11	101102 108120 504903	1
- 130	251N0001-3000		AILERON AND SPOILER	101102 108120 504903	1

MISSING ITEM NUMBERS NOT APPLICABLE

- ITEM NOT ILLUSTRATED

27-00-00-01

27-00-00  
FIG. 01  
PAGE 3  
JAN 20/09

BRI

 **BOEING**  
757  
**PARTS CATALOG (MAINTENANCE)**

FIG ITEM	PART NUMBER	1 2 3 4 5 6 7	NOMENCLATURE	EFFECT FROM TO	UNITS PER ASSY
1					
- 135	251N1001-135		.CABLE INSTL-AIL. AND SPOILER FUNCTIONAL REFERENCE: PLACARDS AND MARKINGS FOR DETAILS SEE 11-24-15-01 FLIGHT CONTROL FOR DETAILS SEE 27-00-01-01	101102 108120 504903	1
- 140	251N6045-8		.BRACKET INSTL-PULLEY POSITION DATA: WING STA 287 RH FOR DETAILS SEE: 27-11-22-06	101102 108120 504903	1
- 145	251N6045-9		.BRACKET INSTL-PULLEY POSITION DATA: WING STA 287 LH FOR DETAILS SEE: 27-11-22-06	101102 108120 504903	1
- 150	251N6050-13		.FAIRLEAD AND GROMMET INSTL WING AIL. POSITION DATA: LH FOR DETAILS SEE: 57-60-51-01	101102 108120 504903	1
- 155	251N6050-14		.FAIRLEAD AND GROMMET INSTL WING AIL. POSITION DATA: RH FOR DETAILS SEE: 57-60-51-01	101102 108120 504903	1
- 200	251N0001-1001		AILERON AND SPOILER- VARIABLE DRAWING REF: 251N0001-5025	108120	1
- 200	251N0001-1002		AILERON AND SPOILER- VARIABLE DRAWING REF: 251N0001-5026	101102 504903	1
- 210	251N1014-61		.DRUM INSTL-LATERAL CONT COPILOT FOR DETAILS SEE: 27-11-03-02	101102 504903	1
- 210	251N1014-66		.DRUM INSTL-LATERAL CONT COPILOT FOR DETAILS SEE: 27-11-03-02	101102 504903	1

MISSING ITEM NUMBERS NOT APPLICABLE

- ITEM NOT ILLUSTRATED

BRI

# 27-00-00-01

BOEING PROPRIETARY - Copyright © - Unpublished Work - See title page for details.

27-00-00  
FIG. 01  
PAGE 4  
JAN 20/09



757

PARTS CATALOG (MAINTENANCE)

FIG ITEM	PART NUMBER	1 2 3 4 5 6 7	NOMENCLATURE	EFFECT FROM TO	UNITS PER ASSY
1					
- 215	251N1014-77		.DRUM INSTL-COPILOT AILERON AND SPOILER CONTROL POSITION DATA: LH FOR DETAILS SEE: 27-11-03-02	108120	1
- 215	251N1014-78		.DRUM INSTL-COPILOT AILERON AND SPOILER CONTROL POSITION DATA: LH FOR DETAILS SEE: 27-11-03-02	108120	1
- 220	251N1434-2		.SENSOR INSTL-CONT WHEEL FLT DATA RECORDER FOR DETAILS SEE: 31-31-09-01	101102 108120 504903	1
- 220	251N1434-3		.SENSOR INSTL-CONT WHEEL FLT DATA RECORDER FOR DETAILS SEE: 31-31-09-01	108120	1
- 225	251N1003-83		.ACTUATOR INSTL-SPOILER NO. 1 POSITION DATA: LH FOR DETAILS SEE: 27-61-02-01	101102 108120 504903	1
- 230	251N1003-84		.ACTUATOR INSTL-SPOILER NO. 2 FOR DETAILS SEE: 27-61-02-01	101102 108120 504903	1
- 235	251N1003-85		.ACTUATOR INSTL-SPOILER NO. 3 FOR DETAILS SEE: 27-61-02-01	101102 108120 504903	1
- 240	251N1003-86		.ACTUATOR INSTL-SPOILER NO. 4 FOR DETAILS SEE: 27-61-02-01	101102 108120 504903	1
- 245	251N1003-87		.ACTUATOR INSTL-SPOILER NO. 5 FOR DETAILS SEE: 27-61-02-01	101102 108120 504903	1
- 250	251N1003-88		.ACTUATOR INSTL-SPOILER NO. 8 FOR DETAILS SEE: 27-61-02-01	101102 108120 504903	1

MISSING ITEM NUMBERS NOT APPLICABLE

- ITEM NOT ILLUSTRATED

27-00-00-01

27-00-00  
FIG. 01  
PAGE 5  
JAN 20/09

BRI





757

PARTS CATALOG (MAINTENANCE)

FIG ITEM	PART NUMBER	1 2 3 4 5 6 7	NOMENCLATURE	EFFECT FROM TO	UNITS PER ASSY
1					
- 255	251N1003-89		.ACTUATOR INSTL-SPOILER NO. 9 FOR DETAILS SEE: 27-61-02-01	101102 108120 504903	1
- 260	251N1003-90		.ACTUATOR INSTL-SPOILER NO. 10 FOR DETAILS SEE: 27-61-02-01	101102 108120 504903	1
- 265	251N1003-91		.ACTUATOR INSTL-SPOILER NO. 11 FOR DETAILS SEE: 27-61-02-01	101102 108120 504903	1
- 270	251N1003-92		.ACTUATOR INSTL-SPOILER NO. 12 FOR DETAILS SEE: 27-61-02-01	101102 108120 504903	1
- 275	251N1016-22		.ACTUATOR INSTL-SPOILER NO. 6 FOR DETAILS SEE: 27-61-02-02	101102 108120 504903	1
- 280	251N1016-23		.ACTUATOR INSTL-SPOILER NO. 7 FOR DETAILS SEE: 27-61-02-02	101102 108120 504903	1
- 285	251N1023-6		.SERVO INSTL-LATERAL CONT WHEEL WELL FOR DETAILS SEE: 22-13-03-01	101102 108120 504903	1

MISSING ITEM NUMBERS NOT APPLICABLE

- ITEM NOT ILLUSTRATED

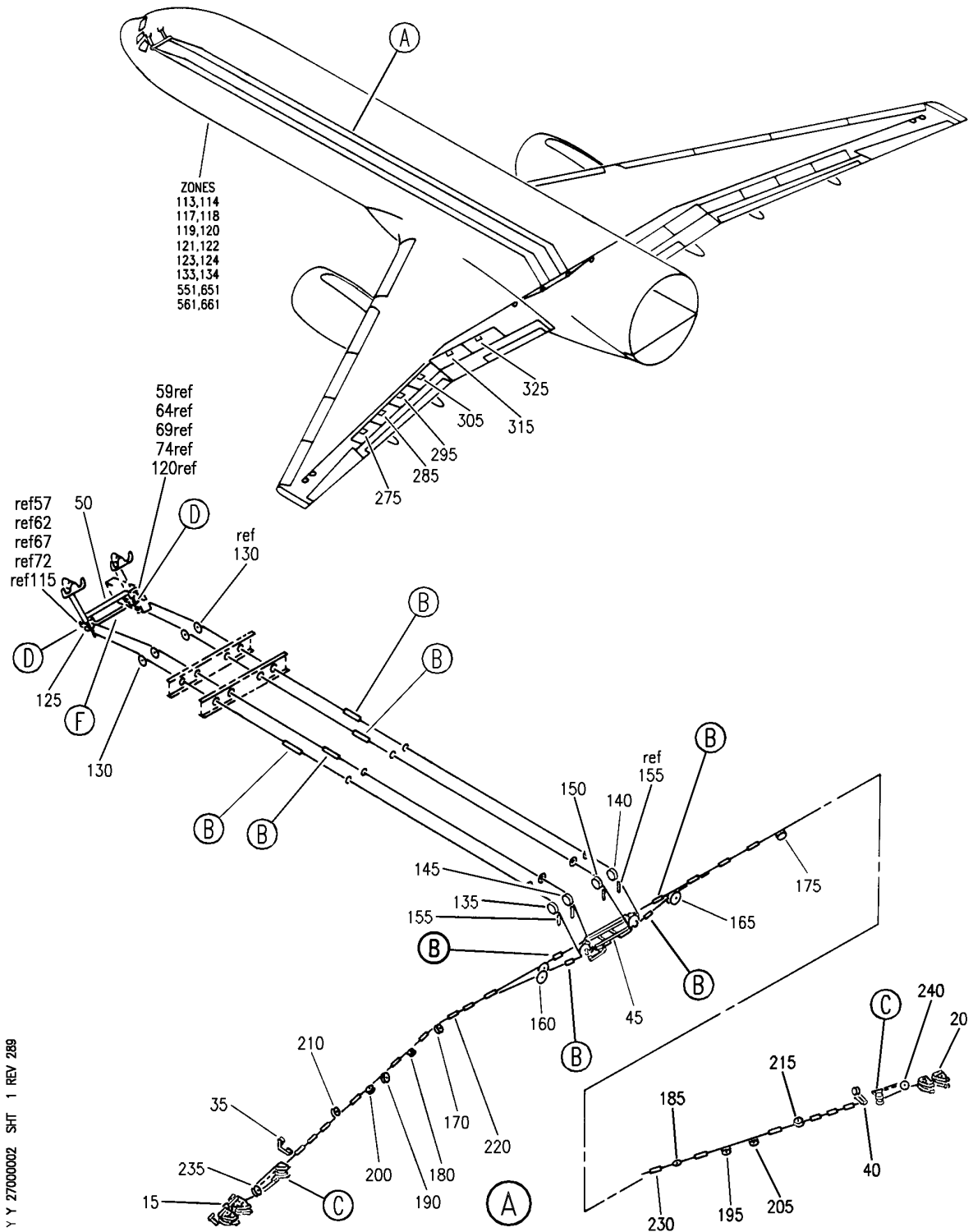
BRI

27-00-00-01

BOEING PROPRIETARY - Copyright © - Unpublished Work - See title page for details.

27-00-00  
FIG. 01  
PAGE 6  
JAN 20/09

**BOEING**  
757  
PARTS CATALOG (MAINTENANCE)



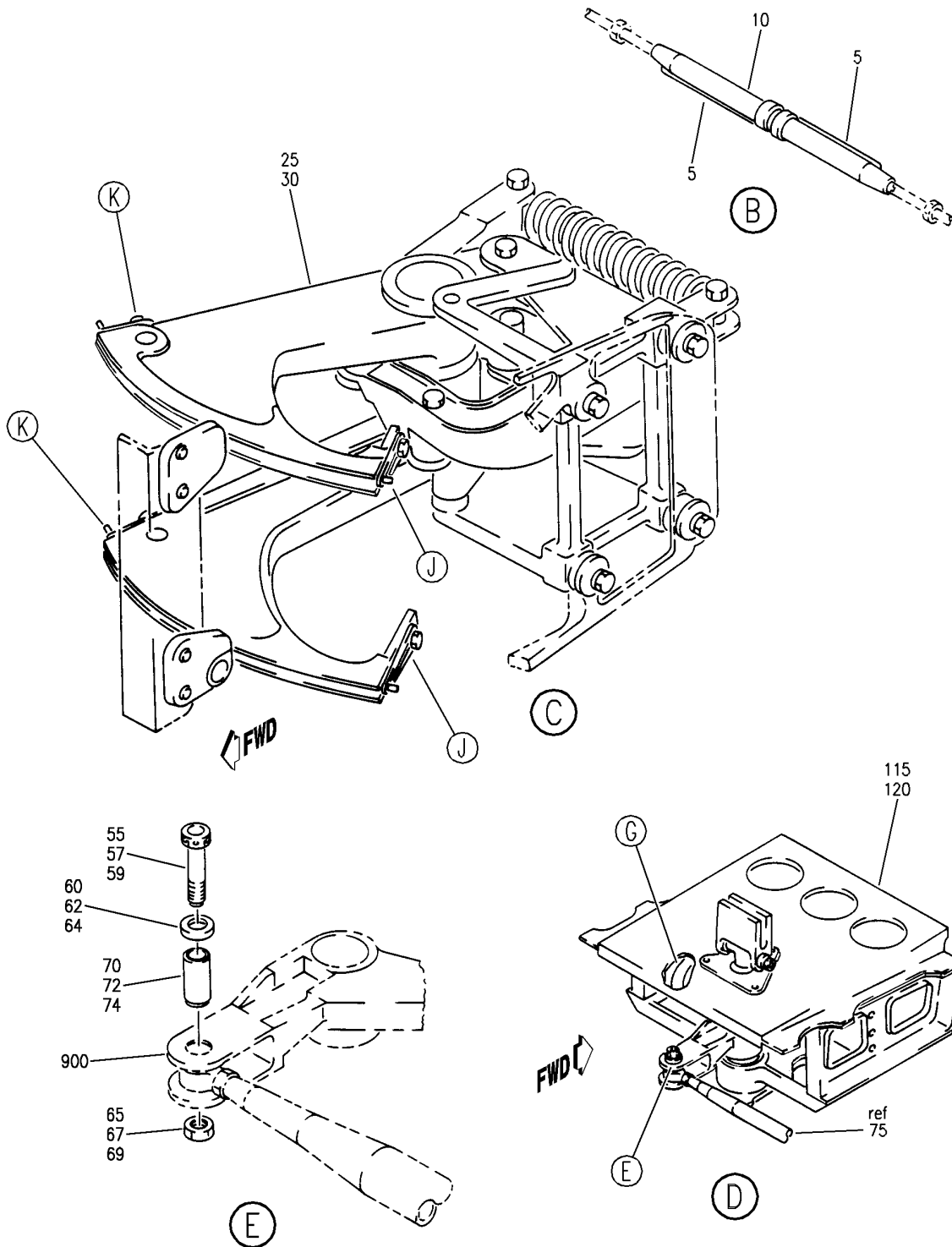
CONTROL INSTL-AIL. AND SPOILER (FLIGHT CONTROLS ONLY)  
FIGURE 2 (SHEET 1)

**27-00-00-02**

BRI  
MAY 28/07

27-00-00-02  
PAGE 0

**BOEING**  
757  
PARTS CATALOG (MAINTENANCE)



Y Y 27000002 SHT 2 REV 289

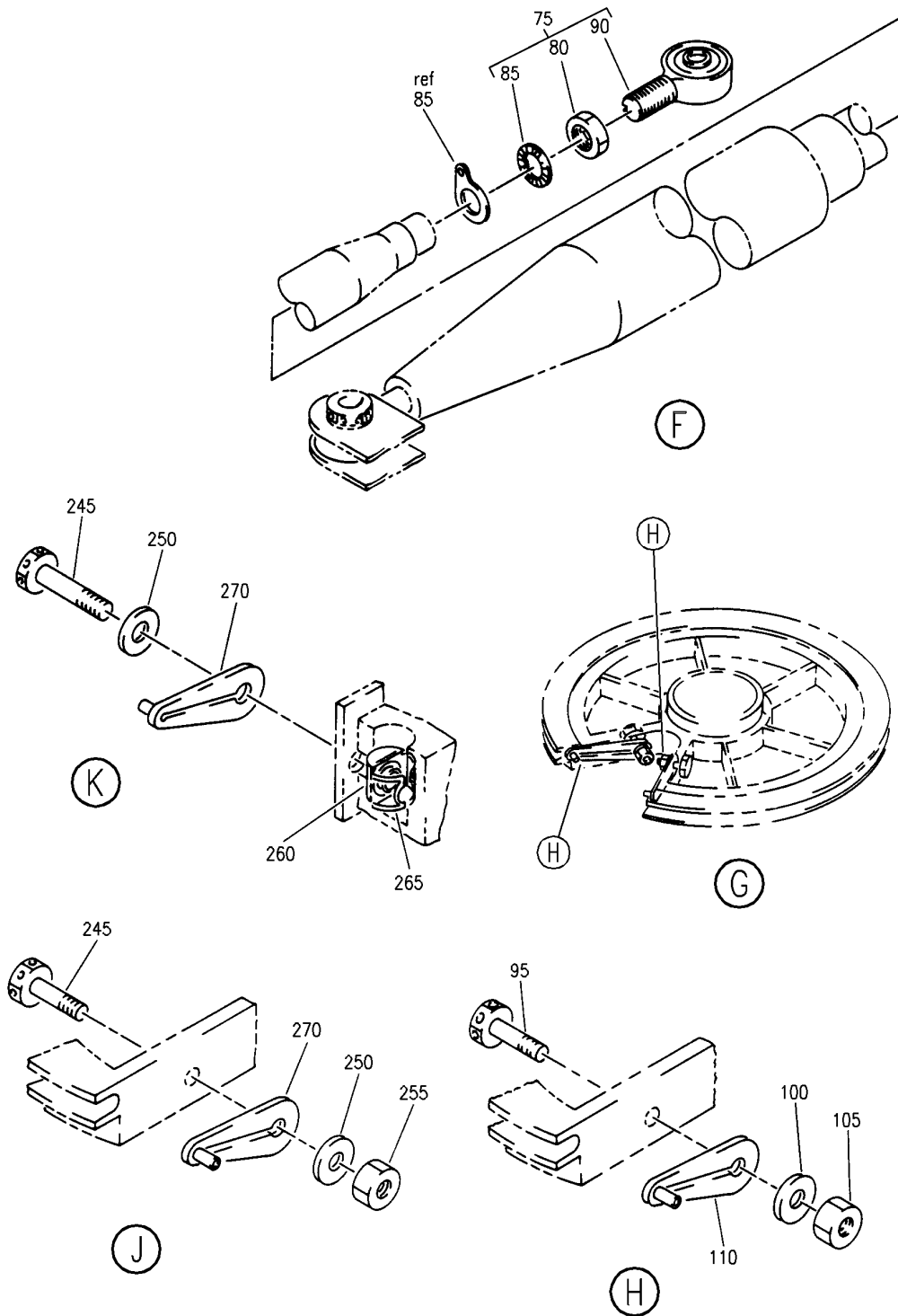
CONTROL INSTL-AIL. AND SPOILER (FLIGHT CONTROLS ONLY)  
FIGURE 2 (SHEET 2)

**27-00-00-02**

BRI  
MAY 28/07

27-00-00-02  
PAGE 0A

**BOEING**  
757  
PARTS CATALOG (MAINTENANCE)



Y 27000002 SH1 3 REV 235

CONTROL INSTL-AIL. AND SPOILER (FLIGHT CONTROLS ONLY)  
FIGURE 2 (SHEET 3)

**27-00-00-02**

BRI  
MAY 28/07

27-00-00-02  
PAGE 0B



757

PARTS CATALOG (MAINTENANCE)

FIG ITEM	PART NUMBER	1 2 3 4 5 6 7	NOMENCLATURE	EFFECT FROM TO	UNITS PER ASSY
2			CONTROL INSTL-AIL. AND SPOILER (FLIGHT CONTROLS ONLY)	002004 006100 107107 121503 904999	
- 1	251N1001-10		CONTROL INSTL-AIL. AND SPOILER (FLIGHT CONTROLS ONLY) VARIABLE DRAWING REF: 251N1001-60 251N1001-72 251N1001-107 251N1001-108 251N1001-119 251N1001-120 251N1001-129 250N0500-5004 250N0500-5005 250N0500-5029 250N0500-5030 250N0500-5034 250N0500-1 FOR OTHER SYS DETAILS SEE: 11-24-15-01 27-00-01-02	002004 006100 107107 121503 904999	RF
5	BACC15AJ2		.CLIP	002004 006100 107107 121503 904999	16
10	MS21251B5L		.TURNBUCKLE BODY	002004 006100 107107 121503 904999	8
15	251N1002-1		.CONTROL UNIT INSTL-WING AIL. PWR POSITION DATA: L FOR DETAILS SEE: 27-11-20-01	002004 006100 107107 121503 904999	1
20	251N1002-2		.CONTROL UNIT INSTL-WING AIL. PWR POSITION DATA: R FOR DETAILS SEE: 27-11-20-02	002004 006100 107107 121503 904999	1

MISSING ITEM NUMBERS NOT APPLICABLE

- ITEM NOT ILLUSTRATED

BRI

27-00-00-02

27-00-00  
FIG. 02  
PAGE 1  
JAN 20/09



757

PARTS CATALOG (MAINTENANCE)

FIG ITEM	PART NUMBER	1 2 3 4 5 6 7	NOMENCLATURE	EFFECT FROM TO	UNITS PER ASSY
2					
25	251N1006-1		.QUADRANT AND LINK INSTL-AIL. POSITION DATA: LH SIDE FOR DETAILS SEE: 27-11-17-01	002004 006100 107107 121503 904999	1
30	251N1006-2		.QUADRANT AND LINK INSTL-AIL. POSITION DATA: RH SIDE FOR DETAILS SEE: 27-11-17-01	002004 006100 107107 121503 904999	1
35	251N1007-13		.SENSOR INSTL-AIL. POSITION POSITION DATA: LH SIDE FOR DETAILS SEE: 27-18-01-01	002004 006100 107107 121503 904999	1
40	251N1007-14		.SENSOR INSTL-AIL. POSITION POSITION DATA: RH SIDE FOR DETAILS SEE: 27-18-01-01	002004 006100 107107 121503 904999	1
45	251N1023-1		.MECHANISM INSTL-LATERAL CONT WHL WELL FOR DETAILS SEE: 27-11-14-02	107107	1
45	251N1023-2		.MECHANISM INSTL-LATERAL CONT WHL WELL FOR DETAILS SEE: 27-11-14-02	002004 006100 121503 904999	1
50	251N1012-6		.COLUMN INSTL-AIL. AND ELEV VARIABLE DRAWING REF: 251N1012-11 FUNCTIONAL REFERENCE: FLIGHT CONTROL FOR DETAILS SEE 27-31-10-01 PLACARDS AND MARKINGS FOR DETAILS SEE 11-31-45-10	107107	1

MISSING ITEM NUMBERS NOT APPLICABLE

- ITEM NOT ILLUSTRATED

BRI

27-00-00-02

BOEING PROPRIETARY - Copyright © - Unpublished Work - See title page for details.

27-00-00  
FIG. 02  
PAGE 2  
JAN 20/09



757

PARTS CATALOG (MAINTENANCE)

FIG ITEM	PART NUMBER	1 2 3 4 5 6 7	NOMENCLATURE	EFFECT FROM TO	UNITS PER ASSY
2					
50	251N1012-13		.COLUMN INSTL-AIL. AND ELEV VARIABLE DRAWING REF: 251N1012-16 FUNCTIONAL REFERENCE: FLIGHT CONTROL FOR DETAILS SEE 27-31-10-01 PLACARDS AND MARKINGS FOR DETAILS SEE 11-31-45-10	002004 006010 121503 904950 952999	1
50	251N1012-28		.COLUMN INSTL-AIL. AND ELEV VARIABLE DRAWING REF: 251N1012-25 251N1012-26 251N1012-30 251N1012-31 251N1012-36 FUNCTIONAL REFERENCE: FLIGHT CONTROL FOR DETAILS SEE 27-31-10-01 PLACARDS AND MARKINGS FOR DETAILS SEE 11-31-45-10	011100 951951	1
57	BACB30NF4D15		.BOLT	002004 006100 107107 121503 904999	1
59	BACB30NF4D15		.BOLT- PRE ALERT SB: 27A0146	107107 121503 950999	1
62	NAS1149D0416J		.WASHER	002004 006100 107107 121503 904999	1
64	NAS1149D0416J		.WASHER- PRE ALERT SB: 27A0146	107107 121503 950999	1

MISSING ITEM NUMBERS NOT APPLICABLE

- ITEM NOT ILLUSTRATED

27-00-00-02

27-00-00  
FIG. 02  
PAGE 3  
JAN 20/09

BRI

BOEING PROPRIETARY - Copyright © - Unpublished Work - See title page for details.



**757  
PARTS CATALOG (MAINTENANCE)**

FIG ITEM	PART NUMBER	1 2 3 4 5 6 7	NOMENCLATURE	EFFECT FROM TO	UNITS PER ASSY
2					
67	BRH10C4D	.NUT	SUPPLIER CODE: V52828 SPECIFICATION NUMBER: BACN10JC4CD OPTIONAL PART: T6C428JCD V11815 NS202486-048 V80539 102LH9075-4W V72962 H51650-4BAC V15653	002004 006100 107107 121503 904999	1
69	BRH10C4D	.NUT-	SUPPLIER CODE: V52828 SPECIFICATION NUMBER: BACN10JC4CD OPTIONAL PART: T6C428JCD V11815 NS202486-048 V80539 102LH9075-4W V72962 H51650-4BAC V15653 PRE ALERT SB: 27A0146	107107 121503 950999	1
72	NAS73-4E004	.BUSHING-	MISCELLANEOUS DATA: REPLACED BY NAS73-4-004	002004 006100 107107 121503 904999	1
74	NAS73-4E004	.BUSHING-	MISCELLANEOUS DATA: REPLACED BY NAS73-4-004 PRE ALERT SB: 27A0146	107107 121503 950999	1
75	251N1063-2	.LIMITER ASSY-FORCE	COMPONENT MAINT MANUAL REF: 27-11-15 PRE ALERT SB: 27A0146	107107 121503 950999	1
80	NAS509-6	..NUT		107107 121503 950999	1

MISSING ITEM NUMBERS NOT APPLICABLE

- ITEM NOT ILLUSTRATED

BRI

# 27-00-00-02

BOEING PROPRIETARY - Copyright © - Unpublished Work - See title page for details.

27-00-00  
FIG. 02  
PAGE 4  
JAN 20/09



**BOEING**  
757  
**PARTS CATALOG (MAINTENANCE)**

FIG ITEM	PART NUMBER	1 2 3 4 5 6 7	NOMENCLATURE	EFFECT FROM TO	UNITS PER ASSY
2					
85	NAS1193-6CP		.. LOCKING DEVICE-POSITIVE INDEX	107107 121503 950999	1
90	REP4MS6-5FS428		.. BEARING- SUPPLIER CODE: V73134 SPECIFICATION NUMBER: BACB10AD12K OPTIONAL PART: ABR4M105 VS0352 REP4MS6-5FS428 V21335 REB4MK6-21 V92563 DBM4-6B1-502 V77896 ABR4M105B V15860 REP4MK6-012J V73134	107107 121503 950999	1
90	REP4MS6-5FS428		.. BEARING-ROD END SUPPLIER CODE: V21335	107107 121503 950999	1
95	BACB30NF4-4		. BOLT	002004 006100 107107 121503 904999	4
100	NAS1149D0463J		. WASHER	002004 006100 107107 121503 904999	4
105	BRH10C4D		. NUT SUPPLIER CODE: V52828 SPECIFICATION NUMBER: BACN10JC4CD OPTIONAL PART: T6C428JCD V11815 NS202486-048 V80539 102LH9075-4W V72962 H51650-4BAC V15653	002004 006100 107107 121503 904999	4

R  
R  
R  
R  
R  
R  
R  
R  
R  
R  
R  
R  
R  
R  
R  
R  
R  
R  
R  
R  
R  
R

MISSING ITEM NUMBERS NOT APPLICABLE

- ITEM NOT ILLUSTRATED

27-00-00-02

27-00-00  
FIG. 02  
PAGE 5  
MAY 20/09

BRI



757

PARTS CATALOG (MAINTENANCE)

FIG ITEM	PART NUMBER	1 2 3 4 5 6 7	NOMENCLATURE	EFFECT FROM TO	UNITS PER ASSY
2					
110	3-89042-3001		.RETAINER-	002004 006100 107107 121503 904999	4
110	3-89042-5		.RETAINER-	002004 006100 107107 121503 904999	4
115	251N1014-1		.DRUM INSTL-LATERAL CONT PILOT FOR DETAILS SEE: 27-11-03-01	107107	1
115	251N1014-31		.DRUM INSTL-LATERAL CONT PILOT FOR DETAILS SEE: 27-11-03-01	904949	1
115	251N1014-49		.DRUM INSTL-LATERAL CONT PILOT FOR DETAILS SEE: 27-11-03-01	002004 006100 121503 950999	1
120	251N1014-2		.DRUM INSTL-LATERAL CONT COPILOT FOR DETAILS SEE: 27-11-03-01	107107	1
120	251N1014-32		.DRUM INSTL-LATERAL CONT COPILOT FOR DETAILS SEE: 27-11-03-01	003004 006100 121503 904999	1
125	251N1434-2		.SENSOR INSTL-CONT WHEEL FLT DATA RECORDER FOR DETAILS SEE: 31-31-09-01	002004 006100 121503 950999	1
130	251N6009-5		.BRACKET INSTL-AIL. 1A AND 1B PULLEY POSITION DATA: STA 345 FOR DETAILS SEE: 27-11-22-01	002004 006100 107107 121503 904999	1
130	251N6009-7		.BRACKET INSTL-AIL. 2A AND 2B PULLEY POSITION DATA: STA 345 FOR DETAILS SEE: 27-11-22-01	002004 006100 107107 121503 904999	1

MISSING ITEM NUMBERS NOT APPLICABLE

- ITEM NOT ILLUSTRATED

27-00-00-02

27-00-00  
FIG. 02  
PAGE 6  
JAN 20/09

BRI



757

PARTS CATALOG (MAINTENANCE)

FIG ITEM	PART NUMBER	1 2 3 4 5 6 7	NOMENCLATURE	EFFECT FROM TO	UNITS PER ASSY
2					
135	251N6025-3		.BRACKET INSTL-AIL. CABLES PULLEY POSITION DATA: STA 1040-1063 LH FOR DETAILS SEE: 27-11-22-03	002004 006100 107107 121503 904999	1
140	251N6025-4		.BRACKET INSTL-AIL. CABLES PULLEY POSITION DATA: STA 1040-1063 RH FOR DETAILS SEE: 27-11-22-03	002004 006100 107107 121503 904999	1
145	251N6021-1		.BRACKET INSTL-AIL. PULLEY A1B POSITION DATA: STA 1040, BL 15 LH SIDE FOR DETAILS SEE: 27-11-22-04	002004 006100 107107 121503 904999	1
150	251N6021-2		.BRACKET INSTL-AIL. PULLEY A2A POSITION DATA: STA 1040, BL 15 RH SIDE FOR DETAILS SEE: 27-11-22-04	002004 006100 107107 121503 904999	1
155	251N6028-10		.SEAL INSTL-SLOPING PRESSURE DECK POSITION DATA: STA 1040 TO STA 1063 FOR DETAILS SEE: 53-41-52-03	002004 006100 107107 121503 904999	1
160	251N6043-1		.BRACKET INSTL-PULLEY POSITION DATA: BODY STA 1040 LH SIDE FOR DETAILS SEE: 27-11-22-05	002004 006100 107107 121503 904999	1
165	251N6043-2		.BRACKET INSTL-PULLEY POSITION DATA: BODY STA 1040 RH SIDE FOR DETAILS SEE: 27-11-22-05	002004 006100 107107 121503 904999	1
170	251N6045-1		.BRACKET INSTL-PULLEY POSITION DATA: WING STA 287 LH SIDE FOR DETAILS SEE: 27-11-22-06	002004 006100 107107 121503 904999	1

MISSING ITEM NUMBERS NOT APPLICABLE

- ITEM NOT ILLUSTRATED

27-00-00-02

27-00-00  
FIG. 02  
PAGE 7  
JAN 20/09

BRI



757

PARTS CATALOG (MAINTENANCE)

FIG ITEM	PART NUMBER	1 2 3 4 5 6 7	NOMENCLATURE	EFFECT FROM TO	UNITS PER ASSY
2					
175	251N6045-2		.BRACKET INSTL-PULLEY POSITION DATA: WING STA 287 RH SIDE FOR DETAILS SEE: 27-11-22-06	002004 006100 107107 121503 904999	1
210	251N6049-1		.BRACKET INSTL-PULLEY POSITION DATA: WING STA 528 LH SIDE FOR DETAILS SEE: 27-11-22-10	002004 006100 107107 121503 904999	1
215	251N6049-2		.BRACKET INSTL-PULLEY POSITION DATA: WING STA 528 RH SIDE FOR DETAILS SEE: 27-11-22-10	002004 006100 107107 121503 904999	1
220	251N6050-1		.FAIRLEAD AND GROMMET INSTL WING AIL. POSITION DATA: LH SIDE FOR DETAILS SEE: 57-60-51-01	002004 006100 107107 121503 904999	1
230	251N6050-2		.FAIRLEAD AND GROMMET INSTL WING AIL. POSITION DATA: RH SIDE FOR DETAILS SEE: 57-60-51-01	002004 006100 107107 121503 904999	1
235	251N6051-1		.BRACKET INSTL-AIL. TURNAROUND PULLEY POSITION DATA: LH SIDE FOR DETAILS SEE: 27-11-22-11	002004 006100 107107 121503 904999	1
240	251N6051-2		.BRACKET INSTL-AIL. TURNAROUND PULLEY POSITION DATA: RH SIDE FOR DETAILS SEE: 27-11-22-11	002004 006100 107107 121503 904999	1
245	BACB30NF4-4		.BOLT	002004 006100 107107 121503 904999	4
250	NAS1149D0463J		.WASHER	002004 006100 107107 121503 904999	4

MISSING ITEM NUMBERS NOT APPLICABLE

- ITEM NOT ILLUSTRATED

27-00-00-02

27-00-00  
FIG. 02  
PAGE 8  
JAN 20/09

BRI

BOEING PROPRIETARY - Copyright © - Unpublished Work - See title page for details.



757

PARTS CATALOG (MAINTENANCE)

FIG ITEM	PART NUMBER	1 2 3 4 5 6 7	NOMENCLATURE	EFFECT FROM TO	UNITS PER ASSY
2 255	BRH10C4D	.NUT	SUPPLIER CODE: V52828 SPECIFICATION NUMBER: BACN10JC4CD OPTIONAL PART: T6C428JCD V11815 NS202486-048 V80539 102LH9075-4W V72962 H51650-4BAC V15653	002004 006100 107107 121503 904999	2
260	LH8065-048	.NUT	SUPPLIER CODE: V72962 SPECIFICATION NUMBER: BACN10HC4 OPTIONAL PART: SL414-4 V97393 94263-428 V56878	002004 006100 107107 121503 904999	2
265	SLR4027-4	.RETAINER	SUPPLIER CODE: V97393 SPECIFICATION NUMBER: BACR10V4 OPTIONAL PART: 2452-048RET V72962	002004 006100 107107 121503 904999	2
270	3-89042-4	.PLATE-		002004 006100 107107 121503 904999	4
270	3-89042-6	.PLATE-		002004 006100 107107 121503 904999	4

MISSING ITEM NUMBERS NOT APPLICABLE

- ITEM NOT ILLUSTRATED

27-00-00-02

27-00-00  
FIG. 02  
PAGE 9  
JAN 20/09

BRI



757

PARTS CATALOG (MAINTENANCE)

FIG ITEM	PART NUMBER	1 2 3 4 5 6 7	NOMENCLATURE	EFFECT FROM TO	UNITS PER ASSY
2 275	251N1003-1		.ACTUATOR INSTL-SPOILER NO. 1 POSITION DATA: LH FUNCTIONAL REFERENCE: FLIGHT CONTROL FOR DETAILS SEE 27-61-02-01 PLACARDS AND MARKINGS FOR DETAILS SEE 11-24-45-01	107107	1
275	251N1003-23		.ACTUATOR INSTL-SPOILER NO. 1 POSITION DATA: LH FUNCTIONAL REFERENCE: FLIGHT CONTROL FOR DETAILS SEE 27-61-02-01 PLACARDS AND MARKINGS FOR DETAILS SEE 11-24-45-01	904949	1
275	251N1003-43		.ACTUATOR INSTL-SPOILER NO. 1 POSITION DATA: LH FUNCTIONAL REFERENCE: FLIGHT CONTROL FOR DETAILS SEE 27-61-02-01 PLACARDS AND MARKINGS FOR DETAILS SEE 11-24-45-01	952952	1
275	251N1003-63		.ACTUATOR INSTL-SPOILER NO. 1 POSITION DATA: LH FUNCTIONAL REFERENCE: FLIGHT CONTROL FOR DETAILS SEE 27-61-02-01 PLACARDS AND MARKINGS FOR DETAILS SEE 11-24-45-01	002004 006017 121503 950951 953999	1

MISSING ITEM NUMBERS NOT APPLICABLE

- ITEM NOT ILLUSTRATED

BRI

27-00-00-02

BOEING PROPRIETARY - Copyright © - Unpublished Work - See title page for details.

27-00-00  
FIG. 02  
PAGE 10  
JAN 20/09



757

PARTS CATALOG (MAINTENANCE)

FIG ITEM	PART NUMBER	1 2 3 4 5 6 7	NOMENCLATURE	EFFECT FROM TO	UNITS PER ASSY
2 275	251N1003-103		.ACTUATOR INSTL-SPOILER NO. 1 POSITION DATA: LH FUNCTIONAL REFERENCE: FLIGHT CONTROL FOR DETAILS SEE 27-61-02-01	018100	1
- 280	251N1003-12		.ACTUATOR INSTL-SPOILER NO. 12 POSITION DATA: RH FUNCTIONAL REFERENCE: FLIGHT CONTROL FOR DETAILS SEE 27-61-02-01 PLACARDS AND MARKINGS FOR DETAILS SEE 11-24-45-01	107107	1
- 280	251N1003-32		.ACTUATOR INSTL-SPOILER NO. 12 POSITION DATA: RH FUNCTIONAL REFERENCE: FLIGHT CONTROL FOR DETAILS SEE 27-61-02-01 PLACARDS AND MARKINGS FOR DETAILS SEE 11-24-45-01	904949	1
- 280	251N1003-52		.ACTUATOR INSTL-SPOILER NO. 12 POSITION DATA: RH FUNCTIONAL REFERENCE: FLIGHT CONTROL FOR DETAILS SEE 27-61-02-01 PLACARDS AND MARKINGS FOR DETAILS SEE 11-24-45-01	952952	1

MISSING ITEM NUMBERS NOT APPLICABLE

- ITEM NOT ILLUSTRATED

BRI

27-00-00-02

27-00-00  
FIG. 02  
PAGE 11  
JAN 20/09



757

PARTS CATALOG (MAINTENANCE)

FIG ITEM	PART NUMBER	1 2 3 4 5 6 7	NOMENCLATURE	EFFECT FROM TO	UNITS PER ASSY
2 - 280	251N1003-72		.ACTUATOR INSTL-SPOILER NO. 12 POSITION DATA: RH FUNCTIONAL REFERENCE: FLIGHT CONTROL FOR DETAILS SEE 27-61-02-01 PLACARDS AND MARKINGS FOR DETAILS SEE 11-24-45-01	002004 006017 121503 950951 953999	1
- 280	251N1003-112		.ACTUATOR INSTL-SPOILER NO. 12 POSITION DATA: RH FUNCTIONAL REFERENCE: FLIGHT CONTROL FOR DETAILS SEE 27-61-02-01 PLACARDS AND MARKINGS FOR DETAILS SEE 11-24-45-01	018100	1
285	251N1003-2		.ACTUATOR INSTL-SPOILER NO. 2 POSITION DATA: LH FUNCTIONAL REFERENCE: FLIGHT CONTROL FOR DETAILS SEE 27-61-02-01 PLACARDS AND MARKINGS FOR DETAILS SEE 11-24-45-01	107107	1
285	251N1003-24		.ACTUATOR INSTL-SPOILER NO. 2 POSITION DATA: LH FUNCTIONAL REFERENCE: FLIGHT CONTROL FOR DETAILS SEE 27-61-02-01 PLACARDS AND MARKINGS FOR DETAILS SEE 11-24-45-01	904949	1

MISSING ITEM NUMBERS NOT APPLICABLE

- ITEM NOT ILLUSTRATED

BRI

27-00-00-02

BOEING PROPRIETARY - Copyright © - Unpublished Work - See title page for details.

27-00-00  
FIG. 02  
PAGE 12  
JAN 20/09





757

## PARTS CATALOG (MAINTENANCE)

FIG ITEM	PART NUMBER	1 2 3 4 5 6 7	NOMENCLATURE	EFFECT FROM TO	UNITS PER ASSY
2 285	251N1003-44		.ACTUATOR INSTL-SPOILER NO. 2 POSITION DATA: LH FUNCTIONAL REFERENCE: FLIGHT CONTROL FOR DETAILS SEE 27-61-02-01 PLACARDS AND MARKINGS FOR DETAILS SEE 11-24-45-01	952952	1
285	251N1003-64		.ACTUATOR INSTL-SPOILER NO. 2 POSITION DATA: LH FUNCTIONAL REFERENCE: FLIGHT CONTROL FOR DETAILS SEE 27-61-02-01 PLACARDS AND MARKINGS FOR DETAILS SEE 11-24-45-01	002004 006017 121503 950951 953999	1
285	251N1003-104		.ACTUATOR INSTL-SPOILER NO. 2 POSITION DATA: LH FUNCTIONAL REFERENCE: FLIGHT CONTROL FOR DETAILS SEE 27-61-02-01 PLACARDS AND MARKINGS FOR DETAILS SEE 11-24-45-01	018100	1
- 290	251N1003-11		.ACTUATOR INSTL-SPOILER NO. 11 POSITION DATA: RH FUNCTIONAL REFERENCE: FLIGHT CONTROL FOR DETAILS SEE 27-61-02-01 PLACARDS AND MARKINGS FOR DETAILS SEE 11-24-45-01	107107	1

MISSING ITEM NUMBERS NOT APPLICABLE

- ITEM NOT ILLUSTRATED

BRI

**27-00-00-02**

BOEING PROPRIETARY - Copyright © - Unpublished Work - See title page for details.

27-00-00  
FIG. 02  
PAGE 13  
JAN 20/09



757

PARTS CATALOG (MAINTENANCE)

FIG ITEM	PART NUMBER	1 2 3 4 5 6 7	NOMENCLATURE	EFFECT FROM TO	UNITS PER ASSY
2					
- 290	251N1003-31		.ACTUATOR INSTL-SPOILER NO. 11 POSITION DATA: RH FUNCTIONAL REFERENCE: FLIGHT CONTROL FOR DETAILS SEE 27-61-02-01 PLACARDS AND MARKINGS FOR DETAILS SEE 11-24-45-01	904949	1
- 290	251N1003-51		.ACTUATOR INSTL-SPOILER NO. 11 POSITION DATA: RH FUNCTIONAL REFERENCE: FLIGHT CONTROL FOR DETAILS SEE 27-61-02-01 PLACARDS AND MARKINGS FOR DETAILS SEE 11-24-45-01	952952	1
- 290	251N1003-71		.ACTUATOR INSTL-SPOILER NO. 11 POSITION DATA: RH FUNCTIONAL REFERENCE: FLIGHT CONTROL FOR DETAILS SEE 27-61-02-01 PLACARDS AND MARKINGS FOR DETAILS SEE 11-24-45-01	002004 006017 121503 950951 953999	1
- 290	251N1003-111		.ACTUATOR INSTL-SPOILER NO. 11 POSITION DATA: RH FOR DETAILS SEE: 27-61-02-01	018100	1

MISSING ITEM NUMBERS NOT APPLICABLE

- ITEM NOT ILLUSTRATED

BRI

27-00-00-02

BOEING PROPRIETARY - Copyright © - Unpublished Work - See title page for details.

27-00-00  
FIG. 02  
PAGE 14  
JAN 20/09



757

PARTS CATALOG (MAINTENANCE)

FIG ITEM	PART NUMBER	1 2 3 4 5 6 7	NOMENCLATURE	EFFECT FROM TO	UNITS PER ASSY
2 295	251N1003-3		.ACTUATOR INSTL-SPOILER NO. 3 POSITION DATA: LH FUNCTIONAL REFERENCE: FLIGHT CONTROL FOR DETAILS SEE 27-61-02-01 PLACARDS AND MARKINGS FOR DETAILS SEE 11-24-45-01	107107	1
295	251N1003-25		.ACTUATOR INSTL-SPOILER NO. 3 POSITION DATA: LH FUNCTIONAL REFERENCE: FLIGHT CONTROL FOR DETAILS SEE 27-61-02-01 PLACARDS AND MARKINGS FOR DETAILS SEE 11-24-45-01	904949	1
295	251N1003-45		.ACTUATOR INSTL-SPOILER NO. 3 POSITION DATA: LH FUNCTIONAL REFERENCE: FLIGHT CONTROL FOR DETAILS SEE 27-61-02-01 PLACARDS AND MARKINGS FOR DETAILS SEE 11-24-45-01	952952	1
295	251N1003-65		.ACTUATOR INSTL-SPOILER NO. 3 POSITION DATA: LH FUNCTIONAL REFERENCE: FLIGHT CONTROL FOR DETAILS SEE 27-61-02-01 PLACARDS AND MARKINGS FOR DETAILS SEE 11-24-45-01	002004 006017 121503 950951 953999	1

MISSING ITEM NUMBERS NOT APPLICABLE

- ITEM NOT ILLUSTRATED

BRI

27-00-00-02

BOEING PROPRIETARY - Copyright © - Unpublished Work - See title page for details.

27-00-00  
FIG. 02  
PAGE 15  
JAN 20/09



757

PARTS CATALOG (MAINTENANCE)

FIG ITEM	PART NUMBER	1 2 3 4 5 6 7	NOMENCLATURE	EFFECT FROM TO	UNITS PER ASSY
2 295	251N1003-105		.ACTUATOR INSTL-SPOILER NO. 3 POSITION DATA: LH FOR DETAILS SEE: 27-61-02-01	018100	1
- 300	251N1003-10		.ACTUATOR INSTL-SPOILER NO. 10 POSITION DATA: RH FUNCTIONAL REFERENCE: FLIGHT CONTROL FOR DETAILS SEE 27-61-02-01 PLACARDS AND MARKINGS FOR DETAILS SEE 11-24-45-01	107107	1
- 300	251N1003-30		.ACTUATOR INSTL-SPOILER NO. 10 POSITION DATA: RH FUNCTIONAL REFERENCE: FLIGHT CONTROL FOR DETAILS SEE 27-61-02-01 PLACARDS AND MARKINGS FOR DETAILS SEE 11-24-45-01	904949	1
- 300	251N1003-50		.ACTUATOR INSTL-SPOILER NO. 10 POSITION DATA: RH FUNCTIONAL REFERENCE: FLIGHT CONTROL FOR DETAILS SEE 27-61-02-01 PLACARDS AND MARKINGS FOR DETAILS SEE 11-24-45-01	952952	1

MISSING ITEM NUMBERS NOT APPLICABLE

- ITEM NOT ILLUSTRATED

BRI

27-00-00-02

BOEING PROPRIETARY - Copyright © - Unpublished Work - See title page for details.

27-00-00  
FIG. 02  
PAGE 16  
JAN 20/09



757

PARTS CATALOG (MAINTENANCE)

FIG ITEM	PART NUMBER	1 2 3 4 5 6 7	NOMENCLATURE	EFFECT FROM TO	UNITS PER ASSY
2					
- 300	251N1003-70		.ACTUATOR INSTL-SPOILER NO. 10 POSITION DATA: RH FUNCTIONAL REFERENCE: FLIGHT CONTROL FOR DETAILS SEE 27-61-02-01 PLACARDS AND MARKINGS FOR DETAILS SEE 11-24-45-01	002004 006017 121503 950951 953999	1
- 300	251N1003-110		.ACTUATOR INSTL-SPOILER NO. 10 POSITION DATA: RH FOR DETAILS SEE: 27-61-02-01	018100	1
305	251N1003-4		.ACTUATOR INSTL-SPOILER NO. 4 POSITION DATA: LH FUNCTIONAL REFERENCE: FLIGHT CONTROL FOR DETAILS SEE 27-61-02-01 PLACARDS AND MARKINGS FOR DETAILS SEE 11-24-45-01	107107	1
305	251N1003-26		.ACTUATOR INSTL-SPOILER NO. 4 POSITION DATA: LH FUNCTIONAL REFERENCE: FLIGHT CONTROL FOR DETAILS SEE 27-61-02-01 PLACARDS AND MARKINGS FOR DETAILS SEE 11-24-45-01	904949	1

MISSING ITEM NUMBERS NOT APPLICABLE

- ITEM NOT ILLUSTRATED

BRI

27-00-00-02

BOEING PROPRIETARY - Copyright © - Unpublished Work - See title page for details.

27-00-00  
FIG. 02  
PAGE 17  
JAN 20/09



757

PARTS CATALOG (MAINTENANCE)

FIG ITEM	PART NUMBER	1 2 3 4 5 6 7	NOMENCLATURE	EFFECT FROM TO	UNITS PER ASSY
2 305	251N1003-46		.ACTUATOR INSTL-SPOILER NO. 4 POSITION DATA: LH FUNCTIONAL REFERENCE: FLIGHT CONTROL FOR DETAILS SEE 27-61-02-01 PLACARDS AND MARKINGS FOR DETAILS SEE 11-24-45-01	952952	1
305	251N1003-66		.ACTUATOR INSTL-SPOILER NO. 4 POSITION DATA: LH FUNCTIONAL REFERENCE: FLIGHT CONTROL FOR DETAILS SEE 27-61-02-01 PLACARDS AND MARKINGS FOR DETAILS SEE 11-24-45-01	002004 006017 121503 950951 953999	1
305	251N1003-106		.ACTUATOR INSTL-SPOILER NO. 4 POSITION DATA: LH FOR DETAILS SEE: 27-61-02-01	018100	1
- 310	251N1003-9		.ACTUATOR INSTL-SPOILER NO. 9 POSITION DATA: RH FUNCTIONAL REFERENCE: FLIGHT CONTROL FOR DETAILS SEE 27-61-02-01 PLACARDS AND MARKINGS FOR DETAILS SEE 11-24-45-01	107107	1

MISSING ITEM NUMBERS NOT APPLICABLE

- ITEM NOT ILLUSTRATED

BRI

27-00-00-02

BOEING PROPRIETARY - Copyright © - Unpublished Work - See title page for details.

27-00-00  
FIG. 02  
PAGE 18  
JAN 20/09



757

PARTS CATALOG (MAINTENANCE)

FIG ITEM	PART NUMBER	1 2 3 4 5 6 7	NOMENCLATURE	EFFECT FROM TO	UNITS PER ASSY
2					
- 310	251N1003-29		.ACTUATOR INSTL-SPOILER NO. 9 POSITION DATA: RH FUNCTIONAL REFERENCE: FLIGHT CONTROL FOR DETAILS SEE 27-61-02-01 PLACARDS AND MARKINGS FOR DETAILS SEE 11-24-45-01	904949	1
- 310	251N1003-49		.ACTUATOR INSTL-SPOILER NO. 9 POSITION DATA: RH FUNCTIONAL REFERENCE: FLIGHT CONTROL FOR DETAILS SEE 27-61-02-01 PLACARDS AND MARKINGS FOR DETAILS SEE 11-24-45-01	952952	1
- 310	251N1003-69		.ACTUATOR INSTL-SPOILER NO. 9 POSITION DATA: RH FUNCTIONAL REFERENCE: FLIGHT CONTROL FOR DETAILS SEE 27-61-02-01 PLACARDS AND MARKINGS FOR DETAILS SEE 11-24-45-01	002004 006017 121503 950951 953999	1
- 310	251N1003-109		.ACTUATOR INSTL-SPOILER NO. 9 POSITION DATA: RH FOR DETAILS SEE: 27-61-02-01	018100	1

MISSING ITEM NUMBERS NOT APPLICABLE

- ITEM NOT ILLUSTRATED

BRI

27-00-00-02

BOEING PROPRIETARY - Copyright © - Unpublished Work - See title page for details.

27-00-00  
FIG. 02  
PAGE 19  
JAN 20/09



757

PARTS CATALOG (MAINTENANCE)

FIG ITEM	PART NUMBER	1 2 3 4 5 6 7	NOMENCLATURE	EFFECT FROM TO	UNITS PER ASSY
2 315	251N1003-5		.ACTUATOR INSTL-SPOILER NO. 5 POSITION DATA: LH FUNCTIONAL REFERENCE: FLIGHT CONTROL FOR DETAILS SEE 27-61-02-01 PLACARDS AND MARKINGS FOR DETAILS SEE 11-24-45-01	107107	1
315	251N1003-27		.ACTUATOR INSTL-SPOILER NO. 5 POSITION DATA: LH FUNCTIONAL REFERENCE: FLIGHT CONTROL FOR DETAILS SEE 27-61-02-01 PLACARDS AND MARKINGS FOR DETAILS SEE 11-24-45-01	904949	1
315	251N1003-47		.ACTUATOR INSTL-SPOILER NO. 5 POSITION DATA: LH FUNCTIONAL REFERENCE: FLIGHT CONTROL FOR DETAILS SEE 27-61-02-01 PLACARDS AND MARKINGS FOR DETAILS SEE 11-24-45-01	952952	1
315	251N1003-67		.ACTUATOR INSTL-SPOILER NO. 5 POSITION DATA: LH FUNCTIONAL REFERENCE: FLIGHT CONTROL FOR DETAILS SEE 27-61-02-01 PLACARDS AND MARKINGS FOR DETAILS SEE 11-24-45-01	002004 006017 121503 950951 953999	1

MISSING ITEM NUMBERS NOT APPLICABLE

- ITEM NOT ILLUSTRATED

BRI

27-00-00-02

BOEING PROPRIETARY - Copyright © - Unpublished Work - See title page for details.

27-00-00  
FIG. 02  
PAGE 20  
JAN 20/09





757

PARTS CATALOG (MAINTENANCE)

FIG ITEM	PART NUMBER	1 2 3 4 5 6 7	NOMENCLATURE	EFFECT FROM TO	UNITS PER ASSY
2 315	251N1003-107		.ACTUATOR INSTL-SPOILER NO. 5 POSITION DATA: LH FOR DETAILS SEE: 27-61-02-01	018100	1
- 320	251N1003-8		.ACTUATOR INSTL-SPOILER NO. 8 POSITION DATA: RH FUNCTIONAL REFERENCE: FLIGHT CONTROL FOR DETAILS SEE 27-61-02-01 PLACARDS AND MARKINGS FOR DETAILS SEE 11-24-45-01	107107	1
- 320	251N1003-28		.ACTUATOR INSTL-SPOILER NO. 8 POSITION DATA: RH FUNCTIONAL REFERENCE: FLIGHT CONTROL FOR DETAILS SEE 27-61-02-01 PLACARDS AND MARKINGS FOR DETAILS SEE 11-24-45-01	904949	1
- 320	251N1003-48		.ACTUATOR INSTL-SPOILER NO. 8 POSITION DATA: RH FUNCTIONAL REFERENCE: FLIGHT CONTROL FOR DETAILS SEE 27-61-02-01 PLACARDS AND MARKINGS FOR DETAILS SEE 11-24-45-01	952952	1

MISSING ITEM NUMBERS NOT APPLICABLE

- ITEM NOT ILLUSTRATED

BRI

27-00-00-02

BOEING PROPRIETARY - Copyright © - Unpublished Work - See title page for details.

27-00-00  
FIG. 02  
PAGE 21  
JAN 20/09



757

PARTS CATALOG (MAINTENANCE)

FIG ITEM	PART NUMBER	1 2 3 4 5 6 7	NOMENCLATURE	EFFECT FROM TO	UNITS PER ASSY
2 - 320	251N1003-68		.ACTUATOR INSTL-SPOILER NO. 8 POSITION DATA: RH FUNCTIONAL REFERENCE: FLIGHT CONTROL FOR DETAILS SEE 27-61-02-01 PLACARDS AND MARKINGS FOR DETAILS SEE 11-24-45-01	002004 006017 121503 950951 953999	1
- 320	251N1003-108		.ACTUATOR INSTL-SPOILER NO. 8 POSITION DATA: RH FOR DETAILS SEE: 27-61-02-01	018100	1
325	251N1016-6		.ACTUATOR INSTL-SPOILER NO. 6 POSITION DATA: LH FUNCTIONAL REFERENCE: FLIGHT CONTROL FOR DETAILS SEE 27-61-02-02 PLACARDS AND MARKINGS FOR DETAILS SEE 11-24-45-01	107107	1
325	251N1016-10		.ACTUATOR INSTL-SPOILER NO. 6 POSITION DATA: LH FUNCTIONAL REFERENCE: FLIGHT CONTROL FOR DETAILS SEE 27-61-02-02 PLACARDS AND MARKINGS FOR DETAILS SEE 11-24-45-01	904949	1

MISSING ITEM NUMBERS NOT APPLICABLE

- ITEM NOT ILLUSTRATED

BRI

27-00-00-02

BOEING PROPRIETARY - Copyright © - Unpublished Work - See title page for details.

27-00-00  
FIG. 02  
PAGE 22  
JAN 20/09



757

PARTS CATALOG (MAINTENANCE)

FIG ITEM	PART NUMBER	1 2 3 4 5 6 7	NOMENCLATURE	EFFECT FROM TO	UNITS PER ASSY
2 325	251N1016-14		.ACTUATOR INSTL-SPOILER NO. 6 POSITION DATA: LH FUNCTIONAL REFERENCE: FLIGHT CONTROL FOR DETAILS SEE 27-61-02-02 PLACARDS AND MARKINGS FOR DETAILS SEE 11-24-45-01	952952	1
325	251N1016-18		.ACTUATOR INSTL-SPOILER NO. 6 POSITION DATA: LH FUNCTIONAL REFERENCE: FLIGHT CONTROL FOR DETAILS SEE 27-61-02-02 PLACARDS AND MARKINGS FOR DETAILS SEE 11-24-45-01	002004 006100 121503 950951 953999	1
- 330	251N1016-7		.ACTUATOR INSTL-SPOILER NO. 7 POSITION DATA: RH FUNCTIONAL REFERENCE: FLIGHT CONTROL FOR DETAILS SEE 27-61-02-02 PLACARDS AND MARKINGS FOR DETAILS SEE 11-24-45-01	107107	1
- 330	251N1016-11		.ACTUATOR INSTL-SPOILER NO. 7 POSITION DATA: RH FUNCTIONAL REFERENCE: FLIGHT CONTROL FOR DETAILS SEE 27-61-02-02 PLACARDS AND MARKINGS FOR DETAILS SEE 11-24-45-01	904949	1

MISSING ITEM NUMBERS NOT APPLICABLE

- ITEM NOT ILLUSTRATED

BRI

27-00-00-02

BOEING PROPRIETARY - Copyright © - Unpublished Work - See title page for details.

27-00-00  
FIG. 02  
PAGE 23  
JAN 20/09



757

PARTS CATALOG (MAINTENANCE)

FIG ITEM	PART NUMBER	1 2 3 4 5 6 7	NOMENCLATURE	EFFECT FROM TO	UNITS PER ASSY
2					
- 330	251N1016-15		.ACTUATOR INSTL-SPOILER NO. 7 POSITION DATA: RH FUNCTIONAL REFERENCE: FLIGHT CONTROL FOR DETAILS SEE 27-61-02-02 PLACARDS AND MARKINGS FOR DETAILS SEE 11-24-45-01	952952	1
- 330	251N1016-19		.ACTUATOR INSTL-SPOILER NO. 7 POSITION DATA: RH FUNCTIONAL REFERENCE: FLIGHT CONTROL FOR DETAILS SEE 27-61-02-02 PLACARDS AND MARKINGS FOR DETAILS SEE 11-24-45-01	002004 006100 121503 950951 953999	1
900			ILLUSTRATION REFERENCE: LATERAL CONTROL WHEEL DAMPER-KIT (AILERON AND AILERON TRIM CONTROL SYSTEM ONLY) 27-11-02-03	002004 006100 107107 121503 904999	RF

MISSING ITEM NUMBERS NOT APPLICABLE

- ITEM NOT ILLUSTRATED

BRI

27-00-00-02

BOEING PROPRIETARY - Copyright © - Unpublished Work - See title page for details.

27-00-00  
FIG. 02  
PAGE 24  
JAN 20/09

 **BOEING**  
757  
PARTS CATALOG (MAINTENANCE)

NON-ILLUSTRATED FIGURE

THE ITEMS REFLECTED IN THIS FIGURE ARE INTENTIONALLY  
NON-ILLUSTRATED. THEY ARE REFERENCED TO EITHER A  
NEXT HIGHER OR NEXT LOWER ASSEMBLY/INSTALLATION FIGURE.

Y 27000003 REV 267

COLLECTOR INSTL-BASIC AND STABLE (FLIGHT CONTROLS ONLY)  
FIGURE 3

**27-00-00-03**

BRI  
MAY 28/07

27-00-00-03  
PAGE 0



757

PARTS CATALOG (MAINTENANCE)

FIG ITEM	PART NUMBER	1 2 3 4 5 6 7	NOMENCLATURE	EFFECT FROM TO	UNITS PER ASSY
3			COLLECTOR INSTL-BASIC AND STABLE	101102	
- 1	270N0100-100		(FLIGHT CONTROLS ONLY) COLLECTOR INSTL-BASIC AND STABLE	108120	RF
			(FLIGHT CONTROLS ONLY)	504903	
			FOR OTHER SYS DETAILS SEE:	101102	
			11-00-00-01	108120	
			29-00-51-02C	504903	
			32-00-00-02		
- 10	271N6461-22		.PLUMBING INSTL-HYDR	101102	1
			POSITION DATA:	504903	
			SECT. 46		
			FUNCTIONAL REFERENCE:		
			FLIGHT CONTROL		
			FOR DETAILS SEE		
			27-23-51-30A		
			27-23-51-31A		
			27-31-51-30A		
- 10	271N6461-31		.PLUMBING INSTL-HYDR	108120	1
			POSITION DATA:		
			SECT. 46		
			FUNCTIONAL REFERENCE:		
			FLIGHT CONTROL		
			FOR DETAILS SEE		
			27-23-51-30A		
			27-23-51-31A		
			27-31-51-30A		
- 40	271N6481-9		.PLUMBING INSTL-HYDR	101101	1
			POSITION DATA:		
			SECT. 48 L		
			FUNCTIONAL REFERENCE:		
			FLIGHT CONTROL		
			FOR DETAILS SEE		
			27-21-51-20A		
			27-31-51-20A		
			27-41-51-20A		
			27-41-51-21A		
- 40	271N6481-11		.PLUMBING INSTL-HYDR	102102	1
			POSITION DATA:	108120	
			SECT. 48 L	504903	
			FUNCTIONAL REFERENCE:		
			FLIGHT CONTROL		
			FOR DETAILS SEE		
			27-21-51-20A		
			27-31-51-20A		
			27-41-51-20A		
			27-41-51-21A		

MISSING ITEM NUMBERS NOT APPLICABLE

- ITEM NOT ILLUSTRATED

27-00-00-03

27-00-00  
FIG. 03  
PAGE 1  
JAN 20/09

BRI



757

PARTS CATALOG (MAINTENANCE)

FIG ITEM	PART NUMBER	1 2 3 4 5 6 7	NOMENCLATURE	EFFECT FROM TO	UNITS PER ASSY
3					
- 45	271N6701-3		.PLUMBING INSTL-HYDR VERT. FIN POSITION DATA: SECT. 70 FUNCTIONAL REFERENCE: AUTOFLIGHT FOR DETAILS SEE 22-13-51-15 FLIGHT CONTROL FOR DETAILS SEE 27-21-51-15 27-41-51-15	101102 504903	1
- 45	271N6701-4		.PLUMBING INSTL-HYDR VERT. FIN POSITION DATA: SECT. 70 FUNCTIONAL REFERENCE: AUTOFLIGHT FOR DETAILS SEE 22-13-51-15 FLIGHT CONTROL FOR DETAILS SEE 27-21-51-15 27-41-51-15	108120	1
- 50	271N5010-4		.VALVE INSTL-SYS EMPENNAGE ISOLATION POSITION DATA: CTR FOR DETAILS SEE: 27-23-01-01	101102 504903	1
- 50	271N5010-6		.VALVE INSTL-SYS EMPENNAGE ISOLATION POSITION DATA: CTR FOR DETAILS SEE: 27-23-01-01	108120	1
- 55	271N6125-2		.PLUMBING INSTL-HYDR POSITION DATA: SECT. 12 FUNCTIONAL REFERENCE: PLACARDS AND MARKINGS FOR DETAILS SEE 11-24-30-01 FLIGHT CONTROL FOR DETAILS SEE 27-81-51-16	101102 108120 504903	1

MISSING ITEM NUMBERS NOT APPLICABLE

- ITEM NOT ILLUSTRATED

BRI

27-00-00-03

BOEING PROPRIETARY - Copyright © - Unpublished Work - See title page for details.

27-00-00  
FIG. 03  
PAGE 2  
JAN 20/09



757

PARTS CATALOG (MAINTENANCE)

FIG ITEM	PART NUMBER	1 2 3 4 5 6 7	NOMENCLATURE	EFFECT FROM TO	UNITS PER ASSY
3					
- 60	271N6246-5		.PORT INSTL-ELEV FEEL COMPUTER STATIC PRESSURE FUNCTIONAL REFERENCE: PLACARDS AND MARKINGS FOR DETAILS SEE 11-21-30-01 FLIGHT CONTROL FOR DETAILS SEE 27-31-60-01	101102 108120 504903	1
- 65	271N6246-6		.PORT INSTL-ELEV FEEL COMPUTER STATIC PRESSURE FUNCTIONAL REFERENCE: PLACARDS AND MARKINGS FOR DETAILS SEE 11-21-30-01 FLIGHT CONTROL FOR DETAILS SEE 27-31-60-01	101102 108120 504903	1
- 70	271N6482-8		.PLUMBING INSTL-HYDR POSITION DATA: SECT. 48 FUNCTIONAL REFERENCE: FLIGHT CONTROL FOR DETAILS SEE 27-23-00-02 27-41-51-24	101102 108120 504903	1
- 85	271N6821-7		.PLUMBING INSTL- POSITION DATA: SECT. 82 L FOR DETAILS SEE: 27-31-51-15A	101102 108120 504903	1
- 90	271N6821-8		.PLUMBING INSTL- POSITION DATA: SECT. 82 R FOR DETAILS SEE: 27-31-51-16A	101102 108120 504903	1
- 105	271N6201-2		.HOSE INSTL-ELEV FEEL AND CL UNIT, CONT FUNCTIONAL REFERENCE: FLIGHT CONTROL FOR DETAILS SEE 27-41-51-21A	101102 108120 504903	1

MISSING ITEM NUMBERS NOT APPLICABLE

- ITEM NOT ILLUSTRATED

BRI

27-00-00-03

27-00-00  
FIG. 03  
PAGE 3  
JAN 20/09





757

## PARTS CATALOG (MAINTENANCE)

FIG ITEM	PART NUMBER	1 2 3 4 5 6 7	NOMENCLATURE	EFFECT FROM TO	UNITS PER ASSY
3					
- 110	251N5011-13		.VALVE INSTL-LE SLAT BY PASS FUNCTIONAL REFERENCE: PLACARDS AND MARKINGS FOR DETAILS SEE 11-24-50-01 FLIGHT CONTROL FOR DETAILS SEE 27-81-09-01	101102 504903	1
- 110	251N5011-17		.VALVE INSTL-LE SLAT BY PASS FUNCTIONAL REFERENCE: PLACARDS AND MARKINGS FOR DETAILS SEE 11-24-50-01 FLIGHT CONTROL FOR DETAILS SEE 27-81-09-01	108120	1
- 115	271N6247-4		.SUPPORT INSTL-ELEV FEEL COMPUTER STATIC PRESSURE TUBE POSITION DATA: SECT. 46 FOR DETAILS SEE: 27-31-56-02	101102 108120 504903	1
- 120	251N2024-2		.VALVE INSTL-SYS PRESSURE REDUCING POSITION DATA: R FOR DETAILS SEE: 27-31-13-01	101102 108120 504903	1
- 125	251N2026-2		.VALVE INSTL-SYS PRESSURE REDUCING POSITION DATA: L FOR DETAILS SEE: 27-31-51-01	101102 108120 504903	1
- 130	251N2027-1		.VALVE INSTL-SYS PRESSURE REDUCING POSITION DATA: CTR FOR DETAILS SEE: 27-31-13-05	101102 108120 504903	1
- 135	251N4016-11		.MODULE INSTL-FLAP AND SLAT DEPRESSURIZATION FOR DETAILS SEE: 27-51-29-01	101102 108120 504903	1

MISSING ITEM NUMBERS NOT APPLICABLE

- ITEM NOT ILLUSTRATED

BRI

27-00-00-03

BOEING PROPRIETARY - Copyright © - Unpublished Work - See title page for details.

27-00-00  
FIG. 03  
PAGE 4  
JAN 20/09



757

PARTS CATALOG (MAINTENANCE)

FIG ITEM	PART NUMBER	1 2 3 4 5 6 7	NOMENCLATURE	EFFECT FROM TO	UNITS PER ASSY
3					
- 140	271N6461-7		.FITTING INSTL-BHD, PERMASWAGE TO FLARELESS POSITION DATA: STA 1720 FUNCTIONAL REFERENCE: FLIGHT CONTROL FOR DETAILS SEE 27-23-51-30 27-23-51-31 27-31-51-30	101102 108120 504903	1
- 145	271N6461-8		.FITTING INSTL-BHD PERMASWAGE TO FLARELESS POSITION DATA: STA 1180 FOR DETAILS SEE: 27-23-51-30 27-23-51-31	101102 108120 504903	1
- 150	271N6121-5		.PLUMBING INSTL-TE (FLIGHT CONTROLS ONLY) FOR DETAILS SEE: 27-11-20-03 27-61-02-09	101102 108120 504903	1
- 155	271N6122-22		.PLUMBING INSTL-HYDR POSITION DATA: INBD SECT. 12 LH FUNCTIONAL REFERENCE: FLIGHT CONTROL FOR DETAILS SEE 27-61-02-03	101102 108120 504903	1
- 165	271N6124-4		.PLUMBING INSTL-HYDR WING POSITION DATA: SECT. 12 R OUTBD FOR DETAILS SEE: 27-11-51-28A 27-61-51-28A	101102 108120 504903	1

MISSING ITEM NUMBERS NOT APPLICABLE

- ITEM NOT ILLUSTRATED

BRI

27-00-00-03

BOEING PROPRIETARY - Copyright © - Unpublished Work - See title page for details.

27-00-00  
FIG. 03  
PAGE 5  
JAN 20/09

 **BOEING**  
757  
**PARTS CATALOG (MAINTENANCE)**

NON-ILLUSTRATED FIGURE

THE ITEMS REFLECTED IN THIS FIGURE ARE INTENTIONALLY  
NON-ILLUSTRATED. THEY ARE REFERENCED TO EITHER A  
NEXT HIGHER OR NEXT LOWER ASSEMBLY/INSTALLATION FIGURE.

Y 27000004 REV 235

COLLECTOR INSTL-PASS. MINOR MODEL (FLIGHT CONTROLS ONLY)  
FIGURE 4

**27-00-00-04**

BRI  
MAY 28/07

27-00-00-04  
PAGE 0



757

PARTS CATALOG (MAINTENANCE)

FIG ITEM	PART NUMBER	1 2 3 4 5 6 7	NOMENCLATURE	EFFECT FROM TO	UNITS PER ASSY
4			COLLECTOR INSTL-PASS. MINOR MODEL (FLIGHT CONTROLS ONLY)	101102 108120 504903	
- 1	270N0100-200		COLLECTOR INSTL-PASS. MINOR MODEL (FLIGHT CONTROLS ONLY) FOR OTHER SYS DETAILS SEE: 29-00-51-01A 32-00-00-03	101102 108120 504903	1
- 5	271N6247-5		.SUPPORT INSTL-ELEV FEEL COMPUTER STATIC PRESSURE TUBE POSITION DATA: SECT. 46 FOR DETAILS SEE: 27-31-56-02	101102 108120 504903	1
- 10	271N6461-13		.PLUMBING INSTL-HYDR POSITION DATA: SECT. 46 FOR DETAILS SEE: 27-31-51-30A	101102 108120 504903	1
- 15	271N6482-5		.PLUMBING INSTL-200 PASS. AND PKG MINOR MODEL FOR DETAILS SEE: 27-23-00-02 27-41-51-24	101102 108120 504903	1
- 20	271N6481-3		.PLUMBING INSTL-HYDR POSITION DATA: SECT. 48 LH FOR DETAILS SEE: 27-31-51-20A 27-41-51-21A	108120 506903	1
- 25	271N6461-29		.PLUMBING HYD INSTL- POSITION DATA: SECT. 46 FOR DETAILS SEE: 27-23-51-31A	101102 108120 504903	1

MISSING ITEM NUMBERS NOT APPLICABLE

- ITEM NOT ILLUSTRATED

BRI

27-00-00-04

27-00-00  
FIG. 04  
PAGE 1  
JAN 20/09

 **BOEING**  
757  
PARTS CATALOG (MAINTENANCE)

NON-ILLUSTRATED FIGURE

THE ITEMS REFLECTED IN THIS FIGURE ARE INTENTIONALLY  
NON-ILLUSTRATED. THEY ARE REFERENCED TO EITHER A  
NEXT HIGHER OR NEXT LOWER ASSEMBLY/INSTALLATION FIGURE.

Y 27000005 REV 236

COLLECTOR INSTL-PASS. 4-DOOR OPTION (FLIGHT CONTROLS ONLY)  
FIGURE 5

**27-00-00-05**

BRI  
MAY 28/07

27-00-00-05  
PAGE 0



757

PARTS CATALOG (MAINTENANCE)

FIG ITEM	PART NUMBER	1 2 3 4 5 6 7	NOMENCLATURE	EFFECT FROM TO	UNITS PER ASSY
5			COLLECTOR INSTL-PASS. 4-DOOR OPTION (FLIGHT CONTROLS ONLY)	101102 108120 504903	
- 1	270N0100-202		COLLECTOR INSTL-PASS. 4-DOOR (FLIGHT CONTROLS ONLY)	101102 108120 504903	1
- 5	271N6481-3		.PLUMBING INSTL-HYDR POSITION DATA: SECT. 48 LH FOR DETAILS SEE: 29-00-51-02B	101102 504505	1
- 10	271N5015-4		.VALVE INSTL-SYS EMPENNAGE ISOLATION POSITION DATA: LH FOR DETAILS SEE: 27-31-51-20A 27-41-51-21A	101102 504903	1
- 10	271N5015-6		.VALVE INSTL-SYS EMPENNAGE ISOLATION POSITION DATA: LH FOR DETAILS SEE: 27-23-01-03	108120	1
- 15	271N5011-4		.VALVE INSTL-SYS EMPENNAGE ISOLATION POSITION DATA: RH FOR DETAILS SEE: 27-23-01-03	101102 504903	1
- 15	271N5011-6		.VALVE INSTL-SYS EMPENNAGE ISOLATION POSITION DATA: RH FOR DETAILS SEE: 27-23-01-02	108120	1
- 20	271N6461-28		.PLUMBING INSTL-HYDR POSITION DATA: SECT. 46 FOR DETAILS SEE: 27-23-51-31A	101102 504903	1
- 20	271N6461-33		.PLUMBING INSTL-HYDR POSITION DATA: SECT. 46 FOR DETAILS SEE: 29-11-51-86A	108120	1

MISSING ITEM NUMBERS NOT APPLICABLE

- ITEM NOT ILLUSTRATED

27-00-00-05

27-00-00  
FIG. 05  
PAGE 1  
JAN 20/09

BRI

 **BOEING**  
757  
**PARTS CATALOG (MAINTENANCE)**

NON-ILLUSTRATED FIGURE

THE ITEMS REFLECTED IN THIS FIGURE ARE INTENTIONALLY  
NON-ILLUSTRATED. THEY ARE REFERENCED TO EITHER A  
NEXT HIGHER OR NEXT LOWER ASSEMBLY/INSTALLATION FIGURE.

Y 27000010 REV 237

CONTROL INSTL-ELEV AND STAB. TRIM SYS  
FIGURE 10

**27-00-00-10**

BRI  
MAY 28/07

27-00-00-10  
PAGE 0



757

PARTS CATALOG (MAINTENANCE)

FIG ITEM	PART NUMBER	1 2 3 4 5 6 7	NOMENCLATURE	EFFECT FROM TO	UNITS PER ASSY
10			CONTROL INSTL-ELEV AND STAB. TRIM SYS	002004 006100 107107 121503 904999	
- 1	251N2001-10		CONTROL INSTL-ELEV AND STAB. TRIM SYS VARIABLE DRAWING REF: 251N2001-113 251N2001-1743 251N2001-1943 251N2001-347 251N2001-348 251N2001-402	002004 006100 107107 121503 904999	1
- 10	251N2001-41		.CONTROL INSTL- POSITION DATA: SECT. 41 VARIABLE DRAWING REF: 251N2001-37 251N2001-154 FOR DETAILS SEE: 27-31-00-02 27-41-00-02	002004 006100 107107 121503 904999	1
- 20	251N2001-43		.CONTROL INSTL- POSITION DATA: SECT. 43 FOR DETAILS SEE: 27-31-00-02 27-41-00-02	002004 006100 107107 121503 904999	1
- 30	251N2001-44		.CONTROL INSTL- POSITION DATA: SECT. 44 FOR DETAILS SEE: 27-31-00-02 27-41-00-02	002004 006100 107107 121503 904999	1
- 40	251N2001-46		.CONTROL INSTL- POSITION DATA: SECT. 46 VARIABLE DRAWING REF: 251N2001-95 251N2001-99 251N2001-303 251N2001-311 251N2001-312 251N2001-403 FOR DETAILS SEE: 27-31-00-02 27-41-00-02	002004 006100 107107 121503 904999	1

MISSING ITEM NUMBERS NOT APPLICABLE

- ITEM NOT ILLUSTRATED

**27-00-00-10**

27-00-00  
FIG. 10  
PAGE 1  
JAN 20/09

BRI





757

PARTS CATALOG (MAINTENANCE)

FIG ITEM	PART NUMBER	1 2 3 4 5 6 7	NOMENCLATURE	EFFECT FROM TO	UNITS PER ASSY
10 - 50	251N2001-48		.CONTROL INSTL- POSITION DATA: SECT. 48 MODIFICATION DRAWING REF: 657N3735-1001 657N3735-2001 657N3735-3002 FOR DETAILS SEE: 27-31-00-02 27-31-02-01 27-41-00-02	002004 006100 107107 121503 904999	1
- 60	251N2001-82		.CONTROL INSTL- POSITION DATA: SECT. 82 FOR DETAILS SEE: 27-31-00-02 27-41-00-02	002004 006100 107107 121503 904999	1

MISSING ITEM NUMBERS NOT APPLICABLE

- ITEM NOT ILLUSTRATED

BRI

27-00-00-10

BOEING PROPRIETARY - Copyright © - Unpublished Work - See title page for details.

27-00-00  
FIG. 10  
PAGE 2  
JAN 20/09

 **BOEING**  
757  
**PARTS CATALOG (MAINTENANCE)**

NON-ILLUSTRATED FIGURE

THE ITEMS REFLECTED IN THIS FIGURE ARE INTENTIONALLY  
NON-ILLUSTRATED. THEY ARE REFERENCED TO EITHER A  
NEXT HIGHER OR NEXT LOWER ASSEMBLY/INSTALLATION FIGURE.

Y 2700022 REV 237

MANAGEMENT COLLECTOR ELEV CONT SYS  
FIGURE 22

**27-00-00-22**

BRI  
MAY 28/07

27-00-00-22  
PAGE 0



757

PARTS CATALOG (MAINTENANCE)

FIG ITEM	PART NUMBER	1 2 3 4 5 6 7	NOMENCLATURE	EFFECT FROM TO	UNITS PER ASSY
22			MANAGEMENT COLLECTOR ELEV CONT SYS	101102 108120 504903	
- 1	251N0002-1000		ELEVATOR CONTROL SYSTEM- MAJOR MODEL VARIABLE DRAWING REF: 251N0002-5044 251N0002-5045	101102 108120 504903	1
- 5	251N2002-7		.CONTROL UNIT INSTL-ELEV CONT PWR FOR DETAILS SEE: 27-31-05-01	101102 108120 504903	1
- 15	251N2006-3		.COMPUTER INSTL-ELEV CONT NEUT SHIFT MECH FOR DETAILS SEE: 27-31-21-01	101102 108120 504903	1
- 20	251N2008-3		.LINKAGE INSTL-ELEV CONT FOR DETAILS SEE: 27-31-54-01	101102 108120 504903	1
- 25	251N2009-3		.TRANSMITTER INSTL-ELEV CONT POSITION POSITION DATA: LH FOR DETAILS SEE: 27-38-02-01	101102 108120 504903	1
- 30	251N2009-4		.TRANSMITTER INSTL-ELEV CONT POSITION POSITION DATA: RH FOR DETAILS SEE: 27-38-02-01	101102 108120 504903	1
- 35	251N2013-3		.REGULATOR INSTL-ELEV CONT TNSN POSITION DATA: LH FOR DETAILS SEE: 27-31-12-01	101102 108120 504903	1
- 40	251N2013-5		.QUADRANT INSTL-ELEV CONT TNSN POSITION DATA: RH FOR DETAILS SEE: 27-31-12-01	101102 108120 504903	1
- 50	251N2014-10		.SWITCH INSTL-STAB. CUTOFF FOR DETAILS SEE: 27-41-54-01	101102 108120 504903	1

MISSING ITEM NUMBERS NOT APPLICABLE

- ITEM NOT ILLUSTRATED

27-00-00-22

27-00-00  
FIG. 22  
PAGE 1  
JAN 20/09

BRI



757

PARTS CATALOG (MAINTENANCE)

FIG ITEM	PART NUMBER	1 2 3 4 5 6 7	NOMENCLATURE	EFFECT FROM TO	UNITS PER ASSY
22					
- 55	251N2034-10		.CRANK INSTL-IDLER LINK ELEV CONT FOR DETAILS SEE: 27-31-54-03	101102 108120 504903	1
- 60	251N2034-7		.CRANK INSTL-IDLER LINK ELEV CONT FOR DETAILS SEE: 27-31-54-03	101102 108120 504903	1
- 65	251N2036-2		.CRANK INSTL-ELEV CONT FOR DETAILS SEE: 27-31-54-01S	101102 108120 504903	1
- 70	251N2040-3		.VALVE INSTL-BYPASS ELEV PRESSURE REDUCER FOR DETAILS SEE: 27-31-23-01	101102 108120 504903	1
- 80	251N6010-5		.BRACKET INSTL-E2A AND E2B PULLEY (ELEVATOR CONTROL SYSTEM ONLY) POSITION DATA: STA 395 FOR DETAILS SEE: 27-31-55-01	101102 108120 504903	1
- 90	251N6018-18		.BRACKET INSTL-IDLER PULLEY POSITION DATA: SECT.43 STA 560 FOR DETAILS SEE: 53-30-51-36	101102 108120 504903	1
- 95	251N6018-19		.BRACKET INSTL-IDLER PULLEY POSITION DATA: SECT. 43 STA 720 FOR DETAILS SEE: 53-30-51-36	101102 108120 504903	1
- 100	251N6018-20		.BRACKET INSTL-IDLER PULLEY POSITION DATA: SECT. 43 STA 879 FOR DETAILS SEE: 53-30-51-36	101102 108120 504903	1
- 105	251N6018-21		.BRACKET INSTL-IDLER PULLEY POSITION DATA: SECT. 44 STA 1080 FOR DETAILS SEE: 53-41-58-01	101102 108120 504903	1
- 110	251N6018-22		.BRACKET INSTL-IDLER PULLEY POSITION DATA: STA 1240 FOR DETAILS SEE: 53-61-56-01	101102 108120 504903	1

MISSING ITEM NUMBERS NOT APPLICABLE

- ITEM NOT ILLUSTRATED

BRI

27-00-00-22

27-00-00  
FIG. 22  
PAGE 2  
JAN 20/09



757

PARTS CATALOG (MAINTENANCE)

FIG ITEM	PART NUMBER	1 2 3 4 5 6 7	NOMENCLATURE	EFFECT FROM TO	UNITS PER ASSY
22					
- 115	251N6018-23		.BRACKET INSTL-IDLER PULLEY POSITION DATA: STA 1420 FOR DETAILS SEE: 53-61-56-01	101102 108120 504903	1
- 120	251N6018-24		.BRACKET INSTL-IDLER PULLEY POSITION DATA: STA 1580 FOR DETAILS SEE: 53-61-56-01	101102 108120 504903	1
- 125	251N6031-7		.BRACKET INSTL-ELEV 2A AND 2B CABLES PULLEY POSITION DATA: STA 1720 FOR DETAILS SEE: 27-31-52-04	101102 108120 504903	1
- 130	251N6033-2		.BRACKET INSTL-ELEV 2A AND 2B PULLEY POSITION DATA: STA 1741.5 RH UPR FOR DETAILS SEE: 53-81-52-02	101102 108120 504903	1
- 135	251N1416-2		.SENSOR INSTL-CONTROL COLUMN FOR DETAILS SEE: 31-31-08-01	108120	1
- 135	251N1416-3		.SENSOR INSTL-CONTROL COLUMN FOR DETAILS SEE: 31-31-08-01	108120	1
- 350	251N0002-1004		ELEVATOR CONTROL SYSTEM- VARIABLE DRAWING REF: 251N0002-5040	108120	1
- 350	251N0002-1005		ELEVATOR CONTROL SYSTEM- VARIABLE DRAWING REF: 251N0002-5008	101102 504903	1
- 355	251N1012-42		.COLUMN INSTL- FUNCTIONAL REFERENCE: PLACARDS AND MARKINGS FOR DETAILS SEE 11-31-45-10 FLIGHT CONTROL FOR DETAILS SEE 27-31-10-01	101102 504903	1

MISSING ITEM NUMBERS NOT APPLICABLE

- ITEM NOT ILLUSTRATED

BRI

27-00-00-22

BOEING PROPRIETARY - Copyright © - Unpublished Work - See title page for details.

27-00-00  
FIG. 22  
PAGE 3  
JAN 20/09



757

PARTS CATALOG (MAINTENANCE)

FIG ITEM	PART NUMBER	1 2 3 4 5 6 7	NOMENCLATURE	EFFECT FROM TO	UNITS PER ASSY
22 - 355	251N1012-44		. COLUMN INSTL- FUNCTIONAL REFERENCE: PLACARDS AND MARKINGS FOR DETAILS SEE 11-31-45-10 FLIGHT CONTROL FOR DETAILS SEE 27-31-10-01	108120	1
- 360	251N1416-2		. SENSOR INSTL-CONT COLUMN FOR DETAILS SEE: 31-31-08-01	101102 504903	1
-365C	251N2003-21		. MECHANISM INSTL-ELEV CONT POSITION DATA: AFT FOR DETAILS SEE: 27-31-53-01 27-31-15-01	101102 108120 504903	1

MISSING ITEM NUMBERS NOT APPLICABLE

- ITEM NOT ILLUSTRATED

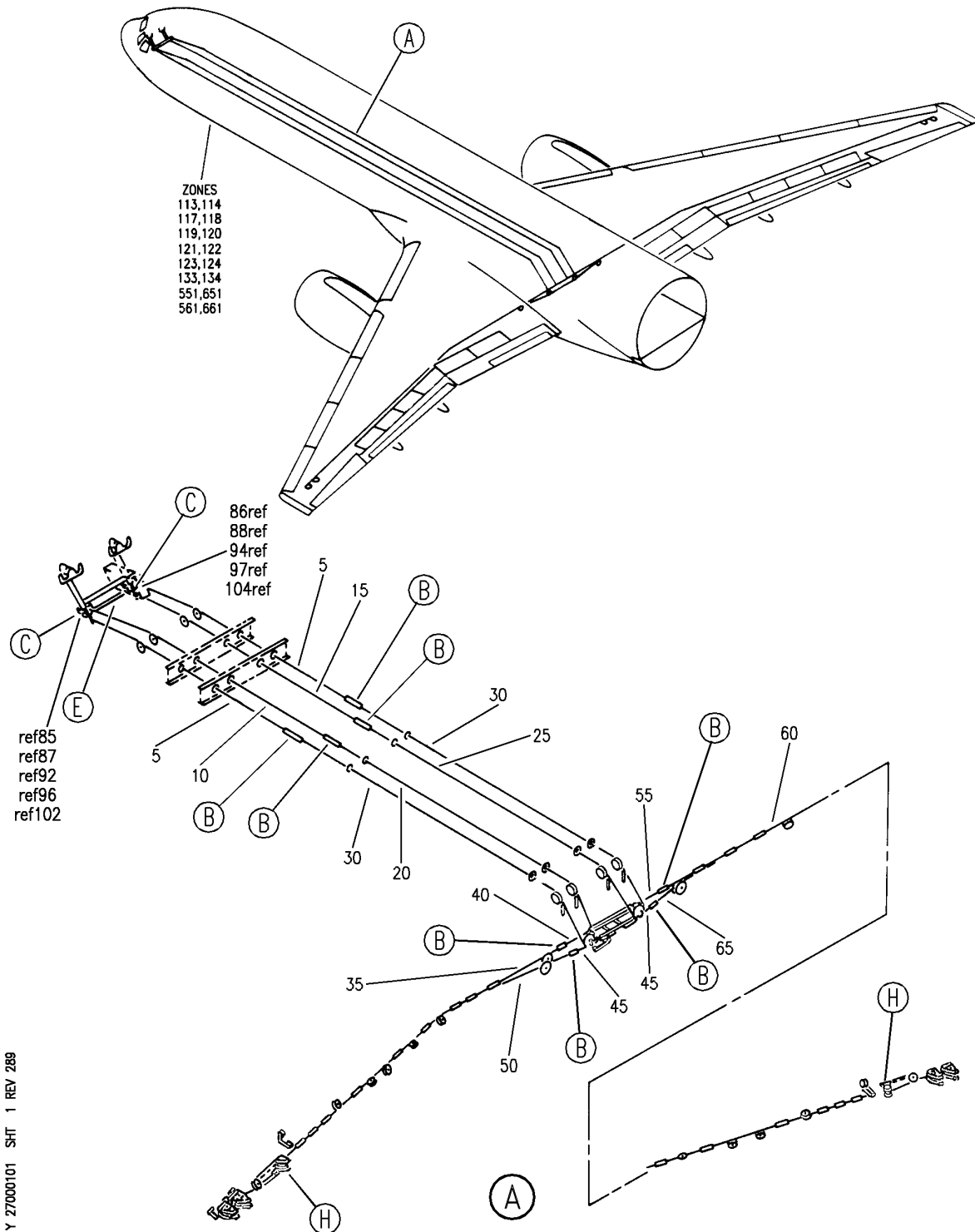
BRI

**27-00-00-22**

BOEING PROPRIETARY - Copyright © - Unpublished Work - See title page for details.

27-00-00  
FIG. 22  
PAGE 4  
JAN 20/09

**BOEING**  
757  
PARTS CATALOG (MAINTENANCE)



Y 27000101 SHT 1 REV 289

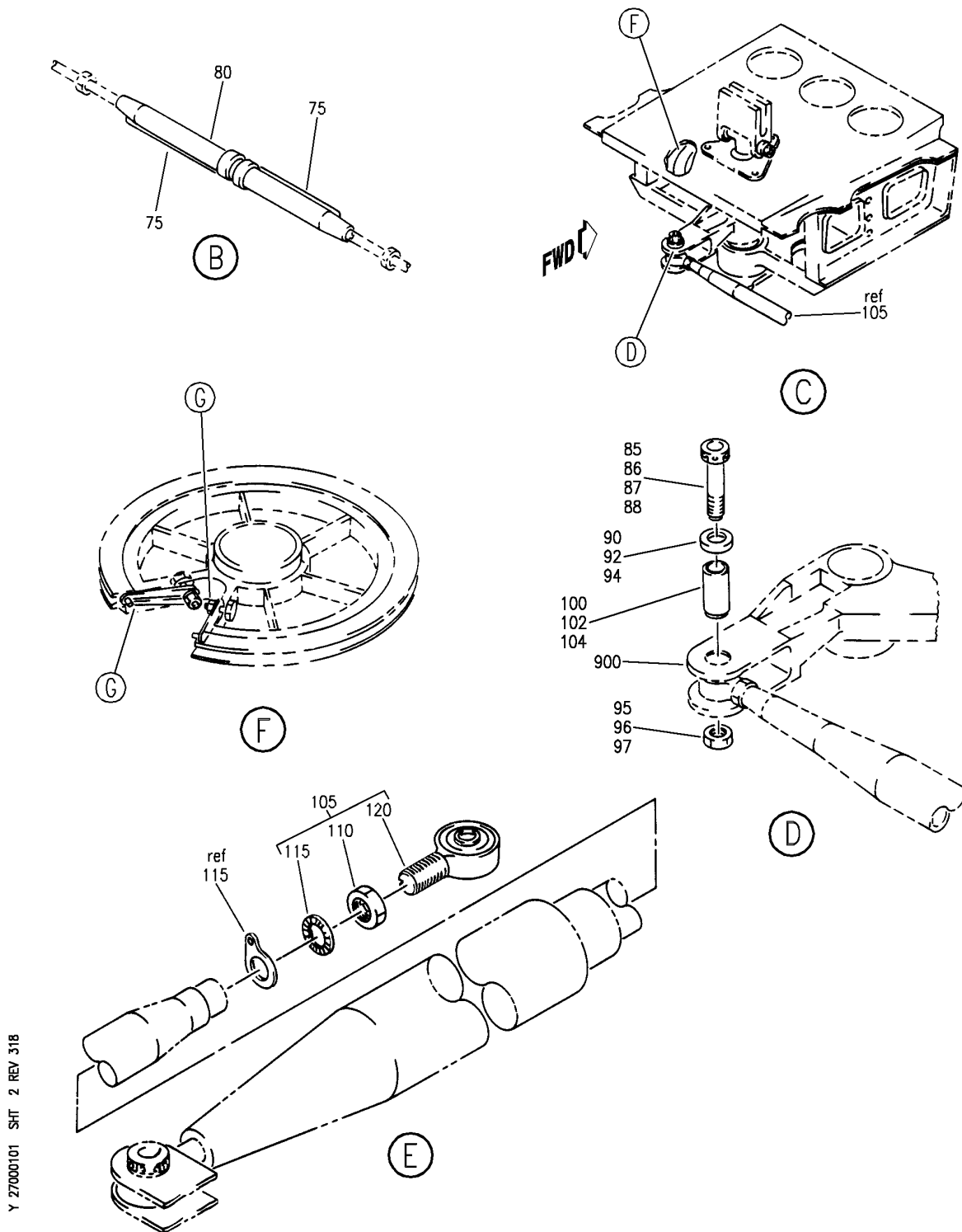
CABLE INSTL-AIL. AND SPOILER (FLIGHT CONTROL CABLES ONLY)  
FIGURE 1 (SHEET 1)

**27-00-01-01**

BRI  
MAY 28/07

27-00-01-01  
PAGE 0

**BOEING**  
757  
PARTS CATALOG (MAINTENANCE)



Y 27000101 SHT 2 REV 318

CABLE INSTL-AIL. AND SPOILER (FLIGHT CONTROL CABLES ONLY)  
FIGURE 1 (SHEET 2)

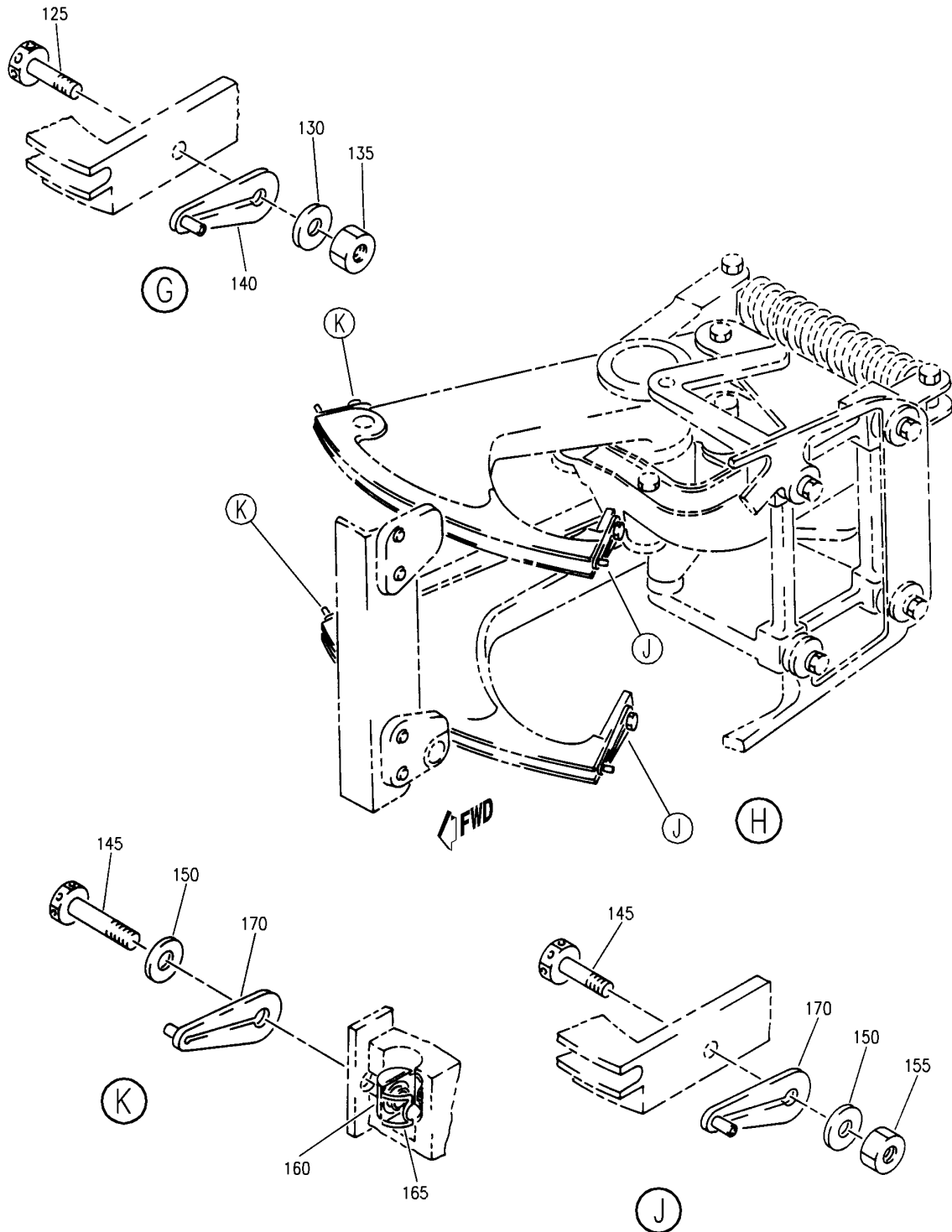
**27-00-01-01**

BRI  
JAN 20/08

27-00-01-01  
PAGE 0A



**BOEING**  
757  
PARTS CATALOG (MAINTENANCE)



Y 27000101 SH 3 REV 235

CABLE INSTL-AIL. AND SPOILER (FLIGHT CONTROL CABLES ONLY)  
FIGURE 1 (SHEET 3)

**27-00-01-01**

BRI  
MAY 28/07

27-00-01-01  
PAGE 0B



757

PARTS CATALOG (MAINTENANCE)

FIG ITEM	PART NUMBER	1 2 3 4 5 6 7	NOMENCLATURE	EFFECT FROM TO	UNITS PER ASSY
1			CABLE INSTL-AIL. AND SPOILER (FLIGHT CONTROL CABLES ONLY)	101106 108120 504903	
- 1	251N1001-135		CABLE INSTL-AIL. AND SPOILER (FLIGHT CONTROL CABLES ONLY) FOR NHA/OTHER SYS DET SEE: 27-00-00-01	101102 108120 504903	RF
- 1	MODREF7022		CABLE INSTL-AIL. AND SPOILER (FLIGHT CONTROL CABLES ONLY) MODULE NUMBER: 251N1001-135 REV A FOR OTHER SYS DETAILS SEE: 11-24-15-01	103105	1
- 1	MODREF172107		CABLE INSTL-AIL. AND SPOILER (FLIGHT CONTROL CABLES ONLY) MODULE NUMBER: 251N1001-135 REV B FOR OTHER SYS DETAILS SEE: 11-24-15-01	106106	1
5	BACC2C4C03555EG		.CABLE ASSY-A1A, A2B	101106 108120 504903	2
10	BACC2C4C03750EG		.CABLE ASSY-A1B	101106 108120 504903	1
15	BACC2C4C03380EG		.CABLE ASSY-A2A	101106 108120 504903	1
20	BACC2C4C04776FG		.CABLE ASSY-A1B	101106 108120 504903	1
25	BACC2C4C05146FG		.CABLE ASSY-A2A	101106 108120 504903	1
30	BACC2C4C04969FG		.CABLE ASSY-A1A, A2B	101106 108120 504903	2
35	BACC2C4C05668EG		.CABLE ASSY-A1A	101106 108120 504903	1
40	BACC2C4C00236FG		.CABLE ASSY-A1A	101106 108120 504903	1
45	BACC2C4C00180EG		.CABLE ASSY-A2A, A1B	101106 108120 504903	2

MISSING ITEM NUMBERS NOT APPLICABLE

- ITEM NOT ILLUSTRATED

27-00-01-01

27-00-01  
FIG. 01  
PAGE 1  
JAN 20/09

BRI



757

PARTS CATALOG (MAINTENANCE)

FIG ITEM	PART NUMBER	1 2 3 4 5 6 7	NOMENCLATURE	EFFECT FROM TO	UNITS PER ASSY
1					
50	BACC2C4C06516FG	.	CABLE ASSY-A1B	101106 108120 504903	1
55	BACC2C4C00326EG	.	CABLE ASSY-A2B	101106 108120 504903	1
60	BACC2C4C06369FG	.	CABLE ASSY-A2B	101106 108120 504903	1
65	BACC2C4C05722FG	.	CABLE ASSY-A2A	101106 108120 504903	1
75	BACC15AJ2	.	CLIP	101106 108120 504903	16
80	MS21251B5L	.	TURNBUCKLE BODY	101106 108120 504903	8
86	BACB30NF4D15	.	BOLT- PRE ALERT SB: 27A0146	101105 108120 504903	1
87	BACB30LJ4D15	.	BOLT	106106	1
88	BACB30LJ4D18	.	BOLT	106106	1
90	NAS1149D0416J	.	WASHER	106106	2
92	NAS1149D0416J	.	WASHER	101105 108120 504903	1
94	NAS1149D0416J	.	WASHER- PRE ALERT SB: 27A0146	101105 108120 504903	1
95	BRH10C4D	.	NUT SUPPLIER CODE: V52828 SPECIFICATION NUMBER: BACN10JC4CD OPTIONAL PART: T6C428JCD V11815 NS202486-048 V80539 102LH9075-4W V72962 H51650-4BAC V15653	106106	2

MISSING ITEM NUMBERS NOT APPLICABLE

- ITEM NOT ILLUSTRATED

BRI

27-00-01-01

27-00-01  
FIG. 01  
PAGE 2  
JAN 20/09



757

PARTS CATALOG (MAINTENANCE)

FIG ITEM	PART NUMBER	1 2 3 4 5 6 7	NOMENCLATURE	EFFECT FROM TO	UNITS PER ASSY
1	96 BRH10C4D	.NUT	SUPPLIER CODE: V52828 SPECIFICATION NUMBER: BACN10JC4CD OPTIONAL PART: T6C428JCD V11815 NS202486-048 V80539 102LH9075-4W V72962 H51650-4BAC V15653	101105 108120 504903	1
	97 BRH10C4D	.NUT-	SUPPLIER CODE: V52828 SPECIFICATION NUMBER: BACN10JC4CD OPTIONAL PART: T6C428JCD V11815 NS202486-048 V80539 102LH9075-4W V72962 H51650-4BAC V15653 PRE ALERT SB: 27A0146	101105 108120 504903	1
	100 NAS73-4-004	.BUSHING		106106	2
	102 NAS73-4-004	.BUSHING		101105 108120 504903	1
	104 NAS73-4-004	.BUSHING-	PRE ALERT SB: 27A0146	101105 108120 504903	1
	105 251N1063-2	.LIMITER ASSY-FORCE	COMPONENT MAINT MANUAL REF: 27-11-15	101106 108120 504903	1
	110 NAS509-6	..NUT		101106 108120 504903	1
	115 NAS1193-6CP	..LOCKING DEVICE-POSITIVE INDEX		101106 108120 504903	1

MISSING ITEM NUMBERS NOT APPLICABLE

- ITEM NOT ILLUSTRATED

BRI

27-00-01-01

27-00-01  
FIG. 01  
PAGE 3  
JAN 20/09

 **BOEING**  
757  
**PARTS CATALOG (MAINTENANCE)**

FIG ITEM	PART NUMBER	1 2 3 4 5 6 7	NOMENCLATURE	EFFECT FROM TO	UNITS PER ASSY	
R R R R R R R R R R	120	REP4MS6-5FS428	.. BEARING- SUPPLIER CODE: V73134 SPECIFICATION NUMBER: BACB10AD12K OPTIONAL PART: ABR4M105 VS0352 REP4MS6-5FS428 V21335 REB4MK6-21 V92563 DBM4-6B1-502 V77896 ABR4M105B V15860 REP4MK6-012J V73134	101106 108120 504903	1	
	120	REP4MS6-5FS428	.. BEARING- SUPPLIER CODE: V21335	101106 108120 504903	1	
	125	BACB30NF4-4	. BOLT	101106 108120 504903	4	
	130	NAS1149D0463J	. WASHER	101106 108120 504903	4	
	135	BRH10C4D	. NUT SUPPLIER CODE: V52828 SPECIFICATION NUMBER: BACN10JC4CD OPTIONAL PART: T6C428JCD V11815 NS202486-048 V80539 102LH9075-4W V72962 H51650-4BAC V15653	101106 108120 504903	4	
	140	3-89042-5	. RETAINER-	101106 108120 504903	4	
	140	3-89042-3001	. RETAINER-	101106 108120 504903	4	
	MISSING ITEM NUMBERS NOT APPLICABLE					

- ITEM NOT ILLUSTRATED

BRI

27-00-01-01

BOEING PROPRIETARY - Copyright © - Unpublished Work - See title page for details.

27-00-01  
FIG. 01  
PAGE 4  
MAY 20/09



757

PARTS CATALOG (MAINTENANCE)

FIG ITEM	PART NUMBER	1 2 3 4 5 6 7	NOMENCLATURE	EFFECT FROM TO	UNITS PER ASSY
1					
145	BACB30NF4-4	.	BOLT	101106 108120 504903	4
150	NAS1149D0463J	.	WASHER	101106 108120 504903	4
155	BRH10C4D	.	NUT SUPPLIER CODE: V52828 SPECIFICATION NUMBER: BACN10JC4CD OPTIONAL PART: T6C428JCD V11815 NS202486-048 V80539 102LH9075-4W V72962 H51650-4BAC V15653	101106 108120 504903	2
160	LH8065-048	.	NUT SUPPLIER CODE: V72962 SPECIFICATION NUMBER: BACN10HC4 OPTIONAL PART: SL414-4 V97393 94263-428 V56878	101106 108120 504903	2
165	SLR4027-4	.	RETAINER SUPPLIER CODE: V97393 SPECIFICATION NUMBER: BACR10V4 OPTIONAL PART: 2452-048RET V72962	101106 108120 504903	2
170	3-89042-6	.	PLATE	101106 108120 504903	4
900			ILLUSTRATION REFERENCE: LATERAL CONTROL WHEEL DAMPER-KIT (AILERON AND AILERON TRIM CONTROL SYSTEM ONLY) 27-11-02-03	101105 108120 504903	RF

MISSING ITEM NUMBERS NOT APPLICABLE

- ITEM NOT ILLUSTRATED

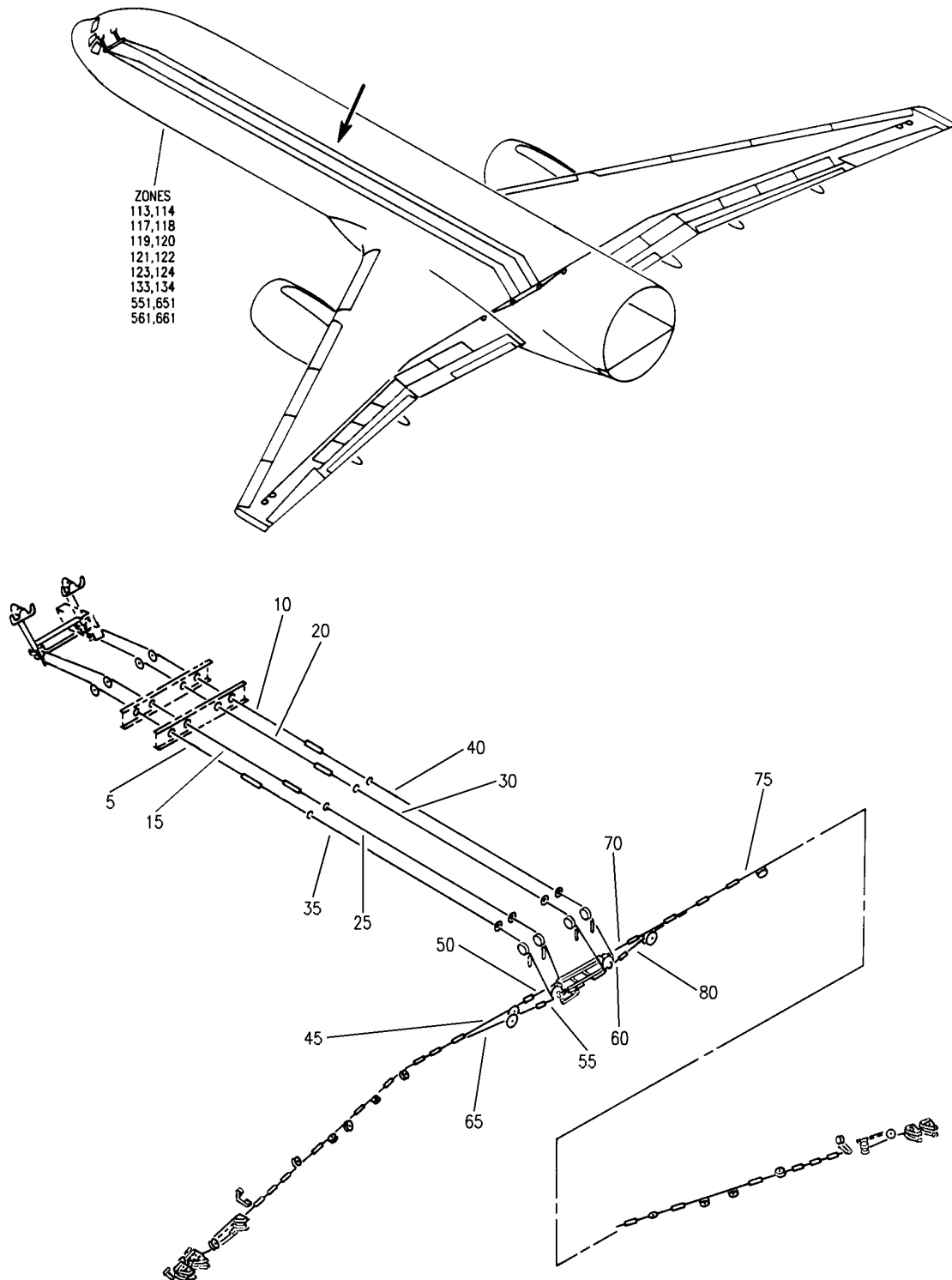
27-00-01-01

27-00-01  
FIG. 01  
PAGE 5  
MAY 20/09

BRI

BOEING PROPRIETARY - Copyright © - Unpublished Work - See title page for details.

**BOEING**  
757  
PARTS CATALOG (MAINTENANCE)



Y 27000102 REV 235

CONTROL INSTL-AIL. AND SPOILER (FLIGHT CONTROL CABLES ONLY)  
FIGURE 2

**27-00-01-02**

BRI  
MAY 28/07

27-00-01-02  
PAGE 0



757

PARTS CATALOG (MAINTENANCE)

FIG ITEM	PART NUMBER	1 2 3 4 5 6 7	NOMENCLATURE	EFFECT FROM TO	UNITS PER ASSY
2			CONTROL INSTL-AIL. AND SPOILER (FLIGHT CONTROL CABLES ONLY)	002004 006100 107107 121503 904999	
- 1	251N1001-10		CONTROL INSTL-AIL. AND SPOILER (FLIGHT CONTROL CABLES ONLY) VARIABLE DRAWING REF: 251N1001-60 251N1001-72 251N1001-107 251N1001-108 251N1001-119 251N1001-120 251N1001-129 250N0500-5004 250N0500-5005 250N0500-5029 250N0500-5030 250N0500-5034 250N0500-1 FOR OTHER SYS DETAILS SEE: 11-24-15-01 27-00-00-02	002004 006100 107107 121503 904999	RF
5	BACC2C4C03555EG		.CABLE ASSY-A1A	002004 006100 107107 121503 904999	1
10	BACC2C4C03555EG		.CABLE ASSY-A2B	002004 006100 107107 121503 904999	1
15	BACC2C4C03750EG		.CABLE ASSY-A1B	002004 006100 107107 121503 904999	1
20	BACC2C4C03380EG		.CABLE ASSY-A2A	002004 006100 107107 121503 904999	1

MISSING ITEM NUMBERS NOT APPLICABLE

- ITEM NOT ILLUSTRATED

BRI

27-00-01-02

BOEING PROPRIETARY - Copyright © - Unpublished Work - See title page for details.

27-00-01  
FIG. 02  
PAGE 1  
JAN 20/09





757

PARTS CATALOG (MAINTENANCE)

FIG ITEM	PART NUMBER	1 2 3 4 5 6 7	NOMENCLATURE	EFFECT FROM TO	UNITS PER ASSY
2	25	BACC2C4C04776FG	.CABLE ASSY-A1B	002004 006100 107107 121503 904999	1
	30	BACC2C4C05146FG	.CABLE ASSY-A2A	002004 006100 107107 121503 904999	1
	35	BACC2C4C04969FG	.CABLE ASSY-A1A	002004 006100 107107 121503 904999	1
	40	BACC2C4C04969FG	.CABLE ASSY-A2B	002004 006100 107107 121503 904999	1
	45	BACC2C4C05668EG	.CABLE ASSY-A1A	002004 006100 107107 121503 904999	1
	50	BACC2C4C00236FG	.CABLE ASSY-A1A	002004 006100 107107 121503 904999	1
	55	BACC2C4C00180EG	.CABLE ASSY-A1B	002004 006100 107107 121503 904999	1
	60	BACC2C4C00180EG	.CABLE ASSY-A2A	002004 006100 107107 121503 904999	1
	65	BACC2C4C06516FG	.CABLE ASSY-A1B POST SERVICE LETTER: 20-7	002004 006100 107107 121503 904999	1
	MISSING ITEM NUMBERS NOT APPLICABLE				

- ITEM NOT ILLUSTRATED

27-00-01-02

27-00-01  
FIG. 02  
PAGE 2  
JAN 20/09

BRI



757

PARTS CATALOG (MAINTENANCE)

FIG ITEM	PART NUMBER	1 2 3 4 5 6 7	NOMENCLATURE	EFFECT FROM TO	UNITS PER ASSY
2	70	BACC2C4C00326EG	.CABLE ASSY-A2B	002004 006100 107107 121503 904999	1
	75	BACC2C4C06369FG	.CABLE ASSY-A2B	002004 006100 107107 121503 904999	1
	80	BACC2C4C05722FG	.CABLE ASSY-A2A	002004 006100 107107 121503 904999	1

MISSING ITEM NUMBERS NOT APPLICABLE

- ITEM NOT ILLUSTRATED

BRI

27-00-01-02

BOEING PROPRIETARY - Copyright © - Unpublished Work - See title page for details.

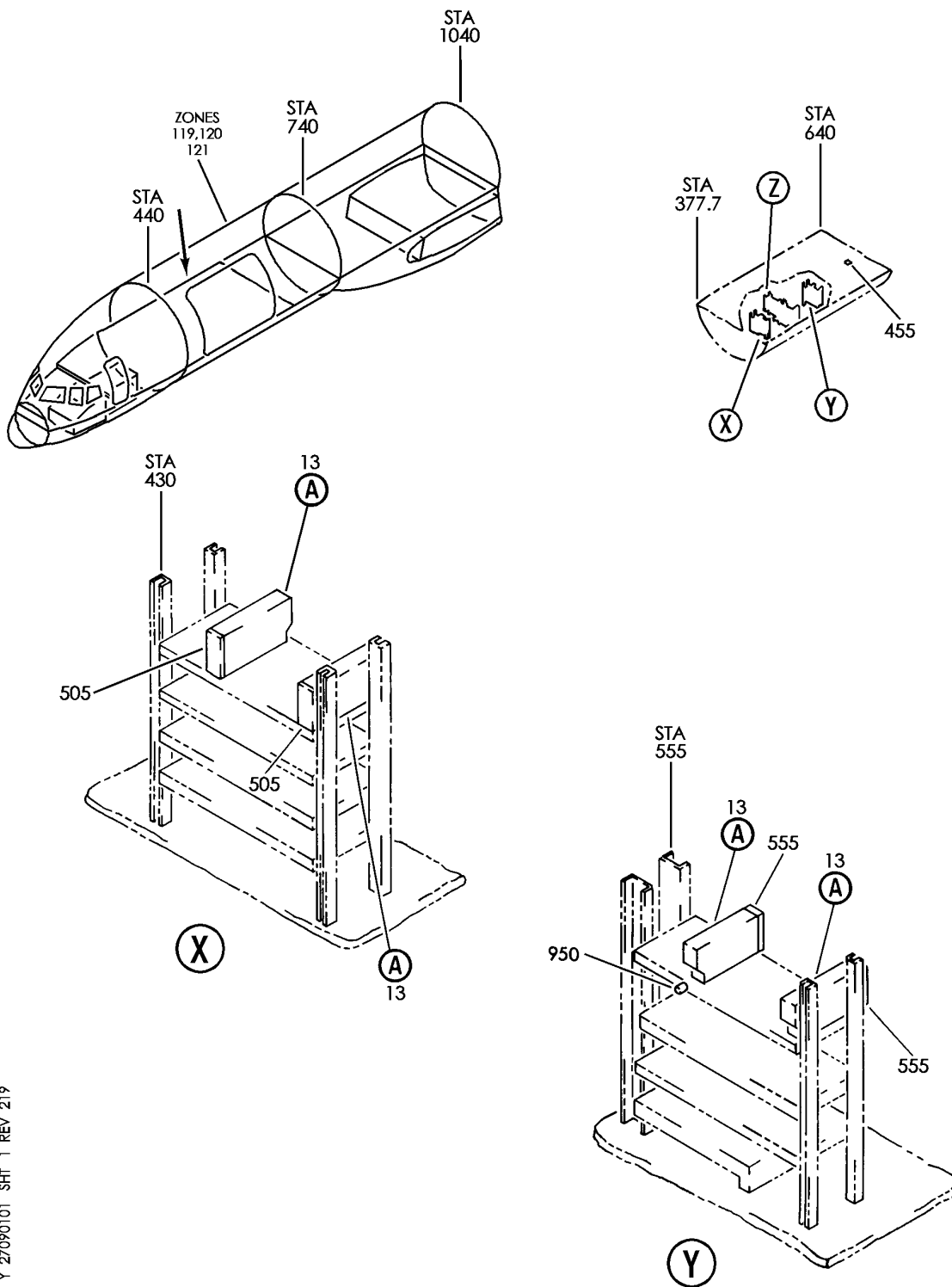
27-00-01  
FIG. 02  
PAGE 3  
JAN 20/09

## FLIGHT CONTROL SYSTEM ELECTRONIC

BRI  
MAY 28/07

27-09-00  
SECTION TITLE  
PAGE 1

**BOEING**  
757  
PARTS CATALOG (MAINTENANCE)



Y 27090101 SHT 1 REV 219

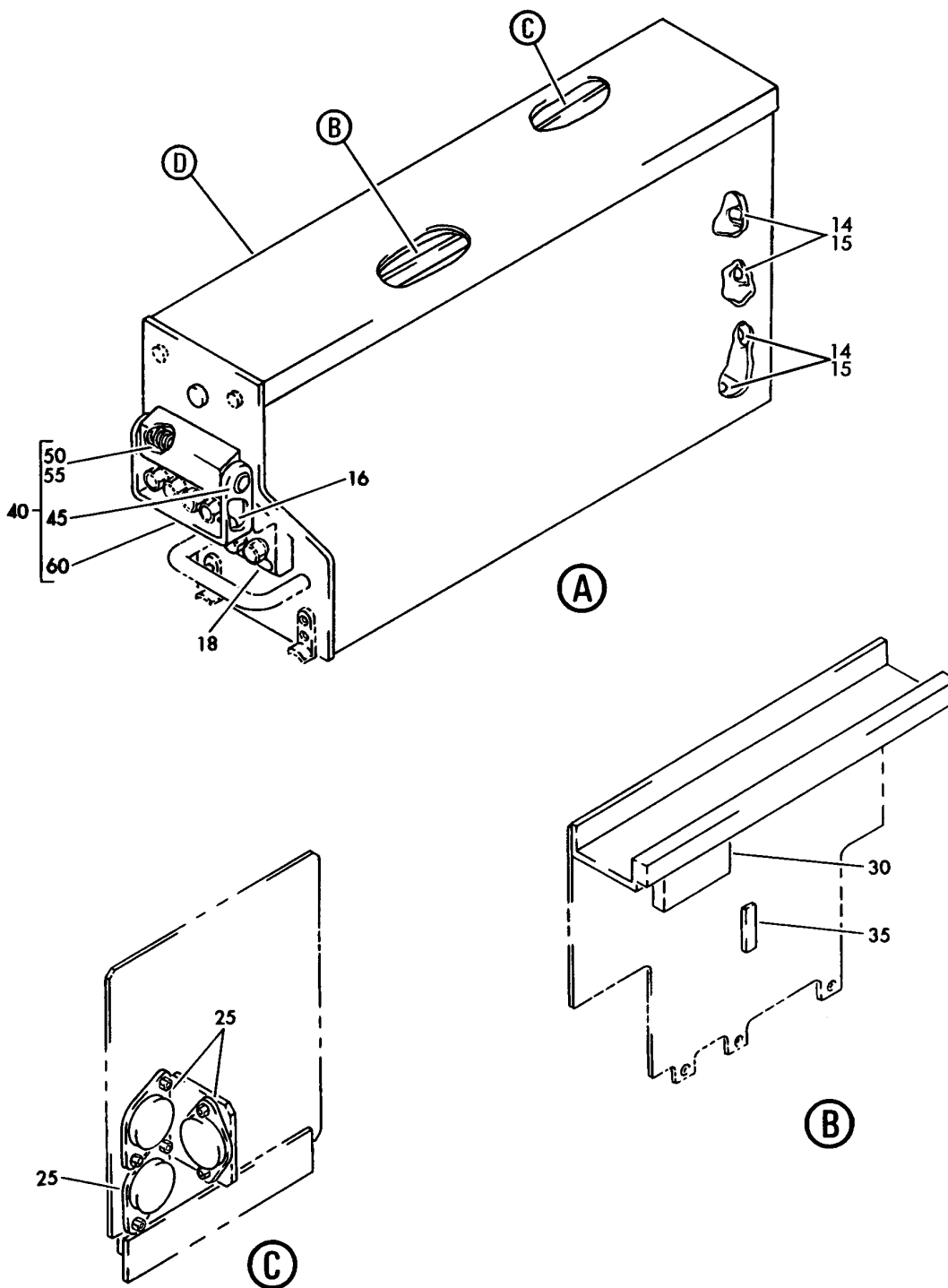
EQUIPMENT INSTL-MAIN ELECTRONICS EQPT CTR (FLIGHT CONTROL SYSTEM ELECTRONICS UNIT ONLY)  
FIGURE 1 (SHEET 1)

BRI  
MAY 28/07

**27-09-01-01**

27-09-01-01  
PAGE 0

**BOEING**  
757  
PARTS CATALOG (MAINTENANCE)



Y 27090101 SHT 2 REV 330

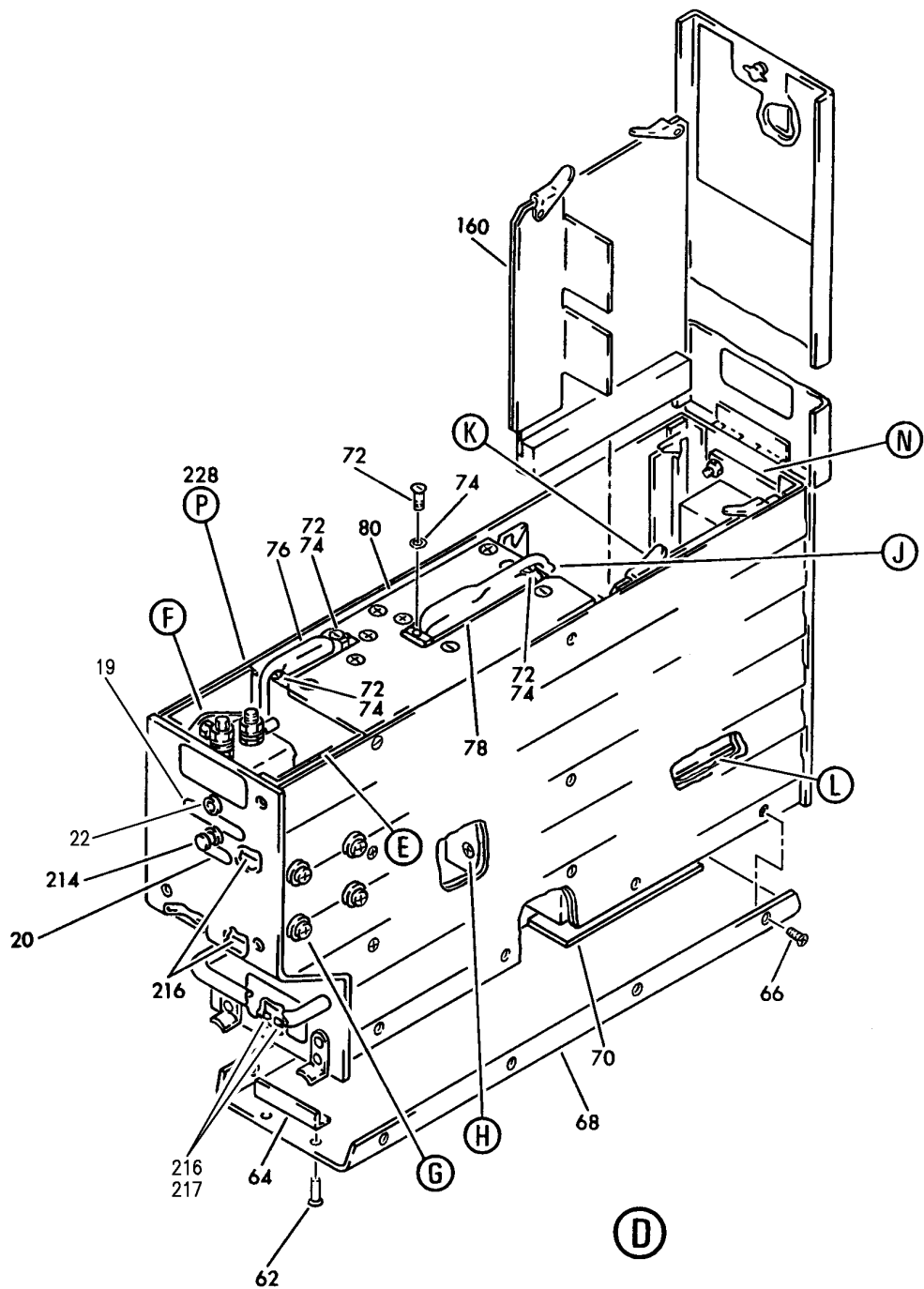
EQUIPMENT INSTL-MAIN ELECTRONICS EQPT CTR (FLIGHT CONTROL SYSTEM ELECTRONICS UNIT ONLY)  
FIGURE 1 (SHEET 2)

BRI  
JAN 20/09

**27-09-01-01**

27-09-01-01  
PAGE 0A


**BOEING**  
 757  
**PARTS CATALOG (MAINTENANCE)**



Y 27090101 SH1 3 REV 330

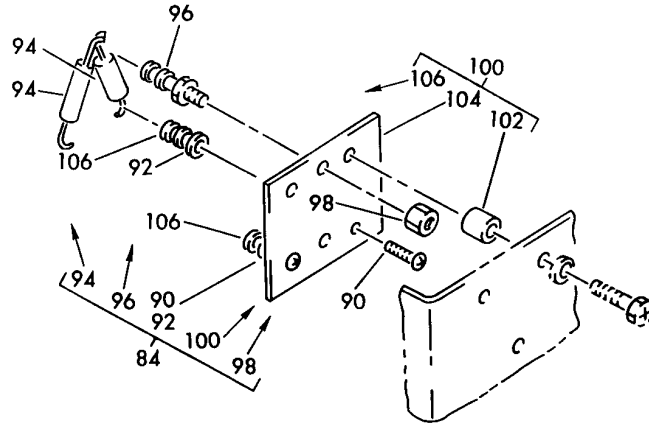
EQUIPMENT INSTL-MAIN ELECTRONICS EQPT CTR (FLIGHT CONTROL SYSTEM ELECTRONICS UNIT ONLY)  
 FIGURE 1 (SHEET 3)

**27-09-01-01**

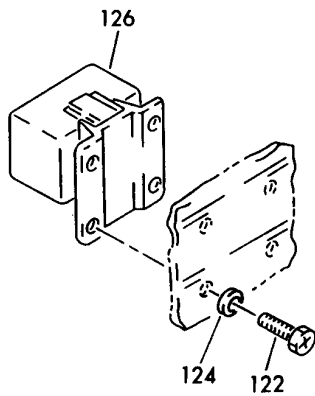
BRI  
 JAN 20/09

27-09-01-01  
 PAGE 0B

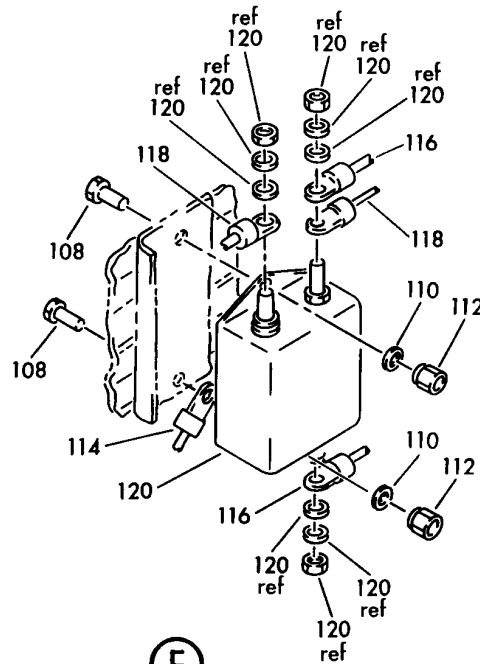
**BOEING**  
757  
PARTS CATALOG (MAINTENANCE)



(E)



(G)



(F)

Y 27090101 SHT 4 REV 149

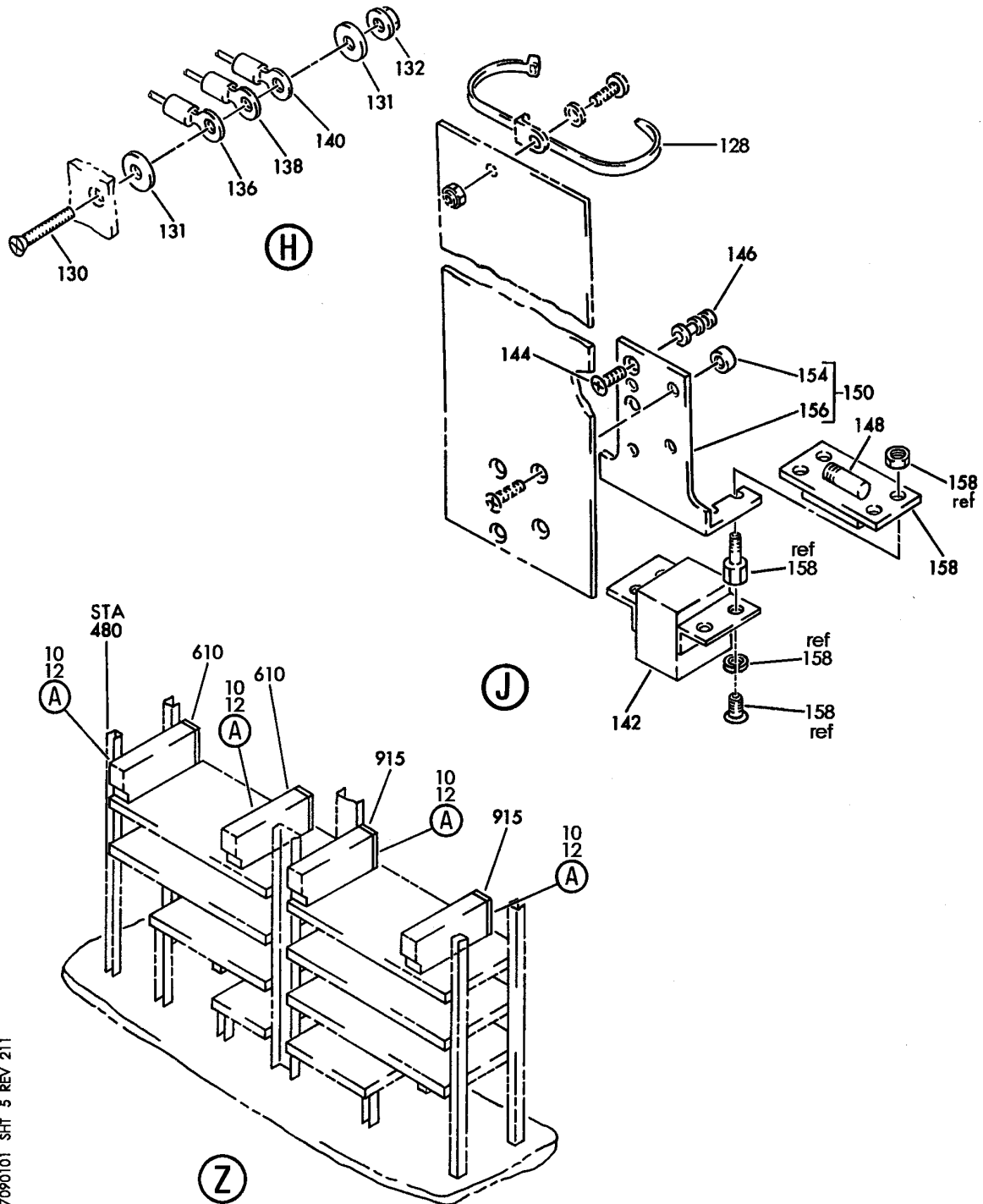
EQUIPMENT INSTL-MAIN ELECTRONICS EQPT CTR (FLIGHT CONTROL SYSTEM ELECTRONICS UNIT ONLY)  
FIGURE 1 (SHEET 4)

**27-09-01-01**

BRI  
MAY 28/07

27-09-01-01  
PAGE 0C


**BOEING**  
 757  
**PARTS CATALOG (MAINTENANCE)**



Y 27090101 SHT 5 REV 211

EQUIPMENT INSTL-MAIN ELECTRONICS EQPT CTR (FLIGHT CONTROL SYSTEM ELECTRONICS UNIT ONLY)  
 FIGURE 1 (SHEET 5)

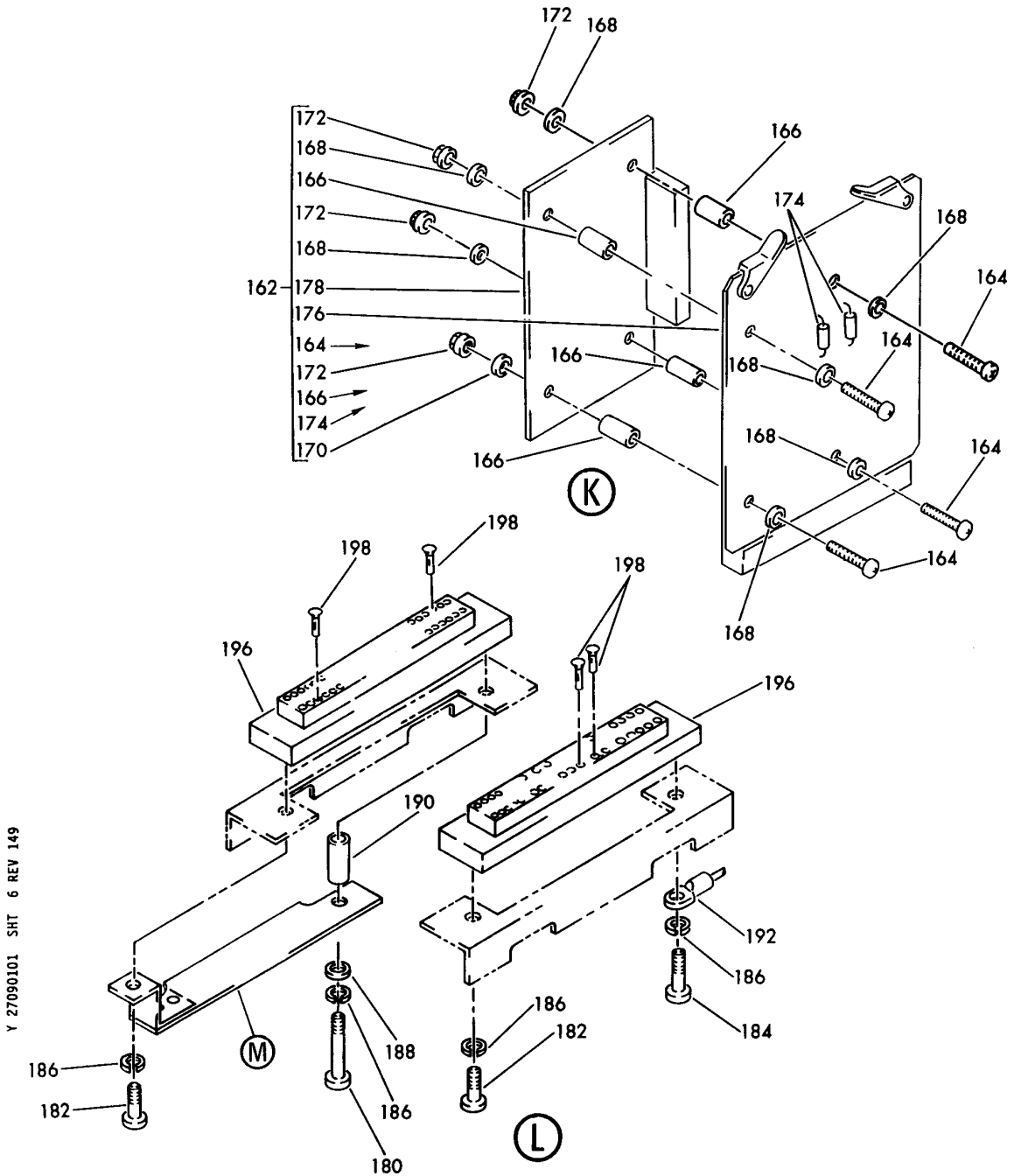
BRI  
 MAY 28/07

**27-09-01-01**

27-09-01-01  
 PAGE 0D



**BOEING**  
757  
PARTS CATALOG (MAINTENANCE)



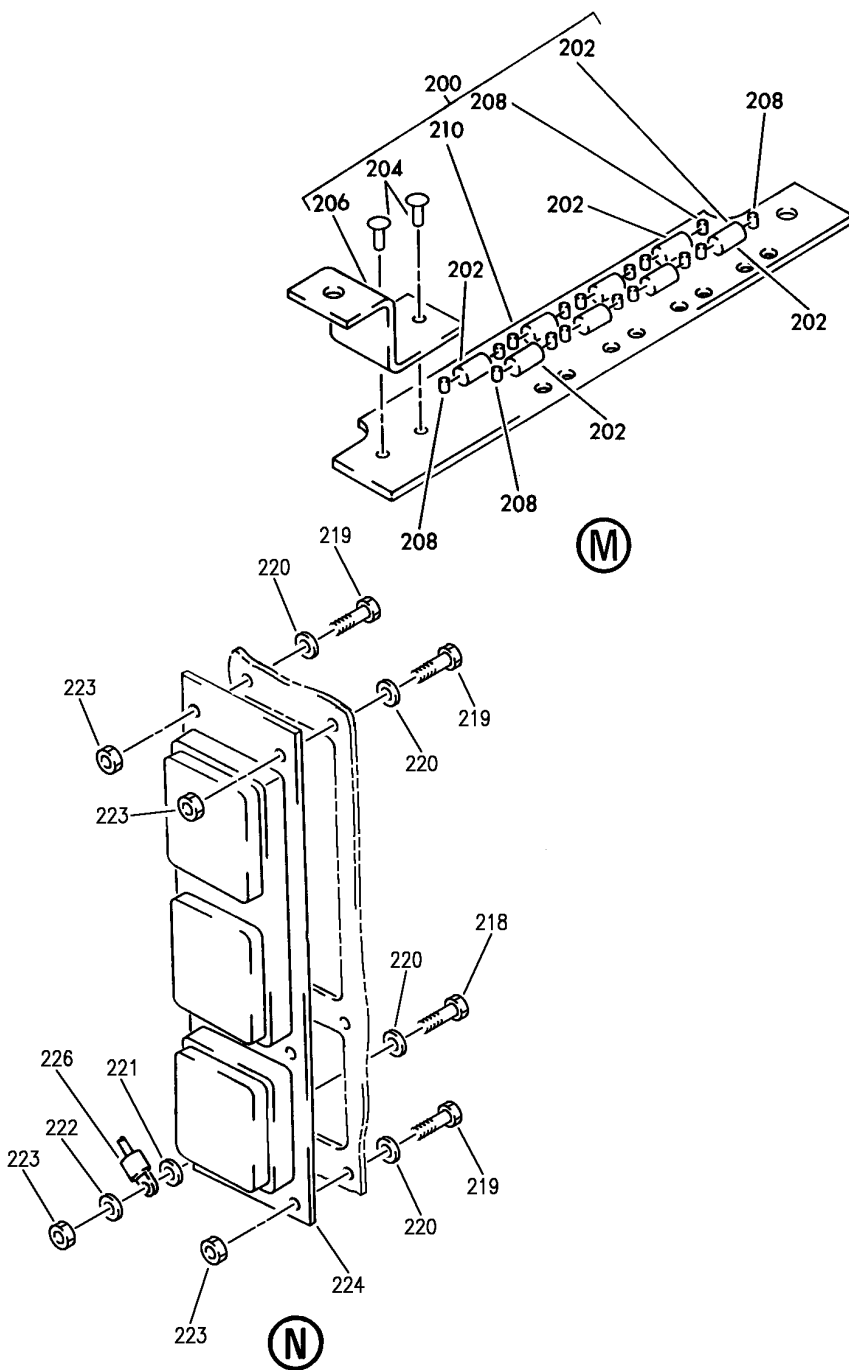
EQUIPMENT INSTL-MAIN ELECTRONICS EQPT CTR (FLIGHT CONTROL SYSTEM ELECTRONICS UNIT ONLY)  
FIGURE 1 (SHEET 6)

**27-09-01-01**

BRI  
MAY 28/07

27-09-01-01  
PAGE 0E

**BOEING**  
757  
PARTS CATALOG (MAINTENANCE)



Y 27090101 SH 7 REV 330

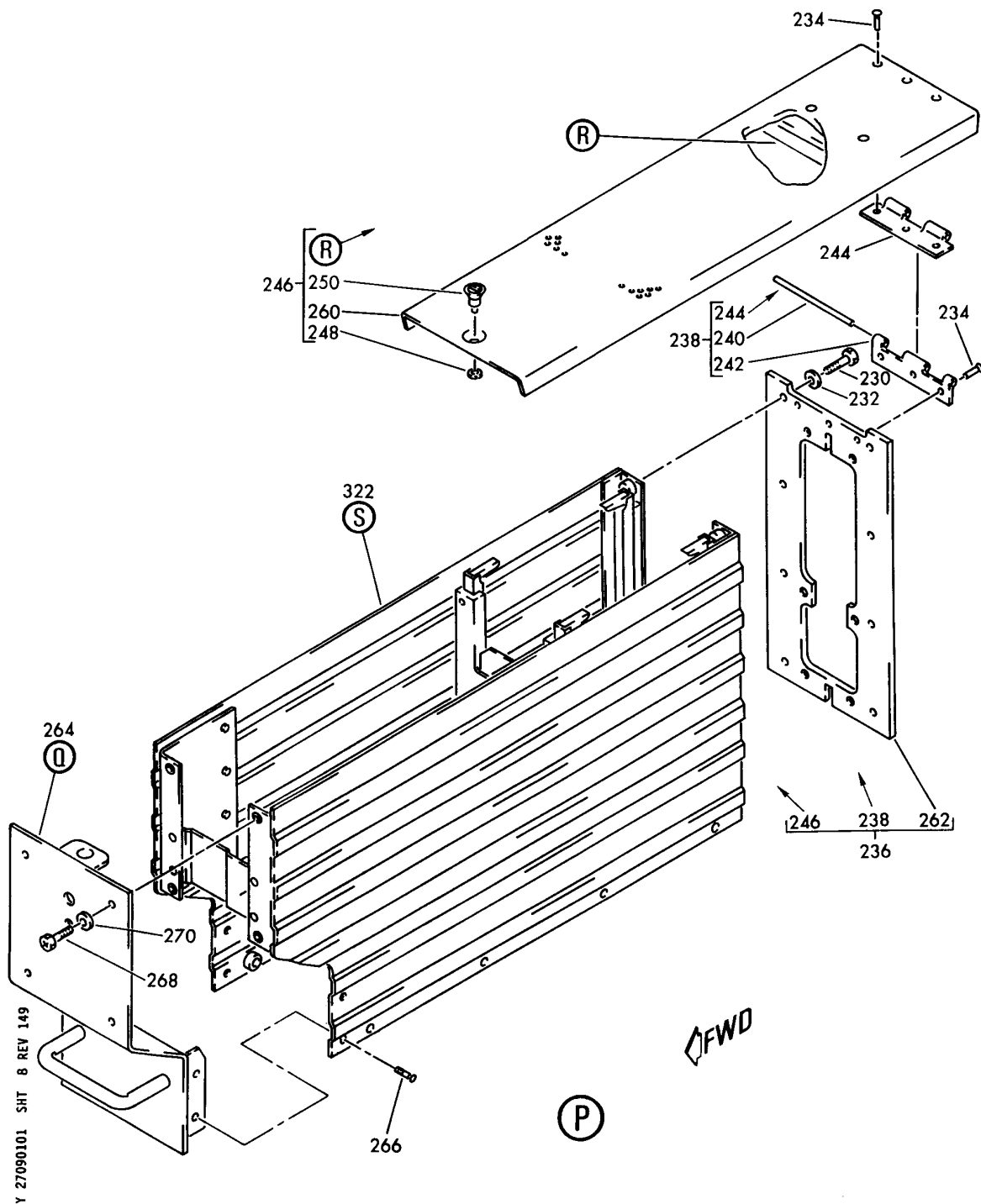
EQUIPMENT INSTL-MAIN ELECTRONICS EQPT CTR (FLIGHT CONTROL SYSTEM ELECTRONICS UNIT ONLY)  
FIGURE 1 (SHEET 7)

BRI  
JAN 20/09

**27-09-01-01**

27-09-01-01  
PAGE OF

**BOEING**  
757  
PARTS CATALOG (MAINTENANCE)



Y 27090101 SHT 8 REV 149

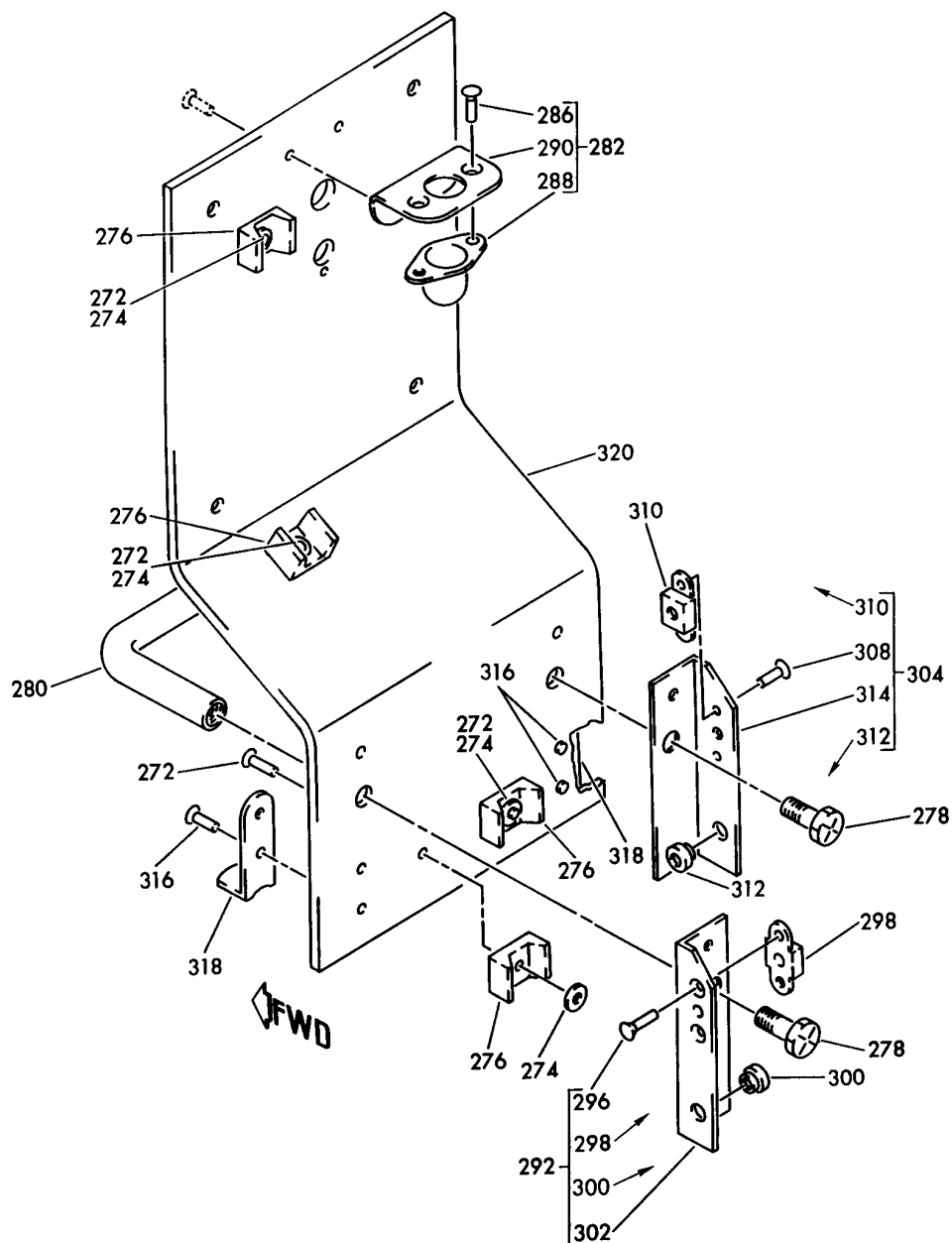
EQUIPMENT INSTL-MAIN ELECTRONICS EQPT CTR (FLIGHT CONTROL SYSTEM ELECTRONICS UNIT ONLY)  
FIGURE 1 (SHEET 8)

**27-09-01-01**

BRI  
MAY 28/07

27-09-01-01  
PAGE 08

**BOEING**  
757  
PARTS CATALOG (MAINTENANCE)



Q

Y 27090101 SHT 9 REV 149

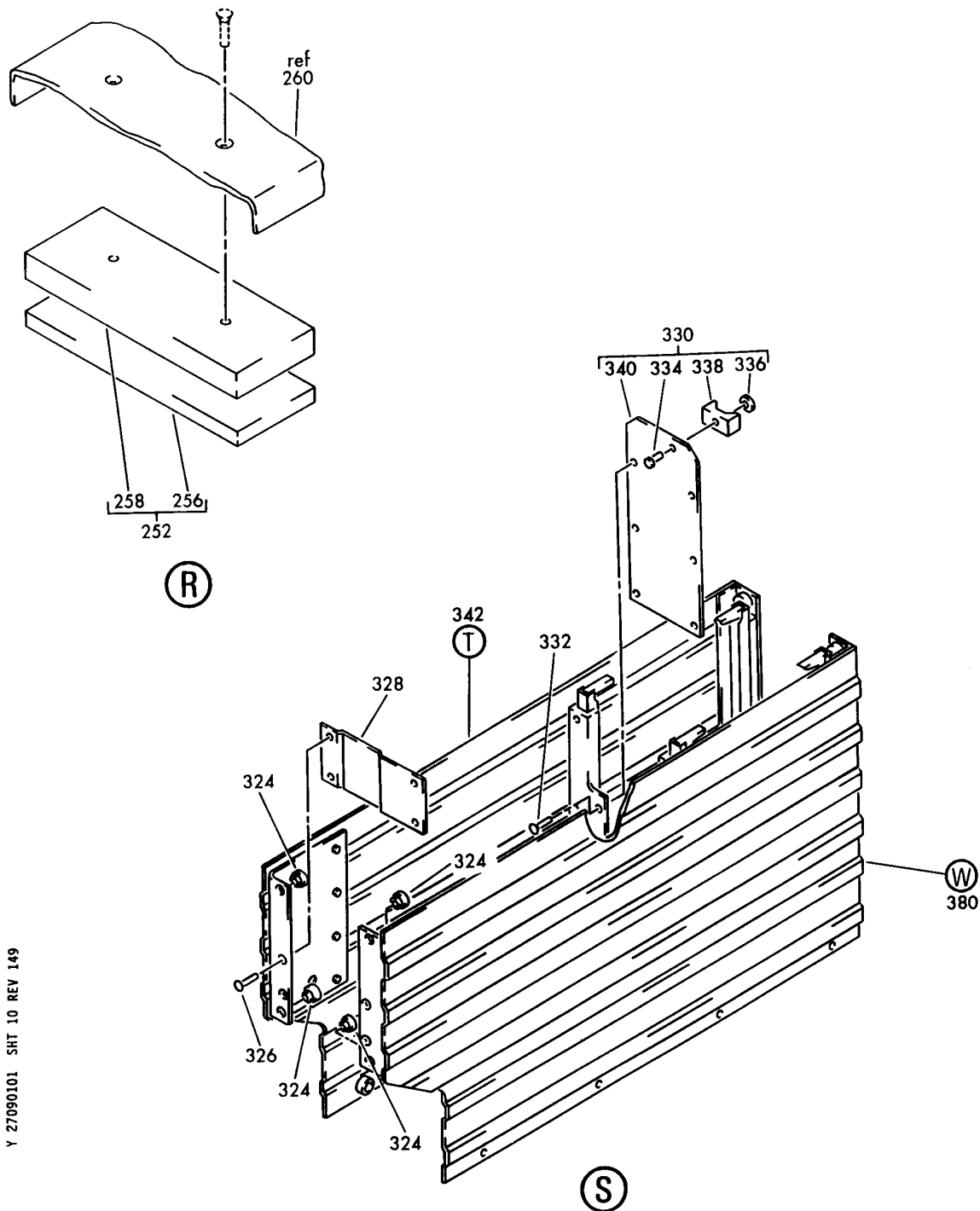
EQUIPMENT INSTL-MAIN ELECTRONICS EQPT CTR (FLIGHT CONTROL SYSTEM ELECTRONICS UNIT ONLY)  
FIGURE 1 (SHEET 9)

**27-09-01-01**

BRI  
MAY 28/07

27-09-01-01  
PAGE 0H

**BOEING**  
757  
PARTS CATALOG (MAINTENANCE)



Y 27090101 SHT 10 REV 149

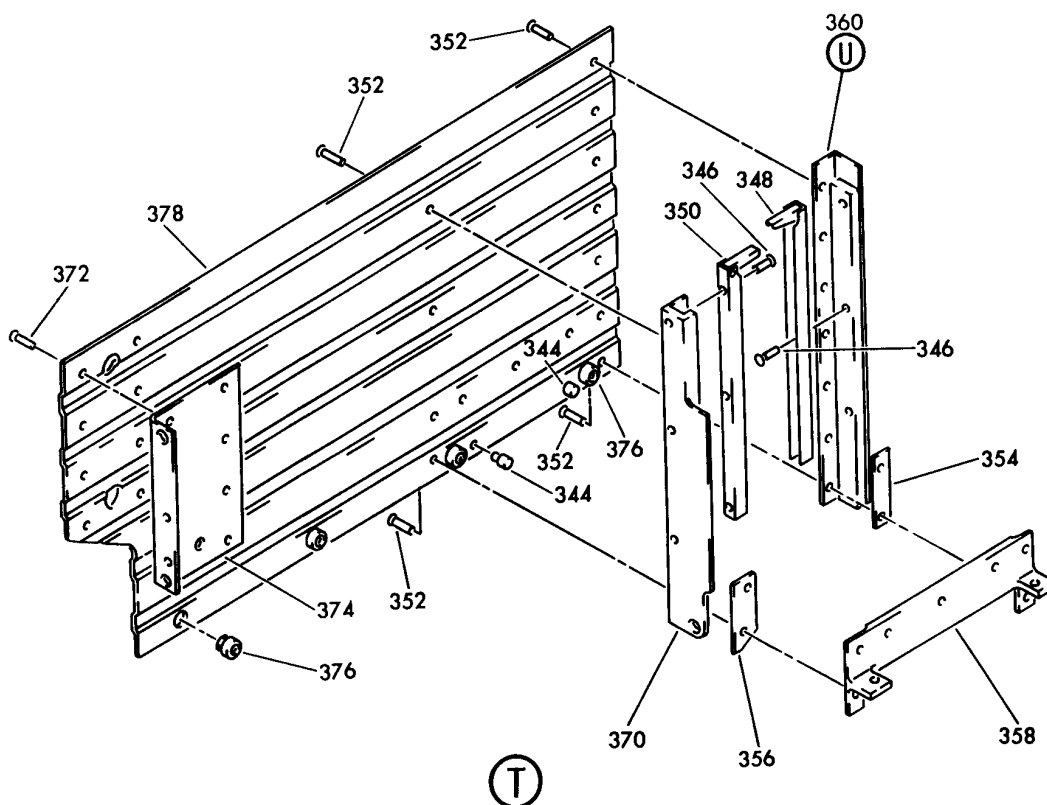
EQUIPMENT INSTL-MAIN ELECTRONICS EQPT CTR (FLIGHT CONTROL SYSTEM ELECTRONICS UNIT ONLY)  
FIGURE 1 (SHEET 10)

**27-09-01-01**

BRI  
MAY 28/07

27-09-01-01  
PAGE 01

**BOEING**  
757  
PARTS CATALOG (MAINTENANCE)



Y 27090101 SHT 11 REV 149

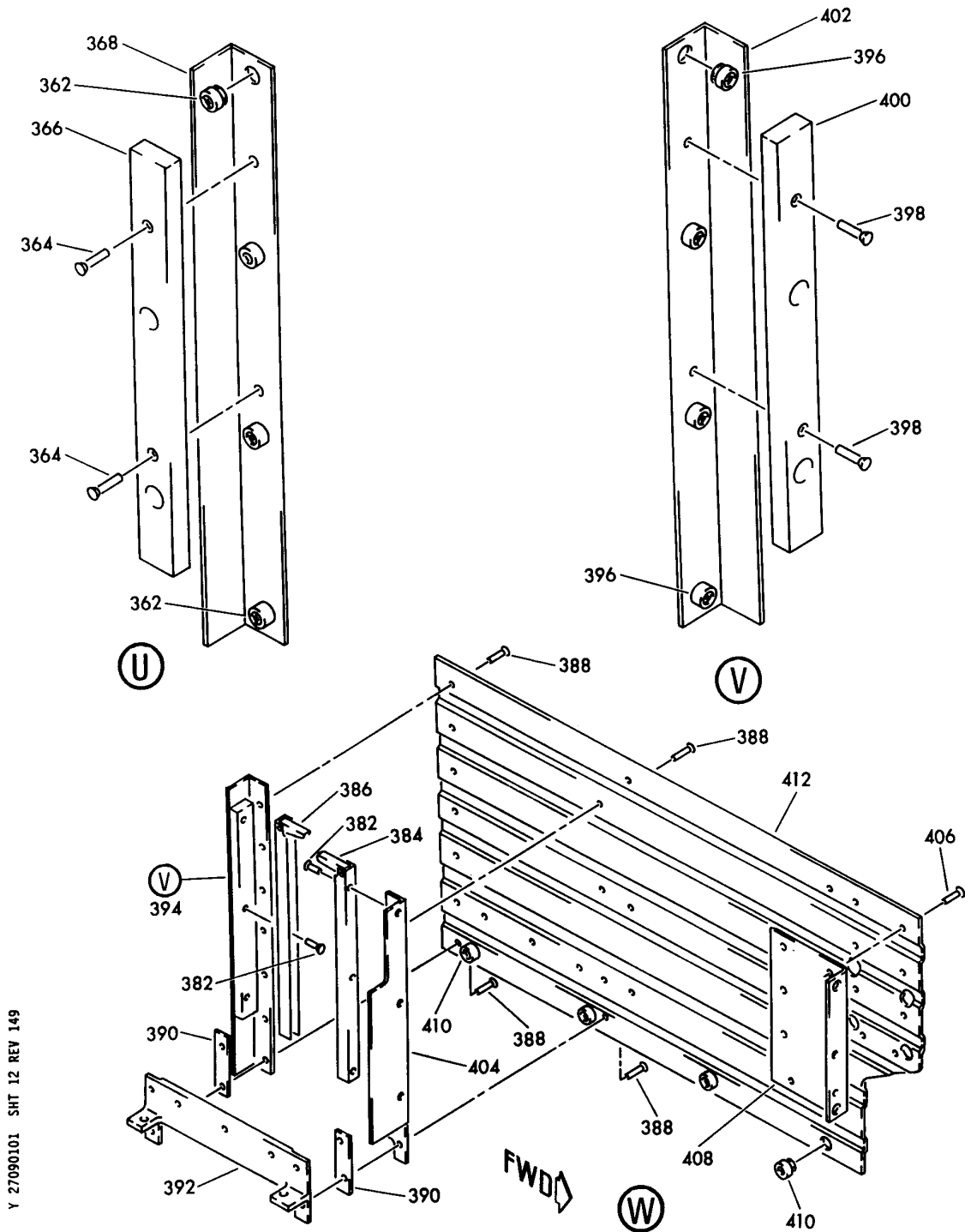
EQUIPMENT INSTL-MAIN ELECTRONICS EQPT CTR (FLIGHT CONTROL SYSTEM ELECTRONICS UNIT ONLY)  
FIGURE 1 (SHEET 11)

BRI  
MAY 28/07

**27-09-01-01**

27-09-01-01  
PAGE 0J

**BOEING**  
757  
PARTS CATALOG (MAINTENANCE)



EQUIPMENT INSTL-MAIN ELECTRONICS EQPT CTR (FLIGHT CONTROL SYSTEM ELECTRONICS UNIT ONLY)  
FIGURE 1 (SHEET 12)

BRI  
MAY 28/07

**27-09-01-01**

27-09-01-01  
PAGE OK



757

PARTS CATALOG (MAINTENANCE)

FIG ITEM	PART NUMBER	1 2 3 4 5 6 7	NOMENCLATURE	EFFECT FROM TO	UNITS PER ASSY
1			EQUIPMENT INSTL-MAIN ELECTRONICS EQPT CTR (FLIGHT CONTROL SYSTEM ELECTRONICS UNIT ONLY)	002004 006100 107107 121999	
- 2	284N1307-33		EQUIPMENT INSTL-MAIN ELECTRONICS EQPT CTR (FLIGHT CONTROL SYSTEM ELECTRONICS UNIT ONLY) FOR NHA/OTHER SYS DET SEE: 24-00-58-01	107107	RF
- 2	284N1800-32		EQUIPMENT INSTL-MAIN ELECTRONICS EQPT CTR (FLIGHT CONTROL SYSTEM ELECTRONICS UNIT ONLY) FOR NHA/OTHER SYS DET SEE: 24-00-58-01	952999	RF
- 4	284N1800-16		EQUIPMENT INSTL-MAIN ELECTRONICS EQPT CTR (FLIGHT CONTROL SYSTEM ELECTRONICS UNIT ONLY) FOR NHA/OTHER SYS DET SEE: 24-00-58-01	121503 904949	RF
- 5	284N1800-34		EQUIPMENT INSTL-MAIN ELECTRONICS EQPT CTR (FLIGHT CONTROL SYSTEM ELECTRONICS UNIT ONLY) FOR NHA/OTHER SYS DET SEE: 24-00-58-01	002004 006100	RF
- 5	284N1800-38		EQUIPMENT INSTL-MAIN ELECTRONICS EQPT CTR (FLIGHT CONTROL SYSTEM ELECTRONICS UNIT ONLY) FOR NHA/OTHER SYS DET SEE: 24-00-58-01	950951	RF
- 7	284N1800-88		EQUIPMENT INSTL-MAIN ELECTRONICS EQPT CTR (FLIGHT CONTROL SYSTEM ELECTRONICS UNIT ONLY) FOR NHA/OTHER SYS DET SEE: 24-00-58-05E	505505	RF
- 7	284N1800-190		EQUIPMENT INSTL-MAIN ELECTRONICS EQPT CTR (FLIGHT CONTROL SYSTEM ELECTRONICS UNIT ONLY) FOR NHA/OTHER SYS DET SEE: 24-00-58-05E	504504 506903	RF

MISSING ITEM NUMBERS NOT APPLICABLE

- ITEM NOT ILLUSTRATED

27-09-01-01

27-09-01  
FIG. 01  
PAGE 1  
JAN 20/09

BRI





757

PARTS CATALOG (MAINTENANCE)

FIG ITEM	PART NUMBER	1 2 3 4 5 6 7	NOMENCLATURE	EFFECT FROM TO	UNITS PER ASSY
R R	1 10	285T0017-201	.MODULE ASSY-PWR SUPPLY SUPPLIER CODE: V89954 FUNCTIONAL DESCRIPTION: THE CONTROL SYSTEM ELECTRONIC POWER SUPPLY MODULE (PSM) CONSISTS OF LEFT AND RIGHT CSEU POWER SUPPLY SUB-SYSTEMS. EACH CONTAINS TWO CSEU POWER SUPPLY MODULES. ELECTRICAL EQUIP NUMBER: M00536 M00537 M00538 M00539 COMPONENT MAINT MANUAL REF: 27-09-58 FUNCTIONAL REFERENCE: PLACARDS AND MARKINGS FOR DETAILS SEE 11-36-00-10	107107	4
	10	285T0017-102	.MODULE ASSY-PWR SUPPLY SUPPLIER CODE: V89954 ELECTRICAL EQUIP NUMBER: M00536 M00537 M00538 M00539 COMPONENT MAINT MANUAL REF: 27-09-56 FUNCTIONAL REFERENCE: PLACARDS AND MARKINGS FOR DETAILS SEE 11-36-00-10	107107	4

MISSING ITEM NUMBERS NOT APPLICABLE

- ITEM NOT ILLUSTRATED

**27-09-01-01**

27-09-01  
FIG. 01  
PAGE 2  
MAY 20/09

BRI



757

PARTS CATALOG (MAINTENANCE)

FIG ITEM	PART NUMBER	1 2 3 4 5 6 7	NOMENCLATURE	EFFECT FROM TO	UNITS PER ASSY
1 10	285T0017-103		.MODULE ASSY-PWR SUPPLY SUPPLIER CODE: V89954 ELECTRICAL EQUIP NUMBER: M00536 M00537 M00538 M00539 COMPONENT MAINT MANUAL REF: 27-09-56 FUNCTIONAL REFERENCE: PLACARDS AND MARKINGS FOR DETAILS SEE 11-36-00-10	107107	4
10	285T0017-104		.MODULE ASSY-PWR SUPPLY SUPPLIER CODE: V89954 MISCELLANEOUS DATA: IF THE -103 AND -104 ARE INTERMIXED, IT IS RECOMMENDED THAT THE -104 BE INSTALLED IN THE PSM 1 LEFT AND PSM 1 RIGHT POSITIONS TO TAKE ADVANTAGE OF THE PRODUCT IMPROVEMENTS INCORPORATED IN THE -104 PSM. FOR DETAILS SEE THE APPLICABLE SERVICE LETTER 747-SL-27-102, 757-SL-27-50, OR 767-SL-27-55. ELECTRICAL EQUIP NUMBER: M00536 M00537 M00538 M00539 COMPONENT MAINT MANUAL REF: 27-09-57 FUNCTIONAL REFERENCE: PLACARDS AND MARKINGS FOR DETAILS SEE 11-36-00-10	107107	4

MISSING ITEM NUMBERS NOT APPLICABLE

- ITEM NOT ILLUSTRATED

BRI

27-09-01-01

27-09-01  
FIG. 01  
PAGE 3  
MAY 20/09



757

PARTS CATALOG (MAINTENANCE)

FIG ITEM	PART NUMBER	1 2 3 4 5 6 7	NOMENCLATURE	EFFECT FROM TO	UNITS PER ASSY
R R	1 10	285T0017-201	.MODULE ASSY-PWR SUPPLY SUPPLIER CODE: V89954 FUNCTIONAL DESCRIPTION: THE CONTROL SYSTEM ELECTRONIC POWER SUPPLY MODULE (PSM) CONSISTS OF LEFT AND RIGHT CSEU POWER SUPPLY SUB-SYSTEMS. EACH CONTAINS TWO CSEU POWER SUPPLY MODULES. ELECTRICAL EQUIP NUMBER: M00536 M00537 M00538 M00539 COMPONENT MAINT MANUAL REF: 27-09-58 VARIABLE DRAWING REF: 285T0017-5004 285T0017-5005 FUNCTIONAL REFERENCE: PLACARDS AND MARKINGS FOR DETAILS SEE 11-36-00-10	002004 006100 121503 904999	4
	10	285T0017-103	.MODULE ASSY-PWR SUPPLY SUPPLIER CODE: V89954 ELECTRICAL EQUIP NUMBER: M00536 M00537 M00538 M00539 COMPONENT MAINT MANUAL REF: 27-09-56 FUNCTIONAL REFERENCE: PLACARDS AND MARKINGS FOR DETAILS SEE 11-36-00-10	002004 006100 121503 904999	4

MISSING ITEM NUMBERS NOT APPLICABLE

- ITEM NOT ILLUSTRATED

27-09-01-01

27-09-01  
FIG. 01  
PAGE 4  
MAY 20/09

BRI



757

PARTS CATALOG (MAINTENANCE)

FIG ITEM	PART NUMBER	1 2 3 4 5 6 7 NOMENCLATURE	EFFECT FROM TO	UNITS PER ASSY
1 10	285T0017-104	.MODULE ASSY-PWR SUPPLY SUPPLIER CODE: V89954 MISCELLANEOUS DATA: IF THE -103 AND -104 ARE INTERMIXED, IT IS RECOMMENDED THAT THE -104 BE INSTALLED IN THE PSM 1 LEFT AND PSM 1 RIGHT POSITIONS TO TAKE ADVANTAGE OF THE PRODUCT IMPROVEMENTS INCORPORATED IN THE -104 PSM. FOR DETAILS SEE THE APPLICABLE SERVICE LETTER 747-SL-27-102, 757-SL-27-50, OR 767-SL-27-55. ELECTRICAL EQUIP NUMBER: M00536 M00537 M00538 M00539 COMPONENT MAINT MANUAL REF: 27-09-57 FUNCTIONAL REFERENCE: PLACARDS AND MARKINGS FOR DETAILS SEE 11-36-00-10	002004 006100 121503 904999	4

MISSING ITEM NUMBERS NOT APPLICABLE

- ITEM NOT ILLUSTRATED

BRI

**27-09-01-01**

BOEING PROPRIETARY - Copyright © - Unpublished Work - See title page for details.

27-09-01  
FIG. 01  
PAGE 5  
MAY 20/09



757

**PARTS CATALOG (MAINTENANCE)**

FIG ITEM	PART NUMBER	1 2 3 4 5 6 7	NOMENCLATURE	EFFECT FROM TO	UNITS PER ASSY
1	285T0017-201	.MODULE ASSY-PWR SUPPLY	SUPPLIER CODE: V89954 FUNCTIONAL DESCRIPTION: THE CONTROL SYSTEM ELECTRONIC POWER SUPPLY MODULE (PSM) CONSISTS OF LEFT AND RIGHT CSEU POWER SUPPLY SUB-SYSTEMS. EACH CONTAINS TWO CSEU POWER SUPPLY MODULES. ELECTRICAL EQUIP NUMBER: M00536 M00537 M00538 M00539 COMPONENT MAINT MANUAL REF: 27-09-58 VARIABLE DRAWING REF: 285T0017-5004 285T0017-5005 FUNCTIONAL REFERENCE: PLACARDS AND MARKINGS FOR DETAILS SEE 11-36-00-10	504903	4

R  
R  
R  
R  
R  
R  
R  
R  
R  
R  
R  
R  
R  
R  
R  
R  
R  
R  
R  
R

MISSING ITEM NUMBERS NOT APPLICABLE

- ITEM NOT ILLUSTRATED

# 27-09-01-01

27-09-01  
FIG. 01  
PAGE 6  
MAY 20/09

BRI



757

PARTS CATALOG (MAINTENANCE)

FIG ITEM	PART NUMBER	1 2 3 4 5 6 7	NOMENCLATURE	EFFECT FROM TO	UNITS PER ASSY
1 12	285T0017-104		.MODULE ASSY-PWR SUPPLY SUPPLIER CODE: V89954 MISCELLANEOUS DATA: IF THE -103 AND -104 ARE INTERMIXED, IT IS RECOMMENDED THAT THE -104 BE INSTALLED IN THE PSM 1 LEFT AND PSM 1 RIGHT POSITIONS TO TAKE ADVANTAGE OF THE PRODUCT IMPROVEMENTS INCORPORATED IN THE -104 PSM. FOR DETAILS SEE THE APPLICABLE SERVICE LETTER 747-SL-27-102, 757-SL-27-50, OR 767-SL-27-55. ELECTRICAL EQUIP NUMBER: M00536 M00537 M00538 M00539 COMPONENT MAINT MANUAL REF: 27-09-57 FUNCTIONAL REFERENCE: PLACARDS AND MARKINGS FOR DETAILS SEE 11-36-00-10	504903	4
12	285T0017-103		.MODULE ASSY-PWR SUPPLY SUPPLIER CODE: V89954 ELECTRICAL EQUIP NUMBER: M00536 M00537 M00538 M00539 COMPONENT MAINT MANUAL REF: 27-09-57 FUNCTIONAL REFERENCE: PLACARDS AND MARKINGS FOR DETAILS SEE 11-36-00-10	504903	4
14	BAC27TEX3327		..DECALSET-(INCLUDES DECALS IDENTIFIED ON THE ILLUSTRATION) USED ON: 285T0017-104	002004 006100 107107 121999	1

MISSING ITEM NUMBERS NOT APPLICABLE

- ITEM NOT ILLUSTRATED

27-09-01-01

27-09-01  
FIG. 01  
PAGE 7  
MAY 20/09

BRI



757

PARTS CATALOG (MAINTENANCE)

FIG ITEM	PART NUMBER	1 2 3 4 5 6 7	NOMENCLATURE	EFFECT FROM TO	UNITS PER ASSY
1					
15	BAC27TEX3327		..DECALSET-(INCLUDES DECALS IDENTIFIED ON THE ILLUSTRATION) USED ON: 285T0017-201	002004 006100 107107 121999	1
16	BAC27TEX4410		..MARKER-ALUMINUM FOIL SUPPLIER CODE: V89954 USED ON: 285T0017-104	002004 006100 107107 121999	1
18	BAC27TEX4411		..MARKER-ALUMINUM FOIL SUPPLIER CODE: V89954 USED ON: 285T0017-104	002004 006100 107107 121999	1
19	BAC27TEX1575		..MARKER-ALUMINUM FOIL SUPPLIER CODE: V89954 USED ON: 285T0017-102 285T0017-103 285T0017-104	002004 006100 107107 121999	1
20	BAC27TEX1576		..DECAL- SUPPLIER CODE: V89954 USED ON: 285T0017-102 285T0017-103 285T0017-104	002004 006100 107107 121999	1
22	BHGD21T24YBLK		..INDICATOR- SUPPLIER CODE: V07479 USED ON: 285T0017-102 285T0017-103 285T0017-104	002004 006100 107107 121999	1

MISSING ITEM NUMBERS NOT APPLICABLE

- ITEM NOT ILLUSTRATED

27-09-01-01

27-09-01  
FIG. 01  
PAGE 8  
MAY 20/09

BRI



757

PARTS CATALOG (MAINTENANCE)

FIG ITEM	PART NUMBER	1 2 3 4 5 6 7	NOMENCLATURE	EFFECT FROM TO	UNITS PER ASSY
1					
25	LM117KSTEEL883B	..	MICROCIRCUIT-TYPE 117K VOLTAGE SUPPLIER CODE: V27014 SPECIFICATION NUMBER: 280-22002-334 OPTIONAL PART: LM117KSTEEL883 V27014 LM117KBZAJC V04713 SG117K883B V34333 UA117KMQB V07263 USED ON: 285T0017-102 285T0017-103 285T0017-104	002004 006100 107107 121999	3
30	182-14471-5	..	TRANSFORMER- SUPPLIER CODE: V89954 USED ON: 285T0017-102 285T0017-103 285T0017-104	002004 006100 107107 121999	1
35	SG1524J883B	..	SEMICONDUCTOR- SUPPLIER CODE: V34333 USED ON: 285T0017-102 285T0017-103 285T0017-104	002004 006100 107107 121999	1
- 600	286N1165-004		WIRE BUNDLE ASSY	107107 121503 904949	RF
- 600	286N1165-005		WIRE BUNDLE ASSY	002004 006100 950999	RF
- 601	286N1165-323		WIRE BUNDLE ASSY	504903	RF
610	BACC66H21C3101	.	CONNECTOR- ELECTRICAL EQUIP NUMBER: D00671 D00673 WIRING DIAGRAM REF: 270911 276115	002004 006100 107107 121999	2

MISSING ITEM NUMBERS NOT APPLICABLE

- ITEM NOT ILLUSTRATED

27-09-01-01

27-09-01  
FIG. 01  
PAGE 9  
MAY 20/09

BRI





757

PARTS CATALOG (MAINTENANCE)

FIG ITEM	PART NUMBER	1 2 3 4 5 6 7	NOMENCLATURE	EFFECT FROM TO	UNITS PER ASSY
1					
- 905	286N1265-004		WIRE BUNDLE ASSY-	107107 121503 904949	RF
- 905	286N1265-005		WIRE BUNDLE ASSY- REWORKED BY SB: 34-0200	002004 006100 950999	RF
- 906	286N1265-321		WIRE BUNDLE ASSY	504903	RF
915	BACC66H21C3101		.CONNECTOR- ELECTRICAL EQUIP NUMBER: D00701 D00703 WIRING DIAGRAM REF: 276117	002004 006100 107107 121999	2

MISSING ITEM NUMBERS NOT APPLICABLE

- ITEM NOT ILLUSTRATED

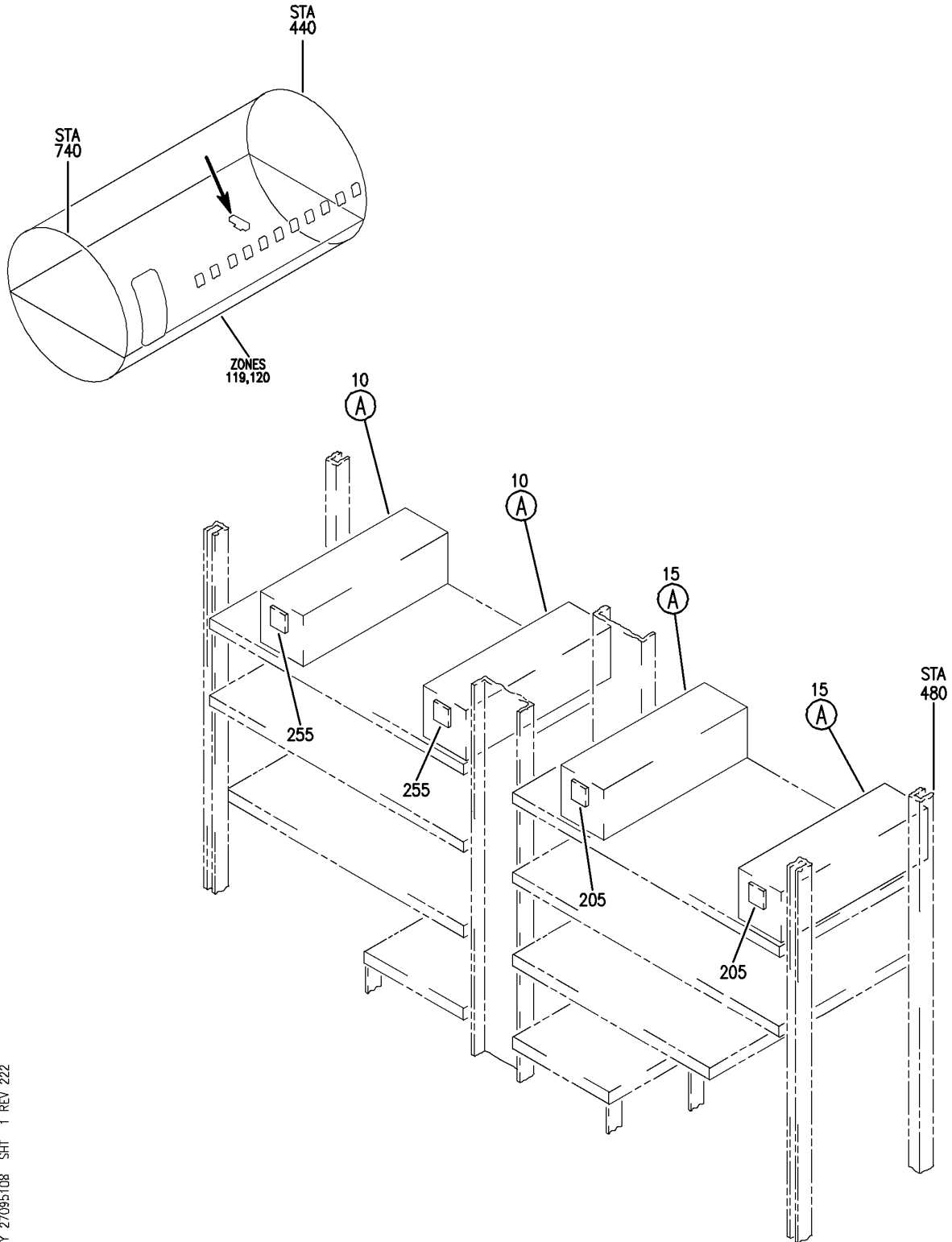
BRI

27-09-01-01

BOEING PROPRIETARY - Copyright © - Unpublished Work - See title page for details.

27-09-01  
FIG. 01  
PAGE 10  
MAY 20/09

**BOEING**  
757  
PARTS CATALOG (MAINTENANCE)



Y 27095108 SHT 1 REV 222

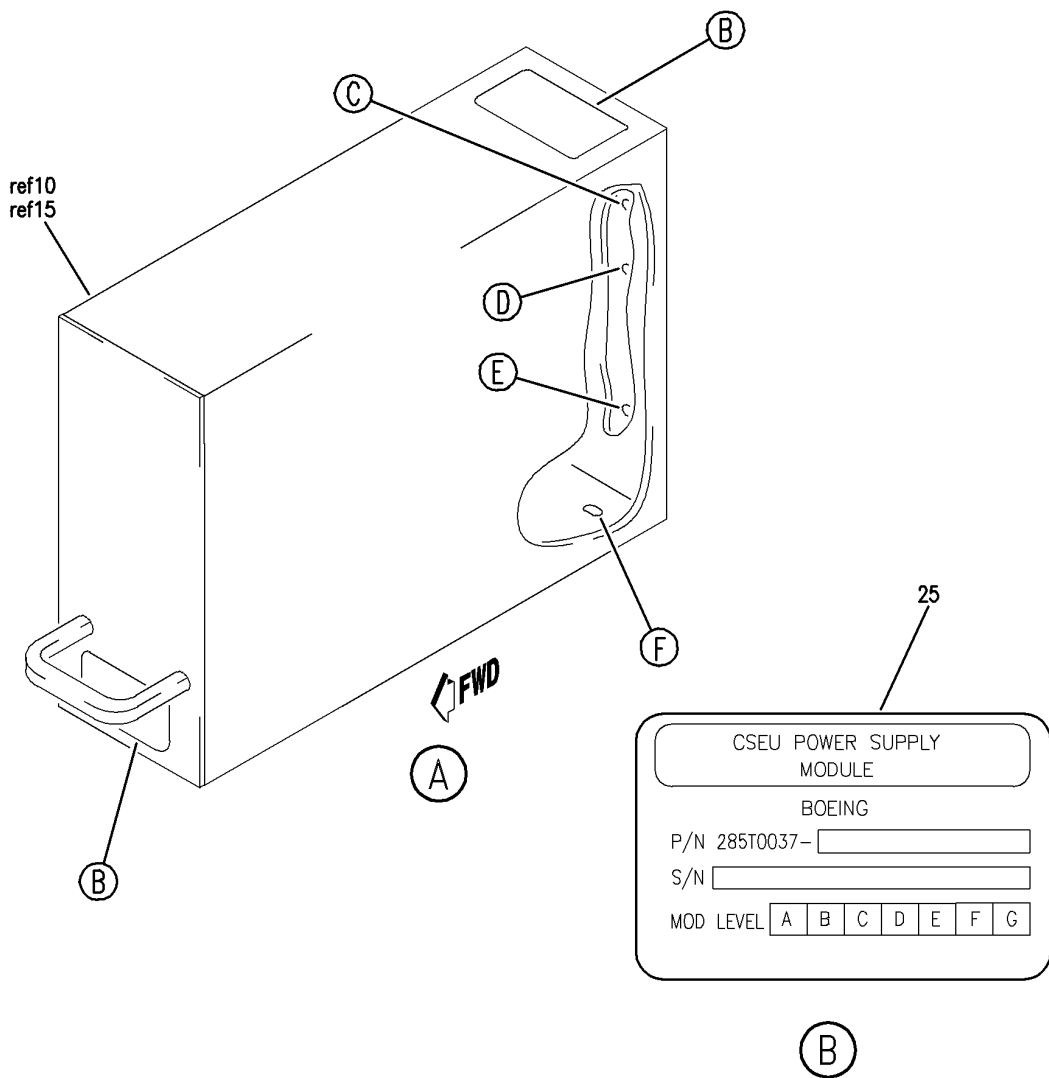
EQUIPMENT INSTL-MAIN ELECTRONICS EQPT CTR PWR SUPPLY CSEU  
FIGURE 8 (SHEET 1)

**27-09-51-08**

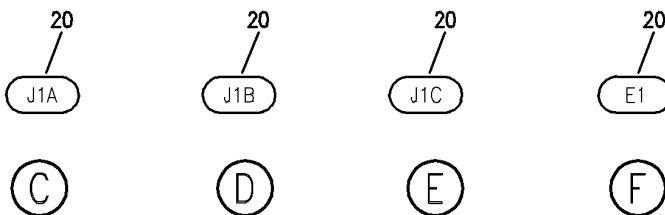
BRI  
JAN 20/09

27-09-51-08  
PAGE 0

**BOEING**  
757  
PARTS CATALOG (MAINTENANCE)



Y 27095108 SHT 2 REV 222



EQUIPMENT INSTL-MAIN ELECTRONICS EQPT CTR PWR SUPPLY CSEU  
FIGURE 8 (SHEET 2)

**27-09-51-08**

BRI  
JAN 20/09

27-09-51-08  
PAGE 0A



757

PARTS CATALOG (MAINTENANCE)

FIG ITEM	PART NUMBER	1 2 3 4 5 6 7	NOMENCLATURE	EFFECT FROM TO	UNITS PER ASSY
8			EQUIPMENT INSTL-MAIN ELECTRONICS EQPT CTR PWR SUPPLY CSEU	103106 108120	
- 1	284N4000-270006		EQUIPMENT INSTL-MAIN ELECTRONICS EQPT CTR PWR SUPPLY CSEU	108120	RF
- 1	MODREF10037		FOR NHA SEE: 24-00-58-05 EQUIPMENT INSTL-MAIN ELECTRONICS EQPT CTR PWR SUPPLY CSEU	103106	1
- 5	284N4000-270007		MODULE NUMBER: 284N4000-270006 REV A EQUIPMENT INSTL-MAIN ELECTRONICS EQPT CTR PWR SUPPLY CSEU	108120	RF
- 5	MODREF10038		FOR NHA SEE: 24-00-58-05 EQUIPMENT INSTL-MAIN ELECTRONICS EQPT CTR PWR SUPPLY CSEU	103106	1
10	285T0017-201		MODULE NUMBER: 284N4000-270007 REV A .MODULE ASSY- SUPPLIER CODE: V89954 FUNCTIONAL DESCRIPTION: THE CONTROL SYSTEM ELECTRONIC POWER SUPPLY MODULE (PSM) CONSISTS OF LEFT AND RIGHT CSEU POWER SUPPLY SUB-SYSTEMS. EACH CONTAINS TWO CSEU POWER SUPPLY MODULES. ELECTRICAL EQUIP NUMBER: M00536 M00537 COMPONENT MAINT MANUAL REF: 27-09-58 VARIABLE DRAWING REF: 285T0017-5004 285T0017-5005 USED ON: 284N4000-270006 MODREF10037	103106 108120	2

R  
R  
R  
R  
R  
R  
R  
R  
R  
R  
R  
R  
R  
R  
R  
R  
R  
R  
R  
R  
R  
R

MISSING ITEM NUMBERS NOT APPLICABLE

- ITEM NOT ILLUSTRATED

**27-09-51-08**

27-09-51  
FIG. 08  
PAGE 1  
MAY 20/09

BRI



757

PARTS CATALOG (MAINTENANCE)

FIG ITEM	PART NUMBER	1 2 3 4 5 6 7	NOMENCLATURE	EFFECT FROM TO	UNITS PER ASSY
8 10	285T0017-104		.MODULE ASSY- SUPPLIER CODE: V89954 MISCELLANEOUS DATA: IF THE -103 AND -104 ARE INTERMIXED, IT IS RECOMMENDED THAT THE -104 BE INSTALLED IN THE PSM 1 LEFT AND PSM 1 RIGHT POSITIONS TO TAKE ADVANTAGE OF THE PRODUCT IMPROVEMENTS INCORPORATED IN THE -104 PSM. FOR DETAILS SEE THE APPLICABLE SERVICE LETTER 747-SL-27-102, 757-SL-27-50, OR 767-SL- 27-55. ELECTRICAL EQUIP NUMBER: M00536 M00537 COMPONENT MAINT MANUAL REF: 27-09-57 USED ON: 284N4000-270006 MODREF10037	103106 108120	2
10	285T0017-103		.MODULE ASSY- SUPPLIER CODE: V89954 ELECTRICAL EQUIP NUMBER: M00536 M00537 COMPONENT MAINT MANUAL REF: 27-09-56 USED ON: 284N4000-270006 MODREF10037	103106 108120	2

MISSING ITEM NUMBERS NOT APPLICABLE

- ITEM NOT ILLUSTRATED

BRI

27-09-51-08

BOEING PROPRIETARY - Copyright © - Unpublished Work - See title page for details.

27-09-51  
FIG. 08  
PAGE 2  
JAN 20/09



757

PARTS CATALOG (MAINTENANCE)

FIG ITEM	PART NUMBER	1 2 3 4 5 6 7	NOMENCLATURE	EFFECT FROM TO	UNITS PER ASSY
8 15	285T0017-201		.MODULE ASSY- SUPPLIER CODE: V89954 FUNCTIONAL DESCRIPTION: THE CONTROL SYSTEM ELECTRONIC POWER SUPPLY MODULE (PSM) CONSISTS OF LEFT AND RIGHT CSEU POWER SUPPLY SUB-SYSTEMS. EACH CONTAINS TWO CSEU POWER SUPPLY MODULES. ELECTRICAL EQUIP NUMBER: M00538 M00539 COMPONENT MAINT MANUAL REF: 27-09-58 VARIABLE DRAWING REF: 285T0017-5004 285T0017-5005 USED ON: 284N4000-270007 MODREF10038	103106 108120	2
	285T0017-104		.MODULE ASSY- SUPPLIER CODE: V89954 MISCELLANEOUS DATA: IF THE -103 AND -104 ARE INTERMIXED, IT IS RECOMMENDED THAT THE -104 BE INSTALLED IN THE PSM 1 LEFT AND PSM 1 RIGHT POSITIONS TO TAKE ADVANTAGE OF THE PRODUCT IMPROVEMENTS INCORPORATED IN THE -104 PSM. FOR DETAILS SEE THE APPLICABLE SERVICE LETTER 747-SL-27-102, 757-SL-27-50, OR 767-SL- 27-55. ELECTRICAL EQUIP NUMBER: M00538 M00539 COMPONENT MAINT MANUAL REF: 27-09-57 USED ON: 284N4000-270007 MODREF10038	103106 108120	2

MISSING ITEM NUMBERS NOT APPLICABLE

- ITEM NOT ILLUSTRATED

27-09-51-08

27-09-51  
FIG. 08  
PAGE 3  
MAY 20/09

BRI



757

PARTS CATALOG (MAINTENANCE)

FIG ITEM	PART NUMBER	1 2 3 4 5 6 7	NOMENCLATURE	EFFECT FROM TO	UNITS PER ASSY
8					
15	285T0017-103		.MODULE ASSY- SUPPLIER CODE: V89954 ELECTRICAL EQUIP NUMBER: M00538 M00539 COMPONENT MAINT MANUAL REF: 27-09-56 USED ON: 284N4000-270007 MODREF10038	103106 108120	2
20	BAC27TEX3327		..DECALSET-INCLUDES DECALS IDENTIFIED ON THE ILLUSTRATION	103106 108120	4
25	BAC27TEX5411		..DECAL- SUPPLIER CODE: V89954	103106 108120	2
- 200	286N1165-320		WIRE BUNDLE ASSY	108120	RF
- 201	286N1165-601		WIRE BUNDLE ASSY	103106	RF
205	BACC66H21C3101		.CONNECTOR- ELECTRICAL EQUIP NUMBER: D00671 D00673 WIRING DIAGRAM REF: 270911 276115	108120	2
205	BKA21C31AA01		.CONNECTOR- SUPPLIER CODE: V71468 SPECIFICATION NUMBER: BCREFA0641 OPTIONAL PART: S621C31AA01 V59610 NIC66H21C31AA01 V00779 OVERLENGTH PART NUMBER: BACC66H21C31AA01 ELECTRICAL EQUIP NUMBER: D00671 D00673 WIRING DIAGRAM REF: 270911 276115	103106	2
- 250	286N1265-328		WIRE BUNDLE ASSY-	108120	RF
- 252	286N1265-601		WIRE BUNDLE ASSY	103106	RF

MISSING ITEM NUMBERS NOT APPLICABLE

- ITEM NOT ILLUSTRATED

27-09-51-08

27-09-51  
FIG. 08  
PAGE 4  
JAN 20/09

BRI



757

PARTS CATALOG (MAINTENANCE)

FIG ITEM	PART NUMBER	1 2 3 4 5 6 7	NOMENCLATURE	EFFECT FROM TO	UNITS PER ASSY
8 255	BACC66H21C3101	.	CONNECTOR- ELECTRICAL EQUIP NUMBER: D00701 D00703 WIRING DIAGRAM REF: 276117	108120	2
255	BKA21C31AA01	.	CONNECTOR- SUPPLIER CODE: V71468 SPECIFICATION NUMBER: BCREFA0641 OPTIONAL PART: S621C31AA01 V59610 NIC66H21C31AA01 V00779 OVERLENGTH PART NUMBER: BACC66H21C31AA01 ELECTRICAL EQUIP NUMBER: D00701 D00703 WIRING DIAGRAM REF: 276117	103106	2

MISSING ITEM NUMBERS NOT APPLICABLE

- ITEM NOT ILLUSTRATED

BRI

27-09-51-08

BOEING PROPRIETARY - Copyright © - Unpublished Work - See title page for details.

27-09-51  
FIG. 08  
PAGE 5  
JAN 20/09

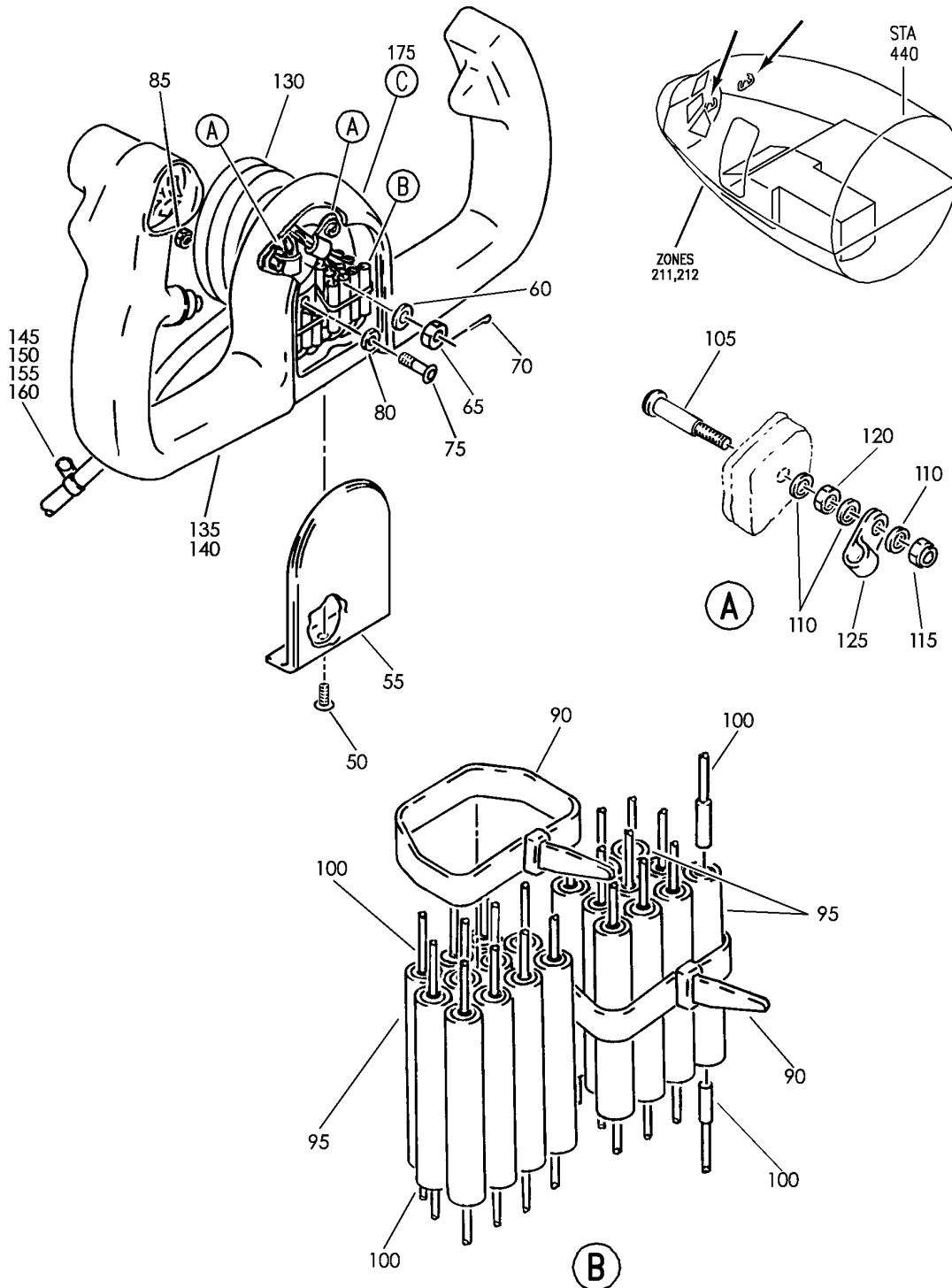


## **AILERON AND AILERON TRIM CONTROL SYSTEM**

BRI  
MAY 28/07

27-11-00  
SECTION TITLE  
PAGE 1

**BOEING**  
757  
PARTS CATALOG (MAINTENANCE)



Y 27110201 SH1 1 REV 261

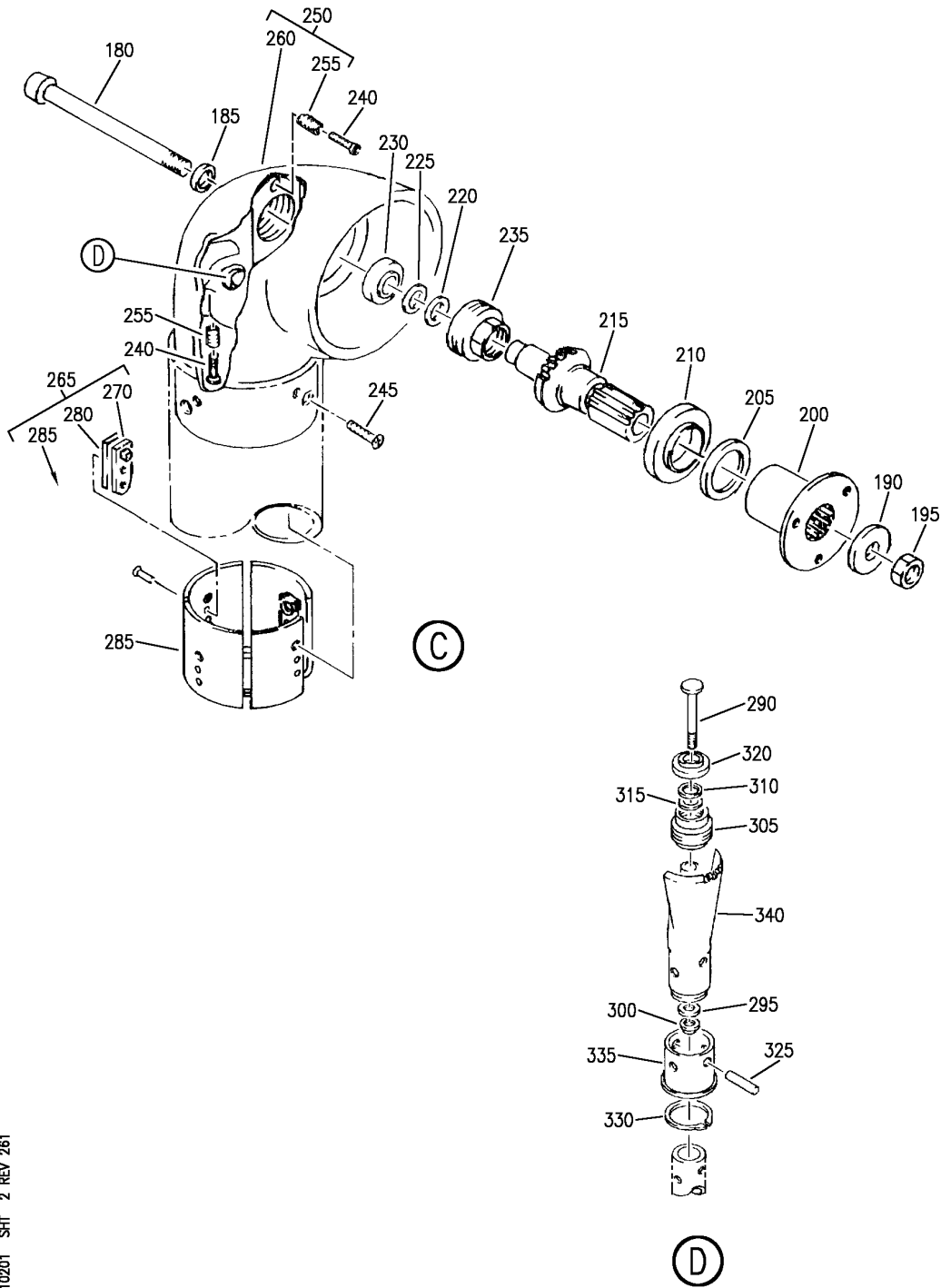
WHEEL AND COLUMN ASSY-(LATERAL CONTROL WHEEL ONLY)  
FIGURE 1 (SHEET 1)

**27-11-02-01**

BRI  
MAY 28/07

27-11-02-01  
PAGE 0


**BOEING**  
 757  
**PARTS CATALOG (MAINTENANCE)**



Y 27110201 SH- 2 REV 261

WHEEL AND COLUMN ASSY-(LATERAL CONTROL WHEEL ONLY)  
 FIGURE 1 (SHEET 2)

**27-11-02-01**

BRI  
 MAY 28/07

27-11-02-01  
 PAGE 0A



757

PARTS CATALOG (MAINTENANCE)

FIG ITEM	PART NUMBER	1 2 3 4 5 6 7	NOMENCLATURE	EFFECT FROM TO	UNITS PER ASSY
1			WHEEL AND COLUMN ASSY- (LATERAL CONTROL WHEEL ONLY)	002004 006999	
- 1	251N1060-9		WHEEL AND COLUMN ASSY- POSITION DATA: CAPT SIDE COMPONENT MAINT MANUAL REF: 27-09-22 QUALIFIED I/W DATA: 251N1060-9 TOGETHER WITH (2) 69-11957-10 SHIM, (1) 69-11957-9 STRAP ASSY, (2) C07202-2 SHAKER, (2) NAS43DD3-56FC SPACER, AND (2) NAS6703-26 BOLT IS INTERCHANGEABLE WITH 251N1060-47 OR 251N1060-55. FOR NHA SEE: 27-31-10-01	952952	RF
- 1	251N1060-13		WHEEL AND COLUMN ASSY- POSITION DATA: CAPT SIDE COMPONENT MAINT MANUAL REF: 27-09-22 FOR NHA SEE: 27-31-10-01	107107	RF
- 1	251N1060-15		WHEEL AND COLUMN ASSY- POSITION DATA: CAPT SIDE COMPONENT MAINT MANUAL REF: 27-09-22 QUALIFIED I/W DATA: 251N1060-15 TOGETHER WITH (2) 69-11957-10 SHIM, (1) 69-11957-9 STRAP ASSY, (2) C07202-2 SHAKER, (2) NAS43DD3-56FC SPACER, AND (2) NAS6703-26 BOLT IS INTERCHANGEABLE WITH 251N1060-47 OR 251N1060-55. FOR NHA SEE: 27-31-10-01	952952	RF

MISSING ITEM NUMBERS NOT APPLICABLE

- ITEM NOT ILLUSTRATED

BRI

27-11-02-01

27-11-02  
FIG. 01  
PAGE 1  
JAN 20/09



757

PARTS CATALOG (MAINTENANCE)

FIG ITEM	PART NUMBER	1 2 3 4 5 6 7	NOMENCLATURE	EFFECT FROM TO	UNITS PER ASSY
1					
- 1	251N1060-17		WHEEL AND COLUMN ASSY- POSITION DATA: CAPT SIDE COMPONENT MAINT MANUAL REF: 27-09-22 FOR NHA SEE: 27-31-10-01	107107	RF
- 1	251N1060-19		WHEEL AND COLUMN ASSY- POSITION DATA: CAPT SIDE COMPONENT MAINT MANUAL REF: 27-09-22 QUALIFIED I/W DATA: 251N1060-19 TOGETHER WITH (2) 69-11957-10 SHIM, (1) 69-11957-9 STRAP ASSY, (2) C07202-2 SHAKER, (2) (2) NAS43DD3-56FC SPACER, AND (2) NAS6703-26 BOLT IS INTERCHANGEABLE WITH 251N1060-47 OR 251N1060-55. FOR NHA SEE: 27-31-10-01	952952	RF
- 1	251N1060-21		WHEEL AND COLUMN ASSY- POSITION DATA: CAPT SIDE COMPONENT MAINT MANUAL REF: 27-09-22 FOR NHA SEE: 27-31-10-01	107107	RF

MISSING ITEM NUMBERS NOT APPLICABLE

- ITEM NOT ILLUSTRATED

BRI

27-11-02-01

BOEING PROPRIETARY - Copyright © - Unpublished Work - See title page for details.

27-11-02  
FIG. 01  
PAGE 2  
JAN 20/09



757

PARTS CATALOG (MAINTENANCE)

FIG ITEM	PART NUMBER	1 2 3 4 5 6 7	NOMENCLATURE	EFFECT FROM TO	UNITS PER ASSY
1 -	1 251N1060-23		WHEEL AND COLUMN ASSY- POSITION DATA: CAPT SIDE COMPONENT MAINT MANUAL REF: 27-09-22 QUALIFIED I/W DATA: 251N1060-23 TOGETHER WITH (2) 69-11957-10 SHIM, (1) 69-11957-9 STRAP ASSY, (2) C07202-2 SHAKER, (2) (2) NAS43DD3-56FC SPACER, AND (2) NAS6703-26 BOLT IS INTERCHANGEABLE WITH 251N1060-47 OR 251N1060-55. FOR NHA SEE: 27-31-10-01	952952	RF
-	1 251N1060-25		WHEEL AND COLUMN ASSY- POSITION DATA: CAPT SIDE COMPONENT MAINT MANUAL REF: 27-09-22 QUALIFIED I/W DATA: 251N1060-25 TOGETHER WITH (2) 69-11957-10 SHIM, (1) 69-11957-9 STRAP ASSY, (2) C07202-2 SHAKER, (2) NAS43DD3-56FC SPACER, AND (2) NAS6703-26 BOLT IS INTERCHANGEABLE WITH 251N1060-49 OR 251N1060-57. FOR NHA SEE: 27-31-10-01	002004 006102 107949 953999	RF

MISSING ITEM NUMBERS NOT APPLICABLE

- ITEM NOT ILLUSTRATED

BRI

27-11-02-01

27-11-02  
FIG. 01  
PAGE 3  
JAN 20/09



757

PARTS CATALOG (MAINTENANCE)

FIG ITEM	PART NUMBER	1 2 3 4 5 6 7	NOMENCLATURE	EFFECT FROM TO	UNITS PER ASSY
1	251N1060-31		WHEEL AND COLUMN ASSY- (LATERAL CONTROL WHEEL ONLY) POSITION DATA: CAPT SIDE COMPONENT MAINT MANUAL REF: 27-09-22 QUALIFIED I/W DATA: 251N1060-31 TOGETHER WITH (2) 69-11957-10 SHIM, (1) 69-11957-9 STRAP ASSY, (2) C07202-2 SHAKER, (2) NAS43DD3-56FC SPACER, AND (2) NAS6703-26 BOLT IS INTERCHANGEABLE WITH 251N1060-47 OR 251N1060-55. FOR NHA/OTHER SYS DET SEE: 27-31-10-01	952952	RF
- 1	251N1060-33		WHEEL AND COLUMN ASSY- (LATERAL CONTROL WHEEL ONLY) POSITION DATA: CAPT SIDE COMPONENT MAINT MANUAL REF: 27-09-22 QUALIFIED I/W DATA: 251N1060-33 TOGETHER WITH (2) 69-11957-10 SHIM, (1) 69-11957-9 STRAP ASSY, (2) C07202-2 SHAKER, (2) NAS43DD3-56FC SPACER, AND (2) NAS6703-26 BOLT IS INTERCHANGEABLE WITH 251N1060-49 OR 251N1060-57. FOR NHA/OTHER SYS DET SEE: 27-31-10-01	002004 006102 107949 953999	RF

MISSING ITEM NUMBERS NOT APPLICABLE

- ITEM NOT ILLUSTRATED

BRI

27-11-02-01

BOEING PROPRIETARY - Copyright © - Unpublished Work - See title page for details.

27-11-02  
FIG. 01  
PAGE 4  
JAN 20/09



757

PARTS CATALOG (MAINTENANCE)

FIG ITEM	PART NUMBER	1 2 3 4 5 6 7	NOMENCLATURE	EFFECT FROM TO	UNITS PER ASSY
1	251N1060-41		WHEEL AND COLUMN ASSY- (LATERAL CONTROL WHEEL ONLY) POSITION DATA: CAPT SIDE COMPONENT MAINT MANUAL REF: 27-09-22 QUALIFIED I/W DATA: 251N1060-41 TOGETHER WITH (2) 69-11957-10 SHIM, (1) 69-11957-9 STRAP ASSY, (2) C07202-2 SHAKER, (2) NAS43DD3-56FC SPACER, AND (2) NAS6703-26 BOLT IS INTERCHANGEABLE WITH 251N1060-47 OR 251N1060-55. FOR NHA/OTHER SYS DET SEE: 27-31-10-01	952952	RF
- 1	251N1060-43		WHEEL AND COLUMN ASSY- (LATERAL CONTROL WHEEL ONLY) POSITION DATA: CAPT SIDE COMPONENT MAINT MANUAL REF: 27-09-22 QUALIFIED I/W DATA: 251N1060-43 TOGETHER WITH (2) 69-11957-10 SHIM, (1) 69-11957-9 STRAP ASSY, (2) C07202-2 SHAKER, (2) NAS43DD3-56FC SPACER, AND (2) NAS6703-26 BOLT IS INTERCHANGEABLE WITH 251N1060-49 OR 251N1060-57. FOR NHA/OTHER SYS DET SEE: 27-31-10-01	002004 006102 107949 953999	RF

MISSING ITEM NUMBERS NOT APPLICABLE

- ITEM NOT ILLUSTRATED

BRI

27-11-02-01

BOEING PROPRIETARY - Copyright © - Unpublished Work - See title page for details.

27-11-02  
FIG. 01  
PAGE 5  
JAN 20/09





757

PARTS CATALOG (MAINTENANCE)

FIG ITEM	PART NUMBER	1 2 3 4 5 6 7	NOMENCLATURE	EFFECT FROM TO	UNITS PER ASSY
1	251N1060-47		WHEEL AND COLUMN ASSY- (LATERAL CONTROL WHEEL ONLY) POSITION DATA: CAPT SIDE COMPONENT MAINT MANUAL REF: 27-09-22 QUALIFIED I/W DATA: 251N1060-9, -15, -19, -23, -31 OR -41 TOGETHER WITH (2) 69-11957-10 SHIM, (1) 69-11957-9 STRAP ASSY, (2) C07202-2 SHAKER, (2) NAS43DD3-56FC SPACER, AND (2) NAS6703-26 BOLT IS INTERCHANGEABLE WITH 251N1060-47. FOR NHA/OTHER SYS DET SEE: 27-31-10-01	950951	RF
- 2	251N1060-49		WHEEL AND COLUMN ASSY- (LATERAL CONTROL WHEEL ONLY) POSITION DATA: CAPT SIDE COMPONENT MAINT MANUAL REF: 27-09-22 QUALIFIED I/W DATA: 251N1060-25, -33 OR -43 TOGETHER WITH (2) 69-11957-10 SHIM, (1) 69-11957-9 STRAP ASSY, (2) C07202-2 SHAKER, (2) NAS43DD3-56FC SPACER, AND (2) NAS6703-26 BOLT IS INTERCHANGEABLE WITH 251N1060-49 FOR NHA/OTHER SYS DET SEE: 27-31-10-01	006102 108903 953999	RF

MISSING ITEM NUMBERS NOT APPLICABLE

- ITEM NOT ILLUSTRATED

BRI

27-11-02-01

27-11-02  
FIG. 01  
PAGE 6  
JAN 20/09



757

PARTS CATALOG (MAINTENANCE)

FIG ITEM	PART NUMBER	1 2 3 4 5 6 7	NOMENCLATURE	EFFECT FROM TO	UNITS PER ASSY
1					
- 2	251N1060-55		WHEEL AND COLUMN ASSY- (LATERAL CONTROL WHEEL ONLY) POSITION DATA: CAPT SIDE COMPONENT MAINT MANUAL REF: 27-09-22 QUALIFIED I/W DATA: 251N1060-9, -15, -19, -23, -31 OR -41 TOGETHER WITH (2) 69-11957-10 SHIM, (1) 69-11957-9 STRAP ASSY, (2) C07202-2 SHAKER, (2) (2) NAS43DD3-56FC SPACER, AND (2) NAS6703-26 BOLT IS INTERCHANGEABLE WITH 251N1060-55. FOR NHA/OTHER SYS DET SEE: 27-31-10-01	950951	RF
- 2	251N1060-57		WHEEL AND COLUMN ASSY- (LATERAL CONTROL WHEEL ONLY) POSITION DATA: CAPT SIDE COMPONENT MAINT MANUAL REF: 27-09-22 QUALIFIED I/W DATA: 251N1060-25, -33 OR -43 TOGETHER WITH (2) 69-11957-10 SHIM, (1) 69-11957-9 STRAP ASSY, (2) C07202-2 SHAKER, (2) NAS43DD3-56FC SPACER, AND (2) NAS6703-26 BOLT IS INTERCHANGEABLE WITH 251N1060-57. FOR NHA/OTHER SYS DET SEE: 27-31-10-01	006102 108903 953999	RF
- 2	251N1060-63		WHEEL AND COLUMN ASSY- (LATERAL CONTROL WHEEL ONLY) POSITION DATA: CAPT SIDE COMPONENT MAINT MANUAL REF: 27-09-22 FOR NHA/OTHER SYS DET SEE: 27-31-10-01	103106	RF

MISSING ITEM NUMBERS NOT APPLICABLE

- ITEM NOT ILLUSTRATED

27-11-02-01

27-11-02  
FIG. 01  
PAGE 7  
JAN 20/09

BRI



757

PARTS CATALOG (MAINTENANCE)

FIG ITEM	PART NUMBER	1 2 3 4 5 6 7	NOMENCLATURE	EFFECT FROM TO	UNITS PER ASSY
1 - 5	251N1060-10		WHEEL AND COLUMN ASSY- POSITION DATA: FIRST OFFICER SIDE COMPONENT MAINT MANUAL REF: 27-09-22 QUALIFIED I/W DATA: 251N1060-10 TOGETHER WITH (2) 69-11957-10 SHIM, (1) 69-11957-9 STRAP ASSY, (2) C07202-2 SHAKER, (2) NAS43DD3-56FC SPACER, AND (2) NAS6703-26 BOLT IS INTERCHANGEABLE WITH 251N1060-48 OR 251N1060-56. FOR NHA SEE: 27-31-10-01	952952	RF
- 5	251N1060-14		WHEEL AND COLUMN ASSY- POSITION DATA: FIRST OFFICER SIDE COMPONENT MAINT MANUAL REF: 27-09-22 FOR NHA SEE: 27-31-10-01	107107	RF
- 5	251N1060-16		WHEEL AND COLUMN ASSY- POSITION DATA: FIRST OFFICER SIDE COMPONENT MAINT MANUAL REF: 27-09-22 QUALIFIED I/W DATA: 251N1060-16 TOGETHER WITH (2) 69-11957-10 SHIM, (1) 69-11957-9 STRAP ASSY, (2) C07202-2 SHAKER, (2) NAS43DD3-56FC SPACER, AND (2) NAS6703-26 BOLT IS INTERCHANGEABLE WITH 251N1060-48 OR 251N1060-56. FOR NHA SEE: 27-31-10-01	952952	RF

MISSING ITEM NUMBERS NOT APPLICABLE

- ITEM NOT ILLUSTRATED

BRI

27-11-02-01

27-11-02  
FIG. 01  
PAGE 8  
JAN 20/09



757

PARTS CATALOG (MAINTENANCE)

FIG ITEM	PART NUMBER	1 2 3 4 5 6 7	NOMENCLATURE	EFFECT FROM TO	UNITS PER ASSY
1					
- 5	251N1060-18		WHEEL AND COLUMN ASSY- POSITION DATA: FIRST OFFICER SIDE COMPONENT MAINT MANUAL REF: 27-09-22 FOR NHA SEE: 27-31-10-01	107107	RF
- 5	251N1060-20		WHEEL AND COLUMN ASSY- POSITION DATA: FIRST OFFICER SIDE COMPONENT MAINT MANUAL REF: 27-09-22 QUALIFIED I/W DATA: 251N1060-20 TOGETHER WITH (2) 69-11957-10 SHIM, (1) 69-11957-9 STRAP ASSY, (2) C07202-2 SHAKER, (2) NAS43DD3-56FC SPACER, AND (2) NAS6703-26 BOLT IS INTERCHANGEABLE WITH 251N1060-48 OR 251N1060-56. FOR NHA SEE: 27-31-10-01	952952	RF
- 5	251N1060-22		WHEEL AND COLUMN ASSY- POSITION DATA: FIRST OFFICER SIDE COMPONENT MAINT MANUAL REF: 27-09-22 FOR NHA SEE: 27-31-10-01	107107	RF

MISSING ITEM NUMBERS NOT APPLICABLE

- ITEM NOT ILLUSTRATED

BRI

**27-11-02-01**

BOEING PROPRIETARY - Copyright © - Unpublished Work - See title page for details.

27-11-02  
FIG. 01  
PAGE 9  
JAN 20/09



757

PARTS CATALOG (MAINTENANCE)

FIG ITEM	PART NUMBER	1 2 3 4 5 6 7	NOMENCLATURE	EFFECT FROM TO	UNITS PER ASSY
1 - 5	251N1060-24		WHEEL AND COLUMN ASSY- POSITION DATA: FIRST OFFICER SIDE COMPONENT MAINT MANUAL REF: 27-09-22 QUALIFIED I/W DATA: 251N1060-24 TOGETHER WITH (2) 69-11957-10 SHIM, (1) 69-11957-9 STRAP ASSY, (2) C07202-2 SHAKER, (2) NAS43DD3-56FC SPACER, AND (2) NAS6703-26 BOLT IS INTERCHANGEABLE WITH 251N1060-48 OR 251N1060-56. FOR NHA SEE: 27-31-10-01	952952	RF
- 5	251N1060-26		WHEEL AND COLUMN ASSY- POSITION DATA: FIRST OFFICER SIDE COMPONENT MAINT MANUAL REF: 27-09-22 QUALIFIED I/W DATA: 251N1060-26 TOGETHER WITH (2) 69-11957-10 SHIM, (1) 69-11957-9 STRAP ASSY, (2) C07202-2 SHAKER, (2) NAS43DD3-56FC SPACER, AND (2) NAS6703-26 BOLT IS INTERCHANGEABLE WITH 251N1060-50 OR 251N1060-58. FOR NHA SEE: 27-31-10-01	002004 006102 107949 953999	RF

MISSING ITEM NUMBERS NOT APPLICABLE

- ITEM NOT ILLUSTRATED

BRI

27-11-02-01

27-11-02  
FIG. 01  
PAGE 10  
JAN 20/09



757

PARTS CATALOG (MAINTENANCE)

FIG ITEM	PART NUMBER	1 2 3 4 5 6 7	NOMENCLATURE	EFFECT FROM TO	UNITS PER ASSY
1 - 5	251N1060-32		WHEEL AND COLUMN ASSY- (LATERAL CONTROL WHEEL ONLY) POSITION DATA: FIRST OFFICER SIDE COMPONENT MAINT MANUAL REF: 27-09-22 QUALIFIED I/W DATA: 251N1060-32 TOGETHER WITH (2) 69-11957-10 SHIM, (1) 69-11957-9 STRAP ASSY, (2) C07202-2 SHAKER, (2) NAS43DD3-56FC SPACER, AND (2) NAS6703-26 BOLT IS INTERCHANGEABLE WITH 251N1060-48 OR 251N1060-56. FOR NHA/OTHER SYS DET SEE: 27-31-10-01	952952	RF
- 5	251N1060-34		WHEEL AND COLUMN ASSY- (LATERAL CONTROL WHEEL ONLY) POSITION DATA: FIRST OFFICER SIDE COMPONENT MAINT MANUAL REF: 27-09-22 QUALIFIED I/W DATA: 251N1060-34 TOGETHER WITH (2) 69-11957-10 SHIM, (1) 69-11957-9 STRAP ASSY, (2) C07202-2 SHAKER, (2) NAS43DD3-56FC SPACER, AND (2) NAS6703-26 BOLT IS INTERCHANGEABLE WITH 251N1060-50 OR 251N1060-58. FOR NHA/OTHER SYS DET SEE: 27-31-10-01	002004 006102 107949 953999	RF

MISSING ITEM NUMBERS NOT APPLICABLE

- ITEM NOT ILLUSTRATED

27-11-02-01

27-11-02  
FIG. 01  
PAGE 11  
JAN 20/09

BRI



757

PARTS CATALOG (MAINTENANCE)

FIG ITEM	PART NUMBER	1 2 3 4 5 6 7	NOMENCLATURE	EFFECT FROM TO	UNITS PER ASSY
1 -	5 251N1060-42		WHEEL AND COLUMN ASSY- (LATERAL CONTROL WHEEL ONLY) POSITION DATA: FIRST OFFICER SIDE COMPONENT MAINT MANUAL REF: 27-09-22 QUALIFIED I/W DATA: 251N1060-42 TOGETHER WITH (2) 69-11957-10 SHIM, 9 (1) 69-11957-9 STRAP ASSY, (2) C07202-2 SHAKER, (2) NAS43DD3-56FC SPACER, AND (2) NAS6703-26 BOLT IS INTERCHANGEABLE WITH 251N1060-48 OR 251N1060-56. FOR NHA/OTHER SYS DET SEE: 27-31-10-01	952952	RF
-	5 251N1060-44		WHEEL AND COLUMN ASSY- (LATERAL CONTROL WHEEL ONLY) POSITION DATA: FIRST OFFICER SIDE COMPONENT MAINT MANUAL REF: 27-09-22 QUALIFIED I/W DATA: 251N1060-44 TOGETHER WITH (2) 69-11957-10 SHIM, (1) 69-11957-9 STRAP ASSY, (2) C07202-2 SHAKER, (2) NAS43DD3-56FC SPACER, AND (2) NAS6703-26 BOLT IS INTERCHANGEABLE WITH 251N1060-50 OR 251N1060-58. FOR NHA/OTHER SYS DET SEE: 27-31-10-01	002004 006102 107949 953999	RF

MISSING ITEM NUMBERS NOT APPLICABLE

- ITEM NOT ILLUSTRATED

BRI

27-11-02-01

BOEING PROPRIETARY - Copyright © - Unpublished Work - See title page for details.

27-11-02  
FIG. 01  
PAGE 12  
JAN 20/09



757

PARTS CATALOG (MAINTENANCE)

FIG ITEM	PART NUMBER	1 2 3 4 5 6 7	NOMENCLATURE	EFFECT FROM TO	UNITS PER ASSY
1 -	5 251N1060-48		WHEEL AND COLUMN ASSY- (LATERAL CONTROL WHEEL ONLY) POSITION DATA: FIRST OFFICER SIDE COMPONENT MAINT MANUAL REF: 27-09-22 QUALIFIED I/W DATA: 251N1060-10, -16, -20, -24, -32 OR -42 TOGETHER WITH (2) 69-11957-10 SHIM, (1) 69-11957-9 STRAP ASSY, (2) C07202-2 SHAKER, (2) NAS43DD3-56FC SPACER, AND (2) NAS6703-26 BOLT IS INTERCHANGEABLE WITH 251N1060-48. FOR NHA/OTHER SYS DET SEE: 27-31-10-01	950951	RF
-	6 251N1060-50		WHEEL AND COLUMN ASSY- (LATERAL CONTROL WHEEL ONLY) POSITION DATA: FIRST OFFICER SIDE COMPONENT MAINT MANUAL REF: 27-09-22 QUALIFIED I/W DATA: 251N1060-44, -34 OR -26 TOGETHER WITH (2) 69-11957-10 SHIM, (1) 69-11957-9 STRAP ASSY, (2) C07202-2 SHAKER, (2) NAS43DD3-56FC SPACER, AND (2) NAS6703-26 BOLT IS INTERCHANGEABLE WITH 251N1060-50. FOR NHA/OTHER SYS DET SEE: 27-31-10-01	006102 108903 953999	RF

MISSING ITEM NUMBERS NOT APPLICABLE

- ITEM NOT ILLUSTRATED

BRI

27-11-02-01

27-11-02  
FIG. 01  
PAGE 13  
JAN 20/09





757

PARTS CATALOG (MAINTENANCE)

FIG ITEM	PART NUMBER	1 2 3 4 5 6 7	NOMENCLATURE	EFFECT FROM TO	UNITS PER ASSY
1 - 6	251N1060-56		WHEEL AND COLUMN ASSY- (LATERAL CONTROL WHEEL ONLY) POSITION DATA: FIRST OFFICER SIDE COMPONENT MAINT MANUAL REF: 27-09-22 QUALIFIED I/W DATA: 251N1060-10, -16, -20, -24, -32 OR -42 TOGETHER WITH (2) 69-11957-10 SHIM, (1) 69-11957-9 STRAP ASSY, (2) C07202-2 SHAKER, (2) NAS43DD3-56FC SPACER, AND (2) NAS6703-26 BOLT IS INTERCHANGEABLE WITH 251N1060-56. FOR NHA/OTHER SYS DET SEE: 27-31-10-01	950951	RF
- 6	251N1060-58		WHEEL AND COLUMN ASSY- (LATERAL CONTROL WHEEL ONLY) POSITION DATA: FIRST OFFICER SIDE COMPONENT MAINT MANUAL REF: 27-09-22 QUALIFIED I/W DATA: 251N1060-44, -34 OR -26 TOGETHER WITH (2) 69-11957-10 SHIM, (1) 69-11957-9 STRAP ASSY, (2) C07202-2 SHAKER, (2) NAS43DD3-56FC SPACER, AND (2) NAS6703-26 BOLT IS INTERCHANGEABLE WITH 251N1060-58. FOR NHA/OTHER SYS DET SEE: 27-31-10-01	006102 108903 953999	RF
- 6	251N1060-70		WHEEL AND COLUMN ASSY- (LATERAL CONTROL WHEEL ONLY) POSITION DATA: FIRST OFFICER SIDE COMPONENT MAINT MANUAL REF: 27-09-22 FOR NHA/OTHER SYS DET SEE: 27-31-10-01	103106	RF

MISSING ITEM NUMBERS NOT APPLICABLE

- ITEM NOT ILLUSTRATED

BRI

27-11-02-01

27-11-02  
FIG. 01  
PAGE 14  
JAN 20/09



757

PARTS CATALOG (MAINTENANCE)

FIG ITEM	PART NUMBER	1 2 3 4 5 6 7	NOMENCLATURE	EFFECT FROM TO	UNITS PER ASSY
1					
50	NAS514P1032-6	.	SCREW	002004 006999	1
55	253T2118-2	.	MEDALLION	002004 006999	1
60	AN960XC616L	.	WASHER-	002004	1
			OPTIONAL PART: NAS1149C0632B	006106 108903 950999	
60	NAS1149C0632B	.	WASHER-	103106	1
			OPTIONAL PART: AN960XC616L		
65	BACN10JD106	.	NUT	107107 904949	1
65	MS14144L6	.	NUT	002004 006102 108903 950999	1
65	BACN10JD6ASU	.	NUT	002004 006106 108903 950999	1
70	MS24665-300	.	PIN-	002004	1
			OPTIONAL PART: BACP18BC03A06P	006106 108903 950999	
70	BACP18BC03A06P	.	PIN-	103106	1
			OPTIONAL PART: MS24665-300		

MISSING ITEM NUMBERS NOT APPLICABLE

- ITEM NOT ILLUSTRATED

BRI

27-11-02-01

BOEING PROPRIETARY - Copyright © - Unpublished Work - See title page for details.

27-11-02  
FIG. 01  
PAGE 15  
JAN 20/09



757

PARTS CATALOG (MAINTENANCE)

FIG ITEM	PART NUMBER	1 2 3 4 5 6 7	NOMENCLATURE	EFFECT FROM TO	UNITS PER ASSY
1	75 HL18PB6-5		.BOLT- SUPPLIER CODE: V06725 SPECIFICATION NUMBER: BACB30FM6-5 OPTIONAL PART: HL18PB6-5 V73197 HL18PB6-5 V92215 HL18PB6-5 V97928 HL18PB6-5 V80539 62550-6-5 V56878 HL18PB6-5 V08524 HL18PB6-5 V56878 HL18PB6-5 V56878 BACB30FM6A5	002004 006999	1
	75 HL441UC6-5		.BOLT- SUPPLIER CODE: V60516 SPECIFICATION NUMBER: BACB30FM6A5 OPTIONAL PART: HL440UC6-5 V73197 HL440UC6-5 V92215 HL440UC6-5 V97928 HL440UC6-5 V80539 67067-6A5 V56878 HL440UC6-5 V08524 HL440UC6-5 V56878 HL440UC6-5 V56878 BACB30FM6-5	103106	1
	80 AN960PD10L		.WASHER- OPTIONAL PART: NAS1149D0316J	002004 006999	1

MISSING ITEM NUMBERS NOT APPLICABLE

- ITEM NOT ILLUSTRATED

BRI

27-11-02-01

BOEING PROPRIETARY - Copyright © - Unpublished Work - See title page for details.

27-11-02  
FIG. 01  
PAGE 16  
JAN 20/09



757

PARTS CATALOG (MAINTENANCE)

FIG ITEM	PART NUMBER	1 2 3 4 5 6 7	NOMENCLATURE	EFFECT FROM TO	UNITS PER ASSY
1	80 NAS1149D0316J		.WASHER- OPTIONAL PART: AN960PD10L	103106	1
	85 BRH10A3		.NUT- SUPPLIER CODE: V52828 SPECIFICATION NUMBER: BACN10JC3 OPTIONAL PART: H10-3BAC V15653 NS202101-02 V80539 RMLH9075-3W V72962 VN303A02 V92215 96-02 V80539 T6S1032J V11815 BACN10JC3CD	002004 006999	1
	85 BRH10C3D		.NUT- SUPPLIER CODE: V52828 SPECIFICATION NUMBER: BACN10JC3CD OPTIONAL PART: T6C1032JCD V11815 NS202486-02 V80539 102LH9075-3W V72962 H51650-3BAC V15653 BACN10JC3	103106	1
	90 MS3367-5-9		.STRAP- OPTIONAL PART: BACS38K5	002004 006999	2
	90 PLT1-5IM		.STRAP- SUPPLIER CODE: V06383 SPECIFICATION NUMBER: BACS38K5 OPTIONAL PART: T03R0 V53421 MS3367-5-9	103106	2

MISSING ITEM NUMBERS NOT APPLICABLE

- ITEM NOT ILLUSTRATED

27-11-02-01

27-11-02  
FIG. 01  
PAGE 17  
JAN 20/09

BRI



757

PARTS CATALOG (MAINTENANCE)

FIG ITEM	PART NUMBER	1 2 3 4 5 6 7	NOMENCLATURE	EFFECT FROM TO	UNITS PER ASSY
1					
95	TSE2001	.	CONNECTOR- SUPPLIER CODE: V11139	002004 006999	21
95	TSE20-01	.	CONNECTOR- SUPPLIER CODE: V11139	002004 006999	21
100	1841-1-5620	.	CONTACT- SUPPLIER CODE: V11139	002004 006999	42
105	251N1060-7	.	BOLT	002004 006999	2
110	AN960PD10L	.	WASHER- OPTIONAL PART: NAS1149D0316J	002004 006999	6
110	NAS1149D0316J	.	WASHER- OPTIONAL PART: AN960PD10L	103106	6
115	BRH10A3	.	NUT- SUPPLIER CODE: V52828 SPECIFICATION NUMBER: BACN10JC3 OPTIONAL PART: H10-3BAC V15653 NS202101-02 V80539 RMLH9075-3W V72962 VN303A02 V92215 96-02 V80539 T6S1032J V11815 BACN10JC3CD	002004 006999	2

MISSING ITEM NUMBERS NOT APPLICABLE

- ITEM NOT ILLUSTRATED

BRI

27-11-02-01

BOEING PROPRIETARY - Copyright © - Unpublished Work - See title page for details.

27-11-02  
FIG. 01  
PAGE 18  
JAN 20/09



757

PARTS CATALOG (MAINTENANCE)

FIG ITEM	PART NUMBER	1 2 3 4 5 6 7	NOMENCLATURE	EFFECT FROM TO	UNITS PER ASSY
1 115	BRH10C3D	.NUT-	SUPPLIER CODE: V52828 SPECIFICATION NUMBER: BACN10JC3D OPTIONAL PART: T6C1032JCD V11815 NS202486-02 V80539 102LH9075-3W V72962 H51650-3BAC V15653 BACN10JC3	103106	2
120	NAS509-3	.NUT-	OPTIONAL PART: BACN11U3CD1	002004 006999	2
120	BACN11U3CD1	.NUT-	OPTIONAL PART: NAS509-3	103106	2
125	BACC10DK2	.CLAMP		002004 006999	2
130	NE0020C1	.WIRE BUNDLE-	SUPPLIER CODE: V0774B SPECIFICATION NUMBER: S251N120-1 OPTIONAL PART: CH04-0485-001 V06090	002004 006999	1
130	CH04-0485-001	.WIRE BUNDLE-	SUPPLIER CODE: V06090 SPECIFICATION NUMBER: S251N120-3 OPTIONAL PART: NE0020C1 V0774B	002004 006999	1

MISSING ITEM NUMBERS NOT APPLICABLE

- ITEM NOT ILLUSTRATED

BRI

27-11-02-01

BOEING PROPRIETARY - Copyright © - Unpublished Work - See title page for details.

27-11-02  
FIG. 01  
PAGE 19  
JAN 20/09



757

PARTS CATALOG (MAINTENANCE)

FIG ITEM	PART NUMBER	1 2 3 4 5 6 7	NOMENCLATURE	EFFECT FROM TO	UNITS PER ASSY
1 135	251N1140-1		.WHEEL ASSY-CONT COLUMN POSITION DATA: CAPT SIDE FUNCTIONAL REFERENCE: AUTOFLIGHT FOR DETAILS SEE 22-11-03-01 COMMUNICATIONS FOR DETAILS SEE 23-51-03-01 FLIGHT CONTROL FOR DETAILS SEE 27-41-01-02	950952	1
135	251N1140-5		.WHEEL ASSY-CONT COLUMN POSITION DATA: CAPT SIDE FUNCTIONAL REFERENCE: AUTOFLIGHT FOR DETAILS SEE 22-11-03-01 COMMUNICATIONS FOR DETAILS SEE 23-51-03-01 FLIGHT CONTROL FOR DETAILS SEE 27-41-01-02	002004 006949 953999	1
135	251N1140-7		.WHEEL ASSY-CONT COLUMN POSITION DATA: CAPT SIDE FUNCTIONAL REFERENCE: AUTOFLIGHT FOR DETAILS SEE 22-11-03-01 COMMUNICATIONS FOR DETAILS SEE 23-51-03-01 FLIGHT CONTROL FOR DETAILS SEE 27-41-01-02	950952	1

MISSING ITEM NUMBERS NOT APPLICABLE

- ITEM NOT ILLUSTRATED

BRI

27-11-02-01

BOEING PROPRIETARY - Copyright © - Unpublished Work - See title page for details.

27-11-02  
FIG. 01  
PAGE 20  
JAN 20/09



757

PARTS CATALOG (MAINTENANCE)

FIG ITEM	PART NUMBER	1 2 3 4 5 6 7	NOMENCLATURE	EFFECT FROM TO	UNITS PER ASSY
1 135	251N1140-9		.WHEEL ASSY-CONT COLUMN POSITION DATA: CAPT SIDE FUNCTIONAL REFERENCE: AUTOFLIGHT FOR DETAILS SEE 22-11-03-01 COMMUNICATIONS FOR DETAILS SEE 23-51-03-01 FLIGHT CONTROL FOR DETAILS SEE 27-41-01-02	002004 006949 953999	1
135	251N1140-17		.WHEEL ASSY-CONT COLUMN POSITION DATA: CAPT SIDE FUNCTIONAL REFERENCE: AUTOFLIGHT FOR DETAILS SEE 22-11-03-01 COMMUNICATIONS FOR DETAILS SEE 23-51-03-01 FLIGHT CONTROL FOR DETAILS SEE 27-41-01-02	950952	1
135	251N1140-19		.WHEEL ASSY-CONT COLUMN POSITION DATA: CAPT SIDE FUNCTIONAL REFERENCE: AUTOFLIGHT FOR DETAILS SEE 22-11-03-01 COMMUNICATIONS FOR DETAILS SEE 23-51-03-01 FLIGHT CONTROL FOR DETAILS SEE 27-41-01-02	002004 006949 953999	1

MISSING ITEM NUMBERS NOT APPLICABLE

- ITEM NOT ILLUSTRATED

BRI

27-11-02-01

27-11-02  
FIG. 01  
PAGE 21  
JAN 20/09





757

PARTS CATALOG (MAINTENANCE)

FIG ITEM	PART NUMBER	1 2 3 4 5 6 7	NOMENCLATURE	EFFECT FROM TO	UNITS PER ASSY
1 140	251N1140-2		.WHEEL ASSY-CONT COLUMN POSITION DATA: FIRST OFFICER SIDE FUNCTIONAL REFERENCE: AUTOFLIGHT FOR DETAILS SEE 22-11-03-01 COMMUNICATIONS FOR DETAILS SEE 23-51-03-01 FLIGHT CONTROL FOR DETAILS SEE 27-41-01-02	950952	1
140	251N1140-6		.WHEEL ASSY-CONT COLUMN POSITION DATA: FIRST OFFICER SIDE FUNCTIONAL REFERENCE: AUTOFLIGHT FOR DETAILS SEE 22-11-03-01 COMMUNICATIONS FOR DETAILS SEE 23-51-03-01 FLIGHT CONTROL FOR DETAILS SEE 27-41-01-02	002004 006949 953999	1
140	251N1140-8		.WHEEL ASSY-CONT COLUMN POSITION DATA: FIRST OFFICER SIDE FUNCTIONAL REFERENCE: AUTOFLIGHT FOR DETAILS SEE 22-11-03-01 COMMUNICATIONS FOR DETAILS SEE 23-51-03-01 FLIGHT CONTROL FOR DETAILS SEE 27-41-01-02	950952	1

MISSING ITEM NUMBERS NOT APPLICABLE

- ITEM NOT ILLUSTRATED

BRI

27-11-02-01

BOEING PROPRIETARY - Copyright © - Unpublished Work - See title page for details.

27-11-02  
FIG. 01  
PAGE 22  
JAN 20/09



757

PARTS CATALOG (MAINTENANCE)

FIG ITEM	PART NUMBER	1 2 3 4 5 6 7	NOMENCLATURE	EFFECT FROM TO	UNITS PER ASSY
1 140	251N1140-10		.WHEEL ASSY-CONT COLUMN POSITION DATA: FIRST OFFICER SIDE FUNCTIONAL REFERENCE: AUTOFLIGHT FOR DETAILS SEE 22-11-03-01 COMMUNICATIONS FOR DETAILS SEE 23-51-03-01 FLIGHT CONTROL FOR DETAILS SEE 27-41-01-02	002004 006949 953999	1
140	251N1140-18		.WHEEL ASSY-CONT COLUMN POSITION DATA: FIRST OFFICER SIDE FUNCTIONAL REFERENCE: AUTOFLIGHT FOR DETAILS SEE 22-11-03-01 COMMUNICATIONS FOR DETAILS SEE 23-51-03-01 FLIGHT CONTROL FOR DETAILS SEE 27-41-01-02	950952	1
140	251N1140-20		.WHEEL ASSY-CONT COLUMN POSITION DATA: FIRST OFFICER SIDE FUNCTIONAL REFERENCE: AUTOFLIGHT FOR DETAILS SEE 22-11-03-01 COMMUNICATIONS FOR DETAILS SEE 23-51-03-01 FLIGHT CONTROL FOR DETAILS SEE 27-41-01-02	002004 006949 953999	1
145	NAS623-3-3		.SCREW- OPTIONAL PART: BACB30LK3-3	002004 006999	1
145	BACB30LK3-3		.BOLT- OPTIONAL PART: NAS623-3-3	103106	1
150	AN960PD10		.WASHER- OPTIONAL PART: NAS1149D0363J	002004 006999	1

MISSING ITEM NUMBERS NOT APPLICABLE

- ITEM NOT ILLUSTRATED

27-11-02-01

27-11-02  
FIG. 01  
PAGE 23  
JAN 20/09

BRI



757

PARTS CATALOG (MAINTENANCE)

FIG ITEM	PART NUMBER	1 2 3 4 5 6 7	NOMENCLATURE	EFFECT FROM TO	UNITS PER ASSY
1					
150	NAS1149D363J		.WASHER- OPTIONAL PART: AN960PD10	103106	1
155	BRH10A3		.NUT- SUPPLIER CODE: V52828 SPECIFICATION NUMBER: BACN10JC3 OPTIONAL PART: H10-3BAC V15653 NS202101-02 V80539 RMLH9075-3W V72962 VN303A02 V92215 96-02 V80539 T6S1032J V11815 BACN10JC3CD	002004 006999	1
155	BRH10C3D		.NUT- SUPPLIER CODE: V52828 SPECIFICATION NUMBER: BACN10JC3CD OPTIONAL PART: T6C1032JCD V11815 NS202486-02 V80539 102LH9075-3W V72962 H51650-3BAC V15653 BACN10JC3	103106	1
160	BACC10DK4		.CLAMP	002004 006999	1
175	251N1061-3		.COLUMN ASSY-	002004 006999	1
175	251N1061-4		.COLUMN ASSY-	002004 006999	1
175	251N1061-6		.COLUMN ASSY-	002004 006999	1
175	251N1061-8		.COLUMN ASSY-	002004 006999	1
175	251N1061-9		.COLUMN ASSY-	002004 006999	1

MISSING ITEM NUMBERS NOT APPLICABLE

- ITEM NOT ILLUSTRATED

27-11-02-01

27-11-02  
FIG. 01  
PAGE 24  
JAN 20/09

BRI



757  
PARTS CATALOG (MAINTENANCE)

FIG ITEM	PART NUMBER	1 2 3 4 5 6 7	NOMENCLATURE	EFFECT FROM TO	UNITS PER ASSY
1					
180	251N1231-1	..	BOLT	002004 006999	1
180	251N1231-2	..	BOLT	002004 006999	1
185	30-3681	..	WASHER	002004 006999	1
190	251N1107-2	..	WASHER	002004 006999	1
195	AN316-6R	..	NUT	002004 006999	1
195	BACN11U6CD2N	..	NUT	002004 006999	1
200	251N1062-1	..	ADAPTER	002004 006999	1
200	251N1062-4	..	ADAPTER	002004 006999	1
205	251N1216-2	..	SHIM	002004 006999	1
205	251N1216-4	..	SHIM	002004 006999	1
210	KP16BSD610	..	BEARING- SUPPLIER CODE: V83086 SPECIFICATION NUMBER: BACB10BW16 OPTIONAL PART: KP16B2TS V43991 KP16B V38443 LLKP16B V38443 KP16BG27 V30163 KP16BFS428 V21335 KP16BLY196 V40920 KP16B V06144 KP16BFS428 V06144 KP16BNJC V06144 BACB10AU16	002004 006999	1
MISSING ITEM NUMBERS NOT APPLICABLE					

R  
R  
R  
R  
R  
R  
R  
R  
R  
R  
R  
R  
R  
R  
R  
R  
R  
R  
R  
R  
R  
R  
R  
R

- ITEM NOT ILLUSTRATED

# 27-11-02-01

27-11-02  
FIG. 01  
PAGE 25  
MAY 20/09

BRI


**BOEING**  
 757  
**PARTS CATALOG (MAINTENANCE)**

FIG ITEM	PART NUMBER	1 2 3 4 5 6 7	NOMENCLATURE	EFFECT FROM TO	UNITS PER ASSY
1	MKP16BFS428	..	BEARING-	002004	1
210			SUPPLIER CODE: V06144	006999	
			SPECIFICATION NUMBER: BACB10AU16		
			OPTIONAL PART: MKP16BSD610		
			V83086		
			MKP16BTT		
			V43991		
			MKP16B2TS		
			V43991		
			MKP16BE9273-16		
			V21335		
			LLMKP16B		
			V38443		
			MKP16BFS428		
			V21335		
			MKP16BG20		
			V38443		
			MKP16B005M		
			V40920		
			MKP16B		
			V06144		
			MKP16BNJC		
			V06144		
			BACB10BW16		

MISSING ITEM NUMBERS NOT APPLICABLE

- ITEM NOT ILLUSTRATED

BRI

# 27-11-02-01

BOEING PROPRIETARY - Copyright © - Unpublished Work - See title page for details.

27-11-02  
 FIG. 01  
 PAGE 26  
 MAY 20/09



757

PARTS CATALOG (MAINTENANCE)

FIG ITEM	PART NUMBER	1 2 3 4 5 6 7	NOMENCLATURE	EFFECT FROM TO	UNITS PER ASSY
1 210	KP21BSD610		.. BEARING- SUPPLIER CODE: V83086 SPECIFICATION NUMBER: BACB10BW21 OPTIONAL PART: KP21B2TS V43991 KP21B V38443 LLKP21B V38443 KP21BG27 V30163 KP21BFS428 V21335 KP21BLY196 V40920 KP21BFS428 V06144 KP21B V06144 KP21BNJC V06144 BACB10AU21	002004 006999	1

R  
R  
R  
R  
R  
R  
R  
R  
R  
R  
R  
R  
R  
R  
R  
R  
R  
R  
R  
R  
R  
R

MISSING ITEM NUMBERS NOT APPLICABLE

- ITEM NOT ILLUSTRATED

# 27-11-02-01

27-11-02  
FIG. 01  
PAGE 27  
MAY 20/09

BRI



757

PARTS CATALOG (MAINTENANCE)

FIG ITEM	PART NUMBER	1 2 3 4 5 6 7	NOMENCLATURE	EFFECT FROM TO	UNITS PER ASSY
R R	1 210	MKP21BFS428	.. BEARING- SUPPLIER CODE: V06144 SPECIFICATION NUMBER: BACB10AU21 OPTIONAL PART: MKP21BTT V43991 MKP21B2TS V43991 MKP16BE9273-21 V21335 LLMKP21B1 V38443 MKP21BFS428 V21335 MKP21B1G20 V38443 MKP21BLY196 V40920 MKP21B V06144 MKP21BSD610 V83086 MKP21BNJC V06144 BACB10BW21	002004 006999	1
	215	251N1057-2	.. GEAR-PINION	002004 006999	1
	215	251N1414-1	.. GEAR-PINION	002004 006999	1
	220	251N1216-1	.. SHIM	002004 006999	2
	225	251N1216-3	.. SHIM	002004 006999	AR

MISSING ITEM NUMBERS NOT APPLICABLE

- ITEM NOT ILLUSTRATED

27-11-02-01

BRI

BOEING PROPRIETARY - Copyright © - Unpublished Work - See title page for details.

27-11-02  
FIG. 01  
PAGE 28  
MAY 20/09

**BOEING**  
757  
**PARTS CATALOG (MAINTENANCE)**

FIG ITEM	PART NUMBER	1 2 3 4 5 6 7	NOMENCLATURE	EFFECT FROM TO	UNITS PER ASSY
1	MKP8AFS428		.. BEARING-	002004	1
230			SUPPLIER CODE:	006999	
			V06144		
			SPECIFICATION NUMBER:		
			BACB10AP8		
			OPTIONAL PART:		
			MKP8ASD610		
			V83086		
			LLMKP8A		
			V38443		
			MKP8AFS428		
			V21335		
			MKP8ATT		
			V43991		
			MKP8A2TS		
			V43991		
			MKP8E6531		
			V21335		
			MKP8AG20		
			V38443		
			MKP8ALY196		
			V40920		
			MKP8A		
			V38443		
			MCS28E		
			VK8455		
			MCS208E		
			VK8455		
			MKP8ANJC		
			V06144		
			BACB10BX8		

MISSING ITEM NUMBERS NOT APPLICABLE

— ITEM NOT ILLUSTRATED

BRI

# 27-11-02-01

BOEING PROPRIETARY - Copyright © - Unpublished Work - See title page for details.

27-11-02  
FIG. 01  
PAGE 29  
MAY 20/09





757  
PARTS CATALOG (MAINTENANCE)

FIG ITEM	PART NUMBER	1 2 3 4 5 6 7	NOMENCLATURE	EFFECT FROM TO	UNITS PER ASSY
1 230	KP8AFS428	.	BEARING-	002004	1
			SUPPLIER CODE:	006999	
			V06144		
			SPECIFICATION NUMBER:		
			BACB10BX8		
			OPTIONAL PART:		
			KP8AFS428		
			V21335		
			KP8A2TS		
			V43991		
			LLKP8A		
			V38443		
			KP8AG27		
			V30163		
			KP8A		
			V38443		
			KP8BSD610		
			V83086		
			CS208E		
			VK8455		
			KP8A		
			V21760		
			KP8ANJC		
			V06144		
			KP8ALY196		
			V40920		
			BACB10AP8		

R  
R  
R  
R  
R  
R  
R  
R  
R  
R  
R  
R  
R  
R  
R  
R  
R  
R  
R  
R  
R  
R  
R  
R  
R  
R  
R

MISSING ITEM NUMBERS NOT APPLICABLE

- ITEM NOT ILLUSTRATED

BRI

**27-11-02-01**

27-11-02  
FIG. 01  
PAGE 30  
MAY 20/09



757

PARTS CATALOG (MAINTENANCE)

FIG ITEM	PART NUMBER	1 2 3 4 5 6 7	NOMENCLATURE	EFFECT FROM TO	UNITS PER ASSY
1 230	MKP08AFS428		.. BEARING- SUPPLIER CODE: V06144 SPECIFICATION NUMBER: BACB10AP08 OPTIONAL PART: LLMKP08A V38443 MKP08A V38443 MKP08AFS428 V21335 MKP08ATT V43991 MKP08A2TS V43991 MKP08E6531 V21335 MKP08ALY196 V40920 MKP08ASD610 V83086 MCS208E VK8455 MKP08AG20 V38443 MKP8ASD510 V50294 MKP08ANJC V06144 BACB10BX08	002004 006999	1

MISSING ITEM NUMBERS NOT APPLICABLE

- ITEM NOT ILLUSTRATED

BRI

27-11-02-01

BOEING PROPRIETARY - Copyright © - Unpublished Work - See title page for details.

27-11-02  
FIG. 01  
PAGE 31  
MAY 20/09

**BOEING**  
757  
**PARTS CATALOG (MAINTENANCE)**

FIG ITEM	PART NUMBER	1 2 3 4 5 6 7	NOMENCLATURE	EFFECT FROM TO	UNITS PER ASSY
1	KP8AFS428		.. BEARING-	002004	1
			SUPPLIER CODE:	006999	
			V21335		
			SPECIFICATION NUMBER:		
			BACB10BX08		
			OPTIONAL PART:		
			KP8E		
			V21760		
			KP8AP		
			V21760		
			KP8AE		
			V21760		
			KP8P		
			V21760		
			KP08ANJC		
			V06144		
			KP08ASD610		
			V83086		
			KP08ALY196		
			V40920		
			KP08A		
			V38443		
			LLKP08A		
			V38443		
			KP08A2TS		
			V43991		
			KP06AFS428		
			V06144		
			KP08AFS428		
			V21335		
			BACB10AP08		

MISSING ITEM NUMBERS NOT APPLICABLE

— ITEM NOT ILLUSTRATED

BRI

# 27-11-02-01

BOEING PROPRIETARY - Copyright © - Unpublished Work - See title page for details.

27-11-02  
FIG. 01  
PAGE 32  
MAY 20/09



757

PARTS CATALOG (MAINTENANCE)

FIG ITEM	PART NUMBER	1 2 3 4 5 6 7	NOMENCLATURE	EFFECT FROM TO	UNITS PER ASSY
1	230	SSMKP8ASD529	.. BEARING- SUPPLIER CODE: V50294 SPECIFICATION NUMBER: BACB10FS08RJ OPTIONAL PART: SSMKP8RJASD705 V83086 PACMKP08RJAFS42 V21335 SSMKP08RJAP V21760 SSMKP08RAP V21760 SSMKP08RJAP V21760 SSMKP08RAP V21760 BACB10FS08J	002004 006999	1
	230	PACMKP8AFS428	.. BEARING- SUPPLIER CODE: V21335 SPECIFICATION NUMBER: BACB10FS08J OPTIONAL PART: SSMKP8ASD536 V50294 BACB10FS08RJ	002004 006999	1
	235	3-85291	.. NUT	002004 006999	1
	235	3-85291-0	.. NUT	002004 006999	1
	240	NAS1352-04H4	.. SCREW	002004 006999	2
	245	BACB30LL4-5	.. BOLT- OPTIONAL PART: HT4046-4-5 V73197	002004 006999	4
	245	HT4046-4-5	.. BOLT- SUPPLIER CODE: V73197 OPTIONAL PART: BACB30LL4-5	002004 006999	4
	245	BACB30LK4-5	.. BOLT	002004 006999	4
	250	251N1059-1	.. HOUSING ASSY	002004 006999	1
	250	251N1059-5	.. HOUSING ASSY	002004 006999	1

MISSING ITEM NUMBERS NOT APPLICABLE

- ITEM NOT ILLUSTRATED

27-11-02-01

27-11-02  
FIG. 01  
PAGE 33  
MAY 20/09

BRI



757

PARTS CATALOG (MAINTENANCE)

FIG ITEM	PART NUMBER	1 2 3 4 5 6 7	NOMENCLATURE	EFFECT FROM TO	UNITS PER ASSY
1					
255	MS21209C0425	...	INSERT	002004 006999	2
260	251N1059-3	...	HOUSING	002004 006999	1
260	251N1059-4	...	HOUSING	002004 006999	1
265	251N1073-1	..	RETAINER ASSY	002004 006999	1
270	F2000-4	...	NUTPLATE SUPPLIER CODE: V15653 SPECIFICATION NUMBER: BACN10KB4F OPTIONAL PART: NS103185-048 V80539 RMF9207-4 V72962 T8114S428S V11815 VN151A1-048 V92215 BRF100A4 V52828	002004 006999	4
- 275	BACR15BA3D	...	RIVET- SIZE DETERMINED ON INSTL. -----*-----	002004 006999	8
280	251N1073-3	...	FILLER	002004 006999	4
285	251N1076-2	...	RETAINER	002004 006999	1
290	251N1050-2	..	BOLT	002004 006999	1
295	AN960XC416L	..	WASHER-	002004 006999	1
295	NAS1149C0432B	..	WASHER-	002004 006999	1
300	NAS1805-4N	..	NUT-	002004 006999	1
300	NAS1805-4L	..	NUT-	002004 006999	1
305	3-85291-0	..	NUT	002004 006999	1
305	3-85291	..	NUT	002004 006999	1
310	251N1216-1	..	SHIM	002004 006999	1

MISSING ITEM NUMBERS NOT APPLICABLE

- ITEM NOT ILLUSTRATED

27-11-02-01

27-11-02  
FIG. 01  
PAGE 34  
MAY 20/09

BRI



757

PARTS CATALOG (MAINTENANCE)

FIG ITEM	PART NUMBER	1 2 3 4 5 6 7	NOMENCLATURE	EFFECT FROM TO	UNITS PER ASSY
1					
315	251N1216-3	..	SHIM	002004 006999	AR
320	MKP8AFS428	..	BEARING-	002004 006999	1
R			SUPPLIER CODE:		
R			V06144		
R			SPECIFICATION NUMBER:		
R			BACB10AP8		
R			OPTIONAL PART:		
R			MKP8ASD610		
R			V83086		
R			LLMKP8A		
R			V38443		
R			MKP8AFS428		
R			V21335		
R			MKP8ATT		
R			V43991		
R			MKP8A2TS		
R			V43991		
R			MKP8E6531		
R			V21335		
R			MKP8AG20		
R			V38443		
R			MKP8ALY196		
R			V40920		
R			MKP8A		
R			V38443		
R			MCS28E		
R			VK8455		
R			MCS208E		
R			VK8455		
R			MKP8ANJC		
R			V06144		
R			BACB10BX8		

MISSING ITEM NUMBERS NOT APPLICABLE

- ITEM NOT ILLUSTRATED

27-11-02-01

27-11-02  
FIG. 01  
PAGE 35  
MAY 20/09

BRI



757

PARTS CATALOG (MAINTENANCE)

FIG ITEM	PART NUMBER	1 2 3 4 5 6 7	NOMENCLATURE	EFFECT FROM TO	UNITS PER ASSY
1 320	KP8AFS428		. . BEARING- SUPPLIER CODE: V06144 SPECIFICATION NUMBER: BACB10BX8 OPTIONAL PART: KP8AFS428 V21335 KP8A2TS V43991 LLKP8A V38443 KP8AG27 V30163 KP8A V38443 KP8BSD610 V83086 CS208E VK8455 KP8A V21760 KP8ANJC V06144 KP8ALY196 V40920 BACB10AP8	002004 006999	1

R  
R  
R  
R  
R  
R  
R  
R  
R  
R  
R  
R  
R  
R  
R  
R  
R  
R  
R  
R  
R

MISSING ITEM NUMBERS NOT APPLICABLE

— ITEM NOT ILLUSTRATED

# 27-11-02-01

27-11-02  
FIG. 01  
PAGE 36  
MAY 20/09

BRI



757

PARTS CATALOG (MAINTENANCE)

FIG ITEM	PART NUMBER	1 2 3 4 5 6 7	NOMENCLATURE	EFFECT FROM TO	UNITS PER ASSY
1 320	MKP08AFS428		.. BEARING- SUPPLIER CODE: V06144 SPECIFICATION NUMBER: BACB10AP08 OPTIONAL PART: LLMKP08A V38443 MKP08A V38443 MKP08AFS428 V21335 MKP08ATT V43991 MKP08A2TS V43991 MKP08E6531 V21335 MKP08ALY196 V40920 MKP08ASD610 V83086 MCS208E VK8455 MKP08AG20 V38443 MKP8ASD510 V50294 MKP08ANJC V06144 BACB10BX08	002004 006999	1

MISSING ITEM NUMBERS NOT APPLICABLE

- ITEM NOT ILLUSTRATED

BRI

27-11-02-01

BOEING PROPRIETARY - Copyright © - Unpublished Work - See title page for details.

27-11-02  
FIG. 01  
PAGE 37  
MAY 20/09



**BOEING**  
757  
**PARTS CATALOG (MAINTENANCE)**

FIG ITEM	PART NUMBER	1 2 3 4 5 6 7	NOMENCLATURE	EFFECT FROM TO	UNITS PER ASSY
1	KP8AFS428		.. BEARING-	002004	1
			SUPPLIER CODE:	006999	
			V21335		
			SPECIFICATION NUMBER:		
			BACB10BX08		
			OPTIONAL PART:		
			KP8E		
			V21760		
			KP8AP		
			V21760		
			KP8AE		
			V21760		
			KP8P		
			V21760		
			KP08ANJC		
			V06144		
			KP08ASD610		
			V83086		
			KP08ALY196		
			V40920		
			KP08A		
			V38443		
			LLKP08A		
			V38443		
			KP08A2TS		
			V43991		
			KP06AFS428		
			V06144		
			KP08AFS428		
			V21335		
			BACB10AP08		

MISSING ITEM NUMBERS NOT APPLICABLE

— ITEM NOT ILLUSTRATED

BRI

# 27-11-02-01

BOEING PROPRIETARY - Copyright © - Unpublished Work - See title page for details.

27-11-02  
FIG. 01  
PAGE 38  
MAY 20/09



757

PARTS CATALOG (MAINTENANCE)

FIG ITEM	PART NUMBER	1 2 3 4 5 6 7	NOMENCLATURE	EFFECT FROM TO	UNITS PER ASSY
1	320 SSMKP8ASD529		.. BEARING- SUPPLIER CODE: V50294 SPECIFICATION NUMBER: BACB10FS08RJ OPTIONAL PART: SSMKP8RJASD705 V83086 PACMKP08RJAFS42 V21335 SSMKP08RJAP V21760 SSMKP08RAP V21760 SSMKP08RJAP V21760 SSMKP08RAP V21760 BACB10FS08J	002004 006999	1
	320 PACMKP8AFS428		.. BEARING- SUPPLIER CODE: V21335 SPECIFICATION NUMBER: BACB10FS08J OPTIONAL PART: SSMKP8ASD536 V50294 BACB10FS08RJ	002004 006999	1
	325 251N1217-1		.. PIN	002004 006999	2
	330 MS16624-1118		.. RING-	002004 006999	1
	330 MS16624-2118		.. RING-	002004 006999	1
	335 251N1051-1		.. RETAINER-SLEEVE	002004 006999	1
	340 251N1058-2		.. GEAR- USED ON: 251N1061-4	002004 006999	1
	340 251N1058-3		.. GEAR- USED ON: 251N1061-6	002004 006999	1
	340 251N1413-1		.. GEAR	002004 006999	1

MISSING ITEM NUMBERS NOT APPLICABLE

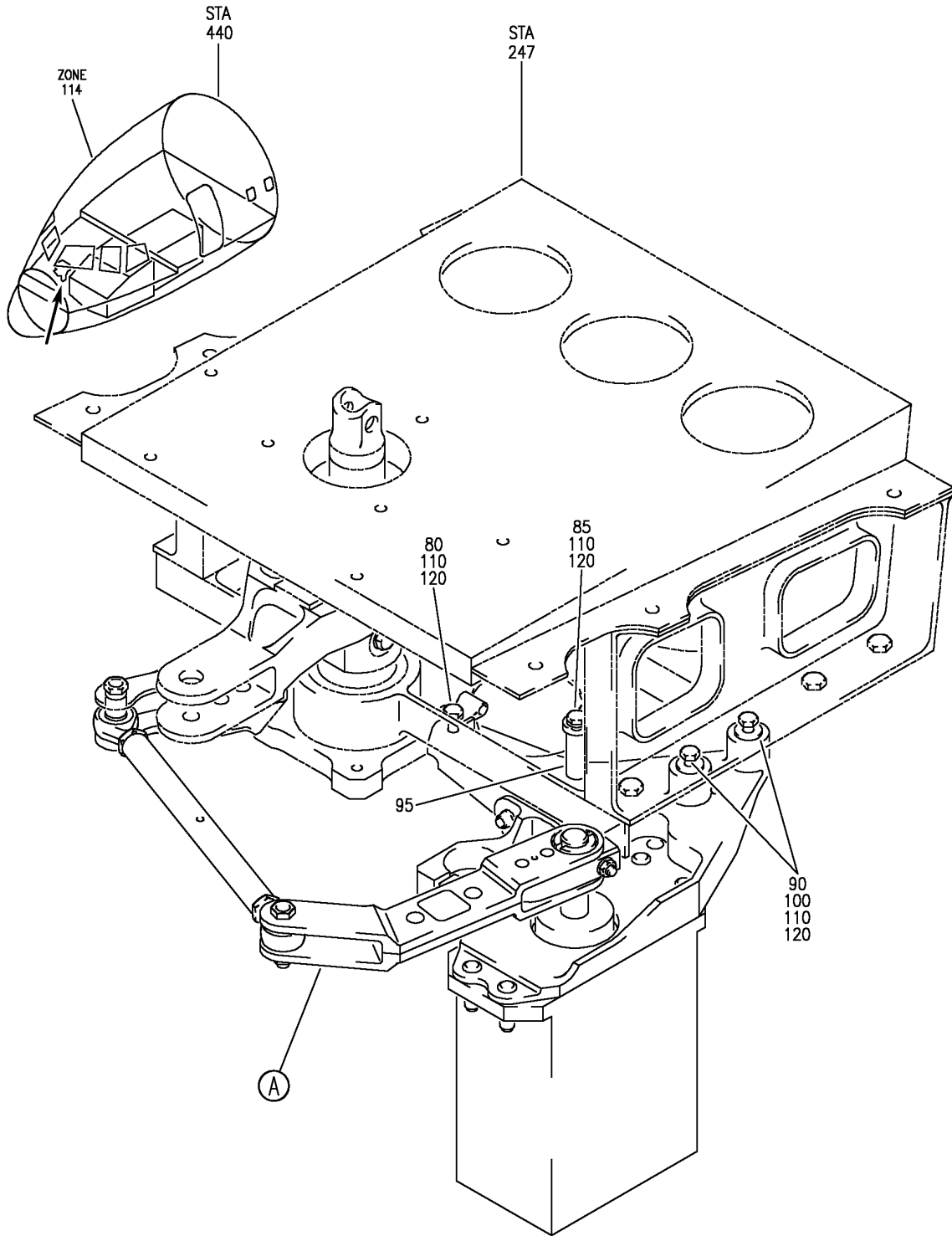
- ITEM NOT ILLUSTRATED

27-11-02-01

27-11-02  
FIG. 01  
PAGE 39  
MAY 20/09

BRI

**BOEING**  
757  
PARTS CATALOG (MAINTENANCE)



Y 27110202 SH1 1 REV 263

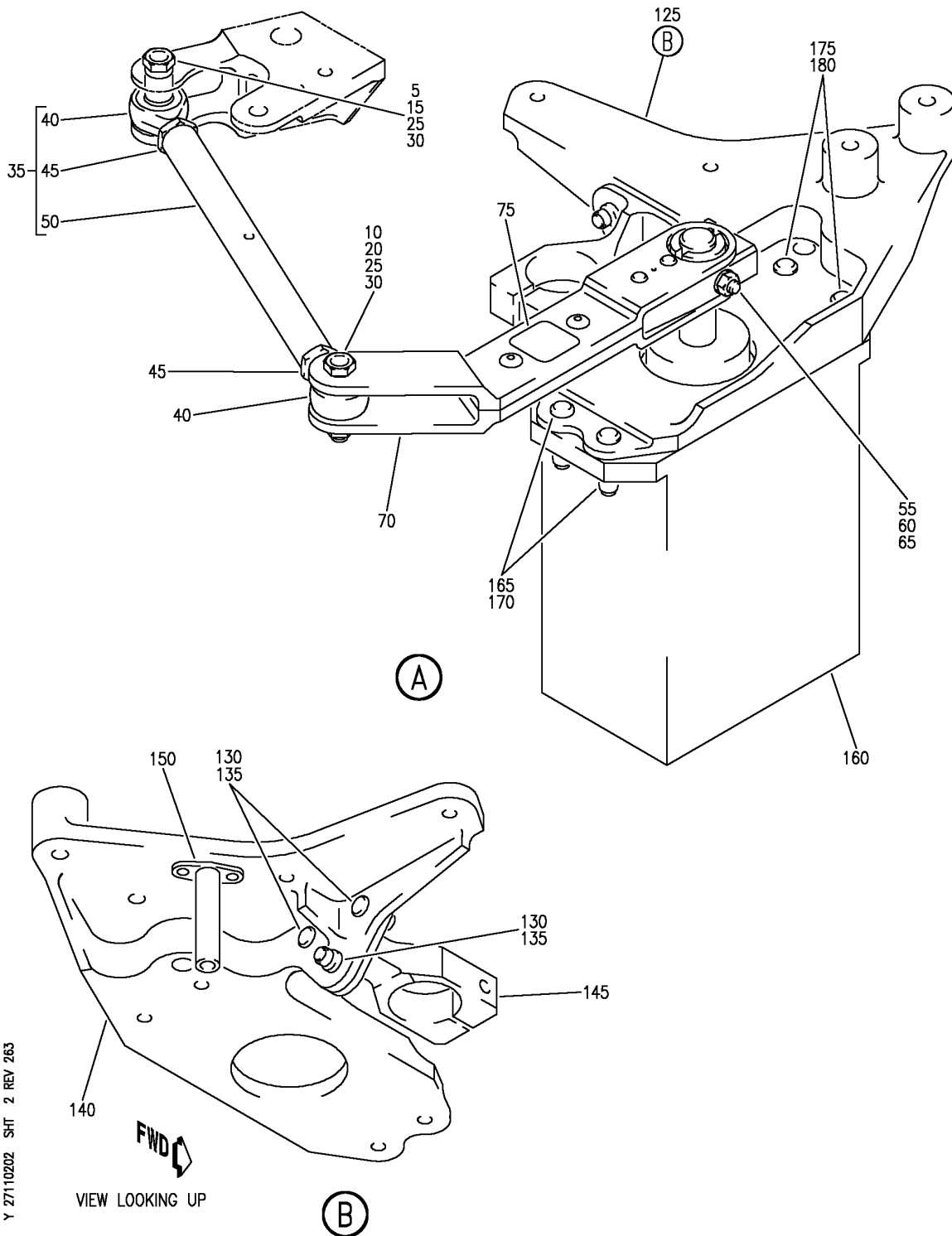
DAMPER INSTL-CONTROL WHEEL LATERAL CONTROLS  
FIGURE 2 (SHEET 1)

**27-11-02-02**

BRI  
JAN 20/09

27-11-02-02  
PAGE 0

**BOEING**  
**757**  
**PARTS CATALOG (MAINTENANCE)**



Y 27110202 SH1 2 REV 263

DAMPER INSTL-CONTROL WHEEL LATERAL CONTROLS  
 FIGURE 2 (SHEET 2)

**27-11-02-02**

BRI  
 JAN 20/09

27-11-02-02  
 PAGE 0A

 **BOEING**  
757  
**PARTS CATALOG (MAINTENANCE)**

FIG ITEM	PART NUMBER	1 2 3 4 5 6 7	NOMENCLATURE	EFFECT FROM TO	UNITS PER ASSY
2			DAMPER INSTL-CONTROL WHEEL LATERAL CONTROLS	106106	
- 1	MODREF34028		DAMPER INSTL-CONTROL WHEEL LATERAL CONTROLS MODULE NUMBER: 251N1027-1 REV A	106106	1
5	BACB30LJ4-17		.BOLT	106106	1
10	BACB30LJ4-12		.BOLT	106106	1
15	BACB28AK04-052		.BUSHING	106106	1
20	BACB28AK04-020		.BUSHING	106106	1
25	NAS1149D0463J		.WASHER	106106	2
30	BRH10C4D		.NUT	106106	2
			SUPPLIER CODE: V52828 SPECIFICATION NUMBER: BACN10JC4CD OPTIONAL PART: T6C428JCD V11815 NS202486-048 V80539 102LH9075-4W V72962 H51650-4BAC V15653		
35	250N2004-338		.ROD ASSY	106106	1
40	10E4-116T		..BEARING SUPPLIER CODE: V16746 SPECIFICATION NUMBER: BACB10Y4T OPTIONAL PART: BRES4-2236EL1 V81376 HB4E212KT V02758 KBE4-150WT V97613 MSSK4AS2 V73134 51588-041VL V09455 ASMK4-1DT V56644 AR4E8W3 VS0352 ARB4E60TW V15860	106106	2
45	BACN11U5CD2N		..NUT	106106	2

MISSING ITEM NUMBERS NOT APPLICABLE

- ITEM NOT ILLUSTRATED

BRI

**27-11-02-02**

BOEING PROPRIETARY - Copyright © - Unpublished Work - See title page for details.

27-11-02  
FIG. 02  
PAGE 1  
JAN 20/09



757

PARTS CATALOG (MAINTENANCE)

FIG ITEM	PART NUMBER	1 2 3 4 5 6 7	NOMENCLATURE	EFFECT FROM TO	UNITS PER ASSY
2					
50	250N2005-403	. .	TUBE	106106	1
55	BACB30LJ4-15	.BOLT		106106	1
60	NAS1149D0463J	.WASHER		106106	1
65	BRH10C4D	.NUT		106106	1
		SUPPLIER CODE: V52828 SPECIFICATION NUMBER: BACN10JC4CD OPTIONAL PART: T6C428JCD V11815 NS202486-048 V80539 102LH9075-4W V72962 H51650-4BAC V15653			
70	251N1028-1	.CRANK ASSY-DAMPER		106106	1
75	BAC27NCT337	. . DECAL-		106106	1
		PLACARD CONTENT: CONTROLLED SHEAR OUT ASSEMBLY PER 251N1028 BAC27NCT337			
80	BACB30LM3-15	.BOLT		106106	1
85	BACB30LM3-26	.BOLT		106106	2
90	BACB30LM3-18	.BOLT		106106	2
95	NAS42DD6-65FC	.SPACER		106106	1
100	BACS40U3L3	.SHIM		106106	2
110	NAS1149D0363J	.WASHER		106106	4
120	PLH53CD	.NUT		106106	4
		SUPPLIER CODE: VF0224 SPECIFICATION NUMBER: BACN10YR3CD OPTIONAL PART: H52732-3CD V15653			
125	251N1031-1	.BRACKET ASSY-DAMPER		106106	1

MISSING ITEM NUMBERS NOT APPLICABLE

- ITEM NOT ILLUSTRATED

27-11-02-02

27-11-02  
 FIG. 02  
 PAGE 2  
 JAN 20/09

BRI



757

PARTS CATALOG (MAINTENANCE)

FIG ITEM	PART NUMBER	1 2 3 4 5 6 7	NOMENCLATURE	EFFECT FROM TO	UNITS PER ASSY
2 130	HST10AG6-5	..	BOLT SUPPLIER CODE: V0PTK6 SPECIFICATION NUMBER: BACB30VT6K5 OPTIONAL PART: HST10AG6-5 V06725 HST10AG6-5 V56878 HST10AG6-5 V73197 WC10K6-5 V60516	106106	3
135	BACC30BL6	..	COLLAR SUPPLIER CODE: V73197 SPECIFICATION NUMBER: BACC30BL6 OPTIONAL PART: HST79-6 V92215 HST79CY6 V56878 HST79CY6 V5M902	106106	3
140	251N1032-1	..	BRACKET-DAMPER	106106	1
145	251N1432-3	..	BRACKET-SENSOR	106106	1
150	WSI4-16	..	NUT SUPPLIER CODE: V04169 SPECIFICATION NUMBER: BACN10TL3-16 ATTACHING PARTS	106106	1
- 155	BACR15BA3AD8C	..	RIVET -----*-----	106106	2
160	R401M5	.	DAMPER-PRIMARY FLIGHT CONTROLS	106106	1

MISSING ITEM NUMBERS NOT APPLICABLE

- ITEM NOT ILLUSTRATED

BRI

27-11-02-02

27-11-02  
FIG. 02  
PAGE 3  
JAN 20/09



757

PARTS CATALOG (MAINTENANCE)

FIG ITEM	PART NUMBER	1 2 3 4 5 6 7	NOMENCLATURE	EFFECT FROM TO	UNITS PER ASSY
2			ATTACHING PARTS		
165	HST10AG6-7		.BOLT SUPPLIER CODE: VOPTK6 SPECIFICATION NUMBER: BACB30VT6K7 OPTIONAL PART: HST10AG6-7 V06725 HST10AG6-7 V56878 HST10AG6-7 V73197 WC10K6-7 V60516	106106	2
170	BACC30BL6		.COLLAR SUPPLIER CODE: V73197 SPECIFICATION NUMBER: BACC30BL6 OPTIONAL PART: HST79-6 V92215 HST79CY6 V56878 HST79CY6 V5M902	106106	2
175	HST10AG6-9		.BOLT SUPPLIER CODE: VOPTK6 SPECIFICATION NUMBER: BACB30VT6K9 OPTIONAL PART: HST10AG6-9 V06725 HST10AG6-9 V56878 HST10AG6-9 V73197 WC10K6-9 V60516	106106	2

MISSING ITEM NUMBERS NOT APPLICABLE

- ITEM NOT ILLUSTRATED

BRI

27-11-02-02

BOEING PROPRIETARY - Copyright © - Unpublished Work - See title page for details.

27-11-02  
FIG. 02  
PAGE 4  
JAN 20/09





757

PARTS CATALOG (MAINTENANCE)

FIG ITEM	PART NUMBER	1 2 3 4 5 6 7	NOMENCLATURE	EFFECT FROM TO	UNITS PER ASSY
2 180	BACC30BL6		. COLLAR SUPPLIER CODE: V73197 SPECIFICATION NUMBER: BACC30BL6 OPTIONAL PART: HST79-6 V92215 HST79CY6 V56878 HST79CY6 V5M902 -----*	106106	2

MISSING ITEM NUMBERS NOT APPLICABLE

- ITEM NOT ILLUSTRATED

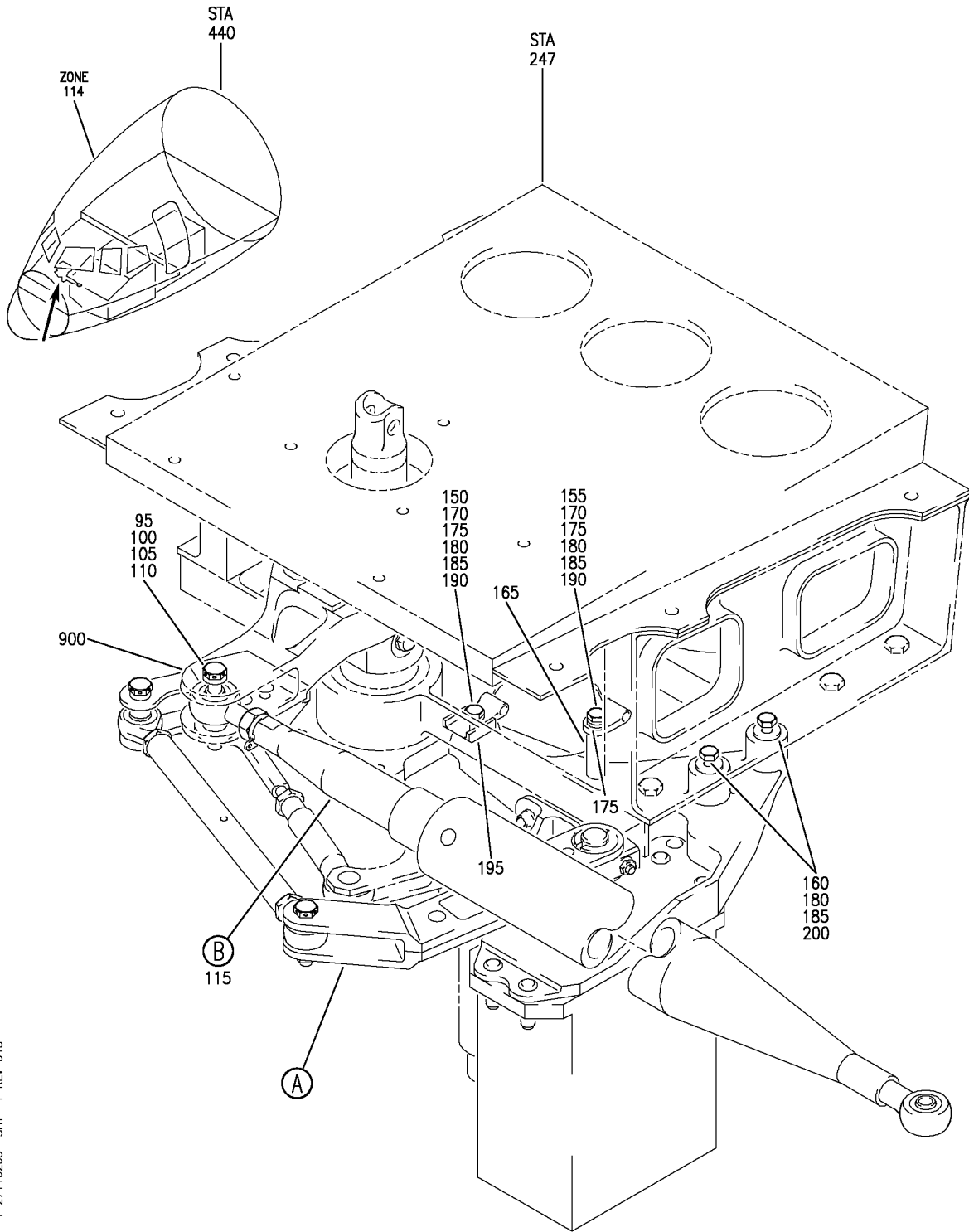
BRI

27-11-02-02

BOEING PROPRIETARY - Copyright © - Unpublished Work - See title page for details.

27-11-02  
FIG. 02  
PAGE 5  
JAN 20/09

**BOEING**  
757  
PARTS CATALOG (MAINTENANCE)



Y 27110203 SH1 1 REV 318

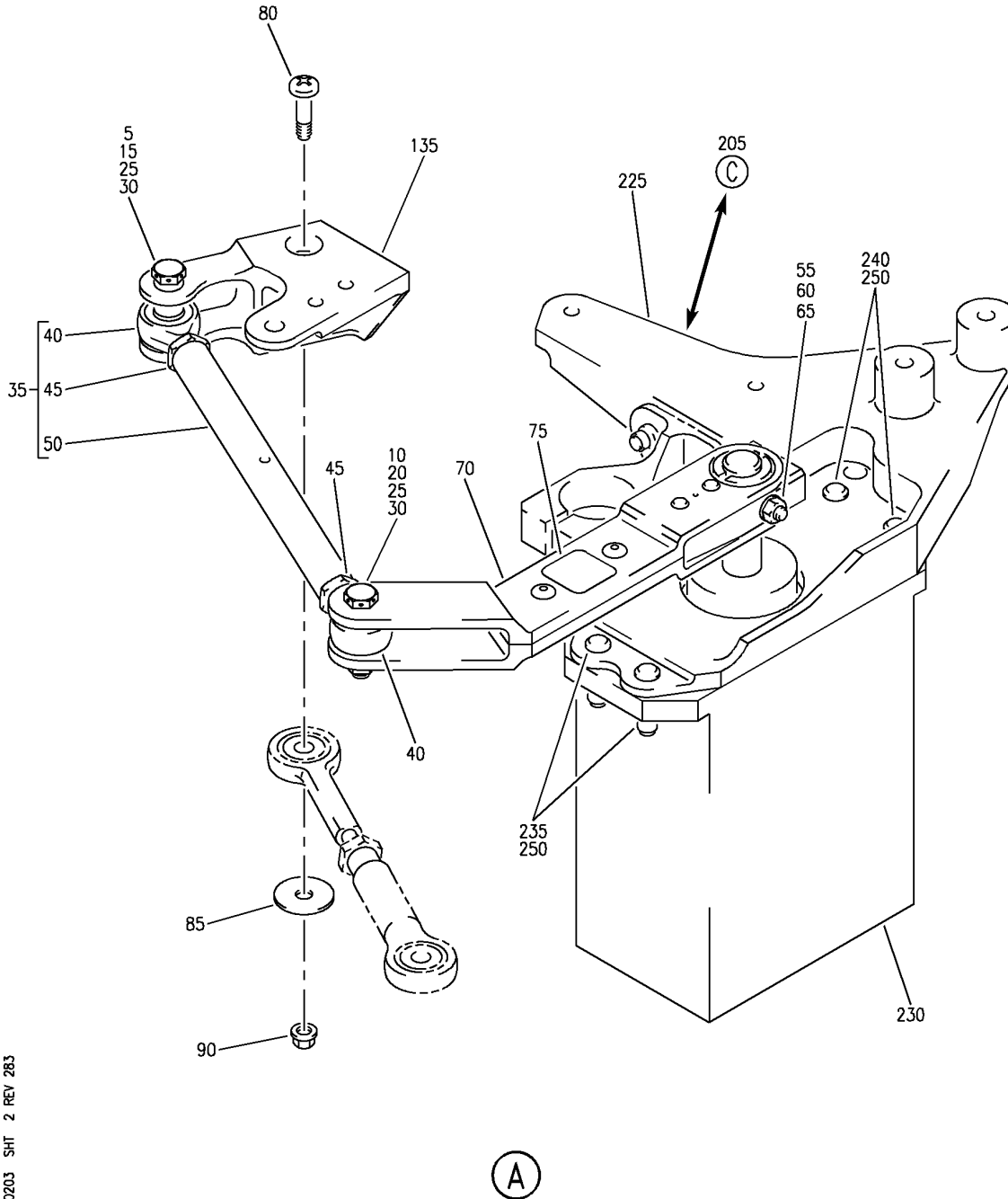
LATERAL CONTROL WHEEL DAMPER-KIT (AILERON AND AILERON TRIM CONTROL SYSTEM ONLY)  
FIGURE 3 (SHEET 1)

BRI  
JAN 20/08

**27-11-02-03**

27-11-02-03  
PAGE 0

**BOEING**  
757  
PARTS CATALOG (MAINTENANCE)



Y 27110203 SH1 2 REV 283

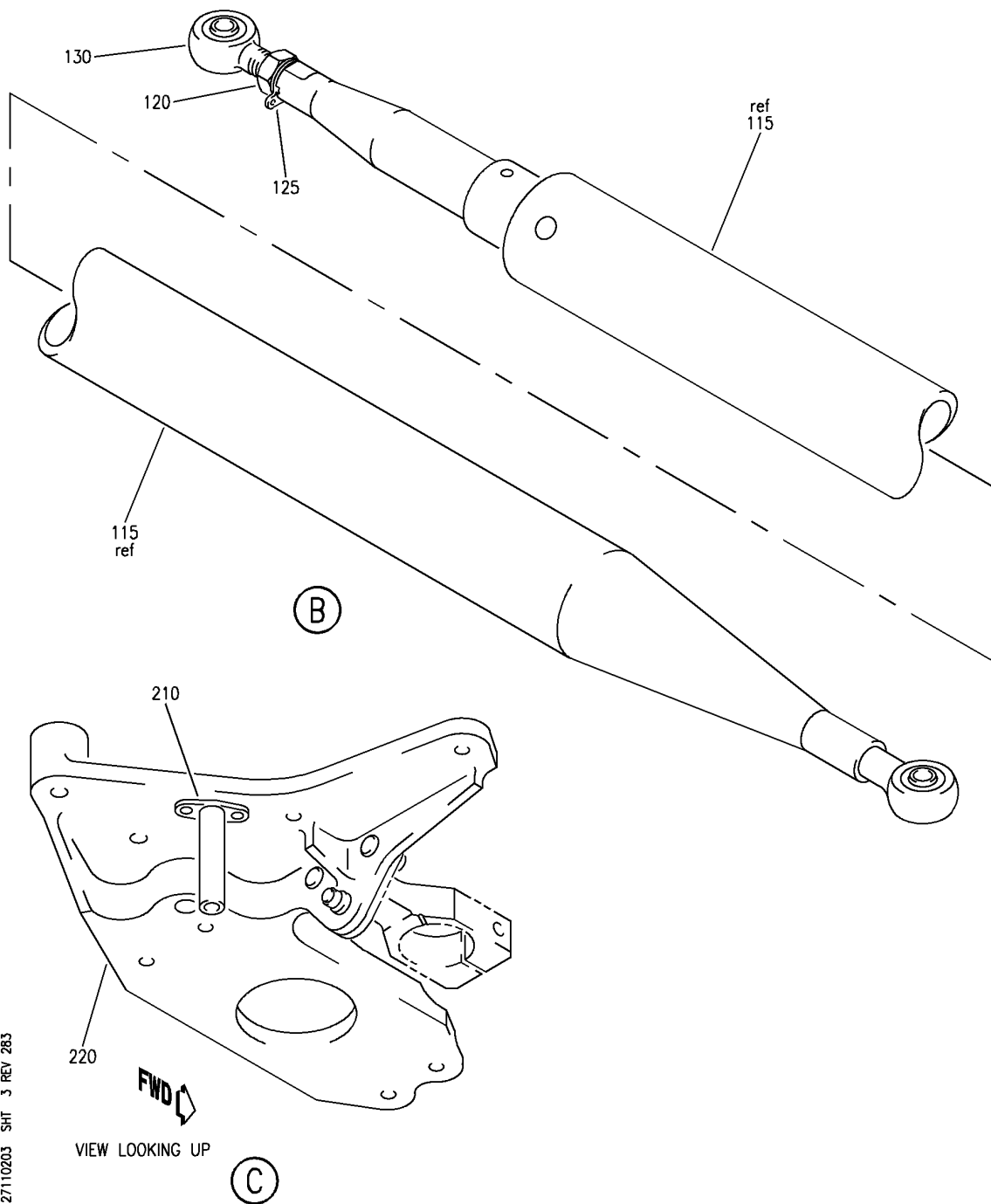
LATERAL CONTROL WHEEL DAMPER-KIT (AILERON AND AILERON TRIM CONTROL SYSTEM ONLY)  
FIGURE 3 (SHEET 2)

BRI  
MAY 28/07

**27-11-02-03**

27-11-02-03  
PAGE 0A

**BOEING**  
757  
PARTS CATALOG (MAINTENANCE)



Y 27110203 SHT 3 REV 283

LATERAL CONTROL WHEEL DAMPER-KIT (AILERON AND AILERON TRIM CONTROL SYSTEM ONLY)  
FIGURE 3 (SHEET 3)

BRI  
MAY 28/07

**27-11-02-03**

27-11-02-03  
PAGE 0B



757

PARTS CATALOG (MAINTENANCE)

FIG ITEM	PART NUMBER	1 2 3 4 5 6 7	NOMENCLATURE	EFFECT FROM TO	UNITS PER ASSY
3			LATERAL CONTROL WHEEL DAMPER-KIT (AILERON AND AILERON TRIM CONTROL SYSTEM ONLY)	002004 006105 107999	
- 1	012N0029-1		LATERAL CONTROL WHEEL- DAMPER-KIT (AILERON AND AILERON TRIM CONTROL SYSTEM ONLY) POSITION DATA: FIRST OFFICER SIDE POST ALERT SB: 27A0146 FOR OTHER SYS DETAILS SEE: 31-31-09-01B	103105 108120	1
- 1	251N0006-1		LATERAL CONTROL WHEEL- DAMPER-KIT POSITION DATA: FIRST OFFICER SIDE POST ALERT SB: 27A0146	002004 006102 107107 121999	1
5	BACB30LJ4-17		.BOLT	002004 006105 107999	1
10	BACB30LJ4-12		.BOLT	002004 006105 107999	1
15	BACB28AK04-052		.BUSHING	002004 006105 107999	1
20	BACB28AK04-020		.BUSHING	002004 006105 107999	1
25	NAS1149D0463J		.WASHER	002004 006105 107999	2
30	BRH10C4D		.NUT SUPPLIER CODE: V52828 SPECIFICATION NUMBER: BACN10JC4CD OPTIONAL PART: T6C428JCD V11815 NS202486-048 V80539 102LH9075-4W V72962 H51650-4BAC V15653	002004 006105 107999	2

MISSING ITEM NUMBERS NOT APPLICABLE

- ITEM NOT ILLUSTRATED

27-11-02-03

27-11-02  
FIG. 03  
PAGE 1  
JAN 20/09

BRI



757

PARTS CATALOG (MAINTENANCE)

FIG ITEM	PART NUMBER	1 2 3 4 5 6 7	NOMENCLATURE	EFFECT FROM TO	UNITS PER ASSY
3					
35	250N2004-338	.	ROD ASSY	002004 006105 107999	1
40	10E4-116T	..	BEARING SUPPLIER CODE: V16746 SPECIFICATION NUMBER: BACB10Y4T OPTIONAL PART: BRES4-2236EL1 V81376 HB4E212KT V02758 KBE4-150WT V97613 MSSK4AS2 V73134 51588-041VL V09455 ASMK4-1DT V56644 AR4E8W3 VS0352 ARB4E60TW V15860	002004 006105 107999	2
45	BACN11U5CD2N	..	NUT	002004 006105 107999	2
50	250N2005-403	..	TUBE	002004 006105 107999	1
55	BACB30LJ4-15	.	BOLT	002004 006105 107999	1
60	NAS1149D0463J	.	WASHER	002004 006105 107999	1

MISSING ITEM NUMBERS NOT APPLICABLE

- ITEM NOT ILLUSTRATED

27-11-02-03

27-11-02  
FIG. 03  
PAGE 2  
JAN 20/09

BRI

BOEING PROPRIETARY - Copyright © - Unpublished Work - See title page for details.



757

PARTS CATALOG (MAINTENANCE)

FIG ITEM	PART NUMBER	1 2 3 4 5 6 7	NOMENCLATURE	EFFECT FROM TO	UNITS PER ASSY
3					
65	BRH10C4D	.	NUT SUPPLIER CODE: V52828 SPECIFICATION NUMBER: BACN10JC4CD OPTIONAL PART: T6C428JCD V11815 NS202486-048 V80539 102LH9075-4W V72962 H51650-4BAC V15653	002004 006105 107999	1
70	251N1028-2	.	CRANK ASSY-DAMPER	002004 006102 107107 121999	1
70	251N1028-1	.	CRANK ASSY-DAMPER	103105 108120	1
75	BAC27NCT337	..	DECAL- PLACARD CONTENT: CONTROLLED SHEAR OUT ASSEMBLY PER 251N1028 BAC27NCT337	002004 006105 107999	1
80	BACB30LK3-6	.	BOLT	103105 108120	1
85	BACW10P6AL	.	WASHER	103105 108120	1
90	PLH53CD	.	NUT SUPPLIER CODE: VF0224 SPECIFICATION NUMBER: BACN10YR3CD OPTIONAL PART: H52732-3CD V15653	103105 108120	1
95	BACB30LJ4D18	.	BOLT- PRE ALERT SB: 27A0146R1	002004 006105 107999	1
95	BACB30LJ4-18	.	BOLT- POST ALERT SB: 27A0146R1	002004 006105 107999	1
100	NAS1149D0416	.	WASHER- PRE ALERT SB: 27A0146R1	002004 006105 107999	1
100	NAS1149D0416J	.	WASHER- POST ALERT SB: 27A0146R1	002004 006105 107999	1

MISSING ITEM NUMBERS NOT APPLICABLE

- ITEM NOT ILLUSTRATED

27-11-02-03

27-11-02  
FIG. 03  
PAGE 3  
JAN 20/09

BRI



757

PARTS CATALOG (MAINTENANCE)

FIG ITEM	PART NUMBER	1 2 3 4 5 6 7	NOMENCLATURE	EFFECT FROM TO	UNITS PER ASSY
3 105	BRH10C4D	.	NUT SUPPLIER CODE: V52828 SPECIFICATION NUMBER: BACN10JC4CD OPTIONAL PART: T6C428JCD V11815 NS202486-048 V80539 102LH9075-4W V72962 H51650-4BAC V15653	002004 006105 107999	1
110	NAS73-4-004	.	BUSHING	002004 006105 107999	1
115	251N1063-2	.	LIMITER ASSY- COMPONENT MAINT MANUAL REF: 27-11-15	002004 006105 107999	1
120	NAS509-6	..	NUT	002004 006105 107999	1
125	NAS1193-6CP	..	LOCKING DEVICE-POSITIVE INDEX	002004 006105 107999	1
130	REP4MK6-4FS428	..	BEARING SUPPLIER CODE: V73134 SPECIFICATION NUMBER: BACB10AD5K OPTIONAL PART: HHRE4MS6-1 V38443 REP4M6-4E9171B V21335 ABR4M8WG VS0352 ABR4M120 VS0352 REB4MK6-18 V92563 DBM4-6A1-502 V77896 ABR4M8WB V15860 REP4MK6-8J V73134	002004 006105 107999	1

MISSING ITEM NUMBERS NOT APPLICABLE

- ITEM NOT ILLUSTRATED

27-11-02-03

27-11-02  
FIG. 03  
PAGE 4  
JAN 20/09

BRI



 **BOEING**  
757  
**PARTS CATALOG (MAINTENANCE)**

FIG ITEM	PART NUMBER	1 2 3 4 5 6 7	NOMENCLATURE	EFFECT FROM TO	UNITS PER ASSY
3					
135	251N1430-3		.BRACKET-CRANK	002004 006105 107999	1
- 140	HST10AG6-5		ATTACHING PARTS .BOLT SUPPLIER CODE: VOPTK6 SPECIFICATION NUMBER: BACB30VT6K5 OPTIONAL PART: HST10AG6-5 V06725 HST10AG6-5 V56878 HST10AG6-5 V73197 WC10K6-5 V60516	002004 006105 107999	1
- 145	BACC30BL6		.COLLAR SUPPLIER CODE: V73197 SPECIFICATION NUMBER: BACC30BL6 OPTIONAL PART: HST79-6 V92215 HST79CY6 V56878 HST79CY6 V5M902 -----*-----	002004 006105 107999	1
150	BACB30LM3-15		.BOLT	103105 108120	1
150	BACB30LM3-15		.BOLT- QUALIFIED SB I/W DATA: OPT TO BACB30LM3-11 IF CLAMP IS INSTALLED	002004 006102 107107 121999	AR
150	BACB30LM3-11		.BOLT- QUALIFIED SB I/W DATA: OPT TO BACB30LM3-15 IF CLAMP IS NOT USED	002004 006102 107107 121999	AR
155	BACB30LM3-26		.BOLT	103105 108120	1
155	BACB30LM3-26		.BOLT- QUALIFIED SB I/W DATA: OPT TO BACB30LM3-5 IF CLAMP IS INSTALLED	002004 006102 107107 121999	AR

MISSING ITEM NUMBERS NOT APPLICABLE

- ITEM NOT ILLUSTRATED

BRI

**27-11-02-03**

27-11-02  
FIG. 03  
PAGE 5  
JAN 20/09



757

PARTS CATALOG (MAINTENANCE)

FIG ITEM	PART NUMBER	1 2 3 4 5 6 7	NOMENCLATURE	EFFECT FROM TO	UNITS PER ASSY
3					
155	BACB30LM3-5	.BOLT-	QUALIFIED SB I/W DATA: OPT TO BACB30LM3-26 IF CLAMP IS NOT USED	002004 006102 107107 121999	AR
160	BACB30LM3-18	.BOLT		002004 006105 107999	2
165	NAS42DD6-65FC	.SPACER		002004 006105 107999	1
170	NAS1149D0332J	.WASHER		103105 108120	2
175	NAS1149D0332J	.WASHER		002004 006102 107107 121999	3
180	NAS1149D0363J	.WASHER		002004 006105 107999	4
185	PLH53CD	.NUT	SUPPLIER CODE: VF0224 SPECIFICATION NUMBER: BACN10YR3CD OPTIONAL PART: H52732-3CD V15653	002004 006105 107999	4
190	BACC10DK3	.CLAMP-	SERVICE BULLETIN OPT DATA: BACC10DK6	002004 006105 107999	2
190	BACC10DK6	.CLAMP-	SERVICE BULLETIN OPT DATA: BACC10DK3	002004 006102 107107 121999	2
195	251N1248-1	.RETAINER		002004 006105 107999	1
200	BACS40U3L3	.SHIM		002004 006105 107999	2
205	251N1031-1	.BRACKET ASSY-DAMPER		103105 108120	1
210	WSI4-16	.NUT	SUPPLIER CODE: V04169 SPECIFICATION NUMBER: BACN10TL3-16	103105 108120	1

MISSING ITEM NUMBERS NOT APPLICABLE

- ITEM NOT ILLUSTRATED

27-11-02-03

27-11-02  
FIG. 03  
PAGE 6  
JAN 20/09

BRI

BOEING PROPRIETARY - Copyright © - Unpublished Work - See title page for details.

 **BOEING**  
757  
**PARTS CATALOG (MAINTENANCE)**

FIG ITEM	PART NUMBER	1 2 3 4 5 6 7	NOMENCLATURE	EFFECT FROM TO	UNITS PER ASSY
3			ATTACHING PARTS		
- 215	BACR15BA3AD8C	..	RIVET	103105 108120	2
			-----*-----		
220	251N1032-1	..	BRACKET-DAMPER	103105 108120	1
225	251N1032-1	.	BRACKET-DAMPER	002004 006102 107107 121999	1
230	R401M5	.	DAMPER-PRIMARY FLIGHT CONTROLS	002004 006105 107999	1
			ATTACHING PARTS		
235	HST10AG6-7	.	BOLT	002004	2
			SUPPLIER CODE: VOPTK6	006105 107999	
			SPECIFICATION NUMBER: BACB30VT6K7		
			OPTIONAL PART: HST10AG6-7		
			V06725		
			HST10AG6-7		
			V56878		
			HST10AG6-7		
			V73197		
			WC10K6-7		
			V60516		
240	HST10AG6-9	.	BOLT	002004	2
			SUPPLIER CODE: VOPTK6	006105 107999	
			SPECIFICATION NUMBER: BACB30VT6K9		
			OPTIONAL PART: HST10AG6-9		
			V06725		
			HST10AG6-9		
			V56878		
			HST10AG6-9		
			V73197		
			WC10K6-9		
			V60516		

MISSING ITEM NUMBERS NOT APPLICABLE

- ITEM NOT ILLUSTRATED

BRI

**27-11-02-03**

BOEING PROPRIETARY - Copyright © - Unpublished Work - See title page for details.

27-11-02  
FIG. 03  
PAGE 7  
JAN 20/09



757

PARTS CATALOG (MAINTENANCE)

FIG ITEM	PART NUMBER	1 2 3 4 5 6 7	NOMENCLATURE	EFFECT FROM TO	UNITS PER ASSY
3 250	BACC30BL6		. COLLAR SUPPLIER CODE: V73197 SPECIFICATION NUMBER: BACC30BL6 OPTIONAL PART: HST79-6 V92215 HST79CY6 V56878 HST79CY6 V5M902	002004 006105 107999	4
900			-----*----- ILLUSTRATION REFERENCE: CONTROL INSTL-AIL. AND SPOILER (FLIGHT CONTROLS ONLY) 27-00-00-02	002004 006100 107107 121503 904999	RF
900			ILLUSTRATION REFERENCE: CABLE INSTL-AIL. AND SPOILER (FLIGHT CONTROL CABLES ONLY) 27-00-01-01	101105 108120 504903	RF

MISSING ITEM NUMBERS NOT APPLICABLE

- ITEM NOT ILLUSTRATED

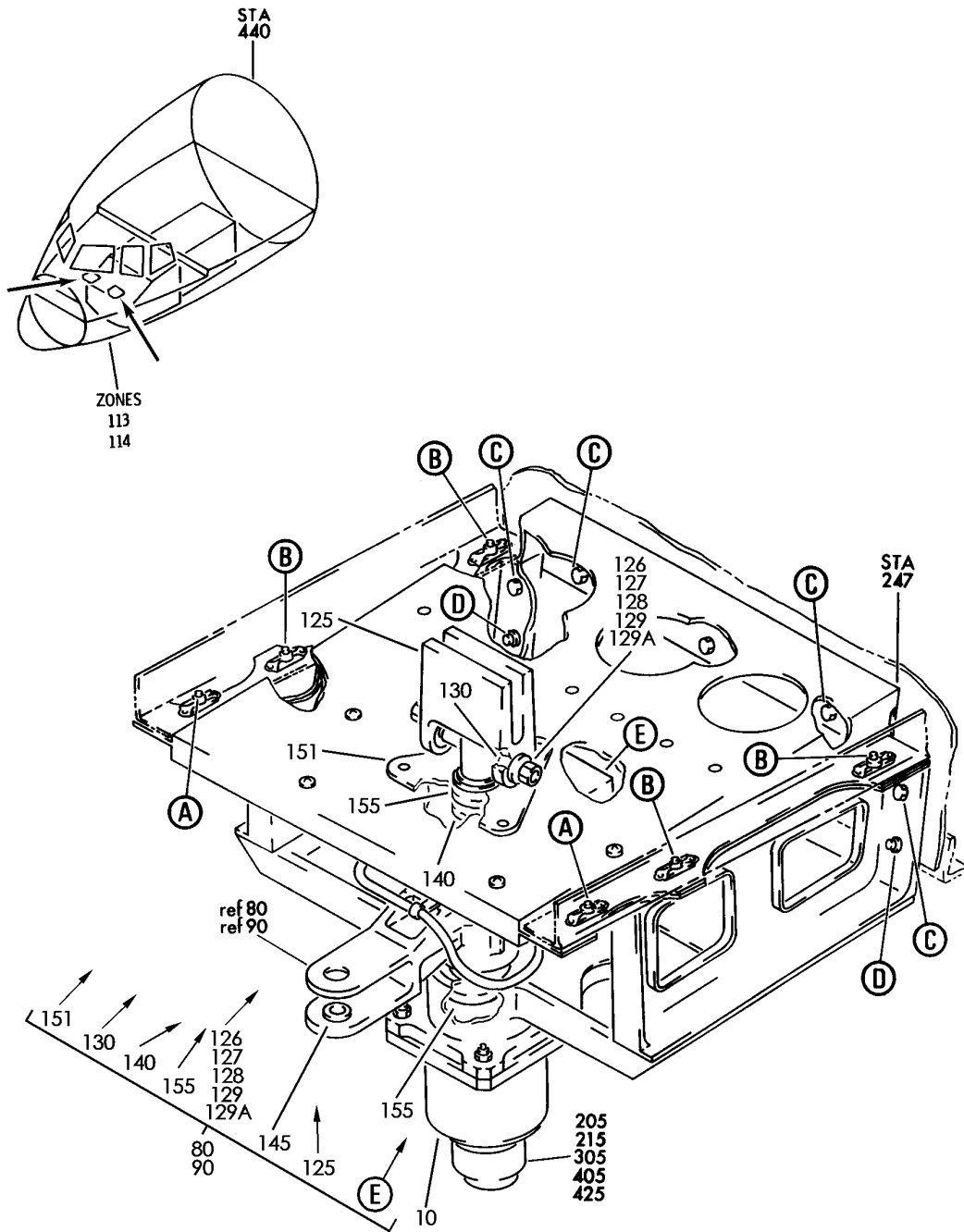
BRI

27-11-02-03

BOEING PROPRIETARY - Copyright © - Unpublished Work - See title page for details.

27-11-02  
FIG. 03  
PAGE 8  
JAN 20/09

**BOEING**  
757  
PARTS CATALOG (MAINTENANCE)



Y 27110301 REV 225

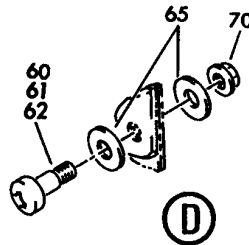
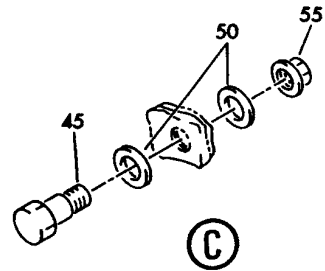
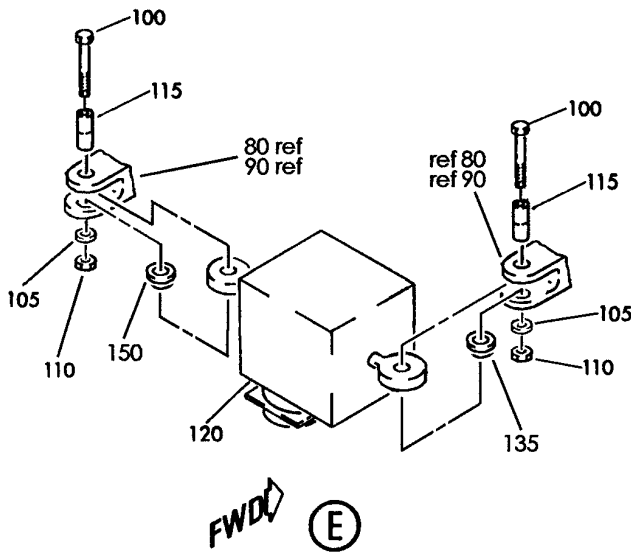
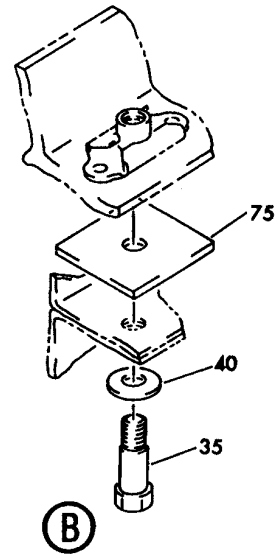
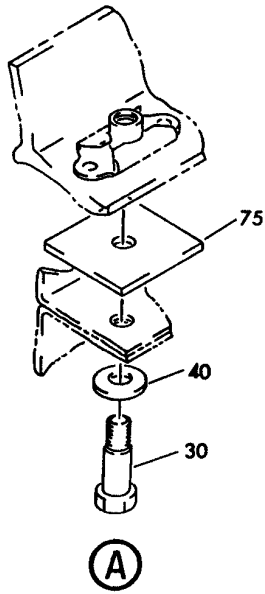
DRUM INSTL-LATERAL CONT PILOT AND COPILOT  
FIGURE 1 (SHEET 1)

**27-11-03-01**

BRI  
MAY 28/07

27-11-03-01  
PAGE 0

**BOEING**  
757  
PARTS CATALOG (MAINTENANCE)



Y 27110301 SHT 2 REV 225

DRUM INSTL-LATERAL CONT PILOT AND COPILOT  
FIGURE 1 (SHEET 2)

**27-11-03-01**

BRI  
MAY 28/07

27-11-03-01  
PAGE 0A



757

PARTS CATALOG (MAINTENANCE)

FIG ITEM	PART NUMBER	1 2 3 4 5 6 7	NOMENCLATURE	EFFECT FROM TO	UNITS PER ASSY
1			DRUM INSTL-LATERAL CONT PILOT AND COPILOT	002004 006100 107107 121503 904999	
- 1	251N1014-1		DRUM INSTL-LATERAL CONT PILOT FOR NHA SEE: 27-00-00-02	107107	RF
- 1	251N1014-31		DRUM INSTL-LATERAL CONT PILOT FOR NHA SEE: 27-00-00-02	904949	RF
- 1	251N1014-49		DRUM INSTL-LATERAL CONT PILOT FOR NHA SEE: 27-00-00-02	002004 006100 121503 950999	RF
- 5	251N1014-2		DRUM INSTL-LATERAL CONT COPILOT FOR NHA SEE: 27-00-00-02	107107	RF
- 5	251N1014-32		DRUM INSTL-LATERAL CONT COPILOT FOR NHA SEE: 27-00-00-02	003004 006100 121503 904999	RF
10	18-1968-31		.TRANSDUCER UNIT ASSY-757 WHL COMMAND SUPPLIER CODE: V96774 FUNCTIONAL DESCRIPTION: CONVERTS A MECHANICAL SIGNAL TO A PROPORTIONAL ELECTRICAL SIGNAL FOR WHEEL COMMAND. SPECIFICATION NUMBER: S251N119-31 COMPONENT MAINT MANUAL REF: 27-60-01	002004 006100 107107 121503 904999	1
- 15	BACB30LK3D14		ATTACHING PARTS .BOLT	002004 006100 107107 121503 904999	4
- 20	AN960JD10L		.WASHER-	002004 006100 107107 121503 904999	12

MISSING ITEM NUMBERS NOT APPLICABLE

- ITEM NOT ILLUSTRATED

BRI

27-11-03-01

27-11-03  
FIG. 01  
PAGE 1  
JAN 20/09



757

PARTS CATALOG (MAINTENANCE)

FIG ITEM	PART NUMBER	1 2 3 4 5 6 7	NOMENCLATURE	EFFECT FROM TO	UNITS PER ASSY
1 - 25	BRH10A3		.NUT SUPPLIER CODE: V52828 SPECIFICATION NUMBER: BACN10JC3 OPTIONAL PART: H10-3BAC V15653 NS202101-02 V80539 RMLH9075-3W V72962 VN303A02 V92215 96-02 V80539 T6S1032J V11815 -----*-----	002004 006100 107107 121503 904999	4
30	BACB30NM4K5		.BOLT	002004 006100 107107 121503 904999	2
35	BACB30NM4K6		.BOLT	002004 006100 107107 121503 904999	4
40	AN960JD416		.WASHER-	002004 006100 107107 121503 904999	6
45	BACB30NM4K3		.BOLT	002004 006100 107107 121503 904999	5
50	AN960JD416		.WASHER-	002004 006100 107107 121503 904999	10
55	NAS1805-4		.NUT	002004 006100 107107 121503 904999	5

MISSING ITEM NUMBERS NOT APPLICABLE

- ITEM NOT ILLUSTRATED

27-11-03-01

27-11-03  
FIG. 01  
PAGE 2  
JAN 20/09

BRI

BOEING PROPRIETARY - Copyright © - Unpublished Work - See title page for details.





757

PARTS CATALOG (MAINTENANCE)

FIG ITEM	PART NUMBER	1 2 3 4 5 6 7	NOMENCLATURE	EFFECT FROM TO	UNITS PER ASSY
1					
60	NAS623-3-5	.	SCREW- OPTIONAL PART: NAS6603-5	002004 006100 107107 121503 950999	2
60	NAS6603-5	.	BOLT- OPTIONAL PART: NAS623-3-5	002004 006100 121503 950999	2
61	NAS623-3-5	.	SCREW- OPTIONAL PART: NAS6603-5	904949	2
61	NAS6603-5	.	BOLT- OPTIONAL PART: NAS623-3-5	904949	2
65	AN960PD10	.	WASHER-	002004 006100 107107 121503 904999	4
65	AN960JD10	.	WASHER-	002004 006100 107107 121503 904999	4
70	NAS1804-3	.	NUT	002004 006100 107107 121503 904999	2
75	251N1014-9	.	SHIM-LAMINATED	002004 006100 107107 121503 904999	6
80	251N1014-23	.	DRUM ASSY-PILOT COMPONENT MAINT MANUAL REF: 27-11-06	107107	1
80	251N1014-29	.	DRUM ASSY-PILOT COMPONENT MAINT MANUAL REF: 27-11-06	002004 006100 121503 904999	1
- 85	251N1014-24	.	DRUM ASSY-COPILOT COMPONENT MAINT MANUAL REF: 27-11-06	107107	1
- 85	251N1014-30	.	DRUM ASSY-COPILOT COMPONENT MAINT MANUAL REF: 27-11-06	002004 006100 121503 904999	1

MISSING ITEM NUMBERS NOT APPLICABLE

- ITEM NOT ILLUSTRATED

27-11-03-01

27-11-03  
FIG. 01  
PAGE 3  
JAN 20/09

BRI



757

PARTS CATALOG (MAINTENANCE)

FIG ITEM	PART NUMBER	1 2 3 4 5 6 7	NOMENCLATURE	EFFECT FROM TO	UNITS PER ASSY
1					
90	251N1014-51		.DRUM ASSY-PILOT COMPONENT MAINT MANUAL REF: 27-11-06	002004 006100 121503 904999	1
100	NAS6603-12		..BOLT	107107	2
105	AN960C10L		..WASHER	107107	2
110	BRH10A3		..NUT SUPPLIER CODE: V52828 SPECIFICATION NUMBER: BACN10JC3 OPTIONAL PART: H10-3BAC V15653 NS202101-02 V80539 RMLH9075-3W V72962 VN303A02 V92215 96-02 V80539 T6S1032J V11815	107107	2
115	NAS73-3E004		..BUSHING	107107	2
120	GM6931-2		..TRANSDUCER ASSY-FORCE SUPPLIER CODE: V22863 SPECIFICATION NUMBER: S253T401-2 ELECTRICAL EQUIP NUMBER: TS0016 TS5068	107107	1
125	6-60428		..FORK ASSY-	002004 006100 107107 121503 904999	1
125	6-60428-0		..FORK ASSY-	002004 006100 107107 121503 904999	1
126	251N1230-1		..BOLT ASSY	002004 006100 107107 121503 904999	1

MISSING ITEM NUMBERS NOT APPLICABLE

- ITEM NOT ILLUSTRATED

27-11-03-01

27-11-03  
FIG. 01  
PAGE 4  
JAN 20/09

BRI

**BOEING**  
757  
**PARTS CATALOG (MAINTENANCE)**

FIG ITEM	PART NUMBER	1 2 3 4 5 6 7	NOMENCLATURE	EFFECT FROM TO	UNITS PER ASSY
1					
127	AN960C416	. .	WASHER	002004 006100 107107 121503 904999	3
128	NAS1805-4	. .	NUT	002004 006100 107107 121503 904999	2
129	NAS76A5-015	. .	SPACER	002004 006100 107107 121503 904999	1
129A	MKP4AFS428	. .	BEARING SUPPLIER CODE: V06144 SPECIFICATION NUMBER: BACB10AP4 OPTIONAL PART: MCS204E VK8455 LLMKP4A V38443 MKP4AFS428 V21335 MKP4ATT V43991 MKP4A2TS V43991 MKP4E6531 V21335 MKP4AG20 V38443 MKP4ALY196 V40920 MKP4A V38443 MCS24E VK8455 MKP4ASD610 V83086 MKP4ANJC V06144	002004 006100 107107 121503 904999	1
MISSING ITEM NUMBERS NOT APPLICABLE					

R  
R  
R  
R  
R  
R  
R  
R  
R  
R  
R  
R  
R  
R  
R  
R  
R  
R  
R  
R  
R  
R  
R  
R  
R

— ITEM NOT ILLUSTRATED

**27-11-03-01**

27-11-03  
FIG. 01  
PAGE 5  
MAY 20/09

BRI



757

PARTS CATALOG (MAINTENANCE)

FIG ITEM	PART NUMBER	1 2 3 4 5 6 7	NOMENCLATURE	EFFECT FROM TO	UNITS PER ASSY
1 130	KP04AFS428	. . .	BEARING	002004	1
			SUPPLIER CODE: V06144	006100	
135	251N1130-1	. . .	SPECIFICATION NUMBER: BACB10BX04	107107	1
			OPTIONAL PART: KP04ALY196	121503	
			V40920	904999	
			KP04AFS428		
			V21335		
			KP04A2TS		
			V43991		
			LLKP04A		
			V38443		
			KP04A		
			V38443		
			KP4AE		
			V21760		
			KP4AP		
			V21760		
			KP04ASD610		
			V83086		
			KP04ANJC		
			V06144		
			KP4AFS428		
			V21335		
			. . . BUSHING	002004	
				006100	
				107107	
				121503	
				904999	

MISSING ITEM NUMBERS NOT APPLICABLE

- ITEM NOT ILLUSTRATED

BRI

27-11-03-01

BOEING PROPRIETARY - Copyright © - Unpublished Work - See title page for details.

27-11-03  
FIG. 01  
PAGE 6  
MAY 20/09



757

PARTS CATALOG (MAINTENANCE)

FIG ITEM	PART NUMBER	1 2 3 4 5 6 7	NOMENCLATURE	EFFECT FROM TO	UNITS PER ASSY
R R R R R R R R R R R R R R R R R R	140	MKP16BFS428	.. BEARING SUPPLIER CODE: V06144 SPECIFICATION NUMBER: BACB10AU16 OPTIONAL PART: MKP16BSD610 V83086 MKP16BTT V43991 MKP16B2TS V43991 MKP16BE9273-16 V21335 LLMKP16B V38443 MKP16BFS428 V21335 MKP16BG20 V38443 MKP16B005M V40920 MKP16B V06144 MKP16BNJC V06144	002004 006100 107107 121503 904999	1
	145	BACB28X4C017	.. BUSHING	002004 006100 121503 950999	1
	145	BACB28X4C018	.. BUSHING	002004 006100 107107 121503 904999	1
	150	251N1130-1	.. BUSHING	002004 006100 107107 121503 904999	1
	151	251N1123-1	.. RETENTION PLATE-PLATE	002004 006100 107107 121503 904999	1

MISSING ITEM NUMBERS NOT APPLICABLE

- ITEM NOT ILLUSTRATED

27-11-03-01

27-11-03  
FIG. 01  
PAGE 7  
MAY 20/09

BRI



757

PARTS CATALOG (MAINTENANCE)

FIG ITEM	PART NUMBER	1 2 3 4 5 6 7	NOMENCLATURE	EFFECT FROM TO	UNITS PER ASSY
1					
- 152	BACB30LR3P3	..	BOLT	002004 006100 107107 121503 904999	3
- 153	AN960PD10L	..	WASHER	002004 006100 107107 121503 904999	3
- 154	NAS1805-3	..	NUT	002004 006100 107107 121503 904999	3
155	MKP16BSA3391	..	BEARING- SUPPLIER CODE: V21335 OPTIONAL PART: BACB10AW16	002004 006100 107107 121503 904999	2
155	MKP16BSFS428	..	BEARING- SUPPLIER CODE: V06144 SPECIFICATION NUMBER: BACB10AW16 OPTIONAL PART: MKP16BSE9273 V21335 MKP16BSTT V43991 MKP16BS2TS V43991 LLMKP16BS V38443 MKP16BSG20 V38443 MKP16BSSD610 V83086 MKP16BS007M V40920 MKP16BS V06144 MKP16BSFS428 V21335 MKP16BSNJC V06144 MKP16BSA3391 V21335	002004 006100 107107 121503 904999	2

R  
R  
R  
R  
R  
R  
R  
R  
R  
R  
R  
R  
R  
R  
R  
R  
R  
R  
R  
R  
R  
R

MISSING ITEM NUMBERS NOT APPLICABLE

- ITEM NOT ILLUSTRATED

27-11-03-01

27-11-03  
FIG. 01  
PAGE 8  
MAY 20/09

BRI



757

PARTS CATALOG (MAINTENANCE)

FIG ITEM	PART NUMBER	1 2 3 4 5 6 7	NOMENCLATURE	EFFECT FROM TO	UNITS PER ASSY
1					
- 156	AN960C1016	..	WASHER	002004 006100 107107 121503 904999	1
- 157	82631-1018	..	NUT SUPPLIER CODE: V56878 SPECIFICATION NUMBER: BACN10RF10 OPTIONAL PART: BR9080-10 V72962 SL2822-10 V97393	002004 006100 107107 121503 904999	1
- 200	286N2359-001		WIRE BUNDLE ASSY	002004 006100 107107 121503 904999	RF
205	BACC45FN12-12S7	.CON	CONNECTOR- ELECTRICAL EQUIP NUMBER: D00043 WIRING DIAGRAM REF: 221111 221131	002004 006100 107107 121503 904999	1
- 207	BACC45FN12-12S7	.CON	CONNECTOR- ELECTRICAL EQUIP NUMBER: D00563 WIRING DIAGRAM REF: 221111 221131	002004 006100 107107 121503 904999	1
- 210	286N2357-002		WIRE BUNDLE ASSY	002004 006100 107107 950999	RF
215	BACC45FN12-12S9	.CON	CONNECTOR- ELECTRICAL EQUIP NUMBER: D00063 WIRING DIAGRAM REF: 221121	002004 006100 107107 950999	1
- 220	BACC45FN12-12S9	.CON	CONNECTOR- ELECTRICAL EQUIP NUMBER: D00561 WIRING DIAGRAM REF: 221121	002004 006100 107107 950999	1

MISSING ITEM NUMBERS NOT APPLICABLE

- ITEM NOT ILLUSTRATED

27-11-03-01

27-11-03  
FIG. 01  
PAGE 9  
MAY 20/09

BRI



757

PARTS CATALOG (MAINTENANCE)

FIG ITEM	PART NUMBER	1 2 3 4 5 6 7	NOMENCLATURE	EFFECT FROM TO	UNITS PER ASSY
1					
- 300	286N2355-002		WIRE BUNDLE ASSY	002004 006100 107107 950999	RF
305	BACC45FN12-12S		.CONNECTOR- ELECTRICAL EQUIP NUMBER: D00023 D00559 WIRING DIAGRAM REF: 221111	002004 006100 107107 950999	2
- 400	286N2441-002		WIRE BUNDLE ASSY-	002004 006100 950999	RF
- 400	286N2441-003		WIRE BUNDLE ASSY-	107107	RF
- 400	286N2441-004		WIRE BUNDLE ASSY	121503 904949	RF
405	BACC45FN12-12S		.CONNECTOR- ELECTRICAL EQUIP NUMBER: D00623 WIRING DIAGRAM REF: 276117	002004 006100 107107 121503 904999	1
- 410	286N2449-002		WIRE BUNDLE ASSY-	002004 006100 950999	RF
- 410	286N2449-003		WIRE BUNDLE ASSY-	107107 121503 904949	RF
- 415	BACC45FN12-12S		.CONNECTOR- ELECTRICAL EQUIP NUMBER: D00627 WIRING DIAGRAM REF: 276118	002004 006100 107107 121503 904999	1
- 420	286N2443-002		WIRE BUNDLE ASSY-	002004 006100 950999	RF
- 420	286N2443-003		WIRE BUNDLE ASSY-	107107	RF
- 420	286N2443-004		WIRE BUNDLE ASSY	904949	RF
- 420	286N2443-007		WIRE BUNDLE ASSY	121503	RF
425	BACC45FN12-12S		.CONNECTOR- ELECTRICAL EQUIP NUMBER: D00629 WIRING DIAGRAM REF: 276115	002004 006100 107107 121503 904999	1
- 430	286N2445-002		WIRE BUNDLE ASSY-	002004 006100 950999	RF
- 430	286N2445-003		WIRE BUNDLE ASSY-	107107	RF
- 430	286N2445-004		WIRE BUNDLE ASSY	904949	RF
- 430	286N2445-007		WIRE BUNDLE ASSY	121503	RF

MISSING ITEM NUMBERS NOT APPLICABLE

- ITEM NOT ILLUSTRATED

27-11-03-01

27-11-03  
FIG. 01  
PAGE 10  
MAY 20/09

BRI





757

PARTS CATALOG (MAINTENANCE)

FIG ITEM	PART NUMBER	1 2 3 4 5 6 7	NOMENCLATURE	EFFECT FROM TO	UNITS PER ASSY
1 - 435	BACC45FN12-12S		.CONNECTOR- ELECTRICAL EQUIP NUMBER: D00633 WIRING DIAGRAM REF: 276116	002004 006100 107107 121503 904999	1

MISSING ITEM NUMBERS NOT APPLICABLE

- ITEM NOT ILLUSTRATED

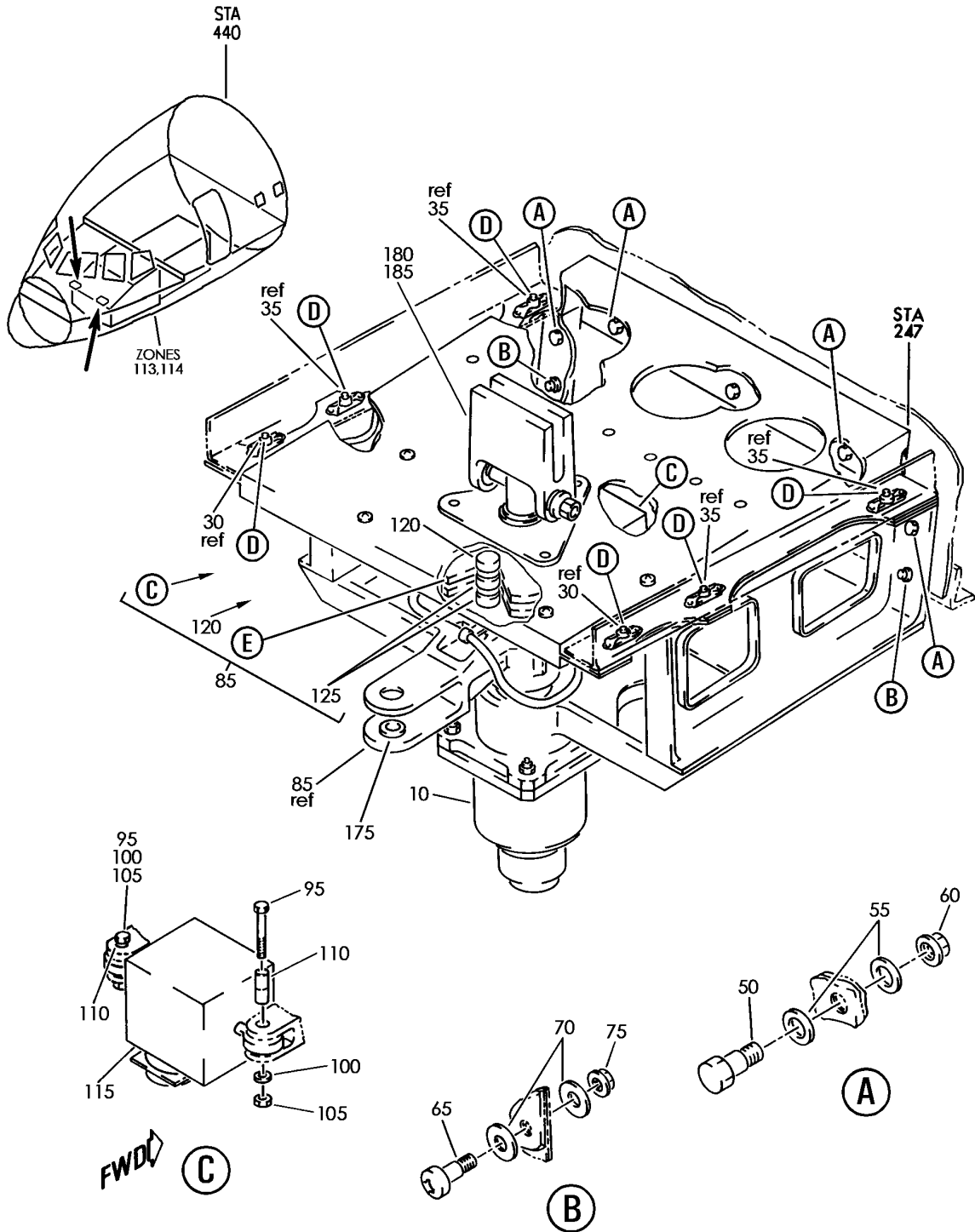
BRI

27-11-03-01

BOEING PROPRIETARY - Copyright © - Unpublished Work - See title page for details.

27-11-03  
FIG. 01  
PAGE 11  
JAN 20/09

**BOEING**  
757  
PARTS CATALOG (MAINTENANCE)



Y 27110302 SHT 1 REV 225

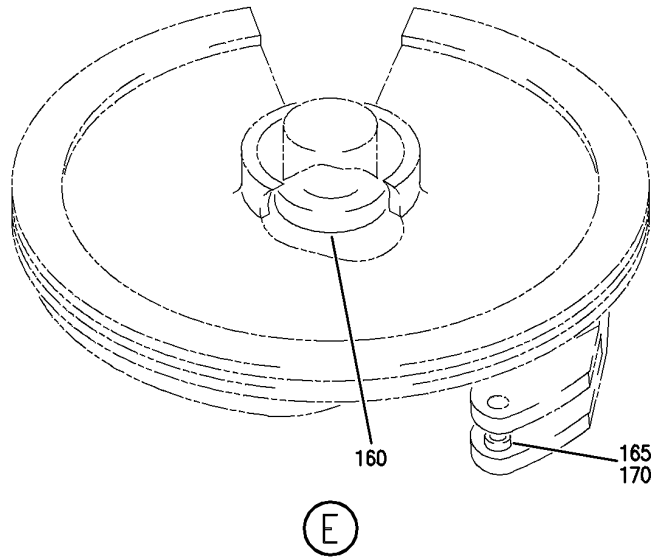
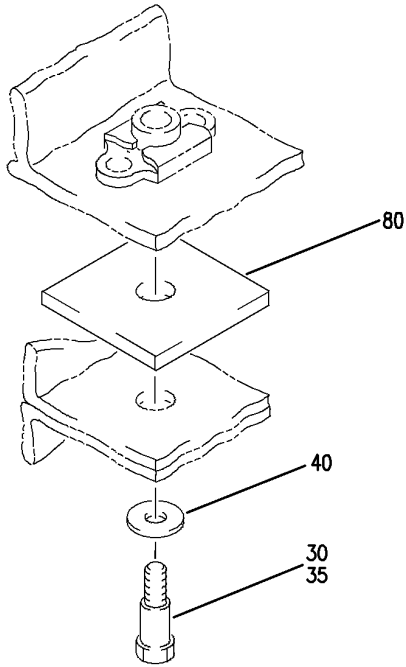
DRUM INSTL-PILOT AND CO-PILOT AILERON AND SPOILER CONTROL  
FIGURE 2 (SHEET 1)

**27-11-03-02**

BRI  
MAY 28/07

27-11-03-02  
PAGE 0

**BOEING**  
757  
PARTS CATALOG (MAINTENANCE)



Y 27110302 SH1 2 REV 225

DRUM INSTL-PILOT AND CO-PILOT AILERON AND SPOILER CONTROL  
FIGURE 2 (SHEET 2)

**27-11-03-02**

BRI  
MAY 28/07

27-11-03-02  
PAGE 0A



757

PARTS CATALOG (MAINTENANCE)

FIG ITEM	PART NUMBER	1 2 3 4 5 6 7	NOMENCLATURE	EFFECT FROM TO	UNITS PER ASSY
2			DRUM INSTL-PILOT AND CO-PILOT AILERON AND SPOILER CONTROL	101106 108120 504903	
- 1	251N1014-61		DRUM INSTL-PILOT AILERON AND SPOILER CONTROL POSITION DATA: LH FOR NHA SEE: 27-00-00-01	101102 504903	RF
- 1	251N1014-77		DRUM INSTL-PILOT AILERON AND SPOILER CONTROL POSITION DATA: LH FOR NHA SEE: 27-00-00-01	108120	RF
- 1	MODREF22425		DRUM INSTL-COPILOT AILERON AND SPOILER CONTROL MODULE NUMBER: 251N1014-81 REV A POSITION DATA: LH	103106	1
- 5	251N1014-66		DRUM INSTL-COPILOT AILERON AND SPOILER CONTROL POSITION DATA: RH FOR NHA SEE: 27-00-00-01	101102 504903	RF
- 5	251N1014-78		DRUM INSTL-COPILOT AILERON AND SPOILER CONTROL POSITION DATA: RH FOR NHA SEE: 27-00-00-01	108120	RF
- 5	MODREF22426		DRUM INSTL-COPILOT AILERON AND SPOILER CONTROL MODULE NUMBER: 251N1014-82 REV A POSITION DATA: RH	103105	1

MISSING ITEM NUMBERS NOT APPLICABLE

- ITEM NOT ILLUSTRATED

27-11-03-02

27-11-03  
FIG. 02  
PAGE 1  
JAN 20/09

BRI



757

PARTS CATALOG (MAINTENANCE)

FIG ITEM	PART NUMBER	1 2 3 4 5 6 7	NOMENCLATURE	EFFECT FROM TO	UNITS PER ASSY
2					
- 5	MODREF135494		DRUM INSTL-COPILOT AILERON AND SPOILER CONTROL MODULE NUMBER: 251N1014-82 REV B POSITION DATA: RH	106106	1
10	18-1968-31		.TRANSDUCER UNIT ASSY-757 WHEEL COMMAND SUPPLIER CODE: V96774 FUNCTIONAL DESCRIPTION: CONVERTS A MECHANICAL SIGNAL TO A PROPORTIONAL ELECTRICAL SIGNAL FOR WHEEL COMMAND. SPECIFICATION NUMBER: S251N119-31 COMPONENT MAINT MANUAL REF: 27-60-01	101106 108120 504903	1
- 15	BACB30LK3D14		.BOLT	101106 108120 504903	4
- 20	NAS1149D0332J		.WASHER	101106 108120 504903	4
- 25	BRH10A3		.NUT SUPPLIER CODE: V52828 SPECIFICATION NUMBER: BACN10JC3 OPTIONAL PART: H10-3BAC V15653 NS202101-02 V80539 RMLH9075-3W V72962 VN303A02 V92215 96-02 V80539 T6S1032J V11815	101106 108120 504903	4
30	BACB30NM4K5		-----*----- .BOLT	101106 108120 504903	2

MISSING ITEM NUMBERS NOT APPLICABLE

- ITEM NOT ILLUSTRATED

BRI

27-11-03-02

27-11-03  
FIG. 02  
PAGE 2  
JAN 20/09



757

PARTS CATALOG (MAINTENANCE)

FIG ITEM	PART NUMBER	1 2 3 4 5 6 7	NOMENCLATURE	EFFECT FROM TO	UNITS PER ASSY
2					
35	BACB30NM4K6	.	BOLT	101106 108120 504903	4
40	NAS1149D0463J	.	WASHER	101102 504903	6
50	BACB30NM4K3	.	BOLT	101106 108120 504903	5
55	NAS1149D0463J	.	WASHER	101106 108120 504903	10
60	NAS1805-4	.	NUT	101106 108120 504903	5
65	NAS623-3-5	.	SCREW	101106 108120 504903	2
70	NAS1149D0363J	.	WASHER	101106 108120 504903	4
75	NAS1805-3	.	NUT	101106 108120 504903	2
80	251N1014-9	.	SHIM-	101102 108120 504903	6
80	251N1014-83	.	SHIM-	103106	6
85	251N1014-67	.	DRUM ASSY-PILOT	101102 504903	1
85	251N1014-79	.	DRUM ASSY-PILOT	103106 108120	1
- 90	251N1014-72	.	DRUM ASSY-COPILOT	101102 504903	1
- 90	251N1014-80	.	DRUM ASSY-COPILOT	103105 108120	1
- 90	251N1014-84	.	DRUM ASSY-COPILOT QUALIFIED I/W DATA: 251N1014-84 TOGETHER WITH 251N1432-2 CAN REPLACE 251N1014-80	106106	1
95	NAS6603-12	..	BOLT	101106 108120 504903	2
100	NAS1149C0332R	..	WASHER	101106 108120 504903	2

MISSING ITEM NUMBERS NOT APPLICABLE

- ITEM NOT ILLUSTRATED

27-11-03-02

27-11-03  
FIG. 02  
PAGE 3  
JAN 20/09

BRI



757

PARTS CATALOG (MAINTENANCE)

FIG ITEM	PART NUMBER	1 2 3 4 5 6 7	NOMENCLATURE	EFFECT FROM TO	UNITS PER ASSY
2 105	BRH10A3	..	NUT SUPPLIER CODE: V52828 SPECIFICATION NUMBER: BACN10JC3 OPTIONAL PART: H10-3BAC V15653 NS202101-02 V80539 RMLH9075-3W V72962 VN303A02 V92215 96-02 V80539 T6S1032J V11815	101106 108120 504903	2
110	NAS73-3E004	..	BUSHING	101106 108120 504903	2
120	MKP16BSA3391	..	BEARING- SUPPLIER CODE: V21335 OPTIONAL PART: BACB10AW16	101106 108120 504903	1

MISSING ITEM NUMBERS NOT APPLICABLE

- ITEM NOT ILLUSTRATED

BRI

27-11-03-02

BOEING PROPRIETARY - Copyright © - Unpublished Work - See title page for details.

27-11-03  
FIG. 02  
PAGE 4  
JAN 20/09



757

PARTS CATALOG (MAINTENANCE)

FIG ITEM	PART NUMBER	1 2 3 4 5 6 7	NOMENCLATURE	EFFECT FROM TO	UNITS PER ASSY
2	MKP16BSFS428		.. BEARING-	101106	1
120			SUPPLIER CODE:	108120	
			V06144	504903	
			SPECIFICATION NUMBER:		
			BACB10AW16		
			OPTIONAL PART:		
			MKP16BSE9273		
			V21335		
			MKP16BSTT		
			V43991		
			MKP16BS2TS		
			V43991		
			LLMKP16BS		
			V38443		
			MKP16BSG20		
			V38443		
			MKP16BSSD610		
			V83086		
			MKP16BS007M		
			V40920		
			MKP16BS		
			V06144		
			MKP16BSFS428		
			V21335		
			MKP16BSNJC		
			V06144		
			MKP16BSA3391		
			V21335		

MISSING ITEM NUMBERS NOT APPLICABLE

- ITEM NOT ILLUSTRATED

27-11-03-02

27-11-03  
FIG. 02  
PAGE 5  
MAY 20/09

BRI





757

PARTS CATALOG (MAINTENANCE)

FIG ITEM	PART NUMBER	1 2 3 4 5 6 7	NOMENCLATURE	EFFECT FROM TO	UNITS PER ASSY
2 125	MKP16BFS428		.. BEARING SUPPLIER CODE: V06144 SPECIFICATION NUMBER: BACB10AU16 OPTIONAL PART: MKP16BSD610 V83086 MKP16BTT V43991 MKP16B2TS V43991 MKP16BE9273-16 V21335 LLMKP16B V38443 MKP16BFS428 V21335 MKP16BG20 V38443 MKP16B005M V40920 MKP16B V06144 MKP16BNJC V06144	101106 108120 504903	2

R  
R  
R  
R  
R  
R  
R  
R  
R  
R  
R  
R  
R  
R  
R  
R  
R  
R  
R  
R  
R  
R

MISSING ITEM NUMBERS NOT APPLICABLE

- ITEM NOT ILLUSTRATED

27-11-03-02

27-11-03  
FIG. 02  
PAGE 6  
MAY 20/09

BRI



757

PARTS CATALOG (MAINTENANCE)

FIG ITEM	PART NUMBER	1 2 3 4 5 6 7	NOMENCLATURE	EFFECT FROM TO	UNITS PER ASSY
R R R R R R R R R R R R R R	2 160	MKP16BFS428	.. BEARING SUPPLIER CODE: V06144 SPECIFICATION NUMBER: BACB10AU16 OPTIONAL PART: MKP16BSD610 V83086 MKP16BTT V43991 MKP16B2TS V43991 MKP16BE9273-16 V21335 LLMKP16B V38443 MKP16BFS428 V21335 MKP16BG20 V38443 MKP16B005M V40920 MKP16B V06144 MKP16BNJC V06144	101106 108120 504903	1
	165	251N1130-1	.. BUSHING	101106 108120 504903	1
	170	251N1130-1	.. BUSHING	101106 108120 504903	1
	175	BACB28X4C017	.. BUSHING	103106 108120	1
	175	BACB28X4C017	.. BUSHING	101102 504903	1
	175	BACB28X4C018	.. BUSHING	101102 504903	1
	180	6-60428	.. FORK ASSY-	101106 108120 504903	1
	180	6-60428-0	.. FORK ASSY-	101106 108120 504903	1

MISSING ITEM NUMBERS NOT APPLICABLE

- ITEM NOT ILLUSTRATED

27-11-03-02

27-11-03  
FIG. 02  
PAGE 7  
MAY 20/09

BRI

**BOEING**  
757  
**PARTS CATALOG (MAINTENANCE)**

FIG ITEM	PART NUMBER	1 2 3 4 5 6 7	NOMENCLATURE	EFFECT FROM TO	UNITS PER ASSY	
R R	2 185	KP04AFS428	... BEARING SUPPLIER CODE: V06144 SPECIFICATION NUMBER: BACB10BX04 OPTIONAL PART: KP04ALY196 V40920 KP04AFS428 V21335 KP04A2TS V43991 LLKP04A V38443 KP04A V38443 KP4AE V21760 KP4AP V21760 KP04ASD610 V83086 KP04ANJC V06144 KP4AFS428 V21335	101106 108120 504903	1	
	MISSING ITEM NUMBERS NOT APPLICABLE					

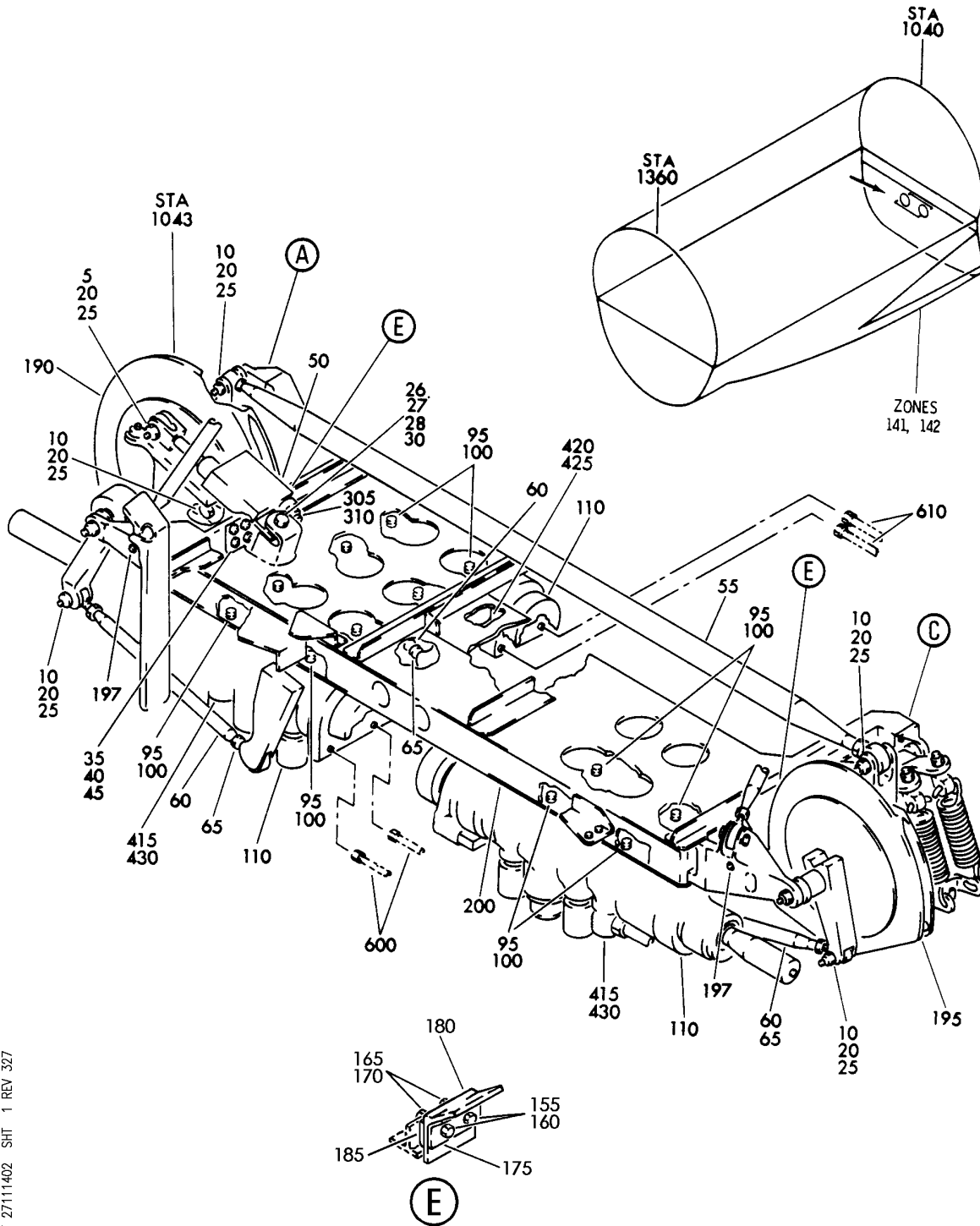
— ITEM NOT ILLUSTRATED

# 27-11-03-02

27-11-03  
FIG. 02  
PAGE 8  
MAY 20/09

BRI

**BOEING**  
757  
PARTS CATALOG (MAINTENANCE)



Y 27111402 SH1 1 REV 327

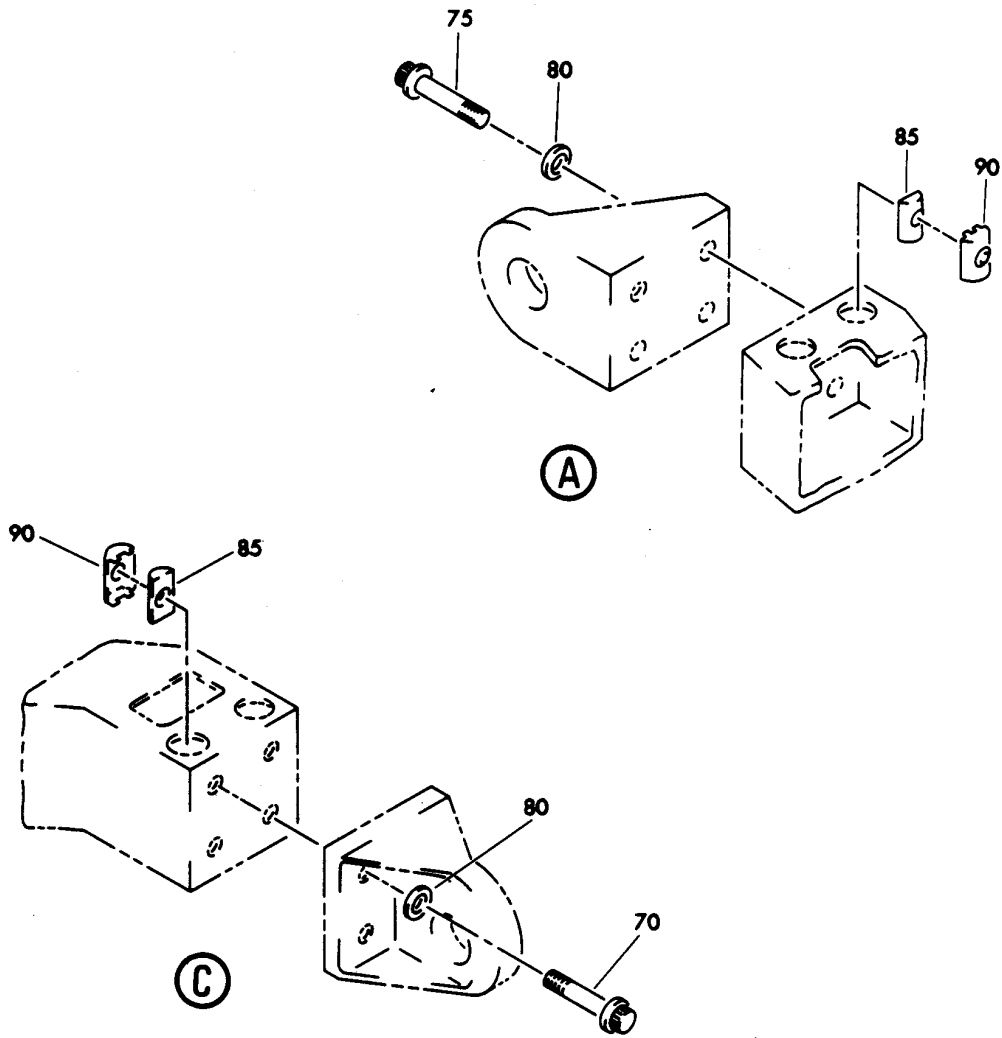
MECHANISM INSTL-LATERAL CONT WHL WELL  
FIGURE 2 (SHEET 1)

**27-11-14-02**

BRI  
SEP 20/08

27-11-14-02  
PAGE 0

**BOEING**  
757  
PARTS CATALOG (MAINTENANCE)



Y 27111402 SHT 2 REV 078

MECHANISM INSTL-LATERAL CONT WHL WELL  
FIGURE 2 (SHEET 2)

**27-11-14-02**

BRI  
MAY 28/07

27-11-14-02  
PAGE 0A



757

PARTS CATALOG (MAINTENANCE)

FIG ITEM	PART NUMBER	1 2 3 4 5 6 7	NOMENCLATURE	EFFECT FROM TO	UNITS PER ASSY
2			MECHANISM INSTL-LATERAL CONT WHL WELL	002004 006100 107107 121503 904999	
- 1	251N1023-1		MECHANISM INSTL-LATERAL CONT WHEEL WELL FOR NHA SEE: 27-00-00-02	107107	RF
- 1	251N1023-2		MECHANISM INSTL-LATERAL CONT WHEEL WELL FOR NHA SEE: 27-00-00-02	002004 006100 121503 904999	RF
5	BACB30NF4-12		.BOLT	002004 006100 107107 121503 904999	1
10	BACB30NF4-14		.BOLT-	002004 006100 107107 121503 904999	5
20	AN960KD416		.WASHER-	002004 006100 107107 121503 904999	6
25	BRH10C4D		.NUT- SUPPLIER CODE: V52828 SPECIFICATION NUMBER: BACN10JC4CD OPTIONAL PART: T6C428JCD V11815 NS202486-048 V80539 102LH9075-4W V72962 H51650-4BAC V15653	002004 006100 107107 121503 904999	6
26	BACB30NF4-11		.BOLT-	002004 006100 107107 121503 904999	1

MISSING ITEM NUMBERS NOT APPLICABLE

- ITEM NOT ILLUSTRATED

BRI

27-11-14-02

27-11-14  
FIG. 02  
PAGE 1  
JAN 20/09



757

PARTS CATALOG (MAINTENANCE)

FIG ITEM	PART NUMBER	1 2 3 4 5 6 7	NOMENCLATURE	EFFECT FROM TO	UNITS PER ASSY
2	27 LH8065-048	.NUT-	SUPPLIER CODE: V72962 SPECIFICATION NUMBER: BACN10HC4 OPTIONAL PART: SL414-4 V97393 94263-428 V56878	002004 006100 107107 121503 904999	1
	28 SLR4027-4	.RETAINER	SUPPLIER CODE: V97393 SPECIFICATION NUMBER: BACR10V4 OPTIONAL PART: 2452-048RET V72962	002004 006100 107107 121503 904999	1
	30 250N2008-13	.BUSHING-		002004 006100 107107 121503 904999	1
	35 BACB30LE4-9	.BOLT		002004 006100 107107 121503 904999	4
	40 AN960KD416	.WASHER		002004 006100 107107 121503 904999	4
	45 BRH10C4D	.NUT	SUPPLIER CODE: V52828 SPECIFICATION NUMBER: BACN10JC4CD OPTIONAL PART: T6C428JCD V11815 NS202486-048 V80539 102LH9075-4W V72962 H51650-4BAC V15653	002004 006100 107107 121503 904999	4

MISSING ITEM NUMBERS NOT APPLICABLE

- ITEM NOT ILLUSTRATED

BRI

27-11-14-02

27-11-14  
FIG. 02  
PAGE 2  
JAN 20/09



757

PARTS CATALOG (MAINTENANCE)

FIG ITEM	PART NUMBER	1 2 3 4 5 6 7	NOMENCLATURE	EFFECT FROM TO	UNITS PER ASSY
2					
50	732-16810-01	.	ACTUATOR ASSY- SUPPLIER CODE: VS4096 FUNCTIONAL DESCRIPTION: THIS SINGLE LINEAR ELECTROMECHANICAL ACTUATOR ROTATES THE AILERON CONTROL FEEL MECHANISM TRIM LINKAGE. SPECIFICATION NUMBER: 60B80030-3 MISCELLANEOUS DATA: 60B80030-4 OPTIONAL TO 60B80030-3 ELECTRICAL EQUIP NUMBER: M00488 COMPONENT MAINT MANUAL REF: 27-10-01	002004 006100 107107 121503 904999	1
50	732-16810-03	.	ACTUATOR ASSY- SUPPLIER CODE: VS4096 FUNCTIONAL DESCRIPTION: THIS SINGLE LINEAR ELECTROMECHANICAL ACTUATOR ROTATES THE AILERON CONTROL FEEL MECHANISM TRIM LINKAGE. SPECIFICATION NUMBER: 60B80030-4 ELECTRICAL EQUIP NUMBER: M00488	002004 006100 107107 121503 904999	1
55	250N2004-1209	.	ROD ASSY- COMPONENT MAINT MANUAL REF: 27-00-12	002004 006100 107107 121503 904999	1
60	250N2004-312	.	ROD ASSY- COMPONENT MAINT MANUAL REF: 27-00-12	002004 006100 107107 121503 904999	3
60	250N2004-328	.	ROD ASSY- COMPONENT MAINT MANUAL REF: 27-00-12	002004 006100 107107 121503 904999	3

MISSING ITEM NUMBERS NOT APPLICABLE

- ITEM NOT ILLUSTRATED

27-11-14-02

27-11-14  
FIG. 02  
PAGE 3  
JAN 20/09

BRI





757

PARTS CATALOG (MAINTENANCE)

FIG ITEM	PART NUMBER	1 2 3 4 5 6 7	NOMENCLATURE	EFFECT FROM TO	UNITS PER ASSY
2					
65	AN316-7R	.	NUT-	002004 006100 107107 121503 904999	3
70	BACB30LE4-5	.	BOLT	002004 006100 107107 121503 904999	4
75	BACB30LE4-6	.	BOLT	002004 006100 107107 121503 904999	4
80	AN960KD416L	.	WASHER	002004 006100 107107 121503 904999	8
85	NAS577-4A	.	NUT	002004 006100 107107 121503 904999	8
90	NAS578-4A	.	RETAINER	002004 006100 107107 121503 904999	8
95	BACB30LE4-12	.	BOLT-	002004 006100 107107 121503 904999	12
100	BACW10BP4CD	.	WASHER-	002004 006100 107107 121503 904999	12

MISSING ITEM NUMBERS NOT APPLICABLE

- ITEM NOT ILLUSTRATED

27-11-14-02

27-11-14  
FIG. 02  
PAGE 4  
JAN 20/09

BRI



757

PARTS CATALOG (MAINTENANCE)

FIG ITEM	PART NUMBER	1 2 3 4 5 6 7	NOMENCLATURE	EFFECT FROM TO	UNITS PER ASSY
2 110	163000-103		.SERVO ASSY-LATERAL GUIDANCE CONT SUPPLIER CODE: V19156 SPECIFICATION NUMBER: S251N115-3 ELECTRICAL EQUIP NUMBER: M10040 M10041 M10042 COMPONENT MAINT MANUAL REF: 22-13-03 OPTIONAL PART: 163000-106 V19156 FOR DETAILS SEE: 22-13-03-10 22-13-04-01 22-13-05-01	002004 006100 107107 121503 904999	3
110	163000-104		.SERVO ASSY-LATERAL GUIDANCE CONT SUPPLIER CODE: V19156 SPECIFICATION NUMBER: S251N115-4 ELECTRICAL EQUIP NUMBER: M10040 M10041 M10042 COMPONENT MAINT MANUAL REF: 22-13-03 OPTIONAL PART: 163000-105 V19156 FOR DETAILS SEE: 22-13-03-10 22-13-04-01 22-13-05-01	002004 006100 107107 121503 904999	3

MISSING ITEM NUMBERS NOT APPLICABLE

- ITEM NOT ILLUSTRATED

BRI

27-11-14-02

BOEING PROPRIETARY - Copyright © - Unpublished Work - See title page for details.

27-11-14  
FIG. 02  
PAGE 5  
JAN 20/09



757

PARTS CATALOG (MAINTENANCE)

FIG ITEM	PART NUMBER	1 2 3 4 5 6 7	NOMENCLATURE	EFFECT FROM TO	UNITS PER ASSY
2 110	163000-106		.SERVO ASSY-LATERAL GUIDANCE CONT SUPPLIER CODE: V19156 SPECIFICATION NUMBER: S251N115-3 ELECTRICAL EQUIP NUMBER: M10040 M10041 M10042 COMPONENT MAINT MANUAL REF: 22-13-03 OPTIONAL PART: 163000-103 V19156 FOR DETAILS SEE: 22-13-03-10 22-13-04-01 22-13-05-01	002004 006100 107107 121503 904999	3
110	163000-105		.SERVO ASSY-LATERAL GUIDANCE CONT SUPPLIER CODE: V19156 SPECIFICATION NUMBER: S251N115-4 ELECTRICAL EQUIP NUMBER: M10040 M10041 M10042 COMPONENT MAINT MANUAL REF: 22-13-03 OPTIONAL PART: 163000-104 V19156 FOR DETAILS SEE: 22-13-03-10 22-13-04-01 22-13-05-01	002004 006100 107107 121503 904999	3

MISSING ITEM NUMBERS NOT APPLICABLE

- ITEM NOT ILLUSTRATED

BRI

27-11-14-02

27-11-14  
FIG. 02  
PAGE 6  
JAN 20/09



757

PARTS CATALOG (MAINTENANCE)

FIG ITEM	PART NUMBER	1 2 3 4 5 6 7	NOMENCLATURE	EFFECT FROM TO	UNITS PER ASSY
2 110	163000-108	.	SERVO ASSY-LATERAL SUPPLIER CODE: V19156 SPECIFICATION NUMBER: S251N115-6 ELECTRICAL EQUIP NUMBER: M10040 M10041 M10042 COMPONENT MAINT MANUAL REF: 22-13-03 FOR DETAILS SEE: 22-13-03-10 22-13-04-01 22-13-05-01	002004 006100 107107 121503 904999	3
110	163000-107	.	SERVO ASSY-LATERAL SUPPLIER CODE: V19156 SPECIFICATION NUMBER: S251N115-5 ELECTRICAL EQUIP NUMBER: M10040 M10041 M10042 COMPONENT MAINT MANUAL REF: 22-13-03 FOR DETAILS SEE: 22-13-03-10 22-13-04-01 22-13-05-01	002004 006100 107107 121503 904999	3

MISSING ITEM NUMBERS NOT APPLICABLE

- ITEM NOT ILLUSTRATED

BRI

27-11-14-02

BOEING PROPRIETARY - Copyright © - Unpublished Work - See title page for details.

27-11-14  
FIG. 02  
PAGE 7  
JAN 20/09



757

PARTS CATALOG (MAINTENANCE)

FIG ITEM	PART NUMBER	1 2 3 4 5 6 7	NOMENCLATURE	EFFECT FROM TO	UNITS PER ASSY
2 155	HL18PB6-5		.BOLT- SUPPLIER CODE: V06725 SPECIFICATION NUMBER: BACB30FM6-5 OPTIONAL PART: HL18PB6-5 V73197 HL18PB6-5 V92215 HL18PB6-5 V97928 HL18PB6-5 V80539 62550-6-5 V56878 HL18PB6-5 V08524 HL18PB6-5 V56878 HL18PB6-5 V56878	002004 006100 107107 121503 904999	4
160	NAS43DD3-7		.SPACER-	002004 006100 107107 121503 904999	4
165	AN960KD10L		.WASHER-	002004 006100 107107 121503 904999	4
170	MS21042L3		.NUT-	002004 006100 107107 121503 904999	4
175	251N1301-1		.SUPPORT-GUARD	002004 006100 107107 121503 904999	2
180	251N1300-1		.GUARD-DEFLECTOR	002004 006100 107107 121503 904999	2

MISSING ITEM NUMBERS NOT APPLICABLE

- ITEM NOT ILLUSTRATED

BRI

27-11-14-02

27-11-14  
FIG. 02  
PAGE 8  
JAN 20/09



757

PARTS CATALOG (MAINTENANCE)

FIG ITEM	PART NUMBER	1 2 3 4 5 6 7	NOMENCLATURE	EFFECT FROM TO	UNITS PER ASSY
2					
190	251N1009-17		.MECHANISM ASSY- COMPONENT MAINT MANUAL REF: 27-11-25 FOR DETAILS SEE: 27-11-14-10	107107	1
190	251N1009-18		.MECHANISM ASSY- COMPONENT MAINT MANUAL REF: 27-11-25 POST SERVICE BULLETIN: 27-0084R1 FOR DETAILS SEE: 27-11-14-10	002004 006100 107107 121503 904999	1
190	251N1009-19		.MECHANISM ASSY- COMPONENT MAINT MANUAL REF: 27-11-25 FOR DETAILS SEE: 27-11-14-10	002004 006100 107107 121503 904999	1
195	251N1009-16		.MECHANISM ASSY- COMPONENT MAINT MANUAL REF: 27-11-27 FOR DETAILS SEE: 27-11-14-11	002004 006100 107107 121503 904999	1
197	MS20392-4C		.PIN	002004 006100 107107 121503 904999	2
200	251N1022-1		.BOX INSTL-LATERAL CONT SPRT FOR DETAILS SEE: 27-11-54-02	002004 006100 107107 121503 904999	1
- 300	286N2414-005		WIRE BUNDLE ASSY-	002004 006100 950999	RF
- 300	286N2414-006		WIRE BUNDLE ASSY-	107107 904949	RF

MISSING ITEM NUMBERS NOT APPLICABLE

- ITEM NOT ILLUSTRATED

27-11-14-02

27-11-14  
FIG. 02  
PAGE 9  
JAN 20/09

BRI



757

PARTS CATALOG (MAINTENANCE)

FIG ITEM	PART NUMBER	1 2 3 4 5 6 7	NOMENCLATURE	EFFECT FROM TO	UNITS PER ASSY
2 310	C0909A10C05SN		.CONNECTOR- SUPPLIER CODE: V13556 SPECIFICATION NUMBER: BACC63BN10C5S OPTIONAL PART: 48-63N10C5S V02660 R071210C5S V41118 ELECTRICAL EQUIP NUMBER: D01874 WIRING DIAGRAM REF: 271111	002004 006100 107107 121503 904999	1
- 400	286N2414-005		WIRE BUNDLE ASSY-	002004 006100 950999	RF
- 400	286N2414-006		WIRE BUNDLE ASSY-	107107 904949	RF
- 405	286N2418-005		WIRE BUNDLE ASSY-AUTOPILOT LATERAL CONT	002004 006100 950999	RF
- 405	286N2418-006		WIRE BUNDLE ASSY-AUTOPILOT LATERAL CONT	107107 904949	RF
- 410	286N2410-004		WIRE BUNDLE ASSY-AUTOPILOT LATERAL CONT	002004 006100 950999	RF
- 410	286N2410-005		WIRE BUNDLE ASSY-AUTOPILOT LATERAL CONT	107107 904949	RF
415	GS3417-22C		.CLAMP- SUPPLIER CODE: V06324 SPECIFICATION NUMBER: BACC10HF22 OPTIONAL PART: S2125-22-8 V07418 ELECTRICAL EQUIP NUMBER: D00045T D00065T WIRING DIAGRAM REF: 221122 221131	002004 006100 107107 121503 904999	1

MISSING ITEM NUMBERS NOT APPLICABLE

- ITEM NOT ILLUSTRATED

BRI

27-11-14-02

27-11-14  
FIG. 02  
PAGE 10  
JAN 20/09



757

PARTS CATALOG (MAINTENANCE)

FIG ITEM	PART NUMBER	1 2 3 4 5 6 7	NOMENCLATURE	EFFECT FROM TO	UNITS PER ASSY
2	G899322		.CLAMP- SUPPLIER CODE: V06324 SPECIFICATION NUMBER: BACC10HF22A OPTIONAL PART: G8993M22 V06324 S2251-22-8 V07418 6000-123-0022 V14283 900-555F22-34 V31461 GS3417-22C V06324 S2125-22-8 V07418 ELECTRICAL EQUIP NUMBER: D00025T WIRING DIAGRAM REF: 221121	002004 006100 107107 121503 904999	1
430	BCREFA0332		.CONNECTOR- OVERLENGTH PART NUMBER: BACC63BP22A19SNL ELECTRICAL EQUIP NUMBER: D00045 D00065 WIRING DIAGRAM REF: 221122 221131 221111	002004 006100 107107 121503 904999	1
600			ILLUSTRATION REFERENCE: PLUMBING INSTL-MLG WHL WELL HYDR (HYDRAULIC POWER ONLY) 29-11-51-32	002004 006100 107107 121503 904999	RF
610			ILLUSTRATION REFERENCE: PLUMBING INSTL-MAIN WHL WELL FWD BHD HYDR (HYDRAULIC POWER ONLY) 29-11-51-37	002004 006100 107107 121503 904999	RF

MISSING ITEM NUMBERS NOT APPLICABLE

- ITEM NOT ILLUSTRATED

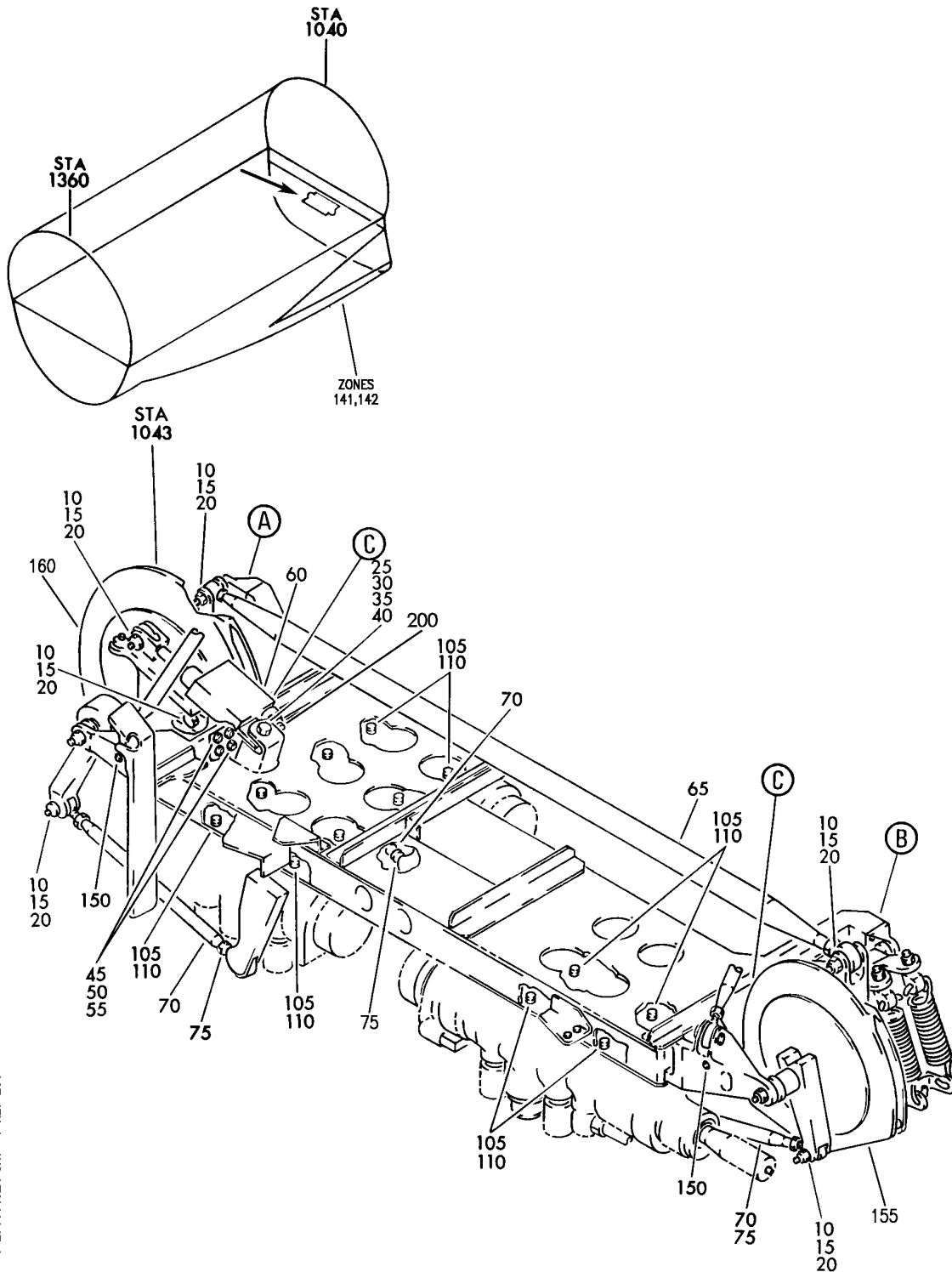
27-11-14-02

27-11-14  
FIG. 02  
PAGE 11  
JAN 20/09

BRI



**BOEING**  
757  
PARTS CATALOG (MAINTENANCE)



Y 27111402A SHT 1 REV 264

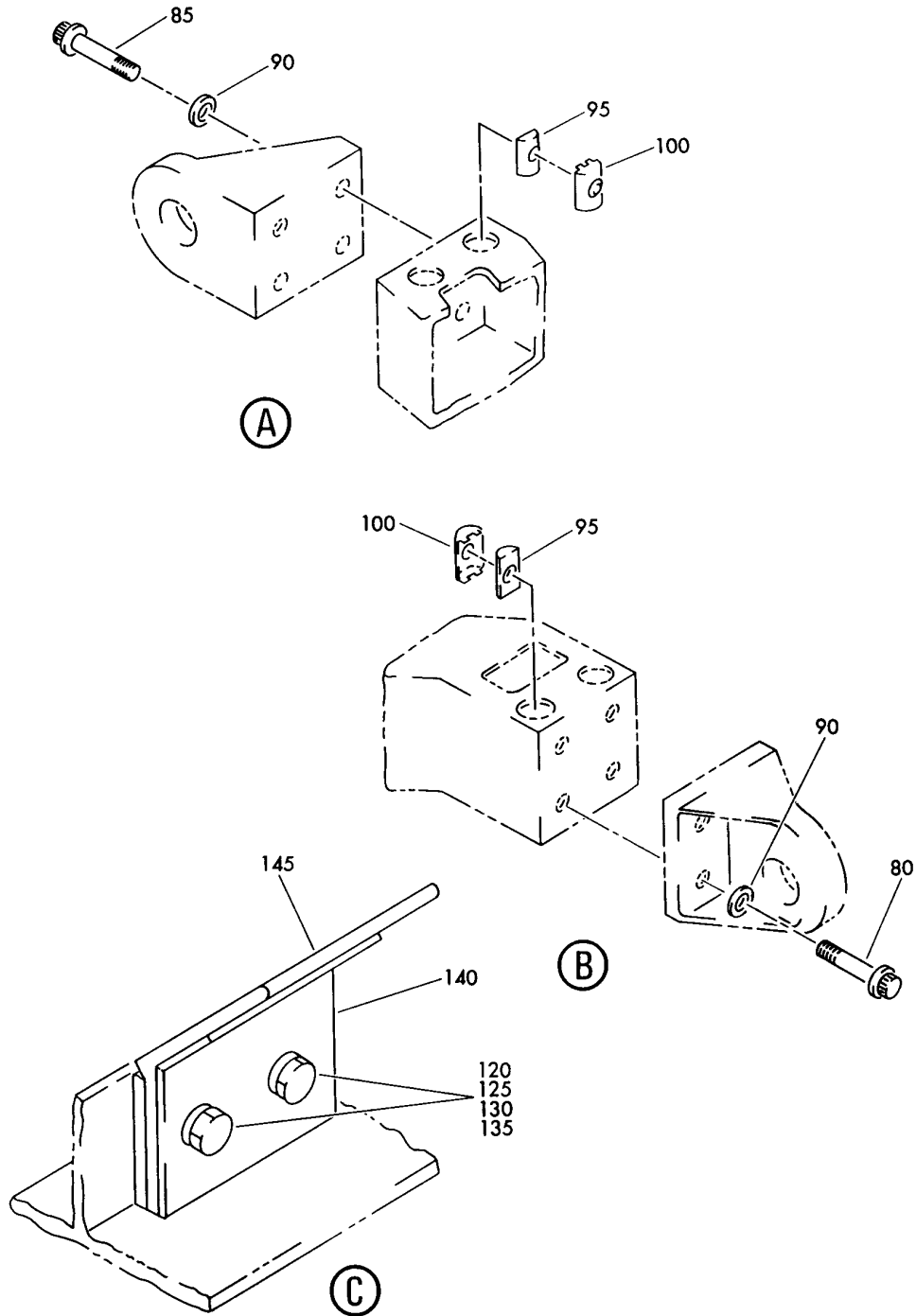
MECHANISM INSTL-LATERAL CONT WHL WELL  
FIGURE 2A (SHEET 1)

**27-11-14-02A**

BRI  
MAY 28/07

27-11-14-02A  
PAGE 0

**BOEING**  
757  
PARTS CATALOG (MAINTENANCE)



Y 27111402A SHT 2 REV 191

MECHANISM INSTL-LATERAL CONT WHL WELL  
FIGURE 2A (SHEET 2)

**27-11-14-02A**

BRI  
MAY 28/07

27-11-14-02A  
PAGE 0A



757

PARTS CATALOG (MAINTENANCE)

FIG ITEM	PART NUMBER	1 2 3 4 5 6 7	NOMENCLATURE	EFFECT FROM TO	UNITS PER ASSY
2A			MECHANISM INSTL-LATERAL CONT WHL WELL	101106 108120 504903	
- 1	251N1023-5		MECHANISM INSTL-LATERAL CONT WHEEL WELL FOR NHA SEE: 27-00-00-01	101102 108120 504903	RF
- 1	MODREF7149		MECHANISM INSTL-LATERAL CONT WHEEL WELL MODULE NUMBER: 251N1023-5 REV A	103106	1
5	BACB30NF4-12		.BOLT	101106 108120 504903	1
10	BACB30NF4-14		.BOLT-	101106 108120 504903	5
15	AN960KD416		.WASHER-	101106 108120 504903	6
20	BRH10C4D		.NUT- SUPPLIER CODE: V52828 SPECIFICATION NUMBER: BACN10JC4CD OPTIONAL PART: T6C428JCD V11815 NS202486-048 V80539 102LH9075-4W V72962 H51650-4BAC V15653	101106 108120 504903	6
25	BACB30NF4-11		.BOLT	101106 108120 504903	1
30	LH8065-048		.NUT SUPPLIER CODE: V72962 SPECIFICATION NUMBER: BACN10HC4 OPTIONAL PART: SL414-4 V97393 94263-428 V56878	101106 108120 504903	1

MISSING ITEM NUMBERS NOT APPLICABLE

- ITEM NOT ILLUSTRATED

BRI

27-11-14-02A

27-11-14  
FIG. 02A  
PAGE 1  
JAN 20/09



757

PARTS CATALOG (MAINTENANCE)

FIG ITEM	PART NUMBER	1 2 3 4 5 6 7	NOMENCLATURE	EFFECT FROM TO	UNITS PER ASSY
2A					
35	SLR4027-4	.	RETAINER SUPPLIER CODE: V97393 SPECIFICATION NUMBER: BACR10V4 OPTIONAL PART: 2452-048RET V72962	101106 108120 504903	1
40	250N2008-13	.	BUSHING	101106 108120 504903	1
45	BACB30LE4-9	.	BOLT	101106 108120 504903	4
50	AN960KD416	.	WASHER	101106 108120 504903	4
55	BRH10C4D	.	NUT SUPPLIER CODE: V52828 SPECIFICATION NUMBER: BACN10JC4CD OPTIONAL PART: T6C428JCD V11815 NS202486-048 V80539 102LH9075-4W V72962 H51650-4BAC V15653	101106 108120 504903	4
60	732-16810-01	.	ACTUATOR ASSY- SUPPLIER CODE: VS4096 FUNCTIONAL DESCRIPTION: THIS SINGLE LINEAR ELECTROMECHANICAL ACTUATOR ROTATES THE AILERON CONTROL FEEL MECHANISM TRIM LINKAGE. SPECIFICATION NUMBER: 60B80030-3 MISCELLANEOUS DATA: 60B80030-4 OPTIONAL TO 60B80030-3 ELECTRICAL EQUIP NUMBER: M00488 COMPONENT MAINT MANUAL REF: 27-10-01	101106 108120 504903	1

MISSING ITEM NUMBERS NOT APPLICABLE

- ITEM NOT ILLUSTRATED

27-11-14-02A

27-11-14  
FIG. 02A  
PAGE 2  
JAN 20/09

BRI



757

PARTS CATALOG (MAINTENANCE)

FIG ITEM	PART NUMBER	1 2 3 4 5 6 7	NOMENCLATURE	EFFECT FROM TO	UNITS PER ASSY
2A					
60	732-16810-03	.	ACTUATOR ASSY- SUPPLIER CODE: VS4096 FUNCTIONAL DESCRIPTION: THIS SINGLE LINEAR ELECTROMECHANICAL ACTUATOR ROTATES THE AILERON CONTROL FEEL MECHANISM TRIM LINKAGE. SPECIFICATION NUMBER: 60B80030-4 ELECTRICAL EQUIP NUMBER: M00488	101106 108120 504903	1
65	250N2004-1209	.	ROD ASSY- COMPONENT MAINT MANUAL REF: 27-00-12	101106 108120 504903	1
70	250N2004-328	.	ROD ASSY- COMPONENT MAINT MANUAL REF: 27-00-12	101106 108120 504903	3
70	250N2004-312	.	ROD ASSY- COMPONENT MAINT MANUAL REF: 27-00-12	101102 108120 504903	3
75	AN316-7R	.	NUT-	101106 108120 504903	3
80	BACB30LE4-5	.	BOLT	101106 108120 504903	4
85	BACB30LE4-6	.	BOLT	101106 108120 504903	4
90	AN960KD416L	.	WASHER	101106 108120 504903	8
95	NAS577-4A	.	NUT	101106 108120 504903	8
100	NAS578-4A	.	RETAINER	101106 108120 504903	8
105	BACB30LE4-12	.	BOLT-	101106 108120 504903	12
110	BACW10BP4CD	.	WASHER-	101106 108120 504903	12

MISSING ITEM NUMBERS NOT APPLICABLE

- ITEM NOT ILLUSTRATED

27-11-14-02A

27-11-14  
FIG. 02A  
PAGE 3  
JAN 20/09

BRI

BOEING PROPRIETARY - Copyright © - Unpublished Work - See title page for details.



757

PARTS CATALOG (MAINTENANCE)

FIG ITEM	PART NUMBER	1 2 3 4 5 6 7	NOMENCLATURE	EFFECT FROM TO	UNITS PER ASSY
2A 120	HL18PB6-5	.BOLT-	SUPPLIER CODE: V06725 SPECIFICATION NUMBER: BACB30FM6-5 OPTIONAL PART: HL18PB6-5 V73197 HL18PB6-5 V92215 HL18PB6-5 V97928 HL18PB6-5 V80539 62550-6-5 V56878 HL18PB6-5 V08524 HL18PB6-5 V56878 HL18PB6-5 V56878	101106 108120 504903	4
125	NAS43DD3-7	.SPACER-		101106 108120 504903	4
130	AN960KD10L	.WASHER-		101106 108120 504903	4
135	MS21042L3	.NUT-		101106 108120 504903	4
140	251N1301-1	.SUPPORT-GUARD		101106 108120 504903	2
145	251N1300-1	.GUARD-DEFLECTOR		101106 108120 504903	2
150	MS20392-4C	.PIN		101106 108120 504903	2
155	251N1009-16	.MECHANISM ASSY-	COMPONENT MAINT MANUAL REF: 27-11-27 FOR DETAILS SEE: 27-11-14-11	101106 108120 504903	1

MISSING ITEM NUMBERS NOT APPLICABLE

- ITEM NOT ILLUSTRATED

27-11-14-02A

27-11-14  
FIG. 02A  
PAGE 4  
JAN 20/09

BRI



757

PARTS CATALOG (MAINTENANCE)

FIG ITEM	PART NUMBER	1 2 3 4 5 6 7	NOMENCLATURE	EFFECT FROM TO	UNITS PER ASSY
2A 160	251N1009-19		.MECHANISM ASSY- COMPONENT MAINT MANUAL REF: 27-11-25 FOR DETAILS SEE: 27-11-14-10	101106 108120 504903	1
- 170	286N2414-303		WIRE BUNDLE ASSY	101102 108120	RF
- 170	286N2414-310		WIRE BUNDLE ASSY	504903	RF
- 170	286N2414-601		WIRE BUNDLE ASSY	103106	RF
200	C0909A10C05SN		.CONNECTOR- SUPPLIER CODE: V13556 SPECIFICATION NUMBER: BACC63BN10C5S OPTIONAL PART: 48-63N10C5S V02660 R071210C5S V41118 ELECTRICAL EQUIP NUMBER: D01874 WIRING DIAGRAM REF: 271111	101106 108120 504903	1

MISSING ITEM NUMBERS NOT APPLICABLE

- ITEM NOT ILLUSTRATED

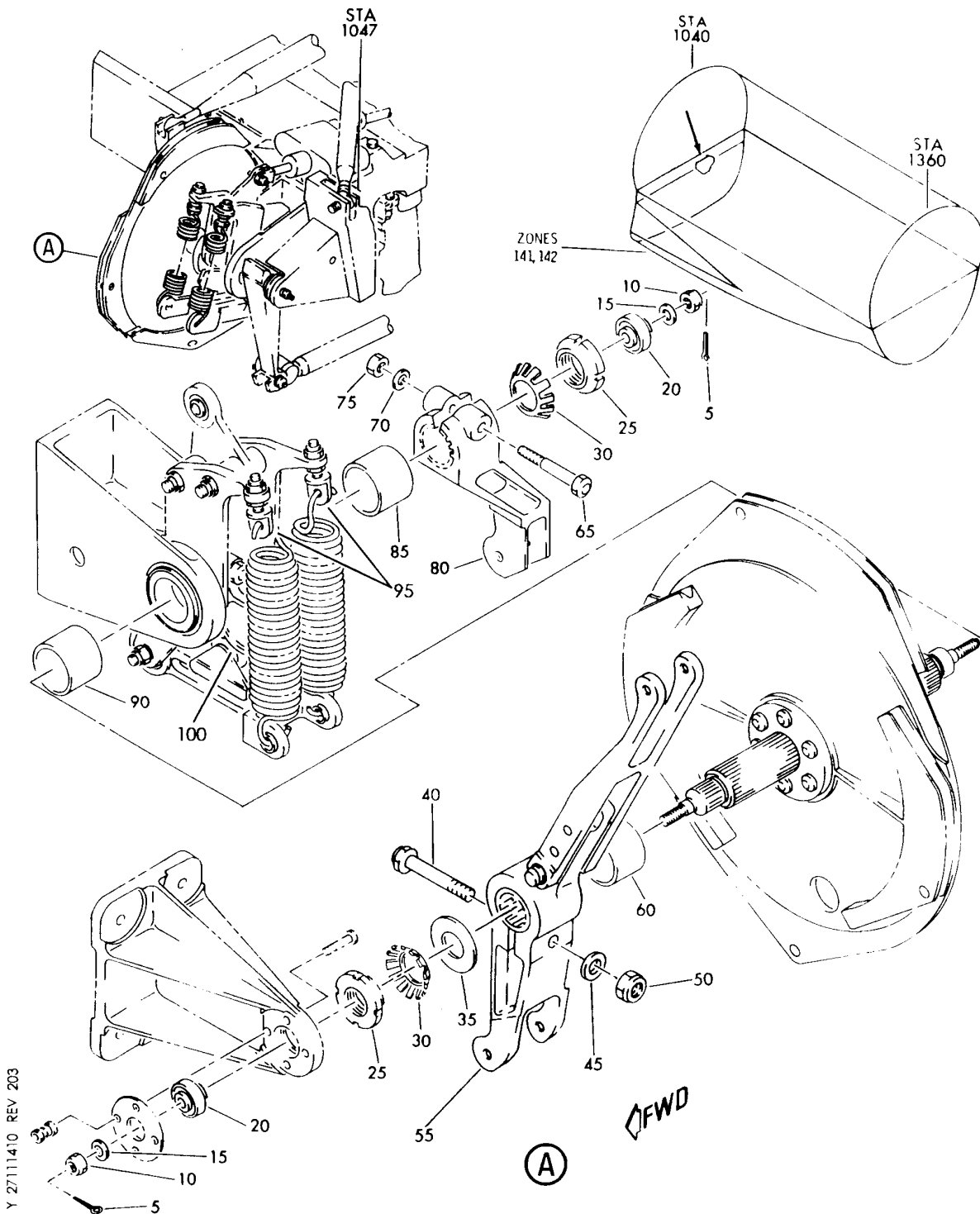
BRI

**27-11-14-02A**

BOEING PROPRIETARY - Copyright © - Unpublished Work - See title page for details.

27-11-14  
FIG. 02A  
PAGE 5  
JAN 20/09

**BOEING**  
757  
PARTS CATALOG (MAINTENANCE)



Y 27111410 REV 203

MECHANISM ASSY-FEEL AND TRIM  
FIGURE 10

**27-11-14-10**

BRI  
MAY 28/07

27-11-14-10  
PAGE 0





757

PARTS CATALOG (MAINTENANCE)

FIG ITEM	PART NUMBER	1 2 3 4 5 6 7	NOMENCLATURE	EFFECT FROM TO	UNITS PER ASSY
10			MECHANISM ASSY-FEEL AND TRIM	002004 006999	
- 1	251N1009-18		MECHANISM ASSY-FEEL AND TRIM COMPONENT MAINT MANUAL REF: 27-11-25 POST SERVICE BULLETIN: 27-0084R1 FOR NHA SEE: 27-11-14-02	002004 006100 107107 121503 904999	RF
- 1	251N1009-19		MECHANISM ASSY-FEEL AND TRIM COMPONENT MAINT MANUAL REF: 27-11-25 FOR NHA SEE: 27-11-14-02	002004 006100 107107 121503 904999	RF
- 1	251N1009-19		MECHANISM ASSY-FEEL AND TRIM COMPONENT MAINT MANUAL REF: 27-11-25 FOR NHA SEE: 27-11-14-02A	101106 108120 504903	RF
5	MS24665-151		.PIN	002004 006999	2
10	BRH10A4		.NUT SUPPLIER CODE: V52828 SPECIFICATION NUMBER: BACN10JC4 OPTIONAL PART: T6S428J V11815 96-048 V80539 VN303A048 V92215 RMLH9075-4W V72962 NS202101-048 V80539 H10-4BAC V15653	002004 006999	2
15	BACW10BP4P		.WASHER	002004 006999	2

MISSING ITEM NUMBERS NOT APPLICABLE

- ITEM NOT ILLUSTRATED

BRI

27-11-14-10

27-11-14  
FIG. 10  
PAGE 1  
JAN 20/09



757

PARTS CATALOG (MAINTENANCE)

FIG ITEM	PART NUMBER	1 2 3 4 5 6 7	NOMENCLATURE	EFFECT FROM TO	UNITS PER ASSY
10					
20	KSP5AFS428		.BEARING SUPPLIER CODE: V21335 SPECIFICATION NUMBER: BACB10AC5A OPTIONAL PART: HHKSP5A V38443 KSP5AE9440A V21335 KSP5A2TS V43991 KSP5AG27 V30163 KSP5ASD610 V83086	002004 006999	2
25	MS19068-043		.NUT	002004 006999	2
30	MS19070-042		.WASHER	002004 006999	2
35	251N1204-4		.SPACER	002004 006999	1
40	BACB30LJ4-19		.BOLT	002004 006999	1
45	AN960KD416		.WASHER	002004 006999	1
50	BRH10A4		.NUT SUPPLIER CODE: V52828 SPECIFICATION NUMBER: BACN10JC4 OPTIONAL PART: T6S428J V11815 96-048 V80539 VN303A048 V92215 RMLH9075-4W V72962 NS202101-048 V80539 H10-4BAC V15653	002004 006999	1
55	251N1270-1		.ARM ASSY-	107107 904949	1

MISSING ITEM NUMBERS NOT APPLICABLE

- ITEM NOT ILLUSTRATED

BRI

27-11-14-10

27-11-14  
FIG. 10  
PAGE 2  
JAN 20/09

 **BOEING**  
757  
**PARTS CATALOG (MAINTENANCE)**

FIG ITEM	PART NUMBER	1 2 3 4 5 6 7	NOMENCLATURE	EFFECT FROM TO	UNITS PER ASSY
10					
55	251N1270-6	.	ARM ASSY-	002004 006106 108903 950999	1
60	251N1204-3	.	SPACER	002004 006999	1
65	BACB30LJ4-25	.	BOLT	002004 006999	1
70	AN960KD416	.	WASHER	002004 006999	1
75	BRH10A4	.	NUT SUPPLIER CODE: V52828 SPECIFICATION NUMBER: BACN10JC4 OPTIONAL PART: T6S428J V11815 96-048 V80539 VN303A048 V92215 RMLH9075-4W V72962 NS202101-048 V80539 H10-4BAC V15653	002004 006999	1
80	251N1268-1	.	CRANK-AUTOPILOT	002004 006999	1
85	251N1204-2	.	SPACER	002004 006999	1
90	251N1204-1	.	SPACER	002004 006999	1
95	251N1137-2	.	EYEBOLT- POST SERVICE BULLETIN: 27-0084R1	107107	2
100	251N1182-5	.	FEEL CAM- POST SERVICE BULLETIN: 27-0084R1	107107	1

MISSING ITEM NUMBERS NOT APPLICABLE

— ITEM NOT ILLUSTRATED

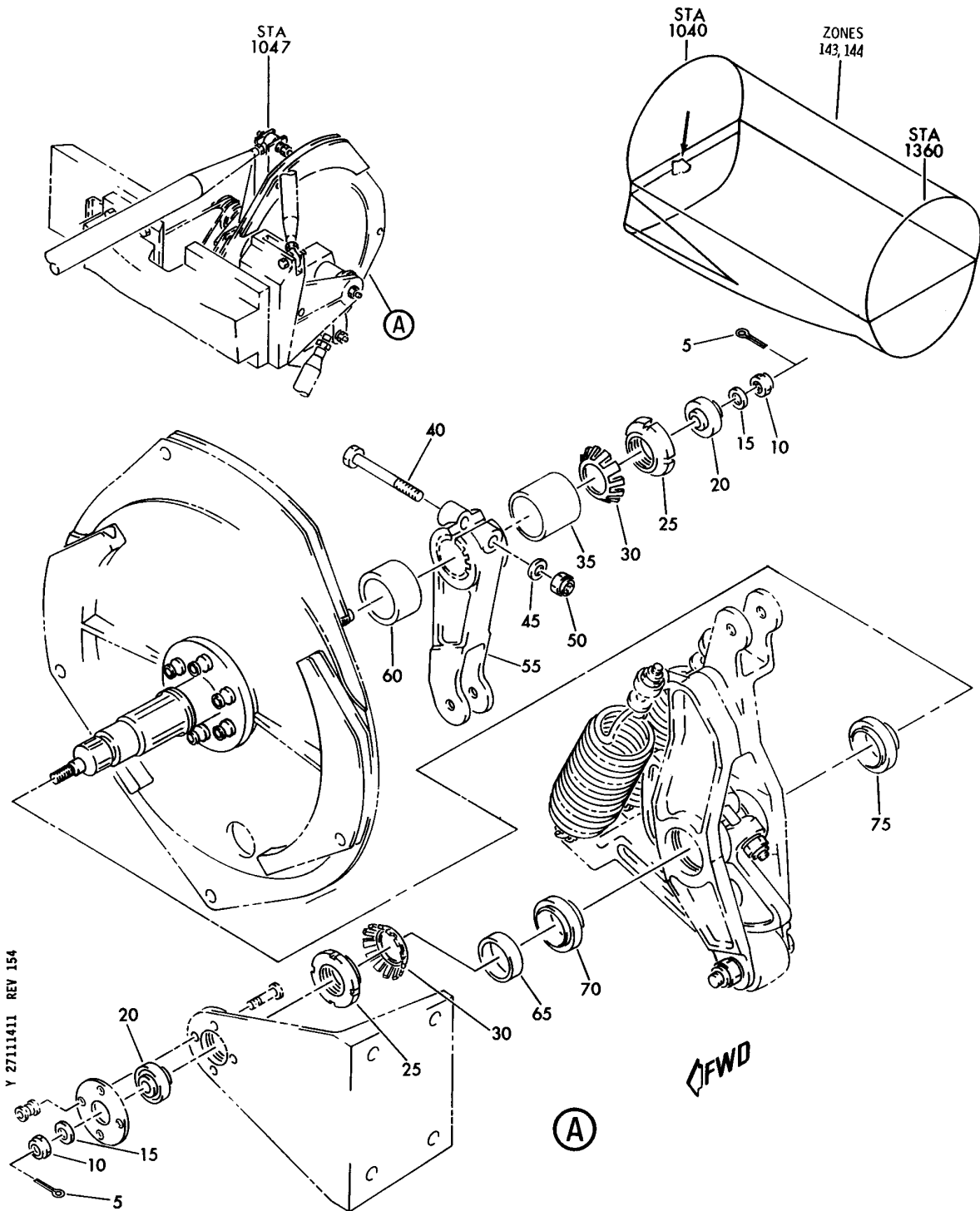
BRI

**27-11-14-10**

BOEING PROPRIETARY - Copyright © - Unpublished Work - See title page for details.

27-11-14  
FIG. 10  
PAGE 3  
JAN 20/09

**BOEING**  
757  
PARTS CATALOG (MAINTENANCE)



MECHANISM ASSY-OVERRIDE  
FIGURE 11

**27-11-14-11**

BRI  
MAY 28/07

27-11-14-11  
PAGE 0



757

PARTS CATALOG (MAINTENANCE)

FIG ITEM	PART NUMBER	1 2 3 4 5 6 7	NOMENCLATURE	EFFECT FROM TO	UNITS PER ASSY
11			MECHANISM ASSY-OVERRIDE	002004 006999	
- 1	251N1009-16		MECHANISM ASSY-OVERRIDE COMPONENT MAINT MANUAL REF: 27-11-27 FOR NHA SEE: 27-11-14-02	002004 006100 107107 121503 904999	RF
- 1	251N1009-16		MECHANISM ASSY-OVERRIDE COMPONENT MAINT MANUAL REF: 27-11-27 FOR NHA SEE: 27-11-14-02A	101106 108120 504903	RF
5	MS24665-151		.PIN	002004 006999	2
10	BRH10A4		.NUT SUPPLIER CODE: V52828 SPECIFICATION NUMBER: BACN10JC4 OPTIONAL PART: T6S428J V11815 96-048 V80539 VN303A048 V92215 RMLH9075-4W V72962 NS202101-048 V80539 H10-4BAC V15653	002004 006999	2
15	BACW10BP4P		.WASHER	002004 006999	2

MISSING ITEM NUMBERS NOT APPLICABLE

- ITEM NOT ILLUSTRATED

BRI

27-11-14-11

27-11-14  
FIG. 11  
PAGE 1  
JAN 20/09



757

PARTS CATALOG (MAINTENANCE)

FIG ITEM	PART NUMBER	1 2 3 4 5 6 7	NOMENCLATURE	EFFECT FROM TO	UNITS PER ASSY
11					
20	KSP5AFS428		.BEARING SUPPLIER CODE: V21335 SPECIFICATION NUMBER: BACB10AC5A OPTIONAL PART: HHKSP5A V38443 KSP5AE9440A V21335 KSP5A2TS V43991 KSP5AG27 V30163 KSP5ASD610 V83086	002004 006999	2
25	MS19068-043		.NUT	002004 006999	2
30	MS19070-042		.WASHER	002004 006999	2
35	251N1204-10		.SPACER	002004 006999	1
40	BACB30LJ4-25		.BOLT	002004 006999	1
45	AN960KD416		.WASHER	002004 006999	1
50	BRH10A4		.NUT SUPPLIER CODE: V52828 SPECIFICATION NUMBER: BACN10JC4 OPTIONAL PART: T6S428J V11815 96-048 V80539 VN303A048 V92215 RMLH9075-4W V72962 NS202101-048 V80539 H10-4BAC V15653	002004 006999	1
55	251N1269-1		.CRANK-AUTOPILOT	002004 006999	1
60	251N1204-5		.SPACER	002004 006999	1

MISSING ITEM NUMBERS NOT APPLICABLE

- ITEM NOT ILLUSTRATED

27-11-14-11

27-11-14  
FIG. 11  
PAGE 2  
SEP 20/08

BRI

**BOEING**  
757  
**PARTS CATALOG (MAINTENANCE)**

FIG ITEM	PART NUMBER	1 2 3 4 5 6 7	NOMENCLATURE	EFFECT FROM TO	UNITS PER ASSY
11					
65	251N1204-7	.	SPACER	002004 006999	1
70	B540DDFS428	.	BEARING	002004 006999	1
			SUPPLIER CODE: V21335		
			SPECIFICATION NUMBER: BACB10CF14PP		
			OPTIONAL PART: B540-2TS		
			V43991		
			B540SSG27		
			V30163		
			T340E		
			VK8455		
			B540DDFS101		
			V06144		
			B540DD		
			V38443		
			B540FS101		
			V06144		
			B540DDP		
			V21760		
			B540DDNJC		
			V06144		
			B540DDFS428		
			V06144		

R  
R  
R  
R  
R  
R  
R  
R  
R  
R  
R  
R  
R  
R  
R  
R  
R  
R  
R  
R  
R  
R

MISSING ITEM NUMBERS NOT APPLICABLE

- ITEM NOT ILLUSTRATED

27-11-14-11

27-11-14  
FIG. 11  
PAGE 3  
MAY 20/09

BRI



**757  
PARTS CATALOG (MAINTENANCE)**

FIG ITEM	PART NUMBER	1 2 3 4 5 6 7	NOMENCLATURE	EFFECT FROM TO	UNITS PER ASSY
11 75	B541DDNJC		.BEARING SUPPLIER CODE: V06144 SPECIFICATION NUMBER: BACB10CF17PP OPTIONAL PART: B541-2TS V43991 B541DDFS428 V21335 B541SSG27 V30163 T341E VK8455 B541DDFS101 V06144 B541DD V38443 B541FS101 V06144 B541DDP V21760 B541DDFS428 V06144	002004 006999	1

R  
R  
R  
R  
R  
R  
R  
R  
R  
R  
R  
R  
R  
R  
R  
R  
R  
R  
R  
R  
R  
R

MISSING ITEM NUMBERS NOT APPLICABLE

— ITEM NOT ILLUSTRATED

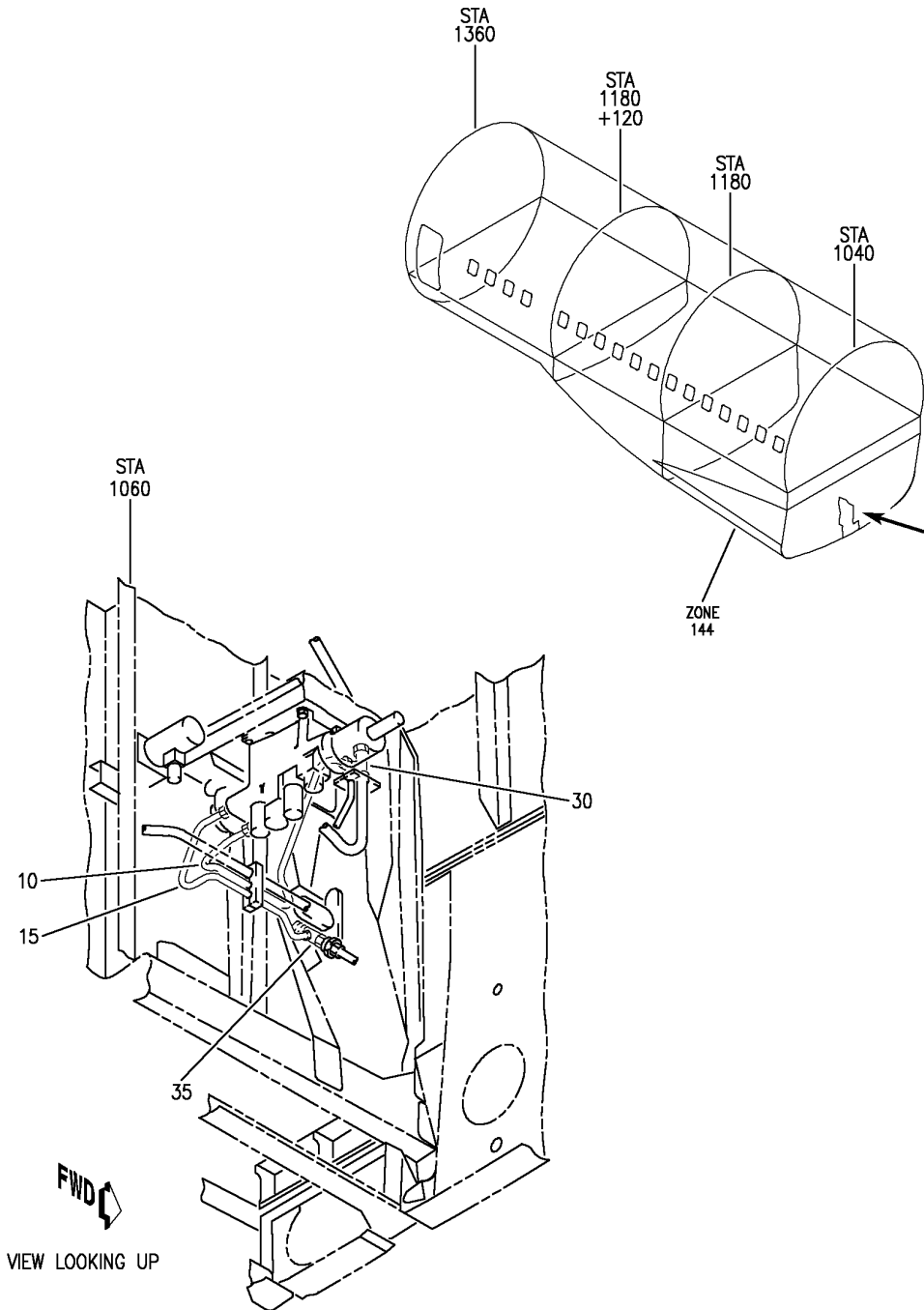
**27-11-14-11**

27-11-14  
FIG. 11  
PAGE 4  
MAY 20/09

BRI



**BOEING**  
 757  
 PARTS CATALOG (MAINTENANCE)



Y 27111412 REV 249

PLUMBING INSTL-MAIN WHL WELL BHD HYDR (AILERON AND AILERON TRIM CONTROL SYSTEM ONLY)  
 FIGURE 12

BRI  
 JAN 20/09

**27-11-14-12**

27-11-14-12  
 PAGE 0



757

PARTS CATALOG (MAINTENANCE)

FIG ITEM	PART NUMBER	1 2 3 4 5 6 7	NOMENCLATURE	EFFECT FROM TO	UNITS PER ASSY
12			PLUMBING INSTL-MAIN WHL WELL BHD HYDR (AILERON AND AILERON TRIM CONTROL SYSTEM ONLY)	103106	
- 1	MODREF31486		PLUMBING INSTL-MAIN WHL WELL BHD HYDR (AILERON AND AILERON TRIM CONTROL SYSTEM ONLY) MODULE NUMBER: 271N6441-41 REV B POSITION DATA: FWD FOR OTHER SYS DETAILS SEE: 11-22-06-05 29-11-27-02 29-11-51-39D 29-11-51-39E 29-22-01-02 32-35-10-02 32-41-02-11 32-41-02-12 32-41-04-02 32-42-02-03 32-42-02-04 32-42-09-02 32-42-10-02 32-44-03-03 32-44-06-02	103106	1
10	271N6441-1075		.TUBE ASSY-RETURN SYS TUBING MATERIAL: .375 IN. OD .019 IN. WALL 32.6 IN. LG TI BMS 7-234 TI-3AL-2.5V COLD WORKED, STRESS RELIEVED TUBING	103106	1
15	271N6441-1401		.TUBE ASSY-RETURN SYS TUBING MATERIAL: .375 IN. OD .019 IN. WALL 13.8 IN. LG TI BMS 7-234 TI-3AL-2.5V COLD WORKED, STRESS RELIEVED TUBING	103106	1
- 20	AS1581T06		..SLEEVE	103106	2
- 25	BACN10YA6		..NUT	103106	2
30	BACT16BL121206J		.TEE	103106	1

MISSING ITEM NUMBERS NOT APPLICABLE

- ITEM NOT ILLUSTRATED

27-11-14-12

27-11-14  
FIG. 12  
PAGE 1  
JAN 20/09

BRI



757

PARTS CATALOG (MAINTENANCE)

FIG ITEM	PART NUMBER	1 2 3 4 5 6 7	NOMENCLATURE	EFFECT FROM TO	UNITS PER ASSY
12 35	APX824F121206W	. TEE	SUPPLIER CODE: V01673 SPECIFICATION NUMBER: BACT16AS121206W OPTIONAL PART: APX824-121206W V01673 DBOT16AS121206W V14798 ER824-121206W V50948 FER1571-121206W V14397 LER824-121206W V11328 NAF1824-121206W V52930 US1925-121206W V50808 AFP325-121206W V30974	103106	1

MISSING ITEM NUMBERS NOT APPLICABLE

- ITEM NOT ILLUSTRATED

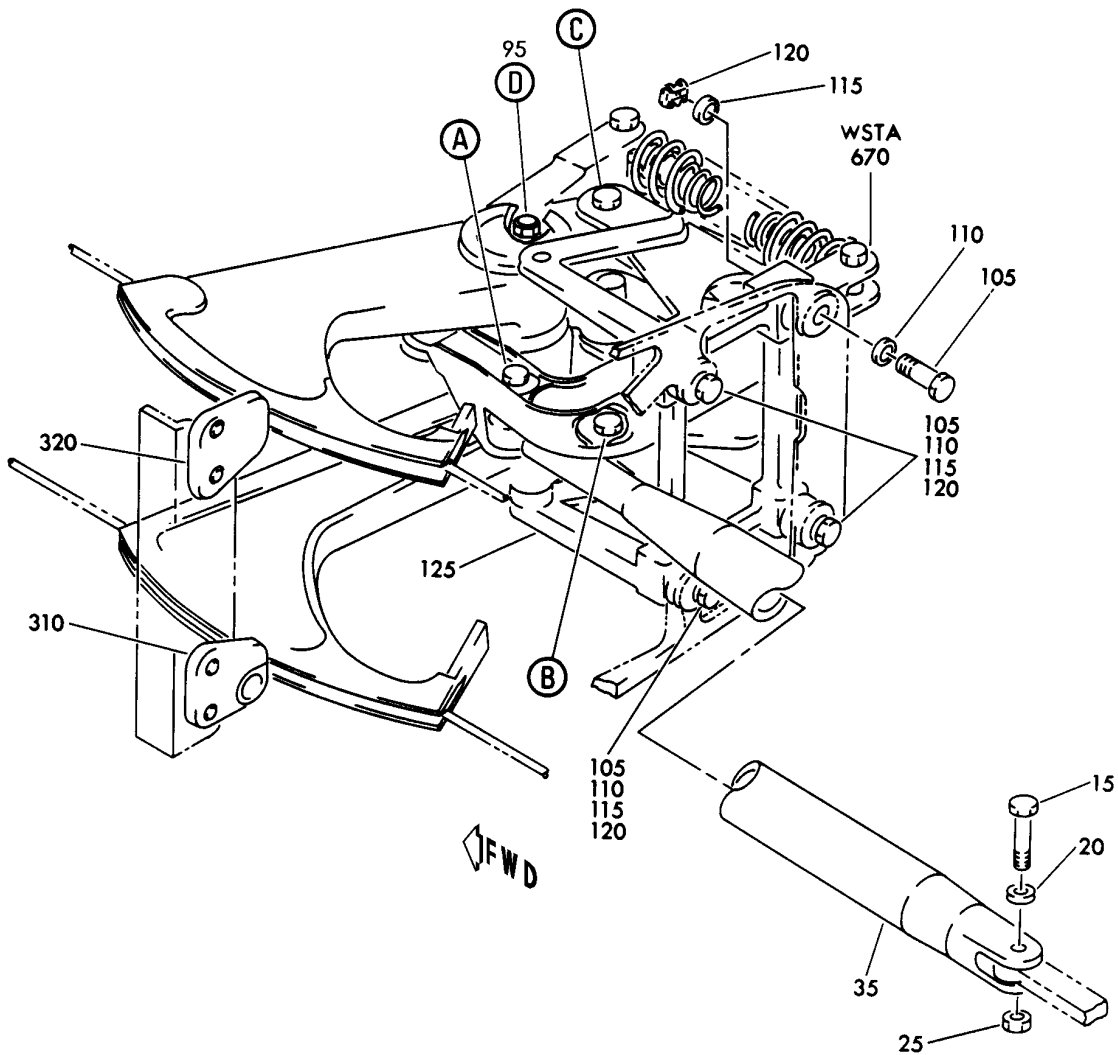
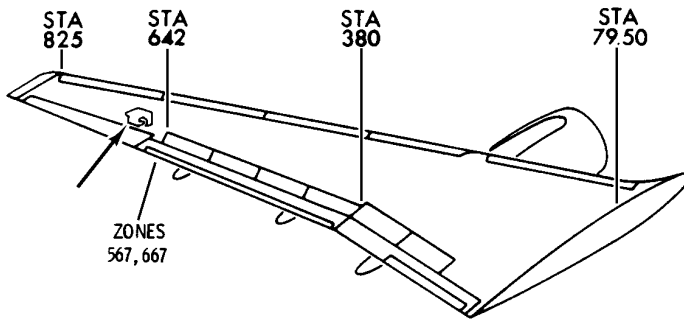
BRI

27-11-14-12

BOEING PROPRIETARY - Copyright © - Unpublished Work - See title page for details.

27-11-14  
FIG. 12  
PAGE 2  
JAN 20/09

**BOEING**  
757  
PARTS CATALOG (MAINTENANCE)



Y 27111701 SHT 1 REV 219

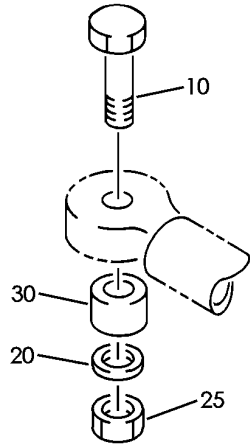
QUADRANT AND LINK AND CABLE GUARD INSTL-AIL.  
FIGURE 1 (SHEET 1)

**27-11-17-01**

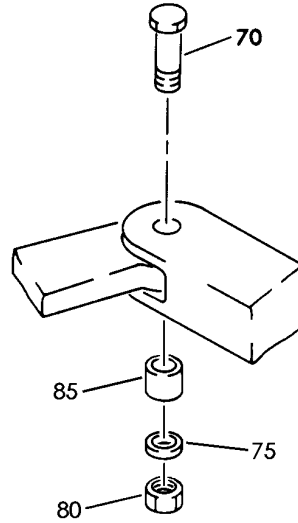
BRI  
MAY 28/07

27-11-17-01  
PAGE 0

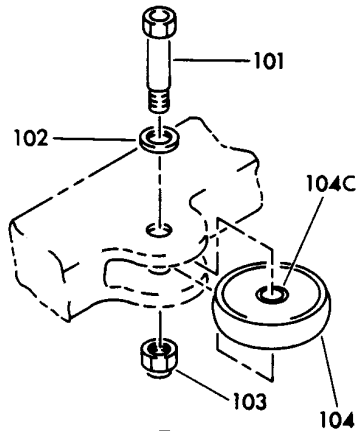
**BOEING**  
757  
PARTS CATALOG (MAINTENANCE)



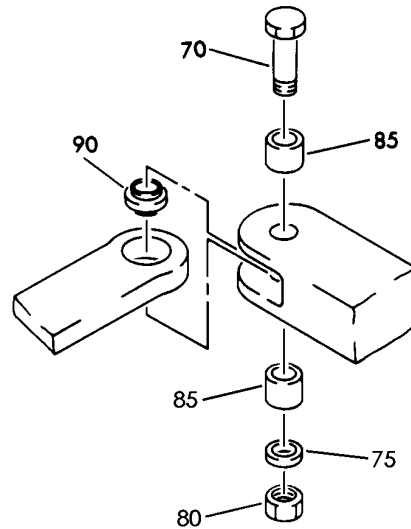
(A)



(B)



(D)



(C)

Y 27111701 SHT 2 REV 241

QUADRANT AND LINK AND CABLE GUARD INSTL-AIL.  
FIGURE 1 (SHEET 2)

**27-11-17-01**

BRI  
MAY 28/07

27-11-17-01  
PAGE 0A



757

PARTS CATALOG (MAINTENANCE)

FIG ITEM	PART NUMBER	1 2 3 4 5 6 7	NOMENCLATURE	EFFECT FROM TO	UNITS PER ASSY
1			QUADRANT AND LINK AND CABLE GUARD INSTL-AIL.	002004 006999	
- 1	251N1006-1		QUADRANT AND LINK INSTL- AIL. POSITION DATA: LH FOR NHA SEE: 27-00-00-02	002004 006100 107107 121503 904999	RF
- 1	251N1006-5		QUADRANT AND LINK INSTL- AIL. POSITION DATA: LH FOR NHA SEE: 27-00-00-01	101102 108120 504903	RF
- 1	MODREF32186		QUADRANT AND LINK INSTL- AIL. MODULE NUMBER: 251N1006-5 REV A1 POSITION DATA: LH	103103	1
- 1	MODREF32286		QUADRANT AND LINK INSTL- AIL. MODULE NUMBER: 251N1006-5 REV C POSITION DATA: LH	104106	1
- 5	251N1006-2		QUADRANT AND LINK INSTL- AIL. POSITION DATA: RH FOR NHA SEE: 27-00-00-02	002004 006100 107107 121503 904999	RF
- 5	251N1006-6		QUADRANT AND LINK INSTL- AIL. POSITION DATA: RH FOR NHA SEE: 27-00-00-01	101102 108120 504903	RF
- 5	MODREF32187		QUADRANT AND LINK INSTL- AIL. MODULE NUMBER: 251N1006-6 REV A1 POSITION DATA: RH	103103	1

MISSING ITEM NUMBERS NOT APPLICABLE

- ITEM NOT ILLUSTRATED

BRI

27-11-17-01

27-11-17  
FIG. 01  
PAGE 1  
JAN 20/09



757

PARTS CATALOG (MAINTENANCE)

FIG ITEM	PART NUMBER	1 2 3 4 5 6 7	NOMENCLATURE	EFFECT FROM TO	UNITS PER ASSY
1					
- 5	MODREF32287		QUADRANT AND LINK INSTL- AIL. MODULE NUMBER: 251N1006-6 REV C POSITION DATA: RH	104106	1
10	NAS6604-19		.BOLT-	002004 006999	1
15	BACB30NF4-10		.BOLT-	002004 006999	1
20	AN960PD416L		.WASHER	002004 006999	2
25	BRH10A4		.NUT SUPPLIER CODE: V52828 SPECIFICATION NUMBER: BACN10JC4 OPTIONAL PART: T6S428J V11815 96-048 V80539 VN303A048 V92215 RMLH9075-4W V72962 NS202101-048 V80539 H10-4BAC V15653	002004 006999	2
30	250N2008-2		.BUSHING	002004 006999	1
35	250N2004-1801		.ROD ASSY-CONT COMPONENT MAINT MANUAL REF: 27-00-12 QUALIFIED I/W DATA: -802 OPT TO -1801 FOR N0001 TO N0046 FULLY INTERCHANGEABLE EXCEPT FOR EFFECTIVITIES N0001 TO N0039 DUE TO -1802 INCREASED SIZE NEAR CLEVIS END CAUSES INTERFERENCE PROBLEM THROUGH RIB NUMBER 4. NEW RIB ON A/P N0040	002004 006999	1

MISSING ITEM NUMBERS NOT APPLICABLE

- ITEM NOT ILLUSTRATED

BRI

27-11-17-01

27-11-17  
FIG. 01  
PAGE 2  
JAN 20/09



757

PARTS CATALOG (MAINTENANCE)

FIG ITEM	PART NUMBER	1 2 3 4 5 6 7	NOMENCLATURE	EFFECT FROM TO	UNITS PER ASSY
1					
35	250N2004-1802	.ROD	ASSY-CONT COMPONENT MAINT MANUAL REF: 27-00-12 QUALIFIED I/W DATA: FULLY INTERCHANGEABLE EXCEPT FOR EFFECTIVITIES N0001 TO N039 DUE TO 1802 INCREASED SIZE NEAR CLEVIS END CAUSES INTERFERENCE PROBLEM THROUGH RIB NUMBER FOUR. NEW RIB ON A/P N0040 -802 OPTIONAL TO 1801 FOR N0001 TO N0046	002004 006999	1
35	250N2004-802	.ROD	ASSY-CONT COMPONENT MAINT MANUAL REF: 27-00-12 QUALIFIED I/W DATA: FULLY INTERCHANGEABLE EXCEPT FOR EFFECTIVITIES N0001 TO N0039 DUE TO -1802 INCREASED SIZE NEAR CLEVIS END CAUSES INTERFERENCE PROBLEM THROUGH RIB NUMBER 4. NEW RIB ON A/P N0040 -802 OPTIONAL TO -1801 FOR N0001 TO N0046	002004 006999	1
70	BACB30NF4-9	.BOLT-		002004 006999	2
75	AN960PD416L	.WASHER		002004 006999	2

MISSING ITEM NUMBERS NOT APPLICABLE

- ITEM NOT ILLUSTRATED

27-11-17-01

27-11-17  
FIG. 01  
PAGE 3  
JAN 20/09

BRI





757

PARTS CATALOG (MAINTENANCE)

FIG ITEM	PART NUMBER	1 2 3 4 5 6 7	NOMENCLATURE	EFFECT FROM TO	UNITS PER ASSY
1 80	BRH10A4		.NUT SUPPLIER CODE: V52828 SPECIFICATION NUMBER: BACN10JC4 OPTIONAL PART: T6S428J V11815 96-048 V80539 VN303A048 V92215 RMLH9075-4W V72962 NS202101-048 V80539 H10-4BAC V15653	002004 006999	2
85	250N2008-2		.BUSHING	002004 006999	3

MISSING ITEM NUMBERS NOT APPLICABLE

- ITEM NOT ILLUSTRATED

BRI

27-11-17-01

BOEING PROPRIETARY - Copyright © - Unpublished Work - See title page for details.

27-11-17  
FIG. 01  
PAGE 4  
MAY 20/09



**757  
PARTS CATALOG (MAINTENANCE)**

FIG ITEM	PART NUMBER	1 2 3 4 5 6 7	NOMENCLATURE	EFFECT FROM TO	UNITS PER ASSY
R R	1 90	MKP4AFS428	.BEARING- SUPPLIER CODE: V06144 SPECIFICATION NUMBER: BACB10AP4 OPTIONAL PART: MCS204E VK8455 LLMKP4A V38443 MKP4AFS428 V21335 MKP4ATT V43991 MKP4A2TS V43991 MKP4E6531 V21335 MKP4AG20 V38443 MKP4ALY196 V40920 MKP4A V38443 MCS24E VK8455 MKP4ASD610 V83086 MKP4ANJC V06144 BACB10FS04RJ	002004 006999	1
	90	SSMKP4ASD529	.BEARING- SUPPLIER CODE: V50294 SPECIFICATION NUMBER: BACB10FS04RJ OPTIONAL PART: SSMKP04RAP V21760 ACMKP4FS428 V21335 ACMKP04RJAP510L V40920 PACMKP04RJAFS42 V21335 SSMKP04RJAP V21760 BACB10AP4	103105	1

MISSING ITEM NUMBERS NOT APPLICABLE

— ITEM NOT ILLUSTRATED

BRI

**27-11-17-01**

27-11-17  
FIG. 01  
PAGE 5  
MAY 20/09



757

PARTS CATALOG (MAINTENANCE)

FIG ITEM	PART NUMBER	1 2 3 4 5 6 7	NOMENCLATURE	EFFECT FROM TO	UNITS PER ASSY
1					
95	251N1139-7		.QUADRANT AND OVERRIDE-ASSY POSITION DATA: LH SIDE COMPONENT MAINT MANUAL REF: 27-11-30	002004 006999	1
95	251N1139-9		.QUADRANT AND OVERRIDE-ASSY POSITION DATA: LH SIDE COMPONENT MAINT MANUAL REF: 27-11-30 OPTIONAL PART: 251N1139-7	002004 006999	1
95	251N1139-11		.QUADRANT AND OVERRIDE-ASSY POSITION DATA: LH SIDE COMPONENT MAINT MANUAL REF: 27-11-30	002004 006999	1
95	251N1139-13		.QUADRANT AND OVERRIDE-ASSY POSITION DATA: LH SIDE COMPONENT MAINT MANUAL REF: 27-11-30	002004 006999	1
- 100	251N1139-8		.QUADRANT AND OVERRIDE-ASSY POSITION DATA: RH SIDE COMPONENT MAINT MANUAL REF: 27-11-30 OPTIONAL PART: 251N1139-10	002004 006999	1
- 100	251N1139-10		.QUADRANT AND OVERRIDE-ASSY POSITION DATA: RH SIDE COMPONENT MAINT MANUAL REF: 27-11-30 OPTIONAL PART: 251N1139-8	002004 006999	1
- 100	251N1139-12		.QUADRANT AND OVERRIDE-ASSY POSITION DATA: RH SIDE COMPONENT MAINT MANUAL REF: 27-11-30	002004 006999	1
- 100	251N1139-14		.QUADRANT AND OVERRIDE-ASSY POSITION DATA: RH SIDE COMPONENT MAINT MANUAL REF: 27-11-30	002004 006999	1
101	BACB30NF4-13		..BOLT	002004 006999	1

MISSING ITEM NUMBERS NOT APPLICABLE

- ITEM NOT ILLUSTRATED

27-11-17-01

27-11-17  
FIG. 01  
PAGE 6  
MAY 20/09

BRI

BOEING PROPRIETARY - Copyright © - Unpublished Work - See title page for details.



757

PARTS CATALOG (MAINTENANCE)

FIG ITEM	PART NUMBER	1 2 3 4 5 6 7	NOMENCLATURE	EFFECT FROM TO	UNITS PER ASSY
1					
102	AN960PD416L	..	WASHER	002004 006999	1
103	BRH10A4	..	NUT SUPPLIER CODE: V52828 SPECIFICATION NUMBER: BACN10JC4 OPTIONAL PART: T6S428J V11815 96-048 V80539 VN303A048 V92215 RMLH9075-4W V72962 NS202101-048 V80539 H10-4BAC V15653	002004 006999	1
104	ATF4	..	BEARING SUPPLIER CODE: V60380 SPECIFICATION NUMBER: BACB10ETO4 OPTIONAL PART: 4AFC614 V92563 YAF04B V07484	002004 006999	1
104C	250N2008-3	..	BUSHING	002004 006999	1
105	NAS6604-16	.	BOLT-	002004 006999	4
110	AN960PD416L	.	WASHER	002004 006999	4
115	NAS577-4A	.	NUT	002004 006999	4
120	NAS578-4A	.	RETAINER	002004 006999	4
125	251N1178-7	.	BRACKET-OVERRIDE MECH POSITION DATA: LH SIDE	002004 006999	1
- 130	251N1178-8	.	BRACKET-OVERRIDE MECH POSITION DATA: RH SIDE	002004 006999	1

MISSING ITEM NUMBERS NOT APPLICABLE

- ITEM NOT ILLUSTRATED

BRI

27-11-17-01

27-11-17  
FIG. 01  
PAGE 7  
MAY 20/09



757

## PARTS CATALOG (MAINTENANCE)

FIG ITEM	PART NUMBER	1 2 3 4 5 6 7	NOMENCLATURE	EFFECT FROM TO	UNITS PER ASSY
1					
- 300	251N1006-3		GUARD INSTL-CABLE POSITION DATA: LH FOR NHA SEE: 57-20-52-01 57-00-00-20	002004 006102 107999	RF
- 300	MODREF7046		GUARD INSTL-CABLE MODULE NUMBER: 251N1006-3 REV A POSITION DATA: LH	103103	1
- 300	MODREF27493		GUARD INSTL-CABLE MODULE NUMBER: 251N1006-3 REV B POSITION DATA: LH	104106	1
- 305	251N1006-4		GUARD INSTL-CABLE POSITION DATA: RH FOR NHA SEE: 57-20-52-01 57-00-00-20	002004 006102 107999	RF
- 305	MODREF7128		GUARD INSTL-CABLE MODULE NUMBER: 251N1006-4 REV A POSITION DATA: RH	103103	1
- 305	MODREF27494		GUARD INSTL-CABLE MODULE NUMBER: 251N1006-4 REV B POSITION DATA: RH	104106	1
310	250N2007-25		.BRACKET-FAIRLEAD POSITION DATA: LH SIDE	002004 006999	1
- 315	250N2007-26		.BRACKET-FAIRLEAD POSITION DATA: RH SIDE	002004 006999	1
320	250N2007-29		.BRACKET-FAIRLEAD	002004 006999	1
- 325	L8006K6		ATTACHING PARTS .BOLT SUPPLIER CODE: V06725 SPECIFICATION NUMBER: BACB30MY6K6	002004 006999	4
- 330	AN960PD10L		.WASHER	002004 006999	4

MISSING ITEM NUMBERS NOT APPLICABLE

- ITEM NOT ILLUSTRATED

BRI

27-11-17-01

BOEING PROPRIETARY - Copyright © - Unpublished Work - See title page for details.

27-11-17  
FIG. 01  
PAGE 8  
MAY 20/09


**BOEING**  
 757  
**PARTS CATALOG (MAINTENANCE)**

FIG ITEM	PART NUMBER	1 2 3 4 5 6 7 NOMENCLATURE	EFFECT FROM TO	UNITS PER ASSY
1 - 335	HL79-6	. COLLAR SUPPLIER CODE: V5M902 SPECIFICATION NUMBER: BACC30M6 OPTIONAL PART: HL79-6 V73197 HL79-6 V92215 66014-6 V56878 HL79-6 V56878 -----*-----	002004 006999	4

MISSING ITEM NUMBERS NOT APPLICABLE

- ITEM NOT ILLUSTRATED

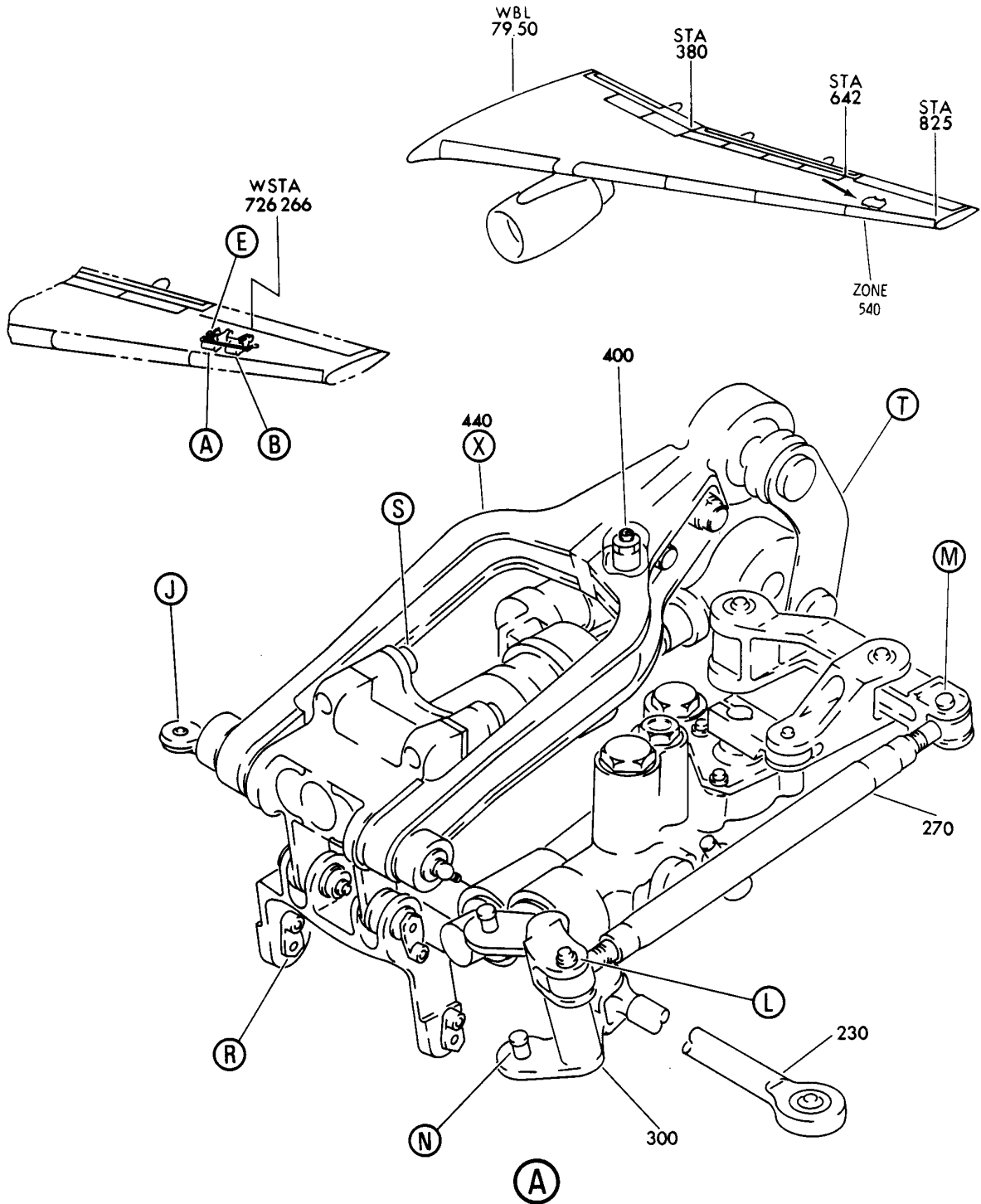
BRI

# 27-11-17-01

BOEING PROPRIETARY - Copyright © - Unpublished Work - See title page for details.

27-11-17  
 FIG. 01  
 PAGE 9  
 MAY 20/09

**BOEING**  
757  
PARTS CATALOG (MAINTENANCE)



Y 27112001 SHT 1 REV 034

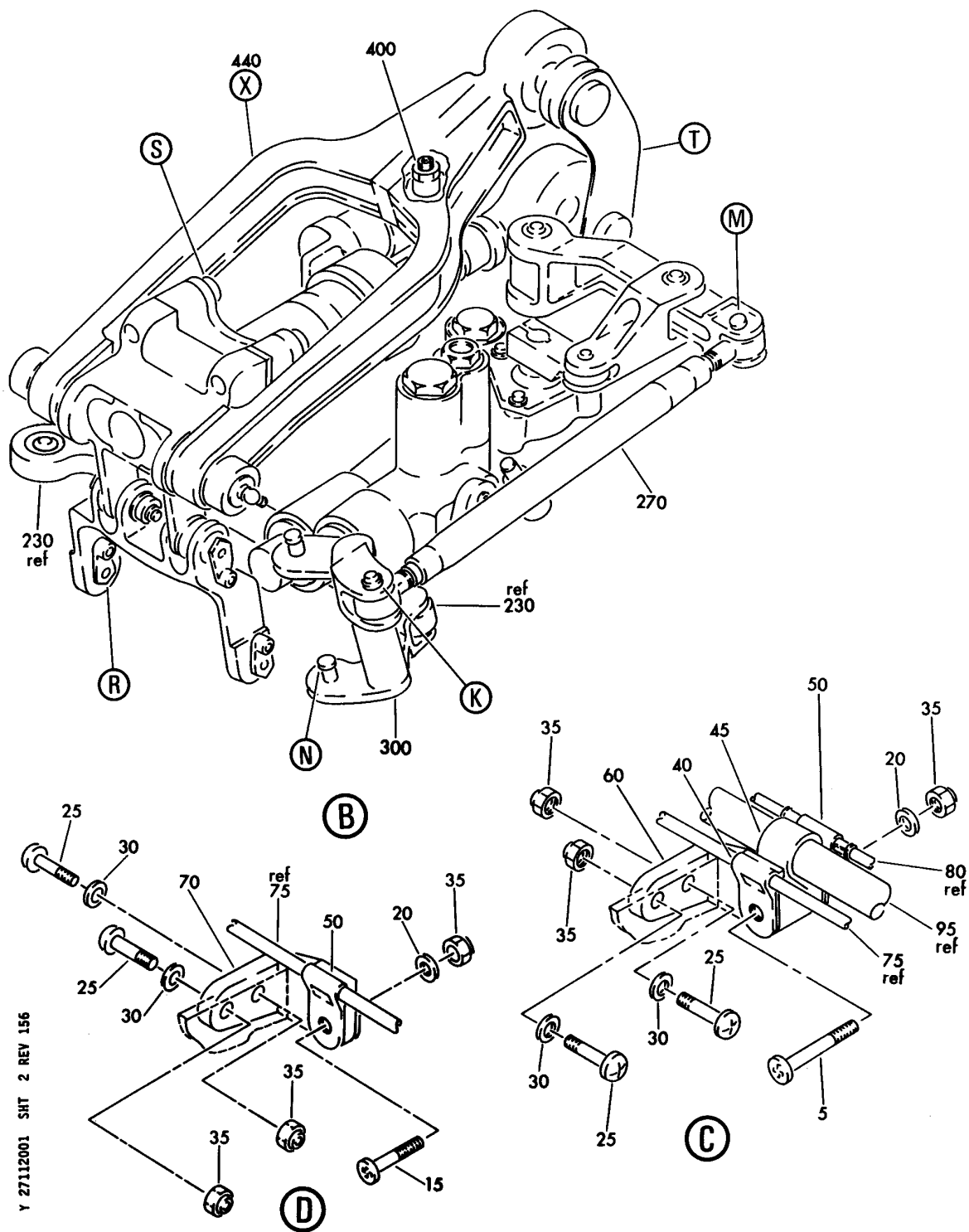
CONTROL UNIT INSTL-L WING AIL. PWR  
FIGURE 1 (SHEET 1)

**27-11-20-01**

BRI  
MAY 28/07

27-11-20-01  
PAGE 0

 **BOEING**  
757  
**PARTS CATALOG (MAINTENANCE)**

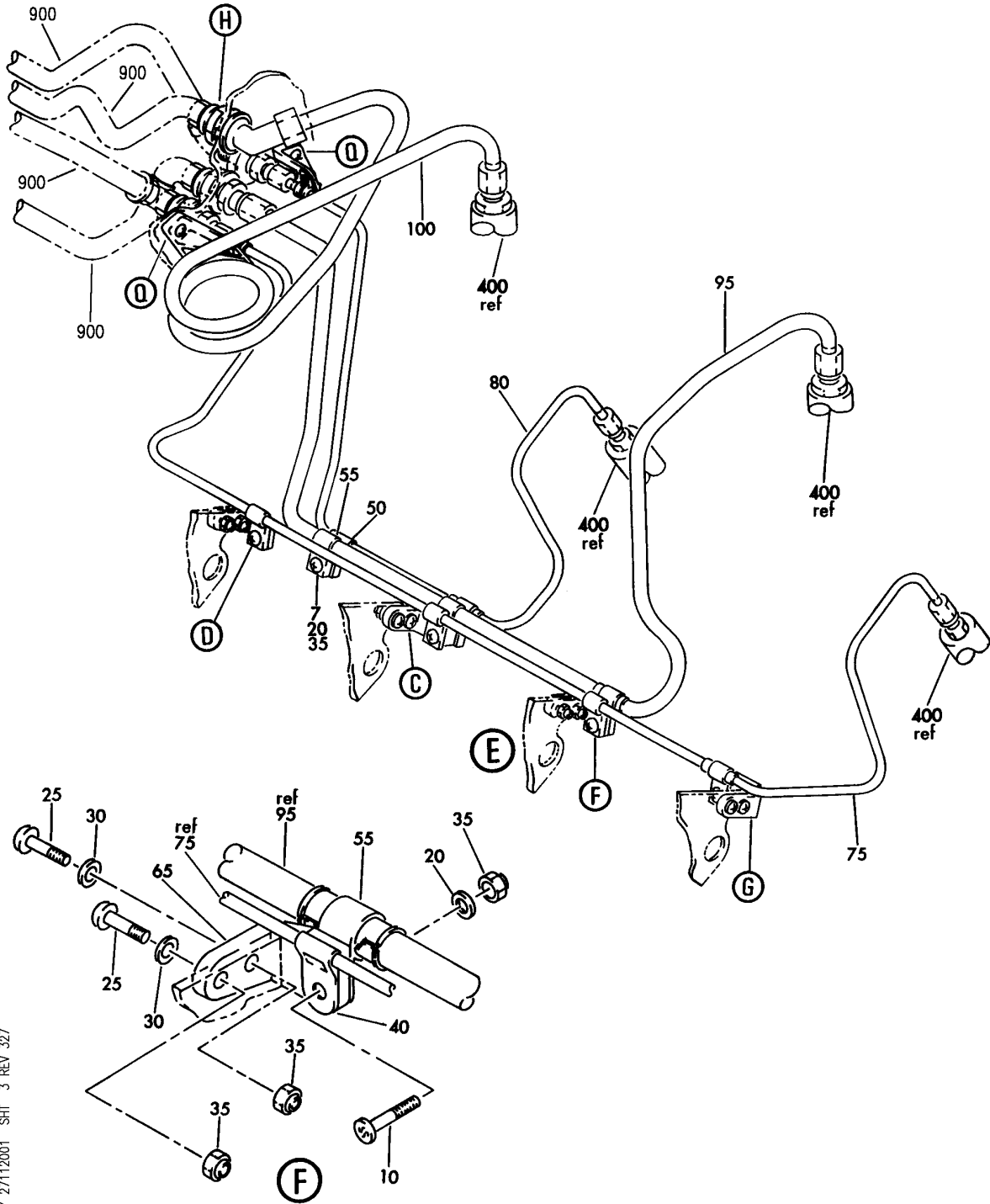


CONTROL UNIT INSTL-L WING AIL. PWR  
FIGURE 1 (SHEET 2)

**27-11-20-01**



**BOEING**  
757  
PARTS CATALOG (MAINTENANCE)



Y 27112001 SH1 3 REV 327

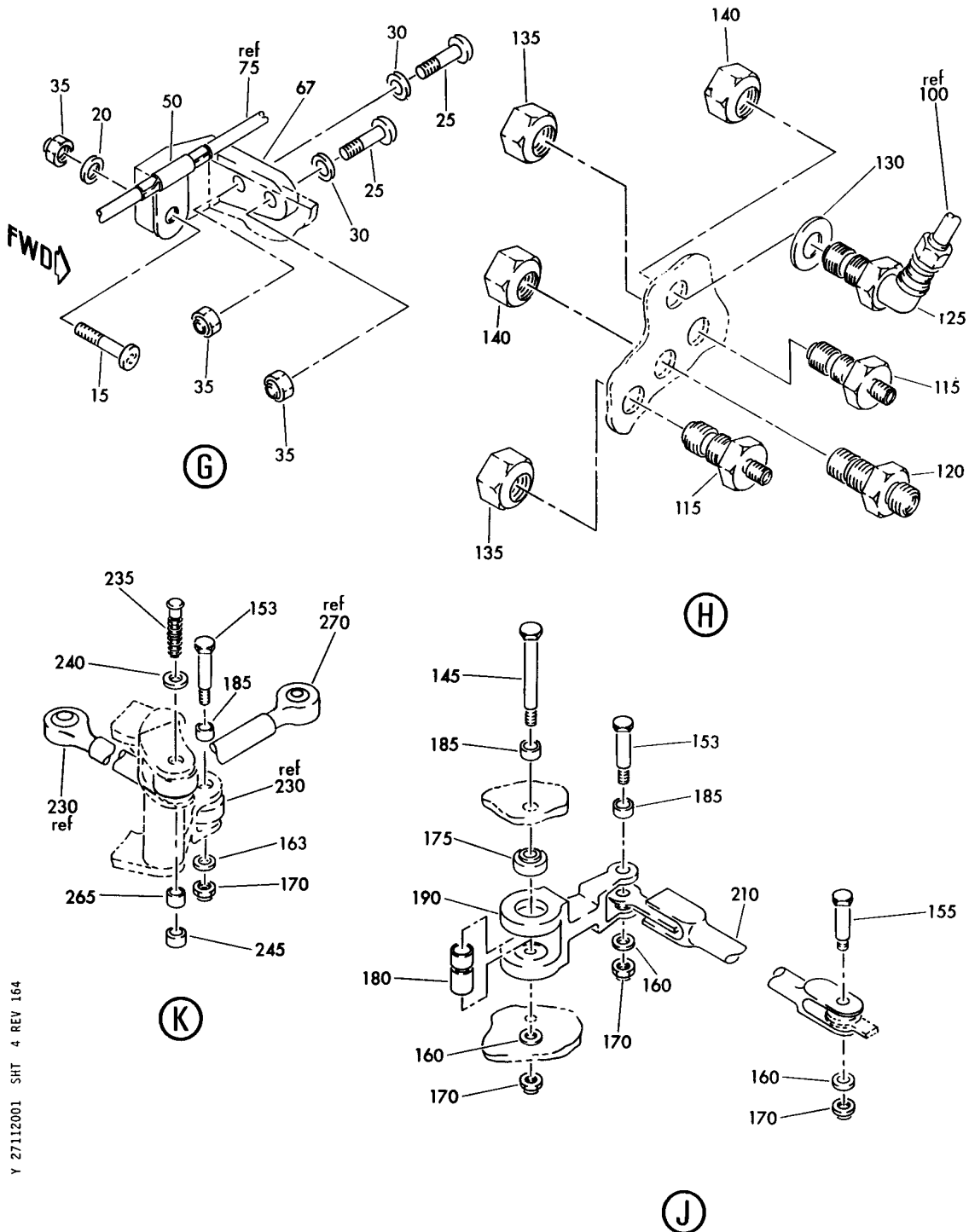
CONTROL UNIT INSTL-L WING AIL. PWR  
FIGURE 1 (SHEET 3)

**27-11-20-01**

BRI  
SEP 20/08

27-11-20-01  
PAGE 0B

**BOEING**  
757  
PARTS CATALOG (MAINTENANCE)



Y 27112001 SHT 4 REV 164

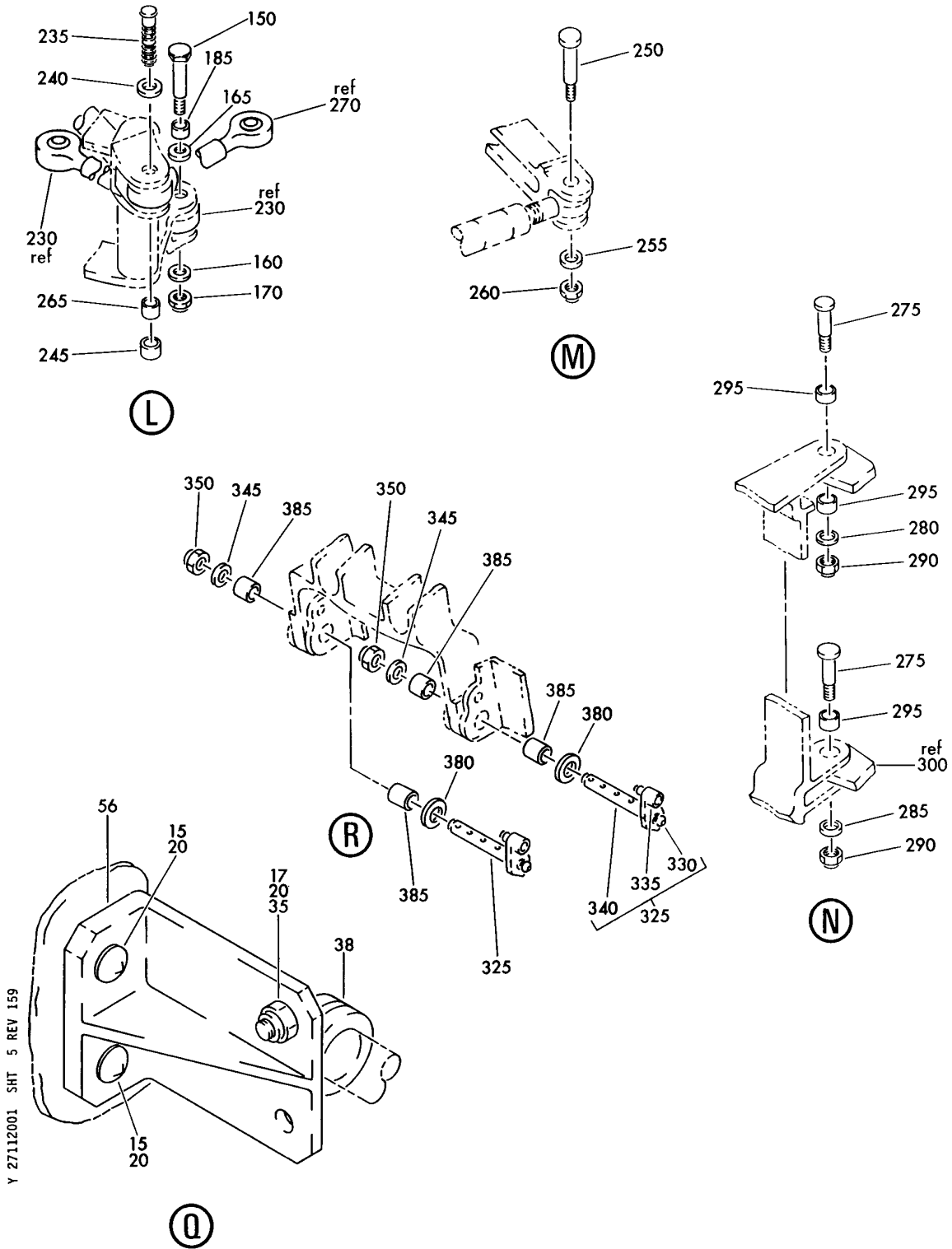
CONTROL UNIT INSTL-L WING AIL. PWR  
FIGURE 1 (SHEET 4)

**27-11-20-01**

BRI  
MAY 28/07

27-11-20-01  
PAGE 0C

**BOEING**  
757  
PARTS CATALOG (MAINTENANCE)



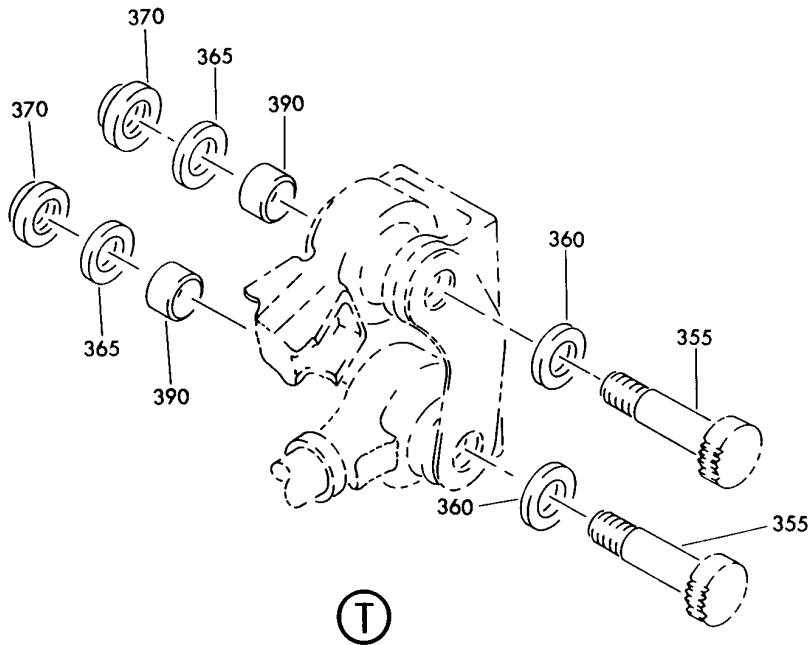
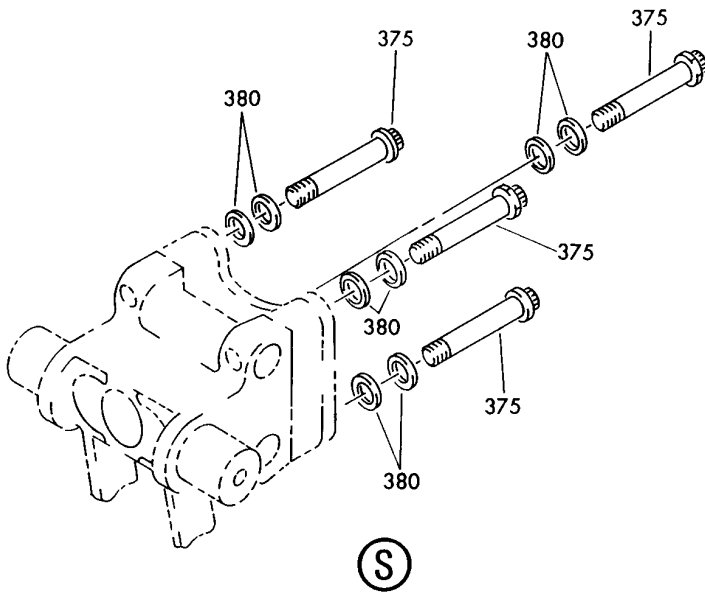
CONTROL UNIT INSTL-L WING AIL. PWR  
FIGURE 1 (SHEET 5)

**27-11-20-01**

BRI  
MAY 28/07

27-11-20-01  
PAGE 0D

**BOEING**  
757  
PARTS CATALOG (MAINTENANCE)



Y 27112001 SHT 6 REV 159

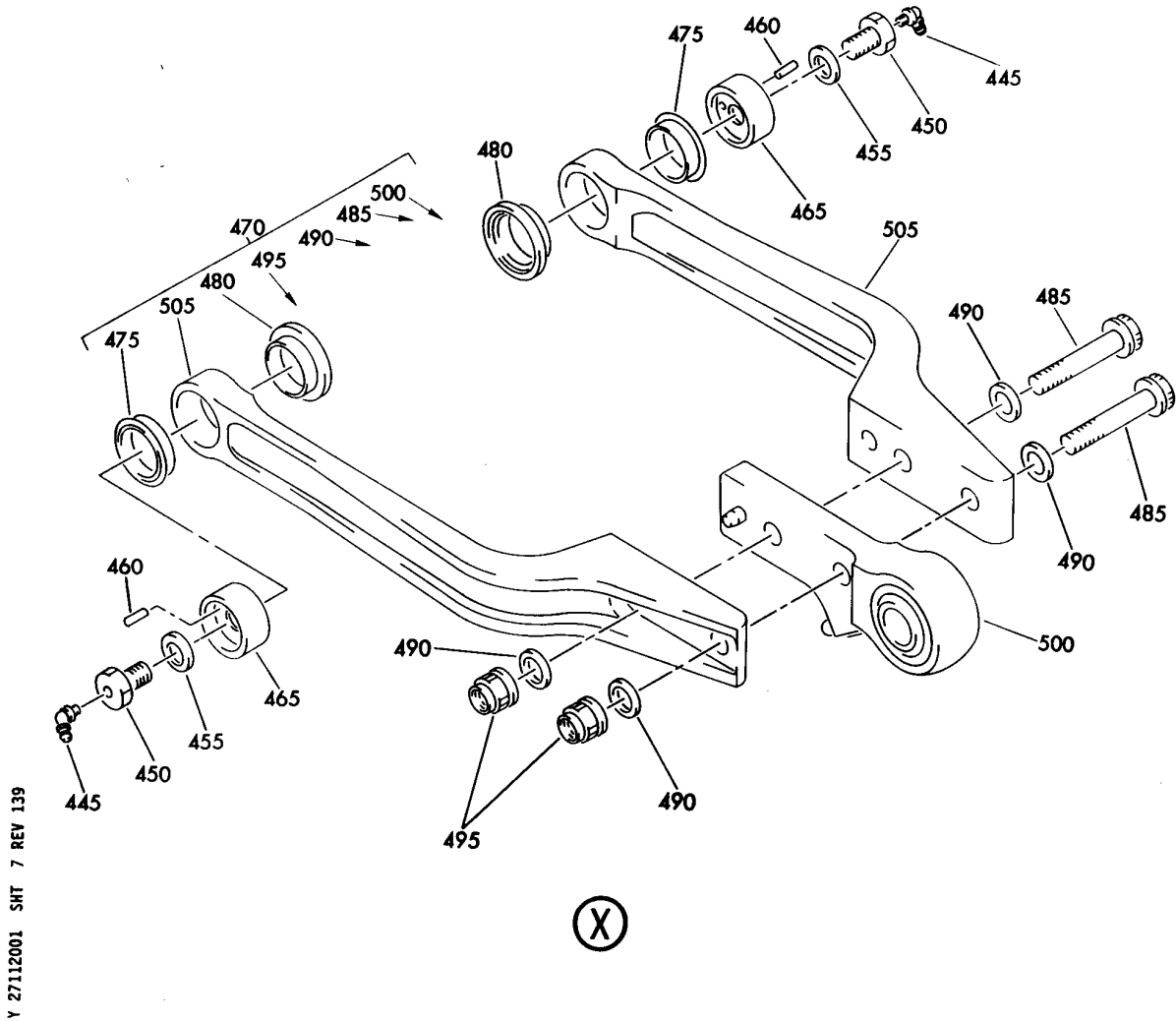
CONTROL UNIT INSTL-L WING AIL. PWR  
FIGURE 1 (SHEET 6)

**27-11-20-01**

BRI  
MAY 28/07

27-11-20-01  
PAGE 0E

**BOEING**  
757  
PARTS CATALOG (MAINTENANCE)



CONTROL UNIT INSTL-L WING AIL. PWR  
FIGURE 1 (SHEET 7)

**27-11-20-01**

BRI  
MAY 28/07

27-11-20-01  
PAGE OF



757

PARTS CATALOG (MAINTENANCE)

FIG ITEM	PART NUMBER	1 2 3 4 5 6 7	NOMENCLATURE	EFFECT FROM TO	UNITS PER ASSY
1			CONTROL UNIT INSTL-L WING	002004	
- 1	251N1002-1		AIL. PWR	006999	
			CONTROL UNIT INSTL-WING	002004	RF
			AIL. PWR	006100	
			POSITION DATA:	107107	
			L	121503	
			FOR NHA SEE:	904999	
			27-00-00-02		
- 1	251N1002-15		CONTROL UNIT INSTL-WING	101102	RF
			AIL. PWR	108120	
			FOR NHA SEE:	504903	
			27-00-00-01		
- 1	MODREF32111		CONTROL UNIT INSTL-WING	103106	1
			AIL. PWR		
			MODULE NUMBER:		
			251N1002-15 REV B		
5	NAS623-3-15		.SCREW	002004	1
				006999	
7	NAS1801-3-7		.SCREW	002004	1
				006999	
10	NAS623-3-7		.SCREW	002004	1
				006999	
15	NAS623-3-6		.SCREW	002004	6
				006999	
17	NAS623-3-3		.SCREW	002004	2
				006999	
20	AN960JD10		.WASHER-	002004	11
				006999	
25	NAS623-3-5		.SCREW	002004	8
				006999	
30	BACW10BN3AC		.WASHER	002004	8
				006999	
35	PLH53CD		.NUT-	002004	15
			SUPPLIER CODE:	006999	
			VF0224		
			SPECIFICATION NUMBER:		
			BACN10YR3CD		
			OPTIONAL PART:		
			H52732-3CD		
			V15653		
38	M85052-2-4		.CLAMP	002004	2
				006999	
40	BACC10DK4		.CLAMP	002004	2
				006999	
45	BACC10DK6		.CLAMP	002004	1
				006999	

MISSING ITEM NUMBERS NOT APPLICABLE

- ITEM NOT ILLUSTRATED

27-11-20-01

27-11-20  
FIG. 01  
PAGE 1  
JAN 20/09

BRI



757

PARTS CATALOG (MAINTENANCE)

FIG ITEM	PART NUMBER	1 2 3 4 5 6 7	NOMENCLATURE	EFFECT FROM TO	UNITS PER ASSY
1	50	BACC10GT3-04	.CLAMP ASSY SUPPLIER CODE: V83930 SPECIFICATION NUMBER: BACC10GT3-04	002004 006999	4
	55	BACC10GT3-06	.CLAMP	002004 006999	2
	56	251N1247-2	.BRACKET-	002004 006999	2
	60	251N1244-10	.BRACKET-SPRT	002004 006999	1
	65	251N1244-9	.BRACKET-SPRT	002004 006999	1
	67	251N1244-11	.BRACKET-SPRT	002004 006999	1
	70	251N1244-8	.BRACKET-SPRT	002004 006999	1
	75	251N1242-9	.TUBE ASSY-	002004 006100 107107 121503 904999	1
	75	251N1242-20	.TUBE ASSY-	101106 108120 504903	1
	80	251N1242-11	.TUBE ASSY-	002004 006999	1
-	85	AS1581T04	..SLEEVE	002004 006999	2

MISSING ITEM NUMBERS NOT APPLICABLE

- ITEM NOT ILLUSTRATED

BRI

27-11-20-01

27-11-20  
FIG. 01  
PAGE 2  
JAN 20/09



757

PARTS CATALOG (MAINTENANCE)

FIG ITEM	PART NUMBER	1 2 3 4 5 6 7	NOMENCLATURE	EFFECT FROM TO	UNITS PER ASSY
1					
- 90	AFP107-4	..	NUT- SUPPLIER CODE: V30974 SPECIFICATION NUMBER: BACN10NR4 OPTIONAL PART: AP1028T4 V01673 BC921T4 V50948 DBON10NR4 V14798 ER01921-4T V88334 FER8928-4 V14397 F11-4 V73197 2-03005T4 V11328 31783-4 V14397 BACN10YA4	002004 006999	2
- 90	BACN10YA4	..	NUT- OPTIONAL PART: BACN10NR4	002004 006999	2
95	251N1243-21	.	TUBE ASSY-	002004 006999	1
100	251N1243-25	.	TUBE ASSY-	002004 006999	1
- 105	AS1581T06	..	SLEEVE	002004 006999	1

MISSING ITEM NUMBERS NOT APPLICABLE

- ITEM NOT ILLUSTRATED

BRI

27-11-20-01

BOEING PROPRIETARY - Copyright © - Unpublished Work - See title page for details.

27-11-20  
FIG. 01  
PAGE 3  
JAN 20/09





**757  
PARTS CATALOG (MAINTENANCE)**

FIG ITEM	PART NUMBER	1 2 3 4 5 6 7	NOMENCLATURE	EFFECT FROM TO	UNITS PER ASSY
1 - 107	AFP107-6	..	NUT- SUPPLIER CODE: V30974 SPECIFICATION NUMBER: BACN10NR6 OPTIONAL PART: AP1028T6 V01673 BC921T6 V50948 DBON10NR6 V14798 ER01921-6T V88334 FER8928-6 V14397 F11-6 V73197 2-03005T6 V11328 31783-6 V14397 35068-06 V08199 BACN10YA6	002004 006999	1
- 107	BACN10YA6	..	NUT- OPTIONAL PART: BACN10NR6	002004 006999	1
- 110	BACE21BP0606T	..	ELBOW	002004 006999	1

MISSING ITEM NUMBERS NOT APPLICABLE

- ITEM NOT ILLUSTRATED

BRI

# 27-11-20-01

BOEING PROPRIETARY - Copyright © - Unpublished Work - See title page for details.

27-11-20  
FIG. 01  
PAGE 4  
JAN 20/09



757

PARTS CATALOG (MAINTENANCE)

FIG ITEM	PART NUMBER	1 2 3 4 5 6 7	NOMENCLATURE	EFFECT FROM TO	UNITS PER ASSY
1 115	APX832T0604	.	UNION SUPPLIER CODE: V01673 SPECIFICATION NUMBER: BACU24AA0604T OPTIONAL PART: ER832-0604T V50948 2-010890604T V11328 AFP238-0604T V30974 APX832-0604T V01673 DBOU24AA0604T V61498 FER1579-0604T V14397 US2113-0604T V50808 2-01089T0604 V11328	002004 006999	2
120	MS21924J6	.	UNION	002004 006999	1
125	BACE21BN0606J	.	ELBOW-	002004 006999	1
130	AN960JD916	.	WASHER-	002004 006999	1
135	AN924-6T	.	NUT	002004 006999	2
140	AN924-6J	.	NUT	002004 006999	2
145	BACB30LJ4-32	.	BOLT	002004 006999	1
150	BACB30LJ4-16	.	BOLT-	002004 006999	1
153	BACB30LJ4-15	.	BOLT-	002004 006999	2
155	BACB30LJ4-11	.	BOLT	002004 006999	1
160	AN960JD416	.	WASHER-	002004 006999	4
163	AN960JD416L	.	WASHER-	002004 006999	1
165	AN960XC416	.	WASHER	002004 006999	1

MISSING ITEM NUMBERS NOT APPLICABLE

- ITEM NOT ILLUSTRATED

27-11-20-01

27-11-20  
FIG. 01  
PAGE 5  
JAN 20/09

BRI

BOEING PROPRIETARY - Copyright © - Unpublished Work - See title page for details.



757

PARTS CATALOG (MAINTENANCE)

FIG ITEM	PART NUMBER	1 2 3 4 5 6 7	NOMENCLATURE	EFFECT FROM TO	UNITS PER ASSY
1	170 PLH54CD	.	NUT-	002004	5
			SUPPLIER CODE: VF0224	006999	
			SPECIFICATION NUMBER: BACN10YR4CD		
			OPTIONAL PART: H52732-4CD		
			V15653		
R	175 MKP4AFS428	.	BEARING-	002004	1
R			SUPPLIER CODE: V06144	006999	
R			SPECIFICATION NUMBER: BACB10AP4		
R			OPTIONAL PART: MCS204E		
R			VK8455		
R			LLMKP4A		
R			V38443		
R			MKP4AFS428		
R			V21335		
R			MKP4ATT		
R			V43991		
R			MKP4A2TS		
R			V43991		
R			MKP4E6531		
R			V21335		
R			MKP4AG20		
R			V38443		
R			MKP4ALY196		
R			V40920		
R			MKP4A		
R			V38443		
R			MCS24E		
R			VK8455		
R			MKP4ASD610		
R			V83086		
R			MKP4ANJC		
R			V06144		
R			BACB10FS04RJ		

MISSING ITEM NUMBERS NOT APPLICABLE

— ITEM NOT ILLUSTRATED

27-11-20-01

27-11-20  
FIG. 01  
PAGE 6  
MAY 20/09

BRI



757

PARTS CATALOG (MAINTENANCE)

FIG ITEM	PART NUMBER	1 2 3 4 5 6 7	NOMENCLATURE	EFFECT FROM TO	UNITS PER ASSY
1 175	SSMKP4ASD529		.BEARING- SUPPLIER CODE: V50294 SPECIFICATION NUMBER: BACB10FS04RJ OPTIONAL PART: SSMKP04RAP V21760 ACMKP4FS428 V21335 ACMKP04RJAP510L V40920 PACMKP04RJAFS42 V21335 SSMKP04RJAP V21760 BACB10AP4	103106	1
180	NAS73-4E100		.BUSHING	002004 006999	1
185	250N2008-21		.BUSHING-	002004 006999	4
190	251N1172-1		.LEVER ASSY-IDLE COMPONENT MAINT MANUAL REF: 27-11-19	002004 006100 107107 121503 904999	1
190	251N1172-23		.LEVER ASSY-IDLE	002004 006999	1
210	251N1152-1		.ROD ASSY-CONT COMPONENT MAINT MANUAL REF: 27-11-19	002004 006999	1
210	251N1152-3		.ROD ASSY-CONT COMPONENT MAINT MANUAL REF: 27-11-19	002004 006999	1
210	251N1152-5		.ROD ASSY-CONT	002004 006999	1
230	250N2004-109		.ROD ASSY- COMPONENT MAINT MANUAL REF: 27-00-12	002004 006999	1
230	250N2004-114		.ROD ASSY- COMPONENT MAINT MANUAL REF: 27-00-12 OPTIONAL PART: 250N2004-119	002004 006999	1
230	250N2004-119		.ROD ASSY- OPTIONAL PART: 250N2004-114	002004 006999	1

MISSING ITEM NUMBERS NOT APPLICABLE

- ITEM NOT ILLUSTRATED

27-11-20-01

27-11-20  
FIG. 01  
PAGE 7  
JAN 20/09

BRI



757

PARTS CATALOG (MAINTENANCE)

FIG ITEM	PART NUMBER	1 2 3 4 5 6 7	NOMENCLATURE	EFFECT FROM TO	UNITS PER ASSY
1 235	HL441UC8-18	.BOLT-	SUPPLIER CODE: V60516 SPECIFICATION NUMBER: BACB30FM8A18 OPTIONAL PART: HL440UC8-18 V73197 HL440UC8-18 V92215 HL440UC8-18 V97928 HL440UC8-18 V80539 67067-8A18 V56878 HL440UC8-18 V08524 HL440UC8-18 V56878 HL440UC8-18 V56878	002004 006999	2
240	BACW10BP4CD	.WASHER		002004 006999	2
245	HL79-8	.COLLAR-	SUPPLIER CODE: V5M902 SPECIFICATION NUMBER: BACC30M8 OPTIONAL PART: HL79-8 V73197 HL79-8 V92215 66014-8 V56878 HL79-8 V56878	002004 006999	2
250	BACB30LJ4-13	.BOLT-		002004 006999	2
255	AN960-416L	.WASHER-		002004 006999	2

MISSING ITEM NUMBERS NOT APPLICABLE

- ITEM NOT ILLUSTRATED

27-11-20-01

27-11-20  
FIG. 01  
PAGE 8  
JAN 20/09

BRI



757

PARTS CATALOG (MAINTENANCE)

FIG ITEM	PART NUMBER	1 2 3 4 5 6 7	NOMENCLATURE	EFFECT FROM TO	UNITS PER ASSY
1					
260	PLH54CD		.NUT- SUPPLIER CODE: VF0224 SPECIFICATION NUMBER: BACN10YR4CD OPTIONAL PART: H52732-4CD V15653	002004 006999	2
265	250N2008-21		.BUSHING-	002004 006999	2
270	250N2004-315		.ROD ASSY- COMPONENT MAINT MANUAL REF: 27-00-12	002004 006999	2
270	250N2004-326		.ROD ASSY- COMPONENT MAINT MANUAL REF: 27-00-12	002004 006999	2
270	250N2004-335		.ROD ASSY- COMPONENT MAINT MANUAL REF: 27-00-12	002004 006999	2
275	BACB30LJ4-12		.BOLT	002004 006999	4
280	AN960C416L		.WASHER	002004 006999	2
285	AN960JD416		.WASHER-	002004 006999	2
290	PLH54CD		.NUT- SUPPLIER CODE: VF0224 SPECIFICATION NUMBER: BACN10YR4CD OPTIONAL PART: H52732-4CD V15653	002004 006999	4
295	250N2008-21		.BUSHING-	002004 006999	6
300	251N1173-1		.CRANK ASSY- COMPONENT MAINT MANUAL REF: 27-11-19	002004 006999	2
325	251N1169-4		.BOLT ASSY-STAB. LINK	002004 006999	4
330	1728B		..FITTING- SUPPLIER CODE: VOFKM1	002004 006999	1
335	251N1169-3		..PIN	002004 006999	1
340	251N1169-5		..BOLT	002004 006999	1
345	AN960C616		.WASHER	002004 006999	4

MISSING ITEM NUMBERS NOT APPLICABLE

- ITEM NOT ILLUSTRATED

27-11-20-01

27-11-20  
FIG. 01  
PAGE 9  
JAN 20/09

BRI



757

PARTS CATALOG (MAINTENANCE)

FIG ITEM	PART NUMBER	1 2 3 4 5 6 7	NOMENCLATURE	EFFECT FROM TO	UNITS PER ASSY
1 350	PLH56CD	.NUT-	SUPPLIER CODE: VF0224 SPECIFICATION NUMBER: BACN10YR6CD OPTIONAL PART: H52732-6CD V15653	002004 006999	4
355	BACB30LT12-33	.BOLT-		002004 006999	4
360	BACW10BP12CD	.WASHER-		002004 006999	4
365	BACW10BP12DP	.WASHER-		002004 006999	4
370	69235-1216CD	.NUT-	SUPPLIER CODE: V92215 SPECIFICATION NUMBER: BACN10JC12CD OPTIONAL PART: 102LH9074-12 V72962 BMN4122CPD8-12 V97928 H51650-12BAC V15653	002004 006999	4
375	BACB30LE6-30	.BOLT-		002004 006999	8
380	BACW10BP6CD	.WASHER-		002004 006999	16
385	251N1163-1	.BUSHING-SLIDE		002004 006999	8
390	BACB28AK12-060	.BUSHING-		002004 006999	4
400	1540600-1	.CONTROL UNIT ASSY-PWR	SUPPLIER CODE: VS4980 SPECIFICATION NUMBER: S251N114-4 COMPONENT MAINT MANUAL REF: 27-10-04 FOR DETAILS SEE: 27-11-20-52	002004 006999	2

MISSING ITEM NUMBERS NOT APPLICABLE

- ITEM NOT ILLUSTRATED

BRI

27-11-20-01

BOEING PROPRIETARY - Copyright © - Unpublished Work - See title page for details.

27-11-20  
FIG. 01  
PAGE 10  
JAN 20/09



757

PARTS CATALOG (MAINTENANCE)

FIG ITEM	PART NUMBER	1 2 3 4 5 6 7	NOMENCLATURE	EFFECT FROM TO	UNITS PER ASSY
1 400	1540600-3		.CONTROL UNIT ASSY-PWR SUPPLIER CODE: VS4980 SPECIFICATION NUMBER: S251N114-5 COMPONENT MAINT MANUAL REF: 27-10-04 FOR DETAILS SEE: 27-11-20-52	002004 006999	2
400	1527700-3		.CONTROL UNIT ASSY-PWR SUPPLIER CODE: VS4980 SPECIFICATION NUMBER: S251N114-2 COMPONENT MAINT MANUAL REF: 27-10-03 FOR DETAILS SEE: 27-11-20-51	002004 006999	2
400	1527700-5		.CONTROL UNIT ASSY-PWR SUPPLIER CODE: VS4980 SPECIFICATION NUMBER: S251N114-3 COMPONENT MAINT MANUAL REF: 27-10-03 FOR DETAILS SEE: 27-11-20-51	002004 006999	2
440	251N1002-3		.LINK ASSY- COMPONENT MAINT MANUAL REF: 27-11-18 OPTIONAL PART: 251N1002-7 251N1002-6	002004 006100 107107 121503 904999	2
440	251N1002-6		.LINK ASSY- COMPONENT MAINT MANUAL REF: 27-11-18 OPTIONAL PART: 251N1002-7	002004 006100 107107 121503 904999	2
440	251N1002-7		.LINK ASSY- COMPONENT MAINT MANUAL REF: 27-11-18	002004 006100 107107 121503 904999	2
440	251N1002-8		.LINK ASSY- COMPONENT MAINT MANUAL REF: 27-11-18	002004 006100 107107 121503 904999	2

MISSING ITEM NUMBERS NOT APPLICABLE

- ITEM NOT ILLUSTRATED

27-11-20-01

27-11-20  
FIG. 01  
PAGE 11  
JAN 20/09

BRI





757

PARTS CATALOG (MAINTENANCE)

FIG ITEM	PART NUMBER	1 2 3 4 5 6 7	NOMENCLATURE	EFFECT FROM TO	UNITS PER ASSY
1					
440	251N1002-9		.LINK ASSY- COMPONENT MAINT MANUAL REF: 27-11-18	002004 006100 107107 121503 904999	2
440	251N1002-17		.LINK ASSY- COMPONENT MAINT MANUAL REF: 27-11-18	101106 108120 504903	2
445	1992B1		..FITTING-LUBE SUPPLIER CODE: VOFKM1 USED ON: 251N1002-3 251N1002-6	002004 006100 107107 121503 904999	2
445	MS15001-3		..FITTING-LUBE USED ON: 251N1002-7	002004 006999	2
445	1992B		..FITTING-LUBE SUPPLIER CODE: VOFKM1	002004 006100 107107 121503 904999	2
450	251N1162-1		..BOLT ASSY- USED ON: 251N1002-3 251N1002-6	002004 006100 107107 121503 904999	2
450	251N1162-2		..BOLT ASSY- USED ON: 251N1002-7	002004 006999	2
455	BACW10BP7CD		..WASHER	002004 006999	2
460	NAS607-2-4		..PIN	002004 006999	2
465	251N1164-1		..COLLAR	002004 006999	2
470	251N1170-1		..LINK ASSY- OPTIONAL PART: 251N1170-6 USED ON: 251N1002-3	002004 006999	1
470	251N1170-6		..LINK ASSY- OPTIONAL PART: 251N1170-8	002004 006999	1
470	251N1170-8		..LINK ASSY- OPTIONAL PART: 251N1170-6 USED ON: 251N1002-7	002004 006999	1

MISSING ITEM NUMBERS NOT APPLICABLE

- ITEM NOT ILLUSTRATED

27-11-20-01

27-11-20  
FIG. 01  
PAGE 12  
JAN 20/09

BRI



757

PARTS CATALOG (MAINTENANCE)

FIG ITEM	PART NUMBER	1 2 3 4 5 6 7	NOMENCLATURE	EFFECT FROM TO	UNITS PER ASSY
1					
475	251N1159-1	...	BUSHING	002004 006999	2
480	251N1161-1	...	BUSHING	002004 006999	2
485	BACB30LE7-22	...	BOLT	002004 006999	2
490	BACW10BP7CD	...	WASHER	002004 006999	4
495	BMN10HRCWD3-7	...	NUT	002004 006999	2
			SUPPLIER CODE: V97928		
			SPECIFICATION NUMBER: BACN10HR7CD		
			OPTIONAL PART: H51560-7		
			V15653		
			67832CD720		
			V56878		
			102LH9031-7		
			V72962		
			BH00303CM7		
			V27238		
			BMN5024CWD37		
			V97928		
			SL7108C7		
			V11815		
			VCU0005D7		
			V06710		
			102LH90317		
			V72962		
			67832CD7		
			V56878		
			CR6030-7		
			VF0224		
			BMN10HRCWD3-7		
			V97928		
500	DRX35A	...	BEARING-	002004 006999	1
			SUPPLIER CODE: V77896		
			SPECIFICATION NUMBER: S251N214-6		
			USED ON: 251N1170-1		
			251N1170-6		

MISSING ITEM NUMBERS NOT APPLICABLE

- ITEM NOT ILLUSTRATED

BRI

27-11-20-01

27-11-20  
FIG. 01  
PAGE 13  
JAN 20/09



757

PARTS CATALOG (MAINTENANCE)

FIG ITEM	PART NUMBER	1 2 3 4 5 6 7	NOMENCLATURE	EFFECT FROM TO	UNITS PER ASSY
1 500	DRX35B		...BEARING- SUPPLIER CODE: V77896 SPECIFICATION NUMBER: S251N214-10 OPTIONAL PART: DRX35G V77896 DRX35H V77896 USED ON: 251N1170-8	002004 006999	1
500	DRX35G		...BEARING- SUPPLIER CODE: V77896 SPECIFICATION NUMBER: S251N214-13 OPTIONAL PART: DRX35B V77896 DRX35H V77896 USED ON: 251N1170-8	002004 006999	1
500	DRX35H		...BEARING- SUPPLIER CODE: V77896 SPECIFICATION NUMBER: S251N214-14 OPTIONAL PART: DRX35B V77896 DRX35G V77896 USED ON: 251N1170-8	002004 006999	1
505	251N1170-2		...LINK- USED ON: 251N1170-1 251N1170-6	002004 006999	2
900			ILLUSTRATION REFERENCE: PLUMBING INSTL-SECT. 13 L WING OUTBD HYDR (AILERON AND AILERON TRIM CONTROL SYSTEM ONLY) 27-11-20-03	002004 006999	RF

MISSING ITEM NUMBERS NOT APPLICABLE

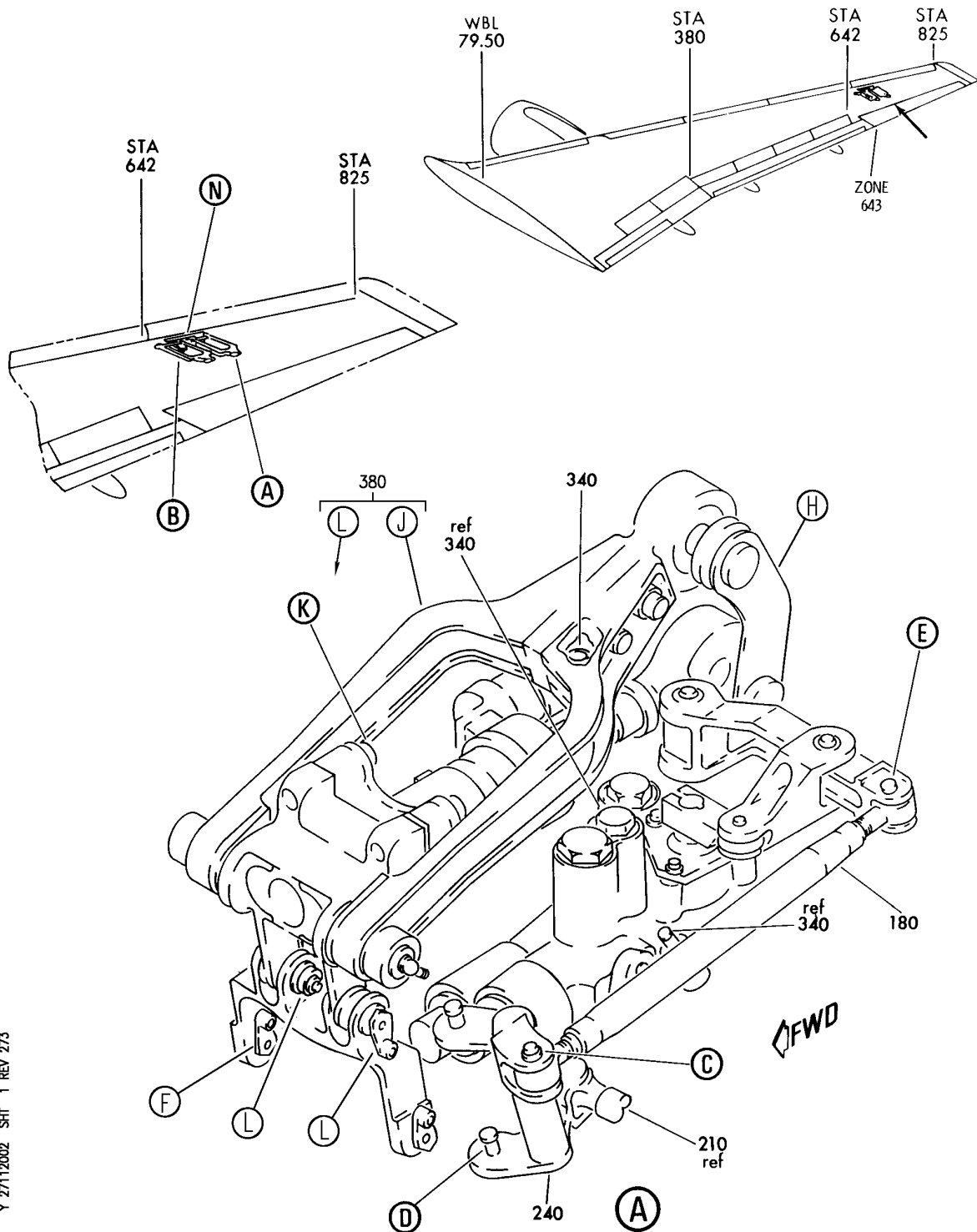
- ITEM NOT ILLUSTRATED

BRI

27-11-20-01

27-11-20  
FIG. 01  
PAGE 14  
JAN 20/09

**BOEING**  
757  
PARTS CATALOG (MAINTENANCE)



Y 27112002 SH1 1 REV 273

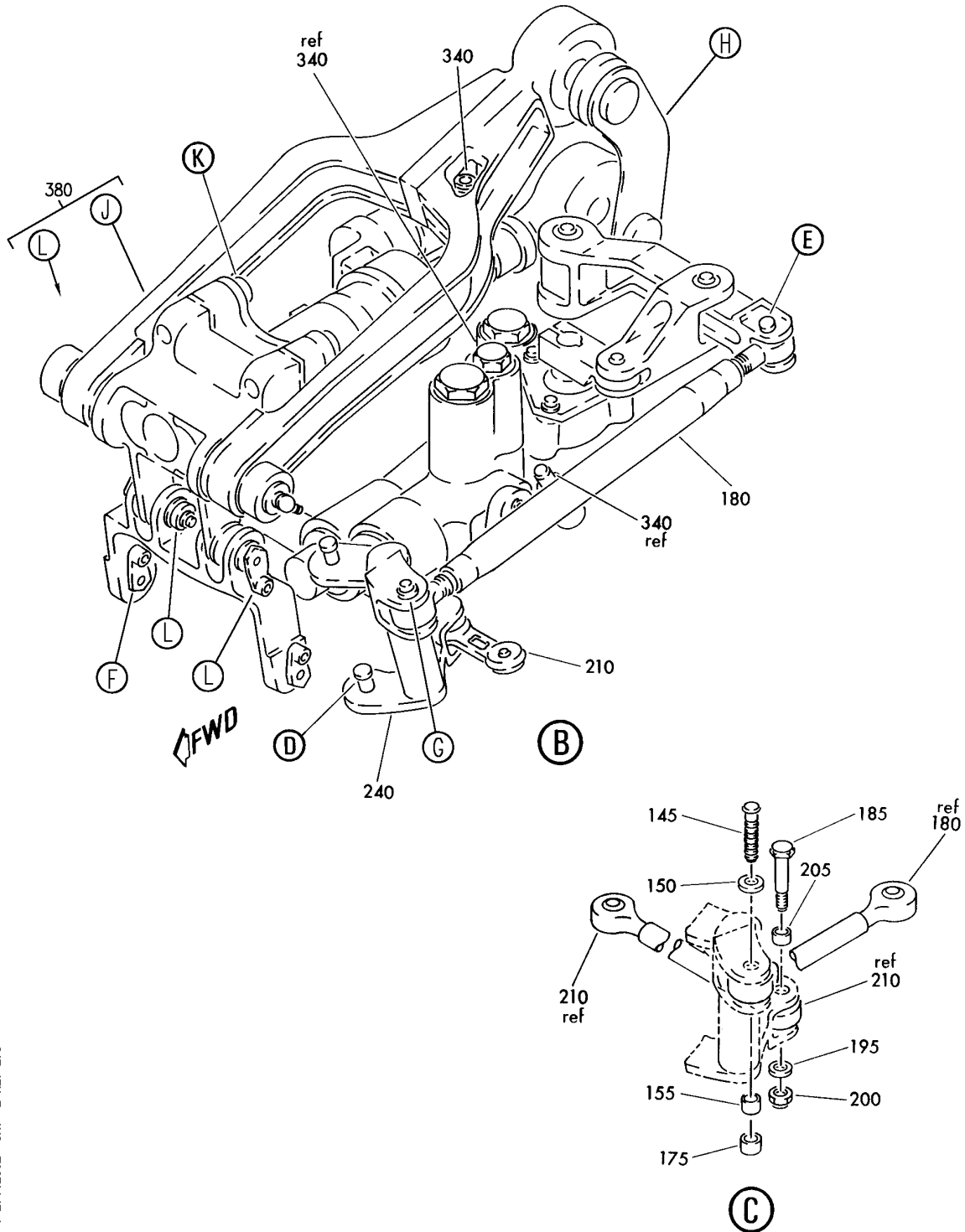
CONTROL UNIT INSTL-R WING AIL. PWR  
FIGURE 2 (SHEET 1)

**27-11-20-02**

BRI  
MAY 28/07

27-11-20-02  
PAGE 0

**BOEING**  
757  
PARTS CATALOG (MAINTENANCE)



Y 27112002 SH1 2 REV 273

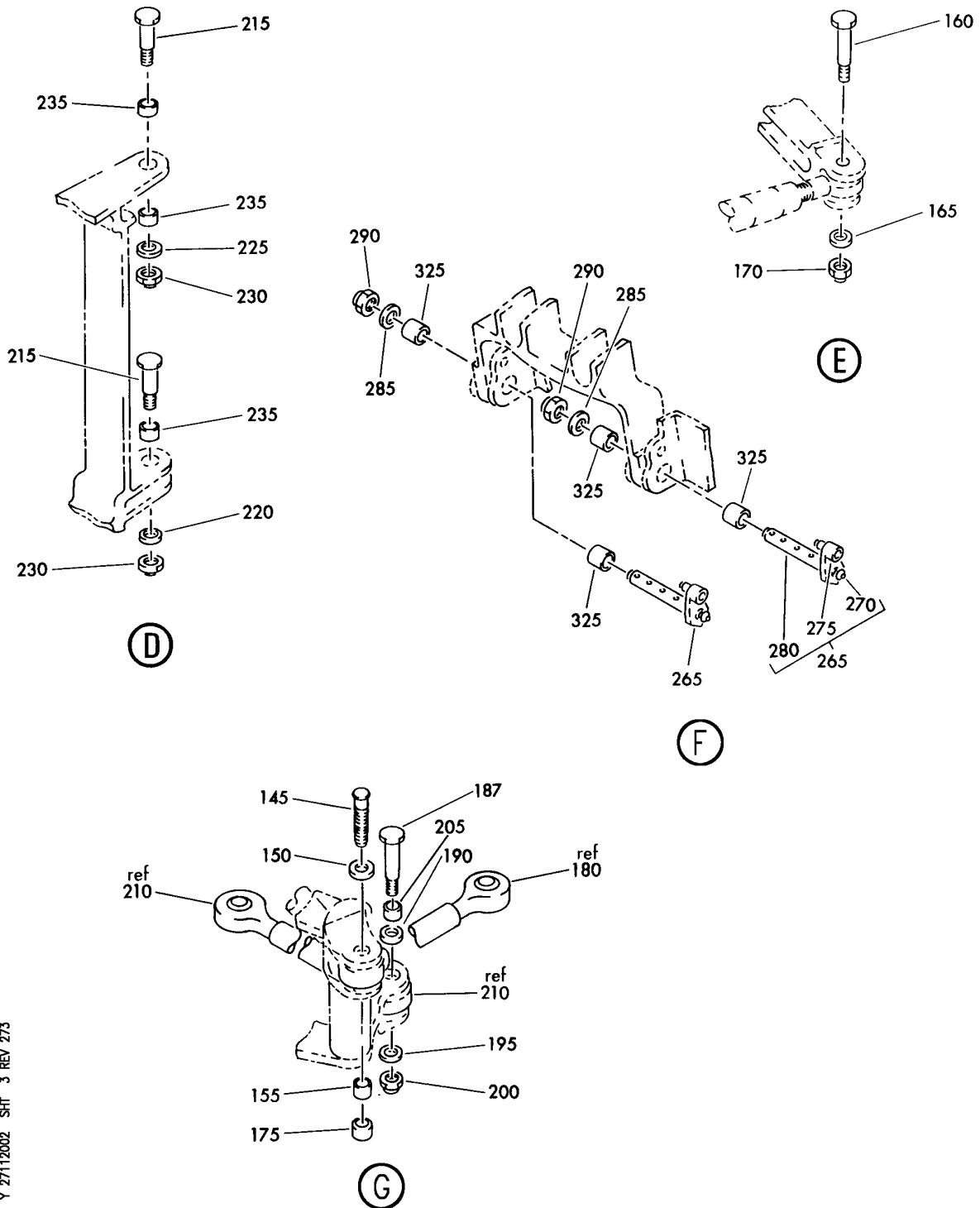
CONTROL UNIT INSTL-R WING AIL. PWR  
FIGURE 2 (SHEET 2)

**27-11-20-02**

BRI  
MAY 28/07

27-11-20-02  
PAGE 0A


**BOEING**  
 757  
**PARTS CATALOG (MAINTENANCE)**



Y 27112002 SH1 3 REV 273

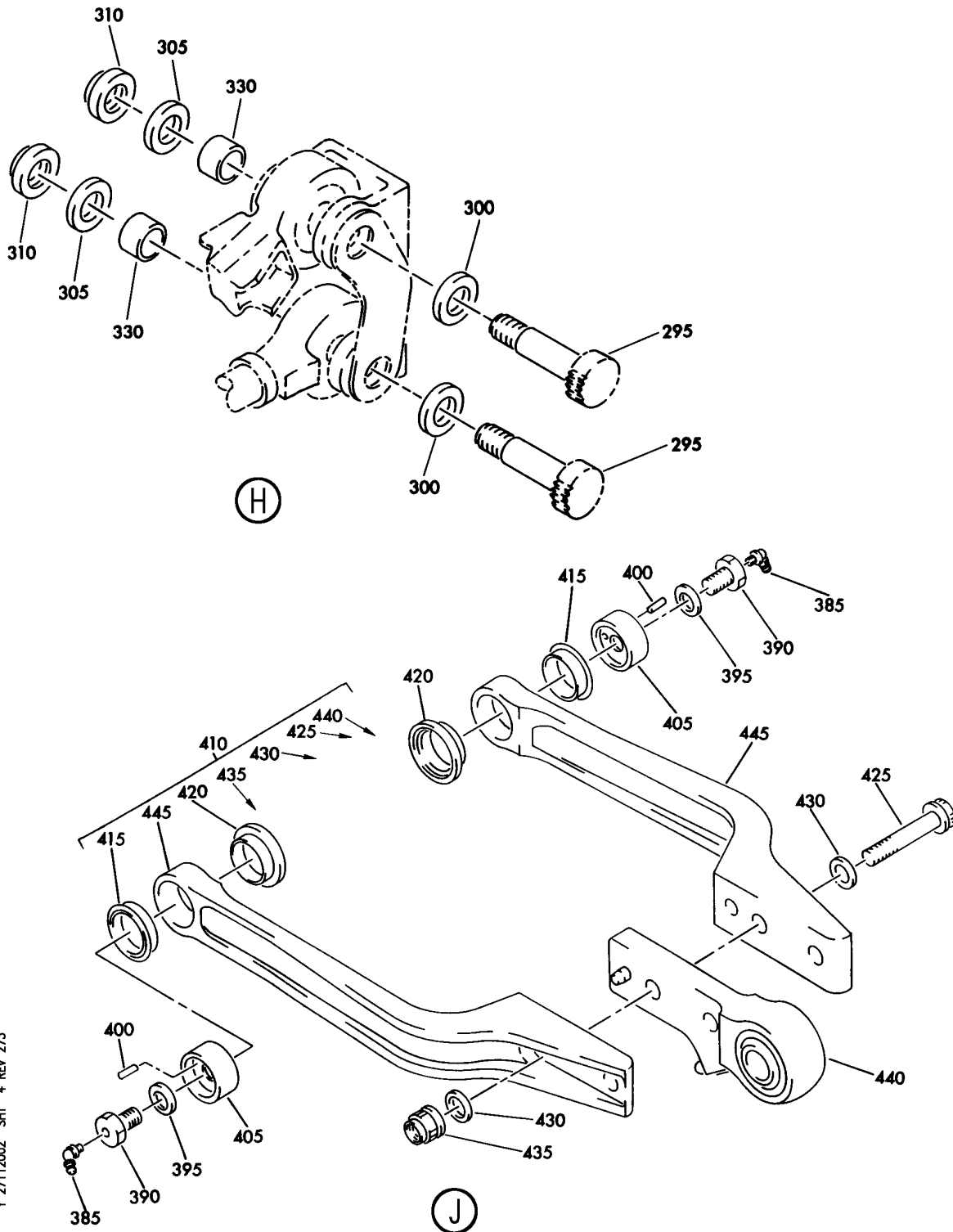
CONTROL UNIT INSTL-R WING AIL. PWR  
FIGURE 2 (SHEET 3)

**27-11-20-02**

BRI  
MAY 28/07

27-11-20-02  
PAGE 0B

**BOEING**  
757  
PARTS CATALOG (MAINTENANCE)



Y 27112002 SHIT 4 REV 273

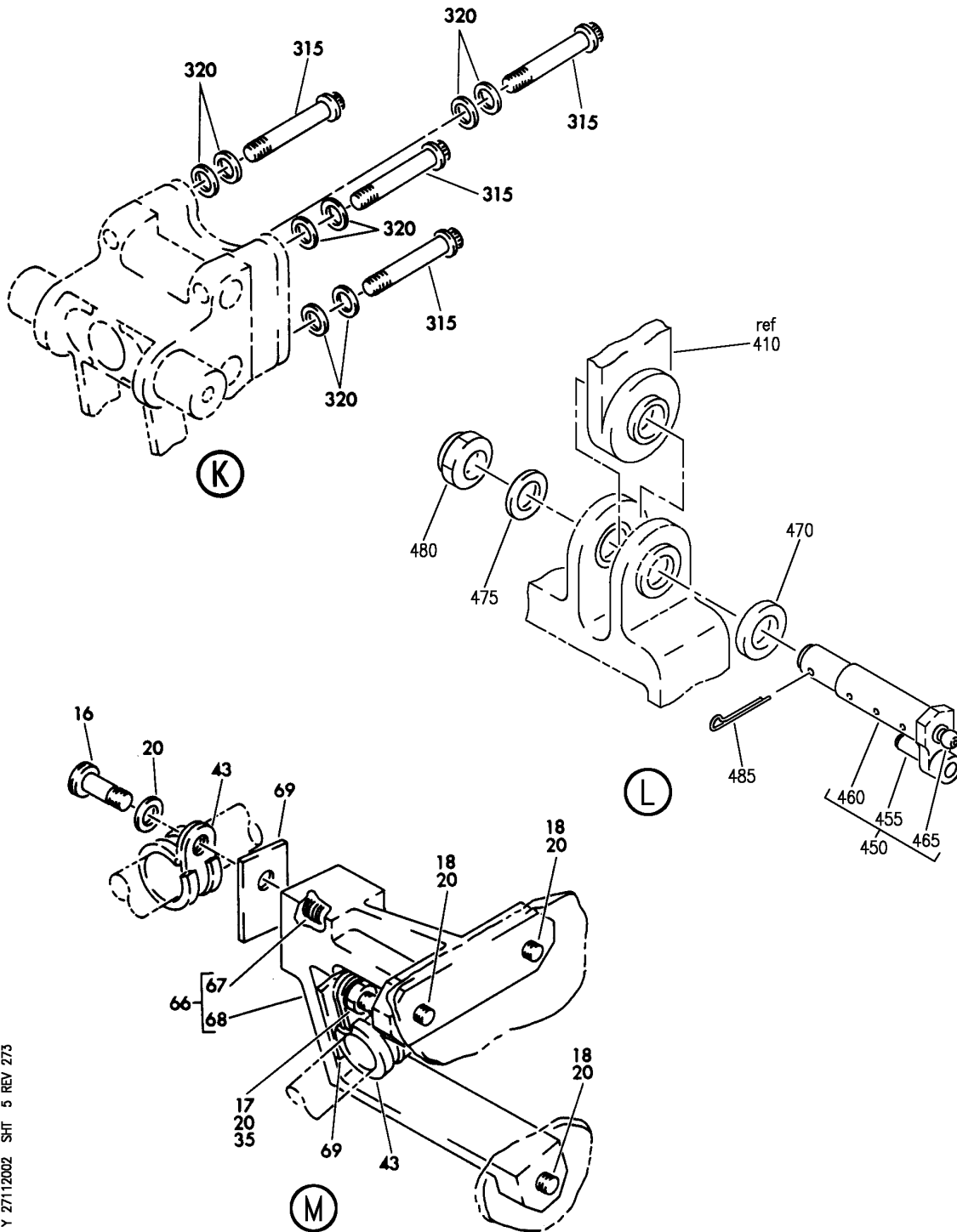
CONTROL UNIT INSTL-R WING AIL. PWR  
FIGURE 2 (SHEET 4)

**27-11-20-02**

BRI  
MAY 28/07

27-11-20-02  
PAGE 0C

**BOEING**  
757  
PARTS CATALOG (MAINTENANCE)



Y 27112002 SH1 5 REV 273

CONTROL UNIT INSTL-R WING AIL. PWR  
FIGURE 2 (SHEET 5)

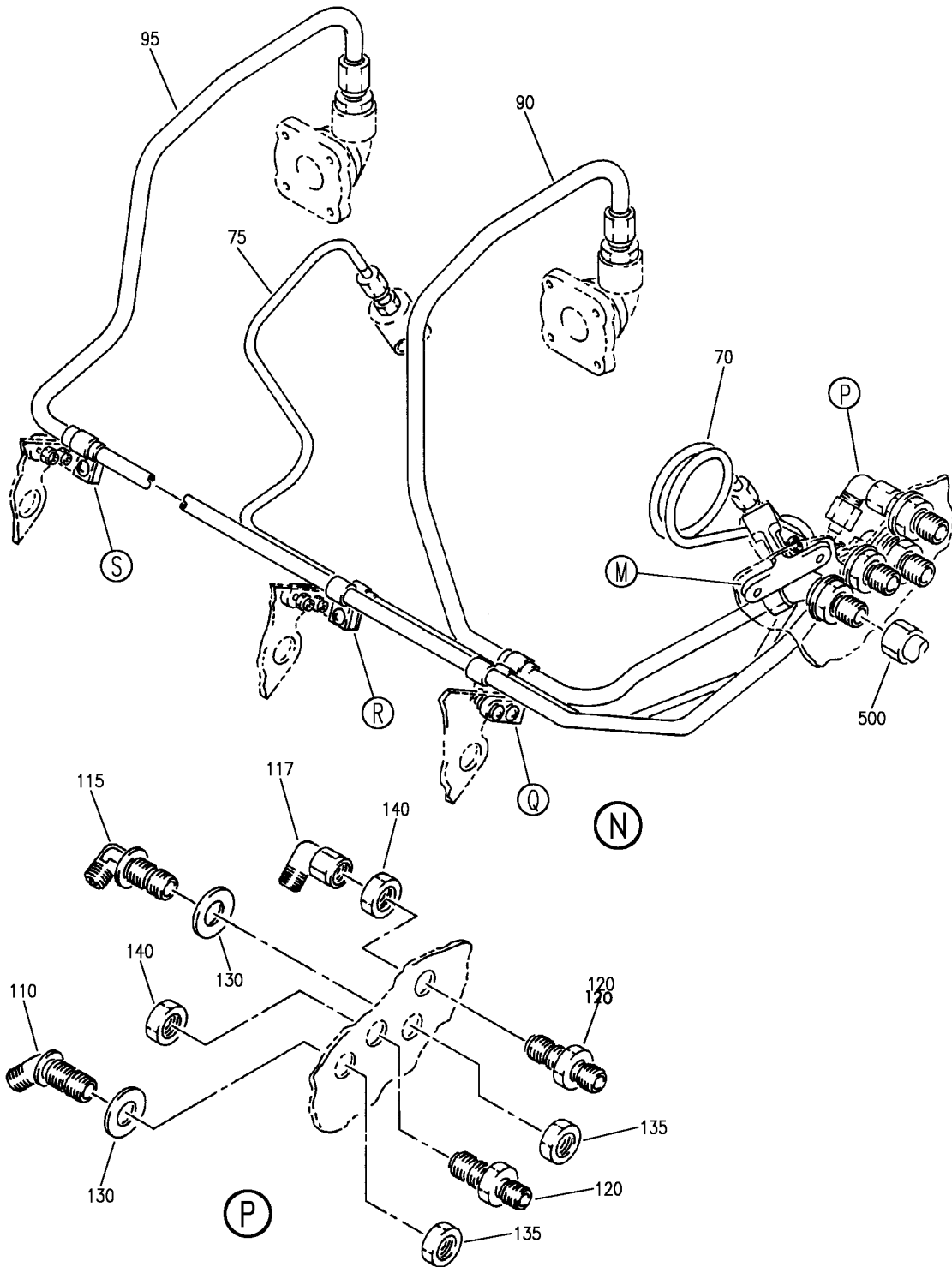
**27-11-20-02**

BRI  
MAY 28/07

27-11-20-02  
PAGE 0D



**BOEING**  
757  
PARTS CATALOG (MAINTENANCE)



Y 27112002 SHIT 6 REV 273

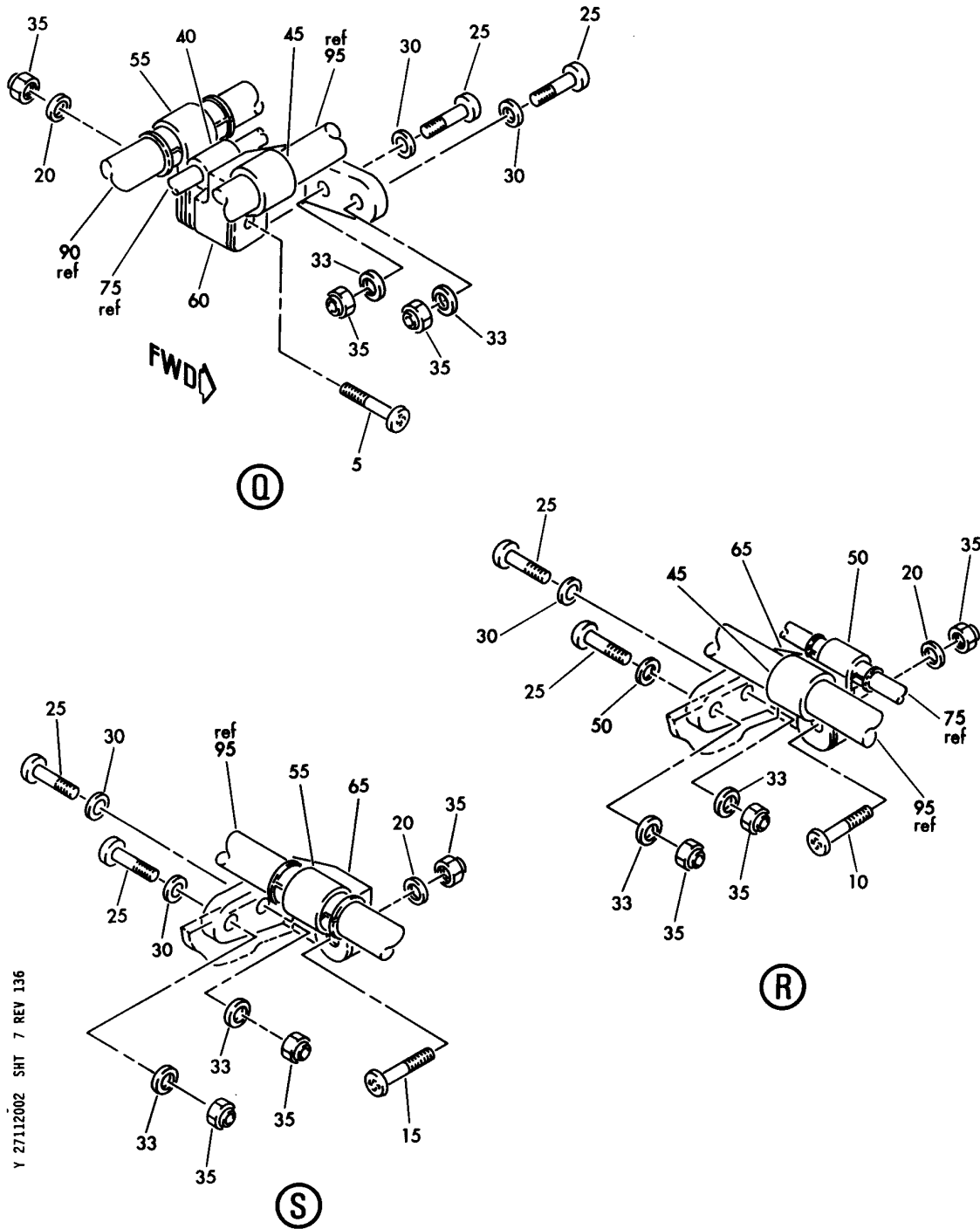
CONTROL UNIT INSTL-R WING AIL. PWR  
FIGURE 2 (SHEET 6)

**27-11-20-02**

BRI  
MAY 28/07

27-11-20-02  
PAGE 0E


**BOEING**  
 757  
**PARTS CATALOG (MAINTENANCE)**



Y 27112002 SHT 7 REV 136

CONTROL UNIT INSTL-R WING AIL. PWR  
FIGURE 2 (SHEET 7)

**27-11-20-02**

BRI  
MAY 28/07

27-11-20-02  
PAGE OF



757

PARTS CATALOG (MAINTENANCE)

FIG ITEM	PART NUMBER	1 2 3 4 5 6 7	NOMENCLATURE	EFFECT FROM TO	UNITS PER ASSY
2			CONTROL UNIT INSTL-R WING AIL. PWR	002004 006999	
- 1	251N1002-2		CONTROL UNIT INSTL-WING AIL. PWR POSITION DATA: R FOR NHA SEE: 27-00-00-02	002004 006100 107107 121503 904999	RF
- 1	251N1002-16		CONTROL UNIT INSTL-WING AIL. PWR FOR NHA SEE: 27-00-00-01	101102 108120 504903	RF
- 1	MODREF7025		CONTROL UNIT INSTL-WING AIL. PWR MODULE NUMBER: 251N1002-16 REV A	103106	1
5	NAS623-3-15		.SCREW	002004 006999	1
10	NAS623-3-9		.SCREW	002004 006999	1
15	NAS623-3-6		.SCREW	002004 006999	1
16	NAS603-8P		.SCREW-	002004 006999	1
17	NAS623-3-4		.SCREW	002004 006999	1
18	NAS623-3-7		.SCREW-	002004 006999	3
20	AN960JD10		.WASHER-	002004 006999	8
25	NAS623-3-7		.SCREW-	002004 006999	6
30	BACW10BN3AC		.WASHER	002004 006999	6
33	AN960JD10L		.WASHER	002004 006999	6
35	PLH53CD		.NUT- SUPPLIER CODE: VF0224 SPECIFICATION NUMBER: BACN10YR3CD OPTIONAL PART: H52732-3CD V15653	002004 006999	11
40	BACC10DK4		.CLAMP	002004 006999	1
43	M85052-2-4		.CLAMP	002004 006999	2

MISSING ITEM NUMBERS NOT APPLICABLE

- ITEM NOT ILLUSTRATED

27-11-20-02

27-11-20  
FIG. 02  
PAGE 1  
JAN 20/09

BRI



757

PARTS CATALOG (MAINTENANCE)

FIG ITEM	PART NUMBER	1 2 3 4 5 6 7	NOMENCLATURE	EFFECT FROM TO	UNITS PER ASSY
2					
45	BACC10DK6	.	CLAMP	002004 006999	2
50	BACC10GT3-04	.	CLAMP ASSY SUPPLIER CODE: V83930 SPECIFICATION NUMBER: BACC10GT3-04	002004 006999	1
55	BACC10GT3-06	.	CLAMP	002004 006999	2
60	251N1244-12	.	BRACKET-SPRT	002004 006999	1
65	251N1244-8	.	BRACKET-SPRT	002004 006999	2
66	251N1246-3	.	SUPPORT ASSY-TUBE	002004 006999	1
67	MS21209F1-15L	..	INSERT	002004 006999	1
68	251N1246-4	..	BRACKET- USED ON: 251N1246-3	002004 006999	1
69	251N1250-1	.	SPACER	002004 006999	AR
70	251N1242-13	.	TUBE ASSY-	002004 006999	1
75	251N1242-17	.	TUBE ASSY-	002004 006100 107107 121503 904999	1
75	251N1242-19	.	TUBE ASSY-	101106 108120 504903	1
- 80	AS1581T04	..	SLEEVE	002004 006999	2

MISSING ITEM NUMBERS NOT APPLICABLE

- ITEM NOT ILLUSTRATED

BRI

27-11-20-02

BOEING PROPRIETARY - Copyright © - Unpublished Work - See title page for details.

27-11-20  
FIG. 02  
PAGE 2  
JAN 20/09



757

PARTS CATALOG (MAINTENANCE)

FIG ITEM	PART NUMBER	1 2 3 4 5 6 7	NOMENCLATURE	EFFECT FROM TO	UNITS PER ASSY
2 - 85	AFP107-4	. .	NUT SUPPLIER CODE: V30974 SPECIFICATION NUMBER: BACN10NR4 OPTIONAL PART: AP1028T4 V01673 BC921T4 V50948 DBON10NR4 V14798 ER01921-4T V88334 FER8928-4 V14397 F11-4 V73197 2-03005T4 V11328 31783-4 V14397	002004 006999	2
90	251N1243-23	. TUBE	ASSY-	002004 107107 121503 904949 952952	1
90	251N1243-28	. TUBE	ASSY-	006106 108120 504903 950951 953999	1
95	251N1243-19	. TUBE	ASSY-	002004 006999	1
- 100	AS1581T06	. .	SLEEVE	002004 006999	1

MISSING ITEM NUMBERS NOT APPLICABLE

- ITEM NOT ILLUSTRATED

BRI

27-11-20-02

BOEING PROPRIETARY - Copyright © - Unpublished Work - See title page for details.

27-11-20  
FIG. 02  
PAGE 3  
JAN 20/09



757

PARTS CATALOG (MAINTENANCE)

FIG ITEM	PART NUMBER	1 2 3 4 5 6 7	NOMENCLATURE	EFFECT FROM TO	UNITS PER ASSY
2 - 103	AFP107-6	. . NUT-	SUPPLIER CODE: V30974 SPECIFICATION NUMBER: BACN10NR6 OPTIONAL PART: AP1028T6 V01673 BC921T6 V50948 DBON10NR6 V14798 ER01921-6T V88334 FER8928-6 V14397 F11-6 V73197 2-03005T6 V11328 31783-6 V14397 35068-06 V08199 BACN10YA6	002004 006999	1
- 103	BACN10YA6	. . NUT-	OPTIONAL PART: BACN10NR6	002004 006999	1
- 105	BACE21BP0606T	. . ELBOW		002004 006999	1
110	BACE21BM0606J	. ELBOW		002004 006999	1
115	MS21908J6	. ELBOW		002004 006999	1
117	NAS1762T0404	. ELBOW		002004 006999	1

MISSING ITEM NUMBERS NOT APPLICABLE

- ITEM NOT ILLUSTRATED

27-11-20-02

27-11-20  
FIG. 02  
PAGE 4  
JAN 20/09

BRI



757

PARTS CATALOG (MAINTENANCE)

FIG ITEM	PART NUMBER	1 2 3 4 5 6 7	NOMENCLATURE	EFFECT FROM TO	UNITS PER ASSY
2 120	APX832T0604	.	UNION SUPPLIER CODE: V01673 SPECIFICATION NUMBER: BACU24AA0604T OPTIONAL PART: ER832-0604T V50948 2-010890604T V11328 AFP238-0604T V30974 APX832-0604T V01673 DBOU24AA0604T V61498 FER1579-0604T V14397 US2113-0604T V50808 2-01089T0604 V11328	002004 006999	2
130	AN960KD916	.	WASHER	002004 006999	2
135	AN924-6J	.	NUT	002004 006999	2
140	AN924-6T	.	NUT	002004 006999	2

MISSING ITEM NUMBERS NOT APPLICABLE

- ITEM NOT ILLUSTRATED

27-11-20-02

27-11-20  
FIG. 02  
PAGE 5  
SEP 20/08

BRI



757

PARTS CATALOG (MAINTENANCE)

FIG ITEM	PART NUMBER	1 2 3 4 5 6 7	NOMENCLATURE	EFFECT FROM TO	UNITS PER ASSY
2 145	HL441UC8-18	.BOLT-	SUPPLIER CODE: V60516 SPECIFICATION NUMBER: BACB30FM8A18 OPTIONAL PART: HL440UC8-18 V73197 HL440UC8-18 V92215 HL440UC8-18 V97928 HL440UC8-18 V80539 67067-8A18 V56878 HL440UC8-18 V08524 HL440UC8-18 V56878 HL440UC8-18 V56878	002004 006999	2
150	BACW10BP4CD	.WASHER		002004 006999	2
155	HL79-8	.COLLAR-	SUPPLIER CODE: V5M902 SPECIFICATION NUMBER: BACC30M8 OPTIONAL PART: HL79-8 V73197 HL79-8 V92215 66014-8 V56878 HL79-8 V56878	002004 006999	2
160	BACB30LJ4-13	.BOLT-		002004 006999	2
165	AN960-416L	.WASHER-		002004 006999	2

MISSING ITEM NUMBERS NOT APPLICABLE

- ITEM NOT ILLUSTRATED

27-11-20-02

27-11-20  
FIG. 02  
PAGE 6  
SEP 20/08

BRI





757

PARTS CATALOG (MAINTENANCE)

FIG ITEM	PART NUMBER	1 2 3 4 5 6 7	NOMENCLATURE	EFFECT FROM TO	UNITS PER ASSY
2					
170	PLH54CD		.NUT- SUPPLIER CODE: VF0224 SPECIFICATION NUMBER: BACN10YR4CD OPTIONAL PART: H52732-4CD V15653	002004 006999	2
175	250N2008-21		.BUSHING-	002004 006999	2
180	250N2004-315		.ROD ASSY- COMPONENT MAINT MANUAL REF: 27-00-12	002004 006999	2
180	250N2004-326		.ROD ASSY- COMPONENT MAINT MANUAL REF: 27-00-12	002004 006999	2
180	250N2004-335		.ROD ASSY- COMPONENT MAINT MANUAL REF: 27-00-12	002004 006999	2
185	BACB30LJ4-16		.BOLT-	002004 006999	1
187	BACB30LJ4-15		.BOLT-	002004 006999	1
190	AN960XC416		.WASHER	002004 006999	1
195	AN960JD416L		.WASHER-	002004 006999	2
200	PLH54CD		.NUT- SUPPLIER CODE: VF0224 SPECIFICATION NUMBER: BACN10YR4CD OPTIONAL PART: H52732-4CD V15653	002004 006999	2
205	250N2008-21		.BUSHING-	002004 006999	2
210	250N2004-109		.ROD ASSY- COMPONENT MAINT MANUAL REF: 27-00-12	002004 006999	1
210	250N2004-114		.ROD ASSY- COMPONENT MAINT MANUAL REF: 27-00-12 OPTIONAL PART: 250N2004-119	002004 006999	1
210	250N2004-119		.ROD ASSY- OPTIONAL PART: 250N2004-114	002004 006999	1

MISSING ITEM NUMBERS NOT APPLICABLE

- ITEM NOT ILLUSTRATED

27-11-20-02

27-11-20  
FIG. 02  
PAGE 7  
JAN 20/09

BRI



757

PARTS CATALOG (MAINTENANCE)

FIG ITEM	PART NUMBER	1 2 3 4 5 6 7	NOMENCLATURE	EFFECT FROM TO	UNITS PER ASSY
2					
215	BACB30LJ4-12	.BOLT		002004 006999	4
220	AN960JD416	.WASHER-		002004 006999	2
225	AN960C416L	.WASHER		002004 006999	2
230	PLH54CD	.NUT-		002004 006999	4
		SUPPLIER CODE:			
		VF0224			
		SPECIFICATION NUMBER:			
		BACN10YR4CD			
		OPTIONAL PART:			
		H52732-4CD			
		V15653			
235	250N2008-21	.BUSHING-		002004 006999	6
240	251N1173-1	.CRANK ASSY-		002004 006999	2
		COMPONENT MAINT MANUAL REF:			
		27-11-19			
265	251N1169-4	.BOLT ASSY-STAB. LINK		002004 006999	4
270	1728B	..FITTING-		002004 006999	1
		SUPPLIER CODE:			
		V0FKM1			
275	251N1169-3	..PIN		002004 006999	1
280	251N1169-5	..BOLT		002004 006999	1
285	AN960C616	.WASHER		002004 006999	4
290	PLH56CD	.NUT-		002004 006999	4
		SUPPLIER CODE:			
		VF0224			
		SPECIFICATION NUMBER:			
		BACN10YR6CD			
		OPTIONAL PART:			
		H52732-6CD			
		V15653			
295	BACB30LT12-33	.BOLT-		002004 006999	4
300	BACW10BP12CD	.WASHER-		002004 006999	4
305	BACW10BP12DP	.WASHER-		002004 006999	4

MISSING ITEM NUMBERS NOT APPLICABLE

- ITEM NOT ILLUSTRATED

BRI

27-11-20-02

27-11-20  
FIG. 02  
PAGE 8  
JAN 20/09



757

PARTS CATALOG (MAINTENANCE)

FIG ITEM	PART NUMBER	1 2 3 4 5 6 7	NOMENCLATURE	EFFECT FROM TO	UNITS PER ASSY
2					
310	69235-1216CD	.NUT-	SUPPLIER CODE: V92215 SPECIFICATION NUMBER: BACN10JC12CD OPTIONAL PART: 102LH9074-12 V72962 BMN4122CPD8-12 V97928 H51650-12BAC V15653	002004 006999	4
315	BACB30LE6-30	.BOLT-		002004 006999	8
320	BACW10BP6CD	.WASHER-		002004 006999	16
325	251N1163-1	.BUSHING-SLIDE		002004 006999	8
330	BACB28AK12-060	.BUSHING-		002004 006999	4
340	1540600-1	.CONTROL UNIT ASSY-PWR	SUPPLIER CODE: VS4980 SPECIFICATION NUMBER: S251N114-4 COMPONENT MAINT MANUAL REF: 27-10-04 FOR DETAILS SEE: 27-11-20-52	002004 006999	2
340	1540600-3	.CONTROL UNIT ASSY-PWR	SUPPLIER CODE: VS4980 SPECIFICATION NUMBER: S251N114-5 COMPONENT MAINT MANUAL REF: 27-10-04 FOR DETAILS SEE: 27-11-20-52	002004 006999	2
340	1527700-3	.CONTROL UNIT ASSY-PWR	SUPPLIER CODE: VS4980 SPECIFICATION NUMBER: S251N114-2 COMPONENT MAINT MANUAL REF: 27-10-03 FOR DETAILS SEE: 27-11-20-51	002004 006999	2

MISSING ITEM NUMBERS NOT APPLICABLE

- ITEM NOT ILLUSTRATED

BRI

27-11-20-02

27-11-20  
FIG. 02  
PAGE 9  
SEP 20/08



757

PARTS CATALOG (MAINTENANCE)

FIG ITEM	PART NUMBER	1 2 3 4 5 6 7	NOMENCLATURE	EFFECT FROM TO	UNITS PER ASSY
2 340	1527700-5		.CONTROL UNIT ASSY-PWR SUPPLIER CODE: VS4980 SPECIFICATION NUMBER: S251N114-3 COMPONENT MAINT MANUAL REF: 27-10-03 FOR DETAILS SEE: 27-11-20-51	002004 006999	2
380	251N1002-3		.LINK ASSY- COMPONENT MAINT MANUAL REF: 27-11-18 OPTIONAL PART: 251N1002-6 251N1002-7 251N1002-9	002004 006100 107107 121503 904999	2
380	251N1002-6		.LINK ASSY- COMPONENT MAINT MANUAL REF: 27-11-18 OPTIONAL PART: 251N1002-9	002004 006100 107107 121503 904999	2
380	251N1002-7		.LINK ASSY- COMPONENT MAINT MANUAL REF: 27-11-18 OPTIONAL PART: 251N1002-9	002004 006100 107107 121503 904999	2
380	251N1002-8		.LINK ASSY- COMPONENT MAINT MANUAL REF: 27-11-18 OPTIONAL PART: 251N1002-9	002004 006100 107107 121503 904999	2
380	251N1002-9		.LINK ASSY- COMPONENT MAINT MANUAL REF: 27-11-18 OPTIONAL PART: 251N1002-8	002004 006100 107107 121503 904999	2
380	251N1002-17		.LINK ASSY- COMPONENT MAINT MANUAL REF: 27-11-18	101106 108120 504903	2
385	1992B1		..FITTING-LUBE SUPPLIER CODE: VOFKM1 USED ON: 251N1002-3 251N1002-6	002004 006100 107107 121503 904999	2
385	MS15001-3		..FITTING-LUBE USED ON: 251N1002-7	002004 006999	2

MISSING ITEM NUMBERS NOT APPLICABLE

- ITEM NOT ILLUSTRATED

27-11-20-02

27-11-20  
FIG. 02  
PAGE 10  
JAN 20/09

BRI



757

PARTS CATALOG (MAINTENANCE)

FIG ITEM	PART NUMBER	1 2 3 4 5 6 7	NOMENCLATURE	EFFECT FROM TO	UNITS PER ASSY
2					
385	1992B	..	FITTING-LUBE SUPPLIER CODE: VOFKM1	002004 006100 107107 121503 904999	2
390	251N1162-1	..	BOLT ASSY- USED ON: 251N1002-3 251N1002-6	002004 006100 107107 121503 904999	2
390	251N1162-2	..	BOLT ASSY- QUALIFIED I/W DATA: 251N1162-1 TOGETHER WITH 1992B1 IS I/W 251N1162-2 TOGETHER WITH MS15001-3 USED ON: 251N1002-7	002004 006999	2
395	BACW10BP7CD	..	WASHER	002004 006999	2
400	NAS607-2-4	..	PIN	002004 006999	2
405	251N1164-1	..	COLLAR	002004 006999	2
410	251N1170-1	..	LINK ASSY- OPTIONAL PART: 251N1170-6 USED ON: 251N1002-3	002004 006999	1
410	251N1170-6	..	LINK ASSY- OPTIONAL PART: 251N1170-8	002004 006999	1
410	251N1170-8	..	LINK ASSY- OPTIONAL PART: 251N1170-6	002004 006999	1
415	251N1159-1	...	BUSHING	002004 006999	2
420	251N1161-1	...	BUSHING	002004 006999	2
425	BACB30LE7-22	...	BOLT	002004 006999	2
430	BACW10BP7CD	...	WASHER	002004 006999	4

MISSING ITEM NUMBERS NOT APPLICABLE

- ITEM NOT ILLUSTRATED

27-11-20-02

27-11-20  
FIG. 02  
PAGE 11  
JAN 20/09

BRI



757

PARTS CATALOG (MAINTENANCE)

FIG ITEM	PART NUMBER	1 2 3 4 5 6 7	NOMENCLATURE	EFFECT FROM TO	UNITS PER ASSY
2 435	BMN10HRCWD3-7	...	NUT SUPPLIER CODE: V97928 SPECIFICATION NUMBER: BACN10HR7CD OPTIONAL PART: H51560-7 V15653 67832CD720 V56878 102LH9031-7 V72962 BH00303CM7 V27238 BMN5024CWD37 V97928 SL7108C7 V11815 VCU0005D7 V06710 102LH90317 V72962 67832CD7 V56878 CR6030-7 VF0224 BMN10HRCWD3-7 V97928	002004 006999	2
440	DRX35	...	BEARING- SUPPLIER CODE: V77896 SPECIFICATION NUMBER: S251N214-1 OPTIONAL PART: DRX35A V77896 USED ON: 251N1170-1 PRE SERVICE LETTER: 27-26	002004 006999	1
440	DRX35A	...	BEARING- SUPPLIER CODE: V77896 SPECIFICATION NUMBER: S251N214-6 USED ON: 251N1170-1 251N1170-6	002004 006999	1

MISSING ITEM NUMBERS NOT APPLICABLE

- ITEM NOT ILLUSTRATED

27-11-20-02

27-11-20  
FIG. 02  
PAGE 12  
JAN 20/09

BRI



757

PARTS CATALOG (MAINTENANCE)

FIG ITEM	PART NUMBER	1 2 3 4 5 6 7	NOMENCLATURE	EFFECT FROM TO	UNITS PER ASSY
2 440	DRX35B		...BEARING- SUPPLIER CODE: V77896 SPECIFICATION NUMBER: S251N214-10 OPTIONAL PART: DRX35G V77896 DRX35H V77896 USED ON: 251N1170-8	002004 006999	1
440	DRX35H		...BEARING- SUPPLIER CODE: V77896 SPECIFICATION NUMBER: S251N214-14 OPTIONAL PART: DRX35B V77896 DRX35G V77896 USED ON: 251N1170-8	002004 006999	1
440	DRX35G		...BEARING- SUPPLIER CODE: V77896 SPECIFICATION NUMBER: S251N214-13 OPTIONAL PART: DRX35B V77896 DRX35H V77896 USED ON: 251N1170-8	002004 006999	1
445	251N1170-2		...LINK- USED ON: 251N1170-1 251N1170-6	002004 006999	2
445	251N1170-5		...LINK- OPTIONAL PART: 251N1170-2 USED ON: 251N1170-1	002004 006999	2

MISSING ITEM NUMBERS NOT APPLICABLE

- ITEM NOT ILLUSTRATED

27-11-20-02

27-11-20  
FIG. 02  
PAGE 13  
SEP 20/08

BRI



757

PARTS CATALOG (MAINTENANCE)

FIG ITEM	PART NUMBER	1 2 3 4 5 6 7	NOMENCLATURE	EFFECT FROM TO	UNITS PER ASSY
2 500			ILLUSTRATION REFERENCE: PLUMBING INSTL-SECT. 12 HYDR R WING OUTBD (AILERON AND AILERON TRIM CONTROL SYSTEM ONLY) 27-11-51-28	002004 006100 107107 121503 904999	RF

MISSING ITEM NUMBERS NOT APPLICABLE

- ITEM NOT ILLUSTRATED

BRI

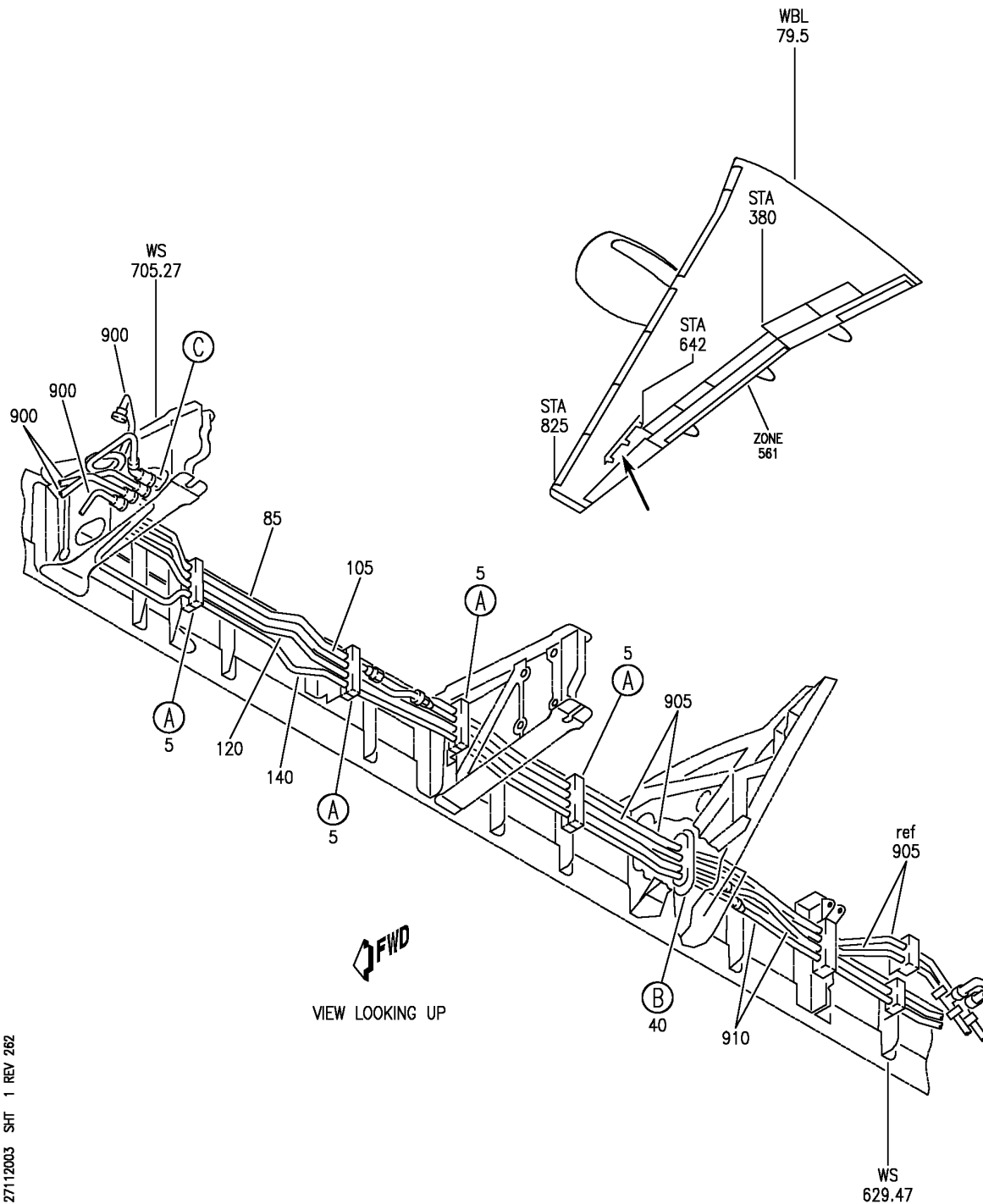
27-11-20-02

BOEING PROPRIETARY - Copyright © - Unpublished Work - See title page for details.

27-11-20  
FIG. 02  
PAGE 14  
JAN 20/09



**BOEING**  
757  
PARTS CATALOG (MAINTENANCE)



Y 27112003 SHT 1 REV 262

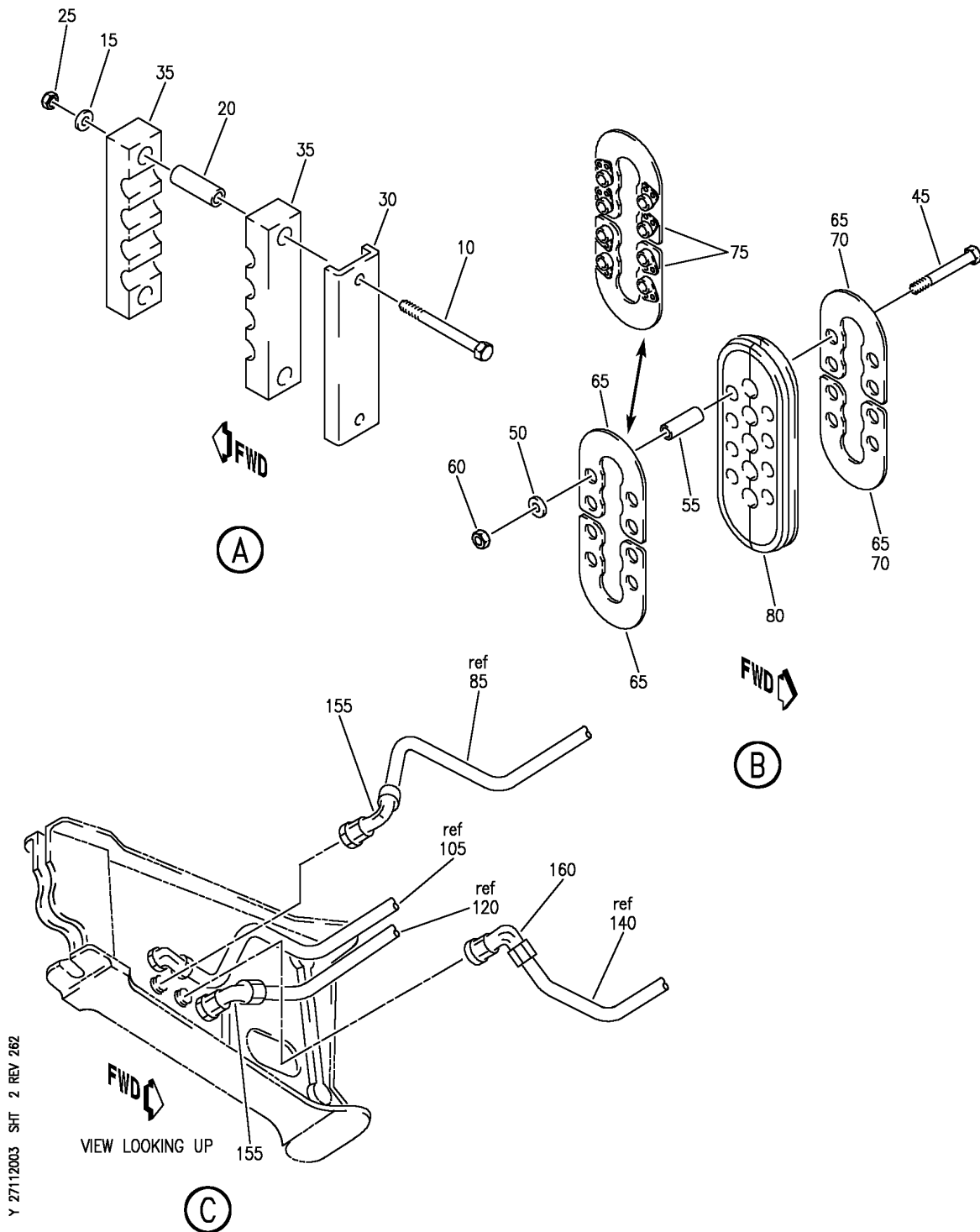
PLUMBING INSTL-SECT. 13 L WING OUTBD HYDR (AILERON AND AILERON TRIM CONTROL SYSTEM ONLY)  
FIGURE 3 (SHEET 1)

BRI  
MAY 28/07

**27-11-20-03**

27-11-20-03  
PAGE 0

**BOEING**  
757  
PARTS CATALOG (MAINTENANCE)



PLUMBING INSTL-SECT. 13 L WING OUTBD HYDR (AILERON AND AILERON TRIM CONTROL SYSTEM ONLY)  
FIGURE 3 (SHEET 2)

BRI  
MAY 28/07

**27-11-20-03**

27-11-20-03  
PAGE 0A



757

PARTS CATALOG (MAINTENANCE)

FIG ITEM	PART NUMBER	1 2 3 4 5 6 7	NOMENCLATURE	EFFECT FROM TO	UNITS PER ASSY
3			PLUMBING INSTL-SECT. 13 L WING OUTBD HYDR (AILERON AND AILERON TRIM CONTROL SYSTEM ONLY)	002004 006999	
- 1	271N6121-1		PLUMBING INSTL-SECT. 13 WING HYDR (AILERON AND AILERON TRIM CONTROL SYSTEM ONLY) POSITION DATA: L OUTBD FOR NHA/OTHER SYS DET SEE: 29-00-51-01	002004 006100 107107 121503 904999	RF
- 1	271N6121-5		PLUMBING INSTL-SECT. 13 WING HYDR (AILERON AND AILERON TRIM CONTROL SYSTEM ONLY) POSITION DATA: L OUTBD FOR NHA SEE: 27-00-00-03	101102 108120 504903	RF
- 1	MODREF31338		PLUMBING INSTL-SECT. 13 WING HYDR (AILERON AND AILERON TRIM CONTROL SYSTEM ONLY) MODULE NUMBER: 271N6121-10 REV B POSITION DATA: L OUTBD FOR OTHER SYS DETAILS SEE: 27-61-02-08 29-11-51-26	103106	1
5	270N2000-1		.CLAMP ASSY-BLK	002004 006999	4
10	NAS1801-3-24		..SCREW	002004 006999	2
15	AN960PD10L		..WASHER	002004 006999	2
20	NAS43DD3-59		..SPACER	002004 006999	2

MISSING ITEM NUMBERS NOT APPLICABLE

- ITEM NOT ILLUSTRATED

27-11-20-03

27-11-20  
FIG. 03  
PAGE 1  
JAN 20/09

BRI

BOEING PROPRIETARY - Copyright © - Unpublished Work - See title page for details.



757

PARTS CATALOG (MAINTENANCE)

FIG ITEM	PART NUMBER	1 2 3 4 5 6 7	NOMENCLATURE	EFFECT FROM TO	UNITS PER ASSY
3					
25	BRH10A3	..	NUT SUPPLIER CODE: V52828 SPECIFICATION NUMBER: BACN10JC3 OPTIONAL PART: H10-3BAC V15653 NS202101-02 V80539 RMLH9075-3W V72962 VN303A02 V92215 96-02 V80539 T6S1032J V11815	002004 006999	2
30	270N2000-800	..	CHANNEL- OPTIONAL PART: 270N2000-894	002004 006999	1
30	270N2000-894	..	CHANNEL- OPTIONAL PART: 270N2000-800	002004 006999	1
35	270N2000-400	..	BLOCK	002004 006999	2
40	270N2000-14	.CLAMP ASSY-BLK OPTIONAL PART: 270N2000-264		002004 006999	1
40	270N2000-264	.CLAMP ASSY-BLK OPTIONAL PART: 270N2000-14		002004 006999	1
45	NAS1801-3-18	..	SCREW	002004 006999	8
50	AN960PD10L	..	WASHER	002004 006999	8
55	NAS43DD3-34	..	SPACER	002004 006999	8

MISSING ITEM NUMBERS NOT APPLICABLE

- ITEM NOT ILLUSTRATED

27-11-20-03

27-11-20  
FIG. 03  
PAGE 2  
JAN 20/09

BRI

BOEING PROPRIETARY - Copyright © - Unpublished Work - See title page for details.



757

PARTS CATALOG (MAINTENANCE)

FIG ITEM	PART NUMBER	1 2 3 4 5 6 7	NOMENCLATURE	EFFECT FROM TO	UNITS PER ASSY
3 60	BRH10A3	..	NUT- SUPPLIER CODE: V52828 SPECIFICATION NUMBER: BACN10JC3 OPTIONAL PART: H10-3BAC V15653 NS202101-02 V80539 RMLH9075-3W V72962 VN303A02 V92215 96-02 V80539 T6S1032J V11815 USED ON: 270N2000-14	002004 006999	8
65	270N2000-813	..	PLATE- USED ON: 270N2000-14	002004 006999	4
70	270N2000-813	..	PLATE- USED ON: 270N2000-264	002004 006999	2
75	270N2000-1031	..	PLATE- USED ON: 270N2000-264	002004 006999	2
80	270N2000-438	..	BLOCK	002004 006999	2
85	271N6121-1009	.	TUBE ASSY-PRESSURE SYS POSITION DATA: CTR TUBING MATERIAL: .375 IN. OD .019 IN. WALL 33.00 IN. LG TI	002004 006999	1
- 90	AS1581T06	..	SLEEVE	002004 006999	1
- 95	BACN10YA6	..	NUT	002004 006999	1
- 100	AS1582T06	..	UNION	002004 006999	1
105	271N6121-1010	.	TUBE ASSY-RETURN SYS POSITION DATA: CTR TUBING MATERIAL: .375 IN. OD .035 IN. WALL 37.00 IN. LG AL	002004 006999	1

MISSING ITEM NUMBERS NOT APPLICABLE

- ITEM NOT ILLUSTRATED

27-11-20-03

27-11-20  
FIG. 03  
PAGE 3  
JAN 20/09

BRI



757

PARTS CATALOG (MAINTENANCE)

FIG ITEM	PART NUMBER	1 2 3 4 5 6 7	NOMENCLATURE	EFFECT FROM TO	UNITS PER ASSY
3					
- 110	AP2097HP06	..	SLEEVE SUPPLIER CODE: V01673 SPECIFICATION NUMBER: BACS13BX06HP OPTIONAL PART: 2-02903-06HP V11328 35235VN06 V08199 AFP175V06P V30974 DBOS13BX06HP V14798	002004 006999	2
- 115	MS21921-6D	..	NUT- OPTIONAL PART: BACN10YL06	002004 006999	2
- 115	BACN10YL06	..	NUT- OPTIONAL PART: MS21921-6D	002004 006999	2
120	271N6121-1066	.TUBE ASSY-PRESSURE SYS POSITION DATA: R MANUFACTURED FROM: WALL 61.00 IN. LG TI TUBING MATERIAL: .375 IN. OD .019 IN.		002004 006999	1
- 125	AS1581T06	..	SLEEVE	002004 006999	1
- 130	BACN10YA6	..	NUT	002004 006999	1
- 135	AS1582T06	..	UNION	002004 006999	1
140	271N6121-1067	.TUBE ASSY-RETURN SYS POSITION DATA: R TUBING MATERIAL: .375 IN. OD .035 IN. WALL 66.3 IN. LG AL		002004 006999	1

MISSING ITEM NUMBERS NOT APPLICABLE

- ITEM NOT ILLUSTRATED

27-11-20-03

27-11-20  
FIG. 03  
PAGE 4  
JAN 20/09

BRI

BOEING PROPRIETARY - Copyright © - Unpublished Work - See title page for details.



757

PARTS CATALOG (MAINTENANCE)

FIG ITEM	PART NUMBER	1 2 3 4 5 6 7	NOMENCLATURE	EFFECT FROM TO	UNITS PER ASSY
3					
- 145	AP2097HP06	..	SLEEVE SUPPLIER CODE: V01673 SPECIFICATION NUMBER: BACS13BX06HP OPTIONAL PART: 2-02903-06HP V11328 35235VN06 V08199 AFP175V06P V30974 DBOS13BX06HP V14798	002004 006999	2
- 150	BACN10YLO6	..	NUT	002004 006999	2
155	NAS1762T0606	.	ELBOW-	002004 006100 107107 121503 904999	2
155	NAS1762J0606	.	ELBOW- MISCELLANEOUS DATA: OPTIONAL PART NUMBER: BAC21BT0606JN (81205)	002004 006100 107107 121503 904999	2
155	AP1042JN0606	.	ELBOW SUPPLIER CODE: V01673 SPECIFICATION NUMBER: BACE21BT0606JN	101106 108120 504903	2
160	NAS1762D0606	.	ELBOW- MISCELLANEOUS DATA: MAY USE NAS1762W0606	002004 006100 107107 121503 904999	1
160	NAS1762W0606	.	ELBOW-	101106 108120 504903	1
900			ILLUSTRATION REFERENCE: CONTROL UNIT INSTL-L WING AIL. PWR 27-11-20-01	002004 006999	RF
905			ILLUSTRATION REFERENCE: PLUMBING INSTL-SECT. 13 L WING OUTBD HYDR (SPOILER POWER CONTROL SYSTEM ONLY) 27-61-02-08	103106	RF

MISSING ITEM NUMBERS NOT APPLICABLE

- ITEM NOT ILLUSTRATED

27-11-20-03

27-11-20  
FIG. 03  
PAGE 5  
JAN 20/09

BRI



757

PARTS CATALOG (MAINTENANCE)

FIG ITEM	PART NUMBER	1 2 3 4 5 6 7	NOMENCLATURE	EFFECT FROM TO	UNITS PER ASSY
3 905			ILLUSTRATION REFERENCE: PLUMBING INSTL-SECT. 13 L WING OUTBD HYDR (SPOILER POWER CONTROL SYSTEM ONLY) 27-61-02-09	002004 006102 107999	RF
910			ILLUSTRATION REFERENCE: PLUMBING INSTL-SECT. 13 L WING OUTBD HYDR (SPOILER POWER CONTROL SYSTEM ONLY) 27-61-02-08	103106	RF
910			ILLUSTRATION REFERENCE: PLUMBING INSTL-SECT. 13 L WING OUTBD HYDR (SPOILER POWER CONTROL SYSTEM ONLY) 27-61-02-09	002004 006102 107999	RF

MISSING ITEM NUMBERS NOT APPLICABLE

- ITEM NOT ILLUSTRATED

BRI

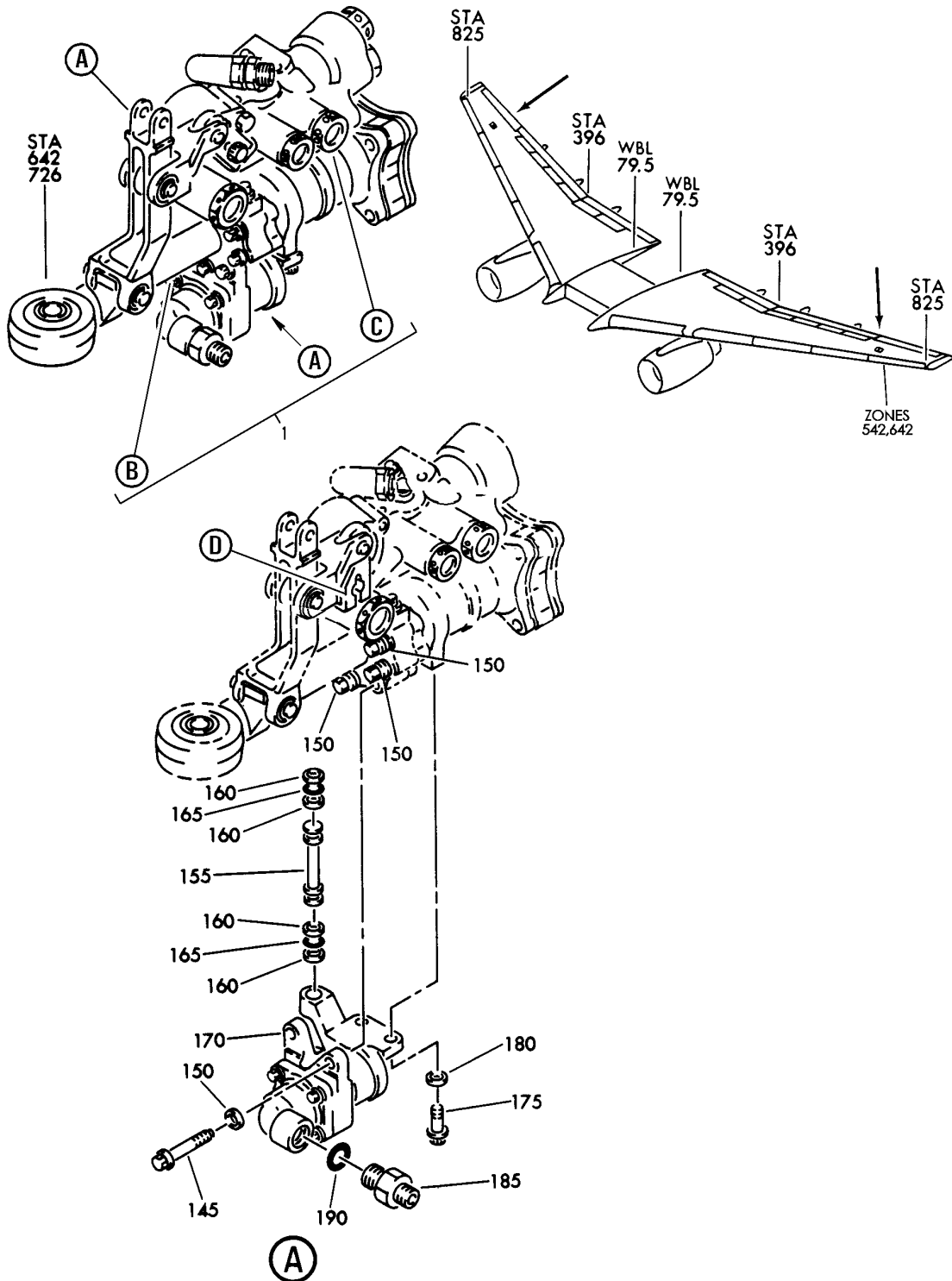
**27-11-20-03**

BOEING PROPRIETARY - Copyright © - Unpublished Work - See title page for details.

27-11-20  
FIG. 03  
PAGE 6  
JAN 20/09



**BOEING**  
757  
PARTS CATALOG (MAINTENANCE)



Y 27112051 SH1 1 REV 235

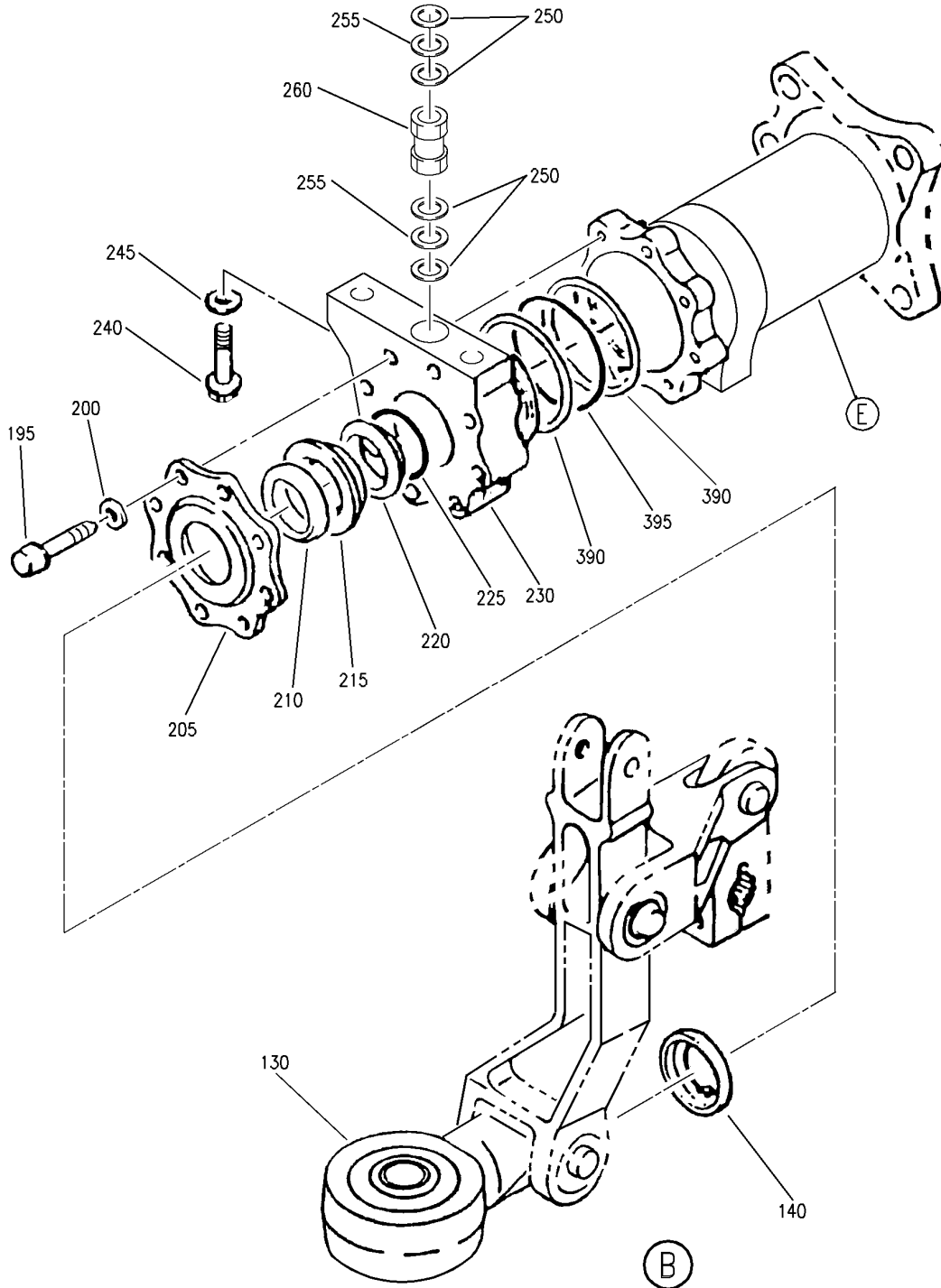
CONTROL UNIT ASSY-PWR  
FIGURE 51 (SHEET 1)

**27-11-20-51**

BRI  
MAY 28/07

27-11-20-51  
PAGE 0

**BOEING**  
757  
PARTS CATALOG (MAINTENANCE)



Y 27112051 SHT 2 REV 235

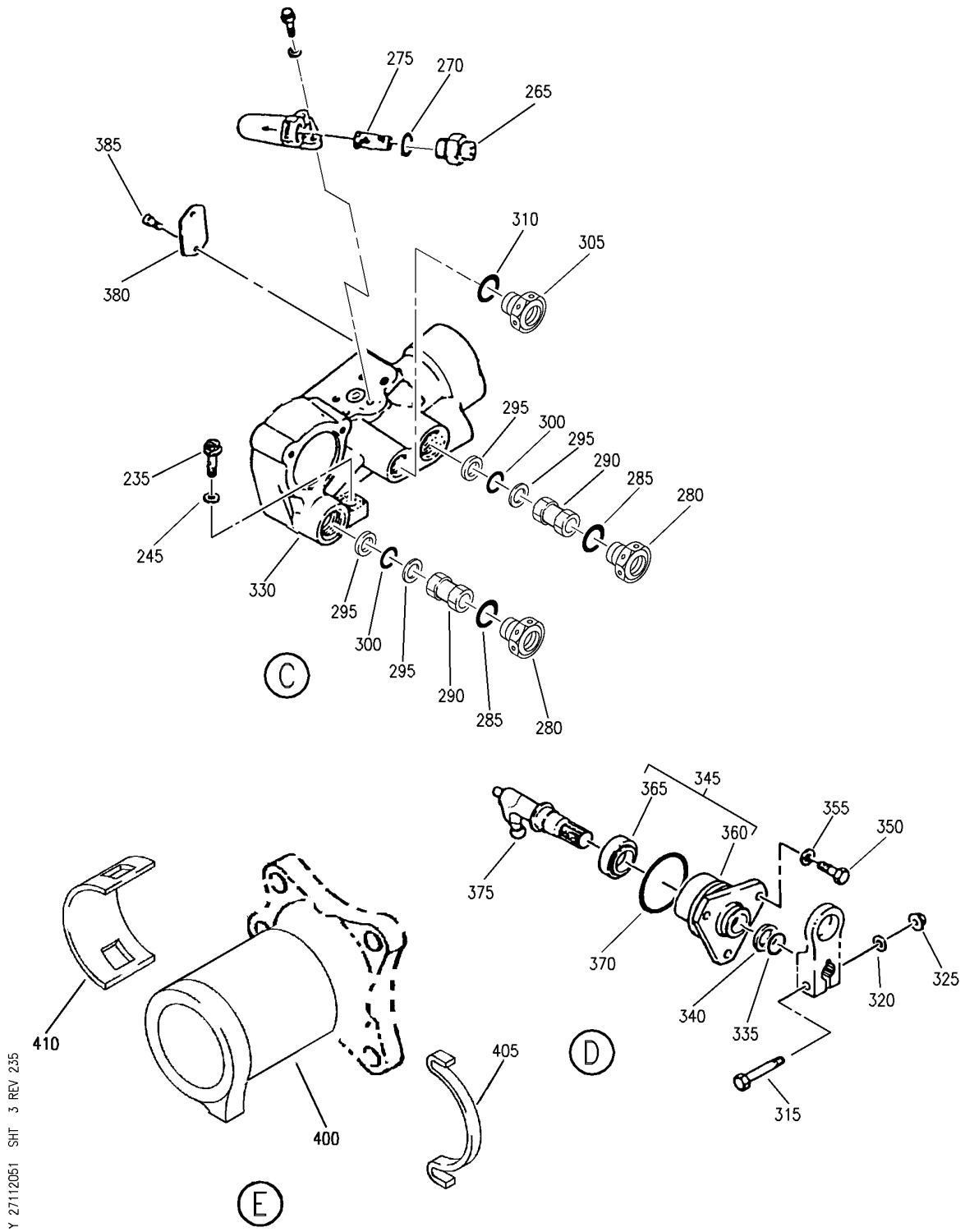
CONTROL UNIT ASSY-PWR  
FIGURE 51 (SHEET 2)

**27-11-20-51**

BRI  
MAY 28/07

27-11-20-51  
PAGE 0A

**BOEING**  
757  
PARTS CATALOG (MAINTENANCE)



Y 27112051 SHT 3 REV 235

CONTROL UNIT ASSY-PWR  
FIGURE 51 (SHEET 3)

**27-11-20-51**

BRI  
MAY 28/07

27-11-20-51  
PAGE 0B



757

PARTS CATALOG (MAINTENANCE)

FIG ITEM	PART NUMBER	1 2 3 4 5 6 7	NOMENCLATURE	EFFECT FROM TO	UNITS PER ASSY
51			CONTROL UNIT ASSY-PWR	002004 006999	
1	1527700-3		CONTROL UNIT ASSY-PWR SUPPLIER CODE: VS4980 SPECIFICATION NUMBER: S251N114-2 SB DATA FROM A CMM: PRE 1527700-27-01 COMPONENT MAINT MANUAL REF: 27-10-03 FOR NHA SEE: 27-11-20-01 27-11-20-02	002004 006999	RF
1	1527700-5		CONTROL UNIT ASSY-PWR SUPPLIER CODE: VS4980 SPECIFICATION NUMBER: S251N114-3 SB DATA FROM A CMM: POST 1527700-27-01 COMPONENT MAINT MANUAL REF: 27-10-03 FOR NHA SEE: 27-11-20-01 27-11-20-02	002004 006999	RF
130	1527790		.ROD END ASSY- SUPPLIER CODE: VS4980 SB DATA FROM A CMM: PRE 1527700-27-01 OPTIONAL PART: 1540610-1 VS4980	002004 006999	1
130	1527790-1		.ROD END ASSY- SUPPLIER CODE: VS4980 SB DATA FROM A CMM: POST 1527700-27-01 OPTIONAL PART: 1540610-1 VS4980	002004 006999	1

MISSING ITEM NUMBERS NOT APPLICABLE

- ITEM NOT ILLUSTRATED

BRI

27-11-20-51

27-11-20  
FIG. 51  
PAGE 1  
JAN 20/09



757

PARTS CATALOG (MAINTENANCE)

FIG ITEM	PART NUMBER	1 2 3 4 5 6 7	NOMENCLATURE	EFFECT FROM TO	UNITS PER ASSY
51 130	1540610-1		.ROD END ASSY- SUPPLIER CODE: VS4980 OPTIONAL PART: 1527790 VS4980 1527790-1 VS4980	002004 006999	1
- 135	1646B		..FITTING- SUPPLIER CODE: V95879	002004 006999	1
140	1527710		.WASHER- SUPPLIER CODE: VS4980	002004 006999	1
145	BACB30LE4H18		.BOLT	002004 006999	2
150	BACW10BN4SC		.WASHER	002004 006999	2
155	1527773		.TUBE-QUILL SUPPLIER CODE: VS4980	002004 006999	1
160	C11236-011B		.RING SUPPLIER CODE: V26879 SPECIFICATION NUMBER: BACR12BM011 OPTIONAL PART: RMR12BM011 V94878 STF800-011 V02107 S30294-011-1 V97820 TF450-011A V07128 2100-011 V26303	002004 006999	4
165	NAS1611-011		.PACKING- OPTIONAL PART: NAS1611-011A	002004 006999	2
165	NAS1611-011A		.PACKING- OPTIONAL PART: NAS1611-011	002004 006999	2
170	1527750		.COMPENSATOR ASSY- SUPPLIER CODE: VS4980	002004 006999	1
175	BACB30LE4H4		ATTACHING PARTS .BOLT	002004 006999	2

MISSING ITEM NUMBERS NOT APPLICABLE

- ITEM NOT ILLUSTRATED

27-11-20-51

27-11-20  
FIG. 51  
PAGE 2  
JAN 20/09

BRI



757

PARTS CATALOG (MAINTENANCE)

FIG ITEM	PART NUMBER	1 2 3 4 5 6 7	NOMENCLATURE	EFFECT FROM TO	UNITS PER ASSY
51					
180	BACW10BN4SC	.	WASHER	002004 006999	2
			-----*-----		
185	BACU24K6	.	UNION	002004 006999	1
190	NAS1612-6	.	PACKING- OPTIONAL PART: NAS1612-6A	002004 006999	1
190	NAS1612-6A	.	PACKING- OPTIONAL PART: NAS1612-6	002004 006999	1
195	BACB30LE4H12	.	BOLT	002004 006999	6
200	BACW10BN4SC	.	WASHER	002004 006999	6
205	1527707-1	.	COVER- SUPPLIER CODE: VS4980	002004 006999	1
210	S11065-8-5	.	RING-SCRAPER SUPPLIER CODE: V97820	002004 006999	1
215	1527708	.	RETAINER- SUPPLIER CODE: VS4980	002004 006999	1
220	S12095-213-5	.	SEAL- SUPPLIER CODE: V97820 OPTIONAL PART: S33555-213H5 V09257 USED WITH: NAS1611-213	002004 006999	1
220	S33555-213H5	.	SEAL- SUPPLIER CODE: V09257 OPTIONAL PART: S12095-213-5 V09257	002004 006999	1
225	NAS1611-213A	.	PACKING- OPTIONAL PART: NAS1611-213	002004 006999	1
225	NAS1611-213	.	PACKING-	002004 006999	1
230	1527704-7	.	CYLINDER ASSY-END SUPPLIER CODE: VS4980	002004 006999	1
235	BACB30LE5H6	.	BOLT	002004 006999	1

MISSING ITEM NUMBERS NOT APPLICABLE

- ITEM NOT ILLUSTRATED

27-11-20-51

27-11-20  
FIG. 51  
PAGE 3  
JAN 20/09

BRI

BOEING PROPRIETARY - Copyright © - Unpublished Work - See title page for details.



757

PARTS CATALOG (MAINTENANCE)

FIG ITEM	PART NUMBER	1 2 3 4 5 6 7	NOMENCLATURE	EFFECT FROM TO	UNITS PER ASSY
51					
240	BACB30LE5H8	.	BOLT	002004 006999	1
245	BACW10BN5SC	.	WASHER	002004 006999	2
250	C11236-011B	.	RING SUPPLIER CODE: V26879 SPECIFICATION NUMBER: BACR12BM011 OPTIONAL PART: RMR12BM011 V94878 STF800-011 V02107 S30294-011-1 V97820 TF450-011A V07128 2100-011 V26303	002004 006999	4
255	NAS1611-011A	.	PACKING-	002004 006999	2
255	NAS1611-011	.	PACKING- OPTIONAL PART: NAS1611-011A	002004 006999	2
260	1527712	.	TUBE-QUILL SUPPLIER CODE: VS4980	002004 006999	1
265	BACU24K4	.	UNION-	002004 006999	1
270	NAS1612-4A	.	PACKING- OPTIONAL PART: NAS1612-4	002004 006999	1
270	NAS1612-4	.	PACKING- OPTIONAL PART: NAS1612-4A	002004 006999	1
275	1745030-03	.	FILTER-SCREEN SUPPLIER CODE: V90005 SPECIFICATION NUMBER: S250N211-1	002004 006999	1

MISSING ITEM NUMBERS NOT APPLICABLE

- ITEM NOT ILLUSTRATED

27-11-20-51

27-11-20  
FIG. 51  
PAGE 4  
JAN 20/09

BRI

BOEING PROPRIETARY - Copyright © - Unpublished Work - See title page for details.



757

PARTS CATALOG (MAINTENANCE)

FIG ITEM	PART NUMBER	1 2 3 4 5 6 7	NOMENCLATURE	EFFECT FROM TO	UNITS PER ASSY
51 275	FSHX0507600B	.	FILTER-SCREEN SUPPLIER CODE: V92555 SPECIFICATION NUMBER: S250N211-1 OPTIONAL PART: 25786 V18350 3121-516 V05CK7	002004 006999	1
275	25786	.	FILTER-SCREEN SUPPLIER CODE: V18350 SPECIFICATION NUMBER: S250N211-1 OPTIONAL PART: 3121-516 V05CK7	002004 006999	1
280	1527715	.	PLUG- SUPPLIER CODE: VS4980	002004 006999	2
285	NAS1612-8	.	PACKING- OPTIONAL PART: NAS1612-8A	002004 006999	2
290	1527740	.	VALVE ASSY-CHECK SUPPLIER CODE: VS4980	002004 006999	2
295	C11236-110B	.	RING SUPPLIER CODE: V26879 SPECIFICATION NUMBER: BACR12BM110 OPTIONAL PART: RMR12BM110 V94878 STF800-110 V02107 S30294-110-1 V97820 TF450-110A V07128 2100-110 V26303	002004 006999	4
300	NAS1611-110	.	PACKING- OPTIONAL PART: NAS1611-110A	002004 006999	2
300	NAS1611-110A	.	PACKING- OPTIONAL PART: NAS1611-110	002004 006999	2

MISSING ITEM NUMBERS NOT APPLICABLE

- ITEM NOT ILLUSTRATED

27-11-20-51

27-11-20  
FIG. 51  
PAGE 5  
JAN 20/09

BRI





757

PARTS CATALOG (MAINTENANCE)

FIG ITEM	PART NUMBER	1 2 3 4 5 6 7	NOMENCLATURE	EFFECT FROM TO	UNITS PER ASSY
51					
305	AN814-6DL	.	PLUG	002004 006999	1
310	NAS1612-6	.	PACKING- OPTIONAL PART: NAS1612-6A	002004 006999	1
310	NAS1612-6A	.	PACKING- OPTIONAL PART: NAS1612-6	002004 006999	1
315	NAS6704-14	.	BOLT	002004 006999	1
320	BACW10BN4SP	.	WASHER	002004 006999	1
325	MS21042L4	.	NUT	002004 006999	1
330	1527701-3	.	MANIFOLD ASSY- SUPPLIER CODE: VS4980	002004 006999	1
335	NAS1611-113	.	PACKING- OPTIONAL PART: NAS1611-113A	002004 006999	1
335	NAS1611-113A	.	PACKING- OPTIONAL PART: NAS1611-113	002004 006999	1
340	S12604-113	.	CAP RING- SUPPLIER CODE: V09257	002004 006999	1
345	1527713-3	.	COVER ASSY- SUPPLIER CODE: VS4980	002004 006999	1
350	NAS6604H4	.	BOLT	002004 006999	3
355	AN960-416L	.	WASHER	002004 006999	3
360	1527713-5	..	COVER- SUPPLIER CODE: VS4980	002004 006999	1
365	MB538	..	BEARING- SUPPLIER CODE: V21335	002004 006999	1
370	NAS1611-221	.	PACKING- OPTIONAL PART: NAS1611-221A	002004 006999	1
370	NAS1611-221A	.	PACKING-	002004 006999	1
375	1527766	.	SHAFT- SUPPLIER CODE: VS4980	002004 006999	1

MISSING ITEM NUMBERS NOT APPLICABLE

- ITEM NOT ILLUSTRATED

27-11-20-51

27-11-20  
FIG. 51  
PAGE 6  
JAN 20/09

BRI

BOEING PROPRIETARY - Copyright © - Unpublished Work - See title page for details.



757

PARTS CATALOG (MAINTENANCE)

FIG ITEM	PART NUMBER	1 2 3 4 5 6 7	NOMENCLATURE	EFFECT FROM TO	UNITS PER ASSY
51 380	1527144		.PLATE-MODIFICATION SUPPLIER CODE: VS4980	002004 006999	1
385	NAS1352-04H4P		ATTACHING PARTS .SCREW	002004 006999	2
390	C11236-223B		-----*----- .RING SUPPLIER CODE: V26879 SPECIFICATION NUMBER: BACR12BM223 OPTIONAL PART: RMR12BM223 V94878 STF800-223 V02107 S30294-223-1 V97820 TF450-223A V07128 2100-223 V26303	002004 006999	2
395	NAS1611-223		.PACKING- OPTIONAL PART: NAS1611-223A	002004 006999	1
395	NAS1611-223A		.PACKING- OPTIONAL PART: NAS1611-223	002004 006999	1
400	1527703-1		.CYLINDER-BARREL SUPPLIER CODE: VS4980	002004 006999	1
405	1527779		.STRAP- SUPPLIER CODE: VS4980	002004 006999	1
410	1527718		.PLATE-NAME SUPPLIER CODE: VS4980	002004 006999	1

MISSING ITEM NUMBERS NOT APPLICABLE

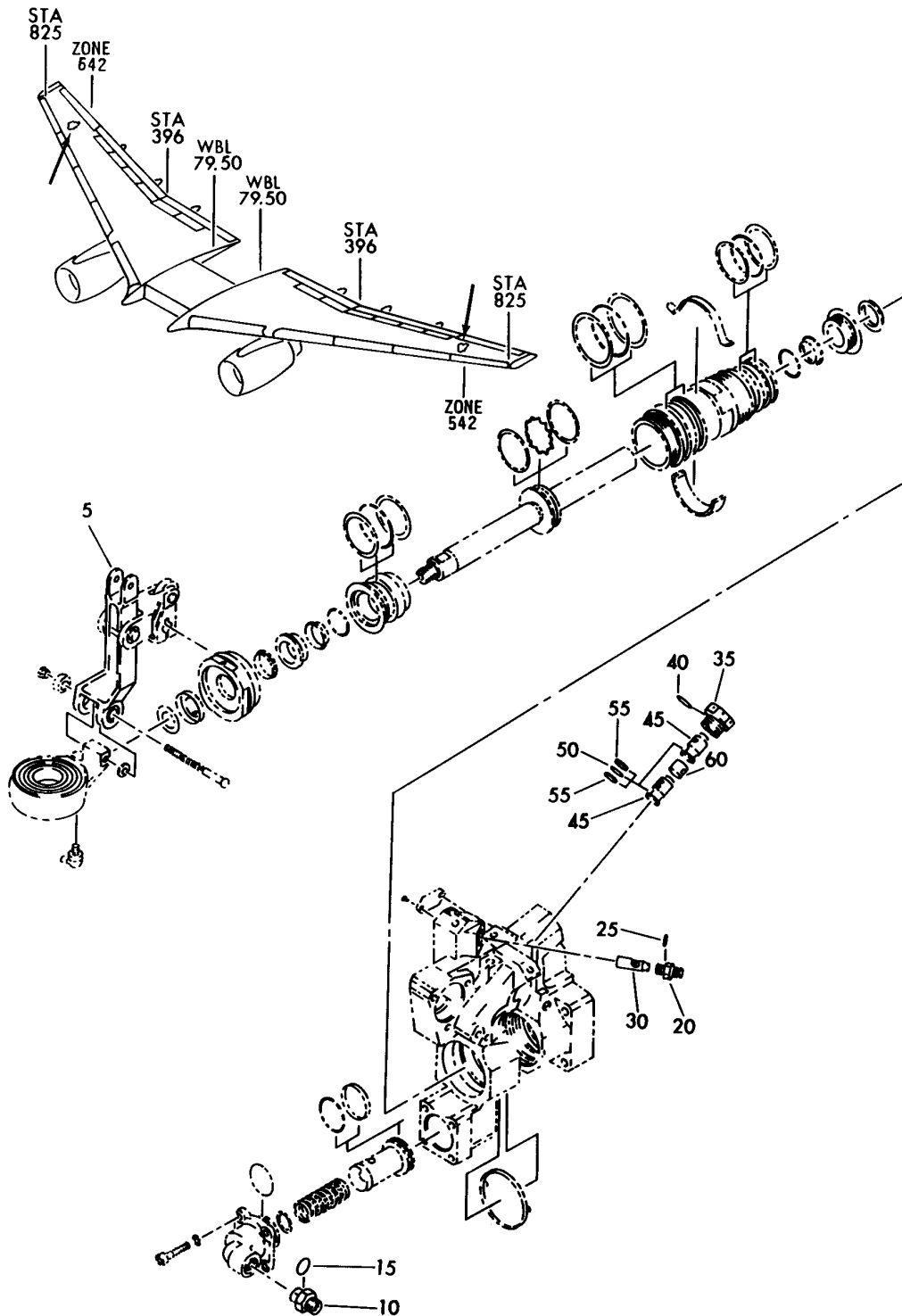
- ITEM NOT ILLUSTRATED

27-11-20-51

27-11-20  
FIG. 51  
PAGE 7  
JAN 20/09

BRI

**BOEING**  
757  
PARTS CATALOG (MAINTENANCE)



Y 27112052 REV 137

CONTROL UNIT ASSY-PWR  
FIGURE 52

**27-11-20-52**

BRI  
MAY 28/07

27-11-20-52  
PAGE 0



757

PARTS CATALOG (MAINTENANCE)

FIG ITEM	PART NUMBER	1 2 3 4 5 6 7	NOMENCLATURE	EFFECT FROM TO	UNITS PER ASSY
52			CONTROL UNIT ASSY-PWR	002004 006999	
1	1540600-1		CONTROL UNIT ASSY-PWR SUPPLIER CODE: VS4980 SPECIFICATION NUMBER: S251N114-4 COMPONENT MAINT MANUAL REF: 27-10-04 FOR NHA SEE: 27-11-20-01 27-11-20-02	002004 006999	RF
1	1540600-3		CONTROL UNIT ASSY-PWR SUPPLIER CODE: VS4980 SPECIFICATION NUMBER: S251N114-5 COMPONENT MAINT MANUAL REF: 27-10-04 FOR NHA SEE: 27-11-20-01 27-11-20-02	002004 006999	RF
5	1540620-1		.LEVER-SUMMING SUPPLIER CODE: VS4980	002004 006999	1
10	BACU24K6		.UNION	002004 006999	1
15	NAS1612-6		.PACKING-	002004 006999	1
20	BACU24K4		.UNION	002004 006999	1
25	NAS1612-4		.PACKING-	002004 006999	1
30	25786		.FILTER-SCREEN SUPPLIER CODE: V18350 SPECIFICATION NUMBER: S250N211-1 OPTIONAL PART: 3121-516 V05CK7	002004 006999	1
30	1745030-03		.FILTER-SCREEN SUPPLIER CODE: V90005 SPECIFICATION NUMBER: S250N211-1	002004 006999	1

MISSING ITEM NUMBERS NOT APPLICABLE

- ITEM NOT ILLUSTRATED

27-11-20-52

27-11-20  
FIG. 52  
PAGE 1  
SEP 20/08

BRI

BOEING PROPRIETARY - Copyright © - Unpublished Work - See title page for details.



757

PARTS CATALOG (MAINTENANCE)

FIG ITEM	PART NUMBER	1 2 3 4 5 6 7	NOMENCLATURE	EFFECT FROM TO	UNITS PER ASSY
52					
30	FSHX0507600B	.	FILTER-SCREEN SUPPLIER CODE: V92555 SPECIFICATION NUMBER: S250N211-1 OPTIONAL PART: 25786 V18350 3121-516 V05CK7	002004 006999	1
35	1527715	.	PLUG- SUPPLIER CODE: VS4980	002004 006999	1
40	NAS1612-8	.	PACKING-	002004 006999	1
45	1540640-1	.	VALVE-CHK SUPPLIER CODE: VS4980	002004 006999	2
50	NAS1611-111	.	SEAL-	002004 006999	2
55	C11236-111B	.	RING SUPPLIER CODE: V26879 SPECIFICATION NUMBER: BACR12BM111 OPTIONAL PART: RMR12BM111 V94878 STF800-111 V02107 S30294-111-1 V97820 TF450-111A V07128 2100-111 V26303	002004 006999	4
60	1540613	.	COLLAR- SUPPLIER CODE: VS4980	002004 006999	1

MISSING ITEM NUMBERS NOT APPLICABLE

- ITEM NOT ILLUSTRATED

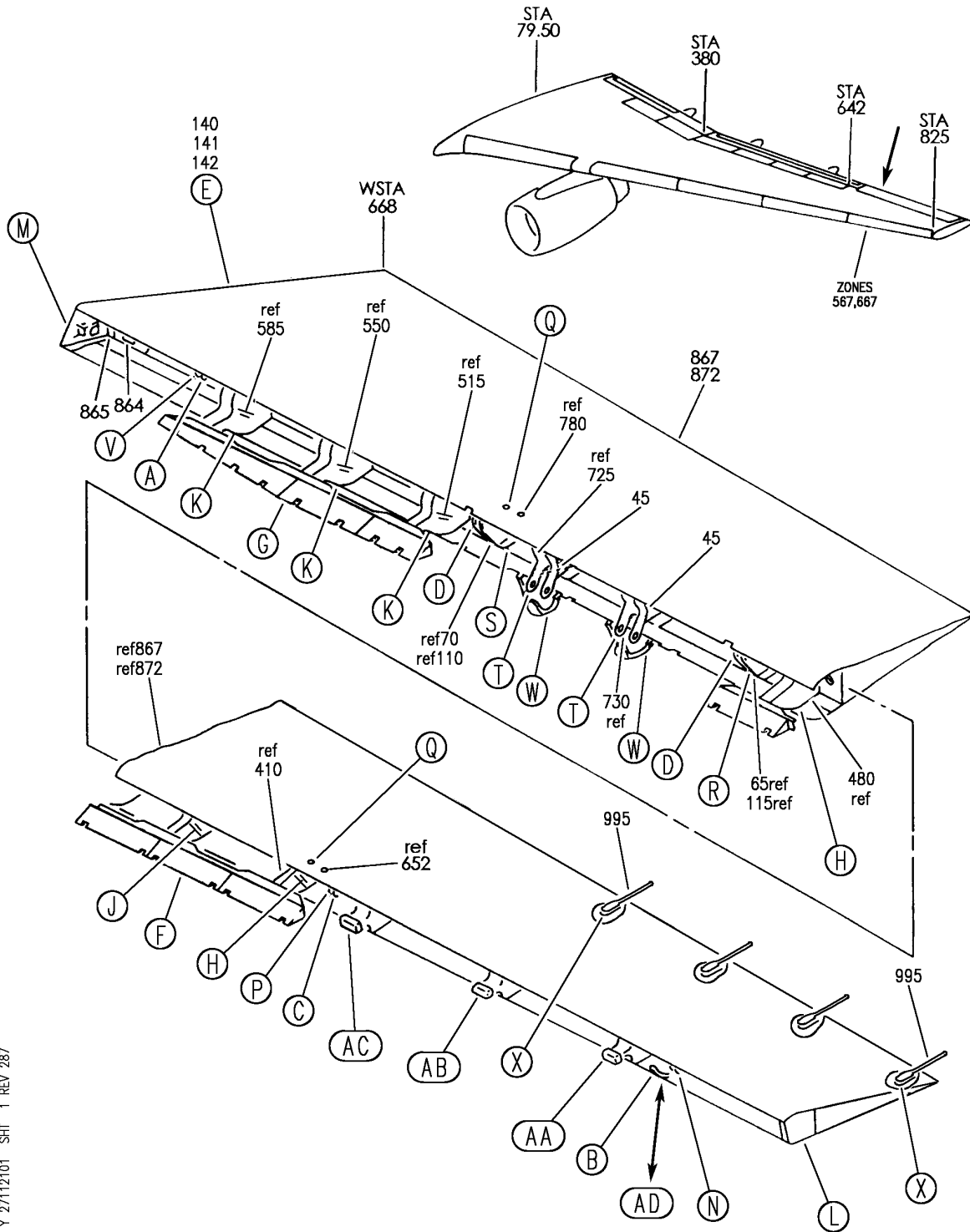
BRI

27-11-20-52

BOEING PROPRIETARY - Copyright © - Unpublished Work - See title page for details.

27-11-20  
FIG. 52  
PAGE 2  
SEP 20/08


**BOEING**  
 757  
**PARTS CATALOG (MAINTENANCE)**

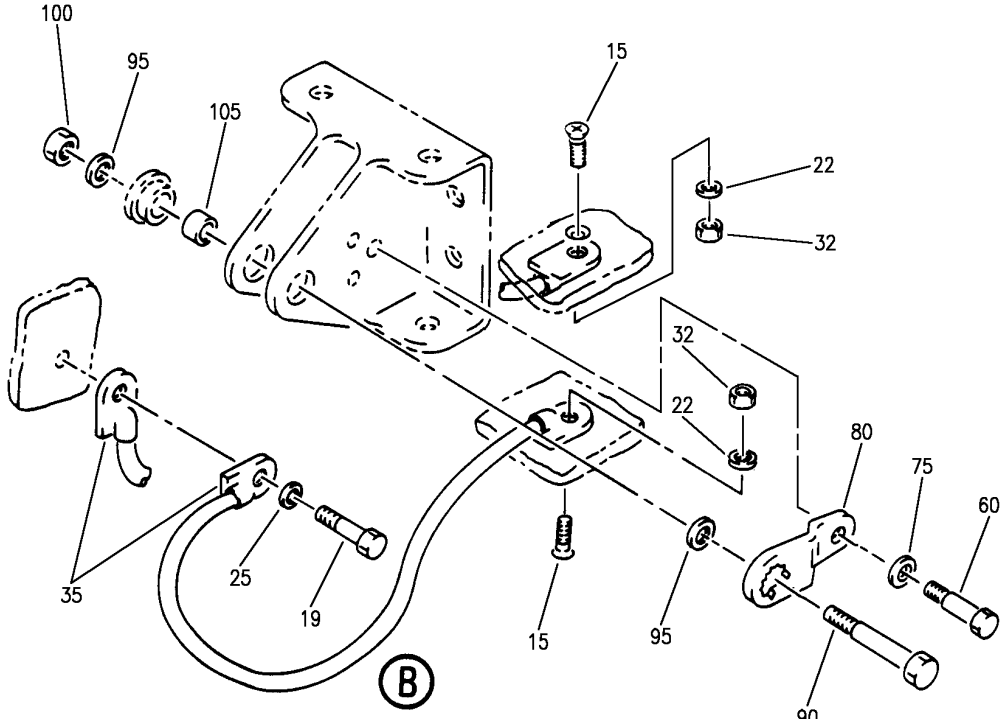
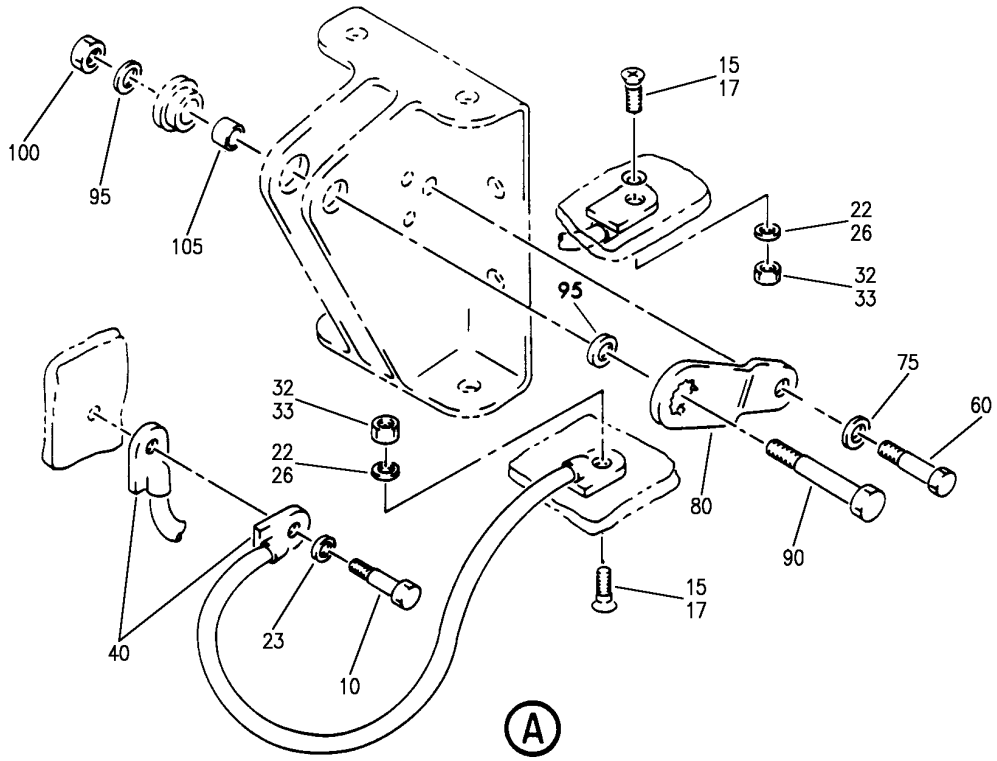


Y 27112101\_SHT 1 REV 287

AILERON INSTL  
FIGURE 1 (SHEET 1)

# 27-11-21-01

**BOEING**  
757  
PARTS CATALOG (MAINTENANCE)



Y 27112101 SHT 2 REV 262

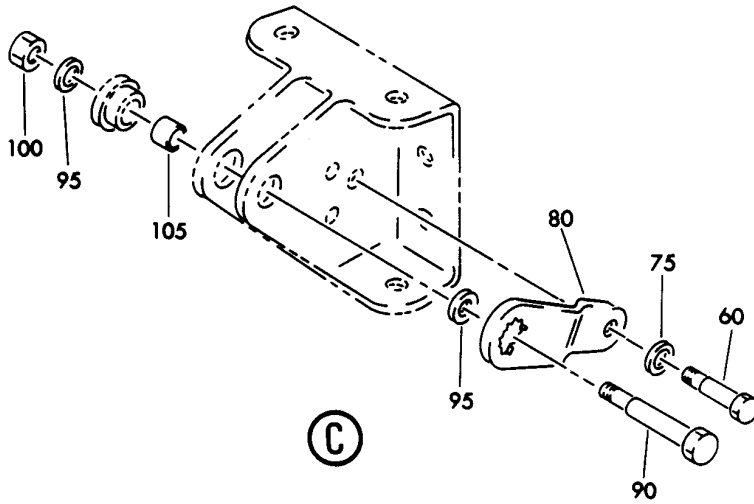
AILERON INSTL  
FIGURE 1 (SHEET 2)

**27-11-21-01**

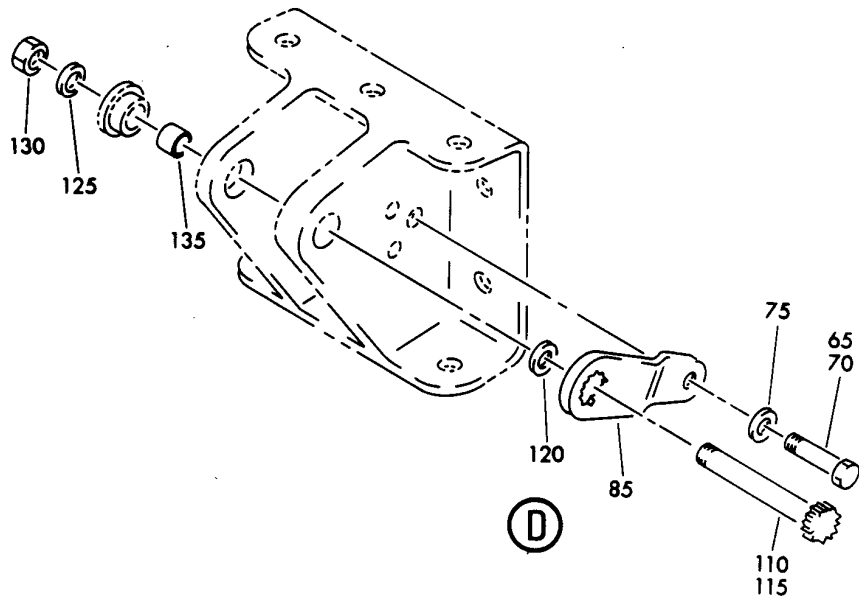
BRI  
MAY 28/07

27-11-21-01  
PAGE 0A

**BOEING**  
757  
PARTS CATALOG (MAINTENANCE)



(C)



(D)

Y 27112101 SHT 3 REV 083

AILERON INSTL  
FIGURE 1 (SHEET 3)

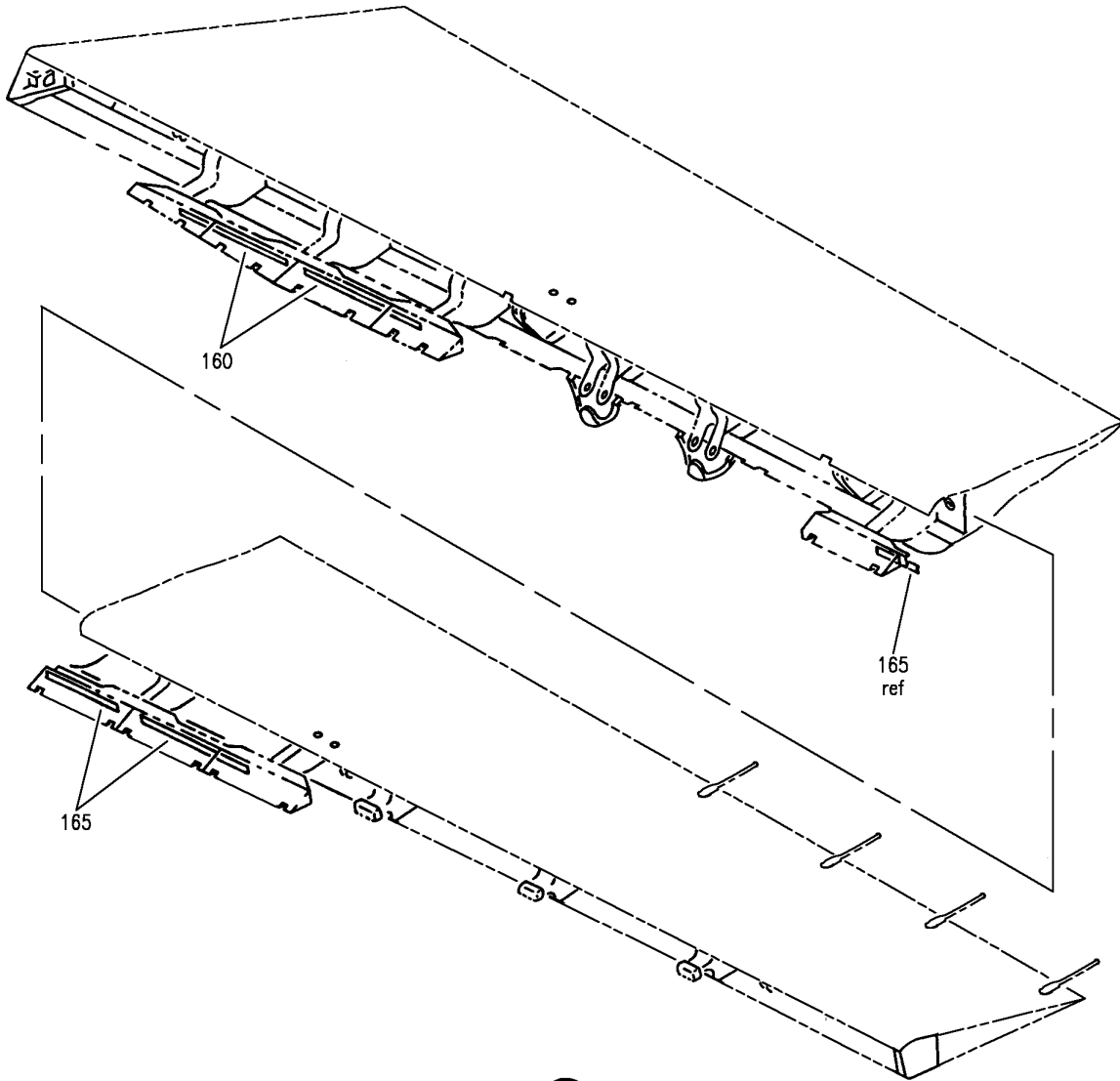
**27-11-21-01**

BRI  
MAY 28/07

27-11-21-01  
PAGE 0B



**BOEING**  
757  
PARTS CATALOG (MAINTENANCE)



Y 27112101 SH1 4 REV 262

(E)

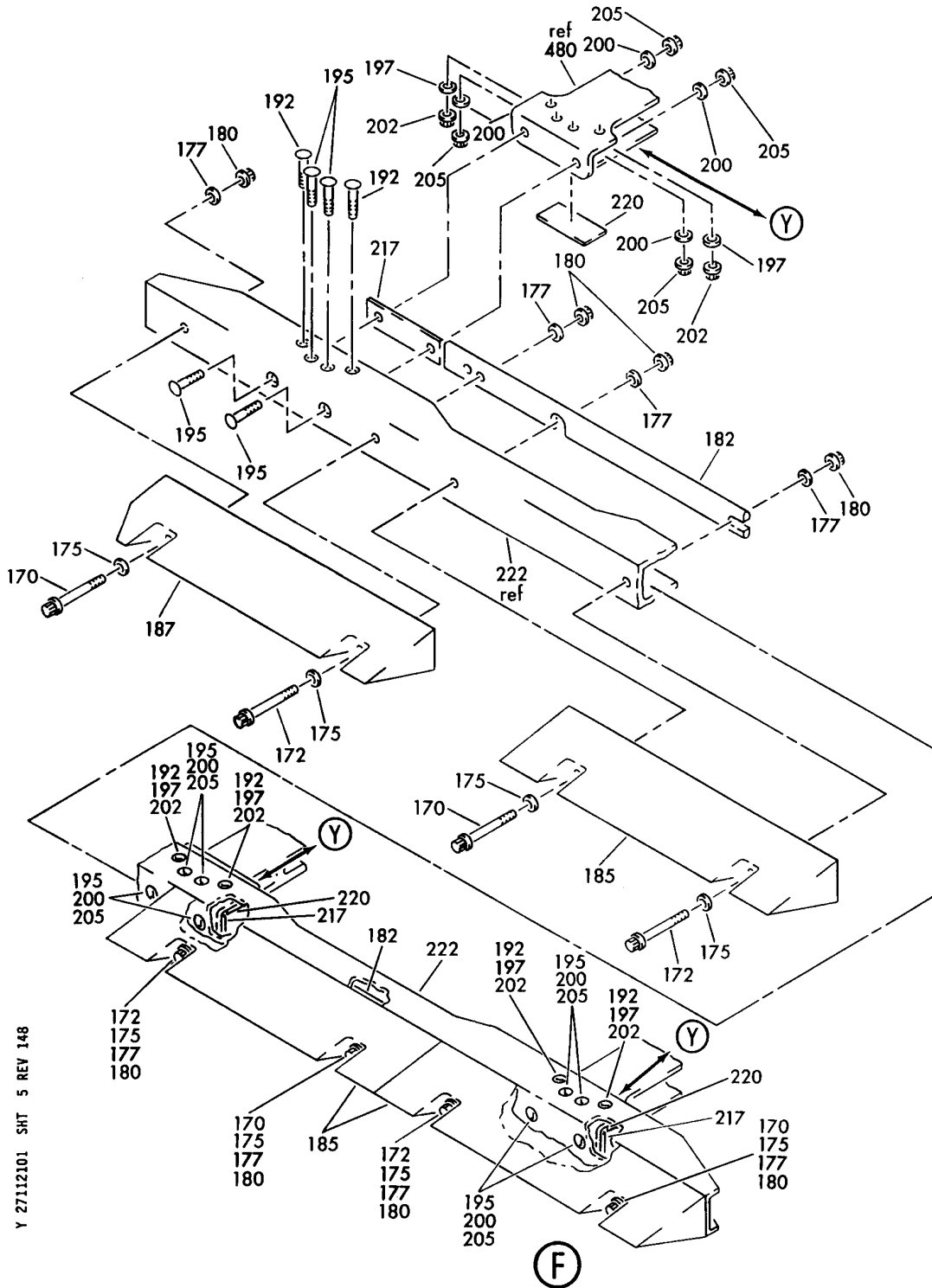
AILERON INSTL  
FIGURE 1 (SHEET 4)

**27-11-21-01**

BRI  
MAY 28/07

27-11-21-01  
PAGE 0C

**BOEING**  
757  
PARTS CATALOG (MAINTENANCE)



Y 27112101 SMT 5 REV 148

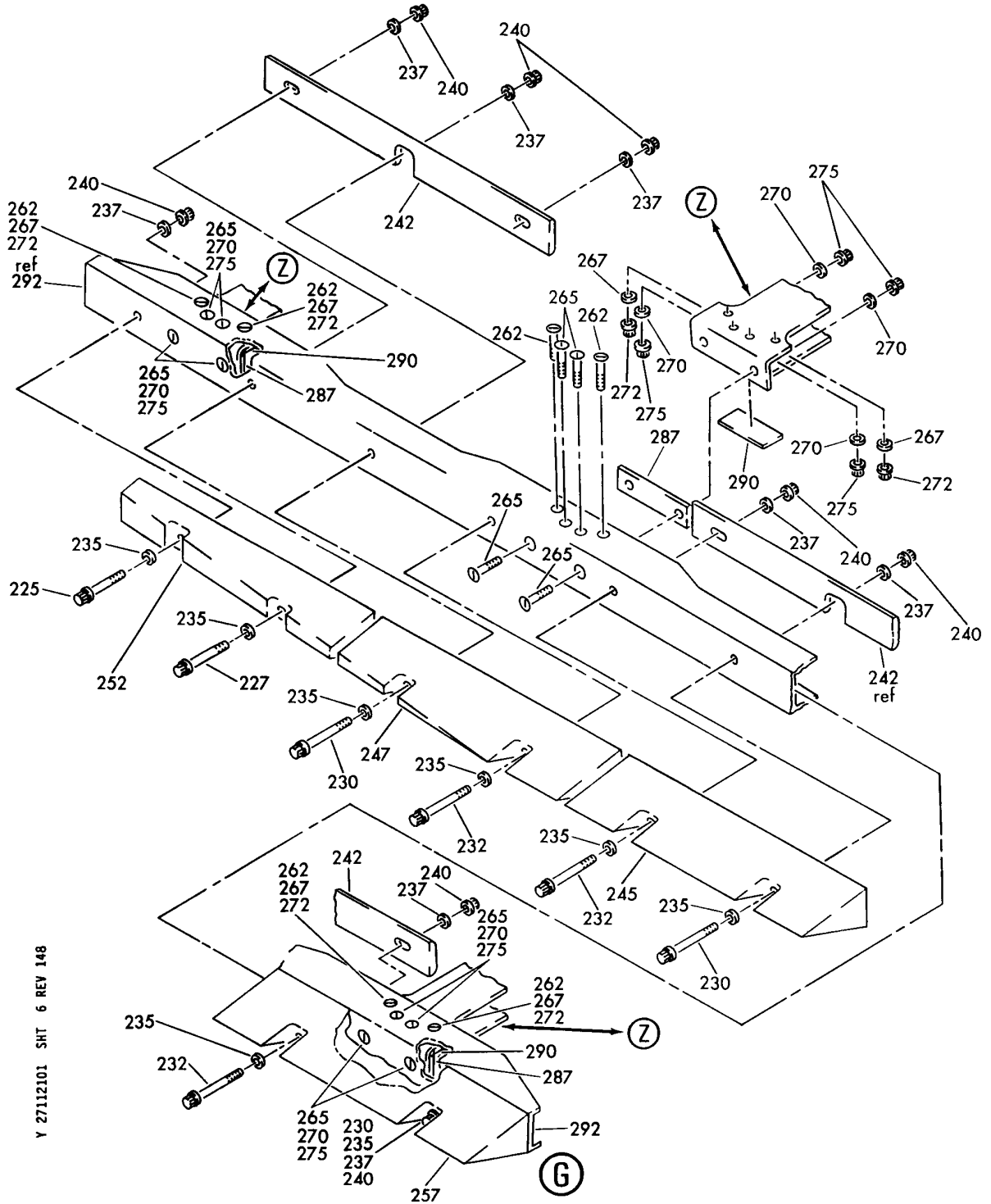
AILERON INSTL  
FIGURE 1 (SHEET 5)

**27-11-21-01**

BRI  
MAY 28/07

27-11-21-01  
PAGE 0D

**BOEING**  
757  
PARTS CATALOG (MAINTENANCE)



Y 27112101 SHT 6 REV 148

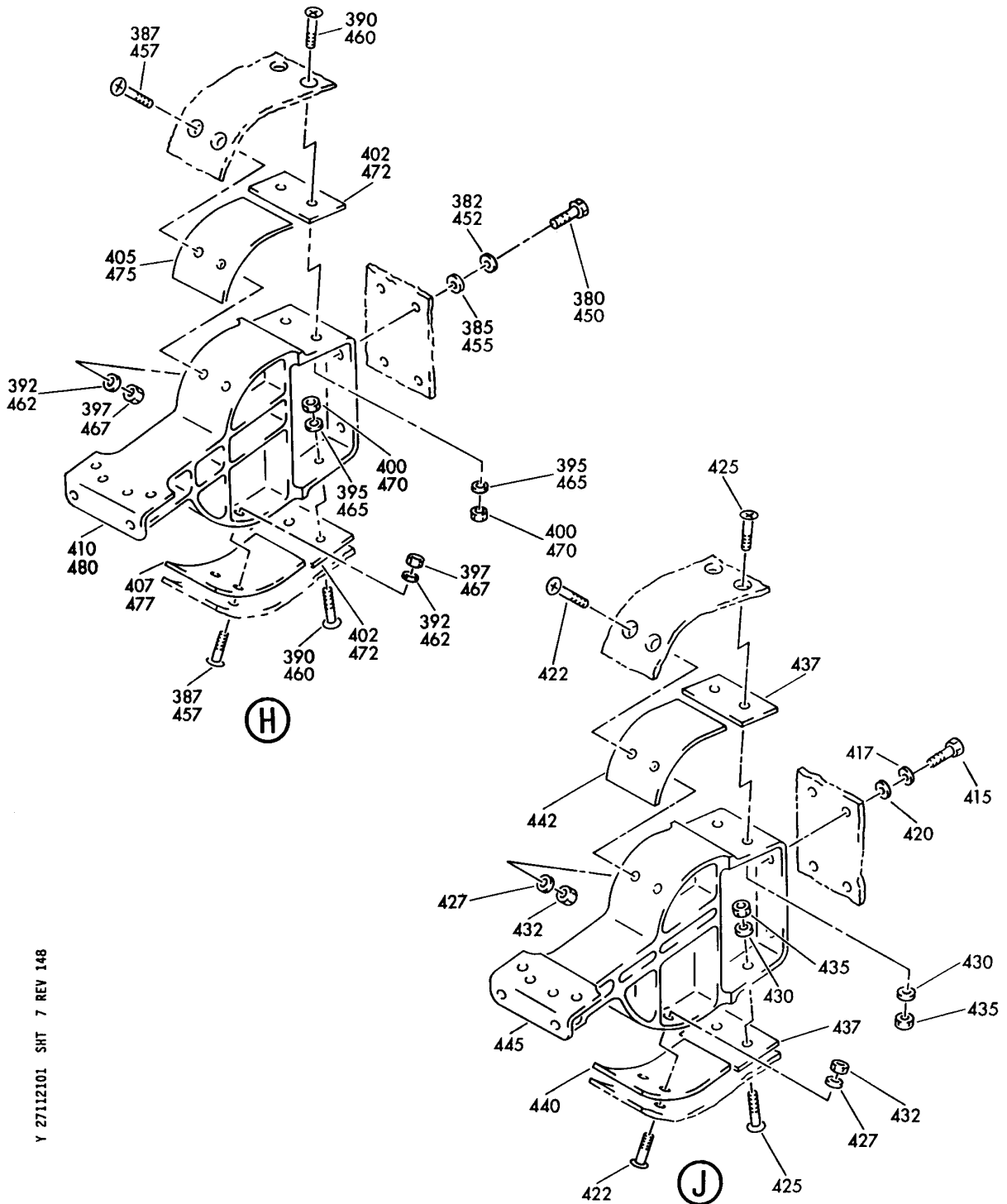
AILERON INSTL  
FIGURE 1 (SHEET 6)

**27-11-21-01**

BRI  
MAY 28/07

27-11-21-01  
PAGE 0E

**BOEING**  
757  
PARTS CATALOG (MAINTENANCE)



Y 27112101 SHT 7 REV 148

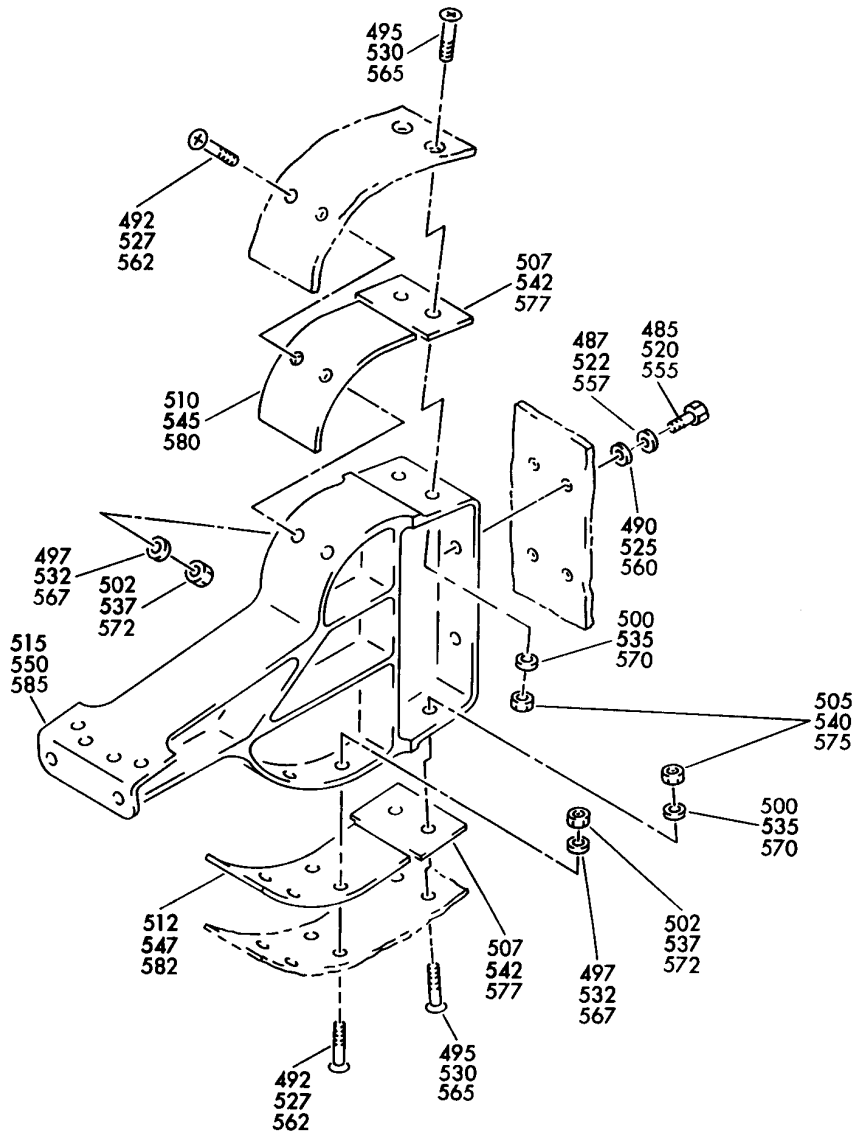
AILERON INSTL  
FIGURE 1 (SHEET 7)

**27-11-21-01**

BRI  
MAY 28/07

27-11-21-01  
PAGE OF

**BOEING**  
757  
PARTS CATALOG (MAINTENANCE)



(K)

Y 27112101 SHT 8 REV 148

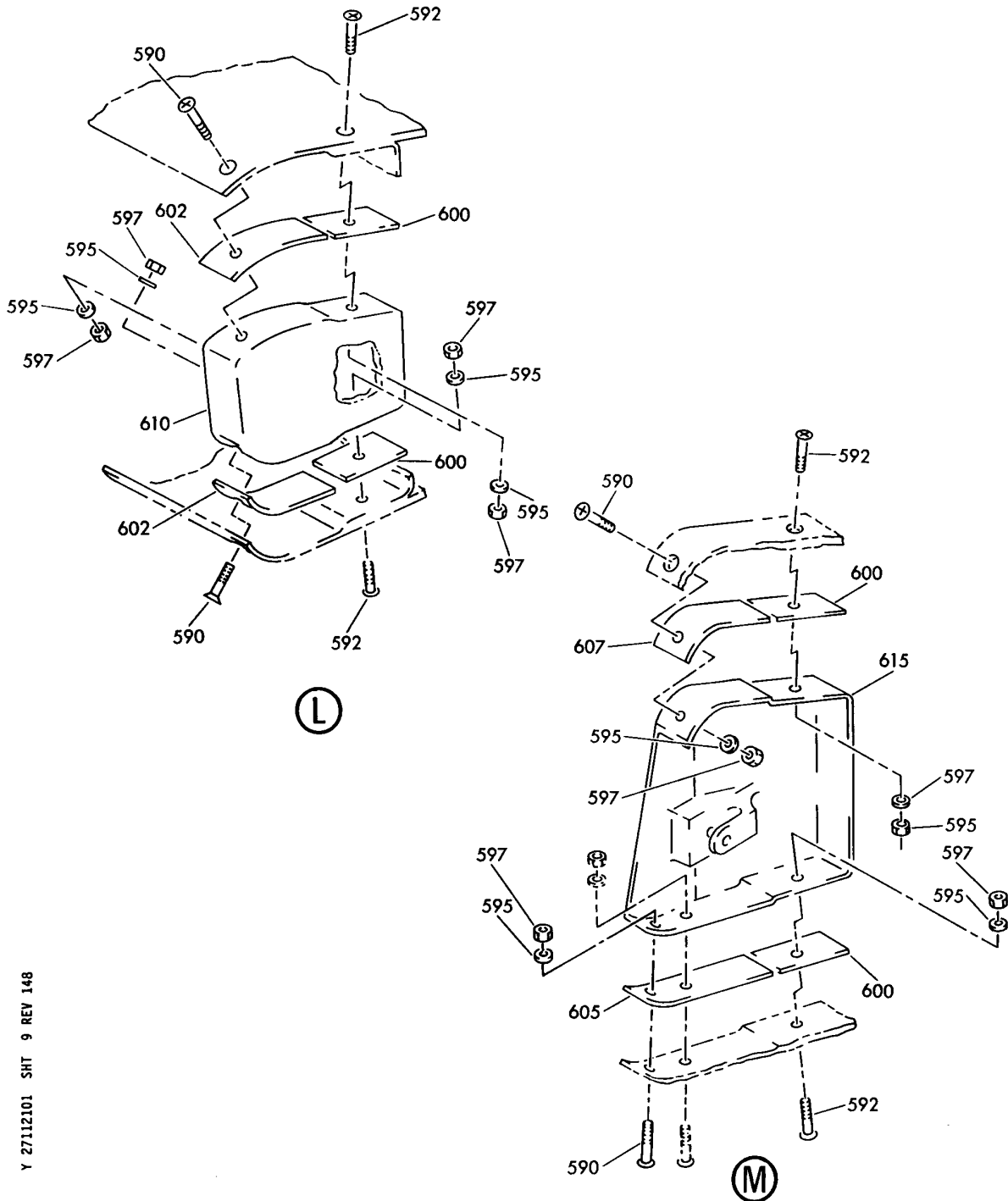
AILERON INSTL  
FIGURE 1 (SHEET 8)

**27-11-21-01**

BRI  
MAY 28/07

27-11-21-01  
PAGE 0G

**BOEING**  
757  
PARTS CATALOG (MAINTENANCE)



Y 27112101 SHT 9 REV 148

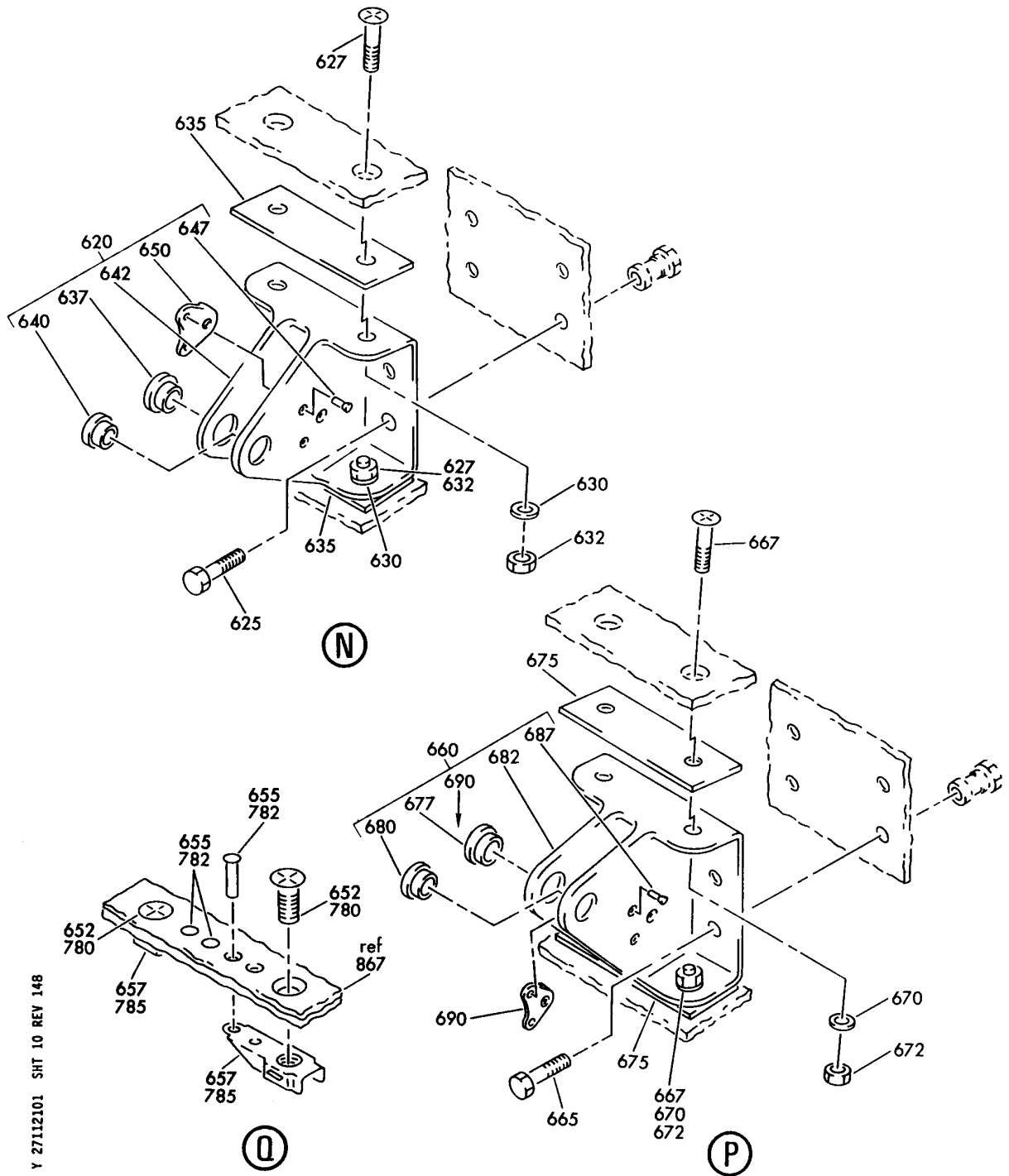
AILERON INSTL  
FIGURE 1 (SHEET 9)

**27-11-21-01**

BRI  
MAY 28/07

27-11-21-01  
PAGE 0H

**BOEING**  
757  
PARTS CATALOG (MAINTENANCE)

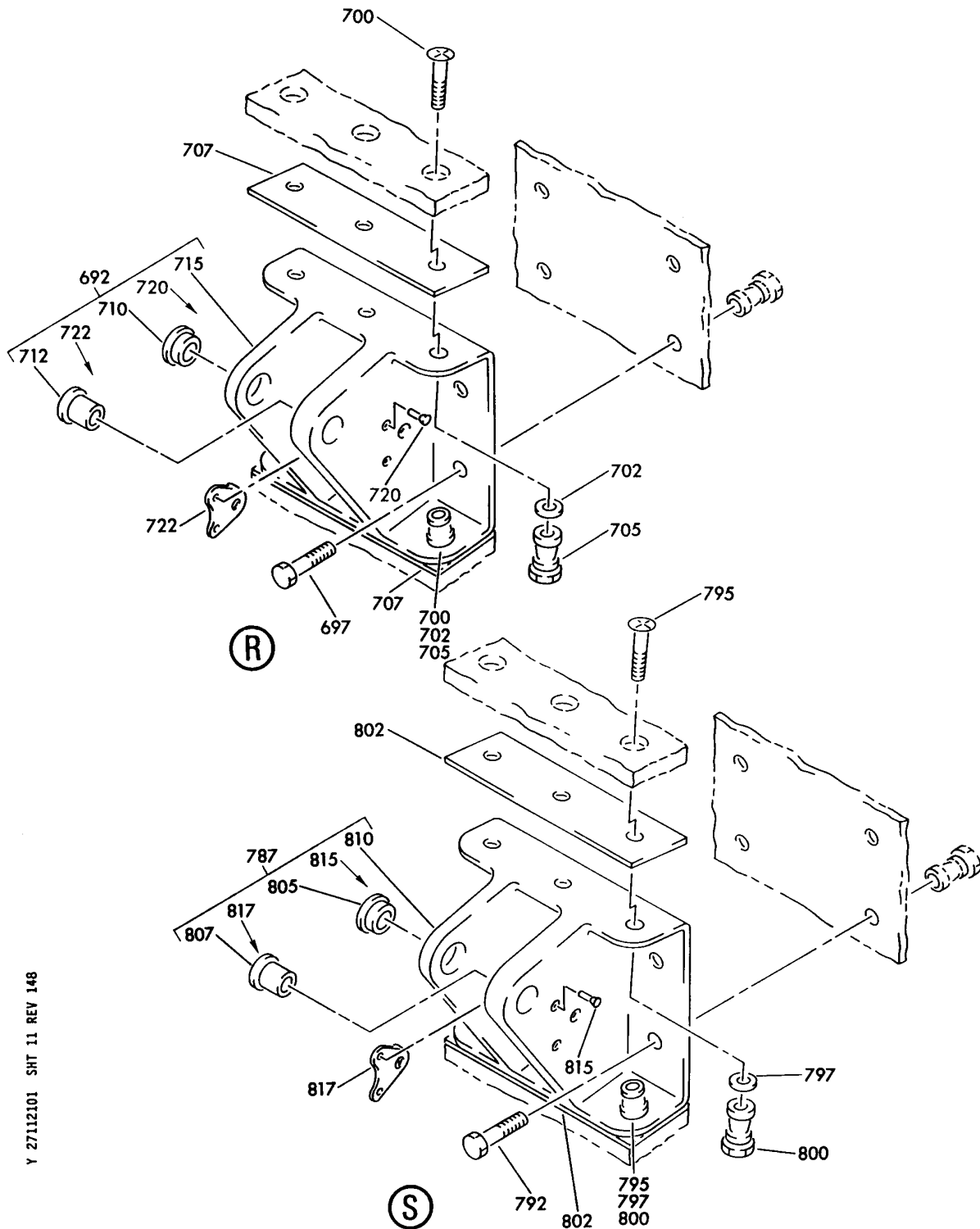


Y 27112101 SHT 10 REV 148

AILERON INSTL  
FIGURE 1 (SHEET 10)

**27-11-21-01**

**BOEING**  
757  
PARTS CATALOG (MAINTENANCE)



Y 27112101 SHT 11 REV 148

AILERON INSTL  
FIGURE 1 (SHEET 11)

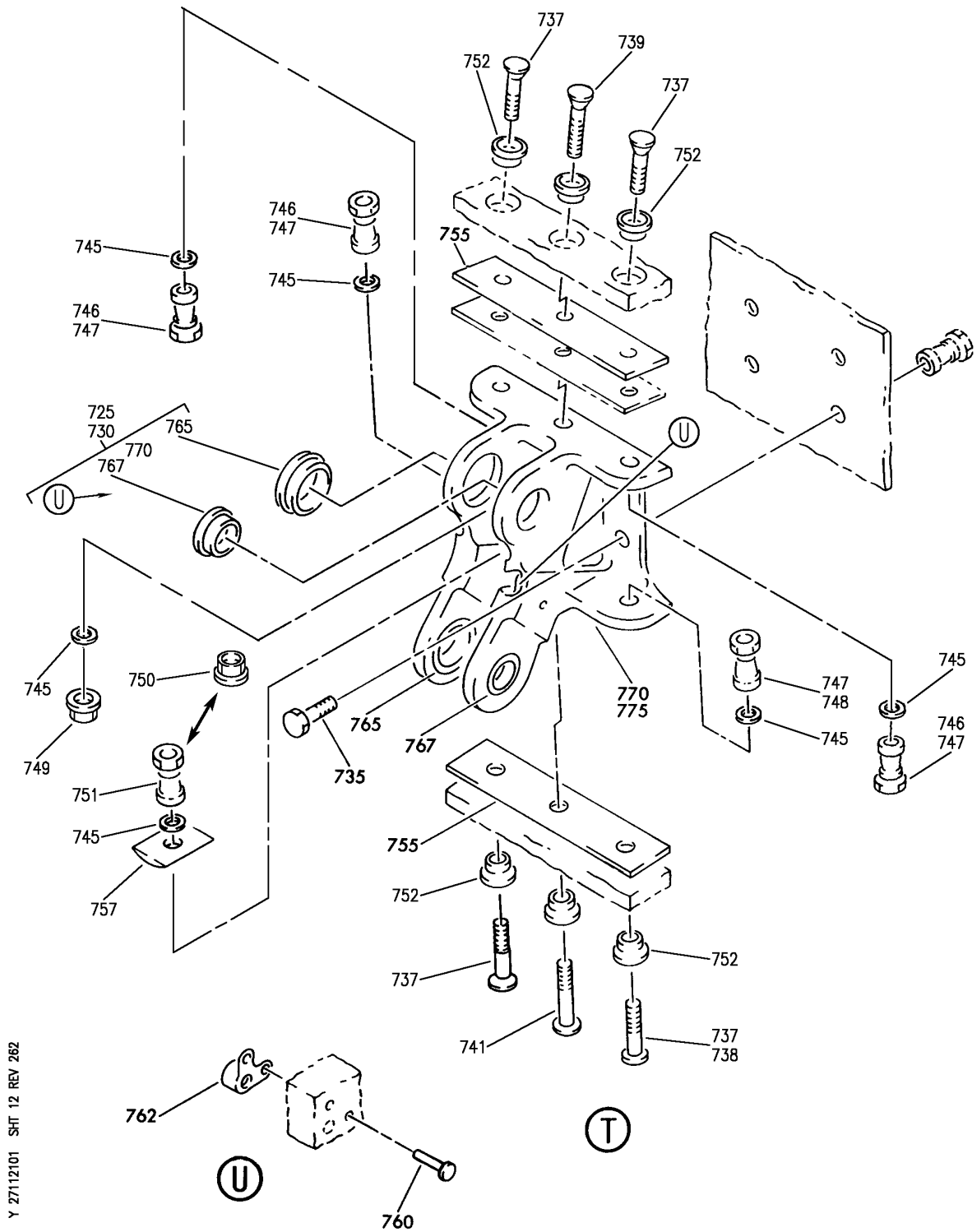
**27-11-21-01**

BRI  
MAY 28/07

27-11-21-01  
PAGE 0J



**BOEING**  
757  
PARTS CATALOG (MAINTENANCE)



Y 27112101 SHT 12 REV 262

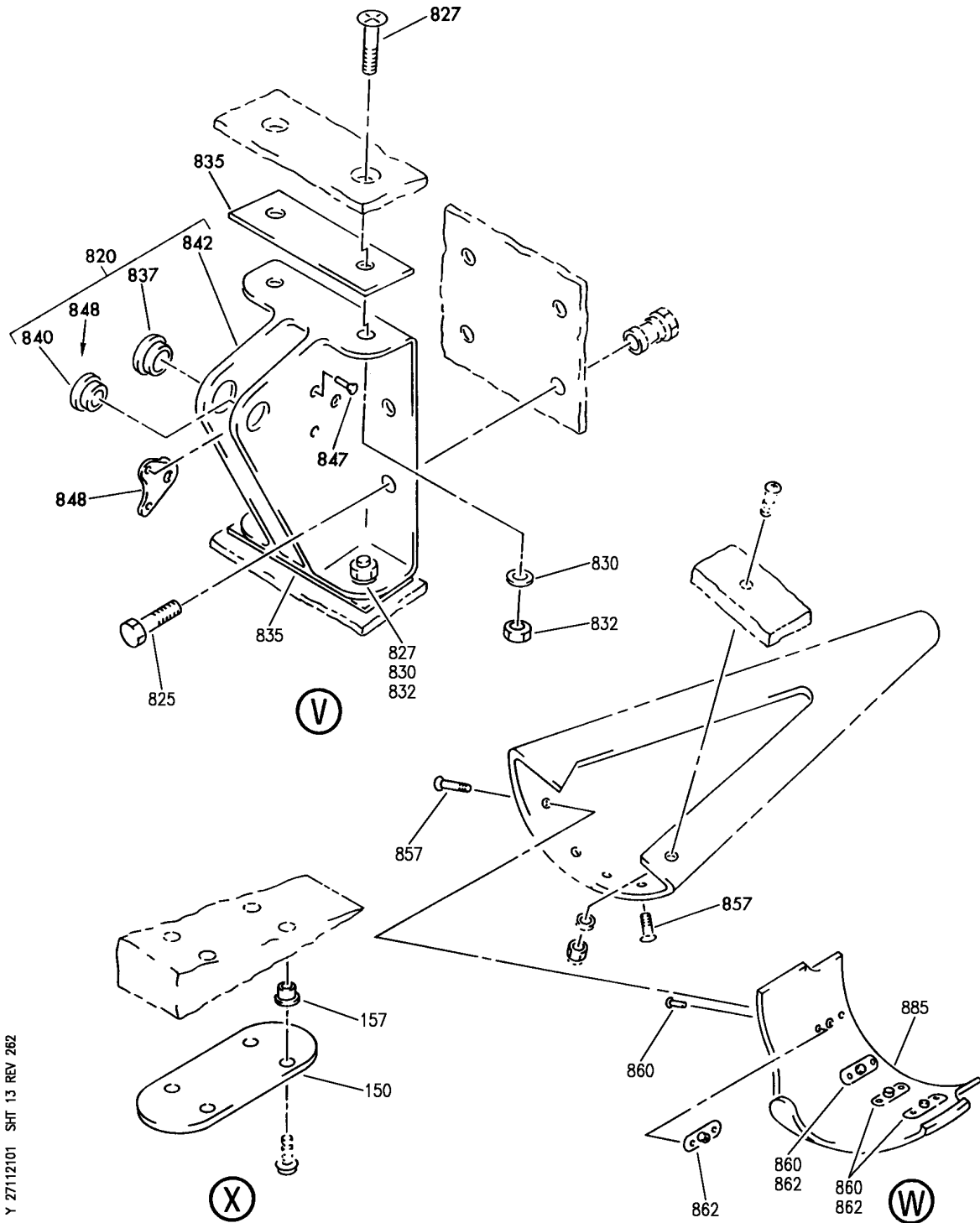
AILERON INSTL  
FIGURE 1 (SHEET 12)

**27-11-21-01**

BRI  
MAY 28/07

27-11-21-01  
PAGE OK

**BOEING**  
757  
PARTS CATALOG (MAINTENANCE)



Y 27112101 SHT 13 REV 262

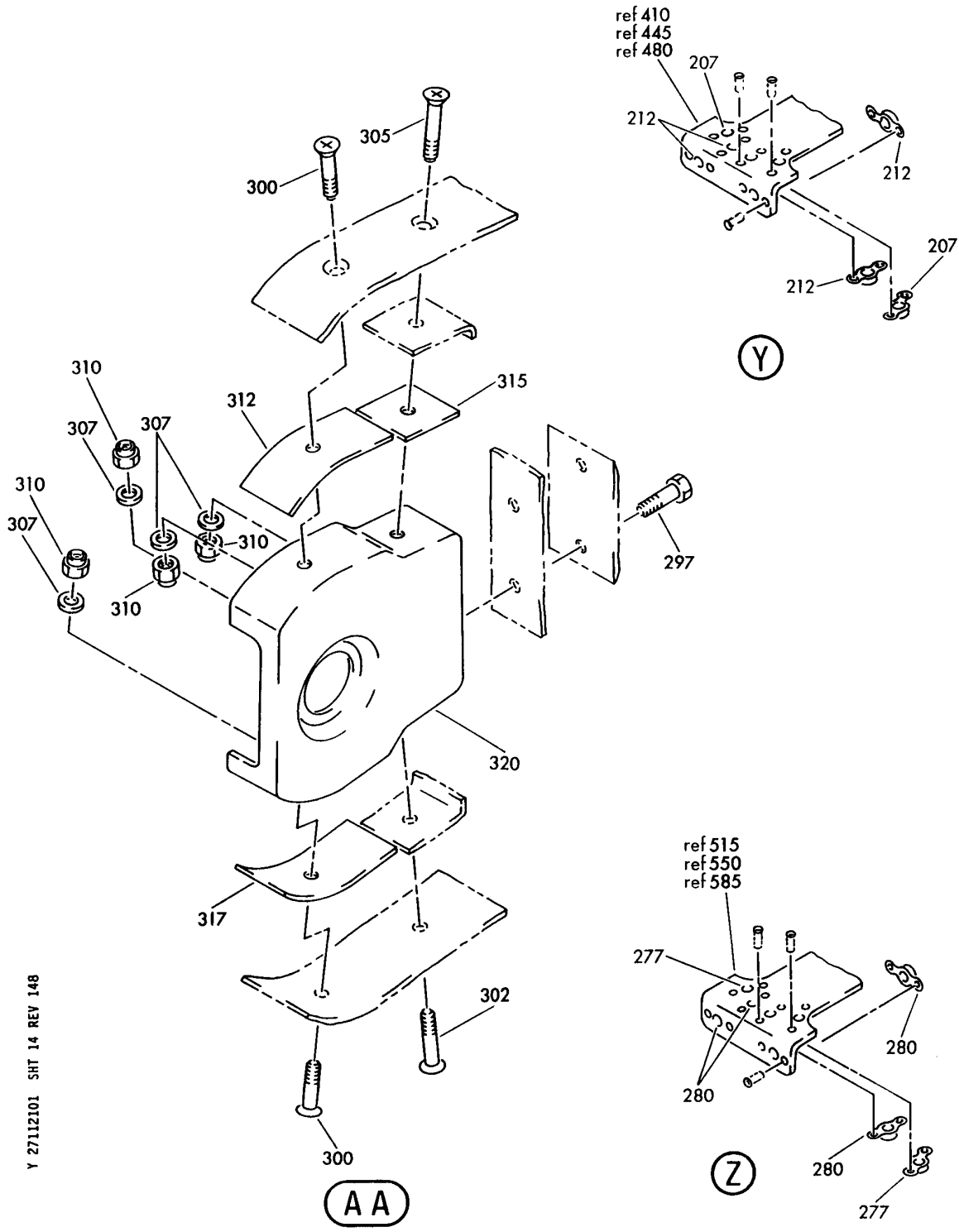
AILERON INSTL  
FIGURE 1 (SHEET 13)

**27-11-21-01**

BRI  
MAY 28/07

27-11-21-01  
PAGE 01

**BOEING**  
757  
PARTS CATALOG (MAINTENANCE)



Y 27112101 SHT 14 REV 148

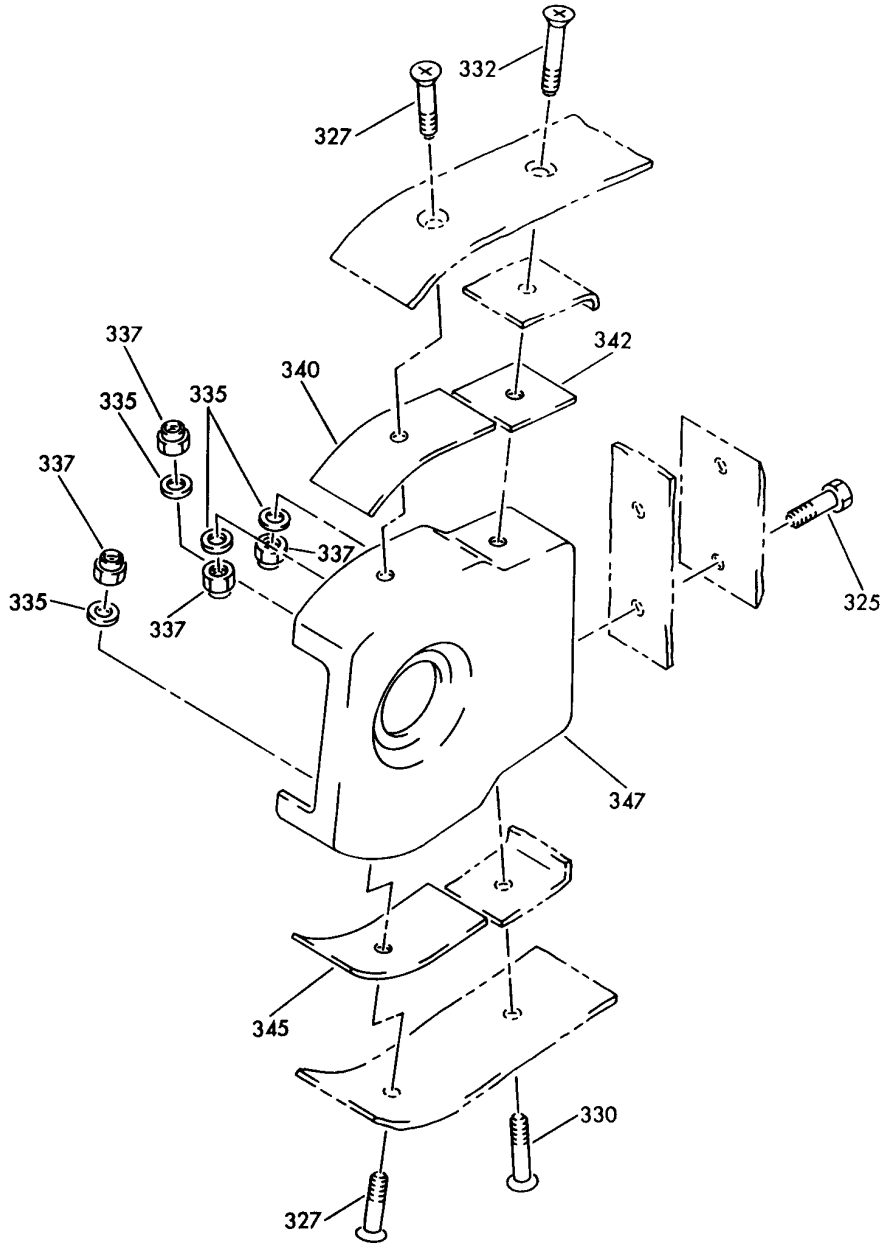
AILERON INSTL  
FIGURE 1 (SHEET 14)

**27-11-21-01**

BRI  
MAY 28/07

27-11-21-01  
PAGE 0M

**BOEING**  
757  
PARTS CATALOG (MAINTENANCE)



AB

Y 27112101 SHT 15 REV 148

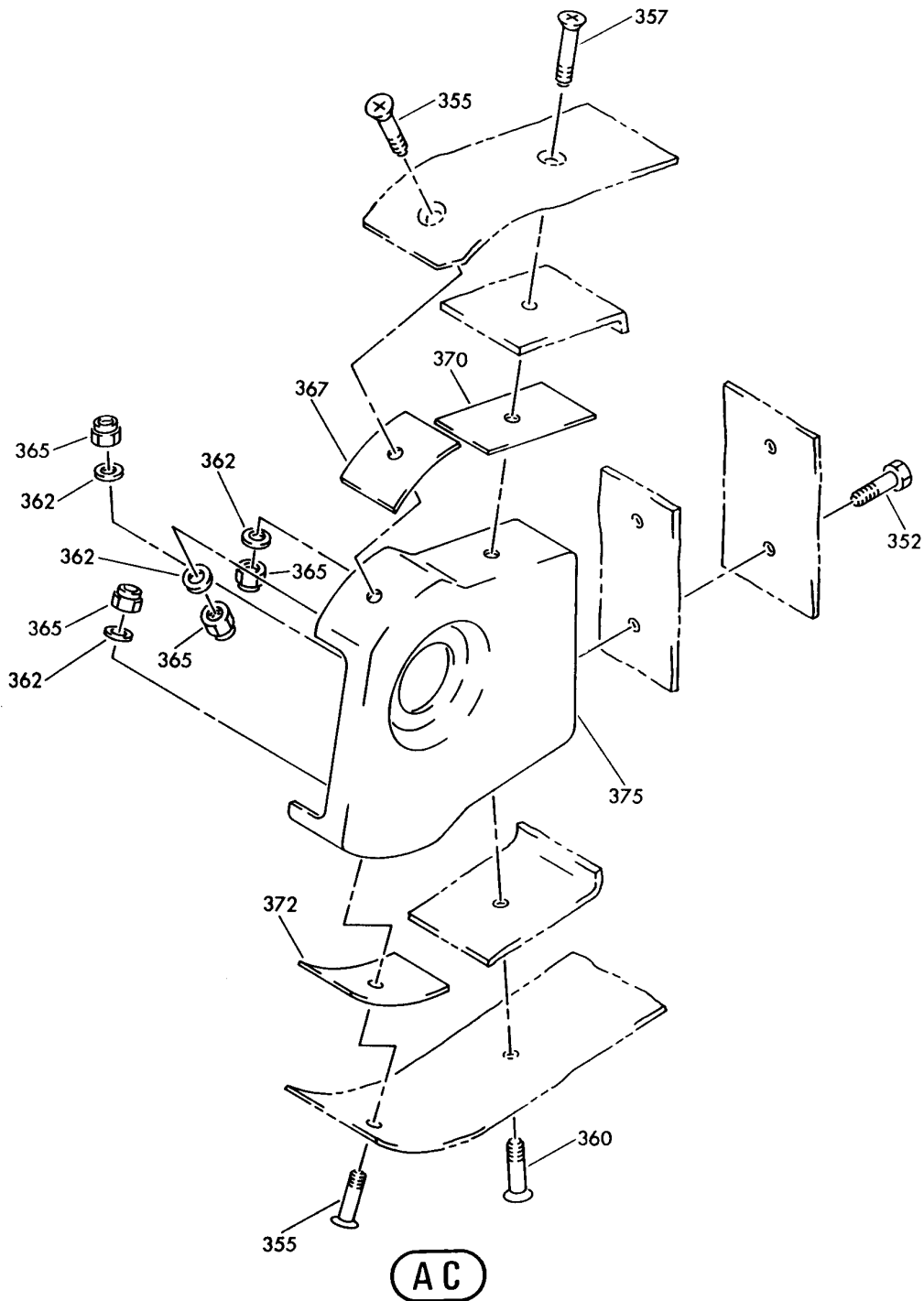
AILERON INSTL  
FIGURE 1 (SHEET 15)

**27-11-21-01**

BRI  
MAY 28/07

27-11-21-01  
PAGE ON

**BOEING**  
757  
PARTS CATALOG (MAINTENANCE)



Y 27112101 SHT 16 REV 148

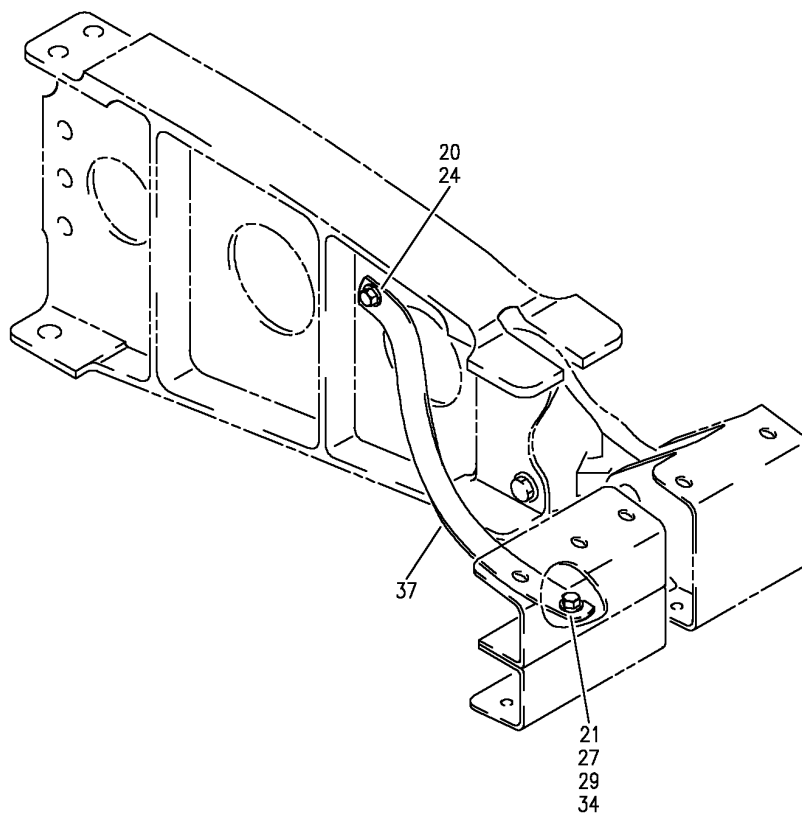
AILERON INSTL  
FIGURE 1 (SHEET 16)

**27-11-21-01**

BRI  
MAY 28/07

27-11-21-01  
PAGE 00

**BOEING**  
757  
PARTS CATALOG (MAINTENANCE)



Y 27112101 SH1 17 REV 262

AILERON INSTL  
FIGURE 1 (SHEET 17)

**27-11-21-01**

BRI  
MAY 28/07

27-11-21-01  
PAGE 0P



**757  
PARTS CATALOG (MAINTENANCE)**

FIG ITEM	PART NUMBER	1 2 3 4 5 6 7	NOMENCLATURE	EFFECT FROM TO	UNITS PER ASSY
1			AILERON INSTL	002004	
- 1	113N7000-1		AILERON INSTL- POSITION DATA: LH FOR NHA SEE: 57-00-00-01	006999 002004 006100 107107 121503 904999	RF
- 3	113N7000-405		AILERON INSTL- POSITION DATA: LH FOR NHA SEE: 57-00-00-05B	101102 108120 504903	RF
- 3	MODREF1562		AILERON INSTL- MODULE NUMBER: 113N7000-407 REV A POSITION DATA: LH	103103	1
- 3	MODREF26620		AILERON INSTL- MODULE NUMBER: 113N7000-407 REV B POSITION DATA: LH	104106	1
- 5	113N7000-2		AILERON INSTL- POSITION DATA: RH FOR NHA SEE: 57-00-00-01	002004 006100 107107 121503 904999	RF
- 7	113N7000-406		AILERON INSTL- POSITION DATA: RH FOR NHA SEE: 57-00-00-05B	101102 108120 504903	RF
- 7	MODREF1640		AILERON INSTL- MODULE NUMBER: 113N7000-408 REV A POSITION DATA: RH	103103	1
- 7	MODREF26621		AILERON INSTL- MODULE NUMBER: 113N7000-408 REV B POSITION DATA: RH	104106	1
10	BACB30LJ4-5		.BOLT	002004 006999	1
15	BACB30LH4-5		.BOLT-	107107	4
17	BACB30LH4-5		.BOLT-	002004 006100	2
19	BACB30LJ4-4		.BOLT	108999 107107	1

MISSING ITEM NUMBERS NOT APPLICABLE

- ITEM NOT ILLUSTRATED

# 27-11-21-01

27-11-21  
FIG. 01  
PAGE 1  
JAN 20/09

BRI



757

PARTS CATALOG (MAINTENANCE)

FIG ITEM	PART NUMBER	1 2 3 4 5 6 7	NOMENCLATURE	EFFECT FROM TO	UNITS PER ASSY
1					
20	BACB30LJ4-4	.	BOLT	002004 006106 108999	1
21	BACB30LJ4-5	.	BOLT	002004 006106 108999	1
22	AN960D416L	.	WASHER-	107107	4
23	NAS1149D0416H	.	WASHER-	101106 108120 504903	1
23	AN960D416L	.	WASHER-	002004 006100 107107 121503 904999	1
24	NAS1149D0463H	.	WASHER	101106 108120 504903	1
24	AN960D416L	.	WASHER-	002004 006100 121503 904999	1
25	AN960D416L	.	WASHER-	107107	1
26	AN960D416L	.	WASHER	002004 006100 121503 904999	2
26	NAS1149D0416H	.	WASHER-	101106 108120 504903	2
27	AN960D416L	.	WASHER-	107107	1
27	NAS1149D0416H	.	WASHER-	101106 108120 504903	1
27	AN960JD416	.	WASHER- POSITION DATA: UNDER NUT	002004 006100 121503 904999	1
29	BACW10BP4ACU	.	WASHER- POSITION DATA: UNDER HEAD	002004 006106 108999	1

MISSING ITEM NUMBERS NOT APPLICABLE

- ITEM NOT ILLUSTRATED

BRI

27-11-21-01

27-11-21  
FIG. 01  
PAGE 2  
JAN 20/09





757

PARTS CATALOG (MAINTENANCE)

FIG ITEM	PART NUMBER	1 2 3 4 5 6 7	NOMENCLATURE	EFFECT FROM TO	UNITS PER ASSY
1 32	BRH10C4D	.NUT-	SUPPLIER CODE: V52828 SPECIFICATION NUMBER: BACN10JC4CD OPTIONAL PART: T6C428JCD V11815 NS202486-048 V80539 102LH9075-4W V72962 H51650-4BAC V15653	107107	4
33	BRH10C4D	.NUT-	SUPPLIER CODE: V52828 SPECIFICATION NUMBER: BACN10JC4CD OPTIONAL PART: T6C428JCD V11815 NS202486-048 V80539 102LH9075-4W V72962 H51650-4BAC V15653	002004 006106 108999	2
34	BRH10C4	.NUT	SUPPLIER CODE: V52828 SPECIFICATION NUMBER: BACN10JC4C OPTIONAL PART: T6C428J V11815 97-048 V80539 101LH9075-4W V72962 VN303B048 V92215 NS202101S048 V80539 H31-4BAC V15653	002004 006106 108999	1

MISSING ITEM NUMBERS NOT APPLICABLE

- ITEM NOT ILLUSTRATED

BRI

27-11-21-01

27-11-21  
FIG. 01  
PAGE 3  
JAN 20/09



757

PARTS CATALOG (MAINTENANCE)

FIG ITEM	PART NUMBER	1 2 3 4 5 6 7	NOMENCLATURE	EFFECT FROM TO	UNITS PER ASSY
1					
35	940CW22-9	.	JUMPER ASSY- SUPPLIER CODE: V91812 SPECIFICATION NUMBER: BACJ40AB22-9 OPTIONAL PART: 100222-9 V1FF12 RBEJ40AB22-9 V1GK47	107107	2
37	RBEJ40E20-40	.	JUMPER SUPPLIER CODE: V1GK47 SPECIFICATION NUMBER: BACJ40E20-40 OPTIONAL PART: 740E20-40 V91812	002004 006106 108999	1
40	940CW22-10	.	JUMPER ASSY- SUPPLIER CODE: V91812 SPECIFICATION NUMBER: BACJ40AB22-10 OPTIONAL PART: 100222-10 V1FF12 RBEJ40AB22-10 V1GK47	002004 006999	2
45	113N7010-1	.	RETAINER-	002004 006999	2
45	113N7010-2	.	RETAINER-	002004 006999	2
			ATTACHING PARTS		
- 50	BACB30LK06-13	.	BOLT	002004 006999	2
- 55	AN960-6L	.	WASHER	002004 006100 107107 121503 904999	2
- 55	NAS1149FN616P	.	WASHER	101106 108120 504903	2
			-----*-----		
60	BACB30LJ4-5	.	BOLT	002004 006999	3
62	BACB30LJ4-5	.	BOLT	107107	1
65	BACB30LJ4-9	.	BOLT	002004 006999	1

MISSING ITEM NUMBERS NOT APPLICABLE

- ITEM NOT ILLUSTRATED

27-11-21-01

27-11-21  
FIG. 01  
PAGE 4  
JAN 20/09

BRI

 **BOEING**  
757  
**PARTS CATALOG (MAINTENANCE)**

FIG ITEM	PART NUMBER	1 2 3 4 5 6 7	NOMENCLATURE	EFFECT FROM TO	UNITS PER ASSY
1					
70	BACB30LJ4-6	.	BOLT	002004 006999	1
75	AN960-416L	.	WASHER	002004 006100 107107 121503 904999	5
75	NAS1149F0432P	.	WASHER	101106 108120 504903	5
80	113N4002-43	.	RETAINER-BOLT	002004 006100 107107 121503 904999	3
80	113N4002-52	.	RETAINER-BOLT	002004 006999	3
85	113N4002-11	.	RETAINER-BOLT	107107	2
85	113N4002-47	.	RETAINER-BOLT	002004 006999	2
90	NAS6704-17	.	BOLT-	002004 006999	3
95	AN960-416L	.	WASHER-	002004 006100 107107 121503 904999	6
95	NAS1149F0432P	.	WASHER-	101106 108120 504903	6
100	BRH10C4D	.	NUT- SUPPLIER CODE: V52828 SPECIFICATION NUMBER: BACN10JC4CD OPTIONAL PART: T6C428JCD V11815 NS202486-048 V80539 102LH9075-4W V72962 H51650-4BAC V15653	002004 006999	3
105	BACB28AK04-031	.	BUSHING-	002004 006999	3
110	BACB30LE5K31	.	BOLT-	002004 006999	1

MISSING ITEM NUMBERS NOT APPLICABLE

— ITEM NOT ILLUSTRATED

BRI

# 27-11-21-01

BOEING PROPRIETARY - Copyright © - Unpublished Work - See title page for details.

27-11-21  
FIG. 01  
PAGE 5  
JAN 20/09



757

PARTS CATALOG (MAINTENANCE)

FIG ITEM	PART NUMBER	1 2 3 4 5 6 7	NOMENCLATURE	EFFECT FROM TO	UNITS PER ASSY	
1						
115	BACB30LE5K33	.	BOLT-	002004 006999	1	
120	BACW10BP5CD	.	WASHER-	002004 006999	2	
125	AN960-516L	.	WASHER-	002004 006100 107107 121503 904999	2	
125	NAS1149F0532P	.	WASHER-	101106 108120 504903 002004 006999	2	
130	BH00303CM5	.	NUT- SUPPLIER CODE: V27238 SPECIFICATION NUMBER: BACN10HR5CD OPTIONAL PART: H51560-5 V15653 67832CD524 V56878 102LH9031-5 V72962 SL7108C524 V11815 BMN5024CWD35 V97928 SL7108C5 V11815 VCU0005D5 V06710 102LH90315 V72962 BMN10HRCWD3-5 V97928 67832CD5 V56878 CR6030-5 VF0224 67832CD5 V56878			2
135	BACB28AK05-041	.	BUSHING-	002004 006999	2	
140	113N7100-33	.	AILERON ASSY- POSITION DATA: LH SIDE COMPONENT MAINT MANUAL REF: 57-60-21	002004 006017 107107 121503 904999	1	

MISSING ITEM NUMBERS NOT APPLICABLE

- ITEM NOT ILLUSTRATED

BRI

27-11-21-01

BOEING PROPRIETARY - Copyright © - Unpublished Work - See title page for details.

27-11-21  
FIG. 01  
PAGE 6  
JAN 20/09



757

PARTS CATALOG (MAINTENANCE)

FIG ITEM	PART NUMBER	1 2 3 4 5 6 7	NOMENCLATURE	EFFECT FROM TO	UNITS PER ASSY
1					
140	113N7100-37		.AILERON ASSY- POSITION DATA: LH SIDE COMPONENT MAINT MANUAL REF: 57-60-21	002004 006017 107107 121503 904999	1
140	113N7100-51		.AILERON ASSY- POSITION DATA: LH SIDE COMPONENT MAINT MANUAL REF: 57-60-21 POST SERVICE BULLETIN: 51-0006	002004 006017 107107 121503 904999	1
141	113N7100-57SP		.AILERON ASSY- POSITION DATA: LH SIDE COMPONENT MAINT MANUAL REF: 57-60-21	002004 006017 107107 121503 904999	1
141	113N7100-59SP		.AILERON ASSY- POSITION DATA: LH SIDE COMPONENT MAINT MANUAL REF: 57-60-21	002004 006017 107107 121503 904999	1
141	113N7100-63SP		.AILERON ASSY- POSITION DATA: LH SIDE COMPONENT MAINT MANUAL REF: 57-60-21 QUALIFIED I/W DATA: 113N7100-63SP CAN REPLACE BUT NOT BE REPLACED BY 113N7100-55 AND FINISH IS DIFFERENT	002004 006102 107999	1
141	113N7100-65SP		.AILERON ASSY- POSITION DATA: LH SIDE COMPONENT MAINT MANUAL REF: 57-60-21	002004 006102 107999	1
141	113N7100-71SP		.AILERON ASSY- POSITION DATA: LH SIDE COMPONENT MAINT MANUAL REF: 57-60-21	002004 006102 107999	1
141	113N7100-73		.AILERON ASSY- POSITION DATA: LH	103106	1

MISSING ITEM NUMBERS NOT APPLICABLE

- ITEM NOT ILLUSTRATED

27-11-21-01

27-11-21  
FIG. 01  
PAGE 7  
JAN 20/09

BRI

BOEING PROPRIETARY - Copyright © - Unpublished Work - See title page for details.



757

PARTS CATALOG (MAINTENANCE)

FIG ITEM	PART NUMBER	1 2 3 4 5 6 7	NOMENCLATURE	EFFECT FROM TO	UNITS PER ASSY
1					
141	113N7100-73SP		.AILERON ASSY- POSITION DATA: LH SIDE COMPONENT MAINT MANUAL REF: 57-60-21	002004 006102 107999	1
- 145	113N7100-34		.AILERON ASSY- POSITION DATA: RH SIDE COMPONENT MAINT MANUAL REF: 57-60-21	002004 006017 107107 121503 904999	1
- 145	113N7100-38		.AILERON ASSY- POSITION DATA: RH SIDE COMPONENT MAINT MANUAL REF: 57-60-21	002004 006017 107107 121503 904999	1
- 145	113N7100-52		.AILERON ASSY- POSITION DATA: RH SIDE COMPONENT MAINT MANUAL REF: 57-60-21 POST SERVICE BULLETIN: 51-0006	002004 006017 107107 121503 904999	1
- 146	113N7100-58SP		.AILERON ASSY- POSITION DATA: RH SIDE COMPONENT MAINT MANUAL REF: 57-60-21	002004 006017 107107 121503 904999	1
- 146	113N7100-60SP		.AILERON ASSY- POSITION DATA: RH SIDE COMPONENT MAINT MANUAL REF: 57-60-21	002004 006017 107107 121503 904999	1
- 146	113N7100-64SP		.AILERON ASSY- POSITION DATA: RH SIDE COMPONENT MAINT MANUAL REF: 57-60-21 QUALIFIED I/W DATA: 113N7100-64SP CAN REPLACE BUT NOT BE REPLACED BY 113N7100-56 AND FINISH IS DIFFERENT	002004 006102 107999	1
- 146	113N7100-66SP		.AILERON ASSY- POSITION DATA: RH SIDE COMPONENT MAINT MANUAL REF: 57-60-21	002004 006102 107999	1

MISSING ITEM NUMBERS NOT APPLICABLE

- ITEM NOT ILLUSTRATED

27-11-21-01

27-11-21  
FIG. 01  
PAGE 8  
JAN 20/09

BRI



757

PARTS CATALOG (MAINTENANCE)

FIG ITEM	PART NUMBER	1 2 3 4 5 6 7	NOMENCLATURE	EFFECT FROM TO	UNITS PER ASSY
1					
- 146	113N7100-72SP		.AILERON ASSY- POSITION DATA: RH SIDE COMPONENT MAINT MANUAL REF: 57-60-21	002004 006102 107999	1
- 146	113N7100-74		.AILERON ASSY- POSITION DATA: RH SIDE	103106	1
- 146	113N7100-74SP		.AILERON ASSY- POSITION DATA: RH SIDE COMPONENT MAINT MANUAL REF: 57-60-21	002004 006102 107999	1
150	16820		..BASE-STATIC DISCHARGER SUPPLIER CODE: V55635 OPTIONAL PART: 16700 V55635 81-2216 V99321 81-2216-1 V99321	103106	4
150	16700		..BASE-STATIC DISCHARGER SUPPLIER CODE: V55635 OPTIONAL PART: 16820 V55635 81-2216 V99321 81-2216-1 V99321	103106	4
150	81-2216		..BASE-STATIC DISCHARGER SUPPLIER CODE: V99321 OPTIONAL PART: 81-2216-1 V99321 16820 V55635 16700 V55635	103106	4

MISSING ITEM NUMBERS NOT APPLICABLE

- ITEM NOT ILLUSTRATED

BRI

27-11-21-01

BOEING PROPRIETARY - Copyright © - Unpublished Work - See title page for details.

27-11-21  
FIG. 01  
PAGE 9  
JAN 20/09



757

PARTS CATALOG (MAINTENANCE)

FIG ITEM	PART NUMBER	1 2 3 4 5 6 7	NOMENCLATURE	EFFECT FROM TO	UNITS PER ASSY
1 150	81-2216-1		..BASE-STATIC DISCHARGER SUPPLIER CODE: V99321 OPTIONAL PART: 81-2216 V99321 16820 V55635 16700 V55635	103106	4
150	16820		..BASE-STATIC DISCHARGER SUPPLIER CODE: V55635 OPTIONAL PART: 16700 V55635 80-1812 V99321 81-2216 V99321 81-2216-1 V99321	002004 006102 107999	4
150	16700		..BASE-STATIC DISCHARGER SUPPLIER CODE: V55635 OPTIONAL PART: 16820 V55635 80-1812 V99321 81-2216 V99321 81-2216-1 V99321	002004 006102 107999	4

MISSING ITEM NUMBERS NOT APPLICABLE

- ITEM NOT ILLUSTRATED

BRI

27-11-21-01

BOEING PROPRIETARY - Copyright © - Unpublished Work - See title page for details.

27-11-21  
FIG. 01  
PAGE 10  
JAN 20/09





757

PARTS CATALOG (MAINTENANCE)

FIG ITEM	PART NUMBER	1 2 3 4 5 6 7	NOMENCLATURE	EFFECT FROM TO	UNITS PER ASSY
1 150	81-2216		..BASE-STATIC DISCHARGER SUPPLIER CODE: V99321 OPTIONAL PART: 81-2216-1 V99321 16820 V55635 16700 V55635 USED ON: 113N7100-57SP 113N7100-58SP 113N7100-59SP 113N7100-60SP 113N7100-63SP 113N7100-64SP 113N7100-65SP 113N7100-66SP 113N7100-71SP 113N7100-72SP 113N7100-73SP 113N7100-74SP	002004 006102 107999	4
150	81-2216-1		..BASE-STATIC DISCHARGER SUPPLIER CODE: V99321 OPTIONAL PART: 81-2216 V99321 16820 V55635 16700 V55635 USED ON: 113N7100-57SP 113N7100-58SP 113N7100-59SP 113N7100-60SP 113N7100-63SP 113N7100-64SP 113N7100-65SP 113N7100-66SP 113N7100-71SP 113N7100-72SP 113N7100-73SP 113N7100-74SP	002004 006102 107999	4

MISSING ITEM NUMBERS NOT APPLICABLE

- ITEM NOT ILLUSTRATED

BRI

27-11-21-01

BOEING PROPRIETARY - Copyright © - Unpublished Work - See title page for details.

27-11-21  
FIG. 01  
PAGE 11  
JAN 20/09



757

PARTS CATALOG (MAINTENANCE)

FIG ITEM	PART NUMBER	1 2 3 4 5 6 7	NOMENCLATURE	EFFECT FROM TO	UNITS PER ASSY
1 150	80-1812		..BASE-STATIC DISCHARGER SUPPLIER CODE: V99321 OPTIONAL PART: 16820 V55635 16700 V55635 USED ON: 113N7100-1 113N7100-2 113N7100-25 113N7100-26 113N7100-29 113N7100-30 113N7100-33 113N7100-34 113N7100-37 113N7100-38 ATTACHING PARTS	002004 006017 107107 121503 904999	4
- 155	BACS12ER08K5		..SCREW	002004 006999	16
157	SL618-08CSP2		..INSERT- SUPPLIER CODE: V97393 OPTIONAL PART: SL618-08CSP4 V97393	103106	16
157	SL618-08CSP4		..INSERT- SUPPLIER CODE: V97393 OPTIONAL PART: SL618-08CSP2 V97393	103106	16
157	SL618-08CSP2		-----*----- ..INSERT- SUPPLIER CODE: V97393 OPTIONAL PART: SL618-08CSP4 V97393	002004 006102 107999	16

MISSING ITEM NUMBERS NOT APPLICABLE

- ITEM NOT ILLUSTRATED

BRI

27-11-21-01

BOEING PROPRIETARY - Copyright © - Unpublished Work - See title page for details.

27-11-21  
FIG. 01  
PAGE 12  
JAN 20/09



757

PARTS CATALOG (MAINTENANCE)

FIG ITEM	PART NUMBER	1 2 3 4 5 6 7	NOMENCLATURE	EFFECT FROM TO	UNITS PER ASSY
1 157	SL618-08CSP4		.. INSERT- SUPPLIER CODE: V97393 OPTIONAL PART: SL618-08CSP2 V97393 USED ON: 113N7100-71SP 113N7100-72SP 113N7100-73SP 113N7100-74SP	002004 006102 107999	16
160	113N7106-1		.. WEIGHT-ADJUSTMENT	002004 006999	AR
165	113N7106-2		.. WEIGHT-ADJUSTMENT	002004 006999	AR
170	BACB30LE3K26		.. BOLT	002004 006999	4
172	BACB30LE3K29		.. BOLT	002004 006999	4
175	BACW10CT6		.. WASHER	002004 006999	8
177	NAS620-10		.. WASHER	002004 006999	8
180	NAS1805-3N		.. NUT	002004 006999	8
182	113N7106-1		.. WEIGHT-ADJUSTMENT	002004 006999	AR
185	113N7208-1		.. WEIGHT-BAL	002004 006999	3
187	113N7208-11		.. WEIGHT-BAL POSITION DATA: LH SIDE	002004 006999	1
- 190	113N7208-12		.. WEIGHT-BAL POSITION DATA: RH SIDE	002004 006999	1
192	BACB30VF3K4		.. BOLT-	103106	6

MISSING ITEM NUMBERS NOT APPLICABLE

- ITEM NOT ILLUSTRATED

BRI

27-11-21-01

BOEING PROPRIETARY - Copyright © - Unpublished Work - See title page for details.

27-11-21  
FIG. 01  
PAGE 13  
JAN 20/09



757

PARTS CATALOG (MAINTENANCE)

FIG ITEM	PART NUMBER	1 2 3 4 5 6 7	NOMENCLATURE	EFFECT FROM TO	UNITS PER ASSY
1 192	BACB30NU3K4		..BOLT- USED ON: 113N7100-1 113N7100-2 113N7100-25 113N7100-26 113N7100-29 113N7100-30 113N7100-33 113N7100-34 113N7100-37 113N7100-38 113N7100-51 113N7100-52 113N7100-57SP 113N7100-58SP 113N7100-59SP 113N7100-60SP 113N7100-63SP 113N7100-64SP 113N7100-65SP 113N7100-66SP	002004 006102 107999	6
192	BACB30VF3K4		..BOLT- USED ON: 113N7100-71SP 113N7100-72SP 113N7100-73SP 113N7100-74SP	002004 006102 107999	6
195	BACB30VF3K5		..BOLT-	103106	12

MISSING ITEM NUMBERS NOT APPLICABLE

- ITEM NOT ILLUSTRATED

BRI

27-11-21-01

BOEING PROPRIETARY - Copyright © - Unpublished Work - See title page for details.

27-11-21  
FIG. 01  
PAGE 14  
JAN 20/09



757

PARTS CATALOG (MAINTENANCE)

FIG ITEM	PART NUMBER	1 2 3 4 5 6 7	NOMENCLATURE	EFFECT FROM TO	UNITS PER ASSY
1					
195	BACB30NU3K5		..BOLT- USED ON: 113N7100-1 113N7100-2 113N7100-25 113N7100-26 113N7100-29 113N7100-30 113N7100-33 113N7100-34 113N7100-37 113N7100-38 113N7100-51 113N7100-52 113N7100-57SP 113N7100-58SP 113N7100-59SP 113N7100-60SP 113N7100-63SP 113N7100-64SP 113N7100-65SP 113N7100-66SP	002004 006102 107999	12
195	BACB30VF3K5		..BOLT- USED ON: 113N7100-71SP 113N7100-72SP 113N7100-73SP 113N7100-74SP	002004 006102 107999	12
197	AN960KD10L		..WASHER	002004 006999	6
200	AN960KD10L		..WASHER- OPTIONAL PART: BACW10AU3 USED WITH: NAS1805-3N	002004 006999	12

MISSING ITEM NUMBERS NOT APPLICABLE

- ITEM NOT ILLUSTRATED

BRI

27-11-21-01

BOEING PROPRIETARY - Copyright © - Unpublished Work - See title page for details.

27-11-21  
FIG. 01  
PAGE 15  
JAN 20/09



757

PARTS CATALOG (MAINTENANCE)

FIG ITEM	PART NUMBER	1 2 3 4 5 6 7	NOMENCLATURE	EFFECT FROM TO	UNITS PER ASSY
1 200	AS46-3		.. WASHER- SUPPLIER CODE: V10630 SPECIFICATION NUMBER: BACW10AU3 OPTIONAL PART: K19701P3 V15653 53488W1032 V56878 6073-0 V72962 TLN1020L3W V08524 AN960KD10L USED WITH: BACN10MT3	002004 006999	12
202	NAS1805-3N		.. NUT- QUALIFIED OPTIONAL DATA: (BACN10JR3CFM WITH BACR15BB3AD OPTIONAL TO NAS1805-3N)	002004 006999	6
205	NAS1805-3N		.. NUT- QUALIFIED OPTIONAL DATA: (BACN10JR3CM WITH BACR15BB3AD OPTIONAL TO NAS1805-3N) OPTIONAL PART: BACN10MT3 USED WITH: AN960KD10L	002004 006999	12
205	H19700P3		.. NUT- SUPPLIER CODE: V15653 SPECIFICATION NUMBER: BACN10MT3 OPTIONAL PART: 52LH6073-02 V72962 TLN1020L3N V97928 53488N1032 V56878 NAS1805-3N USED WITH: BACN10AU3	002004 006999	12

MISSING ITEM NUMBERS NOT APPLICABLE

- ITEM NOT ILLUSTRATED

BRI

27-11-21-01

27-11-21  
FIG. 01  
PAGE 16  
JAN 20/09



757

PARTS CATALOG (MAINTENANCE)

FIG ITEM	PART NUMBER	1 2 3 4 5 6 7	NOMENCLATURE	EFFECT FROM TO	UNITS PER ASSY
1 207	BRF200C3M		..NUTPLATE- SUPPLIER CODE: V52828 SPECIFICATION NUMBER: BACN10JR3CFM OPTIONAL PART: F5001-3BAC V15653 NS103203SE02 V80539 VN152D1-02 V92215 109F9201-3 V72962 T8092C1032 V11815 QUALIFIED OPTIONAL DATA: (BACN10JR3CFM WITH BACR15BB3AD OPTIONAL TO NAS1805-3N)	002004 006999	6
- 210	BACR15BB3AD		ATTACHING PARTS ..RIVET- SIZE DETERMINED ON INSTL. QUALIFIED OPTIONAL DATA: (BACN10JR3CFM WITH BACR15BB3AD OPTIONAL TO NAS1805-3N)	002004 006999	12
212	BRF200C3M		-----*----- ..NUTPLATE- SUPPLIER CODE: V52828 SPECIFICATION NUMBER: BACN10JR3CFM OPTIONAL PART: F5001-3BAC V15653 NS103203SE02 V80539 VN152D1-02 V92215 109F9201-3 V72962 T8092C1032 V11815 QUALIFIED OPTIONAL DATA: (BACN10JR3CFM WITH BACR15BB3AD OPTIONAL TO NAS1805-3N)	002004 006999	12

MISSING ITEM NUMBERS NOT APPLICABLE

- ITEM NOT ILLUSTRATED

BRI

27-11-21-01

27-11-21  
FIG. 01  
PAGE 17  
JAN 20/09



757

PARTS CATALOG (MAINTENANCE)

FIG ITEM	PART NUMBER	1 2 3 4 5 6 7	NOMENCLATURE	EFFECT FROM TO	UNITS PER ASSY
1			ATTACHING PARTS		
- 215	BACR15BB3AD		..RIVET- SIZE DETERMINED ON INSTL. QUALIFIED OPTIONAL DATA: (BACN10JR3CFM WITH BACR15BB3AD OPTIONAL TO NAS1805-3N) -----*-----	002004 006999	24
217	BACS40R005B024F		..SHIM-	103106	3
217	BACS40R05B24F		..SHIM- USED ON: 113N7100-1 113N7100-2 113N7100-25 113N7100-26 113N7100-29 113N7100-30 113N7100-33 113N7100-34 113N7100-37 113N7100-38 113N7100-51 113N7100-52 113N7100-57SP 113N7100-58SP 113N7100-59SP 113N7100-60SP 113N7100-63SP 113N7100-64SP 113N7100-65SP 113N7100-66SP	002004 006102 107999	3
217	BACS40R005B024F		..SHIM- USED ON: 113N7100-71SP 113N7100-72SP 113N7100-73SP 113N7100-74SP	002004 006102 107999	3
220	BACS40R007B024F		..SHIM-	103106	3

MISSING ITEM NUMBERS NOT APPLICABLE

- ITEM NOT ILLUSTRATED

BRI

27-11-21-01

27-11-21  
FIG. 01  
PAGE 18  
JAN 20/09





757

PARTS CATALOG (MAINTENANCE)

FIG ITEM	PART NUMBER	1 2 3 4 5 6 7	NOMENCLATURE	EFFECT FROM TO	UNITS PER ASSY
1					
220	BACS40R07B24F	..	SHIM- USED ON: 113N7100-1 113N7100-2 113N7100-25 113N7100-26 113N7100-29 113N7100-30 113N7100-33 113N7100-34 113N7100-37 113N7100-38 113N7100-51 113N7100-52 113N7100-57SP 113N7100-58SP 113N7100-59SP 113N7100-60SP 113N7100-63SP 113N7100-64SP 113N7100-65SP 113N7100-66SP	002004 006102 107999	3
220	BACS40R007B024F	..	SHIM- USED ON: 113N7100-71SP 113N7100-72SP 113N7100-73SP 113N7100-74SP	002004 006102 107999	3
222	113N7207-2	..	BEAM	002004 006999	1
225	BACB30LE3K13	..	BOLT	002004 006999	1
227	BACB30LE3K25	..	BOLT	002004 006999	1
230	BACB30LE3K26	..	BOLT	002004 006999	3
232	BACB30LE3K30	..	BOLT	002004 006999	3
235	BACW10CT6	..	WASHER	002004 006999	8
237	NAS620-10	..	WASHER	002004 006999	8
240	NAS1805-3L	..	NUT-	103106	8

MISSING ITEM NUMBERS NOT APPLICABLE

- ITEM NOT ILLUSTRATED

27-11-21-01

27-11-21  
FIG. 01  
PAGE 19  
JAN 20/09

BRI

BOEING PROPRIETARY - Copyright © - Unpublished Work - See title page for details.



757

PARTS CATALOG (MAINTENANCE)

FIG ITEM	PART NUMBER	1 2 3 4 5 6 7	NOMENCLATURE	EFFECT FROM TO	UNITS PER ASSY
1 240	NAS1805-3N		..NUT- USED ON: 113N7100-1 113N7100-2 113N7100-25 113N7100-26 113N7100-29 113N7100-30 113N7100-33 113N7100-34 113N7100-37 113N7100-38 113N7100-51 113N7100-52 113N7100-57SP 113N7100-58SP 113N7100-59SP 113N7100-60SP 113N7100-63SP 113N7100-64SP	002004 006102 107999	8
240	NAS1805-3L		..NUT- USED ON: 113N7100-65SP 113N7100-66SP 113N7100-71SP 113N7100-72SP 113N7100-73SP 113N7100-74SP	002004 006102 107999	8
242	113N7106-2		..WEIGHT-ADJUSTMENT	002004 006999	AR
245	113N7208-14		..WEIGHT-BAL	103106	1

MISSING ITEM NUMBERS NOT APPLICABLE

- ITEM NOT ILLUSTRATED

BRI

27-11-21-01

BOEING PROPRIETARY - Copyright © - Unpublished Work - See title page for details.

27-11-21  
FIG. 01  
PAGE 20  
JAN 20/09



757

PARTS CATALOG (MAINTENANCE)

FIG ITEM	PART NUMBER	1 2 3 4 5 6 7	NOMENCLATURE	EFFECT FROM TO	UNITS PER ASSY
1 245	113N7208-2		..WEIGHT-BAL OPTIONAL PART: 113N7208-14 USED ON: 113N7100-1 113N7100-2 113N7100-25 113N7100-26 113N7100-29 113N7100-30 113N7100-33 113N7100-34 113N7100-37 113N7100-38 113N7100-51 113N7100-52 113N7100-57SP 113N7100-58SP 113N7100-59SP 113N7100-60SP	002004 006017 107107 121503 904999	1
245	113N7208-14		..WEIGHT-BAL OPTIONAL PART: 113N7208-2 USED ON: 113N7100-57SP 113N7100-58SP 113N7100-63SP 113N7100-64SP 113N7100-65SP 113N7100-66SP 113N7100-71SP 113N7100-72SP 113N7100-73SP 113N7100-74SP	002004 006102 107999	1
247	113N7208-15		..WEIGHT-BAL POSITION DATA: LH SIDE	103106	1

MISSING ITEM NUMBERS NOT APPLICABLE

- ITEM NOT ILLUSTRATED

BRI

27-11-21-01

BOEING PROPRIETARY - Copyright © - Unpublished Work - See title page for details.

27-11-21  
FIG. 01  
PAGE 21  
JAN 20/09



757

PARTS CATALOG (MAINTENANCE)

FIG ITEM	PART NUMBER	1 2 3 4 5 6 7	NOMENCLATURE	EFFECT FROM TO	UNITS PER ASSY
1 247	113N7208-5		..WEIGHT-BAL POSITION DATA: LH SIDE OPTIONAL PART: 113N7208-15 USED ON: 113N7100-1 113N7100-25 113N7100-29 113N7100-33 113N7100-37 113N7100-51 113N7100-57SP 113N7100-59SP	002004 006017 107107 121503 904999	1
247	113N7208-15		..WEIGHT-BAL POSITION DATA: LH SIDE OPTIONAL PART: 113N7208-5 USED ON: 113N7100-57SP 113N7100-63SP 113N7100-65SP 113N7100-71SP 113N7100-73SP	002004 006102 107999	1
- 250	113N7208-16		..WEIGHT-BAL POSITION DATA: RH SIDE	103106	1
- 250	113N7208-6		..WEIGHT-BAL POSITION DATA: RH SIDE OPTIONAL PART: 113N7208-16 USED ON: 113N7100-2 113N7100-26 113N7100-30 113N7100-34 113N7100-38 113N7100-52 113N7100-58SP 113N7100-60SP	002004 006017 107107 121503 904999	1

MISSING ITEM NUMBERS NOT APPLICABLE

- ITEM NOT ILLUSTRATED

BRI

27-11-21-01

BOEING PROPRIETARY - Copyright © - Unpublished Work - See title page for details.

27-11-21  
FIG. 01  
PAGE 22  
JAN 20/09



757

PARTS CATALOG (MAINTENANCE)

FIG ITEM	PART NUMBER	1 2 3 4 5 6 7	NOMENCLATURE	EFFECT FROM TO	UNITS PER ASSY
1					
- 250	113N7208-16	..	WEIGHT-BAL POSITION DATA: RH SIDE OPTIONAL PART: 113N7208-6 USED ON: 113N7100-58SP 113N7100-64SP 113N7100-66SP 113N7100-72SP 113N7100-74SP	002004 006102 107999	1
252	113N7208-7	..	WEIGHT-BAL POSITION DATA: LH SIDE	002004 006999	1
- 255	113N7208-8	..	WEIGHT-BAL POSITION DATA: RH SIDE	002004 006999	1
257	113N7208-17	..	WEIGHT-BAL POSITION DATA: LH SIDE	103106	1
257	113N7208-9	..	WEIGHT-BAL POSITION DATA: LH SIDE OPTIONAL PART: 113N7208-17 USED ON: 113N7100-1 113N7100-25 113N7100-29 113N7100-33 113N7100-37 113N7100-51 113N7100-57SP 113N7100-59SP	002004 006017 107107 121503 904999	1
257	113N7208-17	..	WEIGHT-BAL POSITION DATA: LH SIDE OPTIONAL PART: 113N7208-9 USED ON: 113N7100-57SP 113N7100-63SP 113N7100-65SP 113N7100-71SP 113N7100-73SP	002004 006102 107999	1
- 260	113N7208-18	..	WEIGHT-BAL POSITION DATA: RH SIDE	103106	1

MISSING ITEM NUMBERS NOT APPLICABLE

- ITEM NOT ILLUSTRATED

BRI

27-11-21-01

27-11-21  
FIG. 01  
PAGE 23  
JAN 20/09



757

PARTS CATALOG (MAINTENANCE)

FIG ITEM	PART NUMBER	1 2 3 4 5 6 7	NOMENCLATURE	EFFECT FROM TO	UNITS PER ASSY
1					
- 260	113N7208-10		..WEIGHT-BAL POSITION DATA: RH SIDE OPTIONAL PART: 113N7208-18 USED ON: 113N7100-2 113N7100-26 113N7100-30 113N7100-34 113N7100-38 113N7100-52 113N7100-58SP 113N7100-60SP	002004 006017 107107 121503 904999	1
- 260	113N7208-18		..WEIGHT-BAL POSITION DATA: RH SIDE OPTIONAL PART: 113N7208-10 USED ON: 113N7100-58SP 113N7100-64SP 113N7100-66SP 113N7100-72SP 113N7100-74SP	002004 006102 107999	1
262	BACB30VF3K4		..BOLT	103106	6
262	BACB30NU3K4		..BOLT- USED ON: 113N7100-1 113N7100-2 113N7100-25 113N7100-26 113N7100-29 113N7100-30 113N7100-33 113N7100-34 113N7100-37 113N7100-38 113N7100-51 113N7100-52 113N7100-57SP 113N7100-58SP 113N7100-59SP 113N7100-60SP 113N7100-63SP 113N7100-64SP 113N7100-65SP 113N7100-66SP	002004 006102 107999	6

MISSING ITEM NUMBERS NOT APPLICABLE

- ITEM NOT ILLUSTRATED

27-11-21-01

27-11-21  
FIG. 01  
PAGE 24  
JAN 20/09

BRI



757

PARTS CATALOG (MAINTENANCE)

FIG ITEM	PART NUMBER	1 2 3 4 5 6 7	NOMENCLATURE	EFFECT FROM TO	UNITS PER ASSY
1					
262	BACB30VF3K4	..	BOLT- USED ON: 113N7100-71SP 113N7100-72SP 113N7100-73SP 113N7100-74SP	002004 006102 107999	6
265	BACB30VF3K5	..	BOLT	103106	12
265	BACB30NU3K5	..	BOLT- USED ON: 113N7100-1 113N7100-2 113N7100-25 113N7100-26 113N7100-29 113N7100-30 113N7100-33 113N7100-34 113N7100-37 113N7100-38 113N7100-51 113N7100-52 113N7100-57SP 113N7100-58SP 113N7100-59SP 113N7100-60SP 113N7100-63SP 113N7100-64SP 113N7100-65SP 113N7100-66SP	002004 006102 107999	12
265	BACB30VF3K5	..	BOLT- USED ON: 113N7100-71SP 113N7100-72SP 113N7100-73SP 113N7100-74SP	002004 006102 107999	12
267	AN960KD10L	..	WASHER- USED WITH: BACB30NU3K4 BACB30VF3K4	002004 006999	6
270	AN960KD10L	..	WASHER- OPTIONAL PART: BACW10AU3 USED WITH: BACB30NU3K5 BACB30VF3K5	002004 006999	12

MISSING ITEM NUMBERS NOT APPLICABLE

- ITEM NOT ILLUSTRATED

27-11-21-01

27-11-21  
FIG. 01  
PAGE 25  
JAN 20/09

BRI

BOEING PROPRIETARY - Copyright © - Unpublished Work - See title page for details.



757

PARTS CATALOG (MAINTENANCE)

FIG ITEM	PART NUMBER	1 2 3 4 5 6 7	NOMENCLATURE	EFFECT FROM TO	UNITS PER ASSY
1 270	AS46-3		.. WASHER- SUPPLIER CODE: V10630 SPECIFICATION NUMBER: BACW10AU3 OPTIONAL PART: K19701P3 V15653 53488W1032 V56878 6073-0 V72962 TLN1020L3W V08524 AN960KD10L USED WITH: BACB30NU3K5 BACB30VF3K5	002004 006999	12
272	NAS1805-3N		.. NUT- QUALIFIED OPTIONAL DATA: (BACN10JR3CFM WITH BACR15BB3AD OPTIONAL NAS1805-3N)	002004 006999	6
275	NAS1805-3N		.. NUT- QUALIFIED OPTIONAL DATA: (BACN10JR3CFM WITH BACR15BB3AD OPTIONAL NAS1805-3N) OPTIONAL PART: BACN10MT3 USED WITH: BACB30NU3K5 BACB30VF3K5	002004 006999	12
275	H19700P3		.. NUT- SUPPLIER CODE: V15653 SPECIFICATION NUMBER: BACN10MT3 OPTIONAL PART: 52LH6073-02 V72962 TLN1020L3N V97928 53488N1032 V56878 NAS1805-3N	002004 006999	12

MISSING ITEM NUMBERS NOT APPLICABLE

- ITEM NOT ILLUSTRATED

27-11-21-01

27-11-21  
FIG. 01  
PAGE 26  
JAN 20/09

BRI





757

PARTS CATALOG (MAINTENANCE)

FIG ITEM	PART NUMBER	1 2 3 4 5 6 7	NOMENCLATURE	EFFECT FROM TO	UNITS PER ASSY
1 277	BRF200C3M		..NUTPLATE- SUPPLIER CODE: V52828 SPECIFICATION NUMBER: BACN10JR3CFM OPTIONAL PART: F5001-3BAC V15653 NS103203SE02 V80539 VN152D1-02 V92215 109F9201-3 V72962 T8092C1032 V11815 QUALIFIED OPTIONAL DATA: (BACN10JR3CFM WITH BACR15BB3AD OPTIONAL TO NAS1805-3N)	002004 006999	6
280	BRF200C3M		..NUTPLATE- SUPPLIER CODE: V52828 SPECIFICATION NUMBER: BACN10JR3CFM OPTIONAL PART: F5001-3BAC V15653 NS103203SE02 V80539 VN152D1-02 V92215 109F9201-3 V72962 T8092C1032 V11815 QUALIFIED OPTIONAL DATA: (BACN10JR3CFM WITH BACR15BB3AD OPTIONAL TO NAS1805-3N)	002004 006999	12
282	BACR15BB3AD		..RIVET- SIZE DETERMINED ON INSTL. QUALIFIED OPTIONAL DATA: (BACN10JR3CFM WITH BACR15BB3AD OPTIONAL TO NAS1805-3N)	002004 006999	12

MISSING ITEM NUMBERS NOT APPLICABLE

- ITEM NOT ILLUSTRATED

BRI

27-11-21-01

27-11-21  
FIG. 01  
PAGE 27  
JAN 20/09



757

PARTS CATALOG (MAINTENANCE)

FIG ITEM	PART NUMBER	1 2 3 4 5 6 7	NOMENCLATURE	EFFECT FROM TO	UNITS PER ASSY
1 285	BACR15BB3AD	..	RIVET- SIZE DETERMINED ON INSTL. QUALIFIED OPTIONAL DATA: (BACN10JR3CFM WITH BACR15BB3AD OPTIONAL TO NAS1805-3N)	002004 006999	24
287	BACS40R006B024F	..	SHIM	103106	3
287	BACS40R06B24F	..	SHIM- USED ON: 113N7100-1 113N7100-2 113N7100-25 113N7100-26 113N7100-29 113N7100-30 113N7100-33 113N7100-34 113N7100-37 113N7100-38 113N7100-51 113N7100-52 113N7100-57SP 113N7100-58SP 113N7100-59SP 113N7100-60SP 113N7100-63SP 113N7100-64SP 113N7100-65SP 113N7100-66SP	002004 006102 107999	3
287	BACS40R006B024F	..	SHIM- USED ON: 113N7100-71SP 113N7100-72SP 113N7100-73SP 113N7100-74SP	002004 006102 107999	3
290	BACS40R007B024F	..	SHIM	103106	3

MISSING ITEM NUMBERS NOT APPLICABLE

- ITEM NOT ILLUSTRATED

BRI

27-11-21-01

27-11-21  
FIG. 01  
PAGE 28  
JAN 20/09



757

PARTS CATALOG (MAINTENANCE)

FIG ITEM	PART NUMBER	1 2 3 4 5 6 7	NOMENCLATURE	EFFECT FROM TO	UNITS PER ASSY
1 290	BACS40R07B24F	..	SHIM- USED ON: 113N7100-1 113N7100-2 113N7100-25 113N7100-26 113N7100-29 113N7100-30 113N7100-33 113N7100-34 113N7100-37 113N7100-38 113N7100-51 113N7100-52 113N7100-57SP 113N7100-58SP 113N7100-59SP 113N7100-60SP 113N7100-63SP 113N7100-64SP 113N7100-65SP 113N7100-66SP	002004 006102 107999	3
290	BACS40R007B024F	..	SHIM- USED ON: 113N7100-71SP 113N7100-72SP 113N7100-73SP 113N7100-74SP	002004 006102 107999	3
292	113N7207-3	..	BEAM- POSITION DATA: LH SIDE	002004 006999	1
- 295	113N7207-4	..	BEAM- POSITION DATA: RH SIDE	002004 006999	1
297	BACB30VL6-350	..	BOLT-	103106	2

MISSING ITEM NUMBERS NOT APPLICABLE

- ITEM NOT ILLUSTRATED

BRI

27-11-21-01

BOEING PROPRIETARY - Copyright © - Unpublished Work - See title page for details.

27-11-21  
FIG. 01  
PAGE 29  
JAN 20/09



757

PARTS CATALOG (MAINTENANCE)

FIG ITEM	PART NUMBER	1 2 3 4 5 6 7	NOMENCLATURE	EFFECT FROM TO	UNITS PER ASSY
1 297	PLT270-6-3		..BOLT- SUPPLIER CODE: V92215 USED ON: 113N7100-1 113N7100-2 113N7100-25 113N7100-26 113N7100-29 113N7100-30 113N7100-33 113N7100-34 113N7100-37 113N7100-38 113N7100-51 113N7100-52 113N7100-57SP 113N7100-58SP	002004 006017 107107 121503 904999	2
297	BACB30VL6-350		..BOLT- USED ON: 113N7100-59SP 113N7100-60SP 113N7100-63SP 113N7100-64SP 113N7100-65SP 113N7100-66SP 113N7100-71SP 113N7100-72SP 113N7100-73SP 113N7100-74SP	002004 006102 107999	2
300	BACB30VF3K3		..BOLT-	103106	2

MISSING ITEM NUMBERS NOT APPLICABLE

- ITEM NOT ILLUSTRATED

BRI

27-11-21-01

BOEING PROPRIETARY - Copyright © - Unpublished Work - See title page for details.

27-11-21  
FIG. 01  
PAGE 30  
JAN 20/09



757

PARTS CATALOG (MAINTENANCE)

FIG ITEM	PART NUMBER	1 2 3 4 5 6 7	NOMENCLATURE	EFFECT FROM TO	UNITS PER ASSY
1 300	BACB30UR3K3		..BOLT- USED ON: 113N7100-1 113N7100-2 113N7100-25 113N7100-26 113N7100-29 113N7100-30 113N7100-33 113N7100-34 113N7100-37 113N7100-38 113N7100-51 113N7100-52 113N7100-57SP 113N7100-58SP 113N7100-59SP 113N7100-60SP 113N7100-63SP 113N7100-64SP	002004 006102 107999	2
300	BACB30VF3K3		..BOLT- USED ON: 113N7100-65SP 113N7100-66SP 113N7100-71SP 113N7100-72SP 113N7100-73SP 113N7100-74SP	002004 006102 107999	2
302	BACB30VF3K4		..BOLT-	103106	1
302	BACB30UR3K4		..BOLT- USED ON: 113N7100-1 113N7100-2 113N7100-25 113N7100-26 113N7100-29 113N7100-30 113N7100-33 113N7100-34 113N7100-37 113N7100-38 113N7100-51 113N7100-52 113N7100-57SP 113N7100-58SP 113N7100-59SP 113N7100-60SP 113N7100-63SP 113N7100-64SP	002004 006102 107999	1

MISSING ITEM NUMBERS NOT APPLICABLE

- ITEM NOT ILLUSTRATED

27-11-21-01

27-11-21  
FIG. 01  
PAGE 31  
JAN 20/09

BRI



757

PARTS CATALOG (MAINTENANCE)

FIG ITEM	PART NUMBER	1 2 3 4 5 6 7	NOMENCLATURE	EFFECT FROM TO	UNITS PER ASSY
1 302	BACB30VF3K4	..	BOLT- USED ON: 113N7100-65SP 113N7100-66SP 113N7100-71SP 113N7100-72SP 113N7100-73SP 113N7100-74SP	002004 006102 107999	1
305	BACB30VF3K5	..	BOLT-	103106	1
305	BACB30UR3K5	..	BOLT- USED ON: 113N7100-1 113N7100-2 113N7100-25 113N7100-26 113N7100-29 113N7100-30 113N7100-33 113N7100-34 113N7100-37 113N7100-38 113N7100-51 113N7100-52 113N7100-57SP 113N7100-58SP 113N7100-59SP 113N7100-60SP 113N7100-63SP 113N7100-64SP	002004 006102 107999	1
305	BACB30VF3K5	..	BOLT- USED ON: 113N7100-65SP 113N7100-66SP 113N7100-71SP 113N7100-72SP 113N7100-73SP 113N7100-74SP	002004 006102 107999	1
307	NAS1149D0332J	..	WASHER-	103106	4

MISSING ITEM NUMBERS NOT APPLICABLE

- ITEM NOT ILLUSTRATED

BRI

27-11-21-01

BOEING PROPRIETARY - Copyright © - Unpublished Work - See title page for details.

27-11-21  
FIG. 01  
PAGE 32  
JAN 20/09



757

PARTS CATALOG (MAINTENANCE)

FIG ITEM	PART NUMBER	1 2 3 4 5 6 7	NOMENCLATURE	EFFECT FROM TO	UNITS PER ASSY
1 307	AN960KD10L		.. WASHER- USED ON: 113N7100-1 113N7100-2 113N7100-25 113N7100-26 113N7100-29 113N7100-30 113N7100-33 113N7100-34 113N7100-37 113N7100-38 113N7100-51 113N7100-52 113N7100-57SP 113N7100-58SP 113N7100-59SP 113N7100-60SP 113N7100-63SP 113N7100-64SP	002004 006102 107999	4
307	NAS1149D0332J		.. WASHER- USED ON: 113N7100-65SP 113N7100-66SP 113N7100-71SP 113N7100-72SP 113N7100-73SP 113N7100-74SP	002004 006102 107999	4
310	BRH10C3D		.. NUT SUPPLIER CODE: V52828 SPECIFICATION NUMBER: BACN10JC3CD OPTIONAL PART: T6C1032JCD V11815 NS202486-02 V80539 102LH9075-3W V72962 H51650-3BAC V15653	002004 006999	4
312	BACS40V008C017		.. SHIM	002004 006999	1
315	BACS40V008C012		.. SHIM	002004 006999	1
317	BACS40V008C019		.. SHIM	002004 006999	1

MISSING ITEM NUMBERS NOT APPLICABLE

- ITEM NOT ILLUSTRATED

27-11-21-01

27-11-21  
FIG. 01  
PAGE 33  
JAN 20/09

BRI



757

PARTS CATALOG (MAINTENANCE)

FIG ITEM	PART NUMBER	1 2 3 4 5 6 7	NOMENCLATURE	EFFECT FROM TO	UNITS PER ASSY
1	320 113N7209-5		..RIB-L.E. POSITION DATA: LH SIDE	002004 006999	1
-	322 113N7209-6		..RIB-L.E. POSITION DATA: RH SIDE	002004 006999	1
	325 BACB30VL6-350		..BOLT-	103106	2
	325 PLT270-6-3		..BOLT- SUPPLIER CODE: V92215 USED ON: 113N7100-1 113N7100-2 113N7100-25 113N7100-26 113N7100-29 113N7100-30 113N7100-33 113N7100-34 113N7100-37 113N7100-38 113N7100-51 113N7100-52 113N7100-57SP 113N7100-58SP	002004 006017 107107 121503 904999	2
	325 BACB30VL6-350		..BOLT- USED ON: 113N7100-59SP 113N7100-60SP 113N7100-63SP 113N7100-64SP 113N7100-65SP 113N7100-66SP 113N7100-71SP 113N7100-72SP 113N7100-73SP 113N7100-74SP	002004 006102 107999	2
	327 BACB30VF3K3		..BOLT-	103106	2

MISSING ITEM NUMBERS NOT APPLICABLE

- ITEM NOT ILLUSTRATED

BRI

27-11-21-01

27-11-21  
FIG. 01  
PAGE 34  
JAN 20/09





757

PARTS CATALOG (MAINTENANCE)

FIG ITEM	PART NUMBER	1 2 3 4 5 6 7	NOMENCLATURE	EFFECT FROM TO	UNITS PER ASSY
1 327	BACB30UR3K3	..	BOLT- USED ON: 113N7100-1 113N7100-2 113N7100-25 113N7100-26 113N7100-29 113N7100-30 113N7100-33 113N7100-34 113N7100-37 113N7100-38 113N7100-51 113N7100-52 113N7100-57SP 113N7100-58SP 113N7100-59SP 113N7100-60SP 113N7100-63SP 113N7100-64SP	002004 006102 107999	2
327	BACB30VF3K3	..	BOLT- USED ON: 113N7100-65SP 113N7100-66SP 113N7100-71SP 113N7100-72SP 113N7100-73SP 113N7100-74SP	002004 006102 107999	2
330	BACB30VF3K4	..	BOLT-	103106	1
330	BACB30UR3K4	..	BOLT- USED ON: 113N7100-1 113N7100-2 113N7100-25 113N7100-26 113N7100-29 113N7100-30 113N7100-33 113N7100-34 113N7100-37 113N7100-38 113N7100-51 113N7100-52 113N7100-57SP 113N7100-58SP 113N7100-59SP 113N7100-60SP 113N7100-63SP 113N7100-64SP	002004 006102 107999	1

MISSING ITEM NUMBERS NOT APPLICABLE

- ITEM NOT ILLUSTRATED

27-11-21-01

27-11-21  
FIG. 01  
PAGE 35  
JAN 20/09

BRI



757

PARTS CATALOG (MAINTENANCE)

FIG ITEM	PART NUMBER	1 2 3 4 5 6 7	NOMENCLATURE	EFFECT FROM TO	UNITS PER ASSY
1 330	BACB30VF3K4	..	BOLT- USED ON: 113N7100-65SP 113N7100-66SP 113N7100-71SP 113N7100-72SP 113N7100-73SP 113N7100-74SP	002004 006102 107999	1
332	BACB30VF3K5	..	BOLT-	103106	1
332	BACB30UR3K5	..	BOLT- USED ON: 113N7100-1 113N7100-2 113N7100-25 113N7100-26 113N7100-29 113N7100-30 113N7100-33 113N7100-34 113N7100-37 113N7100-38 113N7100-51 113N7100-52 113N7100-57SP 113N7100-58SP 113N7100-59SP 113N7100-60SP 113N7100-63SP 113N7100-64SP	002004 006102 107999	1
332	BACB30VF3K5	..	BOLT- USED ON: 113N7100-65SP 113N7100-66SP 113N7100-71SP 113N7100-72SP 113N7100-73SP 113N7100-74SP	002004 006102 107999	1
335	NAS1149D0332J	..	WASHER-	103106	4

MISSING ITEM NUMBERS NOT APPLICABLE

- ITEM NOT ILLUSTRATED

BRI

27-11-21-01

BOEING PROPRIETARY - Copyright © - Unpublished Work - See title page for details.

27-11-21  
FIG. 01  
PAGE 36  
JAN 20/09



757

PARTS CATALOG (MAINTENANCE)

FIG ITEM	PART NUMBER	1 2 3 4 5 6 7	NOMENCLATURE	EFFECT FROM TO	UNITS PER ASSY
1 335	AN960KD10L		.. WASHER- USED ON: 113N7100-1 113N7100-2 113N7100-25 113N7100-26 113N7100-29 113N7100-30 113N7100-33 113N7100-34 113N7100-37 113N7100-38 113N7100-51 113N7100-52 113N7100-57SP 113N7100-58SP 113N7100-59SP 113N7100-60SP 113N7100-63SP 113N7100-64SP	002004 006102 107999	4
335	NAS1149D0332J		.. WASHER- USED ON: 113N7100-65SP 113N7100-66SP 113N7100-71SP 113N7100-72SP 113N7100-73SP 113N7100-74SP	002004 006102 107999	4
337	BRH10C3D		.. NUT SUPPLIER CODE: V52828 SPECIFICATION NUMBER: BACN10JC3CD OPTIONAL PART: T6C1032JCD V11815 NS202486-02 V80539 102LH9075-3W V72962 H51650-3BAC V15653	002004 006999	4
340	BACS40V008C017		.. SHIM	002004 006999	1
342	BACS40V008C012		.. SHIM	002004 006999	1
345	BACS40V008C021		.. SHIM	002004 006999	1

MISSING ITEM NUMBERS NOT APPLICABLE

- ITEM NOT ILLUSTRATED

27-11-21-01

27-11-21  
FIG. 01  
PAGE 37  
JAN 20/09

BRI



757

PARTS CATALOG (MAINTENANCE)

FIG ITEM	PART NUMBER	1 2 3 4 5 6 7	NOMENCLATURE	EFFECT FROM TO	UNITS PER ASSY
1					
347	113N7209-3	..	RIB-L.E. POSITION DATA: LH SIDE	002004 006999	1
- 350	113N7209-4	..	RIB-L.E. POSITION DATA: RH SIDE	002004 006999	1
352	BACB30VL6-450	..	BOLT-	103106	2
352	PLT270-6-5	..	BOLT- SUPPLIER CODE: V92215 USED ON: 113N7100-1 113N7100-2 113N7100-25 113N7100-26 113N7100-29 113N7100-30 113N7100-33 113N7100-34 113N7100-37 113N7100-38 113N7100-51 113N7100-52 113N7100-57SP 113N7100-58SP	002004 006017 107107 121503 904999	2
352	BACB30VL6-450	..	BOLT- USED ON: 113N7100-59SP 113N7100-60SP 113N7100-63SP 113N7100-64SP 113N7100-65SP 113N7100-66SP 113N7100-71SP 113N7100-72SP 113N7100-73SP 113N7100-74SP	002004 006102 107999	2
355	BACB30VF3K3	..	BOLT-	103106	2

MISSING ITEM NUMBERS NOT APPLICABLE

- ITEM NOT ILLUSTRATED

BRI

27-11-21-01

BOEING PROPRIETARY - Copyright © - Unpublished Work - See title page for details.

27-11-21  
FIG. 01  
PAGE 38  
JAN 20/09



757

PARTS CATALOG (MAINTENANCE)

FIG ITEM	PART NUMBER	1 2 3 4 5 6 7	NOMENCLATURE	EFFECT FROM TO	UNITS PER ASSY
1 355	BACB30UR3K3		..BOLT- USED ON: 113N7100-1 113N7100-2 113N7100-25 113N7100-26 113N7100-29 113N7100-30 113N7100-33 113N7100-34 113N7100-37 113N7100-38 113N7100-51 113N7100-52 113N7100-57SP 113N7100-58SP 113N7100-59SP 113N7100-60SP 113N7100-63SP 113N7100-64SP	002004 006102 107999	2
355	BACB30VF3K3		..BOLT- USED ON: 113N7100-65SP 113N7100-66SP 113N7100-71SP 113N7100-72SP 113N7100-73SP 113N7100-74SP	002004 006102 107999	2
357	BACB30VF3K7		..BOLT-	103106	1
357	BACB30UR3K7		..BOLT- USED ON: 113N7100-1 113N7100-2 113N7100-25 113N7100-26 113N7100-29 113N7100-30 113N7100-33 113N7100-34 113N7100-37 113N7100-38 113N7100-51 113N7100-52 113N7100-57SP 113N7100-58SP 113N7100-59SP 113N7100-60SP 113N7100-63SP 113N7100-64SP	002004 006102 107999	1

MISSING ITEM NUMBERS NOT APPLICABLE

- ITEM NOT ILLUSTRATED

27-11-21-01

27-11-21  
FIG. 01  
PAGE 39  
JAN 20/09

BRI



757

PARTS CATALOG (MAINTENANCE)

FIG ITEM	PART NUMBER	1 2 3 4 5 6 7	NOMENCLATURE	EFFECT FROM TO	UNITS PER ASSY
1 357	BACB30VF3K7	..	BOLT- USED ON: 113N7100-65SP 113N7100-66SP 113N7100-71SP 113N7100-72SP 113N7100-73SP 113N7100-74SP	002004 006102 107999	1
360	BACB30VF3K6	..	BOLT-	103106	1
360	BACB30UR3K6	..	BOLT- USED ON: 113N7100-1 113N7100-2 113N7100-25 113N7100-26 113N7100-29 113N7100-30 113N7100-33 113N7100-34 113N7100-37 113N7100-38 113N7100-51 113N7100-52 113N7100-57SP 113N7100-58SP 113N7100-59SP 113N7100-60SP 113N7100-63SP 113N7100-64SP	002004 006102 107999	1
360	BACB30VF3K6	..	BOLT- USED ON: 113N7100-65SP 113N7100-66SP 113N7100-71SP 113N7100-72SP 113N7100-73SP 113N7100-74SP	002004 006102 107999	1
362	NAS1149D0332J	..	WASHER-	103106	4

MISSING ITEM NUMBERS NOT APPLICABLE

- ITEM NOT ILLUSTRATED

BRI

27-11-21-01

BOEING PROPRIETARY - Copyright © - Unpublished Work - See title page for details.

27-11-21  
FIG. 01  
PAGE 40  
JAN 20/09



757

PARTS CATALOG (MAINTENANCE)

FIG ITEM	PART NUMBER	1 2 3 4 5 6 7	NOMENCLATURE	EFFECT FROM TO	UNITS PER ASSY
1 362	AN960KD10L		.. WASHER- USED ON: 113N7100-1 113N7100-2 113N7100-25 113N7100-26 113N7100-29 113N7100-30 113N7100-33 113N7100-34 113N7100-37 113N7100-38 113N7100-51 113N7100-52 113N7100-57SP 113N7100-58SP 113N7100-59SP 113N7100-60SP 113N7100-63SP 113N7100-64SP	002004 006102 107999	4
362	NAS1149D0332J		.. WASHER- USED ON: 113N7100-65SP 113N7100-66SP 113N7100-71SP 113N7100-72SP 113N7100-73SP 113N7100-74SP	002004 006102 107999	4
365	BRH10C3D		.. NUT SUPPLIER CODE: V52828 SPECIFICATION NUMBER: BACN10JC3CD OPTIONAL PART: T6C1032JCD V11815 NS202486-02 V80539 102LH9075-3W V72962 H51650-3BAC V15653	002004 006999	4
367	BACS40V008C009		.. SHIM	002004 006999	1
370	BACS40V008C018		.. SHIM	002004 006999	1
372	BACS40V008C015		.. SHIM	002004 006999	1

MISSING ITEM NUMBERS NOT APPLICABLE

- ITEM NOT ILLUSTRATED

27-11-21-01

27-11-21  
FIG. 01  
PAGE 41  
JAN 20/09

BRI



757

PARTS CATALOG (MAINTENANCE)

FIG ITEM	PART NUMBER	1 2 3 4 5 6 7	NOMENCLATURE	EFFECT FROM TO	UNITS PER ASSY
1	375 113N7209-1	..	RIB-L.E. POSITION DATA: LH SIDE	002004 006999	1
-	377 113N7209-2	..	RIB-L.E. POSITION DATA: RH SIDE	002004 006999	1
	380 BACB30VL6-450	..	BOLT-	103106	4
	380 PLT270-6-6	..	BOLT- SUPPLIER CODE: V92215 USED ON: 113N7100-51 113N7100-52 113N7100-57SP 113N7100-58SP	002004 006017 107107 121503 904999	4
	380 PLT270-6-5	..	BOLT- SUPPLIER CODE: V92215 USED ON: 113N7100-1 113N7100-2 113N7100-25 113N7100-26 113N7100-29 113N7100-30 113N7100-33 113N7100-34 113N7100-37 113N7100-38	002004 006017 107107 121503 904999	4
	380 BACB30VL6-450	..	BOLT- USED ON: 113N7100-59SP 113N7100-60SP 113N7100-63SP 113N7100-64SP 113N7100-65SP 113N7100-66SP 113N7100-71SP 113N7100-72SP 113N7100-73SP 113N7100-74SP	002004 006102 107999	4

MISSING ITEM NUMBERS NOT APPLICABLE

- ITEM NOT ILLUSTRATED

BRI

27-11-21-01

27-11-21  
FIG. 01  
PAGE 42  
JAN 20/09





757

PARTS CATALOG (MAINTENANCE)

FIG ITEM	PART NUMBER	1 2 3 4 5 6 7	NOMENCLATURE	EFFECT FROM TO	UNITS PER ASSY
1 382	K29646-3		.. WASHER SUPPLIER CODE: V15653 SPECIFICATION NUMBER: BACW10CA3CV OPTIONAL PART: 70188-3 V56878 922007-3 V60119 942007-3 V60119	002004 006999	4
385	K29913-3		.. WASHER SUPPLIER CODE: V15653 SPECIFICATION NUMBER: BACW10CA3CC OPTIONAL PART: 70191-3 V56878 922008-3 V60119 942008-3 V60119	002004 006999	4
387	BACB30VF3K4		.. BOLT-	103106	4
387	BACB30UR3K4		.. BOLT- USED ON: 113N7100-1 113N7100-2 113N7100-25 113N7100-26 113N7100-29 113N7100-30 113N7100-33 113N7100-34 113N7100-37 113N7100-38 113N7100-51 113N7100-52 113N7100-57SP 113N7100-58SP 113N7100-59SP 113N7100-60SP 113N7100-63SP 113N7100-64SP	002004 006102 107999	4

MISSING ITEM NUMBERS NOT APPLICABLE

- ITEM NOT ILLUSTRATED

BRI

27-11-21-01

BOEING PROPRIETARY - Copyright © - Unpublished Work - See title page for details.

27-11-21  
FIG. 01  
PAGE 43  
JAN 20/09



757

PARTS CATALOG (MAINTENANCE)

FIG ITEM	PART NUMBER	1 2 3 4 5 6 7	NOMENCLATURE	EFFECT FROM TO	UNITS PER ASSY
1 387	BACB30VF3K4	..	BOLT- USED ON: 113N7100-65SP 113N7100-66SP 113N7100-71SP 113N7100-72SP 113N7100-73SP 113N7100-74SP	002004 006102 107999	4
390	BACB30VF4K7	..	BOLT-	103106	4
390	BACB30UR4K7	..	BOLT- USED ON: 113N7100-1 113N7100-2 113N7100-25 113N7100-26 113N7100-29 113N7100-30 113N7100-33 113N7100-34 113N7100-37 113N7100-38 113N7100-51 113N7100-52 113N7100-57SP 113N7100-58SP 113N7100-59SP 113N7100-60SP 113N7100-63SP 113N7100-64SP	002004 006102 107999	4
390	BACB30VF4K7	..	BOLT- USED ON: 113N7100-65SP 113N7100-66SP 113N7100-71SP 113N7100-72SP 113N7100-73SP 113N7100-74SP	002004 006102 107999	4
392	NAS1149D0332J	..	WASHER-	103106	4

MISSING ITEM NUMBERS NOT APPLICABLE

- ITEM NOT ILLUSTRATED

BRI

27-11-21-01

BOEING PROPRIETARY - Copyright © - Unpublished Work - See title page for details.

27-11-21  
FIG. 01  
PAGE 44  
JAN 20/09



757

PARTS CATALOG (MAINTENANCE)

FIG ITEM	PART NUMBER	1 2 3 4 5 6 7	NOMENCLATURE	EFFECT FROM TO	UNITS PER ASSY
1 392	AN960KD10L		.. WASHER- USED ON: 113N7100-1 113N7100-2 113N7100-25 113N7100-26 113N7100-29 113N7100-30 113N7100-33 113N7100-34 113N7100-37 113N7100-38 113N7100-51 113N7100-52 113N7100-57SP 113N7100-58SP 113N7100-59SP 113N7100-60SP 113N7100-63SP 113N7100-64SP	002004 006102 107999	4
392	NAS1149D0332J		.. WASHER- USED ON: 113N7100-65SP 113N7100-66SP 113N7100-71SP 113N7100-72SP 113N7100-73SP 113N7100-74SP	002004 006102 107999	4
395 395	NAS1149D0416J AN960KD416L		.. WASHER- .. WASHER- USED ON: 113N7100-1 113N7100-2 113N7100-25 113N7100-26 113N7100-29 113N7100-30 113N7100-33 113N7100-34 113N7100-37 113N7100-38 113N7100-51 113N7100-52 113N7100-57SP 113N7100-58SP 113N7100-59SP 113N7100-60SP 113N7100-63SP 113N7100-64SP	103106 002004 006102 107999	4 4

MISSING ITEM NUMBERS NOT APPLICABLE

- ITEM NOT ILLUSTRATED

27-11-21-01

27-11-21  
FIG. 01  
PAGE 45  
JAN 20/09

BRI



757

PARTS CATALOG (MAINTENANCE)

FIG ITEM	PART NUMBER	1 2 3 4 5 6 7	NOMENCLATURE	EFFECT FROM TO	UNITS PER ASSY
1 395	NAS1149D0416J		.. WASHER- USED ON: 113N7100-65SP 113N7100-66SP 113N7100-71SP 113N7100-72SP 113N7100-73SP 113N7100-74SP	002004 006102 107999	4
397	BRH10C3D		.. NUT SUPPLIER CODE: V52828 SPECIFICATION NUMBER: BACN10JC3CD OPTIONAL PART: T6C1032JCD V11815 NS202486-02 V80539 102LH9075-3W V72962 H51650-3BAC V15653	002004 006999	4
400	BRH10C4D		.. NUT SUPPLIER CODE: V52828 SPECIFICATION NUMBER: BACN10JC4CD OPTIONAL PART: T6C428JCD V11815 NS202486-048 V80539 102LH9075-4W V72962 H51650-4BAC V15653	002004 006999	4

MISSING ITEM NUMBERS NOT APPLICABLE

- ITEM NOT ILLUSTRATED

BRI

27-11-21-01

27-11-21  
FIG. 01  
PAGE 46  
JAN 20/09



757

PARTS CATALOG (MAINTENANCE)

FIG ITEM	PART NUMBER	1 2 3 4 5 6 7	NOMENCLATURE	EFFECT FROM TO	UNITS PER ASSY
1 402	113N7100-7		.. SHIM- OPTIONAL PART: BACS40R12U21 BACS40V012C021 USED ON: 113N7100-1 113N7100-2 113N7100-25 113N7100-26 113N7100-29 113N7100-30 113N7100-33 113N7100-34 113N7100-37 113N7100-38 113N7100-51 113N7100-52 113N7100-57SP 113N7100-58SP 113N7100-59SP 113N7100-60SP	002004 006017 107107 121503 904999	2
402	BACS40V012G015		.. SHIM- OPTIONAL PART: BACS40V012C021 USED ON: 113N7100-73 113N7100-74	002004 006999	2
402	BACS40V012C021		.. SHIM- OPTIONAL PART: 113N7100-7 BACS40V012G015 USED ON: 113N7100-59SP 113N7100-60SP 113N7100-63SP 113N7100-64SP 113N7100-65SP 113N7100-66SP 113N7100-71SP 113N7100-72SP 113N7100-73 113N7100-74	002004 006999	2

MISSING ITEM NUMBERS NOT APPLICABLE

- ITEM NOT ILLUSTRATED

BRI

27-11-21-01

BOEING PROPRIETARY - Copyright © - Unpublished Work - See title page for details.

27-11-21  
FIG. 01  
PAGE 47  
JAN 20/09



757

PARTS CATALOG (MAINTENANCE)

FIG ITEM	PART NUMBER	1 2 3 4 5 6 7	NOMENCLATURE	EFFECT FROM TO	UNITS PER ASSY
1 402	BACS40R12U21		.. SHIM- OPTIONAL PART: 113N7100-7 USED ON: 113N7100-51 113N7100-52 113N7100-57SP 113N7100-58SP 113N7100-1 113N7100-2 113N7100-25 113N7100-26 113N7100-29 113N7100-30 113N7100-33 113N7100-34 113N7100-37 113N7100-38	002004 006017 107107 121503 904999	2
405	113N7100-13		.. SHIM- OPTIONAL PART: BACS40R15U29 BACS40V015C029 USED ON: 113N7100-1 113N7100-2 113N7100-25 113N7100-26 113N7100-29 113N7100-30 113N7100-33 113N7100-34 113N7100-37 113N7100-38 113N7100-51 113N7100-52 113N7100-57SP 113N7100-58SP 113N7100-59SP 113N7100-60SP	002004 006017 107107 121503 904999	1

MISSING ITEM NUMBERS NOT APPLICABLE

- ITEM NOT ILLUSTRATED

BRI

27-11-21-01

BOEING PROPRIETARY - Copyright © - Unpublished Work - See title page for details.

27-11-21  
 FIG. 01  
 PAGE 48  
 JAN 20/09



757

PARTS CATALOG (MAINTENANCE)

FIG ITEM	PART NUMBER	1 2 3 4 5 6 7	NOMENCLATURE	EFFECT FROM TO	UNITS PER ASSY
1 405	BACS40R15U29		.. SHIM- OPTIONAL PART: 113N7100-13 USED ON: 113N7100-51 113N7100-52 113N7100-57SP 113N7100-58SP 113N7100-1 113N7100-2 113N7100-25 113N7100-26 113N7100-29 113N7100-30 113N7100-33 113N7100-34 113N7100-37 113N7100-38	002004 006017 107107 121503 904999	1
405	BACS40V015C029		.. SHIM- OPTIONAL PART: 113N7100-13 BACS40V015H029 USED ON: 113N7100-59SP 113N7100-60SP 113N7100-63SP 113N7100-64SP 113N7100-65SP 113N7100-66SP 113N7100-71SP 113N7100-72SP 113N7100-73 113N7100-74	002004 006999	1
405	BACS40V015H029		.. SHIM- OPTIONAL PART: BACS40V015C029 USED ON: 113N7100-73 113N7100-74	002004 006999	1

MISSING ITEM NUMBERS NOT APPLICABLE

- ITEM NOT ILLUSTRATED

BRI

27-11-21-01

BOEING PROPRIETARY - Copyright © - Unpublished Work - See title page for details.

27-11-21  
FIG. 01  
PAGE 49  
JAN 20/09



757

PARTS CATALOG (MAINTENANCE)

FIG ITEM	PART NUMBER	1 2 3 4 5 6 7	NOMENCLATURE	EFFECT FROM TO	UNITS PER ASSY
1 407	113N7100-14		.. SHIM- OPTIONAL PART: BACS40R15U31 BACS40V015C031 USED ON: 113N7100-1 113N7100-2 113N7100-25 113N7100-26 113N7100-29 113N7100-30 113N7100-33 113N7100-34 113N7100-37 113N7100-38 113N7100-57SP 113N7100-58SP 113N7100-59SP 113N7100-60SP	002004 006017 107107 121503 904999	1
407	BACS40R15U31		.. SHIM- OPTIONAL PART: 113N7100-14 USED ON: 113N7100-51 113N7100-52 113N7100-57SP 113N7100-58SP 113N7100-1 113N7100-2 113N7100-25 113N7100-26 113N7100-29 113N7100-30 113N7100-33 113N7100-34 113N7100-37 113N7100-38	002004 006017 107107 121503 904999	1

MISSING ITEM NUMBERS NOT APPLICABLE

- ITEM NOT ILLUSTRATED

BRI

27-11-21-01

BOEING PROPRIETARY - Copyright © - Unpublished Work - See title page for details.

27-11-21  
FIG. 01  
PAGE 50  
JAN 20/09





757

PARTS CATALOG (MAINTENANCE)

FIG ITEM	PART NUMBER	1 2 3 4 5 6 7	NOMENCLATURE	EFFECT FROM TO	UNITS PER ASSY
1 407	BACS40V015C031	..	SHIM- OPTIONAL PART: 113N7100-14 BACS40V015H031 USED ON: 113N7100-59SP 113N7100-60SP 113N7100-63SP 113N7100-64SP 113N7100-65SP 113N7100-66SP 113N7100-71SP 113N7100-72SP 113N7100-73 113N7100-74	002004 006999	1
407	BACS40V015H031	..	SHIM- OPTIONAL PART: BACS40V015C031 USED ON: 113N7100-73 113N7100-74	002004 006999	1
410	113N7306-1	..	RIB-BAL WT POSITION DATA: LH SIDE OPTIONAL PART: 113N7203-11 113N7203-29	103106	1
410	113N7203-11	..	RIB-BAL WT POSITION DATA: LH SIDE OPTIONAL PART: 113N7306-1 113N7203-29	002004 006999	1
410	113N7203-29	..	RIB-BAL WT POSITION DATA: LH SIDE OPTIONAL PART: 113N7306-1 113N7203-11	103106	1

MISSING ITEM NUMBERS NOT APPLICABLE

- ITEM NOT ILLUSTRATED

BRI

27-11-21-01

BOEING PROPRIETARY - Copyright © - Unpublished Work - See title page for details.

27-11-21  
FIG. 01  
PAGE 51  
JAN 20/09



757

PARTS CATALOG (MAINTENANCE)

FIG ITEM	PART NUMBER	1 2 3 4 5 6 7	NOMENCLATURE	EFFECT FROM TO	UNITS PER ASSY
1 410	113N7306-1		..RIB-BAL WT POSITION DATA: LH SIDE OPTIONAL PART: 113N7203-11 113N7203-29 USED ON: 113N7100-33 113N7100-51 113N7100-57SP 113N7100-59SP 113N7100-63SP 113N7100-65SP 113N7100-71SP 113N7100-73SP	002004 006102 107999	1
410	113N7203-29		..RIB-BAL WT POSITION DATA: LH SIDE OPTIONAL PART: 113N7306-1 113N7203-11 USED ON: 113N7100-57SP 113N7100-59SP 113N7100-63SP 113N7100-65SP 113N7100-71SP 113N7100-73SP	002004 006102 107999	1
- 412	113N7306-2		..RIB-BAL WT POSITION DATA: RH SIDE OPTIONAL PART: 113N7203-12 113N7203-30	103106	1
- 412	113N7203-12		..RIB-BAL WT POSITION DATA: RH SIDE OPTIONAL PART: 113N7306-2 113N7203-30	002004 006999	1
- 412	113N7203-30		..RIB-BAL WT POSITION DATA: RH SIDE OPTIONAL PART: 113N7306-2 113N7203-12	103106	1

MISSING ITEM NUMBERS NOT APPLICABLE

- ITEM NOT ILLUSTRATED

27-11-21-01

27-11-21  
FIG. 01  
PAGE 52  
JAN 20/09

BRI



757

PARTS CATALOG (MAINTENANCE)

FIG ITEM	PART NUMBER	1 2 3 4 5 6 7	NOMENCLATURE	EFFECT FROM TO	UNITS PER ASSY
1					
- 412	113N7306-2		..RIB-BAL WT POSITION DATA: RH SIDE OPTIONAL PART: 113N7203-12 113N7203-30 USED ON: 113N7100-34 113N7100-52 113N7100-58SP 113N7100-60SP 113N7100-64SP 113N7100-66SP 113N7100-72SP 113N7100-74SP	002004 006102 107999	1
- 412	113N7203-30		..RIB-BAL WT POSITION DATA: LH SIDE OPTIONAL PART: 113N7306-2 113N7203-12 USED ON: 113N7100-58SP 113N7100-60SP 113N7100-64SP 113N7100-66SP 113N7100-72SP 113N7100-74SP	002004 006102 107999	1
415	BACB30VL6-450		..BOLT-	103106	4
415	PLT270-6-5		..BOLT- SUPPLIER CODE: V92215 USED ON: 113N7100-1 113N7100-2 113N7100-25 113N7100-26 113N7100-29 113N7100-30 113N7100-33 113N7100-34 113N7100-37 113N7100-38	002004 006017 107107 121503 904999	4

MISSING ITEM NUMBERS NOT APPLICABLE

- ITEM NOT ILLUSTRATED

27-11-21-01

27-11-21  
FIG. 01  
PAGE 53  
JAN 20/09

BRI



757

PARTS CATALOG (MAINTENANCE)

FIG ITEM	PART NUMBER	1 2 3 4 5 6 7	NOMENCLATURE	EFFECT FROM TO	UNITS PER ASSY
1					
415	PLT270-6-6	..	BOLT- SUPPLIER CODE: V92215 USED ON: 113N7100-51 113N7100-52 113N7100-57SP 113N7100-58SP	002004 006017 107107 121503 904999	4
415	BACB30VL6-450	..	BOLT- USED ON: 113N7100-59SP 113N7100-60SP 113N7100-63SP 113N7100-64SP 113N7100-65SP 113N7100-66SP 113N7100-71SP 113N7100-72SP 113N7100-73SP 113N7100-74SP	002004 006102 107999	4
417	K29646-3	..	WASHER SUPPLIER CODE: V15653 SPECIFICATION NUMBER: BACW10CA3CV OPTIONAL PART: 70188-3 V56878 922007-3 V60119 942007-3 V60119	002004 006999	4
420	K29913-3	..	WASHER SUPPLIER CODE: V15653 SPECIFICATION NUMBER: BACW10CA3CC OPTIONAL PART: 70191-3 V56878 922008-3 V60119 942008-3 V60119	002004 006999	4
422	BACB30VF3K4	..	BOLT-	103106	4

MISSING ITEM NUMBERS NOT APPLICABLE

- ITEM NOT ILLUSTRATED

BRI

27-11-21-01

27-11-21  
FIG. 01  
PAGE 54  
JAN 20/09



757

PARTS CATALOG (MAINTENANCE)

FIG ITEM	PART NUMBER	1 2 3 4 5 6 7	NOMENCLATURE	EFFECT FROM TO	UNITS PER ASSY
1 422	BACB30UR3K4		..BOLT- USED ON: 113N7100-1 113N7100-2 113N7100-25 113N7100-26 113N7100-29 113N7100-30 113N7100-33 113N7100-34 113N7100-37 113N7100-38 113N7100-51 113N7100-52 113N7100-57SP 113N7100-58SP 113N7100-59SP 113N7100-60SP 113N7100-63SP 113N7100-64SP	002004 006102 107999	4
422	BACB30VF3K4		..BOLT- USED ON: 113N7100-65SP 113N7100-66SP 113N7100-71SP 113N7100-72SP 113N7100-73SP 113N7100-74SP	002004 006102 107999	4
425	BACB30VF4K6		..BOLT-	103106	4
425	BACB30UR4K6		..BOLT- USED ON: 113N7100-1 113N7100-2 113N7100-25 113N7100-26 113N7100-29 113N7100-30 113N7100-33 113N7100-34 113N7100-37 113N7100-38 113N7100-51 113N7100-52 113N7100-57SP 113N7100-58SP 113N7100-59SP 113N7100-60SP 113N7100-63SP 113N7100-64SP	002004 006102 107999	4

MISSING ITEM NUMBERS NOT APPLICABLE

- ITEM NOT ILLUSTRATED

27-11-21-01

27-11-21  
FIG. 01  
PAGE 55  
JAN 20/09

BRI



757

PARTS CATALOG (MAINTENANCE)

FIG ITEM	PART NUMBER	1 2 3 4 5 6 7	NOMENCLATURE	EFFECT FROM TO	UNITS PER ASSY
1 425	BACB30VF4K6		.. BOLT- USED ON: 113N7100-65SP 113N7100-66SP 113N7100-71SP 113N7100-72SP 113N7100-73SP 113N7100-74SP	002004 006102 107999	4
427	NAS1149D0332J		.. WASHER-	103106	4
427	AN960KD10L		.. WASHER- USED ON: 113N7100-1 113N7100-2 113N7100-25 113N7100-26 113N7100-29 113N7100-30 113N7100-33 113N7100-34 113N7100-37 113N7100-38 113N7100-51 113N7100-52 113N7100-57SP 113N7100-58SP 113N7100-59SP 113N7100-60SP 113N7100-63SP 113N7100-64SP	002004 006102 107999	4
427	NAS1149D0332J		.. WASHER- USED ON: 113N7100-65SP 113N7100-66SP 113N7100-71SP 113N7100-72SP 113N7100-73SP 113N7100-74SP	002004 006102 107999	4
430	NAS1149D0416J		.. WASHER-	103106	4

MISSING ITEM NUMBERS NOT APPLICABLE

- ITEM NOT ILLUSTRATED

BRI

27-11-21-01

BOEING PROPRIETARY - Copyright © - Unpublished Work - See title page for details.

27-11-21  
FIG. 01  
PAGE 56  
JAN 20/09



757

PARTS CATALOG (MAINTENANCE)

FIG ITEM	PART NUMBER	1 2 3 4 5 6 7	NOMENCLATURE	EFFECT FROM TO	UNITS PER ASSY
1 430	AN960KD416L		.. WASHER- USED ON: 113N7100-1 113N7100-2 113N7100-25 113N7100-26 113N7100-29 113N7100-30 113N7100-33 113N7100-34 113N7100-37 113N7100-38 113N7100-51 113N7100-52 113N7100-57SP 113N7100-58SP 113N7100-59SP 113N7100-60SP 113N7100-63SP 113N7100-64SP	002004 006102 107999	4
430	NAS1149D0416J		.. WASHER- USED ON: 113N7100-65SP 113N7100-66SP 113N7100-71SP 113N7100-72SP 113N7100-73SP 113N7100-74SP	002004 006102 107999	4
432	BRH10C3D		.. NUT SUPPLIER CODE: V52828 SPECIFICATION NUMBER: BACN10JC3CD OPTIONAL PART: T6C1032JCD V11815 NS202486-02 V80539 102LH9075-3W V72962 H51650-3BAC V15653	002004 006999	4

MISSING ITEM NUMBERS NOT APPLICABLE

- ITEM NOT ILLUSTRATED

BRI

27-11-21-01

BOEING PROPRIETARY - Copyright © - Unpublished Work - See title page for details.

27-11-21  
FIG. 01  
PAGE 57  
JAN 20/09



757

PARTS CATALOG (MAINTENANCE)

FIG ITEM	PART NUMBER	1 2 3 4 5 6 7	NOMENCLATURE	EFFECT FROM TO	UNITS PER ASSY
1 435	BRH10C4D	..	NUT SUPPLIER CODE: V52828 SPECIFICATION NUMBER: BACN10JC4CD OPTIONAL PART: T6C428JCD V11815 NS202486-048 V80539 102LH9075-4W V72962 H51650-4BAC V15653	002004 006999	4
437	113N7100-7	..	SHIM- OPTIONAL PART: BACS40R12U21 BACS40V012C021 USED ON: 113N7100-1 113N7100-2 113N7100-25 113N7100-26 113N7100-29 113N7100-30 113N7100-33 113N7100-34 113N7100-37 113N7100-38 113N7100-51 113N7100-52 113N7100-57SP 113N7100-58SP 113N7100-59SP 113N7100-60SP	002004 006017 107107 121503 904999	2
437	BACS40V012G015	..	SHIM- OPTIONAL PART: BACS40V012C021 USED ON: 113N7100-73 113N7100-74	002004 006999	2

MISSING ITEM NUMBERS NOT APPLICABLE

- ITEM NOT ILLUSTRATED

BRI

27-11-21-01

BOEING PROPRIETARY - Copyright © - Unpublished Work - See title page for details.

27-11-21  
FIG. 01  
PAGE 58  
JAN 20/09





757

PARTS CATALOG (MAINTENANCE)

FIG ITEM	PART NUMBER	1 2 3 4 5 6 7	NOMENCLATURE	EFFECT FROM TO	UNITS PER ASSY
1 437	BACS40V012C021		.. SHIM- OPTIONAL PART: 113N7100-7 BACS40V012G015 USED ON: 113N7100-59SP 113N7100-60SP 113N7100-63SP 113N7100-64SP 113N7100-65SP 113N7100-66SP 113N7100-71SP 113N7100-72SP 113N7100-73 113N7100-74	002004 006999	2
437	BACS40R12U21		.. SHIM- OPTIONAL PART: 113N7100-7 USED ON: 113N7100-51 113N7100-52 113N7100-57SP 113N7100-58SP 113N7100-1 113N7100-2 113N7100-25 113N7100-26 113N7100-29 113N7100-30 113N7100-33 113N7100-34 113N7100-37 113N7100-38	002004 006017 107107 121503 904999	2

MISSING ITEM NUMBERS NOT APPLICABLE

- ITEM NOT ILLUSTRATED

BRI

27-11-21-01

BOEING PROPRIETARY - Copyright © - Unpublished Work - See title page for details.

27-11-21  
FIG. 01  
PAGE 59  
JAN 20/09



757

PARTS CATALOG (MAINTENANCE)

FIG ITEM	PART NUMBER	1 2 3 4 5 6 7	NOMENCLATURE	EFFECT FROM TO	UNITS PER ASSY
1 440	113N7100-14		.. SHIM- OPTIONAL PART: BACS40R15U31 BACS40V015C031 USED ON: 113N7100-1 113N7100-2 113N7100-25 113N7100-26 113N7100-29 113N7100-30 113N7100-33 113N7100-34 113N7100-37 113N7100-38 113N7100-51 113N7100-52 113N7100-57SP 113N7100-58SP 113N7100-59SP 113N7100-60SP	002004 006017 107107 121503 904999	1
440	BACS40R15U31		.. SHIM- OPTIONAL PART: 113N7100-14 USED ON: 113N7100-51 113N7100-52 113N7100-57SP 113N7100-58SP 113N7100-1 113N7100-2 113N7100-25 113N7100-26 113N7100-29 113N7100-30 113N7100-33 113N7100-34 113N7100-37 113N7100-38	002004 006017 107107 121503 904999	1

MISSING ITEM NUMBERS NOT APPLICABLE

- ITEM NOT ILLUSTRATED

BRI

27-11-21-01

BOEING PROPRIETARY - Copyright © - Unpublished Work - See title page for details.

27-11-21  
 FIG. 01  
 PAGE 60  
 JAN 20/09

 **BOEING**  
757  
**PARTS CATALOG (MAINTENANCE)**

FIG ITEM	PART NUMBER	1 2 3 4 5 6 7	NOMENCLATURE	EFFECT FROM TO	UNITS PER ASSY
1 440	BACS40V015C031	..	SHIM- OPTIONAL PART: 113N7100-14 BACS40V015H031 USED ON: 113N7100-59SP 113N7100-60SP 113N7100-63SP 113N7100-64SP 113N7100-65SP 113N7100-66SP 113N7100-71SP 113N7100-72SP 113N7100-73 113N7100-74	002004 006999	1
440	BACS40V015H031	..	SHIM- OPTIONAL PART: BACS40V015C031 USED ON: 113N7100-73 113N7100-74	002004 006999	1
442	113N7100-13	..	SHIM- OPTIONAL PART: BACS40R15U29 BACS40V015C029 USED ON: 113N7100-1 113N7100-2 113N7100-25 113N7100-26 113N7100-29 113N7100-30 113N7100-33 113N7100-34 113N7100-37 113N7100-38 113N7100-51 113N7100-52 113N7100-57SP 113N7100-58SP 113N7100-59SP 113N7100-60SP	002004 006017 107107 121503 904999	1

MISSING ITEM NUMBERS NOT APPLICABLE

— ITEM NOT ILLUSTRATED

BRI

# 27-11-21-01

BOEING PROPRIETARY - Copyright © - Unpublished Work - See title page for details.

27-11-21  
FIG. 01  
PAGE 61  
JAN 20/09



757

PARTS CATALOG (MAINTENANCE)

FIG ITEM	PART NUMBER	1 2 3 4 5 6 7	NOMENCLATURE	EFFECT FROM TO	UNITS PER ASSY
1 442	BACS40R15U29	..	SHIM- OPTIONAL PART: 113N7100-13 USED ON: 113N7100-51 113N7100-52 113N7100-57SP 113N7100-58SP 113N7100-1 113N7100-2 113N7100-25 113N7100-26 113N7100-29 113N7100-30 113N7100-33 113N7100-34 113N7100-37 113N7100-38	002004 006017 107107 121503 904999	1
442	BACS40V015C029	..	SHIM- OPTIONAL PART: 113N7100-13 BACS40V015H029 USED ON: 113N7100-59SP 113N7100-60SP 113N7100-63SP 113N7100-64SP 113N7100-65SP 113N7100-66SP 113N7100-71SP 113N7100-72SP 113N7100-73 113N7100-74	002004 006999	1
442	BACS40V015H029	..	SHIM- OPTIONAL PART: BACS40V015C029 USED ON: 113N7100-73 113N7100-74	002004 006999	1
445	113N7305-1	..	RIB-BAL WT POSITION DATA: LH SIDE OPTIONAL PART: 113N7203-27	103106	1
445	113N7203-27	..	RIB-BAL WT POSITION DATA: LH SIDE OPTIONAL PART: 113N7305-1	103106	1

MISSING ITEM NUMBERS NOT APPLICABLE

- ITEM NOT ILLUSTRATED

27-11-21-01

27-11-21  
FIG. 01  
PAGE 62  
JAN 20/09

BRI



757

PARTS CATALOG (MAINTENANCE)

FIG ITEM	PART NUMBER	1 2 3 4 5 6 7	NOMENCLATURE	EFFECT FROM TO	UNITS PER ASSY
1 445	113N7305-1		..RIB-BAL WT POSITION DATA: LH SIDE OPTIONAL PART: 113N7203-27 113N7203-9 USED ON: 113N7100-33 113N7100-51 113N7100-57SP 113N7100-59SP 113N7100-63SP 113N7100-65SP 113N7100-71SP 113N7100-73SP	002004 006102 107999	1
445	113N7203-27		..RIB-BAL WT POSITION DATA: LH SIDE OPTIONAL PART: 113N7305-1 USED ON: 113N7100-57SP 113N7100-59SP 113N7100-63SP 113N7100-65SP 113N7100-71SP 113N7100-73SP	002004 006102 107999	1
445	113N7203-9		..RIB-BAL WT POSITION DATA: LH SIDE OPTIONAL PART: 113N7305-1 USED ON: 113N7100-1 113N7100-25 113N7100-29 113N7100-33 113N7100-37	002004 006017 107107 121503 904999	1
- 447	113N7305-2		..RIB-BAL WT POSITION DATA: RH SIDE OPTIONAL PART: 113N7203-28	103106	1
- 447	113N7203-28		..RIB-BAL WT POSITION DATA: RH SIDE OPTIONAL PART: 113N7305-2	103106	1

MISSING ITEM NUMBERS NOT APPLICABLE

- ITEM NOT ILLUSTRATED

27-11-21-01

27-11-21  
FIG. 01  
PAGE 63  
JAN 20/09

BRI



757

PARTS CATALOG (MAINTENANCE)

FIG ITEM	PART NUMBER	1 2 3 4 5 6 7	NOMENCLATURE	EFFECT FROM TO	UNITS PER ASSY
1					
- 447	113N7305-2	..	RIB-BAL WT POSITION DATA: RH SIDE OPTIONAL PART: 113N7203-28 USED ON: 113N7100-34 113N7100-52 113N7100-58SP 113N7100-60SP 113N7100-64SP 113N7100-66SP 113N7100-72SP 113N7100-74SP	002004 006102 107999	1
- 447	113N7203-28	..	RIB-BAL WT POSITION DATA: RH SIDE OPTIONAL PART: 113N7305-2 USED ON: 113N7100-58SP 113N7100-60SP 113N7100-64SP 113N7100-66SP 113N7100-72SP 113N7100-74SP	002004 006102 107999	1
- 447	113N7203-10	..	RIB-BAL WT POSITION DATA: RH SIDE USED ON: 113N7100-2 113N7100-26 113N7100-30 113N7100-38	002004 006017 107107 121503 904999	1
450	BACB30VL6-400	..	BOLT-	103106	4
450	PLT270-6-6	..	BOLT- SUPPLIER CODE: V92215 USED ON: 113N7100-51 113N7100-52 113N7100-57SP 113N7100-58SP	002004 006017 107107 121503 904999	4

MISSING ITEM NUMBERS NOT APPLICABLE

- ITEM NOT ILLUSTRATED

27-11-21-01

27-11-21  
FIG. 01  
PAGE 64  
JAN 20/09

BRI



757

PARTS CATALOG (MAINTENANCE)

FIG ITEM	PART NUMBER	1 2 3 4 5 6 7	NOMENCLATURE	EFFECT FROM TO	UNITS PER ASSY
1 450	PLT270-6-5		..BOLT- SUPPLIER CODE: V92215 USED ON: 113N7100-1 113N7100-2 113N7100-25 113N7100-26 113N7100-29 113N7100-30 113N7100-33 113N7100-34 113N7100-37 113N7100-38	002004 006017 107107 121503 904999	4
450	BACB30VL6-400		..BOLT- USED ON: 113N7100-59SP 113N7100-60SP 113N7100-63SP 113N7100-64SP 113N7100-65SP 113N7100-66SP 113N7100-71SP 113N7100-72SP 113N7100-73SP 113N7100-74SP	002004 006102 107999	4
452	K29646-3		..WASHER SUPPLIER CODE: V15653 SPECIFICATION NUMBER: BACW10CA3CV OPTIONAL PART: 70188-3 V56878 922007-3 V60119 942007-3 V60119	002004 006999	4

MISSING ITEM NUMBERS NOT APPLICABLE

- ITEM NOT ILLUSTRATED

BRI

27-11-21-01

BOEING PROPRIETARY - Copyright © - Unpublished Work - See title page for details.

27-11-21  
FIG. 01  
PAGE 65  
JAN 20/09



757

PARTS CATALOG (MAINTENANCE)

FIG ITEM	PART NUMBER	1 2 3 4 5 6 7	NOMENCLATURE	EFFECT FROM TO	UNITS PER ASSY
1 455	K29913-3		.. WASHER SUPPLIER CODE: V15653 SPECIFICATION NUMBER: BACW10CA3CC OPTIONAL PART: 70191-3 V56878 922008-3 V60119 942008-3 V60119	002004 006999	4
457	BACB30VF3K4		.. BOLT-	103106	4
457	BACB30UR3K4		.. BOLT- USED ON: 113N7100-1 113N7100-2 113N7100-25 113N7100-26 113N7100-29 113N7100-30 113N7100-33 113N7100-34 113N7100-37 113N7100-38 113N7100-51 113N7100-52 113N7100-57SP 113N7100-58SP 113N7100-59SP 113N7100-60SP 113N7100-63SP 113N7100-64SP	002004 006102 107999	4
457	BACB30VF3K4		.. BOLT- USED ON: 113N7100-65SP 113N7100-66SP 113N7100-71SP 113N7100-72SP 113N7100-73SP 113N7100-74SP	002004 006102 107999	4
460	BACB30VF4K6		.. BOLT-	103106	4

MISSING ITEM NUMBERS NOT APPLICABLE

- ITEM NOT ILLUSTRATED

BRI

27-11-21-01

BOEING PROPRIETARY - Copyright © - Unpublished Work - See title page for details.

27-11-21  
FIG. 01  
PAGE 66  
JAN 20/09





757

PARTS CATALOG (MAINTENANCE)

FIG ITEM	PART NUMBER	1 2 3 4 5 6 7	NOMENCLATURE	EFFECT FROM TO	UNITS PER ASSY
1 460	BACB30UR4K6		.. BOLT- USED ON: 113N7100-1 113N7100-2 113N7100-25 113N7100-26 113N7100-29 113N7100-30 113N7100-33 113N7100-34 113N7100-37 113N7100-38 113N7100-51 113N7100-52 113N7100-57SP 113N7100-58SP 113N7100-59SP 113N7100-60SP 113N7100-63SP 113N7100-64SP	002004 006102 107999	4
460	BACB30VF4K6		.. BOLT- USED ON: 113N7100-65SP 113N7100-66SP 113N7100-71SP 113N7100-72SP 113N7100-73SP 113N7100-74SP	002004 006102 107999	4
462	NAS1149D0332J		.. WASHER-	103106	4
462	AN960KD10L		.. WASHER- USED ON: 113N7100-1 113N7100-2 113N7100-25 113N7100-26 113N7100-29 113N7100-30 113N7100-33 113N7100-34 113N7100-37 113N7100-38 113N7100-51 113N7100-52 113N7100-57SP 113N7100-58SP 113N7100-59SP 113N7100-60SP 113N7100-63SP 113N7100-64SP	002004 006102 107999	4

MISSING ITEM NUMBERS NOT APPLICABLE

- ITEM NOT ILLUSTRATED

27-11-21-01

27-11-21  
FIG. 01  
PAGE 67  
JAN 20/09

BRI



757

PARTS CATALOG (MAINTENANCE)

FIG ITEM	PART NUMBER	1 2 3 4 5 6 7	NOMENCLATURE	EFFECT FROM TO	UNITS PER ASSY
1 462	NAS1149D0332J		.. WASHER- USED ON: 113N7100-65SP 113N7100-66SP 113N7100-71SP 113N7100-72SP 113N7100-73SP 113N7100-74SP	002004 006102 107999	4
465	NAS1149D0416J		.. WASHER-	103106	4
465	AN960KD416L		.. WASHER- USED ON: 113N7100-1 113N7100-2 113N7100-25 113N7100-26 113N7100-29 113N7100-30 113N7100-33 113N7100-34 113N7100-37 113N7100-38 113N7100-51 113N7100-52 113N7100-57SP 113N7100-58SP 113N7100-59SP 113N7100-60SP 113N7100-63SP 113N7100-64SP	002004 006102 107999	4
465	NAS1149D0416J		.. WASHER- USED ON: 113N7100-65SP 113N7100-66SP 113N7100-71SP 113N7100-72SP 113N7100-73SP 113N7100-74SP	002004 006102 107999	4

MISSING ITEM NUMBERS NOT APPLICABLE

- ITEM NOT ILLUSTRATED

27-11-21-01

27-11-21  
FIG. 01  
PAGE 68  
JAN 20/09

BRI

BOEING PROPRIETARY - Copyright © - Unpublished Work - See title page for details.



757

PARTS CATALOG (MAINTENANCE)

FIG ITEM	PART NUMBER	1 2 3 4 5 6 7	NOMENCLATURE	EFFECT FROM TO	UNITS PER ASSY
1 467	BRH10C3D	. .	NUT SUPPLIER CODE: V52828 SPECIFICATION NUMBER: BACN10JC3CD OPTIONAL PART: T6C1032JCD V11815 NS202486-02 V80539 102LH9075-3W V72962 H51650-3BAC V15653	002004 006999	4
470	BRH10C4D	. .	NUT SUPPLIER CODE: V52828 SPECIFICATION NUMBER: BACN10JC4CD OPTIONAL PART: T6C428JCD V11815 NS202486-048 V80539 102LH9075-4W V72962 H51650-4BAC V15653	002004 006999	4
472	113N7100-7	. .	SHIM- OPTIONAL PART: BACS40R12U21 BACS40V012C021 USED ON: 113N7100-1 113N7100-2 113N7100-25 113N7100-26 113N7100-29 113N7100-30 113N7100-33 113N7100-34 113N7100-37 113N7100-38 113N7100-51 113N7100-52 113N7100-57SP 113N7100-58SP 113N7100-59SP 113N7100-60SP	002004 006017 107107 121503 904999	2

MISSING ITEM NUMBERS NOT APPLICABLE

- ITEM NOT ILLUSTRATED

BRI

27-11-21-01

BOEING PROPRIETARY - Copyright © - Unpublished Work - See title page for details.

27-11-21  
FIG. 01  
PAGE 69  
JAN 20/09



757

PARTS CATALOG (MAINTENANCE)

FIG ITEM	PART NUMBER	1 2 3 4 5 6 7	NOMENCLATURE	EFFECT FROM TO	UNITS PER ASSY
1 472	BACS40V012G015	..	SHIM- OPTIONAL PART: BACS40V012C021 USED ON: 113N7100-73 113N7100-74	002004 006999	2
472	BACS40R12U21	..	SHIM- OPTIONAL PART: 113N7100-7 USED ON: 113N7100-51 113N7100-52 113N7100-57SP 113N7100-58SP 113N7100-1 113N7100-2 113N7100-25 113N7100-26 113N7100-29 113N7100-30 113N7100-33 113N7100-34 113N7100-37 113N7100-38	002004 006017 107107 121503 904999	2
472	BACS40V012C021	..	SHIM- OPTIONAL PART: 113N7100-7 BACS40V012G015 USED ON: 113N7100-59SP 113N7100-60SP 113N7100-63SP 113N7100-64SP 113N7100-65SP 113N7100-66SP 113N7100-71SP 113N7100-72SP 113N7100-73 113N7100-74	002004 006999	2

MISSING ITEM NUMBERS NOT APPLICABLE

- ITEM NOT ILLUSTRATED

BRI

27-11-21-01

BOEING PROPRIETARY - Copyright © - Unpublished Work - See title page for details.

27-11-21  
FIG. 01  
PAGE 70  
JAN 20/09



757

PARTS CATALOG (MAINTENANCE)

FIG ITEM	PART NUMBER	1 2 3 4 5 6 7	NOMENCLATURE	EFFECT FROM TO	UNITS PER ASSY
1 475	113N7100-13		.. SHIM- OPTIONAL PART: BACS40R15U29 BACS40V015C029 USED ON: 113N7100-1 113N7100-2 113N7100-25 113N7100-26 113N7100-29 113N7100-30 113N7100-33 113N7100-34 113N7100-37 113N7100-38 113N7100-51 113N7100-52 113N7100-57SP 113N7100-58SP 113N7100-59SP 113N7100-60SP	002004 006017 107107 121503 904999	1
475	BACS40R15U29		.. SHIM- OPTIONAL PART: 113N7100-13 USED ON: 113N7100-51 113N7100-52 113N7100-57SP 113N7100-58SP 113N7100-1 113N7100-2 113N7100-25 113N7100-26 113N7100-29 113N7100-30 113N7100-33 113N7100-34 113N7100-37 113N7100-38	002004 006017 107107 121503 904999	1

MISSING ITEM NUMBERS NOT APPLICABLE

- ITEM NOT ILLUSTRATED

BRI

27-11-21-01

BOEING PROPRIETARY - Copyright © - Unpublished Work - See title page for details.

27-11-21  
FIG. 01  
PAGE 71  
JAN 20/09



757

PARTS CATALOG (MAINTENANCE)

FIG ITEM	PART NUMBER	1 2 3 4 5 6 7	NOMENCLATURE	EFFECT FROM TO	UNITS PER ASSY
1 475	BACS40V015C029	..	SHIM- OPTIONAL PART: 113N7100-13 BACS40V015H029 USED ON: 113N7100-59SP 113N7100-60SP 113N7100-63SP 113N7100-64SP 113N7100-65SP 113N7100-66SP 113N7100-71SP 113N7100-72SP 113N7100-73 113N7100-74	002004 006999	1
475	BACS40V015H029	..	SHIM- OPTIONAL PART: BACS40V015C029 USED ON: 113N7100-73 113N7100-74	002004 006999	1
477	113N7100-14	..	SHIM- OPTIONAL PART: BACS40R15U31 BACS40V015C031 USED ON: 113N7100-1 113N7100-2 113N7100-25 113N7100-26 113N7100-29 113N7100-30 113N7100-33 113N7100-34 113N7100-37 113N7100-38 113N7100-57SP 113N7100-58SP 113N7100-59SP 113N7100-60SP	002004 006017 107107 121503 904999	1

MISSING ITEM NUMBERS NOT APPLICABLE

- ITEM NOT ILLUSTRATED

BRI

27-11-21-01

BOEING PROPRIETARY - Copyright © - Unpublished Work - See title page for details.

27-11-21  
FIG. 01  
PAGE 72  
JAN 20/09



757

PARTS CATALOG (MAINTENANCE)

FIG ITEM	PART NUMBER	1 2 3 4 5 6 7	NOMENCLATURE	EFFECT FROM TO	UNITS PER ASSY
1 477	BACS40V015C031	..	SHIM- OPTIONAL PART: 113N7100-14 BACS40V015H031 USED ON: 113N7100-59SP 113N7100-60SP 113N7100-63SP 113N7100-64SP 113N7100-65SP 113N7100-66SP 113N7100-71SP 113N7100-72SP 113N7100-73 113N7100-74	002004 006999	1
477	BACS40R15U31	..	SHIM- OPTIONAL PART: 113N7100-14 USED ON: 113N7100-51 113N7100-52 113N7100-57SP 113N7100-58SP 113N7100-1 113N7100-2 113N7100-25 113N7100-26 113N7100-29 113N7100-30 113N7100-33 113N7100-34 113N7100-37 113N7100-38	002004 006017 107107 121503 904999	1
477	BACS40V015H031	..	SHIM- OPTIONAL PART: BACS40V015C031 USED ON: 113N7100-73 113N7100-74	002004 006999	1
480	113N7304-1	..	RIB-BAL WT POSITION DATA: LH SIDE OPTIONAL PART: 113N7203-7 113N7203-25	103106	1

MISSING ITEM NUMBERS NOT APPLICABLE

- ITEM NOT ILLUSTRATED

27-11-21-01

27-11-21  
FIG. 01  
PAGE 73  
JAN 20/09

BRI

BOEING PROPRIETARY - Copyright © - Unpublished Work - See title page for details.



757

PARTS CATALOG (MAINTENANCE)

FIG ITEM	PART NUMBER	1 2 3 4 5 6 7	NOMENCLATURE	EFFECT FROM TO	UNITS PER ASSY
1 480	113N7203-7	..	RIB-BAL WT POSITION DATA: LH SIDE OPTIONAL PART: 113N7203-25 113N7304-1	002004 006999	1
480	113N7203-25	..	RIB-BAL WT POSITION DATA: LH SIDE OPTIONAL PART: 113N7304-1	103106	1
480	113N7304-1	..	RIB-BAL WT POSITION DATA: LH SIDE OPTIONAL PART: 113N7203-25 113N7203-7 USED ON: 113N7100-33 113N7100-51 113N7100-57SP 113N7100-59SP 113N7100-63SP 113N7100-65SP 113N7100-71SP 113N7100-73SP	002004 006102 107999	1
480	113N7203-25	..	RIB-BAL WT POSITION DATA: LH SIDE OPTIONAL PART: 113N7203-27 113N7304-1 USED ON: 113N7100-57SP 113N7100-59SP 113N7100-63SP 113N7100-65SP 113N7100-71SP 113N7100-73SP	002004 006102 107999	1
- 482	113N7304-2	..	RIB-BAL WT POSITION DATA: RH SIDE OPTIONAL PART: 113N7203-8 113N7203-26	103106	1

MISSING ITEM NUMBERS NOT APPLICABLE

- ITEM NOT ILLUSTRATED

27-11-21-01

27-11-21  
FIG. 01  
PAGE 74  
JAN 20/09

BRI





757

PARTS CATALOG (MAINTENANCE)

FIG ITEM	PART NUMBER	1 2 3 4 5 6 7	NOMENCLATURE	EFFECT FROM TO	UNITS PER ASSY
1					
- 482	113N7203-8	..	RIB-BAL WT POSITION DATA: RH SIDE OPTIONAL PART: 113N7203-26 113N7304-2	002004 006999	1
- 482	113N7203-26	..	RIB-BAL WT POSITION DATA: RH SIDE OPTIONAL PART: 113N7304-2	103106	1
- 482	113N7304-2	..	RIB-BAL WT POSITION DATA: RH SIDE OPTIONAL PART: 113N7203-26 113N7203-8 USED ON: 113N7100-34 113N7100-52 113N7100-58SP 113N7100-60SP 113N7100-64SP 113N7100-66SP 113N7100-72SP 113N7100-74SP	002004 006102 107999	1
- 482	113N7203-26	..	RIB-BAL WT POSITION DATA: RH SIDE OPTIONAL PART: 113N7203-28 113N7304-2 USED ON: 113N7100-58SP 113N7100-60SP 113N7100-64SP 113N7100-66SP 113N7100-72SP 113N7100-74SP	002004 006102 107999	1
485	BACB30VL6-400	..	BOLT-	103106	4

MISSING ITEM NUMBERS NOT APPLICABLE

- ITEM NOT ILLUSTRATED

BRI

27-11-21-01

BOEING PROPRIETARY - Copyright © - Unpublished Work - See title page for details.

27-11-21  
FIG. 01  
PAGE 75  
JAN 20/09



757

PARTS CATALOG (MAINTENANCE)

FIG ITEM	PART NUMBER	1 2 3 4 5 6 7	NOMENCLATURE	EFFECT FROM TO	UNITS PER ASSY
1 485	PLT270-6-5	..	BOLT- SUPPLIER CODE: V92215 USED ON: 113N7100-1 113N7100-2 113N7100-25 113N7100-26 113N7100-29 113N7100-30 113N7100-33 113N7100-34 113N7100-37 113N7100-38	002004 006017 107107 121503 904999	4
485	PLT270-6-6	..	BOLT- SUPPLIER CODE: V92215 USED ON: 113N7100-51 113N7100-52 113N7100-57SP 113N7100-58SP	002004 006017 107107 121503 904999	4
485	BACB30VL6-400	..	BOLT- USED ON: 113N7100-59SP 113N7100-60SP 113N7100-63SP 113N7100-64SP 113N7100-65SP 113N7100-66SP 113N7100-71SP 113N7100-72SP 113N7100-73SP 113N7100-74SP	002004 006102 107999	4
487	K29646-3	..	WASHER SUPPLIER CODE: V15653 SPECIFICATION NUMBER: BACW10CA3CV OPTIONAL PART: 70188-3 V56878 922007-3 V60119 942007-3 V60119	002004 006999	4

MISSING ITEM NUMBERS NOT APPLICABLE

- ITEM NOT ILLUSTRATED

BRI

27-11-21-01

27-11-21  
FIG. 01  
PAGE 76  
JAN 20/09



757

PARTS CATALOG (MAINTENANCE)

FIG ITEM	PART NUMBER	1 2 3 4 5 6 7	NOMENCLATURE	EFFECT FROM TO	UNITS PER ASSY
1 490	K29913-3		.. WASHER SUPPLIER CODE: V15653 SPECIFICATION NUMBER: BACW10CA3CC OPTIONAL PART: 70191-3 V56878 922008-3 V60119 942008-3 V60119	002004 006999	4
492	BACB30VF3K5		.. BOLT-	103106	6
492	BACB30UR3K5		.. BOLT- USED ON: 113N7100-1 113N7100-2 113N7100-25 113N7100-26 113N7100-29 113N7100-30 113N7100-33 113N7100-34 113N7100-37 113N7100-38 113N7100-51 113N7100-52 113N7100-57SP 113N7100-58SP 113N7100-59SP 113N7100-60SP 113N7100-63SP 113N7100-64SP	002004 006102 107999	6
492	BACB30VF3K5		.. BOLT- USED ON: 113N7100-65SP 113N7100-66SP 113N7100-71SP 113N7100-72SP 113N7100-73SP 113N7100-74SP	002004 006102 107999	6
495	BACB30VF4K6		.. BOLT-	103106	4

MISSING ITEM NUMBERS NOT APPLICABLE

- ITEM NOT ILLUSTRATED

27-11-21-01

27-11-21  
FIG. 01  
PAGE 77  
JAN 20/09

BRI

BOEING PROPRIETARY - Copyright © - Unpublished Work - See title page for details.



757

PARTS CATALOG (MAINTENANCE)

FIG ITEM	PART NUMBER	1 2 3 4 5 6 7	NOMENCLATURE	EFFECT FROM TO	UNITS PER ASSY
1 495	BACB30UR4K6		.. BOLT- USED ON: 113N7100-1 113N7100-2 113N7100-25 113N7100-26 113N7100-29 113N7100-30 113N7100-33 113N7100-34 113N7100-37 113N7100-38 113N7100-51 113N7100-52 113N7100-57SP 113N7100-58SP 113N7100-59SP 113N7100-60SP 113N7100-63SP 113N7100-64SP	002004 006102 107999	4
495	BACB30VF4K6		.. BOLT- USED ON: 113N7100-65SP 113N7100-66SP 113N7100-71SP 113N7100-72SP 113N7100-73SP 113N7100-74SP	002004 006102 107999	4
497	NAS1149D0332J		.. WASHER-	103106	6
497	AN960KD10L		.. WASHER- USED ON: 113N7100-1 113N7100-2 113N7100-25 113N7100-26 113N7100-29 113N7100-30 113N7100-33 113N7100-34 113N7100-37 113N7100-38 113N7100-51 113N7100-52 113N7100-57SP 113N7100-58SP 113N7100-59SP 113N7100-60SP 113N7100-63SP 113N7100-64SP	002004 006102 107999	6

MISSING ITEM NUMBERS NOT APPLICABLE

- ITEM NOT ILLUSTRATED

27-11-21-01

27-11-21  
FIG. 01  
PAGE 78  
JAN 20/09

BRI



757

PARTS CATALOG (MAINTENANCE)

FIG ITEM	PART NUMBER	1 2 3 4 5 6 7	NOMENCLATURE	EFFECT FROM TO	UNITS PER ASSY
1 497	NAS1149D0332J		.. WASHER- USED ON: 113N7100-65SP 113N7100-66SP 113N7100-71SP 113N7100-72SP 113N7100-73SP 113N7100-74SP	002004 006102 107999	6
500	NAS1149D0416J		.. WASHER-	103106	4
500	AN960KD416L		.. WASHER- USED ON: 113N7100-1 113N7100-2 113N7100-25 113N7100-26 113N7100-29 113N7100-30 113N7100-33 113N7100-34 113N7100-37 113N7100-38 113N7100-51 113N7100-52 113N7100-57SP 113N7100-58SP 113N7100-59SP 113N7100-60SP 113N7100-63SP 113N7100-64SP	002004 006102 107999	4
500	NAS1149D0416J		.. WASHER- USED ON: 113N7100-65SP 113N7100-66SP 113N7100-71SP 113N7100-72SP 113N7100-73SP 113N7100-74SP	002004 006102 107999	4

MISSING ITEM NUMBERS NOT APPLICABLE

- ITEM NOT ILLUSTRATED

BRI

27-11-21-01

BOEING PROPRIETARY - Copyright © - Unpublished Work - See title page for details.

27-11-21  
FIG. 01  
PAGE 79  
JAN 20/09



757

PARTS CATALOG (MAINTENANCE)

FIG ITEM	PART NUMBER	1 2 3 4 5 6 7	NOMENCLATURE	EFFECT FROM TO	UNITS PER ASSY
1 502	BRH10C3D	. .	NUT SUPPLIER CODE: V52828 SPECIFICATION NUMBER: BACN10JC3CD OPTIONAL PART: T6C1032JCD V11815 NS202486-02 V80539 102LH9075-3W V72962 H51650-3BAC V15653	002004 006999	6
505	BRH10C4D	. .	NUT SUPPLIER CODE: V52828 SPECIFICATION NUMBER: BACN10JC4CD OPTIONAL PART: T6C428JCD V11815 NS202486-048 V80539 102LH9075-4W V72962 H51650-4BAC V15653	002004 006999	4
507	113N7100-7	. .	SHIM- OPTIONAL PART: BACS40R12U21 BACS40V012C021 USED ON: 113N7100-1 113N7100-2 113N7100-25 113N7100-26 113N7100-29 113N7100-30 113N7100-33 113N7100-34 113N7100-37 113N7100-38 113N7100-51 113N7100-52 113N7100-57SP 113N7100-58SP 113N7100-59SP 113N7100-60SP	002004 006017 107107 121503 904999	2

MISSING ITEM NUMBERS NOT APPLICABLE

- ITEM NOT ILLUSTRATED

BRI

27-11-21-01

BOEING PROPRIETARY - Copyright © - Unpublished Work - See title page for details.

27-11-21  
FIG. 01  
PAGE 80  
JAN 20/09



757

PARTS CATALOG (MAINTENANCE)

FIG ITEM	PART NUMBER	1 2 3 4 5 6 7	NOMENCLATURE	EFFECT FROM TO	UNITS PER ASSY
1 507	BACS40V012G015	..	SHIM- OPTIONAL PART: BACS40V012C021 USED ON: 113N7100-73 113N7100-74	002004 006999	2
507	BACS40R12U21	..	SHIM- OPTIONAL PART: 113N7100-7 USED ON: 113N7100-51 113N7100-52 113N7100-57SP 113N7100-58SP 113N7100-1 113N7100-2 113N7100-25 113N7100-26 113N7100-29 113N7100-30 113N7100-33 113N7100-34 113N7100-37 113N7100-38	002004 006017 107107 121503 904999	2
507	BACS40V012C021	..	SHIM- OPTIONAL PART: 113N7100-7 BACS40V012G015 USED ON: 113N7100-59SP 113N7100-60SP 113N7100-63SP 113N7100-64SP 113N7100-65SP 113N7100-66SP 113N7100-71SP 113N7100-72SP 113N7100-73 113N7100-74	002004 006999	2

MISSING ITEM NUMBERS NOT APPLICABLE

- ITEM NOT ILLUSTRATED

BRI

27-11-21-01

BOEING PROPRIETARY - Copyright © - Unpublished Work - See title page for details.

27-11-21  
FIG. 01  
PAGE 81  
JAN 20/09



757

PARTS CATALOG (MAINTENANCE)

FIG ITEM	PART NUMBER	1 2 3 4 5 6 7	NOMENCLATURE	EFFECT FROM TO	UNITS PER ASSY
1 510	113N7100-12		.. SHIM- OPTIONAL PART: BACS40R15U25 BACS40V015C025 USED ON: 113N7100-1 113N7100-2 113N7100-25 113N7100-26 113N7100-29 113N7100-30 113N7100-37 113N7100-38 113N7100-51 113N7100-52 113N7100-57SP 113N7100-58SP 113N7100-59SP 113N7100-60SP	002004 006017 107107 121503 904999	1
510	BACS40R15U25		.. SHIM- OPTIONAL PART: 113N7100-12 USED ON: 113N7100-51 113N7100-52 113N7100-57SP 113N7100-58SP 113N7100-1 113N7100-2 113N7100-25 113N7100-26 113N7100-29 113N7100-30 113N7100-33 113N7100-34 113N7100-37 113N7100-38	002004 006017 107107 121503 904999	1

MISSING ITEM NUMBERS NOT APPLICABLE

- ITEM NOT ILLUSTRATED

BRI

27-11-21-01

BOEING PROPRIETARY - Copyright © - Unpublished Work - See title page for details.

27-11-21  
FIG. 01  
PAGE 82  
JAN 20/09





757

PARTS CATALOG (MAINTENANCE)

FIG ITEM	PART NUMBER	1 2 3 4 5 6 7	NOMENCLATURE	EFFECT FROM TO	UNITS PER ASSY
1 510	BACS40V015C025	..	SHIM- OPTIONAL PART: 113N7100-12 BACS40V015H025 USED ON: 113N7100-59SP 113N7100-60SP 113N7100-63SP 113N7100-64SP 113N7100-65SP 113N7100-66SP 113N7100-71SP 113N7100-72SP 113N7100-73 113N7100-74	002004 006999	1
510	BACS40V015H025	..	SHIM- OPTIONAL PART: BACS40V015C025 USED ON: 113N7100-73 113N7100-74	002004 006999	1
512	113N7100-15	..	SHIM- OPTIONAL PART: BACS40R15U39 BACS40V015C039 USED ON: 113N7100-1 113N7100-2 113N7100-25 113N7100-26 113N7100-29 113N7100-30 113N7100-37 113N7100-38 113N7100-51 113N7100-52 113N7100-57SP 113N7100-58SP 113N7100-59SP 113N7100-60SP	002004 006017 107107 121503 904999	1

MISSING ITEM NUMBERS NOT APPLICABLE

- ITEM NOT ILLUSTRATED

BRI

27-11-21-01

BOEING PROPRIETARY - Copyright © - Unpublished Work - See title page for details.

27-11-21  
FIG. 01  
PAGE 83  
JAN 20/09



757

PARTS CATALOG (MAINTENANCE)

FIG ITEM	PART NUMBER	1 2 3 4 5 6 7	NOMENCLATURE	EFFECT FROM TO	UNITS PER ASSY
1 512	BACS40R15U39	..	SHIM- OPTIONAL PART: 113N7100-15 USED ON: 113N7100-1 113N7100-2 113N7100-25 113N7100-26 113N7100-29 113N7100-30 113N7100-33 113N7100-34 113N7100-37 113N7100-38 113N7100-51 113N7100-52 113N7100-57SP 113N7100-58SP	002004 006017 107107 121503 904999	1
512	BACS40V015C039	..	SHIM- OPTIONAL PART: 113N7100-15 BACS40V015H039 USED ON: 113N7100-59SP 113N7100-60SP 113N7100-63SP 113N7100-64SP 113N7100-65SP 113N7100-66SP 113N7100-71SP 113N7100-72SP 113N7100-73 113N7100-74	002004 006999	1
512	BACS40V015H039	..	SHIM- OPTIONAL PART: BACS40V015C039 USED ON: 113N7100-73 113N7100-74	002004 006999	1
515	113N7303-1	..	RIB-BAL WT POSITION DATA: LH SIDE OPTIONAL PART: 113N7203-5	103106	1
515	113N7203-5	..	RIB-BAL WT POSITION DATA: LH SIDE OPTIONAL PART: 113N7303-1	103106	1

MISSING ITEM NUMBERS NOT APPLICABLE

- ITEM NOT ILLUSTRATED

27-11-21-01

27-11-21  
FIG. 01  
PAGE 84  
JAN 20/09

BRI



757

PARTS CATALOG (MAINTENANCE)

FIG ITEM	PART NUMBER	1 2 3 4 5 6 7	NOMENCLATURE	EFFECT FROM TO	UNITS PER ASSY
1 515	113N7303-1		..RIB-BAL WT POSITION DATA: LH SIDE OPTIONAL PART: 113N7203-5 USED ON: 113N7100-33 113N7100-51 113N7100-57SP 113N7100-59SP 113N7100-63SP 113N7100-65SP 113N7100-71SP 113N7100-73SP	002004 006102 107999	1
515	113N7203-5		..RIB-BAL WT POSITION DATA: LH SIDE OPTIONAL PART: 113N7303-1 USED ON: 113N7100-1 113N7100-25 113N7100-29 113N7100-37 113N7100-51 113N7100-57SP 113N7100-59SP 113N7100-63SP 113N7100-65SP 113N7100-71SP 113N7100-73SP	002004 006102 107999	1
- 517	113N7303-2		..RIB-BAL WT POSITION DATA: RH SIDE OPTIONAL PART: 113N7203-6	103106	1
- 517	113N7203-6		..RIB-BAL WT POSITION DATA: RH SIDE OPTIONAL PART: 113N7303-2	103106	1

MISSING ITEM NUMBERS NOT APPLICABLE

- ITEM NOT ILLUSTRATED

BRI

27-11-21-01

BOEING PROPRIETARY - Copyright © - Unpublished Work - See title page for details.

27-11-21  
FIG. 01  
PAGE 85  
JAN 20/09



757

PARTS CATALOG (MAINTENANCE)

FIG ITEM	PART NUMBER	1 2 3 4 5 6 7	NOMENCLATURE	EFFECT FROM TO	UNITS PER ASSY
1					
- 517	113N7303-2		..RIB-BAL WT POSITION DATA: RH SIDE OPTIONAL PART: 113N7203-6 USED ON: 113N7100-34 113N7100-52 113N7100-58SP 113N7100-60SP 113N7100-64SP 113N7100-66SP 113N7100-72SP 113N7100-74SP	002004 006102 107999	1
- 517	113N7203-6		..RIB-BAL WT POSITION DATA: RH SIDE OPTIONAL PART: 113N7303-2 USED ON: 113N7100-2 113N7100-26 113N7100-30 113N7100-38 113N7100-52 113N7100-58SP 113N7100-60SP 113N7100-64SP 113N7100-66SP 113N7100-72SP 113N7100-74SP	002004 006102 107999	1
520	BACB30VL6-350		..BOLT-	103106	4
520	PLT270-6-3		..BOLT- SUPPLIER CODE: V92215 USED ON: 113N7100-1 113N7100-2 113N7100-25 113N7100-26 113N7100-29 113N7100-30 113N7100-33 113N7100-34 113N7100-37 113N7100-38	002004 006017 107107 121503 904999	4

MISSING ITEM NUMBERS NOT APPLICABLE

- ITEM NOT ILLUSTRATED

BRI

27-11-21-01

27-11-21  
FIG. 01  
PAGE 86  
JAN 20/09



757

PARTS CATALOG (MAINTENANCE)

FIG ITEM	PART NUMBER	1 2 3 4 5 6 7	NOMENCLATURE	EFFECT FROM TO	UNITS PER ASSY
1 520	PLT270-6-6	..	BOLT- SUPPLIER CODE: V92215 USED ON: 113N7100-51 113N7100-52 113N7100-57SP 113N7100-58SP	002004 006017 107107 121503 904999	4
520	BACB30VL6-350	..	BOLT- USED ON: 113N7100-59SP 113N7100-60SP 113N7100-63SP 113N7100-64SP 113N7100-65SP 113N7100-66SP 113N7100-71SP 113N7100-72SP 113N7100-73SP 113N7100-74SP	002004 006102 107999	4
522	K29646-3	..	WASHER SUPPLIER CODE: V15653 SPECIFICATION NUMBER: BACW10CA3CV OPTIONAL PART: 70188-3 V56878 922007-3 V60119 942007-3 V60119	002004 006999	4
525	K29913-3	..	WASHER SUPPLIER CODE: V15653 SPECIFICATION NUMBER: BACW10CA3CC OPTIONAL PART: 70191-3 V56878 922008-3 V60119 942008-3 V60119	002004 006999	4
527	BACB30VF3K4	..	BOLT-	103106	6

MISSING ITEM NUMBERS NOT APPLICABLE

- ITEM NOT ILLUSTRATED

BRI

27-11-21-01

27-11-21  
FIG. 01  
PAGE 87  
JAN 20/09



757

PARTS CATALOG (MAINTENANCE)

FIG ITEM	PART NUMBER	1 2 3 4 5 6 7	NOMENCLATURE	EFFECT FROM TO	UNITS PER ASSY
1 527	BACB30UR3K4		..BOLT- USED ON: 113N7100-1 113N7100-2 113N7100-25 113N7100-26 113N7100-29 113N7100-30 113N7100-33 113N7100-34 113N7100-37 113N7100-38 113N7100-51 113N7100-52 113N7100-57SP 113N7100-58SP 113N7100-59SP 113N7100-60SP 113N7100-63SP 113N7100-64SP	002004 006102 107999	6
527	BACB30VF3K4		..BOLT- USED ON: 113N7100-65SP 113N7100-66SP 113N7100-71SP 113N7100-72SP 113N7100-73SP 113N7100-74SP	002004 006102 107999	6
530	BACB30VF4K6		..BOLT-	103106	4
530	BACB30UR4K6		..BOLT- USED ON: 113N7100-1 113N7100-2 113N7100-25 113N7100-26 113N7100-29 113N7100-30 113N7100-33 113N7100-34 113N7100-37 113N7100-38 113N7100-51 113N7100-52 113N7100-57SP 113N7100-58SP 113N7100-59SP 113N7100-60SP 113N7100-63SP 113N7100-64SP	002004 006102 107999	4

MISSING ITEM NUMBERS NOT APPLICABLE

- ITEM NOT ILLUSTRATED

27-11-21-01

27-11-21  
FIG. 01  
PAGE 88  
JAN 20/09

BRI



757

PARTS CATALOG (MAINTENANCE)

FIG ITEM	PART NUMBER	1 2 3 4 5 6 7	NOMENCLATURE	EFFECT FROM TO	UNITS PER ASSY
1 530	BACB30VF4K6		.. BOLT- USED ON: 113N7100-65SP 113N7100-66SP 113N7100-71SP 113N7100-72SP 113N7100-73SP 113N7100-74SP	002004 006102 107999	4
532	NAS1149D0332J		.. WASHER-	103106	6
532	AN960KD10L		.. WASHER- USED ON: 113N7100-1 113N7100-2 113N7100-25 113N7100-26 113N7100-29 113N7100-30 113N7100-33 113N7100-34 113N7100-37 113N7100-38 113N7100-51 113N7100-52 113N7100-57SP 113N7100-58SP 113N7100-59SP 113N7100-60SP 113N7100-63SP 113N7100-64SP	002004 006102 107999	6
532	NAS1149D0332J		.. WASHER- USED ON: 113N7100-65SP 113N7100-66SP 113N7100-71SP 113N7100-72SP 113N7100-73SP 113N7100-74SP	002004 006102 107999	6
535	NAS1149D0416J		.. WASHER-	103106	4

MISSING ITEM NUMBERS NOT APPLICABLE

- ITEM NOT ILLUSTRATED

27-11-21-01

27-11-21  
FIG. 01  
PAGE 89  
JAN 20/09

BRI



757

PARTS CATALOG (MAINTENANCE)

FIG ITEM	PART NUMBER	1 2 3 4 5 6 7	NOMENCLATURE	EFFECT FROM TO	UNITS PER ASSY
1 535	AN960KD416L		.. WASHER- USED ON: 113N7100-1 113N7100-2 113N7100-25 113N7100-26 113N7100-29 113N7100-30 113N7100-33 113N7100-34 113N7100-37 113N7100-38 113N7100-51 113N7100-52 113N7100-57SP 113N7100-58SP 113N7100-59SP 113N7100-60SP 113N7100-63SP 113N7100-64SP	002004 006102 107999	4
535	NAS1149D0416J		.. WASHER- USED ON: 113N7100-65SP 113N7100-66SP 113N7100-71SP 113N7100-72SP 113N7100-73SP 113N7100-74SP	002004 006102 107999	4
537	BRH10C3D		.. NUT SUPPLIER CODE: V52828 SPECIFICATION NUMBER: BACN10JC3CD OPTIONAL PART: T6C1032JCD V11815 NS202486-02 V80539 102LH9075-3W V72962 H51650-3BAC V15653	002004 006999	6

MISSING ITEM NUMBERS NOT APPLICABLE

- ITEM NOT ILLUSTRATED

BRI

27-11-21-01

BOEING PROPRIETARY - Copyright © - Unpublished Work - See title page for details.

27-11-21  
FIG. 01  
PAGE 90  
JAN 20/09





757

PARTS CATALOG (MAINTENANCE)

FIG ITEM	PART NUMBER	1 2 3 4 5 6 7	NOMENCLATURE	EFFECT FROM TO	UNITS PER ASSY
1 540	BRH10C4D		..NUT SUPPLIER CODE: V52828 SPECIFICATION NUMBER: BACN10JC4CD OPTIONAL PART: T6C428JCD V11815 NS202486-048 V80539 102LH9075-4W V72962 H51650-4BAC V15653	002004 006999	4
542	113N7100-7		..SHIM- OPTIONAL PART: BACS40R12U21 BACS40V012C021 USED ON: 113N7100-1 113N7100-2 113N7100-25 113N7100-26 113N7100-29 113N7100-30 113N7100-33 113N7100-34 113N7100-37 113N7100-38 113N7100-51 113N7100-52 113N7100-57SP 113N7100-58SP 113N7100-59SP 113N7100-60SP	002004 006017 107107 121503 904999	2

MISSING ITEM NUMBERS NOT APPLICABLE

- ITEM NOT ILLUSTRATED

BRI

27-11-21-01

BOEING PROPRIETARY - Copyright © - Unpublished Work - See title page for details.

27-11-21  
FIG. 01  
PAGE 91  
JAN 20/09



757

PARTS CATALOG (MAINTENANCE)

FIG ITEM	PART NUMBER	1 2 3 4 5 6 7	NOMENCLATURE	EFFECT FROM TO	UNITS PER ASSY
1 542	BACS40R12U21	..	SHIM- OPTIONAL PART: 113N7100-7 USED ON: 113N7100-51 113N7100-52 113N7100-57SP 113N7100-58SP 113N7100-1 113N7100-2 113N7100-25 113N7100-26 113N7100-29 113N7100-30 113N7100-33 113N7100-34 113N7100-37 113N7100-38	002004 006017 107107 121503 904999	2
542	BACS40V012C021	..	SHIM- OPTIONAL PART: 113N7100-7 BACS40V012G015 USED ON: 113N7100-59SP 113N7100-60SP 113N7100-63SP 113N7100-64SP 113N7100-65SP 113N7100-66SP 113N7100-71SP 113N7100-72SP 113N7100-73 113N7100-74	002004 006999	2
542	BACS40V012G015	..	SHIM- OPTIONAL PART: BACS40V012C021 USED ON: 113N7100-73 113N7100-74	002004 006999	2

MISSING ITEM NUMBERS NOT APPLICABLE

- ITEM NOT ILLUSTRATED

BRI

27-11-21-01

BOEING PROPRIETARY - Copyright © - Unpublished Work - See title page for details.

27-11-21  
FIG. 01  
PAGE 92  
JAN 20/09



757

PARTS CATALOG (MAINTENANCE)

FIG ITEM	PART NUMBER	1 2 3 4 5 6 7	NOMENCLATURE	EFFECT FROM TO	UNITS PER ASSY
1 545	113N7100-12		.. SHIM- OPTIONAL PART: BACS40R12U25 BACS40V015C025 USED ON: 113N7100-1 113N7100-2 113N7100-25 113N7100-26 113N7100-29 113N7100-30 113N7100-33 113N7100-34 113N7100-37 113N7100-38 113N7100-51 113N7100-52 113N7100-57SP 113N7100-58SP 113N7100-59SP 113N7100-60SP	002004 006017 107107 121503 904999	1
545	BACS40V015C025		.. SHIM- OPTIONAL PART: 113N7100-12 BACS40V015H025 USED ON: 113N7100-59SP 113N7100-60SP 113N7100-63SP 113N7100-64SP 113N7100-65SP 113N7100-66SP 113N7100-71SP 113N7100-72SP 113N7100-73 113N7100-74	002004 006999	1
545	BACS40V015H025		.. SHIM- OPTIONAL PART: BACS40V015C025 USED ON: 113N7100-73 113N7100-74	002004 006999	1

MISSING ITEM NUMBERS NOT APPLICABLE

- ITEM NOT ILLUSTRATED

BRI

27-11-21-01

BOEING PROPRIETARY - Copyright © - Unpublished Work - See title page for details.

27-11-21  
FIG. 01  
PAGE 93  
JAN 20/09



757

PARTS CATALOG (MAINTENANCE)

FIG ITEM	PART NUMBER	1 2 3 4 5 6 7	NOMENCLATURE	EFFECT FROM TO	UNITS PER ASSY
1 545	BACS40R15U25		.. SHIM- OPTIONAL PART: 113N7100-12 USED ON: 113N7100-1 113N7100-2 113N7100-25 113N7100-26 113N7100-29 113N7100-30 113N7100-33 113N7100-34 113N7100-37 113N7100-38 113N7100-51 113N7100-52 113N7100-57SP 113N7100-58SP	002004 006017 107107 121503 904999	1
547	113N7100-15		.. SHIM- OPTIONAL PART: BACS40V015C039 BACS40R15U39 USED ON: 113N7100-1 113N7100-2 113N7100-25 113N7100-26 113N7100-29 113N7100-30 113N7100-33 113N7100-34 113N7100-37 113N7100-38 113N7100-51 113N7100-52 113N7100-57SP 113N7100-58SP 113N7100-59SP 113N7100-60SP	002004 006017 107107 121503 904999	1

MISSING ITEM NUMBERS NOT APPLICABLE

- ITEM NOT ILLUSTRATED

BRI

27-11-21-01

BOEING PROPRIETARY - Copyright © - Unpublished Work - See title page for details.

27-11-21  
 FIG. 01  
 PAGE 94  
 JAN 20/09



757

PARTS CATALOG (MAINTENANCE)

FIG ITEM	PART NUMBER	1 2 3 4 5 6 7	NOMENCLATURE	EFFECT FROM TO	UNITS PER ASSY
1 547	BACS40V015C039	..	SHIM- OPTIONAL PART: 113N7100-15 BACS40V015H039 USED ON: 113N7100-59SP 113N7100-60SP 113N7100-63SP 113N7100-64SP 113N7100-65SP 113N7100-66SP 113N7100-71SP 113N7100-72SP 113N7100-73 113N7100-74	002004 006999	1
547	BACS40V015H039	..	SHIM- OPTIONAL PART: BACS40V015C039 USED ON: 113N7100-73 113N7100-74	002004 006999	1
547	BACS40R15U39	..	SHIM- OPTIONAL PART: 113N7100-15 USED ON: 113N7100-1 113N7100-2 113N7100-25 113N7100-26 113N7100-29 113N7100-30 113N7100-33 113N7100-34 113N7100-37 113N7100-38 113N7100-51 113N7100-52 113N7100-57SP 113N7100-58SP	002004 006017 107107 121503 904999	1
550	113N7203-3	..	RIB-BAL WT POSITION DATA: LH SIDE OPTIONAL PART: 113N7302-1	103106	1

MISSING ITEM NUMBERS NOT APPLICABLE

- ITEM NOT ILLUSTRATED

BRI

27-11-21-01

BOEING PROPRIETARY - Copyright © - Unpublished Work - See title page for details.

27-11-21  
FIG. 01  
PAGE 95  
JAN 20/09



757

PARTS CATALOG (MAINTENANCE)

FIG ITEM	PART NUMBER	1 2 3 4 5 6 7	NOMENCLATURE	EFFECT FROM TO	UNITS PER ASSY
1 550	113N7302-1		..RIB-BAL WT POSITION DATA: LH SIDE OPTIONAL PART: 113N7203-3 USED ON: 113N7100-33 113N7100-51 113N7100-57SP 113N7100-59SP 113N7100-63SP 113N7100-65SP 113N7100-71SP 113N7100-73SP	002004 006102 107999	1
550	113N7203-3		..RIB-BAL WT POSITION DATA: LH SIDE OPTIONAL PART: 113N7302-1	002004 006102 107999	1
- 552	113N7203-4		..RIB-BAL WT POSITION DATA: RH SIDE OPTIONAL PART: 113N7302-2	103106	1
- 552	113N7302-2		..RIB-BAL WT POSITION DATA: RH SIDE OPTIONAL PART: 113N7203-4 USED ON: 113N7100-34 113N7100-52 113N7100-58SP 113N7100-60SP 113N7100-64SP 113N7100-66SP 113N7100-72SP 113N7100-74SP	002004 006102 107999	1
- 552	113N7203-4		..RIB-BAL WT POSITION DATA: RH SIDE OPTIONAL PART: 113N7302-2	002004 006102 107999	1
555	BACB30VL6-350		..BOLT-	103106	4

MISSING ITEM NUMBERS NOT APPLICABLE

- ITEM NOT ILLUSTRATED

BRI

27-11-21-01

27-11-21  
FIG. 01  
PAGE 96  
JAN 20/09



757

PARTS CATALOG (MAINTENANCE)

FIG ITEM	PART NUMBER	1 2 3 4 5 6 7	NOMENCLATURE	EFFECT FROM TO	UNITS PER ASSY
1 555	PLT270-6-5	..	BOLT- SUPPLIER CODE: V92215 USED ON: 113N7100-1 113N7100-2 113N7100-25 113N7100-26 113N7100-29 113N7100-30 113N7100-33 113N7100-34 113N7100-37 113N7100-38	002004 006017 107107 121503 904999	4
555	PLT270-6-6	..	BOLT- SUPPLIER CODE: V92215 USED ON: 113N7100-51 113N7100-52 113N7100-57SP 113N7100-58SP	002004 006017 107107 121503 904999	4
555	BACB30VL6-350	..	BOLT- USED ON: 113N7100-59SP 113N7100-60SP 113N7100-63SP 113N7100-64SP 113N7100-65SP 113N7100-66SP 113N7100-71SP 113N7100-72SP 113N7100-73SP 113N7100-74SP	002004 006102 107999	4
557	K29646-3	..	WASHER SUPPLIER CODE: V15653 SPECIFICATION NUMBER: BACW10CA3CV OPTIONAL PART: 70188-3 V56878 922007-3 V60119 942007-3 V60119	002004 006999	4

MISSING ITEM NUMBERS NOT APPLICABLE

- ITEM NOT ILLUSTRATED

BRI

27-11-21-01

27-11-21  
FIG. 01  
PAGE 97  
JAN 20/09



757

PARTS CATALOG (MAINTENANCE)

FIG ITEM	PART NUMBER	1 2 3 4 5 6 7	NOMENCLATURE	EFFECT FROM TO	UNITS PER ASSY
1 560	K29913-3		.. WASHER SUPPLIER CODE: V15653 SPECIFICATION NUMBER: BACW10CA3CC OPTIONAL PART: 70191-3 V56878 922008-3 V60119 942008-3 V60119	002004 006999	4
562	BACB30VF3K4		.. BOLT-	103106	6
562	BACB30UR3K4		.. BOLT- USED ON: 113N7100-1 113N7100-2 113N7100-25 113N7100-26 113N7100-29 113N7100-30 113N7100-33 113N7100-34 113N7100-37 113N7100-38 113N7100-51 113N7100-52 113N7100-57SP 113N7100-58SP 113N7100-59SP 113N7100-60SP 113N7100-63SP 113N7100-64SP	002004 006102 107999	6
562	BACB30VF3K4		.. BOLT- USED ON: 113N7100-65SP 113N7100-66SP 113N7100-71SP 113N7100-72SP 113N7100-73SP 113N7100-74SP	002004 006102 107999	6
565	BACB30VF4K6		.. BOLT-	103106	4

MISSING ITEM NUMBERS NOT APPLICABLE

- ITEM NOT ILLUSTRATED

27-11-21-01

27-11-21  
FIG. 01  
PAGE 98  
JAN 20/09

BRI

BOEING PROPRIETARY - Copyright © - Unpublished Work - See title page for details.





757

PARTS CATALOG (MAINTENANCE)

FIG ITEM	PART NUMBER	1 2 3 4 5 6 7	NOMENCLATURE	EFFECT FROM TO	UNITS PER ASSY
1 565	BACB30UR4K6		.. BOLT- USED ON: 113N7100-1 113N7100-2 113N7100-25 113N7100-26 113N7100-29 113N7100-30 113N7100-33 113N7100-34 113N7100-37 113N7100-38 113N7100-51 113N7100-52 113N7100-57SP 113N7100-58SP 113N7100-59SP 113N7100-60SP 113N7100-63SP 113N7100-64SP	002004 006102 107999	4
565	BACB30VF4K6		.. BOLT- USED ON: 113N7100-65SP 113N7100-66SP 113N7100-71SP 113N7100-72SP 113N7100-73SP 113N7100-74SP	002004 006102 107999	4
567	NAS1149D0332J		.. WASHER-	103106	6
567	AN960KD10L		.. WASHER- USED ON: 113N7100-1 113N7100-2 113N7100-25 113N7100-26 113N7100-29 113N7100-30 113N7100-33 113N7100-34 113N7100-37 113N7100-38 113N7100-51 113N7100-52 113N7100-57SP 113N7100-58SP 113N7100-59SP 113N7100-60SP 113N7100-63SP 113N7100-64SP	002004 006102 107999	6

MISSING ITEM NUMBERS NOT APPLICABLE

- ITEM NOT ILLUSTRATED

27-11-21-01

27-11-21  
FIG. 01  
PAGE 99  
JAN 20/09

BRI



757

PARTS CATALOG (MAINTENANCE)

FIG ITEM	PART NUMBER	1 2 3 4 5 6 7	NOMENCLATURE	EFFECT FROM TO	UNITS PER ASSY
1 567	NAS1149D0332J		.. WASHER- USED ON: 113N7100-65SP 113N7100-66SP 113N7100-71SP 113N7100-72SP 113N7100-73SP 113N7100-74SP	002004 006102 107999	6
570	NAS1149D0416J		.. WASHER-	103106	4
570	AN960KD416L		.. WASHER- USED ON: 113N7100-1 113N7100-2 113N7100-25 113N7100-26 113N7100-29 113N7100-30 113N7100-33 113N7100-34 113N7100-37 113N7100-38 113N7100-51 113N7100-52 113N7100-57SP 113N7100-58SP 113N7100-59SP 113N7100-60SP 113N7100-63SP 113N7100-64SP	002004 006102 107999	4
570	NAS1149D0416J		.. WASHER- USED ON: 113N7100-65SP 113N7100-66SP 113N7100-71SP 113N7100-72SP 113N7100-73SP 113N7100-74SP	002004 006102 107999	4

MISSING ITEM NUMBERS NOT APPLICABLE

- ITEM NOT ILLUSTRATED

BRI

27-11-21-01

BOEING PROPRIETARY - Copyright © - Unpublished Work - See title page for details.

27-11-21  
FIG. 01  
PAGE 100  
JAN 20/09



757

PARTS CATALOG (MAINTENANCE)

FIG ITEM	PART NUMBER	1 2 3 4 5 6 7	NOMENCLATURE	EFFECT FROM TO	UNITS PER ASSY
1 572	BRH10C3D	. .	NUT SUPPLIER CODE: V52828 SPECIFICATION NUMBER: BACN10JC3CD OPTIONAL PART: T6C1032JCD V11815 NS202486-02 V80539 102LH9075-3W V72962 H51650-3BAC V15653	002004 006999	6
575	BRH10C4D	. .	NUT SUPPLIER CODE: V52828 SPECIFICATION NUMBER: BACN10JC4CD OPTIONAL PART: T6C428JCD V11815 NS202486-048 V80539 102LH9075-4W V72962 H51650-4BAC V15653	002004 006999	4
577	113N7100-7	. .	SHIM- OPTIONAL PART: BACS40R12U21 BACS40V012C021 USED ON: 113N7100-1 113N7100-2 113N7100-25 113N7100-26 113N7100-29 113N7100-30 113N7100-33 113N7100-34 113N7100-37 113N7100-38 113N7100-51 113N7100-52 113N7100-57SP 113N7100-58SP 113N7100-59SP 113N7100-60SP	002004 006017 107107 121503 904999	2

MISSING ITEM NUMBERS NOT APPLICABLE

- ITEM NOT ILLUSTRATED

BRI

27-11-21-01

27-11-21  
FIG. 01  
PAGE 101  
JAN 20/09



757

PARTS CATALOG (MAINTENANCE)

FIG ITEM	PART NUMBER	1 2 3 4 5 6 7	NOMENCLATURE	EFFECT FROM TO	UNITS PER ASSY
1 577	BACS40R12U21		.. SHIM- OPTIONAL PART: 113N7100-7 USED ON: 113N7100-51 113N7100-52 113N7100-57SP 113N7100-58SP 113N7100-1 113N7100-2 113N7100-25 113N7100-26 113N7100-29 113N7100-30 113N7100-33 113N7100-34 113N7100-37 113N7100-38	002004 006017 107107 121503 904999	2
577	BACS40V012C021		.. SHIM- OPTIONAL PART: 113N7100-7 BACS40V012G015 USED ON: 113N7100-59SP 113N7100-60SP 113N7100-63SP 113N7100-64SP 113N7100-65SP 113N7100-66SP 113N7100-71SP 113N7100-72SP 113N7100-73 113N7100-74	002004 006999	2
577	BACS40V012G015		.. SHIM- OPTIONAL PART: BACS40V012C021 USED ON: 113N7100-73 113N7100-74	002004 006999	2

MISSING ITEM NUMBERS NOT APPLICABLE

- ITEM NOT ILLUSTRATED

BRI

27-11-21-01

BOEING PROPRIETARY - Copyright © - Unpublished Work - See title page for details.

27-11-21  
FIG. 01  
PAGE 102  
JAN 20/09



757

PARTS CATALOG (MAINTENANCE)

FIG ITEM	PART NUMBER	1 2 3 4 5 6 7	NOMENCLATURE	EFFECT FROM TO	UNITS PER ASSY
1 580	113N7100-11		.. SHIM- OPTIONAL PART: BACS40R15U21 BACS40V015C021 USED ON: 113N7100-1 113N7100-2 113N7100-25 113N7100-26 113N7100-29 113N7100-30 113N7100-33 113N7100-34 113N7100-37 113N7100-38 113N7100-51 113N7100-52 113N7100-57SP 113N7100-58SP 113N7100-59SP 113N7100-60SP	002004 006017 107107 121503 904999	1
580	BACS40V015C021		.. SHIM- OPTIONAL PART: 113N7100-11 USED ON: 113N7100-59SP 113N7100-60SP 113N7100-63SP 113N7100-64SP 113N7100-65SP 113N7100-66SP 113N7100-71SP 113N7100-72SP 113N7100-73 113N7100-74	002004 006999	1

MISSING ITEM NUMBERS NOT APPLICABLE

- ITEM NOT ILLUSTRATED

BRI

27-11-21-01

BOEING PROPRIETARY - Copyright © - Unpublished Work - See title page for details.

27-11-21  
 FIG. 01  
 PAGE 103  
 JAN 20/09



757

PARTS CATALOG (MAINTENANCE)

FIG ITEM	PART NUMBER	1 2 3 4 5 6 7	NOMENCLATURE	EFFECT FROM TO	UNITS PER ASSY
1 580	BACS40R15U21		.. SHIM- OPTIONAL PART: 113N7100-11 USED ON: 113N7100-51 113N7100-52 113N7100-57SP 113N7100-58SP 113N7100-1 113N7100-2 113N7100-25 113N7100-26 113N7100-29 113N7100-30 113N7100-33 113N7100-34 113N7100-37 113N7100-38	002004 006017 107107 121503 904999	1
582	113N7100-15		.. SHIM- OPTIONAL PART: BACS40V015C039 BACS40R15U39 USED ON: 113N7100-1 113N7100-2 113N7100-25 113N7100-26 113N7100-29 113N7100-30 113N7100-33 113N7100-34 113N7100-37 113N7100-38 113N7100-51 113N7100-52 113N7100-57SP 113N7100-58SP 113N7100-59SP 113N7100-60SP	002004 006017 107107 121503 904999	1

MISSING ITEM NUMBERS NOT APPLICABLE

- ITEM NOT ILLUSTRATED

BRI

27-11-21-01

BOEING PROPRIETARY - Copyright © - Unpublished Work - See title page for details.

27-11-21  
 FIG. 01  
 PAGE 104  
 JAN 20/09



757

PARTS CATALOG (MAINTENANCE)

FIG ITEM	PART NUMBER	1 2 3 4 5 6 7	NOMENCLATURE	EFFECT FROM TO	UNITS PER ASSY
1 582	BACS40R15U39		.. SHIM- OPTIONAL PART: 113N7100-15 USED ON: 113N7100-51 113N7100-52 113N7100-57SP 113N7100-58SP 113N7100-1 113N7100-2 113N7100-25 113N7100-26 113N7100-29 113N7100-30 113N7100-33 113N7100-34 113N7100-37 113N7100-38	002004 006017 107107 121503 904999	1
582	BACS40V015C039		.. SHIM- OPTIONAL PART: BACS40V015H039 113N7100-15 USED ON: 113N7100-59SP 113N7100-60SP 113N7100-63SP 113N7100-64SP 113N7100-65SP 113N7100-66SP 113N7100-71SP 113N7100-72SP 113N7100-73 113N7100-74	002004 006999	1
582	BACS40V015H039		.. SHIM- OPTIONAL PART: BACS40V015C039 USED ON: 113N7100-73 113N7100-74	002004 006999	1
585	113N7301-1		.. RIB-BAL WT POSITION DATA: LH SIDE OPTIONAL PART: 113N7203-1	103106	1
585	113N7203-1		.. RIB-BAL WT POSITION DATA: LH SIDE OPTIONAL PART: 113N7303-1	103106	1

MISSING ITEM NUMBERS NOT APPLICABLE

- ITEM NOT ILLUSTRATED

27-11-21-01

27-11-21  
FIG. 01  
PAGE 105  
JAN 20/09

BRI



757

PARTS CATALOG (MAINTENANCE)

FIG ITEM	PART NUMBER	1 2 3 4 5 6 7	NOMENCLATURE	EFFECT FROM TO	UNITS PER ASSY
1 585	113N7301-1		..RIB-BAL WT POSITION DATA: LH SIDE OPTIONAL PART: 113N7203-1 USED ON: 113N7100-33 113N7100-51 113N7100-57SP 113N7100-59SP 113N7100-63SP 113N7100-65SP 113N7100-71SP 113N7100-73SP	002004 006102 107999	1
585	113N7203-1		..RIB-BAL WT POSITION DATA: LH SIDE OPTIONAL PART: 113N7301-1 USED ON: 113N7100-1 113N7100-25 113N7100-29 113N7100-37 113N7100-51 113N7100-57SP 113N7100-59SP 113N7100-63SP 113N7100-65SP 113N7100-71SP 113N7100-73SP	002004 006102 107999	1
- 587	113N7301-2		..RIB-BAL WT POSITION DATA: RH SIDE OPTIONAL PART: 113N7203-2	103106	1
- 587	113N7203-2		..RIB-BAL WT POSITION DATA: RH SIDE OPTIONAL PART: 113N7301-2	103106	1

MISSING ITEM NUMBERS NOT APPLICABLE

- ITEM NOT ILLUSTRATED

BRI

27-11-21-01

27-11-21  
FIG. 01  
PAGE 106  
JAN 20/09





757

PARTS CATALOG (MAINTENANCE)

FIG ITEM	PART NUMBER	1 2 3 4 5 6 7	NOMENCLATURE	EFFECT FROM TO	UNITS PER ASSY
1					
- 587	113N7301-2		..RIB-BAL WT POSITION DATA: RH SIDE OPTIONAL PART: 113N7203-2 USED ON: 113N7100-34 113N7100-52 113N7100-58SP 113N7100-60SP 113N7100-64SP 113N7100-66SP 113N7100-72SP 113N7100-74SP	002004 006102 107999	1
- 587	113N7203-2		..RIB-BAL WT POSITION DATA: RH SIDE OPTIONAL PART: 113N7301-2 USED ON: 113N7100-2 113N7100-26 113N7100-30 113N7100-38 113N7100-52 113N7100-58SP 113N7100-60SP 113N7100-64SP 113N7100-66SP 113N7100-72SP 113N7100-74SP	002004 006102 107999	1
590	BACB30VF3K4		..BOLT-	103106	4

MISSING ITEM NUMBERS NOT APPLICABLE

- ITEM NOT ILLUSTRATED

BRI

27-11-21-01

BOEING PROPRIETARY - Copyright © - Unpublished Work - See title page for details.

27-11-21  
FIG. 01  
PAGE 107  
JAN 20/09



757

PARTS CATALOG (MAINTENANCE)

FIG ITEM	PART NUMBER	1 2 3 4 5 6 7	NOMENCLATURE	EFFECT FROM TO	UNITS PER ASSY
1 590	BACB30UR3K4	..	BOLT- USED ON: 113N7100-1 113N7100-2 113N7100-25 113N7100-26 113N7100-29 113N7100-30 113N7100-33 113N7100-34 113N7100-37 113N7100-38 113N7100-51 113N7100-52 113N7100-57SP 113N7100-58SP 113N7100-59SP 113N7100-60SP 113N7100-63SP 113N7100-64SP	002004 006102 107999	4
590	BACB30VF3K4	..	BOLT- USED ON: 113N7100-65SP 113N7100-66SP 113N7100-71SP 113N7100-72SP 113N7100-73SP 113N7100-74SP	002004 006102 107999	4
592	BACB30VF3K6	..	BOLT-	103106	4
592	BACB30UR3K6	..	BOLT- USED ON: 113N7100-1 113N7100-2 113N7100-25 113N7100-26 113N7100-29 113N7100-30 113N7100-33 113N7100-34 113N7100-37 113N7100-38 113N7100-51 113N7100-52 113N7100-57SP 113N7100-58SP 113N7100-59SP 113N7100-60SP 113N7100-63SP 113N7100-64SP	002004 006102 107999	4

MISSING ITEM NUMBERS NOT APPLICABLE

- ITEM NOT ILLUSTRATED

27-11-21-01

27-11-21  
FIG. 01  
PAGE 108  
JAN 20/09

BRI



757

PARTS CATALOG (MAINTENANCE)

FIG ITEM	PART NUMBER	1 2 3 4 5 6 7	NOMENCLATURE	EFFECT FROM TO	UNITS PER ASSY
1 592	BACB30VF3K6		.. BOLT- USED ON: 113N7100-65SP 113N7100-66SP 113N7100-71SP 113N7100-72SP 113N7100-73SP 113N7100-74SP	002004 006102 107999	4
595	NAS1149D0332J		.. WASHER-	103106	8
595	AN960KD10L		.. WASHER- USED ON: 113N7100-1 113N7100-2 113N7100-25 113N7100-26 113N7100-29 113N7100-30 113N7100-33 113N7100-34 113N7100-37 113N7100-38 113N7100-51 113N7100-52 113N7100-57SP 113N7100-58SP 113N7100-59SP 113N7100-60SP 113N7100-63SP 113N7100-64SP	002004 006102 107999	8
595	NAS1149D0332J		.. WASHER- USED ON: 113N7100-65SP 113N7100-66SP 113N7100-71SP 113N7100-72SP 113N7100-73SP 113N7100-74SP	002004 006102 107999	8

MISSING ITEM NUMBERS NOT APPLICABLE

- ITEM NOT ILLUSTRATED

BRI

27-11-21-01

BOEING PROPRIETARY - Copyright © - Unpublished Work - See title page for details.

27-11-21  
FIG. 01  
PAGE 109  
JAN 20/09



757

PARTS CATALOG (MAINTENANCE)

FIG ITEM	PART NUMBER	1 2 3 4 5 6 7	NOMENCLATURE	EFFECT FROM TO	UNITS PER ASSY
1 597	BRH10C3D		..NUT SUPPLIER CODE: V52828 SPECIFICATION NUMBER: BACN10JC3CD OPTIONAL PART: T6C1032JCD V11815 NS202486-02 V80539 102LH9075-3W V72962 H51650-3BAC V15653	002004 006999	8
600	113N7100-4		..SHIM- OPTIONAL PART: BACS40R09U10 BACS40V009C010 USED ON: 113N7100-1 113N7100-2 113N7100-25 113N7100-26 113N7100-29 113N7100-30 113N7100-33 113N7100-34 113N7100-37 113N7100-38 113N7100-51 113N7100-52 113N7100-57SP 113N7100-58SP 113N7100-59SP 113N7100-60SP	002004 006017 107107 121503 904999	4

MISSING ITEM NUMBERS NOT APPLICABLE

- ITEM NOT ILLUSTRATED

BRI

27-11-21-01

27-11-21  
FIG. 01  
PAGE 110  
JAN 20/09



757

PARTS CATALOG (MAINTENANCE)

FIG ITEM	PART NUMBER	1 2 3 4 5 6 7	NOMENCLATURE	EFFECT FROM TO	UNITS PER ASSY
1 600	BACS40R09U10		.. SHIM- OPTIONAL PART: 113N7100-4 USED ON: 113N7100-51 113N7100-52 113N7100-57SP 113N7100-58SP 113N7100-1 113N7100-2 113N7100-25 113N7100-26 113N7100-29 113N7100-30 113N7100-33 113N7100-34 113N7100-37 113N7100-38	002004 006017 107107 121503 904999	4
600	BACS40V009C010		.. SHIM- OPTIONAL PART: 113N7100-4 USED ON: 113N7100-59SP 113N7100-60SP 113N7100-63SP 113N7100-64SP 113N7100-65SP 113N7100-66SP 113N7100-71SP 113N7100-72SP 113N7100-73 113N7100-74	002004 006999	4

MISSING ITEM NUMBERS NOT APPLICABLE

- ITEM NOT ILLUSTRATED

BRI

27-11-21-01

BOEING PROPRIETARY - Copyright © - Unpublished Work - See title page for details.

27-11-21  
 FIG. 01  
 PAGE 111  
 JAN 20/09



757

PARTS CATALOG (MAINTENANCE)

FIG ITEM	PART NUMBER	1 2 3 4 5 6 7	NOMENCLATURE	EFFECT FROM TO	UNITS PER ASSY
1 602	113N7100-5		.. SHIM- OPTIONAL PART: BACS40R09U18 BACS40V009C018 USED ON: 113N7100-1 113N7100-2 113N7100-25 113N7100-26 113N7100-29 113N7100-30 113N7100-33 113N7100-34 113N7100-37 113N7100-38 113N7100-51 113N7100-52 113N7100-57SP 113N7100-58SP 113N7100-59SP 113N7100-60SP	002004 006017 107107 121503 904999	2
602	BACS40R09U18		.. SHIM- OPTIONAL PART: 113N7100-5 USED ON: 113N7100-51 113N7100-52 113N7100-57SP 113N7100-58SP 113N7100-1 113N7100-2 113N7100-25 113N7100-26 113N7100-29 113N7100-30 113N7100-33 113N7100-34 113N7100-37 113N7100-38	002004 006017 107107 121503 904999	2

MISSING ITEM NUMBERS NOT APPLICABLE

- ITEM NOT ILLUSTRATED

BRI

27-11-21-01

BOEING PROPRIETARY - Copyright © - Unpublished Work - See title page for details.

27-11-21  
 FIG. 01  
 PAGE 112  
 JAN 20/09



757

PARTS CATALOG (MAINTENANCE)

FIG ITEM	PART NUMBER	1 2 3 4 5 6 7	NOMENCLATURE	EFFECT FROM TO	UNITS PER ASSY
1 602	BACS40V009C018		.. SHIM- OPTIONAL PART: 113N7100-5 USED ON: 113N7100-59SP 113N7100-60SP 113N7100-63SP 113N7100-64SP 113N7100-65SP 113N7100-66SP 113N7100-71SP 113N7100-72SP 113N7100-73 113N7100-74	002004 006999	2
605	113N7100-11		.. SHIM- OPTIONAL PART: BACS40R15U21 BACS40V015C021 USED ON: 113N7100-1 113N7100-2 113N7100-25 113N7100-26 113N7100-29 113N7100-30 113N7100-33 113N7100-34 113N7100-37 113N7100-38 113N7100-51 113N7100-52 113N7100-57SP 113N7100-58SP 113N7100-59SP 113N7100-60SP	002004 006017 107107 121503 904999	1
605	BACS40V015C021		.. SHIM- OPTIONAL PART: 113N7100-11 USED ON: 113N7100-59SP 113N7100-60SP 113N7100-63SP 113N7100-64SP 113N7100-65SP 113N7100-66SP 113N7100-71SP 113N7100-72SP 113N7100-73 113N7100-74	002004 006999	1

MISSING ITEM NUMBERS NOT APPLICABLE

- ITEM NOT ILLUSTRATED

BRI

27-11-21-01

27-11-21  
FIG. 01  
PAGE 113  
JAN 20/09



757

PARTS CATALOG (MAINTENANCE)

FIG ITEM	PART NUMBER	1 2 3 4 5 6 7	NOMENCLATURE	EFFECT FROM TO	UNITS PER ASSY
1 605	BACS40R15U21		.. SHIM- OPTIONAL PART: 113N7100-11 USED ON: 113N7100-51 113N7100-52 113N7100-57SP 113N7100-58SP 113N7100-1 113N7100-2 113N7100-25 113N7100-26 113N7100-29 113N7100-30 113N7100-33 113N7100-34	002004 006017 107107 121503 904999	1
607	113N7100-10		.. SHIM- OPTIONAL PART: BACS40R15U12 BACS40V015C012 USED ON: 113N7100-1 113N7100-2 113N7100-25 113N7100-26 113N7100-29 113N7100-30 113N7100-33 113N7100-37 113N7100-51 113N7100-52 113N7100-57SP 113N7100-58SP 113N7100-59SP 113N7100-60SP	002004 006017 107107 121503 904999	1

MISSING ITEM NUMBERS NOT APPLICABLE

- ITEM NOT ILLUSTRATED

BRI

27-11-21-01

BOEING PROPRIETARY - Copyright © - Unpublished Work - See title page for details.

27-11-21  
 FIG. 01  
 PAGE 114  
 JAN 20/09





757

PARTS CATALOG (MAINTENANCE)

FIG ITEM	PART NUMBER	1 2 3 4 5 6 7	NOMENCLATURE	EFFECT FROM TO	UNITS PER ASSY
1 607	BACS40R15U12		.. SHIM- OPTIONAL PART: 113N7100-10 USED ON: 113N7100-51 113N7100-52 113N7100-57SP 113N7100-58SP 113N7100-1 113N7100-2 113N7100-25 113N7100-26 113N7100-29 113N7100-30 113N7100-33 113N7100-34 113N7100-37 113N7100-38	002004 006017 107107 121503 904999	1
607	BACS40V015C012		.. SHIM- OPTIONAL PART: 113N7100-10 USED ON: 113N7100-59SP 113N7100-60SP 113N7100-63SP 113N7100-64SP 113N7100-65SP 113N7100-66SP	002004 006999	1
610	113N7009-1		.. RIB-CLOSURE POSITION DATA: LH SIDE OPTIONAL PART: 113N7009-3	103106	1
610	113N7009-3		.. RIB-CLOSURE POSITION DATA: LH SIDE OPTIONAL PART: 113N7009-1	103106	1

MISSING ITEM NUMBERS NOT APPLICABLE

- ITEM NOT ILLUSTRATED

BRI

27-11-21-01

BOEING PROPRIETARY - Copyright © - Unpublished Work - See title page for details.

27-11-21  
FIG. 01  
PAGE 115  
JAN 20/09



757

PARTS CATALOG (MAINTENANCE)

FIG ITEM	PART NUMBER	1 2 3 4 5 6 7	NOMENCLATURE	EFFECT FROM TO	UNITS PER ASSY
1 610	113N7201-1		..RIB-CLOSURE POSITION DATA: LH SIDE USED ON: 113N7100-1 113N7100-25 113N7100-29 113N7100-33 113N7100-37 113N7100-51 113N7100-57SP 113N7100-59SP 113N7100-63SP	002004 006102 107999	1
610	113N7009-1		..RIB-CLOSURE POSITION DATA: LH SIDE OPTIONAL PART: 113N7009-3 USED ON: 113N7100-57SP 113N7100-59SP 113N7100-63SP 113N7100-65SP 113N7100-71SP 113N7100-73SP	002004 006102 107999	1
610	113N7009-3		..RIB-CLOSURE POSITION DATA: LH SIDE OPTIONAL PART: 113N7009-1 USED ON: 113N7100-71SP 113N7100-73SP	002004 006102 107999	1
- 612	113N7009-2		..RIB-CLOSURE POSITION DATA: RH SIDE OPTIONAL PART: 113N7009-4	103106	1
- 612	113N7009-4		..RIB-CLOSURE POSITION DATA: RH SIDE OPTIONAL PART: 113N7009-2	103106	1

MISSING ITEM NUMBERS NOT APPLICABLE

- ITEM NOT ILLUSTRATED

BRI

27-11-21-01

27-11-21  
FIG. 01  
PAGE 116  
JAN 20/09



757

PARTS CATALOG (MAINTENANCE)

FIG ITEM	PART NUMBER	1 2 3 4 5 6 7	NOMENCLATURE	EFFECT FROM TO	UNITS PER ASSY
1					
- 612	113N7201-2		..RIB-CLOSURE POSITION DATA: RH SIDE USED ON: 113N7100-2 113N7100-26 113N7100-30 113N7100-34 113N7100-38 113N7100-52 113N7100-58SP 113N7100-60SP 113N7100-64SP	002004 006102 107999	1
- 612	113N7009-2		..RIB-CLOSURE POSITION DATA: RH SIDE OPTIONAL PART: 113N7009-4 USED ON: 113N7100-58SP 113N7100-60SP 113N7100-64SP 113N7100-66SP 113N7100-72SP 113N7100-74SP	002004 006102 107999	1
- 612	113N7009-4		..RIB-CLOSURE POSITION DATA: RH SIDE OPTIONAL PART: 113N7009-2 USED ON: 113N7100-72SP 113N7100-74SP	002004 006102 107999	1
615	113N7120-1		..RIB-CLOSURE POSITION DATA: LH SIDE OPTIONAL PART: 113N7120-5	103106	1
615	113N7120-5		..RIB-CLOSURE POSITION DATA: LH SIDE OPTIONAL PART: 113N7120-1	103106	1

MISSING ITEM NUMBERS NOT APPLICABLE

- ITEM NOT ILLUSTRATED

BRI

27-11-21-01

27-11-21  
FIG. 01  
PAGE 117  
JAN 20/09



757

PARTS CATALOG (MAINTENANCE)

FIG ITEM	PART NUMBER	1 2 3 4 5 6 7	NOMENCLATURE	EFFECT FROM TO	UNITS PER ASSY
1 615	113N7120-1		..RIB-CLOSURE POSITION DATA: LH SIDE OPTIONAL PART: 113N7120-5 USED ON: 113N7100-33 113N7100-51 113N7100-57SP 113N7100-59SP 113N7100-63SP 113N7100-65SP 113N7100-71SP 113N7100-73SP	002004 006102 107999	1
615	113N7120-5		..RIB-CLOSURE POSITION DATA: LH SIDE OPTIONAL PART: 113N7120-1 USED ON: 113N7100-33 113N7100-51 113N7100-57SP 113N7100-59SP 113N7100-63SP 113N7100-65SP 113N7100-71SP 113N7100-73SP	002004 006102 107999	1
615	113N7202-1		..RIB-CLOSURE POSITION DATA: LH SIDE USED ON: 113N7100-29 113N7100-33 113N7100-37	002004 006017 107107 121503 904999	1
- 617	113N7120-2		..RIB-CLOSURE POSITION DATA: RH SIDE OPTIONAL PART: 113N7120-6	103106	1
- 617	113N7120-6		..RIB-CLOSURE POSITION DATA: RH SIDE OPTIONAL PART: 113N7120-2	103106	1

MISSING ITEM NUMBERS NOT APPLICABLE

- ITEM NOT ILLUSTRATED

27-11-21-01

27-11-21  
FIG. 01  
PAGE 118  
JAN 20/09

BRI

BOEING PROPRIETARY - Copyright © - Unpublished Work - See title page for details.



757

PARTS CATALOG (MAINTENANCE)

FIG ITEM	PART NUMBER	1 2 3 4 5 6 7	NOMENCLATURE	EFFECT FROM TO	UNITS PER ASSY
1					
- 617	113N7120-2	..	RIB-CLOSURE POSITION DATA: RH SIDE OPTIONAL PART: 113N7120-6 USED ON: 113N7100-34 113N7100-52 113N7100-58SP 113N7100-60SP 113N7100-64SP 113N7100-66SP 113N7100-72SP 113N7100-74SP	002004 006102 107999	1
- 617	113N7120-6	..	RIB-CLOSURE POSITION DATA: RH SIDE OPTIONAL PART: 113N7120-2 USED ON: 113N7100-34 113N7100-52 113N7100-58SP 113N7100-60SP 113N7100-64SP 113N7100-66SP 113N7100-72SP 113N7100-74SP	002004 006102 107999	1
- 617	113N7202-2	..	RIB-CLOSURE POSITION DATA: RH SIDE USED ON: 113N7100-30 113N7100-34 113N7100-38	002004 006017 107107 121503 904999	1
620	113N7111-1	..	FITTING ASSY-HINGE POSITION DATA: LH SIDE OPTIONAL PART: 113N7110-1 113N7110-21	103106	1
620	113N7110-1	..	FITTING ASSY-HINGE POSITION DATA: LH SIDE OPTIONAL PART: 113N7111-1 113N7110-21	103106	1

MISSING ITEM NUMBERS NOT APPLICABLE

- ITEM NOT ILLUSTRATED

27-11-21-01

27-11-21  
FIG. 01  
PAGE 119  
JAN 20/09

BRI



757

PARTS CATALOG (MAINTENANCE)

FIG ITEM	PART NUMBER	1 2 3 4 5 6 7	NOMENCLATURE	EFFECT FROM TO	UNITS PER ASSY
1					
620	113N7110-21		.. FITTING ASSY-HINGE POSITION DATA: LH SIDE OPTIONAL PART: 113N7111-1 113N7110-1	103106	1
620	113N7111-1		.. FITTING ASSY-HINGE POSITION DATA: LH SIDE OPTIONAL PART: 113N7110-1 113N7110-21 USED ON: 113N7100-29 113N7100-33 113N7100-37 113N7100-51 113N7100-57SP 113N7100-59SP 113N7100-63SP 113N7100-65SP 113N7100-71SP 113N7100-73SP	002004 006102 107999	1
620	113N7110-1		.. FITTING ASSY-HINGE POSITION DATA: LH SIDE OPTIONAL PART: 113N7111-1 113N7110-21 USED ON: 113N7100-1 113N7100-25 113N7100-57SP 113N7100-59SP 113N7100-63SP 113N7100-65SP 113N7100-71SP 113N7100-73SP	002004 006102 107999	1

MISSING ITEM NUMBERS NOT APPLICABLE

- ITEM NOT ILLUSTRATED

BRI

27-11-21-01

BOEING PROPRIETARY - Copyright © - Unpublished Work - See title page for details.

27-11-21  
FIG. 01  
PAGE 120  
JAN 20/09



757

PARTS CATALOG (MAINTENANCE)

FIG ITEM	PART NUMBER	1 2 3 4 5 6 7	NOMENCLATURE	EFFECT FROM TO	UNITS PER ASSY
1 620	113N7110-21		.. FITTING ASSY-HINGE POSITION DATA: LH SIDE OPTIONAL PART: 113N7111-1 113N7110-1 USED ON: 113N7100-59SP 113N7100-63SP 113N7100-65SP 113N7100-71SP 113N7100-73SP	002004 006102 107999	1
- 622	113N7111-2		.. FITTING ASSY-HINGE POSITION DATA: RH SIDE OPTIONAL PART: 113N7110-2 113N7110-22	103106	1
- 622	113N7110-2		.. FITTING ASSY-HINGE POSITION DATA: RH SIDE OPTIONAL PART: 113N7111-2 113N7110-22	103106	1
- 622	113N7110-22		.. FITTING ASSY-HINGE POSITION DATA: RH SIDE OPTIONAL PART: 113N7111-2 113N7110-2	103106	1
- 622	113N7111-2		.. FITTING ASSY-HINGE POSITION DATA: RH SIDE OPTIONAL PART: 113N7110-2 113N7110-22 USED ON: 113N7100-30 113N7100-34 113N7100-38 113N7100-52 113N7100-58SP 113N7100-60SP 113N7100-64SP 113N7100-66SP 113N7100-72SP 113N7100-74SP	002004 006102 107999	1

MISSING ITEM NUMBERS NOT APPLICABLE

- ITEM NOT ILLUSTRATED

27-11-21-01

27-11-21  
FIG. 01  
PAGE 121  
JAN 20/09

BRI



757

PARTS CATALOG (MAINTENANCE)

FIG ITEM	PART NUMBER	1 2 3 4 5 6 7	NOMENCLATURE	EFFECT FROM TO	UNITS PER ASSY
1					
- 622	113N7110-2		.. FITTING ASSY-HINGE POSITION DATA: RH SIDE OPTIONAL PART: 113N7111-2 113N7110-22 USED ON: 113N7100-2 113N7100-26 113N7100-58SP 113N7100-60SP 113N7100-64SP 113N7100-66SP 113N7100-72SP 113N7100-74SP	002004 006102 107999	1
- 622	113N7110-22		.. FITTING ASSY-HINGE POSITION DATA: RH SIDE OPTIONAL PART: 113N7111-2 113N7110-2 USED ON: 113N7100-60SP 113N7100-64SP 113N7100-66SP 113N7100-72SP 113N7100-74SP	002004 006102 107999	1
625	BACB30VL8-400		.. BOLT- ATTACHING PARTS	103106	4
625	PLT270-8-3		.. BOLT- SUPPLIER CODE: V92215 USED ON: 113N7100-1 113N7100-2 113N7100-25 113N7100-26 113N7100-29 113N7100-30 113N7100-33 113N7100-34 113N7100-37 113N7100-38 113N7100-51 113N7100-52 113N7100-57SP 113N7100-58SP	002004 006017 107107 121503 904999	4

MISSING ITEM NUMBERS NOT APPLICABLE

- ITEM NOT ILLUSTRATED

27-11-21-01

27-11-21  
FIG. 01  
PAGE 122  
JAN 20/09

BRI





757

PARTS CATALOG (MAINTENANCE)

FIG ITEM	PART NUMBER	1 2 3 4 5 6 7	NOMENCLATURE	EFFECT FROM TO	UNITS PER ASSY
1 625	BACB30VL8-400	..	BOLT- USED ON: 113N7100-59SP 113N7100-60SP 113N7100-63SP 113N7100-64SP 113N7100-65SP 113N7100-66SP 113N7100-71SP 113N7100-72SP 113N7100-73SP 113N7100-74SP	002004 006102 107999	4
627	BACB30VF4K5	..	BOLT-	103106	4
627	BACB30UR4K5	..	BOLT- USED ON: 113N7100-1 113N7100-2 113N7100-25 113N7100-26 113N7100-29 113N7100-30 113N7100-33 113N7100-34 113N7100-37 113N7100-38 113N7100-51 113N7100-52 113N7100-57SP 113N7100-58SP 113N7100-59SP 113N7100-60SP 113N7100-63SP 113N7100-64SP	002004 006102 107999	4
627	BACB30VF4K5	..	BOLT- USED ON: 113N7100-65SP 113N7100-66SP 113N7100-71SP 113N7100-72SP 113N7100-73SP 113N7100-74SP	002004 006102 107999	4
630	NAS1149D0416J	..	WASHER-	103106	4

MISSING ITEM NUMBERS NOT APPLICABLE

- ITEM NOT ILLUSTRATED

27-11-21-01

27-11-21  
FIG. 01  
PAGE 123  
JAN 20/09

BRI

BOEING PROPRIETARY - Copyright © - Unpublished Work - See title page for details.



757

PARTS CATALOG (MAINTENANCE)

FIG ITEM	PART NUMBER	1 2 3 4 5 6 7	NOMENCLATURE	EFFECT FROM TO	UNITS PER ASSY
1 630	AN960KD416L		.. WASHER- USED ON: 113N7100-1 113N7100-2 113N7100-25 113N7100-26 113N7100-29 113N7100-30 113N7100-33 113N7100-34 113N7100-37 113N7100-38 113N7100-51 113N7100-52 113N7100-57SP 113N7100-58SP 113N7100-59SP 113N7100-60SP 113N7100-63SP 113N7100-64SP	002004 006102 107999	4
630	NAS1149D0416J		.. WASHER- USED ON: 113N7100-65SP 113N7100-66SP 113N7100-71SP 113N7100-72SP 113N7100-73SP 113N7100-74SP	002004 006102 107999	4
632	BRH10C4D		.. NUT SUPPLIER CODE: V52828 SPECIFICATION NUMBER: BACN10JC4CD OPTIONAL PART: T6C428JCD V11815 NS202486-048 V80539 102LH9075-4W V72962 H51650-4BAC V15653 -----*-----	002004 006999	4

MISSING ITEM NUMBERS NOT APPLICABLE

- ITEM NOT ILLUSTRATED

BRI

27-11-21-01

BOEING PROPRIETARY - Copyright © - Unpublished Work - See title page for details.

27-11-21  
FIG. 01  
PAGE 124  
JAN 20/09



757

PARTS CATALOG (MAINTENANCE)

FIG ITEM	PART NUMBER	1 2 3 4 5 6 7	NOMENCLATURE	EFFECT FROM TO	UNITS PER ASSY
1 635	113N7100-6		.. SHIM- OPTIONAL PART: BACS40R10U31 BACS40V010C031 USED ON: 113N7100-1 113N7100-2 113N7100-25 113N7100-26 113N7100-29 113N7100-30 113N7100-33 113N7100-34 113N7100-37 113N7100-38 113N7100-51 113N7100-52 113N7100-57SP 113N7100-58SP 113N7100-59SP 113N7100-60SP	002004 006017 107107 121503 904999	2
635	BACS40R10U31		.. SHIM- OPTIONAL PART: 113N7100-6 USED ON: 113N7100-51 113N7100-52 113N7100-57SP 113N7100-58SP 113N7100-1 113N7100-2 113N7100-25 113N7100-26 113N7100-29 113N7100-30 113N7100-33 113N7100-34 113N7100-37 113N7100-38	002004 006017 107107 121503 904999	2

MISSING ITEM NUMBERS NOT APPLICABLE

- ITEM NOT ILLUSTRATED

BRI

27-11-21-01

BOEING PROPRIETARY - Copyright © - Unpublished Work - See title page for details.

27-11-21  
 FIG. 01  
 PAGE 125  
 JAN 20/09



757

PARTS CATALOG (MAINTENANCE)

FIG ITEM	PART NUMBER	1 2 3 4 5 6 7	NOMENCLATURE	EFFECT FROM TO	UNITS PER ASSY
1 635	BAC S40V010C031	..	SHIM- OPTIONAL PART: 113N7100-6 USED ON: 113N7100-59SP 113N7100-60SP 113N7100-63SP 113N7100-64SP 113N7100-65SP 113N7100-66SP 113N7100-71SP 113N7100-72SP	002004 006102 107999	2
635	BAC S40V010G031	..	SHIM- USED ON: 113N7100-73 113N7100-74	002004 006999	2
637	BAC B28AM06B014A	...	BUSHING- USED ON: 113N7111-2 USED ON: 113N7111-1 113N7111-2	002004 006999	1
637	BAC B28AM06B015A	...	BUSHING- USED ON: 113N7110-2 USED ON: 113N7110-1 113N7110-21 113N7110-2 113N7110-22	002004 006999	1
640	BAC B28AP04P014	...	BUSHING- USED ON: 113N7111-1 113N7111-2	002004 006999	1
640	BAC B28AP04P015	...	BUSHING- USED ON: 113N7110-1 113N7110-2	002004 006999	1
642	113N7111-3	...	FITTING- POSITION DATA: LH SIDE USED ON: 113N7111-1	002004 006999	1
642	113N7110-11	...	FITTING- POSITION DATA: LH SIDE USED ON: 113N7110-1	002004 006999	1

MISSING ITEM NUMBERS NOT APPLICABLE

- ITEM NOT ILLUSTRATED

27-11-21-01

27-11-21  
FIG. 01  
PAGE 126  
JAN 20/09

BRI

BOEING PROPRIETARY - Copyright © - Unpublished Work - See title page for details.



757

PARTS CATALOG (MAINTENANCE)

FIG ITEM	PART NUMBER	1 2 3 4 5 6 7	NOMENCLATURE	EFFECT FROM TO	UNITS PER ASSY
1					
642	113N7110-31	...	FITTING- POSITION DATA: LH SIDE USED ON: 113N7110-21	002004 006999	1
- 645	113N7111-4	...	FITTING- POSITION DATA: RH SIDE USED ON: 113N7111-2	002004 006999	1
- 645	113N7110-12	...	FITTING- POSITION DATA: RH SIDE USED ON: 113N7110-2	002004 006999	1
- 645	113N7110-32	...	FITTING- POSITION DATA: RH SIDE USED ON: 113N7110-22	002004 006999	1
647	BACR15DR3ACA4	...	RIVET- USED ON: 113N7111-1 113N7111-2	002004 006999	2
647	AF5171-3-3	...	RIVET- SUPPLIER CODE: V53551 SPECIFICATION NUMBER: BACR15DR3-3 OPTIONAL PART: CCR264SS3-3 V11815 RV571A3-3 V98996 USED ON: 113N7110-1 113N7110-2 113N7110-21 113N7110-22	002004 006999	2
650	BACN10K4E4DCD	...	NUTPLATE	002004 006999	1
652	BACS12ER4K9	..	SCREW	002004 006999	2

MISSING ITEM NUMBERS NOT APPLICABLE

- ITEM NOT ILLUSTRATED

27-11-21-01

27-11-21  
FIG. 01  
PAGE 127  
JAN 20/09

BRI



757

PARTS CATALOG (MAINTENANCE)

FIG ITEM	PART NUMBER	1 2 3 4 5 6 7	NOMENCLATURE	EFFECT FROM TO	UNITS PER ASSY
1 655	AF5141-3-5	..	RIVET SUPPLIER CODE: V53551 SPECIFICATION NUMBER: BACR15DR3A5 OPTIONAL PART: RV541A3-5 V98996 CCR264CS3-5TT V11815	002004 006999	4
657	BRFR120A4-1	..	NUTPLATE SUPPLIER CODE: V52828 SPECIFICATION NUMBER: BACN10KE4C OPTIONAL PART: RMF9214-4 V72962 F51752-4-1 V15653 NS103192-048 V80539	002004 006999	2
660	113N7110-3	..	FITTING ASSY-HINGE POSITION DATA: LH SIDE OPTIONAL PART: 113N7110-23	103106	1
660	113N7110-23	..	FITTING ASSY-HINGE POSITION DATA: LH SIDE OPTIONAL PART: 113N7110-3 113N7112-1	103106	1
660	113N7110-63	..	FITTING ASSY-HINGE POSITION DATA: LH SIDE OPTIONAL PART: 113N7110-23	103106	1

MISSING ITEM NUMBERS NOT APPLICABLE

- ITEM NOT ILLUSTRATED

BRI

27-11-21-01

BOEING PROPRIETARY - Copyright © - Unpublished Work - See title page for details.

27-11-21  
FIG. 01  
PAGE 128  
JAN 20/09



757

PARTS CATALOG (MAINTENANCE)

FIG ITEM	PART NUMBER	1 2 3 4 5 6 7	NOMENCLATURE	EFFECT FROM TO	UNITS PER ASSY
1 660	113N7112-1		.. FITTING ASSY-HINGE POSITION DATA: LH SIDE OPTIONAL PART: 113N7110-3 113N7110-23 USED ON: 113N7100-29 113N7100-33 113N7100-37 113N7100-51 113N7100-57SP 113N7100-59SP	002004 006017 107107 121503 904999	1
660	113N7110-3		.. FITTING ASSY-HINGE POSITION DATA: LH SIDE OPTIONAL PART: 113N7110-23 113N7112-1 113N7110-63 USED ON: 113N7100-1 113N7100-25 113N7100-57SP 113N7100-59SP 113N7100-63SP 113N7100-65SP 113N7100-71SP 113N7100-73SP	002004 006102 107999	1
660	113N7110-23		.. FITTING ASSY-HINGE POSITION DATA: LH SIDE OPTIONAL PART: 113N7110-3 113N7112-1 113N7110-63 USED ON: 113N7100-59SP 113N7100-63SP 113N7100-65SP 113N7100-71SP 113N7100-73SP	002004 006102 107999	1

MISSING ITEM NUMBERS NOT APPLICABLE

- ITEM NOT ILLUSTRATED

BRI

27-11-21-01

BOEING PROPRIETARY - Copyright © - Unpublished Work - See title page for details.

27-11-21  
FIG. 01  
PAGE 129  
JAN 20/09



757

PARTS CATALOG (MAINTENANCE)

FIG ITEM	PART NUMBER	1 2 3 4 5 6 7	NOMENCLATURE	EFFECT FROM TO	UNITS PER ASSY
1 660	113N7110-63		.. FITTING ASSY-HINGE POSITION DATA: LH SIDE OPTIONAL PART: 113N7110-23 113N7110-3 USED ON: 113N7100-73SP	002004 006102 107999	1
- 662	113N7110-4		.. FITTING ASSY-HINGE POSITION DATA: RH SIDE OPTIONAL PART: 113N7110-24	103106	1
- 662	113N7110-24		.. FITTING ASSY-HINGE POSITION DATA: RH SIDE OPTIONAL PART: 113N7110-4 113N7110-64	103106	1
- 662	113N7110-64		.. FITTING ASSY-HINGE POSITION DATA: RH SIDE OPTIONAL PART: 113N7110-24	103106	1
- 662	113N7112-2		.. FITTING ASSY-HINGE POSITION DATA: RH SIDE OPTIONAL PART: 113N7110-4 113N7110-24 USED ON: 113N7100-30 113N7100-34 113N7100-38 113N7100-52 113N7100-58SP 113N7100-60SP	002004 006017 107107 121503 904999	1

MISSING ITEM NUMBERS NOT APPLICABLE

- ITEM NOT ILLUSTRATED

BRI

27-11-21-01

27-11-21  
FIG. 01  
PAGE 130  
JAN 20/09





757

PARTS CATALOG (MAINTENANCE)

FIG ITEM	PART NUMBER	1 2 3 4 5 6 7	NOMENCLATURE	EFFECT FROM TO	UNITS PER ASSY
1 - 662	113N7110-4		.. FITTING ASSY-HINGE POSITION DATA: RH SIDE OPTIONAL PART: 113N7110-24 113N7112-2 113N7110-64 USED ON: 113N7100-2 113N7100-26 113N7100-58SP 113N7100-60SP 113N7100-64SP 113N7100-66SP 113N7100-72SP 113N7100-74SP	002004 006102 107999	1
- 662	113N7110-24		.. FITTING ASSY-HINGE POSITION DATA: RH SIDE OPTIONAL PART: 113N7110-4 113N7112-2 113N7110-64 USED ON: 113N7100-60SP 113N7100-64SP 113N7100-66SP 113N7100-72SP 113N7100-74SP	002004 006102 107999	1
- 662	113N7110-64		.. FITTING ASSY-HINGE POSITION DATA: RH SIDE OPTIONAL PART: 113N7110-24 113N7110-4 USED ON: 113N7100-74SP	002004 006102 107999	1
665	BACB30VL8-500		ATTACHING PARTS .. BOLT-	103106	4

MISSING ITEM NUMBERS NOT APPLICABLE

- ITEM NOT ILLUSTRATED

27-11-21-01

27-11-21  
FIG. 01  
PAGE 131  
JAN 20/09

BRI



757

PARTS CATALOG (MAINTENANCE)

FIG ITEM	PART NUMBER	1 2 3 4 5 6 7	NOMENCLATURE	EFFECT FROM TO	UNITS PER ASSY
1 665	PLT270-8-4		..BOLT- SUPPLIER CODE: V92215 USED ON: 113N7100-1 113N7100-2 113N7100-25 113N7100-26 113N7100-29 113N7100-30 113N7100-33 113N7100-34 113N7100-37 113N7100-38 113N7100-51 113N7100-52 113N7100-57SP 113N7100-58SP	002004 006017 107107 121503 904999	4
665	BACB30VL8-500		..BOLT- USED ON: 113N7100-59SP 113N7100-60SP 113N7100-63SP 113N7100-64SP 113N7100-65SP 113N7100-66SP 113N7100-71SP 113N7100-72SP 113N7100-73SP 113N7100-74SP	002004 006102 107999	4
667	BACB30VF4K7		..BOLT-	103106	4

MISSING ITEM NUMBERS NOT APPLICABLE

- ITEM NOT ILLUSTRATED

BRI

27-11-21-01

BOEING PROPRIETARY - Copyright © - Unpublished Work - See title page for details.

27-11-21  
FIG. 01  
PAGE 132  
JAN 20/09



757

PARTS CATALOG (MAINTENANCE)

FIG ITEM	PART NUMBER	1 2 3 4 5 6 7	NOMENCLATURE	EFFECT FROM TO	UNITS PER ASSY
1 667	BACB30UR4K7		.. BOLT- USED ON: 113N7100-1 113N7100-2 113N7100-25 113N7100-26 113N7100-29 113N7100-30 113N7100-33 113N7100-34 113N7100-37 113N7100-38 113N7100-51 113N7100-52 113N7100-57SP 113N7100-58SP 113N7100-59SP 113N7100-60SP 113N7100-63SP 113N7100-64SP	002004 006102 107999	4
667	BACB30VF4K7		.. BOLT- USED ON: 113N7100-65SP 113N7100-66SP 113N7100-71SP 113N7100-72SP 113N7100-73SP 113N7100-74SP	002004 006102 107999	4
670	NAS1149D0416J		.. WASHER-	103106	4
670	AN960KD416L		.. WASHER- USED ON: 113N7100-1 113N7100-2 113N7100-25 113N7100-26 113N7100-29 113N7100-30 113N7100-33 113N7100-34 113N7100-37 113N7100-38 113N7100-51 113N7100-52 113N7100-57SP 113N7100-58SP 113N7100-59SP 113N7100-60SP 113N7100-63SP 113N7100-64SP	002004 006102 107999	4

MISSING ITEM NUMBERS NOT APPLICABLE

- ITEM NOT ILLUSTRATED

27-11-21-01

27-11-21  
FIG. 01  
PAGE 133  
JAN 20/09

BRI

 **BOEING**  
757  
**PARTS CATALOG (MAINTENANCE)**

FIG ITEM	PART NUMBER	1 2 3 4 5 6 7	NOMENCLATURE	EFFECT FROM TO	UNITS PER ASSY
1 670	NAS1149D0416J		.. WASHER- USED ON: 113N7100-65SP 113N7100-66SP 113N7100-71SP 113N7100-72SP 113N7100-73SP 113N7100-74SP	002004 006102 107999	4
672	BRH10C4D		.. NUT SUPPLIER CODE: V52828 SPECIFICATION NUMBER: BACN10JC4CD OPTIONAL PART: T6C428JCD V11815 NS202486-048 V80539 102LH9075-4W V72962 H51650-4BAC V15653 -----*-----	002004 006999	4
675	113N7100-6		.. SHIM- OPTIONAL PART: BACS40R10U31 BACS40V010C031 USED ON: 113N7100-1 113N7100-2 113N7100-25 113N7100-26 113N7100-29 113N7100-30 113N7100-33 113N7100-34 113N7100-37 113N7100-38 113N7100-51 113N7100-52 113N7100-57SP 113N7100-58SP 113N7100-59SP 113N7100-60SP	002004 006017 107107 121503 904999	2

MISSING ITEM NUMBERS NOT APPLICABLE

— ITEM NOT ILLUSTRATED

BRI

# 27-11-21-01

BOEING PROPRIETARY - Copyright © - Unpublished Work - See title page for details.

27-11-21  
FIG. 01  
PAGE 134  
JAN 20/09



757

PARTS CATALOG (MAINTENANCE)

FIG ITEM	PART NUMBER	1 2 3 4 5 6 7	NOMENCLATURE	EFFECT FROM TO	UNITS PER ASSY
1 675	BACCS40R10U31	..	SHIM- OPTIONAL PART: 113N7100-6 USED ON: 113N7100-51 113N7100-52 113N7100-57SP 113N7100-58SP 113N7100-1 113N7100-2 113N7100-25 113N7100-26 113N7100-29 113N7100-30 113N7100-33 113N7100-34 113N7100-37 113N7100-38	002004 006017 107107 121503 904999	2
675	BACCS40V010C031	..	SHIM- OPTIONAL PART: 113N7100-6 USED ON: 113N7100-59SP 113N7100-60SP 113N7100-63SP 113N7100-64SP 113N7100-65SP 113N7100-66SP 113N7100-71SP 113N7100-72SP	002004 006102 107999	2
675	BACCS40V010G031	..	SHIM- USED ON: 113N7100-73 113N7100-74	002004 006999	2
677	BACB28AM06B014A	...	BUSHING- USED ON: 113N7112-1 113N7112-2	002004 006017 107107 121503 904999	1
677	BACB28AM06B015A	...	BUSHING- USED ON: 113N7110-3 113N7110-4 113N7110-23 113N7110-24	002004 006999	1
677	BACB28AT06B015C	...	BUSHING- USED ON: 113N7110-63 113N7110-64	002004 006999	1

MISSING ITEM NUMBERS NOT APPLICABLE

- ITEM NOT ILLUSTRATED

27-11-21-01

27-11-21  
FIG. 01  
PAGE 135  
JAN 20/09

BRI



757

PARTS CATALOG (MAINTENANCE)

FIG ITEM	PART NUMBER	1 2 3 4 5 6 7	NOMENCLATURE	EFFECT FROM TO	UNITS PER ASSY
1					
680	BACB28AP04P014	...	BUSHING- USED ON: 113N7112-1 113N7112-2	002004 006017 107107 121503 904999	1
680	BACB28AP04P015	...	BUSHING- USED ON: 113N7110-3 113N7110-4 113N7110-23 113N7110-24 113N7110-63 113N7110-64	002004 006999	1
682	113N7112-3	...	FITTING- POSITION DATA: LH SIDE USED ON: 113N7112-1	002004 006017 107107 121503 904999	1
682	113N7110-13	...	FITTING- POSITION DATA: LH SIDE USED ON: 113N7110-3	002004 006999	1
682	113N7110-33	...	FITTING- POSITION DATA: LH SIDE USED ON: 113N7110-23	002004 006999	1
682	113N7110-73	...	FITTING- POSITION DATA: LH SIDE USED ON: 113N7110-63	002004 006999	1
- 685	113N7112-4	...	FITTING- POSITION DATA: RH SIDE USED ON: 113N7112-2	002004 006017 107107 121503 904999	1
- 685	113N7110-14	...	FITTING- POSITION DATA: RH SIDE USED ON: 113N7110-4	002004 006999	1
- 685	113N7110-34	...	FITTING- POSITION DATA: RH SIDE USED ON: 113N7110-24	002004 006999	1

MISSING ITEM NUMBERS NOT APPLICABLE

- ITEM NOT ILLUSTRATED

27-11-21-01

27-11-21  
FIG. 01  
PAGE 136  
JAN 20/09

BRI



757

PARTS CATALOG (MAINTENANCE)

FIG ITEM	PART NUMBER	1 2 3 4 5 6 7	NOMENCLATURE	EFFECT FROM TO	UNITS PER ASSY
1					
- 685	113N7110-74		... FITTING- POSITION DATA: RH SIDE USED ON: 113N7110-64	002004 006999	1
687	AF5141-3C4		... RIVET- SUPPLIER CODE: V53551 SPECIFICATION NUMBER: BACR15DR3AC4 OPTIONAL PART: CCR264CS3-4IT V11815 RV541A3C4 V98996 USED ON: 113N7112-1 113N7112-2	002004 006017 107107 121503 904999	2
687	AF5171-3-3		... RIVET- SUPPLIER CODE: V53551 SPECIFICATION NUMBER: BACR15DR3-3 OPTIONAL PART: CCR264SS3-3 V11815 RV571A3-3 V98996 USED ON: 113N7110-3 113N7110-4 113N7110-23 113N7110-24	002004 006999	2
687	AF5141-3-3		... RIVET- SUPPLIER CODE: V53551 SPECIFICATION NUMBER: BACR15DR3A3 OPTIONAL PART: RV541A3-3 V98996 CCR264CS3-3TT V11815 USED ON: 113N7110-63 113N7110-64	002004 006999	2

MISSING ITEM NUMBERS NOT APPLICABLE

- ITEM NOT ILLUSTRATED

27-11-21-01

27-11-21  
FIG. 01  
PAGE 137  
JAN 20/09

BRI



757

PARTS CATALOG (MAINTENANCE)

FIG ITEM	PART NUMBER	1 2 3 4 5 6 7	NOMENCLATURE	EFFECT FROM TO	UNITS PER ASSY
1 690	F51753-4CD		...NUTPLATE SUPPLIER CODE: V15653 SPECIFICATION NUMBER: BACN10KE4DCD OPTIONAL PART: NS202495-048 V80539	002004 006999	1
692	113N7110-5		..FITTING ASSY-HINGE POSITION DATA: LH SIDE OPTIONAL PART: 113N7110-25	103106	1
692	113N7110-25		..FITTING ASSY-HINGE POSITION DATA: LH SIDE OPTIONAL PART: 113N7110-5 113N7110-65	103106	1
692	113N7110-65		..FITTING ASSY-HINGE POSITION DATA: LH SIDE OPTIONAL PART: 113N7110-25	103106	1
692	113N7113-1		..FITTING ASSY-HINGE POSITION DATA: LH SIDE OPTIONAL PART: 113N7110-5 113N7110-25 USED ON: 113N7100-29 113N7100-33 113N7100-37 113N7100-51 113N7100-57SP 113N7100-59SP	002004 006017 107107 121503 904999	1

MISSING ITEM NUMBERS NOT APPLICABLE

- ITEM NOT ILLUSTRATED

BRI

27-11-21-01

BOEING PROPRIETARY - Copyright © - Unpublished Work - See title page for details.

27-11-21  
FIG. 01  
PAGE 138  
JAN 20/09



**BOEING**  
757  
**PARTS CATALOG (MAINTENANCE)**

FIG ITEM	PART NUMBER	1 2 3 4 5 6 7	NOMENCLATURE	EFFECT FROM TO	UNITS PER ASSY
1 692	113N7110-5		.. FITTING ASSY-HINGE POSITION DATA: LH SIDE OPTIONAL PART: 113N7110-25 113N7113-1 113N7110-65 USED ON: 113N7100-1 113N7100-25 113N7100-57SP 113N7100-59SP 113N7100-63SP 113N7100-65SP 113N7100-71SP 113N7100-73SP	002004 006102 107999	1
692	113N7110-25		.. FITTING ASSY-HINGE POSITION DATA: LH SIDE OPTIONAL PART: 113N7110-5 113N7113-1 113N7110-65 USED ON: 113N7100-59SP 113N7100-63SP 113N7100-65SP 113N7100-71SP 113N7100-73SP	002004 006102 107999	1
692	113N7110-65		.. FITTING ASSY-HINGE POSITION DATA: LH SIDE OPTIONAL PART: 113N7110-25 113N7110-5 USED ON: 113N7100-73SP	002004 006102 107999	1
- 695	113N7110-6		.. FITTING ASSY-HINGE POSITION DATA: RH SIDE OPTIONAL PART: 113N7110-26	103106	1
- 695	113N7110-26		.. FITTING ASSY-HINGE POSITION DATA: RH SIDE OPTIONAL PART: 113N7110-6 113N7110-66	103106	1

MISSING ITEM NUMBERS NOT APPLICABLE

- ITEM NOT ILLUSTRATED

BRI

# 27-11-21-01

27-11-21  
FIG. 01  
PAGE 139  
JAN 20/09



757

PARTS CATALOG (MAINTENANCE)

FIG ITEM	PART NUMBER	1 2 3 4 5 6 7	NOMENCLATURE	EFFECT FROM TO	UNITS PER ASSY
1					
- 695	113N7110-66		.. FITTING ASSY-HINGE POSITION DATA: RH SIDE OPTIONAL PART: 113N7110-25	103106	1
- 695	113N7113-2		.. FITTING ASSY-HINGE POSITION DATA: RH SIDE OPTIONAL PART: 113N7110-6 113N7110-26 USED ON: 113N7100-30 113N7100-34 113N7100-38 113N7100-52 113N7100-58SP 113N7100-60SP	002004 006017 107107 121503 904999	1
- 695	113N7110-6		.. FITTING ASSY-HINGE POSITION DATA: RH SIDE OPTIONAL PART: 113N7110-26 113N7113-2 113N7110-66 USED ON: 113N7100-2 113N7100-26 113N7100-58SP 113N7100-60SP 113N7100-64SP 113N7100-66SP 113N7100-72SP 113N7100-74SP	002004 006102 107999	1
- 695	113N7110-26		.. FITTING ASSY-HINGE POSITION DATA: RH SIDE OPTIONAL PART: 113N7110-6 113N7113-2 113N7110-66 USED ON: 113N7100-60SP 113N7100-64SP 113N7100-66SP 113N7100-72SP 113N7100-74SP	002004 006102 107999	1

MISSING ITEM NUMBERS NOT APPLICABLE

- ITEM NOT ILLUSTRATED

27-11-21-01

27-11-21  
FIG. 01  
PAGE 140  
JAN 20/09

BRI



757

PARTS CATALOG (MAINTENANCE)

FIG ITEM	PART NUMBER	1 2 3 4 5 6 7	NOMENCLATURE	EFFECT FROM TO	UNITS PER ASSY
1					
- 695	113N7110-66		.. FITTING ASSY-HINGE POSITION DATA: RH SIDE OPTIONAL PART: 113N7110-26 113N7110-6 USED ON: 113N7100-74SP ATTACHING PARTS	002004 006102 107999	1
697	BACB30VL8-450		.. BOLT-	103106	4
697	PLT270-10-4		.. BOLT- SUPPLIER CODE: V92215 USED ON: 113N7100-1 113N7100-2 113N7100-25 113N7100-26 113N7100-29 113N7100-30 113N7100-33 113N7100-34 113N7100-37 113N7100-38 113N7100-51 113N7100-52 113N7100-57SP 113N7100-58SP	002004 006017 107107 121503 904999	4
697	BACB30VL8-450		.. BOLT- USED ON: 113N7100-59SP 113N7100-60SP 113N7100-63SP 113N7100-64SP 113N7100-65SP 113N7100-66SP 113N7100-71SP 113N7100-72SP 113N7100-73SP 113N7100-74SP	002004 006102 107999	4

MISSING ITEM NUMBERS NOT APPLICABLE

- ITEM NOT ILLUSTRATED

BRI

27-11-21-01

27-11-21  
FIG. 01  
PAGE 141  
JAN 20/09



757

PARTS CATALOG (MAINTENANCE)

FIG ITEM	PART NUMBER	1 2 3 4 5 6 7	NOMENCLATURE	EFFECT FROM TO	UNITS PER ASSY
1 700	HL11VAZ10-7	..	BOLT- SUPPLIER CODE: V60516 SPECIFICATION NUMBER: BACB30NW10K7 OPTIONAL PART: B30NW10K7 V97928 HL11VAZ10-7 V73197 HL11VAZ10-7 V92215 HL11VAZ10-7 V97928 L803-10K7 V06725 HL11VAZ10-7 V0PTK6 HL11VAZ10-7 V56878 BACB30VF5K6	002004 006999	6
700	BACB30VF5K6	..	BOLT- OPTIONAL PART: BACB30NW10K7 USED ON: 113N7100-57SP 113N7100-58SP	002004 006017 107107 121503 904999	6
702	NAS1149D0516J	..	WASHER-	103106	6
702	AN960KD516L	..	WASHER- USED ON: 113N7100-1 113N7100-2 113N7100-25 113N7100-26 113N7100-29 113N7100-30 113N7100-33 113N7100-34 113N7100-37 113N7100-38 113N7100-51 113N7100-52 113N7100-57SP 113N7100-58SP	002004 006102 107999	6

MISSING ITEM NUMBERS NOT APPLICABLE

- ITEM NOT ILLUSTRATED

BRI

27-11-21-01

27-11-21  
FIG. 01  
PAGE 142  
JAN 20/09

 **BOEING**  
757  
**PARTS CATALOG (MAINTENANCE)**

FIG ITEM	PART NUMBER	1 2 3 4 5 6 7	NOMENCLATURE	EFFECT FROM TO	UNITS PER ASSY
1 702	NAS1149D0516J		.. WASHER- USED ON: 113N7100-59SP 113N7100-60SP 113N7100-63SP 113N7100-64SP 113N7100-65SP 113N7100-66SP 113N7100-71SP 113N7100-72SP 113N7100-73SP 113N7100-74SP	002004 006102 107999	6
705	HL79-10		.. COLLAR- SUPPLIER CODE: V5M902 SPECIFICATION NUMBER: BACC30M10 OPTIONAL PART: HL79-10 V73197 HL79-10 V92215 66014-10 V56878 HL79-10 V56878 BACN10YR5CD	002004 006999	6
705	PLH55CD		.. NUT- SUPPLIER CODE: VF0224 SPECIFICATION NUMBER: BACN10YR5CD OPTIONAL PART: H52732-5CD V15653 BACC30M10 USED ON: 113N7100-57SP 113N7100-58SP -----*-----	002004 006017 107107 121503 904999	6

MISSING ITEM NUMBERS NOT APPLICABLE

— ITEM NOT ILLUSTRATED

BRI

# 27-11-21-01

BOEING PROPRIETARY - Copyright © - Unpublished Work - See title page for details.

27-11-21  
FIG. 01  
PAGE 143  
JAN 20/09



757

PARTS CATALOG (MAINTENANCE)

FIG ITEM	PART NUMBER	1 2 3 4 5 6 7	NOMENCLATURE	EFFECT FROM TO	UNITS PER ASSY
1 707	113N7100-8		.. SHIM- OPTIONAL PART: BACS40R12U44 BACS40V012C044 USED ON: 113N7100-1 113N7100-2 113N7100-25 113N7100-26 113N7100-29 113N7100-30 113N7100-33 113N7100-34 113N7100-37 113N7100-38 113N7100-51 113N7100-52 113N7100-57SP 113N7100-58SP 113N7100-59SP 113N7100-60SP	002004 006017 107107 121503 904999	2
707	BACS40R12U44		.. SHIM- OPTIONAL PART: 113N7100-8 USED ON: 113N7100-51 113N7100-52 113N7100-57SP 113N7100-58SP 113N7100-1 113N7100-2 113N7100-25 113N7100-26 113N7100-29 113N7100-30 113N7100-33 113N7100-34 113N7100-37 113N7100-38	002004 006017 107107 121503 904999	2

MISSING ITEM NUMBERS NOT APPLICABLE

- ITEM NOT ILLUSTRATED

BRI

27-11-21-01

BOEING PROPRIETARY - Copyright © - Unpublished Work - See title page for details.

27-11-21  
 FIG. 01  
 PAGE 144  
 JAN 20/09



757

PARTS CATALOG (MAINTENANCE)

FIG ITEM	PART NUMBER	1 2 3 4 5 6 7	NOMENCLATURE	EFFECT FROM TO	UNITS PER ASSY
1 707	BAC S40V012C044	..	SHIM- OPTIONAL PART: 113N7100-8 USED ON: 113N7100-59SP 113N7100-60SP 113N7100-63SP 113N7100-64SP 113N7100-65SP 113N7100-66SP 113N7100-71SP 113N7100-72SP	002004 006102 107999	2
707	BAC S40V012G044	..	SHIM- USED ON: 113N7100-73 113N7100-74	002004 006999	2
710	BAC B28AM07B025A	...	BUSHING- USED ON: 113N7113-1 113N7113-2 113N7110-5 113N7110-6 113N7110-25 113N7110-26	002004 006999	1
710	BAC B28AT07B025C	...	BUSHING- USED ON: 113N7110-65 113N7110-66	002004 006999	1
712	BAC B28AP05P040	...	BUSHING	002004 006999	1
715	113N7113-3	...	FITTING- USED ON: 113N7113-1	002004 006017 107107 121503 904999	1
715	113N7110-15	...	FITTING- USED ON: 113N7110-5	002004 006999	1
715	113N7110-35	...	FITTING- USED ON: 113N7110-25	002004 006999	1
715	113N7110-75	...	FITTING- USED ON: 113N7110-65	002004 006999	1
- 717	113N7113-4	...	FITTING- USED ON: 113N7113-2	002004 006017 107107 121503 904999	1

MISSING ITEM NUMBERS NOT APPLICABLE

- ITEM NOT ILLUSTRATED

27-11-21-01

27-11-21  
FIG. 01  
PAGE 145  
JAN 20/09

BRI

BOEING PROPRIETARY - Copyright © - Unpublished Work - See title page for details.



757

PARTS CATALOG (MAINTENANCE)

FIG ITEM	PART NUMBER	1 2 3 4 5 6 7	NOMENCLATURE	EFFECT FROM TO	UNITS PER ASSY
1					
- 717	113N7110-16	...	FITTING- USED ON: 113N7110-6	002004 006999	1
- 717	113N7110-36	...	FITTING- USED ON: 113N7110-26	002004 006999	1
- 717	113N7110-76	...	FITTING- USED ON: 113N7110-66	002004 006999	1
720	AF5171-3-7	...	RIVET- SUPPLIER CODE: V53551 SPECIFICATION NUMBER: BACR15DR3-7 OPTIONAL PART: CCR264SS3-7 V11815 RV571A3-7 V98996 USED ON: 113N7110-5 113N7110-6 113N7110-25 113N7110-26	002004 006999	2
720	AF5141-3C8	...	RIVET- SUPPLIER CODE: V53551 SPECIFICATION NUMBER: BACR15DR3AC8 OPTIONAL PART: CCR264CS3-8IT V11815 RV541A3C8 V98996 USED ON: 113N7113-1 113N7113-2	002004 006017 107107 121503 904999	2

MISSING ITEM NUMBERS NOT APPLICABLE

- ITEM NOT ILLUSTRATED

BRI

27-11-21-01

BOEING PROPRIETARY - Copyright © - Unpublished Work - See title page for details.

27-11-21  
FIG. 01  
PAGE 146  
JAN 20/09





757

PARTS CATALOG (MAINTENANCE)

FIG ITEM	PART NUMBER	1 2 3 4 5 6 7	NOMENCLATURE	EFFECT FROM TO	UNITS PER ASSY
1 720	AF5141-3-7	...	RIVET- SUPPLIER CODE: V53551 SPECIFICATION NUMBER: BACR15DR3A7 OPTIONAL PART: RV541A3-7 V98996 CCR264CS3-7TT V11815 USED ON: 113N7110-65 113N7110-66	002004 006999	2
722	F51753-4CD	...	NUTPLATE SUPPLIER CODE: V15653 SPECIFICATION NUMBER: BACN10KE4DCD OPTIONAL PART: NS202495-048 V80539	002004 006999	1
725	113N7161-1	..	FITTING ASSY-ACTR POSITION DATA: LH SIDE	103106	1
725	113N7161-1	..	FITTING ASSY-ACTR POSITION DATA: LH SIDE USED ON: 113N7100-29 113N7100-33 113N7100-37 113N7100-51 113N7100-57SP 113N7100-59SP 113N7100-63SP 113N7100-65SP 113N7100-71SP 113N7100-73SP	002004 006102 107999	1
- 727	113N7161-24	..	FITTING ASSY-ACTR POSITION DATA: RH SIDE	103106	1

MISSING ITEM NUMBERS NOT APPLICABLE

- ITEM NOT ILLUSTRATED

27-11-21-01

27-11-21  
FIG. 01  
PAGE 147  
JAN 20/09

BRI



757

PARTS CATALOG (MAINTENANCE)

FIG ITEM	PART NUMBER	1 2 3 4 5 6 7	NOMENCLATURE	EFFECT FROM TO	UNITS PER ASSY
1					
- 727	113N7161-2	..	FITTING ASSY-ACTR POSITION DATA: RH SIDE USED ON: 113N7100-30 113N7100-34 113N7100-38 113N7100-52 113N7100-58SP 113N7100-60SP 113N7100-64SP 113N7100-66SP	002004 006102 107999	1
- 727	113N7161-24	..	FITTING ASSY-ACTR POSITION DATA: RH SIDE USED ON: 113N7100-72SP 113N7100-74SP	002004 006102 107999	1
730	113N7162-1	..	FITTING ASSY-ACTR POSITION DATA: LH SIDE	103106	1
730	113N7162-1	..	FITTING ASSY-ACTR POSITION DATA: LH SIDE USED ON: 113N7100-29 113N7100-33 113N7100-37 113N7100-51 113N7100-57SP 113N7100-59SP 113N7100-63SP 113N7100-65SP 113N7100-71SP 113N7100-73SP	002004 006102 107999	1
- 732	113N7162-20	..	FITTING ASSY-ACTR POSITION DATA: RH SIDE	103106	1

MISSING ITEM NUMBERS NOT APPLICABLE

- ITEM NOT ILLUSTRATED

BRI

27-11-21-01

27-11-21  
FIG. 01  
PAGE 148  
JAN 20/09

**BOEING**  
757  
**PARTS CATALOG (MAINTENANCE)**

FIG ITEM	PART NUMBER	1 2 3 4 5 6 7	NOMENCLATURE	EFFECT FROM TO	UNITS PER ASSY
1					
- 732	113N7162-2		.. FITTING ASSY-ACTR POSITION DATA: RH SIDE USED ON: 113N7100-30 113N7100-34 113N7100-38 113N7100-52 113N7100-58SP 113N7100-60SP 113N7100-64SP 113N7100-66SP	002004 006102 107999	1
- 732	113N7162-20		.. FITTING ASSY-ACTR POSITION DATA: RH SIDE USED ON: 113N7100-72SP 113N7100-74SP ATTACHING PARTS	002004 006102 107999	1
735	BACB30VL8-450		.. BOLT-	103106	8
735	PLT270-8-4		.. BOLT- SUPPLIER CODE: V92215 USED ON: 113N7100-1 113N7100-2 113N7100-25 113N7100-26 113N7100-29 113N7100-30 113N7100-33 113N7100-34 113N7100-37 113N7100-38 113N7100-51 113N7100-52 113N7100-57SP 113N7100-58SP	002004 006102 107999	8

MISSING ITEM NUMBERS NOT APPLICABLE

- ITEM NOT ILLUSTRATED

BRI

# 27-11-21-01

BOEING PROPRIETARY - Copyright © - Unpublished Work - See title page for details.

27-11-21  
FIG. 01  
PAGE 149  
JAN 20/09



757

PARTS CATALOG (MAINTENANCE)

FIG ITEM	PART NUMBER	1 2 3 4 5 6 7	NOMENCLATURE	EFFECT FROM TO	UNITS PER ASSY
1 735	BACB30VL8-450	..	BOLT- USED ON: 113N7100-59SP 113N7100-60SP 113N7100-63SP 113N7100-64SP 113N7100-65SP 113N7100-66SP 113N7100-71SP 113N7100-72SP 113N7100-73SP 113N7100-74SP	002004 006102 107999	8
737	HL11VAZ12-10	..	BOLT- SUPPLIER CODE: V60516 SPECIFICATION NUMBER: BACB30NW12K10 OPTIONAL PART: B30NW12K10 V97928 HL11VAZ12-10 V73197 HL11VAZ12-10 V92215 HL11VAZ12-10 V97928 L803-12K10 V06725 HL11VAZ12-10 V0PTK6 HL11VAZ12-10 V56878 BACB30YP12K11	103106	8
737	WC331K12-11	..	BOLT- SUPPLIER CODE: V60516 SPECIFICATION NUMBER: BACB30YP12K11 OPTIONAL PART: BACB30NW12K10	103106	8

MISSING ITEM NUMBERS NOT APPLICABLE

- ITEM NOT ILLUSTRATED

BRI

27-11-21-01

BOEING PROPRIETARY - Copyright © - Unpublished Work - See title page for details.

27-11-21  
FIG. 01  
PAGE 150  
JAN 20/09



757

PARTS CATALOG (MAINTENANCE)

FIG ITEM	PART NUMBER	1 2 3 4 5 6 7	NOMENCLATURE	EFFECT FROM TO	UNITS PER ASSY
1 737	HL11VAZ12-10		. . BOLT- SUPPLIER CODE: V60516 SPECIFICATION NUMBER: BACB30NW12K10 OPTIONAL PART: B30NW12K10 V97928 HL11VAZ12-10 V73197 HL11VAZ12-10 V92215 HL11VAZ12-10 V97928 L803-12K10 V06725 HL11VAZ12-10 V0PTK6 HL11VAZ12-10 V56878 BACB30YP12K11 USED ON: 113N7100-29 113N7100-30 113N7100-33 113N7100-34 113N7100-37 113N7100-38 113N7100-51 113N7100-52 113N7100-57SP 113N7100-58SP 113N7100-59SP 113N7100-60SP 113N7100-63SP 113N7100-64SP 113N7100-65SP 113N7100-66SP 113N7100-71SP 113N7100-72SP 113N7100-73SP 113N7100-74SP	002004 006102 107999	8

MISSING ITEM NUMBERS NOT APPLICABLE

- ITEM NOT ILLUSTRATED

BRI

27-11-21-01

BOEING PROPRIETARY - Copyright © - Unpublished Work - See title page for details.

27-11-21  
FIG. 01  
PAGE 151  
JAN 20/09



757

PARTS CATALOG (MAINTENANCE)

FIG ITEM	PART NUMBER	1 2 3 4 5 6 7	NOMENCLATURE	EFFECT FROM TO	UNITS PER ASSY
1 737	WC331K12-11		..BOLT- SUPPLIER CODE: V60516 SPECIFICATION NUMBER: BACB30YP12K11 OPTIONAL PART: BACB30NW12K10 USED ON: 113N7100-71SP 113N7100-72SP 113N7100-73SP 113N7100-74SP	002004 006102 107999	8
739	BACB30VF6K11		..BOLT	002004 006999	2
741	BACB30VF6K14		..BOLT	103106	2
741	BACB30VF6K14		..BOLT- USED ON: 113N7100-29 113N7100-30 113N7100-33 113N7100-34 113N7100-37 113N7100-38 113N7100-51 113N7100-52 113N7100-57SP 113N7100-58SP 113N7100-59SP 113N7100-60SP 113N7100-63SP 113N7100-64SP 113N7100-65SP 113N7100-66SP 113N7100-71SP 113N7100-72SP 113N7100-73SP 113N7100-74SP	002004 006102 107999	2
745	NAS1149D0616J		..WASHER-	103106	12

MISSING ITEM NUMBERS NOT APPLICABLE

- ITEM NOT ILLUSTRATED

BRI

27-11-21-01

BOEING PROPRIETARY - Copyright © - Unpublished Work - See title page for details.

27-11-21  
FIG. 01  
PAGE 152  
JAN 20/09



757

PARTS CATALOG (MAINTENANCE)

FIG ITEM	PART NUMBER	1 2 3 4 5 6 7	NOMENCLATURE	EFFECT FROM TO	UNITS PER ASSY
1 745	AN960KD616L		.. WASHER- USED ON: 113N7100-1 113N7100-2 113N7100-25 113N7100-26 113N7100-29 113N7100-30 113N7100-33 113N7100-34 113N7100-37 113N7100-38 113N7100-51 113N7100-52 113N7100-57SP 113N7100-58SP 113N7100-59SP 113N7100-60SP 113N7100-63SP 113N7100-64SP	002004 006102 107999	12
745	NAS1149D0616J		.. WASHER- USED ON: 113N7100-65SP 113N7100-66SP 113N7100-71SP 113N7100-72SP 113N7100-73SP 113N7100-74SP	002004 006102 107999	12
747	HL79-12		.. COLLAR SUPPLIER CODE: V5M902 SPECIFICATION NUMBER: BACC30M12 OPTIONAL PART: HL79-12 V73197 HL79-12 V92215 66014-12 V56878 HL79-12 V56878	103106	8

MISSING ITEM NUMBERS NOT APPLICABLE

- ITEM NOT ILLUSTRATED

BRI

27-11-21-01

BOEING PROPRIETARY - Copyright © - Unpublished Work - See title page for details.

27-11-21  
FIG. 01  
PAGE 153  
JAN 20/09



757

PARTS CATALOG (MAINTENANCE)

FIG ITEM	PART NUMBER	1 2 3 4 5 6 7	NOMENCLATURE	EFFECT FROM TO	UNITS PER ASSY
1 747	HL79-12		.. COLLAR- SUPPLIER CODE: V5M902 SPECIFICATION NUMBER: BACC30M12 OPTIONAL PART: HL79-12 V73197 HL79-12 V92215 66014-12 V56878 HL79-12 V56878 USED ON: 113N7100-29 113N7100-30 113N7100-33 113N7100-34 113N7100-37 113N7100-38 113N7100-51 113N7100-52 113N7100-57SP 113N7100-58SP 113N7100-59SP 113N7100-60SP 113N7100-63SP 113N7100-64SP 113N7100-65SP 113N7100-66SP 113N7100-71SP 113N7100-72SP 113N7100-73SP 113N7100-74SP	002004 006102 107999	8
749	PLH56CD		.. NUT SUPPLIER CODE: VF0224 SPECIFICATION NUMBER: BACN10YR6CD OPTIONAL PART: H52732-6CD V15653	002004 006999	2

MISSING ITEM NUMBERS NOT APPLICABLE

- ITEM NOT ILLUSTRATED

BRI

27-11-21-01

BOEING PROPRIETARY - Copyright © - Unpublished Work - See title page for details.

27-11-21  
FIG. 01  
PAGE 154  
JAN 20/09





757

PARTS CATALOG (MAINTENANCE)

FIG ITEM	PART NUMBER	1 2 3 4 5 6 7	NOMENCLATURE	EFFECT FROM TO	UNITS PER ASSY
1 750	PLH56CD	..	NUT SUPPLIER CODE: VF0224 SPECIFICATION NUMBER: BACN10YR6CD OPTIONAL PART: H52732-6CD V15653	103106	2
750	PLH56CD	..	NUT- SUPPLIER CODE: VF0224 SPECIFICATION NUMBER: BACN10YR6CD OPTIONAL PART: H52732-6CD V15653 USED ON: 113N7100-29 113N7100-30 113N7100-33 113N7100-34 113N7100-37 113N7100-38 113N7100-51 113N7100-52 113N7100-57SP 113N7100-58SP 113N7100-59SP 113N7100-60SP 113N7100-63SP 113N7100-64SP 113N7100-65SP 113N7100-66SP 113N7100-71SP 113N7100-72SP 113N7100-73SP 113N7100-74SP	002004 006102 107999	2
752	113N7102-1	..	INSERT	103106	12

MISSING ITEM NUMBERS NOT APPLICABLE

- ITEM NOT ILLUSTRATED

BRI

27-11-21-01

27-11-21  
FIG. 01  
PAGE 155  
JAN 20/09



757

PARTS CATALOG (MAINTENANCE)

FIG ITEM	PART NUMBER	1 2 3 4 5 6 7	NOMENCLATURE	EFFECT FROM TO	UNITS PER ASSY
1 752	113N7102-1		.. INSERT- USED ON: 113N7100-29 113N7100-30 113N7100-33 113N7100-34 113N7100-37 113N7100-38 113N7100-51 113N7100-52 113N7100-57SP 113N7100-58SP 113N7100-59SP 113N7100-60SP 113N7100-63SP 113N7100-64SP 113N7100-65SP 113N7100-66SP 113N7100-71SP 113N7100-72SP 113N7100-73SP 113N7100-74SP -----*-----	002004 006102 107999	12
755	113N7100-9		.. SHIM- OPTIONAL PART: BACS40R12U55 BACS40V013C055 USED ON: 113N7100-1 113N7100-2 113N7100-25 113N7100-26 113N7100-29 113N7100-30 113N7100-33 113N7100-34 113N7100-37 113N7100-38 113N7100-51 113N7100-52 113N7100-57SP 113N7100-58SP 113N7100-59SP 113N7100-60SP	002004 006017 107107 121503 904999	4

MISSING ITEM NUMBERS NOT APPLICABLE

- ITEM NOT ILLUSTRATED

BRI

27-11-21-01

BOEING PROPRIETARY - Copyright © - Unpublished Work - See title page for details.

27-11-21  
FIG. 01  
PAGE 156  
JAN 20/09



757

PARTS CATALOG (MAINTENANCE)

FIG ITEM	PART NUMBER	1 2 3 4 5 6 7	NOMENCLATURE	EFFECT FROM TO	UNITS PER ASSY
1 755	BACS40R12U55		.. SHIM- OPTIONAL PART: 113N7100-9 USED ON: 113N7100-51 113N7100-52 113N7100-57SP 113N7100-58SP 113N7100-1 113N7100-2 113N7100-25 113N7100-26 113N7100-29 113N7100-30 113N7100-33 113N7100-34 113N7100-37 113N7100-38	002004 006017 107107 121503 904999	4
755	BACS40V013C055		.. SHIM- OPTIONAL PART: 113N7100-9 USED ON: 113N7100-59SP 113N7100-60SP 113N7100-63SP 113N7100-64SP 113N7100-65SP 113N7100-66SP 113N7100-71SP 113N7100-72SP 113N7100-73 113N7100-74	002004 006999	4
757	113N7100-49		.. FILLER	002004 006999	2

MISSING ITEM NUMBERS NOT APPLICABLE

- ITEM NOT ILLUSTRATED

BRI

27-11-21-01

BOEING PROPRIETARY - Copyright © - Unpublished Work - See title page for details.

27-11-21  
FIG. 01  
PAGE 157  
JAN 20/09



757

PARTS CATALOG (MAINTENANCE)

FIG ITEM	PART NUMBER	1 2 3 4 5 6 7	NOMENCLATURE	EFFECT FROM TO	UNITS PER ASSY
1 760	AF5171-3-12		...RIVET- SUPPLIER CODE: V53551 SPECIFICATION NUMBER: BACR15DR3-12 OPTIONAL PART: CCR264SS3-12 V11815 RV571A3-12 V98996 USED ON: 113N7160-1 113N7160-2 113N7160-3 113N7160-4 113N7161-1 113N7161-2 113N7161-24 113N7162-1 113N7162-2 113N7162-20	002004 006999	2
762	BR3000C06D		...NUTPLATE- SUPPLIER CODE: V52828 SPECIFICATION NUMBER: BACN10KF06CD OPTIONAL PART: K51598-06BAC V15653 NS202441-62 V80539 USED ON: 113N7154-1 113N7154-2 113N7154-3 113N7154-4 113N7161-1 113N7161-2 113N7161-24 113N7162-1 113N7162-2 113N7162-20	002004 006999	1
765	BACB28AM17B031A		...BUSHING- USED ON: 113N7161-1 113N7162-1	002004 006999	2

MISSING ITEM NUMBERS NOT APPLICABLE

- ITEM NOT ILLUSTRATED

27-11-21-01

27-11-21  
FIG. 01  
PAGE 158  
JAN 20/09

BRI



757

PARTS CATALOG (MAINTENANCE)

FIG ITEM	PART NUMBER	1 2 3 4 5 6 7	NOMENCLATURE	EFFECT FROM TO	UNITS PER ASSY
1					
- 766	BACB28AM17B031A	...	BUSHING- USED ON: 113N7161-2 113N7162-2	002004 006102 107999	2
- 766	BACB28AT17B031C	...	BUSHING- USED ON: 113N7161-24 113N7162-20	002004 006999	2
767	BACB28AP12P031	...	BUSHING- USED ON: 113N7161-1 113N7161-2 113N7161-24 113N7162-1 113N7162-2 113N7162-20	002004 006999	2
770	113N7161-3	...	FITTING- OPTIONAL PART: 113N7161-7 USED ON: 113N7161-1	002004 006999	1
770	113N7161-7	...	FITTING- OPTIONAL PART: 113N7161-3 USED ON: 113N7161-1	002004 006999	1
- 772	113N7161-4	...	FITTING- OPTIONAL PART: 113N7161-8 USED ON: 113N7161-2	002004 006102 107999	1
- 772	113N7161-8	...	FITTING- OPTIONAL PART: 113N7161-4 USED ON: 113N7161-2	002004 006102 107999	1
- 772	113N7161-26	...	FITTING- USED ON: 113N7161-24	002004 006999	1
775	113N7162-3	...	FITTING- POSITION DATA: LH SIDE USED ON: 113N7162-1	002004 006999	1
- 777	113N7162-4	...	FITTING- POSITION DATA: RH SIDE USED ON: 113N7162-2	002004 006102 107999	1

MISSING ITEM NUMBERS NOT APPLICABLE

- ITEM NOT ILLUSTRATED

27-11-21-01

27-11-21  
FIG. 01  
PAGE 159  
JAN 20/09

BRI



757

PARTS CATALOG (MAINTENANCE)

FIG ITEM	PART NUMBER	1 2 3 4 5 6 7	NOMENCLATURE	EFFECT FROM TO	UNITS PER ASSY
1					
- 777	113N7162-22		... FITTING- POSITION DATA: RH SIDE USED ON: 113N7162-20	002004 006999	1
780	BACS12ER4K9		.. SCREW	002004 006999	2
782	AF5141-3-5		.. RIVET SUPPLIER CODE: V53551 SPECIFICATION NUMBER: BACR15DR3A5 OPTIONAL PART: RV541A3-5 V98996 CCR264CS3-5TT V11815	002004 006999	4
785	BRFR120A4-1		.. NUTPLATE SUPPLIER CODE: V52828 SPECIFICATION NUMBER: BACN10KE4C OPTIONAL PART: RMF9214-4 V72962 F51752-4-1 V15653 NS103192-048 V80539	002004 006999	2
787	113N7110-7		.. FITTING ASSY-HINGE POSITION DATA: LH SIDE OPTIONAL PART: 113N7110-27	103106	1
787	113N7110-27		.. FITTING ASSY-HINGE POSITION DATA: LH SIDE OPTIONAL PART: 113N7110-7 113N7110-67	103106	1
787	113N7110-67		.. FITTING ASSY-HINGE POSITION DATA: LH SIDE OPTIONAL PART: 113N7110-27	103106	1

MISSING ITEM NUMBERS NOT APPLICABLE

- ITEM NOT ILLUSTRATED

BRI

27-11-21-01

27-11-21  
FIG. 01  
PAGE 160  
JAN 20/09



757

PARTS CATALOG (MAINTENANCE)

FIG ITEM	PART NUMBER	1 2 3 4 5 6 7	NOMENCLATURE	EFFECT FROM TO	UNITS PER ASSY
1 787	113N7114-1		.. FITTING ASSY-HINGE POSITION DATA: LH SIDE OPTIONAL PART: 113N7110-7 113N7110-27 USED ON: 113N7100-29 113N7100-33 113N7100-37 113N7100-51 113N7100-57SP 113N7100-59SP	002004 006017 107107 121503 904999	1
787	113N7110-7		.. FITTING ASSY-HINGE POSITION DATA: LH SIDE OPTIONAL PART: 113N7110-27 113N7114-1 113N7110-67 USED ON: 113N7100-1 113N7100-25 113N7100-57SP 113N7100-59SP 113N7100-63SP 113N7100-65SP 113N7100-71SP 113N7100-73SP	002004 006102 107999	1
787	113N7110-27		.. FITTING ASSY-HINGE POSITION DATA: LH SIDE OPTIONAL PART: 113N7110-7 113N7114-1 113N7110-67 USED ON: 113N7100-59SP 113N7100-63SP 113N7100-65SP 113N7100-71SP 113N7100-73SP	002004 006102 107999	1

MISSING ITEM NUMBERS NOT APPLICABLE

- ITEM NOT ILLUSTRATED

BRI

27-11-21-01

BOEING PROPRIETARY - Copyright © - Unpublished Work - See title page for details.

27-11-21  
FIG. 01  
PAGE 161  
JAN 20/09



757

PARTS CATALOG (MAINTENANCE)

FIG ITEM	PART NUMBER	1 2 3 4 5 6 7	NOMENCLATURE	EFFECT FROM TO	UNITS PER ASSY
1 787	113N7110-67		.. FITTING ASSY-HINGE POSITION DATA: LH SIDE OPTIONAL PART: 113N7110-27 113N7110-7 USED ON: 113N7100-73SP	002004 006102 107999	1
- 790	113N7110-8		.. FITTING ASSY-HINGE POSITION DATA: RH SIDE OPTIONAL PART: 113N7110-28	103106	1
- 790	113N7110-28		.. FITTING ASSY-HINGE POSITION DATA: RH SIDE OPTIONAL PART: 113N7110-8 113N7110-68	103106	1
- 790	113N7110-68		.. FITTING ASSY-HINGE POSITION DATA: RH SIDE OPTIONAL PART: 113N7110-28	103106	1
- 790	113N7114-2		.. FITTING ASSY-HINGE POSITION DATA: RH SIDE OPTIONAL PART: 113N7110-8 113N7110-28 USED ON: 113N7100-30 113N7100-34 113N7100-38 113N7100-52 113N7100-58SP 113N7100-60SP	002004 006017 107107 121503 904999	1

MISSING ITEM NUMBERS NOT APPLICABLE

- ITEM NOT ILLUSTRATED

BRI

27-11-21-01

BOEING PROPRIETARY - Copyright © - Unpublished Work - See title page for details.

27-11-21  
FIG. 01  
PAGE 162  
JAN 20/09





757

PARTS CATALOG (MAINTENANCE)

FIG ITEM	PART NUMBER	1 2 3 4 5 6 7	NOMENCLATURE	EFFECT FROM TO	UNITS PER ASSY
1 - 790	113N7110-8		.. FITTING ASSY-HINGE POSITION DATA: RH SIDE OPTIONAL PART: 113N7110-28 113N7114-2 113N7110-68 USED ON: 113N7100-2 113N7100-26 113N7100-58SP 113N7100-60SP 113N7100-64SP 113N7100-66SP 113N7100-72SP 113N7100-74SP	002004 006102 107999	1
- 790	113N7110-28		.. FITTING ASSY-HINGE POSITION DATA: RH SIDE OPTIONAL PART: 113N7110-8 113N7114-2 113N7110-68 USED ON: 113N7100-60SP 113N7100-64SP 113N7100-66SP 113N7100-72SP 113N7100-74SP	002004 006102 107999	1
- 790	113N7110-68		.. FITTING ASSY-HINGE POSITION DATA: RH SIDE OPTIONAL PART: 113N7110-28 113N7110-8 USED ON: 113N7100-74SP	002004 006102 107999	1
792	BACB30VL8-450		ATTACHING PARTS .. BOLT-	103106	4

MISSING ITEM NUMBERS NOT APPLICABLE

- ITEM NOT ILLUSTRATED

27-11-21-01

27-11-21  
FIG. 01  
PAGE 163  
JAN 20/09

BRI



757

PARTS CATALOG (MAINTENANCE)

FIG ITEM	PART NUMBER	1 2 3 4 5 6 7	NOMENCLATURE	EFFECT FROM TO	UNITS PER ASSY
1 792	PLT270-10-4		..BOLT- SUPPLIER CODE: V92215 USED ON: 113N7100-1 113N7100-2 113N7100-25 113N7100-26 113N7100-29 113N7100-30 113N7100-33 113N7100-34 113N7100-37 113N7100-38 113N7100-51 113N7100-52 113N7100-57SP 113N7100-58SP	002004 006017 107107 121503 904999	4
792	BACB30VL8-450		..BOLT- USED ON: 113N7100-59SP 113N7100-60SP 113N7100-63SP 113N7100-64SP 113N7100-65SP 113N7100-66SP 113N7100-71SP 113N7100-72SP 113N7100-73SP 113N7100-74SP	002004 006102 107999	4

MISSING ITEM NUMBERS NOT APPLICABLE

- ITEM NOT ILLUSTRATED

BRI

27-11-21-01

BOEING PROPRIETARY - Copyright © - Unpublished Work - See title page for details.

27-11-21  
 FIG. 01  
 PAGE 164  
 JAN 20/09



757

PARTS CATALOG (MAINTENANCE)

FIG ITEM	PART NUMBER	1 2 3 4 5 6 7	NOMENCLATURE	EFFECT FROM TO	UNITS PER ASSY
1 795	HL11VAZ10-7	..	BOLT- SUPPLIER CODE: V60516 SPECIFICATION NUMBER: BACB30NW10K7 OPTIONAL PART: B30NW10K7 V97928 HL11VAZ10-7 V73197 HL11VAZ10-7 V92215 HL11VAZ10-7 V97928 L803-10K7 V06725 HL11VAZ10-7 V0PTK6 HL11VAZ10-7 V56878 BACB30VF5K6	002004 006999	6
795	BACB30VF5K6	..	BOLT- OPTIONAL PART: BACB30NW10K7 USED ON: 113N7100-57SP 113N7100-58SP	002004 006017 107107 121503 904999	6
797	NAS1149D0516J	..	WASHER-	103106	6
797	AN960KD516L	..	WASHER- USED ON: 113N7100-1 113N7100-2 113N7100-25 113N7100-26 113N7100-29 113N7100-30 113N7100-33 113N7100-34 113N7100-37 113N7100-38 113N7100-51 113N7100-52 113N7100-57SP 113N7100-58SP	002004 006102 107999	6

MISSING ITEM NUMBERS NOT APPLICABLE

- ITEM NOT ILLUSTRATED

BRI

27-11-21-01

27-11-21  
FIG. 01  
PAGE 165  
JAN 20/09



757

PARTS CATALOG (MAINTENANCE)

FIG ITEM	PART NUMBER	1 2 3 4 5 6 7	NOMENCLATURE	EFFECT FROM TO	UNITS PER ASSY
1 797	NAS1149D0516J		.. WASHER- USED ON: 113N7100-59SP 113N7100-60SP 113N7100-63SP 113N7100-64SP 113N7100-65SP 113N7100-66SP 113N7100-71SP 113N7100-72SP 113N7100-73SP 113N7100-74SP	002004 006102 107999	6
800	HL79-10		.. COLLAR- SUPPLIER CODE: V5M902 SPECIFICATION NUMBER: BACC30M10 OPTIONAL PART: HL79-10 V73197 HL79-10 V92215 66014-10 V56878 HL79-10 V56878 BACN10YR5CD	002004 006999	6
800	PLH55CD		.. NUT- SUPPLIER CODE: VF0224 SPECIFICATION NUMBER: BACN10YR5CD OPTIONAL PART: H52732-5CD V15653 BACC30M10 USED ON: 113N7100-57SP 113N7100-58SP -----*-----	002004 006017 107107 121503 904999	6

MISSING ITEM NUMBERS NOT APPLICABLE

- ITEM NOT ILLUSTRATED

27-11-21-01

27-11-21  
FIG. 01  
PAGE 166  
JAN 20/09

BRI



757

PARTS CATALOG (MAINTENANCE)

FIG ITEM	PART NUMBER	1 2 3 4 5 6 7	NOMENCLATURE	EFFECT FROM TO	UNITS PER ASSY
1 802	113N7100-8		.. SHIM- OPTIONAL PART: BACS40R12U44 BACS40V012C044 USED ON: 113N7100-1 113N7100-2 113N7100-25 113N7100-26 113N7100-29 113N7100-30 113N7100-33 113N7100-34 113N7100-37 113N7100-38 113N7100-51 113N7100-52 113N7100-57SP 113N7100-58SP 113N7100-59SP 113N7100-60SP	002004 006017 107107 121503 904999	2
802	BACS40R12U44		.. SHIM- OPTIONAL PART: 113N7100-8 USED ON: 113N7100-51 113N7100-52 113N7100-57SP 113N7100-58SP 113N7100-1 113N7100-2 113N7100-25 113N7100-26 113N7100-29 113N7100-30 113N7100-33 113N7100-34 113N7100-37 113N7100-38	002004 006017 107107 121503 904999	2

MISSING ITEM NUMBERS NOT APPLICABLE

- ITEM NOT ILLUSTRATED

BRI

27-11-21-01

BOEING PROPRIETARY - Copyright © - Unpublished Work - See title page for details.

27-11-21  
 FIG. 01  
 PAGE 167  
 JAN 20/09



757

PARTS CATALOG (MAINTENANCE)

FIG ITEM	PART NUMBER	1 2 3 4 5 6 7	NOMENCLATURE	EFFECT FROM TO	UNITS PER ASSY
1 802	BAC S40V012C044	..	SHIM- OPTIONAL PART: 113N7100-8 USED ON: 113N7100-59SP 113N7100-60SP 113N7100-63SP 113N7100-64SP 113N7100-65SP 113N7100-66SP 113N7100-71SP 113N7100-72SP	002004 006102 107999	2
802	BAC S40V012G044	..	SHIM- USED ON: 113N7100-73 113N7100-74	002004 006999	2
805	BAC B28A T07B025C	...	BUSHING- USED ON: 113N7110-67 113N7110-68	002004 006999	1
805	BAC B28A M07B025A	...	BUSHING- USED ON: 113N7114-1 113N7114-2 113N7110-7 113N7110-8 113N7110-27 113N7110-28	002004 006999	1
807	BAC B28A P05P025	...	BUSHING	002004 006999	1
810	113N7114-3	...	FITTING- USED ON: 113N7114-1	002004 006017 107107 121503 904999	1
810	113N7110-17	...	FITTING- USED ON: 113N7110-7	002004 006999	1
810	113N7110-37	...	FITTING- USED ON: 113N7110-27	002004 006999	1
810	113N7110-77	...	FITTING- USED ON: 113N7110-67	002004 006999	1
- 812	113N7114-4	...	FITTING- USED ON: 113N7114-2	002004 006017 107107 121503 904999	1

MISSING ITEM NUMBERS NOT APPLICABLE

- ITEM NOT ILLUSTRATED

27-11-21-01

27-11-21  
FIG. 01  
PAGE 168  
JAN 20/09

BRI

BOEING PROPRIETARY - Copyright © - Unpublished Work - See title page for details.



757

PARTS CATALOG (MAINTENANCE)

FIG ITEM	PART NUMBER	1 2 3 4 5 6 7	NOMENCLATURE	EFFECT FROM TO	UNITS PER ASSY
1					
- 812	113N7110-18	...	FITTING- USED ON: 113N7110-8	002004 006999	1
- 812	113N7110-38	...	FITTING- USED ON: 113N7110-28	002004 006999	1
- 812	113N7110-78	...	FITTING- USED ON: 113N7110-68	002004 006999	1
815	AF5141-3C6	...	RIVET- SUPPLIER CODE: V53551 SPECIFICATION NUMBER: BACR15DR3AC6 OPTIONAL PART: CCR264CS3-6IT V11815 RV541A3C6 V98996 USED ON: 113N7114-1 113N7114-2	002004 006017 107107 121503 904999	2
815	AF5171-3-5	...	RIVET- SUPPLIER CODE: V53551 SPECIFICATION NUMBER: BACR15DR3-5 OPTIONAL PART: CCR264SS3-5 V11815 RV571A3-5 V98996 USED ON: 113N7110-7 113N7110-8 113N7110-27 113N7110-28	002004 006999	2

MISSING ITEM NUMBERS NOT APPLICABLE

- ITEM NOT ILLUSTRATED

BRI

27-11-21-01

BOEING PROPRIETARY - Copyright © - Unpublished Work - See title page for details.

27-11-21  
FIG. 01  
PAGE 169  
JAN 20/09



757

PARTS CATALOG (MAINTENANCE)

FIG ITEM	PART NUMBER	1 2 3 4 5 6 7	NOMENCLATURE	EFFECT FROM TO	UNITS PER ASSY
1 815	AF5141-3-5	...	RIVET- SUPPLIER CODE: V53551 SPECIFICATION NUMBER: BACR15DR3A5 OPTIONAL PART: RV541A3-5 V98996 CCR264CS3-5TT V11815 USED ON: 113N7110-67 113N7110-68	002004 006999	2
817	F51753-4CD	...	NUTPLATE SUPPLIER CODE: V15653 SPECIFICATION NUMBER: BACN10KE4DCD OPTIONAL PART: NS202495-048 V80539	002004 006999	1
820	113N7110-9	..	FITTING ASSY-HINGE POSITION DATA: LH SIDE OPTIONAL PART: 113N7110-29	103106	1
820	113N7110-29	..	FITTING ASSY-HINGE POSITION DATA: LH SIDE OPTIONAL PART: 113N7110-9 113N7110-69	103106	1
820	113N7110-69	..	FITTING ASSY-HINGE POSITION DATA: LH SIDE OPTIONAL PART: 113N7110-29	103106	1

MISSING ITEM NUMBERS NOT APPLICABLE

- ITEM NOT ILLUSTRATED

27-11-21-01

27-11-21  
FIG. 01  
PAGE 170  
JAN 20/09

BRI





757

PARTS CATALOG (MAINTENANCE)

FIG ITEM	PART NUMBER	1 2 3 4 5 6 7	NOMENCLATURE	EFFECT FROM TO	UNITS PER ASSY
1 820	113N7115-1		.. FITTING ASSY-HINGE POSITION DATA: LH SIDE OPTIONAL PART: 113N7110-9 113N7110-29 USED ON: 113N7100-29 113N7100-33 113N7100-37 113N7100-51 113N7100-57SP 113N7100-59SP	002004 006017 107107 121503 904999	1
820	113N7110-9		.. FITTING ASSY-HINGE POSITION DATA: LH SIDE OPTIONAL PART: 113N7110-29 113N7115-1 113N7110-69 USED ON: 113N7100-1 113N7100-25 113N7100-57SP 113N7100-59SP 113N7100-63SP 113N7100-65SP 113N7100-71SP 113N7100-73SP	002004 006102 107999	1
820	113N7110-29		.. FITTING ASSY-HINGE POSITION DATA: LH SIDE OPTIONAL PART: 113N7110-9 113N7115-1 113N7110-69 USED ON: 113N7100-59SP 113N7100-63SP 113N7100-65SP 113N7100-71SP 113N7100-73SP	002004 006102 107999	1

MISSING ITEM NUMBERS NOT APPLICABLE

- ITEM NOT ILLUSTRATED

BRI

27-11-21-01

BOEING PROPRIETARY - Copyright © - Unpublished Work - See title page for details.

27-11-21  
FIG. 01  
PAGE 171  
JAN 20/09



757

PARTS CATALOG (MAINTENANCE)

FIG ITEM	PART NUMBER	1 2 3 4 5 6 7	NOMENCLATURE	EFFECT FROM TO	UNITS PER ASSY
1 820	113N7110-69		.. FITTING ASSY-HINGE POSITION DATA: LH SIDE OPTIONAL PART: 113N7110-29 113N7110-9 USED ON: 113N7100-73SP	002004 006102 107999	1
- 822	113N7110-10		.. FITTING ASSY-HINGE POSITION DATA: RH SIDE OPTIONAL PART: 113N7110-30	103106	1
- 822	113N7110-30		.. FITTING ASSY-HINGE POSITION DATA: RH SIDE OPTIONAL PART: 113N7110-10 113N7110-70	103106	1
- 822	113N7110-70		.. FITTING ASSY-HINGE POSITION DATA: RH SIDE OPTIONAL PART: 113N7110-30	103106	1
- 822	113N7115-2		.. FITTING ASSY-HINGE POSITION DATA: RH SIDE OPTIONAL PART: 113N7110-10 113N7110-30 USED ON: 113N7100-30 113N7100-34 113N7100-38 113N7100-52 113N7100-58SP 113N7100-60SP	002004 006017 107107 121503 904999	1

MISSING ITEM NUMBERS NOT APPLICABLE

- ITEM NOT ILLUSTRATED

BRI

27-11-21-01

BOEING PROPRIETARY - Copyright © - Unpublished Work - See title page for details.

27-11-21  
FIG. 01  
PAGE 172  
JAN 20/09



757

PARTS CATALOG (MAINTENANCE)

FIG ITEM	PART NUMBER	1 2 3 4 5 6 7	NOMENCLATURE	EFFECT FROM TO	UNITS PER ASSY
1 - 822	113N7110-10		.. FITTING ASSY-HINGE POSITION DATA: RH SIDE OPTIONAL PART: 113N7110-30 113N7115-2 113N7110-70 USED ON: 113N7100-2 113N7100-26 113N7100-58SP 113N7100-60SP 113N7100-64SP 113N7100-66SP 113N7100-72SP 113N7100-74SP	002004 006102 107999	1
- 822	113N7110-30		.. FITTING ASSY-HINGE POSITION DATA: RH SIDE OPTIONAL PART: 113N7110-10 113N7115-2 113N7110-70 USED ON: 113N7100-60SP 113N7100-64SP 113N7100-66SP 113N7100-72SP 113N7100-74SP	002004 006102 107999	1
- 822	113N7110-70		.. FITTING ASSY-HINGE POSITION DATA: RH SIDE OPTIONAL PART: 113N7110-30 113N7110-10 USED ON: 113N7100-74SP	002004 006102 107999	1
825	BACB30VL8-400		.. BOLT-	103106	2

MISSING ITEM NUMBERS NOT APPLICABLE

- ITEM NOT ILLUSTRATED

BRI

27-11-21-01

27-11-21  
FIG. 01  
PAGE 173  
JAN 20/09



757

PARTS CATALOG (MAINTENANCE)

FIG ITEM	PART NUMBER	1 2 3 4 5 6 7	NOMENCLATURE	EFFECT FROM TO	UNITS PER ASSY
1			ATTACHING PARTS		
825	PLT270-8-3		..BOLT- SUPPLIER CODE: V92215 USED ON: 113N7100-1 113N7100-2 113N7100-25 113N7100-26 113N7100-29 113N7100-30 113N7100-33 113N7100-34 113N7100-37 113N7100-38 113N7100-51 113N7100-52 113N7100-57SP 113N7100-58SP	002004 006017 107107 121503 904999	4
825	BACB30VL8-400		..BOLT- USED ON: 113N7100-59SP 113N7100-60SP 113N7100-63SP 113N7100-64SP 113N7100-65SP 113N7100-66SP 113N7100-71SP 113N7100-72SP 113N7100-73SP 113N7100-74SP	002004 006102 107999	4
827	BACB30VF4K5		..BOLT-	103106	4

MISSING ITEM NUMBERS NOT APPLICABLE

- ITEM NOT ILLUSTRATED

BRI

27-11-21-01

27-11-21  
FIG. 01  
PAGE 174  
JAN 20/09



757

PARTS CATALOG (MAINTENANCE)

FIG ITEM	PART NUMBER	1 2 3 4 5 6 7	NOMENCLATURE	EFFECT FROM TO	UNITS PER ASSY
1 827	BACB30UR4K5		.. BOLT- USED ON: 113N7100-1 113N7100-2 113N7100-25 113N7100-26 113N7100-29 113N7100-30 113N7100-33 113N7100-34 113N7100-37 113N7100-38 113N7100-51 113N7100-52 113N7100-57SP 113N7100-58SP 113N7100-59SP 113N7100-60SP 113N7100-63SP 113N7100-64SP	002004 006102 107999	4
827	BACB30VF4K5		.. BOLT- USED ON: 113N7100-65SP 113N7100-66SP 113N7100-71SP 113N7100-72SP 113N7100-73SP 113N7100-74SP	002004 006102 107999	4
830	NAS1149D0416J		.. WASHER-	103106	4
830	AN960KD416L		.. WASHER- USED ON: 113N7100-1 113N7100-2 113N7100-25 113N7100-26 113N7100-29 113N7100-30 113N7100-33 113N7100-34 113N7100-37 113N7100-38 113N7100-51 113N7100-52 113N7100-57SP 113N7100-58SP 113N7100-59SP 113N7100-60SP 113N7100-63SP 113N7100-64SP	002004 006102 107999	4

MISSING ITEM NUMBERS NOT APPLICABLE

- ITEM NOT ILLUSTRATED

27-11-21-01

27-11-21  
FIG. 01  
PAGE 175  
JAN 20/09

BRI



757

PARTS CATALOG (MAINTENANCE)

FIG ITEM	PART NUMBER	1 2 3 4 5 6 7	NOMENCLATURE	EFFECT FROM TO	UNITS PER ASSY
1 830	NAS1149D0416J		.. WASHER- USED ON: 113N7100-65SP 113N7100-66SP 113N7100-71SP 113N7100-72SP 113N7100-73SP 113N7100-74SP	002004 006102 107999	4
832	BRH10C4D		.. NUT SUPPLIER CODE: V52828 SPECIFICATION NUMBER: BACN10JC4CD OPTIONAL PART: T6C428JCD V11815 NS202486-048 V80539 102LH9075-4W V72962 H51650-4BAC V15653 -----*-----	002004 006999	4
835	113N7100-6		.. SHIM- OPTIONAL PART: BACS40R10U31 BACS40V010C031 USED ON: 113N7100-1 113N7100-2 113N7100-25 113N7100-26 113N7100-29 113N7100-30 113N7100-33 113N7100-34 113N7100-37 113N7100-38 113N7100-51 113N7100-52 113N7100-57SP 113N7100-58SP 113N7100-59SP 113N7100-60SP	002004 006017 107107 121503 904999	2

MISSING ITEM NUMBERS NOT APPLICABLE

- ITEM NOT ILLUSTRATED

BRI

27-11-21-01

BOEING PROPRIETARY - Copyright © - Unpublished Work - See title page for details.

27-11-21  
FIG. 01  
PAGE 176  
JAN 20/09



757

PARTS CATALOG (MAINTENANCE)

FIG ITEM	PART NUMBER	1 2 3 4 5 6 7	NOMENCLATURE	EFFECT FROM TO	UNITS PER ASSY
1 835	BACCS40R10U31	..	SHIM- OPTIONAL PART: 113N7100-6 USED ON: 113N7100-51 113N7100-52 113N7100-57SP 113N7100-58SP 113N7100-1 113N7100-2 113N7100-25 113N7100-26 113N7100-29 113N7100-30 113N7100-33 113N7100-34 113N7100-37 113N7100-38	002004 006017 107107 121503 904999	2
835	BACCS40V010C031	..	SHIM- OPTIONAL PART: 113N7100-6 USED ON: 113N7100-59SP 113N7100-60SP 113N7100-63SP 113N7100-64SP 113N7100-65SP 113N7100-66SP 113N7100-71SP 113N7100-72SP	002004 006102 107999	2
835	BACCS40V010G031	..	SHIM- USED ON: 113N7100-73 113N7100-74	002004 006999	2
837	BACB28AM06B015A	...	BUSHING- USED ON: 113N7115-1 113N7115-2 113N7110-9 113N7110-10 113N7110-29 113N7110-30	002004 006999	1
837	BACB28AT06B015C	...	BUSHING- USED ON: 113N7110-69 113N7110-70	002004 006999	1
840	BACB28AP04P015	...	BUSHING	002004 006999	1

MISSING ITEM NUMBERS NOT APPLICABLE

- ITEM NOT ILLUSTRATED

27-11-21-01

27-11-21  
FIG. 01  
PAGE 177  
JAN 20/09

BRI



757

PARTS CATALOG (MAINTENANCE)

FIG ITEM	PART NUMBER	1 2 3 4 5 6 7	NOMENCLATURE	EFFECT FROM TO	UNITS PER ASSY
1					
842	113N7115-3	...	FITTING- POSITION DATA: LH SIDE USED ON: 113N7115-1	002004 006017 107107 121503 904999	1
842	113N7110-19	...	FITTING- POSITION DATA: LH SIDE USED ON: 113N7110-9	002004 006999	1
842	113N7110-39	...	FITTING- POSITION DATA: LH SIDE USED ON: 113N7110-29	002004 006999	1
842	113N7110-79	...	FITTING- POSITION DATA: LH SIDE USED ON: 113N7110-69	002004 006999	1
- 845	113N7115-4	...	FITTING- POSITION DATA: RH SIDE USED ON: 113N7115-2	002004 006017 107107 121503 904999	1
- 845	113N7110-20	...	FITTING- POSITION DATA: RH SIDE USED ON: 113N7110-10	002004 006999	1
- 845	113N7110-40	...	FITTING- POSITION DATA: RH SIDE USED ON: 113N7110-30	002004 006999	1
- 845	113N7110-80	...	FITTING- POSITION DATA: RH SIDE USED ON: 113N7110-70	002004 006999	1

MISSING ITEM NUMBERS NOT APPLICABLE

- ITEM NOT ILLUSTRATED

27-11-21-01

27-11-21  
FIG. 01  
PAGE 178  
JAN 20/09

BRI

BOEING PROPRIETARY - Copyright © - Unpublished Work - See title page for details.





757

PARTS CATALOG (MAINTENANCE)

FIG ITEM	PART NUMBER	1 2 3 4 5 6 7	NOMENCLATURE	EFFECT FROM TO	UNITS PER ASSY
1 847	AF5141-3C4		...RIVET- SUPPLIER CODE: V53551 SPECIFICATION NUMBER: BACR15DR3AC4 OPTIONAL PART: CCR264CS3-4IT V11815 RV541A3C4 V98996 USED ON: 113N7115-1 113N7115-2	002004 006017 107107 121503 904999	2
847	AF5171-3-3		...RIVET- SUPPLIER CODE: V53551 SPECIFICATION NUMBER: BACR15DR3-3 OPTIONAL PART: CCR264SS3-3 V11815 RV571A3-3 V98996 USED ON: 113N7110-9 113N7110-10 113N7110-29 113N7110-30	002004 006999	2
847	AF5141-3-3		...RIVET- SUPPLIER CODE: V53551 SPECIFICATION NUMBER: BACR15DR3A3 OPTIONAL PART: RV541A3-3 V98996 CCR264CS3-3TT V11815 USED ON: 113N7110-69 113N7110-70	002004 006999	2
848	F51753-4CD		...NUTPLATE- SUPPLIER CODE: V15653 SPECIFICATION NUMBER: BACN10KE4DCD OPTIONAL PART: NS202495-048 V80539	002004 006999	1

MISSING ITEM NUMBERS NOT APPLICABLE

- ITEM NOT ILLUSTRATED

27-11-21-01

27-11-21  
FIG. 01  
PAGE 179  
JAN 20/09

BRI



757

PARTS CATALOG (MAINTENANCE)

FIG ITEM	PART NUMBER	1 2 3 4 5 6 7	NOMENCLATURE	EFFECT FROM TO	UNITS PER ASSY
1 857	BACB30VF3R2	..	BOLT- OPTIONAL PART: PSC733-3A2 V97928 BACB30VF3K2	002004 006999	8
857	BACB30VF3K2	..	BOLT- OPTIONAL PART: PSC733-3A2 V97928 BACB30VR3K2	002004 006999	8
857	PSC733-3A2	..	BOLT- SUPPLIER CODE: V97928 OPTIONAL PART: BACB30VF3R2 BACB30VF3K2	002004 006999	8
860	AF5171-3-2	..	RIVET SUPPLIER CODE: V53551 SPECIFICATION NUMBER: BACR15DR3-2 OPTIONAL PART: CCR264SS3-2 V11815 RV571A3-2 V98996	002004 006999	16
862	F171-3	..	NUTPLATE SUPPLIER CODE: V72962 SPECIFICATION NUMBER: BACN10JB3 OPTIONAL PART: 43600-02 V80539 BRF210A3 V52828 BRF270A3 V52828	002004 006999	8
864	BAC27NBY90	..	MARKER-STD	103106	1
864	BAC27NBY90	..	MARKER-STD USED ON: 113N7100-65SP 113N7100-66SP 113N7100-71SP 113N7100-72SP 113N7100-73SP 113N7100-74SP	002004 006102 107999	1
865	MS27253-4	..	PLATE-IDENT	103106	1

MISSING ITEM NUMBERS NOT APPLICABLE

- ITEM NOT ILLUSTRATED

27-11-21-01

27-11-21  
FIG. 01  
PAGE 180  
JAN 20/09

BRI

BOEING PROPRIETARY - Copyright © - Unpublished Work - See title page for details.



757

PARTS CATALOG (MAINTENANCE)

FIG ITEM	PART NUMBER	1 2 3 4 5 6 7	NOMENCLATURE	EFFECT FROM TO	UNITS PER ASSY
1 865	MS27253-4		.. PLATE-IDENT USED ON: 113N7100-33 113N7100-34 113N7100-37 113N7100-38 113N7100-51 113N7100-52 113N7100-57SP 113N7100-58SP 113N7100-59SP 113N7100-60SP 113N7100-63SP 113N7100-64SP 113N7100-65SP 113N7100-66SP 113N7100-71SP 113N7100-72SP 113N7100-73SP 113N7100-74SP	002004 006102 107999	1
867	113N7101-21		.. BONDED ASSY- POSITION DATA: LH SIDE OPTIONAL PART: 113N7101-19 113N7101-25 USED ON: 113N7100-57SP	002004 006017 107107 121503 904999	1
867	113N7101-25		.. BONDED ASSY- POSITION DATA: LH SIDE OPTIONAL PART: 113N7101-19 113N7101-21 USED ON: 113N7100-57SP	002004 006017 107107 121503 904999	1
867	113N7101-27		.. BONDED ASSY- POSITION DATA: LH SIDE OPTIONAL PART: 113N7101-29 USED ON: 113N7100-59SP 113N7100-63SP	002004 006102 107999	1
867	113N7101-29		.. BONDED ASSY- POSITION DATA: LH SIDE	103106	1

MISSING ITEM NUMBERS NOT APPLICABLE

- ITEM NOT ILLUSTRATED

27-11-21-01

27-11-21  
FIG. 01  
PAGE 181  
JAN 20/09

BRI



757

PARTS CATALOG (MAINTENANCE)

FIG ITEM	PART NUMBER	1 2 3 4 5 6 7	NOMENCLATURE	EFFECT FROM TO	UNITS PER ASSY
1 867	113N7101-19		..BONDED ASSY- POSITION DATA: LH SIDE OPTIONAL PART: 113N7101-21 113N7101-25 USED ON: 113N7100-51 113N7100-57SP	002004 006017 107107 121503 904999	1
867	113N7101-15		..BONDED ASSY- POSITION DATA: LH SIDE USED ON: 113N7100-33 113N7100-37	002004 006017 107107 121503 904999	1
867	113N7101-29		..BONDED ASSY- POSITION DATA: LH SIDE OPTIONAL PART: 113N7101-27 USED ON: 113N7100-63SP 113N7100-65SP 113N7100-71SP 113N7100-73SP	002004 006102 107999	1
- 870	113N7101-22		..BONDED ASSY- POSITION DATA: RH SIDE OPTIONAL PART: 113N7101-20 113N7101-26 USED ON: 113N7100-58SP	002004 006017 107107 121503 904999	1
- 870	113N7101-26		..BONDED ASSY- POSITION DATA: RH SIDE OPTIONAL PART: 113N7101-20 113N7101-22 USED ON: 113N7100-58SP	002004 006017 107107 121503 904999	1
- 870	113N7101-28		..BONDED ASSY- POSITION DATA: RH SIDE OPTIONAL PART: 113N7101-30 USED ON: 113N7100-60SP 113N7100-64SP	002004 006102 107999	1

MISSING ITEM NUMBERS NOT APPLICABLE

- ITEM NOT ILLUSTRATED

27-11-21-01

27-11-21  
FIG. 01  
PAGE 182  
JAN 20/09

BRI



757

PARTS CATALOG (MAINTENANCE)

FIG ITEM	PART NUMBER	1 2 3 4 5 6 7	NOMENCLATURE	EFFECT FROM TO	UNITS PER ASSY
1					
- 870	113N7101-30		..BONDED ASSY- POSITION DATA: RH SIDE	103106	1
- 870	113N7101-20		..BONDED ASSY- POSITION DATA: RH SIDE OPTIONAL PART: 113N7101-22 113N7101-26 USED ON: 113N7100-52 113N7100-58SP	002004 006017 107107 121503 904999	1
- 870	113N7101-16		..BONDED ASSY- POSITION DATA: RH SIDE USED ON: 113N7100-34 113N7100-38	002004 006017 107107 121503 904999	1
- 870	113N7101-30		..BONDED ASSY- POSITION DATA: RH SIDE OPTIONAL PART: 113N7101-28 USED ON: 113N7100-64SP 113N7100-66SP 113N7100-72SP 113N7100-74SP	002004 006102 107999	1
872	113N1910-1		..FAIRING ASSY- POSITION DATA: AFT LH SIDE OPTIONAL PART: 113N1910-15	002004 006999	1
872	113N1910-15		..FAIRING ASSY- POSITION DATA: AFT LH SIDE OPTIONAL PART: 113N1910-1	103106	1

MISSING ITEM NUMBERS NOT APPLICABLE

- ITEM NOT ILLUSTRATED

BRI

27-11-21-01

27-11-21  
FIG. 01  
PAGE 183  
JAN 20/09



757

PARTS CATALOG (MAINTENANCE)

FIG ITEM	PART NUMBER	1 2 3 4 5 6 7	NOMENCLATURE	EFFECT FROM TO	UNITS PER ASSY
1 872	113N1910-15		.. FAIRING ASSY-AFT POSITION DATA: (LH SIDE) OPTIONAL PART: 113N1910-1 USED ON: 113N7100-57SP 113N7100-59SP 113N7100-63SP 113N7100-65SP 113N7100-71SP 113N7100-73SP	002004 006102 107999	1
- 875	113N1910-2		.. FAIRING ASSY- POSITION DATA: AFT RH SIDE OPTIONAL PART: 113N1910-16	002004 006999	1
- 875	113N1910-16		.. FAIRING ASSY- POSITION DATA: AFT RH SIDE OPTIONAL PART: 113N1910-2	103106	1
- 875	113N1910-16		.. FAIRING ASSY-AFT POSITION DATA: (RH SIDE) OPTIONAL PART: 113N1910-2 USED ON: 113N7100-58SP 113N7100-60SP 113N7100-64SP 113N7100-66SP 113N7100-72SP 113N7100-74SP	002004 006102 107999	1
- 877	BACB30NM3K4		ATTACHING PARTS ..BOLT-	103106	2

MISSING ITEM NUMBERS NOT APPLICABLE

- ITEM NOT ILLUSTRATED

BRI

27-11-21-01

27-11-21  
FIG. 01  
PAGE 184  
JAN 20/09

 **BOEING**  
757  
**PARTS CATALOG (MAINTENANCE)**

FIG ITEM	PART NUMBER	1 2 3 4 5 6 7	NOMENCLATURE	EFFECT FROM TO	UNITS PER ASSY
1					
- 877	BACB30LK3-5		..BOLT- USED ON: 113N7100-1 113N7100-2 113N7100-25 113N7100-26 113N7100-29 113N7100-30 113N7100-33 113N7100-34 113N7100-37 113N7100-38 113N7100-51 113N7100-52 113N7100-57SP 113N7100-58SP 113N7100-59SP 113N7100-60SP	002004 006017 107107 121503 904999	2
- 877	BACB30NM3K4		..BOLT- USED ON: 113N7100-63SP 113N7100-64SP 113N7100-65SP 113N7100-66SP 113N7100-71SP 113N7100-72SP 113N7100-73SP 113N7100-74SP	002004 006102 107999	2
- 880	NAS1149D0332J		..WASHER-	002004 006999	2
- 882	BRH10C3D		..NUT SUPPLIER CODE: V52828 SPECIFICATION NUMBER: BACN10JC3CD OPTIONAL PART: T6C1032JCD V11815 NS202486-02 V80539 102LH9075-3W V72962 H51650-3BAC V15653 -----*-----	002004 006999	2

MISSING ITEM NUMBERS NOT APPLICABLE

- ITEM NOT ILLUSTRATED

BRI

# 27-11-21-01

BOEING PROPRIETARY - Copyright © - Unpublished Work - See title page for details.

27-11-21  
FIG. 01  
PAGE 185  
JAN 20/09



757

PARTS CATALOG (MAINTENANCE)

FIG ITEM	PART NUMBER	1 2 3 4 5 6 7	NOMENCLATURE	EFFECT FROM TO	UNITS PER ASSY
1 885	113N1910-5		... FAIRING- POSITION DATA: AFT LH SIDE USED ON: 113N1910-1	002004 006999	1
885	113N1910-17		... FAIRING- POSITION DATA: AFT LH SIDE USED ON: 113N1910-15	002004 006999	1
- 887	113N1910-6		... FAIRING- POSITION DATA: AFT RH SIDE USED ON: 113N1910-2	002004 006999	1
- 887	113N1910-18		... FAIRING- POSITION DATA: AFT RH SIDE USED ON: 113N1910-16	002004 006999	1
995			ILLUSTRATION REFERENCE: DISCHARGER INSTL-WING, VERT. AND HORIZ. STAB. STATIC 23-61-01-01	002004 006999	RF

MISSING ITEM NUMBERS NOT APPLICABLE

- ITEM NOT ILLUSTRATED

BRI

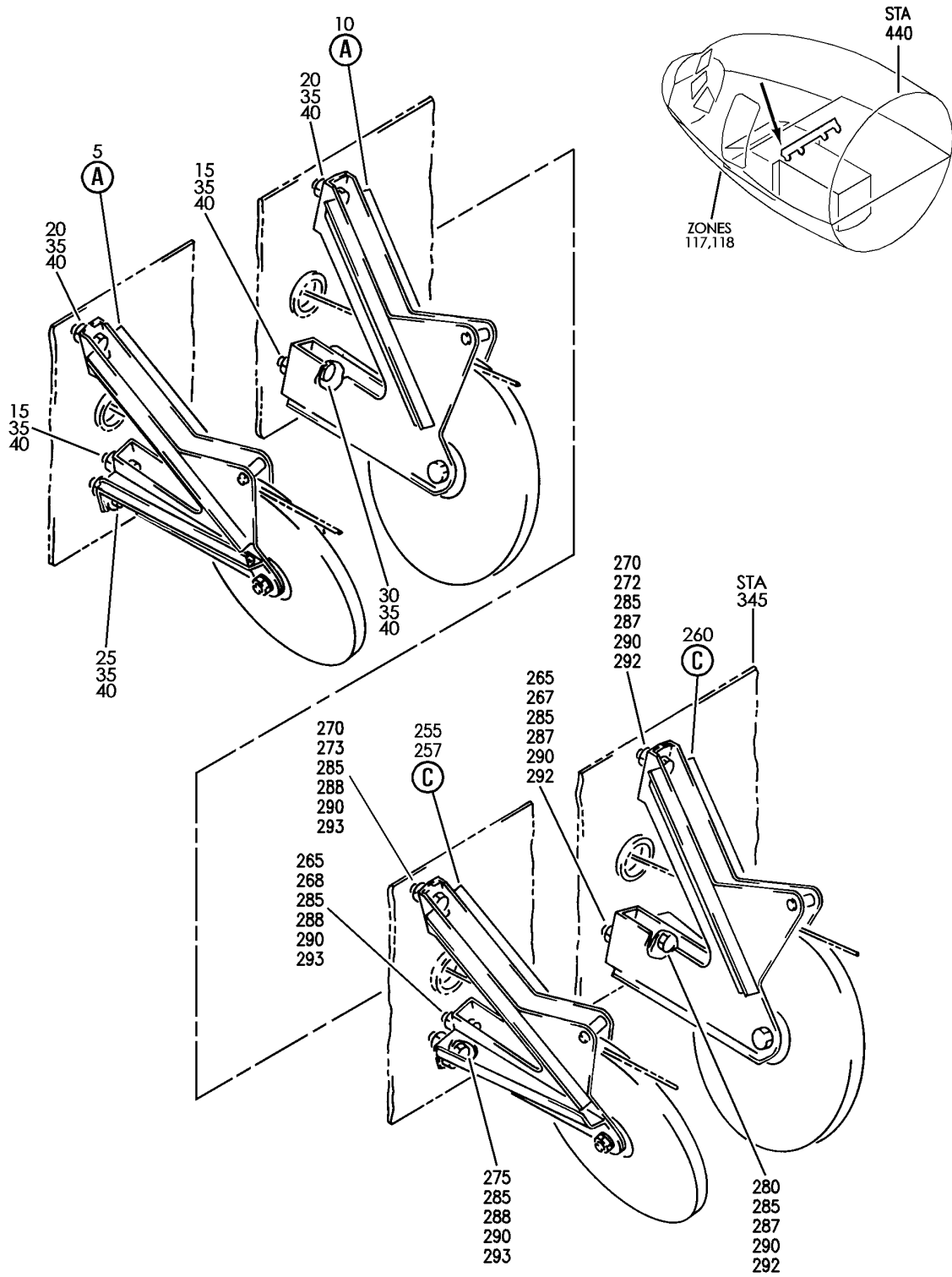
27-11-21-01

BOEING PROPRIETARY - Copyright © - Unpublished Work - See title page for details.

27-11-21  
FIG. 01  
PAGE 186  
JAN 20/09



**BOEING**  
757  
PARTS CATALOG (MAINTENANCE)



Y 27112201 SH1 1 REV 279

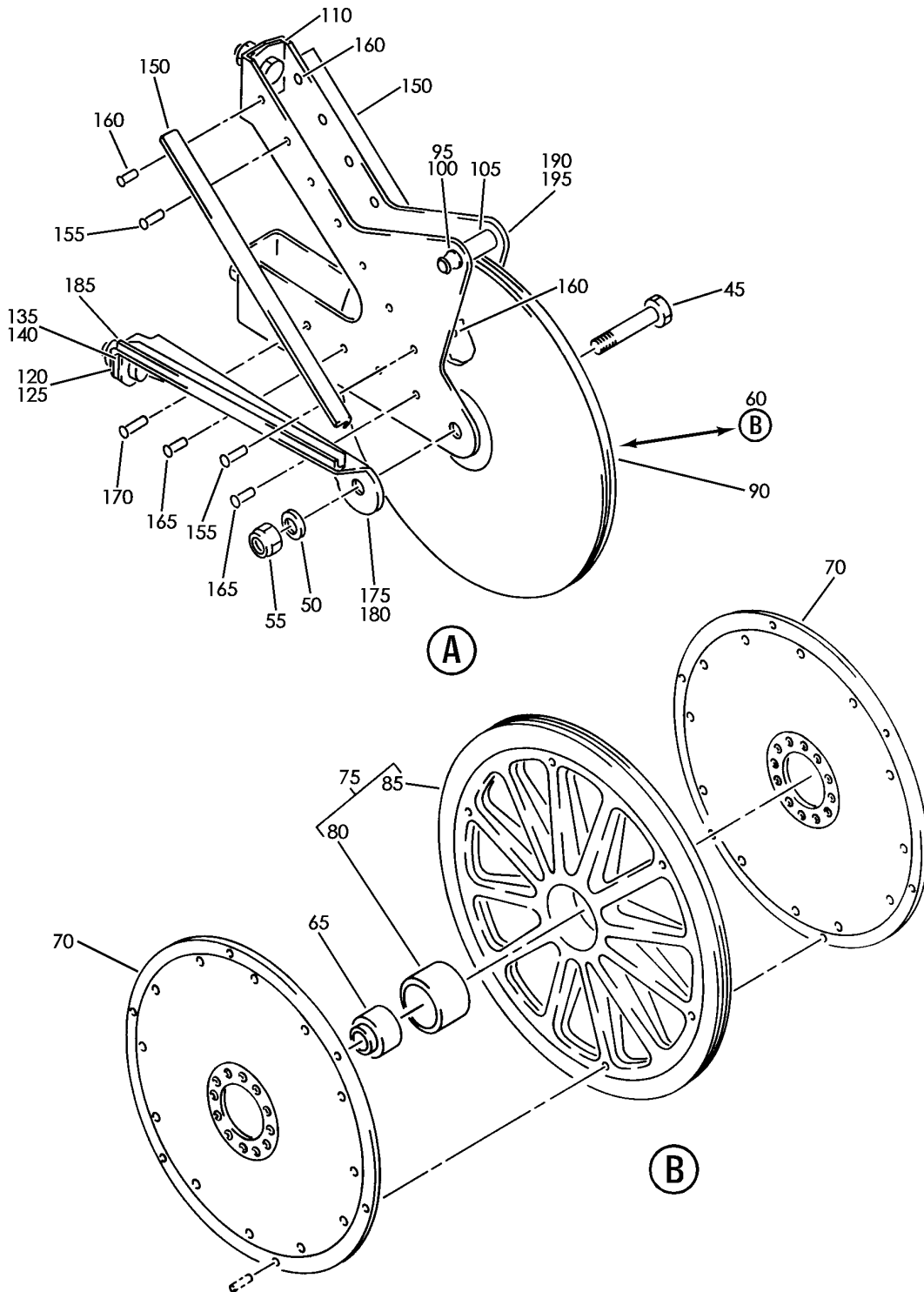
BRACKET INSTL-STA 345 PULLEY  
FIGURE 1 (SHEET 1)

**27-11-22-01**

BRI  
MAY 28/07

27-11-22-01  
PAGE 0


**BOEING**  
 757  
**PARTS CATALOG (MAINTENANCE)**



Y 27112201 SHT 2 REV 234

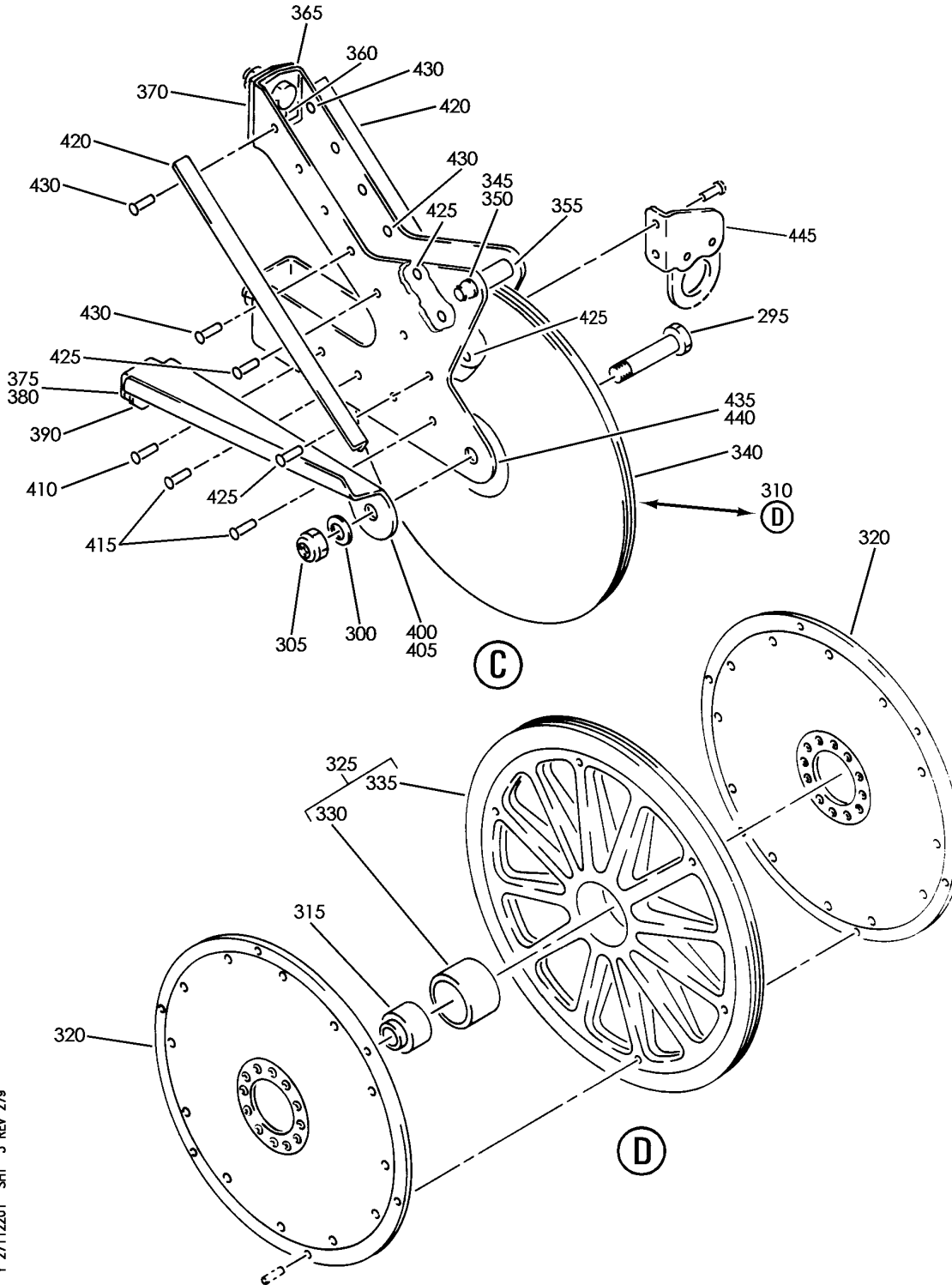
BRACKET INSTL-STA 345 PULLEY  
FIGURE 1 (SHEET 2)

**27-11-22-01**

BRI  
MAY 28/07

27-11-22-01  
PAGE 0A

**BOEING**  
757  
PARTS CATALOG (MAINTENANCE)



Y 27112201 SH1 3 REV 279

BRACKET INSTL-STA 345 PULLEY  
FIGURE 1 (SHEET 3)

**27-11-22-01**

BRI  
MAY 28/07

27-11-22-01  
PAGE 0B



757

PARTS CATALOG (MAINTENANCE)

FIG ITEM	PART NUMBER	1 2 3 4 5 6 7	NOMENCLATURE	EFFECT FROM TO	UNITS PER ASSY
1			BRACKET INSTL-ST A 345 PULLEY	002004 006999	
- 1	251N6009-5		BRACKET INSTL-AIL. 1A AND 1B PULLEY POSITION DATA: STA 345 FOR NHA SEE: 27-00-00-02	002004 006100 107107 121503 904999	RF
- 1	251N6009-9		BRACKET INSTL-AIL. 1A AND 1B PULLEY POSITION DATA: STA 345 FOR NHA SEE: 27-00-00-01	101102 108120 504903	RF
- 1	MODREF7970		BRACKET INSTL-AIL. 1A AND 1B PULLEY MODULE NUMBER: 251N6009-9 REV A POSITION DATA: STA 345	103106	1
5	251N6133-1		.BRACKET ASSY	107107	1
5	251N6133-15		.BRACKET ASSY	002004 006100 121503 904999	1
5	251N6133-17		.BRACKET ASSY	101106 108120 504903	1
10	251N6133-2		.BRACKET ASSY	107107	1
10	251N6133-16		.BRACKET ASSY	002004 006100 121503 904999	1
10	251N6133-18		.BRACKET ASSY	101106 108120 504903	1
15	BACB30NF4-3		ATTACHING PARTS .BOLT	002004 006999	2
20	BACB30NF4-4		.BOLT	002004 006999	2
25	BACB30NF4-5		.BOLT- USED WITH: 251N6133-1	002004 006999	1
30	BACB30NF4-6		.BOLT- USED WITH: 251N6133-2	002004 006999	1
35	AN960PD416		.WASHER	002004 006999	6

MISSING ITEM NUMBERS NOT APPLICABLE

- ITEM NOT ILLUSTRATED

27-11-22-01

27-11-22  
FIG. 01  
PAGE 1  
JAN 20/09

BRI



757

PARTS CATALOG (MAINTENANCE)

FIG ITEM	PART NUMBER	1 2 3 4 5 6 7	NOMENCLATURE	EFFECT FROM TO	UNITS PER ASSY
1 40	BRH10A4	.	NUT SUPPLIER CODE: V52828 SPECIFICATION NUMBER: BACN10JC4 OPTIONAL PART: T6S428J V11815 96-048 V80539 VN303A048 V92215 RMLH9075-4W V72962 NS202101-048 V80539 H10-4BAC V15653 -----*-----	002004 006999	6
45	BACB30NF5-18	..	BOLT	002004 006999	1
50	AN960PD516	..	WASHER	002004 006999	1
55	BRH10A5	..	NUT SUPPLIER CODE: V52828 SPECIFICATION NUMBER: BACN10JC5 OPTIONAL PART: T6S524J V11815 96-054 V80539 RMLH9075-5W V72962 H10-5BAC V15653	002004 006999	1
60	65B80970-1	..	PULLEY ASSY-8 IN. DIA 1/8 IN. CABLE	107107	1
60	65B80970-2	..	PULLEY ASSY-8 IN. DIA 1/8 IN. CABLE MISCELLANEOUS DATA: 65B80970-2 RB BACP30M1A ONE WAY FORWARD FOR SPARES PROCURE: BACP30M1	002004 006106 108999	1

MISSING ITEM NUMBERS NOT APPLICABLE

- ITEM NOT ILLUSTRATED

BRI

27-11-22-01

27-11-22  
FIG. 01  
PAGE 2  
JAN 20/09



757

PARTS CATALOG (MAINTENANCE)

FIG ITEM	PART NUMBER	1 2 3 4 5 6 7	NOMENCLATURE	EFFECT FROM TO	UNITS PER ASSY
1					
65	DW5E6531	...	BEARING SUPPLIER CODE: V21335 SPECIFICATION NUMBER: BACB10A672 OPTIONAL PART: LLDW5 V38443 DW5-6 V38443	002004 006999	1
70	65B80972-1	...	SHIELD	002004 006999	2
75	65B80971-1	...	SHEAVE ASSY	107107	1
75	65B80971-3	...	SHEAVE ASSY	002004 006106 108999	1
80	69B81362-1	....	INSERT	002004 006999	1
85	65B80971-2	....	SHEAVE	107107	1
85	65B80971-4	....	SHEAVE	002004 006106 108999	1
95	L8006K17	..	BOLT SUPPLIER CODE: V06725 SPECIFICATION NUMBER: BACB30MY6K17	002004 006999	1
100	HL79-6	..	COLLAR SUPPLIER CODE: V5M902 SPECIFICATION NUMBER: BACC30M6 OPTIONAL PART: HL79-6 V73197 HL79-6 V92215 66014-6 V56878 HL79-6 V56878	002004 006999	1
105	NAS42DD6-60	..	SPACER	002004 006999	1
110	251N6133-9	..	FILLER	002004 006999	1
- 115	BACR15BA5AD	..	ATTACHING PARTS RIVET- SIZE DETERMINED ON INSTL. -----*-----	002004 006999	1

MISSING ITEM NUMBERS NOT APPLICABLE

- ITEM NOT ILLUSTRATED

27-11-22-01

27-11-22  
FIG. 01  
PAGE 3  
JAN 20/09

BRI

BOEING PROPRIETARY - Copyright © - Unpublished Work - See title page for details.



757

PARTS CATALOG (MAINTENANCE)

FIG ITEM	PART NUMBER	1 2 3 4 5 6 7	NOMENCLATURE	EFFECT FROM TO	UNITS PER ASSY
1					
120	251N6133-11	..	FILLER-RADIUS USED ON: 251N6133-1 251N6133-15 251N6133-17	002004 006999	1
125	251N6133-13	..	FILLER-RADIUS USED ON: 251N6133-2 251N6133-16 251N6133-18 ATTACHING PARTS	002004 006999	1
- 130	BACR15BA4AD	..	RIVET- SIZE DETERMINED ON INSTL. -----*-----	002004 006999	1
135	251N6133-7	..	CLIP- USED ON: 251N6133-1 251N6133-15 251N6133-17	002004 006999	1
140	251N6133-8	..	CLIP- USED ON: 251N6133-2 251N6133-16 251N6133-18 ATTACHING PARTS	002004 006999	1
- 145	BACR15FT5D	..	RIVET- SIZE DETERMINED ON INSTL. -----*-----	002004 006999	2
150	251N6133-10	..	STIFFENER  ATTACHING PARTS	002004 006999	2
155	BACR15BA5AD	..	RIVET- SIZE DETERMINED ON INSTL.	002004 006999	6
160	BACR15FT5D	..	RIVET- SIZE DETERMINED ON INSTL. -----*-----	002004 006999	8
165	BACR15BA5AD	..	RIVET- SIZE DETERMINED ON INSTL.	002004 006999	3
170	BACR15FT5D	..	RIVET- SIZE DETERMINED ON INSTL.	002004 006999	1
175	251N6133-5	..	SUPPORT- USED ON: 251N6133-1 251N6133-15 251N6133-17	002004 006999	1

MISSING ITEM NUMBERS NOT APPLICABLE

- ITEM NOT ILLUSTRATED

27-11-22-01

27-11-22  
FIG. 01  
PAGE 4  
SEP 20/08

BRI



757

PARTS CATALOG (MAINTENANCE)

FIG ITEM	PART NUMBER	1 2 3 4 5 6 7	NOMENCLATURE	EFFECT FROM TO	UNITS PER ASSY
1					
180	251N6133-6	..	SUPPORT- USED ON: 251N6133-2 251N6133-16 251N6133-18	002004 006999	1
185	251N6133-12	..	STIFFENER	002004 006999	1
190	251N6133-3	..	BRACKET- USED ON: 251N6133-1 251N6133-15 251N6133-17	002004 006999	1
195	251N6133-4	..	BRACKET- USED ON: 251N6133-2 251N6133-16 251N6133-18	002004 006999	1
- 250	251N6009-7		BRACKET INSTL-AIL. 2A AND 2B PULLEY POSITION DATA: STA 345 FOR NHA SEE: 27-00-00-02	002004 006100 107107 121503 904999	RF
- 250	251N6009-10		BRACKET INSTL-AIL. 2A AND 2B PULLEY POSITION DATA: STA 345 FOR NHA SEE: 27-00-00-01	101102 108120 504903	RF
- 250	MODREF7888		BRACKET INSTL-AIL. 2A AND 2B PULLEY MODULE NUMBER: 251N6009-10 REV A POSITION DATA: STA 345	103106	1
255	251N6134-11	.	BRACKET ASSY-	107107	1
255	251N6134-15	.	BRACKET ASSY-	002004 006100 121503 904999	1
255	251N6134-19	.	BRACKET ASSY	103106	1
260	251N6134-12	.	BRACKET ASSY-	107107	1
260	251N6134-16	.	BRACKET ASSY	002004 006100 121503 904999	1
260	251N6134-20	.	BRACKET ASSY	103106	1

MISSING ITEM NUMBERS NOT APPLICABLE

- ITEM NOT ILLUSTRATED

27-11-22-01

27-11-22  
FIG. 01  
PAGE 5  
JAN 20/09

BRI

BOEING PROPRIETARY - Copyright © - Unpublished Work - See title page for details.



**BOEING**  
757  
**PARTS CATALOG (MAINTENANCE)**

FIG ITEM	PART NUMBER	1 2 3 4 5 6 7	NOMENCLATURE	EFFECT FROM TO	UNITS PER ASSY
1			ATTACHING PARTS		
265	BACB30NF4-3	.BOLT		002004 006999	2
270	BACB30NF4-4	.BOLT		002004 006999	2
275	BACB30NF4-6	.BOLT-		002004 006999	1
		USED WITH:			
		251N6134-1			
280	BACB30NF4-5	.BOLT-		002004 006999	1
		USED WITH:			
		251N6134-2			
285	AN960PD416	.WASHER		002004 006999	6
290	BRH10A4	.NUT		002004 006999	6
		SUPPLIER CODE:			
		V52828			
		SPECIFICATION NUMBER:			
		BACN10JC4			
		OPTIONAL PART:			
		T6S428J			
		V11815			
		96-048			
		V80539			
		VN303A048			
		V92215			
		RMLH9075-4W			
		V72962			
		NS202101-048			
		V80539			
		H10-4BAC			
		V15653			
		-----*-----			
295	BACB30NF5-18	..BOLT		002004 006999	1
300	AN960D516	..WASHER		002004 006999	1

MISSING ITEM NUMBERS NOT APPLICABLE

— ITEM NOT ILLUSTRATED

BRI

**27-11-22-01**

BOEING PROPRIETARY - Copyright © - Unpublished Work - See title page for details.

27-11-22  
FIG. 01  
PAGE 6  
JAN 20/09



757

PARTS CATALOG (MAINTENANCE)

FIG ITEM	PART NUMBER	1 2 3 4 5 6 7	NOMENCLATURE	EFFECT FROM TO	UNITS PER ASSY
1 305	BRH10A5		..NUT SUPPLIER CODE: V52828 SPECIFICATION NUMBER: BACN10JC5 OPTIONAL PART: T6S524J V11815 96-054 V80539 RMLH9075-5W V72962 H10-5BAC V15653	002004 006999	1
310	65B80970-1		..PULLEY ASSY-8 IN. DIA 1/8 IN. CABLE	107107	1
310	65B80970-2		..PULLEY ASSY-8 IN. DIA 1/8 IN. CABLE MISCELLANEOUS DATA: 65B80970-2 RB BACP30M1A ONE WAY FORWARD FOR SPARES PROCURE: BACP30M1	002004 006106 108999	1
315	DW5E6531		...BEARING SUPPLIER CODE: V21335 SPECIFICATION NUMBER: BACB10A672 OPTIONAL PART: LLDW5 V38443 DW5-6 V38443	002004 006999	1
320	65B80972-1		...SHIELD	002004 006999	2
325	65B80971-1		...SHEAVE ASSY	107107	1
325	65B80971-3		...SHEAVE ASSY	002004 006106 108999	1
330	69B81362-1		....INSERT	002004 006999	1
335	65B80971-2		....SHEAVE	107107	1
335	65B80971-4		....SHEAVE	002004 006106 108999	1

MISSING ITEM NUMBERS NOT APPLICABLE

- ITEM NOT ILLUSTRATED

27-11-22-01

27-11-22  
FIG. 01  
PAGE 7  
JAN 20/09

BRI

BOEING PROPRIETARY - Copyright © - Unpublished Work - See title page for details.



757

PARTS CATALOG (MAINTENANCE)

FIG ITEM	PART NUMBER	1 2 3 4 5 6 7	NOMENCLATURE	EFFECT FROM TO	UNITS PER ASSY
1					
340	AVS1M1A	..	PULLEY- SUPPLIER CODE: V29965 SPECIFICATION NUMBER: BACP30M1A	002004 006106 108999	1
345	L8006K17	..	BOLT SUPPLIER CODE: V06725 SPECIFICATION NUMBER: BACB30MY6K17	002004 006999	1
350	HL79-6	..	COLLAR SUPPLIER CODE: V5M902 SPECIFICATION NUMBER: BACC30M6 OPTIONAL PART: HL79-6 V73197 HL79-6 V92215 66014-6 V56878 HL79-6 V56878	002004 006999	1
355	NAS42DD6-60	..	SPACER	002004 006999	1
360	BACR15BA5AD	..	RIVET- SIZE DETERMINED ON INSTL.	002004 006999	1
365	251N6133-9	..	FILLER	002004 006999	1
370	251N6134-8	..	SPACER	002004 006999	1
375	251N6134-9	..	FILLER- USED ON: 251N6134-1 251N6134-11 251N6134-15 251N6134-19	002004 006999	1
380	251N6134-10	..	FILLER- USED ON: 251N6134-2 251N6134-12 251N6134-16 251N6134-20 ATTACHING PARTS	002004 006999	1
- 385	BACR15BA4AD	..	RIVET- SIZE DETERMINED ON INSTL. -----*-----	002004 006999	1

MISSING ITEM NUMBERS NOT APPLICABLE

- ITEM NOT ILLUSTRATED

27-11-22-01

27-11-22  
FIG. 01  
PAGE 8  
JAN 20/09

BRI

BOEING PROPRIETARY - Copyright © - Unpublished Work - See title page for details.



757

PARTS CATALOG (MAINTENANCE)

FIG ITEM	PART NUMBER	1 2 3 4 5 6 7	NOMENCLATURE	EFFECT FROM TO	UNITS PER ASSY
1					
390	251N6134-7	..	CLIP	002004 006100 107107 121503 904999	1
390	251N6134-22	..	CLIP ATTACHING PARTS	103106	1
- 395	BACR15FT5D	..	RIVET- SIZE DETERMINED ON INSTL. -----*-----	002004 006999	2
400	251N6134-5	..	SUPPORT- USED ON: 251N6134-1 251N6134-11 251N6134-15 251N6134-19	002004 006999	1
405	251N6134-6	..	SUPPORT- USED ON: 251N6134-2 251N6134-12 251N6134-16 251N6134-20 ATTACHING PARTS	002004 006999	1
410	BACR15FT5D	..	RIVET- SIZE DETERMINED ON INSTL.	002004 006999	1
415	BACR15BA5AD	..	RIVET- SIZE DETERMINED ON INSTL. -----*-----	002004 006999	3
420	251N6133-10	..	STIFFENER  ATTACHING PARTS	002004 006999	2
425	BACR15BA5AD	..	RIVET- SIZE DETERMINED ON INSTL.	002004 006999	6
430	BACR15FT5D	..	RIVET- SIZE DETERMINED ON INSTL. -----*-----	002004 006999	8
435	251N6134-13	..	BRACKET- USED ON: 251N6134-11 251N6134-15 251N6134-19	002004 006999	1
440	251N6134-14	..	BRACKET- USED ON: 251N6134-12 251N6134-16 251N6134-20	002004 006999	1

MISSING ITEM NUMBERS NOT APPLICABLE

- ITEM NOT ILLUSTRATED

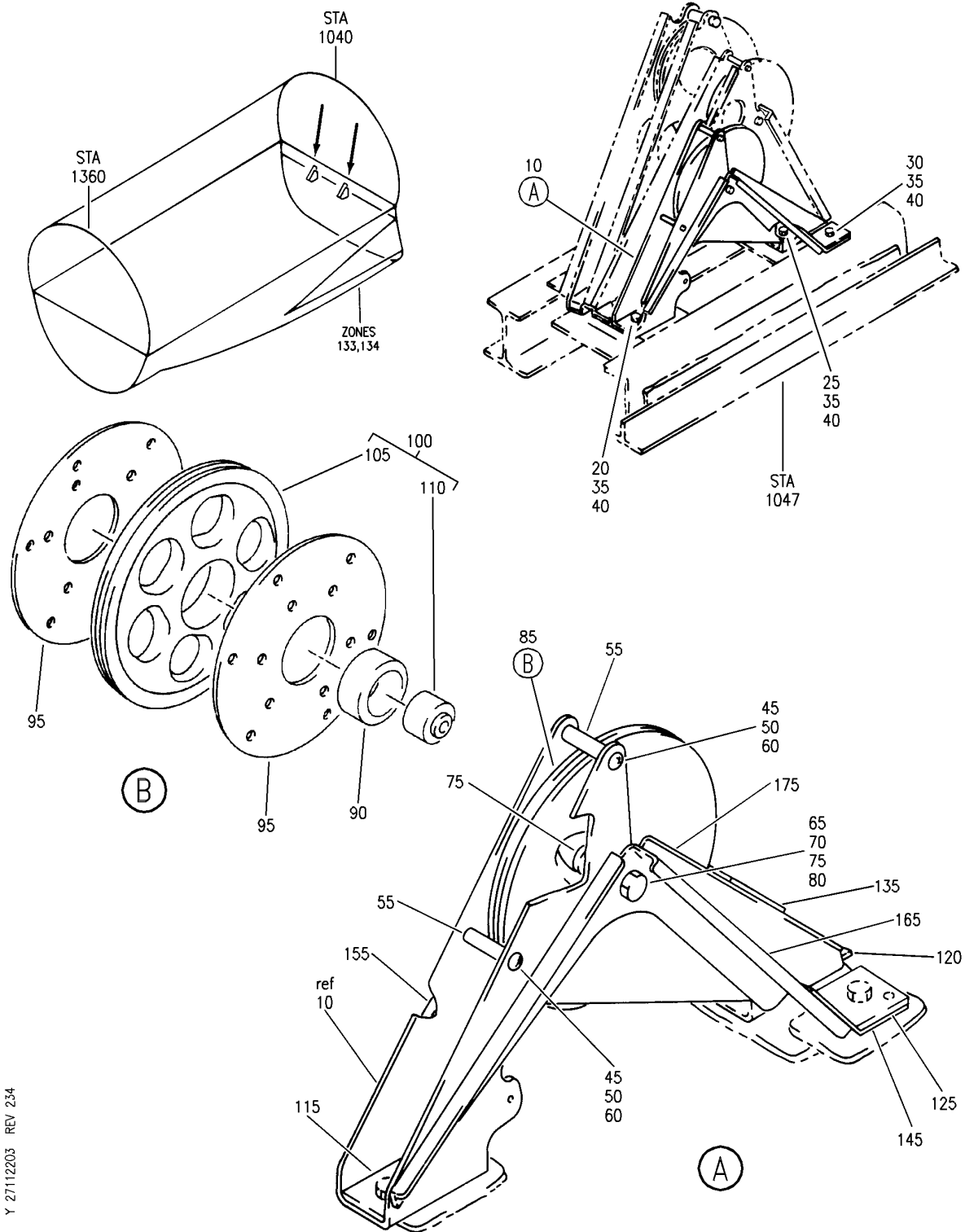
27-11-22-01

27-11-22  
FIG. 01  
PAGE 9  
JAN 20/09

BRI

BOEING PROPRIETARY - Copyright © - Unpublished Work - See title page for details.

**BOEING**  
757  
PARTS CATALOG (MAINTENANCE)



Y 27112203 REV 234

BRACKET INSTL-STA 1040-1063 AIL. CABLES PULLEY  
FIGURE 3

**27-11-22-03**

BRI  
MAY 28/07

27-11-22-03  
PAGE 0



757

PARTS CATALOG (MAINTENANCE)

FIG ITEM	PART NUMBER	1 2 3 4 5 6 7	NOMENCLATURE	EFFECT FROM TO	UNITS PER ASSY
3			BRACKET INSTL-STA 1040-1063 AIL. CABLES PULLEY	002004 006999	
- 1	251N6025-3		BRACKET INSTL-AIL. CABLES PULLEY POSITION DATA: STA 1040-1063 LH FOR NHA SEE: 27-00-00-02	002004 006100 107107 121503 904999	RF
- 1	251N6025-15		BRACKET INSTL-AIL. CABLES PULLEY POSITION DATA: STA 1040-1063 LH FOR NHA SEE: 27-00-00-01	101102 108120 504903	RF
- 1	MODREF8189		BRACKET INSTL-AIL. CABLES PULLEY MODULE NUMBER: 251N6025-15 REV A POSITION DATA: STA 1040-1063 LH	103103	1
- 1	MODREF27566		BRACKET INSTL-AIL. CABLES PULLEY MODULE NUMBER: 251N6025-15 REV B POSITION DATA: STA 1040-1063 LH	104106	1
- 5	251N6025-4		BRACKET INSTL-AIL. CABLES PULLEY POSITION DATA: STA 1040-1063 RH FOR NHA SEE: 27-00-00-02	002004 006100 107107 121503 904999	RF
- 5	251N6025-16		BRACKET INSTL-AIL. CABLES PULLEY POSITION DATA: STA 1040-1063 RH FOR NHA SEE: 27-00-00-01	101102 108120 504903	RF
- 5	MODREF8190		BRACKET INSTL-AIL. CABLES PULLEY MODULE NUMBER: 251N6025-16 REV A POSITION DATA: STA 1040-1063 RH	103103	1

MISSING ITEM NUMBERS NOT APPLICABLE

- ITEM NOT ILLUSTRATED

27-11-22-03

27-11-22  
FIG. 03  
PAGE 1  
JAN 20/09

BRI



757

PARTS CATALOG (MAINTENANCE)

FIG ITEM	PART NUMBER	1 2 3 4 5 6 7	NOMENCLATURE	EFFECT FROM TO	UNITS PER ASSY
3					
- 5	MODREF27567		BRACKET INSTL-AIL. CABLES PULLEY MODULE NUMBER: 251N6025-16 REV B POSITION DATA: STA 1040-1063 RH	104106	1
10	251N6386-17		.BRACKET ASSY-CABLE A1A POSITION DATA: LH SIDE	009106 108120 504903 950951	1
10	251N6386-15		.BRACKET ASSY-CABLE A1A POSITION DATA: LH SIDE	002004 006008 121503 953999	1
10	251N6386-7		.BRACKET ASSY-CABLE A1A POSITION DATA: LH SIDE	107107	1
10	251N6386-9		.BRACKET ASSY-CABLE A1A POSITION DATA: LH SIDE	107107	1
10	251N6386-11		.BRACKET ASSY-CABLE A1A POSITION DATA: LH SIDE	107107 904949 952952	1
- 15	251N6386-18		.BRACKET ASSY-CABLE A2B POSITION DATA: RH SIDE	009106 108120 504903 950951	1
- 15	251N6386-16		.BRACKET ASSY-CABLE A2B POSITION DATA: RH SIDE	002004 006008 121503 953999	1
- 15	251N6386-8		.BRACKET ASSY-CABLE A2B POSITION DATA: RH SIDE	107107	1
- 15	251N6386-10		.BRACKET ASSY-CABLE A2B POSITION DATA: RH SIDE	107107	1
- 15	251N6386-12		.BRACKET ASSY-CABLE A2B POSITION DATA: RH SIDE	904949 952952	1
20	BACB30NF4-5		ATTACHING PARTS .BOLT	002004 006100 107107 121503 904999	1

MISSING ITEM NUMBERS NOT APPLICABLE

- ITEM NOT ILLUSTRATED

27-11-22-03

27-11-22  
FIG. 03  
PAGE 2  
JAN 20/09

BRI

BOEING PROPRIETARY - Copyright © - Unpublished Work - See title page for details.



757

PARTS CATALOG (MAINTENANCE)

FIG ITEM	PART NUMBER	1 2 3 4 5 6 7	NOMENCLATURE	EFFECT FROM TO	UNITS PER ASSY
3	25	BACB30NF4-3	.BOLT	002004 006100 107107 121503 904999	1
	30	BACB30NF4-6	.BOLT	002004 006100 107107 121503 904999	1
	35	NAS1149D0463J	.WASHER	002004 006100 107107 121503 904999	3
	40	MS21042L4	.NUT	002004 006100 107107 121503 904999	3
	45	NAS623-3-21	-----*----- .. SCREW	002004 006100 107107 121503 904999	2
	50	AN960KD10	.. WASHER	002004 006100 107107 121503 904999	2
	55	NAS42DD6-74	.. SPACER-	002004 006100 107107 121503 904999	2
	60	MS21042L3	.. NUT	002004 006100 107107 121503 904999	2
	65	BACB30NF5-22	.. BOLT	002004 006100 107107 121503 904999	1

MISSING ITEM NUMBERS NOT APPLICABLE

- ITEM NOT ILLUSTRATED

BRI

27-11-22-03

27-11-22  
FIG. 03  
PAGE 3  
JAN 20/09





757

PARTS CATALOG (MAINTENANCE)

FIG ITEM	PART NUMBER	1 2 3 4 5 6 7	NOMENCLATURE	EFFECT FROM TO	UNITS PER ASSY
3	70	AN960JD516L	.. WASHER	002004 006100 107107 121503 904999	1
	75	BACS18G26B5	.. SPACER	002004 006100 107107 121503 904999	2
	80	MS21042L5	.. NUT	002004 006100 107107 121503 904999	1
	85	65B80975-8	.. PULLEY ASSY	002004 006100 107107 121503 904999	1
	90	B5451H	... BEARING SUPPLIER CODE: V38443 SPECIFICATION NUMBER: BACB10A331H OPTIONAL PART: B5451H V21335 PD5KT V21760 PD5K3 V38443 PD5KE6531 V21335	002004 006100 107107 121503 904999	1
	95	65B81426-1	... SHIELD	002004 006100 107107 121503 904999	2
	100	65B80976-3	... SHEAVE ASSY	002004 006100 107107 121503 904999	1
	105	65B80976-4	.... SHEAVE	002004 006100 107107 121503 904999	1

MISSING ITEM NUMBERS NOT APPLICABLE

- ITEM NOT ILLUSTRATED

27-11-22-03

27-11-22  
FIG. 03  
PAGE 4  
JAN 20/09

BRI

**BOEING**  
757  
PARTS CATALOG (MAINTENANCE)

FIG ITEM	PART NUMBER	1 2 3 4 5 6 7	NOMENCLATURE	EFFECT FROM TO	UNITS PER ASSY
3					
110	69B81362-3	....	INSERT	002004 006100 107107 121503 904999	1
115	50-3361-8641	..	FILLER	002004 006008 107107 121503 904949 952999	1
115	50-3361-8708	..	FILLER-	009100 950951	1
120	50-3361-8647	..	FILLER	002004 006008 107107 121503 904949 952999	1
120	50-3361-8709	..	FILLER	009106 108120 504903 950951	1
125	50-3361-8648	..	FILLER	107107 904949 952952	1
125	50-3361-8703	..	FILLER	009106 108120 504903 950951	1
- 130	BACR15CE3D		ATTACHING PARTS ..RIVET- SIZE DETERMINED ON INSTL.	002004 006100 107107 121503 904999	3
135	251N6382-9	-----*	..BRACKET	002004 006100 107107 121503 904999	1
- 140	BACR15BB5D		ATTACHING PARTS ..RIVET- SIZE DETERMINED ON INSTL.  -----*	002004 006100 107107 121503 904999	6

MISSING ITEM NUMBERS NOT APPLICABLE

- ITEM NOT ILLUSTRATED

BRI

**27-11-22-03**

BOEING PROPRIETARY - Copyright © - Unpublished Work - See title page for details.

27-11-22  
FIG. 03  
PAGE 5  
JAN 20/09



757

PARTS CATALOG (MAINTENANCE)

FIG ITEM	PART NUMBER	1 2 3 4 5 6 7	NOMENCLATURE	EFFECT FROM TO	UNITS PER ASSY
3					
145	251N6382-11	..CLIP-	POSITION DATA: LH SIDE	107107 904949 952952	1
- 147	251N6382-12	..CLIP-	POSITION DATA: RH SIDE	107107 904949 952952	1
- 148	251N6382-31	..CLIP		002004 006100 121503 950951 953999	1
- 150	BACR15BB5D	ATTACHING PARTS ..RIVET-	SIZE DETERMINED ON INSTL.	002004 006100 107107 121503 904999	3
155	251N6382-19	-----*----- ..ANGLE-	POSITION DATA: LH SIDE	107107	1
155	251N6382-29	..ANGLE-	POSITION DATA: LH SIDE	002004 006106 108999	1
- 157	251N6382-20	..ANGLE-	POSITION DATA: RH SIDE	107107	1
- 157	251N6382-30	..ANGLE-	POSITION DATA: RH SIDE	002004 006106 108999	1
- 160	BACR15BB5D	ATTACHING PARTS ..RIVET-	SIZE DETERMINED ON INSTL.	002004 006100 107107 121503 904999	6
165	251N6382-21	-----*----- ..BRACKET-	POSITION DATA: LH SIDE	002004 006100 107107 121503 904999	1
- 167	251N6382-22	..BRACKET-	POSITION DATA: RH SIDE	002004 006100 107107 121503 904999	1

MISSING ITEM NUMBERS NOT APPLICABLE

- ITEM NOT ILLUSTRATED

27-11-22-03

27-11-22  
FIG. 03  
PAGE 6  
JAN 20/09

BRI

BOEING PROPRIETARY - Copyright © - Unpublished Work - See title page for details.



757

PARTS CATALOG (MAINTENANCE)

FIG ITEM	PART NUMBER	1 2 3 4 5 6 7	NOMENCLATURE	EFFECT FROM TO	UNITS PER ASSY
3			ATTACHING PARTS		
- 170	BACR15BB5D		..RIVET- SIZE DETERMINED ON INSTL.	002004 006100 107107 121503 904999	12
175	251N6382-23		-----*----- ..BRACKET- POSITION DATA: LH SIDE	107107	1
175	251N6382-27		..BRACKET- POSITION DATA: LH SIDE	002004 006106 108999	1
- 180	251N6382-24		..BRACKET- POSITION DATA: RH SIDE	107107	1
- 180	251N6382-28		..BRACKET- POSITION DATA: RH SIDE	002004 006106 108999	1

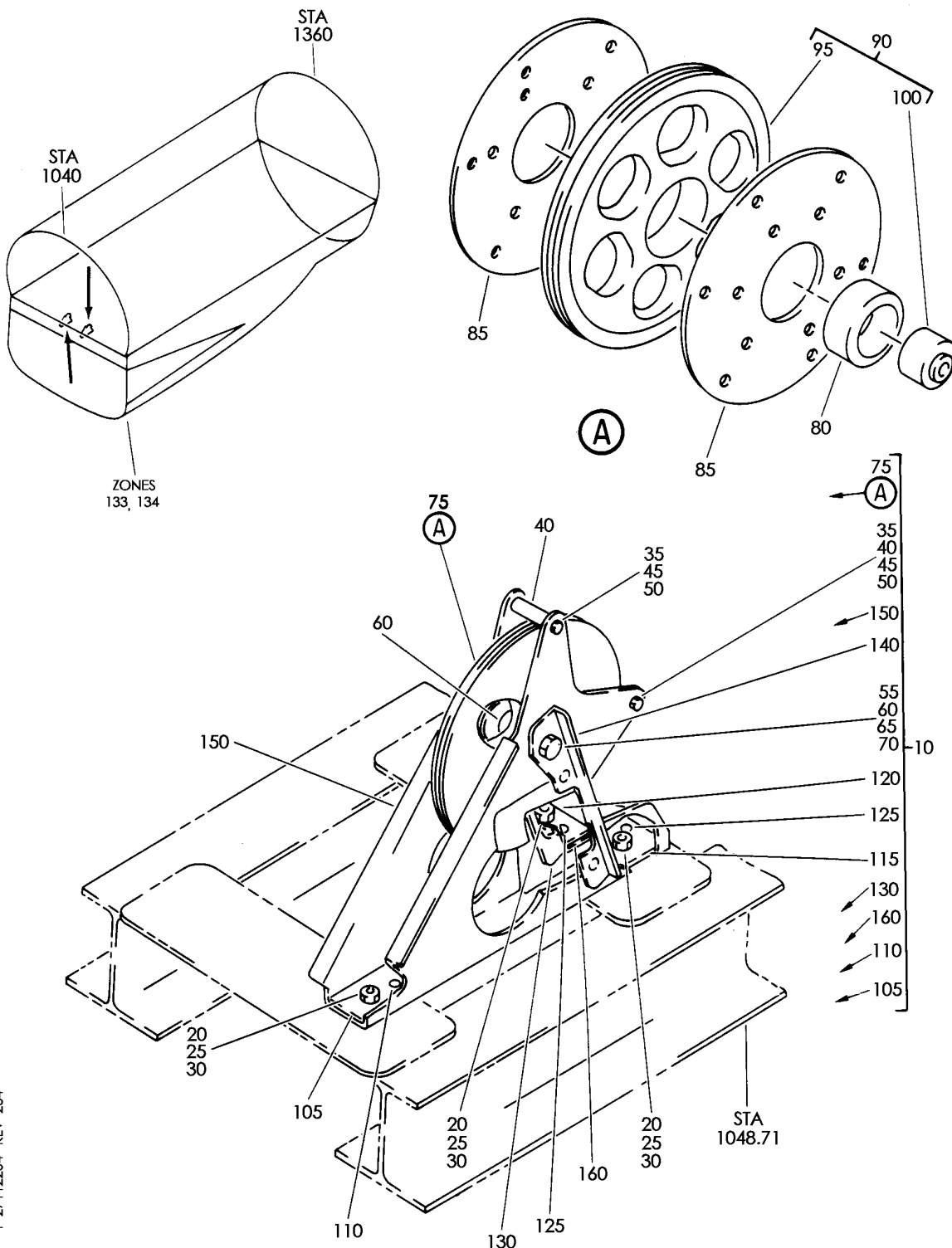
MISSING ITEM NUMBERS NOT APPLICABLE

- ITEM NOT ILLUSTRATED

27-11-22-03

27-11-22  
FIG. 03  
PAGE 7  
JAN 20/09

BRI



Y 27112204 REV 234

BRACKET INSTL-AIL. PULLEY STA 1040, BL 15, A1B, A2A  
FIGURE 4

**27-11-22-04**



757

PARTS CATALOG (MAINTENANCE)

FIG ITEM	PART NUMBER	1 2 3 4 5 6 7	NOMENCLATURE	EFFECT FROM TO	UNITS PER ASSY
4			BRACKET INSTL-AIL. PULLEY STA 1040, BL 15, A1B, A2A	002004 006999	
- 1	251N6021-1		BRACKET INSTL-AIL. PULLEY A1B, A2A POSITION DATA: STA 1040, BL 15 LH FOR NHA SEE: 27-00-00-02 27-00-00-01	002004 006102 107999	RF
- 1	MODREF8180		BRACKET INSTL-AIL. PULLEY A1B, A2A MODULE NUMBER: 251N6021-1 REV A POSITION DATA: STA 1040, BL 15 LH	103103	1
- 1	MODREF27558		BRACKET INSTL-AIL. PULLEY A1B, A2A MODULE NUMBER: 251N6021-1 REV B POSITION DATA: STA 1040, BL 15 LH	104106	1
- 5	251N6021-2		BRACKET INSTL-AIL. PULLEY A1B, A2A POSITION DATA: STA 1040, BL 15 RH FOR NHA SEE: 27-00-00-02 27-00-00-01	002004 006102 107999	RF
- 5	MODREF8181		BRACKET INSTL-AIL. PULLEY A1B, A2A MODULE NUMBER: 251N6021-2 REV A POSITION DATA: STA 1040, BL 15 RH	103103	1
- 5	MODREF27559		BRACKET INSTL-AIL. PULLEY A1B, A2A MODULE NUMBER: 251N6021-2 REV B POSITION DATA: STA 1040, BL 15 RH	104106	1
10	251N6385-1		.BRACKET ASSY- POSITION DATA: LH	002004 006999	1

MISSING ITEM NUMBERS NOT APPLICABLE

- ITEM NOT ILLUSTRATED

27-11-22-04

27-11-22  
FIG. 04  
PAGE 1  
JAN 20/09

BRI



757

PARTS CATALOG (MAINTENANCE)

FIG ITEM	PART NUMBER	1 2 3 4 5 6 7	NOMENCLATURE	EFFECT FROM TO	UNITS PER ASSY
4					
- 15	251N6385-2		.BRACKET ASSY- POSITION DATA: RH ATTACHING PARTS	002004 006999	1
20	BACB30NF4-5		.BOLT	002004 006999	3
25	AN960KD416		.WASHER	002004 006999	3
30	MS21042L4		.NUT	002004 006999	3
			-----*-----		
35	NAS623-3-21		.. SCREW	002004 006999	2
40	NAS42DD6-76		.. SPACER	002004 006999	2
45	AN960KD10		.. WASHER	002004 006999	2
50	MS21042L3		.. NUT	002004 006999	2
55	BACB30NF5-23		.. BOLT	002004 006999	1
60	BACS18G2885		.. SPACER	002004 006999	2
65	AN960KD516		.. WASHER	002004 006999	1
70	MS21042L5		.. NUT	002004 006999	1
75	65B80975-8		.. PULLEY ASSY-5.13 P.D. 1/8 DIA CABLE	002004 006999	1
80	B5451H		... BEARING SUPPLIER CODE: V38443 SPECIFICATION NUMBER: BACB10A331H OPTIONAL PART: B5451H V21335 PD5KT V21760 PD5K3 V38443 PD5KE6531 V21335	002004 006999	1
85	65B81426-1		... SHIELD	002004 006999	2
90	65B80976-3		... SHEAVE ASSY	002004 006999	1
95	65B80976-4		.... SHEAVE	002004 006999	1

MISSING ITEM NUMBERS NOT APPLICABLE

- ITEM NOT ILLUSTRATED

27-11-22-04

27-11-22  
FIG. 04  
PAGE 2  
JAN 20/09

BRI

BOEING PROPRIETARY - Copyright © - Unpublished Work - See title page for details.



757

PARTS CATALOG (MAINTENANCE)

FIG ITEM	PART NUMBER	1 2 3 4 5 6 7	NOMENCLATURE	EFFECT FROM TO	UNITS PER ASSY
4					
100	69B81362-3	....	INSERT	002004 006999	1
105	50-3361-8651	..	FILLER	002004 006999	1
			ATTACHING PARTS		
110	BACR15CE5D	..	RIVET- SIZE DETERMINED ON INSTL. -----*-----	002004 006999	1
115	50-3361-8640	..	FILLER	002004 006999	1
120	50-3361-8646	..	FILLER	002004 006999	1
			ATTACHING PARTS		
125	BACR15CE3D	..	RIVET- SIZE DETERMINED ON INSTL. -----*-----	002004 006999	2
130	251N6381-3	..	BRACE-SIDE POSITION DATA: LH SIDE OPTIONAL PART: 251N6381-13	002004 006999	1
130	251N6381-13	..	BRACE-SIDE POSITION DATA: LH SIDE OPTIONAL PART: 251N6381-3	002004 006999	1
- 135	251N6381-4	..	BRACE-SIDE POSITION DATA: RH SIDE OPTIONAL PART: 251N6381-14	002004 006999	1
- 135	251N6381-14	..	BRACE-SIDE POSITION DATA: RH SIDE OPTIONAL PART: 251N6381-4	002004 006999	1
140	251N6381-5	..	ANGLE- POSITION DATA: LH SIDE	002004 006999	1
- 145	251N6381-6	..	ANGLE- POSITION DATA: RH SIDE	002004 006999	1
150	251N6381-9	..	BRACKET- POSITION DATA: LH SIDE	002004 006999	1
- 155	251N6381-10	..	BRACKET- POSITION DATA: RH SIDE	002004 006999	1

MISSING ITEM NUMBERS NOT APPLICABLE

- ITEM NOT ILLUSTRATED

27-11-22-04

27-11-22  
FIG. 04  
PAGE 3  
JAN 20/09

BRI

BOEING PROPRIETARY - Copyright © - Unpublished Work - See title page for details.





757

PARTS CATALOG (MAINTENANCE)

FIG ITEM	PART NUMBER	1 2 3 4 5 6 7	NOMENCLATURE	EFFECT FROM TO	UNITS PER ASSY
4 160	251N6381-11		..CLIP- POSITION DATA: LH SIDE	002004 006999	1
- 165	251N6381-12		..CLIP- POSITION DATA: RH SIDE	002004 006999	1

MISSING ITEM NUMBERS NOT APPLICABLE

- ITEM NOT ILLUSTRATED

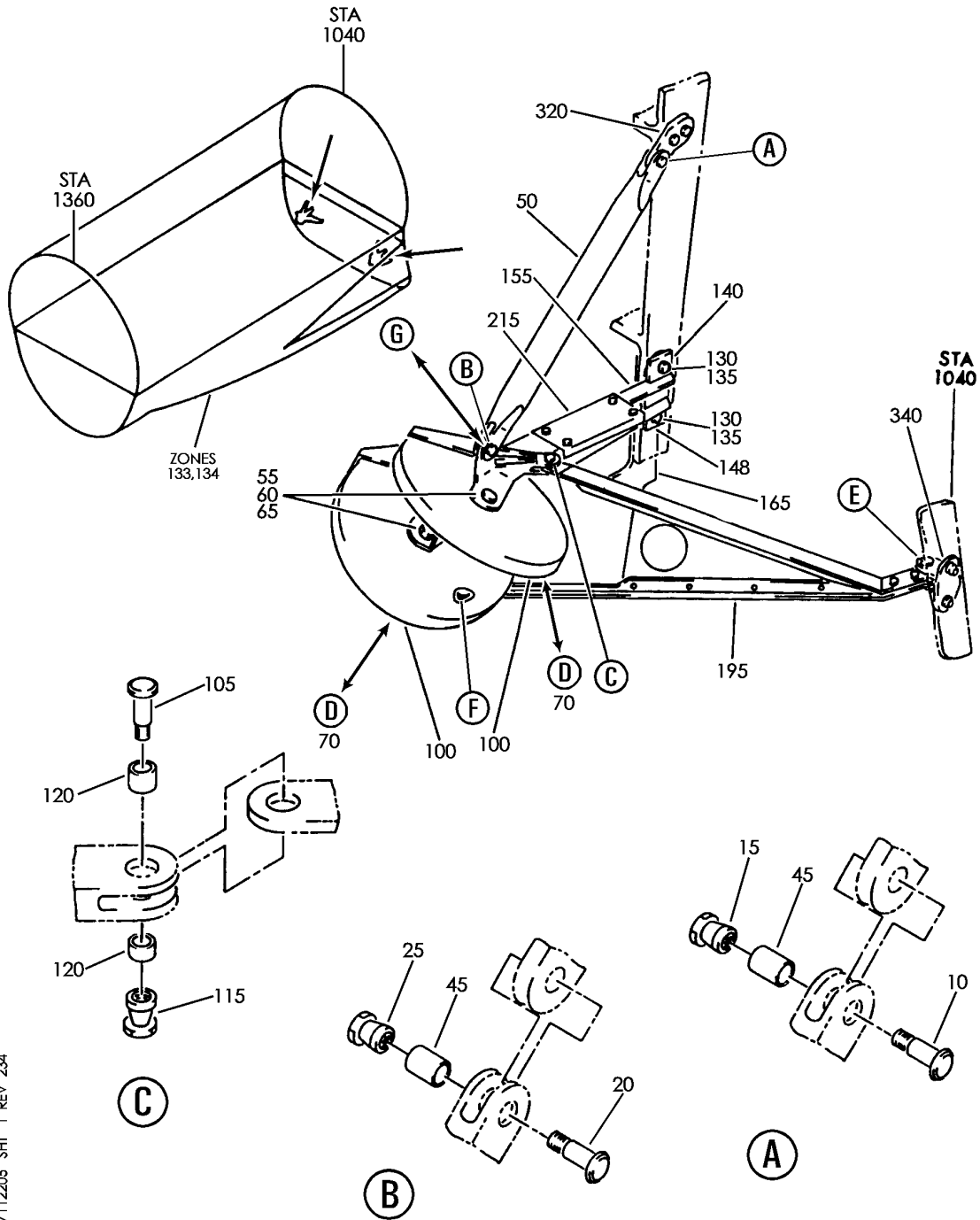
BRI

27-11-22-04

BOEING PROPRIETARY - Copyright © - Unpublished Work - See title page for details.

27-11-22  
FIG. 04  
PAGE 4  
JAN 20/09

**BOEING**  
757  
PARTS CATALOG (MAINTENANCE)



Y 27112205 SHT 1 REV 234

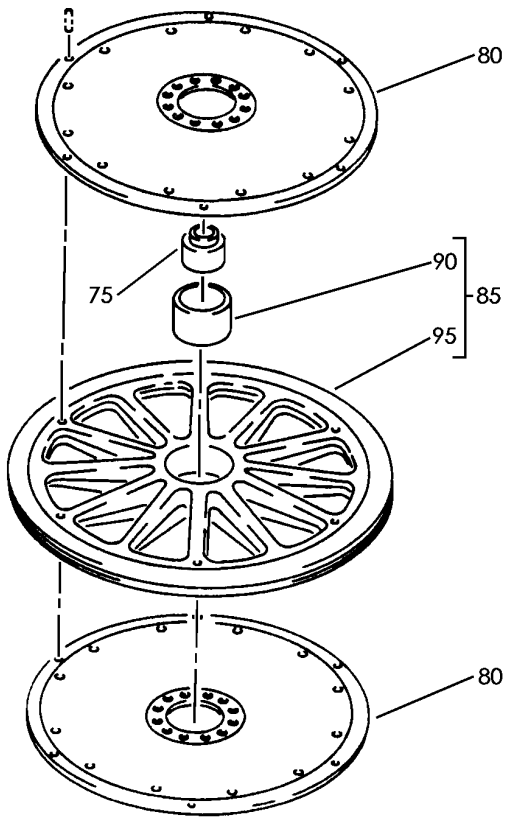
BRACKET INSTL-BODY STA 1040 PULLEY  
FIGURE 5 (SHEET 1)

**27-11-22-05**

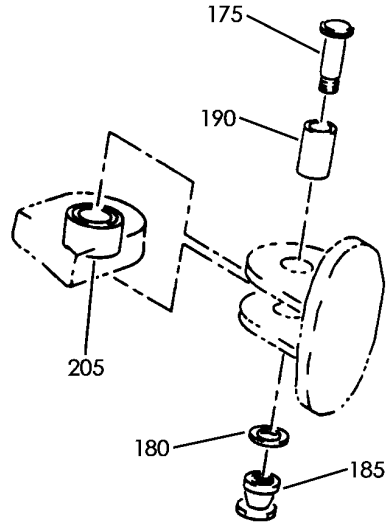
BRI  
MAY 28/07

27-11-22-05  
PAGE 0

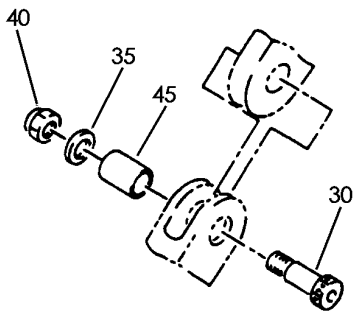
**BOEING**  
757  
PARTS CATALOG (MAINTENANCE)



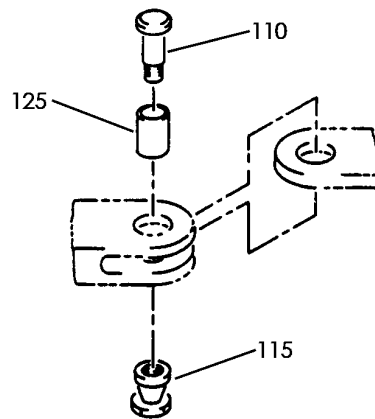
(D)



(E)



(G)



(F)

Y 27112205 SHT 2 REV 234

BRACKET INSTL-BODY STA 1040 PULLEY  
FIGURE 5 (SHEET 2)

**27-11-22-05**

BRI  
MAY 28/07

27-11-22-05  
PAGE 0A



757

PARTS CATALOG (MAINTENANCE)

FIG ITEM	PART NUMBER	1 2 3 4 5 6 7	NOMENCLATURE	EFFECT FROM TO	UNITS PER ASSY
5			BRACKET INSTL-BODY STA 1040 PULLEY	002004 006999	
- 1	251N6043-1		BRACKET INSTL-PULLEY POSITION DATA: BODY STA 1040 LH FOR NHA SEE: 27-00-00-02	002004 006100 107107 121503 904999	RF
- 1	251N6043-9		BRACKET INSTL-PULLEY POSITION DATA: BODY STA 1040 LH FOR NHA SEE: 27-00-00-01	101102 108120 504903	RF
- 1	MODREF8375		BRACKET INSTL-PULLEY MODULE NUMBER: 251N6043-9 REV A POSITION DATA: BODY STA 1040 LH	103106	1
- 5	251N6043-2		BRACKET INSTL-PULLEY POSITION DATA: BODY STA 1040 RH FOR NHA SEE: 27-00-00-02	002004 006100 107107 121503 904999	RF
- 5	251N6043-10		BRACKET INSTL-PULLEY POSITION DATA: BODY STA 1040 RH FOR NHA SEE: 27-00-00-01	101102 108120 504903	RF
- 5	MODREF8372		BRACKET INSTL-PULLEY MODULE NUMBER: 251N6043-10 REV A POSITION DATA: BODY STA 1040 RH	103106	1
10	L8008K8		.BOLT SUPPLIER CODE: V06725 SPECIFICATION NUMBER: BACB30MY8K8	002004 006999	1

MISSING ITEM NUMBERS NOT APPLICABLE

- ITEM NOT ILLUSTRATED

27-11-22-05

27-11-22  
FIG. 05  
PAGE 1  
JAN 20/09

BRI



757

PARTS CATALOG (MAINTENANCE)

FIG ITEM	PART NUMBER	1 2 3 4 5 6 7	NOMENCLATURE	EFFECT FROM TO	UNITS PER ASSY
5					
15	HL79-8	.	COLLAR SUPPLIER CODE: V5M902 SPECIFICATION NUMBER: BACC30M8 OPTIONAL PART: HL79-8 V73197 HL79-8 V92215 66014-8 V56878 HL79-8 V56878	002004 006999	1
20	L8008K8	.	BOLT- SUPPLIER CODE: V06725 SPECIFICATION NUMBER: BACB30MY8K8 POSITION DATA: LH SIDE	002004 006999	1
25	HL79-8	.	COLLAR- SUPPLIER CODE: V5M902 SPECIFICATION NUMBER: BACC30M8 OPTIONAL PART: HL79-8 V73197 HL79-8 V92215 66014-8 V56878 HL79-8 V56878 POSITION DATA: LH SIDE	002004 006999	1
30	BACB30NR4K8	.	BOLT- POSITION DATA: RH SIDE	002004 006999	1
35	AN960KD416	.	WASHER- POSITION DATA: RH SIDE	002004 006999	1

MISSING ITEM NUMBERS NOT APPLICABLE

- ITEM NOT ILLUSTRATED

BRI

27-11-22-05

27-11-22  
FIG. 05  
PAGE 2  
JAN 20/09



757

PARTS CATALOG (MAINTENANCE)

FIG ITEM	PART NUMBER	1 2 3 4 5 6 7	NOMENCLATURE	EFFECT FROM TO	UNITS PER ASSY
5	40 BRH10C4D	.NUT-	SUPPLIER CODE: V52828 SPECIFICATION NUMBER: BACN10JC4CD OPTIONAL PART: T6C428JCD V11815 NS202486-048 V80539 102LH9075-4W V72962 H51650-4BAC V15653 POSITION DATA: RH SIDE	002004 006999	1
	45 NAS75-4-005	.BUSHING		002004 006999	2
	50 250N2005-1001	.TUBE-CONT ROD		002004 006999	1
	55 BACB30NF5-22	.BOLT		002004 006999	2
	60 AN960PD516L	.WASHER		002004 006100 107107 121503 904999	4
	65 BRH10C5D	.NUT	SUPPLIER CODE: V52828 SPECIFICATION NUMBER: BACN10JC5CD OPTIONAL PART: T6C524JCD V11815 102LH9075-5W V72962 H51650-5BAC V15653	002004 006999	2
	70 65B80970-2	.PULLEY ASSY-8 IN. DIA 1/8 IN. CABLE MISCELLANEOUS DATA: 65B80970-2 RB BACP30M1A ONE WAY FORWARD		002004 006999	2

MISSING ITEM NUMBERS NOT APPLICABLE

- ITEM NOT ILLUSTRATED

BRI

27-11-22-05

BOEING PROPRIETARY - Copyright © - Unpublished Work - See title page for details.

27-11-22  
FIG. 05  
PAGE 3  
JAN 20/09

 **BOEING**  
757  
**PARTS CATALOG (MAINTENANCE)**

FIG ITEM	PART NUMBER	1 2 3 4 5 6 7	NOMENCLATURE	EFFECT FROM TO	UNITS PER ASSY
5					
75	DW5E6531	..	BEARING SUPPLIER CODE: V21335 SPECIFICATION NUMBER: BACB10A672 OPTIONAL PART: LLDW5 V38443 DW5-6 V38443	002004 006999	1
80	65B80972-1	..	SHIELD	002004 006999	2
85	65B80971-2	..	SHEAVE	002004 006999	1
100	AVS1M1A	.PULLEY-	SUPPLIER CODE: V29965 SPECIFICATION NUMBER: BACP30M1A OPTIONAL PART: R30M1A V25337 BMP30M1A V22277 AVS1AM V29965	002004 006100 107107 121503 904999	2
100	AVS1M1A	.PULLEY-	SUPPLIER CODE: V29965 SPECIFICATION NUMBER: BACP30M1A	002004 006100 107107 121503 904999	2
105	L8006K9	.BOLT	SUPPLIER CODE: V06725 SPECIFICATION NUMBER: BACB30MY6K9	002004 006999	1
110	L8006K8	.BOLT	SUPPLIER CODE: V06725 SPECIFICATION NUMBER: BACB30MY6K8	002004 006999	1

MISSING ITEM NUMBERS NOT APPLICABLE

— ITEM NOT ILLUSTRATED

BRI

**27-11-22-05**

BOEING PROPRIETARY - Copyright © - Unpublished Work - See title page for details.

27-11-22  
FIG. 05  
PAGE 4  
JAN 20/09



757

PARTS CATALOG (MAINTENANCE)

FIG ITEM	PART NUMBER	1 2 3 4 5 6 7	NOMENCLATURE	EFFECT FROM TO	UNITS PER ASSY
5 115	HL79-6		.COLLAR SUPPLIER CODE: V5M902 SPECIFICATION NUMBER: BACC30M6 OPTIONAL PART: HL79-6 V73197 HL79-6 V92215 66014-6 V56878 HL79-6 V56878	002004 006999	2
120	NAS75-3-007		.BUSHING	002004 006999	2
125	NAS75-3-008		.BUSHING	002004 006999	1
130	L8006K11		.BOLT SUPPLIER CODE: V06725 SPECIFICATION NUMBER: BACB30MY6K11	002004 006999	2
135	HL79-6		.COLLAR SUPPLIER CODE: V5M902 SPECIFICATION NUMBER: BACC30M6 OPTIONAL PART: HL79-6 V73197 HL79-6 V92215 66014-6 V56878 HL79-6 V56878	002004 006999	2
140	251N6043-5		.FILLER- POSITION DATA: LH SIDE	107107	1
- 145	251N6043-7		.FILLER- POSITION DATA: RH SIDE	107107	1
148	251N6043-6		.FILLER- POSITION DATA: LH SIDE	107107	1
- 150	251N6043-8		.FILLER- POSITION DATA: RH SIDE	107107	1

MISSING ITEM NUMBERS NOT APPLICABLE

- ITEM NOT ILLUSTRATED

27-11-22-05

27-11-22  
FIG. 05  
PAGE 5  
JAN 20/09

BRI





757

PARTS CATALOG (MAINTENANCE)

FIG ITEM	PART NUMBER	1 2 3 4 5 6 7	NOMENCLATURE	EFFECT FROM TO	UNITS PER ASSY
5					
155	251N6276-1		.BRACKET- POSITION DATA: LH SIDE OPTIONAL PART: 251N6276-6	002004 006100 107107 121503 904999	1
155	251N6276-6		.BRACKET- POSITION DATA: LH SIDE OPTIONAL PART: 251N6276-1	002004 006999	1
- 160	251N6282-1		.BRACKET- POSITION DATA: RH SIDE OPTIONAL PART: 251N6282-7	107107	1
- 160	251N6282-7		.BRACKET- POSITION DATA: RH SIDE OPTIONAL PART: 251N6282-1	002004 006999	1
165	287N4403-192		.BRACKET- POSITION DATA: LH SIDE	002004 006999	1
- 170	287N4403-193		.BRACKET- POSITION DATA: RH SIDE	002004 006999	1
175	L8008K9		.BOLT- SUPPLIER CODE: V06725 SPECIFICATION NUMBER: BACB30MY8K9	002004 006100 107107 121503 904999	1
175	L8008K11		.BOLT- SUPPLIER CODE: V06725 SPECIFICATION NUMBER: BACB30MY8K11	101106 108120 504903	1
180	AN960PD4		.WASHER	002004 006100 107107 121503 904999	1

MISSING ITEM NUMBERS NOT APPLICABLE

- ITEM NOT ILLUSTRATED

27-11-22-05

27-11-22  
FIG. 05  
PAGE 6  
JAN 20/09

BRI

BOEING PROPRIETARY - Copyright © - Unpublished Work - See title page for details.



757

PARTS CATALOG (MAINTENANCE)

FIG ITEM	PART NUMBER	1 2 3 4 5 6 7	NOMENCLATURE	EFFECT FROM TO	UNITS PER ASSY
5 185	HL79-8		.COLLAR SUPPLIER CODE: V5M902 SPECIFICATION NUMBER: BACC30M8 OPTIONAL PART: HL79-8 V73197 HL79-8 V92215 66014-8 V56878 HL79-8 V56878	002004 006999	1
190	NAS75-4-006		.BUSHING	002004 006999	1
195	251N6281-17		.FRAME ASSY- POSITION DATA: LH SIDE	107107	1
195	251N6281-21		.FRAME ASSY- POSITION DATA: LH SIDE	002004 006106 108999	1
- 200	251N6281-13		.FRAME ASSY- POSITION DATA: RH SIDE	002004 006999	1
205	ABG4V5-12		..BEARING SUPPLIER CODE: VS0352 SPECIFICATION NUMBER: BACB10AG4M OPTIONAL PART: AG4VCR12 V15860 BSSN4797SM2 V81376 HSBG4-117M V02758 NG4FM V73134 NC4G2DM V56644 KSBG4-25CRD5 V97613 BNG4ME111 V16746 03-505-04E035 V09455	002004 006999	1

MISSING ITEM NUMBERS NOT APPLICABLE

- ITEM NOT ILLUSTRATED

27-11-22-05

27-11-22  
FIG. 05  
PAGE 7  
JAN 20/09

BRI



757

PARTS CATALOG (MAINTENANCE)

FIG ITEM	PART NUMBER	1 2 3 4 5 6 7	NOMENCLATURE	EFFECT FROM TO	UNITS PER ASSY
5					
- 210	271N6106-4		.BRACKET-HYDR POSITION DATA: RH SIDE	002004 006999	1
215	271N6286-12		.BRACKET-HYDR POSITION DATA: LH SIDE	002004 006999	1
- 220	L8006K4		ATTACHING PARTS .BOLT SUPPLIER CODE: V06725 SPECIFICATION NUMBER: BACB30MY6K4	002004 006999	4
- 225	HL79-6		.COLLAR SUPPLIER CODE: V5M902 SPECIFICATION NUMBER: BACC30M6 OPTIONAL PART: HL79-6 V73197 HL79-6 V92215 66014-6 V56878 HL79-6 V56878	002004 006999	4
- 300	251N6043-3		-----*----- BRACKET INSTL-PULLEY POSITION DATA: BODY STA 1040 LH FOR NHA SEE: 53-00-00-03	002004 006100 107107 121503 904999	RF
- 300	251N6043-11		BRACKET INSTL-PULLEY POSITION DATA: BODY STA 1040 LH FOR NHA SEE: 53-00-00-03A	101102 108120 504903	RF
- 300	MODREF8373		BRACKET INSTL-PULLEY MODULE NUMBER: 251N6043-11 REV A POSITION DATA: BODY STA 1040 LH	103106	1
- 310	251N6043-4		BRACKET INSTL-PULLEY POSITION DATA: BODY STA 1040 RH FOR NHA SEE: 53-00-00-03	002004 006100 107107 121503 904999	RF

MISSING ITEM NUMBERS NOT APPLICABLE

- ITEM NOT ILLUSTRATED

27-11-22-05

27-11-22  
FIG. 05  
PAGE 8  
JAN 20/09

BRI

**BOEING**  
757  
**PARTS CATALOG (MAINTENANCE)**

FIG ITEM	PART NUMBER	1 2 3 4 5 6 7	NOMENCLATURE	EFFECT FROM TO	UNITS PER ASSY
5					
- 310	251N6043-12		BRACKET INSTL-PULLEY POSITION DATA: BODY STA 1040 RH FOR NHA SEE: 53-00-00-03A	101102 108120 504903	RF
- 310	MODREF8374		BRACKET INSTL-PULLEY MODULE NUMBER: 251N6043-12 REV A POSITION DATA: BODY STA 1040 RH	103106	1
320	251N6285-5		.BRACKET- POSITION DATA: LH SIDE	107107 904949	1
320	251N6285-7		.BRACKET- POSITION DATA: LH SIDE	002004 006106 108903 950999	1
- 325	251N6285-6		.BRACKET- POSITION DATA: RH SIDE ATTACHING PARTS	002004 006999	1
- 330	L8006K10		.BOLT SUPPLIER CODE: V06725 SPECIFICATION NUMBER: BACB30MY6K10	002004 006999	2
- 335	HL79-6		.COLLAR SUPPLIER CODE: V5M902 SPECIFICATION NUMBER: BACC30M6 OPTIONAL PART: HL79-6 V73197 HL79-6 V92215 66014-6 V56878 HL79-6 V56878	002004 006999	2
340	251N6285-3		-----*----- .BRACKET- POSITION DATA: LH SIDE	002004 006999	1
- 345	251N6285-3		.BRACKET- POSITION DATA: RH SIDE OPTIONAL PART: 251N6285-4	002004 006999	1

MISSING ITEM NUMBERS NOT APPLICABLE

- ITEM NOT ILLUSTRATED

BRI

**27-11-22-05**

BOEING PROPRIETARY - Copyright © - Unpublished Work - See title page for details.

27-11-22  
FIG. 05  
PAGE 9  
JAN 20/09



757

PARTS CATALOG (MAINTENANCE)

FIG ITEM	PART NUMBER	1 2 3 4 5 6 7	NOMENCLATURE	EFFECT FROM TO	UNITS PER ASSY
5					
- 345	251N6285-4		.BRACKET- POSITION DATA: RH SIDE OPTIONAL PART: 251N6285-3	002004 006999	1
- 347	L8006K6		ATTACHING PARTS .BOLT- SUPPLIER CODE: V06725 SPECIFICATION NUMBER: BACB30MY6K6	101106 108120 504903	1
- 350	L8006K5		.BOLT- SUPPLIER CODE: V06725 SPECIFICATION NUMBER: BACB30MY6K5	002004 006100 107107 121503 904999	2
- 353	L8006K7		.BOLT- SUPPLIER CODE: V06725 SPECIFICATION NUMBER: BACB30MY6K7	101106 108120 504903	1
- 355	HL79-6		.COLLAR SUPPLIER CODE: V5M902 SPECIFICATION NUMBER: BACC30M6 OPTIONAL PART: HL79-6 V73197 HL79-6 V92215 66014-6 V56878 HL79-6 V56878 -----*	002004 006999	2

MISSING ITEM NUMBERS NOT APPLICABLE

- ITEM NOT ILLUSTRATED

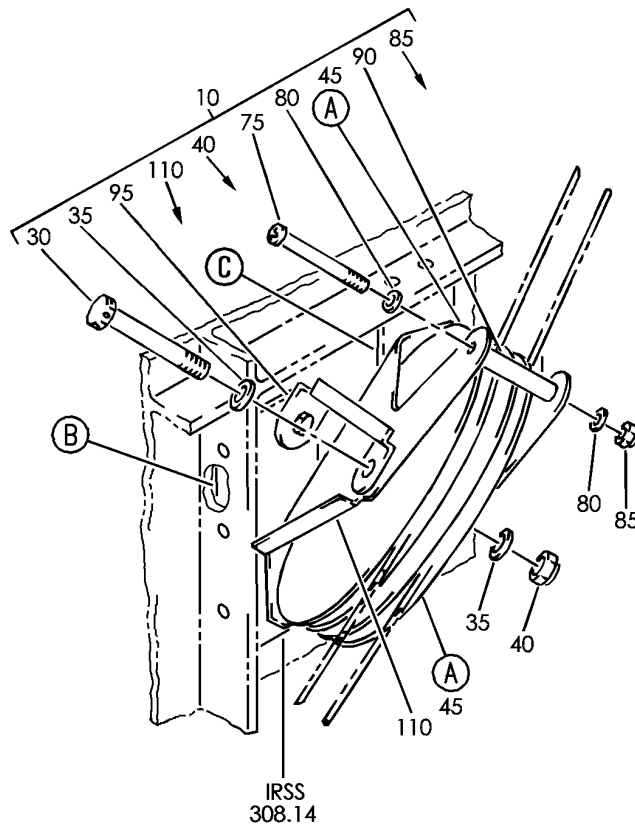
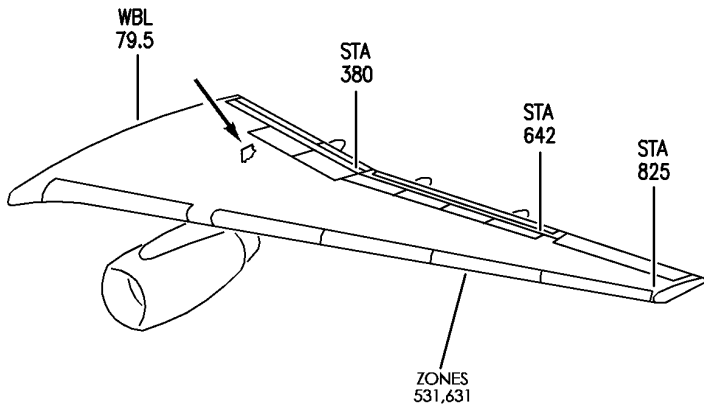
BRI

27-11-22-05

BOEING PROPRIETARY - Copyright © - Unpublished Work - See title page for details.

27-11-22  
FIG. 05  
PAGE 10  
JAN 20/09

**BOEING**  
757  
PARTS CATALOG (MAINTENANCE)



Y 27112206 SHT 1 REV 234

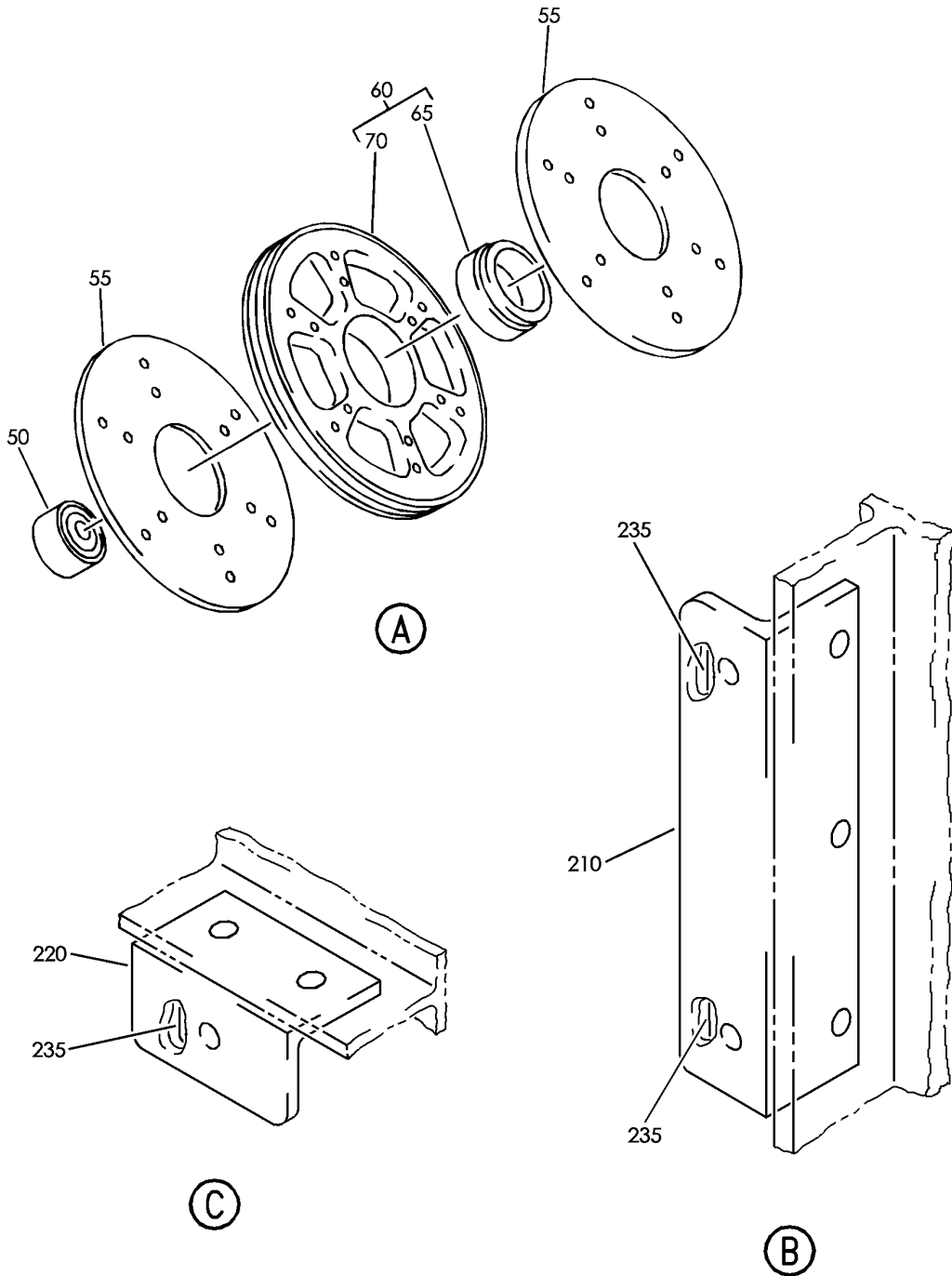
BRACKET INSTL-WING STA 287 PULLEY  
FIGURE 6 (SHEET 1)

**27-11-22-06**

BRI  
MAY 28/07

27-11-22-06  
PAGE 0

**BOEING**  
757  
PARTS CATALOG (MAINTENANCE)



Y 27112206 SHT 2 REV 234

BRACKET INSTL-WING STA 287 PULLEY  
FIGURE 6 (SHEET 2)

**27-11-22-06**

BRI  
MAY 28/07

27-11-22-06  
PAGE 0A



757

PARTS CATALOG (MAINTENANCE)

FIG ITEM	PART NUMBER	1 2 3 4 5 6 7	NOMENCLATURE	EFFECT FROM TO	UNITS PER ASSY
6			BRACKET INSTL-WING STA 287 PULLEY	002004 006999	
- 1	251N6045-1		BRACKET INSTL-PULLEY POSITION DATA: WING STA 287 LH FOR NHA SEE: 27-00-00-02	002004 006100 107107 121503 904999	RF
- 1	251N6045-9		BRACKET INSTL-PULLEY POSITION DATA: WING STA 287 LH FOR NHA SEE: 27-00-00-01	101102 106106 108120 504903	RF
- 1	MODREF8461		BRACKET INSTL-PULLEY MODULE NUMBER: 251N6045-9 REV A POSITION DATA: WING STA 287 LH	103103	1
- 1	MODREF27587		BRACKET INSTL-PULLEY MODULE NUMBER: 251N6045-9 REV B POSITION DATA: WING STA 287 LH	104106	1
- 5	251N6045-2		BRACKET INSTL-PULLEY POSITION DATA: WING STA 287 RH FOR NHA SEE: 27-00-00-02	002004 006100 107107 121503 904999	RF
- 5	251N6045-8		BRACKET INSTL-PULLEY POSITION DATA: WING STA 287 RH FOR NHA SEE: 27-00-00-01	101102 106106 108120 504903	RF
- 5	MODREF8382		BRACKET INSTL-PULLEY MODULE NUMBER: 251N6045-8 REV A POSITION DATA: WING STA 287 RH	103103	1
- 5	MODREF27586		BRACKET INSTL-PULLEY MODULE NUMBER: 251N6045-8 REV B POSITION DATA: WING STA 287 RH	104106	1
10	251N6277-11		.BRACKET ASSY- POSITION DATA: LH SIDE	002004 006101 103503 506999	1

MISSING ITEM NUMBERS NOT APPLICABLE

- ITEM NOT ILLUSTRATED

BRI

27-11-22-06

27-11-22  
FIG. 06  
PAGE 1  
JAN 20/09





757

PARTS CATALOG (MAINTENANCE)

FIG ITEM	PART NUMBER	1 2 3 4 5 6 7	NOMENCLATURE	EFFECT FROM TO	UNITS PER ASSY
6					
- 15	251N6277-12		.BRACKET ASSY- POSITION DATA: RH SIDE	002004 006101 103503 506999	1
- 20	BACB30NR4K3		.BOLT	002004 006999	3
- 25	AN960PD416		.WASHER	002004 006999	3
			-----*-----		
30	BACB30NR5K22		..BOLT	002004 006999	1
35	AN960PD516L		..WASHER	002004 006999	2
40	BRH10C5D		..NUT SUPPLIER CODE: V52828 SPECIFICATION NUMBER: BACN10JC5CD OPTIONAL PART: T6C524JCD V11815 102LH9075-5W V72962 H51650-5BAC V15653	002004 006999	1
45	65B80979-2		..PULLEY ASSY-6 IN. DIA 1/8 IN. CABLE	002004 006101 103503 506999	2
50	B5451H		...BEARING SUPPLIER CODE: V38443 SPECIFICATION NUMBER: BACB10A331H OPTIONAL PART: B5451H V21335 PD5KT V21760 PD5K3 V38443 PD5KE6531 V21335	002004 006999	1
55	69B81718-1		...SHIELD	002004 006999	2
60	65B81441-1		...SHEAVE ASSY-	002004 006999	1

MISSING ITEM NUMBERS NOT APPLICABLE

- ITEM NOT ILLUSTRATED

27-11-22-06

27-11-22  
FIG. 06  
PAGE 2  
JAN 20/09

BRI

**BOEING**  
757  
**PARTS CATALOG (MAINTENANCE)**

FIG ITEM	PART NUMBER	1 2 3 4 5 6 7	NOMENCLATURE	EFFECT FROM TO	UNITS PER ASSY
6					
60	65B81441-3	...	SHEAVE ASSY-	002004 006999	1
65	69B81362-3	....	INSERT	002004 006999	1
70	65B81441-2	....	SHEAVE- USED ON: 65B81441-1	002004 006999	1
70	65B81441-4	....	SHEAVE- USED ON: 65B81441-3	002004 006999	1
75	NAS623-3-22	..	SCREW	002004 006999	1
80	AN960PD10L	..	WASHER	002004 006999	2
85	BRH10A3	..	NUT SUPPLIER CODE: V52828 SPECIFICATION NUMBER: BACN10JC3 OPTIONAL PART: H10-3BAC V15653 NS202101-02 V80539 RMLH9075-3W V72962 VN303A02 V92215 96-02 V80539 T6S1032J V11815	002004 006999	1
90	NAS42DD6-80	..	SPACER	002004 006999	1
95	251N6277-9	..	CLIP- POSITION DATA: LH SIDE	002004 006999	1
- 100	251N6277-10	..	CLIP- POSITION DATA: RH SIDE	002004 006999	1
- 105	BACR15BA5AD	..	RIVET- ATTACHING PARTS SIZE DETERMINED ON INSTL. -----*-----	002004 006999	2
110	251N6277-3	..	BRACKET- POSITION DATA: LH SIDE	002004 006999	1

MISSING ITEM NUMBERS NOT APPLICABLE

- ITEM NOT ILLUSTRATED

BRI

**27-11-22-06**

27-11-22  
FIG. 06  
PAGE 3  
JAN 20/09



757

PARTS CATALOG (MAINTENANCE)

FIG ITEM	PART NUMBER	1 2 3 4 5 6 7	NOMENCLATURE	EFFECT FROM TO	UNITS PER ASSY
6					
- 115	251N6277-4		..BRACKET- POSITION DATA: RH SIDE	002004 006999	1
- 200	251N6045-3		SUPPORT INSTL-CLIP POSITION DATA: LH FOR NHA SEE: 57-00-00-05 57-54-03-10	002004 006102 107999	RF
- 200	MODREF8380		SUPPORT INSTL-CLIP MODULE NUMBER: 251N6045-3 REV A POSITION DATA: LH	103103	1
- 200	MODREF27584		SUPPORT INSTL-CLIP MODULE NUMBER: 251N6045-3 REV B POSITION DATA: LH	104106	1
- 205	251N6045-4		SUPPORT INSTL-CLIP POSITION DATA: RH FOR NHA SEE: 57-00-00-05 57-54-03-10	002004 006102 107999	RF
- 205	MODREF8381		BRACKET INSTL-CLIP MODULE NUMBER: 251N6045-4 REV A POSITION DATA: RH	103103	1
- 205	MODREF27585		BRACKET INSTL-CLIP MODULE NUMBER: 251N6045-4 REV B POSITION DATA: RH	104106	1
210	251N6045-5		.BRACKET- POSITION DATA: LH SIDE	002004 006102 104999	1
- 215	251N6045-6		.BRACKET- POSITION DATA: RH SIDE	002004 006102 104999	1
220	251N6045-7		.BRACKET	002004 006102 104999	1
- 225	BACB30MY6K		ATTACHING PARTS .BOLT- SIZE DETERMINED ON INSTL.	002004 006102 104999	5

MISSING ITEM NUMBERS NOT APPLICABLE

- ITEM NOT ILLUSTRATED

27-11-22-06

27-11-22  
FIG. 06  
PAGE 4  
JAN 20/09

BRI

BOEING PROPRIETARY - Copyright © - Unpublished Work - See title page for details.



757

PARTS CATALOG (MAINTENANCE)

FIG ITEM	PART NUMBER	1 2 3 4 5 6 7	NOMENCLATURE	EFFECT FROM TO	UNITS PER ASSY
6 - 230	HL79-6		. COLLAR SUPPLIER CODE: V5M902 SPECIFICATION NUMBER: BACC30M6 OPTIONAL PART: HL79-6 V73197 HL79-6 V92215 66014-6 V56878 HL79-6 V56878 -----*-----	002004 006102 104999	5
235	MF53050-4CD		. NUTPLATE SUPPLIER CODE: V15653 SPECIFICATION NUMBER: BACN10JN4CD OPTIONAL PART: BRFM20C4D V52828 T8301C428CD V11815 102F9201M4 V72962 NS202487-048 V80539 MF51637-4 V15653 ATTACHING PARTS	002004 006102 104999	3
- 240	BACR15BA3AD		. RIVET- SIZE DETERMINED ON INSTL. -----*-----	002004 006102 104999	6

MISSING ITEM NUMBERS NOT APPLICABLE

- ITEM NOT ILLUSTRATED

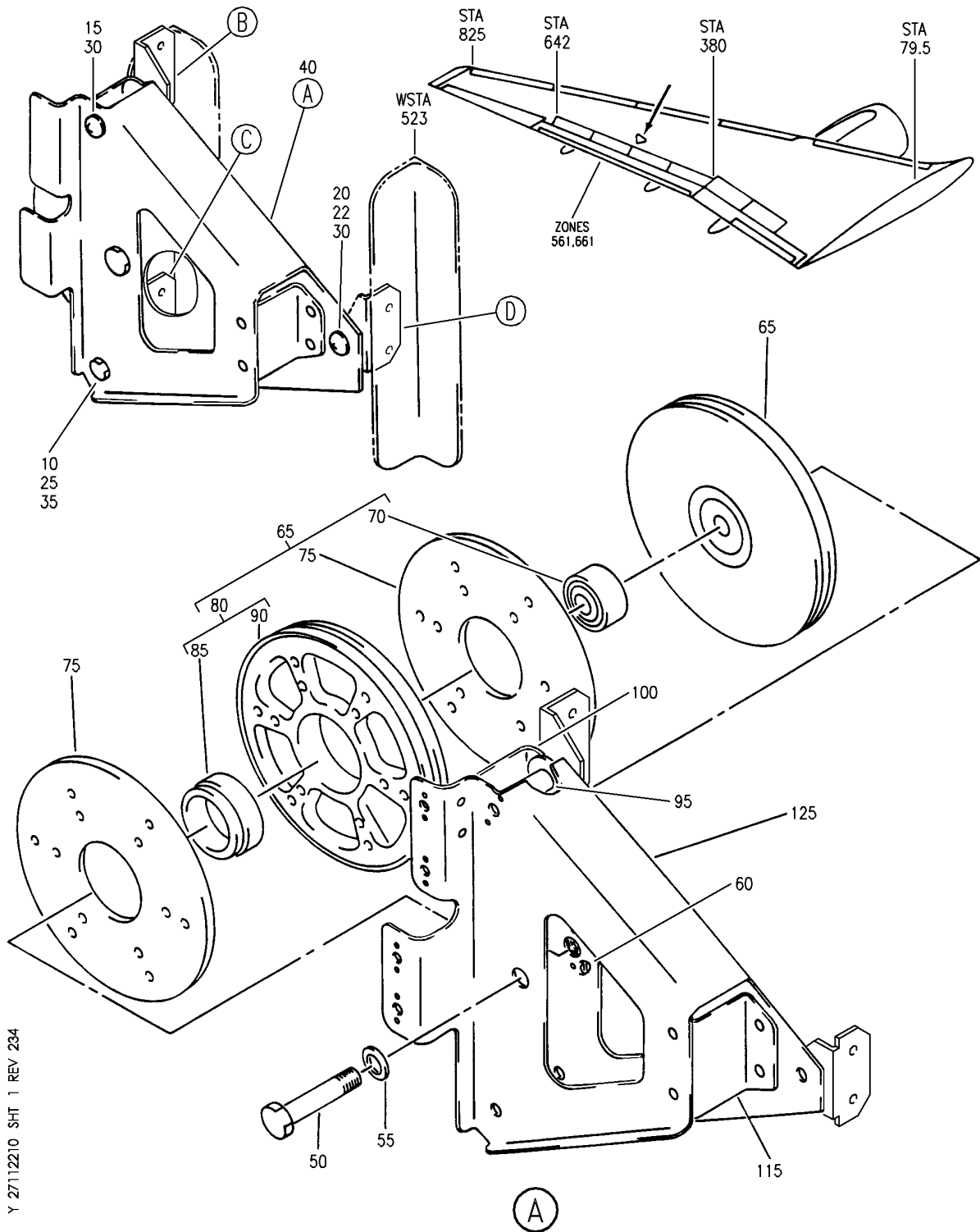
BRI

27-11-22-06

BOEING PROPRIETARY - Copyright © - Unpublished Work - See title page for details.

27-11-22  
FIG. 06  
PAGE 5  
JAN 20/09

**BOEING**  
757  
PARTS CATALOG (MAINTENANCE)



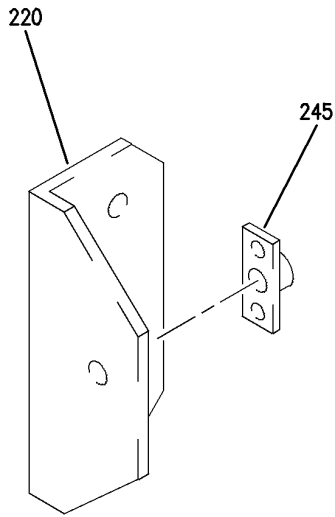
Y 27112210 SHT 1 REV 234

BRACKET INSTL-WING STA 528 PULLEY  
FIGURE 10 (SHEET 1)

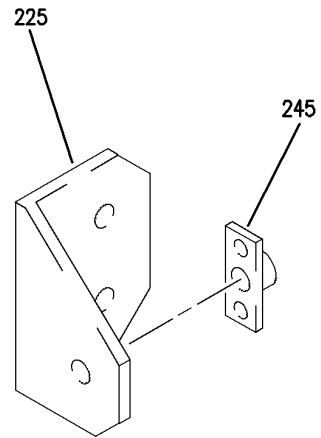
**27-11-22-10**

BRI  
MAY 28/07

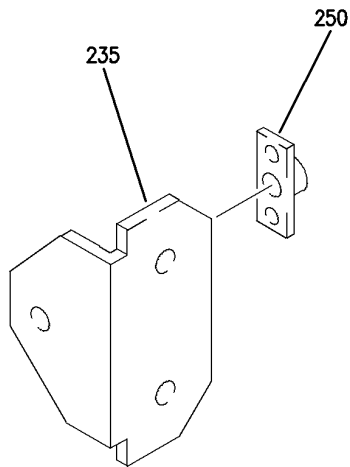
27-11-22-10  
PAGE 0



(B)



(C)



(D)

Y 27112210 SHT 2 REV 234

BRACKET INSTL-WING STA 528 PULLEY  
FIGURE 10 (SHEET 2)

**27-11-22-10**

BRI  
MAY 28/07

27-11-22-10  
PAGE 0A



757

PARTS CATALOG (MAINTENANCE)

FIG ITEM	PART NUMBER	1 2 3 4 5 6 7	NOMENCLATURE	EFFECT FROM TO	UNITS PER ASSY
10			BRACKET INSTL-WING STA 528 PULLEY	002004 006999	
- 1	251N6049-1		BRACKET INSTL-PULLEY POSITION DATA: WING STA 528 LH FOR NHA SEE: 27-00-00-02	002004 006100 107107 121503 904999	RF
- 1	251N6049-5		BRACKET INSTL-PULLEY POSITION DATA: WING STA 528 LH FOR NHA SEE: 27-00-00-01	101102 108120 504903	RF
- 1	MODREF8464		BRACKET INSTL-PULLEY MODULE NUMBER: 251N6049-5 REV A POSITION DATA: WING STA 528 LH	103103	1
- 1	MODREF29883		BRACKET INSTL-PULLEY MODULE NUMBER: 251N6049-5 REV B POSITION DATA: WING STA 528 LH	104106	1
- 5	251N6049-2		BRACKET INSTL-PULLEY POSITION DATA: WING STA 528 RH FOR NHA SEE: 27-00-00-02	002004 006100 107107 121503 904999	RF
- 5	251N6049-6		BRACKET INSTL-PULLEY POSITION DATA: WING STA 528 RH FOR NHA SEE: 27-00-00-01	101102 108120 504903	RF
- 5	MODREF8465		BRACKET INSTL-PULLEY MODULE NUMBER: 251N6049-6 REV A POSITION DATA: WING STA 528 RH	103103	1
- 5	MODREF29918		BRACKET INSTL-PULLEY MODULE NUMBER: 251N6049-6 REV B POSITION DATA: WING STA 528 RH	104106	1
10	BACB30NR4K24		.BOLT	002004 006999	1
15	NAS623-3-26		.SCREW	002004 006999	1
20	NAS623-3-3		.SCREW	002004 006999	1

MISSING ITEM NUMBERS NOT APPLICABLE

- ITEM NOT ILLUSTRATED

BRI

27-11-22-10

27-11-22  
FIG. 10  
PAGE 1  
JAN 20/09



757

PARTS CATALOG (MAINTENANCE)

FIG ITEM	PART NUMBER	1 2 3 4 5 6 7	NOMENCLATURE	EFFECT FROM TO	UNITS PER ASSY
10					
22	NAS1149D0332J	.	WASHER	002004 006999	1
25	AN960PD416	.	WASHER	002004 006999	1
30	AN960PD10L	.	WASHER	107107 904949	2
35	NAS43DD4-80	.	SPACER	002004 006999	1
40	251N6266-23	.	BRACKET ASSY- POSITION DATA: LH SIDE	002004 006010 107107 121503 904999	1
40	251N6266-19	.	BRACKET ASSY- POSITION DATA: LH SIDE	107107 904949	1
40	251N6266-27	.	BRACKET ASSY- POSITION DATA: LH SIDE	011103 106106 108120 504903	1
- 45	251N6266-24	.	BRACKET ASSY- POSITION DATA: RH SIDE	002004 006010 107107 121503 904999	1
- 45	251N6266-20	.	BRACKET ASSY- POSITION DATA: RH SIDE	107107 904949	1
- 45	251N6266-28	.	BRACKET ASSY- POSITION DATA: RH SIDE	011103 106106 108120 504903	1
50	BACB30NF5-24	..	BOLT	107107 904949	1
50	BACB30NF5-22	..	BOLT	002004 006103 106106 108903 950999	1
55	AN960PD516	..	WASHER	002004 006999	1

MISSING ITEM NUMBERS NOT APPLICABLE

- ITEM NOT ILLUSTRATED

27-11-22-10

27-11-22  
FIG. 10  
PAGE 2  
JAN 20/09

BRI





757

PARTS CATALOG (MAINTENANCE)

FIG ITEM	PART NUMBER	1 2 3 4 5 6 7	NOMENCLATURE	EFFECT FROM TO	UNITS PER ASSY
10 60	MF53049-5	..	NUT SUPPLIER CODE: V15653 SPECIFICATION NUMBER: BACN10JN5 OPTIONAL PART: BRFM20A5 V52828 MF1300-5BAC V15653 NS103218-054 V80539 RMF9201M5 V72962 VN252A054 V92215 T8124S5S V11815	002004 006999	1
65	65B80979-2	..	PULLEY ASSY-6 IN. DIA 1/8 IN. CABLE	002004 006103 106999	2
70	B5451H	...	BEARING SUPPLIER CODE: V38443 SPECIFICATION NUMBER: BACB10A331H OPTIONAL PART: B5451H V21335 PD5KT V21760 PD5K3 V38443 PD5KE6531 V21335	002004 006999	1
75	69B81718-1	...	SHIELD	002004 006999	2
80	65B81441-3	...	SHEAVE ASSY	002004 006103 106999	1
85	69B81362-3	....	INSERT	002004 006999	1
90	65B81441-4	....	SHEAVE	002004 006103 106999	1

MISSING ITEM NUMBERS NOT APPLICABLE

- ITEM NOT ILLUSTRATED

27-11-22-10

27-11-22  
FIG. 10  
PAGE 3  
JAN 20/09

BRI



757

PARTS CATALOG (MAINTENANCE)

FIG ITEM	PART NUMBER	1 2 3 4 5 6 7	NOMENCLATURE	EFFECT FROM TO	UNITS PER ASSY
10					
95	295926-125	..	SPACER SUPPLIER CODE: V60119 SPECIFICATION NUMBER: BACS18R125B	002004 006999	1
100	251N6266-21	..	STIFFENER- POSITION DATA: LH SIDE	002004 006010 107107 121503 904999	1
100	251N6266-15	..	STIFFENER- POSITION DATA: LH SIDE	107107 904949	1
100	251N6266-25	..	STIFFENER- POSITION DATA: LH SIDE	011103 106106 108120 504903	1
- 105	251N6266-22	..	STIFFENER- POSITION DATA: RH SIDE	002004 006010 107107 121503 904999	1
- 105	251N6266-16	..	STIFFENER- POSITION DATA: RH SIDE	107107 904949	1
- 105	251N6266-26	..	STIFFENER- POSITION DATA: RH SIDE	011103 106106 108120 504903	1
- 110	BACR15FT5D	..	ATTACHING PARTS RIVET- SIZE DETERMINED ON INSTL. -----*-----	002004 006999	3
115	251N6266-5	..	BRACKET-ZEE	002004 006999	1
- 120	BACR15FT5D	..	ATTACHING PARTS RIVET- SIZE DETERMINED ON INSTL. -----*-----	002004 006999	4
125	251N6266-13	..	BRACKET- POSITION DATA: LH SIDE	002004 006999	1
- 130	251N6266-14	..	BRACKET- POSITION DATA: RH SIDE	002004 006999	1

MISSING ITEM NUMBERS NOT APPLICABLE

- ITEM NOT ILLUSTRATED

BRI

27-11-22-10

27-11-22  
FIG. 10  
PAGE 4  
JAN 20/09



757

PARTS CATALOG (MAINTENANCE)

FIG ITEM	PART NUMBER	1 2 3 4 5 6 7	NOMENCLATURE	EFFECT FROM TO	UNITS PER ASSY
10					
- 200	251N6049-3		BRACKET INSTL-PULLEY POSITION DATA: WING STA 528 LH FOR NHA SEE: 57-00-00-20 57-20-52-01	002004 006102 107999	RF
- 200	MODREF8462		BRACKET INSTL-PULLEY MODULE NUMBER: 251N6049-3 REV A POSITION DATA: WING STA 528 LH	103106	1
- 205	251N6049-4		BRACKET INSTL-PULLEY POSITION DATA: WING STA 528 RH FOR NHA SEE: 57-00-00-20 57-20-52-01	002004 006102 107999	RF
- 205	MODREF8463		BRACKET INSTL-PULLEY MODULE NUMBER: 251N6049-4 REV A POSITION DATA: WING STA 528 RH	103103	1
220	250N2009-47		.BRACKET	002004 006103 107999	1
220	250N2009-47		.BRACKET	104106	1
225	250N2009-49		.BRACKET- POSITION DATA: LH	002004 006102 107999	1
- 230	250N2009-60		.BRACKET- POSITION DATA: RH	002004 006103 107999	1
235	250N2009-61		.BRACKET	002004 006103 107999	1
235	250N2009-61		.BRACKET ATTACHING PARTS	104106	1
- 240	L8006K4		.BOLT SUPPLIER CODE: V06725 SPECIFICATION NUMBER: BACB30MY6K4	002004 006103 107999	6
- 240	L8006K4		.BOLT SUPPLIER CODE: V06725 SPECIFICATION NUMBER: BACB30MY6K4 -----*-----	104106	6

MISSING ITEM NUMBERS NOT APPLICABLE

- ITEM NOT ILLUSTRATED

BRI

27-11-22-10

27-11-22  
FIG. 10  
PAGE 5  
JAN 20/09



757

PARTS CATALOG (MAINTENANCE)

FIG ITEM	PART NUMBER	1 2 3 4 5 6 7	NOMENCLATURE	EFFECT FROM TO	UNITS PER ASSY
10 245	MF53050-3CD	.	NUTPLATE SUPPLIER CODE: V15653 SPECIFICATION NUMBER: BACN10JN3CD OPTIONAL PART: BRFM20C3D V52828 102F9201M3 V72962 NS202487-02 V80539 MF51637-3 V15653	002004 006103 107999	2
245	MF53050-3CD	.	NUTPLATE SUPPLIER CODE: V15653 SPECIFICATION NUMBER: BACN10JN3CD OPTIONAL PART: BRFM20C3D V52828 102F9201M3 V72962 NS202487-02 V80539 MF51637-3 V15653	104106	2
250	MF53050-4CD	.	NUTPLATE SUPPLIER CODE: V15653 SPECIFICATION NUMBER: BACN10JN4CD OPTIONAL PART: BRFM20C4D V52828 T8301C428CD V11815 102F9201M4 V72962 NS202487-048 V80539 MF51637-4 V15653	002004 006103 107999	1

MISSING ITEM NUMBERS NOT APPLICABLE

- ITEM NOT ILLUSTRATED

BRI

27-11-22-10

27-11-22  
FIG. 10  
PAGE 6  
JAN 20/09



757

PARTS CATALOG (MAINTENANCE)

FIG ITEM	PART NUMBER	1 2 3 4 5 6 7	NOMENCLATURE	EFFECT FROM TO	UNITS PER ASSY
10 250	MF53050-4CD	.	NUTPLATE SUPPLIER CODE: V15653 SPECIFICATION NUMBER: BACN10JN4CD OPTIONAL PART: BRFM20C4D V52828 T8301C428CD V11815 102F9201M4 V72962 NS202487-048 V80539 MF51637-4 V15653	104106	1
- 255	BACR15DR3N	.	ATTACHING PARTS RIVET- SIZE DETERMINED ON INSTL.	002004 006103 107999	6
- 255	BACR15DR3N	.	RIVET- SIZE DETERMINED ON INSTL. -----*-----	104106	6

MISSING ITEM NUMBERS NOT APPLICABLE

- ITEM NOT ILLUSTRATED

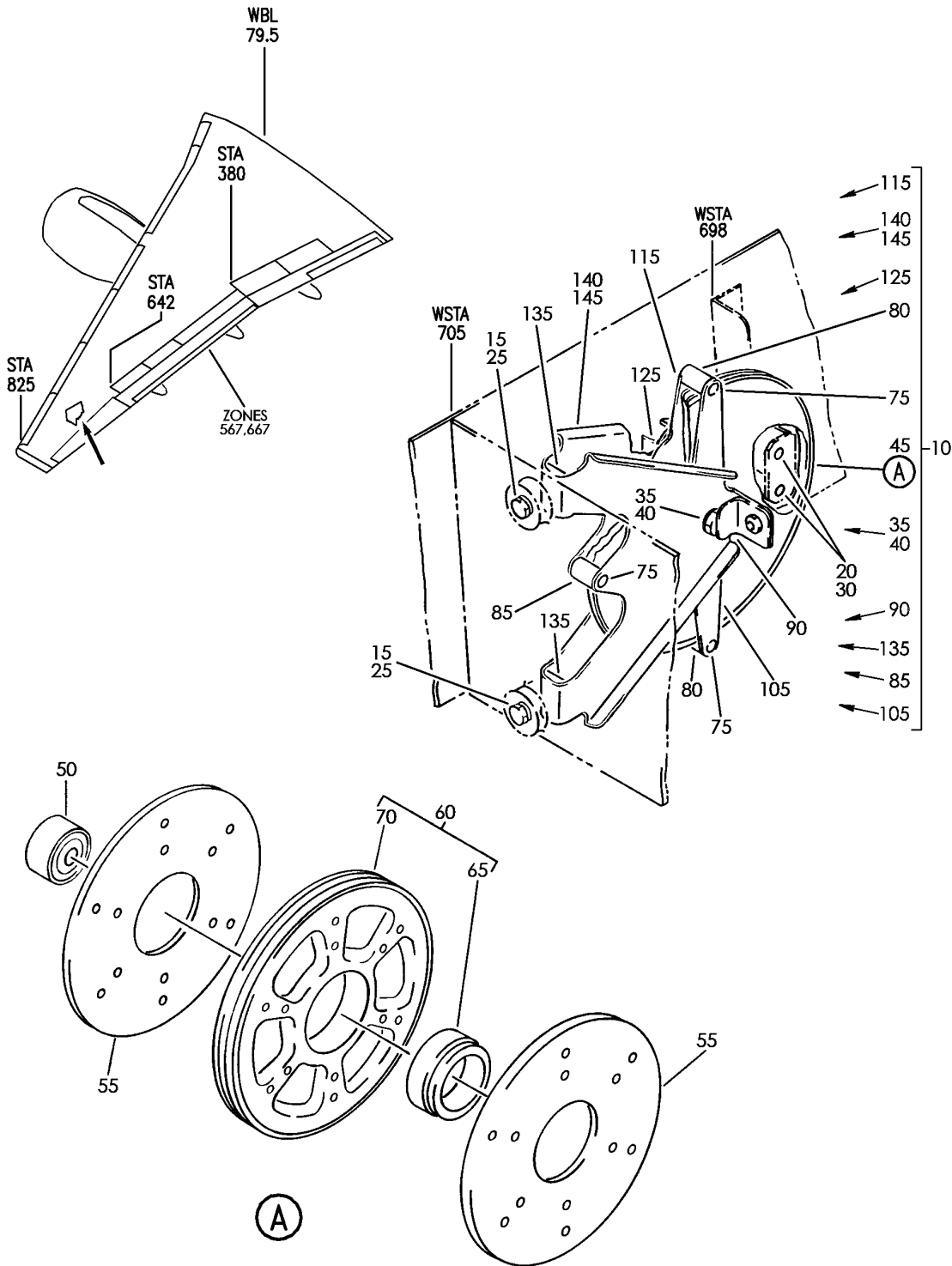
BRI

27-11-22-10

BOEING PROPRIETARY - Copyright © - Unpublished Work - See title page for details.

27-11-22  
FIG. 10  
PAGE 7  
JAN 20/09

**BOEING**  
757  
PARTS CATALOG (MAINTENANCE)



Y 27112211 REV 234

BRACKET INSTL-AIL. TURNAROUND PULLEY  
FIGURE 11

**27-11-22-11**

BRI  
MAY 28/07

27-11-22-11  
PAGE 0



757

PARTS CATALOG (MAINTENANCE)

FIG ITEM	PART NUMBER	1 2 3 4 5 6 7	NOMENCLATURE	EFFECT FROM TO	UNITS PER ASSY
11			BRACKET INSTL-AIL. TURNAROUND PULLEY	002004 006999	
- 1	251N6051-1		BRACKET INSTL-AIL. TURNAROUND PULLEY POSITION DATA: LH FOR NHA SEE: 27-00-00-02	002004 006100 107107 121503 904999	RF
- 1	251N6051-5		BRACKET INSTL-AIL. TURNAROUND PULLEY POSITION DATA: LH FOR NHA SEE: 27-00-00-01	101102 108120 504903	RF
- 1	MODREF8480		BRACKET INSTL-AIL. TURNAROUND PULLEY MODULE NUMBER: 251N6051-5 REV A POSITION DATA: LH	103103	1
- 1	MODREF27589		BRACKET INSTL-AIL. TURNAROUND PULLEY MODULE NUMBER: 251N6051-5 REV B POSITION DATA: LH	104106	1
- 5	251N6051-2		BRACKET INSTL-AIL. TURNAROUND PULLEY POSITION DATA: RH FOR NHA SEE: 27-00-00-02	002004 006100 107107 121503 904999	RF
- 5	251N6051-6		BRACKET INSTL-AIL. TURNAROUND PULLEY POSITION DATA: RH FOR NHA SEE: 27-00-00-01	101102 108120 504903	RF
- 5	MODREF8481		BRACKET INSTL-AIL. TURNAROUND PULLEY MODULE NUMBER: 251N6051-6 REV A POSITION DATA: RH	103103	1

MISSING ITEM NUMBERS NOT APPLICABLE

- ITEM NOT ILLUSTRATED

27-11-22-11

27-11-22  
FIG. 11  
PAGE 1  
JAN 20/09

BRI

**BOEING**  
757  
PARTS CATALOG (MAINTENANCE)

FIG ITEM	PART NUMBER	1 2 3 4 5 6 7	NOMENCLATURE	EFFECT FROM TO	UNITS PER ASSY
11					
- 5	MODREF27590		BRACKET INSTL-AIL. TURNAROUND PULLEY MODULE NUMBER: 251N6051-6 REV B POSITION DATA: RH	104106	1
10	251N6283-14		.BRACKET ASSY-	107107	1
10	251N6283-15		.BRACKET ASSY-	002004	1
				006017	
				107107	
				121503	
				904999	
10	251N6283-19		.BRACKET ASSY	018106	1
				108120	
				504903	
			ATTACHING PARTS		
15	BACB30NM4K20		.BOLT	002004	2
				006999	
20	NAS623-3-2		.SCREW-	002004	2
			USED WITH:	006100	
			251N6283-15	121503	
			251N6283-19	904999	
25	AN960PD416		.WASHER	002004	2
				006100	
				107107	
				121503	
				904999	
25	NAS1149D0463J		.WASHER	101106	2
				108120	
				504903	
30	AN960JD10L		.WASHER-	107107	2
			USED WITH:		
			251N6283-15		
			251N6283-19		
30	NAS1149D0332J		.WASHER	002004	2
				006100	
				121503	
				904999	
			-----*		
35	BACB30NF5-13		..BOLT	002004	1
				006017	
				107107	
				121503	
				904999	
35	BACB30NF5-15		..BOLT	018106	1
				108120	
				504903	
40	AN960PD516		..WASHER	002004	1
				006999	

MISSING ITEM NUMBERS NOT APPLICABLE

- ITEM NOT ILLUSTRATED

BRI

**27-11-22-11**

BOEING PROPRIETARY - Copyright © - Unpublished Work - See title page for details.

27-11-22  
FIG. 11  
PAGE 2  
JAN 20/09





757

PARTS CATALOG (MAINTENANCE)

FIG ITEM	PART NUMBER	1 2 3 4 5 6 7	NOMENCLATURE	EFFECT FROM TO	UNITS PER ASSY
11					
45	65B80979-2	..	PULLEY ASSY-6 IN. DIA 1/8 IN. CABLE	002004 006999	1
50	B5451H	...	BEARING SUPPLIER CODE: V38443 SPECIFICATION NUMBER: BACB10A331H OPTIONAL PART: B5451H V21335 PD5KT V21760 PD5K3 V38443 PD5KE6531 V21335	002004 006999	1
55	69B81718-1	...	SHIELD	002004 006999	2
60	65B81441-3	...	SHEAVE ASSY	002004 006999	1
65	69B81362-3	....	INSERT	002004 006999	1
70	65B81441-4	....	SHEAVE	002004 006999	1
75	BACR15FT4D	..	RIVET- SIZE DETERMINED ON INSTL.	002004 006999	3
80	NAS42DD4-40	..	SPACER	002004 006999	2
85	NAS42DD4-45	..	SPACER	002004 006017 107107 121503 904999	1
85	NAS42DD4-45FC	..	SPACER	018106 108120 504903 002004 006999	1
90	251N6283-6	..	CLIP	002004 006999	1
- 95	BACS12CK3-8	..	ATTACHING PARTS SCREW	002004 006999	1
- 100	AN960PD10L	..	WASHER	002004 006999	1
105	251N6283-9	..	-----*----- SUPPORT	002004 006999	1

MISSING ITEM NUMBERS NOT APPLICABLE

- ITEM NOT ILLUSTRATED

27-11-22-11

27-11-22  
FIG. 11  
PAGE 3  
JAN 20/09

BRI

BOEING PROPRIETARY - Copyright © - Unpublished Work - See title page for details.



757

PARTS CATALOG (MAINTENANCE)

FIG ITEM	PART NUMBER	1 2 3 4 5 6 7	NOMENCLATURE	EFFECT FROM TO	UNITS PER ASSY
11			ATTACHING PARTS		
- 110	BACR15CE5AD		..RIVET- SIZE DETERMINED ON INSTL. -----*-----	002004 006999	2
115	251N6283-5		..SUPPORT	002004 006999	1
- 120	BACR15BA3D		ATTACHING PARTS ..RIVET- SIZE DETERMINED ON INSTL. -----*-----	002004 006999	4
125	251N6283-7		..CHANNEL	002004 006999	1
- 130	BACR15CE5AD		ATTACHING PARTS ..RIVET- SIZE DETERMINED ON INSTL. -----*-----	002004 006999	10
135	251N6283-12		..FILLER	002004 006999	2
140	251N6283-11		..BRACKET-	107107	1
145	251N6283-16		..BRACKET- USED ON: 251N6283-15 251N6283-19	002004 006999	1

MISSING ITEM NUMBERS NOT APPLICABLE

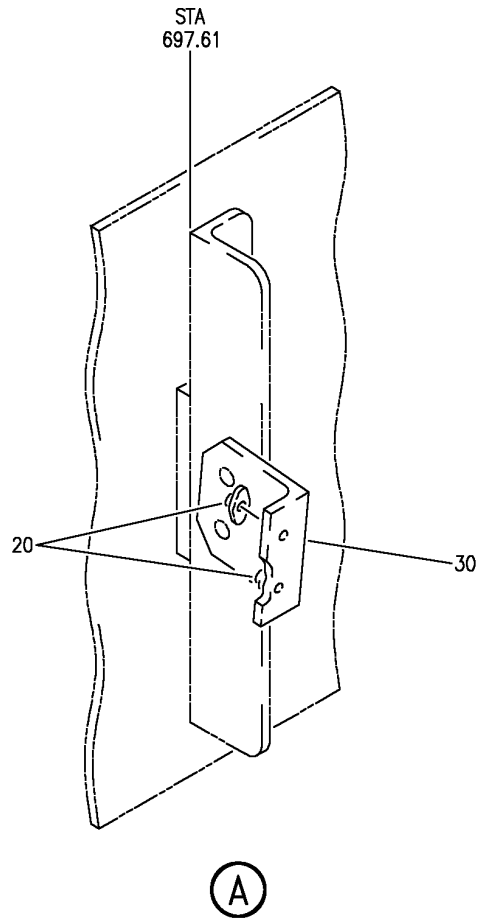
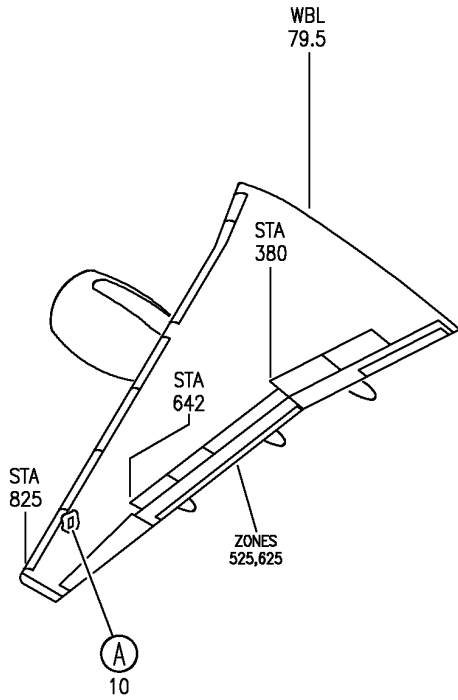
- ITEM NOT ILLUSTRATED

27-11-22-11

27-11-22  
FIG. 11  
PAGE 4  
JAN 20/09

BRI

**BOEING**  
757  
PARTS CATALOG (MAINTENANCE)



Y 27112212 REV 261

BRACKET INSTL-SPRT  
FIGURE 12

**27-11-22-12**

BRI  
JAN 20/09

27-11-22-12  
PAGE 0



757

PARTS CATALOG (MAINTENANCE)

FIG ITEM	PART NUMBER	1 2 3 4 5 6 7	NOMENCLATURE	EFFECT FROM TO	UNITS PER ASSY
12					
- 1	MODREF8482		BRACKET INSTL-SPRT BRACKET INSTL-SPRT MODULE NUMBER: 251N6051-7 REV A	103106 103103	1
- 1	MODREF27591		BRACKET INSTL-SPRT MODULE NUMBER: 251N6051-7 REV B	104106	1
- 5	MODREF8483		BRACKET INSTL-SPRT MODULE NUMBER: 251N6051-8 REV A	103103	1
- 5	MODREF27592		BRACKET INSTL-SPRT MODULE NUMBER: 251N6051-8 REV B	104106	1
10	251N5000-1		.BRACKET ASSY-SPRT ATTACHING PARTS	103106	1
- 15	HL1012AZ6-4		.BOLT SUPPLIER CODE: V97928 SPECIFICATION NUMBER: BACB30NX6K4 OPTIONAL PART: HL12VAZ6-4 V73197 HL12VAZ6-4 V92215 HL12VAZ6-4 V97928 L802-6K4 V06725 HL12VAZ6-4 V56878 HL1012AZ6-4 VOPTK6 HL1012AZ6-4 V06725 HL1012AZ6-4 V06950 HL1012AZ6-4 V17446 HL1012AZ6-4 V56878 HL1012AZ6-4 V60516 HL1012AZ6-4 V73197 -----*-----	103106	2

MISSING ITEM NUMBERS NOT APPLICABLE

- ITEM NOT ILLUSTRATED

BRI

27-11-22-12

27-11-22  
FIG. 12  
PAGE 1  
JAN 20/09



757

PARTS CATALOG (MAINTENANCE)

FIG ITEM	PART NUMBER	1 2 3 4 5 6 7	NOMENCLATURE	EFFECT FROM TO	UNITS PER ASSY
12 20	MF53049-3		..NUTPLATE SUPPLIER CODE: V15653 SPECIFICATION NUMBER: BACN10JN3 OPTIONAL PART: BRFM20A3 V52828 MF1000-3BAC V15653 NS103218-02 V80539 RMF9201M3 V72962 VN252A02 V92215 T8124S3S V11815 ATTACHING PARTS	103106	2
- 25	BACR15BB3AD5		..RIVET- SIZE DETERMINED ON INSTL. -----*-----	103106	4
30	251N5000-2		..BRACKET	103106	1

MISSING ITEM NUMBERS NOT APPLICABLE

- ITEM NOT ILLUSTRATED

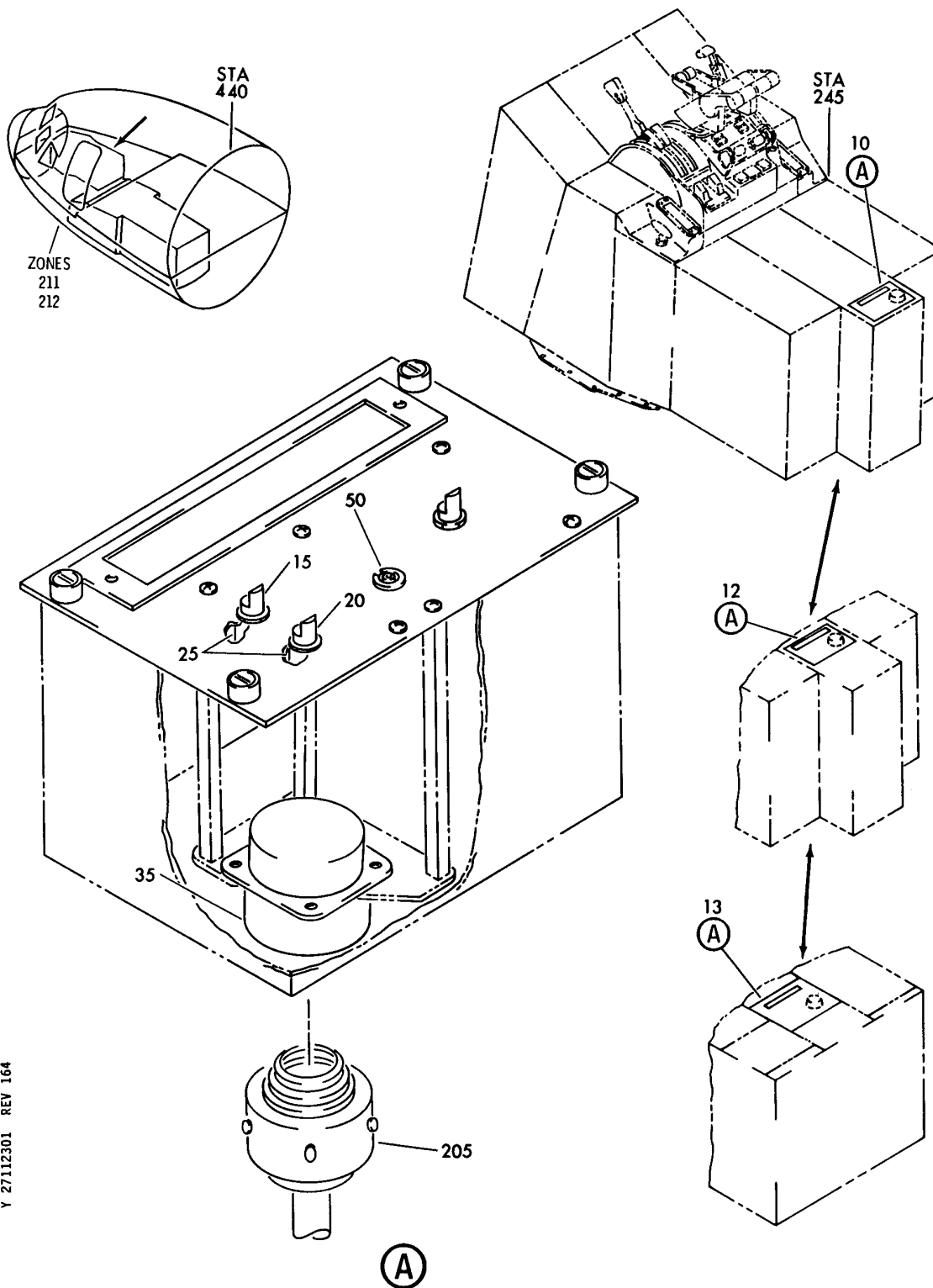
BRI

27-11-22-12

BOEING PROPRIETARY - Copyright © - Unpublished Work - See title page for details.

27-11-22  
 FIG. 12  
 PAGE 2  
 JAN 20/09

**BOEING**  
757  
PARTS CATALOG (MAINTENANCE)



Y 27112301 REV 164

PANEL INSTL-P8 ELECTRONIC (AILERON AND AILERON TRIM CONTROL SYSTEM ONLY)  
FIGURE 1

**27-11-23-01**

BRI  
MAY 28/07

27-11-23-01  
PAGE 0



757

PARTS CATALOG (MAINTENANCE)

FIG ITEM	PART NUMBER	1 2 3 4 5 6 7	NOMENCLATURE	EFFECT FROM TO	UNITS PER ASSY
1			PANEL INSTL-P8 ELECTRONIC (AILERON AND AILERON TRIM CONTROL SYSTEM ONLY)	002004 006010 107107 121503 904999	
- 1	233N6101-1		PANEL INSTL-P8 ELECTRONIC (AILERON AND AILERON TRIM CONTROL SYSTEM ONLY) VARIABLE DRAWING REF: 233N6101-5004 233N6101-5028 233N6101-5041 233N6101-5042 233N6101-5046 FOR NHA/OTHER SYS DET SEE: 25-10-00-05A	002004 006010 107107 121503 904999	RF
15	1TL163-7		..SWITCH- SUPPLIER CODE: V91929	002004 006010 107107 121503 904999	1
20	2TL163-70		..SWITCH- SUPPLIER CODE: V91929	002004 006010 107107 121503 904999	1
25	15PA87		..SEAL-PNL SUPPLIER CODE: V91929	002004 006010 107107 121503 904999	2
35	BACC45FN18-14P		..CONNECTOR	002004 006010 107107 121503 904999	1
- 40	NAS1801-4-5		ATTACHING PARTS ..SCREW	002004 006010 107107 121503 904999	3

MISSING ITEM NUMBERS NOT APPLICABLE

- ITEM NOT ILLUSTRATED

27-11-23-01

27-11-23  
FIG. 01  
PAGE 1  
JAN 20/09

BRI

BOEING PROPRIETARY - Copyright © - Unpublished Work - See title page for details.



757

PARTS CATALOG (MAINTENANCE)

FIG ITEM	PART NUMBER	1 2 3 4 5 6 7	NOMENCLATURE	EFFECT FROM TO	UNITS PER ASSY
1					
- 45	K19798-04		..NUT SUPPLIER CODE: V15653 SPECIFICATION NUMBER: BACN10NW1 OPTIONAL PART: RMA4812-160-40 V72962 293162 V60119	002004 006010 107107 121503 904999	3
50	800000121-1		-----*----- ..CONNECTOR- SUPPLIER CODE: V05617	002004 006010 107107 121503 904999	1
- 200	286N2066-006		WIRE BUNDLE ASSY-(AILERON AND AILERON TRIM CONTROL SYSTEM ONLY)	121503 904949	RF
- 200	286N2066-007		WIRE BUNDLE ASSY-(AILERON AND AILERON TRIM CONTROL SYSTEM ONLY)	107107	RF
- 200	286N2066-008		WIRE BUNDLE ASSY-(AILERON AND AILERON TRIM CONTROL SYSTEM ONLY)	002004 006010 950999	RF
205	BACC45FT18A14S		.CONNECTOR- ELECTRICAL EQUIP NUMBER: D01744 WIRING DIAGRAM REF: 271111	002004 006010 107107 121503 904999	1

MISSING ITEM NUMBERS NOT APPLICABLE

- ITEM NOT ILLUSTRATED

BRI

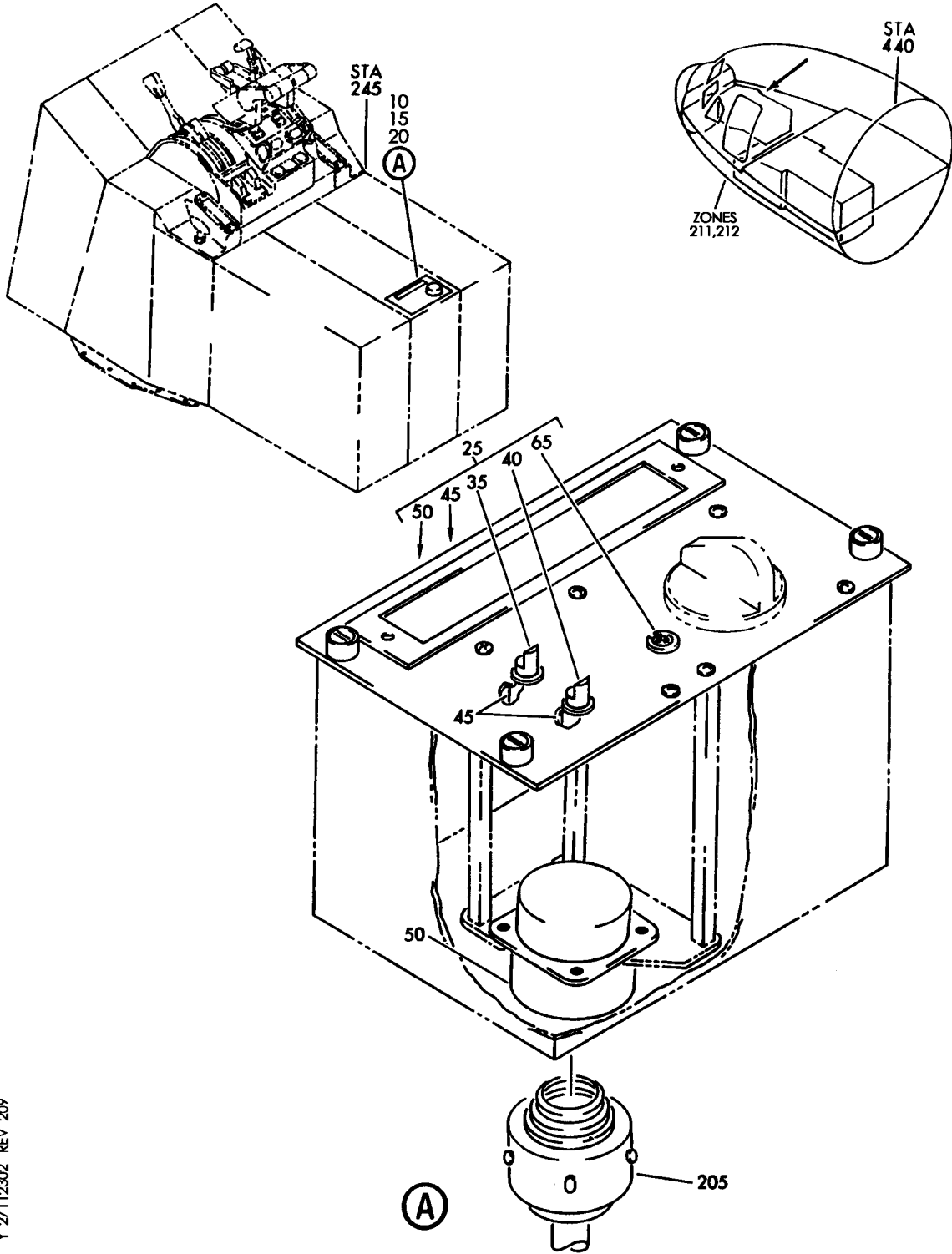
27-11-23-01

BOEING PROPRIETARY - Copyright © - Unpublished Work - See title page for details.

27-11-23  
FIG. 01  
PAGE 2  
JAN 20/09



**BOEING**  
757  
PARTS CATALOG (MAINTENANCE)



Y 27112302 REV 209

PANEL INSTL-P8, P9, P10 ELECTRONIC (AILERON AND AILERON TRIM CONTROL SYSTEM ONLY)  
FIGURE 2

**27-11-23-02**

BRI  
MAY 28/07

27-11-23-02  
PAGE 0



757

PARTS CATALOG (MAINTENANCE)

FIG ITEM	PART NUMBER	1 2 3 4 5 6 7	NOMENCLATURE	EFFECT FROM TO	UNITS PER ASSY
2			PANEL INSTL-P8, P9, P10 ELECTRONIC (AILERON AND AILERON TRIM CONTROL SYSTEM ONLY)	011100 107107	
- 1	233N6101-1		PANEL INSTL-P8 ELECTRONIC (AILERON AND AILERON TRIM CONTROL SYSTEM ONLY) VARIABLE DRAWING REF: 233N6101-5042 FOR NHA/OTHER SYS DET SEE: 25-10-00-05A	011100	RF
10	233T6201-301		.PANEL ASSY-AIL. RUD TRIM CONT SUPPLIER CODE: V89954 COMPONENT MAINT MANUAL REF: 27-21-63 PRE SERVICE BULLETIN: 27-0120	011017	RF
10	233T6201-324		.PANEL ASSY-AIL. RUD TRIM CONT SUPPLIER CODE: V89954 FUNCTIONAL DESCRIPTION: CONTROLS AILERON RUDDER TRIM AND DISPLAYS TRIM ANGLE. MISCELLANEOUS DATA: (THE 233T6201-324 PANEL ASSY IS I/W THE 233T6201-21 PANEL ASSY T/W THE S233T100-528 LIGHTPLATE AND SA808-101 KNOB) COMPONENT MAINT MANUAL REF: 27-21-63 QUALIFIED I/W DATA: THE 233T6201-324 PANEL ASSY IS I/W THE 233T6201-21 PANEL ASSY T/W THE S233T100-528 LIGHTPLATE AND SA808-101 KNOB POST SERVICE BULLETIN: 27-0120	011100	RF

R  
R  
R  
R  
R  
R  
R  
R  
R  
R  
R  
R  
R  
R  
R  
R  
R  
R  
R  
R  
R  
R

MISSING ITEM NUMBERS NOT APPLICABLE

- ITEM NOT ILLUSTRATED

27-11-23-02

27-11-23  
FIG. 02  
PAGE 1  
MAY 20/09

BRI



757

PARTS CATALOG (MAINTENANCE)

FIG ITEM	PART NUMBER	1 2 3 4 5 6 7	NOMENCLATURE	EFFECT FROM TO	UNITS PER ASSY
2					
25	233T6201-21	..	PANEL ASSY- SUPPLIER CODE: V89954 MISCELLANEOUS DATA: (233T6201-19 I/W 233T6201-21 EXCEPT FOR ETOPS WHERE 233T6201-21 MUST BE INSTALLED) (THE 233T6201-324 PANEL ASSY IS I/W THE 233T6201-21 PANEL ASSY T/W THE S233T100-528 LIGHTPLATE AND SA808-101 KNOB) ELECTRICAL EQUIP NUMBER: M00074 COMPONENT MAINT MANUAL REF: 27-21-63 QUALIFIED I/W DATA: THE 233T6201-324 PANEL ASSY IS I/W THE 233T6201-21 PANEL ASSY T/W THE S233T100-528 LIGHTPLATE AND SA808-101 KNOB	011100	1
25	233T6201-22	..	PANEL ASSY- SUPPLIER CODE: V89954 ELECTRICAL EQUIP NUMBER: M00074	011100	1
35	1TL163-7	...	SWITCH- SUPPLIER CODE: V91929	011100	1
40	2TL163-70	...	SWITCH- SUPPLIER CODE: V91929	011100	1
45	15PA87	...	SEAL-PNL SUPPLIER CODE: V91929	011100	2
50	BACC45FN18-14P	...	CONNECTOR ATTACHING PARTS	011100	1
- 55	NAS1801-4-5	...	SCREW	011100	3

MISSING ITEM NUMBERS NOT APPLICABLE

- ITEM NOT ILLUSTRATED

27-11-23-02

27-11-23  
FIG. 02  
PAGE 2  
JAN 20/09

BRI



757

PARTS CATALOG (MAINTENANCE)

FIG ITEM	PART NUMBER	1 2 3 4 5 6 7	NOMENCLATURE	EFFECT FROM TO	UNITS PER ASSY
2 - 60	K19798-04		...NUT SUPPLIER CODE: V15653 SPECIFICATION NUMBER: BACN10NW1 OPTIONAL PART: RMA4812-160-40 V72962 293162 V60119 -----*-----	011100	3
65	800000121-1		...CONNECTOR- SUPPLIER CODE: V05617	011100	1
- 200	286N2066-007		WIRE BUNDLE ASSY-(AILERON AND AILERON TRIM CONTROL SYSTEM ONLY)	107107	RF
- 200	286N2066-008		WIRE BUNDLE ASSY-(AILERON AND AILERON TRIM CONTROL SYSTEM ONLY)	011100	RF
205	BACC45FT18A14S		.CONNECTOR- ELECTRICAL EQUIP NUMBER: D01744 WIRING DIAGRAM REF: 271111	011100	1

MISSING ITEM NUMBERS NOT APPLICABLE

- ITEM NOT ILLUSTRATED

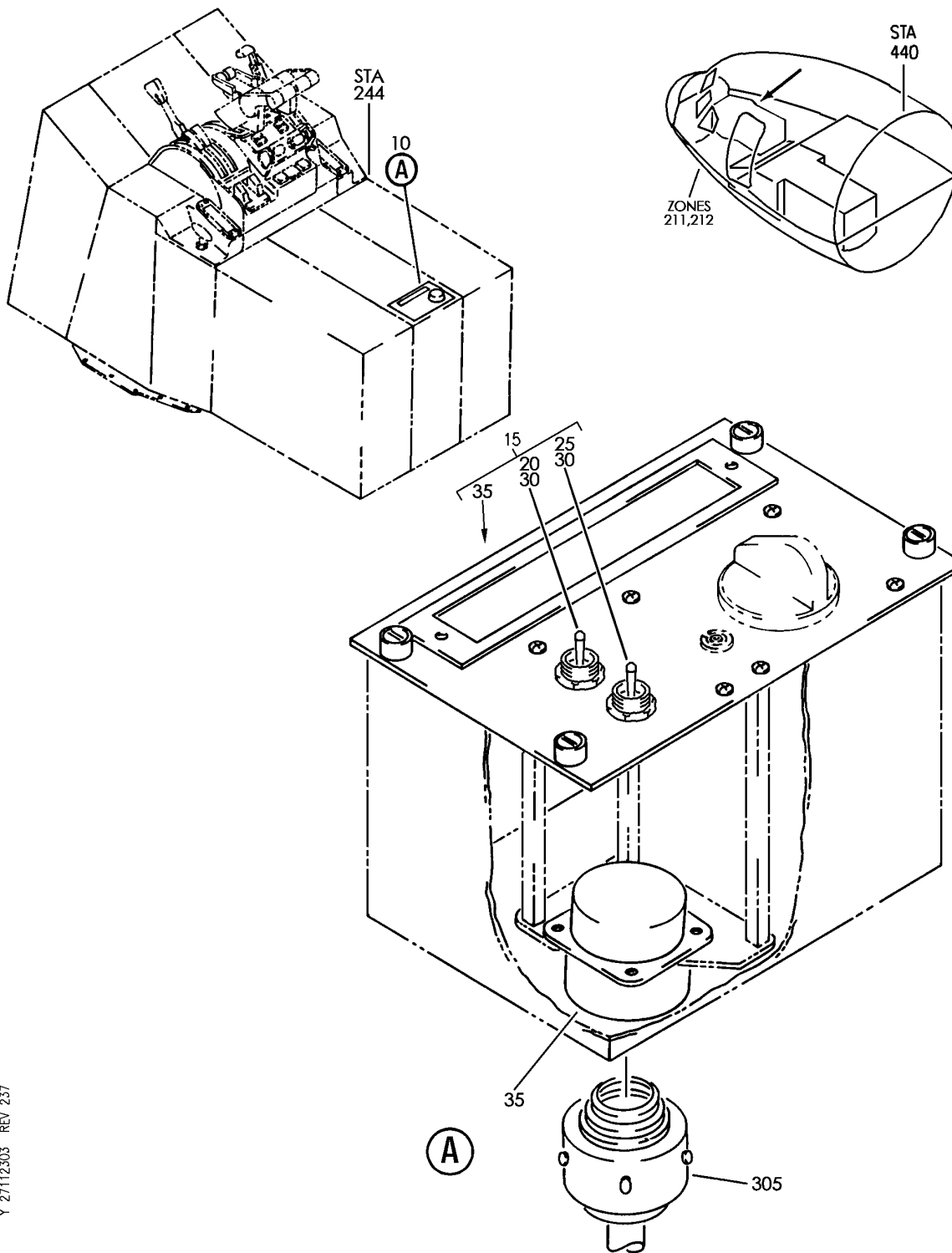
BRI

27-11-23-02

BOEING PROPRIETARY - Copyright © - Unpublished Work - See title page for details.

27-11-23  
FIG. 02  
PAGE 3  
JAN 20/09

**BOEING**  
757  
PARTS CATALOG (MAINTENANCE)



Y 27112303 REV 237

PANEL INSTL-P8, P9, P10 ELECTRONICS (AILERON AND AILERON TRIM CONTROL SYSTEM ONLY)  
FIGURE 3

BRI  
MAY 28/07

**27-11-23-03**

27-11-23-03  
PAGE 0



757

PARTS CATALOG (MAINTENANCE)

FIG ITEM	PART NUMBER	1 2 3 4 5 6 7	NOMENCLATURE	EFFECT FROM TO	UNITS PER ASSY
3			PANEL INSTL-P8, P9, P10 ELECTRONICS (AILERON AND AILERON TRIM CONTROL SYSTEM ONLY)	101106 108120 504903	
- 2	233N6103-28		PANEL INSTL-P8, P9, P10 ELECTRONICS (AILERON AND AILERON TRIM CONTROL SYSTEM ONLY) FOR NHA/OTHER SYS DET SEE: 25-10-00-15B	101101	RF
- 2	233N6103-102		PANEL INSTL-P8, P9, P10 ELECTRONICS (AILERON AND AILERON TRIM CONTROL SYSTEM ONLY)	108120	RF
- 2	233N6103-62		PANEL INSTL-P8, P9, P10 ELECTRONICS (AILERON AND AILERON TRIM CONTROL SYSTEM ONLY) FOR NHA/OTHER SYS DET SEE: 25-10-00-15B	108120	RF
- 3	233N6103-122		PANEL INSTL-P8, P9, P10 ELECTRONICS (AILERON AND AILERON TRIM CONTROL SYSTEM ONLY) FOR NHA/OTHER SYS DET SEE: 25-10-00-15B	504903	RF
- 3	233N6103-128		PANEL INSTL-P8, P9, P10 ELECTRONICS (AILERON AND AILERON TRIM CONTROL SYSTEM ONLY) FOR NHA/OTHER SYS DET SEE: 25-10-00-15B	102102	RF

MISSING ITEM NUMBERS NOT APPLICABLE

- ITEM NOT ILLUSTRATED

BRI

27-11-23-03

27-11-23  
FIG. 03  
PAGE 1  
JAN 20/09

 **BOEING**  
757  
PARTS CATALOG (MAINTENANCE)

FIG ITEM	PART NUMBER	1 2 3 4 5 6 7 NOMENCLATURE	EFFECT FROM TO	UNITS PER ASSY
3				
- 8	MODREF33990	PANEL INSTL-P8, P9, P10 ELECTRONICS (AILERON AND AILERON TRIM CONTROL SYSTEM ONLY) MODULE NUMBER: 233N6103-253 REV B FOR OTHER SYS DETAILS SEE: 11-31-05-66F 23-12-02-03 23-51-01-05 26-11-02-01 26-11-54-02A 26-12-51-03 26-17-51-06 26-21-01-02 26-22-03-03 26-23-52-04A 27-21-23-03 27-28-02-01A 31-11-31-02 31-11-36-78 31-11-41-02 31-41-03-02 33-13-01-07 34-22-02-03 34-31-02-02 34-43-02-02 34-53-02-02 34-57-02-03 34-61-02-03	103106	1
R R R R R R R R R R R R R R R R R R	10 233T6201-324	.PANEL ASSY-AIL./RUD TRIM CONT SUPPLIER CODE: V89954 FUNCTIONAL DESCRIPTION: CONTROLS AILERON RUDDER TRIM AND DISPLAYS TRIM ANGLE. ELECTRICAL EQUIP NUMBER: M00074 COMPONENT MAINT MANUAL REF: 27-21-63 QUALIFIED I/W DATA: THE 233T6201-324 PANEL ASSY IS I/W THE 233T6201-21 PANEL ASSY T/W THE S233T100-528 LIGHTPLATE AND SA808-101 KNOB	101106 108120 504903	RF

MISSING ITEM NUMBERS NOT APPLICABLE

- ITEM NOT ILLUSTRATED

BRI

# 27-11-23-03

27-11-23  
FIG. 03  
PAGE 2  
MAY 20/09



757

PARTS CATALOG (MAINTENANCE)

FIG ITEM	PART NUMBER	1 2 3 4 5 6 7	NOMENCLATURE	EFFECT FROM TO	UNITS PER ASSY
3					
15	233T6201-21	..	PANEL ASSY- SUPPLIER CODE: V89954 COMPONENT MAINT MANUAL REF: 27-21-63 QUALIFIED I/W DATA: THE 233T6201-324 PANEL ASSY IS I/W THE 233T6201-21 PANEL ASSY T/W THE S233T100-528 LIGHTPLATE AND SA808-101 KNOB	101106 108120 504903	1
20	1TL163-7	...	SWITCH- SUPPLIER CODE: V91929	101106 108120 504903	1
25	2TL163-70	...	SWITCH- SUPPLIER CODE: V91929	101106 108120 504903	1
30	15PA87	...	SEAL-PNL SUPPLIER CODE: V91929	101106 108120 504903	2
35	BACC45FN18-14P	...	CONNECTOR	101106 108120 504903	1
			ATTACHING PARTS		
- 40	NAS1801-4-5	...	SCREW	101106 108120 504903	3
- 45	K19798-04	...	NUT SUPPLIER CODE: V15653 SPECIFICATION NUMBER: BACN10NW1 OPTIONAL PART: RMA4812-160-40 V72962 293162 V60119	101106 108120 504903	3
			-----*-----		
- 301	286N2066-346		WIRE BUNDLE ASSY	108120	RF
- 301	286N2066-334		WIRE BUNDLE ASSY	101102	RF
- 303	286N2066-010		WIRE BUNDLE ASSY	504903	RF
- 303	286N2066-602		WIRE BUNDLE ASSY	103106	RF
305	BACC45FT18A14S	.	CONNECTOR- ELECTRICAL EQUIP NUMBER: D01744 WIRING DIAGRAM REF: 271111	101106 108120 504903	1

MISSING ITEM NUMBERS NOT APPLICABLE

- ITEM NOT ILLUSTRATED

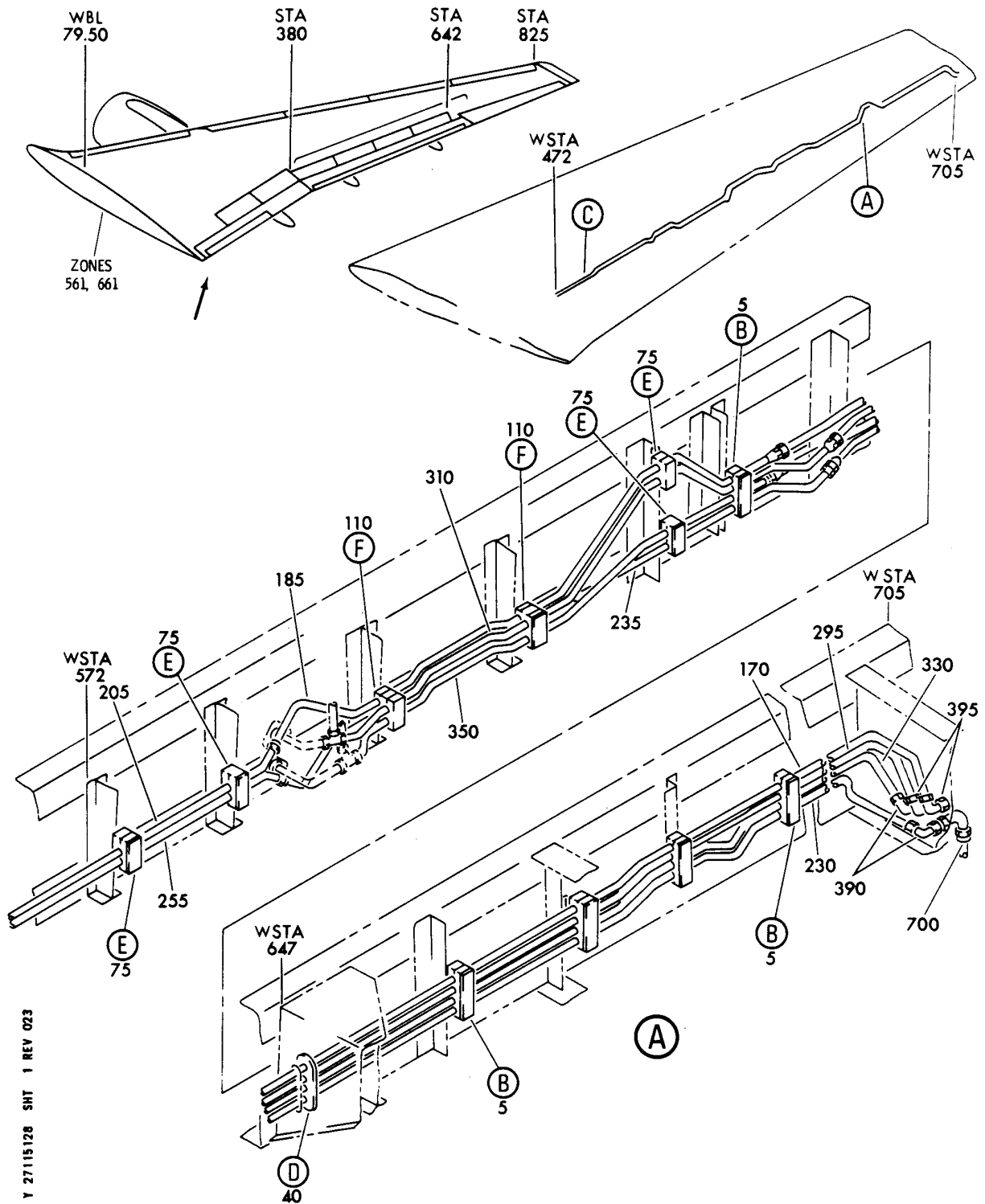
27-11-23-03

27-11-23  
FIG. 03  
PAGE 3  
JAN 20/09

BRI



**BOEING**  
757  
PARTS CATALOG (MAINTENANCE)



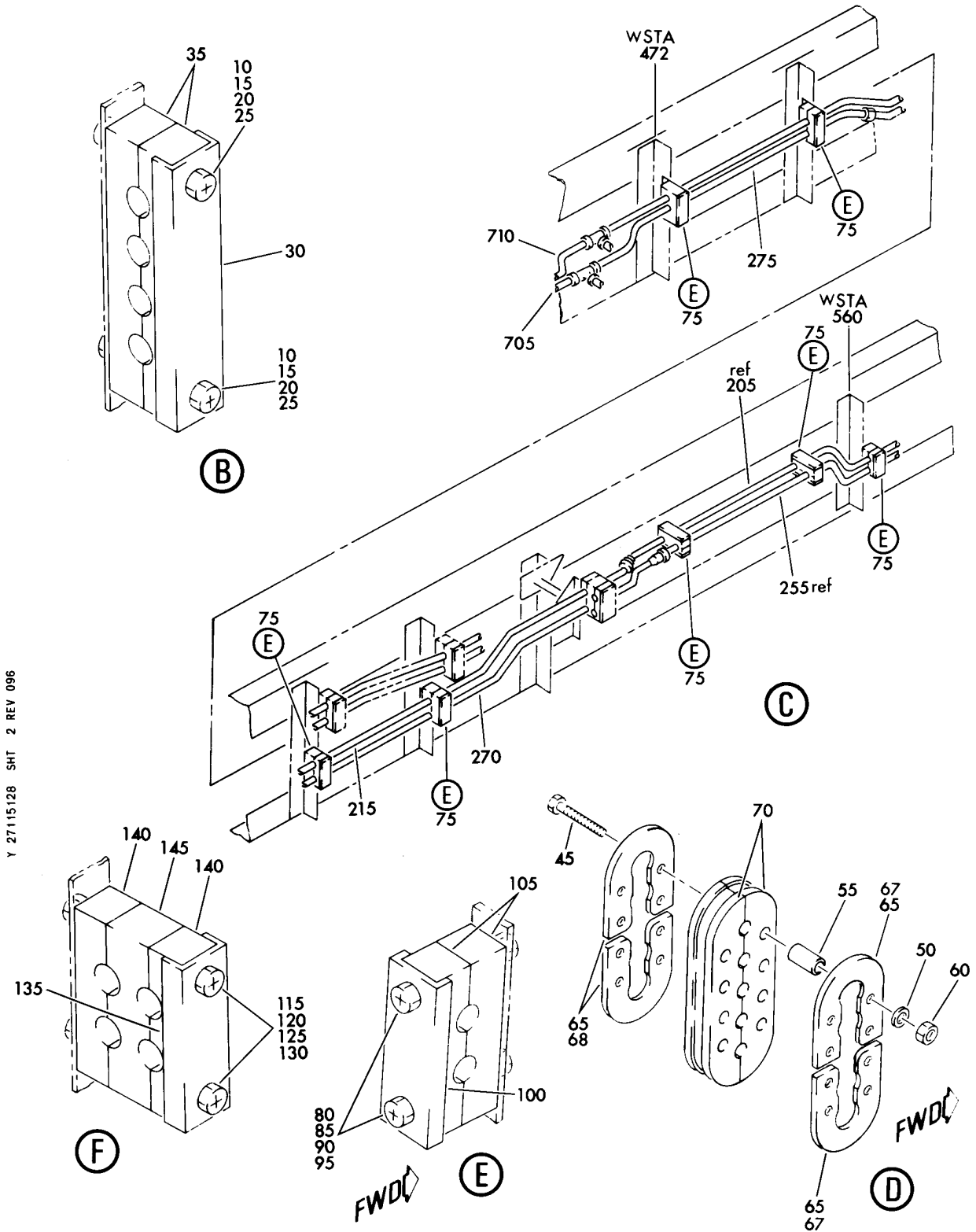
PLUMBING INSTL-SECT. 12 HYDR R WING OUTBD (AILERON AND AILERON TRIM CONTROL SYSTEM ONLY)  
FIGURE 28 (SHEET 1)

BRI  
MAY 28/07

**27-11-51-28**

27-11-51-28  
PAGE 0

**BOEING**  
757  
PARTS CATALOG (MAINTENANCE)



PLUMBING INSTL-SECT. 12 HYDR R WING OUTBD (AILERON AND AILERON TRIM CONTROL SYSTEM ONLY)  
FIGURE 28 (SHEET 2)

BRI  
MAY 28/07

**27-11-51-28**

27-11-51-28  
PAGE 0A



757

PARTS CATALOG (MAINTENANCE)

FIG ITEM	PART NUMBER	1 2 3 4 5 6 7	NOMENCLATURE	EFFECT FROM TO	UNITS PER ASSY
28			PLUMBING INSTL-SECT. 12 HYDR R WING OUTBD (AILERON AND AILERON TRIM CONTROL SYSTEM ONLY)	002004 006100 107107 121503 904999	
- 1	271N6124-1		PLUMBING INSTL-HYDR WING (AILERON AND AILERON TRIM CONTROL SYSTEM ONLY) POSITION DATA: SECT 12 R OUTBD FOR NHA/OTHER SYS DET SEE: 29-00-51-01	002004 006100 107107 121503 904999	RF
5	270N2000-1		.CLAMP ASSY-BLK	002004 006100 107107 121503 904999	5
10	NAS1801-3-24		.. SCREW-	002004 006100 107107 121503 904999	2
15	AN960PD10L		.. WASHER	002004 006100 107107 121503 904999	2
20	NAS43DD3-59		.. SPACER	002004 006100 107107 121503 904999	2

MISSING ITEM NUMBERS NOT APPLICABLE

- ITEM NOT ILLUSTRATED

BRI

27-11-51-28

27-11-51  
FIG. 28  
PAGE 1  
JAN 20/09



757

PARTS CATALOG (MAINTENANCE)

FIG ITEM	PART NUMBER	1 2 3 4 5 6 7	NOMENCLATURE	EFFECT FROM TO	UNITS PER ASSY
28					
25	BRH10A3	..	NUT SUPPLIER CODE: V52828 SPECIFICATION NUMBER: BACN10JC3 OPTIONAL PART: H10-3BAC V15653 NS202101-02 V80539 RMLH9075-3W V72962 VN303A02 V92215 96-02 V80539 T6S1032J V11815	002004 006100 107107 121503 904999	2
30	270N2000-800	..	CHANNEL- OPTIONAL PART: 270N2000-894	002004 006100 107107 121503 904999	1
30	270N2000-894	..	CHANNEL- OPTIONAL PART: 270N2000-800	002004 006100 107107 121503 904999	1
35	270N2000-400	..	BLOCK	002004 006100 107107 121503 904999	2
40	270N2000-14	.	CLAMP ASSY-BLK OPTIONAL PART: 270N2000-264	002004 006100 107107 121503 904999	1
40	270N2000-264	.	CLAMP ASSY-BLK OPTIONAL PART: 270N2000-14	002004 006100 107107 121503 904999	1
45	NAS1801-3-18	..	SCREW	002004 006100 107107 121503 904999	8

MISSING ITEM NUMBERS NOT APPLICABLE

- ITEM NOT ILLUSTRATED

27-11-51-28

27-11-51  
FIG. 28  
PAGE 2  
JAN 20/09

BRI

BOEING PROPRIETARY - Copyright © - Unpublished Work - See title page for details.



757

PARTS CATALOG (MAINTENANCE)

FIG ITEM	PART NUMBER	1 2 3 4 5 6 7	NOMENCLATURE	EFFECT FROM TO	UNITS PER ASSY
28					
50	AN960PD10L	..	WASHER	002004 006100 107107 121503 904999	8
55	NAS43DD3-34	..	SPACER	002004 006100 107107 121503 904999	8
60	BRH10A3	..	NUT- SUPPLIER CODE: V52828 SPECIFICATION NUMBER: BACN10JC3 OPTIONAL PART: H10-3BAC V15653 NS202101-02 V80539 RMLH9075-3W V72962 VN303A02 V92215 96-02 V80539 T6S1032J V11815 USED ON: 270N2000-14	002004 006100 107107 121503 904999	8
65	270N2000-813	..	PLATE- USED ON: 270N2000-14	002004 006100 107107 121503 904999	4
67	270N2000-813	..	PLATE- USED ON: 270N2000-264	002004 006100 107107 121503 904999	2
68	270N2000-1031	..	PLATE- USED ON: 270N2000-264	002004 006100 107107 121503 904999	2

MISSING ITEM NUMBERS NOT APPLICABLE

- ITEM NOT ILLUSTRATED

27-11-51-28

27-11-51  
FIG. 28  
PAGE 3  
JAN 20/09

BRI

BOEING PROPRIETARY - Copyright © - Unpublished Work - See title page for details.



757

PARTS CATALOG (MAINTENANCE)

FIG ITEM	PART NUMBER	1 2 3 4 5 6 7	NOMENCLATURE	EFFECT FROM TO	UNITS PER ASSY
28					
70	270N2000-438	..	BLOCK	002004 006100 107107 121503 904999	2
75	270N2000-3	.CLAMP	ASSY-BLK	002004 006100 107107 121503 904999	11
80	NAS1801-3-24	..	SCREW-	002004 006100 107107 121503 904999	2
85	AN960PD10L	..	WASHER	002004 006100 107107 121503 904999	2
90	NAS43DD3-59	..	SPACER	002004 006100 107107 121503 904999	2
95	BRH10A3	..	NUT SUPPLIER CODE: V52828 SPECIFICATION NUMBER: BACN10JC3 OPTIONAL PART: H10-3BAC V15653 NS202101-02 V80539 RMLH9075-3W V72962 VN303A02 V92215 96-02 V80539 T6S1032J V11815	002004 006100 107107 121503 904999	2
100	270N2000-801	..	CHANNEL	002004 006100 107107 121503 904999	1

MISSING ITEM NUMBERS NOT APPLICABLE

- ITEM NOT ILLUSTRATED

BRI

27-11-51-28

27-11-51  
FIG. 28  
PAGE 4  
JAN 20/09



757

PARTS CATALOG (MAINTENANCE)

FIG ITEM	PART NUMBER	1 2 3 4 5 6 7	NOMENCLATURE	EFFECT FROM TO	UNITS PER ASSY
28 105	270N2000-401	. .	BLOCK	002004 006100 107107 121503 904999	2
110	270N2000-2	. .	CLAMP ASSY-BLK	002004 006100 107107 121503 904999	2
115	NAS1801-3-34	. .	SCREW-	002004 006100 107107 121503 904999	2
120	AN960PD10L	. .	WASHER	002004 006100 107107 121503 904999	2
125	NAS43DD3-100	. .	SPACER	002004 006100 107107 121503 904999	2
130	BRH10A3	. .	NUT SUPPLIER CODE: V52828 SPECIFICATION NUMBER: BACN10JC3 OPTIONAL PART: H10-3BAC V15653 NS202101-02 V80539 RMLH9075-3W V72962 VN303A02 V92215 96-02 V80539 T6S1032J V11815	002004 006100 107107 121503 904999	2
135	270N2000-801	. .	CHANNEL	002004 006100 107107 121503 904999	1

MISSING ITEM NUMBERS NOT APPLICABLE

- ITEM NOT ILLUSTRATED

BRI

27-11-51-28

27-11-51  
FIG. 28  
PAGE 5  
JAN 20/09



757

PARTS CATALOG (MAINTENANCE)

FIG ITEM	PART NUMBER	1 2 3 4 5 6 7	NOMENCLATURE	EFFECT FROM TO	UNITS PER ASSY
28					
140	270N2000-401	..	BLOCK	002004 006100 107107 121503 904999	2
145	270N2000-402	..	BLOCK	002004 006100 107107 121503 904999	1
170	271N6124-1056	.	TUBE ASSY-PRESSURE SYS POSITION DATA: L TUBING MATERIAL: .375 IN. OD .019 IN. WALL 69.9 IN. LG TI BMS 7-234 TI-3AL-2.5V COLD WORKED, STRESS RELIEVED TUBING	002004 006100 107107 121503 904999	1
- 175	AS1581T06	..	SLEEVE	002004 006100 107107 121503 904999	2
- 180	BACN10YA6	..	NUT	002004 006100 107107 121503 904999	2
185	271N6124-1118	.	TUBE ASSY-PRESSURE SYS POSITION DATA: L TUBING MATERIAL: .375 IN. OD .019 IN. WALL 54.50 IN. LG TI BMS 7-234 TI-3AL-2.5V COLD WORKED, STRESS RELIEVED TUBING	002004 107107 121503 904949 952952	1
185	271N6124-1123	.	TUBE ASSY-PRESSURE SYS POSITION DATA: L TUBING MATERIAL: .375 IN. OD .019 IN. WALL 54.3 IN. LG TI BMS 7-234 TI-3AL-2.5V COLD WORKED, STRESS RELIEVED TUBING	006100 950951 953999	1

MISSING ITEM NUMBERS NOT APPLICABLE

- ITEM NOT ILLUSTRATED

27-11-51-28

27-11-51  
FIG. 28  
PAGE 6  
JAN 20/09

BRI





757

PARTS CATALOG (MAINTENANCE)

FIG ITEM	PART NUMBER	1 2 3 4 5 6 7	NOMENCLATURE	EFFECT FROM TO	UNITS PER ASSY
28					
- 190	AS1581T06	..	SLEEVE	002004 006100 107107 121503 904999	1
- 195	BACN10YA6N	..	NUT-	002004 006100 107107 121503 904999	1
- 200	AS1582T06	..	UNION	002004 006100 107107 121503 904999	1
205	271N6124-1064	.	TUBE ASSY-PRESSURE SYS POSITION DATA: L TUBING MATERIAL: .375 IN. OD .019 IN. WALL 53.5 IN. LG TI BMS 7-234 TI-3AL-2.5V COLD WORKED, STRESS RELIEVED TUBING	002004 006100 107107 121503 904999	1
- 210	AS1582T06	..	UNION	002004 006100 107107 121503 904999	2
215	271N6124-1107	.	TUBE ASSY-PRESSURE SYS POSITION DATA: L TUBING MATERIAL: .375 IN. OD .019 IN. WALL 62.8 IN. LG TI BMS 7-234 TI-3AL-2.5V COLD WORKED, STRESS RELIEVED TUBING	002004 006100 107107 121503 904999	1
- 220	AS1581T06	..	SLEEVE	002004 006100 107107 121503 904999	2
- 225	BACN10YA6N	..	NUT	002004 006100 107107 121503 904999	2

MISSING ITEM NUMBERS NOT APPLICABLE

- ITEM NOT ILLUSTRATED

27-11-51-28

27-11-51  
FIG. 28  
PAGE 7  
JAN 20/09

BRI

BOEING PROPRIETARY - Copyright © - Unpublished Work - See title page for details.



757

PARTS CATALOG (MAINTENANCE)

FIG ITEM	PART NUMBER	1 2 3 4 5 6 7	NOMENCLATURE	EFFECT FROM TO	UNITS PER ASSY
28 230	271N6124-1057	. TUBE ASSY-RETURN SYS POSITION DATA: L TUBING MATERIAL: .375 IN. OD .035 IN. WALL 67.4 IN. LG AL AMS 4083 6061 T6 TUBING		002004 006100 107107 121503 904999	1
235	271N6124-1063	. TUBE ASSY-RETURN SYS POSITION DATA: L TUBING MATERIAL: .375 IN. OD .035 IN. WALL 52.00 IN. LG AL AMS 4083 6061 T6 TUBING		002004 006100 107107 121503 904999	1
- 240	AP2097HP06	.. SLEEVE SUPPLIER CODE: V01673 SPECIFICATION NUMBER: BACS13BX06HP OPTIONAL PART: 2-02903-06HP V11328 35235VN06 V08199 AFP175V06P V30974 DBOS13BX06HP V14798		002004 006100 107107 121503 904999	1
- 245	BACN10YL06	.. NUT		002004 006100 107107 121503 904999	1

MISSING ITEM NUMBERS NOT APPLICABLE

- ITEM NOT ILLUSTRATED

BRI

27-11-51-28

BOEING PROPRIETARY - Copyright © - Unpublished Work - See title page for details.

27-11-51  
FIG. 28  
PAGE 8  
JAN 20/09



757

PARTS CATALOG (MAINTENANCE)

FIG ITEM	PART NUMBER	1 2 3 4 5 6 7	NOMENCLATURE	EFFECT FROM TO	UNITS PER ASSY
28 - 250	35056GV06		.. UNION SUPPLIER CODE: V08199 SPECIFICATION NUMBER: BACU24AB6W OPTIONAL PART: 2-01027-6W V11328 31875-6W V14397 4671097W6 V50948 AP1004W06 V01673 AFP941W6 V30974 DBOU24AB6W V14798	002004 006100 107107 121503 904999	1
255	271N6124-1065		. TUBE ASSY-RETURN SYS POSITION DATA: L TUBING MATERIAL: .375 IN. OD .035 IN. WALL 59.80 IN. LG AL AMS 4083 6061 T6 TUBING	002004 006009 107107 121503 904949 952999	1
255	271N6124-1124		. TUBE ASSY-RETURN SYS POSITION DATA: L TUBING MATERIAL: .375 IN. OD .035 IN. WALL 59.80 IN. LG AL 6061-T6 ALUM SEAMLESS TUBING PER MIL-T-7081	010100 950951	1
- 260	AP2097HP06		.. SLEEVE SUPPLIER CODE: V01673 SPECIFICATION NUMBER: BACS13BX06HP OPTIONAL PART: 2-02903-06HP V11328 35235VN06 V08199 AFP175V06P V30974 DBOS13BX06HP V14798	002004 006100 107107 121503 904999	2

MISSING ITEM NUMBERS NOT APPLICABLE

- ITEM NOT ILLUSTRATED

27-11-51-28

27-11-51  
FIG. 28  
PAGE 9  
JAN 20/09

BRI



757

PARTS CATALOG (MAINTENANCE)

FIG ITEM	PART NUMBER	1 2 3 4 5 6 7	NOMENCLATURE	EFFECT FROM TO	UNITS PER ASSY
28 - 265	BACN10YL06	..	NUT	002004 006100 107107 121503 904999	2
270	271N6124-1067	.TUBE ASSY-RETURN SYS POSITION DATA: L TUBING MATERIAL: .375 IN. OD .035 IN. WALL 44.20 IN. LG AL AMS 4083 6061 T6 TUBING		002004 006100 107107 121503 904999	1
275	271N6124-1093	.TUBE ASSY-RETURN SYS POSITION DATA: L TUBING MATERIAL: .375IN. OD .035 IN. WALL 25.30 IN. LG AL AMS 4083 6061 T6 TUBING		002004 006100 107107 121503 904999	1
- 280	AP2097HP06	..SLEEVE SUPPLIER CODE: V01673 SPECIFICATION NUMBER: BACS13BX06HP OPTIONAL PART: 2-02903-06HP V11328 35235VN06 V08199 AFP175V06P V30974 DBOS13BX06HP V14798		002004 006100 107107 121503 904999	1
- 285	BACN10YL06	..	NUT	002004 006100 107107 121503 904999	1

MISSING ITEM NUMBERS NOT APPLICABLE

- ITEM NOT ILLUSTRATED

BRI

27-11-51-28

27-11-51  
FIG. 28  
PAGE 10  
JAN 20/09



757

PARTS CATALOG (MAINTENANCE)

FIG ITEM	PART NUMBER	1 2 3 4 5 6 7	NOMENCLATURE	EFFECT FROM TO	UNITS PER ASSY
28 - 290	35056GV06		..UNION SUPPLIER CODE: V08199 SPECIFICATION NUMBER: BACU24AB6W OPTIONAL PART: 2-01027-6W V11328 31875-6W V14397 4671097W6 V50948 AP1004W06 V01673 AFP941W6 V30974 DBOU24AB6W V14798	002004 006100 107107 121503 904999	1
295	271N6124-1115		.TUBE ASSY-PRESSURE SYS POSITION DATA: CTR TUBING MATERIAL: .375 IN. OD .019 IN. WALL 63.50 IN. LG TI BMS 7-234 TI-3AL-2.5V COLD WORKED, STRESS RELIEVED TUBING	002004 006100 107107 121503 904999	1
- 300	AS1581T06		..SLEEVE	002004 006100 107107 121503 904999	2
- 305	BACN10YA6		..NUT	002004 006100 107107 121503 904999	2
310	271N6124-1120		.TUBE ASSY-PRESSURE SYS POSITION DATA: CTR TUBING MATERIAL: .375 IN. OD .019 IN. WALL 52.70 IN. LG TI BMS 7-234 TI-3AL-2.5V COLD WORKED, STRESS RELIEVED TUBING	002004 006100 107107 121503 904999	1

MISSING ITEM NUMBERS NOT APPLICABLE

- ITEM NOT ILLUSTRATED

BRI

27-11-51-28

27-11-51  
FIG. 28  
PAGE 11  
JAN 20/09



757

PARTS CATALOG (MAINTENANCE)

FIG ITEM	PART NUMBER	1 2 3 4 5 6 7	NOMENCLATURE	EFFECT FROM TO	UNITS PER ASSY
28					
- 315	AS1581T06	..	SLEEVE	002004 006100 107107 121503 904999	1
- 320	BACN10YA6N	..	NUT-	002004 006100 107107 121503 904999	1
- 325	AS1582T06	..	UNION	002004 006100 107107 121503 904999	1
330	271N6124-1010	.	TUBE ASSY-RETURN SYS POSITION DATA: CTR TUBING MATERIAL: .375 IN. OD .035 IN. WALL 68.50 IN. LG AL AMS 4083 6061 T6 TUBING	002004 006100 107107 121503 904999	1
- 335	AP2097HP06	..	SLEEVE SUPPLIER CODE: V01673 SPECIFICATION NUMBER: BACS13BX06HP OPTIONAL PART: 2-02903-06HP V11328 35235VN06 V08199 AFP175V06P V30974 DBOS13BX06HP V14798	002004 006100 107107 121503 904999	1
- 340	BACN10YL06	..	NUT	002004 006100 107107 121503 904999	1

MISSING ITEM NUMBERS NOT APPLICABLE

- ITEM NOT ILLUSTRATED

BRI

27-11-51-28

27-11-51  
FIG. 28  
PAGE 12  
JAN 20/09



757

PARTS CATALOG (MAINTENANCE)

FIG ITEM	PART NUMBER	1 2 3 4 5 6 7	NOMENCLATURE	EFFECT FROM TO	UNITS PER ASSY
28 - 345	35056GV06		.. UNION SUPPLIER CODE: V08199 SPECIFICATION NUMBER: BACU24AB6W OPTIONAL PART: 2-01027-6W V11328 31875-6W V14397 4671097W6 V50948 AP1004W06 V01673 AFP941W6 V30974 DBOU24AB6W V14798	002004 006100 107107 121503 904999	1
350	271N6124-1117		. TUBE ASSY-RETURN SYS POSITION DATA: CTR TUBING MATERIAL: .375 IN. OD .035 IN. WALL 45.40 IN. LG AL AMS 4083 6061 T6 TUBING	002004 006100 107107 121503 904999	1
- 355	AP2097HP06		.. SLEEVE SUPPLIER CODE: V01673 SPECIFICATION NUMBER: BACS13BX06HP OPTIONAL PART: 2-02903-06HP V11328 35235VN06 V08199 AFP175V06P V30974 DBOS13BX06HP V14798	002004 006100 107107 121503 904999	2
- 360	BACN10YL06		.. NUT	002004 006100 107107 121503 904999	2

MISSING ITEM NUMBERS NOT APPLICABLE

- ITEM NOT ILLUSTRATED

BRI

27-11-51-28

27-11-51  
FIG. 28  
PAGE 13  
JAN 20/09



757

PARTS CATALOG (MAINTENANCE)

FIG ITEM	PART NUMBER	1 2 3 4 5 6 7	NOMENCLATURE	EFFECT FROM TO	UNITS PER ASSY
28 390	NAS1762D0606	.ELBOW-	MISCELLANEOUS DATA: MAY USE NAS1762W0606	002004 006100 107107 121503 904999	2
395	NAS1762T0606	.ELBOW-		002004 006100 107107 121503 904999	2
395	NAS1762J0606	.ELBOW-	MISCELLANEOUS DATA: OPTIONAL PART NUMBER: BAC21BT0606JN (81205)	002004 006100 107107 121503 904999	2
700			ILLUSTRATION REFERENCE: CONTROL UNIT INSTL-R WING AIL. PWR 27-11-20-02	002004 006100 107107 121503 904999	RF
705			ILLUSTRATION REFERENCE: PLUMBING INSTL- SECT. 12 R WING OUTBD HYDR (HYDRAULIC POWER ONLY) 29-11-51-28	002004 006100 107107 121503 904999	RF
710			ILLUSTRATION REFERENCE: PLUMBING INSTL-SECT. 12 R WING OUTBD HYDR (SPOILER CONTROL SYSTEM) 27-61-51-28	002004 006100 107107 121503 904999	RF

MISSING ITEM NUMBERS NOT APPLICABLE

- ITEM NOT ILLUSTRATED

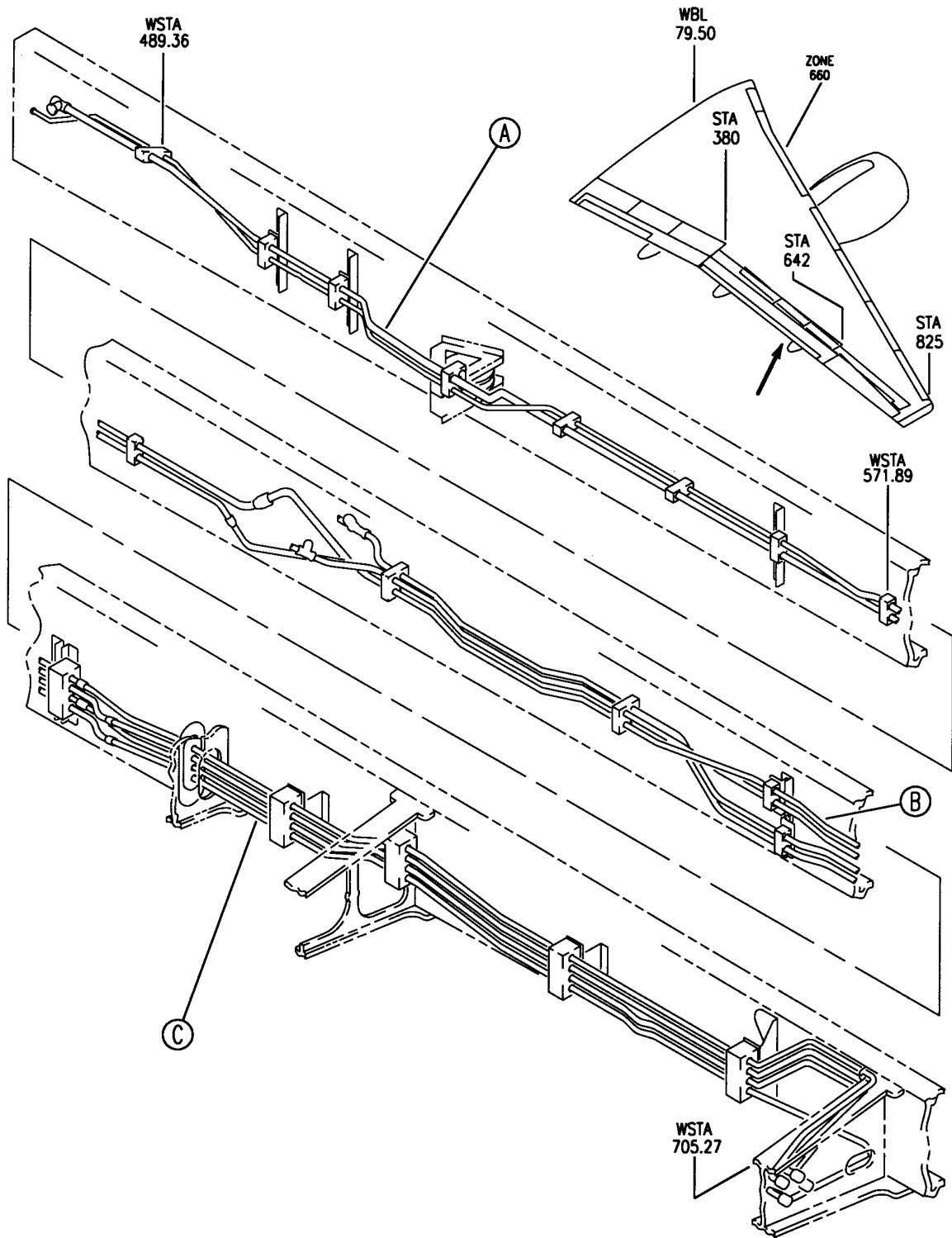
**27-11-51-28**

27-11-51  
FIG. 28  
PAGE 14  
JAN 20/09

BRI



**BOEING**  
757  
PARTS CATALOG (MAINTENANCE)



Y 27115128A SHT 1 REV 193

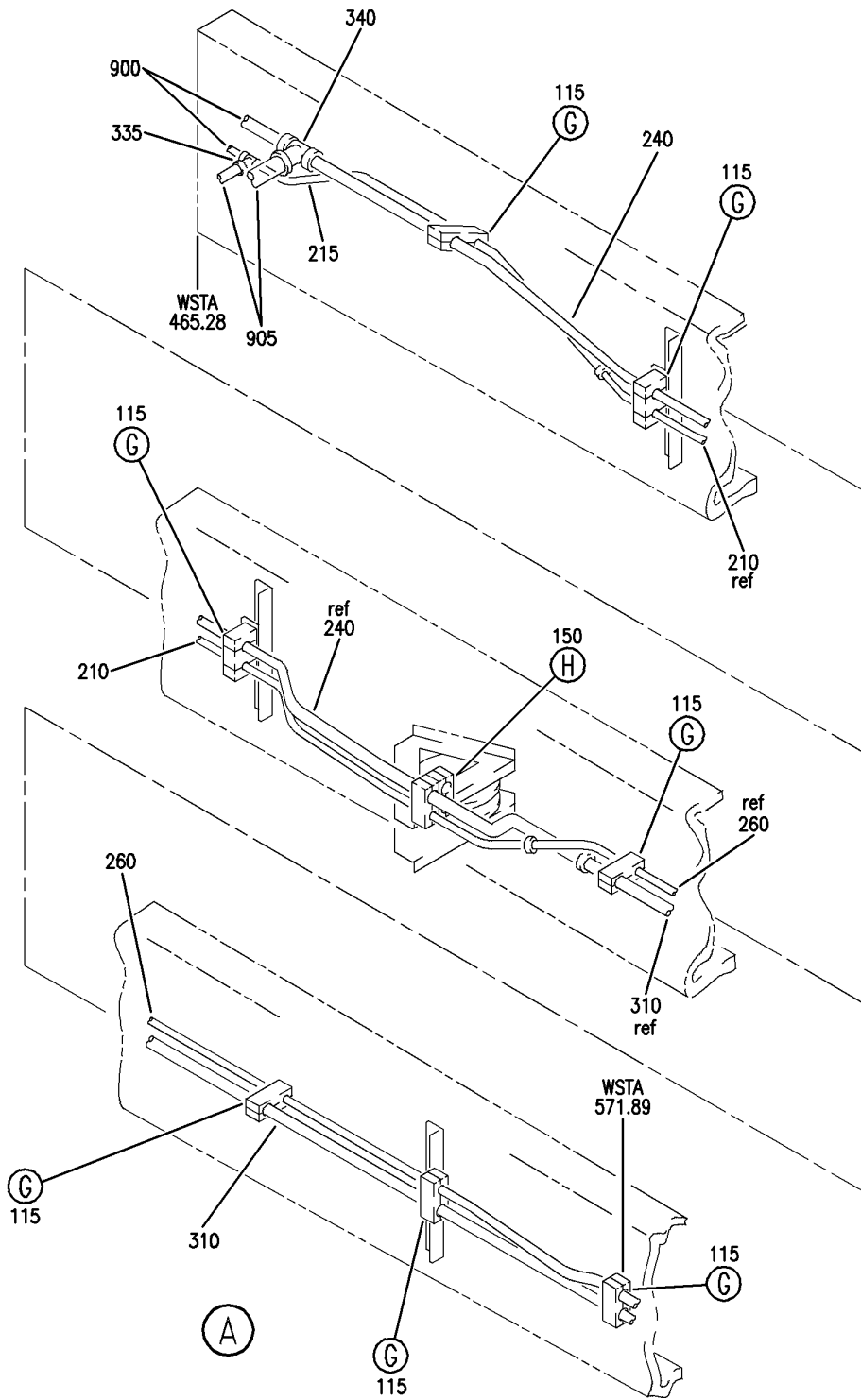
PLUMBING INSTL-HYDR WING SECT. 12 R OUTBD  
FIGURE 28A (SHEET 1)

**27-11-51-28A**

BRI  
MAY 28/07

27-11-51-28A  
PAGE 0


**BOEING**  
 757  
**PARTS CATALOG (MAINTENANCE)**



Y 27115128A SH1 2 REV 228

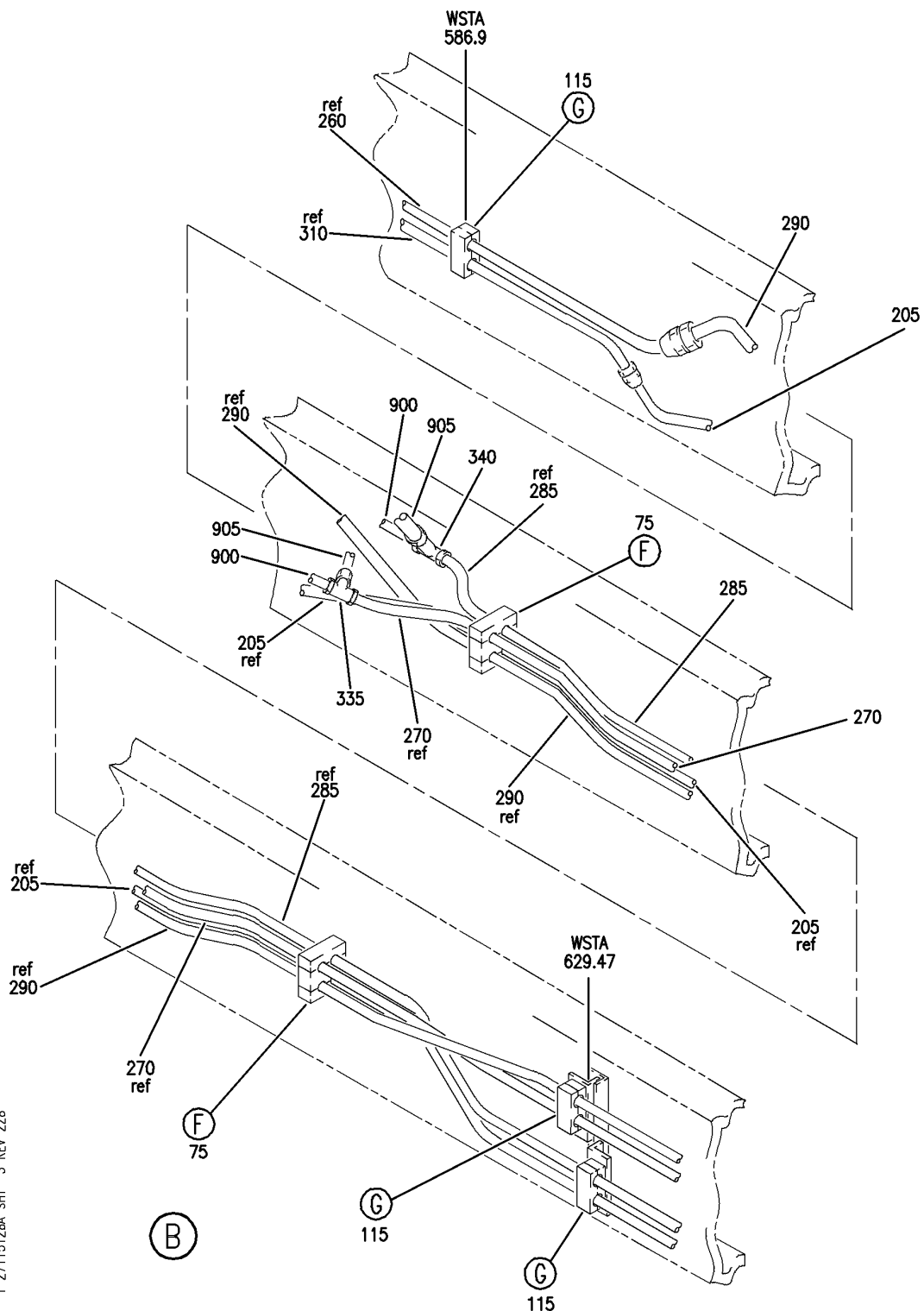
PLUMBING INSTL-HYDR WING SECT. 12 R OUTBD  
 FIGURE 28A (SHEET 2)

**27-11-51-28A**

BRI  
 MAY 28/07

27-11-51-28A  
 PAGE 0A

**BOEING**  
 757  
 PARTS CATALOG (MAINTENANCE)



Y 27115128A SH1 3 REV 228

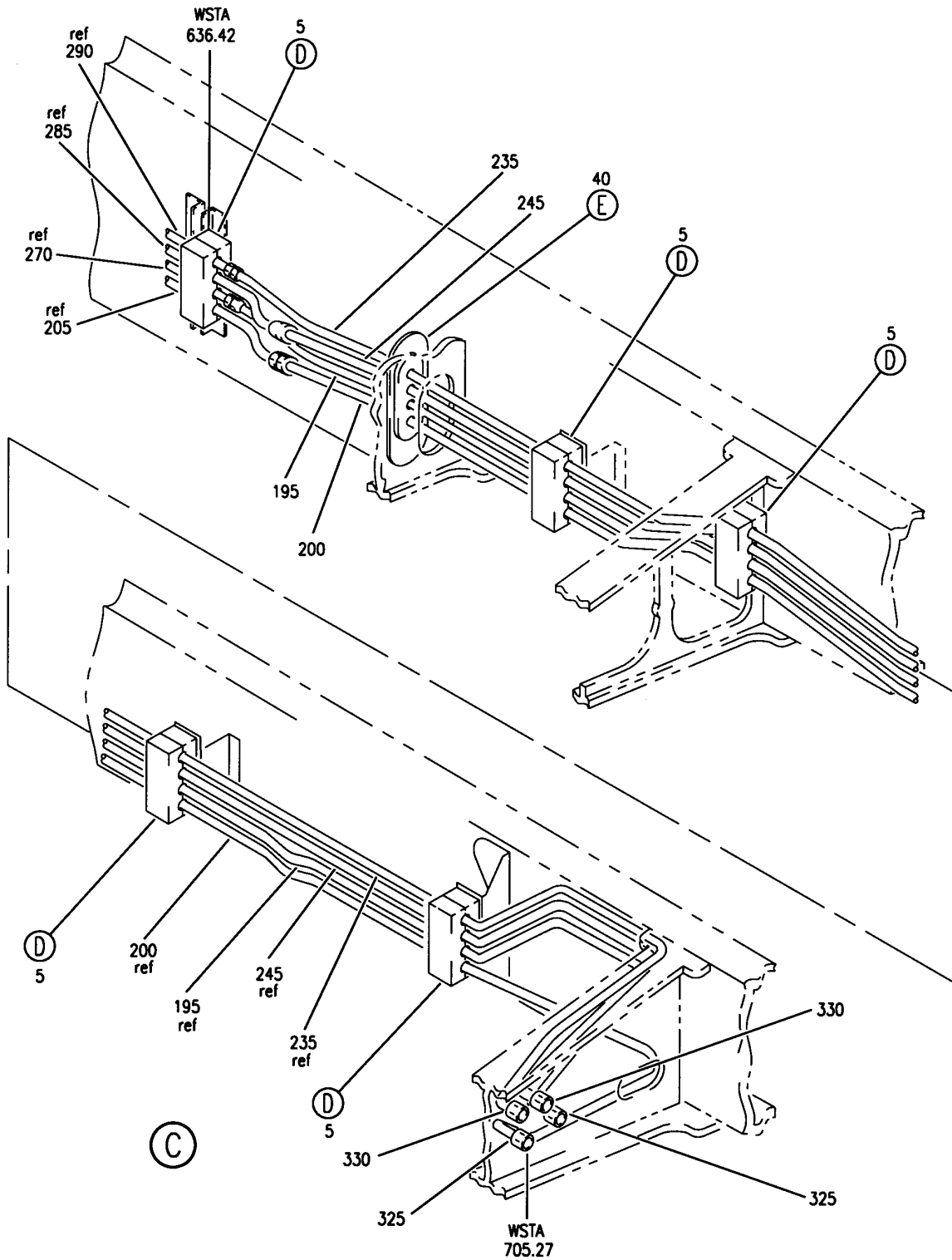
PLUMBING INSTL-HYDR WING SECT. 12 R OUTBD  
 FIGURE 28A (SHEET 3)

**27-11-51-28A**

BRI  
 MAY 28/07

27-11-51-28A  
 PAGE 0B


**BOEING**  
 757  
**PARTS CATALOG (MAINTENANCE)**



Y 27115128A SHT 4 REV 193

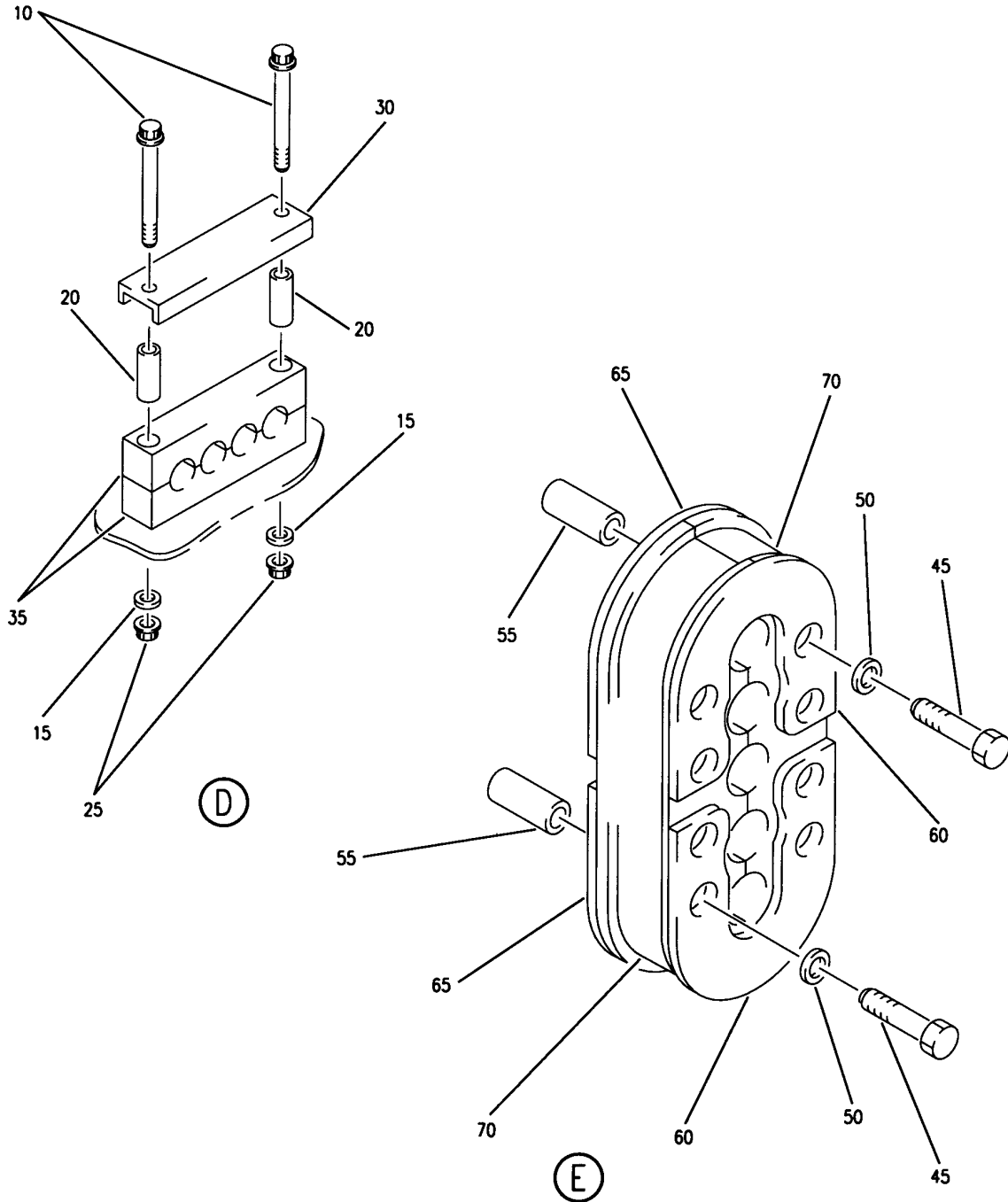
PLUMBING INSTL-HYDR WING SECT. 12 R OUTBD  
 FIGURE 28A (SHEET 4)

**27-11-51-28A**

BRI  
 MAY 28/07

27-11-51-28A  
 PAGE 0C

**BOEING**  
757  
PARTS CATALOG (MAINTENANCE)



Y 27115128A SHT 5 REV 193

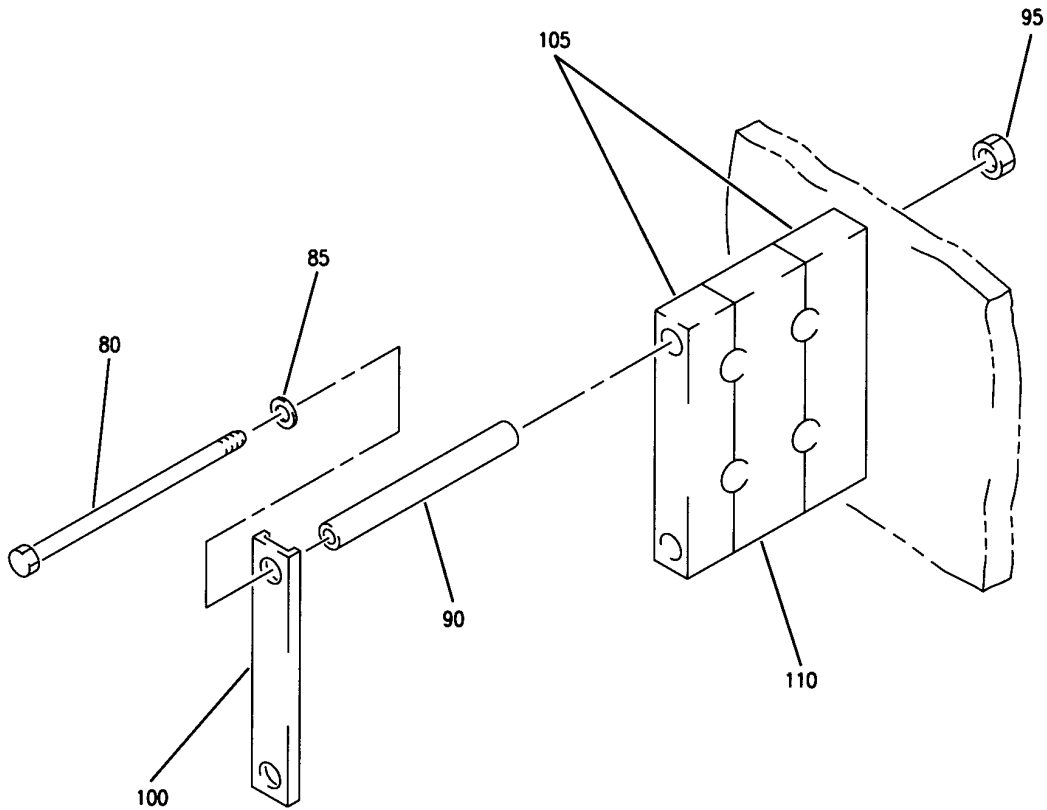
PLUMBING INSTL-HYDR WING SECT. 12 R OUTBD  
FIGURE 28A (SHEET 5)

**27-11-51-28A**

BRI  
MAY 28/07

27-11-51-28A  
PAGE 0D

**BOEING**  
757  
PARTS CATALOG (MAINTENANCE)



(F)

Y 27115128A SHT 6 REV 193

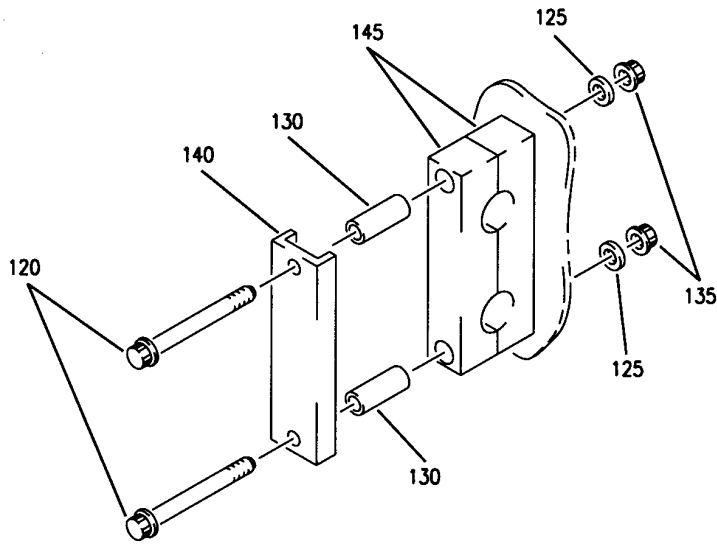
PLUMBING INSTL-HYDR WING SECT. 12 R OUTBD  
FIGURE 28A (SHEET 6)

**27-11-51-28A**

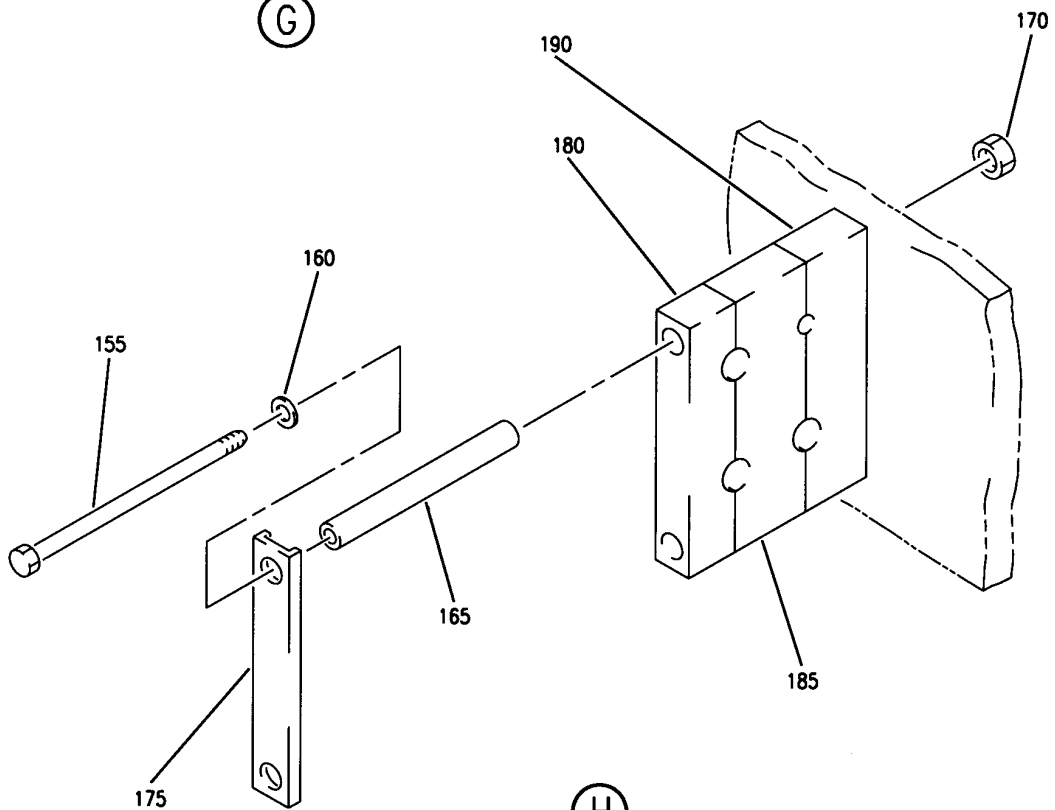
BRI  
MAY 28/07

27-11-51-28A  
PAGE 0E

**BOEING**  
757  
PARTS CATALOG (MAINTENANCE)



(G)



(H)

Y 27115128A SHT 7 REV 193

PLUMBING INSTL-HYDR WING SECT. 12 R OUTBD  
FIGURE 28A (SHEET 7)

**27-11-51-28A**

BRI  
MAY 28/07

27-11-51-28A  
PAGE OF



757

PARTS CATALOG (MAINTENANCE)

FIG ITEM	PART NUMBER	1 2 3 4 5 6 7	NOMENCLATURE	EFFECT FROM TO	UNITS PER ASSY
28A			PLUMBING INSTL-HYDR WING SECT. 12 R OUTBD	101106 108120 504903	
- 1	271N6124-4		PLUMBING INSTL-HYDR WING (AILERON AND AILERON TRIM CONTROL SYSTEM ONLY) POSITION DATA: SECT. 12 R OUTBD FOR NHA SEE: 27-00-00-03	101102 108120 504903	RF
- 1	MODREF31829		PLUMBING INSTL-HYDR (AILERON AND AILERON TRIM CONTROL SYSTEM ONLY) MODULE NUMBER: 271N6124-5 REV B POSITION DATA: SECT. 12 R OUTBD FOR OTHER SYS DETAILS SEE: 29-11-51-28A 27-61-51-28A	103106	1
5	270N2000-1		.CLAMP ASSY-BLK	101106 108120 504903	5
10	NAS1801-3-24		..SCREW	101106 108120 504903	2
15	AN960PD10L		..WASHER	101106 108120 504903	2
20	NAS43DD3-59		..SPACER	101106 108120 504903	2

MISSING ITEM NUMBERS NOT APPLICABLE

- ITEM NOT ILLUSTRATED

**27-11-51-28A**

27-11-51  
FIG. 28A  
PAGE 1  
JAN 20/09

BRI





757

PARTS CATALOG (MAINTENANCE)

FIG ITEM	PART NUMBER	1 2 3 4 5 6 7	NOMENCLATURE	EFFECT FROM TO	UNITS PER ASSY
28A 25	BRH10A3	..	NUT SUPPLIER CODE: V52828 SPECIFICATION NUMBER: BACN10JC3 OPTIONAL PART: H10-3BAC V15653 NS202101-02 V80539 RMLH9075-3W V72962 VN303A02 V92215 96-02 V80539 T6S1032J V11815	101106 108120 504903	2
30	270N2000-800	..	CHANNEL- OPTIONAL PART: 270N2000-894	101106 108120 504903	1
30	270N2000-894	..	CHANNEL- OPTIONAL PART: 270N2000-800	101106 108120 504903	1
35	270N2000-400	..	BLOCK	101106 108120 504903	2
40	270N2000-264	.	CLAMP ASSY-BLK	101106 108120 504903	1
45	NAS1801-3-18	..	SCREW	101106 108120 504903	8
50	AN960PD10L	..	WASHER	101106 108120 504903	8
55	NAS43DD3-34	..	SPACER	101106 108120 504903	8
60	270N2000-813	..	PLATE	101106 108120 504903	2
65	270N2000-1031	..	PLATE	101106 108120 504903	2
70	270N2000-438	..	BLOCK	101106 108120 504903	2

MISSING ITEM NUMBERS NOT APPLICABLE

- ITEM NOT ILLUSTRATED

27-11-51-28A

27-11-51  
FIG. 28A  
PAGE 2  
JAN 20/09

BRI

BOEING PROPRIETARY - Copyright © - Unpublished Work - See title page for details.



757

PARTS CATALOG (MAINTENANCE)

FIG ITEM	PART NUMBER	1 2 3 4 5 6 7	NOMENCLATURE	EFFECT FROM TO	UNITS PER ASSY
28A					
75	270N2000-2	.	CLAMP ASSY-BLK	101106 108120 504903	2
80	NAS1801-3-34	..	SCREW	101106 108120 504903	2
85	AN960PD10L	..	WASHER	101106 108120 504903	2
90	NAS43DD3-100	..	SPACER	101106 108120 504903	2
95	BRH10A3	..	NUT SUPPLIER CODE: V52828 SPECIFICATION NUMBER: BACN10JC3 OPTIONAL PART: H10-3BAC V15653 NS202101-02 V80539 RMLH9075-3W V72962 VN303A02 V92215 96-02 V80539 T6S1032J V11815	101106 108120 504903	2
100	270N2000-801	..	CHANNEL	101106 108120 504903	1
105	270N2000-401	..	BLOCK	101106 108120 504903	2
110	270N2000-402	..	BLOCK	101106 108120 504903	1
115	270N2000-3	.	CLAMP ASSY-BLK	101106 108120 504903	10
120	NAS1801-3-24	..	SCREW	101106 108120 504903	2
125	AN960PD10L	..	WASHER	101106 108120 504903	2

MISSING ITEM NUMBERS NOT APPLICABLE

- ITEM NOT ILLUSTRATED

27-11-51-28A

27-11-51  
FIG. 28A  
PAGE 3  
JAN 20/09

BRI

BOEING PROPRIETARY - Copyright © - Unpublished Work - See title page for details.



757

PARTS CATALOG (MAINTENANCE)

FIG ITEM	PART NUMBER	1 2 3 4 5 6 7	NOMENCLATURE	EFFECT FROM TO	UNITS PER ASSY
28A 130	NAS43DD3-59	..	SPACER	101106 108120 504903	2
135	BRH10A3	..	NUT SUPPLIER CODE: V52828 SPECIFICATION NUMBER: BACN10JC3 OPTIONAL PART: H10-3BAC V15653 NS202101-02 V80539 RMLH9075-3W V72962 VN303A02 V92215 96-02 V80539 T6S1032J V11815	101106 108120 504903	2
140	270N2000-801	..	CHANNEL	101106 108120 504903	1
145	270N2000-401	..	BLOCK	101106 108120 504903	2
150	270N2000-179	.	CLAMP ASSY-BLK	101106 108120 504903	1
155	NAS1801-3-34	..	SCREW	101106 108120 504903	2
160	AN960PD10L	..	WASHER	101106 108120 504903	2
165	NAS43DD3-100	..	SPACER	101106 108120 504903	2

MISSING ITEM NUMBERS NOT APPLICABLE

- ITEM NOT ILLUSTRATED

27-11-51-28A

27-11-51  
FIG. 28A  
PAGE 4  
JAN 20/09

BRI

BOEING PROPRIETARY - Copyright © - Unpublished Work - See title page for details.

 **BOEING**  
757  
**PARTS CATALOG (MAINTENANCE)**

FIG ITEM	PART NUMBER	1 2 3 4 5 6 7	NOMENCLATURE	EFFECT FROM TO	UNITS PER ASSY
28A 170	BRH10A3	..	NUT SUPPLIER CODE: V52828 SPECIFICATION NUMBER: BACN10JC3 OPTIONAL PART: H10-3BAC V15653 NS202101-02 V80539 RMLH9075-3W V72962 VN303A02 V92215 96-02 V80539 T6S1032J V11815	101106 108120 504903	2
175	270N2000-801	..	CHANNEL	101106 108120 504903	1
180	270N2000-650	..	BLOCK	101106 108120 504903	1
185	270N2000-648	..	BLOCK	101106 108120 504903	1
190	270N2000-401	..	BLOCK	101106 108120 504903	1
195	271N6124-1010	.TUBE ASSY-CTR RETURN SYS TUBING MATERIAL: .375 IN. OD X .035 IN. WALL X 68.5 IN. LG AMS 4083 6061 T6 TUBING	101106 108120 504903	1	
200	271N6124-1057	.TUBE ASSY-L RETURN SYS TUBING MATERIAL: .375 IN. OD X .035 IN. WALL X 67.40 IN. LG AMS 4083 6061 T6 TUBING	101106 108120 504903	1	
205	271N6124-1063	.TUBE ASSY-L RETURN SYS TUBING MATERIAL: .375 IN. OD X .035 IN. WALL X 52.0 IN. LG AMS 4083 6061 T6 TUBING	101106 108120 504903	1	

MISSING ITEM NUMBERS NOT APPLICABLE

— ITEM NOT ILLUSTRATED

BRI

# 27-11-51-28A

BOEING PROPRIETARY - Copyright © - Unpublished Work - See title page for details.

27-11-51  
FIG. 28A  
PAGE 5  
JAN 20/09



757

PARTS CATALOG (MAINTENANCE)

FIG ITEM	PART NUMBER	1 2 3 4 5 6 7	NOMENCLATURE	EFFECT FROM TO	UNITS PER ASSY
28A 210	271N6124-1067		.TUBE ASSY-L RETURN SYS TUBING MATERIAL: .375 IN. OD X .035 IN. WALL X 44.2 IN. LG AMS 4083 6061 T6 TUBING	101106 108120 504903	1
215	271N6124-1093		.TUBE ASSY-L RETURN SYS TUBING MATERIAL: .375 IN. OD X .035 IN. WALL X 25.3 IN. LG AMS 4083 6061 T6 TUBING	101106 108120 504903	1
- 220	AP2097HP06		..SLEEVE SUPPLIER CODE: V01673 SPECIFICATION NUMBER: BACS13BX06HP OPTIONAL PART: 2-02903-06HP V11328 35235VN06 V08199 AFP175V06P V30974 DBOS13BX06HP V14798	101106 108120 504903	1
- 225	BACN10YLO6		..NUT	101106 108120 504903	1
- 230	35056GV06		..UNION SUPPLIER CODE: V08199 SPECIFICATION NUMBER: BACU24AB6W OPTIONAL PART: 2-01027-6W V11328 31875-6W V14397 4671097W6 V50948 AP1004W06 V01673 AFP941W6 V30974 DBOU24AB6W V14798	101106 108120 504903	1

MISSING ITEM NUMBERS NOT APPLICABLE

- ITEM NOT ILLUSTRATED

27-11-51-28A

27-11-51  
FIG. 28A  
PAGE 6  
JAN 20/09

BRI

BOEING PROPRIETARY - Copyright © - Unpublished Work - See title page for details.



757

PARTS CATALOG (MAINTENANCE)

FIG ITEM	PART NUMBER	1 2 3 4 5 6 7	NOMENCLATURE	EFFECT FROM TO	UNITS PER ASSY
28A 235	271N6124-1056		.TUBE ASSY-L PRESSUSRE SYS TUBING MATERIAL: .375 IN. OD X .019 IN. WALL X 69.90 IN. LG TI BMS 7-234 TI-3AL-2.5V COLD WORKED, STRESS RELIEVED TUBING	101106 108120 504903	1
240	271N6124-1107		.TUBE ASSY-L PRESSURE SYS TUBING MATERIAL: .375 IN. OD X .019 IN. WALL X 62.8 IN. LG TI BMS 7-234 TI-3AL-2.5V COLD WORKED, STRESS RELIEVED TUBING	101106 108120 504903	1
245	271N6124-1115		.TUBE ASSY-CTR PRESSURE SYS TUBING MATERIAL: .375 IN. OD X .019 IN. WALL X 63.5 IN. LG TI BMS 7-234 TI-3AL-2.5V COLD WORKED, STRESS RELIEVED TUBING	101106 108120 504903	1
- 250	AS1581T06		..SLEEVE	101106 108120 504903	2
- 255	BACN10YA6N		..NUT	101106 108120 504903	2
260	271N6124-1064		.TUBE ASSY-L PRESSURE SYS TUBING MATERIAL: .375 IN. OD X .019 IN. WALL X 53.5 IN. LG TI BMS 7-234 TI-3AL-2.5V COLD WORKED, STRESS RELIEVED TUBING	101106 108120 504903	1
- 265	AS1582T06		..UNION	101106 108120 504903	2
270	271N6124-1117		.TUBE ASSY-CTR RETURN SYS TUBING MATERIAL: .375 IN. OD X .035 IN. WALL X 45.4 IN. LG AMS 4083 6061 T6 TUBING	101106 108120 504903	1

MISSING ITEM NUMBERS NOT APPLICABLE

- ITEM NOT ILLUSTRATED

27-11-51-28A

27-11-51  
FIG. 28A  
PAGE 7  
JAN 20/09

BRI

BOEING PROPRIETARY - Copyright © - Unpublished Work - See title page for details.



757

PARTS CATALOG (MAINTENANCE)

FIG ITEM	PART NUMBER	1 2 3 4 5 6 7	NOMENCLATURE	EFFECT FROM TO	UNITS PER ASSY
28A - 275	AP2097HP06	..	SLEEVE SUPPLIER CODE: V01673 SPECIFICATION NUMBER: BACS13BX06HP OPTIONAL PART: 2-02903-06HP V11328 35235VN06 V08199 AFP175V06P V30974 DBOS13BX06HP V14798	101106 108120 504903	2
- 280	BACN10YLO6	..	NUT	101106 108120 504903	2
285	271N6124-1120	.TUBE ASSY-CTR PRESSURE SYS TUBING MATERIAL: .375 IN. OD X .019 IN. WALL X 52.7 IN. LG TI BMS 7-234 TI-3AL-2.5V COLD WORKED, STRESS RELIEVED TUBING		101106 108120 504903	1
290	271N6124-1123	.TUBE ASSY-L PRESSURE SYS TUBING MATERIAL: .375 IN. OD X .019 IN. WALL X 54.3 IN. LG TI BMS 7-234 TI-3AL-2.5V COLD WORKED, STRESS RELIEVED TUBING		101106 108120 504903	1
- 295	AS1581T06	..	SLEEVE	101106 108120 504903	1
- 300	BACN10YA6N	..	NUT	101106 108120 504903	1
- 305	AS1582T06	..	UNION	101106 108120 504903	1
310	271N6124-1124	.TUBE ASSY-L RETUTN SYS TUBING MATERIAL: .375 IN. OD X .035 IN. WALL X 59.8 IN. LG 6061-T6 ALUMINUM SEAMLESS TUBING PER MIL-T-7081.		101106 108120 504903	1

MISSING ITEM NUMBERS NOT APPLICABLE

- ITEM NOT ILLUSTRATED

27-11-51-28A

27-11-51  
FIG. 28A  
PAGE 8  
JAN 20/09

BRI

BOEING PROPRIETARY - Copyright © - Unpublished Work - See title page for details.



757

PARTS CATALOG (MAINTENANCE)

FIG ITEM	PART NUMBER	1 2 3 4 5 6 7	NOMENCLATURE	EFFECT FROM TO	UNITS PER ASSY
28A - 315	AP2097HP06	..	SLEEVE SUPPLIER CODE: V01673 SPECIFICATION NUMBER: BACS13BX06HP OPTIONAL PART: 2-02903-06HP V11328 35235VN06 V08199 AFP175V06P V30974 DBOS13BX06HP V14798	101106 108120 504903	2
- 320	BACN10YLO6	..	NUT	101106 108120 504903	2
325	NAS1762W0606	.	ELBOW	101106 108120 504903	2
330	NAS1762J0606	.	ELBOW- MISCELLANEOUS DATA: OPTIONAL PART NUMBER: BAC21BT0606JN (81205)	101106 108120 504903	2
335	MS21905W6	.	TEE	101106 108120 504903	2
340	BACT16BL060604J	.	TEE	101106 108120 504903	2
900			ILLUSTRATION REFERENCE: PLUMBING INSTL-HYDR WING SECT. 12 R OUTBD 29-11-51-28A	101106 108120 504903	RF
905			ILLUSTRATION REFERENCE: PLUMBING INSTL-HYDR WING SECT. 12 R OUTBD 27-61-51-28A	101106 108120 504903	RF

MISSING ITEM NUMBERS NOT APPLICABLE

- ITEM NOT ILLUSTRATED

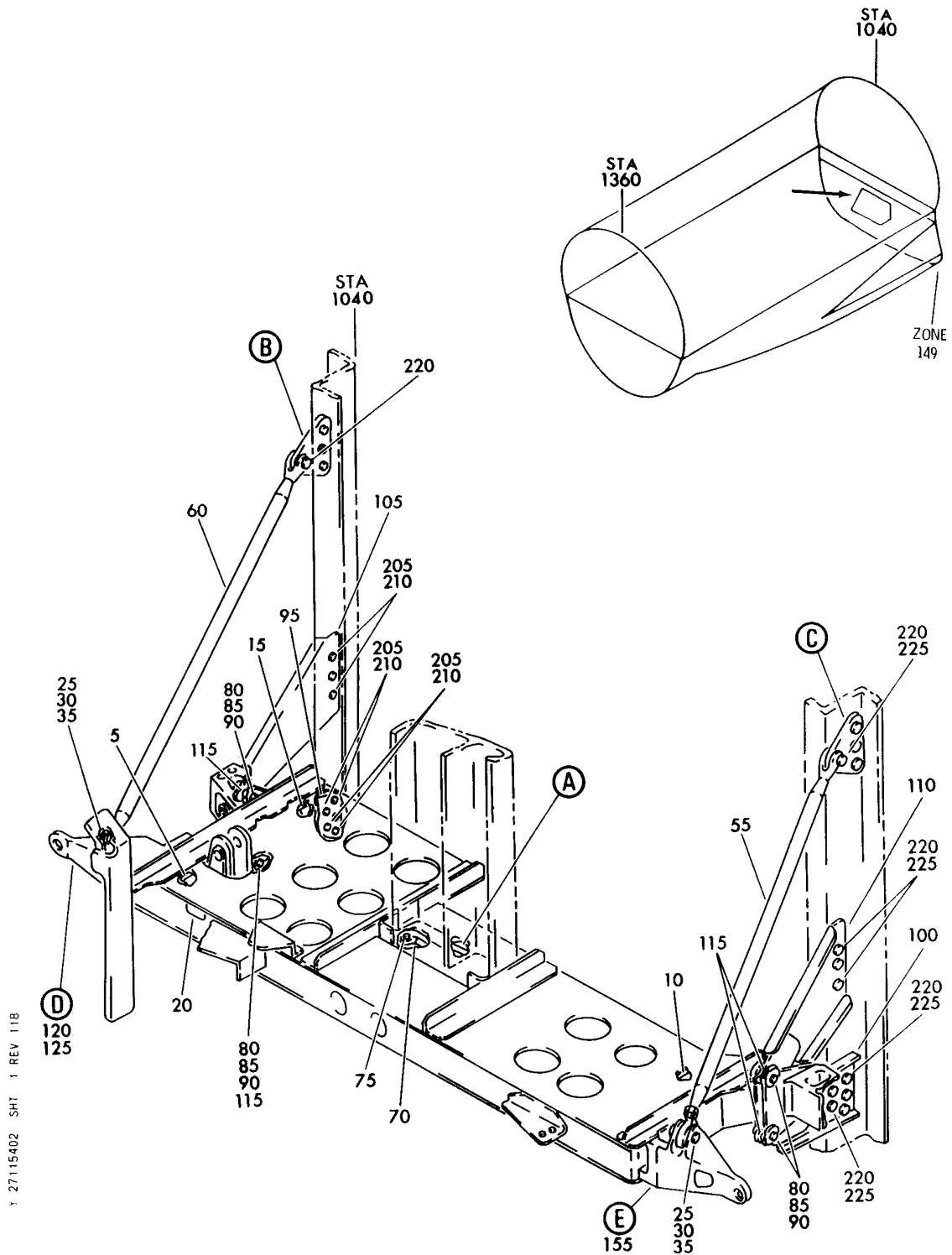
**27-11-51-28A**

27-11-51  
FIG. 28A  
PAGE 9  
JAN 20/09

BRI



**BOEING**  
757  
PARTS CATALOG (MAINTENANCE)



Y 27115402 SH1 1 REV 118

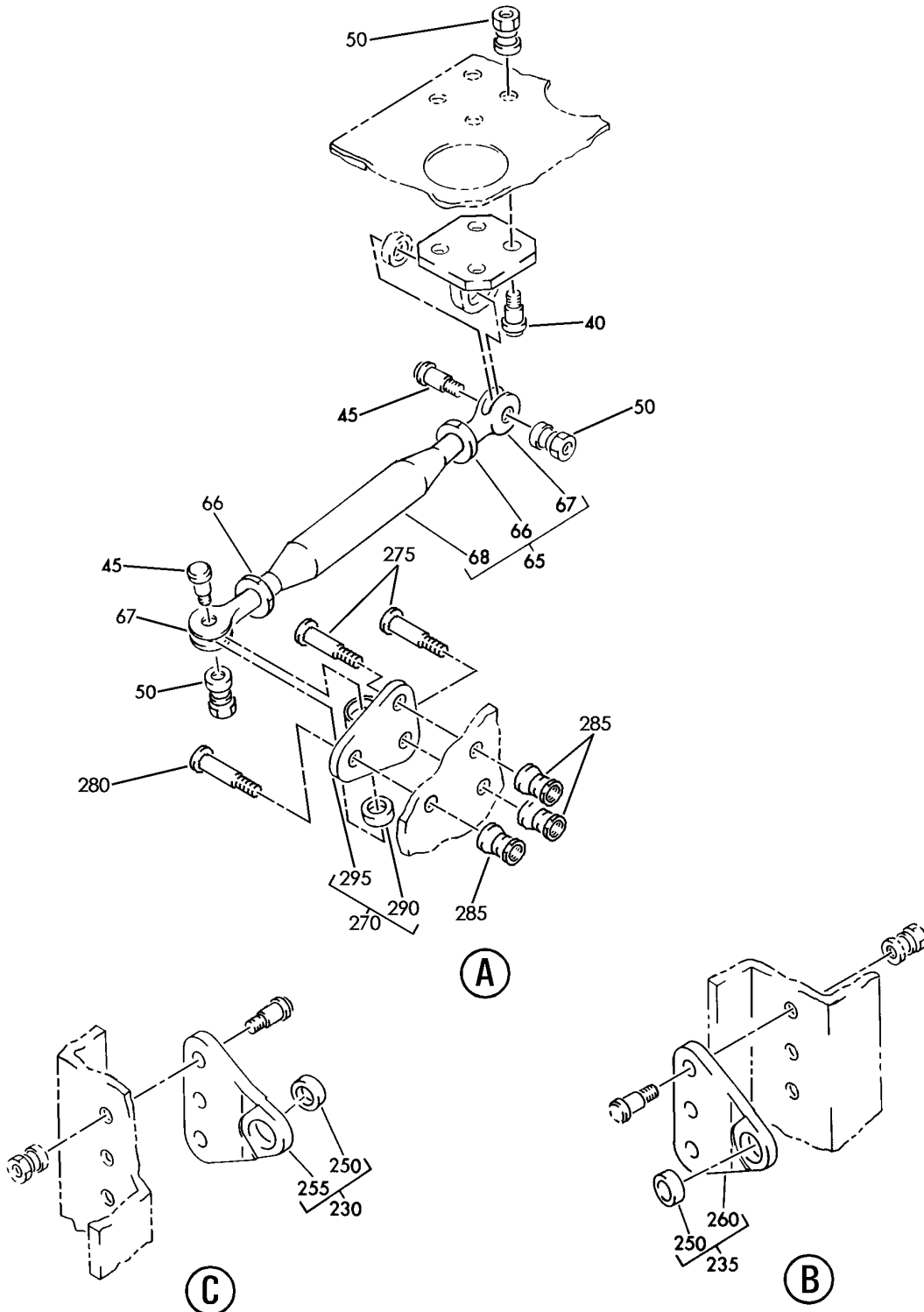
BOX INSTL AND FASTENER INSTL-LATERAL CONT SPRT  
FIGURE 2 (SHEET 1)

**27-11-54-02**

BRI  
MAY 28/07

27-11-54-02  
PAGE 0

**BOEING**  
757  
PARTS CATALOG (MAINTENANCE)



Y 27115402 SHT 2 REV 212

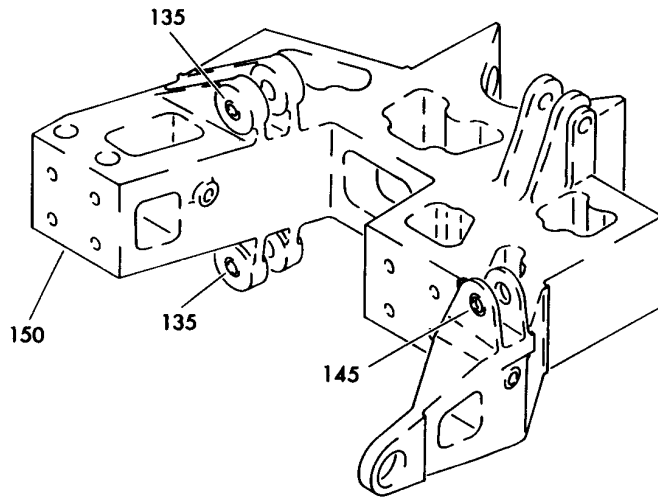
BOX INSTL AND FASTENER INSTL-LATERAL CONT SPRT  
FIGURE 2 (SHEET 2)

**27-11-54-02**

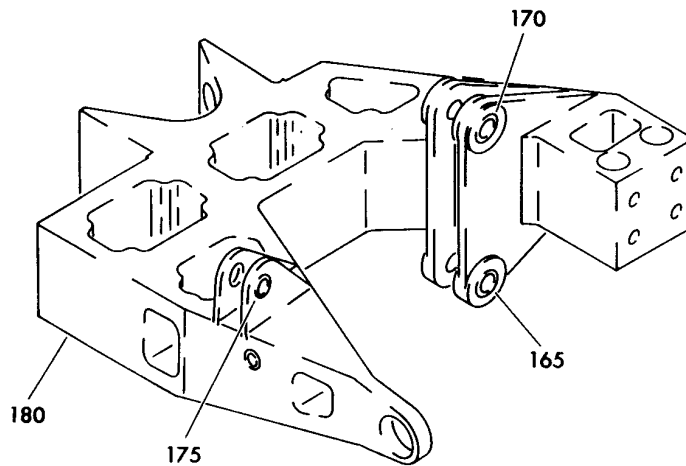
BRI  
MAY 28/07

27-11-54-02  
PAGE 0A

**BOEING**  
757  
PARTS CATALOG (MAINTENANCE)



Ⓓ



Ⓔ

Y 27115402 SHT 3 REV 118

BOX INSTL AND FASTENER INSTL-LATERAL CONT SPRT  
FIGURE 2 (SHEET 3)

**27-11-54-02**

BRI  
MAY 28/07

27-11-54-02  
PAGE 0B



757

PARTS CATALOG (MAINTENANCE)

FIG ITEM	PART NUMBER	1 2 3 4 5 6 7	NOMENCLATURE	EFFECT FROM TO	UNITS PER ASSY
2			BOX INSTL AND FASTENER	002004	
			INSTL-LATERAL CONT SPRT	006999	
- 1	251N1022-1		BOX INSTL-LATERAL CONT SPRT	002004	RF
			FOR NHA SEE:	006100	
			27-11-14-02	107107	
				121503	
				904999	
- 1	251N1022-13		BOX INSTL-LATERAL CONT SPRT	101102	RF
			FOR NHA SEE:	108120	
			27-00-00-01	504903	
- 1	MODREF7145		BOX INSTL-LATERAL CONT SPRT	103105	1
			MODULE NUMBER:		
			251N1022-13 REV A		
- 1	MODREF31482		BOX INSTL-LATERAL CONT SPRT	106106	1
			MODULE NUMBER:		
			251N1022-13 REV B		
5	BAC27NCT0054		.MARKER-ALUMINUM FOIL-	002004	1
			PLACARD CONTENT:	006999	
			M10041 CENTER A/P SERVO		
10	BAC27NCT0076		.MARKER-ALUMINUM FOIL-	002004	1
			PLACARD CONTENT:	006999	
			M10042 RIGHT A/P SERVO		
15	BAC27NCT0077		.MARKER-ALUMINUM FOIL-	002004	1
			PLACARD CONTENT:	006999	
			M10040 LEFT A/P SERVO		
20	BAC27NCT0159		.MARKER-ALUMINUM FOIL-	002004	1
			PLACARD CONTENT:	006999	
			TRIM ACTUATOR M488		
25	L8008K13		.BOLT	002004	2
			SUPPLIER CODE:	006999	
			V06725		
			SPECIFICATION NUMBER:		
			BACB30MY8K13		
30	250N2008-2		.BUSHING-	002004	2
				006999	
35	HL79-8		.COLLAR	002004	2
			SUPPLIER CODE:	006999	
			V5M902		
			SPECIFICATION NUMBER:		
			BACC30M8		
			OPTIONAL PART:		
			HL79-8		
			V73197		
			HL79-8		
			V92215		
			66014-8		
			V56878		
			HL79-8		
			V56878		

MISSING ITEM NUMBERS NOT APPLICABLE

- ITEM NOT ILLUSTRATED

27-11-54-02

27-11-54  
FIG. 02  
PAGE 1  
JAN 20/09

BRI



757

PARTS CATALOG (MAINTENANCE)

FIG ITEM	PART NUMBER	1 2 3 4 5 6 7	NOMENCLATURE	EFFECT FROM TO	UNITS PER ASSY
2	40 H8008K10	.BOLT	SUPPLIER CODE: V06725 SPECIFICATION NUMBER: BACB30MY8K10	002004 006999	2
	45 L8008K9	.BOLT	SUPPLIER CODE: V06725 SPECIFICATION NUMBER: BACB30MY8K9	002004 006999	2
50	HL79-8	.COLLAR	SUPPLIER CODE: V5M902 SPECIFICATION NUMBER: BACC30M8 OPTIONAL PART: HL79-8 V73197 HL79-8 V92215 66014-8 V56878 HL79-8 V56878	002004 006999	4
55	250N2004-608	.ROD ASSY-	COMPONENT MAINT MANUAL REF: 27-00-12	002004 006999	1
60	250N2004-607	.ROD ASSY-	COMPONENT MAINT MANUAL REF: 27-00-12	002004 006999	1
65	250N2004-331	.ROD ASSY-	COMPONENT MAINT MANUAL REF: 27-00-12 OPTIONAL PART: 250N2004-327	002004 006999	1
65	250N2004-327	.ROD ASSY-	COMPONENT MAINT MANUAL REF: 27-00-12 OPTIONAL PART: 250N2004-331	002004 006999	1
66	AN316-6R	..NUT-	USED ON: 250N2004-331 250N2004-327	002004 006999	2
67	69B82107-1	..CLEVIS-	USED ON: 250N2004-331 250N2004-327	002004 006999	2

MISSING ITEM NUMBERS NOT APPLICABLE

- ITEM NOT ILLUSTRATED

27-11-54-02

27-11-54  
FIG. 02  
PAGE 2  
JAN 20/09

BRI



757

PARTS CATALOG (MAINTENANCE)

FIG ITEM	PART NUMBER	1 2 3 4 5 6 7	NOMENCLATURE	EFFECT FROM TO	UNITS PER ASSY
2					
68	250N2005-318	..	TUBE- USED ON: 250N2004-327	002004 006999	1
68	250N2005-353	..	TUBE- USED ON: 250N2004-331	002004 006999	1
70	RBEJ40D11-16	.JUMPER ASSY	SUPPLIER CODE: V1GK47 SPECIFICATION NUMBER: BACJ40D11-16 OPTIONAL PART: 4E16F V79550	002004 006999	1
75	VNS1924CA1-8	.STUD	ATTACHING PARTS SUPPLIER CODE: V5M902 SPECIFICATION NUMBER: BACS53B1EA1 OPTIONAL PART: VNS1924CA3-1-8 V92215	002004 006999	1
80	BACB30LJ4-19	.BOLT	-----*-----	002004 006999	4
85	BRH10A4	.NUT	SUPPLIER CODE: V52828 SPECIFICATION NUMBER: BACN10JC4 OPTIONAL PART: T6S428J V11815 96-048 V80539 VN303A048 V92215 RMLH9075-4W V72962 NS202101-048 V80539 H10-4BAC V15653	002004 006999	4
90	250N2008-22	.BUSHING-		002004 006999	4
95	251N1256-1	.BRACKET ASSY		002004 006999	1

MISSING ITEM NUMBERS NOT APPLICABLE

- ITEM NOT ILLUSTRATED

27-11-54-02

27-11-54  
FIG. 02  
PAGE 3  
JAN 20/09

BRI

BOEING PROPRIETARY - Copyright © - Unpublished Work - See title page for details.



757

PARTS CATALOG (MAINTENANCE)

FIG ITEM	PART NUMBER	1 2 3 4 5 6 7	NOMENCLATURE	EFFECT FROM TO	UNITS PER ASSY
2					
100	251N1256-2	.	BRACKET ASSY	002004 006999	1
105	251N1256-13	.	BRACKET ASSY-	002004 006999	1
110	251N1256-14	.	BRACKET ASSY- OPTIONAL PART: 251N1256-12	002004 006999	1
110	251N1256-12	.	BRACKET ASSY- OPTIONAL PART: 251N1256-14	002004 006999	1
115	ABG4V5-12	..	BEARING SUPPLIER CODE: VS0352 SPECIFICATION NUMBER: BACB10AG4M OPTIONAL PART: AG4VCR12 V15860 BSSN4797SM2 V81376 HSBG4-117M V02758 NG4FM V73134 NC4G2DM V56644 KSBG4-25CRD5 V97613 BNG4ME111 V16746 03-505-04E035 V09455	002004 006999	1
120	251N1264-8	.	BOX ASSY-SPRT	002004 006100 107107 121503 904999	1
120	251N1264-9	.	BOX ASSY-SPRT	101106 108120 504903	1
125	251N1258-4	..	BOX ASSY-SPRT	002004 006999	1
- 130	NAS1398D5	..	ATTACHING PARTS RIVET	002004 006999	11
135	BACB28W4B031	...-----*	BUSHING-	002004 006999	2

MISSING ITEM NUMBERS NOT APPLICABLE

- ITEM NOT ILLUSTRATED

27-11-54-02

27-11-54  
FIG. 02  
PAGE 4  
JAN 20/09

BRI

BOEING PROPRIETARY - Copyright © - Unpublished Work - See title page for details.



757

PARTS CATALOG (MAINTENANCE)

FIG ITEM	PART NUMBER	1 2 3 4 5 6 7	NOMENCLATURE	EFFECT FROM TO	UNITS PER ASSY
2					
145	BACB28W4B010	...	BUSHING-	002004 006999	1
150	251N1258-5	...	SUPPORT-BOX	002004 006999	1
155	251N1257-1	.BOX	ASSY-SPRT OPTIONAL PART: 251N1257-4	002004 006999	1
155	251N1257-4	.BOX	ASSY-SPRT OPTIONAL PART: 251N1257-1	106106	1
- 160	NAS1398D5	.RIVET	ATTACHING PARTS	002004 006999	15
		-----*	-----		
165	BACB28W4B033	..	BUSHING-	002004 006999	1
170	BACB28W4B028	..	BUSHING-	002004 006999	1
175	BACB28W4B010	..	BUSHING-	002004 006999	1
180	251N1257-2	..	SUPPORT	002004 006999	1
180	251N1257-5	..	SUPPORT	106106	1
- 200	251N1022-4	FASTENER INSTL-LATERAL CONT SPRT		002004 006102 107999	RF
		FOR NHA SEE: 57-12-51-01 57-00-00-20			
- 200	MODREF7148	BOX INSTL-LATERAL CONT SPRT		103106	1
		MODULE NUMBER: 251N1022-4 REV A			
205	L8008K3	.BOLT		002004 006999	16
		SUPPLIER CODE: V06725			
		SPECIFICATION NUMBER: BACB30MY8K3			

MISSING ITEM NUMBERS NOT APPLICABLE

- ITEM NOT ILLUSTRATED

27-11-54-02

27-11-54  
FIG. 02  
PAGE 5  
JAN 20/09

BRI

BOEING PROPRIETARY - Copyright © - Unpublished Work - See title page for details.





757

PARTS CATALOG (MAINTENANCE)

FIG ITEM	PART NUMBER	1 2 3 4 5 6 7	NOMENCLATURE	EFFECT FROM TO	UNITS PER ASSY
2 210	HL79-8		.COLLAR SUPPLIER CODE: V5M902 SPECIFICATION NUMBER: BACC30M8 OPTIONAL PART: HL79-8 V73197 HL79-8 V92215 66014-8 V56878 HL79-8 V56878	002004 006999	16
- 215	251N1022-2		BOX INSTL-LATERAL CONT SPRT FOR NHA SEE: 57-12-51-01 57-00-00-20	002004 006102 107999	RF
- 215	MODREF7146		BOX INSTL-LATERAL CONT SPRT MODULE NUMBER: 251N1022-2 REV A	103106	1
220	H8008K10		.BOLT SUPPLIER CODE: V06725 SPECIFICATION NUMBER: BACB30MY8K10	002004 006999	2
225	HL79-8		.COLLAR SUPPLIER CODE: V5M902 SPECIFICATION NUMBER: BACC30M8 OPTIONAL PART: HL79-8 V73197 HL79-8 V92215 66014-8 V56878 HL79-8 V56878	002004 006999	2
230	251N1189-1		.PLATE ASSY	002004 006999	1
235	251N1189-2		.PLATE ASSY	002004 006999	1

MISSING ITEM NUMBERS NOT APPLICABLE

- ITEM NOT ILLUSTRATED

27-11-54-02

27-11-54  
FIG. 02  
PAGE 6  
JAN 20/09

BRI



**757  
PARTS CATALOG (MAINTENANCE)**

FIG ITEM	PART NUMBER	1 2 3 4 5 6 7	NOMENCLATURE	EFFECT FROM TO	UNITS PER ASSY
2			ATTACHING PARTS		
- 240	L8006K6		.BOLT SUPPLIER CODE: V06725 SPECIFICATION NUMBER: BACB30MY6K6	002004 006999	6
- 245	HL79-6		.COLLAR SUPPLIER CODE: V5M902 SPECIFICATION NUMBER: BACC30M6 OPTIONAL PART: HL79-6 V73197 HL79-6 V92215 66014-6 V56878 HL79-6 V56878	002004 006999	6
250	ABG4V5-12		-----*----- ..BEARING SUPPLIER CODE: VS0352 SPECIFICATION NUMBER: BACB10AG4M OPTIONAL PART: AG4VCR12 V15860 BSSN4797SM2 V81376 HSBG4-117M V02758 NG4FM V73134 NC4G2DM V56644 KSBG4-25CRD5 V97613 BNG4ME111 V16746 03-505-04E035 V09455	002004 006999	1
255	251N1189-3		..PLATE- USED ON: 251N1189-1	002004 006999	1
260	251N1189-4		..PLATE- USED ON: 251N1189-2	002004 006999	1

MISSING ITEM NUMBERS NOT APPLICABLE

- ITEM NOT ILLUSTRATED

# 27-11-54-02

27-11-54  
FIG. 02  
PAGE 7  
JAN 20/09

BRI

BOEING PROPRIETARY - Copyright © - Unpublished Work - See title page for details.



757

PARTS CATALOG (MAINTENANCE)

FIG ITEM	PART NUMBER	1 2 3 4 5 6 7	NOMENCLATURE	EFFECT FROM TO	UNITS PER ASSY
2					
- 265	251N1022-3		BOX INSTL-LATERAL CONT SPRT FOR NHA SEE: 53-43-53-01 27-00-00-01	002004 006102 107999	RF
- 265	MODREF7147		BOX INSTL-LATERAL CONT SPRT MODULE NUMBER: 251N1022-3 REV A	103106	1
270	251N1203-1		.BRACKET ASSY	002004 006999	1
275	L8008K7		ATTACHING PARTS .BOLT- SUPPLIER CODE: V06725 SPECIFICATION NUMBER: BACB30MY8K7	002004 006999	2
280	L8008K8		.BOLT- SUPPLIER CODE: V06725 SPECIFICATION NUMBER: BACB30MY8K8	002004 006999	1
285	HL79-8		.COLLAR SUPPLIER CODE: V5M902 SPECIFICATION NUMBER: BACC30M8 OPTIONAL PART: HL79-8 V73197 HL79-8 V92215 66014-8 V56878 HL79-8 V56878 -----*	002004 006999	3

MISSING ITEM NUMBERS NOT APPLICABLE

- ITEM NOT ILLUSTRATED

BRI

27-11-54-02

BOEING PROPRIETARY - Copyright © - Unpublished Work - See title page for details.

27-11-54  
FIG. 02  
PAGE 8  
JAN 20/09


**BOEING**  
 757  
**PARTS CATALOG (MAINTENANCE)**

FIG ITEM	PART NUMBER	1 2 3 4 5 6 7	NOMENCLATURE	EFFECT FROM TO	UNITS PER ASSY
2 290	ABG4V5-12		.. BEARING SUPPLIER CODE: VS0352 SPECIFICATION NUMBER: BACB10AG4M OPTIONAL PART: AG4VCR12 V15860 BSSN4797SM2 V81376 HSBG4-117M V02758 NG4FM V73134 NC4G2DM V56644 KSBG4-25CRD5 V97613 BNG4ME111 V16746 03-505-04E035 V09455	002004 006999	1
295	251N1203-2		.. BRACKET	002004 006999	1

MISSING ITEM NUMBERS NOT APPLICABLE

— ITEM NOT ILLUSTRATED

BRI

# 27-11-54-02

BOEING PROPRIETARY - Copyright © - Unpublished Work - See title page for details.

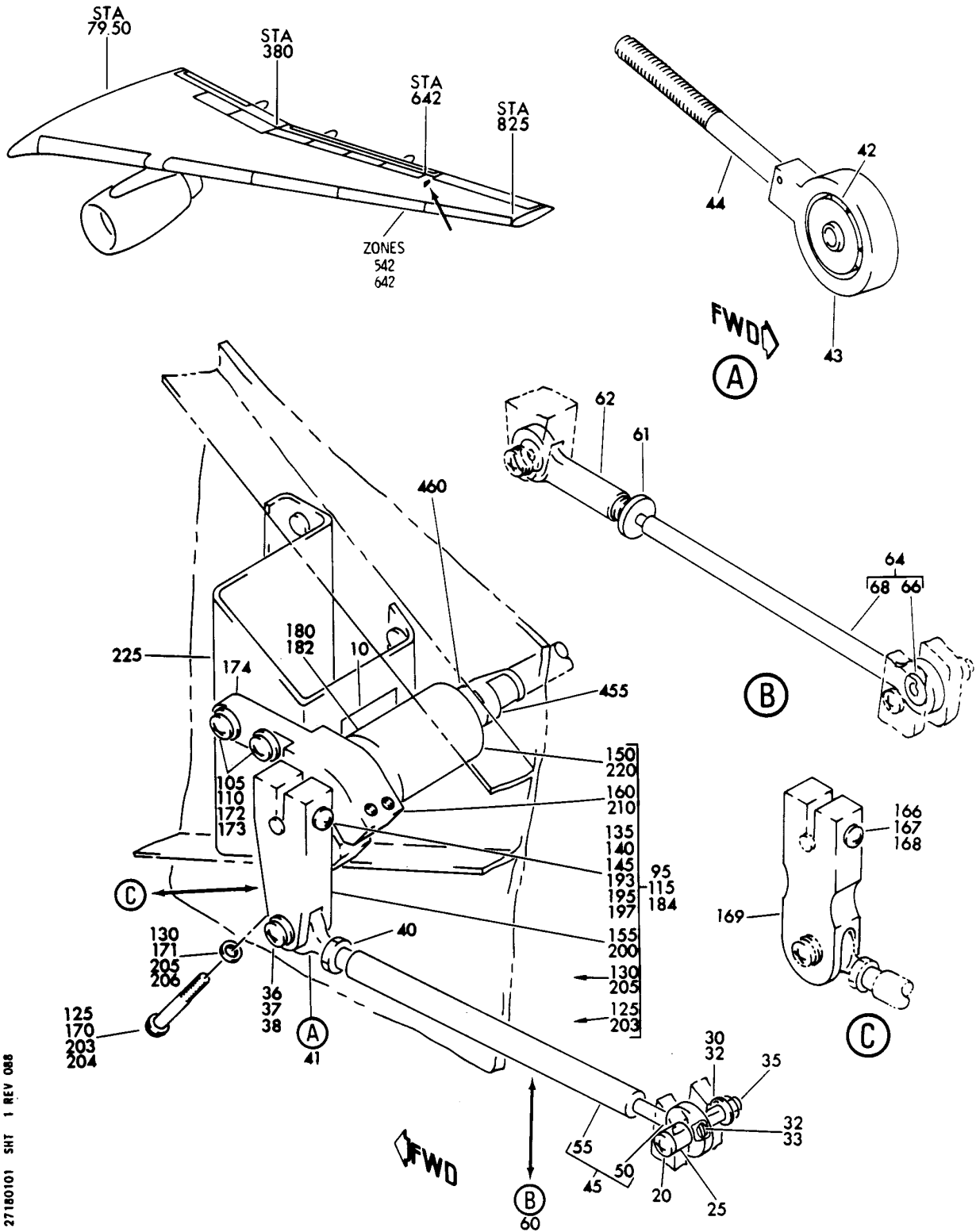
27-11-54  
 FIG. 02  
 PAGE 9  
 JAN 20/09

## **AILERON POSITION INDICATING SYSTEM**

BRI  
MAY 28/07

27-18-00  
SECTION TITLE  
PAGE 1

**BOEING**  
757  
PARTS CATALOG (MAINTENANCE)



Y 27180101 SH1 1 REV 088

SENSOR INSTL-AIL. POSITION  
FIGURE 1

**27-18-01-01**

BRI  
MAY 28/07

27-18-01-01  
PAGE 0



757

PARTS CATALOG (MAINTENANCE)

FIG ITEM	PART NUMBER	1 2 3 4 5 6 7	NOMENCLATURE	EFFECT FROM TO	UNITS PER ASSY
1			SENSOR INSTL-AIL. POSITION	002004 006999	
- 1	251N1007-13		SENSOR INSTL-AIL. POSITION POSITION DATA: LH FOR NHA SEE: 27-00-00-02 27-00-00-01	002004 006102 107999	RF
- 1	MODREF7131		SENSOR INSTL-AIL. POSITION MODULE NUMBER: 251N1007-13 REV A POSITION DATA: LH	103103	1
- 1	MODREF27497		SENSOR INSTL-AIL. POSITION MODULE NUMBER: 251N1007-13 REV B POSITION DATA: LH	104106	1
- 5	251N1007-14		SENSOR INSTL-AIL. POSITION POSITION DATA: RH FOR NHA SEE: 27-00-00-02 27-00-00-01	002004 006102 107999	RF
- 5	MODREF7132		SENSOR INSTL-AIL. POSITION MODULE NUMBER: 251N1007-14 REV A POSITION DATA: RH	103103	1
- 5	MODREF27498		SENSOR INSTL-AIL. POSITION MODULE NUMBER: 251N1007-14 REV B POSITION DATA: RH	104106	1
10	BAC27NCT0037		.MARKER-ALUMINUM FOIL- POSITION DATA: LH SIDE PLACARD CONTENT: M10225 POSN XMTR	002004 006999	1

MISSING ITEM NUMBERS NOT APPLICABLE

- ITEM NOT ILLUSTRATED

BRI

27-18-01-01

27-18-01  
FIG. 01  
PAGE 1  
JAN 20/09



757

PARTS CATALOG (MAINTENANCE)

FIG ITEM	PART NUMBER	1 2 3 4 5 6 7	NOMENCLATURE	EFFECT FROM TO	UNITS PER ASSY
1					
- 15	BAC27NCT0038		.MARKER-ALUMINUM FOIL- POSITION DATA: RH SIDE PLACARD CONTENT: M10226 POSN XMTR	002004 006999	1
20	NAS623-3-13		.SCREW-	002004 006999	1
25	NAS75-3-013		.BUSHING-	002004 006999	1
32	AN960JD10L		.WASHER-	002004 006999	2
35	PLH53CD		.NUT SUPPLIER CODE: VF0224 SPECIFICATION NUMBER: BACN10YR3CD OPTIONAL PART: H52732-3CD V15653	002004 006999	1
36	NAS623-3-9		.SCREW-	002004 006999	1
37	AN960JD10L		.WASHER	002004 006999	1
38	PLH53CD		.NUT SUPPLIER CODE: VF0224 SPECIFICATION NUMBER: BACN10YR3CD OPTIONAL PART: H52732-3CD V15653	002004 006999	1
40	69-43493-2		.NUT	002004 006999	1
41	69B81024-1		.END ASSY-FINE ADJUSTMENT MALE ROD	002004 006999	1
42	69B81026-1		..SLEEVE	002004 006999	1

MISSING ITEM NUMBERS NOT APPLICABLE

- ITEM NOT ILLUSTRATED

BRI

27-18-01-01

27-18-01  
FIG. 01  
PAGE 2  
JAN 20/09





757

PARTS CATALOG (MAINTENANCE)

FIG ITEM	PART NUMBER	1 2 3 4 5 6 7	NOMENCLATURE	EFFECT FROM TO	UNITS PER ASSY
1					
43	KSP3LFS428	..	BEARING SUPPLIER CODE: V21335 SPECIFICATION NUMBER: BACB10AC3L OPTIONAL PART: HHKSP3L V38443 KSP3LE9440A V21335 KSP3L2TS V43991 KSP3LG27 V30163	002004 006999	1
44	69B81024-2	..	END	002004 006999	1
45	251N1224-1	.	ROD ASSY-END	002004 006999	1
50	KSP3LFS428	..	BEARING SUPPLIER CODE: V21335 SPECIFICATION NUMBER: BACB10AC3L OPTIONAL PART: HHKSP3L V38443 KSP3LE9440A V21335 KSP3L2TS V43991 KSP3LG27 V30163	002004 006999	1
55	251N1224-3	..	END	002004 006999	1
182	65B81529-20	.	TRANSMITTER ASSY- POSITION DATA: LH SIDE COMPONENT MAINT MANUAL REF: 27-18-15	002004 006999	1
- 183	65B81529-19	.	TRANSMITTER ASSY- POSITION DATA: RH SIDE COMPONENT MAINT MANUAL REF: 27-18-15	002004 006999	1
184	251N1007-15	.	TRANSMITTER ASSY- POSITION DATA: LH SIDE COMPONENT MAINT MANUAL REF: 27-18-15	002004 006999	1

MISSING ITEM NUMBERS NOT APPLICABLE

- ITEM NOT ILLUSTRATED

27-18-01-01

27-18-01  
FIG. 01  
PAGE 3  
JAN 20/09

BRI



757

PARTS CATALOG (MAINTENANCE)

FIG ITEM	PART NUMBER	1 2 3 4 5 6 7	NOMENCLATURE	EFFECT FROM TO	UNITS PER ASSY
1					
- 185	251N1007-16		.TRANSMITTER ASSY- POSITION DATA: RH SIDE COMPONENT MAINT MANUAL REF: 27-18-15 ATTACHING PARTS	002004 006999	1
- 187	BACB30NT3K12		.BOLT	002004 006999	2
- 189	AN960JD10L		.WASHER	002004 006999	2
- 191	NAS42DD6-10		.SPACER	002004 006999	2
			-----*-----		
193	NAS623-3-16		..SCREW	002004 006999	1
195	AN960JD10L		..WASHER	002004 006999	1
197	PLH53CD		..NUT- SUPPLIER CODE: VFO224 SPECIFICATION NUMBER: BACN10YR3CD OPTIONAL PART: H52732-3CD V15653	002004 006999	1
200	69-71007-3		..CRANK- OPTIONAL PART: 69-15812-2	002004 006999	1
200	69-71007-4		..CRANK- OPTIONAL PART: 69-71007-3	002004 006999	1
200	69-15812-2		..CRANK- OPTIONAL PART: 69-71007-3	002004 006999	1
203	NAS623-3-15		..SCREW-	002004 006999	2
205	NAS620A10L		..WASHER-	002004 006999	2
210	65B80863-24		..BRACKET ASSY- POSITION DATA: LH SIDE	002004 006999	1
- 215	65B80863-23		..BRACKET ASSY- POSITION DATA: RH SIDE	002004 006999	1

MISSING ITEM NUMBERS NOT APPLICABLE

- ITEM NOT ILLUSTRATED

BRI

27-18-01-01

27-18-01  
FIG. 01  
PAGE 4  
JAN 20/09



757

PARTS CATALOG (MAINTENANCE)

FIG ITEM	PART NUMBER	1 2 3 4 5 6 7	NOMENCLATURE	EFFECT FROM TO	UNITS PER ASSY
1 220	13TX0115A		.. TRANSMITTER ASSY- SUPPLIER CODE: V51761 SPECIFICATION NUMBER: 60B40042-3 COMPONENT MAINT MANUAL REF: 27-09-02 OPTIONAL PART: 7977-18-01 V1K426 OPTIONAL PART: H505A V33463 H505B V33463 ZR1A V51761	002004 006999	1
220	H505A		.. TRANSMITTER ASSY- SUPPLIER CODE: V33463 SPECIFICATION NUMBER: S250N104-1 COMPONENT MAINT MANUAL REF: 27-01-01 OPTIONAL PART: 13TX0115A V51761 H505B V33463 7977-18-01 V1K426 ZR1A V51761	002004 006999	1

MISSING ITEM NUMBERS NOT APPLICABLE

- ITEM NOT ILLUSTRATED

BRI

**27-18-01-01**

BOEING PROPRIETARY - Copyright © - Unpublished Work - See title page for details.

27-18-01  
FIG. 01  
PAGE 5  
JAN 20/09



757

PARTS CATALOG (MAINTENANCE)

FIG ITEM	PART NUMBER	1 2 3 4 5 6 7	NOMENCLATURE	EFFECT FROM TO	UNITS PER ASSY
1 220	7977-18-01		.. TRANSMITTER- SUPPLIER CODE: V1K426 SPECIFICATION NUMBER: 60B40042-3 COMPONENT MAINT MANUAL REF: 27-09-01 OPTIONAL PART: 13TX0115A V51761 OPTIONAL PART: H505A V33463 H505B V33463 ZR1A V51761	002004 006999	1
220	H505B		.. TRANSMITTER ASSY- SUPPLIER CODE: V33463 FUNCTIONAL DESCRIPTION: PROVIDES ELECTRICAL SIGNALS CORRESPONDING TO CONTROL SURFACE MOVEMENT SPECIFICATION NUMBER: S250N104-4 COMPONENT MAINT MANUAL REF: 27-01-07 OPTIONAL PART: ZR1A V51761 OPTIONAL PART: 13TX0115A V51761 H505A V33463 7977-18-01 V1K426	002004 006999	1

MISSING ITEM NUMBERS NOT APPLICABLE

- ITEM NOT ILLUSTRATED

BRI

**27-18-01-01**

27-18-01  
FIG. 01  
PAGE 6  
JAN 20/09



757

PARTS CATALOG (MAINTENANCE)

FIG ITEM	PART NUMBER	1 2 3 4 5 6 7	NOMENCLATURE	EFFECT FROM TO	UNITS PER ASSY
1 220	ZR1A		.. TRANSMITTER ASSY- SUPPLIER CODE: V51761 FUNCTIONAL DESCRIPTION: PROVIDES ELECTRICAL SIGNALS CORRESPONDING TO CONTROL SURFACE MOVEMENT SPECIFICATION NUMBER: S250N104-4 COMPONENT MAINT MANUAL REF: 27-01-07 OPTIONAL PART: H505B V33463 OPTIONAL PART: H505A V33463 13TX0115A V51761 7977-18-01 V1K426	002004 006999	1
225	251N1176-13		. BRACKET ASSY- POSITION DATA: LH SIDE	002004 006999	1
- 230	251N1176-14		. BRACKET ASSY- POSITION DATA: RH SIDE	002004 006999	1
- 235	L8006K3		ATTACHING PARTS . BOLT SUPPLIER CODE: V06725 SPECIFICATION NUMBER: BACB30MY6K3	002004 006999	4
- 240	HL79-6		. COLLAR SUPPLIER CODE: V5M902 SPECIFICATION NUMBER: BACC30M6 OPTIONAL PART: HL79-6 V73197 HL79-6 V92215 66014-6 V56878 HL79-6 V56878 -----*	002004 006999	4

MISSING ITEM NUMBERS NOT APPLICABLE

- ITEM NOT ILLUSTRATED

27-18-01-01

27-18-01  
FIG. 01  
PAGE 7  
JAN 20/09

BRI



757

PARTS CATALOG (MAINTENANCE)

FIG ITEM	PART NUMBER	1 2 3 4 5 6 7	NOMENCLATURE	EFFECT FROM TO	UNITS PER ASSY
1					
- 400	286N3406-003		WIRE BUNDLE ASSY- POSITION DATA: RH	107107 904949	RF
- 405	MS27291-1		.SUPPORT- ELECTRICAL EQUIP NUMBER: D02066T WIRING DIAGRAM REF: 271811	107107 904949	1
- 410	C0909A10-05SN		.CONNECTOR- SUPPLIER CODE: V13556 SPECIFICATION NUMBER: BACC63BN10-5S OPTIONAL PART: 48-63N10-5S V02660 R071210-5S V41118 ELECTRICAL EQUIP NUMBER: D02066 WIRING DIAGRAM REF: 271811	107107 904949	1
- 450	286N3306-003		WIRE BUNDLE ASSY- POSITION DATA: LH	107107 904949	RF
- 450	286N3306-005		WIRE BUNDLE ASSY- POSITION DATA: LH	002004 006100 950999	RF
- 450	286N3306-006		WIRE BUNDLE ASSY- POSITION DATA: LH	121503	RF
- 450	286N3306-323		WIRE BUNDLE ASSY- POSITION DATA: LH	108120	RF
455	MS27291-1		.SUPPORT- ELECTRICAL EQUIP NUMBER: D02104T WIRING DIAGRAM REF: 271811	002004 006100 107503 904999	1

MISSING ITEM NUMBERS NOT APPLICABLE

- ITEM NOT ILLUSTRATED

BRI

27-18-01-01

27-18-01  
FIG. 01  
PAGE 8  
JAN 20/09



757

PARTS CATALOG (MAINTENANCE)

FIG ITEM	PART NUMBER	1 2 3 4 5 6 7	NOMENCLATURE	EFFECT FROM TO	UNITS PER ASSY
1 460	C0909A10-05SN		.CONNECTOR- SUPPLIER CODE: V13556 SPECIFICATION NUMBER: BACC63BN10-5S OPTIONAL PART: 48-63N10-5S V02660 R071210-5S V41118 ELECTRICAL EQUIP NUMBER: D02104 WIRING DIAGRAM REF: 271811	002004 006100 107503 904999	1

MISSING ITEM NUMBERS NOT APPLICABLE

- ITEM NOT ILLUSTRATED

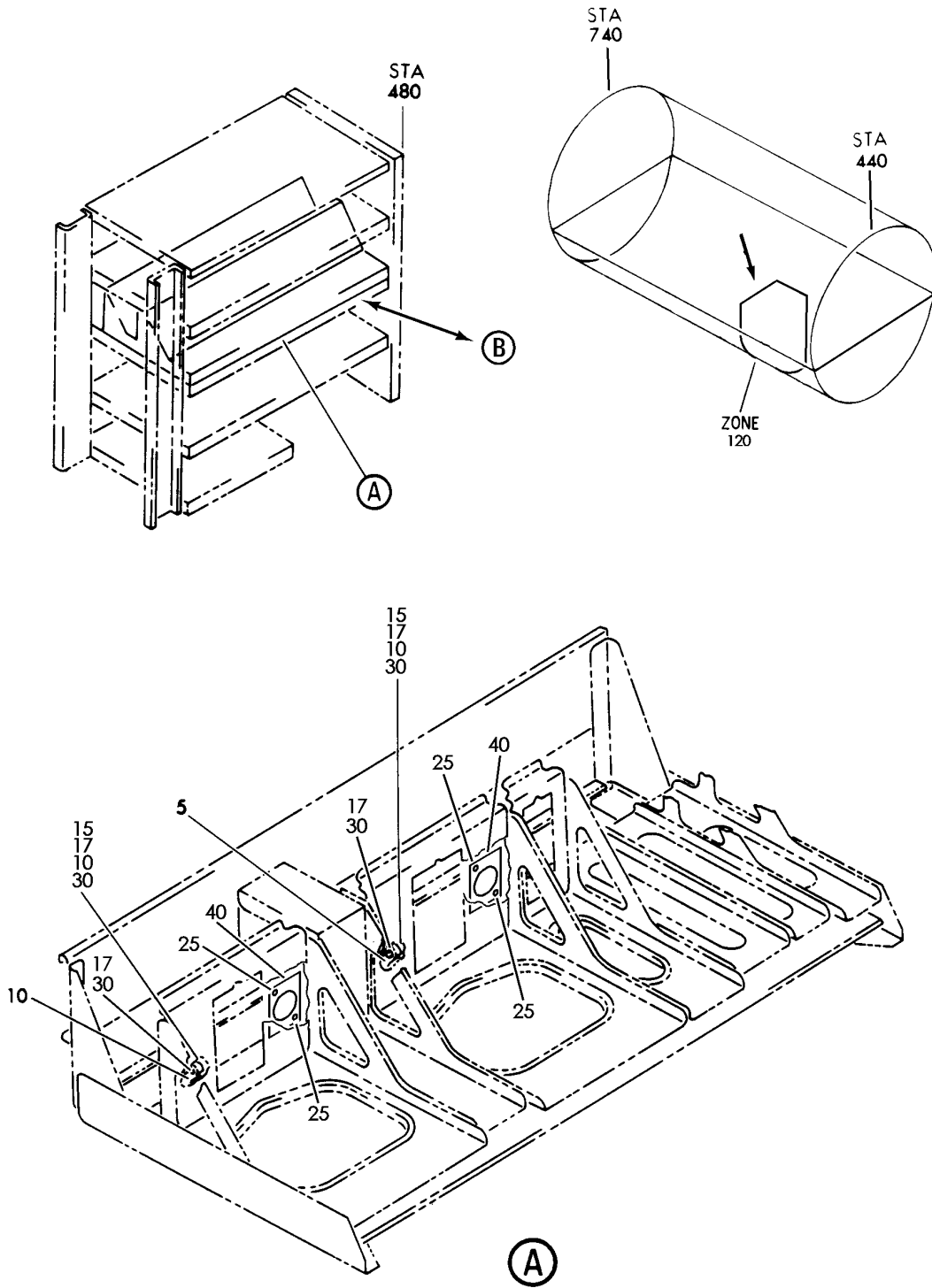
BRI

27-18-01-01

BOEING PROPRIETARY - Copyright © - Unpublished Work - See title page for details.

27-18-01  
FIG. 01  
PAGE 9  
JAN 20/09

**BOEING**  
757  
PARTS CATALOG (MAINTENANCE)



Y 27185101 SHT 1 REV 214

SHELF ASSY-ELECTRONICS EQPT CTR E4-2 (FLIGHT CONTROLS ONLY)  
FIGURE 1 (SHEET 1)

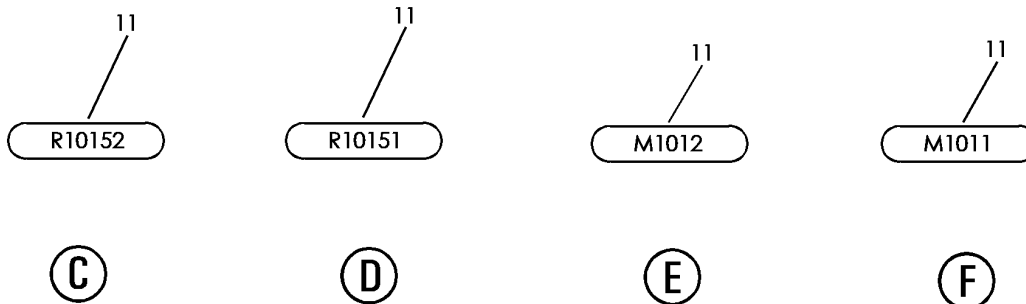
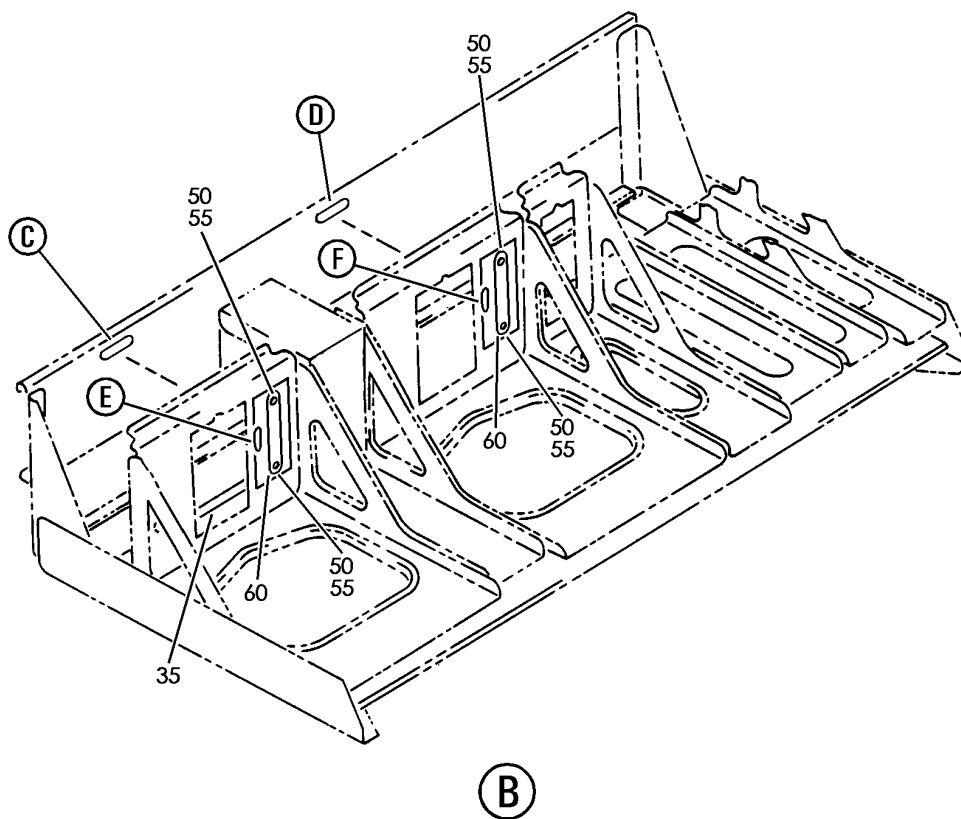
**27-18-51-01**

BRI  
MAY 28/07

27-18-51-01  
PAGE 0



**BOEING**  
757  
PARTS CATALOG (MAINTENANCE)



Y 27185101 SHT 2 REV 214

SHELF ASSY-ELECTRONICS EQPT CTR E4-2 (FLIGHT CONTROLS ONLY)  
FIGURE 1 (SHEET 2)

**27-18-51-01**

BRI  
MAY 28/07

27-18-51-01  
PAGE 0A



757

PARTS CATALOG (MAINTENANCE)

FIG ITEM	PART NUMBER	1 2 3 4 5 6 7	NOMENCLATURE	EFFECT FROM TO	UNITS PER ASSY
1			SHELF ASSY-ELECTRONICS EQPT CTR E4-2 (FLIGHT CONTROLS ONLY)	002004 006999	
- 1	284N1542-6		SHELF ASSY-ELECTRONICS EQPT CTR E4-2 (FLIGHT CONTROLS ONLY) FOR NHA/OTHER SYS DET SEE: 25-70-51-02	002004 107107 121503 904949 952952	RF
- 1	284N1542-13		SHELF ASSY-ELECTRONICS EQPT CTR E4-2 (FLIGHT CONTROLS ONLY) FOR NHA/OTHER SYS DET SEE: 25-70-51-02	006100 950951 953999	RF
- 2	284N1542-37		SHELF ASSY-ELECTRONICS EQPT CTR E4-2 (FLIGHT CONTROLS ONLY) FOR NHA/OTHER SYS DET SEE: 24-00-58-05D	101102	RF
5	BAC27NEX1703		.DECAL- PLACARD CONTENT: R10151	002004 006100 107107 121503 904999	1
5	TTVF7525WE10		.TAPE- SUPPLIER CODE: VOKWOO SPECIFICATION NUMBER: BACT19J4 OPTIONAL PART: THT1-437W10 V85480 PLACARD CONTENT: R10151	103106 108120 504903	1
10	BAC27NEX1704		.DECAL- PLACARD CONTENT: R10152	002004 006100 107107 121503 904999	1
10	TTVF7525WE10		.TAPE- SUPPLIER CODE: VOKWOO SPECIFICATION NUMBER: BACT19J4 OPTIONAL PART: THT1-437W10 V85480 PLACARD CONTENT: R10152	103106 108120 504903	1

MISSING ITEM NUMBERS NOT APPLICABLE

- ITEM NOT ILLUSTRATED

BRI

27-18-51-01

27-18-51  
FIG. 01  
PAGE 1  
JAN 20/09



757

PARTS CATALOG (MAINTENANCE)

FIG ITEM	PART NUMBER	1 2 3 4 5 6 7	NOMENCLATURE	EFFECT FROM TO	UNITS PER ASSY
1	11 TTVF7525WE10		.TAPE-SET SUPPLIER CODE: VOKW00 SPECIFICATION NUMBER: BACT19J4 OPTIONAL PART: THT1-437W10 V85480 PLACARD CONTENT: M1011 M1012 R10151 R10152	101106	AR
	15 MS21042L4		.NUT	002004 006100 107107 121503 904999	2
	15 BRH10C4D		.NUT SUPPLIER CODE: V52828 SPECIFICATION NUMBER: BACN10JC4CD OPTIONAL PART: T6C428JCD V11815 NS202486-048 V80539 102LH9075-4W V72962 H51650-4BAC V15653	101106	2
	17 BACR15BB4AD		.RIVET- SIZE DETERMINED ON INSTL.	002004 006100 107107 121503 904999	4
	17 BACR15PB4AD		.RIVET- SIZE DETERMINED ON INSTL.	101106	4
	20 CSK21120		.FILTER- SUPPLIER CODE: V12294 ELECTRICAL EQUIP NUMBER: R10151 R10152 OPTIONAL PART: 9000-103-0192A V12294	002004 006999	2

MISSING ITEM NUMBERS NOT APPLICABLE

- ITEM NOT ILLUSTRATED

BRI

27-18-51-01

27-18-51  
FIG. 01  
PAGE 2  
JAN 20/09



757

PARTS CATALOG (MAINTENANCE)

FIG ITEM	PART NUMBER	1 2 3 4 5 6 7	NOMENCLATURE	EFFECT FROM TO	UNITS PER ASSY
1	20 9000-103-0912A		. FILTER- SUPPLIER CODE: V12294 ELECTRICAL EQUIP NUMBER: R10151 R10152 OPTIONAL PART: 9000-103-0192A V12294	002004 006999	2
	20 9000-103-0192A		. FILTER- SUPPLIER CODE: V12294 ELECTRICAL EQUIP NUMBER: R10151 R10152 OPTIONAL PART: CSK21120 V12294 9000-103-0912A V12294	002004 006999	2
	25 NAS1801-04-5		. SCREW	002004 006100 103107 121503 904999	4
	30 PLH506CD		. NUT SUPPLIER CODE: VF0224 SPECIFICATION NUMBER: BACN10YR06CD OPTIONAL PART: H52732-06CD V15653	101106	4
	40 280T1003-1		. RECEPTACLE ASSY-SHORTING SUPPLIER CODE: V89954 FOR DETAILS SEE: 25-70-55-11	002004 006100 107107 121503 904999	2
	50 RBDSC1P12		. STUD-MOUNTING SECURITY COVER SUPPLIER CODE: V09922	101106	4
	55 RBDSC1P15		. COVER-SWITCH MODULE SUPPLIER CODE: V09922	101106	4
	60 RBDSC2		. MODULE-SWITCH, PROGRAMMABLE SUPPLIER CODE: V09922	101106	2

MISSING ITEM NUMBERS NOT APPLICABLE

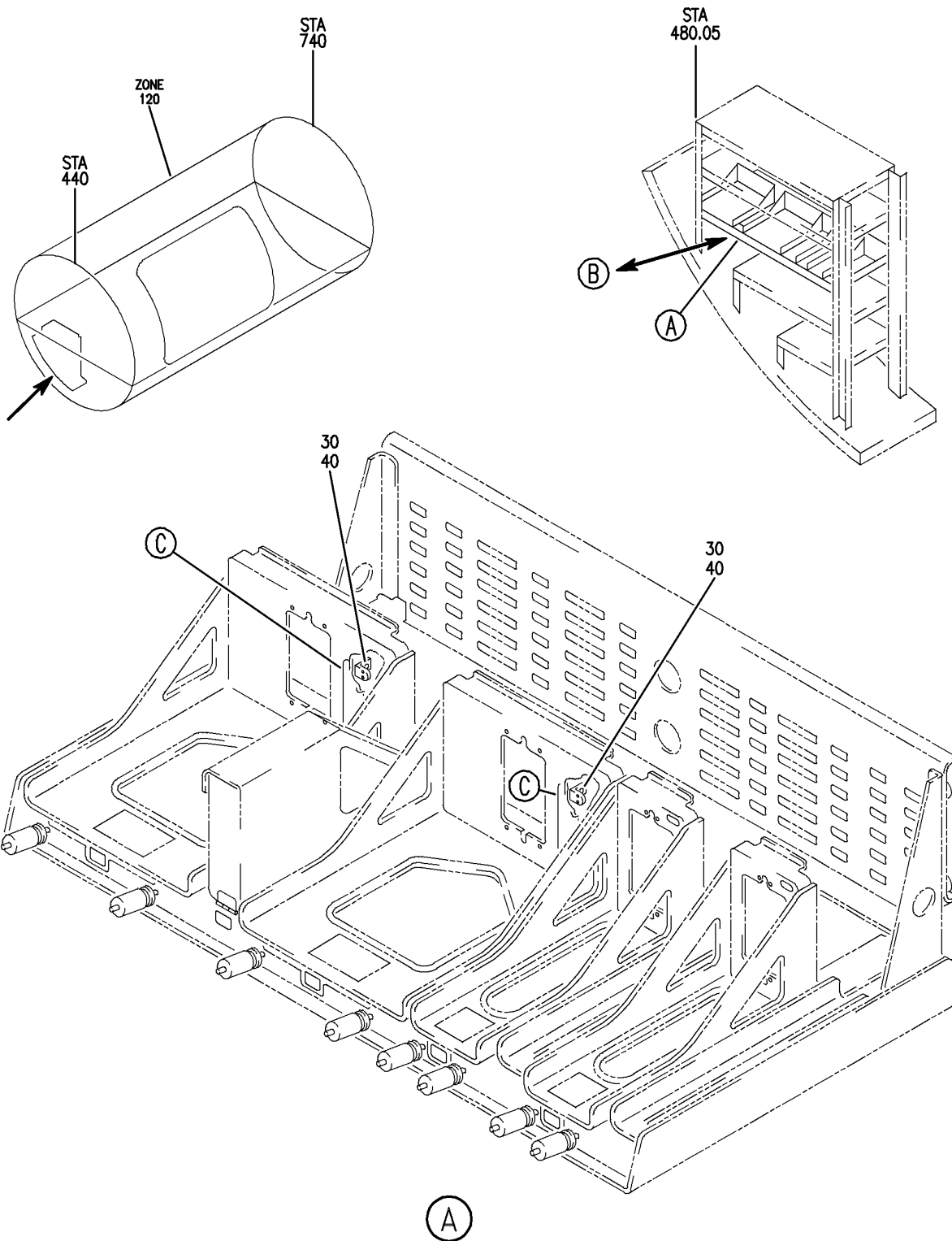
- ITEM NOT ILLUSTRATED

27-18-51-01

27-18-51  
FIG. 01  
PAGE 3  
JAN 20/09

BRI

**BOEING**  
757  
PARTS CATALOG (MAINTENANCE)



Y 27185101A SHT 1 REV 233

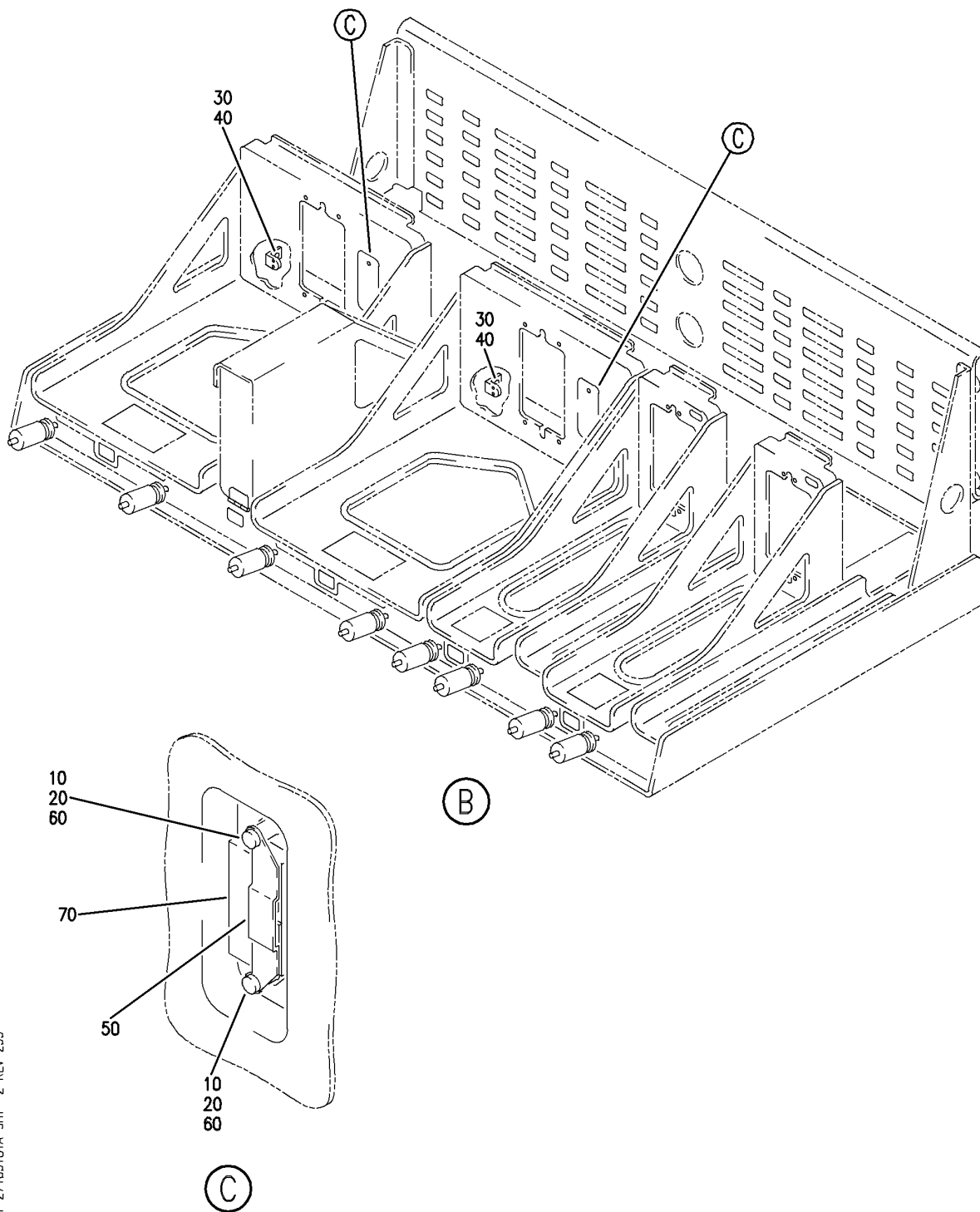
SHELF ASSY-ELECTRONICS EQPT CTR E4-2 (FLIGHT CONTROLS ONLY)  
FIGURE 1A (SHEET 1)

**27-18-51-01A**

BRI  
JAN 20/09

27-18-51-01A  
PAGE 0

**BOEING**  
757  
PARTS CATALOG (MAINTENANCE)



Y 27185101A SHT 2 REV 233

SHELF ASSY-ELECTRONICS EQPT CTR E4-2 (FLIGHT CONTROLS ONLY)  
FIGURE 1A (SHEET 2)

**27-18-51-01A**

BRI  
JAN 20/09

27-18-51-01A  
PAGE 0A



757

PARTS CATALOG (MAINTENANCE)

FIG ITEM	PART NUMBER	1 2 3 4 5 6 7	NOMENCLATURE	EFFECT FROM TO	UNITS PER ASSY
1 A			SHELF ASSY-ELECTRONICS EQPT CTR E4-2 (FLIGHT CONTROLS ONLY)	108120 504903	
- 1	284N1542-52		SHELF ASSY-ELECTRONICS EQPT CTR E4-2 WIRING COLLECTOR (FLIGHT CONTROLS ONLY) FOR NHA/OTHER SYS DET SEE: 24-00-58-05D	504903	RF
- 1	284N1542-54		SHELF ASSY-ELECTRONICS EQPT CTR E4-2 WIRING COLLECTOR (FLIGHT CONTROLS ONLY) FOR NHA/OTHER SYS DET SEE: 24-00-58-05D	108120	RF
10	NAS1149DN616J		.WASHER	108120 504903	4
20	PLH506CD		.NUT SUPPLIER CODE: VF0224 SPECIFICATION NUMBER: BACN10YR06CD OPTIONAL PART: H52732-06CD V15653	108120 504903	4
30	PLH54CD		.NUT SUPPLIER CODE: VF0224 SPECIFICATION NUMBER: BACN10YR4CD OPTIONAL PART: H52732-4CD V15653	108120 504903	2
40	9000-103-0192A		.FILTER- SUPPLIER CODE: V12294 ELECTRICAL EQUIP NUMBER: R10151 R10152 OPTIONAL PART: CSK21120 V12294 9000-103-0912A V12294	108120 504903	2

MISSING ITEM NUMBERS NOT APPLICABLE

- ITEM NOT ILLUSTRATED

**27-18-51-01A**

27-18-51  
FIG. 01A  
PAGE 1  
JAN 20/09

BRI

 **BOEING**  
757  
**PARTS CATALOG (MAINTENANCE)**

FIG ITEM	PART NUMBER	1 2 3 4 5 6 7	NOMENCLATURE	EFFECT FROM TO	UNITS PER ASSY
1A 40	CSK21120		. FILTER- SUPPLIER CODE: V12294 ELECTRICAL EQUIP NUMBER: R10151 R10152 OPTIONAL PART: 9000-103-0192A V12294	108120 504903	2
40	9000-103-0912A		. FILTER- SUPPLIER CODE: V12294 ELECTRICAL EQUIP NUMBER: R10151 R10152 OPTIONAL PART: 9000-103-0192A V12294	108120 504903	2
50	RB DSC1P15		. COVER-SWITCH MODULE SUPPLIER CODE: V09922	108120 504903	2
60	RB DSC1P12		. STUD-MOUNTING, SECURITY COVER SUPPLIER CODE: V09922	108120 504903	4
70	RB DSC2		. MODULE-SWITCH, PROGRAMMABLE SUPPLIER CODE: V09922 ELECTRICAL EQUIP NUMBER: M01011 M01012	108120 504903	2

MISSING ITEM NUMBERS NOT APPLICABLE

— ITEM NOT ILLUSTRATED

BRI

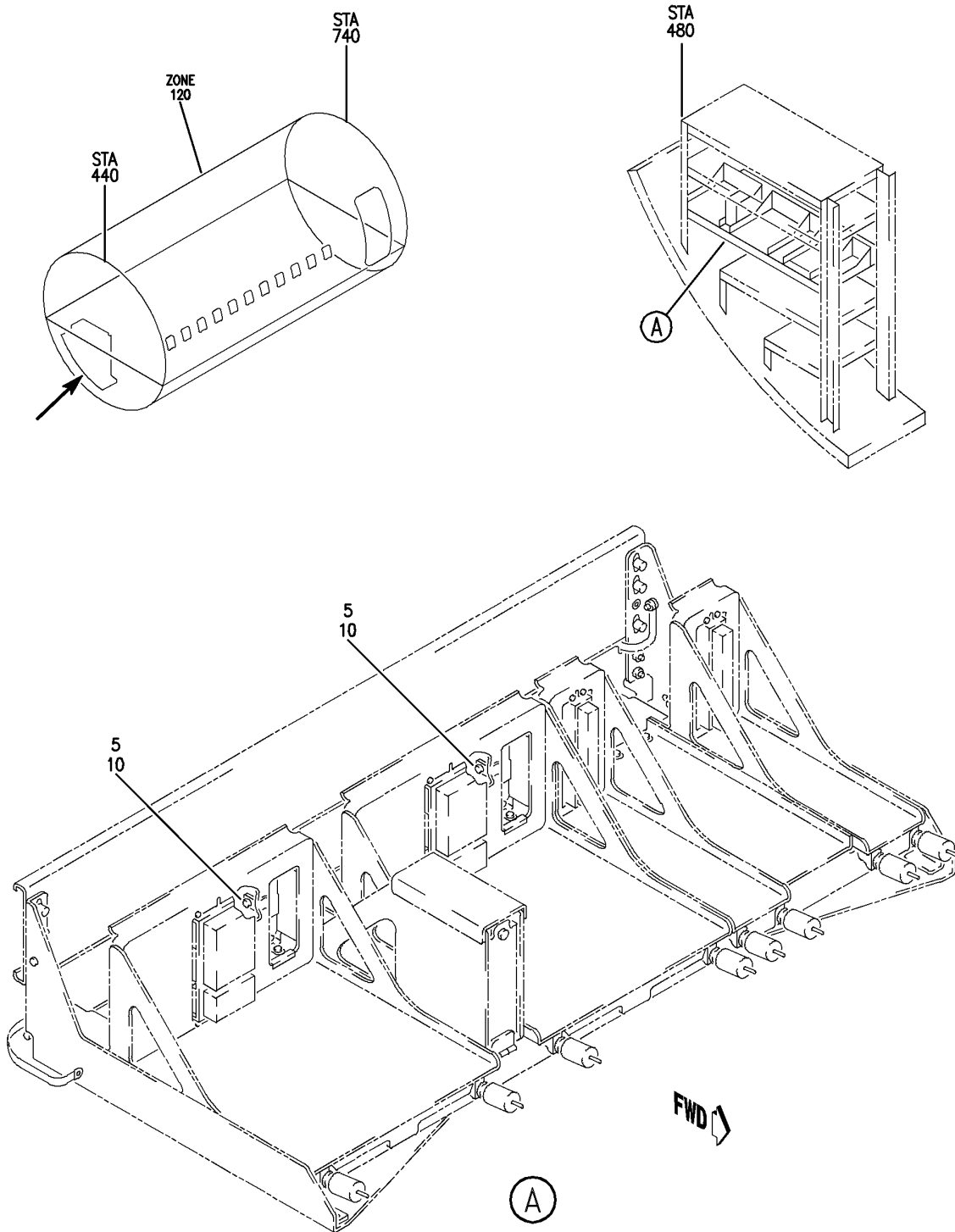
# 27-18-51-01A

BOEING PROPRIETARY - Copyright © - Unpublished Work - See title page for details.

27-18-51  
FIG. 01A  
PAGE 2  
JAN 20/09



**BOEING**  
757  
PARTS CATALOG (MAINTENANCE)



Y 27185102 REV 241

SHELF ASSY-ELECTRONICS EQPT CTR E4-2 (FLIGHT CONTROLS ONLY)  
FIGURE 2

**27-18-51-02**

BRI  
JAN 20/09

27-18-51-02  
PAGE 0



757

PARTS CATALOG (MAINTENANCE)

FIG ITEM	PART NUMBER	1 2 3 4 5 6 7	NOMENCLATURE	EFFECT FROM TO	UNITS PER ASSY
2			SHELF ASSY-ELECTRONICS EQPT CTR E4-2 (FLIGHT CONTROLS ONLY)	103105	
- 1	MODREF31295		SHELF ASSY-ELECTRONICS EQPT CTR E4-2 (FLIGHT CONTROLS ONLY) MODULE NUMBER: 284N1542-67 REV D FOR OTHER SYS DETAILS SEE: 25-70-55-11K 31-41-00-01	103105	1
5	PLH54CD		.NUT SUPPLIER CODE: VF0224 SPECIFICATION NUMBER: BACN10YR4CD OPTIONAL PART: H52732-4CD V15653	103105	2
10	9000-103-0192A		.FILTER- SUPPLIER CODE: V12294 ELECTRICAL EQUIP NUMBER: R10151 R10152 OPTIONAL PART: CSK21120 V12294 9000-103-0912A V12294	103105	2
10	CSK21120		.FILTER- SUPPLIER CODE: V12294 ELECTRICAL EQUIP NUMBER: R10151 R10152 OPTIONAL PART: 9000-103-0192A V12294 9000-103-0912A V12294	103105	2

MISSING ITEM NUMBERS NOT APPLICABLE

- ITEM NOT ILLUSTRATED

BRI

27-18-51-02

27-18-51  
FIG. 02  
PAGE 1  
JAN 20/09



757

PARTS CATALOG (MAINTENANCE)

FIG ITEM	PART NUMBER	1 2 3 4 5 6 7	NOMENCLATURE	EFFECT FROM TO	UNITS PER ASSY
2 10	9000-103-0912A		. FILTER- SUPPLIER CODE: V12294 ELECTRICAL EQUIP NUMBER: R10151 R10152 OPTIONAL PART: 9000-103-0192A V12294 CSK21120 V12294	103105	2

MISSING ITEM NUMBERS NOT APPLICABLE

- ITEM NOT ILLUSTRATED

BRI

27-18-51-02

BOEING PROPRIETARY - Copyright © - Unpublished Work - See title page for details.

27-18-51  
FIG. 02  
PAGE 2  
JAN 20/09

## RUDDER

BRI  
MAY 28/07

27-20-00  
SECTION TITLE  
PAGE 1

 **BOEING**  
757  
PARTS CATALOG (MAINTENANCE)

NON-ILLUSTRATED FIGURE

THE ITEMS REFLECTED IN THIS FIGURE ARE INTENTIONALLY  
NON-ILLUSTRATED. THEY ARE REFERENCED TO EITHER A  
NEXT HIGHER OR NEXT LOWER ASSEMBLY/INSTALLATION FIGURE.

RUDDER CONTROL SYSTEM MANAGEMENT COLLECTOR, MAJOR MODEL  
FIGURE 1

**27-20-00-01**

BRI  
MAY 28/07

27-20-00-01  
PAGE 0



757

PARTS CATALOG (MAINTENANCE)

FIG ITEM	PART NUMBER	1 2 3 4 5 6 7	NOMENCLATURE	EFFECT FROM TO	UNITS PER ASSY
1			RUDDER CONTROL SYSTEM MANAGEMENT COLLECTOR, MAJOR MODEL	101102 108120 504903	
- 1	251N0003-1000		RUDDER CONTROL SYSTEM- MAJOR MODEL VARIABLE DRAWING REF: 251N0003-5032 251N0003-5037 251N0003-5044	101102 108120 504903	1
- 10	251N3002-6		.CONTROL UNIT INSTL-RUD PWR FOR DETAILS SEE: 27-21-20-01	101102 504903	1
- 10	251N3002-12		.CONTROL UNIT INSTL-RUD PWR FOR DETAILS SEE: 27-21-20-01	108120	1
- 15	251N3006-3		.QUADRANT INSTL-RUD CONT FEEL CENTERING AND TRIM POSITION DATA: AFT FOR DETAILS SEE: 27-21-06-01	101102 108120 504903	1
- 20	251N3007-4		.LINKAGE INSTL-RUD THRM COMPENSATION FOR DETAILS SEE: 27-21-56-01	101102 108120 504903	1
- 25	251N3008-3		.PLATE INSTL-RUD CONT INDEX FOR DETAILS SEE: 27-21-54-01A	101102 108120 504903	1
- 30	251N3009-5		.TRANSMITTER INSTL-RUD CONT POSITION FOR DETAILS SEE: 27-28-01-01	101102 108120 504903	1
- 35	251N3011-3		.ADJUST INSTL-RUD PEDAL POSITION DATA: LH FUNCTIONAL REFERENCE: PLACARDS AND MARKINGS FOR DETAILS SEE 11-26-05-01 FLIGHT CONTROLS FOR DETAILS SEE 27-21-02-01	101102 108120 504903	1

MISSING ITEM NUMBERS NOT APPLICABLE

- ITEM NOT ILLUSTRATED

BRI

**27-20-00-01**

27-20-00  
FIG. 01  
PAGE 1  
JAN 20/09



757

PARTS CATALOG (MAINTENANCE)

FIG ITEM	PART NUMBER	1 2 3 4 5 6 7	NOMENCLATURE	EFFECT FROM TO	UNITS PER ASSY
1					
- 40	251N3011-4		.ADJUST INSTL-RUD PEDAL POSITION DATA: RH FUNCTIONAL REFERENCE: PLACARDS AND MARKINGS FOR DETAILS SEE 11-26-05-01 FLIGHT CONTROLS FOR DETAILS SEE 27-21-02-01	101102 108120 504903	1
- 45	251N3012-11		.COVER INSTL-RUD PEDAL POSITION DATA: LH FOR DETAILS SEE: 25-13-57-02	101102 108120 504903	1
- 50	251N3012-12		.COVER INSTL-RUD PEDAL POSITION DATA: RH FOR DETAILS SEE: 25-13-57-02	101102 108120 504903	1
- 55	251N3013-21		.PEDAL INSTL-CAPT RUD FOR DETAILS SEE: 27-21-02-02	101101	1
- 55	251N3013-27		.PEDAL INSTL-CAPT RUD FOR DETAILS SEE: 27-21-02-02	102102 108120 504903	1
- 60	251N3013-22		.PEDAL INSTL-RUD FIRST OFFICER FOR DETAILS SEE: 27-21-02-02	101101	1
- 60	251N3013-28		.PEDAL INSTL-RUD FIRST OFFICER FOR DETAILS SEE: 27-21-02-02	102102 108120 504903	1
- 77	251N3015-35		.SPRT INSTL-RUD JACKSHAFT POSITION DATA: LH FOR DETAILS SEE: 53-01-01-05A	101102 108120 504903	1
- 80	251N3015-33		.GUARD INSTL-RUD JACKSHAFT POSITION DATA: RH FOR DETAILS SEE: 53-01-01-05A	101102 108120 504903	1
- 87	251N3017-13		.HOUSING INSTL-RUD PEDAL FOR DETAILS SEE: 27-31-51-08	101101	1

MISSING ITEM NUMBERS NOT APPLICABLE

- ITEM NOT ILLUSTRATED

**27-20-00-01**

27-20-00  
FIG. 01  
PAGE 2  
JAN 20/09

BRI

 **BOEING**  
757  
**PARTS CATALOG (MAINTENANCE)**

FIG ITEM	PART NUMBER	1 2 3 4 5 6 7	NOMENCLATURE	EFFECT FROM TO	UNITS PER ASSY
1					
- 87	251N3017-17		.HOUSING INSTL-RUD PEDAL FOR DETAILS SEE: 27-31-51-09	102102 108120 504903	1
- 90	251N6007-2		.BRACKET INSTL-RA AND RB POSITION DATA: STA 351 FOR DETAILS SEE: 27-21-51-05	101102 108120 504903	1
- 95	251N6031-8		.BRACKET INSTL-RUD A AND RUD B CABLES PULLEY POSITION DATA: STA 1720 FOR DETAILS SEE: 27-21-51-02	101102 108120 504903	1
- 100	251N6032-24		.BRACKET INSTL-CABLES RUD A AND B BODY PULLEY POSITION DATA: STA 1739 UPR FOR DETAILS SEE: 53-81-52-01	101102 108120 504903	1
- 105	251N6035-2		.BRACKET INSTL-VERT. FIN RUD AP5 AND RUD BP6 CABLES PULLEY FOR DETAILS SEE: 53-81-53-01	101102 108120 504903	1
- 110	251N3014-9		.JACKSHAFT INSTL-RUD CONT POSITION DATA: LH FOR DETAILS SEE: 27-21-05-01	108120	1
- 115	251N3015-36		.SPRT INSTL-RUD JACKSHAFT FOR DETAILS SEE: 53-01-01-05A	108120	1
- 120	251N3048-2		.SENSOR INSTL-FLT DATA RECORDER RUDDER CONT POSITION FOR DETAILS SEE: 27-20-50-01	108120	1
- 125	251N0003-3000		RUDDER CONTROL SYSTEM- MINOR MODEL, PASS. VARIABLE DRAWING REF: 251N0003-5017 251N0003-5035 251N0003-5038	101102 108120 504903	1
- 130	251N3001-110		.CONTROL INSTL-RUD AND RUD TRIM FOR DETAILS SEE: 27-21-54-01A	101102 504903	1

MISSING ITEM NUMBERS NOT APPLICABLE

- ITEM NOT ILLUSTRATED

BRI

# 27-20-00-01

27-20-00  
FIG. 01  
PAGE 3  
JAN 20/09





757

PARTS CATALOG (MAINTENANCE)

FIG ITEM	PART NUMBER	1 2 3 4 5 6 7	NOMENCLATURE	EFFECT FROM TO	UNITS PER ASSY
1					
- 130	251N3001-112		.CONTROL INSTL-RUD AND RUD TRIM FOR DETAILS SEE: 27-21-54-01A	108120	1
- 135	251N3017-14		.HOUSING INSTL-RUD PEDAL FOR DETAILS SEE: 27-31-51-08	101102 504903	1
- 135	251N3017-18		.HOUSING INSTL-RUD PEDAL FOR DETAILS SEE: 27-31-51-09	101102 108120 504903	1
- 140	251N3014-15		.JACKSHAFT INSTL-RUD CONT POSITION DATA: LH FOR DETAILS SEE: 27-21-05-01	101102 108120 504903	1
- 145	251N3014-16		.JACKSHAFT INSTL-RUD CONT POSITION DATA: RH FOR DETAILS SEE: 27-21-05-01	101102 108120 504903	1
- 150	251N3013-21		.PEDAL INSTL-RUD CAPTAIN FOR DETAILS SEE: 27-21-02-02	101102 108120 504903	1
- 155	251N3013-22		.PEDAL INSTL-RUD FIRST OFFICER FOR DETAILS SEE: 27-21-02-02	101102 108120 504903	1
-200A	251N0003-1001		RUDDER CONTROL SYSTEM- CUSTOM OPTIONS VARIABLE DRAWING REF: 251N0003-5008 251N0003-5040	101102 108120 504903	1
- 205	251N3002-7		.CONTROL UNIT INSTL-RUD PWR FOR DETAILS SEE: 27-21-20-01	101102 108120 504903	1
- 210	251N3004-11		.LINKAGE INSTL-RUD CONT YAW DAMPER AND SUMMING FUNCTIONAL REFERENCE: AUTOFLIGHT FOR DETAILS SEE 22-21-02-01 FLIGHT CONTROLS FOR DETAILS SEE 27-21-17-01	101102 108120 504903	1

MISSING ITEM NUMBERS NOT APPLICABLE

- ITEM NOT ILLUSTRATED

BRI

27-20-00-01

27-20-00  
FIG. 01  
PAGE 4  
JAN 20/09



757

PARTS CATALOG (MAINTENANCE)

FIG ITEM	PART NUMBER	1 2 3 4 5 6 7	NOMENCLATURE	EFFECT FROM TO	UNITS PER ASSY
1					
- 215	251N3005-4		.CHANGER INSTL-RUD CONT RATIO FOR DETAILS SEE: 27-21-12-01 27-21-13-01	101102 108120 504903	1
- 225	251N3013-17		.PEDAL INSTL-RUD CAPTAIN FOR DETAILS SEE: 27-21-02-02	101102 108120 504903	1
- 227	251N3013-18		.PEDAL INSTL-RUD FIRST OFFICER FOR DETAILS SEE: 27-21-02-02	101102 108120 504903	1
- 230	251N3014-9		.JACKSHAFT INSTL-RUD CONT POSITION DATA: LH FOR DETAILS SEE: 27-21-05-01	101102 108120 504903	1
- 240	251N3015-36		.SPRT INSTL-RUD JACKSHAFT FOR DETAILS SEE: 53-01-01-05A	101102 108120 504903	1
- 245	251N3048-2		.SENSOR INSTL-FLT DATA RECORDER RUD CONT POSITION FOR DETAILS SEE: 27-20-50-01	101102 504903	1
- 250	251N3003-4		.SERVO INSTL-RUD CONT ROLLOUT GUIDANCE FOR DETAILS SEE: 22-13-01-01	101102 108120 504903	1

MISSING ITEM NUMBERS NOT APPLICABLE

- ITEM NOT ILLUSTRATED

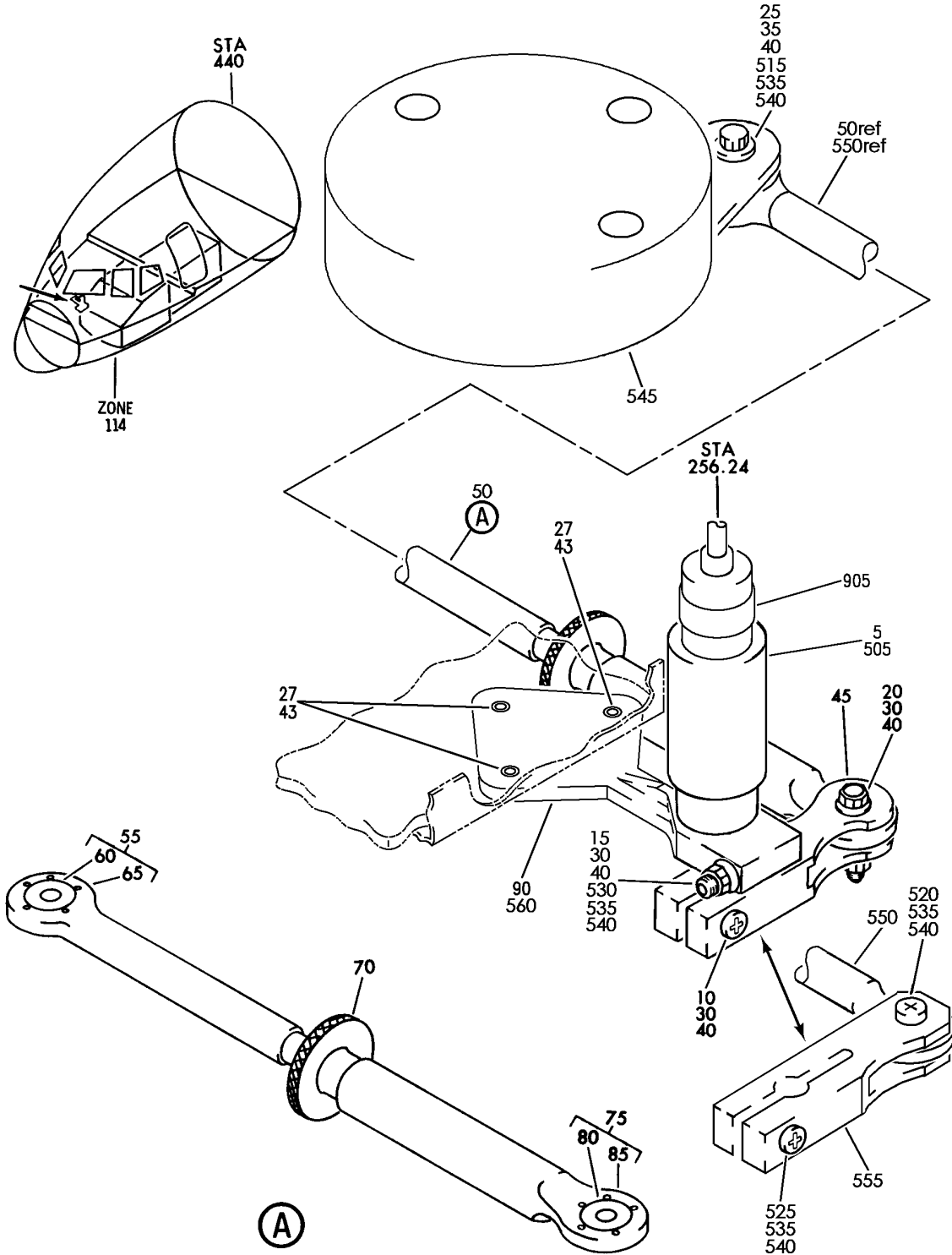
BRI

27-20-00-01

BOEING PROPRIETARY - Copyright © - Unpublished Work - See title page for details.

27-20-00  
FIG. 01  
PAGE 5  
JAN 20/09

**BOEING**  
757  
PARTS CATALOG (MAINTENANCE)



Y 27205001 REV 261

SENSOR AND MODIFICATION INSTL- FLT RECORDER RUDDER CONT POSITION  
FIGURE 1

**27-20-50-01**

BRI  
MAY 28/07

27-20-50-01  
PAGE 0



757

PARTS CATALOG (MAINTENANCE)

FIG ITEM	PART NUMBER	1 2 3 4 5 6 7	NOMENCLATURE	EFFECT FROM TO	UNITS PER ASSY
1			SENSOR AND MODIFICATION INSTL- FLT RECORDER RUDDER CONT POSITION	002004 006106 108903 950999	
- 1	251N3048-2		SENSOR INSTL-FLT DATA RECORDER RUDDER CONT POSITION FOR NHA SEE: 27-20-00-01 27-21-54-01	002004 006102 108903 950999	RF
- 1	MODREF7553		SENSOR INSTL-FLT DATA RECORDER RUDDER CONT POSITION MODULE NUMBER: 251N3048-2 REV A	103106	1
5	H505B		.TRANSMITTER ASSY- SUPPLIER CODE: V33463 FUNCTIONAL DESCRIPTION: PROVIDES ELECTRICAL SIGNALS CORRESPONDING TO CONTROL SURFACE MOVEMENT SPECIFICATION NUMBER: S250N104-4 ELECTRICAL EQUIP NUMBER: TS5303 COMPONENT MAINT MANUAL REF: 27-01-07 OPTIONAL PART: ZR1A V51761	101106 108120 504903	1
5	ZR1A		.TRANSMITTER ASSY- SUPPLIER CODE: V51761 FUNCTIONAL DESCRIPTION: PROVIDES ELECTRICAL SIGNALS CORRESPONDING TO CONTROL SURFACE MOVEMENT SPECIFICATION NUMBER: S250N104-4 ELECTRICAL EQUIP NUMBER: TS5303 COMPONENT MAINT MANUAL REF: 27-01-07 OPTIONAL PART: H505B V33463	101106 108120 504903	1

MISSING ITEM NUMBERS NOT APPLICABLE

- ITEM NOT ILLUSTRATED

BRI

27-20-50-01

BOEING PROPRIETARY - Copyright © - Unpublished Work - See title page for details.

27-20-50  
FIG. 01  
PAGE 1  
JAN 20/09



757

PARTS CATALOG (MAINTENANCE)

FIG ITEM	PART NUMBER	1 2 3 4 5 6 7	NOMENCLATURE	EFFECT FROM TO	UNITS PER ASSY
1					
10	NAS623-3-12	.	SCREW	101106 108120 504903	1
15	NAS623-3-20	.	SCREW	101106 108120 504903	1
20	NAS623-3-7	.	SCREW-	002004 006106 108903 950999	1
25	NAS6603-7	.	BOLT	101106 108120 504903	1
30	AN960JD10	.	WASHER	101106 108120 504903	3
35	AN970-3	.	WASHER	101106 108120 504903	1
40	MS21042L3	.	NUT	101106 108120 504903	4
45	251N1011-1	.	CRANK-ARM	002004 006102 108903 950999	1
50	69-43490-10	.	ROD ASSY-	002004 006102 108903 950999	1
55	69-43492-4	..	ROD ASSY-END MALE	101106 108120 504903	1
60	KSP3LFS428	...	BEARING SUPPLIER CODE: V21335 SPECIFICATION NUMBER: BACB10AC3L OPTIONAL PART: HHKSP3L V38443 KSP3LE9440A V21335 KSP3L2TS V43991 KSP3LG27 V30163	101106 108120 504903	1

MISSING ITEM NUMBERS NOT APPLICABLE

- ITEM NOT ILLUSTRATED

27-20-50-01

27-20-50  
FIG. 01  
PAGE 2  
JAN 20/09

BRI



757

PARTS CATALOG (MAINTENANCE)

FIG ITEM	PART NUMBER	1 2 3 4 5 6 7	NOMENCLATURE	EFFECT FROM TO	UNITS PER ASSY
1					
65	69-43492-6	...	END	101106 108120 504903	1
70	69-43493-2	..	NUT-THUMB	101106 108120 504903	1
75	69-43491-1	..	END ASSY-END FEMALE	101106 108120 504903	1
80	KSP3LFS428	...	BEARING SUPPLIER CODE: V21335 SPECIFICATION NUMBER: BACB10AC3L OPTIONAL PART: HHKSP3L V38443 KSP3LE9440A V21335 KSP3L2TS V43991 KSP3LG27 V30163	101106 108120 504903	1
85	69-43491-2	...	END	101106 108120 504903	1

MISSING ITEM NUMBERS NOT APPLICABLE

- ITEM NOT ILLUSTRATED

BRI

27-20-50-01

BOEING PROPRIETARY - Copyright © - Unpublished Work - See title page for details.

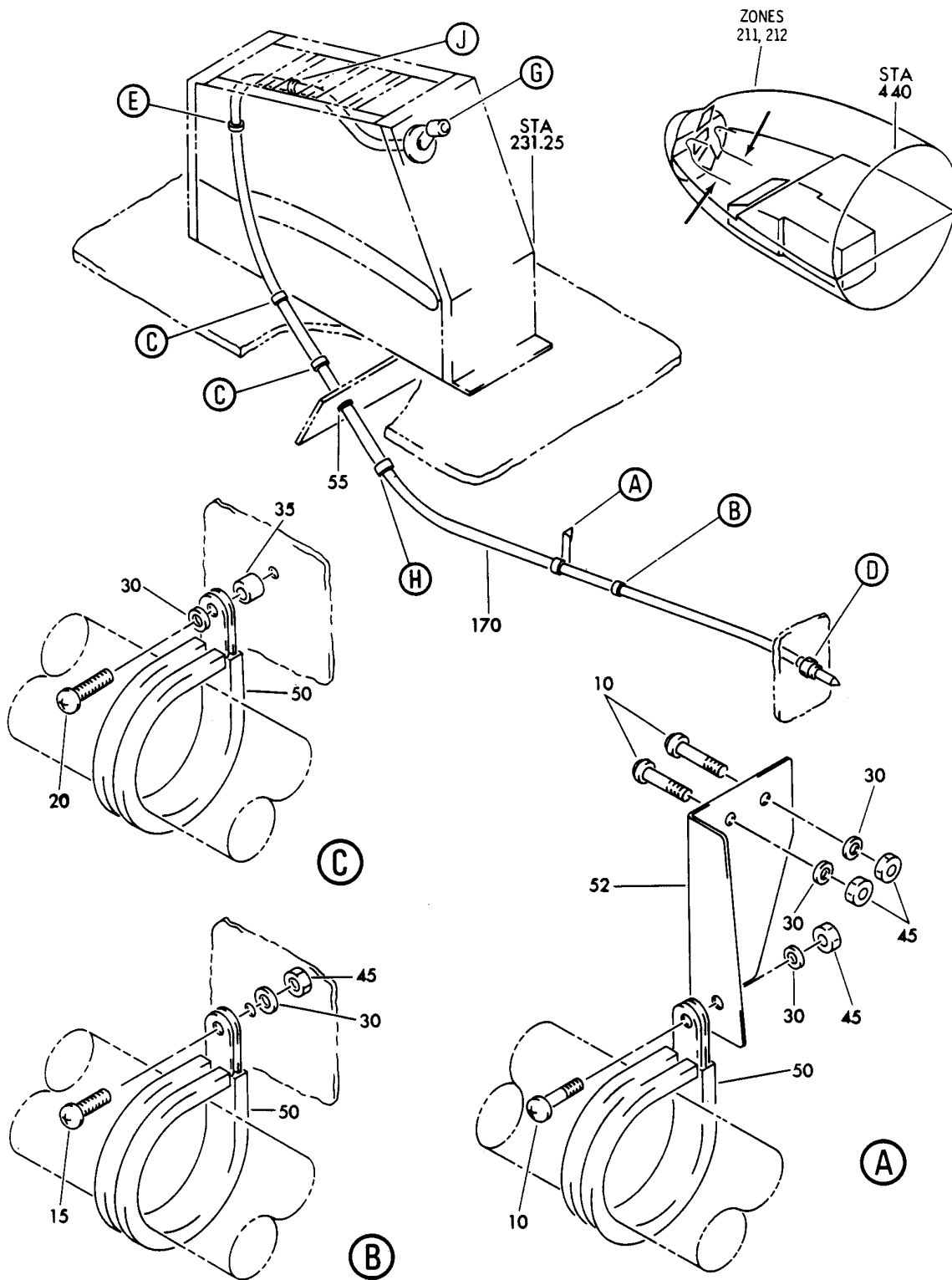
27-20-50  
FIG. 01  
PAGE 3  
JAN 20/09

## RUDDER AND RUDDER TRIM CONTROL SYSTEM

BRI  
MAY 28/07

27-21-00  
SECTION TITLE  
PAGE 1

**BOEING**  
757  
PARTS CATALOG (MAINTENANCE)



Y 27210201 SH1 1 REV 081

ADJUST INSTL-RUD PEDAL (FLIGHT CONTROLS ONLY)  
FIGURE 1 (SHEET 1)

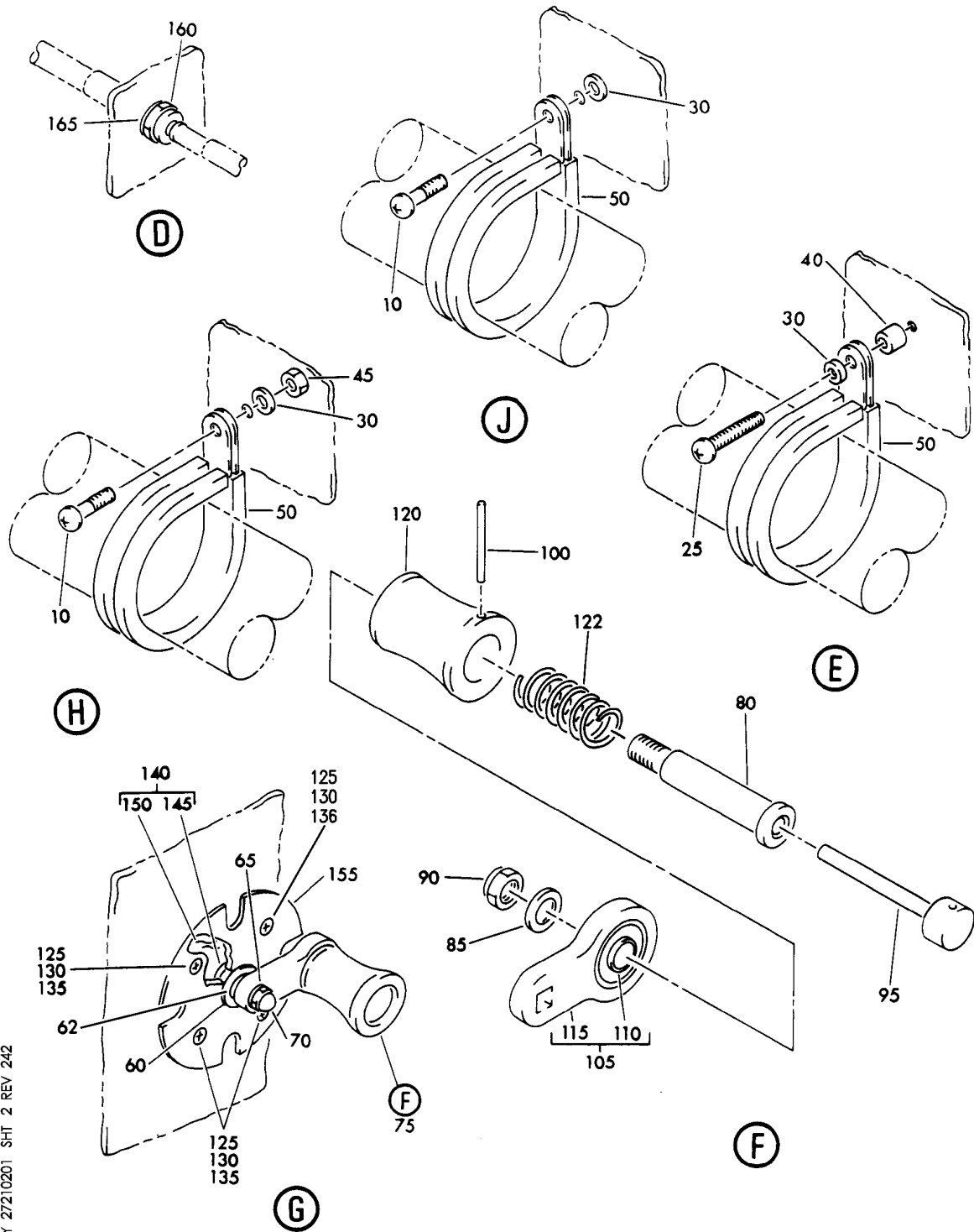
**27-21-02-01**

BRI  
MAY 28/07

27-21-02-01  
PAGE 0



**BOEING**  
757  
PARTS CATALOG (MAINTENANCE)



Y 27210201 SHT 2 REV 242

ADJUST INSTL-RUD PEDAL (FLIGHT CONTROLS ONLY)  
FIGURE 1 (SHEET 2)

**27-21-02-01**

BRI  
MAY 28/07

27-21-02-01  
PAGE 0A



757

PARTS CATALOG (MAINTENANCE)

FIG ITEM	PART NUMBER	1 2 3 4 5 6 7	NOMENCLATURE	EFFECT FROM TO	UNITS PER ASSY
1			ADJUST INSTL-RUD PEDAL (FLIGHT CONTROLS ONLY)	002004 006999	
- 1	251N3011-1		ADJUST INSTL-RUD PEDAL (FLIGHT CONTROLS ONLY) POSITION DATA: LH FOR NHA/OTHER SYS DET SEE: 27-21-54-01	002004 006100 107107 121503 904999	RF
- 1	251N3011-3		ADJUST INSTL-RUD PEDAL (FLIGHT CONTROLS ONLY) POSITION DATA: LH FOR NHA/OTHER SYS DET SEE: 27-20-00-01	101102 108120 504903	RF
- 1	MODREF7453		ADJUST INSTL-RUD PEDAL (FLIGHT CONTROLS ONLY) MODULE NUMBER: 251N3011-3 REV A POSITION DATA: LH	103103	1
- 1	MODREF27506		ADJUST INSTL-RUD PEDAL (FLIGHT CONTROLS ONLY) MODULE NUMBER: 251N3011-3 REV B POSITION DATA: LH FOR OTHER SYS DETAILS SEE: 11-26-05-01	104106	1
- 5	251N3011-2		ADJUST INSTL-RUD PEDAL (FLIGHT CONTROLS ONLY) POSITION DATA: RH FOR NHA/OTHER SYS DET SEE: 27-21-54-01	002004 006100 107107 121503 904999	RF
- 5	251N3011-4		ADJUST INSTL-RUD PEDAL (FLIGHT CONTROLS ONLY) POSITION DATA: RH FOR NHA/OTHER SYS DET SEE: 27-20-00-01	101102 108120 504903	RF
- 5	MODREF7454		ADJUST INSTL-RUD PEDAL (FLIGHT CONTROLS ONLY) MODULE NUMBER: 251N3011-4 REV A POSITION DATA: RH	103103	1

MISSING ITEM NUMBERS NOT APPLICABLE

- ITEM NOT ILLUSTRATED

27-21-02-01

27-21-02  
FIG. 01  
PAGE 1  
JAN 20/09

BRI



757

PARTS CATALOG (MAINTENANCE)

FIG ITEM	PART NUMBER	1 2 3 4 5 6 7	NOMENCLATURE	EFFECT FROM TO	UNITS PER ASSY
1					
- 5	MODREF27507		ADJUST INSTL-RUD PEDAL (FLIGHT CONTROLS ONLY) MODULE NUMBER: 251N3011-4 REV B POSITION DATA: RH FOR OTHER SYS DETAILS SEE: 11-26-05-01	104106	1
10	BACB30NT3K3		.BOLT	002004 006999	5
15	BACB30NT3K4		.BOLT	002004 006999	1
20	BACB30NT3K11		.BOLT	002004 006999	2
25	BACB30NT3K14		.BOLT	002004 006999	1
30	NAS1149D0316J		.WASHER-	002004 006999	9
35	NAS43DD3-32		.SPACER-	002004 006100 107107 121503 904999	2
35	NAS43DD3-32FC		.SPACER-	101106 108120 504903	2
40	NAS43DD3-40		.SPACER-	002004 006100 107107 121503 904999	1
40	NAS43DD3-40FC		.SPACER-	101106 108120 504903	1
45	BRH10C3D		.NUT SUPPLIER CODE: V52828 SPECIFICATION NUMBER: BACN10JC3CD OPTIONAL PART: T6C1032JCD V11815 NS202486-02 V80539 102LH9075-3W V72962 H51650-3BAC V15653	002004 006999	5

MISSING ITEM NUMBERS NOT APPLICABLE

- ITEM NOT ILLUSTRATED

BRI

27-21-02-01

27-21-02  
FIG. 01  
PAGE 2  
JAN 20/09



757

PARTS CATALOG (MAINTENANCE)

FIG ITEM	PART NUMBER	1 2 3 4 5 6 7	NOMENCLATURE	EFFECT FROM TO	UNITS PER ASSY
1	50 JM44LC13WD10R		.CLAMP SUPPLIER CODE: V22175 SPECIFICATION NUMBER: BACC10GE10A OPTIONAL PART: S369WHD10 V18076 TA12C32WD10 V84971 509A10 V83930	002004 006999	7
	52 251N3080-1		.BRACKET- POSITION DATA: LH	002004 006999	1
-	53 251N3080-2		.BRACKET- POSITION DATA: RH	002004 006999	1
	55 MS35489-20S		.GROMMET-	002004 006100 107107 121503 904999	1
	55 MS35489-20		.GROMMET-	101106 108120 504903	1
	60 253T3416-4		.WASHER	002004 006999	1
	62 NAS1149D0616J		.WASHER	002004 006999	1
	65 NAS1149D0416J		.WASHER-	002004 006999	1
	70 F42NKE048		.NUT SUPPLIER CODE: V72962 SPECIFICATION NUMBER: BACN10R428 OPTIONAL PART: 42NKE048 V72962 26C048 V80539	002004 006999	1
	75 69-40917-5		.CRANK ASSY-	002004 006999	1
	80 69-40914-2		..BOLT-SHOULDER	002004 006999	1
	85 AN960PD516L		..WASHER	002004 006999	1

MISSING ITEM NUMBERS NOT APPLICABLE

- ITEM NOT ILLUSTRATED

27-21-02-01

27-21-02  
FIG. 01  
PAGE 3  
JAN 20/09

BRI

BOEING PROPRIETARY - Copyright © - Unpublished Work - See title page for details.

 **BOEING**  
757  
**PARTS CATALOG (MAINTENANCE)**

FIG ITEM	PART NUMBER	1 2 3 4 5 6 7	NOMENCLATURE	EFFECT FROM TO	UNITS PER ASSY
1					
90	NAS679A5	..	NUT	002004 006999	1
95	69-40915-1	..	PIN-LOCKING	002004 006999	1
100	MS39086-26	..	PIN	002004 006999	1
105	69-40912-4	..	LEVER ASSY	002004 006999	1
110	BACB10A683	...	BEARING SUPPLIER CODE: V21335 SPECIFICATION NUMBER: BACB10A683 OPTIONAL PART: LLKP5A V38443 KP5ATT V43991	002004 006999	1
115	69-40912-2	...	LEVER	002004 006999	1
120	69-40916-2	..	KNOB-	002004 006999	1
122	69-40913-1	..	SPRING	002004 006999	1
125	BACB30NN3K9	.	BOLT-	002004 006100 107107 121503 904999	4
125	BACB30NN3K8	.	BOLT-	101106 108120 504903 904999	4
130	NAS1149D0316J	.	WASHER-	002004 006999	4
135	BRH10C3D	.	NUT SUPPLIER CODE: V52828 SPECIFICATION NUMBER: BACN10JC3CD OPTIONAL PART: T6C1032JCD V11815 NS202486-02 V80539 102LH9075-3W V72962 H51650-3BAC V15653	002004 006999	3

MISSING ITEM NUMBERS NOT APPLICABLE

— ITEM NOT ILLUSTRATED

BRI

# 27-21-02-01

BOEING PROPRIETARY - Copyright © - Unpublished Work - See title page for details.

27-21-02  
FIG. 01  
PAGE 4  
JAN 20/09



757

PARTS CATALOG (MAINTENANCE)

FIG ITEM	PART NUMBER	1 2 3 4 5 6 7	NOMENCLATURE	EFFECT FROM TO	UNITS PER ASSY
1					
136	NAS509-3	.	NUT-	002004 006100 107107 121503 904999	1
136	BACN11U3CD1	.	NUT- OPTIONAL PART: NAS509-3	101106 108120 504903	1
136	NAS509-3	.	NUT- OPTIONAL PART: BACN11U3CD1	101106 108120 504903	1
140	253T3416-1	.	HOUSING ASSY	002004 006999	1
145	KP6AFS428	..	BEARING SUPPLIER CODE: V06144 SPECIFICATION NUMBER: BACB10BX6 OPTIONAL PART: KP6AFS428 V21335 KP6A2TS V43991 LLKP6A V38443 KP6AG27 V30163 KP6A V38443 KP6BLY196 V40920 KP6BSD610 V83086 CS206E VK8455 KP6A V21760 KP6ANJC V06144	002004 006999	1
150	253T3416-2	..	HOUSING	002004 006999	1
155	253T3416-3	.	PLATE-STOP	002004 006999	1
160	F52NTE126	.	NUT- SUPPLIER CODE: V72962	002004 006999	1

MISSING ITEM NUMBERS NOT APPLICABLE

- ITEM NOT ILLUSTRATED

27-21-02-01

27-21-02  
FIG. 01  
PAGE 5  
JAN 20/09

BRI



757

PARTS CATALOG (MAINTENANCE)

FIG ITEM	PART NUMBER	1 2 3 4 5 6 7	NOMENCLATURE	EFFECT FROM TO	UNITS PER ASSY
1 165	AN960PD1216L	.	WASHER-	002004 006100 107107 121503 904999	1
165	NAS1149D1216J	.	WASHER-	101106 108120 504903	1
170	251N3084-1	.	SHAFT	002004 006999	1

MISSING ITEM NUMBERS NOT APPLICABLE

- ITEM NOT ILLUSTRATED

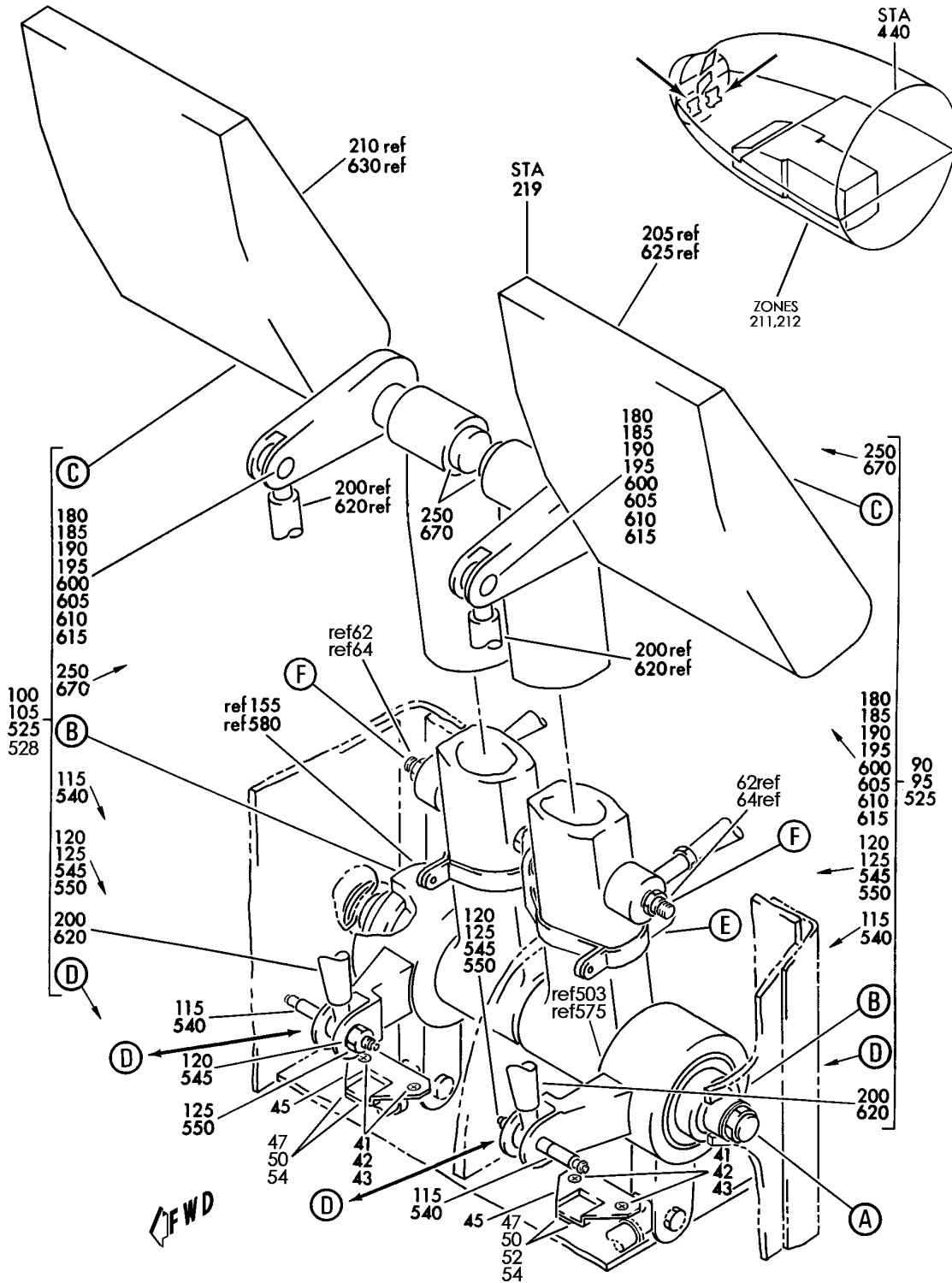
BRI

27-21-02-01

BOEING PROPRIETARY - Copyright © - Unpublished Work - See title page for details.

27-21-02  
FIG. 01  
PAGE 6  
JAN 20/09

**BOEING**  
757  
PARTS CATALOG (MAINTENANCE)



Y 27210202 SHT 1 REV 229

PEDAL INSTL-RUD  
FIGURE 2 (SHEET 1)

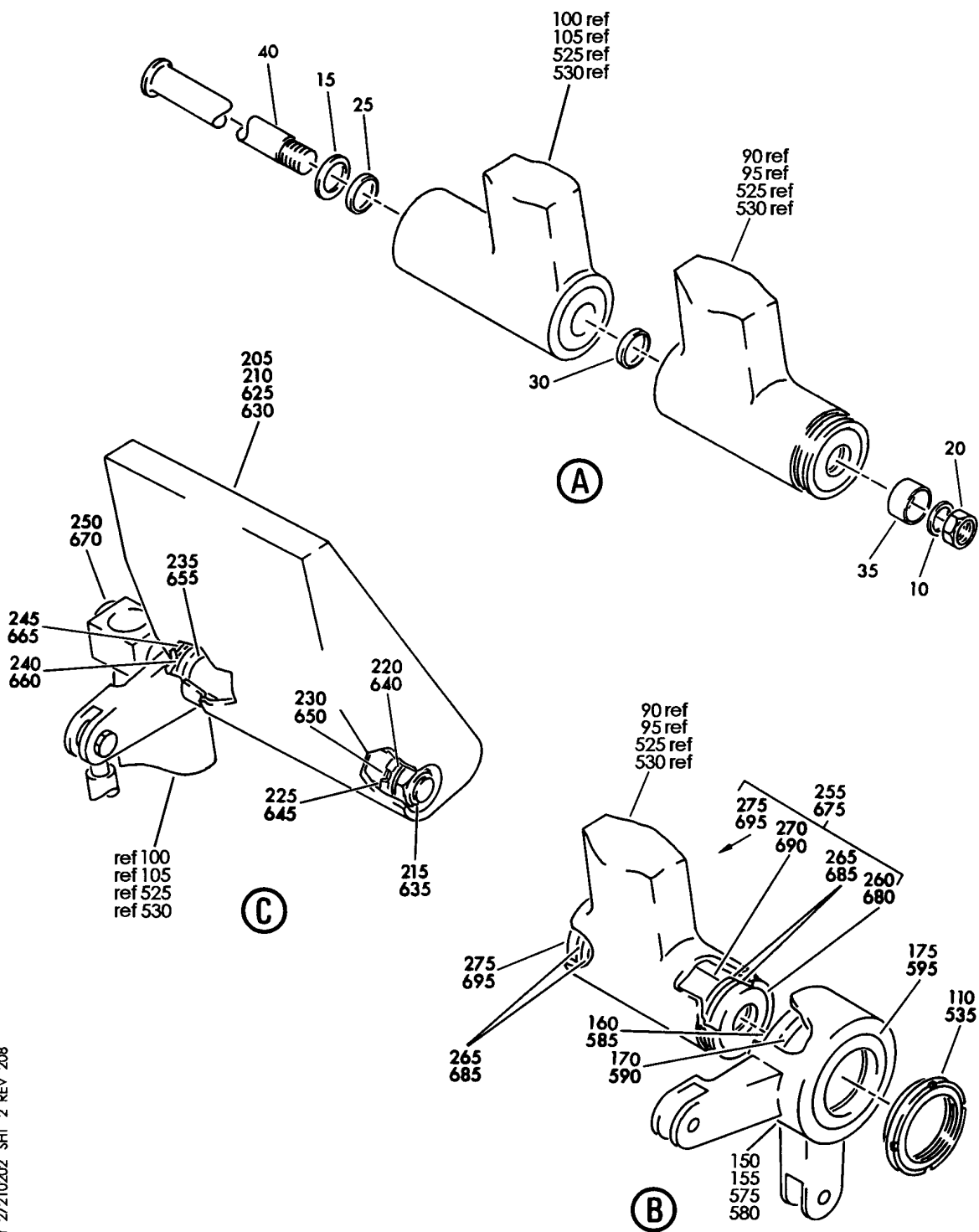
27-21-02-02

BRI  
MAY 28/07

27-21-02-02  
PAGE 0



**BOEING**  
757  
PARTS CATALOG (MAINTENANCE)



Y 27210202 SHT 2 REV 208

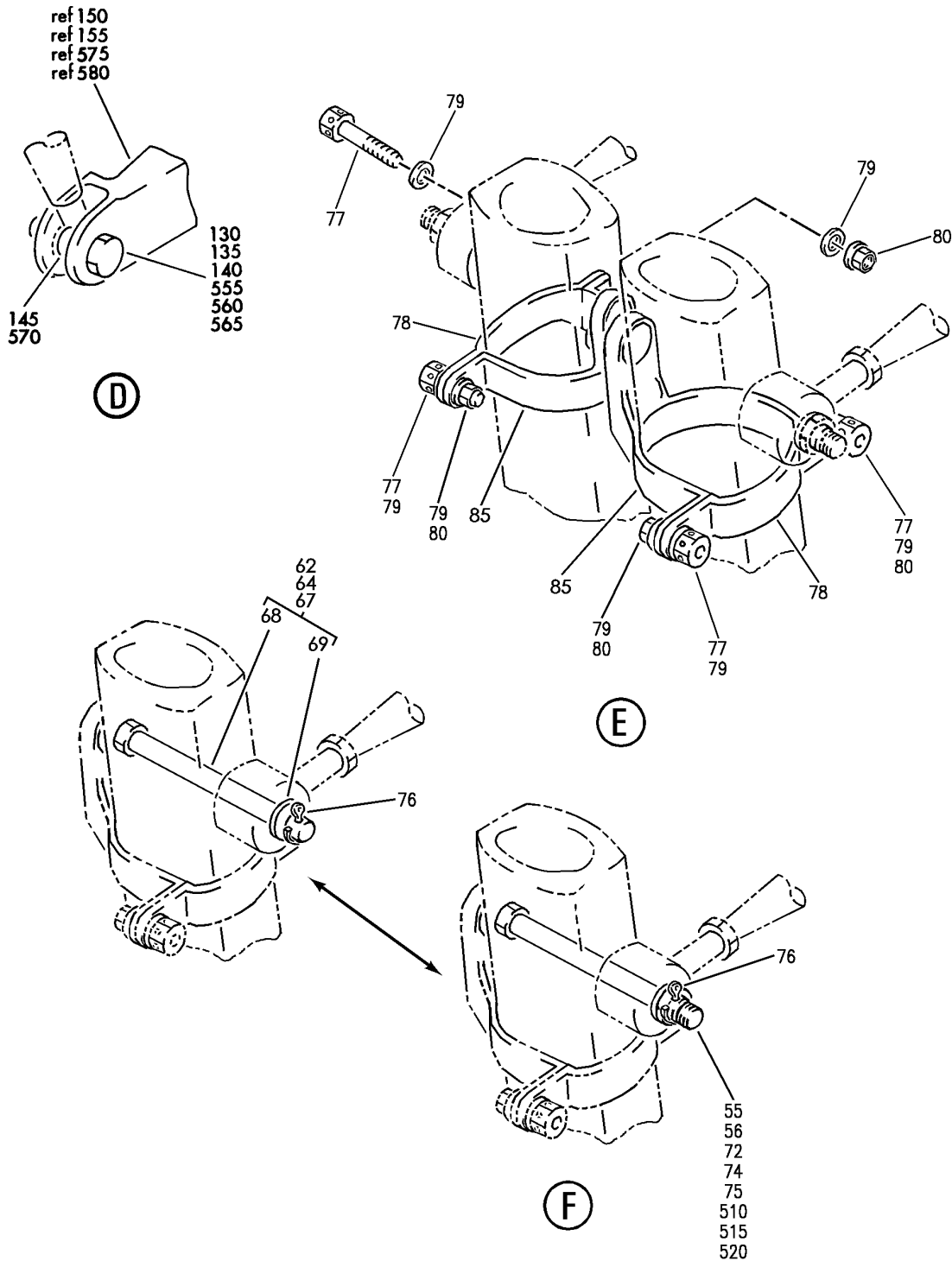
PEDAL INSTL-RUD  
FIGURE 2 (SHEET 2)

**27-21-02-02**

BRI  
MAY 28/07

27-21-02-02  
PAGE 0A

**BOEING**  
757  
PARTS CATALOG (MAINTENANCE)



Y 27210202 SHT 3 REV 265

PEDAL INSTL-RUD  
FIGURE 2 (SHEET 3)

**27-21-02-02**

BRI  
MAY 28/07

27-21-02-02  
PAGE 0B



757

PARTS CATALOG (MAINTENANCE)

FIG ITEM	PART NUMBER	1 2 3 4 5 6 7	NOMENCLATURE	EFFECT FROM TO	UNITS PER ASSY
2			PEDAL INSTL-RUD	002004 006999	
- 1	251N3013-5		PEDAL INSTL-RUD CAPT POSITION DATA: LH SIDE VARIABLE DRAWING REF: 251N3013-9 FOR NHA SEE: 27-21-54-01	002004 006100 107107 121503 904999	RF
- 1	251N3013-21		PEDAL INSTL-RUD CAPT POSITION DATA: LH SIDE FOR NHA SEE: 27-20-00-01	101101	RF
- 1	251N3013-27		PEDAL INSTL-RUD CAPT FOR NHA SEE: 27-20-00-01	102102 108120 504903	RF
- 1	MODREF7461		PEDAL INSTL-RUD CAPT MODULE NUMBER: 251N3013-27 REV A	103106	1
- 5	251N3013-6		PEDAL INSTL-RUD FIRST OFFICER POSITION DATA: RH SIDE VARIABLE DRAWING REF: 251N3013-10 FOR NHA SEE: 27-21-54-01	002004 006100 107107 121503 904999	RF
- 5	251N3013-22		PEDAL INSTL-RUD FIRST OFFICER POSITION DATA: RH SIDE FOR NHA SEE: 27-20-00-01	101101	RF
- 5	251N3013-28		PEDAL INSTL-RUD CAPT FOR NHA SEE: 27-20-00-01	102102 108120 504903	RF
- 5	MODREF7462		PEDAL INSTL-RUD CAPT MODULE NUMBER: 251N3013-28 REV A	103106	1
10	AN960PD1016		.WASHER- POSITION DATA: UNDER NUT	002004 006999	1
15	BACW10BN10AC		.WASHER- POSITION DATA: UNDER HEAD	002004 006999	1

MISSING ITEM NUMBERS NOT APPLICABLE

- ITEM NOT ILLUSTRATED

27-21-02-02

27-21-02  
FIG. 02  
PAGE 1  
JAN 20/09

BRI



757

PARTS CATALOG (MAINTENANCE)

FIG ITEM	PART NUMBER	1 2 3 4 5 6 7	NOMENCLATURE	EFFECT FROM TO	UNITS PER ASSY
2	20 102LH9074-10	.	NUT SUPPLIER CODE: V72962 SPECIFICATION NUMBER: BACN10JC10CD OPTIONAL PART: H51650-10BAC V15653 69235-1018CD V92215 BMN4122CPD8-10 V97928	002004 006999	1
	25 BACB28Y10M010	.	BUSHING	002004 006999	1
	30 BACB28Y10M018	.	BUSHING	002004 006999	1
	35 BACB28Y10M033	.	BUSHING	002004 006999	1
	40 251N3065-1	.	SHAFT	002004 006999	1
	41 BACB30NT3K6	.	BOLT-FIRST OFFICER POSITION DATA: RH	002004 006999	4
	42 AN960PD10L	.	WASHER-FIRST OFFICER POSITION DATA: RH	002004 006999	4
	43 BRH10C3D	.	NUT-FIRST OFFICER SUPPLIER CODE: V52828 SPECIFICATION NUMBER: BACN10JC3CD OPTIONAL PART: T6C1032JCD V11815 NS202486-02 V80539 102LH9075-3W V72962 H51650-3BAC V15653 POSITION DATA: RH	002004 006999	4
	47 251N3125-2	.	PAD-FIRST OFFICER POSITION DATA: RH	002004 006999	2
	54 251N3118-3	.	SHIM-FIRST OFFICER POSITION DATA: RH	101106 108120 504903	4

MISSING ITEM NUMBERS NOT APPLICABLE

- ITEM NOT ILLUSTRATED

27-21-02-02

27-21-02  
FIG. 02  
PAGE 2  
JAN 20/09

BRI

BOEING PROPRIETARY - Copyright © - Unpublished Work - See title page for details.



757

PARTS CATALOG (MAINTENANCE)

FIG ITEM	PART NUMBER	1 2 3 4 5 6 7	NOMENCLATURE	EFFECT FROM TO	UNITS PER ASSY
2					
55	BACB30NF5-47	.BOLT-	PRE ALERT SB: 27A0129	002004 006100 904951	2
56	BRH10C5D	.NUT-	SUPPLIER CODE: V52828 SPECIFICATION NUMBER: BACN10JC5CD OPTIONAL PART: T6C524JCD V11815 102LH9075-5W V72962 H51650-5BAC V15653 PRE ALERT SB: 27A0129	002004 006100 904951	2
62	251N3013-29	.SUB KIT-ASSY	OPTIONAL PART: 251N3013-30	101101	1
62	251N3013-31	.SUB KIT-ASSY	OPTIONAL PART: 251N3013-32	102106 108120 504903	1
64	251N3013-30	.SUB KIT-ASSY	OPTIONAL PART: 251N3013-29	101101	1
64	251N3013-32	.SUB KIT-ASSY	OPTIONAL PART: 251N3013-31	102106 108120 504903	1
67	251N3013-23	.SUB KIT ASSY-	OPTIONAL PART: BACB30NM50K47	101106 108120 504903	2
68	251N3312-1	..BOLT		101106 108120 504903	1
69	NAS1149D0563J	..WASHER		101106 108120 504903	1
72	BACB30NM5DK47	.BOLT-	OPTIONAL PART: 251N3013-23 POST ALERT SB: 27A0129	002004 006100 108120 504951	2
72	BACB30NM5DK47	.BOLT-	POST ALERT SB: 27A0129	107107 121503 952999	2
74	AN970-5	.WASHER-	POST ALERT SB: 27A0129	002004 006999	2

MISSING ITEM NUMBERS NOT APPLICABLE

- ITEM NOT ILLUSTRATED

27-21-02-02

27-21-02  
FIG. 02  
PAGE 3  
JAN 20/09

BRI



757

PARTS CATALOG (MAINTENANCE)

FIG ITEM	PART NUMBER	1 2 3 4 5 6 7	NOMENCLATURE	EFFECT FROM TO	UNITS PER ASSY
2	75 PHCR55CDBACN	.NUT-	SUPPLIER CODE: VF0224 SPECIFICATION NUMBER: BACN11N5CD POST ALERT SB: 27A0129	002004 006999	2
	76 BACP18BC03A05P	.PIN-COTTER		101101	2
	76 BACP18BC02A05P	.PIN-COTTER	POST ALERT SB: 27A0129	002004 006100 102999	2
	77 BACS12GU08K8	.SCREW		101106 108120 504903	4
	78 251A3131-10	.RETAINER		101101	2
	79 NAS1149CN832R	.WASHER-	POSITION DATA: UNDER BOLT AND UNDER NUT	101106 108120 504903	8
	80 PLH508CD	.NUT	SUPPLIER CODE: VF0224 SPECIFICATION NUMBER: BACN10YR08CD OPTIONAL PART: H52732-08CD V15653	101106 108120 504903	4
	85 251A3131-9	.RETAINER		101106 108120 504903	2
	90 251N3142-17	.PEDAL ASSY-CAPT	POSITION DATA: LH SIDE COMPONENT MAINT MANUAL REF: 27-21-47	002004 006100 950999	1
	90 251N3142-13	.PEDAL ASSY-CAPT	POSITION DATA: LH SIDE COMPONENT MAINT MANUAL REF: 27-21-47	107107 121503 904949	1
	90 251N3142-21	.PEDAL ASSY-CAPT VARIABLE	POSITION DATA: LH SIDE COMPONENT MAINT MANUAL REF: 27-21-47	107107 904949	1
	95 251N3142-19	.PEDAL ASSY-FIRST OFFICER	POSITION DATA: LH SIDE COMPONENT MAINT MANUAL REF: 27-21-47	002004 006100 950999	1

MISSING ITEM NUMBERS NOT APPLICABLE

- ITEM NOT ILLUSTRATED

27-21-02-02

27-21-02  
FIG. 02  
PAGE 4  
JAN 20/09

BRI



757

PARTS CATALOG (MAINTENANCE)

FIG ITEM	PART NUMBER	1 2 3 4 5 6 7	NOMENCLATURE	EFFECT FROM TO	UNITS PER ASSY
2					
95	251N3142-15		.PEDAL ASSY-FIRST OFFICER POSITION DATA: LH SIDE COMPONENT MAINT MANUAL REF: 27-21-47	107107 121503 904949	1
95	251N3142-23		.PEDAL ASSY-FIRST OFFICER VARIABLE POSITION DATA: LH SIDE COMPONENT MAINT MANUAL REF: 27-21-47	107107 904949	1
100	251N3142-18		.PEDAL ASSY-CAPT POSITION DATA: RH SIDE COMPONENT MAINT MANUAL REF: 27-21-47	002004 006100 950999	1
100	251N3142-14		.PEDAL ASSY-CAPT POSITION DATA: RH SIDE COMPONENT MAINT MANUAL REF: 27-21-47	107107 121503 904949	1
100	251N3142-22		.PEDAL ASSY-CAPT VARIABLE POSITION DATA: RH SIDE COMPONENT MAINT MANUAL REF: 27-21-47	107107 904949	1
105	251N3142-20		.PEDAL ASSY-FIRST OFFICER POSITION DATA: RH SIDE COMPONENT MAINT MANUAL REF: 27-21-47	002004 006100 950999	1
105	251N3142-16		.PEDAL ASSY-FIRST OFFICER POSITION DATA: RH SIDE COMPONENT MAINT MANUAL REF: 27-21-47	107107 121503 904949	1
105	251N3142-24		.PEDAL ASSY-FIRST OFFICER VARIABLE POSITION DATA: RH SIDE COMPONENT MAINT MANUAL REF: 27-21-47	107107 904949	1
110	BACN10GR19		..NUT SUPPLIER CODE: V72962 SPECIFICATION NUMBER: BACN10GR19	002004 006100 107107 121503 904999	1

MISSING ITEM NUMBERS NOT APPLICABLE

- ITEM NOT ILLUSTRATED

27-21-02-02

27-21-02  
FIG. 02  
PAGE 5  
JAN 20/09

BRI



757

PARTS CATALOG (MAINTENANCE)

FIG ITEM	PART NUMBER	1 2 3 4 5 6 7	NOMENCLATURE	EFFECT FROM TO	UNITS PER ASSY
2					
115	65B83674-1	..	STOP ASSY-CAPT	002004 006100 107107 121503 904999	1
120	AN960PD416	..	WASHER-CAPT	002004 006100 107107 121503 904999	1
125	BRH10A4	..	NUT-CAPT SUPPLIER CODE: V52828 SPECIFICATION NUMBER: BACN10JC4 OPTIONAL PART: T6S428J V11815 96-048 V80539 VN303A048 V92215 RMLH9075-4W V72962 NS202101-048 V80539 H10-4BAC V15653	002004 006100 107107 121503 904999	1
130	BACB30NF4-14	..	BOLT-FIRST OFFICER	002004 006100 107107 121503 904999	1
135	AN960PD416	..	WASHER-FIRST OFFICER	002004 006100 107107 121503 904999	1

MISSING ITEM NUMBERS NOT APPLICABLE

- ITEM NOT ILLUSTRATED

BRI

27-21-02-02

BOEING PROPRIETARY - Copyright © - Unpublished Work - See title page for details.

27-21-02  
FIG. 02  
PAGE 6  
JAN 20/09





757

PARTS CATALOG (MAINTENANCE)

FIG ITEM	PART NUMBER	1 2 3 4 5 6 7	NOMENCLATURE	EFFECT FROM TO	UNITS PER ASSY
2 140	BRH10A4		..NUT-FIRST OFFICER SUPPLIER CODE: V52828 SPECIFICATION NUMBER: BACN10JC4 OPTIONAL PART: T6S428J V11815 96-048 V80539 VN303A048 V92215 RMLH9075-4W V72962 NS202101-048 V80539 H10-4BAC V15653	002004 006100 107107 121503 904999	1
145	BACB28Y4M016		..BUSHING-FIRST OFFICER	002004 006100 107107 121503 904999	1
150	251N3064-11		..BELLCRANK ASSY- USED ON: 251N3142-13 251N3142-15 251N3142-21 251N3142-23	107107 121503 904949	1
150	251N3020-1		..BELLCRANK ASSY- OPTIONAL PART: 251N3298-1 USED ON: 251N3142-17 251N3142-19 251N3142-25 251N3142-27 251N3142-29 251N3142-31	002004 006100 950999	1
150	251N3298-1		..BELLCRANK ASSY- COMPONENT MAINT MANUAL REF: 27-21-47 OPTIONAL PART: 251N3020-1 USED ON: 251N3142-17 251N3142-19 251N3142-25 251N3142-27	002004 006100 950999	1

MISSING ITEM NUMBERS NOT APPLICABLE

- ITEM NOT ILLUSTRATED

27-21-02-02

27-21-02  
FIG. 02  
PAGE 7  
JAN 20/09

BRI



757

PARTS CATALOG (MAINTENANCE)

FIG ITEM	PART NUMBER	1 2 3 4 5 6 7	NOMENCLATURE	EFFECT FROM TO	UNITS PER ASSY
2 155	251N3064-12		..BELLCRANK ASSY- USED ON: 251N3142-14 251N3142-16 251N3142-22 251N3142-24	107107 121503 904949	1
155	251N3020-2		..BELLCRANK ASSY- OPTIONAL PART: 251N3298-2 USED ON: 251N3142-18 251N3142-20 251N3142-26 251N3142-28 251N3142-30 251N3142-32	002004 006100 950999	1
155	251N3298-2		..BELLCRANK ASSY- COMPONENT MAINT MANUAL REF: 27-21-47 OPTIONAL PART: 251N3020-2 USED ON: 251N3142-18 251N3142-20 251N3142-26 251N3142-28	002004 006100 950999	1

MISSING ITEM NUMBERS NOT APPLICABLE

- ITEM NOT ILLUSTRATED

BRI

**27-21-02-02**

BOEING PROPRIETARY - Copyright © - Unpublished Work - See title page for details.

27-21-02  
FIG. 02  
PAGE 8  
JAN 20/09



757

PARTS CATALOG (MAINTENANCE)

FIG ITEM	PART NUMBER	1 2 3 4 5 6 7	NOMENCLATURE	EFFECT FROM TO	UNITS PER ASSY
2 160	KP25BSD610		... BEARING- SUPPLIER CODE: V83086 SPECIFICATION NUMBER: BACB10BW25 OPTIONAL PART: KP25B2TS V43991 KP25B V38443 LLKP25B V38443 KP25BG27 V30163 KP25BFS428 V21335 KP25BLY196 V40920 KP25B V06144 KP25BFS428 V06144 KP25BNJC V06144 USED ON: 251N3064-1 251N3064-2 251N3064-11 251N3064-12 USED ON: 251N3298-1 251N3298-2	002004 006100 107107 121503 904999	1
160	MS27642-25G		... BEARING- USED ON: 251N3020-1 251N3020-2	002004 006100 950999	1
170	251N3137-1		.. SPACER- MANUFACTURED FROM: SH AL 2024-T73 TUBE WW-T-70013 1.750 OD .083WALL 1.00 LG F-18.07	002004 006100 107107 121503 904999	1

MISSING ITEM NUMBERS NOT APPLICABLE

- ITEM NOT ILLUSTRATED

27-21-02-02

27-21-02  
 FIG. 02  
 PAGE 9  
 JAN 20/09

BRI



757

PARTS CATALOG (MAINTENANCE)

FIG ITEM	PART NUMBER	1 2 3 4 5 6 7	NOMENCLATURE	EFFECT FROM TO	UNITS PER ASSY
2 175	KP25BSD610	..	BEARING SUPPLIER CODE: V83086 SPECIFICATION NUMBER: BACB10BW25 OPTIONAL PART: KP25B2TS V43991 KP25B V38443 LLKP25B V38443 KP25BG27 V30163 KP25BFS428 V21335 KP25BLY196 V40920 KP25B V06144 KP25BFS428 V06144 KP25BNJC V06144	002004 006100 107107 121503 904999	1
180	BACB30NF4-17	..	BOLT	002004 006100 107107 121503 904999	1
185	AN960PD416L	..	WASHER	002004 006100 107107 121503 904999	1

MISSING ITEM NUMBERS NOT APPLICABLE

- ITEM NOT ILLUSTRATED

BRI

27-21-02-02

BOEING PROPRIETARY - Copyright © - Unpublished Work - See title page for details.

27-21-02  
FIG. 02  
PAGE 10  
JAN 20/09



757

PARTS CATALOG (MAINTENANCE)

FIG ITEM	PART NUMBER	1 2 3 4 5 6 7	NOMENCLATURE	EFFECT FROM TO	UNITS PER ASSY
2 190	BRH10A4	..	NUT SUPPLIER CODE: V52828 SPECIFICATION NUMBER: BACN10JC4 OPTIONAL PART: T6S428J V11815 96-048 V80539 VN303A048 V92215 RMLH9075-4W V72962 NS202101-048 V80539 H10-4BAC V15653	002004 006100 107107 121503 904999	1
195	BACB28Y4M026	..	BUSHING-	002004 006100 107107 121503 904999	1
200	251T0100-133	..	ROD ASSY- COMPONENT MAINT MANUAL REF: 27-00-11	002004 006100 107107 121503 904999	1
205	65B80361-5	..	PEDAL-RUD USED ON: 251N3142-1 251N3142-3 251N3142-9 251N3142-11 251N3142-13 251N3142-15 251N3142-17 251N3142-19 251N3142-21 251N3142-23	002004 006100 107107 121503 904999	1

MISSING ITEM NUMBERS NOT APPLICABLE

- ITEM NOT ILLUSTRATED

BRI

27-21-02-02

BOEING PROPRIETARY - Copyright © - Unpublished Work - See title page for details.

27-21-02  
FIG. 02  
PAGE 11  
JAN 20/09



757

PARTS CATALOG (MAINTENANCE)

FIG ITEM	PART NUMBER	1 2 3 4 5 6 7	NOMENCLATURE	EFFECT FROM TO	UNITS PER ASSY
2 210	65B80361-6		.. PEDAL-RUD USED ON: 251N3142-2 251N3142-4 251N3142-10 251N3142-12 251N3142-14 251N3142-16 251N3142-18 251N3142-20 251N3142-22 251N3142-24	002004 006100 107107 121503 904999	1
215	BMN4122AD3-8		.. NUT SUPPLIER CODE: V97928 SPECIFICATION NUMBER: BACN10JC8 OPTIONAL PART: BMN4122A8 V85495 H10-8BAC V15653 RMLH9074-8 V72962 48FT820 V56878	002004 006100 107107 121503 904999	1
220	AN960-816L		.. WASHER	002004 006100 107107 121503 904999	1

MISSING ITEM NUMBERS NOT APPLICABLE

- ITEM NOT ILLUSTRATED

BRI

27-21-02-02

BOEING PROPRIETARY - Copyright © - Unpublished Work - See title page for details.

27-21-02  
FIG. 02  
PAGE 12  
JAN 20/09



757

PARTS CATALOG (MAINTENANCE)

FIG ITEM	PART NUMBER	1 2 3 4 5 6 7	NOMENCLATURE	EFFECT FROM TO	UNITS PER ASSY
R R R R R R R R R R R R R R R	2 225	KP8AFS428	.. BEARING SUPPLIER CODE: V06144 SPECIFICATION NUMBER: BACB10BX8 OPTIONAL PART: KP8AFS428 V21335 KP8A2TS V43991 LLKP8A V38443 KP8AG27 V30163 KP8A V38443 KP8BSD610 V83086 CS208E VK8455 KP8A V21760 KP8ANJC V06144 KP8ALY196 V40920	002004 006100 107107 121503 904999	1
	230	AN960-816	.. WASHER	002004 006100 107107 121503 904999	1
	235	NAS43DD12-376	.. SPACER	002004 006100 107107 121503 904999	1

MISSING ITEM NUMBERS NOT APPLICABLE

- ITEM NOT ILLUSTRATED

BRI

27-21-02-02

BOEING PROPRIETARY - Copyright © - Unpublished Work - See title page for details.

27-21-02  
FIG. 02  
PAGE 13  
MAY 20/09



757

PARTS CATALOG (MAINTENANCE)

FIG ITEM	PART NUMBER	1 2 3 4 5 6 7	NOMENCLATURE	EFFECT FROM TO	UNITS PER ASSY
2 240	KP12AFS428	..	BEARING SUPPLIER CODE: V21335 SPECIFICATION NUMBER: BACB10BX12 OPTIONAL PART: KP12A2TS V43991 LLKP12A V38443 KP12AG27 V30163 KP12A V38443 KF12ALY196 V40920 KP12ASD610 V83086 CS212E VK8455 KP12ANJC V06144 KP12AFS428 V06144	002004 006100 107107 121503 904999	1
245	MS16625-162	..	RING	002004 006100 107107 121503 904999	1
250	69-26660-1	..	SHAFT	002004 006100 107107 121503 904999	1
255	251N3140-2	..	ARM ASSY-RUD PEDAL	002004 006100 107107 121503 904999	1

MISSING ITEM NUMBERS NOT APPLICABLE

- ITEM NOT ILLUSTRATED

BRI

27-21-02-02

BOEING PROPRIETARY - Copyright © - Unpublished Work - See title page for details.

27-21-02  
FIG. 02  
PAGE 14  
JAN 20/09





757

PARTS CATALOG (MAINTENANCE)

FIG ITEM	PART NUMBER	1 2 3 4 5 6 7	NOMENCLATURE	EFFECT FROM TO	UNITS PER ASSY
2 260	P10KP		... BEARING SUPPLIER CODE: V21760 SPECIFICATION NUMBER: BACB10BG5S OPTIONAL PART: P10KE6531 V21335 P10KFS428 V21335 P10KTT V43991 P10KT1C1-01 V21760 P10KG20 V38443 LLP10K V38443 CE310E VK8455 P10KSD610 V83086 P10KE V21760 P10K V38443	002004 006100 107107 121503 904999	1
265	3-84406-1		... BEARING- SUPPLIER CODE: V01169	002004 006100 107107 121503 904999	2
270	NAS43DD10-250		... SPACER	002004 006100 107107 121503 904999	1

MISSING ITEM NUMBERS NOT APPLICABLE

- ITEM NOT ILLUSTRATED

BRI

27-21-02-02

27-21-02  
 FIG. 02  
 PAGE 15  
 JAN 20/09

**BOEING**  
757  
**PARTS CATALOG (MAINTENANCE)**

FIG ITEM	PART NUMBER	1 2 3 4 5 6 7	NOMENCLATURE	EFFECT FROM TO	UNITS PER ASSY	
R R	2 275		KP10AFS428 ... BEARING SUPPLIER CODE: V21335 SPECIFICATION NUMBER: BACB10BX10 OPTIONAL PART: KP10A2TS V43991 LLKP10A V38443 KP10AG27 V30163 KP10A V38443 KP10ALY196 V40920 KP10ASD610 V83086 CS210E VK8455 KP10A V21760 KP10ANJC V06144	002004 006100 107107 121503 904999	1	
	- 500	251N3013-17	PEDAL INSTL-RUD CAPT FOR NHA SEE: 27-20-00-01	101102 108120 504903	RF	
	- 500	MODREF7459	PEDAL INSTL-RUD CAPT MODULE NUMBER: 251N3013-17 REV A	103106	1	
	- 505	251N3013-18	PEDAL INSTL-RUD FIRST OFFICER FOR NHA SEE: 27-20-00-01	101102 108120 504903	RF	
	- 505	MODREF7460	PEDAL INSTL-RUD FIRST OFFICER MODULE NUMBER: 251N3013-18 REV A	103106	1	
	515	AN970-5	. WASHER	101106 108120 504903	2	
	525	251N3142-17	. PEDAL ASSY-CAPT POSITION DATA: LH SIDE COMPONENT MAINT MANUAL REF: 27-21-47	101106 108120 504903	1	
	MISSING ITEM NUMBERS NOT APPLICABLE					

- ITEM NOT ILLUSTRATED

BRI

**27-21-02-02**

BOEING PROPRIETARY - Copyright © - Unpublished Work - See title page for details.

27-21-02  
FIG. 02  
PAGE 16  
MAY 20/09



757

PARTS CATALOG (MAINTENANCE)

FIG ITEM	PART NUMBER	1 2 3 4 5 6 7	NOMENCLATURE	EFFECT FROM TO	UNITS PER ASSY
2					
528	251N3142-18	.	PEDAL ASSY-CAPT POSITION DATA: RH SIDE COMPONENT MAINT MANUAL REF: 27-21-47	101106 108120 504903	1
- 530	251N3142-19	.	PEDAL ASSY-FIRST OFFICER POSITION DATA: LH SIDE COMPONENT MAINT MANUAL REF: 27-21-47	101106 108120 504903	1
- 533	251N3142-20	.	PEDAL ASSY-FIRST OFFICER POSITION DATA: RH SIDE COMPONENT MAINT MANUAL REF: 27-21-47	101106 108120 504903	1
535	BACN10GR19	..	NUT SUPPLIER CODE: V72962 SPECIFICATION NUMBER: BACN10GR19	101106 108120 504903	1
540	65B83674-1	..	STOP ASSY-CAPT	101106 108120 504903	1
545	AN960PD416	..	WASHER-CAPT	101106 108120 504903	1
550	BRH10A4	..	NUT-CAPT SUPPLIER CODE: V52828 SPECIFICATION NUMBER: BACN10JC4 OPTIONAL PART: T6S428J V11815 96-048 V80539 VN303A048 V92215 RMLH9075-4W V72962 NS202101-048 V80539 H10-4BAC V15653	101106 108120 504903	1
555	BACB30NF4-14	..	BOLT-FIRST OFFICER	101106 108120 504903	1

MISSING ITEM NUMBERS NOT APPLICABLE

- ITEM NOT ILLUSTRATED

BRI

27-21-02-02

27-21-02  
FIG. 02  
PAGE 17  
MAY 20/09



757

PARTS CATALOG (MAINTENANCE)

FIG ITEM	PART NUMBER	1 2 3 4 5 6 7	NOMENCLATURE	EFFECT FROM TO	UNITS PER ASSY
2					
560	AN960PD416	..	WASHER-FIRST OFFICER	101106 108120 504903	1
565	BRH10A4	..	NUT-FIRST OFFICER SUPPLIER CODE: V52828 SPECIFICATION NUMBER: BACN10JC4 OPTIONAL PART: T6S428J V11815 96-048 V80539 VN303A048 V92215 RMLH9075-4W V72962 NS202101-048 V80539 H10-4BAC V15653	101106 108120 504903	1
570	BACB28Y4M016	..	BUSHING-FIRST OFFICER	101106 108120 504903	1
575	251N3020-1	..	BELLCRANK ASSY	101106 108120 504903	1
575	251N3298-1	..	BELLCRANK ASSY- COMPONENT MAINT MANUAL REF: 27-21-47	101106 108120 504903	1
580	251N3020-2	..	BELLCRANK ASSY	101106 108120 504903	1
580	251N3298-2	..	BELLCRANK ASSY- COMPONENT MAINT MANUAL REF: 27-21-47	101106 108120 504903	1

MISSING ITEM NUMBERS NOT APPLICABLE

- ITEM NOT ILLUSTRATED

BRI

27-21-02-02

27-21-02  
FIG. 02  
PAGE 18  
MAY 20/09



757

PARTS CATALOG (MAINTENANCE)

FIG ITEM	PART NUMBER	1 2 3 4 5 6 7	NOMENCLATURE	EFFECT FROM TO	UNITS PER ASSY
2 585	KP25BSD610	...	BEARING SUPPLIER CODE: V83086 SPECIFICATION NUMBER: BACB10BW25 OPTIONAL PART: KP25B2TS V43991 KP25B V38443 LLKP25B V38443 KP25BG27 V30163 KP25BFS428 V21335 KP25BLY196 V40920 KP25B V06144 KP25BFS428 V06144 KP25BNJC V06144	101106 108120 504903	1
585	MS27642-25G	...	BEARING	101106 108120 504903	1
590	251N3137-1	..	SPACER- MANUFACTURED FROM: SH AL 2024-T73 TUBE WW-T-70013 1.750 OD .083WALL 1.00 LG F-18.07	101106 108120 504903	1

MISSING ITEM NUMBERS NOT APPLICABLE

- ITEM NOT ILLUSTRATED

BRI

27-21-02-02

BOEING PROPRIETARY - Copyright © - Unpublished Work - See title page for details.

27-21-02  
FIG. 02  
PAGE 19  
JAN 20/09



757

PARTS CATALOG (MAINTENANCE)

FIG ITEM	PART NUMBER	1 2 3 4 5 6 7	NOMENCLATURE	EFFECT FROM TO	UNITS PER ASSY
2 595	KP25BSD610		.. BEARING SUPPLIER CODE: V83086 SPECIFICATION NUMBER: BACB10BW25 OPTIONAL PART: KP25B2TS V43991 KP25B V38443 LLKP25B V38443 KP25BG27 V30163 KP25BFS428 V21335 KP25BLY196 V40920 KP25B V06144 KP25BFS428 V06144 KP25BNJC V06144	101106 108120 504903	1
600	BACB30NF4-17		.. BOLT	101106 108120 504903	1
605	AN960PD416L		.. WASHER	101106 108120 504903	1
610	BRH10A4		.. NUT SUPPLIER CODE: V52828 SPECIFICATION NUMBER: BACN10JC4 OPTIONAL PART: T6S428J V11815 96-048 V80539 VN303A048 V92215 RMLH9075-4W V72962 NS202101-048 V80539 H10-4BAC V15653	101106 108120 504903	1

MISSING ITEM NUMBERS NOT APPLICABLE

- ITEM NOT ILLUSTRATED

BRI

27-21-02-02

BOEING PROPRIETARY - Copyright © - Unpublished Work - See title page for details.

27-21-02  
FIG. 02  
PAGE 20  
JAN 20/09



757

PARTS CATALOG (MAINTENANCE)

FIG ITEM	PART NUMBER	1 2 3 4 5 6 7	NOMENCLATURE	EFFECT FROM TO	UNITS PER ASSY
2					
615	BACB28Y4M026	..	BUSHING	101106 108120 504903	1
620	251T0100-133	..	ROD ASSY- COMPONENT MAINT MANUAL REF: 27-00-11	101106 108120 504903	1
625	65B80361-5	..	PEDAL-RUD	101106 108120 504903	1
630	65B80361-6	..	PEDAL-RUD	101106 108120 504903	1
635	BMN4122AD3-8	..	NUT SUPPLIER CODE: V97928 SPECIFICATION NUMBER: BACN10JC8 OPTIONAL PART: BMN4122A8 V85495 H10-8BAC V15653 RMLH9074-8 V72962 48FT820 V56878	101106 108120 504903	1
640	AN960-816L	..	WASHER	101106 108120 504903	1

MISSING ITEM NUMBERS NOT APPLICABLE

- ITEM NOT ILLUSTRATED

BRI

27-21-02-02

BOEING PROPRIETARY - Copyright © - Unpublished Work - See title page for details.

27-21-02  
FIG. 02  
PAGE 21  
JAN 20/09

 **BOEING**  
757  
**PARTS CATALOG (MAINTENANCE)**

FIG ITEM	PART NUMBER	1 2 3 4 5 6 7	NOMENCLATURE	EFFECT FROM TO	UNITS PER ASSY
R R R R R R R R R R R R R R R	2 645	KP8AFS428	.. BEARING SUPPLIER CODE: V06144 SPECIFICATION NUMBER: BACB10BX8 OPTIONAL PART: KP8AFS428 V21335 KP8A2TS V43991 LLKP8A V38443 KP8AG27 V30163 KP8A V38443 KP8BSD610 V83086 CS208E VK8455 KP8A V21760 KP8ANJC V06144 KP8ALY196 V40920	101106 108120 504903	1
	650	AN960-816L	.. WASHER	101106 108120 504903	1
	655	NAS43DD12-376	.. SPACER	101106 108120 504903	1

MISSING ITEM NUMBERS NOT APPLICABLE

— ITEM NOT ILLUSTRATED

BRI

# 27-21-02-02

BOEING PROPRIETARY - Copyright © - Unpublished Work - See title page for details.

27-21-02  
FIG. 02  
PAGE 22  
MAY 20/09





757

PARTS CATALOG (MAINTENANCE)

FIG ITEM	PART NUMBER	1 2 3 4 5 6 7	NOMENCLATURE	EFFECT FROM TO	UNITS PER ASSY
2 660	KP12AFS428	..	BEARING SUPPLIER CODE: V21335 SPECIFICATION NUMBER: BACB10BX12 OPTIONAL PART: KP12A2TS V43991 LLKP12A V38443 KP12AG27 V30163 KP12A V38443 KF12ALY196 V40920 KP12ASD610 V83086 CS212E VK8455 KP12ANJC V06144 KP12AFS428 V06144	101106 108120 504903	1
665	MS16625-162	..	RING	101106 108120 504903	1
670	69-26660-1	..	SHAFT	101106 108120 504903	1
675	251N3140-2	..	ARM ASSY-RUD PEDAL	101106 108120 504903	1

MISSING ITEM NUMBERS NOT APPLICABLE

- ITEM NOT ILLUSTRATED

BRI

27-21-02-02

BOEING PROPRIETARY - Copyright © - Unpublished Work - See title page for details.

27-21-02  
FIG. 02  
PAGE 23  
JAN 20/09



757

PARTS CATALOG (MAINTENANCE)

FIG ITEM	PART NUMBER	1 2 3 4 5 6 7	NOMENCLATURE	EFFECT FROM TO	UNITS PER ASSY
2 680	P10KP		... BEARING SUPPLIER CODE: V21760 SPECIFICATION NUMBER: BACB10BG5S OPTIONAL PART: P10KE6531 V21335 P10KFS428 V21335 P10KTT V43991 P10KT1C1-01 V21760 P10KG20 V38443 LLP10K V38443 CE310E VK8455 P10KSD610 V83086 P10KE V21760 P10K V38443	101106 108120 504903	1
685	3-84406-1		... BEARING- SUPPLIER CODE: V01169	101106 108120 504903	2
690	NAS43DD10-250		... SPACER	101106 108120 504903	1

MISSING ITEM NUMBERS NOT APPLICABLE

- ITEM NOT ILLUSTRATED

BRI

27-21-02-02

BOEING PROPRIETARY - Copyright © - Unpublished Work - See title page for details.

27-21-02  
 FIG. 02  
 PAGE 24  
 JAN 20/09



757

PARTS CATALOG (MAINTENANCE)

FIG ITEM	PART NUMBER	1 2 3 4 5 6 7	NOMENCLATURE	EFFECT FROM TO	UNITS PER ASSY
2 695	KP10AFS428		. . . BEARING SUPPLIER CODE: V21335 SPECIFICATION NUMBER: BACB10BX10 OPTIONAL PART: KP10A2TS V43991 LLKP10A V38443 KP10AG27 V30163 KP10A V38443 KP10ALY196 V40920 KP10ASD610 V83086 CS210E VK8455 KP10A V21760 KP10ANJC V06144	101106 108120 504903	1

R  
R  
R  
R  
R  
R  
R  
R  
R  
R  
R  
R  
R  
R  
R  
R  
R  
R  
R  
R  
R  
R

MISSING ITEM NUMBERS NOT APPLICABLE

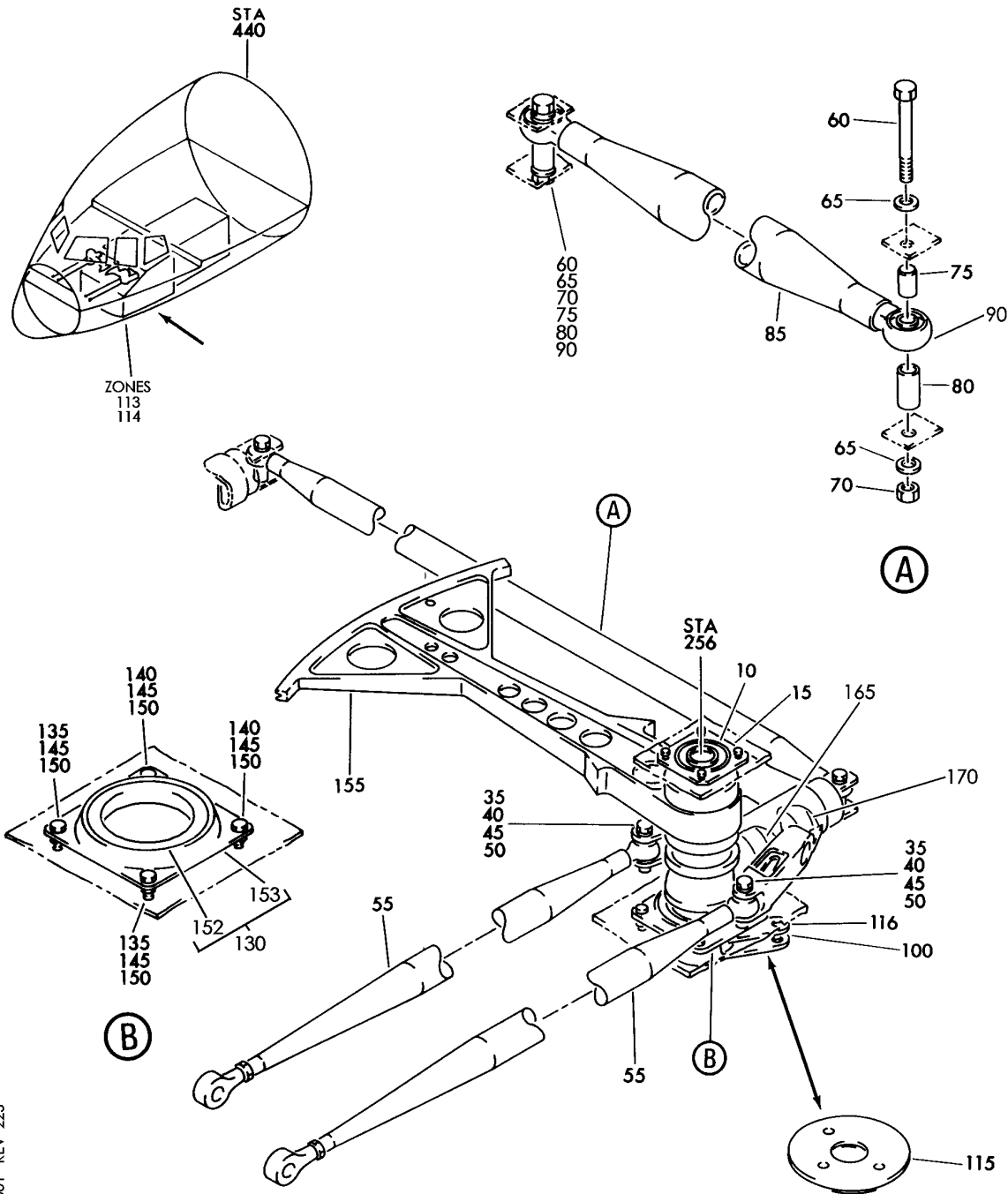
- ITEM NOT ILLUSTRATED

**27-21-02-02**

27-21-02  
FIG. 02  
PAGE 25  
MAY 20/09

BRI

**BOEING**  
757  
PARTS CATALOG (MAINTENANCE)



Y 27210501 REV 225

JACKSHAFT INSTL-RUD CONT  
FIGURE 1

**27-21-05-01**

BRI  
MAY 28/07

27-21-05-01  
PAGE 0



757

PARTS CATALOG (MAINTENANCE)

FIG ITEM	PART NUMBER	1 2 3 4 5 6 7	NOMENCLATURE	EFFECT FROM TO	UNITS PER ASSY
1			JACKSHAFT INSTL-RUD CONT	002004 006999	
- 1	251N3014-1		JACKSHAFT INSTL-RUD CONT POSITION DATA: LH FOR NHA SEE: 27-21-54-01	002004 006100 107107 121503 904999	RF
- 1	251N3014-15		JACKSHAFT INSTL-RUD CONT POSITION DATA: LH FOR NHA SEE: 27-20-00-01	101102 108120 504903	RF
- 1	MODREF7465		JACKSHAFT INSTL-RUD CONT MODULE NUMBER: 251N3014-15 REV A POSITION DATA: LH	103106	1
- 5	251N3014-2		JACKSHAFT INSTL-RUD CONT POSITION DATA: RH FOR NHA SEE: 27-21-54-01	107107 904949	RF
- 5	251N3014-4		JACKSHAFT INSTL-RUD CONT POSITION DATA: RH FOR NHA SEE: 27-21-54-01	002004 006100 121503 950999	RF
- 5	251N3014-16		JACKSHAFT INSTL-RUD CONT POSITION DATA: RH FOR NHA SEE: 27-20-00-01	101102 108120 504903	RF
- 5	MODREF7466		JACKSHAFT INSTL-RUD CONT MODULE NUMBER: 251N3014-16 REV A POSITION DATA: RH	103106	1

MISSING ITEM NUMBERS NOT APPLICABLE

- ITEM NOT ILLUSTRATED

**27-21-05-01**

27-21-05  
FIG. 01  
PAGE 1  
JAN 20/09

BRI

**BOEING**  
757  
**PARTS CATALOG (MAINTENANCE)**

FIG ITEM	PART NUMBER	1 2 3 4 5 6 7	NOMENCLATURE	EFFECT FROM TO	UNITS PER ASSY	
R R R R R R R R R R	10	MKP16BSFS428	.BEARING SUPPLIER CODE: V06144 SPECIFICATION NUMBER: BACB10AW16 OPTIONAL PART: MKP16BSE9273 V21335 MKP16BSTT V43991 MKP16BS2TS V43991 LLMKP16BS V38443 MKP16BSG20 V38443 MKP16BSSD610 V83086 MKP16BS007M V40920 MKP16BS V06144 MKP16BSFS428 V21335 MKP16BSNJC V06144	002004 006999	1	
	15	69B81723-1	.HOUSING-BRG POSITION DATA: UPR ATTACHING PARTS	002004 006999	1	
	- 20	BACB30NR4K4	.BOLT	002004 006999	4	
	- 25	AN960JD416L	.WASHER-	002004 006999	4	
	- 30	PLH54CD	.NUT- SUPPLIER CODE: VF0224 SPECIFICATION NUMBER: BACN10YR4CD OPTIONAL PART: H52732-4CD V15653 -----*-----	002004 006999	4	
	35	BACB30NF5-25	.BOLT	002004 006999	2	
	40	AN960JD516L	.WASHER-	002004 006999	4	
	MISSING ITEM NUMBERS NOT APPLICABLE					

- ITEM NOT ILLUSTRATED

**27-21-05-01**

27-21-05  
FIG. 01  
PAGE 2  
MAY 20/09

BRI



757

PARTS CATALOG (MAINTENANCE)

FIG ITEM	PART NUMBER	1 2 3 4 5 6 7	NOMENCLATURE	EFFECT FROM TO	UNITS PER ASSY
1					
45	BRH10A5	.	NUT SUPPLIER CODE: V52828 SPECIFICATION NUMBER: BACN10JC5 OPTIONAL PART: T6S524J V11815 96-054 V80539 RMLH9075-5W V72962 H10-5BAC V15653	002004 006999	2
50	NAS73-5E005	.	BUSHING	002004 006999	2
55	250N2004-208	.	ROD ASSY- COMPONENT MAINT MANUAL REF: 27-00-12 OPTIONAL PART: 250N2004-1208	002004 006999	2
55	250N2004-1208	.	ROD ASSY- COMPONENT MAINT MANUAL REF: 27-00-12	002004 006999	2
60	BACB30NF4-29	.	BOLT- USED ON: 251N3014-1	002004 006999	2
65	AN960JD416L	.	WASHER- POSITION DATA: LH SIDE	002004 006999	4
70	MS21042L4	.	NUT- USED ON: 251N3014-1	002004 006999	2
75	NAS73-4E004	.	BUSHING- POSITION DATA: LH SIDE MISCELLANEOUS DATA: REPLACED BY NAS73-4-004	002004 006999	2
80	NAS73-4E014	.	BUSHING- POSITION DATA: LH SIDE	002004 006999	2
85	65B81011-1111	.	ROD ASSY- POSITION DATA: LH SIDE COMPONENT MAINT MANUAL REF: 27-00-13 USED ON: 251N3014-1	002004 006999	1

MISSING ITEM NUMBERS NOT APPLICABLE

- ITEM NOT ILLUSTRATED

27-21-05-01

27-21-05  
FIG. 01  
PAGE 3  
SEP 20/08

BRI



757

PARTS CATALOG (MAINTENANCE)

FIG ITEM	PART NUMBER	1 2 3 4 5 6 7	NOMENCLATURE	EFFECT FROM TO	UNITS PER ASSY
1 90	REP4H8FS436	. .	BEARING SUPPLIER CODE: V73134 SPECIFICATION NUMBER: BACB10AE10A OPTIONAL PART: ABR4H104 VS0352 HHRE4H8-1 V38443 REP4H8-4 V38443 REP4H8E9171A V21335 REP4H8FS436 V21335 REB4HE8-14 V92563 DBH4-10A1-502 V73134 ABR4H104B V15860 DBH4-10A1-502 V77896 REP4HE8-010AJ V73134	002004 006999	2
100	251N3078-1	. CRANK-NOSE WHL STEERING POSITION DATA: LH SIDE OPTIONAL PART: 251N3257-1		002004 006999	1
100	251N3257-1	. CRANK-NOSE WHL STEERING POSITION DATA: LH SIDE OPTIONAL PART: 251N3078-1		002004 006999	1
100	251N3078-2	. CRANK-NOSE WHL STEERING POSITION DATA: LH SIDE ATTACHING PARTS		002004 006999	1
- 105	PLH53CD	. NUT- SUPPLIER CODE: VF0224 SPECIFICATION NUMBER: BACN10YR3CD OPTIONAL PART: H52732-3CD V15653		002004 006999	4

MISSING ITEM NUMBERS NOT APPLICABLE

- ITEM NOT ILLUSTRATED

27-21-05-01

27-21-05  
FIG. 01  
PAGE 4  
JAN 20/09

BRI





757

PARTS CATALOG (MAINTENANCE)

FIG ITEM	PART NUMBER	1 2 3 4 5 6 7	NOMENCLATURE	EFFECT FROM TO	UNITS PER ASSY
1					
- 110	AN960JD10L	.	WASHER-	002004 006999	4
			-----*-----		
115	251N3227-1	.	PLATE-BRG RTNR POSITION DATA: RH SIDE	107107 904949	1
116	251N3342-1	.	ARM-CRANK	002004 006100 121503 950999	1
			ATTACHING PARTS		
- 120	AN960JD10L	.	WASHER-	002004 006100 121503 950999	3
- 125	PLH53CD	.	NUT- SUPPLIER CODE: VF0224 SPECIFICATION NUMBER: BACN10YR3CD OPTIONAL PART: H52732-3CD V15653	002004 006100 121503 950999	3
			-----*-----		
130	253T3219-1	.	HOUSING ASSY-BRG ALTERED FROM PART NUMBER: 9-30874	002004 006999	1
			ATTACHING PARTS		
135	BACB30NR4K4	.	BOLT	002004 006999	2
140	BACB30NR4K5	.	BOLT	002004 006999	2
145	AN960JD416L	.	WASHER-	002004 006999	4
150	PLH54CD	.	NUT- SUPPLIER CODE: VF0224 SPECIFICATION NUMBER: BACN10YR4CD OPTIONAL PART: H52732-4CD V15653	002004 006999	4
			-----*-----		

MISSING ITEM NUMBERS NOT APPLICABLE

- ITEM NOT ILLUSTRATED

BRI

27-21-05-01

27-21-05  
FIG. 01  
PAGE 5  
JAN 20/09



757  
PARTS CATALOG (MAINTENANCE)

FIG ITEM	PART NUMBER	1 2 3 4 5 6 7	NOMENCLATURE	EFFECT FROM TO	UNITS PER ASSY
R R R R R R R R R R R R R R R R R R R R	152	MKP37BSFS428	.. BEARING SUPPLIER CODE: V06144 SPECIFICATION NUMBER: BACB10AW37 OPTIONAL PART: MKP37BSE9273 V21335 MKP37BSTT V43991 MKP37BS2TS V43991 LLMKP37BS1 V38443 MKP37BS1G20 V38443 MKP37BSSD610 V83086 MKP37BSLY196 V40920 MKP37BS V06144 MKP37BSFS428 V21335 MKP37BSNJC V06144	002004 006999	1
	152	BACB10A240	.. BEARING SUPPLIER CODE: V38443 SPECIFICATION NUMBER: BACB10A240 OPTIONAL PART: KP37BS V21335	002004 006999	1
	153	9-30874	.. HOUSING- FOR SPARES PROCURE: 9-30874Y0	002004 006999	1
	155	251N3077-7	. JACKSHAFT ASSY- POSITION DATA: LH SIDE COMPONENT MAINT MANUAL REF: 27-21-50 OPTIONAL PART: 251N3077-9 251N3077-11	002004 006999	1

MISSING ITEM NUMBERS NOT APPLICABLE

- ITEM NOT ILLUSTRATED

27-21-05-01

27-21-05  
FIG. 01  
PAGE 6  
MAY 20/09

BRI



757

PARTS CATALOG (MAINTENANCE)

FIG ITEM	PART NUMBER	1 2 3 4 5 6 7	NOMENCLATURE	EFFECT FROM TO	UNITS PER ASSY
1 155	251N3077-9		. JACKSHAFT ASSY- POSITION DATA: LH SIDE COMPONENT MAINT MANUAL REF: 27-21-50 OPTIONAL PART: 251N3077-7	002004 006999	1
155	251N3077-11		. JACKSHAFT ASSY- POSITION DATA: LH SIDE OPTIONAL PART: 251N3077-7	002004 006999	1
- 160	251N3077-8		. JACKSHAFT ASSY- POSITION DATA: RH SIDE COMPONENT MAINT MANUAL REF: 27-21-50 OPTIONAL PART: 251N3077-10 251N3077-12	002004 006999	1
- 160	251N3077-10		. JACKSHAFT ASSY- POSITION DATA: RH SIDE COMPONENT MAINT MANUAL REF: 27-21-50 OPTIONAL PART: 251N3077-8	002004 006999	1
- 160	251N3077-12		. JACKSHAFT ASSY- POSITION DATA: RH SIDE OPTIONAL PART: 251N3077-8	002004 006999	1

MISSING ITEM NUMBERS NOT APPLICABLE

- ITEM NOT ILLUSTRATED

BRI

27-21-05-01

27-21-05  
FIG. 01  
PAGE 7  
JAN 20/09



757

PARTS CATALOG (MAINTENANCE)

FIG ITEM	PART NUMBER	1 2 3 4 5 6 7	NOMENCLATURE	EFFECT FROM TO	UNITS PER ASSY
1 165	KP6AFS428		.. BEARING SUPPLIER CODE: V06144 SPECIFICATION NUMBER: BACB10BX6 OPTIONAL PART: KP6AFS428 V21335 KP6A2TS V43991 LLKP6A V38443 KP6AG27 V30163 KP6A V38443 KP6BLY196 V40920 KP6BSD610 V83086 CS206E VK8455 KP6A V21760 KP6ANJC V06144	002004 006999	1
170	JKP6P310		.. BEARING SUPPLIER CODE: V40920 SPECIFICATION NUMBER: BACB10BY6 OPTIONAL PART: KP6TT V43991 LLKP6 V38443 KP6 V38443 KP6SD610 V83086 KP6G27 V30163	002004 006999	1
- 200	251N3014-9		JACKSHAFT INSTL-RUD CONT FOR NHA SEE: 27-20-00-01	101102 108120	RF
- 200	MODREF7467		JACKSHAFT INSTL-RUD CONT MODULE NUMBER: 251N3014-9 REV A	504903 103106	1

MISSING ITEM NUMBERS NOT APPLICABLE

- ITEM NOT ILLUSTRATED

BRI

27-21-05-01

27-21-05  
FIG. 01  
PAGE 8  
JAN 20/09



757

PARTS CATALOG (MAINTENANCE)

FIG ITEM	PART NUMBER	1 2 3 4 5 6 7	NOMENCLATURE	EFFECT FROM TO	UNITS PER ASSY
1 205	251N3342-1	.	ARM-CRANK	101106 108120 504903	1
- 210	AN960JD10L	.	ATTACHING PARTS WASHER	101106 108120 504903	3
- 215	PLH53CD	.	NUT SUPPLIER CODE: VF0224 SPECIFICATION NUMBER: BACN10YR3CD OPTIONAL PART: H52732-3CD V15653 -----*-----	101106 108120 504903	3

MISSING ITEM NUMBERS NOT APPLICABLE

- ITEM NOT ILLUSTRATED

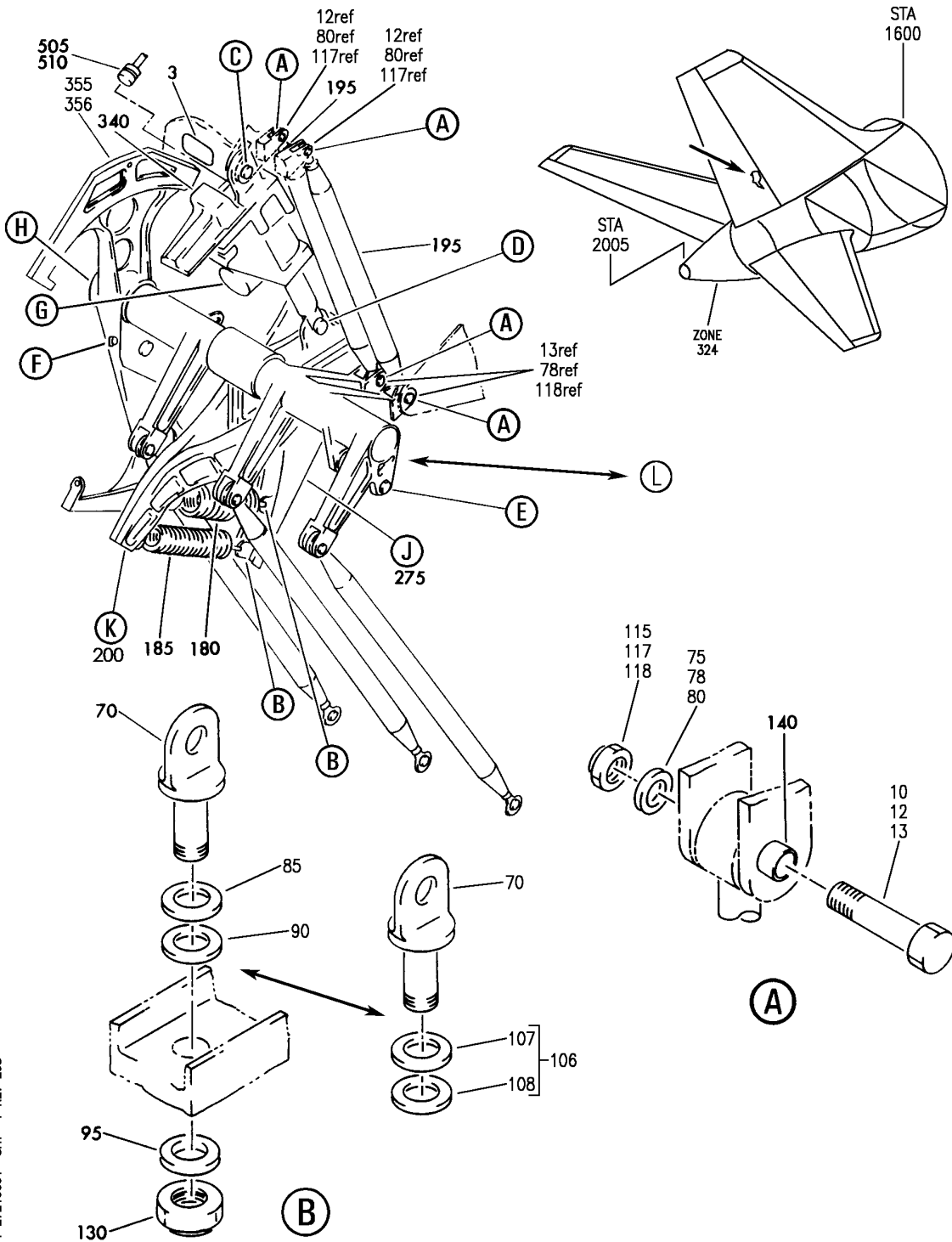
BRI

27-21-05-01

BOEING PROPRIETARY - Copyright © - Unpublished Work - See title page for details.

27-21-05  
FIG. 01  
PAGE 9  
JAN 20/09

**BOEING**  
 757  
 PARTS CATALOG (MAINTENANCE)



Y 27210601 SHT 1 REV 298

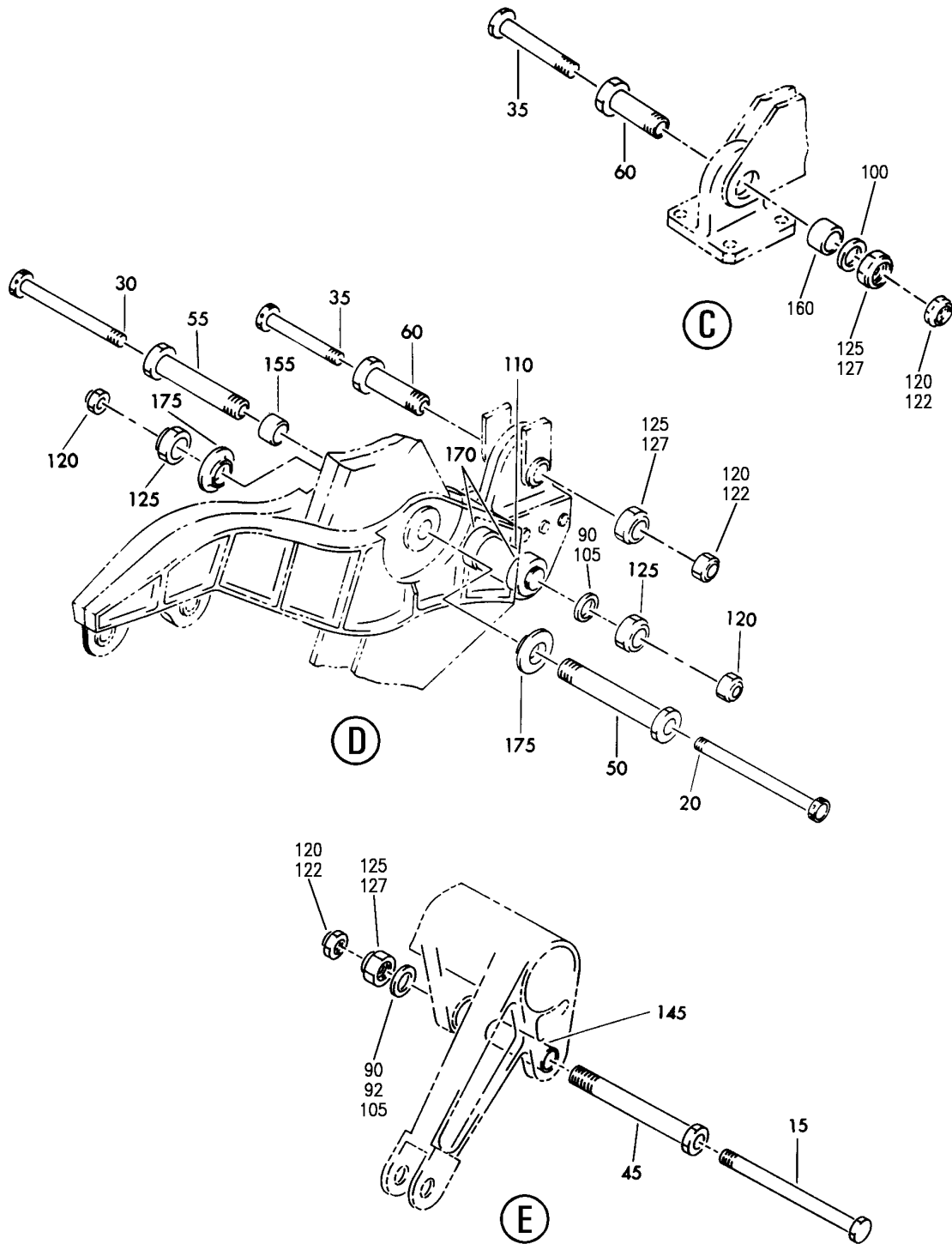
QUADRANT INSTL-RUD CONT FEEL CENTERING AND TRIM AFT  
 FIGURE 1 (SHEET 1)

**27-21-06-01**

BRI  
 MAY 28/07

27-21-06-01  
 PAGE 0

**BOEING**  
757  
PARTS CATALOG (MAINTENANCE)



Y 27210601 SH1 2 REV 255

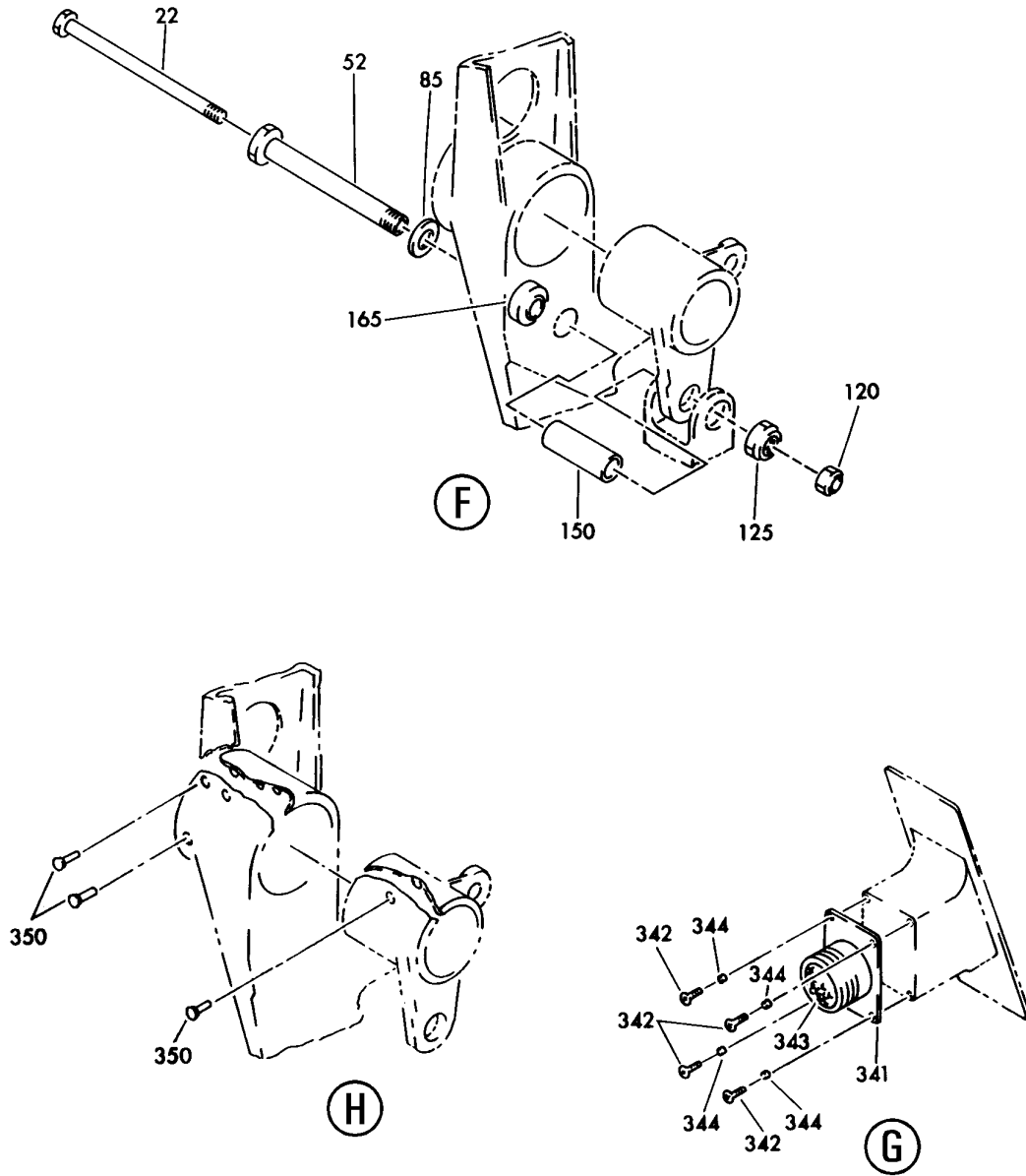
QUADRANT INSTL-RUD CONT FEEL CENTERING AND TRIM AFT  
FIGURE 1 (SHEET 2)

**27-21-06-01**

BRI  
MAY 28/07

27-21-06-01  
PAGE 0A

**BOEING**  
757  
PARTS CATALOG (MAINTENANCE)



Y 27210601 SHT 3 REV 220

QUADRANT INSTL-RUD CONT FEEL CENTERING AND TRIM AFT  
FIGURE 1 (SHEET 3)

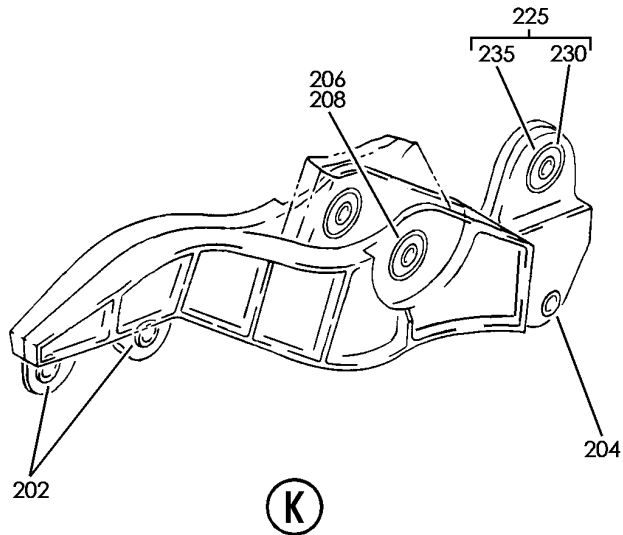
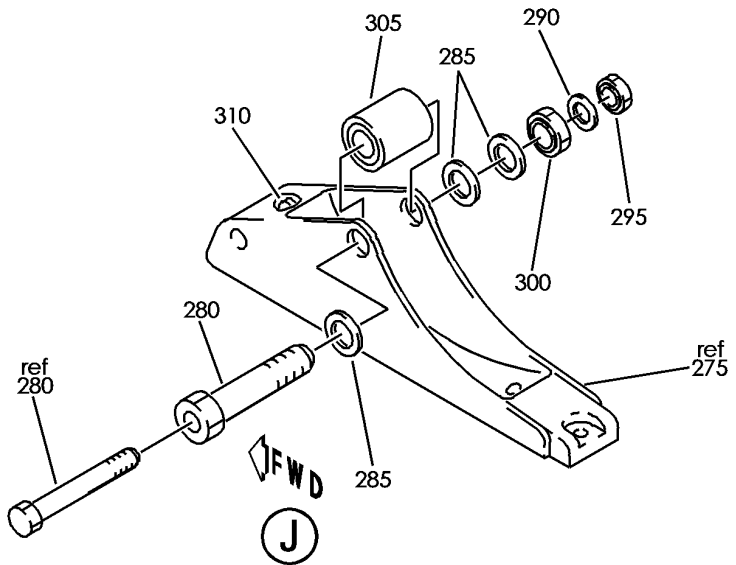
**27-21-06-01**

BRI  
MAY 28/07

27-21-06-01  
PAGE 0B



**BOEING**  
757  
PARTS CATALOG (MAINTENANCE)



Y 27210601 SH 4 REV 220

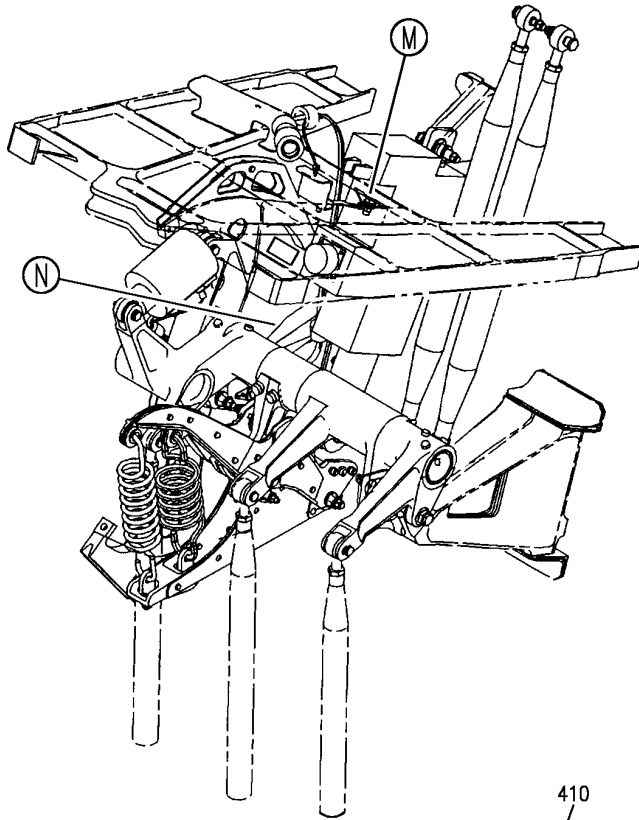
QUADRANT INSTL-RUD CONT FEEL CENTERING AND TRIM AFT  
FIGURE 1 (SHEET 4)

**27-21-06-01**

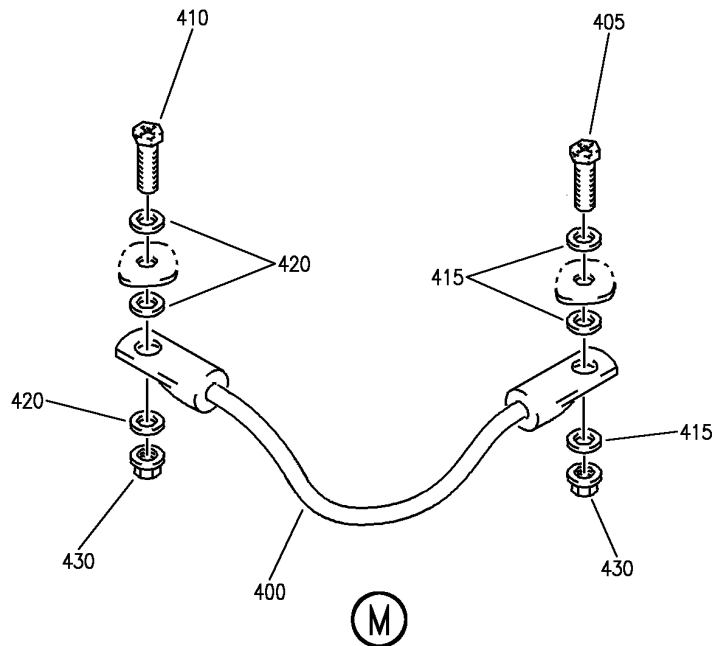
BRI  
MAY 28/07

27-21-06-01  
PAGE 0C

**BOEING**  
757  
PARTS CATALOG (MAINTENANCE)



(L)



Y 27210601 SH1 5 REV 254

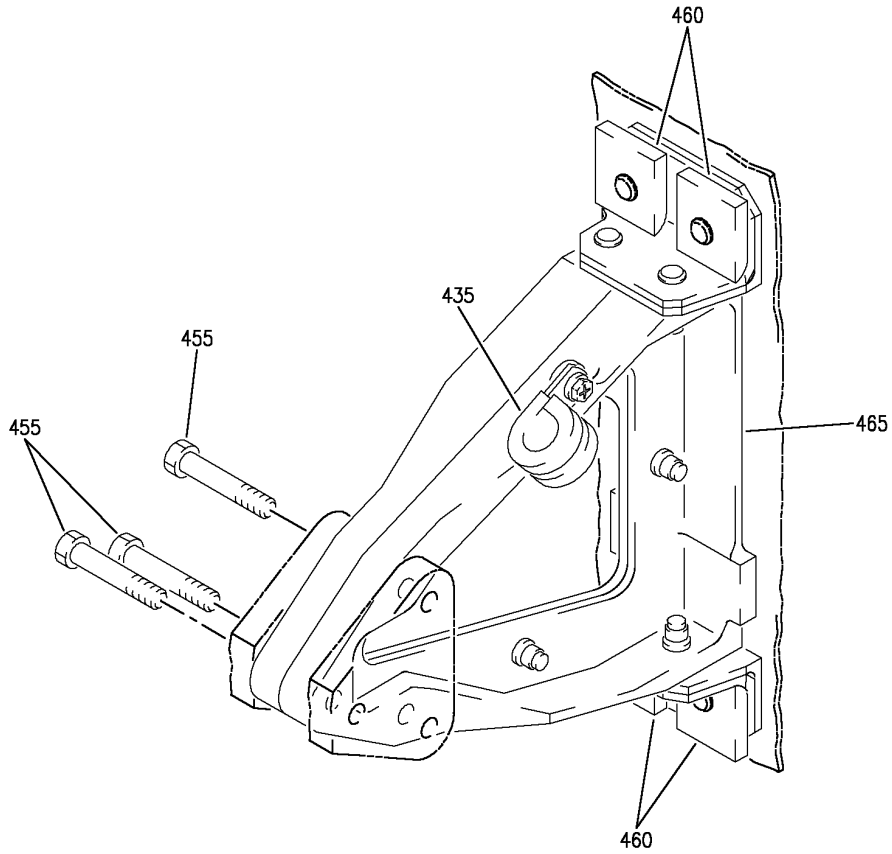
QUADRANT INSTL-RUD CONT FEEL CENTERING AND TRIM AFT  
FIGURE 1 (SHEET 5)

**27-21-06-01**

BRI  
MAY 28/07

27-21-06-01  
PAGE 0D

**BOEING**  
757  
PARTS CATALOG (MAINTENANCE)



(N)

Y 27210601 SH1 6 REV 254

QUADRANT INSTL-RUD CONT FEEL CENTERING AND TRIM AFT  
FIGURE 1 (SHEET 6)

**27-21-06-01**

BRI  
MAY 28/07

27-21-06-01  
PAGE 0E

BOEING PROPRIETARY - Copyright © - Unpublished Work - See title page for details.

**BOEING**  
757  
PARTS CATALOG (MAINTENANCE)

FIG ITEM	PART NUMBER	1 2 3 4 5 6 7	NOMENCLATURE	EFFECT FROM TO	UNITS PER ASSY
1			QUADRANT INSTL-RUD CONT FEEL CENTERING AND TRIM AFT	002004 006102 107999	
- 1	251N3006-1		QUADRANT INSTL-RUD CONT FEEL CENTERING AND TRIM POSITION DATA: AFT FOR NHA SEE: 27-21-54-01	002004 006100 107107 121503 904999	RF
- 1	251N3006-3		QUADRANT INSTL-RUD CONT FEEL CENTERING AND TRIM POSITION DATA: AFT FOR NHA SEE: 27-20-00-01	101102 108120 504903	RF
	3 BAC27NCT0134		.MARKER-ALUMINUM FOIL- PLACARD CONTENT: RUDDER TRIM ACTUATOR M515	002004 006102 107999	1
	10 BACB30NF4-16		.BOLT-	002004 006102 107999	4
R	15 BACB30LJ4C58		.BOLT	002004 006102 107999	1
R	20 BACB30LJ4C47		.BOLT	002004 006102 107999	1
R	22 BACB30LJ4C49		.BOLT	002004 006102 107999	1
R	30 BACB30LJ4C40		.BOLT	002004 006102 107999	1
R	35 BACB30LJ4C26		.BOLT	002004 006102 107999	2
R	45 251T0200-8		.BOLT-OUTER HOLLOW	002004 006102 107999	1
	50 251T0200-47		.BOLT-OUTER HOLLOW	002004 006102 107999	1
	52 251T0200-48		.BOLT-OUTER HOLLOW	002004 006102 107999	1
	55 251T0200-12		.BOLT-OUTER HOLLOW	002004 006102 107999	1

MISSING ITEM NUMBERS NOT APPLICABLE

- ITEM NOT ILLUSTRATED

BRI

# 27-21-06-01

27-21-06  
FIG. 01  
PAGE 1  
MAY 20/09



757

PARTS CATALOG (MAINTENANCE)

FIG ITEM	PART NUMBER	1 2 3 4 5 6 7	NOMENCLATURE	EFFECT FROM TO	UNITS PER ASSY
1					
60	251T0200-14	.	BOLT-OUTER HOLLOW	002004 006102 107999	2
70	AN45C6A	.	EYEBOLT	002004 006102 107999	2
75	AN960PD416	.	WASHER-	002004 006102 107999	4
85	AN960PD616L	.	WASHER	002004 006102 107999	3
90	AN960PD616	.	WASHER	002004 006102 107999	4
95	AN960PD516	.	WASHER	002004 006102 107999	2
100	AN960C616L	.	WASHER	002004 006102 107999	1
105	69B55417-1	.	WASHER-LAMINATED OPTIONAL PART: AN960KD616L AN960KD616 251N3006-4	002004 006102 107999	AR
105	AN960KD616L	.	WASHER- OPTIONAL PART: 69B55417-1	002004 006100 107107 121503 904999	AR
105	AN960KD616	.	WASHER- OPTIONAL PART: 69B55417-1	002004 006100 107107 121503 904999	AR
106	251N3006-4	.	SUB KIT ASSY- OPTIONAL PART: 69B55417-1	002004 006102 107999	AR
107	AN960KD616L	..	WASHER	002004 006102 107999	AR
108	AN960KD616	..	WASHER	002004 006102 107999	AR
110	251T3237-3	.	SPACER-BRG OPTIONAL PART: 251T3237-2	002004 006102 107999	1

MISSING ITEM NUMBERS NOT APPLICABLE

- ITEM NOT ILLUSTRATED

27-21-06-01

27-21-06  
FIG. 01  
PAGE 2  
JAN 20/09

BRI

BOEING PROPRIETARY - Copyright © - Unpublished Work - See title page for details.



757

PARTS CATALOG (MAINTENANCE)

FIG ITEM	PART NUMBER	1 2 3 4 5 6 7	NOMENCLATURE	EFFECT FROM TO	UNITS PER ASSY
1					
110	251T3237-2		. SPACER-BRG OPTIONAL PART: 251T3237-3	002004 006102 107999	1
115	BRH10A4		. NUT- SUPPLIER CODE: V52828 SPECIFICATION NUMBER: BACN10JC4 OPTIONAL PART: T6S428J V11815 96-048 V80539 VN303A048 V92215 RMLH9075-4W V72962 NS202101-048 V80539 H10-4BAC V15653	002004 006102 107999	4
120	BRH10C4D		. NUT SUPPLIER CODE: V52828 SPECIFICATION NUMBER: BACN10JC4CD OPTIONAL PART: T6C428JCD V11815 NS202486-048 V80539 102LH9075-4W V72962 H51650-4BAC V15653	002004 006102 107999	6
125	BRH10C6D		. NUT SUPPLIER CODE: V52828 SPECIFICATION NUMBER: BACN10JC6CD OPTIONAL PART: H51650-6BAC V15653	002004 006102 107999	6

MISSING ITEM NUMBERS NOT APPLICABLE

- ITEM NOT ILLUSTRATED

BRI

27-21-06-01

27-21-06  
FIG. 01  
PAGE 3  
JAN 20/09

 **BOEING**  
757  
**PARTS CATALOG (MAINTENANCE)**

FIG ITEM	PART NUMBER	1 2 3 4 5 6 7	NOMENCLATURE	EFFECT FROM TO	UNITS PER ASSY
1 130	BRH10C5D	.	NUT SUPPLIER CODE: V52828 SPECIFICATION NUMBER: BACN10JC5CD OPTIONAL PART: T6C524JCD V11815 102LH9075-5W V72962 H51650-5BAC V15653	002004 006102 107999	2
140	250N2008-13	.	BUSHING-	002004 006102 107999	2
145	250N2008-7	.	BUSHING	002004 006102 107999	1
150	250N2008-23	.	BUSHING	002004 006102 107999	1
155	250N2008-11	.	BUSHING	002004 006102 107999	1
160	250N2008-16	.	BUSHING	002004 006102 107999	1
165	SA6-14A4	.	BEARING- SUPPLIER CODE: V77896	002004 006102 107999	1
170	KSP6AFS428	.	BEARING SUPPLIER CODE: V21335 SPECIFICATION NUMBER: BACB10AC6A OPTIONAL PART: HHKSP6A V38443 KSP6AE9440A V21335 KSP6A2TS V43991 KSP6AG27 V30163 KSP6ASD610 V83086	002004 006102 107999	2
175	251T3224-1	.	RETAINER	002004 006102 107999	2

MISSING ITEM NUMBERS NOT APPLICABLE

— ITEM NOT ILLUSTRATED

BRI

# 27-21-06-01

BOEING PROPRIETARY - Copyright © - Unpublished Work - See title page for details.

27-21-06  
FIG. 01  
PAGE 4  
MAY 20/09



757

PARTS CATALOG (MAINTENANCE)

FIG ITEM	PART NUMBER	1 2 3 4 5 6 7	NOMENCLATURE	EFFECT FROM TO	UNITS PER ASSY
1					
180	251T3225-1	.	SPRING-TNSN	002004 006102 107999	1
185	251T3226-1	.	SPRING-TNSN	002004 006102 107999	1
195	250N2004-305	.	ROD ASSY- COMPONENT MAINT MANUAL REF: 27-00-12	002004 006102 107999	2
200	251T3220-8	.	ARM ASSY-SPR COMPONENT MAINT MANUAL REF: 27-21-59	002004 006102 107999	1
200	251T3238-2	.	ARM ASSY-SPR COMPONENT MAINT MANUAL REF: 27-21-59	002004 006102 107999	1
200	251T3238-3	.	ARM ASSY-SPR COMPONENT MAINT MANUAL REF: 27-21-59	002004 006102 107999	1
202	BACB28B6-461P	..	BUSHING	002004 006102 107999	2
204	BACB28X6C019	..	BUSHING	002004 006102 107999	1
206	KSP6AFS428	..	BEARING SUPPLIER CODE: V21335 SPECIFICATION NUMBER: BACB10AC6A OPTIONAL PART: HHKSP6A V38443 KSP6AE9440A V21335 KSP6A2TS V43991 KSP6AG27 V30163 KSP6ASD610 V83086	002004 006102 107999	1
208	69-38919-19	..	SLEEVE	002004 006102 107999	1
225	251N3225-4	..	FITTING ASSY-ADPTR	002004 006102 107999	1

MISSING ITEM NUMBERS NOT APPLICABLE

- ITEM NOT ILLUSTRATED

BRI

27-21-06-01

27-21-06  
FIG. 01  
PAGE 5  
JAN 20/09





757

PARTS CATALOG (MAINTENANCE)

FIG ITEM	PART NUMBER	1 2 3 4 5 6 7	NOMENCLATURE	EFFECT FROM TO	UNITS PER ASSY
1 230	KSP6AFS428	...	BEARING SUPPLIER CODE: V21335 SPECIFICATION NUMBER: BACB10AC6A OPTIONAL PART: HHKSP6A V38443 KSP6AE9440A V21335 KSP6A2TS V43991 KSP6AG27 V30163 KSP6ASD610 V83086	002004 006102 107999	1
235	69-38919-19	...	SLEEVE	002004 006102 107999	1
275	251T3216-5	.ARM ASSY-CAM ROLLER COMPONENT MAINT MANUAL REF: 27-21-59 QUALIFIED I/W DATA: 251T3216-5 ARM ASSY CAN BE REWORKED TO 251T3216-9 ARM ASSY BY REPLACING BACB10EU06 BEARING WITH 60B00178- 665 BEARING	002004 006017 107107 121503 904999	1	
275	251T3216-9	.ARM ASSY-CAM ROLLER QUALIFIED I/W DATA: 251T3216-5 ARM ASSY CAN BE REWORKED TO 251T3216-9 ARM ASSY BY REPLACING BACB10EU06 BEARING WITH 60B00178- 665 BEARING	018102 108120 504903	1	
280	251T0200-51	..BOLT ASSY	002004 006102 107999	1	
285	AN960PD616	..WASHER	002004 006102 107999	3	
290	AN960PD10	..WASHER	002004 006102 107999	1	

MISSING ITEM NUMBERS NOT APPLICABLE

- ITEM NOT ILLUSTRATED

27-21-06-01

27-21-06  
FIG. 01  
PAGE 6  
JAN 20/09

BRI



757

PARTS CATALOG (MAINTENANCE)

FIG ITEM	PART NUMBER	1 2 3 4 5 6 7	NOMENCLATURE	EFFECT FROM TO	UNITS PER ASSY
1 295	BRH10A3	. .	NUT SUPPLIER CODE: V52828 SPECIFICATION NUMBER: BACN10JC3 OPTIONAL PART: H10-3BAC V15653 NS202101-02 V80539 RMLH9075-3W V72962 VN303A02 V92215 96-02 V80539 T6S1032J V11815	002004 006102 107999	1
300	BRH10A6	. .	NUT SUPPLIER CODE: V52828 SPECIFICATION NUMBER: BACN10JC6 OPTIONAL PART: 96-064 V80539 RMLH9075-6 V72962 H10-6BAC V15653	002004 006102 107999	1
305	AE66111	. .	BEARING- SUPPLIER CODE: V60380 SPECIFICATION NUMBER: 60B00178-665	018102 108120 504903	1
305	YAT06B	. .	BEARING SUPPLIER CODE: V07484 SPECIFICATION NUMBER: BACB10EU06 OPTIONAL PART: 6AL1618 V92563 ATL6 V60380	002004 006017 107107 121503 904999	1

MISSING ITEM NUMBERS NOT APPLICABLE

- ITEM NOT ILLUSTRATED

27-21-06-01

27-21-06  
FIG. 01  
PAGE 7  
JAN 20/09

BRI



757

PARTS CATALOG (MAINTENANCE)

FIG ITEM	PART NUMBER	1 2 3 4 5 6 7	NOMENCLATURE	EFFECT FROM TO	UNITS PER ASSY
R R R R R	1 305	ATL6SY	.. BEARING- SUPPLIER CODE: V60380 SPECIFICATION NUMBER: BACB10GJ06J	018102 108120 504903	1
	310	KSP6AFS428	.. BEARING SUPPLIER CODE: V21335 SPECIFICATION NUMBER: BACB10AC6A OPTIONAL PART: HHKSP6A V38443 KSP6AE9440A V21335 KSP6A2TS V43991 KSP6AG27 V30163 KSP6ASD610 V83086	002004 006102 107999	1
	340	658D100-1	. ACTUATOR ASSY-RUD TRIM SUPPLIER CODE: V72121 SPECIFICATION NUMBER: S251T320-1 ELECTRICAL EQUIP NUMBER: M00515 COMPONENT MAINT MANUAL REF: 27-21-01	002004 006102 107999	1
	340	658D100-3	. ACTUATOR ASSY-RUD TRIM SUPPLIER CODE: V72121 FUNCTIONAL DESCRIPTION: PREVENTS OVERRIDE OF THE RUDDER. SPECIFICATION NUMBER: S251T320-2 ELECTRICAL EQUIP NUMBER: M00515 COMPONENT MAINT MANUAL REF: 27-21-01 OPTIONAL PART: 658D100-5 V72121	002004 006102 107999	1

MISSING ITEM NUMBERS NOT APPLICABLE

- ITEM NOT ILLUSTRATED

**27-21-06-01**

27-21-06  
FIG. 01  
PAGE 8  
MAY 20/09

BRI



757

PARTS CATALOG (MAINTENANCE)

FIG ITEM	PART NUMBER	1 2 3 4 5 6 7	NOMENCLATURE	EFFECT FROM TO	UNITS PER ASSY
1 340	658D100-5	.	ACTUATOR ASSY-RUD TRIM SUPPLIER CODE: V72121 SPECIFICATION NUMBER: S251T320-2 ELECTRICAL EQUIP NUMBER: M00515 COMPONENT MAINT MANUAL REF: 27-21-01 OPTIONAL PART: 658D100-3 V72121	002004 006102 107999	1
341	BACC45FM18-14P	..	CONNECTOR	002004 006102 107999	1
342	NAS1352-04H4P	..	ATTACHING PARTS SCREW	002004 006102 107999	4
343	48-1825-02	... -----*-----	PIN SUPPLIER CODE: V77820 SPECIFICATION NUMBER: BACC47CN2 OPTIONAL PART: ZZL4016-36LT V49367 48-1825-02 V02660 417-1616-902 V92069 LRM16M15F74 V09922	002004 006102 107999	14
344	MS21209C0415	..	INSERT	002004 006102 107999	4
- 345	251N3070-4	.	QUADRANT AND TORQUE TUBE- ASSY COMPONENT MAINT MANUAL REF: 27-21-42 QUALIFIED I/W DATA: 251N3070-4 TOGETHER WITH 251N3269-1 OR 251N3269-3 CONTROL CABLE CAN REPLACE OR BE REPLACED BY 251N3070-2 TOGETHER WITH BACC2C4A01620EG CONTROL CABLE	002004 006100 107107 121503 904999	1

MISSING ITEM NUMBERS NOT APPLICABLE

- ITEM NOT ILLUSTRATED

27-21-06-01

27-21-06  
FIG. 01  
PAGE 9  
JAN 20/09

BRI



757

PARTS CATALOG (MAINTENANCE)

FIG ITEM	PART NUMBER	1 2 3 4 5 6 7	NOMENCLATURE	EFFECT FROM TO	UNITS PER ASSY
1					
- 345	251N3070-5		.QUADRANT AND TORQUE TUBE- ASSY COMPONENT MAINT MANUAL REF: 27-21-42 OPTIONAL PART: 251N3070-6	002004 006100 107107 121503 904999	1
- 345	251N3070-6		.QUADRANT AND TORQUE TUBE- ASSY OPTIONAL PART: 251N3070-5 251N3070-7	002004 006100 107107 121503 904999	1
- 345	251N3070-7		.QUADRANT AND TORQUE TUBE- ASSY OPTIONAL PART: 251N3070-6	002004 006100 107107 121503 904999	1
- 345	251N3070-7		.QUADRANT AND TORQUE TUBE- ASSY OPTIONAL PART: 251N3070-6	101102 108120 504903	1
- 345	251N3070-6		.QUADRANT AND TORQUE TUBE- ASSY	101102 108120 504903	1
350	BACR15BB6DD		..RIVET- SIZE DETERMINED ON INSTL.	002004 006102 107999	8
355	251N3072-5		..QUADRANT ASSY- QUALIFIED I/W DATA: 251N3072-1 TOGETHER WITH BACC2C4A01620EG IS I/W 251N3072-5 TOGETHER WITH 251N3269-1 USED ON: 251N3070-4 USED ON: 251N3070-5 251N3070-6 FOR DETAILS SEE: 11-26-01-02	002004 006102 107999	1
355	251N3072-8		..QUADRANT ASSY- USED ON: 251N3070-7 FOR DETAILS SEE: 11-26-01-02	002004 006102 107999	1
- 500	286N3100-003		WIRE BUNDLE ASSY	002004 006100 107107 121503 904999	RF

MISSING ITEM NUMBERS NOT APPLICABLE

- ITEM NOT ILLUSTRATED

27-21-06-01

27-21-06  
FIG. 01  
PAGE 10  
JAN 20/09

BRI

BOEING PROPRIETARY - Copyright © - Unpublished Work - See title page for details.



757

PARTS CATALOG (MAINTENANCE)

FIG ITEM	PART NUMBER	1 2 3 4 5 6 7	NOMENCLATURE	EFFECT FROM TO	UNITS PER ASSY
R R	1 - 500	286N3100-302	WIRE BUNDLE ASSY	101102 108120	RF
	- 500 505	286N3100-304 GS3418-18CD	WIRE BUNDLE ASSY .CLAMP- SUPPLIER CODE: V06324 SPECIFICATION NUMBER: BACC10HG18 OPTIONAL PART: S2126-18-8 V07418 ELECTRICAL EQUIP NUMBER: D01746T WIRING DIAGRAM REF: 272813	504903 002004 006100 107107 121999	RF 1
	510	CN096618A14SNL	.CONNECTOR- SUPPLIER CODE: V13556 SPECIFICATION NUMBER: BCREFA0276 OPTIONAL PART: ZZY18A14SNL V49367 48-06R18A14SNL V02660 OVERLENGTH PART NUMBER: BACC63BP18A14SNL ELECTRICAL EQUIP NUMBER: D01746 WIRING DIAGRAM REF: 272813	002004 006100 107503 904999	1

MISSING ITEM NUMBERS NOT APPLICABLE

- ITEM NOT ILLUSTRATED

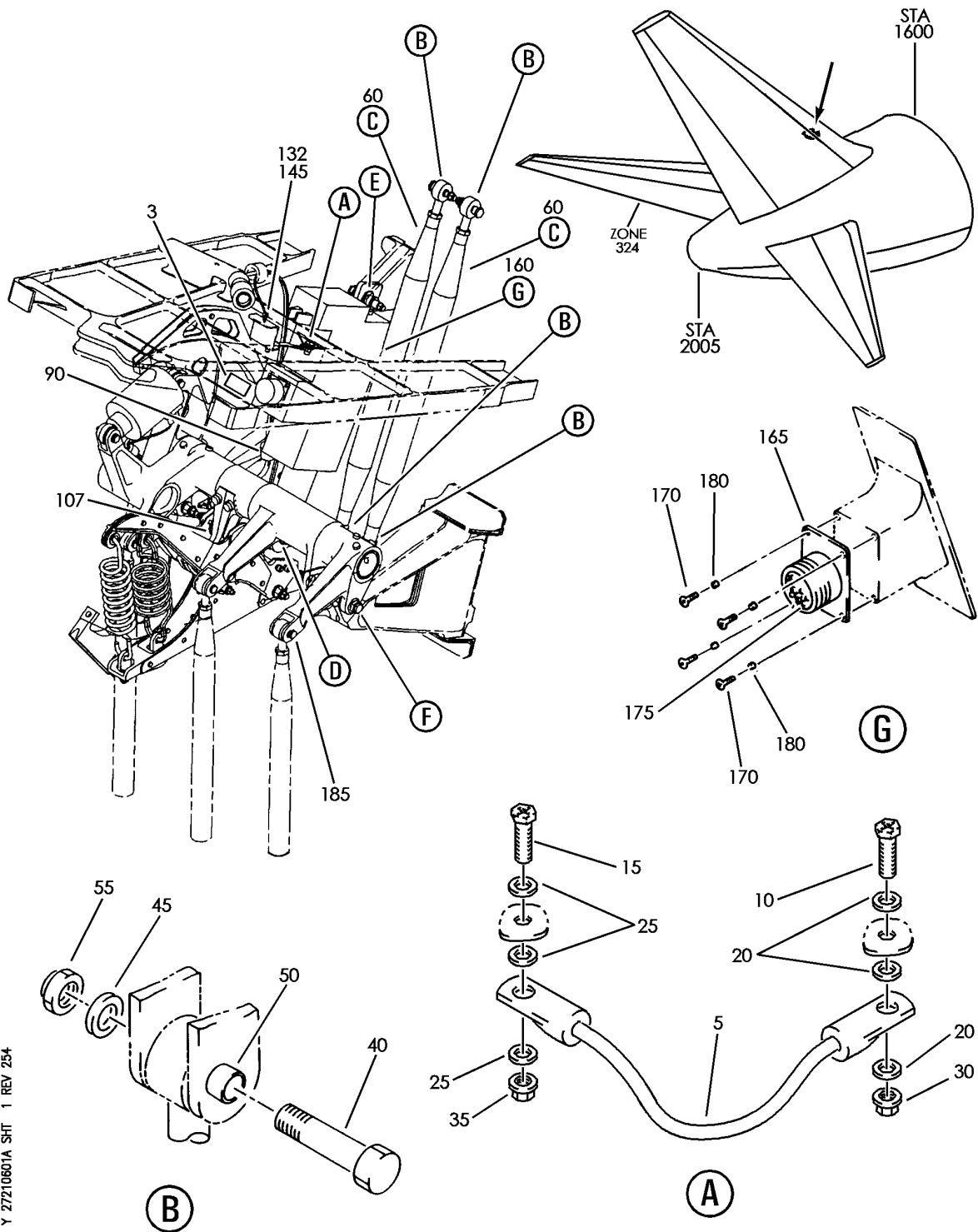
BRI

27-21-06-01

BOEING PROPRIETARY - Copyright © - Unpublished Work - See title page for details.

27-21-06  
FIG. 01  
PAGE 11  
MAY 20/09

**BOEING**  
757  
PARTS CATALOG (MAINTENANCE)



Y 27210601A SHT 1 REV 254

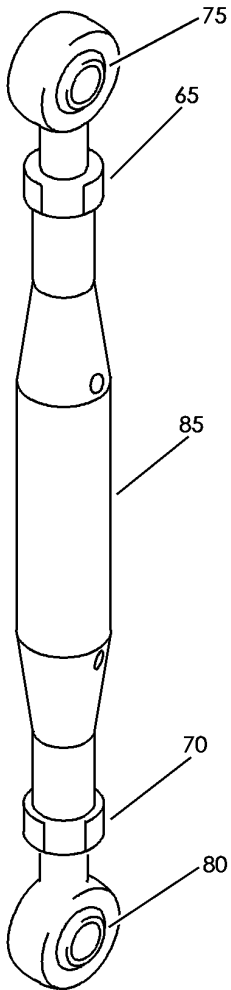
QUADRANT INSTL-FEEL CENTERING AND TRIM AFT  
FIGURE 1A (SHEET 1)

**27-21-06-01A**

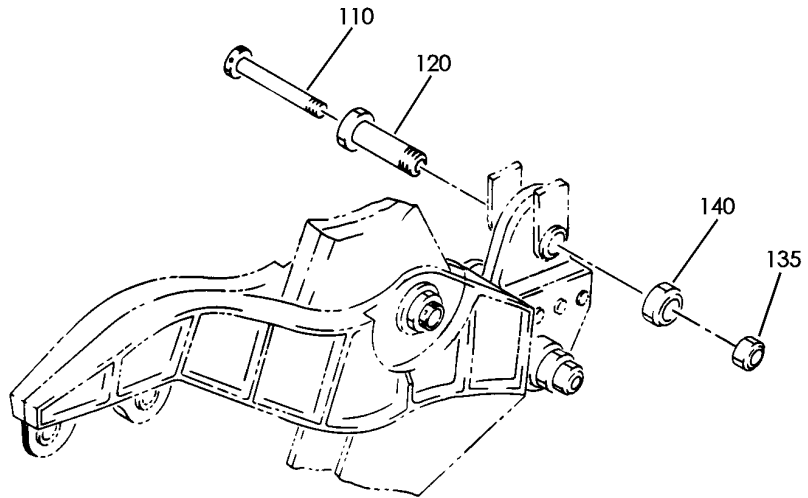
BRI  
JAN 20/09

27-21-06-01A  
PAGE 0

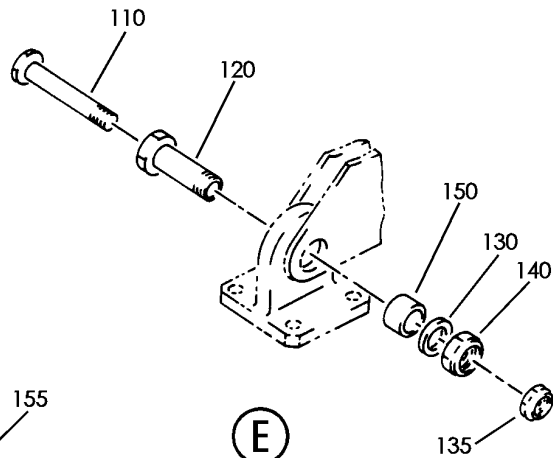
**BOEING**  
757  
PARTS CATALOG (MAINTENANCE)



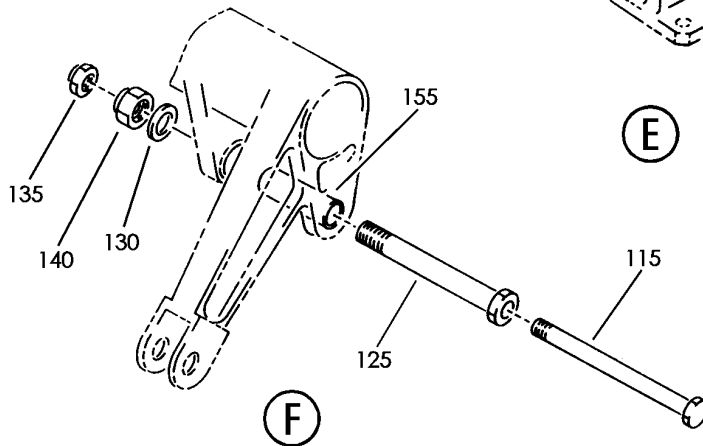
(C)



(D)



(E)



(F)

Y 27210601A SHT 2 REV 254

QUADRANT INSTL-FEEL CENTERING AND TRIM AFT  
FIGURE 1A (SHEET 2)

**27-21-06-01A**

BRI  
JAN 20/09

27-21-06-01A  
PAGE 0A



**BOEING**  
757  
**PARTS CATALOG (MAINTENANCE)**

FIG ITEM	PART NUMBER	1 2 3 4 5 6 7	NOMENCLATURE	EFFECT FROM TO	UNITS PER ASSY
1 A			QUADRANT INSTL-FEEL CENTERING AND TRIM AFT	103106	
- 1	MODREF7449		QUADRANT INSTL-FEEL CENTERING AND TRIM MODULE NUMBER: 251N3006-5 REV A POSITION DATA: AFT	103105	1
- 1	MODREF32391		QUADRANT INSTL-FEEL CENTERING AND TRIM MODULE NUMBER: 251N3006-5 REV B POSITION DATA: AFT	106106	1
	3 BAC27NCT0134		.MARKER-ALUMINUM FOIL PLACARD CONTENT: RUDDER TRIM ACTUATOR M515	103106	1
	5 BACJ40A21-3		.JUMPER ASSY ATTACHING PARTS	103106	1
	10 NAS1801-3-8		.SCREW	103106	1
	15 NAS1801-4-8		.SCREW	103106	1
	20 NAS1149D0316H		.WASHER	103106	3
	25 NAS1149D0416H		.WASHER	103106	3
	30 PLH53CD		.NUT SUPPLIER CODE: VF0224 SPECIFICATION NUMBER: BACN10YR3CD OPTIONAL PART: H52732-3CD V15653	103106	1
	35 PLH54CD		.NUT SUPPLIER CODE: VF0224 SPECIFICATION NUMBER: BACN10YR4CD OPTIONAL PART: H52732-4CD V15653	103106	1
	40 BACB30NF4-16		.BOLT-	103106	4
	45 NAS1149D463J		.WASHER	103106	4

MISSING ITEM NUMBERS NOT APPLICABLE

- ITEM NOT ILLUSTRATED

BRI

**27-21-06-01A**

BOEING PROPRIETARY - Copyright © - Unpublished Work - See title page for details.

27-21-06  
FIG. 01A  
PAGE 1  
JAN 20/09



757

PARTS CATALOG (MAINTENANCE)

FIG ITEM	PART NUMBER	1 2 3 4 5 6 7	NOMENCLATURE	EFFECT FROM TO	UNITS PER ASSY
1 A					
50	PLH54CD	.NUT	SUPPLIER CODE: VF0224 SPECIFICATION NUMBER: BACN10YR4CD OPTIONAL PART: H52732-4CD V15653	103106	4
55	250N2008-13	.BUSHING-		103106	4
60	250N2004-305	.ROD ASSY-	COMPONENT MAINT MANUAL REF: 27-00-12	103106	2
65	AN316-6R	..NUT		103106	1
70	AN316-7R	..NUT		103106	1
75	REP4M6-5FS428	..BEARING	SUPPLIER CODE: V73134 SPECIFICATION NUMBER: BACB10AD12 OPTIONAL PART: HHRE4M6-2 V38443 REP4M6-5E9171B V21335 ABR4M103 VS0352 REP4M6-2CP62 VF0222 REP4M6-5FS428 V21335 REB4M6-21 V92563 DBM4-6B1-501 V77896 ABR4M103B V15860 REP4M6-012J V73134	103106	1

MISSING ITEM NUMBERS NOT APPLICABLE

- ITEM NOT ILLUSTRATED

BRI

27-21-06-01A

BOEING PROPRIETARY - Copyright © - Unpublished Work - See title page for details.

27-21-06  
FIG. 01A  
PAGE 2  
JAN 20/09



757

PARTS CATALOG (MAINTENANCE)

FIG ITEM	PART NUMBER	1 2 3 4 5 6 7	NOMENCLATURE	EFFECT FROM TO	UNITS PER ASSY
1 A 80	REP4M7-2FS428	..	BEARING SUPPLIER CODE: V73134 SPECIFICATION NUMBER: BACB10AD13 OPTIONAL PART: HHRE4M7-1 V38443 REP4M7-2E9171B V21335 ABR4M104 VS0352 REP4M7CP62 VF0222 REP4M7-2FS428 V21335 REB4M7-21 V92563 DBM4-7A1-501 V77896 ABR4M104B V15860 REP4M7-013J V73134	103106	1
85	250N2005-305	..	TUBE	103106	1
90	S717-103	.CLAMP	SUPPLIER CODE: V18076 SPECIFICATION NUMBER: BACC10GU103 OPTIONAL PART: 534CS103 V83930 JM44LC39S103RG V22175	103106	1
- 95	NAS1801-3-8	.SCREW	ATTACHING PARTS	103106	1
- 100	NAS1149D0332J	.WASHER		103106	1
- 105	PLH53CD	.NUT	SUPPLIER CODE: VF0224 SPECIFICATION NUMBER: BACN10YR3CD OPTIONAL PART: H52732-3CD V15653	103106	1
107	BACB30NM4K23	.BOLT	-----*-----	103106	1
110	BACB30LJ4C26	.BOLT		103106	2

MISSING ITEM NUMBERS NOT APPLICABLE

- ITEM NOT ILLUSTRATED

27-21-06-01A

27-21-06  
FIG. 01A  
PAGE 3  
JAN 20/09

BRI

BOEING PROPRIETARY - Copyright © - Unpublished Work - See title page for details.



757

PARTS CATALOG (MAINTENANCE)

FIG ITEM	PART NUMBER	1 2 3 4 5 6 7	NOMENCLATURE	EFFECT FROM TO	UNITS PER ASSY
1A					
115	BACB30LJ4C58	.BOLT		103106	1
120	251T0200-14	.BOLT		103106	2
125	251T0200-8	.BOLT		103106	1
130	NAS1149D0663J	.WASHER		103106	2
132	NAS1149D0316H	.WASHER		103106	1
135	PLH54CD	.NUT		103106	3
		SUPPLIER CODE: VF0224 SPECIFICATION NUMBER: BACN10YR4CD OPTIONAL PART: H52732-4CD V15653			
140	PLH56CD	.NUT		103106	3
		SUPPLIER CODE: VF0224 SPECIFICATION NUMBER: BACN10YR6CD OPTIONAL PART: H52732-6CD V15653			
145	PLH53CD	.NUT		103106	1
		SUPPLIER CODE: VF0224 SPECIFICATION NUMBER: BACN10YR3CD OPTIONAL PART: H52732-3CD V15653			
150	250N2008-16	.BUSHING		103106	1
155	250N2008-7	.BUSHING		103106	1
160	658D100-3	.ACTUATOR ASSY-RUD TRIM		103106	1
		SUPPLIER CODE: V72121 FUNCTIONAL DESCRIPTION: PREVENTS OVERRIDE OF THE RUDDER. SPECIFICATION NUMBER: S251T320-2 ELECTRICAL EQUIP NUMBER: M00515 COMPONENT MAINT MANUAL REF: 27-21-01 OPTIONAL PART: 658D100-5 V72121			
MISSING ITEM NUMBERS NOT APPLICABLE					

- ITEM NOT ILLUSTRATED

27-21-06-01A

27-21-06  
 FIG. 01A  
 PAGE 4  
 JAN 20/09

BRI

BOEING PROPRIETARY - Copyright © - Unpublished Work - See title page for details.



757

PARTS CATALOG (MAINTENANCE)

FIG ITEM	PART NUMBER	1 2 3 4 5 6 7	NOMENCLATURE	EFFECT FROM TO	UNITS PER ASSY
1A 160	658D100-5	.	ACTUATOR ASSY-RUD TRIM SUPPLIER CODE: V72121 SPECIFICATION NUMBER: S251T320-2 ELECTRICAL EQUIP NUMBER: M00515 COMPONENT MAINT MANUAL REF: 27-21-01 OPTIONAL PART: 658D100-3 V72121	103106	1
165	BACC45FM18-14P	..	CONNECTOR ATTACHING PARTS	103106	1
170	NAS1352-04H4P	..	SCREW -----*-----	103106	4
175	48-1825-02	..	PIN SUPPLIER CODE: V77820 SPECIFICATION NUMBER: BACC47CN2 OPTIONAL PART: ZZL4016-36LT V49367 48-1825-02 V02660 417-1616-902 V92069 LRM16M15F74 V09922	103106	14
180	MS21209C0415	..	INSERT	103106	4
185	251N3029-1	.	QUADRANT ASSY- FOR DETAILS SEE: 27-21-06-01B	103105	1
185	251N3029-2	.	QUADRANT ASSY- FOR DETAILS SEE: 27-21-06-01B	106106	1

MISSING ITEM NUMBERS NOT APPLICABLE

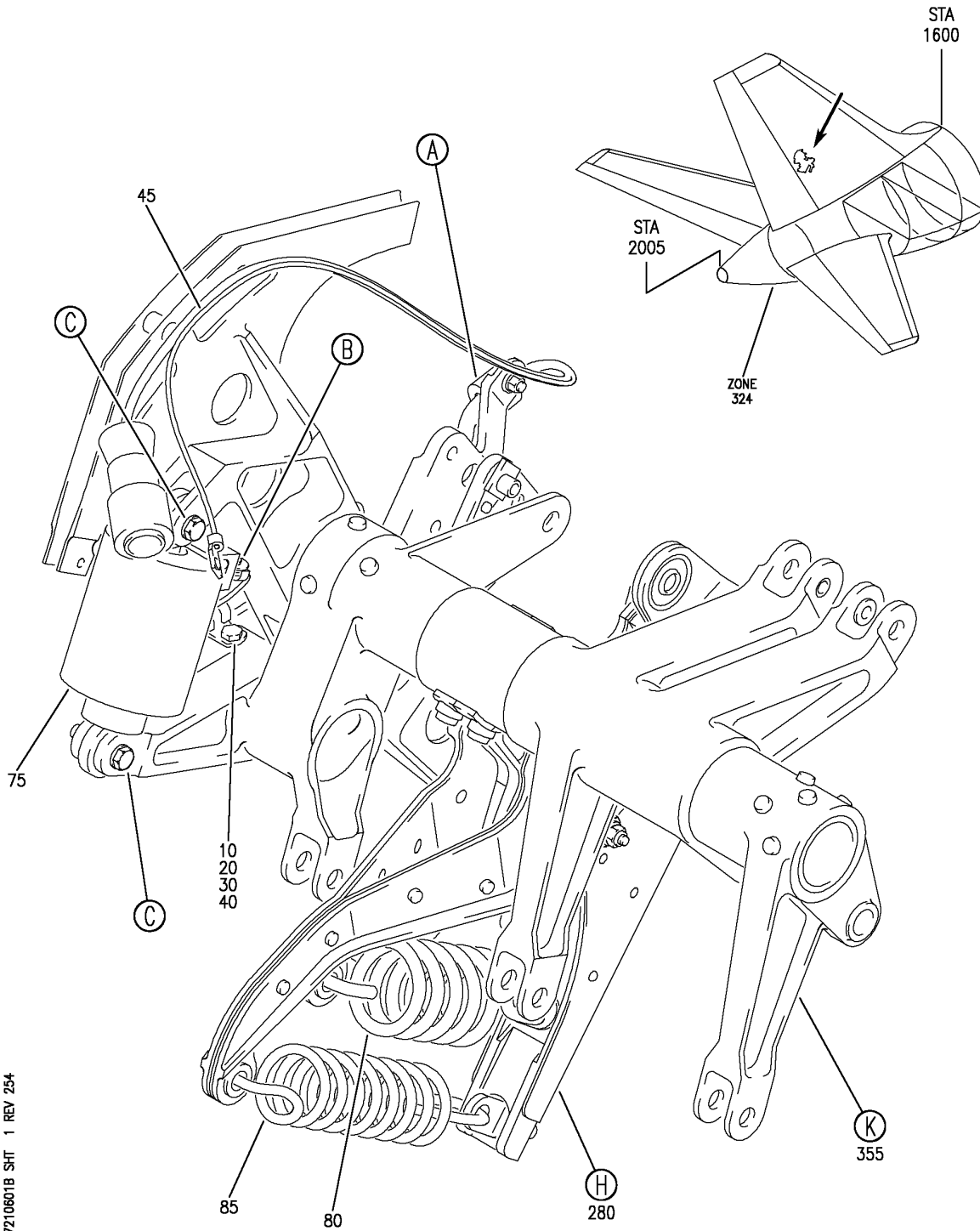
- ITEM NOT ILLUSTRATED

**27-21-06-01A**

27-21-06  
FIG. 01A  
PAGE 5  
JAN 20/09

BRI

**BOEING**  
757  
**PARTS CATALOG (MAINTENANCE)**



Y 27210601B SHT 1 REV 254

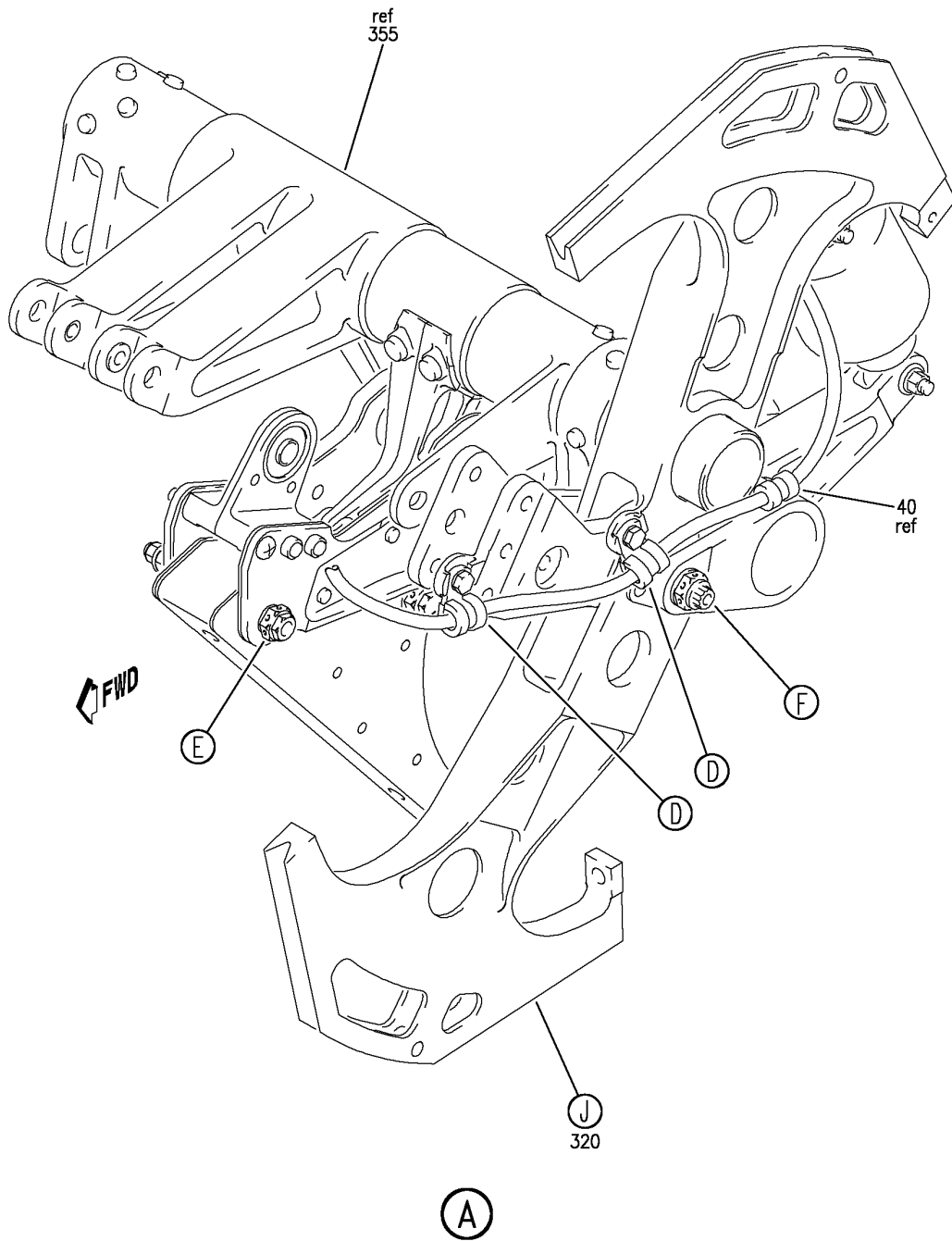
QUADRANT ASSY-RUDDER CONT AFT  
FIGURE 1B (SHEET 1)

**27-21-06-01B**

BRI  
JAN 20/09

27-21-06-01B  
PAGE 0

**BOEING**  
757  
PARTS CATALOG (MAINTENANCE)



Y 27210601B SHT 2 REV 254

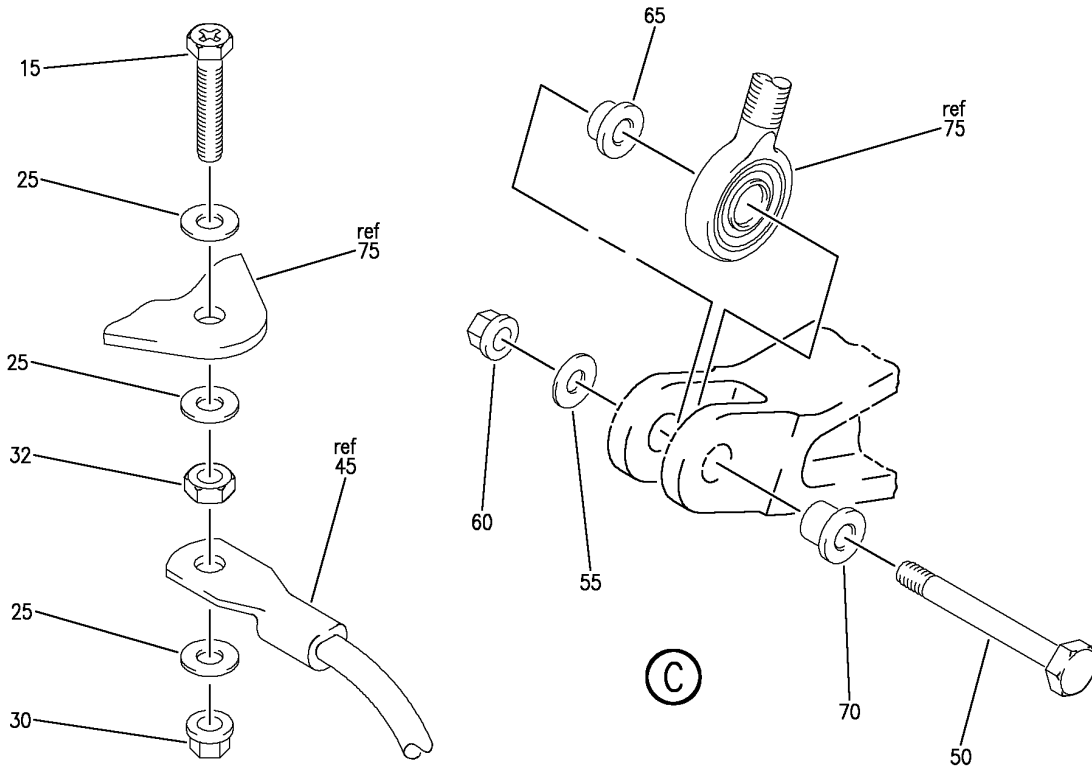
QUADRANT ASSY-RUDDER CONT AFT  
FIGURE 1B (SHEET 2)

**27-21-06-01B**

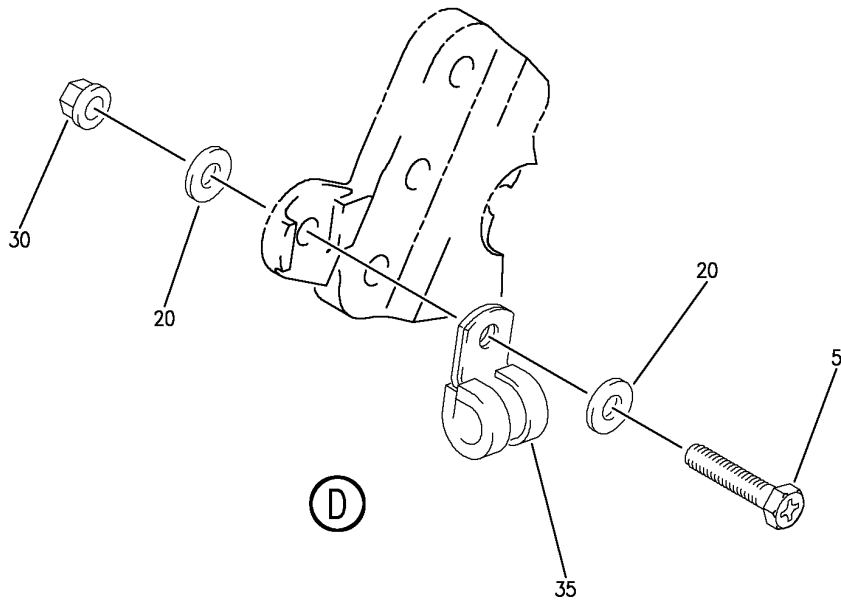
BRI  
JAN 20/09

27-21-06-01B  
PAGE 0A

**BOEING**  
757  
PARTS CATALOG (MAINTENANCE)



(B)



Y 27210601B SHT 3 REV 254

QUADRANT ASSY-RUDDER CONT AFT  
FIGURE 1B (SHEET 3)

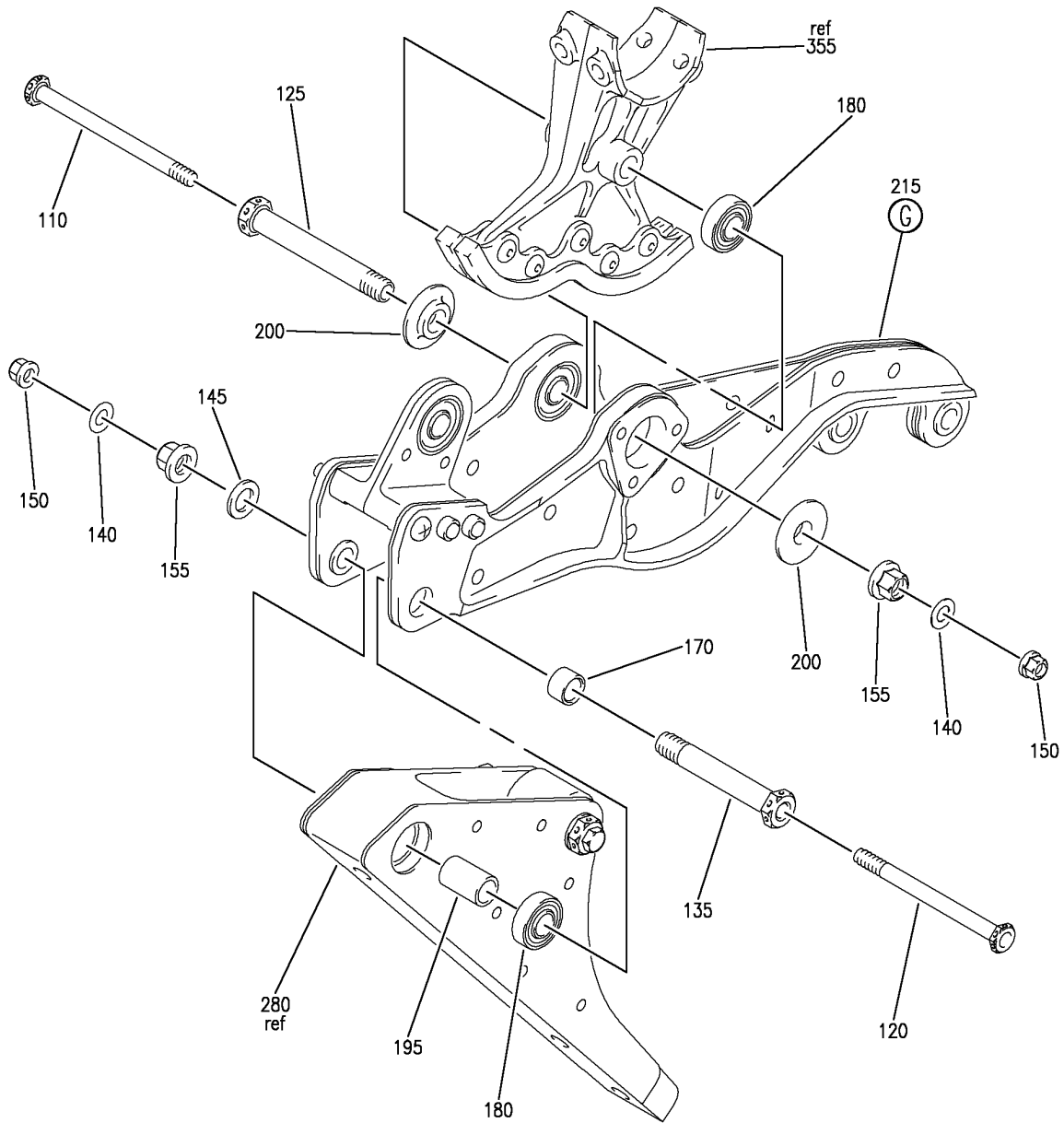
**27-21-06-01B**

BRI  
JAN 20/09

27-21-06-01B  
PAGE 0B



**BOEING**  
757  
PARTS CATALOG (MAINTENANCE)



(E)

Y 27210601B SHT 4 REV 254

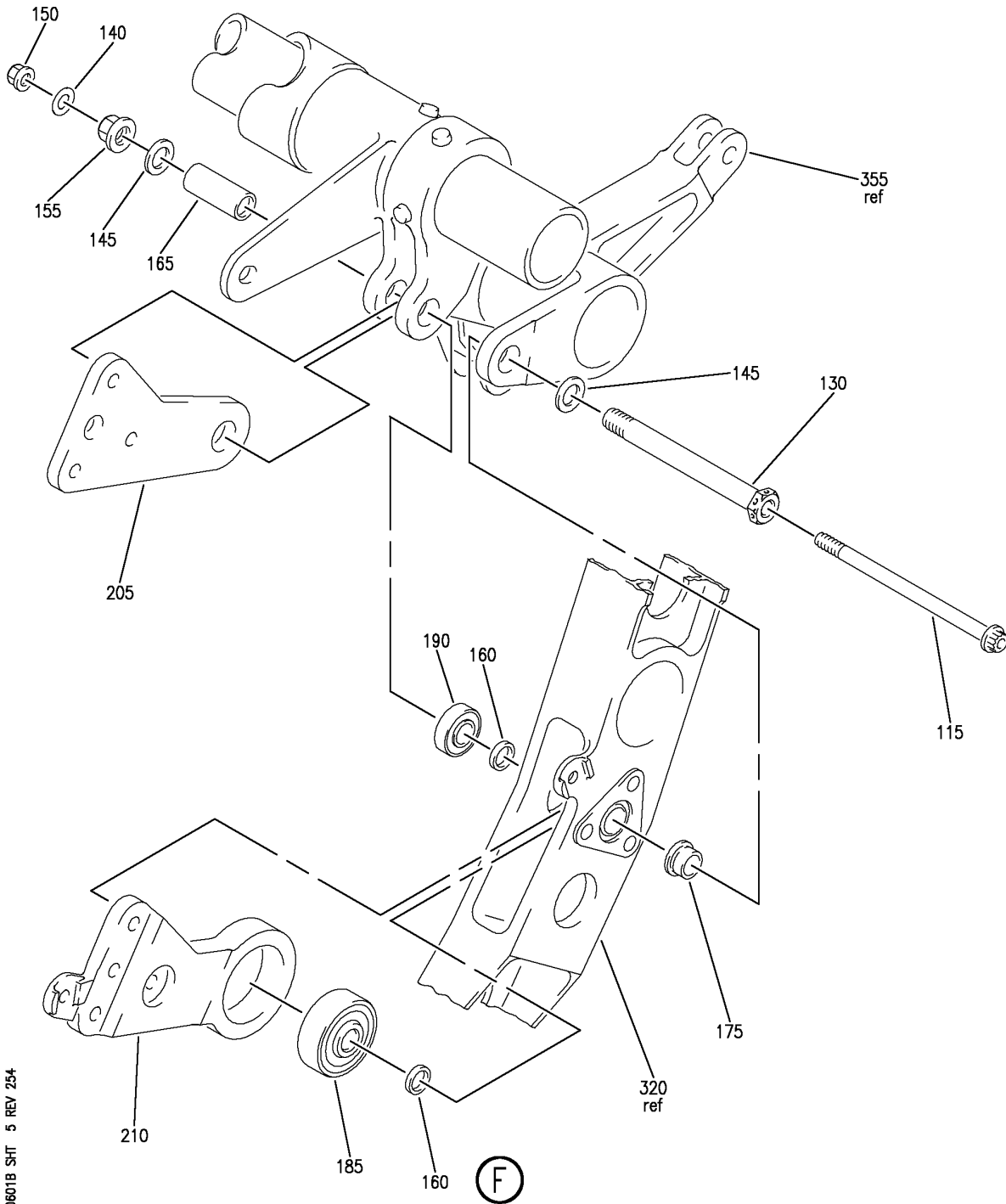
QUADRANT ASSY-RUDDER CONT AFT  
FIGURE 1B (SHEET 4)

**27-21-06-01B**

BRI  
JAN 20/09

27-21-06-01B  
PAGE 0C

**BOEING**  
757  
PARTS CATALOG (MAINTENANCE)



Y 27210601B SHT 5 REV 254

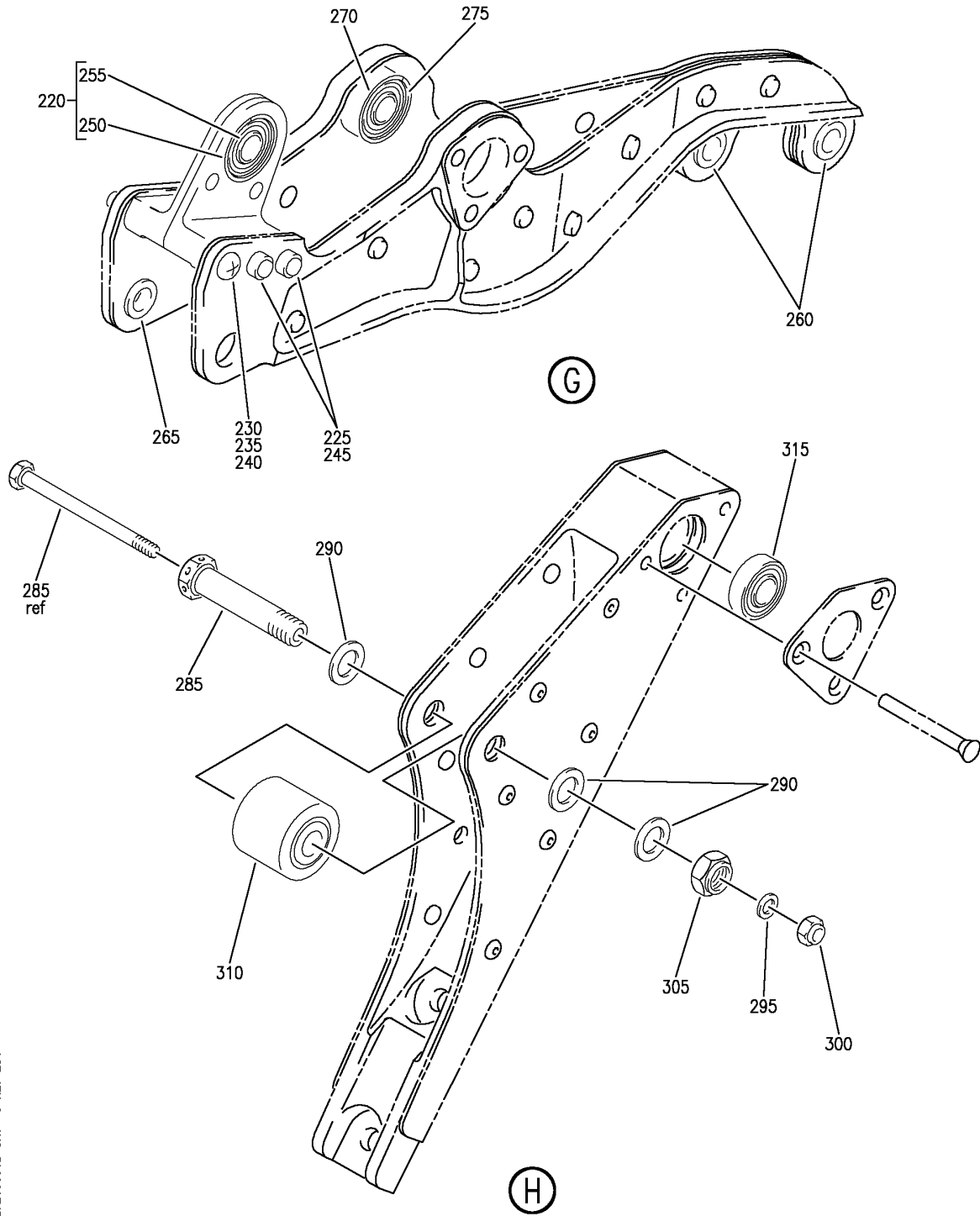
QUADRANT ASSY-RUDDER CONT AFT  
FIGURE 1B (SHEET 5)

**27-21-06-01B**

BRI  
JAN 20/09

27-21-06-01B  
PAGE 0D

**BOEING**  
757  
PARTS CATALOG (MAINTENANCE)



Y 27210601B SHT 6 REV 254

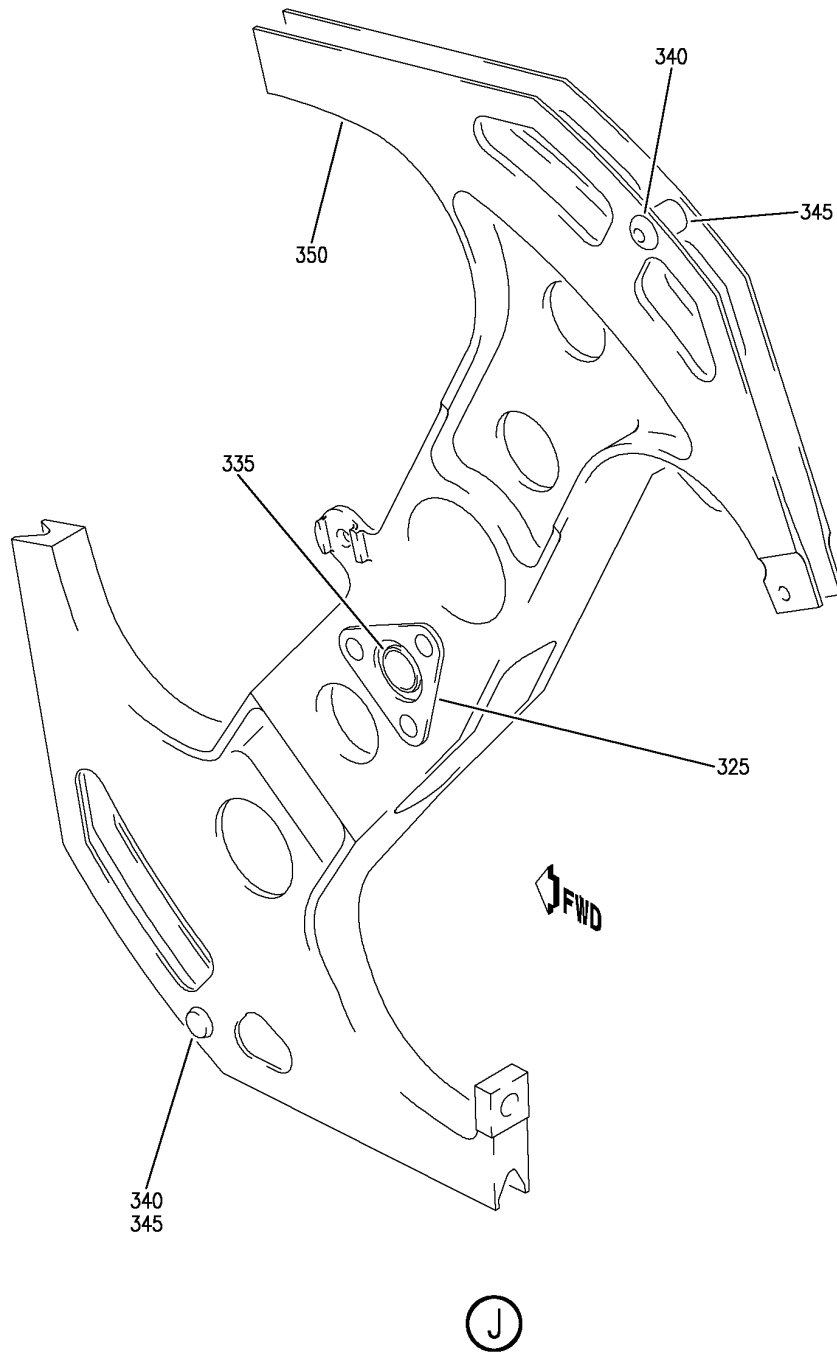
QUADRANT ASSY-RUDDER CONT AFT  
FIGURE 1B (SHEET 6)

**27-21-06-01B**

BRI  
JAN 20/09

27-21-06-01B  
PAGE 0E

**BOEING**  
757  
PARTS CATALOG (MAINTENANCE)



Y 27210601B SHT 7 REV 254

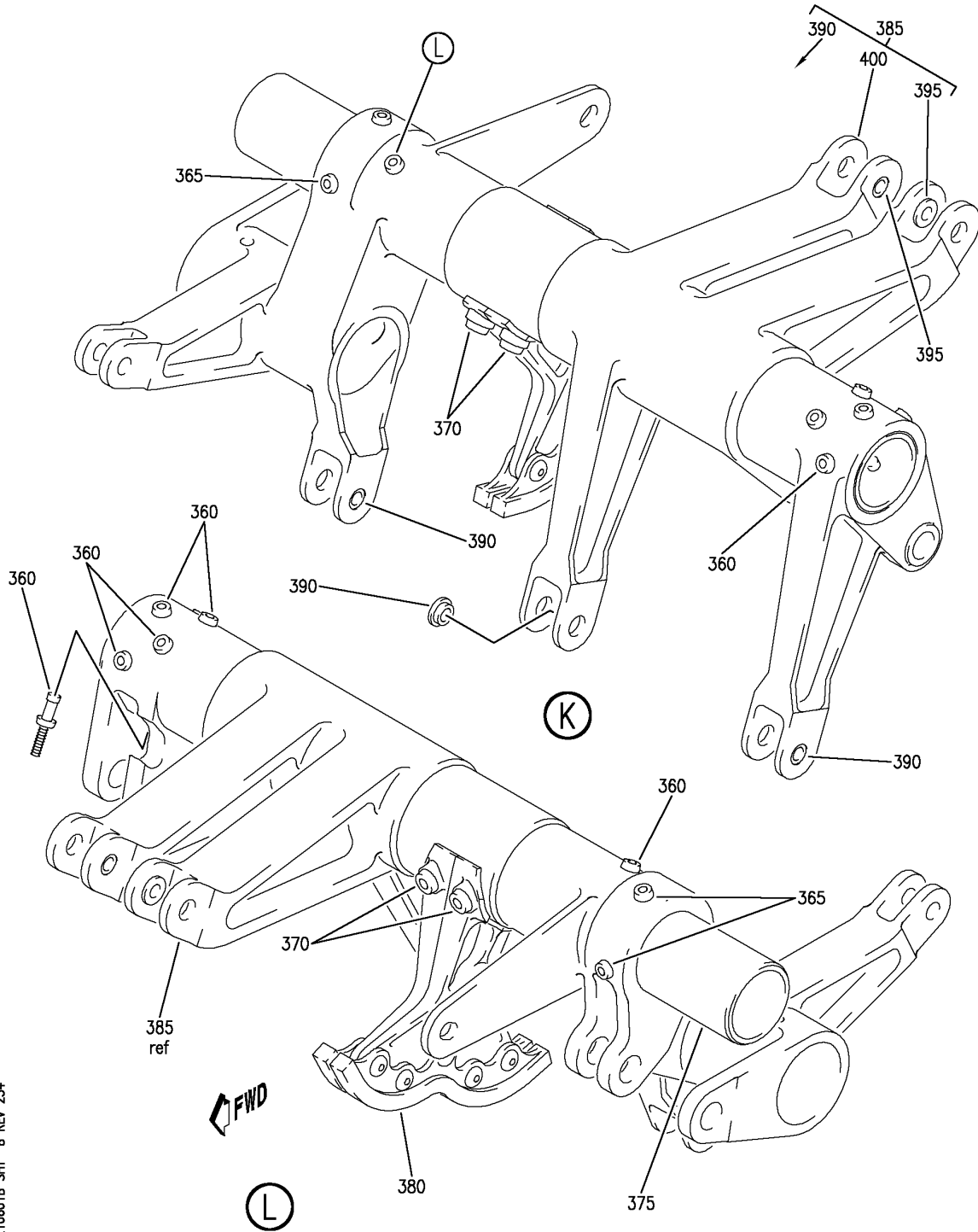
QUADRANT ASSY-RUDDER CONT AFT  
FIGURE 1B (SHEET 7)

**27-21-06-01B**

BRI  
JAN 20/09

27-21-06-01B  
PAGE OF

**BOEING**  
 757  
 PARTS CATALOG (MAINTENANCE)



Y 27210601B SHT 8 REV 254

QUADRANT ASSY-RUDDER CONT AFT  
 FIGURE 1B (SHEET 8)

**27-21-06-01B**

BRI  
 JAN 20/09

27-21-06-01B  
 PAGE 06



757

PARTS CATALOG (MAINTENANCE)

FIG ITEM	PART NUMBER	1 2 3 4 5 6 7	NOMENCLATURE	EFFECT FROM TO	UNITS PER ASSY
1B			QUADRANT ASSY-RUDDER CONT AFT	103106	
- 1	251N3029-1		QUADRANT ASSY-RUDDER CONT POSITION DATA: AFT FOR NHA SEE: 27-21-06-01A	103105	RF
- 1	251N3029-2		QUADRANT ASSY-RUDDER CONT POSITION DATA: AFT FOR NHA SEE: 27-21-06-01A	106106	RF
5	NAS1801-3-8		.SCREW	103106	2
10	NAS1801-3-10		.SCREW	103106	1
15	NAS1801-3-9		.SCREW	103106	1
20	NAS1149D0332J		.WASHER	103106	5
25	NAS1149D0316H		.WASHER	103106	3
30	PLH53CD		.NUT	103106	4
			SUPPLIER CODE: VF0224 SPECIFICATION NUMBER: BACN10YR3CD OPTIONAL PART: H52732-3CD V15653		
32	MS35650-305T		.NUT	103106	1
35	S717-103		.CLAMP SUPPLIER CODE: V18076 SPECIFICATION NUMBER: BACC10GU103 OPTIONAL PART: 534CS103 V83930 JM44LC39S103RG V22175	103106	2
40	S717-102		.CLAMP SUPPLIER CODE: V18076 SPECIFICATION NUMBER: BACC10GU102 OPTIONAL PART: 534CS102 V83930 JM44LC39S102RG V22175	103106	1

MISSING ITEM NUMBERS NOT APPLICABLE

- ITEM NOT ILLUSTRATED

BRI

**27-21-06-01B**

BOEING PROPRIETARY - Copyright © - Unpublished Work - See title page for details.

27-21-06  
FIG. 01B  
PAGE 1  
JAN 20/09



757

PARTS CATALOG (MAINTENANCE)

FIG ITEM	PART NUMBER	1 2 3 4 5 6 7	NOMENCLATURE	EFFECT FROM TO	UNITS PER ASSY
1B					
45	1002BB36	.	JUMPER SUPPLIER CODE: V1FF12 SPECIFICATION NUMBER: BACJ40A20-36	103106	1
50	BACB30NM3K13	.	BOLT	103106	2
55	NAS1149D0332J	.	WASHER	103106	2
60	PLH53CD	.	NUT SUPPLIER CODE: VF0224 SPECIFICATION NUMBER: BACN10YR3CD OPTIONAL PART: H52732-3CD V15653	103106	2
65	BACB28X3C016	.	BUSHING	103106	2
70	BACB28X3C026	.	BUSHING	103106	2
75	GM10242	.	TRANSDUCER ASSY-FORCE SUPPLIER CODE: V22863 FUNCTIONAL DESCRIPTION: TRANSMIT PRIMARY FLIGHT CONTROL DATA TO THE DIGITAL DATA ACQUISITION UNIT (DFDAV) OR ACTURATOR CONTROL ELECTRONICS (ACE) FOR FLIGHT DATA RECORDING. SPECIFICATION NUMBER: S253T401-3 COMPONENT MAINT MANUAL REF: 22-10-06	103106	1
80	251T3225-1	.	SPRING	103106	1
85	251T3226-1	.	SPRING	103106	1
			ATTACHING PARTS		
- 90	AN45C6A	.	EYEBOLT	103106	2
- 95	NAS1149D0532J	.	WASHER	103106	2
- 100	NAS1149D0632J	.	WASHER	103106	2
- 105	PLH55CD	.	NUT SUPPLIER CODE: VF0224 SPECIFICATION NUMBER: BACN10YR5CD OPTIONAL PART: H52732-5CD V15653	103106	2
			-----*-----		
110	BACB30LJ4C47	.	BOLT	103106	1
115	BACB30US4-56	.	BOLT	103106	1

MISSING ITEM NUMBERS NOT APPLICABLE

- ITEM NOT ILLUSTRATED

27-21-06-01B

27-21-06  
FIG. 01B  
PAGE 2  
JAN 20/09

BRI

BOEING PROPRIETARY - Copyright © - Unpublished Work - See title page for details.



757

PARTS CATALOG (MAINTENANCE)

FIG ITEM	PART NUMBER	1 2 3 4 5 6 7	NOMENCLATURE	EFFECT FROM TO	UNITS PER ASSY
1B					
120	BACB30LJ4C40	.BOLT		103106	1
125	251T0200-47	.BOLT		103106	1
130	251T0200-72	.BOLT		103106	1
135	251T0200-12	.BOLT		103106	1
140	NAS1149D0416J	.WASHER		103106	3
145	NAS1149D0663J	.WASHER		103106	3
150	PLH54CD	.NUT		103106	3
		SUPPLIER CODE: VF0224 SPECIFICATION NUMBER: BACN10YR4CD OPTIONAL PART: H52732-4CD V15653			
155	PLH56CD	.NUT		103106	3
		SUPPLIER CODE: VF0224 SPECIFICATION NUMBER: BACN10YR6CD OPTIONAL PART: H52732-6CD V15653			
160	BACB28Y6C009	.BUSHING		103106	2
165	BACB28Y6C121	.BUSHING		103106	1
170	250N2008-11	.BUSHING		103106	1
175	251T3742-38	.BUSHING		103106	1
180	ACMKSP6AFS428	.BEARING		103106	2
		SUPPLIER CODE: V21335 SPECIFICATION NUMBER: BACB10FP06AJ OPTIONAL PART: SSMKSP6ASD529 V50294 SSMKSP06AJS705 V83086			
185	SA6-23A1-501	.BEARING-		103105	1
		SUPPLIER CODE: V77896 SPECIFICATION NUMBER: S012T236-400 OPTIONAL PART: BACB10FP06J			

MISSING ITEM NUMBERS NOT APPLICABLE

- ITEM NOT ILLUSTRATED

BRI

27-21-06-01B

BOEING PROPRIETARY - Copyright © - Unpublished Work - See title page for details.

27-21-06  
 FIG. 01B  
 PAGE 3  
 JAN 20/09





757

PARTS CATALOG (MAINTENANCE)

FIG ITEM	PART NUMBER	1 2 3 4 5 6 7	NOMENCLATURE	EFFECT FROM TO	UNITS PER ASSY
1B 185	ACMKSP6FS428	.	BEARING- SUPPLIER CODE: V21335 SPECIFICATION NUMBER: BACB10FP06J OPTIONAL PART: SSMKSP06JSD705 V83086 SA6-23A1-501 V77896	103106	1
190	SSMKP6ASD524	.	BEARING SUPPLIER CODE: V50294 SPECIFICATION NUMBER: BACB10FS06J OPTIONAL PART: PACMKP06JAA3908 V21335 SSMKP06JASD705 V83086 PACMKP6AFS428 V21335 ACMKP06JAP510LY V40920 PACMKP06JAFS428 V21335 SSMKP06JAP V21760 SSMKP06AP V21760	103106	1
195	251T3237-3	.	SPACER	103106	1
200	251T3224-1	.	RETAINER	103106	2
205	251N3039-1	.	SUPPORT	103106	1
210	251N3039-3	.	SUPPORT	103106	1
215	251T3238-3	.	ARM ASSY-SPR COMPONENT MAINT MANUAL REF: 27-21-59	103106	1
220	251N3225-4	..	FITTING ASSY ATTACHING PARTS	103106	1
225	2LPYT6-31	..	BOLT SUPPLIER CODE: V11815 SPECIFICATION NUMBER: BACB30DX6-31 OPTIONAL PART: 2LPYT6-31 V17446	103106	2
230	NAS623-2-32	..	BOLT	103106	1
235	AN960KD8	..	WASHER	103106	1

MISSING ITEM NUMBERS NOT APPLICABLE

- ITEM NOT ILLUSTRATED

27-21-06-01B

27-21-06  
FIG. 01B  
PAGE 4  
JAN 20/09

BRI

BOEING PROPRIETARY - Copyright © - Unpublished Work - See title page for details.



757

PARTS CATALOG (MAINTENANCE)

FIG ITEM	PART NUMBER	1 2 3 4 5 6 7	NOMENCLATURE	EFFECT FROM TO	UNITS PER ASSY
1B 240	BRH10A08	..	NUT SUPPLIER CODE: V52828 SPECIFICATION NUMBER: BACN10JC08 OPTIONAL PART: H10-08BAC V15653 NS202101-82 V80539 RMLH9075-82W V72962 VN303A82 V92215 96-82 V80539 T6S832J V11815	103106	1
245	NAS1080-6	..	COLLAR -----*-----	103106	2
250	69-38919-19	...	SLEEVE	103106	1
255	KSP6AFS428	...	BEARING SUPPLIER CODE: V21335 SPECIFICATION NUMBER: BACB10AC6A OPTIONAL PART: HHKSP6A V38443 KSP6AE9440A V21335 KSP6A2TS V43991 KSP6AG27 V30163 KSP6ASD610 V83086	103106	1
260	BACB28B6-461P	..	BUSHING	103106	2
265	BACB28X6C019	..	BUSHING	103106	1
270	69-38919-19	..	SLEEVE	103106	1

MISSING ITEM NUMBERS NOT APPLICABLE

- ITEM NOT ILLUSTRATED

27-21-06-01B

27-21-06  
FIG. 01B  
PAGE 5  
JAN 20/09

BRI

BOEING PROPRIETARY - Copyright © - Unpublished Work - See title page for details.



757

PARTS CATALOG (MAINTENANCE)

FIG ITEM	PART NUMBER	1 2 3 4 5 6 7	NOMENCLATURE	EFFECT FROM TO	UNITS PER ASSY
1B 275	KSP6AFS428	..	BEARING SUPPLIER CODE: V21335 SPECIFICATION NUMBER: BACB10AC6A OPTIONAL PART: HHKSP6A V38443 KSP6AE9440A V21335 KSP6A2TS V43991 KSP6AG27 V30163 KSP6ASD610 V83086	103106	1
280	251T3216-9	.ARM	ASSY-CAM ROLLER QUALIFIED I/W DATA: 251T3216-5 ARM ASSY CAN BE REWORKED TO 251T3216-9 ARM ASSY BY REPLACING BACB10EU06 BEARING WITH 60B00178-665 BEARING.	103106	1
285	251T0200-51	..	BOLT ASSY	103106	1
290	AN960PD616	..	WASHER	103106	3
295	AN960PD10	..	WASHER	103106	1
300	BRH10A3	..	NUT SUPPLIER CODE: V52828 SPECIFICATION NUMBER: BACN10JC3 OPTIONAL PART: H10-3BAC V15653 NS202101-02 V80539 RMLH9075-3W V72962 VN303A02 V92215 96-02 V80539 T6S1032J V11815	103106	1

MISSING ITEM NUMBERS NOT APPLICABLE

- ITEM NOT ILLUSTRATED

BRI

27-21-06-01B

BOEING PROPRIETARY - Copyright © - Unpublished Work - See title page for details.

27-21-06  
FIG. 01B  
PAGE 6  
JAN 20/09



757

PARTS CATALOG (MAINTENANCE)

FIG ITEM	PART NUMBER	1 2 3 4 5 6 7	NOMENCLATURE	EFFECT FROM TO	UNITS PER ASSY
1B 305	BRH10A6	..	NUT SUPPLIER CODE: V52828 SPECIFICATION NUMBER: BACN10JC6 OPTIONAL PART: 96-064 V80539 RMLH9075-6 V72962 H10-6BAC V15653	103106	1
310	AE66111	..	BEARING- SUPPLIER CODE: V60380 SPECIFICATION NUMBER: 60B00178-665	103106	1
310	ATL6SY	..	BEARING- SUPPLIER CODE: V60380 SPECIFICATION NUMBER: BACB10GJ06J	103106	1
315	KSP6AFS428	..	BEARING SUPPLIER CODE: V21335 SPECIFICATION NUMBER: BACB10AC6A OPTIONAL PART: HHKSP6A V38443 KSP6AE9440A V21335 KSP6A2TS V43991 KSP6AG27 V30163 KSP6ASD610 V83086	103106	1
320	251N3072-10	.	QUADRANT ASSY- FUNCTIONAL REFERENCE: PLACARDS AND MARKINGS FOR DETAILS SEE 11-26-01-02	103106	1
325	251T3453-4	..	PLATE ATTACHING PARTS	103106	1
- 330	BACR15BA3ADC	..	RIVET- SIZE DETERMINED ON INSTL. -----*-----	103106	3

MISSING ITEM NUMBERS NOT APPLICABLE

- ITEM NOT ILLUSTRATED

27-21-06-01B

27-21-06  
FIG. 01B  
PAGE 7  
MAY 20/09

BRI

BOEING PROPRIETARY - Copyright © - Unpublished Work - See title page for details.



757

PARTS CATALOG (MAINTENANCE)

FIG ITEM	PART NUMBER	1 2 3 4 5 6 7	NOMENCLATURE	EFFECT FROM TO	UNITS PER ASSY
1B 335	SSMKP6ASD524	..	BEARING SUPPLIER CODE: V50294 SPECIFICATION NUMBER: BACB10FS06J OPTIONAL PART: PACMKP06JAA3908 V21335 SSMKP06JASD705 V83086 PACMKP6AFS428 V21335 ACMKP06JAP510LY V40920 PACMKP06JAFS428 V21335 SSMKP06JAP V21760 SSMKP06AP V21760	103106	1
	340 BACR15FT5KEC	..	RIVET- SIZE DETERMINED ON INSTL.	103106	2
	345 NAS42DD5-26FC	..	SPACER	103106	2
	350 251N3072-11	..	QUADRANT	103106	1
R	355 251N3070-8	.	QUADRANT	103105	1
R	355 251N3070-9	.	QUADRANT	106106	1
	360 MS21141U0605P	..	FASTENER	103106	7
	365 MS21141U0607P	..	FASTENER	103106	3
	370 MS21141U0810P	..	BOLT	103106	4
	375 251N3146-3	..	TUBE	103106	1
	380 251N3242-1	..	CAM ASSY	103106	1
R	385 251N3071-7	..	TUBE ASSY	103105	1
R	385 251N3071-10	..	TUBE ASSY	106106	1
	390 BACB28W4C010	...	BUSHING	103106	3
	395 BACB28W4C014	...	BUSHING	103106	2
R	400 251N3071-8	...	TUBE	103105	1
R	400 251N3071-11	...	TUBE	106106	1

MISSING ITEM NUMBERS NOT APPLICABLE

- ITEM NOT ILLUSTRATED

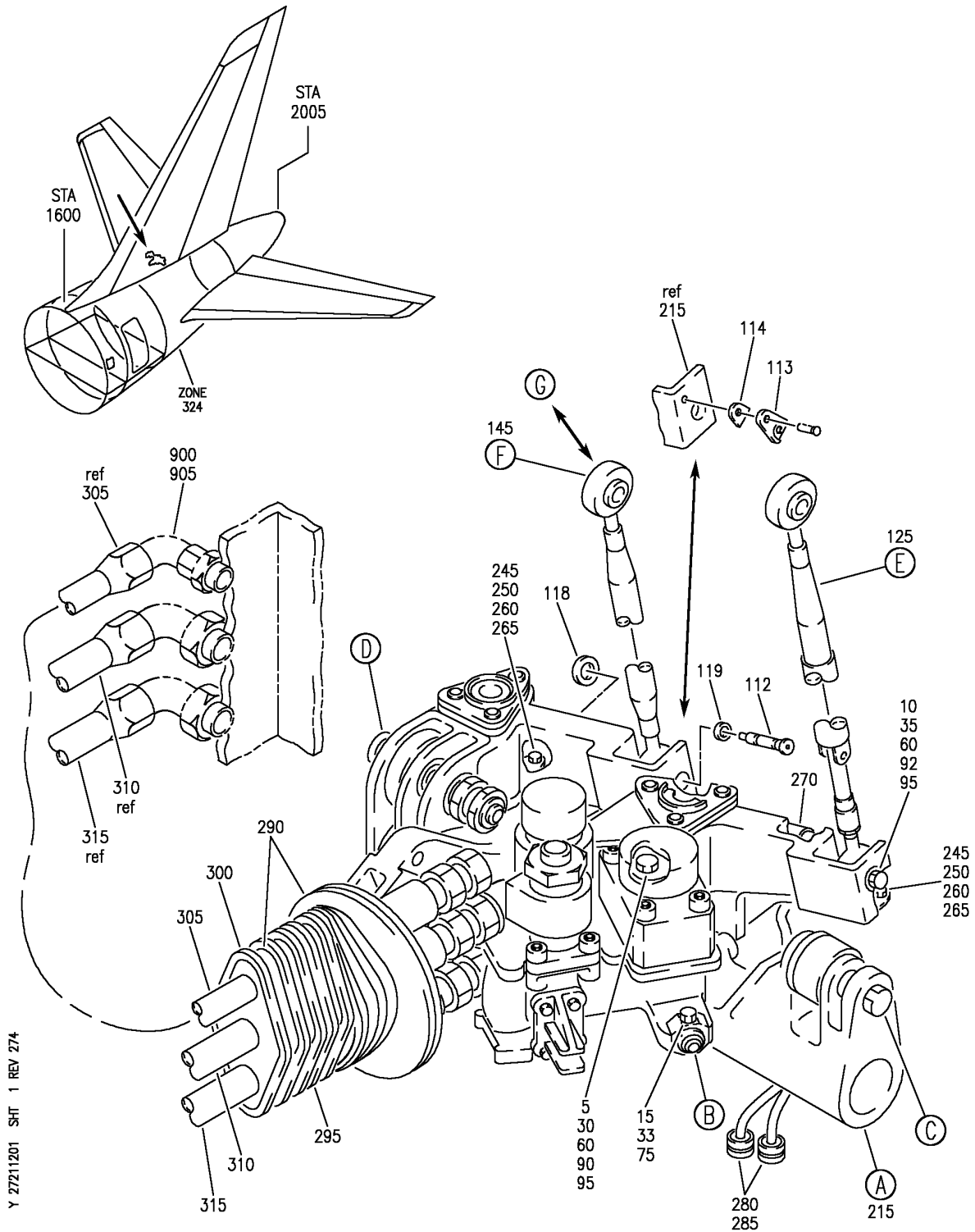
27-21-06-01B

27-21-06  
FIG. 01B  
PAGE 8  
MAY 20/09

BRI

BOEING PROPRIETARY - Copyright © - Unpublished Work - See title page for details.

**BOEING**  
757  
PARTS CATALOG (MAINTENANCE)



Y 27211201 SHT 1 REV 274

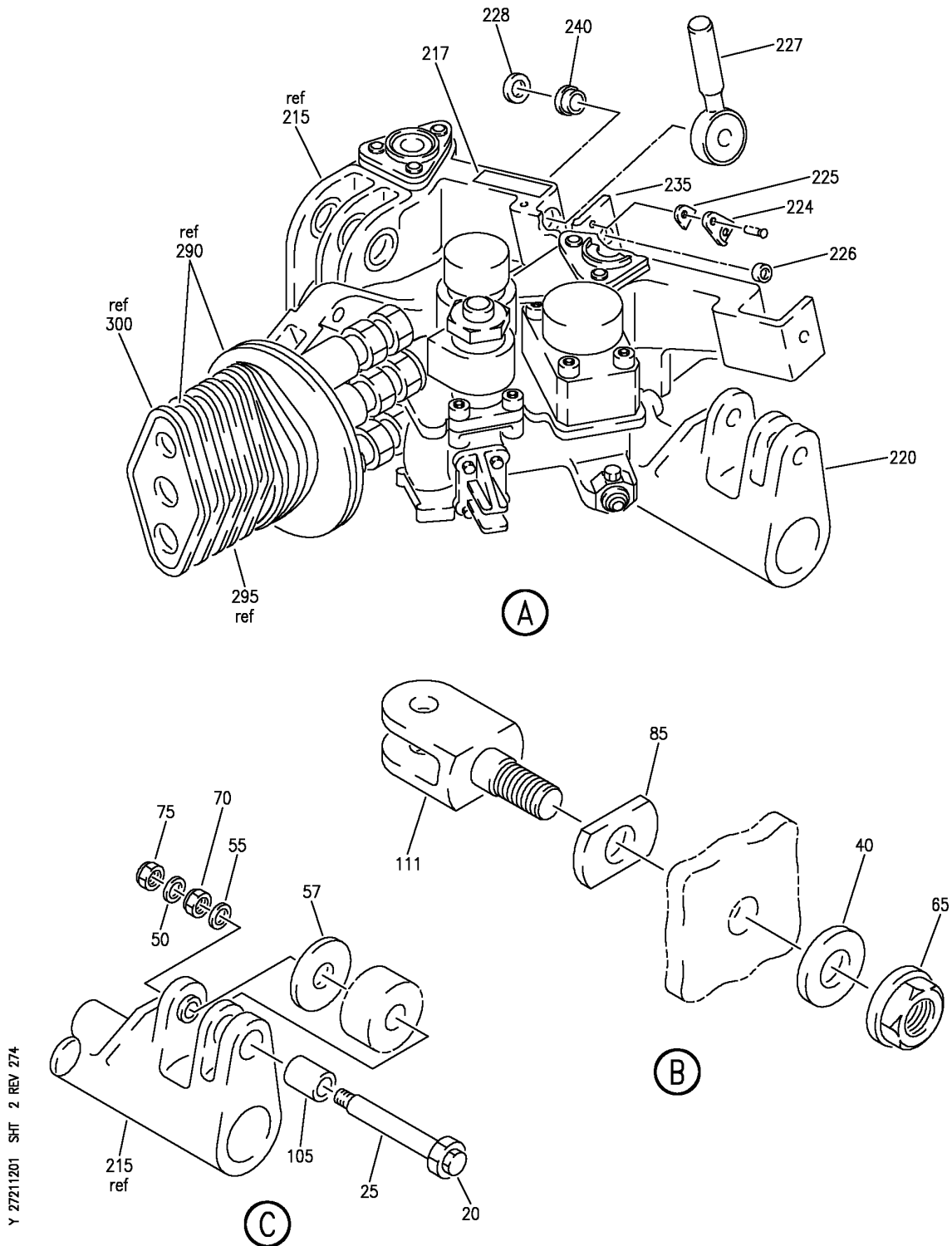
CHANGER INSTL-RUD CONT RATIO (RUDDER RATIO CHANGER MECHANISM ONLY)  
FIGURE 1 (SHEET 1)

**27-21-12-01**

BRI  
MAY 28/07

27-21-12-01  
PAGE 0

**BOEING**  
757  
PARTS CATALOG (MAINTENANCE)



Y 27211201 SH1 2 REV 274

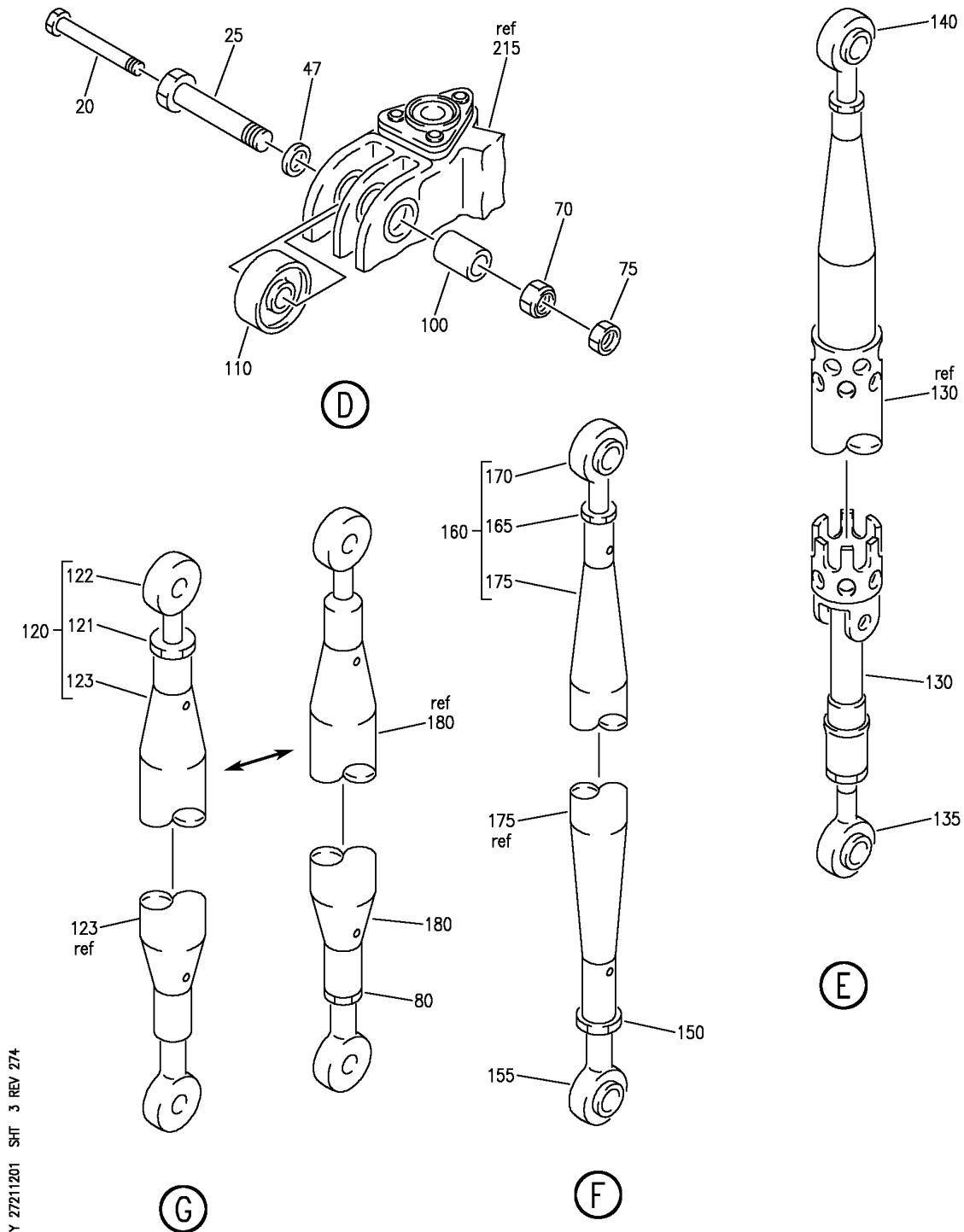
CHANGER INSTL-RUD CONT RATIO (RUDDER RATIO CHANGER MECHANISM ONLY)  
FIGURE 1 (SHEET 2)

**27-21-12-01**

BRI  
MAY 28/07

27-21-12-01  
PAGE 0A


**BOEING**  
 757  
**PARTS CATALOG (MAINTENANCE)**



Y 27211201 SH1 3 REV 274

CHANGER INSTL-RUD CONT RATIO (RUDDER RATIO CHANGER MECHANISM ONLY)  
 FIGURE 1 (SHEET 3)

**27-21-12-01**

BRI  
MAY 28/07

27-21-12-01  
 PAGE 0B





757

PARTS CATALOG (MAINTENANCE)

FIG ITEM	PART NUMBER	1 2 3 4 5 6 7	NOMENCLATURE	EFFECT FROM TO	UNITS PER ASSY
1			CHANGER INSTL-RUD CONT RATIO (RUDDER RATIO CHANGER MECHANISM ONLY)	002004 006999	
- 1	251N3005-1		CHANGER INSTL-RUD CONT RATIO (RUDDER RATIO CHANGER MECHANISM ONLY)	002004 006100	RF
- 1	251N3005-4		FOR NHA/ADDITIONAL DET SEE: 27-21-54-01	107107 121503 904999	
- 1	251N3005-4		CHANGER INSTL-RUD CONT RATIO (RUDDER RATIO CHANGER MECHANISM ONLY)	101102 108120	RF
- 1	MODREF32188		FOR NHA/ADDITIONAL DET SEE: 27-20-00-01	504903	
- 1	MODREF32188		CHANGER INSTL-RUD CONT RATIO (RUDDER RATIO CHANGER MECHANISM ONLY)	103105	1
- 1	MODREF32288		MODULE NUMBER: 251N3005-4 REV A1 FOR OTHER SYS DETAILS SEE: 27-21-13-01		
- 1	MODREF32288		CHANGER INSTL-RUD CONT RATIO (RUDDER RATIO CHANGER MECHANISM ONLY)	106106	1
	5 BACB30NF4-17		.BOLT- POST SERVICE BULLETIN: 27-0016	002004 006100 107107 121503 904999	1
	10 BACB30LJ4-17		.BOLT-	002004 006999	1
	15 BACB30LJ4-8		.BOLT-	002004 006999	1
	20 BACB30LJ4C45		.BOLT-	002004 006999	2
	25 251T0200-41		.BOLT-	002004 006999	2
	30 AN960PD416		.WASHER-	002004 006100 107107 121503 904999	1
	30 NAS1149D0463J		.WASHER	101106 108120 504903	1

MISSING ITEM NUMBERS NOT APPLICABLE

- ITEM NOT ILLUSTRATED

27-21-12-01

27-21-12  
FIG. 01  
PAGE 1  
JAN 20/09

BRI



757

PARTS CATALOG (MAINTENANCE)

FIG ITEM	PART NUMBER	1 2 3 4 5 6 7	NOMENCLATURE	EFFECT FROM TO	UNITS PER ASSY	
1	33	AN960C416	.WASHER-	002004 006100 107107 121503 904999	1	
	33	NAS1149C0463R	.WASHER	101106 108120 504903	1	
	35	NAS620A416	.WASHER-	002004 006999	1	
	40	AN960PD516L	.WASHER-	002004 006100 107107 121503 904999	1	
	40	NAS1149D0516J	.WASHER	101106 108120 504903	1	
	47	AN960KD616L	.WASHER-	002004 006100 107107 121503 904999	1	
	47	NAS1149D0616J	.WASHER	101106 108120 504903	1	
	50	AN960C416L	.WASHER-	002004 006100 107107 121503 904999	1	
	55	AN960PD616L	.WASHER-	002004 006100 107107 121503 904999	1	
	57	AN960KD616	.WASHER-	002004 006100 107107 121503 904999	1	
				MISCELLANEOUS DATA: (IF GAP EXIST BETWEEN 251N3053-4 AND BACB10CH60 BOND WASHER AN960KD616 OR AN960KD616L TO BOSS ON 251N3053-4)		

MISSING ITEM NUMBERS NOT APPLICABLE

- ITEM NOT ILLUSTRATED

27-21-12-01

27-21-12  
FIG. 01  
PAGE 2  
JAN 20/09

BRI



757

PARTS CATALOG (MAINTENANCE)

FIG ITEM	PART NUMBER	1 2 3 4 5 6 7	NOMENCLATURE	EFFECT FROM TO	UNITS PER ASSY
1	57 AN960KD616L		.WASHER- MISCELLANEOUS DATA: (IF GAP EXIST BETWEEN 251N3053-4 AND BACB10CH60 BOND WASHER AN960KD616 OR AN960KD616L TO BOSS ON 251N3053-4)	002004 006100 107107 121503 904999	1
	57 NAS1149D0616J		.WASHER	101106 108120 504903	1
	60 BRH10A4		.NUT- SUPPLIER CODE: V52828 SPECIFICATION NUMBER: BACN10JC4 OPTIONAL PART: T6S428J V11815 96-048 V80539 VN303A048 V92215 RMLH9075-4W V72962 NS202101-048 V80539 H10-4BAC V15653	002004 006100 107107 121503 904999	2
	60 PLH54CD		.NUT SUPPLIER CODE: VF0224 SPECIFICATION NUMBER: BACN10YR4CD OPTIONAL PART: H52732-4CD V15653	101106 108120 504903	2
	65 NAS1805-5N		.NUT-	002004 006999	1
	70 BRH10C6D		.NUT- SUPPLIER CODE: V52828 SPECIFICATION NUMBER: BACN10JC6CD OPTIONAL PART: H51650-6BAC V15653	002004 006100 107107 121503 904999	2

MISSING ITEM NUMBERS NOT APPLICABLE

- ITEM NOT ILLUSTRATED

27-21-12-01

27-21-12  
FIG. 01  
PAGE 3  
JAN 20/09

BRI



757

PARTS CATALOG (MAINTENANCE)

FIG ITEM	PART NUMBER	1 2 3 4 5 6 7	NOMENCLATURE	EFFECT FROM TO	UNITS PER ASSY
1	70 PLH56CD	.NUT	SUPPLIER CODE: VF0224 SPECIFICATION NUMBER: BACN10YR6CD OPTIONAL PART: H52732-6CD V15653	101106 108120 504903	2
	75 BRH10C4D	.NUT-	SUPPLIER CODE: V52828 SPECIFICATION NUMBER: BACN10JC4CD OPTIONAL PART: T6C428JCD V11815 NS202486-048 V80539 102LH9075-4W V72962 H51650-4BAC V15653	002004 006100 107107 121503 904999	3
	75 PLH54CD	.NUT	SUPPLIER CODE: VF0224 SPECIFICATION NUMBER: BACN10YR4CD OPTIONAL PART: H52732-4CD V15653	101106 108120 504903	3
	85 251N3196-1	.SHIM-		002004 006999	1
	95 250N2008-3	.BUSHING-		002004 006999	2
	100 250N2008-8	.BUSHING-		002004 006999	1
	105 250N2008-9	.BUSHING-		002004 006999	1
	110 ASR6-30	.BEARING-	SUPPLIER CODE: VS0352 SPECIFICATION NUMBER: BACB10CK6 OPTIONAL PART: SA6-23A4 V77896 SA6-23A55 V77896 BACB10CK6D	002004 006999	1

MISSING ITEM NUMBERS NOT APPLICABLE

R  
R  
R  
R  
R  
R  
R  
R  
R  
R

- ITEM NOT ILLUSTRATED

27-21-12-01

27-21-12  
FIG. 01  
PAGE 4  
MAY 20/09

BRI



757

PARTS CATALOG (MAINTENANCE)

FIG ITEM	PART NUMBER	1 2 3 4 5 6 7	NOMENCLATURE	EFFECT FROM TO	UNITS PER ASSY
1 110	SA6-23A1-503		.BEARING- SUPPLIER CODE: V77896 SPECIFICATION NUMBER: BACB10CK6D OPTIONAL PART: SA6-23A51 V77896 SA6-23A53 V77896 ASR6D30 VS0352 BACB10CK6	103106	1
111	251N3197-1		.MOUNT-ACTR	002004 006999	1
112	251N3068-3		.PIN-SHEAR	002004 006999	1
112	251N3068-4		.PIN-SHEAR	002004 006999	1
113	251N3249-1		.RETAINER-SHEAR PIN	002004 006999	1
114	BACS40U4N5		.SHIM-CIRCULAR	002004 006999	1
118	251N3258-1		.WASHER-	002004 006999	1
119	250N2008-13		.BUSHING-	002004 006999	1
125	251N3183-1		.ROD ASSY-RUD CONT POGO-RATIO CHANGER (RUDDER AND RUDDER TRIM CONTROL SYSTEM ONLY) COMPONENT MAINT MANUAL REF: 27-21-57 FUNCTIONAL REFERENCE: PLACARDS AND MARKINGS FOR DETAILS SEE 11-26-51-01	002004 006100 107107 121503 904999	1
125	251N3183-4		.ROD ASSY-RUD CONT POGO-RATIO CHANGER (RUDDER AND RUDDER TRIM CONTROL SYSTEM ONLY) COMPONENT MAINT MANUAL REF: 27-21-57 FUNCTIONAL REFERENCE: PLACARDS AND MARKINGS FOR DETAILS SEE 11-26-51-01	002004 006100 107107 121503 904999	1

MISSING ITEM NUMBERS NOT APPLICABLE

- ITEM NOT ILLUSTRATED

BRI

27-21-12-01

27-21-12  
FIG. 01  
PAGE 5  
JAN 20/09



757

PARTS CATALOG (MAINTENANCE)

FIG ITEM	PART NUMBER	1 2 3 4 5 6 7	NOMENCLATURE	EFFECT FROM TO	UNITS PER ASSY
1 125	251N3183-6	.ROD	ASSY-RUD CONT POGO-RATIO CHANGER (RUDDER AND RUDDER TRIM CONTROL SYSTEM ONLY) COMPONENT MAINT MANUAL REF: 27-21-57 OPTIONAL PART: 251N3183-8 FUNCTIONAL REFERENCE: PLACARDS AND MARKINGS FOR DETAILS SEE 11-26-51-01	002004 006999	1
125	251N3183-8	.ROD	ASSY-RUD CONT POGO-RATIO CHANGER (RUDDER AND RUDDER TRIM CONTROL SYSTEM ONLY) COMPONENT MAINT MANUAL REF: 27-21-57 OPTIONAL PART: 251N3183-6 FUNCTIONAL REFERENCE: PLACARDS AND MARKINGS FOR DETAILS SEE 11-26-51-01	002004 006999	1
130	251N3183-2	..SPRING	ASSY	002004 006100 107107 121503 904999	1
135	RM4BF	..BEARING-ROD	END SUPPLIER CODE: V77896	002004 006999	1
140	RM4BG	..BEARING-ROD	END SUPPLIER CODE: V77896	002004 006999	1
145	251N3273-1	.ROD	ASSY-CONT COMPONENT MAINT MANUAL REF: 27-21-58 QUALIFIED I/W DATA: 250N2004-301 TOGETHER WITH 1 EA RM4BF ROD END BEARING IS I/W WITH 251N3273-1	002004 006999	1
150	AN316-6R	..NUT-		002004 006999	1
155	RM4BF	..BEARING-ROD	END SUPPLIER CODE: V77896	002004 006999	1

MISSING ITEM NUMBERS NOT APPLICABLE

- ITEM NOT ILLUSTRATED

27-21-12-01

27-21-12  
FIG. 01  
PAGE 6  
JAN 20/09

BRI



757

PARTS CATALOG (MAINTENANCE)

FIG ITEM	PART NUMBER	1 2 3 4 5 6 7	NOMENCLATURE	EFFECT FROM TO	UNITS PER ASSY
1					
160	250N2004-301	..	ROD ASSY-CONT COMPONENT MAINT MANUAL REF: 27-00-12	002004 006999	1
165	AN316-7R	...	NUT-	002004 006999	1
170	RM4BG	...	BEARING-ROD END SUPPLIER CODE: V77896	002004 006999	1
175	250N2005-301	...	TUBE- COMPONENT MAINT MANUAL REF: 27-00-12	002004 006999	1
180	250N2004-1117	.ROD	ASSY-CONT COMPONENT MAINT MANUAL REF: 27-00-12 OPTIONAL PART: 250N2004-1123	002004 006999	1
180	250N2004-1123	.ROD	ASSY-CONT COMPONENT MAINT MANUAL REF: 27-00-12 OPTIONAL PART: 250N2004-1117	002004 006999	1
215	251N3055-11	.CHANGER	ASSY-RATIO COMPONENT MAINT MANUAL REF: 27-21-15	002004 006999	1
215	251N3055-12	.CHANGER	ASSY-RATIO COMPONENT MAINT MANUAL REF: 27-21-15	002004 006999	1
215	251N3055-10	.CHANGER	ASSY-RATIO COMPONENT MAINT MANUAL REF: 27-21-15 OPTIONAL PART: 251N3055-9	002004 006999	1
215	251N3055-7	.CHANGER	ASSY-RATIO COMPONENT MAINT MANUAL REF: 27-21-15	002004 006999	1
215	251N3055-8	.CHANGER	ASSY-RATIO COMPONENT MAINT MANUAL REF: 27-21-15	002004 006999	1
215	251N3055-9	.CHANGER	ASSY-RATIO COMPONENT MAINT MANUAL REF: 27-21-15 OPTIONAL PART: 251N3055-10	002004 006999	1
217	BAC27NCT0155	..	MARKER-ALUMINUM FOIL- PLACARD CONTENT: SHEAR PIN REPL WITH 251N3068-3, .062 INSP HOLE THRU PIN. BEARING REPL WITH RM4BF ONLY.	107107 904949	1

MISSING ITEM NUMBERS NOT APPLICABLE

- ITEM NOT ILLUSTRATED

27-21-12-01

27-21-12  
FIG. 01  
PAGE 7  
JAN 20/09

BRI



757

PARTS CATALOG (MAINTENANCE)

FIG ITEM	PART NUMBER	1 2 3 4 5 6 7	NOMENCLATURE	EFFECT FROM TO	UNITS PER ASSY
1					
217	BAC27NCT0265		..MARKER-ALUMINUM FOIL- PLACARD CONTENT: CONTROLLED SHEAR OUT BEARING REPL WITH RM4BF ONLY	002004 006106 108903 950999	1
220	250N2004-302		..ROD ASSY-CONNECTING COMPONENT MAINT MANUAL REF: 27-00-12 ATTACHING PARTS	002004 006999	1
- 221	BACB30GW8A14		..BOLT SUPPLIER CODE: V11815 SPECIFICATION NUMBER: BACB30GW8A14 OPTIONAL PART: SALPYEU8-14C V17446	002004 006999	2
- 222	AN960PD416		..WASHER	002004 006999	2
- 223	2DCC8		..COLLAR SUPPLIER CODE: V11815 SPECIFICATION NUMBER: BACC30K8 OPTIONAL PART: 2DCC8 V17446 -----*-----	002004 006999	2
245	NAS623-3-11		.SCREW-	002004 006999	2
250	AN960PD10		.WASHER-	002004 006100 107107 121503 904999	2
250	NAS1149D0363J		.WASHER	101106 108120 504903	2

MISSING ITEM NUMBERS NOT APPLICABLE

- ITEM NOT ILLUSTRATED

BRI

27-21-12-01

BOEING PROPRIETARY - Copyright © - Unpublished Work - See title page for details.

27-21-12  
FIG. 01  
PAGE 8  
JAN 20/09





757

PARTS CATALOG (MAINTENANCE)

FIG ITEM	PART NUMBER	1 2 3 4 5 6 7	NOMENCLATURE	EFFECT FROM TO	UNITS PER ASSY
1 260	BRH10A3	.NUT-	SUPPLIER CODE: V52828 SPECIFICATION NUMBER: BACN10JC3 OPTIONAL PART: H10-3BAC V15653 NS202101-02 V80539 RMLH9075-3W V72962 VN303A02 V92215 96-02 V80539 T6S1032J V11815	002004 006100 107107 121503 904999	2
260	PLH53CD	.NUT	SUPPLIER CODE: VF0224 SPECIFICATION NUMBER: BACN10YR3CD OPTIONAL PART: H52732-3CD V15653	101106 108120 504903	2
265	250N2008-24	.BUSHING-		002004 006999	2
270	Q0904	.TRANSDUCER ASSY-LINEAR	SUPPLIER CODE: V00288 SPECIFICATION NUMBER: S251T362-2 QUALIFIED I/W DATA: H911A CAN REPLACE OR BE REPLACE BY Q0904 FOR NON-YSM AIRPLANES. H911A CAN REPLACE BUT NOT BE REPLACED BY Q0904 FOR YSM AIRPLANES. YSM AIRPLANES: ARE 757 NJ001-NJ899,NL001-NL999, NU701-NU999 AND 767 VQ001-Q999, AND ALL 767 AIRPLANES LINE NO. 870 AND ON.	002004 006999	1

MISSING ITEM NUMBERS NOT APPLICABLE

- ITEM NOT ILLUSTRATED

27-21-12-01

27-21-12  
FIG. 01  
PAGE 9  
JAN 20/09

BRI

**BOEING**  
757  
PARTS CATALOG (MAINTENANCE)

FIG ITEM	PART NUMBER	1 2 3 4 5 6 7	NOMENCLATURE	EFFECT FROM TO	UNITS PER ASSY
1 270	H911A		. TRANSDUCER ASSY-LINEAR SUPPLIER CODE: V33463 SPECIFICATION NUMBER: S251T362-3 QUALIFIED I/W DATA: H911A CAN REPLACE OR BE BE REPLACED BY Q0904 FOR NON-YSM AIRPLANES. H911A CAN REPLACE BUT NOT BE REPLACED BY Q0904 FOR YSM AIRPLANES. YSM AIRPLANES ARE: 757 NJ001-NJ899, NL001-NL999, NU701-NU999 AND 767 VQ001-Q999, AND ALL 767 AIRPLANES LINE NO. 870 AND ON. . TEMPORARY BREAKDOWN TEMPORARY BREAKDOWN FOR: H911A	002004 006999          002004 006999	1
280	BACC45FS14A7P		.. CONNECTOR	002004 006999	2
285	BACC10GH14		.. CLAMP	002004 006999	2
290	MS3367-6-9		. STRAP- OPTIONAL PART: PLT5H V06383	002004 006100 107107 121503 904999	2
290	PLT5H		. STRAP- SUPPLIER CODE: V06383 OPTIONAL PART: MS3367-6-9	002004 006100 107107 121503 904999	2
295	BOE2037-0001		. BOOT-RUBBER SUPPLIER CODE: V16632 SPECIFICATION NUMBER: S251T363-1	002004 006999	1
300	BOE2037-0002		. SEAL- SUPPLIER CODE: V16632 SPECIFICATION NUMBER: S251T363-2	002004 006999	1

MISSING ITEM NUMBERS NOT APPLICABLE

— ITEM NOT ILLUSTRATED

BRI

# 27-21-12-01

BOEING PROPRIETARY - Copyright © - Unpublished Work - See title page for details.

27-21-12  
FIG. 01  
PAGE 10  
JAN 20/09



757

PARTS CATALOG (MAINTENANCE)

FIG ITEM	PART NUMBER	1 2 3 4 5 6 7	NOMENCLATURE	EFFECT FROM TO	UNITS PER ASSY
1 305	AS117-04K0274	.HOSE-	SUPPLIER CODE: VU1653 OPTIONAL PART: AS117-04D0274	002004 006999	1
305	AS117-04D0274	.HOSE-	OPTIONAL PART: AS117-04K0274 VU1653	002004 006999	1
310	AS154C06EE0274B	.HOSE-	SUPPLIER CODE: V00624 SPECIFICATION NUMBER: BACH8C06EE0274B OPTIONAL PART: B474-6EE0274B V98441 97934C06EE0274B V78570 R29121226EE0274 V50599 BACH8C06EE0274D	002004 006999	1
310	AS154C06EE0274D	.HOSE-	SUPPLIER CODE: V00624 SPECIFICATION NUMBER: BACH8C06EE0274D OPTIONAL PART: B474-6EE0274D V98441 97934C06EE0274D V78570 R29121226EE0274 V50599 BACH8C06EE0274B	002004 006999	1
315	AS117-06K0274	.HOSE-	SUPPLIER CODE: VU1653 OPTIONAL PART: AS117-06D0274	002004 006999	1
315	AS117-06D0274	.HOSE-	OPTIONAL PART: AS117-06K0274 VU1653	002004 006999	1
905			ILLUSTRATION REFERENCE: PLUMBING INSTL-VERT. FIN SECT. 70 HYDR (RUDDER AND RUDDER TRIM ONLY) 27-21-51-15	002004 006999	RF

MISSING ITEM NUMBERS NOT APPLICABLE

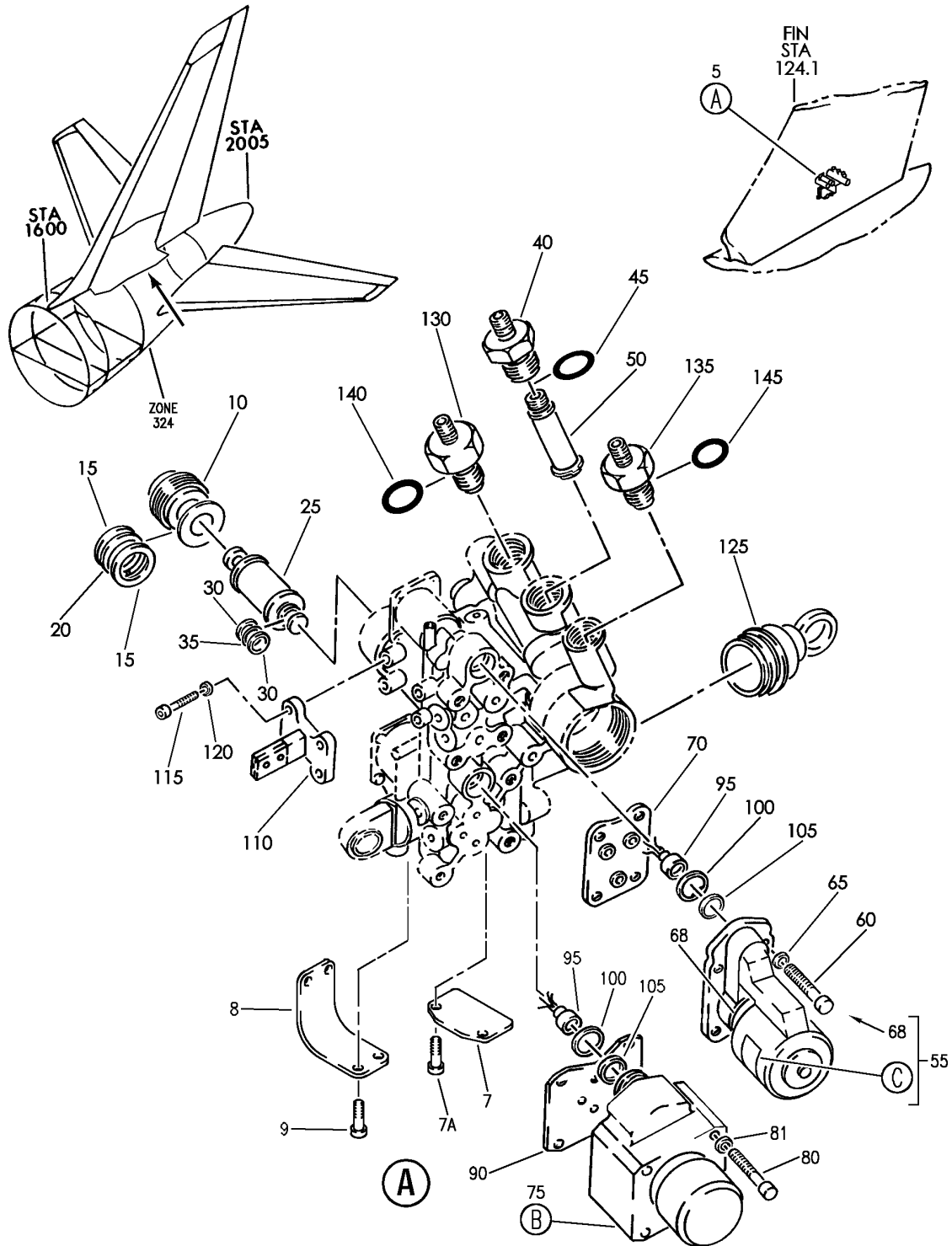
- ITEM NOT ILLUSTRATED

BRI

27-21-12-01

27-21-12  
FIG. 01  
PAGE 11  
JAN 20/09

**BOEING**  
757  
PARTS CATALOG (MAINTENANCE)



Y 27211301 SHT 1 REV 305

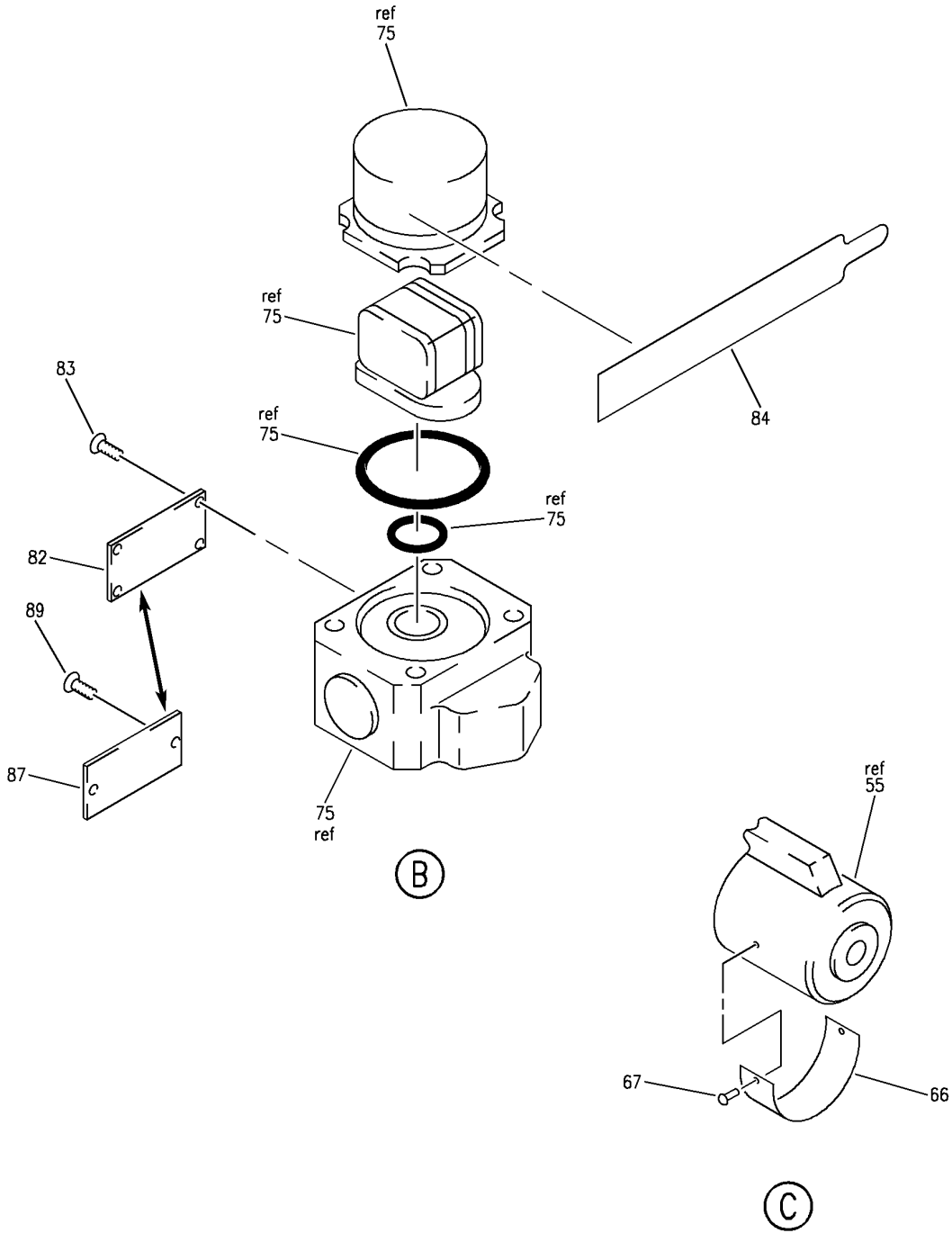
CHANGER INSTL-RUD CONT RATIO (RUDDER RATIO CHANGER ACTUATOR ONLY)  
FIGURE 1 (SHEET 1)

**27-21-13-01**

BRI  
MAY 28/07

27-21-13-01  
PAGE 0

**BOEING**  
757  
PARTS CATALOG (MAINTENANCE)



Y 27211301 SHT 2 REV 305

CHANGER INSTL-RUD CONT RATIO (RUDDER RATIO CHANGER ACTUATOR ONLY)  
FIGURE 1 (SHEET 2)

**27-21-13-01**

BRI  
MAY 28/07

27-21-13-01  
PAGE 0A



757

PARTS CATALOG (MAINTENANCE)

FIG ITEM	PART NUMBER	1 2 3 4 5 6 7	NOMENCLATURE	EFFECT FROM TO	UNITS PER ASSY
1			CHANGER INSTL-RUD CONT RATIO (RUDDER RATIO CHANGER ACTUATOR ONLY)	002004 006999	
- 1	251N3005-1		CHANGER INSTL-RUD CONT RATIO (RUDDER RATIO CHANGER ACTUATOR ONLY)	002004 006100	RF
- 1	251N3005-4		FOR NHA/ADDITIONAL DET SEE: 27-21-54-01	107107 121503 904999	
- 1	251N3005-4		CHANGER INSTL-RUD CONT RATIO (RUDDER RATIO CHANGER ACTUATOR ONLY)	101102 108120	RF
- 1	MODREF32188		FOR NHA/ADDITIONAL DET SEE: 27-20-00-01	504903	
- 1	MODREF32188		CHANGER INSTL-RUD CONT RATIO (RUDDER RATIO CHANGER ACTUATOR ONLY)	103105	1
- 1	MODREF32288		MODULE NUMBER: 251N3005-4 REV A1		
- 1	MODREF32288		FOR OTHER SYS DETAILS SEE: 27-21-12-01	106106	1
5	3800022-103		CHANGER INSTL-RUD CONT RATIO (RUDDER RATIO CHANGER ACTUATOR ONLY)		
5	3800022-103		MODULE NUMBER: 251N3005-4 REV C		
5	3800022-103		FOR OTHER SYS DETAILS SEE: 27-21-12-01		
5	3800022-103		.ACTUATOR ASSY-SERVO	002004	1
5	3800022-103		SUPPLIER CODE: V92003	006999	
5	3800022-103		SPECIFICATION NUMBER: S251T360-103		
5	3800022-103		COMPONENT MAINT MANUAL REF: 27-20-69		
5	3800022-104		.ACTUATOR ASSY-SERVO	002004	1
5	3800022-104		SUPPLIER CODE: V92003	006999	
5	3800022-104		SPECIFICATION NUMBER: S251T360-104		
5	3800022-104		CONFIG CHG DATA FROM A CMM: REPL BY 3800022-106		
5	3800022-104		MISCELLANEOUS DATA: USE OF THIS PART NEGATES INTENT OF SL-27-87 AND VSB 3800022-27-161		
5	3800022-104		COMPONENT MAINT MANUAL REF: 27-20-69		

MISSING ITEM NUMBERS NOT APPLICABLE

- ITEM NOT ILLUSTRATED

27-21-13-01

27-21-13  
FIG. 01  
PAGE 1  
JAN 20/09

BRI



757

PARTS CATALOG (MAINTENANCE)

FIG ITEM	PART NUMBER	1 2 3 4 5 6 7	NOMENCLATURE	EFFECT FROM TO	UNITS PER ASSY
1					
5	3800022-105	.	ACTUATOR ASSY-SERVO SUPPLIER CODE: V92003 SPECIFICATION NUMBER: S251T360-105 CONFIG CHG DATA FROM A CMM: REPL BY 3800022-107 MISCELLANEOUS DATA: USE OF THIS PART NEGATES INTENT OF SL-27-87 AND 3800022-27-161 COMPONENT MAINT MANUAL REF: 27-20-69	002004 006999	1
5	3800022-106	.	ACTUATOR ASSY-SERVO SUPPLIER CODE: V92003 SPECIFICATION NUMBER: S251T360-106 CONFIG CHG DATA FROM A CMM: RPLS 3800022-104 ORDER 3800022-106 COMPONENT MAINT MANUAL REF: 27-20-69	002004 006999	1
5	3800022-107	.	ACTUATOR ASSY-SERVO SUPPLIER CODE: V92003 SPECIFICATION NUMBER: S251T360-107 CONFIG CHG DATA FROM A CMM: RPLS 3800022-105 ORDER 3800022-107 COMPONENT MAINT MANUAL REF: 27-20-69	002004 006999	1
7	3801112-101	..	NAMEPLATE-MOD SUPPLIER CODE: V92003 ATTACHING PARTS	002004 006999	1
7A	MS35265-12	..	SCREW	002004 006999	2
8	3801113-101	..	NAMEPLATE- SUPPLIER CODE: V92003 ATTACHING PARTS	002004 006999	1
9	MS35265-12	..	SCREW	002004 006999	4

MISSING ITEM NUMBERS NOT APPLICABLE

- ITEM NOT ILLUSTRATED

27-21-13-01

27-21-13  
FIG. 01  
PAGE 2  
JAN 20/09

BRI

BOEING PROPRIETARY - Copyright © - Unpublished Work - See title page for details.



757

PARTS CATALOG (MAINTENANCE)

FIG ITEM	PART NUMBER	1 2 3 4 5 6 7	NOMENCLATURE	EFFECT FROM TO	UNITS PER ASSY
1					
10	3801111-101	..	CAP-FILTER SUPPLIER CODE: V92003	002004 006999	1
15	MS28774-116	..	RETAINER-BACKUP	002004 006999	2
20	NAS1611-116	..	PACKING-	002004 006999	1
25	25786	..	FILTER-SCREEN SUPPLIER CODE: V18350 SPECIFICATION NUMBER: S250N211-1 OPTIONAL PART: 3121-516 V05CK7 OPTIONAL PART: FSHX0507600B V92555 3121-516 V05CK7	002004 006999	1
25	FSHX0507600B	..	FILTER-SCREEN SUPPLIER CODE: V92555 SPECIFICATION NUMBER: S250N211-1 OPTIONAL PART: 3121-516 V05CK7 25786 V18350 OPTIONAL PART: 3121-516 V05CK7 25786 V18350	002004 006999	1
25	3121-516	..	FILTER-SCREEN SUPPLIER CODE: V05CK7 SPECIFICATION NUMBER: S250N211-1 OPTIONAL PART: FSHX0507600B V92555 25786 V18350	002004 006999	1
30	MS28774-115	..	RETAINER-BACK UP	002004 006999	2
35	NAS1611-115	..	PACKING-	002004 006999	1

MISSING ITEM NUMBERS NOT APPLICABLE

- ITEM NOT ILLUSTRATED

27-21-13-01

27-21-13  
FIG. 01  
PAGE 3  
JAN 20/09

BRI





757

PARTS CATALOG (MAINTENANCE)

FIG ITEM	PART NUMBER	1 2 3 4 5 6 7	NOMENCLATURE	EFFECT FROM TO	UNITS PER ASSY
1					
40	BACU24K8	..	UNION-TUBE	002004 006999	1
45	NAS1612-8	..	PACKING-	002004 006999	1
50	10-774	..	SCREEN- SUPPLIER CODE: V14818 SPECIFICATION NUMBER: S252T002-1 OPTIONAL PART: 26570 V18350 1745174 V90005 OPTIONAL PART: 26570 V18350	002004 006999	1
50	26570	..	SCREEN- SUPPLIER CODE: V18350 SPECIFICATION NUMBER: S252T002-1 OPTIONAL PART: 10-774 V14818	002004 006999	1
50	10-774-1	..	SCREEN- SUPPLIER CODE: V14818 SPECIFICATION NUMBER: S252T002-1 OPTIONAL PART: 26570 V18350	002004 006999	1

MISSING ITEM NUMBERS NOT APPLICABLE

- ITEM NOT ILLUSTRATED

BRI

27-21-13-01

BOEING PROPRIETARY - Copyright © - Unpublished Work - See title page for details.

27-21-13  
FIG. 01  
PAGE 4  
JAN 20/09



757

PARTS CATALOG (MAINTENANCE)

FIG ITEM	PART NUMBER	1 2 3 4 5 6 7	NOMENCLATURE	EFFECT FROM TO	UNITS PER ASSY
1					
55	59600-5007		.. VALVE ASSY-SOL SUPPLIER CODE: V92003 FUNCTIONAL DESCRIPTION: ELECTRICALLY OPERATED VALVE PROVIDES HYDRAULIC PRESSURE SPECIFICATION NUMBER: 10-60811-3 COMPONENT MAINT MANUAL REF: 29-10-02 OPTIONAL PART: 45080 V99643 OPTIONAL PART: 881600-1001 V92003	002004 006999	1
55	45080		.. VALVE ASSY-SOL SUPPLIER CODE: V99643 SPECIFICATION NUMBER: 10-60811-3 COMPONENT MAINT MANUAL REF: 29-09-05 OPTIONAL PART: 59600-5007 V92003 OPTIONAL PART: 881600-1001 V92003	002004 006999	1
55	59600-5011		.. VALVE ASSY-SOL SUPPLIER CODE: V92003 FUNCTIONAL DESCRIPTION: ELECTRICALLY OPERATED VALVE PROVIDES HYDRAULIC PRESSURE SPECIFICATION NUMBER: 10-60811-9 COMPONENT MAINT MANUAL REF: 29-10-02 OPTIONAL PART: 881600-1001 V92003	002004 006999	1

MISSING ITEM NUMBERS NOT APPLICABLE

- ITEM NOT ILLUSTRATED

BRI

27-21-13-01

BOEING PROPRIETARY - Copyright © - Unpublished Work - See title page for details.

27-21-13  
FIG. 01  
PAGE 5  
JAN 20/09



757

PARTS CATALOG (MAINTENANCE)

FIG ITEM	PART NUMBER	1 2 3 4 5 6 7	NOMENCLATURE	EFFECT FROM TO	UNITS PER ASSY
1					
55	45080-1		.. VALVE ASSY-SOL SUPPLIER CODE: V99643 FUNCTIONAL DESCRIPTION: ELECTRICALLY OPERATED VALVE PROVIDES HYDRAULIC PRESSURE SPECIFICATION NUMBER: 10-60811-8 COMPONENT MAINT MANUAL REF: 29-09-05 OPTIONAL PART: 881600-1001 V92003 59600-5011 V92003	002004 006999	1
55	881600-1001		.. VALVE ASSY-SOL SUPPLIER CODE: V92003 FUNCTIONAL DESCRIPTION: ELECTRICALLY OPERATED VALVE PROVIDES HYDRAULIC PRESSURE SPECIFICATION NUMBER: 10-60811-13 COMPONENT MAINT MANUAL REF: 29-09-03 OPTIONAL PART: 59600-5007 V92003 45080-1 V99643 59600-5011 V92003 45080 V99643 ATTACHING PARTS	002004 006999	1
60	NAS1351-4H12		.. SCREW	002004 006999	4
65	NAS620-416		.. WASHER	002004 006999	4
66	881601-1		-----*----- ... NAMEPLATE- SUPPLIER CODE: V92003 USED ON: 881600-1001	002004 006999	1

MISSING ITEM NUMBERS NOT APPLICABLE

- ITEM NOT ILLUSTRATED

BRI

27-21-13-01

27-21-13  
FIG. 01  
PAGE 6  
JAN 20/09



757

PARTS CATALOG (MAINTENANCE)

FIG ITEM	PART NUMBER	1 2 3 4 5 6 7	NOMENCLATURE	EFFECT FROM TO	UNITS PER ASSY
1			ATTACHING PARTS		
67	047-90NSX062	...	SCREW- SUPPLIER CODE: V92003	002004 006999	2
68	25027	-----*	NAMEPLATE- SUPPLIER CODE: V99643 USED ON: 45080	002004 006999	1
68	25027-3	...	NAMEPLATE- SUPPLIER CODE: V99643 USED ON: 45080-1	002004 006999	1
68	59610-3	...	NAMEPLATE- SUPPLIER CODE: V99643 USED ON: 59600-5007	002004 006999	1
68	59610-9	...	NAMEPLATE- SUPPLIER CODE: V99643 USED ON: 59600-5011	002004 006999	1

MISSING ITEM NUMBERS NOT APPLICABLE

- ITEM NOT ILLUSTRATED

BRI

27-21-13-01

BOEING PROPRIETARY - Copyright © - Unpublished Work - See title page for details.

27-21-13  
FIG. 01  
PAGE 7  
JAN 20/09



757

PARTS CATALOG (MAINTENANCE)

FIG ITEM	PART NUMBER	1 2 3 4 5 6 7	NOMENCLATURE	EFFECT FROM TO	UNITS PER ASSY
1 70	069000197-1		.. PLATE-GSKT SUPPLIER CODE: V05939 SPECIFICATION NUMBER: 69-20184-1 CONFIG CHG DATA FROM A CMM: REPLS BA1837 OPTIONAL PART: 071261 V83259 071261-1 V83259 BA1837 V95272 828108-1 V83259 OPTIONAL PART: 828108-1 V83259 SERVICE BULLETIN OPT DATA: 071286 V83259 071286-1 V83259 828108-1 V83259	002004 006999	1
70	BA1837		.. PLATE-GSKT SUPPLIER CODE: V95272 SPECIFICATION NUMBER: 69-20184-1 CONFIG CHG DATA FROM A CMM: REPLD BY 069000197-1 REPLD BY 828108-1 OPTIONAL PART: 071261 V83259 071261-1 V83259 828108-1 V83259 069000197-1 V83259 OPTIONAL PART: 071261 V83259 071261-1 V83259	002004 006999	1

MISSING ITEM NUMBERS NOT APPLICABLE

- ITEM NOT ILLUSTRATED

BRI

27-21-13-01

27-21-13  
FIG. 01  
PAGE 8  
JAN 20/09



757

PARTS CATALOG (MAINTENANCE)

FIG ITEM	PART NUMBER	1 2 3 4 5 6 7	NOMENCLATURE	EFFECT FROM TO	UNITS PER ASSY
1	70 071261		.. PLATE-GSKT SUPPLIER CODE: V83259 OPTIONAL PART: BA1837 V95272 071261-1 V83259	002004 006999	1
	70 071261-1		.. PLATE-GSKT SUPPLIER CODE: V83259 OPTIONAL PART: BA1837 V95272 071261 V83259	002004 006999	1
	70 828108-1		.. PLATE-GSKT SUPPLIER CODE: V99643 CONFIG CHG DATA FROM A CMM: REPLS BA1837 OPTIONAL PART: 069000197-1 V05939	002004 006999	1

MISSING ITEM NUMBERS NOT APPLICABLE

- ITEM NOT ILLUSTRATED

BRI

27-21-13-01

BOEING PROPRIETARY - Copyright © - Unpublished Work - See title page for details.

27-21-13  
FIG. 01  
PAGE 9  
JAN 20/09

 **BOEING**  
757  
**PARTS CATALOG (MAINTENANCE)**

FIG ITEM	PART NUMBER	1 2 3 4 5 6 7 NOMENCLATURE	EFFECT FROM TO	UNITS PER ASSY
1 75	75130	.. SERVOVALVE-ELECTROHYDR SUPPLIER CODE: V49695 SPECIFICATION NUMBER: 10-60813-1 CONFIG CHG DATA FROM A CMM: REPLS 73016 COMPONENT MAINT MANUAL REF: 27-09-01 OPTIONAL PART: 0893701 V93835 OPTIONAL PART: 22280710 V81873 22280710-001 V81873 A71882-1 V94697 A71882-2 V94697 A71882-003 V94697 USED ON: 3800022-102 3800022-103 3800022-104 3800022-105 3800022-106 3800022-107	002004 006999	1

MISSING ITEM NUMBERS NOT APPLICABLE

— ITEM NOT ILLUSTRATED

BRI

# 27-21-13-01

BOEING PROPRIETARY - Copyright © - Unpublished Work - See title page for details.

27-21-13  
FIG. 01  
PAGE 10  
JAN 20/09



757

PARTS CATALOG (MAINTENANCE)

FIG ITEM	PART NUMBER	1 2 3 4 5 6 7 NOMENCLATURE	EFFECT FROM TO	UNITS PER ASSY
1 75	73016	.. SERVOVALVE-ELECTROHYDR SUPPLIER CODE: V49695 FUNCTIONAL DESCRIPTION: THIS VALVE DELIVERS A HYDRAULIC FLOW PROPORTIONAL TO AN ELECTRIC INPUT SPECIFICATION NUMBER: S252T001-4 CONFIG CHG DATA FROM A CMM: REPLD BY 75130 COMPONENT MAINT MANUAL REF: 22-21-01 OPTIONAL PART: 22280710 V81873 22280710-001 V81873 A71882-1 V94697 A71882-2 V94697 A71882-003 V94697 USED ON: 3800022-105 3800022-107	002004 006999	1

MISSING ITEM NUMBERS NOT APPLICABLE

- ITEM NOT ILLUSTRATED

BRI

**27-21-13-01**

BOEING PROPRIETARY - Copyright © - Unpublished Work - See title page for details.

27-21-13  
FIG. 01  
PAGE 11  
JAN 20/09





757

PARTS CATALOG (MAINTENANCE)

FIG ITEM	PART NUMBER	1 2 3 4 5 6 7	NOMENCLATURE	EFFECT FROM TO	UNITS PER ASSY
1 75	22280710		.. SERVOVALVE-ELECTROHYDR SUPPLIER CODE: V81873 FUNCTIONAL DESCRIPTION: THIS VALVE DELIVERS A HYDRAULIC FLOW PROPORTIONAL TO AN ELECTRIC INPUT SPECIFICATION NUMBER: S252T001-3 COMPONENT MAINT MANUAL REF: 27-10-03 OPTIONAL PART: 22280710-001 V81873 OPTIONAL PART: A71882-1 V94697 A71882-2 V94697 0893701 V93835 75130 V49695 73016 V49695 A71882-003 V94697 USED ON: 3800022-105 3800022-107	002004 006999	1

MISSING ITEM NUMBERS NOT APPLICABLE

- ITEM NOT ILLUSTRATED

BRI

27-21-13-01

BOEING PROPRIETARY - Copyright © - Unpublished Work - See title page for details.

27-21-13  
FIG. 01  
PAGE 12  
JAN 20/09



757

PARTS CATALOG (MAINTENANCE)

FIG ITEM	PART NUMBER	1 2 3 4 5 6 7 NOMENCLATURE	EFFECT FROM TO	UNITS PER ASSY
1 75	A71882-1	.. SERVOVALVE-ELECTROHYDR SUPPLIER CODE: V94697 FUNCTIONAL DESCRIPTION: THIS VALVE DELIVERS A HYDRAULIC FLOW PROPORTIONAL TO AN ELECTRIC INPUT SPECIFICATION NUMBER: S252T001-5 COMPONENT MAINT MANUAL REF: 22-10-02 OPTIONAL PART: A71882-2 V94697 A71882-003 V94697 OPTIONAL PART: 22280710 V81873 0893701 V93835 75130 V49695 73016 V49695 22280710-001 V81873 USED ON: 3800022-105 3800022-107	002004 006999	1

MISSING ITEM NUMBERS NOT APPLICABLE

- ITEM NOT ILLUSTRATED

BRI

27-21-13-01

BOEING PROPRIETARY - Copyright © - Unpublished Work - See title page for details.

27-21-13  
FIG. 01  
PAGE 13  
JAN 20/09



757

PARTS CATALOG (MAINTENANCE)

FIG ITEM	PART NUMBER	1 2 3 4 5 6 7 NOMENCLATURE	EFFECT FROM TO	UNITS PER ASSY
1 75	A71882-2	.. SERVOVALVE-ELECTROHYDR SUPPLIER CODE: V94697 FUNCTIONAL DESCRIPTION: THIS VALVE DELIVERS A HYDRAULIC FLOW PROPORTIONAL TO AN ELECTRIC INPUT SPECIFICATION NUMBER: S252T001-5 COMPONENT MAINT MANUAL REF: 22-10-02 OPTIONAL PART: A71882-1 V94697 A71882-003 V94697 OPTIONAL PART: 22280710 V81873 0893701 V93835 75130 V49695 73016 V49695 22280710-001 V81873 USED ON: 3800022-105 3800022-107	002004 006999	1

MISSING ITEM NUMBERS NOT APPLICABLE

- ITEM NOT ILLUSTRATED

BRI

27-21-13-01

BOEING PROPRIETARY - Copyright © - Unpublished Work - See title page for details.

27-21-13  
FIG. 01  
PAGE 14  
JAN 20/09



757

PARTS CATALOG (MAINTENANCE)

FIG ITEM	PART NUMBER	1 2 3 4 5 6 7	NOMENCLATURE	EFFECT FROM TO	UNITS PER ASSY
1 75	0893701		.. SERVOVALVE-ELECTROHYDR SUPPLIER CODE: V93835 SPECIFICATION NUMBER: 10-60813-1 COMPONENT MAINT MANUAL REF: 27-09-01 OPTIONAL PART: 75130 V49695 OPTIONAL PART: 22280710 V81873 A71882-1 V94697 A71882-2 V94697 22280710-001 V81873 A71882-003 V94697 USED ON: 3800022-102 3800022-103 3800022-104 3800022-105 3800022-106 3800022-107	002004 006999	1

MISSING ITEM NUMBERS NOT APPLICABLE

- ITEM NOT ILLUSTRATED

BRI

27-21-13-01

BOEING PROPRIETARY - Copyright © - Unpublished Work - See title page for details.

27-21-13  
FIG. 01  
PAGE 15  
JAN 20/09



757

PARTS CATALOG (MAINTENANCE)

FIG ITEM	PART NUMBER	1 2 3 4 5 6 7 NOMENCLATURE	EFFECT FROM TO	UNITS PER ASSY
1 75	22280710-001	.. SERVOVALVE-ELECTRO HYDR SUPPLIER CODE: V81873 FUNCTIONAL DESCRIPTION: THIS VALVE DELIVERS A HYDRAULIC FLOW PROPORTIONAL TO AN ELECTRIC INPUT SPECIFICATION NUMBER: S252T001-3 COMPONENT MAINT MANUAL REF: 22-10-01 OPTIONAL PART: 22280710 V81873 OPTIONAL PART: 75130 V49695 73016 V49695 A71882-1 V94697 A71882-2 V94697 0893701 V93835 A71882-003 V94697 USED ON: 3800022-105 3800022-107	002004 006999	1

MISSING ITEM NUMBERS NOT APPLICABLE

- ITEM NOT ILLUSTRATED

BRI

**27-21-13-01**

BOEING PROPRIETARY - Copyright © - Unpublished Work - See title page for details.

27-21-13  
FIG. 01  
PAGE 16  
JAN 20/09



757

PARTS CATALOG (MAINTENANCE)

FIG ITEM	PART NUMBER	1 2 3 4 5 6 7	NOMENCLATURE	EFFECT FROM TO	UNITS PER ASSY
1 75	A71882-003		.. SERVOVALVE-ELECTROHYDR SUPPLIER CODE: V94697 FUNCTIONAL DESCRIPTION: THIS VALVE DELIVERS A HYDRAULIC FLOW PROPORTIONAL TO AN ELECTRIC INPUT SPECIFICATION NUMBER: S252T001-5 COMPONENT MAINT MANUAL REF: 22-10-02 OPTIONAL PART: A71882-1 V94697 A71882-2 V94697 OPTIONAL PART: 22280710 V81873 0893701 V93835 75130 V49695 73016 V49695 22280710-001 V81873 USED ON: 3800022-105 3800022-107 ATTACHING PARTS	002004 006999	1
80	NAS1351-4H28		.. SCREW	002004 006999	4
81	3801115-101		.. WASHER- SUPPLIER CODE: V92003 -----*-----	002004 006999	4
82	75859		... PLATE-IDENT SUPPLIER CODE: V49695 USED ON: 75130	002004 006999	1
82	73700		... PLATE-IDENT SUPPLIER CODE: V49695 USED ON: 73016	002004 006106 108999	1

MISSING ITEM NUMBERS NOT APPLICABLE

- ITEM NOT ILLUSTRATED

BRI

27-21-13-01

27-21-13  
FIG. 01  
PAGE 17  
JAN 20/09



757

PARTS CATALOG (MAINTENANCE)

FIG ITEM	PART NUMBER	1 2 3 4 5 6 7	NOMENCLATURE	EFFECT FROM TO	UNITS PER ASSY
1			ATTACHING PARTS		
83	MS21318-1	...	SCREW- USED ON: 75130 73016	002004 006999	4
84	76950	...	PLATE-FLUID IDENT BMS 3-11 SUPPLIER CODE: V49695 OPTIONAL PART: 76951 V49695 76952 V49695 USED ON: 75130	002004 006999	1
84	76951	...	PLATE-FLUID IDENT DMS 2014 SUPPLIER CODE: V49695 OPTIONAL PART: 76950 V49695 76952 V49695 USED ON: 75130	002004 006999	1
84	76952	...	PLATE-FLUID IDENT LAV C-34-1224 SUPPLIER CODE: V49695 OPTIONAL PART: 76950 V49695 76951 V49695 USED ON: 75130	002004 006999	1
87	28004408	...	PLATE-IDENT SUPPLIER CODE: V81873	002004 006999	1
89	82000038-001	...	SCREW- SUPPLIER CODE: V81873	002004 006999	2

MISSING ITEM NUMBERS NOT APPLICABLE

- ITEM NOT ILLUSTRATED

BRI

27-21-13-01

27-21-13  
FIG. 01  
PAGE 18  
JAN 20/09



757

PARTS CATALOG (MAINTENANCE)

FIG ITEM	PART NUMBER	1 2 3 4 5 6 7	NOMENCLATURE	EFFECT FROM TO	UNITS PER ASSY
1 90	069000198-1		.. PLATE-GSKT SUPPLIER CODE: V05939 SPECIFICATION NUMBER: 69-20185-1 CONFIG CHG DATA FROM A CMM: REPLS 054861-1 OPTIONAL PART: 054861 V83259 054861-1 V83259 BA1841 V95272 828109-1 V83259 OPTIONAL PART: 069000198-3 V05939 054861 V83259 054861-1 V83259 BA1841 V95272 828109-1 V83259 828109-3 V83259 POST SERVICE LETTER: 27-094	002004 006999	1

MISSING ITEM NUMBERS NOT APPLICABLE

- ITEM NOT ILLUSTRATED

BRI

27-21-13-01

BOEING PROPRIETARY - Copyright © - Unpublished Work - See title page for details.

27-21-13  
FIG. 01  
PAGE 19  
JAN 20/09





757

PARTS CATALOG (MAINTENANCE)

FIG ITEM	PART NUMBER	1 2 3 4 5 6 7	NOMENCLATURE	EFFECT FROM TO	UNITS PER ASSY
1 90	069000198-3		.. PLATE-GSKT SUPPLIER CODE: V05939 SPECIFICATION NUMBER: 69-20185-3 CONFIG CHG DATA FROM A CMM: REPLS 054861-1 OPTIONAL PART: 828109-3 V83259 OPTIONAL PART: 069000198-1 V05939 054861 V83259 054861-1 V83259 BA1841 V95272 828109-1 V83259 828109-3 V83259	002004 006999	1

MISSING ITEM NUMBERS NOT APPLICABLE

- ITEM NOT ILLUSTRATED

BRI

# 27-21-13-01

BOEING PROPRIETARY - Copyright © - Unpublished Work - See title page for details.

27-21-13  
FIG. 01  
PAGE 20  
JAN 20/09



757

PARTS CATALOG (MAINTENANCE)

FIG ITEM	PART NUMBER	1 2 3 4 5 6 7	NOMENCLATURE	EFFECT FROM TO	UNITS PER ASSY
1 90	BA1841		.. PLATE-GSKT SUPPLIER CODE: V95272 SPECIFICATION NUMBER: 69-20185-1 OPTIONAL PART: 054861 V83259 054861-1 V83259 828109-1 V83259 069000198-1 V05939 OPTIONAL PART: 069000198-3 V05939 054861 V83259 054861-1 V83259 069000198-1 V05939 828109-1 V83259 828109-3 V83259	002004 006999	1
90	054861		.. PLATE-GSKT SUPPLIER CODE: V83259 OPTIONAL PART: 069000198-3 V05939 BA1841 V95272 054861-1 V83259 069000198-1 V05939 828109-1 V83259 828109-3 V83259	002004 006999	1

MISSING ITEM NUMBERS NOT APPLICABLE

- ITEM NOT ILLUSTRATED

BRI

27-21-13-01

BOEING PROPRIETARY - Copyright © - Unpublished Work - See title page for details.

27-21-13  
FIG. 01  
PAGE 21  
JAN 20/09



757

PARTS CATALOG (MAINTENANCE)

FIG ITEM	PART NUMBER	1 2 3 4 5 6 7	NOMENCLATURE	EFFECT FROM TO	UNITS PER ASSY
1 90	054861-1		.. PLATE-GSKT SUPPLIER CODE: V83259 SPECIFICATION NUMBER: 69-20185-1 CONFIG CHG DATA FROM A CMM: REPLD BY 828109-1 REPLD BY 828109-3 REPLD BY 069000198-1 REPLD BY 069000198-3 OPTIONAL PART: 069000198-3 V05939 BA1841 V95272 054861 V83259 069000198-1 V05939 828109-1 V83259 828109-3 V83259	002004 006999	1
90	828109-1		.. PLATE-GSKT SUPPLIER CODE: V83259 SPECIFICATION NUMBER: 69-20185-1 CONFIG CHG DATA FROM A CMM: REPLS 054861-1 OPTIONAL PART: 069000198-3 V05939 BA1841 V95272 054861-1 V83259 069000198-1 V05939 054861 V83259 828109-3 V83259	002004 006999	1

MISSING ITEM NUMBERS NOT APPLICABLE

- ITEM NOT ILLUSTRATED

BRI

27-21-13-01

BOEING PROPRIETARY - Copyright © - Unpublished Work - See title page for details.

27-21-13  
FIG. 01  
PAGE 22  
JAN 20/09



757

PARTS CATALOG (MAINTENANCE)

FIG ITEM	PART NUMBER	1 2 3 4 5 6 7	NOMENCLATURE	EFFECT FROM TO	UNITS PER ASSY
1 90	828109-3		.. PLATE-GSKT SUPPLIER CODE: V83259 SPECIFICATION NUMBER: 69-20185-1 CONFIG CHG DATA FROM A CMM: REPLS 054861-1 OPTIONAL PART: 069000198-3 V05939 BA1841 V95272 054861-1 V83259 069000198-1 V05939 054861 V83259 828109-1 V83259	002004 006999	1
95	000100-0113C		.. PLUG ASSY- SUPPLIER CODE: V05574 OPTIONAL PART: AS203-20001 V21183	002004 006999	2
95	AS203-20001		.. PLUG ASSY- SUPPLIER CODE: V05574 OPTIONAL PART: 000100-0113C V05574	002004 006999	2
100	3801116-101		.. RETAINER- SUPPLIER CODE: V92003	002004 006999	2
105	NAS1611-112		.. PACKING-	002004 006999	2
110	3801109-101		.. PIN ASSY-ANTIROTATION SUPPLIER CODE: V92003	002004 006999	1
115	NAS1351-3H8		.. SCREW	002004 006999	4
120	NAS620-10		.. WASHER	002004 006999	4
125	3791262-102		.. ROD END ASSY- SUPPLIER CODE: V92003 SB DATA FROM A CMM: POST 3800022-27-103	002004 006999	1

MISSING ITEM NUMBERS NOT APPLICABLE

- ITEM NOT ILLUSTRATED

27-21-13-01

27-21-13  
FIG. 01  
PAGE 23  
JAN 20/09

BRI



757

PARTS CATALOG (MAINTENANCE)

FIG ITEM	PART NUMBER	1 2 3 4 5 6 7	NOMENCLATURE	EFFECT FROM TO	UNITS PER ASSY
1					
130	BACU24K6	. .	UNION	002004 006999	1
135	BACU24K4	. .	UNION	002004 006999	1
140	NAS1612-6	. .	PACKING-	002004 006999	1
145	NAS1612-4	. .	PACKING-	002004 006999	1

MISSING ITEM NUMBERS NOT APPLICABLE

- ITEM NOT ILLUSTRATED

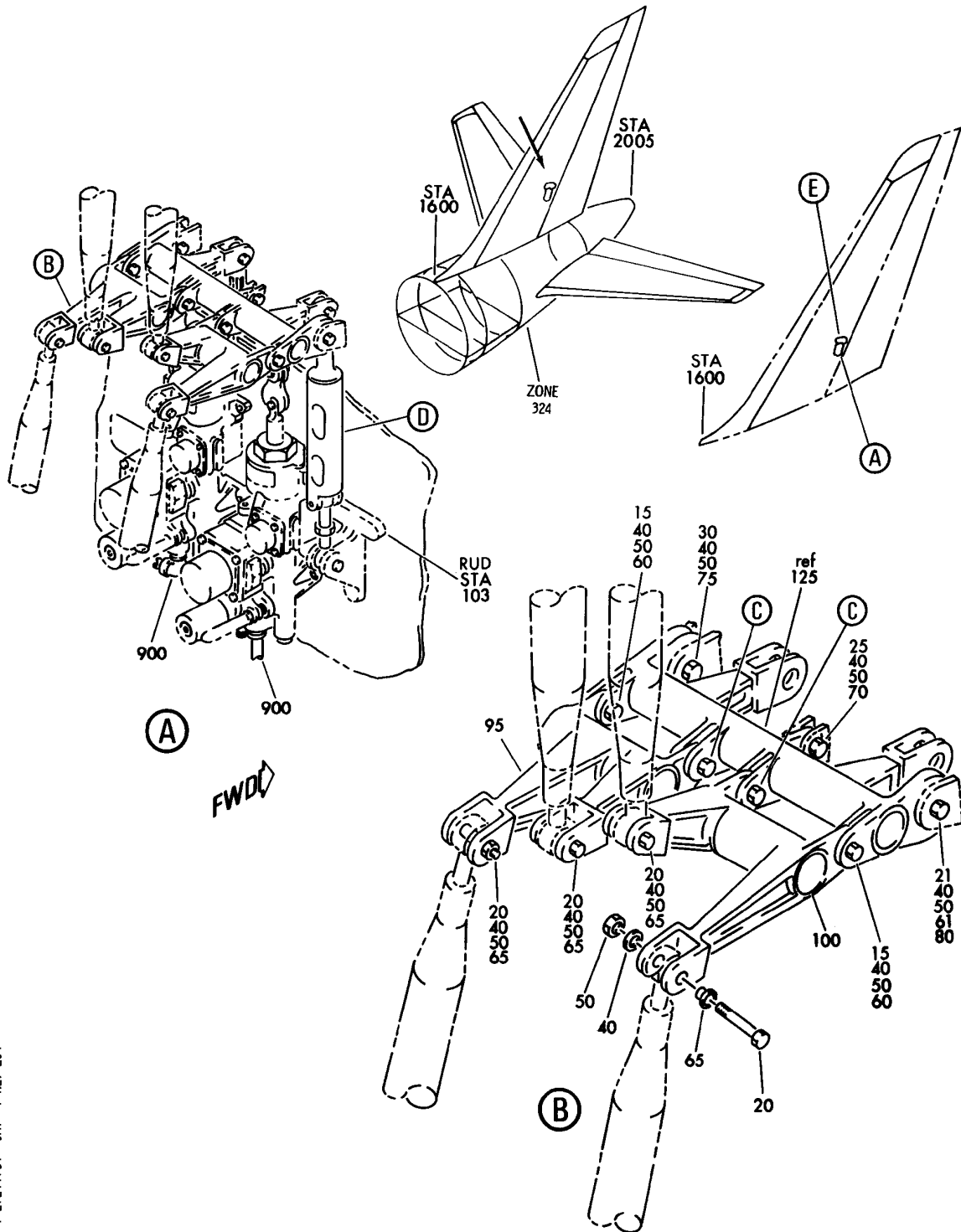
BRI

27-21-13-01

BOEING PROPRIETARY - Copyright © - Unpublished Work - See title page for details.

27-21-13  
FIG. 01  
PAGE 24  
JAN 20/09

**BOEING**  
757  
PARTS CATALOG (MAINTENANCE)



Y 27211701 SHT 1 REV 234

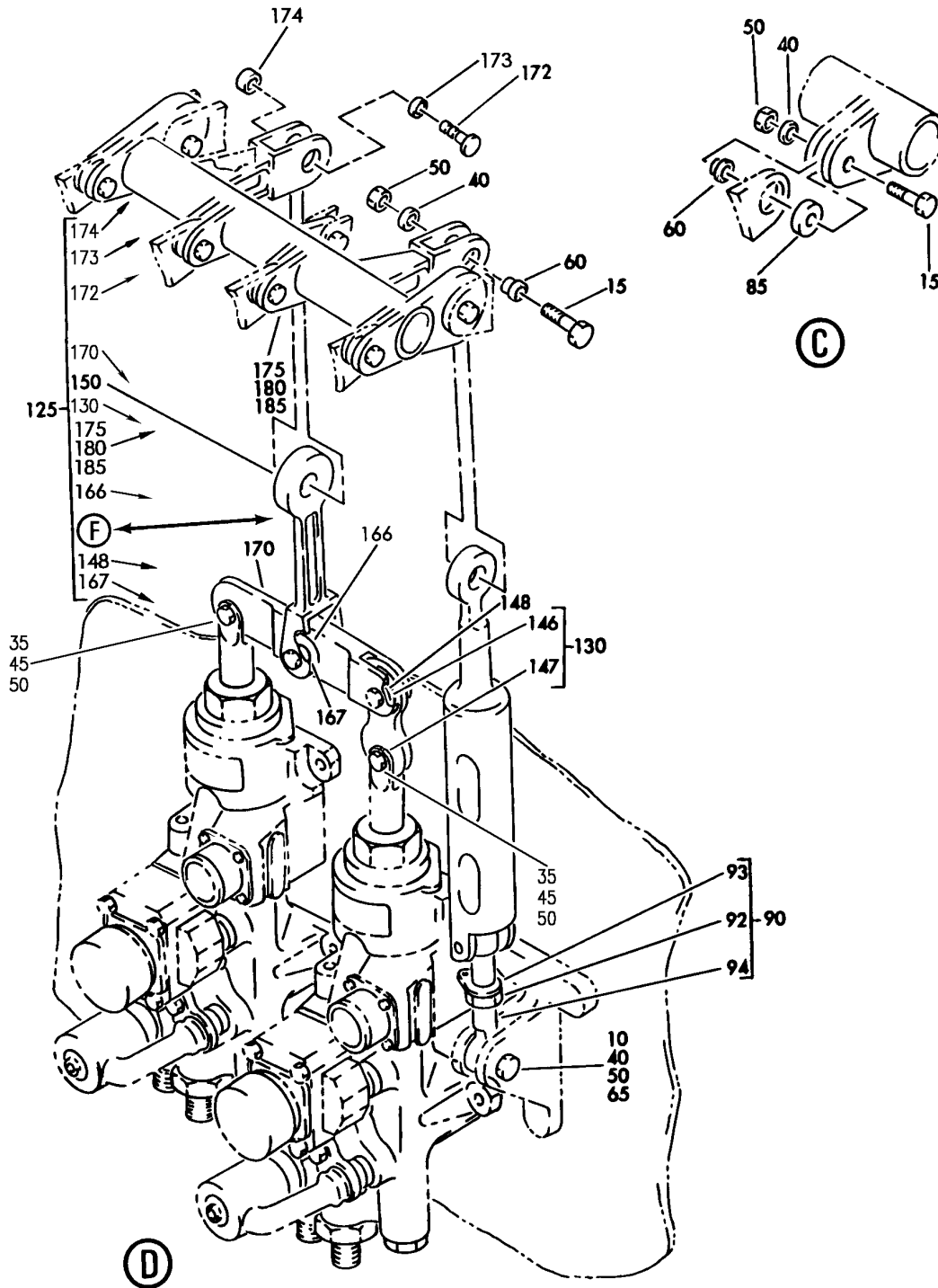
LINKAGE INSTL-RUD CONT YAW DAMPER AND SUMMING (FLIGHT CONTROLS ONLY)  
FIGURE 1 (SHEET 1)

BRI  
MAY 28/07

**27-21-17-01**

27-21-17-01  
PAGE 0

**BOEING**  
757  
PARTS CATALOG (MAINTENANCE)



Y 27211701\_SHT 2 REV 308

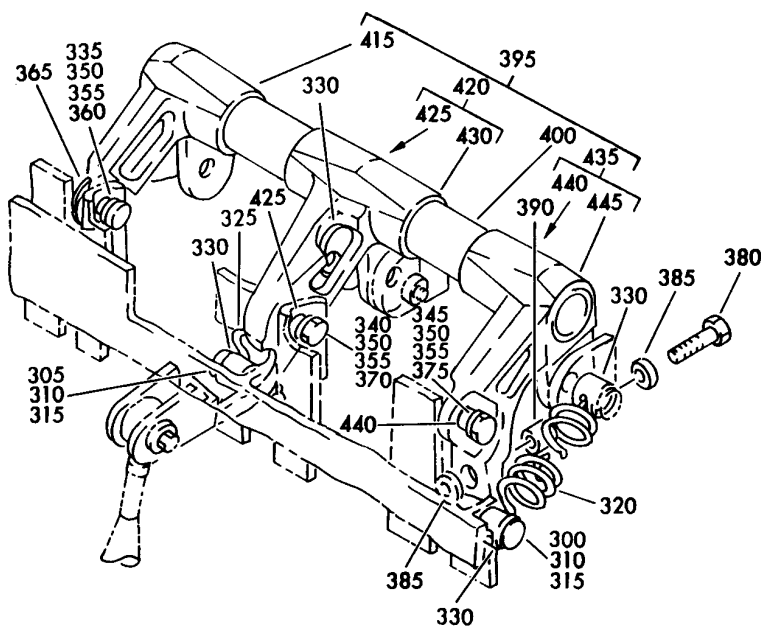
LINKAGE INSTL-RUD CONT YAW DAMPER AND SUMMING (FLIGHT CONTROLS ONLY)  
FIGURE 1 (SHEET 2)

**27-21-17-01**

BRI  
MAY 28/07

27-21-17-01  
PAGE 0A

**BOEING**  
757  
PARTS CATALOG (MAINTENANCE)



(E)

Y 27211701 SHT 3 REV 166

LINKAGE INSTL-RUD CONT YAW DAMPER AND SUMMING (FLIGHT CONTROLS ONLY)  
FIGURE 1 (SHEET 3)

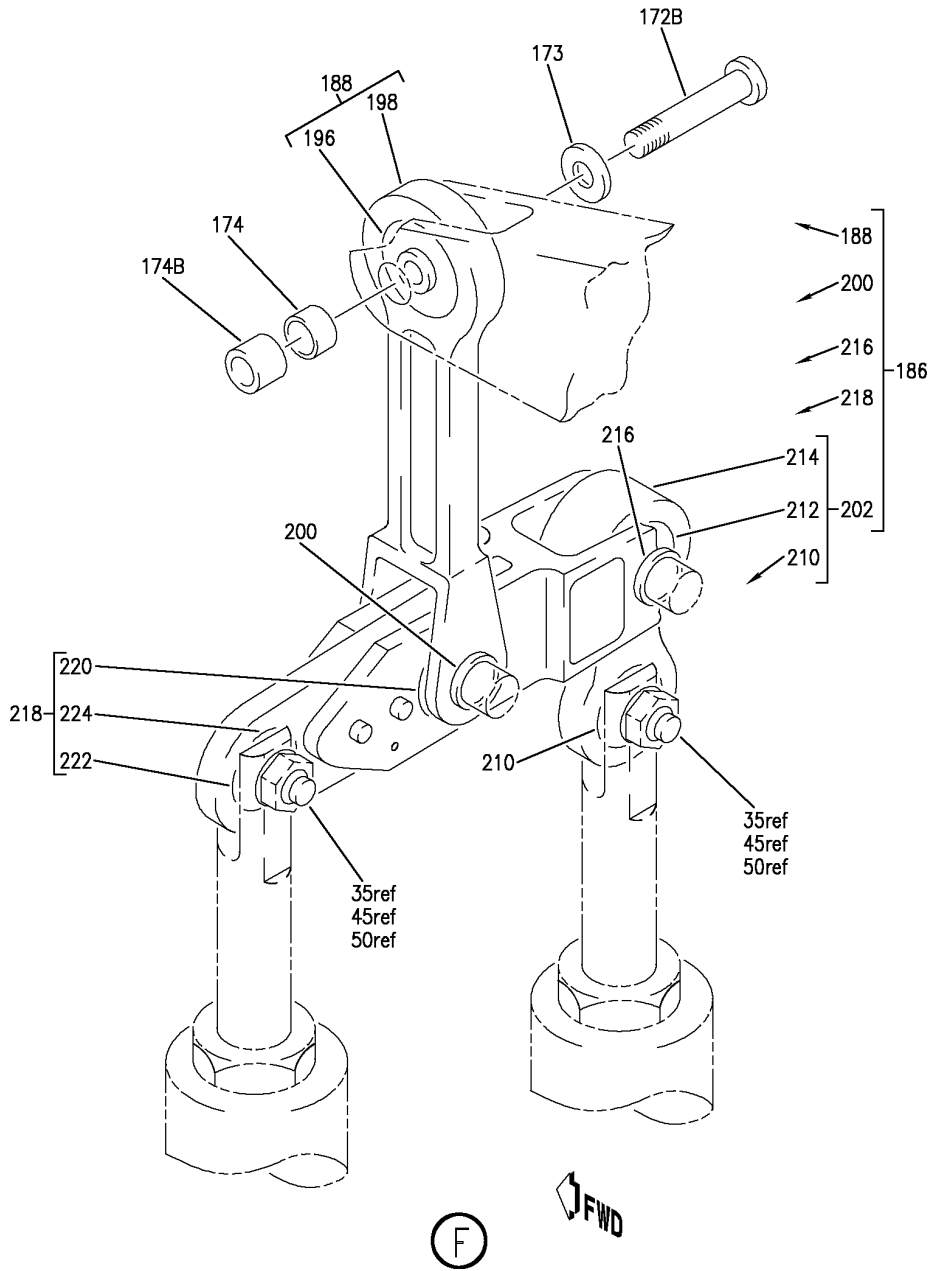
**27-21-17-01**

BRI  
MAY 28/07

27-21-17-01  
PAGE 0B



**BOEING**  
757  
PARTS CATALOG (MAINTENANCE)



Y 27211701 SH1 4 REV 327

LINKAGE INSTL-RUD CONT YAW DAMPER AND SUMMING (FLIGHT CONTROLS ONLY)  
FIGURE 1 (SHEET 4)

**27-21-17-01**

BRI  
SEP 20/08

27-21-17-01  
PAGE 0C



757

PARTS CATALOG (MAINTENANCE)

FIG ITEM	PART NUMBER	1 2 3 4 5 6 7	NOMENCLATURE	EFFECT FROM TO	UNITS PER ASSY
1			LINKAGE INSTL-RUD CONT YAW DAMPER AND SUMMING (FLIGHT CONTROLS ONLY)	002004 006999	
- 1	251N3004-3		LINKAGE INSTL-RUD CONT YAW DAMPER AND SUMMING (FLIGHT CONTROLS ONLY) FOR NHA/OTHER SYS DET SEE: 27-21-54-01	002004 006010 107107 121503 904999	RF
- 1	251N3004-7		LINKAGE INSTL-RUD CONT YAW DAMPER AND SUMMING (FLIGHT CONTROLS ONLY) FOR NHA/OTHER SYS DET SEE: 27-21-54-01	011017	RF
- 1	251N3004-9		LINKAGE INSTL-RUD CONT YAW DAMPER AND SUMMING (FLIGHT CONTROLS ONLY) FOR NHA/OTHER SYS DET SEE: 27-21-54-01	018100	RF
- 1	251N3004-11		LINKAGE INSTL-RUD CONT YAW DAMPER AND SUMMING (FLIGHT CONTROLS ONLY) FOR NHA/OTHER SYS DET SEE: 27-21-54-01	101102 108120 504903	RF
- 1	MODREF32113		LINKAGE INSTL-RUD CONT YAW DAMPER AND SUMMING (FLIGHT CONTROLS ONLY) MODULE NUMBER: 251N3004-11 REV B FOR OTHER SYS DETAILS SEE: 22-21-02-01	103106	1
10	BACB30NF4-15		.BOLT	002004 006999	1
15	BACB30NF4-12		.BOLT	002004 006999	5
20	BACB30NF4-16		.BOLT	002004 006999	4
21	BACB30NF4-17		.BOLT	002004 006999	1
25	BACB30NF4-28		.BOLT-	002004 006999	1
30	BACB30NF4-29		.BOLT-	002004 006999	1
35	BACB30NF4-8		.BOLT	002004 006999	2
40	AN960KD416		.WASHER-	002004 006100 107107 121503 904999	13

MISSING ITEM NUMBERS NOT APPLICABLE

- ITEM NOT ILLUSTRATED

27-21-17-01

27-21-17  
FIG. 01  
PAGE 1  
JAN 20/09

BRI



757

PARTS CATALOG (MAINTENANCE)

FIG ITEM	PART NUMBER	1 2 3 4 5 6 7	NOMENCLATURE	EFFECT FROM TO	UNITS PER ASSY
1					
40	NAS1149D0463J	.	WASHER	101106 108120 504903	13
45	AN960-416	.	WASHER	002004 006100 107107 121503 904999	2
45	NAS1149F0463P	.	WASHER	101106 108120 504903	2
50	MS21042L4	.	NUT-	002004 006100 107107 121503 904999	15
50	PLH54CD	.	NUT SUPPLIER CODE: VF0224 SPECIFICATION NUMBER: BACN10YR4CD OPTIONAL PART: H52732-4CD V15653	101106 108120 504903	15
60	250N2008-15	.	BUSHING-	002004 006999	5
61	NAS75-4-013	.	BUSHING	002004 006999	1
65	250N2008-3	.	BUSHING-	002004 006999	5
70	NAS75-4-100	.	BUSHING-	002004 006999	1
75	NAS75-4-018	.	BUSHING-	002004 006999	1

MISSING ITEM NUMBERS NOT APPLICABLE

- ITEM NOT ILLUSTRATED

BRI

27-21-17-01

BOEING PROPRIETARY - Copyright © - Unpublished Work - See title page for details.

27-21-17  
FIG. 01  
PAGE 2  
JAN 20/09



757

PARTS CATALOG (MAINTENANCE)

FIG ITEM	PART NUMBER	1 2 3 4 5 6 7	NOMENCLATURE	EFFECT FROM TO	UNITS PER ASSY
1	80 MKSP4SD610		.BEARING- SUPPLIER CODE: V83086 SPECIFICATION NUMBER: BACB10AR4 OPTIONAL PART: HHMKSP4 V38443 MKSP4-2TS V43991 MKSP4E9440A V21335 MKSP4FS428 V21335 MKSP43TT V43991 MKSP4G20 V38443 MKSP4 V38443	002004 006010 107107 121503 904999	1
	80 SSMKSP4SD705		.BEARING- SUPPLIER CODE: V83086 SPECIFICATION NUMBER: BACB10FP4 OPTIONAL PART: ACMKSP4A3908 V21335 ACMKSP4FS428 V21335 BACB10FP04J	011106 108120 504903	1
	80 ACMKSP4FS428		.BEARING- SUPPLIER CODE: V21335 SPECIFICATION NUMBER: BACB10FP04J OPTIONAL PART: SSMKSP4FS428 V50294 BACB10FP4	103105	1

MISSING ITEM NUMBERS NOT APPLICABLE

- ITEM NOT ILLUSTRATED

BRI

27-21-17-01

27-21-17  
FIG. 01  
PAGE 3  
JAN 20/09



757

PARTS CATALOG (MAINTENANCE)

FIG ITEM	PART NUMBER	1 2 3 4 5 6 7	NOMENCLATURE	EFFECT FROM TO	UNITS PER ASSY
1 85	MKP4AFS428		.BEARING- SUPPLIER CODE: V06144 SPECIFICATION NUMBER: BACB10AP4 OPTIONAL PART: MCS204E VK8455 LLMKP4A V38443 MKP4AFS428 V21335 MKP4ATT V43991 MKP4A2TS V43991 MKP4E6531 V21335 MKP4AG20 V38443 MKP4ALY196 V40920 MKP4A V38443 MCS24E VK8455 MKP4ASD610 V83086 MKP4ANJC V06144 BACB10FS04RJ	002004 006999	2
	85 SSMKP4ASD529		.BEARING- SUPPLIER CODE: V50294 SPECIFICATION NUMBER: BACB10FS04RJ OPTIONAL PART: SSMKP04RAP V21760 ACMKP4FS428 V21335 ACMKP04RJAP510L V40920 PACMKP04RJAFS42 V21335 SSMKP04RJAP V21760 BACB10AP4	103105	2

MISSING ITEM NUMBERS NOT APPLICABLE

- ITEM NOT ILLUSTRATED

BRI

27-21-17-01

BOEING PROPRIETARY - Copyright © - Unpublished Work - See title page for details.

27-21-17  
FIG. 01  
PAGE 4  
MAY 20/09



757

PARTS CATALOG (MAINTENANCE)

FIG ITEM	PART NUMBER	1 2 3 4 5 6 7	NOMENCLATURE	EFFECT FROM TO	UNITS PER ASSY
1					
90	251N3174-1	.POGO ASSY-	COMPONENT MAINT MANUAL REF: 27-21-54	002004 006999	1
90	251N3174-3	.POGO ASSY-	COMPONENT MAINT MANUAL REF: 27-21-54 OPTIONAL PART: 251N3174-5	002004 006999	1
90	251N3174-5	.POGO ASSY-	COMPONENT MAINT MANUAL REF: 27-21-54 OPTIONAL PART: 251N3174-3	002004 006999	1
92	NAS509-6	..NUT		002004 006999	1
93	NAS513-6	..WASHER		002004 006999	1
94	SM4-6H23	..END-ROD	SUPPLIER CODE: V77896 OPTIONAL PART: SM4-6H22 V77896	002004 006999	1
94	SM4-6H22	..END-ROD	SUPPLIER CODE: V77896 OPTIONAL PART: SM4-6H23 V77896	002004 006999	1
95	251N3060-5	.LEVER ASSY-	COMPONENT MAINT MANUAL REF: 27-51-58	002004 006999	1
100	251N3061-1	.LEVER ASSY-	COMPONENT MAINT MANUAL REF: 27-51-58	002004 006999	1
125	251N3058-5	.TUBE AND LINK ASSY-TORQUE (FLIGHT CONTROLS ONLY)	COMPONENT MAINT MANUAL REF: 27-21-56 FUNCTIONAL REFERENCE: PLACARDS AND MARKINGS FOR DETAILS SEE 11-26-51-02	002004 006999	1

MISSING ITEM NUMBERS NOT APPLICABLE

- ITEM NOT ILLUSTRATED

27-21-17-01

27-21-17  
FIG. 01  
PAGE 5  
MAY 20/09

BRI

BOEING PROPRIETARY - Copyright © - Unpublished Work - See title page for details.



757

PARTS CATALOG (MAINTENANCE)

FIG ITEM	PART NUMBER	1 2 3 4 5 6 7	NOMENCLATURE	EFFECT FROM TO	UNITS PER ASSY
1 125	251N3058-4		.TUBE AND LINK ASSY-TORQUE (FLIGHT CONTROLS ONLY) COMPONENT MAINT MANUAL REF: 27-21-56 FUNCTIONAL REFERENCE: PLACARDS AND MARKINGS FOR DETAILS SEE 11-26-51-02	002004 006999	1
125	251N3058-2		.TUBE AND LINK ASSY-TORQUE (FLIGHT CONTROLS ONLY) COMPONENT MAINT MANUAL REF: 27-51-56 OPTIONAL PART: 251N3058-4 FUNCTIONAL REFERENCE: PLACARDS AND MARKINGS FOR DETAILS SEE 11-26-51-02	002004 006999	1
125	251N3058-3		.TUBE AND LINK ASSY-TORQUE (FLIGHT CONTROLS ONLY) COMPONENT MAINT MANUAL REF: 27-51-56 OPTIONAL PART: 251N3058-4 FUNCTIONAL REFERENCE: PLACARDS AND MARKINGS FOR DETAILS SEE 11-26-51-02	002004 006999	1
125	251N3058-7		.TUBE AND LINK ASSY-TORQUE (FLIGHT CONTROLS ONLY) COMPONENT MAINT MANUAL REF: 27-21-56 FUNCTIONAL REFERENCE: PLACARDS AND MARKINGS FOR DETAILS SEE 11-26-51-02	002004 006999	1
125	251N3058-8		.TUBE AND LINK ASSY-TORQUE (FLIGHT CONTROLS ONLY) COMPONENT MAINT MANUAL REF: 27-21-56 FUNCTIONAL REFERENCE: PLACARDS AND MARKINGS FOR DETAILS SEE 11-26-51-02	002004 006999	1

MISSING ITEM NUMBERS NOT APPLICABLE

- ITEM NOT ILLUSTRATED

BRI

27-21-17-01

27-21-17  
FIG. 01  
PAGE 6  
MAY 20/09



757

PARTS CATALOG (MAINTENANCE)

FIG ITEM	PART NUMBER	1 2 3 4 5 6 7	NOMENCLATURE	EFFECT FROM TO	UNITS PER ASSY
1 125	251N3058-1		.TUBE AND LINK ASSY-TORQUE (FLIGHT CONTROLS ONLY) FUNCTIONAL REFERENCE: PLACARDS AND MARKINGS FOR DETAILS SEE 11-26-51-02	002004 006999	1
125	251N3058-9		.TUBE AND LINK ASSY-TORQUE (FLIGHT CONTROLS ONLY) COMPONENT MAINT MANUAL REF: 27-21-56 OPTIONAL PART: 251N3058-10 POST SERVICE BULLETIN: 27-0106 FUNCTIONAL REFERENCE: PLACARDS AND MARKINGS FOR DETAILS SEE 11-26-51-02	002004 006999	1
125	251N3058-10		.TUBE AND LINK ASSY-TORQUE (FLIGHT CONTROLS ONLY) COMPONENT MAINT MANUAL REF: 27-21-56 OPTIONAL PART: 251N3058-9 FUNCTIONAL REFERENCE: PLACARDS AND MARKINGS FOR DETAILS SEE 11-26-51-02	002004 006999	1
130	251T3722-1		..LINK ASSY- USED ON: 251N3058-1 251N3058-2 251N3058-3 251N3058-4 251N3058-5 251N3058-7 251N3058-8 ATTACHING PARTS	002004 006999	1
- 135	BACB30GW8A19		..BOLT SUPPLIER CODE: V11815 SPECIFICATION NUMBER: BACB30GW8A19 OPTIONAL PART: SALPYEU8-19C V17446	002004 006999	1
- 140	AN960PD416		..WASHER	002004 006999	1

MISSING ITEM NUMBERS NOT APPLICABLE

- ITEM NOT ILLUSTRATED

27-21-17-01

27-21-17  
FIG. 01  
PAGE 7  
MAY 20/09

BRI



 **BOEING**  
757  
**PARTS CATALOG (MAINTENANCE)**

FIG ITEM	PART NUMBER	1 2 3 4 5 6 7	NOMENCLATURE	EFFECT FROM TO	UNITS PER ASSY
1 - 145	2DCC8		.. COLLAR SUPPLIER CODE: V11815 SPECIFICATION NUMBER: BACC30K8 OPTIONAL PART: 2DCC8 V17446 -----*-----	002004 006999	1
146	DPP4WFS428		... BEARING SUPPLIER CODE: V21335 SPECIFICATION NUMBER: BACB10FG4	002004 006999	1
147	KSP4AFS428		... BEARING SUPPLIER CODE: V21335 SPECIFICATION NUMBER: BACB10AC4A OPTIONAL PART: HHKSP4A V38443 KSP4AE9440A V21335 KSP4A2TS V43991 KSP4AG27 V30163	002004 006999	1
148	250N2008-4		.. BUSHING- USED ON: 251N3058-1 251N3058-2 251N3058-3 251N3058-4 251N3058-5 251N3058-7 251N3058-8	002004 006010 107107 121503 904999	1
150	251N3052-1		.. LINK ASSY- OPTIONAL PART: 251N3052-4 USED ON: 251N3058-1 251N3058-2 251N3058-3 251N3058-4 251N3058-5 251N3058-7 251N3058-8	002004 006010 107107 121503 904999	1

MISSING ITEM NUMBERS NOT APPLICABLE

- ITEM NOT ILLUSTRATED

BRI

# 27-21-17-01

BOEING PROPRIETARY - Copyright © - Unpublished Work - See title page for details.

27-21-17  
FIG. 01  
PAGE 8  
JAN 20/09



757

PARTS CATALOG (MAINTENANCE)

FIG ITEM	PART NUMBER	1 2 3 4 5 6 7	NOMENCLATURE	EFFECT FROM TO	UNITS PER ASSY
1 150	251N3052-4		..LINK ASSY- OPTIONAL PART: 251N3052-1 USED ON: 251N3058-5 251N3058-7 251N3058-8 ATTACHING PARTS	002004 006010 107107 121503 904999	1
- 155	BACB30GW8A17		..BOLT SUPPLIER CODE: V11815 SPECIFICATION NUMBER: BACB30GW8A17 OPTIONAL PART: SALPYEU8-17C V17446	002004 006010 107107 121503 904999	1
- 160	NAS1149D0463J		..WASHER-	002004 006010 107107 121503 904999	1
- 165	2DCC8		..COLLAR SUPPLIER CODE: V11815 SPECIFICATION NUMBER: BACC30K8 OPTIONAL PART: 2DCC8 V17446 -----*-----	002004 006010 107107 121503 904999	1

MISSING ITEM NUMBERS NOT APPLICABLE

- ITEM NOT ILLUSTRATED

BRI

27-21-17-01

BOEING PROPRIETARY - Copyright © - Unpublished Work - See title page for details.

27-21-17  
FIG. 01  
PAGE 9  
JAN 20/09



757

PARTS CATALOG (MAINTENANCE)

FIG ITEM	PART NUMBER	1 2 3 4 5 6 7	NOMENCLATURE	EFFECT FROM TO	UNITS PER ASSY
1 166	MKSP4SD610		... BEARING SUPPLIER CODE: V83086 SPECIFICATION NUMBER: BACB10AR4 OPTIONAL PART: HHMKSP4 V38443 MKSP4-2TS V43991 MKSP4E9440A V21335 MKSP4FS428 V21335 MKSP43TT V43991 MKSP4G20 V38443 MKSP4 V38443	002004 006999	1
167	250N2008-3		.. BUSHING- USED ON: 251N3058-1 251N3058-2 251N3058-3 251N3058-4 251N3058-5 251N3058-7 251N3058-8	002004 006010 107107 121503 904999	1
170	251T3721-1		.. LINK- OPTIONAL PART: 251T3721-5 USED ON: 251N3058-1 251N3058-2 251N3058-3 251N3058-4 251N3058-5 251N3058-7 251N3058-8	002004 006010 107107 121503 904999	1

MISSING ITEM NUMBERS NOT APPLICABLE

- ITEM NOT ILLUSTRATED

BRI

27-21-17-01

BOEING PROPRIETARY - Copyright © - Unpublished Work - See title page for details.

27-21-17  
FIG. 01  
PAGE 10  
JAN 20/09



757

PARTS CATALOG (MAINTENANCE)

FIG ITEM	PART NUMBER	1 2 3 4 5 6 7	NOMENCLATURE	EFFECT FROM TO	UNITS PER ASSY
1 170	251T3721-5	..	LINK- OPTIONAL PART: 251T3721-1 USED ON: 251N3058-1 251N3058-2 251N3058-3 251N3058-4 251N3058-5 251N3058-7 251N3058-8	002004 006010 107107 121503 904999	1
172	251N3068-2	..	PIN- USED ON: 251N3058-1 251N3058-2 251N3058-3 251N3058-4 251N3058-5 251N3058-7 251N3058-8	002004 006010 107107 121503 904999	1
172B	HL441UC8-16	..	BOLT- SUPPLIER CODE: V60516 SPECIFICATION NUMBER: BACB30FM8A16 OPTIONAL PART: HL440UC8-16 V73197 HL440UC8-16 V92215 HL440UC8-16 V97928 HL440UC8-16 V80539 67067-8A16 V56878 HL440UC8-16 V08524 HL440UC8-16 V56878 POST SERVICE BULLETIN: 27-0106	107107 953999	1
173	AN960JD416	..	WASHER- POST SERVICE BULLETIN: 27-0106	107107 953999	1
173	NAS1149D0463J	..	WASHER-	002004 006999	1
174	250N2008-13	..	BUSHING	002004 006999	1

MISSING ITEM NUMBERS NOT APPLICABLE

- ITEM NOT ILLUSTRATED

BRI

27-21-17-01

27-21-17  
FIG. 01  
PAGE 11  
JAN 20/09



757

PARTS CATALOG (MAINTENANCE)

FIG ITEM	PART NUMBER	1 2 3 4 5 6 7	NOMENCLATURE	EFFECT FROM TO	UNITS PER ASSY
1 174B	2DCC8		.. COLLAR- SUPPLIER CODE: V11815 SPECIFICATION NUMBER: BACC30K8 OPTIONAL PART: 2DCC8 V17446 POST SERVICE BULLETIN: 27-0106	107107 953999	1
175	251N3059-11		.. TUBE ASSY- USED ON: 251N3058-8 251N3058-9 POST SERVICE BULLETIN: 27-0106	002004 006999	1
175	251N3059-4		.. TUBE ASSY- USED ON: 251N3058-2	002004 006999	1
175	251N3059-6		.. TUBE ASSY- USED ON: 251N3058-3	002004 006999	1
175	251N3059-8		.. TUBE ASSY- USED ON: 251N3058-5 251N3058-7 USED ON: 251N3058-4	002004 006999	1
175	251N3059-1		.. TUBE ASSY- USED ON: 251N3058-1	002004 006999	1
180	251N3058-11		.. TUBE SUB ASSY- USED ON: 251N3058-10	002004 006999	1
185	251N3059-11		... TUBE ASSY-	002004 006999	1
185	251N3059-8		... TUBE ASSY-	002004 006999	1
185	251N3059-4		... TUBE ASSY-	002004 006999	1
185	251N3059-6		... TUBE ASSY-	002004 006999	1
185	251N3059-1		... TUBE ASSY-	002004 006999	1

MISSING ITEM NUMBERS NOT APPLICABLE

- ITEM NOT ILLUSTRATED

BRI

27-21-17-01

27-21-17  
FIG. 01  
PAGE 12  
JAN 20/09



757

PARTS CATALOG (MAINTENANCE)

FIG ITEM	PART NUMBER	1 2 3 4 5 6 7	NOMENCLATURE	EFFECT FROM TO	UNITS PER ASSY
1 186	251N3311-3		..LINK ASSY- USED ON: 251N3058-9 251N3058-10 POST SERVICE BULLETIN: 27-0106	002004 006999	1
188	251N3052-1		...LINK ASSY	002004 006999	1
- 190	BACB30GW8A17		ATTACHING PARTS ...BOLT SUPPLIER CODE: V11815 SPECIFICATION NUMBER: BACB30GW8A17 OPTIONAL PART: SALPYEU8-17C V17446	002004 006999	1
- 192	AN960JD416		...WASHER	002004 006999	1
- 194	2DCC8		...COLLAR SUPPLIER CODE: V11815 SPECIFICATION NUMBER: BACC30K8 OPTIONAL PART: 2DCC8 V17446	002004 006999	1
196	MKSP4SD610		-----*----- ....BEARING SUPPLIER CODE: V83086 SPECIFICATION NUMBER: BACB10AR4 OPTIONAL PART: HHMKSP4 V38443 MKSP4-2TS V43991 MKSP4E9440A V21335 MKSP4FS428 V21335 MKSP43TT V43991 MKSP4G20 V38443 MKSP4 V38443	002004 006999	1

MISSING ITEM NUMBERS NOT APPLICABLE

- ITEM NOT ILLUSTRATED

BRI

27-21-17-01

27-21-17  
FIG. 01  
PAGE 13  
JAN 20/09



757

PARTS CATALOG (MAINTENANCE)

FIG ITEM	PART NUMBER	1 2 3 4 5 6 7	NOMENCLATURE	EFFECT FROM TO	UNITS PER ASSY
1					
198	251N3052-2	....	LINK- MANUFACTURED FROM: 251N3052-3	002004 006999	1
200	250N2008-3	...	BUSHING	002004 006999	1
202	251T3722-1	...	LINK ASSY	002004 006999	1
- 204	HST10AG8-19	...	ATTACHING PARTS BOLT SUPPLIER CODE: VOPTK6 SPECIFICATION NUMBER: BACB30VT8K19 OPTIONAL PART: HST10AG8-19 V06725 HST10AG8-19 V56878 HST10AG8-19 V73197 WC10K8-19 V60516	002004 006999	1
- 206	AN960C416	...	WASHER	002004 006999	1
- 208	HST1094DU8	...	COLLAR SUPPLIER CODE: V73197 SPECIFICATION NUMBER: BACC30BS8S -----*-----	002004 006999	1
210	KSP4AFS428	....	BEARING SUPPLIER CODE: V21335 SPECIFICATION NUMBER: BACB10AC4A OPTIONAL PART: HHKSP4A V38443 KSP4AE9440A V21335 KSP4A2TS V43991 KSP4AG27 V30163	002004 006999	1

MISSING ITEM NUMBERS NOT APPLICABLE

- ITEM NOT ILLUSTRATED

BRI

27-21-17-01

27-21-17  
FIG. 01  
PAGE 14  
JAN 20/09



757

PARTS CATALOG (MAINTENANCE)

FIG ITEM	PART NUMBER	1 2 3 4 5 6 7	NOMENCLATURE	EFFECT FROM TO	UNITS PER ASSY
1 212	DPP4SD610	.....	BEARING- SUPPLIER CODE: V83086 SPECIFICATION NUMBER: BACB10CB4 OPTIONAL PART: DPP4 V38443 DPP4FS428 V21335 LLDPP4 V38443 BACB10FG4	002004 006999	1
212	DPP4WFS428	.....	BEARING- SUPPLIER CODE: V21335 SPECIFICATION NUMBER: BACB10FG4 OPTIONAL PART: BACB10CB4	002004 006999	1
214	251T3722-2	.....	LINK	002004 006999	1
216	250N2008-4	...	BUSHING	002004 006999	1
218	251N3311-4	...	LINK ASSY	002004 006999	1
220	DPP4WFS428	.....	BEARING- SUPPLIER CODE: V21335 SPECIFICATION NUMBER: BACB10FG4 OPTIONAL PART: BACB10CB4	002004 006999	1
220	DPP4SD610	.....	BEARING- SUPPLIER CODE: V83086 SPECIFICATION NUMBER: BACB10CB4 OPTIONAL PART: DPP4 V38443 DPP4FS428 V21335 LLDPP4 V38443 BACB10FG4	002004 006999	1

MISSING ITEM NUMBERS NOT APPLICABLE

- ITEM NOT ILLUSTRATED

27-21-17-01

27-21-17  
FIG. 01  
PAGE 15  
JAN 20/09

BRI





757

PARTS CATALOG (MAINTENANCE)

FIG ITEM	PART NUMBER	1 2 3 4 5 6 7	NOMENCLATURE	EFFECT FROM TO	UNITS PER ASSY
1 222	KSP4AFS428	....	BEARING SUPPLIER CODE: V21335 SPECIFICATION NUMBER: BACB10AC4A OPTIONAL PART: HHKSP4A V38443 KSP4AE9440A V21335 KSP4A2TS V43991 KSP4AG27 V30163	002004 006999	1
224	251N3310-4	....	LINK	002004 006999	1
300	BACB30NF4-13	.BOLT-		002004 006999	1
305	BACB30NF4-12	.BOLT-		002004 006999	1
310	AN960KD416	.WASHER-		002004 006100 107107 121503 904999	3
310	NAS1149D0463J	.WASHER		101106 108120 504903	3
315	MS21042L4	.NUT-		002004 006100 107107 121503 904999	2
315	PLH54CD	.NUT SUPPLIER CODE: VF0224 SPECIFICATION NUMBER: BACN10YR4CD OPTIONAL PART: H52732-4CD V15653		101106 108120 504903	2
320	251N3085-1	.SPRING-		002004 006999	1
325	251N3085-2	.SPRING-		002004 006999	1
330	251N3282-1	.RETAINER-SPR		002004 006999	4
335	BACB30NF4-12	.BOLT-		002004 006999	1

MISSING ITEM NUMBERS NOT APPLICABLE

- ITEM NOT ILLUSTRATED

27-21-17-01

27-21-17  
FIG. 01  
PAGE 16  
JAN 20/09

BRI



757

PARTS CATALOG (MAINTENANCE)

FIG ITEM	PART NUMBER	1 2 3 4 5 6 7	NOMENCLATURE	EFFECT FROM TO	UNITS PER ASSY
1					
340	BACB30NF4-21	.	BOLT-	002004 006999	1
345	BACB30NF4-15	.	BOLT-	002004 006999	1
350	AN960KD416	.	WASHER-	002004 006100 107107 121503 904999	3
350	NAS1149D0463J	.	WASHER	101106 108120 504903	3
355	MS21042L4	.	NUT-	002004 006100 107107 121503 904999	3
355	PLH54CD	.	NUT SUPPLIER CODE: VF0224 SPECIFICATION NUMBER: BACN10YR4CD OPTIONAL PART: H52732-4CD V15653	101106 108120 504903	3
360	NAS75-4-009	.	BUSHING-	002004 006999	1
365	HTES04C	.	BEARING- SUPPLIER CODE: VS0352 SPECIFICATION NUMBER: BACB10ES04C OPTIONAL PART: NC04T5C V56644 SWKN04520C V81376 ADB4V301C V15860	107107 904949	1
365	HTES04VC	.	BEARING- SUPPLIER CODE: VS0352 SPECIFICATION NUMBER: BACB10ES04GC OPTIONAL PART: NC04TG5C V56644 BACB10ES04C	107107 904949	1

MISSING ITEM NUMBERS NOT APPLICABLE

- ITEM NOT ILLUSTRATED

27-21-17-01

27-21-17  
FIG. 01  
PAGE 17  
JAN 20/09

BRI



757

PARTS CATALOG (MAINTENANCE)

FIG ITEM	PART NUMBER	1 2 3 4 5 6 7	NOMENCLATURE	EFFECT FROM TO	UNITS PER ASSY
1					
365	KSC217504B		.BEARING- SUPPLIER CODE: V50632	002004 006106 108903 950999	1
370	NAS75-4-101		.BUSHING-	002004 006999	1
375	NAS75-4-012		.BUSHING-	002004 006999	1
380	NAS6604-10		.BOLT-	002004 006999	1
385	BACW10P70S		.WASHER-	002004 006999	2
390	NAS75-4-017		.BUSHING-	002004 006999	1
395	251N3277-2		.CRANK ASSY-	107107 904949	1
395	251N3277-3		.CRANK ASSY-	002004 006106 108903 950999	1
400	251N3281-1		..TUBE-TORQUE	002004 006999	1
			ATTACHING PARTS		
- 405	BACB30GW8A17		..BOLT SUPPLIER CODE: V11815 SPECIFICATION NUMBER: BACB30GW8A17 OPTIONAL PART: SALPYEU8-17C V17446	002004 006999	6
- 410	2DCC8		..COLLAR SUPPLIER CODE: V11815 SPECIFICATION NUMBER: BACC30K8 OPTIONAL PART: 2DCC8 V17446	002004 006999	6
			-----*-----		
415	251N3278-3		..CRANK-	107107 904949	1
415	251N3278-4		..CRANK-	002004 006106 108903 950999	1
420	251N3280-1		..CRANK ASSY-	107107 904949	1

MISSING ITEM NUMBERS NOT APPLICABLE

- ITEM NOT ILLUSTRATED

BRI

27-21-17-01

27-21-17  
FIG. 01  
PAGE 18  
JAN 20/09



757

PARTS CATALOG (MAINTENANCE)

FIG ITEM	PART NUMBER	1 2 3 4 5 6 7	NOMENCLATURE	EFFECT FROM TO	UNITS PER ASSY
1					
420	251N3280-4	..	CRANK ASSY-	002004 006106 108903 950999	1
425	BACB28W8B048	...	BUSHING	002004 006999	1
430	251N3280-2	...	CRANK-	107107 904949	1
430	251N3280-5	...	CRANK-	002004 006106 108903 950999	1
435	251N3279-1	..	CRANK ASSY-	107107 904949	1
435	251N3279-4	..	CRANK ASSY-	002004 006106 108903 950999	1
440	HTES04VC	...	BEARING- SUPPLIER CODE: VS0352 SPECIFICATION NUMBER: BACB10ES04GC OPTIONAL PART: NCO4TG5C V56644	107107 904949	1
440	KSC217604B	...	BEARING- SUPPLIER CODE: V50632	002004 006106 108903 950999	1
445	251N3279-2	...	CRANK-	107107 904949	1
445	251N3279-5	...	CRANK-	002004 006106 108903 950999	1
900			ILLUSTRATION REFERENCE: PLUMBING INSTL-VERT. FIN SECT. 70 HYDR (RUDDER AND RUDDER TRIM ONLY) 27-21-51-15	002004 006107 121999	RF

MISSING ITEM NUMBERS NOT APPLICABLE

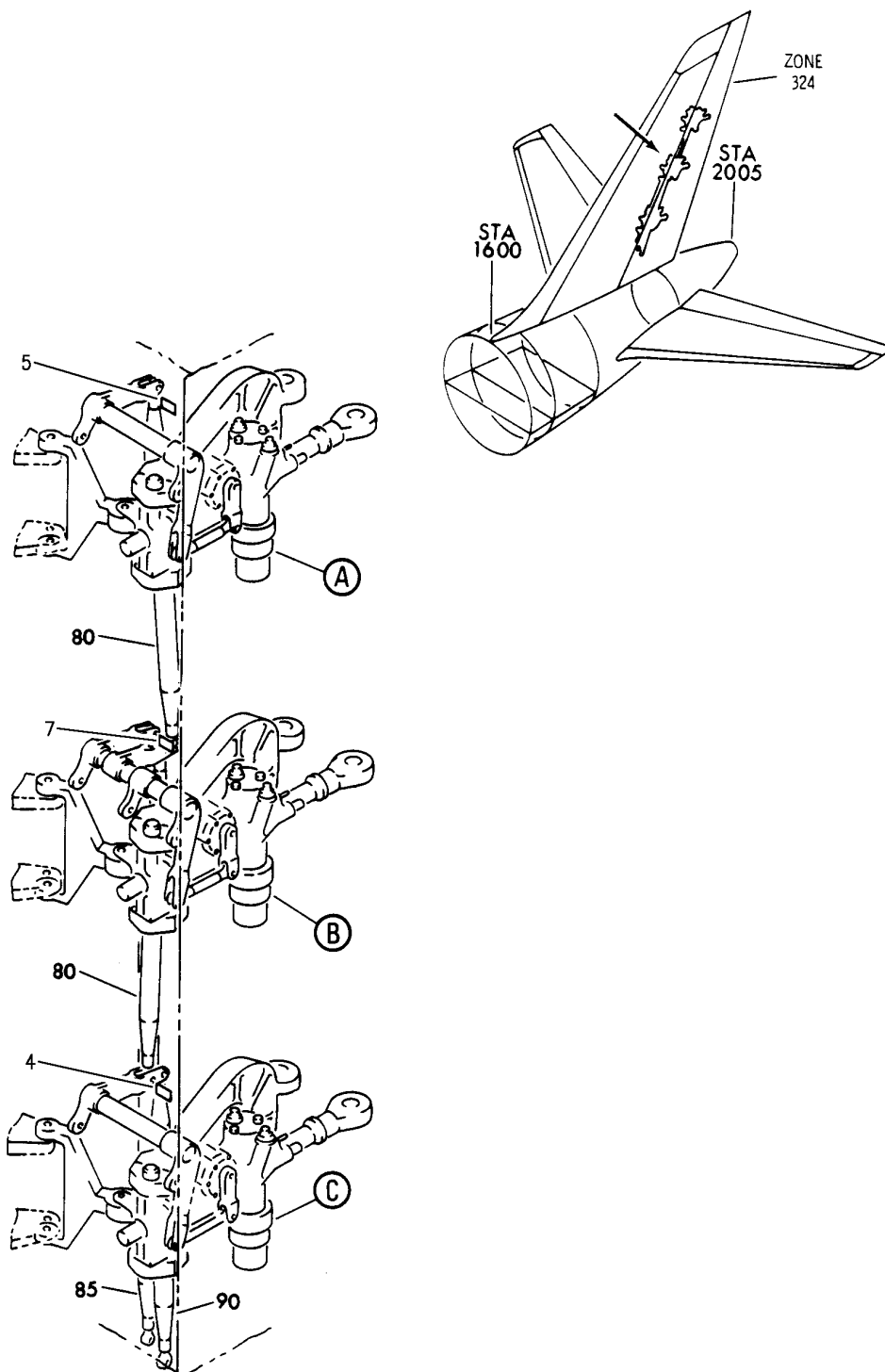
- ITEM NOT ILLUSTRATED

BRI

27-21-17-01

27-21-17  
FIG. 01  
PAGE 19  
JAN 20/09

**BOEING**  
757  
PARTS CATALOG (MAINTENANCE)



Y 27212001 SH1 1 REV 262

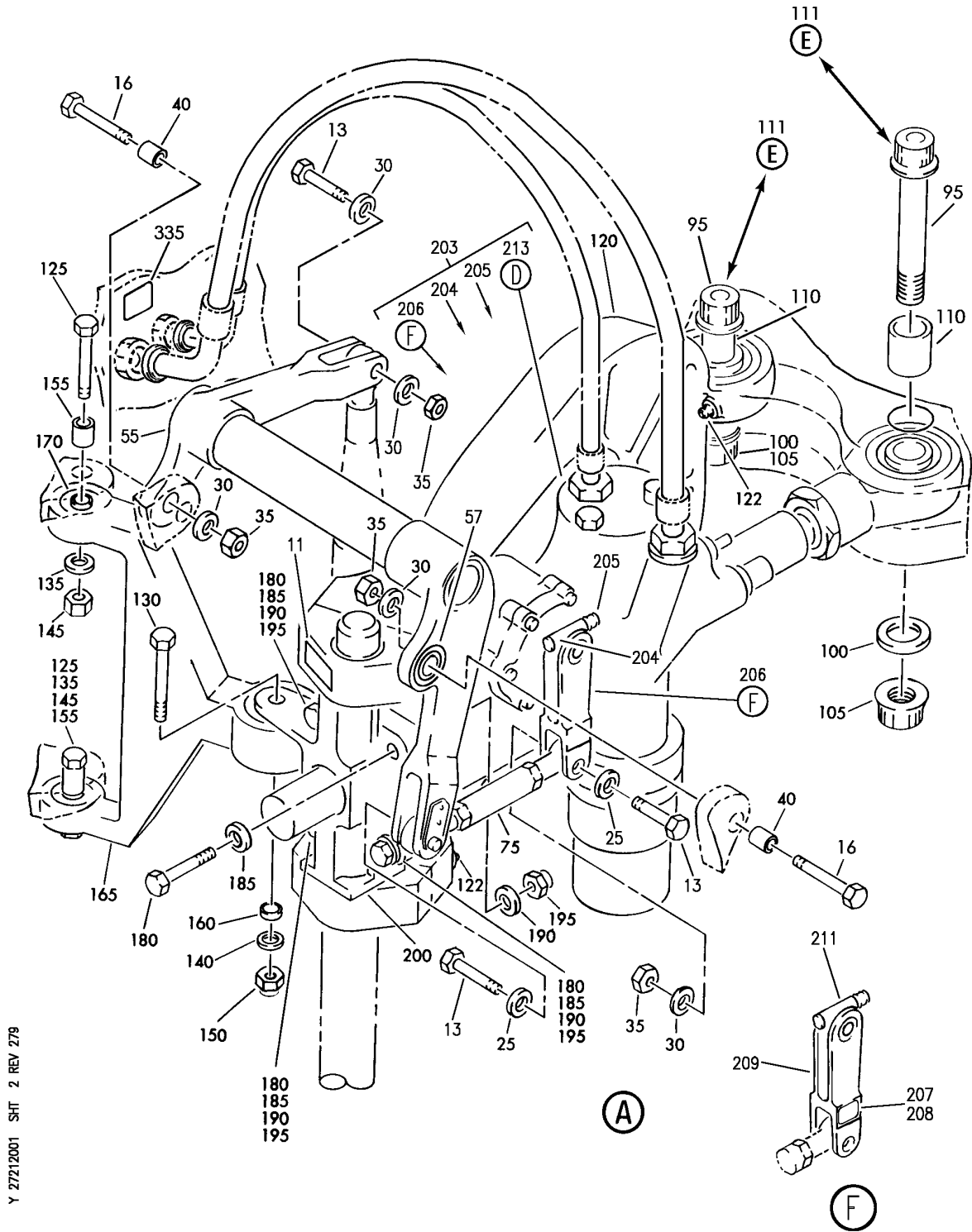
CONTROL UNIT INSTL-RUD PWR AND MARKER INSTL-FOIL  
FIGURE 1 (SHEET 1)

**27-21-20-01**

BRI  
MAY 28/07

27-21-20-01  
PAGE 0


**BOEING**  
 757  
**PARTS CATALOG (MAINTENANCE)**



Y 27212001 SHT 2 REV 279

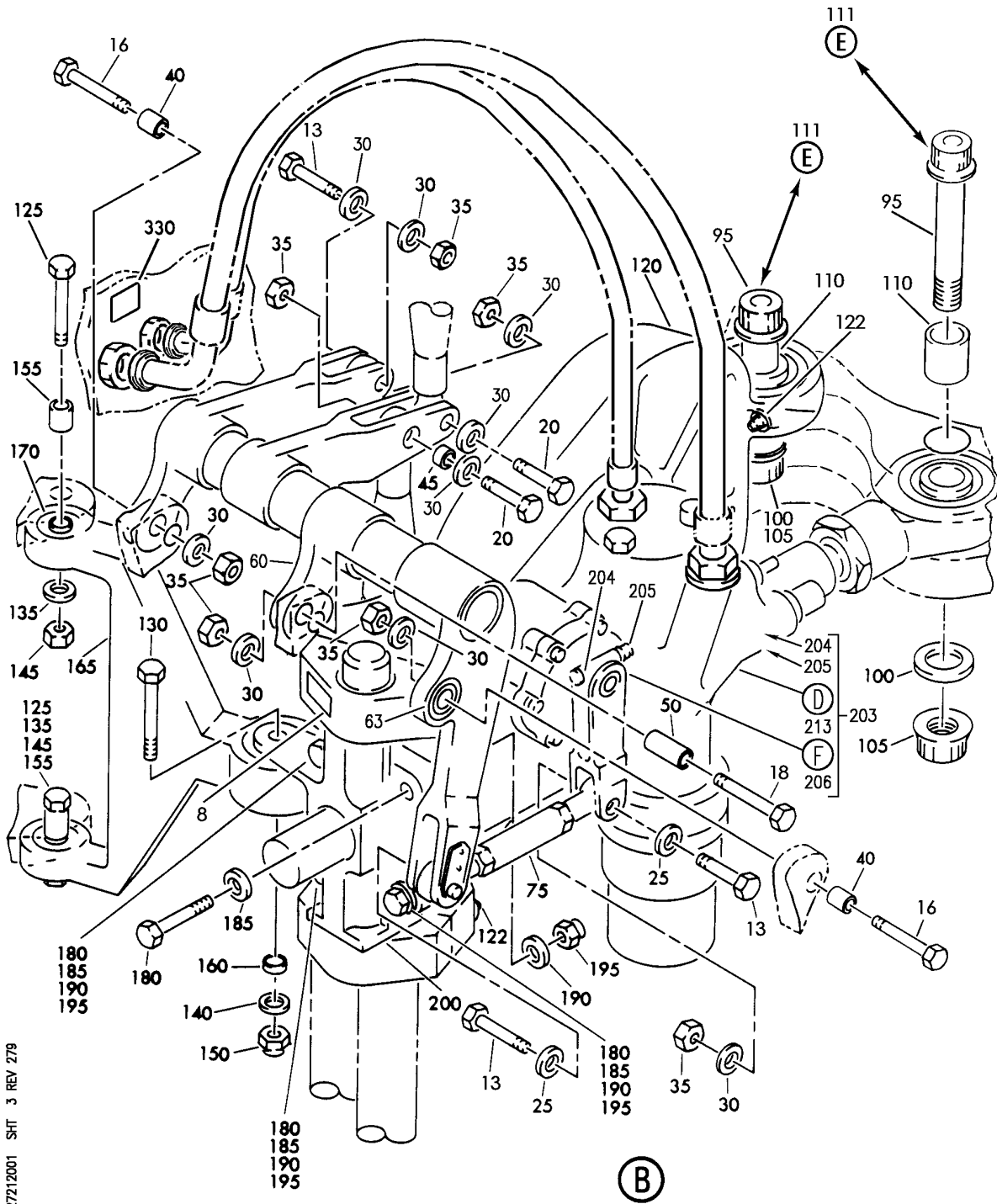
CONTROL UNIT INSTL-RUD PWR AND MARKER INSTL-FOIL  
 FIGURE 1 (SHEET 2)

**27-21-20-01**

BRI  
 MAY 28/07

27-21-20-01  
 PAGE 0A

**BOEING**  
757  
PARTS CATALOG (MAINTENANCE)



Y 27212001 SHT 3 REV 279

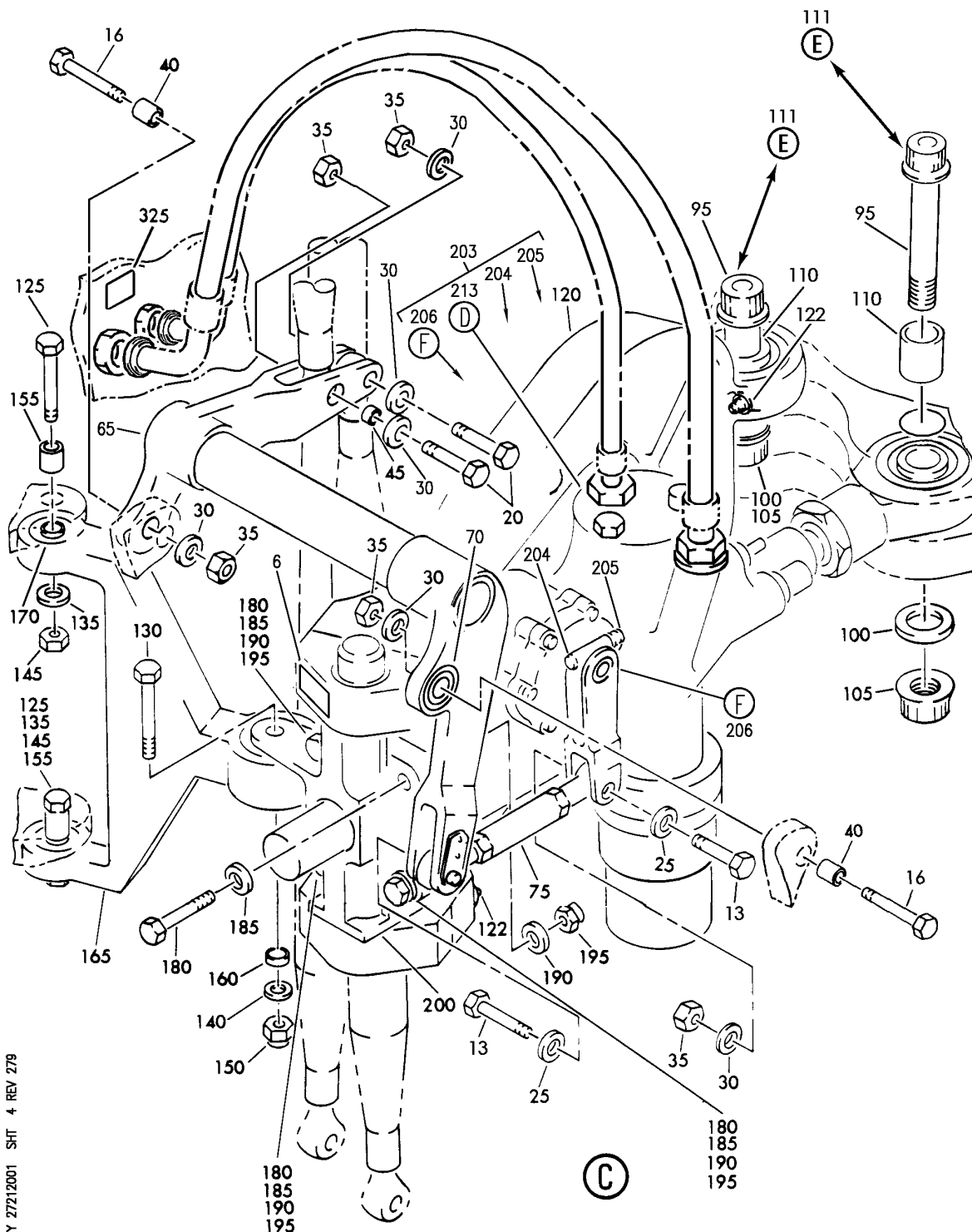
CONTROL UNIT INSTL-RUD PWR AND MARKER INSTL-FOIL  
FIGURE 1 (SHEET 3)

**27-21-20-01**

BRI  
MAY 28/07

27-21-20-01  
PAGE 0B

**BOEING**  
757  
**PARTS CATALOG (MAINTENANCE)**



Y 27212001 SHT 4 REV 279

CONTROL UNIT INSTL-RUD PWR AND MARKER INSTL-FOIL  
FIGURE 1 (SHEET 4)

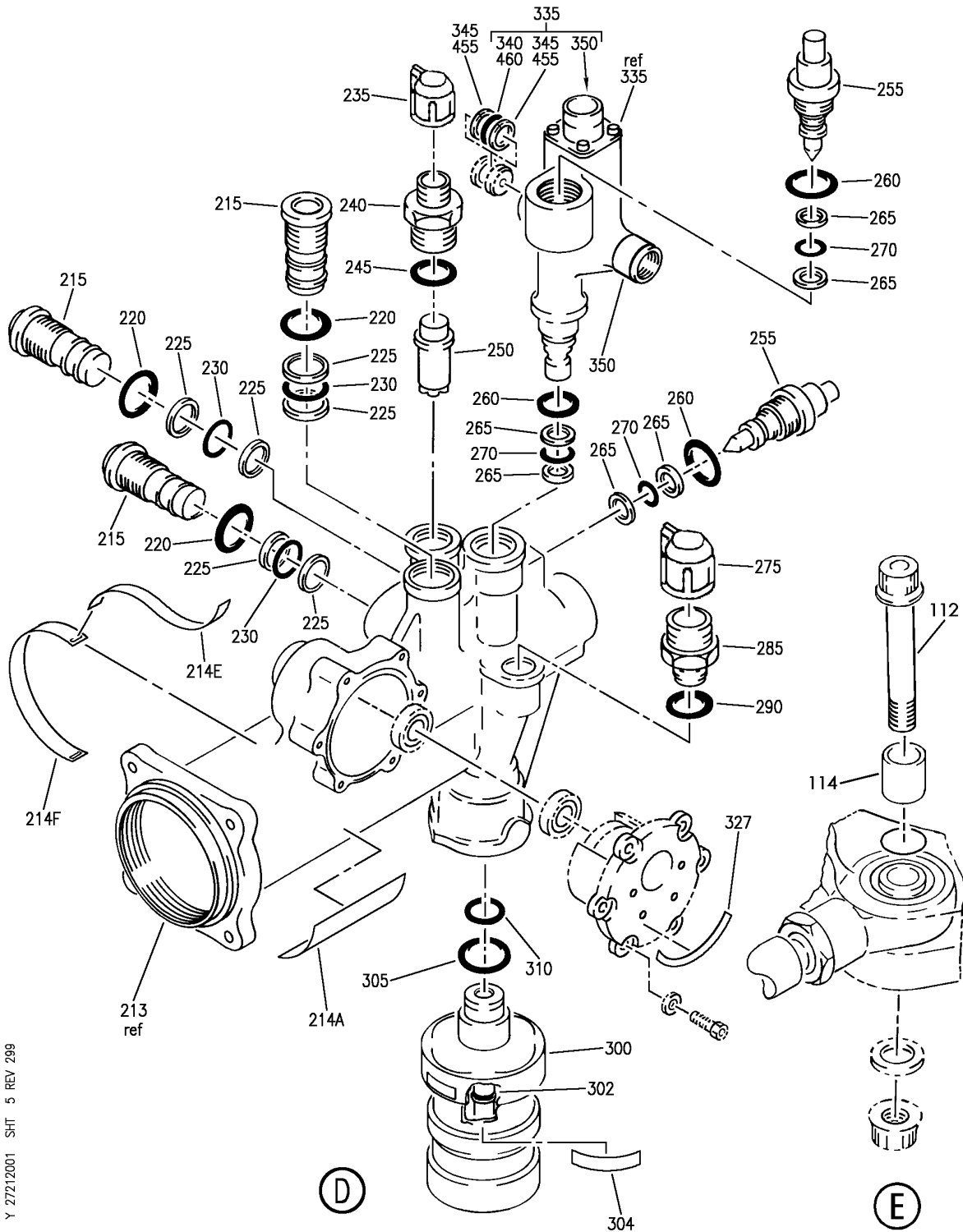
# 27-21-20-01

BRI  
MAY 28/07

27-21-20-01  
PAGE 0C




**BOEING**  
**757**  
**PARTS CATALOG (MAINTENANCE)**



Y 27212001 SH-T 5 REV 299

CONTROL UNIT INSTL-RUD PWR AND MARKER INSTL-FOIL  
FIGURE 1 (SHEET 5)

**27-21-20-01**

BRI  
MAY 28/07

27-21-20-01  
PAGE 0D



757

PARTS CATALOG (MAINTENANCE)

FIG ITEM	PART NUMBER	1 2 3 4 5 6 7	NOMENCLATURE	EFFECT FROM TO	UNITS PER ASSY
1			CONTROL UNIT INSTL-RUD PWR AND MARKER INSTL-FOIL	002004 006999	
- 1	251N3002-1		CONTROL UNIT INSTL-RUD PWR FOR NHA SEE: 27-21-54-01	002004 006100 107107 121503 904999	RF
- 2	251N3002-7		CONTROL UNIT INSTL-RUD PWR FOR NHA SEE: 27-20-00-01	101102 108120	RF
- 3	251N3002-6		CONTROL UNIT INSTL-RUD PWR FOR NHA SEE: 27-20-00-01	504903 101102	RF
- 3	251N3002-12		CONTROL UNIT INSTL-RUD PWR FOR NHA SEE: 27-20-00-01	504903 108120	RF
- 3	MODREF32112		CONTROL UNIT INSTL-RUD PWR MODULE NUMBER: 251N3002-13 REV B	103106	1
4	BAC27NCT0165		.MARKER-ALUMINUM FOIL- PLACARD CONTENT: P.C.U. SENSOR LOWER TS5204 USED ON: 251N3002-6 251N3002-12 251N3002-1 MODREF23200 MODREF32112 MODREF7363	002004 006999	1
5	BAC27NCT0163		.MARKER-ALUMINUM FOIL- PLACARD CONTENT: P.C.U. SENSOR UPPER TS5203 USED ON: 251N3002-6 251N3002-12 251N3002-1 MODREF23200 MODREF32112 MODREF7363	002004 006999	1
6	BAC27NCT0141		.MARKER-ALUMINUM FOIL USED ON: 251N3002-6 251N3002-12 MODREF23200 MODREF32112 MODREF7363	101106 108120 504903	1

MISSING ITEM NUMBERS NOT APPLICABLE

- ITEM NOT ILLUSTRATED

BRI

27-21-20-01

27-21-20  
FIG. 01  
PAGE 1  
JAN 20/09



757

PARTS CATALOG (MAINTENANCE)

FIG ITEM	PART NUMBER	1 2 3 4 5 6 7	NOMENCLATURE	EFFECT FROM TO	UNITS PER ASSY
1	7 BAC27NCT0164		.MARKER-ALUMINUM FOIL- PLACARD CONTENT: P.C.U. SENSOR MIDDLE TS5205 USED ON: 251N3002-6 251N3002-12 251N3002-1 MODREF23200 MODREF32112 MODREF7363	002004 006999	1
	8 BAC27NCT0142		.MARKER-ALUMINUM FOIL USED ON: 251N3002-6 251N3002-12 MODREF23200 MODREF32112 MODREF7363	101106 108120 504903	1
	11 BAC27NCT0143		.MARKER-ALUMINUM FOIL USED ON: 251N3002-6 251N3002-12 MODREF23200 MODREF32112 MODREF7363	101106 108120 504903	1
	13 BACB30NF4-13		.BOLT- USED ON: 251N3002-6 251N3002-12 251N3002-1 MODREF23200 MODREF32112 MODREF7363	002004 006999	8
	16 BACB30NF4-16		.BOLT- USED ON: 251N3002-6 251N3002-12 251N3002-1 MODREF23200 MODREF32112 MODREF7363	002004 006999	6
	18 BACB30NF4-14		.BOLT- USED ON: 251N3002-6 251N3002-12 251N3002-1 MODREF23200 MODREF32112 MODREF7363	002004 006999	1

MISSING ITEM NUMBERS NOT APPLICABLE

- ITEM NOT ILLUSTRATED

27-21-20-01

27-21-20  
FIG. 01  
PAGE 2  
JAN 20/09

BRI



757

PARTS CATALOG (MAINTENANCE)

FIG ITEM	PART NUMBER	1 2 3 4 5 6 7	NOMENCLATURE	EFFECT FROM TO	UNITS PER ASSY
1					
20	BACB30NF4-15		.BOLT- USED ON: 251N3002-6 251N3002-12 251N3002-1 MODREF23200 MODREF32112 MODREF7363	002004 006999	4
25	AN960KD416L		.WASHER- POSITION DATA: UNDER HEAD	002004 006100 107107 121503 904999	6
25	NAS1149D0416J		.WASHER- USED ON: 251N3002-6 251N3002-12 MODREF23200 MODREF32112 MODREF7363	101106 108120 504903	6
30	AN960KD416		.WASHER- POSITION DATA: UNDER HEAD	002004 006100 107107 121503 904999	20
30	NAS1149D0463J		.WASHER- USED ON: 251N3002-6 251N3002-12 MODREF23200 MODREF32112 MODREF7363	101106 108120 504903	20

MISSING ITEM NUMBERS NOT APPLICABLE

- ITEM NOT ILLUSTRATED

BRI

27-21-20-01

BOEING PROPRIETARY - Copyright © - Unpublished Work - See title page for details.

27-21-20  
FIG. 01  
PAGE 3  
JAN 20/09



757

PARTS CATALOG (MAINTENANCE)

FIG ITEM	PART NUMBER	1 2 3 4 5 6 7	NOMENCLATURE	EFFECT FROM TO	UNITS PER ASSY
1 35	BRH10A4		.NUT- SUPPLIER CODE: V52828 SPECIFICATION NUMBER: BACN10JC4 OPTIONAL PART: T6S428J V11815 96-048 V80539 VN303A048 V92215 RMLH9075-4W V72962 NS202101-048 V80539 H10-4BAC V15653 USED ON: 251N3002-6 251N3002-12 251N3002-1 MODREF23200 MODREF32112 MODREF7363	002004 006999	16
40	250N2008-4		.BUSHING- USED ON: 251N3002-6 251N3002-12 251N3002-1 MODREF23200 MODREF32112 MODREF7363	002004 006999	6
45	250N2008-13		.BUSHING- USED ON: 251N3002-6 251N3002-12 251N3002-1 MODREF23200 MODREF32112 MODREF7363	002004 006999	2
50	BACB28AK04-072		.BUSHING- USED ON: 251N3002-6 251N3002-12 251N3002-1 MODREF23200 MODREF32112 MODREF7363	002004 006999	1

MISSING ITEM NUMBERS NOT APPLICABLE

- ITEM NOT ILLUSTRATED

27-21-20-01

27-21-20  
FIG. 01  
PAGE 4  
SEP 20/08

BRI



757

PARTS CATALOG (MAINTENANCE)

FIG ITEM	PART NUMBER	1 2 3 4 5 6 7	NOMENCLATURE	EFFECT FROM TO	UNITS PER ASSY
1	55 251N3091-5		.TUBE ASSY-TORQUE COMPONENT MAINT MANUAL REF: 27-21-75 USED ON: 251N3002-6 251N3002-12 251N3002-1 MODREF23200 MODREF32112 MODREF7363	002004 006100 103107 121503 904999	1
	57 MKSP4SD610		..BEARING- SUPPLIER CODE: V83086 SPECIFICATION NUMBER: BACB10AR4 OPTIONAL PART: HHMKSP4 V38443 MKSP4-2TS V43991 MKSP4E9440A V21335 MKSP4FS428 V21335 MKSP43TT V43991 MKSP4G20 V38443 MKSP4 V38443 BACB10FP4J	002004 006100 103107 121503 904999	1
	57 BACB10FP4J		..BEARING- SUPPLIER CODE: V83086 SPECIFICATION NUMBER: BACB10FP4J OPTIONAL PART: BACB10AR4	002004 006100 103107 121503 904999	1
	60 251N3090-1		.TUBE-MIDDLE TORQUE COMPONENT MAINT MANUAL REF: 27-21-75 OPTIONAL PART: 251N3090-2	002004 006999	1
	60 251N3090-2		.TUBE-MIDDLE TORQUE COMPONENT MAINT MANUAL REF: 27-21-75 OPTIONAL PART: 251N3090-1	002004 006999	1

MISSING ITEM NUMBERS NOT APPLICABLE

- ITEM NOT ILLUSTRATED

27-21-20-01

27-21-20  
FIG. 01  
PAGE 5  
JAN 20/09

BRI



**757  
PARTS CATALOG (MAINTENANCE)**

FIG ITEM	PART NUMBER	1 2 3 4 5 6 7	NOMENCLATURE	EFFECT FROM TO	UNITS PER ASSY
1 60	251N3090-501		.TUBE-MIDDLE TORQUE COMPONENT MAINT MANUAL REF: 27-21-75 USED ON: 251N3002-6 251N3002-12 251N3002-1 MODREF23200 MODREF32112 MODREF7363	002004 006999	1
60	251N3090-3		.TUBE-MIDDLE TORQUE COMPONENT MAINT MANUAL REF: 27-21-75 USED ON: 251N3002-6 251N3002-12 251N3002-1 MODREF23200 MODREF32112 MODREF7363	002004 006999	1
63	MKSP4SD610		..BEARING- SUPPLIER CODE: V83086 SPECIFICATION NUMBER: BACB10AR4 OPTIONAL PART: HHMKSP4 V38443 MKSP4-2TS V43991 MKSP4E9440A V21335 MKSP4FS428 V21335 MKSP43TT V43991 MKSP4G20 V38443 MKSP4 V38443 BACB10FP4J	002004 006999	1
63	BACB10FP4J		..BEARING- SUPPLIER CODE: V83086 SPECIFICATION NUMBER: BACB10FP4J OPTIONAL PART: BACB10AR4	002004 006100 103107 121503 904999	1

MISSING ITEM NUMBERS NOT APPLICABLE

- ITEM NOT ILLUSTRATED

BRI

# 27-21-20-01

BOEING PROPRIETARY - Copyright © - Unpublished Work - See title page for details.

27-21-20  
FIG. 01  
PAGE 6  
JAN 20/09



757

PARTS CATALOG (MAINTENANCE)

FIG ITEM	PART NUMBER	1 2 3 4 5 6 7	NOMENCLATURE	EFFECT FROM TO	UNITS PER ASSY
1 65	251N3091-6		.TUBE ASSY-TORQUE COMPONENT MAINT MANUAL REF: 27-21-75 USED ON: 251N3002-6 251N3002-12 251N3002-1 MODREF23200 MODREF32112 MODREF7363	002004 006100 103107 121503 904999	1
70	MKSP4SD610		..BEARING- SUPPLIER CODE: V83086 SPECIFICATION NUMBER: BACB10AR4 OPTIONAL PART: HHMKSP4 V38443 MKSP4-2TS V43991 MKSP4E9440A V21335 MKSP4FS428 V21335 MKSP43TT V43991 MKSP4G20 V38443 MKSP4 V38443 BACB10FP4J	002004 006100 103107 121503 904999	1
70	BACB10FP4J		..BEARING- SUPPLIER CODE: V83086 SPECIFICATION NUMBER: BACB10FP4J OPTIONAL PART: BACB10AR4	002004 006100 103107 121503 904999	1
75	250N2004-303		.ROD ASSY-CONT COMPONENT MAINT MANUAL REF: 27-00-12 USED ON: 251N3002-6 251N3002-12 251N3002-1 MODREF23200 MODREF32112 MODREF7363	002004 006999	3

MISSING ITEM NUMBERS NOT APPLICABLE

- ITEM NOT ILLUSTRATED

BRI

27-21-20-01

27-21-20  
FIG. 01  
PAGE 7  
JAN 20/09





757

PARTS CATALOG (MAINTENANCE)

FIG ITEM	PART NUMBER	1 2 3 4 5 6 7	NOMENCLATURE	EFFECT FROM TO	UNITS PER ASSY
1 75	250N2004-333	.ROD	ASSY-CONT COMPONENT MAINT MANUAL REF: 27-00-12 USED ON: 251N3002-6 251N3002-12 251N3002-1 MODREF23200 MODREF32112 MODREF7363	002004 006999	3
80	250N2004-112	.ROD	ASSY-CONT COMPONENT MAINT MANUAL REF: 27-00-12	002004 006999	2
80	250N2004-1112	.ROD	ASSY-CONT COMPONENT MAINT MANUAL REF: 27-00-12 OPTIONAL PART: 250N2004-1122 USED ON: 251N3002-6 251N3002-12 251N3002-1 MODREF23200 MODREF32112 MODREF7363	002004 006999	2
80	250N2004-1122	.ROD	ASSY-CONT COMPONENT MAINT MANUAL REF: 27-00-12 OPTIONAL PART: 250N2004-1112 USED ON: 251N3002-6 251N3002-12 251N3002-1 MODREF23200 MODREF32112 MODREF7363	002004 006999	2
85	250N2004-101	.ROD	ASSY-CONT COMPONENT MAINT MANUAL REF: 27-00-12	002004 006999	1

MISSING ITEM NUMBERS NOT APPLICABLE

- ITEM NOT ILLUSTRATED

BRI

27-21-20-01

BOEING PROPRIETARY - Copyright © - Unpublished Work - See title page for details.

27-21-20  
FIG. 01  
PAGE 8  
SEP 20/08



757

PARTS CATALOG (MAINTENANCE)

FIG ITEM	PART NUMBER	1 2 3 4 5 6 7	NOMENCLATURE	EFFECT FROM TO	UNITS PER ASSY
1 85	250N2004-1101	.ROD	ASSY-CONT COMPONENT MAINT MANUAL REF: 27-00-12 USED ON: 251N3002-6 251N3002-12 251N3002-1 MODREF23200 MODREF32112 MODREF7363	002004 006999	1
85	250N2004-1120	.ROD	ASSY-CONT COMPONENT MAINT MANUAL REF: 27-00-12 OPTIONAL PART: 250N2004-1101 USED ON: 251N3002-6 251N3002-12 251N3002-1 MODREF23200 MODREF32112 MODREF7363	002004 006999	1
90	250N2004-103	.ROD	ASSY-CONT COMPONENT MAINT MANUAL REF: 27-00-12	002004 006999	1
90	250N2004-1103	.ROD	ASSY-CONT COMPONENT MAINT MANUAL REF: 27-00-12 USED ON: 251N3002-6 251N3002-12 251N3002-1 MODREF23200 MODREF32112 MODREF7363	002004 006999	1
90	250N2004-1121	.ROD	ASSY-CONT COMPONENT MAINT MANUAL REF: 27-00-12 OPTIONAL PART: 250N2004-1103 USED ON: 251N3002-6 251N3002-12 251N3002-1 MODREF23200 MODREF32112 MODREF7363	002004 006999	1

MISSING ITEM NUMBERS NOT APPLICABLE

- ITEM NOT ILLUSTRATED

BRI

27-21-20-01

27-21-20  
FIG. 01  
PAGE 9  
SEP 20/08

 **BOEING**  
757  
**PARTS CATALOG (MAINTENANCE)**

FIG ITEM	PART NUMBER	1 2 3 4 5 6 7	NOMENCLATURE	EFFECT FROM TO	UNITS PER ASSY
1	95 250N2012-3		.BOLT-	002004 006100 107107 121503 904999	6
	95 250N2012-2		.BOLT-HOLLOW	002004 006100 107107 121503 904999	
	95 BACB30LT12U36		.BOLT-	002004 006100 107107 121503 904999	
	100 AN960KD1216		.WASHER-	002004 006100 107107 121503 904999	
	100 NAS1149D1290J		.WASHER- USED ON: 251N3002-6 251N3002-12 MODREF23200 MODREF32112 MODREF7363	101106 108120 504903	
105 69235-1216CD		.NUT- SUPPLIER CODE: V92215 SPECIFICATION NUMBER: BACN10JC12CD OPTIONAL PART: 102LH9074-12 V72962 BMN4122CPD8-12 V97928 H51650-12BAC V15653 USED ON: 251N3002-6 251N3002-12 251N3002-1 MODREF23200 MODREF32112 MODREF7363	002004 006999	6	

MISSING ITEM NUMBERS NOT APPLICABLE

- ITEM NOT ILLUSTRATED

BRI

# 27-21-20-01

BOEING PROPRIETARY - Copyright © - Unpublished Work - See title page for details.

27-21-20  
FIG. 01  
PAGE 10  
JAN 20/09

 **BOEING**  
757  
**PARTS CATALOG (MAINTENANCE)**

FIG ITEM	PART NUMBER	1 2 3 4 5 6 7	NOMENCLATURE	EFFECT FROM TO	UNITS PER ASSY
1					
110	250N2008-10	.	BUSHING-	002004 006100 107107 121503 904999	6
110	250N2008-26	.	BUSHING-	002004 006100 107107 121503 904999	6
111	251N3002-10	.	SUB KIT ASSY- OPTIONAL PART: 251N3002-11 USED ON: 251N3002-6 251N3002-12 MODREF23200 MODREF32112 MODREF7363	101106 108120 504903	6
111	251N3002-11	.	SUB KIT ASSY- OPTIONAL PART: 251N3002-10 USED ON: 251N3002-6 251N3002-12 MODREF23200 MODREF32112 MODREF7363	101106 108120 504903	6
112	250N2012-3	..	BOLT- USED ON: 251N3002-10	101106 108120 504903	1
112	BACB30LT12U36	..	BOLT- USED ON: 251N3002-11	101106 108120 504903	1
114	250N2008-10	..	BUSHING-	101106 108120 504903	1
114	250N2008-26	..	BUSHING-	101106 108120 504903	1
120	251N3135-1	.	LINK ASSY-REACTION COMPONENT MAINT MANUAL REF: 27-21-75	002004 006999	3
120	251N3135-2	.	LINK ASSY-REACTION COMPONENT MAINT MANUAL REF: 27-21-75	002004 006999	3

MISSING ITEM NUMBERS NOT APPLICABLE

- ITEM NOT ILLUSTRATED

BRI

# 27-21-20-01

27-21-20  
FIG. 01  
PAGE 11  
JAN 20/09



757

PARTS CATALOG (MAINTENANCE)

FIG ITEM	PART NUMBER	1 2 3 4 5 6 7	NOMENCLATURE	EFFECT FROM TO	UNITS PER ASSY
1 120	251N3135-3		.LINK ASSY-REACTION COMPONENT MAINT MANUAL REF: 27-21-75 OPTIONAL PART: 251N3135-6 USED ON: 251N3002-6 251N3002-12 251N3002-1 MODREF23200 MODREF32112 MODREF7363	002004 006999	3
120	251N3135-5		.LINK ASSY-REACTION COMPONENT MAINT MANUAL REF: 27-21-75 USED ON: 251N3002-6 251N3002-12 251N3002-1 MODREF23200 MODREF32112 MODREF7363	002004 006999	3
120	251N3135-6		.LINK ASSY-REACTION COMPONENT MAINT MANUAL REF: 27-21-75 OPTIONAL PART: 251N3135-3 USED ON: 251N3002-6 251N3002-12 251N3002-1 MODREF23200 MODREF32112 MODREF7363	002004 006999	3
122	1728B		.. FITTING-GREASE SUPPLIER CODE: VOFKM1	002004 006999	2
125	BACB30LT4-21		.BOLT- USED ON: 251N3002-6 251N3002-12 251N3002-1 MODREF23200 MODREF32112 MODREF7363	002004 006999	6
130	BACB30LT5-20		.BOLT- USED ON: 251N3002-6 251N3002-1	002004 006102 107107 121999	3

MISSING ITEM NUMBERS NOT APPLICABLE

- ITEM NOT ILLUSTRATED

27-21-20-01

27-21-20  
FIG. 01  
PAGE 12  
JAN 20/09

BRI



757

PARTS CATALOG (MAINTENANCE)

FIG ITEM	PART NUMBER	1 2 3 4 5 6 7	NOMENCLATURE	EFFECT FROM TO	UNITS PER ASSY
1 130	BACB30LT5K22	.BOLT-	OPTIONAL PART: BACB30LT5-22 USED ON: 251N3002-12 MODREF23200 MODREF32112 MODREF7363	103106 108120	3
130	BACB30LT5-22	.BOLT-	OPTIONAL PART: BACB30LT5K22 USED ON: 251N3002-12 MODREF23200 MODREF32112 MODREF7363	103106 108120	3
135	AN960KD416	.WASHER		002004 006100 107107 121503 904999	6
135	NAS1149D0463J	.WASHER-	USED ON: 251N3002-6 251N3002-12 MODREF23200 MODREF32112 MODREF7363	101106 108120 504903	6
140	AN960C516L	.WASHER		002004 006100 107107 121503 904999	3
140	NAS1149C0532R	.WASHER-	USED ON: 251N3002-6 251N3002-12 MODREF23200 MODREF32112 MODREF7363	101106 108120 504903	3

MISSING ITEM NUMBERS NOT APPLICABLE

- ITEM NOT ILLUSTRATED

BRI

27-21-20-01

BOEING PROPRIETARY - Copyright © - Unpublished Work - See title page for details.

27-21-20  
FIG. 01  
PAGE 13  
JAN 20/09



757

PARTS CATALOG (MAINTENANCE)

FIG ITEM	PART NUMBER	1 2 3 4 5 6 7	NOMENCLATURE	EFFECT FROM TO	UNITS PER ASSY
1 145	BRH10C4D	.NUT-	SUPPLIER CODE: V52828 SPECIFICATION NUMBER: BACN10JC4CD OPTIONAL PART: T6C428JCD V11815 NS202486-048 V80539 102LH9075-4W V72962 H51650-4BAC V15653 USED ON: 251N3002-6 251N3002-12 251N3002-1 MODREF23200 MODREF32112 MODREF7363	002004 006999	6
150	BRH10C5D	.NUT-	SUPPLIER CODE: V52828 SPECIFICATION NUMBER: BACN10JC5CD OPTIONAL PART: T6C524JCD V11815 102LH9075-5W V72962 H51650-5BAC V15653 BACN10JC5CM USED ON: 251N3002-6 251N3002-12 251N3002-1 MODREF23200 MODREF32112 MODREF7363	002004 006999	3

MISSING ITEM NUMBERS NOT APPLICABLE

- ITEM NOT ILLUSTRATED

BRI

27-21-20-01

27-21-20  
FIG. 01  
PAGE 14  
JAN 20/09



757

PARTS CATALOG (MAINTENANCE)

FIG ITEM	PART NUMBER	1 2 3 4 5 6 7	NOMENCLATURE	EFFECT FROM TO	UNITS PER ASSY
1 150	BRH10C5M		.NUT- SUPPLIER CODE: V52828 SPECIFICATION NUMBER: BACN10JC5CM OPTIONAL PART: T6C524JM V11815 97E054 V80539 109LH9075-5W V72962 H01-5BAC V15653 BACN10JC5CD USED ON: 251N3002-12 MODREF23200 MODREF32112 MODREF7363	103106 108120	3
155	250N2008-5		.BUSHING- USED ON: 251N3002-6 251N3002-12 251N3002-1 MODREF23200 MODREF32112 MODREF7363	002004 006999	6
160	250N2008-6		.BUSHING- USED ON: 251N3002-6 251N3002-12 251N3002-1 MODREF23200 MODREF32112 MODREF7363	002004 006999	3
165	251N3095-7		.LINK ASSY-HANGER COMPONENT MAINT MANUAL REF: 27-21-75	002004 006999	3
165	251N3095-9		.LINK ASSY-HANGER COMPONENT MAINT MANUAL REF: 27-21-75	002004 006999	3

MISSING ITEM NUMBERS NOT APPLICABLE

- ITEM NOT ILLUSTRATED

BRI

27-21-20-01

BOEING PROPRIETARY - Copyright © - Unpublished Work - See title page for details.

27-21-20  
FIG. 01  
PAGE 15  
JAN 20/09





757

PARTS CATALOG (MAINTENANCE)

FIG ITEM	PART NUMBER	1 2 3 4 5 6 7	NOMENCLATURE	EFFECT FROM TO	UNITS PER ASSY
1 165	251N3095-12		.LINK ASSY-HANGER COMPONENT MAINT MANUAL REF: 27-21-75 OPTIONAL PART: 251N3095-14 USED ON: 251N3002-6 251N3002-12 251N3002-1 MODREF23200 MODREF32112 MODREF7363	002004 006999	3
165	251N3095-14		.LINK ASSY-HANGER COMPONENT MAINT MANUAL REF: 27-21-75 OPTIONAL PART: 251N3095-12 USED ON: 251N3002-6 251N3002-12 251N3002-1 MODREF23200 MODREF32112 MODREF7363	002004 006999	3
170	DAS4-14A1-506		.BEARING-SELF ALIGNING ROD END SEALED ROLLER SUPPLIER CODE: V77896 SPECIFICATION NUMBER: S251N214-5 USED ON: 251N3002-6 251N3002-12 251N3002-1 MODREF23200 MODREF32112 MODREF7363	002004 006999	3
180	BACB30LE6-18		.BOLT- USED ON: 251N3002-6 251N3002-12 251N3002-1 MODREF23200 MODREF32112 MODREF7363	002004 006999	12

MISSING ITEM NUMBERS NOT APPLICABLE

- ITEM NOT ILLUSTRATED

BRI

27-21-20-01

27-21-20  
FIG. 01  
PAGE 16  
JAN 20/09



757

PARTS CATALOG (MAINTENANCE)

FIG ITEM	PART NUMBER	1 2 3 4 5 6 7	NOMENCLATURE	EFFECT FROM TO	UNITS PER ASSY
1 185	BACW10BP6ACU		.WASHER- POSITION DATA: UNDER HEAD USED ON: 251N3002-6 251N3002-12 251N3002-1 MODREF23200 MODREF32112 MODREF7363	002004 006999	12
190	BACW10BP6APU		.WASHER- POSITION DATA: UNDER NUT USED ON: 251N3002-6 251N3002-12 251N3002-1 MODREF7363 MODREF23200 MODREF32112	002004 006999	12

MISSING ITEM NUMBERS NOT APPLICABLE

- ITEM NOT ILLUSTRATED

BRI

27-21-20-01

BOEING PROPRIETARY - Copyright © - Unpublished Work - See title page for details.

27-21-20  
FIG. 01  
PAGE 17  
JAN 20/09

**BOEING**  
757  
**PARTS CATALOG (MAINTENANCE)**

FIG ITEM	PART NUMBER	1 2 3 4 5 6 7	NOMENCLATURE	EFFECT FROM TO	UNITS PER ASSY
1 195	BMN10HRCWD3-6		.NUT- SUPPLIER CODE: V97928 SPECIFICATION NUMBER: BACN10HR6CD OPTIONAL PART: H51560-6 V15653 67832CD624 V56878 102LH9031-6 V72962 BH00303CM6 V27238 SL7108C624 V11815 BMN5024CWD36 V97928 SL7108C6 V11815 102LH90316 V72962 67832CD6 V56878 VCU0005D6 V06710 CR60306 VF0224 CR60306 VF0224 USED ON: 251N3002-6 251N3002-12 251N3002-1 MODREF23200 MODREF32112 MODREF7363	002004 006999	12
	200	251N3086-5	.TRUNNION ASSY- COMPONENT MAINT MANUAL REF: 27-21-75 USED ON: 251N3002-6 251N3002-12 251N3002-1 MODREF23200 MODREF32112 MODREF7363	002004 006999	3

MISSING ITEM NUMBERS NOT APPLICABLE

— ITEM NOT ILLUSTRATED

BRI

# 27-21-20-01

BOEING PROPRIETARY - Copyright © - Unpublished Work - See title page for details.

27-21-20  
FIG. 01  
PAGE 18  
MAY 20/09



757

PARTS CATALOG (MAINTENANCE)

FIG ITEM	PART NUMBER	1 2 3 4 5 6 7	NOMENCLATURE	EFFECT FROM TO	UNITS PER ASSY
1 200	251N3086-4		.TRUNNION ASSY- COMPONENT MAINT MANUAL REF: 27-21-75	002004 006100 107107 121503 904999	3
203	251N3182-10		.UNIT ASSY-PWR CONT AND LEVER COMPONENT MAINT MANUAL REF: 27-21-75	002004 006999	3
203	251N3182-11		.UNIT ASSY-PWR CONT AND LEVER COMPONENT MAINT MANUAL REF: 27-21-75 USED ON: 251N3002-7 251N3002-1 MODREF7364	002004 006999	3
203	251N3182-13		.UNIT ASSY-PWR CONT AND LEVER COMPONENT MAINT MANUAL REF: 27-21-75 USED ON: 251N3002-8	002004 006999	3
203	251N3182-6		.UNIT ASSY-PWR CONT AND LEVER COMPONENT MAINT MANUAL REF: 27-21-75	107107	3
203	251N3182-8		.UNIT ASSY-PWR CONT AND LEVER COMPONENT MAINT MANUAL REF: 27-21-75	002004 006999	3
203	251N3182-9		.UNIT ASSY-PWR CONT AND LEVER COMPONENT MAINT MANUAL REF: 27-21-75	002004 006999	3
203	251N3182-14		.UNIT ASSY-PWR CONT AND LEVER COMPONENT MAINT MANUAL REF: 27-21-75	002004 006999	3

MISSING ITEM NUMBERS NOT APPLICABLE

- ITEM NOT ILLUSTRATED

27-21-20-01

27-21-20  
FIG. 01  
PAGE 19  
JAN 20/09

BRI



757

PARTS CATALOG (MAINTENANCE)

FIG ITEM	PART NUMBER	1 2 3 4 5 6 7	NOMENCLATURE	EFFECT FROM TO	UNITS PER ASSY
1 204	HL448UC6-12		.. BOLT SUPPLIER CODE: V56878 SPECIFICATION NUMBER: BACB30MB6A12 OPTIONAL PART: HL448UC6-12 V73197 HL448UC6-12 V92215 HL448UC6-12 V97928 HL448UC6-12 V80539 69308-6A12 V56878 HL448UC6-12 V08524 HL448UC6-12 V9N513 WC4486-12 V60516	002004 006999	1
205	HL1187DUW6		.. COLLAR SUPPLIER CODE: V5M902 SPECIFICATION NUMBER: BACC30X6SW OPTIONAL PART: HL1187DUW6 V56878 HL1187DUW6 V92215 HL1187DUW6 V73197 HL1187DUW6 V92215 HL87DUW6 V56878 HL1187DUW6 V73197	002004 006999	1
206	251N3181-4		.. LEVER ASSY-SHEAROUT COMPONENT MAINT MANUAL REF: 27-21-75 USED ON: 251N3182-8 251N3182-9 251N3182-10	002004 006102 107999	1

MISSING ITEM NUMBERS NOT APPLICABLE

- ITEM NOT ILLUSTRATED

BRI

27-21-20-01

27-21-20  
FIG. 01  
PAGE 20  
JAN 20/09



757

PARTS CATALOG (MAINTENANCE)

FIG ITEM	PART NUMBER	1 2 3 4 5 6 7	NOMENCLATURE	EFFECT FROM TO	UNITS PER ASSY
1 206	251N3181-5		.. LEVER ASSY-SHEAROUT COMPONENT MAINT MANUAL REF: 27-21-75 USED ON: 251N3182-11 251N3182-13	002004 006102 107999	1
207	BAC27NCT0007		... MARKER-ALUMINUM FOIL USED ON: 251N3181-2 251N3181-3 251N3181-4	002004 006102 107999	1
208	BAC27NCT0268		... MARKER-ALUMINUM FOIL USED ON: 251N3181-5	002004 006102 107999	1
209	251N3179-4		... INSERT- USED ON: 251N3181-4 251N3181-5	002004 006102 107999	1
- 210	BACR15BB4AD		ATTACHING PARTS ... RIVET- SIZE DETERMINED ON INSTL.  -----*-----	002004 006102 107999	2
211	251N3180-1		... CLEVIS	002004 006102 107999	1
213	3321520-7		.. RUDDER ASSY-PCU SUPPLIER CODE: V94697 SPECIFICATION NUMBER: S251N311-7 SB DATA FROM A CMM: POST 3321520-27-03 CONFIG CHG DATA FROM A CMM: SUPSD BY 3321520-8 SUPERSEDES 3321520-6 COMPONENT MAINT MANUAL REF: 27-21-01 USED ON: 251N3182-9	002004 006999	1

MISSING ITEM NUMBERS NOT APPLICABLE

- ITEM NOT ILLUSTRATED

27-21-20-01

27-21-20  
FIG. 01  
PAGE 21  
JAN 20/09

BRI



757

PARTS CATALOG (MAINTENANCE)

FIG ITEM	PART NUMBER	1 2 3 4 5 6 7	NOMENCLATURE	EFFECT FROM TO	UNITS PER ASSY
1 213	3321520-8	..	RUDDER ASSY-PCU SUPPLIER CODE: V94697 SPECIFICATION NUMBER: S251N311-8 CONFIG CHG DATA FROM A CMM: SUPERSEDES 3321520-7 SUPSD BY 3321520-9 COMPONENT MAINT MANUAL REF: 27-21-01 USED ON: 251N3182-10	002004 006999	1
213	3321520-9	..	RUDDER ASSY-PCU SUPPLIER CODE: V94697 SPECIFICATION NUMBER: S251N311-9 CONFIG CHG DATA FROM A CMM: SUPERSEDES 3321520-8 SUPSD BY 3321520-10 COMPONENT MAINT MANUAL REF: 27-21-01	002004 006999	1
213	3321520-6	..	RUDDER ASSY-PCU SUPPLIER CODE: V94697 SPECIFICATION NUMBER: S251N311-6 SB DATA FROM A CMM: PRE 3321520-27-03 CONFIG CHG DATA FROM A CMM: SUPSD BY 3321520-7 SUPERSEDES 3321520-5 COMPONENT MAINT MANUAL REF: 27-21-01 USED ON: 251N3182-8	002004 006999	1
213	3321520-5	..	RUDDER ASSY-PCU SUPPLIER CODE: V94697 SPECIFICATION NUMBER: S251N311-5 SB DATA FROM A CMM: PRE 3321520-27-02 CONFIG CHG DATA FROM A CMM: SUPERSEDES 3321520-4 SUPSD BY 3321520-6 COMPONENT MAINT MANUAL REF: 27-21-01	002004 006999	1

MISSING ITEM NUMBERS NOT APPLICABLE

- ITEM NOT ILLUSTRATED

BRI

27-21-20-01

27-21-20  
FIG. 01  
PAGE 22  
JAN 20/09



757

PARTS CATALOG (MAINTENANCE)

FIG ITEM	PART NUMBER	1 2 3 4 5 6 7	NOMENCLATURE	EFFECT FROM TO	UNITS PER ASSY
1 213	3321520-10		.. RUDDER ASSY-PCU SUPPLIER CODE: V94697 SPECIFICATION NUMBER: S251N311-10 CONFIG CHG DATA FROM A CMM: SUPERSEDES 3321520-9 COMPONENT MAINT MANUAL REF: 27-21-01	002004 006999	1
214A	3321678-2		... PLATE-IDENT SUPPLIER CODE: V94697	002004 006999	1
-214B	C20015-001		... PLATE-IDENT SUPPLIER CODE: V94697 USED ON: 3321520-4 3321520-5 3321520-6 3321520-7	002004 006999	1
-214C	C20015-001		... PLATE-IDENT SUPPLIER CODE: V94697 OPTIONAL PART: B94763-001 V94697 USED ON: 3321520-8 3321520-9	002004 006999	1
-214D	B94763-001		... PLATE-IDENT SUPPLIER CODE: V94697 OPTIONAL PART: C20015-001 V94697 USED ON: 3321520-8 3321520-9	002004 006999	1
214E	A38838-002		... STRAP-MOD SUPPLIER CODE: V94697	002004 006999	1
214F	3321746		... PLATE-MOD SUPPLIER CODE: V94697	002004 006999	1

MISSING ITEM NUMBERS NOT APPLICABLE

- ITEM NOT ILLUSTRATED

27-21-20-01

27-21-20  
FIG. 01  
PAGE 23  
JAN 20/09

BRI

BOEING PROPRIETARY - Copyright © - Unpublished Work - See title page for details.





757

PARTS CATALOG (MAINTENANCE)

FIG ITEM	PART NUMBER	1 2 3 4 5 6 7	NOMENCLATURE	EFFECT FROM TO	UNITS PER ASSY
1 215	A4654		...VALVE-CHK SUPPLIER CODE: V50276 MISCELLANEOUS DATA: SUPPLIER CONTROL DWG NO. 3321699 OPTIONAL PART: 1C1286 V99240 A163 V06239 95280 V26044	002004 006999	3
215	1C1286		...VALVE-CHK SUPPLIER CODE: V99240 MISCELLANEOUS DATA: SUPPLIER CONTROL DWG NO. 3321699 OPTIONAL PART: A4654 V50276 A163 V06239 95280 V26044	002004 006999	3
215	A163		...VALVE-CHK SUPPLIER CODE: V06239 MISCELLANEOUS DATA: SUPPLIER CONTROL DWG NO. 3321699 OPTIONAL PART: A4654 V50276 1C1286 V99240 95280 V26044	002004 006999	3

MISSING ITEM NUMBERS NOT APPLICABLE

- ITEM NOT ILLUSTRATED

27-21-20-01

27-21-20  
FIG. 01  
PAGE 24  
JAN 20/09

BRI



757

PARTS CATALOG (MAINTENANCE)

FIG ITEM	PART NUMBER	1 2 3 4 5 6 7	NOMENCLATURE	EFFECT FROM TO	UNITS PER ASSY
1 215	95280		... VALVE-CHK SUPPLIER CODE: V26044 MISCELLANEOUS DATA: SUPPLIER CONTROL DWG NO. 3321699 OPTIONAL PART: A4654 V50276 1C1286 V99240 A163 V06239	002004 006999	3
- 217	A38838-005		... STRAP-MOD SUPPLIER CODE: V94697	002004 006999	1
220	NAS1612-10		... PACKING-	002004 006999	3
225	C11236-114B		... RING SUPPLIER CODE: V26879 SPECIFICATION NUMBER: BACR12BM114 OPTIONAL PART: RMR12BM114 V94878 STF800-114 V02107 S30294-114-1 V97820 TF450-114A V07128 2100-114 V26303	002004 006999	6
230	NAS1611-114		... PACKING-	002004 006999	3
235	54846-206		... CAP-PROTECTIVE SUPPLIER CODE: V94697	002004 006999	1

MISSING ITEM NUMBERS NOT APPLICABLE

- ITEM NOT ILLUSTRATED

27-21-20-01

27-21-20  
FIG. 01  
PAGE 25  
JAN 20/09

BRI



757

PARTS CATALOG (MAINTENANCE)

FIG ITEM	PART NUMBER	1 2 3 4 5 6 7	NOMENCLATURE	EFFECT FROM TO	UNITS PER ASSY
1 240	AFP2328-6		...REDUCER- SUPPLIER CODE: V30974 SPECIFICATION NUMBER: BACR17E8-6 OPTIONAL PART: AP10278-6 V01673 BC916T8-6 V50948 DBOR17E8-6 V14798 ER21916T8-6 V88334 ER31916-8-6 V88334 F23-8-6 V73197 2-01075T8-6 V11328 31778-8-6 V14397 US2114-8-6 V50508 AP1027T8-6 V01673 US21148-6 V50808 317788-6 V14397 CONFIG CHG DATA FROM A CMM: SUPSD BY MS33514-8-6 MS33514-8-6 MS21916-8-6T C29064-001 V94697	002004 006999	1
240	MS33514-8-6		...REDUCER- CONFIG CHG DATA FROM A CMM: SUPERSEDES BACR17E8-6 OPTIONAL PART: BACR17E8-6 MS21916-8-6T C29064-001 V94697	002004 006999	1

MISSING ITEM NUMBERS NOT APPLICABLE

- ITEM NOT ILLUSTRATED

BRI

27-21-20-01

BOEING PROPRIETARY - Copyright © - Unpublished Work - See title page for details.

27-21-20  
FIG. 01  
PAGE 26  
JAN 20/09



757

PARTS CATALOG (MAINTENANCE)

FIG ITEM	PART NUMBER	1 2 3 4 5 6 7	NOMENCLATURE	EFFECT FROM TO	UNITS PER ASSY
1					
240	MS21916-8-6T	...	REDUCER- OPTIONAL PART: BACR17E8-6 MS33514-8-6 C29064-001 V94697	002004 006999	1
240	C29064-001	...	REDUCER- SUPPLIER CODE: V94697 OPTIONAL PART: BACR17E8-6 MS33514-8-6 MS21916-8-6T	002004 006999	1
245	NAS1612-8	...	PACKING-	002004 006999	1
250	10-774	...	SCREEN-FILTER SUPPLIER CODE: V14818 SPECIFICATION NUMBER: S252T002-1 OPTIONAL PART: 1745174 V90005 26570 V18350	002004 006999	1
250	26570	...	SCREEN-FILTER SUPPLIER CODE: V18350 SPECIFICATION NUMBER: S252T002-1 OPTIONAL PART: 10-774 V14818	002004 006999	1

MISSING ITEM NUMBERS NOT APPLICABLE

- ITEM NOT ILLUSTRATED

BRI

27-21-20-01

BOEING PROPRIETARY - Copyright © - Unpublished Work - See title page for details.

27-21-20  
FIG. 01  
PAGE 27  
JAN 20/09



757

PARTS CATALOG (MAINTENANCE)

FIG ITEM	PART NUMBER	1 2 3 4 5 6 7	NOMENCLATURE	EFFECT FROM TO	UNITS PER ASSY
1 255	3321482-1		...VALVE ASSY-RELIEF SUPPLIER CODE: V94697 SB DATA FROM A CMM: PRE 3321520-27-02 OPTIONAL PART: 3321482-4 V77068 USED ON: 3321520-4 3321520-5 PRE SERVICE BULLETIN: 3321520-27-02 V77068	002004 006999	2
255	3321482-4		...VALVE ASSY-RELIEF SUPPLIER CODE: V94697 SB DATA FROM A CMM: PRE 3321520-27-02 OPTIONAL PART: 3321482-1 V77068 USED ON: 3321520-4 3321520-5	002004 006999	2
- 257	3321482-6		...VALVE ASSY-RELIEF SUPPLIER CODE: V94697 SB DATA FROM A CMM: POST 3321520-27-02	002004 006999	2
260	NAS1612-10		...PACKING-	002004 006999	3
265	C11236-012B		...RING SUPPLIER CODE: V26879 SPECIFICATION NUMBER: BACR12BM012 OPTIONAL PART: RMR12BM012 V94878 STF800-012 V02107 S30294-012-1 V97820 TF450-012A V07128 2100-012 V26303	002004 006999	6

MISSING ITEM NUMBERS NOT APPLICABLE

- ITEM NOT ILLUSTRATED

27-21-20-01

27-21-20  
FIG. 01  
PAGE 28  
JAN 20/09

BRI



757

PARTS CATALOG (MAINTENANCE)

FIG ITEM	PART NUMBER	1 2 3 4 5 6 7	NOMENCLATURE	EFFECT FROM TO	UNITS PER ASSY
1					
270	NAS1611-012	...	PACKING-	002004 006999	3
275	54846-208	...	CAP-PROTECTIVE SUPPLIER CODE: V94697	002004 006999	1
285	AFP2328-6	...	REDUCER SUPPLIER CODE: V30974 SPECIFICATION NUMBER: BACR17E8-6 OPTIONAL PART: AP10278-6 V01673 BC916T8-6 V50948 DBOR17E8-6 V14798 ER21916T8-6 V88334 ER31916-8-6 V88334 F23-8-6 V73197 2-01075T8-6 V11328 31778-8-6 V14397 US2114-8-6 V50508 AP1027T8-6 V01673 US21148-6 V50808 317788-6 V14397	002004 006999	1
290	NAS1612-6	...	PACKING-	002004 006999	1
300	3321484-1	...	COMPENSATOR ASSY- SUPPLIER CODE: V94697	002004 006999	1
302	NAS1611-012	...	PACKING-	002004 006999	1
304	3334669	...	DECAL-PATENT SUPPLIER CODE: V94697	002004 006999	1
305	NAS1612-16	...	PACKING-	002004 006999	1
310	NAS1611-116	...	PACKING-	002004 006999	1

MISSING ITEM NUMBERS NOT APPLICABLE

- ITEM NOT ILLUSTRATED

BRI

27-21-20-01

27-21-20  
FIG. 01  
PAGE 29  
JAN 20/09



757

PARTS CATALOG (MAINTENANCE)

FIG ITEM	PART NUMBER	1 2 3 4 5 6 7	NOMENCLATURE	EFFECT FROM TO	UNITS PER ASSY
1	327 3175785		...DECAL-PATENT SUPPLIER CODE: V94697	002004 006999	1
	335 317100-1003		...SENSOR ASSY-PRESSURE DIFF SUPPLIER CODE: V92003 SPECIFICATION NUMBER: S251N233-4 SB DATA FROM A CMM: POST 3321520-27-01 CONFIG CHG DATA FROM A CMM: SUPERSEDES 306500-1003 ELECTRICAL EQUIP NUMBER: TS05203 TS05204 TS05205 COMPONENT MAINT MANUAL REF: 29-31-02 OPTIONAL PART: 317100-1007 V92003 C48902-002 V94697	002004 006999	1
	335 317100-1007		...SENSOR ASSY-PRESSURE DIFF SUPPLIER CODE: V92003 SPECIFICATION NUMBER: S251N233-4 SB DATA FROM A CMM: POST 3321520-27-01 CONFIG CHG DATA FROM A CMM: SUPERSEDES 306500-1003 ELECTRICAL EQUIP NUMBER: TS05203 TS05204 TS05205 COMPONENT MAINT MANUAL REF: 29-31-02 OPTIONAL PART: 317100-1003 V92003 C48902-002 V94697	002004 006999	1

MISSING ITEM NUMBERS NOT APPLICABLE

- ITEM NOT ILLUSTRATED

27-21-20-01

27-21-20  
FIG. 01  
PAGE 30  
JAN 20/09

BRI



757

PARTS CATALOG (MAINTENANCE)

FIG ITEM	PART NUMBER	1 2 3 4 5 6 7	NOMENCLATURE	EFFECT FROM TO	UNITS PER ASSY
1 335	C48902-002		...SENSOR ASSY-PRESSURE DIFF SUPPLIER CODE: V94697 SPECIFICATION NUMBER: S251N233-6 SB DATA FROM A CMM: 3321520-27-04 COMPONENT MAINT MANUAL REF: 29-31-01 OPTIONAL PART: 317100-1003 V94697 317100-1007 V94697 USED ON: 3321520-10	002004 006999	1
340	NAS1611-114		....PACKING	002004 006999	1
345	M8791-1-114		....RING-BACKUP SUPPLIER CODE: V94697	002004 006999	2
350	C61212		....PLATE-IDENT SUPPLIER CODE: V94697	002004 006999	1
- 450	306551-101		....BODY ASSY- USED ON: 317100-1003	002004 006999	1
- 453	306551-105		....BODY ASSY- USED ON: 317100-1007	002004 006999	1

MISSING ITEM NUMBERS NOT APPLICABLE

- ITEM NOT ILLUSTRATED

BRI

27-21-20-01

27-21-20  
FIG. 01  
PAGE 31  
JAN 20/09





757

PARTS CATALOG (MAINTENANCE)

FIG ITEM	PART NUMBER	1 2 3 4 5 6 7	NOMENCLATURE	EFFECT FROM TO	UNITS PER ASSY
1 455	C11236-113B	.....	RING- SUPPLIER CODE: V26879 SPECIFICATION NUMBER: BACR12BM113 OPTIONAL PART: RMR12BM113 V94878 STF800-113 V02107 S30294-113-1 V97820 TF450-113A V07128 2100-113 V26303 BDS3115-113C V92003 USED ON: 317100-1003 317100-1007	002004 006999	2
455	BDS3115-113C	.....	RING- SUPPLIER CODE: V92003 OPTIONAL PART: BACR12BM113 USED ON: 317100-1003 317100-1007	002004 006999	2
460	NAS1611-113	.....	PACKING- USED ON: 317100-1003 317100-1007	002004 006999	1
900			ILLUSTRATION REFERENCE: PLUMBING INSTL-VERT. FIN SECT. 70 HYDR (RUDDER AND RUDDER TRIM ONLY) 27-21-51-15	002004 006999	RF

MISSING ITEM NUMBERS NOT APPLICABLE

- ITEM NOT ILLUSTRATED

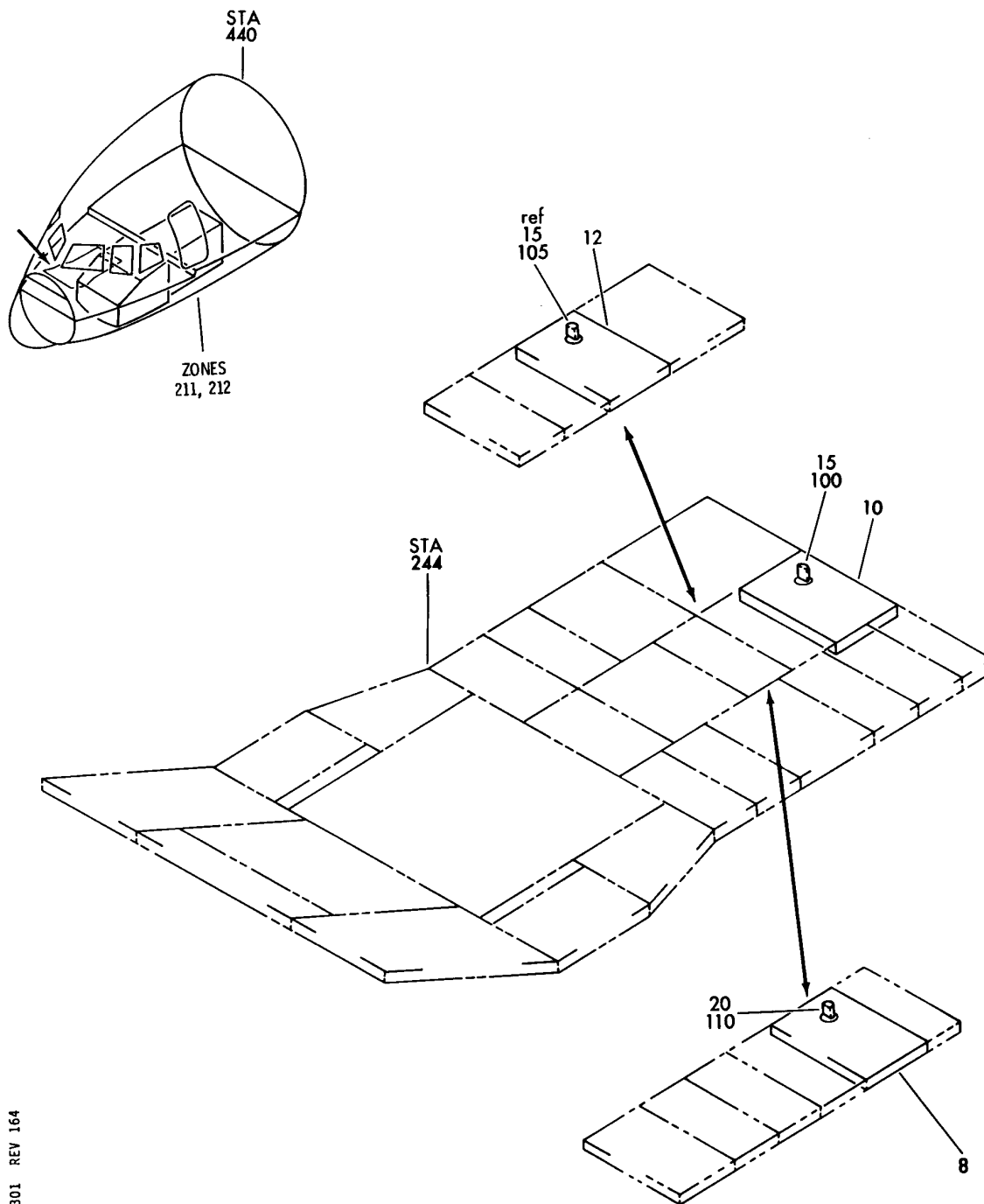
BRI

27-21-20-01

BOEING PROPRIETARY - Copyright © - Unpublished Work - See title page for details.

27-21-20  
FIG. 01  
PAGE 32  
JAN 20/09

**BOEING**  
757  
PARTS CATALOG (MAINTENANCE)



Y 27212301 REV 164

PANEL INSTL-P8 ELECTRONIC (RUDDER TRIM CONTROL SWITCH ONLY)

FIGURE 1

**27-21-23-01**

BRI  
MAY 28/07

27-21-23-01  
PAGE 0



757

PARTS CATALOG (MAINTENANCE)

FIG ITEM	PART NUMBER	1 2 3 4 5 6 7	NOMENCLATURE	EFFECT FROM TO	UNITS PER ASSY
1			PANEL INSTL-P8 ELECTRONIC (RUDDER TRIM CONTROL SWITCH ONLY)	002004 006010 107107 121503 904999	
- 1	233N6101-1		PANEL INSTL-P8 ELECTRONIC (RUDDER TRIM CONTROL SWITCH ONLY) VARIABLE DRAWING REF: 233N6101-5004 233N6101-5028 233N6101-5041 233N6101-5042 233N6101-5046 FOR NHA/OTHER SYS DET SEE: 25-10-00-05A	002004 006010 107107 121503 904999	RF
10	233T6201-21		.PANEL ASSY-AIL. RUD TRIM CONT SUPPLIER CODE: V89954 ELECTRICAL EQUIP NUMBER: M00074 COMPONENT MAINT MANUAL REF: 27-21-63 QUALIFIED I/W DATA: 233T6201-19 I/W 233T6201-21 EXCEPT FOR ETOPS WHERE 233T6201-21 MUST BE INSTALLED.	002004 006010 107107 121503 904999	RF
10	233T6201-22		.PANEL ASSY-AIL. RUD TRIM CONT SUPPLIER CODE: V89954 ELECTRICAL EQUIP NUMBER: M00074 COMPONENT MAINT MANUAL REF: 27-21-63	002004 006010 107107 121503 904999	RF
15	024804-001		..SWITCH- SUPPLIER CODE: V33463 OPTIONAL PART: 730-2 V28277 USED ON: 233T6201-14 233T6201-19	002004 006010 107107 121503 904999	1

MISSING ITEM NUMBERS NOT APPLICABLE

- ITEM NOT ILLUSTRATED

27-21-23-01

27-21-23  
FIG. 01  
PAGE 1  
JAN 20/09

BRI



757

PARTS CATALOG (MAINTENANCE)

FIG ITEM	PART NUMBER	1 2 3 4 5 6 7	NOMENCLATURE	EFFECT FROM TO	UNITS PER ASSY
1	15 024804-002		.. SWITCH- SUPPLIER CODE: V33463 USED ON: 233T6201-22 USED ON: 233T6201-21	002004 006010 107107 121503 904999	1
	100 BP406-102		. KNOB- SUPPLIER CODE: V81590 MISCELLANEOUS DATA: USE OF THIS PART CANCELS INTENT OF SB 27-0096 PRE SERVICE BULLETIN: 27-0120	002004 006010 107107 121503 904999	1
	100 SA676-101		. KNOB- SUPPLIER CODE: V81590 POST SERVICE BULLETIN: 27-0096 PRE SERVICE BULLETIN: 27-0120	002004 006010 107107 121503 904999	1
	100 SA808-101		. KNOB- SUPPLIER CODE: V81590 POST SERVICE BULLETIN: 27-0120	002004 006010 107107 121503 904999	1

MISSING ITEM NUMBERS NOT APPLICABLE

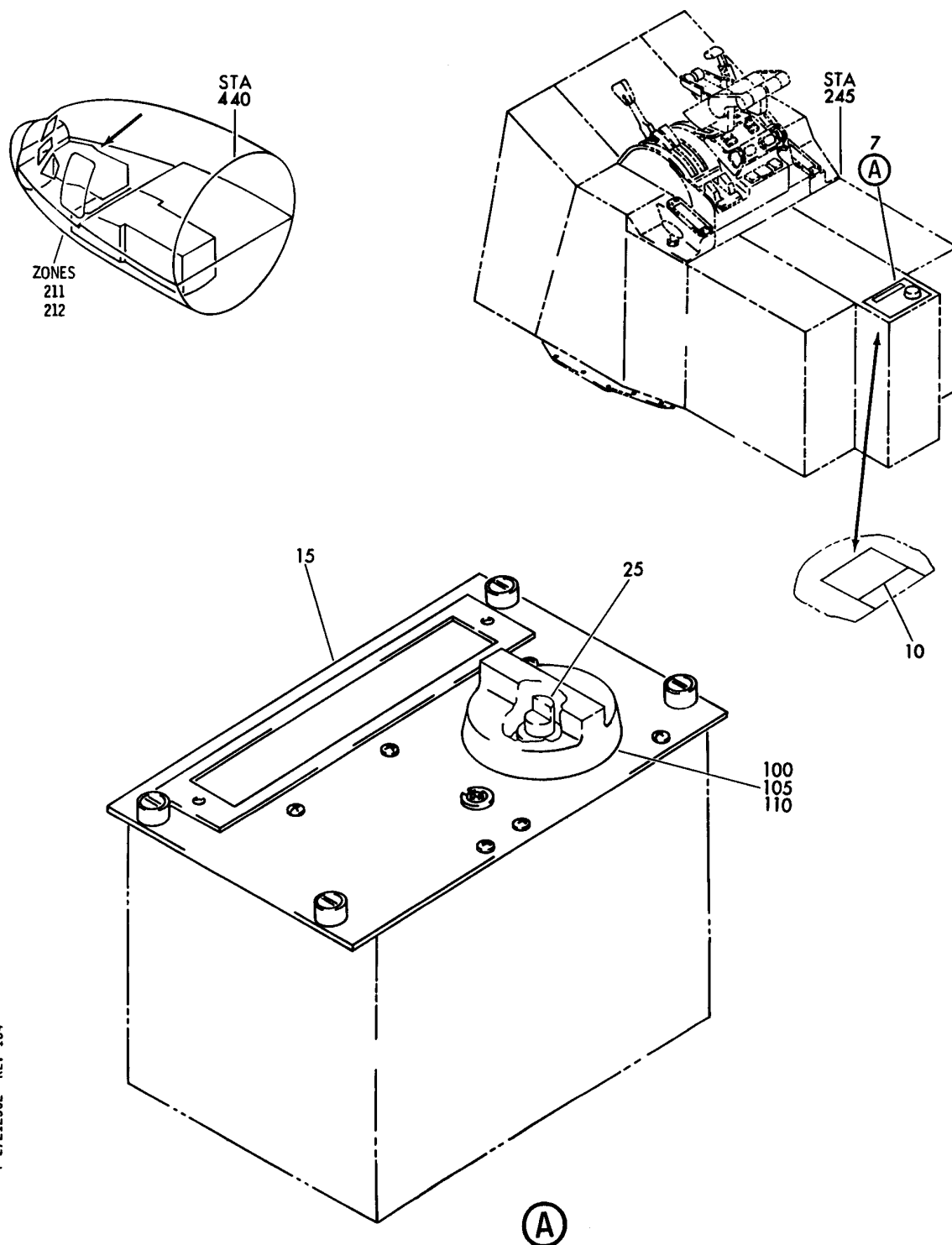
- ITEM NOT ILLUSTRATED

BRI

27-21-23-01

27-21-23  
FIG. 01  
PAGE 2  
JAN 20/09

**BOEING**  
757  
PARTS CATALOG (MAINTENANCE)



Y 27212302 REV 164

PANEL INSTL-P8,P9,P10 ELECTRONICS (RUDDER TRIM CONTROL SWITCH ONLY)

FIGURE 2

**27-21-23-02**

BRI  
MAY 28/07

27-21-23-02  
PAGE 0



757

PARTS CATALOG (MAINTENANCE)

FIG ITEM	PART NUMBER	1 2 3 4 5 6 7	NOMENCLATURE	EFFECT FROM TO	UNITS PER ASSY
2			PANEL INSTL-P8,P9,P10 ELECTRONICS (RUDDER TRIM CONTROL SWITCH ONLY)	011100	
- 1	233N6101-1		PANEL INSTL-P8 ELECTRONIC (RUDDER TRIM CONTROL SWITCH ONLY) VARIABLE DRAWING REF: 233N6101-5042 FOR NHA/OTHER SYS DET SEE: 25-10-00-05A	011100	RF
	5 233T6201-301		.PANEL ASSY-AIL. RUD TRIM CONT SUPPLIER CODE: V89954 COMPONENT MAINT MANUAL REF: 27-21-63 PRE SERVICE BULLETIN: 27-0120	011017	RF
	5 233T6201-324		.PANEL ASSY-AIL. RUD TRIM CONT SUPPLIER CODE: V89954 FUNCTIONAL DESCRIPTION: CONTROLS AILERON RUDDER TRIM AND DISPLAYS TRIM ANGLE. MISCELLANEOUS DATA: (THE 233T6201-324 PANEL ASSY IS I/W THE 233T6201-21 PANEL ASSY T/W THE S233T100-528 LIGHTPLATE AND SA808-101 KNOB) COMPONENT MAINT MANUAL REF: 27-21-63 QUALIFIED I/W DATA: THE 233T6201-324 PANEL ASSY IS I/W THE 233T6201-21 PANEL ASSY T/W THE S233T100-528 LIGHTPLATE AND SA808-101 KNOB POST SERVICE BULLETIN: 27-0120	011100	RF

R  
R  
R  
R  
R  
R  
R  
R  
R  
R  
R  
R  
R  
R  
R  
R  
R  
R  
R  
R  
R  
R

MISSING ITEM NUMBERS NOT APPLICABLE

- ITEM NOT ILLUSTRATED

27-21-23-02

27-21-23  
FIG. 02  
PAGE 1  
MAY 20/09

BRI



757

PARTS CATALOG (MAINTENANCE)

FIG ITEM	PART NUMBER	1 2 3 4 5 6 7	NOMENCLATURE	EFFECT FROM TO	UNITS PER ASSY
2 15	233T6201-21		..PANEL ASSY- SUPPLIER CODE: V89954 MISCELLANEOUS DATA: (233T6201-19 I/W 233T6201-21 EXCEPT FOR ETOPS WHERE 233T6201-21 MUST BE INSTALLED) (THE 233T6201-324 PANEL ASSY IS I/W THE 233T6201-21 PANEL ASSY T/W THE S233T100-528 LIGHTPLATE AND SA808-101 KNOB) ELECTRICAL EQUIP NUMBER: M00074 COMPONENT MAINT MANUAL REF: 27-21-63 QUALIFIED I/W DATA: THE 233T6201-324 PANEL ASSY IS I/W THE 233T6201-21 PANEL ASSY T/W THE S233T100-528 LIGHTPLATE AND SA808-101 KNOB	011100	RF
15	233T6201-22		..PANEL ASSY- SUPPLIER CODE: V89954 ELECTRICAL EQUIP NUMBER: M00074	011100	RF
25	024804-002		...SWITCH- SUPPLIER CODE: V33463	011100	1
25	024804-001		...SWITCH- SUPPLIER CODE: V33463	011100	1
100	BP406-102		..KNOB- SUPPLIER CODE: V81590 PRE SERVICE BULLETIN: 27-0120	011017	1
100	SA676-101		..KNOB- SUPPLIER CODE: V81590 PRE SERVICE BULLETIN: 27-0120	011017	1

MISSING ITEM NUMBERS NOT APPLICABLE

- ITEM NOT ILLUSTRATED

27-21-23-02

27-21-23  
 FIG. 02  
 PAGE 2  
 JAN 20/09

BRI



757

PARTS CATALOG (MAINTENANCE)

FIG ITEM	PART NUMBER	1 2 3 4 5 6 7	NOMENCLATURE	EFFECT FROM TO	UNITS PER ASSY
2 100	SA808-101		. . KNOB- SUPPLIER CODE: V81590 MISCELLANEOUS DATA: (THE 233T6201-324 PANEL ASSY IS I/W THE 233T6201-21 PANEL ASSY T/W THE S233T100-528 LIGHTPLATE AND SA808-101 KNOB) POST SERVICE BULLETIN: 27-0120	011100	1

MISSING ITEM NUMBERS NOT APPLICABLE

- ITEM NOT ILLUSTRATED

BRI

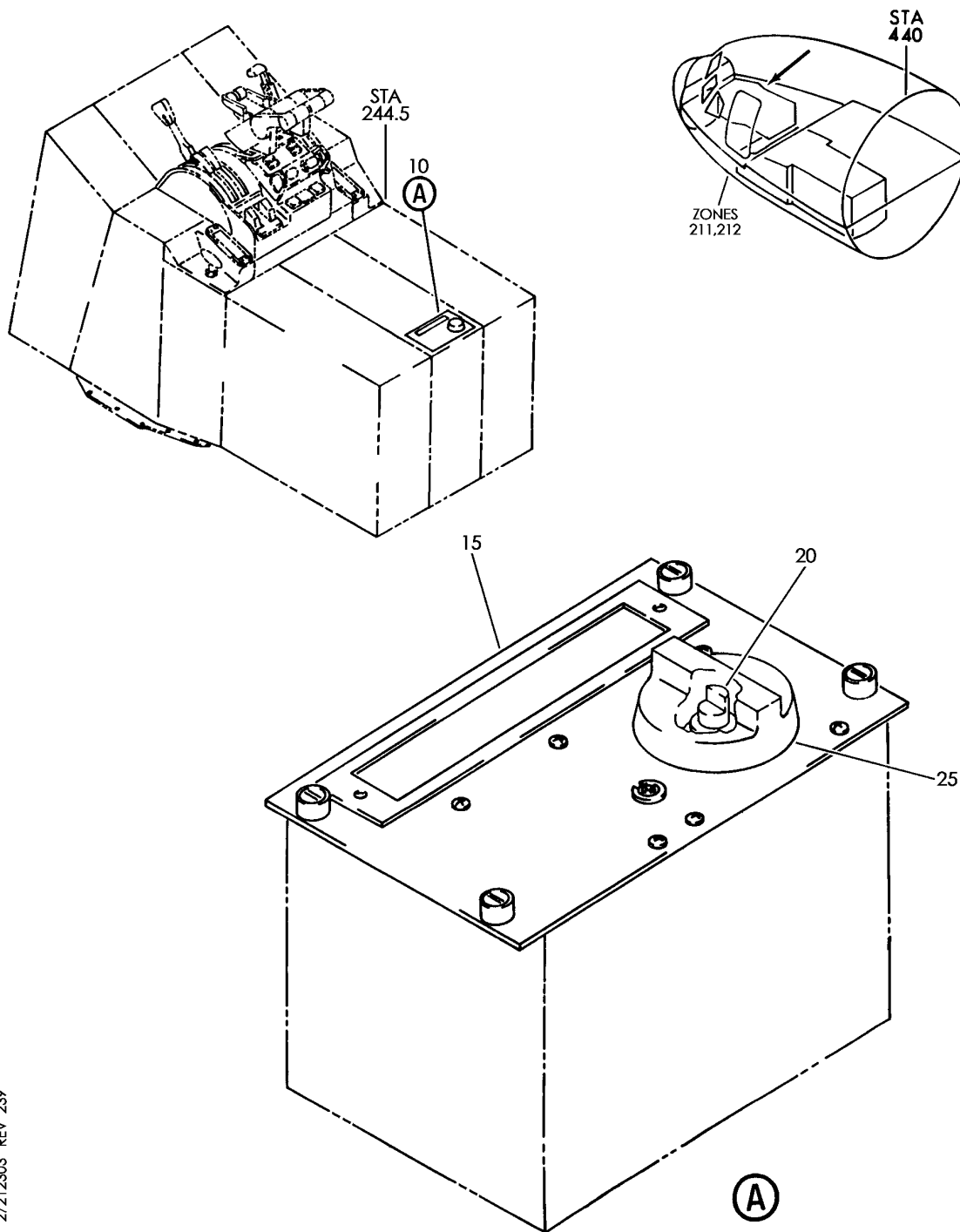
27-21-23-02

BOEING PROPRIETARY - Copyright © - Unpublished Work - See title page for details.

27-21-23  
FIG. 02  
PAGE 3  
JAN 20/09



**BOEING**  
757  
PARTS CATALOG (MAINTENANCE)



Y 27212303 REV 239

PANEL INSTL-P8,P9,P10 ELECTRONICS (RUDDER AND RUDDER TRIM CONTROL SYSTEM ONLY)  
FIGURE 3

**27-21-23-03**

BRI  
MAY 28/07

27-21-23-03  
PAGE 0



757

PARTS CATALOG (MAINTENANCE)

FIG ITEM	PART NUMBER	1 2 3 4 5 6 7	NOMENCLATURE	EFFECT FROM TO	UNITS PER ASSY
3			PANEL INSTL-P8,P9,P10 ELECTRONICS (RUDDER AND RUDDER TRIM CONTROL SYSTEM ONLY)	101106 108120 504903	
- 1	233N6103-62		PANEL INSTL-P8,P9,P10 ELECTRONICS (RUDDER AND RUDDER TRIM CONTROL SYSTEM ONLY) FOR NHA/OTHER SYS DET SEE: 25-10-00-15B	108120	RF
- 2	233N6103-122		PANEL INSTL-P8,P9,P10 ELECTRONICS (RUDDER AND RUDDER TRIM CONTROL SYSTEM ONLY) FOR NHA/OTHER SYS DET SEE: 25-10-00-15B	504903	RF
- 2	233N6103-128		PANEL INSTL-P8,P9,P10 ELECTRONICS (RUDDER AND RUDDER TRIM CONTROL SYSTEM ONLY) FOR NHA/OTHER SYS DET SEE: 25-10-00-15B	102102	RF
- 3	233N6103-28		PANEL INSTL-P8,P9,P10 ELECTRONICS (RUDDER AND RUDDER TRIM CONTROL SYSTEM ONLY) FOR NHA/OTHER SYS DET SEE: 25-10-00-15B	101101	RF

MISSING ITEM NUMBERS NOT APPLICABLE

- ITEM NOT ILLUSTRATED

BRI

27-21-23-03

27-21-23  
FIG. 03  
PAGE 1  
JAN 20/09


**BOEING**  
 757  
**PARTS CATALOG (MAINTENANCE)**

FIG ITEM	PART NUMBER	1 2 3 4 5 6 7	NOMENCLATURE	EFFECT FROM TO	UNITS PER ASSY
3 - 8	MODREF33990		PANEL INSTL-P8,P9,P10 ELECTRONICS (RUDDER AND RUDDER TRIM CONTROL SYSTEM ONLY) MODULE NUMBER: 233N6103-253 REV B FOR OTHER SYS DETAILS SEE: 11-31-05-66F 23-12-02-03 23-51-01-05 26-11-02-01 26-11-54-02A 26-12-51-03 26-17-51-06 26-21-01-02 26-22-03-03 26-23-52-04A 27-11-23-03 27-28-02-01A 31-11-31-02 31-11-36-78 31-11-41-02 31-41-03-02 33-13-01-07 34-22-02-03 34-31-02-02 34-43-02-02 34-53-02-02 34-57-02-03 34-61-02-03	103106	1
R R	10 233T6201-324		.PANEL ASSY-AIL./RUD TRIM CONT SUPPLIER CODE: V89954 FUNCTIONAL DESCRIPTION: CONTROLS AILERON RUDDER TRIM AND DISPLAYS TRIM ANGLE. ELECTRICAL EQUIP NUMBER: M00074 COMPONENT MAINT MANUAL REF: 27-21-63 QUALIFIED I/W DATA: THE 233T6201-324 PANEL ASSY IS I/W THE 233T6201-21 PANEL ASSY T/W THE S233T100-528 LIGHTPLATE AND SA808-101 KNOB	101106 108120 504903	RF

MISSING ITEM NUMBERS NOT APPLICABLE

- ITEM NOT ILLUSTRATED

# 27-21-23-03

27-21-23  
 FIG. 03  
 PAGE 2  
 MAY 20/09

BRI



757

PARTS CATALOG (MAINTENANCE)

FIG ITEM	PART NUMBER	1 2 3 4 5 6 7	NOMENCLATURE	EFFECT FROM TO	UNITS PER ASSY
3 15	233T6201-21		..PANEL ASSY- SUPPLIER CODE: V89954 COMPONENT MAINT MANUAL REF: 27-21-63 QUALIFIED I/W DATA: 233T6201-19 I/W 233T6201-21 EXCEPT FOR ETOPS WHERE 233T6201-21 MUST BE INSTALLED. THE 233T6201-324 PANEL ASSY IS I/W THE 233T6201-21 PANEL ASSY T/W THE S233T100-528 LIGHTPLATE AND SA808-101 KNOB	101106 108120 504903	RF
20	024804-002		...SWITCH- SUPPLIER CODE: V33463	101106 108120 504903	1
20	024804-001		...SWITCH- SUPPLIER CODE: V33463	101106 108120 504903	1
25	SA808-101		..KNOB- SUPPLIER CODE: V81590 MISCELLANEOUS DATA: SA808-101 CAN REPLACE BUT NOT BE REPLACED BY BP406-102	101106 108120 504903	1

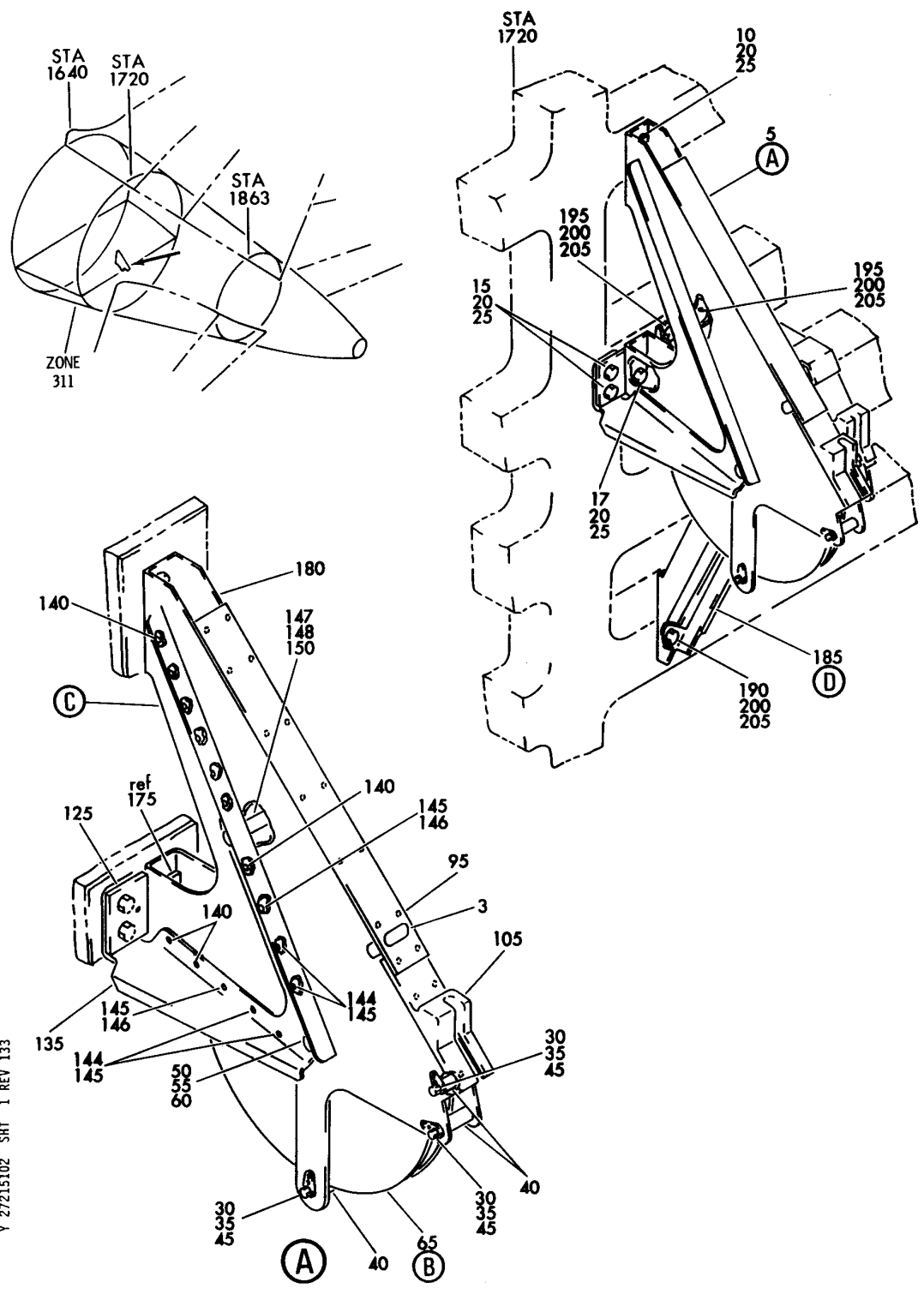
MISSING ITEM NUMBERS NOT APPLICABLE

- ITEM NOT ILLUSTRATED

27-21-23-03

27-21-23  
FIG. 03  
PAGE 3  
JAN 20/09

BRI

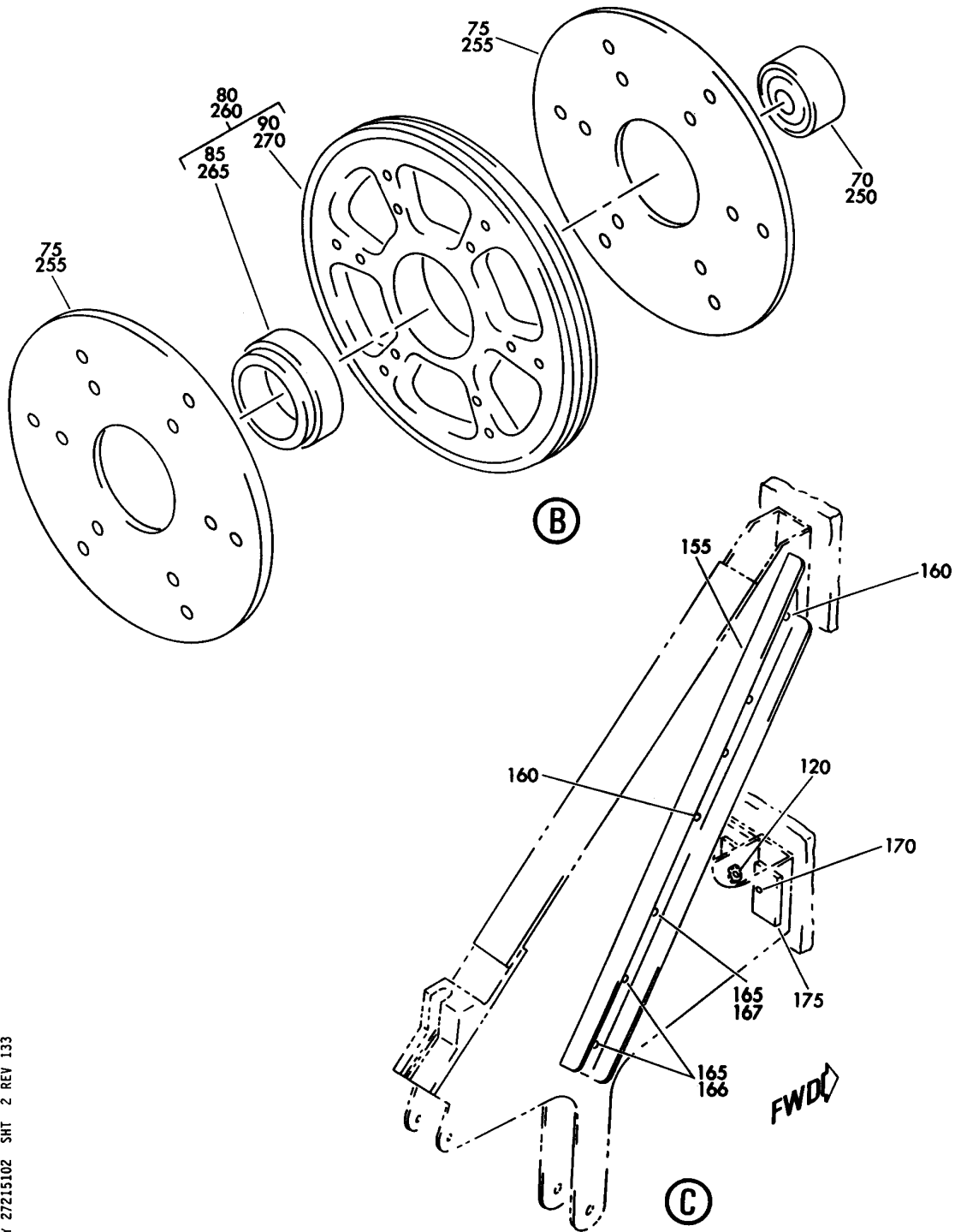


Y 27215102 SHT 1 REV 133

BRACKET INSTL-STA 1720 RUD A AND RUD B CABLES PULLEY  
 FIGURE 2 (SHEET 1)

**27-21-51-02**

**BOEING**  
757  
PARTS CATALOG (MAINTENANCE)



Y 27215102 SHT 2 REV 133

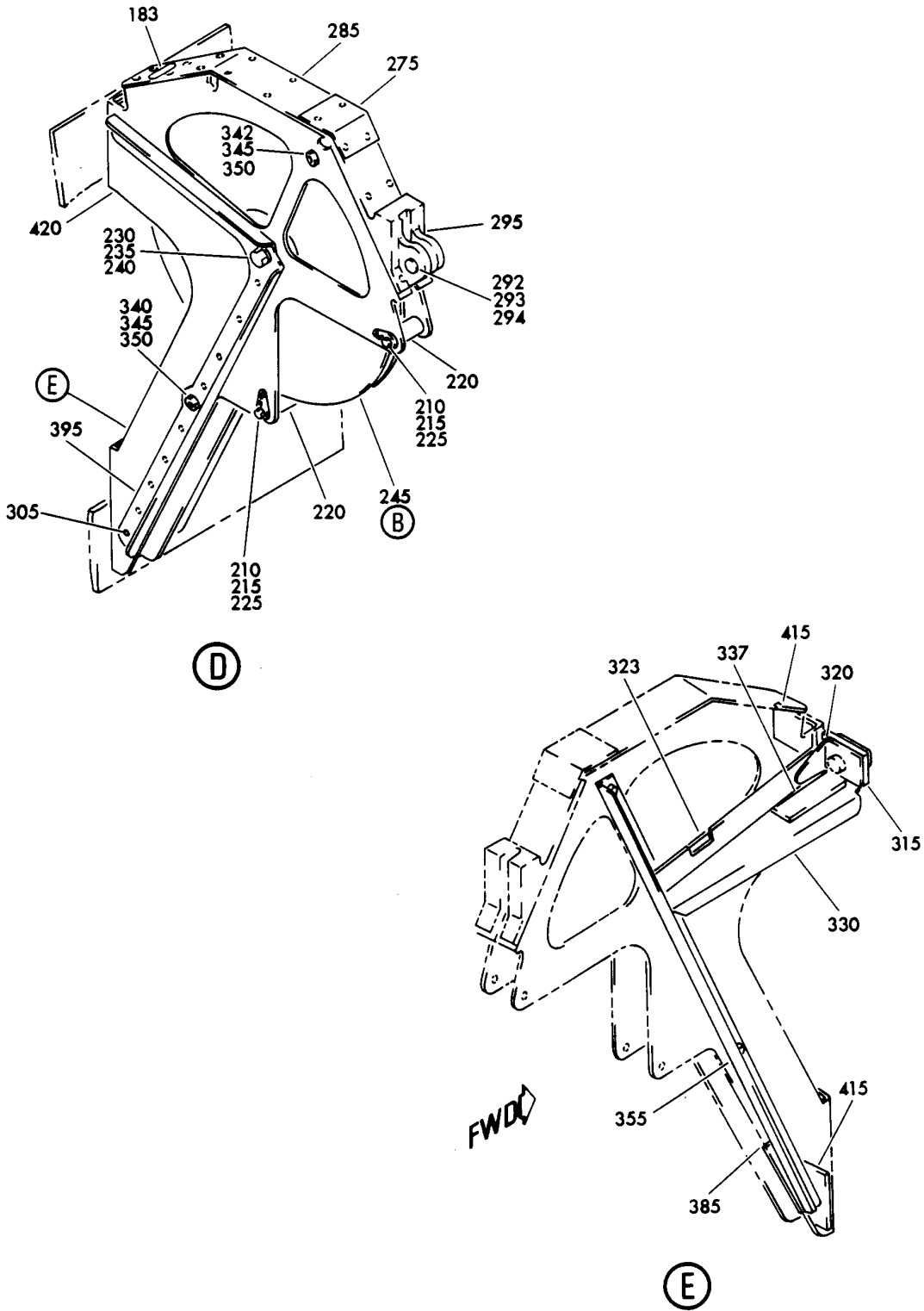
BRACKET INSTL-STA 1720 RUD A AND RUD B CABLES PULLEY  
FIGURE 2 (SHEET 2)

**27-21-51-02**

BRI  
MAY 28/07

27-21-51-02  
PAGE 0A

**BOEING**  
757  
PARTS CATALOG (MAINTENANCE)



Y 22215102 SH1 3 REV 082

BRACKET INSTL-STA 1720 RUD A AND RUD B CABLES PULLEY  
FIGURE 2 (SHEET 3)

**27-21-51-02**

BRI  
MAY 28/07

27-21-51-02  
PAGE 0B



757

PARTS CATALOG (MAINTENANCE)

FIG ITEM	PART NUMBER	1 2 3 4 5 6 7	NOMENCLATURE	EFFECT FROM TO	UNITS PER ASSY
2			BRACKET INSTL-STA 1720 RUD A AND RUD B CABLES PULLEY	002004 006999	
- 1	251N6031-5		BRACKET INSTL-RUD A AND RUD B CABLES PULLEY POSITION DATA: STA 1720 FOR NHA SEE: 27-21-54-01	002004 006100 107107 121503 904999	RF
- 1	251N6031-8		BRACKET INSTL-RUD A AND RUD B CABLES PULLEY POSITION DATA: STA 1720 FOR NHA SEE: 27-20-00-01	101102 108120 504903	RF
- 1	MODREF8289		BRACKET INSTL-RUD A AND RUD B CABLES PULLEY MODULE NUMBER: 251N6031-8 REV A POSITION DATA: STA 1720	103105	1
- 1	MODREF8290		BRACKET INSTL-RUD A AND RUD B CABLES PULLEY MODULE NUMBER: 251N6031-9 REV A POSITION DATA: STA 1720	106106	1
3	BAC27NCT0104		.MARKER-ALUMINUM FOIL PLACARD CONTENT: RB	002004 006999	1
5	251N6235-13		.BRACKET ASSY- OPTIONAL PART: 251N6235-14	952952	1
5	251N6235-14		.BRACKET ASSY- OPTIONAL PART: 251N6235-13	952952	1
5	251N6235-12		.BRACKET ASSY-	107107 904949	1
5	251N6235-15		.BRACKET ASSY-	002004 006106 108903 950951 953999	1
10	BACB30LJ4-2		ATTACHING PARTS .BOLT-	002004 006999	1
15	BACB30LJ4-6		.BOLT-	002004 006999	2
17	BACB30LJ4-4		.BOLT-	002004 006999	1

MISSING ITEM NUMBERS NOT APPLICABLE

- ITEM NOT ILLUSTRATED

BRI

27-21-51-02

27-21-51  
FIG. 02  
PAGE 1  
JAN 20/09



 **BOEING**  
757  
**PARTS CATALOG (MAINTENANCE)**

FIG ITEM	PART NUMBER	1 2 3 4 5 6 7	NOMENCLATURE	EFFECT FROM TO	UNITS PER ASSY
2					
20	NAS1149D0463J	.	WASHER-	002004 006999	4
25	MF53049-4	.	NUTPLATE-	002004 006999	4
			SUPPLIER CODE: V15653		
			SPECIFICATION NUMBER: BACN10JN4		
			OPTIONAL PART: BRFM20A4		
			V52828		
			MF1000-4BAC		
			V15653		
			NS103218-048		
			V80539		
			RMF9201M4		
			V72962		
			VN252A048		
			V92215		
			T8124S4S		
			V11815		
			-----*-----		
30	NAS623-3-17	..	SCREW	002004 006999	3
35	AN960PD10	..	WASHER	002004 006999	3
40	NAS42DD6-60	..	SPACER	002004 006999	3
45	T8077S1032	..	NUTPLATE	002004 006999	3
			SUPPLIER CODE: V11815		
			SPECIFICATION NUMBER: BACN10JP3B		
			OPTIONAL PART: MK2000-3BAC		
			V15653		
			NS103198-02		
			V80539		
			RMA9207-3		
			V72962		
			VN201A1-02		
			V92215		
			BRM100A3		
			V52828		
50	BACB30NF5-18	..	BOLT-	107107 904949 952952	1

MISSING ITEM NUMBERS NOT APPLICABLE

— ITEM NOT ILLUSTRATED

BRI

# 27-21-51-02

BOEING PROPRIETARY - Copyright © - Unpublished Work - See title page for details.

27-21-51  
FIG. 02  
PAGE 2  
JAN 20/09



757

PARTS CATALOG (MAINTENANCE)

FIG ITEM	PART NUMBER	1 2 3 4 5 6 7	NOMENCLATURE	EFFECT FROM TO	UNITS PER ASSY
2	50 BACB30NR5K19	..	BOLT-	002004 006106 108903 950951 953999	1
	55 AN960PD516	..	WASHER-	107107 904949 952952	1
	55 AN960JD516	..	WASHER-	002004 006999	1
	60 BRH10A5	..	NUT- SUPPLIER CODE: V52828 SPECIFICATION NUMBER: BACN10JC5 OPTIONAL PART: T6S524J V11815 96-054 V80539 RMLH9075-5W V72962 H10-5BAC V15653	107107 904949 952952	1
	60 BRH10C5D	..	NUT- SUPPLIER CODE: V52828 SPECIFICATION NUMBER: BACN10JC5CD OPTIONAL PART: T6C524JCD V11815 102LH9075-5W V72962 H51650-5BAC V15653	002004 006106 108903 950951 953999	1
	65 65B80970-1	..	PULLEY ASSY-8 IN. DIA 1/8 IN. CABLE	002004 006999	1
	70 DW5E6531	...	BEARING SUPPLIER CODE: V21335 SPECIFICATION NUMBER: BACB10A672 OPTIONAL PART: LLDW5 V38443 DW5-6 V38443	002004 006999	1

MISSING ITEM NUMBERS NOT APPLICABLE

- ITEM NOT ILLUSTRATED

27-21-51-02

27-21-51  
FIG. 02  
PAGE 3  
JAN 20/09

BRI

**BOEING**  
757  
**PARTS CATALOG (MAINTENANCE)**

FIG ITEM	PART NUMBER	1 2 3 4 5 6 7	NOMENCLATURE	EFFECT FROM TO	UNITS PER ASSY
2	75 65B80972-1	...	SHIELD	002004 006999	2
	80 65B80971-1	...	SHEAVE ASSY	002004 006999	1
	85 69B81362-1	....	INSERT	002004 006999	1
	90 65B80971-2	....	SHEAVE	002004 006999	1
	95 251N6235-10	..	COVER-	002004 006999	1
			ATTACHING PARTS		
- 100	BACR15FT5D	..	RIVET- SIZE DETERMINED ON INSTL. -----*-----	002004 006999	12
	105 251N6138-2	..	GUARD-CABLE	002004 006999	1
			ATTACHING PARTS		
- 110	BACR15BB5B	..	RIVET- SIZE DETERMINED ON INSTL. -----*-----	002004 006999	5
	120 BACR15BA4AD	..	RIVET- SIZE DETERMINED ON INSTL.	107107 904949	1
	120 BACR15CE4D	..	RIVET- SIZE DETERMINED ON INSTL.	002004 006106 108903 950999	1
	125 50-3361-8612	..	FILLER-RADIUS	002004 006999	1
	135 251N6235-11	..	SUPPORT-	002004 006999	1
			ATTACHING PARTS		
	140 BACR15FT5D	..	RIVET- SIZE DETERMINED ON INSTL.	002004 006999	9
	144 BACR15CE5D	..	RIVET- SIZE DETERMINED ON INSTL. USED ON: 251N6235-13	952952	4
	145 BACR15BA5D	..	RIVET- SIZE DETERMINED ON INSTL.	107107 904949	6
	145 BACR15CE5D	..	RIVET- SIZE DETERMINED ON INSTL. USED ON: 251N6235-14 251N6235-15	002004 006106 108903 950999	6
	146 BACR15FT5D	..	RIVET- SIZE DETERMINED ON INSTL. USED ON: 251N6235-13 -----*-----	952952	2

MISSING ITEM NUMBERS NOT APPLICABLE

- ITEM NOT ILLUSTRATED

BRI

**27-21-51-02**

27-21-51  
FIG. 02  
PAGE 4  
JAN 20/09



757

PARTS CATALOG (MAINTENANCE)

FIG ITEM	PART NUMBER	1 2 3 4 5 6 7	NOMENCLATURE	EFFECT FROM TO	UNITS PER ASSY
2					
147	L8006K19	..	BOLT- SUPPLIER CODE: V06725 SPECIFICATION NUMBER: BACB30MY6K19	107107 904949 952952	1
147	HST10AG6-20	..	BOLT- SUPPLIER CODE: V0PTK6 SPECIFICATION NUMBER: BACB30VT6K20 OPTIONAL PART: HST10AG6-20 V06725 HST10AG6-20 V56878 HST10AG6-20 V73197 WC10K6-20 V60516	002004 006106 108903 950951 953999	1
148	HL79-6	..	COLLAR- SUPPLIER CODE: V5M902 SPECIFICATION NUMBER: BACC30M6 OPTIONAL PART: HL79-6 V73197 HL79-6 V92215 66014-6 V56878 HL79-6 V56878	107107 904949 952952	1
148	BACC30BL6	..	COLLAR- SUPPLIER CODE: V73197 SPECIFICATION NUMBER: BACC30BL6 OPTIONAL PART: HST79-6 V92215 HST79CY6 V56878 HST79CY6 V5M902	002004 006106 108903 950951 953999	1
150	NAS42DD6-60	..	SPACER-	002004 006999	1

MISSING ITEM NUMBERS NOT APPLICABLE

- ITEM NOT ILLUSTRATED

27-21-51-02

27-21-51  
FIG. 02  
PAGE 5  
JAN 20/09

BRI

BOEING PROPRIETARY - Copyright © - Unpublished Work - See title page for details.

**BOEING**  
757  
**PARTS CATALOG (MAINTENANCE)**

FIG ITEM	PART NUMBER	1 2 3 4 5 6 7	NOMENCLATURE	EFFECT FROM TO	UNITS PER ASSY
2					
155	251N6235-3	..	SUPPORT-	107107 904949 952952	1
155	251N6235-16	..	SUPPORT-	002004 006106 108903 950951 953999	1
			ATTACHING PARTS		
160	BACR15FT5D	..	RIVET- SIZE DETERMINED ON INSTL.	107107 904949 952952	4
160	MS206155MP	..	RIVET- SIZE DETERMINED ON INSTL.	002004 006106 108903 950951 953999	4
165	BACR15BA5D	..	RIVET- SIZE DETERMINED ON INSTL.	107107 904949	3
165	BACR15CE5D	..	RIVET- SIZE DETERMINED ON INSTL. USED ON: 251N6235-14	952952	3
165	NAS1200M5-5P	..	RIVET- SIZE DETERMINED ON INSTL.	002004 006106 108903 950951 953999	3
166	BACR15CE5D	..	RIVET- SIZE DETERMINED ON INSTL. USED ON: 251N6235-13	952952	2
167	BACR15FT5D	..	RIVET- SIZE DETERMINED ON INSTL. USED ON: 251N6235-13 -----*-----	952952	1
170	BACR15BA4AD	..	RIVET- SIZE DETERMINED ON INSTL.	107107 904949	1
170	BACR15CE4D	..	RIVET- SIZE DETERMINED ON INSTL.	002004 006106 108903 950999	1
175	50-3361-8502	..	FILLER-RADIUS	002004 006999	1
180	251N6235-9	..	BRACKET-	002004 006999	1

MISSING ITEM NUMBERS NOT APPLICABLE

— ITEM NOT ILLUSTRATED

BRI

# 27-21-51-02

27-21-51  
FIG. 02  
PAGE 6  
JAN 20/09

BOEING PROPRIETARY - Copyright © - Unpublished Work - See title page for details.



757

PARTS CATALOG (MAINTENANCE)

FIG ITEM	PART NUMBER	1 2 3 4 5 6 7	NOMENCLATURE	EFFECT FROM TO	UNITS PER ASSY
2					
183	BAC27NCT0103		.MARKER-ALUMINUM FOIL PLACARD CONTENT: RA	002004 006999	1
185	251N6234-18		.BRACKET ASSY- POSITION DATA: LEFT HAND LWR OPTIONAL PART: 251N62134-19	952952	1
185	251N6234-19		.BRACKET ASSY- POSITION DATA: LEFT HAND LWR OPTIONAL PART: 251N62134-18	952952	1
185	251N6234-17		.BRACKET ASSY- POSITION DATA: LEFT HAND LWR	107107 904949	1
185	251N6234-20		.BRACKET ASSY- POSITION DATA: LEFT HAND LWR OPTIONAL PART: 251N62134-21	002004 006009 121503 953999	1
185	251N6234-21		.BRACKET ASSY- POSITION DATA: LEFT HAND LWR OPTIONAL PART: 251N62134-20	002004 006009 121503 953999	1
185	251N6234-23		.BRACKET ASSY- POSITION DATA: LEFT HAND LWR	010100 950951	1
185	251N6234-24		.BRACKET ASSY- POSITION DATA: LEFT HAND LWR	101102 108120 504903	1
185	251N6234-25		.BRACKET ASSY- POSITION DATA: LEFT HAND LWR ATTACHING PARTS	103106	1
190	BACB30LJ4-7		.BOLT-	002004 006999	1
195	BACB30LJ4-4		.BOLT-	002004 006999	2
200	NAS1149D0463J		.WASHER-	002004 006999	3

MISSING ITEM NUMBERS NOT APPLICABLE

- ITEM NOT ILLUSTRATED

27-21-51-02

27-21-51  
FIG. 02  
PAGE 7  
JAN 20/09

BRI



757

PARTS CATALOG (MAINTENANCE)

FIG ITEM	PART NUMBER	1 2 3 4 5 6 7	NOMENCLATURE	EFFECT FROM TO	UNITS PER ASSY
2 205	MF53049-4		.NUTPLATE- SUPPLIER CODE: V15653 SPECIFICATION NUMBER: BACN10JN4 OPTIONAL PART: BRFM20A4 V52828 MF1000-4BAC V15653 NS103218-048 V80539 RMF9201M4 V72962 VN252A048 V92215 T8124S4S V11815 -----*-----	002004 006999	3
210	NAS623-3-17		.. SCREW-	101102 108120 504903	2
210	BACB30LK3-17		.. BOLT-	103106	2
215	AN960D10		.. WASHER-	002004 006100 107107 121503 904999	2
215	NAS1149D0363H		.. WASHER-	101106 108120 504903	2
220	NAS42DD6-60		.. SPACER-	002004 006102 107999	2
220	NAS42DD6-60FC		.. SPACER-	103106	2

MISSING ITEM NUMBERS NOT APPLICABLE

- ITEM NOT ILLUSTRATED

BRI

27-21-51-02

BOEING PROPRIETARY - Copyright © - Unpublished Work - See title page for details.

27-21-51  
FIG. 02  
PAGE 8  
JAN 20/09



757

PARTS CATALOG (MAINTENANCE)

FIG ITEM	PART NUMBER	1 2 3 4 5 6 7	NOMENCLATURE	EFFECT FROM TO	UNITS PER ASSY
2 225	T8077S1032		..NUTPLATE- SUPPLIER CODE: V11815 SPECIFICATION NUMBER: BACN10JP3B OPTIONAL PART: MK2000-3BAC V15653 NS103198-02 V80539 RMA9207-3 V72962 VN201A1-02 V92215 BRM100A3 V52828 BACN10KB3	002004 006999	2
225	K2000-3		..NUTPLATE- SUPPLIER CODE: V15653 SPECIFICATION NUMBER: BACN10KB3 OPTIONAL PART: NS103184-02 V80539 RMA9207-3 V72962 T8109S1032 V11815 VN101A1-02 V92215 BR1000A3 V52828 BACN10JP3B	002004 006999	2
230	BACB30NF5-18		..BOLT-	002004 006102 107999	1
230	BACB30LJ5CHR17		..BOLT-	103106	1
235	AN960D516		..WASHER-	002004 006100 107107 121503 904999	1
235	NAS1149D0563H		..WASHER-	101102 108120 504903	1

MISSING ITEM NUMBERS NOT APPLICABLE

- ITEM NOT ILLUSTRATED

BRI

27-21-51-02

27-21-51  
FIG. 02  
PAGE 9  
JAN 20/09





757

PARTS CATALOG (MAINTENANCE)

FIG ITEM	PART NUMBER	1 2 3 4 5 6 7	NOMENCLATURE	EFFECT FROM TO	UNITS PER ASSY
2 240	BRH10A5	..	NUT- SUPPLIER CODE: V52828 SPECIFICATION NUMBER: BACN10JC5 OPTIONAL PART: T6S524J V11815 96-054 V80539 RMLH9075-5W V72962 H10-5BAC V15653	002004 006102 107999	1
240	BR1000A5	..	NUT- SUPPLIER CODE: V52828 SPECIFICATION NUMBER: BACN10KB5 OPTIONAL PART: RMA9207-5 V72962 T8109S524 V11815 VN101A1-054 V92215 K2000-5 V15653 NS103184-054 V80539	103106	1
245	65B80970-1	..	PULLEY ASSY-8 IN. DIA 1/8 IN. CABLE	002004 006999	1
250	DW5E6531	...	BEARING SUPPLIER CODE: V21335 SPECIFICATION NUMBER: BACB10A672 OPTIONAL PART: LLDW5 V38443 DW5-6 V38443	002004 006999	1
255	65B80972-1	...	SHIELD	002004 006999	2
260	65B80971-1	...	SHEAVE ASSY	002004 006999	1
265	69B81362-1	....	INSERT	002004 006999	1

MISSING ITEM NUMBERS NOT APPLICABLE

- ITEM NOT ILLUSTRATED

27-21-51-02

27-21-51  
FIG. 02  
PAGE 10  
JAN 20/09

BRI



757

PARTS CATALOG (MAINTENANCE)

FIG ITEM	PART NUMBER	1 2 3 4 5 6 7	NOMENCLATURE	EFFECT FROM TO	UNITS PER ASSY
2					
270	65B80971-2	....	SHEAVE	002004 006999	1
285	251N6234-7	..	COVER	002004 006999	1
			ATTACHING PARTS		
- 290	BACR15FT5D	..	RIVET- SIZE DETERMINED ON INSTL. -----*-----	002004 006999	6
292	MS24665-69	..	PIN-	002004 006102 107999	1
292	BACP18BC01C04P	..	PIN-	103106	1
293	MS20392-2C31	..	PIN-	002004 006102 107999	1
293	BACP18BD2C31	..	PIN-	103106	1
294	AN960KD10	..	WASHER-	002004 006100 107107 121503 904999	2
294	NAS1149D0363J	..	WASHER-	101102 108120 504903	2
295	251N6138-7	..	GUARD-CABLE	010106 108120 504903 950951	1
295	251N6138-6	..	GUARD-CABLE	002004 006009 107107 121503 904949 952999	1
			ATTACHING PARTS		
- 300	BACR15BB5A	..	RIVET- SIZE DETERMINED ON INSTL. -----*-----	002004 006999	3
305	BACR15FT5D	..	RIVET- SIZE DETERMINED ON INSTL.	002004 006999	1
315	50-3361-8604	..	FILLER-RADIUS	002004 006999	1
320	251N6234-3	..	CLIP	002004 006999	1
323	251N6234-13	..	FILLER	002004 006999	1
330	251N6234-12	..	BRACKET-	002004 006102 107999	1

MISSING ITEM NUMBERS NOT APPLICABLE

- ITEM NOT ILLUSTRATED

27-21-51-02

27-21-51  
FIG. 02  
PAGE 11  
JAN 20/09

BRI

BOEING PROPRIETARY - Copyright © - Unpublished Work - See title page for details.



757

PARTS CATALOG (MAINTENANCE)

FIG ITEM	PART NUMBER	1 2 3 4 5 6 7	NOMENCLATURE	EFFECT FROM TO	UNITS PER ASSY
2					
330	251N6234-26		..BRACKET- ATTACHING PARTS	103106	1
- 335	BACR15BA5D		..RIVET- SIZE DETERMINED ON INSTL.	107107 904949	4
- 335	BACR15FT5D		..RIVET- SIZE DETERMINED ON INSTL.	002004 006106 108903 950999	4
			-----*-----		
337	251N6234-16		..STRIP-RUB  ATTACHING PARTS	002004 006999	1
- 338	BACR15BB5B		..RIVET- SIZE DETERMINED ON INSTL.	002004 006999	2
			-----*-----		
340	L8006K19		..BOLT- SUPPLIER CODE: V06725 SPECIFICATION NUMBER: BACB30MY6K19	002004 006999	1
342	L8006K18		..BOLT SUPPLIER CODE: V06725 SPECIFICATION NUMBER: BACB30MY6K18	002004 006999	1
345	HL79-6		..COLLAR- SUPPLIER CODE: V5M902 SPECIFICATION NUMBER: BACC30M6 OPTIONAL PART: HL79-6 V73197 HL79-6 V92215 66014-6 V56878 HL79-6 V56878	002004 006999	2
350	NAS42DD6-60		..SPACER-	002004 006102 107999	2
350	NAS42DD6-60FC		..SPACER-	103106	2
355	251N6234-11		..SUPPORT-	002004 006999	1
			ATTACHING PARTS		
360	BACR15BA5D		..RIVET- SIZE DETERMINED ON INSTL.	107107 904949	6

MISSING ITEM NUMBERS NOT APPLICABLE

- ITEM NOT ILLUSTRATED

27-21-51-02

27-21-51  
FIG. 02  
PAGE 12  
JAN 20/09

BRI

BOEING PROPRIETARY - Copyright © - Unpublished Work - See title page for details.



757

PARTS CATALOG (MAINTENANCE)

FIG ITEM	PART NUMBER	1 2 3 4 5 6 7	NOMENCLATURE	EFFECT FROM TO	UNITS PER ASSY
2					
360	BACR15CE5D	..	RIVET- SIZE DETERMINED ON INSTL.	002004 006106 108903 950999	6
365	BACR15FT5D	..	RIVET- SIZE DETERMINED ON INSTL.	107107 904949	6
365	BACR15CE5D	..	RIVET- SIZE DETERMINED ON INSTL.	002004 006106 108903 950999	6
			-----*-----		
380	BACR15FT5D	..	RIVET- SIZE DETERMINED ON INSTL.	107107 904949	2
380	BACR15CE5D	..	RIVET- SIZE DETERMINED ON INSTL.	002004 006106 108903 950999	2
385	251N6234-15	..	STRIP-RUB	002004 006999	1
395	251N6234-22	..	SUPPORT-	002004 006106 108903 950951 953999	1
395	251N6234-14	..	SUPPORT-	107107 904949 952952	1
			ATTACHING PARTS		
- 400	BACR15BA5D	..	RIVET- SIZE DETERMINED ON INSTL.	107107 904949	7
- 400	BACR15CE5D	..	RIVET- SIZE DETERMINED ON INSTL.	002004 006106 108903 950999	7
405	BACR15CE5D	..	RIVET- SIZE DETERMINED ON INSTL.	002004 006999	6
			-----*-----		
410	BACR15FT5D	..	RIVET- SIZE DETERMINED ON INSTL.	002004 006106 108903 950999	2
410	BACR15BA5AD	..	RIVET- SIZE DETERMINED ON INSTL.	107107 904949	2
415	50-3361-8502	..	FILLER-RADIUS	002004 006999	2
420	251N6234-2	..	BRACKET	002004 006999	1

MISSING ITEM NUMBERS NOT APPLICABLE

- ITEM NOT ILLUSTRATED

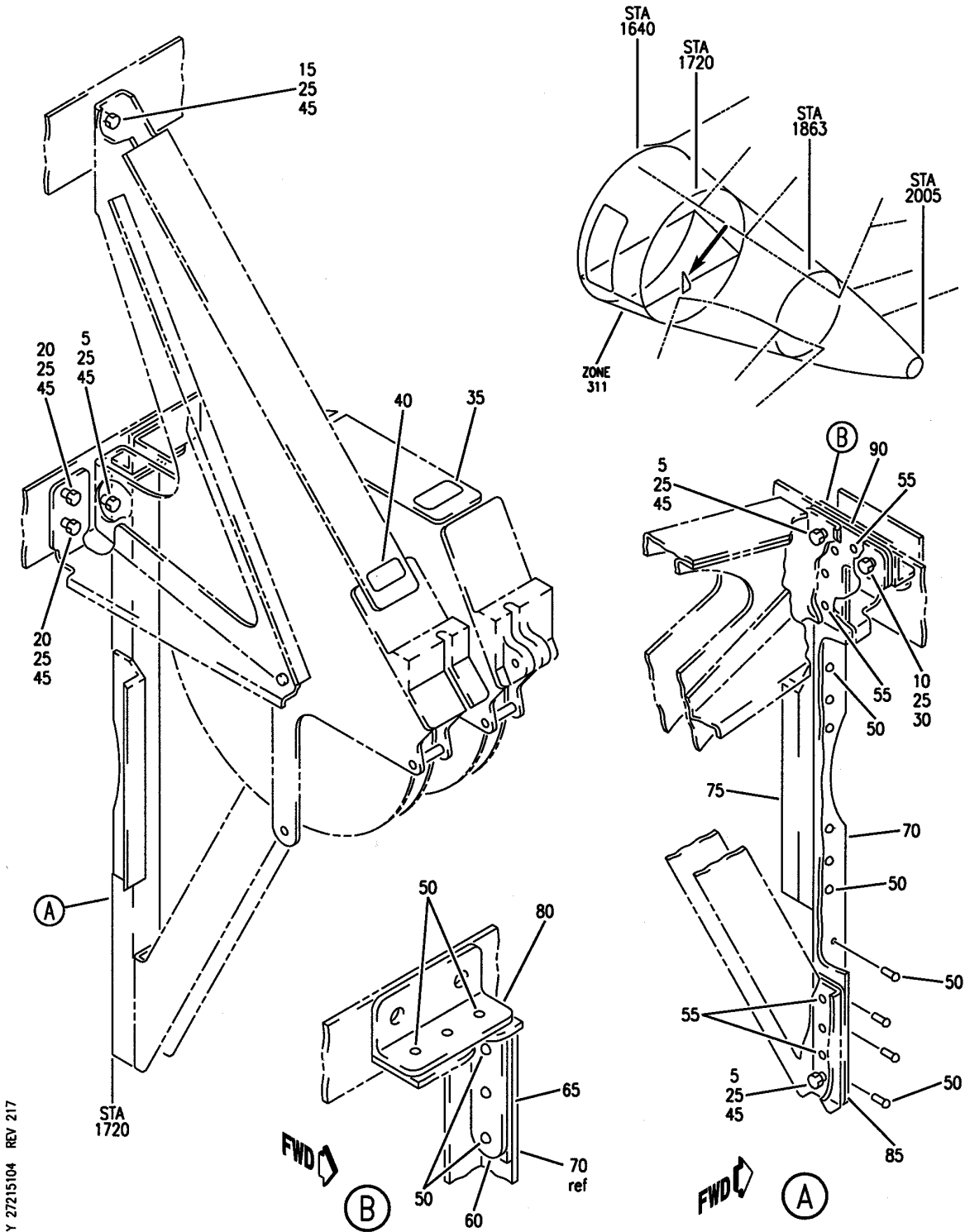
27-21-51-02

27-21-51  
FIG. 02  
PAGE 13  
JAN 20/09

BRI

BOEING PROPRIETARY - Copyright © - Unpublished Work - See title page for details.

**BOEING**  
757  
PARTS CATALOG (MAINTENANCE)



SUPPORT INSTL-STA 1720 RUD RA AND RB CABLES  
FIGURE 4

**27-21-51-04**

BRI  
MAY 28/07

27-21-51-04  
PAGE 0



757

PARTS CATALOG (MAINTENANCE)

FIG ITEM	PART NUMBER	1 2 3 4 5 6 7	NOMENCLATURE	EFFECT FROM TO	UNITS PER ASSY
4			SUPPORT INSTL-STA 1720 RUD RA AND RB CABLES	002004 006102 107999	
- 1	251N6031-6		SUPPORT INSTL-RA AND RB CABLES POSITION DATA: STA 1720 FOR NHA SEE: 53-80-00-01 53-00-00-04 53-80-00-04	002004 006102 108903 950999	RF
- 1	251N6031-4		SUPPORT INSTL-RA AND RB CABLES POSITION DATA: STA 1720 FOR NHA SEE: 53-80-00-04	107107 904949	RF
5	BACB30NF4-4		.BOLT	002004 006102 107999	3
10	BACB30NF4-7		.BOLT	002004 006102 107999	1
15	BACB30NF4-2		.BOLT	002004 006102 107999	1
20	BACB30NF4-6		.BOLT	002004 006102 107999	2
25	AN960PD416		.WASHER	002004 006102 107999	7

MISSING ITEM NUMBERS NOT APPLICABLE

- ITEM NOT ILLUSTRATED

BRI

27-21-51-04

27-21-51  
FIG. 04  
PAGE 1  
JAN 20/09



757

PARTS CATALOG (MAINTENANCE)

FIG ITEM	PART NUMBER	1 2 3 4 5 6 7	NOMENCLATURE	EFFECT FROM TO	UNITS PER ASSY
4	30 BRH10A4	.NUT	SUPPLIER CODE: V52828 SPECIFICATION NUMBER: BACN10JC4 OPTIONAL PART: T6S428J V11815 96-048 V80539 VN303A048 V92215 RMLH9075-4W V72962 NS202101-048 V80539 H10-4BAC V15653	002004 006102 107999	1
	35 BAC27NCT0103	.MARKER		002004 006102 107999	1
	40 BAC27NCT0104	.MARKER		002004 006102 107999	1
	45 MF53049-4	.NUTPLATE	SUPPLIER CODE: V15653 SPECIFICATION NUMBER: BACN10JN4 OPTIONAL PART: BRFM20A4 V52828 MF1000-4BAC V15653 NS103218-048 V80539 RMF9201M4 V72962 VN252A048 V92215 T8124S4S V11815	002004 006102 107999	6
	50 BACR15FT5D	.RIVET		002004 006102 107999	16
	55 BACR15CE5D	.RIVET		002004 006102 107999	7

MISSING ITEM NUMBERS NOT APPLICABLE

- ITEM NOT ILLUSTRATED

27-21-51-04

27-21-51  
FIG. 04  
PAGE 2  
JAN 20/09

BRI



757

PARTS CATALOG (MAINTENANCE)

FIG ITEM	PART NUMBER	1 2 3 4 5 6 7	NOMENCLATURE	EFFECT FROM TO	UNITS PER ASSY
4	60	251N6234-9	. CLIP	002004 006102 107999	1
	65	50-3361-8620	. FILLER	002004 006102 107999	1
	70	251N6242-2	. SUPPORT	002004 006102 107999	1
	75	251N6242-3	. SUPPORT	002004 006102 107999	1
	80	251N6242-4	. SUPPORT	002004 006102 107999	1
	85	251N6242-15	. SUPPORT	002004 006102 107999	1
	90	251N6242-16	. SUPPORT	002004 006102 107999	1
	MISSING ITEM NUMBERS NOT APPLICABLE				

- ITEM NOT ILLUSTRATED

BRI

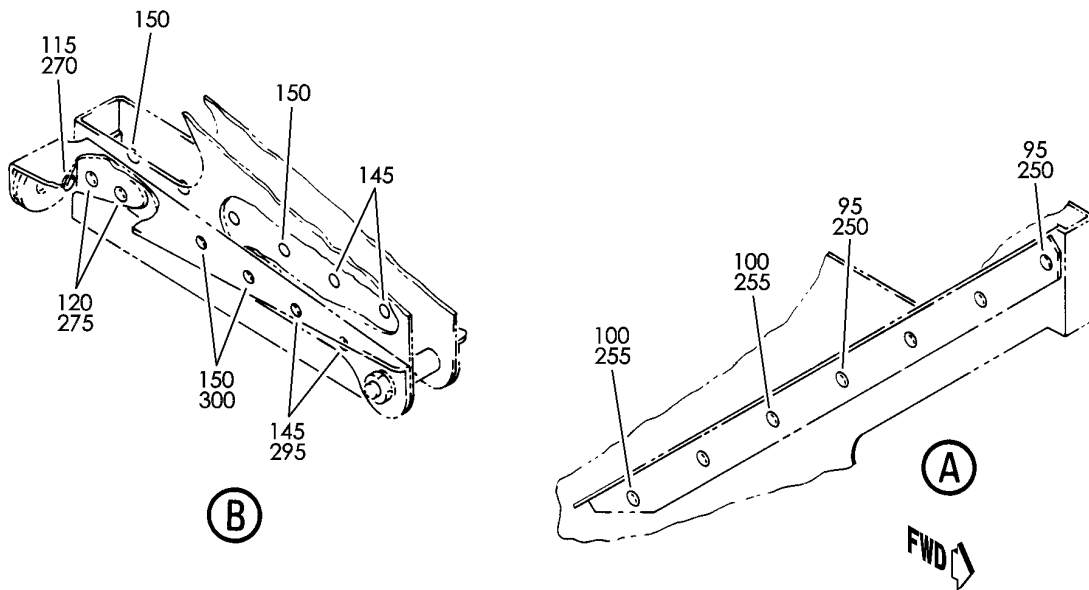
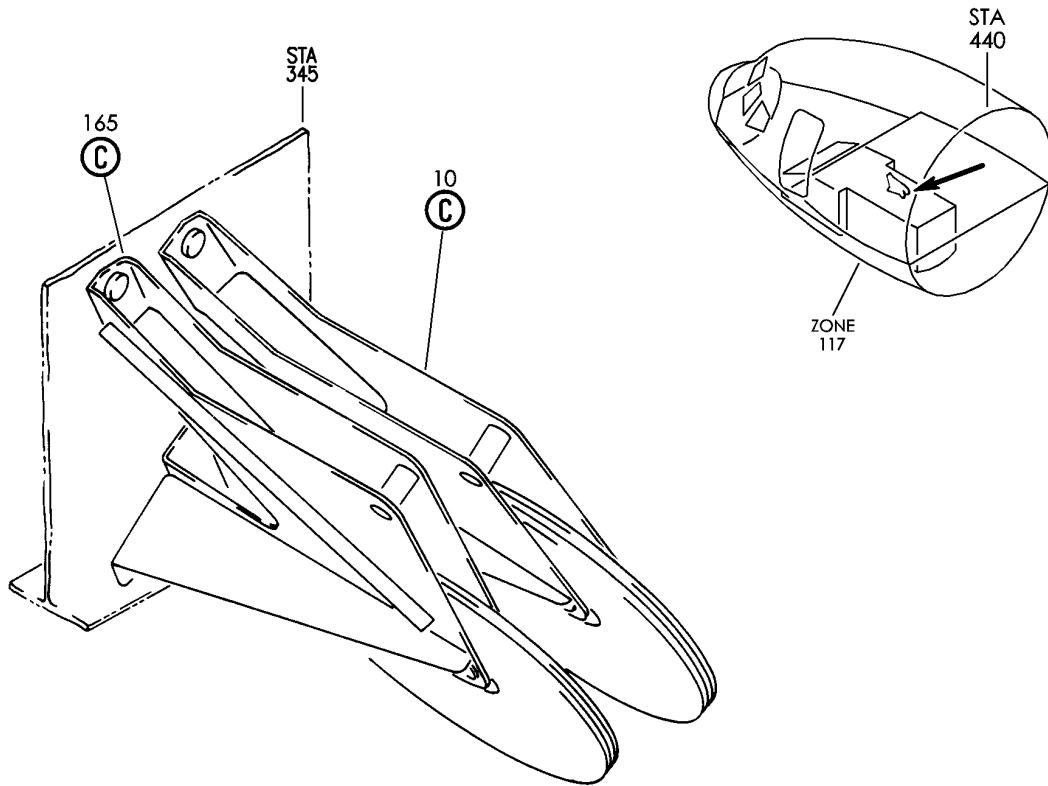
27-21-51-04

BOEING PROPRIETARY - Copyright © - Unpublished Work - See title page for details.

27-21-51  
FIG. 04  
PAGE 3  
JAN 20/09



**BOEING**  
757  
PARTS CATALOG (MAINTENANCE)



Y 27215105 SHT 1 REV 237

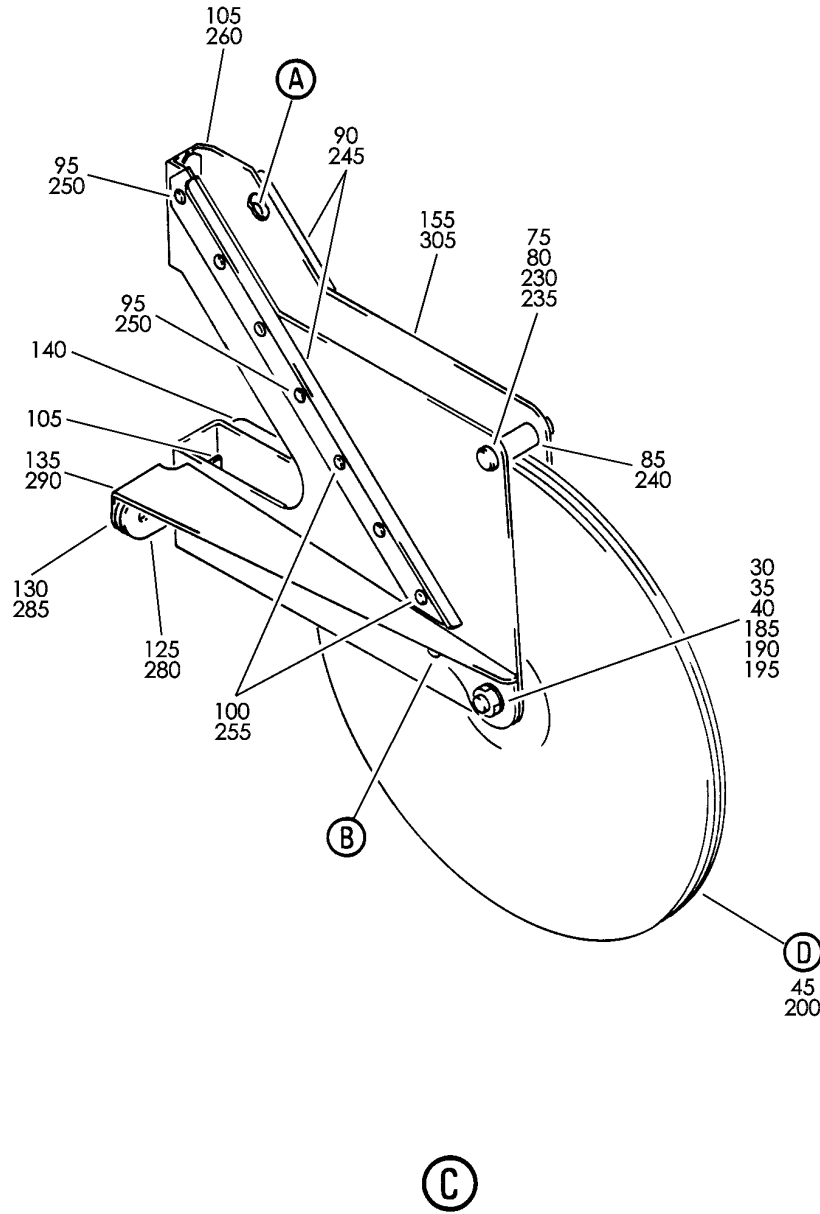
BRACKET INSTL-STA 351 RA AND RB  
FIGURE 5 (SHEET 1)

**27-21-51-05**

BRI  
MAY 28/07

27-21-51-05  
PAGE 0

**BOEING**  
757  
PARTS CATALOG (MAINTENANCE)



Y 27215105 SHT 2 REV 237

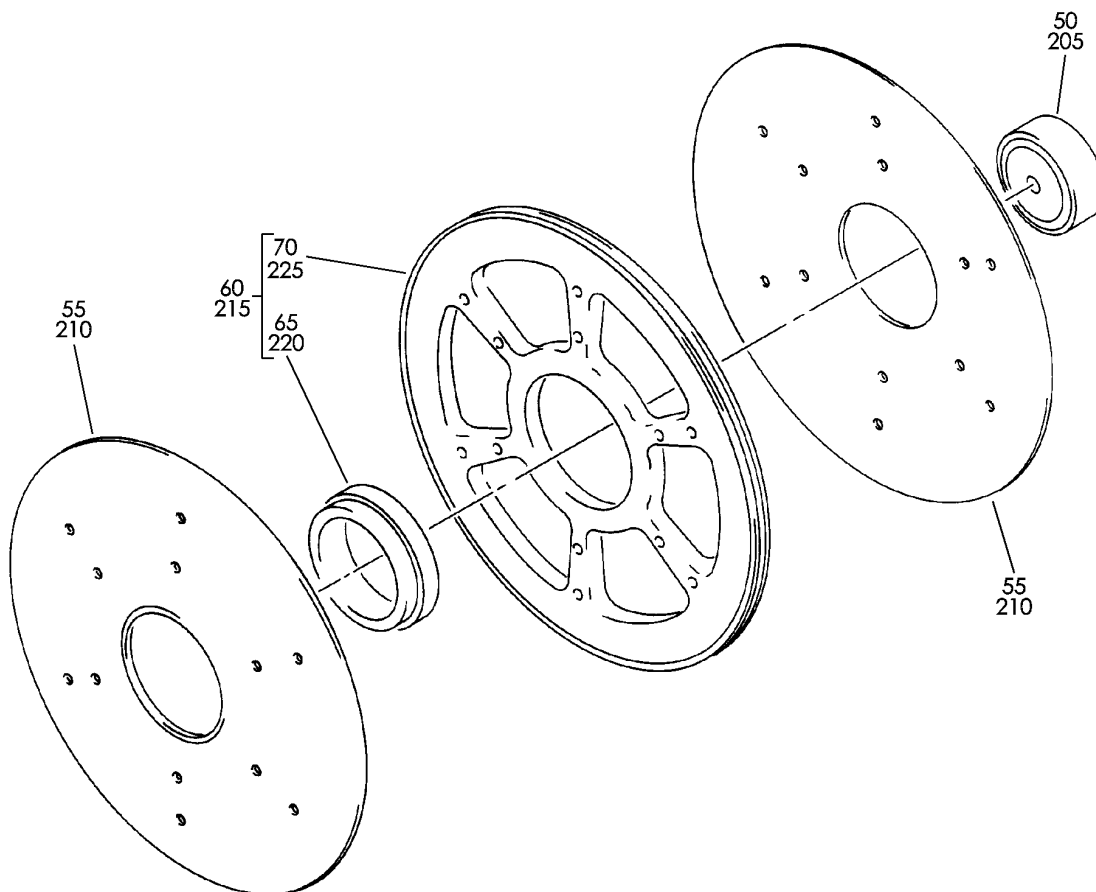
BRACKET INSTL-STA 351 RA AND RB  
FIGURE 5 (SHEET 2)

**27-21-51-05**

BRI  
MAY 28/07

27-21-51-05  
PAGE 0A

**BOEING**  
757  
PARTS CATALOG (MAINTENANCE)



(D)

Y 27215105 SHT 3 REV 237

BRACKET INSTL-STA 351 RA AND RB  
FIGURE 5 (SHEET 3)

**27-21-51-05**

BRI  
MAY 28/07

27-21-51-05  
PAGE 0B



757

PARTS CATALOG (MAINTENANCE)

FIG ITEM	PART NUMBER	1 2 3 4 5 6 7	NOMENCLATURE	EFFECT FROM TO	UNITS PER ASSY
5			BRACKET INSTL-STA 351 RA AND RB	002004 006999	
- 1	251N6007-1		BRACKET INSTL-RA AND RB POSITION DATA: STA 351 FOR NHA SEE: 27-21-54-01	002004 006100 107107 121503 904999	RF
- 1	251N6007-2		BRACKET INSTL-RA AND RB POSITION DATA: STA 351 FOR NHA SEE: 27-20-00-01	101102 108120 504903	RF
- 1	MODREF7883		BRACKET INSTL-RA AND RB MODULE NUMBER: 251N6007-2 REV A POSITION DATA: STA 351	103106	1
10	251N6131-1		.BRACKET ASSY-PULLEY	002004 006999	1
- 15	BACB30NF4-4		ATTACHING PARTS .BOLT	002004 006999	3
- 20	AN960PD416		.WASHER	002004 006999	3
- 25	BRH10A4		.NUT SUPPLIER CODE: V52828 SPECIFICATION NUMBER: BACN10JC4 OPTIONAL PART: T6S428J V11815 96-048 V80539 VN303A048 V92215 RMLH9075-4W V72962 NS202101-048 V80539 H10-4BAC V15653 -----*-----	002004 006999	3
30	BACB30NF5-18		..BOLT	002004 006999	1
35	AN960PD516		..WASHER	002004 006999	1

MISSING ITEM NUMBERS NOT APPLICABLE

- ITEM NOT ILLUSTRATED

BRI

27-21-51-05

27-21-51  
FIG. 05  
PAGE 1  
JAN 20/09



757

PARTS CATALOG (MAINTENANCE)

FIG ITEM	PART NUMBER	1 2 3 4 5 6 7	NOMENCLATURE	EFFECT FROM TO	UNITS PER ASSY
5					
40	BRH10A5	..	NUT SUPPLIER CODE: V52828 SPECIFICATION NUMBER: BACN10JC5 OPTIONAL PART: T6S524J V11815 96-054 V80539 RMLH9075-5W V72962 H10-5BAC V15653	002004 006999	1
45	65B80970-1	..	PULLEY ASSY-8 IN. DIA 1/8 CABLE	002004 006999	1
50	DW5E6531	...	BEARING SUPPLIER CODE: V21335 SPECIFICATION NUMBER: BACB10A672 OPTIONAL PART: LLDW5 V38443 DW5-6 V38443	002004 006999	1
55	65B80972-1	...	SHIELD	002004 006999	2
60	65B80971-1	...	SHEAVE ASSY	002004 006999	1
65	69B81362-1	....	INSERT	002004 006999	1
70	65B80971-2	....	SHEAVE	002004 006999	1
75	BACB30NX6K	..	BOLT- SIZE DETERMINED ON INSTL.	002004 006999	1

MISSING ITEM NUMBERS NOT APPLICABLE

- ITEM NOT ILLUSTRATED

BRI

27-21-51-05

BOEING PROPRIETARY - Copyright © - Unpublished Work - See title page for details.

27-21-51  
FIG. 05  
PAGE 2  
SEP 20/08



757

PARTS CATALOG (MAINTENANCE)

FIG ITEM	PART NUMBER	1 2 3 4 5 6 7	NOMENCLATURE	EFFECT FROM TO	UNITS PER ASSY
5					
80	HL79-6	..	COLLAR SUPPLIER CODE: V5M902 SPECIFICATION NUMBER: BACC30M6 OPTIONAL PART: HL79-6 V73197 HL79-6 V92215 66014-6 V56878 HL79-6 V56878	002004 006999	1
85	NAS42DD6-60	..	SPACER	002004 006999	1
90	251N6133-10	..	STIFFENER	002004 006999	2
			ATTACHING PARTS		
95	BACR15FT5D	..	RIVET- SIZE DETERMINED ON INSTL.	002004 006999	8
100	BACR15BA5AD	..	RIVET- SIZE DETERMINED ON INSTL.	002004 006999	6
			-----*-----		
105	251N6133-9	..	FILLER	002004 006999	2
			ATTACHING PARTS		
- 110	BACR15BA5AD	..	RIVET- SIZE DETERMINED ON INSTL.	002004 006999	2
			-----*-----		
115	BACR15BA5AD	..	RIVET- SIZE DETERMINED ON INSTL.	002004 006999	1
120	BACR15FT5D	..	RIVET- SIZE DETERMINED ON INSTL.	002004 006999	2
125	251N6131-5	..	CLIP	002004 006999	1
130	251N6131-6	..	FILLER	002004 006999	1
135	251N6131-3	..	BRACE	002004 006999	1
140	251N6131-4	..	BRACE	002004 006999	1
			ATTACHING PARTS		
145	BACR15BA5AD	..	RIVET- SIZE DETERMINED ON INSTL.	002004 006999	4
150	BACR15FT5D	..	RIVET- SIZE DETERMINED ON INSTL.	002004 006999	6
			-----*-----		

MISSING ITEM NUMBERS NOT APPLICABLE

- ITEM NOT ILLUSTRATED

27-21-51-05

27-21-51  
FIG. 05  
PAGE 3  
SEP 20/08

BRI

BOEING PROPRIETARY - Copyright © - Unpublished Work - See title page for details.



757

PARTS CATALOG (MAINTENANCE)

FIG ITEM	PART NUMBER	1 2 3 4 5 6 7	NOMENCLATURE	EFFECT FROM TO	UNITS PER ASSY
5					
155	251N6131-2	. .	BRACKET	002004 006999	1
165	251N6132-1	. .	BRACKET ASSY-PULLEY	107107 904949	1
165	251N6132-6	. .	BRACKET ASSY-PULLEY	002004 006106 108903 950999	1
- 170	BACB30NF4-4	. .	ATTACHING PARTS BOLT	002004 006999	3
- 175	AN960PD416	. .	WASHER	002004 006999	3
- 180	BRH10A4	. .	NUT SUPPLIER CODE: V52828 SPECIFICATION NUMBER: BACN10JC4 OPTIONAL PART: T6S428J V11815 96-048 V80539 VN303A048 V92215 RMLH9075-4W V72962 NS202101-048 V80539 H10-4BAC V15653 -----*-----	002004 006999	3
185	BACB30NF5-18	. .	BOLT	002004 006999	1
190	AN960PD516	. .	WASHER	002004 006999	1

MISSING ITEM NUMBERS NOT APPLICABLE

- ITEM NOT ILLUSTRATED

BRI

27-21-51-05

27-21-51  
FIG. 05  
PAGE 4  
JAN 20/09



757

PARTS CATALOG (MAINTENANCE)

FIG ITEM	PART NUMBER	1 2 3 4 5 6 7	NOMENCLATURE	EFFECT FROM TO	UNITS PER ASSY
5 195	BRH10A5	..	NUT SUPPLIER CODE: V52828 SPECIFICATION NUMBER: BACN10JC5 OPTIONAL PART: T6S524J V11815 96-054 V80539 RMLH9075-5W V72962 H10-5BAC V15653	002004 006999	1
200	65B80970-1	..	PULLEY ASSY-8 IN. DIA 1/8 CABLE	002004 006999	1
205	DW5E6531	...	BEARING SUPPLIER CODE: V21335 SPECIFICATION NUMBER: BACB10A672 OPTIONAL PART: LLDW5 V38443 DW5-6 V38443	002004 006999	1
210	65B80972-1	...	SHIELD	002004 006999	2
215	65B80971-1	...	SHEAVE ASSY	002004 006999	1
220	69B81362-1	....	INSERT	002004 006999	1
225	65B80971-2	....	SHEAVE	002004 006999	1

MISSING ITEM NUMBERS NOT APPLICABLE

- ITEM NOT ILLUSTRATED

BRI

27-21-51-05

BOEING PROPRIETARY - Copyright © - Unpublished Work - See title page for details.

27-21-51  
FIG. 05  
PAGE 5  
JAN 20/09





757

PARTS CATALOG (MAINTENANCE)

FIG ITEM	PART NUMBER	1 2 3 4 5 6 7	NOMENCLATURE	EFFECT FROM TO	UNITS PER ASSY
5 230	HL1012AZ6-17	..	BOLT SUPPLIER CODE: V97928 SPECIFICATION NUMBER: BACB30NX6K17 OPTIONAL PART: HL12VAZ6-17 V73197 HL12VAZ6-17 V92215 HL12VAZ6-17 V97928 L802-6K17 V06725 HL12VAZ6-17 V56878 HL1012AZ6-17 V0PTK6 HL1012AZ6-17 V06725 HL1012AZ6-17 V06950 HL1012AZ6-17 V17446 HL1012AZ6-17 V56878 HL1012AZ6-17 V60516 HL1012AZ6-17 V73197	002004 006999	1
235	HL1187-6	..	COLLAR SUPPLIER CODE: V5M902 SPECIFICATION NUMBER: BACC30X6 OPTIONAL PART: HL87-6 V92215 HL87-6 V73197 HL1187-6 V56878 HL1187-6 V92215 HL87-6 V56878 HL1187-6 V73197	002004 006999	1

MISSING ITEM NUMBERS NOT APPLICABLE

- ITEM NOT ILLUSTRATED

27-21-51-05

27-21-51  
FIG. 05  
PAGE 6  
JAN 20/09

BRI



757

PARTS CATALOG (MAINTENANCE)

FIG ITEM	PART NUMBER	1 2 3 4 5 6 7	NOMENCLATURE	EFFECT FROM TO	UNITS PER ASSY
5					
240	NAS42DD6-60	..	SPACER	002004 006999	1
245	251N6133-10	..	STIFFENER	002004 006999	2
			ATTACHING PARTS		
250	BACR15FT5D	..	RIVET- SIZE DETERMINED ON INSTL.	002004 006999	8
255	BACR15BA5AD	..	RIVET- SIZE DETERMINED ON INSTL.	002004 006999	6
			-----*-----		
260	251N6133-9	..	FILLER	002004 006999	1
			ATTACHING PARTS		
- 265	BACR15BA5AD	..	RIVET- SIZE DETERMINED ON INSTL.	002004 006999	1
			-----*-----		
270	BACR15BA5AD	..	RIVET- SIZE DETERMINED ON INSTL.	002004 006999	1
275	BACR15FT5D	..	RIVET- SIZE DETERMINED ON INSTL.	002004 006999	2
280	251N6132-4	..	CLIP	002004 006999	1
285	50-3361-8532	..	FILLER	002004 006999	1
290	251N6132-3	..	BRACE	107107 904949	1
290	251N6132-5	..	BRACE	002004 006106 108903 950999	1
			ATTACHING PARTS		
295	BACR15BA5AD	..	RIVET- SIZE DETERMINED ON INSTL.	002004 006999	2
300	BACR15FT5D	..	RIVET- SIZE DETERMINED ON INSTL.	002004 006999	2
			-----*-----		
305	251N6132-2	..	BRACKET	002004 006999	1

MISSING ITEM NUMBERS NOT APPLICABLE

- ITEM NOT ILLUSTRATED

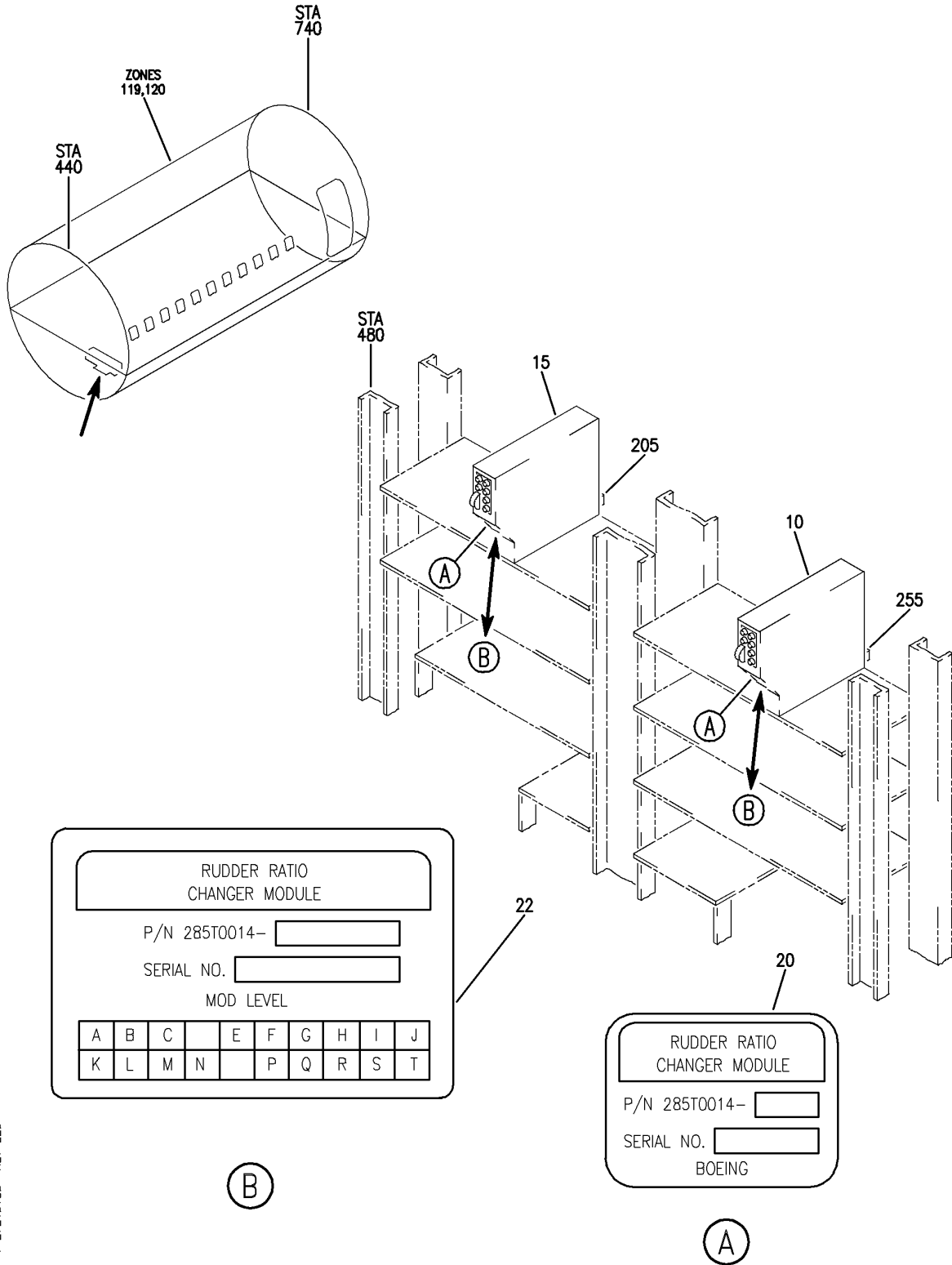
BRI

27-21-51-05

BOEING PROPRIETARY - Copyright © - Unpublished Work - See title page for details.

27-21-51  
FIG. 05  
PAGE 7  
JAN 20/09

**BOEING**  
757  
PARTS CATALOG (MAINTENANCE)



Y 27215108 REV 223

EQUIPMENT INSTL-MAIN ELECTRONICS EQPT CTR RUD RATIO CHANGER CSEU  
FIGURE 8

**27-21-51-08**

BRI  
JAN 20/09

27-21-51-08  
PAGE 0



757

PARTS CATALOG (MAINTENANCE)

FIG ITEM	PART NUMBER	1 2 3 4 5 6 7	NOMENCLATURE	EFFECT FROM TO	UNITS PER ASSY
8			EQUIPMENT INSTL-MAIN ELECTRONICS EQPT CTR RUD RATIO CHANGER CSEU	103106 108120	
- 1	284N4000-270008		EQUIPMENT INSTL-MAIN ELECTRONICS EQPT CTR RUD RATIO CHANGER CSEU	106106 108120	RF
- 5	284N4000-270009		FOR NHA SEE: 24-00-58-05A EQUIPMENT INSTL-MAIN ELECTRONICS EQPT CTR RUD RATIO CHANGER CSEU	106106 108120	RF
10	285T0014-104		.MODULE ASSY- SUPPLIER CODE: V89954 ELECTRICAL EQUIP NUMBER: M00528 COMPONENT MAINT MANUAL REF: 27-21-30 OPTIONAL PART: 285T0014-103 V89954 USED ON: 284N4000-270008 MODREF10039 FUNCTIONAL REFERENCE: PLACARDS AND MARKINGS FOR DETAILS SEE 11-36-03-08	103106 108120	1
10	285T0014-103		.MODULE ASSY- SUPPLIER CODE: V89954 ELECTRICAL EQUIP NUMBER: M00528 COMPONENT MAINT MANUAL REF: 27-21-30 OPTIONAL PART: 285T0014-104 V89954 USED ON: 284N4000-270008 MODREF10039 FUNCTIONAL REFERENCE: PLACARDS AND MARKINGS FOR DETAILS SEE 11-36-03-08	103106 108120	1

MISSING ITEM NUMBERS NOT APPLICABLE

- ITEM NOT ILLUSTRATED

BRI

27-21-51-08

27-21-51  
FIG. 08  
PAGE 1  
JAN 20/09



757

PARTS CATALOG (MAINTENANCE)

FIG ITEM	PART NUMBER	1 2 3 4 5 6 7	NOMENCLATURE	EFFECT FROM TO	UNITS PER ASSY
8 15	285T0014-104		.MODULE ASSY- SUPPLIER CODE: V89954 ELECTRICAL EQUIP NUMBER: M00529 COMPONENT MAINT MANUAL REF: 27-21-30 OPTIONAL PART: 285T0014-103 V89954 USED ON: 284N4000-270009 MODREF10040 FUNCTIONAL REFERENCE: PLACARDS AND MARKINGS FOR DETAILS SEE 11-36-03-08	103106 108120	1
15	285T0014-103		.MODULE ASSY- SUPPLIER CODE: V89954 ELECTRICAL EQUIP NUMBER: M00529 COMPONENT MAINT MANUAL REF: 27-21-30 OPTIONAL PART: 285T0014-104 V89954 USED ON: 284N4000-270009 MODREF10040 FUNCTIONAL REFERENCE: PLACARDS AND MARKINGS FOR DETAILS SEE 11-36-03-08	103106 108120	1
20	BAC27TEX1452		..DECAL- SUPPLIER CODE: V89954 MISCELLANEOUS DATA: BAC27TEX4146 OPT TO BAC27TEX1452 EXCEPT IF MOD A IS INSTALLED (-5014) THEN BAC27TEX4146 MUST BE USED. OPTIONAL PART: BAC27TEX4146 V89954	103106 108120	1

MISSING ITEM NUMBERS NOT APPLICABLE

- ITEM NOT ILLUSTRATED

27-21-51-08

27-21-51  
FIG. 08  
PAGE 2  
JAN 20/09

BRI



757

PARTS CATALOG (MAINTENANCE)

FIG ITEM	PART NUMBER	1 2 3 4 5 6 7	NOMENCLATURE	EFFECT FROM TO	UNITS PER ASSY
8 22	BAC27TEX4146		..DECAL- SUPPLIER CODE: V89954 MISCELLANEOUS DATA: BAC27TEX1452 OPT TO BAC27TEX4146 EXCEPT IF MOD A IS INSTALLED (-5014) THEN BAC27TEX4146 MUST BE USED. OPTIONAL PART: BAC27TEX1452 V89954	103106 108120	1
- 200 205	286N1165-320 BACC66F11C2101		WIRE BUNDLE ASSY .CONNECTOR- ELECTRICAL EQUIP NUMBER: D00711 WIRING DIAGRAM REF: 272122	108120 108120	RF 1
- 250 255	286N1265-328 BACC66F11C2101		WIRE BUNDLE ASSY- .CONNECTOR- ELECTRICAL EQUIP NUMBER: D00709 WIRING DIAGRAM REF: 272112	108120 108120	RF 1

MISSING ITEM NUMBERS NOT APPLICABLE

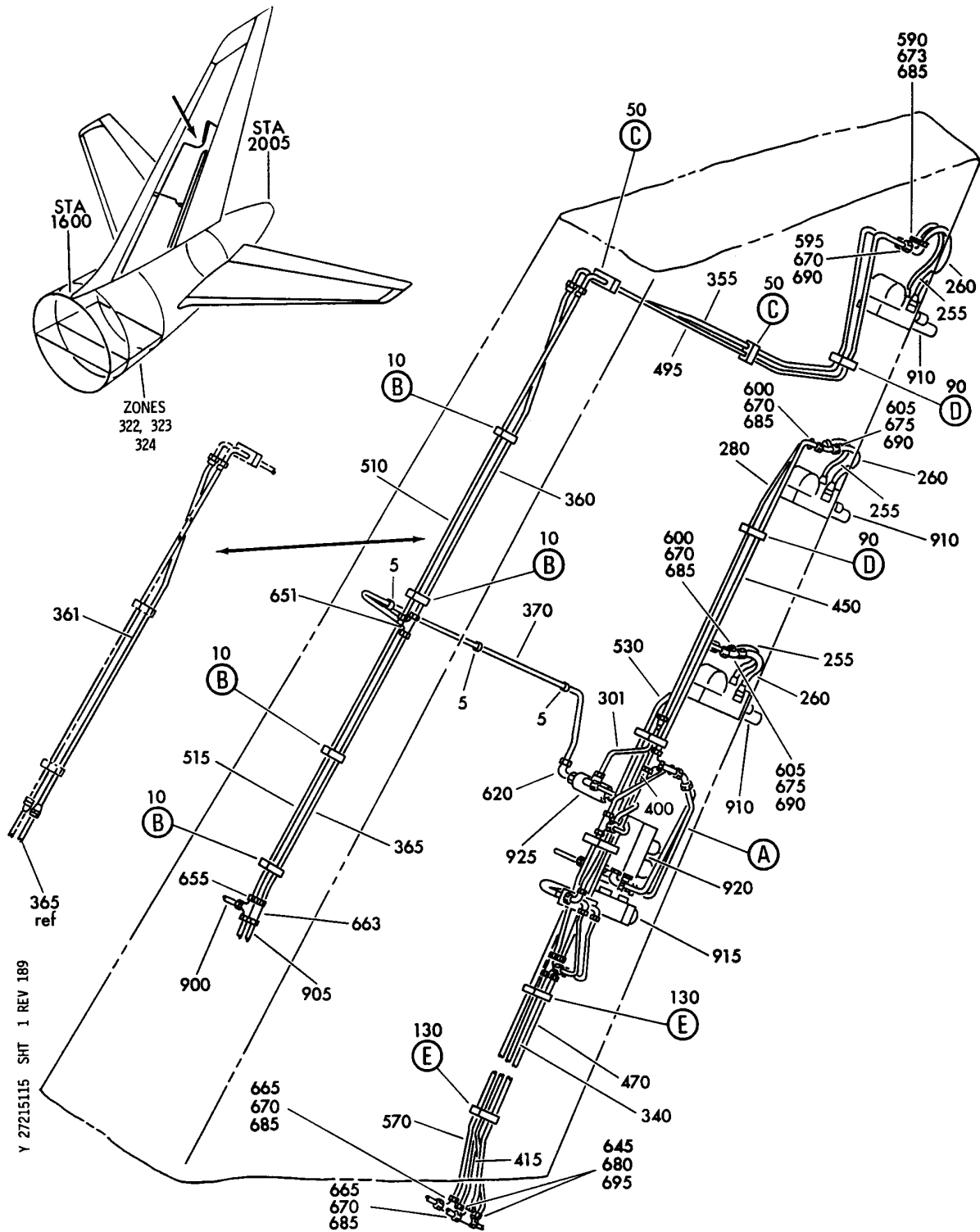
- ITEM NOT ILLUSTRATED

27-21-51-08

27-21-51  
FIG. 08  
PAGE 3  
JAN 20/09

BRI

**BOEING**  
757  
PARTS CATALOG (MAINTENANCE)

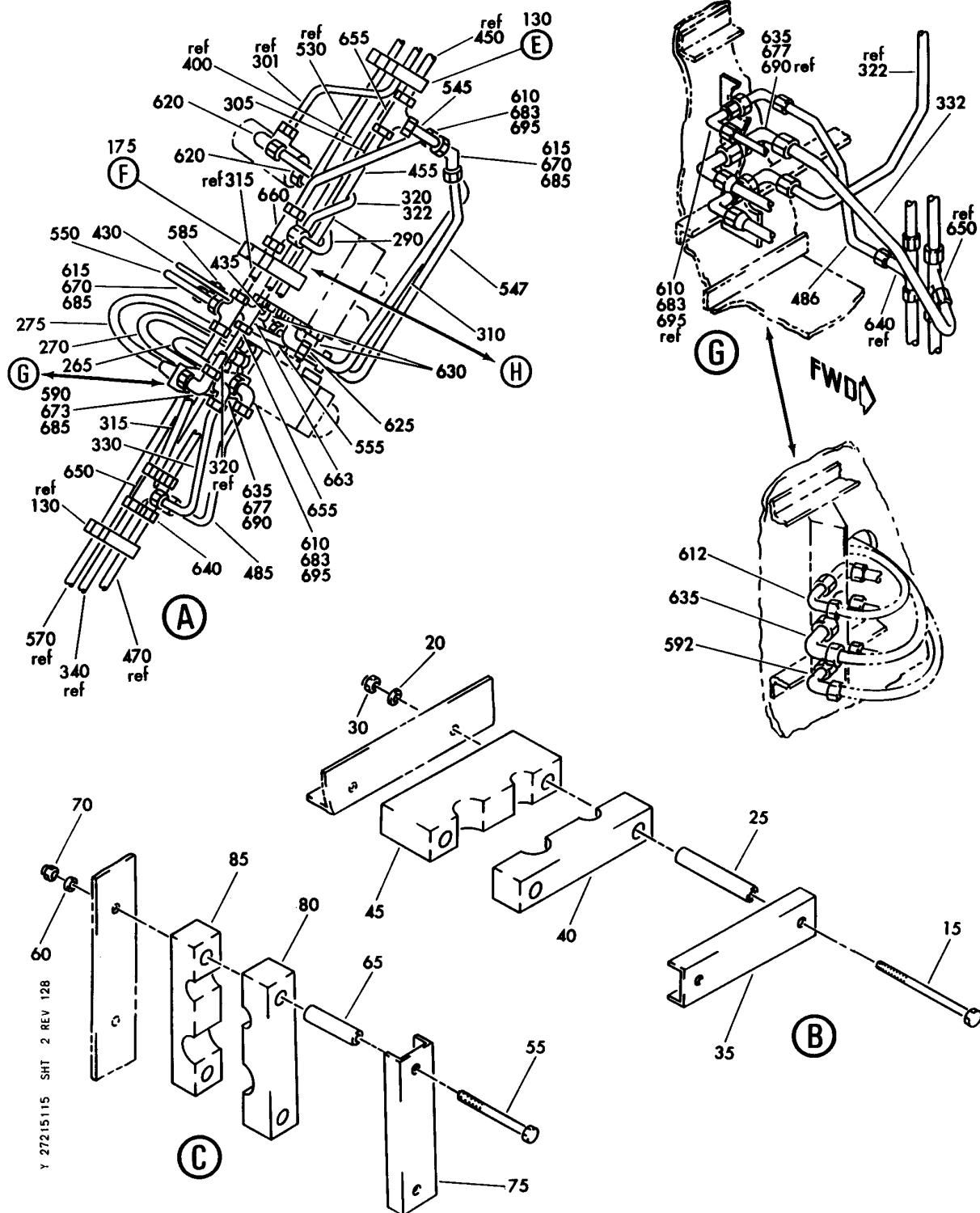


PLUMBING INSTL-VERT. FIN SECT. 70 HYDR (RUDDER AND RUDDER TRIM ONLY)  
FIGURE 15 (SHEET 1)

**27-21-51-15**

BRI  
MAY 28/07

27-21-51-15  
PAGE 0

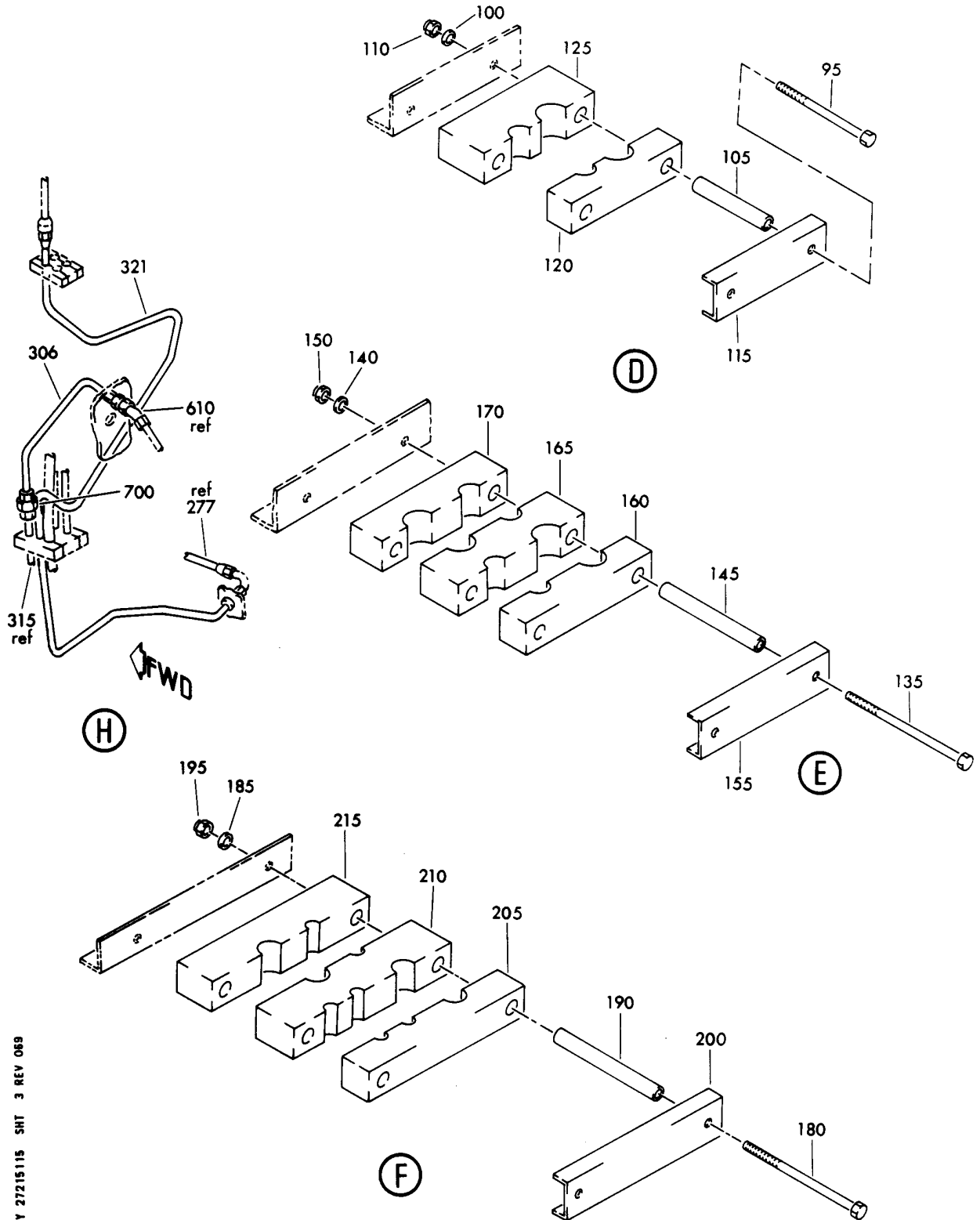


PLUMBING INSTL-VERT. FIN SECT. 70 HYDR (RUDDER AND RUDDER TRIM ONLY)  
FIGURE 15 (SHEET 2)

# 27-21-51-15



**BOEING**  
757  
PARTS CATALOG (MAINTENANCE)



PLUMBING INSTL-VERT. FIN SECT. 70 HYDR (RUDDER AND RUDDER TRIM ONLY)  
FIGURE 15 (SHEET 3)

**27-21-51-15**

BRI  
MAY 28/07

27-21-51-15  
PAGE 0B

Y 27215 115 SHT 3 REV 089



757

PARTS CATALOG (MAINTENANCE)

FIG ITEM	PART NUMBER	1 2 3 4 5 6 7	NOMENCLATURE	EFFECT FROM TO	UNITS PER ASSY
15			PLUMBING INSTL-VERT. FIN SECT. 70 HYDR (RUDDER AND RUDDER TRIM ONLY)	002004 006999	
- 1	271N6701-1		PLUMBING INSTL-VERT. FIN HYDR (RUDDER AND RUDDER TRIM ONLY) POSITION DATA: SECT. 70 FOR NHA/OTHER SYS DET SEE: 29-00-51-04	002004 006100 107107 121503 904999	RF
- 1	271N6701-3		PLUMBING INSTL-VERT. FIN HYDR (RUDDER AND RUDDER TRIM ONLY) POSITION DATA: SECT. 70 FOR NHA/OTHER SYS DET SEE: 27-00-00-03	101102 504903	RF
- 1	271N6701-4		PLUMBING INSTL-VERT. FIN HYDR (RUDDER AND RUDDER TRIM ONLY) POSITION DATA: SECT. 70 FOR NHA/OTHER SYS DET SEE: 27-00-00-03	108120	RF
- 1	MODREF31932		PLUMBING INSTL-VERT. FIN HYDR (RUDDER AND RUDDER TRIM ONLY) MODULE NUMBER: 271N6701-5 REV B POSITION DATA: SECT. 70 FOR OTHER SYS DETAILS SEE: 22-13-51-15 27-41-51-15	103106	1
10	270N2000-142		.CLAMP ASSY-BLK	002004 006999	4
15	NAS1801-3-33		..SCREW-	002004 006999	2
20	AN960PD10L		..WASHER	002004 006999	2
25	NAS43DD3-95		..SPACER	002004 006999	2

MISSING ITEM NUMBERS NOT APPLICABLE

- ITEM NOT ILLUSTRATED

BRI

27-21-51-15

27-21-51  
FIG. 15  
PAGE 1  
JAN 20/09



757

PARTS CATALOG (MAINTENANCE)

FIG ITEM	PART NUMBER	1 2 3 4 5 6 7	NOMENCLATURE	EFFECT FROM TO	UNITS PER ASSY
15					
30	BRH10A3	..	NUT SUPPLIER CODE: V52828 SPECIFICATION NUMBER: BACN10JC3 OPTIONAL PART: H10-3BAC V15653 NS202101-02 V80539 RMLH9075-3W V72962 VN303A02 V92215 96-02 V80539 T6S1032J V11815	002004 006999	2
35	270N2000-805	..	CHANNEL-	002004 006999	1
40	270N2000-594	..	BLOCK-	002004 006999	1
45	270N2000-596	..	BLOCK-	002004 006999	1
50	270N2000-141	.	CLAMP ASSY-BLK	002004 006999	2
55	NAS1801-3-25	..	SCREW-	002004 006999	2
60	AN960PD10L	..	WASHER	002004 006999	2
65	NAS43DD3-63	..	SPACER-	002004 006999	2

MISSING ITEM NUMBERS NOT APPLICABLE

- ITEM NOT ILLUSTRATED

BRI

27-21-51-15

BOEING PROPRIETARY - Copyright © - Unpublished Work - See title page for details.

27-21-51  
FIG. 15  
PAGE 2  
JAN 20/09



757

PARTS CATALOG (MAINTENANCE)

FIG ITEM	PART NUMBER	1 2 3 4 5 6 7	NOMENCLATURE	EFFECT FROM TO	UNITS PER ASSY
15					
70	BRH10A3	..	NUT SUPPLIER CODE: V52828 SPECIFICATION NUMBER: BACN10JC3 OPTIONAL PART: H10-3BAC V15653 NS202101-02 V80539 RMLH9075-3W V72962 VN303A02 V92215 96-02 V80539 T6S1032J V11815	002004 006999	2
75	270N2000-805	..	CHANNEL-	002004 006999	1
80	270N2000-594	..	BLOCK-	002004 006999	1
85	270N2000-595	..	BLOCK-	002004 006999	1
90	270N2000-140	.	CLAMP ASSY-BLK	002004 006999	2
95	NAS1801-3-33	..	SCREW-	002004 006999	2
100	AN960PD10L	..	WASHER	002004 006999	2
105	NAS43DD3-95	..	SPACER	002004 006999	2

MISSING ITEM NUMBERS NOT APPLICABLE

- ITEM NOT ILLUSTRATED

BRI

27-21-51-15

BOEING PROPRIETARY - Copyright © - Unpublished Work - See title page for details.

27-21-51  
FIG. 15  
PAGE 3  
JAN 20/09



757

PARTS CATALOG (MAINTENANCE)

FIG ITEM	PART NUMBER	1 2 3 4 5 6 7	NOMENCLATURE	EFFECT FROM TO	UNITS PER ASSY
15 110	BRH10A3	..	NUT SUPPLIER CODE: V52828 SPECIFICATION NUMBER: BACN10JC3 OPTIONAL PART: H10-3BAC V15653 NS202101-02 V80539 RMLH9075-3W V72962 VN303A02 V92215 96-02 V80539 T6S1032J V11815	002004 006999	2
115	270N2000-707	..	CHANNEL- OPTIONAL PART: 270N2000-708	002004 006999	1
115	270N2000-708	..	CHANNEL- OPTIONAL PART: 270N2000-707	002004 006999	1
120	270N2000-598	..	BLOCK-	002004 006999	1
125	270N2000-599	..	BLOCK-	002004 006999	1
130	270N2000-139	.	CLAMP ASSY-BLK	002004 006999	3
135	NAS1801-3-41	..	SCREW-	002004 006999	2
140	AN960PD10L	..	WASHER	002004 006999	2
145	NAS43DD3-127	..	SPACER	002004 006999	2

MISSING ITEM NUMBERS NOT APPLICABLE

- ITEM NOT ILLUSTRATED

27-21-51-15

27-21-51  
FIG. 15  
PAGE 4  
JAN 20/09

BRI

BOEING PROPRIETARY - Copyright © - Unpublished Work - See title page for details.



757

PARTS CATALOG (MAINTENANCE)

FIG ITEM	PART NUMBER	1 2 3 4 5 6 7	NOMENCLATURE	EFFECT FROM TO	UNITS PER ASSY
15 150	BRH10A3	. .	NUT SUPPLIER CODE: V52828 SPECIFICATION NUMBER: BACN10JC3 OPTIONAL PART: H10-3BAC V15653 NS202101-02 V80539 RMLH9075-3W V72962 VN303A02 V92215 96-02 V80539 T6S1032J V11815	002004 006999	2
155	270N2000-805	. .	CHANNEL	002004 006999	1
160	270N2000-594	. .	BLOCK	002004 006999	1
165	270N2000-604	. .	BLOCK	002004 006999	1
170	270N2000-605	. .	BLOCK	002004 006999	1
175	270N2000-184	. .	CLAMP ASSY-BLK	002004 006999	1
180	NAS1801-3-43	. .	SCREW-	002004 006999	2
185	AN960PD10L	. .	WASHER	002004 006999	2
190	NAS43DD3-137	. .	SPACER	002004 006999	2

MISSING ITEM NUMBERS NOT APPLICABLE

- ITEM NOT ILLUSTRATED

27-21-51-15

27-21-51  
FIG. 15  
PAGE 5  
JAN 20/09

BRI

BOEING PROPRIETARY - Copyright © - Unpublished Work - See title page for details.



757

PARTS CATALOG (MAINTENANCE)

FIG ITEM	PART NUMBER	1 2 3 4 5 6 7	NOMENCLATURE	EFFECT FROM TO	UNITS PER ASSY
15 195	BRH10A3	..	NUT SUPPLIER CODE: V52828 SPECIFICATION NUMBER: BACN10JC3 OPTIONAL PART: H10-3BAC V15653 NS202101-02 V80539 RMLH9075-3W V72962 VN303A02 V92215 96-02 V80539 T6S1032J V11815	002004 006999	2
200	270N2000-706	..	CHANNEL	002004 006999	1
205	270N2000-655	..	BLOCK	002004 006999	1
210	270N2000-656	..	BLOCK	002004 006999	1
215	270N2000-657	..	BLOCK	002004 006999	1
255	AS115-06-0184	.	HOSE ASSY	002004 006999	3
260	AS115-08-0214	.	HOSE ASSY	002004 006999	3
280	271N6701-1016	.	TUBE ASSY-PRESSURE SYS POSITION DATA: L TUBING MATERIAL: .375 IN. OD .019 IN. WALL 40.60 IN. LG TITANIUM BMS 7-234 TI-3AL-2.5V COLD WORKED, STRESS RELIEVED TUBING	002004 006999	1
- 295	AS1581T06	..	SLEEVE	002004 006999	2
- 300	BACN10YA6	..	NUT	002004 006999	2

MISSING ITEM NUMBERS NOT APPLICABLE

- ITEM NOT ILLUSTRATED

27-21-51-15

27-21-51  
FIG. 15  
PAGE 6  
JAN 20/09

BRI

BOEING PROPRIETARY - Copyright © - Unpublished Work - See title page for details.



757

PARTS CATALOG (MAINTENANCE)

FIG ITEM	PART NUMBER	1 2 3 4 5 6 7	NOMENCLATURE	EFFECT FROM TO	UNITS PER ASSY
15 306	271N6701-1077		.TUBE ASSY-PRESSURE SYS POSITION DATA: L TUBING MATERIAL: .250 IN. OD .016 IN. WALL 15.20 IN. LG TITANIUM BMS 7-234 TI-3AL-2.5V COLD WORKED, STRESS RELIEVED TUBING	002004 006999	1
310	271N6701-1053		.TUBE ASSY-PRESSURE SYS POSITION DATA: L TUBING MATERIAL: .250 IN. OD .016 IN. WALL 17.10 IN. LG TITANIUM BMS 7-234 TI-3AL-2.5V COLD WORKED, STRESS RELIEVED TUBING	002004 006999	1
- 312	AS1581T04		..SLEEVE	002004 006999	2
- 313	BACN10YA4		..NUT- USED ON: 271N6701-1053	002004 006999	2
- 314	BACN10YA4N		..NUT- USED ON: 271N6701-1069	002004 006999	2
315	271N6701-1043		.TUBE ASSY-PRESSURE SYS POSITION DATA: L TUBING MATERIAL: .375 IN. OD .019 IN. WALL 11.90 IN. LG TITANIUM BMS 7-234 TI-3AL-2.5V COLD WORKED, STRESS RELIEVED TUBING	002004 006999	1
- 317	AS1581T06		..SLEEVE	002004 006999	2
- 318	BACN10YA6		..NUT	002004 006999	2

MISSING ITEM NUMBERS NOT APPLICABLE

- ITEM NOT ILLUSTRATED

27-21-51-15

27-21-51  
FIG. 15  
PAGE 7  
JAN 20/09

BRI





757

PARTS CATALOG (MAINTENANCE)

FIG ITEM	PART NUMBER	1 2 3 4 5 6 7	NOMENCLATURE	EFFECT FROM TO	UNITS PER ASSY
15 321	271N6701-1070		.TUBE ASSY-PRESSURE SYS POSITION DATA: L TUBING MATERIAL: .375 IN. OD .019 IN. WALL 44-50 IN. LG TITANIUM BMS 7-234 TI-3AL-2.5V COLD WORKED, STRESS RELIEVED TUBING	002004 006100 107107 121503 904999	1
321	271N6701-1074		.TUBE ASSY-PRESSURE SYS POSITION DATA: L TUBING MATERIAL: .375 IN. OD .019 IN. WALL 34.10 IN. LG TITANIUM BMS 7-234 TI-3AL-2.5V COLD WORKED, STRESS RELIEVED TUBING	107107 904949	1
321	271N6701-1090		.TUBE ASSY-PRESSURE SYS POSITION DATA: L TUBING MATERIAL: .375 IN. OD .019 IN. WALL 35.70 IN. LG TITANIUM BMS 7-234 TI-3AL-2.5V COLD WORKED, STRESS RELIEVED TUBING	002004 006106 108903 950999	1
- 325	AS1581T06		..SLEEVE	002004 006999	1
- 327	BACN10YA6N		..NUT-	107107 904949	1
- 327	BACN10YA6		..NUT- USED ON: 271N6701-1070 271N6701-1090	002004 006106 108903 950999	1
- 328	AS1582T06		..UNION	002004 006999	1

MISSING ITEM NUMBERS NOT APPLICABLE

- ITEM NOT ILLUSTRATED

27-21-51-15

27-21-51  
FIG. 15  
PAGE 8  
JAN 20/09

BRI



757

PARTS CATALOG (MAINTENANCE)

FIG ITEM	PART NUMBER	1 2 3 4 5 6 7	NOMENCLATURE	EFFECT FROM TO	UNITS PER ASSY
15 332	271N6701-1065		.TUBE ASSY-PRESSURE SYS POSITION DATA: L TUBING MATERIAL: .375 IN. OD .019 IN. WALL 13.70 IN. LG TITANIUM BMS 7-234 TI-3AL-2.5V COLD WORKED, STRESS RELIEVED TUBING	002004 006999	1
- 334	AS1581T06		..SLEEVE-	002004 006999	2
- 336	BACN10YA6		..NUT-	002004 006999	2
340	271N6701-1061		.TUBE ASSY-PRESSURE SYS POSITION DATA: L TUBING MATERIAL: .375 IN. OD .019 IN. WALL 41.50 IN. LG TITANIUM BMS 7-234 TI3AL-2.5V COLD WORKED, STRESS RELIEVED TUBING	002004 006017 107107 121503 904999	1
340	271N6701-1092		.TUBE ASSY-PRESSURE SYS POSITION DATA: L TUBING MATERIAL: .375 IN. OD .019 IN. WALL 42.00 IN. LG BMS 7-234 TI-3AL-2.5V COLD WORKED, STRESS RELIEVED TUBING	018106 108120 504903	1
- 345	AS1581T06		..SLEEVE	002004 006999	2
- 350	BACN10YA6		..NUT-	002004 006017 107107 121503 904999	2
- 350	BACN10YA6		..NUT-	018106 108120 504903	2

MISSING ITEM NUMBERS NOT APPLICABLE

- ITEM NOT ILLUSTRATED

27-21-51-15

27-21-51  
FIG. 15  
PAGE 9  
JAN 20/09

BRI



757

PARTS CATALOG (MAINTENANCE)

FIG ITEM	PART NUMBER	1 2 3 4 5 6 7	NOMENCLATURE	EFFECT FROM TO	UNITS PER ASSY
15 355	271N6701-1031		.TUBE ASSY-PRESSURE SYS POSITION DATA: R TUBING MATERIAL: .375 IN. OD .019 IN. WALL 50.90 IN. LG TITANIUM BMS 7-234 TI-3AL-2.5V COLD WORKED, STRESS RELIEVED TUBING	002004 006100 107107 121503 904999	1
357	271N6701-1096		.TUBE ASSY-PRESSURE SYS POSITION DATA: R TUBING MATERIAL: .375 IN. OD .019 IN. WALL 43.60 IN. LG TITANIUM BMS 7-234 TI-3AL-2.5V COLD WORKED, STRESS RELIEVED TUBING	101106 108120 504903	1
361	271N6701-1068		.TUBE ASSY-PRESSURE SYS POSITION DATA: R TUBING MATERIAL: .375 IN. OD .019 IN. WALL 50.20 IN. LG TITANIUM BMS 7-234 TI-3AL-2.5V COLD WORKED, STRESS RELIEVED TUBING	002004 006100 107107 121503 904999	1
363	271N6701-1097		.TUBE ASSY-PRESSURE SYS POSITION DATA: R TUBING MATERIAL: .375 IN. OD .019 IN. WALL 50.30 IN. LG TITANIUM BMS 7-234 TI-3AL-2.5V COLD WORKED, STRESS RELIEVED TUBING	101106 108120 504903	1

MISSING ITEM NUMBERS NOT APPLICABLE

- ITEM NOT ILLUSTRATED

BRI

27-21-51-15

27-21-51  
FIG. 15  
PAGE 10  
JAN 20/09



757

PARTS CATALOG (MAINTENANCE)

FIG ITEM	PART NUMBER	1 2 3 4 5 6 7	NOMENCLATURE	EFFECT FROM TO	UNITS PER ASSY
15 365	271N6701-1048		.TUBE ASSY-PRESSURE SYS POSITION DATA: R TUBING MATERIAL: .375 IN. OD .019 IN. WALL 43.40 IN. LG TITANIUM BMS 7-234 TI-3AL-2.5V COLD WORKED, STRESS RELIEVED TIBING	002004 006100 107107 121503 904999	1
367	271N6701-1098		.TUBE ASSY-PRESSURE SYS POSITION DATA: R TUBING MATERIAL: .375 IN. OD .019 IN. WALL 50.40 IN. LG TITANIUM BMS 7-234 TI-3AL-2.5V COLD WORKED, STRESS RELIEVED TUBING	101106 108120 504903	1
- 375	AS1581T06		..SLEEVE- USED ON: 271N6701-1031 271N6701-1048 271N6701-1064 271N6701-1039 271N6701-1096 271N6701-1098	002004 006999	2
- 385	BACN10YA6		..NUT- USED ON: 271N6701-1031 271N6701-1048 271N6701-1064	002004 006100 107107 121503 904999	2
- 386	BACN10YA6		..NUT- USED ON: 271N6701-1039 271N6701-1096 271N6701-1098	101106 108120 504903	2
- 396	AS1582T06		..UNION- USED ON: 271N6701-1068 271N6701-1097	002004 006999	2

MISSING ITEM NUMBERS NOT APPLICABLE

- ITEM NOT ILLUSTRATED

BRI

27-21-51-15

BOEING PROPRIETARY - Copyright © - Unpublished Work - See title page for details.

27-21-51  
FIG. 15  
PAGE 11  
JAN 20/09



757

PARTS CATALOG (MAINTENANCE)

FIG ITEM	PART NUMBER	1 2 3 4 5 6 7	NOMENCLATURE	EFFECT FROM TO	UNITS PER ASSY
15 400	271N6701-1051	.	TUBE ASSY-PRESSURE SYS POSITION DATA: CTR TUBING MATERIAL: .375 IN. OD .019 IN. WALL 37.70 IN. LG TITANIUM BMS 7-234 TI-3AL-2.5V COLD WORKED, STRESS RELIEVED TUBING	002004 006999	1
- 405	AS1581T06	..	SLEEVE	002004 006999	2
- 410	BACN10YA6	..	NUT	002004 006999	2
415	271N6701-1062	.	TUBE ASSY-PRESSURE SYS POSITION DATA: CTR TUBING MATERIAL: .375 IN. OD .019 IN. WALL 50.50 IN. LG TITANIUM BMS 7-234 TI-3AL-2.5V COLD WORKED, STRESS RELIEVED TUBING	002004 006999	1
- 420	AS1581T06	..	SLEEVE	002004 006999	2
- 425	BACN10YA6	..	NUT	002004 006999	2
430	271N6701-1052	.	TUBE ASSY-PRESSURE SYS POSITION DATA: CTR TUBING MATERIAL: .250 IN. OD .016 IN. WALL 8.70 IN. LG TITANIUM BMS 7-234 TI-3AL-2.5V COLD WORKED, STRESS RELIEVED TUBING	002004 006999	1

MISSING ITEM NUMBERS NOT APPLICABLE

- ITEM NOT ILLUSTRATED

BRI

27-21-51-15

27-21-51  
FIG. 15  
PAGE 12  
JAN 20/09



757

PARTS CATALOG (MAINTENANCE)

FIG ITEM	PART NUMBER	1 2 3 4 5 6 7	NOMENCLATURE	EFFECT FROM TO	UNITS PER ASSY
15 435	271N6701-1022		.TUBE ASSY-PRESSURE SYS POSITION DATA: CTR TUBING MATERIAL: .250 IN. OD .016 IN. WALL 8,60 IN. LG TITANIUM BMS 7-234 TI-3AL-2.5V COLD WORKED, STRESS RELIEVED TUBING	002004 006999	1
- 440	AS1581T04		..SLEEVE	002004 006999	2
- 445	BACN10YA4		..NUT	002004 006999	2
450	271N6701-1010		.TUBE ASSY-RETURN SYS POSITION DATA: L TUBING MATERIAL: .500 IN. OD .035 IN. WALL 47.20 IN. LG ALUMINUM AMS 4083 6061 T6 TUBING	002004 006999	1
455	271N6701-1009		.TUBE ASSY-RETURN SYS POSITION DATA: L TUBING MATERIAL: .500 IN. OD .035 IN. WALL 24.30 IN. LG ALUMINUM AMS 4083 6061 T6 TUBING	002004 006999	1
- 460	AP2097HP08		..SLEEVE SUPPLIER CODE: V01673 SPECIFICATION NUMBER: BACS13BX08HP OPTIONAL PART: 2-02903-08HP V11328 35235VN08 V08199 AFP175V08P V30974 DBOS13BX08HP V14798	002004 006999	2

MISSING ITEM NUMBERS NOT APPLICABLE

- ITEM NOT ILLUSTRATED

27-21-51-15

27-21-51  
FIG. 15  
PAGE 13  
JAN 20/09

BRI



757

PARTS CATALOG (MAINTENANCE)

FIG ITEM	PART NUMBER	1 2 3 4 5 6 7	NOMENCLATURE	EFFECT FROM TO	UNITS PER ASSY
15					
- 465	MS21921-8D	..NUT-	OPTIONAL PART: BACN10YL08	002004 006999	2
- 465	BACN10YL08	..NUT-	OPTIONAL PART: MS21921-8D	002004 006999	2
470	271N6701-1008	.TUBE ASSY-RETURN SYS	POSITION DATA: L TUBING MATERIAL: .500 IN. OD .035 IN. WALL 40.20 IN. LG ALUMINUM AMS 4083 6061 T6 TUBING	002004 006999	1
- 475	AP2097HP08	..SLEEVE-	SUPPLIER CODE: V01673 SPECIFICATION NUMBER: BACS13BX08HP OPTIONAL PART: 2-02903-08HP V11328 35235VN08 V08199 AFP175V08P V30974 DBOS13BX08HP V14798	002004 006999	2
- 480	MS21921-8D	..NUT-	OPTIONAL PART: BACN10YL08	002004 006999	2
- 480	BACN10YL08	..NUT-	OPTIONAL PART: MS21921-8D	002004 006999	2
486	271N6701-1066	.TUBE ASSY-RETURN SYS	POSITION DATA: L TUBING MATERIAL: .250 IN. OD .016 IN. WALL 11.20 IN. LG TITANIUM BMS 7-234 TI-3AL-2.5V COLD WORKED, STRESS RELIEVED TUBING	002004 006999	1
- 487	AS1581T04	..SLEEVE-		002004 006999	2

MISSING ITEM NUMBERS NOT APPLICABLE

- ITEM NOT ILLUSTRATED

27-21-51-15

27-21-51  
FIG. 15  
PAGE 14  
JAN 20/09

BRI

BOEING PROPRIETARY - Copyright © - Unpublished Work - See title page for details.



757

PARTS CATALOG (MAINTENANCE)

FIG ITEM	PART NUMBER	1 2 3 4 5 6 7	NOMENCLATURE	EFFECT FROM TO	UNITS PER ASSY
15					
- 490	BACN10YA4	..	NUT-	002004 006100 103107 121503 904999	2
- 490	BACN10YA4N	..	NUT-	002004 006999	2
495	271N6701-1038	.	TUBE ASSY-RETURN SYS POSITION DATA: R TUBING MATERIAL: .500 IN. OD .035 IN. WALL 53.60 IN. LG ALUMINUM AMS 4083 6061 T6 TUBING	002004 006999	1
- 500	AP2097HP08	..	SLEEVE SUPPLIER CODE: V01673 SPECIFICATION NUMBER: BACS13BX08HP OPTIONAL PART: 2-02903-08HP V11328 35235VN08 V08199 AFP175V08P V30974 DBOS13BX08HP V14798	002004 006999	2
- 505	MS21921-8D	..	NUT- OPTIONAL PART: BACN10YL08	002004 006999	2
- 505	BACN10YL08	..	NUT- OPTIONAL PART: MS21921-8D	002004 006999	2
510	271N6701-1037	.	TUBE ASSY-RETURN SYS POSITION DATA: R TUBING MATERIAL: .500 IN. OD .035 IN. WALL 50.80 IN. LG ALUMINUM AMS 4083 6061 T6 TUBING	002004 006999	1

MISSING ITEM NUMBERS NOT APPLICABLE

- ITEM NOT ILLUSTRATED

27-21-51-15

27-21-51  
FIG. 15  
PAGE 15  
JAN 20/09

BRI





757

PARTS CATALOG (MAINTENANCE)

FIG ITEM	PART NUMBER	1 2 3 4 5 6 7	NOMENCLATURE	EFFECT FROM TO	UNITS PER ASSY
15 515	271N6701-1036		.TUBE ASSY-RETURN SYS POSITION DATA: R TUBING MATERIAL: .500 IN. OD .035 IN. WALL 47.10 IN. LG ALUMINUM AMS 4083 6061 T6 TUBING	002004 006999	1
- 520	AP2097HP08		..SLEEVE SUPPLIER CODE: V01673 SPECIFICATION NUMBER: BACS13BX08HP OPTIONAL PART: 2-02903-08HP V11328 35235VN08 V08199 AFP175V08P V30974 DBOS13BX08HP V14798	002004 006999	2
- 525	MS21921-8D		..NUT- OPTIONAL PART: BACN10YL08	002004 006999	2
- 525	BACN10YL08		..NUT- OPTIONAL PART: MS21921-8D	002004 006999	2
- 527	35056GV08		..UNION SUPPLIER CODE: V08199 SPECIFICATION NUMBER: BACU24AB8W OPTIONAL PART: 2-01027-8W V11328 31875-8W V14397 4671097W8 V50948 AP1004W08 V01673 AFP941W8 V30974 DBOU24AB8W V14798	002004 006999	2

MISSING ITEM NUMBERS NOT APPLICABLE

- ITEM NOT ILLUSTRATED

27-21-51-15

27-21-51  
FIG. 15  
PAGE 16  
JAN 20/09

BRI



757

PARTS CATALOG (MAINTENANCE)

FIG ITEM	PART NUMBER	1 2 3 4 5 6 7	NOMENCLATURE	EFFECT FROM TO	UNITS PER ASSY
15 530	271N6701-1025		.TUBE ASSY-RETURN SYS POSITION DATA: CTR TUBING MATERIAL: .500 IN. OD .035 IN. WALL 43.00 IN. LG ALUMINUM AMS 4083 6061 T6 TUBING	002004 006999	1
- 535	AP2097HP08		..SLEEVE- SUPPLIER CODE: V01673 SPECIFICATION NUMBER: BACS13BX08HP OPTIONAL PART: 2-02903-08HP V11328 35235VN08 V08199 AFP175V08P V30974 DBOS13BX08HP V14798	002004 006999	2
- 540	BACN10YL08		..NUT- OPTIONAL PART: MS21921-8D	002004 006999	2
- 540	MS21921-8D		..NUT- OPTIONAL PART: BACN10YL08	002004 006999	2
545	271N6701-1013		.TUBE ASSY-RETURN SYS POSITION DATA: L TUBING MATERIAL: .375 IN. OD .035 IN. WALL 7.70 IN. LG ALUMINUM AMS 4083 6061 T6 TUBING	002004 006999	1
547	271N6701-1014		.TUBE ASSY-RETURN SYS POSITION DATA: L TUBING MATERIAL: .375 IN. OD .035 IN. WALL 18.10 IN. LG ALUMINUM AMS 4083 6061 T6 TUBING	002004 006999	1

MISSING ITEM NUMBERS NOT APPLICABLE

- ITEM NOT ILLUSTRATED

27-21-51-15

27-21-51  
FIG. 15  
PAGE 17  
JAN 20/09

BRI



757

PARTS CATALOG (MAINTENANCE)

FIG ITEM	PART NUMBER	1 2 3 4 5 6 7	NOMENCLATURE	EFFECT FROM TO	UNITS PER ASSY
15 550	271N6701-1042	.	TUBE ASSY-RETURN SYS POSITION DATA: L TUBING MATERIAL: .375 IN. OD .035 IN. WALL 10.20 IN. LG ALUMINUM AMS 4083 6061 T6 TUBING	002004 006999	1
555	271N6701-1027	.	TUBE ASSY-RETURN SYS POSITION DATA: L TUBING MATERIAL: .375 IN. OD .035 IN. WALL 11.40 IN. LG ALUMINUM AMS 4083 6061 T6 TUBING	002004 006999	1
- 560	AP2097HP06	..	SLEEVE SUPPLIER CODE: V01673 SPECIFICATION NUMBER: BACS13BX06HP OPTIONAL PART: 2-02903-06HP V11328 35235VN06 V08199 AFP175V06P V30974 DBOS13BX06HP V14798	002004 006999	2
- 565	MS21921-6D	..	NUT- OPTIONAL PART: BACN10YL06	002004 006999	2
- 565	BACN10YL06	..	NUT- OPTIONAL PART: MS21921-6D	002004 006999	2
570	271N6701-1024	.	TUBE ASSY-RETURN SYS POSITION DATA: CTR MISCELLANEOUS DATA: REPLACED BY -1091 TUBING MATERIAL: .500 IN. OD .035 IN. WALL 48.00 IN. LG ALUMINUM AMS 4083 6061 T6 TUBING	002004 006017 107107 121503 904999	1

MISSING ITEM NUMBERS NOT APPLICABLE

- ITEM NOT ILLUSTRATED

27-21-51-15

27-21-51  
FIG. 15  
PAGE 18  
JAN 20/09

BRI



757

PARTS CATALOG (MAINTENANCE)

FIG ITEM	PART NUMBER	1 2 3 4 5 6 7	NOMENCLATURE	EFFECT FROM TO	UNITS PER ASSY
15 570	271N6701-1091		.TUBE ASSY-RETURN CTR SYS MISCELLANEOUS DATA: REPLACES -1024 REPLACED BY -1093 TUBING MATERIAL: 500 IN. OD .035 IN. 48.30 IN. LG AMS 4083 6061 T6 TUBING	018100	1
570	271N6701-1093		.TUBE ASSY-RETURN CTR SYS MISCELLANEOUS DATA: REPLACES -1091 TUBING MATERIAL: 500 IN. OD .035 IN. 48.20 IN. LG AMS 4083 6061 T6 TUBING	101106 108120 504903	1
- 575	AP2097HP08		..SLEEVE SUPPLIER CODE: V01673 SPECIFICATION NUMBER: BACS13BX08HP OPTIONAL PART: 2-02903-08HP V11328 35235VN08 V08199 AFP175V08P V30974 DBOS13BX08HP V14798	002004 006999	2
- 580	MS21921-8D		..NUT- OPTIONAL PART: BACN10YL08	002004 006017 107107 121503 904999	2
- 580	BACN10YL08		..NUT- OPTIONAL PART: MS21921-8D	002004 006017 107107 121503 904999	2
- 580	BACN10YL08		..NUT-	018106 108120 504903	2
585	BACU24L4		.UNION	002004 006999	1

MISSING ITEM NUMBERS NOT APPLICABLE

- ITEM NOT ILLUSTRATED

27-21-51-15

27-21-51  
FIG. 15  
PAGE 19  
JAN 20/09

BRI



757

PARTS CATALOG (MAINTENANCE)

FIG ITEM	PART NUMBER	1 2 3 4 5 6 7	NOMENCLATURE	EFFECT FROM TO	UNITS PER ASSY
15 590	BACE21BN0606T	.ELBOW-		002004 006100 103107 121503 904999	2
590	BACE21BN0606J	.ELBOW-		002004 006100 103107 121503 904999	2
595	APX833D0808	.ELBOW	SUPPLIER CODE: V01673 SPECIFICATION NUMBER: BACE21AS0808D OPTIONAL PART: DB0E21AS0808D V14798 ER833-0808D V50948 ER833-0808D V88334 FER15800808D V14397 LER833-0808D V11328 APX8330808D V01673 NAF1833-0808D V52930 US1924-0808D V50808 AFP3160808D V30974	002004 006999	1
600	BACE21BM0606T	.ELBOW-		002004 006999	2
600	BACE21BM0606J	.ELBOW-		002004 006999	2
605	MS21907D8	.ELBOW-		107107	2
605	MS21907W8	.ELBOW-		002004 006106 108999	2
610	BACE21BN0404J	.ELBOW-		002004 006100 103107 121503 904999	2

MISSING ITEM NUMBERS NOT APPLICABLE

- ITEM NOT ILLUSTRATED

27-21-51-15

27-21-51  
FIG. 15  
PAGE 20  
JAN 20/09

BRI

BOEING PROPRIETARY - Copyright © - Unpublished Work - See title page for details.



757

PARTS CATALOG (MAINTENANCE)

FIG ITEM	PART NUMBER	1 2 3 4 5 6 7	NOMENCLATURE	EFFECT FROM TO	UNITS PER ASSY
15					
610	BACE21BN0404T	.ELBOW-		002004 006100 103107 121503 904999	2
615	MS21908D6	.ELBOW-		107107	2
615	MS21908W6	.ELBOW-		002004 006106 108999	2
625	NAS1762T0404	.ELBOW-		002004 006999	1
625	NAS1762J0404	.ELBOW-		002004 006999	1
630	NAS1762D0606	.ELBOW-		107107	2
			MISCELLANEOUS DATA: MAY USE NAS1762W0606		
630	NAS1762W0606	.ELBOW-		002004 006106 108999	2
635	BACE21BN0806T	.ELBOW-		002004 006100 103107 121503 904999	1
635	BACE21BN0806J	.ELBOW-		002004 006100 103107 121503 904999	1

MISSING ITEM NUMBERS NOT APPLICABLE

- ITEM NOT ILLUSTRATED

BRI

27-21-51-15

BOEING PROPRIETARY - Copyright © - Unpublished Work - See title page for details.

27-21-51  
FIG. 15  
PAGE 21  
JAN 20/09



757

PARTS CATALOG (MAINTENANCE)

FIG ITEM	PART NUMBER	1 2 3 4 5 6 7	NOMENCLATURE	EFFECT FROM TO	UNITS PER ASSY
15 640	APX824D080804	. TEE-	SUPPLIER CODE: V01673 SPECIFICATION NUMBER: BACT16AS080804D OPTIONAL PART: APX824-080804D V01673 DB0T16AS080804D V14798 ER824-080804D V50948 FER1571-080804D V14397 LER824-080804D V11328 NAF1824-080804D V52930 US1925-080804D V50808 AFP325-080804D V30974	107107	1
640	BACT16AS080804W	. TEE-		002004 006106 108999	1
645	BACT16BN040606T	. TEE-		002004 006999	2
645	BACT16BN040606J	. TEE-		002004 006999	2
650	BACT16BL060606T	. TEE-		002004 006999	1
650	BACT16BL060606J	. TEE-		002004 006999	1

MISSING ITEM NUMBERS NOT APPLICABLE

- ITEM NOT ILLUSTRATED

27-21-51-15

27-21-51  
FIG. 15  
PAGE 22  
JAN 20/09

BRI



757

PARTS CATALOG (MAINTENANCE)

FIG ITEM	PART NUMBER	1 2 3 4 5 6 7	NOMENCLATURE	EFFECT FROM TO	UNITS PER ASSY
15 655	APX824D080806	. TEE-	SUPPLIER CODE: V01673 SPECIFICATION NUMBER: BACT16AS080806D OPTIONAL PART: APX824-080806D V01673 DB0T16AS080806D V14798 ER824-080806D V50948 FER1571-080806D V14397 LER824-080806D V11328 NAF1824-080806D V52930 US1925-080806D V50808 AFP325-080806D V30974	107107	3
655	BACT16AS080806W	. TEE-		002004 006106 108999	3
663	BACT16BL060604T	. TEE-		002004 006999	2
663	BACT16BL060604J	. TEE-		002004 006999	2

MISSING ITEM NUMBERS NOT APPLICABLE

- ITEM NOT ILLUSTRATED

27-21-51-15

27-21-51  
FIG. 15  
PAGE 23  
JAN 20/09

BRI





757

PARTS CATALOG (MAINTENANCE)

FIG ITEM	PART NUMBER	1 2 3 4 5 6 7	NOMENCLATURE	EFFECT FROM TO	UNITS PER ASSY
15 665	APX804D060808	. TEE-	SUPPLIER CODE: V01673 SPECIFICATION NUMBER: BACT16AX060808D OPTIONAL PART: APX804-060808D V01673 DB0T16AX060808D V14798 ER804-060808D V50948 FER1551-060808D V14397 NAF1844-060808D V52930 US1929-060808D V50808 ER804-060808D V88334 LER804A060808D V11328 AFP329-060808D V30974	107107	2
665	BACT16AX060808W	. TEE-		002004 006106 108999	2
670	AN924-6D	. NUT		002004 006999	7
673	AN924-6J	. NUT		002004 006999	2
675	AN924-8D	. NUT		002004 006999	2
677	AN924-8J	. NUT		002004 006999	1
680	AN924-4D	. NUT		002004 006999	2
683	AN924-4J	. NUT		002004 006999	2
685	AN960KD916	. WASHER-		002004 006999	8
690	AN960KD1216	. WASHER-		002004 006999	4
695	AN960KD716	. WASHER-		002004 006999	4

MISSING ITEM NUMBERS NOT APPLICABLE

- ITEM NOT ILLUSTRATED

27-21-51-15

27-21-51  
FIG. 15  
PAGE 24  
JAN 20/09

BRI



757

PARTS CATALOG (MAINTENANCE)

FIG ITEM	PART NUMBER	1 2 3 4 5 6 7	NOMENCLATURE	EFFECT FROM TO	UNITS PER ASSY
15 700	AFP2326-4	.	REDUCER SUPPLIER CODE: V30974 SPECIFICATION NUMBER: BACR17E6-4 OPTIONAL PART: AP10276-4 V01673 BC916T6-4 V50948 DB0R17E6-4 V14798 ER21916T6-4 V88334 ER31916-6-4 V88334 F23-6-4 V73197 2-01075T6-4 V11328 31778-6-4 V14397 US2114-6-4 V50808 AP1027T6-4 V01673 US21146-4 V50808 317786-4 V14397	002004 006999	1
900			ILLUSTRATION REFERENCE: PLUMBING INSTL-VERT. FIN SECT. 70 HYDR (AUTOPILOT ROLLOUT GUIDANCE SERVO ONLY) 22-13-51-15	002004 006999	RF
905			ILLUSTRATION REFERENCE: PLUMBING INSTL-VERT. FIN SECT. 70 HYDR (HORIZONTAL STABILIZER TRIM CONTROL ONLY) 27-41-51-15	002004 006999	RF
910			ILLUSTRATION REFERENCE: CONTROL UNIT INSTL-RUD PWR AND MARKER INSTL-FOIL 27-21-20-01	002004 006999	RF

MISSING ITEM NUMBERS NOT APPLICABLE

- ITEM NOT ILLUSTRATED

**27-21-51-15**

27-21-51  
FIG. 15  
PAGE 25  
JAN 20/09

BRI



**757  
PARTS CATALOG (MAINTENANCE)**

FIG ITEM	PART NUMBER	1 2 3 4 5 6 7	NOMENCLATURE	EFFECT FROM TO	UNITS PER ASSY
15 915			ILLUSTRATION REFERENCE: CHANGER INSTL-RUD CONT RATIO (RUDDER RATIO CHANGER MECHANISM ONLY) 27-21-12-01	002004 006100 107999	RF
920			ILLUSTRATION REFERENCE: LINKAGE INSTL-RUD CONT YAW DAMPER AND SUMMING (FLIGHT CONTROLS ONLY) 27-21-17-01	002004 006102 107999	RF

MISSING ITEM NUMBERS NOT APPLICABLE

— ITEM NOT ILLUSTRATED

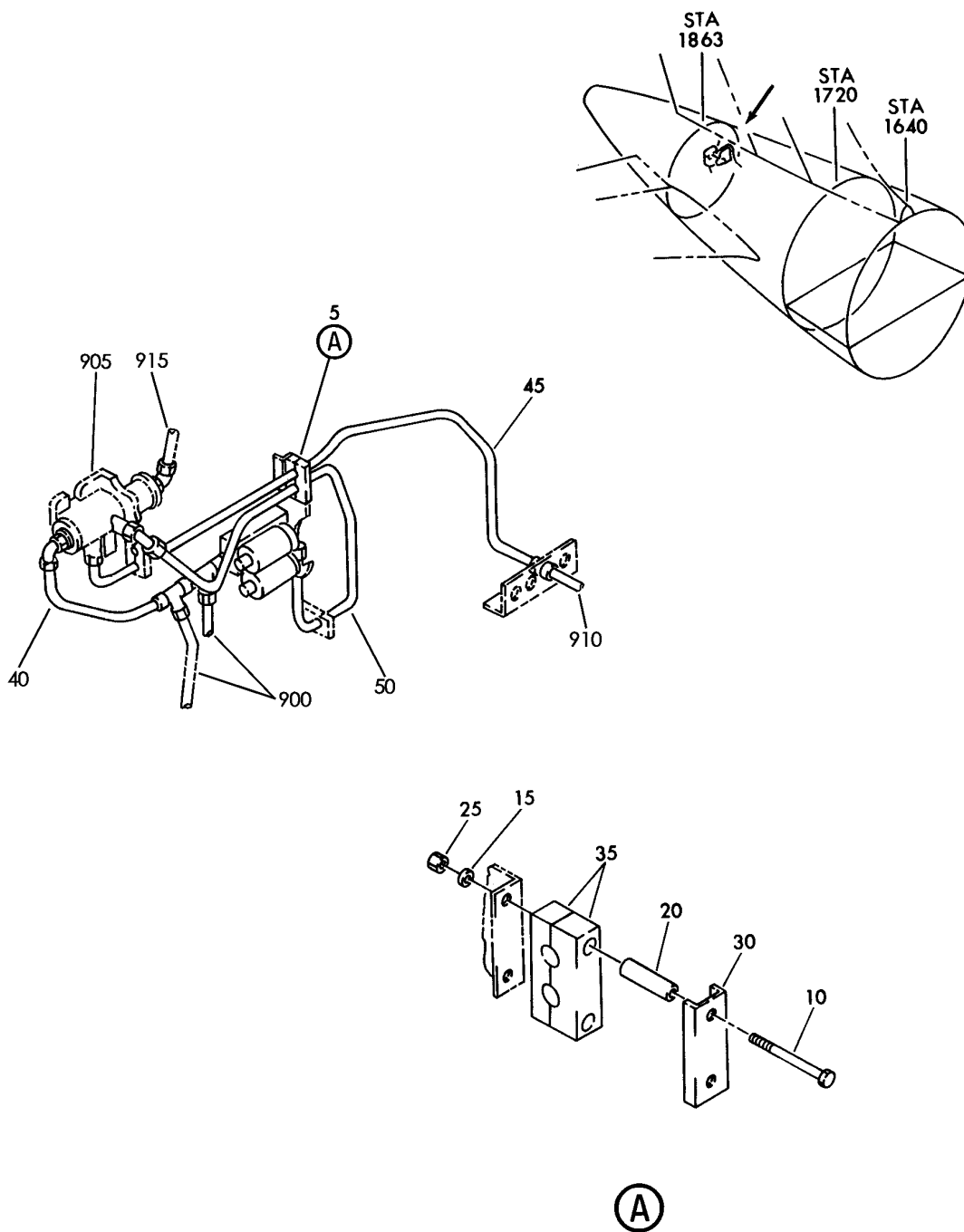
BRI

# 27-21-51-15

BOEING PROPRIETARY - Copyright © - Unpublished Work - See title page for details.

27-21-51  
FIG. 15  
PAGE 26  
JAN 20/09

**BOEING**  
757  
PARTS CATALOG (MAINTENANCE)



Y 27215120A REV 225

PLUMBING INSTL-SECT. 48 HYDR (RUDDER ONLY)  
FIGURE 20A

**27-21-51-20A**

BRI  
MAY 28/07

27-21-51-20A  
PAGE 0



757

PARTS CATALOG (MAINTENANCE)

FIG ITEM	PART NUMBER	1 2 3 4 5 6 7	NOMENCLATURE	EFFECT FROM TO	UNITS PER ASSY
20A			PLUMBING INSTL-SECT. 48 HYDR (RUDDER ONLY)	101106 108120 504903	
- 1	271N6481-9		PLUMBING INSTL-HYDR (RUDDER ONLY) POSITION DATA: SECT. 48 L FOR NHA/OTHER SYS DET SEE: 27-00-00-03	101101	RF
- 1	271N6481-11		PLUMBING INSTL-HYDR (RUDDER ONLY) POSITION DATA: SECT. 48 L FOR NHA/OTHER SYS DET SEE: 27-00-00-03	102102 108120 504903	RF
- 1	MODREF31920		PLUMBING INSTL-HYDR (RUDDER ONLY) MODULE NUMBER: 271N6481-13 REV B POSITION DATA: SECT. 48 L FOR OTHER SYS DETAILS SEE: 27-31-51-20A 27-41-51-20A 27-41-51-21A	103106	1
5	270N2000-3		.CLAMP ASSY-BLK	101106 108120 504903	1
10	NAS1801-3-24		..SCREW	101106 108120 504903	2
15	AN960PD10L		..WASHER	101106 108120 504903	2
20	NAS43DD3-59		..SPACER	101106 108120 504903	2

MISSING ITEM NUMBERS NOT APPLICABLE

- ITEM NOT ILLUSTRATED

BRI

**27-21-51-20A**

BOEING PROPRIETARY - Copyright © - Unpublished Work - See title page for details.

27-21-51  
FIG. 20A  
PAGE 1  
JAN 20/09



757

PARTS CATALOG (MAINTENANCE)

FIG ITEM	PART NUMBER	1 2 3 4 5 6 7	NOMENCLATURE	EFFECT FROM TO	UNITS PER ASSY
20A 25	BRH10A3	..	NUT SUPPLIER CODE: V52828 SPECIFICATION NUMBER: BACN10JC3 OPTIONAL PART: H10-3BAC V15653 NS202101-02 V80539 RMLH9075-3W V72962 VN303A02 V92215 96-02 V80539 T6S1032J V11815	101106 108120 504903	2
30	270N2000-801	..	CHANNEL	101106 108120 504903	1
35	270N2000-401	..	BLOCK	101106 108120 504903	2
40	271N6481-1079	.TUBE ASSY-PRESSURE SYS POSITION DATA: L TUBING MATERIAL: .375 IN. OD .019 IN. WALL 9.80 IN. LG TI BMS 7-234 TI-3AL-2.5V COLD WORKED, STRESS RELIEVED TUBING	101106 108120 504903	1	
45	271N6481-1080	.TUBE ASSY-PRESSURE SYS POSITION DATA: L TUBING MATERIAL: .375 IN. OD .019 IN. WALL 35.00 IN. LG TI BMS 7-234 TI-3AL-2.5V COLD WORKED, STRESS RELIEVED TUBING	101106 108120 504903	1	

MISSING ITEM NUMBERS NOT APPLICABLE

- ITEM NOT ILLUSTRATED

BRI

**27-21-51-20A**

BOEING PROPRIETARY - Copyright © - Unpublished Work - See title page for details.

27-21-51  
FIG. 20A  
PAGE 2  
JAN 20/09



757

PARTS CATALOG (MAINTENANCE)

FIG ITEM	PART NUMBER	1 2 3 4 5 6 7	NOMENCLATURE	EFFECT FROM TO	UNITS PER ASSY
20A 50	271N6481-1081	.	TUBE ASSY-PRESSURE SYS POSITION DATA: L TUBING MATERIAL: .375 IN. OD .019 IN. WALL 32.80 IN. LG TI BMS 7-234 TI-3AL-2.5V COLD WORKED, STRESS RELIEVED TUBING	101106 108120 504903	1
- 55	AS1581T06	..	SLEEVE	101106 108120 504903	2
- 60	BACN10YA6	..	NUT	101106 108120 504903	2
900			ILLUSTRATION REFERENCE: PLUMBING INSTL-SECT. 48 HYDR L (ELEVATOR CONTROL SYSTEM ONLY) 27-31-51-20A	101106 108120 504903	RF
905			ILLUSTRATION REFERENCE: VALVE INSTL-BYPASS ELEV PRESSURE REDUCER 27-31-23-01	101106 108120 504903	RF
910			ILLUSTRATION REFERENCE: PLUMBING INSTL-SEC. 82 HYDR 27-31-51-15A	101106 108120 504903	RF
915			ILLUSTRATION REFERENCE: PLUMBING INSTL-SECT. 48 (RUDDER AND ELEVATOR HYDRAULIC SYSTEMS ONLY) 27-23-00-02	101106 108120 504903	RF

MISSING ITEM NUMBERS NOT APPLICABLE

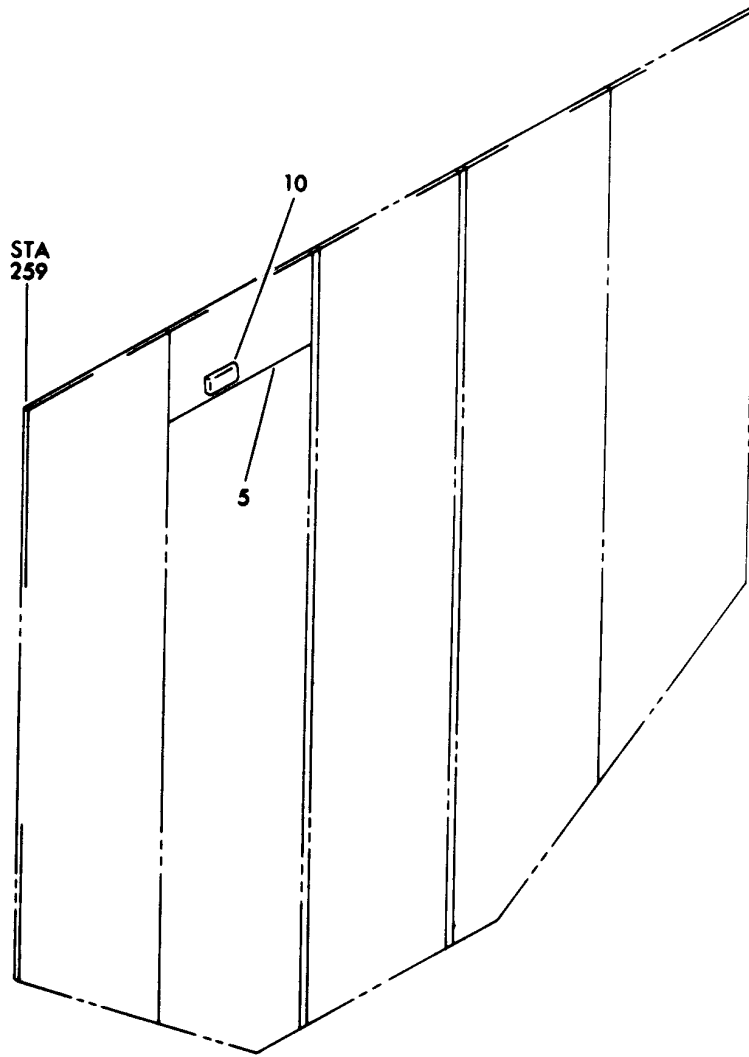
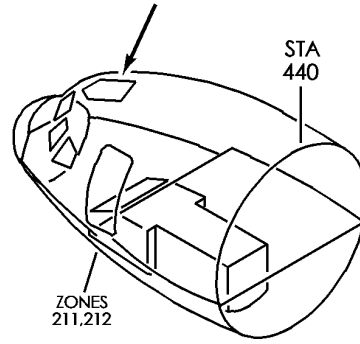
- ITEM NOT ILLUSTRATED

**27-21-51-20A**

27-21-51  
FIG. 20A  
PAGE 3  
JAN 20/09

BRI

**BOEING**  
757  
PARTS CATALOG (MAINTENANCE)



Y 27215301 REV 309

PANEL INSTL-P5 OVHD (RUDDER AND RUDDER TRIM CONTROL SYSTEM ONLY)

FIGURE 1

**27-21-53-01**

BRI  
MAY 28/07

27-21-53-01  
PAGE 0





757

PARTS CATALOG (MAINTENANCE)

FIG ITEM	PART NUMBER	1 2 3 4 5 6 7	NOMENCLATURE	EFFECT FROM TO	UNITS PER ASSY
1			PANEL INSTL-P5 OVHD (RUDDER AND RUDDER TRIM CONTROL SYSTEM ONLY)	002004 006100 107107 121503 904999	
- 1	233N3101-1		PANEL INSTL-P5 OVHD (RUDDER AND RUDDER TRIM CONTROL SYSTEM ONLY) VARIABLE DRAWING REF: 233N3101-5005 233N3101-5025 233N3101-5041 233N3101-5042 233N3101-5045 233N3101-5142 FOR NHA/OTHER SYS DET SEE: 25-10-00-05A	002004 006100 107107 121503 904949 952999	RF
- 1	233N3101-1		PANEL INSTL-P5 OVHD (RUDDER AND RUDDER TRIM CONTROL SYSTEM ONLY) FOR NHA/OTHER SYS DET SEE: 25-10-00-05A	950951	RF
5	233N3202-15		.PANEL ASSY-ANN. SUPPLIER CODE: V89954 NOT APPROVED FOR ETOPS. ELECTRICAL EQUIP NUMBER: M10394 COMPONENT MAINT MANUAL REF: 33-16-71	950951	RF
5	233N3202-17		.PANEL ASSY-ANN. SUPPLIER CODE: V89954 MISCELLANEOUS DATA: FOR SPARES PROCURE DETAIL PARTS ELECTRICAL EQUIP NUMBER: M10394 COMPONENT MAINT MANUAL REF: 33-16-71	002004 006100 121503 904949 952999	RF
5	233N3202-10		.PANEL ASSY-ANN. SUPPLIER CODE: V89954 ELECTRICAL EQUIP NUMBER: M10394 COMPONENT MAINT MANUAL REF: 33-16-71	950951	RF

MISSING ITEM NUMBERS NOT APPLICABLE

- ITEM NOT ILLUSTRATED

27-21-53-01

27-21-53  
FIG. 01  
PAGE 1  
JAN 20/09

BRI



757

PARTS CATALOG (MAINTENANCE)

FIG ITEM	PART NUMBER	1 2 3 4 5 6 7	NOMENCLATURE	EFFECT FROM TO	UNITS PER ASSY
1	5 233N3202-21		.PANEL ASSY-ANN. SUPPLIER CODE: V89954 MISCELLANEOUS DATA: FOR SPARES PROCURE DETAIL PARTS ELECTRICAL EQUIP NUMBER: M10394 COMPONENT MAINT MANUAL REF: 33-16-71	002004 006100	RF
	5 233N3202-17		.PANEL ASSY-ANN. (CUSTOMER FURNISHED) SUPPLIER CODE: V89954 MISCELLANEOUS DATA: FOR SPARES PROCURE DETAIL PARTS ELECTRICAL EQUIP NUMBER: M10394 COMPONENT MAINT MANUAL REF: 33-16-71 POST SERVICE BULLETIN: 24-0048	107107	RF
	10 BCREf8545		..LIGHT ASSY-RUD RATIO IND SUPPLIER CODE: V81590 OVERLENGTH PART NUMBER: 434-674-1031-2105 SPECIFICATION NUMBER: S231T300-2105 OPTIONAL PART: BCREF6145 V81590 FOR DETAILS SEE: 33-14-70-02	002004 006100 107107 121503 904999	1
	10 BCREf6145		..LIGHT ASSY-RUD RATIO IND SUPPLIER CODE: V81590 OVERLENGTH PART NUMBER: 434-674-1005-1105 SPECIFICATION NUMBER: S231T300-1105 OPTIONAL PART: BCREF8545 V81590 FOR DETAILS SEE: 33-14-70-02	002004 006100 107107 121503 904999	1

MISSING ITEM NUMBERS NOT APPLICABLE

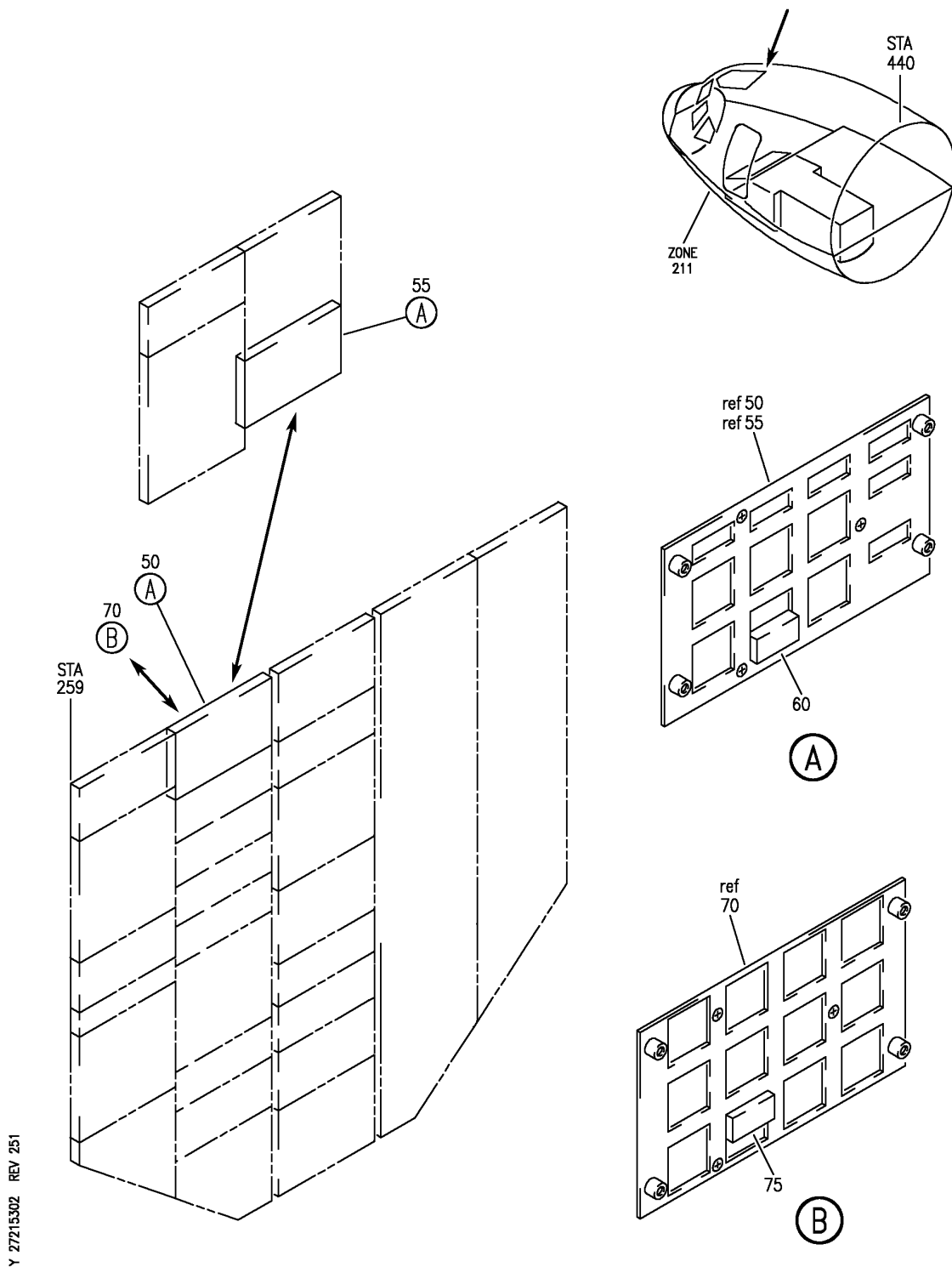
- ITEM NOT ILLUSTRATED

BRI

27-21-53-01

27-21-53  
FIG. 01  
PAGE 2  
JAN 20/09

**BOEING**  
757  
PARTS CATALOG (MAINTENANCE)



PANEL INSTL-P5 OVHD (RUDDER AND RUDDER TRIM CONTROL SYSTEM ONLY)  
FIGURE 2

**27-21-53-02**

BRI  
MAY 28/07

27-21-53-02  
PAGE 0



757

PARTS CATALOG (MAINTENANCE)

FIG ITEM	PART NUMBER	1 2 3 4 5 6 7	NOMENCLATURE	EFFECT FROM TO	UNITS PER ASSY
2			PANEL INSTL-P5 OVHD (RUDDER AND RUDDER TRIM CONTROL SYSTEM ONLY)	101106 108120 504903	
- 3	233N3103-132		PANEL INSTL-P5 OVHD (RUDDER AND RUDDER TRIM CONTROL SYSTEM ONLY) FOR NHA/OTHER SYS DET SEE: 25-10-00-15E	101102	RF
- 3	233N3103-136		PANEL INSTL-P5 OVHD (RUDDER AND RUDDER TRIM CONTROL SYSTEM ONLY) FOR NHA/OTHER SYS DET SEE: 25-10-00-15E	504903	RF
- 6	233N3103-59		PANEL INSTL-P5 OVHD (RUDDER AND RUDDER TRIM CONTROL SYSTEM ONLY) FOR NHA/OTHER SYS DET SEE: 25-10-00-15E	108120	RF
- 8	MODREF33760		PANEL INSTL-P5 OVHD (RUDDER AND RUDDER TRIM CONTROL SYSTEM ONLY) MODULE NUMBER: 233N3103-351 REV C FOR OTHER SYS DETAILS SEE: 11-31-10-12 21-25-55-03 21-31-01-02 21-33-51-03 21-51-54-03 21-58-19-10 21-58-51-03 21-61-04-03 21-65-51-01 22-21-01-04 22-24-51-02 23-24-01-01 23-32-00-11 23-42-02-02 23-71-05-02 24-11-52-05 24-22-01-03 24-31-01-10 24-31-03-09 24-33-04-01 24-41-51-04 24-51-62-01 26-18-51-04 27-41-55-01 27-61-51-03	103103	1

MISSING ITEM NUMBERS NOT APPLICABLE

- ITEM NOT ILLUSTRATED

BRI

27-21-53-02

BOEING PROPRIETARY - Copyright © - Unpublished Work - See title page for details.

27-21-53  
FIG. 02  
PAGE 1  
JAN 20/09



757

PARTS CATALOG (MAINTENANCE)

FIG ITEM	PART NUMBER	1 2 3 4 5 6 7 NOMENCLATURE	EFFECT FROM TO	UNITS PER ASSY
2		27-62-52-02 28-22-51-02 28-41-04-01 28-41-51-03 29-11-02-03 29-11-05-04 29-11-52-07 29-21-54-03 29-31-00-01 29-32-51-03 29-33-52-03 30-11-51-03 30-21-51-03 30-31-51-02 30-32-51-01 30-33-51-02 30-41-51-03 30-42-51-03 31-12-11-91 31-12-11-91 A 32-42-52-03 33-11-03-03 33-11-51-17 33-13-01-65 33-13-02-03 33-16-51-03 33-24-51-02 33-41-52-04 33-42-01-04 33-42-02-04 33-42-52-04 33-43-51-04 33-44-51-05 33-45-53-03 33-51-08-05 34-21-02-01 35-21-51-04 36-11-04-01 36-21-00-01 36-21-02-05 36-22-51-03 49-41-00-02 49-52-00-01 49-70-00-01 52-51-51-03 52-71-51-02 73-21-52-02 74-31-51-05 75-32-00-01		

MISSING ITEM NUMBERS NOT APPLICABLE

- ITEM NOT ILLUSTRATED

BRI

# 27-21-53-02

BOEING PROPRIETARY - Copyright © - Unpublished Work - See title page for details.

27-21-53  
FIG. 02  
PAGE 2  
JAN 20/09



757

PARTS CATALOG (MAINTENANCE)

FIG ITEM	PART NUMBER	1 2 3 4 5 6 7	NOMENCLATURE	EFFECT FROM TO	UNITS PER ASSY
2					
- 8	MODREF34038		80-11-09-02 PANEL INSTL-P5 OVHD (RUDDER AND RUDDER TRIM CONTROL SYSTEM ONLY) MODULE NUMBER: 233N3103-351 REV D FOR OTHER SYS DETAILS SEE: 11-31-10-12 21-25-55-03 21-31-01-02 21-33-51-03 21-51-54-03 21-58-19-10 21-58-51-03 21-61-04-03 21-65-51-01 22-21-01-04 22-24-51-02 23-24-01-01 23-32-00-11 23-42-02-02 23-71-05-02 24-11-52-05 24-22-01-03 24-31-01-10 24-31-03-09 24-33-04-01 24-41-51-04 24-51-62-01 26-18-51-04 27-41-55-01 27-61-51-03 27-62-52-02 28-22-51-02 28-41-04-01 28-41-51-03 29-11-02-03 29-11-05-04 29-11-52-07 29-21-54-03 29-31-00-01 29-32-51-03 29-33-52-03 30-11-51-03 30-21-51-03 30-31-51-02 30-32-51-01 30-33-51-02 30-41-51-03	104105	1
MISSING ITEM NUMBERS NOT APPLICABLE					

- ITEM NOT ILLUSTRATED

**27-21-53-02**

27-21-53  
FIG. 02  
PAGE 3  
JAN 20/09

BRI



757

PARTS CATALOG (MAINTENANCE)

FIG ITEM	PART NUMBER	1 2 3 4 5 6 7	NOMENCLATURE	EFFECT FROM TO	UNITS PER ASSY
2			30-42-51-03 31-12-11-91 31-12-11-91A 32-42-52-03 33-11-03-03 33-11-51-17 33-13-01-65 33-13-02-03 33-16-51-03 33-24-51-02 33-41-52-04 33-42-01-04 33-42-02-04 33-42-52-04 33-43-51-04 33-44-51-05 33-45-53-03 33-51-08-05 34-21-02-01 35-21-51-04 36-11-04-01 36-21-00-01 36-21-02-05 36-22-51-03 49-41-00-02 49-52-00-01 49-70-00-01 52-51-51-03 52-71-51-02 73-21-52-02 74-31-51-05 75-32-00-01 80-11-09-02		
-	8 MODREF170180		PANEL INSTL-P5 OVHD (RUDDER AND RUDDER TRIM CONTROL SYSTEM ONLY) MODULE NUMBER: 233N3103-353 REV B FOR OTHER SYS DETAILS SEE: 11-31-10-12 21-25-55-03 21-31-01-02 21-33-51-03 21-51-54-03 21-58-19-10 21-58-51-03 21-61-04-03 21-65-51-01 22-21-01-04	106106	1
MISSING ITEM NUMBERS NOT APPLICABLE					

- ITEM NOT ILLUSTRATED

BRI

**27-21-53-02**

BOEING PROPRIETARY - Copyright © - Unpublished Work - See title page for details.

27-21-53  
 FIG. 02  
 PAGE 4  
 JAN 20/09



757

PARTS CATALOG (MAINTENANCE)

FIG ITEM	PART NUMBER	1 2 3 4 5 6 7 NOMENCLATURE	EFFECT FROM TO	UNITS PER ASSY
2		22-24-51-02 23-24-01-01 23-32-00-11 23-42-02-02 23-71-05-02 24-11-52-05 24-22-01-03 24-31-01-10 24-31-03-09 24-33-04-01 24-41-51-04 24-51-62-01 26-18-51-04 27-41-55-01 27-61-51-03 27-62-52-02 28-22-51-02 28-41-04-01 28-41-51-03 29-11-02-03 29-11-05-04 29-11-52-07 29-21-54-03 29-31-00-01 29-32-51-03 29-33-52-03 30-11-51-03 30-21-51-03 30-31-51-02 30-32-51-01 30-33-51-02 30-41-51-03 30-42-51-03 31-12-11-84 31-12-11-84 A 32-42-52-03 33-11-03-03 33-11-51-17 33-13-01-65 33-13-02-03 33-16-51-03 33-24-51-02 33-41-52-04 33-42-01-04 33-42-02-04 33-42-52-04 33-43-51-04 33-44-51-05 33-45-53-03		

MISSING ITEM NUMBERS NOT APPLICABLE

- ITEM NOT ILLUSTRATED

BRI

# 27-21-53-02

BOEING PROPRIETARY - Copyright © - Unpublished Work - See title page for details.

27-21-53  
FIG. 02  
PAGE 5  
JAN 20/09





757

PARTS CATALOG (MAINTENANCE)

FIG ITEM	PART NUMBER	1 2 3 4 5 6 7	NOMENCLATURE	EFFECT FROM TO	UNITS PER ASSY
2			33-51-08-05 34-21-02-01 35-21-51-04 36-11-04-01 36-21-00-01 36-21-02-05 36-22-51-03 49-41-00-02 49-52-00-01 49-70-00-01 52-51-51-03 52-71-51-02 73-21-52-02 74-31-51-05 75-32-00-01 80-11-09-02		
50	233N3202-15		.PANEL ASSY-ANN. LIGHTS SUPPLIER CODE: V89954 NOT APPROVED FOR ETOPS. ELECTRICAL EQUIP NUMBER: M10394 COMPONENT MAINT MANUAL REF: 33-16-71	504903	RF
50	233N3202-17		.PANEL ASSY-ANN. LIGHTS SUPPLIER CODE: V89954 ELECTRICAL EQUIP NUMBER: M10394 COMPONENT MAINT MANUAL REF: 33-16-71	101105 108120	RF
60	BCREF8545		..LIGHT ASSY-RUD RATIO IND SUPPLIER CODE: V81590 OVERLENGTH PART NUMBER: 434-674-1031-2105 SPECIFICATION NUMBER: S231T300-2105 OPTIONAL PART: BCREf6145 V81590 FOR DETAILS SEE: 33-14-70-02	101105 108120 504903	1

MISSING ITEM NUMBERS NOT APPLICABLE

- ITEM NOT ILLUSTRATED

BRI

27-21-53-02

BOEING PROPRIETARY - Copyright © - Unpublished Work - See title page for details.

27-21-53  
FIG. 02  
PAGE 6  
JAN 20/09



757

PARTS CATALOG (MAINTENANCE)

FIG ITEM	PART NUMBER	1 2 3 4 5 6 7	NOMENCLATURE	EFFECT FROM TO	UNITS PER ASSY
2 60	BCREF6145		..LIGHT ASSY-RUD RATIO IND SUPPLIER CODE: V81590 OVERLENGTH PART NUMBER: 434-674-1005-1105 SPECIFICATION NUMBER: S231T300-1105 OPTIONAL PART: BCREF8545 V81590 FOR DETAILS SEE: 33-14-70-02	101105 108120 504903	1
70	233N3202-82		.PANEL ASSY-ANN. LIGHTS SUPPLIER CODE: V89954 ELECTRICAL EQUIP NUMBER: M10394 COMPONENT MAINT MANUAL REF: 33-16-71	106106	RF
75	BCREF8545		..LIGHT ASSY-RUD RATIO IND SUPPLIER CODE: V81590 OVERLENGTH PART NUMBER: 434-674-1031-2105 SPECIFICATION NUMBER: S231T300-2105 FOR DETAILS SEE: 33-14-70-02	106106	1
75	BCREF6145		..LIGHT ASSY-RUD RATIO IND SUPPLIER CODE: V81590 OVERLENGTH PART NUMBER: 434-674-1005-1105 SPECIFICATION NUMBER: S231T300-1105 FOR DETAILS SEE: 33-14-70-02	106106	1

MISSING ITEM NUMBERS NOT APPLICABLE

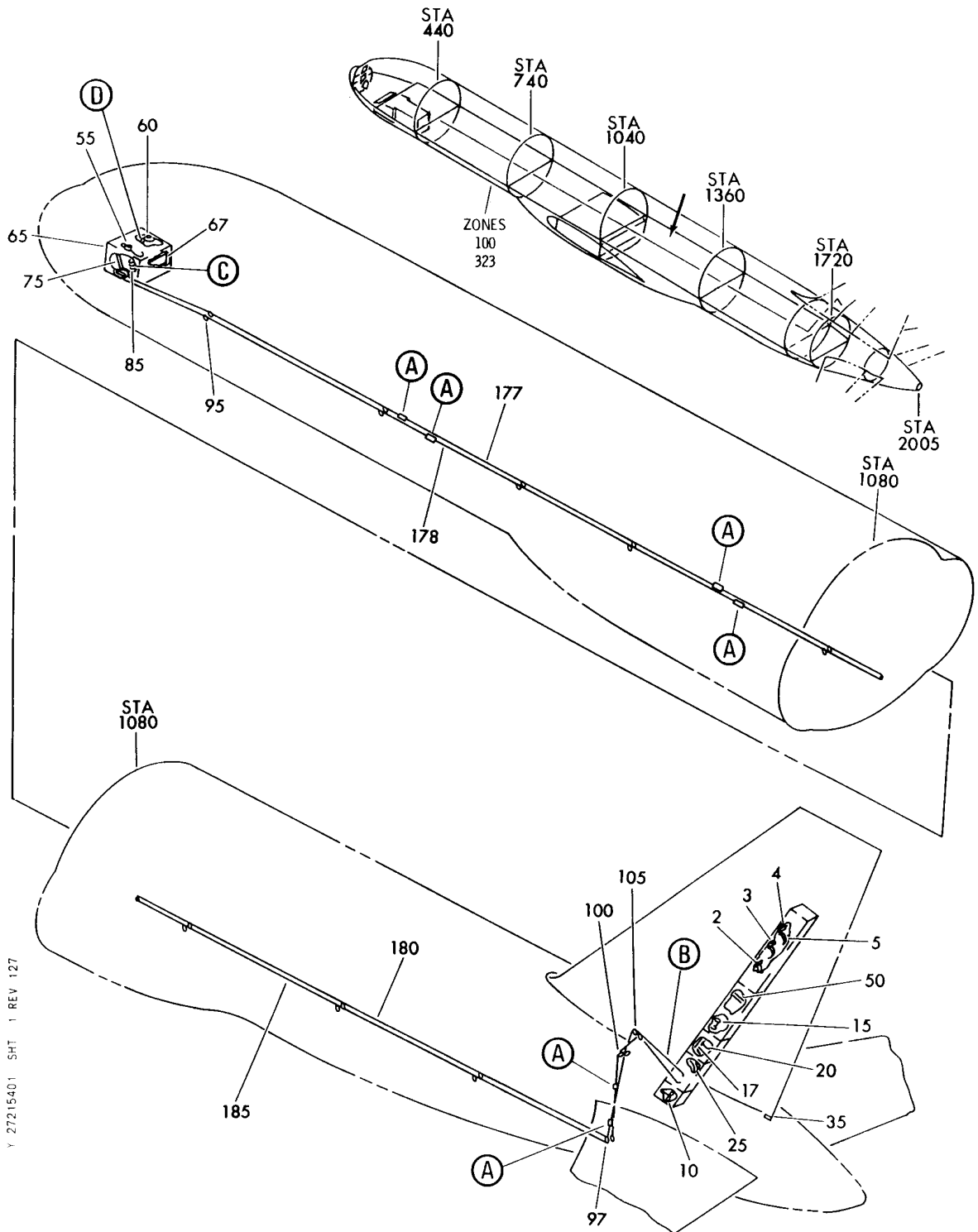
- ITEM NOT ILLUSTRATED

BRI

27-21-53-02

27-21-53  
FIG. 02  
PAGE 7  
JAN 20/09

**BOEING**  
757  
PARTS CATALOG (MAINTENANCE)



Y 27215401 SHT 1 REV 127

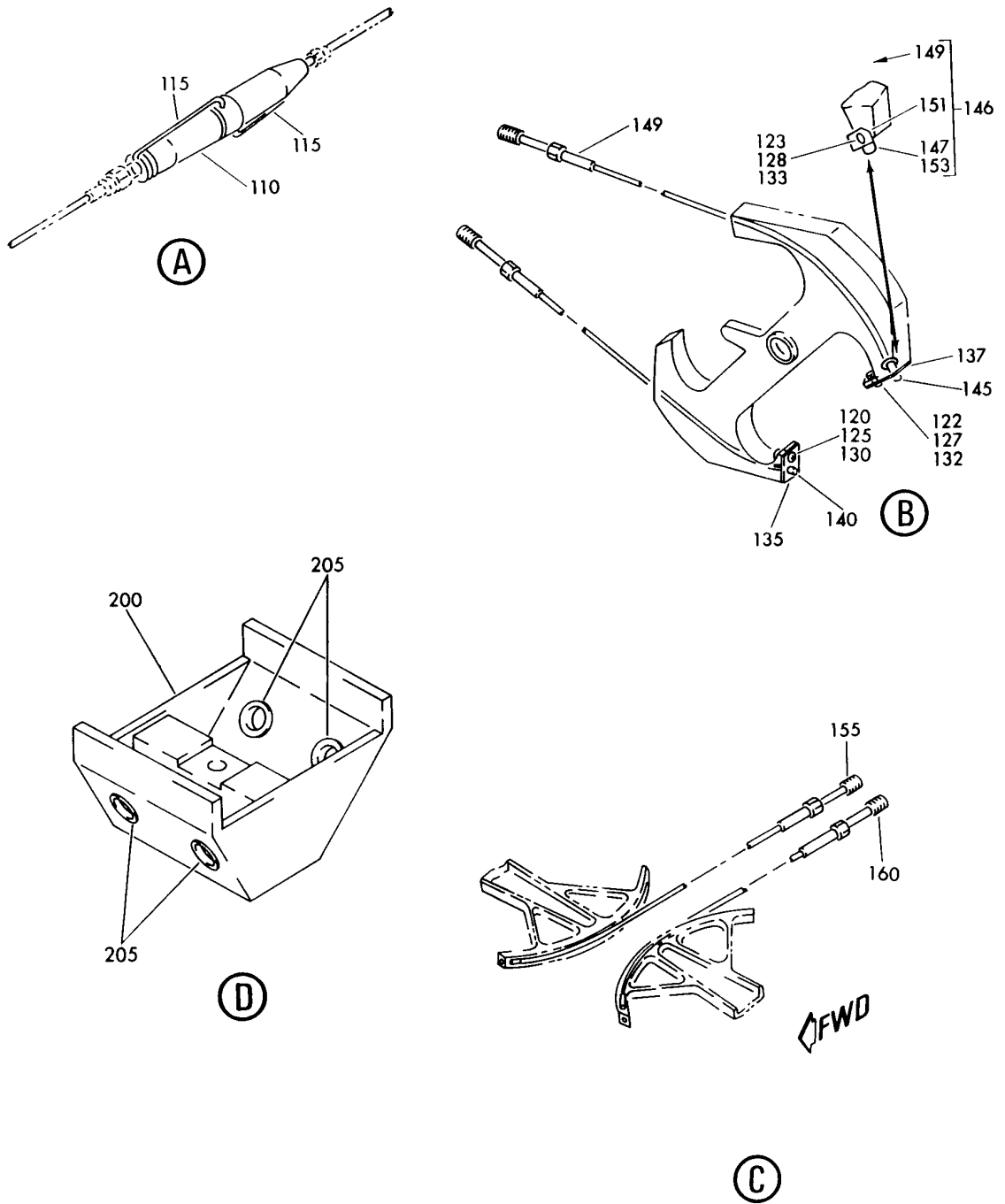
CONTROL INSTL-RUD AND RUD TRIM  
FIGURE 1 (SHEET 1)

**27-21-54-01**

BRI  
MAY 28/07

27-21-54-01  
PAGE 0

**BOEING**  
757  
PARTS CATALOG (MAINTENANCE)



Y 27215401 SHT 2 REV 127

CONTROL INSTL-RUD AND RUD TRIM  
FIGURE 1 (SHEET 2)

**27-21-54-01**

BRI  
MAY 28/07

27-21-54-01  
PAGE 0A



757

PARTS CATALOG (MAINTENANCE)

FIG ITEM	PART NUMBER	1 2 3 4 5 6 7	NOMENCLATURE	EFFECT FROM TO	UNITS PER ASSY
1			CONTROL INSTL-RUD AND RUD TRIM	002004 006100 107107 121503 904999	
- 1	251N3001-10		CONTROL INSTL-RUD AND RUD TRIM VARIABLE DRAWING REF: 251N3001-100	002004 006100 107107 121503 904999	RF
2	BAC27NCT0141		.MARKER-ALUMINUM FOIL- PLACARD CONTENT: CENTER HYDRAULIC SYSTEM	002004 006100 107107 121503 904999	1
3	BAC27NCT0142		.MARKER-ALUMINUM FOIL- PLACARD CONTENT: LEFT HYDRAULIC SYSTEM	002004 006100 107107 121503 904999	1
4	BAC27NCT0143		.MARKER-ALUMINUM FOIL- PLACARD CONTENT: RIGHT HYDRAULIC SYSTEM	002004 006100 107107 121503 904999	1
5	251N3002-1		.CONTROL UNIT INSTL- RUD CONT FOR DETAILS SEE: 27-21-20-01	002004 006100 107107 121503 904999	1
10	251N3003-1		.SERVO INSTL-RUD CONT ROLLOUT GUIDANCE FOR DETAILS SEE: 22-13-01-01	002004 006100 107107 121503 904999	1
15	251N3004-3		.LINKAGE INSTL-RUD CONT YAW DAMPER SUMMING FUNCTIONAL REFERENCE: AUTOFLIGHT FOR DETAILS SEE 22-21-02-01 FLIGHT CONTROLS FOR DETAILS SEE 27-21-17-01	002004 006010 107107 121503 904999	1

MISSING ITEM NUMBERS NOT APPLICABLE

- ITEM NOT ILLUSTRATED

**27-21-54-01**

27-21-54  
FIG. 01  
PAGE 1  
JAN 20/09

BRI

 **BOEING**  
757  
**PARTS CATALOG (MAINTENANCE)**

FIG ITEM	PART NUMBER	1 2 3 4 5 6 7	NOMENCLATURE	EFFECT FROM TO	UNITS PER ASSY
1					
15	251N3004-7		.LINKAGE INSTL-RUD CONT YAW DAMPER SUMMING FUNCTIONAL REFERENCE: AUTOFLIGHT FOR DETAILS SEE 22-21-02-01 FLIGHT CONTROLS FOR DETAILS SEE 27-21-17-01	011017	1
15	251N3004-9		.LINKAGE INSTL-RUD CONT YAW DAMPER SUMMING FUNCTIONAL REFERENCE: AUTOFLIGHT FOR DETAILS SEE 22-21-02-01 FLIGHT CONTROLS FOR DETAILS SEE 27-21-17-01	018100	1
17	251N3007-1		.LINKAGE INSTL-RUD THRM COMPENSATION FOR DETAILS SEE: 27-21-56-01	107107 904949	1
17	251N3007-3		.LINKAGE INSTL-RUD THRM COMPENSATION FOR DETAILS SEE: 27-21-56-01	002004 006100 121503 950999	1
20	251N3005-1		.CHANGER INSTL-RATIO FOR DETAILS SEE: 27-21-12-01 27-21-13-01	002004 006100 107107 121503 904999	1
25	251N3006-1		.QUADRANT INSTL-RUD CONT FEEL CENTERING AND TRIM AFT FOR DETAILS SEE: 27-21-06-01	002004 006100 107107 121503 904999	1
- 30	251N3008-2		.PLATE INSTL-RUD CONT INDEX	002004 006100 107107 121503 904999	1
35	251N3238-2		..PLATE-INDEX	002004 006100 107107 121503 904999	1

MISSING ITEM NUMBERS NOT APPLICABLE

- ITEM NOT ILLUSTRATED

BRI

# 27-21-54-01

BOEING PROPRIETARY - Copyright © - Unpublished Work - See title page for details.

27-21-54  
FIG. 01  
PAGE 2  
JAN 20/09

 **BOEING**  
757  
**PARTS CATALOG (MAINTENANCE)**

FIG ITEM	PART NUMBER	1 2 3 4 5 6 7	NOMENCLATURE	EFFECT FROM TO	UNITS PER ASSY
1			ATTACHING PARTS		
- 40	NAS1738E5-3		..RIVET-	002004 006100 107107 121503 904999	2
50	251N3009-1		-----*----- .TRANSMITTER INSTL-RUD CONT POSITION FOR DETAILS SEE: 27-28-01-01	002004 006100 107107 121503 904999	1
55	251N3011-1		.ADJUST INSTL-RUD PEDAL POSITION DATA: LH FUNCTIONAL REFERENCE: FLIGHT CONTROLS FOR DETAILS SEE 27-21-02-01 PLACARDS AND MARKINGS FOR DETAILS SEE 11-26-05-01	002004 006100 107107 121503 904999	1
60	251N3011-2		.ADJUST INSTL-RUD PEDAL POSITION DATA: RH FUNCTIONAL REFERENCE: FLIGHT CONTROLS FOR DETAILS SEE 27-21-02-01 PLACARDS AND MARKINGS FOR DETAILS SEE 11-26-05-01	002004 006100 107107 121503 904999	1
65	251N3012-1		.COVER INSTL-RUD PEDAL POSITION DATA: LH SIDE FOR DETAILS SEE: 25-13-57-01	107107	1
65	251N3012-5		.COVER INSTL-RUD PEDAL POSITION DATA: LH SIDE FOR DETAILS SEE: 25-13-57-01	002004 121503 904949 952952	1
65	251N3012-7		.COVER INSTL-RUD PEDAL POSITION DATA: LH SIDE FOR DETAILS SEE: 25-13-57-02	006017 950951 953999	1

MISSING ITEM NUMBERS NOT APPLICABLE

- ITEM NOT ILLUSTRATED

BRI

# 27-21-54-01

27-21-54  
FIG. 01  
PAGE 3  
JAN 20/09

 **BOEING**  
757  
**PARTS CATALOG (MAINTENANCE)**

FIG ITEM	PART NUMBER	1 2 3 4 5 6 7	NOMENCLATURE	EFFECT FROM TO	UNITS PER ASSY
1					
65	251N3012-9		.COVER INSTL-RUD PEDAL POSITION DATA: LH SIDE FOR DETAILS SEE: 25-13-57-02	018100	1
67	251N3048-2		.SENSOR INSTL-FLIGHT DATA RECORDED-RUD CONT POSITION FOR DETAILS SEE: 27-20-50-01	002004 006100 121503 950999	1
- 70	251N3012-2		.COVER INSTL-RUD PEDAL POSITION DATA: RH SIDE FOR DETAILS SEE: 25-13-57-01	107107	1
- 70	251N3012-6		.COVER INSTL-RUD PEDAL POSITION DATA: RH SIDE FOR DETAILS SEE: 25-13-57-01	002004 121503 904949 952952	1
- 70	251N3012-8		.COVER INSTL-RUD PEDAL POSITION DATA: RH SIDE FOR DETAILS SEE: 25-13-57-02	006017 950951 953999	1
- 70	251N3012-10		.COVER INSTL-RUD PEDAL POSITION DATA: RH SIDE FOR DETAILS SEE: 25-13-57-02	018100	1
75	251N3013-5		.PEDAL INSTL- POSITION DATA: LH SIDE VARIABLE DRAWING REF: 251N3013-9 FOR DETAILS SEE: 27-21-02-02	002004 006100 107107 121503 904999	1
- 80	251N3013-6		.PEDAL INSTL- POSITION DATA: RH SIDE VARIABLE DRAWING REF: 251N3013-10 FOR DETAILS SEE: 27-21-02-02	002004 006100 107107 121503 904999	1
85	251N3014-1		.JACKSHAFT INSTL-RUD CONT POSITION DATA: LH SIDE FOR DETAILS SEE: 27-21-05-01	002004 006100 107107 121503 904999	1

MISSING ITEM NUMBERS NOT APPLICABLE

- ITEM NOT ILLUSTRATED

BRI

# 27-21-54-01

BOEING PROPRIETARY - Copyright © - Unpublished Work - See title page for details.

27-21-54  
FIG. 01  
PAGE 4  
JAN 20/09





757

PARTS CATALOG (MAINTENANCE)

FIG ITEM	PART NUMBER	1 2 3 4 5 6 7	NOMENCLATURE	EFFECT FROM TO	UNITS PER ASSY
1					
- 90	251N3014-2		.JACKSHAFT INSTL-RUD CONT POSITION DATA: RH SIDE FOR DETAILS SEE: 27-21-05-01	107107 904949	1
- 90	251N3014-4		.JACKSHAFT INSTL-RUD CONT POSITION DATA: RH SIDE FOR DETAILS SEE: 27-21-05-01	002004 006100 121503 950999	1
95	251N6007-1		.BRACKET INSTL-RA AND RB POSITION DATA: STA 351 FOR DETAILS SEE: 27-21-51-05	002004 006100 107107 121503 904999	1
97	251N6031-5		.BRACKET INSTL-RUD A AND RUD B CABLES PULLEY POSITION DATA: STA 1720 FOR DETAILS SEE: 27-21-51-02	002004 006100 107107 121503 904999	1
100	251N6032-1		.BRACKET INSTL-CABLES RUD A AND B UPR BODY PULLEY POSITION DATA: STA 1739 FOR DETAILS SEE: 53-81-52-01	002004 006100 107107 121503 904999	1
105	251N6035-1		.BRACKET INSTL-CABLES RUD A AND B VERT. FIN PULLEY FOR DETAILS SEE: 53-81-53-01	002004 006100 107107 121503 904999	1
110	MS21251B5L		.TURNBUCKLE BODY	002004 006100 107107 121503 904999	6
115	BACC15AJ2		.CLIP	002004 006100 107107 121503 904999	12
120	NAS623-4-5		.SCREW-	002004 006100 107107 121503 904999	1

MISSING ITEM NUMBERS NOT APPLICABLE

- ITEM NOT ILLUSTRATED

27-21-54-01

27-21-54  
FIG. 01  
PAGE 5  
JAN 20/09

BRI



757

PARTS CATALOG (MAINTENANCE)

FIG ITEM	PART NUMBER	1 2 3 4 5 6 7	NOMENCLATURE	EFFECT FROM TO	UNITS PER ASSY
1					
123	NAS623-2-8	.	SCREW-	002004 006100 107107 121503 904999	1
125	AN960PD416L	.	WASHER-	002004 006100 107107 121503 904999	1
128	AN960PD8L	.	WASHER-	002004 006100 107107 121503 904999	1
130	BRH10A4	.	NUT- SUPPLIER CODE: V52828 SPECIFICATION NUMBER: BACN10JC4 OPTIONAL PART: T6S428J V11815 96-048 V80539 VN303A048 V92215 RMLH9075-4W V72962 NS202101-048 V80539 H10-4BAC V15653	002004 006100 107107 121503 904999	1

MISSING ITEM NUMBERS NOT APPLICABLE

- ITEM NOT ILLUSTRATED

BRI

27-21-54-01

BOEING PROPRIETARY - Copyright © - Unpublished Work - See title page for details.

27-21-54  
FIG. 01  
PAGE 6  
JAN 20/09



757

PARTS CATALOG (MAINTENANCE)

FIG ITEM	PART NUMBER	1 2 3 4 5 6 7	NOMENCLATURE	EFFECT FROM TO	UNITS PER ASSY
1 133	BRH10A08		.NUT- SUPPLIER CODE: V52828 SPECIFICATION NUMBER: BACN10JC08 OPTIONAL PART: H10-08BAC V15653 NS202101-82 V80539 RMLH9075-82W V72962 VN303A82 V92215 96-82 V80539 T6S832J V11815	002004 006100 107107 121503 904999	1
135	3-89042-3001		.RETAINER-	002004 006100 107107 121503 904999	1
135	3-89042-5		.RETAINER-	002004 006100 107107 121503 904999	1
140	BACC2C4C01444EG		.CABLE ASSY-	002004 006100 107107 121503 904999	1
146	251N3269-1		.CABLE ASSY-	002004 006100 107107 121503 904999	1
146	251N3269-3		.CABLE ASSY-	002004 006100 107107 121503 904999	1

MISSING ITEM NUMBERS NOT APPLICABLE

- ITEM NOT ILLUSTRATED

27-21-54-01

27-21-54  
FIG. 01  
PAGE 7  
JAN 20/09

BRI



757

PARTS CATALOG (MAINTENANCE)

FIG ITEM	PART NUMBER	1 2 3 4 5 6 7	NOMENCLATURE	EFFECT FROM TO	UNITS PER ASSY
1 147	HI2099		.. TERMINAL- SUPPLIER CODE: V26590 SPECIFICATION NUMBER: BACT14A4 OPTIONAL PART: HT100-4 V83014 ST2099 V80523 BM2488A4 V22277 8-04057-4 V11328 ST24-4 V65196	002004 006100 107107 121503 904999	1
149	MS21260L4LH		.. TERMINAL	002004 006100 107107 121503 904999	1
151	251N3270-1		.. RETAINER	002004 006100 107107 121503 904999	1
153	BACW10P118S		.. WASHER	002004 006100 107107 121503 904999	1
155	BACC2C4C03404FG		. CABLE ASSY-	002004 006100 107107 121503 904999	1
160	BACC2C4C03580FG		. CABLE ASSY-	002004 006100 107107 121503 904999	1
177	BACC2C4C04371EF		. CABLE ASSY- POST SERVICE LETTER: 20-007	002004 006100 107107 121503 904999	1

MISSING ITEM NUMBERS NOT APPLICABLE

- ITEM NOT ILLUSTRATED

27-21-54-01

27-21-54  
FIG. 01  
PAGE 8  
JAN 20/09

BRI

BOEING PROPRIETARY - Copyright © - Unpublished Work - See title page for details.



757

PARTS CATALOG (MAINTENANCE)

FIG ITEM	PART NUMBER	1 2 3 4 5 6 7	NOMENCLATURE	EFFECT FROM TO	UNITS PER ASSY
1	178	BACC2C4C04380EF	.CABLE ASSY- POST SERVICE LETTER: 20-007	002004 006100 107107 121503 904999	1
	180	BACC2C4C07299EF	.CABLE ASSY-	002004 006100 107107 121503 904999	1
	185	BACC2C4C07310EF	.CABLE ASSY-	002004 006100 107107 121503 904999	1

MISSING ITEM NUMBERS NOT APPLICABLE

- ITEM NOT ILLUSTRATED

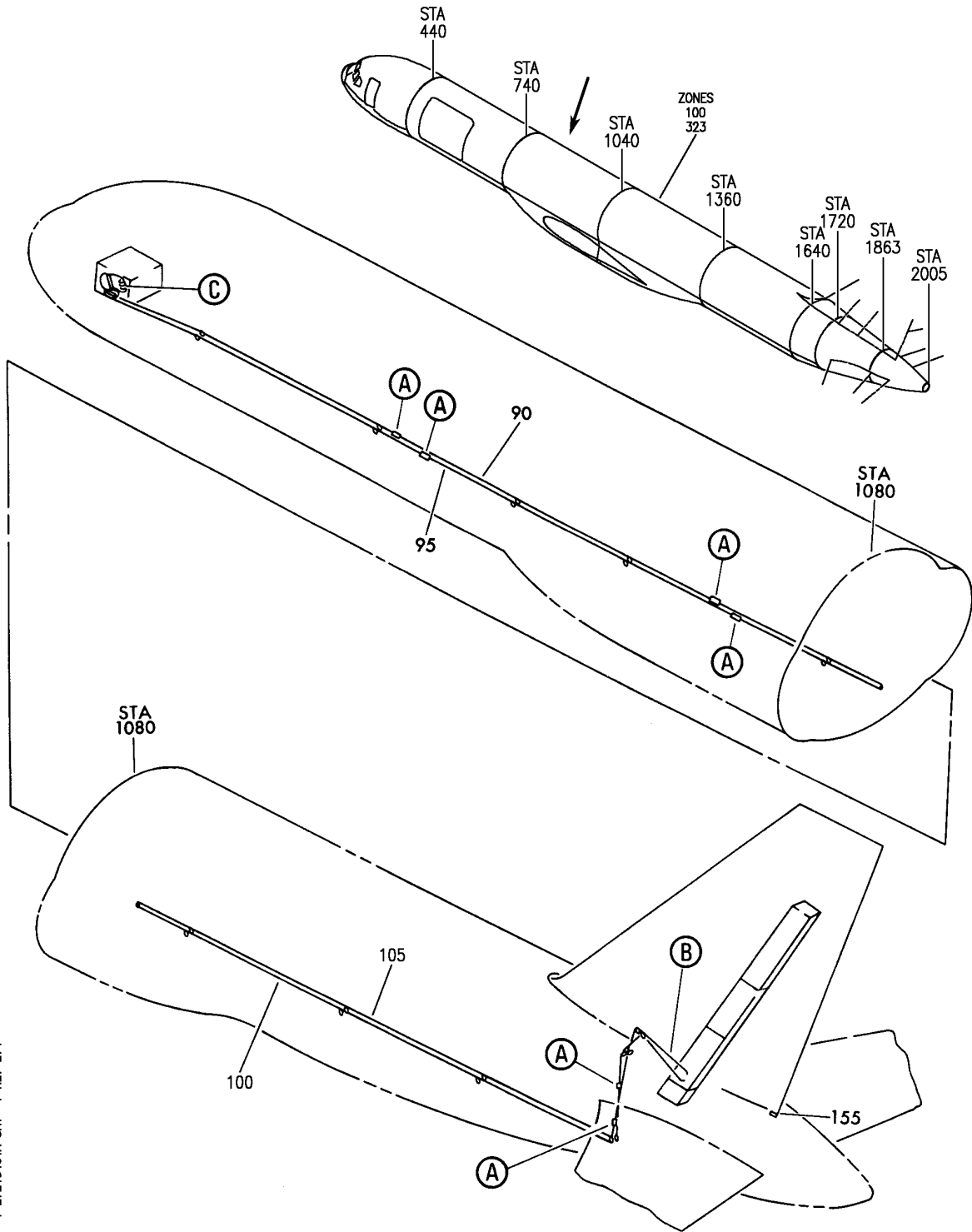
BRI

**27-21-54-01**

BOEING PROPRIETARY - Copyright © - Unpublished Work - See title page for details.

27-21-54  
FIG. 01  
PAGE 9  
JAN 20/09

**BOEING**  
757  
PARTS CATALOG (MAINTENANCE)



Y 27215401A SHT 1 REV 274

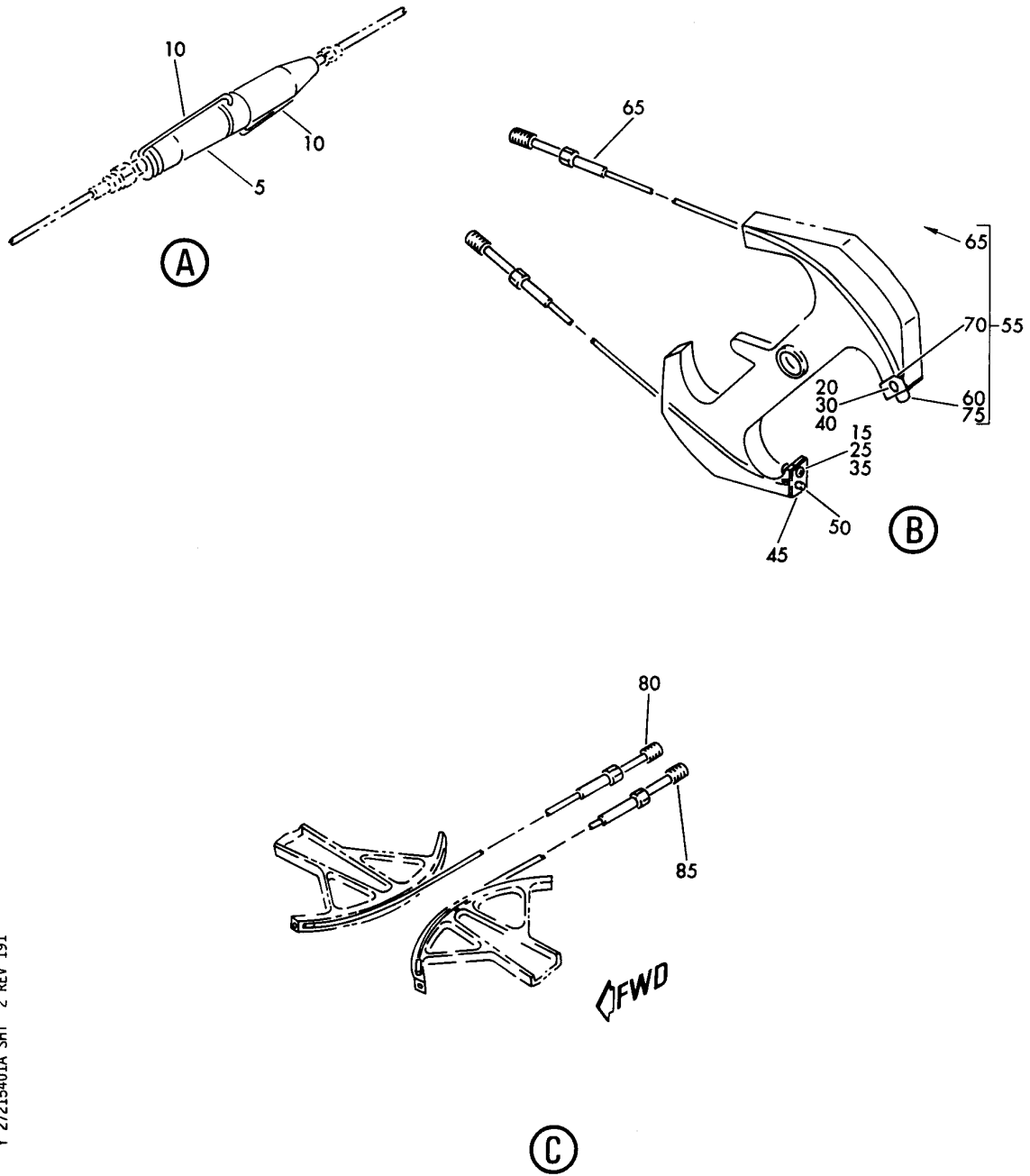
CONTROL AND INDEX PLATE INSTL-RUD AND RUD TRIM  
FIGURE 1A (SHEET 1)

**27-21-54-01A**

BRI  
MAY 28/07

27-21-54-01A  
PAGE 0

**BOEING**  
757  
PARTS CATALOG (MAINTENANCE)



Y 27215401A SHT 2 REV 191

CONTROL AND INDEX PLATE INSTL-RUD AND RUD TRIM  
FIGURE 1A (SHEET 2)

**27-21-54-01A**

BRI  
MAY 28/07

27-21-54-01A  
PAGE 0A



757

PARTS CATALOG (MAINTENANCE)

FIG ITEM	PART NUMBER	1 2 3 4 5 6 7	NOMENCLATURE	EFFECT FROM TO	UNITS PER ASSY
1 A			CONTROL AND INDEX PLATE INSTL-RUD AND RUD TRIM	101106 108120 504903	
- 1	251N3001-110		CONTROL INSTL-RUD AND RUD TRIM FOR NHA SEE: 27-20-00-01	101102 504903	RF
- 1	251N3001-112		CONTROL INSTL-RUD AND RUD TRIM FOR NHA SEE: 27-20-00-01	108120	RF
- 1	MODREF7362		CONTROL INSTL-RUD AND RUD TRIM MODULE NUMBER: 251N3001-112 REV A	103106	1
5	MS21251B5L		.TURNBUCKLE BODY	101106 108120 504903	6
10	BACC15AJ2		.CLIP	101106 108120 504903	12
15	NAS623-4-5		.SCREW	101106 108120 504903	1
20	NAS623-2-8		.SCREW	101106 108120 504903	1
25	NAS1149D0416J		.WASHER	101106 108120 504903	1
30	NAS1149DN816J		.WASHER	101106 108120 504903	1
35	BRH10C4D		.NUT SUPPLIER CODE: V52828 SPECIFICATION NUMBER: BACN10JC4CD OPTIONAL PART: T6C428JCD V11815 NS202486-048 V80539 102LH9075-4W V72962 H51650-4BAC V15653	101106 108120 504903	1

MISSING ITEM NUMBERS NOT APPLICABLE

- ITEM NOT ILLUSTRATED

BRI

27-21-54-01A

BOEING PROPRIETARY - Copyright © - Unpublished Work - See title page for details.

27-21-54  
FIG. 01A  
PAGE 1  
JAN 20/09





757

PARTS CATALOG (MAINTENANCE)

FIG ITEM	PART NUMBER	1 2 3 4 5 6 7	NOMENCLATURE	EFFECT FROM TO	UNITS PER ASSY
1 A					
40	BRH10C08D	.	NUT SUPPLIER CODE: V52828 SPECIFICATION NUMBER: BACN10JC08CD OPTIONAL PART: H51650-08BAC V15653 102LH9075-82W V72962 NS202486-82 V80539 T6C832JCD V11815	101106 108120 504903	1
45	3-89042-5	.	RETAINER-	101106 108120 504903	1
45	3-89042-3001	.	RETAINER-	101106 108120 504903	1
50	BACC2C4C01444EG	.	CABLE ASSY	101106 108120 504903	1
55	251N3269-3	.	CABLE ASSY	101106 108120 504903	1
60	HI2099	..	TERMINAL SUPPLIER CODE: V26590 SPECIFICATION NUMBER: BACT14A4 OPTIONAL PART: HT100-4 V83014 ST2099 V80523 BM2488A4 V22277 8-04057-4 V11328 ST24-4 V65196	101106 108120 504903	1
65	MS21260L4LH	..	TERMINAL	101106 108120 504903	1
70	251N3270-1	..	RETAINER	101106 108120 504903	1

MISSING ITEM NUMBERS NOT APPLICABLE

- ITEM NOT ILLUSTRATED

BRI

27-21-54-01A

BOEING PROPRIETARY - Copyright © - Unpublished Work - See title page for details.

27-21-54  
FIG. 01A  
PAGE 2  
JAN 20/09

 **BOEING**  
757  
**PARTS CATALOG (MAINTENANCE)**

FIG ITEM	PART NUMBER	1 2 3 4 5 6 7	NOMENCLATURE	EFFECT FROM TO	UNITS PER ASSY
1A					
75	BACW10P118S	. .	WASHER	101106 108120 504903	1
80	BACC2C4C03404FG	. CABLE	ASSY	101106 108120 504903	1
85	BACC2C4C03580FG	. CABLE	ASSY	101106 108120 504903	1
90	BACC2C4C04371EF	. CABLE	ASSY-	101106 108120 504903	1
95	BACC2C4C04380EF	. CABLE	ASSY-	101102 504903	1
95	BACC2C4C04480EF	. CABLE	ASSY-	103106 108120	1
100	BACC2C4C07299EF	. CABLE	ASSY-	101106 108120 504903	1
105	BACC2C4C07310EF	. CABLE	ASSY-	101102 504903	1
105	BACC2C4C07210EF	. CABLE	ASSY-	103106 108120	1
- 150	251N3008-3	PLATE INSTL-RUD	CONT INDEX FOR NHA SEE: 27-20-00-01	101102 108120 504903	RF
- 150	MODREF7451	PLATE INSTL-RUD	CONT INDEX MODULE NUMBER: 251N3008-3 REV A	103106	1
155	251N3238-2	. PLATE-	INDEX	101106 108120 504903	1
- 160	NAS1738E5-3	ATTACHING PARTS . RIVET		101106 108120 504903	2
		-----*			

MISSING ITEM NUMBERS NOT APPLICABLE

- ITEM NOT ILLUSTRATED

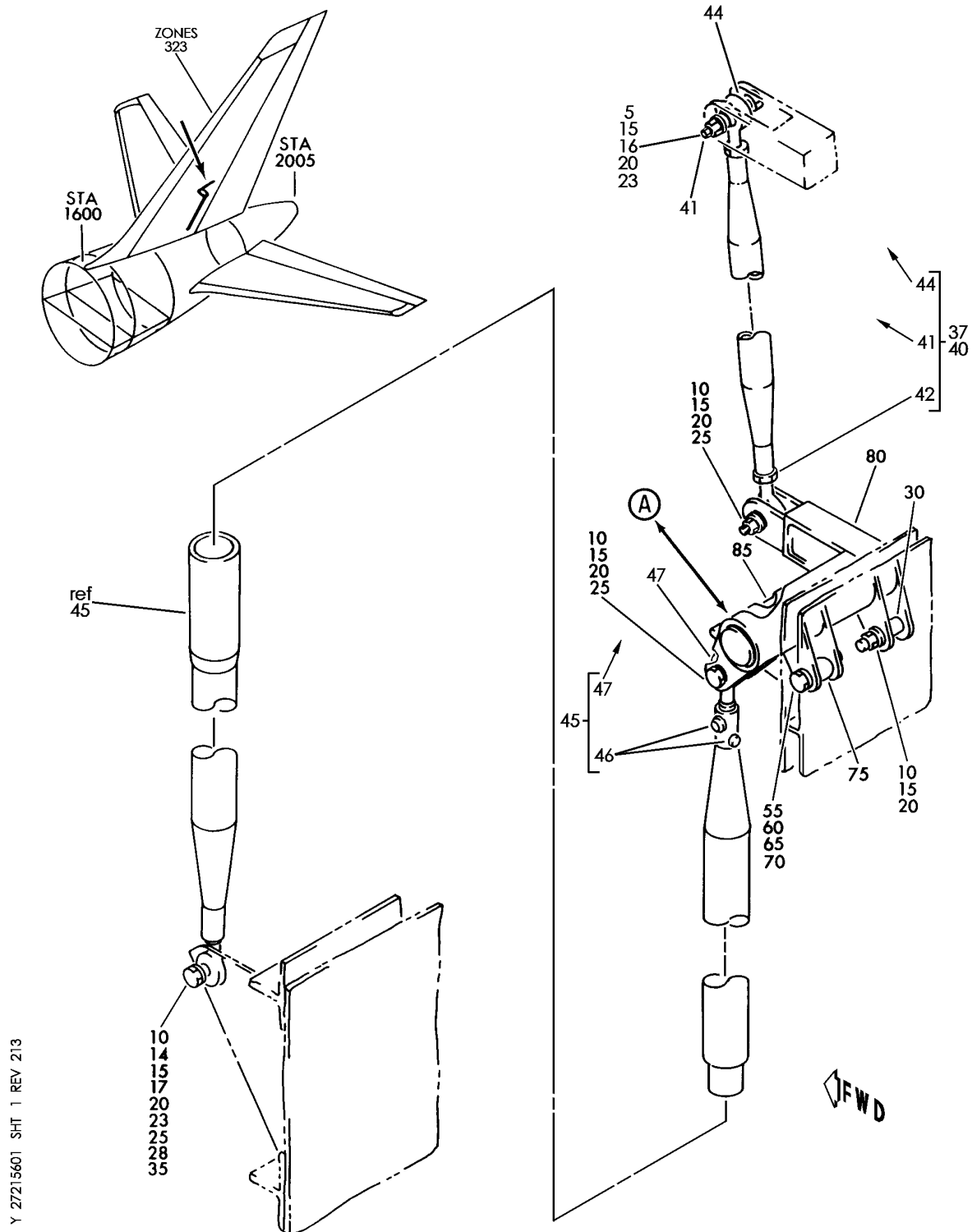
BRI

# 27-21-54-01A

BOEING PROPRIETARY - Copyright © - Unpublished Work - See title page for details.

27-21-54  
FIG. 01A  
PAGE 3  
JAN 20/09

**BOEING**  
757  
PARTS CATALOG (MAINTENANCE)



Y 27215601 SHT 1 REV 213

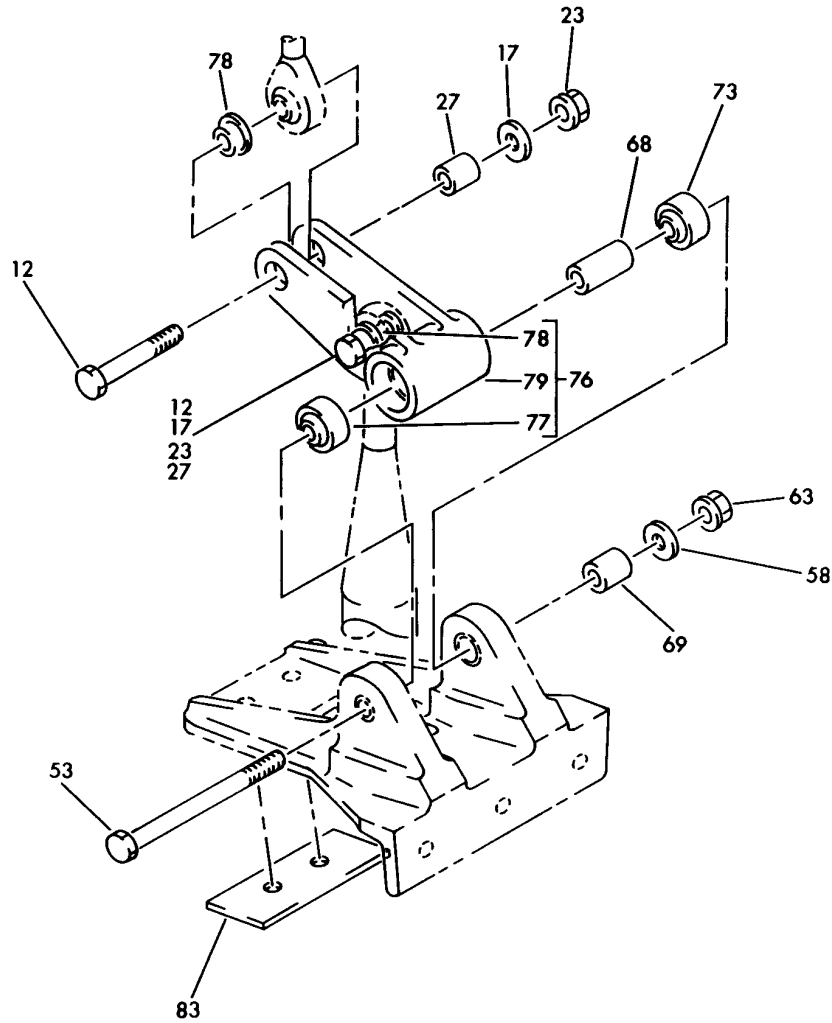
LINKAGE INSTL-RUD TRM COMPENSATION  
FIGURE 1 (SHEET 1)

**27-21-56-01**

BRI  
MAY 28/07

27-21-56-01  
PAGE 0

**BOEING**  
757  
PARTS CATALOG (MAINTENANCE)



(A)

Y 27215601 SHT 2 REV 102

LINKAGE INSTL-RUD TRM COMPENSATION  
FIGURE 1 (SHEET 2)

**27-21-56-01**

BRI  
MAY 28/07

27-21-56-01  
PAGE 0A



757

PARTS CATALOG (MAINTENANCE)

FIG ITEM	PART NUMBER	1 2 3 4 5 6 7	NOMENCLATURE	EFFECT FROM TO	UNITS PER ASSY
1			LINKAGE INSTL-RUD THRM COMPENSATION	002004 006999	
- 1	251N3007-1		LINKAGE INSTL-RUD THRM COMPENSATION FOR NHA SEE: 27-21-54-01	107107 904949	RF
- 1	251N3007-3		LINKAGE INSTL-RUD THRM COMPENSATION FOR NHA SEE: 27-21-54-01	002004 006100 121503 950999	RF
- 1	251N3007-4		LINKAGE INSTL-RUD THRM COMPENSATION FOR NHA SEE: 27-20-00-01	101102 108120 504903	RF
- 1	MODREF7450		LINKAGE INSTL-RUD THRM COMPENSATION MODULE NUMBER: 251N3007-4 REV A	103106	1
5	BACB30NF4-10		.BOLT	107107 904949	1
5	BACB30NF4-10		.BOLT	002004 006106 108903 950999	1
10	BACB30NF4-13		.BOLT	107107 904949	4
12	BACB30NF4-16		.BOLT	002004 006106 108903 950999	2
14	BACB30NF4-13		.BOLT	002004 006106 108903 950999	1
15	AN960KD416		.WASHER	107107 904949	5
16	AN960KD416		.WASHER	002004 006106 108903 950999	1
17	AN960JD416		.WASHER	002004 006106 108903 950999	3
20	MS21042L4		.NUT	107107 904949	5

MISSING ITEM NUMBERS NOT APPLICABLE

- ITEM NOT ILLUSTRATED

27-21-56-01

27-21-56  
FIG. 01  
PAGE 1  
JAN 20/09

BRI

BOEING PROPRIETARY - Copyright © - Unpublished Work - See title page for details.



757

PARTS CATALOG (MAINTENANCE)

FIG ITEM	PART NUMBER	1 2 3 4 5 6 7	NOMENCLATURE	EFFECT FROM TO	UNITS PER ASSY
1					
23	MS21042L4	.	NUT	002004 006106 108903 950999	4
25	NAS75-4-006	.	BUSHING-	107107 904949	3
27	NAS75-4-010	.	BUSHING	002004 006106 108903 950999	2
28	NAS75-4-006	.	BUSHING	002004 006106 108903 950999	1
30	NAS75-4-008	.	BUSHING	107107 904949	1
37	250N2004-336	.	ROD ASSY-CONT COMPONENT MAINT MANUAL REF: 27-00-12	002004 006106 108903 950999	1
40	250N2004-332	.	ROD ASSY-CONT COMPONENT MAINT MANUAL REF: 27-00-12	107107 904949	1
41	AN316-5R	..	NUT	002004 006999	1
42	AN316-4R	..	NUT	002004 006999	1
43	KSR148700B2	..	BEARING-ROD END SUPPLIER CODE: V50632	002004 006106 108903 950999	1

MISSING ITEM NUMBERS NOT APPLICABLE

- ITEM NOT ILLUSTRATED

BRI

27-21-56-01

BOEING PROPRIETARY - Copyright © - Unpublished Work - See title page for details.

27-21-56  
FIG. 01  
PAGE 2  
JAN 20/09



757

PARTS CATALOG (MAINTENANCE)

FIG ITEM	PART NUMBER	1 2 3 4 5 6 7	NOMENCLATURE	EFFECT FROM TO	UNITS PER ASSY
1					
44	KBDE4-44		.. BEARING-ROD END SUPPLIER CODE: V97613 SPECIFICATION NUMBER: 10-60779-177 OPTIONAL PART: MSSKR44-14BAC V73134 NHNE4-216 V15860 REMS8ATC8-2 V21335 177156 V09455 DREM4-304 V81376 ART4E136 VS0352 TFM3R V77896	107107 904949	1
44	KSR148700B1		.. BEARING-ROD END SUPPLIER CODE: V50632	002004 006106 108903 950999	1
45	251N3294-2		. ROD-CONT COMPONENT MAINT MANUAL REF: 27-21-58	107107 904949	1
45	251N3294-6		. ROD-CONT COMPONENT MAINT MANUAL REF: 27-21-58	002004 006106 108903 950999	1
45	251N3294-5		. ROD-CONT COMPONENT MAINT MANUAL REF: 27-21-58	002004 006106 108903 950999	1
45	251N3294-1		. ROD-CONT COMPONENT MAINT MANUAL REF: 27-21-58	107107 904949	1
46	BACR15FT5D		.. RIVET- SIZE DETERMINED ON INSTL.	002004 006999	2

MISSING ITEM NUMBERS NOT APPLICABLE

- ITEM NOT ILLUSTRATED

27-21-56-01

27-21-56  
FIG. 01  
PAGE 3  
JAN 20/09

BRI

BOEING PROPRIETARY - Copyright © - Unpublished Work - See title page for details.



757

PARTS CATALOG (MAINTENANCE)

FIG ITEM	PART NUMBER	1 2 3 4 5 6 7	NOMENCLATURE	EFFECT FROM TO	UNITS PER ASSY
1					
47	KBDE4-35		.. BEARING-ROD END SUPPLIER CODE: V97613 SPECIFICATION NUMBER: 10-60779-181 OPTIONAL PART: DREM4-368 V81376 177270 V09455 RES8ATC12-2 V21335 YTP107 V77896 NHNE4-213 V15860 MSSR46-14BAE V73134 ARHT4E101 VS0352	107107 904949	1
47	KSR148700B3		.. BEARING-ROD END SUPPLIER CODE: V50632	002004 006106 108903 950999	1
53	BACB30NF4-38		. BOLT	002004 006106 108903 950999	1
55	BACB30NF4-12		. BOLT	107107 904949	1
58	AN690JD416		. WASHER	002004 006106 108903 950999	1
60	AN960KD416		. WASHER	107107 904949	1
63	MS21042L4		. NUT	002004 006106 108903 950999	1
65	MS21042L4		. NUT	107107 904949	1
68	NAS75-4-027		. BUSHING	002004 006106 108903 950999	1

MISSING ITEM NUMBERS NOT APPLICABLE

- ITEM NOT ILLUSTRATED

BRI

27-21-56-01

BOEING PROPRIETARY - Copyright © - Unpublished Work - See title page for details.

27-21-56  
FIG. 01  
PAGE 4  
JAN 20/09





757

PARTS CATALOG (MAINTENANCE)

FIG ITEM	PART NUMBER	1 2 3 4 5 6 7	NOMENCLATURE	EFFECT FROM TO	UNITS PER ASSY
1	69	NAS75-4-017	.BUSHING	002004 006106 108903 950999	1
	70	NAS75-4-009	.BUSHING	107107 904949	1
	73	KSC217504B	.BEARING- SUPPLIER CODE: V50632	002004 006106 108903 950999	1
	75	HTES04C	.BEARING- SUPPLIER CODE: VS0352 SPECIFICATION NUMBER: BACB10ES04C OPTIONAL PART: NC04T5C V56644 SWKN04520C V81376 BACB10ES04GC V15860	107107 904949	1
	75	HTES04VC	.BEARING- SUPPLIER CODE: VS0352 SPECIFICATION NUMBER: BACB10ES04GC OPTIONAL PART: NC04TG5C V56644 BACB10ES04C	107107 904949	1
	76	251N3299-1	.CRANK ASSY-MULTIPLIER	002004 006106 108903 950999	1
	77	KSC217504B	..BEARING- SUPPLIER CODE: V50632 OPTIONAL PART: KSC217604B V50632	002004 006106 108903 950999	1
	77	KSC217604B	..BEARING- SUPPLIER CODE: V50632 OPTIONAL PART: KSC217504B V50632	002004 006106 108903 950999	1

MISSING ITEM NUMBERS NOT APPLICABLE

- ITEM NOT ILLUSTRATED

27-21-56-01

27-21-56  
FIG. 01  
PAGE 5  
JAN 20/09

BRI



757

PARTS CATALOG (MAINTENANCE)

FIG ITEM	PART NUMBER	1 2 3 4 5 6 7	NOMENCLATURE	EFFECT FROM TO	UNITS PER ASSY
1	78	NAS77-4-18	. . BUSHING	002004 006106 108903 950999	2
	79	251N3299-2	. . CRANK-MULTIPLIER	002004 006106 108903 950999	1
	80	251N3284-1	. CRANK ASSY-MULTIPLIER OPTIONAL PART: 251N3285-1	107107 904949	1
	80	251N3285-1	. CRANK-MULTIPLIER OPTIONAL PART: 251N3284-1	107107 904949	1
	83	BACS40R010C027F	. SHIM	002004 006106 108903 950999	1
	85	251N3007-2	. SHIM	107107 904949	AR

MISSING ITEM NUMBERS NOT APPLICABLE

- ITEM NOT ILLUSTRATED

BRI

27-21-56-01

BOEING PROPRIETARY - Copyright © - Unpublished Work - See title page for details.

27-21-56  
FIG. 01  
PAGE 6  
JAN 20/09



757

PARTS CATALOG (MAINTENANCE)

FIG ITEM	PART NUMBER	1 2 3 4 5 6 7 NOMENCLATURE	EFFECT FROM TO	UNITS PER ASSY
1 - 88	HL1012AZ8-6	ATTACHING PARTS .BOLT SUPPLIER CODE: VOPTK6 SPECIFICATION NUMBER: BACB30NX8K6 OPTIONAL PART: HL12VAZ8-6 V73197 HL12VAZ8-6 V92215 HL12VAZ8-6 V97928 L802-8K6 V06725 HL12VAZ8-6 V56878 HL1012AZ8-6 V06725 HL1012AZ8-6 V06950 HL1012AZ8-6 V17446 HL1012AZ8-6 V56878 HL1012AZ8-6 V60516 HL1012AZ8-6 V73197 HL1012AZ8-6 V97928	002004 006106 108903 950999	2

MISSING ITEM NUMBERS NOT APPLICABLE

- ITEM NOT ILLUSTRATED

BRI

27-21-56-01

BOEING PROPRIETARY - Copyright © - Unpublished Work - See title page for details.

27-21-56  
FIG. 01  
PAGE 7  
JAN 20/09



757

PARTS CATALOG (MAINTENANCE)

FIG ITEM	PART NUMBER	1 2 3 4 5 6 7	NOMENCLATURE	EFFECT FROM TO	UNITS PER ASSY
1 - 90	HL1012AZ8-6	.BOLT	SUPPLIER CODE: VOPTK6 SPECIFICATION NUMBER: BACB30NX8K6 OPTIONAL PART: HL12VAZ8-6 V73197 HL12VAZ8-6 V92215 HL12VAZ8-6 V97928 L802-8K6 V06725 HL12VAZ8-6 V56878 HL1012AZ8-6 V06725 HL1012AZ8-6 V06950 HL1012AZ8-6 V17446 HL1012AZ8-6 V56878 HL1012AZ8-6 V60516 HL1012AZ8-6 V73197 HL1012AZ8-6 V97928	107107 904949	2
- 93	HL1187-8	.COLLAR	SUPPLIER CODE: V5M902 SPECIFICATION NUMBER: BACC30X8 OPTIONAL PART: HL87-8 V92215 HL87-8 V73197 HL1187-8 V56878 HL1187-8 V92215 HL87-8 V56878 HL1187-8 V73197	002004 006106 108903 950999	2

MISSING ITEM NUMBERS NOT APPLICABLE

- ITEM NOT ILLUSTRATED

27-21-56-01

27-21-56  
FIG. 01  
PAGE 8  
JAN 20/09

BRI



757

PARTS CATALOG (MAINTENANCE)

FIG ITEM	PART NUMBER	1 2 3 4 5 6 7	NOMENCLATURE	EFFECT FROM TO	UNITS PER ASSY
1					
- 95	HL1187-8		. COLLAR SUPPLIER CODE: V5M902 SPECIFICATION NUMBER: BACC30X8 OPTIONAL PART: HL87-8 V92215 HL87-8 V73197 HL1187-8 V56878 HL1187-8 V92215 HL87-8 V56878 HL1187-8 V73197	107107 904949	2
- 98	AN960JD416		. WASHER	002004 006106 108903 950999	2
- 100	AN960KD416		. WASHER  -----*	107107 904949	2

MISSING ITEM NUMBERS NOT APPLICABLE

- ITEM NOT ILLUSTRATED

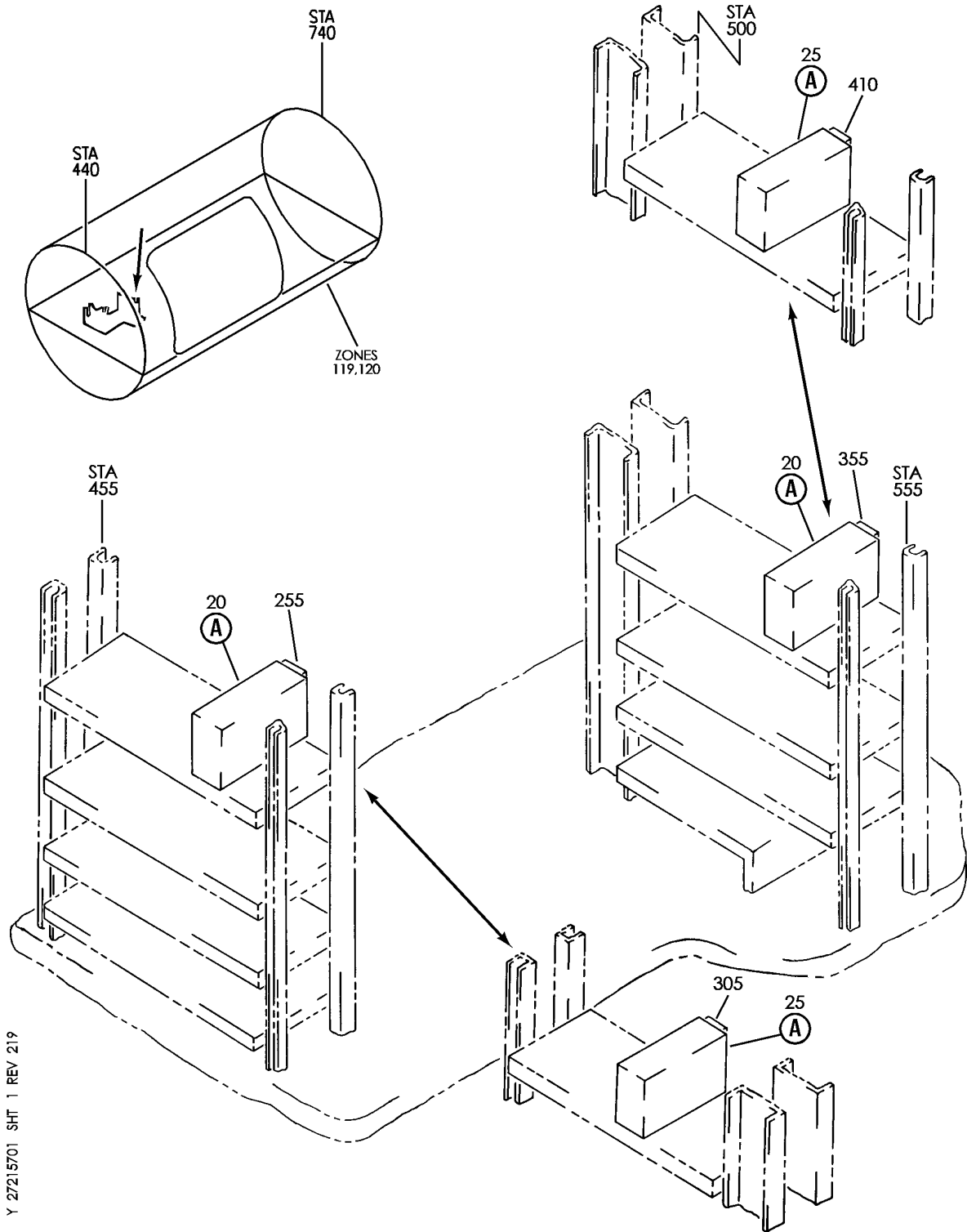
BRI

27-21-56-01

BOEING PROPRIETARY - Copyright © - Unpublished Work - See title page for details.

27-21-56  
FIG. 01  
PAGE 9  
JAN 20/09

**BOEING**  
757  
PARTS CATALOG (MAINTENANCE)



Y 27215701 SHT 1 REV 219

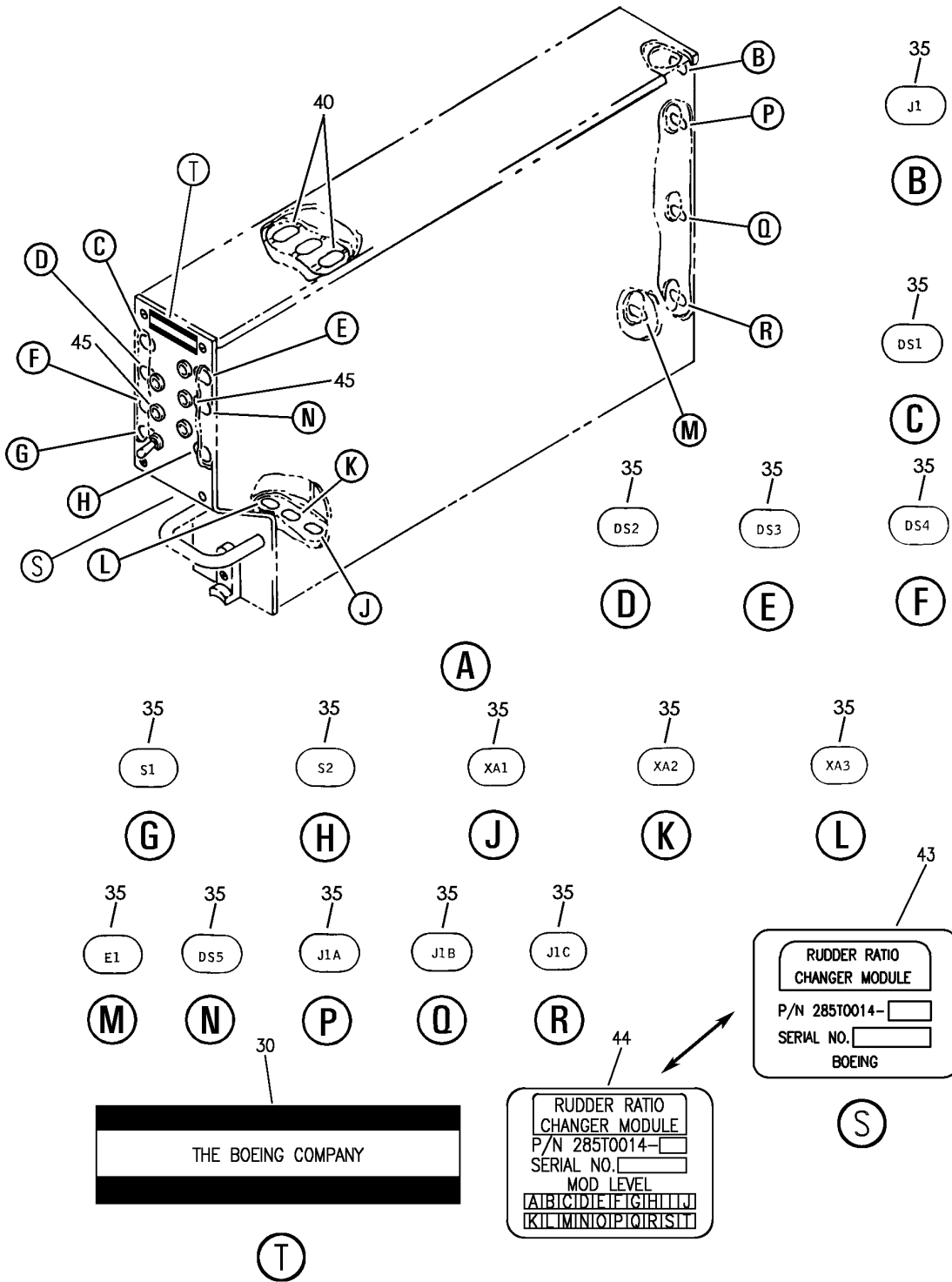
EQUIPMENT INSTL-MAIN ELECTRONICS EQPT CTR (RUDDER AND RUDDER TRIM CONTROL SYSTEM ONLY)  
FIGURE 1 (SHEET 1)

BRI  
MAY 28/07

**27-21-57-01**

27-21-57-01  
PAGE 0

**BOEING**  
757  
PARTS CATALOG (MAINTENANCE)



Y 27215701 SH1 2 REV 250

THE BOEING COMPANY

RUDDER RATIO  
CHANGER MODULE  
P/N 285T0014-  
SERIAL NO.   
MOD LEVEL  
A B C D E F G H I J  
K L M N O P Q R S T

RUDDER RATIO  
CHANGER MODULE  
P/N 285T0014-  
SERIAL NO.   
BOEING

EQUIPMENT INSTL-MAIN ELECTRONICS EQPT CTR (RUDDER AND RUDDER TRIM CONTROL SYSTEM ONLY)  
FIGURE 1 (SHEET 2)

**27-21-57-01**

BRI  
MAY 28/07

27-21-57-01  
PAGE 0A



757

PARTS CATALOG (MAINTENANCE)

FIG ITEM	PART NUMBER	1 2 3 4 5 6 7	NOMENCLATURE	EFFECT FROM TO	UNITS PER ASSY
1			EQUIPMENT INSTL-MAIN ELECTRONICS EQPT CTR (RUDDER AND RUDDER TRIM CONTROL SYSTEM ONLY)	002004 006100 107107 121999	
- 2	284N1307-33		EQUIPMENT INSTL-MAIN ELECTRONICS EQPT CTR (RUDDER AND RUDDER TRIM CONTROL SYSTEM ONLY) FOR NHA/OTHER SYS DET SEE: 24-00-58-01	107107	RF
- 3	284N1800-16		EQUIPMENT INSTL-MAIN ELECTRONICS EQPT CTR (RUDDER AND RUDDER TRIM CONTROL SYSTEM ONLY) FOR NHA/OTHER SYS DET SEE: 24-00-58-01	121503 904949	RF
- 4	284N1800-32		EQUIPMENT INSTL-MAIN ELECTRONICS EQPT CTR (RUDDER AND RUDDER TRIM CONTROL SYSTEM ONLY) FOR NHA/OTHER SYS DET SEE: 24-00-58-01	952999	RF
- 4	284N1800-34		EQUIPMENT INSTL-MAIN ELECTRONICS EQPT CTR (RUDDER AND RUDDER TRIM CONTROL SYSTEM ONLY) FOR NHA/OTHER SYS DET SEE: 24-00-58-01	002004 006100	RF
- 5	284N1800-38		EQUIPMENT INSTL-MAIN ELECTRONICS EQPT CTR (RUDDER AND RUDDER TRIM CONTROL SYSTEM ONLY) FOR NHA/OTHER SYS DET SEE: 24-00-58-01	950951	RF
- 6	284N1800-88		EQUIPMENT INSTL-MAIN ELECTRONICS EQPT CTR (RUDDER AND RUDDER TRIM CONTROL SYSTEM ONLY) FOR NHA/OTHER SYS DET SEE: 24-00-58-05E	505505	RF
- 7	284N1800-190		EQUIPMENT INSTL-MAIN ELECTRONICS EQPT CTR (RUDDER AND RUDDER TRIM CONTROL SYSTEM ONLY) FOR NHA/OTHER SYS DET SEE: 24-00-58-05E	504504 506903	RF

MISSING ITEM NUMBERS NOT APPLICABLE

- ITEM NOT ILLUSTRATED

27-21-57-01

27-21-57  
FIG. 01  
PAGE 1  
JAN 20/09

BRI





757

PARTS CATALOG (MAINTENANCE)

FIG ITEM	PART NUMBER	1 2 3 4 5 6 7	NOMENCLATURE	EFFECT FROM TO	UNITS PER ASSY
1	25 285T0014-104		.MODULE ASSY-RUD RATIO CHANGER SUPPLIER CODE: V89954 ELECTRICAL EQUIP NUMBER: M00528 M00529 COMPONENT MAINT MANUAL REF: 27-21-30 OPTIONAL PART: 285T0014-103 V89954	002004 006100 107107 121999	2
	25 285T0014-103		.MODULE ASSY-RUD RATIO CHANGER SUPPLIER CODE: V89954 ELECTRICAL EQUIP NUMBER: M00528 M00529 COMPONENT MAINT MANUAL REF: 27-21-30 OPTIONAL PART: 285T0014-104 V89954	002004 006100 107107 121999	2
	30 BAC27TEX2944		..DECAL- SUPPLIER CODE: V89954 OPTIONAL PART: BAC27TEX3647 V89954 USED ON: 285T0014-104	002004 006100 107107 121999	1
	30 BAC27TEX3647		..DECAL-BOEING SUPPLIER CODE: V89954 OPTIONAL PART: BAC27TEX2944 V89954 USED ON: 285T0014-104	002004 006100 107107 121999	1
	35 BAC27TEX3315		..DECAL- SUPPLIER CODE: V89954	002004 006100 107107 121999	1
	40 BAC27TEX1955		..DECAL- SUPPLIER CODE: V89954 PLACARD CONTENT: RUDDER RATIO	002004 006100 107107 121999	1

MISSING ITEM NUMBERS NOT APPLICABLE

- ITEM NOT ILLUSTRATED

27-21-57-01

27-21-57  
FIG. 01  
PAGE 2  
JAN 20/09

BRI



757

PARTS CATALOG (MAINTENANCE)

FIG ITEM	PART NUMBER	1 2 3 4 5 6 7	NOMENCLATURE	EFFECT FROM TO	UNITS PER ASSY
1	43 BAC27TEX4146		..DECAL-BOEING SUPPLIER CODE: V89954 OPTIONAL PART: BAC27TEX1452 V89954 POST COMPONENT SB: 285T0014-27-03	002004 006100 107107 121999	1
	44 BAC27TEX1452		..DECAL-BOEING SUPPLIER CODE: V89954 MISCELLANEOUS DATA: USED ON OPTIONAL VARIABLE 285T0014-5009, -5010 OPTIONAL PART: BAC27TEX4146 V89954	002004 006100 107107 121999	1
	45 BHGD21T24YBLK		..INDICATOR- SUPPLIER CODE: V07479	002004 006100 107107 121999	4
-	50 285T0254-17		..PRINTED CIRCUIT ASSY-GND TEST SUPPLIER CODE: V89954 MISCELLANEOUS DATA: USED ON OPTIONAL VARIABLE 285T0014-5004, -5005, -5011 COMPONENT MAINT MANUAL REF: 27-21-32 OPTIONAL PART: 285T0254-14 V89954 285T0254-20 V89954 285T0254-24 V89954	002004 006100 107107 121999	1

MISSING ITEM NUMBERS NOT APPLICABLE

- ITEM NOT ILLUSTRATED

BRI

27-21-57-01

27-21-57  
FIG. 01  
PAGE 3  
JAN 20/09



757

PARTS CATALOG (MAINTENANCE)

FIG ITEM	PART NUMBER	1 2 3 4 5 6 7	NOMENCLATURE	EFFECT FROM TO	UNITS PER ASSY
1					
- 50	285T0254-28		..PRINTED CIRCUIT ASSY-GND TEST SUPPLIER CODE: V89954 COMPONENT MAINT MANUAL REF: 27-21-32 QUALIFIED OPTIONAL DATA: (OPT 285T0254-14, -17 -20, -24, -29, -30, -31, -32, -33, -34, -35, AND -36 USED WITH ASSOCIATED ITEMS)	002004 006100 107107 121999	1
- 50	285T0254-14		..PRINTED CIRCUIT ASSY-GND TEST SUPPLIER CODE: V89954 MISCELLANEOUS DATA: USED ON OPTIONAL VARIABLE 285T0014-5004, -5005, -5011 COMPONENT MAINT MANUAL REF: 27-21-32 OPTIONAL PART: 285T0254-17 V89954 285T0254-20 V89954 285T0254-24 V89954	002004 006100 107107 121999	1
- 50	285T0254-20		..PRINTED CIRCUIT ASSY-GND TEST SUPPLIER CODE: V89954 MISCELLANEOUS DATA: USED ON OPTIONAL VARIABLE 285T0014-5004, -5005, -5011 COMPONENT MAINT MANUAL REF: 27-21-32 OPTIONAL PART: 285T0254-17 V89954 285T0254-14 V89954 285T0254-24 V89954	002004 006100 107107 121999	1

MISSING ITEM NUMBERS NOT APPLICABLE

- ITEM NOT ILLUSTRATED

27-21-57-01

27-21-57  
FIG. 01  
PAGE 4  
JAN 20/09

BRI



757

PARTS CATALOG (MAINTENANCE)

FIG ITEM	PART NUMBER	1 2 3 4 5 6 7	NOMENCLATURE	EFFECT FROM TO	UNITS PER ASSY
1 - 50	285T0254-24		..PRINTED CIRCUIT ASSY-GND TEST SUPPLIER CODE: V89954 MISCELLANEOUS DATA: USED ON OPTIONAL VARIABLE 285T0014-5004, -5005, -5011 COMPONENT MAINT MANUAL REF: 27-21-32 OPTIONAL PART: 285T0254-14 V89954 285T0254-17 V89954 285T0254-20 V89954	002004 006100 107107 121999	1
- 50	285T0254-29		..PRINTED CIRCUIT ASSY-GND TEST SUPPLIER CODE: V89954 MISCELLANEOUS DATA: USED ON OPTIONAL VARIABLE 285T0014-5015, -5016 COMPONENT MAINT MANUAL REF: 27-21-32 OPTIONAL PART: 285T0254-24 V89954 285T0254-30 V89954 285T0254-31 V89954 USED ON: 285T0014-103	002004 006100 107107 121999	1

MISSING ITEM NUMBERS NOT APPLICABLE

- ITEM NOT ILLUSTRATED

BRI

27-21-57-01

27-21-57  
FIG. 01  
PAGE 5  
JAN 20/09



757

PARTS CATALOG (MAINTENANCE)

FIG ITEM	PART NUMBER	1 2 3 4 5 6 7	NOMENCLATURE	EFFECT FROM TO	UNITS PER ASSY
1 - 50	285T0254-30		..PRINTED CIRCUIT ASSY-GND TEST SUPPLIER CODE: V89954 MISCELLANEOUS DATA: USED ON OPTIONAL VARIABLE 285T0014-5015, -5016 COMPONENT MAINT MANUAL REF: 27-21-32 OPTIONAL PART: 285T0254-24 V89954 285T0254-29 V89954 285T0254-31 V89954 USED ON: 285T0014-103	002004 006100 107107 121999	1
- 50	285T0254-31		..PRINTED CIRCUIT ASSY-GND TEST SUPPLIER CODE: V89954 MISCELLANEOUS DATA: USED ON OPTIONAL VARIABLE 285T0014-5015, -5016 COMPONENT MAINT MANUAL REF: 27-21-32 OPTIONAL PART: 285T0254-24 V89954 285T0254-29 V89954 285T0254-30 V89954 USED ON: 285T0014-103	002004 006100 107107 121999	1
- 50	285T0254-32		..PRINTED CIRCUIT ASSY-GND TEST SUPPLIER CODE: V89954 MISCELLANEOUS DATA: USED ON OPTIONAL VARIABLE 285T0014-5017 COMPONENT MAINT MANUAL REF: 27-21-32 USED ON: 285T0014-104	002004 006100 107107 121999	1

MISSING ITEM NUMBERS NOT APPLICABLE

- ITEM NOT ILLUSTRATED

27-21-57-01

27-21-57  
FIG. 01  
PAGE 6  
JAN 20/09

BRI



757

PARTS CATALOG (MAINTENANCE)

FIG ITEM	PART NUMBER	1 2 3 4 5 6 7	NOMENCLATURE	EFFECT FROM TO	UNITS PER ASSY
1 - 50	285T0254-33		..PRINTED CIRCUIT ASSY-GND TEST SUPPLIER CODE: V89954 MISCELLANEOUS DATA: USED ON OPTIONAL VARIABLE 285T0014-5017 COMPONENT MAINT MANUAL REF: 27-21-32 OPTIONAL PART: 285T0254-34 V89954 285T0254-35 V89954 285T0254-36 V89954 USED ON: 285T0014-104	002004 006100 107107 121999	1
- 50	285T0254-34		..PRINTED CIRCUIT ASSY-GND TEST SUPPLIER CODE: V89954 MISCELLANEOUS DATA: USED ON OPTIONAL VARIABLE 285T0014-5017 COMPONENT MAINT MANUAL REF: 27-21-32 OPTIONAL PART: 285T0254-33 V89954 285T0254-35 V89954 285T0254-36 V89954 USED ON: 285T0014-104	002004 006100 107107 121999	1

MISSING ITEM NUMBERS NOT APPLICABLE

- ITEM NOT ILLUSTRATED

BRI

27-21-57-01

BOEING PROPRIETARY - Copyright © - Unpublished Work - See title page for details.

27-21-57  
FIG. 01  
PAGE 7  
JAN 20/09



757

PARTS CATALOG (MAINTENANCE)

FIG ITEM	PART NUMBER	1 2 3 4 5 6 7	NOMENCLATURE	EFFECT FROM TO	UNITS PER ASSY
1 - 50	285T0254-35		..PRINTED CIRCUIT ASSY-GND TEST SUPPLIER CODE: V89954 MISCELLANEOUS DATA: USED ON OPTIONAL VARIABLE 285T0014-5017 COMPONENT MAINT MANUAL REF: 27-21-32 OPTIONAL PART: 285T0254-33 V89954 285T0254-34 V89954 285T0254-36 V89954 USED ON: 285T0014-104	002004 006100 107107 121999	1
- 50	285T0254-36		..PRINTED CIRCUIT ASSY-GND TEST SUPPLIER CODE: V89954 MISCELLANEOUS DATA: USED ON OPTIONAL VARIABLE 285T0014-5017 COMPONENT MAINT MANUAL REF: 27-21-32 OPTIONAL PART: 285T0254-33 V89954 285T0254-34 V89954 285T0254-35 V89954 USED ON: 285T0014-104	002004 006100 107107 121999	1

MISSING ITEM NUMBERS NOT APPLICABLE

- ITEM NOT ILLUSTRATED

BRI

27-21-57-01

27-21-57  
FIG. 01  
PAGE 8  
JAN 20/09



757

PARTS CATALOG (MAINTENANCE)

FIG ITEM	PART NUMBER	1 2 3 4 5 6 7	NOMENCLATURE	EFFECT FROM TO	UNITS PER ASSY
1 - 55	285T0254-14		..PRINTED CIRCUIT ASSY-GND TEST SUPPLIER CODE: V89954 MISCELLANEOUS DATA: USED ON OPTIONAL VARIABLE 285T0014-5009 COMPONENT MAINT MANUAL REF: 27-21-32 OPTIONAL PART: 285T0254-17 V89954 285T0254-20 V89954 285T0254-24 V89954 285T0254-29 V89954 285T0254-30 V89954 285T0254-31 V89954 USED ON: 285T0014-104	002004 006100 107107 121999	1
- 55	285T0254-17		..PRINTED CIRCUIT ASSY-GND TEST SUPPLIER CODE: V89954 MISCELLANEOUS DATA: USED ON OPTIONAL VARIABLE 285T0014-5009 COMPONENT MAINT MANUAL REF: 27-21-32 OPTIONAL PART: 285T0254-14 V89954 285T0254-20 V89954 285T0254-24 V89954 285T0254-29 V89954 285T0254-30 V89954 285T0254-31 V89954 USED ON: 285T0014-104	002004 006100 107107 121999	1

MISSING ITEM NUMBERS NOT APPLICABLE

- ITEM NOT ILLUSTRATED

BRI

27-21-57-01

27-21-57  
FIG. 01  
PAGE 9  
JAN 20/09





757

PARTS CATALOG (MAINTENANCE)

FIG ITEM	PART NUMBER	1 2 3 4 5 6 7	NOMENCLATURE	EFFECT FROM TO	UNITS PER ASSY
1 - 55	285T0254-20		..PRINTED CIRCUIT ASSY-GND TEST SUPPLIER CODE: V89954 MISCELLANEOUS DATA: USED ON OPTIONAL VARIABLE 285T0014-5009 COMPONENT MAINT MANUAL REF: 27-21-32 OPTIONAL PART: 285T0254-14 V89954 285T0254-17 V89954 285T0254-24 V89954 285T0254-29 V89954 285T0254-30 V89954 285T0254-31 V89954 USED ON: 285T0014-104	002004 006100 107107 121999	1
- 55	285T0254-24		..PRINTED CIRCUIT ASSY-GND TEST SUPPLIER CODE: V89954 MISCELLANEOUS DATA: USED ON OPTIONAL VARIABLE 285T0014-5009 COMPONENT MAINT MANUAL REF: 27-21-32 OPTIONAL PART: 285T0254-14 V89954 285T0254-17 V89954 285T0254-20 V89954 285T0254-29 V89954 285T0254-30 V89954 285T0254-31 V89954 USED ON: 285T0014-104	002004 006100 107107 121999	1

MISSING ITEM NUMBERS NOT APPLICABLE

- ITEM NOT ILLUSTRATED

BRI

27-21-57-01

27-21-57  
FIG. 01  
PAGE 10  
JAN 20/09



757

PARTS CATALOG (MAINTENANCE)

FIG ITEM	PART NUMBER	1 2 3 4 5 6 7	NOMENCLATURE	EFFECT FROM TO	UNITS PER ASSY
1 - 55	285T0254-29		..PRINTED CIRCUIT ASSY-GND TEST SUPPLIER CODE: V89954 MISCELLANEOUS DATA: USED ON OPTIONAL VARIABLE 285T0014-5009 COMPONENT MAINT MANUAL REF: 27-21-32 OPTIONAL PART: 285T0254-14 V89954 285T0254-17 V89954 285T0254-20 V89954 285T0254-24 V89954 285T0254-30 V89954 285T0254-31 V89954 USED ON: 285T0014-104	002004 006100 107107 121999	1
- 55	285T0254-30		..PRINTED CIRCUIT ASSY-GND TEST SUPPLIER CODE: V89954 MISCELLANEOUS DATA: USED ON OPTIONAL VARIABLE 285T0014-5009 COMPONENT MAINT MANUAL REF: 27-21-32 OPTIONAL PART: 285T0254-14 V89954 285T0254-17 V89954 285T0254-20 V89954 285T0254-24 V89954 285T0254-29 V89954 285T0254-31 V89954 USED ON: 285T0014-104	002004 006100 107107 121999	1

MISSING ITEM NUMBERS NOT APPLICABLE

- ITEM NOT ILLUSTRATED

BRI

27-21-57-01

27-21-57  
FIG. 01  
PAGE 11  
JAN 20/09

 **BOEING**  
757  
**PARTS CATALOG (MAINTENANCE)**

FIG ITEM	PART NUMBER	1 2 3 4 5 6 7	NOMENCLATURE	EFFECT FROM TO	UNITS PER ASSY
1 - 55	285T0254-31		..PRINTED CIRCUIT ASSY-GND TEST SUPPLIER CODE: V89954 MISCELLANEOUS DATA: USED ON OPTIONAL VARIABLE 285T0014-5009 COMPONENT MAINT MANUAL REF: 27-21-32 OPTIONAL PART: 285T0254-14 V89954 285T0254-17 V89954 285T0254-20 V89954 285T0254-24 V89954 285T0254-29 V89954 285T0254-30 V89954 USED ON: 285T0014-104	002004 006100 107107 121999	1
- 60	285T0255-17		..PRINTED CIRCUIT ASSY- REDUNDANCY MANAGEMENT SUPPLIER CODE: V89954 MISCELLANEOUS DATA: USED ON OPTIONAL VARIABLE 285T0014-5004, -5013 COMPONENT MAINT MANUAL REF: 27-21-33 OPTIONAL PART: 285T0255-14 V89954 285T0255-21 V89954	002004 006100 107107 121999	1
- 60	285T0255-23		..PRINTED CIRCUIT ASSY- REDUNDANCY MANAGEMENT SUPPLIER CODE: V89954 MISCELLANEOUS DATA: USED ON OPTIONAL VARIABLE 285T0014-5004 -5013 COMPONENT MAINT MANUAL REF: 27-21-33	002004 006100 107107 121999	1

MISSING ITEM NUMBERS NOT APPLICABLE

- ITEM NOT ILLUSTRATED

BRI

# 27-21-57-01

BOEING PROPRIETARY - Copyright © - Unpublished Work - See title page for details.

27-21-57  
FIG. 01  
PAGE 12  
JAN 20/09



757

PARTS CATALOG (MAINTENANCE)

FIG ITEM	PART NUMBER	1 2 3 4 5 6 7	NOMENCLATURE	EFFECT FROM TO	UNITS PER ASSY
1 - 60	285T0255-14		..PRINTED CIRCUIT ASSY- REDUNDANCY MANAGEMENT SUPPLIER CODE: V89954 MISCELLANEOUS DATA: USED ON OPTIONAL VARIABLE 285T0014-5004 -5013 COMPONENT MAINT MANUAL REF: 27-21-33 OPTIONAL PART: 285T0255-17 V89954 285T0255-21 V89954	002004 006100 107107 121999	1
- 60	285T0255-21		..PRINTED CIRCUIT ASSY- REDUNDANCY MANAGEMENT SUPPLIER CODE: V89954 MISCELLANEOUS DATA: USED ON OPTIONAL VARIABLE 285T0014-5004 -5013 COMPONENT MAINT MANUAL REF: 27-21-33 OPTIONAL PART: 285T0255-14 V89954 285T0255-17 V89954	002004 006100 107107 121999	1
- 65	285T0255-24		..PRINTED CIRCUIT ASSY- REDUNDANCY MANAGEMENT SUPPLIER CODE: V89954 MISCELLANEOUS DATA: USED ON OPTIONAL VARIABLE 285T0014-5015 COMPONENT MAINT MANUAL REF: 27-21-33 OPTIONAL PART: 285T0255-32 V89954 285T0255-33 V89954 285T0255-34 V89954 USED ON: 285T0014-103	002004 006100 107107 121999	1

MISSING ITEM NUMBERS NOT APPLICABLE

- ITEM NOT ILLUSTRATED

BRI

27-21-57-01

27-21-57  
FIG. 01  
PAGE 13  
JAN 20/09



757

PARTS CATALOG (MAINTENANCE)

FIG ITEM	PART NUMBER	1 2 3 4 5 6 7	NOMENCLATURE	EFFECT FROM TO	UNITS PER ASSY
1					
- 65	285T0255-32		..PRINTED CIRCUIT ASSY- REDUNDANCY MANAGEMENT SUPPLIER CODE: V89954 MISCELLANEOUS DATA: USED ON OPTIONAL VARIABLE 285T0014-5015 COMPONENT MAINT MANUAL REF: 27-21-33 OPTIONAL PART: 285T0255-24 V89954 285T0255-33 V89954 285T0255-34 V89954 USED ON: 285T0014-103	002004 006100 107107 121999	1
- 65	285T0255-33		..PRINTED CIRCUIT ASSY- REDUNDANCY MANAGEMENT SUPPLIER CODE: V89954 MISCELLANEOUS DATA: USED ON OPTIONAL VARIABLE 285T0014-5015 COMPONENT MAINT MANUAL REF: 27-21-33 OPTIONAL PART: 285T0255-24 V89954 285T0255-32 V89954 285T0255-34 V89954 USED ON: 285T0014-103	002004 006100 107107 121999	1

MISSING ITEM NUMBERS NOT APPLICABLE

- ITEM NOT ILLUSTRATED

**27-21-57-01**

27-21-57  
FIG. 01  
PAGE 14  
JAN 20/09

BRI



757

PARTS CATALOG (MAINTENANCE)

FIG ITEM	PART NUMBER	1 2 3 4 5 6 7	NOMENCLATURE	EFFECT FROM TO	UNITS PER ASSY
1 - 65	285T0255-34		..PRINTED CIRCUIT ASSY- REDUNDANCY MANAGEMENT SUPPLIER CODE: V89954 MISCELLANEOUS DATA: USED ON OPTIONAL VARIABLE 285T0014-103 COMPONENT MAINT MANUAL REF: 27-21-33 OPTIONAL PART: 285T0255-24 V89954 285T0255-32 V89954 285T0255-33 V89954 USED ON: 285T0014-103	002004 006100 107107 121999	1
- 70	285T0255-35		..PRINTED CIRCUIT ASSY- REDUNDANCY MANAGEMENT SUPPLIER CODE: V89954 MISCELLANEOUS DATA: USED ON OPTIONAL VARIABLE 285T0014-5016 COMPONENT MAINT MANUAL REF: 27-21-33 OPTIONAL PART: 285T0255-24 V89954 285T0255-32 V89954 285T0255-36 V89954 USED ON: 285T0014-103	002004 006100 107107 121999	1

MISSING ITEM NUMBERS NOT APPLICABLE

- ITEM NOT ILLUSTRATED

**27-21-57-01**

27-21-57  
FIG. 01  
PAGE 15  
JAN 20/09

BRI



757

PARTS CATALOG (MAINTENANCE)

FIG ITEM	PART NUMBER	1 2 3 4 5 6 7	NOMENCLATURE	EFFECT FROM TO	UNITS PER ASSY
1 - 70	285T0255-36		..PRINTED CIRCUIT ASSY- REDUNDANCY MANAGEMENT SUPPLIER CODE: V89954 MISCELLANEOUS DATA: USED ON OPTIONAL VARIABLE 285T0014-5016 COMPONENT MAINT MANUAL REF: 27-21-33 OPTIONAL PART: 285T0255-24 V89954 285T0255-32 V89954 285T0255-35 V89954 USED ON: 285T0014-103	002004 006100 107107 121999	1
- 70	285T0255-24		..PRINTED CIRCUIT ASSY- REDUNDANCY MANAGEMENT SUPPLIER CODE: V89954 MISCELLANEOUS DATA: USED ON OPTIONAL VARIABLE 285T0014-5016 COMPONENT MAINT MANUAL REF: 27-21-33 OPTIONAL PART: 285T0255-32 V89954 285T0255-35 V89954 285T0255-36 V89954 USED ON: 285T0014-103	002004 006100 107107 121999	1

MISSING ITEM NUMBERS NOT APPLICABLE

- ITEM NOT ILLUSTRATED

**27-21-57-01**

27-21-57  
FIG. 01  
PAGE 16  
JAN 20/09

BRI



757

PARTS CATALOG (MAINTENANCE)

FIG ITEM	PART NUMBER	1 2 3 4 5 6 7	NOMENCLATURE	EFFECT FROM TO	UNITS PER ASSY
1 - 70	285T0255-32		..PRINTED CIRCUIT ASSY- REDUNDANCY MANAGEMENT SUPPLIER CODE: V89954 MISCELLANEOUS DATA: USED ON OPTIONAL VARIABLE 285T0014-5016 COMPONENT MAINT MANUAL REF: 27-21-33 OPTIONAL PART: 285T0255-24 V89954 285T0255-35 V89954 285T0255-36 V89954 USED ON: 285T0014-103	002004 006100 107107 121999	1
- 75	285T0255-24		..PRINTED CIRCUIT ASSY- REDUNDANCY MANAGEMENT SUPPLIER CODE: V89954 MISCELLANEOUS DATA: USED ON OPTIONAL VARIABLE 285T0014-5005 COMPONENT MAINT MANUAL REF: 27-21-33 OPTIONAL PART: 285T0255-26 V89954 285T0255-27 V89954 285T0255-32 V89954 USED ON: 285T0014-103	002004 006100 107107 121999	1

MISSING ITEM NUMBERS NOT APPLICABLE

- ITEM NOT ILLUSTRATED

BRI

27-21-57-01

BOEING PROPRIETARY - Copyright © - Unpublished Work - See title page for details.

27-21-57  
FIG. 01  
PAGE 17  
JAN 20/09





757

PARTS CATALOG (MAINTENANCE)

FIG ITEM	PART NUMBER	1 2 3 4 5 6 7	NOMENCLATURE	EFFECT FROM TO	UNITS PER ASSY
1 - 75	285T0255-26		..PRINTED CIRCUIT ASSY- REDUNDANCY MANAGEMENT SUPPLIER CODE: V89954 MISCELLANEOUS DATA: USED ON OPTIONAL VARIABLE 285T0014-5005 COMPONENT MAINT MANUAL REF: 27-21-33 OPTIONAL PART: 285T0255-24 V89954 285T0255-27 V89954 285T0255-32 V89954 USED ON: 285T0014-103	002004 006100 107107 121999	1
- 75	285T0255-27		..PRINTED CIRCUIT ASSY- REDUNDANCY MANAGEMENT SUPPLIER CODE: V89954 MISCELLANEOUS DATA: USED ON OPTIONAL VARIABLE 285T0014-5005 COMPONENT MAINT MANUAL REF: 27-21-33 OPTIONAL PART: 285T0255-24 V89954 285T0255-26 V89954 285T0255-32 V89954 USED ON: 285T0014-103	002004 006100 107107 121999	1

MISSING ITEM NUMBERS NOT APPLICABLE

- ITEM NOT ILLUSTRATED

**27-21-57-01**

27-21-57  
FIG. 01  
PAGE 18  
JAN 20/09

BRI



757

PARTS CATALOG (MAINTENANCE)

FIG ITEM	PART NUMBER	1 2 3 4 5 6 7	NOMENCLATURE	EFFECT FROM TO	UNITS PER ASSY
1 - 75	285T0255-32		..PRINTED CIRCUIT ASSY- REDUNDANCY MANAGEMENT SUPPLIER CODE: V89954 MISCELLANEOUS DATA: USED ON OPTIONAL VARIABLE 285T0014-5005 COMPONENT MAINT MANUAL REF: 27-21-33 OPTIONAL PART: 285T0255-24 V89954 285T0255-26 V89954 285T0255-27 V89954 USED ON: 285T0014-103	002004 006100 107107 121999	1
- 80	285T0255-24		..PRINTED CIRCUIT ASSY- REDUNDANCY MANAGEMENT SUPPLIER CODE: V89954 MISCELLANEOUS DATA: USED ON OPTIONAL VARIABLE 285T0014-5014 COMPONENT MAINT MANUAL REF: 27-21-33 OPTIONAL PART: 285T0255-26 V89954 285T0255-27 V89954 285T0255-32 V89954 285T0255-35 V89954 285T0255-36 V89954 USED ON: 285T0014-104	002004 006100 107107 121999	1

MISSING ITEM NUMBERS NOT APPLICABLE

- ITEM NOT ILLUSTRATED

BRI

27-21-57-01

27-21-57  
FIG. 01  
PAGE 19  
JAN 20/09



757

PARTS CATALOG (MAINTENANCE)

FIG ITEM	PART NUMBER	1 2 3 4 5 6 7	NOMENCLATURE	EFFECT FROM TO	UNITS PER ASSY
1 - 80	285T0255-26		..PRINTED CIRCUIT ASSY- REDUNDANCY MANAGEMENT SUPPLIER CODE: V89954 MISCELLANEOUS DATA: USED ON OPTIONAL VARIABLE 285T0014-5014 COMPONENT MAINT MANUAL REF: 27-21-33 OPTIONAL PART: 285T0255-24 V89954 285T0255-27 V89954 285T0255-32 V89954 285T0255-35 V89954 285T0255-36 V89954 USED ON: 285T0014-104	002004 006100 107107 121999	1
- 80	285T0255-27		..PRINTED CIRCUIT ASSY- REDUNDANCY MANAGEMENT SUPPLIER CODE: V89954 MISCELLANEOUS DATA: USED ON OPTIONAL VARIABLE 285T0014-5014 COMPONENT MAINT MANUAL REF: 27-21-33 OPTIONAL PART: 285T0255-24 V89954 285T0255-26 V89954 285T0255-32 V89954 285T0255-35 V89954 285T0255-36 V89954 USED ON: 285T0014-104	002004 006100 107107 121999	1

MISSING ITEM NUMBERS NOT APPLICABLE

- ITEM NOT ILLUSTRATED

BRI

27-21-57-01

BOEING PROPRIETARY - Copyright © - Unpublished Work - See title page for details.

27-21-57  
FIG. 01  
PAGE 20  
JAN 20/09



**757  
PARTS CATALOG (MAINTENANCE)**

FIG ITEM	PART NUMBER	1 2 3 4 5 6 7	NOMENCLATURE	EFFECT FROM TO	UNITS PER ASSY
1 - 80	285T0255-32		..PRINTED CIRCUIT ASSY- REDUNDANCY MANAGEMENT SUPPLIER CODE: V89954 MISCELLANEOUS DATA: USED ON OPTIONAL VARIABLE 285T0014-5014 COMPONENT MAINT MANUAL REF: 27-21-33 OPTIONAL PART: 285T0255-24 V89954 285T0255-26 V89954 285T0255-27 V89954 285T0255-35 V89954 285T0255-36 V89954 USED ON: 285T0014-104	002004 006100 107107 121999	1
- 80	285T0255-35		..PRINTED CIRCUIT ASSY- REDUNDANCY MANAGEMENT SUPPLIER CODE: V89954 MISCELLANEOUS DATA: USED ON OPTIONAL VARIABLE 285T0014-5014 COMPONENT MAINT MANUAL REF: 27-21-33 OPTIONAL PART: 285T0255-24 V89954 285T0255-26 V89954 285T0255-27 V89954 285T0255-32 V89954 285T0255-36 V89954 USED ON: 285T0014-104	002004 006100 107107 121999	1

MISSING ITEM NUMBERS NOT APPLICABLE

- ITEM NOT ILLUSTRATED

BRI

# 27-21-57-01

BOEING PROPRIETARY - Copyright © - Unpublished Work - See title page for details.

27-21-57  
FIG. 01  
PAGE 21  
JAN 20/09



757

PARTS CATALOG (MAINTENANCE)

FIG ITEM	PART NUMBER	1 2 3 4 5 6 7	NOMENCLATURE	EFFECT FROM TO	UNITS PER ASSY
1 - 80	285T0255-36		..PRINTED CIRCUIT ASSY- REDUNDANCY MANAGEMENT SUPPLIER CODE: V89954 MISCELLANEOUS DATA: USED ON OPTIONAL VARIABLE 285T0014-5014 COMPONENT MAINT MANUAL REF: 27-21-33 OPTIONAL PART: 285T0255-24 V89954 285T0255-26 V89954 285T0255-27 V89954 285T0255-32 V89954 285T0255-35 V89954 USED ON: 285T0014-104	002004 006100 107107 121999	1
- 85	285T0256-17		..PRINTED CIRCUIT ASSY- ANALOG SUPPLIER CODE: V89954 MISCELLANEOUS DATA: USED ON OPTIONAL VARIABLE 285T0014-5004, -5005, -5011, -5017 COMPONENT MAINT MANUAL REF: 27-21-34 OPTIONAL PART: 285T0256-14 V89954 285T0256-20 V89954	002004 006100 107107 121999	1
- 85	285T0256-23		..PRINTED CIRCUIT ASSY- ANALOG SUPPLIER CODE: V89954 COMPONENT MAINT MANUAL REF: 27-21-34	002004 006100 107107 121999	1

MISSING ITEM NUMBERS NOT APPLICABLE

- ITEM NOT ILLUSTRATED

BRI

27-21-57-01

27-21-57  
FIG. 01  
PAGE 22  
JAN 20/09



757

PARTS CATALOG (MAINTENANCE)

FIG ITEM	PART NUMBER	1 2 3 4 5 6 7	NOMENCLATURE	EFFECT FROM TO	UNITS PER ASSY
1 - 85	285T0256-14		..PRINTED CIRCUIT ASSY- ANALOG SUPPLIER CODE: V89954 MISCELLANEOUS DATA: USED ON OPTIONAL VARIABLE 285T0014-5004, -5005, -5011, -5017 COMPONENT MAINT MANUAL REF: 27-21-34 OPTIONAL PART: 285T0256-17 V89954 285T0256-20 V89954	002004 006100 107107 121999	1
- 85	285T0256-20		..PRINTED CIRCUIT ASSY- ANALOG SUPPLIER CODE: V89954 MISCELLANEOUS DATA: USED ON OPTIONAL VARIABLE 285T0014-5004, -5005, -5011, -5017 COMPONENT MAINT MANUAL REF: 27-21-34 OPTIONAL PART: 285T0256-14 V89954 285T0256-17 V89954	002004 006100 107107 121999	1
- 90	285T0256-24		..PRINTED CIRCUIT ASSY- ANALOG SUPPLIER CODE: V89954 MISCELLANEOUS DATA: USED ON OPTIONAL VARIABLE 285T0014-5015, -5016 COMPONENT MAINT MANUAL REF: 27-21-34 OPTIONAL PART: 285T0256-20 V89954 285T0256-25 V89954 USED ON: 285T0014-103	002004 006100 107107 121999	1

MISSING ITEM NUMBERS NOT APPLICABLE

- ITEM NOT ILLUSTRATED

BRI

27-21-57-01

BOEING PROPRIETARY - Copyright © - Unpublished Work - See title page for details.

27-21-57  
FIG. 01  
PAGE 23  
JAN 20/09



757

PARTS CATALOG (MAINTENANCE)

FIG ITEM	PART NUMBER	1 2 3 4 5 6 7	NOMENCLATURE	EFFECT FROM TO	UNITS PER ASSY
1 - 90	285T0256-25		..PRINTED CIRCUIT ASSY- ANALOG SUPPLIER CODE: V89954 MISCELLANEOUS DATA: USED ON OPTIONAL VARIABLE 285T0014-5015, -5016 COMPONENT MAINT MANUAL REF: 27-21-34 OPTIONAL PART: 285T0256-20 V89954 285T0256-24 V89954 USED ON: 285T0014-103	002004 006100 107107 121999	1
- 90	285T0256-20		..PRINTED CIRCUIT ASSY- ANALOG SUPPLIER CODE: V89954 MISCELLANEOUS DATA: USED ON OPTIONAL VARIABLE 285T0014-5015, -5016 COMPONENT MAINT MANUAL REF: 27-21-34 OPTIONAL PART: 285T0256-24 V89954 285T0256-25 V89954 USED ON: 285T0014-103	002004 006100 107107 121999	1

MISSING ITEM NUMBERS NOT APPLICABLE

- ITEM NOT ILLUSTRATED

BRI

27-21-57-01

27-21-57  
FIG. 01  
PAGE 24  
JAN 20/09



**757  
PARTS CATALOG (MAINTENANCE)**

FIG ITEM	PART NUMBER	1 2 3 4 5 6 7	NOMENCLATURE	EFFECT FROM TO	UNITS PER ASSY
1 - 95	285T0256-14		..PRINTED CIRCUIT ASSY- ANALOG SUPPLIER CODE: V89954 MISCELLANEOUS DATA: USED ON OPTIONAL VARIABLE 285T0014-5009 COMPONENT MAINT MANUAL REF: 27-21-34 OPTIONAL PART: 285T0256-17 V89954 285T0256-20 V89954 285T0256-24 V89954 285T0256-25 V89954 USED ON: 285T0014-104	002004 006100 107107 121999	1
- 95	285T0256-17		..PRINTED CIRCUIT ASSY- ANALOG SUPPLIER CODE: V89954 MISCELLANEOUS DATA: USED ON OPTIONAL VARIABLE 285T0014-5009 COMPONENT MAINT MANUAL REF: 27-21-34 OPTIONAL PART: 285T0256-14 V89954 285T0256-20 V89954 285T0256-24 V89954 285T0256-25 V89954 USED ON: 285T0014-104	002004 006100 107107 121999	1

MISSING ITEM NUMBERS NOT APPLICABLE

- ITEM NOT ILLUSTRATED

BRI

# 27-21-57-01

BOEING PROPRIETARY - Copyright © - Unpublished Work - See title page for details.

27-21-57  
FIG. 01  
PAGE 25  
JAN 20/09





757

PARTS CATALOG (MAINTENANCE)

FIG ITEM	PART NUMBER	1 2 3 4 5 6 7	NOMENCLATURE	EFFECT FROM TO	UNITS PER ASSY
1 - 95	285T0256-20		..PRINTED CIRCUIT ASSY- ANALOG SUPPLIER CODE: V89954 MISCELLANEOUS DATA: USED ON OPTIONAL VARIABLE 285T0014-5009 COMPONENT MAINT MANUAL REF: 27-21-34 OPTIONAL PART: 285T0256-14 V89954 285T0256-17 V89954 285T0256-24 V89954 285T0256-25 V89954 USED ON: 285T0014-104	002004 006100 107107 121999	1
- 95	285T0256-24		..PRINTED CIRCUIT ASSY- ANALOG SUPPLIER CODE: V89954 MISCELLANEOUS DATA: USED ON OPTIONAL VARIABLE 285T0014-5009 COMPONENT MAINT MANUAL REF: 27-21-34 OPTIONAL PART: 285T0256-14 V89954 285T0256-17 V89954 285T0256-20 V89954 285T0256-25 V89954 USED ON: 285T0014-104	002004 006100 107107 121999	1

MISSING ITEM NUMBERS NOT APPLICABLE

- ITEM NOT ILLUSTRATED

BRI

27-21-57-01

BOEING PROPRIETARY - Copyright © - Unpublished Work - See title page for details.

27-21-57  
FIG. 01  
PAGE 26  
JAN 20/09



757

PARTS CATALOG (MAINTENANCE)

FIG ITEM	PART NUMBER	1 2 3 4 5 6 7	NOMENCLATURE	EFFECT FROM TO	UNITS PER ASSY
1					
- 95	285T0256-25		..PRINTED CIRCUIT ASSY- ANALOG SUPPLIER CODE: V89954 MISCELLANEOUS DATA: USED ON OPTIONAL VARIABLE 285T0014-5009 COMPONENT MAINT MANUAL REF: 27-21-34 OPTIONAL PART: 285T0256-14 V89954 285T0256-17 V89954 285T0256-20 V89954 285T0256-24 V89954 USED ON: 285T0014-104	002004 006100 107107 121999	1
- 100	285T0260-19		..ENCLOSURE ASSY- SUPPLIER CODE: V89954 COMPONENT MAINT MANUAL REF: 24-09-93 USED ON: 285T0014-103	002004 006100 107107 121999	1
- 105	285T0260-28		..ENCLOSURE ASSY- SUPPLIER CODE: V89954 COMPONENT MAINT MANUAL REF: 24-09-93 QUALIFIED OPTIONAL DATA: (OPT 285T0260-38 USED WITH ASSOCIATED ITEMS) USED ON: 285T0014-104	002004 006100 107107 121999	1
- 105	285T0260-38		..ENCLOSURE ASSY- SUPPLIER CODE: V89954 COMPONENT MAINT MANUAL REF: 24-09-93 QUALIFIED OPTIONAL DATA: (OPT 285T0260-28 USED WITH ASSOCIATED ITEMS) USED ON: 285T0014-104	002004 006100 107107 121999	1

MISSING ITEM NUMBERS NOT APPLICABLE

- ITEM NOT ILLUSTRATED

BRI

27-21-57-01

BOEING PROPRIETARY - Copyright © - Unpublished Work - See title page for details.

27-21-57  
FIG. 01  
PAGE 27  
JAN 20/09

 **BOEING**  
757  
**PARTS CATALOG (MAINTENANCE)**

FIG ITEM	PART NUMBER	1 2 3 4 5 6 7	NOMENCLATURE	EFFECT FROM TO	UNITS PER ASSY
1					
- 300	286N1265-004		WIRE BUNDLE ASSY-	107107 121503 904949	RF
- 300	286N1265-005		WIRE BUNDLE ASSY- REWORKED BY SB: 34-0200	002004 006100 950999	RF
- 301	286N1265-321		WIRE BUNDLE ASSY	504903	RF
305	BACC66F11C2101		.CONNECTOR- ELECTRICAL EQUIP NUMBER: D00709 WIRING DIAGRAM REF: 272112	002004 006100 107107 121999	1
- 400	286N1165-004		WIRE BUNDLE ASSY	107107 121503 904949	RF
- 400	286N1165-005		WIRE BUNDLE ASSY	002004 006100 950999	RF
- 401	286N1165-323		WIRE BUNDLE ASSY	504903	RF
410	BACC66F11C2101		.CONNECTOR- ELECTRICAL EQUIP NUMBER: D00711 WIRING DIAGRAM REF: 272122	002004 006100 107107 121999	1

MISSING ITEM NUMBERS NOT APPLICABLE

- ITEM NOT ILLUSTRATED

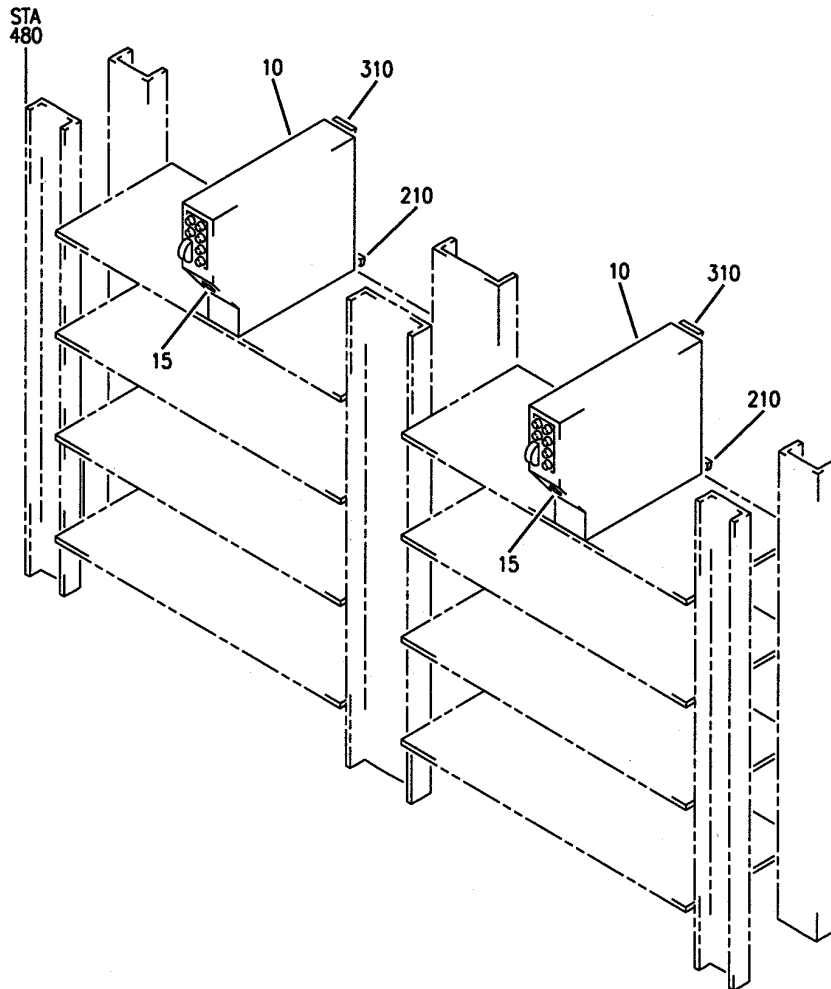
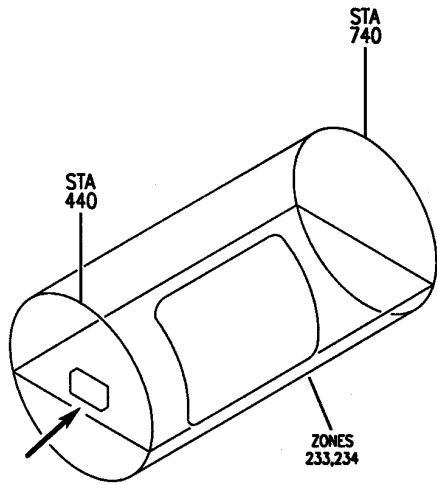
BRI

# 27-21-57-01

BOEING PROPRIETARY - Copyright © - Unpublished Work - See title page for details.

27-21-57  
FIG. 01  
PAGE 28  
JAN 20/09

**BOEING**  
757  
PARTS CATALOG (MAINTENANCE)



Y 27215701B REV 219

EQUIPMENT INSTL-MAIN ELECTRONICS EQPT CTR (RUDDER AND RUDDER TRIM CONTROL SYSTEM ONLY)  
FIGURE 1B

BRI  
MAY 28/07

**27-21-57-01B**

27-21-57-01B  
PAGE 0



757

PARTS CATALOG (MAINTENANCE)

FIG ITEM	PART NUMBER	1 2 3 4 5 6 7	NOMENCLATURE	EFFECT FROM TO	UNITS PER ASSY
1B			EQUIPMENT INSTL-MAIN ELECTRONICS EQPT CTR (RUDDER AND RUDDER TRIM CONTROL SYSTEM ONLY)	101102	
- 3	284N1800-140		EQUIPMENT INSTL-MAIN ELECTRONICS EQPT CTR (RUDDER AND RUDDER TRIM CONTROL SYSTEM ONLY)	101101	RF
- 3	284N1800-141		FOR NHA/OTHER SYS DET SEE: 24-00-58-05E		
			EQUIPMENT INSTL-MAIN ELECTRONICS EQPT CTR (RUDDER AND RUDDER TRIM CONTROL SYSTEM ONLY)	102102	RF
			FOR NHA/OTHER SYS DET SEE: 24-00-58-05E		
10	285T0014-104		.MODULE ASSY-RUD RATIO CHANGER SUPPLIER CODE: V89954 ELECTRICAL EQUIP NUMBER: M00528 M00529 COMPONENT MAINT MANUAL REF: 27-21-30 OPTIONAL PART: 285T0014-103 V89954	101102	2
10	285T0014-103		.MODULE ASSY-RUD RATIO CHANGER SUPPLIER CODE: V89954 ELECTRICAL EQUIP NUMBER: M00528 M00529 COMPONENT MAINT MANUAL REF: 27-21-30 OPTIONAL PART: 285T0014-104 V89954	101102	2

MISSING ITEM NUMBERS NOT APPLICABLE

- ITEM NOT ILLUSTRATED

BRI

**27-21-57-01B**

BOEING PROPRIETARY - Copyright © - Unpublished Work - See title page for details.

27-21-57  
FIG. 01B  
PAGE 1  
JAN 20/09



757

PARTS CATALOG (MAINTENANCE)

FIG ITEM	PART NUMBER	1 2 3 4 5 6 7	NOMENCLATURE	EFFECT FROM TO	UNITS PER ASSY
1B 15	BAC27TEX1452	..	DECAL- SUPPLIER CODE: V89954 MISCELLANEOUS DATA: BAC27TEX4146 OPT TO BAC27TEX1452 EXCEPT IF MOD A IS INSTALLED (-5014) THEN BAC27TEX4146 MUST BE USED. OPTIONAL PART: BAC27TEX4146 V89954	101102	1
15	BAC27TEX4146	..	DECAL- SUPPLIER CODE: V89954 MISCELLANEOUS DATA: BAC27TEX1452 OPT TO BAC27TEX4146 EXCEPT IF MOD A IS INSTALLED (-5014) THEN BAC27TEX4146 MUST BE USED. OPTIONAL PART: BAC27TEX1452 V89954	101102	1
- 200 210	286N1265-303 BACC66F11C2101		WIRE BUNDLE ASSY .CONNECTOR- ELECTRICAL EQUIP NUMBER: D00709 D00711 WIRING DIAGRAM REF: 272112 272122	101102 101102	RF 1
- 300 310	286N1165-318 BACC66F11C2101		WIRE BUNDLE ASSY .CONNECTOR- ELECTRICAL EQUIP NUMBER: D00709 D00711 WIRING DIAGRAM REF: 272112 272122	101102 101102	RF 1

MISSING ITEM NUMBERS NOT APPLICABLE

- ITEM NOT ILLUSTRATED

**27-21-57-01B**

27-21-57  
FIG. 01B  
PAGE 2  
JAN 20/09

BRI

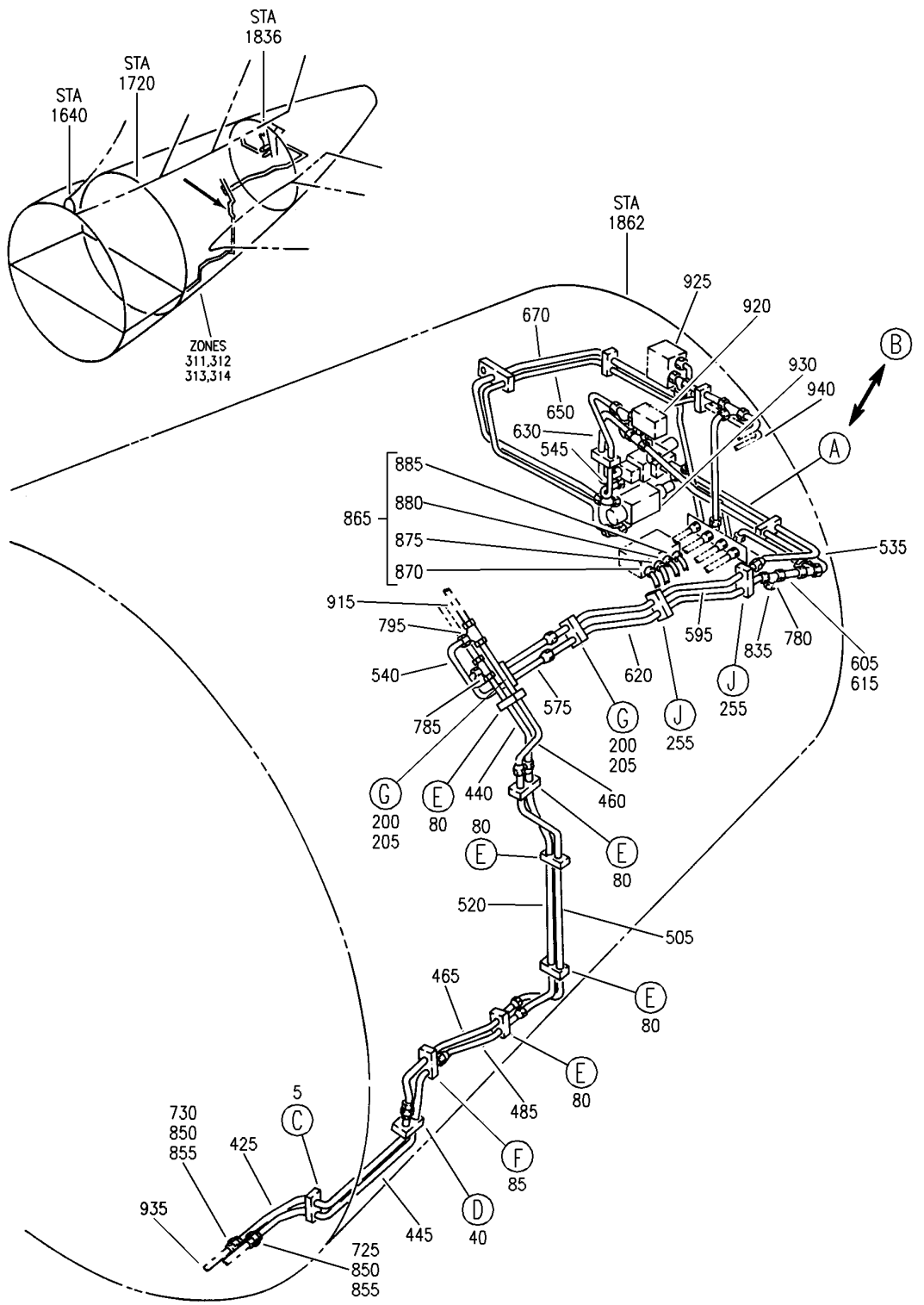
BOEING PROPRIETARY - Copyright © - Unpublished Work - See title page for details.

## RUDDER AND ELEVATOR HYDRAULIC SYSTEM

BRI  
MAY 28/07

27-23-00  
SECTION TITLE  
PAGE 1

  
**757**  
**PARTS CATALOG (MAINTENANCE)**



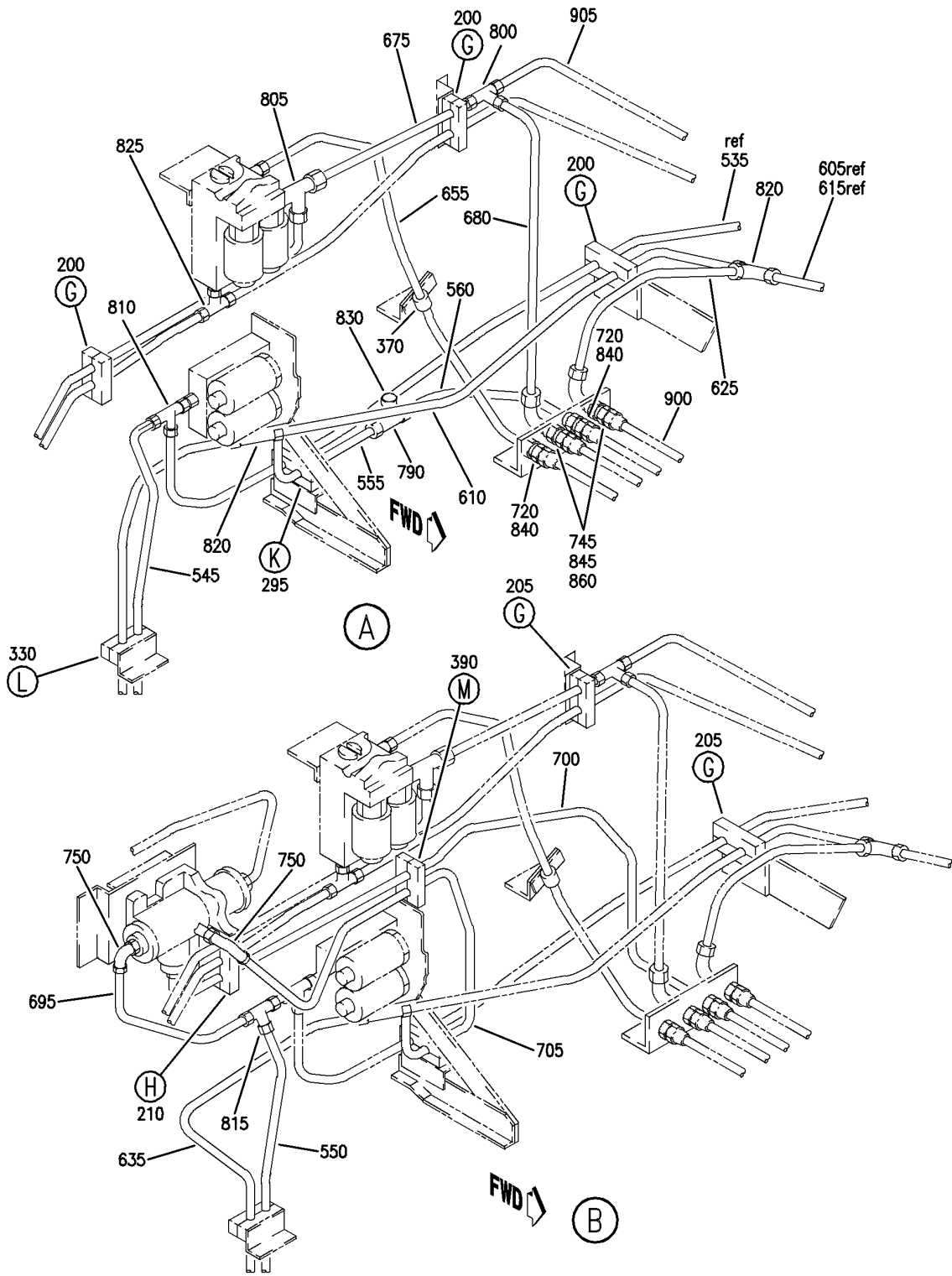
Y 27230001 SHT 1 REV 239

PLUMBING INSTL-SECT. 48 (RUDDER AND ELEVATOR HYDRAULIC SYSTEMS ONLY)  
 FIGURE 1 (SHEET 1)

27-23-00-01



**BOEING**  
757  
PARTS CATALOG (MAINTENANCE)



Y 27230001 SH1 2 REV 239

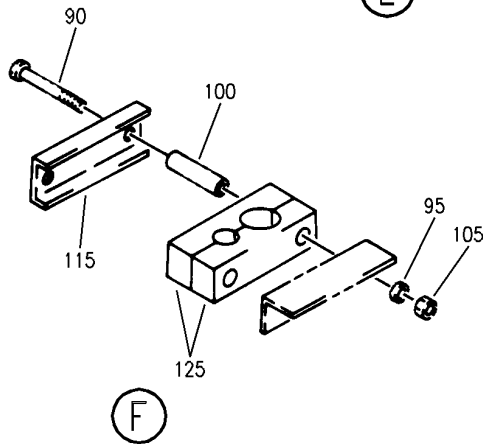
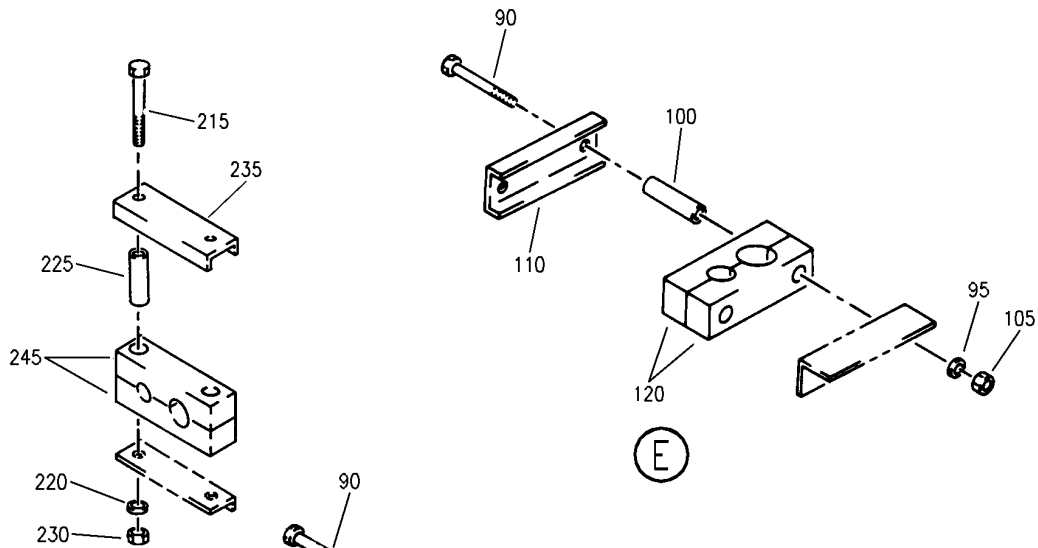
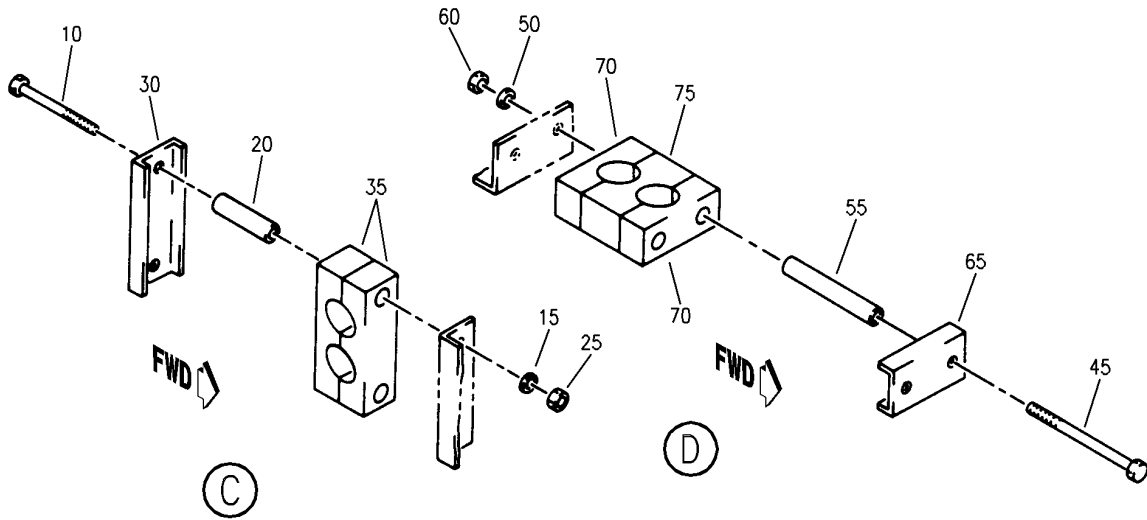
PLUMBING INSTL-SECT. 48 (RUDDER AND ELEVATOR HYDRAULIC SYSTEMS ONLY)  
FIGURE 1 (SHEET 2)

**27-23-00-01**

BRI  
MAY 28/07

27-23-00-01  
PAGE 0A


**BOEING**  
 757  
**PARTS CATALOG (MAINTENANCE)**



Y 27230001 SHT 3 REV 239

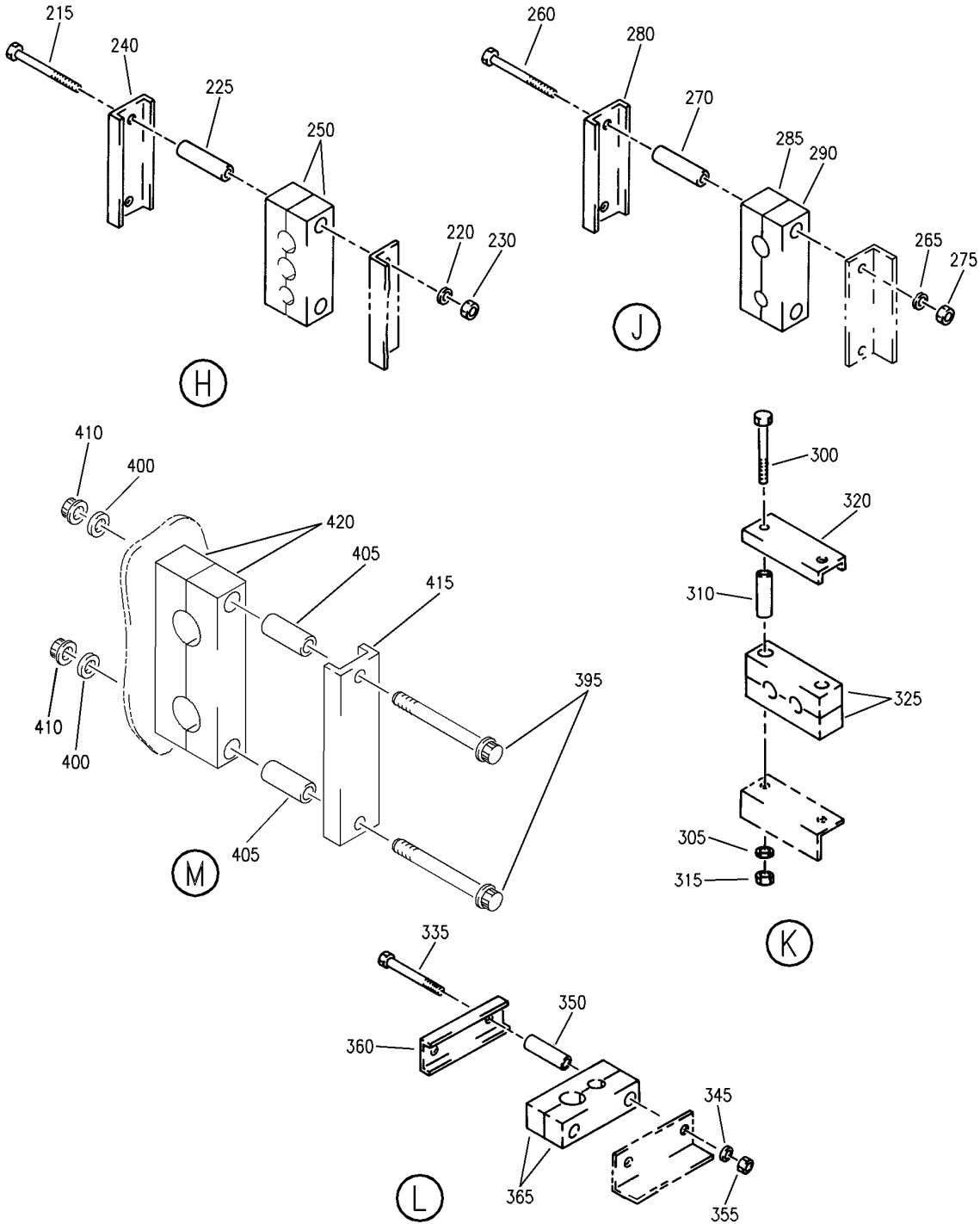
PLUMBING INSTL-SECT. 48 (RUDDER AND ELEVATOR HYDRAULIC SYSTEMS ONLY)  
 FIGURE 1 (SHEET 3)

BRI  
MAY 28/07

**27-23-00-01**

27-23-00-01  
 PAGE 0B


**BOEING**  
 757  
**PARTS CATALOG (MAINTENANCE)**



Y 27230001 SHT 4 REV 239

PLUMBING INSTL-SECT. 48 (RUDDER AND ELEVATOR HYDRAULIC SYSTEMS ONLY)  
 FIGURE 1 (SHEET 4)

**27-23-00-01**

BRI  
MAY 28/07

27-23-00-01  
 PAGE 0C



757

PARTS CATALOG (MAINTENANCE)

FIG ITEM	PART NUMBER	1 2 3 4 5 6 7	NOMENCLATURE	EFFECT FROM TO	UNITS PER ASSY
1			PLUMBING INSTL-SECT. 48 (RUDDER AND ELEVATOR HYDRAULIC SYSTEMS ONLY)	002004 006100 107107 121503 904999	
- 1	271N6481-1		PLUMBING INSTL-(RUDDER AND ELEVATOR HYDRAULIC SYSTEMS ONLY) POSITION DATA: SECT. 48 L FOR NHA/OTHER SYS DET SEE: 29-00-51-06	002004 006100 107107 121503 904999	RF
5	270N2000-58		.CLAMP ASSY-BLK	002004 006100 107107 121503 904999	1
10	NAS1801-3-28		.. SCREW	002004 006100 107107 121503 904999	2
15	AN960PD10L		.. WASHER	002004 006100 107107 121503 904999	2
20	NAS43DD3-75		.. SPACER	002004 006100 107107 121503 904999	2

MISSING ITEM NUMBERS NOT APPLICABLE

- ITEM NOT ILLUSTRATED

BRI

27-23-00-01

BOEING PROPRIETARY - Copyright © - Unpublished Work - See title page for details.

27-23-00  
FIG. 01  
PAGE 1  
JAN 20/09



757

PARTS CATALOG (MAINTENANCE)

FIG ITEM	PART NUMBER	1 2 3 4 5 6 7	NOMENCLATURE	EFFECT FROM TO	UNITS PER ASSY
1	25 BRH10A3		..NUT SUPPLIER CODE: V52828 SPECIFICATION NUMBER: BACN10JC3 OPTIONAL PART: H10-3BAC V15653 NS202101-02 V80539 RMLH9075-3W V72962 VN303A02 V92215 96-02 V80539 T6S1032J V11815	002004 006100 107107 121503 904999	2
	30 270N2000-856		..CHANNEL	002004 006100 107107 121503 904999	1
	35 270N2000-514		..BLOCK	002004 006100 107107 121503 904999	2
	40 270N2000-60		.CLAMP ASSY-BLK	002004 006100 107107 121503 904999	1
	45 NAS1801-3-43		..SCREW	002004 006100 107107 121503 904999	2
	50 AN960PD10L		..WASHER	002004 006100 107107 121503 904999	2
	55 NAS43DD3-137		..SPACER	002004 006100 107107 121503 904999	2

MISSING ITEM NUMBERS NOT APPLICABLE

- ITEM NOT ILLUSTRATED

27-23-00-01

27-23-00  
FIG. 01  
PAGE 2  
JAN 20/09

BRI

BOEING PROPRIETARY - Copyright © - Unpublished Work - See title page for details.



757

PARTS CATALOG (MAINTENANCE)

FIG ITEM	PART NUMBER	1 2 3 4 5 6 7	NOMENCLATURE	EFFECT FROM TO	UNITS PER ASSY
1 60	BRH10A3	. .	NUT SUPPLIER CODE: V52828 SPECIFICATION NUMBER: BACN10JC3 OPTIONAL PART: H10-3BAC V15653 NS202101-02 V80539 RMLH9075-3W V72962 VN303A02 V92215 96-02 V80539 T6S1032J V11815	002004 006100 107107 121503 904999	2
65	270N2000-858	. .	CHANNEL	002004 006100 107107 121503 904999	1
70	270N2000-518	. .	BLOCK	002004 006100 107107 121503 904999	2
75	270N2000-519	. .	BLOCK	002004 006100 107107 121503 904999	1
80	270N2000-147	. .	CLAMP ASSY-BLK	002004 006100 107107 121503 904999	5
85	270N2000-147	. .	CLAMP ASSY-BLK	107107	1
85	270N2000-148	. .	CLAMP ASSY-BLK	002004 006100 121503 904999	1
90	NAS1801-3-28	. .	SCREW	002004 006100 107107 121503 904999	2

MISSING ITEM NUMBERS NOT APPLICABLE

- ITEM NOT ILLUSTRATED

27-23-00-01

27-23-00  
FIG. 01  
PAGE 3  
JAN 20/09

BRI

BOEING PROPRIETARY - Copyright © - Unpublished Work - See title page for details.



757

PARTS CATALOG (MAINTENANCE)

FIG ITEM	PART NUMBER	1 2 3 4 5 6 7	NOMENCLATURE	EFFECT FROM TO	UNITS PER ASSY
1	95 AN960PD10L	..	WASHER	002004 006100 107107 121503 904999	2
100	NAS43DD3-75	..	SPACER	002004 006100 107107 121503 904999	2
105	BRH10A3	..	NUT SUPPLIER CODE: V52828 SPECIFICATION NUMBER: BACN10JC3 OPTIONAL PART: H10-3BAC V15653 NS202101-02 V80539 RMLH9075-3W V72962 VN303A02 V92215 96-02 V80539 T6S1032J V11815	002004 006100 107107 121503 904999	2
110	270N2000-839	..	CHANNEL	002004 006100 107107 121503 904999	1
115	270N2000-839	..	CHANNEL	107107	1
115	270N2000-856	..	CHANNEL	002004 006100 121503 904999	1
120	270N2000-608	..	BLOCK	002004 006100 107107 121503 904999	2
125	270N2000-608	..	BLOCK	107107	2
125	270N2000-609	..	BLOCK	002004 006100 121503 904999	2

MISSING ITEM NUMBERS NOT APPLICABLE

- ITEM NOT ILLUSTRATED

27-23-00-01

27-23-00  
FIG. 01  
PAGE 4  
JAN 20/09

BRI



757

PARTS CATALOG (MAINTENANCE)

FIG ITEM	PART NUMBER	1 2 3 4 5 6 7	NOMENCLATURE	EFFECT FROM TO	UNITS PER ASSY							
1	205	270N2000-170	. CLAMP ASSY-BLK	002004 006100 107107 121503 904999	4							
	210	270N2000-122	. CLAMP ASSY-BLK	002004 006100 107107 121503 904999		1						
	215	NAS1801-3-26	.. SCREW	002004 006100 107107 121503 904999			2					
	220	AN960PD10L	.. WASHER	002004 006100 107107 121503 904999				2				
	225	NAS43DD3-67	.. SPACER	002004 006100 107107 121503 904999					2			
	230	BRH10A3	.. NUT SUPPLIER CODE: V52828 SPECIFICATION NUMBER: BACN10JC3 OPTIONAL PART: H10-3BAC V15653 NS202101-02 V80539 RMLH9075-3W V72962 VN303A02 V92215 96-02 V80539 T6S1032J V11815	002004 006100 107107 121503 904999						2		
	235	270N2000-839	.. CHANNEL- USED ON: 270N2000-170	002004 006100 107107 121503 904999							1	
	MISSING ITEM NUMBERS NOT APPLICABLE											

- ITEM NOT ILLUSTRATED

27-23-00-01

27-23-00  
FIG. 01  
PAGE 5  
JAN 20/09

BRI





757

PARTS CATALOG (MAINTENANCE)

FIG ITEM	PART NUMBER	1 2 3 4 5 6 7	NOMENCLATURE	EFFECT FROM TO	UNITS PER ASSY
1					
240	270N2000-878	..	CHANNEL- USED ON: 270N2000-122	002004 006100 107107 121503 904999	1
245	270N2000-640	..	BLOCK- USED ON: 270N2000-170	002004 006100 107107 121503 904999	2
250	270N2000-557	..	BLOCK- USED ON: 270N2000-122	002004 006100 107107 121503 904999	2
255	270N2000-171	.	CLAMP ASSY-BLK	002004 006100 107107 121503 904999	2
260	NAS1801-3-28	..	SCREW	002004 006100 107107 121503 904999	2
265	AN960PD10L	..	WASHER	002004 006100 107107 121503 904999	2
270	NAS43DD3-77	..	SPACER	002004 006100 107107 121503 904999	2

MISSING ITEM NUMBERS NOT APPLICABLE

- ITEM NOT ILLUSTRATED

BRI

27-23-00-01

BOEING PROPRIETARY - Copyright © - Unpublished Work - See title page for details.

27-23-00  
FIG. 01  
PAGE 6  
JAN 20/09



757

PARTS CATALOG (MAINTENANCE)

FIG ITEM	PART NUMBER	1 2 3 4 5 6 7	NOMENCLATURE	EFFECT FROM TO	UNITS PER ASSY
1 275	BRH10A3	. .	NUT SUPPLIER CODE: V52828 SPECIFICATION NUMBER: BACN10JC3 OPTIONAL PART: H10-3BAC V15653 NS202101-02 V80539 RMLH9075-3W V72962 VN303A02 V92215 96-02 V80539 T6S1032J V11815	002004 006100 107107 121503 904999	2
280	270N2000-821	. .	CHANNEL	002004 006100 107107 121503 904999	1
285	270N2000-623	. .	BLOCK	002004 006100 107107 121503 904999	1
290	270N2000-642	. .	BLOCK	002004 006100 107107 121503 904999	1
295	270N2000-78	. .	CLAMP ASSY-BLK	002004 006100 107107 121503 904999	1
300	NAS1801-3-24	. .	SCREW	002004 006100 107107 121503 904999	2
305	AN960PD10L	. .	WASHER	002004 006100 107107 121503 904999	2

MISSING ITEM NUMBERS NOT APPLICABLE

- ITEM NOT ILLUSTRATED

27-23-00-01

27-23-00  
FIG. 01  
PAGE 7  
JAN 20/09

BRI

BOEING PROPRIETARY - Copyright © - Unpublished Work - See title page for details.



757

PARTS CATALOG (MAINTENANCE)

FIG ITEM	PART NUMBER	1 2 3 4 5 6 7	NOMENCLATURE	EFFECT FROM TO	UNITS PER ASSY
1					
310	NAS43DD3-59	..	SPACER	002004 006100 107107 121503 904999	2
315	BRH10A3	..	NUT SUPPLIER CODE: V52828 SPECIFICATION NUMBER: BACN10JC3 OPTIONAL PART: H10-3BAC V15653 NS202101-02 V80539 RMLH9075-3W V72962 VN303A02 V92215 96-02 V80539 T6S1032J V11815	002004 006100 107107 121503 904999	2
320	270N2000-844	..	CHANNEL	002004 006100 107107 121503 904999	1
325	270N2000-502	..	BLOCK	002004 006100 107107 121503 904999	2
330	270N2000-5	.	CLAMP ASSY-BLK	002004 006100 107107 121503 904999	1
335	NAS1801-3-26	..	SCREW	002004 006100 107107 121503 904999	2
345	AN960PD10L	..	WASHER	002004 006100 107107 121503 904999	2

MISSING ITEM NUMBERS NOT APPLICABLE

- ITEM NOT ILLUSTRATED

27-23-00-01

27-23-00  
FIG. 01  
PAGE 8  
JAN 20/09

BRI

BOEING PROPRIETARY - Copyright © - Unpublished Work - See title page for details.



757

PARTS CATALOG (MAINTENANCE)

FIG ITEM	PART NUMBER	1 2 3 4 5 6 7	NOMENCLATURE	EFFECT FROM TO	UNITS PER ASSY
1					
350	NAS43DD3-67	..	SPACER	002004 006100 107107 121503 904999	2
355	BRH10A3	..	NUT SUPPLIER CODE: V52828 SPECIFICATION NUMBER: BACN10JC3 OPTIONAL PART: H10-3BAC V15653 NS202101-02 V80539 RMLH9075-3W V72962 VN303A02 V92215 96-02 V80539 T6S1032J V11815	002004 006100 107107 121503 904999	2
360	270N2000-803	..	CHANNEL	002004 006100 107107 121503 904999	1
365	270N2000-404	..	BLOCK	002004 006100 107107 121503 904999	2
370	TA0910005H108	.	CLAMP SUPPLIER CODE: V84971 SPECIFICATION NUMBER: BACC10HC08C ATTACHING PARTS	002004 006100 107107 121503 904999	1
- 375	NAS1801-3	.	SCREW- SIZE DETERMINED ON INSTL.	002004 006100 107107 121503 904999	2
- 380	AN960KD10L	.	WASHER	002004 006100 107107 121503 904999	2

MISSING ITEM NUMBERS NOT APPLICABLE

- ITEM NOT ILLUSTRATED

27-23-00-01

27-23-00  
FIG. 01  
PAGE 9  
JAN 20/09

BRI



757

PARTS CATALOG (MAINTENANCE)

FIG ITEM	PART NUMBER	1 2 3 4 5 6 7	NOMENCLATURE	EFFECT FROM TO	UNITS PER ASSY
1 - 385	MS21042L3	.	NUT	002004 006100 107107 121503 904999	2
390	270N2000-3	-----*	. CLAMP ASSY-BLK	002004 006100 107107 121503 904999	1
395	NAS1801-3-24	..	SCREW	002004 006100 107107 121503 904999	2
400	AN960PD10L	..	WASHER	002004 006100 107107 121503 904999	2
405	NAS43DD3-59	..	SPACER	002004 006100 107107 121503 904999	2
410	BRH10A3	..	NUT SUPPLIER CODE: V52828 SPECIFICATION NUMBER: BACN10JC3 OPTIONAL PART: H10-3BAC V15653 NS202101-02 V80539 RMLH9075-3W V72962 VN303A02 V92215 96-02 V80539 T6S1032J V11815	002004 006100 107107 121503 904999	2
415	270N2000-801	..	CHANNEL	002004 006100 107107 121503 904999	1

MISSING ITEM NUMBERS NOT APPLICABLE

- ITEM NOT ILLUSTRATED

BRI

27-23-00-01

27-23-00  
FIG. 01  
PAGE 10  
JAN 20/09

 **BOEING**  
757  
**PARTS CATALOG (MAINTENANCE)**

FIG ITEM	PART NUMBER	1 2 3 4 5 6 7	NOMENCLATURE	EFFECT FROM TO	UNITS PER ASSY
1					
420	270N2000-401	..	BLOCK	002004 006100 107107 121503 904999	2
425	271N6481-1001	.TUBE ASSY-PRESSURE SYS POSITION DATA: L TUBING MATERIAL: .625 IN. OD .032 IN. WALL 37.70 IN. LG TI BMS 7-234 TI-3AL-2.5V COLD WORKED, STRESS RELIEVED TUBING		002004 006100 107107 121503 904999	1
- 430	AS1581T10	..	SLEEVE	002004 006100 107107 121503 904999	2
- 435	BACN10YA10	..	NUT	002004 006100 107107 121503 904999	2
440	271N6481-1021	.TUBE ASSY-RETURN SYS POSITION DATA: L TUBING MATERIAL: .625 IN. OD .035 IN. WALL 24.10 IN. LG AL AMS 4083 6061 T6 TUBING		002004 006100 107107 121503 904999	1
445	271N6481-1011	.TUBE ASSY-RETURN SYS POSITION DATA: L TUBING MATERIAL: .625 IN. OD .035 IN. WALL 51.70 IN. LG AL AMS 4083 6061 T6 TUBING		002004 006100 107107 121503 904999	1

MISSING ITEM NUMBERS NOT APPLICABLE

- ITEM NOT ILLUSTRATED

BRI

# 27-23-00-01

27-23-00  
FIG. 01  
PAGE 11  
JAN 20/09



757

PARTS CATALOG (MAINTENANCE)

FIG ITEM	PART NUMBER	1 2 3 4 5 6 7	NOMENCLATURE	EFFECT FROM TO	UNITS PER ASSY
1					
- 450	AP2097HP10	..	SLEEVE SUPPLIER CODE: V01673 SPECIFICATION NUMBER: BACS13BX10HP OPTIONAL PART: 2-02903-10HP V11328 35235VN10 V08199 AFP175V10P V30974 DBOS13BX10HP V14798	002004 006100 107107 121503 904999	2
- 455	BACN10YL10	..	NUT	002004 006100 107107 121503 904999	2
460	271N6481-1010	.TUBE ASSY-PRESSURE SYS POSITION DATA: L TUBING MATERIAL: .500 IN. OD .026 IN. WALL 28.30 IN. LG TI BMS 7-234 TI-3AL-2.5V COLD WORKED, STRESS RELIEVED TUBING		002004 006100 107107 121503 904999	1
465	271N6481-1002	.TUBE ASSY-PRESSURE SYS POSITION DATA: L TUBING MATERIAL: .500 IN. OD .026 IN. WALL 40.30 IN. LG TI BMS 7-234 TI-3AL-2.5V COLD WORKED, STRESS RELIEVED TUBING		002004 006100 107107 121503 904999	1
- 470	AS1581T08	..	SLEEVE	002004 006100 107107 121503 904999	1
- 475	BACN10YA8	..	NUT	002004 006100 107107 121503 904999	1

MISSING ITEM NUMBERS NOT APPLICABLE

- ITEM NOT ILLUSTRATED

BRI

27-23-00-01

27-23-00  
FIG. 01  
PAGE 12  
JAN 20/09



757

PARTS CATALOG (MAINTENANCE)

FIG ITEM	PART NUMBER	1 2 3 4 5 6 7	NOMENCLATURE	EFFECT FROM TO	UNITS PER ASSY
1					
- 480	AS1582T08	..	UNION	002004 006100 107107 121503 904999	1
485	271N6481-1012	.TUBE ASSY-RETURN SYS POSITION DATA: L TUBING MATERIAL: .625 IN. OD .035 IN. WALL 27.60 IN. LG AL AMS 4083 6061 T6 TUBING		002004 006100 107107 121503 904999	1
- 490	AP2097HP10	..SLEEVE SUPPLIER CODE: V01673 SPECIFICATION NUMBER: BACS13BX10HP OPTIONAL PART: 2-02903-10HP V11328 35235VN10 V08199 AFP175V10P V30974 DBOS13BX10HP V14798		002004 006100 107107 121503 904999	1
- 495	BACN10YL10	..	NUT	002004 006100 107107 121503 904999	1

MISSING ITEM NUMBERS NOT APPLICABLE

- ITEM NOT ILLUSTRATED

BRI

27-23-00-01

BOEING PROPRIETARY - Copyright © - Unpublished Work - See title page for details.

27-23-00  
FIG. 01  
PAGE 13  
JAN 20/09





757

PARTS CATALOG (MAINTENANCE)

FIG ITEM	PART NUMBER	1 2 3 4 5 6 7	NOMENCLATURE	EFFECT FROM TO	UNITS PER ASSY
1 - 500	35056GV10		..UNION SUPPLIER CODE: V08199 SPECIFICATION NUMBER: BACU24AB10W OPTIONAL PART: 4671097W10 V50948 2-01027-10W V11328 31875-10W V14397 AP1004W10 V01673 AFP941W10 V30974 DBOU24AB10W V14798	002004 006100 107107 121503 904999	1
505	271N6481-1009		.TUBE ASSY-PRESSURE SYS POSITION DATA: L TUBING MATERIAL: .500 IN. OD .026 IN. WALL 54.00 IN. LG TI BMS 7-234 TI-3AL-2.5V COLD WORKED, STRESS RELIEVED TUBING	002004 006100 107107 121503 904999	1
- 510	AS1581T08		..SLEEVE	002004 006100 107107 121503 904999	2
- 515	BACN10YA8		..NUT	002004 006100 107107 121503 904999	2
520	271N6481-1020		.TUBE ASSY-RETURN SYS POSITION DATA: L TUBING MATERIAL: .625 IN. OD .035 IN. WALL 55.20 IN. LG AL AMS 4083 6061 T6 TUBING	002004 006100 107107 121503 904999	1

MISSING ITEM NUMBERS NOT APPLICABLE

- ITEM NOT ILLUSTRATED

BRI

27-23-00-01

27-23-00  
FIG. 01  
PAGE 14  
JAN 20/09



757

PARTS CATALOG (MAINTENANCE)

FIG ITEM	PART NUMBER	1 2 3 4 5 6 7	NOMENCLATURE	EFFECT FROM TO	UNITS PER ASSY
1 - 525	35056GV10		..UNION SUPPLIER CODE: V08199 SPECIFICATION NUMBER: BACU24AB10W OPTIONAL PART: 4671097W10 V50948 2-01027-10W V11328 31875-10W V14397 AP1004W10 V01673 AFP941W10 V30974 DBOU24AB10W V14798	002004 006100 107107 121503 904999	2
535	271N6481-1006		.TUBE ASSY-PRESSURE SYS POSITION DATA: L TUBING MATERIAL: .375 IN. OD .019 IN. WALL 45.20 IN. LG TI BMS 7-234 TI-3AL-2.5V COLD WORKED, STRESS RELIEVED TUBING	002004 006100 107107 121503 904999	1
540	271N6481-1003		.TUBE ASSY-PRESSURE SYS POSITION DATA: L TUBING MATERIAL: .375 IN. OD .019 IN. WALL 26.60 IN. LG TI BMS 7-234 TI-3AL-2.5V COLD WORKED, STRESS RELIEVED TUBING	002004 006100 107107 121503 904999	1
550	271N6481-1078		.TUBE ASSY-PRESSURE SYS POSITION DATA: L TUBING MATERIAL: .375 IN. OD .019 IN. WALL 17.90 IN. LG TI BMS 7-234 TI-3AL-2.5V COLD WORKED, STRESS RELIEVED TUBING	107107	1

MISSING ITEM NUMBERS NOT APPLICABLE

- ITEM NOT ILLUSTRATED

BRI

27-23-00-01

27-23-00  
FIG. 01  
PAGE 15  
JAN 20/09



757

PARTS CATALOG (MAINTENANCE)

FIG ITEM	PART NUMBER	1 2 3 4 5 6 7	NOMENCLATURE	EFFECT FROM TO	UNITS PER ASSY
1 550	271N6481-1123		.TUBE ASSY-PRESSURE SYS POSITION DATA: L TUBING MATERIAL: .375 IN. OD .019 IN. WALL 18.70 IN. LG TI BMS 7-234 TI-3AL-2.5V COLD WORKED, STRESS RELIEVED TUBING	002004 006100 121503 904999	1
- 565	AS1581T06		..SLEEVE	002004 006100 107107 121503 904999	2
- 570	BACN10YA6		..NUT	002004 006100 107107 121503 904999	2
575	271N6481-1013		.TUBE ASSY-RETURN SYS POSITION DATA: L TUBING MATERIAL: .500 IN. OD .035 IN. WALL 27.90 IN. LG AL AMS 4083 6061 T6 TUBING	002004 006100 107107 121503 904999	1
- 580	AP2097HP08		..SLEEVE SUPPLIER CODE: V01673 SPECIFICATION NUMBER: BACS13BX08HP OPTIONAL PART: 2-02903-08HP V11328 35235VN08 V08199 AFP175V08P V30974 DBOS13BX08HP V14798	002004 006100 107107 121503 904999	1
- 585	BACN10YL08		..NUT	002004 006100 107107 121503 904999	1

MISSING ITEM NUMBERS NOT APPLICABLE

- ITEM NOT ILLUSTRATED

BRI

27-23-00-01

27-23-00  
FIG. 01  
PAGE 16  
JAN 20/09



757

PARTS CATALOG (MAINTENANCE)

FIG ITEM	PART NUMBER	1 2 3 4 5 6 7	NOMENCLATURE	EFFECT FROM TO	UNITS PER ASSY
1 - 590	35056GV08		..UNION SUPPLIER CODE: V08199 SPECIFICATION NUMBER: BACU24AB8W OPTIONAL PART: 2-01027-8W V11328 31875-8W V14397 4671097W8 V50948 AP1004W08 V01673 AFP941W8 V30974 DBOU24AB8W V14798	002004 006100 107107 121503 904999	1
595	271N6481-1004		.TUBE ASSY-PRESSURE SYS POSITION DATA: L TUBING MATERIAL: .375 IN. OD .019 IN. WALL 47.00 IN. LG TI BMS 7-234 TI-3AL-2.5V COLD WORKED, STRESS RELIEVED TUBING	002004 006100 107107 121503 904999	1
- 600	AS1582T06		..UNION	002004 006100 107107 121503 904999	2
605	271N6481-1076		.TUBE ASSY-RETURN SYS POSITION DATA: L TUBING MATERIAL: .500 IN. OD .035 IN. WALL 57.30 IN. LG AL AMS 4083 6061 T6 TUBING	002004 006100 107107 121503 904999	1
610	271N6481-1017		.TUBE ASSY-RETURN SYS POSITION DATA: L TUBING MATERIAL: .500 IN. OD .035 IN. WALL 25.50 IN. LG AL AMS 4083 6061 T6 TUBING	002004 006100 107107 121503 904999	1

MISSING ITEM NUMBERS NOT APPLICABLE

- ITEM NOT ILLUSTRATED

BRI

27-23-00-01

27-23-00  
FIG. 01  
PAGE 17  
JAN 20/09



757

PARTS CATALOG (MAINTENANCE)

FIG ITEM	PART NUMBER	1 2 3 4 5 6 7	NOMENCLATURE	EFFECT FROM TO	UNITS PER ASSY
1 625	271N6481-1018		.TUBE ASSY-RETURN SYS POSITION DATA: L TUBING MATERIAL: .500 IN. OD .035 IN. WALL 9.50 IN. LG AL AMS 4083 6061 T6 TUBING	002004 006010 107107 121503 904999	1
625	271N6481-1124		.TUBE ASSY-RETURN SYS POSITION DATA: L TUBING MATERIAL: .50 IN. OD .035 IN. WALL 9.70 IN. LG AL AMS 4083 6061 T6 TUBING	011100	1
635	271N6481-1084		.TUBE ASSY-RETURN SYS POSITION DATA: L TUBING MATERIAL: .500 IN. OD .035 IN. WALL 21.50 IN. LG AL AMS 4083 6061 T6 TUBING	002004 006100 107107 121503 904999	1
- 640	AP2097HP08		..SLEEVE SUPPLIER CODE: V01673 SPECIFICATION NUMBER: BACS13BX08HP OPTIONAL PART: 2-02903-08HP V11328 35235VN08 V08199 AFP175V08P V30974 DBOS13BX08HP V14798	002004 006100 107107 121503 904999	2
- 645	BACN10YL08		..NUT	002004 006100 107107 121503 904999	2

MISSING ITEM NUMBERS NOT APPLICABLE

- ITEM NOT ILLUSTRATED

BRI

27-23-00-01

27-23-00  
FIG. 01  
PAGE 18  
JAN 20/09



757

PARTS CATALOG (MAINTENANCE)

FIG ITEM	PART NUMBER	1 2 3 4 5 6 7	NOMENCLATURE	EFFECT FROM TO	UNITS PER ASSY
1 650	271N6481-1115		.TUBE ASSY-PRESSURE SYS POSITION DATA: CTR TUBING MATERIAL: .375 IN. OD .019 IN. WALL 54.90 IN. LG TI BMS 7-234 TI-3AL-2.5V COLD WORKED, STRESS RELIEVED TUBING	002004 006100 107107 121503 904999	1
655	271N6481-1028		.TUBE ASSY-PRESSURE SYS POSITION DATA: CTR TUBING MATERIAL: .375 IN. OD .019 IN. WALL 25.30 IN. LG TI BMS 7-234 TI-3AL-2.5V COLD WORKED, STRESS RELIEVED TUBING	002004 006100 107107 121503 904999	1
- 660	AS1581T06		..SLEEVE	002004 006100 107107 121503 904999	2
- 665	BACN10YA6		..NUT	002004 006100 107107 121503 904999	2
670	271N6481-1089		.TUBE ASSY-RETURN SYS POSITION DATA: CTR TUBING MATERIAL: .500 IN. OD .035 IN. WALL 61.00 IN. LG AL AMS 4083 6061 T6 TUBING	002004 006100 107107 121503 904999	1
675	271N6481-1112		.TUBE ASSY-RETURN SYS POSITION DATA: CTR TUBING MATERIAL: .500 IN. OD .035 IN. WALL 9.40 IN. LG AL AMS 4083 6061 T6 TUBING	002004 006100 107107 121503 904999	1

MISSING ITEM NUMBERS NOT APPLICABLE

- ITEM NOT ILLUSTRATED

BRI

27-23-00-01

27-23-00  
FIG. 01  
PAGE 19  
JAN 20/09



757

PARTS CATALOG (MAINTENANCE)

FIG ITEM	PART NUMBER	1 2 3 4 5 6 7	NOMENCLATURE	EFFECT FROM TO	UNITS PER ASSY
1 680	271N6481-1035		.TUBE ASSY-RETURN SYS POSITION DATA: CTR TUBING MATERIAL: .500 IN. OD .035 IN. WALL 17.30 IN. LG AL AMS 4083 6061 T6 TUBING	002004 006100 107107 121503 904999	1
- 685	AP2097HP08		..SLEEVE SUPPLIER CODE: V01673 SPECIFICATION NUMBER: BACS13BX08HP OPTIONAL PART: 2-02903-08HP V11328 35235VN08 V08199 AFP175V08P V30974 DBOS13BX08HP V14798	002004 006100 107107 121503 904999	2
- 690	BACN10YL08		..NUT	002004 006100 107107 121503 904999	2
695	271N6481-1079		.TUBE ASSY-PRESSURE SYS POSITION DATA: L TUBING MATERIAL: .375 IN. OD .019 IN. WALL 9.80IN. LG TI BMS 7-234 TI-3AL-2.5V COLD WORKED, STRESS RELIEVED TUBING	002004 006100 107107 121503 904999	1
700	271N6481-1080		.TUBE ASSY-PRESSURE SYS POSITION DATA: L TUBING MATERIAL: .375 IN. OD .019 IN. WALL 35.00IN. LG TI BMS 7-234 TI-3AL-2.5V COLD WORKED, STRESS RELIEVED TUBING	002004 006100 107107 121503 904999	1

MISSING ITEM NUMBERS NOT APPLICABLE

- ITEM NOT ILLUSTRATED

BRI

27-23-00-01

27-23-00  
FIG. 01  
PAGE 20  
JAN 20/09

**BOEING**  
757  
PARTS CATALOG (MAINTENANCE)

FIG ITEM	PART NUMBER	1 2 3 4 5 6 7	NOMENCLATURE	EFFECT FROM TO	UNITS PER ASSY
1 705	271N6481-1081		.TUBE ASSY-PRESSURE SYS POSITION DATA: L TUBING MATERIAL: .375 IN. OD .019 IN. WALL 32.8 IN. LG TI BMS 7-234 TI-3AL-2.5V COLD WORKED, STRESS RELIEVED TUBING	002004 006100 107107 121503 904999	1
- 710	AS1581T06		..SLEEVE	002004 006100 107107 121503 904999	2
- 715	BACN10YA6		..NUT	002004 006100 107107 121503 904999	2
720	BACU24L6		.UNION	002004 006100 107107 121503 904999	2
725	D10203D10		.UNION- SUPPLIER CODE: V14798	002004 006100 107107 121503 904999	1
730	D10103D10		.UNION- SUPPLIER CODE: V14798	002004 006100 107107 121503 904999	1
- 735	MS21924-6T		.UNION	002004 006100 107107 121503 904999	1

MISSING ITEM NUMBERS NOT APPLICABLE

- ITEM NOT ILLUSTRATED

BRI

# 27-23-00-01

BOEING PROPRIETARY - Copyright © - Unpublished Work - See title page for details.

27-23-00  
FIG. 01  
PAGE 21  
JAN 20/09





757

PARTS CATALOG (MAINTENANCE)

FIG ITEM	PART NUMBER	1 2 3 4 5 6 7	NOMENCLATURE	EFFECT FROM TO	UNITS PER ASSY
1 - 740	AFP23210-8	.REDUCER	SUPPLIER CODE: V30974 SPECIFICATION NUMBER: BACR17E10-8 OPTIONAL PART: AP102710-8 V01673 BC916T10-8 V50948 DBOR17E10-8 V14798 ER21916T10-8 V88334 ER31916-10-8 V88334 F23-10-8 V73197 2-01075T10-8 V11328 31778-10-8 V14397 US2114-10-8 V50808	002004 006100 107107 121503 904999	1
745	MS21908D8	.ELBOW-		002004 006100 107107 121503 904999	2
750	NAS1762T0606	.ELBOW-		002004 006100 107107 121503 904999	2
750	NAS1762J0606	.ELBOW- MISCELLANEOUS DATA: OPTIONAL PART NUMBER: BAC21BT0606JN (81205)		002004 006100 107107 121503 904999	2
- 755	AN924-6D	.NUT		002004 006100 107107 121503 904999	1

MISSING ITEM NUMBERS NOT APPLICABLE

- ITEM NOT ILLUSTRATED

27-23-00-01

27-23-00  
FIG. 01  
PAGE 22  
JAN 20/09

BRI



757

PARTS CATALOG (MAINTENANCE)

FIG ITEM	PART NUMBER	1 2 3 4 5 6 7	NOMENCLATURE	EFFECT FROM TO	UNITS PER ASSY
1 785	APX824D100808	. TEE-	SUPPLIER CODE: V01673 SPECIFICATION NUMBER: BACT16AS100808D OPTIONAL PART: APX824-100808D V01673 DBOT16AS100808D V14798 ER824-100808D V50948 FER1571-100808D V14397 LER824-100808D V11328 NAF1824-100808D V52930 US1925-100808D V50808 AFP325-100808D V30974	002004 006100 107107 121503 904999	1
795	APX824T080606	. TEE-REDUCER	SUPPLIER CODE: V01673 SPECIFICATION NUMBER: BACT16AS080606T OPTIONAL PART: APX824-080606T V01673 DBOT16AS080606T V14798 ER824-080606T V50948 FER1571-080606T V14397 2-02025-080606T V11328 NAF1824-080606T V52930 US1925-080606T V50808 AFP325-080606T V30974	002004 006100 107107 121503 904999	1
795	BACT16BN080606J	. TEE-REDUCER		002004 006100 107107 121503 904999	1

MISSING ITEM NUMBERS NOT APPLICABLE

- ITEM NOT ILLUSTRATED

BRI

27-23-00-01

BOEING PROPRIETARY - Copyright © - Unpublished Work - See title page for details.

27-23-00  
FIG. 01  
PAGE 23  
JAN 20/09



757

PARTS CATALOG (MAINTENANCE)

FIG ITEM	PART NUMBER	1 2 3 4 5 6 7	NOMENCLATURE	EFFECT FROM TO	UNITS PER ASSY
1					
800	MS21905D8	. TEE-		107107	1
800	MS21905W8	. TEE-		002004	1
				006100	
				121503	
				904999	
805	NAS1763D080808	. TEE-		002004	1
				006100	
				107107	
				121503	
				904999	
815	NAS1763T060606	. TEE-		002004	1
				006100	
				107107	
				121503	
				904999	
815	NAS1763J060606	. TEE-		002004	1
				006100	
				107107	
				121503	
				904999	
820	MS21905D8	. TEE-		107107	1
820	MS21905W8	. TEE-		002004	1
				006100	
				107107	
				121503	
				904999	
825	NAS1764T060606	. TEE		107107	1
825	NAS1764J060606	. TEE		002004	1
				006100	
				121503	
				904999	
840	AN924-6D	. NUT		002004	2
				006100	
				107107	
				121503	
				904999	
845	AN924-8D	. NUT		002004	2
				006100	
				107107	
				121503	
				904999	
850	AN924-10D	. NUT		002004	2
				006100	
				107107	
				121503	
				904999	

MISSING ITEM NUMBERS NOT APPLICABLE

- ITEM NOT ILLUSTRATED

27-23-00-01

27-23-00  
FIG. 01  
PAGE 24  
JAN 20/09

BRI

BOEING PROPRIETARY - Copyright © - Unpublished Work - See title page for details.



757

PARTS CATALOG (MAINTENANCE)

FIG ITEM	PART NUMBER	1 2 3 4 5 6 7	NOMENCLATURE	EFFECT FROM TO	UNITS PER ASSY
1					
855	AN960PD1416	.	WASHER	002004 006100 107107 121503 904999	2
860	AN960KD1216	.	WASHER	002004 006100 107107 121503 904999	2
865	271N6201-1	.	HOSE INSTL-FEEL ELEV	002004 006100 107107 121503 904999	1
870	AS116-06D0224	..	HOSE ASSY-	002004 006100 107107 121503 904999	1
870	AS116-06K0224	..	HOSE ASSY-	002004 006100 107107 121503 904999	1
875	AS116-08D0196	..	HOSE ASSY-	002004 006100 107107 121503 904999	1
875	AS116-08K0196	..	HOSE ASSY-	002004 006100 107107 121503 904999	1
880	AS116-08D0202	..	HOSE ASSY-	002004 006100 107107 121503 904999	1
880	AS116-08K0202	..	HOSE ASSY-	002004 006100 107107 121503 904999	1

MISSING ITEM NUMBERS NOT APPLICABLE

- ITEM NOT ILLUSTRATED

27-23-00-01

27-23-00  
FIG. 01  
PAGE 25  
JAN 20/09

BRI

BOEING PROPRIETARY - Copyright © - Unpublished Work - See title page for details.



757

PARTS CATALOG (MAINTENANCE)

FIG ITEM	PART NUMBER	1 2 3 4 5 6 7	NOMENCLATURE	EFFECT FROM TO	UNITS PER ASSY
1 885	AS116-06D0216	..	HOSE ASSY-	002004 006100 107107 121503 904999	1
885	AS116-06K0216	..	HOSE ASSY-	002004 006100 107107 121503 904999	1
900			ILLUSTRATION REFERENCE: PLUMBING INSTL-SECT. 48 (RUDDER AND ELEVATOR HYDRAULIC SYSTEMS ONLY) 27-23-00-02	002004 006100 107107 121503 904999	RF
905			ILLUSTRATION REFERENCE: VALVE INSTL-R SYS PRESSURE REDUCING 27-31-13-01	002004 006100 107107 121503 904999	RF
915			ILLUSTRATION REFERENCE: PLUMBING INSTL-SECT. 48 L HYDR (HORIZONTAL STABILIZER TRIM CONTROL ONLY) 27-41-51-21	002004 006100 107107 121503 904999	RF
920			ILLUSTRATION REFERENCE: PLUMBING INSTL-VERT. FIN SECT. 70 HYDR (HORIZONTAL STABILIZER TRIM CONTROL ONLY) 27-41-51-15	002004 006100 107107 121503 904999	RF
925			ILLUSTRATION REFERENCE: VALVE INSTL-R SYS PRESSURE REDUCING 27-31-13-01	002004 006100 107107 121503 904999	RF
930			ILLUSTRATION REFERENCE: VALVE INSTL-CTR SYS PRESSURE REDUCING 27-31-13-05	002004 006100 107107 121503 904999	RF

MISSING ITEM NUMBERS NOT APPLICABLE

- ITEM NOT ILLUSTRATED

BRI

27-23-00-01

27-23-00  
FIG. 01  
PAGE 26  
JAN 20/09



757

PARTS CATALOG (MAINTENANCE)

FIG ITEM	PART NUMBER	1 2 3 4 5 6 7	NOMENCLATURE	EFFECT FROM TO	UNITS PER ASSY
1 935			ILLUSTRATION REFERENCE: MECHANISM INSTL-ELEV CONT AFT 27-31-53-01	002004 006100 107107 121503 904999	RF
940			ILLUSTRATION REFERENCE: PLUMBING INSTL-SECT. 46 HYDR (ELEVATOR CONTROL SYSTEM ONLY) 27-31-51-30	002004 006100 107107 121503 904999	RF

MISSING ITEM NUMBERS NOT APPLICABLE

- ITEM NOT ILLUSTRATED

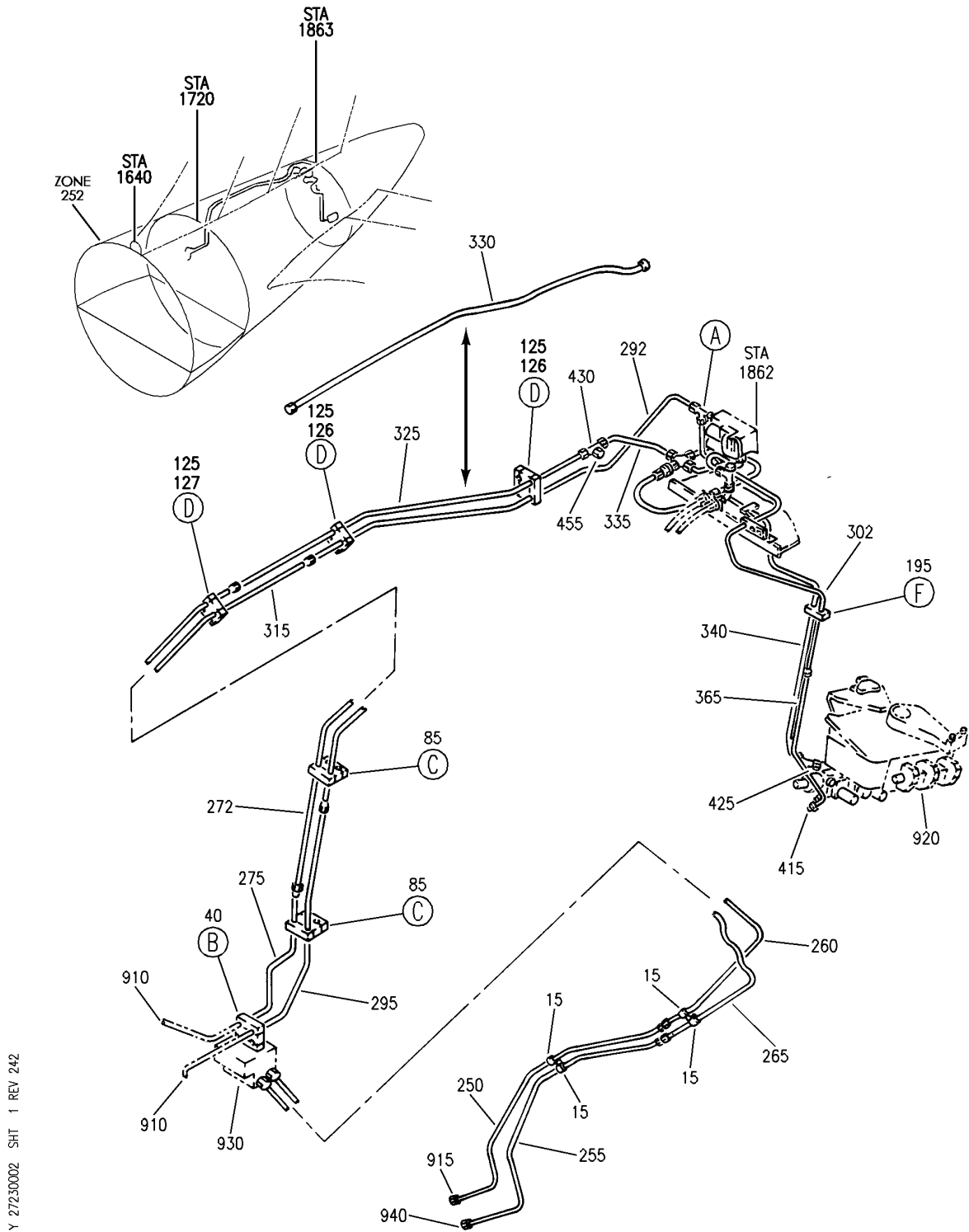
BRI

27-23-00-01

BOEING PROPRIETARY - Copyright © - Unpublished Work - See title page for details.

27-23-00  
FIG. 01  
PAGE 27  
JAN 20/09

**BOEING**  
757  
PARTS CATALOG (MAINTENANCE)



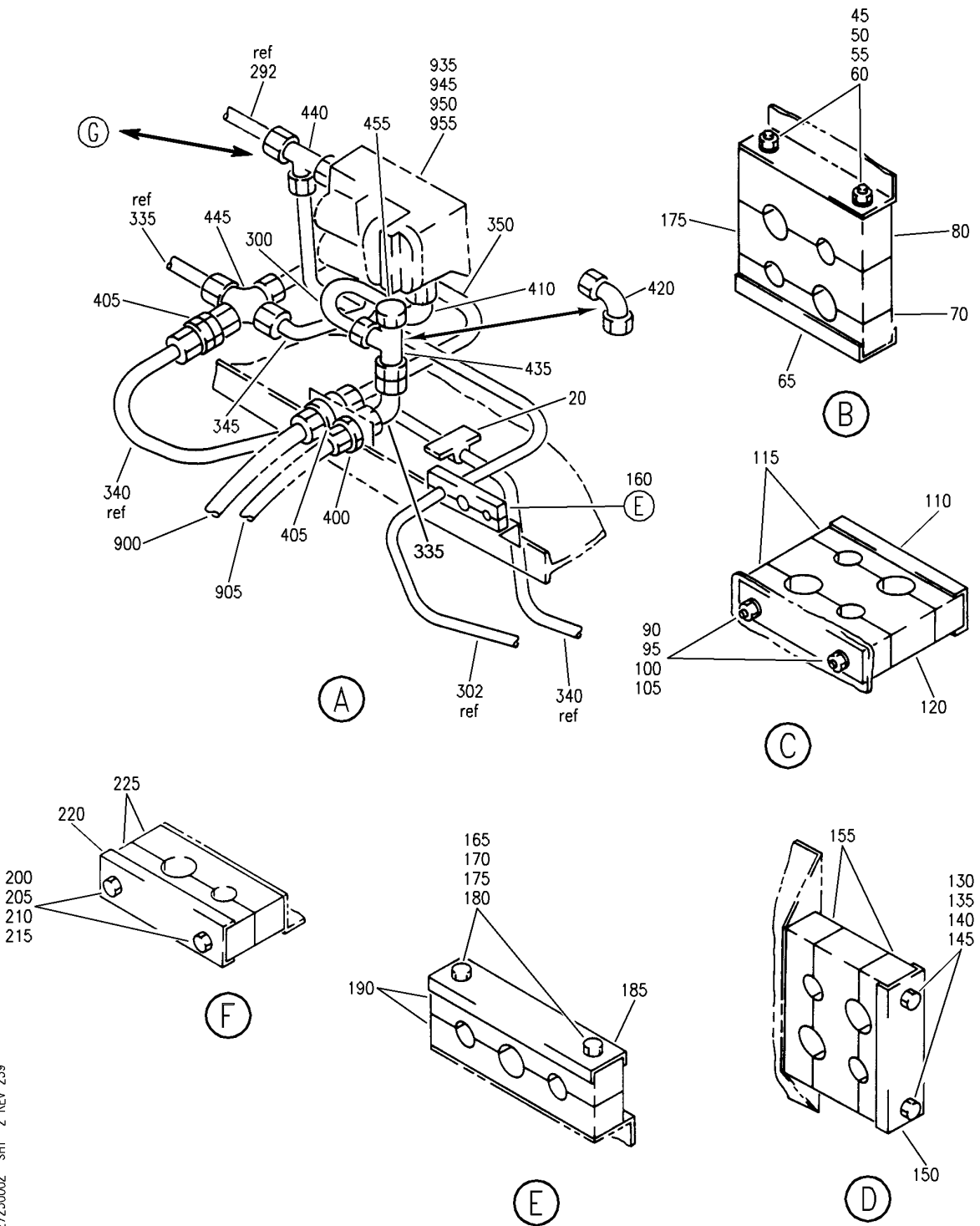
PLUMBING INSTL-SECT. 48 (RUDDER AND ELEVATOR HYDRAULIC SYSTEMS ONLY)  
FIGURE 2 (SHEET 1)

**27-23-00-02**

BRI  
MAY 28/07

27-23-00-02  
PAGE 0


**BOEING**  
 757  
**PARTS CATALOG (MAINTENANCE)**



PLUMBING INSTL-SECT. 48 (RUDDER AND ELEVATOR HYDRAULIC SYSTEMS ONLY)  
 FIGURE 2 (SHEET 2)

**27-23-00-02**

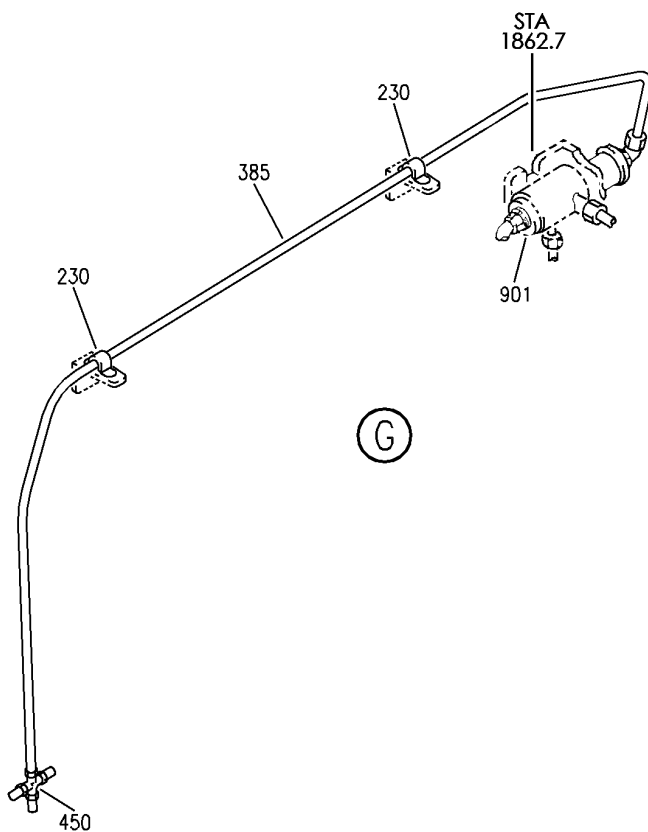
BRI  
 MAY 28/07

27-23-00-02  
 PAGE 0A

Y 27230002 SHT 2 REV 239



**BOEING**  
757  
PARTS CATALOG (MAINTENANCE)



Y 27230002 SH1 3 REV 238

PLUMBING INSTL-SECT. 48 (RUDDER AND ELEVATOR HYDRAULIC SYSTEMS ONLY)  
FIGURE 2 (SHEET 3)

BRI  
MAY 28/07

**27-23-00-02**

27-23-00-02  
PAGE 08



757

PARTS CATALOG (MAINTENANCE)

FIG ITEM	PART NUMBER	1 2 3 4 5 6 7	NOMENCLATURE	EFFECT FROM TO	UNITS PER ASSY
2			PLUMBING INSTL-SECT. 48 (RUDDER AND ELEVATOR HYDRAULIC SYSTEMS ONLY)	002004 006999	
- 1	271N6482-1		PLUMBING INSTL-HYDR (RUDDER AND ELEVATOR HYDRAULIC SYSTEMS ONLY) POSITION DATA: SECT. 48 R FOR NHA/OTHER SYS DET SEE: 29-00-51-06	002004 006100 107107 121503 904999	RF
- 1	271N6482-8		PLUMBING INSTL-HYDR (RUDDER AND ELEVATOR HYDRAULIC SYSTEMS ONLY) POSITION DATA: SECT. 48 R FOR NHA/OTHER SYS DET SEE: 27-00-00-03	101102 108120 504903	RF
- 5	271N6482-5		PLUMBING INSTL-HYDR (RUDDER AND ELEVATOR HYDRAULIC SYSTEMS ONLY) POSITION DATA: SECT. 48 R FOR NHA/OTHER SYS DET SEE: 27-00-00-04	101102 108120 504903	RF
- 5	MODREF31924		PLUMBING INSTL-HYDR (RUDDER AND ELEVATOR HYDRAULIC SYSTEMS ONLY) MODULE NUMBER: 271N6482-11 REV B POSITION DATA: SECT. 48 R FOR OTHER SYS DETAILS SEE: 27-41-51-24	103105	1
- 5	MODREF100068		PLUMBING INSTL-HYDR (RUDDER AND ELEVATOR HYDRAULIC SYSTEMS ONLY) MODULE NUMBER: 271N6482-11 REV C POSITION DATA: SECT. 48 R FOR OTHER SYS DETAILS SEE: 27-41-51-24	106106	1

MISSING ITEM NUMBERS NOT APPLICABLE

- ITEM NOT ILLUSTRATED

**27-23-00-02**

27-23-00  
FIG. 02  
PAGE 1  
JAN 20/09

BRI



757

PARTS CATALOG (MAINTENANCE)

FIG ITEM	PART NUMBER	1 2 3 4 5 6 7	NOMENCLATURE	EFFECT FROM TO	UNITS PER ASSY
2					
- 10	MODREF31923		PLUMBING INSTL-HYDR (RUDDER AND ELEVATOR HYDRAULIC SYSTEMS ONLY) MODULE NUMBER: 271N6482-10 REV B POSITION DATA: SECT. 48 R FOR OTHER SYS DETAILS SEE: 27-41-51-24	103106	1
15	M85052-2-6		.CLAMP- USED ON: 271N6482-1 271N6482-2 271N6482-4 271N6482-6 271N6482-8 271N6482-9 271N6482-10 MODREF31923 MODREF183340 MODREF8148	002004 006100 103107 121503 904999	4
20	TA0910005H108		.CLAMP- SUPPLIER CODE: V84971 SPECIFICATION NUMBER: BACC10HC08C USED ON: 271N6482-5 271N6482-11 MODREF19393 MODREF31924 MODREF100068 MODREF183340 ATTACHING PARTS	101106 108120 504903	1
- 25	NAS1801-3		.SCREW- SIZE DETERMINED ON INSTL. USED ON: 271N6482-1 271N6482-2 271N6482-4 271N6482-6 271N6482-8 271N6482-9 271N6482-10 MODREF31923 MODREF183340 MODREF8148	002004 006100 107107 121503 904999	4

MISSING ITEM NUMBERS NOT APPLICABLE

- ITEM NOT ILLUSTRATED

BRI

27-23-00-02

BOEING PROPRIETARY - Copyright © - Unpublished Work - See title page for details.

27-23-00  
FIG. 02  
PAGE 2  
JAN 20/09

 **BOEING**  
757  
**PARTS CATALOG (MAINTENANCE)**

FIG ITEM	PART NUMBER	1 2 3 4 5 6 7	NOMENCLATURE	EFFECT FROM TO	UNITS PER ASSY
2 - 30	AN960KD10L		.WASHER- USED ON: 271N6482-1 271N6482-2 271N6482-4 271N6482-6 271N6482-8 271N6482-9 271N6482-10 MODREF31923 MODREF183340 MODREF8148	002004 006100 107107 121503 904999	4
- 35	MS21042L3		.NUT- USED ON: 271N6482-1 271N6482-2 271N6482-4 271N6482-6 271N6482-8 271N6482-9 271N6482-10 MODREF31923 MODREF183340 MODREF8148	002004 006100 107107 121503 904999	4
40	270N2000-174		-----*----- .CLAMP ASSY-BLK USED ON: 271N6482-1 271N6482-2 271N6482-4 271N6482-6 271N6482-8 271N6482-9 271N6482-10 MODREF31923 MODREF183340 MODREF8148	002004 006100 103107 121503 904999	1
45	NAS1801-3-47		..SCREW	002004 006100 103107 121503 904999	2
50	AN960PD10L		..WASHER	002004 006100 103107 121503 904999	2

MISSING ITEM NUMBERS NOT APPLICABLE

- ITEM NOT ILLUSTRATED

BRI

# 27-23-00-02

BOEING PROPRIETARY - Copyright © - Unpublished Work - See title page for details.

27-23-00  
FIG. 02  
PAGE 3  
JAN 20/09



757

PARTS CATALOG (MAINTENANCE)

FIG ITEM	PART NUMBER	1 2 3 4 5 6 7	NOMENCLATURE	EFFECT FROM TO	UNITS PER ASSY
2	55	NAS43DD3-147	.. SPACER	002004 006100 103107 121503 904999	2
	60	BRH10A3	.. NUT SUPPLIER CODE: V52828 SPECIFICATION NUMBER: BACN10JC3 OPTIONAL PART: H10-3BAC V15653 NS202101-02 V80539 RMLH9075-3W V72962 VN303A02 V92215 96-02 V80539 T6S1032J V11815	002004 006100 103107 121503 904999	2
	65	270N2000-840	.. CHANNEL	002004 006100 103107 121503 904999	1
	70	270N2000-645	.. BLOCK	002004 006100 103107 121503 904999	1
	75	270N2000-644	.. BLOCK	002004 006100 103107 121503 904999	1
	80	270N2000-646	.. BLOCK	002004 006100 103107 121503 904999	1

MISSING ITEM NUMBERS NOT APPLICABLE

- ITEM NOT ILLUSTRATED

BRI

27-23-00-02

27-23-00  
FIG. 02  
PAGE 4  
JAN 20/09



757

PARTS CATALOG (MAINTENANCE)

FIG ITEM	PART NUMBER	1 2 3 4 5 6 7	NOMENCLATURE	EFFECT FROM TO	UNITS PER ASSY
2	85 270N2000-173	.CLAMP ASSY-BLK USED ON: 271N6482-1 271N6482-2 271N6482-4 271N6482-6 271N6482-8 271N6482-9 271N6482-10 MODREF31923 MODREF183340 MODREF8148		002004 006100 103107 121503 904999	2
	90 NAS1801-3-40	..SCREW		002004 006100 103107 121503 904999	2
	95 AN960PD10L	..WASHER		002004 006100 103107 121503 904999	2
	100 NAS43DD3-125	..SPACER		002004 006100 103107 121503 904999	2
	105 BRH10A3	..NUT SUPPLIER CODE: V52828 SPECIFICATION NUMBER: BACN10JC3 OPTIONAL PART: H10-3BAC V15653 NS202101-02 V80539 RMLH9075-3W V72962 VN303A02 V92215 96-02 V80539 T6S1032J V11815		002004 006100 103107 121503 904999	2

MISSING ITEM NUMBERS NOT APPLICABLE

- ITEM NOT ILLUSTRATED

BRI

27-23-00-02

27-23-00  
FIG. 02  
PAGE 5  
JAN 20/09



757

PARTS CATALOG (MAINTENANCE)

FIG ITEM	PART NUMBER	1 2 3 4 5 6 7	NOMENCLATURE	EFFECT FROM TO	UNITS PER ASSY
2					
110	270N2000-840	. .	CHANNEL	002004 006100 103107 121503 904999	1
115	270N2000-645	. .	BLOCK	002004 006100 103107 121503 904999	2
120	270N2000-644	. .	BLOCK	002004 006100 103107 121503 904999	1
125	270N2000-54	. .	CLAMP ASSY-BLK USED ON: 271N6482-1	107107	3
126	270N2000-54	. .	CLAMP ASSY-BLK USED ON: 271N6482-2 271N6482-4 271N6482-6 271N6482-8 271N6482-9	002004 006100 121503 904999	2
127	270N2000-54	. .	CLAMP ASSY-BLK USED ON: 271N6482-10 MODREF31923 MODREF183340 MODREF8148	103106	1
130	NAS1801-3-40	. .	SCREW	002004 006999	2
135	AN960PD10L	. .	WASHER	002004 006999	2
140	NAS43DD3-126	. .	SPACER	002004 006999	2

MISSING ITEM NUMBERS NOT APPLICABLE

- ITEM NOT ILLUSTRATED

27-23-00-02

27-23-00  
FIG. 02  
PAGE 6  
JAN 20/09

BRI



757

PARTS CATALOG (MAINTENANCE)

FIG ITEM	PART NUMBER	1 2 3 4 5 6 7	NOMENCLATURE	EFFECT FROM TO	UNITS PER ASSY
2 145	BRH10A3	..	NUT SUPPLIER CODE: V52828 SPECIFICATION NUMBER: BACN10JC3 OPTIONAL PART: H10-3BAC V15653 NS202101-02 V80539 RMLH9075-3W V72962 VN303A02 V92215 96-02 V80539 T6S1032J V11815	002004 006999	2
150	270N2000-837	..	CHANNEL	002004 006999	1
155	270N2000-523	..	BLOCK	002004 006999	2
160	270N2000-165	.CLAMP ASSY-BLK USED ON:	271N6482-1 271N6482-2 271N6482-4 271N6482-6 271N6482-8 271N6482-9 271N6482-10 MODREF31923 MODREF183340 MODREF8148	002004 006100 103107 121503 904999	1
165	NAS1801-3-26	..	SCREW	002004 006100 103107 121503 904999	2
170	AN960PD10L	..	WASHER	002004 006100 103107 121503 904999	2
175	NAS43DD3-67	..	SPACER	002004 006100 103107 121503 904999	2

MISSING ITEM NUMBERS NOT APPLICABLE

- ITEM NOT ILLUSTRATED

27-23-00-02

27-23-00  
FIG. 02  
PAGE 7  
JAN 20/09

BRI





757

PARTS CATALOG (MAINTENANCE)

FIG ITEM	PART NUMBER	1 2 3 4 5 6 7	NOMENCLATURE	EFFECT FROM TO	UNITS PER ASSY
2 180	BRH10A3	. .	NUT SUPPLIER CODE: V52828 SPECIFICATION NUMBER: BACN10JC3 OPTIONAL PART: H10-3BAC V15653 NS202101-02 V80539 RMLH9075-3W V72962 VN303A02 V92215 96-02 V80539 T6S1032J V11815	002004 006100 103107 121503 904999	2
185	270N2000-1005	. .	CHANNEL	002004 006100 103107 121503 904999	1
190	270N2000-635	. .	BLOCK	002004 006100 103107 121503 904999	2
195	270N2000-170	. .	CLAMP ASSY-BLK USED ON: 271N6482-1 271N6482-2 271N6482-4 271N6482-6 271N6482-8 271N6482-9 271N6482-10 MODREF31923 MODREF183340 MODREF8148	002004 006100 103107 121503 904999	1
200	NAS1801-3-26	. .	SCREW	002004 006100 103107 121503 904999	2

MISSING ITEM NUMBERS NOT APPLICABLE

- ITEM NOT ILLUSTRATED

BRI

27-23-00-02

27-23-00  
FIG. 02  
PAGE 8  
JAN 20/09



757

PARTS CATALOG (MAINTENANCE)

FIG ITEM	PART NUMBER	1 2 3 4 5 6 7	NOMENCLATURE	EFFECT FROM TO	UNITS PER ASSY
2 205	AN960PD10L	. .	WASHER	002004 006100 103107 121503 904999	2
210	NAS43DD3-67	. .	SPACER	002004 006100 103107 121503 904999	2
215	BRH10A3	. .	NUT SUPPLIER CODE: V52828 SPECIFICATION NUMBER: BACN10JC3 OPTIONAL PART: H10-3BAC V15653 NS202101-02 V80539 RMLH9075-3W V72962 VN303A02 V92215 96-02 V80539 T6S1032J V11815	002004 006100 103107 121503 904999	2
220	270N2000-839	. .	CHANNEL	002004 006100 103107 121503 904999	1
225	270N2000-640	. .	BLOCK	002004 006100 103107 121503 904999	2

MISSING ITEM NUMBERS NOT APPLICABLE

- ITEM NOT ILLUSTRATED

BRI

27-23-00-02

27-23-00  
FIG. 02  
PAGE 9  
JAN 20/09



757

PARTS CATALOG (MAINTENANCE)

FIG ITEM	PART NUMBER	1 2 3 4 5 6 7	NOMENCLATURE	EFFECT FROM TO	UNITS PER ASSY
2 230	TA0910004H106		.CLAMP- SUPPLIER CODE: V84971 SPECIFICATION NUMBER: BACC10HB06C USED ON: 271N6482-1 271N6482-2 271N6482-4 271N6482-6 271N6482-8 271N6482-9	002004 006100 103107 121503 904999	2
- 235	NAS1801-3		ATTACHING PARTS .SCREW- SIZE DETERMINED ON INSTL. USED ON: 271N6482-1 271N6482-2 271N6482-4 271N6482-6 271N6482-8 271N6482-9	002004 006100 103107 121503 904999	2
- 240	AN960KD10L		.WASHER- USED ON: 271N6482-1 271N6482-2 271N6482-4 271N6482-6 271N6482-8 271N6482-9	002004 006100 103107 121503 904999	2

MISSING ITEM NUMBERS NOT APPLICABLE

- ITEM NOT ILLUSTRATED

BRI

27-23-00-02

BOEING PROPRIETARY - Copyright © - Unpublished Work - See title page for details.

27-23-00  
FIG. 02  
PAGE 10  
JAN 20/09



757

PARTS CATALOG (MAINTENANCE)

FIG ITEM	PART NUMBER	1 2 3 4 5 6 7	NOMENCLATURE	EFFECT FROM TO	UNITS PER ASSY
2 - 245	BRH10A3		.NUT- SUPPLIER CODE: V52828 SPECIFICATION NUMBER: BACN10JC3 OPTIONAL PART: H10-3BAC V15653 NS202101-02 V80539 RMLH9075-3W V72962 VN303A02 V92215 96-02 V80539 T6S1032J V11815 USED ON: 271N6482-1 271N6482-2 271N6482-4 271N6482-6 271N6482-8 271N6482-9 271N6482-10 MODREF31923 MODREF183340 MODREF8148 -----*-----	002004 006100 103107 121503 904999	2
250	271N6482-1076		.TUBE ASSY-SUPPLY	107107 904949	1
250	271N6482-1085		.TUBE ASSY-SUPPLY TUBING MATERIAL: .375 IN. OD .035 IN. WALL 54.10 IN. LG AMS 4083 6061 T6 TUBING OPTIONAL PART: 271N6482-1178 USED ON: 271N6482-1 271N6482-2 271N6482-5 271N6482-11 MODREF19393 MODREF31924 MODREF100068	002004 006999	1

MISSING ITEM NUMBERS NOT APPLICABLE

- ITEM NOT ILLUSTRATED

27-23-00-02

27-23-00  
FIG. 02  
PAGE 11  
JAN 20/09

BRI



757

PARTS CATALOG (MAINTENANCE)

FIG ITEM	PART NUMBER	1 2 3 4 5 6 7	NOMENCLATURE	EFFECT FROM TO	UNITS PER ASSY
2					
250	271N6482-1178		.TUBE ASSY-SUPPLY OPTIONAL PART: 271N6482-1085 USED ON: 271N6482-5 271N6482-11	101106 108120 504903	1
255	271N6482-1078		.TUBE ASSY-SUPPLY OPTIONAL PART: 271N6482-1086	107107 904949	1
255	271N6482-1086		.TUBE ASSY-SUPPLY TUBING MATERIAL: .375 IN. OD .035 IN. WALL 55.00 IN. LG AMS 4083 6061 T6 TUBING OPTIONAL PART: 271N6482-1078 271N6482-1179 USED ON: 271N6482-1 271N6482-2 271N6482-11 271N6482-5 MODREF19393 MODREF31924 MODREF100068	002004 006999	1
255	271N6482-1179		.TUBE ASSY-SUPPLY OPTIONAL PART: 271N6482-1086 USED ON: 271N6482-5 271N6482-11	101106 108120 504903	1
260	271N6482-1077		.TUBE ASSY-SUPPLY TUBING MATERIAL: .375 IN. OD .035 IN. WALL 24.80 IN. LG AMS 4083 6061 T6 TUBING USED ON: 271N6482-1 271N6482-2 271N6482-4 271N6482-6 271N6482-8 271N6482-9 271N6482-10 MODREF31923 MODREF183340 MODREF8148	002004 006100 103107 121503 904999	1

MISSING ITEM NUMBERS NOT APPLICABLE

- ITEM NOT ILLUSTRATED

BRI

27-23-00-02

27-23-00  
FIG. 02  
PAGE 12  
JAN 20/09



757

PARTS CATALOG (MAINTENANCE)

FIG ITEM	PART NUMBER	1 2 3 4 5 6 7	NOMENCLATURE	EFFECT FROM TO	UNITS PER ASSY
2 265	271N6482-1079		.TUBE ASSY-SUPPLY TUBING MATERIAL: .375 IN. OD .035 IN. WALL 26.10 IN. LG AMS 4083 6061 T6 TUBING USED ON: 271N6482-1 271N6482-2 271N6482-4 271N6482-6 271N6482-8 271N6482-9 271N6482-10 MODREF31923 MODREF183340 MODREF8148	002004 006100 103107 121503 904999	1
- 270	AP2097HP06		..SLEEVE- SUPPLIER CODE: V01673 SPECIFICATION NUMBER: BACS13BX06HP OPTIONAL PART: 2-02903-06HP V11328 35235VN06 V08199 AFP175V06P V30974 DBOS13BX06HP V14798 USED ON: 271N6482-1077 271N6482-1078 271N6482-1086	002004 006999	2

MISSING ITEM NUMBERS NOT APPLICABLE

- ITEM NOT ILLUSTRATED

BRI

27-23-00-02

BOEING PROPRIETARY - Copyright © - Unpublished Work - See title page for details.

27-23-00  
FIG. 02  
PAGE 13  
JAN 20/09



757

PARTS CATALOG (MAINTENANCE)

FIG ITEM	PART NUMBER	1 2 3 4 5 6 7	NOMENCLATURE	EFFECT FROM TO	UNITS PER ASSY
2 272	271N6482-1018		.TUBE ASSY-RETURN SYS POSITION DATA: R TUBING MATERIAL: .500 IN. OD .035 IN. WALL 37.70 IN. LG AMS 4083 6061 T6 TUBING USED ON: 271N6482-1 271N6482-2 271N6482-4 271N6482-6 271N6482-8 271N6482-9 271N6482-10 MODREF31923 MODREF183340 MODREF8148	002004 006100 103107 121503 904999	1
275	271N6482-1017		.TUBE ASSY-RETURN SYS POSITION DATA: RH TUBING MATERIAL: .500 IN. OD .035 IN. WALL 31.70 IN. LG AMS 4083 6061 T6 TUBING	002004 006006 107107 121503 904949 952952	1
275	271N6482-1123		.TUBE ASSY-RETURN SYS POSITION DATA: R TUBING MATERIAL: .500 IN. OD .035 IN. WALL 31.80 IN. LG AMS 4083 6061 T6 TUBING USED ON: 271N6482-1 271N6482-2 271N6482-5 271N6482-11 MODREF19393 MODREF31924 MODREF100068	007102 108120 504903 950951 953999	1

MISSING ITEM NUMBERS NOT APPLICABLE

- ITEM NOT ILLUSTRATED

BRI

27-23-00-02

BOEING PROPRIETARY - Copyright © - Unpublished Work - See title page for details.

27-23-00  
FIG. 02  
PAGE 14  
JAN 20/09



757

PARTS CATALOG (MAINTENANCE)

FIG ITEM	PART NUMBER	1 2 3 4 5 6 7	NOMENCLATURE	EFFECT FROM TO	UNITS PER ASSY
2					
- 280	AP2097HP08	..	SLEEVE SUPPLIER CODE: V01673 SPECIFICATION NUMBER: BACS13BX08HP OPTIONAL PART: 2-02903-08HP V11328 35235VN08 V08199 AFP175V08P V30974 DBOS13BX08HP V14798	002004 006102 107999	1
- 280	AP2097HP08	..	SLEEVE SUPPLIER CODE: V01673 SPECIFICATION NUMBER: BACS13BX08HP OPTIONAL PART: 2-02903-08HP V11328 35235VN08 V08199 AFP175V08P V30974 DBOS13BX08HP V14798	103106	1
- 285	BACN10YL08	..	NUT- OPTIONAL PART: MS21921-8D	002004 006102 107999	1
- 285	MS21921-8D	..	NUT- OPTIONAL PART: BACN10YL08	002004 006102 107999	1
- 285	BACN10YL08	..	NUT- OPTIONAL PART: MS21921-8D	103106	1
- 285	MS21921-8D	..	NUT- OPTIONAL PART: BACN10YL08	103106	1

MISSING ITEM NUMBERS NOT APPLICABLE

- ITEM NOT ILLUSTRATED

BRI

27-23-00-02

BOEING PROPRIETARY - Copyright © - Unpublished Work - See title page for details.

27-23-00  
FIG. 02  
PAGE 15  
JAN 20/09





757

PARTS CATALOG (MAINTENANCE)

FIG ITEM	PART NUMBER	1 2 3 4 5 6 7	NOMENCLATURE	EFFECT FROM TO	UNITS PER ASSY
2 - 290	35056GV08		..UNION SUPPLIER CODE: V08199 SPECIFICATION NUMBER: BACU24AB8W OPTIONAL PART: 2-01027-8W V11328 31875-8W V14397 4671097W8 V50948 AP1004W08 V01673 AFP941W8 V30974 DBOU24AB8W V14798	002004 006102 107999	1
- 290	35056GV08		..UNION SUPPLIER CODE: V08199 SPECIFICATION NUMBER: BACU24AB8W OPTIONAL PART: 2-01027-8W V11328 31875-8W V14397 4671097W8 V50948 AP1004W08 V01673 AFP941W8 V30974 DBOU24AB8W V14798	103106	1

MISSING ITEM NUMBERS NOT APPLICABLE

- ITEM NOT ILLUSTRATED

BRI

27-23-00-02

BOEING PROPRIETARY - Copyright © - Unpublished Work - See title page for details.

27-23-00  
FIG. 02  
PAGE 16  
JAN 20/09



757

PARTS CATALOG (MAINTENANCE)

FIG ITEM	PART NUMBER	1 2 3 4 5 6 7	NOMENCLATURE	EFFECT FROM TO	UNITS PER ASSY
2 292	271N6482-1050		.TUBE ASSY-PRESSURE SYS POSITION DATA: R TUBING MATERIAL: .375 IN. OD .019 IN. WALL 41.50 IN. LG BMS 7-234 TI-3AL-2.5V COLD WORKED, STRESS RELIEVED TUBING USED ON: 271N6482-1 271N6482-2 271N6482-4 271N6482-6 271N6482-8 271N6482-9	002004 006100 103107 121503 904999	1
295	271N6482-1004		.TUBE ASSY-PRESSURE SYS POSITION DATA: R TUBING MATERIAL: .375 IN. OD .019 WALL 42.50 IN LG BMS 7-234 TI-3AL-2.5V COLD WORKED, STRESS RELIEVED TUBING USED ON: 271N6482-1 271N6482-2 271N6482-5 271N6482-11 MODREF19393 MODREF31924 MODREF100068	002004 006999	1

MISSING ITEM NUMBERS NOT APPLICABLE

- ITEM NOT ILLUSTRATED

BRI

27-23-00-02

BOEING PROPRIETARY - Copyright © - Unpublished Work - See title page for details.

27-23-00  
FIG. 02  
PAGE 17  
JAN 20/09



757

PARTS CATALOG (MAINTENANCE)

FIG ITEM	PART NUMBER	1 2 3 4 5 6 7	NOMENCLATURE	EFFECT FROM TO	UNITS PER ASSY
2 300	271N6482-1074		.TUBE ASSY-PRESSURE SYS POSITION DATA: R TUBING MATERIAL: .375 IN. OD .019 IN. WALL 8.50 IN. LG) BMS 7-234 TI-3AL-2.5V COLD WORKED, STRESS RELIEVED TUBING USED ON: 271N6482-1 271N6482-2 271N6482-4 271N6482-6 271N6482-8 271N6482-9 271N6482-10 MODREF31923 MODREF183340 MODREF8148	002004 006100 103107 121503 904999	1
302	271N6482-1009		.TUBE ASSY-PRESSURE SYS POSITION DATA: R TUBING MATERIAL: .375 IN OD .019 IN. WALL 17.50 IN. LG BMS 7-234 TI-3AL-2.5V COLD WORKED, STRESS RELIEVED TUBING USED ON: 271N6482-1 271N6482-2 271N6482-4 271N6482-6 271N6482-8 271N6482-9 271N6482-10 MODREF31923 MODREF183340 MODREF8148	002004 006100 103107 121503 904999	1
- 305	AS1581T06		.. SLEEVE	002004 006999	2
- 310	BACN10YA6		.. NUT	002004 006999	2

MISSING ITEM NUMBERS NOT APPLICABLE

- ITEM NOT ILLUSTRATED

BRI

27-23-00-02

27-23-00  
FIG. 02  
PAGE 18  
JAN 20/09



757

PARTS CATALOG (MAINTENANCE)

FIG ITEM	PART NUMBER	1 2 3 4 5 6 7	NOMENCLATURE	EFFECT FROM TO	UNITS PER ASSY
2 315	271N6482-1005		.TUBE ASSY-PRESSURE SYS POSITION DATA: R TUBING MATERIAL: .375 IN. OD .019 IN WALL 39.70 IN LG BMS 7-234 TI-3AL-2.5V COLD WORKED, STRESS RELIEVED TUBING USED ON: 271N6482-1 271N6482-2 271N6482-4 271N6482-6 271N6482-8 271N6482-9 271N6482-10 MODREF31923 MODREF183340 MODREF8148	002004 006100 103107 121503 904999	1
- 320	AS1582T06		..UNION	002004 006100 103107 121503 904999	2
330	271N6482-1088		.TUBE ASSY-RETURN SYS POSITION DATA: R TUBING MATERIAL: .500 IN. OD .035 IN. WALL 57.70 IN. LG AMS 4083 6061 T6 TUBING USED ON: 271N6482-1 271N6482-2 271N6482-4 271N6482-6 271N6482-8 271N6482-9 271N6482-10 MODREF31923 MODREF183340 MODREF8148	002004 006999	1

MISSING ITEM NUMBERS NOT APPLICABLE

- ITEM NOT ILLUSTRATED

BRI

27-23-00-02

27-23-00  
FIG. 02  
PAGE 19  
JAN 20/09



757

PARTS CATALOG (MAINTENANCE)

FIG ITEM	PART NUMBER	1 2 3 4 5 6 7	NOMENCLATURE	EFFECT FROM TO	UNITS PER ASSY
2 335	271N6482-1020		.TUBE ASSY-RETURN SYS POSITION DATA: R TUBING MATERIAL: .500 IN. OD .035 IN. WALL 15.50 IN. LG AMS 4083 6061 T6 TUBING USED ON: 271N6482-1	002004 006999	1
340	271N6482-1101		.TUBE ASSY-RETURN SYS POSITION DATA: R TUBING MATERIAL: .500 IN. OD .035 IN. WALL 55.20 IN. LG AMS 4083 6061 T6 TUBING USED ON: 271N6482-1 271N6482-2 271N6482-4 271N6482-6 271N6482-8 271N6482-9	002004 006102 107999	1
340	271N6482-1181		.TUBE ASSY-RETURN SYS POSITION DATA: R TUBING MATERIAL: .500 IN. OD .035 IN. WALL 54.8121 IN. LG AMS 4083 6061 T6 TUBING USED ON: 271N6482-10 MODREF31923 MODREF183340 MODREF8148	103106	1

MISSING ITEM NUMBERS NOT APPLICABLE

- ITEM NOT ILLUSTRATED

BRI

27-23-00-02

27-23-00  
FIG. 02  
PAGE 20  
JAN 20/09



757

PARTS CATALOG (MAINTENANCE)

FIG ITEM	PART NUMBER	1 2 3 4 5 6 7	NOMENCLATURE	EFFECT FROM TO	UNITS PER ASSY
2 345	271N6482-1021		.TUBE ASSY-RETRUN SYS POSITION DATA: R TUBING MATERIAL: .500 IN. OD .035 IN. WALL 9.40 IN. LG AMS 4083 6061 T6 TUBING USED ON: 271N6482-1 271N6482-2 271N6482-4 271N6482-6 271N6482-8 271N6482-9 271N6482-10 MODREF31923 MODREF8148	002004 006100 103107 121503 904999	1
350	271N6482-1023		.TUBE ASSY-RETURN SYS POSITION DATA: R TUBING MATERIAL: .500 IN. OD .035 IN. WALL 14.40 IN. LG AMS 4083 6061 T6 TUBING USED ON: 271N6482-1 271N6482-2 271N6482-4 271N6482-6 271N6482-8 271N6482-9 271N6482-10 MODREF31923 MODREF183340 MODREF8148	002004 006100 103107 121503 904999	1

MISSING ITEM NUMBERS NOT APPLICABLE

- ITEM NOT ILLUSTRATED

BRI

27-23-00-02

BOEING PROPRIETARY - Copyright © - Unpublished Work - See title page for details.

27-23-00  
FIG. 02  
PAGE 21  
JAN 20/09



757

PARTS CATALOG (MAINTENANCE)

FIG ITEM	PART NUMBER	1 2 3 4 5 6 7	NOMENCLATURE	EFFECT FROM TO	UNITS PER ASSY
2 - 355	AP2097HP08	..	SLEEVE SUPPLIER CODE: V01673 SPECIFICATION NUMBER: BACS13BX08HP OPTIONAL PART: 2-02903-08HP V11328 35235VN08 V08199 AFP175V08P V30974 DBOS13BX08HP V14798	002004 006999	2
- 360	BACN10YL08	..	NUT- OPTIONAL PART: MS21921-8D	002004 006999	2
- 360	MS21921-8D	..	NUT- OPTIONAL PART: BACN10YL08	002004 006999	2
365	271N6482-1010	.TUBE ASSY-PRESSURE SYS POSITION DATA: R TUBING MATERIAL: .375 IN. OD .019 IN. WALL 47.80 IN. LG BMS 7-234 TI-3AL-2.5V COLD WORKED, STRESS RELIEVED TUBING USED ON: 271N6482-1 271N6482-2 271N6482-4 271N6482-6 271N6482-8 271N6482-9 MODREF31923 MODREF183340 MODREF8148	002004 006100 103107 121503 904999	1	
- 370	AS1581T06	..	SLEEVE	002004 006100 103107 121503 904999	1
- 375	BACN10YA6	..	NUT	002004 006100 103107 121503 904999	1

MISSING ITEM NUMBERS NOT APPLICABLE

- ITEM NOT ILLUSTRATED

27-23-00-02

27-23-00  
FIG. 02  
PAGE 22  
JAN 20/09

BRI



757

PARTS CATALOG (MAINTENANCE)

FIG ITEM	PART NUMBER	1 2 3 4 5 6 7	NOMENCLATURE	EFFECT FROM TO	UNITS PER ASSY
2					
- 380	AS1582T06		.. UNION	002004 006100 103107 121503 904999	1
385	271N6482-1075		. TUBE ASSY-PRESSURE SYS POSITION DATA: L TUBING MATERIAL: .375 IN. OD .019 IN. WALL 44.6 IN. LG TI BMS 7-234 TI-3AL-2.5V COLD WORKED, STRESS RELIEVED TUBING USED ON: 271N6482-1 271N6482-2 271N6482-4 271N6482-6 271N6482-8 271N6482-9 271N6482-10 MODREF31923 MODREF183340	002004 006100 103107 121503 904999	1
- 390	AS1581T06		.. SLEEVE	002004 006100 103107 121503 904999	2
- 395	BACN10YA6		.. NUT	002004 006100 103107 121503 904999	2
405	MS21924D8		. UNION- USED ON: 271N6482-1 271N6482-2 271N6482-4 271N6482-6 271N6482-8 271N6482-9	007102 108120 504903 950951 953999	2
410	NAS1762T0606		. ELBOW-	002004 006100 107107 121503 904999	2

MISSING ITEM NUMBERS NOT APPLICABLE

- ITEM NOT ILLUSTRATED

BRI

27-23-00-02

27-23-00  
FIG. 02  
PAGE 23  
JAN 20/09





757

PARTS CATALOG (MAINTENANCE)

FIG ITEM	PART NUMBER	1 2 3 4 5 6 7	NOMENCLATURE	EFFECT FROM TO	UNITS PER ASSY
2					
410	NAS1762J0606	.ELBOW-	MISCELLANEOUS DATA: OPTIONAL PART NUMBER: BAC21BT0606JN (81205)	002004 006100 107107 121503 904999	2
415	NAS1762T0406	.ELBOW		107107	1
420	NAS1762T0606	.ELBOW		107107	1
425	NAS1762D0608	.ELBOW		002004 006100 107107 121503 904999	1
445	BACC27T08080808	.CROSS		002004 006100 107107 121503 904999	1
450	BACC27Q06060606	.CROSS		002004 006100 107107 121503 904999	1
900			ILLUSTRATION REFERENCE: PLUMBING INSTL-SECT. 82 HYDR 27-31-51-16	002004 006100 107107 121503 904999	RF
901			ILLUSTRATION REFERENCE: PLUMBING INSTL-SECT. 48 (RUDDER AND ELEVATOR HYDRAULIC SYSTEMS ONLY) 27-23-00-02	002004 006100 107107 121503 904999	RF
910			ILLUSTRATION REFERENCE: PLUMBING INSTL-SECT. 48 R HYDR (HORIZONTAL STABILIZER TRIM CONTROL ONLY) 27-41-51-24	002004 006100 107107 121503 904999	RF
915			ILLUSTRATION REFERENCE: PLUMBING INSTL-SECT. 46 29-11-51-95	101102 108120 504903	RF

MISSING ITEM NUMBERS NOT APPLICABLE

- ITEM NOT ILLUSTRATED

BRI

27-23-00-02

27-23-00  
FIG. 02  
PAGE 24  
JAN 20/09



757

PARTS CATALOG (MAINTENANCE)

FIG ITEM	PART NUMBER	1 2 3 4 5 6 7	NOMENCLATURE	EFFECT FROM TO	UNITS PER ASSY
2 920			ILLUSTRATION REFERENCE: MECHANISM INSTL-ELEV CONT AFT 27-31-53-01	002004 006100 107107 121503 904999	RF
930			ILLUSTRATION REFERENCE: COMPUTER INSTL-ELEV CONT FEEL 27-31-19-01	002004 006100 103107 121503 904999	RF
935			ILLUSTRATION REFERENCE: PLUMBING INSTL-SECT. 48 R HYDR (HORIZONTAL STABILIZER TRIM CONTROL ONLY) 27-41-51-24	002004 006100 107107 121503 904999	RF
950			ILLUSTRATION REFERENCE: PLUMBING INSTL-HYDR SECT. 46 29-11-51-87	101102	RF
955			ILLUSTRATION REFERENCE: PLUMBING INSTL-HYDR SECT. 46 29-11-51-87	101102	RF

MISSING ITEM NUMBERS NOT APPLICABLE

- ITEM NOT ILLUSTRATED

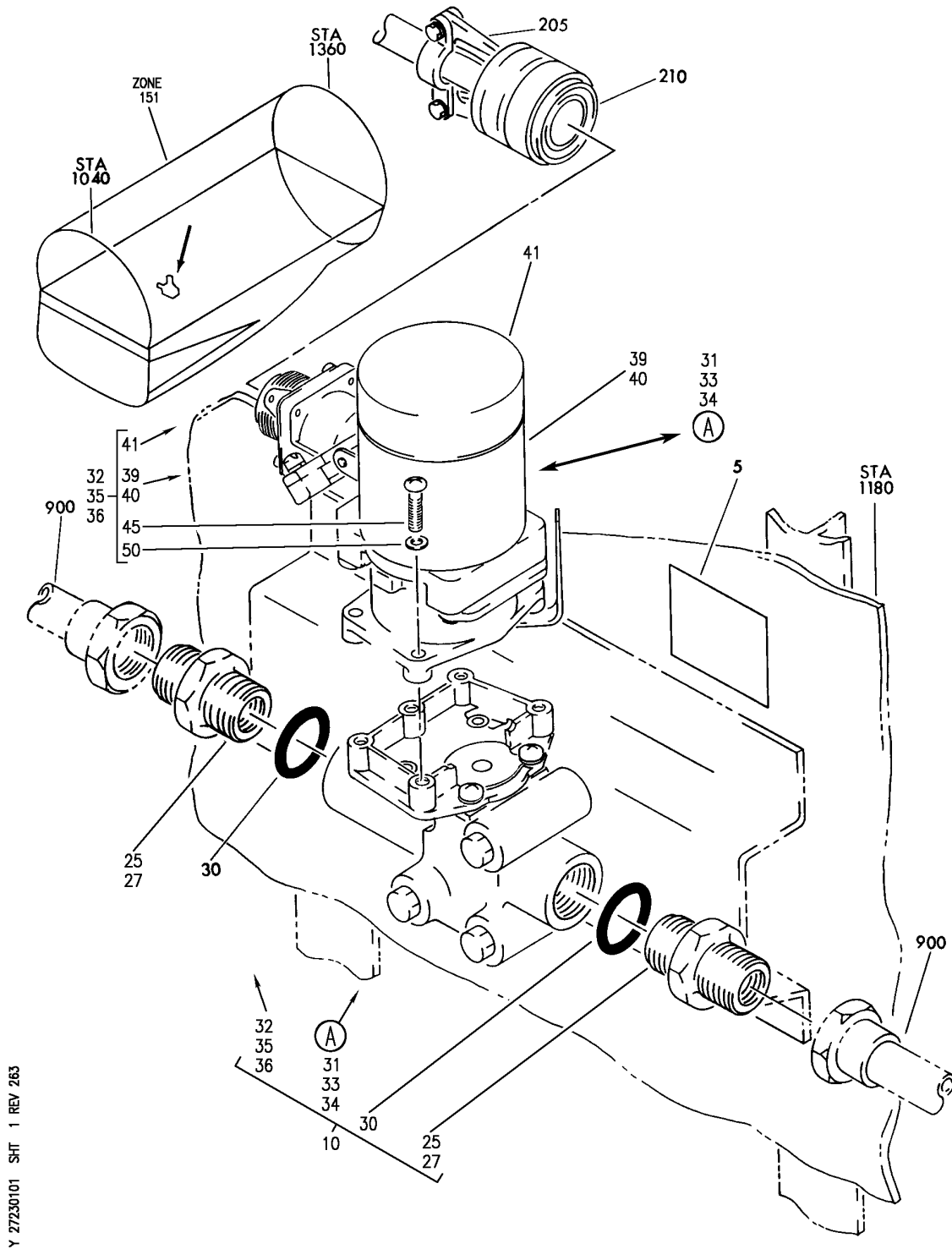
BRI

27-23-00-02

BOEING PROPRIETARY - Copyright © - Unpublished Work - See title page for details.

27-23-00  
FIG. 02  
PAGE 25  
JAN 20/09

**BOEING**  
757  
PARTS CATALOG (MAINTENANCE)



Y 27230101 SHT 1 REV 263

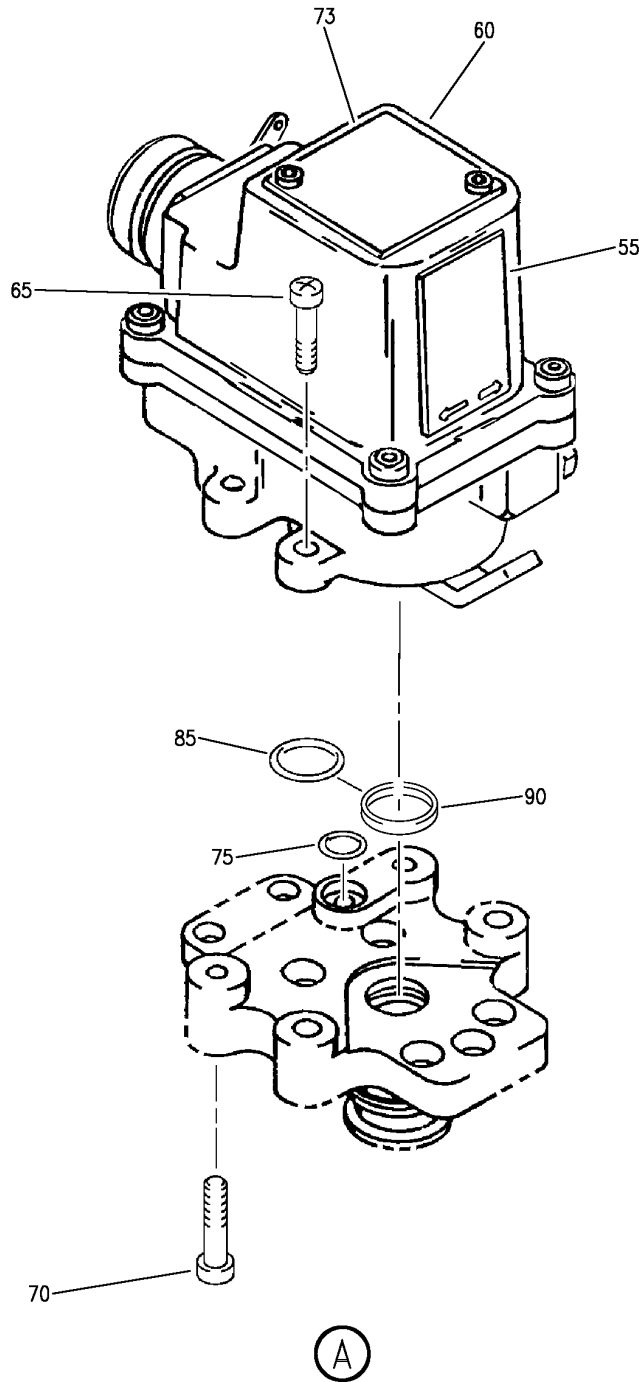
VALVE INSTL-CTR SYS EMPENNAGE ISOLATION  
FIGURE 1 (SHEET 1)

**27-23-01-01**

BRI  
MAY 28/07

27-23-01-01  
PAGE 0

**BOEING**  
757  
PARTS CATALOG (MAINTENANCE)



Y 27230101 SH1 2 REV 275

VALVE INSTL-CTR SYS EMPENNAGE ISOLATION  
FIGURE 1 (SHEET 2)

**27-23-01-01**

BRI  
MAY 28/07

27-23-01-01  
PAGE 0A



757

PARTS CATALOG (MAINTENANCE)

FIG ITEM	PART NUMBER	1 2 3 4 5 6 7	NOMENCLATURE	EFFECT FROM TO	UNITS PER ASSY
1			VALVE INSTL-CTR SYS	002004	
			EMPENNAGE ISOLATION	006999	
- 1	271N5010-1		VALVE INSTL-CTR SYS	002004	RF
			EMPENNAGE ISOLATION	006100	
			FOR NHA SEE:	107107	
			29-00-51-05	121503	
				904999	
- 1	271N5010-4		VALVE INSTL-CTR SYS	101102	RF
			EMPENNAGE ISOLATION	504903	
			FOR NHA SEE:		
			27-00-00-03		
- 1	271N5010-6		VALVE INSTL-CTR SYS	108120	RF
			EMPENNAGE ISOLATION		
			FOR NHA SEE:		
			27-00-00-03		
- 1	MODREF7219		VALVE INSTL-CTR SYS	103106	1
			EMPENNAGE ISOLATION		
			MODULE NUMBER:		
			271N5010-6 REV A		
5	BAC27NHY0059		.MARKER-ALUMINUM FOIL	002004	1
			PLACARD CONTENT:	006999	
			D2916 ISOLATION VALVE		
			EMPENNAGE C SYS V102		
10	274N1005-9		.VALVE ASSY-	002004	1
			QUALIFIED I/W DATA:	006100	
			274N1005-4 OR -9 CAN	107107	
			REPLACE BUT NOT BE	121503	
			REPLACED BY 274N1005-10	904999	
			OPTIONAL PART:		
			274N1005-10		
			274N1005-4		
			USED ON:		
			271N5010-1		
10	274N1005-4		.VALVE ASSY-	002004	1
			QUALIFIED I/W DATA:	006100	
			274N1005-4 OR -9 CAN	107107	
			REPLACE BUT NOT BE	121503	
			REPLACED BY 274N1005-10	904999	
			USED ON:		
			271N5010-1		

MISSING ITEM NUMBERS NOT APPLICABLE

- ITEM NOT ILLUSTRATED

BRI

27-23-01-01

27-23-01  
FIG. 01  
PAGE 1  
JAN 20/09



757

PARTS CATALOG (MAINTENANCE)

FIG ITEM	PART NUMBER	1 2 3 4 5 6 7	NOMENCLATURE	EFFECT FROM TO	UNITS PER ASSY
1					
10	274N1005-10		.VALVE ASSY- QUALIFIED I/W DATA: 274N100-4 OR -9 CAN REPLACE BUT NOT BE REPLACED BY 274N1005-10 274N1005-4 OR -9 CAN REPLACE BUT NOT BE REPLACED BY 274N1005-10 OPTIONAL PART: 274N1005-9	002004 006100 121503 904999	1
10	274N1005-13		.VALVE ASSY- USED ON: 271N5010-1 271N5010-3 271N5010-4	002004 006100 107107 121503 904999	1
10	274N1005-14		.VALVE ASSY- USED ON: 271N5010-4	002004 006102 107107 121999	1
10	274N1005-17		.VALVE ASSY-	108120	1
10	274N1005-19		.VALVE ASSY- USED ON: 271N5010-6 MODREF7219	103106 108120	1
10	274N1005-21		.VALVE ASSY- USED ON: 271N5010-7 MODREF7220 ATTACHING PARTS	103106 108120	1
-	15 BACB30NM4K29		.BOLT-	002004 006999	3
-	20 BACW10BN4AC		.WASHER-	002004 006999	3
			-----*-----		
	25 BACU24K10		.UNION- USED ON: 274N1005-4 274N1005-9 USED ON: 274N1005-4 274N1005-9	002004 006100 107107 121503 904999	2

MISSING ITEM NUMBERS NOT APPLICABLE

- ITEM NOT ILLUSTRATED

BRI

27-23-01-01

BOEING PROPRIETARY - Copyright © - Unpublished Work - See title page for details.

27-23-01  
FIG. 01  
PAGE 2  
JAN 20/09



757

PARTS CATALOG (MAINTENANCE)

FIG ITEM	PART NUMBER	1 2 3 4 5 6 7	NOMENCLATURE	EFFECT FROM TO	UNITS PER ASSY
1	27 MS21902-10T		.. UNION- USED ON: 274N1005-10 274N1005-13 274N1005-14 274N1005-17 274N1005-19 274N1005-21 USED ON: 274N1005-10	002004 006999	2
	30 NAS1612-10		.. PACKING- USED ON: 274N1005-10 274N1005-13 274N1005-14 274N1005-4 274N1005-9	002004 006102 107107 121999	2
	30 NAS1612-10A		.. PACKING- USED ON: 274N1005-17 274N1005-19 274N1005-21	103106 108120	2
	33 EM91-79		.. VALVE-BALL SHUTOFF, 2 WAY 2 POSITION SUPPLIER CODE: V91816 SPECIFICATION NUMBER: S270T010-2 CONFIG CHG DATA FROM A CMM: SUPSD BY EM91-79-1 MISCELLANEOUS DATA: FOR COMPLETE INTERCHANGEABILITY REGARDING SPECIFIC USAGE, PLEASE REFER TO DRAWING 270T2001 SHEET 1 ELECTRICAL EQUIP NUMBER: V00102 COMPONENT MAINT MANUAL REF: 29-22-01 USED ON: 274N1005-10 PRE SERVICE BULLETIN: 29-0050	002004 006100 121503 904999	1

MISSING ITEM NUMBERS NOT APPLICABLE

- ITEM NOT ILLUSTRATED

**27-23-01-01**

27-23-01  
FIG. 01  
PAGE 3  
JAN 20/09

BRI



757

PARTS CATALOG (MAINTENANCE)

FIG ITEM	PART NUMBER	1 2 3 4 5 6 7	NOMENCLATURE	EFFECT FROM TO	UNITS PER ASSY
1 33	EM91-79-1		.. VALVE-BALL SHUTOFF, 2 WAY 2 POSITION SUPPLIER CODE: V91816 SPECIFICATION NUMBER: S270T010-5 CONFIG CHG DATA FROM A CMM: SUPERSEDES EM91-79 SUPSD BY EM91-79-3 MISCELLANEOUS DATA: FOR COMPLETE INTERCHANGEABILITY REGARDING SPECIFIC USAGE, PLEASE REFER TO DRAWING 270T2001 SHEET 1 ELECTRICAL EQUIP NUMBER: V00102 COMPONENT MAINT MANUAL REF: 29-22-01 USED ON: 274N1005-13 PRE SERVICE BULLETIN: 29-0050	002004 006100 121503 904999	1
33	EM91-79-3		.. VALVE-BALL SHUTOFF, 2 WAY 2 POSITION SUPPLIER CODE: V91816 SPECIFICATION NUMBER: S270T010-8 CONFIG CHG DATA FROM A CMM: SUPERSEDES EM91-79-1 SUPSD BY EM91-79-4 MISCELLANEOUS DATA: FOR COMPLETE INTERCHANGEABILITY REGARDING SPECIFIC USAGE, PLEASE REFER TO DRAWING 270T2001 SHEET 1 ELECTRICAL EQUIP NUMBER: V00102 COMPONENT MAINT MANUAL REF: 29-22-01 USED ON: 274N1005-14 PRE SERVICE BULLETIN: 29-0050	002004 006102 121999	1

MISSING ITEM NUMBERS NOT APPLICABLE

- ITEM NOT ILLUSTRATED

BRI

27-23-01-01

27-23-01  
FIG. 01  
PAGE 4  
JAN 20/09





757

PARTS CATALOG (MAINTENANCE)

FIG ITEM	PART NUMBER	1 2 3 4 5 6 7	NOMENCLATURE	EFFECT FROM TO	UNITS PER ASSY
1 33	EM91-79-4		.. VALVE-BALL SHUTOFF, 2 WAY 2 POSITION SUPPLIER CODE: V91816 SPECIFICATION NUMBER: S270T010-11 CONFIG CHG DATA FROM A CMM: SUPERSEDES EM91-79-3 SUPSD BY EM91-79-5 MISCELLANEOUS DATA: FOR COMPLETE INTERCHANGEABILITY REGARDING SPECIFIC USAGE, PLEASE REFER TO DRAWING 270T2001 SHEET 1 ELECTRICAL EQUIP NUMBER: V00102 COMPONENT MAINT MANUAL REF: 29-22-01 USED ON: 274N1005-17	002004 006106 108999	1

MISSING ITEM NUMBERS NOT APPLICABLE

- ITEM NOT ILLUSTRATED

BRI

27-23-01-01

BOEING PROPRIETARY - Copyright © - Unpublished Work - See title page for details.

27-23-01  
FIG. 01  
PAGE 5  
JAN 20/09



757

PARTS CATALOG (MAINTENANCE)

FIG ITEM	PART NUMBER	1 2 3 4 5 6 7	NOMENCLATURE	EFFECT FROM TO	UNITS PER ASSY
1 33	EM91-79-5		.. VALVE-BALL SHUTOFF, 2 WAY 2 POSITION SUPPLIER CODE: V91816 SPECIFICATION NUMBER: S270T010-14 CONFIG CHG DATA FROM A CMM: SUPERSEDES EM91-79-4 MISCELLANEOUS DATA: FOR COMPLETE INTERCHANGEABILITY REGARDING SPECIFIC USAGE, PLEASE REFER TO DRAWING 270T2001 SHEET 1 ELECTRICAL EQUIP NUMBER: V00102 COMPONENT MAINT MANUAL REF: 29-22-01 SERVICE BULLETIN OPT DATA: 340565 V79318 341525 V79318 341525-1 V70318 USED ON: 274N1005-19 POST SERVICE BULLETIN: 29-0050	002004 006106 108999	1

MISSING ITEM NUMBERS NOT APPLICABLE

- ITEM NOT ILLUSTRATED

BRI

27-23-01-01

BOEING PROPRIETARY - Copyright © - Unpublished Work - See title page for details.

27-23-01  
FIG. 01  
PAGE 6  
JAN 20/09


**BOEING**  
 757  
**PARTS CATALOG (MAINTENANCE)**

FIG ITEM	PART NUMBER	1 2 3 4 5 6 7	NOMENCLATURE	EFFECT FROM TO	UNITS PER ASSY
1 35	341525		.. VALVE-2 PORT MOTOR ACTUATED ROTARY SHUTOFF CONT SUPPLIER CODE: V79318 SPECIFICATION NUMBER: S271N501-3 MISCELLANEOUS DATA: FOR COMPLETE INTERCHANGEABILITY REGARDING SPECIFIC USAGE, PLEASE REFER TO DRAWING 270T2001 SHEET 1 ELECTRICAL EQUIP NUMBER: V00102 COMPONENT MAINT MANUAL REF: 29-22-03 OPTIONAL PART: 341525-1 V79318 SERVICE BULLETIN OPT DATA: EM91-79-5 V91816 340565 V79318 USED ON: 274N1005-9 USED ON: 274N1005-9 POST SERVICE BULLETIN: 29-0050	002004 006106 108999	1

R  
R  
R  
R  
R  
R  
R  
R  
R  
R  
R  
R  
R  
R  
R  
R  
R  
R  
R  
R  
R  
R

MISSING ITEM NUMBERS NOT APPLICABLE

— ITEM NOT ILLUSTRATED

BRI

**27-23-01-01**

27-23-01  
 FIG. 01  
 PAGE 7  
 MAY 20/09



757

PARTS CATALOG (MAINTENANCE)

FIG ITEM	PART NUMBER	1 2 3 4 5 6 7	NOMENCLATURE	EFFECT FROM TO	UNITS PER ASSY
1 35	340565		.. VALVE- MODULE ASSY SUPPLIER CODE: V79318 SPECIFICATION NUMBER: S271N501-2 MISCELLANEOUS DATA: FOR COMPLETE INTERCHANGEABILITY REGARDING SPECIFIC USAGE, PLEASE REFER TO DRAWING 270T2001 SHEET 1 ELECTRICAL EQUIP NUMBER: V00102 COMPONENT MAINT MANUAL REF: 29-22-02 SERVICE BULLETIN OPT DATA: EM91-79-5 V91816 341525 V79318 341525-1 V79318 USED ON: 274N1005-4 USED ON: 274N1005-4 POST SERVICE BULLETIN: 29-0050	002004 006106 108999	1

MISSING ITEM NUMBERS NOT APPLICABLE

- ITEM NOT ILLUSTRATED

BRI

27-23-01-01

BOEING PROPRIETARY - Copyright © - Unpublished Work - See title page for details.

27-23-01  
FIG. 01  
PAGE 8  
JAN 20/09


**BOEING**  
 757  
**PARTS CATALOG (MAINTENANCE)**

FIG ITEM	PART NUMBER	1 2 3 4 5 6 7	NOMENCLATURE	EFFECT FROM TO	UNITS PER ASSY
R R	1 35	341525-1	.. VALVE- SUPPLIER CODE: V79318 SPECIFICATION NUMBER: S271N501-3 MISCELLANEOUS DATA: FOR COMPLETE INTERCHANGEABILITY REGARDING SPECIFIC USAGE, PLEASE REFER TO DRAWING 270T2001 SHEET 1 ELECTRICAL EQUIP NUMBER: V00102 COMPONENT MAINT MANUAL REF: 29-22-03 OPTIONAL PART: 341525 V79318 SERVICE BULLETIN OPT DATA: 340565 V79318 EM91-79-5 V91816 USED ON: 274N1005-9 USED ON: 274N1005-9 POST SERVICE BULLETIN: 29-0050	002004 006106 108999	1
	39	201074-1	... PLATE-IDENT SUPPLIER CODE: V79318 USED ON: 340565 341525 341525-1	002004 006106 108999	1
	40	201074	... PLATE-IDENT SUPPLIER CODE: V79318 USED ON: 340565	002004 006106 108999	1

MISSING ITEM NUMBERS NOT APPLICABLE

- ITEM NOT ILLUSTRATED

BRI

# 27-23-01-01

BOEING PROPRIETARY - Copyright © - Unpublished Work - See title page for details.

27-23-01  
 FIG. 01  
 PAGE 9  
 MAY 20/09



757

PARTS CATALOG (MAINTENANCE)

FIG ITEM	PART NUMBER	1 2 3 4 5 6 7	NOMENCLATURE	EFFECT FROM TO	UNITS PER ASSY
1					
41	157720-1		...ACTUATOR ASSY- SUPPLIER CODE: V79318 COMPONENT MAINT MANUAL REF: 27-13-02 USED ON: 341525 341525-1 340565	002004 006106 108999	1
45	NAS1101E3-12		ATTACHING PARTS ...SCREW- USED ON: 341525 341525-1 340565	002004 006106 108999	4
50	AN960C10L		...WASHER- USED ON: 341525 341525-1 340565	002004 006106 108999	4
55	B2686		-----*----- ...NAMEPLATE- USED ON: EM91-79	002004 006100 121503 904999	1
55	D2686		...NAMEPLATE- USED ON: EM91-79-1	002004 006100 121503 904999	1
55	E2686		...NAMEPLATE- USED ON: EM91-79-3	002004 006102 121999	1
55	F2686		...NAMEPLATE- USED ON: EM91-79-4	002004 006106 108999	1
55	G2686		...NAMEPLATE- USED ON: EM91-79-5	002004 006106 108999	1
60	N2350-0074		...ACTUATOR-MOTOR SUPPLIER CODE: V91816 COMPONENT MAINT MANUAL REF: 29-22-01 USED ON: EM91-79 EM91-79-1	002004 006100 121503 904999	1

MISSING ITEM NUMBERS NOT APPLICABLE

- ITEM NOT ILLUSTRATED

BRI

27-23-01-01

27-23-01  
FIG. 01  
PAGE 10  
MAY 20/09



757

PARTS CATALOG (MAINTENANCE)

FIG ITEM	PART NUMBER	1 2 3 4 5 6 7	NOMENCLATURE	EFFECT FROM TO	UNITS PER ASSY
1					
60	V2350-0074	...	ACTUATOR-MOTOR SUPPLIER CODE: V91816 COMPONENT MAINT MANUAL REF: 29-22-02 USED ON: EM91-79-3	002004 006102 121999	1
60	W2350-0074	...	ACTUATOR-MOTOR SUPPLIER CODE: V91816 COMPONENT MAINT MANUAL REF: 29-22-02 USED ON: EM91-79-4	002004 006106 108999	1
60	X2350-0074	...	ACTUATOR-MOTOR SUPPLIER CODE: V91816 COMPONENT MAINT MANUAL REF: 29-22-02 USED ON: EM91-79-5	002004 006106 108999	1
65	NAS1352N08-8P	...	SCREW- ATTACHING PARTS USED ON: EM91-79 EM91-79-1 EM91-79-3 EM91-79-4 EM91-79-5	002004 006106 108999	2
70	NAS1352N08-10P	...	SCREW- USED ON: EM91-79 EM91-79-1 EM91-79-3 EM91-79-4 EM91-79-5	002004 006106 108999	2
73	C37112	-----*	PLATE-MOD SUPPLIER CODE: V91816 USED ON: V2350-0074 W2350-0074 X2350-0074	002004 006106 108999	1

MISSING ITEM NUMBERS NOT APPLICABLE

- ITEM NOT ILLUSTRATED

BRI

27-23-01-01

BOEING PROPRIETARY - Copyright © - Unpublished Work - See title page for details.

27-23-01  
FIG. 01  
PAGE 11  
MAY 20/09



757

PARTS CATALOG (MAINTENANCE)

FIG ITEM	PART NUMBER	1 2 3 4 5 6 7	NOMENCLATURE	EFFECT FROM TO	UNITS PER ASSY
1	75 NAS1601-009		...PACKING- CONFIG CHG DATA FROM A CMM: SUPSD BY NAS1611-009A USED ON: EM91-79 EM91-79-1 EM91-79-3 EM91-79-4 EM91-79-5	002004 006106 108999	1
	75 NAS1611-009A		...PACKING- CONFIG CHG DATA FROM A CMM: SUPERSEDES NAS1601-009 USED ON: EM91-79 EM91-79-1 EM91-79-3 EM91-79-4 EM91-79-5	002004 006106 108999	1
	85 NAS1601-112		...PACKING- CONFIG CHG DATA FROM A CMM: SUPSD BY NAS1611-112A USED ON: EM91-79 EM91-79-1 EM91-79-3 EM91-79-4 EM91-79-5	002004 006106 108999	1
	85 NAS1611-112A		...PACKING- CONFIG CHG DATA FROM A CMM: SUPERSEDES NAS1601-112 USED ON: EM91-79 EM91-79-1 EM91-79-3 EM91-79-4 EM91-79-5	002004 006106 108999	1
	90 S30650-112-5		...SEAL-SLIPPER SUPPLIER CODE: V09257 MISCELLANEOUS DATA: CIRCLE SEAL CONTROL DWG 4809 USED ON: EM91-79 EM91-79-1 EM91-79-3 EM91-79-4 EM91-79-5	002004 006106 108999	1
- 195	286N4204-005		WIRE BUNDLE ASSY	107107	RF

MISSING ITEM NUMBERS NOT APPLICABLE

- ITEM NOT ILLUSTRATED

27-23-01-01

27-23-01  
FIG. 01  
PAGE 12  
MAY 20/09

BRI





757

PARTS CATALOG (MAINTENANCE)

FIG ITEM	PART NUMBER	1 2 3 4 5 6 7	NOMENCLATURE	EFFECT FROM TO	UNITS PER ASSY
1					
- 195	286N4204-007		WIRE BUNDLE ASSY	121503 904949	RF
- 195	286N4204-009		WIRE BUNDLE ASSY-	002004 006100 504903 950999	RF
- 197	286N4204-316		WIRE BUNDLE ASSY	101102	RF
- 197	286N4204-317		WIRE BUNDLE ASSY-	505505 507903	RF
- 197	286N4204-319		WIRE BUNDLE ASSY-	108120	RF
- 200	286N2418-005		WIRE BUNDLE ASSY-	002004 006100 950999	RF
- 200	286N2418-006		WIRE BUNDLE ASSY	107107 121503 904949	RF
- 200	286N2418-309		WIRE BUNDLE ASSY	101102	RF
- 201	286N2418-312		WIRE BUNDLE ASSY-	108120	RF
- 201	286N2418-314		WIRE BUNDLE ASSY-	504903	RF
205	G899316		.CLAMP-	107107	1
			SUPPLIER CODE: V06324	121503 904949	
			SPECIFICATION NUMBER: BACC10HF16A		
			OPTIONAL PART: G8993M16 V06324 S2251-16-8 V07418 6000-123-0016 V14283 900-555F16-34 V31461		
			ELECTRICAL EQUIP NUMBER: D02916T		
			WIRING DIAGRAM REF: 272311		

MISSING ITEM NUMBERS NOT APPLICABLE

- ITEM NOT ILLUSTRATED

27-23-01-01

27-23-01  
FIG. 01  
PAGE 13  
MAY 20/09

BRI



757

PARTS CATALOG (MAINTENANCE)

FIG ITEM	PART NUMBER	1 2 3 4 5 6 7	NOMENCLATURE	EFFECT FROM TO	UNITS PER ASSY
1 205	G899416		.CLAMP- SUPPLIER CODE: V06324 SPECIFICATION NUMBER: BACC10HG16A OPTIONAL PART: G8994M16 V06324 S2252-16-8 V07418 6000-124-1016 V14283 900-555L16-34 V31461 ELECTRICAL EQUIP NUMBER: D02916T WIRING DIAGRAM REF: 272311	002004 006102 108120 504903 950999	1
210	R071016A10SNL		.CONNECTOR- SUPPLIER CODE: V41118 SPECIFICATION NUMBER: BCREF10545 OVERLENGTH PART NUMBER: BACC63BP16A10SNL ELECTRICAL EQUIP NUMBER: D02916 WIRING DIAGRAM REF: 272311	002004 006102 107999	1
900			ILLUSTRATION REFERENCE: PLUMBING INSTL-MAIN WHL WELL AFT BHD HYDR (FLIGHT CONTROL ONLY) 27-23-51-20	002004 006100 107107 121503 904999	RF

MISSING ITEM NUMBERS NOT APPLICABLE

- ITEM NOT ILLUSTRATED

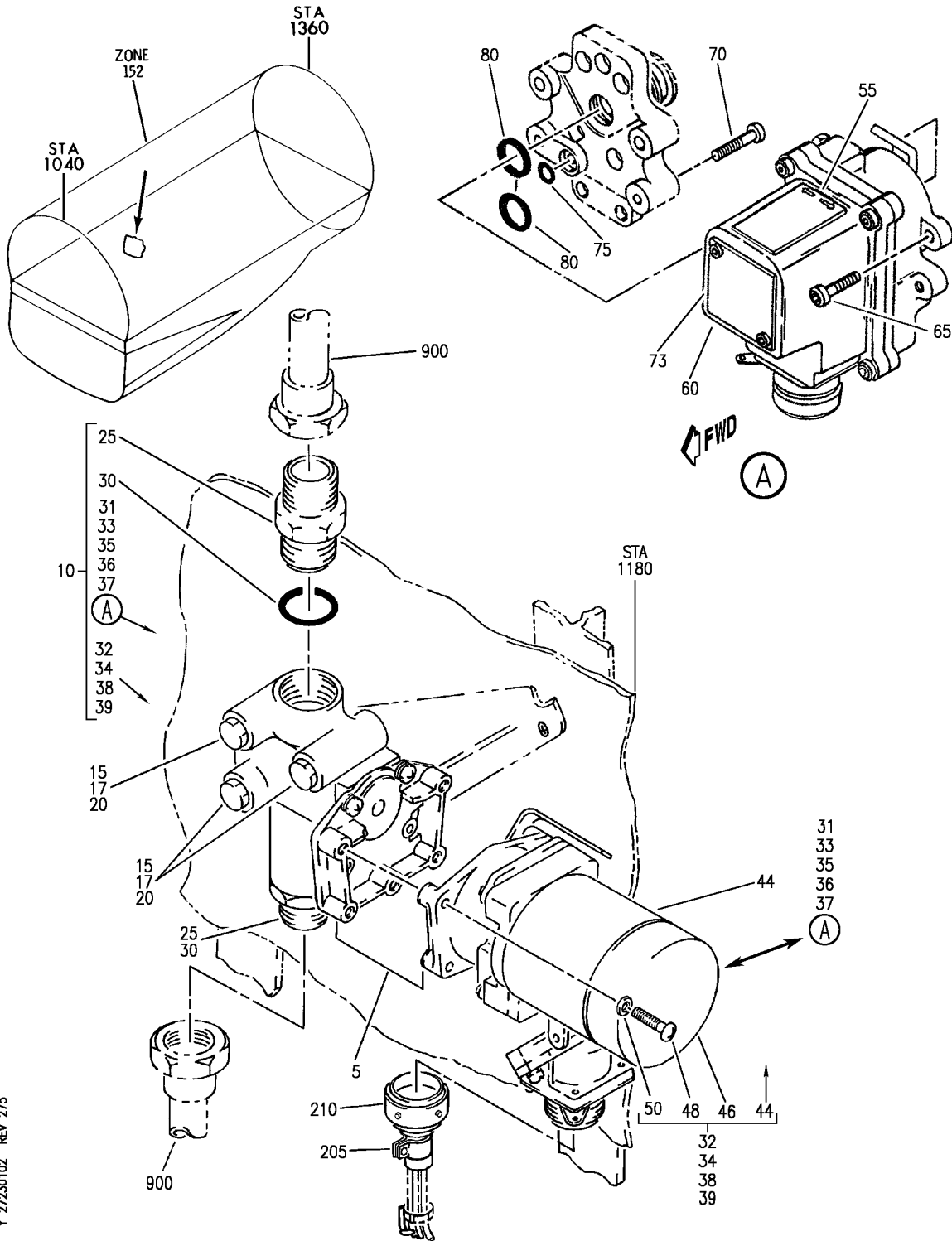
BRI

27-23-01-01

BOEING PROPRIETARY - Copyright © - Unpublished Work - See title page for details.

27-23-01  
FIG. 01  
PAGE 14  
MAY 20/09

**BOEING**  
757  
PARTS CATALOG (MAINTENANCE)



Y 27230102 REV 275

VALVE INSTL-R SYS EMPENNAGE ISOLATION  
FIGURE 2

**27-23-01-02**

BRI  
MAY 28/07

27-23-01-02  
PAGE 0



757

PARTS CATALOG (MAINTENANCE)

FIG ITEM	PART NUMBER	1 2 3 4 5 6 7	NOMENCLATURE	EFFECT FROM TO	UNITS PER ASSY
2			VALVE INSTL-R SYS EMPENNAGE ISOLATION	002004 006999	
- 1	271N5011-1		VALVE INSTL-SYS EMPENNAGE ISOLATION POSITION DATA: RH SIDE FOR NHA SEE: 29-00-51-05	002004 006100 107107 121503 904999	RF
- 1	271N5011-4		VALVE INSTL-SYS EMPENNAGE ISOLATION POSITION DATA: RH SIDE FOR NHA SEE: 27-00-00-05	101102 504903	RF
- 1	271N5011-6		VALVE INSTL-SYS EMPENNAGE ISOLATION POSITION DATA: RH SIDE FOR NHA SEE: 27-00-00-05	108120	RF
- 1	MODREF7221		VALVE INSTL-SYS EMPENNAGE ISOLATION MODULE NUMBER: 271N5011-6 REV A POSITION DATA: RH SIDE	103106	1
5	BAC27NHY0060		.MARKER-ALUMINUM FOIL PLACARD CONTENT: D2886 ISOLATION VALVE EMPENNAGE R SYS V101	002004 006100 107107 121503 904999	1
10	274N1005-4		.VALVE ASSY- QUALIFIED I/W DATA: 274N1005-4 OR -9 CAN REPLACE BUT NOT BE REPLACED BY 274N1005-10	002004 006100 107107 121503 904999	1
10	274N1005-9		.VALVE ASSY- QUALIFIED I/W DATA: 274N1005-4 OR -9 CAN REPLACE BUT NOT BE REPLACED BY 274N1005-10	002004 006100 107107 121503 904999	1
10	274N1005-13		.VALVE ASSY-	002004 006100 107107 121503 904999	1

MISSING ITEM NUMBERS NOT APPLICABLE

- ITEM NOT ILLUSTRATED

BRI

27-23-01-02

27-23-01  
FIG. 02  
PAGE 1  
JAN 20/09



757

PARTS CATALOG (MAINTENANCE)

FIG ITEM	PART NUMBER	1 2 3 4 5 6 7	NOMENCLATURE	EFFECT FROM TO	UNITS PER ASSY
2					
10	274N1005-14	.	VALVE ASSY- ELECTRICAL EQUIP NUMBER: V00101	002004 006102 107107 121999	1
10	274N1005-19	.	VALVE ASSY-	103106 108120	1
10	274N1005-21	.	VALVE ASSY-	103106 108120	1
17	BACB30NM4K31	.	ATTACHING PARTS BOLT	002004 006999	3
20	BACW10BN4AC	.	WASHER-	002004 006100 107107 121503 904999	3
25	BACU24K10	..	-----*----- UNION-	002004 006100 107107 121503 904999	2
25	MS21902-10T	..	UNION-	002004 006100 107107 121503 904999	2
30	NAS1612-10	..	PACKING-	002004 006102 107107 121999	2
30	NAS1612-10A	..	PACKING-	103106 108120	2

MISSING ITEM NUMBERS NOT APPLICABLE

- ITEM NOT ILLUSTRATED

BRI

27-23-01-02

BOEING PROPRIETARY - Copyright © - Unpublished Work - See title page for details.

27-23-01  
FIG. 02  
PAGE 2  
JAN 20/09



757

PARTS CATALOG (MAINTENANCE)

FIG ITEM	PART NUMBER	1 2 3 4 5 6 7	NOMENCLATURE	EFFECT FROM TO	UNITS PER ASSY
2 35	EM91-79-3		.. VALVE-BALL SHUTOFF, 2 WAY 2 POSITION SUPPLIER CODE: V91816 SPECIFICATION NUMBER: S270T010-8 CONFIG CHG DATA FROM A CMM: SUPERSEDES EM91-79-1 SUPSD BY EM91-79-4 MISCELLANEOUS DATA: FOR COMPLETE INTERCHANGEABILITY REGARDING SPECIFIC USAGE, PLEASE REFER TO DRAWING 270T2001 SHEET 1 ELECTRICAL EQUIP NUMBER: V00101 COMPONENT MAINT MANUAL REF: 29-22-01 PRE SERVICE BULLETIN: 29-0050	101102 504903	1
35	EM91-79-4		.. VALVE-BALL SHUTOFF, 2 WAY 2 POSITION SUPPLIER CODE: V91816 SPECIFICATION NUMBER: S270T010-11 CONFIG CHG DATA FROM A CMM: SUPERSEDES EM91-79-3 SUPSD BY EM91-79-5 MISCELLANEOUS DATA: FOR COMPLETE INTERCHANGEABILITY REGARDING SPECIFIC USAGE, PLEASE REFER TO DRAWING 270T2001 SHEET 1 ELECTRICAL EQUIP NUMBER: V00101 COMPONENT MAINT MANUAL REF: 29-22-01	002004 006999	1

MISSING ITEM NUMBERS NOT APPLICABLE

- ITEM NOT ILLUSTRATED

BRI

27-23-01-02

BOEING PROPRIETARY - Copyright © - Unpublished Work - See title page for details.

27-23-01  
 FIG. 02  
 PAGE 3  
 JAN 20/09



757

PARTS CATALOG (MAINTENANCE)

FIG ITEM	PART NUMBER	1 2 3 4 5 6 7	NOMENCLATURE	EFFECT FROM TO	UNITS PER ASSY
2 35	EM91-79-5		.. VALVE-BALL SHUTOFF, 2 WAY 2 POSITION SUPPLIER CODE: V91816 SPECIFICATION NUMBER: S270T010-14 CONFIG CHG DATA FROM A CMM: SUPERSEDES EM91-79-4 MISCELLANEOUS DATA: FOR COMPLETE INTERCHANGEABILITY REGARDING SPECIFIC USAGE, PLEASE REFER TO DRAWING 270T2001 SHEET 1 ELECTRICAL EQUIP NUMBER: V00101 COMPONENT MAINT MANUAL REF: 29-22-01 SERVICE BULLETIN OPT DATA: 341525-1 V79318 USED ON: 274N1005-19 POST SERVICE BULLETIN: 29-0050	002004 006999	1
39	340565		.. VALVE- MODULE ASSY SUPPLIER CODE: V79318 SPECIFICATION NUMBER: S271N501-2 MISCELLANEOUS DATA: FOR COMPLETE INTERCHANGEABILITY REGARDING SPECIFIC USAGE, PLEASE REFER TO DRAWING 270T2001 SHEET 1 ELECTRICAL EQUIP NUMBER: V00101 COMPONENT MAINT MANUAL REF: 29-22-02 SERVICE BULLETIN OPT DATA: 341525-1 V79318 POST SERVICE BULLETIN: 29-0050	002004 006999	1

MISSING ITEM NUMBERS NOT APPLICABLE

- ITEM NOT ILLUSTRATED

BRI

27-23-01-02

BOEING PROPRIETARY - Copyright © - Unpublished Work - See title page for details.

27-23-01  
 FIG. 02  
 PAGE 4  
 JAN 20/09



757

PARTS CATALOG (MAINTENANCE)

FIG ITEM	PART NUMBER	1 2 3 4 5 6 7	NOMENCLATURE	EFFECT FROM TO	UNITS PER ASSY
2 39	341525		.. VALVE- MODULE ASSY SUPPLIER CODE: V79318 SPECIFICATION NUMBER: S271N501-3 MISCELLANEOUS DATA: FOR COMPLETE INTERCHANGEABILITY REGARDING SPECIFIC USAGE, PLEASE REFER TO DRAWING 270T2001 SHEET 1 ELECTRICAL EQUIP NUMBER: V00101 COMPONENT MAINT MANUAL REF: 29-22-03 OPTIONAL PART: 341525-1 V79318 USED ON: 274N1005-9 USED ON: 274N1005-9 POST SERVICE BULLETIN: 29-0050	002004 006999	1

R  
R  
R  
R  
R  
R  
R  
R  
R  
R  
R  
R  
R  
R  
R  
R  
R  
R  
R  
R  
R  
R

MISSING ITEM NUMBERS NOT APPLICABLE

- ITEM NOT ILLUSTRATED

**27-23-01-02**

27-23-01  
FIG. 02  
PAGE 5  
MAY 20/09

BRI



**BOEING**  
757  
**PARTS CATALOG (MAINTENANCE)**

FIG ITEM	PART NUMBER	1 2 3 4 5 6 7 NOMENCLATURE	EFFECT FROM TO	UNITS PER ASSY
2 39	341525-1	.. VALVE- SUPPLIER CODE: V79318 SPECIFICATION NUMBER: S271N501-3 MISCELLANEOUS DATA: FOR COMPLETE INTERCHANGEABILITY REGARDING SPECIFIC USAGE, PLEASE REFER TO DRAWING 270T2001 SHEET 1 ELECTRICAL EQUIP NUMBER: V00101 COMPONENT MAINT MANUAL REF: 29-22-03 OPTIONAL PART: 341525 V79318 SERVICE BULLETIN OPT DATA: EM91-79-5 V91816 340565 V79318 USED ON: 274N1005-9 USED ON: 274N1005-9 POST SERVICE BULLETIN: 29-0050	002004 006999	1
44	201074-1	... PLATE-INDENT SUPPLIER CODE: V79318 USED ON: 341525 341525-1	002004 006999	1
46	157720-1	... ACTUATOR ASSY- SUPPLIER CODE: V79318 COMPONENT MAINT MANUAL REF: 27-13-02 USED ON: 340565 341525 341525-1	002004 006999	1

MISSING ITEM NUMBERS NOT APPLICABLE

— ITEM NOT ILLUSTRATED

BRI

**27-23-01-02**

BOEING PROPRIETARY - Copyright © - Unpublished Work - See title page for details.

27-23-01  
FIG. 02  
PAGE 6  
MAY 20/09



757

PARTS CATALOG (MAINTENANCE)

FIG ITEM	PART NUMBER	1 2 3 4 5 6 7	NOMENCLATURE	EFFECT FROM TO	UNITS PER ASSY
2			ATTACHING PARTS		
48	NAS1101E3-12	...	SCREW- USED ON: 340565 341525 341525-1	002004 006999	4
50	AN960C10L	...	WASHER- USED ON: 340565 341525 341525-1	002004 006999	4
55	E2686	-----*	NAMEPLATE- USED ON: EM91-79-3	101102 504903	1
55	F2686	...	NAMEPLATE- USED ON: EM91-79-4	002004 006999	1
55	G2686	...	NAMEPLATE- USED ON: EM91-79-5	002004 006999	1
60	V2350-0074	...	ACTUATOR-MOTOR SUPPLIER CODE: V91816 COMPONENT MAINT MANUAL REF: 29-22-02 USED ON: EM91-79-3	101102 504903	1
60	W2350-0074	...	ACTUATOR-MOTOR SUPPLIER CODE: V91816 COMPONENT MAINT MANUAL REF: 29-22-02 USED ON: EM91-79-4	002004 006999	1
60	X2350-0074	...	ACTUATOR-MOTOR SUPPLIER CODE: V91816 COMPONENT MAINT MANUAL REF: 29-22-02 USED ON: EM91-79-5	002004 006999	1

MISSING ITEM NUMBERS NOT APPLICABLE

- ITEM NOT ILLUSTRATED

BRI

27-23-01-02

BOEING PROPRIETARY - Copyright © - Unpublished Work - See title page for details.

27-23-01  
FIG. 02  
PAGE 7  
MAY 20/09



757

PARTS CATALOG (MAINTENANCE)

FIG ITEM	PART NUMBER	1 2 3 4 5 6 7	NOMENCLATURE	EFFECT FROM TO	UNITS PER ASSY
2			ATTACHING PARTS		
65	NAS1352N08-8P	...	SCREW- USED ON: EM91-79 EM91-79-1 EM91-79-3 EM91-79-4 EM91-79-5	002004 006999	2
70	NAS1352N08-10P	...	SCREW- USED ON: EM91-79 EM91-79-1 EM91-79-3 EM91-79-4 EM91-79-5	002004 006999	2
73	C37112	-----*	.....PLATE-MOD SUPPLIER CODE: V91816 USED ON: V2350-0074 W2350-0074 X2350-0074	002004 006999	1
75	NAS1601-009	...	PACKING- CONFIG CHG DATA FROM A CMM: SUPSD BY NAS1611-009A USED ON: EM91-79 EM91-79-1 EM91-79-3 EM91-79-4 EM91-79-5	002004 006999	1
75	NAS1611-009A	...	PACKING- CONFIG CHG DATA FROM A CMM: SUPERSEDES NAS1601-009 USED ON: EM91-79 EM91-79-1 EM91-79-3 EM91-79-4 EM91-79-5	002004 006999	1

MISSING ITEM NUMBERS NOT APPLICABLE

- ITEM NOT ILLUSTRATED

BRI

27-23-01-02

BOEING PROPRIETARY - Copyright © - Unpublished Work - See title page for details.

27-23-01  
FIG. 02  
PAGE 8  
MAY 20/09



757

PARTS CATALOG (MAINTENANCE)

FIG ITEM	PART NUMBER	1 2 3 4 5 6 7	NOMENCLATURE	EFFECT FROM TO	UNITS PER ASSY
2					
80	NAS1601-112		...PACKING- CONFIG CHG DATA FROM A CMM: SUPSD BY NAS1611-112A USED ON: EM91-79 EM91-79-1 EM91-79-3 EM91-79-4 EM91-79-5	002004 006999	1
80	NAS1611-112A		...PACKING- CONFIG CHG DATA FROM A CMM: SUPERSEDES NAS1601-112 USED ON: EM91-79 EM91-79-1 EM91-79-3 EM91-79-4 EM91-79-5	002004 006999	1
85	S30650-112-5		...SEAL-SLIPPER SUPPLIER CODE: V09257 MISCELLANEOUS DATA: CIRCLE SEAL CONTROL DWG 4809 USED ON: EM91-79 EM91-79-1 EM91-79-3 EM91-79-4 EM91-79-5	002004 006999	1
- 200	286N2510-004		WIRE BUNDLE ASSY-	002004 006100 103106 950999	RF
- 200	286N2510-005		WIRE BUNDLE ASSY	107107 121503 904949	RF
- 200	286N2510-303		WIRE BUNDLE ASSY-	101102 108120	RF
- 200	286N2510-310		WIRE BUNDLE ASSY-	504903	RF

MISSING ITEM NUMBERS NOT APPLICABLE

- ITEM NOT ILLUSTRATED

27-23-01-02

27-23-01  
FIG. 02  
PAGE 9  
MAY 20/09

BRI



757

PARTS CATALOG (MAINTENANCE)

FIG ITEM	PART NUMBER	1 2 3 4 5 6 7	NOMENCLATURE	EFFECT FROM TO	UNITS PER ASSY
2 205	GS3417-16C		.CLAMP- SUPPLIER CODE: V06324 SPECIFICATION NUMBER: BACC10HF16 OPTIONAL PART: S2125-16-8 V07418 ELECTRICAL EQUIP NUMBER: D02886T WIRING DIAGRAM REF: NO. 272311	002004 006102 107999	1
210	R071016A10SNL		.CONNECTOR- SUPPLIER CODE: V41118 SPECIFICATION NUMBER: BCREF10545 OVERLENGTH PART NUMBER: BACC63BP16A10SNL ELECTRICAL EQUIP NUMBER: D02886 WIRING DIAGRAM REF: 272311	002004 006102 107999	1
900			ILLUSTRATION REFERENCE: PLUMBING INSTL-MAIN WHL WELL AFT BHD HYDR (FLIGHT CONTROL ONLY) 27-23-51-20	002004 006100 107107 121503 904999	RF

MISSING ITEM NUMBERS NOT APPLICABLE

- ITEM NOT ILLUSTRATED

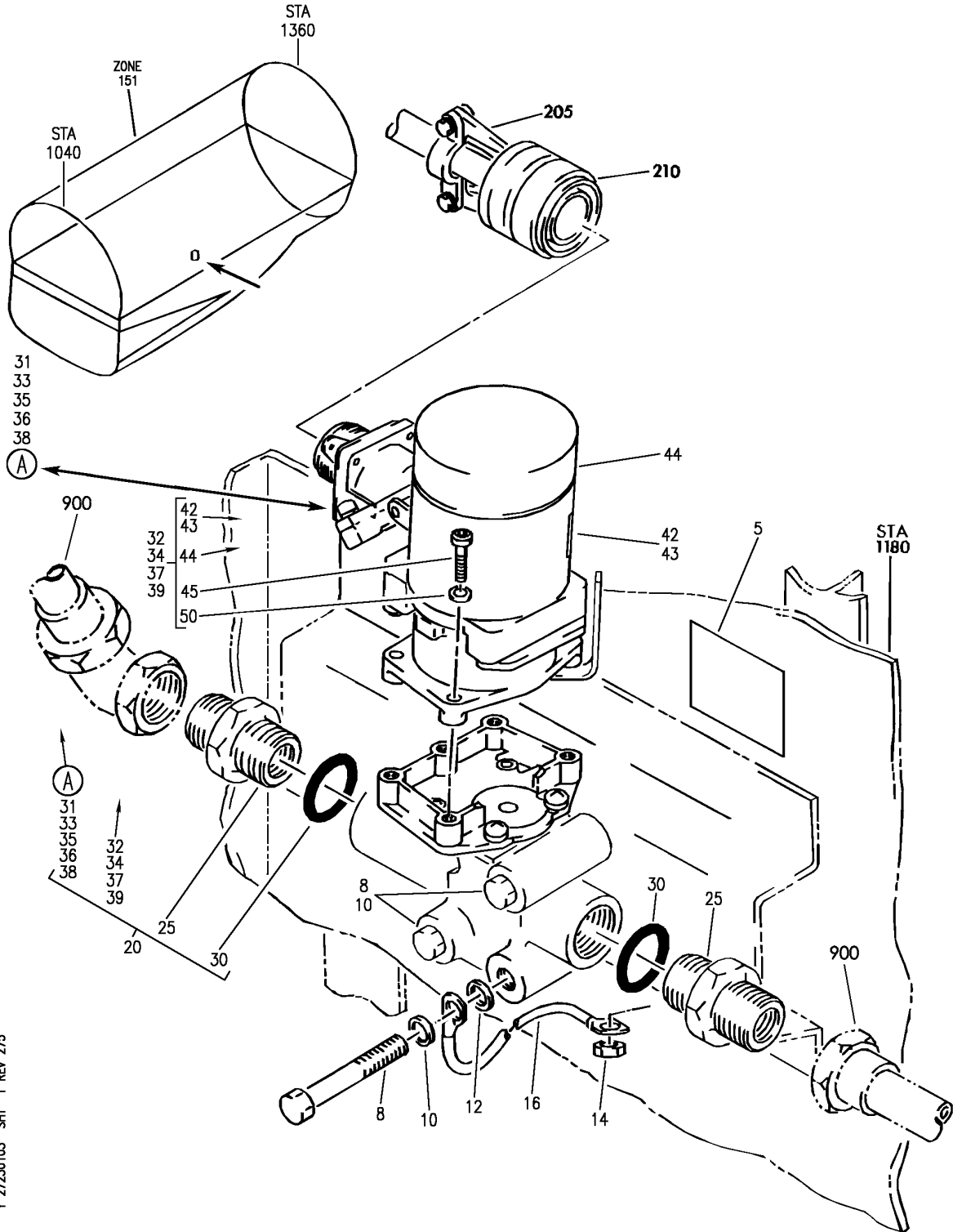
BRI

27-23-01-02

BOEING PROPRIETARY - Copyright © - Unpublished Work - See title page for details.

27-23-01  
FIG. 02  
PAGE 10  
MAY 20/09

**BOEING**  
757  
PARTS CATALOG (MAINTENANCE)



Y 27230103 SHT 1 REV 275

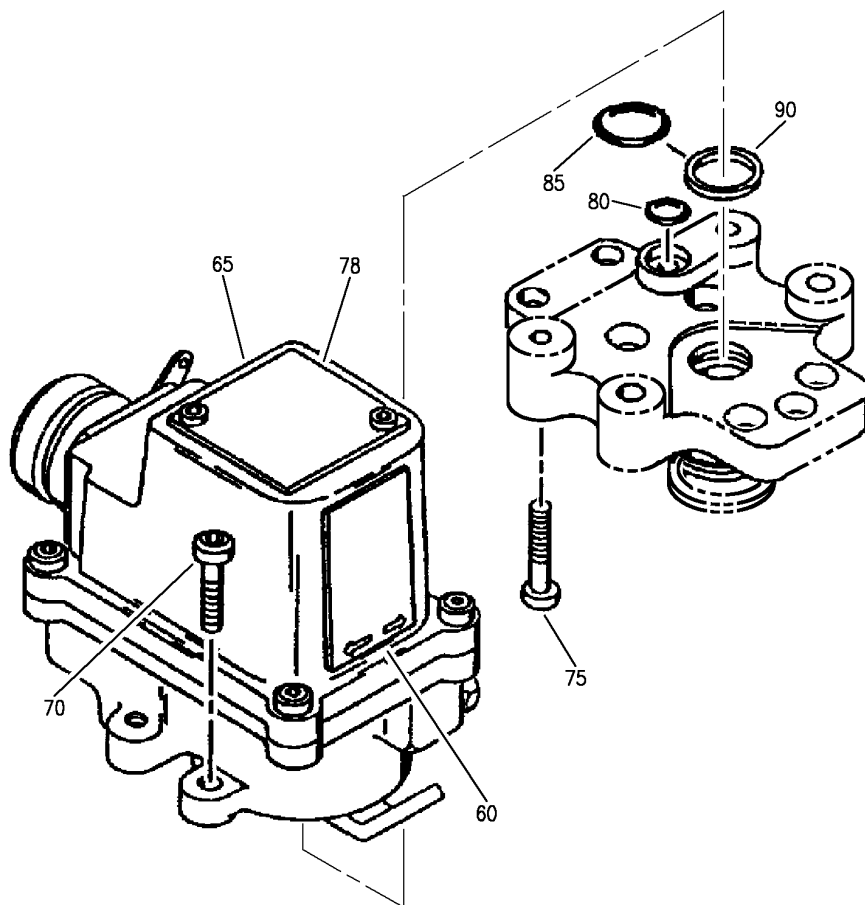
VALVE INSTL-L SYS EMPENNAGE ISOLATION  
FIGURE 3 (SHEET 1)

**27-23-01-03**

BRI  
MAY 28/07

27-23-01-03  
PAGE 0

**BOEING**  
757  
PARTS CATALOG (MAINTENANCE)



(A)

Y 27230103 SH1 2 REV 275

VALVE INSTL-L SYS EMPENNAGE ISOLATION  
FIGURE 3 (SHEET 2)

**27-23-01-03**

BRI  
MAY 28/07

27-23-01-03  
PAGE 0A



757

PARTS CATALOG (MAINTENANCE)

FIG ITEM	PART NUMBER	1 2 3 4 5 6 7	NOMENCLATURE	EFFECT FROM TO	UNITS PER ASSY
3			VALVE INSTL-L SYS EMPENNAGE ISOLATION	002004 006999	
- 1	271N5015-1		VALVE INSTL-SYS EMPENNAGE ISOLATION POSITION DATA: LH SIDE FOR NHA SEE: 29-00-51-05	002004 006100 107107 121503 904999	RF
- 1	271N5015-4		VALVE INSTL-SYS EMPENNAGE ISOLATION POSITION DATA: LH SIDE FOR NHA SEE: 27-00-00-05	101102 504903	RF
- 1	271N5015-6		VALVE INSTL-SYS EMPENNAGE ISOLATION POSITION DATA: LH SIDE FOR NHA SEE: 27-00-00-05	108120	RF
- 1	MODREF7226		VALVE INSTL-SYS EMPENNAGE ISOLATION MODULE NUMBER: 271N5015-6 REV A POSITION DATA: LH SIDE	103106	1
5	BAC27NHY0058		.MARKER-ALUMINUM FOIL PLACARD CONTENT: D2918 ISOLATION VALVE EMPENNAGE L SYS V103	002004 006999	1
8	BACB30NM4K29		.BOLT-	002004 006999	3
10	BACW10BN4AC		.WASHER-	002004 006999	3
20	274N1005-4		.VALVE ASSY- QUALIFIED I/W DATA: 274N1005-4 OR -9 CAN REPLACE BUT NOT BE REPLACED BY 274N1005-10	002004 006100 107107 121503 904999	1
20	274N1005-9		.VALVE ASSY- QUALIFIED I/W DATA: 274N1005-4 OR -9 CAN REPLACE BUT NOT BE REPLACED BY 274N1005-10	002004 006100 107107 121503 904999	1
20	274N1005-13		.VALVE ASSY-	002004 006100 107107 121503 904999	1

MISSING ITEM NUMBERS NOT APPLICABLE

- ITEM NOT ILLUSTRATED

27-23-01-03

27-23-01  
FIG. 03  
PAGE 1  
JAN 20/09

BRI





757

PARTS CATALOG (MAINTENANCE)

FIG ITEM	PART NUMBER	1 2 3 4 5 6 7	NOMENCLATURE	EFFECT FROM TO	UNITS PER ASSY
3					
20	274N1005-14	.	VALVE ASSY- ELECTRICAL EQUIP NUMBER: V00103	101102 504903	1
20	274N1005-19	.	VALVE ASSY-	103106 108120	1
20	274N1005-21	.	VALVE ASSY-	103106 108120	1
25	BACU24K10	..	UNION	002004 006100 107107 121503 904999	2
25	MS21902-10T	..	UNION	002004 006999	2
30	NAS1612-10	..	PACKING-	002004 006102 107107 121999	2
30	NAS1612-10A	..	PACKING-	103106 108120	2
35	EM91-79-3	..	VALVE-BALL SHUTOFF, 2 WAY 2 POSITION SUPPLIER CODE: V91816 SPECIFICATION NUMBER: S270T010-8 CONFIG CHG DATA FROM A CMM: SUPERSEDES EM91-79-1 SUPSD BY EM91-79-4 MISCELLANEOUS DATA: FOR COMPLETE INTERCHANGEABILITY REGARDING SPECIFIC USAGE, PLEASE REFER TO DRAWING 270T2001 SHEET 1 ELECTRICAL EQUIP NUMBER: V00103 COMPONENT MAINT MANUAL REF: 29-22-01 PRE SERVICE BULLETIN: 29-0050	101102 504903	1

MISSING ITEM NUMBERS NOT APPLICABLE

- ITEM NOT ILLUSTRATED

27-23-01-03

27-23-01  
FIG. 03  
PAGE 2  
JAN 20/09

BRI



757

PARTS CATALOG (MAINTENANCE)

FIG ITEM	PART NUMBER	1 2 3 4 5 6 7	NOMENCLATURE	EFFECT FROM TO	UNITS PER ASSY
3	35 EM91-79-4		.. VALVE-BALL SHUTOFF, 2 WAY 2 POSITION SUPPLIER CODE: V91816 SPECIFICATION NUMBER: S270T010-11 CONFIG CHG DATA FROM A CMM: SUPERSEDES EM91-79-3 SUPSD BY EM91-79-5 MISCELLANEOUS DATA: FOR COMPLETE INTERCHANGEABILITY REGARDING SPECIFIC USAGE, PLEASE REFER TO DRAWING 270T2001 SHEET 1 ELECTRICAL EQUIP NUMBER: V00103 COMPONENT MAINT MANUAL REF: 29-22-01	002004 006999	1
	35 EM91-79-5		.. VALVE-BALL SHUTOFF, 2 WAY 2 POSITION SUPPLIER CODE: V91816 SPECIFICATION NUMBER: S270T010-14 CONFIG CHG DATA FROM A CMM: SUPERSEDES EM91-79-4 MISCELLANEOUS DATA: FOR COMPLETE INTERCHANGEABILITY REGARDING SPECIFIC USAGE, PLEASE REFER TO DRAWING 270T2001 SHEET 1 ELECTRICAL EQUIP NUMBER: V00103 COMPONENT MAINT MANUAL REF: 29-22-01 USED ON: 274N1005-19 POST SERVICE BULLETIN: 29-0050	002004 006999	1

MISSING ITEM NUMBERS NOT APPLICABLE

- ITEM NOT ILLUSTRATED

BRI

27-23-01-03

BOEING PROPRIETARY - Copyright © - Unpublished Work - See title page for details.

27-23-01  
FIG. 03  
PAGE 3  
JAN 20/09



757

PARTS CATALOG (MAINTENANCE)

FIG ITEM	PART NUMBER	1 2 3 4 5 6 7	NOMENCLATURE	EFFECT FROM TO	UNITS PER ASSY
3 37	340565		.. VALVE- MODULE ASSY SUPPLIER CODE: V79318 SPECIFICATION NUMBER: S271N501-2 MISCELLANEOUS DATA: FOR COMPLETE INTERCHANGEABILITY REGARDING SPECIFIC USAGE, PLEASE REFER TO DRAWING 270T2001 SHEET 1 ELECTRICAL EQUIP NUMBER: V00103 COMPONENT MAINT MANUAL REF: 29-22-02 POST SERVICE BULLETIN: 29-0050	002004 006999	1
37	341525		.. VALVE- MODULE ASSY SUPPLIER CODE: V79318 SPECIFICATION NUMBER: S271N501-3 MISCELLANEOUS DATA: FOR COMPLETE INTERCHANGEABILITY REGARDING SPECIFIC USAGE, PLEASE REFER TO DRAWING 270T2001 SHEET 1 ELECTRICAL EQUIP NUMBER: V00103 COMPONENT MAINT MANUAL REF: 29-22-03 OPTIONAL PART: 341525-1 V79318 USED ON: 274N1005-9 USED ON: 274N1005-9 POST SERVICE BULLETIN: 29-0050	002004 006999	1

R  
R  
R  
R  
R  
R  
R  
R  
R  
R  
R  
R  
R  
R  
R  
R  
R  
R  
R  
R  
R  
R

MISSING ITEM NUMBERS NOT APPLICABLE

- ITEM NOT ILLUSTRATED

27-23-01-03

27-23-01  
FIG. 03  
PAGE 4  
MAY 20/09

BRI



757

PARTS CATALOG (MAINTENANCE)

FIG ITEM	PART NUMBER	1 2 3 4 5 6 7	NOMENCLATURE	EFFECT FROM TO	UNITS PER ASSY
R R R R R R R R R R R R R	3 37	341525-1	.. VALVE- SUPPLIER CODE: V79318 SPECIFICATION NUMBER: S271N501-3 MISCELLANEOUS DATA: FOR COMPLETE INTERCHANGEABILITY REGARDING SPECIFIC USAGE, PLEASE REFER TO DRAWING 270T2001 SHEET 1 ELECTRICAL EQUIP NUMBER: V00103 COMPONENT MAINT MANUAL REF: 29-22-03 OPTIONAL PART: 341525 V79318 USED ON: 274N1005-9 USED ON: 274N1005-9	002004 006999	1
	42	201074-1	... PLATE-IDENT SUPPLIER CODE: V79318 USED ON: 341525 341525-1	002004 006999	1
	43	201074	... PLATE-IDENT SUPPLIER CODE: V79318 USED ON: 340565	002004 006999	1
	44	157720-1	... ACTUATOR ASSY- SUPPLIER CODE: V79318 COMPONENT MAINT MANUAL REF: 27-13-02 USED ON: 340565 341525 341525-1	002004 006999	1
	45	NAS1101E3-12	ATTACHING PARTS ... SCREW- USED ON: 341525 340565 341525-1	002004 006999	4

MISSING ITEM NUMBERS NOT APPLICABLE

- ITEM NOT ILLUSTRATED

27-23-01-03

27-23-01  
FIG. 03  
PAGE 5  
MAY 20/09

BRI



757

PARTS CATALOG (MAINTENANCE)

FIG ITEM	PART NUMBER	1 2 3 4 5 6 7	NOMENCLATURE	EFFECT FROM TO	UNITS PER ASSY
3					
50	AN960C10L		... WASHER- USED ON: 341525 340565 341525-1 -----*-----	002004 006999	4
60	E2686		... NAMEPLATE- USED ON: EM91-79-3	101102 504903	1
60	F2686		... NAMEPLATE- USED ON: EM91-79-4	002004 006999	1
60	G2686		... NAMEPLATE- USED ON: EM91-79-5	002004 006999	1
65	V2350-0074		... ACTUATOR-MOTOR SUPPLIER CODE: V91816 COMPONENT MAINT MANUAL REF: 29-22-02 USED ON: EM91-79-3	101102 504903	1
65	W2350-0074		... ACTUATOR-MOTOR SUPPLIER CODE: V91816 COMPONENT MAINT MANUAL REF: 29-22-02 USED ON: EM91-79-4	002004 006999	1
65	X2350-0074		... ACTUATOR-MOTOR SUPPLIER CODE: V91816 COMPONENT MAINT MANUAL REF: 29-22-02 USED ON: EM91-79-5	002004 006999	1
70	NAS1352N08-8P		ATTACHING PARTS ... SCREW- USED ON: EM91-79 EM91-79-1 EM91-79-3 EM91-79-4 EM91-79-5	002004 006999	2

MISSING ITEM NUMBERS NOT APPLICABLE

- ITEM NOT ILLUSTRATED

27-23-01-03

27-23-01  
FIG. 03  
PAGE 6  
MAY 20/09

BRI

BOEING PROPRIETARY - Copyright © - Unpublished Work - See title page for details.



757

PARTS CATALOG (MAINTENANCE)

FIG ITEM	PART NUMBER	1 2 3 4 5 6 7	NOMENCLATURE	EFFECT FROM TO	UNITS PER ASSY
3	75 NAS1352N08-10P		... SCREW- USED ON: EM91-79 EM91-79-1 EM91-79-3 EM91-79-4 EM91-79-5	002004 006999	2
	78 C37112		-----*----- .... PLATE-MOD SUPPLIER CODE: V91816 USED ON: V2350-0074 W2350-0074 X2350-0074	002004 006999	1
	80 NAS1601-009		... PACKING- CONFIG CHG DATA FROM A CMM: SUPSD BY NAS1611-009A USED ON: EM91-79 EM91-79-1 EM91-79-3 EM91-79-4 EM91-79-5	002004 006999	1
	80 NAS1611-009A		... PACKING- CONFIG CHG DATA FROM A CMM: SUPERSEDES NAS1601-009 USED ON: EM91-79 EM91-79-1 EM91-79-3 EM91-79-4 EM91-79-5	002004 006999	1
	85 NAS1601-112		... PACKING- CONFIG CHG DATA FROM A CMM: SUPSD BY NAS1611-112A USED ON: EM91-79 EM91-79-1 EM91-79-3 EM91-79-4 EM91-79-5	002004 006999	1

MISSING ITEM NUMBERS NOT APPLICABLE

- ITEM NOT ILLUSTRATED

27-23-01-03

27-23-01  
FIG. 03  
PAGE 7  
MAY 20/09

BRI



757

PARTS CATALOG (MAINTENANCE)

FIG ITEM	PART NUMBER	1 2 3 4 5 6 7	NOMENCLATURE	EFFECT FROM TO	UNITS PER ASSY
3 85	NAS1611-112A		...PACKING- CONFIG CHG DATA FROM A CMM: SUPERSEDES NAS1601-112 USED ON: EM91-79 EM91-79-1 EM91-79-3 EM91-79-4 EM91-79-5	002004 006999	1
90	S30650-112-5		...SEAL-SLIPPER SUPPLIER CODE: V09257 MISCELLANEOUS DATA: CIRCLE SEAL CONTROL DWG 4809 USED ON: EM91-79 EM91-79-1 EM91-79-3 EM91-79-4 EM91-79-5	002004 006999	1
- 200	286N2414-005		WIRE BUNDLE ASSY	002004 006100 950999	RF
- 200	286N2414-006		WIRE BUNDLE ASSY-	107107 121503 904949	RF
- 200	286N2414-303		WIRE BUNDLE ASSY-	101102 108120	RF
- 200	286N2414-310		WIRE BUNDLE ASSY	504903	RF
205	GS3418-16CD		.CLAMP- SUPPLIER CODE: V06324 SPECIFICATION NUMBER: BACC10HG16 OPTIONAL PART: S2126-16-8 V07418 ELECTRICAL EQUIP NUMBER: D02918T WIRING DIAGRAM REF: 272311	002004 006102 107999	1

MISSING ITEM NUMBERS NOT APPLICABLE

- ITEM NOT ILLUSTRATED

27-23-01-03

27-23-01  
FIG. 03  
PAGE 8  
MAY 20/09

BRI



757

PARTS CATALOG (MAINTENANCE)

FIG ITEM	PART NUMBER	1 2 3 4 5 6 7	NOMENCLATURE	EFFECT FROM TO	UNITS PER ASSY
3 210	R071016A10SNL		.CONNECTOR- SUPPLIER CODE: V41118 SPECIFICATION NUMBER: BCREF10545 OVERLENGTH PART NUMBER: BACC63BP16A10SNL ELECTRICAL EQUIP NUMBER: D02918 WIRING DIAGRAM REF: 272311	002004 006102 107999	1
900			ILLUSTRATION REFERENCE: PLUMBING INSTL-SECT. 44 MAIN WHL WELL HYDR (HYDRAULIC POWER ONLY) 29-11-51-36	002004 006100 107107 121503 904999	RF
900			ILLUSTRATION REFERENCE: PLUMBING INSTL-4-DOOR/ PKG FREIGHTER MINOR MODEL 29-11-84-01	101102 108120 504903	RF

MISSING ITEM NUMBERS NOT APPLICABLE

- ITEM NOT ILLUSTRATED

BRI

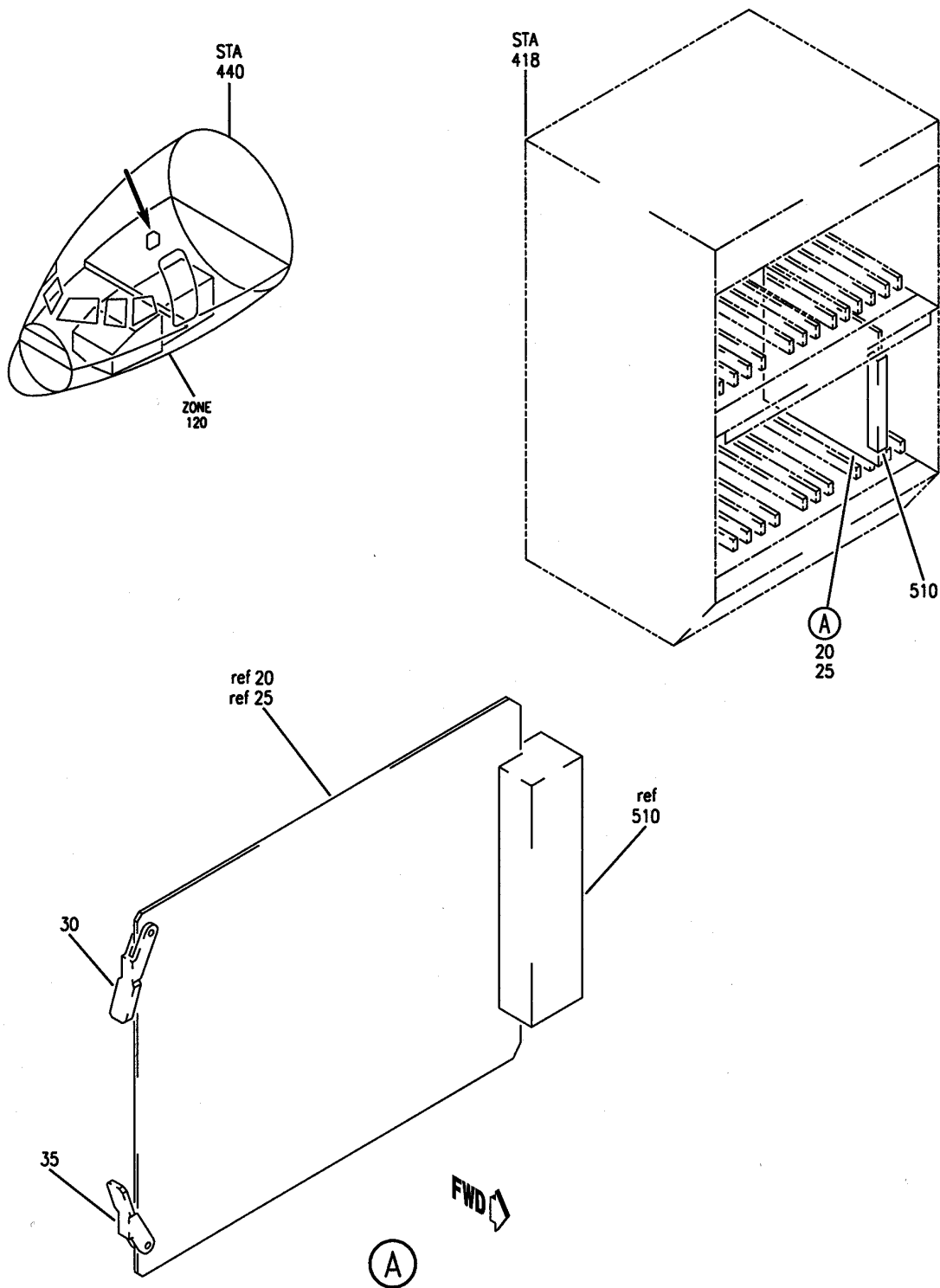
27-23-01-03

BOEING PROPRIETARY - Copyright © - Unpublished Work - See title page for details.

27-23-01  
FIG. 03  
PAGE 9  
MAY 20/09



**BOEING**  
757  
PARTS CATALOG (MAINTENANCE)



Y 27230201 REV 219

EQUIPMENT INSTL-MAIN ELECTRONICS EQPT CTR (RUDDER AND ELEVATOR HYDRAULIC SYSTEMS ONLY)

FIGURE 1

**27-23-02-01**

BRI  
MAY 28/07

27-23-02-01  
PAGE 0



757

PARTS CATALOG (MAINTENANCE)

FIG ITEM	PART NUMBER	1 2 3 4 5 6 7	NOMENCLATURE	EFFECT FROM TO	UNITS PER ASSY
1			EQUIPMENT INSTL-MAIN ELECTRONICS EQPT CTR (RUDDER AND ELEVATOR HYDRAULIC SYSTEMS ONLY)	002004 006100 107107 121999	
- 2	284N1307-33		EQUIPMENT INSTL-MAIN ELECTRONICS EQPT CTR (RUDDER AND ELEVATOR HYDRAULIC SYSTEMS ONLY) FOR NHA/OTHER SYS DET SEE: 24-00-58-01	107107	RF
- 3	284N1800-16		EQUIPMENT INSTL-MAIN ELECTRONICS EQPT CTR (RUDDER AND ELEVATOR HYDRAULIC SYSTEMS ONLY) FOR NHA/OTHER SYS DET SEE: 24-00-58-01	121503 904949	RF
- 4	284N1800-32		EQUIPMENT INSTL-MAIN ELECTRONICS EQPT CTR (RUDDER AND ELEVATOR HYDRAULIC SYSTEMS ONLY) FOR NHA/OTHER SYS DET SEE: 24-00-58-01	952999	RF
- 4	284N1800-34		EQUIPMENT INSTL-MAIN ELECTRONICS EQPT CTR (RUDDER AND ELEVATOR HYDRAULIC SYSTEMS ONLY) FOR NHA/OTHER SYS DET SEE: 24-00-58-01	002004 006100	RF
- 5	284N1800-38		EQUIPMENT INSTL-MAIN ELECTRONICS EQPT CTR (RUDDER AND ELEVATOR HYDRAULIC SYSTEMS ONLY) FOR NHA/OTHER SYS DET SEE: 24-00-58-01	950951	RF
- 6	284N1800-88		EQUIPMENT INSTL-MAIN ELECTRONICS EQPT CTR (RUDDER AND ELEVATOR HYDRAULIC SYSTEMS ONLY) FOR NHA/OTHER SYS DET SEE: 24-00-58-05E	505505	RF
- 7	284N1800-190		EQUIPMENT INSTL-MAIN ELECTRONICS EQPT CTR (RUDDER AND ELEVATOR HYDRAULIC SYSTEMS ONLY) FOR NHA/OTHER SYS DET SEE: 24-00-58-05E	504504 506903	RF

MISSING ITEM NUMBERS NOT APPLICABLE

- ITEM NOT ILLUSTRATED

BRI

27-23-02-01

27-23-02  
FIG. 01  
PAGE 1  
JAN 20/09



757

PARTS CATALOG (MAINTENANCE)

FIG ITEM	PART NUMBER	1 2 3 4 5 6 7	NOMENCLATURE	EFFECT FROM TO	UNITS PER ASSY
1					
25	285N0078-18		.MONITOR-PRINTED CIRCUIT UNIT SUPPLIER CODE: V89954 ELECTRICAL EQUIP NUMBER: M10481 COMPONENT MAINT MANUAL REF: 27-21-58	002004 006100 107107 121999	1
30	71-2RA		..EXTRACTOR- SUPPLIER CODE: V18915	002004 006100 107107 121999	1
35	71-2LA		..EXTRACTOR- SUPPLIER CODE: V18915	002004 006100 107107 121999	1
- 500	286N1140-002		WIRE BUNDLE ASSY	107107 121503 904949	RF
- 500	286N1140-004		WIRE BUNDLE ASSY	002004 006100 950999	RF
- 501	286N1140-314		WIRE BUNDLE ASSY	504903	RF
510	300055-001		.CONNECTOR- SUPPLIER CODE: V0D9V3 SPECIFICATION NUMBER: BACC65L41 OPTIONAL PART: 300055-001 V03877 192-341-0005 V26742 S1022-00833 V03877 ELECTRICAL EQUIP NUMBER: D04688 WIRING DIAGRAM REF: 272321	002004 006100 107107 121999	1

MISSING ITEM NUMBERS NOT APPLICABLE

- ITEM NOT ILLUSTRATED

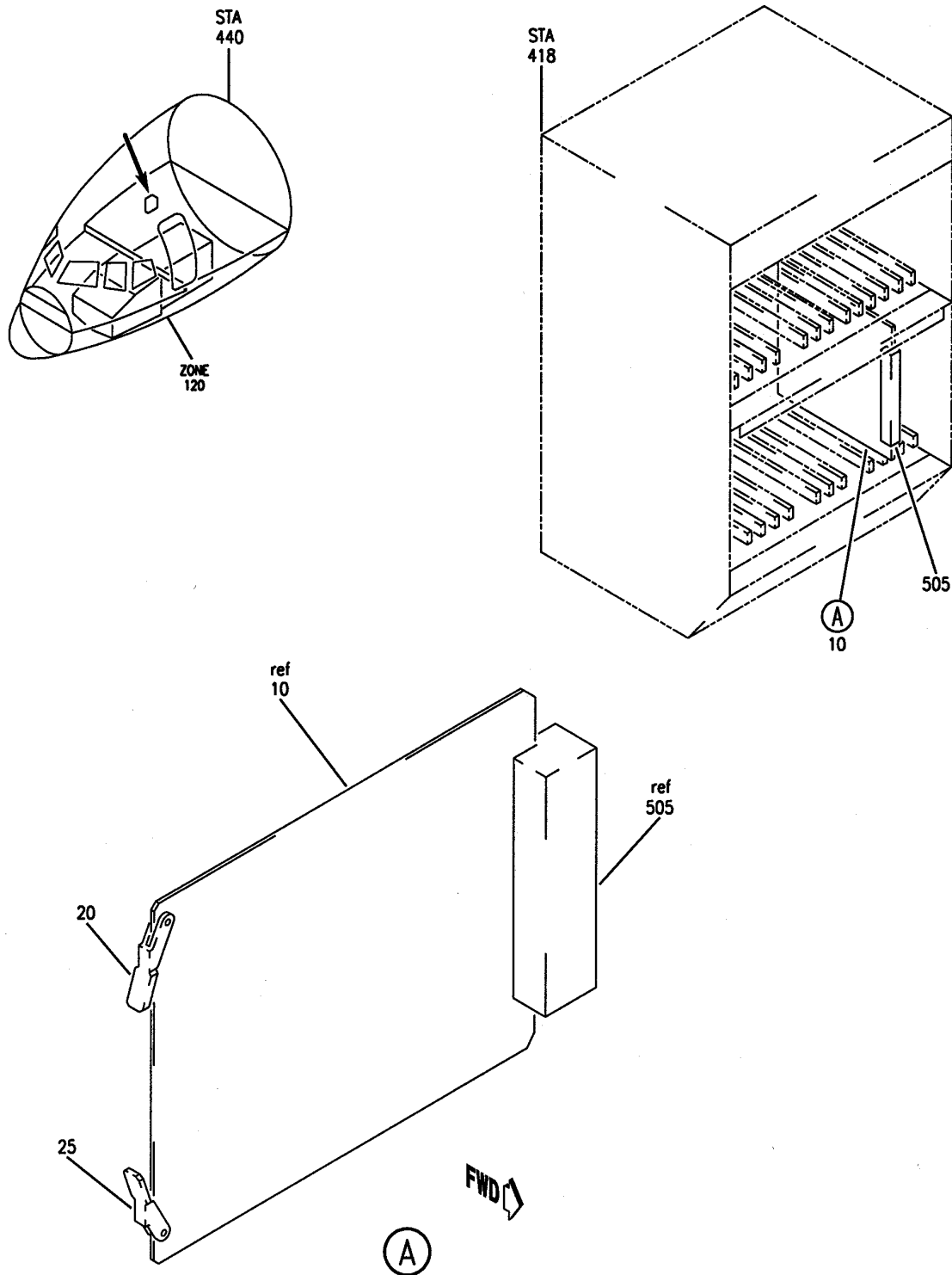
BRI

27-23-02-01

BOEING PROPRIETARY - Copyright © - Unpublished Work - See title page for details.

27-23-02  
FIG. 01  
PAGE 2  
JAN 20/09

**BOEING**  
757  
PARTS CATALOG (MAINTENANCE)



Y 27230201B REV 219

EQUIPMENT INSTL-MAIN ELECTRONICS EQPT CTR (RUDDER AND ELEVATOR HYDRAULIC SYSTEMS ONLY)  
FIGURE 1B

BRI  
MAY 28/07

**27-23-02-01B**

27-23-02-01B  
PAGE 0



757

PARTS CATALOG (MAINTENANCE)

FIG ITEM	PART NUMBER	1 2 3 4 5 6 7	NOMENCLATURE	EFFECT FROM TO	UNITS PER ASSY
1B			EQUIPMENT INSTL-MAIN ELECTRONICS EQPT CTR (RUDDER AND ELEVATOR HYDRAULIC SYSTEMS ONLY)	101102	
- 3	284N1800-140		EQUIPMENT INSTL-MAIN ELECTRONICS EQPT CTR (RUDDER AND ELEVATOR HYDRAULIC SYSTEMS ONLY) FOR NHA/OTHER SYS DET SEE: 24-00-58-05E	101101	RF
- 3	284N1800-141		EQUIPMENT INSTL-MAIN ELECTRONICS EQPT CTR (RUDDER AND ELEVATOR HYDRAULIC SYSTEMS ONLY) FOR NHA/OTHER SYS DET SEE: 24-00-58-05E	102102	RF
10	285N0078-18		.MONITOR-PRINTED CIRCUIT UNIT SUPPLIER CODE: V89954 ELECTRICAL EQUIP NUMBER: M10481 COMPONENT MAINT MANUAL REF: 27-21-58	101102	1
20	71-2RA		..EXTRACTOR- SUPPLIER CODE: V18915	101102	1
25	71-2LA		..EXTRACTOR- SUPPLIER CODE: V18915	101102	1
- 500	286N1140-306		WIRE BUNDLE ASSY	101102	RF
505	300055-001		.CONNECTOR- SUPPLIER CODE: V0D9V3 SPECIFICATION NUMBER: BACC65L41 OPTIONAL PART: 300055-001 V03877 192-341-0005 V26742 S1022-00833 V03877 ELECTRICAL EQUIP NUMBER: D04688 WIRING DIAGRAM REF: 272321	101102	1

MISSING ITEM NUMBERS NOT APPLICABLE

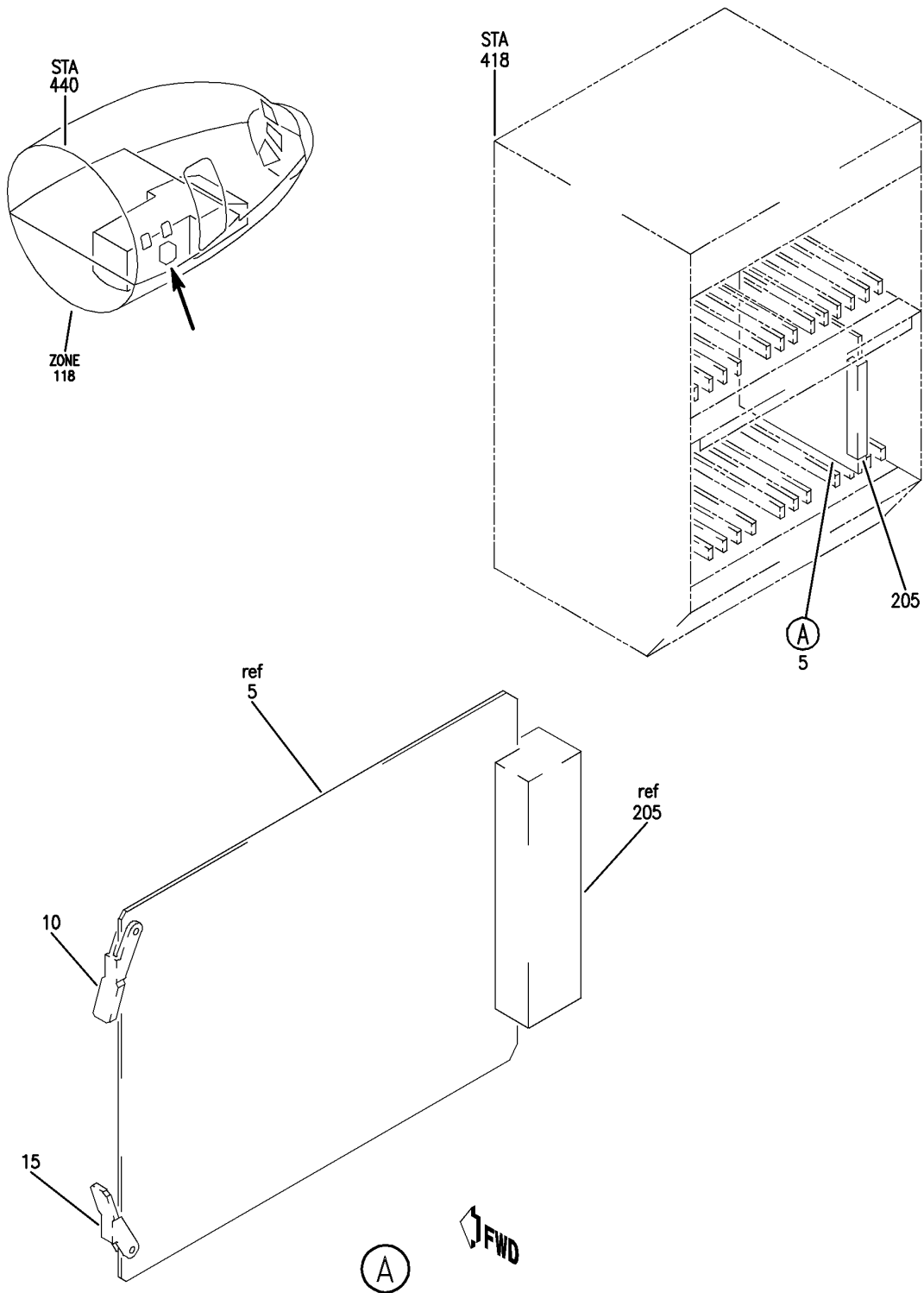
- ITEM NOT ILLUSTRATED

**27-23-02-01B**

27-23-02  
FIG. 01B  
PAGE 1  
JAN 20/09

BRI

**BOEING**  
757  
PARTS CATALOG (MAINTENANCE)



Y 27230208 REV 222

EQUIPMENT INSTL-MAIN ELECTRONICS EQPT CTR PWR CONT UNIT MON MODULE  
FIGURE 8

**27-23-02-08**

BRI  
JAN 20/09

27-23-02-08  
PAGE 0



757

PARTS CATALOG (MAINTENANCE)

FIG ITEM	PART NUMBER	1 2 3 4 5 6 7	NOMENCLATURE	EFFECT FROM TO	UNITS PER ASSY
8			EQUIPMENT INSTL-MAIN ELECTRONICS EQPT CTR PWR CONT UNIT MON MODULE	103106 108120	
- 1	284N4000-270002		EQUIPMENT INSTL-MAIN ELECTRONICS EQPT CTR PWR CONT UNIT MON MODULE	108120	RF
- 1	MODREF10034		FOR NHA SEE: 24-00-58-05 EQUIPMENT INSTL-MAIN ELECTRONICS EQPT CTR PWR CONT UNIT MON MODULE	103106	1
	5 285N0078-18		MODULE NUMBER: 284N4000-270002 REV A .MONITOR- SUPPLIER CODE: V89954 ELECTRICAL EQUIP NUMBER: M10481 COMPONENT MAINT MANUAL REF: 27-21-58 FUNCTIONAL REFERENCE: PLACARDS AND MARKINGS FOR DETAILS SEE 11-36-25-08	103106 108120	1
	10 71-2LA		..EXTRACTOR- SUPPLIER CODE: V18915	103106 108120	1
	15 71-2RA		..EXTRACTOR- SUPPLIER CODE: V18915	103106 108120	1
- 200	286N1140-324		WIRE BUNDLE ASSY-	108120	RF
- 200	286N1140-701		WIRE BUNDLE ASSY	103106	RF
205	300055-001		.CONNECTOR- SUPPLIER CODE: V0D9V3 SPECIFICATION NUMBER: BACC65L41 OPTIONAL PART: 300055-001 V03877 192-341-0005 V26742 S1022-00833 V03877 ELECTRICAL EQUIP NUMBER: D04688 WIRING DIAGRAM REF: 272321	103106 108120	1

MISSING ITEM NUMBERS NOT APPLICABLE

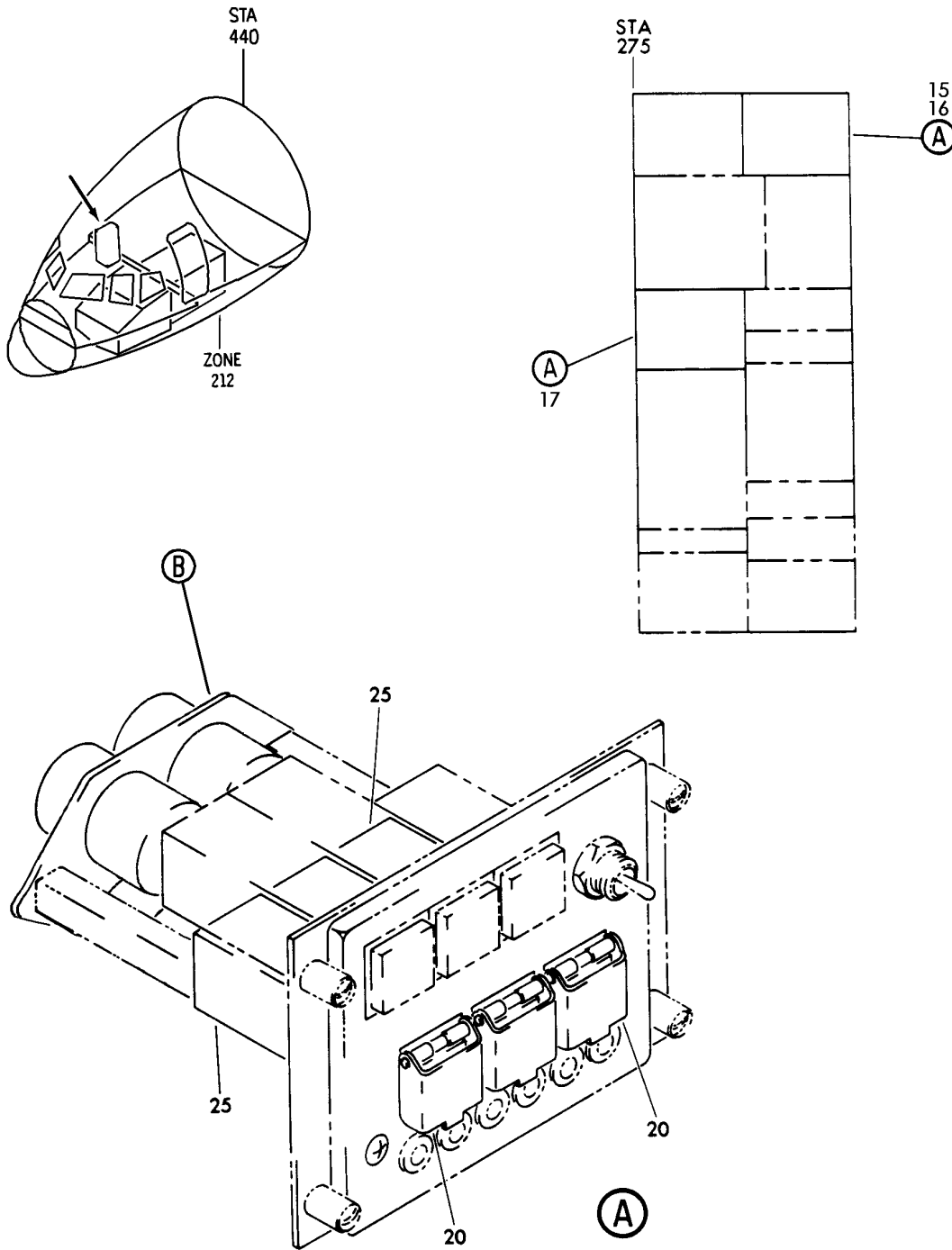
- ITEM NOT ILLUSTRATED

27-23-02-08

27-23-02  
FIG. 08  
PAGE 1  
JAN 20/09

BRI

**BOEING**  
757  
PARTS CATALOG (MAINTENANCE)



Y 27235101 SHT 1 REV 232

PANEL INSTL-P61 R SIDEWALL (FLIGHT CONTROLS ONLY)  
FIGURE 1 (SHEET 1)

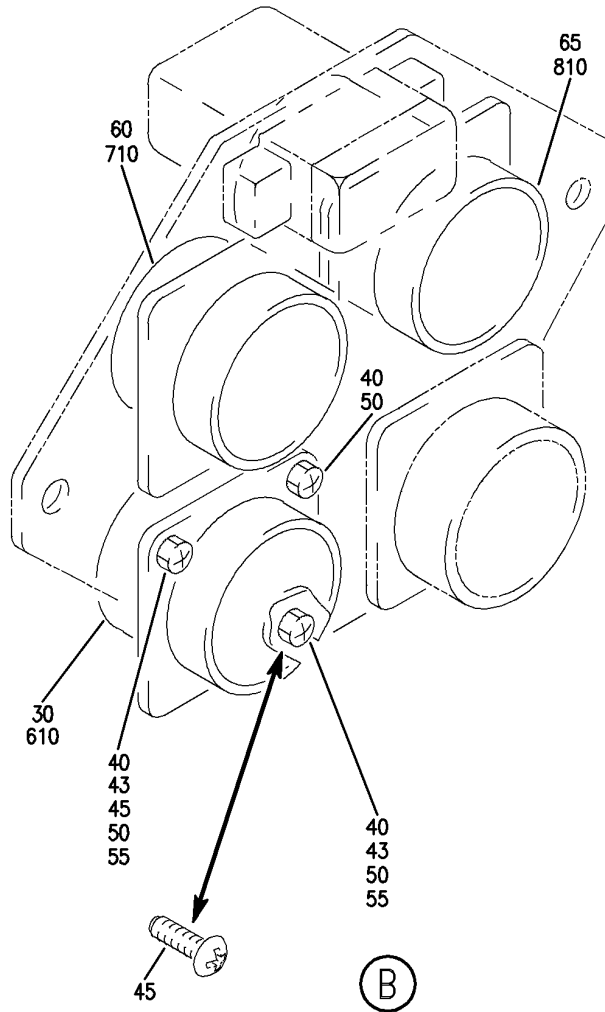
**27-23-51-01**

BRI  
MAY 28/07

27-23-51-01  
PAGE 0



**BOEING**  
757  
PARTS CATALOG (MAINTENANCE)



Y 27235101 SHT 2 REV 232

PANEL INSTL-P61 R SIDEWALL (FLIGHT CONTROLS ONLY)  
FIGURE 1 (SHEET 2)

**27-23-51-01**

BRI  
MAY 28/07

27-23-51-01  
PAGE 0A



757

PARTS CATALOG (MAINTENANCE)

FIG ITEM	PART NUMBER	1 2 3 4 5 6 7	NOMENCLATURE	EFFECT FROM TO	UNITS PER ASSY
1			PANEL INSTL-P61 R SIDEWALL (FLIGHT CONTROLS ONLY)	002004 006100 107107 121503 904999	
- 1	233N7401-1		PANEL INSTL-P61 SIDEWALL (FLIGHT CONTROLS ONLY) POSITION DATA: R VARIABLE DRAWING REF: 233N7401-5004 233N7401-5005 233N7401-5036 233N7401-5038 233N7401-5042 FOR NHA/OTHER SYS DET SEE: 25-10-00-05A	002004 006100 107107 121503 904999	RF
15	233N7503-46		.PANEL ASSY-GEN FIELD AND HYDR SUPPLIER CODE: V89954 ELECTRICAL EQUIP NUMBER: M10191 COMPONENT MAINT MANUAL REF: 24-22-73 QUALIFIED I/W DATA: 233N7503-29 -31 -32 -44 -45 -46 ALL INTERCHANGEABLE EXCEPT SUBJECT TO CUSTOMER PREFERENCE	121503 904949	RF
15	233N7503-47		.PANEL ASSY-GEN FIELD AND HYDR SUPPLIER CODE: V89954 ELECTRICAL EQUIP NUMBER: M10191 COMPONENT MAINT MANUAL REF: 24-22-73	002004 107107 952952	RF

MISSING ITEM NUMBERS NOT APPLICABLE

- ITEM NOT ILLUSTRATED

BRI

27-23-51-01

27-23-51  
FIG. 01  
PAGE 1  
JAN 20/09



757

## PARTS CATALOG (MAINTENANCE)

FIG ITEM	PART NUMBER	1 2 3 4 5 6 7	NOMENCLATURE	EFFECT FROM TO	UNITS PER ASSY
1 15	233N7503-32		.PANEL ASSY-GEN FIELD AND HYDR SUPPLIER CODE: V89954 ELECTRICAL EQUIP NUMBER: M10191 COMPONENT MAINT MANUAL REF: 24-22-73 QUALIFIED I/W DATA: 233N7503-29 -31 -32 -44 -45 -46 ALL INTERCHANGEABLE EXCEPT SUBJECT TO CUSTOMER PREFERENCE -32 I/W -51 EXCEPT WHEN INSTALLING A -32 IN PLACE OF -51 FIELD GENERATOR SWITCHES S1, S2, S3 MUST BE MARKED INOPERABLE.	002004 107107 952952	RF
15	233N7503-34		.PANEL ASSY-GEN FIELD AND HYDR SUPPLIER CODE: V89954 ELECTRICAL EQUIP NUMBER: M10191 COMPONENT MAINT MANUAL REF: 24-22-73	002004 107107 952952	RF
15	233N7503-53		.PANEL ASSY-GEN FIELD AND HYDR SUPPLIER CODE: V89954 ELECTRICAL EQUIP NUMBER: M10191 COMPONENT MAINT MANUAL REF: 24-22-73	011100 121503 904949	RF
15	233N7503-56		.PANEL ASSY-GEN FIELD AND HYDR SUPPLIER CODE: V89954 ELECTRICAL EQUIP NUMBER: M10191 COMPONENT MAINT MANUAL REF: 24-22-73	002004 006010 107107 950999	RF

MISSING ITEM NUMBERS NOT APPLICABLE

- ITEM NOT ILLUSTRATED

BRI

# 27-23-51-01

BOEING PROPRIETARY - Copyright © - Unpublished Work - See title page for details.

27-23-51  
FIG. 01  
PAGE 2  
JAN 20/09



757

PARTS CATALOG (MAINTENANCE)

FIG ITEM	PART NUMBER	1 2 3 4 5 6 7	NOMENCLATURE	EFFECT FROM TO	UNITS PER ASSY
1	233N7503-60		.PANEL ASSY-GEN FIELD AND HYDR SUPPLIER CODE: V89954 ELECTRICAL EQUIP NUMBER: M10191 COMPONENT MAINT MANUAL REF: 24-22-73 QUALIFIED I/W DATA: -50 I/W -60 EXCEPT WHEN INSTALLING A -50 IN PLACE OF -60 FIELD GENERATOR SWITCHES S1, S2, S3 MUST BE MARKED INOPERABLE.	002004 006010 107107 950999	RF
20	433-100-004		..GUARD-SWITCH SUPPLIER CODE: V81590 SPECIFICATION NUMBER: S231T290-823 QUALIFIED I/W DATA: 851-30768-803 OR -813 OR 433-100-004 TOGETHER WITH 851-30768-2024 SWITCHLIGHT I/W 433-100-004 TOGETHER WITH BCRE7611 OR 851-30768-3024 OR S231T290-4024 OR S231T290-5024 USED ON: 233N7503-32 233N7503-33 233N7503-34 233N7503-44 233N7503-45 233N7503-46 233N7503-47 233N7503-48 233N7503-50 233N7503-51 233N7503-53 233N7503-56 233N7503-60	002004 006010 107107 950999	3

MISSING ITEM NUMBERS NOT APPLICABLE

- ITEM NOT ILLUSTRATED

BRI

27-23-51-01

BOEING PROPRIETARY - Copyright © - Unpublished Work - See title page for details.

27-23-51  
FIG. 01  
PAGE 3  
JAN 20/09



757

PARTS CATALOG (MAINTENANCE)

FIG ITEM	PART NUMBER	1 2 3 4 5 6 7 NOMENCLATURE	EFFECT FROM TO	UNITS PER ASSY
1 25	BCREF7611	<p>.. SWITCH ASSY-LIGHTED PUSH            BUTTON IND ON/OFF            SUPPLIER CODE:            V81590            OVERLENGTH PART NUMBER:            433-673-1001-1024            SPECIFICATION NUMBER:            S231T290-1024            MISCELLANEOUS DATA:            WHEN REPLACING THE            PUSHBUTTON SWITCH ASSY            OR THE MASTER MODULE            WITHIN, VERIFY THAT A            CONFIG D MASTER MODULE            P/N 13206-001 IS            INSTALLED IN LIEU OF ANY            EARLIER CONFIGURATION            MASTER MODULES.            QUALIFIED I/W DATA:            851-30768-2024 TOGETHER            WITH 851-30768-803 -813            OR 433-100-004            SWITCHGUARD I/W            BCREFA0510 OR            851-35100-5024 WITH            433-100-004 SWITCHGUARD            USED ON:            233N7503-30            233N7503-32            233N7503-33            233N7503-34            233N7503-45            233N7503-48            FOR DETAILS SEE:            33-13-00-10</p>	002004 006010 107107 950999	3

MISSING ITEM NUMBERS NOT APPLICABLE

- ITEM NOT ILLUSTRATED

BRI

27-23-51-01

27-23-51  
 FIG. 01  
 PAGE 4  
 JAN 20/09



757

PARTS CATALOG (MAINTENANCE)

FIG ITEM	PART NUMBER	1 2 3 4 5 6 7	NOMENCLATURE	EFFECT FROM TO	UNITS PER ASSY
1 25	BCREFA0510		<p>..SWITCH ASSY-LIGHTED PUSH            BUTTON IND            SUPPLIER CODE:            V81590            OVERLENGTH PART NUMBER:            433-673-1004-4024            SPECIFICATION NUMBER:            S231T290-4024            MISCELLANEOUS DATA:            WHEN REPLACING THE            PUSHBUTTON SWITCH ASSY            OR THE MASTER MODULE            WITHIN, VERIFY THAT A            CONFIG D MASTER MODULE            P/N 13206-001 IS            INSTALLED IN LIEU OF ANY            EARLIER CONFIGURATION            MASTER MODULES.            QUALIFIED I/W DATA:            851-35100-5024 I/W            BCREFA0510 EXCEPT            SUBJECT TO CUSTOMER            PREFERENCE            OPTIONAL PART:            851-35100-5024            V96182            USED ON:            233N7503-44            233N7503-45            233N7503-47            233N7503-48            233N7503-50            233N7503-51            233N7503-56            233N7503-60            PRE SERVICE LETTER:            33-027            FOR DETAILS SEE:            33-13-00-40</p>	<p>002004            006100            107107            121503            904999</p>	3

MISSING ITEM NUMBERS NOT APPLICABLE

- ITEM NOT ILLUSTRATED

BRI

27-23-51-01

27-23-51  
 FIG. 01  
 PAGE 5  
 JAN 20/09



757

PARTS CATALOG (MAINTENANCE)

FIG ITEM	PART NUMBER	1 2 3 4 5 6 7	NOMENCLATURE	EFFECT FROM TO	UNITS PER ASSY
1 25	851-35100-5024		.. SWITCH ASSY-LIGHTED PUSH BUTTON IND SUPPLIER CODE: V96182 SPECIFICATION NUMBER: S231T290-5024 QUALIFIED I/W DATA: 851-30768-2024 TOGETHER WITH 851-30768-803 -813 OR 433-100-004 SWITCHGUARD I/W BCREFA0510 851-30768-3024 OR 851-35100-5024 WITH 433-100-004 SWITCHGUARD 851-35100-5024 I/W -4024 EXCEPT SUBJECT TO CUSTOMER PREFERENCE OPTIONAL PART: BCREFA0510 V81590 851-30768-3024 V96182 4336731004-4224 V81590 USED ON: 233N7503-44 233N7503-46 233N7503-47 233N7503-50 233N7503-51 233N7503-53 233N7503-56 233N7503-60	002004 006100 107107 121503 904999	3

MISSING ITEM NUMBERS NOT APPLICABLE

- ITEM NOT ILLUSTRATED

BRI

27-23-51-01

27-23-51  
FIG. 01  
PAGE 6  
JAN 20/09



757

PARTS CATALOG (MAINTENANCE)

FIG ITEM	PART NUMBER	1 2 3 4 5 6 7	NOMENCLATURE	EFFECT FROM TO	UNITS PER ASSY
1 25	851-30768-2024		.. SWITCH ASSY-LIGHTED PUSH BUTTON IND ON/OFF SUPPLIER CODE: V96182 SPECIFICATION NUMBER: S231T290-2024 QUALIFIED I/W DATA: 851-30768-2024 TOGETHER WITH 851-30768-803 -813 OR 433-100-004 SWITCHGUARD I/W BCREF7611 851-30768-3024 OR 851-35100-5024 WITH 433-100-004 SWITCHGUARD USED ON: 233N7503-21 233N7503-22 233N7503-29 233N7503-31 FOR DETAILS SEE: 33-13-00-20	002004 107107 952952	3

MISSING ITEM NUMBERS NOT APPLICABLE

- ITEM NOT ILLUSTRATED

BRI

27-23-51-01

BOEING PROPRIETARY - Copyright © - Unpublished Work - See title page for details.

27-23-51  
FIG. 01  
PAGE 7  
JAN 20/09





757

PARTS CATALOG (MAINTENANCE)

FIG ITEM	PART NUMBER	1 2 3 4 5 6 7	NOMENCLATURE	EFFECT FROM TO	UNITS PER ASSY
1 25	851-30768-3024		..SWITCH ASSY-LIGHTED PUSH BUTTON IND ON/OFF SUPPLIER CODE: V96182 SPECIFICATION NUMBER: S231T290-3024 QUALIFIED I/W DATA: 851-30768-2024 TOGETHER WITH 851-30768-803 -813 OR 433-100-004 SWITCHGUARD I/W BCREF7611 851-30768-3024 BCREFA0510 OR 851-35100-5024 WITH 433-100-004 SWITCHGUARD OPTIONAL PART: 851-35100-5024 V96182 USED ON: 233N7503-29 233N7503-30 233N7503-31 233N7503-32 233N7503-33 233N7503-34 233N7503-46 233N7503-53 FOR DETAILS SEE: 33-13-00-30	002004 006100 107107 121503 904999	3
25	4336731004-4224		..SWITCH ASSY-LIGHTED PUSH BUTTON IND SUPPLIER CODE: V81590 SPECIFICATION NUMBER: S231T290-4224 OPTIONAL PART: 851-35100-5024 V96182 POST SERVICE LETTER: 33-027	002004 006100 107107 121503 904999	3
30	BACC45FN14-15P6		..CONNECTOR	002004 006100 107107 121503 904999	1

MISSING ITEM NUMBERS NOT APPLICABLE

- ITEM NOT ILLUSTRATED

27-23-51-01

27-23-51  
FIG. 01  
PAGE 8  
JAN 20/09

BRI



757

PARTS CATALOG (MAINTENANCE)

FIG ITEM	PART NUMBER	1 2 3 4 5 6 7	NOMENCLATURE	EFFECT FROM TO	UNITS PER ASSY
1			ATTACHING PARTS		
40	BACS12CB04-5		.. SCREW- USED ON: 233N7503-21 233N7503-22 233N7503-29 233N7503-30 233N7503-31 233N7503-32 233N7503-33	002004 107107 952952	3
43	NAS1801-04-5		.. SCREW- OPTIONAL PART: BACS12HN04-5 USED ON: 233N7503-34 233N7503-44 233N7503-45 233N7503-46 233N7503-47 233N7503-48 233N7503-50 233N7503-51 233N7503-53	002004 011100 107107 121503 904949 952952	2
43	BACS12HN04-5		.. SCREW- OPTIONAL PART: NAS1801-04-5 USED ON: 233N7503-51 233N7503-53	011100 121503 904949	2
45	MS51957-14		.. SCREW- USED ON: 233N7503-56 233N7503-60	002004 006010 107107 950999	2

MISSING ITEM NUMBERS NOT APPLICABLE

- ITEM NOT ILLUSTRATED

BRI

27-23-51-01

BOEING PROPRIETARY - Copyright © - Unpublished Work - See title page for details.

27-23-51  
FIG. 01  
PAGE 9  
JAN 20/09



757

PARTS CATALOG (MAINTENANCE)

FIG ITEM	PART NUMBER	1 2 3 4 5 6 7	NOMENCLATURE	EFFECT FROM TO	UNITS PER ASSY
1 50	K19798-04		..NUT- SUPPLIER CODE: V15653 SPECIFICATION NUMBER: BACN10NW1 OPTIONAL PART: RMA4812-160-40 V72962 293162 V60119 USED ON: 233N7503-21 233N7503-22 233N7503-29 233N7503-30 233N7503-31 233N7503-32 233N7503-33	002004 107107 952952	3
55	K19798-04		..NUT- SUPPLIER CODE: V15653 SPECIFICATION NUMBER: BACN10NW1 OPTIONAL PART: RMA4812-160-40 V72962 293162 V60119 USED ON: 233N7503-34 233N7503-44 233N7503-45 233N7503-46 233N7503-47 233N7503-48 233N7503-50 233N7503-51 233N7503-53 233N7503-56 233N7503-60	002004 006100 107107 121503 904999	2
60	BACC45FN16-24P6		-----*----- ..CONNECTOR	002004 006100 107107 121503 904999	1

MISSING ITEM NUMBERS NOT APPLICABLE

- ITEM NOT ILLUSTRATED

BRI

27-23-51-01

BOEING PROPRIETARY - Copyright © - Unpublished Work - See title page for details.

27-23-51  
FIG. 01  
PAGE 10  
JAN 20/09



757

PARTS CATALOG (MAINTENANCE)

FIG ITEM	PART NUMBER	1 2 3 4 5 6 7	NOMENCLATURE	EFFECT FROM TO	UNITS PER ASSY
1	65	BACC45FN16-24P7	.. CONNECTOR	002004 006100 107107 121503 904999	1
-	70	BACS12CB04-5	ATTACHING PARTS .. SCREW- USED ON: 233N7503-21 233N7503-22 233N7503-29 233N7503-30 233N7503-31 233N7503-32 233N7503-33	002004 107107 952952	4
-	70	NAS1801-04-5	.. SCREW- OPTIONAL PART: BACS12HN04-5 USED ON: 233N7503-34 233N7503-44 233N7503-45 233N7503-46 233N7503-47 233N7503-48 233N7503-50 233N7503-51 233N7503-53	002004 011100 107107 121503 904949 952952	4
-	70	BACS12HN04-5	.. SCREW- OPTIONAL PART: NAS1801-04-5 USED ON: 233N7503-51 233N7503-53	011100 121503 904949	4
-	72	MS51957-14	.. SCREW- USED ON: 233N7503-56 233N7503-60	002004 006010 107107 950999	4
-	75	K19798-04	.. NUT SUPPLIER CODE: V15653 SPECIFICATION NUMBER: BACN10NW1 OPTIONAL PART: RMA4812-160-40 V72962 293162 V60119 -----*-----	002004 006100 107107 121503 904999	4

MISSING ITEM NUMBERS NOT APPLICABLE

- ITEM NOT ILLUSTRATED

27-23-51-01

27-23-51  
FIG. 01  
PAGE 11  
JAN 20/09

BRI



757

PARTS CATALOG (MAINTENANCE)

FIG ITEM	PART NUMBER	1 2 3 4 5 6 7	NOMENCLATURE	EFFECT FROM TO	UNITS PER ASSY
1					
- 600	286N2064-003		WIRE BUNDLE ASSY	121503 904949	RF
- 600	286N2064-004		WIRE BUNDLE ASSY-	107107	RF
- 600	286N2064-005		WIRE BUNDLE ASSY-	002004	RF
			REWORKED BY SB: 33-0039	006100 950999	
610	BACC45FT14A15S6		.CONNECTOR- ELECTRICAL EQUIP NUMBER: D03712 WIRING DIAGRAM REF: 272311	002004 006100 107107 121503 904999	1
- 700	286N2066-006		WIRE BUNDLE ASSY-	121503	RF
- 700	286N2066-007		WIRE BUNDLE ASSY	904949 107107	RF
- 700	286N2066-008		WIRE BUNDLE ASSY-	002004	RF
				006100 950999	
710	BACC45FT16A24S6		.CONNECTOR- ELECTRICAL EQUIP NUMBER: D03708 WIRING DIAGRAM REF: 242211	002004 006100 107107 121503 904999	1
- 800	286N2070-003		WIRE BUNDLE ASSY-	121503	RF
- 800	286N2070-004		WIRE BUNDLE ASSY	904949 107107	RF
- 800	286N2070-005		WIRE BUNDLE ASSY-	002004	RF
				006100 950999	
810	BACC45FT16A24S7		.CONNECTOR- ELECTRICAL EQUIP NUMBER: D03710 WIRING DIAGRAM REF: 242221	002004 006100 107107 121503 904999	1

MISSING ITEM NUMBERS NOT APPLICABLE

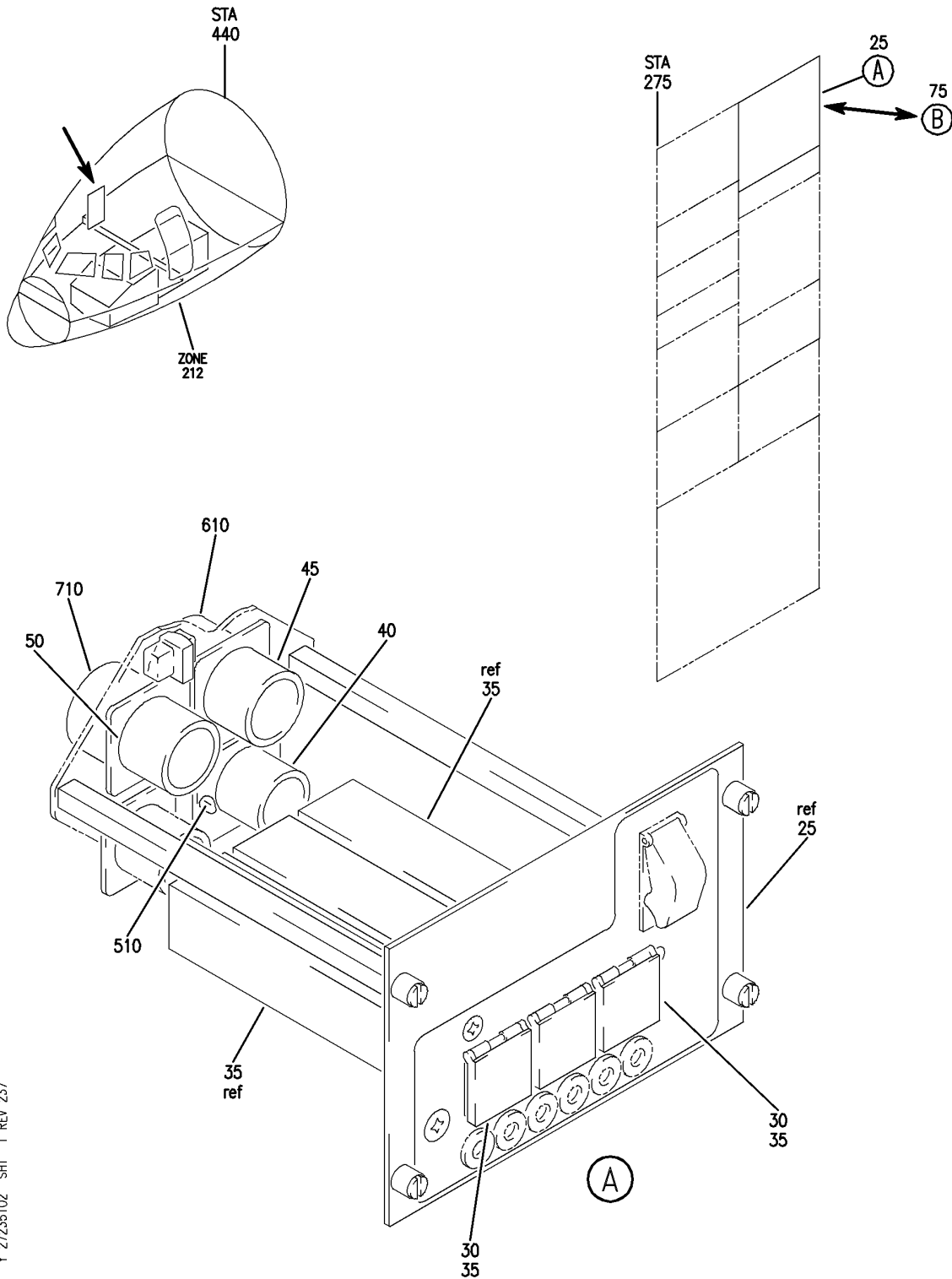
- ITEM NOT ILLUSTRATED

BRI

27-23-51-01

27-23-51  
FIG. 01  
PAGE 12  
JAN 20/09

**BOEING**  
757  
PARTS CATALOG (MAINTENANCE)



Y 27235102 SHT 1 REV 237

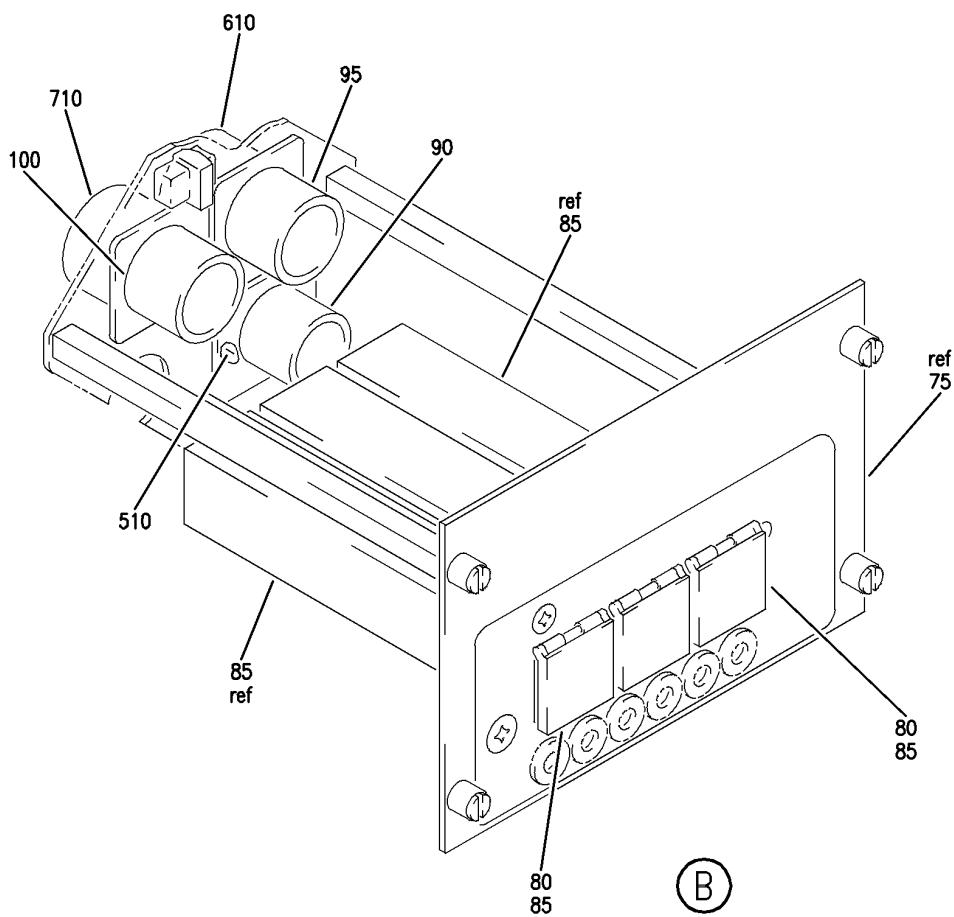
PANEL INSTL-P61 R SIDEWALL (FLIGHT CONTROLS ONLY)  
FIGURE 2 (SHEET 1)

**27-23-51-02**

BRI  
MAY 28/07

27-23-51-02  
PAGE 0

**BOEING**  
757  
PARTS CATALOG (MAINTENANCE)



Y 27235102 SH1 2 REV 237

PANEL INSTL-P61 R SIDEWALL (FLIGHT CONTROLS ONLY)  
FIGURE 2 (SHEET 2)

**27-23-51-02**

BRI  
MAY 28/07

27-23-51-02  
PAGE 0A



757

PARTS CATALOG (MAINTENANCE)

FIG ITEM	PART NUMBER	1 2 3 4 5 6 7	NOMENCLATURE	EFFECT FROM TO	UNITS PER ASSY
2			PANEL INSTL-P61 R SIDEWALL (FLIGHT CONTROLS ONLY)	101106 108120 504903	
- 1	233N7403-117		PANEL INSTL-P61 SIDEWALL (FLIGHT CONTROLS ONLY) POSITION DATA: R FOR NHA/OTHER SYS DET SEE: 25-10-00-15B	504903	RF
- 2	233N7403-128		PANEL INSTL-P61 SIDEWALL (FLIGHT CONTROLS ONLY) POSITION DATA: R FOR NHA/OTHER SYS DET SEE: 25-10-00-15B	102102	RF
- 4	233N7403-158		PANEL INSTL-P61 SIDEWALL (FLIGHT CONTROLS ONLY) POSITION DATA: R FOR NHA/OTHER SYS DET SEE: 25-10-00-15B	108120	RF
- 4	233N7403-28		PANEL INSTL-P61 SIDEWALL (FLIGHT CONTROLS ONLY) POSITION DATA: R FOR NHA/OTHER SYS DET SEE: 25-10-00-15B	101101	RF

MISSING ITEM NUMBERS NOT APPLICABLE

- ITEM NOT ILLUSTRATED

BRI

27-23-51-02

BOEING PROPRIETARY - Copyright © - Unpublished Work - See title page for details.

27-23-51  
FIG. 02  
PAGE 1  
JAN 20/09





757

PARTS CATALOG (MAINTENANCE)

FIG ITEM	PART NUMBER	1 2 3 4 5 6 7	NOMENCLATURE	EFFECT FROM TO	UNITS PER ASSY
2 - 8	MODREF33342		PANEL INSTL- (FLIGHT CONTROLS ONLY) MODULE NUMBER: 233N7403-171 REV A FOR OTHER SYS DETAILS SEE: 11-32-01-98 21-58-51-04 22-21-51-01 23-41-52-01 24-22-73-02 26-18-53-02 26-21-52-01 26-22-52-01 26-23-52-03 28-41-51-04 29-22-52-01 30-11-52-01 30-41-51-04 31-14-16-87 31-31-04-01 31-41-53-01 31-51-51-01 34-12-54-01 34-21-51-02 34-46-51-05 34-61-53-03	103106	1
25	233N7503-51		.PANEL ASSY-GEN FIELD AND HYDR SUPPLIER CODE: V89954 ELECTRICAL EQUIP NUMBER: M10191 COMPONENT MAINT MANUAL REF: 24-22-73 QUALIFIED I/W DATA: -32 I/W -51 EXCEPT WHEN INSTALLING A -32 IN PLACE OF -51 FIELD GENERATOR SWITCHES S1, S2, S3 MUST BE MARKED INOPERABLE.	108120	RF
25	233N7503-56		.PANEL ASSY-GEN FIELD AND HYDR SUPPLIER CODE: V89954 ELECTRICAL EQUIP NUMBER: M10191 COMPONENT MAINT MANUAL REF: 24-22-73	101106 504903	RF

MISSING ITEM NUMBERS NOT APPLICABLE

- ITEM NOT ILLUSTRATED

BRI

27-23-51-02

27-23-51  
FIG. 02  
PAGE 2  
JAN 20/09



757

PARTS CATALOG (MAINTENANCE)

FIG ITEM	PART NUMBER	1 2 3 4 5 6 7	NOMENCLATURE	EFFECT FROM TO	UNITS PER ASSY
2 30	433-100-004		. . GUARD-SWITCH SUPPLIER CODE: V81590 SPECIFICATION NUMBER: S231T290-823 QUALIFIED I/W DATA: 851-30768-803 OR -813 OR 433-100-004 TOGETHER WITH 851-30768-2024 SWITCHLIGHT I/W 433-100-004 TOGETHER WITH BCRE7611 OR 851-30768-3024 OR S231T290-4024 OR S231T290-5024	101106 108120 504903	3

MISSING ITEM NUMBERS NOT APPLICABLE

- ITEM NOT ILLUSTRATED

BRI

27-23-51-02

BOEING PROPRIETARY - Copyright © - Unpublished Work - See title page for details.

27-23-51  
FIG. 02  
PAGE 3  
JAN 20/09



757

PARTS CATALOG (MAINTENANCE)

FIG ITEM	PART NUMBER	1 2 3 4 5 6 7 NOMENCLATURE	EFFECT FROM TO	UNITS PER ASSY
2 35	BCREFA0510	<p>.. SWITCH ASSY-LIGHTED PUSH            BUTTON IND ON/OFF            SUPPLIER CODE:            V81590            OVERLENGTH PART NUMBER:            433-673-1004-4024            SPECIFICATION NUMBER:            S231T290-4024            MISCELLANEOUS DATA:            WHEN REPLACING THE            PUSHBUTTON SWITCH ASSY            OR THE MASTER MODULE            WITHIN, VERIFY THAT A            CONFIG D MASTER MODULE            P/N 13206-001 IS            INSTALLED IN LIEU OF ANY            EARLIER CONFIGURATION            MASTER MODULES.            QUALIFIED I/W DATA:            851-30768-2024 TOGETHER            WITH 851-30768-803 -813            OR 433-100-004            SWITCHGUARD I/W            BCREFA0510 OR            S231T290-5024 WITH            433-100-004 SWITCHGUARD            851-35100-5024 I/W            BCREFA0510 EXCEPT            SUBJECT TO CUSTOMER            PREFERENCE            OPTIONAL PART:            851-35100-5024            V96182            FOR DETAILS SEE:            33-13-00-40</p>	101106 108120 504903	3

MISSING ITEM NUMBERS NOT APPLICABLE

- ITEM NOT ILLUSTRATED

BRI

27-23-51-02

BOEING PROPRIETARY - Copyright © - Unpublished Work - See title page for details.

27-23-51  
FIG. 02  
PAGE 4  
JAN 20/09



757

PARTS CATALOG (MAINTENANCE)

FIG ITEM	PART NUMBER	1 2 3 4 5 6 7	NOMENCLATURE	EFFECT FROM TO	UNITS PER ASSY
2	35 851-35100-5024		.. SWITCH ASSY-LIGHTED PUSH BUTTON IND ON/OFF SUPPLIER CODE: V96182 SPECIFICATION NUMBER: S231T290-5024 QUALIFIED I/W DATA: 851-30768-2024 TOGETHER WITH 851-30768-803 -813 OR 433-100-004 SWITCHGUARD I/W BCREF7611 851-30768-3024 BCREFA0510 OR S231T290-5024 WITH 433-100-004 SWITCHGUARD 851-35100-5024 I/W BCREFA0510 EXCEPT SUBJECT TO CUSTOMER PREFERENCE OPTIONAL PART: 4336731004-4224 V81590 BCREFA0510 V96182	101106 108120 504903	3
	35 4336731004-4224		.. SWITCH ASSY-LIGHTED PUSH BUTTON IND ON/OFF SUPPLIER CODE: V81590 SPECIFICATION NUMBER: S231T290-4224 OPTIONAL PART: 851-35100-5024 V96182	101106 108120 504903	3
	40 BACC45FN14-15P6		.. CONNECTOR	101106 108120 504903	1
	45 BACC45FN16-24P6		.. CONNECTOR	101106 108120 504903	1
	50 BACC45FN16-24P7		.. CONNECTOR	101106 108120 504903	1
-	55 NAS1801-04-5		ATTACHING PARTS .. SCREW- OPTIONAL PART: BACS12HN04-5	108120	6
-	55 MS51957-14		.. SCREW	101106 504903	6

MISSING ITEM NUMBERS NOT APPLICABLE

- ITEM NOT ILLUSTRATED

27-23-51-02

27-23-51  
FIG. 02  
PAGE 5  
JAN 20/09

BRI



757

PARTS CATALOG (MAINTENANCE)

FIG ITEM	PART NUMBER	1 2 3 4 5 6 7	NOMENCLATURE	EFFECT FROM TO	UNITS PER ASSY
2					
- 55	BACS12HN04-5	..	SCREW- OPTIONAL PART: NAS1801-04-5	108120	6
- 60	K19798-04	..	NUT SUPPLIER CODE: V15653 SPECIFICATION NUMBER: BACN10NW1 OPTIONAL PART: RMA4812-160-40 V72962 293162 V60119	101106 108120 504903	6
			-----*-----		
- 501	286N2064-341		WIRE BUNDLE ASSY	504903	RF
- 501	286N2064-342		WIRE BUNDLE ASSY	101102	RF
- 501	286N2064-343		WIRE BUNDLE ASSY	108120	RF
- 502	286N2064-701		WIRE BUNDLE ASSY	103106	RF
510	BACC45FT14A15S6	.	CONNECTOR- ELECTRICAL EQUIP NUMBER: D03712 WIRING DIAGRAM REF: 272311	101106 108120 504903	1
- 600	286N2066-010		WIRE BUNDLE ASSY	504903	RF
- 601	286N2066-334		WIRE BUNDLE ASSY	101102	RF
- 602	286N2066-346		WIRE BUNDLE ASSY	108120	RF
- 604	286N2066-602		WIRE BUNDLE ASSY	103106	RF
610	BACC45FT16A24S6	.	CONNECTOR- ELECTRICAL EQUIP NUMBER: D03708 WIRING DIAGRAM REF: 242211	101106 108120 504903	1
- 702	286N2070-335		WIRE BUNDLE ASSY	101102	RF
- 702	286N2070-337		WIRE BUNDLE ASSY	108120	RF
- 702	286N2070-340		WIRE BUNDLE ASSY	504903	RF
- 705	286N2070-601		WIRE BUNDLE ASSY	103106	RF
710	BACC45FT16A24S7	.	CONNECTOR- ELECTRICAL EQUIP NUMBER: D03710 WIRING DIAGRAM REF: 242221	101106 108120 504903	1

MISSING ITEM NUMBERS NOT APPLICABLE

- ITEM NOT ILLUSTRATED

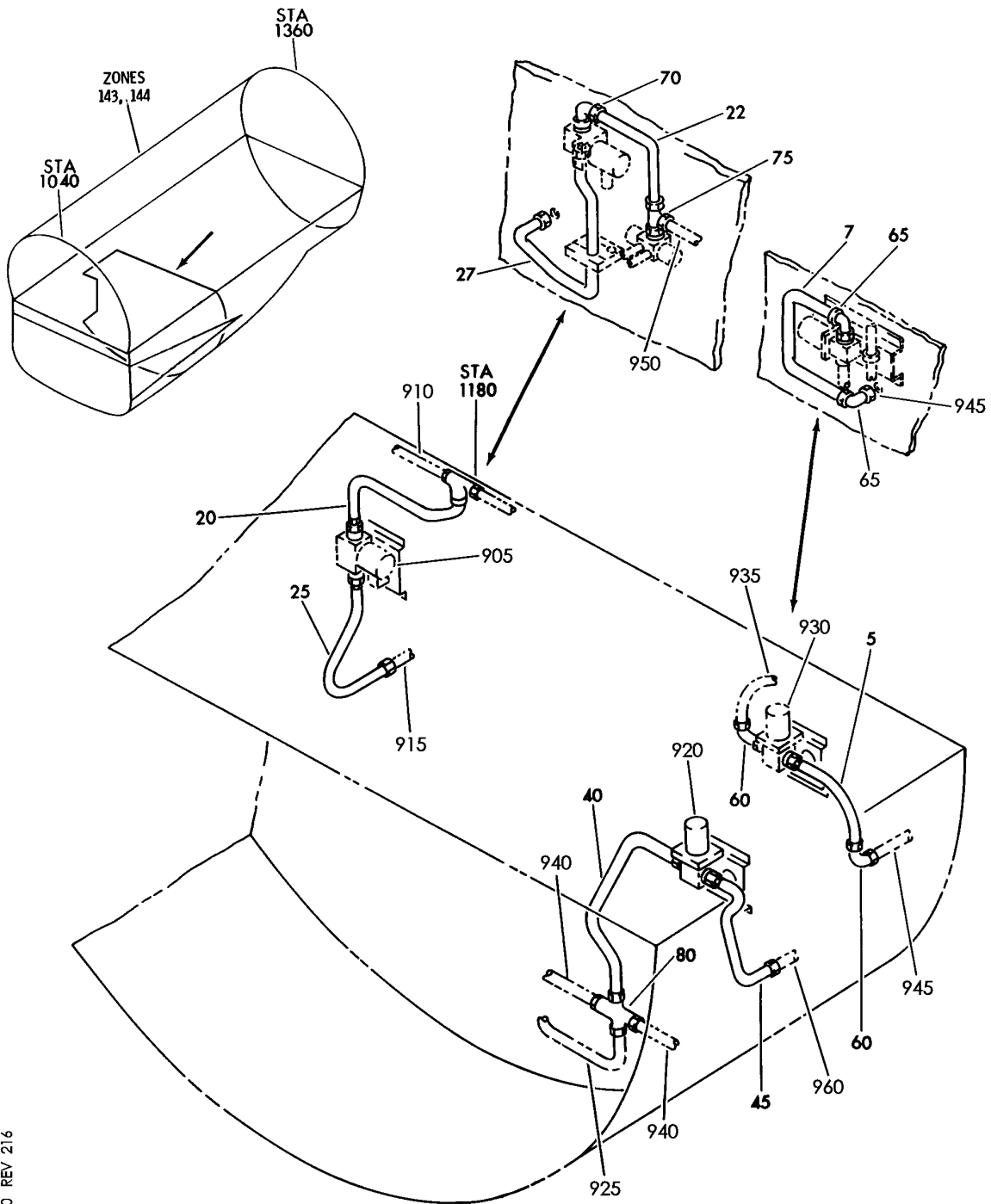
27-23-51-02

27-23-51  
FIG. 02  
PAGE 6  
JAN 20/09

BRI

BOEING PROPRIETARY - Copyright © - Unpublished Work - See title page for details.

**BOEING**  
757  
PARTS CATALOG (MAINTENANCE)



Y 27235120 REV 216

PLUMBING INSTL-MAIN WHL WELL AFT BHD HYDR (FLIGHT CONTROL ONLY)  
FIGURE 20

**27-23-51-20**

BRI  
MAY 28/07

27-23-51-20  
PAGE 0



757

PARTS CATALOG (MAINTENANCE)

FIG ITEM	PART NUMBER	1 2 3 4 5 6 7	NOMENCLATURE	EFFECT FROM TO	UNITS PER ASSY
20			PLUMBING INSTL-MAIN WHL WELL AFT BHD HYDR (FLIGHT CONTROL ONLY)	002004 006100 107107 121503 904999	
- 1	271N6446-1		PLUMBING INSTL-MAIN WHL WELL HYDR (FLIGHT CONTROL ONLY) POSITION DATA: AFT BHD VARIABLE DRAWING REF: 271N6446-8 FOR NHA/OTHER SYS DET SEE: 29-00-51-05	002004 006100 107107 121503 904999	RF
5	271N6446-1085		.TUBE ASSY-PRESSURE SYS POSITION DATA: L TUBING MATERIAL: .625 IN. OD .032 IN. WALL 10.00 IN. LG TI BMS 7-234 TI-3AL-2.5V COLD WORKED, STRESS RELIEVED TUBING	002004 006100 107107 121503 904999	1
- 10	AS1581T10		..SLEEVE	002004 006100 107107 121503 904999	2
- 15	BACN10YA10		..NUT	002004 006100 107107 121503 904999	2
20	271N6446-1055		.TUBE ASSY-PRESSURE SYS POSITION DATA: R TUBING MATERIAL: .625 IN. OD .032 IN WALL 16.70 IN. LG TI BMS 7-234 TI-3AL-2.5V COLD WORKED, STRESS RELIEVED TUBING	002004 006100 107107 121503 904999	1

MISSING ITEM NUMBERS NOT APPLICABLE

- ITEM NOT ILLUSTRATED

BRI

27-23-51-20

27-23-51  
FIG. 20  
PAGE 1  
JAN 20/09



757

PARTS CATALOG (MAINTENANCE)

FIG ITEM	PART NUMBER	1 2 3 4 5 6 7	NOMENCLATURE	EFFECT FROM TO	UNITS PER ASSY
20					
25	271N6446-1081		.TUBE ASSY-PRESSURE SYS POSITION DATA: R TUBING MATERIAL: .375 IN. OD .019 IN. WALL 10.00 IN. LG AL. BMS 7-234 TI-3AL-2.5V COLD WORKED, STRESS RELIEVED TUBING	107107	1
25	271N6446-1086		.TUBE ASSY-PRESSURE SYS POSITION DATA: R TUBING MATERIAL: .625 IN. OD .032 IN. WALL 13.00 IN. LG TI BMS 7-234 TI-3AL-2.5V COLD WORKED, STRESS RELIEVED TUBING	002004 006100 121503 904999	1
- 30	AS1581T10		..SLEEVE	002004 006100 107107 121503 904999	2
- 35	BACN10YA10		..NUT	002004 006100 107107 121503 904999	2
40	271N6446-1066		.TUBE ASSY-PRESSURE CTR SYS TUBING MATERIAL: .625 IN. OD .032 IN. WALL 17.90 IN. LG TI BMS 7-234 TI-3AL-2.5V COLD WORKED, STRESS RELIEVED TUBING	002004 006100 107107 121503 904999	1
45	271N6446-1078		.TUBE ASSY-PRESSURE CTR SYS TUBING MATERIAL: .625 IN. OD .032 IN. WALL 18.50 IN. LG TI BMS 7-234 TI-3AL-2.5V COLD WORKED, STRESS RELIEVED TUBING	002004 006100 107107 121503 904999	1
- 50	AS1581T10		..SLEEVE	002004 006100 107107 121503 904999	2

MISSING ITEM NUMBERS NOT APPLICABLE

- ITEM NOT ILLUSTRATED

27-23-51-20

27-23-51  
FIG. 20  
PAGE 2  
JAN 20/09

BRI



**BOEING**  
757  
**PARTS CATALOG (MAINTENANCE)**

FIG ITEM	PART NUMBER	1 2 3 4 5 6 7	NOMENCLATURE	EFFECT FROM TO	UNITS PER ASSY
20					
- 55	BACN10YA10	. .	NUT	002004 006100 107107 121503 904999	2
60	NAS1762T1010	. ELBOW-		002004 006100 107107 121503 904999	2
60	NAS1762J1010	. ELBOW-		002004 006100 107107 121503 904999	2
70	NAS1762T1006	. ELBOW		002004 006100 107107 121503 904999	1
80	BACC27N10101008	. CROSS-REDUCER		002004 006100 107107 121503 904999	1
		OPTIONAL PART:			
		BACC27H10101008			
80	BACC27H10101008	. CROSS-REDUCER		002004 006100 107107 121503 904999	1
		OPTIONAL PART:			
		BACC27N10101008			
905		ILLUSTRATION REFERENCE: VALVE INSTL-R SYS EMPENNAGE ISOLATION 27-23-01-02		002004 006100 107107 121503 904999	RF
910		ILLUSTRATION REFERENCE: PLUMBING INSTL-SECT. 44 R PRESSURE DECK HYDR (HYDRAULIC POWER ONLY) 29-11-51-34		002004 006100 107107 121503 904999	RF
915		ILLUSTRATION REFERENCE: PLUMBING INSTL-SECT. 46 HYDR (RUDDER AND ELEVATOR HYDRAULIC SYSTEMS ONLY) 27-23-51-31		002004 006100 107107 121503 904999	RF

MISSING ITEM NUMBERS NOT APPLICABLE

- ITEM NOT ILLUSTRATED

BRI

# 27-23-51-20

BOEING PROPRIETARY - Copyright © - Unpublished Work - See title page for details.

27-23-51  
FIG. 20  
PAGE 3  
JAN 20/09



757

PARTS CATALOG (MAINTENANCE)

FIG ITEM	PART NUMBER	1 2 3 4 5 6 7	NOMENCLATURE	EFFECT FROM TO	UNITS PER ASSY
20					
920			ILLUSTRATION REFERENCE: VALVE INSTL-CTR SYS EMPENNAGE ISOLATION 27-23-01-01	002004 006100 107107 121503 904999	RF
925			ILLUSTRATION REFERENCE: PLUMBING INSTL-MLG WHL WELL HYDR (HYDRAULIC POWER ONLY) 29-11-51-32	002004 006100 107107 121503 904999	RF
930			ILLUSTRATION REFERENCE: VALVE INSTL-L SYS EMPENNAGE ISOLATION 27-23-01-03	002004 006100 107107 121503 904999	RF
935			ILLUSTRATION REFERENCE: PLUMBING INSTL-SECT. 44 R PRESSURE DECK HYDR (HYDRAULIC POWER ONLY) 29-11-51-34	002004 006100 107107 121503 904999	RF
940			ILLUSTRATION REFERENCE: PLUMBING INSTL-SECT. 44 AFT BHD MLG WHL WELL HYDR (HYDRAULIC POWER ONLY) 29-11-51-30	002004 006100 107107 121503 904999	RF
945			ILLUSTRATION REFERENCE: PLUMBING INSTL-SECT. 46 HYDR (RUDDER AND ELEVATOR HYDRAULIC SYSTEMS ONLY) 27-23-51-30	002004 006100 107107 121503 904999	RF

MISSING ITEM NUMBERS NOT APPLICABLE

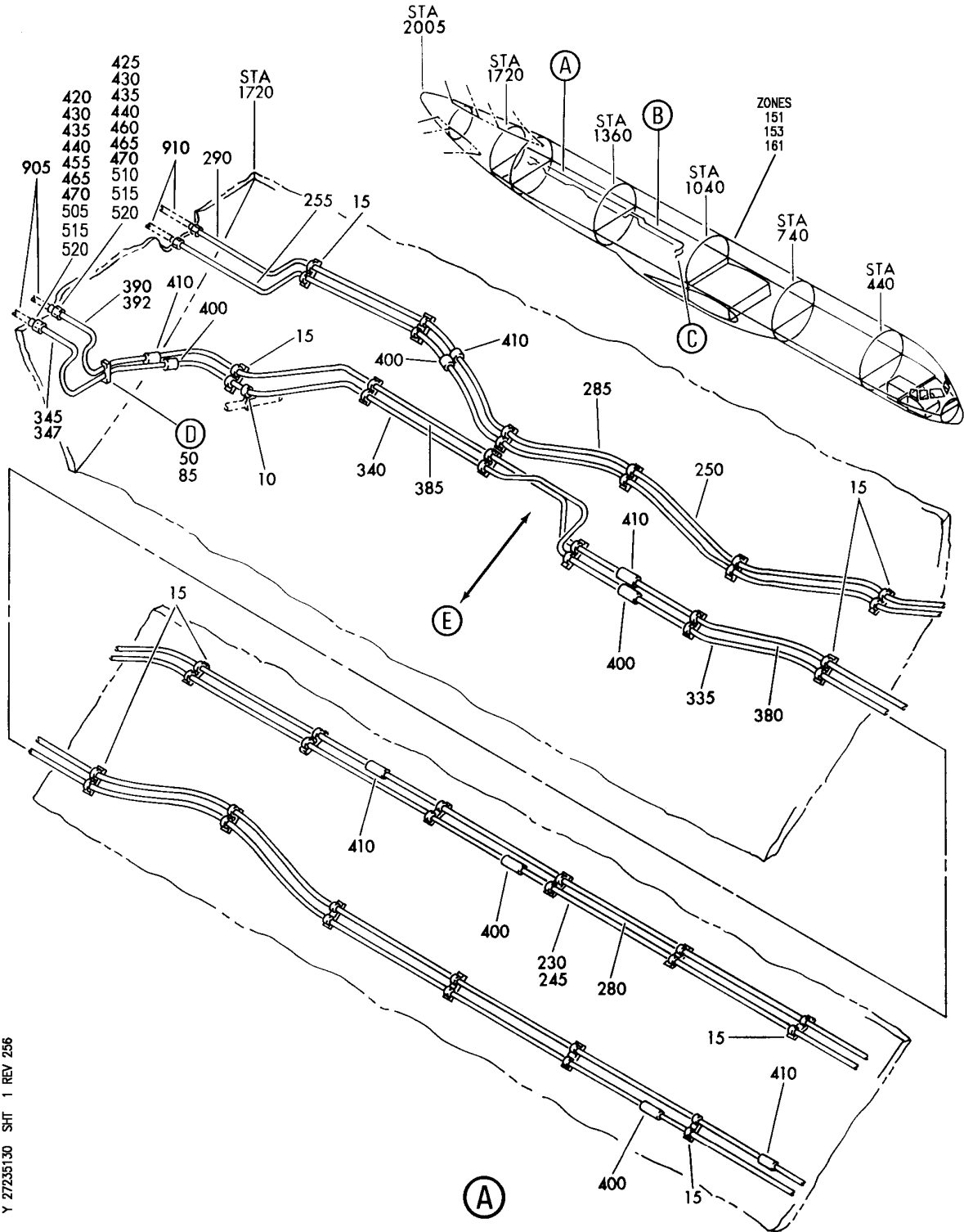
- ITEM NOT ILLUSTRATED

BRI

**27-23-51-20**

27-23-51  
FIG. 20  
PAGE 4  
JAN 20/09

**BOEING**  
757  
PARTS CATALOG (MAINTENANCE)



Y 27235130 SH1 1 REV 256

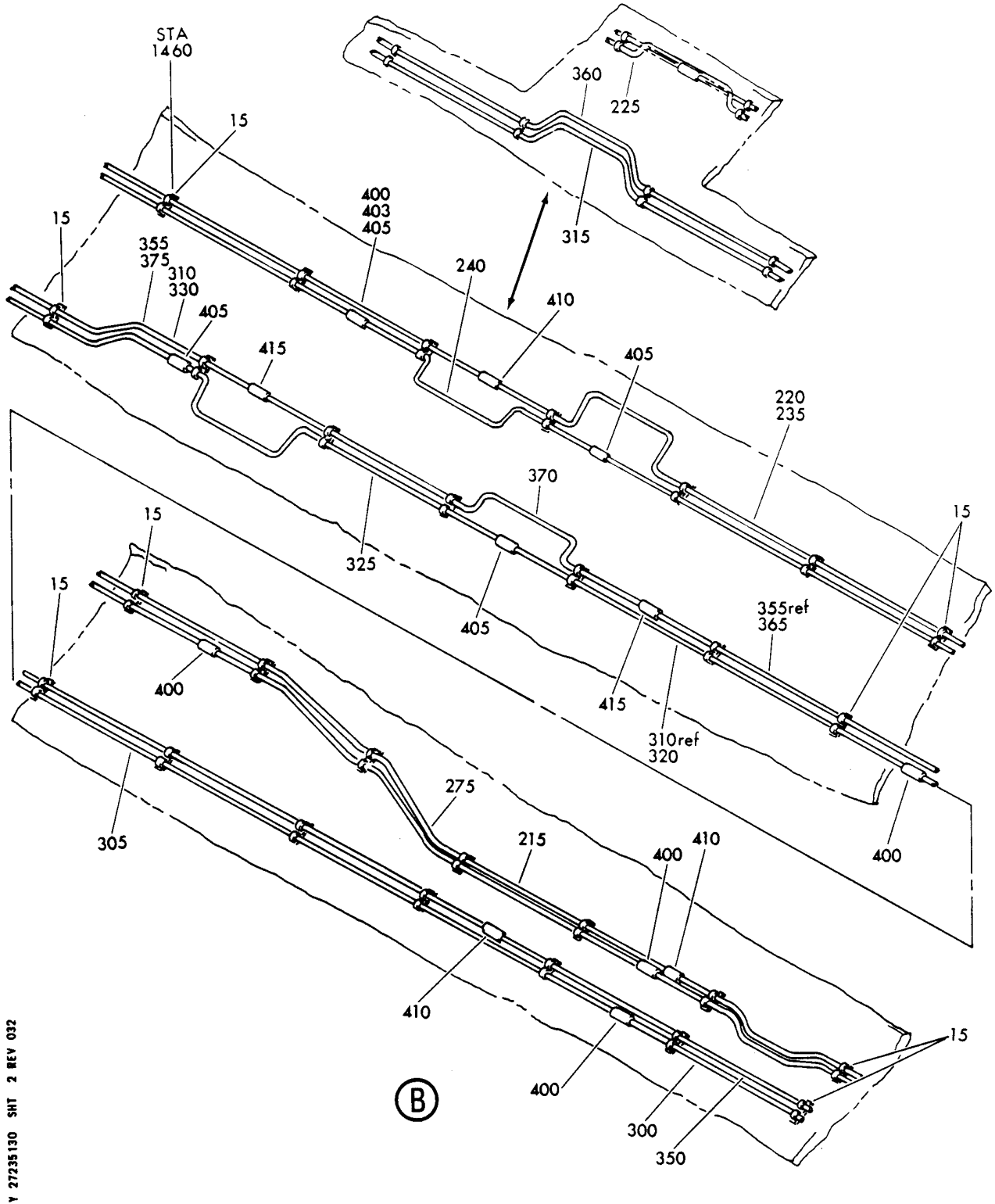
PLUMBING INSTL-SECT. 46 HYDR (RUDDER AND ELEVATOR HYDRAULIC SYSTEMS ONLY)  
FIGURE 30 (SHEET 1)

**27-23-51-30**

BRI  
MAY 28/07

27-23-51-30  
PAGE 0

**BOEING**  
757  
PARTS CATALOG (MAINTENANCE)



Y 27235130 SHT 2 REV 032

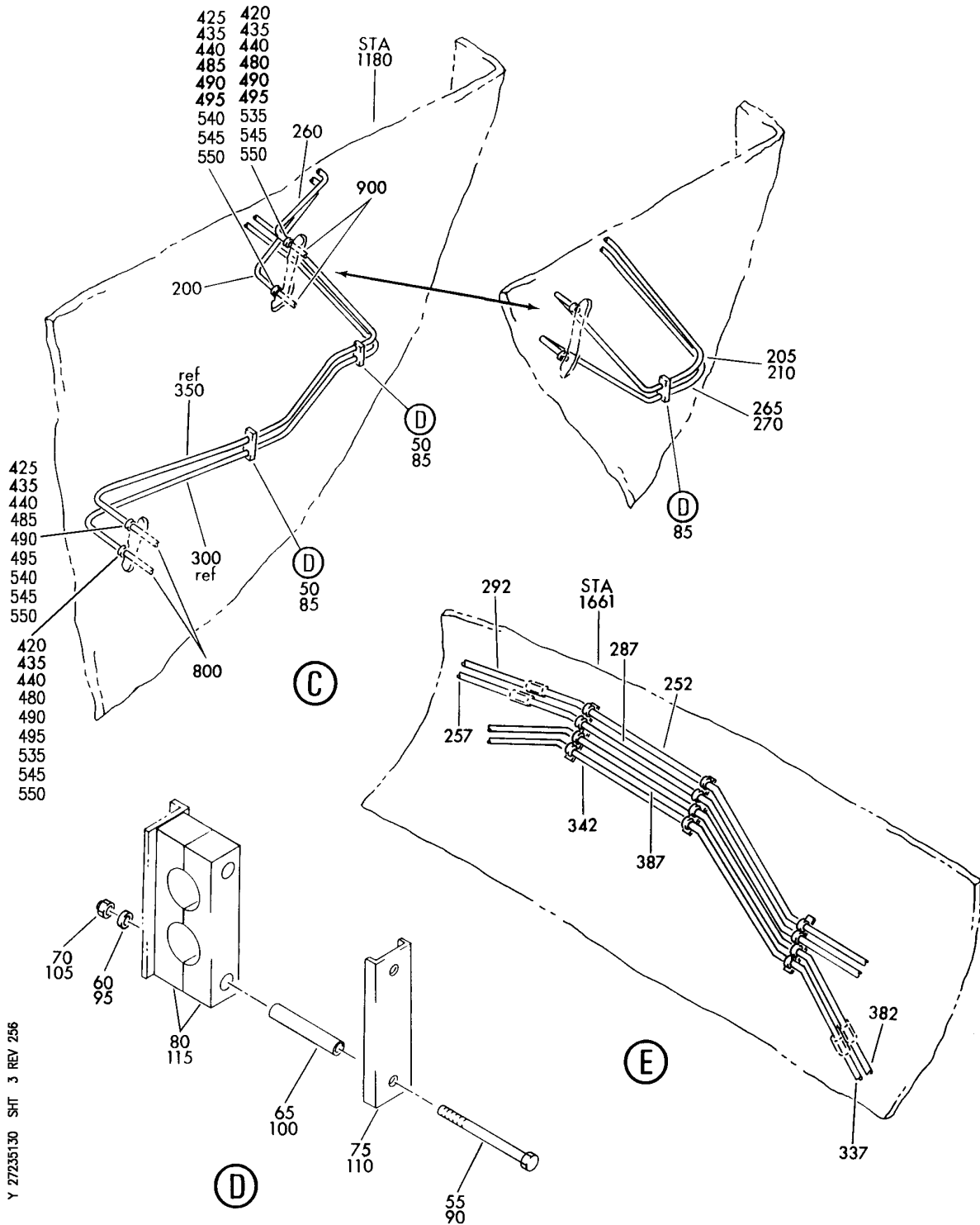
PLUMBING INSTL-SECT. 46 HYDR (RUDDER AND ELEVATOR HYDRAULIC SYSTEMS ONLY)  
FIGURE 30 (SHEET 2)

**27-23-51-30**

BRI  
MAY 28/07

27-23-51-30  
PAGE 0A

**BOEING**  
757  
PARTS CATALOG (MAINTENANCE)



Y 27235130 SHT 3 REV 256

PLUMBING INSTL-SECT. 46 HYDR (RUDDER AND ELEVATOR HYDRAULIC SYSTEMS ONLY)  
FIGURE 30 (SHEET 3)

**27-23-51-30**

BRI  
MAY 28/07

27-23-51-30  
PAGE 0B



757

PARTS CATALOG (MAINTENANCE)

FIG ITEM	PART NUMBER	1 2 3 4 5 6 7	NOMENCLATURE	EFFECT FROM TO	UNITS PER ASSY
30			PLUMBING INSTL-SECT. 46 HYDR (RUDDER AND ELEVATOR HYDRAULIC SYSTEMS ONLY)	002004 006999	
- 1	271N6461-4		PLUMBING INSTL-HYDR (RUDDER AND ELEVATOR HYDRAULIC SYSTEMS ONLY) POSITION DATA: SECT. 46 VARIABLE DRAWING REF: 271N6461-5 271N6461-11 FOR NHA/OTHER SYS DET SEE: 29-00-51-04	002004 006100 107107 121503 904999	RF
10	M85052-2-10		.CLAMP	002004 006100 107107 121503 904999	1
- 12	NAS1801-3		ATTACHING PARTS .SCREW- SIZE DETERMINED ON INSTL.	002004 006100 107107 121503 904999	1
- 13	AN960PD10		.WASHER	002004 006100 107107 121503 904999	1

MISSING ITEM NUMBERS NOT APPLICABLE

- ITEM NOT ILLUSTRATED

BRI

27-23-51-30

27-23-51  
FIG. 30  
PAGE 1  
JAN 20/09



757

PARTS CATALOG (MAINTENANCE)

FIG ITEM	PART NUMBER	1 2 3 4 5 6 7	NOMENCLATURE	EFFECT FROM TO	UNITS PER ASSY
30 - 14	BRH10A3		.NUT SUPPLIER CODE: V52828 SPECIFICATION NUMBER: BACN10JC3 OPTIONAL PART: H10-3BAC V15653 NS202101-02 V80539 RMLH9075-3W V72962 VN303A02 V92215 96-02 V80539 T6S1032J V11815 -----*-----	002004 006100 107107 121503 904999	1
15	TA0630003-10		.CLAMP- SUPPLIER CODE: V84971  ATTACHING PARTS	002004 006100 107107 121503 904999	108
- 20	NAS1801-3		.SCREW- SIZE DETERMINED ON INSTL.	002004 006100 107107 121503 904999	216
- 25	AN960PD10		.WASHER	002004 006100 107107 121503 904999	216

MISSING ITEM NUMBERS NOT APPLICABLE

- ITEM NOT ILLUSTRATED

27-23-51-30

27-23-51  
FIG. 30  
PAGE 2  
JAN 20/09

BRI



757

PARTS CATALOG (MAINTENANCE)

FIG ITEM	PART NUMBER	1 2 3 4 5 6 7	NOMENCLATURE	EFFECT FROM TO	UNITS PER ASSY
30					
- 30	BRH10A3	.NUT	SUPPLIER CODE: V52828 SPECIFICATION NUMBER: BACN10JC3 OPTIONAL PART: H10-3BAC V15653 NS202101-02 V80539 RMLH9075-3W V72962 VN303A02 V92215 96-02 V80539 T6S1032J V11815	002004 006100 107107 121503 904999	216
85	270N2000-15	-----*-----	.CLAMP ASSY-BLK	002004 006100 107107 121503 904999	4
90	NAS1801-3-28	..SCREW-		002004 006100 107107 121503 904999	2
95	AN960PD10L	..WASHER		002004 006100 107107 121503 904999	2
100	NAS43DD3-75	..SPACER		002004 006100 107107 121503 904999	2

MISSING ITEM NUMBERS NOT APPLICABLE

- ITEM NOT ILLUSTRATED

BRI

27-23-51-30

27-23-51  
FIG. 30  
PAGE 3  
JAN 20/09





757

PARTS CATALOG (MAINTENANCE)

FIG ITEM	PART NUMBER	1 2 3 4 5 6 7	NOMENCLATURE	EFFECT FROM TO	UNITS PER ASSY
30 105	BRH10A3	..	NUT SUPPLIER CODE: V52828 SPECIFICATION NUMBER: BACN10JC3 OPTIONAL PART: H10-3BAC V15653 NS202101-02 V80539 RMLH9075-3W V72962 VN303A02 V92215 96-02 V80539 T6S1032J V11815	002004 006100 107107 121503 904999	2
110	270N2000-810	..	CHANNEL	002004 006100 107107 121503 904999	1
115	270N2000-422	..	BLOCK	002004 006100 107107 121503 904999	2
205	271N6461-1155	.TUBE ASSY-PRESSURE L SYS POSITION DATA: L TUBING MATERIAL: .625 IN. OD .032 IN. WALL 60.3 IN. LG TITANIUM BMS 7-234 TI-3AL-2.5 COLD WORKED, STRESS RELIEVED TUBING	002004 006100 107107 121503 904999	1	
215	271N6461-1138	.TUBE ASSY-PRESSURE SYS POSITION DATA: L TUBING MATERIAL: .625 IN. OD .032 IN. WALL 81.7 IN. LG TITANIUM BMS 7-234 TI-3AL-2.5V COLD WORKED, STRESS RELIEVED TUBING	002004 006100 107107 121503 904999	1	

MISSING ITEM NUMBERS NOT APPLICABLE

- ITEM NOT ILLUSTRATED

27-23-51-30

27-23-51  
FIG. 30  
PAGE 4  
JAN 20/09

BRI



757

PARTS CATALOG (MAINTENANCE)

FIG ITEM	PART NUMBER	1 2 3 4 5 6 7	NOMENCLATURE	EFFECT FROM TO	UNITS PER ASSY
30 225	271N6461-1043		.TUBE ASSY-PRESSURE SYS POSITION DATA: L TUBING MATERIAL: .625 IN. OD .032 IN. WALL 118.7 IN. LG COLD WORKED STRESS RELIEVED TUBING	002004 006100 107107 121503 904999	1
230	271N6461-1226		.TUBE ASSY-PRESSURE SYS POSITION DATA: L TUBING MATERIAL: .625 IN. OD .032 IN. WALL 101.2 IN. LG TITANIUM BMS 7-234 TI-3AL-2.5V COLD WORKED, STRESS RELIEVED TUBING	003004 006100 107107 121503 904999	1
252	271N6461-1136		.TUBE ASSY-PRESSURE SYS POSITION DATA: L TUBING MATERIAL: .625 IN. OD .032 IN. WALL 149.9 IN. LG TITANIUM BMS 7-234 TI-3AL-2.5V COLD WORKED, STRESS RELIEVED TUBING	002004 006100 107107 121503 904999	1
257	271N6461-1145		.TUBE ASSY-PRESSURE SYS POSITION DATA: L TUBING MATERIAL: .625 IN. OD .032 IN. WALL 55.5 IN. LG TITANIUM BMS 7-234 TI-3AL-2.5V COLD WORKED, STRESS RELIEVED TUBING	107107	1
257	271N6461-1232		.TUBE ASSY-PRESSURE SYS POSITION DATA: L TUBING MATERIAL: .625 IN. OD .032 IN. WALL 55.0 IN. LG TITANIUM BMS 7-234 TI-3AL-2.5V COLD WORKED, STRESS RELIEVED TUBING	002004 006100 121503 904999	1

MISSING ITEM NUMBERS NOT APPLICABLE

- ITEM NOT ILLUSTRATED

BRI

27-23-51-30

27-23-51  
FIG. 30  
PAGE 5  
JAN 20/09



757

PARTS CATALOG (MAINTENANCE)

FIG ITEM	PART NUMBER	1 2 3 4 5 6 7	NOMENCLATURE	EFFECT FROM TO	UNITS PER ASSY
30 265	271N6461-1207		.TUBE ASSY-RETURN SYS POSITION DATA: L TUBING MATERIAL: .625 IN. OD .035 IN. WALL 58.3 IN. LG ALUMINUM AMS 4083 6061 T6 TUBING	002004 006100 107107 121503 904999	1
275	271N6461-1020		.TUBE ASSY-RETURN SYS POSITION DATA: L TUBING MATERIAL: .625 IN. OD .035 IN. WALL 191.6 IN. LG ALUMINUM	002004 006100 107107 121503 904999	1
280	271N6461-1021		.TUBE ASSY-RETURN SYS POSITION DATA: L TUBING MATERIAL: .625 IN. OD .035 IN. WALL 140.5 IN. LG ALUMINUM	002004 006100 107107 121503 904999	1
287	271N6461-1137		.TUBE ASSY-RETURN SYS POSITION DATA: L TUBING MATERIAL: .625 IN. OD .035 IN. WALL 129.3 IN. LG ALUMINUM AMS 4083 6061 T6 TUBING	002004 006100 107107 121503 904999	1
292	271N6461-1144		.TUBE ASSY-RETURN SYS POSITION DATA: L TUBING MATERIAL: .625 IN. OD .035 IN. WALL 51.6 IN. LG ALUMINUM AMS 4083 6061 T6 TUBING	107107	1
292	271N6461-1231		.TUBE ASSY-RETURN SYS POSITION DATA: L TUBING MATERIAL: .625 IN. OD .035 IN. WALL 51.20 IN. LG ALUMINUM AMS 4083 6061 T6 TUBING	002004 006100 121503 904999	1

MISSING ITEM NUMBERS NOT APPLICABLE

- ITEM NOT ILLUSTRATED

27-23-51-30

27-23-51  
FIG. 30  
PAGE 6  
JAN 20/09

BRI



757

PARTS CATALOG (MAINTENANCE)

FIG ITEM	PART NUMBER	1 2 3 4 5 6 7	NOMENCLATURE	EFFECT FROM TO	UNITS PER ASSY
30 300	271N6461-1189		.TUBE ASSY-PRESSURE SYS POSITION DATA: CTR TUBING MATERIAL: .625 IN. OD .032 IN. WALL 84.9 IN. LG TITANIUM BMS 7-234 TI-3AL-2.5V COLD WORKED, STRESS RELIEVED TUBING	002004 006100 107107 121503 904999	1
305	271N6461-1117		.TUBE ASSY-PRESSURE SYS POSITION DATA: CTR TUBING MATERIAL: .625 IN. OD .032 IN. WALL 100.4 IN. LG TITANIUM BMS 7-234 TI-3AL-2.5V COLD WORKED, STRESS RELIEVED TUBING	002004 006100 107107 121503 904999	1
315	271N6461-1153		.TUBE ASSY-PRESSURE SYS POSITION DATA: CTR TUBING MATERIAL: .625 IN. OD .032 IN. WALL 166.9 IN. LG COLD WORKED STRESS RELIEVED TUBING	002004 006100 107107 121503 904999	1
337	271N6461-1146		.TUBE ASSY-PRESSURE SYS POSITION DATA: CTR MANUFACTURED FROM: TUBING LIST DTD 3/9/93 TUBING MATERIAL: .625 IN. OD .032 IN. WALL 121.8 IN. LG TITANIUM BMS 7-234 TI-3AL-2,5V COLD WORKED, STRESS RELIEVED TUBING	002004 006100 107107 121503 904999	1
342	271N6461-1201		.TUBE ASSY-PRESSURE SYS POSITION DATA: CTR TUBING MATERIAL: .625 IN. OD .032 IN. WALL 116.1 IN. LG TITANIUM BMS 7-234 TI-3AL-2.5V COLD WORKED, STRESS RELIEVED TUBING	002004 006100 107107 121503 904999	1

MISSING ITEM NUMBERS NOT APPLICABLE

- ITEM NOT ILLUSTRATED

27-23-51-30

27-23-51  
FIG. 30  
PAGE 7  
JAN 20/09

BRI



757

PARTS CATALOG (MAINTENANCE)

FIG ITEM	PART NUMBER	1 2 3 4 5 6 7	NOMENCLATURE	EFFECT FROM TO	UNITS PER ASSY
30					
347	271N6461-1151		.TUBE ASSY-PRESSURE SYS TUBING MATERIAL: CTR .625 IN. OD .032 IN. WALL 30-2 IN. LG TITANIUM BMS 7-234 TI-3AL-2.5V COLD WORKED, STRESS RELIEVED TUBING	002004 006100 107107 121503 904999	1
350	271N6461-1104		.TUBE ASSY-RETURN SYS POSITION DATA: CTR TUBING MATERIAL: .625 IN. OD .035 IN. WALL 103.7 IN. LG ALUMINUM BMS 7-234 TI-3AL-2.5V COLD WORKED, STRESS RELIEVED TUBING	002004 006100 107107 121503 904999	1
360	271N6461-1042		.TUBE ASSY-RETURN SYS POSITION DATA: CTR TUBING MATERIAL: .625 IN. OD .035 IN. WALL 225.8 IN. LG ALUMINUM AMS 4083 6061 T6 TUBING	002004 006100 107107 121503 904999	1
382	271N6461-1147		.TUBE ASSY-RETURN SYS POSITION DATA: CTR TUBING MATERIAL: .625 IN. OD .035 IN. WALL 143.1 IN. LG ALUMINUM AMS 4083 6061 T6 TUBING	002004 006100 107107 121503 904999	1
387	271N6461-1200		.TUBE ASSY-RETURN SYS POSITION DATA: CTR TUBING MATERIAL: .625 IN. OD .035 IN. WALL 111.3 IN. LG ALUMINUM AMS 4083 6061 T6 TUBING	002004 006100 107107 121503 904999	1
392	271N6461-1150		.TUBE ASSY-RETURN SYS POSITION DATA: CTR TUBING MATERIAL: .625 IN. OD .035 IN. WALL 29.00 IN. LG ALUMINUM AMS 4083 6061 T6 TUBING	002004 006100 107107 121503 904999	1

MISSING ITEM NUMBERS NOT APPLICABLE

- ITEM NOT ILLUSTRATED

BRI

27-23-51-30

27-23-51  
FIG. 30  
PAGE 8  
JAN 20/09



757

PARTS CATALOG (MAINTENANCE)

FIG ITEM	PART NUMBER	1 2 3 4 5 6 7	NOMENCLATURE	EFFECT FROM TO	UNITS PER ASSY
30 400	D10036-10		.UNION- SUPPLIER CODE: V14798 OPTIONAL PART: D10282-10 V14798	002004 006100 107107 121503 904999	9
400	D10282-10		.UNION- SUPPLIER CODE: V14798 OPTIONAL PART: D10036-10 V14798	002004 006100 107107 121503 904999	9
403	D10036-10		.UNION- SUPPLIER CODE: V14798 OPTIONAL PART: D10282-10 V14798	002004 006100 107107 121503 904999	1
403	D10282-10		.UNION- SUPPLIER CODE: V14798 OPTIONAL PART: D10036-10 V14798	002004 006100 107107 121503 904999	1
410	D10036D10		.UNION- SUPPLIER CODE: V14798 OPTIONAL PART: D10282D10 V14798	002004 006100 107107 121503 904999	8
410	D10282D10		.UNION- SUPPLIER CODE: V14798 OPTIONAL PART: D10036D10 V14798	002004 006100 107107 121503 904999	8
- 500	271N6461-7		FITTING INSTL- (RUDDER AND ELEVATOR HYDRAULIC SYSTEMS ONLY) POSITION DATA: STA 1720 FOR NHA/OTHER SYS DET SEE: 27-00-00-03	101102 108120 504903	RF

MISSING ITEM NUMBERS NOT APPLICABLE

- ITEM NOT ILLUSTRATED

BRI

27-23-51-30

27-23-51  
FIG. 30  
PAGE 9  
JAN 20/09



757

PARTS CATALOG (MAINTENANCE)

FIG ITEM	PART NUMBER	1 2 3 4 5 6 7	NOMENCLATURE	EFFECT FROM TO	UNITS PER ASSY
30 - 500	MODREF31916		FITTING INSTL- (RUDDER AND ELEVATOR HYDRAULIC SYSTEMS ONLY) MODULE NUMBER: 271N6461-7 REV B FOR OTHER SYS DETAILS SEE: 27-31-51-30 FOR ADDITIONAL DETAILS SEE: 27-23-51-31	103106	1
505	D10203J10		.ADAPTER- SUPPLIER CODE: V14798 SPECIFICATION NUMBER: BACA14BP1010J OPTIONAL PART: D10203-10 V14798	101106 108120 504903	1
505	D10203-10		.UNION- SUPPLIER CODE: V14798 OPTIONAL PART: BACA14BP1010J	101106 108120 504903	1
510	D10203D10		.ADAPTER- SUPPLIER CODE: V14798 SPECIFICATION NUMBER: BACA14BP1010D OPTIONAL PART: D10203D10 V14798	101106 108120 504903	1
510	D10203D10		.UNION- SUPPLIER CODE: V14798 OPTIONAL PART: BACA14BP1010D	101106 108120 504903	1
515	AN924-10D		.NUT	101106 108120 504903	2
520	AN960KD1416		.WASHER	101106 108120 504903	2
- 530	271N6461-8		FITTING INSTL- POSITION DATA: STA 1180 FOR NHA SEE: 27-00-00-03	101102 108120 504903	RF

MISSING ITEM NUMBERS NOT APPLICABLE

- ITEM NOT ILLUSTRATED

BRI

**27-23-51-30**

27-23-51  
FIG. 30  
PAGE 10  
JAN 20/09



757

PARTS CATALOG (MAINTENANCE)

FIG ITEM	PART NUMBER	1 2 3 4 5 6 7	NOMENCLATURE	EFFECT FROM TO	UNITS PER ASSY
30					
- 530	MODREF31917		FITTING INSTL- (RUDDER AND ELEVATOR HYDRAULIC SYSTEMS ONLY) MODULE NUMBER: 271N6461-8 REV B FOR ADDITIONAL DETAILS SEE: 27-23-51-31	103106	1
535	D10203J10		.ADAPTER- SUPPLIER CODE: V14798 SPECIFICATION NUMBER: BACA14BP1010J OPTIONAL PART: D10203-10 V14798	101106 108120 504903	2
535	D10203-10		.UNION- SUPPLIER CODE: V14798 OPTIONAL PART: BACA14BP1010J	101106 108120 504903	2
540	D10203D10		.ADAPTER- SUPPLIER CODE: V14798 SPECIFICATION NUMBER: BACA14BP1010D OPTIONAL PART: D10203D10 V14798	101106 108120 504903	2
540	D10203D10		.UNION- SUPPLIER CODE: V14798 OPTIONAL PART: BACA14BP1010D	101106 108120 504903	2
545	AN924-10D		.NUT	101106 108120 504903	4
550	AN960KD1416		.WASHER	101106 108120 504903	4
900			ILLUSTRATION REFERENCE: PLUMBING INSTL-MAIN WHL WELL AFT BHD HYDR (FLIGHT CONTROL ONLY) 27-23-51-20	002004 006100 107107 121503 904999	RF

MISSING ITEM NUMBERS NOT APPLICABLE

- ITEM NOT ILLUSTRATED

BRI

27-23-51-30

27-23-51  
FIG. 30  
PAGE 11  
JAN 20/09





757

PARTS CATALOG (MAINTENANCE)

FIG ITEM	PART NUMBER	1 2 3 4 5 6 7	NOMENCLATURE	EFFECT FROM TO	UNITS PER ASSY
30 905			ILLUSTRATION REFERENCE: PLUMBING INSTL-SECT. 48 L HYDR (HORIZONTAL STABILIZER TRIM CONTROL ONLY) 27-41-51-20	002004 006100 107107 121503 904999	RF
910			ILLUSTRATION REFERENCE: PLUMBING INSTL-SECT. 48 L HYDR (HORIZONTAL STABILIZER TRIM CONTROL ONLY) 27-41-51-20	002004 006100 107107 121503 904999	RF

MISSING ITEM NUMBERS NOT APPLICABLE

- ITEM NOT ILLUSTRATED

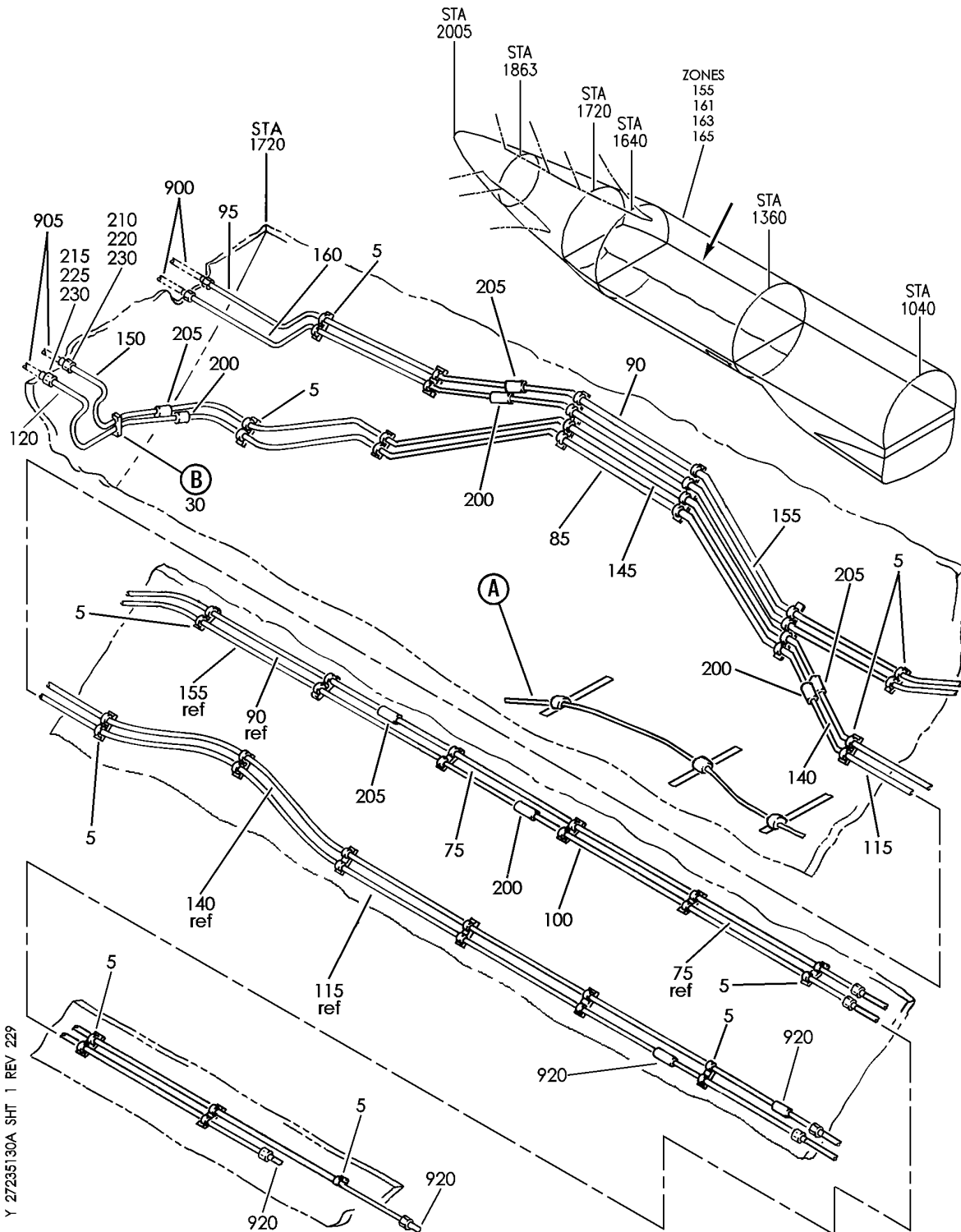
BRI

**27-23-51-30**

BOEING PROPRIETARY - Copyright © - Unpublished Work - See title page for details.

27-23-51  
FIG. 30  
PAGE 12  
JAN 20/09


**BOEING**  
 757  
**PARTS CATALOG (MAINTENANCE)**



Y 27235130A SHT 1 REV 229

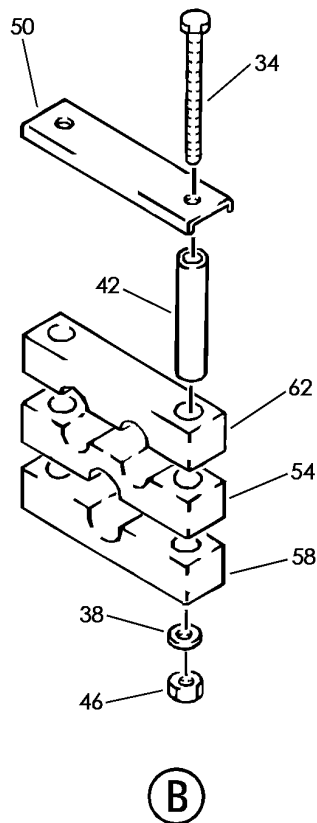
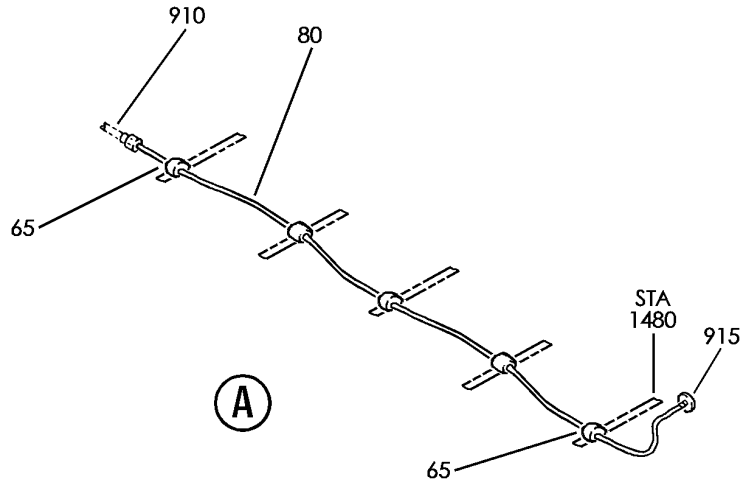
PLUMBING INSTL-SECT. 46 HYDR (RUDDER AND ELEVATOR HYDRAULIC SYSTEMS ONLY)  
 FIGURE 30A (SHEET 1)

**27-23-51-30A**

BRI  
MAY 28/07

27-23-51-30A  
 PAGE 0

**BOEING**  
757  
PARTS CATALOG (MAINTENANCE)



Y 27235130A SHT. 2 REV 217

PLUMBING INSTL-SECT. 46 HYDR (RUDDER AND ELEVATOR HYDRAULIC SYSTEMS ONLY)  
FIGURE 30A (SHEET 2)

**27-23-51-30A**

BRI  
MAY 28/07

27-23-51-30A  
PAGE 0A



757

PARTS CATALOG (MAINTENANCE)

FIG ITEM	PART NUMBER	1 2 3 4 5 6 7	NOMENCLATURE	EFFECT FROM TO	UNITS PER ASSY
30A			PLUMBING INSTL-SECT. 46 HYDR (RUDDER AND ELEVATOR HYDRAULIC SYSTEMS ONLY)	101106 108120 504903	
- 1	271N6461-22		PLUMBING INSTL-HYDR (RUDDER AND ELEVATOR HYDRAULIC SYSTEMS ONLY) POSITION DATA: SECT.46 FOR NHA/OTHER SYS DET SEE: 27-00-00-03	101102 504903	RF
- 1	271N6461-31		PLUMBING INSTL-HYDR (RUDDER AND ELEVATOR HYDRAULIC SYSTEMS ONLY) POSITION DATA: SECT.46 FOR NHA/OTHER SYS DET SEE: 27-00-00-03	108120	RF
- 1	MODREF31816		PLUMBING INSTL-HYDR (RUDDER AND ELEVATOR HYDRAULIC SYSTEMS ONLY) MODULE NUMBER: 271N6461-39 REV B POSITION DATA: SECT.46	103105	1
- 1	MODREF33695		PLUMBING INSTL-HYDR (RUDDER AND ELEVATOR HYDRAULIC SYSTEMS ONLY) MODULE NUMBER: 271N6461-39 REV C POSITION DATA: SECT.46	106106	1
5	TA0630003-10		.CLAMP- SUPPLIER CODE: V84971	101106 108120 504903	27
- 15	NAS1801-3		ATTACHING PARTS .SCREW- SIZE DETERMINED ON INSTL.	101106 108120 504903	54
- 20	AN960PD10		.WASHER	101106 108120 504903	54

MISSING ITEM NUMBERS NOT APPLICABLE

- ITEM NOT ILLUSTRATED

**27-23-51-30A**

27-23-51  
FIG. 30A  
PAGE 1  
JAN 20/09

BRI

BOEING PROPRIETARY - Copyright © - Unpublished Work - See title page for details.



757

PARTS CATALOG (MAINTENANCE)

FIG ITEM	PART NUMBER	1 2 3 4 5 6 7	NOMENCLATURE	EFFECT FROM TO	UNITS PER ASSY
30A - 25	BRH10A3	. NUT	SUPPLIER CODE: V52828 SPECIFICATION NUMBER: BACN10JC3 OPTIONAL PART: H10-3BAC V15653 NS202101-02 V80539 RMLH9075-3W V72962 VN303A02 V92215 96-02 V80539 T6S1032J V11815	101106 108120 504903	54
30	270N2000-155	. CLAMP ASSY	-----*-----	101106 108120 504903	1
34	NAS1801-3-38	.. SCREW		101106 108120 504903	2
38	AN960PD10L	.. WASHER		101106 108120 504903	2
42	NAS43DD3-115	.. SPACER		101106 108120 504903	2
46	BRH10A3	.. NUT	SUPPLIER CODE: V52828 SPECIFICATION NUMBER: BACN10JC3 OPTIONAL PART: H10-3BAC V15653 NS202101-02 V80539 RMLH9075-3W V72962 VN303A02 V92215 96-02 V80539 T6S1032J V11815	101106 108120 504903	2

MISSING ITEM NUMBERS NOT APPLICABLE

- ITEM NOT ILLUSTRATED

**27-23-51-30A**

27-23-51  
FIG. 30A  
PAGE 2  
JAN 20/09

BRI



757

PARTS CATALOG (MAINTENANCE)

FIG ITEM	PART NUMBER	1 2 3 4 5 6 7	NOMENCLATURE	EFFECT FROM TO	UNITS PER ASSY
30A					
50	270N2000-844	..	CHANNEL	101106 108120 504903	1
54	270N2000-626	..	BLOCK	101106 108120 504903	1
58	270N2000-627	..	BLOCK	101106 108120 504903	1
62	270N2000-502	..	BLOCK	101106 108120 504903	1
65	M85052-2-6	.	CLAMP	101106 108120 504903	5
75	271N6461-1021	.	TUBE ASSY-RETURN SYS POSITION DATA: L TUBING MATERIAL: .625 IN. OD .035 IN. WALL 140.5 IN. LG AL AMS 4083 6061 T6 TUBING	101102 108120 504903	1
75	271N6461-1304	.	TUBE ASSY-RETURN SYS POSITION DATA: L TUBING MATERIAL: .625 IN. OD .035 IN. WALL 141 IN. LG AL AMS 4083 6061 T6 TUBING	106106	1
85	271N6461-1201	.	TUBE ASSY-PRESSURE SYS POSITION DATA: CTR TUBING MATERIAL: .625 IN. OD .032 IN. WALL 116.10 IN. LG TI BMS 7-234 TI-3AL-2.5V COLD WORKED, STRESS RELIEVED TUBING	101106 108120 504903	1
90	271N6461-1137	.	TUBE ASSY-RETURN SYS POSITION DATA: L TUBING MATERIAL: .625 IN. OD .035 IN. WALL 129.3 IN. LG AL AMS 4083 6061 T6 TUBING	101106 108120 504903	1

MISSING ITEM NUMBERS NOT APPLICABLE

- ITEM NOT ILLUSTRATED

**27-23-51-30A**

27-23-51  
FIG. 30A  
PAGE 3  
JAN 20/09

BRI

BOEING PROPRIETARY - Copyright © - Unpublished Work - See title page for details.



757

PARTS CATALOG (MAINTENANCE)

FIG ITEM	PART NUMBER	1 2 3 4 5 6 7	NOMENCLATURE	EFFECT FROM TO	UNITS PER ASSY
30A 95	271N6461-1231		.TUBE ASSY-RETURN SYS POSITION DATA: L TUBING MATERIAL: .625 IN. OD .035 IN. WALL 51.20 IN. LG AL AMS 4083 6061 T6 TUBING	101106 108120 504903	1
100	271N6461-1226		.TUBE ASSY-PRESSURE SYS POSITION DATA: L TUBING MATERIAL: .625 IN. OD .032 IN. WALL 101.2 IN. LG TI BMS 7-234 TI-3AL-2.5V COLD WORKED, STRESS RELIEVED TUBING	101102 108120 504903	1
100	271N6461-1303		.TUBE ASSY-PRESSURE SYS POSITION DATA: L TUBING MATERIAL: .625 IN. OD .032 IN. WALL 101 IN. LG TI BMS 7-234 TI-3AL-2.5V COLD WORKED, STRESS RELIEVED TUBING	106106	1
115	271N6461-1146		.TUBE ASSY-PRESSURE SYS POSITION DATA: CTR MANUFACTURED FROM: TUBING LIST DTD 3/9/93 TUBING MATERIAL: .625 IN. OD .032 IN. WALL 121.80 IN. LG TI BMS 7-234 TI-3AL-2.5V COLD WORKED, STRESS RELIEVED TUBING	101106 108120 504903	1
120	271N6461-1151		.TUBE ASSY-PRESSURE SYS POSITION DATA: CTR TUBING MATERIAL: .625 IN. OD .032 IN. WALL 30.2 IN. LG TI BMS 7-234 TI-3AL-2.5V COLD WORKED, STRESS RELIEVED TUBING	101106 108120 504903	1

MISSING ITEM NUMBERS NOT APPLICABLE

- ITEM NOT ILLUSTRATED

27-23-51-30A

27-23-51  
FIG. 30A  
PAGE 4  
JAN 20/09

BRI

BOEING PROPRIETARY - Copyright © - Unpublished Work - See title page for details.



757

PARTS CATALOG (MAINTENANCE)

FIG ITEM	PART NUMBER	1 2 3 4 5 6 7	NOMENCLATURE	EFFECT FROM TO	UNITS PER ASSY
30A 140	271N6461-1147		.TUBE ASSY-RETURN SYS POSITION DATA: CTR TUBING MATERIAL: .625 IN. OD .035 IN. WALL 143.1 IN. LG AL AMS 4083 6061 T6 TUBING	101106 108120 504903	1
145	271N6461-1200		.TUBE ASSY-RETURN SYS POSITION DATA: CTR TUBING MATERIAL: .625 IN. OD .035 IN. WALL 111.30 IN. LG AL AMS 4083 6061 T6 TUBING	101106 108120 504903	1
150	271N6461-1150		.TUBE ASSY-RETURN SYS POSITION DATA: CTR TUBING MATERIAL: .625 IN. OD .035 IN. WALL 29.00 IN. LG AL AMS 4083 6061 T6 TUBING	101106 108120 504903	1
155	271N6461-1136		.TUBE ASSY-PRESSURE SYS POSITION DATA: L TUBING MATERIAL: .625 IN. OD .032 IN. WALL 149.9 IN. LG TI BMS 7-234 TI-3AL-2.5V COLD WORKED, STRESS RELIEVED TUBING	101106 108120 504903	1
160	271N6461-1232		.TUBE ASSY-PRESSURE SYS POSITION DATA: L TUBING MATERIAL: .625 IN. OD .032 IN. WALL 55.0 IN. LG TI BMS 7-234 TI-3AL-2.5V COLD WORKED, STRESS RELIEVED TUBING	101106 108120 504903	1
200	D10282J10		.UNION SUPPLIER CODE: V14798 SPECIFICATION NUMBER: BACU24BS1010D	101106 108120 504903	4

MISSING ITEM NUMBERS NOT APPLICABLE

- ITEM NOT ILLUSTRATED

**27-23-51-30A**

27-23-51  
FIG. 30A  
PAGE 5  
JAN 20/09

BRI

BOEING PROPRIETARY - Copyright © - Unpublished Work - See title page for details.





757

PARTS CATALOG (MAINTENANCE)

FIG ITEM	PART NUMBER	1 2 3 4 5 6 7	NOMENCLATURE	EFFECT FROM TO	UNITS PER ASSY
30A 205	D10282J10	.	UNION SUPPLIER CODE: V14798 SPECIFICATION NUMBER: BACU24BS1010J	101106 108120 504903	4
210	D10203D10	.	ADAPTER SUPPLIER CODE: V14798 SPECIFICATION NUMBER: BACA14BP1010D	101106 108120 504903	1
215	D10203J10	.	ADAPTER SUPPLIER CODE: V14798 SPECIFICATION NUMBER: BACA14BP1010J	101106 108120 504903	1
220	NAS1149D1490J	.	WASHER	101106 108120 504903	1
225	NAS1149D1416J	.	WASHER	101106 108120 504903	1
230	AN924-10D	.	NUT	101106 108120 504903	2
900			ILLUSTRATION REFERENCE: PLUMBING INSTL-SECT. 48 HYDR L (ELEVATOR CONTROL SYSTEM ONLY) 27-31-51-20A	101106 108120 504903	RF
905			ILLUSTRATION REFERENCE: PLUMBING INSTL-SECT. 48 L HYDR (HORIZONTAL STABILIZER TRIM CONTROL ONLY) 27-41-51-20A	101106 108120 504903	RF
915			ILLUSTRATION REFERENCE: PORT INSTL-ELEV FEEL COMPUTER STATIC PRESSURE (FLIGHT CONTROLS ONLY) 27-31-60-01	101106 108120 504903	RF
920			ILLUSTRATION REFERENCE: PLUMBING INSTL-SECT. 46 HYDR (RUDDER AND ELEVATOR HYDRAULIC SYSTEMS ONLY) 27-23-51-31A	101106 108120 504903	RF

MISSING ITEM NUMBERS NOT APPLICABLE

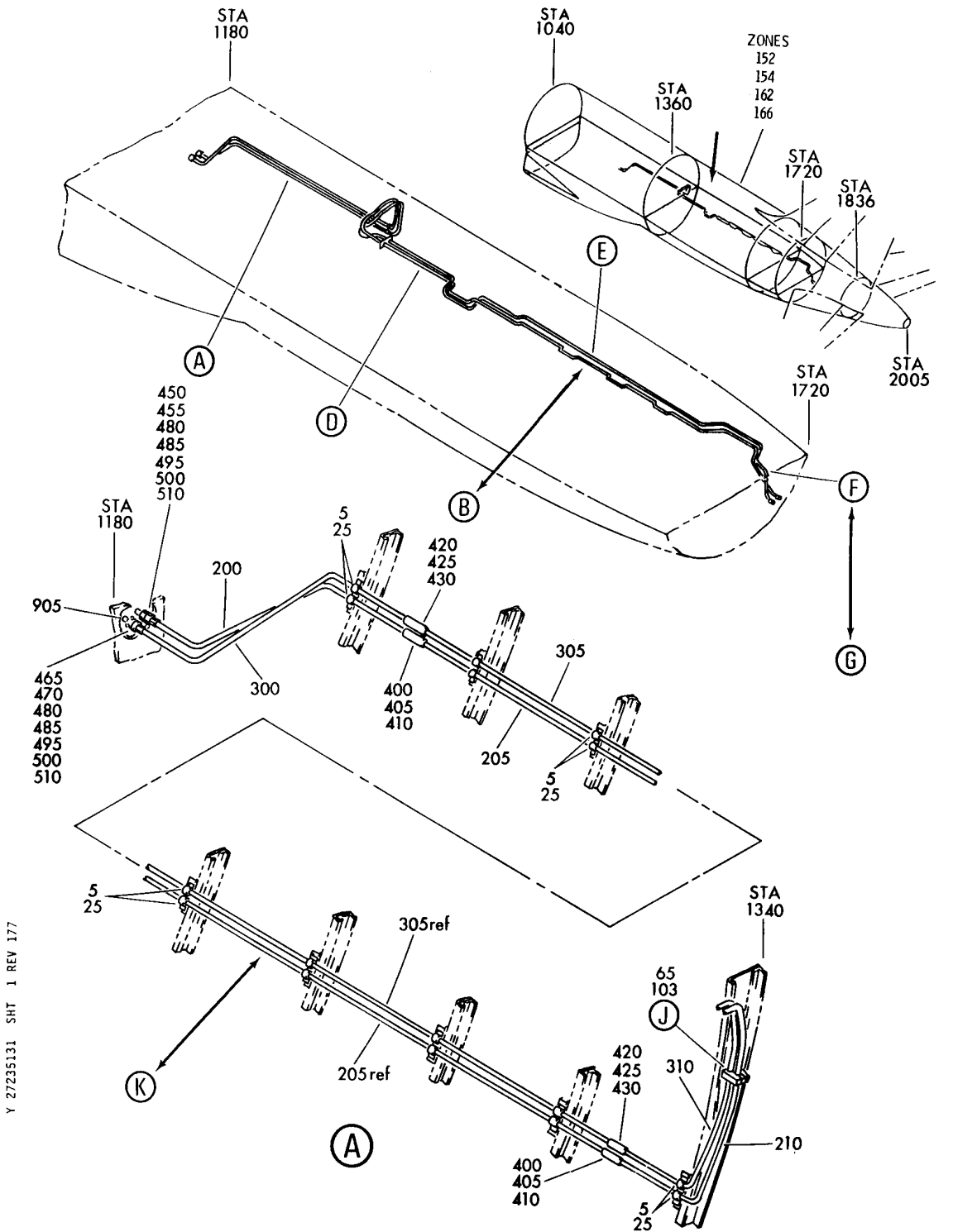
- ITEM NOT ILLUSTRATED

**27-23-51-30A**

27-23-51  
FIG. 30A  
PAGE 6  
JAN 20/09

BRI

**BOEING**  
757  
PARTS CATALOG (MAINTENANCE)



Y 27235131 SH1 1 REV 177

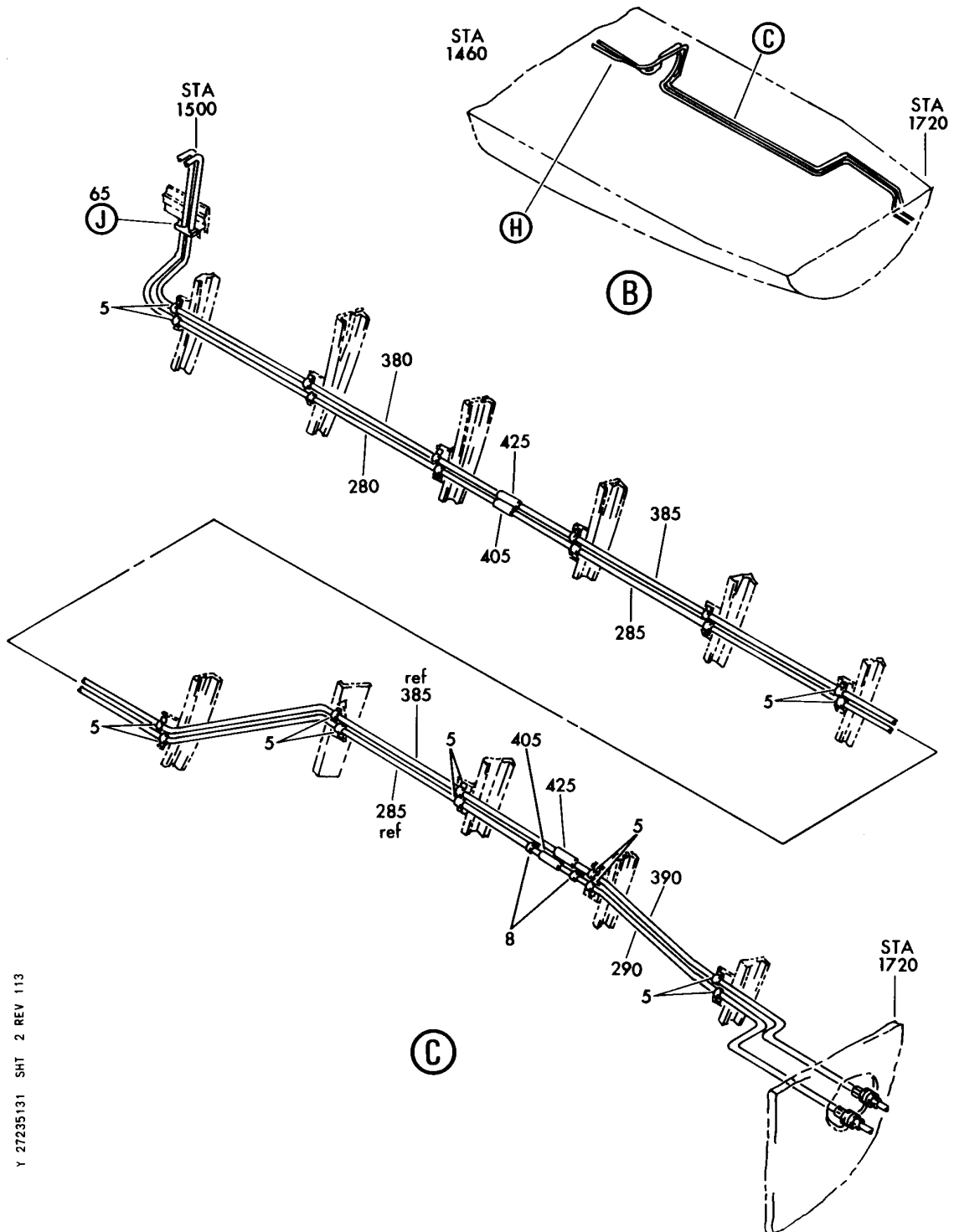
PLUMBING INSTL-SECT. 46 HYDR (RUDDER AND ELEVATOR HYDRAULIC SYSTEMS ONLY)  
FIGURE 31 (SHEET 1)

**27-23-51-31**

BRI  
MAY 28/07

27-23-51-31  
PAGE 0

**BOEING**  
757  
PARTS CATALOG (MAINTENANCE)



Y 27235131 SHT 2 REV 113

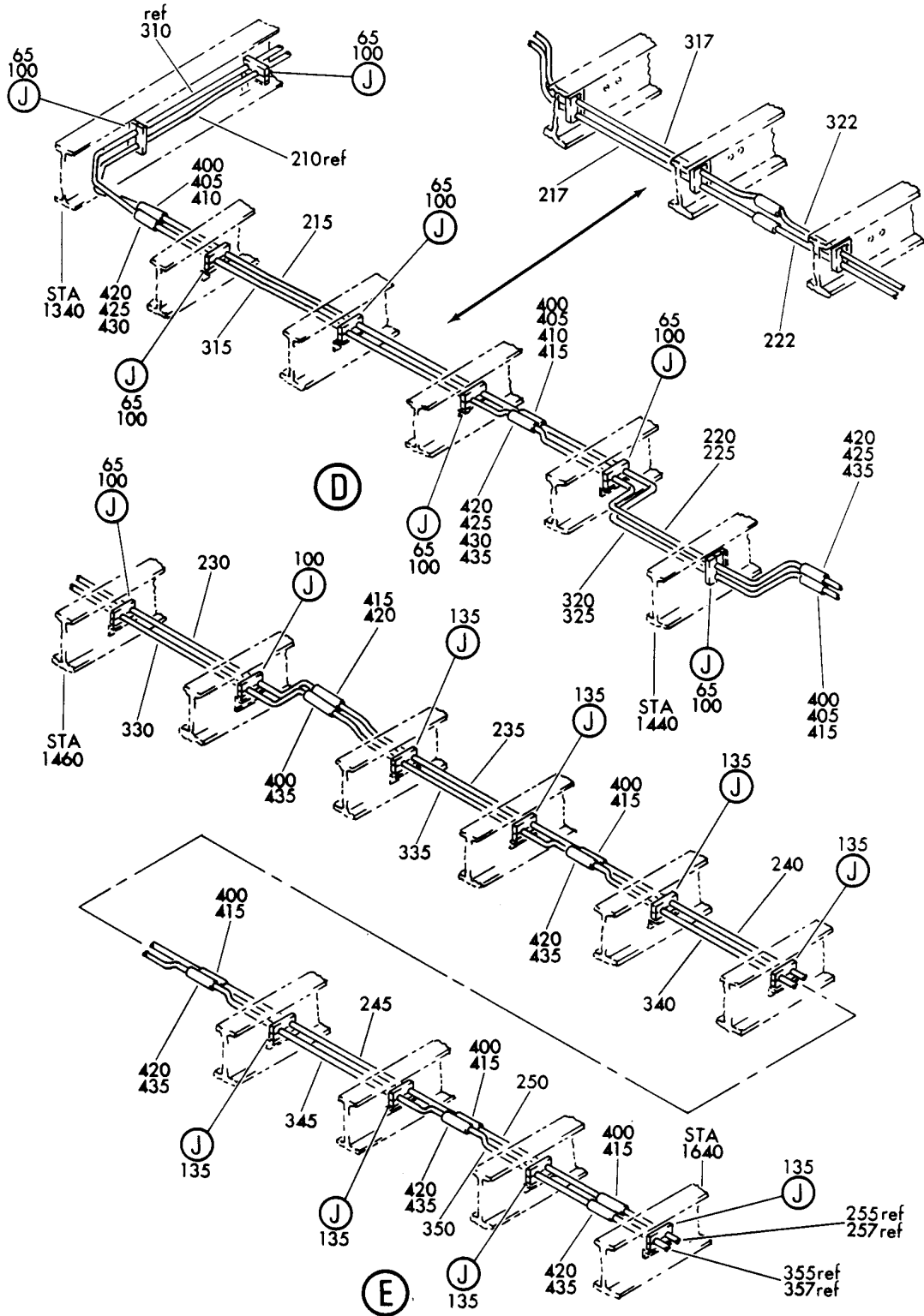
PLUMBING INSTL-SECT. 46 HYDR (RUDDER AND ELEVATOR HYDRAULIC SYSTEMS ONLY)  
FIGURE 31 (SHEET 2)

**27-23-51-31**

BRI  
MAY 28/07

27-23-51-31  
PAGE 0A

**BOEING**  
757  
PARTS CATALOG (MAINTENANCE)



Y 27235131 SHT 3 REV 083

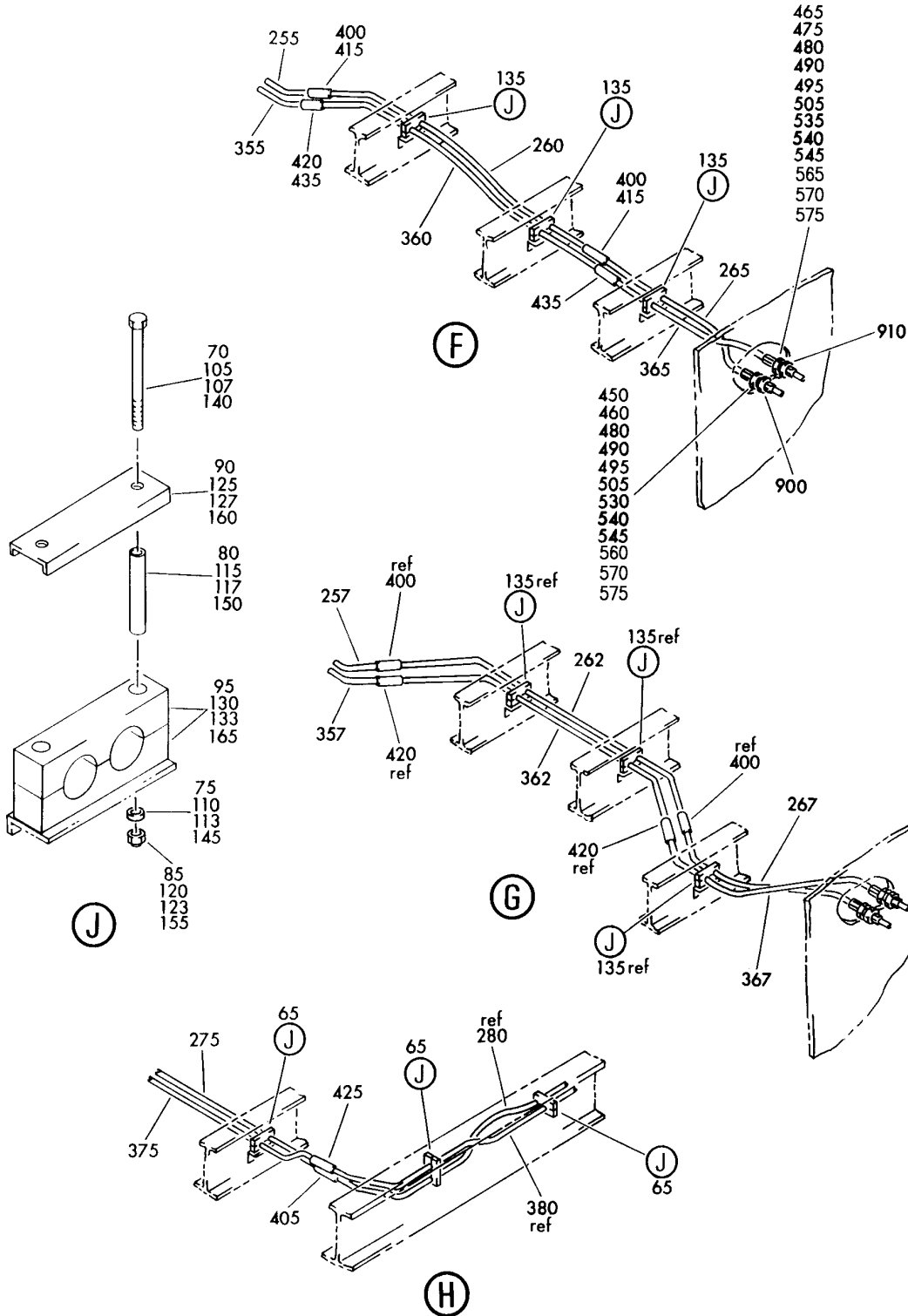
PLUMBING INSTL-SECT. 46 HYDR (RUDDER AND ELEVATOR HYDRAULIC SYSTEMS ONLY)  
FIGURE 31 (SHEET 3)

**27-23-51-31**

BRI  
MAY 28/07

27-23-51-31  
PAGE 0B

**BOEING**  
757  
PARTS CATALOG (MAINTENANCE)



Y 27235131 SHT 4 REV 256

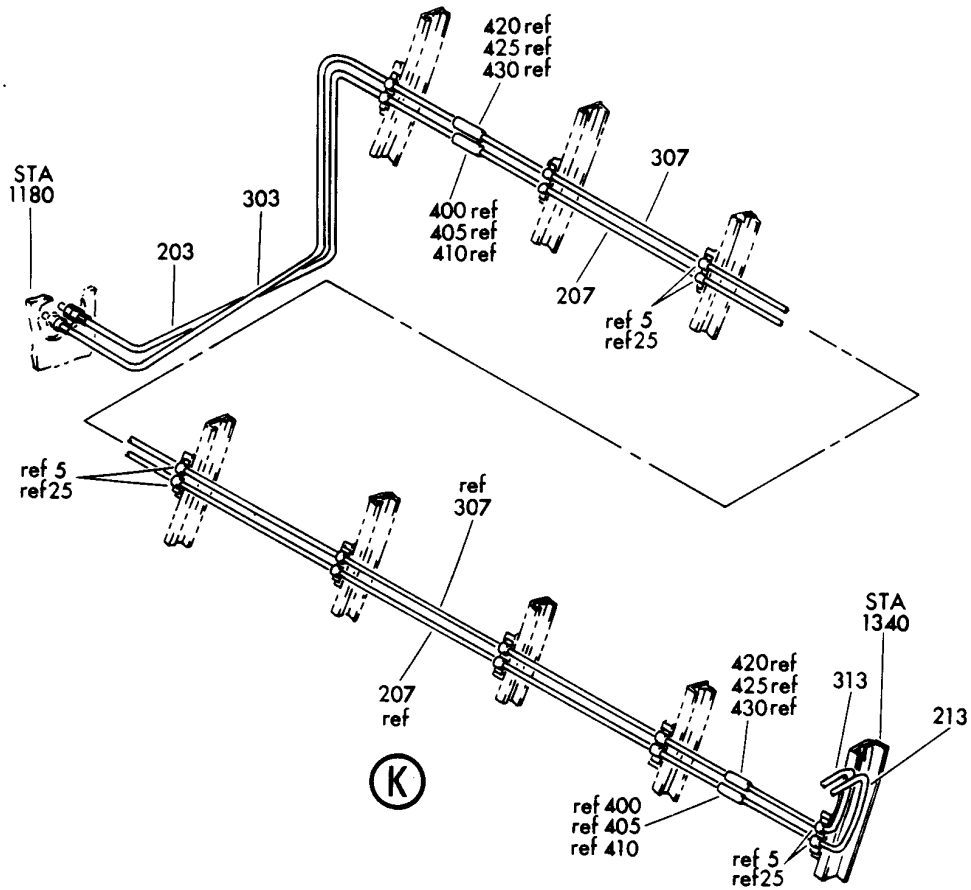
PLUMBING INSTL-SECT. 46 HYDR (RUDDER AND ELEVATOR HYDRAULIC SYSTEMS ONLY)  
FIGURE 31 (SHEET 4)

**27-23-51-31**

BRI  
MAY 28/07

27-23-51-31  
PAGE 0C

**BOEING**  
757  
PARTS CATALOG (MAINTENANCE)



Y 27235131 SHT 5 REV 083

PLUMBING INSTL-SECT. 46 HYDR (RUDDER AND ELEVATOR HYDRAULIC SYSTEMS ONLY)  
FIGURE 31 (SHEET 5)

**27-23-51-31**

BRI  
MAY 28/07

27-23-51-31  
PAGE 0D



757

PARTS CATALOG (MAINTENANCE)

FIG ITEM	PART NUMBER	1 2 3 4 5 6 7	NOMENCLATURE	EFFECT FROM TO	UNITS PER ASSY
31			PLUMBING INSTL-SECT. 46 HYDR (RUDDER AND ELEVATOR HYDRAULIC SYSTEMS ONLY)	002004 006999	
- 1	271N6461-4		PLUMBING INSTL-HYDR (RUDDER AND ELEVATOR HYDRAULIC SYSTEMS ONLY) POSITION DATA: SECT. 46 VARIABLE DRAWING REF: 271N6461-5 271N6461-11 FOR NHA/OTHER SYS DET SEE: 29-00-51-04	002004 006100 107107 121503 904999	RF
25	TA0630003-10		.CLAMP- SUPPLIER CODE: V84971	002004 006100 107107 121503 904999	16
- 30	NAS1801-3		ATTACHING PARTS .SCREW- SIZE DETERMINED ON INSTL.	002004 006100 107107 121503 904999	32
- 35	AN960KD10L		.WASHER-	002004 006100 107107 121503 904999	32
- 40	MS21042L3		.NUT-	002004 006100 107107 121503 904999	32
100	270N2000-15		-----*----- .CLAMP ASSY-BLK	002004 006100 107107 121503 904999	9
103	270N2000-15		.CLAMP ASSY-BLK	002004 006100 107107 121503 904999	1

MISSING ITEM NUMBERS NOT APPLICABLE

- ITEM NOT ILLUSTRATED

BRI

27-23-51-31

27-23-51  
FIG. 31  
PAGE 1  
JAN 20/09



757

PARTS CATALOG (MAINTENANCE)

FIG ITEM	PART NUMBER	1 2 3 4 5 6 7	NOMENCLATURE	EFFECT FROM TO	UNITS PER ASSY
31					
105	NAS1801-3-28	..	SCREW-	002004 006100 107107 121503 904999	2
107	NAS1801-3-28	..	SCREW	002004 006100 107107 121503 904999	2
110	AN960PD10L	..	WASHER	002004 006100 107107 121503 904999	2
113	AN960PD10L	..	WASHER	002004 006100 107107 121503 904999	2
115	NAS43DD3-75	..	SPACER	002004 006100 107107 121503 904999	2
117	NAS43DD3-75	..	SPACER	002004 006100 107107 121503 904999	2
120	BRH10A3	..	NUT SUPPLIER CODE: V52828 SPECIFICATION NUMBER: BACN10JC3 OPTIONAL PART: H10-3BAC V15653 NS202101-02 V80539 RMLH9075-3W V72962 VN303A02 V92215 96-02 V80539 T6S1032J V11815	002004 006100 107107 121503 904999	2

MISSING ITEM NUMBERS NOT APPLICABLE

- ITEM NOT ILLUSTRATED

27-23-51-31

27-23-51  
FIG. 31  
PAGE 2  
JAN 20/09

BRI





757

PARTS CATALOG (MAINTENANCE)

FIG ITEM	PART NUMBER	1 2 3 4 5 6 7	NOMENCLATURE	EFFECT FROM TO	UNITS PER ASSY
31 123	BRH10A3	..	NUT SUPPLIER CODE: V52828 SPECIFICATION NUMBER: BACN10JC3 OPTIONAL PART: H10-3BAC V15653 NS202101-02 V80539 RMLH9075-3W V72962 VN303A02 V92215 96-02 V80539 T6S1032J V11815	002004 006100 107107 121503 904999	2
125	270N2000-810	..	CHANNEL	002004 006100 107107 121503 904999	1
127	270N2000-810	..	CHANNEL	002004 006100 107107 121503 904999	1
130	270N2000-422	..	BLOCK	002004 006100 107107 121503 904999	2
133	270N2000-422	..	BLOCK	002004 006100 107107 121503 904999	2
135	270N2000-15	.	CLAMP ASSY-BLK	002004 006100 107107 121503 904999	11
140	NAS1801-3-28	..	SCREW-	002004 006100 107107 121503 904999	2

MISSING ITEM NUMBERS NOT APPLICABLE

- ITEM NOT ILLUSTRATED

27-23-51-31

27-23-51  
FIG. 31  
PAGE 3  
JAN 20/09

BRI



757

PARTS CATALOG (MAINTENANCE)

FIG ITEM	PART NUMBER	1 2 3 4 5 6 7	NOMENCLATURE	EFFECT FROM TO	UNITS PER ASSY
31 145	AN960PD10L	..	WASHER	002004 006100 107107 121503 904999	2
150	NAS43DD3-75	..	SPACER	002004 006100 107107 121503 904999	2
155	BRH10A3	..	NUT SUPPLIER CODE: V52828 SPECIFICATION NUMBER: BACN10JC3 OPTIONAL PART: H10-3BAC V15653 NS202101-02 V80539 RMLH9075-3W V72962 VN303A02 V92215 96-02 V80539 T6S1032J V11815	002004 006100 107107 121503 904999	2
160	270N2000-810	..	CHANNEL	002004 006100 107107 121503 904999	1
165	270N2000-422	..	BLOCK	002004 006100 107107 121503 904999	2
200	271N6461-1159	.TUBE ASSY-PRESSURE SYS POSITION DATA: R TUBING MATERIAL: .625 IN. OD .032 IN. WALL 42.0 IN. LG TITANIUM BMS 7-234 TI-3AL-2.5V COLD WORKED, STRESS RELIEVED TUBING	002004 006100 107107 121503 904999	1	

MISSING ITEM NUMBERS NOT APPLICABLE

- ITEM NOT ILLUSTRATED

27-23-51-31

27-23-51  
FIG. 31  
PAGE 4  
JAN 20/09

BRI



757

PARTS CATALOG (MAINTENANCE)

FIG ITEM	PART NUMBER	1 2 3 4 5 6 7	NOMENCLATURE	EFFECT FROM TO	UNITS PER ASSY
31 205	271N6461-1157		.TUBE ASSY-PRESSURE SYS POSITION DATA: R TUBING MATERIAL: .625 IN. OD .032 IN. WALL 119.0 IN. LG TITANIUM BMS 7-234 TI-3AL-2.5V COLD WORKED, STRESS RELIEVED TUBING	002004 006100 107107 121503 904999	1
210	271N6461-1156		.TUBE ASSY-PRESSURE SYS POSITION DATA: R TUBING MATERIAL: .625 IN. OD .032 IN. WALL 80.8 IN. LG TITANIUM BMS 7-234 TI-3AL-2.5V COLD WORKED, STRESS RELIEVED TUBING	002004 006100 107107 121503 904999	1
217	271N6461-1185		.TUBE ASSY-PRESSURE SYS POSITION DATA: R TUBING MATERIAL: .625 IN. OD .032 IN. WALL 57.1 IN. LG COLD WORKED STRESS RELIEVED TUBING	002004 006100 107107 121503 904999	1
222	271N6461-1188		.TUBE ASSY-PRESSURE SYS POSITION DATA: R TUBING MATERIAL: .625 IN. OD .032 WALL 47.9 IN. LG COLD WORKED STRESS RELIEVED TUBING	002004 006100 107107 121503 904999	1
230	271N6461-1054		.TUBE ASSY-PRESSURE SYS POSITION DATA: R TUBING MATERIAL: .625 IN. OD .032 IN. WALL 40.5 IN. LG TITANIUM BMS 7-234 TI-3AL-2.5V COLD WORKED, STRESS RELIEVED TUBING	002004 006100 107107 121503 904999	1

MISSING ITEM NUMBERS NOT APPLICABLE

- ITEM NOT ILLUSTRATED

27-23-51-31

27-23-51  
FIG. 31  
PAGE 5  
JAN 20/09

BRI



757

PARTS CATALOG (MAINTENANCE)

FIG ITEM	PART NUMBER	1 2 3 4 5 6 7	NOMENCLATURE	EFFECT FROM TO	UNITS PER ASSY
31 235	271N6461-1056		.TUBE ASSY-PRESSURE SYS POSITION DATA: R TUBING MATERIAL: .625 IN. OD .032 IN. WALL 36.1 IN. LG TITANIUM BMS 7-234 TI-3AL-2.5V COLD WORKED, STRESS RELIEVED TUBING	002004 006100 107107 121503 904999	1
240	271N6461-1058		.TUBE ASSY-PRESSURE SYS POSITION DATA: R TUBING MATERIAL: .625 IN. OD .032 IN. WALL 38.4 IN. LG TITANIUM BMS 7-234 TI-3AL-2.5V COLD WORKED, STRESS RELIEVED TUBING	002004 006100 107107 121503 904999	1
245	271N6461-1060		.TUBE ASSY-PRESSURE SYS POSITION DATA: R TUBING MATERIAL: .625 IN. OD .032 IN. WALL 42.0 IN. LG TITANIUM BMS 7-234 TI-3AL-2.5V COLD WORKED, STRESS RELIEVED TUBING	002004 006100 107107 121503 904999	1
250	271N6461-1084		.TUBE ASSY-PRESSURE SYS POSITION DATA: R TUBING MATERIAL: .625 IN. OD .032 IN. WALL 22.3 IN. LG TITANIUM BMS 7-234 TI-3AL-2.5V COLD WORKED, STRESS RELIEVED TUBING	002004 006100 107107 950999	1
250	271N6461-1062		.TUBE ASSY-PRESSURE SYS POSITION DATA: R TUBING MATERIAL: .625 IN. OD .032 IN. WALL 26.6 IN. LG COLD WORKED STRESS RELIEVED TUBING	121503 904949	1

MISSING ITEM NUMBERS NOT APPLICABLE

- ITEM NOT ILLUSTRATED

27-23-51-31

27-23-51  
FIG. 31  
PAGE 6  
JAN 20/09

BRI



757

PARTS CATALOG (MAINTENANCE)

FIG ITEM	PART NUMBER	1 2 3 4 5 6 7	NOMENCLATURE	EFFECT FROM TO	UNITS PER ASSY
31 255	271N6461-1086		.TUBE ASSY-PRESSURE SYS POSITION DATA: R TUBING MATERIAL: .625 IN. OD .032 IN. WALL 23.3 IN. LG TITANIUM BMS 7-234 TI-3AL-2.5V COLD WORKED, STRESS RELIEVED TUBING	002004 006100 107107 950999	1
255	271N6461-1064		.TUBE ASSY-PRESSURE SYS POSITION DATA: R TUBING MATERIAL: .625 IN. OD .032 IN. WALL 26.4 IN. LG COLD WORKED STRESS RELIEVED TUBING	121503 904949	1
260	271N6461-1066		.TUBE ASSY-PRESSURE SYS POSITION DATA: R TUBING MATERIAL: .625 IN. OD .032 IN. WALL 36.1 IN. LG TITANIUM BMS 7-234 TI-3AL-2.5V COLD WORKED, STRESS RELIEVED TUBING	002004 006100 107107 121503 904999	1
265	271N6461-1068		.TUBE ASSY-PRESSURE SYS POSITION DATA: R TUBING MATERIAL: .625 IN. OD .032 IN. WALL 36.3 IN. LG TITANIUM BMS 7-234 TI-3AL-2.5V COLD WORKED, STRESS RELIEVED TUBING	107107 121503 904999	1
267	271N6461-1234		.TUBE ASSY-PRESSURE SYS POSITION DATA: R TUBING MATERIAL: .625 IN. OD .032 IN. WALL 43.7 IN. LG TITANIUM BMS 7-234 TI-3AL-2.5V COLD WORKED, STRESS RELIEVED TUBING	002004 006100	1

MISSING ITEM NUMBERS NOT APPLICABLE

- ITEM NOT ILLUSTRATED

BRI

27-23-51-31

27-23-51  
FIG. 31  
PAGE 7  
JAN 20/09



757

PARTS CATALOG (MAINTENANCE)

FIG ITEM	PART NUMBER	1 2 3 4 5 6 7	NOMENCLATURE	EFFECT FROM TO	UNITS PER ASSY
31 300	271N6461-1160		.TUBE ASSY-RETURN SYS POSITION DATA: R TUBING MATERIAL: .625 IN. OD .035 IN. WALL 44.5 IN. LG ALUMINUM AMS 4083 6061 T6 TUBING	107107	1
300	271N6461-1233		.TUBE ASSY-RETURN SYS POSITION DATA: R TUBING MATERIAL: .625 IN. OD .035 IN. WALL 42.4 IN. LG ALUMINUM AMS 4083 6061 T6 TUBING	002004 006100 121503 904999	1
305	271N6461-1158		.TUBE ASSY-RETURN SYS POSITION DATA: R TUBING MATERIAL: .625 IN. OD .035 IN. WALL 118.7 IN. LG ALUMINUM AMS 4083 6061 T6 TUBING	002004 006100 107107 121503 904999	1
310	271N6461-1143		.TUBE ASSY-RETURN SYS POSITION DATA: R TUBING MATERIAL: .625 IN. OD .035 IN. WALL 76.3 IN. LG ALUMINUM AMS 4083 6061 T6 TUBING	002004 006100 107107 121503 904999	1
317	271N6461-1186		.TUBE ASSY-RETURN SYS POSITION DATA: R TUBING MATERIAL: .625 IN. OD .035 IN. WALL 61.7 IN. LG ALUMINUM AMS 4083 6061 T6 TUBING	002004 006100 107107 121503 904999	1
322	271N6461-1187		.TUBE ASSY-RETURN SYS POSITION DATA: R TUBING MATERIAL: .625 IN. OD .035 IN. WALL 45.4 IN. LG ALUMINUM AMS 4083 6061 T6 TUBING	002004 006100 107107 121503 904999	1

MISSING ITEM NUMBERS NOT APPLICABLE

- ITEM NOT ILLUSTRATED

**27-23-51-31**

27-23-51  
FIG. 31  
PAGE 8  
JAN 20/09

BRI



757

PARTS CATALOG (MAINTENANCE)

FIG ITEM	PART NUMBER	1 2 3 4 5 6 7	NOMENCLATURE	EFFECT FROM TO	UNITS PER ASSY
31					
330	271N6461-1055		.TUBE ASSY-RETURN SYS POSITION DATA: R TUBING MATERIAL: .625 IN. OD .035 IN. WALL 42.2 IN. LG ALUMINUM AMS 4083 6061 T6 TUBING	002004 006100 107107 121503 904999	1
335	271N6461-1057		.TUBE ASSY-RETURN SYS POSITION DATA: R TUBING MATERIAL: .625 IN. OD .035 IN. WALL 39.0 IN. LG ALUMINUM AMS 4083 6061 T6 TUBING	002004 006100 107107 121503 904999	1
340	271N6461-1059		.TUBE ASSY-RETURN SYS POSITION DATA: R TUBING MATERIAL: .625 IN. OD .035 IN. WALL 38.6 IN. LG ALUMINUM AMS 4083 6061 T6 TUBING	002004 006100 107107 121503 904999	1
345	271N6461-1061		.TUBE ASSY-RETURN SYS POSITION DATA: R TUBING MATERIAL: .625 IN. OD .035 IN. WALL 39.2 IN. LG ALUMINUM AMS 4083 6061 T6 TUBING	002004 006100 107107 121503 904999	1
350	271N6461-1085		.TUBE ASSY-RETURN SYS POSITION DATA: R TUBING MATERIAL: .625 IN. OD .035 IN. WALL 18.9 IN. LG ALUMINUM AMS 4083 6061 T6 TUBING	002004 006100 107107 950999	1
350	271N6461-1063		.TUBE ASSY-RETURN SYS POSITION DATA: R TUBING MATERIAL: .625 IN. OD .035 IN. WALL 25.7 IN. LG ALUMINUM AMS 4083 6061 T6 TUBING	121503 904949	1

MISSING ITEM NUMBERS NOT APPLICABLE

- ITEM NOT ILLUSTRATED

BRI

27-23-51-31

27-23-51  
FIG. 31  
PAGE 9  
JAN 20/09



757

PARTS CATALOG (MAINTENANCE)

FIG ITEM	PART NUMBER	1 2 3 4 5 6 7	NOMENCLATURE	EFFECT FROM TO	UNITS PER ASSY
31					
355	271N6461-1087		.TUBE ASSY-RETURN SYS POSITION DATA: R TUBING MATERIAL: .625 IN. OD .035 IN. WALL 24.8 IN. LG ALUMINUM AMS 4083 6061 T6 TUBING	002004 006100 107107 950999	1
355	271N6461-1065		.TUBE ASSY-RETURN SYS POSITION DATA: R TUBING MATERIAL: .625 IN. OD .035 IN. WALL 25.0 IN LG ALUMINUM AMS 4083 6061 T6 TUBING	121503 904949	1
360	271N6461-1067		.TUBE ASSY-RETURN SYS POSITION DATA: R TUBING MATERIAL: .625 IN. OD .035 IN. WALL 40.4 IN. LG ALUMINUM AMS 4083 6061 T6 TUBING	002004 006100 107107 121503 904999	1
365	271N6461-1069		.TUBE ASSY-RETURN SYS POSITION DATA: R TUBING MATERIAL: .625 IN. OD .035 IN. WALL 35.1 IN. LG ALUMINUM AMS 4083 6061 T6 TUBING	107107 121503 904999	1
367	271N6461-1235		.TUBE ASSY-RETURN SYS POSITION DATA: R TUBING MATERIAL: .625 IN. OD .035 IN. WALL 40.5 IN. LG ALUMINUM AMS 4083 6061 T6 TUBING	002004 006100	1
400	D10036-10		.UNION- SUPPLIER CODE: V14798 OPTIONAL PART: D10282-10 V14798	002004 006100 107107 121503 904999	12

MISSING ITEM NUMBERS NOT APPLICABLE

- ITEM NOT ILLUSTRATED

BRI

27-23-51-31

27-23-51  
FIG. 31  
PAGE 10  
JAN 20/09





757

PARTS CATALOG (MAINTENANCE)

FIG ITEM	PART NUMBER	1 2 3 4 5 6 7	NOMENCLATURE	EFFECT FROM TO	UNITS PER ASSY
31 400	D10282-10		.UNION- SUPPLIER CODE: V14798 OPTIONAL PART: D10036-10 V14798	002004 006100 107107 121503 904999	12
420	D10036D10		.UNION- SUPPLIER CODE: V14798 OPTIONAL PART: D10282D10 V14798	002004 006100 107107 121503 904999	12
420	D10282D10		.UNION- SUPPLIER CODE: V14798 OPTIONAL PART: D10036D10 V14798	002004 006100 107107 121503 904999	12
- 550	271N6461-7		FITTING INSTL- (RUDDER AND ELEVATOR HYDRAULIC SYSTEMS ONLY) POSITION DATA: STA 1720 FOR NHA/OTHER SYS DET SEE: 27-00-00-03	101102 108120 504903	RF
- 550	MODREF31916		FITTING INSTL- (RUDDER AND ELEVATOR HYDRAULIC SYSTEMS ONLY) MODULE NUMBER: 271N6461-7 REV B FOR OTHER SYS DETAILS SEE: 27-31-51-30 FOR ADDITIONAL DETAILS SEE: 27-23-51-30	103106	1
- 555	271N6461-8		FITTING INSTL- POSITION DATA: STA 1180 FOR NHA SEE: 27-00-00-03	101102 108120 504903	RF
- 555	MODREF31917		FITTING INSTL- (RUDDER AND ELEVATOR HYDRAULIC SYSTEMS ONLY) MODULE NUMBER: 271N6461-8 REV B FOR ADDITIONAL DETAILS SEE: 27-23-51-30	103106	1

MISSING ITEM NUMBERS NOT APPLICABLE

- ITEM NOT ILLUSTRATED

**27-23-51-31**

27-23-51  
FIG. 31  
PAGE 11  
JAN 20/09

BRI



757

PARTS CATALOG (MAINTENANCE)

FIG ITEM	PART NUMBER	1 2 3 4 5 6 7	NOMENCLATURE	EFFECT FROM TO	UNITS PER ASSY
31 560	D10203J10	.	ADAPTER- SUPPLIER CODE: V14798 SPECIFICATION NUMBER: BACA14BP1010J OPTIONAL PART: D10203-10 V14798	101106 108120 504903	1
560	D10203-10	.	UNION- SUPPLIER CODE: V14798 OPTIONAL PART: BACA14BP1010J	101106 108120 504903	1
565	D10203D10	.	ADAPTER- SUPPLIER CODE: V14798 SPECIFICATION NUMBER: BACA14BP1010D OPTIONAL PART: D10203D10 V14798	101106 108120 504903	1
565	D10203D10	.	UNION- SUPPLIER CODE: V14798 OPTIONAL PART: BACA14BP1010D	101106 108120 504903	1
570	AN924-10D	.	NUT	101106 108120 504903	2
575	AN960KD1416	.	WASHER	101106 108120 504903	2
900			ILLUSTRATION REFERENCE: PLUMBING INSTL-SECT. 48 R HYDR (HORIZONTAL STABILIZER TRIM CONTROL ONLY) 27-41-51-24	002004 006100 107107 121503 904999	RF
905			ILLUSTRATION REFERENCE: PLUMBING INSTL-MAIN WHL WELL AFT BHD HYDR (FLIGHT CONTROL ONLY) 27-23-51-20	002004 006100 107107 121503 904999	RF

MISSING ITEM NUMBERS NOT APPLICABLE

- ITEM NOT ILLUSTRATED

BRI

27-23-51-31

27-23-51  
FIG. 31  
PAGE 12  
JAN 20/09



757

PARTS CATALOG (MAINTENANCE)

FIG ITEM	PART NUMBER	1 2 3 4 5 6 7	NOMENCLATURE	EFFECT FROM TO	UNITS PER ASSY
31 910			ILLUSTRATION REFERENCE: PLUMBING INSTL-MAIN WHL WELL AFT BHD HYDR (RAM AIR TURBINE SYSTEM ONLY) 29-21-51-20	002004 006100 107107 121503 904999	RF

MISSING ITEM NUMBERS NOT APPLICABLE

- ITEM NOT ILLUSTRATED

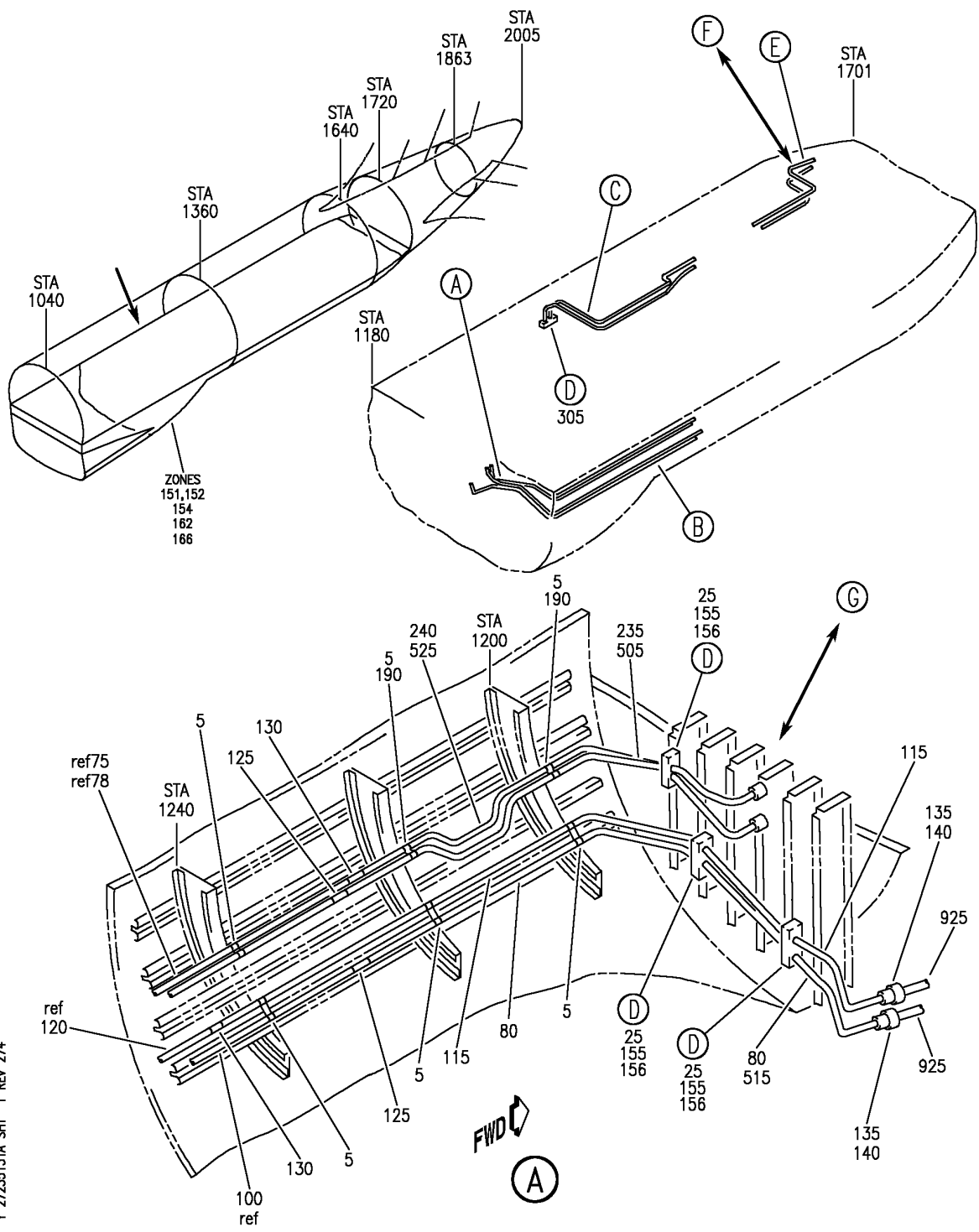
BRI

27-23-51-31

BOEING PROPRIETARY - Copyright © - Unpublished Work - See title page for details.

27-23-51  
FIG. 31  
PAGE 13  
JAN 20/09

**BOEING**  
757  
**PARTS CATALOG (MAINTENANCE)**



Y 27235131A SHT 1 REV 274

PLUMBING INSTL-SECT. 46 HYDR (RUDDER AND ELEVATOR HYDRAULIC SYSTEMS ONLY)  
FIGURE 31A (SHEET 1)

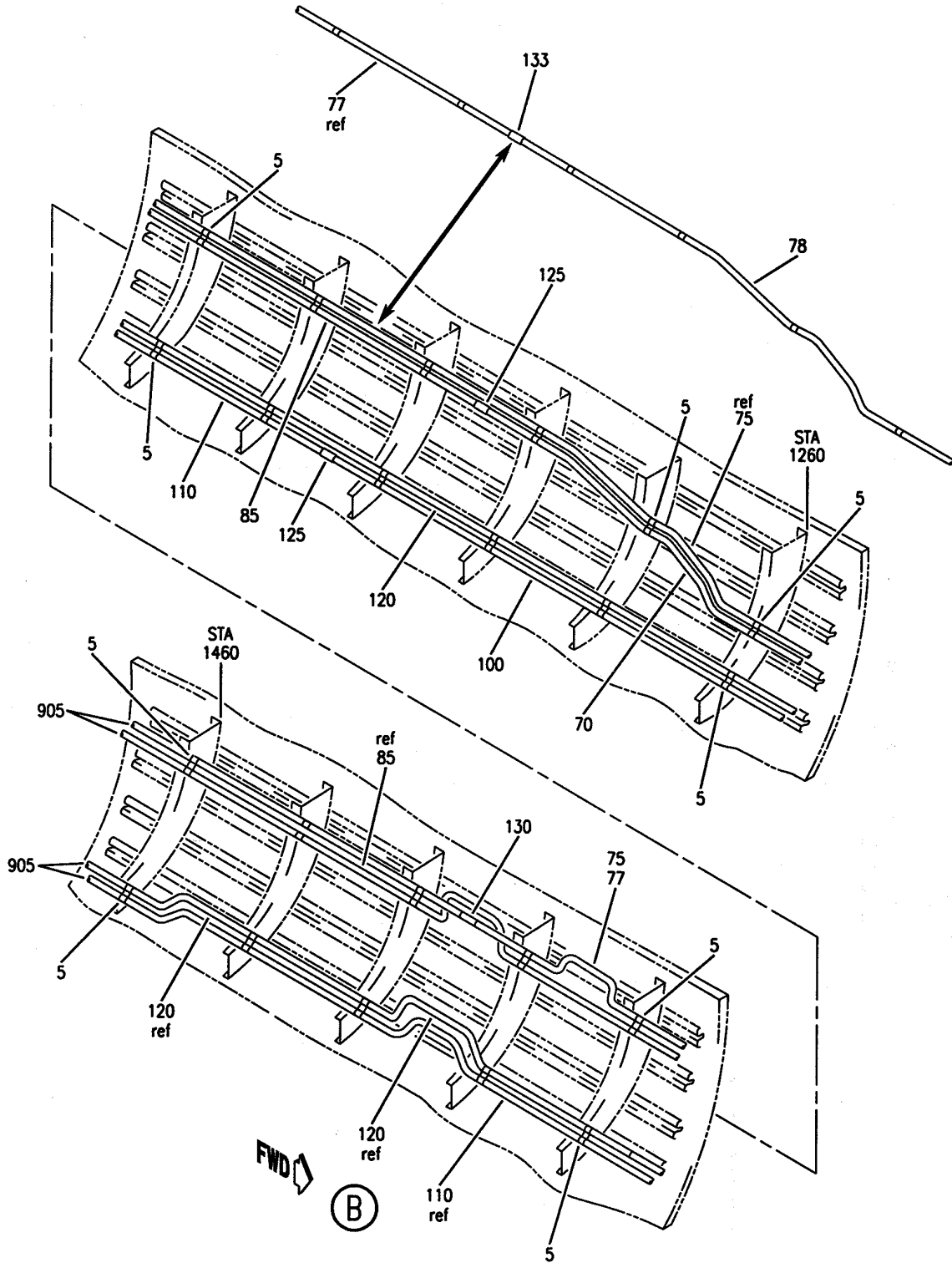
**27-23-51-31A**

BRI  
MAY 28/07

27-23-51-31A  
PAGE 0

BOEING PROPRIETARY - Copyright © - Unpublished Work - See title page for details.

**BOEING**  
757  
PARTS CATALOG (MAINTENANCE)



Y 27235131A SHT 2 REV 220

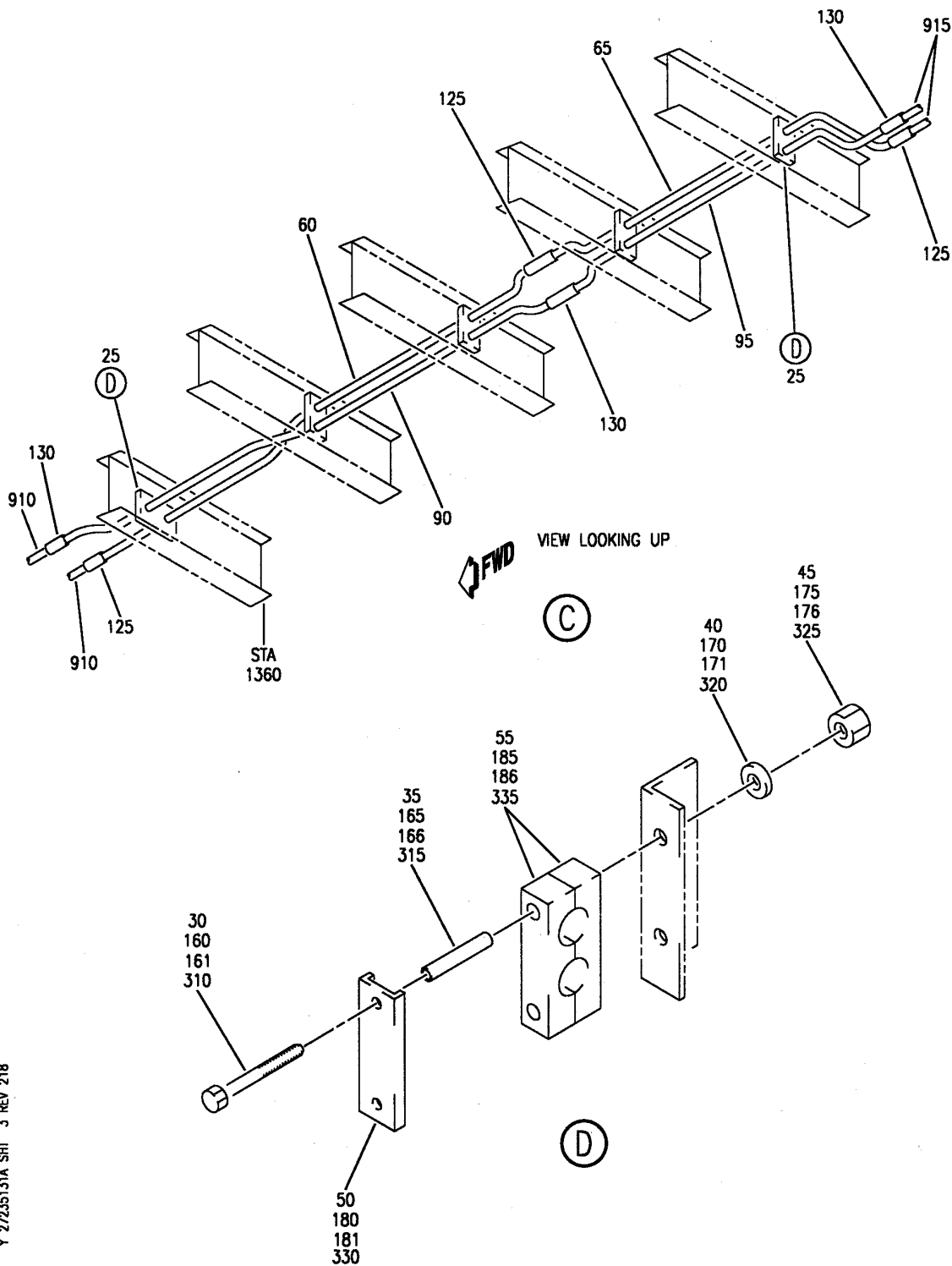
PLUMBING INSTL-SECT. 46 HYDR (RUDDER AND ELEVATOR HYDRAULIC SYSTEMS ONLY)  
FIGURE 31A (SHEET 2)

**27-23-51-31A**

BRI  
MAY 28/07

27-23-51-31A  
PAGE 0A

**BOEING**  
757  
PARTS CATALOG (MAINTENANCE)



Y 27235131A SH1 3 REV 218

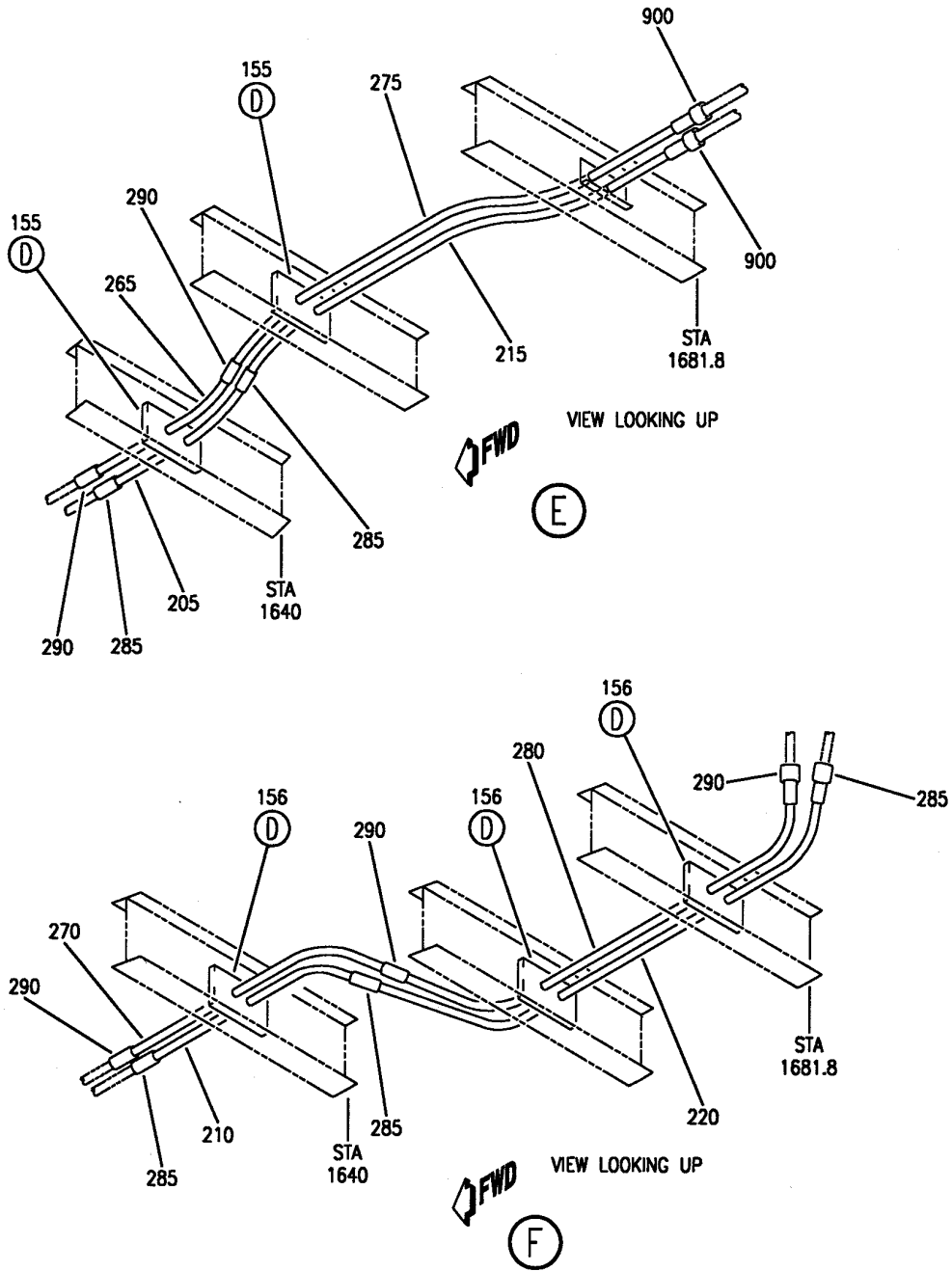
PLUMBING INSTL-SECT. 46 HYDR (RUDDER AND ELEVATOR HYDRAULIC SYSTEMS ONLY)  
FIGURE 31A (SHEET 3)

**27-23-51-31A**

BRI  
MAY 28/07

27-23-51-31A  
PAGE 0B

**BOEING**  
757  
PARTS CATALOG (MAINTENANCE)



Y 27235131A SHT 4 REV 218

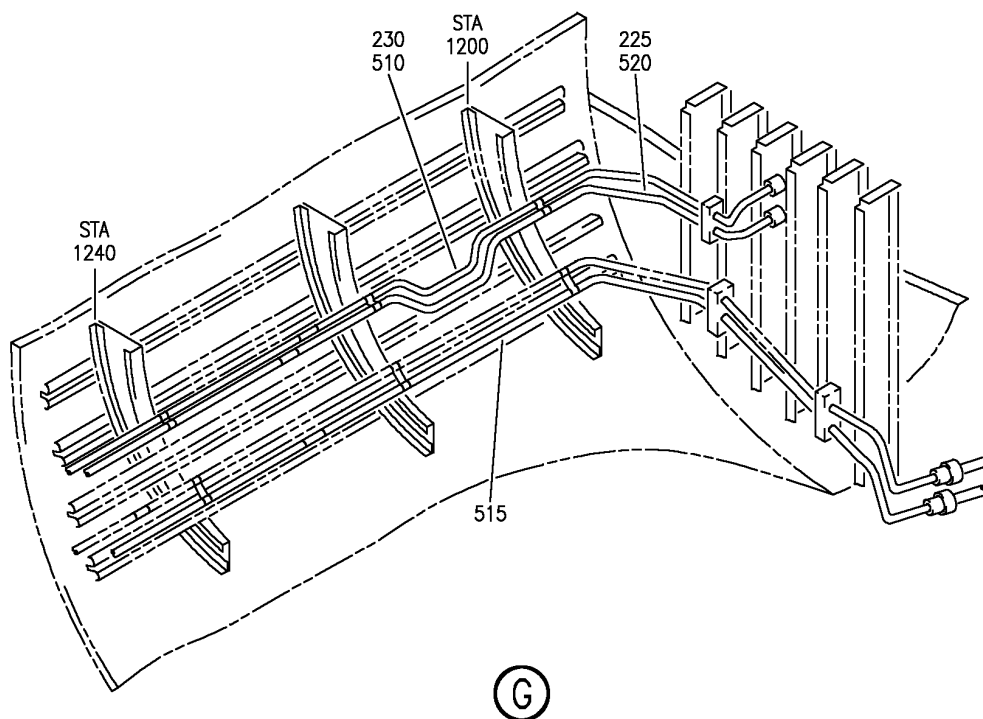
PLUMBING INSTL-SECT. 46 HYDR (RUDDER AND ELEVATOR HYDRAULIC SYSTEMS ONLY)  
FIGURE 31A (SHEET 4)

**27-23-51-31A**

BRI  
MAY 28/07

27-23-51-31A  
PAGE 0C

**BOEING**  
757  
PARTS CATALOG (MAINTENANCE)



Y 27235131A SHT 5 REV 274

PLUMBING INSTL-SECT. 46 HYDR (RUDDER AND ELEVATOR HYDRAULIC SYSTEMS ONLY)  
FIGURE 31A (SHEET 5)

BRI  
MAY 28/07

**27-23-51-31A**

27-23-51-31A  
PAGE 0D





757

PARTS CATALOG (MAINTENANCE)

FIG ITEM	PART NUMBER	1 2 3 4 5 6 7	NOMENCLATURE	EFFECT FROM TO	UNITS PER ASSY
31A			PLUMBING INSTL-SECT. 46 HYDR (RUDDER AND ELEVATOR HYDRAULIC SYSTEMS ONLY)	101106 108120 504903	
- 1	271N6461-22		PLUMBING INSTL-HYDR (RUDDER AND ELEVATOR HYDRAULIC SYSTEMS ONLY) POSITION DATA: SECT. 46 FOR NHA/OTHER SYS DET SEE: 27-00-00-03	101102 504903	RF
- 1	271N6461-31		PLUMBING INSTL-HYDR (RUDDER AND ELEVATOR HYDRAULIC SYSTEMS ONLY) POSITION DATA: SECT. 46 FOR NHA/OTHER SYS DET SEE: 27-00-00-03	108120	RF
5	TA0910005H110		.CLAMP SUPPLIER CODE: V84971 SPECIFICATION NUMBER: BACC10HC10C	101102 108120 504903	28
5	TA0630003-10		.CLAMP- SUPPLIER CODE: V84971	101102 108120 504903	28
- 10	NAS1801-3		ATTACHING PARTS .SCREW	101102 108120 504903	56
- 15	AN960KD10L		.WASHER	101102 108120 504903	56
- 20	MS21042L3		.NUT	101102 108120 504903	56
25	270N2000-15		-----*----- .CLAMP ASSY-BLK	101102 108120 504903	8
30	NAS1801-3-28		..SCREW	101102 108120 504903	2
35	NAS43DD3-75		..SPACER	101102 108120 504903	2
40	AN960PD10L		..WASHER	101102 108120 504903	2

MISSING ITEM NUMBERS NOT APPLICABLE

- ITEM NOT ILLUSTRATED

**27-23-51-31A**

27-23-51  
FIG. 31A  
PAGE 1  
JAN 20/09

BRI

BOEING PROPRIETARY - Copyright © - Unpublished Work - See title page for details.



757

PARTS CATALOG (MAINTENANCE)

FIG ITEM	PART NUMBER	1 2 3 4 5 6 7	NOMENCLATURE	EFFECT FROM TO	UNITS PER ASSY
31A 45	BRH10A3	..	NUT SUPPLIER CODE: V52828 SPECIFICATION NUMBER: BACN10JC3 OPTIONAL PART: H10-3BAC V15653 NS202101-02 V80539 RMLH9075-3W V72962 VN303A02 V92215 96-02 V80539 T6S1032J V11815	101102 108120 504903	2
50	270N2000-810	..	CHANNEL	101102 108120 504903	1
55	270N2000-422	..	BLOCK	101102 108120 504903	2
60	271N6461-1185	.TUBE ASSY-PRESSURE SYS POSITION DATA: R TUBING MATERIAL: .625 IN. OD .032 IN. WALL 57.1 IN. LG COLD WORKED STRESS RELIEVED TUBING		101102 108120 504903	1
65	271N6461-1188	.TUBE ASSY-PRESSURE SYS POSITION DATA: R TUBING MATERIAL: .625 IN. OD .032 IN. WALL 47.9 IN. LG COLD WORKED STRESS RELIEVED TUBING		101102 108120 504903	1
70	271N6461-1138	.TUBE ASSY-PRESSURE SYS POSITION DATA: L TUBING MATERIAL: .625 IN. OD X .032 IN. WALL X 81.7 IN. LG BMS 7-234 TI-3AL-2.5V COLD WORKED, STRESS RELIEVED TUBING		101102 504903	1

MISSING ITEM NUMBERS NOT APPLICABLE

- ITEM NOT ILLUSTRATED

**27-23-51-31A**

27-23-51  
FIG. 31A  
PAGE 2  
JAN 20/09

BRI

BOEING PROPRIETARY - Copyright © - Unpublished Work - See title page for details.



757

PARTS CATALOG (MAINTENANCE)

FIG ITEM	PART NUMBER	1 2 3 4 5 6 7	NOMENCLATURE	EFFECT FROM TO	UNITS PER ASSY
31A 70	271N6461-1299		.TUBE ASSY-PRESSURE SYS POSITION DATA: L TUBING MATERIAL: .625 IN. OD X .032 IN. WALL X 81.5 IN. LG BMS 7-234 TI-3AL-2.5V COLD WORKED, STRESS RELIEVED TUBING	108120	1
75	271N6461-1020		.TUBE ASSY-RETURN SYS POSITION DATA: L TUBING MATERIAL: .625 IN. OD .035 IN. WALL 191.6 IN. LG ALUMINUM	101102 504903	1
77	271N6461-1300		.TUBE ASSY-RETURN SYS POSITION DATA: L TUBING MATERIAL: .625 IN. OD X .035 IN. WALL X 89.5 IN. LG MIL-T-7081 6061 T6	108120	1
78	271N6461-1301		.TUBE ASSY-RETURN SYS POSITION DATA: L TUBING MATERIAL: .625 IN. OD X .035 IN. WALL X 102.1 IN. LG MIL-T-7081 6061 T6	108120	1
85	271N6461-1043		.TUBE ASSY-PRESSURE SYS POSITION DATA: R TUBING MATERIAL: .625 IN. OD .032 IN. WALL 118.7 IN. LG TITANIUM BMS 7-234 TI-3AL-2.5V COLD WORKED, STRESS RELIEVED TUBING	101102 108120 504903	1
90	271N6461-1186		.TUBE ASSY-RETURN SYS POSITION DATA: R TUBING MATERIAL: .625 IN. OD .035 IN. WALL 61.7 IN. LG ALUMINUM AMS 4083 6061 T6 TUBING	101102 108120 504903	1

MISSING ITEM NUMBERS NOT APPLICABLE

- ITEM NOT ILLUSTRATED

**27-23-51-31A**

27-23-51  
FIG. 31A  
PAGE 3  
JAN 20/09

BRI

BOEING PROPRIETARY - Copyright © - Unpublished Work - See title page for details.



757

PARTS CATALOG (MAINTENANCE)

FIG ITEM	PART NUMBER	1 2 3 4 5 6 7	NOMENCLATURE	EFFECT FROM TO	UNITS PER ASSY
31A 95	271N6461-1187		.TUBE ASSY-RETURN SYS POSITION DATA: R TUBING MATERIAL: .625 IN. OD .035 IN. WALL 45.4 IN. LG ALUMINUM AMS 4083 6061 T6 TUBING	101102 108120 504903	1
100	271N6461-1117		.TUBE ASSY-PRESSURE SYS POSITION DATA: CTR TUBING MATERIAL: .625 IN. OD .032 IN. WALL 100.4 IN. LG TITANIUM BMS 7-234 TI-3AL-2.5V COLD WORKED, STRESS RELIEVED TUBING	101102 108120 504903	1
110	271N6461-1153		.TUBE ASSY-PRESSURE SYS POSITION DATA: CTR TUBING MATERIAL: .625 IN. OD .032 IN. WALL 166.9 IN. LG COLD WORKED STRESS RELIEVED TUBING	101102 108120 504903	1
115	271N6461-1104		.TUBE ASSY-RETURN SYS POSITION DATA: CTR TUBING MATERIAL: .625 IN. OD .035 IN. WALL 103.7 IN. LG ALUMINUM AMS 4083 6061 T6 TUBING	101102 108120 504903	1
120	271N6461-1042		.TUBE ASSY-RETURN SYS POSITION DATA: CTR TUBING MATERIAL: .625 IN. OD .035 IN. WALL 225.8 IN. LG ALUMINUM AMS 4083 6061 T6 TUBING	101102 108120 504903	1
125	D10036-10		.UNION- SUPPLIER CODE: V14798 OPTIONAL PART: D10282-10 V14798	101102 108120 504903	7

MISSING ITEM NUMBERS NOT APPLICABLE

- ITEM NOT ILLUSTRATED

**27-23-51-31A**

27-23-51  
FIG. 31A  
PAGE 4  
JAN 20/09

BRI

BOEING PROPRIETARY - Copyright © - Unpublished Work - See title page for details.



757

PARTS CATALOG (MAINTENANCE)

FIG ITEM	PART NUMBER	1 2 3 4 5 6 7	NOMENCLATURE	EFFECT FROM TO	UNITS PER ASSY
31A 125	D10282-10	.	UNION- SUPPLIER CODE: V14798 OPTIONAL PART: D10036-10 V14798	101102 504903	7
130	D10036D10	.	UNION- SUPPLIER CODE: V14798 OPTIONAL PART: D10282D10 V14798	101102 504903	6
130	D10282D10	.	UNION- SUPPLIER CODE: V14798 OPTIONAL PART: D10036D10 V14798	101102 504903	6
133	D10282J10	.	UNION SUPPLIER CODE: V14798 SPECIFICATION NUMBER: BACU24BS1010J	108120	1
135	AN924-10D	.	NUT	101102 108120 504903	2
140	AN960KD1416	.	WASHER	101102 108120 504903	2
- 150	271N6461-28		PLUMBING INSTL-HYDR RUDDER AND ELEVATOR HYDRAULIC SYSTEMS ONLY FOR NHA SEE: 27-00-00-05	101102 504903	RF
156	270N2000-15	.	CLAMP ASSY-BLK	101102 504903	6
161	NAS1801-3-28	..	SCREW	101102 504903	2
166	NAS43DD3-75	..	SPACER	101102 504903	2
171	AN960PD10L	..	WASHER	101102 504903	2

MISSING ITEM NUMBERS NOT APPLICABLE

- ITEM NOT ILLUSTRATED

BRI

27-23-51-31A

BOEING PROPRIETARY - Copyright © - Unpublished Work - See title page for details.

27-23-51  
FIG. 31A  
PAGE 5  
JAN 20/09



757

PARTS CATALOG (MAINTENANCE)

FIG ITEM	PART NUMBER	1 2 3 4 5 6 7	NOMENCLATURE	EFFECT FROM TO	UNITS PER ASSY
31A 176	BRH10A3	..	NUT SUPPLIER CODE: V52828 SPECIFICATION NUMBER: BACN10JC3 OPTIONAL PART: H10-3BAC V15653 NS202101-02 V80539 RMLH9075-3W V72962 VN303A02 V92215 96-02 V80539 T6S1032J V11815	101102 504903	2
181	270N2000-810	..	CHANNEL	101102 504903	1
186	270N2000-422	..	BLOCK	101102 504903	2
190	TA0630003-10	.	CLAMP- SUPPLIER CODE: V84971	101102 504903	2
205	271N6461-1086	.	TUBE ASSY-PRESSURE SYS POSITION DATA: R TUBING MATERIAL: .625 IN. OD .032 IN. WALL 23.3 IN. LG TITANIUM BMS 7-234 TI-3AL-2.5V COLD WORKED, STRESS RELIEVED TUBING	101102 504903	1
215	271N6461-1066	.	TUBE ASSY-PRESSURE SYS POSITION DATA: R TUBING MATERIAL: .625 IN. OD .032 IN. WALL 36.1 IN. LG TITANIUM BMS 7-234 TI-3AL-2.5V COLD WORKED, STRESS RELIEVED TUBING	101102 504903	1

MISSING ITEM NUMBERS NOT APPLICABLE

- ITEM NOT ILLUSTRATED

**27-23-51-31A**

27-23-51  
FIG. 31A  
PAGE 6  
JAN 20/09

BRI

BOEING PROPRIETARY - Copyright © - Unpublished Work - See title page for details.



757

PARTS CATALOG (MAINTENANCE)

FIG ITEM	PART NUMBER	1 2 3 4 5 6 7	NOMENCLATURE	EFFECT FROM TO	UNITS PER ASSY
31A 225	271N6461-1155		.TUBE ASSY-PRESSURE L SYS POSITION DATA: L TUBING MATERIAL: .625 IN. OD .032 IN. WALL 60.3 IN. LG TITANIUM BMS 7-234 TI-3AL-2.5V COLD WORKED, STRESS RELIEVED TUBING	101102 504903	1
230	271N6461-1207		.TUBE ASSY-RETURN SYS POSITION DATA: L TUBING MATERIAL: .625 IN. OD .035 IN. WALL 58.3 IN. LG ALUMINUM AMS 4083 6061 T6 TUBING	101102 504903	1
265	271N6461-1087		.TUBE ASSY-RETURN SYS POSITION DATA: R TUBING MATERIAL: .625 IN. OD .035 IN. WALL 24.8 IN. LG ALUMINUM AMS 4083 6061 T6 TUBING	101102 504903	1
275	271N6461-1067		.TUBE ASSY-RETURN SYS POSITION DATA: R TUBING MATERIAL: .625 IN. OD .035 IN. WALL 40.4 IN. LG ALUMINUM AMS 4083 6061 T6 TUBING	101102 504903	1
285	D10036-10		.UNION- SUPPLIER CODE: V14798 OPTIONAL PART: D10282-10 V14798	101102 504903	2
285	D10282-10		.UNION- SUPPLIER CODE: V14798 OPTIONAL PART: D10036-10 V14798	101102 504903	2

MISSING ITEM NUMBERS NOT APPLICABLE

- ITEM NOT ILLUSTRATED

**27-23-51-31A**

27-23-51  
FIG. 31A  
PAGE 7  
JAN 20/09

BRI

BOEING PROPRIETARY - Copyright © - Unpublished Work - See title page for details.



757

PARTS CATALOG (MAINTENANCE)

FIG ITEM	PART NUMBER	1 2 3 4 5 6 7	NOMENCLATURE	EFFECT FROM TO	UNITS PER ASSY
31A 290	D10036D10		.UNION- SUPPLIER CODE: V14798 OPTIONAL PART: D10282D10 V14798	101102 504903	2
290	D10282D10		.UNION- SUPPLIER CODE: V14798 OPTIONAL PART: D10036D10 V14798	101102 504903	2
- 300	271N6461-29		PLUMBING HYD INSTL- POSITION DATA: SECTION 46 FOR NHA SEE: 27-00-00-04	101102 108120 504903	RF
- 300	MODREF31910		PLUMBING HYD INSTL- MODULE NUMBER: 271N6461-29 REV B POSITION DATA: SECTION 46	103106	1
305	270N2000-15		.CLAMP ASSY-BLOCK POSITION DATA: STA. 1840, S-19R	101106 108120 504903	1
310	NAS1801-3-28		..SCREW	101106 108120 504903	2
315	NAS43DD3-75		..SPACER	101106 108120 504903	2
320	AN960PD10L		..WASHER	101106 108120 504903	2

MISSING ITEM NUMBERS NOT APPLICABLE

- ITEM NOT ILLUSTRATED

**27-23-51-31A**

27-23-51  
FIG. 31A  
PAGE 8  
JAN 20/09

BRI

BOEING PROPRIETARY - Copyright © - Unpublished Work - See title page for details.





757

PARTS CATALOG (MAINTENANCE)

FIG ITEM	PART NUMBER	1 2 3 4 5 6 7	NOMENCLATURE	EFFECT FROM TO	UNITS PER ASSY
31A 325	BRH10A3	..	NUT SUPPLIER CODE: V52828 SPECIFICATION NUMBER: BACN10JC3 OPTIONAL PART: H10-3BAC V15653 NS202101-02 V80539 RMLH9075-3W V72962 VN303A02 V92215 96-02 V80539 T6S1032J V11815	101106 108120 504903	2
330	270N2000-810	..	CHANNEL	101106 108120 504903	1
335	270N2000-422	..	BLOCK	101106 108120 504903	2
- 500	MODREF31913		PLUMBING INSTL-HYDR (ELEVATOR CONTROL SYSTEM ONLY) MODULE NUMBER: 271N6461-36 REV B POSITION DATA: SECT. 46	103105	1
- 500	MODREF99833		PLUMBING INSTL-HYDR (ELEVATOR CONTROL SYSTEM ONLY) MODULE NUMBER: 271N6461-41 REV A POSITION DATA: SECT. 46	106106	1
505	271N6461-1088	.TUBE ASSY-PRESSURE L SYS POSITION DATA: L TUBING MATERIAL: .625 IN. OD .032 IN. WALL 69.9 IN. LG TITANIUM BMS 7-234 TI-3AL-2.5V COLD WORKED, STRESS RELIEVED TUBING	103105	1	

MISSING ITEM NUMBERS NOT APPLICABLE

- ITEM NOT ILLUSTRATED

BRI

27-23-51-31A

BOEING PROPRIETARY - Copyright © - Unpublished Work - See title page for details.

27-23-51  
FIG. 31A  
PAGE 9  
JAN 20/09



757

PARTS CATALOG (MAINTENANCE)

FIG ITEM	PART NUMBER	1 2 3 4 5 6 7	NOMENCLATURE	EFFECT FROM TO	UNITS PER ASSY
31A 510	271N6461-1207		.TUBE ASSY-RETURN SYS POSITION DATA: L TUBING MATERIAL: .625 IN. OD .035 IN. WALL 58.3 IN. LG ALUMINUM AMS 4083 6061 T6 TUBING	106106	1
515	271N6461-1189		.TUBE ASSY-PRESSURE SYS POSITION DATA: CTR TUBING MATERIAL: .625 IN. OD .032 IN. WALL 84.9 IN. LG TITANIUM BMS 7-234 TI-3AL-2.5V COLD WORKED, STRESS RELIEVED TUBING	103106	1
520	271N6461-1155		.TUBE ASSY-PRESSURE L SYS POSITION DATA: L TUBING MATERIAL: .625 IN. OD .032 IN. WALL 60.3 IN. LG TITANIUM BMS 7-234 TI-3AL-2.5V COLD WORKED, STRESS RELIEVED TUBING	106106	1
525	271N6461-1089		.TUBE ASSY-RETURN SYS POSITION DATA: L TUBING MATERIAL: .625 IN. OD .035 IN. WALL 69.5 IN. LG ALUMINUM AMS 4083 6061 T6 TUBING	103105	1
900			ILLUSTRATION REFERENCE: PLUMBING INSTL-4-DOOR, NO GALLEY CHILLERS 29-11-51-88	108120 504903	RF
905			ILLUSTRATION REFERENCE: PLUMBING INSTL-SECT. 46 HYDR (RUDDER AND ELEVATOR HYDRAULIC SYSTEMS ONLY) 27-23-51-30A	101102 108120 504903	RF
915			ILLUSTRATION REFERENCE: PLUMBING INSTL-SECT. 46 HYDR (ELEVATOR CONTROL SYSTEM ONLY) 27-31-51-30A	101102 108120 504903	RF

MISSING ITEM NUMBERS NOT APPLICABLE

- ITEM NOT ILLUSTRATED

**27-23-51-31A**

27-23-51  
FIG. 31A  
PAGE 10  
JAN 20/09

BRI

BOEING PROPRIETARY - Copyright © - Unpublished Work - See title page for details.



757

PARTS CATALOG (MAINTENANCE)

FIG ITEM	PART NUMBER	1 2 3 4 5 6 7	NOMENCLATURE	EFFECT FROM TO	UNITS PER ASSY
31A 925			ILLUSTRATION REFERENCE: PLUMBING INSTL-SECT. 44 AFT BHD MLG WHL WELL HYDR 29-11-52-22	101102 108120 504903	RF
930			ILLUSTRATION REFERENCE: PLUMBING INSTL-SECT. 44 AFT BHD MLG WHL WELL HYDR 29-11-52-20	101102 504903	RF
930			ILLUSTRATION REFERENCE: PLUMBING INSTL-4-DOOR/ PKG FREIGHTER MINOR MODEL 29-11-84-01	101102 504903	RF

MISSING ITEM NUMBERS NOT APPLICABLE

- ITEM NOT ILLUSTRATED

BRI

27-23-51-31A

BOEING PROPRIETARY - Copyright © - Unpublished Work - See title page for details.

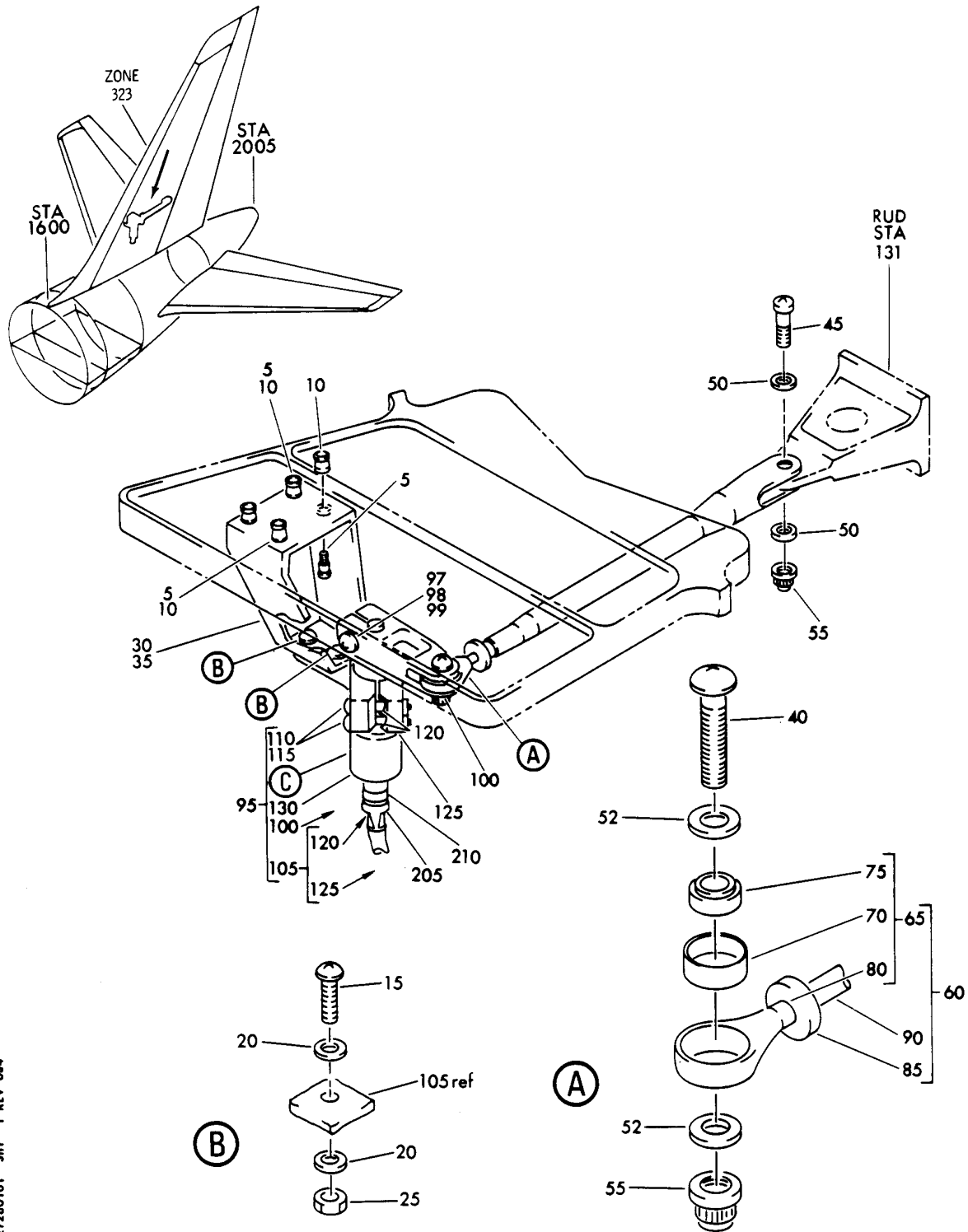
27-23-51  
FIG. 31A  
PAGE 11  
JAN 20/09

## RUDDER POSITION INDICATING SYSTEM

BRI  
MAY 28/07

27-28-00  
SECTION TITLE  
PAGE 1

**BOEING**  
757  
PARTS CATALOG (MAINTENANCE)



Y 27280101 SHT 1 REV 064

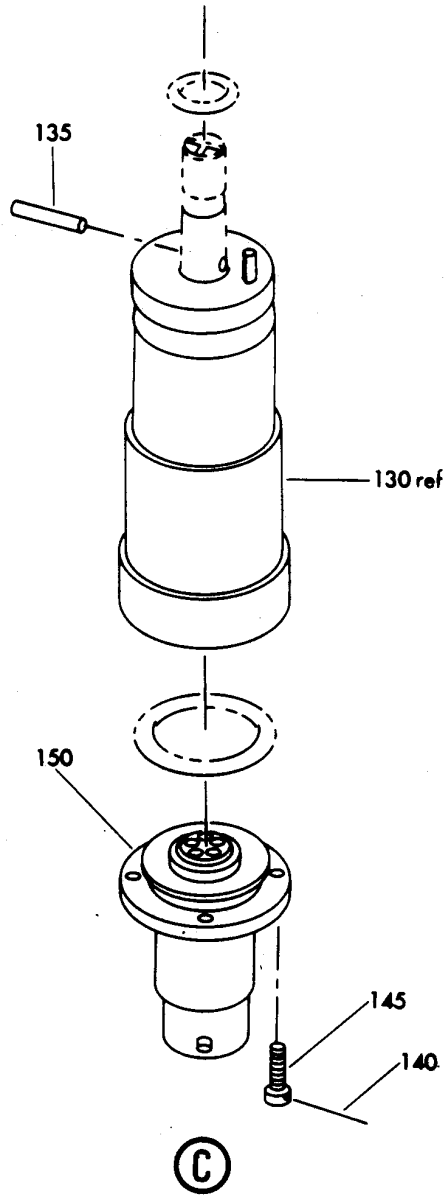
TRANSMITTER INSTL-RUD CONT POSITION  
FIGURE 1 (SHEET 1)

**27-28-01-01**

BRI  
MAY 28/07

27-28-01-01  
PAGE 0

**BOEING**  
757  
PARTS CATALOG (MAINTENANCE)



Y 27200101 SMT 2 REV 004

TRANSMITTER INSTL-RUD CONT POSITION  
FIGURE 1 (SHEET 2)

**27-28-01-01**

BRI  
MAY 28/07

27-28-01-01  
PAGE 0A



757

PARTS CATALOG (MAINTENANCE)

FIG ITEM	PART NUMBER	1 2 3 4 5 6 7	NOMENCLATURE	EFFECT FROM TO	UNITS PER ASSY
1			TRANSMITTER INSTL-RUD CONT POSITION	002004 006999	
- 1	251N3009-1		TRANSMITTER INSTL-RUD CONT POSITION FOR NHA SEE: 27-21-54-01	002004 006100 107107 121503 904999	RF
- 1	251N3009-5		TRANSMITTER INSTL-RUD CONT POSITION FOR NHA SEE: 27-20-00-01	101102 108120 504903	RF
- 1	MODREF7452		TRANSMITTER INSTL-RUD CONT POSITION MODULE NUMBER: 251N3009-5 REV A	103106	1
5	L8006K6		.BOLT SUPPLIER CODE: V06725 SPECIFICATION NUMBER: BACB30MY6K6	002004 006999	4
10	HL79-6		.COLLAR SUPPLIER CODE: V5M902 SPECIFICATION NUMBER: BACC30M6 OPTIONAL PART: HL79-6 V73197 HL79-6 V92215 66014-6 V56878 HL79-6 V56878	002004 006999	4
15	NAS623-3-10		.SCREW	002004 006999	2
20	AN960KD10		.WASHER-	002004 006999	4

MISSING ITEM NUMBERS NOT APPLICABLE

- ITEM NOT ILLUSTRATED

BRI

27-28-01-01

BOEING PROPRIETARY - Copyright © - Unpublished Work - See title page for details.

27-28-01  
FIG. 01  
PAGE 1  
JAN 20/09



757

PARTS CATALOG (MAINTENANCE)

FIG ITEM	PART NUMBER	1 2 3 4 5 6 7	NOMENCLATURE	EFFECT FROM TO	UNITS PER ASSY
1	25 BRH10A3	.	NUT SUPPLIER CODE: V52828 SPECIFICATION NUMBER: BACN10JC3 OPTIONAL PART: H10-3BAC V15653 NS202101-02 V80539 RMLH9075-3W V72962 VN303A02 V92215 96-02 V80539 T6S1032J V11815	002004 006999	2
	30 251N3009-3	.	BRACKET ASSY	002004 006999	1
	35 65B81948-5	..	BRACKET	002004 006999	1
	40 NAS623-3-8	.	SCREW-	002004 006100 107107 121503 904999	1
	45 NAS623-3-7	.	SCREW-	002004 006999	1
	50 AN960KD10	.	WASHER-	002004 006999	2
	52 AN960KD10L	.	WASHER-	002004 006999	2

MISSING ITEM NUMBERS NOT APPLICABLE

- ITEM NOT ILLUSTRATED

BRI

27-28-01-01

BOEING PROPRIETARY - Copyright © - Unpublished Work - See title page for details.

27-28-01  
FIG. 01  
PAGE 2  
JAN 20/09





757

PARTS CATALOG (MAINTENANCE)

FIG ITEM	PART NUMBER	1 2 3 4 5 6 7	NOMENCLATURE	EFFECT FROM TO	UNITS PER ASSY
1 55	BRH10A3	.	NUT- SUPPLIER CODE: V52828 SPECIFICATION NUMBER: BACN10JC3 OPTIONAL PART: H10-3BAC V15653 NS202101-02 V80539 RMLH9075-3W V72962 VN303A02 V92215 96-02 V80539 T6S1032J V11815	002004 006999	2
60	65B81011-310	.	ROD ASSY- COMPONENT MAINT MANUAL REF: 27-00-13	002004 006999	1
95	251N3009-2	.	TRANSMITTER ASSY-	002004 006100 107107 121503 904999	1
95	251N3009-4	.	TRANSMITTER ASSY-	002004 006100 107107 121503 904999	1
95	251N3009-6	.	TRANSMITTER ASSY-	101106 108120 504903	1
97	NAS623-3-12	..	SCREW-	002004 006999	1
98	AN960KD10	..	WASHER	002004 006999	1

MISSING ITEM NUMBERS NOT APPLICABLE

- ITEM NOT ILLUSTRATED

BRI

27-28-01-01

27-28-01  
FIG. 01  
PAGE 3  
JAN 20/09

**BOEING**  
757  
PARTS CATALOG (MAINTENANCE)

FIG ITEM	PART NUMBER	1 2 3 4 5 6 7	NOMENCLATURE	EFFECT FROM TO	UNITS PER ASSY
1 99	BRH10A3	..	NUT SUPPLIER CODE: V52828 SPECIFICATION NUMBER: BACN10JC3 OPTIONAL PART: H10-3BAC V15653 NS202101-02 V80539 RMLH9075-3W V72962 VN303A02 V92215 96-02 V80539 T6S1032J V11815	002004 006999	1
100	69-15812-1	..	CRANK-	002004 006999	1
100	69-15812-2	..	CRANK- OPTIONAL PART: 69-71007-3	002004 006999	1
100	69-71007-3	..	CRANK- OPTIONAL PART: 69-15812-2	002004 006999	1
105	65B80863-2	..	BRACKET ASSY- OPTIONAL PART: 65B80863-24	002004 006999	1
105	65B80863-24	..	BRACKET ASSY- OPTIONAL PART: 65B80863-2 ATTACHING PARTS	002004 006999	1
110	NAS623-3-14	..	SCREW	002004 006999	2
115	AN960KD10L	..	WASHER-	002004 006100 107107 121503 904999	2
115	BACW10BP3NDP	..	WASHER-	101106 108120 504903	2
120	MS21209F1-15	---	-----*----- ... INSERT	002004 006999	1
125	65B80863-4	---	... BRACKET	002004 006999	1

MISSING ITEM NUMBERS NOT APPLICABLE

— ITEM NOT ILLUSTRATED

BRI

# 27-28-01-01

BOEING PROPRIETARY - Copyright © - Unpublished Work - See title page for details.

27-28-01  
FIG. 01  
PAGE 4  
JAN 20/09



757

PARTS CATALOG (MAINTENANCE)

FIG ITEM	PART NUMBER	1 2 3 4 5 6 7	NOMENCLATURE	EFFECT FROM TO	UNITS PER ASSY
1 130	13TX0115A		.. TRANSMITTER ASSY- SUPPLIER CODE: V51761 SPECIFICATION NUMBER: 60B40042-3 ELECTRICAL EQUIP NUMBER: M00516 COMPONENT MAINT MANUAL REF: 27-09-02 OPTIONAL PART: 7977-18-01 V1K426 OPTIONAL PART: H505B V33463 H505A V33463 ZR1A V51761 H509B V33463 ZR3A V51761	002004 006999	1
130	7977-18-01		.. TRANSMITTER- SUPPLIER CODE: V1K426 SPECIFICATION NUMBER: 60B40042-3 ELECTRICAL EQUIP NUMBER: M00516 COMPONENT MAINT MANUAL REF: 27-09-01 OPTIONAL PART: 13TX0115A V51761 OPTIONAL PART: H505A V33463 H505B V33463 ZR1A V51761 H509B V33463 ZR3A V51761	002004 006999	1

MISSING ITEM NUMBERS NOT APPLICABLE

- ITEM NOT ILLUSTRATED

BRI

27-28-01-01

27-28-01  
FIG. 01  
PAGE 5  
JAN 20/09



757

PARTS CATALOG (MAINTENANCE)

FIG ITEM	PART NUMBER	1 2 3 4 5 6 7	NOMENCLATURE	EFFECT FROM TO	UNITS PER ASSY
1 130	H505B		.. TRANSMITTER ASSY- SUPPLIER CODE: V33463 FUNCTIONAL DESCRIPTION: PROVIDES ELECTRICAL SIGNALS CORRESPONDING TO CONTROL SURFACE MOVEMENT SPECIFICATION NUMBER: S250N104-4 ELECTRICAL EQUIP NUMBER: M00516 COMPONENT MAINT MANUAL REF: 27-01-07 OPTIONAL PART: ZR1A V51761 OPTIONAL PART: 13TX0115A V51761 H505A V33463 7977-18-01 V1K426 H509B V33463 ZR3A V51761	002004 006999	1
130	H505A		.. TRANSMITTER ASSY- SUPPLIER CODE: V33463 SPECIFICATION NUMBER: S250N104-1 ELECTRICAL EQUIP NUMBER: M00516 COMPONENT MAINT MANUAL REF: 27-01-01 OPTIONAL PART: 13TX0115A V51761 H505B V33463 7977-18-01 V1K426 ZR1A V57161 H509B V33463 ZR3A V51761	002004 006999	1

MISSING ITEM NUMBERS NOT APPLICABLE

- ITEM NOT ILLUSTRATED

BRI

27-28-01-01

BOEING PROPRIETARY - Copyright © - Unpublished Work - See title page for details.

27-28-01  
FIG. 01  
PAGE 6  
SEP 20/08



757

PARTS CATALOG (MAINTENANCE)

FIG ITEM	PART NUMBER	1 2 3 4 5 6 7 NOMENCLATURE	EFFECT FROM TO	UNITS PER ASSY
1 130	H509B	.. TRANSMITTER ASSY- SUPPLIER CODE: V33463 FUNCTIONAL DESCRIPTION: CONVERTS A MECHANICAL ANGULAR DISPLACEMENT INTO THREE ELECTRICAL SIGNALS. SPECIFICATION NUMBER: S250N104-6 ELECTRICAL EQUIP NUMBER: M00516 COMPONENT MAINT MANUAL REF: 27-01-01 OPTIONAL PART: ZR3A V51761 OPTIONAL PART: H505A V33463 13TX0115A V51761 7977-18-01 V1K426 H505B V33463 ZR1A V51761	002004 006999	1

MISSING ITEM NUMBERS NOT APPLICABLE

- ITEM NOT ILLUSTRATED

BRI

**27-28-01-01**

BOEING PROPRIETARY - Copyright © - Unpublished Work - See title page for details.

27-28-01  
FIG. 01  
PAGE 7  
JAN 20/09



757

PARTS CATALOG (MAINTENANCE)

FIG ITEM	PART NUMBER	1 2 3 4 5 6 7	NOMENCLATURE	EFFECT FROM TO	UNITS PER ASSY
1 130	ZR1A		.. TRANSMITTER ASSY- SUPPLIER CODE: V51761 FUNCTIONAL DESCRIPTION: PROVIDES ELECTRICAL SIGNALS CORRESPONDING TO CONTROL SURFACE MOVEMENT SPECIFICATION NUMBER: S250N104-4 COMPONENT MAINT MANUAL REF: 27-01-07 OPTIONAL PART: H505B V33463 OPTIONAL PART: 13TX0115A V51761 7977-18-01 V1K426 H505A V33463 H509B V33463 ZR3A V51761	002004 006999	1

MISSING ITEM NUMBERS NOT APPLICABLE

- ITEM NOT ILLUSTRATED

BRI

27-28-01-01

BOEING PROPRIETARY - Copyright © - Unpublished Work - See title page for details.

27-28-01  
FIG. 01  
PAGE 8  
JAN 20/09



757

PARTS CATALOG (MAINTENANCE)

FIG ITEM	PART NUMBER	1 2 3 4 5 6 7	NOMENCLATURE	EFFECT FROM TO	UNITS PER ASSY
1 130	ZR3A		.. TRANSMITTER ASSY- SUPPLIER CODE: V51761 FUNCTIONAL DESCRIPTION: PROVIDES AN ELECTRICAL SIGNAL PROPORTIONAL TO THE POSITION OF A CONTROL SURFACE (AILERON, SPOILER, RUDDER OR ELEVATOR) SPECIFICATION NUMBER: S250N104-6 ELECTRICAL EQUIP NUMBER: M00516 COMPONENT MAINT MANUAL REF: 27-01-01 OPTIONAL PART: H509B V33463 OPTIONAL PART: H505A V33463 H505B V33463 ZR1A V51761 13TX0115A V51761 7977-18-01 V1K426	002004 006999	1
135	1018-111-001		... PIN- SUPPLIER CODE: V33463	002004 006999	1
140	3100-001-020		... WIRE-LOCK SUPPLIER CODE: V33463	002004 006999	AR
145	6120-001-025		... SCREW- SUPPLIER CODE: V33463	002004 006999	4
150	1129-111-003		... CONNECTOR- SUPPLIER CODE: V33463	002004 006999	1
- 200	286N3100-003		WIRE BUNDLE ASSY-	002004 006100 107107 121503 904999	RF
- 200	286N3100-302		WIRE BUNDLE ASSY-	108120	RF

MISSING ITEM NUMBERS NOT APPLICABLE

- ITEM NOT ILLUSTRATED

BRI

27-28-01-01

27-28-01  
FIG. 01  
PAGE 9  
JAN 20/09



757

PARTS CATALOG (MAINTENANCE)

FIG ITEM	PART NUMBER	1 2 3 4 5 6 7	NOMENCLATURE	EFFECT FROM TO	UNITS PER ASSY
1 205	MS27291-1		.SUPPORT- ELECTRICAL EQUIP NUMBER: D01742T WIRING DIAGRAM REF: 272811	002004 006100 107503 904999	1
210	C0909A10-05SN		.CONNECTOR- SUPPLIER CODE: V13556 SPECIFICATION NUMBER: BACC63BN10-5S OPTIONAL PART: 48-63N10-5S V02660 R071210-5S V41118 ELECTRICAL EQUIP NUMBER: D01742 WIRING DIAGRAM REF: 272811	002004 006100 107503 904999	1

MISSING ITEM NUMBERS NOT APPLICABLE

- ITEM NOT ILLUSTRATED

BRI

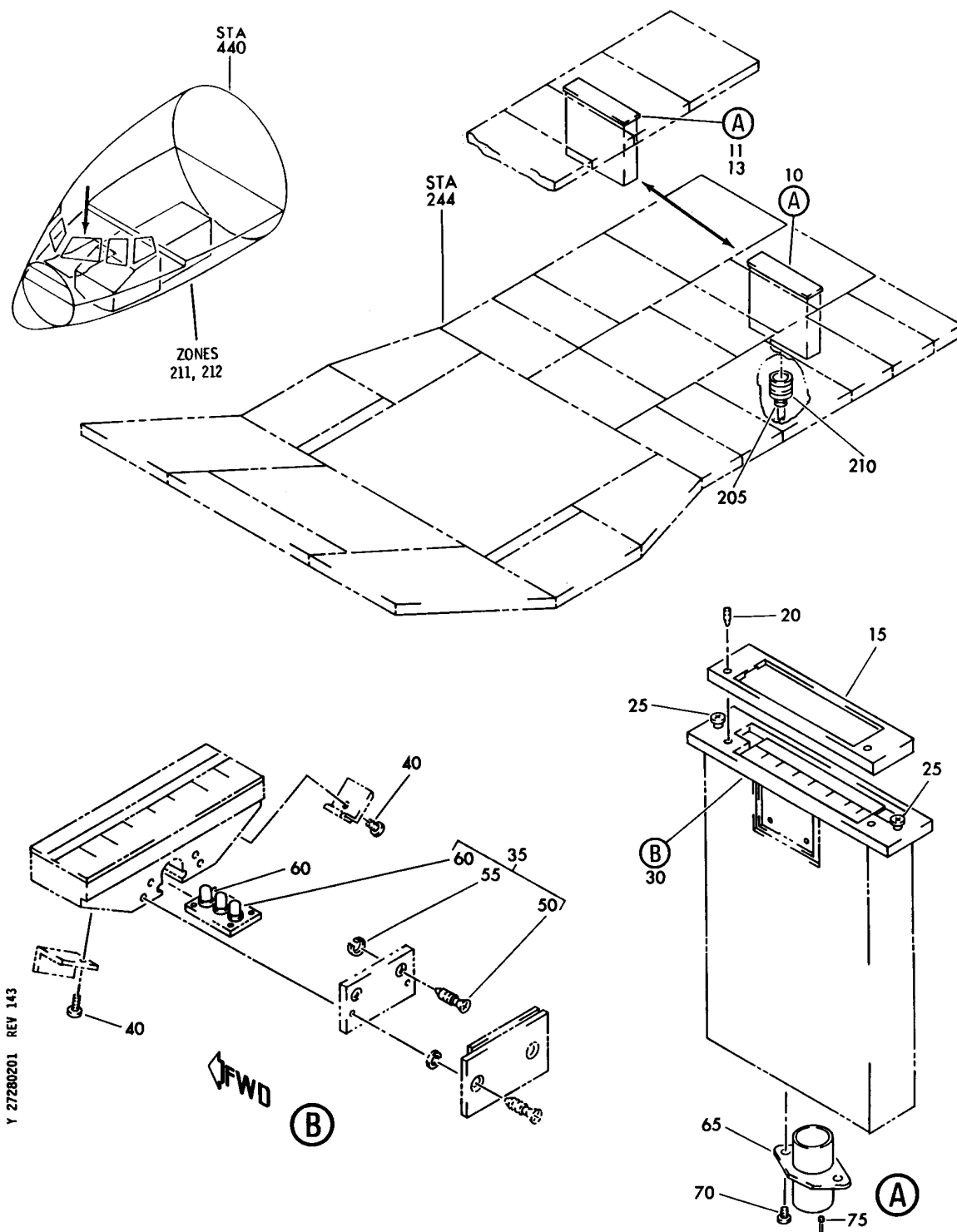
**27-28-01-01**

BOEING PROPRIETARY - Copyright © - Unpublished Work - See title page for details.

27-28-01  
FIG. 01  
PAGE 10  
JAN 20/09



**BOEING**  
757  
PARTS CATALOG (MAINTENANCE)



Y 27280201 REV 143

PANEL INSTL-P8, P9, P10 ELECTRONIC (RUDDER POSITION INDICATING SYSTEM ONLY)

FIGURE 1

**27-28-02-01**

BRI  
MAY 28/07

27-28-02-01  
PAGE 0



757

PARTS CATALOG (MAINTENANCE)

FIG ITEM	PART NUMBER	1 2 3 4 5 6 7	NOMENCLATURE	EFFECT FROM TO	UNITS PER ASSY
1			PANEL INSTL-P8, P9, P10 ELECTRONIC (RUDDER POSITION INDICATING SYSTEM ONLY)	002004 006100 107107 121503 904999	
- 1	233N6101-1		PANEL INSTL-P8 ELECTRONIC (RUDDER POSITION INDICATING SYSTEM ONLY) VARIABLE DRAWING REF: 233N6101-5004 233N6101-5028 233N6101-5041 233N6101-5042 233N6101-5046 FOR NHA/OTHER SYS DET SEE: 25-10-00-05A	002004 006100 107107 121503 904999	RF
10	362-021-002		. INDICATOR ASSY-RUD TRIM SUPPLIER CODE: V26055 FUNCTIONAL DESCRIPTION: DISPLAYS RUDDER TRIM POSITION AS NOSE LEFT AND RIGHT UNITS SPECIFICATION NUMBER: S231T282-2 ELECTRICAL EQUIP NUMBER: N00083 COMPONENT MAINT MANUAL REF: 27-20-01	002004 006100 107107 121503 904999	1
10	362-021-001		. INDICATOR ASSY-RUD TRIM SUPPLIER CODE: V26055 SPECIFICATION NUMBER: S231T282-1 ELECTRICAL EQUIP NUMBER: N00083 COMPONENT MAINT MANUAL REF: 27-20-01	002004 006100 107107 121503 904999	1
15	516-006-001		.. COVER ASSY- SUPPLIER CODE: V26055 POSITION DATA: FRONT	002004 006100 107107 121503 904999	1

MISSING ITEM NUMBERS NOT APPLICABLE

- ITEM NOT ILLUSTRATED

27-28-02-01

27-28-02  
FIG. 01  
PAGE 1  
JAN 20/09

BRI



757

PARTS CATALOG (MAINTENANCE)

FIG ITEM	PART NUMBER	1 2 3 4 5 6 7	NOMENCLATURE	EFFECT FROM TO	UNITS PER ASSY
1			ATTACHING PARTS		
20	MS24671-3		.. SCREW	002004 006100 107107 121503 904999	2
25	722-114-001		-----*----- .. SCREW-CAPTIVE SUPPLIER CODE: V26055	002004 006100 107107 121503 904999	2
30	477-378-001		.. INDICATOR ASSY- SUPPLIER CODE: V26055 USED ON: 362-021-001	002004 006100 107107 121503 904999	1
30	477-548-001		.. INDICATOR ASSY- SUPPLIER CODE: V26055 USED ON: 362-021-002	002004 006100 107107 121503 904999	1
35	442-101-001		... LIGHTING ASSY- SUPPLIER CODE: V26055 USED ON: 477-378-001	002004 006100 107107 121503 904999	1
35	442-152-001		... LIGHTING ASSY- SUPPLIER CODE: V26055 USED ON: 477-548-001	002004 006100 107107 121503 904999	1
40	MS51957-13		ATTACHING PARTS ... SCREW	002004 006100 107107 121503 904999	2
- 45	442-103-001		-----*----- .... BOARD ASSY-LAMP SUPPLIER CODE: V26055 USED ON: 442-101-001	002004 006100 107107 121503 904999	1
- 45	442-151-001		.... BOARD ASSY-LAMP SUPPLIER CODE: V26055 USED ON: 442-152-001	002004 006100 107107 121503 904999	1

MISSING ITEM NUMBERS NOT APPLICABLE

- ITEM NOT ILLUSTRATED

27-28-02-01

27-28-02  
FIG. 01  
PAGE 2  
JAN 20/09

BRI

BOEING PROPRIETARY - Copyright © - Unpublished Work - See title page for details.



757

PARTS CATALOG (MAINTENANCE)

FIG ITEM	PART NUMBER	1 2 3 4 5 6 7	NOMENCLATURE	EFFECT FROM TO	UNITS PER ASSY
1					
50	722-118-001	.....	ATTACHING PARTS SCREW-CAPTIVE SUPPLIER CODE: V26055	002004 006100 107107 121503 904999	2
55	5133-9H	.....	-----*----- RING-RETAINING SUPPLIER CODE: V79136	002004 006100 107107 121503 904999	2
60	7715AS15	.....	BULB- SUPPLIER CODE: V88204	002004 006100 107107 121503 904999	3
65	629-373-001	..	CONNECTOR- SUPPLIER CODE: V26055	002004 006100 107107 121503 904999	1
70	MS51957-13	..	ATTACHING PARTS SCREW	002004 006100 107107 121503 904999	2
75	MS27488-12	..	-----*----- PLUG	002004 006100 107107 121503 904999	1
- 200	286N2066-006		WIRE BUNDLE ASSY-(RUDDER POSITION INDICATING SYSTEM ONLY)	121503 904949	RF
- 200	286N2066-008		WIRE BUNDLE ASSY-(RUDDER POSITION INDICATING SYSTEM ONLY)	002004 006100 950999	RF
210	BACC45FT12A12S	.CONNECTOR-	ELECTRICAL EQUIP NUMBER: D01876 WIRING DIAGRAM REF: 272813	002004 006100 107107 121503 904999	1

MISSING ITEM NUMBERS NOT APPLICABLE

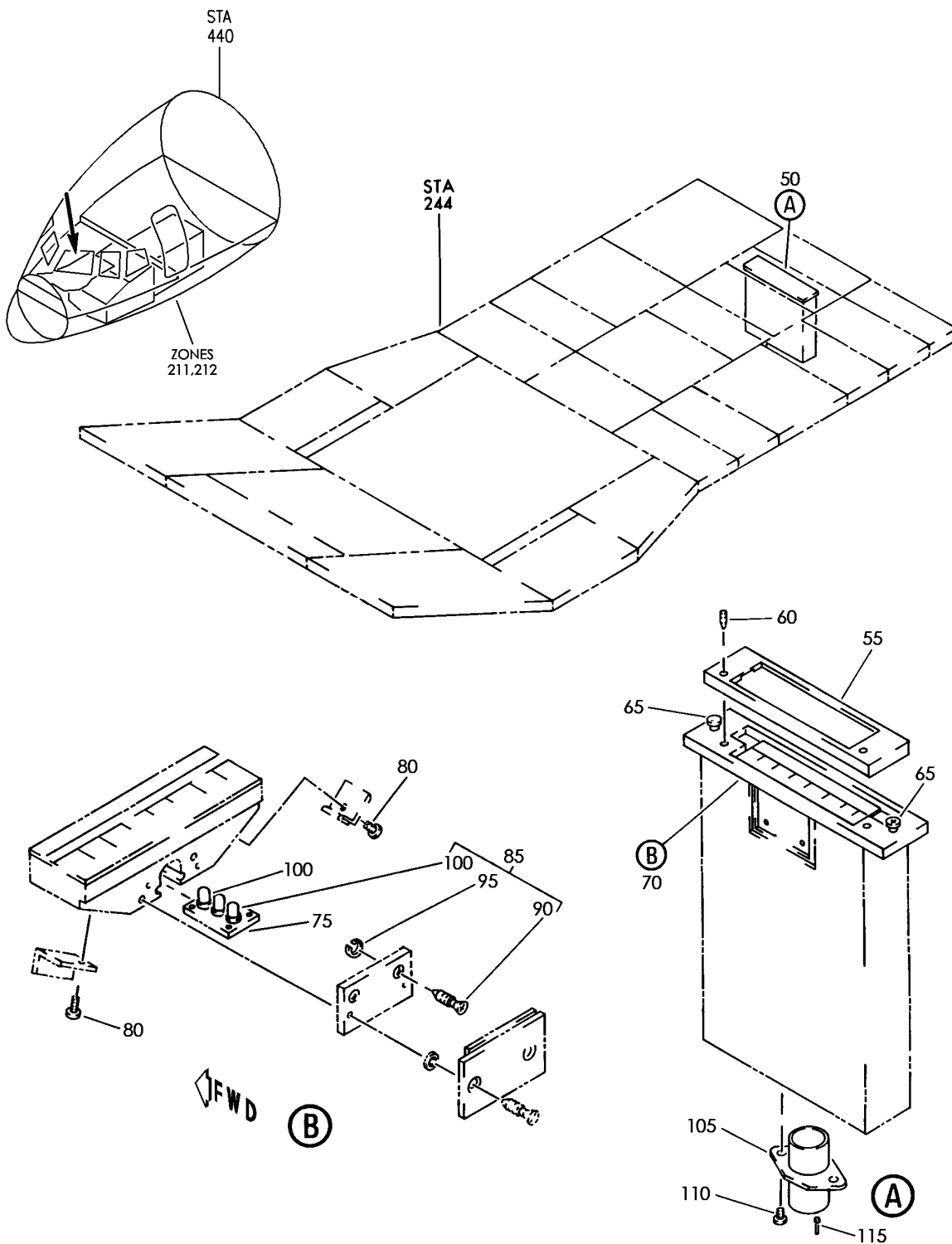
- ITEM NOT ILLUSTRATED

BRI

27-28-02-01

27-28-02  
FIG. 01  
PAGE 3  
JAN 20/09

**BOEING**  
757  
PARTS CATALOG (MAINTENANCE)



PANEL INSTL-P8,P9,P10 ELECTRONICS (RUDDER POSITION INDICATING SYSTEM ONLY)  
FIGURE 1A

BRI  
MAY 28/07

**27-28-02-01A**

27-28-02-01A  
PAGE 0



757

PARTS CATALOG (MAINTENANCE)

FIG ITEM	PART NUMBER	1 2 3 4 5 6 7	NOMENCLATURE	EFFECT FROM TO	UNITS PER ASSY
1 A			PANEL INSTL-P8,P9,P10 ELECTRONICS (RUDDER POSITION INDICATING SYSTEM ONLY)	101106 108120 504903	
- 2	233N6103-28		PANEL INSTL-P8,P9,P10 ELECTRONICS (RUDDER POSITION INDICATING SYSTEM ONLY)	101101	RF
- 2	233N6103-62		FOR NHA/OTHER SYS DET SEE: 25-10-00-15B PANEL INSTL-P8,P9,P10 ELECTRONICS (RUDDER POSITION INDICATING SYSTEM ONLY)	108120	RF
- 3	233N6103-122		FOR NHA/OTHER SYS DET SEE: 25-10-00-15B PANEL INSTL-P8,P9,P10 ELECTRONICS (RUDDER POSITION INDICATING SYSTEM ONLY)	504903	RF
- 3	233N6103-128		FOR NHA/OTHER SYS DET SEE: 25-10-00-15B PANEL INSTL-P8,P9,P10 ELECTRONICS (RUDDER POSITION INDICATING SYSTEM ONLY)	102102	RF

MISSING ITEM NUMBERS NOT APPLICABLE

- ITEM NOT ILLUSTRATED

**27-28-02-01A**

27-28-02  
FIG. 01A  
PAGE 1  
JAN 20/09

BRI

BOEING PROPRIETARY - Copyright © - Unpublished Work - See title page for details.



757

PARTS CATALOG (MAINTENANCE)

FIG ITEM	PART NUMBER	1 2 3 4 5 6 7	NOMENCLATURE	EFFECT FROM TO	UNITS PER ASSY
1 A - 7	MODREF33990		PANEL INSTL-P8,P9,P10 ELECTRONICS (RUDDER POSITION INDICATING SYSTEM ONLY) MODULE NUMBER: 233N6103-253 REV B FOR OTHER SYS DETAILS SEE: 11-31-05-66F 23-12-02-03 23-51-01-05 26-11-02-01 26-11-54-02A 26-12-51-03 26-17-51-06 26-21-01-02 26-22-03-03 26-23-52-04A 27-11-23-03 27-21-23-03 31-11-31-02 31-11-36-78 31-11-41-02 31-41-03-02 33-13-01-07 34-22-02-03 34-31-02-02 34-43-02-02 34-53-02-02 34-57-02-03 34-61-02-03	103106	1
50	362-021-002		. INDICATOR ASSY-RUD TRIM SUPPLIER CODE: V26055 FUNCTIONAL DESCRIPTION: DISPLAYS RUDDER TRIM POSITION AS NOSE LEFT AND RIGHT UNITS SPECIFICATION NUMBER: S231T282-2 ELECTRICAL EQUIP NUMBER: N00083 COMPONENT MAINT MANUAL REF: 27-20-01	101106 108120 504903	1
55	516-006-001		.. COVER ASSY- SUPPLIER CODE: V26055 POSITION DATA: FRONT	101106 108120 504903	1

MISSING ITEM NUMBERS NOT APPLICABLE

- ITEM NOT ILLUSTRATED

**27-28-02-01A**

27-28-02  
FIG. 01A  
PAGE 2  
JAN 20/09

BRI

**BOEING**  
757  
**PARTS CATALOG (MAINTENANCE)**

FIG ITEM	PART NUMBER	1 2 3 4 5 6 7	NOMENCLATURE	EFFECT FROM TO	UNITS PER ASSY
1A			ATTACHING PARTS		
60	MS24671-3	..	SCREW	101106 108120 504903	2
			-----*-----		
65	722-114-001	..	SCREW-CAPTIVE SUPPLIER CODE: V26055	101106 108120 504903	2
70	477-548-001	..	INDICATOR ASSY- SUPPLIER CODE: V26055	101106 108120 504903	1
75	442-152-001	...	LIGHTING ASSY- SUPPLIER CODE: V26055	101106 108120 504903	1
			ATTACHING PARTS		
80	MS51957-13	...	SCREW	101106 108120 504903	2
			-----*-----		
85	442-151-001	....	BOARD ASSY-LAMP SUPPLIER CODE: V26055	101106 108120 504903	1
			ATTACHING PARTS		
90	722-118-001	.....	SCREW-CAPTIVE SUPPLIER CODE: V26055	101106 108120 504903	2
			-----*-----		
95	5133-9H	.....	RING-RETAINING SUPPLIER CODE: V79136	101106 108120 504903	2
100	7715AS15	.....	BULB- SUPPLIER CODE: V88204	101106 108120 504903	3
105	629-373-001	..	CONNECTOR- SUPPLIER CODE: V26055	101106 108120 504903	1
			ATTACHING PARTS		
110	MS51957-13	..	SCREW	101106 108120 504903	2
			-----*-----		
115	MS27488-12	..	PLUG	101106 108120 504903	1
- 500	286N2066-010		WIRE BUNDLE ASSY	504903	RF
- 502	286N2066-334		WIRE BUNDLE ASSY	101102	RF
- 503	286N2066-346		WIRE BUNDLE ASSY	108120	RF
- 504	286N2066-602		WIRE BUNDLE ASSY	103106	RF

MISSING ITEM NUMBERS NOT APPLICABLE

- ITEM NOT ILLUSTRATED

BRI

**27-28-02-01A**

27-28-02  
FIG. 01A  
PAGE 3  
JAN 20/09

BOEING PROPRIETARY - Copyright © - Unpublished Work - See title page for details.





757

PARTS CATALOG (MAINTENANCE)

FIG ITEM	PART NUMBER	1 2 3 4 5 6 7	NOMENCLATURE	EFFECT FROM TO	UNITS PER ASSY
1 A 515	BACC45FT12A12S		.CONNECTOR- ELECTRICAL EQUIP NUMBER: D01876 WIRING DIAGRAM REF: 272813	101106 108120 504903	1

MISSING ITEM NUMBERS NOT APPLICABLE

- ITEM NOT ILLUSTRATED

BRI

**27-28-02-01A**

BOEING PROPRIETARY - Copyright © - Unpublished Work - See title page for details.

27-28-02  
FIG. 01A  
PAGE 4  
JAN 20/09

## ELEVATOR

BRI  
MAY 28/07

27-30-00  
SECTION TITLE  
PAGE 1

 **BOEING**  
757  
PARTS CATALOG (MAINTENANCE)

NON-ILLUSTRATED FIGURE

THE ITEMS REFLECTED IN THIS FIGURE ARE INTENTIONALLY  
NON-ILLUSTRATED. THEY ARE REFERENCED TO EITHER A  
NEXT HIGHER OR NEXT LOWER ASSEMBLY/INSTALLATION FIGURE.

MANAGEMENT COLLECTOR ELEV CONT SYS  
FIGURE 1A

**27-30-00-01A**

BRI  
MAY 28/07

27-30-00-01A  
PAGE 0



757

PARTS CATALOG (MAINTENANCE)

FIG ITEM	PART NUMBER	1 2 3 4 5 6 7	NOMENCLATURE	EFFECT FROM TO	UNITS PER ASSY
1 A			MANAGEMENT COLLECTOR ELEV CONT SYS	101102 108120 504903	
- 1	251N0002-3000		ELEVATOR CONTROL SYSTEM- MINOR MODEL, PASS. VARIABLE DRAWING REF: 251N0002-5014 251N0002-5032	101102 108120 504903	RF
- 10	251N2001-1		.CONTROL INSTL-ELEV AND STAB. TRIM SYS FOR DETAILS SEE: 27-31-00-03 27-31-02-02	101101	1
- 10	251N2001-4		.CONTROL INSTL-ELEV AND STAB. TRIM SYS FOR DETAILS SEE: 27-31-00-03 27-31-02-02	102102 108120 504903	1
- 20	251N2005-4		.COMPUTER INSTL-ELEV CONT FEEL FOR DETAILS SEE: 27-31-19-01	101102 108120 504903	1
- 25	251N2022-2		.BOX INSTL-ELEV CONT MECH TORQUE POSITION DATA: AFT FOR DETAILS SEE: 27-31-16-01	101102 108120 504903	1
- 40	251N6014-5		.BRACKET INSTL-E1A AND E1B PULLEY POSITION DATA: STA 336 FOR DETAILS SEE: 27-31-52-01	101102 108120 504903	1
- 50	251N6015-6		.BRACKET INSTL-ELEV 1A AND 2B PULLEY POSITION DATA: STA 336 FOR DETAILS SEE: 27-31-52-01	101102 108120 504903	1
- 55	251N6016-3		.BRACKET INSTL-ELEV 1A AND 1B PULLEY POSITION DATA: STA 370 L UPR FOR DETAILS SEE: 27-31-52-03	101102 108120 504903	1

MISSING ITEM NUMBERS NOT APPLICABLE

- ITEM NOT ILLUSTRATED

**27-30-00-01A**

27-30-00  
FIG. 01A  
PAGE 1  
JAN 20/09

BRI



757

PARTS CATALOG (MAINTENANCE)

FIG ITEM	PART NUMBER	1 2 3 4 5 6 7	NOMENCLATURE	EFFECT FROM TO	UNITS PER ASSY
1A					
- 60	251N6018-25		.BRACKET INSTL-IDLER POSITION DATA: SECT. 43 STA 560 FOR DETAILS SEE: 53-30-51-35	101102 108120 504903	1
- 65	251N6018-26		.BRACKET INSTL-IDLER POSITION DATA: SECT. 43 STA 720 FOR DETAILS SEE: 53-30-51-35	101102 108120 504903	1
- 70	251N6018-27		.BRACKET INSTL-IDLER POSITION DATA: SECT. 43 STA 879 FOR DETAILS SEE: 53-30-51-35	101102 108120 504903	1
- 75	251N6018-28		.BRACKET INSTL-IDLER POSITION DATA: SECT. 44 STA 1080 FOR DETAILS SEE: 53-41-58-01	101102 108120 504903	1
- 80	251N6018-29		.BRACKET INSTL-IDLER POSITION DATA: STA 1260 FOR DETAILS SEE: 53-61-56-01	101102 108120 504903	1
- 85	251N6018-30		.BRACKET INSTL-IDLER POSITION DATA: STA 1460 FOR DETAILS SEE: 53-61-56-01	101102 108120 504903	1
- 90	251N6029-4		.BRACKET INSTL-E1A-E1B PULLEY POSITION DATA: STA 1630 UPR FOR DETAILS SEE: 53-61-52-01	101102 108120 504903	1
- 95	251N6030-5		.SEAL INSTL-PRESSURE FOR DETAILS SEE: 27-31-57-10	101102 108120 504903	1
- 100	251N6034-8		.BRACKET INSTL-ELEV 1A AND 1B PULLEY POSITION DATA: STA 1743.85 FOR DETAILS SEE: 53-81-52-03	101102 108120 504903	1

MISSING ITEM NUMBERS NOT APPLICABLE

- ITEM NOT ILLUSTRATED

**27-30-00-01A**

27-30-00  
FIG. 01A  
PAGE 2  
JAN 20/09

BRI

BOEING PROPRIETARY - Copyright © - Unpublished Work - See title page for details.

## ELEVATOR CONTROL

BRI  
MAY 28/07

27-31-00  
SECTION TITLE  
PAGE 1

 **BOEING**  
757  
PARTS CATALOG (MAINTENANCE)

NON-ILLUSTRATED FIGURE

THE ITEMS REFLECTED IN THIS FIGURE ARE INTENTIONALLY  
NON-ILLUSTRATED. THEY ARE REFERENCED TO EITHER A  
NEXT HIGHER OR NEXT LOWER ASSEMBLY/INSTALLATION FIGURE.

SHROUD INSTL-ELEV CONT CABLE  
FIGURE 1

**27-31-00-01**

BRI  
MAY 28/07

27-31-00-01  
PAGE 0



757

PARTS CATALOG (MAINTENANCE)

FIG ITEM	PART NUMBER	1 2 3 4 5 6 7	NOMENCLATURE	EFFECT FROM TO	UNITS PER ASSY
1			SHROUD INSTL-ELEV CONT CABLE	101102 108120 504903	
- 15	251N0020-3000		SHROUD INSTL	101102 108120 504903	1
- 20	251N0020-3001		SHROUD INSTL	108120	1
- 25	251N0020-3100		SHROUD INSTL	101102 108120 504903	1
- 30	251N0020-3101		SHROUD INSTL- VARIABLE DRAWING REF: 251N0020-5007 251N0020-5008	101102 504903	1
- 90	251N6061-160		.GUARD INSTL- POSITION DATA: STA 1500 TO 1620 FOR DETAILS SEE: 27-31-63-10	101102 504903	1
- 95	251N6061-161		.GUARD INSTL- POSITION DATA: STA. 1240-STA 1300 FOR DETAILS SEE: 27-31-63-09	101102 504903	1
- 110	251N6061-444		.SHROUD INSTL-CONTROL CABLE, ELEVATOR POSITION DATA: STA 500-STA 900 FOR DETAILS SEE: 27-31-63-07	101102 108120 504903	1
- 115	251N6061-49		.SHROUD INSTL- POSITION DATA: STA. 900-STA. 1160 FOR DETAILS SEE: 27-31-63-08	101102 108120 504903	1
- 120	251N6061-50		.SHROUD INSTL- POSITION DATA: STA. 1300 TO 1500 FOR DETAILS SEE: 27-31-63-09	101102 108120 504903	1
- 125	251N6061-51		.SHROUD INSTL- POSITION DATA: STA. 1160-STA. 1240 FOR DETAILS SEE: 27-31-63-08	101102 108120 504903	1

MISSING ITEM NUMBERS NOT APPLICABLE

- ITEM NOT ILLUSTRATED

**27-31-00-01**

27-31-00  
FIG. 01  
PAGE 1  
JAN 20/09

BRI





757

PARTS CATALOG (MAINTENANCE)

FIG ITEM	PART NUMBER	1 2 3 4 5 6 7	NOMENCLATURE	EFFECT FROM TO	UNITS PER ASSY
1					
- 130	251N6061-52		.SHROUD INSTL- POSITION DATA: STA. 1240-STA 1300 FOR DETAILS SEE: 27-31-63-09	108120	1
- 135	251N6061-53		.SHROUD INSTL- POSITION DATA: STA 1500 TO 1620 FOR DETAILS SEE: 27-31-63-10	108120	1
- 140	251N6062-14		.SHROUD INSTL-CONTROL CABLE, ELEVATOR POSITION DATA: STA. 350, STA. 365.25 FOR DETAILS SEE: 27-31-63-04	101102 108120 504903	1
- 145	251N6062-15		.SHROUD INSTL-CONT CABLE ELEV POSITION DATA: STA 377.70 TO 500 FOR DETAILS SEE: 27-31-63-05	108120	1
- 150	251N6062-16		.SHROUD INSTL-CONT CABLE ELEV POSITION DATA: STA 377.70 TO 500 FOR DETAILS SEE: 27-31-63-06	101101	1
- 150	251N6062-20		.SHROUD INSTL-CONT CABLE ELEV POSITION DATA: STA 377.70 TO 500 FOR DETAILS SEE: 27-31-63-06	102102 504903	1

MISSING ITEM NUMBERS NOT APPLICABLE

- ITEM NOT ILLUSTRATED

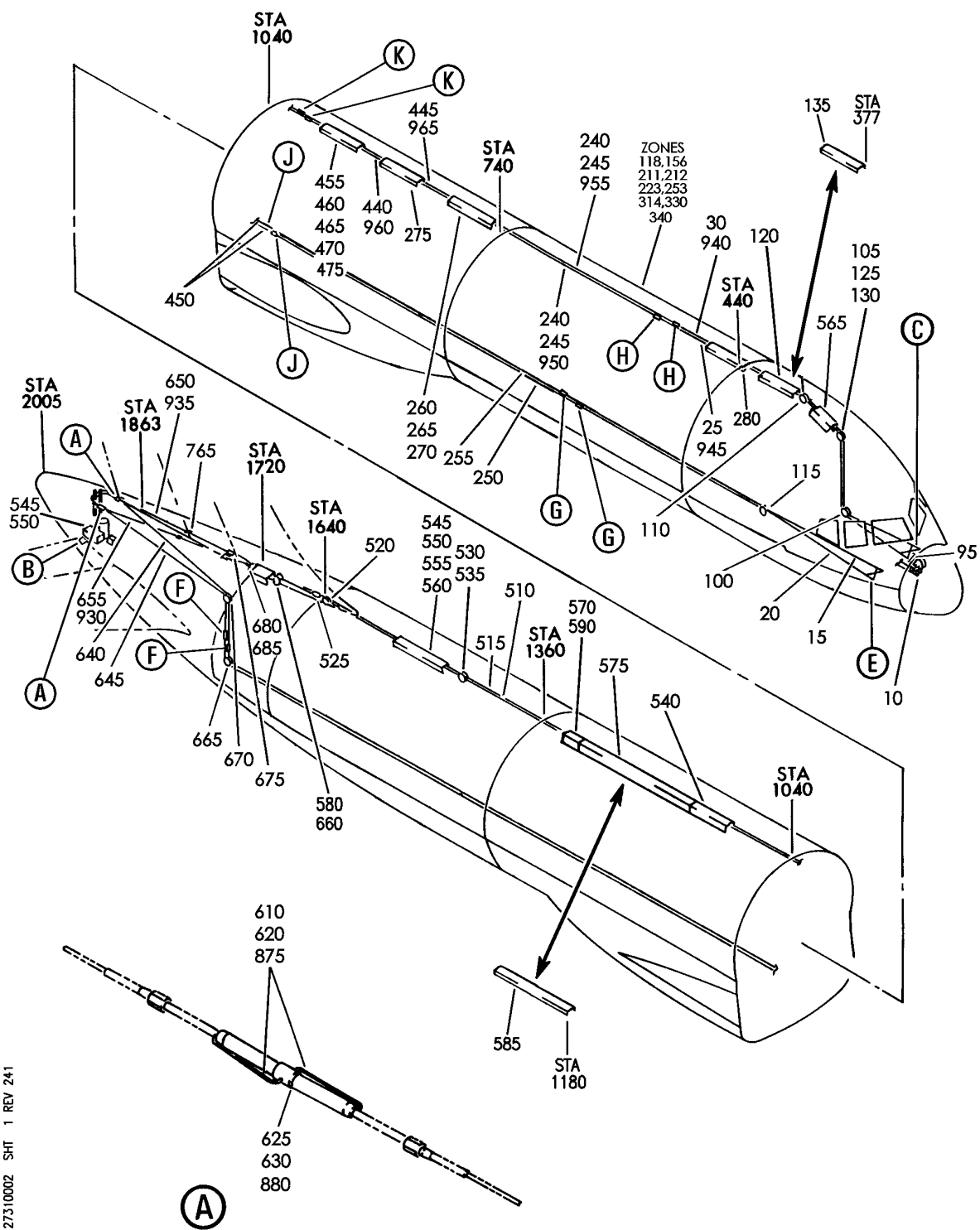
BRI

27-31-00-01

BOEING PROPRIETARY - Copyright © - Unpublished Work - See title page for details.

27-31-00  
FIG. 01  
PAGE 2  
JAN 20/09

**BOEING**  
757  
PARTS CATALOG (MAINTENANCE)



Y 27310002 SHT 1 REV 241

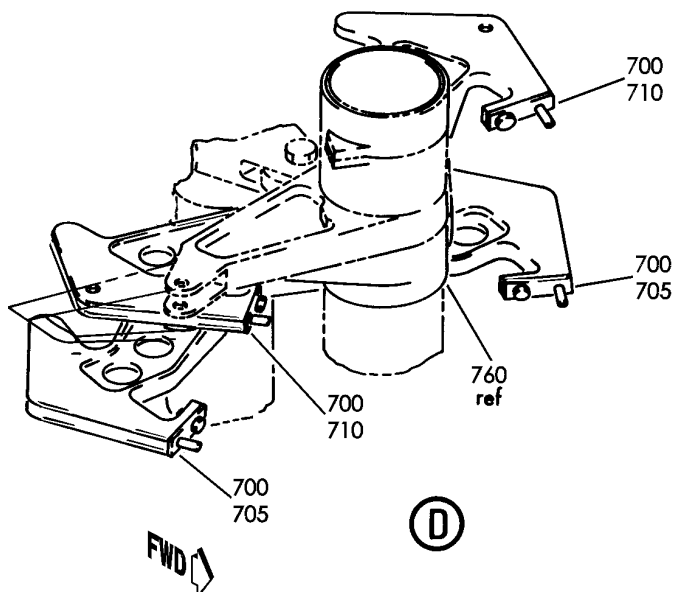
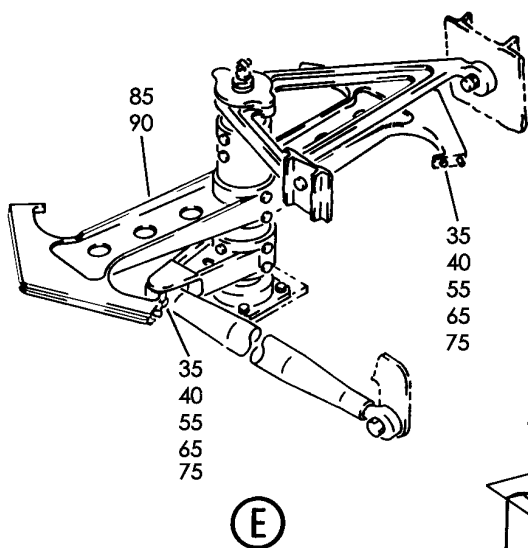
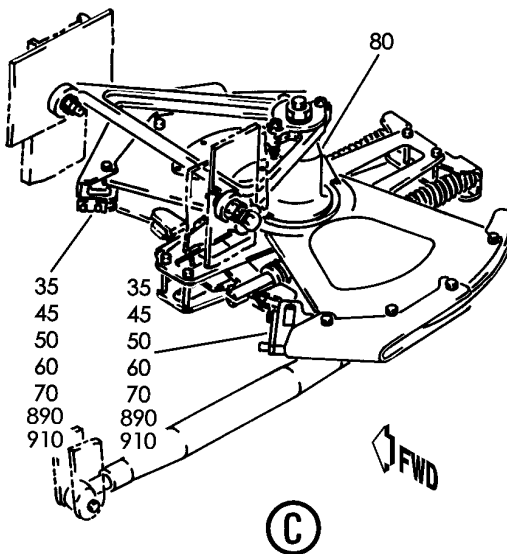
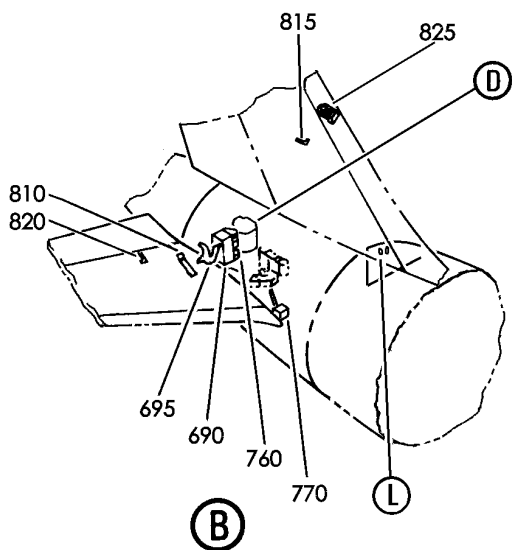
CONTROL INSTL-ELEV AND STAB. TRIM SYS (ELEVATOR CONTROL SYSTEM ONLY)  
FIGURE 2 (SHEET 1)

**27-31-00-02**

BRI  
MAY 28/07

27-31-00-02  
PAGE 0

**BOEING**  
757  
PARTS CATALOG (MAINTENANCE)



Y 27310002 SHT 2 REV 237

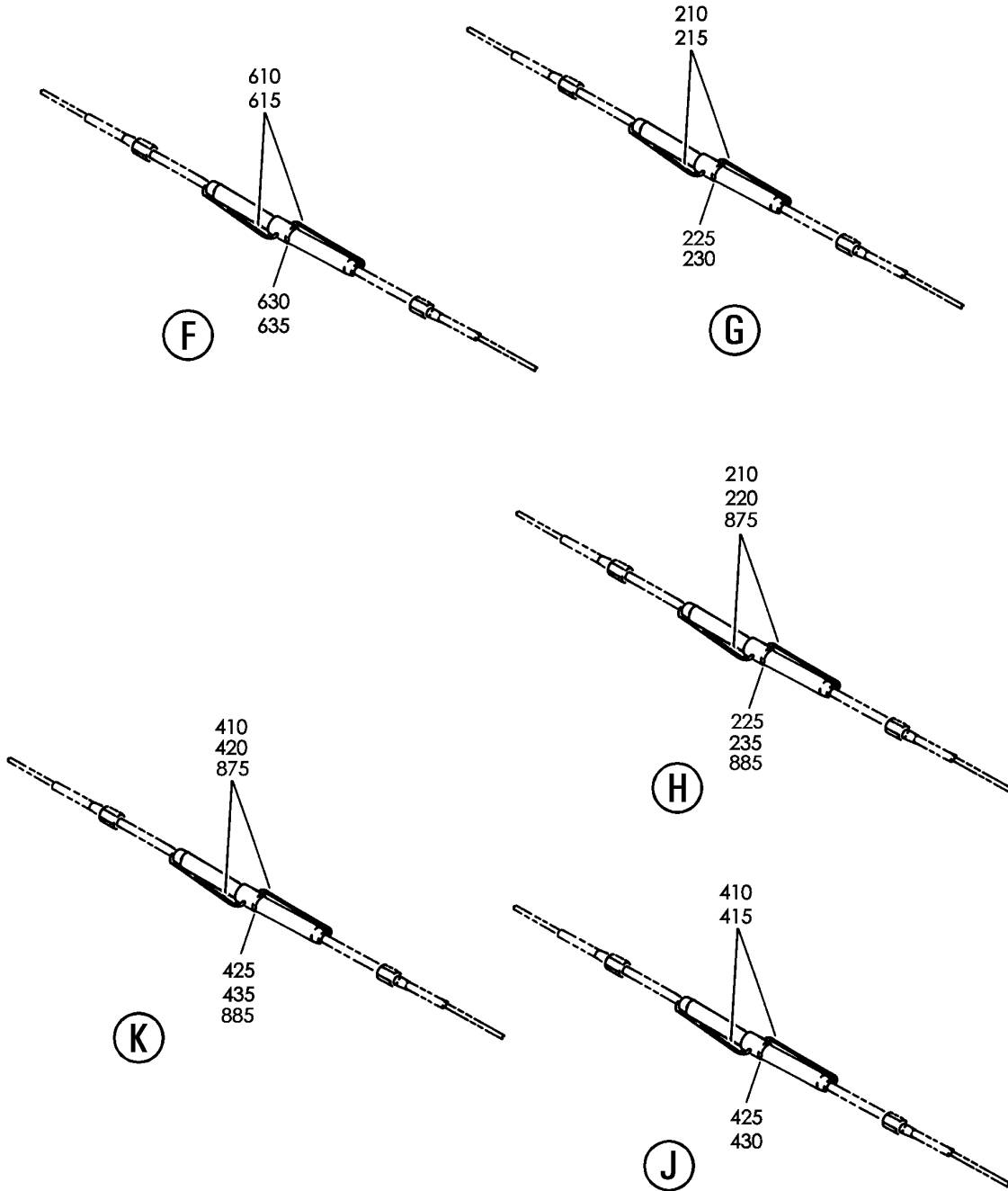
CONTROL INSTL-ELEV AND STAB. TRIM SYS (ELEVATOR CONTROL SYSTEM ONLY)  
FIGURE 2 (SHEET 2)

**27-31-00-02**

BRI  
MAY 28/07

27-31-00-02  
PAGE 0A

**BOEING**  
757  
PARTS CATALOG (MAINTENANCE)



Y 27310002 SHT 3 REV 237

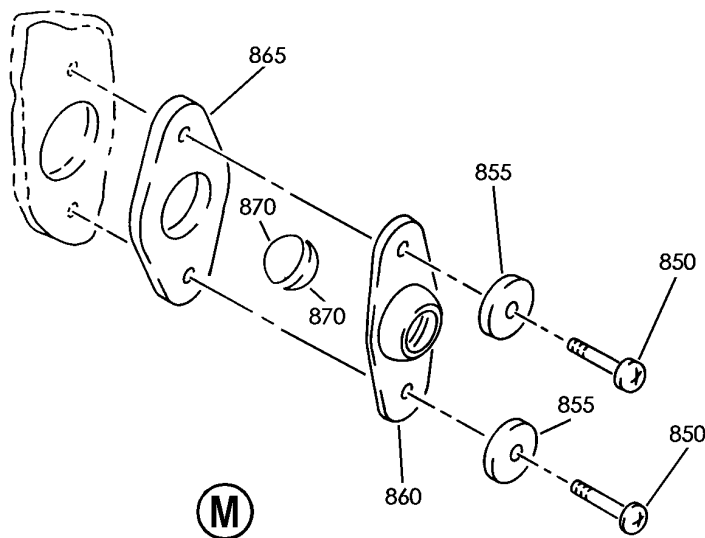
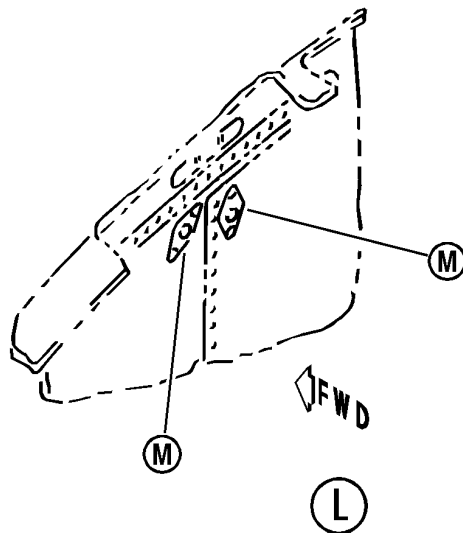
CONTROL INSTL-ELEV AND STAB. TRIM SYS (ELEVATOR CONTROL SYSTEM ONLY)  
FIGURE 2 (SHEET 3)

**27-31-00-02**

BRI  
MAY 28/07

27-31-00-02  
PAGE 0B

**BOEING**  
757  
PARTS CATALOG (MAINTENANCE)



Y 27310002 SH1 4 REV 237

CONTROL INSTL-ELEV AND STAB. TRIM SYS (ELEVATOR CONTROL SYSTEM ONLY)  
FIGURE 2 (SHEET 4)

**27-31-00-02**

BRI  
MAY 28/07

27-31-00-02  
PAGE 0C



757

PARTS CATALOG (MAINTENANCE)

FIG ITEM	PART NUMBER	1 2 3 4 5 6 7	NOMENCLATURE	EFFECT FROM TO	UNITS PER ASSY
2			CONTROL INSTL-ELEV AND STAB. TRIM SYS (ELEVATOR CONTROL SYSTEM ONLY)	002004 006100 107107 121503 904999	
- 1	251N2001-41		CONTROL INSTL-(ELEVATOR CONTROL SYSTEM SYSTEM ONLY) POSITION DATA: SECT. 41 VARIABLE DRAWING REF: 251N2001-37 251N2001-154 FOR NHA/OTHER SYS DET SEE: 27-00-00-10	002004 006100 107107 121503 904999	RF
10	251N6001-3		.BRACKET INSTL-PULLEY VARIABLE DRAWING REF: 251N6001-5 FUNCTIONAL REFERENCE: FLIGHT CONTROL FOR DETAILS SEE 27-41-53-01 27-41-53-02 27-51-52-01 LANDING GEAR FOR DETAILS SEE 32-31-51-01 ENGINE CONTROLS FOR DETAILS SEE 76-11-53-01 76-11-53-02	107107 904949	1
10	251N6001-8		.BRACKET INSTL-PULLEY VARIABLE DRAWING REF: 251N6001-5 FUNCTIONAL REFERENCE: FLIGHT CONTROL FOR DETAILS SEE 27-41-53-01 27-51-52-01 LANDING GEAR FOR DETAILS SEE 32-31-51-01 ENGINE CONTROLS FOR DETAILS SEE 76-11-53-01 76-11-53-02	003004 006100 121503 950999	1
15	BACC2C4C03207FG		.CABLE ASSY-E2A	107107 904949	1

MISSING ITEM NUMBERS NOT APPLICABLE

- ITEM NOT ILLUSTRATED

BRI

27-31-00-02

BOEING PROPRIETARY - Copyright © - Unpublished Work - See title page for details.

27-31-00  
FIG. 02  
PAGE 1  
JAN 20/09



757

PARTS CATALOG (MAINTENANCE)

FIG ITEM	PART NUMBER	1 2 3 4 5 6 7	NOMENCLATURE	EFFECT FROM TO	UNITS PER ASSY
2					
15	BACC2C4C03187FG	.	CABLE ASSY-E2A	002004 006100 121503 950999	1
20	BACC2C4C03394FG	.	CABLE ASSY-E2B	107107 904949	1
20	BACC2C4C03374FG	.	CABLE ASSY-E2B	002004 006100 121503 950999	1
25	BACC2C4C03909FG	.	CABLE ASSY-E1A	002004 006100 107107 121503 904999	1
30	BACC2C4C03675FG	.	CABLE ASSY-E1B	002004 006100 107107 121503 904999	1
35	3-89042-3001	.	RETAINER-	002004 006100 107107 121503 904999	4
35	3-89042-5	.	RETAINER-	002004 006100 107107 121503 904999	4
50	BACB30NF4-6		ATTACHING PARTS .BOLT	002004 006100 107107 121503 904999	2
55	NAS623-3-5	.	SCREW	002004 006100 107107 121503 904999	2
60	AN960KD416	.	WASHER	002004 006100 107107 121503 904999	2

MISSING ITEM NUMBERS NOT APPLICABLE

- ITEM NOT ILLUSTRATED

BRI

27-31-00-02

27-31-00  
FIG. 02  
PAGE 2  
JAN 20/09

 **BOEING**  
757  
**PARTS CATALOG (MAINTENANCE)**

FIG ITEM	PART NUMBER	1 2 3 4 5 6 7	NOMENCLATURE	EFFECT FROM TO	UNITS PER ASSY
2	65 AN960KD10	.	WASHER	002004 006100 107107 121503 904999	2
	70 BRH10A4	.	NUT SUPPLIER CODE: V52828 SPECIFICATION NUMBER: BACN10JC4 OPTIONAL PART: T6S428J V11815 96-048 V80539 VN303A048 V92215 RMLH9075-4W V72962 NS202101-048 V80539 H10-4BAC V15653	002004 006100 107107 121503 904999	2
	75 MS21042L3	.	NUT	002004 006100 107107 121503 904999	2
	80 251N2013-1	-----*-----	.REGULATOR INSTL-ELEV CONT TNSN POSITION DATA: LH SIDE FOR DETAILS SEE: 27-31-12-01	002004 006100 107107 121503 904999	1
	90 251N2013-4	.	.REGULATOR INSTL-ELEV CONT TNSN POSITION DATA: RH SIDE FOR DETAILS SEE: 27-31-12-01	002004 006100 107107 121503 904999	1
	95 251N1416-2	.	.SENSOR INSTL-CONT COLUMN FOR DETAILS SEE: 31-31-08-01	002004 006100 121503 950999	1

MISSING ITEM NUMBERS NOT APPLICABLE

— ITEM NOT ILLUSTRATED

BRI

# 27-31-00-02

BOEING PROPRIETARY - Copyright © - Unpublished Work - See title page for details.

27-31-00  
FIG. 02  
PAGE 3  
JAN 20/09





757

PARTS CATALOG (MAINTENANCE)

FIG ITEM	PART NUMBER	1 2 3 4 5 6 7	NOMENCLATURE	EFFECT FROM TO	UNITS PER ASSY
2 100	251N6014-3		.BRACKET INSTL-E1A AND E1B PULLEY POSITION DATA: STA 336 FOR DETAILS SEE: 27-31-52-01	107107	1
100	251N6014-4		.BRACKET INSTL-E1A AND E1B PULLEY POSITION DATA: STA 336 FOR DETAILS SEE: 27-31-52-01	904949	1
100	251N6014-5		.BRACKET INSTL-E1A AND E1B PULLEY POSITION DATA: STA 336 FOR DETAILS SEE: 27-31-52-01	002004 006100 121503 950999	1
105	251N6015-4		.BRACKET INSTL-E1A AND E1B PULLEY POSITION DATA: STA 336 FOR DETAILS SEE: 27-31-52-01	002004 006100 107107 121503 904999	1
110	251N6016-3		.BRACKET INSTL-ELEV 1A AND 1B POSITION DATA: STA 370 L UPR FOR DETAILS SEE: 27-31-52-03	002004 006100 107107 121503 904999	1
115	251N6010-3		.BRACKET INSTL-E2A AND E2B WFA AND WFB PULLEY POSITION DATA: STA 395 FOR DETAILS SEE: 27-31-55-01	002004 006100 107107 121503 904999	1
125	251N6062-7		.SHROUD INSTL-CONT CABLE ELEV POSITION DATA: STA 377.70 TO 500 VARIABLE DRAWING REF: 251N6062-11 251N6062-12 FOR DETAILS SEE: 27-31-63-05 27-31-63-06	002004 006100 107107 121503 904999	1

MISSING ITEM NUMBERS NOT APPLICABLE

- ITEM NOT ILLUSTRATED

BRI

27-31-00-02

27-31-00  
FIG. 02  
PAGE 4  
JAN 20/09



757

PARTS CATALOG (MAINTENANCE)

FIG ITEM	PART NUMBER	1 2 3 4 5 6 7	NOMENCLATURE	EFFECT FROM TO	UNITS PER ASSY
2					
- 200	251N2001-43		CONTROL INSTL- (ELEVATOR CONTROL SYSTEM SYSTEM ONLY) POSITION DATA: SECT. 43 FOR NHA/OTHER SYS DET SEE: 27-00-00-10	002004 006100 107107 121503 904999	RF
210	BACC15AJ2		.CLIP	002004 006100 107107 121503 904999	8
225	MS21251B5L		.TURNBUCKLE BODY	002004 006100 107107 121503 904999	4
240	BACC2C4C05174EF		.CABLE ASSY-E1A AND E1B	002004 006100 107107 121503 904999	2
250	BACC2C4C04366EF		.CABLE ASSY-E2A	002004 006100 107107 121503 904999	1
255	BACC2C4C03976EF		.CABLE ASSY-E2B	002004 006100 107107 121503 904999	1
260	251N6061-43		.SHROUD INSTL-CONTROL CABLE, ELEVATOR FOR DETAILS SEE: 27-31-63-07	107107 904949	1
260	251N6061-443		.SHROUD INSTL-CONTROL CABLE, ELEVATOR FOR DETAILS SEE: 27-31-63-07	002004 006100 121503 950999	1
- 400	251N2001-44		CONTROL INSTL- (ELEVATOR CONTROL SYSTEM SYSTEM ONLY) POSITION DATA: SECT. 44	002004 006100 107107 121503 904999	RF

MISSING ITEM NUMBERS NOT APPLICABLE

- ITEM NOT ILLUSTRATED

27-31-00-02

27-31-00  
FIG. 02  
PAGE 5  
JAN 20/09

BRI



757

PARTS CATALOG (MAINTENANCE)

FIG ITEM	PART NUMBER	1 2 3 4 5 6 7	NOMENCLATURE	EFFECT FROM TO	UNITS PER ASSY
2					
410	BACC15AJ2	.	CLIP	002004 006100 107107 121503 904999	8
425	MS21251B5L	.	TURNBUCKLE BODY	002004 006100 107107 121503 904999	4
440	BACC2C4C07436EF	.	CABLE ASSY-	002004 006100 107107 121503 904999	1
445	BACC2C4C07766EF	.	CABLE ASSY-E1B	002004 006100 107107 121503 904999	1
450	BACC2C4C07359EF	.	CABLE ASSY-E2A AND E2B	002004 006100 107107 121503 904999	2
455	251N6061-44	.	SHROUD INSTL- POSITION DATA: STA 900-ST A 1160 FOR DETAILS SEE: 27-31-63-08	107107 904949	1
- 500	251N2001-46		CONTROL INSTL- (ELEVATOR CONTROL SYSTEM SYSTEM ONLY) POSITION DATA: SECT. 46 VARIABLE DRAWING REF: 251N2001-95 251N2001-99 251N2001-303 251N2001-311 251N2001-312 251N2001-403 FOR NHA/OTHER SYS DET SEE: 27-00-00-10	002004 006100 107107 121503 904999	RF

MISSING ITEM NUMBERS NOT APPLICABLE

- ITEM NOT ILLUSTRATED

BRI

27-31-00-02

27-31-00  
FIG. 02  
PAGE 6  
JAN 20/09



757

PARTS CATALOG (MAINTENANCE)

FIG ITEM	PART NUMBER	1 2 3 4 5 6 7	NOMENCLATURE	EFFECT FROM TO	UNITS PER ASSY
2					
520	251N6029-3		.BRACKET INSTL-E1A AND E1B PULLEY POSITION DATA: STA 1630 UPR FOR DETAILS SEE: 53-61-52-01	002004 006100 107107 121503 904999	1
540	251N6061-1		.SHROUD INSTL- POSITION DATA: STA 1160 FOR DETAILS SEE: 27-31-63-08	002004 006100 107107 121503 904999	1
560	251N6061-3		.SHROUD INSTL- POSITION DATA: STA 1500 TO 1620 VARIABLE DRAWING REF: 251N6061-150 251N6061-153 251N6061-158 251N6061-160 FOR DETAILS SEE: 27-31-63-10	002004 006100 107107 121503 904999	1
565	251N6062-2		.SHROUD INSTL-CONTROL CABLE, ELEVATOR POSITION DATA: STA 350-STA 365.25 FOR DETAILS SEE: 27-31-63-04	006100 107107 121503 904999	1
570	251N6061-46		.SHROUD INSTL- POSITION DATA: STA 1300 TO 1500 FOR DETAILS SEE: 27-31-63-09	002004 006100 107107 121503 904999	1
575	251N6061-2		.SHROUD INSTL- POSITION DATA: STA 1240-STA 1300 VARIABLE DRAWING REF: 251N6061-152 251N6061-155 251N6061-159 251N6061-161 FOR DETAILS SEE: 27-31-63-09	002004 006100 107107 121503 904999	1

MISSING ITEM NUMBERS NOT APPLICABLE

- ITEM NOT ILLUSTRATED

27-31-00-02

27-31-00  
FIG. 02  
PAGE 7  
JAN 20/09

BRI



757

PARTS CATALOG (MAINTENANCE)

FIG ITEM	PART NUMBER	1 2 3 4 5 6 7	NOMENCLATURE	EFFECT FROM TO	UNITS PER ASSY
2 - 600	251N2001-48		CONTROL INSTL- (ELEVATOR CONTROL SYSTEM SYSTEM ONLY) POSITION DATA: SECT. 48 MODIFICATION DRAWING REF: 657N3735-1001 657N3735-2001 657N3735-3002 FOR NHA/OTHER SYS DET SEE: 27-00-00-10	002004 006100 107107 121503 904999	RF
610	BACC15AJ2		.CLIP	002004 006100 107107 121503 904999	8
630	MS21251B5L		.TURNBUCKLE BODY	002004 006100 107107 121503 904999	4
640	BACC2C4C01625EG		.CABLE ASSY-E2A	107107	1
640	BACC2C4C01585EG		.CABLE ASSY-E2A POST SERVICE LETTER: 20-007	904949	1
640	BACC2C4C01610EG		.CABLE ASSY-E2A POST SERVICE LETTER: 20-007	002004 006100 121503 950999	1
645	BACC2C4C01827EG		.CABLE ASSY-E2B	107107	1
645	BACC2C4C01787EG		.CABLE ASSY-E2B POST SERVICE LETTER: 20-007	904949	1
645	BACC2C4C01814EG		.CABLE ASSY-E2B POST SERVICE LETTER: 20-007	002004 006100 121503 950999	1
650	BACC2C4C00230EG		.CABLE ASSY-E1A	002004 006100 107107 121503 904999	1
655	BACC2C4C00125EG		.CABLE ASSY-E1B	002004 006100 107107 121503 904999	1

MISSING ITEM NUMBERS NOT APPLICABLE

- ITEM NOT ILLUSTRATED

27-31-00-02

27-31-00  
FIG. 02  
PAGE 8  
JAN 20/09

BRI



757

PARTS CATALOG (MAINTENANCE)

FIG ITEM	PART NUMBER	1 2 3 4 5 6 7	NOMENCLATURE	EFFECT FROM TO	UNITS PER ASSY
2					
665	251N6031-1		.BRACKET INSTL-ELEV 2A AND 2B CABLES PULLEY POSITION DATA: STA 1720 FOR DETAILS SEE: 27-31-52-04	002004 006100 107107 121503 904999	1
670	251N6033-1		.BRACKET INSTL-ELEV 2A AND 2B PULLEY POSITION DATA: STA 1741.5 RH UPR FOR DETAILS SEE: 53-81-52-02	002004 006100 107107 121503 904999	1
675	251N6034-1		.BRACKET INSTL-ELEV 1A AND 1B PULLEY POSITION DATA: STA 1743.85 FOR DETAILS SEE: 53-81-52-03	002004 006100 107107 121503 904999	1
690	251N2022-1		.BOX INSTL-MECH ELEV CONT TORQUE POSITION DATA: AFT FOR DETAILS SEE: 27-31-16-01	002004 006100 107107 121503 904999	1
695	251N2006-1		.LINKAGE INSTL-ELEV CONT NEUT SHIFT MECH FOR DETAILS SEE: 27-31-21-01	002004 006100 107107 121503 904999	1
700	3-89042-3001		.RETAINER-	002004 006100 107107 121503 904999	4
700	3-89042-5		.RETAINER-	002004 006100 107107 121503 904999	4
- 715	NAS623-3-7		ATTACHING PARTS .SCREW	002004 006100 107107 121503 904999	AR

MISSING ITEM NUMBERS NOT APPLICABLE

- ITEM NOT ILLUSTRATED

BRI

27-31-00-02

BOEING PROPRIETARY - Copyright © - Unpublished Work - See title page for details.

27-31-00  
FIG. 02  
PAGE 9  
JAN 20/09



757

PARTS CATALOG (MAINTENANCE)

FIG ITEM	PART NUMBER	1 2 3 4 5 6 7	NOMENCLATURE	EFFECT FROM TO	UNITS PER ASSY
2					
- 730	AN960KD10		.WASHER	002004 006100 107107 121503 904999	AR
- 745	BRH10A3		.NUT SUPPLIER CODE: V52828 SPECIFICATION NUMBER: BACN10JC3 OPTIONAL PART: H10-3BAC V15653 NS202101-02 V80539 RMLH9075-3W V72962 VN303A02 V92215 96-02 V80539 T6S1032J V11815	002004 006100 107107 121503 904999	AR
			-----*-----		
760	251N2003-5		.MECHANISM INSTL-ELEV CONT POSITION DATA: AFT FOR DETAILS SEE: 27-31-53-01 27-31-15-01	002004 006100 107107 121503 904999	1
765	251N6030-1		.SEAL INSTL-PRESSURE FOR DETAILS SEE: 27-31-57-10	107107 904949	1
765	251N6030-3		.SEAL INSTL-PRESSURE FOR DETAILS SEE: 27-31-57-10	002004 006015 121503 950999	1
765	251N6030-5		.SEAL INSTL-PRESSURE FOR DETAILS SEE: 27-31-57-10	016100	1
770	251N2005-3		.COMPUTER INSTL-ELEV CONT FEEL FOR DETAILS SEE: 27-31-19-01	002004 006100 107107 121503 904999	1

MISSING ITEM NUMBERS NOT APPLICABLE

- ITEM NOT ILLUSTRATED

BRI

27-31-00-02

27-31-00  
FIG. 02  
PAGE 10  
JAN 20/09



757

PARTS CATALOG (MAINTENANCE)

FIG ITEM	PART NUMBER	1 2 3 4 5 6 7	NOMENCLATURE	EFFECT FROM TO	UNITS PER ASSY
2 - 800	251N2001-82		CONTROL INSTL- (ELEVATOR CONTROL SYSTEM SYSTEM ONLY) POSITION DATA: SECT. 82 FOR NHA/OTHER SYS DET SEE: 27-00-00-10	002004 006100 107107 121503 904999	RF
810	251N2008-2		.LINKAGE INSTL-ELEV CONT FOR DETAILS SEE: 27-31-54-01	002004 006100 107107 121503 904999	1
815	251N2009-1		.TRANSMITTER INSTL-ELEV CONT POSITION POSITION DATA: LH FOR DETAILS SEE: 27-38-02-01	002004 006100 107107 121503 904999	1
820	251N2009-2		.TRANSMITTER INSTL-ELEV CONT POSITION POSITION DATA: RH FOR DETAILS SEE: 27-38-02-01	002004 006100 107107 121503 904999	1
825	251N2002-1		.CONTROL UNIT INSTL-ELEV PWR FOR DETAILS SEE: 27-31-05-01	002004 006100 107107 121503 904999	1

MISSING ITEM NUMBERS NOT APPLICABLE

- ITEM NOT ILLUSTRATED

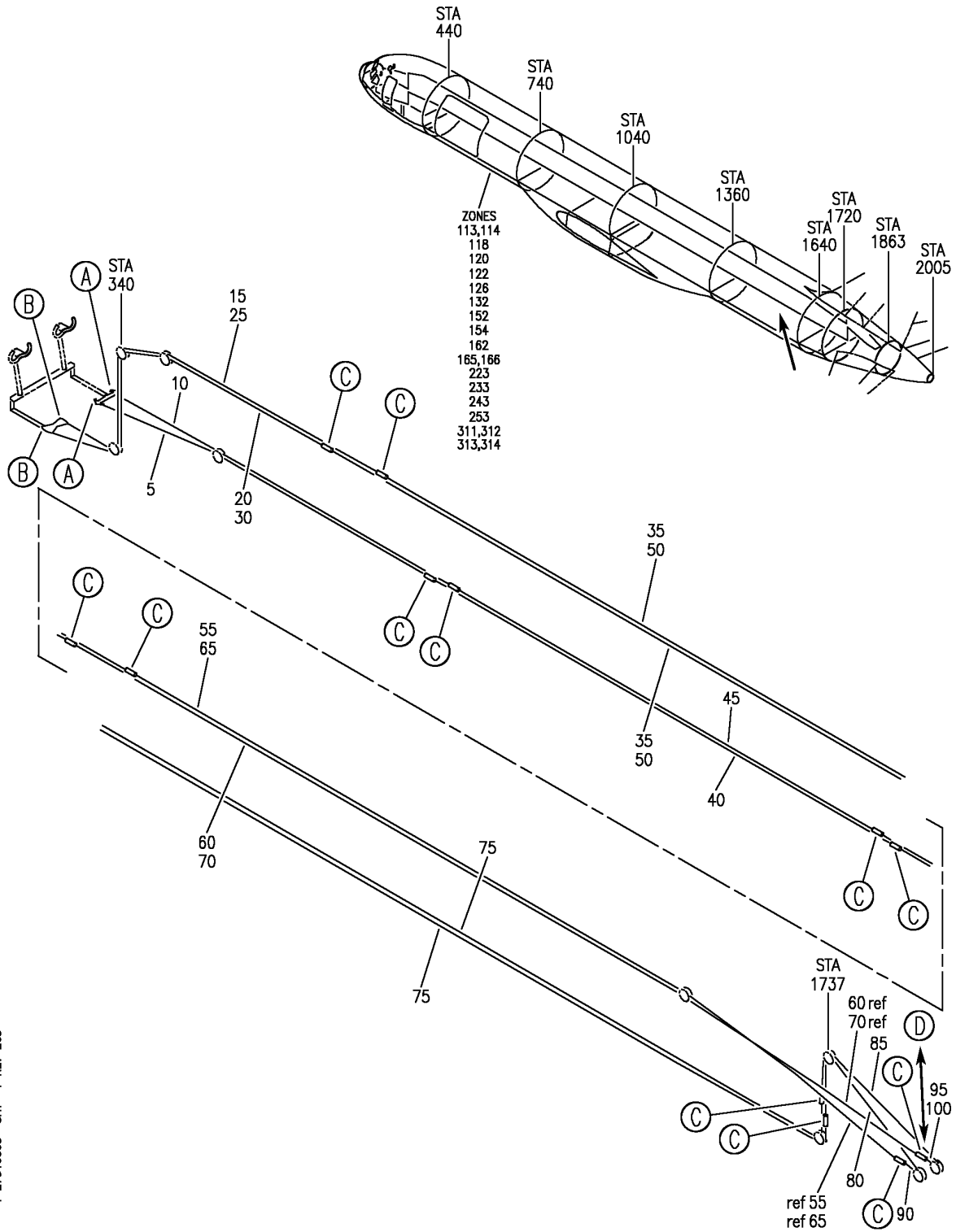
BRI

**27-31-00-02**

27-31-00  
FIG. 02  
PAGE 11  
JAN 20/09



**BOEING**  
757  
**PARTS CATALOG (MAINTENANCE)**



Y 27310003 SH1 1 REV 263

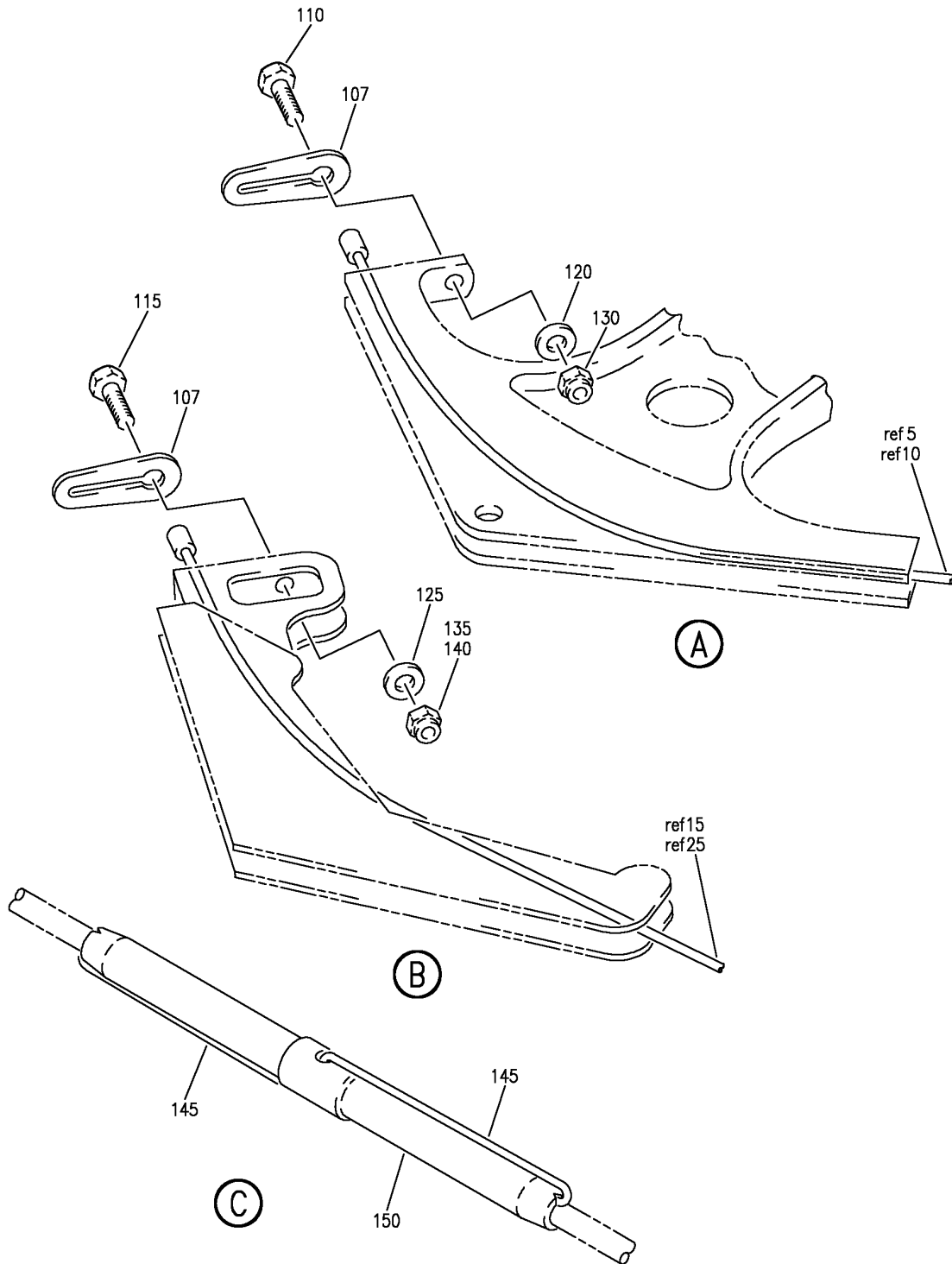
CONTROL INSTL-ELEV AND STAB. TRIM SYS (ELEVATOR CONTROL SYSTEM ONLY)  
FIGURE 3 (SHEET 1)

**27-31-00-03**

BRI  
MAY 28/07

27-31-00-03  
PAGE 0

**BOEING**  
757  
PARTS CATALOG (MAINTENANCE)



Y 27310003 SH1 2 REV 268

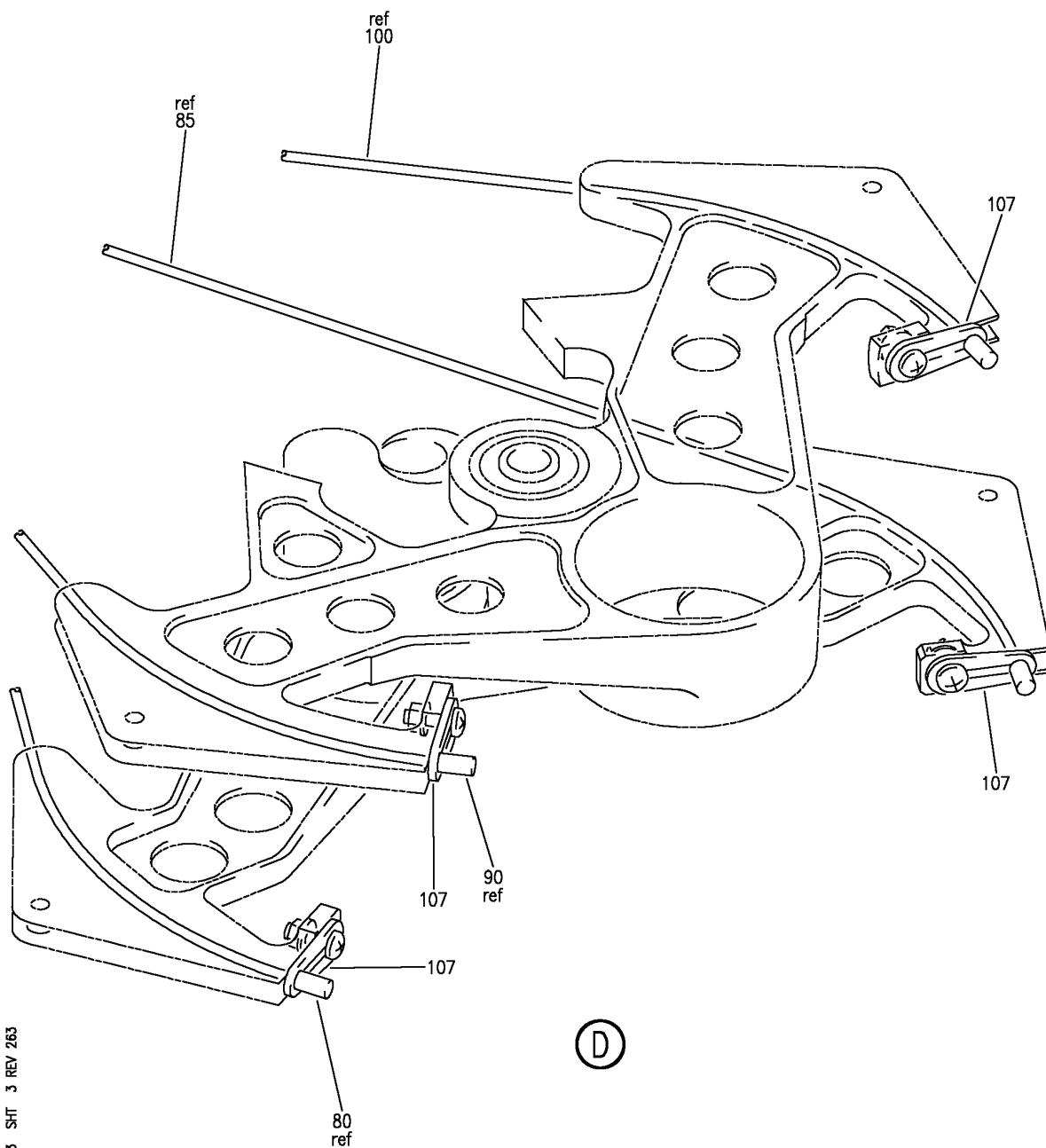
CONTROL INSTL-ELEV AND STAB. TRIM SYS (ELEVATOR CONTROL SYSTEM ONLY)  
FIGURE 3 (SHEET 2)

**27-31-00-03**

BRI  
MAY 28/07

27-31-00-03  
PAGE 0A

**BOEING**  
757  
PARTS CATALOG (MAINTENANCE)



Y 27310003 SH1 3 REV 263

CONTROL INSTL-ELEV AND STAB. TRIM SYS (ELEVATOR CONTROL SYSTEM ONLY)  
FIGURE 3 (SHEET 3)

**27-31-00-03**

BRI  
MAY 28/07

27-31-00-03  
PAGE 0B



757

PARTS CATALOG (MAINTENANCE)

FIG ITEM	PART NUMBER	1 2 3 4 5 6 7	NOMENCLATURE	EFFECT FROM TO	UNITS PER ASSY
3			CONTROL INSTL-ELEV AND STAB. TRIM SYS (ELEVATOR CONTROL SYSTEM ONLY)	101106 108120 504903	
- 1	251N2001-1		CONTROL INSTL-ELEV AND STAB. TRIM SYS (ELEVATOR CONTROL SYSTEM ONLY) FOR NHA SEE: 27-30-00-01A	101101	RF
- 1	251N2001-4		CONTROL INSTL-ELEV AND STAB. TRIM SYS (ELEVATOR CONTROL SYSTEM ONLY) FOR NHA SEE: 27-30-00-01A	102102 108120 504903	RF
- 1	MODREF7238		CONTROL INSTL-ELEV AND STAB. TRIM SYS (ELEVATOR CONTROL SYSTEM ONLY) MODULE NUMBER: 251N2001-170 REV A FOR ADDITIONAL DETAILS SEE: 27-31-02-02	103105	1
- 1	MODREF33311		CONTROL INSTL-ELEV AND STAB. TRIM SYS (ELEVATOR CONTROL SYSTEM ONLY) MODULE NUMBER: 251N2001-170 REV B	106106	1
5	BACC2C4C03187FG		.CABLE ASSY	101106 108120 504903	1
10	BACC2C4C03374FG		.CABLE ASSY	101106 108120 504903	1
15	BACC2C4C03909FG		.CABLE ASSY	101102 106106 108120 504903	1
20	BACC2C4C03675FG		.CABLE ASSY	101102 106106 108120 504903	1
35	BACC2C4C05174EF		.CABLE ASSY	101102 108120 504903	2
35	BACC2C4C05574EF		.CABLE ASSY	101102 108120 504903 103106	2

MISSING ITEM NUMBERS NOT APPLICABLE

- ITEM NOT ILLUSTRATED

BRI

27-31-00-03

27-31-00  
FIG. 03  
PAGE 1  
JAN 20/09



757

PARTS CATALOG (MAINTENANCE)

FIG ITEM	PART NUMBER	1 2 3 4 5 6 7	NOMENCLATURE	EFFECT FROM TO	UNITS PER ASSY
3					
40	BACC2C4C04366EF	.	CABLE ASSY	101106 108120 504903	1
45	BACC2C4C03976EF	.	CABLE ASSY	101106 108120 504903	1
55	BACC2C4C07436EF	.	CABLE ASSY	101102 108120 504903	1
55	BACC2C4C07036EF	.	CABLE ASSY	103106	1
60	BACC2C4C07766EF	.	CABLE ASSY	101102 108120 504903	1
60	BACC2C4C07366EF	.	CABLE ASSY	103106	1
75	BACC2C4C07359EF	.	CABLE ASSY	101106 108120 504903	2
80	BACC2C4C01610EG	.	CABLE ASSY	101101	1
80	BACC2C4C01626EG	.	CABLE ASSY	102106 108120 504903	1
85	BACC2C4C01814EG	.	CABLE ASSY	101101	1
85	BACC2C4C01830EG	.	CABLE ASSY	102106 108120 504903	1
90	BACC2C4C00230EG	.	CABLE ASSY	101106 108120 504903	1
100	BACC2C4C00125EG	.	CABLE ASSY	101102 106106 108120 504903	1
107	3-89042-5	.	RETAINER-	101106 108120 504903	8
107	3-89042-3001	.	RETAINER-	101106 108120 504903	8
110	NAS6603-6	.	ATTACHING PARTS BOLT-	101106 108120 504903	2
110	NAS623-3-5	.	OPTIONAL PART: NAS623-3-5 SCREW-	101106 108120 504903	2
115	BACB30NF4-6	.	OPTIONAL PART: NAS6603-6 BOLT	103106	2

MISSING ITEM NUMBERS NOT APPLICABLE

- ITEM NOT ILLUSTRATED

27-31-00-03

27-31-00  
FIG. 03  
PAGE 2  
JAN 20/09

BRI

BOEING PROPRIETARY - Copyright © - Unpublished Work - See title page for details.



757

PARTS CATALOG (MAINTENANCE)

FIG ITEM	PART NUMBER	1 2 3 4 5 6 7	NOMENCLATURE	EFFECT FROM TO	UNITS PER ASSY
3					
120	NAS1149D0363J	.	WASHER	102102 106106 108120 504903	2
125	NAS1149D0463J	.	WASHER	103106	2
130	PLH53CD	.	NUT SUPPLIER CODE: VF0224 SPECIFICATION NUMBER: BACN10YR3CD OPTIONAL PART: H52732-3CD V15653	101106 108120 504903	2
135	BRH10C4D	.	NUT SUPPLIER CODE: V52828 SPECIFICATION NUMBER: BACN10JC4CD OPTIONAL PART: T6C428JCD V11815 NS202486-048 V80539 102LH9075-4W V72962 H51650-4BAC V15653	103106	2
140	BRH10A4	.	NUT SUPPLIER CODE: V52828 SPECIFICATION NUMBER: BACN10JC4 OPTIONAL PART: T6S428J V11815 96-048 V80539 VN303A048 V92215 RMLH9075-4W V72962 NS202101-048 V80539 H10-4BAC V15653	101102 108120 504903	2
145	BACC15AJ2	-----*	.CLIP	101106 108120 504903	24

MISSING ITEM NUMBERS NOT APPLICABLE

- ITEM NOT ILLUSTRATED

27-31-00-03

27-31-00  
FIG. 03  
PAGE 3  
JAN 20/09

BRI

BOEING PROPRIETARY - Copyright © - Unpublished Work - See title page for details.



757

PARTS CATALOG (MAINTENANCE)

FIG ITEM	PART NUMBER	1 2 3 4 5 6 7	NOMENCLATURE	EFFECT FROM TO	UNITS PER ASSY
3 150	MS21251B5L		.TURNBUCKLE BODY	101106 108120 504903	12

MISSING ITEM NUMBERS NOT APPLICABLE

- ITEM NOT ILLUSTRATED

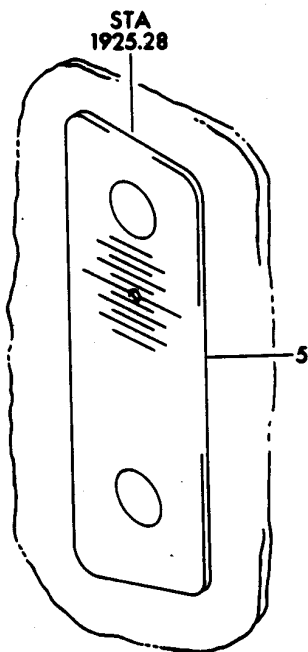
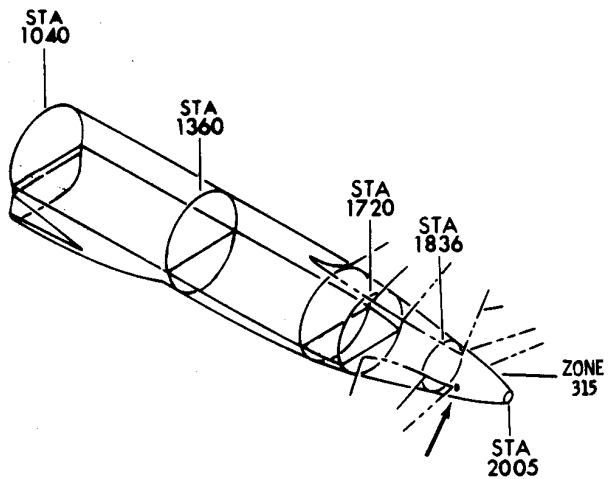
BRI

27-31-00-03

BOEING PROPRIETARY - Copyright © - Unpublished Work - See title page for details.

27-31-00  
FIG. 03  
PAGE 4  
JAN 20/09

**BOEING**  
757  
PARTS CATALOG (MAINTENANCE)



Y 27310201 SMT 1 REV 078

CONTROL INSTL-SECT. 48 (ELEVATOR CONTROL SYSTEM INDEX PLATE ONLY)

FIGURE 1

**27-31-02-01**

BRI  
MAY 28/07

27-31-02-01  
PAGE 0





757

PARTS CATALOG (MAINTENANCE)

FIG ITEM	PART NUMBER	1 2 3 4 5 6 7	NOMENCLATURE	EFFECT FROM TO	UNITS PER ASSY
1			CONTROL INSTL-SECT. 48 (ELEVATOR CONTROL SYSTEM INDEX PLATE ONLY)	002004 006100 107107 121503 904999	
- 1	251N2001-48		CONTROL INSTL-(ELEVATOR CONTROL SYSTEM INDEX PLATE ONLY) POSITION DATA: SECT. 48 FOR NHA/OTHER SYS DET SEE: 27-00-00-10	002004 006100 107107 121503 904999	RF
5	251N2694-3		.PLATE-INDEX POSITION DATA: LH QUALIFIED I/W DATA: 251N2694-5 TOGETHER WITH (2EA) BACR15FP5E2R CAN REPLACE 251N2694-3 TOGETHER WITH (2EA) BACR15FP5E3R ATTACHING PARTS	002004 006100 107107 121503 904999	1
- 10	NAS1739E5-2		.RIVET-	002004 006100 107107 121503 904999	2
- 15	251N2694-4		-----*----- .PLATE-INDEX POSITION DATA: RH QUALIFIED I/W DATA: 251N2694-6 TOGETHER WITH (2EA) BACR15FP5E2R CAN REPLACE 251N2694-4 TOGETHER WITH (2EA) BACR15FP5E3R ATTACHING PARTS	002004 006100 107107 121503 904999	1
- 20	NAS1739E5-2		.RIVET-	002004 006100 107107 121503 904999	2
			-----*-----		

MISSING ITEM NUMBERS NOT APPLICABLE

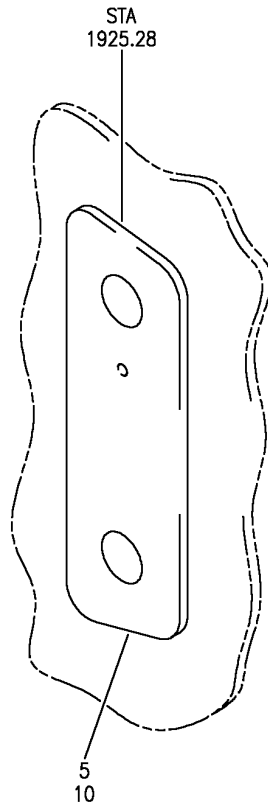
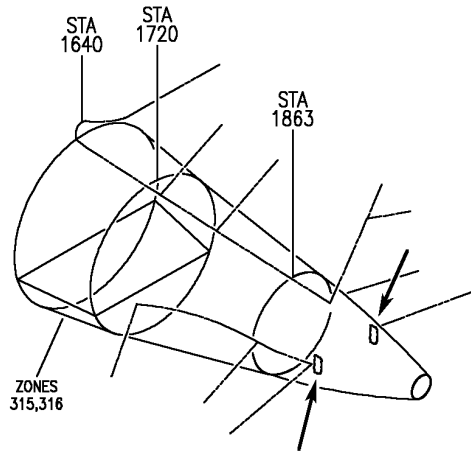
- ITEM NOT ILLUSTRATED

BRI

27-31-02-01

27-31-02  
FIG. 01  
PAGE 1  
JAN 20/09

**BOEING**  
757  
PARTS CATALOG (MAINTENANCE)



Y 27310202 REV 261

CONTROL INSTL-ELEV AND STAB. TRIM SYS (ELEVATOR INDEX PLATE ONLY)  
FIGURE 2

**27-31-02-02**

BRI  
MAY 28/07

27-31-02-02  
PAGE 0



757

PARTS CATALOG (MAINTENANCE)

FIG ITEM	PART NUMBER	1 2 3 4 5 6 7	NOMENCLATURE	EFFECT FROM TO	UNITS PER ASSY
2			CONTROL INSTL-ELEV AND STAB. TRIM SYS (ELEVATOR INDEX PLATE ONLY)	101106 108120 504903	
- 1	251N2001-1		CONTROL INSTL-ELEV AND STAB. TRIM SYS (ELEVATOR INDEX PLATE ONLY) FOR NHA SEE: 27-30-00-01A	101101	RF
- 1	251N2001-4		CONTROL INSTL-ELEV AND STAB. TRIM SYS (ELEVATOR INDEX PLATE ONLY) FOR NHA SEE: 27-30-00-01A	102102 108120 504903	RF
- 1	MODREF7238		CONTROL INSTL-ELEV AND STAB. TRIM SYS (ELEVATOR INDEX PLATE ONLY) MODULE NUMBER: 251N2001-170 REV A FOR ADDITIONAL DETAILS SEE: 27-31-00-03	103105	1
- 1	MODREF33315		CONTROL INSTL-ELEV AND STAB. TRIM SYS (ELEVATOR INDEX PLATE ONLY) MODULE NUMBER: 251N2001-6 REV A	106106	1
5	251N2694-3		.PLATE- POSITION DATA: LH QUALIFIED I/W DATA: 251N2694-5 TOGETHER WITH (2EA) BACR15FP5E2R CAN REPLACE 251N2694-3 TOGETHER WITH (2EA) BACR15FP5E3R	101105 108120 504903	1
5	251N2694-5		.PLATE- POSITION DATA: LH QUALIFIED I/W DATA: 251N2694-5 TOGETHER WITH (2EA) BACR15FP5E2R CAN REPLACE 251N2694-3 TOGETHER WITH (2EA) BACR15FP5E3R	106106	1

MISSING ITEM NUMBERS NOT APPLICABLE

- ITEM NOT ILLUSTRATED

BRI

27-31-02-02

27-31-02  
FIG. 02  
PAGE 1  
JAN 20/09



757

PARTS CATALOG (MAINTENANCE)

FIG ITEM	PART NUMBER	1 2 3 4 5 6 7	NOMENCLATURE	EFFECT FROM TO	UNITS PER ASSY
2					
10	251N2694-4		.PLATE- POSITION DATA: RH QUALIFIED I/W DATA: 251N2694-6 TOGETHER WITH (2EA) BACR15FP5E2R CAN REPLACE 251N2694-4 TOGETHER WITH (2EA) BACR15FP5E3R	101105 108120 504903	1
10	251N2694-6		.PLATE- POSITION DATA: RH QUALIFIED I/W DATA: 251N2694-6 TOGETHER WITH (2EA) BACR15FP5E2R CAN REPLACE 251N2694-4 TOGETHER WITH (2EA) BACR15FP5E3R	106106	1
- 15	CR3252-5-3		ATTACHING PARTS .RIVET- SUPPLIER CODE: V11815 SPECIFICATION NUMBER: BACR15FP5E3R OPTIONAL PART: AF3252-5-3B V53551 -----*-----	101106 108120 504903	4

MISSING ITEM NUMBERS NOT APPLICABLE

- ITEM NOT ILLUSTRATED

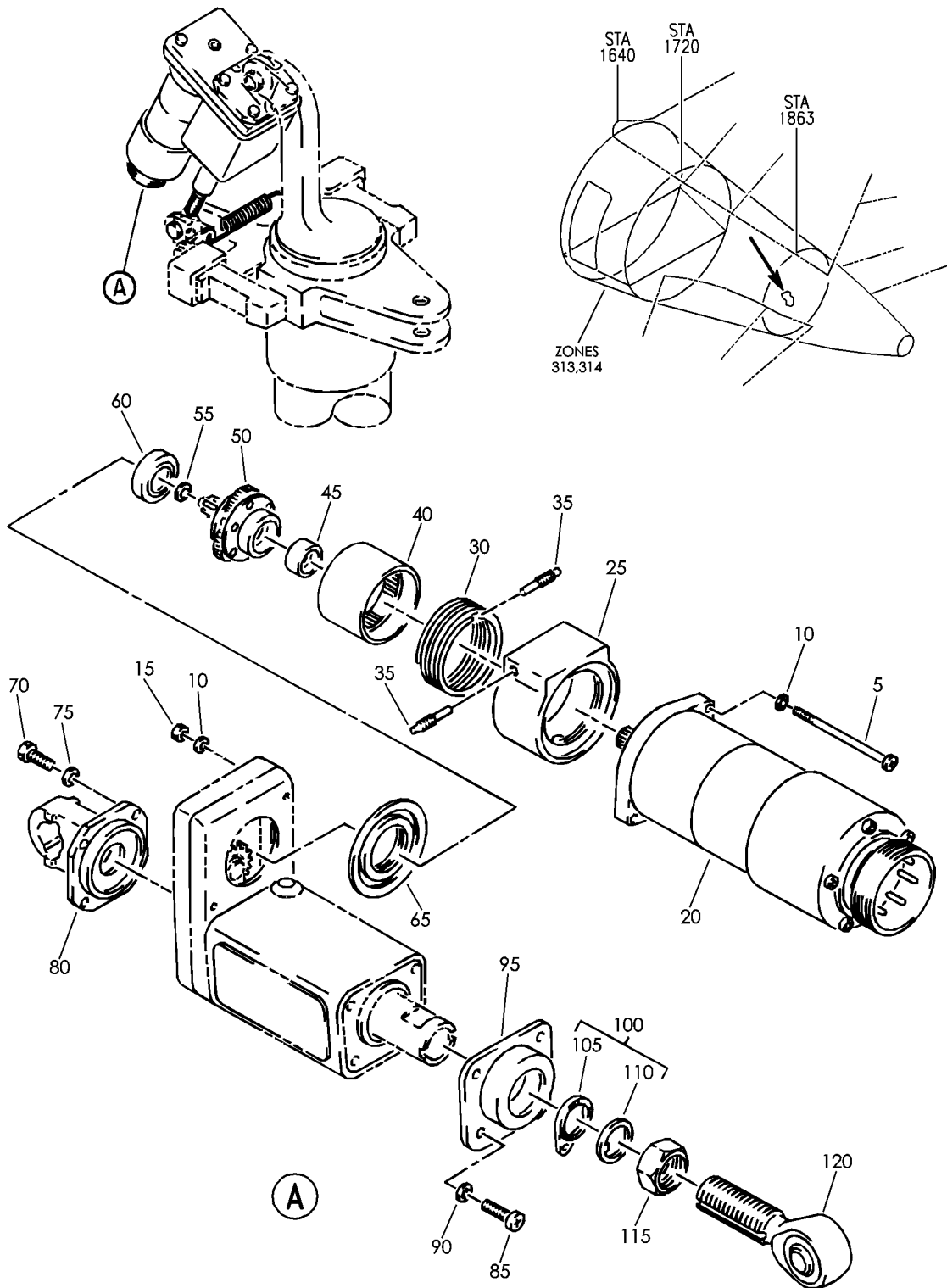
BRI

27-31-02-02

BOEING PROPRIETARY - Copyright © - Unpublished Work - See title page for details.

27-31-02  
FIG. 02  
PAGE 2  
JAN 20/09

**BOEING**  
757  
PARTS CATALOG (MAINTENANCE)



Y 27310301 REV 227

ACTUATOR ASSY-LINEAR  
FIGURE 1

**27-31-03-01**

BRI  
MAY 28/07

27-31-03-01  
PAGE 0



757

PARTS CATALOG (MAINTENANCE)

FIG ITEM	PART NUMBER	1 2 3 4 5 6 7	NOMENCLATURE	EFFECT FROM TO	UNITS PER ASSY
1			ACTUATOR ASSY-LINEAR	002004	
- 1	1846T100-3		ACTUATOR ASSY-LINEAR SUPPLIER CODE: V98889 SPECIFICATION NUMBER: S251N206-2 COMPONENT MAINT MANUAL REF: 27-31-01 POST SERVICE LETTER: 27-36 FOR NHA SEE: 27-31-53-01	006999 002004 006999	RF
5	NAS600-24P		.SCREW	002004 006999	2
10	NAS620A4L		.WASHER	002004 006999	4
15	MS21042-04		.NUT	002004 006999	2
20	BS24-1		.MOTOR ASSY-DC SUPPLIER CODE: V98889	002004 006999	1
25	1846201-1		.HOUSING-RING GEAR SUPPLIER CODE: V98889	002004 006999	1
30	1846219-1		.SPRING-WRAP SUPPLIER CODE: V98889	002004 006999	1
35	1846210-1		.STOP-SPR SUPPLIER CODE: V98889	002004 006999	2
40	1846206-1		.GEAR-RING SUPPLIER CODE: V98889	002004 006999	1
45	1846208-1		.BUSHING- SUPPLIER CODE: V98889	002004 006999	1
50	1846218-1		.PLANETARY ASSY- SUPPLIER CODE: V98889	002004 006999	1
55	TS647-2		.SHIM- SUPPLIER CODE: V98889	002004 006999	AR
- 57	TS647-5		.SHIM- SUPPLIER CODE: V98889	002004 006999	AR
60	AR10401-012AC		.SEAL-PLANETARY SUPPLIER CODE: V05939	002004 006999	1

MISSING ITEM NUMBERS NOT APPLICABLE

- ITEM NOT ILLUSTRATED

27-31-03-01

27-31-03  
FIG. 01  
PAGE 1  
SEP 20/08

BRI



757

PARTS CATALOG (MAINTENANCE)

FIG ITEM	PART NUMBER	1 2 3 4 5 6 7	NOMENCLATURE	EFFECT FROM TO	UNITS PER ASSY
1					
65	1846216-1		.INSERT-RAM HSG SUPPLIER CODE: V98889	002004 006999	1
70	NAS1352C04H9P		.SCREW	002004 006999	4
75	NAS620C4L		.WASHER	002004 006999	4
80	1827111-1		.FITTING-END SUPPLIER CODE: V98889	002004 006999	1
85	NAS1352-04H4P		.SCREW	002004 006999	4
90	NAS620A4L		.WASHER	002004 006999	4
95	1846134-1		.HOUSING-SEAL SUPPLIER CODE: V98889	002004 006999	1
100	NAS1193K5CP		.LOCKING DEVICE ASSY	002004 006999	1
105	NAS1193K5-1P		..WASHER	002004 006999	1
110	NAS1193K5-2P		..WASHER	002004 006999	1
115	NAS509-5C		.NUT	002004 006999	1
120	M81935-1-4K		.BEARING	002004 006999	1

MISSING ITEM NUMBERS NOT APPLICABLE

- ITEM NOT ILLUSTRATED

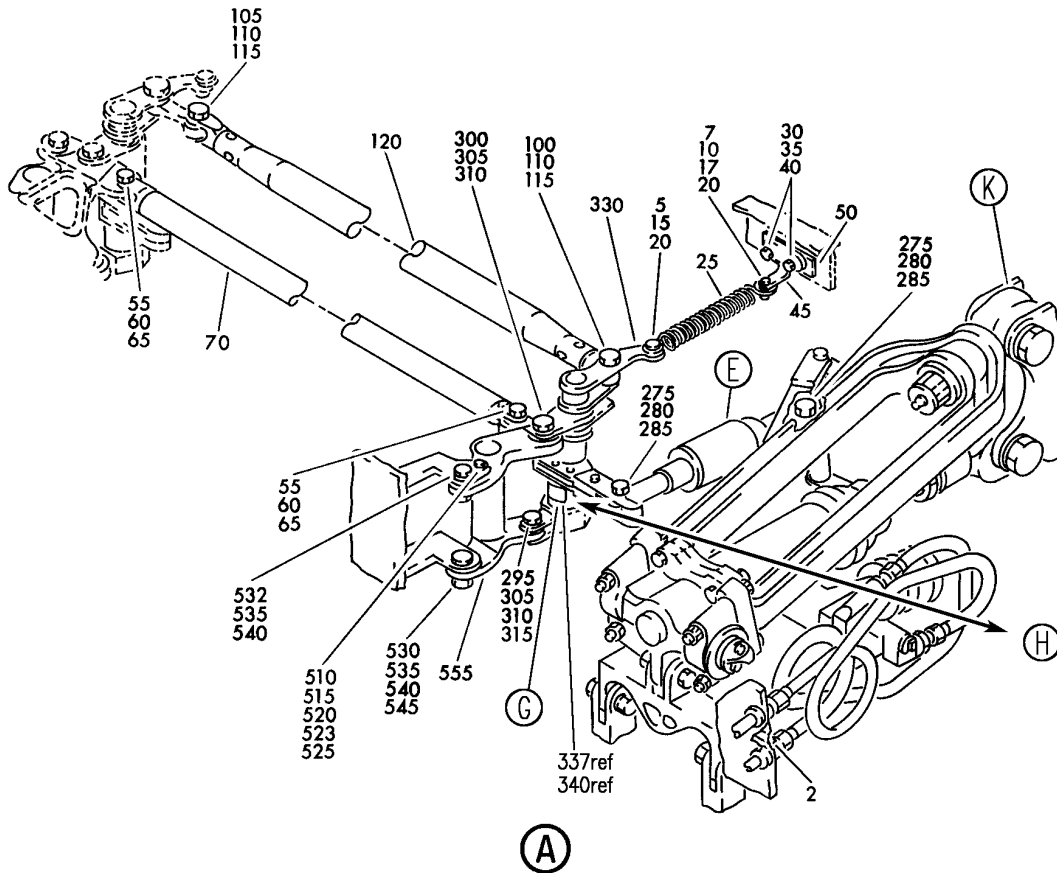
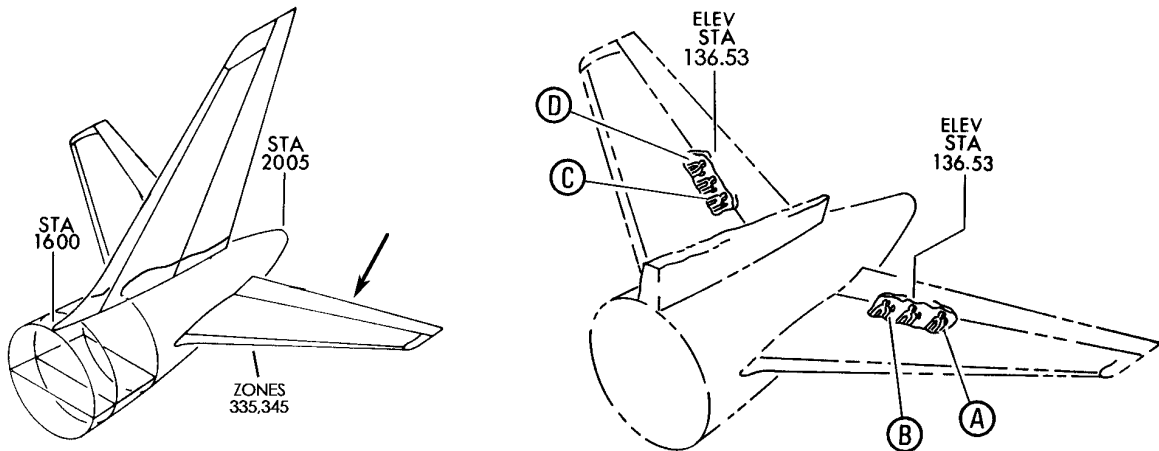
BRI

27-31-03-01

BOEING PROPRIETARY - Copyright © - Unpublished Work - See title page for details.

27-31-03  
FIG. 01  
PAGE 2  
SEP 20/08

**BOEING**  
757  
PARTS CATALOG (MAINTENANCE)



Y 27310501 SHT 1 REV 298

CONTROL UNIT INSTL-ELEV CONT PWR  
FIGURE 1 (SHEET 1)

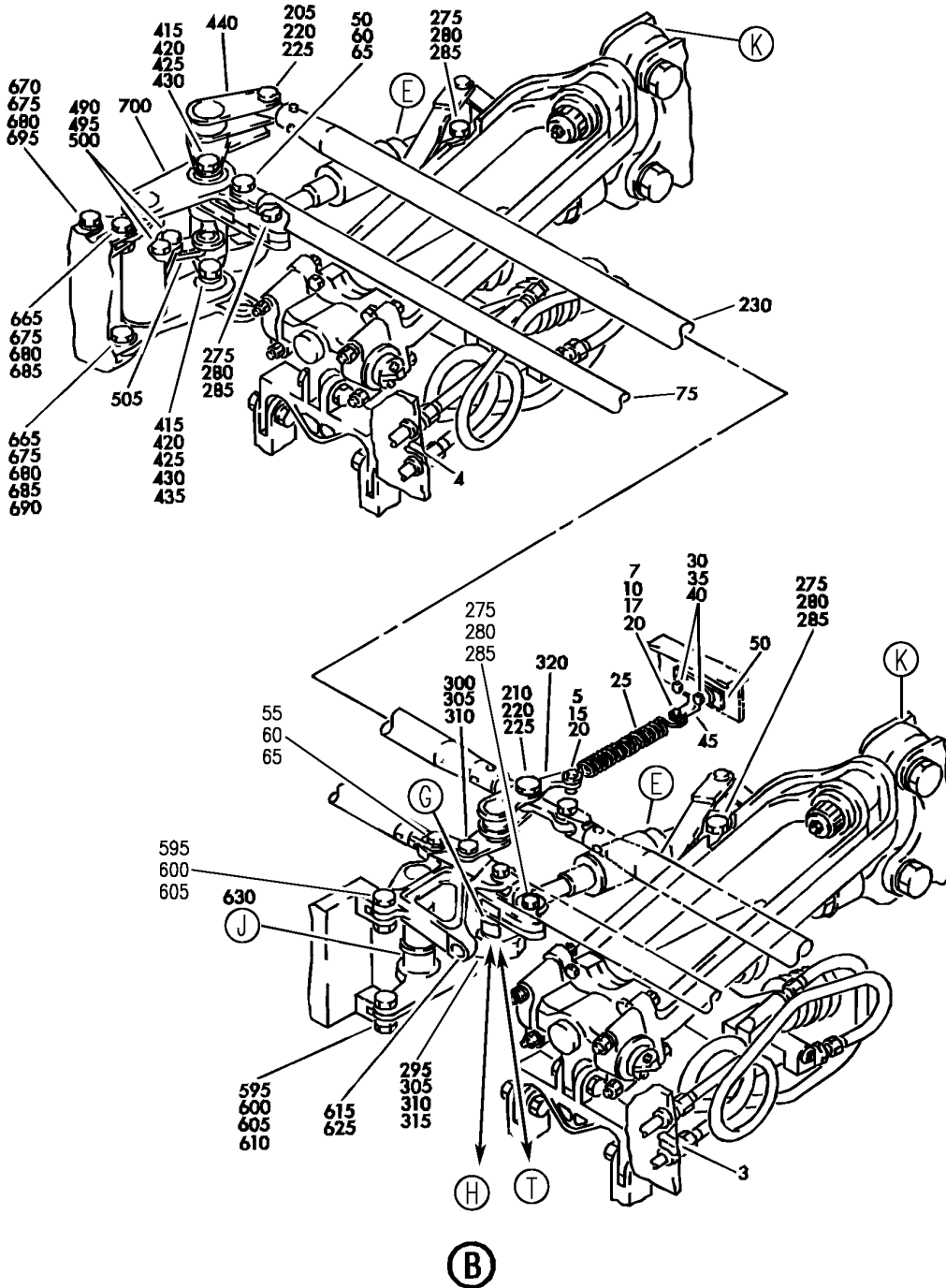
**27-31-05-01**

BRI  
MAY 28/07

27-31-05-01  
PAGE 0



**BOEING**  
 757  
 PARTS CATALOG (MAINTENANCE)



Y 27310501 SHT 2 REV 298

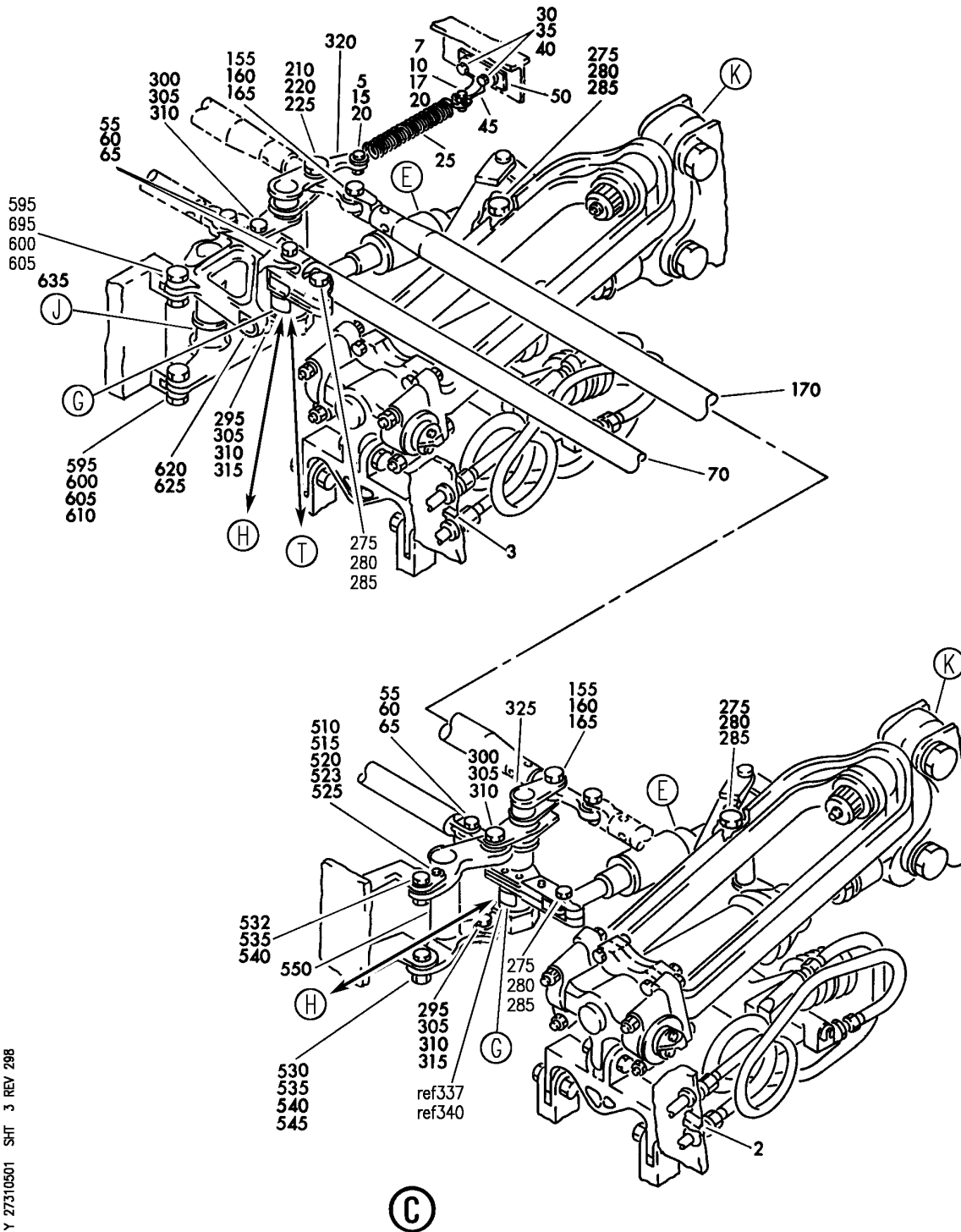
CONTROL UNIT INSTL-ELEV CONT PWR  
 FIGURE 1 (SHEET 2)

**27-31-05-01**

BRI  
 MAY 28/07

27-31-05-01  
 PAGE 0A

**BOEING**  
757  
PARTS CATALOG (MAINTENANCE)



Y 27310501 SHT 3 REV 298

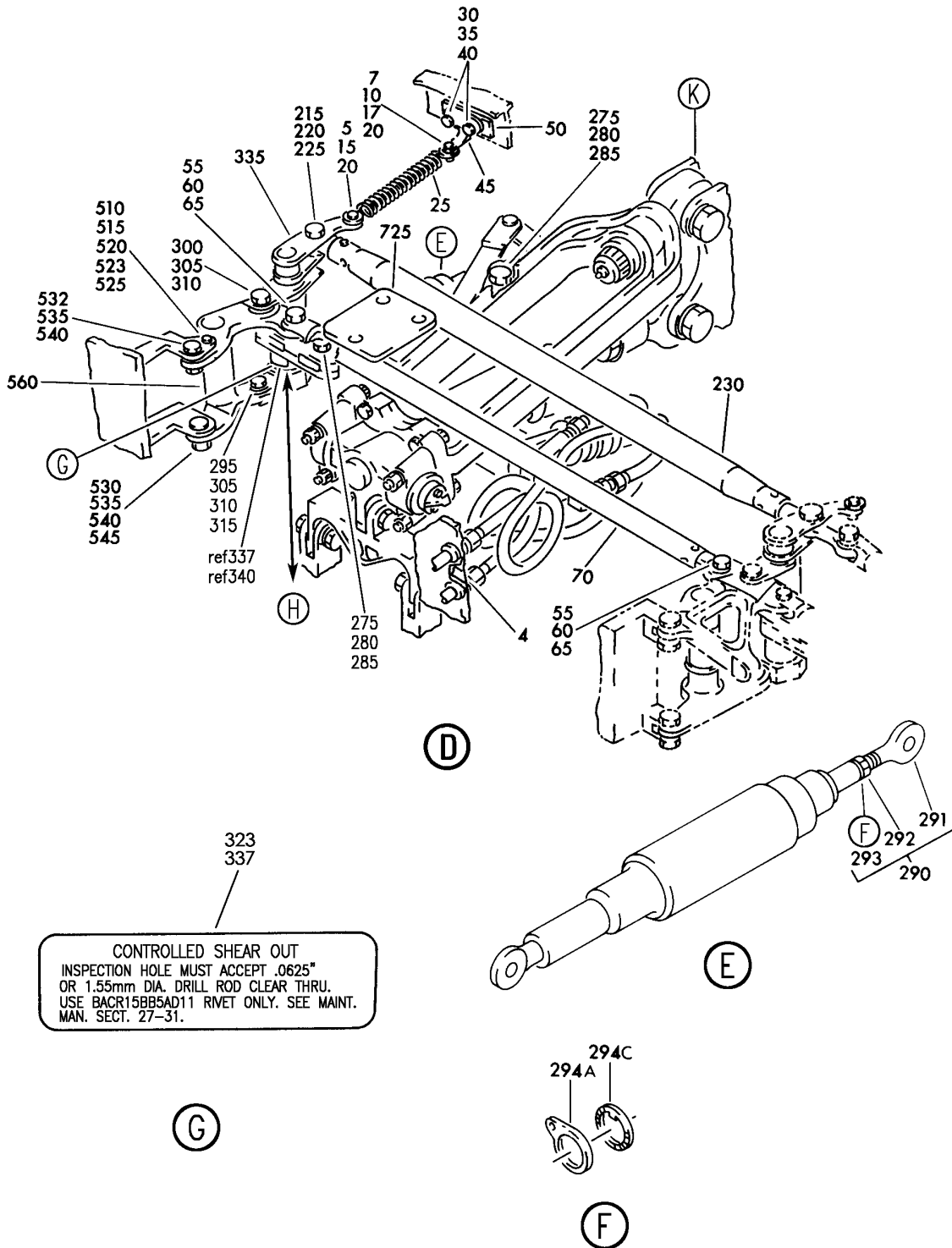
CONTROL UNIT INSTL-ELEV CONT PWR  
FIGURE 1 (SHEET 3)

**27-31-05-01**

BRI  
MAY 28/07

27-31-05-01  
PAGE 0B

**BOEING**  
757  
**PARTS CATALOG (MAINTENANCE)**



Y 27310501 SH-T 4 REV 298

CONTROL UNIT INSTL-ELEV CONT PWR  
FIGURE 1 (SHEET 4)

**27-31-05-01**

BRI  
MAY 28/07

27-31-05-01  
PAGE 0C

**BOEING**  
757  
PARTS CATALOG (MAINTENANCE)

SHEAR-OUT  
USE BACR15BB4AD11 RIVET ONLY.  
INSPECTION HOLE MUST ACCEPT  
.0625 DIA WIRE. CAUTION: FOR  
REPAIR SEE DRAWING 25IN2541

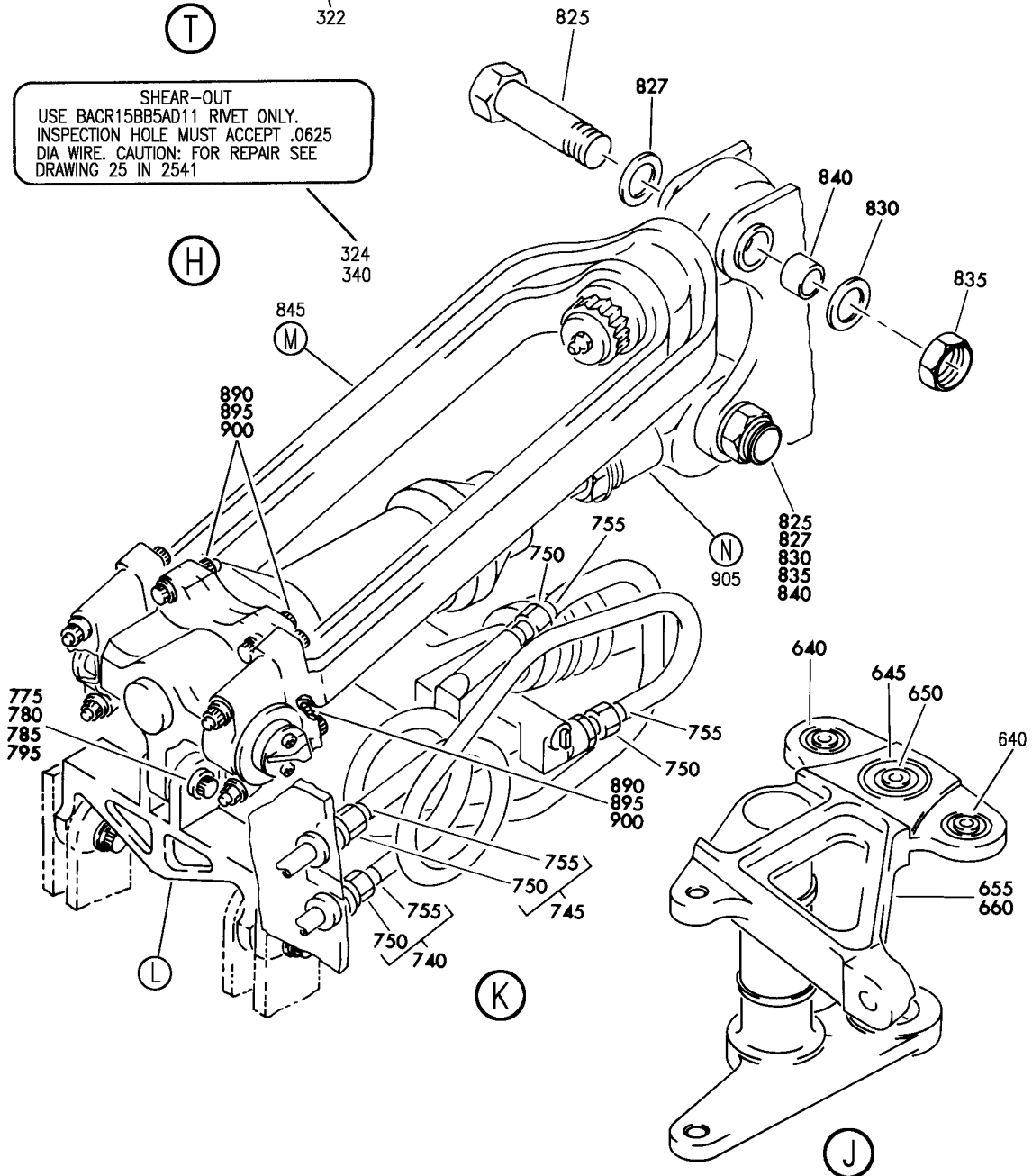
(T)

322

SHEAR-OUT  
USE BACR15BB5AD11 RIVET ONLY.  
INSPECTION HOLE MUST ACCEPT  
.0625 DIA WIRE. CAUTION: FOR REPAIR SEE  
DRAWING 25 IN 2541

(H)

324  
340



Y 27310501 SHT 5 REV 298

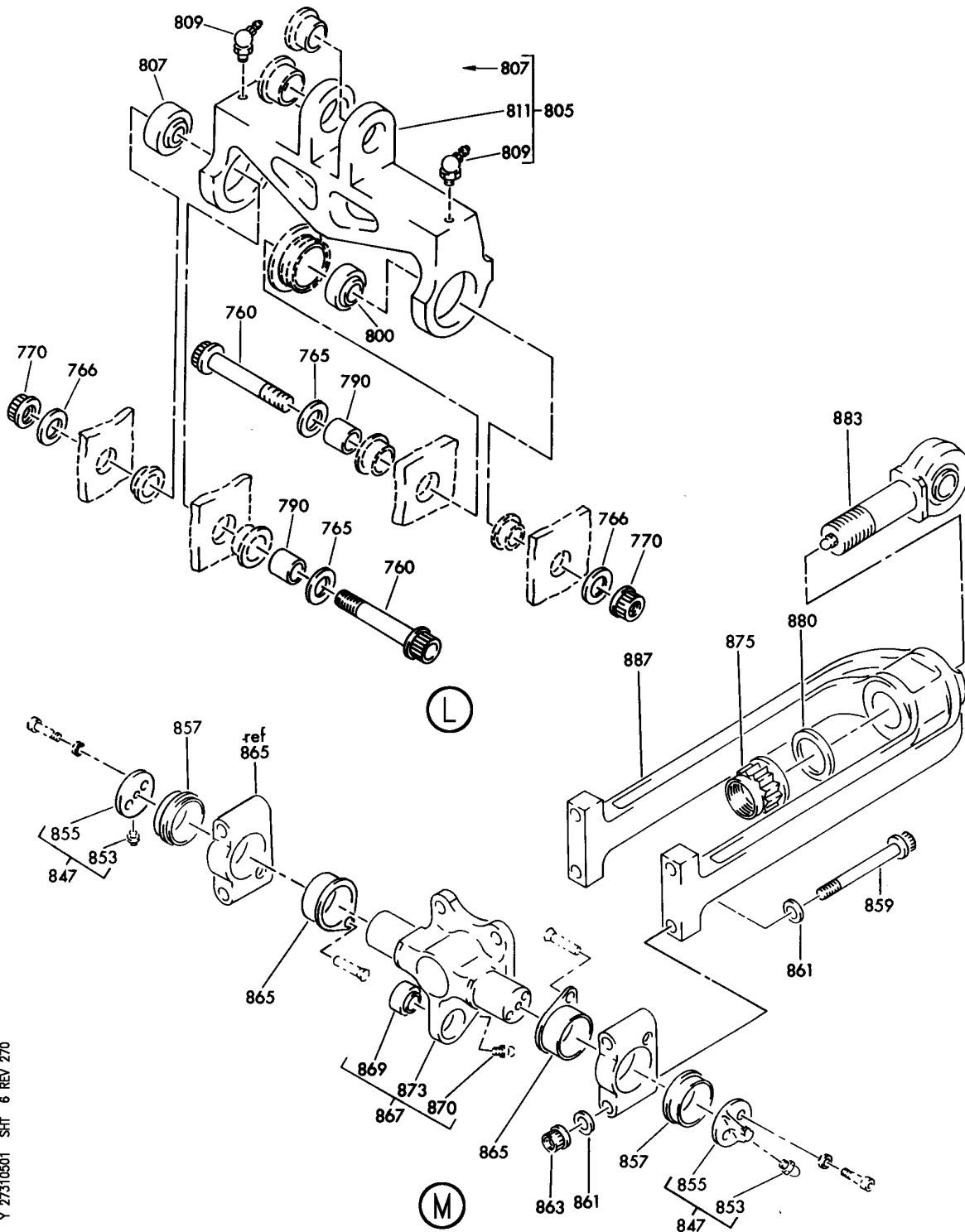
CONTROL UNIT INSTL-ELEV CONT PWR  
FIGURE 1 (SHEET 5)

**27-31-05-01**

BRI  
MAY 28/07

27-31-05-01  
PAGE 0D


**BOEING**  
 757  
**PARTS CATALOG (MAINTENANCE)**



Y 27310501 SHT 6 REV 270

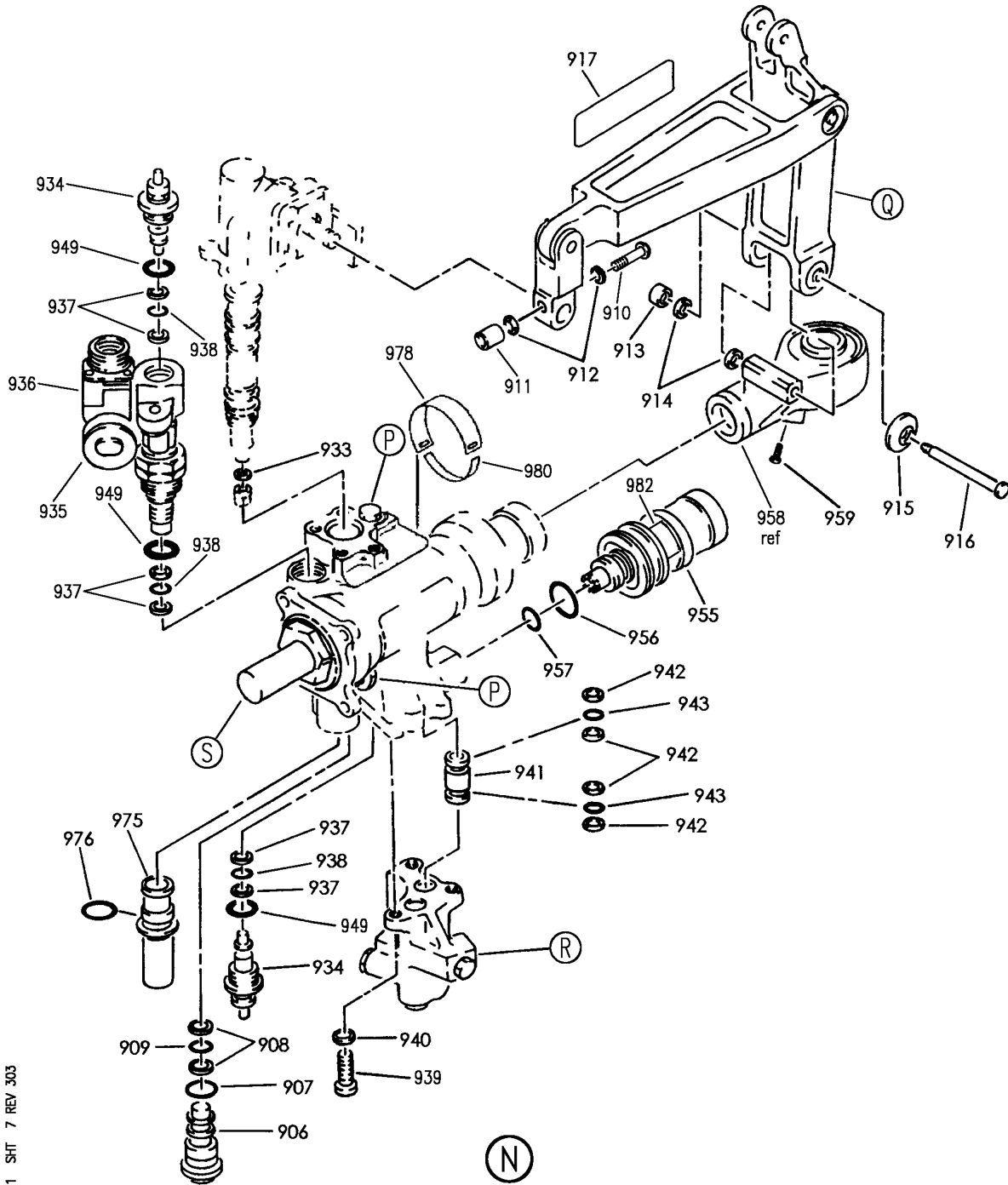
CONTROL UNIT INSTL-ELEV CONT PWR  
FIGURE 1 (SHEET 6)

**27-31-05-01**

BRI  
MAY 28/07

27-31-05-01  
PAGE 0E

**BOEING**  
757  
PARTS CATALOG (MAINTENANCE)



Y 27310501 SHT 7 REV 303

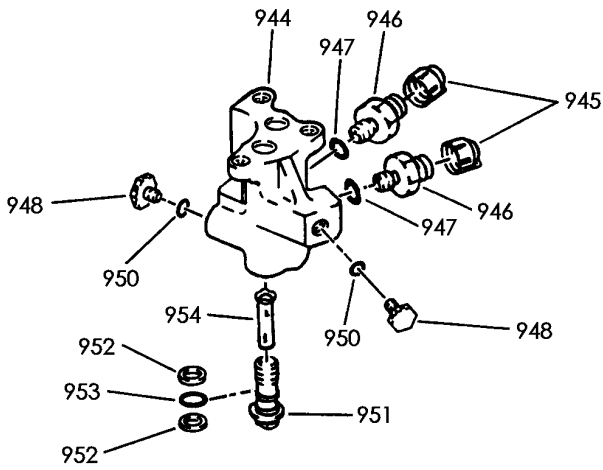
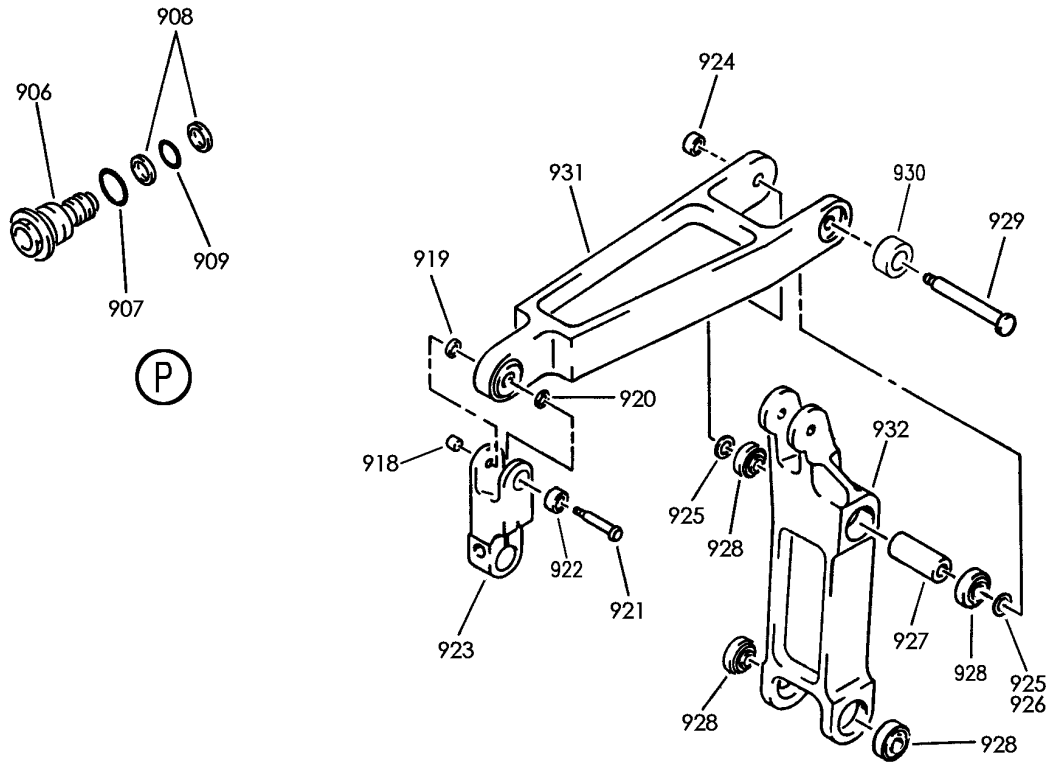
CONTROL UNIT INSTL-ELEV CONT PWR  
FIGURE 1 (SHEET 7)

**27-31-05-01**

BRI  
MAY 28/07

27-31-05-01  
PAGE OF

**BOEING**  
757  
PARTS CATALOG (MAINTENANCE)



Y 27310501 SHT 8 REV 273

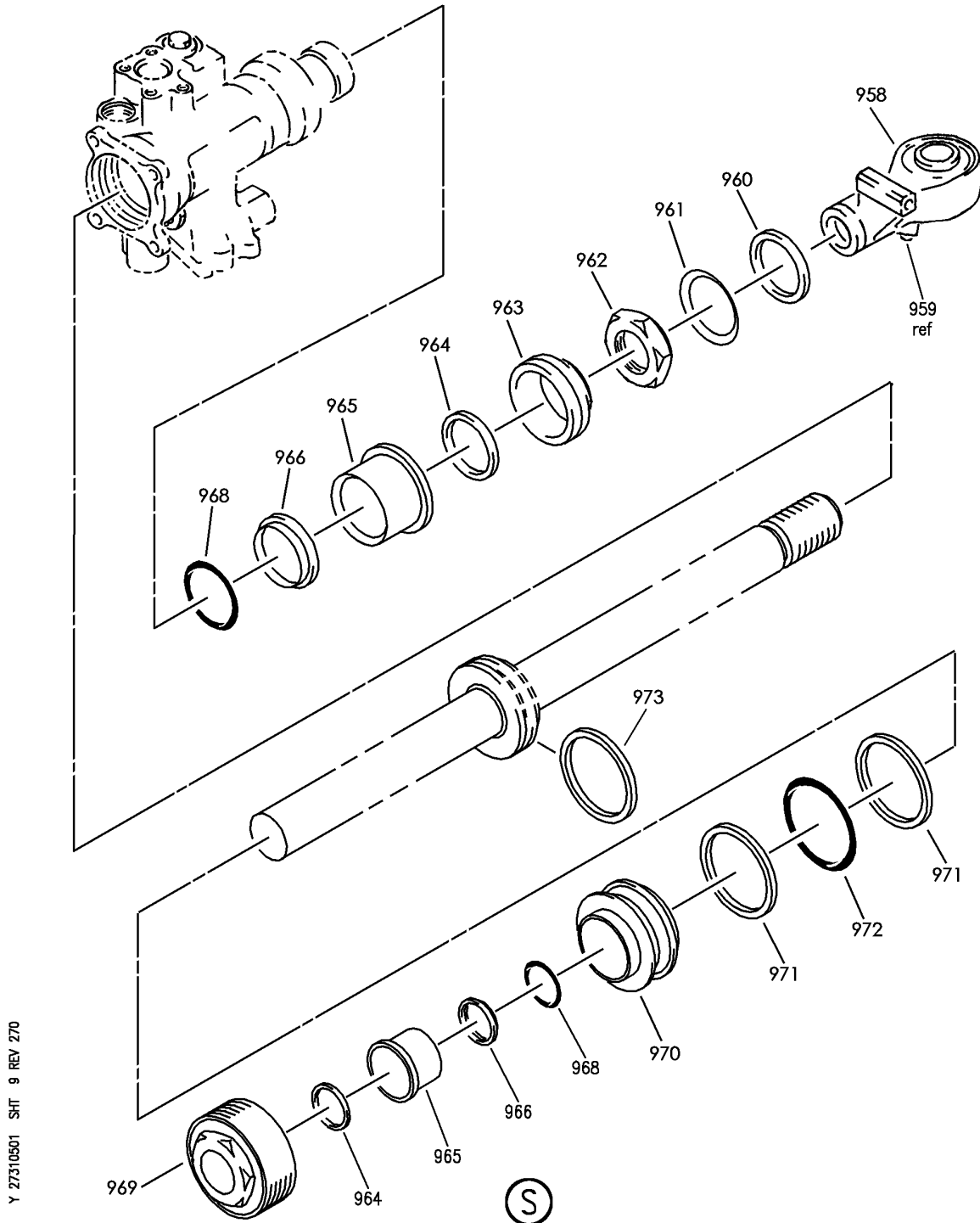
CONTROL UNIT INSTL-ELEV CONT PWR  
FIGURE 1 (SHEET 8)

**27-31-05-01**

BRI  
MAY 28/07

27-31-05-01  
PAGE 08

**BOEING**  
757  
PARTS CATALOG (MAINTENANCE)



Y 27310501 SH1 9 REV 270

CONTROL UNIT INSTL-ELEV CONT PWR  
FIGURE 1 (SHEET 9)

**27-31-05-01**

BRI  
MAY 28/07

27-31-05-01  
PAGE 0H




**BOEING**  
 757  
**PARTS CATALOG (MAINTENANCE)**

FIG ITEM	PART NUMBER	1 2 3 4 5 6 7	NOMENCLATURE	EFFECT FROM TO	UNITS PER ASSY
1			CONTROL UNIT INSTL-ELEV CONT PWR	002004 006999	
- 1	251N2002-1		CONTROL UNIT INSTL-ELEV CONT PWR FOR NHA SEE: 27-31-00-02	002004 006100 107107 121503 904999	RF
- 1	251N2002-7		CONTROL UNIT INSTL-ELEV CONT PWR FOR NHA SEE: 27-00-00-22	101102 108120 504903	RF
- 1	MODREF31660		CONTROL UNIT INSTL-ELEV CONT PWR MODULE NUMBER: 251N2002-7 REV C	103106	1
2	BAC27NCT0141		.MARKER-ALUMINUM FOIL- PLACARD CONTENT: CENTER HYDRAULIC SYSTEM	002004 006999	2
3	BAC27NCT0142		.MARKER-ALUMINUM FOIL- PLACARD CONTENT: LEFT HYDRAULIC SYSTEM	002004 006999	2
4	BAC27NCT0143		.MARKER-ALUMINUM FOIL- PLACARD CONTENT: RIGHT HYDRAULIC SYSTEM	002004 006999	2
5	HL18PB6-8		.BOLT SUPPLIER CODE: V06725 SPECIFICATION NUMBER: BACB30FM6-8 OPTIONAL PART: HL18PB6-8 V73197 HL18PB6-8 V92215 HL18PB6-8 V97928 HL18PB6-8 V80539 62550-6-8 V56878 HL18PB6-8 V08524 HL18PB6-8 V56878	002004 006999	4
7	NAS623-3-7		.SCREW	002004 006100 107107 121503 904999	4

R  
R  
R  
R  
R  
R  
R  
R  
R  
R  
R  
R  
R  
R  
R  
R  
R  
R  
R  
R  
R  
R  
R

MISSING ITEM NUMBERS NOT APPLICABLE

- ITEM NOT ILLUSTRATED

BRI

# 27-31-05-01

BOEING PROPRIETARY - Copyright © - Unpublished Work - See title page for details.

27-31-05  
 FIG. 01  
 PAGE 1  
 MAY 20/09



757

PARTS CATALOG (MAINTENANCE)

FIG ITEM	PART NUMBER	1 2 3 4 5 6 7	NOMENCLATURE	EFFECT FROM TO	UNITS PER ASSY
1					
10	AN960KD10	.	WASHER	002004 006999	4
15	HL79-6	.	COLLAR SUPPLIER CODE: V5M902 SPECIFICATION NUMBER: BACC30M6 OPTIONAL PART: HL79-6 V73197 HL79-6 V92215 66014-6 V56878 HL79-6 V56878	002004 006999	4
20	FL3C3-4FS428	.	PULLEY SUPPLIER CODE: V21335 SPECIFICATION NUMBER: BACP30G1A	002004 006999	8
25	251N2099-1	.	SPRING-	002004 006999	4
30	BACB30NR4K6	.	BOLT	002004 006999	8
35	AN960KD416	.	WASHER	002004 006999	8
40	BRH10C4D	.	NUT SUPPLIER CODE: V52828 SPECIFICATION NUMBER: BACN10JC4CD OPTIONAL PART: T6C428JCD V11815 NS202486-048 V80539 102LH9075-4W V72962 H51650-4BAC V15653	002004 006999	8
45	251N2815-1	.	SUPPORT	002004 006100 107107 121503 904999	4

R  
R  
R  
R  
R

MISSING ITEM NUMBERS NOT APPLICABLE

- ITEM NOT ILLUSTRATED

27-31-05-01

27-31-05  
FIG. 01  
PAGE 2  
MAY 20/09

BRI



757

PARTS CATALOG (MAINTENANCE)

FIG ITEM	PART NUMBER	1 2 3 4 5 6 7	NOMENCLATURE	EFFECT FROM TO	UNITS PER ASSY	
R R R R R	1 50	251N2815-3	.SUPPORT	002004 006100 107107 121503 904999	4	
	55	BACB30LJ4U8	.BOLT	002004 006999	8	
	60	BACW10BP4APU	.WASHER	002004 006999	8	
	65	BRH10C4D	.NUT SUPPLIER CODE: V52828 SPECIFICATION NUMBER: BACN10JC4CD OPTIONAL PART: T6C428JCD V11815 NS202486-048 V80539 102LH9075-4W V72962 H51650-4BAC V15653	002004 006999	8	
	70	251N2082-1	.ROD ASSY- COMPONENT MAINT MANUAL REF: 27-31-91	002004 006999	3	
	75	251N2082-2	.ROD ASSY- COMPONENT MAINT MANUAL REF: 27-31-91	002004 006999	1	
	100	BACB30NF4-15	.BOLT	002004 006999	1	
	105	BACB30NF4-12	.BOLT	002004 006999	1	
	110	AN960KD416	.WASHER	002004 006999	2	
	MISSING ITEM NUMBERS NOT APPLICABLE					

- ITEM NOT ILLUSTRATED

**27-31-05-01**

27-31-05  
FIG. 01  
PAGE 3  
MAY 20/09

BRI



757

PARTS CATALOG (MAINTENANCE)

FIG ITEM	PART NUMBER	1 2 3 4 5 6 7	NOMENCLATURE	EFFECT FROM TO	UNITS PER ASSY
1 115	BRH10A4	.NUT	SUPPLIER CODE: V52828 SPECIFICATION NUMBER: BACN10JC4 OPTIONAL PART: T6S428J V11815 96-048 V80539 VN303A048 V92215 RMLH9075-4W V72962 NS202101-048 V80539 H10-4BAC V15653	002004 006999	2
120	251N2080-1	.ROD ASSY-	COMPONENT MAINT MANUAL REF: 27-31-91	002004 006999	1
155	BACB30NF4-12	.BOLT		002004 006999	2
160	AN960KD416	.WASHER		002004 006999	2
165	BRH10A4	.NUT	SUPPLIER CODE: V52828 SPECIFICATION NUMBER: BACN10JC4 OPTIONAL PART: T6S428J V11815 96-048 V80539 VN303A048 V92215 RMLH9075-4W V72962 NS202101-048 V80539 H10-4BAC V15653	002004 006999	2
170	251N2080-3	.ROD ASSY-	COMPONENT MAINT MANUAL REF: 27-31-91	002004 006999	1
205	BACB30NF4-13	.BOLT		002004 006999	1

MISSING ITEM NUMBERS NOT APPLICABLE

- ITEM NOT ILLUSTRATED

27-31-05-01

27-31-05  
FIG. 01  
PAGE 4  
JAN 20/09

BRI



757

PARTS CATALOG (MAINTENANCE)

FIG ITEM	PART NUMBER	1 2 3 4 5 6 7	NOMENCLATURE	EFFECT FROM TO	UNITS PER ASSY
1					
210	BACB30NF4-14	.BOLT		002004 006999	2
215	BACB30NF4-15	.BOLT		002004 006999	1
220	AN960KD416	.WASHER		002004 006999	4
225	BRH10A4	.NUT		002004 006999	4
		SUPPLIER CODE: V52828 SPECIFICATION NUMBER: BACN10JC4 OPTIONAL PART: T6S428J V11815 96-048 V80539 VN303A048 V92215 RMLH9075-4W V72962 NS202101-048 V80539 H10-4BAC V15653			
230	251N2080-2	.ROD ASSY-		002004 006999	2
		COMPONENT MAINT MANUAL REF: 27-31-91			
275	BACB30NF4-13	.BOLT-		002004 006999	12
280	AN960KD416	.WASHER-		002004 006999	12
285	BRH10A4	.NUT-		002004 006999	12
		SUPPLIER CODE: V52828 SPECIFICATION NUMBER: BACN10JC4 OPTIONAL PART: T6S428J V11815 96-048 V80539 VN303A048 V92215 RMLH9075-4W V72962 NS202101-048 V80539 H10-4BAC V15653			
MISSING ITEM NUMBERS NOT APPLICABLE					

- ITEM NOT ILLUSTRATED

27-31-05-01

27-31-05  
 FIG. 01  
 PAGE 5  
 JAN 20/09

BRI



757

PARTS CATALOG (MAINTENANCE)

FIG ITEM	PART NUMBER	1 2 3 4 5 6 7	NOMENCLATURE	EFFECT FROM TO	UNITS PER ASSY
1					
290	251N2089-1	.ROD ASSY-POGO	COMPONENT MAINT MANUAL REF: 27-31-05	002004 006999	6
291	REP4MS6-5FS428	..BEARING-ROD END	SUPPLIER CODE: V21335	002004 006999	1
291	REP4MS6-5FS428	..BEARING-	SUPPLIER CODE: V73134 SPECIFICATION NUMBER: BACB10AD12K OPTIONAL PART: ABR4M105 VS0352 REP4MS6-5FS428 V21335 REB4MK6-21 V92563 DBM4-6B1-502 V77896 ABR4M105B V15860 REP4MK6-012J V73134	002004 006999	1
292	NAS509-6	..NUT		002004 006999	1
293	NAS1193K6CP	..LOCKING DEVICE		002004 006999	1
294A	NAS1193K6-1P	...WASHER		002004 006999	1
294C	NAS1193K6-2P	...WASHER		002004 006999	1
295	BACB30NF4-11	.BOLT		002004 006999	5
300	BACB30NF4-13	.BOLT		002004 006999	5
305	AN960KD416	.WASHER		002004 006999	10

R  
R  
R  
R  
R  
R  
R  
R  
R  
R  
R  
R  
R  
R  
R  
R  
R  
R  
R  
R  
R  
R

MISSING ITEM NUMBERS NOT APPLICABLE

- ITEM NOT ILLUSTRATED

27-31-05-01

27-31-05  
FIG. 01  
PAGE 6  
MAY 20/09

BRI



757

PARTS CATALOG (MAINTENANCE)

FIG ITEM	PART NUMBER	1 2 3 4 5 6 7	NOMENCLATURE	EFFECT FROM TO	UNITS PER ASSY
1 310	BRH10A4	.	NUT SUPPLIER CODE: V52828 SPECIFICATION NUMBER: BACN10JC4 OPTIONAL PART: T6S428J V11815 96-048 V80539 VN303A048 V92215 RMLH9075-4W V72962 NS202101-048 V80539 H10-4BAC V15653	002004 006999	10
315	MKSP4SD610	.	BEARING SUPPLIER CODE: V83086 SPECIFICATION NUMBER: BACB10AR4 OPTIONAL PART: HHMKSP4 V38443 MKSP4-2TS V43991 MKSP4E9440A V21335 MKSP4FS428 V21335 MKSP43TT V43991 MKSP4G20 V38443 MKSP4 V38443	002004 006102 106999	5

MISSING ITEM NUMBERS NOT APPLICABLE

- ITEM NOT ILLUSTRATED

BRI

27-31-05-01

BOEING PROPRIETARY - Copyright © - Unpublished Work - See title page for details.

27-31-05  
FIG. 01  
PAGE 7  
JAN 20/09



**757  
PARTS CATALOG (MAINTENANCE)**

FIG ITEM	PART NUMBER	1 2 3 4 5 6 7	NOMENCLATURE	EFFECT FROM TO	UNITS PER ASSY
1 315	MKSP04SD610	.	BEARING- SUPPLIER CODE: V83086 SPECIFICATION NUMBER: BACB10AR04 OPTIONAL PART: MKSP04G20 V38443 MKSP04 V38443 MKSP04-2TS V43991 MKSP04E9440A V21335 MKSP043TT V43991 HHMKSP04 V38443 MKSP04FS428 V21335 MKSP4SD510 V50294 MKSP4FS428 V73134 MKSP4NJC V73134 BACB10AR4	103106	5
	315	MKSP4SD610	. BEARING- SUPPLIER CODE: V83086 SPECIFICATION NUMBER: BACB10AR4 OPTIONAL PART: HHMKSP4 V38443 MKSP4-2TS V43991 MKSP4E9440A V21335 MKSP4FS428 V21335 MKSP43TT V43991 MKSP4G20 V38443 MKSP4 V38443 BACB10AR04	103106	5

MISSING ITEM NUMBERS NOT APPLICABLE

- ITEM NOT ILLUSTRATED

BRI

# 27-31-05-01

BOEING PROPRIETARY - Copyright © - Unpublished Work - See title page for details.

27-31-05  
FIG. 01  
PAGE 8  
MAY 20/09





757

PARTS CATALOG (MAINTENANCE)

FIG ITEM	PART NUMBER	1 2 3 4 5 6 7	NOMENCLATURE	EFFECT FROM TO	UNITS PER ASSY
1					
320	251N2083-14	.	CRANK ASSY-(FLIGHT CONTROLS ONLY) COMPONENT MAINT MANUAL REF: 27-31-04	002004 006999	2
320	251N2083-1	.	CRANK ASSY-INPUT (FLIGHT CONTROLS ONLY)	002004 006999	2
320	251N2083-9	.	CRANK ASSY-INPUT (FLIGHT CONTROLS ONLY) COMPONENT MAINT MANUAL REF: 27-31-04	002004 006999	2
320	251N2083-5	.	CRANK ASSY-INPUT (FLIGHT CONTROLS ONLY) (REWORK)	002004 006999	2
322	BAC27NCT0012	..	MARKER-ALUMINUM FOIL USED ON: 251N2083-1 251N2083-5	002004 006999	1
323	BAC27NCT0264	..	MARKER-ALUMINUM FOIL USED ON: 251N2083-14	002004 006999	1
324	BAC27NCT0181	..	MARKER-ALUMINUM FOIL USED ON: 251N2083-9	002004 006999	1
325	251N2083-11	.	CRANK ASSY-(FLIGHT CONTROLS ONLY) COMPONENT MAINT MANUAL REF: 27-31-04	002004 006999	1
325	251N2083-6	.	CRANK ASSY-INPUT (FLIGHT CONTROLS ONLY) COMPONENT MAINT MANUAL REF: 27-31-04	002004 006999	1
330	251N2083-12	.	CRANK ASSY-(FLIGHT CONTROLS ONLY) COMPONENT MAINT MANUAL REF: 27-31-04	002004 006999	1
330	251N2083-7	.	CRANK ASSY-INPUT (FLIGHT CONTROLS ONLY) COMPONENT MAINT MANUAL REF: 27-31-04	002004 006999	1
335	251N2083-13	.	CRANK ASSY-(FLIGHT CONTROLS ONLY) COMPONENT MAINT MANUAL REF: 27-31-04	002004 006999	1
335	251N2083-8	.	CRANK ASSY-INPUT (FLIGHT CONTROLS ONLY) COMPONENT MAINT MANUAL REF: 27-31-04	002004 006999	1
337	BAC27NCT0264	..	MARKER-ALUMINUM FOIL	002004 006999	1

MISSING ITEM NUMBERS NOT APPLICABLE

- ITEM NOT ILLUSTRATED

27-31-05-01

27-31-05  
FIG. 01  
PAGE 9  
MAY 20/09

BRI



757

PARTS CATALOG (MAINTENANCE)

FIG ITEM	PART NUMBER	1 2 3 4 5 6 7	NOMENCLATURE	EFFECT FROM TO	UNITS PER ASSY
1	340 BAC27NCT0181	.	.MARKER-ALUMINUM FOIL	002004 006999	1
	415 BACB30LJ5U13	.	.BOLT	002004 006999	2
	420 BACW10BP5APU	.	.WASHER	002004 006999	2
	425 BRH10C5M	.	.NUT SUPPLIER CODE: V52828 SPECIFICATION NUMBER: BACN10JC5CM OPTIONAL PART: T6C524JM V11815 97E054 V80539 109LH9075-5W V72962 H01-5BAC V15653	002004 006999	2
R	430 BACB28AK05-014	.	.BUSHING	002004 006999	2
R	435 MKSP5SD610	.	.BEARING SUPPLIER CODE: V83086 SPECIFICATION NUMBER: BACB10AR5 OPTIONAL PART: HHMKSP5 V38443 MKSP5-2TS V43991 MKSP5E9440A V21335 MKSP5FS428 V21335 MKSP53TT V43991 MKSP5G20 V38443 MKSP5 V38443	002004 006102 106999	1
	435 BACB10AR05	.	.BEARING- OPTIONAL PART: BACB10AR5	103106	5

MISSING ITEM NUMBERS NOT APPLICABLE

- ITEM NOT ILLUSTRATED

BRI

27-31-05-01

BOEING PROPRIETARY - Copyright © - Unpublished Work - See title page for details.

27-31-05  
FIG. 01  
PAGE 10  
MAY 20/09



757

PARTS CATALOG (MAINTENANCE)

FIG ITEM	PART NUMBER	1 2 3 4 5 6 7	NOMENCLATURE	EFFECT FROM TO	UNITS PER ASSY
1 435	MKSP5SD610		.BEARING- SUPPLIER CODE: V83086 SPECIFICATION NUMBER: BACB10AR5 OPTIONAL PART: HHMKSP5 V38443 MKSP5-2TS V43991 MKSP5E9440A V21335 MKSP5FS428 V21335 MKSP53TT V43991 MKSP5G20 V38443 MKSP5 V38443 BACB10AR05	103106	5
440	251N2084-3		.CRANK ASSY-INPUT (FLIGHT CONTROLS ONLY) COMPONENT MAINT MANUAL REF: 27-31-04 OPTIONAL PART: 251N2084-4	002004 006999	1
440	251N2084-4		.CRANK ASSY-INPUT (FLIGHT CONTROLS ONLY) COMPONENT MAINT MANUAL REF: 27-31-04	002004 006999	1
440	251N2084-5		.CRANK ASSY-INPUT (FLIGHT CONTROLS ONLY) COMPONENT MAINT MANUAL REF: 27-31-04 OPTIONAL PART: 251N2084-6	002004 006999	1
440	251N2084-6		.CRANK ASSY-INPUT (FLIGHT CONTROLS ONLY) COMPONENT MAINT MANUAL REF: 27-31-04 OPTIONAL PART: 251N2084-5	002004 006999	1
490	BACB30NR4K6		.BOLT	002004 006999	2
495	AN960KD416		.WASHER	002004 006999	2

MISSING ITEM NUMBERS NOT APPLICABLE

- ITEM NOT ILLUSTRATED

27-31-05-01

27-31-05  
FIG. 01  
PAGE 11  
JAN 20/09

BRI



757

PARTS CATALOG (MAINTENANCE)

FIG ITEM	PART NUMBER	1 2 3 4 5 6 7	NOMENCLATURE	EFFECT FROM TO	UNITS PER ASSY
1 500	BRH10C4D	.NUT	SUPPLIER CODE: V52828 SPECIFICATION NUMBER: BACN10JC4CD OPTIONAL PART: T6C428JCD V11815 NS202486-048 V80539 102LH9075-4W V72962 H51650-4BAC V15653	002004 006999	2
505	251N2463-1	.SUPPORT		002004 006999	1
510	HL18PB6-13	.BOLT	SUPPLIER CODE: V06725 SPECIFICATION NUMBER: BACB30FM6-13 OPTIONAL PART: HL18PB6-13 V73197 HL18PB6-13 V92215 HL18PB6-13 V97928 HL18PB6-13 V80539 62550-6-13 V56878 HL18PB6-13 V08524 HL18PB6-13 V56878	002004 006999	3
515	AN960KD10	.WASHER		002004 006999	6

R  
R  
R  
R  
R  
R  
R  
R  
R  
R  
R  
R  
R  
R  
R  
R  
R  
R  
R  
R  
R  
R

MISSING ITEM NUMBERS NOT APPLICABLE

- ITEM NOT ILLUSTRATED

27-31-05-01

27-31-05  
FIG. 01  
PAGE 12  
MAY 20/09

BRI



757

PARTS CATALOG (MAINTENANCE)

FIG ITEM	PART NUMBER	1 2 3 4 5 6 7	NOMENCLATURE	EFFECT FROM TO	UNITS PER ASSY
1 520	HL79-6		.COLLAR SUPPLIER CODE: V5M902 SPECIFICATION NUMBER: BACC30M6 OPTIONAL PART: HL79-6 V73197 HL79-6 V92215 66014-6 V56878 HL79-6 V56878	002004 006999	3
523	251N2772-1		.RETAINER	002004 006999	3
525	251N2771-1		.SPACER	002004 006999	3
530	BACB30NF4-10		.BOLT	002004 006999	3
532	BACB30NF4-11		.BOLT	002004 006999	3
535	AN960KD416		.WASHER	002004 006999	6
540	BRH10A4		.NUT SUPPLIER CODE: V52828 SPECIFICATION NUMBER: BACN10JC4 OPTIONAL PART: T6S428J V11815 96-048 V80539 VN303A048 V92215 RMLH9075-4W V72962 NS202101-048 V80539 H10-4BAC V15653	002004 006999	6

R  
R

MISSING ITEM NUMBERS NOT APPLICABLE

- ITEM NOT ILLUSTRATED

BRI

27-31-05-01

BOEING PROPRIETARY - Copyright © - Unpublished Work - See title page for details.

27-31-05  
FIG. 01  
PAGE 13  
MAY 20/09



757

PARTS CATALOG (MAINTENANCE)

FIG ITEM	PART NUMBER	1 2 3 4 5 6 7	NOMENCLATURE	EFFECT FROM TO	UNITS PER ASSY
1 545	HTES04C		.BEARING- SUPPLIER CODE: VS0352 SPECIFICATION NUMBER: BACB10ES04C OPTIONAL PART: NC04T5C V56644 SWKN04520C V81376 BACB10FB04C	002004 006999	3
545	NES04FBC		.BEARING- SUPPLIER CODE: V73134 SPECIFICATION NUMBER: BACB10FB04C OPTIONAL PART: KSC145700BZ04C V50632 HTFB04C VS0352 KNDB04-69 V97613 ADB04-301NC V15860 BACB10ES04C	002004 006999	3
550	251N2085-8		.LINK ASSY-SWING COMPONENT MAINT MANUAL REF: 27-31-81	002004 006999	1
555	251N2085-9		.LINK ASSY-SWING COMPONENT MAINT MANUAL REF: 27-31-81	002004 006999	1
560	251N2085-10		.LINK ASSY-SWING COMPONENT MAINT MANUAL REF: 27-31-81	002004 006999	1
595	BACB30NR4K10		.BOLT	002004 006999	4
600	AN960KD416		.WASHER	002004 006999	4

MISSING ITEM NUMBERS NOT APPLICABLE

- ITEM NOT ILLUSTRATED

27-31-05-01

27-31-05  
FIG. 01  
PAGE 14  
JAN 20/09

BRI



757

PARTS CATALOG (MAINTENANCE)

FIG ITEM	PART NUMBER	1 2 3 4 5 6 7	NOMENCLATURE	EFFECT FROM TO	UNITS PER ASSY
1 605	BRH10C4D	.NUT	SUPPLIER CODE: V52828 SPECIFICATION NUMBER: BACN10JC4CD OPTIONAL PART: T6C428JCD V11815 NS202486-048 V80539 102LH9075-4W V72962 H51650-4BAC V15653	002004 006999	4
610	251N2573-1	.BUSHING		002004 006999	2
615	BACB30NR4K8	.BOLT		002004 006999	1
620	BACB30NR4K7	.BOLT		002004 006999	1
625	AN960KD416	.WASHER		002004 006999	2
630	251N2086-1	.SUPPORT ASSY		002004 006999	1
635	251N2086-2	.SUPPORT ASSY		002004 006999	1
640	HTES04VC	..BEARING-	SUPPLIER CODE: VS0352 SPECIFICATION NUMBER: BACB10ES04GC OPTIONAL PART: NC04TG5C V56644 BACB10FB04GC	002004 006999	2

MISSING ITEM NUMBERS NOT APPLICABLE

- ITEM NOT ILLUSTRATED

BRI

27-31-05-01

BOEING PROPRIETARY - Copyright © - Unpublished Work - See title page for details.

27-31-05  
FIG. 01  
PAGE 15  
JAN 20/09



757

PARTS CATALOG (MAINTENANCE)

FIG ITEM	PART NUMBER	1 2 3 4 5 6 7	NOMENCLATURE	EFFECT FROM TO	UNITS PER ASSY
1 640	ADB04V301NC		.. BEARING- SUPPLIER CODE: V15860 SPECIFICATION NUMBER: BACB10FB04GC OPTIONAL PART: KNDB04-70 V97613 KSC145700BZ04GC V50632 NES04FBGC V73134 HTFB04GC VS0352 BACB10ES04GC	002004 006999	2
645	MKSP4SD610		.. BEARING SUPPLIER CODE: V83086 SPECIFICATION NUMBER: BACB10AR4 OPTIONAL PART: HHMKSP4 V38443 MKSP4-2TS V43991 MKSP4E9440A V21335 MKSP4FS428 V21335 MKSP43TT V43991 MKSP4G20 V38443 MKSP4 V38443	002004 006999	1
650	69-38919-20		.. SLEEVE	002004 006999	1
655	251N2086-3		.. SUPPORT- USED ON: 251N2086-1	002004 006999	1
660	251N2086-4		.. SUPPORT- USED ON: 251N2086-2	002004 006999	1
665	BACB30NF4-15		. BOLT	002004 006999	2
670	BACB30NF4-10		. BOLT	002004 006999	1
675	AN960KD416		. WASHER	002004 006999	4

MISSING ITEM NUMBERS NOT APPLICABLE

- ITEM NOT ILLUSTRATED

27-31-05-01

27-31-05  
FIG. 01  
PAGE 16  
JAN 20/09

BRI

BOEING PROPRIETARY - Copyright © - Unpublished Work - See title page for details.



 **BOEING**  
757  
**PARTS CATALOG (MAINTENANCE)**

FIG ITEM	PART NUMBER	1 2 3 4 5 6 7	NOMENCLATURE	EFFECT FROM TO	UNITS PER ASSY
1 680	BRH10A4	.	NUT SUPPLIER CODE: V52828 SPECIFICATION NUMBER: BACN10JC4 OPTIONAL PART: T6S428J V11815 96-048 V80539 VN303A048 V92215 RMLH9075-4W V72962 NS202101-048 V80539 H10-4BAC V15653	002004 006999	3
685	BACB28AK04-032	.	BUSHING	002004 006999	2
690	HTES04C	.	BEARING- SUPPLIER CODE: VS0352 SPECIFICATION NUMBER: BACB10ES04C OPTIONAL PART: NC04T5C V56644 SWKN04520C V81376 BACB10FB04C	002004 006999	1
690	NES04FBC	.	BEARING- SUPPLIER CODE: V73134 SPECIFICATION NUMBER: BACB10FB04C OPTIONAL PART: KSC145700BZ04C V50632 HTFB04C VS0352 KNDB04-69 V97613 ADB04-301NC V15860 BACB10ES04C	002004 006999	1
695	NAS43HT4-34	.	SPACER	002004 006999	1

MISSING ITEM NUMBERS NOT APPLICABLE

— ITEM NOT ILLUSTRATED

BRI

# 27-31-05-01

BOEING PROPRIETARY - Copyright © - Unpublished Work - See title page for details.

27-31-05  
FIG. 01  
PAGE 17  
JAN 20/09



757

PARTS CATALOG (MAINTENANCE)

FIG ITEM	PART NUMBER	1 2 3 4 5 6 7	NOMENCLATURE	EFFECT FROM TO	UNITS PER ASSY
1					
700	251N2095-1		.LINK ASSY-SWING COMPONENT MAINT MANUAL REF: 27-31-81	002004 006999	1
725	251N2634-1		.GUARD  ATTACHING PARTS	002004 006999	1
- 730	NAS1351C3H6P		.SCREW	002004 006999	3
- 735	AN960KD10		.WASHER	002004 006999	3
			-----*-----		
740	251N2635-12		.TUBE ASSY	002004 006999	6
745	251N2635-10		.TUBE ASSY	002004 006999	6
- 754	BACN10YA6		..NUT	002004 006999	2
- 755	AS1581T06		..SLEEVE	002004 006999	2
760	BACB30LE5U19		.BOLT	002004 006999	12
765	BACW10BP5CD		.WASHER	002004 006999	12
766	BACW10BP5DP		.WASHER	002004 006999	12

R  
R  
R  
R

MISSING ITEM NUMBERS NOT APPLICABLE

- ITEM NOT ILLUSTRATED

27-31-05-01

27-31-05  
FIG. 01  
PAGE 18  
MAY 20/09

BRI



757

PARTS CATALOG (MAINTENANCE)

FIG ITEM	PART NUMBER	1 2 3 4 5 6 7	NOMENCLATURE	EFFECT FROM TO	UNITS PER ASSY
1 770	BH003035	.	NUT SUPPLIER CODE: V27238 SPECIFICATION NUMBER: BACN10HR5CS OPTIONAL PART: H39953-5 V15653 109LH9031-5 V72962 67832AS524 V56878 BH00303-5 V27238 SL7059C524 V11815 BMN5024CPD35 V97928 CR59085 V62554 SL705095 V11815 109LH90315 V72962 67832AS5 V56878 BMN10HRRCPD3-5 V97928	002004 006999	12
775	BACB30LE6U22	.	BOLT-	002004 006999	6
780	BACW10BP6CD	.	WASHER-	002004 006999	12

MISSING ITEM NUMBERS NOT APPLICABLE

- ITEM NOT ILLUSTRATED

BRI

27-31-05-01

BOEING PROPRIETARY - Copyright © - Unpublished Work - See title page for details.

27-31-05  
FIG. 01  
PAGE 19  
JAN 20/09



757

PARTS CATALOG (MAINTENANCE)

FIG ITEM	PART NUMBER	1 2 3 4 5 6 7	NOMENCLATURE	EFFECT FROM TO	UNITS PER ASSY
1 785	BMN10HRCPD3-6		.NUT- SUPPLIER CODE: V97928 SPECIFICATION NUMBER: BACN10HR6CS OPTIONAL PART: H39953-6 V15653 109LH9031-6 V72962 67832AS624 V56878 BMN5024CPD3-6 V97928 BH00303-6 V27238 SL7059C624 V11815 BH003036 V27238 BMN5024CPD36 V97928 H39953 V15653 SL705096 V11815 109LH90316 V72962 67832AS6 V56878 CR59086 V62554	002004 006999	6
R 790	BACB28AK05-044		.BUSHING	002004 006999	12
R 795	BACB28AK06-042		.BUSHING-	002004 006999	6

MISSING ITEM NUMBERS NOT APPLICABLE

- ITEM NOT ILLUSTRATED

BRI

27-31-05-01

BOEING PROPRIETARY - Copyright © - Unpublished Work - See title page for details.

27-31-05  
FIG. 01  
PAGE 20  
MAY 20/09



757

PARTS CATALOG (MAINTENANCE)

FIG ITEM	PART NUMBER	1 2 3 4 5 6 7	NOMENCLATURE	EFFECT FROM TO	UNITS PER ASSY
1 800	BNP05A111		.BEARING- SUPPLIER CODE: V16746 SPECIFICATION NUMBER: BACB10FJ05 OPTIONAL PART: HU05-210 V02758 KSB05-58 V97613 LHB05EP V73134 AG5-32 V15860 NC5-3 V56644 ABGFJ05 VS0352 BLN05-2589 V81376	002004 006999	6
805	251N2092-7		.LINK ASSY-IDLER COMPONENT MAINT MANUAL REF: 27-31-06 OPTIONAL PART: 251N2092-8	002004 006999	6
805	251N2092-8		.LINK ASSY-IDLER COMPONENT MAINT MANUAL REF: 27-31-06 OPTIONAL PART: 251N2092-7	002004 006999	6
805	251N2092-11		.LINK ASSY-IDLER COMPONENT MAINT MANUAL REF: 27-31-06	002004 006999	6
805	251N2092-12		.LINK ASSY-IDLER COMPONENT MAINT MANUAL REF: 27-31-06 OPTIONAL PART: 251N2092-11	002004 006999	6
807	BACB10EP05GC		..BEARING	002004 006999	1
809	1646B		..FITTING-LUBE SUPPLIER CODE: V95879	002004 006999	2
811	251N2092-9		..LINK- USED ON: 251N2092-7 251N2092-11	002004 006999	1

MISSING ITEM NUMBERS NOT APPLICABLE

- ITEM NOT ILLUSTRATED

27-31-05-01

27-31-05  
FIG. 01  
PAGE 21  
JAN 20/09

BRI



757

PARTS CATALOG (MAINTENANCE)

FIG ITEM	PART NUMBER	1 2 3 4 5 6 7	NOMENCLATURE	EFFECT FROM TO	UNITS PER ASSY
1					
811	251N2092-10	. .	LINK- USED ON: 251N2092-8 251N2092-12	002004 006999	1
825	BACB30LJ12U36	.BOLT-	OPTIONAL PART: BACB30NR12K36	002004 006999	12
825	BACB30NR12K36	.BOLT-	OPTIONAL PART: BACB30LJ12U36	002004 006999	12
827	BACW10BP12CD	.WASHER-		002004 006999	12
830	AN960C1216L	.WASHER-		002004 006999	12
835	BMN4122C1D2-12	.NUT-	SUPPLIER CODE: V97928 SPECIFICATION NUMBER: BACN10JC12CM OPTIONAL PART: H01-12BAC V15653 109LH9074-12 V72962 69235-1216CM V56878	002004 006999	12
840	251N2621-1	.BUSHING-		002004 006999	12
845	251N2002-2	.LINK ASSY-	COMPONENT MAINT MANUAL REF: 27-31-06 OPTIONAL PART: 251N2002-3 PRE ALERT SB: 27A0135	107107	6
845	251N2002-3	.LINK ASSY-	COMPONENT MAINT MANUAL REF: 27-31-06 OPTIONAL PART: 251N2002-2 PRE ALERT SB: 27A0135	002004 006100 103107 121503 904949 952999	6

MISSING ITEM NUMBERS NOT APPLICABLE

- ITEM NOT ILLUSTRATED

BRI

27-31-05-01

BOEING PROPRIETARY - Copyright © - Unpublished Work - See title page for details.

27-31-05  
FIG. 01  
PAGE 22  
JAN 20/09



757

PARTS CATALOG (MAINTENANCE)

FIG ITEM	PART NUMBER	1 2 3 4 5 6 7	NOMENCLATURE	EFFECT FROM TO	UNITS PER ASSY
1 845	251N2002-5		.LINK ASSY- COMPONENT MAINT MANUAL REF: 27-31-06 OPTIONAL PART: 251N2002-6 251N2002-3 POST ALERT SB: 27A0135	002004 006999	6
845	251N2002-6		.LINK ASSY- COMPONENT MAINT MANUAL REF: 27-31-06 OPTIONAL PART: 251N2002-5 251N2002-2 251N2002-3 POST ALERT SB: 27A0135	002004 006999	6
847	251N2597-1		..CAP ASSY	002004 006999	2
- 849	NAS1351-3LB8P		ATTACHING PARTS ..SCREW	002004 006999	4
- 851	AN960-10		..WASHER	002004 006999	4
853	1728B		-----*----- ... FITTING-LUBE SUPPLIER CODE: VOFKM1	002004 006999	1
855	251N2597-2		...CAP	002004 006999	1
857	251N2619-1		..SPACER	002004 006999	2
859	BACB30LE5-38		..BOLT-	002004 006999	4
861	BACW10BP5CD		..WASHER-	002004 006999	8

MISSING ITEM NUMBERS NOT APPLICABLE

- ITEM NOT ILLUSTRATED

27-31-05-01

27-31-05  
FIG. 01  
PAGE 23  
JAN 20/09

BRI

BOEING PROPRIETARY - Copyright © - Unpublished Work - See title page for details.



757

PARTS CATALOG (MAINTENANCE)

FIG ITEM	PART NUMBER	1 2 3 4 5 6 7	NOMENCLATURE	EFFECT FROM TO	UNITS PER ASSY
1 863	BH00303CM5		..NUT- SUPPLIER CODE: V27238 SPECIFICATION NUMBER: BACN10HR5CD OPTIONAL PART: H51560-5 V15653 67832CD524 V56878 102LH9031-5 V72962 SL7108C524 V11815 BMN5024CWD35 V97928 SL7108C5 V11815 VCU0005D5 V06710 102LH90315 V72962 BMN10HRCWD3-5 V97928 67832CD5 V56878 CR6030-5 VF0224 67832CD5 V56878	002004 006999	4
865	251N2100-1		..BEARING ASSY- OPTIONAL PART: 251N2100-2	002004 006999	2
865	251N2100-2		..BEARING ASSY- OPTIONAL PART: 251N2100-1 USED ON: 251N2002-3	002004 006999	2
867	251N2094-1		..TRUNNION ASSY- OPTIONAL PART: 251N2094-2	002004 006999	1
867	251N2094-2		..TRUNNION ASSY- OPTIONAL PART: 251N2094-1 USED ON: 251N2002-3	002004 006999	1
869	BACB10EN06GC		...BEARING	002004 006999	1

MISSING ITEM NUMBERS NOT APPLICABLE

- ITEM NOT ILLUSTRATED

27-31-05-01

27-31-05  
FIG. 01  
PAGE 24  
JAN 20/09

BRI

BOEING PROPRIETARY - Copyright © - Unpublished Work - See title page for details.





757

PARTS CATALOG (MAINTENANCE)

FIG ITEM	PART NUMBER	1 2 3 4 5 6 7	NOMENCLATURE	EFFECT FROM TO	UNITS PER ASSY
1					
870	1728B		... FITTING- SUPPLIER CODE: VOFKM1	002004 006999	1
873	251N2094-3		... TRUNNION- USED ON: 251N2094-1	002004 006999	1
873	251N2094-4		... TRUNNION- USED ON: 251N2094-2	002004 006999	1
875	NAS1804-14		.. NUT	002004 006999	1
880	AN960-1416L		.. WASHER	002004 006999	1
883	DRX34A		.. BEARING- SUPPLIER CODE: V77896 SPECIFICATION NUMBER: S251N214-7 OPTIONAL PART: DRX34 V77896 USED ON: 251N2002-2 251N2002-3 PRE ALERT SB: 27A0135	002004 006949 952999	1
883	DRX34		.. BEARING- SUPPLIER CODE: V77896 SPECIFICATION NUMBER: S251N214-2 OPTIONAL PART: DRX34A V77896 USED ON: 251N2002-3 PRE ALERT SB: 27A0135	002004 006949 952999	1
883	DRX34B		.. BEARING- SUPPLIER CODE: V77896 SPECIFICATION NUMBER: S251N214-11 POST ALERT SB: 27A0135	002004 006999	1

MISSING ITEM NUMBERS NOT APPLICABLE

- ITEM NOT ILLUSTRATED

27-31-05-01

27-31-05  
FIG. 01  
PAGE 25  
JAN 20/09

BRI

BOEING PROPRIETARY - Copyright © - Unpublished Work - See title page for details.



757

PARTS CATALOG (MAINTENANCE)

FIG ITEM	PART NUMBER	1 2 3 4 5 6 7	NOMENCLATURE	EFFECT FROM TO	UNITS PER ASSY
1 883	DRX34C		.. BEARING- SUPPLIER CODE: V77896 SPECIFICATION NUMBER: S251N214-8 OPTIONAL PART: DRX34B V77896 POST ALERT SB: 27A0135	002004 006999	1
887	251N2093-1		.. LINK-	002004 006999	1
887	251N2093-2		.. LINK- USED ON: 251N2002-3	002004 006999	1
890	BACB30LE5-14		. BOLT-	002004 006999	24
895	BACW10BP5CD		. WASHER-	002004 006999	48
900	BH00303CM5		. NUT- SUPPLIER CODE: V27238 SPECIFICATION NUMBER: BACN10HR5CD OPTIONAL PART: H51560-5 V15653 67832CD524 V56878 102LH9031-5 V72962 SL7108C524 V11815 BMN5024CWD35 V97928 SL7108C5 V11815 VCU0005D5 V06710 102LH90315 V72962 BMN10HRCWD3-5 V97928 67832CD5 V56878 CR6030-5 VF0224 67832CD5 V56878	002004 006999	24

MISSING ITEM NUMBERS NOT APPLICABLE

- ITEM NOT ILLUSTRATED

27-31-05-01

27-31-05  
FIG. 01  
PAGE 26  
JAN 20/09

BRI



757

PARTS CATALOG (MAINTENANCE)

FIG ITEM	PART NUMBER	1 2 3 4 5 6 7	NOMENCLATURE	EFFECT FROM TO	UNITS PER ASSY
1 905	3321530-9		.CONTROL UNIT ASSY- SUPPLIER CODE: V94697 SPECIFICATION NUMBER: S251N211-9 SB DATA FROM A CMM: POST 3321530-27-01 PRE 3321530-27-02 CONFIG CHG DATA FROM A CMM: SUPERSEDES 3321530-8 SUPSD BY 3321530-10 COMPONENT MAINT MANUAL REF: 27-31-01 PRE ALERT SB: 27A0135	002004 006949 952999	6
905	3321530-10		.CONTROL UNIT ASSY- SUPPLIER CODE: V94697 SPECIFICATION NUMBER: S251N211-10 SB DATA FROM A CMM: POST 3321530-27-02 PRE 3321530-27-03 CONFIG CHG DATA FROM A CMM: SUPERSEDES 3321530-9 SUPDS BY 3321530-11 COMPONENT MAINT MANUAL REF: 27-31-01 OPTIONAL PART: 3321530-11 V77068 3321530-12 V94697 POST ALERT SB: 27A0135	002004 006999	6

MISSING ITEM NUMBERS NOT APPLICABLE

- ITEM NOT ILLUSTRATED

BRI

**27-31-05-01**

BOEING PROPRIETARY - Copyright © - Unpublished Work - See title page for details.

27-31-05  
FIG. 01  
PAGE 27  
JAN 20/09



757

PARTS CATALOG (MAINTENANCE)

FIG ITEM	PART NUMBER	1 2 3 4 5 6 7	NOMENCLATURE	EFFECT FROM TO	UNITS PER ASSY
1 905	3321530-11		.CONTROL UNIT ASSY- SUPPLIER CODE: V94697 SPECIFICATION NUMBER: S251N211-11 SB DATA FROM A CMM: POST 3321530-27-03 CONFIG CHG DATA FROM A CMM: SUPERSEDES 3321530-10 COMPONENT MAINT MANUAL REF: 27-31-01 OPTIONAL PART: 3321530-10 V77068 3321530-12 V94697	002004 006999	6
905	3321530-12		.CONTROL UNIT ASSY- SUPPLIER CODE: V94697 SB DATA FROM A CMM: POST 3321530-27-04 COMPONENT MAINT MANUAL REF: 27-31-01 OPTIONAL PART: 3321530-10 V94697 3321530-11 V94697	002004 006999	6
906	1C1302		..VALVE-CHK SUPPLIER CODE: V99240 OPTIONAL PART: A164 V06239 A4656 V50276 95281 V26044	002004 006999	3
906	A164		..VALVE-CHK SUPPLIER CODE: V06239 OPTIONAL PART: 1C1302 V99240 A4656 V50276 95281 V26044	002004 006999	3

MISSING ITEM NUMBERS NOT APPLICABLE

- ITEM NOT ILLUSTRATED

27-31-05-01

27-31-05  
FIG. 01  
PAGE 28  
JAN 20/09

BRI



757

PARTS CATALOG (MAINTENANCE)

FIG ITEM	PART NUMBER	1 2 3 4 5 6 7	NOMENCLATURE	EFFECT FROM TO	UNITS PER ASSY
1 906	A4656		.. VALVE-CHK SUPPLIER CODE: V50276 OPTIONAL PART: 1C1302 V99240 A164 V06239 95281 V26044	002004 006999	3
906	95281		.. VALVE-CHK SUPPLIER CODE: V26044 OPTIONAL PART: 1C1302 V99240 A164 V06239 A4656 V50276	002004 006999	3
907	NAS1612-10		.. PACKING-	002004 006999	3
908	C11236-112B		.. RING SUPPLIER CODE: V26879 SPECIFICATION NUMBER: BACR12BM112 OPTIONAL PART: RMR12BM112 V94878 STF800-112 V02107 S30294-112-1 V97820 TF450-112A V07128 2100-112 V26303	002004 006999	6
909	NAS1611-112		.. PACKING-	002004 006999	3
910	B94738PB8-016		.. PIN- SUPPLIER CODE: V73197	002004 006999	1
911	B94739-008		.. COLLAR- SUPPLIER CODE: V73197	002004 006999	1
912	3174909-1		.. WASHER- SUPPLIER CODE: V94697	002004 006999	2

MISSING ITEM NUMBERS NOT APPLICABLE

- ITEM NOT ILLUSTRATED

27-31-05-01

27-31-05  
FIG. 01  
PAGE 29  
JAN 20/09

BRI

 **BOEING**  
757  
**PARTS CATALOG (MAINTENANCE)**

FIG ITEM	PART NUMBER	1 2 3 4 5 6 7	NOMENCLATURE	EFFECT FROM TO	UNITS PER ASSY
1					
913	NAS1080E08	..	COLLAR	002004 006999	1
914	NAS620C416	..	WASHER	002004 006999	2
915	3331828	..	WASHER-CONVEX SUPPLIER CODE: V94697	002004 006999	1
916	NAS1448-32	..	PIN	002004 006999	1
917	3331804	..	PLATE-IDENT SUPPLIER CODE: V77068 USED ON: 3321530-7 3321530-8 3321530-9 3321530-10	002004 006999	1
917	B94762-001	..	PLATE-IDENT SUPPLIER CODE: V94697 OPTIONAL PART: C20016-001 V94697 USED ON: 3321530-7 3321530-8 3321530-9 3321530-10 3321530-11	002004 006999	1
917	C20016-001	..	PLATE-IDENT SUPPLIER CODE: V94697 OPTIONAL PART: B94762-001 V94697 USED ON: 3321530-11	002004 006999	1
918	NAS1080E06	..	COLLAR	002004 006999	1
919	NAS620C10	..	WASHER	002004 006999	1
920	NAS620C10	..	WASHER	002004 006999	1
921	NAS1446-15	..	LOCKBOLT	002004 006999	1

MISSING ITEM NUMBERS NOT APPLICABLE

— ITEM NOT ILLUSTRATED

BRI

# 27-31-05-01

BOEING PROPRIETARY - Copyright © - Unpublished Work - See title page for details.

27-31-05  
FIG. 01  
PAGE 30  
JAN 20/09



757

PARTS CATALOG (MAINTENANCE)

FIG ITEM	PART NUMBER	1 2 3 4 5 6 7	NOMENCLATURE	EFFECT FROM TO	UNITS PER ASSY
1 922	3337155-2		.. SPACER- SUPPLIER CODE: V94697 SB DATA FROM A CMM: POST 3321530-27-03 USED ON: 3321530-7 3321530-8 3321530-9 3321530-10	002004 006999	1
923	3321667		.. LEVER-INPUT SUPPLIER CODE: V94697 SB DATA FROM A CMM: PRE 3321530-27-03 CONFIG CHG DATA FROM A CMM: SUPSD BY 3321667-1 USED ON: 3321530-7 3321530-8 3321530-9 3321530-10	002004 006999	1
923	3321667-1		.. LEVER-INPUT SUPPLIER CODE: V94697 SB DATA FROM A CMM: POST 3321530-27-03 CONFIG CHG DATA FROM A CMM: SUPERSEDES 3321667 USED ON: 3321530-7 3321530-8 3321530-9 3321530-10	002004 006999	1
924	NAS1080E08		.. COLLAR	002004 006999	1
925	NAS620C416L		.. WASHER	002004 006999	2
926	NAS620C416L		.. WASHER- USED ON: 3321530-7 3321530-8 3321530-9 3321530-10	002004 006999	1
927	3321679		.. SPACER- SUPPLIER CODE: V94697	002004 006999	1

MISSING ITEM NUMBERS NOT APPLICABLE

- ITEM NOT ILLUSTRATED

27-31-05-01

27-31-05  
FIG. 01  
PAGE 31  
JAN 20/09

BRI


**BOEING**  
 757  
**PARTS CATALOG (MAINTENANCE)**

FIG ITEM	PART NUMBER	1 2 3 4 5 6 7	NOMENCLATURE	EFFECT FROM TO	UNITS PER ASSY
R R	1 928	MKP4AFS428	.. BEARING SUPPLIER CODE: V06144 SPECIFICATION NUMBER: BACB10AP4 OPTIONAL PART: MCS204E VK8455 LLMKP4A V38443 MKP4AFS428 V21335 MKP4ATT V43991 MKP4A2TS V43991 MKP4E6531 V21335 MKP4AG20 V38443 MKP4ALY196 V40920 MKP4A V38443 MCS24E VK8455 MKP4ASD610 V83086 MKP4ANJC V06144	002004 006999	4
	929	NAS1448-32	.. PIN	002004 006999	1
	930	3337155-1	.. SPACER- SUPPLIER CODE: V94697 SB DATA FROM A CMM: POST 3321530-27-03	002004 006999	1
MISSING ITEM NUMBERS NOT APPLICABLE					

— ITEM NOT ILLUSTRATED

# 27-31-05-01

27-31-05  
 FIG. 01  
 PAGE 32  
 MAY 20/09

BRI





757

PARTS CATALOG (MAINTENANCE)

FIG ITEM	PART NUMBER	1 2 3 4 5 6 7	NOMENCLATURE	EFFECT FROM TO	UNITS PER ASSY
1 931	3321670		..LINK ASSY- SUPPLIER CODE: V94697 SB DATA FROM A CMM: PRE 3321530-27-03 CONFIG CHG DATA FROM A CMM: SUPSD BY 3321670-3 OPTIONAL PART: 3321928 V94697 USED ON: 3321530-7 3321530-8 3321530-9 3321530-10	002004 006999	1
931	3321670-3		..LINK ASSY- SUPPLIER CODE: V94697 SB DATA FROM A CMM: POST 3321530-27-03 CONFIG CHG DATA FROM A CMM: SUPERSEDES 3321670 SUPERSEDES 3321928	002004 006999	1
931	3321928		..LINK ASSY- SUPPLIER CODE: V94697 SB DATA FROM A CMM: PRE 3321530-27-03 CONFIG CHG DATA FROM A CMM: SUPSD BY 3321670-3 OPTIONAL PART: 3321670 V94697 USED ON: 3321530-7 3321530-8 3321530-9 3321530-10	002004 006999	1
932	3329586		..LEVER ASSY-SUMMING SUPPLIER CODE: V77068 OPTIONAL PART: 3329585 V77068	002004 006999	1

MISSING ITEM NUMBERS NOT APPLICABLE

- ITEM NOT ILLUSTRATED

27-31-05-01

27-31-05  
FIG. 01  
PAGE 33  
JAN 20/09

BRI



757

PARTS CATALOG (MAINTENANCE)

FIG ITEM	PART NUMBER	1 2 3 4 5 6 7	NOMENCLATURE	EFFECT FROM TO	UNITS PER ASSY
1 932	3329585		.. LEVER ASSY-SUMMING SUPPLIER CODE: V94697 OPTIONAL PART: 3329586 V77068	002004 006999	1
933	3321675		.. WASHER-LOCK SUPPLIER CODE: V94697	002004 006999	1
934	3321482-3		.. VALVE ASSY-RELIEF SUPPLIER CODE: V77068 CONFIG CHG DATA FROM A CMM: SUPSD BY 3321482-5	002004 006999	2
934	3321482-5		.. VALVE ASSY-RELIEF SUPPLIER CODE: V94697 CONFIG CHG DATA FROM A CMM: SUPERSEDES 3321482-3	002004 006999	2
935	317100-1001		.. SENSOR ASSY-PRESSURE DIFF SUPPLIER CODE: V92003 SPECIFICATION NUMBER: S251N233-3 SB DATA FROM A CMM: POST SB 3321530-27-01 CONFIG CHG DATA FROM A CMM: SUPERSEDES 306500-1001 COMPONENT MAINT MANUAL REF: 29-31-01 OPTIONAL PART: 317100-1005 V92003 USED ON: 3321530-8 3321530-9 3321530-10 3321530-11	002004 006999	1

MISSING ITEM NUMBERS NOT APPLICABLE

- ITEM NOT ILLUSTRATED

BRI

27-31-05-01

BOEING PROPRIETARY - Copyright © - Unpublished Work - See title page for details.

27-31-05  
FIG. 01  
PAGE 34  
JAN 20/09



757

PARTS CATALOG (MAINTENANCE)

FIG ITEM	PART NUMBER	1 2 3 4 5 6 7	NOMENCLATURE	EFFECT FROM TO	UNITS PER ASSY
1 935	317100-1005		.. SENSOR-PRESSURE DIFF SUPPLIER CODE: V92003 SPECIFICATION NUMBER: S251N233-3 SB DATA FROM A CMM: POST 3321530-27-01 CONFIG CHG DATA FROM A CMM: SUPERSEDES 306500-1001 COMPONENT MAINT MANUAL REF: 29-31-02 OPTIONAL PART: 317100-1001 V92003 USED ON: 3321530-8 3321530-9 3321530-10 3321530-11	002004 006999	1
935	C48902-001		.. SENSOR-PRESSURE DIFF SUPPLIER CODE: V92003 SPECIFICATION NUMBER: S251N233-5 SB DATA FROM A CMM: POST 3321530-27-04 CONFIG CHG DATA FROM A CMM: SUPERSEDES 306500-1001 COMPONENT MAINT MANUAL REF: 29-31-01 OPTIONAL PART: 317100-1001 V92003 306500-1001 V92003 317100-1005 V92003 USED ON: 3321530-9 3321530-10 3321530-11 3321530-12	002004 006999	1
936	317101-1		... PLATE-IDENT SUPPLIER CODE: V92003 USED ON: 317100-1001 317100-1005	002004 006999	1

MISSING ITEM NUMBERS NOT APPLICABLE

- ITEM NOT ILLUSTRATED

27-31-05-01

27-31-05  
FIG. 01  
PAGE 35  
JAN 20/09

BRI



757

PARTS CATALOG (MAINTENANCE)

FIG ITEM	PART NUMBER	1 2 3 4 5 6 7	NOMENCLATURE	EFFECT FROM TO	UNITS PER ASSY
1 937	C11236-012B		..RING- SUPPLIER CODE: V26879 SPECIFICATION NUMBER: BACR12BM012 OPTIONAL PART: RMR12BM012 V94878 STF800-012 V02107 S30294-012-1 V97820 TF450-012A V07128 2100-012 V26303 SB DATA FROM A CMM: PRE 3321530-27-01 BDS3115-012C V92003	002004 006999	6
937	BDS3115-012C		..RING- SUPPLIER CODE: V92003 SB DATA FROM A CMM: POST 3321530-27-01 OPTIONAL PART: BACR12BM012	002004 006999	6
938	NAS1611-012		..PACKING-	002004 006999	3
939	NAS1351-4H12P		..SCREW	002004 006999	3
940	3174909-1		..WASHER- SUPPLIER CODE: V94697	002004 006999	3
941	3321748		..QUILL- SUPPLIER CODE: V94697	002004 006999	2

MISSING ITEM NUMBERS NOT APPLICABLE

- ITEM NOT ILLUSTRATED

27-31-05-01

27-31-05  
FIG. 01  
PAGE 36  
JAN 20/09

BRI

BOEING PROPRIETARY - Copyright © - Unpublished Work - See title page for details.



757

PARTS CATALOG (MAINTENANCE)

FIG ITEM	PART NUMBER	1 2 3 4 5 6 7	NOMENCLATURE	EFFECT FROM TO	UNITS PER ASSY
1 942	C11236-011B		..RING SUPPLIER CODE: V26879 SPECIFICATION NUMBER: BACR12BM011 OPTIONAL PART: RMR12BM011 V94878 STF800-011 V02107 S30294-011-1 V97820 TF450-011A V07128 2100-011 V26303	002004 006999	8
943	NAS1611-011		..PACKING-	002004 006999	4
944	3321758		..HOUSING-FILTER SUPPLIER CODE: V94697 OPTIONAL PART: 3321927 V77068	002004 006999	1
944	3321927		..HOUSING-FILTER SUPPLIER CODE: V94697 OPTIONAL PART: 3321758 V77068	002004 006999	1
945	B387-6		..CAP-SHIPPING SUPPLIER CODE: V95760	002004 006999	2
945	54846-206		..CAP-SHIPPING SUPPLIER CODE: V94697	002004 006999	2
946	MS21916-6-4T		..REDUCER	002004 006999	2

MISSING ITEM NUMBERS NOT APPLICABLE

- ITEM NOT ILLUSTRATED

27-31-05-01

27-31-05  
FIG. 01  
PAGE 37  
JAN 20/09

BRI



757

PARTS CATALOG (MAINTENANCE)

FIG ITEM	PART NUMBER	1 2 3 4 5 6 7	NOMENCLATURE	EFFECT FROM TO	UNITS PER ASSY
1 946	AFP2326-4		.. REDUCER SUPPLIER CODE: V30974 SPECIFICATION NUMBER: BACR17E6-4 OPTIONAL PART: AP10276-4 V01673 BC916T6-4 V50948 DBOR17E6-4 V14798 ER21916T6-4 V88334 ER31916-6-4 V88334 F23-6-4 V73197 2-01075T6-4 V11328 31778-6-4 V14397 US2114-6-4 V50808 AP1027T6-4 V01673 US21146-4 V50808 317786-4 V14397	002004 006999	2
947	NAS1612-4		.. PACKING-	002004 006999	2
948	3119339-1		.. PLUG- SUPPLIER CODE: V94697	002004 006999	2
949	NAS1612-10		.. PACKING-	002004 006999	3
950	NAS1612-2		.. PACKING-	002004 006999	2
951	3321681		.. FITTING-INLET SUPPLIER CODE: V94697	002004 006999	1

MISSING ITEM NUMBERS NOT APPLICABLE

- ITEM NOT ILLUSTRATED

27-31-05-01

27-31-05  
FIG. 01  
PAGE 38  
JAN 20/09

BRI



757

PARTS CATALOG (MAINTENANCE)

FIG ITEM	PART NUMBER	1 2 3 4 5 6 7	NOMENCLATURE	EFFECT FROM TO	UNITS PER ASSY
1 952	C11236-012B	..	RING SUPPLIER CODE: V26879 SPECIFICATION NUMBER: BACR12BM012 OPTIONAL PART: RMR12BM012 V94878 STF800-012 V02107 S30294-012-1 V97820 TF450-012A V07128 2100-012 V26303	002004 006999	2
953	NAS1611-012	..	PACKING-	002004 006999	1
954	25786	..	FILTER-SCREEN SUPPLIER CODE: V18350 SPECIFICATION NUMBER: S250N211-1 OPTIONAL PART: 3121-516 V05CK7	002004 006999	1
954	3121-516	..	FILTER-SCREEN SUPPLIER CODE: V21550 SPECIFICATION NUMBER: S250N211-1	002004 006999	1
954	1745030-03	..	FILTER-SCREEN SUPPLIER CODE: V90005 SPECIFICATION NUMBER: S250N211-1	002004 006999	1
954	FSHX0507600B	..	FILTER-SCREEN SUPPLIER CODE: V92555 SPECIFICATION NUMBER: S250N211-1 OPTIONAL PART: 25786 V18350 3121-516 V05CK7	002004 006999	1
955	3321485-1	..	COMPENSATOR ASSY- SUPPLIER CODE: V94697	002004 006999	1

MISSING ITEM NUMBERS NOT APPLICABLE

- ITEM NOT ILLUSTRATED

27-31-05-01

27-31-05  
FIG. 01  
PAGE 39  
JAN 20/09

BRI

BOEING PROPRIETARY - Copyright © - Unpublished Work - See title page for details.



**757  
PARTS CATALOG (MAINTENANCE)**

FIG ITEM	PART NUMBER	1 2 3 4 5 6 7	NOMENCLATURE	EFFECT FROM TO	UNITS PER ASSY
1					
956	NAS1611-212	..	SEAL-	002004 006999	1
957	NAS1611-011	..	PACKING-	002004 006999	1
958	DRX32	..	ROD END ASSY- SUPPLIER CODE: V77896 SB DATA FROM A CMM: PRE SB 3321530-27-02 CONFIG CHG DATA FROM A CMM: SUPSD BY DRX32B MISCELLANEOUS DATA: MOOG SPEC NO. 3321760 OPTIONAL PART: DRX32A V77896 3321655 V77068 USED ON: 3321530-7 3321530-8 3321530-9	101102 108120 504903	1
958	DRX32A	..	ROD END ASSY- SUPPLIER CODE: V77896 SB DATA FROM A CMM: PRE SB 3321530-27-02 CONFIG CHG DATA FROM A CMM: SUPSD BY DRX32B MISCELLANEOUS DATA: MOOG SPEC NO. 3321760 OPTIONAL PART: DRX32 V77896 3321655 V77068 USED ON: 3321530-7 3321530-8 3321530-9	101102 108120 504903	1

MISSING ITEM NUMBERS NOT APPLICABLE

— ITEM NOT ILLUSTRATED

BRI

# 27-31-05-01

BOEING PROPRIETARY - Copyright © - Unpublished Work - See title page for details.

27-31-05  
FIG. 01  
PAGE 40  
JAN 20/09





757

PARTS CATALOG (MAINTENANCE)

FIG ITEM	PART NUMBER	1 2 3 4 5 6 7	NOMENCLATURE	EFFECT FROM TO	UNITS PER ASSY
1 958	3321655		..ROD END ASSY- SUPPLIER CODE: V77068 SB DATA FROM A CMM: PRE SB 3321530-27-02 CONFIG CHG DATA FROM A CMM: SUPSD BY DRX32B OPTIONAL PART: DRX32 V77896 DRX32A V77896 USED ON: 3321530-7 3321530-8 3321530-9	101102 108120 504903	1
958	DRX32B		..ROD END ASSY- SUPPLIER CODE: V77896 SB DATA FROM A CMM: POST SB 3321530-27-02 CONFIG CHG DATA FROM A CMM: SUPERSEDES DRX32 SUPERSEDES DRX32A SUPERSEDES 33211655 INCLUDED IN MODIFICATION KIT, PART NO. 3337044-1 MISCELLANEOUS DATA: MOOG SPEC NO. 3321760-1 OPTIONAL PART: DRX32 V77896 DRX32A V77896 3321655 V77068 USED ON: 3321530-7 3321530-8 3321530-9	101102 108120 504903	1

MISSING ITEM NUMBERS NOT APPLICABLE

- ITEM NOT ILLUSTRATED

BRI

27-31-05-01

BOEING PROPRIETARY - Copyright © - Unpublished Work - See title page for details.

27-31-05  
FIG. 01  
PAGE 41  
JAN 20/09



757

PARTS CATALOG (MAINTENANCE)

FIG ITEM	PART NUMBER	1 2 3 4 5 6 7	NOMENCLATURE	EFFECT FROM TO	UNITS PER ASSY
1 958	DRX32B		..ROD END ASSY- SUPPLIER CODE: V77896 CONFIG CHG DATA FROM A CMM: V77068 SCD3321760-1 INCLUDED IN MODIFICATION KIT, PART NO. 3337044-1 USED ON: 3321530-10 3321530-11	002004 006999	1
958	DRX32B		..ROD END ASSY- SUPPLIER CODE: V77896 SB DATA FROM A CMM: POST SB 3321530-27-02 CONFIG CHG DATA FROM A CMM: REPLACES DRX32 V77068 SCD 3321760-1 REPLACES DRX32A REPLACES 3321655 OPTIONAL PART: DRX32 V77896 DRX32A V77896 3321655 V77068 USED ON: 3321530-7 3321530-8 3321530-9	101102 108120 504903	1
959	1728B		...FITTING- SUPPLIER CODE: VOFKM1	002004 006999	1
960	3321995		..LOCKING DEVICE-LOCKING SUPPLIER CODE: V77068 CONFIG CHG DATA FROM A CMM: MAKE FROM NAS1193K14C INCLUDED ON MODIFICATION KIT, PART NO. 3337044 AND 3337044-1	002004 006999	1
961	3321996		..LOCKWASHER-CUP SUPPLIER CODE: V77068 CONFIG CHG DATA FROM A CMM: INCLUDED ON MODIFICATION KIT, PART NO. 3337044 AND 3337044-1	002004 006999	1

MISSING ITEM NUMBERS NOT APPLICABLE

- ITEM NOT ILLUSTRATED

27-31-05-01

27-31-05  
FIG. 01  
PAGE 42  
JAN 20/09

BRI



757

PARTS CATALOG (MAINTENANCE)

FIG ITEM	PART NUMBER	1 2 3 4 5 6 7	NOMENCLATURE	EFFECT FROM TO	UNITS PER ASSY
1					
962	3321644-1	..	NUT-RETAINER SUPPLIER CODE: V77068	002004 006999	1
963	3321786	..	RETAINER-ROD BEARING SUPPLIER CODE: V77068	002004 006999	1
964	CWR76-8B	..	SCRAPER- SUPPLIER CODE: V26879 SPECIFICATION NUMBER: BACS34A8A OPTIONAL PART: TF005-8A V07128 2140-8A V26303 DW96801-8A V02886 RMS34A8A V94878	002004 006999	2
965	3321676	..	BEARING-GLAND SUPPLIER CODE: V77068	002004 006999	2
966	BACS11AA213A	..	SEAL- CONFIG CHG DATA FROM A CMM: SUPSD BY S33121-213-5	002004 006999	2
966	S33555-213H99	..	SEAL SET- SUPPLIER CODE: V97820 CONFIG CHG DATA FROM A CMM: SUPDS BY S33121-213-5	002004 006999	2
966	S3321-213-5	..	SEAL SET- SUPPLIER CODE: V97820 CONFIG CHG DATA FROM A CMM: SUPERSEDES BACS11AA213A SUPERSEDES S33555-213H99	002004 006999	2
968	NAS1611-213	..	PACKING- CONFIG CHG DATA FROM A CMM: FUTURE PROCUREMENT USE S33555-213H99, V97820	002004 006999	2
969	3321654	..	RETAINER-ROD GLAND SUPPLIER CODE: V77068	002004 006999	1
970	3321653	..	GLAND-ROD SUPPLIER CODE: V77068	002004 006999	1

MISSING ITEM NUMBERS NOT APPLICABLE

- ITEM NOT ILLUSTRATED

27-31-05-01

27-31-05  
FIG. 01  
PAGE 43  
JAN 20/09

BRI

BOEING PROPRIETARY - Copyright © - Unpublished Work - See title page for details.



757

PARTS CATALOG (MAINTENANCE)

FIG ITEM	PART NUMBER	1 2 3 4 5 6 7	NOMENCLATURE	EFFECT FROM TO	UNITS PER ASSY
1 971	C11236-225B		..RING SUPPLIER CODE: V26879 SPECIFICATION NUMBER: BACR12BM225 OPTIONAL PART: RMR12BM225 V94878 STF800-225 V02107 S30294-225-1 V97820 TF450-225A V07128 2100-225 V26303	002004 006999	2
972	NAS1611-225		..PACKING-	002004 006999	1
973	S32152-327PH		..SEAL ASSY- SUPPLIER CODE: V98720 OPTIONAL PART: S13126-34 V97820	002004 006999	1
973	S13126-34		..SEAL ASSY- SUPPLIER CODE: V98720 OPTIONAL PART: S32152-327PH V97820	002004 006999	1
975	3321662		..COVER-SLEEVE SUPPLIER CODE: V94697	002004 006999	1
976	NAS1611-116		..PACKING-	002004 006999	1
978	3321746		..PLATE-MOD SUPPLIER CODE: V77068	002004 006999	1
980	A38838-001		..STRAP-MOD SUPPLIER CODE: V77068	002004 006999	1
982	3334669		..DECAL-PATENT SUPPLIER CODE: V94697	002004 006949 952999	1

MISSING ITEM NUMBERS NOT APPLICABLE

- ITEM NOT ILLUSTRATED

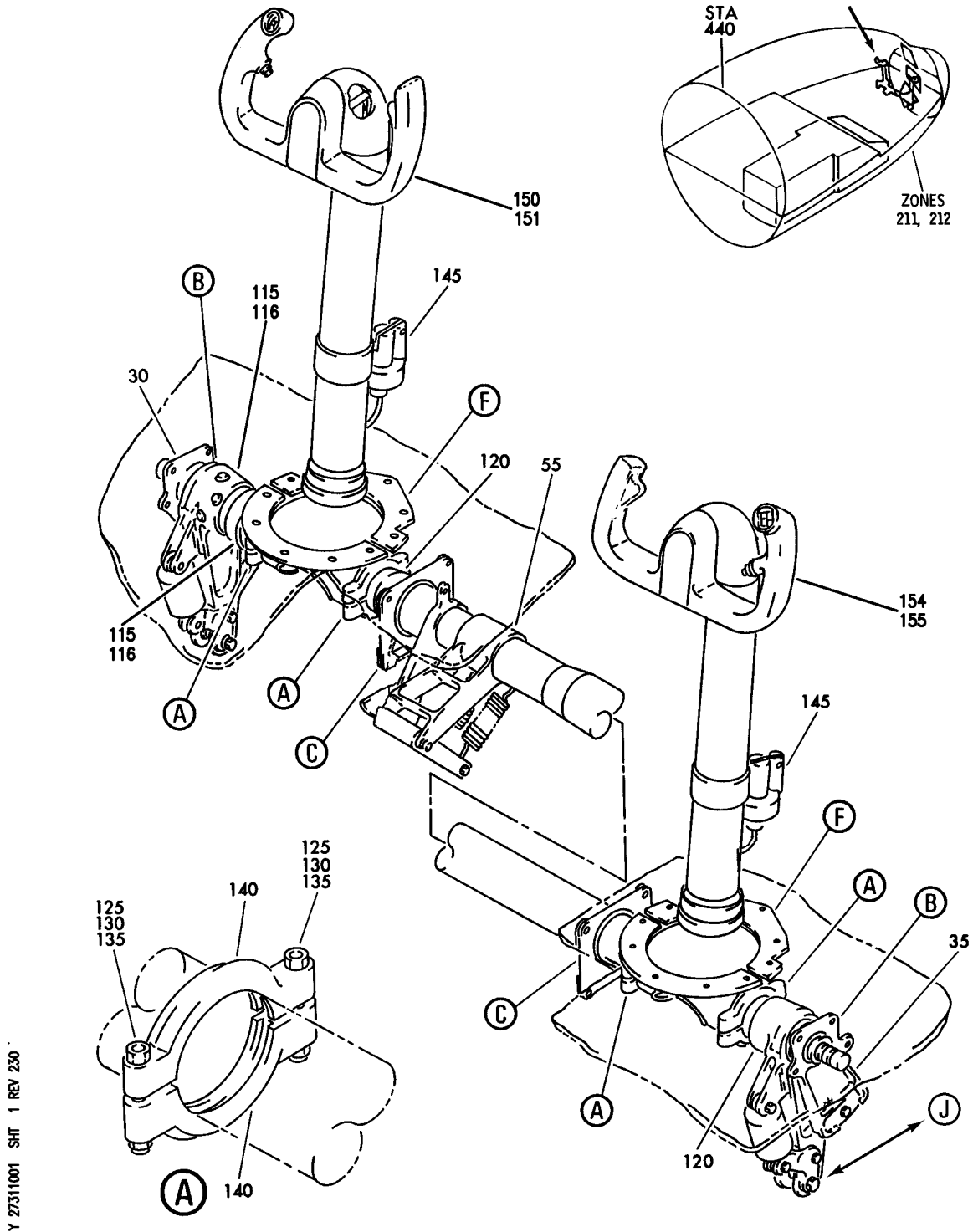
27-31-05-01

27-31-05  
FIG. 01  
PAGE 44  
JAN 20/09

BRI

BOEING PROPRIETARY - Copyright © - Unpublished Work - See title page for details.

**BOEING**  
757  
PARTS CATALOG (MAINTENANCE)



Y 27311001 SH1 1 REV 230

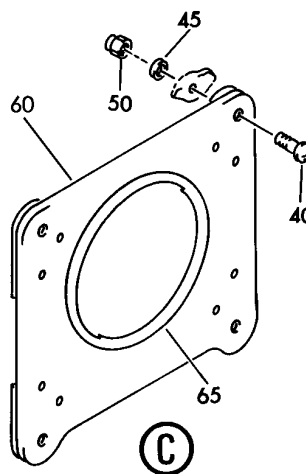
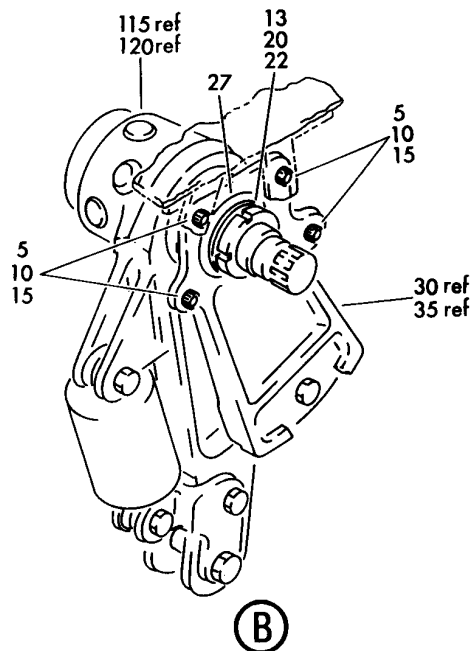
COLUMN INSTL-AIL. AND ELEV (COLUMN ELEVATOR SYSTEM ONLY)  
FIGURE 1 (SHEET 1)

**27-31-10-01**

BRI  
MAY 28/07

27-31-10-01  
PAGE 0

**BOEING**  
757  
PARTS CATALOG (MAINTENANCE)



Y 27311001 SH 2 REV 230

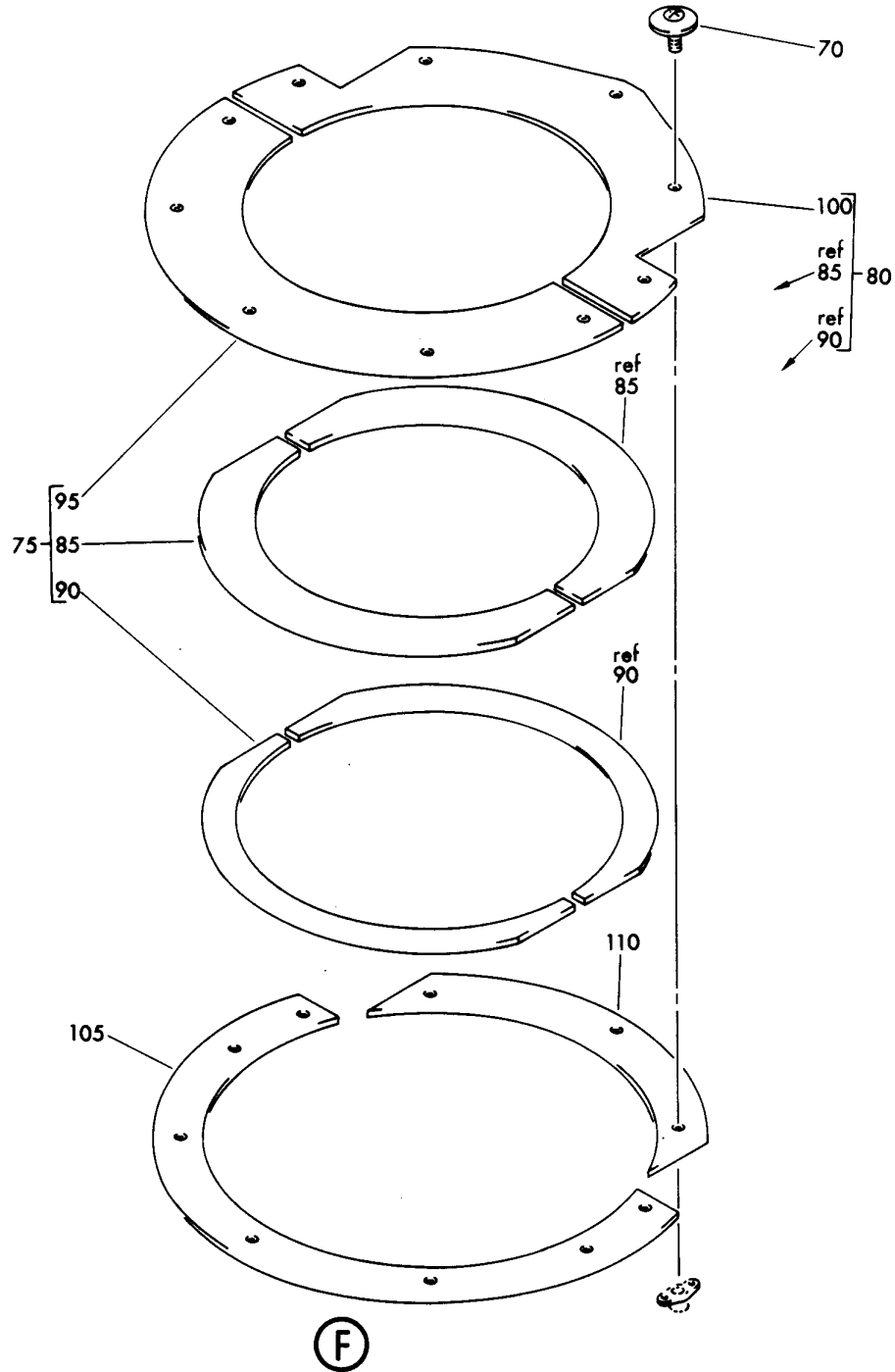
COLUMN INSTL-AIL. AND ELEV (COLUMN ELEVATOR SYSTEM ONLY)  
FIGURE 1 (SHEET 2)

**27-31-10-01**

BRI  
MAY 28/07

27-31-10-01  
PAGE 0A

**BOEING**  
757  
PARTS CATALOG (MAINTENANCE)



Y 27311001 SHT 3 REV 010

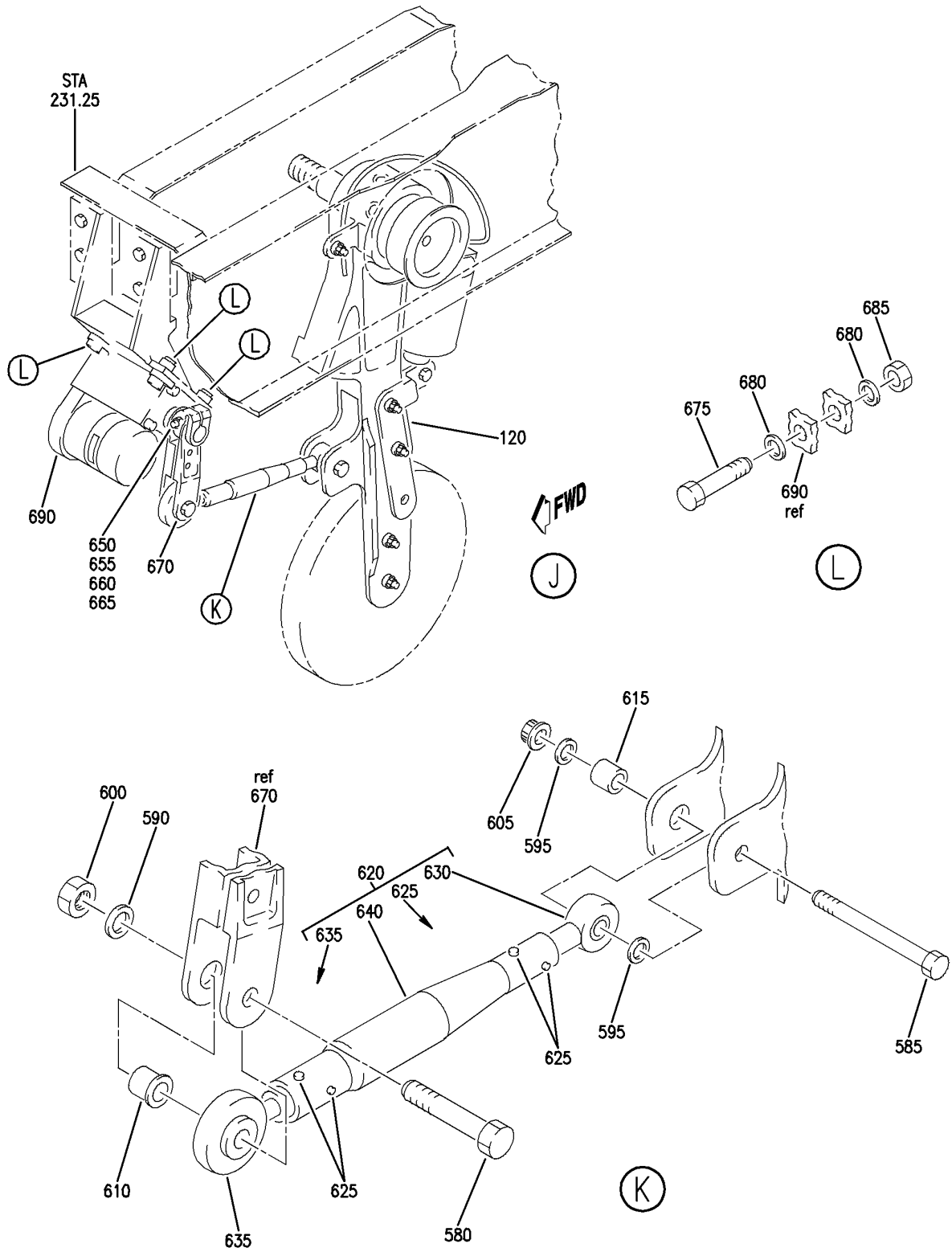
COLUMN INSTL-AIL. AND ELEV (COLUMN ELEVATOR SYSTEM ONLY)  
FIGURE 1 (SHEET 3)

**27-31-10-01**

BRI  
MAY 28/07

27-31-10-01  
PAGE 0B

**BOEING**  
757  
PARTS CATALOG (MAINTENANCE)



Y 27311001 SH 4 REV 238

COLUMN INSTL-AIL. AND ELEV (COLUMN ELEVATOR SYSTEM ONLY)  
FIGURE 1 (SHEET 4)

**27-31-10-01**

BRI  
MAY 28/07

27-31-10-01  
PAGE 0C





757

PARTS CATALOG (MAINTENANCE)

FIG ITEM	PART NUMBER	1 2 3 4 5 6 7	NOMENCLATURE	EFFECT FROM TO	UNITS PER ASSY
1			COLUMN INSTL-AIL. AND ELEV (COLUMN ELEVATOR SYSTEM ONLY)	002004 006999	
- 1	251N1012-6		COLUMN INSTL-AIL. AND ELEV (COLUMN ELEVATOR SYSTEM ONLY) VARIABLE DRAWING REF: 251N1012-11 FOR NHA/OTHER SYS DET SEE: 27-00-00-02	107107	RF
- 1	251N1012-13		COLUMN INSTL-AIL. AND ELEV (COLUMN ELEVATOR SYSTEM ONLY) VARIABLE DRAWING REF: 251N1012-16 251N1012-25 251N1012-26 FOR NHA/OTHER SYS DET SEE: 27-00-00-02	002004 006010 121503 904950 952999	RF
- 1	251N1012-28		COLUMN INSTL-AIL. AND ELEV (COLUMN ELEVATOR SYSTEM ONLY) VARIABLE DRAWING REF: 251N1012-30 251N1012-31 251N1012-36 FOR NHA/OTHER SYS DET SEE: 27-00-00-02	011100 951951	RF
- 1	251N1012-42		COLUMN INSTL-AIL. AND ELEV (COLUMN ELEVATOR SYSTEM ONLY) FOR NHA/OTHER SYS DET SEE: 27-00-00-22	101102 504903	RF
- 1	251N1012-44		COLUMN INSTL-AIL. AND ELEV (COLUMN ELEVATOR SYSTEM ONLY) FOR NHA/OTHER SYS DET SEE: 27-00-00-22	108120	RF
- 3	MODREF30310		COLUMN INSTL-AIL. AND ELEV (COLUMN ELEVATOR SYSTEM ONLY) MODULE NUMBER: 251N1012-64 REV A FOR OTHER SYS DETAILS SEE: 11-31-45-10	103106	1
5	BACB30MR4K5		.BOLT	002004 006999	8
10	AN960JD416		.WASHER	002004 006999	8

MISSING ITEM NUMBERS NOT APPLICABLE

- ITEM NOT ILLUSTRATED

27-31-10-01

27-31-10  
FIG. 01  
PAGE 1  
JAN 20/09

BRI



757

PARTS CATALOG (MAINTENANCE)

FIG ITEM	PART NUMBER	1 2 3 4 5 6 7	NOMENCLATURE	EFFECT FROM TO	UNITS PER ASSY
1					
13	251N1013-3	.	WASHER	006106 108903 950951 953999	2
15	PLH54CD	.	NUT SUPPLIER CODE: VF0224 SPECIFICATION NUMBER: BACN10YR4CD OPTIONAL PART: H52732-4CD V15653	002004 006999	8
20	82631-242	.	NUT- SUPPLIER CODE: V56878 SPECIFICATION NUMBER: BACN10RF242 OPTIONAL PART: BR9520A1632 V72962 SL2822-242 V97393 251N1013-1	107107 904949	2
20	251N1013-1	.	NUT- OPTIONAL PART: BACN10RF242	002004 006100 107107 121503 950999	2
22	251N1013-2	.	NUT	006106 108903 950951 953999	2
27	ACMKP16BS006M	.	BEARING- SUPPLIER CODE: V40920 SPECIFICATION NUMBER: BACB10FV16 OPTIONAL PART: PACMKP16BSA3908 V21335 SSMKP16BSSD706 V83086 PACMKP16BSFS428 V21335 BACB10AW16 BACB10FV16J	002004 006999	2

MISSING ITEM NUMBERS NOT APPLICABLE

- ITEM NOT ILLUSTRATED

27-31-10-01

27-31-10  
FIG. 01  
PAGE 2  
JAN 20/09

BRI



**757  
PARTS CATALOG (MAINTENANCE)**

FIG ITEM	PART NUMBER	1 2 3 4 5 6 7 NOMENCLATURE	EFFECT FROM TO	UNITS PER ASSY	
R R R R R R R R R R R R R R R R R	1 27	MKP16BSFS428	.BEARING- SUPPLIER CODE: V06144 SPECIFICATION NUMBER: BACB10AW16 OPTIONAL PART: MKP16BSE9273 V21335 MKP16BSTT V43991 MKP16BS2TS V43991 LLMKP16BS V38443 MKP16BSG20 V38443 MKP16BSSD610 V83086 MKP16BS007M V40920 MKP16BS V06144 MKP16BSFS428 V21335 MKP16BSNJC V06144 BACB10FV16	002004 006102 107999	2
	27	PACMKP16BSFS428	.BEARING- SUPPLIER CODE: V21335 SPECIFICATION NUMBER: BACB10FV16J OPTIONAL PART: AMKP16BSNJC V06144 PACMKP16BSFS428 V06144 BACB10FV16	103106	2
	30	251N1053-9	.STOP- OPTIONAL PART: 251N1053-7	002004 006999	1
	30	251N1053-7	.STOP- OPTIONAL PART: 251N1053-9	006010 107107 121503 904999	1
	35	251N1053-10	.STOP- OPTIONAL PART: 251N1053-8	002004 006999	1

MISSING ITEM NUMBERS NOT APPLICABLE

— ITEM NOT ILLUSTRATED

# 27-31-10-01

27-31-10  
FIG. 01  
PAGE 3  
MAY 20/09

BRI



757

PARTS CATALOG (MAINTENANCE)

FIG ITEM	PART NUMBER	1 2 3 4 5 6 7	NOMENCLATURE	EFFECT FROM TO	UNITS PER ASSY
1					
35	251N1053-8		.STOP- OPTIONAL PART: 251N1053-10	006010 107107 121503 904999	1
40	NAS623-3-8		.SCREW	002004 006999	8
45	AN960PD10		.WASHER-	002004 006102 107107 121999	8
45	AN960JD10		.WASHER-	002004 006102 107107 121999	8
45	NAS1149D0363J		.WASHER	103106 108120	8
50	PLH53CD		.NUT SUPPLIER CODE: VF0224 SPECIFICATION NUMBER: BACN10YR3CD OPTIONAL PART: H52732-3CD V15653	002004 006999	8
55	251N1075-8		.OVERRIDE ASSY- COMPONENT MAINT MANUAL REF: 27-31-35 FOR DETAILS SEE: 27-31-21-10	002004 006102 107107 121999	1
55	251N1075-10		.OVERRIDE ASSY- COMPONENT MAINT MANUAL REF: 27-31-35 FOR DETAILS SEE: 27-31-21-10	002004 006102 107107 121999	1
55	251N1075-11		.OVERRIDE ASSY- COMPONENT MAINT MANUAL REF: 27-31-35 FOR DETAILS SEE: 27-31-21-10	002004 006999	1
60	251N1225-1		.BEARING ASSY-AUX	107107	2
60	251N1225-4		.BEARING ASSY-AUX	002004 006106 108999	2
65	2055015		..GROMMET- SUPPLIER CODE: V04169	002004 006999	1

MISSING ITEM NUMBERS NOT APPLICABLE

- ITEM NOT ILLUSTRATED

27-31-10-01

27-31-10  
FIG. 01  
PAGE 4  
JAN 20/09

BRI



757

PARTS CATALOG (MAINTENANCE)

FIG ITEM	PART NUMBER	1 2 3 4 5 6 7	NOMENCLATURE	EFFECT FROM TO	UNITS PER ASSY
1	70 CA3105-1032-12	.	SCREW SUPPLIER CODE: V73439 SPECIFICATION NUMBER: BACS12N10-12 OPTIONAL PART: CA3105-1032-12 V78189 SP1561-1032-12 V73439	002004 006999	20
	75 251N1104-3	.	RING ASSY-DUST SEAL	002004 006999	2
	80 251N1104-4	.	RING ASSY-DUST SEAL	002004 006999	2
	85 60-1569	..	RING-HALF WIPER MANUFACTURED FROM: ROLL FELT TYPE 7 MIL-F-5656 0.125 IN 4.0 IN 8.3 IN	002004 006999	1
	90 60-1570	..	RING-HALF MANUFACTURED FROM: SH AL 2024T4 QQ-A362 T4 SRF2.30 .040 IN X 4.0 IN X 8.0 IN	002004 006999	1
	95 251N1103-3	..	COLLAR- POSITION DATA: AFT OPTIONAL PART: 251N1103-5 USED ON: 251N1104-3	002004 006999	1
	95 251N1103-5	..	COLLAR- POSITION DATA: AFT OPTIONAL PART: 251N1103-3 USED ON: 251N1104-3	002004 006999	1
	100 251N1103-4	..	COLLAR- POSITION DATA: FWD OPTIONAL PART: 251N1103-6 USED ON: 251N1104-4	002004 006999	1

MISSING ITEM NUMBERS NOT APPLICABLE

- ITEM NOT ILLUSTRATED

BRI

27-31-10-01

27-31-10  
FIG. 01  
PAGE 5  
JAN 20/09



757

PARTS CATALOG (MAINTENANCE)

FIG ITEM	PART NUMBER	1 2 3 4 5 6 7	NOMENCLATURE	EFFECT FROM TO	UNITS PER ASSY
1 100	251N1103-6		.. COLLAR- POSITION DATA: FWD USED ON: 251N1104-4	002004 006999	1
105	251N1102-3		. SPACER-	002004 006999	2
110	251N1102-4		. SPACER-	002004 006999	2
115	251N1235-17		. CRANK AND SHAFT ASSY-BASIC COMPONENT MAINT MANUAL REF: 27-31-36 FUNCTIONAL REFERENCE: AUTOFLIGHT FOR DETAILS SEE 22-12-03-01 FLIGHT CONTROL FOR DETAILS SEE 27-31-59-01	107107	1
115	251N1235-25		. CRANK AND SHAFT ASSY-BASIC COMPONENT MAINT MANUAL REF: 27-31-36 FOR DETAILS SEE: 27-31-59-01	904949 952952	1
115	251N1235-29		. CRANK AND SHAFT ASSY- COMPONENT MAINT MANUAL REF: 27-31-36 FOR DETAILS SEE: 27-31-59-02	011102 504903 951951	1
115	251N1235-35		. CRANK AND SHAFT ASSY-BASIC COMPONENT MAINT MANUAL REF: 27-31-36 FOR DETAILS SEE: 27-31-59-01	002004	1
115	251N1235-43		. CRANK AND SHAFT ASSY-BASIC COMPONENT MAINT MANUAL REF: 27-31-36 FOR DETAILS SEE: 27-31-59-01	006010 121503 950950 953999	1

MISSING ITEM NUMBERS NOT APPLICABLE

- ITEM NOT ILLUSTRATED

BRI

**27-31-10-01**

27-31-10  
FIG. 01  
PAGE 6  
JAN 20/09



757

## PARTS CATALOG (MAINTENANCE)

FIG ITEM	PART NUMBER	1 2 3 4 5 6 7	NOMENCLATURE	EFFECT FROM TO	UNITS PER ASSY
1 115	251N1235-47		.CRANK AND SHAFT ASSY- PILOT COMPONENT MAINT MANUAL REF: 27-31-36 FUNCTIONAL REFERENCE: AUTOFLIGHT FOR DETAILS SEE 22-12-03-01 FLIGHT CONTROL FOR DETAILS SEE 27-31-59-01	108120	1
116	251N1235-65		.CRANK AND SHAFT ASSY- PILOT FUNCTIONAL REFERENCE: AUTOFLIGHT FOR DETAILS SEE 22-12-03-01 FLIGHT CONTROL FOR DETAILS SEE 27-31-59-01	103105	1
120	251N1235-18		.CRANK AND SHAFT ASSY-BASIC COMPONENT MAINT MANUAL REF: 27-31-36 FUNCTIONAL REFERENCE: AUTOFLIGHT FOR DETAILS SEE 22-12-03-01 FLIGHT CONTROL FOR DETAILS SEE 27-31-59-01	107107	1
120	251N1235-26		.CRANK AND SHAFT ASSY-BASIC COMPONENT MAINT MANUAL REF: 27-31-36 FOR DETAILS SEE: 27-31-59-01	904949 952952	1
120	251N1235-30		.CRANK AND SHAFT ASSY- COMPONENT MAINT MANUAL REF: 27-31-36 FOR DETAILS SEE: 27-31-59-02	011102 504903 951951	1
120	251N1235-36		.CRANK AND SHAFT ASSY-BASIC COMPONENT MAINT MANUAL REF: 27-31-36 FOR DETAILS SEE: 27-31-59-01	002004	1

MISSING ITEM NUMBERS NOT APPLICABLE

- ITEM NOT ILLUSTRATED

BRI

# 27-31-10-01

BOEING PROPRIETARY - Copyright © - Unpublished Work - See title page for details.

27-31-10  
FIG. 01  
PAGE 7  
JAN 20/09



757

PARTS CATALOG (MAINTENANCE)

FIG ITEM	PART NUMBER	1 2 3 4 5 6 7	NOMENCLATURE	EFFECT FROM TO	UNITS PER ASSY
1					
120	251N1235-44		.CRANK AND SHAFT ASSY-BASIC COMPONENT MAINT MANUAL REF: 27-31-36 FOR DETAILS SEE: 27-31-59-01	006010 121503 950950 953999	1
120	251N1235-48		.CRANK AND SHAFT ASSY- COPILOT COMPONENT MAINT MANUAL REF: 27-31-36 FUNCTIONAL REFERENCE: AUTOFLIGHT FOR DETAILS SEE 22-12-03-01 FLIGHT CONTROL FOR DETAILS SEE 27-31-59-01	108120	1
121	251N1235-66		.CRANK AND SHAFT ASSY- COPILOT FUNCTIONAL REFERENCE: AUTOFLIGHT FOR DETAILS SEE 22-12-03-01 FLIGHT CONTROL FOR DETAILS SEE 27-31-59-01	103105	1
125	BACB30NR4K30		.BOLT	002004 006999	8
130	NAS1149D0463J		.WASHER	002004 006999	8
135	BRH10C4D		.NUT SUPPLIER CODE: V52828 SPECIFICATION NUMBER: BACN10JC4CD OPTIONAL PART: T6C428JCD V11815 NS202486-048 V80539 102LH9075-4W V72962 H51650-4BAC V15653	002004 006999	8
140	9-8290-2		.CLAMP	002004 006999	8
145	251N1019-1		.COLUMN SHAKER INSTL- ALTITUDE WARNING SYS FOR DETAILS SEE: 27-32-05-01	002004 107107 904949 952952	2

MISSING ITEM NUMBERS NOT APPLICABLE

- ITEM NOT ILLUSTRATED

27-31-10-01

27-31-10  
FIG. 01  
PAGE 8  
JAN 20/09

BRI





757

PARTS CATALOG (MAINTENANCE)

FIG ITEM	PART NUMBER	1 2 3 4 5 6 7	NOMENCLATURE	EFFECT FROM TO	UNITS PER ASSY
1 150	251N1060-31		.WHEEL AND COLUMN ASSY- POSITION DATA: CAPT SIDE COMPONENT MAINT MANUAL REF: 27-09-22 QUALIFIED I/W DATA: 251N1060-31 TOGETHER WITH (2) 69-11957-10 SHIM, (1) 69-11957-9 STRAP ASSY, (2) C07202-2 SHAKER, (2) NAS43DD3-56FC SPACER, AND (2) NAS6703-26 BOLT IS INTERCHANGEABLE WITH 251N1060-47 OR 251N1060-55. FUNCTIONAL REFERENCE: FLIGHT CONTROL FOR DETAILS SEE 27-11-02-01 PLACARDS AND MARKINGS FOR DETAILS SEE 11-31-45-11	952952	1
150	251N1060-17		.WHEEL AND COLUMN ASSY- POSITION DATA: CAPT SIDE COMPONENT MAINT MANUAL REF: 27-09-22 FOR DETAILS SEE: 27-11-02-01	107107	1

MISSING ITEM NUMBERS NOT APPLICABLE

- ITEM NOT ILLUSTRATED

BRI

27-31-10-01

BOEING PROPRIETARY - Copyright © - Unpublished Work - See title page for details.

27-31-10  
FIG. 01  
PAGE 9  
JAN 20/09



757

PARTS CATALOG (MAINTENANCE)

FIG ITEM	PART NUMBER	1 2 3 4 5 6 7	NOMENCLATURE	EFFECT FROM TO	UNITS PER ASSY
1 150	251N1060-33		.WHEEL AND COLUMN ASSY- POSITION DATA: CAPT SIDE COMPONENT MAINT MANUAL REF: 27-09-22 QUALIFIED I/W DATA: 251N1060-33 TOGETHER WITH (2) 69-11957-10 SHIM, (1) 69-11957-9 STRAP ASSY, (2) C07202-2 SHAKER, (2) NAS43DD3-56FC SPACER, AND (2) NAS6703-26 BOLT IS INTERCHANGEABLE WITH 251N1060-49 OR 251N1060-57. FUNCTIONAL REFERENCE: FLIGHT CONTROL FOR DETAILS SEE 27-11-02-01 PLACARDS AND MARKINGS FOR DETAILS SEE 11-31-45-11	002004 006102 107949 953999	1
150	251N1060-13		.WHEEL AND COLUMN ASSY- POSITION DATA: CAPT SIDE COMPONENT MAINT MANUAL REF: 27-09-22 FOR DETAILS SEE: 27-11-02-01	107107	1
150	251N1060-47		.WHEEL AND COLUMN ASSY- (FLIGHT CONTROLS ONLY) POSITION DATA: CAPT SIDE COMPONENT MAINT MANUAL REF: 27-09-22 QUALIFIED I/W DATA: 251N1060-41 TOGETHER WITH (2) 69-11957-10 SHIM, (1) 69-11957-9 STRAP ASSY, (2) C07202-2 SHAKER, (2) NAS43DD3-56FC SPACER, AND (2) NAS6703-26 BOLT, IS INTERCHANGEABLE WITH 251N1060-47 OR 251N1060-55. 251N1060-9 TOGETHER WITH	950951	1

MISSING ITEM NUMBERS NOT APPLICABLE

- ITEM NOT ILLUSTRATED

27-31-10-01

27-31-10  
FIG. 01  
PAGE 10  
JAN 20/09

BRI



757

PARTS CATALOG (MAINTENANCE)

FIG ITEM	PART NUMBER	1 2 3 4 5 6 7 NOMENCLATURE	EFFECT FROM TO	UNITS PER ASSY
1		<p>(2) 69-11957-10 SHIM,            (1) 69-11957-9 STRAP            ASSY, (2) C07202-2            SHAKER, (2)            NAS43DD3-56FC SPACER,            AND (2) NAS6703-26 BOLT            IS INTERCHANGEABLE WITH            251N1060-47 OR            251N1060-55.            251N1060-15 TOGETHER            WITH (2) 69-11957-10            SHIM, (1) 69-11957-9            STRAP ASSY, (2) C07202-2            SHAKER, (2)            NAS43DD3-56FC SPACER,            AND (2) NAS6703-26 BOLT            IS INTERCHANGEABLE WITH            251N1060-47 OR            251N1060-55.            251N1060-19 TOGETHER            WITH (2) 69-11957-10            SHIM, (1) 69-11957-9            STRAP ASSY, (2) C07202-2            SHAKER, (2)            NAS43DD3-56FC SPACER,            AND (2) NAS6703-26 BOLT            IS INTERCHANGEABLE            WITH 251N1060-47 OR            251N1060-55.            251N1060-23 TOGETHER            WITH (2) 69-11957-10            SHIM, (1) 69-11957-9            STRAP ASSY, (2) C07202-2            SHAKER, (2)            NAS43DD3-56FC SPACER,            AND (2) NAS6703-26 BOLT            IS INTERCHANGEABLE WITH            251N1060-47 OR            251N1060-55.            251N1060-31 TOGETHER            WITH (2) 69-11957-10            SHIM, (1) 69-11957-9            STRAP ASSY, (2) C07202-2            SHAKER, (2)            NAS43DD3-56FC            SPACER, AND (2)            NAS6703-26 BOLT            IS INTERCHANGEABLE WITH            251N1060-47 OR</p>		

MISSING ITEM NUMBERS NOT APPLICABLE

- ITEM NOT ILLUSTRATED

**27-31-10-01**

27-31-10  
 FIG. 01  
 PAGE 11  
 JAN 20/09

BRI



757

PARTS CATALOG (MAINTENANCE)

FIG ITEM	PART NUMBER	1 2 3 4 5 6 7	NOMENCLATURE	EFFECT FROM TO	UNITS PER ASSY
1			251N1060-55. FUNCTIONAL REFERENCE: FLIGHT CONTROLS FOR DETAILS SEE 27-11-02-01 27-32-05-01 PLACARDS AND MARKINGS FOR DETAILS SEE 11-31-45-11		
150	251N1060-21		.WHEEL AND COLUMN ASSY- POSITION DATA: CAPT SIDE COMPONENT MAINT MANUAL REF: 27-09-22 FOR DETAILS SEE: 27-11-02-01	107107	1
150	251N1060-9		.WHEEL AND COLUMN ASSY- POSITION DATA: CAPT SIDE COMPONENT MAINT MANUAL REF: 27-09-22 QUALIFIED I/W DATA: 251N1060-9 TOGETHER WITH (2) 69-11957-10 SHIM, (1) 69-11957-9 STRAP ASSY, (2) C07202-2 SHAKER, (2) NAS43DD3-56FC SPACER, AND (2) NAS6703-26 BOLT IS INTERCHANGEABLE WITH 251N1060-47 OR 251N1060-55. FOR DETAILS SEE: 27-11-02-01	952952	1

MISSING ITEM NUMBERS NOT APPLICABLE

- ITEM NOT ILLUSTRATED

BRI

27-31-10-01

BOEING PROPRIETARY - Copyright © - Unpublished Work - See title page for details.

27-31-10  
FIG. 01  
PAGE 12  
JAN 20/09



757

PARTS CATALOG (MAINTENANCE)

FIG ITEM	PART NUMBER	1 2 3 4 5 6 7	NOMENCLATURE	EFFECT FROM TO	UNITS PER ASSY
1 150	251N1060-15		.WHEEL AND COLUMN ASSY- POSITION DATA: CAPT SIDE COMPONENT MAINT MANUAL REF: 27-09-22 QUALIFIED I/W DATA: 251N1060-15 TOGETHER WITH (2) 69-11957-10 SHIM, (1) 69-11957-9 STRAP ASSY, (2) C07202-2 SHAKER, (2) NAS43DD3-56FC SPACER, AND (2) NAS6703-26 BOLT IS INTERCHANGEABLE WITH 251N1060-47 OR 251N1060-55. FOR DETAILS SEE: 27-11-02-01	952952	1
150	251N1060-19		.WHEEL AND COLUMN ASSY- POSITION DATA: CAPT SIDE COMPONENT MAINT MANUAL REF: 27-09-22 QUALIFIED I/W DATA: 251N1060-19 TOGETHER WITH (2) 69-11957-10 SHIM, (1) 69-11957-9 STRAP ASSY, (2) C07202-2 SHAKER, (2) (2) NAS43DD3-56FC SPACER, AND (2) NAS6703-26 BOLT IS INTERCHANGEABLE WITH 251N1060-47 OR 251N1060-55. 251N1060-19 TOGETHER WITH (2) 69-11957-10 SHIM, (1) 69-11957-9 STRAP ASSY, (2) C07202-2 SHAKER, (2) NAS43DD3-56FC SPACER, AND (2) NAS6703-26 BOLT IS INTERCHANGEABLE WITH 251N1060-47 OR 251N1060-55. FOR DETAILS SEE: 27-11-02-01	952952	1

MISSING ITEM NUMBERS NOT APPLICABLE

- ITEM NOT ILLUSTRATED

BRI

27-31-10-01

27-31-10  
FIG. 01  
PAGE 13  
JAN 20/09



757

PARTS CATALOG (MAINTENANCE)

FIG ITEM	PART NUMBER	1 2 3 4 5 6 7	NOMENCLATURE	EFFECT FROM TO	UNITS PER ASSY
1 150	251N1060-25		.WHEEL AND COLUMN ASSY- POSITION DATA: CAPT SIDE COMPONENT MAINT MANUAL REF: 27-09-22 QUALIFIED I/W DATA: 251N1060-25 TOGETHER WITH (2) 69-11957-10 SHIM, (1) 69-11957-9 STRAP ASSY, (2) C07202-2 SHAKER, (2) NAS43DD3-56FC SPACER, AND (2) NAS6703-26 BOLT IS INTERCHANGEABLE WITH 251N1060-49 OR 251N1060-57. FOR DETAILS SEE: 27-11-02-01	002004 006102 107949 953999	1
150	251N1060-23		.WHEEL AND COLUMN ASSY- POSITION DATA: CAPT SIDE COMPONENT MAINT MANUAL REF: 27-09-22 QUALIFIED I/W DATA: 251N1060-23 TOGETHER WITH (2) 69-11957-10 SHIM, (1) 69-11957-9 STRAP ASSY, (2) C07202-2 SHAKER, (2) (2) NAS43DD3-56FC SPACER, AND (2) NAS6703-26 BOLT IS INTERCHANGEABLE WITH 251N1060-47 OR 251N1060-55. FOR DETAILS SEE: 27-11-02-01	952952	1

MISSING ITEM NUMBERS NOT APPLICABLE

- ITEM NOT ILLUSTRATED

BRI

27-31-10-01

27-31-10  
FIG. 01  
PAGE 14  
JAN 20/09



757

PARTS CATALOG (MAINTENANCE)

FIG ITEM	PART NUMBER	1 2 3 4 5 6 7	NOMENCLATURE	EFFECT FROM TO	UNITS PER ASSY
1 150	251N1060-41		.WHEEL AND COLUMN ASSY- POSITION DATA: CAPT SIDE COMPONENT MAINT MANUAL REF: 27-09-22 QUALIFIED I/W DATA: 251N1060-41 TOGETHER WITH (2) 69-11957-10 SHIM, (1) 69-11957-9 STRAP ASSY, (2) C07202-2 SHAKER, (2) NAS43DD3-56FC SPACER, AND (2) NAS6703-26 BOLT, IS INTERCHANGEABLE WITH 251N1060-47 OR 251N1060-55. FUNCTIONAL REFERENCE: FLIGHT CONTROL FOR DETAILS SEE 27-11-02-01 PLACARDS AND MARKINGS FOR DETAILS SEE 11-31-45-11	952952	1

MISSING ITEM NUMBERS NOT APPLICABLE

- ITEM NOT ILLUSTRATED

BRI

27-31-10-01

BOEING PROPRIETARY - Copyright © - Unpublished Work - See title page for details.

27-31-10  
FIG. 01  
PAGE 15  
JAN 20/09



757

PARTS CATALOG (MAINTENANCE)

FIG ITEM	PART NUMBER	1 2 3 4 5 6 7	NOMENCLATURE	EFFECT FROM TO	UNITS PER ASSY
1 151	251N1060-55		.WHEEL AND COLUMN ASSY- (FLIGHT CONTROLS ONLY) POSITION DATA: CAPT SIDE COMPONENT MAINT MANUAL REF: 27-09-22 QUALIFIED I/W DATA: 251N1060-9, -15, -19, -23, -31 OR -41 TOGETHER WITH (2) 69-11957-10 SHIM, (1) 69-11957-9 STRAP ASSY, (2) C07202-2 SHAKER, (2) (2) NAS43DD3-56FC SPACER, AND (2) NAS6703-26 BOLT IS INTERCHANGEABLE WITH 251N1060-55. 251N1060-23 TOGETHER WITH (2) 69-11957-10 SHIM, (1) 69-11957-9 STRAP ASSY, (2) C07202-2 SHAKER, (2) (2) NAS43DD3-56FC SPACER, AND (2) NAS6703-26 BOLT IS INTERCHANGEABLE WITH 251N1060-47 OR 251N1060-55. FUNCTIONAL REFERENCE: FLIGHT CONTROLS FOR DETAILS SEE 27-11-02-01 27-32-05-01 PLACARDS AND MARKINGS FOR DETAILS SEE 11-31-45-11	950951	1

MISSING ITEM NUMBERS NOT APPLICABLE

- ITEM NOT ILLUSTRATED

BRI

27-31-10-01

BOEING PROPRIETARY - Copyright © - Unpublished Work - See title page for details.

27-31-10  
FIG. 01  
PAGE 16  
JAN 20/09





757

PARTS CATALOG (MAINTENANCE)

FIG ITEM	PART NUMBER	1 2 3 4 5 6 7	NOMENCLATURE	EFFECT FROM TO	UNITS PER ASSY
1 151	251N1060-57		.WHEEL AND COLUMN ASSY- (FLIGHT CONTROLS ONLY) POSITION DATA: CAPT SIDE COMPONENT MAINT MANUAL REF: 27-09-22 QUALIFIED I/W DATA: 251N1060-25, -33 OR -43 TOGETHER WITH (2) 69-11957-10 SHIM, (1) 69-11957-9 STRAP ASSY, (2) C07202-2 SHAKER, (2) NAS43DD3-56FC SPACER, AND (2) NAS6703-26 BOLT IS INTERCHANGEABLE WITH 251N1060-57. FUNCTIONAL REFERENCE: FLIGHT CONTROLS FOR DETAILS SEE 27-11-02-01 27-32-05-01 PLACARDS AND MARKINGS FOR DETAILS SEE 11-31-45-11	006102 108903 953999	1

MISSING ITEM NUMBERS NOT APPLICABLE

- ITEM NOT ILLUSTRATED

BRI

27-31-10-01

BOEING PROPRIETARY - Copyright © - Unpublished Work - See title page for details.

27-31-10  
FIG. 01  
PAGE 17  
JAN 20/09



757

PARTS CATALOG (MAINTENANCE)

FIG ITEM	PART NUMBER	1 2 3 4 5 6 7	NOMENCLATURE	EFFECT FROM TO	UNITS PER ASSY
1 151	251N1060-43		.WHEEL AND COLUMN ASSY- POSITION DATA: CAPT SIDE COMPONENT MAINT MANUAL REF: 27-09-22 QUALIFIED I/W DATA: 251N1060-25, -33 OR -43 TOGETHER WITH (2) 69-11957-10 SHIM, (1) 69-11957-9 STRAP ASSY, (2) C07202-2 SHAKER, (2) NAS43DD3-56FC SPACER, AND (2) NAS6703-26 BOLT IS INTERCHANGEABLE WITH 251N1060-49. 251N1060-25, -33 OR -43 TOGETHER WITH (2) 69-11957-10 SHIM, (1) 69-11957-9 STRAP ASSY (2) C07202-2 SHAKER (2) NAS43DD3-56FC SPACER, AND (2) NAS6703-26 BOLT IS INTERCHANGEABLE WITH 251N1060-57. FUNCTIONAL REFERENCE: FLIGHT CONTROL FOR DETAILS SEE 27-11-02-01 PLACARDS AND MARKINGS FOR DETAILS SEE 11-31-45-11	002004 006102 107949 953999	1

MISSING ITEM NUMBERS NOT APPLICABLE

- ITEM NOT ILLUSTRATED

BRI

27-31-10-01

BOEING PROPRIETARY - Copyright © - Unpublished Work - See title page for details.

27-31-10  
FIG. 01  
PAGE 18  
JAN 20/09

 **BOEING**  
757  
**PARTS CATALOG (MAINTENANCE)**

FIG ITEM	PART NUMBER	1 2 3 4 5 6 7	NOMENCLATURE	EFFECT FROM TO	UNITS PER ASSY
1 151	251N1060-49		.WHEEL AND COLUMN ASSY- AILERON & ELEVATOR (FLIGHT CONTROLS ONLY) POSITION DATA: CAPT SIDE COMPONENT MAINT MANUAL REF: 27-09-22 QUALIFIED I/W DATA: 251N1060-43 TOGETHER WITH (2) 69-11957-10 SHIM, (1) 69-11957-9 STRAP ASSY, (2) C07202-2 SHAKER, (2) NAS43DD3-56FC SPACER, AND (2) NA6703-26 BOLT, IS INTERCHANGEABLE WITH 251N1060-49 OR 251N1060-57 251N1060-25, -33 OR -43 TOGETHER WITH (2) 69-11957-10 SHIM, (1) 69-11957-9 STRAP ASSY, (2) C07202-2 SHAKER, (2) NAS43DD3-56FC SPACER, AND (2) NAS6703-26 BOLT IS INTERCHANGEABLE WITH 251N1060-49. FUNCTIONAL REFERENCE: FLIGHT CONTROL FOR DETAILS SEE 27-11-02-01 27-32-05-01 PLACARDS AND MARKINGS FOR DETAILS SEE 11-31-45-11	006102 108903 953999	1
151	251N1060-63		.WHEEL AND COLUMN ASSY- POSITION DATA: CAPT SIDE COMPONENT MAINT MANUAL REF: 27-09-22 FUNCTIONAL REFERENCE: FLIGHT CONTROL FOR DETAILS SEE 27-11-02-01 27-32-05-01 PLACARDS AND MARKINGS FOR DETAILS SEE 11-31-45-11	103106	1

MISSING ITEM NUMBERS NOT APPLICABLE

— ITEM NOT ILLUSTRATED

BRI

# 27-31-10-01

BOEING PROPRIETARY - Copyright © - Unpublished Work - See title page for details.

27-31-10  
FIG. 01  
PAGE 19  
JAN 20/09



**757  
PARTS CATALOG (MAINTENANCE)**

FIG ITEM	PART NUMBER	1 2 3 4 5 6 7	NOMENCLATURE	EFFECT FROM TO	UNITS PER ASSY
1 154	251N1060-56		.WHEEL AND COLUMN ASSY- (FLIGHT CONTROLS ONLY) POSITION DATA: FIRST OFFICER SIDE COMPONENT MAINT MANUAL REF: 27-09-22 QUALIFIED I/W DATA: 251N1060-10, -16, -20, -24, -32 OR -42 TOGETHER WITH (2) 69-11957-10 SHIM, (1) 69-11957-9 STRAP ASSY, (2) C07202-2 SHAKER, (2) NAS43DD3-56FC SPACER, AND (2) NAS6703-26 BOLT IS INTERCHANGEABLE WITH 251N1060-56. FUNCTIONAL REFERENCE: FLIGHT CONTROLS FOR DETAILS SEE 27-11-02-01 27-32-05-01 PLACARDS AND MARKINGS FOR DETAILS SEE 11-31-45-11	950951	1
154	251N1060-58		.WHEEL AND COLUMN ASSY- (FLIGHT CONTROLS ONLY) POSITION DATA: FIRST OFFICER SIDE COMPONENT MAINT MANUAL REF: 27-09-22 QUALIFIED I/W DATA: 251N1060-44, -34 OR -26 TOGETHER WITH (2) 69-11957-10 SHIM, (1) 69-11957-9 STRAP ASSY, (2) C07202-2 SHAKER, (2) NAS43DD3-56FC SPACER, AND (2) NAS6703-26 BOLT IS INTERCHANGEABLE WITH 251N1060-58. FUNCTIONAL REFERENCE: FLIGHT CONTROLS FOR DETAILS SEE 27-11-02-01 27-32-05-01 PLACARDS AND MARKINGS FOR DETAILS SEE 11-31-45-11	006102 108903 953999	1

MISSING ITEM NUMBERS NOT APPLICABLE

— ITEM NOT ILLUSTRATED

BRI

# 27-31-10-01

BOEING PROPRIETARY - Copyright © - Unpublished Work - See title page for details.

27-31-10  
FIG. 01  
PAGE 20  
JAN 20/09



757

PARTS CATALOG (MAINTENANCE)

FIG ITEM	PART NUMBER	1 2 3 4 5 6 7	NOMENCLATURE	EFFECT FROM TO	UNITS PER ASSY
1 154	251N1060-48		.WHEEL AND COLUMN ASSY- (FLIGHT CONTROLS ONLY) POSITION DATA: FIRST OFFICER SIDE COMPONENT MAINT MANUAL REF: 27-09-22 QUALIFIED I/W DATA: 251N1060-42 TOGETHER WITH (2) 69-11957-10 SHIM, (1) 69-11957-9 STRAP ASSY, (2) C07202-2 SHAKER, (2) NAS43DD3-56FC SPACER, AND (2) NAS6703-26 BOLT, IS INTERCHANGEABLE WITH 251N1060-48 OR 251N1060-56 251N1060-10, -16, -20, -24, -32 OR -42 TOGETHER WITH (2) 69-11957-10 SHIM, (1) 69-11957-9 STRAP ASSY, (2) C07202-2 SHAKER, (2) NAS43DD3-56FC SPACER, AND (2) NAS6703-26 BOLT IS INTERCHANGEABLE WITH 251N1060-48. FUNCTIONAL REFERENCE: FLIGHT CONTROL FOR DETAILS SEE 27-11-02-01 27-32-05-01 PLACARDS AND MARKINGS FOR DETAILS SEE 11-31-45-11	950951	1

MISSING ITEM NUMBERS NOT APPLICABLE

- ITEM NOT ILLUSTRATED

BRI

27-31-10-01

BOEING PROPRIETARY - Copyright © - Unpublished Work - See title page for details.

27-31-10  
FIG. 01  
PAGE 21  
JAN 20/09



757

PARTS CATALOG (MAINTENANCE)

FIG ITEM	PART NUMBER	1 2 3 4 5 6 7 NOMENCLATURE	EFFECT FROM TO	UNITS PER ASSY
1 154	251N1060-42	.WHEEL AND COLUMN ASSY- POSITION DATA: FIRST OFFICER SIDE COMPONENT MAINT MANUAL REF: 27-09-22 QUALIFIED I/W DATA: 251N1060-42 TOGETHER WITH (2) 69-11957-10 SHIM, (1) 69-11957-9 STRAP ASSY, (2) C07202-2 SHAKER, (2) NAS43DD3-56FC SPACER, AND (2) NAS6703-26 BOLT, IS INTERCHANGEABLE WITH 251N1060-48 OR 251N1060-56. 251N1060-42 TOGETHER WITH (2) 69-11957-10 SHIM,9 (1) 69-11957-9 STRAP ASSY, (2) C07202-2 SHAKER, (2) NAS43DD3-56FC SPACER, AND (2) NAS6703-26 BOLT IS INTERCHANGEABLE WITH 251N1060-48 OR 251N1060-56. FUNCTIONAL REFERENCE: FLIGHT CONTROL FOR DETAILS SEE 27-11-02-01 PLACARDS AND MARKINGS FOR DETAILS SEE 11-31-45-11	952952	1

MISSING ITEM NUMBERS NOT APPLICABLE

- ITEM NOT ILLUSTRATED

BRI

27-31-10-01

BOEING PROPRIETARY - Copyright © - Unpublished Work - See title page for details.

27-31-10  
 FIG. 01  
 PAGE 22  
 JAN 20/09



757

PARTS CATALOG (MAINTENANCE)

FIG ITEM	PART NUMBER	1 2 3 4 5 6 7	NOMENCLATURE	EFFECT FROM TO	UNITS PER ASSY
1 154	251N1060-44		.WHEEL AND COLUMN ASSY- POSITION DATA: FIRST OFFICER SIDE COMPONENT MAINT MANUAL REF: 27-09-22 QUALIFIED I/W DATA: 251N1060-44 T/W (2) 69-11957-10 SHIM, (1) 69-11957-9 STRAP ASSY, (2) C07202-2 SHAKER, (2) NAS43DD3-56FC SPACER, AND (2) NAS6703-26 BOLT, IS INTERCHANGEABLE WITH 251N1060-50. 251N1060-44 TOGETHER WITH (2) 69-11957-10 SHIM, (1) 69-11957-9 STRAP ASSY, (2) C07202-2 SHAKER, (2) NAS43DD3-56FC SPACER, AND (2) NAS6703-26 BOLT IS INTERCHANGEABLE WITH 251N1060-50 OR 251N1060-58. FUNCTIONAL REFERENCE: FLIGHT CONTROL FOR DETAILS SEE 27-11-02-01 PLACARDS AND MARKINGS FOR DETAILS SEE 11-31-45-11	002004 006102 107949 953999	1

MISSING ITEM NUMBERS NOT APPLICABLE

- ITEM NOT ILLUSTRATED

BRI

27-31-10-01

BOEING PROPRIETARY - Copyright © - Unpublished Work - See title page for details.

27-31-10  
FIG. 01  
PAGE 23  
JAN 20/09



757

PARTS CATALOG (MAINTENANCE)

FIG ITEM	PART NUMBER	1 2 3 4 5 6 7	NOMENCLATURE	EFFECT FROM TO	UNITS PER ASSY
1 154	251N1060-50		.WHEEL AND COLUMN ASSY- AILERON & ELEVATOR (FLIGHT CONTROLS ONLY) POSITION DATA: FIRST OFFICER SIDE COMPONENT MAINT MANUAL REF: 27-09-22 QUALIFIED I/W DATA: 251N1060-44 TOGETHER WITH (2) 69-11957-10 SHIM, (1) 69-11957-9 STRAP ASSY, (2) C07202-2 SHAKER, (2) NAS43DD3-56FC SPACER, AND (2) NAS6703-26 BOLT, IS INTERCHANGEABLE WITH 251N1060-50 OR 251N1060-58 251N1060-44, -34 OR -26 TOGETHER WITH (2) 69-11957-10 SHIM, (1) 69-11957-9 STRAP ASSY, (2) C07202-2 SHAKER, (2) NAS43DD3-56FC SPACER, AND (2) NAS6703-26 BOLT IS INTERCHANGEABLE WITH 251N1060-50. FUNCTIONAL REFERENCE: FLIGHT CONTROL FOR DETAILS SEE 27-11-02-01 27-32-05-01 PLACARDS AND MARKINGS FOR DETAILS SEE 11-31-45-11	006102 108903 953999	1
154	251N1060-70		.WHEEL AND COLUMN ASSY- POSITION DATA: FIRST OFFICER SIDE COMPONENT MAINT MANUAL REF: 27-09-22 FUNCTIONAL REFERENCE: FLIGHT CONTROL FOR DETAILS SEE 27-11-02-01 27-32-05-01 PLACARDS AND MARKINGS FOR DETAILS SEE 11-31-45-11	103106	1

MISSING ITEM NUMBERS NOT APPLICABLE

- ITEM NOT ILLUSTRATED

BRI

27-31-10-01

27-31-10  
FIG. 01  
PAGE 24  
JAN 20/09





757

PARTS CATALOG (MAINTENANCE)

FIG ITEM	PART NUMBER	1 2 3 4 5 6 7	NOMENCLATURE	EFFECT FROM TO	UNITS PER ASSY
1 155	251N1060-32		.WHEEL AND COLUMN ASSY- POSITION DATA: FIRST OFFICER SIDE COMPONENT MAINT MANUAL REF: 27-09-22 QUALIFIED I/W DATA: 251N1060-32 TOGETHER WITH (2) 69-11957-10 SHIM, (1) 69-11957-9 STRAP ASSY, (2) C07202-2 SHAKER, (2) NAS43DD3-56FC SPACER, AND (2) NAS6703-26 BOLT IS INTERCHANGEABLE WITH 251N1060-48 OR 251N1060-56. FUNCTIONAL REFERENCE: FLIGHT CONTROL FOR DETAILS SEE 27-11-02-01 PLACARDS AND MARKINGS FOR DETAILS SEE 11-31-45-11	952952	1
155	251N1060-34		.WHEEL AND COLUMN ASSY- POSITION DATA: FIRST OFFICER SIDE COMPONENT MAINT MANUAL REF: 27-09-22 QUALIFIED I/W DATA: 251N1060-34 TOGETHER WITH (2) 69-11957-10 SHIM, (1) 69-11957-9 STRAP ASSY, (2) C07202-2 SHAKER, (2) NAS43DD3-56FC SPACER, AND (2) NAS6703-26 BOLT IS INTERCHANGEABLE WITH 251N1060-50 OR 251N1060-58. FUNCTIONAL REFERENCE: PLACARDS AND MARKINGS FOR DETAILS SEE 11-31-45-11 FLIGHT CONTROL FOR DETAILS SEE 27-11-02-01	002004 006102 107949 953999	1

MISSING ITEM NUMBERS NOT APPLICABLE

- ITEM NOT ILLUSTRATED

BRI

27-31-10-01

BOEING PROPRIETARY - Copyright © - Unpublished Work - See title page for details.

27-31-10  
FIG. 01  
PAGE 25  
JAN 20/09



757

PARTS CATALOG (MAINTENANCE)

FIG ITEM	PART NUMBER	1 2 3 4 5 6 7	NOMENCLATURE	EFFECT FROM TO	UNITS PER ASSY
1 155	251N1060-14		.WHEEL AND COLUMN ASSY- POSITION DATA: FIRST OFFICER SIDE COMPONENT MAINT MANUAL REF: 27-09-22 FOR DETAILS SEE: 27-11-02-01	107107	1
155	251N1060-18		.WHEEL AND COLUMN ASSY- POSITION DATA: FIRST OFFICER SIDE COMPONENT MAINT MANUAL REF: 27-09-22 FOR DETAILS SEE: 27-11-02-01	107107	1
155	251N1060-22		.WHEEL AND COLUMN ASSY- POSITION DATA: FIRST OFFICER SIDE COMPONENT MAINT MANUAL REF: 27-09-22 FOR DETAILS SEE: 27-11-02-01	107107	1
155	251N1060-10		.WHEEL AND COLUMN ASSY- POSITION DATA: FIRST OFFICER SIDE COMPONENT MAINT MANUAL REF: 27-09-22 QUALIFIED I/W DATA: 251N1060-10 TOGETHER WITH (2) 69-11957-10 SHIM, (1) 69-11957-9 STRAP ASSY, (2) C07202-2 SHAKER, (2) NAS43DD3-56FC SPACER, AND (2) NAS6703-26 BOLT IS INTERCHANGEABLE WITH 251N1060-48 OR 251N1060-56. FOR DETAILS SEE: 27-11-02-01	952952	1

MISSING ITEM NUMBERS NOT APPLICABLE

- ITEM NOT ILLUSTRATED

BRI

**27-31-10-01**

27-31-10  
FIG. 01  
PAGE 26  
JAN 20/09



757

PARTS CATALOG (MAINTENANCE)

FIG ITEM	PART NUMBER	1 2 3 4 5 6 7	NOMENCLATURE	EFFECT FROM TO	UNITS PER ASSY
1 155	251N1060-16		.WHEEL AND COLUMN ASSY- POSITION DATA: FIRST OFFICER SIDE COMPONENT MAINT MANUAL REF: 27-09-22 QUALIFIED I/W DATA: 251N1060-16 TOGETHER WITH (2) 69-11957-10 SHIM, (1) 69-11957-9 STRAP ASSY, (2) C07202-2 SHAKER, (2) NAS43DD3-56FC SPACER, AND (2) NAS6703-26 BOLT IS INTERCHANGEABLE WITH 251N1060-48 OR 251N1060-56. FOR DETAILS SEE: 27-11-02-01	952952	1
155	251N1060-20		.WHEEL AND COLUMN ASSY- POSITION DATA: FIRST OFFICER SIDE COMPONENT MAINT MANUAL REF: 27-09-22 QUALIFIED I/W DATA: 251N1060-20 TOGETHER WITH (2) 69-11957-10 SHIM, (1) 69-11957-9 STRAP ASSY, (2) C07202-2 SHAKER, (2) NAS43DD3-56FC SPACER, AND (2) NAS6703-26 BOLT IS INTERCHANGEABLE WITH 251N1060-48 OR 251N1060-56. FOR DETAILS SEE: 27-11-02-01	952952	1

MISSING ITEM NUMBERS NOT APPLICABLE

- ITEM NOT ILLUSTRATED

BRI

27-31-10-01

BOEING PROPRIETARY - Copyright © - Unpublished Work - See title page for details.

27-31-10  
FIG. 01  
PAGE 27  
JAN 20/09



757

PARTS CATALOG (MAINTENANCE)

FIG ITEM	PART NUMBER	1 2 3 4 5 6 7	NOMENCLATURE	EFFECT FROM TO	UNITS PER ASSY
1 155	251N1060-26		.WHEEL AND COLUMN ASSY- POSITION DATA: FIRST OFFICER SIDE COMPONENT MAINT MANUAL REF: 27-09-22 QUALIFIED I/W DATA: 251N1060-26 TOGETHER WITH (2) 69-11957-10 SHIM, (1) 69-11957-9 STRAP ASSY, (2) C07202-2 SHAKER, (2) NAS43DD3-56FC SPACER, AND (2) NAS6703-26 BOLT IS INTERCHANGEABLE WITH 251N1060-50 OR 251N1060-58. FOR DETAILS SEE: 27-11-02-01	002004 006102 107949 953999	1
155	251N1060-24		.WHEEL AND COLUMN ASSY- POSITION DATA: FIRST OFFICER SIDE COMPONENT MAINT MANUAL REF: 27-09-22 QUALIFIED I/W DATA: 251N1060-24 TOGETHER WITH (2) 69-11957-10 SHIM, (1) 69-11957-9 STRAP ASSY, (2) C07202-2 SHAKER, (2) NAS43DD3-56FC SPACER, AND (2) NAS6703-26 BOLT IS INTERCHANGEABLE WITH 251N1060-48 OR 251N1060-56. FOR DETAILS SEE: 27-11-02-01	952952	1
580	BACB30LJ5-16		.BOLT	106106	1
585	BACB30LJ4-19		.BOLT	106106	1
590	NAS1149E0532P		.WASHER	106106	1
595	NAS1149E0432P		.WASHER	106106	2

MISSING ITEM NUMBERS NOT APPLICABLE

- ITEM NOT ILLUSTRATED

27-31-10-01

27-31-10  
FIG. 01  
PAGE 28  
JAN 20/09

BRI



757

PARTS CATALOG (MAINTENANCE)

FIG ITEM	PART NUMBER	1 2 3 4 5 6 7	NOMENCLATURE	EFFECT FROM TO	UNITS PER ASSY
1 600	BRH10C5D	.NUT	SUPPLIER CODE: V52828 SPECIFICATION NUMBER: BACN10JC5CD OPTIONAL PART: T6C524JCD V11815 102LH9075-5W V72962 H51650-5BAC V15653	106106	1
605	PLH54CM	.NUT	SUPPLIER CODE: V62554 SPECIFICATION NUMBER: BACN10YR4CM OPTIONAL PART: H52732-4CM V15653	106106	1
610	251T3742-31	.BUSHING		106106	1
615	BACB28AK04-044	.BUSHING		106106	1
620	251T0100-169	.ROD ASSY-	COMPONENT MAINT MANUAL REF: 27-11-00	106106	1
625	BACR15FT5KE	..RIVET-	SIZE DETERMINED ON INSTL.	106106	4
630	SPH5-10B	..BEARING-	SUPPLIER CODE: V77896	106106	1

MISSING ITEM NUMBERS NOT APPLICABLE

- ITEM NOT ILLUSTRATED

BRI

27-31-10-01

BOEING PROPRIETARY - Copyright © - Unpublished Work - See title page for details.

27-31-10  
FIG. 01  
PAGE 29  
JAN 20/09

 **BOEING**  
757  
**PARTS CATALOG (MAINTENANCE)**

FIG ITEM	PART NUMBER	1 2 3 4 5 6 7	NOMENCLATURE	EFFECT FROM TO	UNITS PER ASSY	
R R R R R R R R R R R R R R R	1 635	REP4HE5-2FS436	.. ROD SUPPLIER CODE: V73134 SPECIFICATION NUMBER: BACB10AE9B OPTIONAL PART: ABR4H105 VS0352 REP4H5-2 V38443 REP4H5-2FS436 V21335 REB4HE5-12 V92563 DBH4-7A1-501 V73134 DBH4-7A1-501 V77896 ABR4H105B V15860 REP4HE5-009BJ V73134	106106	1	
	640	251T0101-170	.. TUBE-NON-THREADED	106106	1	
	650	BACB30LE4K10	.BOLT	106106	1	
	655	BACW10BP4CD	.WASHER	106106	1	
	660	NAS1149E0432P	.WASHER	106106	1	
	665	PLH54CD	.NUT SUPPLIER CODE: VF0224 SPECIFICATION NUMBER: BACN10YR4CD OPTIONAL PART: H52732-4CD V15653	106106	1	
	670	253W1169-5	.CRANK ASSY-DAMPER	106106	1	
	675	BACB30LJ4-10	.BOLT	106106	4	
	680	NAS1149D0463J	.WASHER	106106	8	
	MISSING ITEM NUMBERS NOT APPLICABLE					

- ITEM NOT ILLUSTRATED

BRI

# 27-31-10-01

BOEING PROPRIETARY - Copyright © - Unpublished Work - See title page for details.

27-31-10  
FIG. 01  
PAGE 30  
MAY 20/09



757

PARTS CATALOG (MAINTENANCE)

FIG ITEM	PART NUMBER	1 2 3 4 5 6 7	NOMENCLATURE	EFFECT FROM TO	UNITS PER ASSY
1 685	BRH10C4D	.	NUT SUPPLIER CODE: V52828 SPECIFICATION NUMBER: BACN10JC4CD OPTIONAL PART: T6C428JCD V11815 NS202486-048 V80539 102LH9075-4W V72962 H51650-4BAC V15653	106106	4
690	40C40612A3	.	DAMPER- SUPPLIER CODE: V70236 FUNCTIONAL DESCRIPTION: THIS DAMPER PROVIDES CONTROL CHARACTERISTICS FOR THE PRIMARY CONTROLS SPECIFICATION NUMBER: S253W931-3 OPTIONAL PART: 0204-0021-1 V70236	106106	1
690	0204-0021-1	.	DAMPER- SUPPLIER CODE: V86831 FUNCTIONAL DESCRIPTION: THIS DAMPER PROVIDES CONTROL CHARACTERISTICS FOR THE PRIMARY CONTROLS SPECIFICATION NUMBER: S253W931-3 OPTIONAL PART: 40C40612A3 V70236	106106	1

MISSING ITEM NUMBERS NOT APPLICABLE

- ITEM NOT ILLUSTRATED

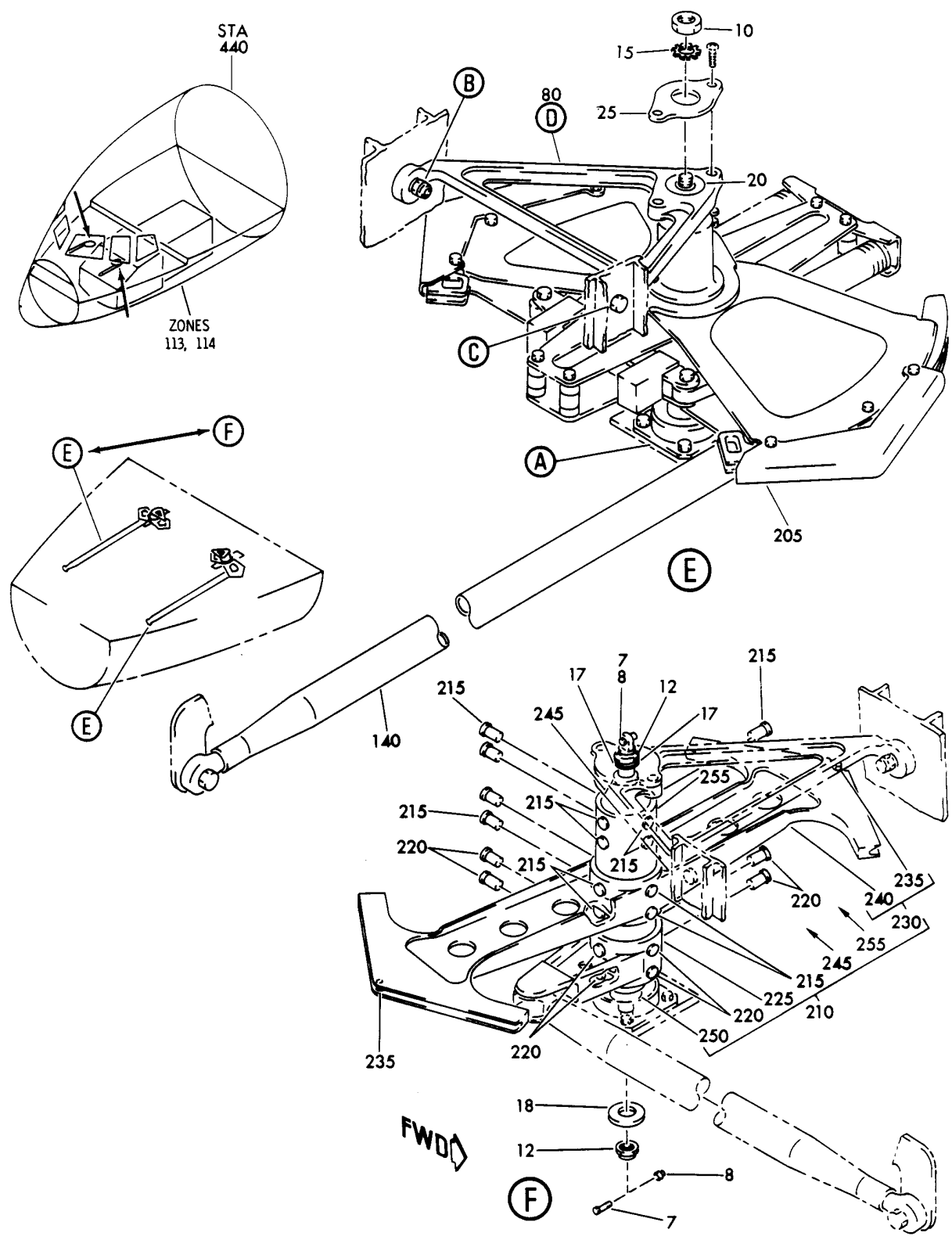
BRI

27-31-10-01

BOEING PROPRIETARY - Copyright © - Unpublished Work - See title page for details.

27-31-10  
FIG. 01  
PAGE 31  
JAN 20/09

**BOEING**  
**757**  
**PARTS CATALOG (MAINTENANCE)**



Y 27311201 SHT 1 REV 081

REGULATOR INSTL-ELEV CONT TNSN  
 FIGURE 1 (SHEET 1)

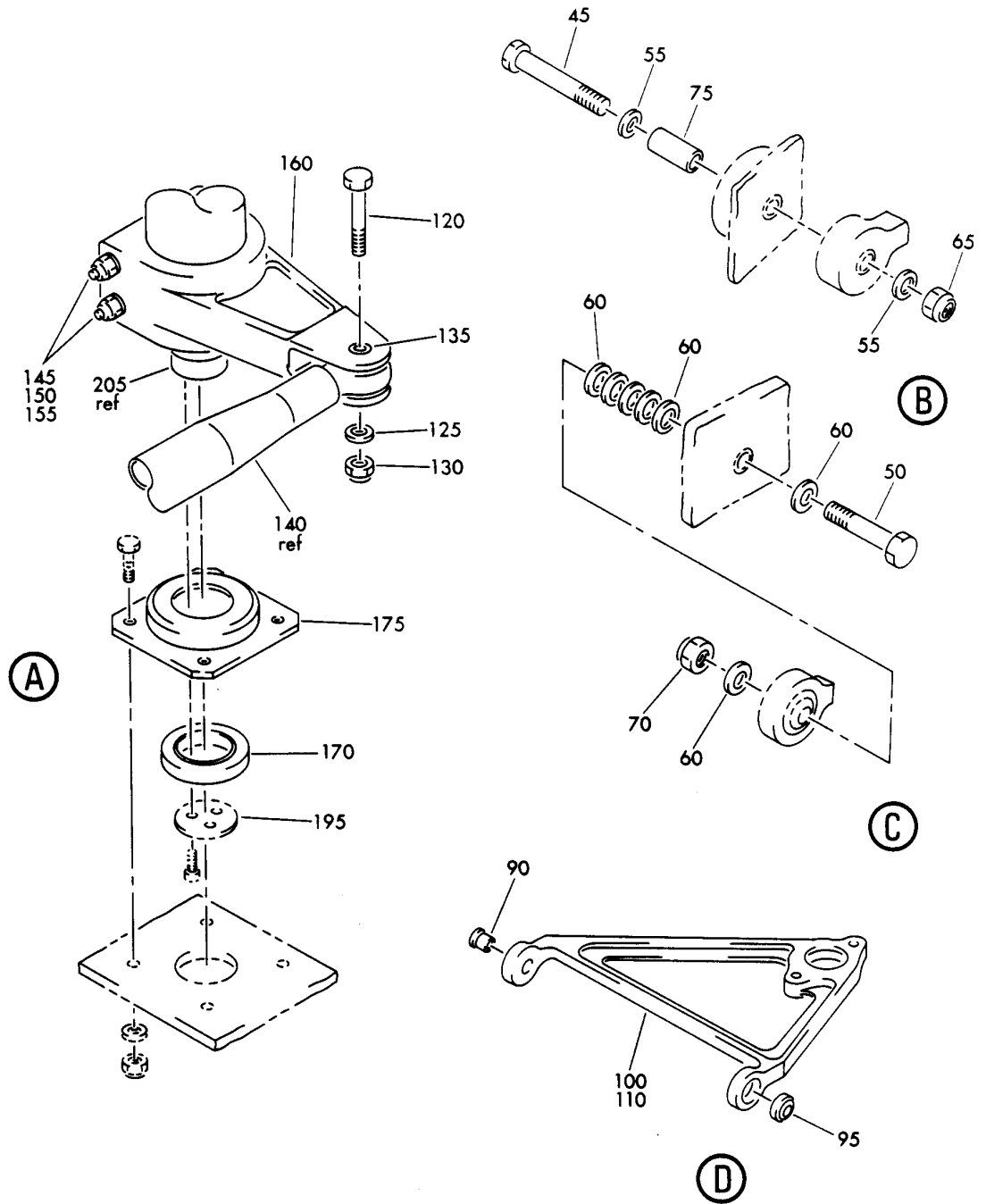
**27-31-12-01**

BRI  
 MAY 28/07

27-31-12-01  
 PAGE 0



**BOEING**  
757  
PARTS CATALOG (MAINTENANCE)



Y 27311201 SHT 2 REV 010

REGULATOR INSTL-ELEV CONT TNSN  
FIGURE 1 (SHEET 2)

**27-31-12-01**

BRI  
MAY 28/07

27-31-12-01  
PAGE 0A



757

PARTS CATALOG (MAINTENANCE)

FIG ITEM	PART NUMBER	1 2 3 4 5 6 7	NOMENCLATURE	EFFECT FROM TO	UNITS PER ASSY
1			REGULATOR INSTL-ELEV CONT TNSN	002004 006999	
- 1	251N2013-1		REGULATOR INSTL-ELEV CONT TNSN POSITION DATA: LH FOR NHA SEE: 27-31-00-02	002004 006100 107107 121503 904999	RF
- 1	251N2013-3		REGULATOR INSTL-ELEV CONT TNSN POSITION DATA: LH FOR NHA SEE: 27-00-00-22	101102 108120 504903	RF
- 1	MODREF7257		REGULATOR INSTL-ELEV CONT TNSN MODULE NUMBER: 251N2013-6 REV A POSITION DATA: LH	103106	1
- 5	251N2013-4		REGULATOR INSTL-ELEV CONT TNSN POSITION DATA: RH FOR NHA SEE: 27-31-00-02	002004 006100 107107 121503 904999	RF
- 6	251N2013-5		QUADRANT INSTL-ELEV CONT TNSN POSITION DATA: RH FOR NHA SEE: 27-00-00-22	101102 108120 504903	RF
- 6	MODREF7256		QUADRANT INSTL-ELEV CONT TNSN MODULE NUMBER: 251N2013-5 REV A POSITION DATA: RH	103106	1
7	L8055A		.BOLT- SUPPLIER CODE: V06725 SPECIFICATION NUMBER: BACB30FM5A POSITION DATA: RH SIDE SIZE DETERMINED ON INSTL.	002004 006999	2

MISSING ITEM NUMBERS NOT APPLICABLE

- ITEM NOT ILLUSTRATED

**27-31-12-01**

27-31-12  
FIG. 01  
PAGE 1  
JAN 20/09

BRI



757

PARTS CATALOG (MAINTENANCE)

FIG ITEM	PART NUMBER	1 2 3 4 5 6 7	NOMENCLATURE	EFFECT FROM TO	UNITS PER ASSY
1	8 HL70-5		.COLLAR- SUPPLIER CODE: V5M902 SPECIFICATION NUMBER: BACC30M5 OPTIONAL PART: HL70-5 V73197 HL70-5 V92215 66014-5 V56878 HL70-5 V56878 POSITION DATA: RH SIDE	002004 006999	2
	10 MS19068-012		.NUT- POSITION DATA: LH SIDE	002004 006999	1
	12 69235-820CD		.NUT- SUPPLIER CODE: V92215 SPECIFICATION NUMBER: BACN10JC8CD OPTIONAL PART: 102LH9074-8 V72962 BMN4122CPD8-8 V97928 H51650-8BAC V15653 POSITION DATA: RH SIDE	002004 006999	2
	15 MS19070-012		.WASHER- POSITION DATA: LH SIDE	002004 006100 107107 121503 904999	1
	17 AN960C816		.WASHER- POSITION DATA: RH SIDE	002004 006999	2
	18 BACW10P141S		.WASHER- POSITION DATA: RH SIDE	002004 006999	1

MISSING ITEM NUMBERS NOT APPLICABLE

- ITEM NOT ILLUSTRATED

27-31-12-01

27-31-12  
FIG. 01  
PAGE 2  
JAN 20/09

BRI

BOEING PROPRIETARY - Copyright © - Unpublished Work - See title page for details.



757

PARTS CATALOG (MAINTENANCE)

FIG ITEM	PART NUMBER	1 2 3 4 5 6 7	NOMENCLATURE	EFFECT FROM TO	UNITS PER ASSY
1	20 MKSP8SD610		.BEARING- SUPPLIER CODE: V83086 SPECIFICATION NUMBER: BACB10AR8 OPTIONAL PART: HHMKSP8 V38443 MKSP8-2TS V43991 MKSP8E9440A V21335 MKSP8FS428 V21335 MKSP83TT V43991 MKSP8G20 V38443 MKSP8 V38443 BACB10AC8	002004 006999	1
	20 KSP8FS428		.BEARING- SUPPLIER CODE: V21335 SPECIFICATION NUMBER: BACB10AC8 OPTIONAL PART: KSP8G27 V30163 KSP8E9440 V21335 KSP8-2TS V43991 HHKSP8 V38443 KSP8SD610 V83086 BACB10AR8	002004 006999	1
	25 251N2563-1		.PLATE-BRG RTNR	002004 006999	1
-	30 NAS623-3-12		ATTACHING PARTS .SCREW	002004 006999	2
-	35 AN960PD10L		.WASHER- POSITION DATA: LH SIDE	002004 006999	2
-	35 AN960KD10L		.WASHER- POSITION DATA: RH SIDE	002004 006999	2

MISSING ITEM NUMBERS NOT APPLICABLE

- ITEM NOT ILLUSTRATED

27-31-12-01

27-31-12  
FIG. 01  
PAGE 3  
SEP 20/08

BRI



757

PARTS CATALOG (MAINTENANCE)

FIG ITEM	PART NUMBER	1 2 3 4 5 6 7	NOMENCLATURE	EFFECT FROM TO	UNITS PER ASSY
1					
- 40	BRH10A3		.NUT- SUPPLIER CODE: V52828 SPECIFICATION NUMBER: BACN10JC3 OPTIONAL PART: H10-3BAC V15653 NS202101-02 V80539 RMLH9075-3W V72962 VN303A02 V92215 96-02 V80539 T6S1032J V11815 POSITION DATA: LH SIDE	002004 006999	2
- 40	MS21042L3		.NUT- POSITION DATA: RH SIDE -----*-----	002004 006999	2
45	BACB30LJ5-21		.BOLT	002004 006999	1
50	BACB30LJ6-15		.BOLT	002004 006999	1
55	AN960-516L		.WASHER	002004 006999	2
60	AN960-616L		.WASHER	002004 006999	7
65	BRH10A5		.NUT SUPPLIER CODE: V52828 SPECIFICATION NUMBER: BACN10JC5 OPTIONAL PART: T6S524J V11815 96-054 V80539 RMLH9075-5W V72962 H10-5BAC V15653	002004 006999	1

MISSING ITEM NUMBERS NOT APPLICABLE

- ITEM NOT ILLUSTRATED

27-31-12-01

27-31-12  
FIG. 01  
PAGE 4  
SEP 20/08

BRI



757

PARTS CATALOG (MAINTENANCE)

FIG ITEM	PART NUMBER	1 2 3 4 5 6 7	NOMENCLATURE	EFFECT FROM TO	UNITS PER ASSY
1	70 BRH10A6	.	NUT SUPPLIER CODE: V52828 SPECIFICATION NUMBER: BACN10JC6 OPTIONAL PART: 96-064 V80539 RMLH9075-6 V72962 H10-6BAC V15653	002004 006999	1
	75 250N2008-14	.	BUSHING	002004 006999	1
	80 251N2065-2	.	FRAME ASSY- POSITION DATA: LH SIDE	002004 006999	1
	80 251N2065-10	.	FRAME ASSY- POSITION DATA: LH SIDE	002004 006999	1
-	85 251N2065-1	.	FRAME ASSY- POSITION DATA: RH SIDE	002004 006999	1
-	85 251N2065-9	.	FRAME ASSY- POSITION DATA: RH SIDE	002004 006999	1
	90 BACB28X5C040	..	BUSHING	002004 006999	1
	95 HTC6	..	BEARING- SUPPLIER CODE: V50294	002004 006999	1
	100 251N2065-5	..	FRAME- POSITION DATA: LH SIDE OPTIONAL PART: 251N2065-8	002004 006999	1
-	105 251N2065-4	..	FRAME- POSITION DATA: RH SIDE OPTIONAL PART: 251N2065-7	002004 006999	1
	110 251N2065-8	..	FRAME- POSITION DATA: LH SIDE OPTIONAL PART: 251N2065-5	006100 950951 953999	1

MISSING ITEM NUMBERS NOT APPLICABLE

- ITEM NOT ILLUSTRATED

27-31-12-01

27-31-12  
FIG. 01  
PAGE 5  
JAN 20/09

BRI



757

PARTS CATALOG (MAINTENANCE)

FIG ITEM	PART NUMBER	1 2 3 4 5 6 7	NOMENCLATURE	EFFECT FROM TO	UNITS PER ASSY
1					
- 115	251N2065-7	..	FRAME- POSITION DATA: RH SIDE OPTIONAL PART: 251N2065-4	006100 950951 953999	1
120	BACB30NF5-22	.	BOLT	002004 006999	1
125	AN960PD516L	.	WASHER- POSITION DATA: LH SIDE	002004 006100 107107 121503 904999	1
- 127	AN960KD516L	.	WASHER- POSITION DATA: RH SIDE	002004 006999	1
130	BRH10A5	.	NUT- SUPPLIER CODE: V52828 SPECIFICATION NUMBER: BACN10JC5 OPTIONAL PART: T6S524J V11815 96-054 V80539 RMLH9075-5W V72962 H10-5BAC V15653 POSITION DATA: LH SIDE	002004 006100 107107 121503 904999	1
- 132	MS21042L5	.	NUT- POSITION DATA: RH SIDE	002004 006999	1
135	NAS73-5E003	.	BUSHING	002004 006999	1
140	250N2004-104	.	ROD ASSY- COMPONENT MAINT MANUAL REF: 27-00-12 OPTIONAL PART: 250N2004-1104	002004 006999	1
140	250N2004-1104	.	ROD ASSY- COMPONENT MAINT MANUAL REF: 27-00-12	002004 006999	1
145	BACB30NR4K40	.	BOLT- POSITION DATA: LH SIDE	002004 006100 107107 121503 904999	2

MISSING ITEM NUMBERS NOT APPLICABLE

- ITEM NOT ILLUSTRATED

27-31-12-01

27-31-12  
FIG. 01  
PAGE 6  
JAN 20/09

BRI

BOEING PROPRIETARY - Copyright © - Unpublished Work - See title page for details.



757

PARTS CATALOG (MAINTENANCE)

FIG ITEM	PART NUMBER	1 2 3 4 5 6 7	NOMENCLATURE	EFFECT FROM TO	UNITS PER ASSY
1					
150	AN960PD416L		.WASHER- POSITION DATA: LH SIDE	002004 006100 107107 121503 904999	2
155	BRH10C4D		.NUT- SUPPLIER CODE: V52828 SPECIFICATION NUMBER: BACN10JC4CD OPTIONAL PART: T6C428JCD V11815 NS202486-048 V80539 102LH9075-4W V72962 H51650-4BAC V15653 POSITION DATA: LH SIDE	002004 006100 107107 121503 904999	2
160	253T2211-5		.CRANK- POSITION DATA: LH SIDE OPTIONAL PART: 253T2211-9	002004 006999	1
160	253T2211-9		.CRANK- POSITION DATA: LH SIDE OPTIONAL PART: 253T2211-5	002004 006999	1

MISSING ITEM NUMBERS NOT APPLICABLE

- ITEM NOT ILLUSTRATED

BRI

27-31-12-01

BOEING PROPRIETARY - Copyright © - Unpublished Work - See title page for details.

27-31-12  
FIG. 01  
PAGE 7  
JAN 20/09





757

## PARTS CATALOG (MAINTENANCE)

FIG ITEM	PART NUMBER	1 2 3 4 5 6 7	NOMENCLATURE	EFFECT FROM TO	UNITS PER ASSY
R R R R R R R R R R R R R R R R R R R	1 170	MKP16BSFS428	.BEARING SUPPLIER CODE: V06144 SPECIFICATION NUMBER: BACB10AW16 OPTIONAL PART: MKP16BSE9273 V21335 MKP16BSTT V43991 MKP16BS2TS V43991 LLMKP16BS V38443 MKP16BSG20 V38443 MKP16BSSD610 V83086 MKP16BS007M V40920 MKP16BS V06144 MKP16BSFS428 V21335 MKP16BSNJC V06144	002004 006999	1
	175	69B81723-1	.HOUSING	002004 006999	1
	- 180	BACB30NR4K4	ATTACHING PARTS .BOLT	002004 006999	4
	- 185	AN960PD416L	.WASHER- POSITION DATA: LH SIDE	002004 006100 107107 121503 904999	4
	- 185	AN960KD416L	.WASHER- POSITION DATA: RH SIDE	002004 006999	4

MISSING ITEM NUMBERS NOT APPLICABLE

- ITEM NOT ILLUSTRATED

BRI

27-31-12-01

BOEING PROPRIETARY - Copyright © - Unpublished Work - See title page for details.

27-31-12  
FIG. 01  
PAGE 8  
MAY 20/09

**BOEING**  
757  
**PARTS CATALOG (MAINTENANCE)**

FIG ITEM	PART NUMBER	1 2 3 4 5 6 7	NOMENCLATURE	EFFECT FROM TO	UNITS PER ASSY
1 - 190	BRH10C4D		.NUT- SUPPLIER CODE: V52828 SPECIFICATION NUMBER: BACN10JC4CD OPTIONAL PART: T6C428JCD V11815 NS202486-048 V80539 102LH9075-4W V72962 H51650-4BAC V15653 POSITION DATA: LH SIDE	002004 006100 107107 121503 904999	4
- 190	MS21042L4		.NUT- POSITION DATA: RH SIDE	002004 006999	4
195	69B81726-1		-----*----- .PLATE-BRG RTNR POSITION DATA: LH SIDE ATTACHING PARTS	002004 006999	1
- 200	NAS1351-3H8P		.SCREW- POSITION DATA: LH SIDE	002004 006999	3
205	E183820-002		-----*----- .REGULATOR-TNSN SUPPLIER CODE: VU1607 POSITION DATA: LH SIDE SPECIFICATION NUMBER: S251N261-3 OPTIONAL PART: E183820-003 VU1607	002004 006999	1

MISSING ITEM NUMBERS NOT APPLICABLE

- ITEM NOT ILLUSTRATED

BRI

# 27-31-12-01

BOEING PROPRIETARY - Copyright © - Unpublished Work - See title page for details.

27-31-12  
FIG. 01  
PAGE 9  
JAN 20/09



757

PARTS CATALOG (MAINTENANCE)

FIG ITEM	PART NUMBER	1 2 3 4 5 6 7	NOMENCLATURE	EFFECT FROM TO	UNITS PER ASSY
1 205	E183820-003	.	REGULATOR-TNSN SUPPLIER CODE: VU1607 POSITION DATA: LH SIDE SPECIFICATION NUMBER: S251N261-3 COMPONENT MAINT MANUAL REF: 27-30-46 OPTIONAL PART: E183820-002 VU1607	002004 006999	1
205	965550	.	REGULATOR-TNSN SUPPLIER CODE: VF022 POSITION DATA: LH SIDE SPECIFICATION NUMBER: S251N261-4	002004 006999	1
210	251N2043-1	.	QUADRANT ASSY- POSITION DATA: RH SIDE	002004 006999	1
215	MS90354-0603	..	RIVET	002004 006999	16
220	MS90354-0606	..	RIVET	002004 006999	8
225	251N2047-1	..	CRANK	002004 006999	1
230	251N2048-1	..	QUADRANT ASSY	002004 006999	1
235	NAS42DD5-17	...	SPACER	002004 006999	2
240	251N2048-2	...	QUADRANT	002004 006999	1
245	251N2045-1	..	FITTING-END	002004 006999	1
250	251N2046-1	..	FITTING-END	002004 006999	1
255	251N2044-1	..	TUBE	002004 006999	1

MISSING ITEM NUMBERS NOT APPLICABLE

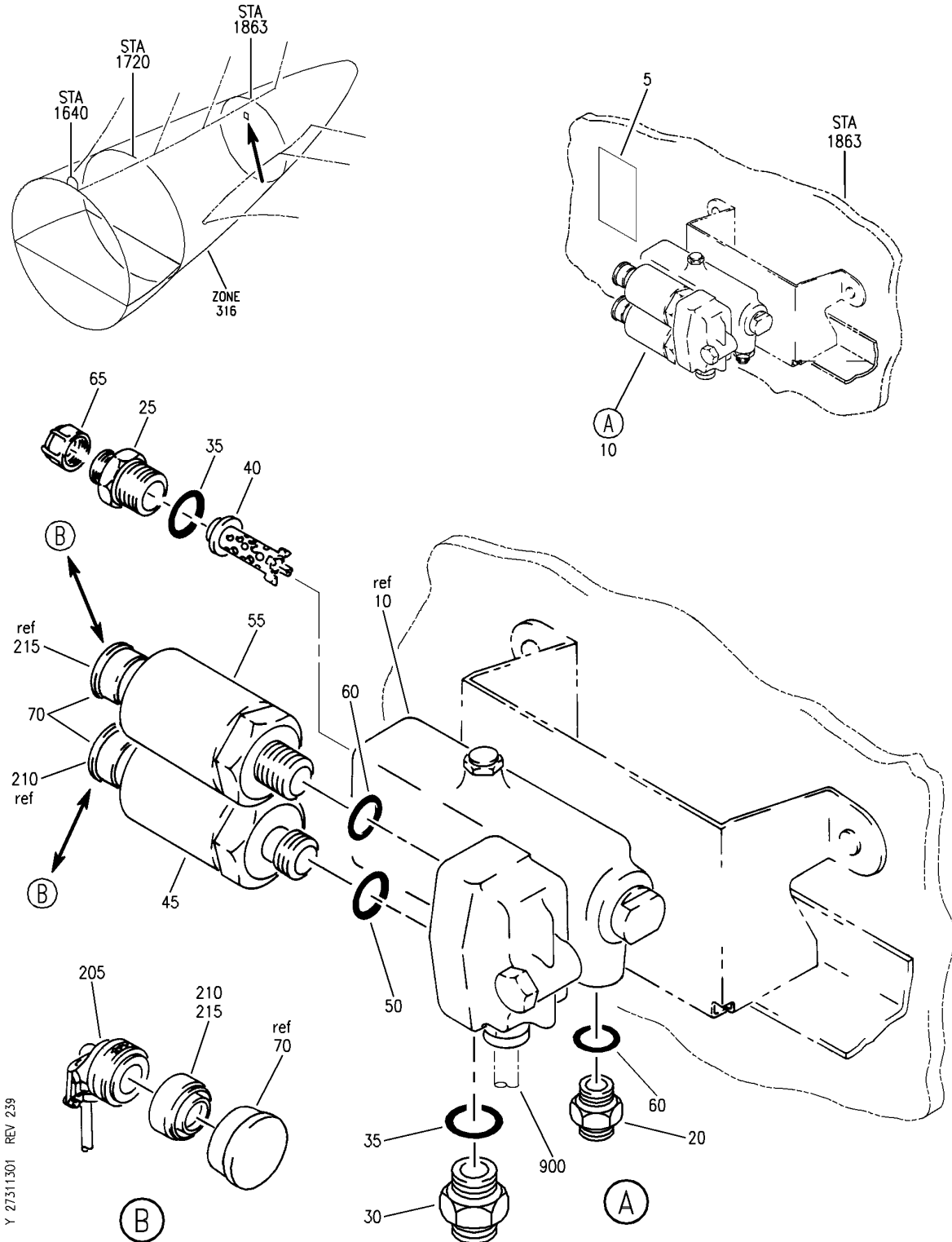
- ITEM NOT ILLUSTRATED

BRI

27-31-12-01

27-31-12  
FIG. 01  
PAGE 10  
SEP 20/08

**BOEING**  
757  
**PARTS CATALOG (MAINTENANCE)**



Y 27311301 REV 239

VALVE INSTL-R SYS PRESSURE REDUCING  
FIGURE 1

**27-31-13-01**

BRI  
MAY 28/07

27-31-13-01  
PAGE 0

 **BOEING**  
757  
**PARTS CATALOG (MAINTENANCE)**

FIG ITEM	PART NUMBER	1 2 3 4 5 6 7	NOMENCLATURE	EFFECT FROM TO	UNITS PER ASSY
1			VALVE INSTL-R SYS PRESSURE REDUCING	002004 006999	
- 1	251N2024-1		VALVE INSTL-SYS PRESSURE REDUCING POSITION DATA: R FOR NHA SEE: 29-00-51-06	002004 006100 107107 121503 904999	RF
- 1	251N2024-2		VALVE INSTL-SYS PRESSURE REDUCING POSITION DATA: R FOR NHA SEE: 27-00-00-03	101102 108120 504903	RF
- 1	MODREF7348		VALVE INSTL-SYS PRESSURE REDUCING MODULE NUMBER: 251N2024-2 REV A POSITION DATA: R	103106	1
5	BAC27NHY0204		.MARKER-ALUMINUM FOIL PLACARD CONTENT: D3430 S10262 PRESSURE REDUCING VALVE D3434 S10265	002004 006999	1
10	3321990-2		.VALVE ASSY- SUPPLIER CODE: V94697 SPECIFICATION NUMBER: S251N213-2 COMPONENT MAINT MANUAL REF: 27-31-02	002004 006999	1
- 15	BACB30NM4K8		ATTACHING PARTS .BOLT	002004 006999	3
20	BACU24K6		-----*----- .UNION	002004 006999	1

MISSING ITEM NUMBERS NOT APPLICABLE

- ITEM NOT ILLUSTRATED

BRI

# 27-31-13-01

BOEING PROPRIETARY - Copyright © - Unpublished Work - See title page for details.

27-31-13  
FIG. 01  
PAGE 1  
JAN 20/09



757

PARTS CATALOG (MAINTENANCE)

FIG ITEM	PART NUMBER	1 2 3 4 5 6 7	NOMENCLATURE	EFFECT FROM TO	UNITS PER ASSY
1 25	AFP2328-6		..REDUCER SUPPLIER CODE: V30974 SPECIFICATION NUMBER: BACR17E8-6 OPTIONAL PART: AP10278-6 V01673 BC916T8-6 V50948 DBOR17E8-6 V14798 ER21916T8-6 V88334 ER31916-8-6 V88334 F23-8-6 V73197 2-01075T8-6 V11328 31778-8-6 V14397 US2114-8-6 V50508 AP1027T8-6 V01673 US21148-6 V50808 317788-6 V14397	002004 006999	1
30	MS21902D8		..UNION	002004 006999	1
35	NAS1612-8		..PACKING-	002004 006999	2
40	10-774		..SCREEN- SUPPLIER CODE: V14818 SPECIFICATION NUMBER: S252T002-1 OPTIONAL PART: 26570 V18350 1745174 V90005	002004 006999	1

MISSING ITEM NUMBERS NOT APPLICABLE

- ITEM NOT ILLUSTRATED

BRI

27-31-13-01

BOEING PROPRIETARY - Copyright © - Unpublished Work - See title page for details.

27-31-13  
FIG. 01  
PAGE 2  
JAN 20/09



757

PARTS CATALOG (MAINTENANCE)

FIG ITEM	PART NUMBER	1 2 3 4 5 6 7	NOMENCLATURE	EFFECT FROM TO	UNITS PER ASSY
1 45	211C223-199		.. SWITCH- SUPPLIER CODE: V02750 SPECIFICATION NUMBER: S271T452-5 ELECTRICAL EQUIP NUMBER: S10262 COMPONENT MAINT MANUAL REF: 27-09-02 OPTIONAL PART: 211C223-517 V02750	002004 006999	1
50	NAS1612-8		.. PACKING-	002004 006999	1
55	211C223-216		.. SWITCH- SUPPLIER CODE: V02750 SPECIFICATION NUMBER: S271T452-12 ELECTRICAL EQUIP NUMBER: S10265 COMPONENT MAINT MANUAL REF: 27-09-02 OPTIONAL PART: 211C223-323 V02750 211C223-523 V02750 OPTIONAL PART: 211C223-323 V02750	002004 006999	1
55	211C223-323		.. SWITCH- SUPPLIER CODE: V02750 SPECIFICATION NUMBER: S271T452-12 COMPONENT MAINT MANUAL REF: 27-09-02 OPTIONAL PART: 211C223-216 V02750 211C223-523 V02750 OPTIONAL PART: 211C223-216 V02750	002004 006999	1

MISSING ITEM NUMBERS NOT APPLICABLE

- ITEM NOT ILLUSTRATED

27-31-13-01

27-31-13  
FIG. 01  
PAGE 3  
SEP 20/08

BRI



757

PARTS CATALOG (MAINTENANCE)

FIG ITEM	PART NUMBER	1 2 3 4 5 6 7	NOMENCLATURE	EFFECT FROM TO	UNITS PER ASSY
1					
55	211C223-523	..	SWITCH-LOW PRESSURE SUPPLIER CODE: V02750 SPECIFICATION NUMBER: S271T452-12 COMPONENT MAINT MANUAL REF: 29-09-05 OPTIONAL PART: 211C223-216 V02750 211C223-323 V02750	002004 006999	1
60	NAS1612-6	..	PACKING-	002004 006999	2
65	B387-6	..	CAP-SHIPPING SUPPLIER CODE: V95760	002004 006999	1
70	NAS813-14	..	CAP-PROTECTIVE	002004 006999	2
- 200	286N2814-004		WIRE BUNDLE ASSY	002004 006100 121503 904999	RF
- 200	286N2814-005		WIRE BUNDLE ASSY	107107	RF
- 200	286N2814-310		WIRE BUNDLE ASSY	101102	RF
- 200	286N2814-701		WIRE BUNDLE ASSY	103106	RF
- 201	286N2814-312		WIRE BUNDLE ASSY	108120	RF
- 201	286N2814-315		WIRE BUNDLE ASSY	504903	RF
205	GS3418-12CD	.CLAMP-	SUPPLIER CODE: V06324 SPECIFICATION NUMBER: BACC10HG12 OPTIONAL PART: S2126-12-8 V07418 ELECTRICAL EQUIP NUMBER: D03430T D03434T WIRING DIAGRAM REF: 272311	002004 006102 107999	2

MISSING ITEM NUMBERS NOT APPLICABLE

- ITEM NOT ILLUSTRATED

27-31-13-01

27-31-13  
FIG. 01  
PAGE 4  
JAN 20/09

BRI





757

PARTS CATALOG (MAINTENANCE)

FIG ITEM	PART NUMBER	1 2 3 4 5 6 7	NOMENCLATURE	EFFECT FROM TO	UNITS PER ASSY
1 210	R071012R3SNL	.	CONNECTOR- SUPPLIER CODE: V41118 SPECIFICATION NUMBER: BACC63BP12R3SNL OPTIONAL PART: CN0966-12A03S V13556 ZZYA0-12D12-03S V49367 48-06R12-3SN266 V02660 ELECTRICAL EQUIP NUMBER: D03430 WIRING DIAGRAM REF: 272311	002004 006102 107999	1
210	BACC63BP12C3SN	.	CONNECTOR- ELECTRICAL EQUIP NUMBER: D03430 WIRING DIAGRAM REF: 272311	103106	1
215	BCREF5948	.	CONNECTOR- OVERLENGTH PART NUMBER: BACC63BP12R3S10L ELECTRICAL EQUIP NUMBER: D03434 WIRING DIAGRAM REF: 272311	002004 006100 103107 121503 904999	1
900			ILLUSTRATION REFERENCE: PLUMBING INSTL-SECT. 48 (RUDDER AND ELEVATOR HYDRAULIC SYSTEMS ONLY) 27-23-00-02	002004 006999	RF

MISSING ITEM NUMBERS NOT APPLICABLE

- ITEM NOT ILLUSTRATED

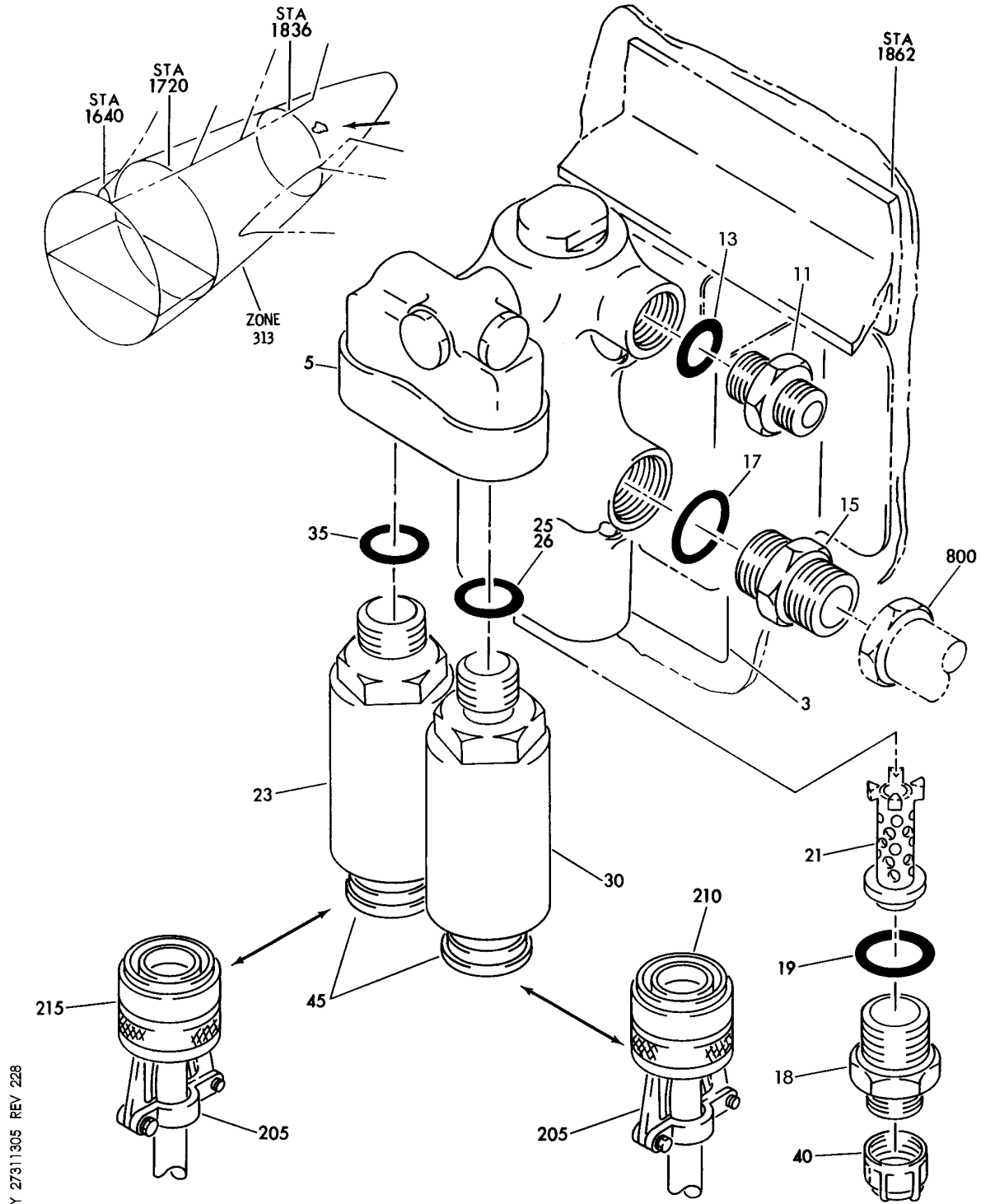
BRI

27-31-13-01

BOEING PROPRIETARY - Copyright © - Unpublished Work - See title page for details.

27-31-13  
FIG. 01  
PAGE 5  
JAN 20/09

**BOEING**  
757  
PARTS CATALOG (MAINTENANCE)



Y 27311305 REV 228

VALVE INSTL-CTR SYS PRESSURE REDUCING  
FIGURE 5

**27-31-13-05**

BRI  
MAY 28/07

27-31-13-05  
PAGE 0

 **BOEING**  
757  
**PARTS CATALOG (MAINTENANCE)**

FIG ITEM	PART NUMBER	1 2 3 4 5 6 7	NOMENCLATURE	EFFECT FROM TO	UNITS PER ASSY
5			VALVE INSTL-CTR SYS PRESSURE REDUCING	002004 006999	
- 1	251N2027-1		VALVE INSTL-SYS PRESSURE REDUCING POSITION DATA: CTR	002004 006102 107999	RF
- 1	MODREF7350		FOR NHA SEE: 29-00-51-06 27-00-00-03 VALVE INSTL-SYS PRESSURE REDUCING	103106	1
			MODULE NUMBER: 251N2027-1 REV A POSITION DATA: CTR		
3	BAC27NHY0191		.MARKER-ALUMINUM FOIL- PLACARD CONTENT: D3432 D3436 PRESSURE REDUCING VALVE ASSEMBLY S10263 S10266	002004 006999	1
5	3321990-2		.VALVE ASSY- SUPPLIER CODE: V94697 SPECIFICATION NUMBER: S251N213-2 COMPONENT MAINT MANUAL REF: 27-31-02	002004 006999	1
- 7	BACB30NM4K8		ATTACHING PARTS .BOLT-	002004 006999	3
- 9	BACW10BP4C		.WASHER	002004 006999	3
			-----*-----		
11	BACU24K6		..UNION	002004 006999	1
13	NAS1612-6		..PACKING-	002004 006999	1
15	MS21902D8		..UNION	002004 006999	1
17	NAS1612-8		..PACKING-	002004 006999	1

MISSING ITEM NUMBERS NOT APPLICABLE

- ITEM NOT ILLUSTRATED

BRI

# 27-31-13-05

BOEING PROPRIETARY - Copyright © - Unpublished Work - See title page for details.

27-31-13  
FIG. 05  
PAGE 1  
JAN 20/09



757

PARTS CATALOG (MAINTENANCE)

FIG ITEM	PART NUMBER	1 2 3 4 5 6 7	NOMENCLATURE	EFFECT FROM TO	UNITS PER ASSY
5 18	AFP2328-6		.. REDUCER SUPPLIER CODE: V30974 SPECIFICATION NUMBER: BACR17E8-6 OPTIONAL PART: AP10278-6 V01673 BC916T8-6 V50948 DBOR17E8-6 V14798 ER21916T8-6 V88334 ER31916-8-6 V88334 F23-8-6 V73197 2-01075T8-6 V11328 31778-8-6 V14397 US2114-8-6 V50508 AP1027T8-6 V01673 US21148-6 V50808 317788-6 V14397	002004 006999	1
19	NAS1612-8		.. PACKING-	002004 006999	1
21	26570		.. SCREEN- SUPPLIER CODE: V18350 SPECIFICATION NUMBER: S252T002-1 OPTIONAL PART: 10-774 V14818	002004 006999	1

MISSING ITEM NUMBERS NOT APPLICABLE

- ITEM NOT ILLUSTRATED

BRI

27-31-13-05

BOEING PROPRIETARY - Copyright © - Unpublished Work - See title page for details.

27-31-13  
FIG. 05  
PAGE 2  
JAN 20/09



757

PARTS CATALOG (MAINTENANCE)

FIG ITEM	PART NUMBER	1 2 3 4 5 6 7	NOMENCLATURE	EFFECT FROM TO	UNITS PER ASSY
5					
21	10-774	..	SCREEN- SUPPLIER CODE: V14818 SPECIFICATION NUMBER: S252T002-1 OPTIONAL PART: 26570 V18350 1745174 V90005 OPTIONAL PART: 26570 V18350	002004 006999	1
23	211C223-199	..	SWITCH- SUPPLIER CODE: V02750 SPECIFICATION NUMBER: S271T452-5 ELECTRICAL EQUIP NUMBER: S10263 COMPONENT MAINT MANUAL REF: 27-09-02 OPTIONAL PART: 211C223-517 V02750	002004 006999	1
25	NAS1612-6	..	PACKING-	002004 006999	1
26	NAS1612-6	..	PACKING-	002004 006999	1
30	211C223-323	..	SWITCH- SUPPLIER CODE: V02750 SPECIFICATION NUMBER: S271T452-12 COMPONENT MAINT MANUAL REF: 27-09-02 OPTIONAL PART: 211C223-216 V02750 211C223-523 V02750 OPTIONAL PART: 211C223-216 V02750	002004 006999	1

MISSING ITEM NUMBERS NOT APPLICABLE

- ITEM NOT ILLUSTRATED

BRI

27-31-13-05

BOEING PROPRIETARY - Copyright © - Unpublished Work - See title page for details.

27-31-13  
FIG. 05  
PAGE 3  
JAN 20/09



757

PARTS CATALOG (MAINTENANCE)

FIG ITEM	PART NUMBER	1 2 3 4 5 6 7	NOMENCLATURE	EFFECT FROM TO	UNITS PER ASSY
5					
30	211C223-216	..	SWITCH- SUPPLIER CODE: V02750 SPECIFICATION NUMBER: S271T452-12 ELECTRICAL EQUIP NUMBER: S10266 COMPONENT MAINT MANUAL REF: 27-09-02 OPTIONAL PART: 211C223-323 V02750 211C223-523 V02750 OPTIONAL PART: 211C223-323 V02750	002004 006999	1
30	211C223-523	..	SWITCH-LOW PRESSURE SUPPLIER CODE: V02750 SPECIFICATION NUMBER: S271T452-12 ELECTRICAL EQUIP NUMBER: S10266 COMPONENT MAINT MANUAL REF: 29-09-05 OPTIONAL PART: 211C223-323 V02750 211C223-216 V02750	002004 006999	1
35	NAS1612-8	..	PACKING-	002004 006999	1
40	B387-6	..	CAP-SHIPPING SUPPLIER CODE: V95760	002004 006999	1
45	NAS813-14	..	CAP-PROTECTIVE	002004 006999	2
- 200	286N2821-002		WIRE BUNDLE ASSY-	107107 904949	RF
- 200	286N2821-005		WIRE BUNDLE ASSY-	002004 006100 950999	RF
- 200	286N2821-016		WIRE BUNDLE ASSY-	121503	RF
- 200	286N2821-601		WIRE BUNDLE ASSY-	103106	RF

MISSING ITEM NUMBERS NOT APPLICABLE

- ITEM NOT ILLUSTRATED

27-31-13-05

27-31-13  
FIG. 05  
PAGE 4  
JAN 20/09

BRI



757

PARTS CATALOG (MAINTENANCE)

FIG ITEM	PART NUMBER	1 2 3 4 5 6 7	NOMENCLATURE	EFFECT FROM TO	UNITS PER ASSY
5 205	G899312		.CLAMP- SUPPLIER CODE: V06324 SPECIFICATION NUMBER: BACC10HF12A OPTIONAL PART: G8993M12 V06324 S2251-12-8 V07418 6000-123-0012 V14283 900-555F12-34 V31461 ELECTRICAL EQUIP NUMBER: D03432T D03436T WIRING DIAGRAM REF: 272311	002004 006100 103107 121503 904999	2
210	R071012A3SNL		.CONNECTOR- SUPPLIER CODE: V41118 SPECIFICATION NUMBER: BACC63BP12A3SNL ELECTRICAL EQUIP NUMBER: D03432 WIRING DIAGRAM REF: 272311	002004 006100 103107 121503 904999	1
215	R071012AS10L		.CONNECTOR- SUPPLIER CODE: V41118 SPECIFICATION NUMBER: BCREF100882 OVERLENGTH PART NUMBER: BACC63BP12A3S10L ELECTRICAL EQUIP NUMBER: D03436 WIRING DIAGRAM REF: 272311	002004 006100 103107 121503 904999	1
900			ILLUSTRATION REFERENCE: PLUMBING INSTL-SECT. 48 (RUDDER AND ELEVATOR HYDRAULIC SYSTEMS ONLY) 27-23-00-01	002004 006100 107107 121503 904999	RF

MISSING ITEM NUMBERS NOT APPLICABLE

- ITEM NOT ILLUSTRATED

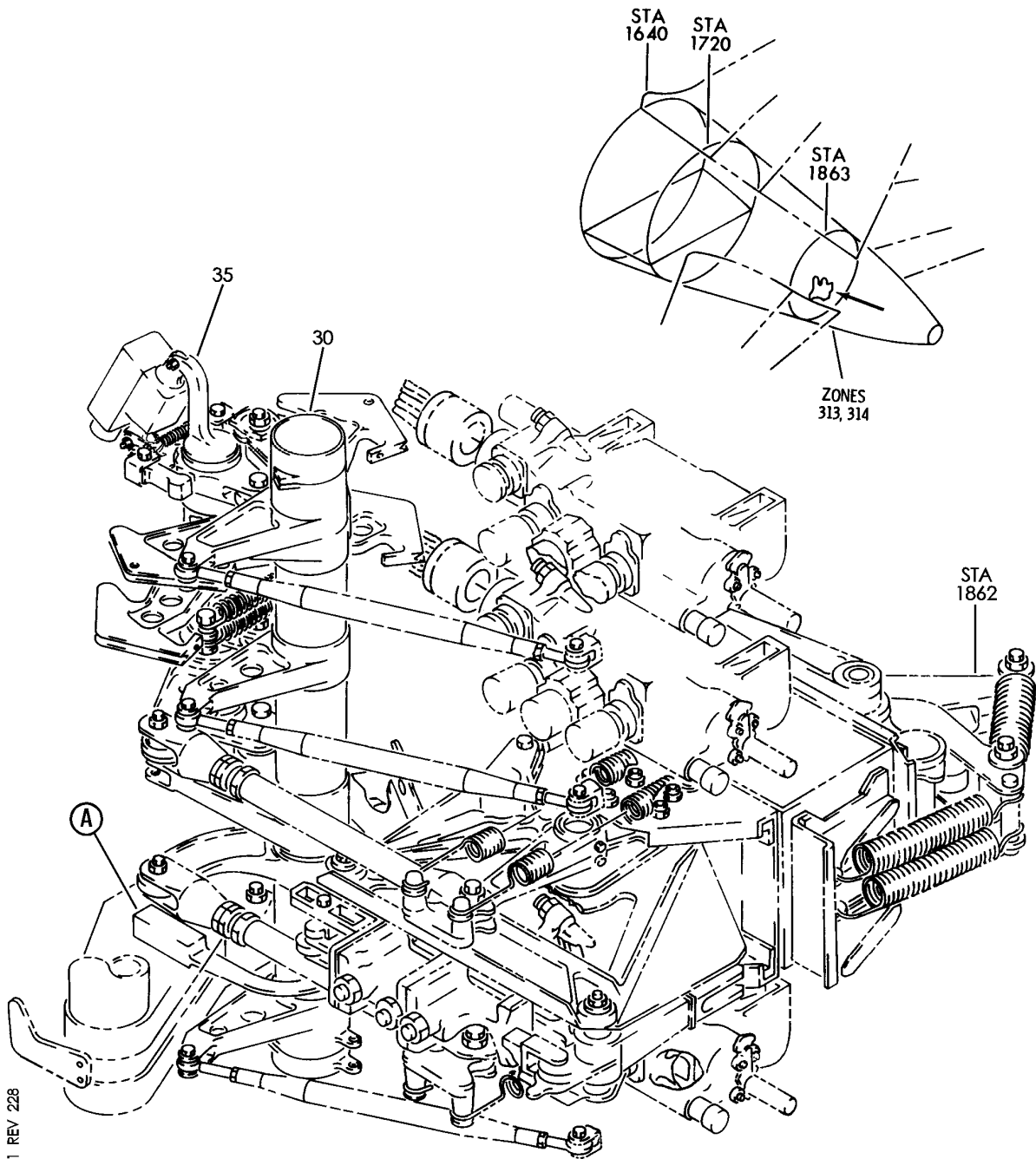
BRI

27-31-13-05

BOEING PROPRIETARY - Copyright © - Unpublished Work - See title page for details.

27-31-13  
FIG. 05  
PAGE 5  
JAN 20/09

**BOEING**  
757  
PARTS CATALOG (MAINTENANCE)



Y 27311501 SHT 1 REV 228

MECHANISM INSTL-ELEV CONT AFT  
FIGURE 1 (SHEET 1)

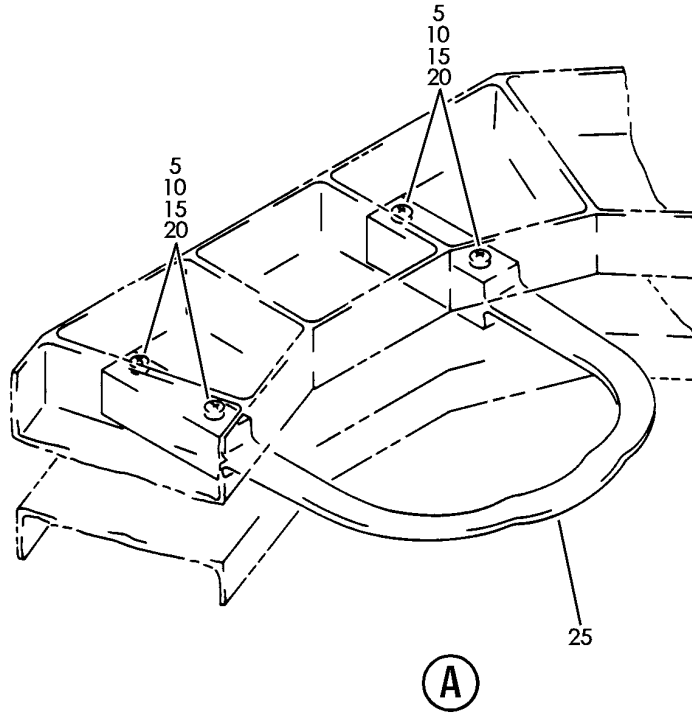
**27-31-15-01**

BRI  
MAY 28/07

27-31-15-01  
PAGE 0



**BOEING**  
757  
PARTS CATALOG (MAINTENANCE)



Y 27311501 SHT 2 REV 228

MECHANISM INSTL-ELEV CONT AFT  
FIGURE 1 (SHEET 2)

**27-31-15-01**

BRI  
MAY 28/07

27-31-15-01  
PAGE 0A



757

PARTS CATALOG (MAINTENANCE)

FIG ITEM	PART NUMBER	1 2 3 4 5 6 7	NOMENCLATURE	EFFECT FROM TO	UNITS PER ASSY
1			MECHANISM INSTL-ELEV CONT AFT	002004 006999	RF
- 1	251N2003-21		MECHANISM INSTL-ELEV CONT POSITION DATA: AFT	101102 108120 504903	RF
- 1	251N2003-5		FOR NHA/ADDITIONAL DET SEE: 27-00-00-22 MECHANISM INSTL-ELEV CONT POSITION DATA: AFT	002004 006100 107107	RF
- 2	MODREF31661		FOR NHA/ADDITIONAL DET SEE: 27-31-00-02 MECHANISM INSTL-ELEV CONT MODULE NUMBER: 251N2003-24 REV B POSITION DATA: AFT	121503 904999 103105	1
- 2	MODREF171484		MECHANISM INSTL-ELEV CONT MODULE NUMBER: 251N2003-24 REV D POSITION DATA: AFT	106106	1
	5 NAS623-3-20		.SCREW	002004 006999	4
	10 AN960PD10		.WASHER	002004 006999	4
	15 BRH10A3		.NUT SUPPLIER CODE: V52828 SPECIFICATION NUMBER: BACN10JC3 OPTIONAL PART: H10-3BAC V15653 NS202101-02 V80539 RMLH9075-3W V72962 VN303A02 V92215 96-02 V80539 T6S1032J V11815	002004 006999	4
	20 NAS73-3E003		.BUSHING	002004 006999	4

MISSING ITEM NUMBERS NOT APPLICABLE

- ITEM NOT ILLUSTRATED

BRI

27-31-15-01

27-31-15  
FIG. 01  
PAGE 1  
JAN 20/09



757

PARTS CATALOG (MAINTENANCE)

FIG ITEM	PART NUMBER	1 2 3 4 5 6 7	NOMENCLATURE	EFFECT FROM TO	UNITS PER ASSY
1					
25	251N2491-1	.	INDEXER- OPTIONAL PART: 251N2812-1	002004 006999	1
25	251N2812-1	.	INDEXER ASSY- OPTIONAL PART: 251N2491-1	002004 006999	1
30	251N2061-24	.	QUADRANT ASSY-PILOT COMPONENT MAINT MANUAL REF: 27-31-70 OPTIONAL PART: 251N2061-30 251N2061-31 251N2061-33	002004 006999	1
30	251N2061-30	.	QUADRANT ASSY-PILOT COMPONENT MAINT MANUAL REF: 27-31-70 OPTIONAL PART: 251N2061-24 251N2061-31 251N2061-33	002004 006999	1
30	251N2061-31	.	QUADRANT ASSY-PILOT COMPONENT MAINT MANUAL REF: 27-31-70 OPTIONAL PART: 251N2061-24 251N2061-30	002004 006999	1
30	251N2061-33	.	QUADRANT ASSY-PILOT COMPONENT MAINT MANUAL REF: 27-31-70 OPTIONAL PART: 251N2061-24 251N2061-30	101106 108120 504903	1
35	251N2061-26	.	QUADRANT ASSY-CO-PILOT COMPONENT MAINT MANUAL REF: 27-31-70 OPTIONAL PART: 251N2061-32	002004 006999	1
35	251N2061-32	.	QUADRANT ASSY-CO-PILOT OPTIONAL PART: 251N2061-26	002004 006999	1

MISSING ITEM NUMBERS NOT APPLICABLE

- ITEM NOT ILLUSTRATED

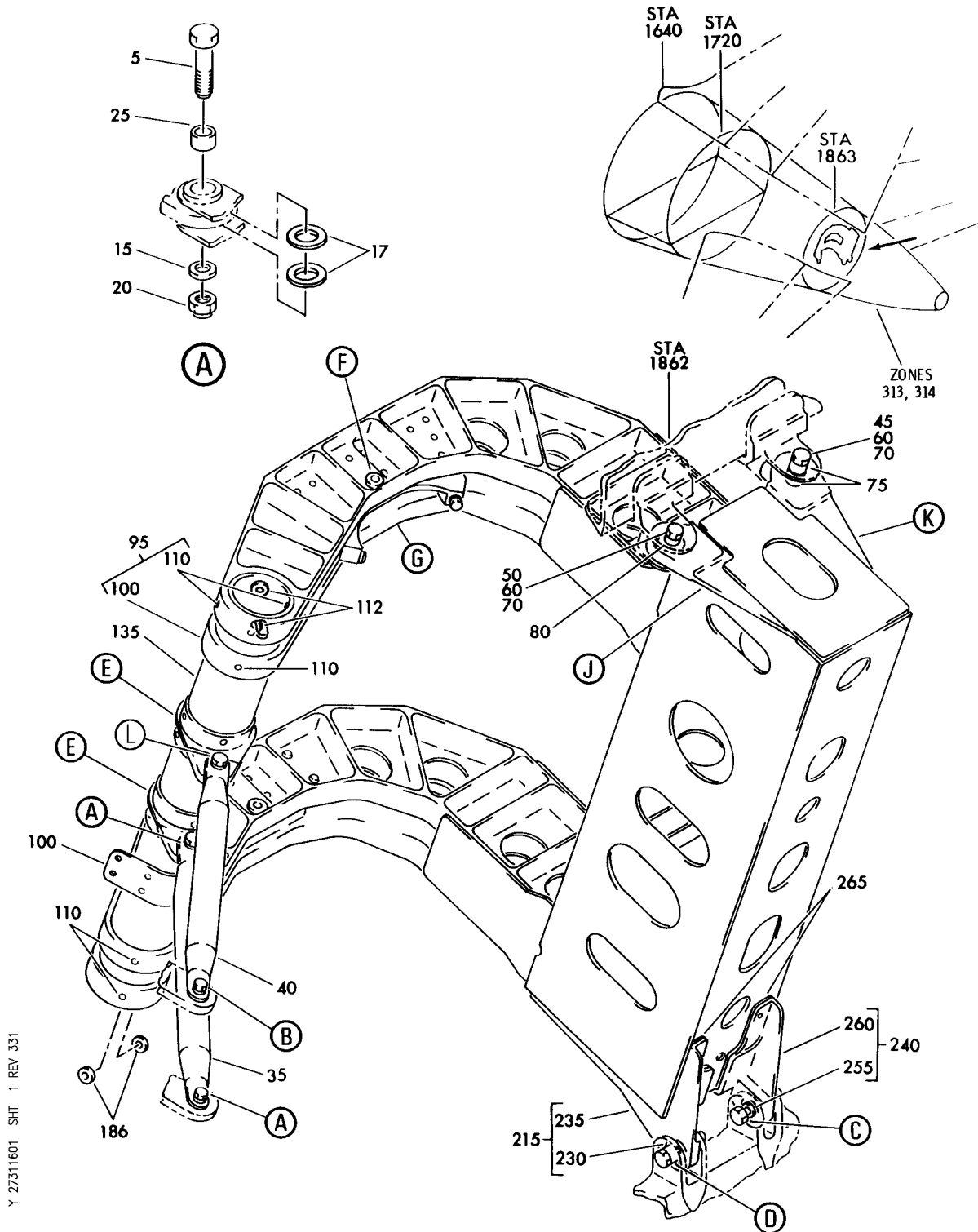
27-31-15-01

27-31-15  
FIG. 01  
PAGE 2  
JAN 20/09

BRI

BOEING PROPRIETARY - Copyright © - Unpublished Work - See title page for details.

**BOEING**  
757  
PARTS CATALOG (MAINTENANCE)



Y 27311601 SHT 1 REV 331

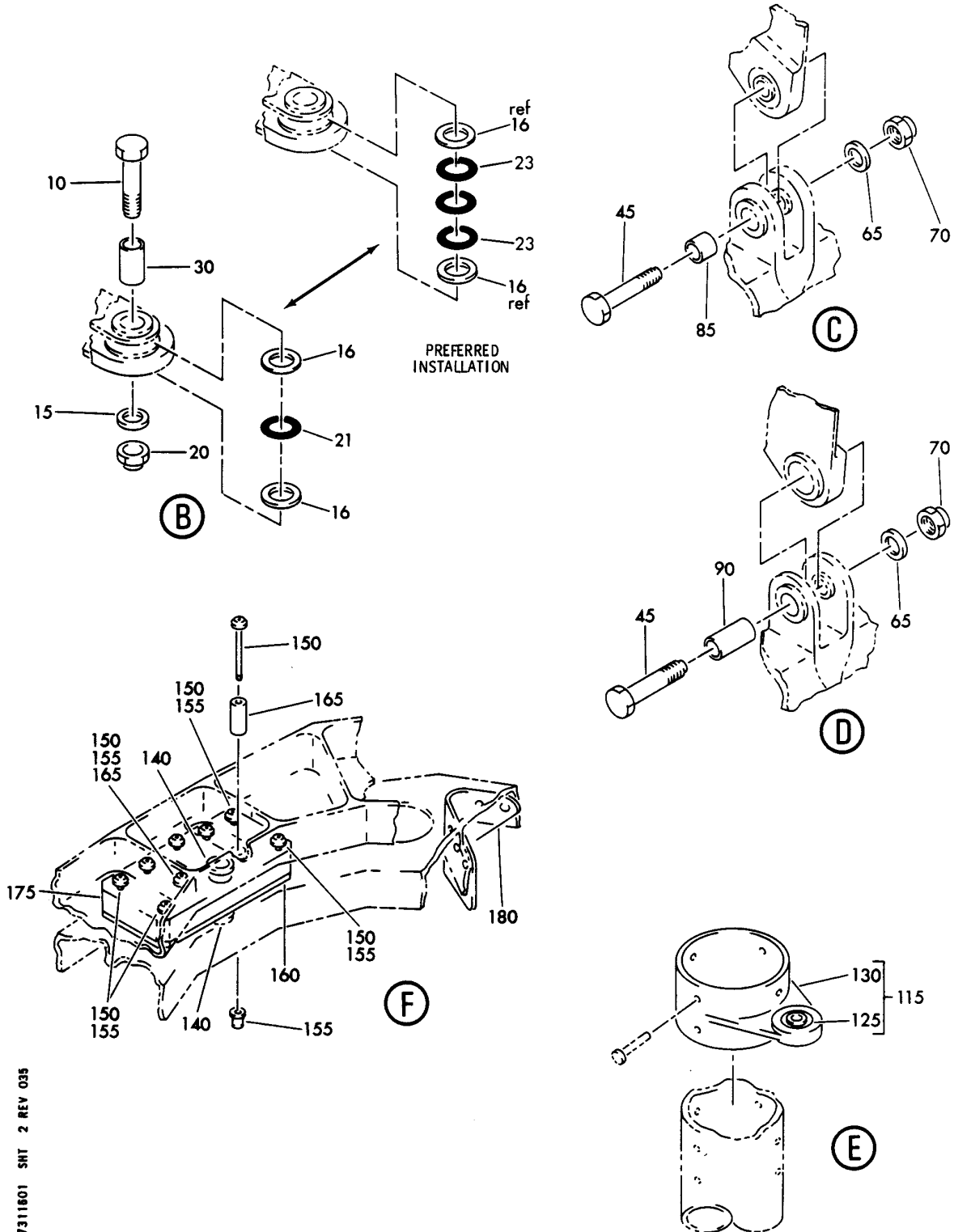
BOX INSTL-ELEV CONT AFT MECH TORQUE  
FIGURE 1 (SHEET 1)

**27-31-16-01**

BRI  
JAN 20/09

27-31-16-01  
PAGE 0

**BOEING**  
757  
PARTS CATALOG (MAINTENANCE)



Y 27311601 SHT 2 REV 035

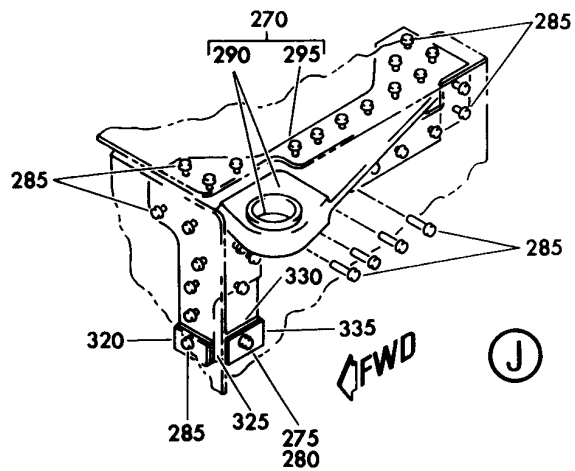
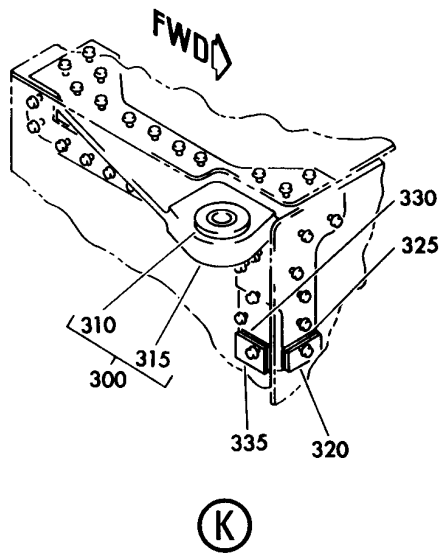
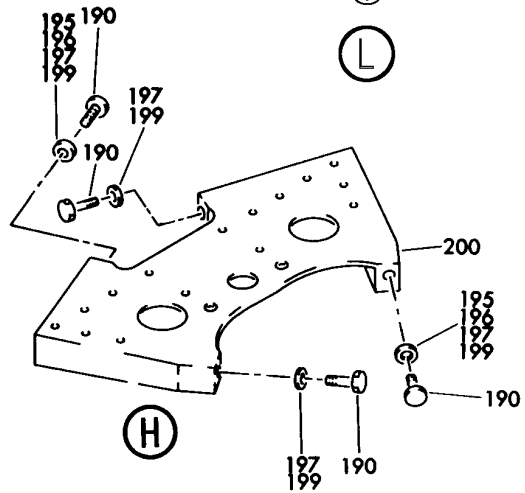
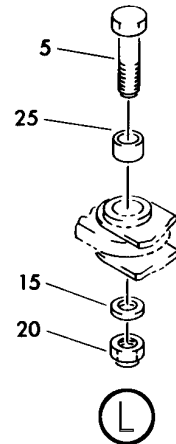
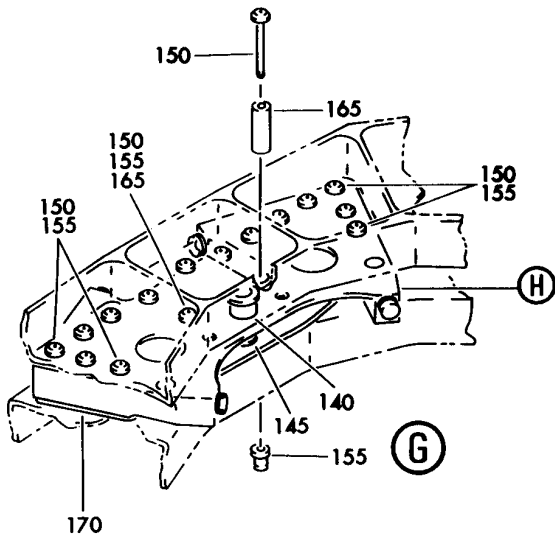
BOX INSTL-ELEV CONT AFT MECH TORQUE  
FIGURE 1 (SHEET 2)

**27-31-16-01**

BRI  
MAY 28/07

27-31-16-01  
PAGE 0A

**BOEING**  
757  
PARTS CATALOG (MAINTENANCE)



Y 27311601 SHT 3 REV 331

BOX INSTL-ELEV CONT AFT MECH TORQUE  
FIGURE 1 (SHEET 3)

**27-31-16-01**

BRI  
JAN 20/09

27-31-16-01  
PAGE 0B



757

PARTS CATALOG (MAINTENANCE)

FIG ITEM	PART NUMBER	1 2 3 4 5 6 7	NOMENCLATURE	EFFECT FROM TO	UNITS PER ASSY
1			BOX INSTL-ELEV CONT AFT MECH TORQUE	002004 006999	
- 1	251N2022-1		BOX INSTL-ELEV CONT MECH TORQUE POSITION DATA: AFT FOR NHA SEE: 27-31-00-02	002004 006100 107107 121503 904999	RF
- 1	251N2022-2		BOX INSTL-ELEV CONT MECH TORQUE POSITION DATA: AFT FOR NHA SEE: 27-30-00-01A	101102 108120 504903	RF
- 1	MODREF7341		BOX INSTL-ELEV CONT MECH TORQUE MODULE NUMBER: 251N2022-2 REV A POSITION DATA: AFT	103106	1
5	BACB30LJ6U16		.BOLT	002004 006999	3
10	BACB30LJ6U18		.BOLT	002004 006999	1
15	NAS1149D0663J		.WASHER-	002004 006999	4
16	NAS1515M10L		.WASHER-	002004 006999	2
17	NAS1515M10L		.WASHER	002004 006999	4
20	BRH10C6D		.NUT SUPPLIER CODE: V52828 SPECIFICATION NUMBER: BACN10JC6CD OPTIONAL PART: H51650-6BAC V15653	002004 006999	4
23	NAS1611-113		.PACKING-	002004 006999	3
25	BACB28AK06-031		.BUSHING	002004 006999	3
30	BACB28AK06-091		.BUSHING	002004 006999	1
35	250N2004-1002		.ROD ASSY- COMPONENT MAINT MANUAL REF: 27-00-12	002004 006999	1

MISSING ITEM NUMBERS NOT APPLICABLE

- ITEM NOT ILLUSTRATED

27-31-16-01

27-31-16  
FIG. 01  
PAGE 1  
JAN 20/09

BRI



757

PARTS CATALOG (MAINTENANCE)

FIG ITEM	PART NUMBER	1 2 3 4 5 6 7	NOMENCLATURE	EFFECT FROM TO	UNITS PER ASSY
1					
40	250N2004-1003		.ROD ASSY- COMPONENT MAINT MANUAL REF: 27-00-12	002004 006999	1
45	BACB30LJ8U28		.BOLT-	002004 006999	3
50	BACB30LJ8U24		.BOLT	002004 006999	1
60	NAS1149D0863J		.WASHER-	002004 006999	2
65	NAS1149C0863B		.WASHER-	002004 006999	2
70	69235-820CD		.NUT SUPPLIER CODE: V92215 SPECIFICATION NUMBER: BACN10JC8CD OPTIONAL PART: 102LH9074-8 V72962 BMN4122CPD8-8 V97928 H51650-8BAC V15653	002004 006999	4
75	BACB28AK08-054		.BUSHING	002004 006999	2
80	BACB28AK08-120		.BUSHING	002004 006999	1
85	BACB28AK08-064		.BUSHING-	002004 006999	1
90	BACB28AK08-144		.BUSHING-	002004 006999	1
95	251N2435-16		.BOX ASSY-	002004 121503 904949 952952	1
95	251N2435-18		.BOX ASSY-	006106 108120 504903 950951 953999	1
95	251N2435-11		.BOX ASSY-	107107	1
100	251N2692-2		..CLIP	002004 006999	2
			ATTACHING PARTS		
- 105	MS90354-6		..RIVET- SIZE DETERMINED ON INSTL. -----*-----	002004 006999	4
110	MS90354-6		..RIVET- SIZE DETERMINED ON INSTL.	002004 006999	14

MISSING ITEM NUMBERS NOT APPLICABLE

- ITEM NOT ILLUSTRATED

27-31-16-01

27-31-16  
FIG. 01  
PAGE 2  
JAN 20/09

BRI

BOEING PROPRIETARY - Copyright © - Unpublished Work - See title page for details.





757

PARTS CATALOG (MAINTENANCE)

FIG ITEM	PART NUMBER	1 2 3 4 5 6 7	NOMENCLATURE	EFFECT FROM TO	UNITS PER ASSY
1					
112	251N2437-6	..	WASHER	002004 006999	2
115	251N2501-1	..	LEVER ASSY- OPTIONAL PART: 251N2501-5 USED ON: 251N2435-5 251N2435-9	002004 006999	2
115	251N2501-5	..	LEVER ASSY- USED ON: 251N2435-11 251N2435-13 251N2435-14 USED ON: 251N2435-4 251N2435-8 251N2435-5 251N2435-9 ATTACHING PARTS	002004 006999	2
- 120	MS90354-6	..	RIVET- SIZE DETERMINED ON INSTL. -----*-----	002004 006999	16
125	HTES06VC	...	BEARING SUPPLIER CODE: VS0352 SPECIFICATION NUMBER: BACB10ES06GC OPTIONAL PART: NCO6TG5C V56644	002004 006999	1
130	251N2501-3	...	LEVER- USED ON: 251N2501-1	002004 006999	1
130	251N2501-2	...	LEVER- USED ON: 251N2501-5	002004 006999	1
135	251N2502-4	..	TUBE ASSY	002004 006999	1
140	BACB28X9M041	..	BUSHING	002004 006999	3
145	BACB28X6C038	..	BUSHING	002004 006999	1
150	BACB30MY6K	..	BOLT- SIZE DETERMINED ON INSTL.	002004 006999	25

MISSING ITEM NUMBERS NOT APPLICABLE

- ITEM NOT ILLUSTRATED

27-31-16-01

27-31-16  
FIG. 01  
PAGE 3  
JAN 20/09

BRI



757

PARTS CATALOG (MAINTENANCE)

FIG ITEM	PART NUMBER	1 2 3 4 5 6 7	NOMENCLATURE	EFFECT FROM TO	UNITS PER ASSY
1					
155	HL79-6	..	COLLAR SUPPLIER CODE: V5M902 SPECIFICATION NUMBER: BACC30M6 OPTIONAL PART: HL79-6 V73197 HL79-6 V92215 66014-6 V56878 HL79-6 V56878	002004 006999	25
160	251N2490-1	..	SPACER	002004 006999	1
165	NAS42DD6-64	..	SPACER-	002004 006999	4
170	251N2488-1	..	SPACER	002004 006999	1
175	251N2489-1	..	FILLER	002004 006999	1
180	251N2692-1	..	CLIP	002004 006999	1
			ATTACHING PARTS		
- 185	BACR15FT5D	..	RIVET- SIZE DETERMINED ON INSTL. -----*-----	002004 006999	5
186	251N2437-6	..	WASHER	002004 006999	2
190	NAS428H4-5	..	BOLT-	002004 006999	4
195	AN960D416L	..	WASHER-	002004 006999	2
196	AN960D416	..	WASHER-	002004 006999	2
197	AN960D416L	..	WASHER	002004 006106 108999	4
199	AN960D416	..	WASHER	002004 006106 108999	4
200	251N2487-1	..	STOP ASSY-QUADRANT POSITION DATA: UPR	107107	1
200	251N2487-3	..	STOP ASSY-QUADRANT POSITION DATA: UPR	002004 006106 108999	1

MISSING ITEM NUMBERS NOT APPLICABLE

- ITEM NOT ILLUSTRATED

27-31-16-01

27-31-16  
FIG. 01  
PAGE 4  
JAN 20/09

BRI

BOEING PROPRIETARY - Copyright © - Unpublished Work - See title page for details.

 **BOEING**  
757  
**PARTS CATALOG (MAINTENANCE)**

FIG ITEM	PART NUMBER	1 2 3 4 5 6 7	NOMENCLATURE	EFFECT FROM TO	UNITS PER ASSY
1					
215	251N2677-1	..	SUPPORT ASSY- POSITION DATA: LWR	002004 006999	1
215	251N2677-3	..	SUPPORT ASSY- POSITION DATA: LWR OPTIONAL PART: 251N2677-1 ATTACHING PARTS	002004 006999	1
- 220	BACB30MY6K	..	BOLT- SIZE DETERMINED ON INSTL.	002004 006999	7
- 225	HL79-6	..	COLLAR SUPPLIER CODE: V5M902 SPECIFICATION NUMBER: BACC30M6 OPTIONAL PART: HL79-6 V73197 HL79-6 V92215 66014-6 V56878 HL79-6 V56878 -----*-----	002004 006999	7
230	BACB28X16C025	...	BUSHING	002004 006999	2
235	251N2677-5	...	SUPPORT- USED ON: 251N2677-1	002004 006999	1
240	251N2677-2	..	SUPPORT ASSY- POSITION DATA: LWR	002004 006999	1
240	251N2677-4	..	SUPPORT ASSY- POSITION DATA: LWR OPTIONAL PART: 251N2677-2 ATTACHING PARTS	002004 006999	1
- 245	BACB30MY6K	..	BOLT- SIZE DETERMINED ON INSTL.	002004 006999	7

MISSING ITEM NUMBERS NOT APPLICABLE

- ITEM NOT ILLUSTRATED

BRI

# 27-31-16-01

BOEING PROPRIETARY - Copyright © - Unpublished Work - See title page for details.

27-31-16  
FIG. 01  
PAGE 5  
JAN 20/09

**BOEING**  
757  
**PARTS CATALOG (MAINTENANCE)**

FIG ITEM	PART NUMBER	1 2 3 4 5 6 7	NOMENCLATURE	EFFECT FROM TO	UNITS PER ASSY
1 - 250	HL79-6		.. COLLAR SUPPLIER CODE: V5M902 SPECIFICATION NUMBER: BACC30M6 OPTIONAL PART: HL79-6 V73197 HL79-6 V92215 66014-6 V56878 HL79-6 V56878	002004 006999	7
R R R R R R R R R R R R R R R	255 ADW8V301C		-----*----- ... BEARING- SUPPLIER CODE: V15860 SPECIFICATION NUMBER: BACB10ER08GC OPTIONAL PART: KSC152100B8GC V50632 03-826-08E013C V09455 KWDB8-31 V97613 WHTER08VC VS0352 WC08TG5C V56644 BACB10FA08GC	002004 006999	1
	255 ADW08V301NC		... BEARING- SUPPLIER CODE: V15860 SPECIFICATION NUMBER: BACB10FA08GC OPTIONAL PART: SWKRS08-350SC V81376 KSC152200BZ08GC V50632 KWDB08-35 V97613 WES08FAGC V73134 WHTFA08VC VS0352 BACB10ER08GC	002004 006999	1

MISSING ITEM NUMBERS NOT APPLICABLE

- ITEM NOT ILLUSTRATED

BRI

# 27-31-16-01

BOEING PROPRIETARY - Copyright © - Unpublished Work - See title page for details.

27-31-16  
FIG. 01  
PAGE 6  
MAY 20/09



757

PARTS CATALOG (MAINTENANCE)

FIG ITEM	PART NUMBER	1 2 3 4 5 6 7	NOMENCLATURE	EFFECT FROM TO	UNITS PER ASSY
1					
260	251N2677-6	...	SUPPORT- USED ON: 251N2677-2	002004 006999	1
265	251N2664-4	..	SHIM	002004 006999	2
270	251N2481-13	..	SUPPORT ASSY-	002004 006999	1
270	251N2481-16	..	SUPPORT ASSY- OPTIONAL PART: 251N2481-13 ATTACHING PARTS	002004 006106 108999	1
275	BACB30NW6K	..	BOLT- SIZE DETERMINED ON INSTL.	002004 006999	1
280	HL79-6	..	COLLAR SUPPLIER CODE: V5M902 SPECIFICATION NUMBER: BACC30M6 OPTIONAL PART: HL79-6 V73197 HL79-6 V92215 66014-6 V56878 HL79-6 V56878	002004 006999	1
285	BACR15FT6AD	..	RIVET- SIZE DETERMINED ON INSTL. -----*-----	002004 006999	30
290	BACB28X14C025	...	BUSHING	002004 006999	2
295	251N2481-14	...	SUPPORT-	002004 006999	1
295	251N2481-18	...	SUPPORT- USED ON: 251N2481-16	002004 006106 108999	1
300	251N2481-11	..	SUPPORT ASSY- OPTIONAL PART: 251N2481-15	002004 006999	1
300	251N2481-15	..	SUPPORT ASSY- OPTIONAL PART: 251N2481-11 ATTACHING PARTS	002004 006999	1
- 305	BACR15FT6AD	..	RIVET- SIZE DETERMINED ON INSTL. -----*-----	002004 006999	33

MISSING ITEM NUMBERS NOT APPLICABLE

- ITEM NOT ILLUSTRATED

27-31-16-01

27-31-16  
FIG. 01  
PAGE 7  
JAN 20/09

BRI

BOEING PROPRIETARY - Copyright © - Unpublished Work - See title page for details.



757

PARTS CATALOG (MAINTENANCE)

FIG ITEM	PART NUMBER	1 2 3 4 5 6 7	NOMENCLATURE	EFFECT FROM TO	UNITS PER ASSY
R R R R R R R R R R R R	1 310	ADW8V301C	... BEARING- SUPPLIER CODE: V15860 SPECIFICATION NUMBER: BACB10ER08GC OPTIONAL PART: KSC152100B8GC V50632 03-826-08E013C V09455 KWDB8-31 V97613 WHTER08VC VS0352 WC08TG5C V56644 BACB10FA08GC	002004 006999	1
	310	ADW08V301NC	... BEARING- SUPPLIER CODE: V15860 SPECIFICATION NUMBER: BACB10FA08GC OPTIONAL PART: SWKRS08-350SC V81376 KSC152200BZ08GC V50632 KWDB08-35 V97613 WES08FAGC V73134 WHTFA08VC VS0352 BACB10ER08GC	002004 006999	1
	315	251N2481-3	... SUPPORT- USED ON: 251N2481-11	002004 006999	1
	315	251N2481-17	... SUPPORT- USED ON: 251N2481-15	002004 006999	1
	- 317	251N2435-15	.. SHIM- QUALIFIED OPTIONAL DATA: (BACS40R09B15F AND/OR BACS40R09C15F OPT. TO 251N2435-15)	002004 006999	1

MISSING ITEM NUMBERS NOT APPLICABLE

- ITEM NOT ILLUSTRATED

27-31-16-01

27-31-16  
FIG. 01  
PAGE 8  
MAY 20/09

BRI



757

PARTS CATALOG (MAINTENANCE)

FIG ITEM	PART NUMBER	1 2 3 4 5 6 7	NOMENCLATURE	EFFECT FROM TO	UNITS PER ASSY
1 320	BACS40R09B15F	..	SHIM- QUALIFIED OPTIONAL DATA: (BACS40R09B15F AND/OR BACS40R09C15F OPT. TO 251N2435-15)	002004 006999	2
325	BACS40R09C15F	..	SHIM- QUALIFIED OPTIONAL DATA: (BACS40R09B15F AND/OR BACS40R09C15F OPT. TO 251N2435-15)	002004 006999	2
330	BACS40R011B16F	..	SHIM	002004 006999	2
335	BACS40R011C16F	..	SHIM	002004 006999	2

MISSING ITEM NUMBERS NOT APPLICABLE

- ITEM NOT ILLUSTRATED

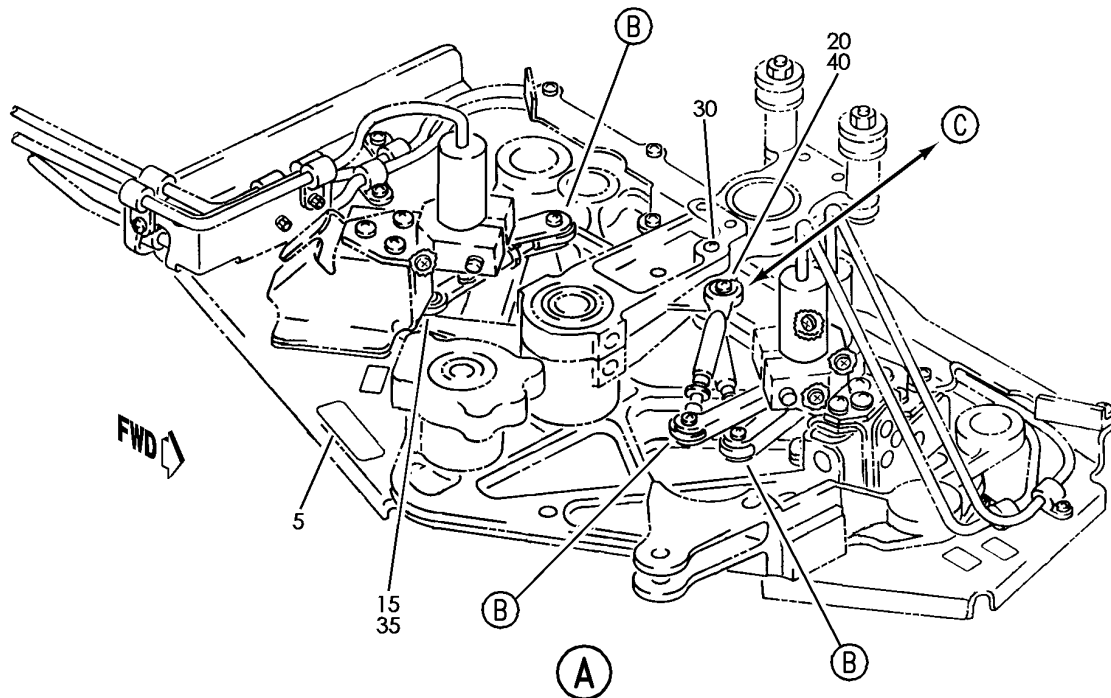
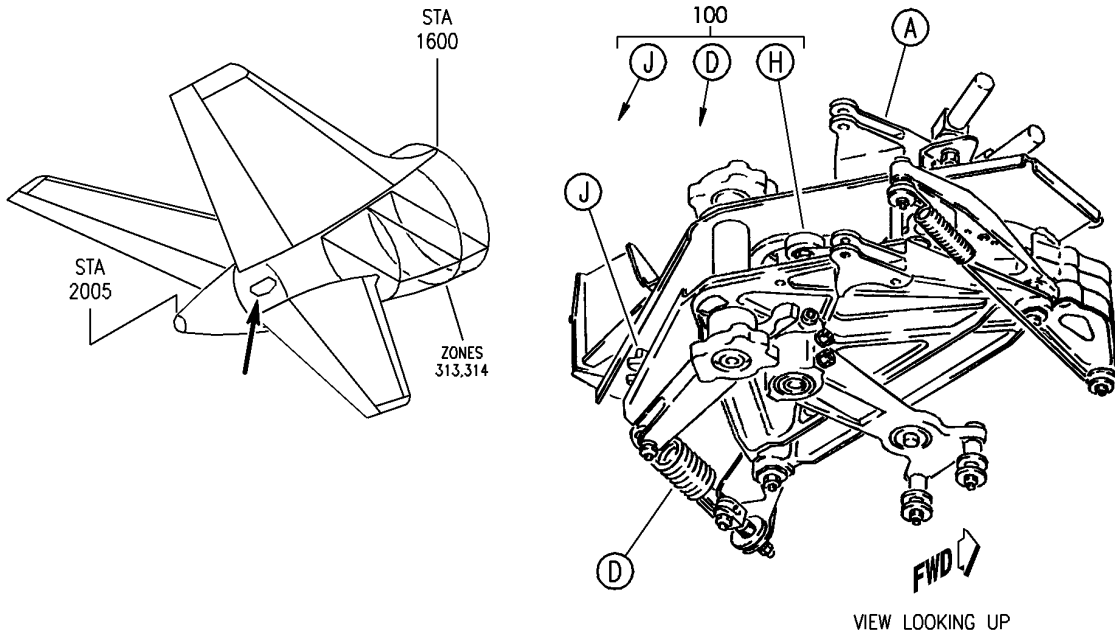
BRI

27-31-16-01

BOEING PROPRIETARY - Copyright © - Unpublished Work - See title page for details.

27-31-16  
FIG. 01  
PAGE 9  
MAY 20/09

**BOEING**  
757  
PARTS CATALOG (MAINTENANCE)



Y 27311701 SHT 1 REV 244

UNIT ASSY-FEEL AND CENTERING (ELEVATOR FEEL UNIT ONLY)  
FIGURE 1 (SHEET 1)

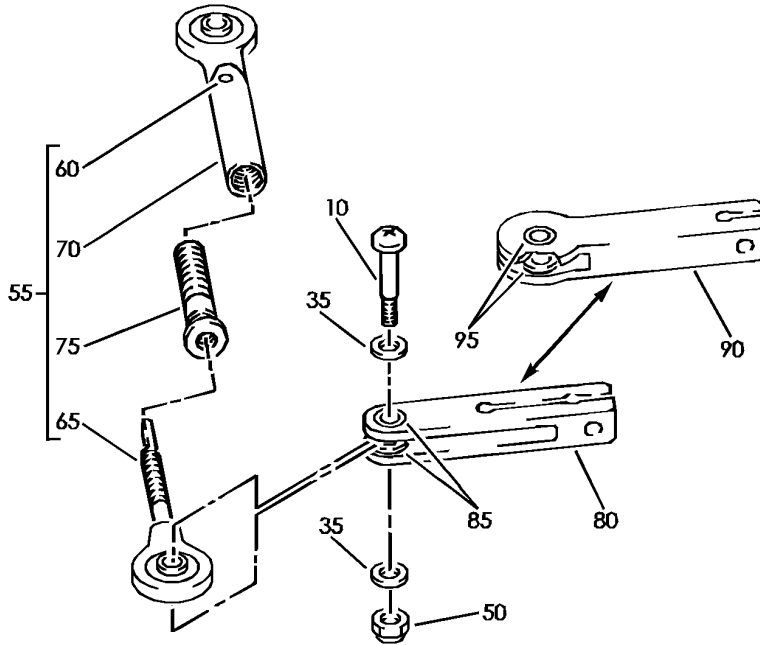
**27-31-17-01**

BRI  
MAY 28/07

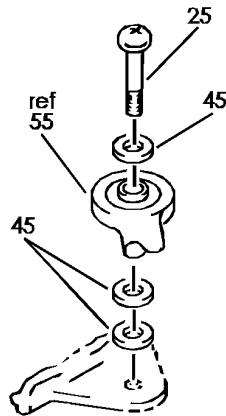
27-31-17-01  
PAGE 0



**BOEING**  
757  
PARTS CATALOG (MAINTENANCE)



(B)



(C)

Y 27311701 SH1 2 REV 244

UNIT ASSY-FEEL AND CENTERING (ELEVATOR FEEL UNIT ONLY)  
FIGURE 1 (SHEET 2)

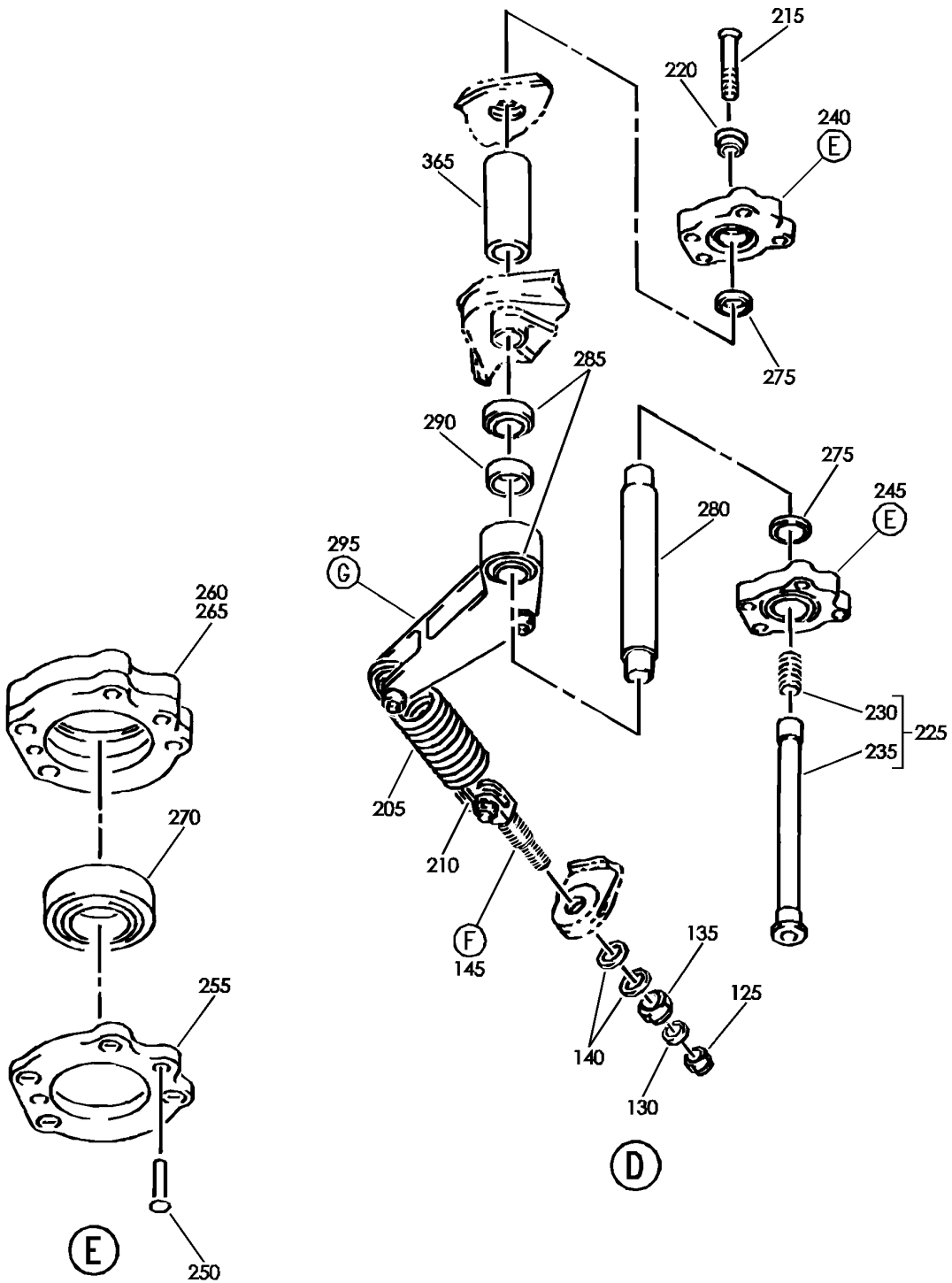
**27-31-17-01**

BRI  
MAY 28/07

27-31-17-01  
PAGE 0A

BOEING PROPRIETARY - Copyright © - Unpublished Work - See title page for details.

**BOEING**  
757  
PARTS CATALOG (MAINTENANCE)



Y 27311701 SHT 3 REV 244

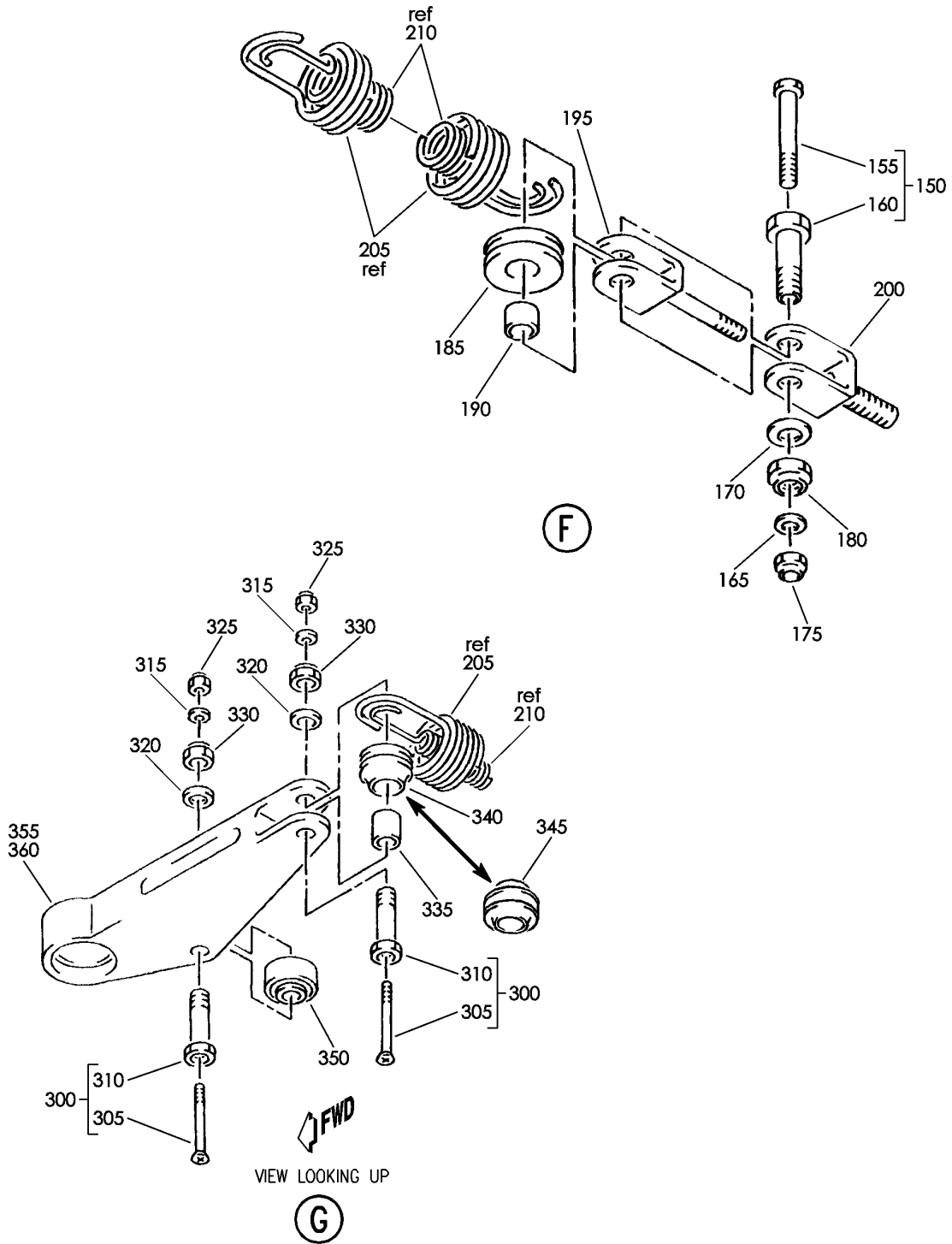
UNIT ASSY-FEEL AND CENTERING (ELEVATOR FEEL UNIT ONLY)  
FIGURE 1 (SHEET 3)

**27-31-17-01**

BRI  
MAY 28/07

27-31-17-01  
PAGE 0B

**BOEING**  
757  
PARTS CATALOG (MAINTENANCE)



Y 27311701 SH 4 REV 244

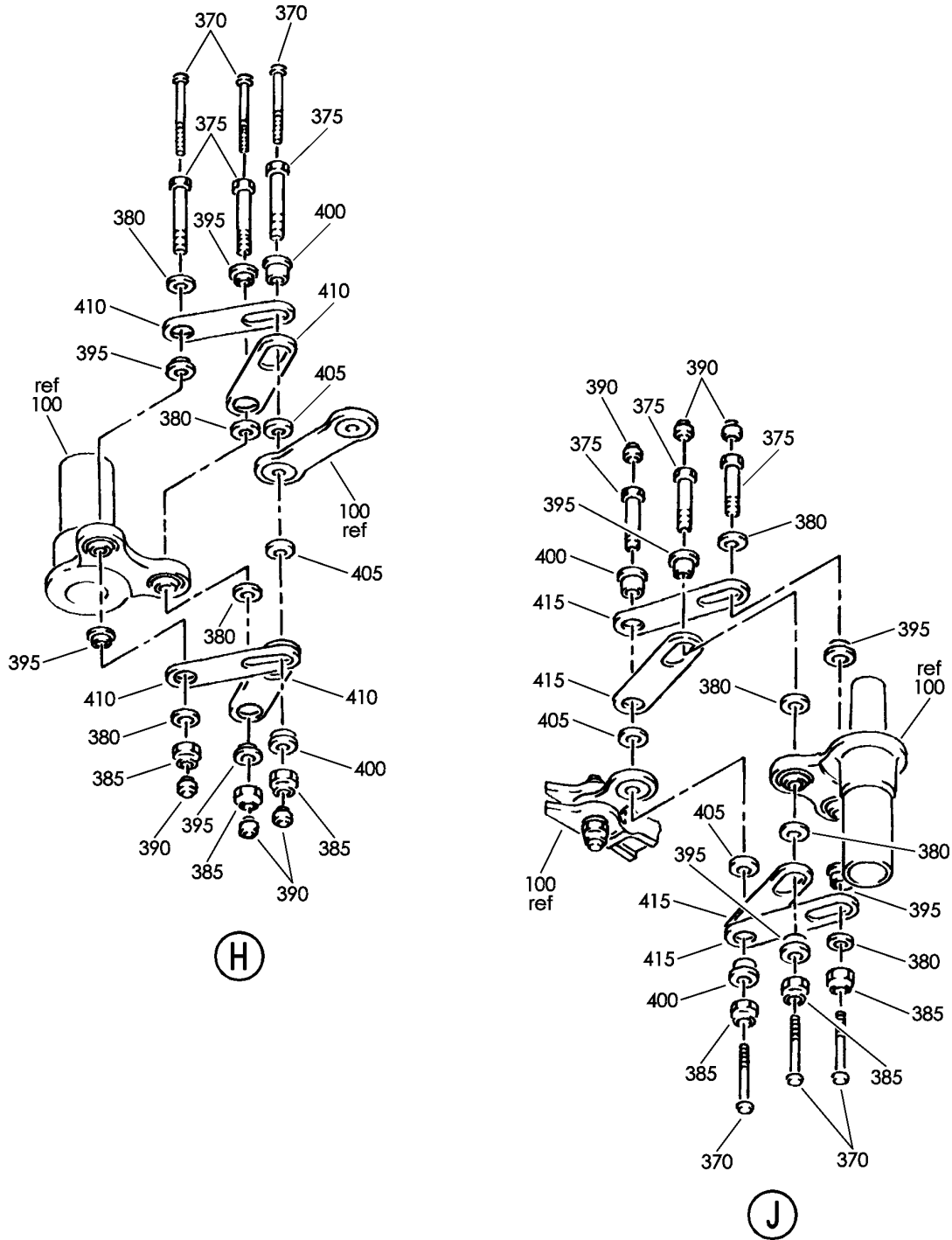
UNIT ASSY-FEEL AND CENTERING (ELEVATOR FEEL UNIT ONLY)  
FIGURE 1 (SHEET 4)

**27-31-17-01**

BRI  
MAY 28/07

27-31-17-01  
PAGE 0C

**BOEING**  
757  
PARTS CATALOG (MAINTENANCE)



Y 27311701 SHT 5 REV 244

UNIT ASSY-FEEL AND CENTERING (ELEVATOR FEEL UNIT ONLY)  
FIGURE 1 (SHEET 5)

**27-31-17-01**

BRI  
MAY 28/07

27-31-17-01  
PAGE 0D



757

PARTS CATALOG (MAINTENANCE)

FIG ITEM	PART NUMBER	1 2 3 4 5 6 7	NOMENCLATURE	EFFECT FROM TO	UNITS PER ASSY
1			UNIT ASSY-FEEL AND CENTERING (ELEVATOR FEEL UNIT ONLY)	002004 006999	
- 1	251N2241-14		UNIT ASSY-FEEL AND CENTERING (ELEVATOR FEEL UNIT ONLY) COMPONENT MAINT MANUAL REF: 27-31-10 FOR NHA/OTHER SYS DET SEE: 27-31-53-01	002004 006999	RF
- 1	251N2241-18		UNIT ASSY-FEEL AND CENTERING (ELEVATOR FEEL UNIT ONLY) COMPONENT MAINT MANUAL REF: 27-31-10 FOR NHA/OTHER SYS DET SEE: 27-31-53-01	002004 006999	RF
- 1	251N2241-19		UNIT ASSY-FEEL AND CENTERING (ELEVATOR FEEL UNIT ONLY) COMPONENT MAINT MANUAL REF: 27-31-10 FOR NHA/OTHER SYS DET SEE: 27-31-53-01	002004 006999	RF
- 1	251N2241-20		UNIT ASSY-FEEL AND CENTERING (ELEVATOR FEEL UNIT ONLY) COMPONENT MAINT MANUAL REF: 27-31-10 FOR NHA/OTHER SYS DET SEE: 27-31-53-01	002004 006999	RF
- 1	251N2241-23		UNIT ASSY-FEEL AND CENTERING (ELEVATOR FEEL UNIT ONLY) COMPONENT MAINT MANUAL REF: 27-31-10 FOR NHA/OTHER SYS DET SEE: 27-31-53-01	002004 006999	RF
- 1	251N2241-25		UNIT ASSY-FEEL AND CENTERING (ELEVATOR FEEL UNIT ONLY) COMPONENT MAINT MANUAL REF: 27-31-10 FOR NHA/OTHER SYS DET SEE: 27-31-53-01	002004 006999	RF

MISSING ITEM NUMBERS NOT APPLICABLE

- ITEM NOT ILLUSTRATED

27-31-17-01

27-31-17  
FIG. 01  
PAGE 1  
SEP 20/08

BRI



757

PARTS CATALOG (MAINTENANCE)

FIG ITEM	PART NUMBER	1 2 3 4 5 6 7	NOMENCLATURE	EFFECT FROM TO	UNITS PER ASSY
1					
- 1	251N2241-26		UNIT ASSY-FEEL AND CENTERING (ELEVATOR FEEL UNIT ONLY) COMPONENT MAINT MANUAL REF: 27-31-10 FOR NHA/OTHER SYS DET SEE: 27-31-53-01	002004 006999	RF
- 1	251N2241-27		UNIT ASSY-FEEL AND CENTERING (ELEVATOR FEEL UNIT ONLY) COMPONENT MAINT MANUAL REF: 27-31-10 FOR NHA/OTHER SYS DET SEE: 27-31-53-01	002004 006999	RF
- 1	251N2241-28		UNIT ASSY-FEEL AND CENTERING (ELEVATOR FEEL UNIT ONLY) COMPONENT MAINT MANUAL REF: 27-31-10 OPTIONAL PART: 251N2241-29 FOR NHA/OTHER SYS DET SEE: 27-31-53-01	002004 006999	RF
- 1	251N2241-29		UNIT ASSY-FEEL AND CENTERING (ELEVATOR FEEL UNIT ONLY) COMPONENT MAINT MANUAL REF: 27-31-10 OPTIONAL PART: 251N2241-28 FOR NHA/OTHER SYS DET SEE: 27-31-53-01	002004 006999	RF
- 1	251N2241-31		UNIT ASSY-FEEL AND CENTERING (ELEVATOR FEEL UNIT ONLY) COMPONENT MAINT MANUAL REF: 27-31-10 FOR NHA/OTHER SYS DET SEE: 27-31-53-01	002004 006999	RF
- 3	251N2241-30		CENTERING ASSY-FEEL (ELEVATOR FEEL UNIT ONLY) COMPONENT MAINT MANUAL REF: 27-31-10 FOR NHA/OTHER SYS DET SEE: 27-31-53-01	002004 006999	RF
5	BAC27NCT0140		.DECAL-	002004 006999	1

MISSING ITEM NUMBERS NOT APPLICABLE

- ITEM NOT ILLUSTRATED

27-31-17-01

27-31-17  
FIG. 01  
PAGE 2  
SEP 20/08

BRI



757

PARTS CATALOG (MAINTENANCE)

FIG ITEM	PART NUMBER	1 2 3 4 5 6 7	NOMENCLATURE	EFFECT FROM TO	UNITS PER ASSY
1					
10	BACB30LK3-10	.BOLT		002004 006999	3
15	BACB30LK3-9	.BOLT		002004 006999	1
20	BACB30LK3-6	.BOLT		002004 006999	1
25	BACB30LK3-8	.BOLT		002004 006999	1
30	BACB30LK3-22	.BOLT		002004 006999	1
35	AN960KD10	.WASHER		002004 006999	7
40	AN960KD10	.WASHER		002004 006999	1
45	AN960KD10	.WASHER		002004 006999	3
50	BRH10C3D	.NUT		002004 006999	3
			SUPPLIER CODE: V52828		
			SPECIFICATION NUMBER: BACN10JC3CD		
			OPTIONAL PART: T6C1032JCD		
			V11815		
			NS202486-02		
			V80539		
			102LH9075-3W		
			V72962		
			H51650-3BAC		
			V15653		
55	251N2783-1	.ROD ASSY-		002004 006999	3
		USED ON:			
		251N2241-14			
		251N2241-18			
		251N2241-19			
		251N2241-20			
		251N2241-23			
		251N2241-25			
		251N2241-26			
		251N2241-27			
		251N2241-28			
		251N2241-29			
		251N2241-30			
		251N2241-31			
		251N2241-32			
60	MS206153M	..RIVET-		002004 006999	1
		SIZE DETERMINED ON INSTL.			
65	251N2780-1	..ROD ASSY		002004 006999	1

MISSING ITEM NUMBERS NOT APPLICABLE

- ITEM NOT ILLUSTRATED

27-31-17-01

27-31-17  
FIG. 01  
PAGE 3  
SEP 20/08

BRI

BOEING PROPRIETARY - Copyright © - Unpublished Work - See title page for details.



757

PARTS CATALOG (MAINTENANCE)

FIG ITEM	PART NUMBER	1 2 3 4 5 6 7	NOMENCLATURE	EFFECT FROM TO	UNITS PER ASSY
1					
70	251N2781-1	..	ROD ASSY	002004 006999	1
75	251N2782-1	..	NUT	002004 006999	1
80	251N2784-1	. USED ON:	CRANK ASSY- 251N2241-14 251N2241-18 251N2241-19 251N2241-20	002004 006999	1
85	251N2786-1	..	BUSHING	002004 006999	2
90	251N2057-1	. USED ON:	CRANK ASSY- 251N2241-23 251N2241-25 251N2241-26 251N2241-27 251N2241-28 251N2241-29 251N2241-30 251N2241-31 251N2241-32	002004 006999	1
95	251N2786-1	.. OPTIONAL PART:	BUSHING- BACB28X3N013	002004 006999	2
95	BACB28X3N013	.. OPTIONAL PART:	BUSHING- 251N2786-1	002004 006999	2
100	251N2242-23	.UNIT	ASSY-CENTERING	002004 006100 103107 121503 904999	1
100	251N2242-13	.UNIT	ASSY-CENTERING	002004 006100 103107 121503 904999	1
100	251N2242-17	.UNIT	ASSY-CENTERING	002004 006100 103107 121503 904999	1
100	251N2242-19	.UNIT	ASSY-CENTERING	002004 006100 103107 121503 904999	1

MISSING ITEM NUMBERS NOT APPLICABLE

- ITEM NOT ILLUSTRATED

27-31-17-01

27-31-17  
FIG. 01  
PAGE 4  
JAN 20/09

BRI

BOEING PROPRIETARY - Copyright © - Unpublished Work - See title page for details.





757

PARTS CATALOG (MAINTENANCE)

FIG ITEM	PART NUMBER	1 2 3 4 5 6 7	NOMENCLATURE	EFFECT FROM TO	UNITS PER ASSY
1					
100	251N2242-20	.	UNIT ASSY-CENTERING USED ON: 251N2241-28	002004 006100 103107 121503 904999	1
100	251N2242-21	.	UNIT ASSY-CENTERING USED ON: 251N2241-29	002004 006100 103107 121503 904999	1
100	251N2242-22	.	UNIT ASSY-CENTERING	002004 006100 103107 121503 904999	1
125	BRH10C4D	..	NUT SUPPLIER CODE: V52828 SPECIFICATION NUMBER: BACN10JC4CD OPTIONAL PART: T6C428JCD V11815 NS202486-048 V80539 102LH9075-4W V72962 H51650-4BAC V15653	002004 006999	1
130	AN960C416	..	WASHER	002004 006999	1
135	BRH10C6D	..	NUT SUPPLIER CODE: V52828 SPECIFICATION NUMBER: BACN10JC6CD OPTIONAL PART: H51650-6BAC V15653	002004 006999	1
140	AN960PD616	..	WASHER	002004 006999	AR
145	251T2128-1	..	CLEVIS ASSY	002004 006999	1
150	251T2246-2	...	BOLT ASSY	002004 006999	1
155	BACB30LJ4C22	....	BOLT	002004 006999	1
160	251T2287-4	....	BOLT-HOLLOW	002004 006999	1

MISSING ITEM NUMBERS NOT APPLICABLE

- ITEM NOT ILLUSTRATED

BRI

27-31-17-01

27-31-17  
FIG. 01  
PAGE 5  
JAN 20/09



757

PARTS CATALOG (MAINTENANCE)

FIG ITEM	PART NUMBER	1 2 3 4 5 6 7	NOMENCLATURE	EFFECT FROM TO	UNITS PER ASSY
1					
165	AN960C416	...	WASHER	002004 006999	1
170	AN960C616	...	WASHER	002004 006999	1
175	BRH10C4M	...	NUT SUPPLIER CODE: V52828 SPECIFICATION NUMBER: BACN10JC4CM OPTIONAL PART: T6C428JM V11815 97E48 V80539 109LH9075-4W V72962 VN303D048 V92215 H01-4BAC V15653 NS202101SE048 V80539	002004 006999	1
180	BRH10C6M	...	NUT SUPPLIER CODE: V52828 SPECIFICATION NUMBER: BACN10JC6CM OPTIONAL PART: 97E064 V80539 102LH9075-6 V72962 H01-6BAC V15653	002004 006999	1
185	251T2274-1	...	RETAINER-SPRING	002004 006999	1
190	BACB28Y6E044	...	BUSHING	002004 006999	1
195	251T2123-1	...	CLEVIS-OUTER	002004 006999	1
200	251T2124-1	...	CLEVIS-INNER	002004 006999	1
205	251N2665-1	..	SPRING	002004 006999	1
210	251N2666-1	..	SPRING	002004 006999	1
215	BACB30LR4-7	..	BOLT	002004 006999	1

MISSING ITEM NUMBERS NOT APPLICABLE

- ITEM NOT ILLUSTRATED

BRI

27-31-17-01

27-31-17  
FIG. 01  
PAGE 6  
JAN 20/09

 **BOEING**  
757  
**PARTS CATALOG (MAINTENANCE)**

FIG ITEM	PART NUMBER	1 2 3 4 5 6 7	NOMENCLATURE	EFFECT FROM TO	UNITS PER ASSY
1					
220	251N2250-1	..	CAP-END	002004 006999	1
225	251N2258-1	..	SHAFT ASSY-SPRT	002004 006999	1
230	MS21209F4-20	...	INSERT	002004 006999	1
235	251N2258-2	...	SHAFT	002004 006999	1
240	251N2259-5	..	HOUSING ASSY-BRG	002004 006999	1
245	251N2259-6	..	HOUSING ASSY-BRG	002004 006999	1
250	BACR15BA6D	...	RIVET- SIZE DETERMINED ON INSTL.	002004 006999	2
255	251N2262-1	...	PLATE	002004 006999	1
260	251N2259-3	...	BOND ASSY	002004 006999	1
265	251N2259-4	...	BOND ASSY	002004 006999	1
270	KP12AFS428	...	BEARING SUPPLIER CODE: V21335 SPECIFICATION NUMBER: BACB10BX12 OPTIONAL PART: KP12A2TS V43991 LLKP12A V38443 KP12AG27 V30163 KP12A V38443 KF12ALY196 V40920 KP12ASD610 V83086 CS212E VK8455 KP12ANJC V06144 KP12AFS428 V06144	002004 006999	1
275	251N2265-2	..	SPACER	002004 006999	2
280	251N2263-1	..	SHAFT	002004 006999	1

MISSING ITEM NUMBERS NOT APPLICABLE

— ITEM NOT ILLUSTRATED

BRI

# 27-31-17-01

BOEING PROPRIETARY - Copyright © - Unpublished Work - See title page for details.

27-31-17  
FIG. 01  
PAGE 7  
JAN 20/09



**757  
PARTS CATALOG (MAINTENANCE)**

FIG ITEM	PART NUMBER	1 2 3 4 5 6 7	NOMENCLATURE	EFFECT FROM TO	UNITS PER ASSY	
R R R R R R R R R R R R R R	1 285	B540DDFS428	.. BEARING SUPPLIER CODE: V21335 SPECIFICATION NUMBER: BACB10CF14PP OPTIONAL PART: B540-2TS V43991 B540SSG27 V30163 T340E VK8455 B540DDFS101 V06144 B540DD V38443 B540FS101 V06144 B540DDP V21760 B540DDNJC V06144 B540DDFS428 V06144	002004 006999	2	
	290	BACB28Y14D047	.. BUSHING	002004 006999	1	
	295	251T2263-11	.. ARM ASSY	002004 006999	1	
	295	251T2263-9	.. ARM ASSY- OPTIONAL PART: 251T2263-10	002004 006100 103107 121503 904999	1	
	295	251T2263-10	.. ARM ASSY- OPTIONAL PART: 251T2263-9	002004 006100 103107 121503 904999	1	
	300	251T2246-1	... BOLT ASSY	002004 006999	2	
	305	BACB30LH4C26	.... BOLT	002004 006999	1	
	310	251T2287-2	.... BOLT-HOLLOW	002004 006999	1	
	315	NAS1149C0432B	... WASHER	002004 006999	2	
	MISSING ITEM NUMBERS NOT APPLICABLE					

— ITEM NOT ILLUSTRATED

# 27-31-17-01

27-31-17  
FIG. 01  
PAGE 8  
MAY 20/09

BRI



757

PARTS CATALOG (MAINTENANCE)

FIG ITEM	PART NUMBER	1 2 3 4 5 6 7	NOMENCLATURE	EFFECT FROM TO	UNITS PER ASSY
1					
315	AN960XC416L	...	WASHER	002004 006100 103107 121503 904999	2
320	NAS1149C0632B	...	WASHER	002004 006999	2
320	AN960XC616L	...	WASHER	002004 006100 103107 121503 904999	2
325	BRH10C4M	...	NUT SUPPLIER CODE: V52828 SPECIFICATION NUMBER: BACN10JC4CM OPTIONAL PART: T6C428JM V11815 97E48 V80539 109LH9075-4W V72962 VN303D048 V92215 H01-4BAC V15653 NS202101SE048 V80539	002004 006999	2
330	BRH10C6M	...	NUT SUPPLIER CODE: V52828 SPECIFICATION NUMBER: BACN10JC6CM OPTIONAL PART: 97E064 V80539 102LH9075-6 V72962 H01-6BAC V15653	002004 006999	2
335	BACB28Y6C068	...	BUSHING	002004 006999	1
340	251T2121-1	...	RETAINER-SPRING USED ON: 251T2263-7 251T2263-8	002004 006999	1

MISSING ITEM NUMBERS NOT APPLICABLE

- ITEM NOT ILLUSTRATED

27-31-17-01

27-31-17  
FIG. 01  
PAGE 9  
MAY 20/09

BRI



757

PARTS CATALOG (MAINTENANCE)

FIG ITEM	PART NUMBER	1 2 3 4 5 6 7	NOMENCLATURE	EFFECT FROM TO	UNITS PER ASSY
1					
345	251N2801-1		...RETAINER-SPRING USED ON: 251T2263-9 251T2263-10 251T2263-11	002004 006999	1
350	YR1315		...BEARING- SUPPLIER CODE: V92563 SPECIFICATION NUMBER: 60B00178-681 OPTIONAL PART: AC69001 V60380	002004 006999	1
350	ATF6		...BEARING- SUPPLIER CODE: V60380 SPECIFICATION NUMBER: BACB10ET06 OPTIONAL PART: 6AFC817 V92563 YAF06B V07484	002004 006100 107107 121503 904999	1
355	251T2263-2		...ARM- MANUFACTURED FROM: 251T2263-3 USED ON: 251T2263-8 251T2263-10	002004 006999	1
360	251T2263-5		...ARM- MANUFACTURED FROM: 251T2263-6 USED ON: 251T2263-7 251T2263-9 251T2263-10	002004 006999	1
365	251N2265-1		..SPACER	002004 006999	6
370	BACB30GW8A27		..BOLT SUPPLIER CODE: V11815 SPECIFICATION NUMBER: BACB30GW8A27 OPTIONAL PART: SALPYEU8-27C V17446	002004 006999	6
375	251T2287-1		..BOLT-HOLLOW	002004 006999	6

MISSING ITEM NUMBERS NOT APPLICABLE

- ITEM NOT ILLUSTRATED

BRI

27-31-17-01

27-31-17  
FIG. 01  
PAGE 10  
MAY 20/09



757

PARTS CATALOG (MAINTENANCE)

FIG ITEM	PART NUMBER	1 2 3 4 5 6 7	NOMENCLATURE	EFFECT FROM TO	UNITS PER ASSY
1					
380	AN960B616	..	WASHER	002004 006999	8
385	BRH10C6D	..	NUT	002004 006999	6
			SUPPLIER CODE: V52828		
			SPECIFICATION NUMBER: BACN10JC6CD		
			OPTIONAL PART: H51650-6BAC V15653		
390	NAS1080E08	..	COLLAR	002004 006999	6
395	251T2125-1	..	BUSHING	002004 006999	8
400	251T2125-2	..	BUSHING	002004 006999	4
405	251T2125-3	..	BUSHING	002004 006999	4
410	251N2697-5	..	TIE ASSY	002004 006999	4
415	251N2697-7	..	TIE ASSY	002004 006999	4

MISSING ITEM NUMBERS NOT APPLICABLE

- ITEM NOT ILLUSTRATED

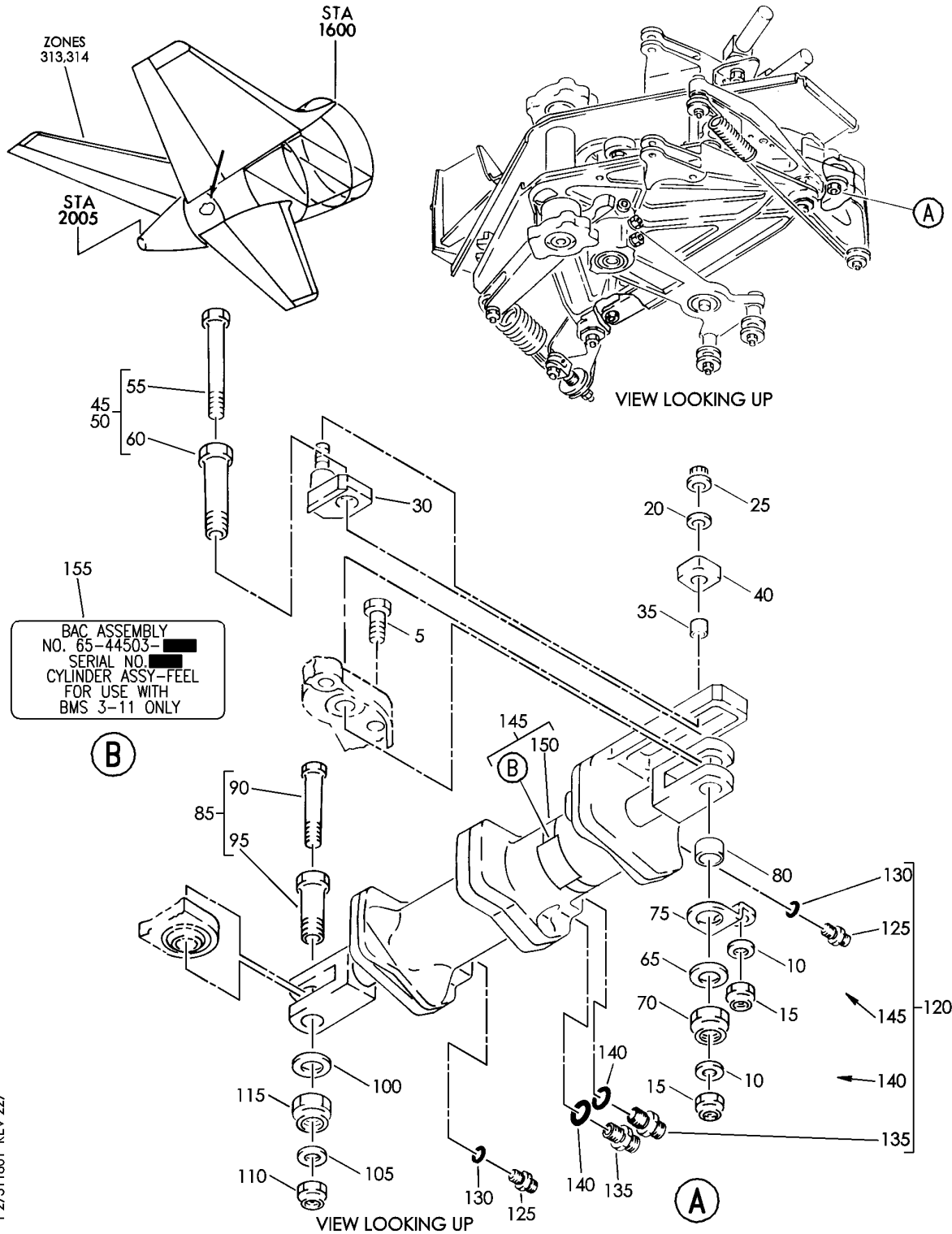
BRI

27-31-17-01

BOEING PROPRIETARY - Copyright © - Unpublished Work - See title page for details.

27-31-17  
FIG. 01  
PAGE 11  
MAY 20/09

**BOEING**  
757  
**PARTS CATALOG (MAINTENANCE)**



Y 27311801 REV 227

UNIT ASSY-FEEL AND CENTERING (ELEVATOR FEEL ACTUATORS ONLY)  
FIGURE 1

**27-31-18-01**

BRI  
MAY 28/07

27-31-18-01  
PAGE 0





757

PARTS CATALOG (MAINTENANCE)

FIG ITEM	PART NUMBER	1 2 3 4 5 6 7	NOMENCLATURE	EFFECT FROM TO	UNITS PER ASSY
1			UNIT ASSY-FEEL AND CENTERING (ELEVATOR FEEL ACTUATORS ONLY)	002004 006999	
- 1	251N2241-14		UNIT ASSY-FEEL AND CENTERING (ELEVATOR FEEL ACTUATORS ONLY) COMPONENT MAINT MANUAL REF: 27-31-10 FOR NHA/OTHER SYS DET SEE: 27-31-53-01	002004 006999	RF
- 1	251N2241-18		UNIT ASSY-FEEL AND CENTERING (ELEVATOR FEEL ACTUATORS ONLY) COMPONENT MAINT MANUAL REF: 27-31-10 FOR NHA/OTHER SYS DET SEE: 27-31-53-01	002004 006999	RF
- 1	251N2241-19		UNIT ASSY-FEEL AND CENTERING (ELEVATOR FEEL ACTUATORS ONLY) COMPONENT MAINT MANUAL REF: 27-31-10 FOR NHA/OTHER SYS DET SEE: 27-31-53-01	002004 006999	RF
- 1	251N2241-20		UNIT ASSY-FEEL AND CENTERING (ELEVATOR FEEL ACTUATORS ONLY) COMPONENT MAINT MANUAL REF: 27-31-10 FOR NHA/OTHER SYS DET SEE: 27-31-53-01	002004 006999	RF
- 1	251N2241-23		UNIT ASSY-FEEL AND CENTERING (ELEVATOR FEEL ACTUATORS ONLY) COMPONENT MAINT MANUAL REF: 27-31-10 OPTIONAL PART: 251N2241-20 FOR NHA/OTHER SYS DET SEE: 27-31-53-01	002004 006999	RF
- 1	251N2241-25		UNIT ASSY-FEEL AND CENTERING (ELEVATOR FEEL ACTUATORS ONLY) COMPONENT MAINT MANUAL REF: 27-31-10 FOR NHA/OTHER SYS DET SEE: 27-31-53-01	002004 006999	RF

MISSING ITEM NUMBERS NOT APPLICABLE

- ITEM NOT ILLUSTRATED

**27-31-18-01**

27-31-18  
FIG. 01  
PAGE 1  
SEP 20/08

BRI



757

PARTS CATALOG (MAINTENANCE)

FIG ITEM	PART NUMBER	1 2 3 4 5 6 7	NOMENCLATURE	EFFECT FROM TO	UNITS PER ASSY
1					
- 1	251N2241-26		UNIT ASSY-FEEL AND CENTERING (ELEVATOR FEEL ACTUATORS ONLY) COMPONENT MAINT MANUAL REF: 27-31-10 FOR NHA/OTHER SYS DET SEE: 27-31-53-01	002004 006999	RF
- 1	251N2241-27		UNIT ASSY-FEEL AND CENTERING (ELEVATOR FEEL ACTUATORS ONLY) COMPONENT MAINT MANUAL REF: 27-31-10 FOR NHA/OTHER SYS DET SEE: 27-31-53-01	002004 006999	RF
- 1	251N2241-28		UNIT ASSY-FEEL AND CENTERING (ELEVATOR FEEL ACTUATORS ONLY) COMPONENT MAINT MANUAL REF: 27-31-10 OPTIONAL PART: 251N2241-29 FOR NHA/OTHER SYS DET SEE: 27-31-53-01	002004 006999	RF
- 1	251N2241-29		UNIT ASSY-FEEL AND CENTERING (ELEVATOR FEEL ACTUATORS ONLY) COMPONENT MAINT MANUAL REF: 27-31-10 OPTIONAL PART: 251N2241-28 FOR NHA/OTHER SYS DET SEE: 27-31-53-01	002004 006999	RF
- 1	251N2241-31		UNIT ASSY-FEEL AND CENTERING (ELEVATOR FEEL ACTUATORS ONLY) COMPONENT MAINT MANUAL REF: 27-31-10 FOR NHA/OTHER SYS DET SEE: 27-31-53-01	002004 006999	RF
- 3	251N2241-30		CENTERING ASSY-FEEL (ELEVATOR FEEL ACTUATORS ONLY) COMPONENT MAINT MANUAL REF: 27-31-10 FOR NHA/OTHER SYS DET SEE: 27-31-53-01	002004 006999	RF
5	BACB30LJ4-6		.BOLT	002004 006999	1

MISSING ITEM NUMBERS NOT APPLICABLE

- ITEM NOT ILLUSTRATED

27-31-18-01

27-31-18  
FIG. 01  
PAGE 2  
SEP 20/08

BRI



757

PARTS CATALOG (MAINTENANCE)

FIG ITEM	PART NUMBER	1 2 3 4 5 6 7	NOMENCLATURE	EFFECT FROM TO	UNITS PER ASSY
1					
10	AN960XC416L		.WASHER- USED ON: 251N2241-10 251N2241-11 251N2241-12 251N2241-13 251N2241-14 251N2241-18 251N2241-19 251N2241-20 251N2241-23 251N2241-25 251N2241-26 251N2241-27 251N2241-28 251N2241-29 251N2241-30	002004 006100 103107 121503 904999	2
10	NAS1149C0432B		.WASHER- USED ON: 251N2241-31 251N2241-32	002004 006999	2
15	BRH10C4D		.NUT SUPPLIER CODE: V52828 SPECIFICATION NUMBER: BACN10JC4CD OPTIONAL PART: T6C428JCD V11815 NS202486-048 V80539 102LH9075-4W V72962 H51650-4BAC V15653	002004 006999	2

MISSING ITEM NUMBERS NOT APPLICABLE

- ITEM NOT ILLUSTRATED

27-31-18-01

27-31-18  
FIG. 01  
PAGE 3  
JAN 20/09

BRI



757

PARTS CATALOG (MAINTENANCE)

FIG ITEM	PART NUMBER	1 2 3 4 5 6 7	NOMENCLATURE	EFFECT FROM TO	UNITS PER ASSY
1 20	AN960-416L		.WASHER- USED ON: 251N2241-10 251N2241-11 251N2241-12 251N2241-13 251N2241-14 251N2241-18 251N2241-19 251N2241-20 251N2241-23 251N2241-25 251N2241-26 251N2241-27 251N2241-28 251N2241-29 251N2241-30	002004 006100 103107 121503 904999	1
20	NAS1149F0432P		.WASHER- USED ON: 251N2241-31 251N2241-32	002004 006999	1

MISSING ITEM NUMBERS NOT APPLICABLE

- ITEM NOT ILLUSTRATED

BRI

# 27-31-18-01

BOEING PROPRIETARY - Copyright © - Unpublished Work - See title page for details.

27-31-18  
FIG. 01  
PAGE 4  
JAN 20/09



757

PARTS CATALOG (MAINTENANCE)

FIG ITEM	PART NUMBER	1 2 3 4 5 6 7	NOMENCLATURE	EFFECT FROM TO	UNITS PER ASSY
1 25	BMN5024CWD34	.NUT	SUPPLIER CODE: V97928 SPECIFICATION NUMBER: BACN10HR4CD OPTIONAL PART: H51560-4 V15653 102CH9031-4 V72962 SL7108C428 V11815 67832CD428 V56878 BMN5024CWD3-4 V97928 BH00303CM4 V27238 SL7108C4 V11815 VCU0005D4 V06710 102LH90314 V72962 67832CD4 V56878 H964CD V15653 RMLH224CD V72962 VAL280094CD V06710 678324CD V56878 CR6030-4 VF0224 RMLH224CD V72962 VAL280094CD V06710 678324CD V56878 BMN5024CWD34 V97928	002004 006999	1
30	66-22811-1	.SPACER		002004 006999	1
35	66-21297-2	.WASHER		002004 006999	1

MISSING ITEM NUMBERS NOT APPLICABLE

- ITEM NOT ILLUSTRATED

27-31-18-01

27-31-18  
FIG. 01  
PAGE 5  
JAN 20/09

BRI



757

PARTS CATALOG (MAINTENANCE)

FIG ITEM	PART NUMBER	1 2 3 4 5 6 7	NOMENCLATURE	EFFECT FROM TO	UNITS PER ASSY
1					
40	65-38904-2	.	BLOCK ASSY	002004 006999	1
45	251T2246-3	.	BOLT ASSY	002004 006999	1
50	251T2246-9	..	BOLT ASSY- OPTIONAL PART: 251T2246-10	002004 006999	1
50	251T2246-10	..	BOLT ASSY- OPTIONAL PART: 251T2246-9	002004 006999	1
55	BACB30LJ4C32	...	BOLT- USED ON: 251T2246-10	002004 006999	1
55	BACB30LM4C32	...	BOLT- USED ON: 251T2246-9	002004 006999	1
60	251T2287-5	...	BOLT- USED ON: 251T2246-10	002004 006999	1
60	251T2287-10	...	BOLT- USED ON: 251T2246-9	002004 006999	1
65	AN960XC616L	.	WASHER- USED ON: 251N2241-10 251N2241-11 251N2241-12 251N2241-13 251N2241-14 251N2241-18 251N2241-19 251N2241-20 251N2241-23 251N2241-25 251N2241-26 251N2241-27 251N2241-28 251N2241-29 251N2241-30	002004 006100 103107 121503 904999	1
65	NAS1149C0632B	.	WASHER- USED ON: 251N2241-31 251N2241-32	002004 006999	1

MISSING ITEM NUMBERS NOT APPLICABLE

- ITEM NOT ILLUSTRATED

BRI

27-31-18-01

BOEING PROPRIETARY - Copyright © - Unpublished Work - See title page for details.

27-31-18  
FIG. 01  
PAGE 6  
JAN 20/09



757

PARTS CATALOG (MAINTENANCE)

FIG ITEM	PART NUMBER	1 2 3 4 5 6 7	NOMENCLATURE	EFFECT FROM TO	UNITS PER ASSY
1	70 BRH10C6D	.	NUT SUPPLIER CODE: V52828 SPECIFICATION NUMBER: BACN10JC6CD OPTIONAL PART: H51650-6BAC V15653	002004 006999	1
	75 251T2275-1	.	RETAINER	002004 006999	1
	80 BACB28Y6C032	.	BUSHING	002004 006999	1
	85 251T2246-4	.	BOLT ASSY	002004 006999	1
	90 BACB30LJ4C24	..	BOLT	002004 006999	1
	95 251T2287-3	..	BOLT	002004 006999	1
	100 AN960XC616	.	WASHER- USED ON: 251N2241-10 251N2241-11 251N2241-12 251N2241-13 251N2241-14 251N2241-18 251N2241-19 251N2241-20 251N2241-23 251N2241-25 251N2241-26 251N2241-27 251N2241-29 251N2241-30	002004 006100 103107 121503 904999	1
	100 NAS1149C0663B	.	WASHER- USED ON: 251N2241-31 251N2241-32	002004 006999	1

MISSING ITEM NUMBERS NOT APPLICABLE

- ITEM NOT ILLUSTRATED

BRI

27-31-18-01

BOEING PROPRIETARY - Copyright © - Unpublished Work - See title page for details.

27-31-18  
FIG. 01  
PAGE 7  
JAN 20/09



757

PARTS CATALOG (MAINTENANCE)

FIG ITEM	PART NUMBER	1 2 3 4 5 6 7	NOMENCLATURE	EFFECT FROM TO	UNITS PER ASSY
1 105	AN960XC416		.WASHER- USED ON: 251N2241-10 251N2241-11 251N2241-12 251N2241-13 251N2241-14 251N2241-18 251N2241-19 251N2241-20 251N2241-23 251N2241-25 251N2241-26 251N2241-27 251N2241-28 251N2241-29 251N2241-30	002004 006100 103107 121503 904999	1
105	NAS1149C0463B		.WASHER- USED ON: 251N2241-31 251N2241-32	002004 006999	1
110	BRH10C4D		.NUT SUPPLIER CODE: V52828 SPECIFICATION NUMBER: BACN10JC4CD OPTIONAL PART: T6C428JCD V11815 NS202486-048 V80539 102LH9075-4W V72962 H51650-4BAC V15653	002004 006999	1
115	BRH10C6D		.NUT SUPPLIER CODE: V52828 SPECIFICATION NUMBER: BACN10JC6CD OPTIONAL PART: H51650-6BAC V15653	002004 006999	1

MISSING ITEM NUMBERS NOT APPLICABLE

- ITEM NOT ILLUSTRATED

BRI

27-31-18-01

BOEING PROPRIETARY - Copyright © - Unpublished Work - See title page for details.

27-31-18  
FIG. 01  
PAGE 8  
JAN 20/09





757

PARTS CATALOG (MAINTENANCE)

FIG ITEM	PART NUMBER	1 2 3 4 5 6 7	NOMENCLATURE	EFFECT FROM TO	UNITS PER ASSY
1					
120	251N2241-2	.	ACTUATOR ASSY-FEEL COMPONENT MAINT MANUAL REF: 27-31-10 USED ON: 251N2241-10 251N2241-11 251N2241-12 251N2241-13 251N2241-14 251N2241-18 251N2241-19	002004 006100 103107 121503 904999	1
120	251N2241-21	.	ACTUATOR ASSY-FEEL COMPONENT MAINT MANUAL REF: 27-31-10 USED ON: 251N2241-23 251N2241-25 251N2241-26 251N2241-27 251N2241-28 251N2241-29 251N2241-30 251N2241-31 251N2241-32	002004 006999	1
120	251N2241-21	.	ACTUATOR ASSY-FEEL COMPONENT MAINT MANUAL REF: 27-31-10 USED ON: 251N2241-20	002004 006100 103107 121503 904999	1
120	251N2241-2	.	ACTUATOR ASSY-FEEL COMPONENT MAINT MANUAL REF: 27-31-10 USED ON: 251N2241-20	002004 006100 103107 121503 904999	1
125	MS21916-6-4	..	REDUCER	002004 006999	2
130	NAS1612-4	..	PACKING-	002004 006999	2
135	MS21916D8-6	..	REDUCER	002004 006999	2
140	NAS1612-6	..	PACKING-	002004 006999	2

MISSING ITEM NUMBERS NOT APPLICABLE

- ITEM NOT ILLUSTRATED

27-31-18-01

27-31-18  
FIG. 01  
PAGE 9  
JAN 20/09

BRI



757

PARTS CATALOG (MAINTENANCE)

FIG ITEM	PART NUMBER	1 2 3 4 5 6 7	NOMENCLATURE	EFFECT FROM TO	UNITS PER ASSY
1					
145	65-44503-7	..	ACTUATOR ASSY-FEEL MISCELLANEOUS DATA: OPTIONAL PART NUMBER: 65-44503-10 (81205) COMPONENT MAINT MANUAL REF: 27-31-15 OPTIONAL PART: 65-44503-8 USED ON: 251N2241-2	002004 006999	1
145	65-44503-8	..	ACTUATOR ASSY-FEEL MISCELLANEOUS DATA: OPTIONAL PART NUMBER: 65-44503-10 (81205) COMPONENT MAINT MANUAL REF: 27-31-15 OPTIONAL PART: 65-44503-7 USED ON: 251N2241-2	002004 006999	1
145	65-44503-10	..	ACTUATOR ASSY-FEEL MISCELLANEOUS DATA: OPTIONAL PART NUMBER: 65-44503-7 (81205) 65-44503-8 (81205) COMPONENT MAINT MANUAL REF: 27-31-15 USED ON: 251N2241-21	002004 006999	1
150	69-35587-1	...	STRAP	002004 006999	1
155	BAC27NCT0289	...	DECAL- OPTIONAL PART: BACN12A3MB	002004 006999	1
155	BACN12A3MB	...	DECAL- OPTIONAL PART: BAC27NCT0289	002004 006999	1

MISSING ITEM NUMBERS NOT APPLICABLE

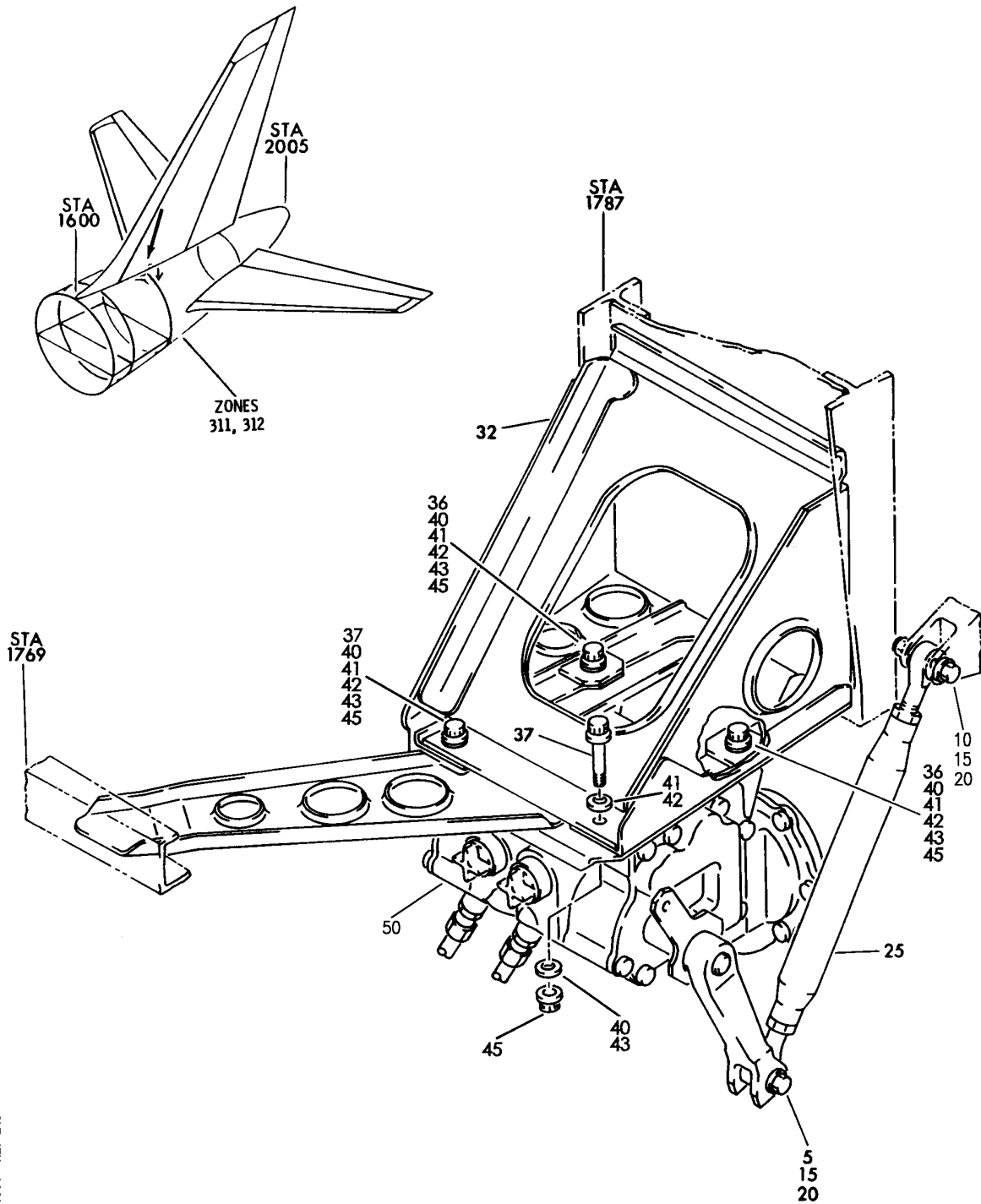
- ITEM NOT ILLUSTRATED

27-31-18-01

27-31-18  
FIG. 01  
PAGE 10  
SEP 20/08

BRI

**BOEING**  
757  
PARTS CATALOG (MAINTENANCE)



Y 27311901 REV 249

COMPUTER INSTL-ELEV CONT FEEL  
FIGURE 1

**27-31-19-01**

BRI  
MAY 28/07

27-31-19-01  
PAGE 0



757

PARTS CATALOG (MAINTENANCE)

FIG ITEM	PART NUMBER	1 2 3 4 5 6 7	NOMENCLATURE	EFFECT FROM TO	UNITS PER ASSY
1			COMPUTER INSTL-ELEV CONT FEEL	002004 006999	
- 1	251N2005-3		COMPUTER INSTL-ELEV CONT FEEL FOR NHA SEE: 27-31-00-02	002004 006100 107107 121503 904999	RF
- 1	251N2005-4		COMPUTER INSTL-ELEV CONT FEEL FOR NHA SEE: 27-30-00-01A	101102 108120 504903	RF
- 1	MODREF7248		COMPUTER INSTL-ELEV CONT FEEL MODULE NUMBER: 251N2005-4 REV A	103106	1
5	NAS6604-17		.BOLT-	002004 006999	1
10	NAS6604-13		.BOLT-	002004 006999	1
15	AN960PD416		.WASHER-	002004 006999	2
20	BRH10A4		.NUT- SUPPLIER CODE: V52828 SPECIFICATION NUMBER: BACN10JC4 OPTIONAL PART: T6S428J V11815 96-048 V80539 VN303A048 V92215 RMLH9075-4W V72962 NS202101-048 V80539 H10-4BAC V15653	002004 006999	2
25	250N2004-321		.ROD ASSY- COMPONENT MAINT MANUAL REF: 27-00-12	002004 006999	1
32	251N2038-1		.BRACKET INSTL	002004 006100 107107 121503 904999	1

MISSING ITEM NUMBERS NOT APPLICABLE

- ITEM NOT ILLUSTRATED

BRI

27-31-19-01

BOEING PROPRIETARY - Copyright © - Unpublished Work - See title page for details.

27-31-19  
FIG. 01  
PAGE 1  
JAN 20/09



757

PARTS CATALOG (MAINTENANCE)

FIG ITEM	PART NUMBER	1 2 3 4 5 6 7	NOMENCLATURE	EFFECT FROM TO	UNITS PER ASSY
1			ATTACHING PARTS		
36	BACB30NF4-10	.BOLT-		002004 006999	2
37	BACB30NF4-11	.BOLT-		002004 006999	2
40	AN960PD416	.WASHER-		002004 006999	4
41	BACW10CT8	.WASHER-		002004 006999	4
45	BACN10GW4	.NUT-		002004 006100 103107 121503 904999	4
50	162005-102	-----*-----	.COMPUTER ASSY-ELEVATOR FEEL SYSTEM SUPPLIER CODE: V19156 SPECIFICATION NUMBER: S251T220-5 COMPONENT MAINT MANUAL REF: 27-30-07 FOR DETAILS SEE: 27-31-19-50	002004 006999	1

MISSING ITEM NUMBERS NOT APPLICABLE

- ITEM NOT ILLUSTRATED

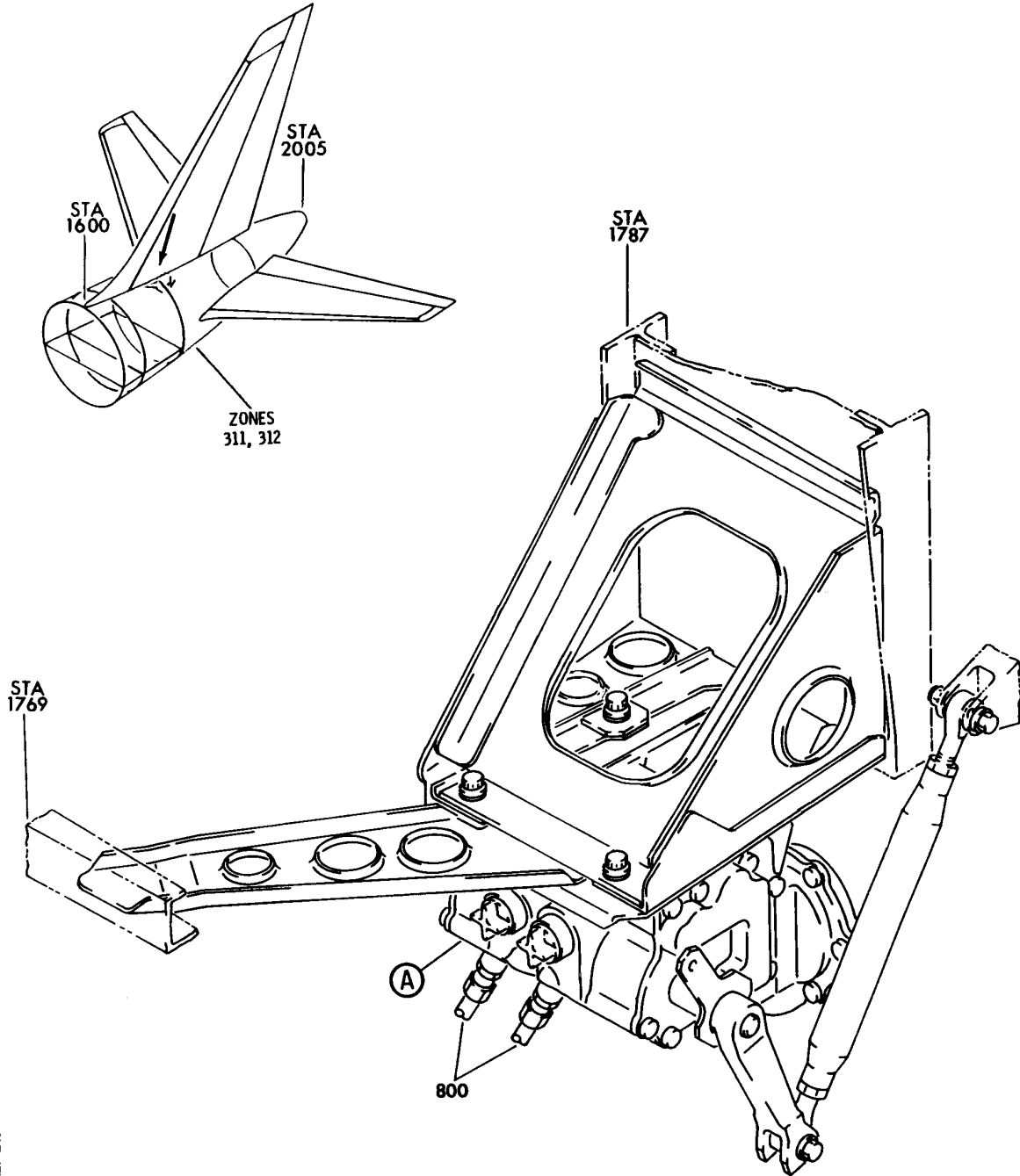
BRI

27-31-19-01

BOEING PROPRIETARY - Copyright © - Unpublished Work - See title page for details.

27-31-19  
FIG. 01  
PAGE 2  
JAN 20/09

**BOEING**  
757  
PARTS CATALOG (MAINTENANCE)



Y 27311950 SH1 1 REV 249

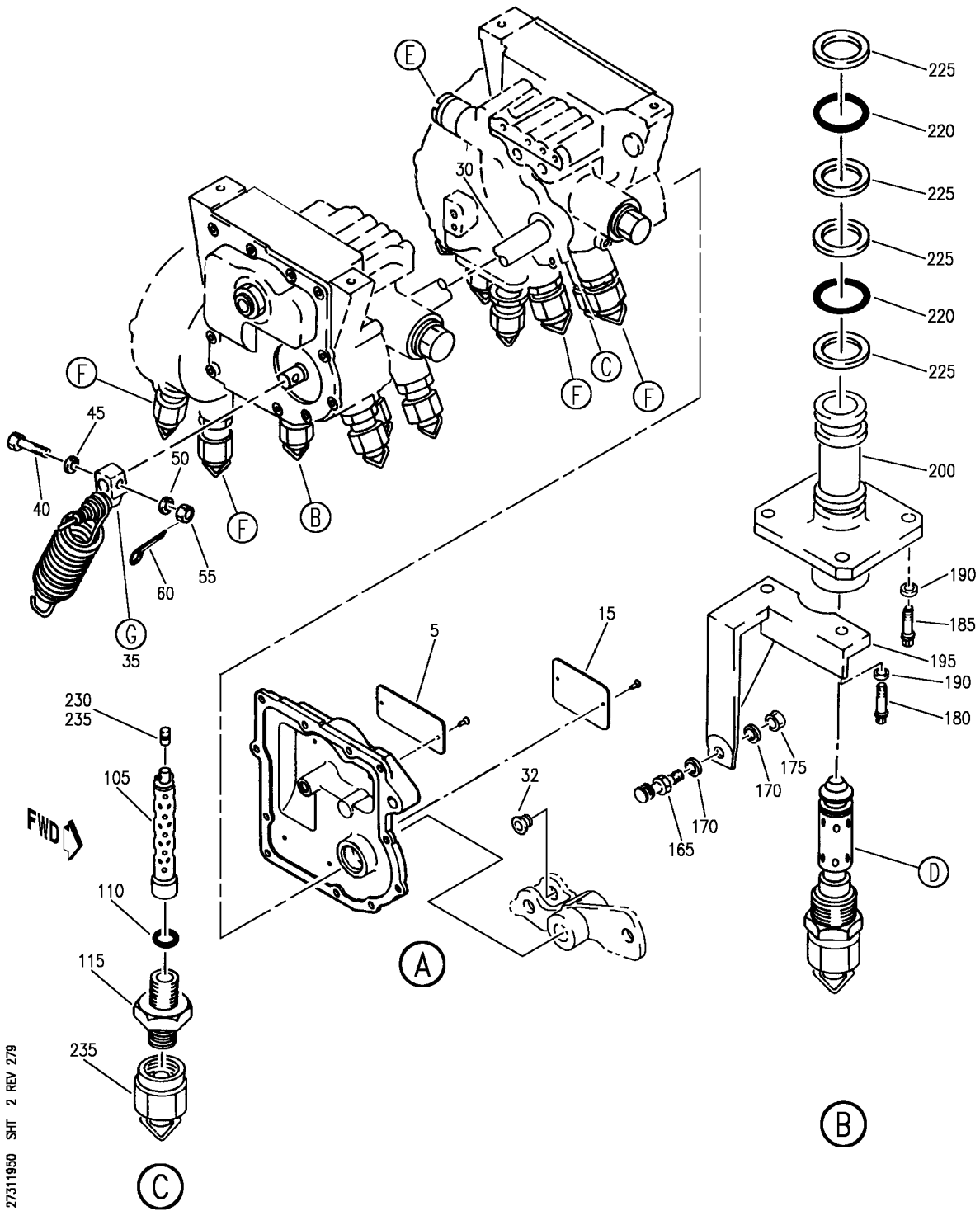
COMPUTER ASSY-ELEVATOR FEEL SYS  
FIGURE 50 (SHEET 1)

**27-31-19-50**

BRI  
MAY 28/07

27-31-19-50  
PAGE 0

**BOEING**  
757  
PARTS CATALOG (MAINTENANCE)



Y 27311950 SHT 2 REV 279

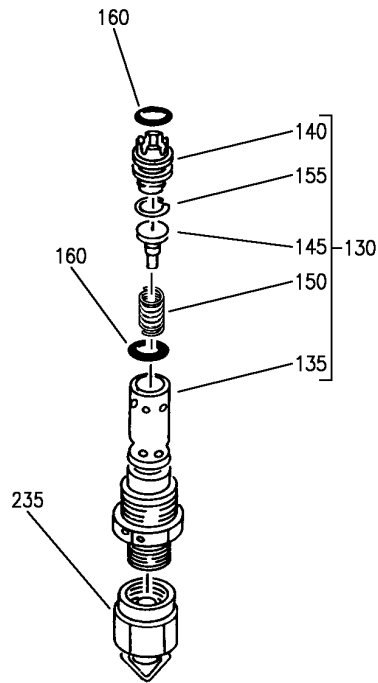
COMPUTER ASSY-ELEVATOR FEEL SYS  
FIGURE 50 (SHEET 2)

**27-31-19-50**

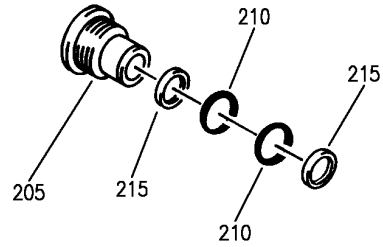
BRI  
MAY 28/07

27-31-19-50  
PAGE 0A

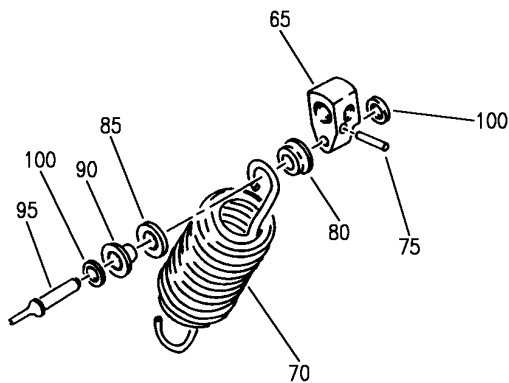
**BOEING**  
757  
PARTS CATALOG (MAINTENANCE)



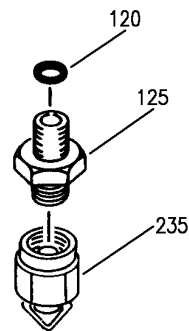
(D)



(E)



(G)



(F)

Y 27311950 SH1 3 REV 249

COMPUTER ASSY-ELEVATOR FEEL SYS  
FIGURE 50 (SHEET 3)

**27-31-19-50**

BRI  
MAY 28/07

27-31-19-50  
PAGE 0B





757

PARTS CATALOG (MAINTENANCE)

FIG ITEM	PART NUMBER	1 2 3 4 5 6 7	NOMENCLATURE	EFFECT FROM TO	UNITS PER ASSY
50			COMPUTER ASSY-ELEVATOR FEEL SYS	002004 006999	
- 1	162005-102		COMPUTER ASSY-ELEVATOR FEEL SYS SUPPLIER CODE: V19156 SPECIFICATION NUMBER: S251T220-5 COMPONENT MAINT MANUAL REF: 27-30-07 FOR NHA SEE: 27-31-19-01	002004 006999	RF
5	162062-001		.NAMEPLATE- SUPPLIER CODE: V19156	002004 006999	1
- 10	MS20426B3-4		ATTACHING PARTS .RIVET-	002004 006999	2
15	401-67804-003		-----*----- .PLATE-MOD SUPPLIER CODE: V19156	002004 006999	1
- 20	MS20426B3-4		ATTACHING PARTS .RIVET-	002004 006999	2
- 25	MS24265R10T5PNX		-----*----- .CONNECTOR- OPTIONAL PART: 920233-001 V19156	002004 006999	1
- 25	920233-001		.CONNECTOR- SUPPLIER CODE: V19156 OPTIONAL PART: MS24265R10T5PNX	002004 006999	1
30	162085-101		.ARM ASSY-CAM AND SHAFT SUPPLIER CODE: V19156	002004 006999	1
32	65-51237-4		..BUSHING	002004 006999	1
35	162051-100		.DRIVER ASSY-SPRING SUPPLIER CODE: V19156	002004 006999	1
40	NAS464P3-10		ATTACHING PARTS .BOLT	002004 006999	1
45	AN960PD10		.WASHER	002004 006999	1

MISSING ITEM NUMBERS NOT APPLICABLE

- ITEM NOT ILLUSTRATED

27-31-19-50

27-31-19  
FIG. 50  
PAGE 1  
SEP 20/08

BRI



757

PARTS CATALOG (MAINTENANCE)

FIG ITEM	PART NUMBER	1 2 3 4 5 6 7	NOMENCLATURE	EFFECT FROM TO	UNITS PER ASSY
50					
50	AN960PD10L	.	WASHER	002004 006999	1
55	AN320C3	.	NUT	002004 006999	1
60	MS24665-151	.	PIN	002004 006999	1
			-----*-----		
65	162052-001	..	DRIVER- SUPPLIER CODE: V19156	002004 006999	1
70	162049-001	..	SPRING- SUPPLIER CODE: V19156	002004 006999	1
75	MS16562-6	..	PIN- OPTIONAL PART: NAS561P2-8	002004 006999	1
75	NAS561P2-8	..	PIN- OPTIONAL PART: MS16562-6	002004 006999	1
80	162015-001	..	HANGER- SUPPLIER CODE: V19156	002004 006999	1
85	401-09856-03	..	WASHER- SUPPLIER CODE: V19156	002004 006999	1
90	401-66512-03	..	BUSHING- SUPPLIER CODE: V19156	002004 006999	1
95	MS90354U0513	..	FASTENER- OPTIONAL PART: SBPT5-13 V29666	002004 006999	1
95	SBPT5-13	..	FASTENER-BLIND BOLT SUPPLIER CODE: V29666 OPTIONAL PART: MS90354U0513	002004 006999	1
100	AN960D8	..	WASHER	002004 006999	2
105	FSHX0507600B	.	FILTER-SCREEN SUPPLIER CODE: V92555 SPECIFICATION NUMBER: S250N211-1 OPTIONAL PART: 25786 V18350 3121-516 V05CK7	002004 006999	2

MISSING ITEM NUMBERS NOT APPLICABLE

- ITEM NOT ILLUSTRATED

27-31-19-50

27-31-19  
FIG. 50  
PAGE 2  
SEP 20/08

BRI

BOEING PROPRIETARY - Copyright © - Unpublished Work - See title page for details.



757

PARTS CATALOG (MAINTENANCE)

FIG ITEM	PART NUMBER	1 2 3 4 5 6 7	NOMENCLATURE	EFFECT FROM TO	UNITS PER ASSY
50					
110	NAS1612-4	.	PACKING-	002004 006999	2
115	AFP2326-4	.	REDUCER-UNION SUPPLIER CODE: V30974 SPECIFICATION NUMBER: BACR17E6-4 OPTIONAL PART: AP10276-4 V01673 BC916T6-4 V50948 DB0R17E6-4 V14798 ER21916T6-4 V88334 ER31916-6-4 V88334 F23-6-4 V73197 2-01075T6-4 V11328 31778-6-4 V14397 US2114-6-4 V50808 AP1027T6-4 V01673 US21146-4 V50808 317786-4 V14397	002004 006999	2
120	NAS1612-6	.	PACKING-	002004 006999	8
125	BACU24K6	.	UNION	002004 006999	8
130	162058-100	.	VALVE ASSY-CHK SUPPLIER CODE: V19156	002004 006999	2
135	162059-001	..	FITTING- SUPPLIER CODE: V19156	002004 006999	1
140	162060-001	..	SEAT- SUPPLIER CODE: V19156	002004 006999	1
145	162061-001	..	POPPET- SUPPLIER CODE: V19156	002004 006999	1

MISSING ITEM NUMBERS NOT APPLICABLE

- ITEM NOT ILLUSTRATED

27-31-19-50

27-31-19  
FIG. 50  
PAGE 3  
JAN 20/09

BRI



757

PARTS CATALOG (MAINTENANCE)

FIG ITEM	PART NUMBER	1 2 3 4 5 6 7	NOMENCLATURE	EFFECT FROM TO	UNITS PER ASSY
50					
150	162035-002	..	SPRING- SUPPLIER CODE: V19156	002004 006999	1
155	162058-001	..	LOCKWIRE- SUPPLIER CODE: V19156	002004 006999	1
160	NAS1611-110	.	PACKING-	002004 006999	4
165	162050-001	.	STUD-RETURN SPR SUPPLIER CODE: V19156	002004 006999	1
170	AN960PD516L	.	WASHER	002004 006999	2
175	NAS509-5	.	NUT	002004 006999	1
180	MS9217-12	.	BOLT	002004 006999	2
185	MS9217-07	.	BOLT	002004 006999	6
190	NAS620-10L	.	WASHER	002004 006999	8
195	162077-001	.	BRACKET- SUPPLIER CODE: V19156	002004 006999	1
			OPTIONAL PART: 162076-001 V19156		
195	162076-001	.	BRACKET- SUPPLIER CODE: V19156	002004 006999	1
			OPTIONAL PART: 162077-001 V19156		
200	162075-002	.	HOUSING-RETURN SUPPLIER CODE: V19156	002004 006999	2
			SB DATA FROM A CMM: PRE 162005-27-77		
			OPTIONAL PART: 162084-100 V19156 162099-001 V19156		

MISSING ITEM NUMBERS NOT APPLICABLE

- ITEM NOT ILLUSTRATED

27-31-19-50

27-31-19  
FIG. 50  
PAGE 4  
JAN 20/09

BRI



757

PARTS CATALOG (MAINTENANCE)

FIG ITEM	PART NUMBER	1 2 3 4 5 6 7	NOMENCLATURE	EFFECT FROM TO	UNITS PER ASSY
50 200	162084-100		.HOUSING-RETURN SUPPLIER CODE: V19156 SB DATA FROM A CMM: PRE 162005-27-77 OPTIONAL PART: 162099-001 V19156 162075-002 V19156	002004 006999	2
200	162099-001		.HOUSING-RETURN SUPPLIER CODE: V19156 SB DATA FROM A CMM: POST 162005-27-77 OPTIONAL PART: 162075-002 V19156 162084-100 V19156	002004 006999	2
205	401-09834-01		.RETAINER- SUPPLIER CODE: V19156	002004 006999	2
210	NAS1611-014		.PACKING-	002004 006999	2
215	C11236-014B		.RING- SUPPLIER CODE: V26879 SPECIFICATION NUMBER: BACR12BM014 OPTIONAL PART: RMR12BM014 V94878 STF800-014 V02107 S30294-014-1 V97820 TF450-014A V07128 2100-014 V26303 MS28774-014	002004 006999	4
215	MS28774-014		.RETAINER- OPTIONAL PART: BACR12BM014	002004 006999	4
220	NAS1611-115		.PACKING-	002004 006999	4

MISSING ITEM NUMBERS NOT APPLICABLE

- ITEM NOT ILLUSTRATED

27-31-19-50

27-31-19  
FIG. 50  
PAGE 5  
JAN 20/09

BRI



757

PARTS CATALOG (MAINTENANCE)

FIG ITEM	PART NUMBER	1 2 3 4 5 6 7	NOMENCLATURE	EFFECT FROM TO	UNITS PER ASSY
50 225	C11236-115B		.RING- SUPPLIER CODE: V26879 SPECIFICATION NUMBER: BACR12BM115 OPTIONAL PART: RMR12BM115 V94878 STF800-115 V02107 S30294-115-1 V97820 TF450-115A V07128 2100-115 V26303 MS28774-115	002004 006999	8
225	MS28774-115		.RETAINER- OPTIONAL PART: BACR12BM115	002004 006999	8
230	AP1008-06D		.CAP ASSY- SUPPLIER CODE: V01673 SPECIFICATION NUMBER: BACC14AD06D OPTIONAL PART: DBOC14AD06D V14798 FER22661-06D V14397 2-02813-06D V11328 4690009-06D V50948 AFP241-06D V30974 US2103-06D V50808 MS21914-6D	002004 006999	12
230	MS21914-6D		.CAP ASSY- OPTIONAL PART: BACC14AD06D	002004 006999	12

MISSING ITEM NUMBERS NOT APPLICABLE

- ITEM NOT ILLUSTRATED

27-31-19-50

27-31-19  
FIG. 50  
PAGE 6  
SEP 20/08

BRI



757

PARTS CATALOG (MAINTENANCE)

FIG ITEM	PART NUMBER	1 2 3 4 5 6 7	NOMENCLATURE	EFFECT FROM TO	UNITS PER ASSY
50 235	JEPA1873038A		.RESTRICTOR- SUPPLIER CODE: V92555 OPTIONAL PART: 930225-100 V19156 JEPX0528600B V92555	002004 006999	2
235	930225-100		.RESTRICTOR- SUPPLIER CODE: V19156 OPTIONAL PART: JEPA1873038A V92555 JEPX0528600B V92555	002004 006999	2
235	JEPX0528600B		.RESTRICTOR- SUPPLIER CODE: V92555 OPTIONAL PART: JEPA1873038A V92555 930225-100 V19156	002004 006999	2

MISSING ITEM NUMBERS NOT APPLICABLE

- ITEM NOT ILLUSTRATED

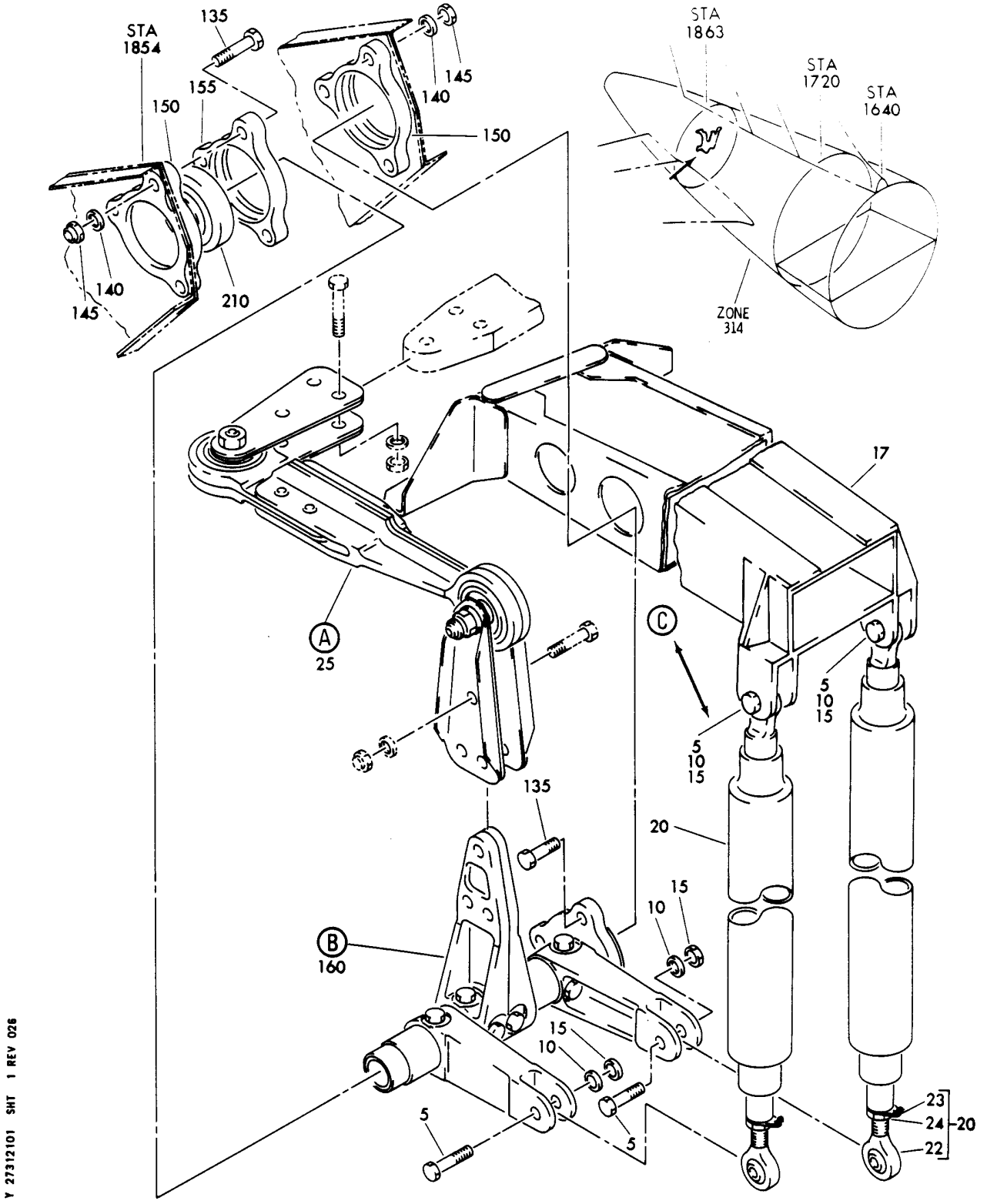
BRI

27-31-19-50

BOEING PROPRIETARY - Copyright © - Unpublished Work - See title page for details.

27-31-19  
FIG. 50  
PAGE 7  
SEP 20/08

**BOEING**  
757  
PARTS CATALOG (MAINTENANCE)



Y 27312101 SHT 1 REV 026

LINKAGE AND COMPUTER INSTL ELEV CONT NEUT SHIFT MECH  
FIGURE 1 (SHEET 1)

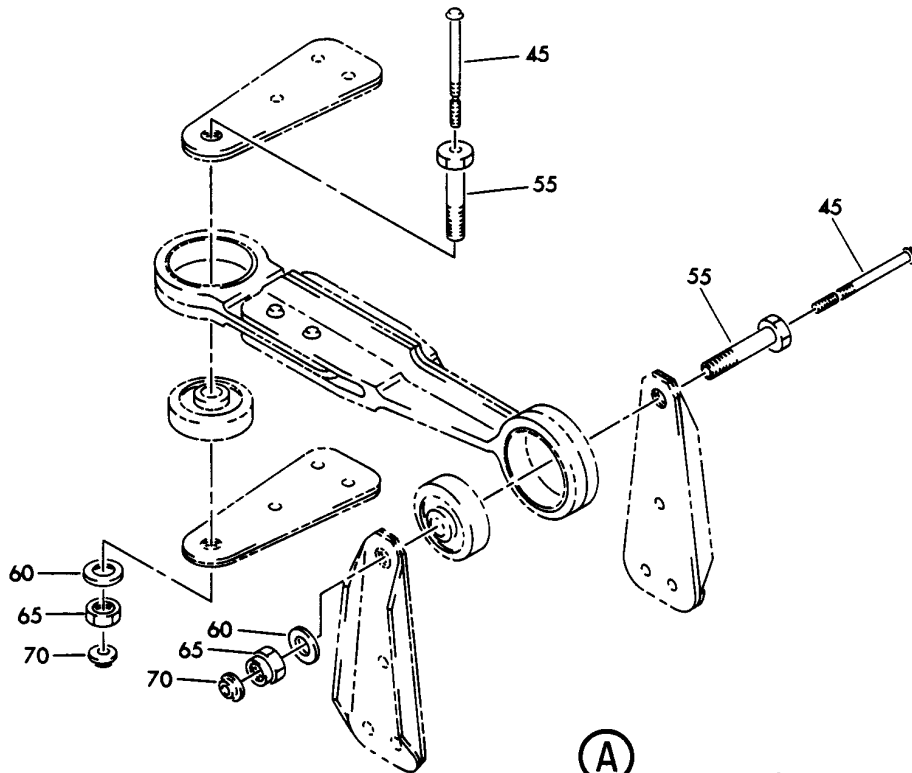
**27-31-21-01**

BRI  
MAY 28/07

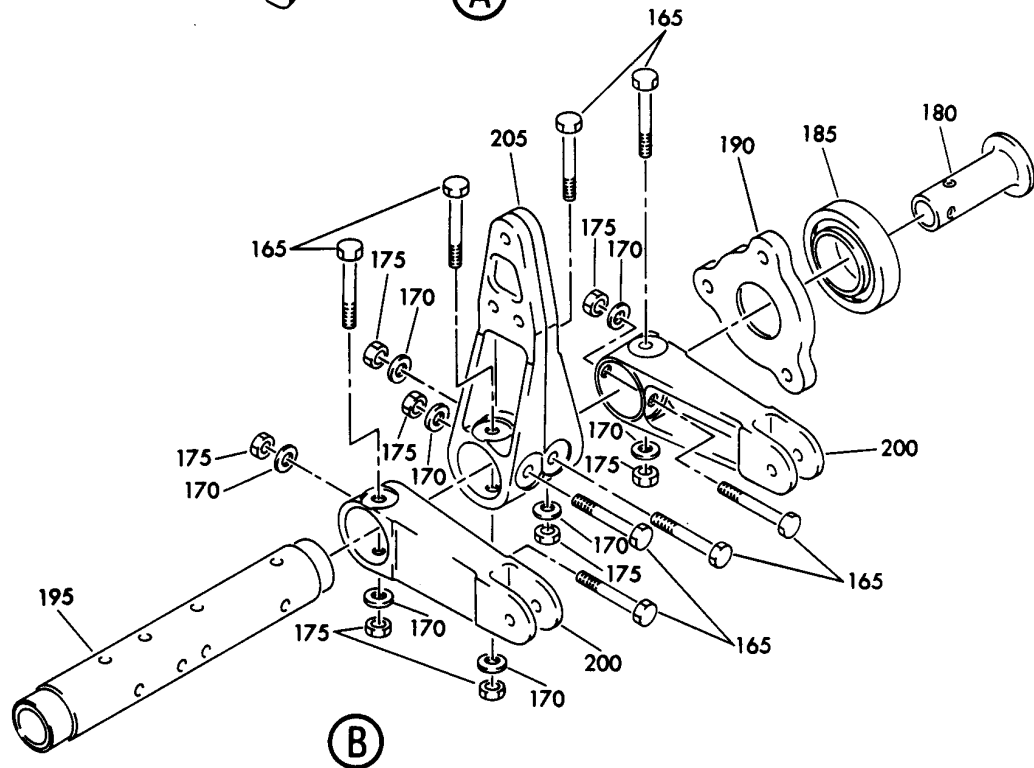
27-31-21-01  
PAGE 0



**BOEING**  
757  
PARTS CATALOG (MAINTENANCE)



(A)



(B)

Y 27312101 SHT 2 REV 033

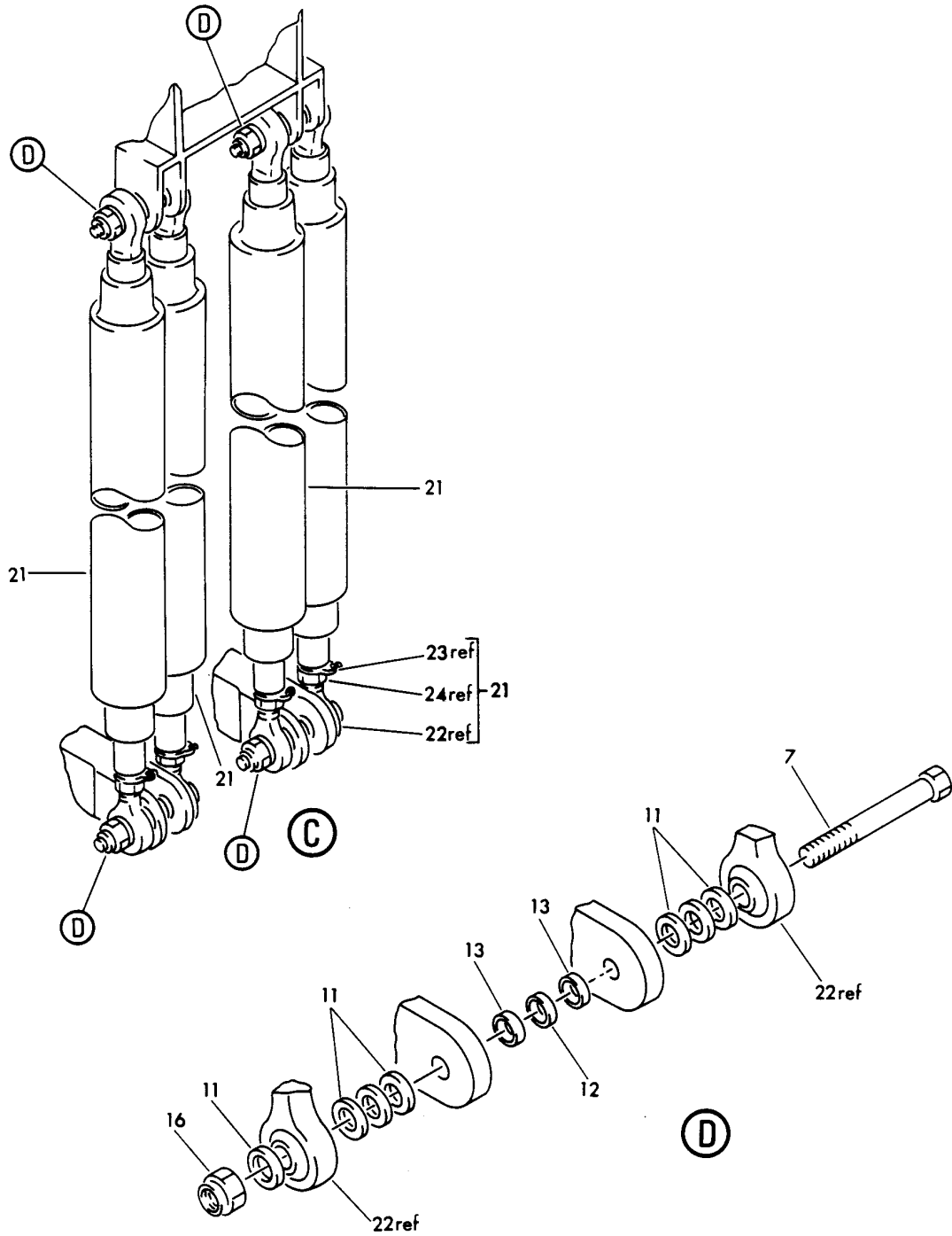
LINKAGE AND COMPUTER INSTL ELEV CONT NEUT SHIFT MECH  
FIGURE 1 (SHEET 2)

**27-31-21-01**

BRI  
MAY 28/07

27-31-21-01  
PAGE 0A

**BOEING**  
757  
PARTS CATALOG (MAINTENANCE)



Y 27312101 SHT 3 REV 063

LINKAGE AND COMPUTER INSTL ELEV CONT NEUT SHIFT MECH  
FIGURE 1 (SHEET 3)

**27-31-21-01**

BRI  
MAY 28/07

27-31-21-01  
PAGE 0B



757

PARTS CATALOG (MAINTENANCE)

FIG ITEM	PART NUMBER	1 2 3 4 5 6 7	NOMENCLATURE	EFFECT FROM TO	UNITS PER ASSY
1			LINKAGE AND COMPUTER INSTL ELEV CONT NEUT SHIFT MECH	002004 006999	
- 1	251N2006-1		LINKAGE INSTL-ELEV CONT NEUT SHIFT MECH FOR NHA SEE: 27-31-00-02	002004 006100 107107 121503 904999	RF
- 2	251N2006-3		COMPUTER INSTL-ELEV CONT NEUT SHIFT MECH FOR NHA SEE: 27-00-00-22	101102 108120 504903	RF
- 2	MODREF7250		COMPUTER INSTL-ELEV CONT NEUT SHIFT MECH MODULE NUMBER: 251N2006-3 REV A	103106	1
5	BACB30LJ4-13		.BOLT-	002004 006999	4
10	AN960KD416		.WASHER-	002004 006999	4
11	AN960-416		.WASHER-	002004 006999	28
15	BRH10C4D		.NUT- SUPPLIER CODE: V52828 SPECIFICATION NUMBER: BACN10JC4CD OPTIONAL PART: T6C428JCD V11815 NS202486-048 V80539 102LH9075-4W V72962 H51650-4BAC V15653	002004 006999	4

MISSING ITEM NUMBERS NOT APPLICABLE

- ITEM NOT ILLUSTRATED

BRI

27-31-21-01

27-31-21  
FIG. 01  
PAGE 1  
JAN 20/09



757

PARTS CATALOG (MAINTENANCE)

FIG ITEM	PART NUMBER	1 2 3 4 5 6 7	NOMENCLATURE	EFFECT FROM TO	UNITS PER ASSY
1 16	BRH10A4	.NUT-	SUPPLIER CODE: V52828 SPECIFICATION NUMBER: BACN10JC4 OPTIONAL PART: T6S428J V11815 96-048 V80539 VN303A048 V92215 RMLH9075-4W V72962 NS202101-048 V80539 H10-4BAC V15653	002004 006999	4
17	251N2030-5	.BRACKET INSTL		002004 006100 107107 121503 904999	1
20	251N2252-3	.ROD ASSY-ELEV CONT NEUT COMPONENT MAINT MANUAL REF: 27-31-34 OPTIONAL PART: 251N2252-2		002004 006999	2
20	251N2252-2	.ROD ASSY-ELEV CONT NEUT COMPONENT MAINT MANUAL REF: 27-31-34 OPTIONAL PART: 251N2252-3		002004 006999	2

MISSING ITEM NUMBERS NOT APPLICABLE

- ITEM NOT ILLUSTRATED

BRI

27-31-21-01

BOEING PROPRIETARY - Copyright © - Unpublished Work - See title page for details.

27-31-21  
FIG. 01  
PAGE 2  
JAN 20/09



757

PARTS CATALOG (MAINTENANCE)

FIG ITEM	PART NUMBER	1 2 3 4 5 6 7	NOMENCLATURE	EFFECT FROM TO	UNITS PER ASSY
1					
22	REP4MK6-4FS428	..	BEARING-ROD END SUPPLIER CODE: V73134 SPECIFICATION NUMBER: BACB10AD5K OPTIONAL PART: HHRE4MS6-1 V38443 REP4M6-4E9171B V21335 ABR4M8WG VS0352 ABR4M120 VS0352 REB4MK6-18 V92563 DBM4-6A1-502 V77896 ABR4M8WB V15860 REP4MK6-8J V73134	002004 006999	1
23	NAS513-6	..	WASHER-	002004 006999	1
24	NAS509-6	..	NUT-	002004 006999	1
25	251N2342-1	.LINK ASSY-	COMPONENT MAINT MANUAL REF: 27-31-81 OPTIONAL PART: 251N2342-2	002004 006999	1
25	251N2342-2	.LINK ASSY-	COMPONENT MAINT MANUAL REF: 27-31-81 OPTIONAL PART: 251N2342-1	002004 006999	1
- 30	BACB30LJ4-15	.BOLT	ATTACHING PARTS	002004 006999	6
- 35	AN960KD416	.WASHER		002004 006999	6

MISSING ITEM NUMBERS NOT APPLICABLE

- ITEM NOT ILLUSTRATED

27-31-21-01

27-31-21  
FIG. 01  
PAGE 3  
JAN 20/09

BRI



757

PARTS CATALOG (MAINTENANCE)

FIG ITEM	PART NUMBER	1 2 3 4 5 6 7	NOMENCLATURE	EFFECT FROM TO	UNITS PER ASSY
1 - 40	BRH10C4D	.	NUT SUPPLIER CODE: V52828 SPECIFICATION NUMBER: BACN10JC4CD OPTIONAL PART: T6C428JCD V11815 NS202486-048 V80539 102LH9075-4W V72962 H51650-4BAC V15653	002004 006999	6
45	2LPYT6-26	..	BOLT SUPPLIER CODE: V11815 SPECIFICATION NUMBER: BACB30DX6-26 OPTIONAL PART: 2LPYT6-26 V17446	002004 006999	2
55	251T2287-9	..	BOLT-HOLLOW	002004 006999	2
60	AN960PD616	..	WASHER	002004 006999	2
65	BRH10A6	..	NUT SUPPLIER CODE: V52828 SPECIFICATION NUMBER: BACN10JC6 OPTIONAL PART: 96-064 V80539 RMLH9075-6 V72962 H10-6BAC V15653	002004 006999	2
70	NAS1080-6	..	COLLAR-	002004 006999	2
135	BACB30LJ3-14	.	BOLT	002004 006999	6
140	AN960KD10	.	WASHER-	002004 006999	6

MISSING ITEM NUMBERS NOT APPLICABLE

- ITEM NOT ILLUSTRATED

BRI

27-31-21-01

27-31-21  
FIG. 01  
PAGE 4  
JAN 20/09

 **BOEING**  
757  
**PARTS CATALOG (MAINTENANCE)**

FIG ITEM	PART NUMBER	1 2 3 4 5 6 7	NOMENCLATURE	EFFECT FROM TO	UNITS PER ASSY
1 145	BRH10C3D	.	NUT SUPPLIER CODE: V52828 SPECIFICATION NUMBER: BACN10JC3CD OPTIONAL PART: T6C1032JCD V11815 NS202486-02 V80539 102LH9075-3W V72962 H51650-3BAC V15653	002004 006999	6
150	69-48216-1	.	HOUSING-BRG	002004 006999	2
155	69-48216-2	.	HOUSING-BRG	002004 006999	1
160	251N2333-5	.	BELLCRANK ASSY- OPTIONAL PART: 251N2333-6	002004 006999	1
160	251N2333-6	.	BELLCRANK ASSY- OPTIONAL PART: 251N2333-5	002004 006999	1
165	NAS6604-22	..	BOLT	002004 006999	8
170	AN960PD416	..	WASHER	002004 006999	8
175	BRH10A4	..	NUT SUPPLIER CODE: V52828 SPECIFICATION NUMBER: BACN10JC4 OPTIONAL PART: T6S428J V11815 96-048 V80539 VN303A048 V92215 RMLH9075-4W V72962 NS202101-048 V80539 H10-4BAC V15653	002004 006999	8

MISSING ITEM NUMBERS NOT APPLICABLE

— ITEM NOT ILLUSTRATED

BRI

# 27-31-21-01

BOEING PROPRIETARY - Copyright © - Unpublished Work - See title page for details.

27-31-21  
FIG. 01  
PAGE 5  
JAN 20/09



757

PARTS CATALOG (MAINTENANCE)

FIG ITEM	PART NUMBER	1 2 3 4 5 6 7	NOMENCLATURE	EFFECT FROM TO	UNITS PER ASSY
1					
180	69-48217-2		.. RETAINER-BRG USED ON: 251N2333-3 251N2333-4 251N2333-5 251N2333-6	002004 006999	1
185	KP16BSFS428		.. BEARING SUPPLIER CODE: V06144 SPECIFICATION NUMBER: BACB10EX16 OPTIONAL PART: KP16BSSD610 V83086 KP16BS V06144 KP16BSNJC V06144 KP16BSFS428 V21335 KP16BSLY196 V40920 KP16BS V38443	002004 006999	1
190	69-48216-2		.. HOUSING-BRG	002004 006999	1
195	65-60568-4		.. TUBE ASSY- USED ON: 251N2333-3 251N2333-4 251N2333-5 251N2333-6	002004 006999	1
200	251N2348-1		.. CRANK-CLEVIS USED ON: 251N2333-1 251N2333-3 251N2333-5	002004 006999	2
200	251N2348-2		.. CRANK-CLEVIS USED ON: 251N2333-2 251N2333-4 251N2333-6	002004 006999	2
205	251N2340-5		.. ARM ASSY- USED ON: 251N2333-5	002004 006999	1
205	251N2340-6		.. ARM ASSY- USED ON: 251N2333-6	002004 006999	1

MISSING ITEM NUMBERS NOT APPLICABLE

- ITEM NOT ILLUSTRATED

27-31-21-01

27-31-21  
FIG. 01  
PAGE 6  
JAN 20/09

BRI

BOEING PROPRIETARY - Copyright © - Unpublished Work - See title page for details.





757

PARTS CATALOG (MAINTENANCE)

FIG ITEM	PART NUMBER	1 2 3 4 5 6 7	NOMENCLATURE	EFFECT FROM TO	UNITS PER ASSY
1 210	KP16BSFS428		.BEARING SUPPLIER CODE: V06144 SPECIFICATION NUMBER: BACB10EX16 OPTIONAL PART: KP16BSSD610 V83086 KP16BS V06144 KP16BSNJC V06144 KP16BSFS428 V21335 KP16BSLY196 V40920 KP16BS V38443	002004 006999	1

MISSING ITEM NUMBERS NOT APPLICABLE

- ITEM NOT ILLUSTRATED

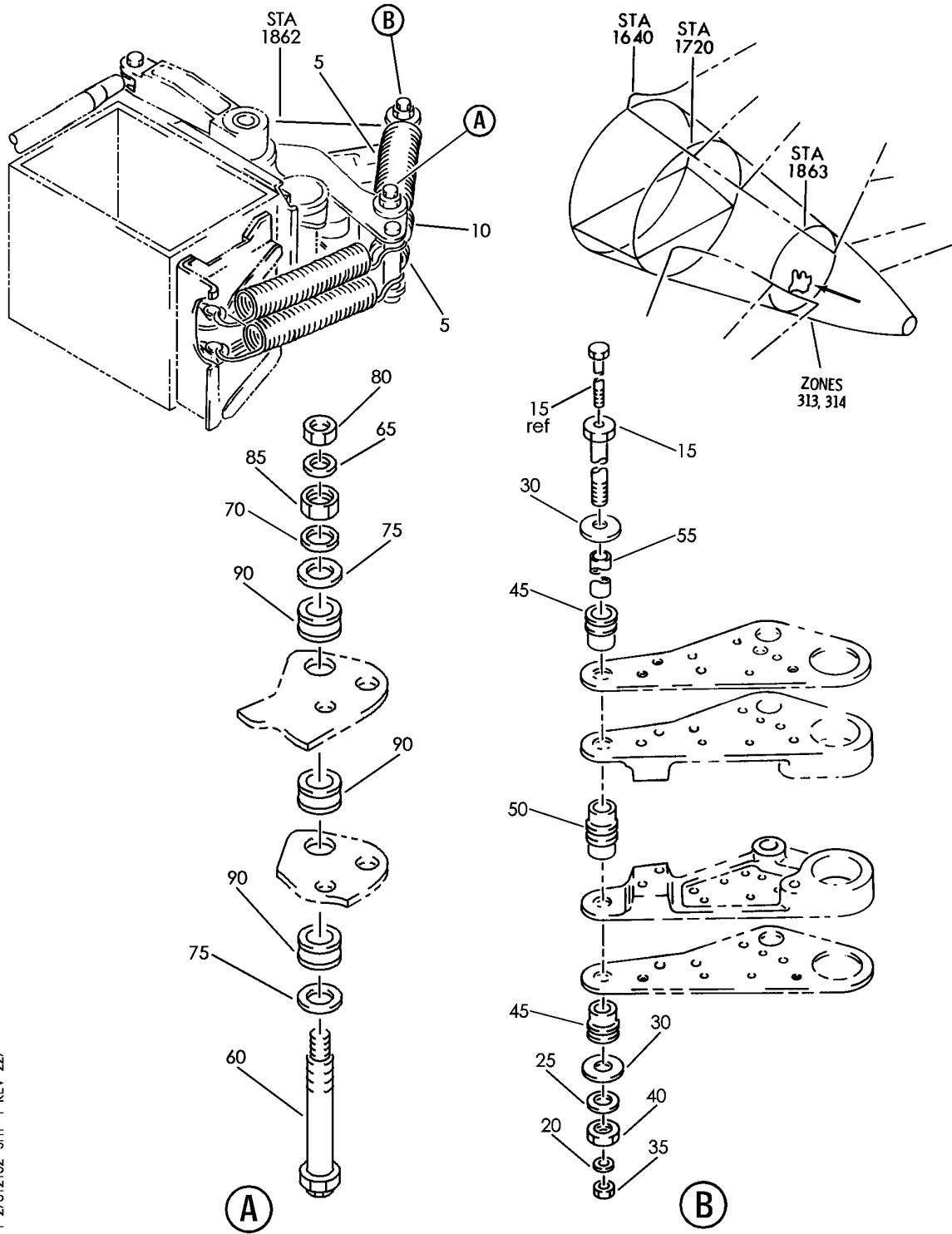
BRI

27-31-21-01

BOEING PROPRIETARY - Copyright © - Unpublished Work - See title page for details.

27-31-21  
FIG. 01  
PAGE 7  
JAN 20/09

**BOEING**  
757  
**PARTS CATALOG (MAINTENANCE)**



Y 27312102 SHT 1 REV 227

MECHANISM ASSY-NEUT SHIFT  
FIGURE 2

**27-31-21-02**

BRI  
MAY 28/07

27-31-21-02  
PAGE 0



757

PARTS CATALOG (MAINTENANCE)

FIG ITEM	PART NUMBER	1 2 3 4 5 6 7	NOMENCLATURE	EFFECT FROM TO	UNITS PER ASSY
2			MECHANISM ASSY-NEUT SHIFT	002004 006999	
- 1	251N2300-11		MECHANISM ASSY-NEUT SHIFT COMPONENT MAINT MANUAL REF: 27-31-23 FOR NHA SEE: 27-31-53-01	002004 006100 107107 121503 904999	RF
- 1	251N2300-15		MECHANISM ASSY-NEUT SHIFT COMPONENT MAINT MANUAL REF: 27-31-23 FOR NHA SEE: 27-31-53-01	008106 108120 504903 950951 953999	RF
5	251N2805-1		.SPRING- OPTIONAL PART: 251N2346-2	002004 006999	2
5	251N2346-2		.SPRING- OPTIONAL PART: 251N2805-1	002004 006999	2
5	251N2346-1		.SPRING-	002004 006999	2
10	251N2332-2		.SPRING-	002004 006999	1
10	251N2332-1		.SPRING-	002004 006999	1
15	251T2246-6		.BOLT ASSY	002004 006999	1
20	AN960C516		.WASHER	002004 006999	1
25	AN960C716		.WASHER	002004 006999	1
30	BACW10P74S		.WASHER	002004 006999	2
35	BRH10C5D		.NUT SUPPLIER CODE: V52828 SPECIFICATION NUMBER: BACN10JC5CD OPTIONAL PART: T6C524JCD V11815 102LH9075-5W V72962 H51650-5BAC V15653	002004 006999	1
40	BACN10JC7CD		.NUT	002004 006999	1
45	251N2347-2		.RETAINER-SPR	002004 006999	2

MISSING ITEM NUMBERS NOT APPLICABLE

- ITEM NOT ILLUSTRATED

27-31-21-02

27-31-21  
FIG. 02  
PAGE 1  
JAN 20/09

BRI



757

PARTS CATALOG (MAINTENANCE)

FIG ITEM	PART NUMBER	1 2 3 4 5 6 7	NOMENCLATURE	EFFECT FROM TO	UNITS PER ASSY
2					
50	251N2339-3	.	RETAINER-SPR	002004 006999	1
55	BACB28Y7C344	.	BUSHING	002004 006999	1
60	251T2246-6	.	BOLT ASSY	002004 006999	1
65	AN960PD516	.	WASHER	002004 006999	1
70	AN960PD716	.	WASHER	002004 006999	1
75	BACW10P74S	.	WASHER	002004 006999	2
80	BRH10C5D	.	NUT SUPPLIER CODE: V52828 SPECIFICATION NUMBER: BACN10JC5CD OPTIONAL PART: T6C524JCD V11815 102LH9075-5W V72962 H51650-5BAC V15653	002004 006999	1
85	BACN10JC7CD	.	NUT	002004 006999	1
90	251N2320-2	.	RETAINER-SPR	002004 006999	3

MISSING ITEM NUMBERS NOT APPLICABLE

- ITEM NOT ILLUSTRATED

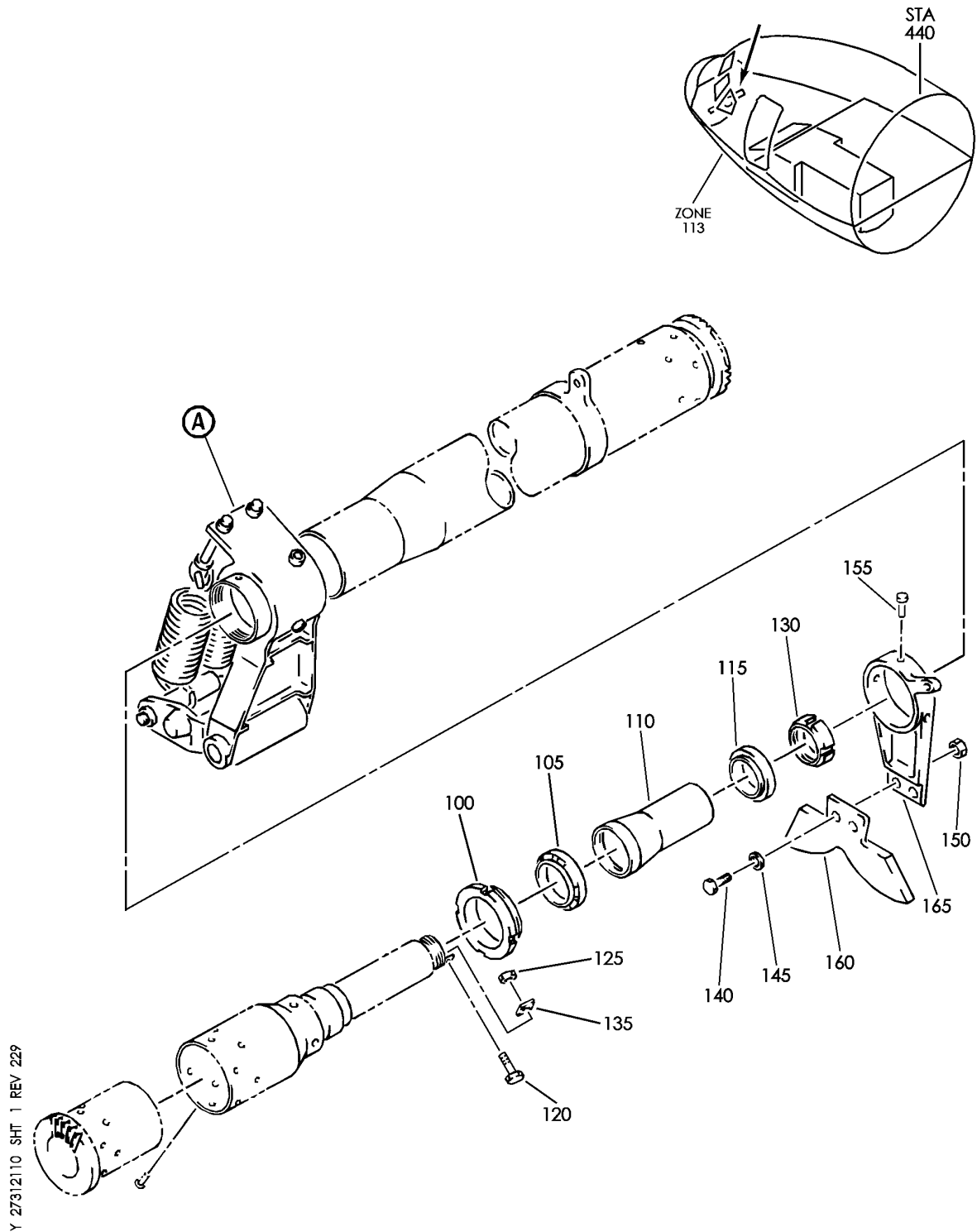
BRI

27-31-21-02

BOEING PROPRIETARY - Copyright © - Unpublished Work - See title page for details.

27-31-21  
FIG. 02  
PAGE 2  
SEP 20/08

**BOEING**  
757  
PARTS CATALOG (MAINTENANCE)



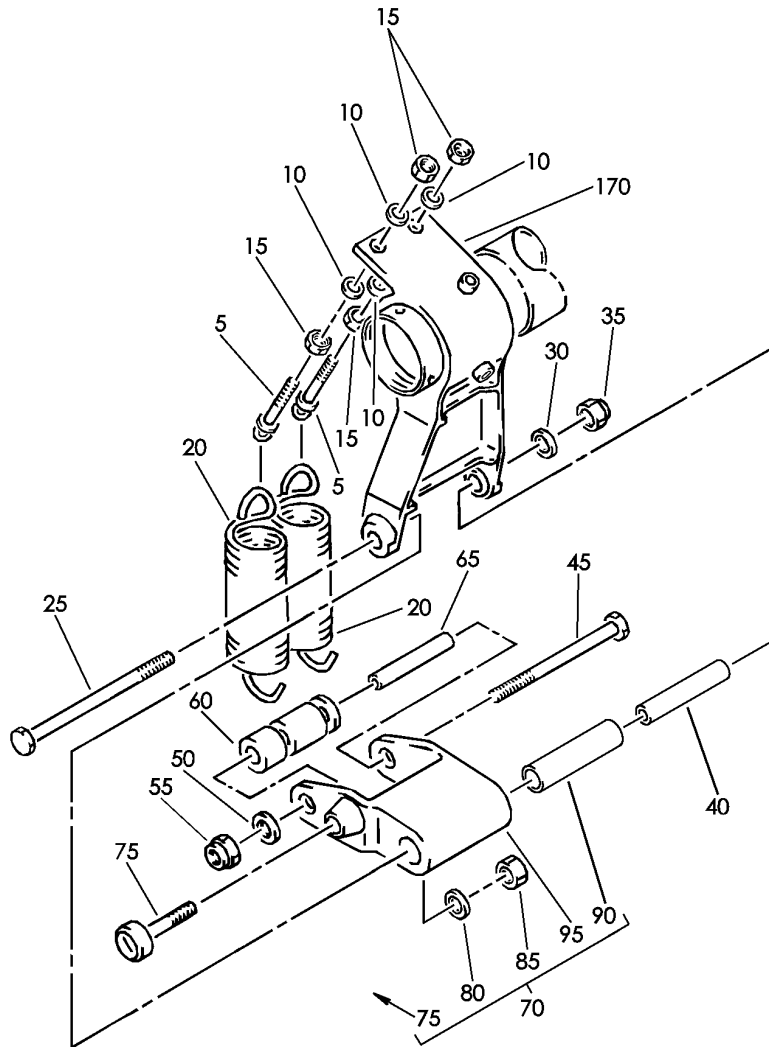
VERRIDE ASSY-ELEV CONT  
FIGURE 10 (SHEET 1)

**27-31-21-10**

BRI  
MAY 28/07

27-31-21-10  
PAGE 0

**BOEING**  
757  
PARTS CATALOG (MAINTENANCE)



(A)

Y 27312110 SHT 2 REV 229

OVERRIDE ASSY-ELEV CONT  
FIGURE 10 (SHEET 2)

**27-31-21-10**

BRI  
MAY 28/07

27-31-21-10  
PAGE 0A



757

PARTS CATALOG (MAINTENANCE)

FIG ITEM	PART NUMBER	1 2 3 4 5 6 7	NOMENCLATURE	EFFECT FROM TO	UNITS PER ASSY
10			OVERRIDE ASSY-ELEV CONT	002004 006999	
- 1	251N1075-8		OVERRIDE ASSY-ELEV CONT COMPONENT MAINT MANUAL REF: 27-31-35 FOR NHA SEE: 27-31-10-01	002004 006102 107107 121999	RF
- 1	251N1075-10		OVERRIDE ASSY-ELEV CONT COMPONENT MAINT MANUAL REF: 27-31-35 FOR NHA SEE: 27-31-10-01	002004 006102 107107 121999	RF
- 1	251N1075-11		OVERRIDE ASSY-ELEV CONT COMPONENT MAINT MANUAL REF: 27-31-35 FOR NHA SEE: 27-31-10-01	002004 006999	RF
5	251N1260-1		.EYEBOLT	002004 006105 107999	2
10	AN960KD416		.WASHER- USED ON: 251N1075-1 251N1075-5 251N1075-8 251N1075-10	002004 006102 107107 121999	4
10	NAS1149D0463J		.WASHER- USED ON: 251N1075-11	101105 108120 504903	4
15	NAS509-4		.NUT	002004 006105 107999	4
20	251N1259-1		.SPRING	002004 006105 107999	2
25	BACB30LJ5U63		.BOLT	002004 006105 107999	1
30	AN960PD516L		.WASHER- USED ON: 251N1075-1 251N1075-5 251N1075-8 251N1075-10	002004 006102 107107 121999	1
30	NAS1149D0516J		.WASHER- USED ON: 251N1075-11	101105 108120 504903	1

MISSING ITEM NUMBERS NOT APPLICABLE

- ITEM NOT ILLUSTRATED

BRI

27-31-21-10

27-31-21  
FIG. 10  
PAGE 1  
JAN 20/09



757

PARTS CATALOG (MAINTENANCE)

FIG ITEM	PART NUMBER	1 2 3 4 5 6 7	NOMENCLATURE	EFFECT FROM TO	UNITS PER ASSY
10					
35	BRH10C5M		.NUT- SUPPLIER CODE: V52828 SPECIFICATION NUMBER: BACN10JC5CM OPTIONAL PART: T6C524JM V11815 97E054 V80539 109LH9075-5W V72962 H01-5BAC V15653 USED ON: 251N1075-1 251N1075-5 251N1075-8 251N1075-10	002004 006102 107107 121999	1
35	PLH55CD		.NUT- SUPPLIER CODE: VF0224 SPECIFICATION NUMBER: BACN10YR5CD OPTIONAL PART: H52732-5CD V15653 USED ON: 251N1075-11	101105 108120 504903	1
40	BACB28AK05-368		.BUSHING	002004 006105 107999	1
45	BACB30LJ4U57		.BOLT	002004 006105 107999	1
50	AN960PD416L		.WASHER- USED ON: 251N1075-1 251N1075-5 251N1075-8 251N1075-10	002004 006102 107107 121999	1
50	NAS1149D0416J		.WASHER- USED ON: 251N1075-11	101105 108120 504903	1

MISSING ITEM NUMBERS NOT APPLICABLE

- ITEM NOT ILLUSTRATED

BRI

27-31-21-10

BOEING PROPRIETARY - Copyright © - Unpublished Work - See title page for details.

27-31-21  
FIG. 10  
PAGE 2  
JAN 20/09





757

PARTS CATALOG (MAINTENANCE)

FIG ITEM	PART NUMBER	1 2 3 4 5 6 7	NOMENCLATURE	EFFECT FROM TO	UNITS PER ASSY
10					
55	BRH10C4M	.NUT-	SUPPLIER CODE: V52828 SPECIFICATION NUMBER: BACN10JC4CM OPTIONAL PART: T6C428JM V11815 97E48 V80539 109LH9075-4W V72962 VN303D048 V92215 H01-4BAC V15653 NS202101SE048 V80539 USED ON: 251N1075-1 251N1075-5 251N1075-8 251N1075-10	002004 006102 107107 121999	1
55	PLH54CD	.NUT-	SUPPLIER CODE: VF0224 SPECIFICATION NUMBER: BACN10YR4CD OPTIONAL PART: H52732-4CD V15653 USED ON: 251N1075-11	101105 108120 504903	1
60	251N1080-1	.CARRIER-SPR		002004 006105 107999	1
65	BACB28AK04-329	.BUSHING		002004 006105 107999	1
70	251N1078-1	.FOLLOWER ASSY-	USED ON: 251N1075-1 251N1075-5 251N1075-8	002004 006100 107107 121503 904999	1
70	251N1078-7	.FOLLOWER ASSY-	USED ON: 251N1075-10 251N1075-11	101105 108120 504903	1

MISSING ITEM NUMBERS NOT APPLICABLE

- ITEM NOT ILLUSTRATED

27-31-21-10

27-31-21  
FIG. 10  
PAGE 3  
JAN 20/09

BRI

BOEING PROPRIETARY - Copyright © - Unpublished Work - See title page for details.



757

PARTS CATALOG (MAINTENANCE)

FIG ITEM	PART NUMBER	1 2 3 4 5 6 7	NOMENCLATURE	EFFECT FROM TO	UNITS PER ASSY
10					
75	HRS4CTR12	..	BEARING SUPPLIER CODE: V07484 SPECIFICATION NUMBER: BACB10AF6T12HS OPTIONAL PART: HRS4CTR12 V92563 HRS4CTR12 V60380	002004 006105 107999	1
80	AN960PD616L	..	WASHER	002004 006105 107999	1
85	BRH10A6	..	NUT SUPPLIER CODE: V52828 SPECIFICATION NUMBER: BACN10JC6 OPTIONAL PART: 96-064 V80539 RMLH9075-6 V72962 H10-6BAC V15653	002004 006105 107999	1
90	BACB28Y7M160	..	BUSHING	002004 006105 107999	2
95	251N1078-2	..	FOLLOWER- OPTIONAL PART: 251N1078-5	002004 006105 107999	1
95	251N1078-5	..	FOLLOWER- OPTIONAL PART: 251N1078-2	002004 006100 107107 121503 904999	1
100	251N1115-1	.	NUT	002004 006105 107999	1

MISSING ITEM NUMBERS NOT APPLICABLE

- ITEM NOT ILLUSTRATED

BRI

27-31-21-10

27-31-21  
FIG. 10  
PAGE 4  
JAN 20/09



757

PARTS CATALOG (MAINTENANCE)

FIG ITEM	PART NUMBER	1 2 3 4 5 6 7	NOMENCLATURE	EFFECT FROM TO	UNITS PER ASSY
10	MB544DDFS428		. BEARING	002004	1
105			SUPPLIER CODE:	006105	
			V06144	107999	
			SPECIFICATION NUMBER:		
			BACB10AS29		
			OPTIONAL PART:		
			LLMB544		
			V38443		
			MB544-2TS		
			V43991		
			MB544DDFS428		
			V21335		
			MB544TT		
			V43991		
			MB544DDG20		
			V38443		
			MT344E		
			VK8455		
		MB544DDL196			
		V40920			
		MB544DD			
		V06144			
		MB544DDNJC			
		V06144			
		MB544DDSD610			
		V83086			
110	251N1084-1		. SPACER	002004	1
				006105	
				107999	

MISSING ITEM NUMBERS NOT APPLICABLE

- ITEM NOT ILLUSTRATED

BRI

27-31-21-10

BOEING PROPRIETARY - Copyright © - Unpublished Work - See title page for details.

27-31-21  
 FIG. 10  
 PAGE 5  
 MAY 20/09



757

PARTS CATALOG (MAINTENANCE)

FIG ITEM	PART NUMBER	1 2 3 4 5 6 7	NOMENCLATURE	EFFECT FROM TO	UNITS PER ASSY
R R R R R R R R R R R R	10 115	MB543DDFS428	.BEARING SUPPLIER CODE: V06144 SPECIFICATION NUMBER: BACB10AS25 OPTIONAL PART: LLMB543 V38443 MB543-2TS V43991 MB543DDFS428 V21335 MB543TT V43991 MB543DDG20 V38443 MT343E VK8455 MB543DDLY196 V40920 MB543DD V06144 MB543DDNJC V06144 MB541DDSD610 V83086	002004 006105 107999	1
	120	NAS1352C08-8	.SCREW	002004 006105 107999	1
	125	PLH508CD	.NUT SUPPLIER CODE: VF0224 SPECIFICATION NUMBER: BACN10YR08CD OPTIONAL PART: H52732-08CD V15653	002004 006105 107999	1
	130	82631-2212	.NUT SUPPLIER CODE: V56878 SPECIFICATION NUMBER: BACN10RF22 OPTIONAL PART: BR9080-22 V72962 SL2822-22 V97393	002004 006105 107999	1

MISSING ITEM NUMBERS NOT APPLICABLE

- ITEM NOT ILLUSTRATED

27-31-21-10

27-31-21  
FIG. 10  
PAGE 6  
MAY 20/09

BRI



757

PARTS CATALOG (MAINTENANCE)

FIG ITEM	PART NUMBER	1 2 3 4 5 6 7	NOMENCLATURE	EFFECT FROM TO	UNITS PER ASSY
10					
135	66-12478-11	.	FILLER	002004 006105 107999	1
140	BACB30LJ4U7	.	BOLT	002004 006105 107999	2
145	AN960KD416	.	WASHER	002004 006105 107999	2
150	BRH10C4M	.	NUT SUPPLIER CODE: V52828 SPECIFICATION NUMBER: BACN10JC4CM OPTIONAL PART: T6C428JM V11815 97E48 V80539 109LH9075-4W V72962 VN303D048 V92215 H01-4BAC V15653 NS202101SE048 V80539	002004 006105 107999	2
155	MS21141-0605P	.	FASTENER	002004 006105 107999	3
160	251N1125-6	.	CAM- OPTIONAL PART: 251N1125-7 USED ON: 251N1075-8 251N1075-10 251N1075-11	002004 006105 107999	1
160	251N1125-7	.	CAM- OPTIONAL PART: 251N1125-6 USED ON: 251N1075-8 251N1075-10 251N1075-11	002004 006105 107999	1
165	251N1126-1	.	ARM- OPTIONAL PART: 251N1126-3	002004 006105 107999	1

MISSING ITEM NUMBERS NOT APPLICABLE

- ITEM NOT ILLUSTRATED

BRI

27-31-21-10

27-31-21  
FIG. 10  
PAGE 7  
MAY 20/09



757

PARTS CATALOG (MAINTENANCE)

FIG ITEM	PART NUMBER	1 2 3 4 5 6 7	NOMENCLATURE	EFFECT FROM TO	UNITS PER ASSY
10					
165	251N1126-3		.ARM- OPTIONAL PART: 251N1126-1	002004 006105 107999	1
170	251N1075-2		.OVERRIDE ASSY- USED ON: 251N1075-1 251N1075-5 251N1075-8 251N1075-10	002004 006102 107107 121999	1
170	251N1075-12		.OVERRIDE ASSY- USED ON: 251N1075-11	101105 108120 504903	1

MISSING ITEM NUMBERS NOT APPLICABLE

- ITEM NOT ILLUSTRATED

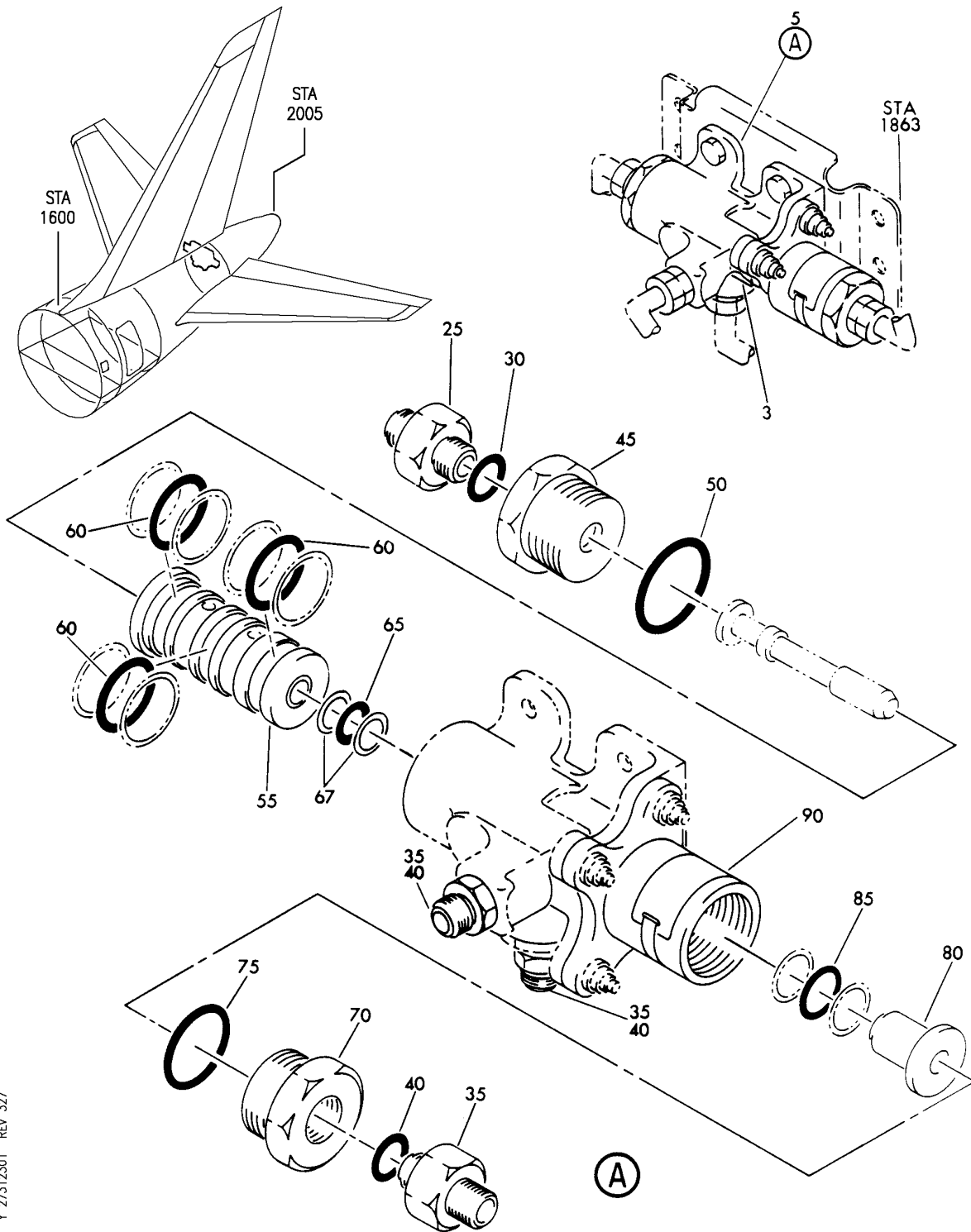
BRI

**27-31-21-10**

BOEING PROPRIETARY - Copyright © - Unpublished Work - See title page for details.

27-31-21  
FIG. 10  
PAGE 8  
MAY 20/09

**BOEING**  
757  
PARTS CATALOG (MAINTENANCE)



Y 27312301 REV 327

VALVE INSTL-BYPASS ELEV PRESSURE REDUCER  
FIGURE 1

**27-31-23-01**

BRI  
SEP 20/08

27-31-23-01  
PAGE 0

**BOEING**  
757  
**PARTS CATALOG (MAINTENANCE)**

FIG ITEM	PART NUMBER	1 2 3 4 5 6 7	NOMENCLATURE	EFFECT FROM TO	UNITS PER ASSY
1			VALVE INSTL-BYPASS ELEV PRESSURE REDUCER	002004 006999	
- 1	251N2040-1		VALVE INSTL-BYPASS ELEV PRESSURE REDUCER FOR NHA SEE: 29-00-51-06	002004 006100 107107 121503 904999	RF
- 1	251N2040-3		VALVE INSTL-BYPASS ELEV PRESSURE REDUCER FOR NHA SEE: 27-00-00-22	101102 108120 504903	RF
- 1	MODREF7357		VALVE INSTL-BYPASS ELEV PRESSURE REDUCER MODULE NUMBER: 251N2040-3 REV A	103106	1
3	BAC27NHY0184		.MARKER-ALUMINUM FOIL- PLACARD CONTENT: ELEVATOR PRESSURE REDUCER BYPASS VALVE	002004 006999	1
5	251N3018-2		.VALVE ASSY- COMPONENT MAINT MANUAL REF: 27-21-25	002004 006999	1
5	251N3018-3		.VALVE ASSY- COMPONENT MAINT MANUAL REF: 27-21-25	002004 006999	1
5	251N3018-4		.VALVE ASSY- COMPONENT MAINT MANUAL REF: 27-21-25	002004 006999	1
5	251N2040-2		.VALVE ASSY- COMPONENT MAINT MANUAL REF: 27-21-25	002004 006999	1
5	251N3018-8		.VALVE ASSY- COMPONENT MAINT MANUAL REF: 27-21-25	002004 006999	1
- 10	BACB30NM4K5		ATTACHING PARTS .BOLT-	002004 006999	3
- 15	BACW10BP4C		.WASHER  -----*-----	002004 006999	3

MISSING ITEM NUMBERS NOT APPLICABLE

- ITEM NOT ILLUSTRATED

BRI

# 27-31-23-01

BOEING PROPRIETARY - Copyright © - Unpublished Work - See title page for details.

27-31-23  
FIG. 01  
PAGE 1  
MAY 20/09





757

PARTS CATALOG (MAINTENANCE)

FIG ITEM	PART NUMBER	1 2 3 4 5 6 7	NOMENCLATURE	EFFECT FROM TO	UNITS PER ASSY
1 25	AFP2328-6		..REDUCER SUPPLIER CODE: V30974 SPECIFICATION NUMBER: BACR17E8-6 OPTIONAL PART: AP10278-6 V01673 BC916T8-6 V50948 DBOR17E8-6 V14798 ER21916T8-6 V88334 ER31916-8-6 V88334 F23-8-6 V73197 2-01075T8-6 V11328 31778-8-6 V14397 US2114-8-6 V50508 AP1027T8-6 V01673 US21148-6 V50808 317788-6 V14397	002004 006999	1
30	NAS1612-8		..PACKING-	002004 006999	1
35	BACU24K6		..UNION	002004 006999	3
40	NAS1612-6		..PACKING-	002004 006999	3
45	274T4626-3		..PLUG	002004 006999	1
50	NAS1612-16		..PACKING-	002004 006999	1
55	251N3247-1		..SLIDE ASSY- QUALIFIED I/W DATA: 274N1098-1 T/W S30775-111H5 MAY REPLACE 251N3247-1 T/W MS28774-111 AND NAS1611-111	002004 006100 107107 121503 904999	1

MISSING ITEM NUMBERS NOT APPLICABLE

- ITEM NOT ILLUSTRATED

27-31-23-01

27-31-23  
FIG. 01  
PAGE 2  
JAN 20/09

BRI

BOEING PROPRIETARY - Copyright © - Unpublished Work - See title page for details.

**BOEING**  
757  
**PARTS CATALOG (MAINTENANCE)**

FIG ITEM	PART NUMBER	1 2 3 4 5 6 7	NOMENCLATURE	EFFECT FROM TO	UNITS PER ASSY
1					
55	274N1098-1		.. SLIDE ASSY- QUALIFIED I/W DATA: 274N1098-1 T/W S30775-111H5 MAY REPLACE 251N3247-1 T/W MS28774-111 AND NAS1611-111	002004 006999	1
60	NAS1611-211		.. PACKING-	002004 006999	3
65	NAS1611-111		.. SEAL-	002004 006100 107107 121503 904999	1
65	S30775-111H5		.. SEAL ASSY- SUPPLIER CODE: V09257	002004 006999	1
67	MS28774-111		.. RETAINER- MISCELLANEOUS DATA: (274N1098-1 T/W S30775-111H5 MAY REPLACE 251N3247-1 T/W MS28774-111 AND NAS1611-111)	002004 006100 107107 121503 904999	2
70	274T4629-2		.. PLUG	002004 006999	1
75	NAS1611-121		.. PACKING-	002004 006100 107107 121503 904999	1
75	3-914E515-80		.. PACKING-	002004 006999	1
80	274T4628-1		.. PISTON	002004 006999	1
85	NAS1611-114		.. PACKING-	002004 006999	1
90	274T4627-1		.. CAP	002004 006999	1
			ATTACHING PARTS		
R -	95 BACB30LE4H9		.. BOLT	002004 006999	4
R -	100 AN960D416L		.. WASHER	002004 006999	AR
-	105 BACW10BP4AC		.. WASHER	002004 006999	4
R -	110 NAS1804-4		.. NUT	002004 006999	4
R			-----*-----		
			MISSING ITEM NUMBERS NOT APPLICABLE		

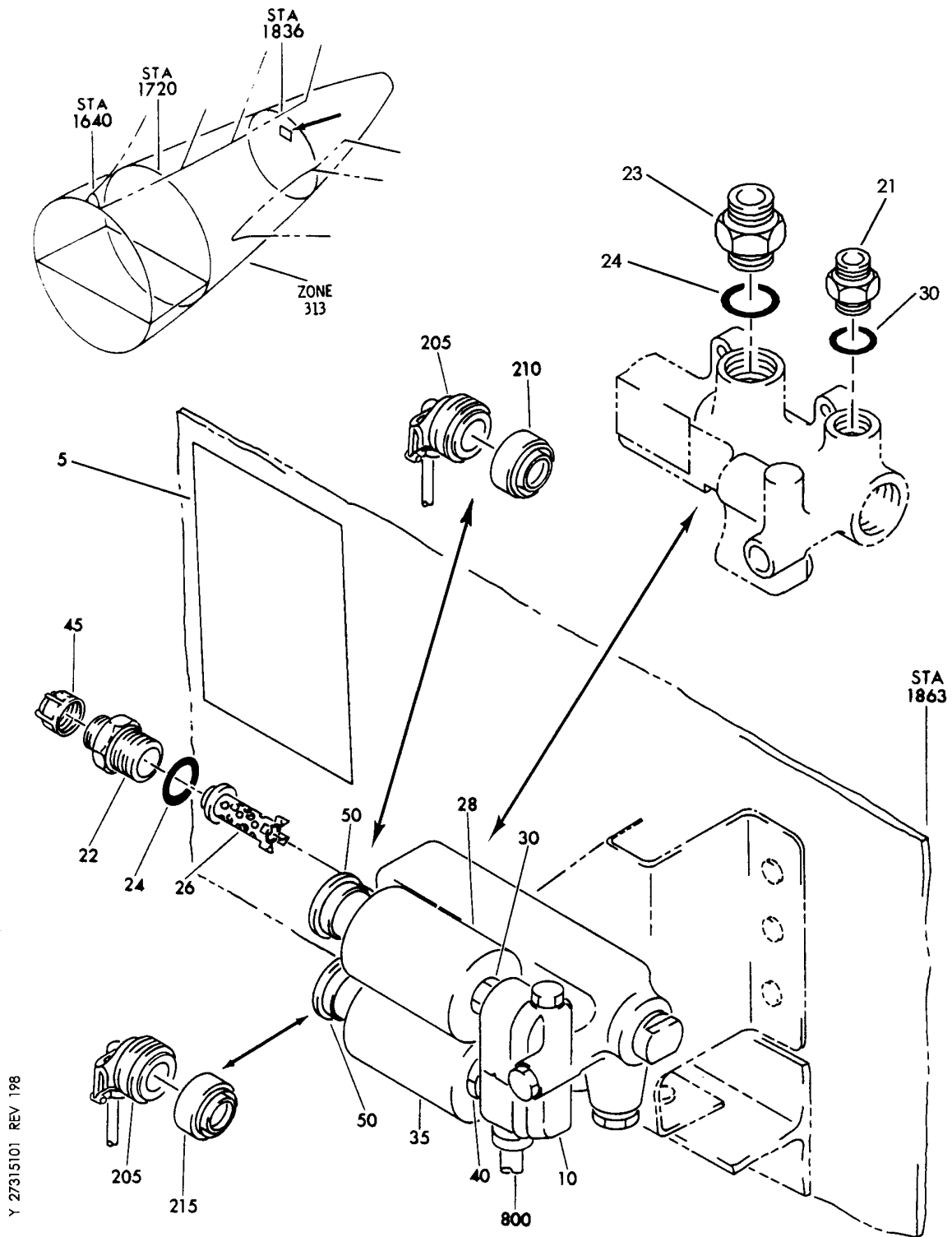
- ITEM NOT ILLUSTRATED

BRI

27-31-23-01

27-31-23  
FIG. 01  
PAGE 3  
MAY 20/09

**BOEING**  
757  
PARTS CATALOG (MAINTENANCE)



Y 27315101 REV 198

VALVE INSTL-L SYS PRESS REDUCING  
FIGURE 1

**27-31-51-01**

BRI  
MAY 28/07

27-31-51-01  
PAGE 0



757

PARTS CATALOG (MAINTENANCE)

FIG ITEM	PART NUMBER	1 2 3 4 5 6 7	NOMENCLATURE	EFFECT FROM TO	UNITS PER ASSY
1			VALVE INSTL-L SYS PRESS REDUCING	002004 006999	
- 1	251N2026-1		VALVE INSTL-SYS PRESS REDUCING POSITION DATA: L FOR NHA SEE: 29-00-51-06	002004 006100 107107 121503 904999	RF
- 1	251N2026-2		VALVE INSTL- REDUCING POSITION DATA: L FOR NHA SEE: 27-00-00-03	101102 108120 504903	RF
- 1	MODREF7349		VALVE INSTL- REDUCING MODULE NUMBER: 251N2026-2 REV A POSITION DATA: L	103106	1
5	BAC27NHY0205		.MARKER-ALUMINUM FOIL PLACARD CONTENT: D4104 S10264 PRESSURE REDUCING VALVE ASSEMBLY D4106 S10267	002004 006999	1
10	3321990-2		.VALVE ASSY- SUPPLIER CODE: V94697 SPECIFICATION NUMBER: S251N213-2 COMPONENT MAINT MANUAL REF: 27-31-02	002004 006999	1
- 15	BACB30NM4K8		ATTACHING PARTS .BOLT-	002004 006999	3
- 20	BACW10BP4C		.WASHER	002004 006999	3
21	BACU24K6		-----*----- .UNION	002004 006999	1

MISSING ITEM NUMBERS NOT APPLICABLE

- ITEM NOT ILLUSTRATED

27-31-51-01

27-31-51  
FIG. 01  
PAGE 1  
JAN 20/09

BRI



757

PARTS CATALOG (MAINTENANCE)

FIG ITEM	PART NUMBER	1 2 3 4 5 6 7	NOMENCLATURE	EFFECT FROM TO	UNITS PER ASSY
1 22	AFP2328-6		..REDUCER SUPPLIER CODE: V30974 SPECIFICATION NUMBER: BACR17E8-6 OPTIONAL PART: AP10278-6 V01673 BC916T8-6 V50948 DBOR17E8-6 V14798 ER21916T8-6 V88334 ER31916-8-6 V88334 F23-8-6 V73197 2-01075T8-6 V11328 31778-8-6 V14397 US2114-8-6 V50508 AP1027T8-6 V01673 US21148-6 V50808 317788-6 V14397	002004 006999	1
23	MS21902D8		..UNION	002004 006999	1
24	NAS1612-8		..PACKING-	002004 006999	1
26	10-774		..SCREEN- SUPPLIER CODE: V14818 SPECIFICATION NUMBER: S252T002-1 OPTIONAL PART: 26570 V18350 1745174 V90005	002004 006999	1

MISSING ITEM NUMBERS NOT APPLICABLE

- ITEM NOT ILLUSTRATED

BRI

27-31-51-01

BOEING PROPRIETARY - Copyright © - Unpublished Work - See title page for details.

27-31-51  
FIG. 01  
PAGE 2  
JAN 20/09



757

PARTS CATALOG (MAINTENANCE)

FIG ITEM	PART NUMBER	1 2 3 4 5 6 7	NOMENCLATURE	EFFECT FROM TO	UNITS PER ASSY
1					
28	211C223-199	..	SWITCH- SUPPLIER CODE: V02750 SPECIFICATION NUMBER: S271T452-5 ELECTRICAL EQUIP NUMBER: S10264 COMPONENT MAINT MANUAL REF: 27-09-02 OPTIONAL PART: 211C223-517 V02750	002004 006999	1
28	211C223-517	..	SWITCH- SUPPLIER CODE: V02750 SPECIFICATION NUMBER: S271T452-5 ELECTRICAL EQUIP NUMBER: S10264 COMPONENT MAINT MANUAL REF: 29-09-02 OPTIONAL PART: 211C223-199 V02750	002004 006999	1
30	NAS1612-6	..	PACKING-	002004 006999	1
35	211C223-323	..	SWITCH- SUPPLIER CODE: V02750 SPECIFICATION NUMBER: S271T452-12 COMPONENT MAINT MANUAL REF: 27-09-02 OPTIONAL PART: 211C223-216 V02750 211C223-523 V02750 OPTIONAL PART: 211C223-216 V02750	002004 006999	1

MISSING ITEM NUMBERS NOT APPLICABLE

- ITEM NOT ILLUSTRATED

BRI

27-31-51-01

BOEING PROPRIETARY - Copyright © - Unpublished Work - See title page for details.

27-31-51  
FIG. 01  
PAGE 3  
SEP 20/08



757

PARTS CATALOG (MAINTENANCE)

FIG ITEM	PART NUMBER	1 2 3 4 5 6 7	NOMENCLATURE	EFFECT FROM TO	UNITS PER ASSY
1					
35	211C223-216	..	SWITCH- SUPPLIER CODE: V02750 SPECIFICATION NUMBER: S271T452-12 ELECTRICAL EQUIP NUMBER: S10267 COMPONENT MAINT MANUAL REF: 27-09-02 OPTIONAL PART: 211C223-323 V02750 211C223-523 V02750 OPTIONAL PART: 211C223-323 V02750	002004 006999	1
35	211C223-523	..	SWITCH-LOW PRESSURE SUPPLIER CODE: V02750 SPECIFICATION NUMBER: S271T452-12 COMPONENT MAINT MANUAL REF: 29-09-05 OPTIONAL PART: 211C223-216 V02750 211C223-323 V02750	002004 006999	1
40	NAS1612-8	..	PACKING-	002004 006999	1
45	B387-6	..	CAP-SHIPPING SUPPLIER CODE: V95760	002004 006999	1
50	NAS813-14	..	CAP-PROTECTIVE	002004 006999	2
- 200	286N2812-004		WIRE BUNDLE ASSY-	002004 006100 121503 904999	RF
- 200	286N2812-005		WIRE BUNDLE ASSY	107107 952999	RF
- 200	286N2812-302		WIRE BUNDLE ASSY	101102	RF
- 200	286N2812-305		WIRE BUNDLE ASSY	108120	RF
- 200	286N2812-309		WIRE BUNDLE ASSY	504903	RF
- 201	286N2812-601		WIRE BUNDLE ASSY	103106	RF

MISSING ITEM NUMBERS NOT APPLICABLE

- ITEM NOT ILLUSTRATED

27-31-51-01

27-31-51  
FIG. 01  
PAGE 4  
JAN 20/09

BRI



757

PARTS CATALOG (MAINTENANCE)

FIG ITEM	PART NUMBER	1 2 3 4 5 6 7	NOMENCLATURE	EFFECT FROM TO	UNITS PER ASSY
1 205	GS3418-12CD		.CLAMP- SUPPLIER CODE: V06324 SPECIFICATION NUMBER: BACC10HG12 OPTIONAL PART: S2126-12-8 V07418 ELECTRICAL EQUIP NUMBER: D04104T D04106T WIRING DIAGRAM REF: 272311 272312	002004 006999	2
210	R071012A3SNL		.CONNECTOR- SUPPLIER CODE: V41118 SPECIFICATION NUMBER: BACC63BP12A3SNL ELECTRICAL EQUIP NUMBER: D04104 WIRING DIAGRAM REF: 272311	002004 006102 107999	1
210	BACC63BP12C3SN		.CONNECTOR- ELECTRICAL EQUIP NUMBER: D04104 WIRING DIAGRAM REF: 272311	103106	1
215	R071012AS10L		.CONNECTOR- SUPPLIER CODE: V41118 SPECIFICATION NUMBER: BCREF100882 OVERLENGTH PART NUMBER: BACC63BP12A3S10L ELECTRICAL EQUIP NUMBER: D04106 WIRING DIAGRAM REF: 272311	002004 006102 107999	1
215	BACC63BP23C3S10		.CONNECTOR- ELECTRICAL EQUIP NUMBER: D04106 WIRING DIAGRAM REF: 272311	103106	1

MISSING ITEM NUMBERS NOT APPLICABLE

- ITEM NOT ILLUSTRATED

BRI

27-31-51-01

BOEING PROPRIETARY - Copyright © - Unpublished Work - See title page for details.

27-31-51  
FIG. 01  
PAGE 5  
JAN 20/09





757

PARTS CATALOG (MAINTENANCE)

FIG ITEM	PART NUMBER	1 2 3 4 5 6 7	NOMENCLATURE	EFFECT FROM TO	UNITS PER ASSY
1 900			ILLUSTRATION REFERENCE: HYDRAULIC INSTL-SECT 48 29-00-51-06	002004 006100 107107 121503 904999	RF

MISSING ITEM NUMBERS NOT APPLICABLE

- ITEM NOT ILLUSTRATED

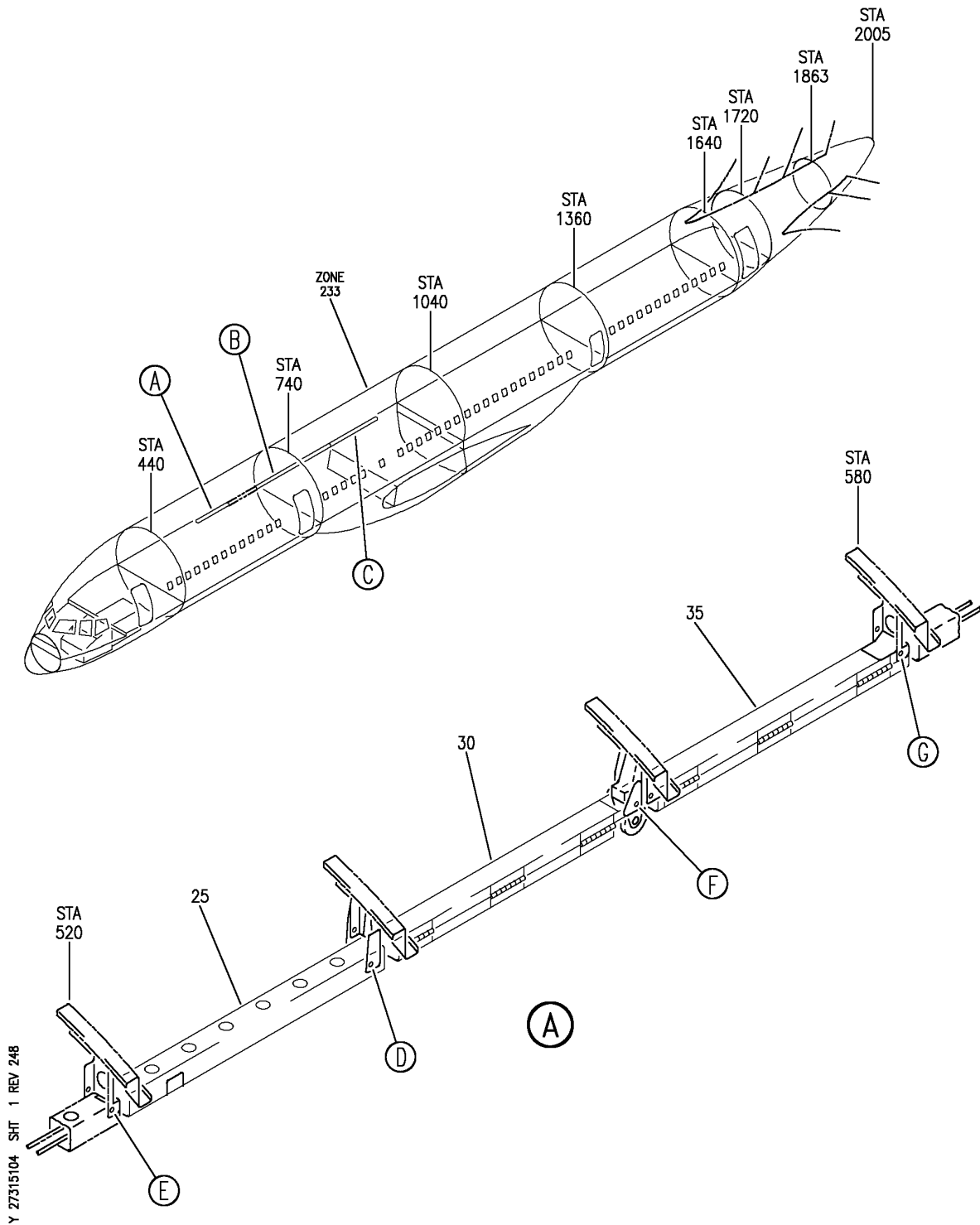
BRI

**27-31-51-01**

BOEING PROPRIETARY - Copyright © - Unpublished Work - See title page for details.

27-31-51  
FIG. 01  
PAGE 6  
JAN 20/09

**BOEING**  
757  
PARTS CATALOG (MAINTENANCE)



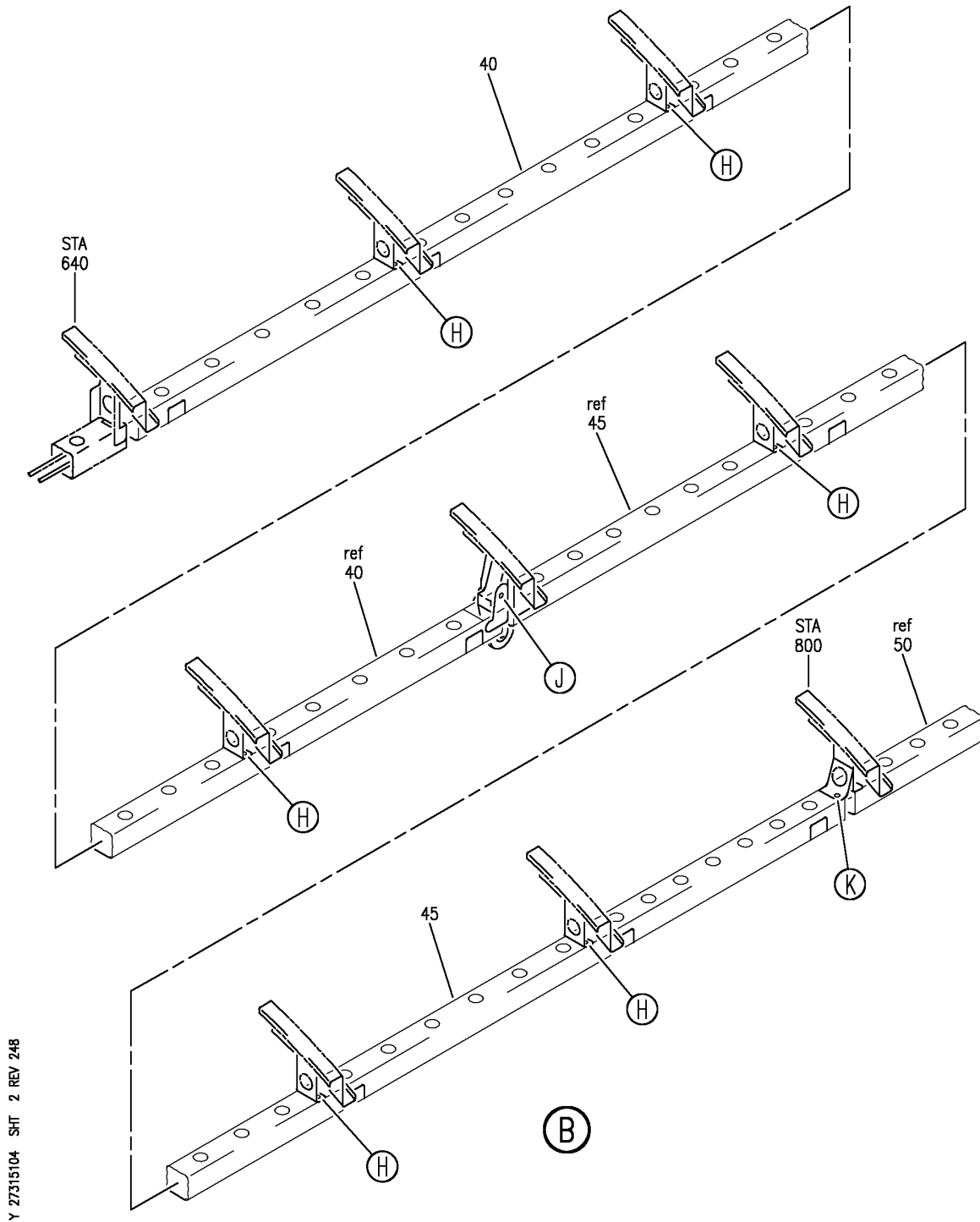
SHROUD INSTL-SECT 43 CONT CABLE, ELEV  
FIGURE 4 (SHEET 1)

**27-31-51-04**

BRI  
JAN 20/09

27-31-51-04  
PAGE 0

**BOEING**  
757  
PARTS CATALOG (MAINTENANCE)



Y 27315104 SHT 2 REV 248

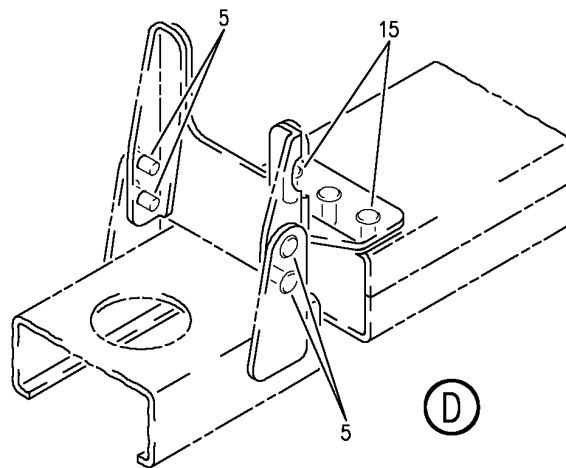
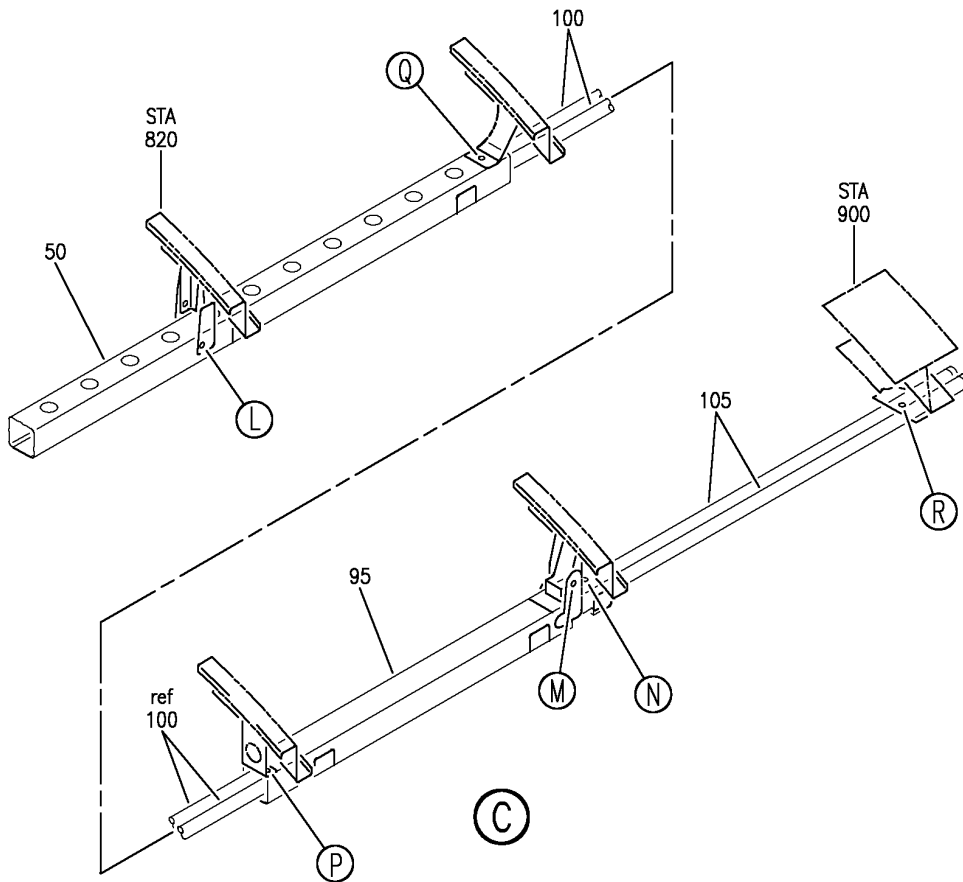
SHROUD INSTL-SECT 43 CONT CABLE, ELEV  
FIGURE 4 (SHEET 2)

**27-31-51-04**

BRI  
JAN 20/09

27-31-51-04  
PAGE 0A

**BOEING**  
757  
PARTS CATALOG (MAINTENANCE)



Y 27315104 SH1 3 REV 248

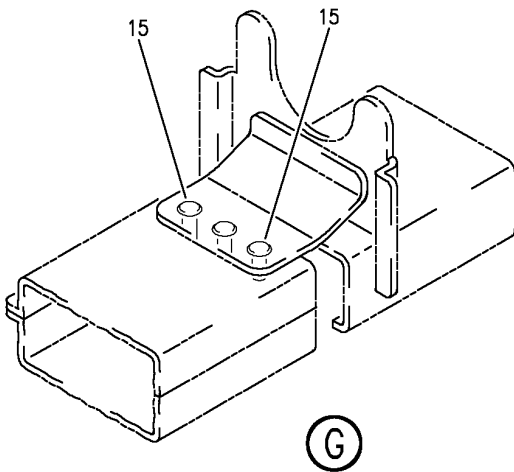
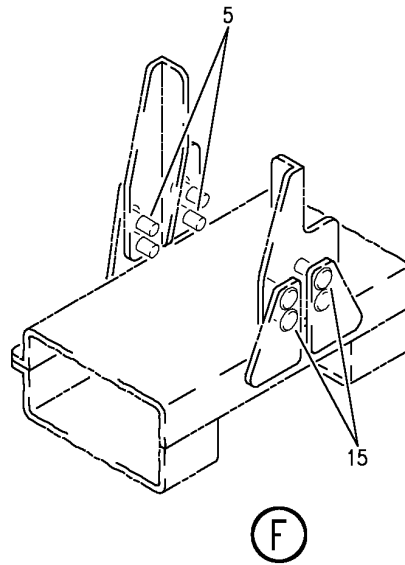
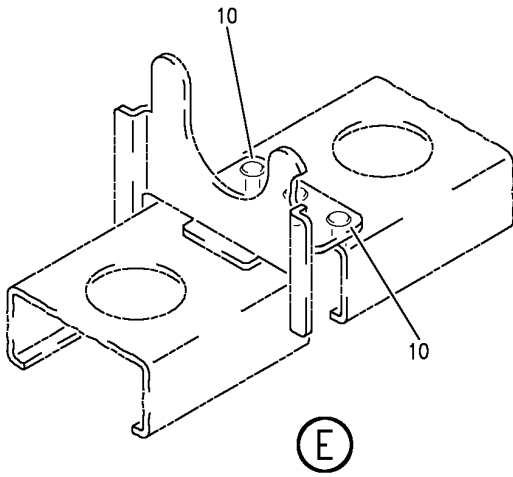
SHROUD INSTL-SECT 43 CONT CABLE, ELEV  
FIGURE 4 (SHEET 3)

BRI  
JAN 20/09

**27-31-51-04**

27-31-51-04  
PAGE 0B

**BOEING**  
757  
PARTS CATALOG (MAINTENANCE)



Y 27315104 SHIT 4 REV 248

SHROUD INSTL-SECT 43 CONT CABLE, ELEV  
FIGURE 4 (SHEET 4)

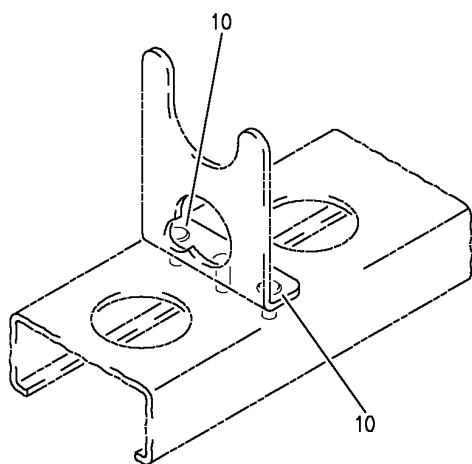
**27-31-51-04**

BRI  
JAN 20/09

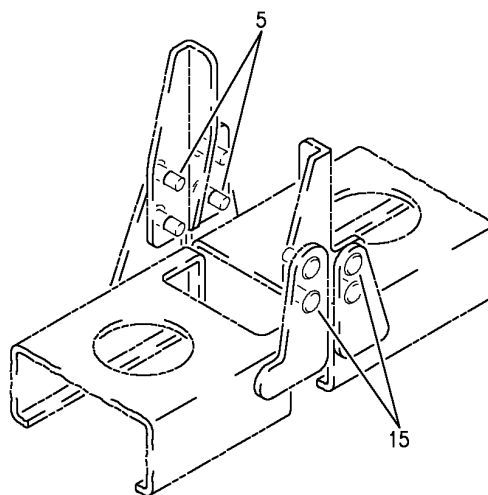
27-31-51-04  
PAGE 0C

BOEING PROPRIETARY - Copyright © - Unpublished Work - See title page for details.

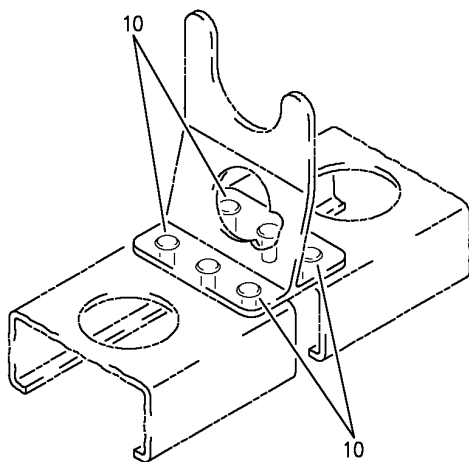
**BOEING**  
757  
PARTS CATALOG (MAINTENANCE)



(H)



(J)



(K)

Y 27315104 SHIT 5 REV 248

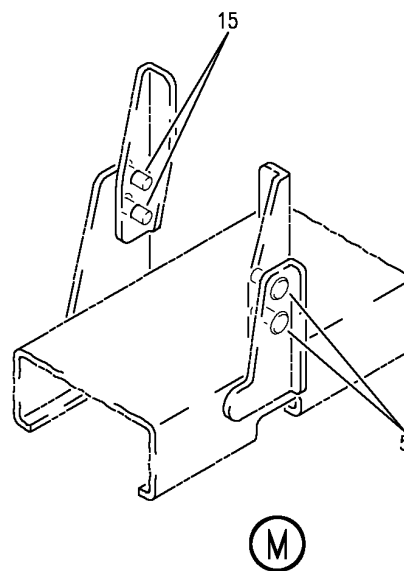
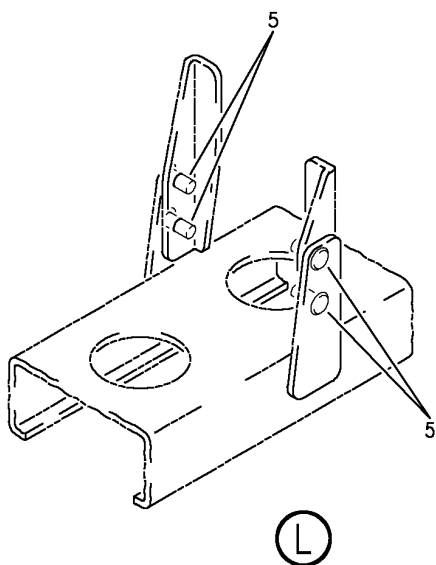
SHROUD INSTL-SECT 43 CONT CABLE, ELEV  
FIGURE 4 (SHEET 5)

**27-31-51-04**

BRI  
JAN 20/09

27-31-51-04  
PAGE 0D

**BOEING**  
757  
PARTS CATALOG (MAINTENANCE)



Y 27315104 SHT 6 REV 248

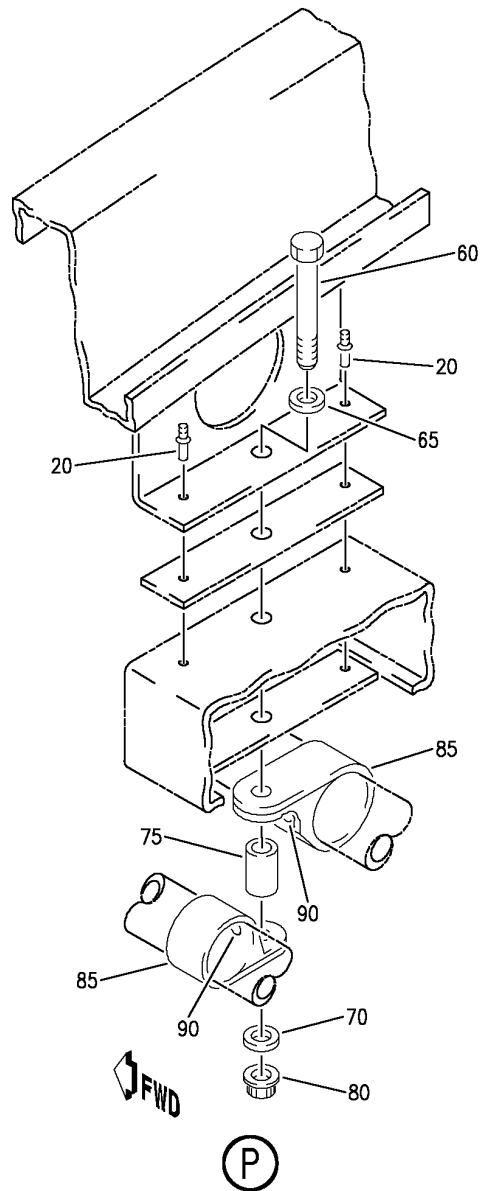
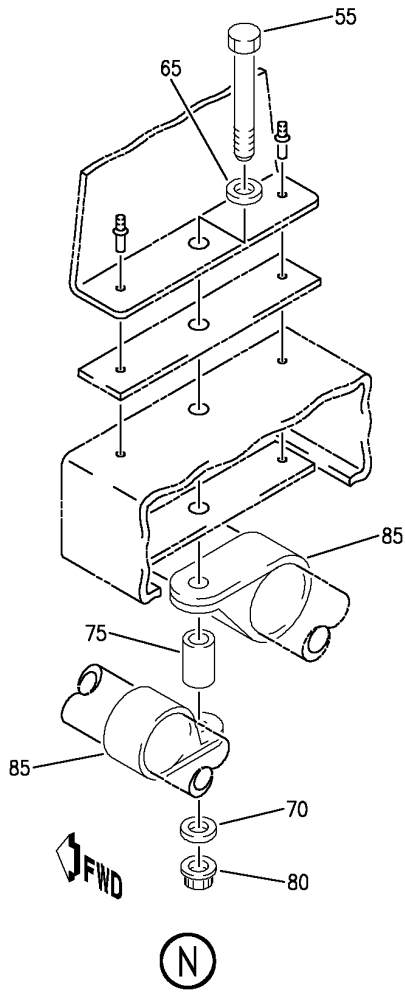
SHROUD INSTL-SECT 43 CONT CABLE, ELEV  
FIGURE 4 (SHEET 6)

**27-31-51-04**

BRI  
JAN 20/09

27-31-51-04  
PAGE 0E


**BOEING**  
 757  
**PARTS CATALOG (MAINTENANCE)**



Y 27315104 SH 7 REV 248

SHROUD INSTL-SECT 43 CONT CABLE, ELEV  
FIGURE 4 (SHEET 7)

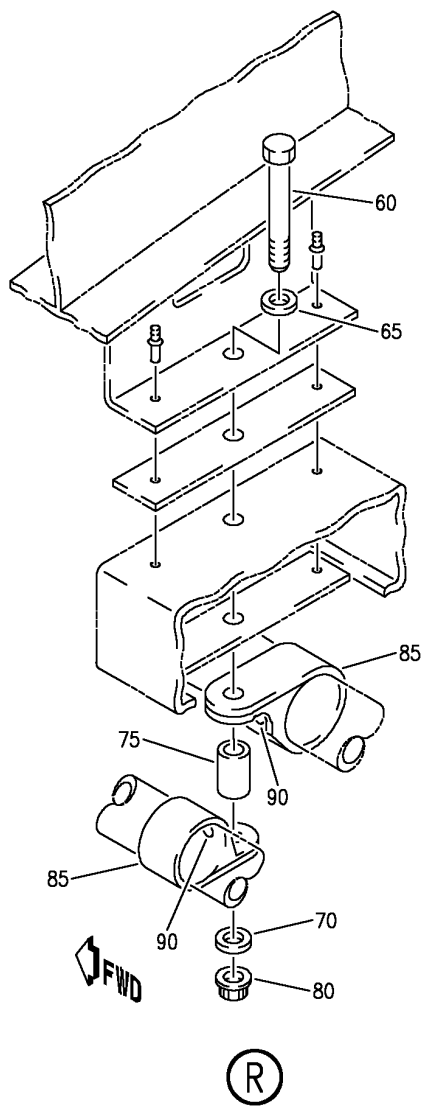
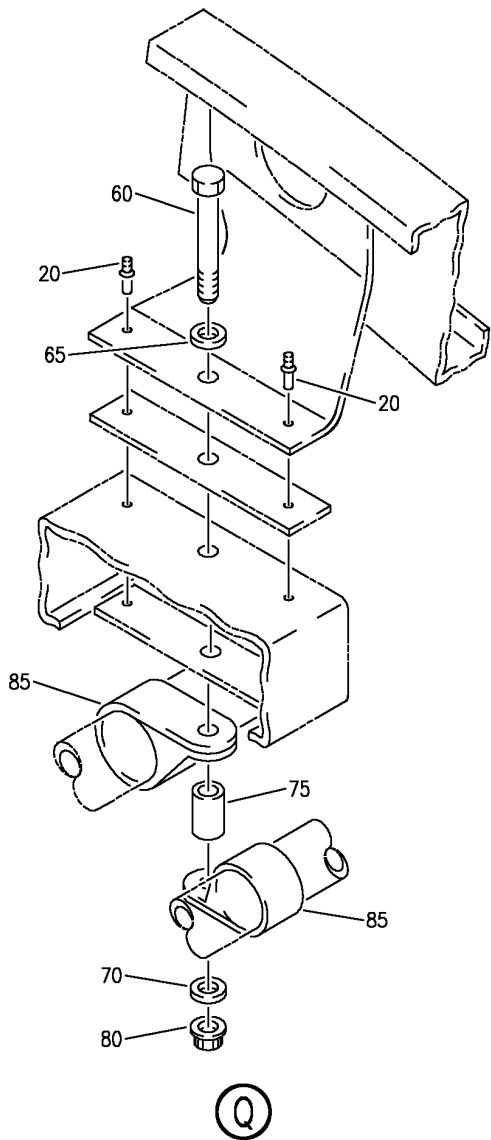
**27-31-51-04**

BRI  
JAN 20/09

27-31-51-04  
PAGE OF



**BOEING**  
757  
PARTS CATALOG (MAINTENANCE)



Y 27315104 SHT 8 REV 248

SHROUD INSTL-SECT 43 CONT CABLE, ELEV  
FIGURE 4 (SHEET 8)

**27-31-51-04**

BRI  
JAN 20/09

27-31-51-04  
PAGE 06



757

PARTS CATALOG (MAINTENANCE)

FIG ITEM	PART NUMBER	1 2 3 4 5 6 7	NOMENCLATURE	EFFECT FROM TO	UNITS PER ASSY
4			SHROUD INSTL-SECT 43 CONT CABLE, ELEV	103106	
- 1	MODREF8689		SHROUD INSTL-CONT CABLE, ELEV MODULE NUMBER: 251N6061-90 REV A POSITION DATA: SECT 43	103106	1
5	NAS1398D6A2		.RIVET	103106	18
10	NAS1398D5A3		.RIVET	103106	27
15	NAS1398D5A2		.RIVET	103106	16
20	NAS1399D5A3		.RIVET	103106	4
25	251N6299-70		.SHROUD ASSY	103106	1
30	251N6296-8		.SHROUD ASSY	103106	1
35	251N6296-9		.SHROUD ASSY	103106	1
40	251N6299-87		.SHROUD ASSY	103106	1
45	251N6299-45		.SHROUD ASSY	103106	1
50	251N6299-63		.SHROUD ASSY	103106	1
55	BACB30NM3K20		.BOLT	103106	1
60	BACB30NM3K21		.BOLT	103106	3
65	BACW10BP3CD		.WASHER	103106	4
70	BACW10BP3DP		.WASHER	103106	4
75	NAS43DD3-40FC		.SPACER	103106	4
80	NAS1805-3L		.NUT	103106	4
85	BACC10DK16		.CLAMP	103106	8
90	N2088		.PLUG	103106	4
			SUPPLIER CODE: V75345		
			SPECIFICATION NUMBER: BACP20BA1		
			OPTIONAL PART: SZ7105 V95272 4841 V84914		
95	251N6299-64		.SHROUD ASSY	103106	1
100	251N6197-7		.GUARD ASSY	103106	2
105	251N6197-8		.GUARD ASSY	103106	2

MISSING ITEM NUMBERS NOT APPLICABLE

- ITEM NOT ILLUSTRATED

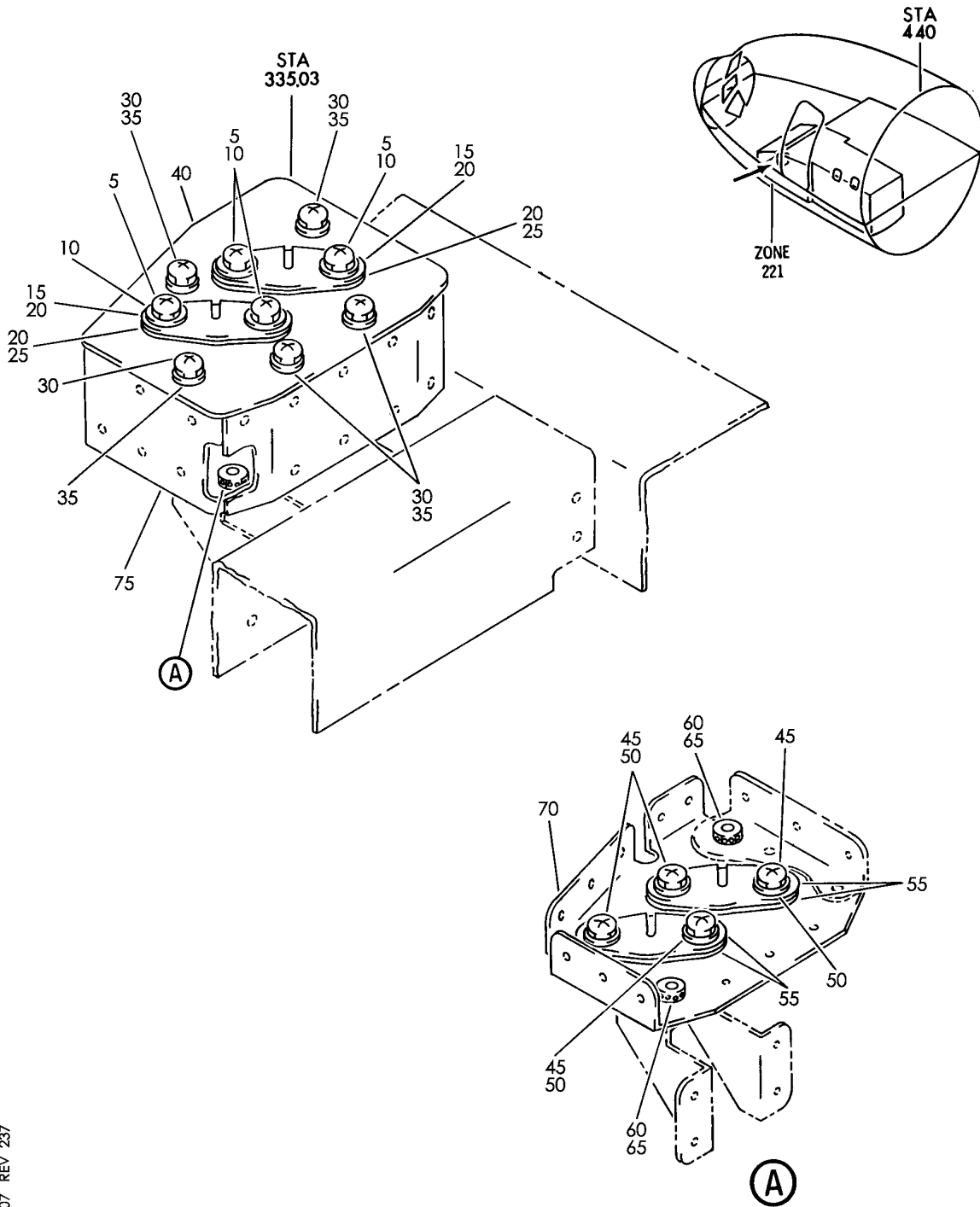
27-31-51-04

27-31-51  
FIG. 04  
PAGE 1  
JAN 20/09

BRI

BOEING PROPRIETARY - Copyright © - Unpublished Work - See title page for details.


**BOEING**  
 757  
**PARTS CATALOG (MAINTENANCE)**



Y 27315107 REV 237

STANCHION INSTL-STA 337 E1A AND E1B  
 FIGURE 7

**27-31-51-07**

BRI  
 MAY 28/07

27-31-51-07  
 PAGE 0



757

PARTS CATALOG (MAINTENANCE)

FIG ITEM	PART NUMBER	1 2 3 4 5 6 7	NOMENCLATURE	EFFECT FROM TO	UNITS PER ASSY
7			STANCHION INSTL-STA 337 E1A AND E1B	002004 006999	
- 1	MODREF7886		STANCHION INSTL-E1A AND E1B MODULE NUMBER: 251N6008-7 REV A POSITION DATA: STA 337	103106	1
- 1	251N6008-2		STANCHION INSTL-E1A AND E1B POSITION DATA: STA 337 FOR NHA SEE: 53-00-00-01	002004 006017 107107 121503 904999	RF
- 1	251N6008-7		STANCHION INSTL-E1A AND E1B POSITION DATA: STA 337 FOR NHA SEE: 53-00-00-01 53-00-00-01E	018102 108120 504903	RF
5	NAS6603-4		.BOLT-	002004 006999	4
10	BACW10P43AL		.WASHER	002004 006999	4
15	251N6137-4		.SEAL	018106 108120 504903	2
20	251N6137-1		.SEAL	002004 006017 107107 121503 904999	4
25	251N6137-5		.SEAL	018106 108120 504903	2
30	NAS6603-3		.BOLT-	002004 006999	5
35	AN960PD10		.WASHER	002004 006999	5
40	251N6135-32		.PLATE ASSY-COVER	002004 006999	1
45	NAS6603-4		.BOLT-	002004 006999	4
50	AN960PD10		.WASHER	002004 006999	4
55	251N6137-3		.GUARD-CABLE	002004 006999	4
60	BACB30NF4-4		.BOLT	002004 006999	2
65	AN960PD416		.WASHER	002004 006999	2

MISSING ITEM NUMBERS NOT APPLICABLE

- ITEM NOT ILLUSTRATED

27-31-51-07

27-31-51  
FIG. 07  
PAGE 1  
JAN 20/09

BRI



757

PARTS CATALOG (MAINTENANCE)

FIG ITEM	PART NUMBER	1 2 3 4 5 6 7	NOMENCLATURE	EFFECT FROM TO	UNITS PER ASSY
7					
70	251N6135-39	.	BASE	002004 006999	1
75	251N6008-5	.	STANCHION ASSY	002004 006999	1

MISSING ITEM NUMBERS NOT APPLICABLE

- ITEM NOT ILLUSTRATED

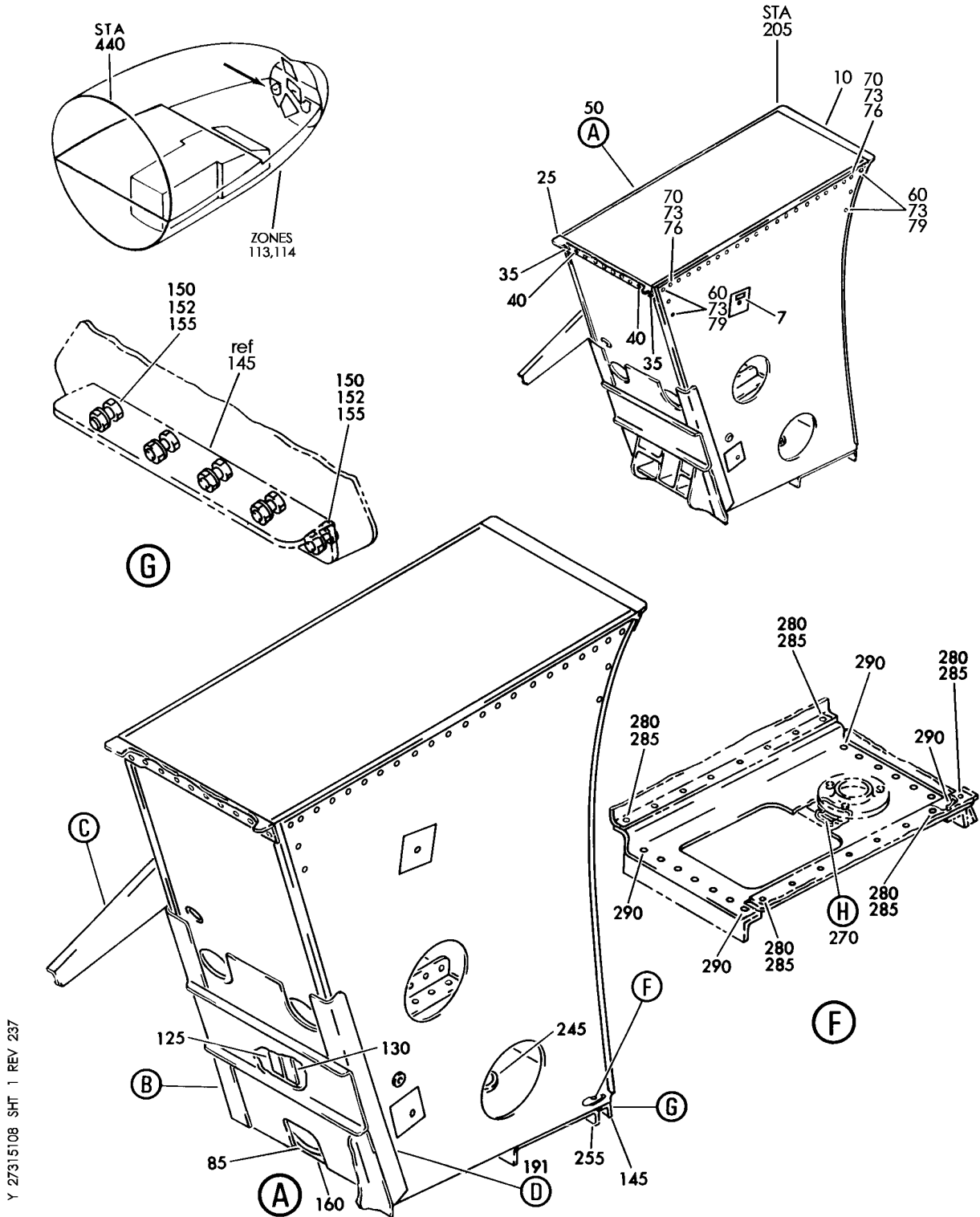
BRI

27-31-51-07

BOEING PROPRIETARY - Copyright © - Unpublished Work - See title page for details.

27-31-51  
FIG. 07  
PAGE 2  
JAN 20/09

**BOEING**  
757  
PARTS CATALOG (MAINTENANCE)



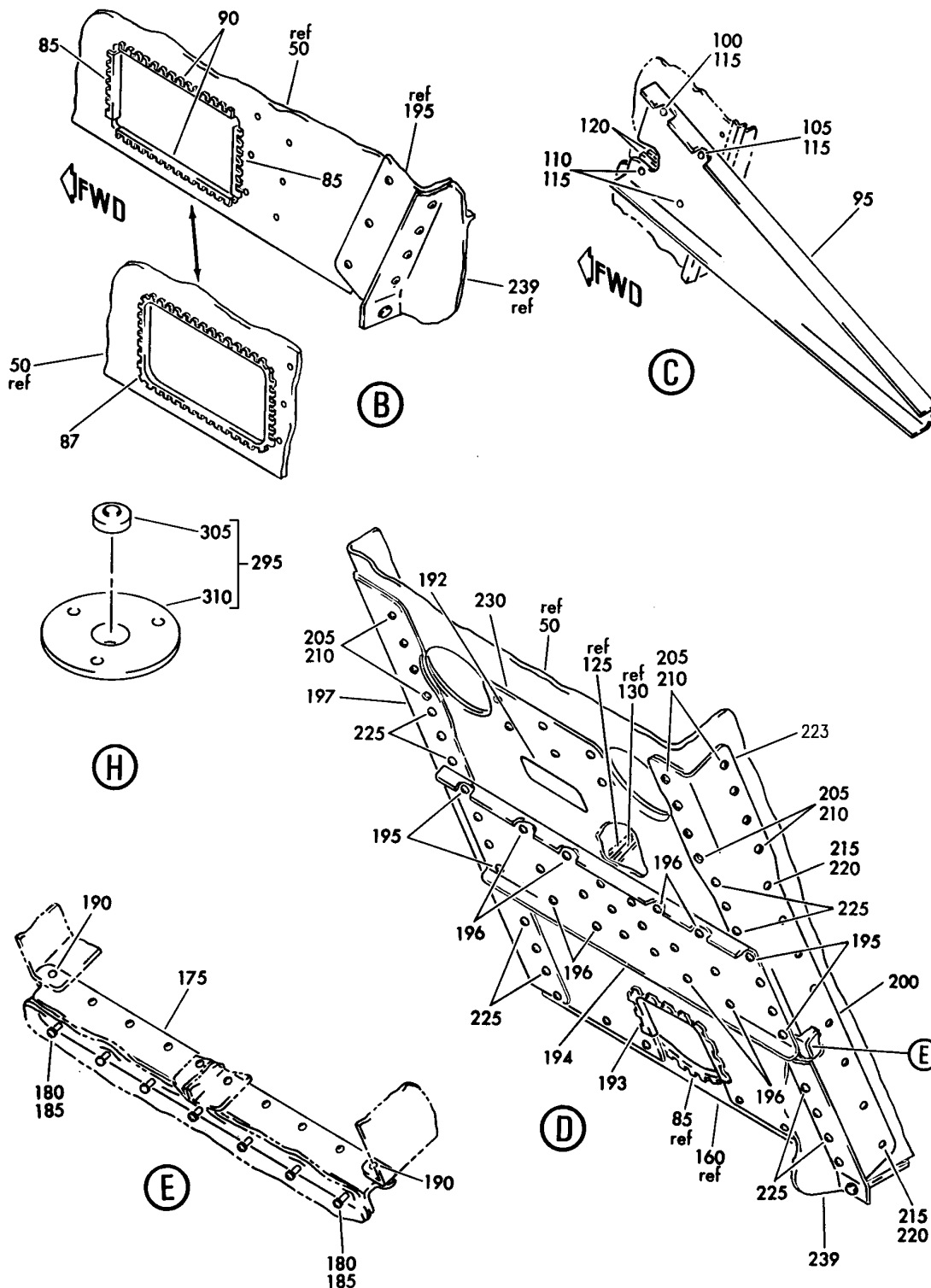
HOUSING INSTL-RUD PEDAL  
FIGURE 8 (SHEET 1)

**27-31-51-08**

BRI  
MAY 28/07

27-31-51-08  
PAGE 0

**BOEING**  
757  
PARTS CATALOG (MAINTENANCE)



Y 27315108 SHT 2 REV 246

HOUSING INSTL-RUD PEDAL  
FIGURE 8 (SHEET 2)

**27-31-51-08**

BRI  
MAY 28/07

27-31-51-08  
PAGE 0A



757

PARTS CATALOG (MAINTENANCE)

FIG ITEM	PART NUMBER	1 2 3 4 5 6 7	NOMENCLATURE	EFFECT FROM TO	UNITS PER ASSY
8			HOUSING INSTL-RUD PEDAL	002004 006107 121999	
- 1	251N3017-1		HOUSING INSTL-RUD PEDAL POSITION DATA: LH VARIABLE DRAWING REF: 251N3017-7 FOR NHA SEE: 53-01-01-05	002004 006100 107107 121503 904999	RF
- 1	251N3017-13		HOUSING INSTL-RUD PEDAL POSITION DATA: LH FOR NHA SEE: 27-20-00-01	101101	RF
- 5	251N3017-2		HOUSING INSTL-RUD PEDAL POSITION DATA: RH VARIABLE DRAWING REF: 251N3017-8 FOR NHA SEE: 53-01-01-05	002004 006100 107107 121503 904999	RF
- 5	251N3017-14		HOUSING INSTL-RUD PEDAL POSITION DATA: RH FOR NHA SEE: 27-20-00-01	101102 504903	RF
10	251N3139-3		.ANGLE- POSITION DATA: UPR FWD LH SIDE	002004 006101 107107 121503 904999	1
- 15	251N3139-4		.ANGLE- POSITION DATA: UPR FWD RH SIDE	002004 006101 107107 121503 904999	1
- 20	BACR15FT6D		ATTACHING PARTS .RIVET- SIZE DETERMINED ON INSTL.	002004 006101 107107 121503 904999	11
25	251N3203-1		-----*----- .ANGLE- POSITION DATA: UPR AFT LH SIDE	002004 006101 107107 121503 904999	1

MISSING ITEM NUMBERS NOT APPLICABLE

- ITEM NOT ILLUSTRATED

27-31-51-08

27-31-51  
FIG. 08  
PAGE 1  
JAN 20/09

BRI





757

PARTS CATALOG (MAINTENANCE)

FIG ITEM	PART NUMBER	1 2 3 4 5 6 7	NOMENCLATURE	EFFECT FROM TO	UNITS PER ASSY
8					
- 30	251N3203-2		.ANGLE- POSITION DATA: UPR AFT RH SIDE	002004 006101 107107 121503 904999	1
35	BACR15FT6D		ATTACHING PARTS .RIVET- SIZE DETERMINED ON INSTL.	002004 006101 107107 121503 904999	2
40	BACR15FT5D		.RIVET- SIZE DETERMINED ON INSTL.	002004 006101 107107 121503 904999	8
50	251N3016-37		-----*----- .HOUSING ASSY- POSITION DATA: LH SIDE	952952	1
50	251N3016-43		.HOUSING ASSY- POSITION DATA: LH SIDE	002004 121503	1
50	251N3016-46		.HOUSING ASSY- POSITION DATA: LH SIDE	006010 950951 953999	1
50	251N3016-29		.HOUSING ASSY-VARIABLE POSITION DATA: LH SIDE	107107 904949	1
50	251N3016-50		.HOUSING ASSY- POSITION DATA: LH SIDE	011100	1
50	251N3016-54		.HOUSING ASSY- POSITION DATA: LH SIDE	101101	1
- 55	251N3016-38		.HOUSING ASSY- POSITION DATA: RH SIDE	952952	1
- 55	251N3016-44		.HOUSING ASSY- POSITION DATA: RH SIDE	002004 121503	1
- 55	251N3016-45		.HOUSING ASSY- POSITION DATA: RH SIDE	006010 950951 953999	1
- 55	251N3016-30		.HOUSING ASSY-VARIABLE POSITION DATA: RH SIDE	107107 904949	1

MISSING ITEM NUMBERS NOT APPLICABLE

- ITEM NOT ILLUSTRATED

27-31-51-08

27-31-51  
FIG. 08  
PAGE 2  
JAN 20/09

BRI



757

PARTS CATALOG (MAINTENANCE)

FIG ITEM	PART NUMBER	1 2 3 4 5 6 7	NOMENCLATURE	EFFECT FROM TO	UNITS PER ASSY
8					
- 55	251N3016-49		.HOUSING ASSY- POSITION DATA: RH SIDE	011100	1
- 55	251N3016-55		.HOUSING ASSY- POSITION DATA: RH SIDE	101101	1
60	BACB30NR4K6		.BOLT	002004 006101 107107 121503 904999	6
70	BACB30NT3K4		.BOLT	002004 006101 107107 121503 904999	20
73	NAS1149D0416J		.WASHER	002004 006101 107107 121503 904999	26
76	MF53050-3CD		.NUTPLATE SUPPLIER CODE: V15653 SPECIFICATION NUMBER: BACN10JN3CD OPTIONAL PART: BRFM20C3D V52828 102F9201M3 V72962 NS202487-02 V80539 MF51637-3 V15653	002004 006101 107107 121503 904999	20

MISSING ITEM NUMBERS NOT APPLICABLE

- ITEM NOT ILLUSTRATED

BRI

27-31-51-08

BOEING PROPRIETARY - Copyright © - Unpublished Work - See title page for details.

27-31-51  
FIG. 08  
PAGE 3  
JAN 20/09



757

PARTS CATALOG (MAINTENANCE)

FIG ITEM	PART NUMBER	1 2 3 4 5 6 7	NOMENCLATURE	EFFECT FROM TO	UNITS PER ASSY
8					
79	MF53050-4CD	.	NUTPLATE SUPPLIER CODE: V15653 SPECIFICATION NUMBER: BACN10JN4CD OPTIONAL PART: BRFM20C4D V52828 T8301C428CD V11815 102F9201M4 V72962 NS202487-048 V80539 MF51637-4 V15653 -----*-----	002004 006101 107107 121503 904999	6
85	BACG20ZB170	..	GROMMET	002004 006010 107107 121503 904999	3
87	BACG20ZB001208	..	GROMMET	011100	1
90	BACG20ZB365	..	GROMMET	002004 006010 107107 121503 904999	2
95	251N3081-2	..	BRACKET-ADJUSTMENT CABLE	002004 006101 107107 121503 904999	1
100	BACB30NT3K3	..	ATTACHING PARTS BOLT	002004 006101 107107 121503 904999	1
105	BACB30NT3K4	..	BOLT	002004 006101 107107 121503 904999	1
110	BACB30NT3K6	..	BOLT	002004 006101 107107 121503 904999	2

MISSING ITEM NUMBERS NOT APPLICABLE

- ITEM NOT ILLUSTRATED

27-31-51-08

27-31-51  
FIG. 08  
PAGE 4  
JAN 20/09

BRI

BOEING PROPRIETARY - Copyright © - Unpublished Work - See title page for details.

 **BOEING**  
757  
**PARTS CATALOG (MAINTENANCE)**

FIG ITEM	PART NUMBER	1 2 3 4 5 6 7	NOMENCLATURE	EFFECT FROM TO	UNITS PER ASSY
8					
115	AN960PD10		.. WASHER	002004 006101 107107 121503 904999	4
120	BACF3T01G7-7		-----*----- .. FILLER	002004 006101 107107 121503 904999	2
125	251N3123-3		.. CLIP-CHANNEL POSITION DATA: AFT	002004 006101 107107 121503 904999	1
130	251N3123-4		.. CLIP-CHANNEL POSITION DATA: AFT	002004 006101 107107 121503 904999	1
- 135	BACB30NT3K5		ATTACHING PARTS .. BOLT	002004 006101 107107 121503 904999	6
- 135	BACB30NM3K5		.. BOLT- OPTIONAL PART: BACB30NT3K5 V06710	006100 950951 953999	6
- 140	AN960PD10L		.. WASHER	002004 006101 107107 121503 904999	6
145	251N3024-2		-----*----- .. ANGLE-	002004 006101 103106 121503 950999	1
150	BACB30NF4-4		ATTACHING PARTS .. BOLT	002004 006101 103106 950999	5

MISSING ITEM NUMBERS NOT APPLICABLE

- ITEM NOT ILLUSTRATED

BRI

# 27-31-51-08

BOEING PROPRIETARY - Copyright © - Unpublished Work - See title page for details.

27-31-51  
FIG. 08  
PAGE 5  
JAN 20/09

 **BOEING**  
757  
**PARTS CATALOG (MAINTENANCE)**

FIG ITEM	PART NUMBER	1 2 3 4 5 6 7	NOMENCLATURE	EFFECT FROM TO	UNITS PER ASSY
8					
152	AN960KD416	..	WASHER-	002004 006101 103106 121503 950999	5
155	MS21042L4	..	NUT-	002004 006101 103106 121503 950999	5
160	251N3116-1	-----*	.. ANGLE- POSITION DATA: AFT BOTTOM ATTACHING PARTS	107107 121503 904949	1
- 165	BACB30NT3K5	..	BOLT	107107 121503 904949	10
- 170	AN960PD10L	..	WASHER	107107 121503 904949	10
175	251N3115-2	-----*	.. ANGLE-INTERMEDIATE POSITION DATA: AFT ATTACHING PARTS	002004 006101 103106 950999	1
180	BACB30NT3K5	..	BOLT	002004 006101 107107 121503 904999	7
180	BACB30NM3K5	..	BOLT- OPTIONAL PART: BACB30NT3K5 V06710	006100 950951 953999	7
185	AN960PD10L	..	WASHER	002004 006101 107107 121503 904999	7
190	BACR15FT5D	..	RIVET- SIZE DETERMINED ON INSTL.	002004 006101 107107 121503 904999	10
191	251N3016-25	-----*	.. COVER ASSY	101101	1

MISSING ITEM NUMBERS NOT APPLICABLE

- ITEM NOT ILLUSTRATED

BRI

**27-31-51-08**

BOEING PROPRIETARY - Copyright © - Unpublished Work - See title page for details.

27-31-51  
FIG. 08  
PAGE 6  
JAN 20/09

 **BOEING**  
757  
**PARTS CATALOG (MAINTENANCE)**

FIG ITEM	PART NUMBER	1 2 3 4 5 6 7	NOMENCLATURE	EFFECT FROM TO	UNITS PER ASSY
8					
191	251N3016-31	..	COVER ASSY-VARIABLE	107107 904949	1
192	BAC27NCT0156	...	MARKER-ALUMINUM FOIL PLACARD CONTENT: REMOVABLE COVER	002004 006101 107107 121503 904999	1
193	BACG20ZB500	...	GROMMET	107107 121503 904949	1
194	251N3176-1	...	CHANNEL- POSITION DATA: AFT	002004 006101 107107 121503 904999	1
195	BACR15FT6D	...	ATTACHING PARTS RIVET- SIZE DETERMINED ON INSTL.	002004 006101 107107 121503 904999	8
196	BACR15FT5D	...	RIVET- SIZE DETERMINED ON INSTL.	002004 006101 107107 121503 904999	12
197	251N3177-3	-----*-----	ANGLE- POSITION DATA: AFT LWR	002004 006101 107107 121503 904999	1
200	251N3177-4	...	ANGLE- POSITION DATA: AFT LWR	002004 006101 107107 121503 904999	1
205	BACB30NM4K6	...	ATTACHING PARTS BOLT	002004 006101 107107 121503 904999	16
210	AN960PD416L	...	WASHER	002004 006101 107107 121503 904999	16

MISSING ITEM NUMBERS NOT APPLICABLE

— ITEM NOT ILLUSTRATED

BRI

# 27-31-51-08

BOEING PROPRIETARY - Copyright © - Unpublished Work - See title page for details.

27-31-51  
FIG. 08  
PAGE 7  
JAN 20/09

 **BOEING**  
757  
**PARTS CATALOG (MAINTENANCE)**

FIG ITEM	PART NUMBER	1 2 3 4 5 6 7	NOMENCLATURE	EFFECT FROM TO	UNITS PER ASSY
8					
215	BACB30NT3K5	...	BOLT	002004 006101 107107 121503 904999	16
220	AN960PD10L	...	WASHER	002004 006101 107107 121503 904999	16
225	BACR15FT6D	-----*----- ...	RIVET- SIZE DETERMINED ON INSTL.	002004 006101 107107 121503 904999	12
230	251N3107-3	...	END- POSITION DATA: LWR AFT	002004 006101 103107 121503 904999	1
230	251N3107-2	...	END- POSITION DATA: LWR AFT ATTACHING PARTS	107107 121503 904949	1
- 235	BACB30NT3K5	...	BOLT	002004 006101 107107 121503 904999	6
- 237	AN960PD10L	...	WASHER	002004 006101 107107 121503 904999	6
239	251N3022-2	-----*----- ...	PLATE-	002004 006101 103106 121503 950999	1
- 240	BACB30NF4-6	...	BOLT ATTACHING PARTS	002004 006101 103106 950999	4

MISSING ITEM NUMBERS NOT APPLICABLE

- ITEM NOT ILLUSTRATED

BRI

# 27-31-51-08

BOEING PROPRIETARY - Copyright © - Unpublished Work - See title page for details.

27-31-51  
FIG. 08  
PAGE 8  
JAN 20/09



757

PARTS CATALOG (MAINTENANCE)

FIG ITEM	PART NUMBER	1 2 3 4 5 6 7	NOMENCLATURE	EFFECT FROM TO	UNITS PER ASSY
8					
- 241	AN960KD416	...	WASHER	002004 006101 103106 950999	4
- 242	MS21042L4	...	NUT	002004 006101 103106 950999	4
245	274N2065-1	-----*-----	..RETAINER-SHAFT BRAKE BUS POSITION DATA: LWR	002004 006101 107107 121503 904999	1
- 250	BACR15BA5AD		ATTACHING PARTS ..RIVET- SIZE DETERMINED ON INSTL.	002004 006101 107107 121503 904999	3
255	251N3120-1	-----*-----	..CHANNEL- POSITION DATA: BOTTOM ATTACHING PARTS	107107 121503 904949	1
- 260	BACB30NT3K5	..	BOLT	107107 121503 904949	24
- 265	AN960PD10L	..	WASHER	107107 121503 904949	24
270	251N3030-1	-----*-----	..CHANNEL ASSY- POSITION DATA: LH SIDE	952952	1
270	251N3030-5	..	CHANNEL ASSY- POSITION DATA: LH SIDE	002004 006100 121503 950951 953999	1
270	251N3030-7	..	CHANNEL ASSY- POSITION DATA: LH SIDE	011101	1
- 275	251N3030-2	..	CHANNEL ASSY- POSITION DATA: RH SIDE	952952	1

MISSING ITEM NUMBERS NOT APPLICABLE

- ITEM NOT ILLUSTRATED

27-31-51-08

27-31-51  
FIG. 08  
PAGE 9  
JAN 20/09

BRI

BOEING PROPRIETARY - Copyright © - Unpublished Work - See title page for details.





757

PARTS CATALOG (MAINTENANCE)

FIG ITEM	PART NUMBER	1 2 3 4 5 6 7	NOMENCLATURE	EFFECT FROM TO	UNITS PER ASSY
8					
- 275	251N3030-6	..	CHANNEL ASSY- POSITION DATA: RH SIDE	002004 006100 121503 950951 953999	1
- 275	251N3030-8	..	CHANNEL ASSY- POSITION DATA: RH SIDE ATTACHING PARTS	011101	1
280	BACB30NT3K5	..	BOLT- OPTIONAL PART: BACB30NM3K5	002004 006101 103106 121503 950999	16
280	BACB30NM3K5	..	BOLT- OPTIONAL PART: BACB30NT3K5 V06710	006100 950951 953999	16
285	AN960PD10L	..	WASHER-	002004 006101 103106 121503 950999	16
290	BACR15FT6D	..	RIVET- SIZE DETERMINED ON INSTL.	002004 006101 103106 121503 950999	14
295	274N2066-1	-----*	...HOUSING ASSY	002004 006101 103106 121503 950999	1
- 300	BACB30NT3K6	..	ATTACHING PARTS ...BOLT  -----*	002004 006101 103106 121503 950999	3

MISSING ITEM NUMBERS NOT APPLICABLE

- ITEM NOT ILLUSTRATED

BRI

27-31-51-08

BOEING PROPRIETARY - Copyright © - Unpublished Work - See title page for details.

27-31-51  
FIG. 08  
PAGE 10  
JAN 20/09



757

PARTS CATALOG (MAINTENANCE)

FIG ITEM	PART NUMBER	1 2 3 4 5 6 7	NOMENCLATURE	EFFECT FROM TO	UNITS PER ASSY
8 305	KSP6AFS428	.....	BEARING SUPPLIER CODE: V21335 SPECIFICATION NUMBER: BACB10AC6A OPTIONAL PART: HHKSP6A V38443 KSP6AE9440A V21335 KSP6A2TS V43991 KSP6AG27 V30163 KSP6ASD610 V83086	002004 006101 103106 121503 950999	1
310	274N2066-2	.....	HOUSING	002004 006101 103106 121503 950999	1

MISSING ITEM NUMBERS NOT APPLICABLE

- ITEM NOT ILLUSTRATED

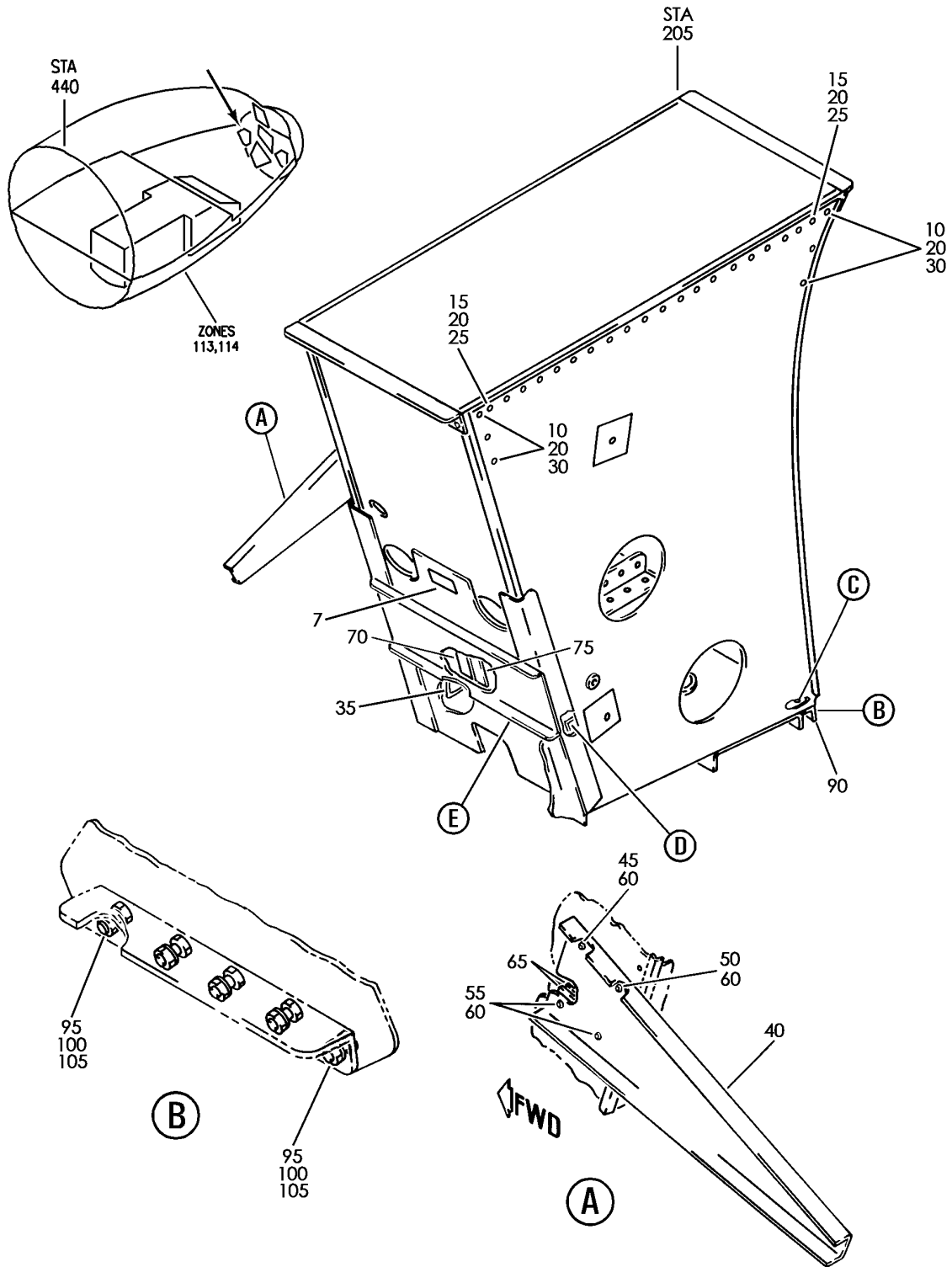
BRI

27-31-51-08

BOEING PROPRIETARY - Copyright © - Unpublished Work - See title page for details.

27-31-51  
FIG. 08  
PAGE 11  
JAN 20/09

**BOEING**  
757  
PARTS CATALOG (MAINTENANCE)



Y 27315109 SH1 1 REV 237

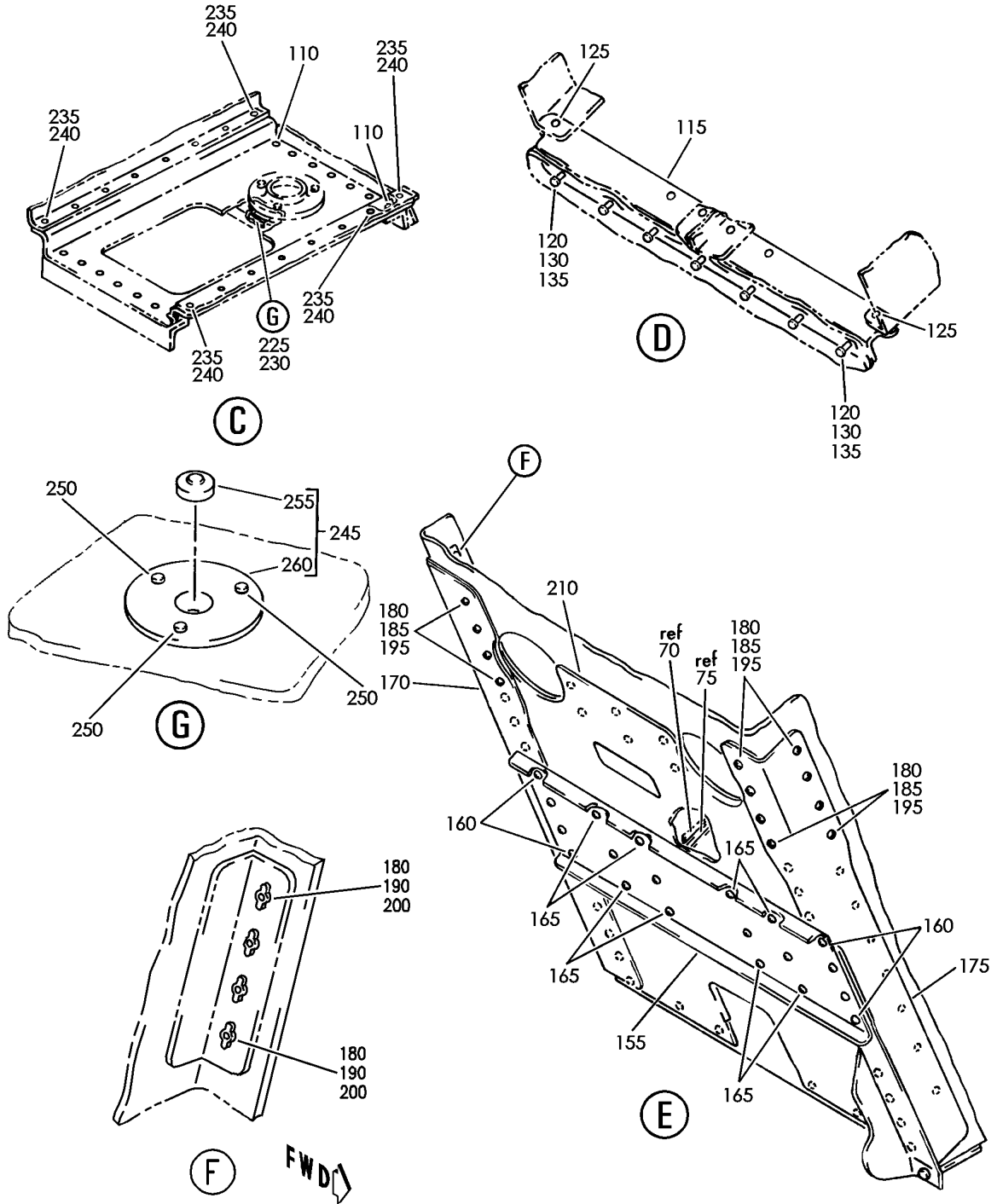
HOUSING INSTL-RUD PEDAL  
FIGURE 9 (SHEET 1)

**27-31-51-09**

BRI  
MAY 28/07

27-31-51-09  
PAGE 0

**BOEING**  
757  
PARTS CATALOG (MAINTENANCE)



Y 27315109 SHT 2 REV 237

HOUSING INSTL-RUD PEDAL  
FIGURE 9 (SHEET 2)

**27-31-51-09**

BRI  
MAY 28/07

27-31-51-09  
PAGE 0A



757

PARTS CATALOG (MAINTENANCE)

FIG ITEM	PART NUMBER	1 2 3 4 5 6 7	NOMENCLATURE	EFFECT FROM TO	UNITS PER ASSY
9			HOUSING INSTL-RUD PEDAL	102106 108120 504903	
- 1	251N3017-17		HOUSING INSTL-RUD PEDAL POSITION DATA: LH FOR NHA SEE: 27-20-00-01	102102 108120 504903	RF
- 1	MODREF7548		HOUSING INSTL-RUD PEDAL MODULE NUMBER: 251N3017-17 REV A POSITION DATA: LH	103106	1
- 5	251N3017-18		HOUSING INSTL-RUD PEDAL POSITION DATA: RH FOR NHA SEE: 27-20-00-01	102102 108120 504903	RF
- 5	MODREF7549		HOUSING INSTL-RUD PEDAL MODULE NUMBER: 251N3017-18 REV A POSITION DATA: RH	103106	1
7	BAC27NCT0156		.MARKER-ALUMINUM FOIL PLACARD CONTENT: REMOVABLE COVER ATTACHING PARTS	102106 108120 504903	1
10	BACB30NR4K6		.BOLT	102106 108120 504903	6
15	BACB30NT3K4		.BOLT	102106 108120 504903	20
20	NAS1149D0416J		.WASHER	102106 108120 504903	26

MISSING ITEM NUMBERS NOT APPLICABLE

- ITEM NOT ILLUSTRATED

27-31-51-09

27-31-51  
FIG. 09  
PAGE 1  
JAN 20/09

BRI



757

PARTS CATALOG (MAINTENANCE)

FIG ITEM	PART NUMBER	1 2 3 4 5 6 7	NOMENCLATURE	EFFECT FROM TO	UNITS PER ASSY
9					
25	MF53050-3CD		.NUTPLATE SUPPLIER CODE: V15653 SPECIFICATION NUMBER: BACN10JN3CD OPTIONAL PART: BRFM20C3D V52828 102F9201M3 V72962 NS202487-02 V80539 MF51637-3 V15653	102106 108120 504903	20
30	MF53050-4CD		.NUTPLATE SUPPLIER CODE: V15653 SPECIFICATION NUMBER: BACN10JN4CD OPTIONAL PART: BRFM20C4D V52828 T8301C428CD V11815 102F9201M4 V72962 NS202487-048 V80539 MF51637-4 V15653	102106 108120 504903	6
35	BACG20ZB001208		-----*----- .GROMMET	102106 108120 504903	1
40	251N3081-2		.BRACKET-ADJUSTMENT CABLE	102106 108120 504903	1
45	BACB30NT3K3		ATTACHING PARTS .BOLT	102106 108120 504903	1
50	BACB30NT3K4		.BOLT	102106 108120 504903	1
55	BACB30NT3K6		.BOLT	102106 108120 504903	2

MISSING ITEM NUMBERS NOT APPLICABLE

- ITEM NOT ILLUSTRATED

BRI

27-31-51-09

27-31-51  
FIG. 09  
PAGE 2  
JAN 20/09



757

PARTS CATALOG (MAINTENANCE)

FIG ITEM	PART NUMBER	1 2 3 4 5 6 7	NOMENCLATURE	EFFECT FROM TO	UNITS PER ASSY
9					
60	AN960PD10		.WASHER	102106 108120 504903	4
			-----*-----		
65	BACF3T01G7-7		.FILLER	102106 108120 504903	2
70	251N3123-3		.CLIP-CHANNEL POSITION DATA: AFT	102106 108120 504903	1
75	251N3123-4		.CLIP-CHANNEL POSITION DATA: AFT	102106 108120 504903	1
- 80	BACB30NT3K5		.BOLT- OPTIONAL PART: BACB30NM3K5	102106 108120 504903	6
- 80	BACB30NM3K5		.BOLT- OPTIONAL PART: BACB30NT3K5 V06710	102106 108120 504903	6
- 85	AN960PD10L		.WASHER	102106 108120 504903	6
			-----*-----		
90	251N3024-2		.ANGLE	102106 108120 504903	1
			ATTACHING PARTS		
95	BACB30NR4K4		.BOLT	102106 108120 504903	5
100	NAS1149D0463J		.WASHER	102106 108120 504903	5
105	PLH54CD		.NUT SUPPLIER CODE: VF0224 SPECIFICATION NUMBER: BACN10YR4CD OPTIONAL PART: H52732-4CD V15653	102106 108120 504903	5
110	BACR15FT6D		.RIVET- SIZE DETERMINED ON INSTL.	102106 108120 504903	7
			-----*-----		

MISSING ITEM NUMBERS NOT APPLICABLE

- ITEM NOT ILLUSTRATED

27-31-51-09

27-31-51  
FIG. 09  
PAGE 3  
JAN 20/09

BRI

BOEING PROPRIETARY - Copyright © - Unpublished Work - See title page for details.



757

PARTS CATALOG (MAINTENANCE)

FIG ITEM	PART NUMBER	1 2 3 4 5 6 7	NOMENCLATURE	EFFECT FROM TO	UNITS PER ASSY
9					
115	251N3115-2		.ANGLE-INTERMEDIATE POSITION DATA: AFT ATTACHING PARTS	102106 108120 504903	1
120	BACB30NT3K5		.BOLT	102106 108120 504903	7
120	BACB30NM3K5		.BOLT- OPTIONAL PART: BACB30NT3K5 V06710	102106 108120 504903	7
125	BACR15FT5D		.RIVET- SIZE DETERMINED ON INSTL.	102106 108120 504903	6
130	NAS1149D0332J		.WASHER	102106 108120 504903	7
135	102F177-3		.NUTPLATE SUPPLIER CODE: V72962 SPECIFICATION NUMBER: BACN10JA3CD OPTIONAL PART: BRF110C3D V52828 BRF170C3D V52828 F51636-3 V15653 NS202484-02 V80539	102106 108120 504903	7
- 140	BACR15BA3AD		.RIVET- SIZE DETERMINED ON INSTL.  -----*-----	102106 108120 504903	14
155	251N3176-1		.CHANNEL- POSITION DATA: AFT ATTACHING PARTS	102106 108120 504903	1
160	BACR15FT6D		.RIVET- SIZE DETERMINED ON INSTL.	102106 108120 504903	8
165	BACR15FT5D		.RIVET- SIZE DETERMINED ON INSTL.  -----*-----	102106 108120 504903	12
170	251N3177-3		.ANGLE- POSITION DATA: AFT LWR	102106 108120 504903	1

MISSING ITEM NUMBERS NOT APPLICABLE

- ITEM NOT ILLUSTRATED

27-31-51-09

27-31-51  
FIG. 09  
PAGE 4  
JAN 20/09

BRI

BOEING PROPRIETARY - Copyright © - Unpublished Work - See title page for details.





757

PARTS CATALOG (MAINTENANCE)

FIG ITEM	PART NUMBER	1 2 3 4 5 6 7	NOMENCLATURE	EFFECT FROM TO	UNITS PER ASSY
9					
175	251N3177-4		. ANGLE- POSITION DATA: AFT LWR ATTACHING PARTS	102106 108120 504903	1
180	BACB30NM4K6		. BOLT	102106 108120 504903	16
185	NAS1149D0416J		. WASHER	102106 108120 504903	12
190	AN960JD416L		. WASHER	102106 108120 504903	4
195	MF53050-4CD		-----*----- . NUTPLATE SUPPLIER CODE: V15653 SPECIFICATION NUMBER: BACN10JN4CD OPTIONAL PART: BRFM20C4D V52828 T8301C428CD V11815 102F9201M4 V72962 NS202487-048 V80539 MF51637-4 V15653	102106 108120 504903	12
200	MF53049-4		. NUTPLATE SUPPLIER CODE: V15653 SPECIFICATION NUMBER: BACN10JN4 OPTIONAL PART: BRFM20A4 V52828 MF1000-4BAC V15653 NS103218-048 V80539 RMF9201M4 V72962 VN252A048 V92215 T8124S4S V11815	102106 108120 504903	4

MISSING ITEM NUMBERS NOT APPLICABLE

- ITEM NOT ILLUSTRATED

BRI

27-31-51-09

27-31-51  
FIG. 09  
PAGE 5  
JAN 20/09



757

PARTS CATALOG (MAINTENANCE)

FIG ITEM	PART NUMBER	1 2 3 4 5 6 7	NOMENCLATURE	EFFECT FROM TO	UNITS PER ASSY
9			ATTACHING PARTS		
- 205	BACR15BA3AD		.RIVET- SIZE DETERMINED ON INSTL.	102106 108120 504903	32
			-----*-----		
210	251N3107-3		.END- POSITION DATA: LWR AFT	102106 108120 504903	1
- 215	BACB30NM3K5		ATTACHING PARTS .BOLT	102106 108120 504903	6
- 220	NAS1149D0332J		.WASHER	102106 108120 504903	6
			-----*-----		
225	251N3030-7		.CHANNEL ASSY- POSITION DATA: LH SIDE	102106 108120 504903	1
230	251N3030-8		.CHANNEL ASSY- POSITION DATA: RH SIDE	102106 108120 504903	1
235	BACB30NT3K5		ATTACHING PARTS .BOLT- OPTIONAL PART: BACB30NM3K5	102106 108120 504903	16
235	BACB30NM3K5		.BOLT- OPTIONAL PART: BACB30NT3K5 V06710	102106 108120 504903	16
240	NAS1149D0332J		.WASHER	102106 108120 504903	16
			-----*-----		
245	274N2066-1		..HOUSING ASSY	102106 108120 504903	1
			ATTACHING PARTS		
- 250	BACB30NT3K6		..BOLT	102106 108120 504903	3
			-----*-----		

MISSING ITEM NUMBERS NOT APPLICABLE

- ITEM NOT ILLUSTRATED

27-31-51-09

27-31-51  
FIG. 09  
PAGE 6  
JAN 20/09

BRI

BOEING PROPRIETARY - Copyright © - Unpublished Work - See title page for details.



757

PARTS CATALOG (MAINTENANCE)

FIG ITEM	PART NUMBER	1 2 3 4 5 6 7	NOMENCLATURE	EFFECT FROM TO	UNITS PER ASSY
9 255	KSP6AFS428	...	BEARING SUPPLIER CODE: V21335 SPECIFICATION NUMBER: BACB10AC6A OPTIONAL PART: HHKSP6A V38443 KSP6AE9440A V21335 KSP6A2TS V43991 KSP6AG27 V30163 KSP6ASD610 V83086	102106 108120 504903	1
260	274N2066-2	...	HOUSING	102106 108120 504903	1

MISSING ITEM NUMBERS NOT APPLICABLE

- ITEM NOT ILLUSTRATED

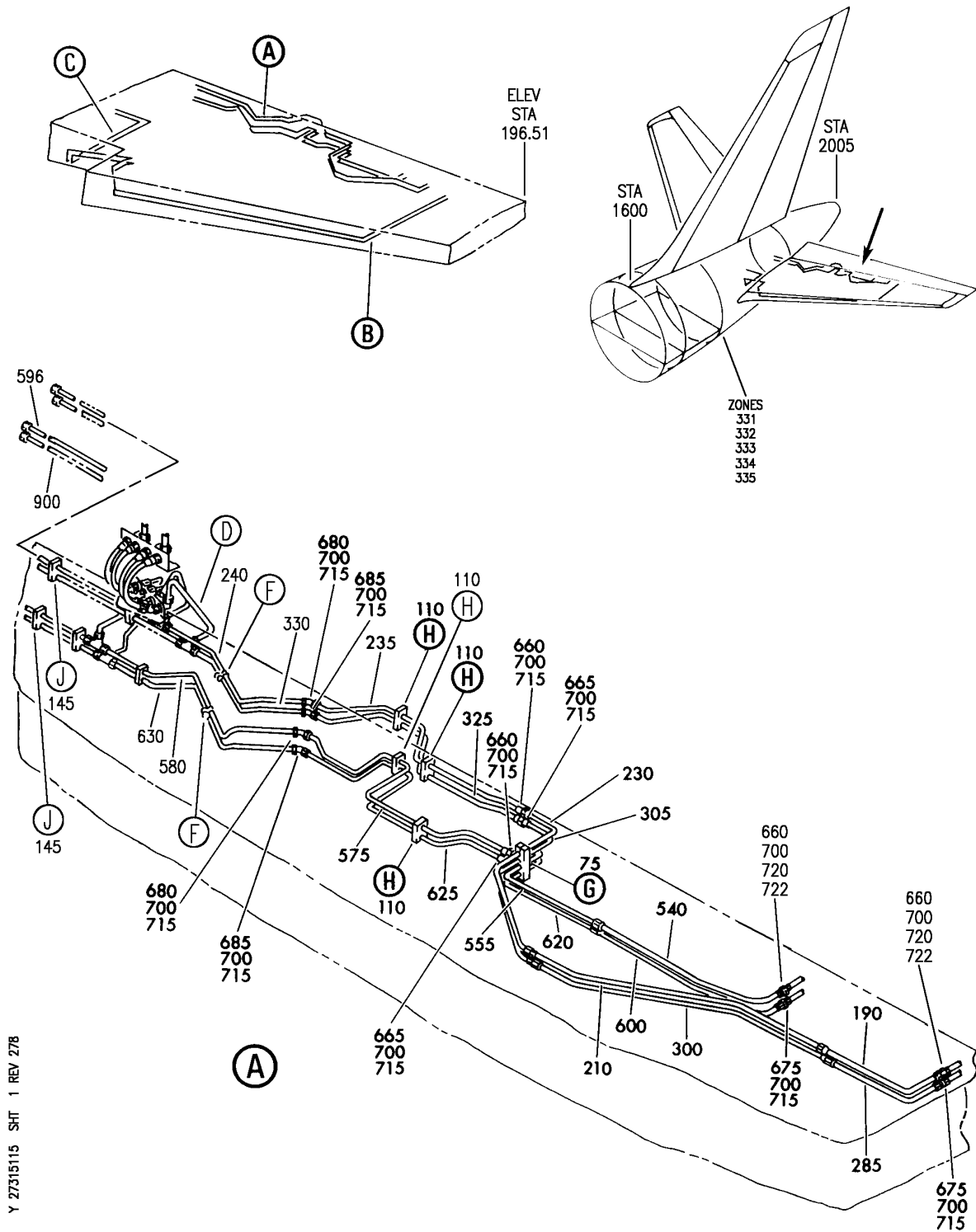
BRI

27-31-51-09

BOEING PROPRIETARY - Copyright © - Unpublished Work - See title page for details.

27-31-51  
FIG. 09  
PAGE 7  
JAN 20/09

**BOEING**  
757  
PARTS CATALOG (MAINTENANCE)



Y 27315115 SHT 1 REV 27B

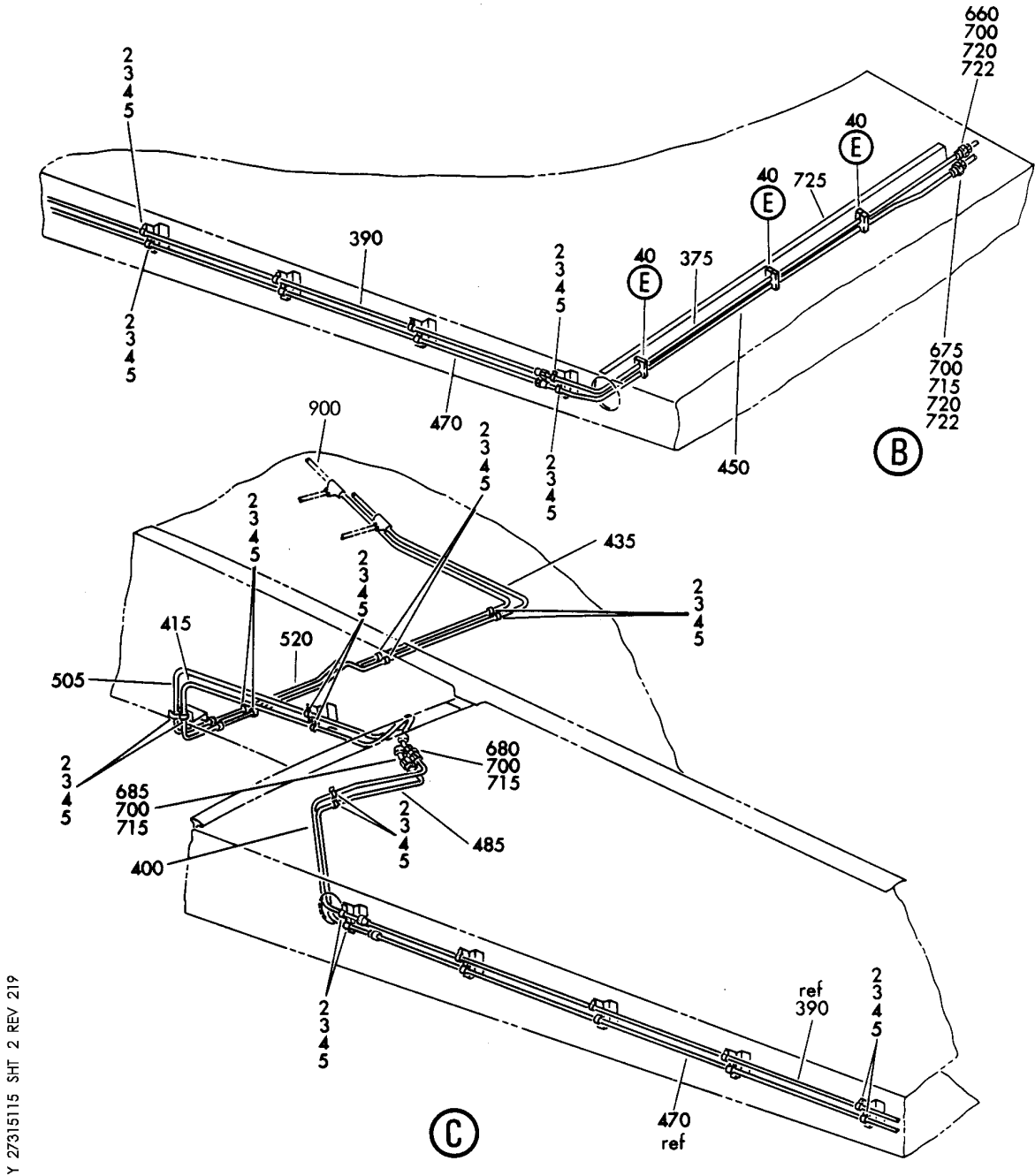
PLUMBING INSTL-SECT. 82 HYDR  
FIGURE 15 (SHEET 1)

**27-31-51-15**

BRI  
MAY 28/07

27-31-51-15  
PAGE 0

**BOEING**  
757  
PARTS CATALOG (MAINTENANCE)



Y 27315115 SHT 2 REV 219

PLUMBING INSTL-SECT. 82 HYDR  
FIGURE 15 (SHEET 2)

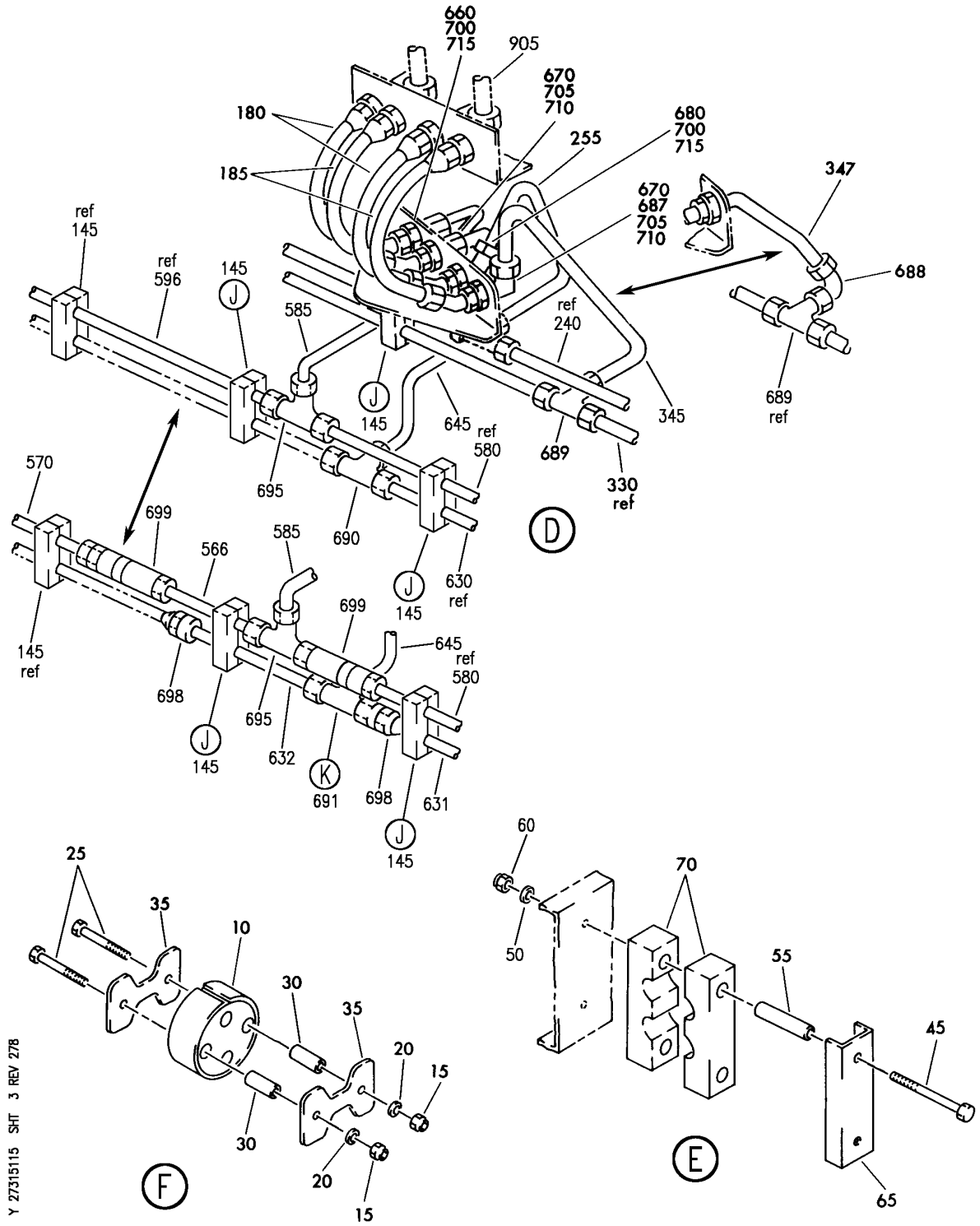
**27-31-51-15**

BRI  
MAY 28/07

27-31-51-15  
PAGE 0A

# BOEING

757  
PARTS CATALOG (MAINTENANCE)



Y 27315115 SHT. 3 REV 27B

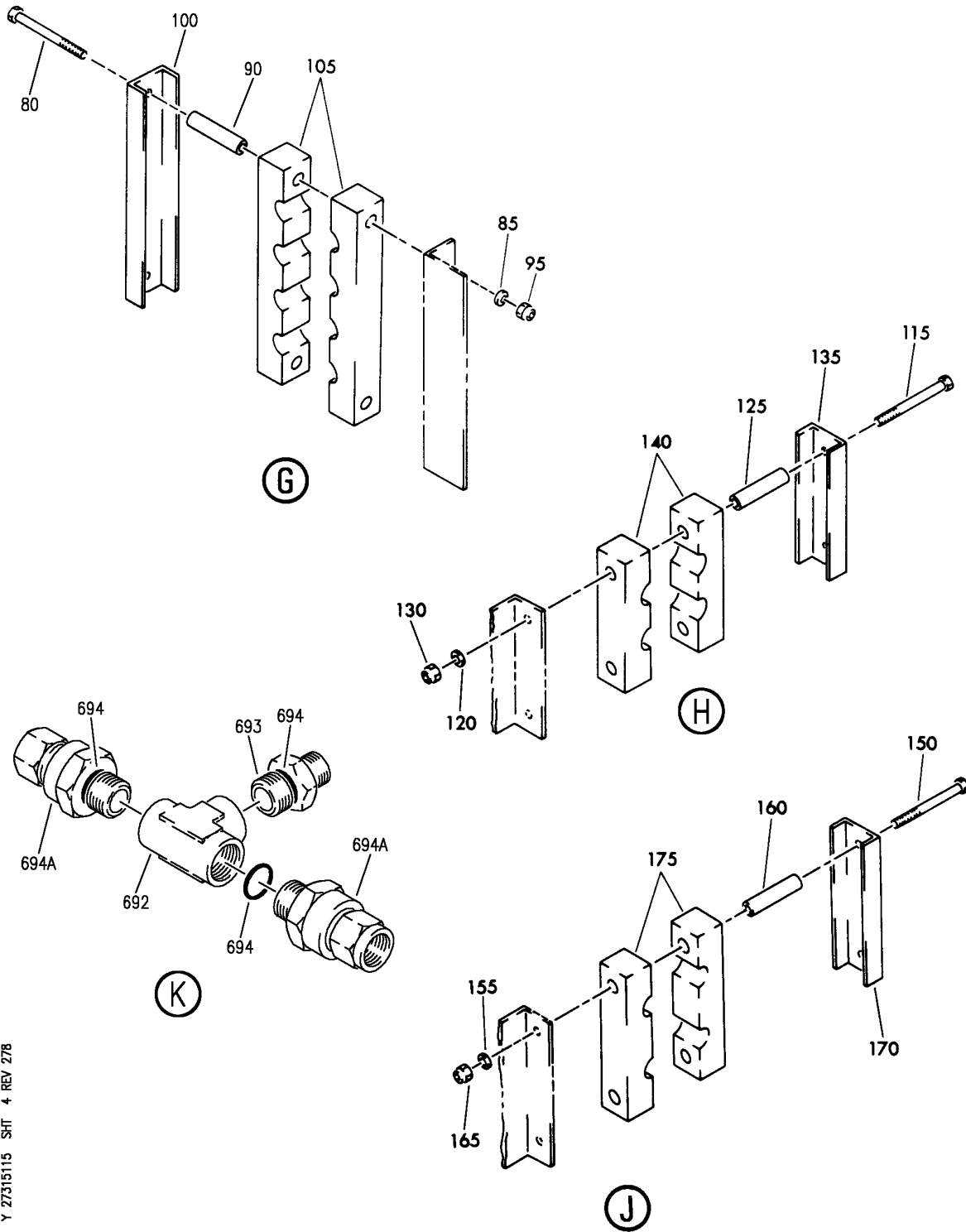
PLUMBING INSTL-SECT. 82 HYDR  
FIGURE 15 (SHEET 3)

# 27-31-51-15

BRI  
MAY 28/07

27-31-51-15  
PAGE 0B

**BOEING**  
757  
PARTS CATALOG (MAINTENANCE)



Y 27315115 SH1 4 REV 27B

PLUMBING INSTL-SECT. 82 HYDR  
FIGURE 15 (SHEET 4)

**27-31-51-15**

BRI  
MAY 28/07

27-31-51-15  
PAGE 0C



757

PARTS CATALOG (MAINTENANCE)

FIG ITEM	PART NUMBER	1 2 3 4 5 6 7	NOMENCLATURE	EFFECT FROM TO	UNITS PER ASSY
15			PLUMBING INSTL-SECT. 82 HYDR	002004 006100 107107 121503 904999	
- 1	271N6821-1		PLUMBING INSTL-HYDR POSITION DATA: SECT. 82 FOR NHA SEE: 29-00-51-04	002004 006100 107107 121503 904999	RF
2	NAS1801-3		.SCREW- SIZE DETERMINED ON INSTL.	002004 006100 107107 121503 904999	68
3	AN960KD10L		.WASHER	002004 006100 107107 121503 904999	68
4	MS21042L3		.NUT-	002004 006100 107107 121503 904999	68
5	TA0910005H106		.CLAMP SUPPLIER CODE: V84971 SPECIFICATION NUMBER: BACC10HC06C	002004 006100 107107 121503 904999	34
10	271N6117-1		.RETAINER-	002004 006100 107107 121503 904999	2

MISSING ITEM NUMBERS NOT APPLICABLE

- ITEM NOT ILLUSTRATED

BRI

27-31-51-15

27-31-51  
FIG. 15  
PAGE 1  
JAN 20/09





757

PARTS CATALOG (MAINTENANCE)

FIG ITEM	PART NUMBER	1 2 3 4 5 6 7	NOMENCLATURE	EFFECT FROM TO	UNITS PER ASSY
15	BRH10A3	.	NUT	002004	4
15		SUPPLIER CODE:	006100		
		V52828	107107		
		SPECIFICATION NUMBER:	121503		
		BACN10JC3	904999		
		OPTIONAL PART:			
		H10-3BAC			
		V15653			
	NS202101-02				
	V80539				
	RMLH9075-3W				
	V72962				
	VN303A02				
	V92215				
	96-02				
	V80539				
	T6S1032J				
	V11815				
20	AN960KD10L	.	WASHER-	002004	4
				006100	
				107107	
				121503	
				904999	
25	NAS1801-3-20	.	SCREW	002004	4
				006100	
				107107	
				121503	
				904999	
30	NAS43DD3-48	.	SPACER-	002004	4
				006100	
				107107	
				121503	
				904999	
35	271N6118-1	.	CLAMP-	002004	4
				006100	
				107107	
				121503	
				904999	
40	270N2000-3	.	CLAMP ASSY-BLK	002004	3
				006100	
				107107	
				121503	
				904999	
45	NAS1801-3-24	..	SCREW-	002004	2
				006100	
				107107	
				121503	
				904999	

MISSING ITEM NUMBERS NOT APPLICABLE

- ITEM NOT ILLUSTRATED

27-31-51-15

27-31-51  
FIG. 15  
PAGE 2  
JAN 20/09

BRI

BOEING PROPRIETARY - Copyright © - Unpublished Work - See title page for details.



757

PARTS CATALOG (MAINTENANCE)

FIG ITEM	PART NUMBER	1 2 3 4 5 6 7	NOMENCLATURE	EFFECT FROM TO	UNITS PER ASSY
15					
50	AN960PD10L	..	WASHER	002004 006100 107107 121503 904999	2
55	NAS43DD3-59	..	SPACER	002004 006100 107107 121503 904999	2
60	BRH10A3	..	NUT SUPPLIER CODE: V52828 SPECIFICATION NUMBER: BACN10JC3 OPTIONAL PART: H10-3BAC V15653 NS202101-02 V80539 RMLH9075-3W V72962 VN303A02 V92215 96-02 V80539 T6S1032J V11815	002004 006100 107107 121503 904999	2
65	270N2000-801	..	CHANNEL	002004 006100 107107 121503 904999	1
70	270N2000-401	..	BLOCK	002004 006100 107107 121503 904999	2
75	270N2000-79	.	CLAMP ASSY-BLK	002004 006100 107107 121503 904999	1
80	NAS1801-3-24	..	SCREW-	002004 006100 107107 121503 904999	2

MISSING ITEM NUMBERS NOT APPLICABLE

- ITEM NOT ILLUSTRATED

27-31-51-15

27-31-51  
FIG. 15  
PAGE 3  
JAN 20/09

BRI

BOEING PROPRIETARY - Copyright © - Unpublished Work - See title page for details.



757

PARTS CATALOG (MAINTENANCE)

FIG ITEM	PART NUMBER	1 2 3 4 5 6 7	NOMENCLATURE	EFFECT FROM TO	UNITS PER ASSY
15					
85	AN960PD10L	..	WASHER	002004 006100 107107 121503 904999	2
90	NAS43DD3-59	..	SPACER	002004 006100 107107 121503 904999	2
95	BRH10A3	..	NUT SUPPLIER CODE: V52828 SPECIFICATION NUMBER: BACN10JC3 OPTIONAL PART: H10-3BAC V15653 NS202101-02 V80539 RMLH9075-3W V72962 VN303A02 V92215 96-02 V80539 T6S1032J V11815	002004 006100 107107 121503 904999	2
100	270N2000-854	..	CHANNEL- OPTIONAL PART: 270N2000-829	002004 006100 107107 121503 904999	1
100	270N2000-829	..	CHANNEL- OPTIONAL PART: 270N2000-854	002004 006100 107107 121503 904999	1
105	270N2000-512	..	BLOCK- OPTIONAL PART: 270N2000-473	002004 006100 107107 121503 904999	2
105	270N2000-473	..	BLOCK	002004 006100 107107 121503 904999	2

MISSING ITEM NUMBERS NOT APPLICABLE

- ITEM NOT ILLUSTRATED

27-31-51-15

27-31-51  
FIG. 15  
PAGE 4  
JAN 20/09

BRI

BOEING PROPRIETARY - Copyright © - Unpublished Work - See title page for details.



757

PARTS CATALOG (MAINTENANCE)

FIG ITEM	PART NUMBER	1 2 3 4 5 6 7	NOMENCLATURE	EFFECT FROM TO	UNITS PER ASSY
15					
110	270N2000-36	.	CLAMP ASSY-BLK	002004 006100 107107 121503 904999	4
115	NAS1801-3-24	..	SCREW-	002004 006100 107107 121503 904999	2
120	AN960PD10L	..	WASHER	002004 006100 107107 121503 904999	2
125	NAS43DD3-59	..	SPACER	002004 006100 107107 121503 904999	2
130	BRH10A3	..	NUT SUPPLIER CODE: V52828 SPECIFICATION NUMBER: BACN10JC3 OPTIONAL PART: H10-3BAC V15653 NS202101-02 V80539 RMLH9075-3W V72962 VN303A02 V92215 96-02 V80539 T6S1032J V11815	002004 006100 107107 121503 904999	2
135	270N2000-803	..	CHANNEL	002004 006100 107107 121503 904999	1
140	270N2000-457	..	BLOCK	002004 006100 107107 121503 904999	2

MISSING ITEM NUMBERS NOT APPLICABLE

- ITEM NOT ILLUSTRATED

27-31-51-15

27-31-51  
FIG. 15  
PAGE 5  
JAN 20/09

BRI

BOEING PROPRIETARY - Copyright © - Unpublished Work - See title page for details.

 **BOEING**  
757  
**PARTS CATALOG (MAINTENANCE)**

FIG ITEM	PART NUMBER	1 2 3 4 5 6 7	NOMENCLATURE	EFFECT FROM TO	UNITS PER ASSY
15					
145	270N2000-144	.	CLAMP ASSY-BLK	002004 006100 107107 121503 904999	5
150	NAS1801-3-24	..	SCREW-	002004 006100 107107 121503 904999	2
155	AN960PD10L	..	WASHER	002004 006100 107107 121503 904999	2
160	NAS43DD3-59	..	SPACER	002004 006100 107107 121503 904999	2
165	BRH10A3	..	NUT SUPPLIER CODE: V52828 SPECIFICATION NUMBER: BACN10JC3 OPTIONAL PART: H10-3BAC V15653 NS202101-02 V80539 RMLH9075-3W V72962 VN303A02 V92215 96-02 V80539 T6S1032J V11815	002004 006100 107107 121503 904999	2
170	270N2000-821	..	CHANNEL	002004 006100 107107 121503 904999	1
175	270N2000-606	..	BLOCK	002004 006100 107107 121503 904999	2

MISSING ITEM NUMBERS NOT APPLICABLE

— ITEM NOT ILLUSTRATED

BRI

# 27-31-51-15

BOEING PROPRIETARY - Copyright © - Unpublished Work - See title page for details.

27-31-51  
FIG. 15  
PAGE 6  
JAN 20/09



757

PARTS CATALOG (MAINTENANCE)

FIG ITEM	PART NUMBER	1 2 3 4 5 6 7	NOMENCLATURE	EFFECT FROM TO	UNITS PER ASSY
15 180	AS116-06-0253	.HOSE	ASSY	002004 006100 107107 121503 904999	2
185	AS116-08-0253	.HOSE	ASSY	002004 006100 107107 121503 904999	2
190	271N6821-1160	.TUBE	ASSY-PRESSURE SYS POSITION DATA: L TUBING MATERIAL: .375 IN. OD X .019 IN. WALL X 14.60 IN. LG TI BMS 7-234 TI-3AL-2.5V COLD WORKED, STRESS RELIEVED TUBING	002004 006100 107107 121503 904999	1
- 195	AS1581T06	..SLEEVE		002004 006100 107107 121503 904999	1
- 197	AS1581T06	..SLEEVE		002004 006100 107107 121503 904999	1
- 200	BACN10YA6	..NUT-		002004 006100 107107 121503 904999	1
- 200	BACN10YA6N	..NUT-		002004 006100 107107 121503 904999	1
- 205	AS1582T06	..UNION		002004 006100 107107 121503 904999	1

MISSING ITEM NUMBERS NOT APPLICABLE

- ITEM NOT ILLUSTRATED

27-31-51-15

27-31-51  
FIG. 15  
PAGE 7  
JAN 20/09

BRI

BOEING PROPRIETARY - Copyright © - Unpublished Work - See title page for details.



757

PARTS CATALOG (MAINTENANCE)

FIG ITEM	PART NUMBER	1 2 3 4 5 6 7	NOMENCLATURE	EFFECT FROM TO	UNITS PER ASSY
15 210	271N6821-1089		.TUBE ASSY-PRESSURE SYS POSITION DATA: L TUBING MATERIAL: .375 IN. OD X .019 IN. WALL X 35.50 IN. LG TI BMS-7234 TI-3AL-2.5V COLD WORKED, STRESS RELIEVED TUBING	002004 006100 107107 121503 904999	1
- 215	AS1581T06		..SLEEVE	002004 006100 107107 121503 904999	2
- 220	BACN10YA6		..NUT	002004 006100 107107 121503 904999	2
230	271N6821-1085		.TUBE ASSY-PRESSURE SYS POSITION DATA: L TUBING MATERIAL: .375 IN. OD. X .019 IN. WALL X 25.60 IN. LG TI BMS 7-234 TI-3AL-2.5V COLD WORKED, STRESS RELIEVED TUBING	002004 006100 107107 121503 904999	1
- 231	AS1581T06		..SLEEVE	002004 006100 107107 121503 904999	1
- 232	BACN10YA6		..NUT	002004 006100 107107 121503 904999	1
- 233	AS1582T06		..UNION	002004 006100 107107 121503 904999	1

MISSING ITEM NUMBERS NOT APPLICABLE

- ITEM NOT ILLUSTRATED

27-31-51-15

27-31-51  
FIG. 15  
PAGE 8  
JAN 20/09

BRI

BOEING PROPRIETARY - Copyright © - Unpublished Work - See title page for details.



757

PARTS CATALOG (MAINTENANCE)

FIG ITEM	PART NUMBER	1 2 3 4 5 6 7	NOMENCLATURE	EFFECT FROM TO	UNITS PER ASSY
15 235	271N6821-1144		.TUBE ASSY-PRESSURE SYS POSITION DATA: L TUBING MATERIAL: .375 IN. OD X .019 IN. WALL X 37.40 IN. LG TI BMS 7-234 TI-3AL-2.5V COLD WORKED, STRESS RELIEVED TUBING	002004 006100 107107 121503 904999	1
240	271N6821-1129		.TUBE ASSY-PRESSURE SYS POSITION DATA: L TUBING MATERIAL: .375 IN. OD X .019 IN. WALL X 21.60 IN. LG TI BMS 7-234 TI-3AL-2.5V COLD WORKED, STRESS RELIEVED TUBING	002004 006100 107107 121503 904999	1
- 245	AS1581T06		..SLEEVE	002004 006100 107107 121503 904999	2
- 250	BACN10YA6		..NUT	002004 006100 107107 121503 904999	2
255	271N6821-1114		.TUBE ASSY-PRESSURE SYS POSITION DATA: L TUBING MATERIAL: .375 IN. OD X .019 IN. WALL X 10.10 IN. LG TI BMS 7-234 TI-3AL-2.5V COLD WORKED, STRESS RELIEVED TUBING	002004 006100 107107 121503 904999	1
255	271N6821-1139		.TUBE ASSY-PRESSURE SYS POSITION DATA: L TUBING MATERIAL: .375 IN. OD X .019 IN. WALL X 10.80 IN. LG TI BMS 7-234 TI-3AL-2.5V COLD WORKED, STRESS RELIEVED TUBING	002004 006100 107107 121503 904999	1

MISSING ITEM NUMBERS NOT APPLICABLE

- ITEM NOT ILLUSTRATED

BRI

27-31-51-15

BOEING PROPRIETARY - Copyright © - Unpublished Work - See title page for details.

27-31-51  
FIG. 15  
PAGE 9  
JAN 20/09





757

PARTS CATALOG (MAINTENANCE)

FIG ITEM	PART NUMBER	1 2 3 4 5 6 7	NOMENCLATURE	EFFECT FROM TO	UNITS PER ASSY
15					
- 260	AS1581T06	..	SLEEVE	002004 006100 107107 121503 904999	2
- 265	BACN10YA6	..	NUT	002004 006100 107107 121503 904999	2
285	271N6821-1162	.TUBE ASSY-RETURN SYS POSITION DATA: L TUBING MATERIAL: .375 IN. OD X .035 IN. WALL X 14.80 IN. LG AL AMS 4083 6061 T6 TUBING		002004 006100 107107 121503 904999	1
- 290	AP2097HP06	..SLEEVE SUPPLIER CODE: V01673 SPECIFICATION NUMBER: BACS13BX06HP OPTIONAL PART: 2-02903-06HP V11328 35235VN06 V08199 AFP175V06P V30974 DBOS13BX06HP V14798		002004 006100 107107 121503 904999	2
- 295	BACN10YL06	..	NUT-	002004 006100 107107 121503 904999	2
300	271N6821-1090	.TUBE ASSY-RETURN SYS POSITION DATA: L TUBING MATERIAL: .375 IN. OD X .035 IN. WALL X 37.40 IN. LG AL AMS 4083 6061 T6 TUBING		002004 006100 107107 121503 904999	1

MISSING ITEM NUMBERS NOT APPLICABLE

- ITEM NOT ILLUSTRATED

BRI

27-31-51-15

27-31-51  
FIG. 15  
PAGE 10  
JAN 20/09



757

PARTS CATALOG (MAINTENANCE)

FIG ITEM	PART NUMBER	1 2 3 4 5 6 7	NOMENCLATURE	EFFECT FROM TO	UNITS PER ASSY
15 305	271N6821-1086		.TUBE ASSY-RETURN SYS POSITION DATA: L TUBING MATERIAL: .375 IN. OD X .035 IN. WALL X 26.90 IN. LG AL AMS 4083 6061 T6 TUBING	002004 006100 107107 121503 904999	1
- 310	AP2097HP06		..SLEEVE SUPPLIER CODE: V01673 SPECIFICATION NUMBER: BACS13BX06HP OPTIONAL PART: 2-02903-06HP V11328 35235VN06 V08199 AFP175V06P V30974 DBOS13BX06HP V14798	002004 006100 107107 121503 904999	1
- 315	MS21921-6D		..NUT- OPTIONAL PART: BACN10YLO6	002004 006100 107107 121503 904999	1
- 315	BACN10YLO6		..NUT- OPTIONAL PART: MS21921-6D	002004 006100 107107 121503 904999	1
- 320	35056GV06		..UNION SUPPLIER CODE: V08199 SPECIFICATION NUMBER: BACU24AB6W OPTIONAL PART: 2-01027-6W V11328 31875-6W V14397 4671097W6 V50948 AP1004W06 V01673 AFP941W6 V30974 DBOU24AB6W V14798	002004 006100 107107 121503 904999	1

MISSING ITEM NUMBERS NOT APPLICABLE

- ITEM NOT ILLUSTRATED

27-31-51-15

27-31-51  
FIG. 15  
PAGE 11  
JAN 20/09

BRI



757

PARTS CATALOG (MAINTENANCE)

FIG ITEM	PART NUMBER	1 2 3 4 5 6 7	NOMENCLATURE	EFFECT FROM TO	UNITS PER ASSY
15 325	271N6821-1145		.TUBE ASSY-RETURN SYS POSITION DATA: L TUBING MATERIAL: .375 IN. OD X .035 IN. WALL X 39.00 IN. LG AL AMS 4083 6061 T6 TUBING	002004 006100 107107 121503 904999	1
330	271N6821-1193		.TUBE ASSY-RETURN SYS POSITION DATA: L TUBING MATERIAL: .375 IN. OD X .035 IN. WALL X 17.90 IN. LG AL AMS 4083 6061 T6 TUBING	002004 006100 107107 121503 904999	1
- 335	AP2097HP06		..SLEEVE- SUPPLIER CODE: V01673 SPECIFICATION NUMBER: BACS13BX06HP OPTIONAL PART: 2-02903-06HP V11328 35235VN06 V08199 AFP175V06P V30974 DBOS13BX06HP V14798	002004 006100 107107 121503 904999	2
- 340	BACN10YL06		..NUT- OPTIONAL PART: MS21921-6D	002004 006100 107107 121503 904999	2
- 340	MS21921-6D		..NUT- OPTIONAL PART: BACN10YL06	002004 006100 107107 121503 904999	2
347	271N6821-1130		.TUBE ASSY-RETURN SYS POSITION DATA: L TUBING MATERIAL: .500 IN. OD X .035 IN. WALL X 6.90 IN. LG AL AMS 4083 6061 T6 TUBING	002004 006100 107107 121503 904999	1

MISSING ITEM NUMBERS NOT APPLICABLE

- ITEM NOT ILLUSTRATED

BRI

27-31-51-15

27-31-51  
FIG. 15  
PAGE 12  
JAN 20/09



757

PARTS CATALOG (MAINTENANCE)

FIG ITEM	PART NUMBER	1 2 3 4 5 6 7	NOMENCLATURE	EFFECT FROM TO	UNITS PER ASSY
15 - 350	AP2097HP08	..	SLEEVE SUPPLIER CODE: V01673 SPECIFICATION NUMBER: BACS13BX08HP OPTIONAL PART: 2-02903-08HP V11328 35235VN08 V08199 AFP175V08P V30974 DBOS13BX08HP V14798	002004 006100 107107 121503 904999	2
- 355	MS21921-8D	..	NUT- OPTIONAL PART: BACN10YL08	002004 006100 107107 121503 904999	2
- 355	BACN10YL08	..	NUT- OPTIONAL PART: MS21921-6D	002004 006100 107107 121503 904999	2
375	271N6821-1179	.TUBE ASSY-PRESSURE SYS POSITION DATA: R TUBING MATERIAL: .375 IN. OD X .019 IN. WALL X 55.40 IN. LG TI BMS 7-234 TI-3AL-2.5V COLD WORKED, STRESS RELIEVED TUBING	002004 006100 107107 121503 904999	1	
- 380	AS1581T06	..	SLEEVE	002004 006100 107107 121503 904999	2
- 385	BACN10YA6N	..	NUT-	002004 006100 107107 121503 904999	2

MISSING ITEM NUMBERS NOT APPLICABLE

- ITEM NOT ILLUSTRATED

BRI

27-31-51-15

27-31-51  
FIG. 15  
PAGE 13  
JAN 20/09



757

PARTS CATALOG (MAINTENANCE)

FIG ITEM	PART NUMBER	1 2 3 4 5 6 7	NOMENCLATURE	EFFECT FROM TO	UNITS PER ASSY
15 390	271N6821-1005		.TUBE ASSY-PRESSURE SYS POSITION DATA: R TUBING MATERIAL: .375 IN. OD X .019 IN. WALL X 121.60 IN. LG TI BMS 7-234 TI-3AL-2.5V COLD WORKED, STRESS RELIEVED TUBING	002004 006100 107107 121503 904999	1
- 395	AS1582T06		..UNION	002004 006100 107107 121503 904999	2
400	271N6821-1204		.TUBE ASSY-PRESSURE SYS POSITION DATA: R TUBING MATERIAL: .375 IN. OD X .019 IN. WALL X 43.60 IN. LG TI BMS 7-234 TI-3AL-2.5V COLD WORKED, STRESS RELIEVED TUBING	003004 006100 107107 121503 904999	1
- 405	AS1581T06		..SLEEVE	002004 006100 107107 121503 904999	2
- 410	BACN10YA6N		..NUT-	002004 006100 107107 121503 904999	2
415	271N6821-1003		.TUBE ASSY-PRESSURE SYS POSITION DATA: R TUBING MATERIAL: .375 IN. OD X .019 IN. WALL X 38.80 IN. LG TI BMS 7-234 TI-3AL-2.5V COLD WORKED, STRESS RELIEVED TUBING	002004 006100 107107 121503 904999	1
- 420	AS1581T06		..SLEEVE	002004 006100 107107 121503 904999	1

MISSING ITEM NUMBERS NOT APPLICABLE

- ITEM NOT ILLUSTRATED

BRI

27-31-51-15

27-31-51  
FIG. 15  
PAGE 14  
JAN 20/09



757

PARTS CATALOG (MAINTENANCE)

FIG ITEM	PART NUMBER	1 2 3 4 5 6 7	NOMENCLATURE	EFFECT FROM TO	UNITS PER ASSY
15					
- 425	BACN10YA6	..	NUT	002004 006100 107107 121503 904999	1
- 430	AS1582T06	..	UNION	002004 006100 107107 121503 904999	1
435	271N6821-1103	.	TUBE ASSY-PRESSURE SYS POSITION DATA: R TUBING MATERIAL: .375 IN. OD X .019 IN. WALL X 51.10 IN. LG TI BMS 7-234 TI-3AL-2.5V COLD WORKED, STRESS RELIEVED TUBING	002004 006100 107107 121503 904999	1
- 440	AS1581T06	..	SLEEVE	002004 006100 107107 121503 904999	2
- 445	BACN10YA6	..	NUT	002004 006100 107107 121503 904999	2
450	271N6821-1147	.	TUBE ASSY-RETURN SYS POSITION DATA: R TUBING MATERIAL: .375 IN. OD X .035 IN. WALL X 56.70 IN. LG AL AMS 4083 6061 T6 TUBING	002004 006100 107107 121503 904999	1

MISSING ITEM NUMBERS NOT APPLICABLE

- ITEM NOT ILLUSTRATED

BRI

27-31-51-15

27-31-51  
FIG. 15  
PAGE 15  
JAN 20/09



**757  
PARTS CATALOG (MAINTENANCE)**

FIG ITEM	PART NUMBER	1 2 3 4 5 6 7	NOMENCLATURE	EFFECT FROM TO	UNITS PER ASSY
15 - 455	AP2097HP06	..	SLEEVE SUPPLIER CODE: V01673 SPECIFICATION NUMBER: BACS13BX06HP OPTIONAL PART: 2-02903-06HP V11328 35235VN06 V08199 AFP175V06P V30974 DBOS13BX06HP V14798	002004 006100 107107 121503 904999	1
- 460	MS21921-6D	..	NUT- OPTIONAL PART: BACN10YL06	002004 006100 107107 121503 904999	1
- 460	BACN10YL06	..	NUT- OPTIONAL PART: MS21921-6D	002004 006100 107107 121503 904999	1
- 465	35056GV06	..	UNION SUPPLIER CODE: V08199 SPECIFICATION NUMBER: BACU24AB6W OPTIONAL PART: 2-01027-6W V11328 31875-6W V14397 4671097W6 V50948 AP1004W06 V01673 AFP941W6 V30974 DBOU24AB6W V14798	002004 006100 107107 121503 904999	1
470	271N6821-1015	.	TUBE ASSY-RETURN SYS POSITION DATA: R TUBING MATERIAL: .375 IN. OD X .037 IN. WALL X 124.80 IN. LG AL AMS 4083 6061 T6 TUBING	002004 006100 107107 121503 904999	1

MISSING ITEM NUMBERS NOT APPLICABLE

- ITEM NOT ILLUSTRATED

BRI

# 27-31-51-15

BOEING PROPRIETARY - Copyright © - Unpublished Work - See title page for details.

27-31-51  
FIG. 15  
PAGE 16  
JAN 20/09



757

PARTS CATALOG (MAINTENANCE)

FIG ITEM	PART NUMBER	1 2 3 4 5 6 7	NOMENCLATURE	EFFECT FROM TO	UNITS PER ASSY
15 - 475	AP2097HP06	..	SLEEVE SUPPLIER CODE: V01673 SPECIFICATION NUMBER: BACS13BX06HP OPTIONAL PART: 2-02903-06HP V11328 35235VN06 V08199 AFP175V06P V30974 DBOS13BX06HP V14798	002004 006100 107107 121503 904999	2
- 480	MS21921-6D	..	NUT- OPTIONAL PART: BACN10YL06	002004 006100 107107 121503 904999	2
- 480	BACN10YL06	..	NUT- OPTIONAL PART: MS21921-6D	002004 006100 107107 121503 904999	2
485	271N6821-1014	.TUBE ASSY-RETURN SYS POSITION DATA: R TUBING MATERIAL: .375 IN. OD X .035 IN. WALL X 43.60 IN. LG AL AMS 4083 6061 T6 TUBING		002004 006100 107107 121503 904999	1
- 490	AP2097HP06	..	SLEEVE SUPPLIER CODE: V01673 SPECIFICATION NUMBER: BACS13BX06HP OPTIONAL PART: 2-02903-06HP V11328 35235VN06 V08199 AFP175V06P V30974 DBOS13BX06HP V14798	002004 006100 107107 121503 904999	1

MISSING ITEM NUMBERS NOT APPLICABLE

- ITEM NOT ILLUSTRATED

BRI

27-31-51-15

27-31-51  
FIG. 15  
PAGE 17  
JAN 20/09





757

PARTS CATALOG (MAINTENANCE)

FIG ITEM	PART NUMBER	1 2 3 4 5 6 7	NOMENCLATURE	EFFECT FROM TO	UNITS PER ASSY
15					
- 495	MS21921-6D	..	NUT- OPTIONAL PART: BACN10YL06	002004 006100 107107 121503 904999	1
- 495	BACN10YL06	..	NUT- OPTIONAL PART: MS21921-6D	002004 006100 107107 121503 904999	1
- 500	35056GV06	..	UNION SUPPLIER CODE: V08199 SPECIFICATION NUMBER: BACU24AB6W OPTIONAL PART: 2-01027-6W V11328 31875-6W V14397 4671097W6 V50948 AP1004W06 V01673 AFP941W6 V30974 DBOU24AB6W V14798	002004 006100 107107 121503 904999	1
505	271N6821-1163	.TUBE ASSY-RETURN SYS POSITION DATA: R TUBING MATERIAL: .375 IN. OD X .035 IN. WALL X 41.40 IN. LG AL AMS 4083 6061 T6 TUBING		002004 006100 107107 121503 904999	1
- 510	AP2097HP06	..	SLEEVE SUPPLIER CODE: V01673 SPECIFICATION NUMBER: BACS13BX06HP OPTIONAL PART: 2-02903-06HP V11328 35235VN06 V08199 AFP175V06P V30974 DBOS13BX06HP V14798	002004 006100 107107 121503 904999	2

MISSING ITEM NUMBERS NOT APPLICABLE

- ITEM NOT ILLUSTRATED

27-31-51-15

27-31-51  
FIG. 15  
PAGE 18  
JAN 20/09

BRI

BOEING PROPRIETARY - Copyright © - Unpublished Work - See title page for details.



757

PARTS CATALOG (MAINTENANCE)

FIG ITEM	PART NUMBER	1 2 3 4 5 6 7	NOMENCLATURE	EFFECT FROM TO	UNITS PER ASSY
15 - 515	BACN10YL06	..	NUT-	002004 006100 107107 121503 904999	2
520	271N6821-1195	.	TUBE ASSY-RETURN SYS POSITION DATA: R TUBING MATERIAL: .375 IN. OD X .035 IN. WALL X 60.70 IN. LG AL AMS 4083 6061 T6 TUBING	002004 006100 107107 121503 904999	1
- 525	AP2097HP06	..	SLEEVE SUPPLIER CODE: V01673 SPECIFICATION NUMBER: BACS13BX06HP OPTIONAL PART: 2-02903-06HP V11328 35235VN06 V08199 AFP175V06P V30974 DBOS13BX06HP V14798	002004 006100 107107 121503 904999	1
- 530	MS21921-6D	..	NUT- OPTIONAL PART: BACN10YL06	002004 006100 107107 121503 904999	1
- 530	BACN10YL06	..	NUT- OPTIONAL PART: MS21921-6D	002004 006100 107107 121503 904999	1

MISSING ITEM NUMBERS NOT APPLICABLE

- ITEM NOT ILLUSTRATED

BRI

27-31-51-15

27-31-51  
FIG. 15  
PAGE 19  
JAN 20/09



757

PARTS CATALOG (MAINTENANCE)

FIG ITEM	PART NUMBER	1 2 3 4 5 6 7	NOMENCLATURE	EFFECT FROM TO	UNITS PER ASSY
15 - 535	35056GV06		.. UNION SUPPLIER CODE: V08199 SPECIFICATION NUMBER: BACU24AB6W OPTIONAL PART: 2-01027-6W V11328 31875-6W V14397 4671097W6 V50948 AP1004W06 V01673 AFP941W6 V30974 DBOU24AB6W V14798	002004 006100 107107 121503 904999	1
540	271N6821-1153		. TUBE ASSY-PRESSURE SYS POSITION DATA: CTR TUBING MATERIAL: .375 IN. OD X .019 IN. WALL X 25.30 IN. LG TI BMS 7-234 TI-3AL-2.5V COLD WORKED, STRESS RELIEVED TUBING	002004 006100 107107 121503 904999	1
- 547	AS1581T06		.. SLEEVE	002004 006100 107107 121503 904999	1
- 551	BACN10YA6		.. NUT	002004 006100 107107 121503 904999	1
- 553	AS1582T06		.. UNION	002004 006100 107107 121503 904999	1

MISSING ITEM NUMBERS NOT APPLICABLE

- ITEM NOT ILLUSTRATED

BRI

27-31-51-15

27-31-51  
FIG. 15  
PAGE 20  
JAN 20/09



757

PARTS CATALOG (MAINTENANCE)

FIG ITEM	PART NUMBER	1 2 3 4 5 6 7	NOMENCLATURE	EFFECT FROM TO	UNITS PER ASSY
15 555	271N6821-1184		.TUBE ASSY-PRESSURE SYS POSITION DATA: CTR TUBING MATERIAL: .375 IN. OD X .019 IN. WALL X 21.20 IN. LG TI BMS 7-234 TI-3AL-2.5V COLD WORKED, STRESS RELIEVED TUBING	002004 006100 107107 121503 904999	1
- 560	AS1581T06		..SLEEVE	002004 006100 107107 121503 904999	2
- 565	BACN10YA6N		..NUT-	002004 006100 107107 121503 904999	2
566	271N6821-1206		.TUBE ASSY-PRESSURE SYS POSITION DATA: CTR TUBING MATERIAL: .375 IN. OD X .019 IN. WALL X 5.20 IN. LG TI BMS 7-234 TI-3AL-2.5V COLD WORKED, STRESS RELIEVED TUBING POST ALERT SB: 29A0030	002004 006100 107107 121503 904999	1
- 567	AS1581T06		..SLEEVE	002004 006100 107107 121503 904999	2
- 568	BACN10YA6		..NUT-	002004 006100 107107 121503 904999	2

MISSING ITEM NUMBERS NOT APPLICABLE

- ITEM NOT ILLUSTRATED

BRI

27-31-51-15

BOEING PROPRIETARY - Copyright © - Unpublished Work - See title page for details.

27-31-51  
FIG. 15  
PAGE 21  
JAN 20/09



757

PARTS CATALOG (MAINTENANCE)

FIG ITEM	PART NUMBER	1 2 3 4 5 6 7	NOMENCLATURE	EFFECT FROM TO	UNITS PER ASSY
15 570	271N6821-1207		.TUBE ASSY-PRESSURE SYS POSITION DATA: CTR TUBING MATERIAL: .375 IN. OD X .019 IN. WALL X 35.90 IN. LG TI BMS 7-234 TI-3AL-2.5V COLD WORKED, STRESS RELIEVED TUBING POST ALERT SB: 29A0030	002004 006100 107107 121503 904999	1
- 571	AS1582T06		..UNION	002004 006100 107107 121503 904999	2
575	271N6821-1133		.TUBE ASSY-PRESSURE SYS POSITION DATA: CTR TUBING MATERIAL: .375 IN. OD X .019 IN. WALL X 46.00 IN. LG TI BMS 7-234 TI-3AL-2.5V COLD WORKED, STRESS RELIEVED TUBING	002004 006100 107107 121503 904999	1
580	271N6821-1210		.TUBE ASSY-PRESSURE SYS POSITION DATA: CTR TUBING MATERIAL: .375 IN. OD X .019 IN. WALL X 27.00 IN. LG TI BMS 7-234 TI-3AL-2.5V COLD WORKED, STRESS RELIEVED TUBING POST ALERT SB: 29A0030	002004 006100 107107 121503 904999	1
585	271N6821-1211		.TUBE ASSY-PRESSURE SYS POSITION DATA: CTR TUBING MATERIAL: .375 IN. OD X .019 IN. WALL X 20.70 IN. LG TI BMS 7-234 TI-3AL-2.5V COLD WORKED, STRESS RELIEVED TUBING POST ALERT SB: 29A0030	002004 006100 107107 121503 904999	1

MISSING ITEM NUMBERS NOT APPLICABLE

- ITEM NOT ILLUSTRATED

27-31-51-15

27-31-51  
FIG. 15  
PAGE 22  
JAN 20/09

BRI



757

PARTS CATALOG (MAINTENANCE)

FIG ITEM	PART NUMBER	1 2 3 4 5 6 7	NOMENCLATURE	EFFECT FROM TO	UNITS PER ASSY
15					
- 588	AS1581T06		.. SLEEVE- USED ON: 271N6821-1210	002004 006100 107107 121503 904999	1
- 590	AS1581T06		.. SLEEVE	002004 006100 107107 121503 904999	2
- 592	AS1582T06		.. UNION- USED ON: 271N6821-1210	002004 006100 107107 121503 904999	1
- 594	BACN10YA6		.. NUT- USED ON: 271N6821-1210	002004 006100 107107 121503 904999	1
- 595	BACN10YA6		.. NUT- USED ON: 271N6821-1043 271N6821-1133	002004 006100 107107 121503 904999	2
- 595	BACN10YA6N		.. NUT- USED ON: 271N6821-1211	002004 006100 107107 121503 904999	2
600	271N6821-1072		.TUBE ASSY-RETURN SYS POSITION DATA: CTR TUBING MATERIAL: .375 IN. OD X .035 IN. WALL X 25.70 IN. LG AL AMS 4083 6061 T6 TUBING	002004 006100 107107 121503 904999	1

MISSING ITEM NUMBERS NOT APPLICABLE

- ITEM NOT ILLUSTRATED

BRI

27-31-51-15

27-31-51  
FIG. 15  
PAGE 23  
JAN 20/09



757

PARTS CATALOG (MAINTENANCE)

FIG ITEM	PART NUMBER	1 2 3 4 5 6 7	NOMENCLATURE	EFFECT FROM TO	UNITS PER ASSY
15 - 605	AP2097HP06	..	SLEEVE SUPPLIER CODE: V01673 SPECIFICATION NUMBER: BACS13BX06HP OPTIONAL PART: 2-02903-06HP V11328 35235VN06 V08199 AFP175V06P V30974 DBOS13BX06HP V14798	002004 006100 107107 121503 904999	1
- 610	MS21921-6D	..	NUT- OPTIONAL PART: BACN10YL06	002004 006100 107107 121503 904999	1
- 610	BACN10YL06	..	NUT- OPTIONAL PART: MS21921-6D	002004 006100 107107 121503 904999	1
- 615	35056GV06	..	UNION SUPPLIER CODE: V08199 SPECIFICATION NUMBER: BACU24AB6W OPTIONAL PART: 2-01027-6W V11328 31875-6W V14397 4671097W6 V50948 AP1004W06 V01673 AFP941W6 V30974 DBOU24AB6W V14798	002004 006100 107107 121503 904999	1
620	271N6821-1185	.	TUBE ASSY-RETURN SYS POSITION DATA: CTR TUBING MATERIAL: .375 IN. OD X .035 IN. WALL X 22.80 IN. LG AL AMS 4083 6061 T6 TUBING	002004 006100 107107 121503 904999	1

MISSING ITEM NUMBERS NOT APPLICABLE

- ITEM NOT ILLUSTRATED

BRI

27-31-51-15

27-31-51  
FIG. 15  
PAGE 24  
JAN 20/09



757

PARTS CATALOG (MAINTENANCE)

FIG ITEM	PART NUMBER	1 2 3 4 5 6 7	NOMENCLATURE	EFFECT FROM TO	UNITS PER ASSY
15 625	271N6821-1134		.TUBE ASSY-RETURN SYS POSITION DATA: CTR TUBING MATERIAL: .375 IN. OD X .035 IN. WALL X 46.90 IN. LG AL AMS 4083 6061 T6 TUBING	002004 006009 107107 121503 904949 952999	1
625	271N6821-1217		.TUBE ASSY-RETURN SYS POSITION DATA: CTR TUBING MATERIAL: .375 IN. OD X .035 IN. WALL X 46.00 IN. LG AL AMS 4083 6061 T6 TUBING	010100 950951	1
631	271N6821-1197		.TUBE ASSY-RETURN SYS POSITION DATA: CTR TUBING MATERIAL: .375 IN. OD X .035 IN. WALL X 24.70 IN. LG AL AMS 4083 6061 T6 TUBING POST ALERT SB: 29A0030	002004 006100 107107 121503 904999	1
632	271N6821-1198		.TUBE ASSY-RETURN SYS POSITION DATA: CTR TUBING MATERIAL: .375 IN. OD X .035 IN. WALL X 9.10 IN. LG AL AMS 4083 6061 T6 TUBING	904949	1
- 635	AP2097HP06		..SLEEVE- SUPPLIER CODE: V01673 SPECIFICATION NUMBER: BACS13BX06HP OPTIONAL PART: 2-02903-06HP V11328 35235VN06 V08199 AFP175V06P V30974 DBOS13BX06HP V14798 USED ON: 271N6821-1198	904949	2

MISSING ITEM NUMBERS NOT APPLICABLE

- ITEM NOT ILLUSTRATED

27-31-51-15

27-31-51  
FIG. 15  
PAGE 25  
JAN 20/09

BRI





757

PARTS CATALOG (MAINTENANCE)

FIG ITEM	PART NUMBER	1 2 3 4 5 6 7	NOMENCLATURE	EFFECT FROM TO	UNITS PER ASSY
15					
- 637	AP2097HP06	..	SLEEVE SUPPLIER CODE: V01673 SPECIFICATION NUMBER: BACS13BX06HP OPTIONAL PART: 2-02903-06HP V11328 35235VN06 V08199 AFP175V06P V30974 DBOS13BX06HP V14798	002004 006100 107107 121503 904999	1
- 640	MS21921-6D	..	NUT- OPTIONAL PART: BACN10YL06 USED ON: 271N6821-1198	904949	2
- 640	BACN10YL06	..	NUT- OPTIONAL PART: MS21921-6D USED ON: 271N6821-1198	904949	2
- 642	MS21921-6D	..	NUT- OPTIONAL PART: BACN10YL06	002004 006100 107107 121503 904999	1
- 642	BACN10YL06	..	NUT- OPTIONAL PART: MS21921-6D	002004 006100 107107 121503 904999	1

MISSING ITEM NUMBERS NOT APPLICABLE

- ITEM NOT ILLUSTRATED

BRI

27-31-51-15

BOEING PROPRIETARY - Copyright © - Unpublished Work - See title page for details.

27-31-51  
FIG. 15  
PAGE 26  
JAN 20/09



757

PARTS CATALOG (MAINTENANCE)

FIG ITEM	PART NUMBER	1 2 3 4 5 6 7	NOMENCLATURE	EFFECT FROM TO	UNITS PER ASSY
15 - 643	35056GV06		..UNION SUPPLIER CODE: V08199 SPECIFICATION NUMBER: BACU24AB6W OPTIONAL PART: 2-01027-6W V11328 31875-6W V14397 4671097W6 V50948 AP1004W06 V01673 AFP941W6 V30974 DBOU24AB6W V14798	002004 006100 107107 121503 904999	1
645	271N6821-1126		.TUBE ASSY-RETURN SYS POSITION DATA: CTR TUBING MATERIAL: .500 IN. OD X .035 IN. WALL X 19.60 IN. LG AL AMS 4083 6061 T6 TUBING	002004 006100 121503 904999	1
645	271N6821-1212		.TUBE ASSY-RETURN SYS POSITION DATA: CTR TUBING MATERIAL: .500 IN. OD X .035 IN. WALL X 21.10 IN. LG AL AMS 4083 6061 T6 TUBING	904949	1
645	271N6821-1214		.TUBE ASSY-RETURN SYS POSITION DATA: CTR TUBING MATERIAL: .500 IN. OD X .035 IN. WALL X 18.00 IN. LG AL AMS 4083 6061 T6 TUBING POST ALERT SB: 29A0030R2	107107	1
645	271N6821-1215		.TUBE ASSY-RETURN SYS POSITION DATA: CTR TUBING MATERIAL: .500 IN. OD X .035 IN. WALL X 18.40 IN. LG AL AMS 4083 6061 T6 TUBING	002004 006100 121503 950999	1

MISSING ITEM NUMBERS NOT APPLICABLE

- ITEM NOT ILLUSTRATED

27-31-51-15

27-31-51  
FIG. 15  
PAGE 27  
JAN 20/09

BRI



757

PARTS CATALOG (MAINTENANCE)

FIG ITEM	PART NUMBER	1 2 3 4 5 6 7	NOMENCLATURE	EFFECT FROM TO	UNITS PER ASSY
15					
- 650	AP2097HP08	..	SLEEVE- SUPPLIER CODE: V01673 SPECIFICATION NUMBER: BACS13BX08HP OPTIONAL PART: 2-02903-08HP V11328 35235VN08 V08199 AFP175V08P V30974 DBOS13BX08HP V14798	002004 006100 107107 121503 904999	2
- 655	MS21921-8D	..	NUT- OPTIONAL PART: BACN10YL08	002004 006100 107107 121503 904999	2
- 655	BACN10YL08	..	NUT- OPTIONAL PART: MS21921-8D	002004 006100 107107 121503 904999	2
660	BACU24L6	.	UNION-	002004 006100 107107 121503 904999	6
665	MS21924D6	.	UNION	002004 006100 107107 121503 904999	2
670	MS21924D8	.	UNION	002004 006100 107107 121503 904999	2
675	MS21924J6	.	UNION-	002004 006100 107107 121503 904999	3
680	BACE21BM0606T	.	ELBOW-	002004 006100 107107 121503 904999	4

MISSING ITEM NUMBERS NOT APPLICABLE

- ITEM NOT ILLUSTRATED

27-31-51-15

27-31-51  
FIG. 15  
PAGE 28  
JAN 20/09

BRI

BOEING PROPRIETARY - Copyright © - Unpublished Work - See title page for details.



757

PARTS CATALOG (MAINTENANCE)

FIG ITEM	PART NUMBER	1 2 3 4 5 6 7	NOMENCLATURE	EFFECT FROM TO	UNITS PER ASSY
15 680	BACE21BM0606J	.ELBOW-		002004 006100 107107 121503 904999	4
685	MS21907D6	.ELBOW		002004 006100 107107 121503 904999	3
688	NAS1762D0808	.ELBOW-		002004 006100 107107 121503 904999	1
689	APX824D060608	.TEE	SUPPLIER CODE: V01673 SPECIFICATION NUMBER: BACT16AS060608D OPTIONAL PART: APX824-060608D V01673 DBOT16AS060608D V14798 ER824-060608D V50948 FER1571-060608D V14397 LER824-060608D V11328 NAF1824-060608D V52930 US1925-060608D V50808 AFP325-060608D V30974	107107	1
690	NAS1763D060608	.TEE-		002004 006100 121503 904999 107107	1
691	271N6821-5	.TEE ASSY-	POST ALERT SB: 29A0030R2	107107	1
692	AN938D6	..TEE-	POST ALERT SB: 29A0030R3	107107	1

MISSING ITEM NUMBERS NOT APPLICABLE

- ITEM NOT ILLUSTRATED

BRI

27-31-51-15

BOEING PROPRIETARY - Copyright © - Unpublished Work - See title page for details.

27-31-51  
FIG. 15  
PAGE 29  
JAN 20/09



757

PARTS CATALOG (MAINTENANCE)

FIG ITEM	PART NUMBER	1 2 3 4 5 6 7	NOMENCLATURE	EFFECT FROM TO	UNITS PER ASSY
15 693	MS21916D8-6	..	REDUCER- POST ALERT SB: 29A0030R3	107107	1
694	NAS1612-6	..	PACKING- POST ALERT SB: 29A0030R3	107107	3
694A	0121520900-2	..	VALVE- SUPPLIER CODE: V83533 SPECIFICATION NUMBER: BACV10CD2 OPTIONAL PART: 1C1346 V99240 POST ALERT SB: 29A0030R3	107107	2
695	NAS1763J060606	.TEE-	POST ALERT SB: 29A0030	002004 006100 107107 121503 904999	1
698	0121520900-2	.VALVE-CHECK	SUPPLIER CODE: V83533 SPECIFICATION NUMBER: BACV10CD2 OPTIONAL PART: 1C1346 V99240	002004 006100 121503 904999	2
699	2-7680-1	.FUSE-	SUPPLIER CODE: V97415 SPECIFICATION NUMBER: S272U860-5 COMPONENT MAINT MANUAL REF: 27-32-02 OPTIONAL PART: 2-7680-2 V97415 POST ALERT SB: 29A0030	002004 006100 107107 121503 904999	2

MISSING ITEM NUMBERS NOT APPLICABLE

- ITEM NOT ILLUSTRATED

BRI

27-31-51-15

BOEING PROPRIETARY - Copyright © - Unpublished Work - See title page for details.

27-31-51  
FIG. 15  
PAGE 30  
JAN 20/09



757

PARTS CATALOG (MAINTENANCE)

FIG ITEM	PART NUMBER	1 2 3 4 5 6 7	NOMENCLATURE	EFFECT FROM TO	UNITS PER ASSY
15 699	2-7680-2		. FUSE- SUPPLIER CODE: V97415 SPECIFICATION NUMBER: S272U860-5 COMPONENT MAINT MANUAL REF: 27-32-02 OPTIONAL PART: 2-7680-1 V97415 POST ALERT SB: 29A0030	002004 006100 107107 121503 904999	2
700	AN924-6D		. NUT	002004 006100 107107 121503 904999	18
705	AN924-8D		. NUT	002004 006100 107107 121503 904999	2
710	AN960KD1216		. WASHER	002004 006100 107107 121503 904999	2
715	AN960KD916		. WASHER	002004 006100 107107 121503 904999	12
720	AN960KD916L		. WASHER	002004 006100 107107 121503 904999	6
722	AN960KD916		. WASHER	002004 006100 107107 121503 904999	6
725	271N6174-1		. BRACKET INSTL- FOR DETAILS SEE: 29-11-60-01	002004 006100 107107 121503 904999	1

MISSING ITEM NUMBERS NOT APPLICABLE

- ITEM NOT ILLUSTRATED

BRI

**27-31-51-15**

BOEING PROPRIETARY - Copyright © - Unpublished Work - See title page for details.

27-31-51  
FIG. 15  
PAGE 31  
JAN 20/09



757

PARTS CATALOG (MAINTENANCE)

FIG ITEM	PART NUMBER	1 2 3 4 5 6 7	NOMENCLATURE	EFFECT FROM TO	UNITS PER ASSY
15 900			ILLUSTRATION REFERENCE: PLUMBING INSTL-SECT. 82 HYDR 27-31-51-16	002004 006100 107107 121503 904999	RF
905			ILLUSTRATION REFERENCE: PLUMBING INSTL-SECT. 48 (RUDDER AND ELEVATOR HYDRAULIC SYSTEMS ONLY) 27-23-00-01	002004 006100 107107 121503 904999	RF

MISSING ITEM NUMBERS NOT APPLICABLE

- ITEM NOT ILLUSTRATED

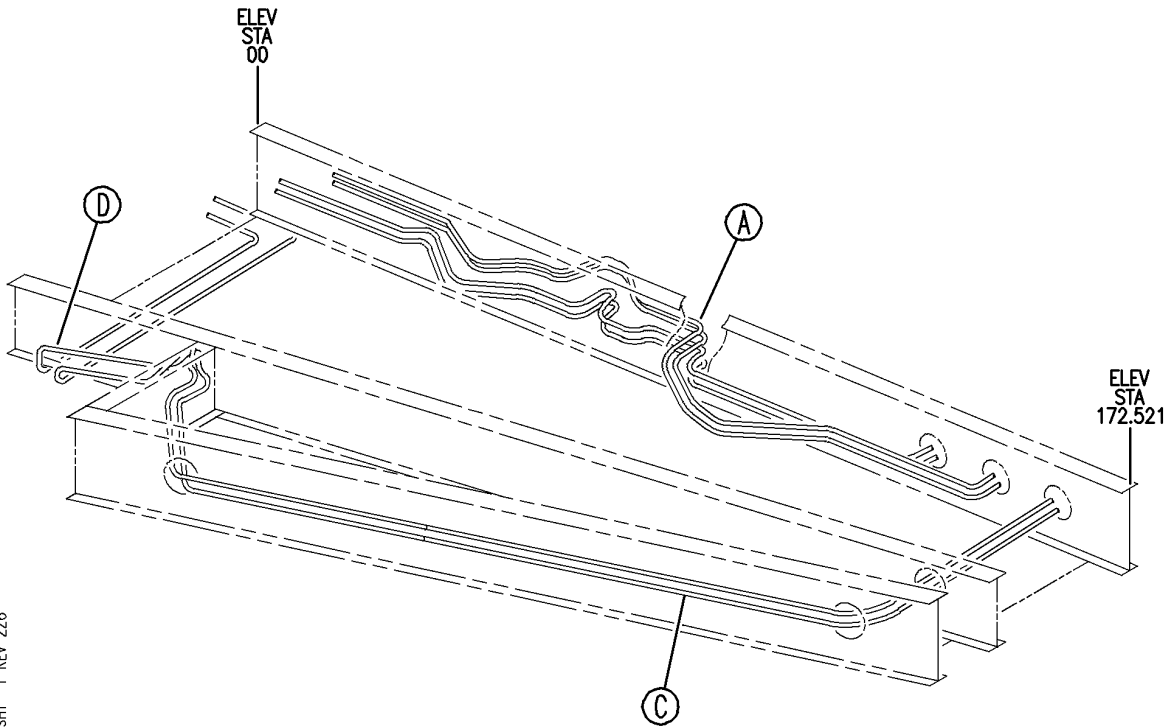
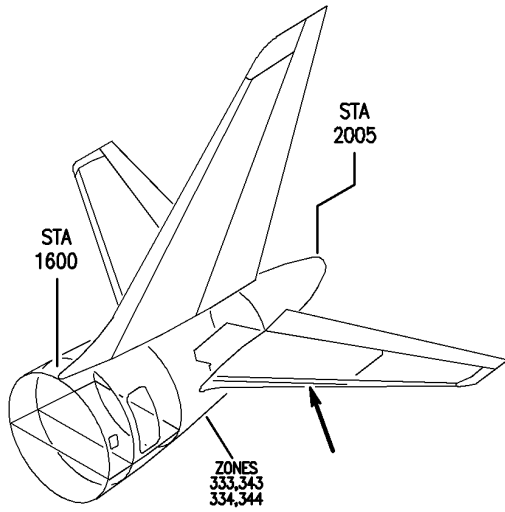
BRI

# 27-31-51-15

BOEING PROPRIETARY - Copyright © - Unpublished Work - See title page for details.

27-31-51  
FIG. 15  
PAGE 32  
JAN 20/09

**BOEING**  
757  
PARTS CATALOG (MAINTENANCE)



Y 27315115A SH1 1 REV 226

PLUMBING INSTL-SEC. 82 HYDR  
FIGURE 15A (SHEET 1)

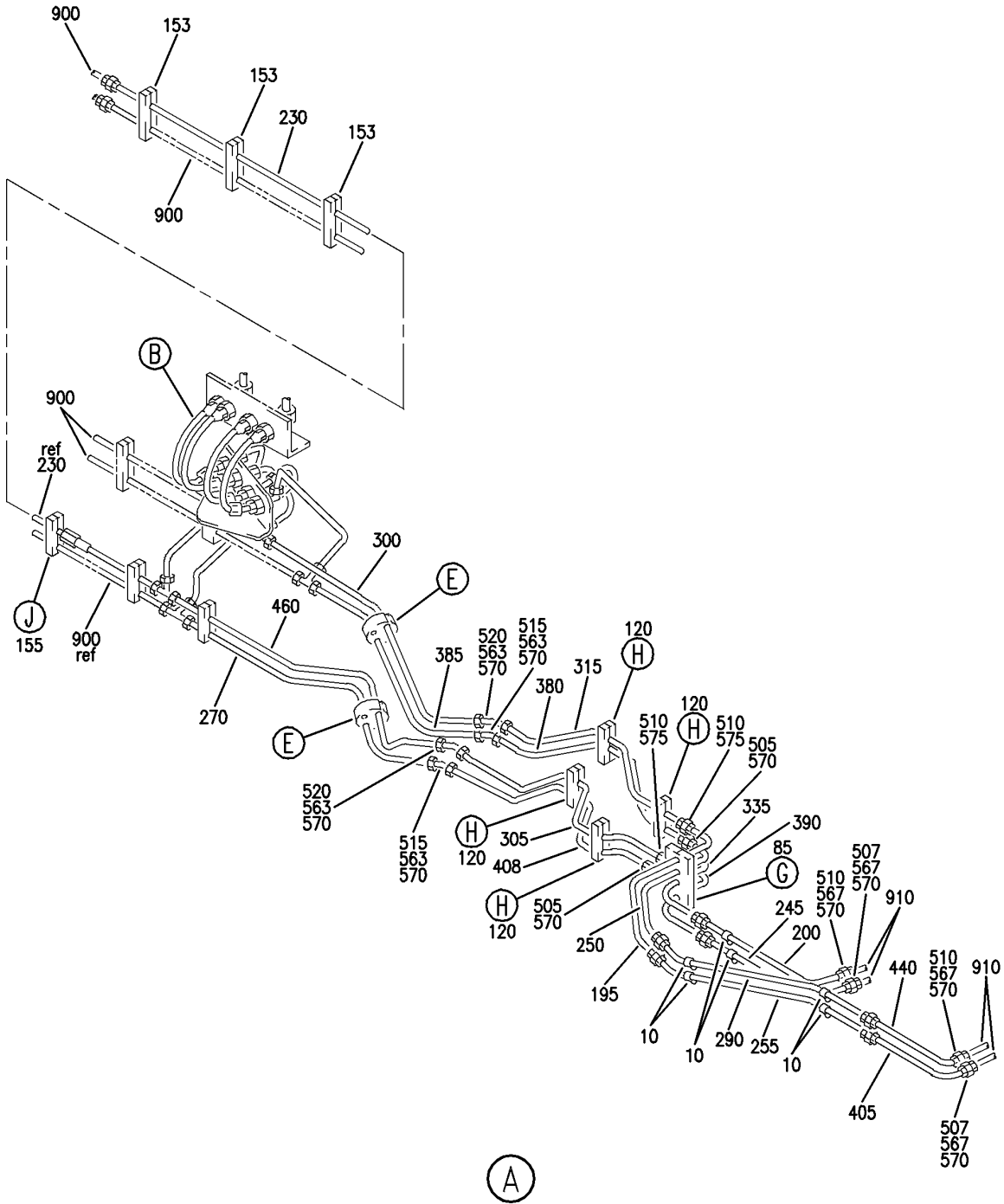
**27-31-51-15A**

BRI  
MAY 28/07

27-31-51-15A  
PAGE 0



**BOEING**  
757  
PARTS CATALOG (MAINTENANCE)



Y 27315115A SH1 2 REV 226

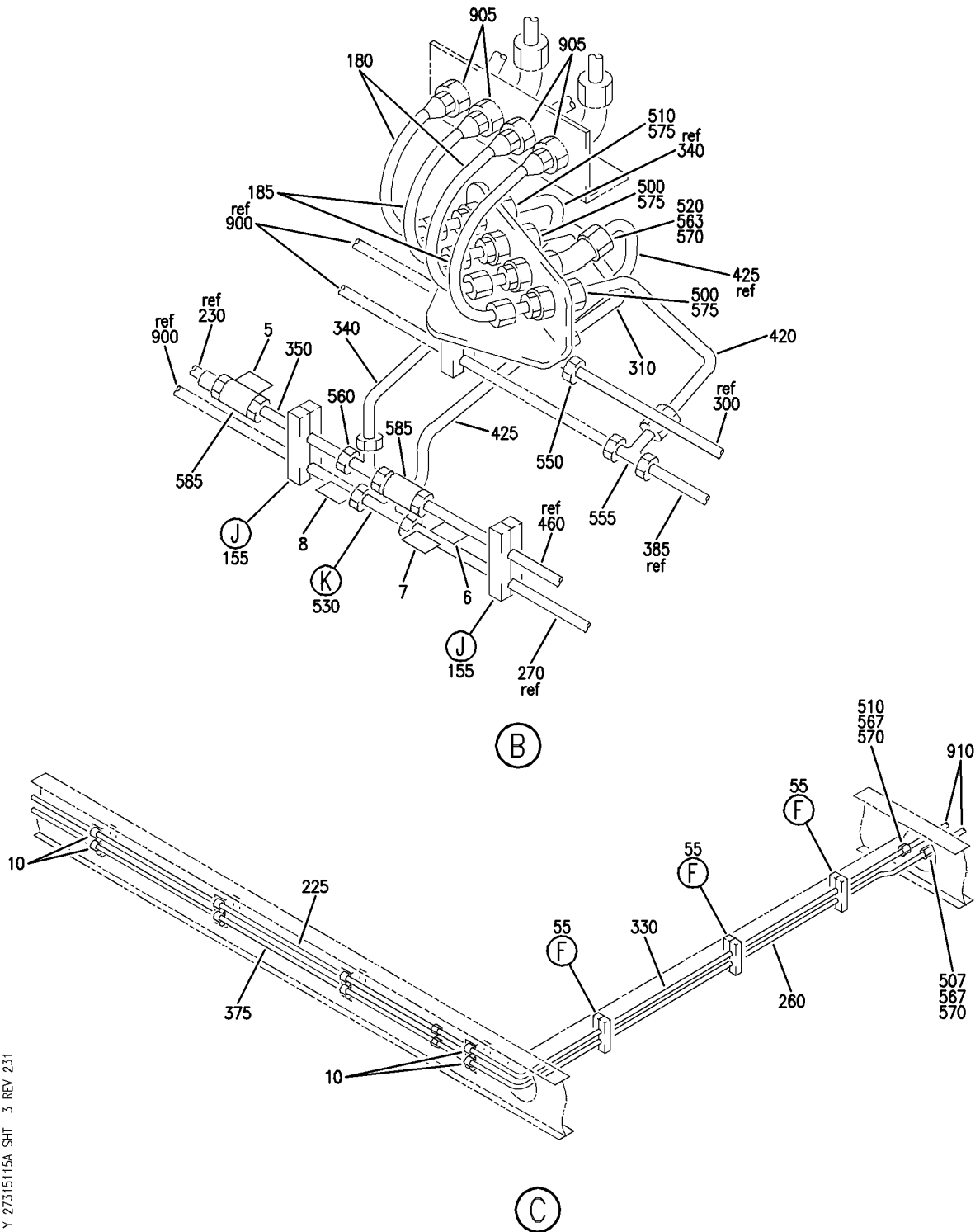
PLUMBING INSTL-SEC. 82 HYDR  
FIGURE 15A (SHEET 2)

**27-31-51-15A**

BRI  
MAY 28/07

27-31-51-15A  
PAGE 0A

**BOEING**  
757  
PARTS CATALOG (MAINTENANCE)



Y 27315115A SHT 3 REV 231

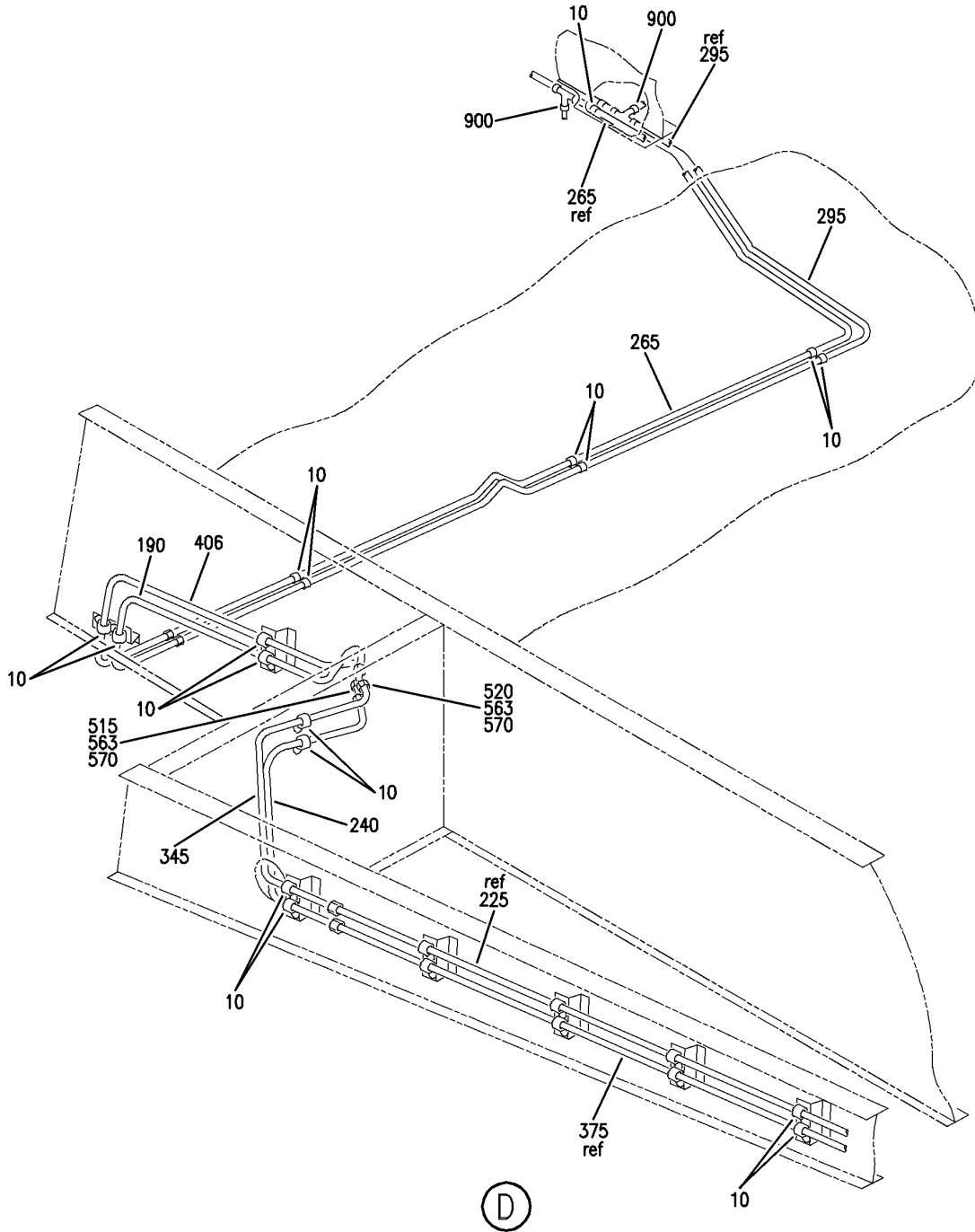
PLUMBING INSTL-SEC. 82 HYDR  
FIGURE 15A (SHEET 3)

**27-31-51-15A**

BRI  
MAY 28/07

27-31-51-15A  
PAGE 0B

**BOEING**  
757  
PARTS CATALOG (MAINTENANCE)



Y 27315115A SH1 4 REV 226

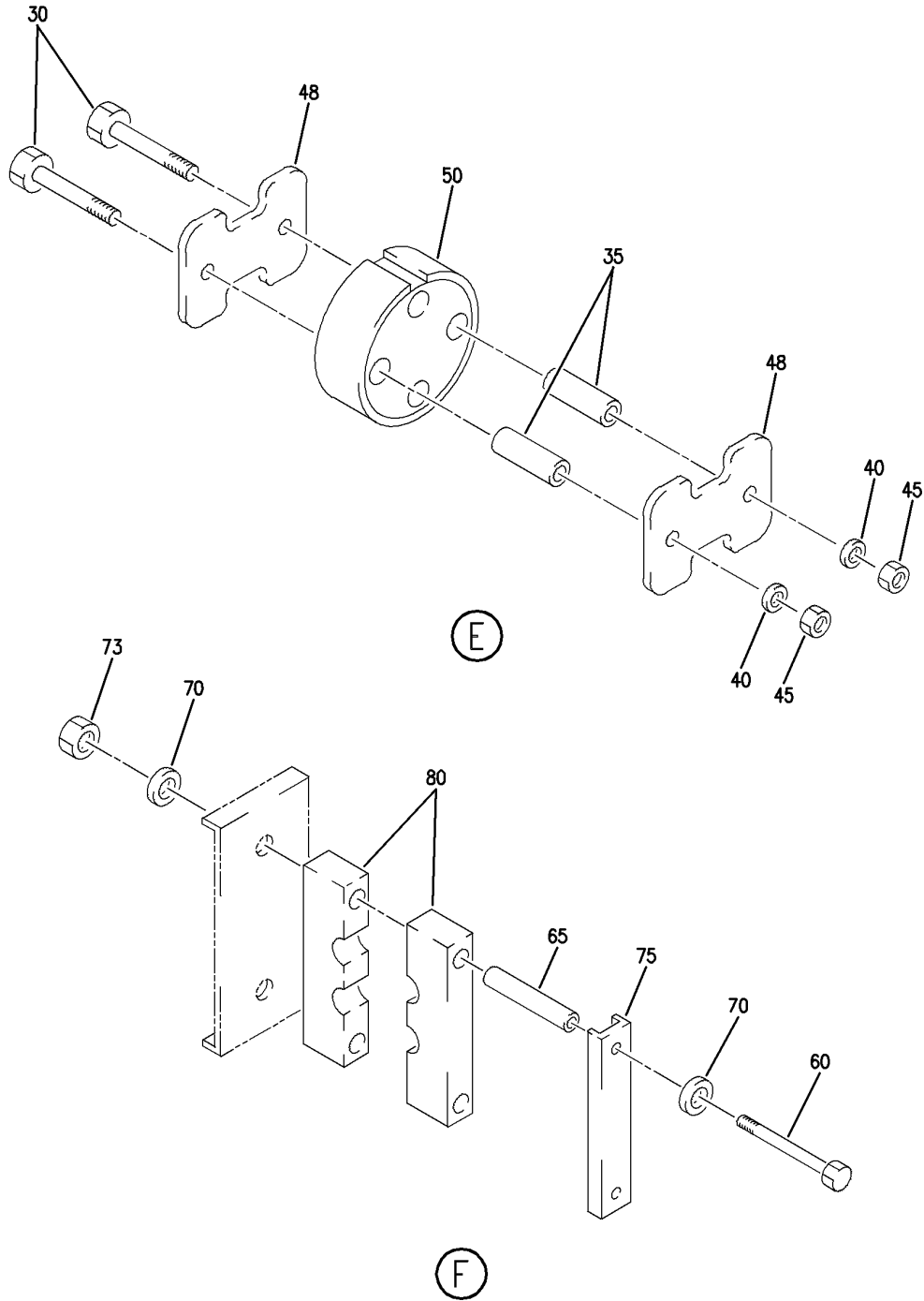
PLUMBING INSTL-SEC. 82 HYDR  
FIGURE 15A (SHEET 4)

**27-31-51-15A**

BRI  
MAY 28/07

27-31-51-15A  
PAGE 0C

**BOEING**  
757  
PARTS CATALOG (MAINTENANCE)



Y 27315115A SH1 5 REV 226

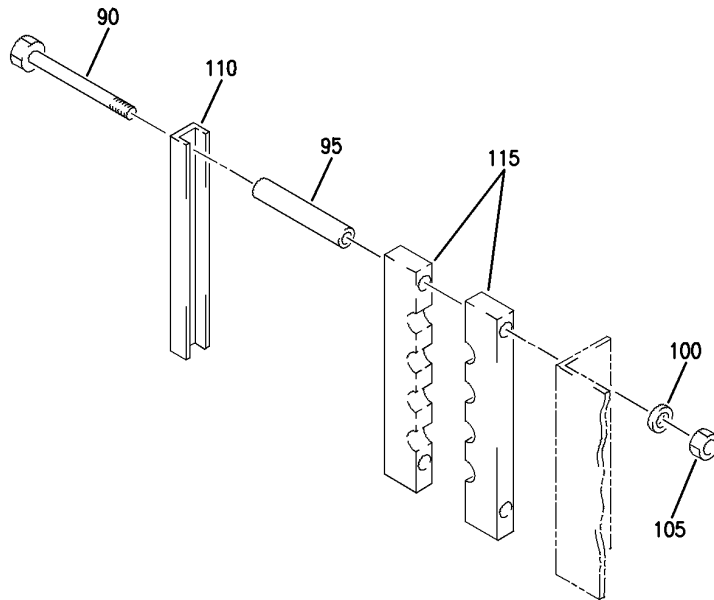
PLUMBING INSTL-SEC. 82 HYDR  
FIGURE 15A (SHEET 5)

**27-31-51-15A**

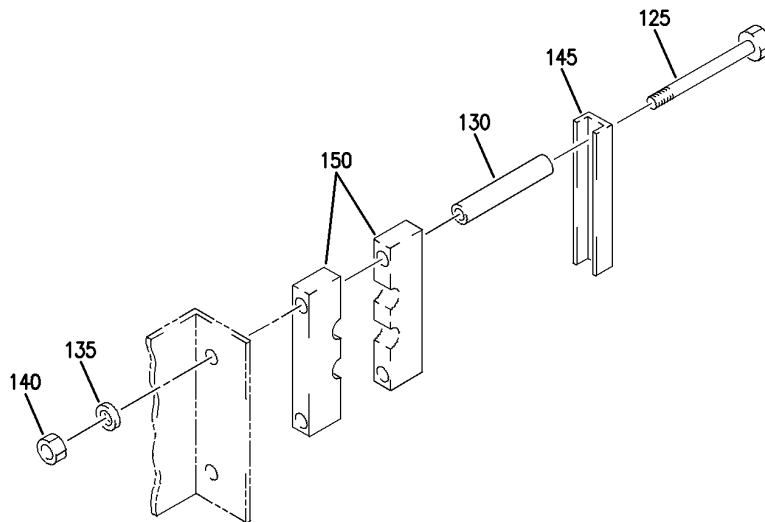
BRI  
MAY 28/07

27-31-51-15A  
PAGE 0D

**BOEING**  
757  
PARTS CATALOG (MAINTENANCE)



(G)



(H)

Y 27315115A SH1 6 REV 226

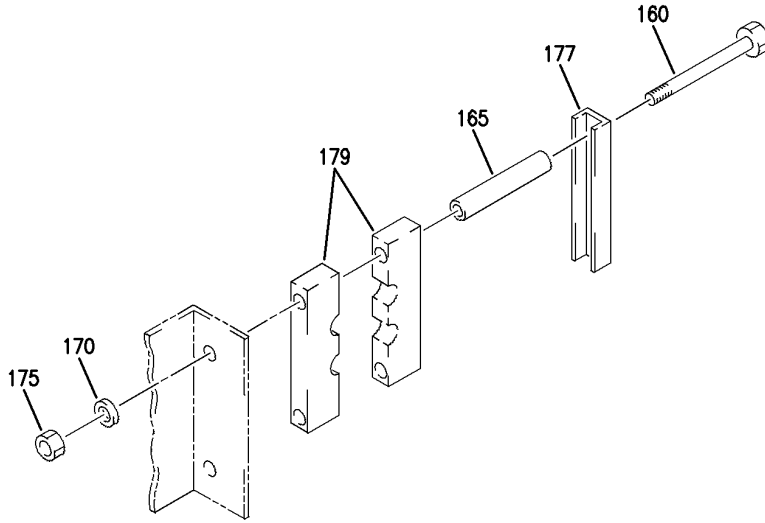
PLUMBING INSTL-SEC. 82 HYDR  
FIGURE 15A (SHEET 6)

**27-31-51-15A**

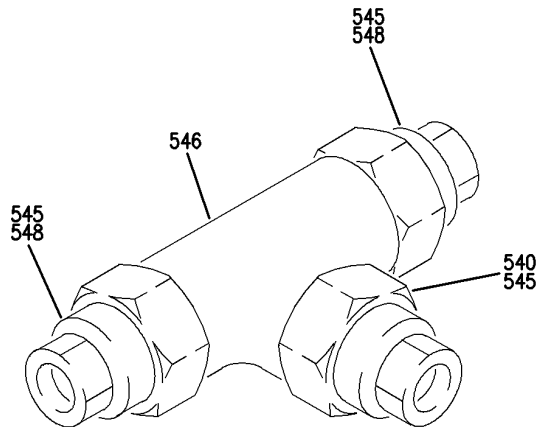
BRI  
MAY 28/07

27-31-51-15A  
PAGE 0E

**BOEING**  
757  
PARTS CATALOG (MAINTENANCE)



(J)



(K)

Y 27315115A SH1 7 REV 226

PLUMBING INSTL-SEC. 82 HYDR  
FIGURE 15A (SHEET 7)

**27-31-51-15A**

BRI  
MAY 28/07

27-31-51-15A  
PAGE OF

**BOEING**  
757  
PARTS CATALOG (MAINTENANCE)

FIG ITEM	PART NUMBER	1 2 3 4 5 6 7	NOMENCLATURE	EFFECT FROM TO	UNITS PER ASSY
15A			PLUMBING INSTL-SEC. 82 HYDR	101106 108120 504903	RF
- 1	271N6821-7		PLUMBING INSTL-HYDR POSITION DATA: SECT. 82 L FOR NHA SEE: 27-00-00-03	101102 108120 504903	RF
- 1	MODREF31933		PLUMBING INSTL-HYDR MODULE NUMBER: 271N6821-7 REV B POSITION DATA: SECT. 82 L	103106	1
5	BACM10F8DB		.MARKER	101106 108120 504903	1
6	BACM10F31-8H		.MARKER	101106 108120 504903	1
7	BACM10V21-2JG		.MARKER	101106 108120 504903	1
8	BACM10V21-2JH		.MARKER	101106 108120 504903	1
10	TA0910005H106		.CLAMP SUPPLIER CODE: V84971 SPECIFICATION NUMBER: BACC10HC06C ATTACHING PARTS	101106 108120 504903	37
- 15	NAS1801-3		.SCREW- SIZE DETERMINED ON INSTL.	101106 108120 504903	74
- 20	AN960KD10L		.WASHER	101106 108120 504903	74
- 25	MS21042L3		.NUT- SIZE DETERMINED ON INSTL.	101106 108120 504903	74
30	NAS1801-3-20		-----*----- .SCREW	101106 108120 504903	4
35	NAS43DD3-48		.SPACER	101106 108120 504903	4

MISSING ITEM NUMBERS NOT APPLICABLE

- ITEM NOT ILLUSTRATED

BRI

# 27-31-51-15A

BOEING PROPRIETARY - Copyright © - Unpublished Work - See title page for details.

27-31-51  
FIG. 15A  
PAGE 1  
JAN 20/09



757

PARTS CATALOG (MAINTENANCE)

FIG ITEM	PART NUMBER	1 2 3 4 5 6 7	NOMENCLATURE	EFFECT FROM TO	UNITS PER ASSY
15A					
40	AN960DK10L	.	WASHER	101106 108120 504903	4
45	BRH10A3	.	NUT SUPPLIER CODE: V52828 SPECIFICATION NUMBER: BACN10JC3 OPTIONAL PART: H10-3BAC V15653 NS202101-02 V80539 RMLH9075-3W V72962 VN303A02 V92215 96-02 V80539 T6S1032J V11815	101106 108120 504903	4
48	271N6118-1	.	CLAMP	101106 108120 504903	4
50	271N6117-1	.	RETAINER	101106 108120 504903	2
55	270N2000-3	.	CLAMP ASSY-BLK	101106 108120 504903	3
60	NAS1801-3-24	..	SCREW	101106 108120 504903	2
65	NAS43DD3-59	..	SPACER	101106 108120 504903	2
70	AN960PD10L	..	WASHER	101106 108120 504903	2

MISSING ITEM NUMBERS NOT APPLICABLE

- ITEM NOT ILLUSTRATED

27-31-51-15A

27-31-51  
FIG. 15A  
PAGE 2  
JAN 20/09

BRI

BOEING PROPRIETARY - Copyright © - Unpublished Work - See title page for details.





757

PARTS CATALOG (MAINTENANCE)

FIG ITEM	PART NUMBER	1 2 3 4 5 6 7	NOMENCLATURE	EFFECT FROM TO	UNITS PER ASSY
15A 73	BRH10A3	..	NUT SUPPLIER CODE: V52828 SPECIFICATION NUMBER: BACN10JC3 OPTIONAL PART: H10-3BAC V15653 NS202101-02 V80539 RMLH9075-3W V72962 VN303A02 V92215 96-02 V80539 T6S1032J V11815	101106 108120 504903	2
75	270N2000-801	..	CHANNEL	101106 108120 504903	1
80	270N2000-401	..	BLOCK-CLAMP	101106 108120 504903	2
85	270N2000-79	.	CLAMP ASSY-BLK	101106 108120 504903	1
90	NAS1801-3-24	..	SCREW	101106 108120 504903	2
95	NAS43DD3-59	..	SPACER	101106 108120 504903	2
100	AN960PD10L	..	WASHER	101106 108120 504903	2

MISSING ITEM NUMBERS NOT APPLICABLE

- ITEM NOT ILLUSTRATED

**27-31-51-15A**

27-31-51  
FIG. 15A  
PAGE 3  
JAN 20/09

BRI

BOEING PROPRIETARY - Copyright © - Unpublished Work - See title page for details.



757

PARTS CATALOG (MAINTENANCE)

FIG ITEM	PART NUMBER	1 2 3 4 5 6 7	NOMENCLATURE	EFFECT FROM TO	UNITS PER ASSY
15A 105	BRH10A3	..	NUT SUPPLIER CODE: V52828 SPECIFICATION NUMBER: BACN10JC3 OPTIONAL PART: H10-3BAC V15653 NS202101-02 V80539 RMLH9075-3W V72962 VN303A02 V92215 96-02 V80539 T6S1032J V11815	101106 108120 504903	2
110	270N2000-854	..	CHANNEL- OPTIONAL PART: 270N2000-829	101106 108120 504903	1
110	270N2000-829	..	CHANNEL- OPTIONAL PART: 270N2000-854	101106 108120 504903	1
115	270N2000-512	..	BLOCK-CLAMP OPTIONAL PART: 270N2000-473	101106 108120 504903	2
115	270N2000-473	..	BLOCK-CLAMP OPTIONAL PART: 270N2000-512	101106 108120 504903	2
120	270N2000-36	.	CLAMP ASSY-BLK	101106 108120 504903	4
125	NAS1801-3-24	..	SCREW	101106 108120 504903	2
130	NAS43DD3-59	..	SPACER	101106 108120 504903	2
135	AN960PD10L	..	WASHER	101106 108120 504903	2

MISSING ITEM NUMBERS NOT APPLICABLE

- ITEM NOT ILLUSTRATED

**27-31-51-15A**

27-31-51  
FIG. 15A  
PAGE 4  
JAN 20/09

BRI

BOEING PROPRIETARY - Copyright © - Unpublished Work - See title page for details.



757

PARTS CATALOG (MAINTENANCE)

FIG ITEM	PART NUMBER	1 2 3 4 5 6 7	NOMENCLATURE	EFFECT FROM TO	UNITS PER ASSY
15A 140	BRH10A3	. .	NUT SUPPLIER CODE: V52828 SPECIFICATION NUMBER: BACN10JC3 OPTIONAL PART: H10-3BAC V15653 NS202101-02 V80539 RMLH9075-3W V72962 VN303A02 V92215 96-02 V80539 T6S1032J V11815	101106 108120 504903	2
145	270N2000-803	. .	CHANNEL	101106 108120 504903	4
150	270N2000-457	. .	BLOCK-CLAMP	101106 108120 504903	2
153	270N2000-144	. .	CLAMP ASSY- FOR BREAKDOWN SEE: 27-31-51-16A	101106 108120 504903	3
155	270N2000-144	. .	CLAMP ASSY-BLK	101106 108120 504903	3
160	NAS1801-3-24	. .	SCREW	101106 108120 504903	2
165	NAS43DD3-59	. .	SPACER	101106 108120 504903	2
170	AN960PD10L	. .	WASHER	101106 108120 504903	2

MISSING ITEM NUMBERS NOT APPLICABLE

- ITEM NOT ILLUSTRATED

**27-31-51-15A**

27-31-51  
FIG. 15A  
PAGE 5  
JAN 20/09

BRI

BOEING PROPRIETARY - Copyright © - Unpublished Work - See title page for details.



757

PARTS CATALOG (MAINTENANCE)

FIG ITEM	PART NUMBER	1 2 3 4 5 6 7	NOMENCLATURE	EFFECT FROM TO	UNITS PER ASSY
15A 175	BRH10A3	..	NUT SUPPLIER CODE: V52828 SPECIFICATION NUMBER: BACN10JC3 OPTIONAL PART: H10-3BAC V15653 NS202101-02 V80539 RMLH9075-3W V72962 VN303A02 V92215 96-02 V80539 T6S1032J V11815	101106 108120 504903	2
177	270N2000-821	..	CHANNEL	101106 108120 504903	1
179	270N2000-606	..	BLOCK	101106 108120 504903	2
180	AS116-06-0253	.	HOSE ASSY	101106 108120 504903	2
185	AS116-08-0253	.	HOSE ASSY	101106 108120 504903	2
190	271N6821-1003	.	TUBE ASSY-PRESSURE SYS TUBING MATERIAL: .375 IN. OD X .019 IN. WALL X 38.80 IN. LG TI BMS 7-234 TI-3AL-2.5V COLD WORKED, STRESS RELIEVED TUBING	101106 108120 504903	1
195	271N6821-1085	.	TUBE ASSY-PRESSURE SYS TUBING MATERIAL: .375 IN. OD X .019 IN. WALL X 25.60 IN. LG TI BMS 7-234 TI-3AL-2.5V COLD WORKED, STRESS RELIEVED TUBING	101106 108120 504903	1

MISSING ITEM NUMBERS NOT APPLICABLE

- ITEM NOT ILLUSTRATED

**27-31-51-15A**

27-31-51  
FIG. 15A  
PAGE 6  
JAN 20/09

BRI

BOEING PROPRIETARY - Copyright © - Unpublished Work - See title page for details.



757

PARTS CATALOG (MAINTENANCE)

FIG ITEM	PART NUMBER	1 2 3 4 5 6 7	NOMENCLATURE	EFFECT FROM TO	UNITS PER ASSY
15A 200	271N6821-1153		.TUBE ASSY-PRESSURE SYS TUBING MATERIAL: .375 IN. OD X .019 IN. WALL X 25.30 IN. LG TI BMS 7-234 TI-3AL-2.5V COLD WORKED, STRESS RELIEVED TUBING	101106 108120 504903	1
- 210	AS1581T06		..SLEEVE	101106 108120 504903	1
- 215	BACN10YA6		..NUT	101106 108120 504903	1
- 220	AS1582T06		..UNION	101106 108120 504903	1
225	271N6821-1005		.TUBE ASSY-PRESSURE SYS TUBING MATERIAL: .375 IN. OD X .019 IN. WALL X 121.60 IN. LG TI BMS 7-234 TI-3AL-2.5V COLD WORKED, STRESS RELIEVED TUBING	101106 108120 504903	1
230	271N6821-1207		.TUBE ASSY-PRESSURE SYS TUBING MATERIAL: .375 IN. OD X .019 IN. WALL X 35.90 IN. LG TI BMS 7-234 TI-3AL-2.5V COLD WORKED, STRESS RELIEVED TUBING	101106 108120 504903	1
- 235	AS1582T06		..UNION	101106 108120 504903	4
240	271N6821-1014		.TUBE ASSY-RETURN SYS TUBING MATERIAL: .375 IN. X OD .035 IN. WALL X 43.60 IN. LG AL AMS 4083 6061 T6 TUBING	101106 108120 504903	1
245	271N6821-1072		.TUBE ASSY-RETURN SYS TUBING MATERIAL: .375 IN. OD X .035 IN. WALL X 25.70 IN. LG AL AMS 4083 6061 T6 TUBING	101106 108120 504903	1
250	271N6821-1086		.TUBE ASSY-RETURN SYS TUBING MATERIAL: .375 IN. OD X .035 IN. WALL X 26.90 IN. LG AL AMS 4083 6061 T6 TUBING	101106 108120 504903	1

MISSING ITEM NUMBERS NOT APPLICABLE

- ITEM NOT ILLUSTRATED

**27-31-51-15A**

27-31-51  
FIG. 15A  
PAGE 7  
JAN 20/09

BRI

BOEING PROPRIETARY - Copyright © - Unpublished Work - See title page for details.



757

PARTS CATALOG (MAINTENANCE)

FIG ITEM	PART NUMBER	1 2 3 4 5 6 7	NOMENCLATURE	EFFECT FROM TO	UNITS PER ASSY
15A 255	271N6821-1090		.TUBE ASSY-RETURN SYS TUBING MATERIAL: .375 IN. OD X .035 IN. WALL X 37.40 IN. LG AL AMS 4083 6061 T6 TUBING	101106 108120 504903	1
260	271N6821-1147		.TUBE ASSY-RETURN SYS TUBING MATERIAL: .375 IN. OD X .035 IN. WALL X 56.70 IN. LG AL AMS 4083 6061 T6 TUBING	101106 108120 504903	1
265	271N6821-1195		.TUBE ASSY-RETURN SYS TUBING MATERIAL: .375 IN. OD X .035 IN. WALL X 60.70 IN. LG AL AMS 4083 6061 T6 TUBING	101106 108120 504903	1
270	271N6821-1197		.TUBE ASSY-RETURN SYS TUBING MATERIAL: .375 IN. OD X .035 IN. WALL X 24.70 IN. LG AL AMS 4083 6061 T6 TUBING	101106 108120 504903	1
- 275	AP2097HP06		..SLEEVE SUPPLIER CODE: V01673 SPECIFICATION NUMBER: BACS13BX06HP OPTIONAL PART: 2-02903-06HP V11328 35235VN06 V08199 AFP175V06P V30974 DBOS13BX06HP V14798	101106 108120 504903	7
- 280	BACN10YL06		..NUT- OPTIONAL PART: MS21921-6D	101106 108120 504903	7
- 280	MS21921-6D		..NUT- OPTIONAL PART: BACN10YL06	101106 108120 504903	7

MISSING ITEM NUMBERS NOT APPLICABLE

- ITEM NOT ILLUSTRATED

27-31-51-15A

27-31-51  
FIG. 15A  
PAGE 8  
JAN 20/09

BRI

BOEING PROPRIETARY - Copyright © - Unpublished Work - See title page for details.



757

PARTS CATALOG (MAINTENANCE)

FIG ITEM	PART NUMBER	1 2 3 4 5 6 7	NOMENCLATURE	EFFECT FROM TO	UNITS PER ASSY
15A - 285	35056GV06		..UNION SUPPLIER CODE: V08199 SPECIFICATION NUMBER: BACU24AB6W OPTIONAL PART: 2-01027-6W V11328 31875-6W V14397 4671097W6 V50948 AP1004W06 V01673 AFP941W6 V30974 DBOU24AB6W V14798	101106 108120 504903	7
290	271N6821-1089		.TUBE ASSY-PRESSURE SYS TUBING MATERIAL: .375 IN. OD X .019 IN. WALL X 35.50 IN. LG TI BMS-7234 TI-3AL-2.5V COLD WORKED, STRESS RELIEVED TUBING	101106 108120 504903	1
295	271N6821-1103		.TUBE ASSY-PRESSURE SYS TUBING MATERIAL: .375 IN. OD X .019 IN. WALL X 51.10 IN. LG TI BMS 7-234 TI-3AL-2.5V COLD WORKED, STRESS RELIEVED TUBING	101106 108120 504903	1
300	271N6821-1129		.TUBE ASSY-PRESSURE SYS TUBING MATERIAL: .375 IN. OD X .019 IN. WALL X 21.60 IN. LG TI BMS 7-234 TI-3AL-2.5V COLD WORKED, STRESS RELIEVED TUBING	101106 108120 504903	1
305	271N6821-1133		.TUBE ASSY-PRESSURE SYS TUBING MATERIAL: .375 IN. OD X .019 IN. WALL X 46.00 IN. LG TI BMS 7-234 TI-3AL-2.5V COLD WORKED, STRESS RELIEVED TUBING	101106 108120 504903	1

MISSING ITEM NUMBERS NOT APPLICABLE

- ITEM NOT ILLUSTRATED

**27-31-51-15A**

27-31-51  
FIG. 15A  
PAGE 9  
JAN 20/09

BRI

BOEING PROPRIETARY - Copyright © - Unpublished Work - See title page for details.



757

PARTS CATALOG (MAINTENANCE)

FIG ITEM	PART NUMBER	1 2 3 4 5 6 7	NOMENCLATURE	EFFECT FROM TO	UNITS PER ASSY
15A 310	271N6821-1139		.TUBE ASSY-PRESSURE SYS TUBING MATERIAL: .375 IN. OD X .019 IN. WALL X 10.80 IN. LG TI BMS 7-234 TI-3AL-2.5V COLD WORKED, STRESS RELIEVED TUBING	101106 108120 504903	1
315	271N6821-1144		.TUBE ASSY-PRESSURE SYS TUBING MATERIAL: .375 IN. OD X .019 IN. WALL X 37.40 IN. LG TI BMS 7-234 TI-3AL-2.5V COLD WORKED, STRESS RELIEVED TUBING	101106 108120 504903	1
- 320	AS1581T06		..SLEEVE	101106 108120 504903	12
- 325	BACN10YA6		..NUT	101106 108120 504903	12
330	271N6821-1179		.TUBE ASSY-PRESSURE SYS TUBING MATERIAL: .375 IN. OD X .019 IN. WALL X 55.40 IN. LG TI BMS 7-234 TI-3AL-2.5V COLD WORKED, STRESS RELIEVED TUBING	101106 108120 504903	1
335	271N6821-1184		.TUBE ASSY-PRESSURE SYS TUBING MATERIAL: .375 IN. OD X .019 IN. WALL X 21.20 IN. LG TI BMS 7-234 TI-3AL-2.5V COLD WORKED, STRESS RELIEVED TUBING	101106 108120 504903	1
340	271N6821-1211		.TUBE ASSY-PRESSURE SYS TUBING MATERIAL: .375 IN. OD X .019 IN. WALL X 20.70 IN. LG TI BMS 7-234 TI-3AL-2.5V COLD WORKED, STRESS RELIEVED TUBING	101106 108120 504903	1
345	271N6821-1204		.TUBE ASSY-PRESSURE SYS TUBING MATERIAL: .375 IN. OD X .019 IN. WALL X 43.60 IN. LG TI BMS 7-234 TI-3AL-2.5V COLD WORKED, STRESS RELIEVED TUBING	101106 108120 504903	1

MISSING ITEM NUMBERS NOT APPLICABLE

- ITEM NOT ILLUSTRATED

27-31-51-15A

27-31-51  
FIG. 15A  
PAGE 10  
JAN 20/09

BRI

BOEING PROPRIETARY - Copyright © - Unpublished Work - See title page for details.





757

PARTS CATALOG (MAINTENANCE)

FIG ITEM	PART NUMBER	1 2 3 4 5 6 7	NOMENCLATURE	EFFECT FROM TO	UNITS PER ASSY
15A 350	271N6821-1206		.TUBE ASSY-PRESSURE SYS TUBING MATERIAL: .375 IN. OD X .019 IN. WALL X 5.20 IN. LG TI BMS 7-234 TI-3AL-2.5V COLD WORKED, STRESS RELIEVED TUBING	101106 108120 504903	1
- 365	AS1581T06		..SLEEVE	101106 108120 504903	10
- 370	BACN10YA6		..NUT	101106 108120 504903	10
375	271N6821-1015		.TUBE ASSY-RETURN SYS TUBING MATERIAL: .375 IN. OD X .037 IN. WALL X 124.80 IN. LG AL AMS 4083 6061 T6 TUBING	101106 108120 504903	1
380	271N6821-1145		.TUBE ASSY-RETURN SYS TUBING MATERIAL: .375 IN. OD X .035 IN. WALL X 39.00 IN. LG AL AMS 4083 6061 T6 TUBING	101106 108120 504903	1
385	271N6821-1193		.TUBE ASSY-RETURN SYS TUBING MATERIAL: .375 IN. OD X .035 IN. WALL X 17.90 IN. LG AL AMS 4083 6061 T6 TUBING	101106 108120 504903	1
390	271N6821-1185		.TUBE ASSY-RETURN SYS TUBING MATERIAL: .375 IN. OD X .035 IN. WALL X 22.80 IN. LG AL AMS 4083 6061 T6 TUBING	101106 108120 504903	1
- 395	AP2097HP06		..SLEEVE SUPPLIER CODE: V01673 SPECIFICATION NUMBER: BACS13BX06HP OPTIONAL PART: 2-02903-06HP V11328 35235VN06 V08199 AFP175V06P V30974 DBOS13BX06HP V14798	101106 108120 504903	8

MISSING ITEM NUMBERS NOT APPLICABLE

- ITEM NOT ILLUSTRATED

27-31-51-15A

27-31-51  
FIG. 15A  
PAGE 11  
JAN 20/09

BRI



757

PARTS CATALOG (MAINTENANCE)

FIG ITEM	PART NUMBER	1 2 3 4 5 6 7	NOMENCLATURE	EFFECT FROM TO	UNITS PER ASSY
15A - 400	BACN10YL06	..NUT-	OPTIONAL PART: MS21921-6D	101106 108120 504903	8
- 400	MS21921-6D	..NUT-	OPTIONAL PART: BACN10YL06	101106 108120 504903	8
405	271N6821-1162	.TUBE ASSY-RETURN SYS	TUBING MATERIAL: .375 IN. OD X .035 IN. WALL X 14.80 IN. LG AL AMS 4083 6061 T6 TUBING	101106 108120 504903	1
406	271N6821-1163	.TUBE ASSY-RETURN SYS	TUBING MATERIAL: .375 IN. OD X .035 IN. WALL X 41.40 IN. LG AL AMS 4083 6061 T6 TUBING	101106 108120 504903	1
408	271N6821-1217	.TUBE ASSY-RETURN SYS	POSITION DATA: CTR TUBING MATERIAL: .375 IN. OD X .035 IN. WALL 46.00 IN LG AL AMS 4083 6061 T6 TUBING	101106 108120 504903	1
- 410	AP2097HP06	..SLEEVE	SUPPLIER CODE: V01673 SPECIFICATION NUMBER: BACS13BX06HP OPTIONAL PART: 2-02903-06HP V11328 35235VN06 V08199 AFP175V06P V30974 DBOS13BX06HP V14798	101106 108120 504903	6
- 415	BACN10YL06	..NUT		101106 108120 504903	6
420	271N6821-1130	.TUBE ASSY-RETURN SYS	TUBING MATERIAL: .500 IN. OD X .035 IN. WALL X 6.90 IN. LG AL AMS 4083 6061 T6 TUBING	101106 108120 504903	1

MISSING ITEM NUMBERS NOT APPLICABLE

- ITEM NOT ILLUSTRATED

**27-31-51-15A**

27-31-51  
FIG. 15A  
PAGE 12  
JAN 20/09

BRI

BOEING PROPRIETARY - Copyright © - Unpublished Work - See title page for details.



757

PARTS CATALOG (MAINTENANCE)

FIG ITEM	PART NUMBER	1 2 3 4 5 6 7	NOMENCLATURE	EFFECT FROM TO	UNITS PER ASSY
15A 425	271N6821-1215		.TUBE ASSY-RETURN SYS TUBING MATERIAL: .500 IN. OD X .035 IN. WALL X 18.40 IN. LG AL AMS 4083 6061 T6 TUBING	101106 108120 504903	1
- 430	AP2097HP08		..SLEEVE SUPPLIER CODE: V01673 SPECIFICATION NUMBER: BACS13BX08HP OPTIONAL PART: 2-02903-08HP V11328 35235VN08 V08199 AFP175V08P V30974 DBOS13BX08HP V14798	101106 108120 504903	4
- 435	BACN10YL08		..NUT- OPTIONAL PART: MS21921-8D	101106 108120 504903	4
- 435	MS21921-8D		..NUT- OPTIONAL PART: BACN10YL08	101106 108120 504903	4
440	271N6821-1160		.TUBE ASSY-PRESSURE SYS TUBING MATERIAL: .375 IN. OD X .019 IN. WALL X 14.60 IN. LG TI BMS 7-234 TI-3AL-2.5V COLD WORKED, STRESS RELIEVED TUBING	101106 108120 504903	1
- 445	AS1581T06		..SLEEVE	101106 108120 504903	1
- 450	BACN10YA6N		..NUT	101106 108120 504903	1
- 455	AS1582T06		..UNION	101106 108120 504903	1
460	271N6821-1210		.TUBE ASSY-PRESSURE SYS TUBING MATERIAL: .375 IN. OD X .019 IN. WALL X 27.00 IN. LG TI BMS 7-234 TI-3AL-2.5V COLD WORKED, STRESS RELIEVED TUBING	101106 108120 504903	1

MISSING ITEM NUMBERS NOT APPLICABLE

- ITEM NOT ILLUSTRATED

27-31-51-15A

27-31-51  
FIG. 15A  
PAGE 13  
JAN 20/09

BRI

BOEING PROPRIETARY - Copyright © - Unpublished Work - See title page for details.



757

PARTS CATALOG (MAINTENANCE)

FIG ITEM	PART NUMBER	1 2 3 4 5 6 7	NOMENCLATURE	EFFECT FROM TO	UNITS PER ASSY
15A					
- 465	AS1581T06	..	SLEEVE	101106 108120 504903	1
- 470	BACN10YA6	..	NUT-	101106 108120 504903	1
- 475	AS1582T06	..	UNION	101106 108120 504903	1
500	MS21924D8	.UNION		101106 108120 504903	2
505	MS21924D6	.UNION		101106 108120 504903	2
507	MS21924J6	.UNION		101106 108120 504903	3
510	MS21924-6T	.UNION-		101106 108120 504903	6
515	MS21907W6	.ELBOW		101106 108120 504903	3
520	BACE21BM0606J	.ELBOW		101106 108120 504903	4
525	NAS1762W0808	.ELBOW		101106 108120 504903	1
530	271N6821-5	.TEE ASSY		101106 108120 504903	1
540	MS21916D8-6	..REDUCER		101106 108120 504903	1
545	NAS1612-6	..PACKING-		101106 108120 504903	3
546	AN938D6	..TEE		101106 108120 504903	1

MISSING ITEM NUMBERS NOT APPLICABLE

- ITEM NOT ILLUSTRATED

27-31-51-15A

27-31-51  
FIG. 15A  
PAGE 14  
JAN 20/09

BRI

BOEING PROPRIETARY - Copyright © - Unpublished Work - See title page for details.



757

PARTS CATALOG (MAINTENANCE)

FIG ITEM	PART NUMBER	1 2 3 4 5 6 7	NOMENCLATURE	EFFECT FROM TO	UNITS PER ASSY
15A 548	0121520900-2	. .	VALVE- SUPPLIER CODE: V83533 SPECIFICATION NUMBER: BACV10CD2 OPTIONAL PART: 1C1346 V99240	101106 108120 504903	2
550	BACT16BL060606J	. TEE		101106 108120 504903	1
555	APX824F060608W	. TEE	SUPPLIER CODE: V01673 SPECIFICATION NUMBER: BACT16AS060608W OPTIONAL PART: APX824-060608W V01673 DBOT16AS060608W V14798 ER824-060608W V50948 FER1571-060608W V14397 LER824-060608W V11328 NAF1824-060608W V52930 US1925-060608W V50808 AFP325-060608W V30974	101106 108120 504903	1
560	NAS1763J060606	. TEE-		101106 108120 504903	1
563	AN960JD916	. WASHER-		101106 108120 504903	7
567	BACW10BP9P	. WASHER-		101106 108120 504903	6
570	AN924-6D	. NUT		101106 108120 504903	15
575	AN924-8D	. NUT		101106 108120 504903	5

MISSING ITEM NUMBERS NOT APPLICABLE

- ITEM NOT ILLUSTRATED

27-31-51-15A

27-31-51  
FIG. 15A  
PAGE 15  
JAN 20/09

BRI

BOEING PROPRIETARY - Copyright © - Unpublished Work - See title page for details.



757

PARTS CATALOG (MAINTENANCE)

FIG ITEM	PART NUMBER	1 2 3 4 5 6 7	NOMENCLATURE	EFFECT FROM TO	UNITS PER ASSY
15A 585	2-7680-1	.	FUSE- SUPPLIER CODE: V97415 SPECIFICATION NUMBER: S272U860-5 COMPONENT MAINT MANUAL REF: 27-32-02 OPTIONAL PART: 2-7680-2 V97415	101106 108120 504903	2
585	2-7680-2	.	FUSE- SUPPLIER CODE: V97415 SPECIFICATION NUMBER: S272U860-5 COMPONENT MAINT MANUAL REF: 27-32-02 OPTIONAL PART: 2-7680-1 V97415	101106 108120 504903	2
900			ILLUSTRATION REFERENCE: PLUMBING INSTL-SEC. 82 HYDR 27-31-51-16A	101106 108120 504903	RF
905			ILLUSTRATION REFERENCE: PLUMBING INSTL-SECT. 48 HYDR L (ELEVATOR CONTROL SYSTEM ONLY) 27-31-51-20A	101106 108120 504903	RF
910			ILLUSTRATION REFERENCE: CONTROL UNIT INSTL-ELEV CONT PWR 27-31-05-01	101106 108120 504903	RF

MISSING ITEM NUMBERS NOT APPLICABLE

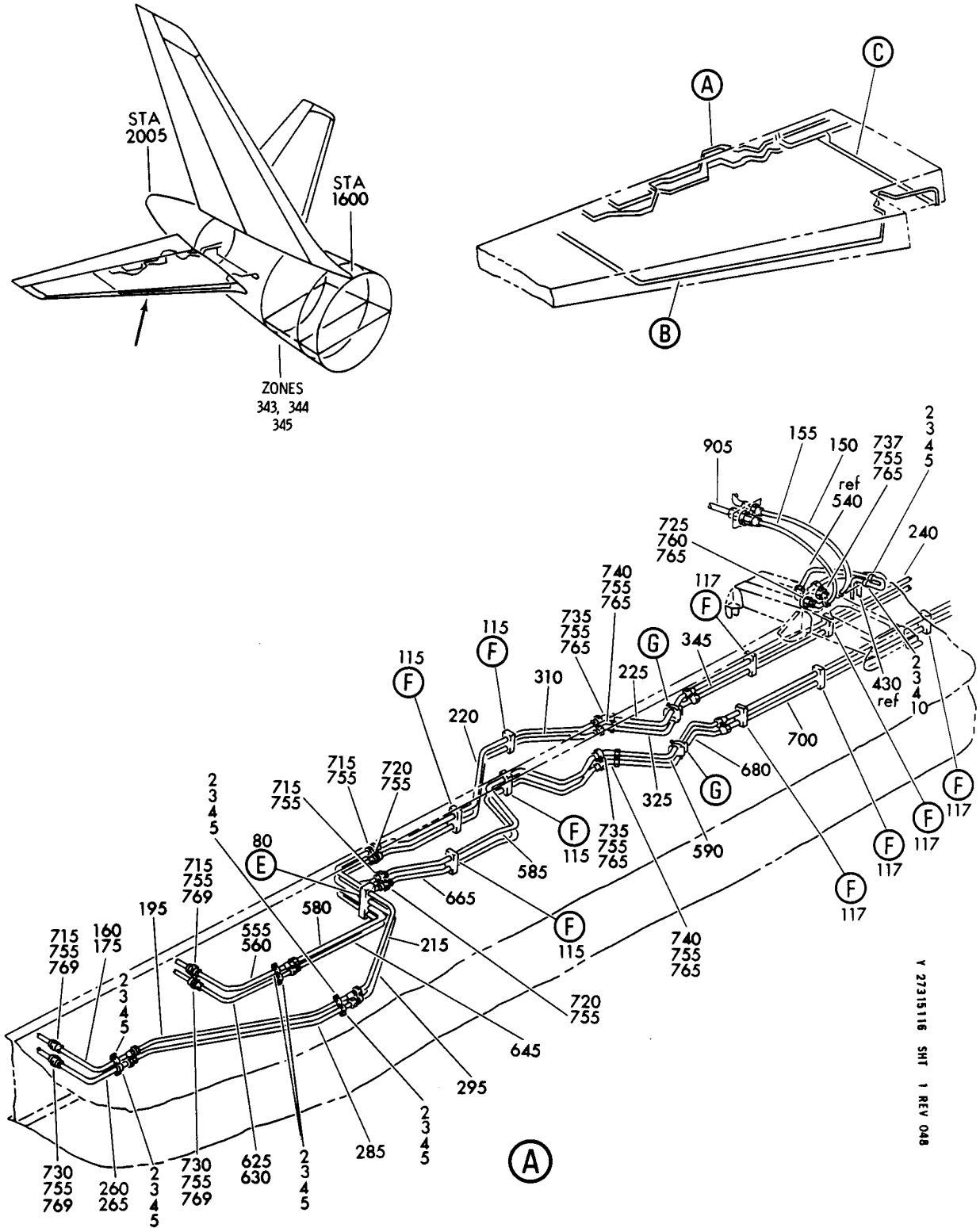
- ITEM NOT ILLUSTRATED

**27-31-51-15A**

27-31-51  
FIG. 15A  
PAGE 16  
JAN 20/09

BRI

**BOEING**  
757  
PARTS CATALOG (MAINTENANCE)



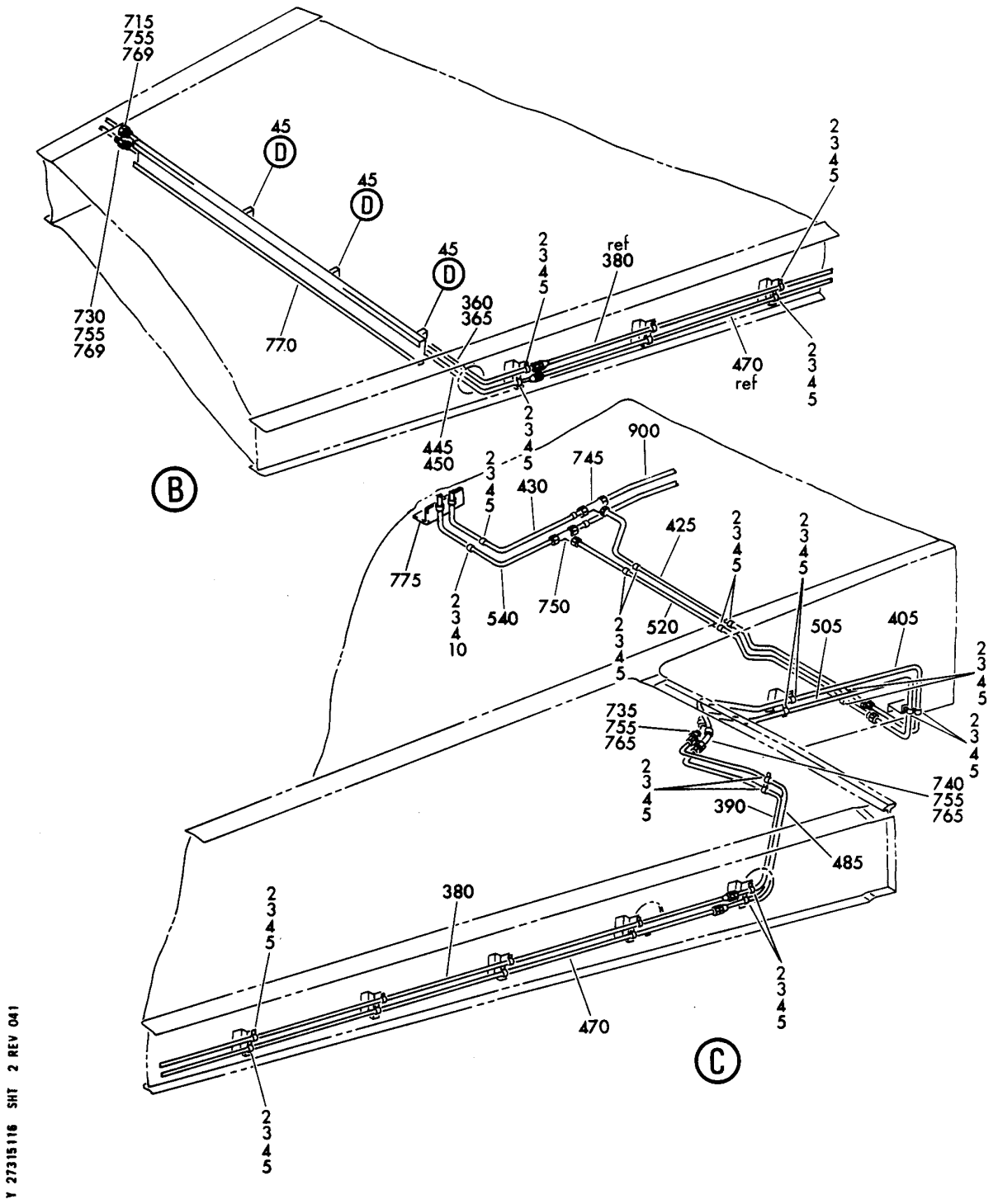
PLUMBING INSTL-SECT. 82 HYDR  
FIGURE 16 (SHEET 1)

**27-31-51-16**

BRI  
MAY 28/07

27-31-51-16  
PAGE 0

**BOEING**  
757  
PARTS CATALOG (MAINTENANCE)



Y 27315116 SHT 2 REV 041

PLUMBING INSTL-SECT. 82 HYDR  
FIGURE 16 (SHEET 2)

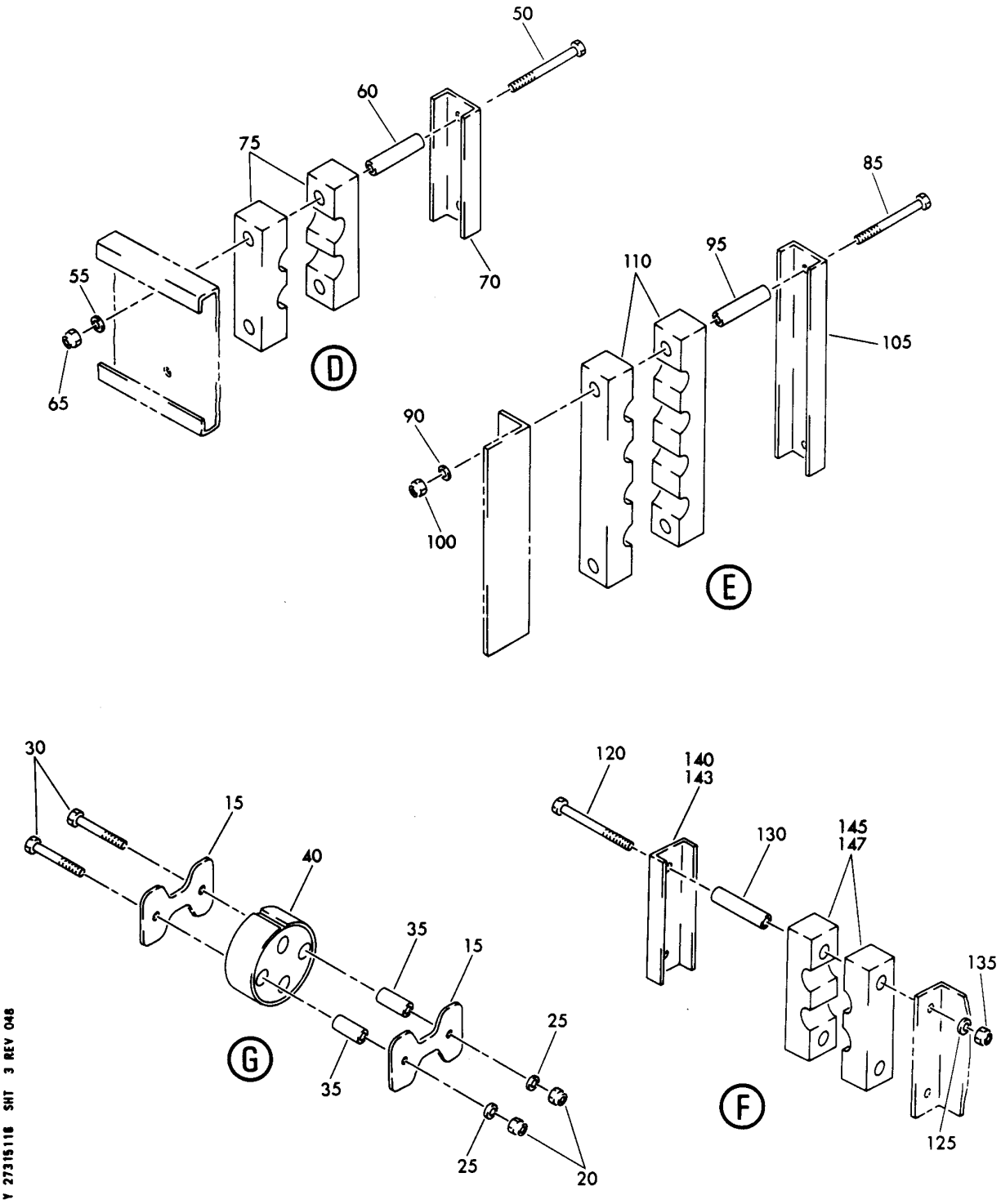
**27-31-51-16**

BRI  
MAY 28/07

27-31-51-16  
PAGE 0A



**BOEING**  
757  
**PARTS CATALOG (MAINTENANCE)**



Y 27315116 SHT. 3 REV 046

PLUMBING INSTL-SECT. 82 HYDR  
FIGURE 16 (SHEET 3)

**27-31-51-16**

BRI  
MAY 28/07

27-31-51-16  
PAGE 0B

BOEING PROPRIETARY - Copyright © - Unpublished Work - See title page for details.



757

PARTS CATALOG (MAINTENANCE)

FIG ITEM	PART NUMBER	1 2 3 4 5 6 7	NOMENCLATURE	EFFECT FROM TO	UNITS PER ASSY
16			PLUMBING INSTL-SECT. 82 HYDR	002004 006100 107107 121503 904999	
- 1	271N6821-2		PLUMBING INSTL-HYDR POSITION DATA: SECT. 82 FOR NHA SEE: 29-00-51-04	002004 006100 107107 121503 904999	RF
2	NAS1801-3		.SCREW- SIZE DETERMINED ON INSTL.	002004 006100 107107 121503 904999	80
3	AN960KD10L		.WASHER	002004 006100 107107 121503 904999	80
4	BRH10A3		.NUT SUPPLIER CODE: V52828 SPECIFICATION NUMBER: BACN10JC3 OPTIONAL PART: H10-3BAC V15653 NS202101-02 V80539 RMLH9075-3W V72962 VN303A02 V92215 96-02 V80539 T6S1032J V11815	002004 006100 107107 121503 904999	80
5	TA0910005H106		.CLAMP SUPPLIER CODE: V84971 SPECIFICATION NUMBER: BACC10HC06C	002004 006100 107107 121503 904999	38
10	TA0910005H108		.CLAMP SUPPLIER CODE: V84971 SPECIFICATION NUMBER: BACC10HC08C	002004 006100 107107 121503 904999	2

MISSING ITEM NUMBERS NOT APPLICABLE

- ITEM NOT ILLUSTRATED

27-31-51-16

27-31-51  
FIG. 16  
PAGE 1  
JAN 20/09

BRI



757

PARTS CATALOG (MAINTENANCE)

FIG ITEM	PART NUMBER	1 2 3 4 5 6 7	NOMENCLATURE	EFFECT FROM TO	UNITS PER ASSY
16					
15	271N6118-1	.	CLAMP	002004 006100 107107 121503 904999	4
20	BRH10A3	.	NUT SUPPLIER CODE: V52828 SPECIFICATION NUMBER: BACN10JC3 OPTIONAL PART: H10-3BAC V15653 NS202101-02 V80539 RMLH9075-3W V72962 VN303A02 V92215 96-02 V80539 T6S1032J V11815	002004 006100 107107 121503 904999	4
25	AN960KD10L	.	WASHER-	002004 006100 107107 121503 904999	4
30	NAS1801-3-20	.	SCREW	002004 006100 107107 121503 904999	4
35	NAS43DD3-48	.	SPACER	002004 006100 107107 121503 904999	4
40	271N6117-1	.	RETAINER	002004 006100 107107 121503 904999	2
45	270N2000-3	.	CLAMP ASSY-BLK	002004 006100 107107 121503 904999	3

MISSING ITEM NUMBERS NOT APPLICABLE

- ITEM NOT ILLUSTRATED

BRI

27-31-51-16

27-31-51  
FIG. 16  
PAGE 2  
JAN 20/09



757

PARTS CATALOG (MAINTENANCE)

FIG ITEM	PART NUMBER	1 2 3 4 5 6 7	NOMENCLATURE	EFFECT FROM TO	UNITS PER ASSY
16					
50	NAS1801-3-24	..	SCREW-	002004 006100 107107 121503 904999	2
55	AN960PD10L	..	WASHER	002004 006100 107107 121503 904999	2
60	NAS43DD3-59	..	SPACER	002004 006100 107107 121503 904999	2
65	BRH10A3	..	NUT SUPPLIER CODE: V52828 SPECIFICATION NUMBER: BACN10JC3 OPTIONAL PART: H10-3BAC V15653 NS202101-02 V80539 RMLH9075-3W V72962 VN303A02 V92215 96-02 V80539 T6S1032J V11815	002004 006100 107107 121503 904999	2
70	270N2000-801	..	CHANNEL	002004 006100 107107 121503 904999	1
75	270N2000-401	..	BLOCK	002004 006100 107107 121503 904999	2
80	270N2000-79	.	CLAMP ASSY-BLK	002004 006100 107107 121503 904999	1

MISSING ITEM NUMBERS NOT APPLICABLE

- ITEM NOT ILLUSTRATED

BRI

27-31-51-16

BOEING PROPRIETARY - Copyright © - Unpublished Work - See title page for details.

27-31-51  
FIG. 16  
PAGE 3  
JAN 20/09



757

PARTS CATALOG (MAINTENANCE)

FIG ITEM	PART NUMBER	1 2 3 4 5 6 7	NOMENCLATURE	EFFECT FROM TO	UNITS PER ASSY
16					
85	NAS1801-3-24	..	SCREW-	002004 006100 107107 121503 904999	2
90	AN960PD10L	..	WASHER	002004 006100 107107 121503 904999	2
95	NAS43DD3-59	..	SPACER	002004 006100 107107 121503 904999	2
100	BRH10A3	..	NUT SUPPLIER CODE: V52828 SPECIFICATION NUMBER: BACN10JC3 OPTIONAL PART: H10-3BAC V15653 NS202101-02 V80539 RMLH9075-3W V72962 VN303A02 V92215 96-02 V80539 T6S1032J V11815	002004 006100 107107 121503 904999	2
105	270N2000-854	..	CHANNEL- OPTIONAL PART: 270N2000-829	002004 006100 107107 121503 904999	1
105	270N2000-829	..	CHANNEL- OPTIONAL PART: 270N2000-854	002004 006100 107107 121503 904999	1
110	270N2000-512	..	BLOCK- OPTIONAL PART: 270N2000-473	002004 006100 107107 121503 904999	2

MISSING ITEM NUMBERS NOT APPLICABLE

- ITEM NOT ILLUSTRATED

27-31-51-16

27-31-51  
FIG. 16  
PAGE 4  
JAN 20/09

BRI

BOEING PROPRIETARY - Copyright © - Unpublished Work - See title page for details.



757

PARTS CATALOG (MAINTENANCE)

FIG ITEM	PART NUMBER	1 2 3 4 5 6 7	NOMENCLATURE	EFFECT FROM TO	UNITS PER ASSY
16					
110	270N2000-473	..	BLOCK- OPTIONAL PART: 270N2000-512	002004 006100 107107 121503 904999	2
115	270N2000-36	.CLAMP	ASSY-BLK	002004 006100 107107 121503 904999	4
117	270N2000-144	.CLAMP	ASSY-BLK	002004 006100 107107 121503 904999	5
120	NAS1801-3-24	..	SCREW-	002004 006100 107107 121503 904999	2
125	AN960PD10L	..	WASHER	002004 006100 107107 121503 904999	2
130	NAS43DD3-59	..	SPACER	002004 006100 107107 121503 904999	2
135	BRH10A3	..	NUT SUPPLIER CODE: V52828 SPECIFICATION NUMBER: BACN10JC3 OPTIONAL PART: H10-3BAC V15653 NS202101-02 V80539 RMLH9075-3W V72962 VN303A02 V92215 96-02 V80539 T6S1032J V11815	002004 006100 107107 121503 904999	2

MISSING ITEM NUMBERS NOT APPLICABLE

- ITEM NOT ILLUSTRATED

BRI

27-31-51-16

BOEING PROPRIETARY - Copyright © - Unpublished Work - See title page for details.

27-31-51  
FIG. 16  
PAGE 5  
JAN 20/09

**BOEING**  
757  
**PARTS CATALOG (MAINTENANCE)**

FIG ITEM	PART NUMBER	1 2 3 4 5 6 7	NOMENCLATURE	EFFECT FROM TO	UNITS PER ASSY
16					
140	270N2000-803	..	CHANNEL- USED ON: 270N2000-36	002004 006100 107107 121503 904999	1
143	270N2000-821	..	CHANNEL- USED ON: 270N2000-144	002004 006100 107107 121503 904999	1
145	270N2000-457	..	BLOCK- USED ON: 270N2000-36	002004 006100 107107 121503 904999	2
147	270N2000-606	..	BLOCK- USED ON: 270N2000-144	002004 006100 107107 121503 904999	2
150	AS116-06-0226	.	HOSE ASSY	002004 006100 107107 121503 904999	1
155	AS116-08-0226	.	HOSE ASSY	002004 006100 107107 121503 904999	1
175	271N6821-1191	.	TUBE ASSY-PRESSURE SYS POSITION DATA: L TUBING MATERIAL: .375 IN. OD X .019 IN. WALL X 9.70 IN. LG TI BMS 7-234 TI-3AL-2.5V COLD WORKED, STRESS RELIEVED TUBING	002004 006100 107107 121503 904999	1
- 180	AS1581T06	..	SLEEVE	002004 006100 107107 121503 904999	1
- 185	BACN10YA6	..	NUT-	002004 006100 107107 121503 904999	1

MISSING ITEM NUMBERS NOT APPLICABLE

- ITEM NOT ILLUSTRATED

BRI

# 27-31-51-16

BOEING PROPRIETARY - Copyright © - Unpublished Work - See title page for details.

27-31-51  
FIG. 16  
PAGE 6  
JAN 20/09



757

PARTS CATALOG (MAINTENANCE)

FIG ITEM	PART NUMBER	1 2 3 4 5 6 7	NOMENCLATURE	EFFECT FROM TO	UNITS PER ASSY
16 - 185	BACN10YA6N	..	NUT-	002004 006100 107107 121503 904999	1
- 190	AS1582T06	..	UNION	002004 006100 107107 121503 904999	1
195	271N6821-1036	.TUBE ASSY-PRESSURE SYS POSITION DATA: L TUBING MATERIAL: .375 IN. OD X .019 IN. WALL X 27.10 IN. LG TI BMS 7-234 TI-3AL-2.5V COLD WORKED, STRESS RELIEVED TUBING		107107 904949 952952	1
195	271N6821-1216	.TUBE ASSY-PRESSURE SYS POSITION DATA: L TUBING MATERIAL: .375 IN. OD X .019 IN. WALL X 27.40 IN. LG TI BMS 7-234 TI-3AL-2.5V COLD WORKED, STRESS RELIEVED TUBING		002004 006100 121503 950951 953999	1
- 200	AS1581T06	..	SLEEVE	002004 006100 107107 121503 904999	1
- 205	BACN10YA6	..	NUT-	002004 006100 107107 121503 904999	1
- 205	BACN10YA6N	..	NUT-	002004 006100 107107 121503 904999	1
- 210	AS1582T06	..	UNION	002004 006100 107107 121503 904999	1

MISSING ITEM NUMBERS NOT APPLICABLE

- ITEM NOT ILLUSTRATED

27-31-51-16

27-31-51  
FIG. 16  
PAGE 7  
JAN 20/09

BRI





757

PARTS CATALOG (MAINTENANCE)

FIG ITEM	PART NUMBER	1 2 3 4 5 6 7	NOMENCLATURE	EFFECT FROM TO	UNITS PER ASSY
16 215	271N6821-1165		.TUBE ASSY-PRESSURE SYS POSITION DATA: L TUBING MATERIAL: .375 IN. OD .019 IN. WALL 27.00 IN. LG TI BMS 7-234 TI-3AL-2.5V COLD WORKED, STRESS RELIEVED TUBING	002004 006100 107107 121503 904999	1
- 217	AS1581T06		..SLEEVE	002004 006100 107107 121503 904999	2
- 218	BACN10YA6N		..NUT	002004 006100 107107 121503 904999	2
220	271N6821-1187		.TUBE ASSY-PRESSURE SYS POSITION DATA: L TUBING MATERIAL: .375 IN. OD X .019 IN. WALL X 37.80 IN. LG TI BMS 7-234 TI-3AL-2.5V COLD WORKED, STRESS RELIEVED TUBING	002004 006100 107107 121503 904999	1
- 222	AS1581T06		..SLEEVE	002004 006100 107107 121503 904999	2
- 223	BACN10YA6N		..NUT	002004 006100 107107 121503 904999	2
225	271N6821-1118		.TUBE ASSY-PRESSURE SYS POSITION DATA: L TUBING MATERIAL: .375 IN. OD X .019 IN. WALL X 24.00 IN. LG TI BMS 7-234 TI-3AL-2.5V COLD WORKED, STRESS RELIEVED TUBING	002004 006100 107107 121503 904999	1

MISSING ITEM NUMBERS NOT APPLICABLE

- ITEM NOT ILLUSTRATED

BRI

27-31-51-16

27-31-51  
FIG. 16  
PAGE 8  
JAN 20/09



757

PARTS CATALOG (MAINTENANCE)

FIG ITEM	PART NUMBER	1 2 3 4 5 6 7	NOMENCLATURE	EFFECT FROM TO	UNITS PER ASSY
16					
- 230	AS1581T06	..	SLEEVE	002004 006100 107107 121503 904999	2
- 235	BACN10YA6	..	NUT	002004 006100 107107 121503 904999	2
240	271N6821-1115	.	TUBE ASSY-PRESSURE SYS POSITION DATA: L TUBING MATERIAL: .375 IN. OD X .019 IN WALL X 47.90 IN. LG TI BMS 7-234 TI-3AL-2.5V COLD WORKED, STRESS RELIEVED TUBING	002004 006100 107107 121503 904999	1
- 245	AS1581T06	..	SLEEVE	002004 006100 107107 121503 904999	1
- 250	BACN10YA6	..	NUT	002004 006100 107107 121503 904999	1
- 255	AS1582T06	..	UNION	002004 006100 107107 121503 904999	1
265	271N6821-1192	.	TUBE ASSY-RETURN SYS POSITION DATA: L TUBING MATERIAL: .375 IN. OD X .035 IN. WALL X 11.50 IN. LG AL AMS 4083 6061 T6 TUBING	002004 006100 107107 121503 904999	1

MISSING ITEM NUMBERS NOT APPLICABLE

- ITEM NOT ILLUSTRATED

27-31-51-16

27-31-51  
FIG. 16  
PAGE 9  
JAN 20/09

BRI



757

PARTS CATALOG (MAINTENANCE)

FIG ITEM	PART NUMBER	1 2 3 4 5 6 7	NOMENCLATURE	EFFECT FROM TO	UNITS PER ASSY
16 - 270	AP2097HP06	..	SLEEVE SUPPLIER CODE: V01673 SPECIFICATION NUMBER: BACS13BX06HP OPTIONAL PART: 2-02903-06HP V11328 35235VN06 V08199 AFP175V06P V30974 DBOS13BX06HP V14798	002004 006100 107107 121503 904999	2
- 275	MS21921-6D	..	NUT- OPTIONAL PART: BACN10YL06	002004 006100 107107 121503 904999	2
- 275	BACN10YL06	..	NUT- OPTIONAL PART: MS21921-6D	002004 006100 107107 121503 904999	2
285	271N6821-1040	.TUBE ASSY-RETURN SYS POSITION DATA: L TUBING MATERIAL: .375 IN. OD X .035 IN. WALL X 27.50 IN. LG AL AMS 4083 6061 T6 TUBING		002004 006100 107107 121503 904999	1
- 288	AP2097HP06	..	SLEEVE SUPPLIER CODE: V01673 SPECIFICATION NUMBER: BACS13BX06HP OPTIONAL PART: 2-02903-06HP V11328 35235VN06 V08199 AFP175V06P V30974 DBOS13BX06HP V14798	002004 006100 107107 121503 904999	1

MISSING ITEM NUMBERS NOT APPLICABLE

- ITEM NOT ILLUSTRATED

27-31-51-16

27-31-51  
FIG. 16  
PAGE 10  
JAN 20/09

BRI



757

PARTS CATALOG (MAINTENANCE)

FIG ITEM	PART NUMBER	1 2 3 4 5 6 7	NOMENCLATURE	EFFECT FROM TO	UNITS PER ASSY
16 - 290	BACN10YL06	..	NUT- OPTIONAL PART: MS21921-6D	002004 006100 107107 121503 904999	1
- 290	MS21921-6D	..	NUT- OPTIONAL PART: BACN10YL06	002004 006100 107107 121503 904999	1
- 292	35056GV06	..	UNION SUPPLIER CODE: V08199 SPECIFICATION NUMBER: BACU24AB6W OPTIONAL PART: 2-01027-6W V11328 31875-6W V14397 4671097W6 V50948 AP1004W06 V01673 AFP941W6 V30974 DBOU24AB6W V14798	002004 006100 107107 121503 904999	1
295	271N6821-1181	.TUBE ASSY-RETURN SYS POSITION DATA: L TUBING MATERIAL: .375 IN. OD X .035 IN. WALL X 28.60 IN. LG AL AMS 4083 6061 T6 TUBING		002004 006100 107107 121503 904999	1
- 298	AP2097HP06	..	SLEEVE SUPPLIER CODE: V01673 SPECIFICATION NUMBER: BACS13BX06HP OPTIONAL PART: 2-02903-06HP V11328 35235VN06 V08199 AFP175V06P V30974 DBOS13BX06HP V14798	002004 006100 107107 121503 904999	1

MISSING ITEM NUMBERS NOT APPLICABLE

- ITEM NOT ILLUSTRATED

27-31-51-16

27-31-51  
FIG. 16  
PAGE 11  
JAN 20/09

BRI



757

PARTS CATALOG (MAINTENANCE)

FIG ITEM	PART NUMBER	1 2 3 4 5 6 7	NOMENCLATURE	EFFECT FROM TO	UNITS PER ASSY
16 - 299	35056GV06	..	UNION SUPPLIER CODE: V08199 SPECIFICATION NUMBER: BACU24AB6W OPTIONAL PART: 2-01027-6W V11328 31875-6W V14397 4671097W6 V50948 AP1004W06 V01673 AFP941W6 V30974 DBOU24AB6W V14798	002004 006100 107107 121503 904999	1
- 302	MS21921-6D	..	NUT- OPTIONAL PART: BACN10YL06	002004 006100 107107 121503 904999	1
- 302	BACN10YL06	..	NUT- OPTIONAL PART: MS21921-6D	002004 006100 107107 121503 904999	1
310	271N6821-1038	.TUBE ASSY-RETURN SYS POSITION DATA: L TUBING MATERIAL: .375 IN. OD X .035 IN. WALL X 38.90 IN. LG AL AMS 4083 6061 T6 TUBING	002004 006100 107107 121503 904999	1	
- 315	AP2097HP06	..	SLEEVE SUPPLIER CODE: V01673 SPECIFICATION NUMBER: BACS13BX06HP OPTIONAL PART: 2-02903-06HP V11328 35235VN06 V08199 AFP175V06P V30974 DBOS13BX06HP V14798	002004 006100 107107 121503 904999	2

MISSING ITEM NUMBERS NOT APPLICABLE

- ITEM NOT ILLUSTRATED

27-31-51-16

27-31-51  
FIG. 16  
PAGE 12  
JAN 20/09

BRI



757

PARTS CATALOG (MAINTENANCE)

FIG ITEM	PART NUMBER	1 2 3 4 5 6 7	NOMENCLATURE	EFFECT FROM TO	UNITS PER ASSY
16 - 320	MS21921-6D	..	NUT- OPTIONAL PART: BACN10YL06	002004 006100 107107 121503 904999	2
- 320	BACN10YL06	..	NUT- OPTIONAL PART: MS21921-6D	002004 006100 107107 121503 904999	2
325	271N6821-1170	.TUBE ASSY-ELEV RETURN SYS POSITION DATA: L TUBING MATERIAL: .375 IN. OD X .035 IN. WALL X 22.50 IN. LG AL AMS 4083 6061 T6 TUBING		002004 006100 107107 121503 904999	1
- 330	AP2097HP06	..	SLEEVE SUPPLIER CODE: V01673 SPECIFICATION NUMBER: BACS13BX06HP OPTIONAL PART: 2-02903-06HP V11328 35235VN06 V08199 AFP175V06P V30974 DBOS13BX06HP V14798	002004 006100 107107 121503 904999	1
- 335	MS21921-6D	..	NUT- OPTIONAL PART: BACN10YL06	002004 006100 107107 121503 904999	1
- 335	BACN10YL06	..	NUT- OPTIONAL PART: MS21921-6D	002004 006100 107107 121503 904999	1

MISSING ITEM NUMBERS NOT APPLICABLE

- ITEM NOT ILLUSTRATED

27-31-51-16

27-31-51  
FIG. 16  
PAGE 13  
JAN 20/09

BRI



757

PARTS CATALOG (MAINTENANCE)

FIG ITEM	PART NUMBER	1 2 3 4 5 6 7	NOMENCLATURE	EFFECT FROM TO	UNITS PER ASSY
16 - 340	35056GV06		..UNION SUPPLIER CODE: V08199 SPECIFICATION NUMBER: BACU24AB6W OPTIONAL PART: 2-01027-6W V11328 31875-6W V14397 4671097W6 V50948 AP1004W06 V01673 AFP941W6 V30974 DBOU24AB6W V14798	002004 006100 107107 121503 904999	1
345	271N6821-1140		.TUBE ASSY-RETURN SYS POSITION DATA: L TUBING MATERIAL: .375 IN. OD X .035 IN. WALL X 57.80 IN. LG AL AMS 4083 6061 T6 TUBING	002004 006100 107107 121503 904999	1
- 350	AP2097HP06		..SLEEVE SUPPLIER CODE: V01673 SPECIFICATION NUMBER: BACS13BX06HP OPTIONAL PART: 2-02903-06HP V11328 35235VN06 V08199 AFP175V06P V30974 DBOS13BX06HP V14798	002004 006100 107107 121503 904999	2
- 355	MS21921-6D		..NUT- OPTIONAL PART: BACN10YL06	002004 006100 107107 121503 904999	2
- 355	BACN10YL06		..NUT- OPTIONAL PART: MS21921-6D	002004 006100 107107 121503 904999	2

MISSING ITEM NUMBERS NOT APPLICABLE

- ITEM NOT ILLUSTRATED

27-31-51-16

27-31-51  
FIG. 16  
PAGE 14  
JAN 20/09

BRI



757

PARTS CATALOG (MAINTENANCE)

FIG ITEM	PART NUMBER	1 2 3 4 5 6 7	NOMENCLATURE	EFFECT FROM TO	UNITS PER ASSY
16 365	271N6821-1137		.TUBE ASSY-PRESSURE SYS POSITION DATA: R TUBING MATERIAL: .375 IN. OD X .019 IN. WALL X 62.00 IN. LG TI BMS 7-234 TI-3AL-2.5V COLD WORKED, STRESS RELIEVED TUBING	002004 006100 107107 121503 904999	1
- 370	AS1581T06		..SLEEVE	002004 006100 107107 121503 904999	2
- 375	BACN10YA6		..NUT	002004 006100 107107 121503 904999	2
380	271N6821-1009		.TUBE ASSY-PRESSURE SYS POSITION DATA: R TUBING MATERIAL: .375 IN. OD X .019 IN. WALL X 103.90 IN. LG TI BMS 7-234 TI-3AL-2.5V COLD WORKED, STRESS RELIEVED TUBING	002004 006100 107107 121503 904999	1
- 385	AS1582T06		..UNION	002004 006100 107107 121503 904999	2
390	271N6821-1008		.TUBE ASSY-PRESSURE SYS POSITION DATA: R TUBING MATERIAL: .375 IN. OD X .019 IN. WALL X 41.10 IN. LG TI BMS 7-234 TI-3AL-2.5V COLD WORKED, STRESS RELIEVED TUBING	002004 006100 107107 121503 904999	1
- 395	AS1581T06		..SLEEVE	002004 006100 107107 121503 904999	2

MISSING ITEM NUMBERS NOT APPLICABLE

- ITEM NOT ILLUSTRATED

BRI

27-31-51-16

27-31-51  
FIG. 16  
PAGE 15  
JAN 20/09





757

PARTS CATALOG (MAINTENANCE)

FIG ITEM	PART NUMBER	1 2 3 4 5 6 7	NOMENCLATURE	EFFECT FROM TO	UNITS PER ASSY
16					
- 400	BACN10YA6	..	NUT	002004 006100 107107 121503 904999	2
405	271N6821-1190	.	TUBE ASSY-PRESSURE SYS POSITION DATA: R TUBING MATERIAL: .375 IN. OD X .019 IN. WALL X 34.30 IN. LG TI BMS 7-234 TI-3AL-2.5V COLD WORKED, STRESS RELIEVED TUBING POST SERVICE BULLETIN: 53-0038	002004 006100 107107 121503 904999	1
- 410	AS1581T06	..	SLEEVE	002004 006100 107107 121503 904999	1
- 415	BACN10YA6	..	NUT-	002004 006100 107107 121503 904999	1
- 415	BACN10YA6N	..	NUT-	002004 006100 107107 121503 904999	1
- 420	AS1582T06	..	UNION	002004 006100 107107 121503 904999	1
425	271N6821-1157	.	TUBE ASSY-PRESSURE SYS POSITION DATA: R TUBING MATERIAL: .375 IN. OD X .019 IN. WALL X 49.20 IN. LG TI BMS 7-234 TI-3AL-2.5V COLD WORKED, STRESS RELIEVED TUBING	002004 006100 107107 121503 904999	1

MISSING ITEM NUMBERS NOT APPLICABLE

- ITEM NOT ILLUSTRATED

BRI

27-31-51-16

27-31-51  
FIG. 16  
PAGE 16  
JAN 20/09



757

PARTS CATALOG (MAINTENANCE)

FIG ITEM	PART NUMBER	1 2 3 4 5 6 7	NOMENCLATURE	EFFECT FROM TO	UNITS PER ASSY
16					
- 427	AS1581T06	..	SLEEVE	002004 006100 107107 121503 904999	2
- 428	BACN10YA6N	..	NUT	002004 006100 107107 121503 904999	2
430	271N6821-1174	.	TUBE ASSY-PRESSURE SYS POSITION DATA: R TUBING MATERIAL: .375 IN. OD X .019 IN. WALL X 46.60 IN. LG TI BMS 7-234 TI-3AL-2.5V COLD WORKED, STRESS RELIEVED TUBING	002004 006100 107107 121503 904999	1
- 435	AS1581T06	..	SLEEVE	002004 006100 107107 121503 904999	2
- 440	BACN10YA6	..	NUT-	002004 006100 107107 121503 904999	2
- 440	BACN10YA6N	..	NUT-	002004 006100 107107 121503 904999	2
450	271N6821-1194	.	TUBE ASSY-RETURN SYS POSITION DATA: R TUBING MATERIAL: .375 IN. OD X .035 IN. WALL X 63.10 IN. LG AL AMS 4083 6061 T6 TUBING	002004 006100 107107 121503 904999	1

MISSING ITEM NUMBERS NOT APPLICABLE

- ITEM NOT ILLUSTRATED

27-31-51-16

27-31-51  
FIG. 16  
PAGE 17  
JAN 20/09

BRI



757

PARTS CATALOG (MAINTENANCE)

FIG ITEM	PART NUMBER	1 2 3 4 5 6 7	NOMENCLATURE	EFFECT FROM TO	UNITS PER ASSY
16 - 455	AP2097HP06	..	SLEEVE SUPPLIER CODE: V01673 SPECIFICATION NUMBER: BACS13BX06HP OPTIONAL PART: 2-02903-06HP V11328 35235VN06 V08199 AFP175V06P V30974 DBOS13BX06HP V14798	002004 006100 107107 121503 904999	1
- 460	MS21921-6D	..	NUT- OPTIONAL PART: BACN10YL06	002004 006100 107107 121503 904999	1
- 460	BACN10YL06	..	NUT- OPTIONAL PART: MS21921-6D	002004 006100 107107 121503 904999	1
- 465	35056GV06	..	UNION SUPPLIER CODE: V08199 SPECIFICATION NUMBER: BACU24AB6W OPTIONAL PART: 2-01027-6W V11328 31875-6W V14397 4671097W6 V50948 AP1004W06 V01673 AFP941W6 V30974 DBOU24AB6W V14798	002004 006100 107107 121503 904999	1
470	271N6821-1019	.	TUBE ASSY-RETURN SYS POSITION DATA: R TUBING MATERIAL: .375 IN. OD X .035 IN. WALL X 107.50 IN. LG AL AMS 4083 6061 T6 TUBING	002004 006100 107107 121503 904999	1

MISSING ITEM NUMBERS NOT APPLICABLE

- ITEM NOT ILLUSTRATED

27-31-51-16

27-31-51  
FIG. 16  
PAGE 18  
JAN 20/09

BRI



757

PARTS CATALOG (MAINTENANCE)

FIG ITEM	PART NUMBER	1 2 3 4 5 6 7	NOMENCLATURE	EFFECT FROM TO	UNITS PER ASSY
16 - 475	AP2097HP06	..	SLEEVE SUPPLIER CODE: V01673 SPECIFICATION NUMBER: BACS13BX06HP OPTIONAL PART: 2-02903-06HP V11328 35235VN06 V08199 AFP175V06P V30974 DBOS13BX06HP V14798	002004 006100 107107 121503 904999	2
- 480	MS21921-6D	..	NUT- OPTIONAL PART: BACN10YL06	002004 006100 107107 121503 904999	2
- 480	BACN10YL06	..	NUT- OPTIONAL PART: MS21921-6D	002004 006100 107107 121503 904999	2
485	271N6821-1186	.TUBE ASSY-RETURN SYS POSITION DATA: R TUBING MATERIAL: .375 IN. OD X .035 IN. WALL X 40.20 IN. LG AL AMS 4083 6061 T6 TUBING		002004 006100 107107 121503 904999	1
- 490	AP2097HP06	..	SLEEVE SUPPLIER CODE: V01673 SPECIFICATION NUMBER: BACS13BX06HP OPTIONAL PART: 2-02903-06HP V11328 35235VN06 V08199 AFP175V06P V30974 DBOS13BX06HP V14798	002004 006100 107107 121503 904999	1

MISSING ITEM NUMBERS NOT APPLICABLE

- ITEM NOT ILLUSTRATED

BRI

27-31-51-16

27-31-51  
FIG. 16  
PAGE 19  
JAN 20/09



757

PARTS CATALOG (MAINTENANCE)

FIG ITEM	PART NUMBER	1 2 3 4 5 6 7	NOMENCLATURE	EFFECT FROM TO	UNITS PER ASSY
16 - 495	MS21921-6D	..	NUT- OPTIONAL PART: BACN10YL06	002004 006100 107107 121503 904999	1
- 495	BACN10YL06	..	NUT- OPTIONAL PART: MS21921-6D	002004 006100 107107 121503 904999	1
- 500	35056GV06	..	UNION SUPPLIER CODE: V08199 SPECIFICATION NUMBER: BACU24AB6W OPTIONAL PART: 2-01027-6W V11328 31875-6W V14397 4671097W6 V50948 AP1004W06 V01673 AFP941W6 V30974 DBOU24AB6W V14798	002004 006100 107107 121503 904999	1
505	271N6821-1209	.	TUBE ASSY-RETURN SYS POSITION DATA: R TUBING MATERIAL: .375 IN. OD X .035 IN. WALL X 33.40 IN. LG AL AMS 4083 6061 T6 TUBING	003004 006100 107107 121503 904999	1
- 510	AP2097HP06	..	SLEEVE SUPPLIER CODE: V01673 SPECIFICATION NUMBER: BACS13BX06HP OPTIONAL PART: 2-02903-06HP V11328 35235VN06 V08199 AFP175V06P V30974 DBOS13BX06HP V14798	002004 006100 107107 121503 904999	2

MISSING ITEM NUMBERS NOT APPLICABLE

- ITEM NOT ILLUSTRATED

27-31-51-16

27-31-51  
FIG. 16  
PAGE 20  
JAN 20/09

BRI



757

PARTS CATALOG (MAINTENANCE)

FIG ITEM	PART NUMBER	1 2 3 4 5 6 7	NOMENCLATURE	EFFECT FROM TO	UNITS PER ASSY
16					
- 515	MS21921-6D	..	NUT- OPTIONAL PART: BACN10YL06	002004 006100 107107 121503 904999	2
- 515	BACN10YL06	..	NUT- OPTIONAL PART: MS21921-6D	002004 006100 107107 121503 904999	2
520	271N6821-1203	.	TUBE ASSY-RETURN SYS POSITION DATA: R TUBING MATERIAL: .375 IN. OD X .035 IN. WALL X 43.70 IN. LG AL AMS 4083 6061 T6 TUBING	002004 006100 107107 121503 904999	1
- 525	AP2097HP06	..	SLEEVE SUPPLIER CODE: V01673 SPECIFICATION NUMBER: BACS13BX06HP OPTIONAL PART: 2-02903-06HP V11328 35235VN06 V08199 AFP175V06P V30974 DBOS13BX06HP V14798	002004 006100 107107 121503 904999	1
- 530	MS21921-6D	..	NUT- OPTIONAL PART: BACN10YL06	002004 006100 107107 121503 904999	1
- 530	BACN10YL06	..	NUT- OPTIONAL PART: MS21921-6D	002004 006100 107107 121503 904999	1

MISSING ITEM NUMBERS NOT APPLICABLE

- ITEM NOT ILLUSTRATED

27-31-51-16

27-31-51  
FIG. 16  
PAGE 21  
JAN 20/09

BRI



757

PARTS CATALOG (MAINTENANCE)

FIG ITEM	PART NUMBER	1 2 3 4 5 6 7	NOMENCLATURE	EFFECT FROM TO	UNITS PER ASSY
16 - 535	35056GV06	..	UNION SUPPLIER CODE: V08199 SPECIFICATION NUMBER: BACU24AB6W OPTIONAL PART: 2-01027-6W V11328 31875-6W V14397 4671097W6 V50948 AP1004W06 V01673 AFP941W6 V30974 DBOU24AB6W V14798	002004 006100 107107 121503 904999	1
540	271N6821-1176	.TUBE ASSY-RETURN SYS POSITION DATA: R TUBING MATERIAL: .500 IN. OD X .035 IN. WALL X 40.10 IN. LG AL AMS 4083 6061 T6 TUBING		002004 006100 107107 121503 904999	1
- 545	AP2097HP08	..SLEEVE SUPPLIER CODE: V01673 SPECIFICATION NUMBER: BACS13BX08HP OPTIONAL PART: 2-02903-08HP V11328 35235VN08 V08199 AFP175V08P V30974 DBOS13BX08HP V14798		002004 006100 107107 121503 904999	2
- 550	MS21921-8D	..NUT- OPTIONAL PART: BACN10YL08		002004 006100 107107 121503 904999	2
- 550	BACN10YL08	..NUT- OPTIONAL PART: MS21921-8D		002004 006100 107107 121503 904999	2

MISSING ITEM NUMBERS NOT APPLICABLE

- ITEM NOT ILLUSTRATED

27-31-51-16

27-31-51  
FIG. 16  
PAGE 22  
JAN 20/09

BRI



757

PARTS CATALOG (MAINTENANCE)

FIG ITEM	PART NUMBER	1 2 3 4 5 6 7	NOMENCLATURE	EFFECT FROM TO	UNITS PER ASSY
16 560	271N6821-1123		.TUBE ASSY-PRESSURE SYS POSITION DATA: CTR TUBING MATERIAL: .375 IN. OD X .019 IN. WALL X 12.70 IN. LG TI BMS 7-234 TI-3AL-2.5V COLD WORKED, STRESS RELIEVED TUBING	002004 006100 107107 121503 904999	1
- 565	AS1581T06		..SLEEVE	002004 006100 107107 121503 904999	1
- 570	BACN10YA6		..NUT	002004 006100 107107 121503 904999	1
- 575	AS1582T06		..UNION	002004 006100 107107 121503 904999	1
580	271N6821-1166		.TUBE ASSY-PRESSURE SYS POSITION DATA: CTR TUBING MATERIAL: .375 IN. OD X .019 IN. WALL X 22.10 IN. LG TI BMS 7-234 TI-3AL-2.5V COLD WORKED, STRESS RELIEVED TUBING	002004 006100 107107 121503 904999	1
- 582	AS1581T06		..SLEEVE	002004 006100 107107 121503 904999	2
- 583	BACN10YA6N		..NUT	002004 006100 107107 121503 904999	2
- 587	AS1581T06		..SLEEVE	002004 006100 107107 121503 904999	2

MISSING ITEM NUMBERS NOT APPLICABLE

- ITEM NOT ILLUSTRATED

BRI

27-31-51-16

27-31-51  
FIG. 16  
PAGE 23  
JAN 20/09





757

PARTS CATALOG (MAINTENANCE)

FIG ITEM	PART NUMBER	1 2 3 4 5 6 7	NOMENCLATURE	EFFECT FROM TO	UNITS PER ASSY
16 - 588	BACN10YA6	..	NUT-	002004 006100 107107 121503 904999	2
- 588	BACN10YA6N	..	NUT-	002004 006100 107107 121503 904999	2
590	271N6821-1099	.	TUBE ASSY-PRESSURE SYS POSITION DATA: CTR TUBING MATERIAL: .375 IN. OD X .019 IN. WALL X 20.70 IN. LG TI BMS-7234 TI-3AL-2.5V COLD WORKED, STRESS RELIEVED TUBING	002004 006100 107107 121503 904999	1
- 595	AS1581T06	..	SLEEVE	002004 006100 107107 121503 904999	2
- 600	BACN10YA6	..	NUT	002004 006100 107107 121503 904999	2
630	271N6821-1188	.	TUBE ASSY-RETURN SYS POSITION DATA: CTR TUBING MATERIAL: .375 IN. OD X .035 IN. WALL X 14.80 IN. LG AL AMS 4083 6061 T6 TUBING	002004 006100 107107 121503 904999	1

MISSING ITEM NUMBERS NOT APPLICABLE

- ITEM NOT ILLUSTRATED

BRI

27-31-51-16

27-31-51  
FIG. 16  
PAGE 24  
JAN 20/09



757

PARTS CATALOG (MAINTENANCE)

FIG ITEM	PART NUMBER	1 2 3 4 5 6 7	NOMENCLATURE	EFFECT FROM TO	UNITS PER ASSY
16 - 635	AP2097HP06	..	SLEEVE SUPPLIER CODE: V01673 SPECIFICATION NUMBER: BACS13BX06HP OPTIONAL PART: 2-02903-06HP V11328 35235VN06 V08199 AFP175V06P V30974 DBOS13BX06HP V14798	002004 006100 107107 121503 904999	2
- 640	MS21921-6D	..	NUT- OPTIONAL PART: BACN10YL06	002004 006100 107107 121503 904999	2
- 640	BACN10YL06	..	NUT- OPTIONAL PART: MS21921-6D	002004 006100 107107 121503 904999	2
645	271N6821-1180	.TUBE ASSY-RETURN SYS POSITION DATA: CTR TUBING MATERIAL: .375 IN. OD X .035 IN. WALL X 22.10 IN. LG AL AMS 4083 6061 T6 TUBING		002004 006100 107107 121503 904999	1
- 650	AP2097HP06	..	SLEEVE SUPPLIER CODE: V01673 SPECIFICATION NUMBER: BACS13BX06HP OPTIONAL PART: 2-02903-06HP V11328 35235VN06 V08199 AFP175V06P V30974 DBOS13BX06HP V14798	002004 006100 107107 121503 904999	1

MISSING ITEM NUMBERS NOT APPLICABLE

- ITEM NOT ILLUSTRATED

27-31-51-16

27-31-51  
FIG. 16  
PAGE 25  
JAN 20/09

BRI



757

PARTS CATALOG (MAINTENANCE)

FIG ITEM	PART NUMBER	1 2 3 4 5 6 7	NOMENCLATURE	EFFECT FROM TO	UNITS PER ASSY
16					
- 655	MS21921-6D	..	NUT- OPTIONAL PART: BACN10YL06	002004 006100 107107 121503 904999	1
- 655	BACN10YL06	..	NUT- OPTIONAL PART: MS21921-6D	002004 006100 107107 121503 904999	1
- 660	35056GV06	..	UNION SUPPLIER CODE: V08199 SPECIFICATION NUMBER: BACU24AB6W OPTIONAL PART: 2-01027-6W V11328 31875-6W V14397 4671097W6 V50948 AP1004W06 V01673 AFP941W6 V30974 DBOU24AB6W V14798	002004 006100 107107 121503 904999	1
665	271N6821-1058	.	TUBE ASSY-RETURN SYS POSITION DATA: CTR TUBING MATERIAL: .375 IN. OD X .035 IN. WALL X 45.50 IN. LG AL AMS 4083 6061 T6 TUBING	002004 006100 107107 121503 904999	1
- 670	AP2097HP06	..	SLEEVE SUPPLIER CODE: V01673 SPECIFICATION NUMBER: BACS13BX06HP OPTIONAL PART: 2-02903-06HP V11328 35235VN06 V08199 AFP175V06P V30974 DBOS13BX06HP V14798	002004 006100 107107 121503 904999	2

MISSING ITEM NUMBERS NOT APPLICABLE

- ITEM NOT ILLUSTRATED

27-31-51-16

27-31-51  
FIG. 16  
PAGE 26  
JAN 20/09

BRI

BOEING PROPRIETARY - Copyright © - Unpublished Work - See title page for details.



757

PARTS CATALOG (MAINTENANCE)

FIG ITEM	PART NUMBER	1 2 3 4 5 6 7	NOMENCLATURE	EFFECT FROM TO	UNITS PER ASSY
16					
- 675	MS21921-6D	..	NUT- OPTIONAL PART: BACN10YL06	002004 006100 107107 121503 904999	2
- 675	BACN10YL06	..	NUT- OPTIONAL PART: MS21921-6D	002004 006100 107107 121503 904999	2
680	271N6821-1101	.	TUBE ASSY-RETURN SYS POSITION DATA: CTR TUBING MATERIAL: .375 IN. OD X .035 IN. WALL X 22.50 IN. LG AL AMS 4083 6061 T6 TUBING	002004 006100 107107 121503 904999	1
- 685	AP2097HP06	..	SLEEVE SUPPLIER CODE: V01673 SPECIFICATION NUMBER: BACS13BX06HP OPTIONAL PART: 2-02903-06HP V11328 35235VN06 V08199 AFP175V06P V30974 DBOS13BX06HP V14798	002004 006100 107107 121503 904999	1
- 690	MS21921-6D	..	NUT- OPTIONAL PART: BACN10YL06	002004 006100 107107 121503 904999	1
- 690	BACN10YL06	..	NUT- OPTIONAL PART: MS21921-6D	002004 006100 107107 121503 904999	1

MISSING ITEM NUMBERS NOT APPLICABLE

- ITEM NOT ILLUSTRATED

27-31-51-16

27-31-51  
FIG. 16  
PAGE 27  
JAN 20/09

BRI

BOEING PROPRIETARY - Copyright © - Unpublished Work - See title page for details.

**BOEING**  
757  
PARTS CATALOG (MAINTENANCE)

FIG ITEM	PART NUMBER	1 2 3 4 5 6 7	NOMENCLATURE	EFFECT FROM TO	UNITS PER ASSY
16 - 695	35056GV06		.. UNION SUPPLIER CODE: V08199 SPECIFICATION NUMBER: BACU24AB6W OPTIONAL PART: 2-01027-6W V11328 31875-6W V14397 4671097W6 V50948 AP1004W06 V01673 AFP941W6 V30974 DBOU24AB6W V14798	002004 006100 107107 121503 904999	1
700	271N6821-1196		. TUBE ASSY-RETURN SYS POSITION DATA: CTR TUBING MATERIAL: .375 IN. OD X .035 IN. WALL X 41.10 IN. LG AL AMS 4083 6061 T6 TUBING	904949	1
700	271N6821-1213		. TUBE ASSY-RETURN CTR SYS TUBING MATERIAL: .375 IN. OD X .035 IN. WALL X 50.90 IN. LG AL AMS 4083 6061 T6 TUBING POST ALERT SB: 29A0030R2	002004 006100 107107 121503 950999	1
- 707	AP2097HP06		.. SLEEVE SUPPLIER CODE: V01673 SPECIFICATION NUMBER: BACS13BX06HP OPTIONAL PART: 2-02903-06HP V11328 35235VN06 V08199 AFP175V06P V30974 DBOS13BX06HP V14798	002004 006100 107107 121503 904999	1

MISSING ITEM NUMBERS NOT APPLICABLE

- ITEM NOT ILLUSTRATED

BRI

# 27-31-51-16

BOEING PROPRIETARY - Copyright © - Unpublished Work - See title page for details.

27-31-51  
FIG. 16  
PAGE 28  
JAN 20/09



757

PARTS CATALOG (MAINTENANCE)

FIG ITEM	PART NUMBER	1 2 3 4 5 6 7	NOMENCLATURE	EFFECT FROM TO	UNITS PER ASSY
16					
- 710	MS21921-6D	..	NUT- OPTIONAL PART: BACN10YL06	002004 006100 107107 121503 904999	1
- 710	BACN10YL06	..	NUT- OPTIONAL PART: MS21921-6D	002004 006100 107107 121503 904999	1
- 712	35056GV06	..	UNION SUPPLIER CODE: V08199 SPECIFICATION NUMBER: BACU24AB6W OPTIONAL PART: 2-01027-6W V11328 31875-6W V14397 4671097W6 V50948 AP1004W06 V01673 AFP941W6 V30974 DBOU24AB6W V14798	002004 006100 107107 121503 904999	1
715	BACU24L6	.	UNION	002004 006100 107107 121503 904999	5
720	MS21924D6	.	UNION	002004 006100 107107 121503 904999	2
725	MS21908D8	.	ELBOW-	002004 006100 107107 121503 904999	1
730	MS21924J6	.	UNION	002004 006100 107107 121503 904999	3

MISSING ITEM NUMBERS NOT APPLICABLE

- ITEM NOT ILLUSTRATED

27-31-51-16

27-31-51  
FIG. 16  
PAGE 29  
JAN 20/09

BRI

BOEING PROPRIETARY - Copyright © - Unpublished Work - See title page for details.



757

PARTS CATALOG (MAINTENANCE)

FIG ITEM	PART NUMBER	1 2 3 4 5 6 7	NOMENCLATURE	EFFECT FROM TO	UNITS PER ASSY
16 735	BACE21BM0606T	.ELBOW-		002004 006100 107107 121503 904999	3
735	BACE21BM0606J	.ELBOW-		002004 006100 107107 121503 904999	3
737	BACE21BN0606T	.ELBOW-		002004 006100 107107 121503 904999	1
737	BACE21BN0606J	.ELBOW-		002004 006100 107107 121503 904999	1
740	MS21907D6	.ELBOW		002004 006100 107107 121503 904999	3
745	BACT16BL060606T	.TEE-		002004 006100 107107 121503 904999	1
745	BACT16BL060606J	.TEE-		002004 006100 107107 121503 904999	1

MISSING ITEM NUMBERS NOT APPLICABLE

- ITEM NOT ILLUSTRATED

BRI

**27-31-51-16**

BOEING PROPRIETARY - Copyright © - Unpublished Work - See title page for details.

27-31-51  
FIG. 16  
PAGE 30  
JAN 20/09



**757  
PARTS CATALOG (MAINTENANCE)**

FIG ITEM	PART NUMBER	1 2 3 4 5 6 7	NOMENCLATURE	EFFECT FROM TO	UNITS PER ASSY
16 750	APX824D080606	. TEE	SUPPLIER CODE: V01673 SPECIFICATION NUMBER: BACT16AS080606D OPTIONAL PART: APX824-080606D V01673 DB0T16AS080606D V14798 ER824-080606D V50948 FER1571-080606D V14397 LER824-080606D V11328 NAF1824-080606D V52930 US1925-080606D V50808 AFP325-080606D V30974	002004 006100 107107 121503 904999	1
755	AN924-6D	. NUT		002004 006100 107107 121503 904999	17
760	AN924-8D	. NUT		002004 006100 107107 121503 904999	1
765	AN960KD916	. WASHER-		002004 006100 107107 121503 904999	8
769	AN960KD916	. WASHER		002004 006100 107107 121503 904999	6
770	271N6174-2	. BRACKET INSTL- FOR DETAILS SEE: 29-11-60-01		002004 006100 107107 121503 904999	1

MISSING ITEM NUMBERS NOT APPLICABLE

- ITEM NOT ILLUSTRATED

BRI

# 27-31-51-16

BOEING PROPRIETARY - Copyright © - Unpublished Work - See title page for details.

27-31-51  
FIG. 16  
PAGE 31  
JAN 20/09





757  
PARTS CATALOG (MAINTENANCE)

FIG ITEM	PART NUMBER	1 2 3 4 5 6 7 NOMENCLATURE	EFFECT FROM TO	UNITS PER ASSY
16		<p>.....</p> <p>.....</p>	<p>002004</p> <p>006100</p> <p>107107</p> <p>121503</p> <p>904999</p> <p>002004</p> <p>006100</p> <p>107107</p> <p>121503</p> <p>904999</p>	<p>R F</p> <p>R F</p>

MISSING ITEM NUMBERS NOT APPLICABLE

- ITEM NOT ILLUSTRATED

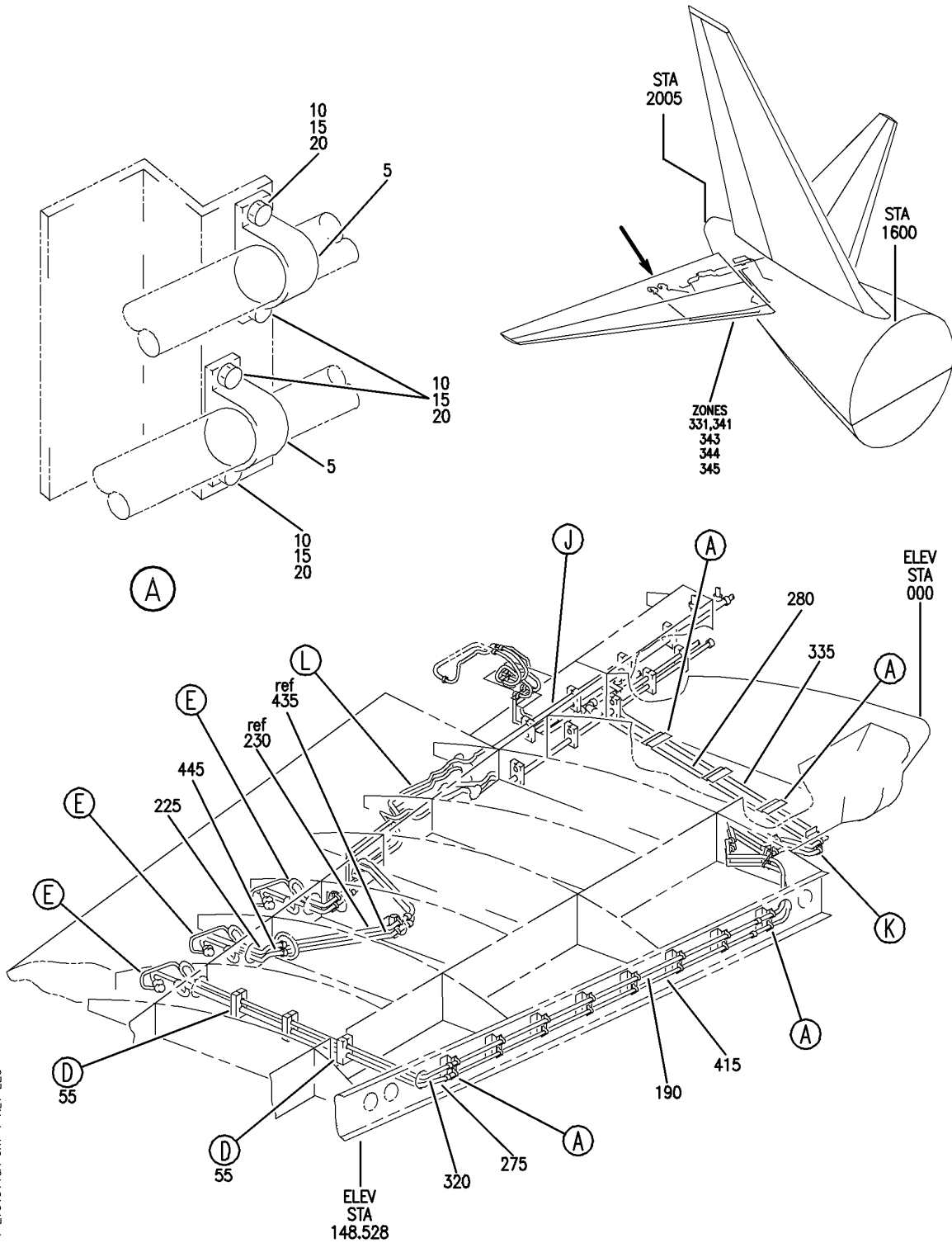
BRI

27-31-51-16

BOEING PROPRIETARY - Copyright © - Unpublished Work - See title page for details.

27-31-51  
FIG. 16  
PAGE 32  
JAN 20/09

**BOEING**  
757  
PARTS CATALOG (MAINTENANCE)



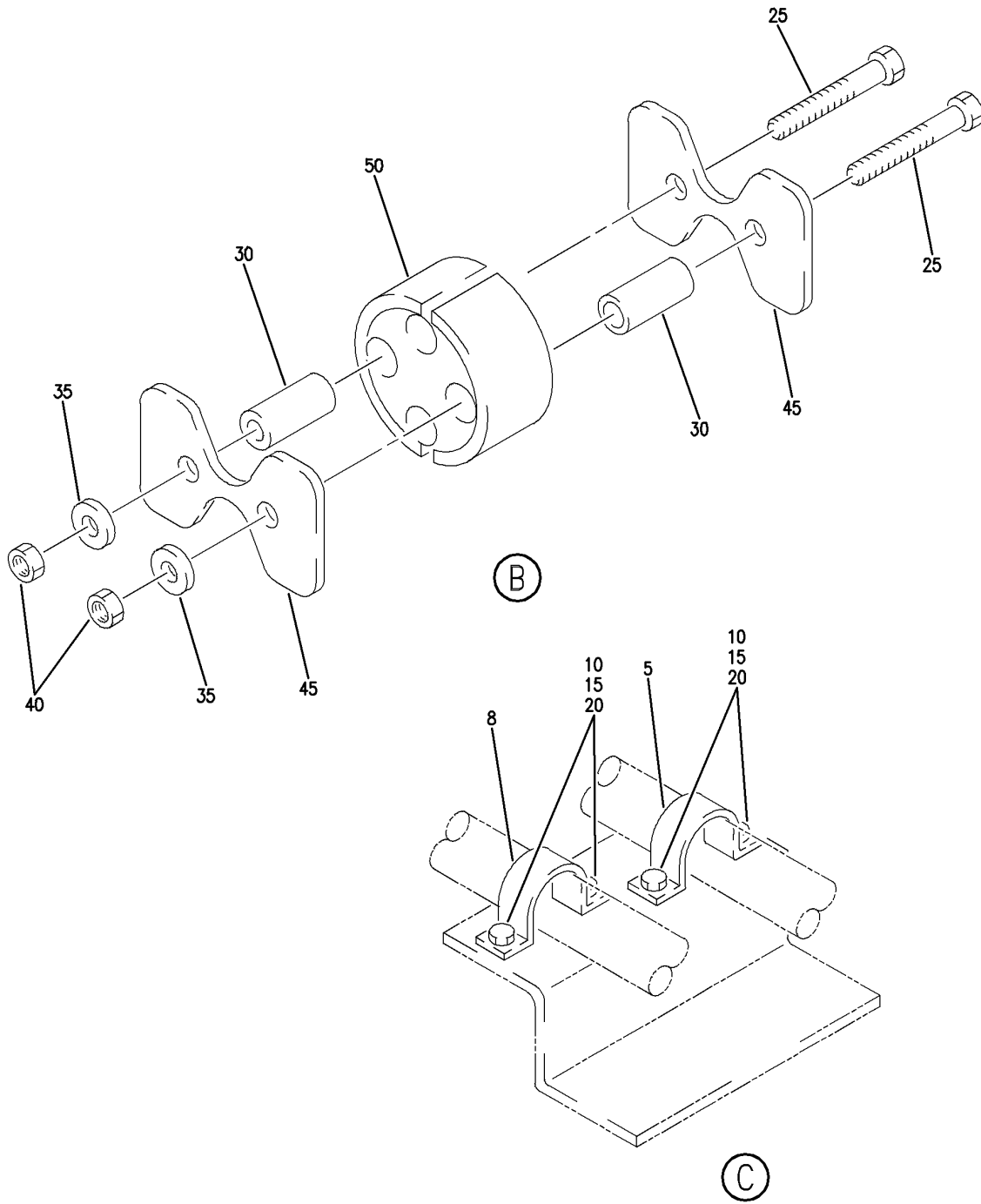
PLUMBING INSTL-SEC. 82 HYDR  
FIGURE 16A (SHEET 1)

**27-31-51-16A**

BRI  
MAY 28/07

27-31-51-16A  
PAGE 0

**BOEING**  
757  
PARTS CATALOG (MAINTENANCE)



Y 27315116A SHT 2 REV 240

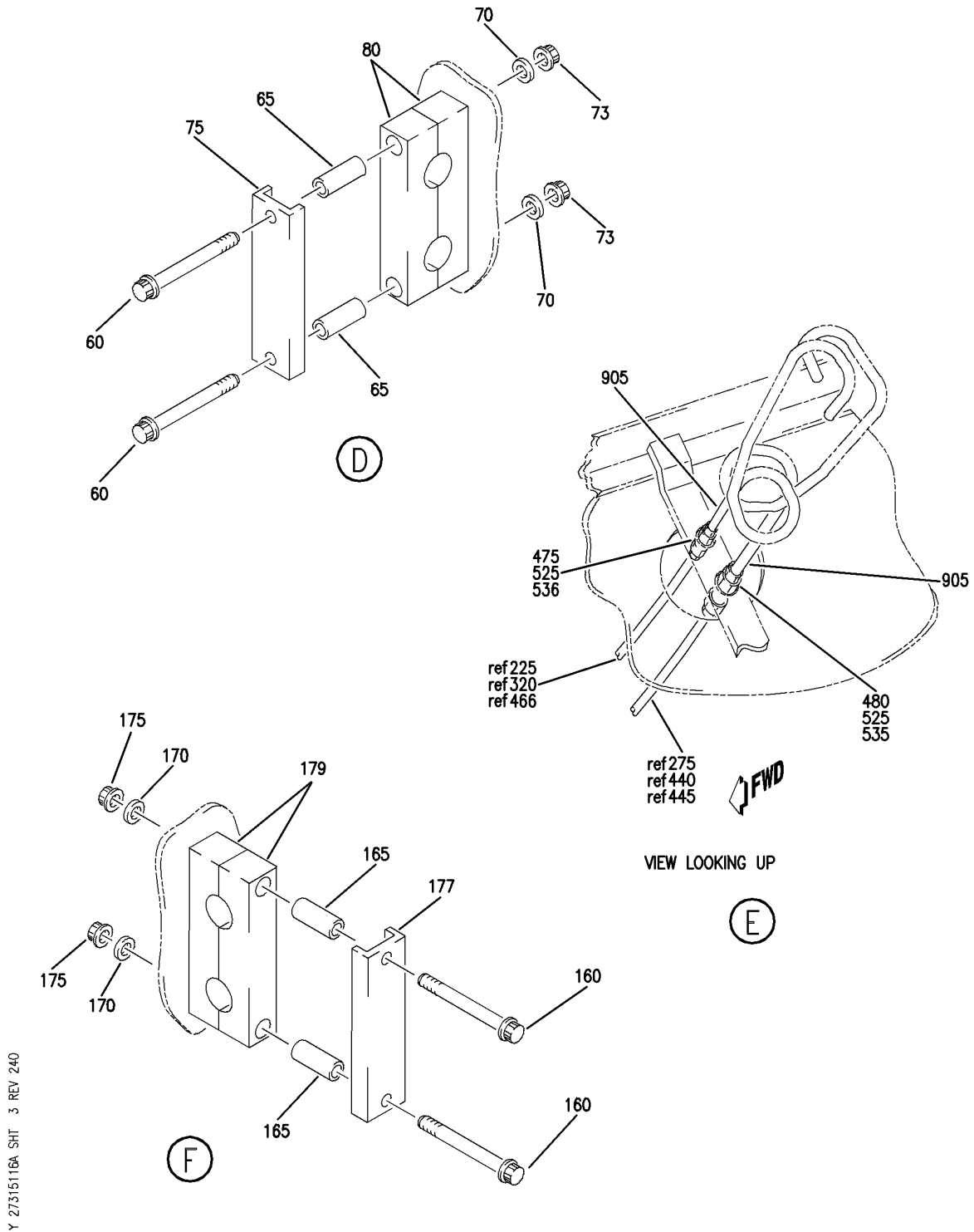
PLUMBING INSTL-SEC. 82 HYDR  
FIGURE 16A (SHEET 2)

**27-31-51-16A**

BRI  
MAY 28/07

27-31-51-16A  
PAGE 0A

**BOEING**  
757  
PARTS CATALOG (MAINTENANCE)



Y 27315116A SH1 3 REV 240

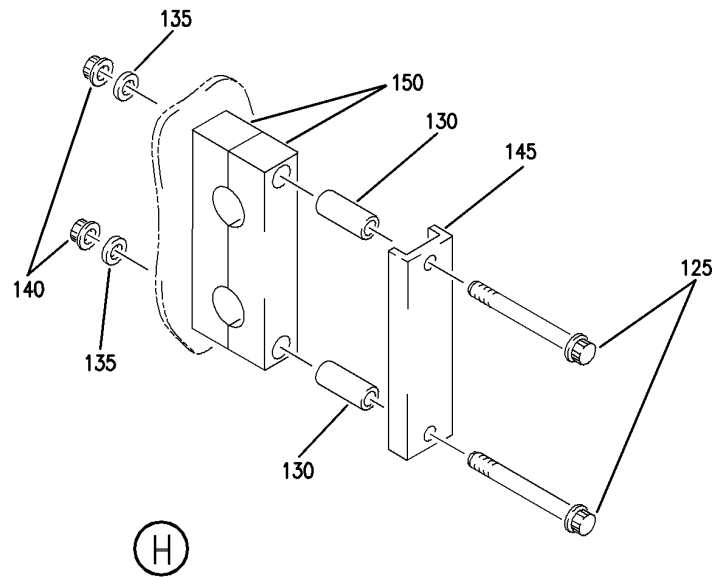
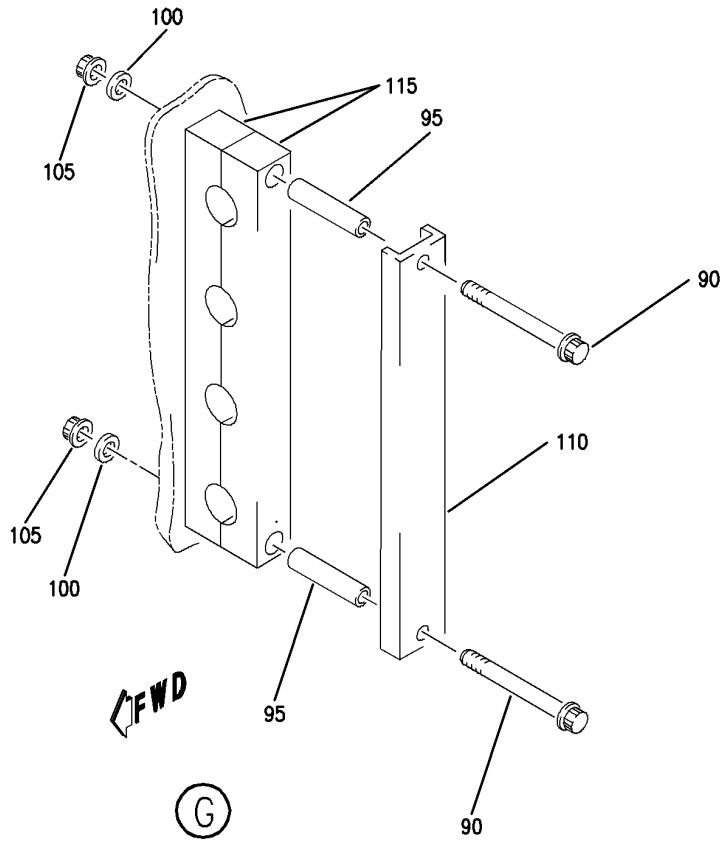
PLUMBING INSTL-SEC. 82 HYDR  
FIGURE 16A (SHEET 3)

**27-31-51-16A**

BRI  
MAY 28/07

27-31-51-16A  
PAGE 0B

**BOEING**  
757  
PARTS CATALOG (MAINTENANCE)



Y 27315116A SH1 4 REV 226

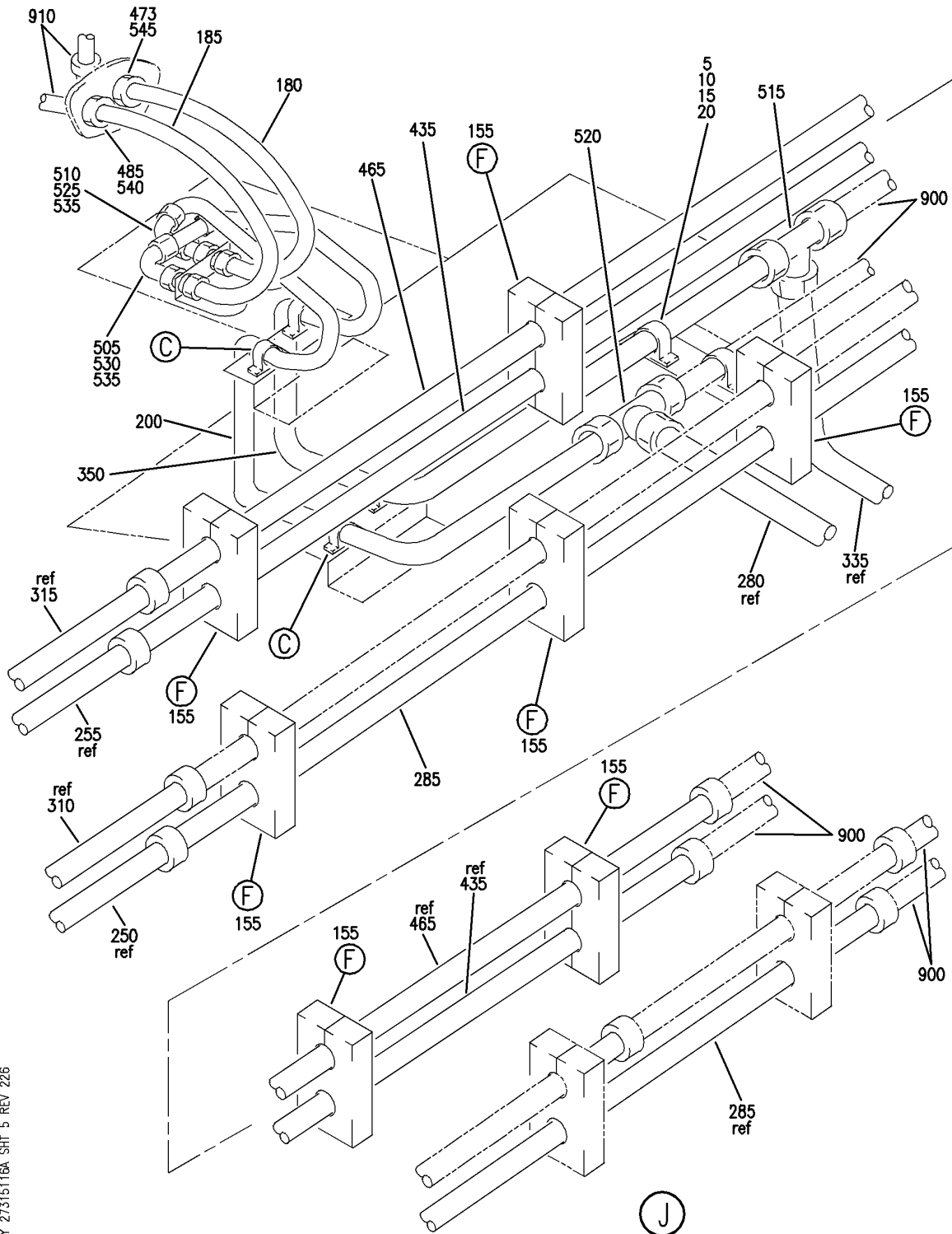
PLUMBING INSTL-SEC. 82 HYDR  
FIGURE 16A (SHEET 4)

**27-31-51-16A**

BRI  
MAY 28/07

27-31-51-16A  
PAGE 0C

**BOEING**  
757  
PARTS CATALOG (MAINTENANCE)



Y 27315116A SHF 5 REV 226

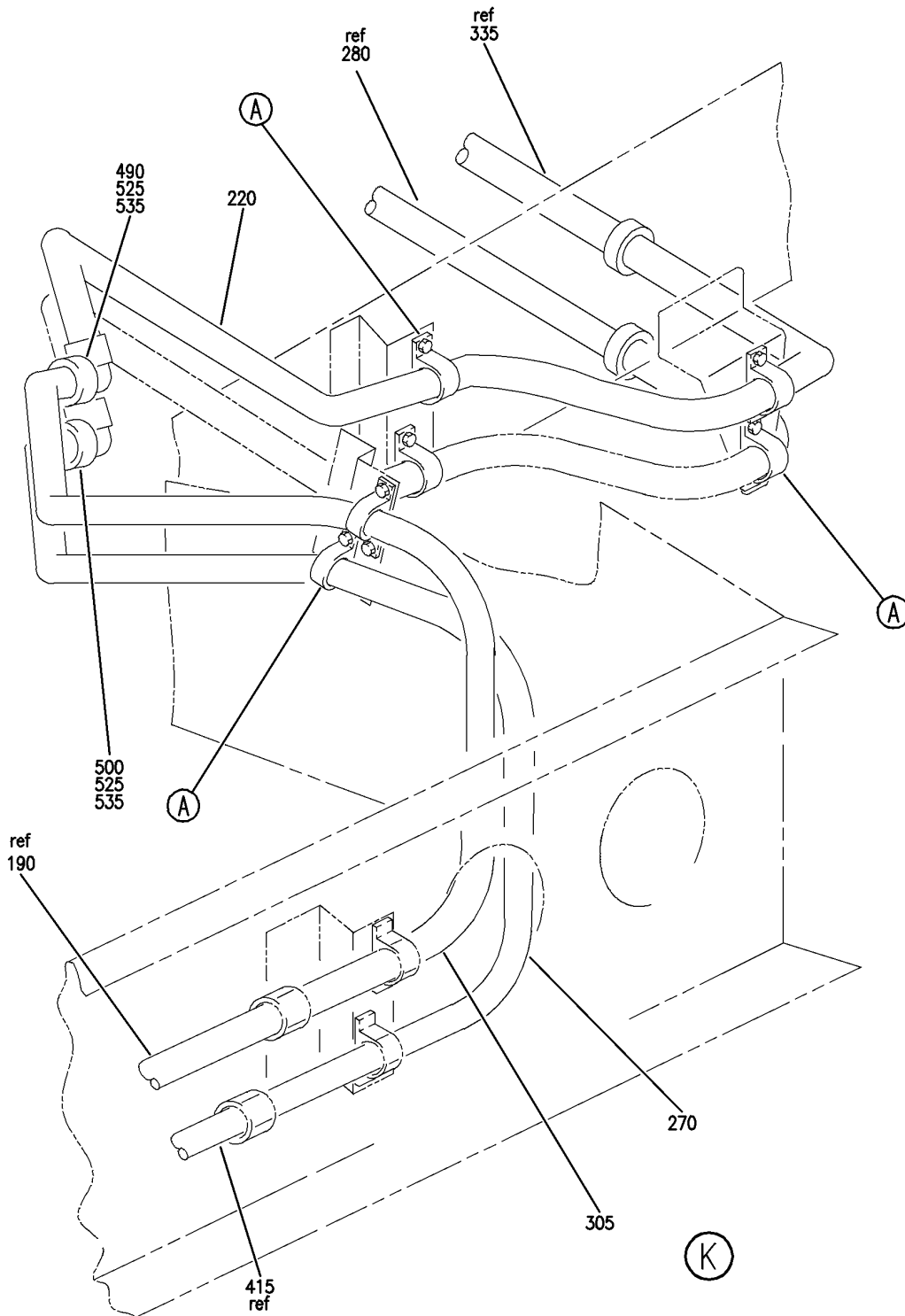
PLUMBING INSTL-SEC. 82 HYDR  
FIGURE 16A (SHEET 5)

**27-31-51-16A**

BRI  
MAY 28/07

27-31-51-16A  
PAGE 0D

**BOEING**  
757  
PARTS CATALOG (MAINTENANCE)



Y 27315116A SH1 6 REV 226

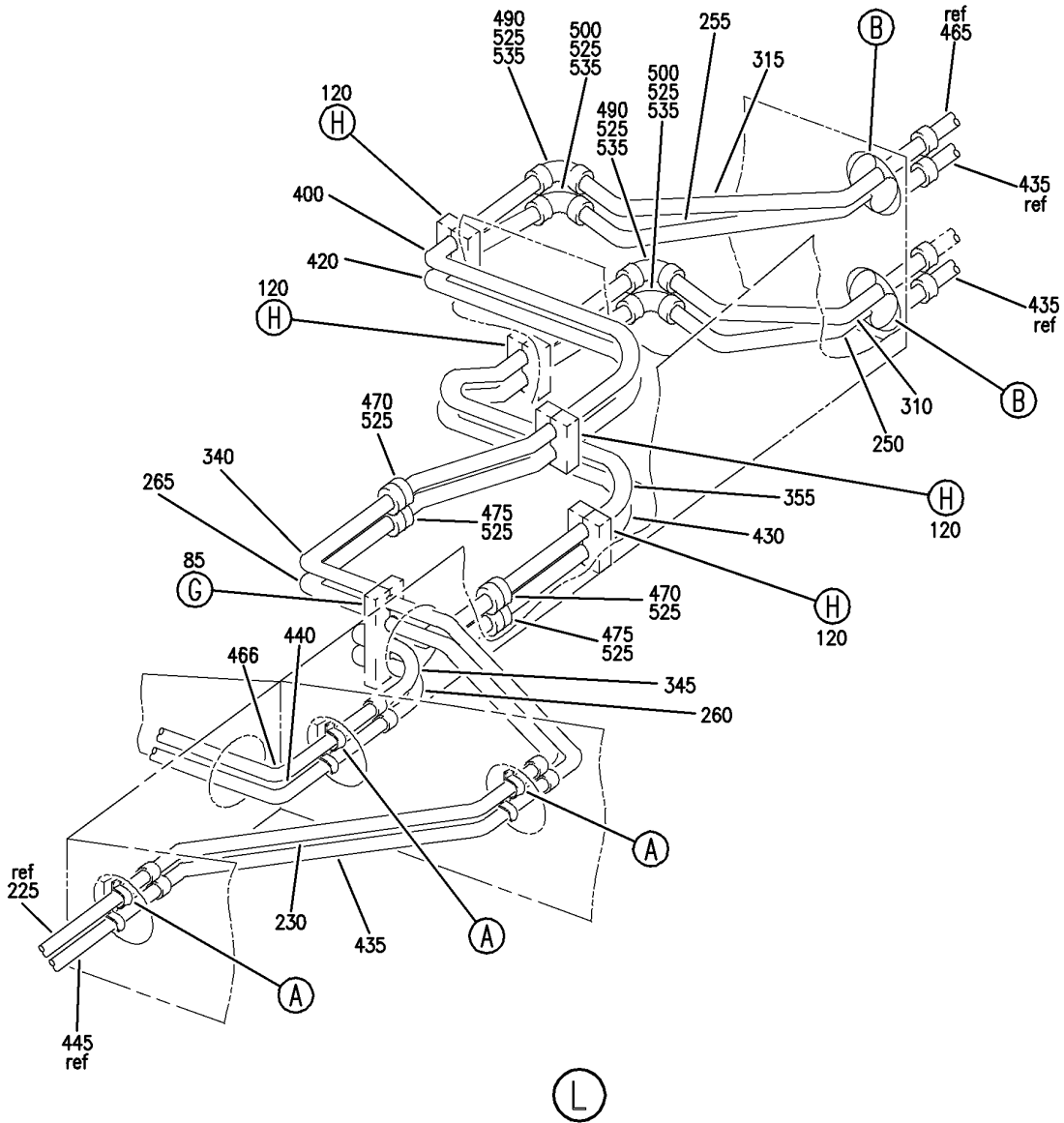
PLUMBING INSTL-SEC. 82 HYDR  
FIGURE 16A (SHEET 6)

**27-31-51-16A**

BRI  
MAY 28/07

27-31-51-16A  
PAGE 0E

**BOEING**  
757  
PARTS CATALOG (MAINTENANCE)



Y 27315116A SH7 7 REV 240

PLUMBING INSTL-SEC. 82 HYDR  
FIGURE 16A (SHEET 7)

**27-31-51-16A**

BRI  
MAY 28/07

27-31-51-16A  
PAGE OF



**BOEING**  
757  
**PARTS CATALOG (MAINTENANCE)**

FIG ITEM	PART NUMBER	1 2 3 4 5 6 7	NOMENCLATURE	EFFECT FROM TO	UNITS PER ASSY
16A			PLUMBING INSTL-SEC. 82 HYDR	101106 108120 504903	RF
- 1	271N6821-8		PLUMBING INSTL-HYDR POSITION DATA: SECT. 82 R FOR NHA SEE: 27-00-00-03	101102 108120 504903	RF
- 1	MODREF31976		PLUMBING INSTL-HYDR MODULE NUMBER: 271N6821-8 REV B POSITION DATA: SECT. 82 R	103106	1
5	TA0910005H106		.CLAMP SUPPLIER CODE: V84971 SPECIFICATION NUMBER: BACC10HC06C	101106 108120 504903	37
8	TA0910005H108		.CLAMP SUPPLIER CODE: V84971 SPECIFICATION NUMBER: BACC10HC08C	101106 108120 504903	2
10	NAS1801-3		ATTACHING PARTS .SCREW- SIZE DETERMINED ON INSTL.	101106 108120 504903	78
15	AN960KD10L		.WASHER	101106 108120 504903	78
20	MS21042L3		.NUT- SIZE DETERMINED ON INSTL.	101106 108120 504903	78
25	NAS1801-3-20		-----*----- .SCREW	101106 108120 504903	4
30	NAS43DD3-48		.SPACER	101106 108120 504903	4
35	AN960DK10L		.WASHER	101106 108120 504903	4

MISSING ITEM NUMBERS NOT APPLICABLE

- ITEM NOT ILLUSTRATED

BRI

# 27-31-51-16A

BOEING PROPRIETARY - Copyright © - Unpublished Work - See title page for details.

27-31-51  
FIG. 16A  
PAGE 1  
JAN 20/09



757

PARTS CATALOG (MAINTENANCE)

FIG ITEM	PART NUMBER	1 2 3 4 5 6 7	NOMENCLATURE	EFFECT FROM TO	UNITS PER ASSY
16A 40	BRH10A3	.NUT	SUPPLIER CODE: V52828 SPECIFICATION NUMBER: BACN10JC3 OPTIONAL PART: H10-3BAC V15653 NS202101-02 V80539 RMLH9075-3W V72962 VN303A02 V92215 96-02 V80539 T6S1032J V11815	101106 108120 504903	4
45	271N6118-1	.CLAMP		101106 108120 504903	4
50	271N6117-1	.RETAINER		101106 108120 504903	2
55	270N2000-3	.CLAMP ASSY-BLK		101106 108120 504903	3
60	NAS1801-3-24	..SCREW		101106 108120 504903	6
65	NAS43DD3-59	..SPACER		101106 108120 504903	6
70	AN960PD10L	..WASHER		101106 108120 504903	6

MISSING ITEM NUMBERS NOT APPLICABLE

- ITEM NOT ILLUSTRATED

**27-31-51-16A**

27-31-51  
FIG. 16A  
PAGE 2  
JAN 20/09

BRI

BOEING PROPRIETARY - Copyright © - Unpublished Work - See title page for details.



757

PARTS CATALOG (MAINTENANCE)

FIG ITEM	PART NUMBER	1 2 3 4 5 6 7	NOMENCLATURE	EFFECT FROM TO	UNITS PER ASSY
16A 73	BRH10A3	..	NUT SUPPLIER CODE: V52828 SPECIFICATION NUMBER: BACN10JC3 OPTIONAL PART: H10-3BAC V15653 NS202101-02 V80539 RMLH9075-3W V72962 VN303A02 V92215 96-02 V80539 T6S1032J V11815	101106 108120 504903	6
75	270N2000-801	..	CHANNEL	101106 108120 504903	3
80	270N2000-401	..	BLOCK-CLAMP	101106 108120 504903	6
85	270N2000-79	.	CLAMP ASSY-BLK	101106 108120 504903	1
90	NAS1801-3-24	..	SCREW	101106 108120 504903	2
95	NAS43DD3-59	..	SPACER	101106 108120 504903	2
100	AN960PD10L	..	WASHER	101106 108120 504903	2

MISSING ITEM NUMBERS NOT APPLICABLE

- ITEM NOT ILLUSTRATED

27-31-51-16A

27-31-51  
FIG. 16A  
PAGE 3  
JAN 20/09

BRI

BOEING PROPRIETARY - Copyright © - Unpublished Work - See title page for details.



757

PARTS CATALOG (MAINTENANCE)

FIG ITEM	PART NUMBER	1 2 3 4 5 6 7	NOMENCLATURE	EFFECT FROM TO	UNITS PER ASSY
16A 105	BRH10A3	..	NUT SUPPLIER CODE: V52828 SPECIFICATION NUMBER: BACN10JC3 OPTIONAL PART: H10-3BAC V15653 NS202101-02 V80539 RMLH9075-3W V72962 VN303A02 V92215 96-02 V80539 T6S1032J V11815	101106 108120 504903	2
110	270N2000-854	..	CHANNEL- OPTIONAL PART: 270N2000-829	101106 108120 504903	1
115	270N2000-512	..	BLOCK-CLAMP OPTIONAL PART: 270N2000-473	101106 108120 504903	2
120	270N2000-36	.	CLAMP ASSY-BLK	101106 108120 504903	4
125	NAS1801-3-24	..	SCREW	101106 108120 504903	8
130	NAS43DD3-59	..	SPACER	101106 108120 504903	8
135	AN960PD10L	..	WASHER	101106 108120 504903	8

MISSING ITEM NUMBERS NOT APPLICABLE

- ITEM NOT ILLUSTRATED

27-31-51-16A

27-31-51  
FIG. 16A  
PAGE 4  
JAN 20/09

BRI

BOEING PROPRIETARY - Copyright © - Unpublished Work - See title page for details.



757

PARTS CATALOG (MAINTENANCE)

FIG ITEM	PART NUMBER	1 2 3 4 5 6 7	NOMENCLATURE	EFFECT FROM TO	UNITS PER ASSY
16A 140	BRH10A3	. .	NUT SUPPLIER CODE: V52828 SPECIFICATION NUMBER: BACN10JC3 OPTIONAL PART: H10-3BAC V15653 NS202101-02 V80539 RMLH9075-3W V72962 VN303A02 V92215 96-02 V80539 T6S1032J V11815	101106 108120 504903	8
145	270N2000-803	. .	CHANNEL	101106 108120 504903	4
150	270N2000-457	. .	BLOCK-CLAMP	101106 108120 504903	8
155	270N2000-144	. .	CLAMP ASSY-BLK	101106 108120 504903	7
160	NAS1801-3-24	. .	SCREW	101106 108120 504903	14
165	NAS43DD3-59	. .	SPACER	101106 108120 504903	14
170	AN960PD10L	. .	WASHER	101106 108120 504903	14

MISSING ITEM NUMBERS NOT APPLICABLE

- ITEM NOT ILLUSTRATED

**27-31-51-16A**

27-31-51  
FIG. 16A  
PAGE 5  
JAN 20/09

BRI

BOEING PROPRIETARY - Copyright © - Unpublished Work - See title page for details.



757

PARTS CATALOG (MAINTENANCE)

FIG ITEM	PART NUMBER	1 2 3 4 5 6 7	NOMENCLATURE	EFFECT FROM TO	UNITS PER ASSY
16A 175	BRH10A3	..	NUT SUPPLIER CODE: V52828 SPECIFICATION NUMBER: BACN10JC3 OPTIONAL PART: H10-3BAC V15653 NS202101-02 V80539 RMLH9075-3W V72962 VN303A02 V92215 96-02 V80539 T6S1032J V11815	101106 108120 504903	14
177	270N2000-821	..	CHANNEL	101106 108120 504903	7
179	270N2000-606	..	BLOCK-CLAMP	101106 108120 504903	14
180	AS116-06-0226	.	HOSE ASSY	101106 108120 504903	1
185	AS116-08-0226	.	HOSE ASSY	101106 108120 504903	1
190	271N6821-1009	.	TUBE ASSY-PRESSURE SYS TUBING MATERIAL: .375 IN. OD X .019 IN. WALL X 103.90 IN. LG TI BMS 7-234 TI-3AL-2.5V COLD WORKED, STRESS RELIEVED TUBING	101106 108120 504903	1
- 192	AS1582T06	..	UNION	101106 108120 504903	2
200	271N6821-1176	.	TUBE ASSY-RETURN SYS TUBING MATERIAL: .500 IN. OD X .035 IN. WALL X 40.10 IN. LG AL AMS 4083 6061 T6 TUBING	101106 108120 504903	1

MISSING ITEM NUMBERS NOT APPLICABLE

- ITEM NOT ILLUSTRATED

**27-31-51-16A**

27-31-51  
FIG. 16A  
PAGE 6  
JAN 20/09

BRI

BOEING PROPRIETARY - Copyright © - Unpublished Work - See title page for details.



757

PARTS CATALOG (MAINTENANCE)

FIG ITEM	PART NUMBER	1 2 3 4 5 6 7	NOMENCLATURE	EFFECT FROM TO	UNITS PER ASSY
16A - 205	AP2097HP08	..	SLEEVE SUPPLIER CODE: V01673 SPECIFICATION NUMBER: BACS13BX08HP OPTIONAL PART: 2-02903-08HP V11328 35235VN08 V08199 AFP175V08P V30974 DBOS13BX08HP V14798	101106 108120 504903	2
- 210	BACN10YL08	..	NUT- OPTIONAL PART: MS21921-8D	101106 108120 504903	2
- 210	MS21921-8D	..	NUT- OPTIONAL PART: BACN10YL08	101106 108120 504903	2
220	271N6821-1190	.TUBE	ASSY-PRESSURE SYS TUBING MATERIAL: .375 IN. OD X .019 IN. WALL X 34.30 IN. LG TI BMS 7-234 TI-3AL-2.5V COLD WORKED, STRESS RELIEVED TUBING	101106 108120 504903	1
225	271N6821-1191	.TUBE	ASSY-PRESSURE SYS TUBING MATERIAL: .375 IN. OD X .019 IN. WALL X 9.70 IN. LG TI BMS 7-234 TI-3AL-2.5V COLD WORKED, STRESS RELIEVED TUBING	101106 108120 504903	1
230	271N6821-1216	.TUBE	ASSY-PRESSURE SYS TUBING MATERIAL: .375 IN. OD X .019 IN. WALL X 27.40 IN. LG TI BMS 7-234 TI-3AL-2.5V COLD WORKED, STRESS RELIEVED TUBING	101106 108120 504903	1
- 235	AS1581T06	..	SLEEVE	101106 108120 504903	1
- 240	BACN10YA6	..	NUT	101106 108120 504903	1

MISSING ITEM NUMBERS NOT APPLICABLE

- ITEM NOT ILLUSTRATED

27-31-51-16A

27-31-51  
FIG. 16A  
PAGE 7  
JAN 20/09

BRI

BOEING PROPRIETARY - Copyright © - Unpublished Work - See title page for details.



757

PARTS CATALOG (MAINTENANCE)

FIG ITEM	PART NUMBER	1 2 3 4 5 6 7	NOMENCLATURE	EFFECT FROM TO	UNITS PER ASSY
16A - 245	AS1582T06		. . UNION	101106 108120 504903	1
250	271N6821-1101		. TUBE ASSY-RETURN SYS TUBING MATERIAL: .375 IN. OD X .035 IN. WALL X 22.50 IN. LG AL AMS 4083 6061 T6 TUBING	101106 108120 504903	1
255	271N6821-1170		. TUBE ASSY-ELEV RETURN SYS TUBING MATERIAL: .375 IN. OD X .035 IN. WALL X 22.50 IN. LG AL AMS 4083 6061 T6 TUBING	101106 108120 504903	1
260	271N6821-1180		. TUBE ASSY-RETURN SYS TUBING MATERIAL: .375 IN. OD X .035 IN. WALL X 22.10 IN. LG AL AMS 4083 6061 T6 TUBING	101106 108120 504903	1
265	271N6821-1181		. TUBE ASSY-RETURN SYS TUBING MATERIAL: .375 IN. OD X .035 IN. WALL X 28.60 IN. LG AL AMS 4083 6061 T6 TUBING	101106 108120 504903	1
270	271N6821-1186		. TUBE ASSY-RETURN SYS TUBING MATERIAL: .375 IN. OD X .035 IN. WALL X 40.20 IN. LG AL AMS 4083 6061 T6 TUBING	101106 108120 504903	1
275	271N6821-1194		. TUBE ASSY-RETURN SYS TUBING MATERIAL: .375 IN. OD X .035 IN. WALL X 63.10 IN. LG AL AMS 4083 6061 T6 TUBING	101106 108120 504903	1
280	271N6821-1203		. TUBE ASSY-RETURN SYS TUBING MATERIAL: .375 IN. OD X .035 IN. WALL X 43.70 IN. LG AL AMS 4083 6061 T6 TUBING	101106 108120 504903	1
285	271N6821-1213		. TUBE ASSY-RETURN CTR SYS TUBING MATERIAL: .375 IN. OD X .035 IN. WALL X 50.90 IN. LG AL AMS 4083 6061 T6 TUBING	101106 108120 504903	1

MISSING ITEM NUMBERS NOT APPLICABLE

- ITEM NOT ILLUSTRATED

27-31-51-16A

27-31-51  
FIG. 16A  
PAGE 8  
JAN 20/09

BRI





757

PARTS CATALOG (MAINTENANCE)

FIG ITEM	PART NUMBER	1 2 3 4 5 6 7	NOMENCLATURE	EFFECT FROM TO	UNITS PER ASSY
16A - 290	AP2097HP06	..	SLEEVE SUPPLIER CODE: V01673 SPECIFICATION NUMBER: BACS13BX06HP OPTIONAL PART: 2-02903-06HP V11328 35235VN06 V08199 AFP175V06P V30974 DBOS13BX06HP V14798	101106 108120 504903	1
- 295	BACN10YL06	..	NUT- OPTIONAL PART: MS21921-6D	101106 108120 504903	1
- 295	MS21921-6D	..	NUT- OPTIONAL PART: BACN10YL06	101106 108120 504903	1
- 300	35056GV06	..	UNION SUPPLIER CODE: V08199 SPECIFICATION NUMBER: BACU24AB6W OPTIONAL PART: 2-01027-6W V11328 31875-6W V14397 4671097W6 V50948 AP1004W06 V01673 AFP941W6 V30974 DBOU24AB6W V14798	101106 108120 504903	1
305	271N6821-1008	.	TUBE ASSY-PRESSURE SYS TUBING MATERIAL: .375 IN. OD X .019 IN. WALL X 41.10 IN. LG TI BMS 7-234 TI-3AL-2.5V COLD WORKED, STRESS RELIEVED TUBING	101106 108120 504903	1

MISSING ITEM NUMBERS NOT APPLICABLE

- ITEM NOT ILLUSTRATED

27-31-51-16A

27-31-51  
FIG. 16A  
PAGE 9  
JAN 20/09

BRI

BOEING PROPRIETARY - Copyright © - Unpublished Work - See title page for details.



757

PARTS CATALOG (MAINTENANCE)

FIG ITEM	PART NUMBER	1 2 3 4 5 6 7	NOMENCLATURE	EFFECT FROM TO	UNITS PER ASSY
16A 310	271N6821-1099		.TUBE ASSY-PRESSURE SYS TUBING MATERIAL: .375 IN. OD X .019 IN. WALL X 20.70 IN. LG TI BMS 7-234 TI-3AL-2.5V COLD WORKED, STRESS RELIEVED TUBING	101106 108120 504903	1
315	271N6821-1118		.TUBE ASSY-PRESSURE SYS TUBING MATERIAL: .375 IN. OD X .019 IN. WALL X 24.00 IN. LG TI BMS 7-234 TI-3AL-2.5V COLD WORKED, STRESS RELIEVED TUBING	101106 108120 504903	1
320	271N6821-1137		.TUBE ASSY-PRESSURE SYS TUBING MATERIAL: .0375 IN. OD X .019 IN. WALL X 62.00 IN. LG TI BMS 7-234 TI-3AL-2.5V COLD WORKED, STRESS RELIEVED TUBING	101106 108120 504903	1
- 325	AS1581T06		..SLEEVE	101106 108120 504903	2
- 330	BACN10YA6		..NUT	101106 108120 504903	2
335	271N6821-1157		.TUBE ASSY-PRESSURE SYS TUBING MATERIAL: .375 IN. OD X .019 IN. WALL X 49.20 IN. LG TI BMS 7-234 TI-3AL-2.5V COLD WORKED, STRESS RELIEVED TUBING	101106 108120 504903	1
340	271N6821-1165		.TUBE ASSY-PRESSURE SYS TUBING MATERIAL: .375 IN. OD X .019 IN. WALL X 27.00 IN. LG TI BMS 7-234 TI-3AL-2.5V COLD WORKED, STRESS RELIEVED TUBING	101106 108120 504903	1
345	271N6821-1166		.TUBE ASSY-PRESSURE SYS TUBING MATERIAL: .375 IN. OD X .019 IN. WALL X 22.10 IN. LG TI BMS 7-234 TI-3AL-2.5V COLD WORKED, STRESS RELIEVED TUBING	101106 108120 504903	1

MISSING ITEM NUMBERS NOT APPLICABLE

- ITEM NOT ILLUSTRATED

**27-31-51-16A**

27-31-51  
FIG. 16A  
PAGE 10  
JAN 20/09

BRI



757

PARTS CATALOG (MAINTENANCE)

FIG ITEM	PART NUMBER	1 2 3 4 5 6 7	NOMENCLATURE	EFFECT FROM TO	UNITS PER ASSY
16A 350	271N6821-1174		.TUBE ASSY-PRESSURE SYS TUBING MATERIAL: .375 IN. OD X .019 IN. WALL X 46.60 IN. LG TI BMS 7-234 TI-3AL-2.5V COLD WORKED, STRESS RELIEVED TUBING	101106 108120 504903	1
355	271N6821-1178		.TUBE ASSY-PRESSURE SYS TUBING MATERIAL: .375 IN. OD X .019 IN. WALL X 46.10 IN. LG TI BMS 7-234 TI-3AL-2.5V COLD WORKED, STRESS RELIEVED TUBING	101106 108120 504903	1
400	271N6821-1187		.TUBE ASSY-PRESSURE SYS TUBING MATERIAL: .375 IN. OD X .019 IN. WALL X 37.80 IN. LG TI BMS 7-234 TI-3AL-2.5V COLD WORKED, STRESS RELIEVED TUBING	101106 108120 504903	1
- 405	AS1581T06		..SLEEVE	101106 108120 504903	2
- 410	BACN10YA6		..NUT-	101106 108120 504903	2
415	271N6821-1019		.TUBE ASSY-RETURN SYS TUBING MATERIAL: .375 IN. OD X .035 IN. WALL X 107.50 IN. LG AL AMS 4083 6061 T6 TUBING	101106 108120 504903	1
420	271N6821-1038		.TUBE ASSY-RETURN SYS TUBING MATERIAL: .375 IN. OD X .035 IN. WALL X 38.90 IN. LG AL AMS 4083 6061 T6 TUBING	101106 108120 504903	1
425	271N6821-1040		.TUBE ASSY-RETURN SYS TUBING MATERIAL: .375 IN. OD X .035 IN. WALL X 27.50 IN. LG AL AMS 4083 6061 T6 TUBING	101106 108120 504903	1
430	271N6821-1058		.TUBE ASSY-RETURN SYS TUBING MATERIAL: .375 IN. OD X .035 IN. WALL X 45.50 IN. LG AL AMS 4083 6061 T6 TUBING	101106 108120 504903	1

MISSING ITEM NUMBERS NOT APPLICABLE

- ITEM NOT ILLUSTRATED

**27-31-51-16A**

27-31-51  
FIG. 16A  
PAGE 11  
JAN 20/09

BRI

BOEING PROPRIETARY - Copyright © - Unpublished Work - See title page for details.



757

PARTS CATALOG (MAINTENANCE)

FIG ITEM	PART NUMBER	1 2 3 4 5 6 7	NOMENCLATURE	EFFECT FROM TO	UNITS PER ASSY
16A 435	271N6821-1140		.TUBE ASSY-RETURN SYS TUBING MATERIAL: .375 IN. OD X .035 IN. WALL X 57.80 IN. LG AL AMS 4083 6061 T6 TUBING	101106 108120 504903	1
440	271N6821-1188		.TUBE ASSY-RETURN SYS TUBING MATERIAL: .375 IN. OD X .035 IN. WALL X 14.80 IN. LG AL AMS 4083 6061 T6 TUBING	101106 108120 504903	1
445	271N6821-1192		.TUBE ASSY-RETURN SYS TUBING MATERIAL: .375 IN. OD X .035 IN. WALL X 11.50 IN. LG AL AMS 4083 6061 T6 TUBING	101106 108120 504903	1
- 450	271N6821-1209		.TUBE ASSY-RETURN SYS TUBING MATERIAL: .375 IN. OD X .035 IN. WALL X 33.40 IN. LG AL AMS 4083 6061 T6 TUBING	101106 108120 504903	1
- 455	AP2097HP06		..SLEEVE SUPPLIER CODE: V01673 SPECIFICATION NUMBER: BACS13BX06HP OPTIONAL PART: 2-02903-06HP V11328 35235VN06 V08199 AFP175V06P V30974 DBOS13BX06HP V14798	101106 108120 504903	2
- 460	BACN10YL06		..NUT- OPTIONAL PART: MS21921-6D	101106 108120 504903	2
- 460	MS21921-6D		..NUT- OPTIONAL PART: BACN10YL06	101106 108120 504903	2

MISSING ITEM NUMBERS NOT APPLICABLE

- ITEM NOT ILLUSTRATED

27-31-51-16A

27-31-51  
FIG. 16A  
PAGE 12  
JAN 20/09

BRI

BOEING PROPRIETARY - Copyright © - Unpublished Work - See title page for details.

 **BOEING**  
757  
**PARTS CATALOG (MAINTENANCE)**

FIG ITEM	PART NUMBER	1 2 3 4 5 6 7	NOMENCLATURE	EFFECT FROM TO	UNITS PER ASSY
16A - 462	35056GV06		..UNION- SUPPLIER CODE: V08199 SPECIFICATION NUMBER: BACU24AB6W OPTIONAL PART: 2-01027-6W V11328 31875-6W V14397 4671097W6 V50948 AP1004W06 V01673 AFP941W6 V30974 DBOU24AB6W V14798 USED ON: 271N6821-1040	101106 108120 504903	1
465	271N6821-1115		.TUBE ASSY-PRESSURE SYS TUBING MATERIAL: .375 IN. OD X .019 IN. WALL X 47.90 IN. LG TI BMS 7-234 TI-3AL-2.5V COLD WORKED, STRESS RELIEVED TUBING	101106 108120 504903	1
466	271N6821-1123		.TUBE ASSY-PRESSURE SYS TUBING MATERIAL: .375 IN. OD X .019 IN. WALL X 12.70 IN. LG TI BMS 7-234 TI-3AL-2.5V COLD WORKED, STRESS RELIEVED TUBING	101106 108120 504903	1
- 467	AS1581T06		..SLEEVE	101106 108120 504903	1
- 468	BACN10YA6		..NUT	101106 108120 504903	1
- 469	AS1582T06		..UNION	101106 108120 504903	1
470	MS21924D6		.UNION	101106 108120 504903	2
473	MS21924-6		.UNION	101106 108120 504903	1

MISSING ITEM NUMBERS NOT APPLICABLE

- ITEM NOT ILLUSTRATED

BRI

# 27-31-51-16A

BOEING PROPRIETARY - Copyright © - Unpublished Work - See title page for details.

27-31-51  
FIG. 16A  
PAGE 13  
JAN 20/09

 **BOEING**  
757  
**PARTS CATALOG (MAINTENANCE)**

FIG ITEM	PART NUMBER	1 2 3 4 5 6 7	NOMENCLATURE	EFFECT FROM TO	UNITS PER ASSY
16A 475	MS21924-6T	.	UNION-	101106 108120 504903	5
480	MS21924J6	.	UNION	101106 108120 504903	3
485	MS21924D8	.	UNION	101106 108120 504903	1
490	BACE21BM0606J	.	ELBOW	101106 108120 504903	3
500	MS21907W6	.	ELBOW	101106 108120 504903	3
505	MS21908W8	.	ELBOW	101106 108120 504903	1
510	BACE21BN0606J	.	ELBOW	101106 108120 504903	1
515	BACT16BL060606J	.	TEE	101106 108120 504903	1
520	BACT16AS080606W	.	TEE	101106 108120 504903	1
525	AN924-6D	.	NUT	101106 108120 504903	17
530	AN924-8D	.	NUT	101106 108120 504903	1
535	AN960JD916	.	WASHER	101106 108120 504903	11
540	NAS1149D0916J	.	WASHER	101106 108120 504903	1
545	NAS1149D0332J	.	WASHER	101106 108120 504903	1
900			ILLUSTRATION REFERENCE: PLUMBING INSTL-SEC. 82 HYDR 27-31-51-15A	101106 108120 504903	RF

MISSING ITEM NUMBERS NOT APPLICABLE

— ITEM NOT ILLUSTRATED

BRI

# 27-31-51-16A

BOEING PROPRIETARY - Copyright © - Unpublished Work - See title page for details.

27-31-51  
FIG. 16A  
PAGE 14  
JAN 20/09



757

PARTS CATALOG (MAINTENANCE)

FIG ITEM	PART NUMBER	1 2 3 4 5 6 7	NOMENCLATURE	EFFECT FROM TO	UNITS PER ASSY
16A 905			ILLUSTRATION REFERENCE: CONTROL UNIT INSTL-ELEV CONT PWR 27-31-05-01	101106 108120 504903	RF
910			ILLUSTRATION REFERENCE: PLUMBING INSTL-SECT. 48 (RUDDER AND ELEVATOR HYDRAULIC SYSTEMS ONLY) 27-23-00-02	101106 108120 504903	RF

MISSING ITEM NUMBERS NOT APPLICABLE

- ITEM NOT ILLUSTRATED

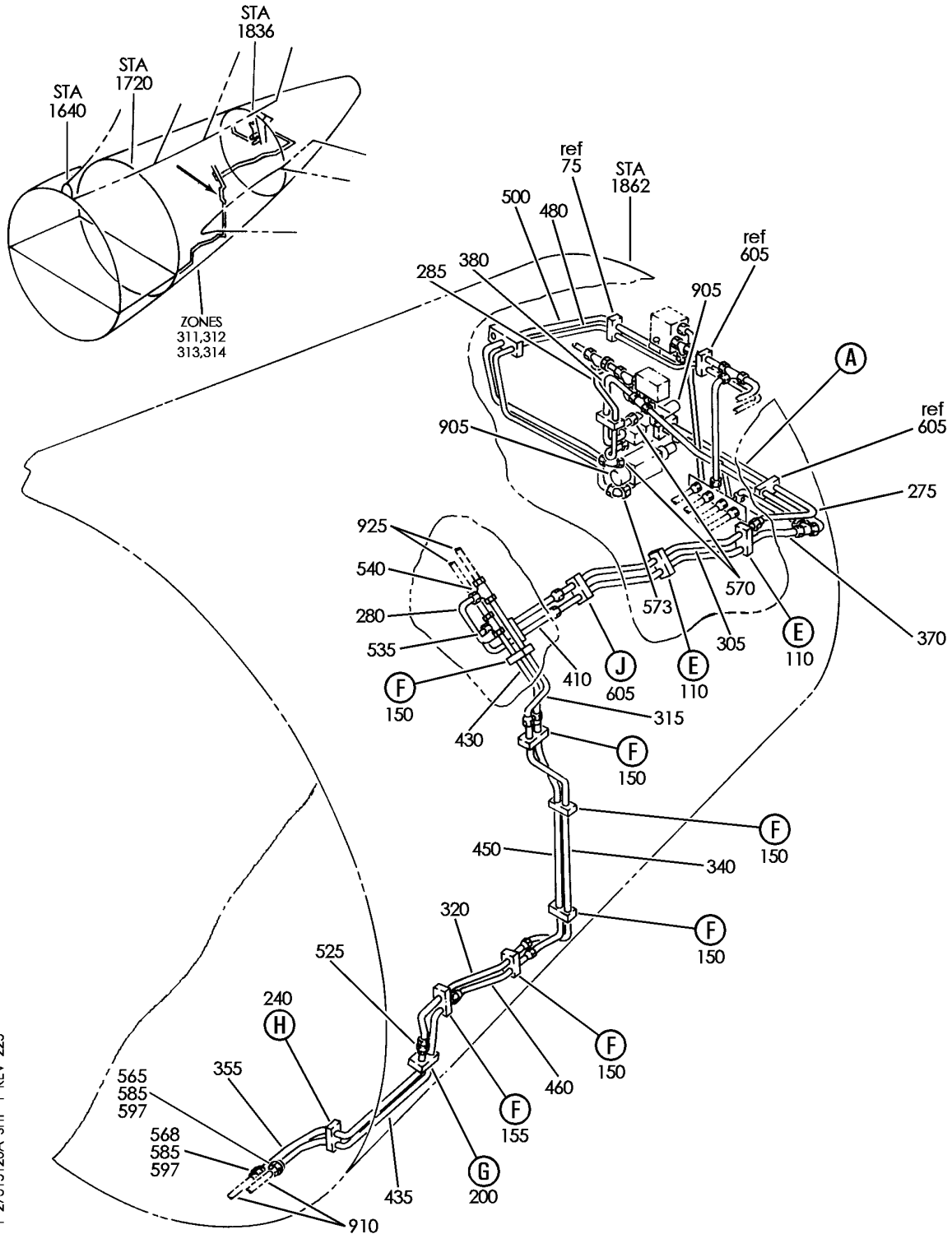
BRI

# 27-31-51-16A

BOEING PROPRIETARY - Copyright © - Unpublished Work - See title page for details.

27-31-51  
FIG. 16A  
PAGE 15  
JAN 20/09

**BOEING**  
757  
PARTS CATALOG (MAINTENANCE)



Y 27315120A SHT 1 REV 225

PLUMBING INSTL-SECT. 48 HYDR L (ELEVATOR CONTROL SYSTEM ONLY)  
FIGURE 20A (SHEET 1)

**27-31-51-20A**

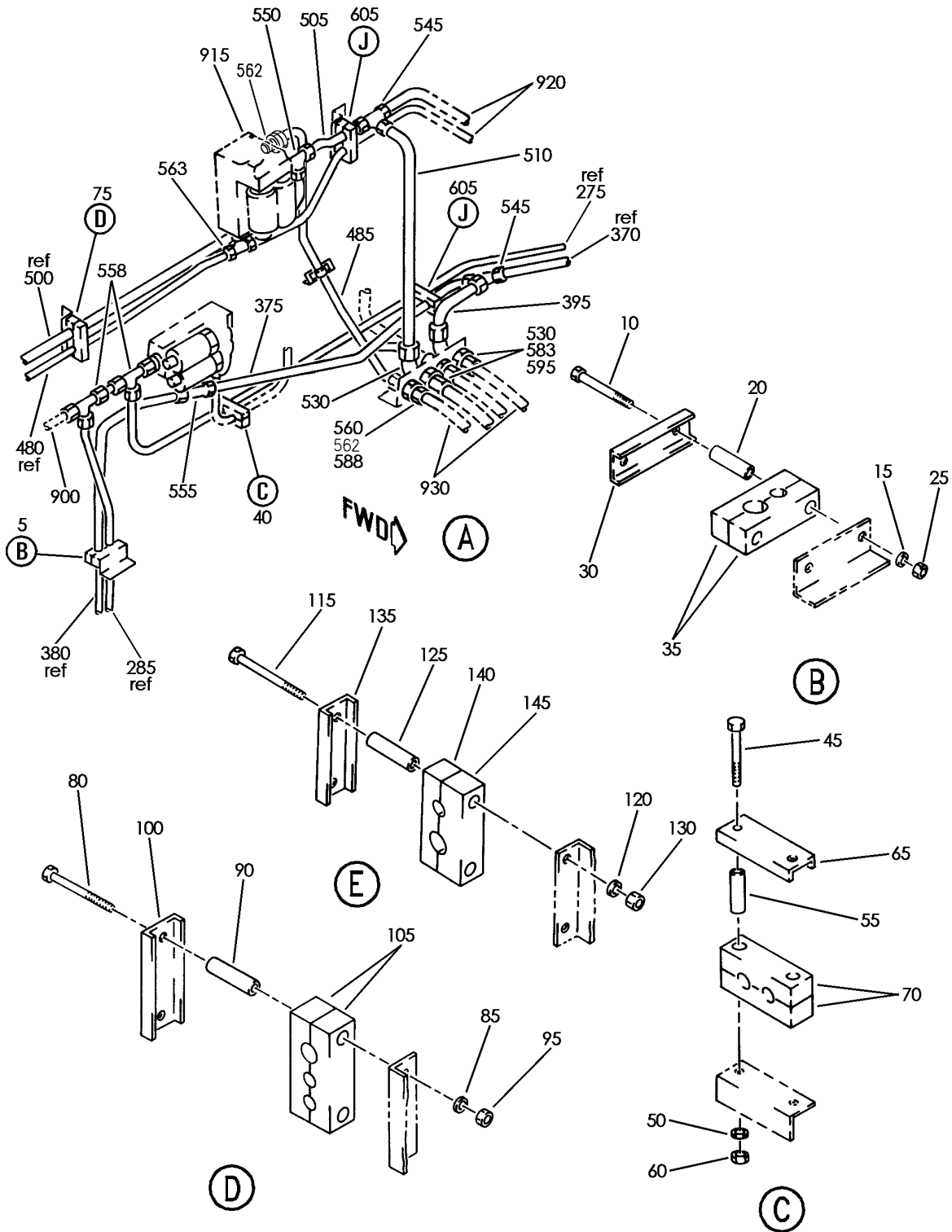
BRI  
MAY 28/07

27-31-51-20A  
PAGE 0

BOEING PROPRIETARY - Copyright © - Unpublished Work - See title page for details.



**BOEING**  
757  
**PARTS CATALOG (MAINTENANCE)**



Y 27315120A SHT 2 REV 242

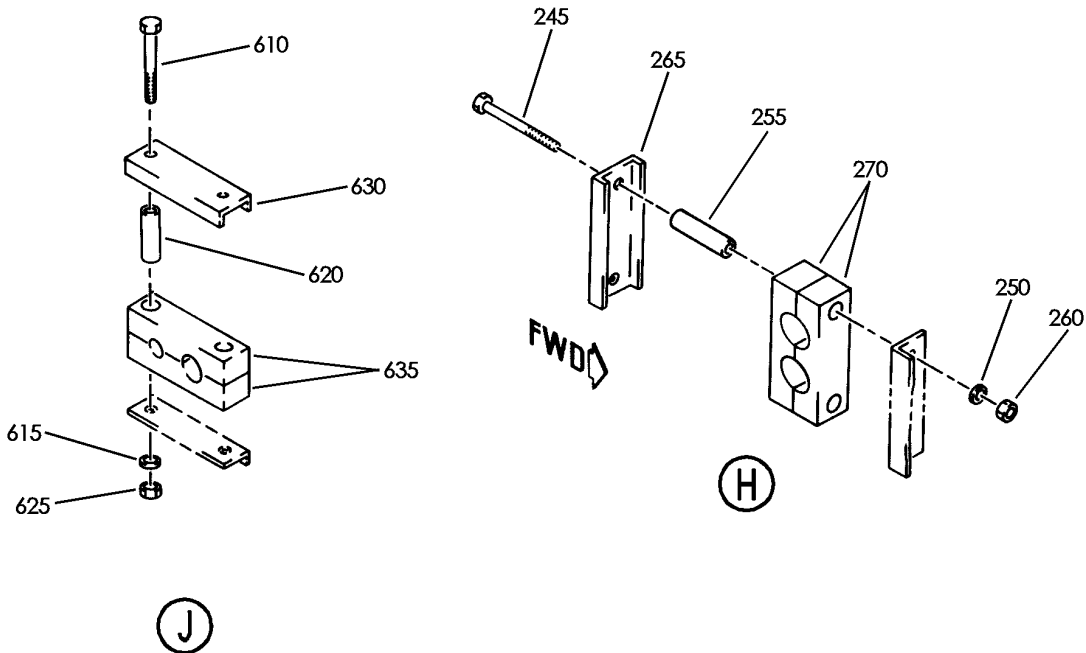
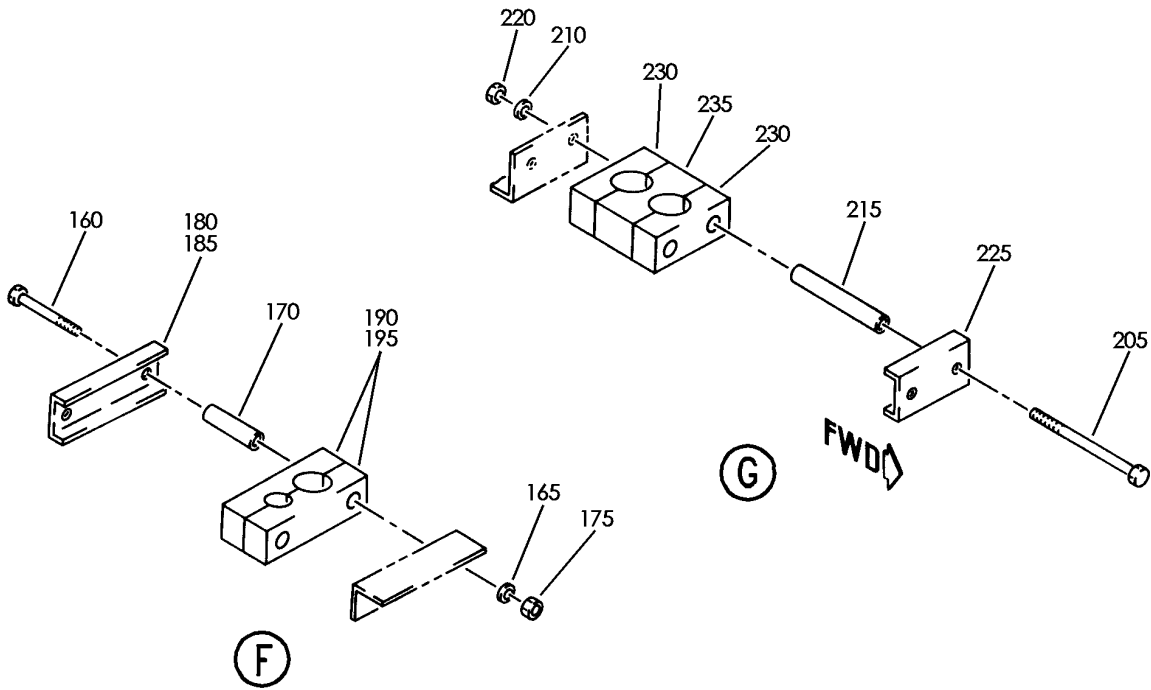
PLUMBING INSTL-SECT. 48 HYDR L (ELEVATOR CONTROL SYSTEM ONLY)  
FIGURE 20A (SHEET 2)

**27-31-51-20A**

BRI  
MAY 28/07

27-31-51-20A  
PAGE 0A

**BOEING**  
757  
PARTS CATALOG (MAINTENANCE)



Y 27315120A SH1 3 REV 225

PLUMBING INSTL-SECT. 48 HYDR L (ELEVATOR CONTROL SYSTEM ONLY)  
FIGURE 20A (SHEET 3)

**27-31-51-20A**

BRI  
MAY 28/07

27-31-51-20A  
PAGE 0B



757

PARTS CATALOG (MAINTENANCE)

FIG ITEM	PART NUMBER	1 2 3 4 5 6 7	NOMENCLATURE	EFFECT FROM TO	UNITS PER ASSY
20A					
- 1	271N6481-9		PLUMBING INSTL-SECT. 48 HYDR L (ELEVATOR CONTROL SYSTEM ONLY) PLUMBING INSTL- (ELEVATOR CONTROL SYSTEM ONLY) POSITION DATA: SECT. 48 L FOR NHA/OTHER SYS DET SEE: 27-00-00-03	101106 108120 504903 101101	RF
- 1	271N6481-11		PLUMBING INSTL- (ELEVATOR CONTROL SYSTEM ONLY) POSITION DATA: SECT. 48 L FOR NHA/OTHER SYS DET SEE: 27-00-00-03	102102 108120 504903	RF
- 1	MODREF31920		PLUMBING INSTL- (ELEVATOR CONTROL SYSTEM ONLY) MODULE NUMBER: 271N6481-13 REV B POSITION DATA: SECT. 48 L FOR OTHER SYS DETAILS SEE: 27-21-51-20A 27-41-51-20A 27-41-51-21A	103106	1
5	270N2000-5		.CLAMP ASSY-BLK	101106 108120 504903	1
10	NAS1801-3-26		..SCREW	101106 108120 504903	2
15	AN960PD10L		..WASHER	101106 108120 504903	2
20	NAS43DD3-67		..SPACER	101106 108120 504903	2

MISSING ITEM NUMBERS NOT APPLICABLE

- ITEM NOT ILLUSTRATED

**27-31-51-20A**

27-31-51  
FIG. 20A  
PAGE 1  
JAN 20/09

BRI



757

PARTS CATALOG (MAINTENANCE)

FIG ITEM	PART NUMBER	1 2 3 4 5 6 7	NOMENCLATURE	EFFECT FROM TO	UNITS PER ASSY
20A 25	BRH10A3	..	NUT SUPPLIER CODE: V52828 SPECIFICATION NUMBER: BACN10JC3 OPTIONAL PART: H10-3BAC V15653 NS202101-02 V80539 RMLH9075-3W V72962 VN303A02 V92215 96-02 V80539 T6S1032J V11815	101106 108120 504903	2
30	270N2000-803	..	CHANNEL	101106 108120 504903	1
35	270N2000-404	..	BLOCK	101106 108120 504903	2
40	270N2000-78	.	CLAMP ASSY-BLK	101106 108120 504903	1
45	NAS1801-3-24	..	SCREW	101106 108120 504903	2
50	AN960PD10L	..	WASHER	101106 108120 504903	2
55	NAS43DD3-59	..	SPACER	101106 108120 504903	2

MISSING ITEM NUMBERS NOT APPLICABLE

- ITEM NOT ILLUSTRATED

**27-31-51-20A**

27-31-51  
FIG. 20A  
PAGE 2  
JAN 20/09

BRI

BOEING PROPRIETARY - Copyright © - Unpublished Work - See title page for details.



757

PARTS CATALOG (MAINTENANCE)

FIG ITEM	PART NUMBER	1 2 3 4 5 6 7	NOMENCLATURE	EFFECT FROM TO	UNITS PER ASSY
20A 60	BRH10A3	. .	NUT SUPPLIER CODE: V52828 SPECIFICATION NUMBER: BACN10JC3 OPTIONAL PART: H10-3BAC V15653 NS202101-02 V80539 RMLH9075-3W V72962 VN303A02 V92215 96-02 V80539 T6S1032J V11815	101106 108120 504903	2
65	270N2000-844	. .	CHANNEL	101106 108120 504903	1
70	270N2000-502	. .	BLOCK	101106 108120 504903	2
75	270N2000-122	. .	CLAMP ASSY-BLK	101106 108120 504903	1
80	NAS1801-3-26	. .	SCREW	101106 108120 504903	2
85	AN960PD10L	. .	WASHER	101106 108120 504903	2
90	NAS43DD3-67	. .	SPACER	101106 108120 504903	2

MISSING ITEM NUMBERS NOT APPLICABLE

- ITEM NOT ILLUSTRATED

**27-31-51-20A**

27-31-51  
FIG. 20A  
PAGE 3  
JAN 20/09

BRI

BOEING PROPRIETARY - Copyright © - Unpublished Work - See title page for details.



757

PARTS CATALOG (MAINTENANCE)

FIG ITEM	PART NUMBER	1 2 3 4 5 6 7	NOMENCLATURE	EFFECT FROM TO	UNITS PER ASSY
20A 95	BRH10A3	. .	NUT SUPPLIER CODE: V52828 SPECIFICATION NUMBER: BACN10JC3 OPTIONAL PART: H10-3BAC V15653 NS202101-02 V80539 RMLH9075-3W V72962 VN303A02 V92215 96-02 V80539 T6S1032J V11815	101106 108120 504903	2
100	270N2000-878	. .	CHANNEL	101106 108120 504903	1
105	270N2000-557	. .	BLOCK	101106 108120 504903	2
110	270N2000-171	. .	CLAMP ASSY-BLK	101106 108120 504903	2
115	NAS1801-3-28	. .	SCREW	101106 108120 504903	2
120	AN960PD10L	. .	WASHER	101106 108120 504903	2
125	NAS43DD3-77	. .	SPACER	101106 108120 504903	2

MISSING ITEM NUMBERS NOT APPLICABLE

- ITEM NOT ILLUSTRATED

27-31-51-20A

27-31-51  
FIG. 20A  
PAGE 4  
JAN 20/09

BRI

BOEING PROPRIETARY - Copyright © - Unpublished Work - See title page for details.



757

PARTS CATALOG (MAINTENANCE)

FIG ITEM	PART NUMBER	1 2 3 4 5 6 7	NOMENCLATURE	EFFECT FROM TO	UNITS PER ASSY
20A 130	BRH10A3	. .	NUT SUPPLIER CODE: V52828 SPECIFICATION NUMBER: BACN10JC3 OPTIONAL PART: H10-3BAC V15653 NS202101-02 V80539 RMLH9075-3W V72962 VN303A02 V92215 96-02 V80539 T6S1032J V11815	101106 108120 504903	2
135	270N2000-821	. .	CHANNEL	101106 108120 504903	1
140	270N2000-623	. .	BLOCK	101106 108120 504903	1
145	270N2000-642	. .	BLOCK	101106 108120 504903	1
150	270N2000-147	. .	CLAMP ASSY-BLK	101106 108120 504903	5
155	270N2000-148	. .	CLAMP ASSY-BLK	101101	1
160	NAS1801-3-28	. .	SCREW	101106 108120 504903	2
165	AN960PD10L	. .	WASHER	101106 108120 504903	2
170	NAS43DD3-75	. .	SPACER	101106 108120 504903	2

MISSING ITEM NUMBERS NOT APPLICABLE

- ITEM NOT ILLUSTRATED

27-31-51-20A

27-31-51  
FIG. 20A  
PAGE 5  
JAN 20/09

BRI

BOEING PROPRIETARY - Copyright © - Unpublished Work - See title page for details.



757

PARTS CATALOG (MAINTENANCE)

FIG ITEM	PART NUMBER	1 2 3 4 5 6 7	NOMENCLATURE	EFFECT FROM TO	UNITS PER ASSY
20A 175	BRH10A3	..	NUT SUPPLIER CODE: V52828 SPECIFICATION NUMBER: BACN10JC3 OPTIONAL PART: H10-3BAC V15653 NS202101-02 V80539 RMLH9075-3W V72962 VN303A02 V92215 96-02 V80539 T6S1032J V11815	101106 108120 504903	2
180	270N2000-839	..	CHANNEL- USED ON: 270N2000-147	101106 108120 504903	1
185	270N2000-856	..	CHANNEL- USED ON: 270N2000-148	101101	1
190	270N2000-608	..	BLOCK- USED ON: 270N2000-147	101106 108120 504903	2
195	270N2000-609	..	BLOCK- USED ON: 270N2000-148	101101	2
200	270N2000-60	.	CLAMP ASSY-BLK	101106 108120 504903	1
205	NAS1801-3-43	..	SCREW	101106 108120 504903	2
210	AN960PD10L	..	WASHER	101106 108120 504903	2
215	NAS43DD3-137	..	SPACER	101106 108120 504903	2
225	270N2000-858	..	CHANNEL	101106 108120 504903	1
230	270N2000-518	..	BLOCK	101106 108120 504903	2

MISSING ITEM NUMBERS NOT APPLICABLE

- ITEM NOT ILLUSTRATED

**27-31-51-20A**

27-31-51  
FIG. 20A  
PAGE 6  
JAN 20/09

BRI

BOEING PROPRIETARY - Copyright © - Unpublished Work - See title page for details.





757

PARTS CATALOG (MAINTENANCE)

FIG ITEM	PART NUMBER	1 2 3 4 5 6 7	NOMENCLATURE	EFFECT FROM TO	UNITS PER ASSY
20A 235	270N2000-519	..	BLOCK	101106 108120 504903	1
240	270N2000-58	.C	CLAMP ASSY-BLK	101106 108120 504903	1
245	NAS43DD3-75	..	SPACER	101106 108120 504903	2
250	AN960PD10L	..	WASHER	101106 108120 504903	2
255	NAS43DD3-75	..	SPACER	101106 108120 504903	2
260	BRH10A3	..	NUT SUPPLIER CODE: V52828 SPECIFICATION NUMBER: BACN10JC3 OPTIONAL PART: H10-3BAC V15653 NS202101-02 V80539 RMLH9075-3W V72962 VN303A02 V92215 96-02 V80539 T6S1032J V11815	101106 108120 504903	2
265	270N2000-856	..	CHANNEL	101106 108120 504903	1
270	270N2000-514	..	BLOCK	101106 108120 504903	2
275	271N6481-1006	.T	TUBE ASSY-PRESSURE SYS POSITION DATA: L TUBING MATERIAL: .375 IN. OD .019 IN. WALL 45.20 IN. LG TI BMS 7-234 TI-3AL-2.5V COLD WORKED, STRESS RELIEVED TUBING	101106 108120 504903	1

MISSING ITEM NUMBERS NOT APPLICABLE

- ITEM NOT ILLUSTRATED

BRI

27-31-51-20A

BOEING PROPRIETARY - Copyright © - Unpublished Work - See title page for details.

27-31-51  
FIG. 20A  
PAGE 7  
JAN 20/09



757

PARTS CATALOG (MAINTENANCE)

FIG ITEM	PART NUMBER	1 2 3 4 5 6 7	NOMENCLATURE	EFFECT FROM TO	UNITS PER ASSY
20A 280	271N6481-1003	.	TUBE ASSY-PRESSURE SYS POSITION DATA: L TUBING MATERIAL: .375 IN. OD .019 IN. WALL 26.60 IN. LG TI BMS 7-234 TI-3AL-2.5V COLD WORKED, STRESS RELIEVED TUBING	101106 108120 504903	1
285	271N6481-1123	.	TUBE ASSY-PRESSURE SYS POSITION DATA: L TUBING MATERIAL: .375 IN. OD .019 IN. WALL 18.70 IN. LG TI BMS 7-234 TI-3AL-2.5V COLD WORKED, STRESS RELIEVED TUBING	101102 108120 504903	1
285	271N6481-1138	.	TUBE ASSY-PRESSURE SYS POSITION DATA: L TUBING MATERIAL: .375 IN. OD .019 IN. WALL 18.70 IN. LG TI BMS 7-234 TI-3AL-2.5V COLD WORKED, STRESS RELIEVED TUBING	103106	1
- 290	AS1581T06	..	SLEEVE	101106 108120 504903	2
- 295	BACN10YA6	..	NUT	101106 108120 504903	2
305	271N6481-1004	.	TUBE ASSY-PRESSURE SYS POSITION DATA: L TUBING MATERIAL: .375 IN. OD .019 IN. WALL 47.00 IN. LG TI BMS 7-234 TI-3AL-2.5V COLD WORKED, STRESS RELIEVED TUBING	101106 108120 504903	1
- 310	AS1582T06	..	UNION	101106 108120 504903	2

MISSING ITEM NUMBERS NOT APPLICABLE

- ITEM NOT ILLUSTRATED

**27-31-51-20A**

27-31-51  
FIG. 20A  
PAGE 8  
JAN 20/09

BRI

BOEING PROPRIETARY - Copyright © - Unpublished Work - See title page for details.



757

PARTS CATALOG (MAINTENANCE)

FIG ITEM	PART NUMBER	1 2 3 4 5 6 7	NOMENCLATURE	EFFECT FROM TO	UNITS PER ASSY
20A 315	271N6481-1010	.	TUBE ASSY-PRESSURE SYS POSITION DATA: L TUBING MATERIAL: .500 IN. OD .026 IN. WALL 28.30 IN. LG TI BMS 7-234 TI-3AL-2.5V COLD WORKED. STRESS RELIEVED TUBING	101106 108120 504903	1
320	271N6481-1002	.	TUBE ASSY-PRESSURE SYS POSITION DATA: L TUBING MATERIAL: .500 IN. OD .026 IN. WALL 40.30 IN. LG TI BMS 7-234 TI-3AL-2.5V COLD WORKED, STRESS RELIEVED TUBING	101106 108120 504903	1
- 325	AS1581T08	..	SLEEVE	101106 108120 504903	1
- 330	BACN10YA8	..	NUT	101106 108120 504903	1
- 335	AS1582T08	..	UNION	101106 108120 504903	1
340	271N6481-1009	.	TUBE ASSY-PRESSURE SYS POSITION DATA: L TUBING MATERIAL: .500 IN. OD .026 IN. WALL 54.00 IN. LG TI BMS 7-234 TI-3AL-2.5V COLD WORKED, STRESS RELIEVED TUBING	101106 108120 504903	1
- 345	AS1581T08	..	SLEEVE	101106 108120 504903	2
- 350	BACN10YA8	..	NUT	101106 108120 504903	2

MISSING ITEM NUMBERS NOT APPLICABLE

- ITEM NOT ILLUSTRATED

27-31-51-20A

27-31-51  
FIG. 20A  
PAGE 9  
JAN 20/09

BRI

BOEING PROPRIETARY - Copyright © - Unpublished Work - See title page for details.



757

PARTS CATALOG (MAINTENANCE)

FIG ITEM	PART NUMBER	1 2 3 4 5 6 7	NOMENCLATURE	EFFECT FROM TO	UNITS PER ASSY
20A 355	271N6481-1001	.	TUBE ASSY-PRESSURE SYS POSITION DATA: L TUBING MATERIAL: .625 IN. OD .032 IN. WALL 37.70 IN. LG TI BMS 7-234 TI-3AL-2.5V COLD WORKED, STRESS RELIEVED TUBING	101106 108120 504903	1
- 360	AS1581T10	..	SLEEVE	101106 108120 504903	2
- 365	BACN10YA10	..	NUT	101106 108120 504903	2
370	271N6481-1076	.	TUBE ASSY-RETURN SYS POSITION DATA: L TUBING MATERIAL: .500 IN. OD .035 IN. WALL 57.30 IN. LG AL AMS 4083 6061 T6 TUBING	101106 108120 504903	1
375	271N6481-1017	.	TUBE ASSY-RETURN SYS POSITION DATA: L TUBING MATERIAL: .500 IN. OD .035 IN. WALL 25.50 IN. LG AL AMS 4083 6061 T6 TUBING	101106 108120 504903	1
380	271N6481-1084	.	TUBE ASSY-RETURN SYS POSITION DATA: L TUBING MATERIAL: .500 IN. OD .035 IN. WALL 21.50 IN. LG AL AMS 4083 6061 T6 TUBING	101102 108120 504903	1
380	271N6481-1139	.	TUBE ASSY-RETURN SYS POSITION DATA: L TUBING MATERIAL: .500 IN. OD .035 IN. WALL 21.50 IN. LG AL AMS 4083 6061 T6 TUBING	103106	1

MISSING ITEM NUMBERS NOT APPLICABLE

- ITEM NOT ILLUSTRATED

**27-31-51-20A**

27-31-51  
FIG. 20A  
PAGE 10  
JAN 20/09

BRI



757

PARTS CATALOG (MAINTENANCE)

FIG ITEM	PART NUMBER	1 2 3 4 5 6 7	NOMENCLATURE	EFFECT FROM TO	UNITS PER ASSY
20A - 385	AP2097HP08	..	SLEEVE SUPPLIER CODE: V01673 SPECIFICATION NUMBER: BACS13BX08HP OPTIONAL PART: 2-02903-08HP V11328 35235VN08 V08199 AFP175V08P V30974 DBOS13BX08HP V14798	101106 108120 504903	2
- 390	BACN10YL08	..	NUT	101106 108120 504903	2
395	271N6481-1124	.TUBE ASSY-RETURN SYS POSITION DATA: L TUBING MATERIAL: .50 IN. OD .035 IN. WALL 9.70 IN. LG AL AMS 4083 6061 T6 TUBING		101106 108120 504903	1
- 400	AP2097HP08	..	SLEEVE SUPPLIER CODE: V01673 SPECIFICATION NUMBER: BACS13BX08HP OPTIONAL PART: 2-02903-08HP V11328 35235VN08 V08199 AFP175V08P V30974 DBOS13BX08HP V14798	101106 108120 504903	2
- 405	BACN10YL08	..	NUT	101106 108120 504903	2

MISSING ITEM NUMBERS NOT APPLICABLE

- ITEM NOT ILLUSTRATED

27-31-51-20A

27-31-51  
FIG. 20A  
PAGE 11  
JAN 20/09

BRI

BOEING PROPRIETARY - Copyright © - Unpublished Work - See title page for details.



**757  
PARTS CATALOG (MAINTENANCE)**

FIG ITEM	PART NUMBER	1 2 3 4 5 6 7	NOMENCLATURE	EFFECT FROM TO	UNITS PER ASSY
20A 410	271N6481-1013	.	TUBE ASSY-RETURN SYS POSITION DATA: L TUBING MATERIAL: .500 IN. OD .035 IN. WALL 27.90 IN. LG AL AMS 4083 6061 T6 TUBING	101106 108120 504903	1
- 415	AP2097HP08	..	SLEEVE SUPPLIER CODE: V01673 SPECIFICATION NUMBER: BACS13BX08HP OPTIONAL PART: 2-02903-08HP V11328 35235VN08 V08199 AFP175V08P V30974 DBOS13BX08HP V14798	101106 108120 504903	1
- 420	BACN10YL08	..	NUT	101106 108120 504903	1
- 425	35056GV08	..	UNION SUPPLIER CODE: V08199 SPECIFICATION NUMBER: BACU24AB8W OPTIONAL PART: 2-01027-8W V11328 31875-8W V14397 4671097W8 V50948 AP1004W08 V01673 AFP941W8 V30974 DBOU24AB8W V14798	101106 108120 504903	1

MISSING ITEM NUMBERS NOT APPLICABLE

- ITEM NOT ILLUSTRATED

BRI

# 27-31-51-20A

BOEING PROPRIETARY - Copyright © - Unpublished Work - See title page for details.

27-31-51  
FIG. 20A  
PAGE 12  
JAN 20/09



757

PARTS CATALOG (MAINTENANCE)

FIG ITEM	PART NUMBER	1 2 3 4 5 6 7	NOMENCLATURE	EFFECT FROM TO	UNITS PER ASSY
20A 430	271N6481-1021	.	TUBE ASSY-RETURN SYS POSITION DATA: L TUBING MATERIAL: .625 IN. OD .035 IN. WALL 24.10 IN. LG AL AMS 4083 6061 T6 TUBING	101106 108120 504903	1
435	271N6481-1011	.	TUBE ASSY-RETURN SYS POSITION DATA: L TUBING MATERIAL: .625 IN. OD .035 IN. WALL 51.70 IN. LG AL AMS 4083 6061 T6 TUBING	101106 108120 504903	1
- 440	AP2097HP10	..	SLEEVE SUPPLIER CODE: V01673 SPECIFICATION NUMBER: BACS13BX10HP OPTIONAL PART: 2-02903-10HP V11328 35235VN10 V08199 AFP175V10P V30974 DBOS13BX10HP V14798	101106 108120 504903	2
- 445	BACN10YL10	..	NUT	101106 108120 504903	2
450	271N6481-1020	.	TUBE ASSY-RETURN SYS POSITION DATA: L TUBING MATERIAL: .625 IN. OD .035 IN. WALL 55.20 IN. LG AL AMS 4083 6061 T6 TUBING	101106 108120 504903	1

MISSING ITEM NUMBERS NOT APPLICABLE

- ITEM NOT ILLUSTRATED

BRI

27-31-51-20A

BOEING PROPRIETARY - Copyright © - Unpublished Work - See title page for details.

27-31-51  
FIG. 20A  
PAGE 13  
JAN 20/09



757

PARTS CATALOG (MAINTENANCE)

FIG ITEM	PART NUMBER	1 2 3 4 5 6 7	NOMENCLATURE	EFFECT FROM TO	UNITS PER ASSY
20A - 455	35056GV10		.. UNION SUPPLIER CODE: V08199 SPECIFICATION NUMBER: BACU24AB10W OPTIONAL PART: 4671097W10 V50948 2-01027-10W V11328 31875-10W V14397 AP1004W10 V01673 AFP941W10 V30974 DBOU24AB10W V14798	101106 108120 504903	2
460	271N6481-1012		. TUBE ASSY-RETURN SYS POSITION DATA: L TUBING MATERIAL: .625 IN. OD .035 IN. WALL 27.60 IN. LG AL AMS 4083 6061 T6 TUBING	101106 108120 504903	1
- 465	AP2097HP10		.. SLEEVE SUPPLIER CODE: V01673 SPECIFICATION NUMBER: BACS13BX10HP OPTIONAL PART: 2-02903-10HP V11328 35235VN10 V08199 AFP175V10P V30974 DBOS13BX10HP V14798	101106 108120 504903	1
- 470	BACN10YL10		.. NUT	101106 108120 504903	1

MISSING ITEM NUMBERS NOT APPLICABLE

- ITEM NOT ILLUSTRATED

BRI

27-31-51-20A

BOEING PROPRIETARY - Copyright © - Unpublished Work - See title page for details.

27-31-51  
FIG. 20A  
PAGE 14  
JAN 20/09





757

PARTS CATALOG (MAINTENANCE)

FIG ITEM	PART NUMBER	1 2 3 4 5 6 7	NOMENCLATURE	EFFECT FROM TO	UNITS PER ASSY
20A - 475	35056GV10		..UNION SUPPLIER CODE: V08199 SPECIFICATION NUMBER: BACU24AB10W OPTIONAL PART: 4671097W10 V50948 2-01027-10W V11328 31875-10W V14397 AP1004W10 V01673 AFP941W10 V30974 DBOU24AB10W V14798	101106 108120 504903	1
480	271N6481-1115		.TUBE ASSY-PRESSURE SYS POSITION DATA: CTR TUBING MATERIAL: .375 IN. OD .019 IN. WALL 54.90 IN. LG TI BMS 7-234 TI-3AL-2.5V COLD WORKED, STRESS RELIEVED TUBING	101102 108120 504903	1
480	271N6481-1137		.TUBE ASSY-PRESSURE SYS POSITION DATA: CTR TUBING MATERIAL: .375 IN. OD .019 IN. WALL 54.90 IN. LG TI BMS 7-234 TI-3AL-2.5V COLD WORKED, STRESS RELIEVED TUBING	103106	1
485	271N6481-1125		.TUBE ASSY-PRESSURE SYS POSITION DATA: CTR TUBING MATERIAL: .375 IN. OD .019 IN. WALL 25.20 IN. LG TI BMS 7-234 TI-3AL-2.5V COLD WORKED, STRESS RELIEVED TUBING	101106 108120 504903	1
- 490	AS1581T06		..SLEEVE	101106 108120 504903	2

MISSING ITEM NUMBERS NOT APPLICABLE

- ITEM NOT ILLUSTRATED

BRI

27-31-51-20A

BOEING PROPRIETARY - Copyright © - Unpublished Work - See title page for details.

27-31-51  
FIG. 20A  
PAGE 15  
JAN 20/09



757

PARTS CATALOG (MAINTENANCE)

FIG ITEM	PART NUMBER	1 2 3 4 5 6 7	NOMENCLATURE	EFFECT FROM TO	UNITS PER ASSY
20A - 495	BACN10YA6	..	NUT-	101106 108120 504903	2
500	271N6481-1089	.TUBE ASSY-RETURN SYS POSITION DATA: CTR TUBING MATERIAL: .500 IN. OD .035 IN. WALL 61.00 IN. LG AL AMS 4083 6061 T6 TUBING		101102 108120 504903	1
500	271N6481-1140	.TUBE ASSY-RETURN SYS POSITION DATA: CTR TUBING MATERIAL: .500 IN. OD .035 IN. WALL 61.00 IN. LG AL AMS 4083 6061 T6 TUBING		103106	1
505	271N6481-1112	.TUBE ASSY-RETURN SYS POSITION DATA: CTR TUBING MATERIAL: .500 IN. OD .035 IN. WALL 9.40 IN. LG AL AMS 4083 6061 T6 TUBING		101106 108120 504903	1
510	271N6481-1035	.TUBE ASSY-RETURN SYS POSITION DATA: CTR TUBING MATERIAL: .500 IN. OD .035 IN. WALL 17.30 IN. LG AL AMS 4083 6061 T6 TUBING		101106 108120 504903	1
- 515	AP2097HP08	..SLEEVE SUPPLIER CODE: V01673 SPECIFICATION NUMBER: BACS13BX08HP OPTIONAL PART: 2-02903-08HP V11328 35235VN08 V08199 AFP175V08P V30974 DBOS13BX08HP V14798		101106 108120 504903	2

MISSING ITEM NUMBERS NOT APPLICABLE

- ITEM NOT ILLUSTRATED

27-31-51-20A

27-31-51  
FIG. 20A  
PAGE 16  
JAN 20/09

BRI

BOEING PROPRIETARY - Copyright © - Unpublished Work - See title page for details.



757

PARTS CATALOG (MAINTENANCE)

FIG ITEM	PART NUMBER	1 2 3 4 5 6 7	NOMENCLATURE	EFFECT FROM TO	UNITS PER ASSY
20A - 520	BACN10YL08	. .	NUT	101106 108120 504903	2
525	AFP23210-8	. .	REDUCER SUPPLIER CODE: V30974 SPECIFICATION NUMBER: BACR17E10-8 OPTIONAL PART: AP102710-8 V01673 BC916T10-8 V50948 DB0R17E10-8 V14798 ER21916T10-8 V88334 ER31916-10-8 V88334 F23-10-8 V73197 2-01075T10-8 V11328 31778-10-8 V14397 US2114-10-8 V50808	101106 108120 504903	1
530	MS21908W8	. .	ELBOW	101106 108120 504903	2

MISSING ITEM NUMBERS NOT APPLICABLE

- ITEM NOT ILLUSTRATED

BRI

**27-31-51-20A**

BOEING PROPRIETARY - Copyright © - Unpublished Work - See title page for details.

27-31-51  
FIG. 20A  
PAGE 17  
JAN 20/09



757

PARTS CATALOG (MAINTENANCE)

FIG ITEM	PART NUMBER	1 2 3 4 5 6 7	NOMENCLATURE	EFFECT FROM TO	UNITS PER ASSY
20A 535	APX824F100808W	. TEE	SUPPLIER CODE: V01673 SPECIFICATION NUMBER: BACT16AS100808W OPTIONAL PART: APX824-100808W V01673 DBOT16AS100808W V14798 ER824-100808W V50948 FER1571-100808W V14397 LER824-100808W V11328 NAF1824-100808W V52930 US1925-100808W V50808 AFP325-100808W V30974	101106 108120 504903	1
540	BACT16BN080606J	. TEE-REDUCER		101101	1
545	MS21905W8	. TEE		101106 108120 504903	2
550	NAS1763W080808	. TEE		101106 108120 504903	1
555	NAS1764W080808	. TEE		101106 108120 504903	1
558	BCREF116854	. TEE- OVERLENGTH PART NUMBER: BACT16BR060606JN		101106 108120 504903	2
560	MS21924-6T	. UNION		101102 108120 504903	1
562	MS21924-6T	. UNION		103106	2
563	BCREF116871	. TEE- OVERLENGTH PART NUMBER: BACT16BT060606JN		101106 108120 504903	1
565	D10203D10	. ADAPTER SUPPLIER CODE: V14798 SPECIFICATION NUMBER: BACA14BP1010D		101106 108120 504903	1

MISSING ITEM NUMBERS NOT APPLICABLE

- ITEM NOT ILLUSTRATED

27-31-51-20A

27-31-51  
FIG. 20A  
PAGE 18  
JAN 20/09

BRI

BOEING PROPRIETARY - Copyright © - Unpublished Work - See title page for details.



757

PARTS CATALOG (MAINTENANCE)

FIG ITEM	PART NUMBER	1 2 3 4 5 6 7	NOMENCLATURE	EFFECT FROM TO	UNITS PER ASSY
20A 568	D10203J10	.	ADAPTER SUPPLIER CODE: V14798 SPECIFICATION NUMBER: BACA14BP1010J	101106 108120 504903	1
570	NAS1762W0608	.	ELBOW	101106 108120 504903	2
573	AP1042JN0406	.	ELBOW SUPPLIER CODE: V01673 SPECIFICATION NUMBER: BACE21BT0406JN	101106 108120 504903	1
583	NAS1149D1216J	.	WASHER	101106 108120 504903	2
585	NAS1149D1416J	.	WASHER	101106 108120 504903	2
588	AN924-6D	.	NUT	101106 108120 504903	1
595	AN924-8D	.	NUT	101106 108120 504903	2
597	AN924-10D	.	NUT	101106 108120 504903	2
- 600	271N6481-3		PLUMBING INSTL-HYDR (ELEVATOR CONTROL SYSTEM ONLY) POSITION DATA: SECT. 48 L FOR NHA/OTHER SYS DET SEE: 27-00-00-04 27-00-00-05	101102 108120 504903	RF
- 600	MODREF31921		PLUMBING INSTL-HYDR (ELEVATOR CONTROL SYSTEM ONLY) MODULE NUMBER: 271N6481-3 REV B POSITION DATA: SECT. 48 L FOR OTHER SYS DETAILS SEE: 27-41-51-21A	103106	1
605	270N2000-170	.	CLAMP ASSY-BLK	101106 108120 504903	5

MISSING ITEM NUMBERS NOT APPLICABLE

- ITEM NOT ILLUSTRATED

**27-31-51-20A**

27-31-51  
FIG. 20A  
PAGE 19  
JAN 20/09

BRI

BOEING PROPRIETARY - Copyright © - Unpublished Work - See title page for details.

 **BOEING**  
757  
**PARTS CATALOG (MAINTENANCE)**

FIG ITEM	PART NUMBER	1 2 3 4 5 6 7	NOMENCLATURE	EFFECT FROM TO	UNITS PER ASSY
20A 610	NAS1801-3-26	..	SCREW	101106 108120 504903	2
615	AN960PD10L	..	WASHER	101106 108120 504903	2
620	NAS43DD3-67	..	SPACER	101106 108120 504903	2
625	BRH10A3	..	NUT SUPPLIER CODE: V52828 SPECIFICATION NUMBER: BACN10JC3 OPTIONAL PART: H10-3BAC V15653 NS202101-02 V80539 RMLH9075-3W V72962 VN303A02 V92215 96-02 V80539 T6S1032J V11815	101106 108120 504903	2
630	270N2000-839	..	CHANNEL	101106 108120 504903	1
635	270N2000-640	..	BLOCK	101106 108120 504903	2
900			ILLUSTRATION REFERENCE: PLUMBING INSTL-SECT. 48 HYDR (RUDDER ONLY) 27-21-51-20A	101106 108120 504903	RF
905			ILLUSTRATION REFERENCE: MECHANISM INSTL-ELEV CONT AFT 27-31-53-01	101102 108120 504903	RF
910			ILLUSTRATION REFERENCE: PLUMBING INSTL-SECT. 46 HYDR (RUDDER AND ELEVATOR HYDRAULIC SYSTEMS ONLY) 27-23-51-30A	101106 108120 504903	RF

MISSING ITEM NUMBERS NOT APPLICABLE

— ITEM NOT ILLUSTRATED

BRI

# 27-31-51-20A

BOEING PROPRIETARY - Copyright © - Unpublished Work - See title page for details.

27-31-51  
FIG. 20A  
PAGE 20  
JAN 20/09



757

PARTS CATALOG (MAINTENANCE)

FIG ITEM	PART NUMBER	1 2 3 4 5 6 7	NOMENCLATURE	EFFECT FROM TO	UNITS PER ASSY
20A 915			ILLUSTRATION REFERENCE: VALVE INSTL-CTR SYS PRESSURE REDUCING 27-31-13-05	101106 108120 504903	RF
920			ILLUSTRATION REFERENCE: PLUMBING INSTL-SECT. 48 L HYDR (HORIZONTAL STABILIZER TRIM CONTROL ONLY) 27-41-51-21A	101106 108120 504903	RF
925			ILLUSTRATION REFERENCE: PLUMBING INSTL-VERT. FIN SECT. 70 HYDR (HORIZONTAL STABILIZER TRIM CONTROL ONLY) 27-41-51-15	101106 108120 504903	RF
930			ILLUSTRATION REFERENCE: PLUMBING INSTL-SEC. 82 HYDR 27-31-51-15A	101106 108120 504903	RF

MISSING ITEM NUMBERS NOT APPLICABLE

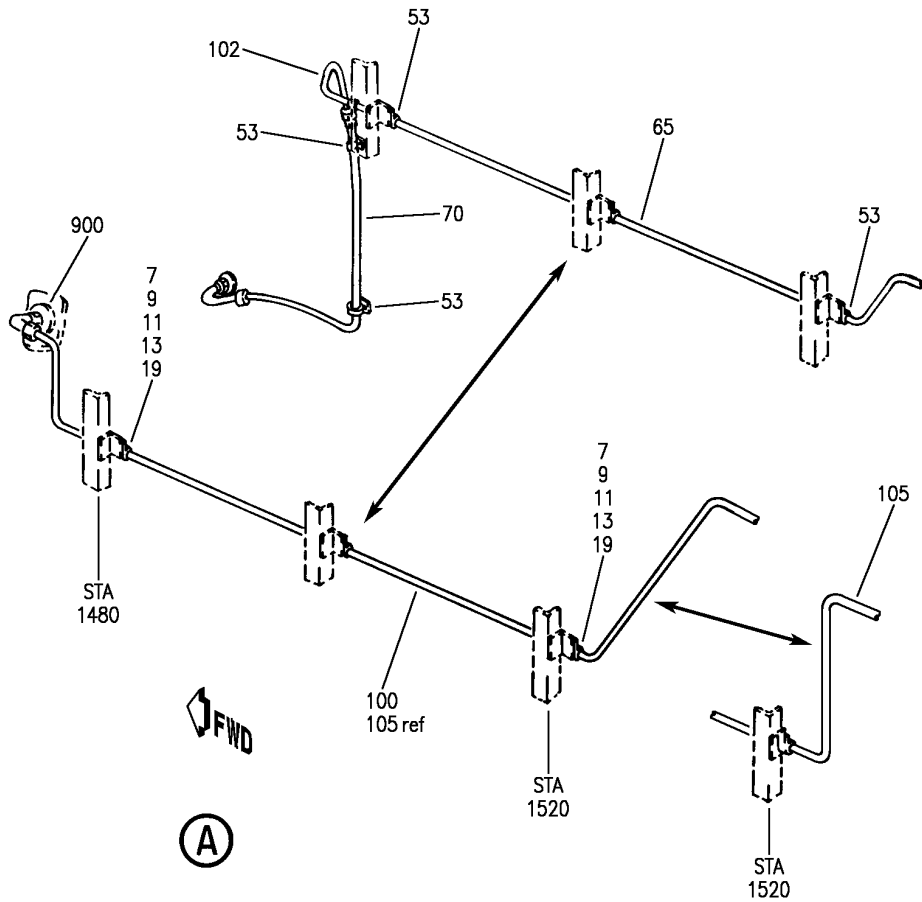
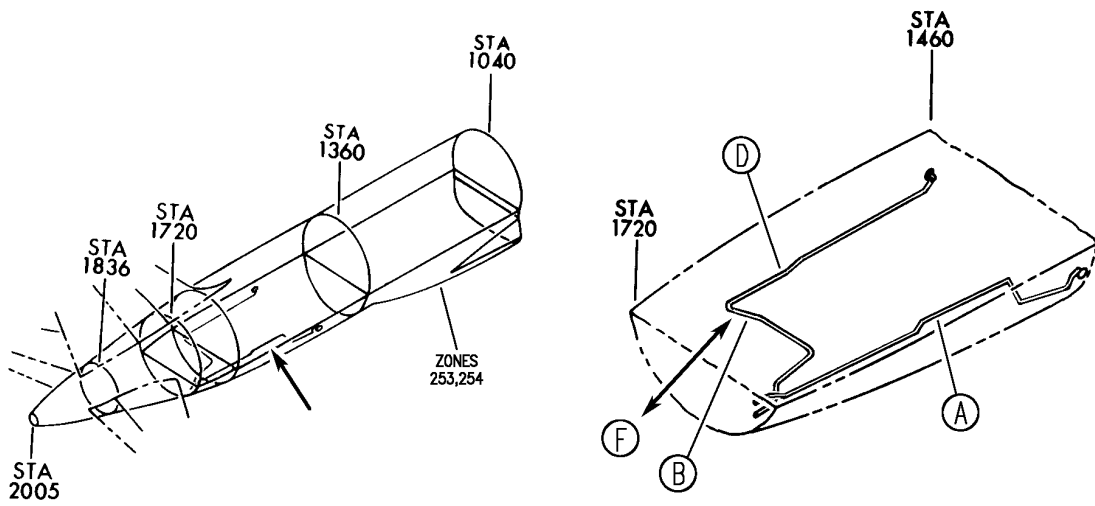
- ITEM NOT ILLUSTRATED

**27-31-51-20A**

27-31-51  
FIG. 20A  
PAGE 21  
JAN 20/09

BRI

**BOEING**  
757  
PARTS CATALOG (MAINTENANCE)



Y 27315130 SHT 1 REV 280

PLUMBING INSTL-SECT. 46 HYDR (ELEVATOR CONTROL SYSTEM ONLY)  
FIGURE 30 (SHEET 1)

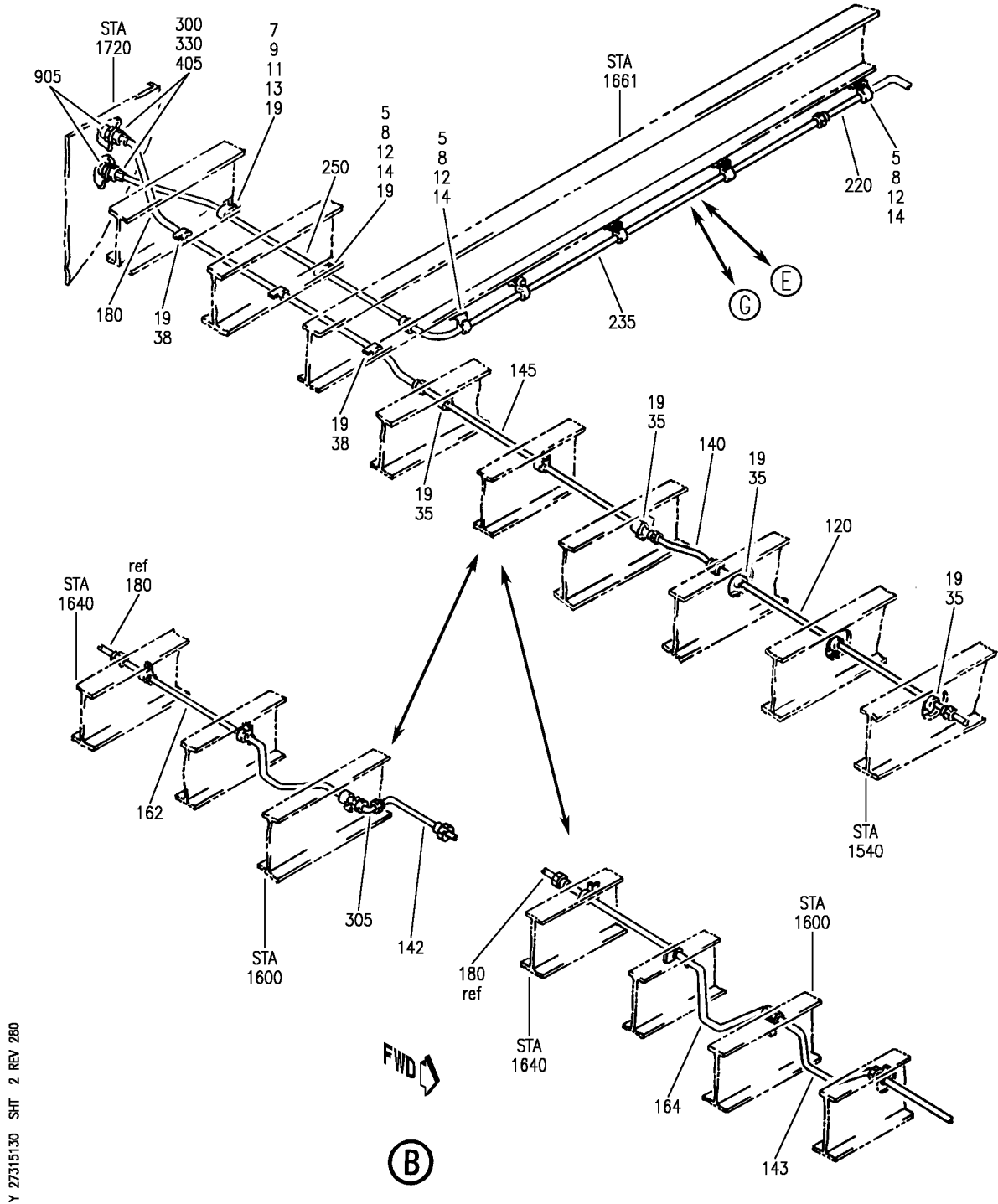
**27-31-51-30**

BRI  
MAY 28/07

27-31-51-30  
PAGE 0



**BOEING**  
757  
**PARTS CATALOG (MAINTENANCE)**



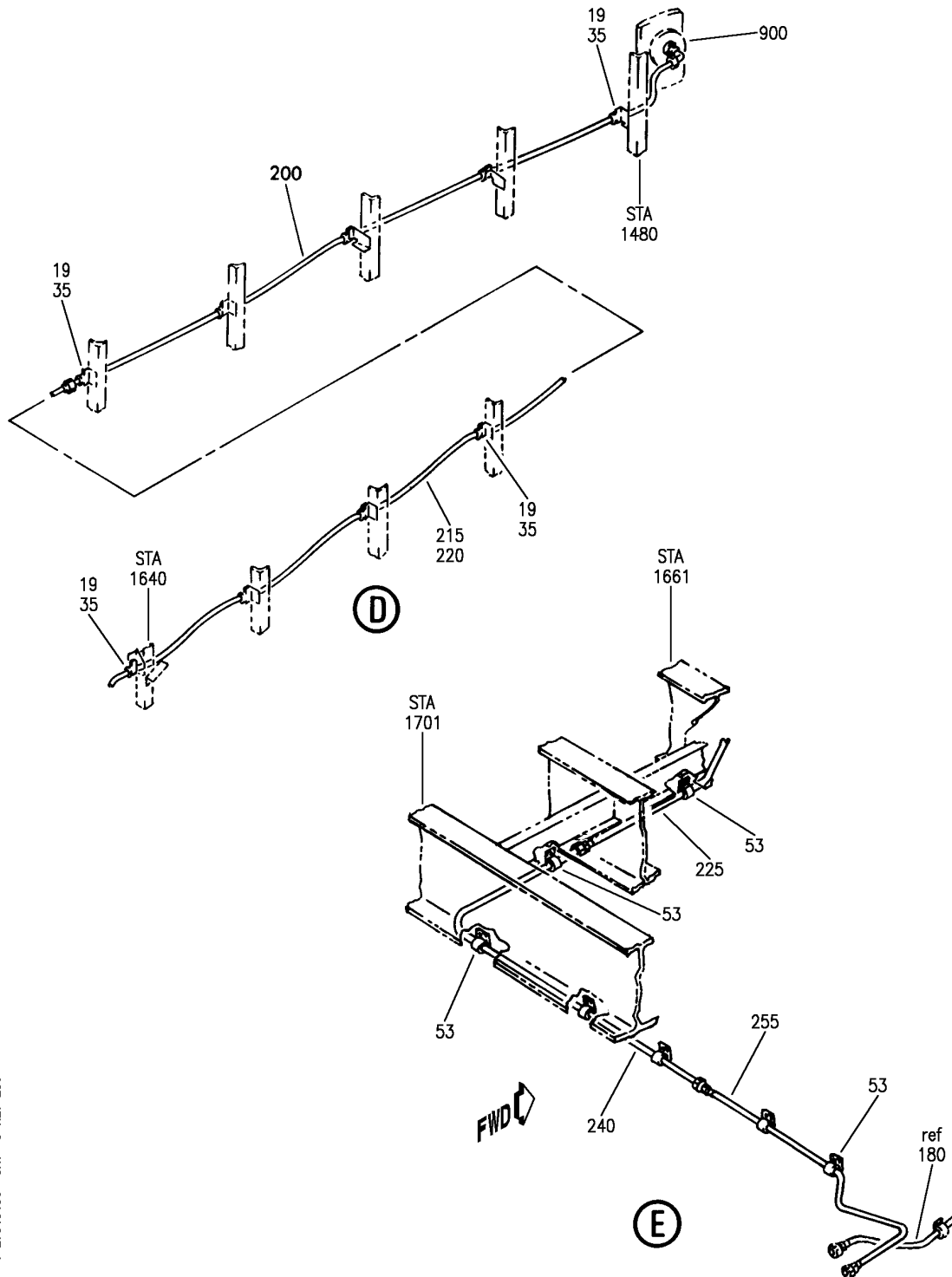
PLUMBING INSTL-SECT. 46 HYDR (ELEVATOR CONTROL SYSTEM ONLY)  
FIGURE 30 (SHEET 2)

**27-31-51-30**

BRI  
MAY 28/07

27-31-51-30  
PAGE 0A

**BOEING**  
757  
PARTS CATALOG (MAINTENANCE)



Y 27315130 SHT 3 REV 280

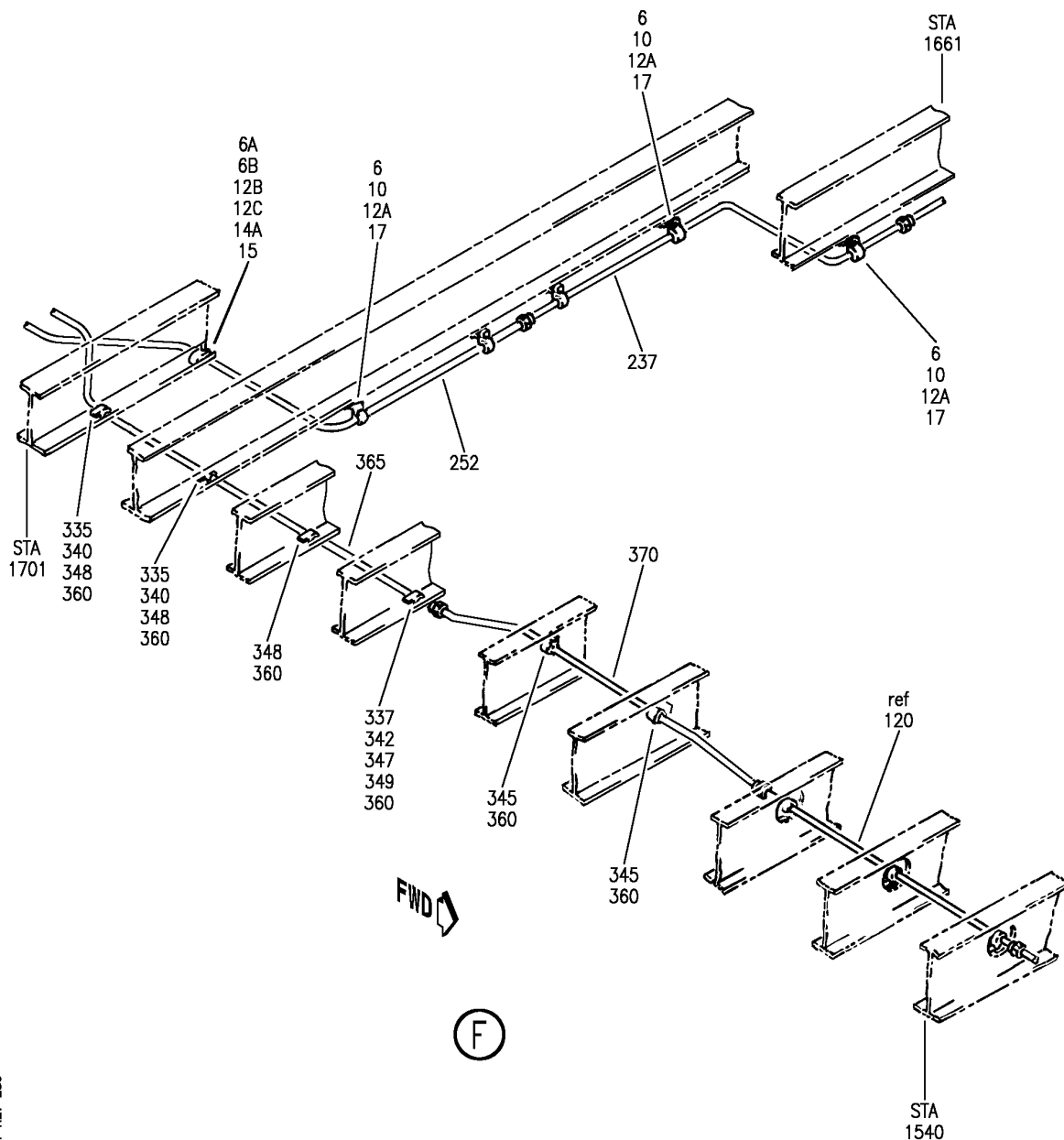
PLUMBING INSTL-SECT. 46 HYDR (ELEVATOR CONTROL SYSTEM ONLY)  
FIGURE 30 (SHEET 3)

**27-31-51-30**

BRI  
MAY 28/07

27-31-51-30  
PAGE 0B

**BOEING**  
757  
PARTS CATALOG (MAINTENANCE)



Y 27315130 SH1 4 REV 280

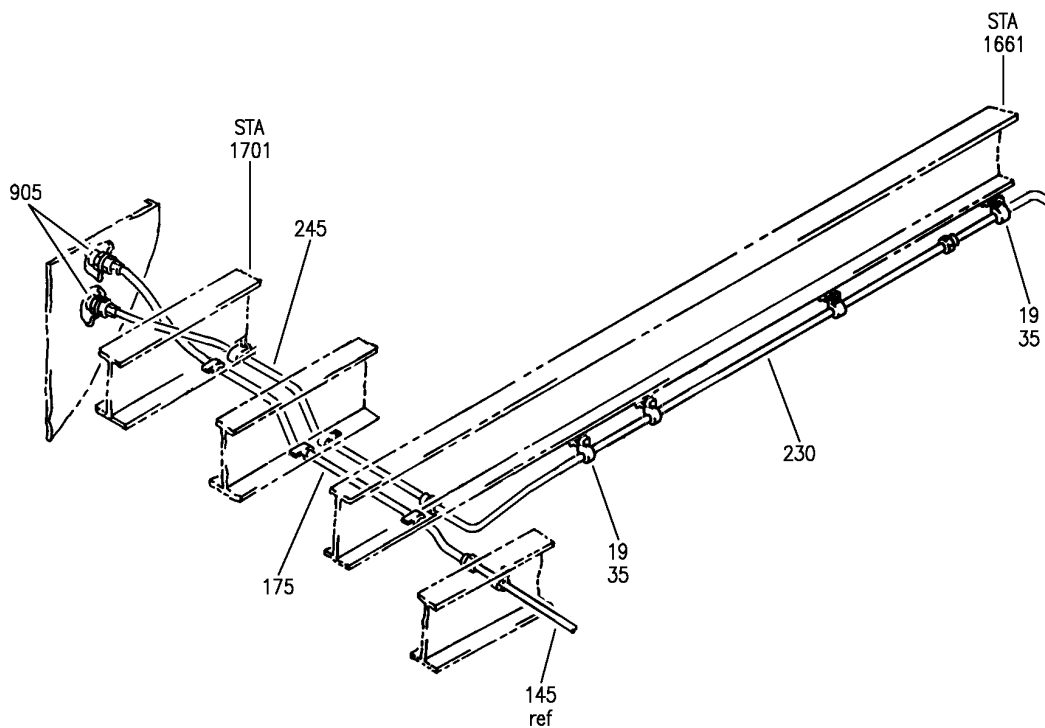
PLUMBING INSTL-SECT. 46 HYDR (ELEVATOR CONTROL SYSTEM ONLY)  
FIGURE 30 (SHEET 4)

**27-31-51-30**

BRI  
MAY 28/07

27-31-51-30  
PAGE 0C

**BOEING**  
757  
PARTS CATALOG (MAINTENANCE)



(G)

Y 27315130 SH- 5 REV 280

PLUMBING INSTL-SECT. 46 HYDR (ELEVATOR CONTROL SYSTEM ONLY)  
FIGURE 30 (SHEET 5)

**27-31-51-30**

BRI  
MAY 28/07

27-31-51-30  
PAGE 0D



757

PARTS CATALOG (MAINTENANCE)

FIG ITEM	PART NUMBER	1 2 3 4 5 6 7	NOMENCLATURE	EFFECT FROM TO	UNITS PER ASSY
30			PLUMBING INSTL-SECT. 46 HYDR (ELEVATOR CONTROL SYSTEM ONLY)	002004 006999	
- 1	271N6461-4		PLUMBING INSTL-HYDR (ELEVATOR CONTROL SYSTEM ONLY) POSITION DATA: SECT. 46 VARIABLE DRAWING REF: 271N6461-5 271N6461-11 FOR NHA/OTHER SYS DET SEE: 29-00-51-04	002004 006100 107107 121503 904999	RF
5	M85052-2-6		.CLAMP-	002004 006100 107107 121503 904999	6
7	M85052-2-6		.CLAMP	002004 006100 107107 121503 904999	4
8	NAS1801-3		ATTACHING PARTS .SCREW- SIZE DETERMINED ON INSTL.	002004 006100 107107 121503 904999	6
9	NAS1801-3		.SCREW- SIZE DETERMINED ON INSTL.	002004 006100 107107 121503 904999	4
11	AN960KD10L		.WASHER-	002004 006100 107107 121503 904999	4
12	AN960KD10L		.WASHER-	002004 006100 107107 121503 904999	6
13	MS21042L3		.NUT-	002004 006100 107107 121503 904999	4

MISSING ITEM NUMBERS NOT APPLICABLE

- ITEM NOT ILLUSTRATED

27-31-51-30

27-31-51  
FIG. 30  
PAGE 1  
JAN 20/09

BRI

BOEING PROPRIETARY - Copyright © - Unpublished Work - See title page for details.

**BOEING**  
757  
**PARTS CATALOG (MAINTENANCE)**

FIG ITEM	PART NUMBER	1 2 3 4 5 6 7	NOMENCLATURE	EFFECT FROM TO	UNITS PER ASSY
30					
14	MS21042L3	.	NUT-	002004 006100 107107 121503 904999	6
35	M85052-2-6	-----*	.CLAMP	002004 006100 107107 121503 904999	12
38	M85052-2-6	.	CLAMP-	002004 006100 107107 121503 904999	6
- 40	NAS1801-3		ATTACHING PARTS .SCREW- SIZE DETERMINED ON INSTL.	002004 006100 107107 121503 904999	12
- 43	NAS1801-3	.	SCREW- SIZE DETERMINED ON INSTL.	002004 006100 107107 121503 904999	6
- 45	AN960KD10L	.	WASHER-	002004 006100 107107 121503 904999	12
- 48	AN960KD10L	.	WASHER-	002004 006100 107107 121503 904999	6
- 50	MS21042L3	.	NUT-	002004 006100 107107 121503 904999	12
- 51	MS21042L3	.	NUT-	002004 006100 107107 121503 904999	6
		-----*			

MISSING ITEM NUMBERS NOT APPLICABLE

- ITEM NOT ILLUSTRATED

BRI

**27-31-51-30**

BOEING PROPRIETARY - Copyright © - Unpublished Work - See title page for details.

27-31-51  
FIG. 30  
PAGE 2  
JAN 20/09



757

PARTS CATALOG (MAINTENANCE)

FIG ITEM	PART NUMBER	1 2 3 4 5 6 7	NOMENCLATURE	EFFECT FROM TO	UNITS PER ASSY
30					
105	271N6461-1131	.	TUBE ASSY-STATIC PRESSURE TUBING MATERIAL: .375 IN. OD .035 IN. WALL 89.5 IN. LG ALUMINUM AMS 4083 6061 T6 TUBING	002004 006100 107107 121503 904999	1
- 110	AP2097HP06	..	SLEEVE SUPPLIER CODE: V01673 SPECIFICATION NUMBER: BACS13BX06HP OPTIONAL PART: 2-02903-06HP V11328 35235VN06 V08199 AFP175V06P V30974 DBOS13BX06HP V14798	002004 006100 107107 121503 904999	2
- 115	BACN10YLO6	..	NUT	002004 006100 107107 121503 904999	2
120	271N6461-1130	.	TUBE ASSY-STATIC PRESSURE TUBING MATERIAL: .375 IN. OD .035 IN. WALL 44.9 IN. LG ALUMINUM AMS 4083 6061 T6 TUBING	002004 006100 107107 121503 904999	1
- 125	AP2097HP06	..	SLEEVE SUPPLIER CODE: V01673 SPECIFICATION NUMBER: BACS13BX06HP OPTIONAL PART: 2-02903-06HP V11328 35235VN06 V08199 AFP175V06P V30974 DBOS13BX06HP V14798	002004 006100 107107 121503 904999	1

MISSING ITEM NUMBERS NOT APPLICABLE

- ITEM NOT ILLUSTRATED

BRI

27-31-51-30

27-31-51  
FIG. 30  
PAGE 3  
JAN 20/09



757

PARTS CATALOG (MAINTENANCE)

FIG ITEM	PART NUMBER	1 2 3 4 5 6 7	NOMENCLATURE	EFFECT FROM TO	UNITS PER ASSY
30					
- 130	BACN10YLO6	..	NUT	002004 006100 107107 121503 904999	1
- 135	BACU24AB06W	..	UNION	002004 006100 107107 121503 904999	1
142	271N6461-1132	.	TUBE ASSY-STATIC PRESSURE TUBING MATERIAL: .375 IN. OD .035 IN. WALL 18.1 IN. LG ALUMINUM AMS 4083 6061 T6 TUBING	002004 006100 107107 121503 904999	1
- 150	AP2097HP06	..	SLEEVE SUPPLIER CODE: V01673 SPECIFICATION NUMBER: BACS13BX06HP OPTIONAL PART: 2-02903-06HP V11328 35235VN06 V08199 AFP175V06P V30974 DBOS13BX06HP V14798	002004 006100 107107 121503 904999	1
- 155	BACN10YLO6	..	NUT	002004 006100 107107 121503 904999	1
- 160	BACU24AB06W	..	UNION	002004 006100 107107 121503 904999	1
162	271N6461-1133	.	TUBE ASSY-STATIC PRESSURE TUBING MATERIAL: .375 IN. OD .035 IN. WALL 47.8 IN. LG ALUMINUM AMS 4083 6061 T6 TUBING	002004 006100 107107 121503 904999	1

MISSING ITEM NUMBERS NOT APPLICABLE

- ITEM NOT ILLUSTRATED

27-31-51-30

27-31-51  
FIG. 30  
PAGE 4  
JAN 20/09

BRI

BOEING PROPRIETARY - Copyright © - Unpublished Work - See title page for details.





757

PARTS CATALOG (MAINTENANCE)

FIG ITEM	PART NUMBER	1 2 3 4 5 6 7	NOMENCLATURE	EFFECT FROM TO	UNITS PER ASSY
30					
- 170	AP2097HP06	..	SLEEVE SUPPLIER CODE: V01673 SPECIFICATION NUMBER: BACS13BX06HP OPTIONAL PART: 2-02903-06HP V11328 35235VN06 V08199 AFP175V06P V30974 DBOS13BX06HP V14798	002004 006100 107107 121503 904999	2
- 172	BACN10YL06	..	NUT	002004 006100 107107 121503 904999	2
180	271N6461-1128	.	TUBE ASSY-STATIC PRESSURE TUBING MATERIAL: .375 IN. OD .035 IN. WALL 79.9 IN. LG ALUMINUM AMS 4083 6061 T6 TUBING	002004 006100 107107 121503 904999	1
- 185	AP2097HP06	..	SLEEVE SUPPLIER CODE: V01673 SPECIFICATION NUMBER: BACS13BX06HP OPTIONAL PART: 2-02903-06HP V11328 35235VN06 V08199 AFP175V06P V30974 DBOS13BX06HP V14798	002004 006100 107107 121503 904999	1
- 190	BACN10YL06	..	NUT	002004 006100 107107 121503 904999	1
- 195	BACU24AB06W	..	UNION	002004 006100 107107 121503 904999	1

MISSING ITEM NUMBERS NOT APPLICABLE

- ITEM NOT ILLUSTRATED

27-31-51-30

27-31-51  
FIG. 30  
PAGE 5  
JAN 20/09

BRI



757

PARTS CATALOG (MAINTENANCE)

FIG ITEM	PART NUMBER	1 2 3 4 5 6 7	NOMENCLATURE	EFFECT FROM TO	UNITS PER ASSY
30 200	271N6461-1152	.	TUBE ASSY-STATIC PRESSURE TUBING MATERIAL: .375 IN. OD .035 IN. WALL 101.4 IN. LG ALUMINUM AMS 4083 6061 T6 TUBING	002004 006100 107107 121503 904999	1
- 205	AP2097HP06	..	SLEEVE SUPPLIER CODE: V01673 SPECIFICATION NUMBER: BACS13BX06HP OPTIONAL PART: 2-02903-06HP V11328 35235VN06 V08199 AFP175V06P V30974 DBOS13BX06HP V14798	002004 006100 107107 121503 904999	2
- 210	BACN10YLO6	..	NUT	002004 006100 107107 121503 904999	2
225	271N6461-1236	.	TUBE ASSY-STATIC PRESSURE TUBING MATERIAL: .375 IN. OD .035 IN. WALL 105.2 IN. LG ALUMINUM AMS 4083 6061 T6 TUBING	002004 006100 107107 121503 904999	1
225	271N6461-1220	.	TUBE ASSY-STATIC PRESSURE TUBING MATERIAL: .375 IN. OD .035 IN. WALL 105.1 IN. LG ALUMINUM AMS 4083 6061 T6 TUBING	002004 006100 107107 121503 904999	1
235	271N6461-1126	.	TUBE ASSY-STATIC PRESSURE TUBING MATERIAL: .375 IN. OD .035 IN. WALL 74.8 IN. LG ALUMINUM AMS 4083 6061 T6 TUBING	002004 006100 107107 121503 904999	1
250	271N6461-1125	.	TUBE ASSY-STATIC PRESSURE TUBING MATERIAL: .375 IN. OD .035 IN. WALL 56.4 IN. LG ALUMINUM AMS 4083 6061 T6 TUBING	107107 121503 904999	1

MISSING ITEM NUMBERS NOT APPLICABLE

- ITEM NOT ILLUSTRATED

27-31-51-30

27-31-51  
FIG. 30  
PAGE 6  
JAN 20/09

BRI



757

PARTS CATALOG (MAINTENANCE)

FIG ITEM	PART NUMBER	1 2 3 4 5 6 7	NOMENCLATURE	EFFECT FROM TO	UNITS PER ASSY
30 250	271N6461-1163		.TUBE ASSY-STATIC PRESSURE TUBING MATERIAL: .375 IN. OD .035 IN. WALL 56.7 IN. LG ALUMINUM AMS 4083 6061 T6 TUBING	002004 006100	1
- 260	AP2097HP06		..SLEEVE SUPPLIER CODE: V01673 SPECIFICATION NUMBER: BACS13BX06HP OPTIONAL PART: 2-02903-06HP V11328 35235VN06 V08199 AFP175V06P V30974 DBOS13BX06HP V14798	002004 006100 107107 121503 904999	1
- 265	BACN10YLO6		..NUT	002004 006100 107107 121503 904999	1
- 270	BACU24AB06W		..UNION	002004 006100 107107 121503 904999	1
305	MS21904D6		.ELBOW-	107107	1
305	MS21904W6		.ELBOW-	002004 006100 121503 904999	1
- 400	271N6461-7		FITTING INSTL- (ELEVATOR CONTROL SYSTEM ONLY) POSITION DATA: STA 1720 FOR NHA/OTHER SYS DET SEE: 27-00-00-03	101102 108120 504903	RF

MISSING ITEM NUMBERS NOT APPLICABLE

- ITEM NOT ILLUSTRATED

BRI

27-31-51-30

BOEING PROPRIETARY - Copyright © - Unpublished Work - See title page for details.

27-31-51  
FIG. 30  
PAGE 7  
JAN 20/09



757

PARTS CATALOG (MAINTENANCE)

FIG ITEM	PART NUMBER	1 2 3 4 5 6 7	NOMENCLATURE	EFFECT FROM TO	UNITS PER ASSY
30					
- 400	MODREF31916		FITTING INSTL- (ELEVATOR CONTROL SYSTEM ONLY)	103106	1
			MODULE NUMBER: 271N6461-7 REV B		
			FOR OTHER SYS DETAILS SEE: 27-23-51-30 27-23-51-31		
405	AFP821D6		.UNION	101106	2
			SUPPLIER CODE: V30974	108120	
			SPECIFICATION NUMBER: BACU24E6D	504903	
			OPTIONAL PART: AP1003-06 V01673 DB0U24E6D V14798 ER01725 V88334 GR224E6D V84368 2-01001D6 V11328 31739-6D V14397		
900			ILLUSTRATION REFERENCE: PORT INSTL-ELEV FEEL	002004	RF
			COMPUTER STATIC PRESSURE (FLIGHT CONTROLS ONLY)	006100	
			27-31-60-01	107107	
				121503	
				904999	
905			ILLUSTRATION REFERENCE: PLUMBING INSTL-SECT. 48 (RUDDER AND ELEVATOR HYDRAULIC SYSTEMS ONLY)	002004	RF
			27-23-00-01	006100	
				107107	
				121503	
				904999	

MISSING ITEM NUMBERS NOT APPLICABLE

- ITEM NOT ILLUSTRATED

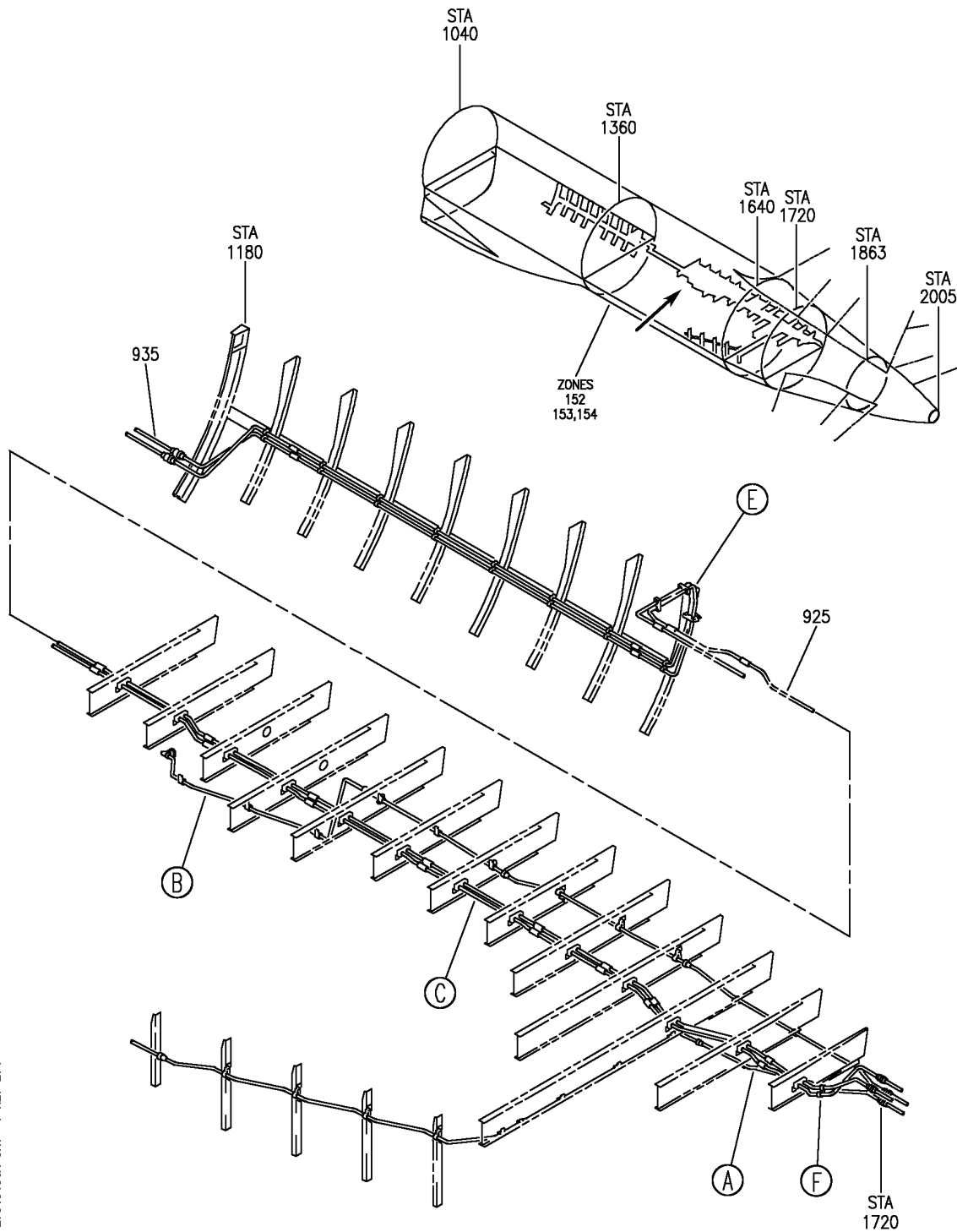
BRI

27-31-51-30

BOEING PROPRIETARY - Copyright © - Unpublished Work - See title page for details.

27-31-51  
FIG. 30  
PAGE 8  
JAN 20/09

**BOEING**  
757  
PARTS CATALOG (MAINTENANCE)



Y 27315130A SHT 1 REV 274

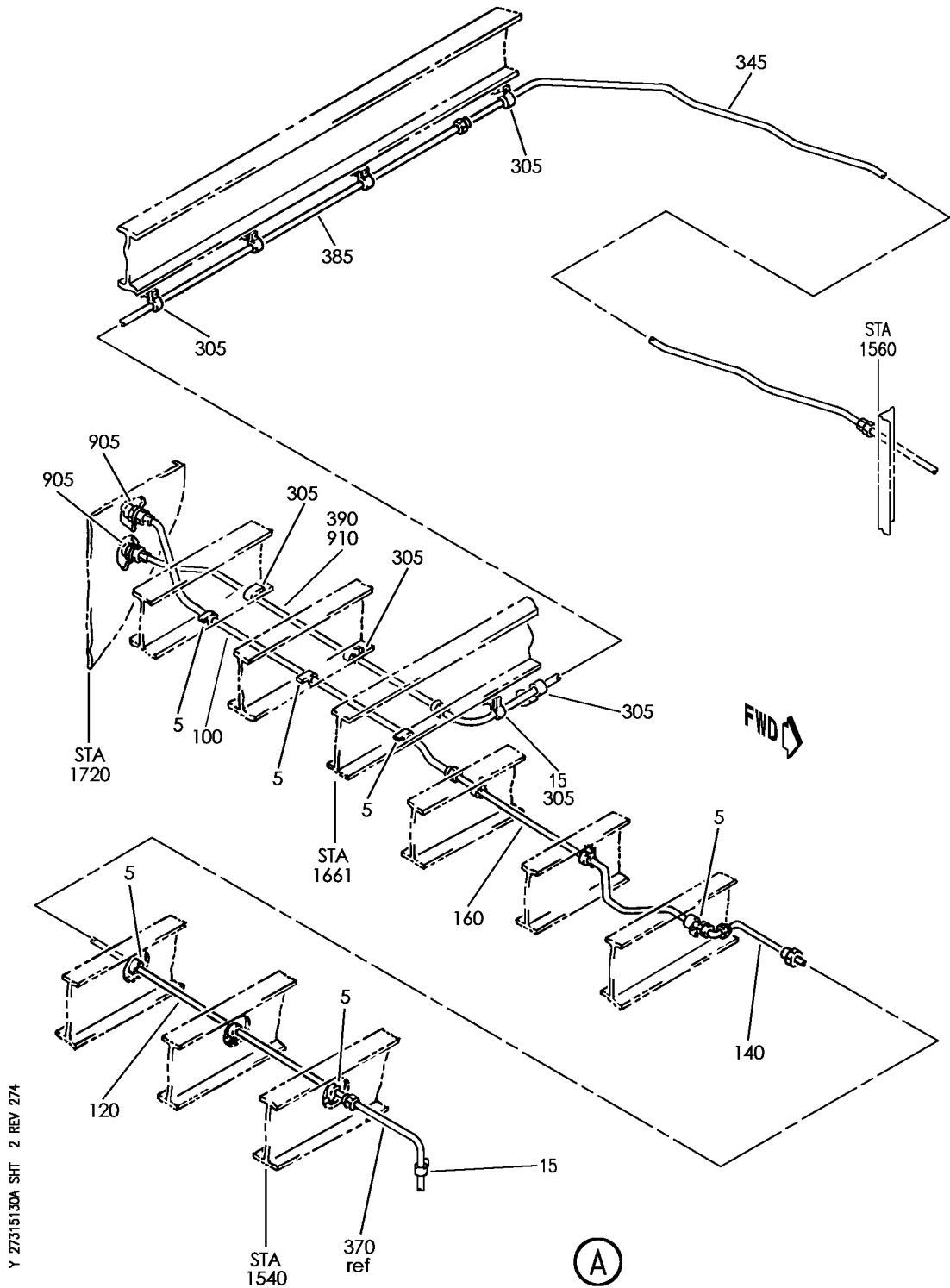
PLUMBING INSTL-SECT. 46 HYDR (ELEVATOR CONTROL SYSTEM ONLY)  
FIGURE 30A (SHEET 1)

**27-31-51-30A**

BRI  
MAY 28/07

27-31-51-30A  
PAGE 0

**BOEING**  
757  
PARTS CATALOG (MAINTENANCE)



Y 27315130A SHT 2 REV 274

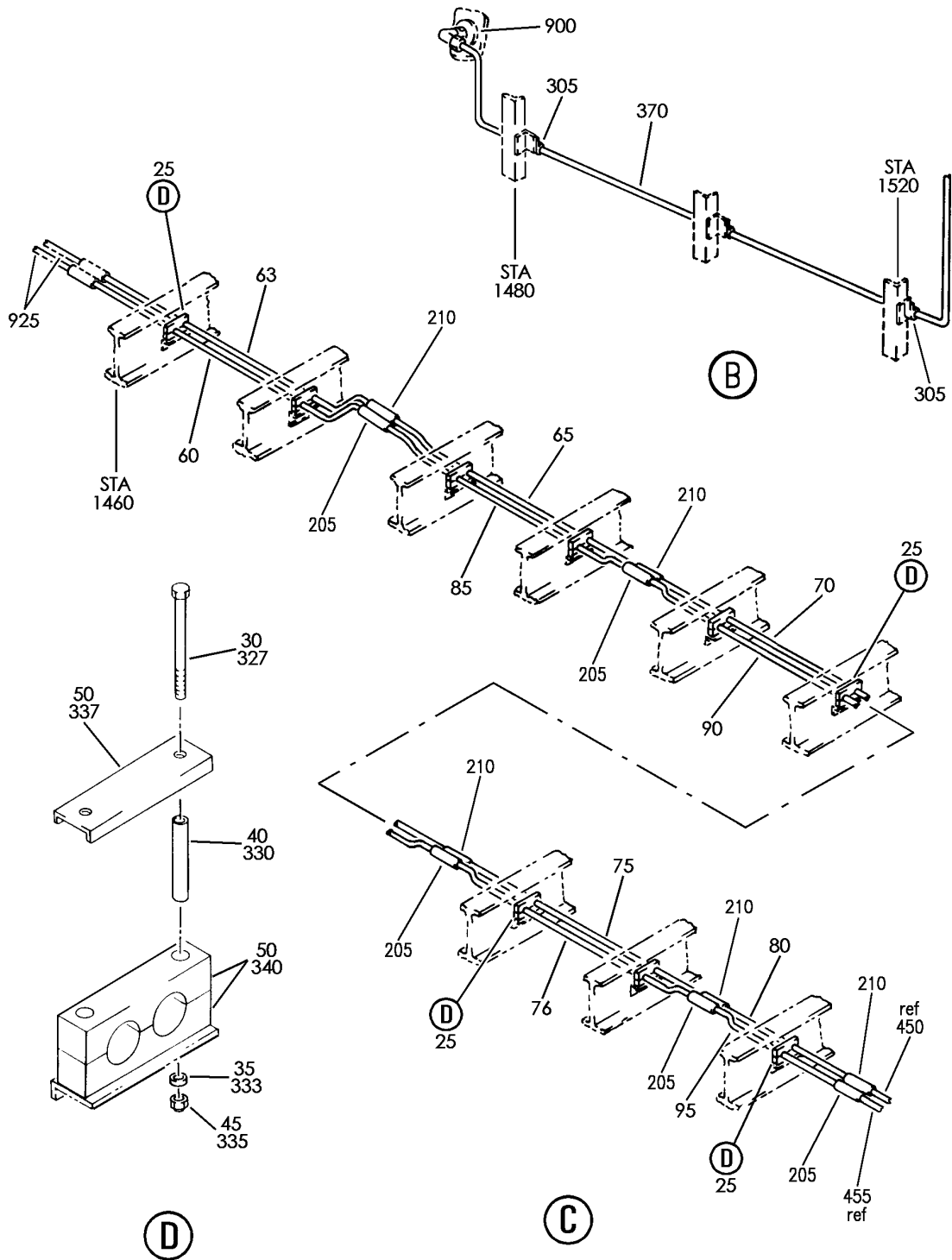
PLUMBING INSTL-SECT. 46 HYDR (ELEVATOR CONTROL SYSTEM ONLY)  
FIGURE 30A (SHEET 2)

**27-31-51-30A**

BRI  
MAY 28/07

27-31-51-30A  
PAGE 0A

**BOEING**  
757  
PARTS CATALOG (MAINTENANCE)



Y 273151-30A SHT. 3 REV 274

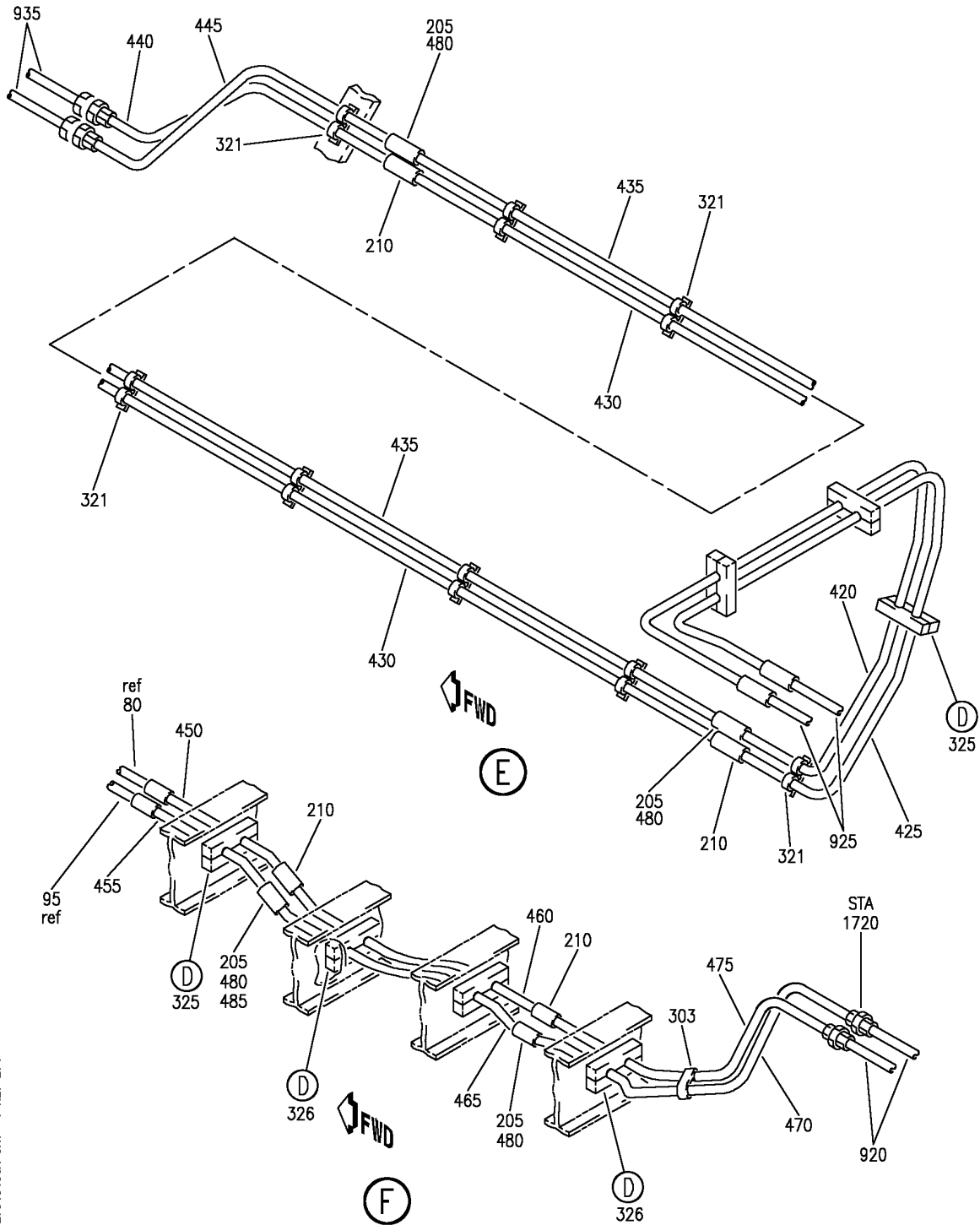
PLUMBING INSTL-SECT. 46 HYDR (ELEVATOR CONTROL SYSTEM ONLY)  
FIGURE 30A (SHEET 3)

**27-31-51-30A**

BRI  
MAY 28/07

27-31-51-30A  
PAGE 0B

**BOEING**  
757  
PARTS CATALOG (MAINTENANCE)



Y 27315130A SHT 4 REV 274

PLUMBING INSTL-SECT. 46 HYDR (ELEVATOR CONTROL SYSTEM ONLY)  
FIGURE 30A (SHEET 4)

**27-31-51-30A**

BRI  
MAY 28/07

27-31-51-30A  
PAGE 0C





757

PARTS CATALOG (MAINTENANCE)

FIG ITEM	PART NUMBER	1 2 3 4 5 6 7	NOMENCLATURE	EFFECT FROM TO	UNITS PER ASSY
30A			PLUMBING INSTL-SECT. 46 HYDR (ELEVATOR CONTROL SYSTEM ONLY)	101102 108120 504903	
- 1	271N6461-22		PLUMBING INSTL-HYDR RUDDER AND ELEVATOR HYDRAULICS SYS ONLY POSITION DATA: SECT. 46 FOR NHA/OTHER SYS DET SEE: 27-00-00-03	101102 504903	RF
- 1	271N6461-31		PLUMBING INSTL-HYDR RUDDER AND ELEVATOR HYDRAULICS SYS ONLY POSITION DATA: SECT. 46 FOR NHA/OTHER SYS DET SEE: 27-00-00-03	108120	RF
	5 M85052-2-6		.CLAMP	101102 108120 504903	9
- 10	NAS1801-3		ATTACHING PARTS .SCREW- SIZE DETERMINED ON INSTL.	101102 108120 504903	9
	15 M85052-2-6		-----*----- .CLAMP ATTACHING PARTS	108120	2
- 20	NAS1801-3		.SCREW- SIZE DETERMINED ON INSTL.	108120	2
	25 270N2000-15		-----*----- .CLAMP ASSY-BLK	101102 108120 504903	9
	30 NAS1801-3-28		..SCREW	101102 108120 504903	2
	35 AN960PD10L		..WASHER	101102 108120 504903	2
	40 NAS43DD3-75		..SPACER	101102 108120 504903	2

MISSING ITEM NUMBERS NOT APPLICABLE

- ITEM NOT ILLUSTRATED

**27-31-51-30A**

27-31-51  
FIG. 30A  
PAGE 1  
JAN 20/09

BRI

BOEING PROPRIETARY - Copyright © - Unpublished Work - See title page for details.



757

PARTS CATALOG (MAINTENANCE)

FIG ITEM	PART NUMBER	1 2 3 4 5 6 7	NOMENCLATURE	EFFECT FROM TO	UNITS PER ASSY
30A 45	BRH10A3	..	NUT SUPPLIER CODE: V52828 SPECIFICATION NUMBER: BACN10JC3 OPTIONAL PART: H10-3BAC V15653 NS202101-02 V80539 RMLH9075-3W V72962 VN303A02 V92215 96-02 V80539 T6S1032J V11815	101102 108120 504903	2
50	270N2000-810	..	CHANNEL	101102 108120 504903	1
55	270N2000-422	..	BLOCK	101102 108120 504903	2
60	271N6461-1055	.	TUBE ASSY-RETURN SYS POSITION DATA: R TUBING MATERIAL: .625 IN. OD .035 IN. WALL 42.2 IN. LG ALUMINUM AMS 4083 6061 T6 TUBING	101102 108120 504903	1
63	271N6461-1054	.	TUBE ASSY-PRESSURE SYS POSITION DATA: R TUBING MATERIAL: .625 IN. OD .032 IN. WALL 40.5 IN. LG TITANIUM BMS 7-234 TI-3AL-2.5V COLD WORKED, STRESS RELIEVED TUBING	101102 108120 504903	1

MISSING ITEM NUMBERS NOT APPLICABLE

- ITEM NOT ILLUSTRATED

BRI

**27-31-51-30A**

BOEING PROPRIETARY - Copyright © - Unpublished Work - See title page for details.

27-31-51  
FIG. 30A  
PAGE 2  
JAN 20/09



757

PARTS CATALOG (MAINTENANCE)

FIG ITEM	PART NUMBER	1 2 3 4 5 6 7	NOMENCLATURE	EFFECT FROM TO	UNITS PER ASSY
30A 65	271N6461-1056		.TUBE ASSY-PRESSURE SYS POSITION DATA: R TUBING MATERIAL: .625 IN. OD .032 IN. WALL 36.1 IN. LG TITANIUM BMS 7-234 TI-3AL-2.5V COLD WORKED, STRESS RELIEVED TUBING	101102 108120 504903	1
70	271N6461-1058		.TUBE ASSY-PRESSURE SYS POSITION DATA: R TUBING MATERIAL: .625 IN. OD .032 IN. WALL 38.4 IN. LG TITANIUM BMS 7-234 TI-3AL-2.5V COLD WORKED STRESS RELIEVED TUBING	101102 108120 504903	1
75	271N6461-1060		.TUBE ASSY-PRESSURE SYS POSITION DATA: R TUBING MATERIAL: .625 IN. OD .032 IN. WALL 42.0 IN. LG TITANIUM BMS 7-234 TI-3AL-2.5V COLD WORKED, STRESS RELIEVED TUBING	101102 108120 504903	1
76	271N6461-1061		.TUBE ASSY-PRESSURE SYS POSITION DATA: R TUBING MATERIAL: .625 IN. OD .032 IN. WALL 39.2 IN. LG ALUMINUM AMS 4083 6061 T6 TUBING	101102 108120 504903	1
80	271N6461-1084		.TUBE ASSY-PRESSURE SYS POSITION DATA: R TUBING MATERIAL: .625 IN. OD .032 IN. WALL 22.3 IN. LG TITANIUM BMS 7-234 TI-3AL-2.5V COLD WORKED, STRESS RELIEVED TUBING	101102 108120 504903	1

MISSING ITEM NUMBERS NOT APPLICABLE

- ITEM NOT ILLUSTRATED

**27-31-51-30A**

27-31-51  
FIG. 30A  
PAGE 3  
JAN 20/09

BRI

BOEING PROPRIETARY - Copyright © - Unpublished Work - See title page for details.



757

PARTS CATALOG (MAINTENANCE)

FIG ITEM	PART NUMBER	1 2 3 4 5 6 7	NOMENCLATURE	EFFECT FROM TO	UNITS PER ASSY
30A 85	271N6461-1057	.	TUBE ASSY-RETURN SYS POSITION DATA: R TUBING MATERIAL: .625 IN. OD .035 IN. WALL 39.0 IN. LG ALUMINUM AMS 4083 6061 T6 TUBING	101102 108120 504903	1
90	271N6461-1059	.	TUBE ASSY-RETURN SYS POSITION DATA: R TUBING MATERIAL: .625 IN. OD .035 IN. WALL 38.6 IN. LG ALUMINUM AMS 4083 6061 T6 TUBING	101102 108120 504903	1
95	271N6461-1085	.	TUBE ASSY-RETURN SYS POSITION DATA: R TUBING MATERIAL: .625 IN. OD .035 IN. WALL 18.9 IN. LG ALUMINUM AMS 4083 6061 T6 TUBING	101102 108120 504903	1
120	271N6461-1130	.	TUBE ASSY-STATIC PRESSURE TUBING MATERIAL: .375 IN. OD .035 IN. WALL 44.9 IN. LG ALUMINUM AMS 4083 6061 T6 TUBING	101102 108120 504903	1
- 125	AP2097HP06	..	SLEEVE SUPPLIER CODE: V01673 SPECIFICATION NUMBER: BACS13BX06HP OPTIONAL PART: 2-02903-06HP V11328 35235VN06 V08199 AFP175V06P V30974 DB0S13BX06HP V14798	101102 108120 504903	1
- 130	BACN10YLO6	..	NUT	101102 108120 504903	1

MISSING ITEM NUMBERS NOT APPLICABLE

- ITEM NOT ILLUSTRATED

27-31-51-30A

27-31-51  
FIG. 30A  
PAGE 4  
JAN 20/09

BRI

BOEING PROPRIETARY - Copyright © - Unpublished Work - See title page for details.



757

PARTS CATALOG (MAINTENANCE)

FIG ITEM	PART NUMBER	1 2 3 4 5 6 7	NOMENCLATURE	EFFECT FROM TO	UNITS PER ASSY
30A - 135	BACU24AB06W	. .	UNION-SWAGED	101102 108120 504903	1
205	D10036D10	. UNION-	SUPPLIER CODE: V14798 OPTIONAL PART: D10282D10 V14798	101102 504903	9
205	D10282D10	. UNION-	SUPPLIER CODE: V14798 OPTIONAL PART: D10036D10 V14798	101102 504903	9
205	D10282J10	. UNION	SUPPLIER CODE: V14798 SPECIFICATION NUMBER: BACU24BS1010D	108120	9
210	D10036-10	. UNION-	SUPPLIER CODE: V14798 OPTIONAL PART: D10282-10 V14798	101102 504903	9
210	D10282-10	. UNION-	SUPPLIER CODE: V14798 OPTIONAL PART: D10036-10 V14798	101102 504903	9
210	D10282J10	. UNION	SUPPLIER CODE: V14798 SPECIFICATION NUMBER: BACU24BS1010J	108120	9
- 300	271N6461-13	PLUMBING INSTL-HYDR (ELEVATOR CONTROL SYSTEM ONLY)	POSITION DATA: SECT. 46 FOR NHA SEE: 27-00-00-04	101102 108120 504903	RF
305	M85052-2-6	. CLAMP		101102 108120 504903	11

MISSING ITEM NUMBERS NOT APPLICABLE

- ITEM NOT ILLUSTRATED

**27-31-51-30A**

27-31-51  
FIG. 30A  
PAGE 5  
JAN 20/09

BRI

BOEING PROPRIETARY - Copyright © - Unpublished Work - See title page for details.



757

PARTS CATALOG (MAINTENANCE)

FIG ITEM	PART NUMBER	1 2 3 4 5 6 7	NOMENCLATURE	EFFECT FROM TO	UNITS PER ASSY
30A			ATTACHING PARTS		
- 310	NAS1801-3		.SCREW	101102 108120 504903	11
- 315	AN960KD10L		.WASHER	101102 108120 504903	11
- 320	MS21042L3		.NUT	101102 108120 504903	11
			-----*-----		
321	TA0630003-10		.CLAMP- SUPPLIER CODE: V84971	101102 108120 504903	8
- 322	NAS1801-3		ATTACHING PARTS .SCREW- SIZE DETERMINED ON INSTL.	101102 108120 504903	16
- 323	AN960PD10		.WASHER	101102 108120 504903	16
- 324	BRH10A3		.NUT SUPPLIER CODE: V52828 SPECIFICATION NUMBER: BACN10JC3 OPTIONAL PART: H10-3BAC V15653 NS202101-02 V80539 RMLH9075-3W V72962 VN303A02 V92215 96-02 V80539 T6S1032J V11815	101102 108120 504903	16
			-----*-----		
325	270N2000-15		.CLAMP ASSY-BLK	101102 108120 504903	2
327	NAS1801-3-28		..SCREW	101102 108120 504903	2
330	NAS43DD3-75		..SPACER	101102 108120 504903	2

MISSING ITEM NUMBERS NOT APPLICABLE

- ITEM NOT ILLUSTRATED

**27-31-51-30A**

27-31-51  
FIG. 30A  
PAGE 6  
JAN 20/09

BRI

BOEING PROPRIETARY - Copyright © - Unpublished Work - See title page for details.



757

PARTS CATALOG (MAINTENANCE)

FIG ITEM	PART NUMBER	1 2 3 4 5 6 7	NOMENCLATURE	EFFECT FROM TO	UNITS PER ASSY
30A 333	AN960PD10L	..	WASHER	101102 108120 504903	2
335	BRH10A3	..	NUT SUPPLIER CODE: V52828 SPECIFICATION NUMBER: BACN10JC3 OPTIONAL PART: H10-3BAC V15653 NS202101-02 V80539 RMLH9075-3W V72962 VN303A02 V92215 96-02 V80539 T6S1032J V11815	101102 108120 504903	2
337	270N2000-810	..	CHANNEL	101102 108120 504903	1
340	270N2000-422	..	BLOCK	101102 108120 504903	2
345	271N6461-1236	.TUBE ASSY-STATIC PRESSURE TUBING MATERIAL: .375 IN. OD .035 IN. WALL 105.2 IN. LG ALUMINUM AMS 4083 6061 T6 TUBING		101102 108120 504903	1
- 350	AP2097HP06	..	SLEEVE SUPPLIER CODE: V01673 SPECIFICATION NUMBER: BACS13BX06HP OPTIONAL PART: 2-02903-06HP V11328 35235VN06 V08199 AFP175V06P V30974 DBOS13BX06HP V14798	101102 108120 504903	1

MISSING ITEM NUMBERS NOT APPLICABLE

- ITEM NOT ILLUSTRATED

**27-31-51-30A**

27-31-51  
FIG. 30A  
PAGE 7  
JAN 20/09

BRI

BOEING PROPRIETARY - Copyright © - Unpublished Work - See title page for details.



757

PARTS CATALOG (MAINTENANCE)

FIG ITEM	PART NUMBER	1 2 3 4 5 6 7	NOMENCLATURE	EFFECT FROM TO	UNITS PER ASSY
30A - 355	BACN10YL06	. .	NUT	101102 108120 504903	1
- 360	35056GV06	. .	UNION SUPPLIER CODE: V08199 SPECIFICATION NUMBER: BACU24AB6W OPTIONAL PART: 2-01027-6W V11328 31875-6W V14397 4671097W6 V50948 AP1004W06 V01673 AFP941W6 V30974 DBOU24AB6W V14798	101102 108120 504903	1
370	271N6461-1131	. .	TUBE ASSY-STATIC PRESSURE TUBING MATERIAL: .375 IN. OD .035 IN. WALL 89.50 IN. LG ALUMINUM AMS 4083 6061 T6 TUBING	101102 108120 504903	1
- 375	AP2097HP06	. .	SLEEVE SUPPLIER CODE: V01673 SPECIFICATION NUMBER: BACS13BX06HP OPTIONAL PART: 2-02903-06HP V11328 35235VN06 V08199 AFP175V06P V30974 DBOS13BX06HP V14798	101102 108120 504903	2
- 380	BACN10YL06	. .	NUT	101102 108120 504903	2

MISSING ITEM NUMBERS NOT APPLICABLE

- ITEM NOT ILLUSTRATED

27-31-51-30A

27-31-51  
FIG. 30A  
PAGE 8  
JAN 20/09

BRI

BOEING PROPRIETARY - Copyright © - Unpublished Work - See title page for details.





757

PARTS CATALOG (MAINTENANCE)

FIG ITEM	PART NUMBER	1 2 3 4 5 6 7	NOMENCLATURE	EFFECT FROM TO	UNITS PER ASSY
30A 385	271N6461-1126	.	TUBE ASSY-STATIC PRESSURE TUBING MATERIAL: .375 IN. OD .035 IN. WALL 74.8 IN. LG ALUMINUM AMS 4083 6061 T6 TUBING	101102 108120 504903	1
- 407	AP2097HP06	..	SLEEVE SUPPLIER CODE: V01673 SPECIFICATION NUMBER: BACS13BX06HP OPTIONAL PART: 2-02903-06HP V11328 35235VN06 V08199 AFP175V06P V30974 DBOS13BX06HP V14798	101102 108120 504903	1
- 412	BACN10YL06	..	NUT	101102 108120 504903	1
- 415	BACU24AB06W	..	UNION	101102 108120 504903	1
420	271N6461-1143	.	TUBE ASSY-RETURN SYS POSITION DATA: R TUBING MATERIAL: .625 IN. OD .035 IN. WALL 76.3 IN. LG ALUMINUM AMS 4083 6061 T6 TUBING	101102 108120 504903	1
425	271N6461-1156	.	TUBE ASSY-PRESSURE SYS POSITION DATA: R TUBING MATERIAL: .625 IN. OD .032 IN. WALL 80.8 IN. LG TITANIUM BMS 7-234 TI-3AL-2.5V COLD WORKED, STRESS RELIEVED TUBING	101102 108120 504903	1

MISSING ITEM NUMBERS NOT APPLICABLE

- ITEM NOT ILLUSTRATED

BRI

27-31-51-30A

BOEING PROPRIETARY - Copyright © - Unpublished Work - See title page for details.

27-31-51  
FIG. 30A  
PAGE 9  
JAN 20/09



757

PARTS CATALOG (MAINTENANCE)

FIG ITEM	PART NUMBER	1 2 3 4 5 6 7	NOMENCLATURE	EFFECT FROM TO	UNITS PER ASSY
30A 430	271N6461-1157		.TUBE ASSY-PRESSURE SYS POSITION DATA: R TUBING MATERIAL: .625 IN. OD .032 IN. WALL 119.0 IN. LG TITANIUM BMS 7-234 TI-3AL-2.5V COLD WORKED, STRESS RELIEVED TUBING	101102 108120 504903	1
435	271N6461-1158		.TUBE ASSY-RETURN SYS POSITION DATA: R TUBING MATERIAL: .625 IN. OD .035 IN. WALL 118.7 IN. LG ALUMINUM AMS 4083 6061 T6 TUBING	101102 108120 504903	1
440	271N6461-1159		.TUBE ASSY-PRESSURE SYS POSITION DATA: R TUBING MATERIAL: .625 IN. OD .032 IN. WALL 42.0 IN. LG TITANIUM BMS 7-234 TI-3AL-2.5V COLD WORKED, STRESS RELIEVED TUBING	101102 108120 504903	1
445	271N6461-1233		.TUBE ASSY-RETURN SYS POSITION DATA: R TUBING MATERIAL: .625 IN. OD .035 IN. WALL 42.4 IN. LG ALUMINUM AMS 4083 6061 T6 TUBING	101102 108120 504903	1
480	D10282D10		.UNION- SUPPLIER CODE: V14798	101102 108120 504903	4
- 490	D10282-10		.UNION- SUPPLIER CODE: V14798	101102 108120 504903	4
900			ILLUSTRATION REFERENCE: PORT INSTL-ELEV FEEL COMPUTER STATIC PRESSURE (FLIGHT CONTROLS ONLY) 27-31-60-01	101102 108120 504903	RF
910			ILLUSTRATION REFERENCE: PLUMBING INSTL-4-DOOR, NO GALLEY CHILLERS 29-11-51-88	504903	RF

MISSING ITEM NUMBERS NOT APPLICABLE

- ITEM NOT ILLUSTRATED

**27-31-51-30A**

27-31-51  
FIG. 30A  
PAGE 10  
JAN 20/09

BRI

BOEING PROPRIETARY - Copyright © - Unpublished Work - See title page for details.



757

PARTS CATALOG (MAINTENANCE)

FIG ITEM	PART NUMBER	1 2 3 4 5 6 7	NOMENCLATURE	EFFECT FROM TO	UNITS PER ASSY
30A 920			ILLUSTRATION REFERENCE: PLUMBING INSTL-SECT. 48 R HYDR (HORIZONTAL STABILIZER TRIM CONTROL ONLY) 27-41-51-24	108120	RF
925			ILLUSTRATION REFERENCE: PLUMBING INSTL-SECT. 46 HYDR (RUDDER AND ELEVATOR HYDRAULIC SYSTEMS ONLY) 27-23-51-31A	108120	RF
935			ILLUSTRATION REFERENCE: PLUMBING INSTL-SECT. 44 AFT BHD MLG WHL WELL HYDR 29-11-52-20	101102 108120 504903	RF

MISSING ITEM NUMBERS NOT APPLICABLE

- ITEM NOT ILLUSTRATED

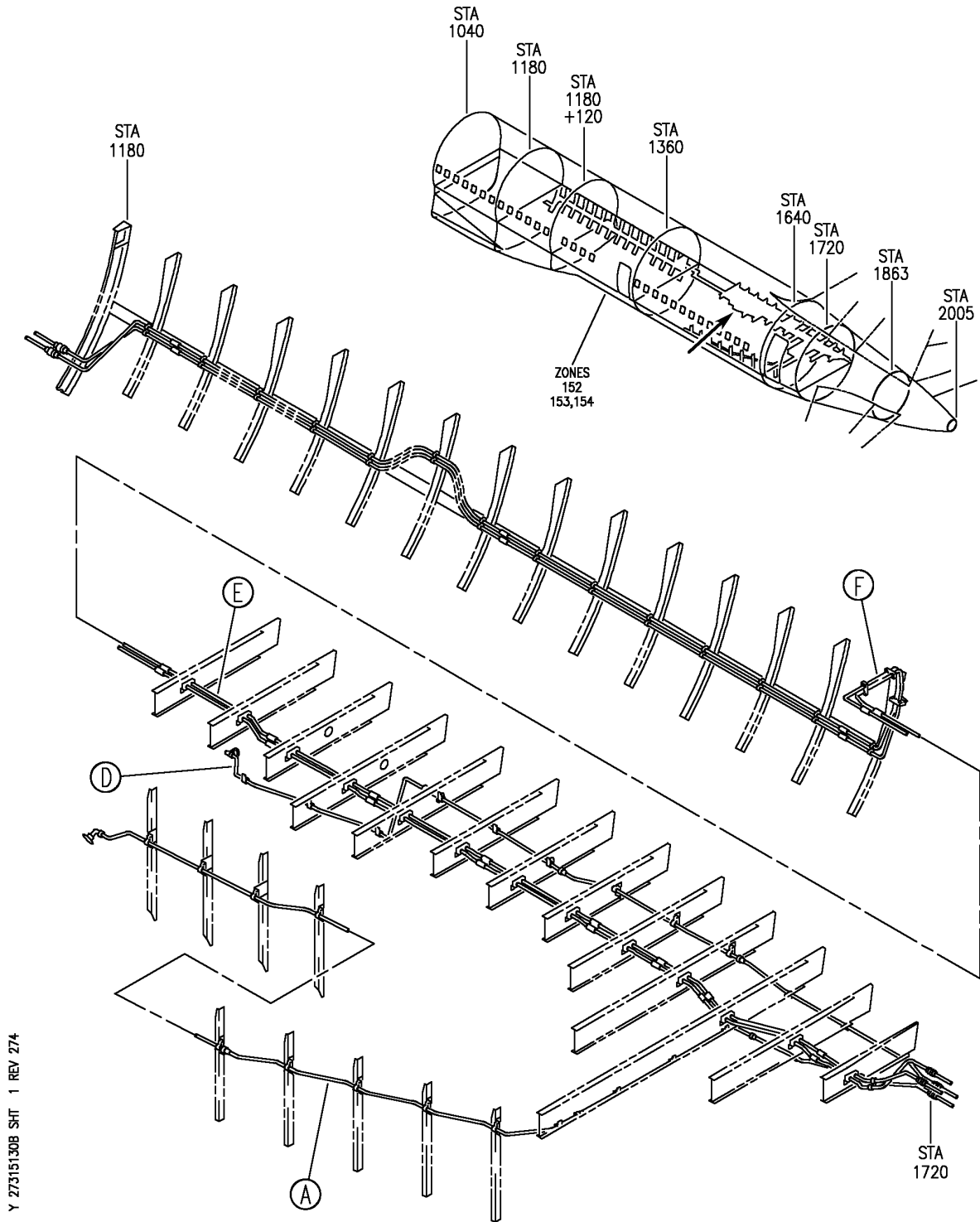
BRI

**27-31-51-30A**

BOEING PROPRIETARY - Copyright © - Unpublished Work - See title page for details.

27-31-51  
FIG. 30A  
PAGE 11  
JAN 20/09

**BOEING**  
757  
PARTS CATALOG (MAINTENANCE)



Y 27315130B SHT 1 REV 274

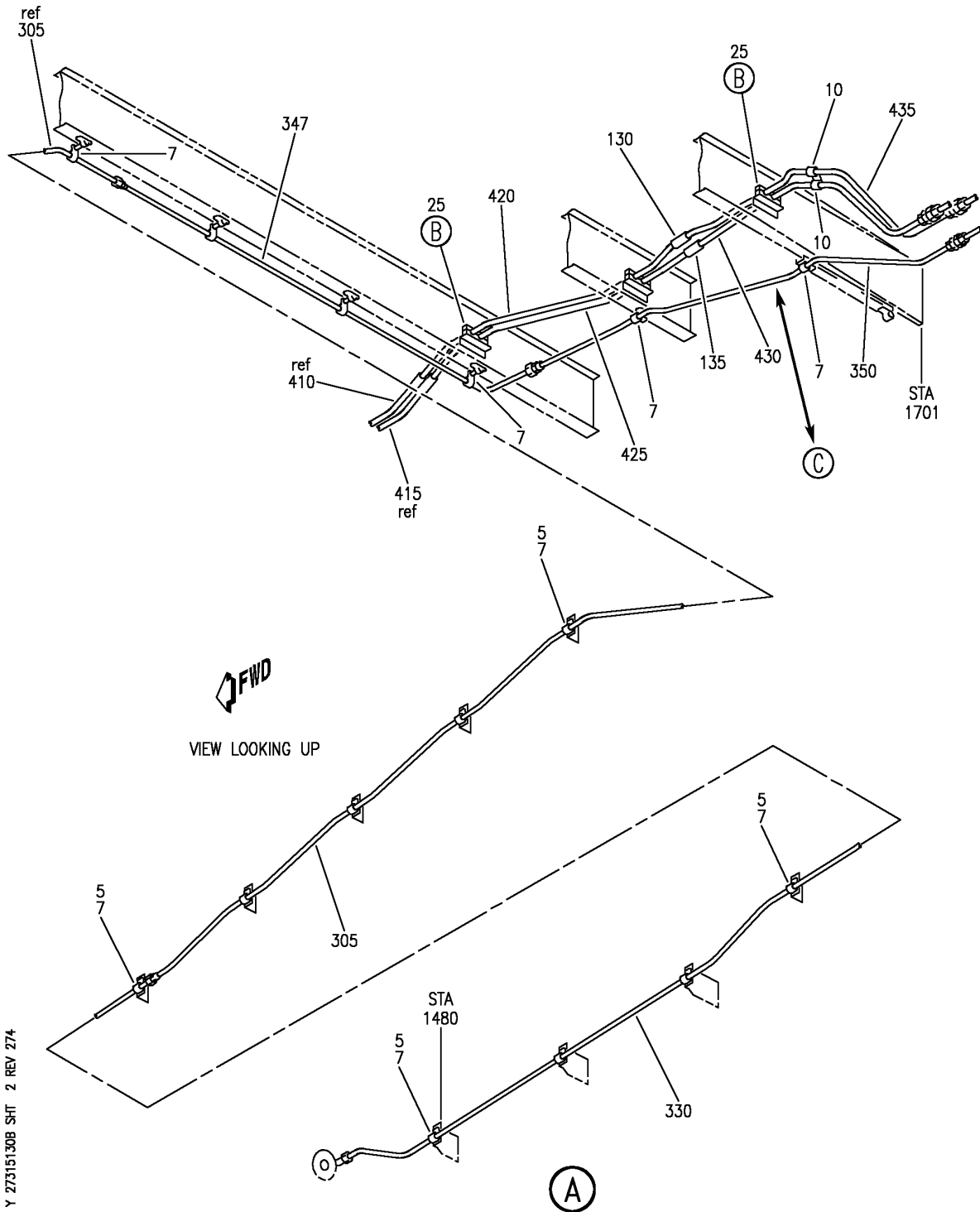
PLUMBING INSTL-SECT. 46 HYDR (ELEVATOR CONTROL SYSTEM ONLY)  
FIGURE 30B (SHEET 1)

**27-31-51-30B**

BRI  
JAN 20/09

27-31-51-30B  
PAGE 0

**BOEING**  
757  
PARTS CATALOG (MAINTENANCE)



Y 27315130B SHT 2 REV 274

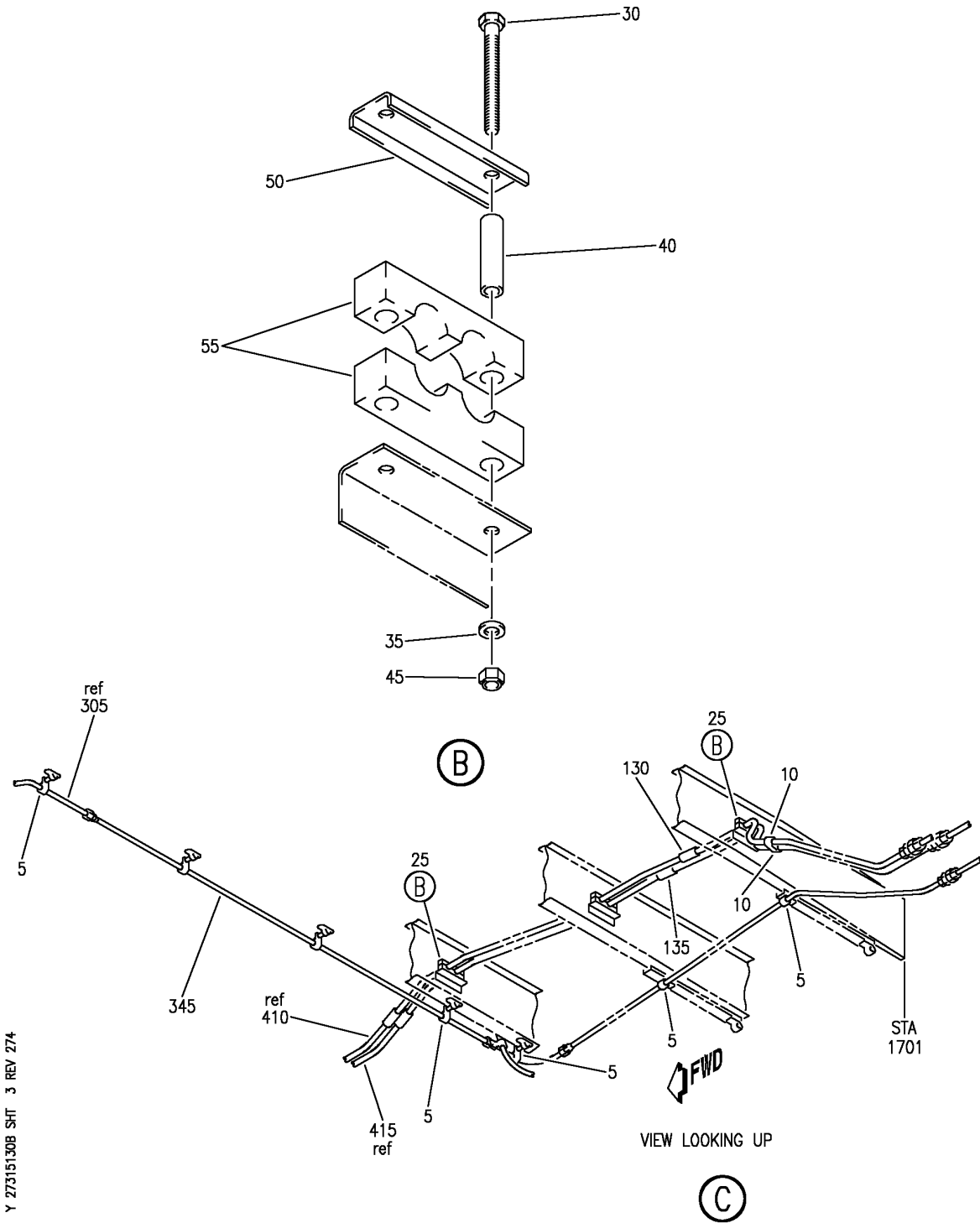
PLUMBING INSTL-SECT. 46 HYDR (ELEVATOR CONTROL SYSTEM ONLY)  
FIGURE 30B (SHEET 2)

**27-31-51-30B**

BRI  
JAN 20/09

27-31-51-30B  
PAGE 0A

**BOEING**  
757  
PARTS CATALOG (MAINTENANCE)



Y 27315130B SHT 3 REV 274

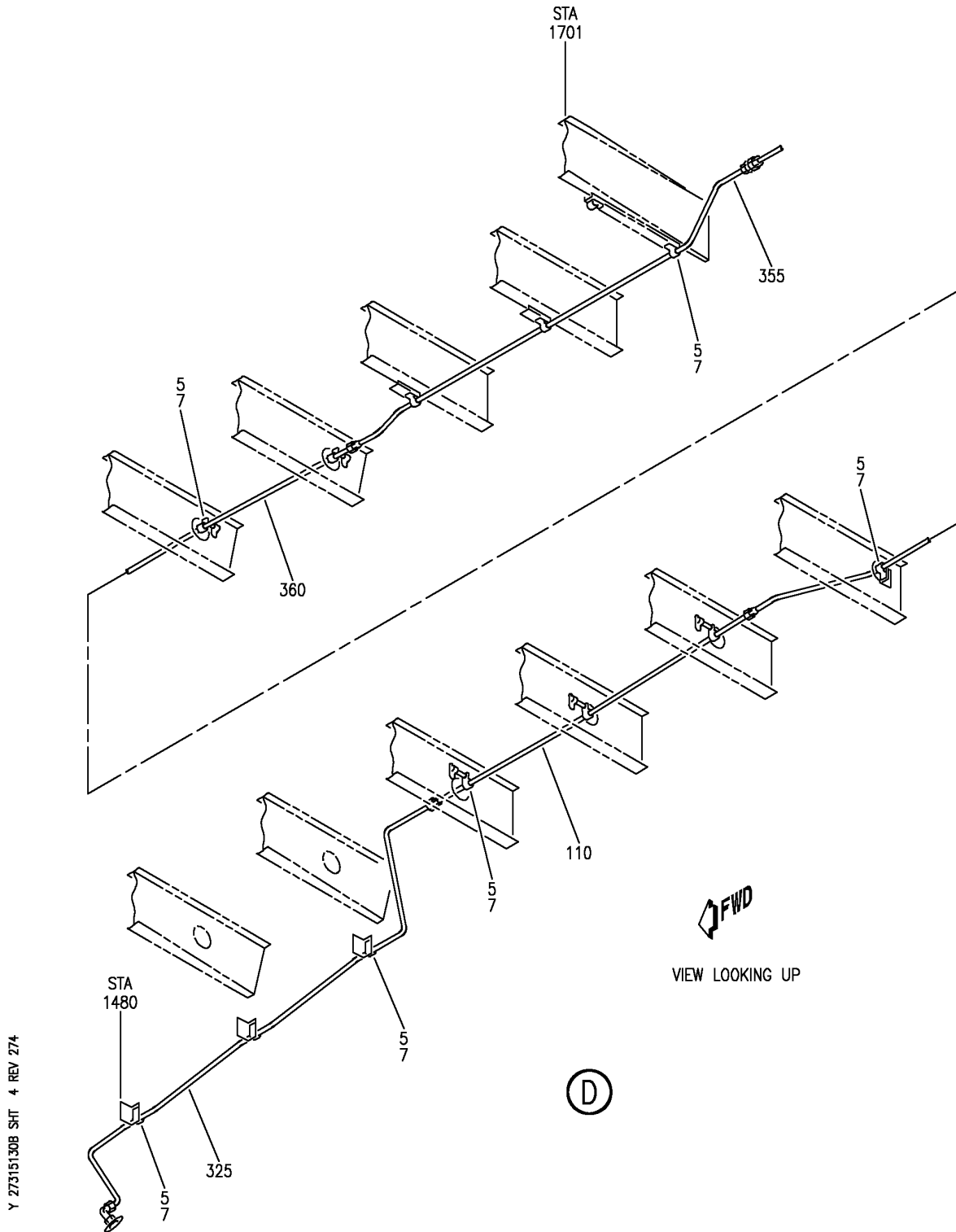
PLUMBING INSTL-SECT. 46 HYDR (ELEVATOR CONTROL SYSTEM ONLY)  
FIGURE 30B (SHEET 3)

**27-31-51-30B**

BRI  
JAN 20/09

27-31-51-30B  
PAGE 0B

**BOEING**  
757  
PARTS CATALOG (MAINTENANCE)



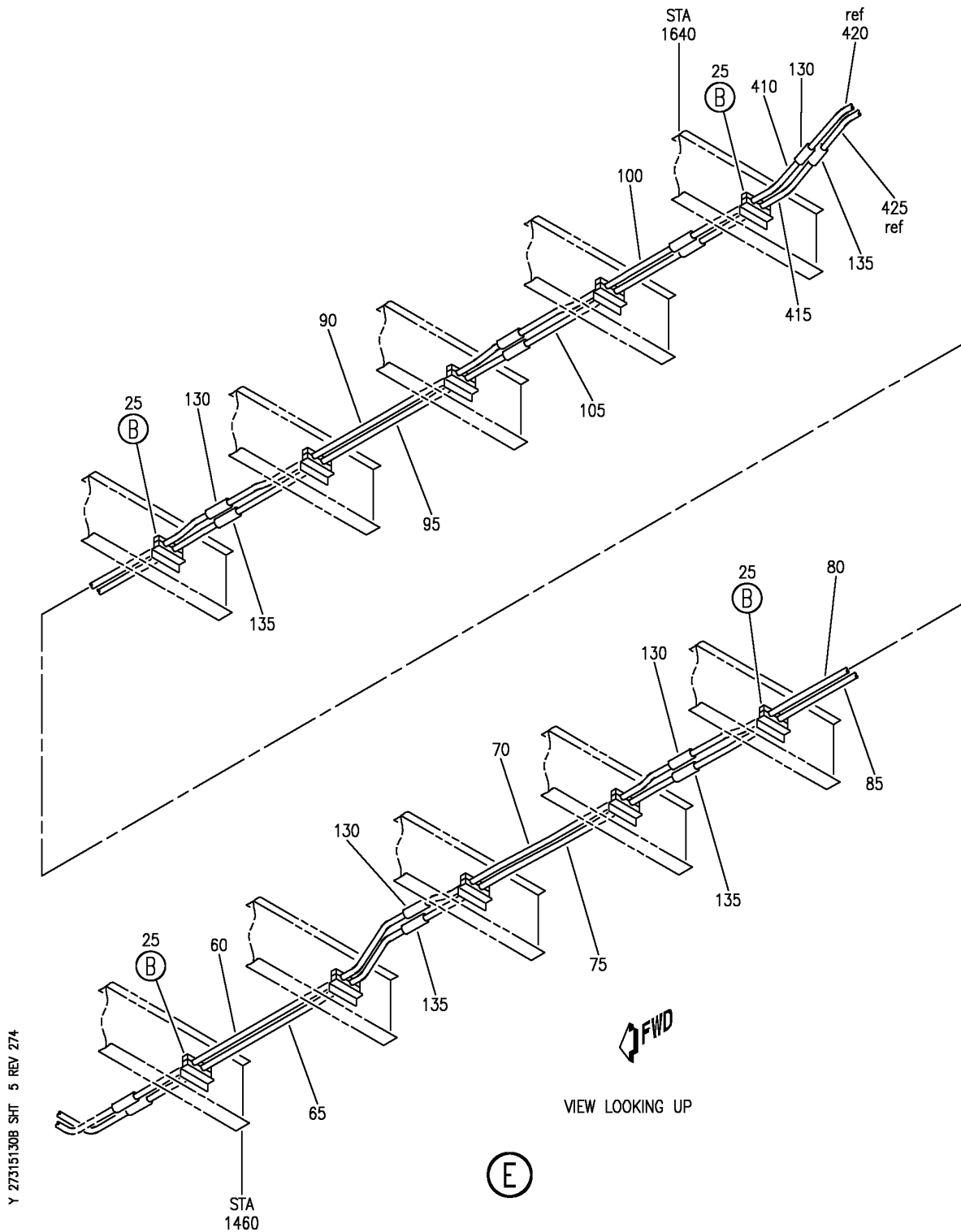
PLUMBING INSTL-SECT. 46 HYDR (ELEVATOR CONTROL SYSTEM ONLY)  
FIGURE 30B (SHEET 4)

**27-31-51-30B**

BRI  
JAN 20/09

27-31-51-30B  
PAGE 0C

**BOEING**  
757  
PARTS CATALOG (MAINTENANCE)



Y 27315130B SHT 5 REV 274

PLUMBING INSTL-SECT. 46 HYDR (ELEVATOR CONTROL SYSTEM ONLY)  
FIGURE 30B (SHEET 5)

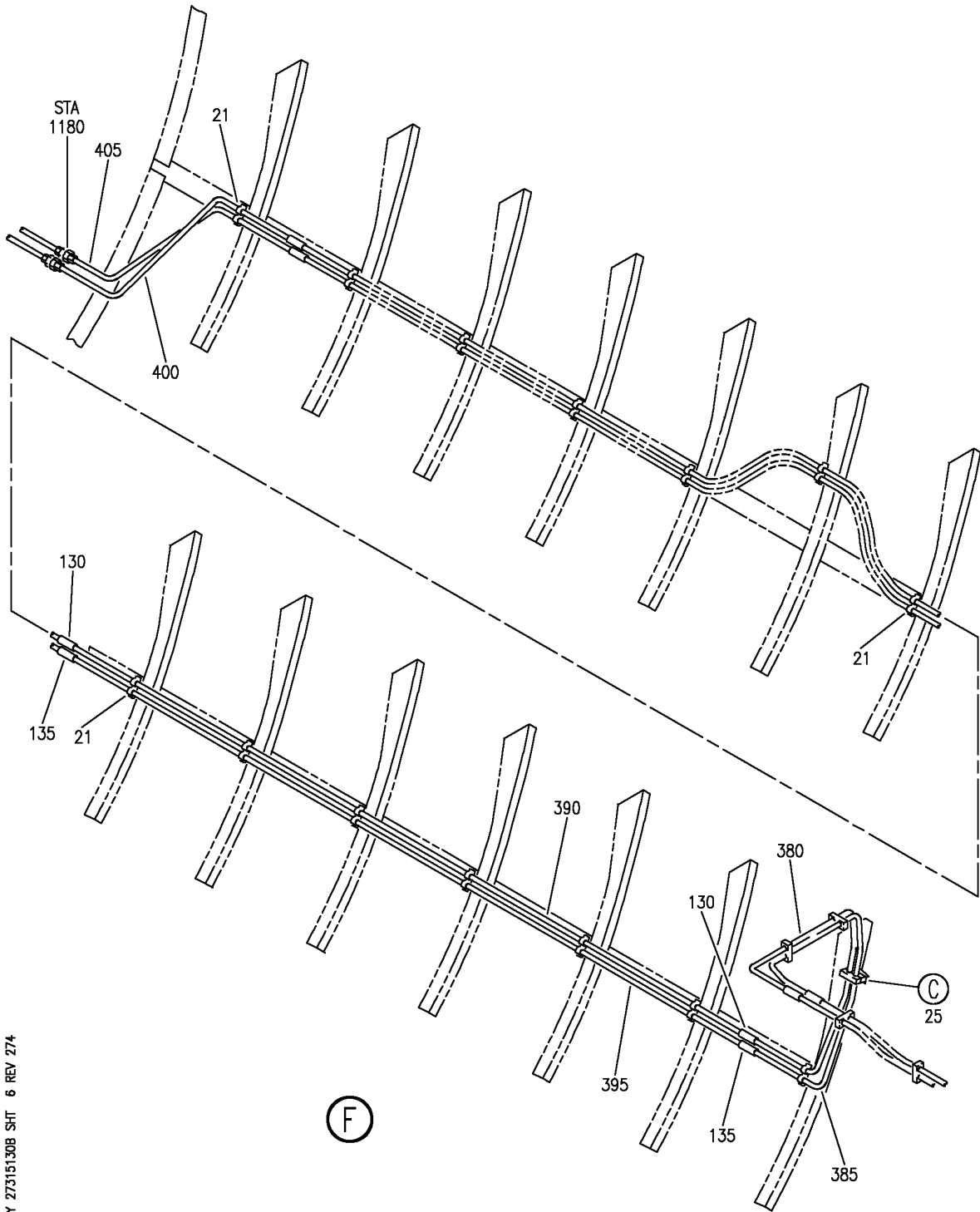
**27-31-51-30B**

BRI  
JAN 20/09

27-31-51-30B  
PAGE 0D



**BOEING**  
757  
PARTS CATALOG (MAINTENANCE)



Y 27315130B SHT 6 REV 274

PLUMBING INSTL-SECT. 46 HYDR (ELEVATOR CONTROL SYSTEM ONLY)  
FIGURE 30B (SHEET 6)

**27-31-51-30B**

BRI  
JAN 20/09

27-31-51-30B  
PAGE 0E



757

PARTS CATALOG (MAINTENANCE)

FIG ITEM	PART NUMBER	1 2 3 4 5 6 7	NOMENCLATURE	EFFECT FROM TO	UNITS PER ASSY
30B			PLUMBING INSTL-SECT. 46 HYDR (ELEVATOR CONTROL SYSTEM ONLY)	103106	
- 1	MODREF31816		PLUMBING INSTL-HYDR (RUDDER AND ELEVATOR HYDRAULIC SYSTEMS ONLY) MODULE NUMBER: 271N6461-39 REV B POSITION DATA: SECT.46	103105	1
- 1	MODREF33695		PLUMBING INSTL-HYDR (RUDDER AND ELEVATOR HYDRAULIC SYSTEMS ONLY) MODULE NUMBER: 271N6461-39 REV C POSITION DATA: SECT.46	106106	1
7	M85052-2-6		.CLAMP	103106	27
10	M85052-2-10		.CLAMP	103106	2
- 15	NAS1801-3		ATTACHING PARTS .SCREW-	103106	30
- 20	AN960KD10L		SIZE DETERMINED ON INSTL. .WASHER	103106	30
21	TA0630003-10		-----*----- .CLAMP-	103106	14
			SUPPLIER CODE: V84971		
- 22	NAS1801-3		ATTACHING PARTS .SCREW-	103106	28
- 23	AN960PD10		SIZE DETERMINED ON INSTL. .WASHER	103106	28

MISSING ITEM NUMBERS NOT APPLICABLE

- ITEM NOT ILLUSTRATED

**27-31-51-30B**

27-31-51  
FIG. 30B  
PAGE 1  
JAN 20/09

BRI

BOEING PROPRIETARY - Copyright © - Unpublished Work - See title page for details.



757

PARTS CATALOG (MAINTENANCE)

FIG ITEM	PART NUMBER	1 2 3 4 5 6 7	NOMENCLATURE	EFFECT FROM TO	UNITS PER ASSY
30B - 24	BRH10A3	.	NUT SUPPLIER CODE: V52828 SPECIFICATION NUMBER: BACN10JC3 OPTIONAL PART: H10-3BAC V15653 NS202101-02 V80539 RMLH9075-3W V72962 VN303A02 V92215 96-02 V80539 T6S1032J V11815 -----*-----	103106	28
25	270N2000-15	.	CLAMP ASSY-BLK	103106	14
30	NAS1801-3-28	..	SCREW	103106	2
35	AN960PD10L	..	WASHER	103106	2
40	NAS43DD3-75	..	SPACER	103106	2
45	BRH10A3	..	NUT SUPPLIER CODE: V52828 SPECIFICATION NUMBER: BACN10JC3 OPTIONAL PART: H10-3BAC V15653 NS202101-02 V80539 RMLH9075-3W V72962 VN303A02 V92215 96-02 V80539 T6S1032J V11815	103106	2
50	270N2000-810	..	CHANNEL	103106	1
55	270N2000-422	..	BLOCK	103106	2
60	271N6461-1055	.	TUBE ASSY-RETURN SYS TUBING MATERIAL: .625 IN. OD .035 IN. WALL 42.2 IN. LG ALUMINUM AMS 4083 6061 T6 TUBING	103106	1

MISSING ITEM NUMBERS NOT APPLICABLE

- ITEM NOT ILLUSTRATED

**27-31-51-30B**

27-31-51  
FIG. 30B  
PAGE 2  
JAN 20/09

BRI

BOEING PROPRIETARY - Copyright © - Unpublished Work - See title page for details.



757

PARTS CATALOG (MAINTENANCE)

FIG ITEM	PART NUMBER	1 2 3 4 5 6 7	NOMENCLATURE	EFFECT FROM TO	UNITS PER ASSY
30B 65	271N6461-1054		.TUBE ASSY-PRESSURE SYS TUBING MATERIAL: .625 IN. OD .032 IN. WALL 40.5 IN. LG TITANIUM BMS 7-234 TI-3AL-2.5V COLD WORKED, STRESS RELIEVED TUBING	103106	1
70	271N6461-1057		.TUBE ASSY-RETURN SYS TUBING MATERIAL: .625 IN. OD .035 IN. WALL 39.0 IN. LG ALUMINUM AMS 4083 6061 T6 TUBING	103106	1
75	271N6461-1056		.TUBE ASSY-PRESSURE SYS TUBING MATERIAL: .625 IN. OD .032 IN. WALL 36.1 IN. LG TITANIUM BMS 7-234 TI-3AL-2.5V COLD WORKED, STRESS RELIEVED TUBING	103106	1
80	271N6461-1302		.TUBE ASSY-RETURN SYS TUBING MATERIAL: .625 IN. OD .035 IN. WALL 38.5 IN. LG ALUMINUM AMS 4083 6061 T6 TUBING	103106	1
85	271N6461-1058		.TUBE ASSY-PRESSURE SYS TUBING MATERIAL: .625 IN. OD .032 IN. WALL 38.4 IN. LG TITANIUM BMS 7-234 TI-3AL-2.5V COLD WORKED STRESS RELIEVED TUBING	103106	1
90	271N6461-1061		.TUBE ASSY-PRESSURE SYS TUBING MATERIAL: .625 IN. OD .032 IN. WALL 39.2 IN. LG ALUMINUM AMS 4083 6061 T6 TUBING	103106	1
95	271N6461-1060		.TUBE ASSY-PRESSURE SYS TUBING MATERIAL: .625 IN. OD .032 IN. WALL 42.0 IN. LG TITANIUM BMS 7-234 TI-3AL-2.5V COLD WORKED, STRESS RELIEVED TUBING	103106	1

MISSING ITEM NUMBERS NOT APPLICABLE

- ITEM NOT ILLUSTRATED

**27-31-51-30B**

27-31-51  
FIG. 30B  
PAGE 3  
JAN 20/09

BRI

BOEING PROPRIETARY - Copyright © - Unpublished Work - See title page for details.



757

PARTS CATALOG (MAINTENANCE)

FIG ITEM	PART NUMBER	1 2 3 4 5 6 7	NOMENCLATURE	EFFECT FROM TO	UNITS PER ASSY
30B 100	271N6461-1085		.TUBE ASSY-RETURN SYS TUBING MATERIAL: .625 IN. OD .035 IN. WALL 18.9 IN. LG ALUMINUM AMS 4083 6061 T6 TUBING	103106	1
105	271N6461-1084		.TUBE ASSY-PRESSURE SYS TUBING MATERIAL: .625 IN. OD .032 IN. WALL 22.3 IN. LG TITANIUM BMS 7-234 TI-3AL-2.5V COLD WORKED, STRESS RELIEVED TUBING	103106	1
110	271N6461-1130		.TUBE ASSY-STATIC PRESSURE TUBING MATERIAL: .375 IN. OD .035 IN. WALL 44.9 IN. LG ALUMINUM AMS 4083 6061 T6 TUBING	103106	1
- 115	AP2097HP06		..SLEEVE SUPPLIER CODE: V01673 SPECIFICATION NUMBER: BACS13BX06HP OPTIONAL PART: 2-02903-06HP V11328 35235VN06 V08199 AFP175V06P V30974 DBOS13BX06HP V14798	103106	1
- 120	BACN10YL06		..NUT	103106	1

MISSING ITEM NUMBERS NOT APPLICABLE

- ITEM NOT ILLUSTRATED

**27-31-51-30B**

27-31-51  
FIG. 30B  
PAGE 4  
JAN 20/09

BRI

BOEING PROPRIETARY - Copyright © - Unpublished Work - See title page for details.



757

PARTS CATALOG (MAINTENANCE)

FIG ITEM	PART NUMBER	1 2 3 4 5 6 7	NOMENCLATURE	EFFECT FROM TO	UNITS PER ASSY
30B - 125	35056GV06		..UNION-SWAGED SUPPLIER CODE: V08199 SPECIFICATION NUMBER: BACU24AB6W OPTIONAL PART: 2-01027-6W V11328 31875-6W V14397 4671097W6 V50948 AP1004W06 V01673 AFP941W6 V30974 DBOU24AB6W V14798	103106	1
130	D10282J10		.UNION SUPPLIER CODE: V14798 SPECIFICATION NUMBER: BACU24BS1010D	103106	9
135	D10282J10		.UNION SUPPLIER CODE: V14798 SPECIFICATION NUMBER: BACU24BS1010J	103106	9
- 300	MODREF31913		PLUMBING INSTL-HYDR (ELEVATOR CONTROL SYSTEM ONLY) MODULE NUMBER: 271N6461-36 REV B POSITION DATA: SECT. 46	103105	1
- 300	MODREF99833		PLUMBING INSTL-HYDR (ELEVATOR CONTROL SYSTEM ONLY) MODULE NUMBER: 271N6461-41 REV A POSITION DATA: SECT. 46	106106	1
305	271N6461-1247		.TUBE ASSY-STATIC PRESSURE	103106	1

MISSING ITEM NUMBERS NOT APPLICABLE

- ITEM NOT ILLUSTRATED

**27-31-51-30B**

27-31-51  
FIG. 30B  
PAGE 5  
JAN 20/09

BRI

BOEING PROPRIETARY - Copyright © - Unpublished Work - See title page for details.



**757  
PARTS CATALOG (MAINTENANCE)**

FIG ITEM	PART NUMBER	1 2 3 4 5 6 7	NOMENCLATURE	EFFECT FROM TO	UNITS PER ASSY
30B - 310	AP2097HP06	..	SLEEVE SUPPLIER CODE: V01673 SPECIFICATION NUMBER: BACS13BX06HP OPTIONAL PART: 2-02903-06HP V11328 35235VN06 V08199 AFP175V06P V30974 DBOS13BX06HP V14798	103106	1
- 315	BACN10YL06	..	NUT	103106	1
- 320	35056GV06	..	UNION SUPPLIER CODE: V08199 SPECIFICATION NUMBER: BACU24AB6W OPTIONAL PART: 2-01027-6W V11328 31875-6W V14397 4671097W6 V50948 AP1004W06 V01673 AFP941W6 V30974 DBOU24AB6W V14798	103106	1
325	271N6461-1256	.TUBE	ASSY-STATIC PRESSURE	103106	1
330	271N6461-1246	.TUBE	ASSY-STATIC PRESSURE SYS	103106	1

MISSING ITEM NUMBERS NOT APPLICABLE

- ITEM NOT ILLUSTRATED

BRI

# 27-31-51-30B

BOEING PROPRIETARY - Copyright © - Unpublished Work - See title page for details.

27-31-51  
FIG. 30B  
PAGE 6  
JAN 20/09



757

PARTS CATALOG (MAINTENANCE)

FIG ITEM	PART NUMBER	1 2 3 4 5 6 7	NOMENCLATURE	EFFECT FROM TO	UNITS PER ASSY
30B					
- 335	AP2097HP06	..	SLEEVE SUPPLIER CODE: V01673 SPECIFICATION NUMBER: BACS13BX06HP OPTIONAL PART: 2-02903-06HP V11328 35235VN06 V08199 AFP175V06P V30974 DBOS13BX06HP V14798	103106	2
- 340	BACN10YLO6	..	NUT	103106	2
- 340	BACN10YLO6L	..	NUT	103106	2
347	271N6461-1248	.TUBE	ASSY-STATIC PRESSURE	103106	1
350	271N6461-1249	.TUBE	ASSY-STATIC PRESSURE SYS	103106	1
355	271N6461-1254	.TUBE	ASSY-STATIC PRESSURE SYS	103106	1
360	271N6461-1255	.TUBE	ASSY-STATIC PRESSURE SYS	103106	1
- 365	AP2097HP06	..	SLEEVE SUPPLIER CODE: V01673 SPECIFICATION NUMBER: BACS13BX06HP OPTIONAL PART: 2-02903-06HP V11328 35235VN06 V08199 AFP175V06P V30974 DBOS13BX06HP V14798	103106	1
- 370	BACN10YLO6L	..	NUT	103106	1

MISSING ITEM NUMBERS NOT APPLICABLE

- ITEM NOT ILLUSTRATED

BRI

27-31-51-30B

BOEING PROPRIETARY - Copyright © - Unpublished Work - See title page for details.

27-31-51  
FIG. 30B  
PAGE 7  
JAN 20/09





757

PARTS CATALOG (MAINTENANCE)

FIG ITEM	PART NUMBER	1 2 3 4 5 6 7	NOMENCLATURE	EFFECT FROM TO	UNITS PER ASSY
30B - 375	35056GV06		..UNION SUPPLIER CODE: V08199 SPECIFICATION NUMBER: BACU24AB6W OPTIONAL PART: 2-01027-6W V11328 31875-6W V14397 4671097W6 V50948 AP1004W06 V01673 AFP941W6 V30974 DBOU24AB6W V14798	103106	1
380	271N6461-1143		.TUBE ASSY-RETURN SYS TUBING MATERIAL: .625 IN. OD .035 IN. WALL 76.3 IN. LG ALUMINUM AMS 4083 6061 T6 TUBING	103106	1
385	271N6461-1156		.TUBE ASSY-PRESSURE SYS TUBING MATERIAL: .625 IN. OD .032 IN. WALL 80.8 IN. LG TITANIUM BMS 7-234 TI-3AL-2.5V COLD WORKED, STRESS RELIEVED TUBING	103106	1
390	271N6461-1158		.TUBE ASSY-RETURN SYS TUBING MATERIAL: .625 IN. OD .035 IN. WALL 118.7 IN. LG ALUMINUM AMS 4083 6061 T6 TUBING	103106	1
395	271N6461-1157		.TUBE ASSY-PRESSURE SYS TUBING MATERIAL: .625 IN. OD .032 IN. WALL 119.0 IN. LG TITANIUM BMS 7-234 TI-3AL-2.5V COLD WORKED, STRESS RELIEVED TUBING	103106	1

MISSING ITEM NUMBERS NOT APPLICABLE

- ITEM NOT ILLUSTRATED

**27-31-51-30B**

27-31-51  
FIG. 30B  
PAGE 8  
JAN 20/09

BRI

BOEING PROPRIETARY - Copyright © - Unpublished Work - See title page for details.



757

PARTS CATALOG (MAINTENANCE)

FIG ITEM	PART NUMBER	1 2 3 4 5 6 7	NOMENCLATURE	EFFECT FROM TO	UNITS PER ASSY
30B 400	271N6461-1233		.TUBE ASSY-RETURN SYS TUBING MATERIAL: .625 IN. OD .035 IN. WALL 42.4 IN. LG ALUMINUM AMS 4083 6061 T6 TUBING	103106	1
405	271N6461-1159		.TUBE ASSY-PRESSURE SYS TUBING MATERIAL: .625 IN. OD .032 IN. WALL 42.0 IN. LG TITANIUM BMS 7-234 TI-3AL-2.5V COLD WORKED, STRESS RELIEVED TUBING	103106	1
410	271N6461-1087		.TUBE ASSY-RETURN SYS TUBING MATERIAL: .625 IN. OD .035 IN. WALL 24.8 IN. LG ALUMINUM AMS 4083 6061 T6 TUBING	103106	1
415	271N6461-1086		.TUBE ASSY-PRESSURE SYS TUBING MATERIAL: .625 IN. OD .032 IN. WALL 23.3 IN. LG TITANIUM BMS 7-234 TI-3AL-2.5V CODL WORKED, STRESS RELIEVED TUBING	103106	1
420	271N6461-1295		.TUBE ASSY-RETURN SYS	103106	1
425	271N6461-1253		.TUBE ASSY-PRESSURE SYS	103106	1
430	271N6461-1297		.TUBE ASSY-PRESSURE SYS	103106	1
435	271N6461-1296		.TUBE ASSY-RETURN SYS	103106	1

MISSING ITEM NUMBERS NOT APPLICABLE

- ITEM NOT ILLUSTRATED

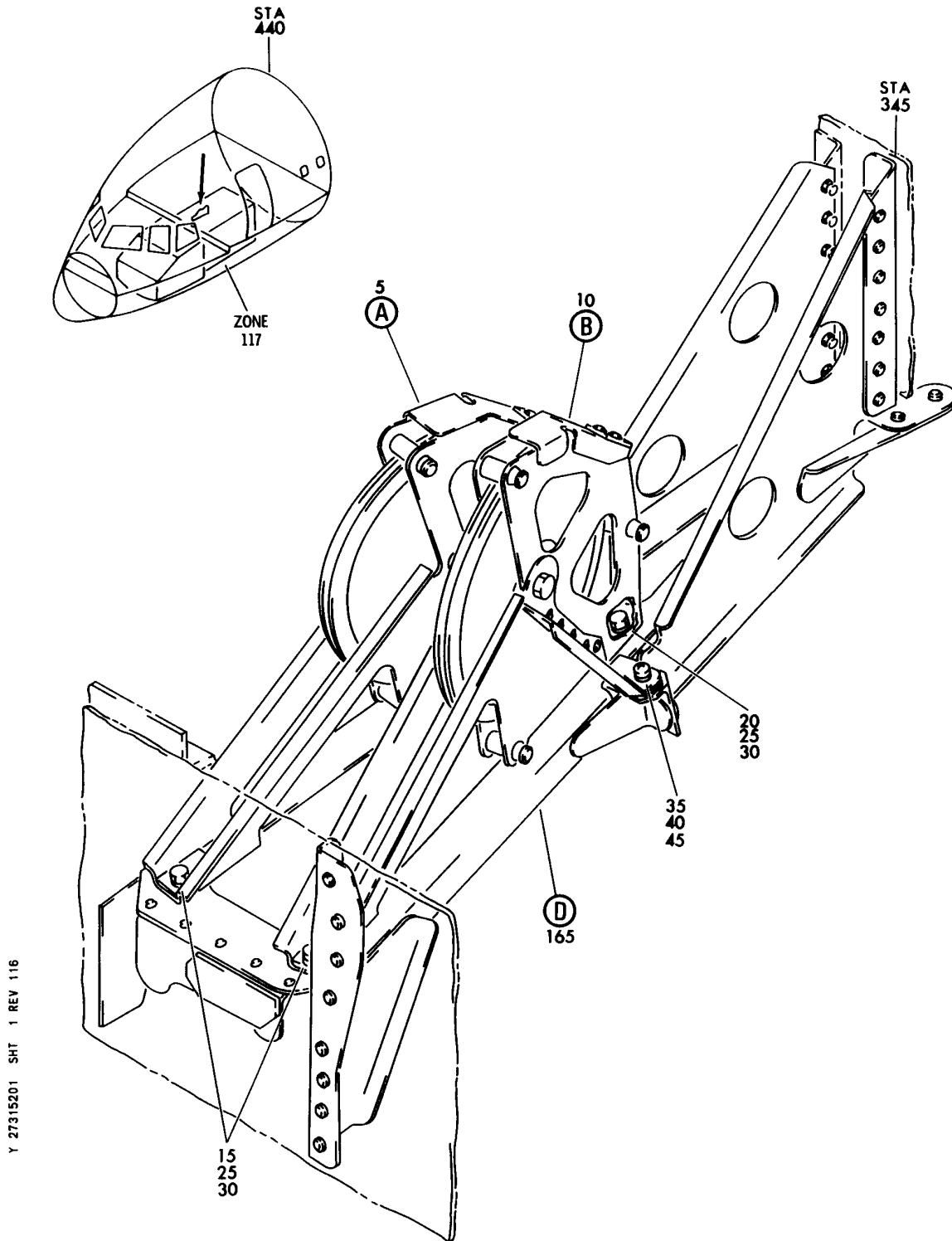
**27-31-51-30B**

27-31-51  
FIG. 30B  
PAGE 9  
JAN 20/09

BRI

BOEING PROPRIETARY - Copyright © - Unpublished Work - See title page for details.

**BOEING**  
757  
PARTS CATALOG (MAINTENANCE)



Y 27315201 SHT 1 REV 116

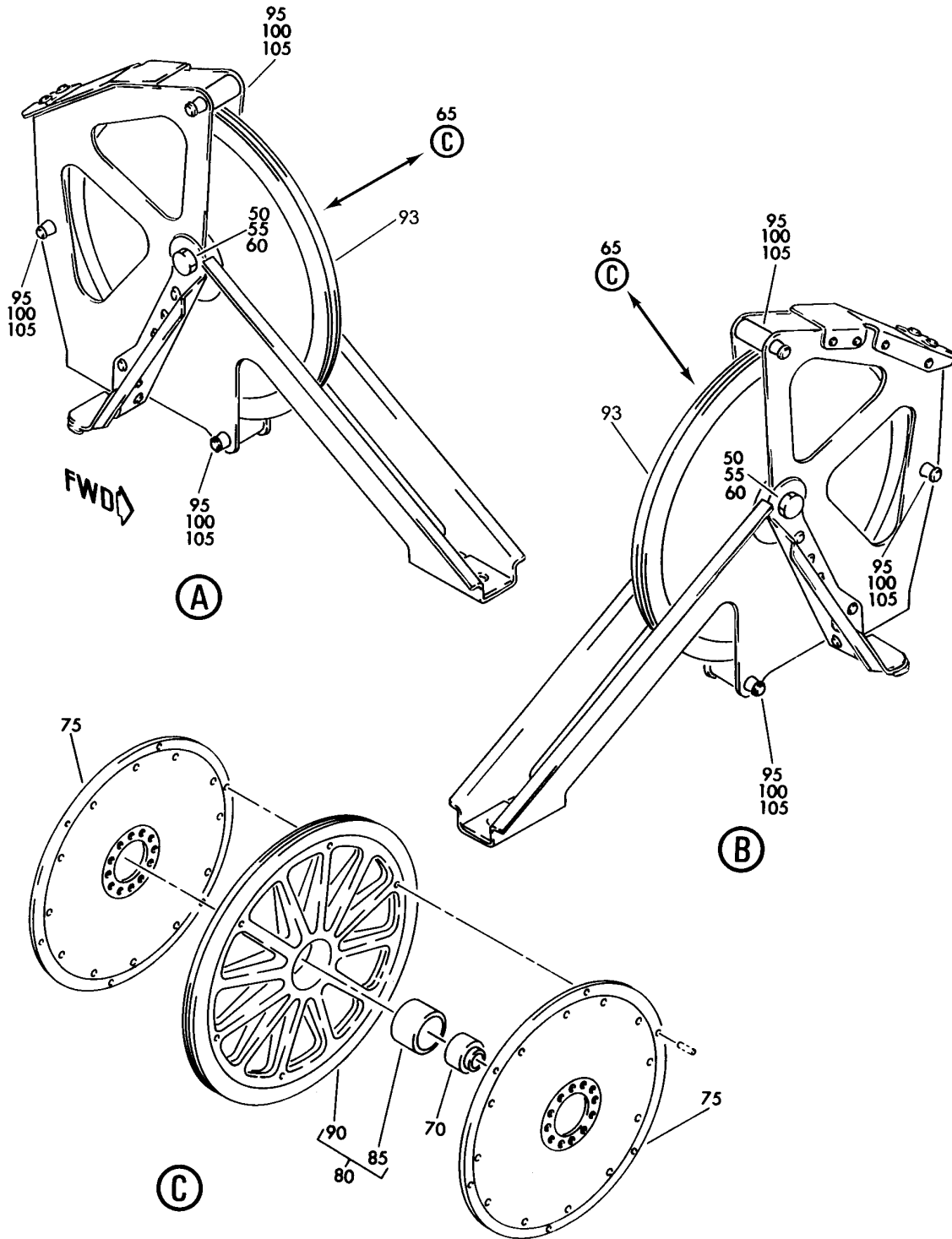
BRACKET INSTL AND SUPPORT INSTL-STA 336 E1A AND E1B PULLEY  
FIGURE 1 (SHEET 1)

**27-31-52-01**

BRI  
MAY 28/07

27-31-52-01  
PAGE 0

**BOEING**  
757  
PARTS CATALOG (MAINTENANCE)



Y 27315201 SHT 2 REV 243

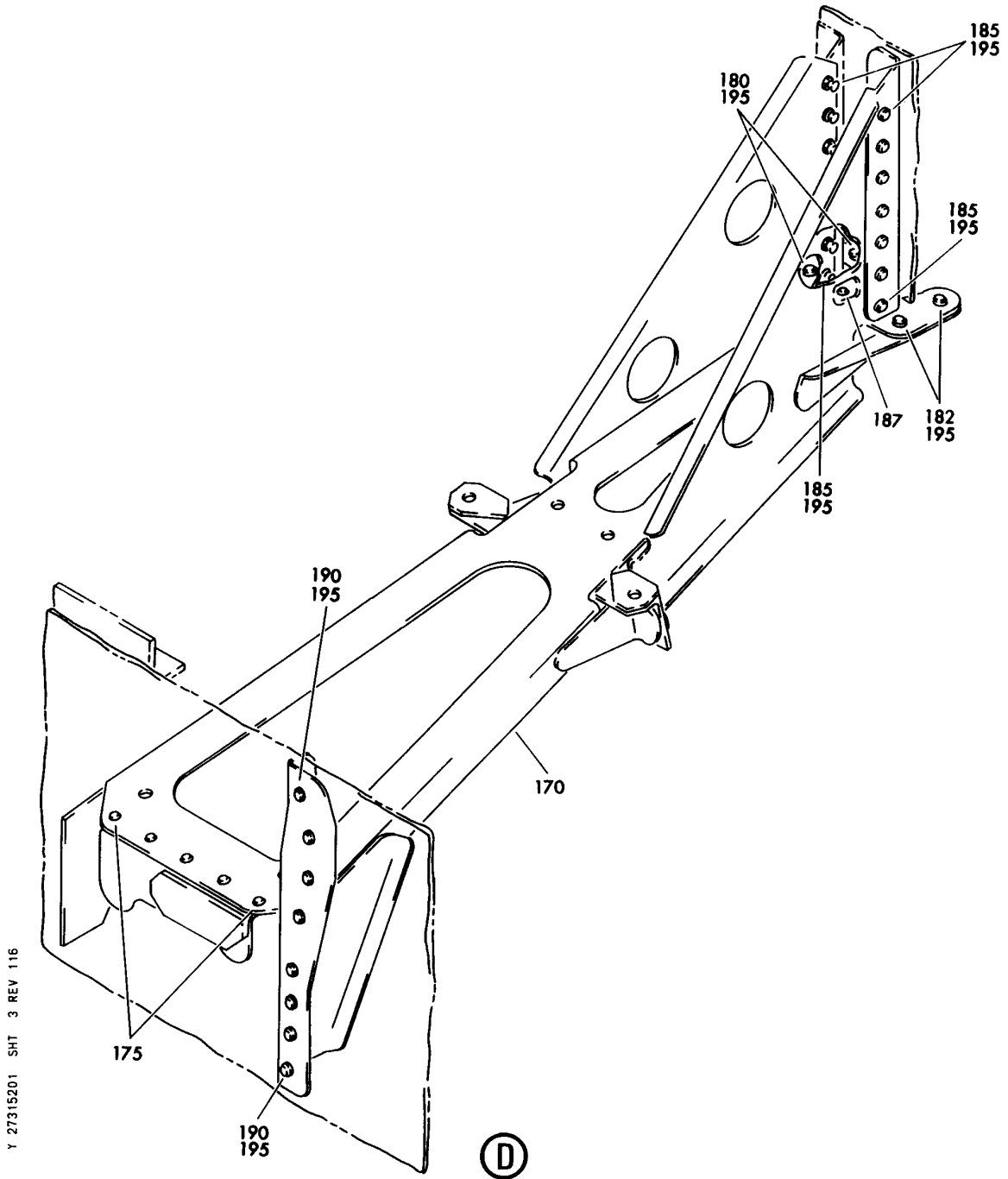
BRACKET INSTL AND SUPPORT INSTL-STA 336 E1A AND E1B PULLEY  
FIGURE 1 (SHEET 2)

**27-31-52-01**

BRI  
MAY 28/07

27-31-52-01  
PAGE 0A

**BOEING**  
757  
PARTS CATALOG (MAINTENANCE)



BRACKET INSTL AND SUPPORT INSTL-STA 336 E1A AND E1B PULLEY  
FIGURE 1 (SHEET 3)

**27-31-52-01**

BRI  
MAY 28/07

27-31-52-01  
PAGE 0B



757

PARTS CATALOG (MAINTENANCE)

FIG ITEM	PART NUMBER	1 2 3 4 5 6 7	NOMENCLATURE	EFFECT FROM TO	UNITS PER ASSY
1			BRACKET INSTL AND SUPPORT INSTL-STA 336 E1A AND E1B PULLEY	002004 006999	
- 1	251N6014-3		BRACKET INSTL-E1A AND E1B PULLEY POSITION DATA: STA 336 FOR NHA SEE: 27-31-00-02	107107	RF
- 1	251N6014-4		BRACKET INSTL-E1A AND E1B PULLEY POSITION DATA: STA 336 FOR NHA SEE: 27-31-00-02	904949	RF
- 1	251N6014-5		BRACKET INSTL-E1A AND E1B PULLEY POSITION DATA: STA 336 FOR NHA SEE: 27-31-00-02 27-30-00-01A	002004 006102 108903 950999	RF
- 1	MODREF7990		BRACKET INSTL-E1A AND E1B PULLEY MODULE NUMBER: 251N6014-5 REV A POSITION DATA: STA 336	103106	1
5	251N6180-10		.BRACKET ASSY-	107107	1
5	251N6180-11		.BRACKET ASSY-	904949	1
5	251N6180-12		.BRACKET ASSY-	002004 006106 108903 950999	1
10	251N6179-12		.BRACKET ASSY-	107107	1
10	251N6179-16		.BRACKET ASSY-	904949	1
10	251N6179-17		.BRACKET ASSY-	002004 006106 108903 950999	1
15	BACB30NF4-4		ATTACHING PARTS .BOLT	002004 006999	2
20	BACB30NF4-6		.BOLT	002004 006999	2
25	AN960PD416		.WASHER	002004 006999	4

MISSING ITEM NUMBERS NOT APPLICABLE

- ITEM NOT ILLUSTRATED

27-31-52-01

27-31-52  
FIG. 01  
PAGE 1  
JAN 20/09

BRI



757

PARTS CATALOG (MAINTENANCE)

FIG ITEM	PART NUMBER	1 2 3 4 5 6 7	NOMENCLATURE	EFFECT FROM TO	UNITS PER ASSY
1 30	BRH10A4	.NUT	SUPPLIER CODE: V52828 SPECIFICATION NUMBER: BACN10JC4 OPTIONAL PART: T6S428J V11815 96-048 V80539 VN303A048 V92215 RMLH9075-4W V72962 NS202101-048 V80539 H10-4BAC V15653	002004 006999	4
35	NAS623-3-3	.SCREW		002004 006999	2
40	AN960PD10	.WASHER		002004 006999	2
45	BRH10A3	.NUT	SUPPLIER CODE: V52828 SPECIFICATION NUMBER: BACN10JC3 OPTIONAL PART: H10-3BAC V15653 NS202101-02 V80539 RMLH9075-3W V72962 VN303A02 V92215 96-02 V80539 T6S1032J V11815	002004 006999	2
50	BACB30NF5-17	..BOLT	-----*-----	002004 006999	1
55	AN960PD516	..WASHER		002004 006999	1

MISSING ITEM NUMBERS NOT APPLICABLE

- ITEM NOT ILLUSTRATED

BRI

27-31-52-01

BOEING PROPRIETARY - Copyright © - Unpublished Work - See title page for details.

27-31-52  
FIG. 01  
PAGE 2  
JAN 20/09



757

PARTS CATALOG (MAINTENANCE)

FIG ITEM	PART NUMBER	1 2 3 4 5 6 7	NOMENCLATURE	EFFECT FROM TO	UNITS PER ASSY
1 60	BRH10A5	..	NUT SUPPLIER CODE: V52828 SPECIFICATION NUMBER: BACN10JC5 OPTIONAL PART: T6S524J V11815 96-054 V80539 RMLH9075-5W V72962 H10-5BAC V15653	002004 006999	1
93	AVS1M1A	..	PULLEY- SUPPLIER CODE: V29965 SPECIFICATION NUMBER: BACP30M1A OPTIONAL PART: R30M1A V25337 BMP30M1A V22277 AVS1AM V29965	002004 006999	2
95	L8006K17	..	BOLT SUPPLIER CODE: V06725 SPECIFICATION NUMBER: BACB30MY6K17	002004 006999	3
100	HL79-6	..	COLLAR- SUPPLIER CODE: V5M902 SPECIFICATION NUMBER: BACC30M6 OPTIONAL PART: HL79-6 V73197 HL79-6 V92215 66014-6 V56878 HL79-6 V56878	002004 006999	3
105	NAS42DD6-60	..	SPACER	002004 006999	3
135	251N6179-2	..	GUARD ASSY-	107107	1
135	251N6179-15	..	GUARD ASSY-	904949	1

MISSING ITEM NUMBERS NOT APPLICABLE

- ITEM NOT ILLUSTRATED

27-31-52-01

27-31-52  
FIG. 01  
PAGE 3  
JAN 20/09

BRI

BOEING PROPRIETARY - Copyright © - Unpublished Work - See title page for details.



 **BOEING**  
757  
**PARTS CATALOG (MAINTENANCE)**

FIG ITEM	PART NUMBER	1 2 3 4 5 6 7	NOMENCLATURE	EFFECT FROM TO	UNITS PER ASSY
1					
135	251N6179-18		.. GUARD ASSY-	002004 006106 108903 950999	1
- 140	BACR15BB4AD		ATTACHING PARTS .. RIVET- SIZE DETERMINED ON INSTL. -----*-----	002004 006999	4
- 165	251N6014-2		SUPPORT INSTL-E1A AND E1B PULLEY POSITION DATA: STA 336 FOR NHA SEE: 53-00-00-01 53-00-00-01E	002004 006102 107999	RF
- 165	MODREF7989		SUPPORT INSTL-E1A AND E1B PULLEY MODULE NUMBER: 251N6014-2 REV A POSITION DATA: STA 336	103106	1
170	251N6181-32		.SUPPORT ASSY-	002004 006999	1
175	BACR15FT5D		ATTACHING PARTS .RIVET- SIZE DETERMINED ON INSTL.	002004 006999	2
180	L8006K4		.BOLT SUPPLIER CODE: V06725 SPECIFICATION NUMBER: BACB30MY6K4	002004 006999	3
185	BACB30MY6K		.BOLT- SIZE DETERMINED ON INSTL.	002004 006999	14
190	L8006K3		.BOLT SUPPLIER CODE: V06725 SPECIFICATION NUMBER: BACB30MY6K3	002004 006999	8

MISSING ITEM NUMBERS NOT APPLICABLE

- ITEM NOT ILLUSTRATED

BRI

# 27-31-52-01

BOEING PROPRIETARY - Copyright © - Unpublished Work - See title page for details.

27-31-52  
FIG. 01  
PAGE 4  
JAN 20/09



757

PARTS CATALOG (MAINTENANCE)

FIG ITEM	PART NUMBER	1 2 3 4 5 6 7	NOMENCLATURE	EFFECT FROM TO	UNITS PER ASSY
1 195	HL79-6		. COLLAR SUPPLIER CODE: V5M902 SPECIFICATION NUMBER: BACC30M6 OPTIONAL PART: HL79-6 V73197 HL79-6 V92215 66014-6 V56878 HL79-6 V56878 -----*	002004 006999	25

MISSING ITEM NUMBERS NOT APPLICABLE

- ITEM NOT ILLUSTRATED

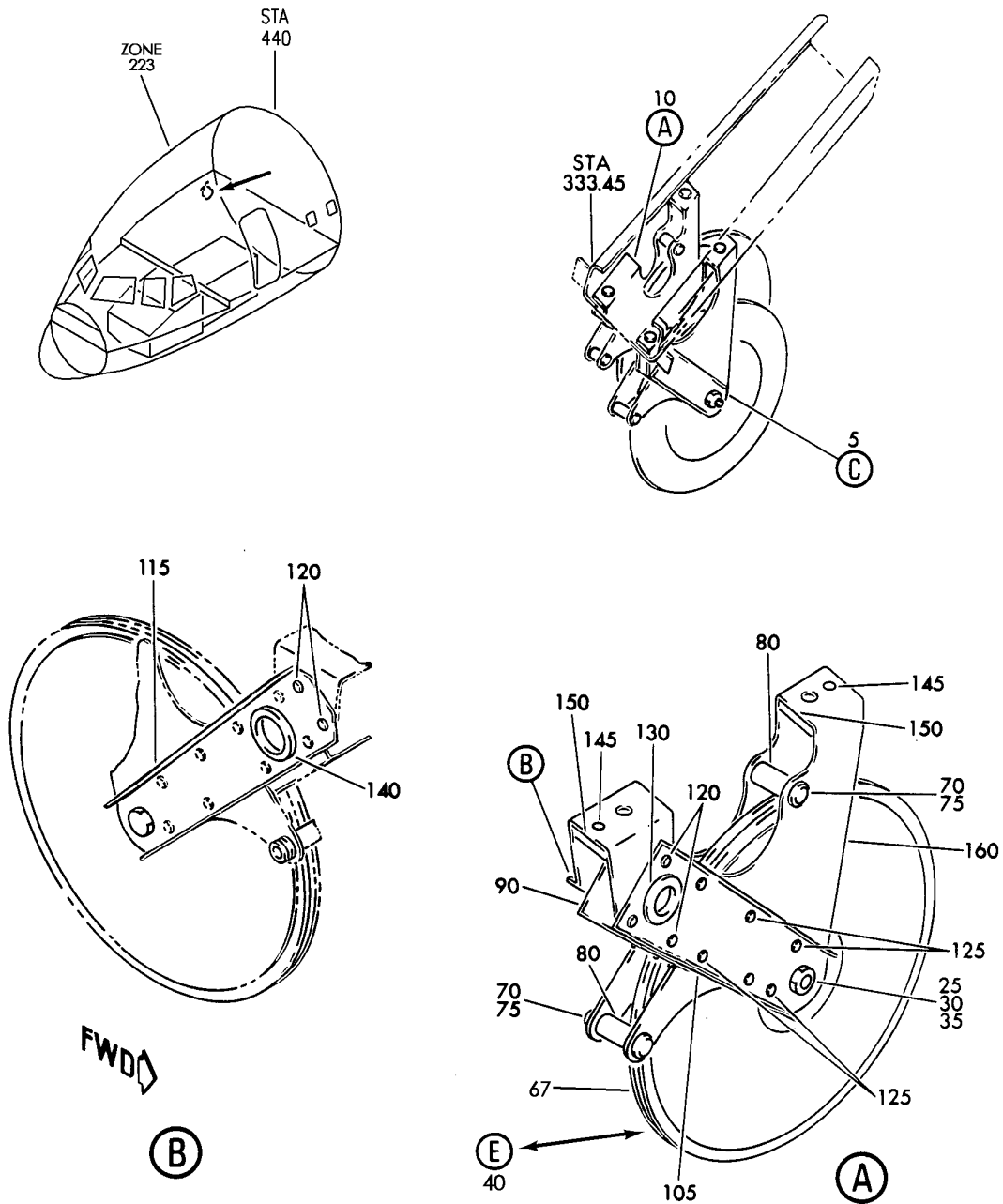
BRI

27-31-52-01

BOEING PROPRIETARY - Copyright © - Unpublished Work - See title page for details.

27-31-52  
FIG. 01  
PAGE 5  
JAN 20/09

**BOEING**  
757  
PARTS CATALOG (MAINTENANCE)



Y 27315202 SHT 1 REV 243

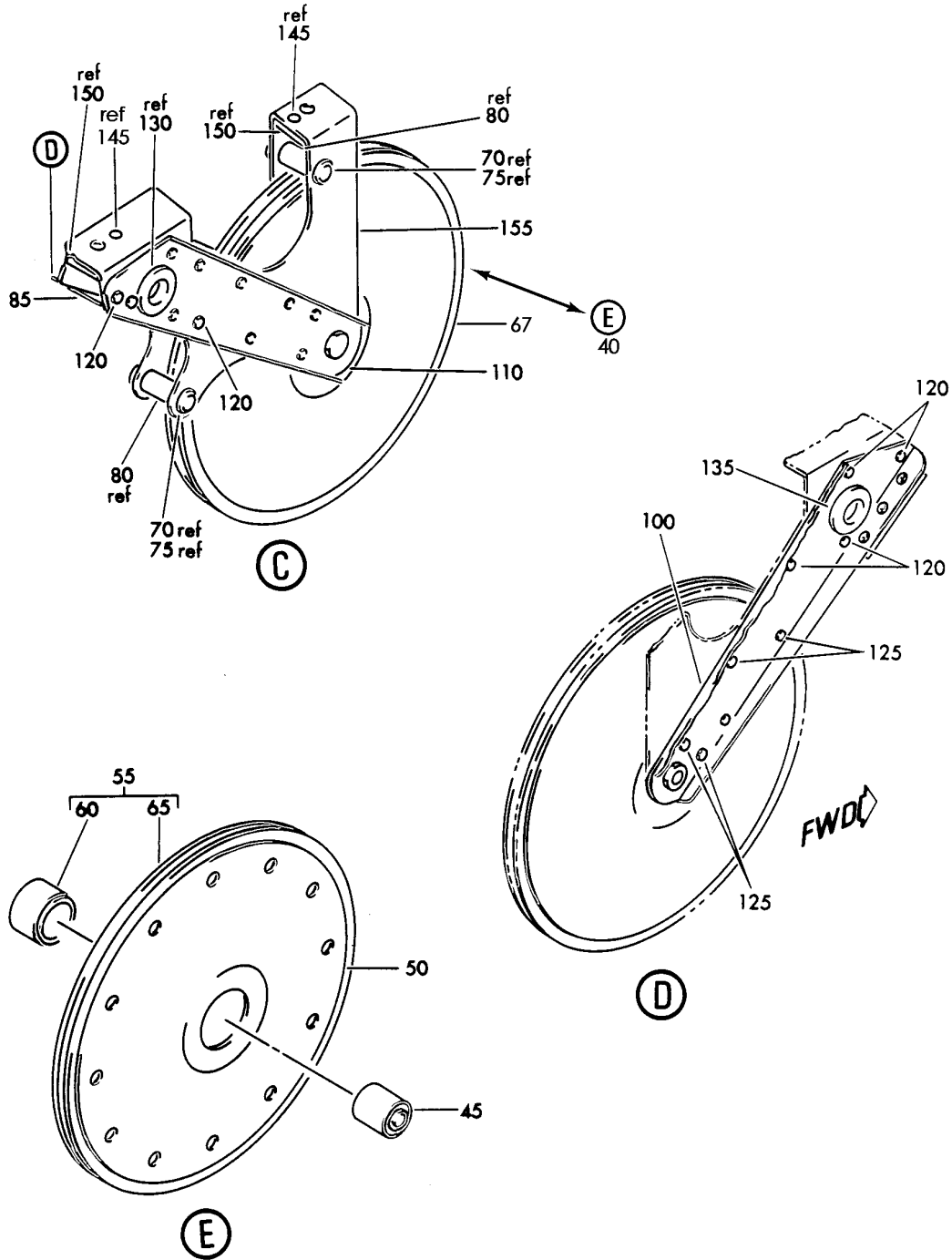
BRACKET INSTL-STA 336 ELEV 1A AND 1B PULLEY  
FIGURE 2 (SHEET 1)

**27-31-52-02**

BRI  
MAY 28/07

27-31-52-02  
PAGE 0

**BOEING**  
757  
PARTS CATALOG (MAINTENANCE)



Y 27315202 SHT 2 REV 243

BRACKET INSTL-STA 336 ELEV 1A AND 1B PULLEY  
FIGURE 2 (SHEET 2)

**27-31-52-02**

BRI  
MAY 28/07

27-31-52-02  
PAGE 0A



757

PARTS CATALOG (MAINTENANCE)

FIG ITEM	PART NUMBER	1 2 3 4 5 6 7	NOMENCLATURE	EFFECT FROM TO	UNITS PER ASSY
2			BRACKET INSTL-STA 336 ELEV 1A AND 1B PULLEY	002004 006999	
- 1	251N6015-4		BRACKET INSTL-ELEV 1A AND 1B PULLEY POSITION DATA: STA 336 FOR NHA SEE: 27-31-00-02	002004 006100 107107 121503 904999	RF
- 1	251N6015-6		BRACKET INSTL-ELEV 1A AND 2B PULLEY POSITION DATA: STA 336 FOR NHA SEE: 27-30-00-01A	101102 108120 504903	RF
- 1	MODREF7992		BRACKET INSTL-ELEV 1A AND 2B PULLEY MODULE NUMBER: 251N6015-6 REV A POSITION DATA: STA 336	103106	1
5	251N6182-12		.BRACKET ASSY-	002004 006100 107107 121503 904999	1
5	251N6182-13		.BRACKET ASSY-	101106 108120 504903	1
10	251N6183-11		.BRACKET ASSY-	002004 006999	1

MISSING ITEM NUMBERS NOT APPLICABLE

- ITEM NOT ILLUSTRATED

BRI

27-31-52-02

BOEING PROPRIETARY - Copyright © - Unpublished Work - See title page for details.

27-31-52  
FIG. 02  
PAGE 1  
JAN 20/09



757

PARTS CATALOG (MAINTENANCE)

FIG ITEM	PART NUMBER	1 2 3 4 5 6 7	NOMENCLATURE	EFFECT FROM TO	UNITS PER ASSY
2 - 15	HL1012AZ8-7		ATTACHING PARTS .BOLT SUPPLIER CODE: VOPTK6 SPECIFICATION NUMBER: BACB30NX8K7 OPTIONAL PART: HL12VAZ8-7 V73197 HL12VAZ8-7 V92215 HL12VAZ8-7 V97928 L802-8K7 V06725 HL12VAZ8-7 V56878 HL1012AZ8-7 V06725 HL1012AZ8-7 V06950 HL1012AZ8-7 V17446 HL1012AZ8-7 V56878 HL1012AZ8-7 V60516 HL1012AZ8-7 V73197 HL1012AZ8-7 V97928	002004 006999	4

MISSING ITEM NUMBERS NOT APPLICABLE

- ITEM NOT ILLUSTRATED

BRI

**27-31-52-02**

BOEING PROPRIETARY - Copyright © - Unpublished Work - See title page for details.

27-31-52  
FIG. 02  
PAGE 2  
SEP 20/08



757

PARTS CATALOG (MAINTENANCE)

FIG ITEM	PART NUMBER	1 2 3 4 5 6 7	NOMENCLATURE	EFFECT FROM TO	UNITS PER ASSY
2 - 20	HL1187-8		. COLLAR SUPPLIER CODE: V5M902 SPECIFICATION NUMBER: BACC30X8 OPTIONAL PART: HL87-8 V92215 HL87-8 V73197 HL1187-8 V56878 HL1187-8 V92215 HL87-8 V56878 HL1187-8 V73197 -----*	002004 006999	4
25	BACB30NF5-17		.. BOLT	002004 006999	1
30	AN960D516		.. WASHER	002004 006999	1
35	BRH10A5		.. NUT SUPPLIER CODE: V52828 SPECIFICATION NUMBER: BACN10JC5 OPTIONAL PART: T6S524J V11815 96-054 V80539 RMLH9075-5W V72962 H10-5BAC V15653	002004 006999	1
67	AVS1M1A		.. PULLEY- SUPPLIER CODE: V29965 SPECIFICATION NUMBER: BACP30M1A OPTIONAL PART: R30M1A V25337 BMP30M1A V22277 AVS1AM V29965	002004 006999	2

MISSING ITEM NUMBERS NOT APPLICABLE

- ITEM NOT ILLUSTRATED

BRI

27-31-52-02

BOEING PROPRIETARY - Copyright © - Unpublished Work - See title page for details.

27-31-52  
FIG. 02  
PAGE 3  
SEP 20/08



757

PARTS CATALOG (MAINTENANCE)

FIG ITEM	PART NUMBER	1 2 3 4 5 6 7	NOMENCLATURE	EFFECT FROM TO	UNITS PER ASSY
2					
70	L8006K17	..	BOLT SUPPLIER CODE: V06725 SPECIFICATION NUMBER: BACB30MY6K17	002004 006999	2
75	HL79-6	..	COLLAR- SUPPLIER CODE: V5M902 SPECIFICATION NUMBER: BACC30M6 OPTIONAL PART: HL79-6 V73197 HL79-6 V92215 66014-6 V56878 HL79-6 V56878	002004 006999	2
80	NAS42DD6-60	..	SPACER	002004 006999	2
85	251N6182-10	..	CLIP- USED ON: 251N6182-6 251N6182-12 251N6182-13	002004 006999	1
90	251N6183-10	..	CLIP- USED ON: 251N6183-6 251N6183-11 ATTACHING PARTS	002004 006999	1
- 95	BACR15FT5D	..	RIVET- SIZE DETERMINED ON INSTL. -----*-----	002004 006999	7
100	251N6182-8	..	STIFFENER- USED ON: 251N6182-6 251N6182-12 251N6182-13	002004 006999	1
105	251N6183-8	..	STIFFENER- USED ON: 251N6183-6 251N6183-11	002004 006999	1
110	251N6182-9	..	STIFFENER- USED ON: 251N6182-6 251N6182-12 251N6182-13	002004 006999	1

MISSING ITEM NUMBERS NOT APPLICABLE

- ITEM NOT ILLUSTRATED

27-31-52-02

27-31-52  
FIG. 02  
PAGE 4  
SEP 20/08

BRI

BOEING PROPRIETARY - Copyright © - Unpublished Work - See title page for details.



 **BOEING**  
757  
**PARTS CATALOG (MAINTENANCE)**

FIG ITEM	PART NUMBER	1 2 3 4 5 6 7	NOMENCLATURE	EFFECT FROM TO	UNITS PER ASSY
2					
115	251N6183-9	..	STIFFENER- USED ON: 251N6183-6 251N6183-11 ATTACHING PARTS	002004 006999	1
120	BACR15FT5D	..	RIVET- SIZE DETERMINED ON INSTL.	002004 006999	6
125	BACR15CE5D	..	RIVET- SIZE DETERMINED ON INSTL. -----*-----	002004 006999	5
130	NAS1368N10B	..	GROMMET	002004 006999	1
135	NAS1368N10B	..	GROMMET- USED ON: 251N6182-6 251N6182-12 251N6182-13	002004 006999	1
140	NAS1368N12B	..	GROMMET- USED ON: 251N6183-6 251N6183-11	002004 006999	1
145	BACR15CE5D	..	RIVET- SIZE DETERMINED ON INSTL.	002004 006999	2
150	251N6182-11	..	FILLER-RADIUS USED ON: 251N6182-6 251N6182-12 251N6183-6 251N6183-11	002004 006100 107107 121503 904999	2
150	251N6182-11	..	FILLER-RADIUS USED ON: 251N6183-11	101106 108120 504903	2
150	251N6182-15	..	FILLER-RADIUS USED ON: 251N6182-13	101106 108120 504903	2
155	251N6182-7	..	BRACKET- USED ON: 251N6182-6 251N6182-12	002004 006100 107107 121503 904999	1
155	251N6182-14	..	BRACKET- USED ON: 251N6182-13	101106 108120 504903	1
160	251N6183-7	..	BRACKET- USED ON: 251N6183-6 251N6183-11	002004 006999	1

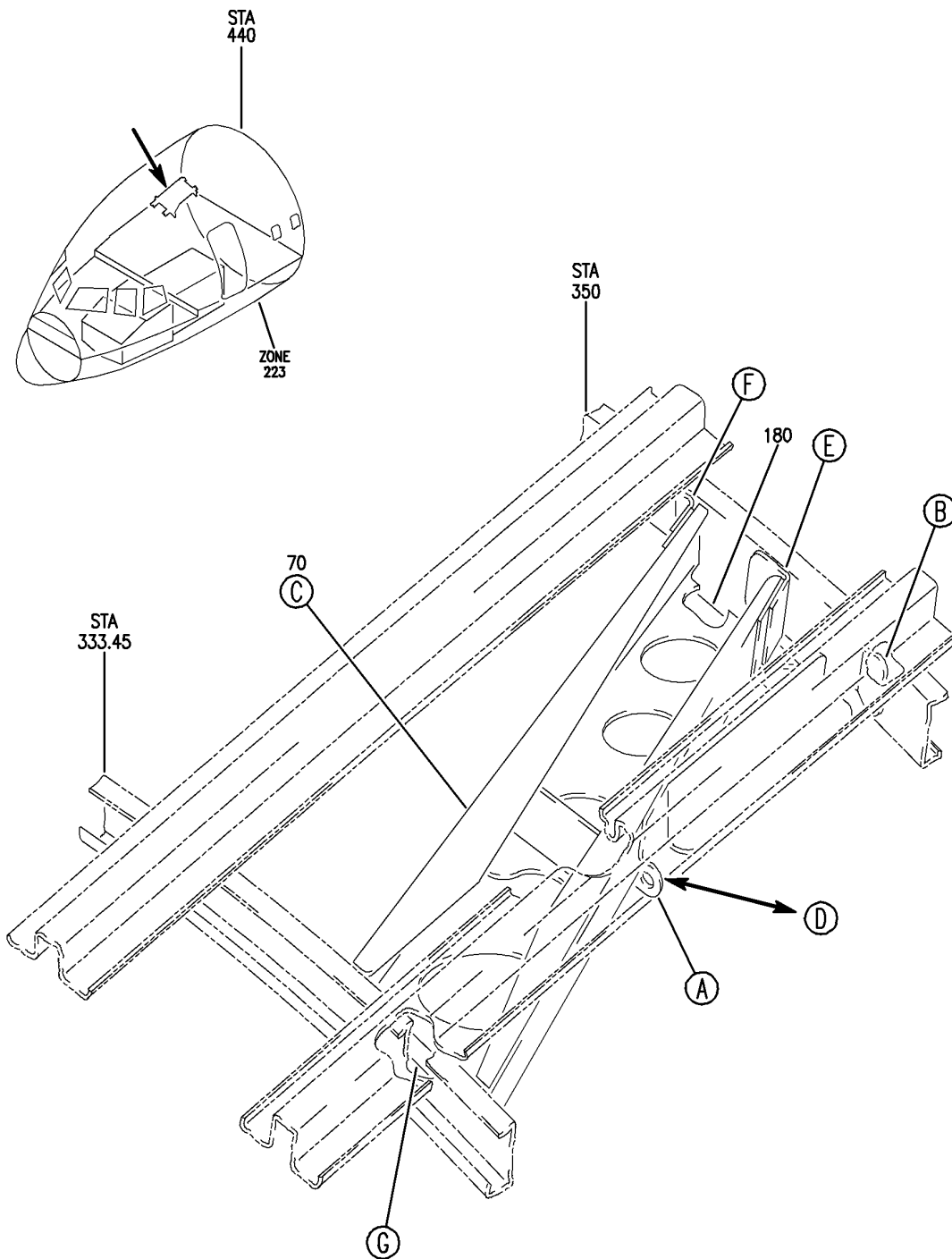
MISSING ITEM NUMBERS NOT APPLICABLE

— ITEM NOT ILLUSTRATED

BRI

**27-31-52-02**

27-31-52  
FIG. 02  
PAGE 5  
JAN 20/09



Y 27315202A SH1 1 REV 226

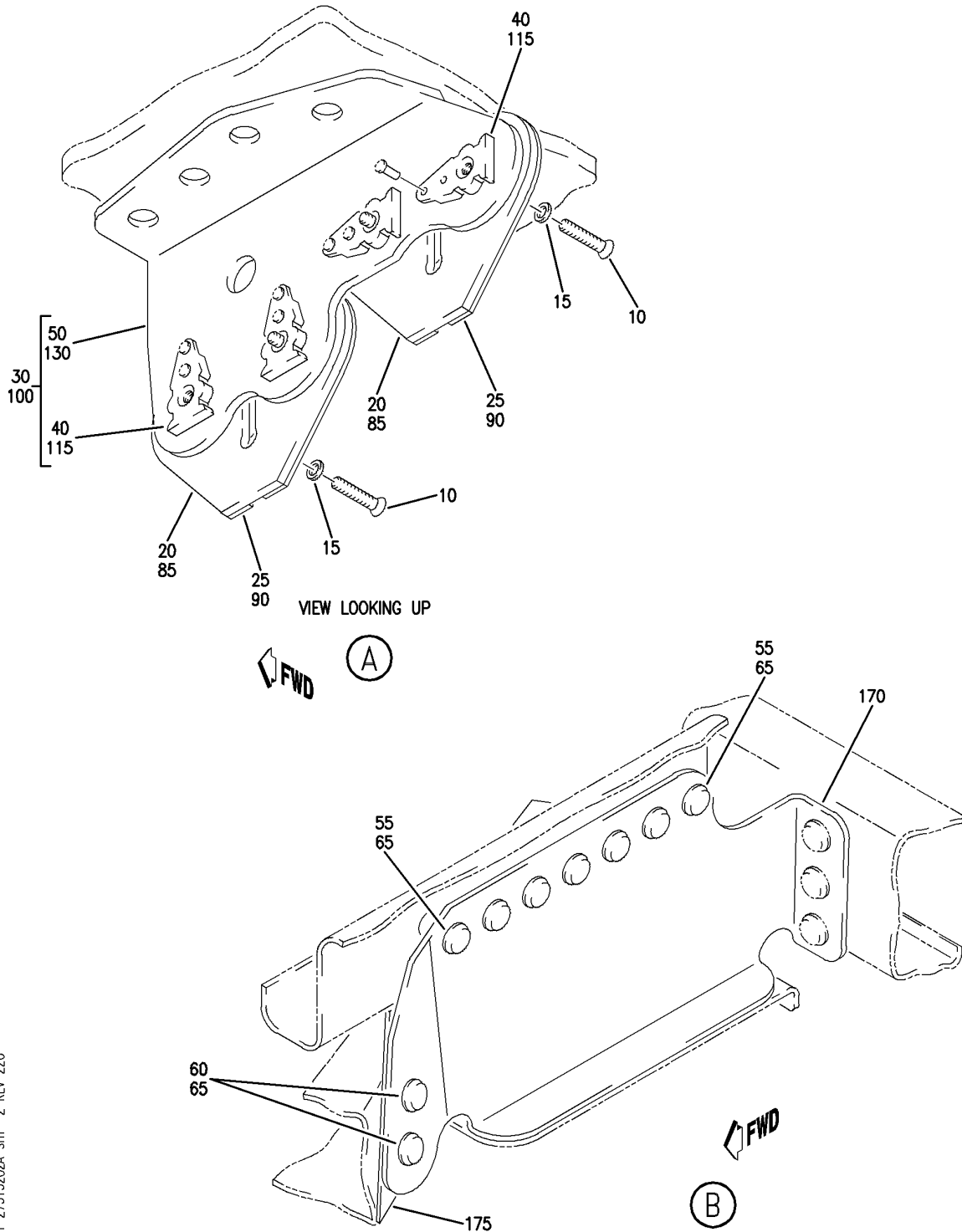
SUPPORT INSTL-STA 336 PULLEY  
FIGURE 2A (SHEET 1)

BRI  
MAY 28/07

**27-31-52-02A**

27-31-52-02A  
PAGE 0

**BOEING**  
757  
PARTS CATALOG (MAINTENANCE)



Y 27315202A SH1 2 REV 226

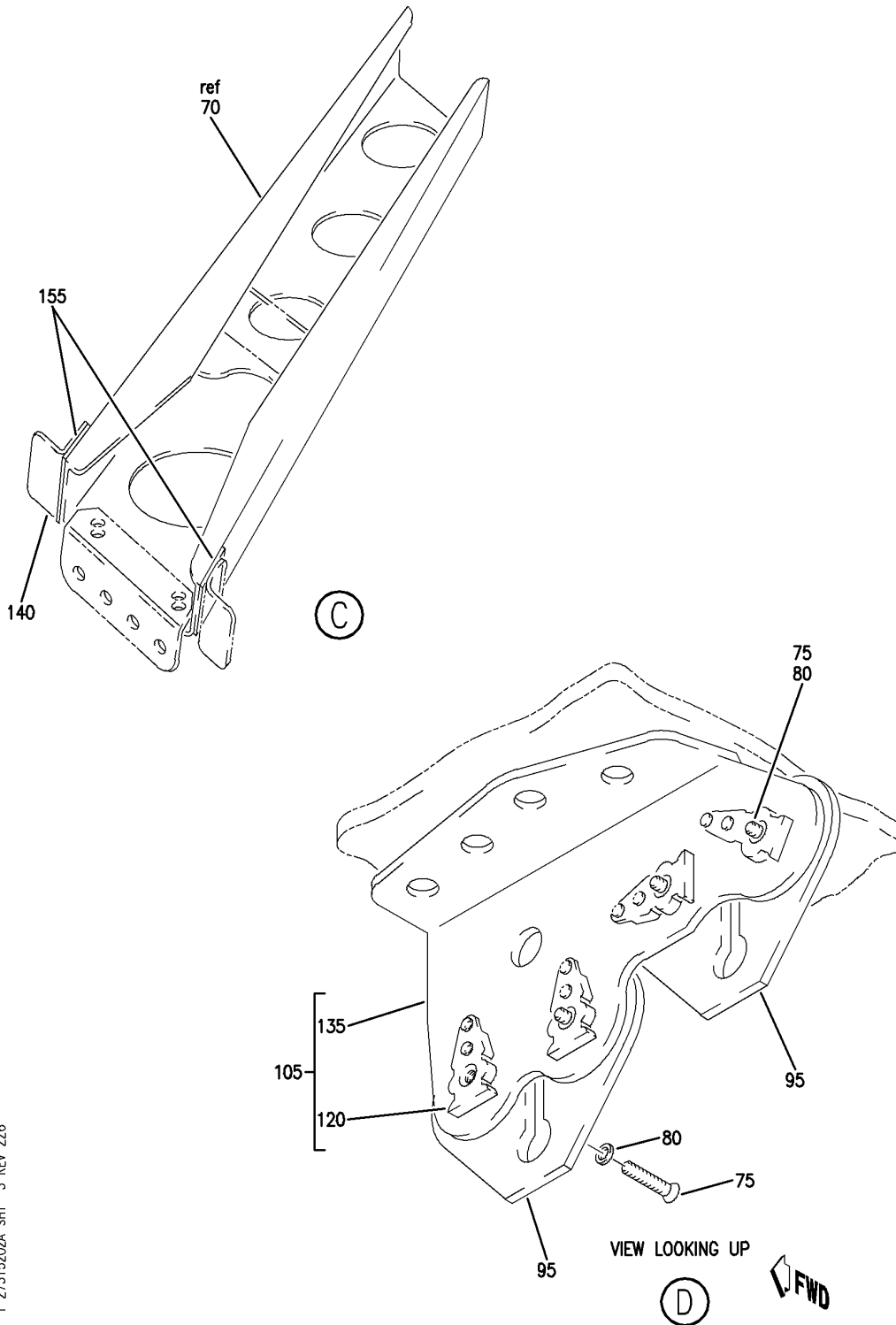
SUPPORT INSTL-STA 336 PULLEY  
FIGURE 2A (SHEET 2)

**27-31-52-02A**

BRI  
MAY 28/07

27-31-52-02A  
PAGE 0A

**BOEING**  
757  
PARTS CATALOG (MAINTENANCE)



Y 27315202A SH1 3 REV 226

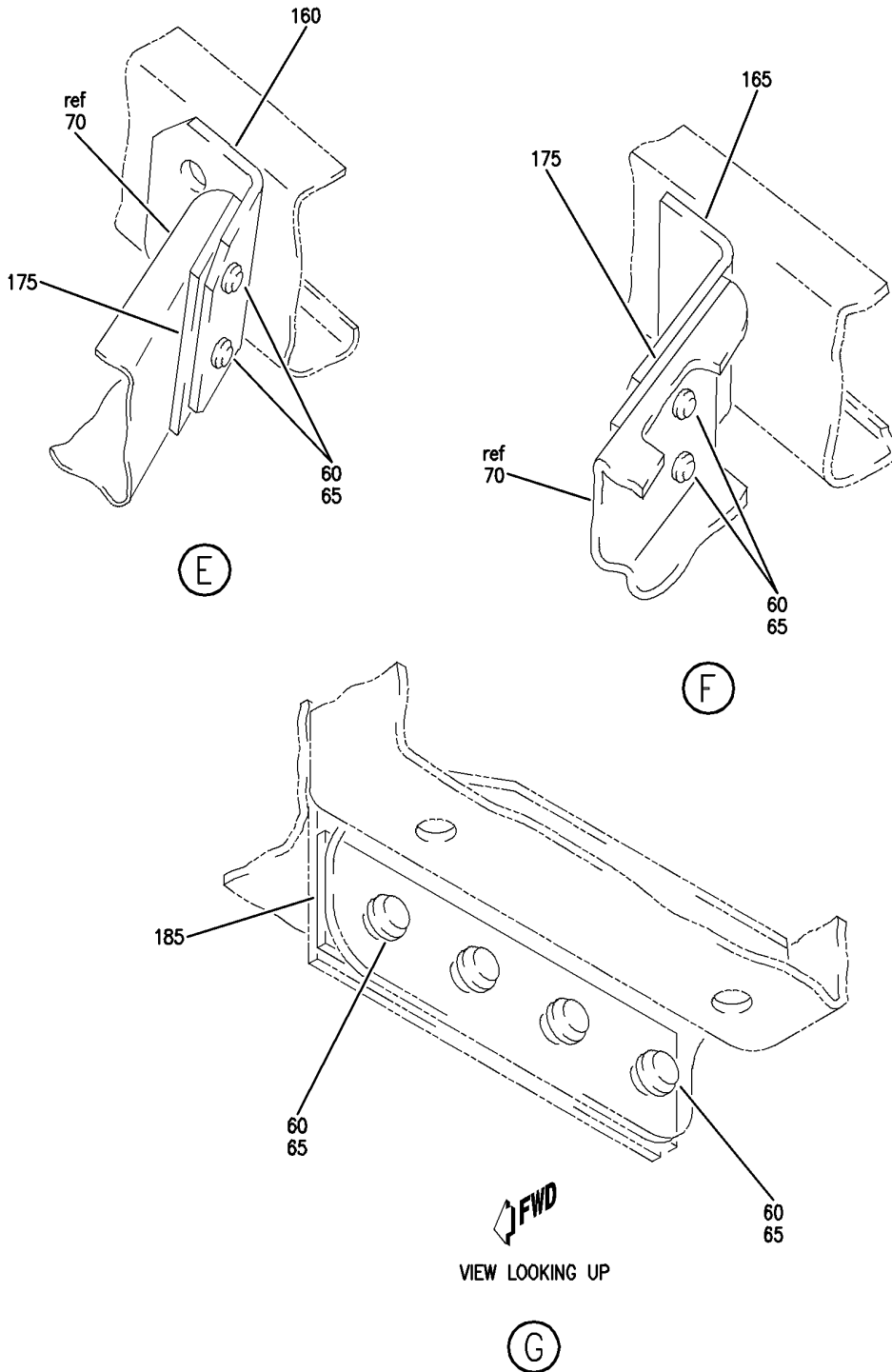
SUPPORT INSTL-STA 336 PULLEY  
FIGURE 2A (SHEET 3)

**27-31-52-02A**

BRI  
MAY 28/07

27-31-52-02A  
PAGE 0B

**BOEING**  
757  
PARTS CATALOG (MAINTENANCE)



Y 27315202A SH1 4 REV 226

SUPPORT INSTL-STA 336 PULLEY  
FIGURE 2A (SHEET 4)

**27-31-52-02A**

BRI  
MAY 28/07

27-31-52-02A  
PAGE 0C



757

PARTS CATALOG (MAINTENANCE)

FIG ITEM	PART NUMBER	1 2 3 4 5 6 7	NOMENCLATURE	EFFECT FROM TO	UNITS PER ASSY
2A			SUPPORT INSTL-STA 336	002004	
- 1	251N6015-2		PULLEY SUPPORT INSTL-PULLEY	006999 002004	RF
			POSITION DATA:	006100	
			STA 336	107107	
			FOR NHA SEE:	121503	
			53-00-00-01	904999	
- 1	251N6015-5		SUPPORT INSTL-PULLEY	101102	RF
			POSITION DATA:	108120	
			STA 336	504903	
			FOR NHA SEE:		
			53-00-00-01E		
- 1	MODREF7991		SUPPORT INSTL-PULLEY	103106	1
			MODULE NUMBER:		
			251N6015-5 REV A		
			POSITION DATA:		
			STA 336		
- 5	2045081-1		.STUD-	002004	4
			SUPPLIER CODE:	006999	
			V04169		
55	L8006K3		.BOLT	002004	7
			SUPPLIER CODE:	006999	
			V06725		
			SPECIFICATION NUMBER:		
			BACB30MY6K3		
60	L8006K4		.BOLT	002004	10
			SUPPLIER CODE:	006999	
			V06725		
			SPECIFICATION NUMBER:		
			BACB30MY6K4		
65	HL79-6		.COLLAR	002004	17
			SUPPLIER CODE:	006999	
			V5M902		
			SPECIFICATION NUMBER:		
			BACC30M6		
			OPTIONAL PART:		
			HL79-6		
			V73197		
			HL79-6		
			V92215		
			66014-6		
			V56878		
			HL79-6		
			V56878		
70	251N6186-33		.SUPPORT ASSY	002004	1
				006999	
75	NAS623-3-3		..SCREW-	002004	4
			POSITION DATA:	006999	
			HEAD NEAR SIDE		

MISSING ITEM NUMBERS NOT APPLICABLE

- ITEM NOT ILLUSTRATED

27-31-52-02A

27-31-52  
FIG. 02A  
PAGE 1  
JAN 20/09

BRI

BOEING PROPRIETARY - Copyright © - Unpublished Work - See title page for details.

 **BOEING**  
757  
**PARTS CATALOG (MAINTENANCE)**

FIG ITEM	PART NUMBER	1 2 3 4 5 6 7	NOMENCLATURE	EFFECT FROM TO	UNITS PER ASSY
2A					
80	AN960KD10	..	WASHER	002004 006999	4
95	251N6292-3	..	GUARD	002004 006999	2
105	251N6295-4	..	SUPPORT ASSY-CONT CABLE GUARD	002004 006999	1
- 110	BACR15FT5D	..	ATTACHING PARTS RIVET- SIZE DETERMINED ON INSTL. -----*-----	002004 006999	4
120	F2000-3	...	NUTPLATE SUPPLIER CODE: V15653 SPECIFICATION NUMBER: BACN10KB3F OPTIONAL PART: NS103185-02 V80539 RMF9207-3 V72962 T8114S1032S V11815 VN151A1-02 V92215 BRF100A3 V52828 ATTACHING PARTS	002004 006999	4
- 125	BACR15BA3AD	...	RIVET- SIZE DETERMINED ON INSTL. -----*-----	002004 006999	8
135	251N6295-3	...	SUPPORT	002004 006999	1
140	251N6186-9	..	CLIP	002004 006999	1
- 145	L8006K3	..	ATTACHING PARTS BOLT SUPPLIER CODE: V06725 SPECIFICATION NUMBER: BACB30MY6K3	002004 006999	2

MISSING ITEM NUMBERS NOT APPLICABLE

- ITEM NOT ILLUSTRATED

# 27-31-52-02A

27-31-52  
FIG. 02A  
PAGE 2  
JAN 20/09

BRI

BOEING PROPRIETARY - Copyright © - Unpublished Work - See title page for details.



757

PARTS CATALOG (MAINTENANCE)

FIG ITEM	PART NUMBER	1 2 3 4 5 6 7	NOMENCLATURE	EFFECT FROM TO	UNITS PER ASSY
2A - 150	HL79-6		.. COLLAR SUPPLIER CODE: V5M902 SPECIFICATION NUMBER: BACC30M6 OPTIONAL PART: HL79-6 V73197 HL79-6 V92215 66014-6 V56878 HL79-6 V56878 -----*-----	002004 006999	2
155	251N6186-21		.. INSULATOR	002004 006999	2
160	251N6186-15		. CLIP	002004 006999	1
165	251N6186-16		. CLIP	002004 006999	1
170	251N6186-13		. BRACE-SIDE	002004 006999	1
175	251N6186-21		. INSULATOR	002004 006999	3
180	251N6186-28		. INSULATOR	002004 006999	1
185	251N6186-19		. INSULATOR	002004 006999	1

MISSING ITEM NUMBERS NOT APPLICABLE

- ITEM NOT ILLUSTRATED

BRI

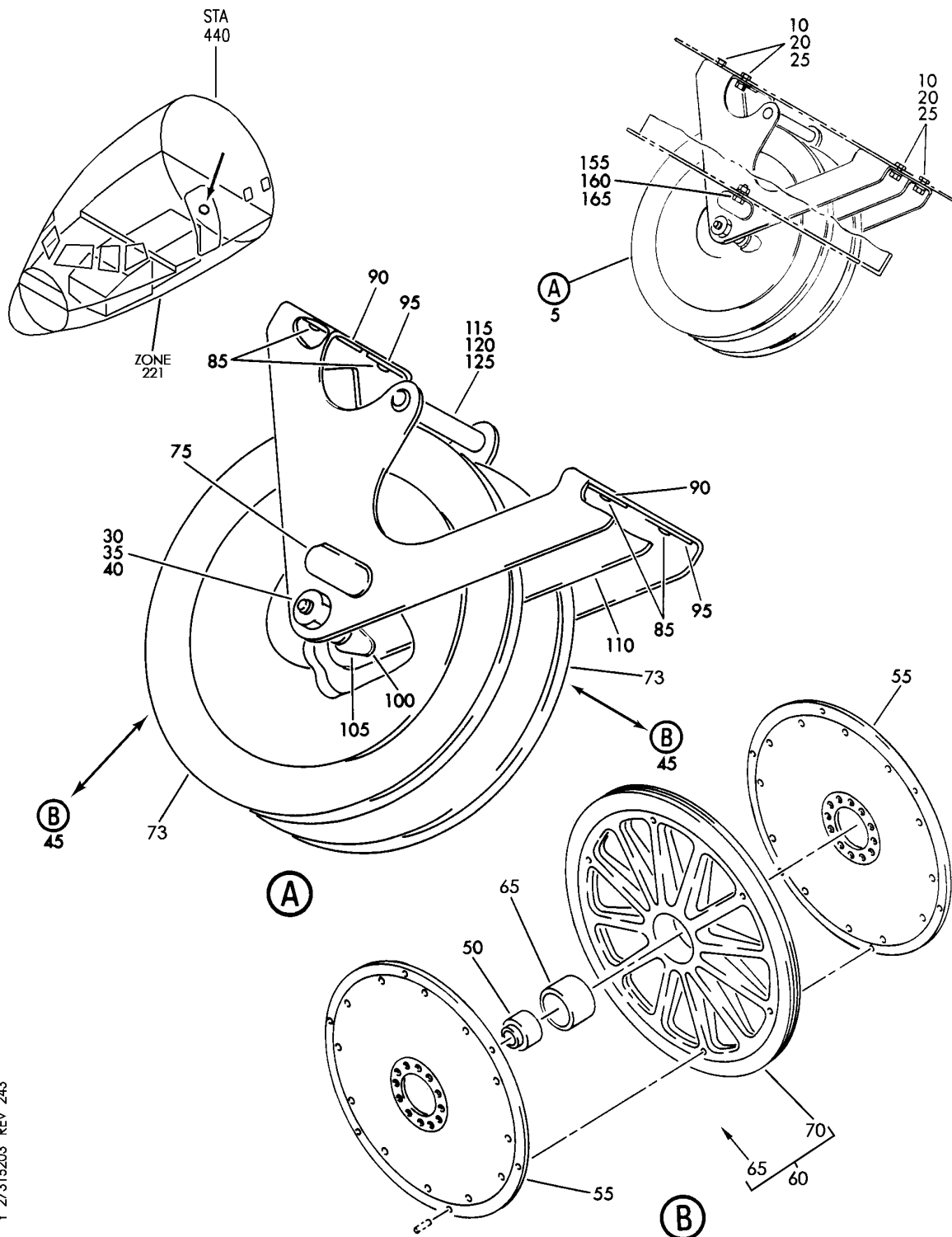
27-31-52-02A

BOEING PROPRIETARY - Copyright © - Unpublished Work - See title page for details.

27-31-52  
FIG. 02A  
PAGE 3  
SEP 20/08



**BOEING**  
757  
**PARTS CATALOG (MAINTENANCE)**



Y 27315203 REV 243

BRACKET INSTL-STA 370 ELEV 1A AND 1B PULLEY L UPR  
FIGURE 3

**27-31-52-03**

BRI  
MAY 28/07

27-31-52-03  
PAGE 0



757

PARTS CATALOG (MAINTENANCE)

FIG ITEM	PART NUMBER	1 2 3 4 5 6 7	NOMENCLATURE	EFFECT FROM TO	UNITS PER ASSY
3			BRACKET INSTL-STA 370 ELEV 1A AND 1B PULLEY L UPR	002004 006999	
- 1	251N6016-3		BRACKET INSTL-ELEV 1A AND 1B PULLEY POSITION DATA: STA 370 L UPR FOR NHA SEE: 27-31-00-02 27-30-00-01A	002004 006102 107999	RF
- 1	MODREF7993		BRACKET INSTL-ELEV 1A AND 1B PULLEY MODULE NUMBER: 251N6016-3 REV A POSITION DATA: STA 370 L UPR	103106	1
5	251N6184-6		.BRACKET ASSY-	002004 006999	1
10	BACB30NF4-5		ATTACHING PARTS .BOLT	002004 006999	4
20	AN960PD416		.WASHER	002004 006999	4
25	BRH10A4		.NUT SUPPLIER CODE: V52828 SPECIFICATION NUMBER: BACN10JC4 OPTIONAL PART: T6S428J V11815 96-048 V80539 VN303A048 V92215 RMLH9075-4W V72962 NS202101-048 V80539 H10-4BAC V15653 -----*-----	002004 006999	4
30	BACB30NF5-41		..BOLT	002004 006999	1
35	AN960D516		..WASHER	002004 006999	1

MISSING ITEM NUMBERS NOT APPLICABLE

- ITEM NOT ILLUSTRATED

27-31-52-03

27-31-52  
FIG. 03  
PAGE 1  
JAN 20/09

BRI



757

PARTS CATALOG (MAINTENANCE)

FIG ITEM	PART NUMBER	1 2 3 4 5 6 7	NOMENCLATURE	EFFECT FROM TO	UNITS PER ASSY
3	40 BRH10A4		..NUT SUPPLIER CODE: V52828 SPECIFICATION NUMBER: BACN10JC4 OPTIONAL PART: T6S428J V11815 96-048 V80539 VN303A048 V92215 RMLH9075-4W V72962 NS202101-048 V80539 H10-4BAC V15653	002004 006999	1
	73 AVS1M1A		..PULLEY- SUPPLIER CODE: V29965 SPECIFICATION NUMBER: BACP30M1A OPTIONAL PART: R30M1A V25337 BMP30M1A V22277 AVS1AM V29965	002004 006999	2
	75 251N6184-4		..CLIP	002004 006999	1
	- 80 BACR15BA5AD		ATTACHING PARTS ..RIVET- SIZE DETERMINED ON INSTL. -----*-----	002004 006999	2
	85 BACR15BA5AD		..RIVET- SIZE DETERMINED ON INSTL.	002004 006999	4
	90 251N6184-5		..FILLER-RADIUS	002004 006999	2
	95 50-3361-8509		..FILLER-RADIUS	002004 006999	2
	100 BACR15BA3AD		..RIVET- SIZE DETERMINED ON INSTL.	002004 006999	4
	105 BACS18G27B5		..SPACER	002004 006999	2
	110 251N6184-3		..BRACKET	002004 006999	1

MISSING ITEM NUMBERS NOT APPLICABLE

- ITEM NOT ILLUSTRATED

27-31-52-03

27-31-52  
FIG. 03  
PAGE 2  
SEP 20/08

BRI

BOEING PROPRIETARY - Copyright © - Unpublished Work - See title page for details.



757

PARTS CATALOG (MAINTENANCE)

FIG ITEM	PART NUMBER	1 2 3 4 5 6 7	NOMENCLATURE	EFFECT FROM TO	UNITS PER ASSY
3					
115	L8006K41	..	BOLT SUPPLIER CODE: V06725 SPECIFICATION NUMBER: BACB30MY6K41	002004 006999	1
120	HL79-6	..	COLLAR SUPPLIER CODE: V5M902 SPECIFICATION NUMBER: BACC30M6 OPTIONAL PART: HL79-6 V73197 HL79-6 V92215 66014-6 V56878 HL79-6 V56878	002004 006999	1
125	NAS42DD6-158	..	SPACER	002004 006999	1
130	251N6184-2	..	BRACKET	002004 006999	1
- 150	251N6016-2		SUPPORT INSTL-ELEV 1A AND 1B POSITION DATA: STA 370 L UPR FOR NHA SEE: 53-15-51-10	002004 006100 107107 121503 904999	RF
- 150	251N6016-4		SUPPORT INSTL-ELEV 1A AND 1B POSITION DATA: STA 370 L UPR FOR NHA SEE: 53-00-00-01E	101102 108120 504903	RF
- 150	MODREF7994		SUPPORT INSTL-ELEV 1A AND 1B MODULE NUMBER: 251N6016-4 REV A POSITION DATA: STA 370 L UPR	103106	1
155	NAS603-3	.	SCREW-	002004 006999	1
160	AN960KD10	.	WASHER	002004 006999	1

MISSING ITEM NUMBERS NOT APPLICABLE

- ITEM NOT ILLUSTRATED

27-31-52-03

27-31-52  
FIG. 03  
PAGE 3  
JAN 20/09

BRI

BOEING PROPRIETARY - Copyright © - Unpublished Work - See title page for details.



757

PARTS CATALOG (MAINTENANCE)

FIG ITEM	PART NUMBER	1 2 3 4 5 6 7	NOMENCLATURE	EFFECT FROM TO	UNITS PER ASSY
3 165	BRH10A3	.	NUT SUPPLIER CODE: V52828 SPECIFICATION NUMBER: BACN10JC3 OPTIONAL PART: H10-3BAC V15653 NS202101-02 V80539 RMLH9075-3W V72962 VN303A02 V92215 96-02 V80539 T6S1032J V11815	002004 006999	1

MISSING ITEM NUMBERS NOT APPLICABLE

- ITEM NOT ILLUSTRATED

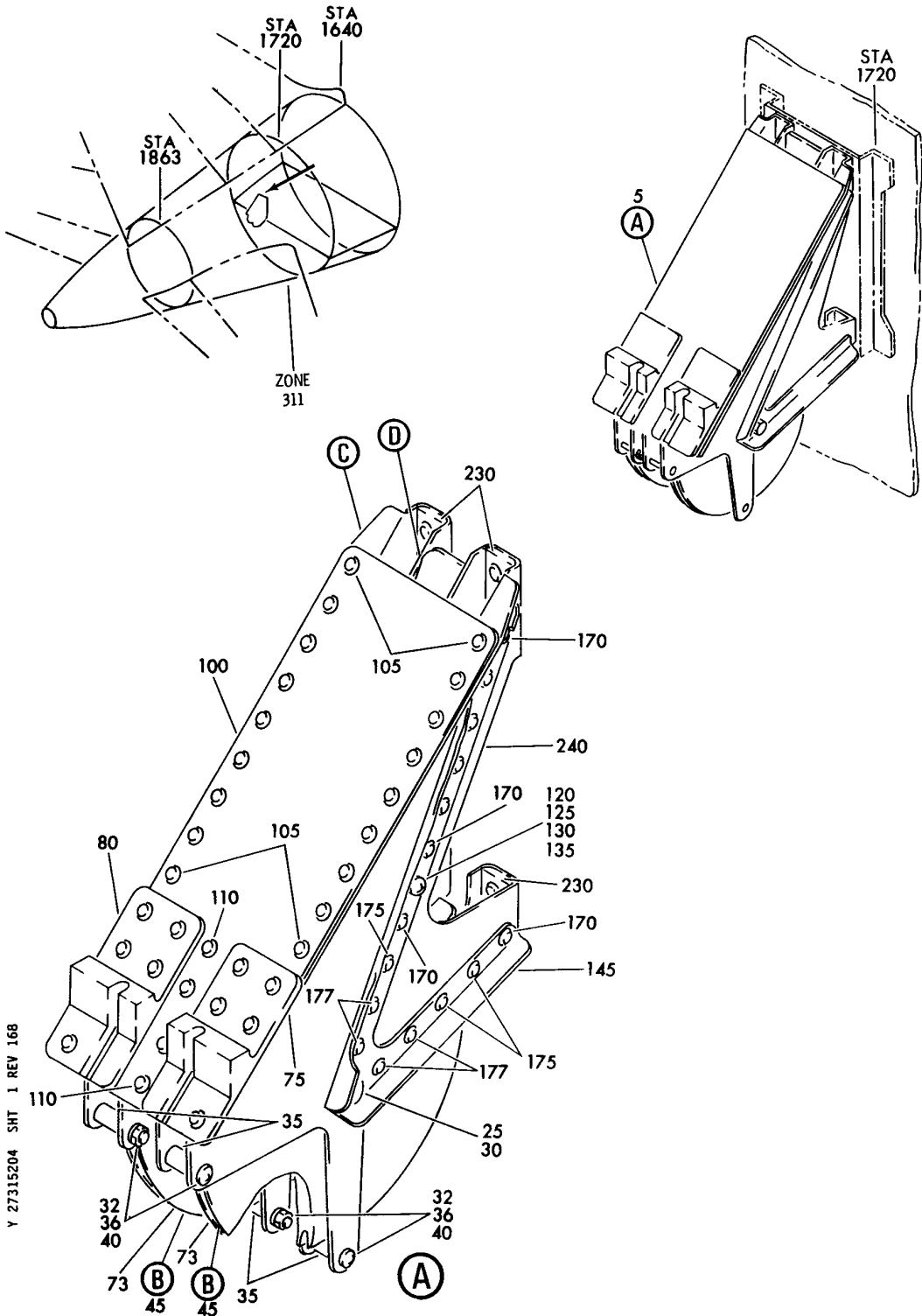
BRI

27-31-52-03

BOEING PROPRIETARY - Copyright © - Unpublished Work - See title page for details.

27-31-52  
FIG. 03  
PAGE 4  
SEP 20/08

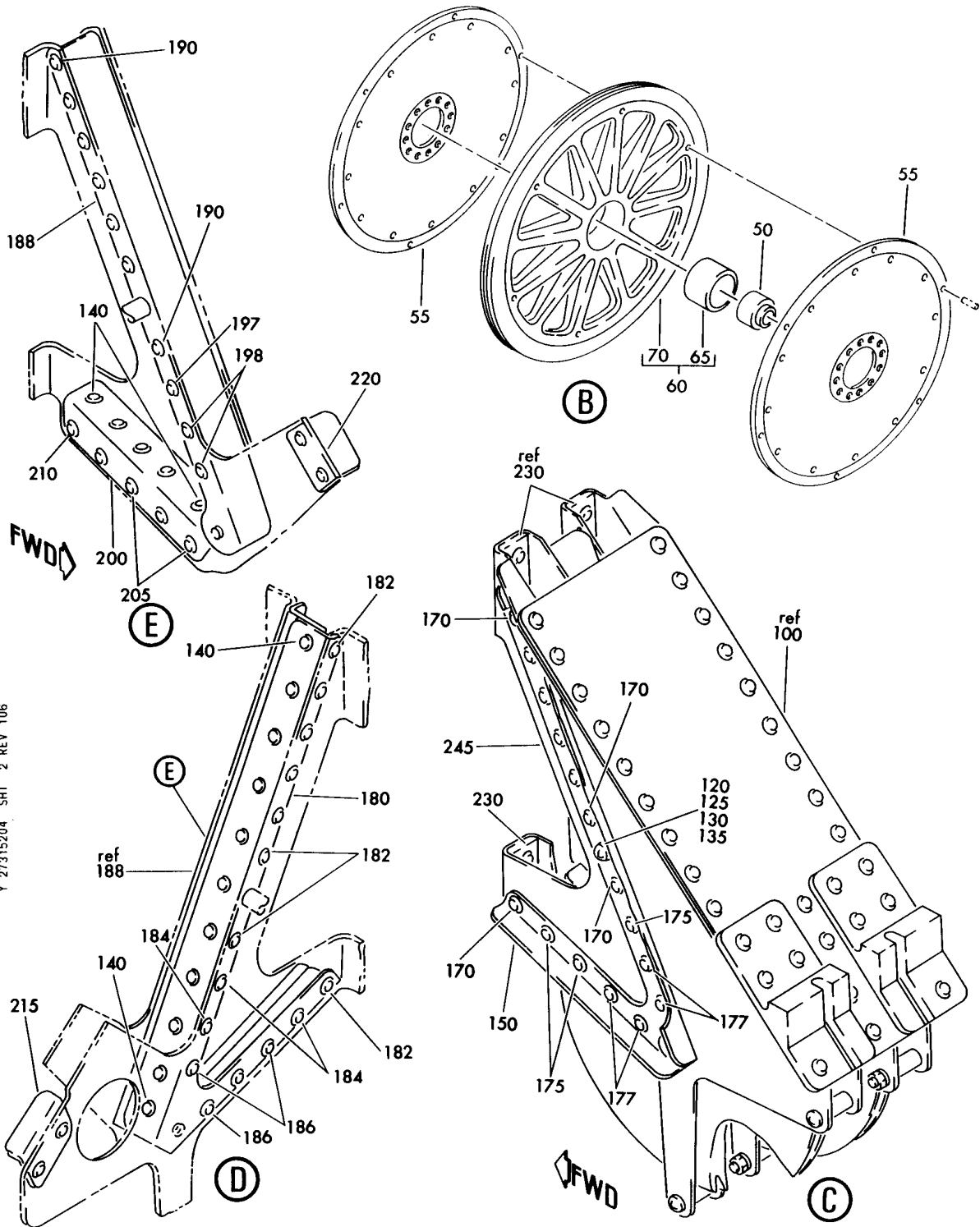
**BOEING**  
757  
PARTS CATALOG (MAINTENANCE)



BRACKET INSTL-STA 1720 ELEV 2A AND 2B CABLES PULLEY  
FIGURE 4 (SHEET 1)

# 27-31-52-04

**BOEING**  
757  
PARTS CATALOG (MAINTENANCE)



BRACKET INSTL-STA 1720 ELEV 2A AND 2B CABLES PULLEY  
FIGURE 4 (SHEET 2)

**27-31-52-04**

BRI  
MAY 28/07

27-31-52-04  
PAGE 0A

 **BOEING**  
757  
**PARTS CATALOG (MAINTENANCE)**

FIG ITEM	PART NUMBER	1 2 3 4 5 6 7	NOMENCLATURE	EFFECT FROM TO	UNITS PER ASSY
4			BRACKET INSTL-STA 1720 ELEV 2A AND 2B CABLES PULLEY	002004 006999	
- 1	251N6031-1		BRACKET INSTL-ELEV 2A AND 2B CABLES PULLEY POSITION DATA: STA 1720 FOR NHA SEE: 27-31-00-02	002004 006100 107107 121503 904999	RF
- 1	251N6031-7		BRACKET INSTL-ELEV 2A AND 2B CABLES PULLEY POSITION DATA: STA 1720 FOR NHA SEE: 27-00-00-22	101102 108120 504903	RF
- 1	MODREF8288		BRACKET INSTL-ELEV 2A AND 2B CABLES PULLEY MODULE NUMBER: 251N6031-7 REV A POSITION DATA: STA 1720	103106	1
	5 251N6240-21		.BRACKET ASSY-	101102 108120 504903	1
	5 251N6240-24		.BRACKET ASSY-	002004 006999	1
- 10	BACB30NF4-7		ATTACHING PARTS .BOLT	002004 006999	4
- 15	AN960PD416		.WASHER	002004 006999	4
- 20	BRH10A4		.NUT SUPPLIER CODE: V52828 SPECIFICATION NUMBER: BACN10JC4 OPTIONAL PART: T6S428J V11815 96-048 V80539 VN303A048 V92215 RMLH9075-4W V72962 NS202101-048 V80539 H10-4BAC V15653 -----*-----	002004 006999	4

MISSING ITEM NUMBERS NOT APPLICABLE

- ITEM NOT ILLUSTRATED

BRI

# 27-31-52-04

27-31-52  
FIG. 04  
PAGE 1  
JAN 20/09





757

PARTS CATALOG (MAINTENANCE)

FIG ITEM	PART NUMBER	1 2 3 4 5 6 7	NOMENCLATURE	EFFECT FROM TO	UNITS PER ASSY
4					
25	BACB30NF5-18	..	BOLT-	002004 006999	2
30	AN960PD516	..	WASHER	002004 006999	2
32	NAS623-3-16	..	SCREW	002004 006999	4
35	NAS42DD6-60	..	SPACER-	002004 006999	4
36	AN960PD10	..	WASHER	002004 006999	4
40	BRH10A3	..	NUT	002004 006999	4
			SUPPLIER CODE: V52828		
			SPECIFICATION NUMBER: BACN10JC3		
			OPTIONAL PART: H10-3BAC		
			V15653		
			NS202101-02		
			V80539		
			RMLH9075-3W		
			V72962		
			VN303A02		
			V92215		
			96-02		
			V80539		
			T6S1032J		
			V11815		
45	65B80970-1	..	PULLEY ASSY-8 IN. DIA 1/8 IN. CABLE	101102 108120 504903	2
50	DW5E6531	...	BEARING	101102	1
			SUPPLIER CODE: V21335	108120	
			SPECIFICATION NUMBER: BACB10A672	504903	
			OPTIONAL PART: LLDW5		
			V38443		
			DW5-6		
			V38443		
55	65B80972-1	...	SHIELD	101102 108120 504903	2
60	65B80971-1	...	SHEAVE ASSY-	101102 108120 504903	1

MISSING ITEM NUMBERS NOT APPLICABLE

- ITEM NOT ILLUSTRATED

27-31-52-04

27-31-52  
FIG. 04  
PAGE 2  
JAN 20/09

BRI

BOEING PROPRIETARY - Copyright © - Unpublished Work - See title page for details.

**BOEING**  
757  
PARTS CATALOG (MAINTENANCE)

FIG ITEM	PART NUMBER	1 2 3 4 5 6 7	NOMENCLATURE	EFFECT FROM TO	UNITS PER ASSY
4	65 69B81362-1	....	INSERT	101102 108120 504903	1
	70 65B80971-2	....	SHEAVE	101102 108120 504903	1
	73 AVS1M1A	..	PULLEY- SUPPLIER CODE: V29965 SPECIFICATION NUMBER: BACP30M1A	002004 006999	2
	75 251N6138-1	..	GUARD-CABLE	002004 006999	1
	80 251N6138-2	..	GUARD-CABLE	002004 006999	1
-	85 BACR15BB5B	..	ATTACHING PARTS RIVET- SIZE DETERMINED ON INSTL. -----*-----	002004 006999	10
	100 251N6240-18	..	COVER-	002004 006999	1
	105 BACR15FT5D	..	ATTACHING PARTS RIVET- SIZE DETERMINED ON INSTL.	002004 006999	18
	110 BACR15CE5D	..	RIVET- SIZE DETERMINED ON INSTL. -----*-----	002004 006999	4
	120 NAS623-3-18	..	SCREW	002004 006999	2
	125 NAS42DD6-60	..	SPACER	002004 006999	2
	130 AN960PD10	..	WASHER	002004 006999	2

MISSING ITEM NUMBERS NOT APPLICABLE

- ITEM NOT ILLUSTRATED

BRI

# 27-31-52-04

BOEING PROPRIETARY - Copyright © - Unpublished Work - See title page for details.

27-31-52  
FIG. 04  
PAGE 3  
JAN 20/09

 **BOEING**  
757  
**PARTS CATALOG (MAINTENANCE)**

FIG ITEM	PART NUMBER	1 2 3 4 5 6 7	NOMENCLATURE	EFFECT FROM TO	UNITS PER ASSY
4 135	BRH10A3	..	NUT SUPPLIER CODE: V52828 SPECIFICATION NUMBER: BACN10JC3 OPTIONAL PART: H10-3BAC V15653 NS202101-02 V80539 RMLH9075-3W V72962 VN303A02 V92215 96-02 V80539 T6S1032J V11815	002004 006999	2
140	BACR15FT5D	..	RIVET- SIZE DETERMINED ON INSTL.	002004 006999	17
145	251N6240-13	..	STIFFENER	002004 006999	1
150	251N6240-14	..	STIFFENER	002004 006999	1
170	BACR15FT5D	..	ATTACHING PARTS RIVET- SIZE DETERMINED ON INSTL. USED WITH: 251N6240-13 251N6240-14	002004 006999	16
175	BACR15FT5D3	..	RIVET- OPTIONAL PART: BACR15CE5D3 USED WITH: 251N6240-13 251N6240-14	002004 006999	6
175	BACR15CE5D3	..	RIVET- OPTIONAL PART: BACR15FT5D3 USED WITH: 251N6240-13 251N6240-14	002004 006999	6
177	BACR15CE5D	..	RIVET- SIZE DETERMINED ON INSTL. USED WITH: 251N6240-13 251N6240-14 -----*-----	002004 006999	8

MISSING ITEM NUMBERS NOT APPLICABLE

— ITEM NOT ILLUSTRATED

BRI

# 27-31-52-04

BOEING PROPRIETARY - Copyright © - Unpublished Work - See title page for details.

27-31-52  
FIG. 04  
PAGE 4  
JAN 20/09



757

PARTS CATALOG (MAINTENANCE)

FIG ITEM	PART NUMBER	1 2 3 4 5 6 7	NOMENCLATURE	EFFECT FROM TO	UNITS PER ASSY
4					
180	251N6240-17	..	STIFFENER-	002004 006999	1
			ATTACHING PARTS		
182	BACR15FT5D	..	RIVET-	002004 006999	8
			SIZE DETERMINED ON INSTL.		
184	BACR15FT5D3	..	RIVET-	002004 006999	3
			OPTIONAL PART: BACR15CE5D3		
184	BACR15CE5D3	..	RIVET-	002004 006999	3
			OPTIONAL PART: BACR15FT5D3		
186	BACR15CE5D	..	RIVET-	002004 006999	4
			SIZE DETERMINED ON INSTL.		
			-----*-----		
188	251N6240-15	..	ANGLE	002004 006999	1
			ATTACHING PARTS		
190	BACR15FT5D	..	RIVET-	002004 006999	7
			SIZE DETERMINED ON INSTL.		
197	BACR15FT5D3	..	RIVET-	002004 006999	1
			OPTIONAL PART: BACR15CE5D3		
197	BACR15CE5D3	..	RIVET-	002004 006999	1
			OPTIONAL PART: BACR15FT5D3		
198	BACR15CE5D	..	RIVET-	002004 006999	2
			SIZE DETERMINED ON INSTL.		
			-----*-----		
200	251N6240-16	..	ANGLE	002004 006999	1
			ATTACHING PARTS		
205	BACR15CE5D	..	RIVET-	002004 006999	3
			SIZE DETERMINED ON INSTL.		
- 206	BACR15FT5D3	..	RIVET-	002004 006999	1
			OPTIONAL PART: BACR15CE5D3		
- 206	BACR15CE5D3	..	RIVET-	002004 006999	1
			OPTIONAL PART: BACR15FT5D3		
210	BACR15FT5D	..	RIVET-	002004 006999	1
			SIZE DETERMINED ON INSTL.		
			-----*-----		
215	251N6240-19	..	CLIP	002004 006999	1
			ATTACHING PARTS		
- 225	BACR15FT5D3	..	RIVET-	002004 006999	4
			OPTIONAL PART: BACR15CE5D3		

MISSING ITEM NUMBERS NOT APPLICABLE

- ITEM NOT ILLUSTRATED

27-31-52-04

27-31-52  
FIG. 04  
PAGE 5  
JAN 20/09

BRI

BOEING PROPRIETARY - Copyright © - Unpublished Work - See title page for details.



757

PARTS CATALOG (MAINTENANCE)

FIG ITEM	PART NUMBER	1 2 3 4 5 6 7	NOMENCLATURE	EFFECT FROM TO	UNITS PER ASSY
4 - 225	BACR15CE5D3	..	RIVET- OPTIONAL PART: BACR15FT5D3 -----*-----	002004 006999	4
230	50-3361-8502	..	FILLER-RADIUS	002004 006999	4
235	BACR15CE5D	..	ATTACHING PARTS RIVET- SIZE DETERMINED ON INSTL. -----*-----	002004 006999	4
240	251N6240-22	..	BRACKET- USED ON: 251N6240-21	002004 006999	1
245	251N6240-23	..	BRACKET- USED ON: 251N6240-21	002004 006999	1

MISSING ITEM NUMBERS NOT APPLICABLE

- ITEM NOT ILLUSTRATED

**27-31-52-04**

27-31-52  
FIG. 04  
PAGE 6  
JAN 20/09

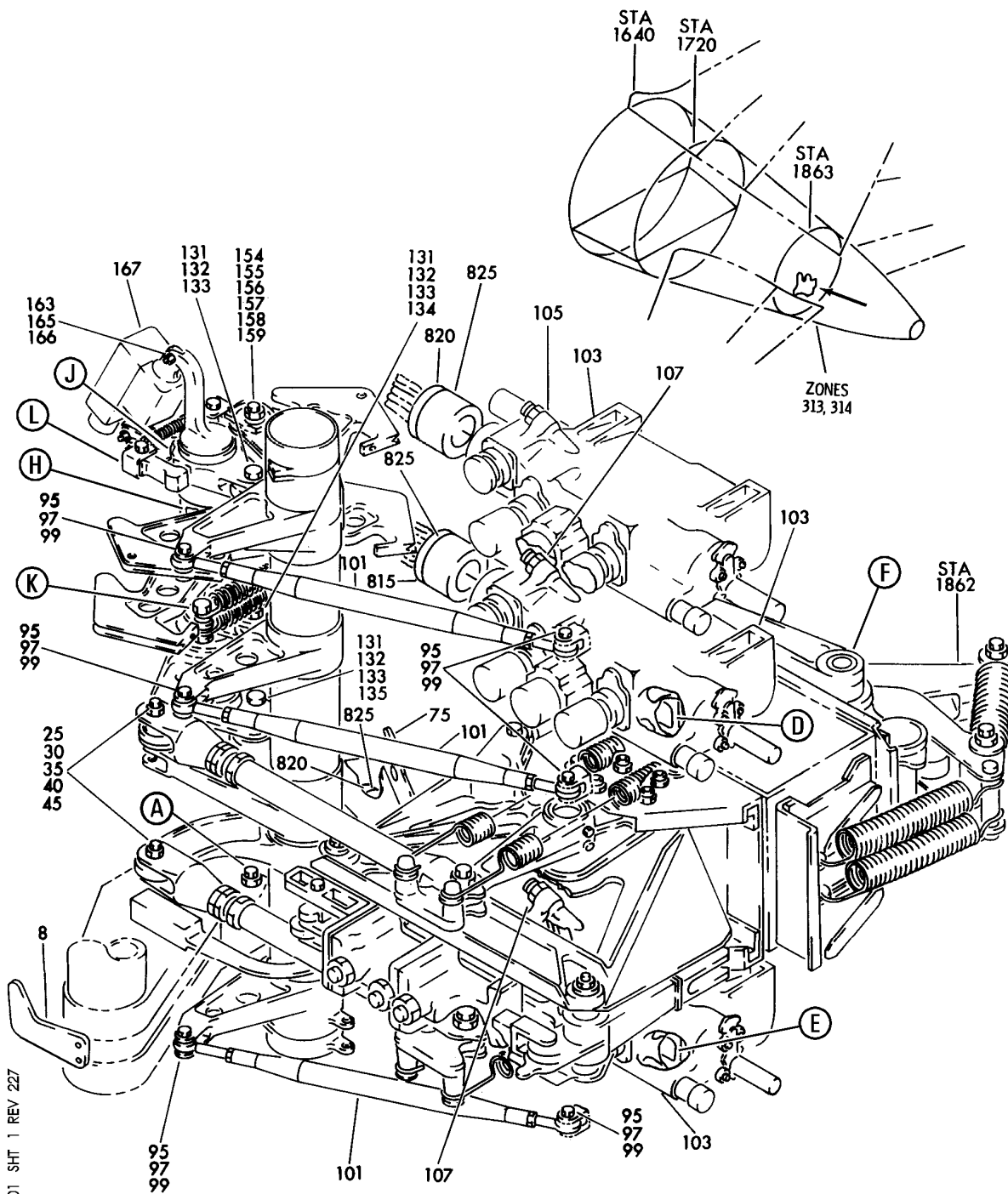
BRI

BOEING PROPRIETARY - Copyright © - Unpublished Work - See title page for details.

# BOEING

## 757

### PARTS CATALOG (MAINTENANCE)



Y 27315301 SHT 1 REV 227

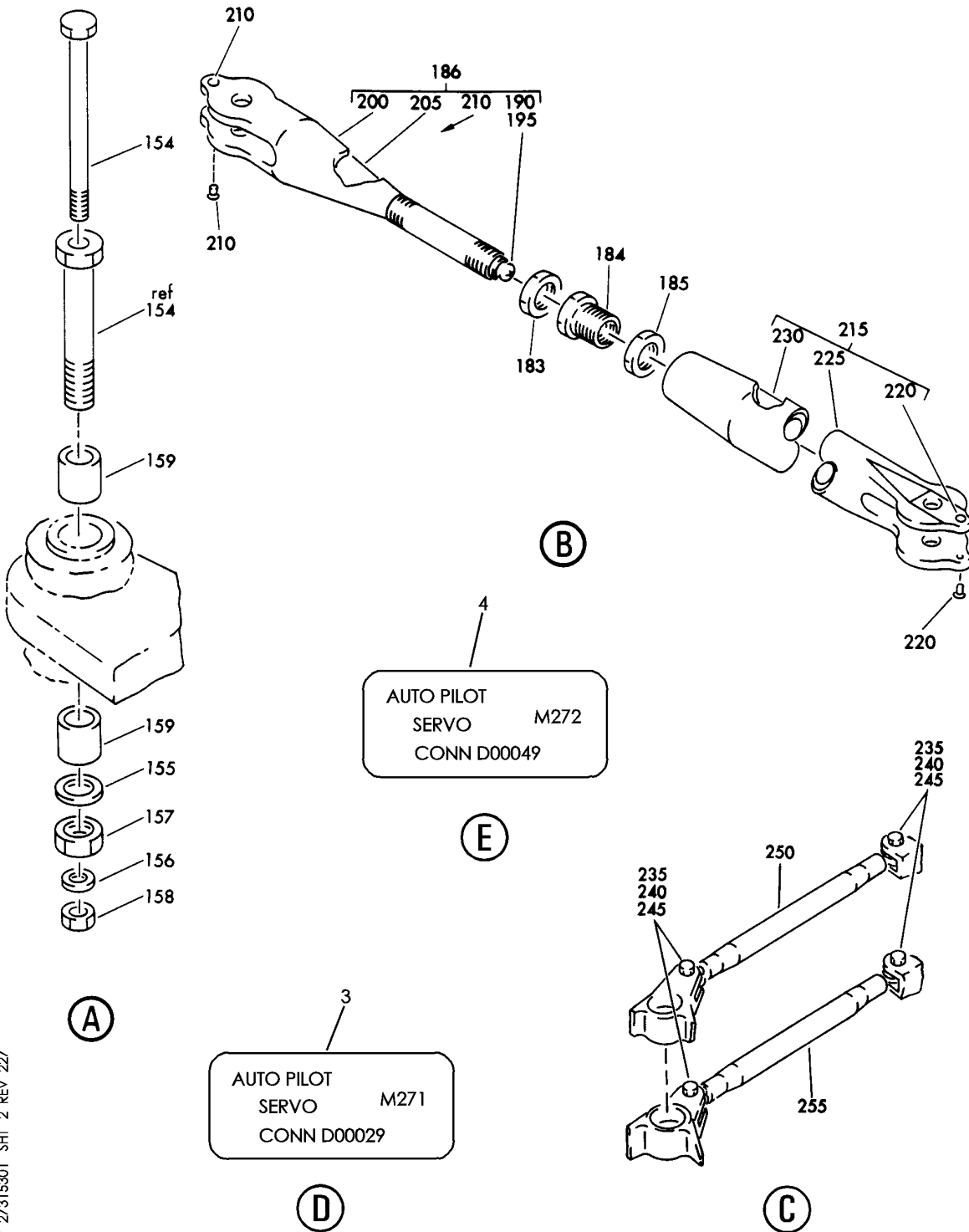
MECHANISM INSTL-ELEV CONT AFT  
FIGURE 1 (SHEET 1)

# 27-31-53-01

BRI  
MAY 28/07

27-31-53-01  
PAGE 0

**BOEING**  
757  
PARTS CATALOG (MAINTENANCE)



Y 27315301 SH1 2 REV 227

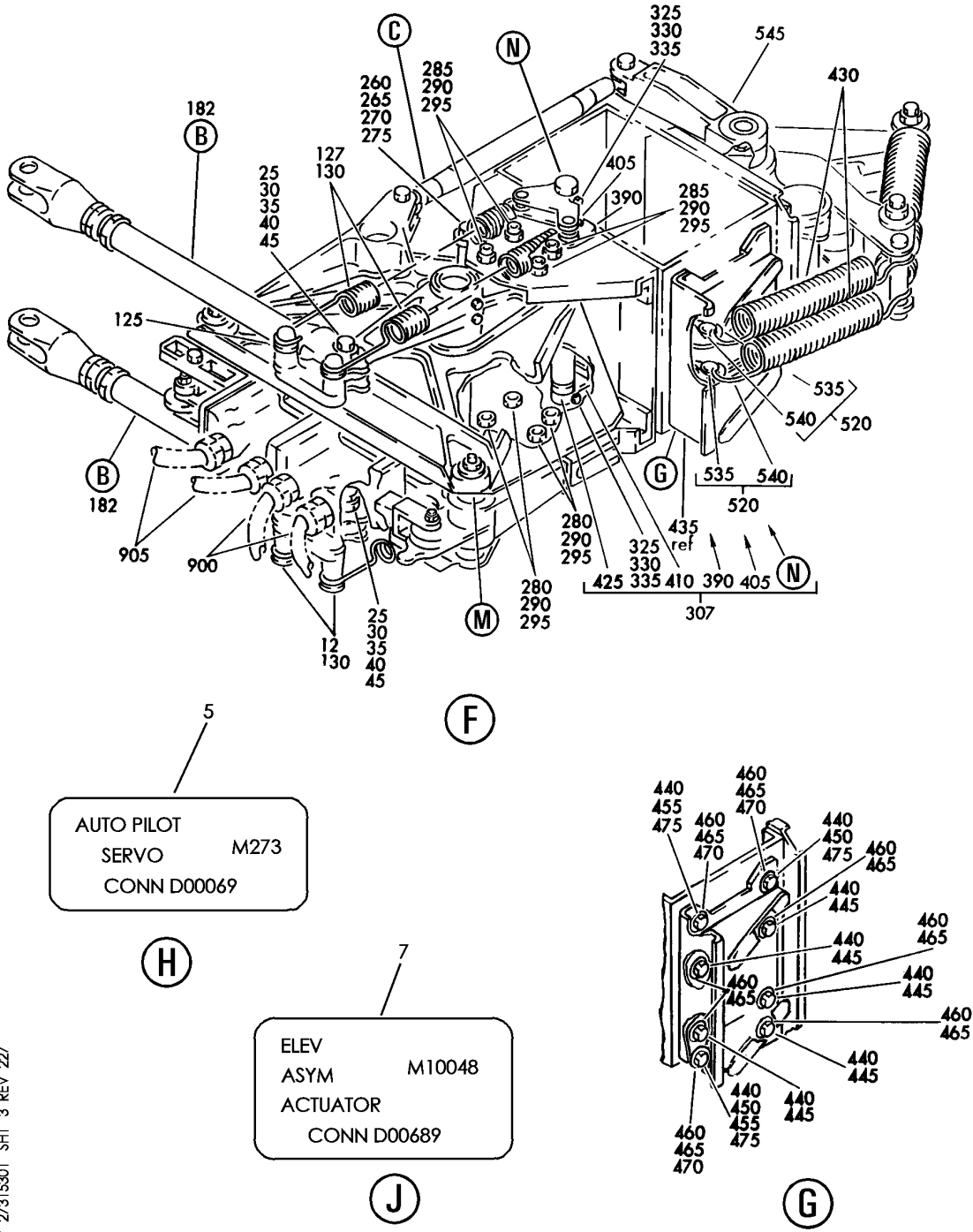
MECHANISM INSTL-ELEV CONT AFT  
FIGURE 1 (SHEET 2)

**27-31-53-01**

BRI  
MAY 28/07

27-31-53-01  
PAGE 0A

**BOEING**  
757  
PARTS CATALOG (MAINTENANCE)



Y 27315301 SHT 3 REV 227

MECHANISM INSTL-ELEV CONT AFT  
FIGURE 1 (SHEET 3)

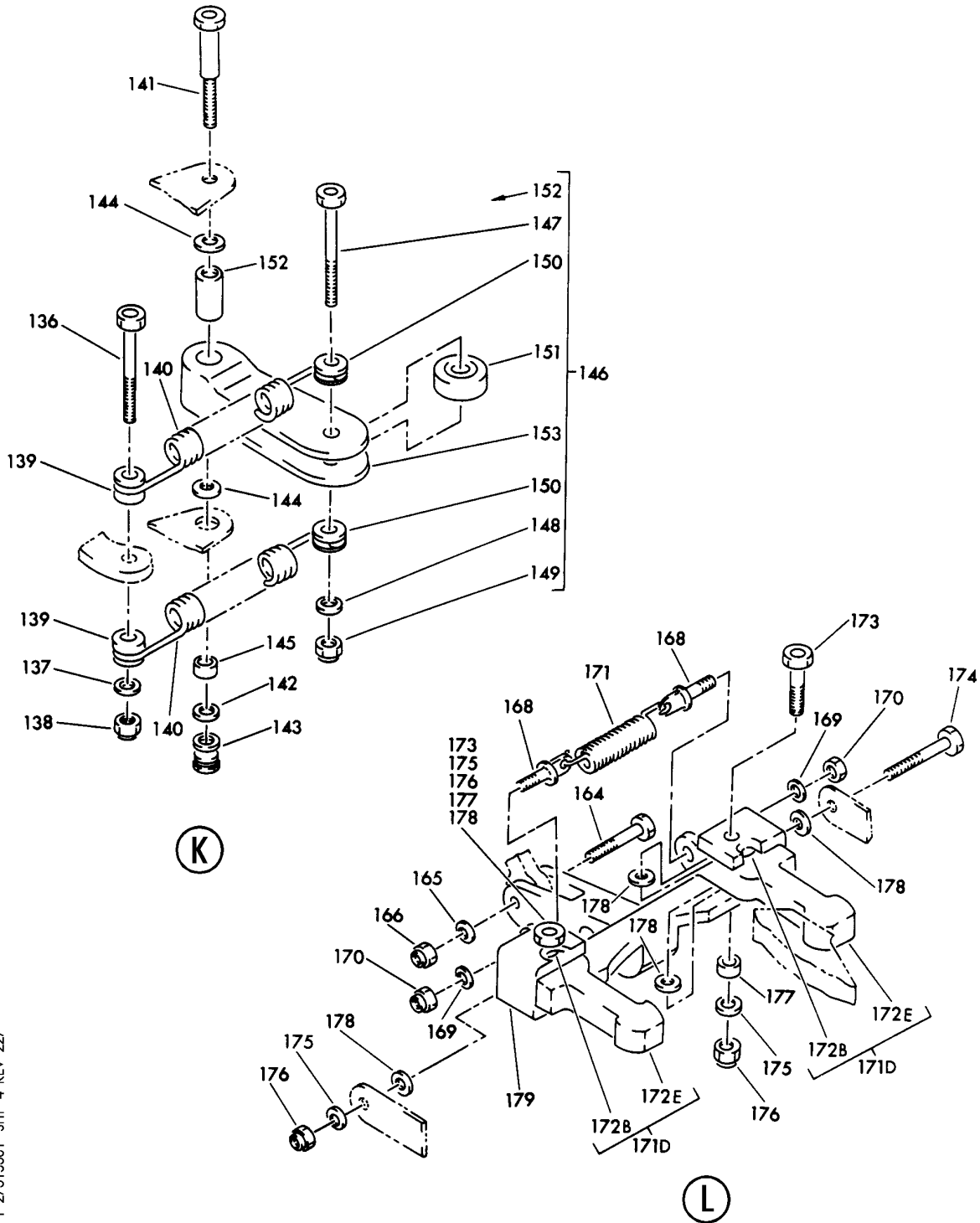
**27-31-53-01**

BRI  
MAY 28/07

27-31-53-01  
PAGE 0B



**BOEING**  
757  
PARTS CATALOG (MAINTENANCE)



Y 27315301 SHT 4 REV 227

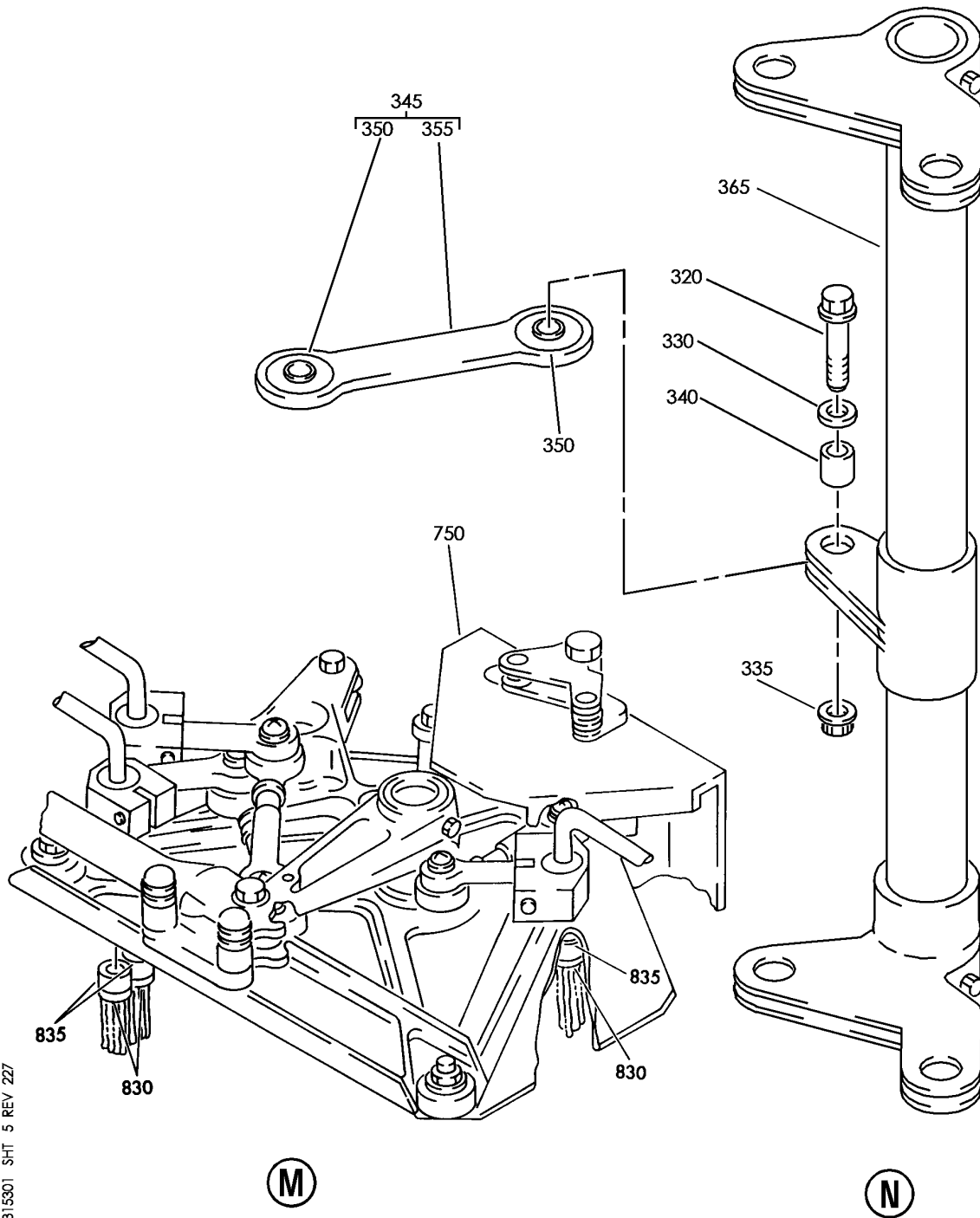
MECHANISM INSTL-ELEV CONT AFT  
FIGURE 1 (SHEET 4)

**27-31-53-01**

BRI  
MAY 28/07

27-31-53-01  
PAGE 0C

**BOEING**  
757  
PARTS CATALOG (MAINTENANCE)



Y 27315301 SHT 5 REV 227

(M)

(N)

MECHANISM INSTL-ELEV CONT AFT  
FIGURE 1 (SHEET 5)

**27-31-53-01**

BRI  
MAY 28/07

27-31-53-01  
PAGE 0D



757

PARTS CATALOG (MAINTENANCE)

FIG ITEM	PART NUMBER	1 2 3 4 5 6 7	NOMENCLATURE	EFFECT FROM TO	UNITS PER ASSY
1			MECHANISM INSTL-ELEV CONT AFT	002004 006999	
- 1	251N2003-5		MECHANISM INSTL-ELEV CONT POSITION DATA: AFT	002004 006100 107107	RF
- 1	251N2003-21		FOR NHA/ADDITIONAL DET SEE: 27-31-00-02 MECHANISM INSTL-ELEV CONT POSITION DATA: AFT	121503 904999 101102 108120 504903	RF
- 2	MODREF31661		FOR NHA/ADDITIONAL DET SEE: 27-00-00-22 MECHANISM INSTL-ELEV CONT MODULE NUMBER: 251N2003-24 REV B POSITION DATA: AFT	103105	1
- 2	MODREF171484		FOR OTHER SYS DETAILS SEE: 27-31-15-01 MECHANISM INSTL-ELEV CONT MODULE NUMBER: 251N2003-24 REV D POSITION DATA: AFT	106106	1
	3 BAC27NCT0069		.DECAL	002004 006999	1
	4 BAC27NCT0070		.DECAL	002004 006999	1
	5 BAC27NCT0071		.DECAL	002004 006999	1
	7 BAC27NCT0078		.DECAL	002004 006999	1
	8 251N2693-5		.GUARD-	002004 006999	1
- 10	NAS623-3-6		ATTACHING PARTS .SCREW	002004 006999	2
- 15	AN960PD10		.WASHER	002004 006999	4

MISSING ITEM NUMBERS NOT APPLICABLE

- ITEM NOT ILLUSTRATED

27-31-53-01

27-31-53  
FIG. 01  
PAGE 1  
JAN 20/09

BRI

 **BOEING**  
757  
**PARTS CATALOG (MAINTENANCE)**

FIG ITEM	PART NUMBER	1 2 3 4 5 6 7	NOMENCLATURE	EFFECT FROM TO	UNITS PER ASSY
1 - 20	BRH10A3	.	NUT SUPPLIER CODE: V52828 SPECIFICATION NUMBER: BACN10JC3 OPTIONAL PART: H10-3BAC V15653 NS202101-02 V80539 RMLH9075-3W V72962 VN303A02 V92215 96-02 V80539 T6S1032J V11815 -----*-----	002004 006999	2
25	251T0200-43	.	BOLT ASSY-	002004 006999	4
30	AN960XC616	.	WASHER-	002004 006999	4
35	AN960XC416	.	WASHER-	002004 006999	4
40	BRH10C6D	.	NUT- SUPPLIER CODE: V52828 SPECIFICATION NUMBER: BACN10JC6CD OPTIONAL PART: H51650-6BAC V15653	002004 006999	4
45	BRH10C4D	.	NUT- SUPPLIER CODE: V52828 SPECIFICATION NUMBER: BACN10JC4CD OPTIONAL PART: T6C428JCD V11815 NS202486-048 V80539 102LH9075-4W V72962 H51650-4BAC V15653	002004 006999	4
75	251N2693-4	.	GUARD-ROD	002004 006999	1

MISSING ITEM NUMBERS NOT APPLICABLE

- ITEM NOT ILLUSTRATED

BRI

# 27-31-53-01

BOEING PROPRIETARY - Copyright © - Unpublished Work - See title page for details.

27-31-53  
FIG. 01  
PAGE 2  
JAN 20/09



757

PARTS CATALOG (MAINTENANCE)

FIG ITEM	PART NUMBER	1 2 3 4 5 6 7	NOMENCLATURE	EFFECT FROM TO	UNITS PER ASSY
1			ATTACHING PARTS		
- 80	NAS623-3-6		.SCREW	002004 006999	3
- 85	AN960PD10		.WASHER	002004 006999	6
- 90	BRH10A3		.NUT	002004 006999	3
			SUPPLIER CODE: V52828		
			SPECIFICATION NUMBER: BACN10JC3		
			OPTIONAL PART: H10-3BAC		
			V15653		
			NS202101-02		
			V80539		
			RMLH9075-3W		
			V72962		
			VN303A02		
			V92215		
			96-02		
			V80539		
			T6S1032J		
			V11815		
			-----*-----		
95	BACB30NF4-13		.BOLT-	002004 006999	6
			OPTIONAL PART: BACB30NR4K13		
95	BACB30NR4K13		.BOLT-	101102 108120	6
			OPTIONAL PART: BACB30NF4-13	504903	
97	AN960PD416		.WASHER-	002004 006999	6

MISSING ITEM NUMBERS NOT APPLICABLE

- ITEM NOT ILLUSTRATED

27-31-53-01

27-31-53  
FIG. 01  
PAGE 3  
JAN 20/09

BRI

BOEING PROPRIETARY - Copyright © - Unpublished Work - See title page for details.



757

PARTS CATALOG (MAINTENANCE)

FIG ITEM	PART NUMBER	1 2 3 4 5 6 7	NOMENCLATURE	EFFECT FROM TO	UNITS PER ASSY
1 99	BRH10A4		.NUT- SUPPLIER CODE: V52828 SPECIFICATION NUMBER: BACN10JC4 OPTIONAL PART: T6S428J V11815 96-048 V80539 VN303A048 V92215 RMLH9075-4W V72962 NS202101-048 V80539 H10-4BAC V15653	002004 006999	6
101	250N2004-314		.ROD ASSY- COMPONENT MAINT MANUAL REF: 27-00-12	002004 006999	3
105	251N2814-1		.SERVO ASSY-AUTOPILOT PITCH CONT POSITION DATA: L ELECTRICAL EQUIP NUMBER: M00271 FOR DETAILS SEE: 22-12-01-01	107107	1
105	251N2814-3		.SERVO ASSY-AUTOPILOT PITCH CONT BASIC POSITION DATA: L FOR DETAILS SEE: 22-12-01-01	002004 006017 121503 904999	1
105	251N2814-7		.SERVO ASSY-AUTOPILOT PITCH CONT BASIC POSITION DATA: L FOR DETAILS SEE: 22-12-01-01	018105 108120 504903	1

MISSING ITEM NUMBERS NOT APPLICABLE

- ITEM NOT ILLUSTRATED

BRI

27-31-53-01

BOEING PROPRIETARY - Copyright © - Unpublished Work - See title page for details.

27-31-53  
FIG. 01  
PAGE 4  
JAN 20/09



757

PARTS CATALOG (MAINTENANCE)

FIG ITEM	PART NUMBER	1 2 3 4 5 6 7	NOMENCLATURE	EFFECT FROM TO	UNITS PER ASSY
1 107	251N2814-2		.SERVO ASSY-AUTOPILOT PITCH CONT POSITION DATA: CTR AND R OPTIONAL PART: 163100-101 V19156 FOR DETAILS SEE: 22-12-01-01	107107	2
107	251N2814-4		.SERVO ASSY-AUTOPILOT PITCH CONT BASIC POSITION DATA: CTR AND R FOR DETAILS SEE: 22-12-01-01	002004 006017 121503 904999	2
107	251N2814-8		.SERVO ASSY-AUTOPILOT PITCH CONT BASIC POSITION DATA: CTR AND R FOR DETAILS SEE: 22-12-01-01	018105 108120 504903	2
107	163100-101		.SERVO ASSY-AUTOPILOT PITCH CONT SUPPLIER CODE: V19156 POSITION DATA: CTR AND R SPECIFICATION NUMBER: S251N212-2 MISCELLANEOUS DATA: (SPARE FOR S251N212-2 LOCATED IN THE LEFT SERVO POSITION IS 251N2814-1. SPARE FOR S251N212-2 LOCATED IN THE CENTER OR RIGHT SERVO POSITION IS S251N212-2 OR 251N2814-2) ELECTRICAL EQUIP NUMBER: M00272 M00273 COMPONENT MAINT MANUAL REF: 22-12-02 OPTIONAL PART: 251N2814-2 FOR DETAILS SEE: 22-12-02-01 22-12-01-02	107107	2

MISSING ITEM NUMBERS NOT APPLICABLE

- ITEM NOT ILLUSTRATED

**27-31-53-01**

27-31-53  
FIG. 01  
PAGE 5  
JAN 20/09

BRI



757

PARTS CATALOG (MAINTENANCE)

FIG ITEM	PART NUMBER	1 2 3 4 5 6 7	NOMENCLATURE	EFFECT FROM TO	UNITS PER ASSY
1 107	163100-102		.SERVO ASSY-AUTOPILOT PITCH CONT SUPPLIER CODE: V19156 SPECIFICATION NUMBER: S251N212-3 ELECTRICAL EQUIP NUMBER: M00272 M00273 COMPONENT MAINT MANUAL REF: 22-12-02 OPTIONAL PART: 163100-105 V19156 FOR DETAILS SEE: 22-12-02-01 22-12-01-02	107107	2
107	163100-103		.SERVO ASSY-AUTOPILOT PITCH CONT SUPPLIER CODE: V19156 SPECIFICATION NUMBER: S251N212-4 ELECTRICAL EQUIP NUMBER: M00272 M00273 COMPONENT MAINT MANUAL REF: 22-12-02 OPTIONAL PART: 163100-104 V19156 FOR DETAILS SEE: 22-12-02-01 22-12-01-02	107107	2

MISSING ITEM NUMBERS NOT APPLICABLE

- ITEM NOT ILLUSTRATED

BRI

**27-31-53-01**

BOEING PROPRIETARY - Copyright © - Unpublished Work - See title page for details.

27-31-53  
FIG. 01  
PAGE 6  
JAN 20/09





757

PARTS CATALOG (MAINTENANCE)

FIG ITEM	PART NUMBER	1 2 3 4 5 6 7	NOMENCLATURE	EFFECT FROM TO	UNITS PER ASSY
1 107	163100-104		.SERVO ASSY-AUTOPILOT PITCH CONT SUPPLIER CODE: V19156 SPECIFICATION NUMBER: S251N212-4 ELECTRICAL EQUIP NUMBER: M00272 M00273 COMPONENT MAINT MANUAL REF: 22-12-02 OPTIONAL PART: 163100-103 V19156 FOR DETAILS SEE: 22-12-02-01 22-12-01-02	107107	2
107	163100-105		.SERVO ASSY-AUTOPILOT PITCH CONT SUPPLIER CODE: V19156 SPECIFICATION NUMBER: S251N212-3 ELECTRICAL EQUIP NUMBER: M00271 M00272 M00273 COMPONENT MAINT MANUAL REF: 22-12-02 OPTIONAL PART: 163100-102 V19156 FOR DETAILS SEE: 22-12-02-01 22-12-01-02	107107	2
107	163100-106		.SERVO ASSY- SUPPLIER CODE: V19156 SPECIFICATION NUMBER: S251N212-5 ELECTRICAL EQUIP NUMBER: M00272 M00273 COMPONENT MAINT MANUAL REF: 22-12-02 FOR DETAILS SEE: 22-12-01-02 22-12-02-01	107107	1

MISSING ITEM NUMBERS NOT APPLICABLE

- ITEM NOT ILLUSTRATED

BRI

27-31-53-01

27-31-53  
FIG. 01  
PAGE 7  
JAN 20/09



757

PARTS CATALOG (MAINTENANCE)

FIG ITEM	PART NUMBER	1 2 3 4 5 6 7	NOMENCLATURE	EFFECT FROM TO	UNITS PER ASSY
1 107	163100-107		.SERVO ASSY- SUPPLIER CODE: V19156 SPECIFICATION NUMBER: S251N212-6 ELECTRICAL EQUIP NUMBER: M00272 M00273 COMPONENT MAINT MANUAL REF: 22-12-02 FOR DETAILS SEE: 22-12-01-02 22-12-02-01 ATTACHING PARTS	107107	1
-113D	BACB30LE4-12		.BOLT-	002004 006999	12
- 114	NAS620A416		.WASHER- USED WITH: NAS6604-12 -----*-----	101106 108120 504903	12

MISSING ITEM NUMBERS NOT APPLICABLE

- ITEM NOT ILLUSTRATED

BRI

27-31-53-01

BOEING PROPRIETARY - Copyright © - Unpublished Work - See title page for details.

27-31-53  
FIG. 01  
PAGE 8  
JAN 20/09



757

PARTS CATALOG (MAINTENANCE)

FIG ITEM	PART NUMBER	1 2 3 4 5 6 7 NOMENCLATURE	EFFECT FROM TO	UNITS PER ASSY
1 119	AFP2326-4	. . REDUCER- SUPPLIER CODE: V30974 SPECIFICATION NUMBER: BACR17E6-4 OPTIONAL PART: AP10276-4 V01673 BC916T6-4 V50948 DBOR17E6-4 V14798 ER21916T6-4 V88334 ER31916-6-4 V88334 F23-6-4 V73197 2-01075T6-4 V11328 31778-6-4 V14397 US2114-6-4 V50808 AP1027T6-4 V01673 US21146-4 V50808 317786-4 V14397 USED ON: 251N2814-1 251N2814-3 251N2814-5 251N2814-11	002004 006105 107999	1

MISSING ITEM NUMBERS NOT APPLICABLE

- ITEM NOT ILLUSTRATED

BRI

27-31-53-01

BOEING PROPRIETARY - Copyright © - Unpublished Work - See title page for details.

27-31-53  
FIG. 01  
PAGE 9  
JAN 20/09



757

PARTS CATALOG (MAINTENANCE)

FIG ITEM	PART NUMBER	1 2 3 4 5 6 7	NOMENCLATURE	EFFECT FROM TO	UNITS PER ASSY
1 125	251N2345-3		.SPRING ASSY-EXTENSION QUALIFIED I/W DATA: (1EA) 251N2345-3 TOGETHER WITH (1EA) 251N2293-5 AND (1EA) 251N2293-6 CAN REPLACE BUT NOT BE REPLACED BY (4EA) 251N2345-1 TOGETHER WITH (1EA) 251N2293-1 AND (1EA) 251N2293-2 (4EA) 251N2345-4 CAN REPLACE BUT NOT BE REPLACED BY (1EA) 251N2345-3	002004 006100 107107 121503 904999	1
130	251N2345-4		.SPRING-EXTENSION QUALIFIED I/W DATA: (4EA) 251N2345-4 TOGETHER WITH (1EA) 251N2293-5 AND (1EA) 251N2293-6 CAN REPLACE BUT NOT BE REPLACED BY (4EA) 251N2345-1 TOGETHER WITH (1EA) 251N2293-1 AND (1EA) 251N2293-2 (4EA) 251N2345-4 CAN REPLACE BUT NOT BE REPLACED BY (1EA) 251N2345-3	002004 006999	4
131	BACB30NF6-16		.BOLT	002004 006999	3
132	AN960PD616		.WASHER	002004 006999	3
133	BRH10A6		.NUT SUPPLIER CODE: V52828 SPECIFICATION NUMBER: BACN10JC6 OPTIONAL PART: 96-064 V80539 RMLH9075-6 V72962 H10-6BAC V15653	002004 006999	3
134	NAS73-6E012		.BUSHING	002004 006999	1

MISSING ITEM NUMBERS NOT APPLICABLE

- ITEM NOT ILLUSTRATED

27-31-53-01

27-31-53  
FIG. 01  
PAGE 10  
JAN 20/09

BRI



757

PARTS CATALOG (MAINTENANCE)

FIG ITEM	PART NUMBER	1 2 3 4 5 6 7	NOMENCLATURE	EFFECT FROM TO	UNITS PER ASSY
1 135	MKSP6SD610		.BEARING SUPPLIER CODE: V83086 SPECIFICATION NUMBER: BACB10AR6 OPTIONAL PART: HHMKSP6 V38443 MKSP6-2TS V43991 MKSP6E9440A V21335 MKSP6FS428 V21335 MKSP63TT V43991 MKSP6G20 V38443 MKSP6 V38443	002004 006102 107999	1
135	BACB10AR06		.BEARING- OPTIONAL PART: BACB10AR6	103106	1
135	MKSP6SD610		.BEARING- SUPPLIER CODE: V83086 SPECIFICATION NUMBER: BACB10AR6 OPTIONAL PART: HHMKSP6 V38443 MKSP6-2TS V43991 MKSP6E9440A V21335 MKSP6FS428 V21335 MKSP63TT V43991 MKSP6G20 V38443 MKSP6 V38443 BACB10AR06	103106	1
136	BACB30NF4-19		.BOLT	002004 006999	1
137	AN960PD416L		.WASHER	002004 006999	1

MISSING ITEM NUMBERS NOT APPLICABLE

- ITEM NOT ILLUSTRATED

27-31-53-01

27-31-53  
FIG. 01  
PAGE 11  
JAN 20/09

BRI



757

PARTS CATALOG (MAINTENANCE)

FIG ITEM	PART NUMBER	1 2 3 4 5 6 7	NOMENCLATURE	EFFECT FROM TO	UNITS PER ASSY
1 138	BRH10A4	.NUT	SUPPLIER CODE: V52828 SPECIFICATION NUMBER: BACN10JC4 OPTIONAL PART: T6S428J V11815 96-048 V80539 VN303A048 V92215 RMLH9075-4W V72962 NS202101-048 V80539 H10-4BAC V15653	002004 006999	1
139	251N2622-2	.BUSHING		002004 006999	2
140	251N2237-1	.SPRING-		002004 006999	2
141	HL18PB8-20	.BOLT-	SUPPLIER CODE: V06725 SPECIFICATION NUMBER: BACB30FM8-20 OPTIONAL PART: HL18PB8-20 V73197 HL18PB8-20 V92215 HL18PB8-20 V97928 HL18PB8-20 V80539 62550-8-20 V56878 HL18PB8-20 V08524 HL18PB8-20 V56878 HL18PB8-20 V56878	002004 006999	1
142	AN960PD416	.WASHER		002004 006999	1

MISSING ITEM NUMBERS NOT APPLICABLE

- ITEM NOT ILLUSTRATED

BRI

27-31-53-01

BOEING PROPRIETARY - Copyright © - Unpublished Work - See title page for details.

27-31-53  
FIG. 01  
PAGE 12  
JAN 20/09



757

PARTS CATALOG (MAINTENANCE)

FIG ITEM	PART NUMBER	1 2 3 4 5 6 7	NOMENCLATURE	EFFECT FROM TO	UNITS PER ASSY
1 143	HL79-8	.	COLLAR- SUPPLIER CODE: V5M902 SPECIFICATION NUMBER: BACC30M8 OPTIONAL PART: HL79-8 V73197 HL79-8 V92215 66014-8 V56878 HL79-8 V56878	002004 006999	1
144	BACW10P227TF	.	WASHER	002004 006999	2
145	NAS73-4E004	.	BUSHING- MISCELLANEOUS DATA: REPLACED BY NAS73-4-004	002004 006999	1
146	251N2235-1	.	LEVER ASSY-CAM FOLLOWER	002004 006999	1
147	BACB30NF4-19	..	BOLT	002004 006999	1
148	AN960PD416L	..	WASHER	002004 006999	1
149	BRH10A4	..	NUT SUPPLIER CODE: V52828 SPECIFICATION NUMBER: BACN10JC4 OPTIONAL PART: T6S428J V11815 96-048 V80539 VN303A048 V92215 RMLH9075-4W V72962 NS202101-048 V80539 H10-4BAC V15653	002004 006999	1
150	251N2622-1	..	BUSHING	002004 006999	2

MISSING ITEM NUMBERS NOT APPLICABLE

- ITEM NOT ILLUSTRATED

27-31-53-01

27-31-53  
FIG. 01  
PAGE 13  
JAN 20/09

BRI



757

PARTS CATALOG (MAINTENANCE)

FIG ITEM	PART NUMBER	1 2 3 4 5 6 7	NOMENCLATURE	EFFECT FROM TO	UNITS PER ASSY
1	151 ATF4		.. BEARING- SUPPLIER CODE: V60380 SPECIFICATION NUMBER: BACB10ET04 OPTIONAL PART: 4AFC614 V92563 YAF04B V07484	002004 006999	1
	152 SWKBS4-200-075		.. BUSHING SUPPLIER CODE: V81376 SPECIFICATION NUMBER: BACB28AB4-075 OPTIONAL PART: HBR284-075 V73134 107-3304-075 V77896 78910-04-075 V09455 AD04-228-075 V15860 NH04-228-075 V15860 HBE284-075 V73134 AJD04-075 VS0352 NH04-228-075 VS0352	002004 006999	1
	153 251N2235-2		.. LEVER	002004 006999	1
	154 251T0200-45		. BOLT ASSY	002004 006999	2
	155 AN960PD616		. WASHER	002004 006999	2
	156 AN960XC416		. WASHER	002004 006999	2
	157 BRH10C6D		. NUT SUPPLIER CODE: V52828 SPECIFICATION NUMBER: BACN10JC6CD OPTIONAL PART: H51650-6BAC V15653	002004 006999	2

MISSING ITEM NUMBERS NOT APPLICABLE

- ITEM NOT ILLUSTRATED

27-31-53-01

27-31-53  
FIG. 01  
PAGE 14  
JAN 20/09

BRI

BOEING PROPRIETARY - Copyright © - Unpublished Work - See title page for details.





757

PARTS CATALOG (MAINTENANCE)

FIG ITEM	PART NUMBER	1 2 3 4 5 6 7	NOMENCLATURE	EFFECT FROM TO	UNITS PER ASSY
1 158	BRH10C4D	.NUT	SUPPLIER CODE: V52828 SPECIFICATION NUMBER: BACN10JC4CD OPTIONAL PART: T6C428JCD V11815 NS202486-048 V80539 102LH9075-4W V72962 H51650-4BAC V15653	002004 006999	2
159	BACB28AK06-063	.BUSHING		002004 006999	3
163	BACB30NF4-14	.BOLT-		002004 006999	1
164	BACB30NF4-12	.BOLT		002004 006999	1
165	AN960PD416	.WASHER		002004 006999	2
166	BRH10A4	.NUT	SUPPLIER CODE: V52828 SPECIFICATION NUMBER: BACN10JC4 OPTIONAL PART: T6S428J V11815 96-048 V80539 VN303A048 V92215 RMLH9075-4W V72962 NS202101-048 V80539 H10-4BAC V15653	002004 006999	2
167	1846T100-3	.ACTUATOR ASSY-LINEAR	SUPPLIER CODE: V98889 SPECIFICATION NUMBER: S251N206-2 COMPONENT MAINT MANUAL REF: 27-31-01 FOR DETAILS SEE: 27-31-03-01	002004 006999	1

MISSING ITEM NUMBERS NOT APPLICABLE

- ITEM NOT ILLUSTRATED

BRI

27-31-53-01

BOEING PROPRIETARY - Copyright © - Unpublished Work - See title page for details.

27-31-53  
FIG. 01  
PAGE 15  
JAN 20/09



757

PARTS CATALOG (MAINTENANCE)

FIG ITEM	PART NUMBER	1 2 3 4 5 6 7	NOMENCLATURE	EFFECT FROM TO	UNITS PER ASSY
1					
168	AN43B5A	.	BOLT	002004 006999	2
169	AN960PD416	.	WASHER	002004 006999	2
170	BRH10A4	.	NUT	002004 006999	2
			SUPPLIER CODE: V52828		
			SPECIFICATION NUMBER: BACN10JC4		
			OPTIONAL PART: T6S428J		
			V11815		
			96-048		
			V80539		
			VN303A048		
			V92215		
			RMLH9075-4W		
			V72962		
			NS202101-048		
			V80539		
			H10-4BAC		
			V15653		
171	MS24586-562	.	SPRING	002004 006999	1
171D	251N2238-5	.	FITTING ASSY-ASYMMETRY LIMITING STOP	002004 006999	2
172B	SWKBS4-200-050	..	BUSHING	002004 006999	1
			SUPPLIER CODE: V81376		
			SPECIFICATION NUMBER: BACB28AB4-050		
			OPTIONAL PART: HBR284-050		
			V73134		
			107-3304-050		
			V77896		
			78910-04-050		
			V09455		
			AD04-228-050		
			V15860		
			NH04-228-050		
			V15860		
			HBE284-050		
			V73134		
			AJD04-050		
			VS0352		
			NH04-228-050		
			VS0352		

MISSING ITEM NUMBERS NOT APPLICABLE

- ITEM NOT ILLUSTRATED

BRI

27-31-53-01

27-31-53  
FIG. 01  
PAGE 16  
JAN 20/09



757

PARTS CATALOG (MAINTENANCE)

FIG ITEM	PART NUMBER	1 2 3 4 5 6 7	NOMENCLATURE	EFFECT FROM TO	UNITS PER ASSY
1					
172E	251N2238-6	..	FITTING-	002004 006999	1
173	BACB30NF4-21	.BOLT-	BOLT-	002004	2
			USED WITH: NAS73-4E008	006999	
174	BACB30NF4-19	.BOLT	BOLT	002004 006999	1
175	AN960PD416	.WASHER	WASHER	002004 006999	3
176	BRH10A4	.NUT	NUT	002004	3
			SUPPLIER CODE: V52828	006999	
			SPECIFICATION NUMBER: BACN10JC4		
			OPTIONAL PART: T6S428J		
			V11815		
			96-048		
			V80539		
			VN303A048		
			V92215		
			RMLH9075-4W		
			V72962		
			NS202101-048		
			V80539		
			H10-4BAC		
			V15653		
177	NAS73-4E008	.SPACER-	SPACER-	002004	2
			USED WITH: BACB30NF4-21	006999	
178	BACW10P227TF	.WASHER-	WASHER-	002004	6
				006999	
179	251N2227-11	.HOUSING ASSY-	HOUSING ASSY-	002004	1
			COMPONENT MAINT MANUAL REF: 27-31-81	006999	
			OPTIONAL PART: 251N2227-14		
179	251N2227-13	.HOUSING ASSY-	HOUSING ASSY-	002004	1
			COMPONENT MAINT MANUAL REF: 27-31-81	006106	
			OPTIONAL PART: 251N2227-14	108903	
				950951	
				953999	
179	251N2227-15	.HOUSING ASSY-	HOUSING ASSY-	002004	1
			COMPONENT MAINT MANUAL REF: 27-31-81	006106	
			OPTIONAL PART: 251N2227-14	108903	
				950951	
				953999	

MISSING ITEM NUMBERS NOT APPLICABLE

- ITEM NOT ILLUSTRATED

27-31-53-01

27-31-53  
FIG. 01  
PAGE 17  
JAN 20/09

BRI



757

PARTS CATALOG (MAINTENANCE)

FIG ITEM	PART NUMBER	1 2 3 4 5 6 7	NOMENCLATURE	EFFECT FROM TO	UNITS PER ASSY
1					
179	251N2227-14		.HOUSING ASSY- COMPONENT MAINT MANUAL REF: 27-31-81 OPTIONAL PART: 251N2227-11 251N2227-13 251N2227-15	002004 006999	1
182	251N2279-1		.ROD ASSY-CENTERING UNIT	002004 006999	2
183	66-19689-3		..NUT-HEX	002004 006999	1
184	69-40729-3		..SLEEVE	002004 006999	1
185	66-19689-4		..NUT	002004 006999	1
186	251T0102-1		..CLEVIS ASSY-VERNIER MALE	002004 006999	1
190	NAS604-11P		...SCREW	002004 006999	1
195	MS20002-4		...WASHER	002004 006999	1
200	251T0102-2		...TUBE-OUTER	002004 006999	1
205	251T0102-3		...TUBE-INNER	002004 006999	1
210	BACR15BA3KE		...RIVET- SIZE DETERMINED ON INSTL.	002004 006999	2
215	251T0103-7		..CLEVIS ASSY-VERNIER FEMALE	002004 006999	1
220	BACR15BA3AD		...RIVET- SIZE DETERMINED ON INSTL.	002004 006999	2
225	251T0103-9		...TUBE-OUTER	002004 006999	1
230	251T0103-8		...TUBE-INNER	002004 006999	1
235	BACB30NF4-13		.BOLT-	002004 006999	4
240	AN960PD416		.WASHER-	002004 006999	4

MISSING ITEM NUMBERS NOT APPLICABLE

- ITEM NOT ILLUSTRATED

BRI

27-31-53-01

27-31-53  
FIG. 01  
PAGE 18  
JAN 20/09



757

PARTS CATALOG (MAINTENANCE)

FIG ITEM	PART NUMBER	1 2 3 4 5 6 7	NOMENCLATURE	EFFECT FROM TO	UNITS PER ASSY
1 245	BRH10A4		.NUT- SUPPLIER CODE: V52828 SPECIFICATION NUMBER: BACN10JC4 OPTIONAL PART: T6S428J V11815 96-048 V80539 VN303A048 V92215 RMLH9075-4W V72962 NS202101-048 V80539 H10-4BAC V15653	002004 006999	4
250	250N2004-1116		.ROD ASSY- COMPONENT MAINT MANUAL REF: 27-00-12	002004 006999	1
255	250N2004-325		.ROD ASSY- COMPONENT MAINT MANUAL REF: 27-00-12	002004 006999	1
260	BACB30NF4-54		.BOLT-	002004 006999	1
265	AN960PD416		.WASHER-	002004 006999	1
270	BRH10A4		.NUT- SUPPLIER CODE: V52828 SPECIFICATION NUMBER: BACN10JC4 OPTIONAL PART: T6S428J V11815 96-048 V80539 VN303A048 V92215 RMLH9075-4W V72962 NS202101-048 V80539 H10-4BAC V15653	002004 006999	1
275	BACB28Y4D285		.BUSHING-	002004 006999	1

MISSING ITEM NUMBERS NOT APPLICABLE

- ITEM NOT ILLUSTRATED

27-31-53-01

27-31-53  
FIG. 01  
PAGE 19  
JAN 20/09

BRI

BOEING PROPRIETARY - Copyright © - Unpublished Work - See title page for details.



757

PARTS CATALOG (MAINTENANCE)

FIG ITEM	PART NUMBER	1 2 3 4 5 6 7	NOMENCLATURE	EFFECT FROM TO	UNITS PER ASSY
1					
280	BACB30LU4-13	.BOLT-		002004 006999	4
285	BACB30NF4-17	.BOLT-		002004 006999	4
290	AN960PD416	.WASHER-		002004 006999	8
295	BRH10A4	.NUT-		002004 006999	8
			SUPPLIER CODE: V52828 SPECIFICATION NUMBER: BACN10JC4 OPTIONAL PART: T6S428J V11815 96-048 V80539 VN303A048 V92215 RMLH9075-4W V72962 NS202101-048 V80539 H10-4BAC V15653		
307	251N2299-3	.BRACKET ASSY-SPRT		002004 006999	1
			COMPONENT MAINT MANUAL REF: 27-31-38		
307	251N2299-4	.BRACKET ASSY-SPRT		002004 006999	1
			COMPONENT MAINT MANUAL REF: 27-31-38		
			ATTACHING PARTS		
- 310	BACB30LE4-13	.BOLT		002004 006999	8
- 315	BACW10BP4CD	.WASHER-		002004 006999	8
			-----*-----		
320	NAS6604-9	..BOLT		002004 006999	1
325	NAS6604-16	..BOLT		002004 006999	2
330	NAS1149D0463J	..WASHER-		002004 006999	3

MISSING ITEM NUMBERS NOT APPLICABLE

- ITEM NOT ILLUSTRATED

BRI

27-31-53-01

27-31-53  
FIG. 01  
PAGE 20  
JAN 20/09



757

PARTS CATALOG (MAINTENANCE)

FIG ITEM	PART NUMBER	1 2 3 4 5 6 7	NOMENCLATURE	EFFECT FROM TO	UNITS PER ASSY
1 335	BRH10C4D	..	NUT- SUPPLIER CODE: V52828 SPECIFICATION NUMBER: BACN10JC4CD OPTIONAL PART: T6C428JCD V11815 NS202486-048 V80539 102LH9075-4W V72962 H51650-4BAC V15653	002004 006999	3
340	BACB28Y4M016	..	BUSHING	002004 006999	1
345	251N2291-1	..	ARM ASSY	002004 006999	1
350	KSP4AFS428	...	BEARING SUPPLIER CODE: V21335 SPECIFICATION NUMBER: BACB10AC4A OPTIONAL PART: HHKSP4A V38443 KSP4AE9440A V21335 KSP4A2TS V43991 KSP4AG27 V30163	002004 006999	2
355	251N2291-2	...	ARM	002004 006999	1
360	251N2292-1	..	LEVER	002004 006999	1
365	251N2289-1	..	SHAFT	002004 006999	1
- 370	2LPYT6-16	..	BOLT SUPPLIER CODE: V11815 SPECIFICATION NUMBER: BACB30DX6-16 OPTIONAL PART: 2LPYT6-16 V17446	002004 006999	2
- 375	NAS1080-06	..	COLLAR	002004 006999	2

MISSING ITEM NUMBERS NOT APPLICABLE

- ITEM NOT ILLUSTRATED

27-31-53-01

27-31-53  
FIG. 01  
PAGE 21  
JAN 20/09

BRI

BOEING PROPRIETARY - Copyright © - Unpublished Work - See title page for details.

**BOEING**  
757  
PARTS CATALOG (MAINTENANCE)

FIG ITEM	PART NUMBER	1 2 3 4 5 6 7	NOMENCLATURE	EFFECT FROM TO	UNITS PER ASSY
1					
- 380	251N2293-5	..	CRANK ASSY	002004 006999	1
- 380	251N2293-6	..	CRANK ASSY	002004 006999	1
390	251N2290-1	..	HOUSING-BRG	002004 006999	1
- 395	BACB30DX6-8	..	ATTACHING PARTS BOLT SUPPLIER CODE: V11815 SPECIFICATION NUMBER: BACB30DX6-8 OPTIONAL PART: 2LPYT6-8 V17446	002004 006999	4
- 400	NAS1080-06	..	COLLAR	002004 006999	4
405	B538DDFS428	..	-----*----- BEARING- SUPPLIER CODE: V06144 SPECIFICATION NUMBER: BACB10CF10PP OPTIONAL PART: B538DDFS101 V06144 T338E VK8455 B538SSG27 V30163 B538DDFS428 V21335 B538DD V38443 B538-2TS V43991 B538FS101 V06144 B538DDP V21760 B538DDNJC V06144 MISCELLANEOUS DATA: BACB10FU10J IS THE PREFERRED SPARE	002004 006999	1

R  
R  
R  
R  
R  
R  
R  
R  
R  
R  
R  
R  
R  
R  
R  
R  
R  
R  
R  
R  
R  
R

MISSING ITEM NUMBERS NOT APPLICABLE

- ITEM NOT ILLUSTRATED

**27-31-53-01**

27-31-53  
FIG. 01  
PAGE 22  
MAY 20/09

BRI





757

PARTS CATALOG (MAINTENANCE)

FIG ITEM	PART NUMBER	1 2 3 4 5 6 7	NOMENCLATURE	EFFECT FROM TO	UNITS PER ASSY
1 405	SSMB538DDSD624		.. BEARING- SUPPLIER CODE: V83086 SPECIFICATION NUMBER: BACB10FU10J OPTIONAL PART: PACMB538DDFS428 V21335 AMB538DDNJC V06144 PACMB538DDFS428 V06144	002004 006999	1
410	251N2290-2		.. HOUSING-BRG  ATTACHING PARTS	002004 006999	1
- 415	BACB30DX6-7		.. BOLT SUPPLIER CODE: V11815 SPECIFICATION NUMBER: BACB30DX6-7 OPTIONAL PART: 2LPYT6-7 V17446	002004 006999	4
- 420	NAS1080-06		.. COLLAR  -----*-----	002004 006999	4

MISSING ITEM NUMBERS NOT APPLICABLE

- ITEM NOT ILLUSTRATED

BRI

27-31-53-01

BOEING PROPRIETARY - Copyright © - Unpublished Work - See title page for details.

27-31-53  
FIG. 01  
PAGE 23  
JAN 20/09

**BOEING**  
757  
**PARTS CATALOG (MAINTENANCE)**

FIG ITEM	PART NUMBER	1 2 3 4 5 6 7	NOMENCLATURE	EFFECT FROM TO	UNITS PER ASSY	
R R	1 425	B538DDFS428	.. BEARING- SUPPLIER CODE: V06144 SPECIFICATION NUMBER: BACB10CF10PP OPTIONAL PART: B538DDFS101 V06144 T338E VK8455 B538SSG27 V30163 B538DDFS428 V21335 B538DD V38443 B538-2TS V43991 B538FS101 V06144 B538DDP V21760 B538DDNJC V06144 MISCELLANEOUS DATA: BACB10FU10J IS THE PREFERRED SPARE	002004 006999	1	
	425	SSMB538DDSD624	.. BEARING- SUPPLIER CODE: V83086 SPECIFICATION NUMBER: BACB10FU10J OPTIONAL PART: PACMB538DDFS428 V21335 AMB538DDNJC V06144 PACMB538DDFS428 V06144	002004 006999	1	
	430	251N2795-1	. SPRING-GND	002004 006999	2	
	435	251N2356-1	. BRACKET ASSY	002004 006999	1	
	440	BACB30NF4-9	ATTACHING PARTS . BOLT	002004 107107 121503 904949 952952	8	
	MISSING ITEM NUMBERS NOT APPLICABLE					

- ITEM NOT ILLUSTRATED

# 27-31-53-01

27-31-53  
FIG. 01  
PAGE 24  
MAY 20/09

BRI



**757  
PARTS CATALOG (MAINTENANCE)**

FIG ITEM	PART NUMBER	1 2 3 4 5 6 7	NOMENCLATURE	EFFECT FROM TO	UNITS PER ASSY
1 445	BACB30NF4-9	.	BOLT	006106 108120 504903 950951 953999	5
450	HST10AG8-11	.	BOLT- SUPPLIER CODE: VOPTK6 SPECIFICATION NUMBER: BACB30VT8K11 OPTIONAL PART: HST10AG8-11 V06725 HST10AG8-11 V56878 HST10AG8-11 V73197 WC10K8-11 V60516	006106 108120 504903 950951 953999	1
455	HST10AG8-9	.	BOLT- SUPPLIER CODE: VOPTK6 SPECIFICATION NUMBER: BACB30VT8K9 OPTIONAL PART: HST10AG8-9 V06725 HST10AG8-9 V56878 HST10AG8-9 V73197 WC10K8-9 V60516	006106 108120 504903 950951 953999	2
460	AN960PD416	.	WASHER	002004 006100 107107 121503 904999	8
465	AN960JD416	.	WASHER-	002004 006999	8
470	BACW10CT8J	.	WASHER	006106 108120 504903 950951 953999	3

MISSING ITEM NUMBERS NOT APPLICABLE

— ITEM NOT ILLUSTRATED

BRI

# 27-31-53-01

BOEING PROPRIETARY - Copyright © - Unpublished Work - See title page for details.

27-31-53  
FIG. 01  
PAGE 25  
JAN 20/09



757

PARTS CATALOG (MAINTENANCE)

FIG ITEM	PART NUMBER	1 2 3 4 5 6 7	NOMENCLATURE	EFFECT FROM TO	UNITS PER ASSY
1 475	BRH10C4D	.NUT-	SUPPLIER CODE: V52828 SPECIFICATION NUMBER: BACN10JC4CD OPTIONAL PART: T6C428JCD V11815 NS202486-048 V80539 102LH9075-4W V72962 H51650-4BAC V15653 BACN10YR4CD	006106 108120 504903 950951 953999	3
475	PLH54CD	.NUT-	SUPPLIER CODE: VF0224 SPECIFICATION NUMBER: BACN10YR4CD OPTIONAL PART: H52732-4CD V15653 BACN10JC4CD	006106 108120 504903 950951 953999	3
520	251N2357-1	..TEE ASSY	-----*----- ATTACHING PARTS	002004 006999	2
- 525	BACB30DX5	..BOLT-	SIZE DETERMINED ON INSTL.	002004 006999	8
- 530	NAS1080-05	..COLLAR	-----*-----	002004 006999	8
535	NAS1368N6C	...GROMMET		002004 006999	1
540	251N2357-2	...TEE		002004 006999	1
545	251N2300-15	.MECHANISM ASSY-NEUT SHIFT	COMPONENT MAINT MANUAL REF: 27-31-23 FOR DETAILS SEE: 27-31-21-02	008106 108120 504903 950951 953999	1
545	251N2300-11	.MECHANISM ASSY-NEUT SHIFT	COMPONENT MAINT MANUAL REF: 27-31-23 FOR DETAILS SEE: 27-31-21-02	002004 006100 107107 121503 904999	1

MISSING ITEM NUMBERS NOT APPLICABLE

- ITEM NOT ILLUSTRATED

27-31-53-01

27-31-53  
FIG. 01  
PAGE 26  
JAN 20/09

BRI



757

PARTS CATALOG (MAINTENANCE)

FIG ITEM	PART NUMBER	1 2 3 4 5 6 7	NOMENCLATURE	EFFECT FROM TO	UNITS PER ASSY
1			ATTACHING PARTS		
- 550	BACB30LE4-11		.BOLT	002004 006999	4
- 555	BACW10BP4CD		.WASHER-	002004 006999	4
			-----*-----		
750	251N2241-14		.UNIT ASSY-FEEL AND CENTERING COMPONENT MAINT MANUAL REF: 27-31-10 FUNCTIONAL REFERENCE: FLIGHT CONTROL FOR DETAILS SEE 27-31-17-01 27-31-18-01 AUTOFLIGHT FOR DETAILS SEE 22-12-04-02	002004 006999	1
750	251N2241-18		.UNIT ASSY-FEEL AND CENTERING COMPONENT MAINT MANUAL REF: 27-31-10 FUNCTIONAL REFERENCE: FLIGHT CONTROL FOR DETAILS SEE 27-31-17-01 27-31-18-01 AUTOFLIGHT FOR DETAILS SEE 22-12-04-02	002004 006999	1
750	251N2241-19		.UNIT ASSY-FEEL AND CENTERING COMPONENT MAINT MANUAL REF: 27-31-10 FUNCTIONAL REFERENCE: FLIGHT CONTROL FOR DETAILS SEE 27-31-17-01 27-31-18-01 AUTOFLIGHT FOR DETAILS SEE 22-12-04-02	002004 006999	1

MISSING ITEM NUMBERS NOT APPLICABLE

- ITEM NOT ILLUSTRATED

BRI

27-31-53-01

27-31-53  
FIG. 01  
PAGE 27  
JAN 20/09



757

PARTS CATALOG (MAINTENANCE)

FIG ITEM	PART NUMBER	1 2 3 4 5 6 7	NOMENCLATURE	EFFECT FROM TO	UNITS PER ASSY
1 750	251N2241-20		.UNIT ASSY-FEEL AND CENTERING COMPONENT MAINT MANUAL REF: 27-31-10 FUNCTIONAL REFERENCE: FLIGHT CONTROL FOR DETAILS SEE 27-31-17-01 27-31-18-01 AUTOFLIGHT FOR DETAILS SEE 22-12-04-02	002004 006999	1
750	251N2241-23		.UNIT ASSY-FEEL AND CENTERING COMPONENT MAINT MANUAL REF: 27-31-10 FUNCTIONAL REFERENCE: FLIGHT CONTROL FOR DETAILS SEE 27-31-17-01 27-31-18-01 AUTOFLIGHT FOR DETAILS SEE 22-12-04-02	002004 006999	1
750	251N2241-28		.UNIT ASSY-FEEL AND CENTERING COMPONENT MAINT MANUAL REF: 27-31-10 OPTIONAL PART: 251N2241-29 FUNCTIONAL REFERENCE: FLIGHT CONTROL FOR DETAILS SEE 27-31-17-01 27-31-18-01 AUTOFLIGHT FOR DETAILS SEE 22-12-04-02	002004 006999	1

MISSING ITEM NUMBERS NOT APPLICABLE

- ITEM NOT ILLUSTRATED

27-31-53-01

27-31-53  
FIG. 01  
PAGE 28  
JAN 20/09

BRI



757

PARTS CATALOG (MAINTENANCE)

FIG ITEM	PART NUMBER	1 2 3 4 5 6 7	NOMENCLATURE	EFFECT FROM TO	UNITS PER ASSY
1 750	251N2241-25		.UNIT ASSY-FEEL AND CENTERING COMPONENT MAINT MANUAL REF: 27-31-10 FUNCTIONAL REFERENCE: FLIGHT CONTROL FOR DETAILS SEE 27-31-17-01 27-31-18-01 AUTOFLIGHT FOR DETAILS SEE 22-12-04-02	002004 006999	1
750	251N2241-26		.UNIT ASSY-FEEL AND CENTERING COMPONENT MAINT MANUAL REF: 27-31-10 FUNCTIONAL REFERENCE: FLIGHT CONTROL FOR DETAILS SEE 27-31-17-01 27-31-18-01 AUTOFLIGHT FOR DETAILS SEE 22-12-04-02	002004 006999	1
750	251N2241-27		.UNIT ASSY-FEEL AND CENTERING COMPONENT MAINT MANUAL REF: 27-31-10 FUNCTIONAL REFERENCE: FLIGHT CONTROL FOR DETAILS SEE 27-31-17-01 27-31-18-01 AUTOFLIGHT FOR DETAILS SEE 22-12-04-02	002004 006999	1

MISSING ITEM NUMBERS NOT APPLICABLE

- ITEM NOT ILLUSTRATED

BRI

# 27-31-53-01

BOEING PROPRIETARY - Copyright © - Unpublished Work - See title page for details.

27-31-53  
FIG. 01  
PAGE 29  
JAN 20/09



757

PARTS CATALOG (MAINTENANCE)

FIG ITEM	PART NUMBER	1 2 3 4 5 6 7	NOMENCLATURE	EFFECT FROM TO	UNITS PER ASSY
1 750	251N2241-29		.UNIT ASSY-FEEL AND CENTERING COMPONENT MAINT MANUAL REF: 27-31-10 OPTIONAL PART: 251N2241-28 FUNCTIONAL REFERENCE: FLIGHT CONTROL FOR DETAILS SEE 27-31-17-01 27-31-18-01 AUTOFLIGHT FOR DETAILS SEE 22-12-04-02	002004 006999	1
750	251N2241-30		.CENTERING ASSY-FEEL CENTERING COMPONENT MAINT MANUAL REF: 27-31-10 FUNCTIONAL REFERENCE: FLIGHT CONTROL FOR DETAILS SEE 27-31-17-01 27-31-18-01 AUTOFLIGHT FOR DETAILS SEE 22-12-04-02	002004 006999	1
750	251N2241-31		.UNIT ASSY-FEEL CENTERING COMPONENT MAINT MANUAL REF: 27-31-10 FUNCTIONAL REFERENCE: FLIGHT CONTROL FOR DETAILS SEE 27-31-17-01 27-31-18-01 AUTOFLIGHT FOR DETAILS SEE 22-12-04-02	002004 006999	1
- 800	286N2801-601		WIRE BUNDLE ASSY	103106	RF
- 805	286N2821-002		WIRE BUNDLE ASSY	107107	RF
- 805	286N2821-601		WIRE BUNDLE ASSY	103106	RF
- 810	286N2811-002		WIRE BUNDLE ASSY	107107	RF

MISSING ITEM NUMBERS NOT APPLICABLE

- ITEM NOT ILLUSTRATED

**27-31-53-01**

27-31-53  
FIG. 01  
PAGE 30  
JAN 20/09

BRI





757

PARTS CATALOG (MAINTENANCE)

FIG ITEM	PART NUMBER	1 2 3 4 5 6 7	NOMENCLATURE	EFFECT FROM TO	UNITS PER ASSY
1 815	S3819-22-65		.CLAMP- SUPPLIER CODE: V07418 SPECIFICATION NUMBER: BACC10KD22 OPTIONAL PART: 620AS028NF22L V06324 ELECTRICAL EQUIP NUMBER: D00029T WIRING DIAGRAM REF: 221111	103106	1
820	620AA028NF22L		.CLAMP- SUPPLIER CODE: V06324 SPECIFICATION NUMBER: BACC10KE22 OPTIONAL PART: S3820-22-65 V07418 ELECTRICAL EQUIP NUMBER: D00049T WIRING DIAGRAM REF: 221131	103106	1
825	BACC63BP22C19SN		.CONNECTOR- ELECTRICAL EQUIP NUMBER: D00029 D00049 WIRING DIAGRAM REF: 221111 221131	103106	1
835	BCREFA0332		.CONNECTOR- OVERLENGTH PART NUMBER: BACC63BP22A19SNL ELECTRICAL EQUIP NUMBER: D00049 D00069 WIRING DIAGRAM REF: 221121 221131 USED WITH: 163100-101	107107	1

MISSING ITEM NUMBERS NOT APPLICABLE

- ITEM NOT ILLUSTRATED

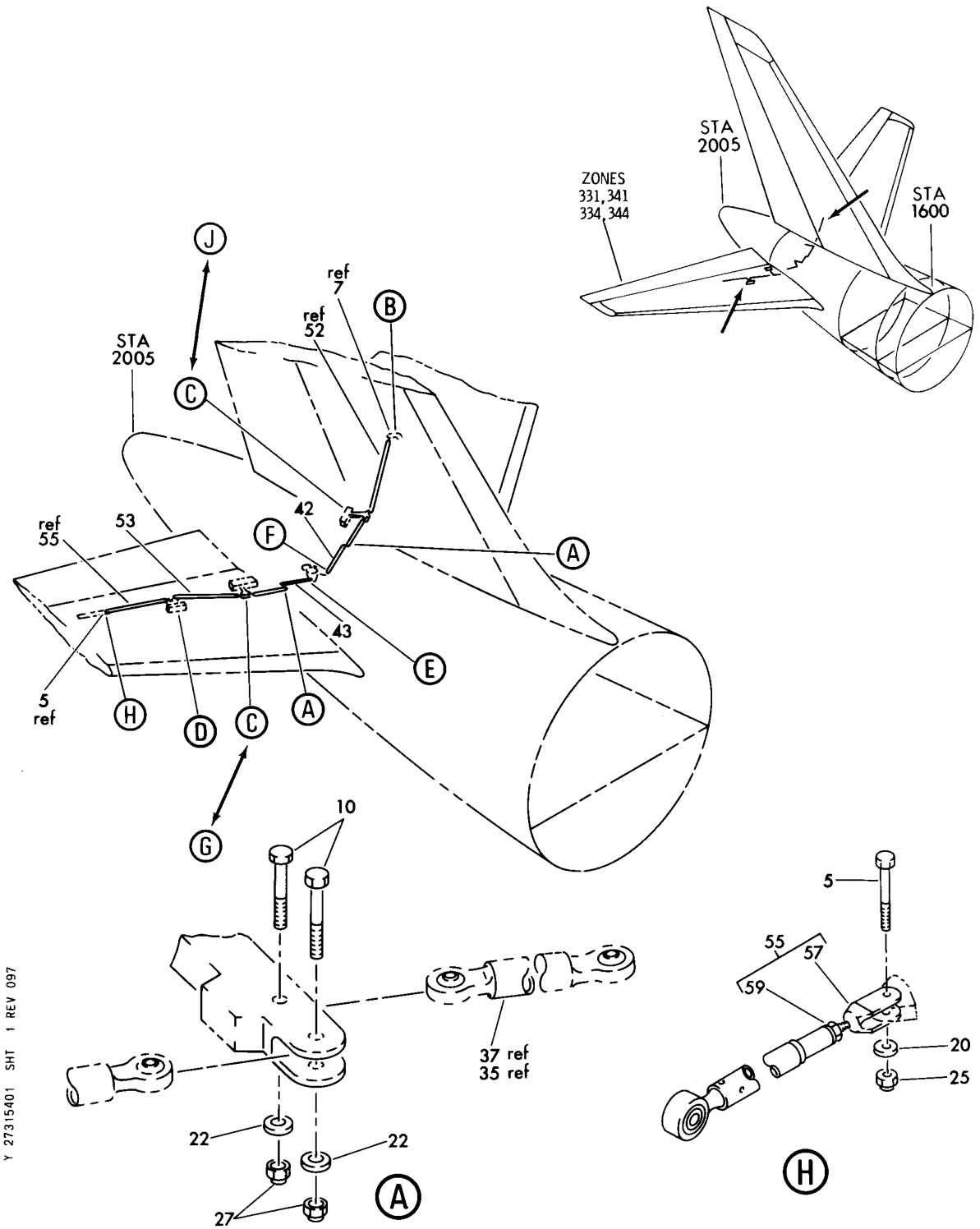
BRI

27-31-53-01

BOEING PROPRIETARY - Copyright © - Unpublished Work - See title page for details.

27-31-53  
FIG. 01  
PAGE 31  
JAN 20/09

**BOEING**  
757  
PARTS CATALOG (MAINTENANCE)



Y 27315401 SHT 1 REV 097

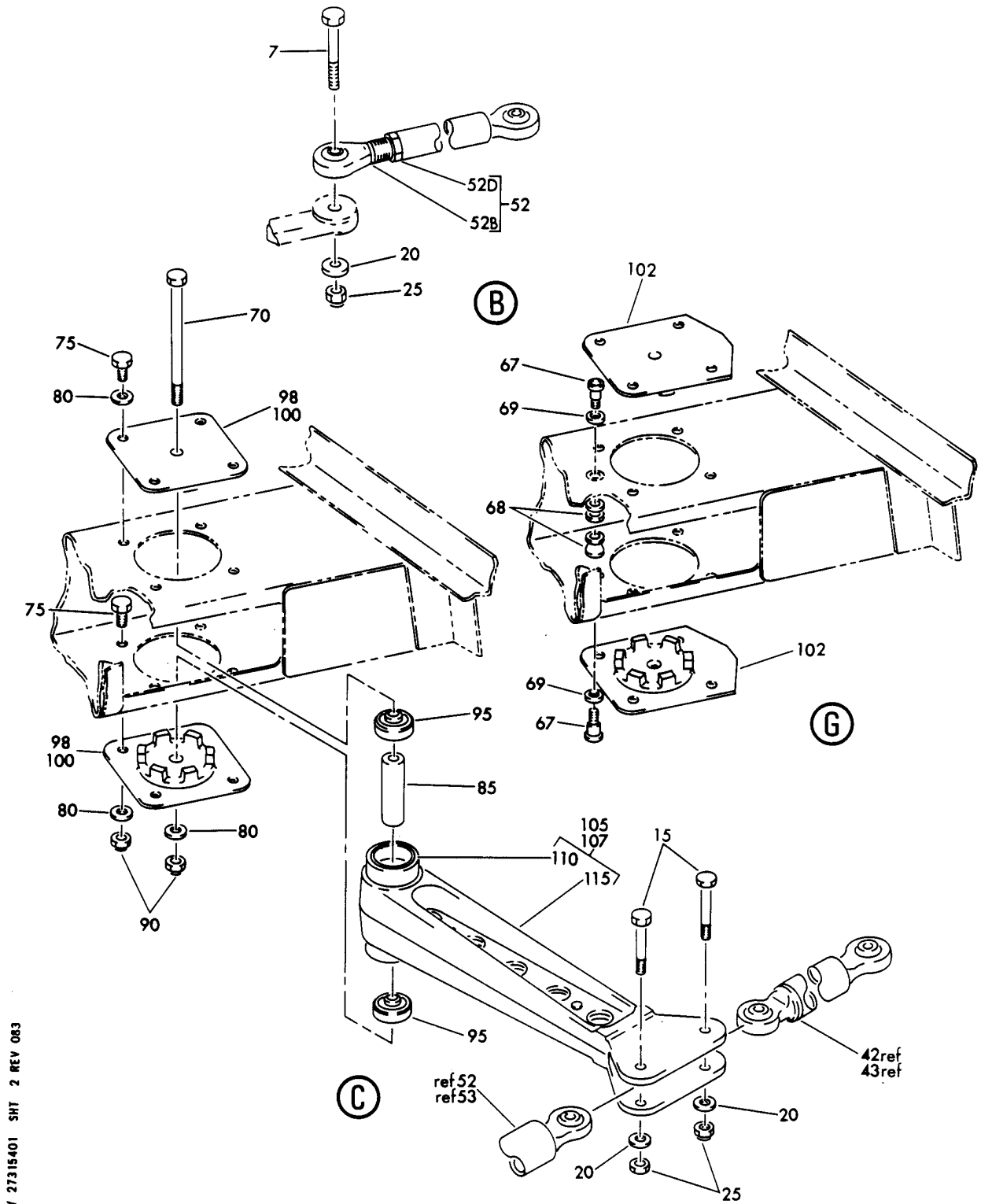
LINKAGE INSTL-ELEV CONT  
FIGURE 1 (SHEET 1)

**27-31-54-01**

BRI  
MAY 28/07

27-31-54-01  
PAGE 0

**BOEING**  
757  
PARTS CATALOG (MAINTENANCE)



Y 27315401 SH1 2 REV 083

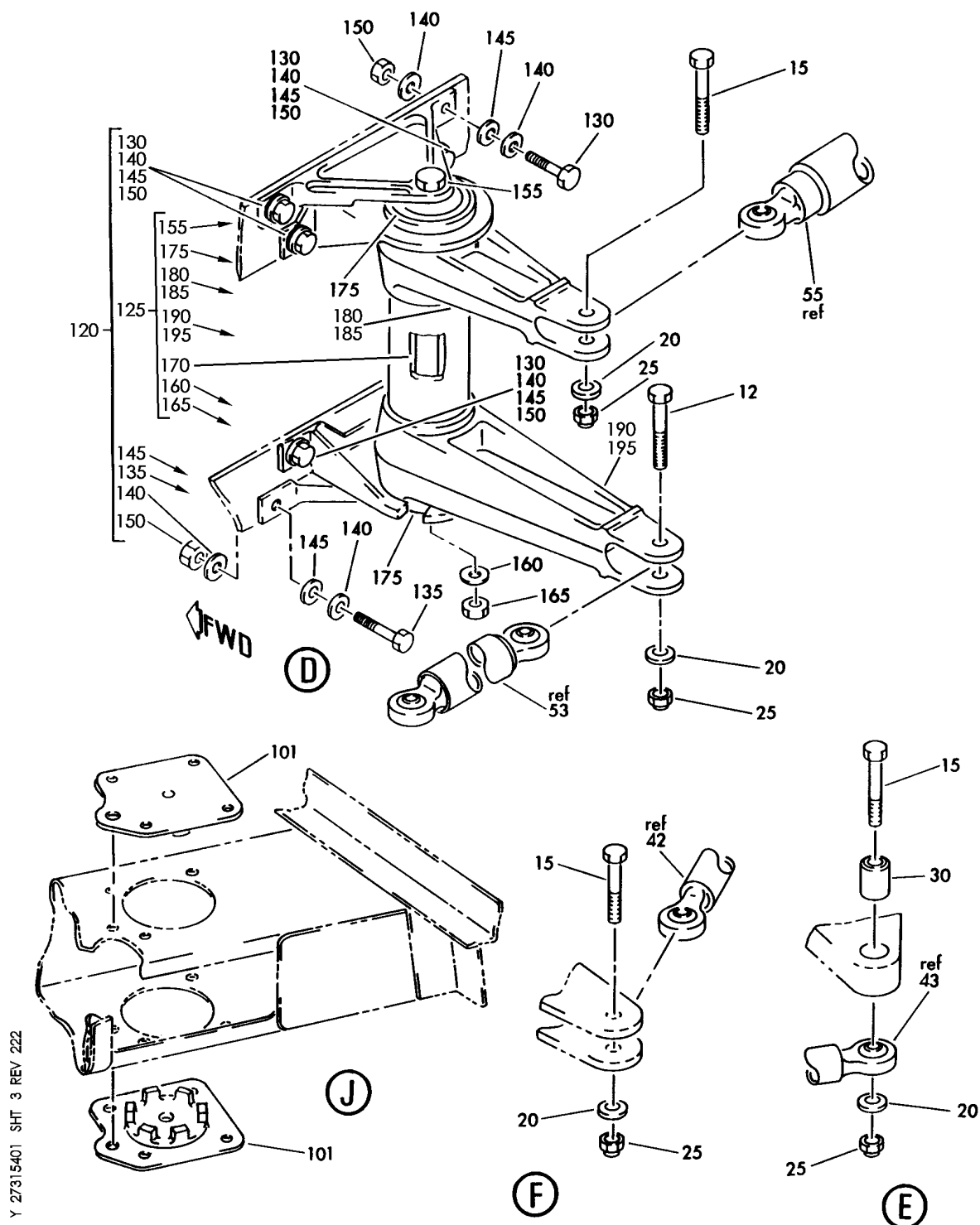
LINKAGE INSTL-ELEV CONT  
FIGURE 1 (SHEET 2)

**27-31-54-01**

BRI  
MAY 28/07

27-31-54-01  
PAGE 0A

**BOEING**  
757  
PARTS CATALOG (MAINTENANCE)



Y 27315401 SHT 3 REV 222

LINKAGE INSTL-ELEV CONT  
FIGURE 1 (SHEET 3)

**27-31-54-01**

BRI  
MAY 28/07

27-31-54-01  
PAGE 0B



757

PARTS CATALOG (MAINTENANCE)

FIG ITEM	PART NUMBER	1 2 3 4 5 6 7	NOMENCLATURE	EFFECT FROM TO	UNITS PER ASSY
1			LINKAGE INSTL-ELEV CONT	002004 006999	
- 1	251N2008-2		LINKAGE INSTL-ELEV CONT FOR NHA SEE: 27-31-00-02	002004 006100 107107 121503 904999	RF
- 1	251N2008-3		LINKAGE INSTL-ELEV CONT FOR NHA SEE: 27-00-00-22	101102 108120 504903	RF
- 1	MODREF7251		LINKAGE INSTL-ELEV CONT MODULE NUMBER: 251N2008-3 REV A	103106	1
5	BACB30NF4-12		.BOLT-	002004 006999	1
7	BACB30NF4-13		.BOLT-	002004 006999	1
12	BACB30NF4-14		.BOLT	002004 006999	1
15	BACB30NF4-15		.BOLT	002004 006999	7
20	AN960PD416		.WASHER	002004 006999	10
25	BRH10A4		.NUT SUPPLIER CODE: V52828 SPECIFICATION NUMBER: BACN10JC4 OPTIONAL PART: T6S428J V11815 96-048 V80539 VN303A048 V92215 RMLH9075-4W V72962 NS202101-048 V80539 H10-4BAC V15653	002004 006999	10
30	NAS73-4E003		.BUSHING-	002004 006999	1
42	251N2777-1		.ROD ASSY- COMPONENT MAINT MANUAL REF: 27-31-91	002004 006999	1
43	251N2777-8		.ROD ASSY- COMPONENT MAINT MANUAL REF: 27-31-91	002004 006999	1

MISSING ITEM NUMBERS NOT APPLICABLE

- ITEM NOT ILLUSTRATED

27-31-54-01

27-31-54  
FIG. 01  
PAGE 1  
JAN 20/09

BRI



757

PARTS CATALOG (MAINTENANCE)

FIG ITEM	PART NUMBER	1 2 3 4 5 6 7	NOMENCLATURE	EFFECT FROM TO	UNITS PER ASSY
1					
52	251N2656-2	.ROD ASSY-	COMPONENT MAINT MANUAL REF: 27-31-91	002004 006999	1
52B	REP4M6-5FS428	..BEARING	SUPPLIER CODE: V73134 SPECIFICATION NUMBER: BACB10AD12 OPTIONAL PART: HHRE4M6-2 V38443 REP4M6-5E9171B V21335 ABR4M103 VS0352 REP4M6-2CP62 VF0222 REP4M6-5FS428 V21335 REB4M6-21 V92563 DBM4-6B1-501 V77896 ABR4M103B V15860 REP4M6-012J V73134	002004 006999	1
52D	AN316-6R	..NUT		002004 006999	1
53	251N2656-1	.ROD ASSY-	COMPONENT MAINT MANUAL REF: 27-31-91	002004 006999	1
55	251N2660-1	.ROD ASSY-	COMPONENT MAINT MANUAL REF: 27-31-91	002004 006999	1
57	251N2660-5	..CLEVIS		002004 006999	1
59	AN316-6R	..NUT-		002004 006999	1
- 60	251N2034-7	.CRANK INSTL		002004 006100 107107 121503 904999	1
- 65	251N2034-6	.CRANK INSTL-		002004 006100 107107 121503 904999	1

MISSING ITEM NUMBERS NOT APPLICABLE

- ITEM NOT ILLUSTRATED

27-31-54-01

27-31-54  
FIG. 01  
PAGE 2  
JAN 20/09

BRI



757

PARTS CATALOG (MAINTENANCE)

FIG ITEM	PART NUMBER	1 2 3 4 5 6 7	NOMENCLATURE	EFFECT FROM TO	UNITS PER ASSY
1	70	BACB30NF4-50	.. BOLT	002004 006100 107107 121503 904999	1
	75	BACB30NF4-3	.. BOLT	002004 006100 107107 121503 904999	8
	80	AN960PD416	.. WASHER	002004 006100 107107 121503 904999	9
	85	NAS42DD8-108	.. SPACER	002004 006100 107107 121503 904999	1
	90	BRH10A4	.. NUT SUPPLIER CODE: V52828 SPECIFICATION NUMBER: BACN10JC4 OPTIONAL PART: T6S428J V11815 96-048 V80539 VN303A048 V92215 RMLH9075-4W V72962 NS202101-048 V80539 H10-4BAC V15653	002004 006100 107107 121503 904999	5

MISSING ITEM NUMBERS NOT APPLICABLE

- ITEM NOT ILLUSTRATED

BRI

27-31-54-01

BOEING PROPRIETARY - Copyright © - Unpublished Work - See title page for details.

27-31-54  
FIG. 01  
PAGE 3  
JAN 20/09



757

PARTS CATALOG (MAINTENANCE)

FIG ITEM	PART NUMBER	1 2 3 4 5 6 7	NOMENCLATURE	EFFECT FROM TO	UNITS PER ASSY
1	95 MKSP4SD610		.. BEARING SUPPLIER CODE: V83086 SPECIFICATION NUMBER: BACB10AR4 OPTIONAL PART: HHMKSP4 V38443 MKSP4-2TS V43991 MKSP4E9440A V21335 MKSP4FS428 V21335 MKSP43TT V43991 MKSP4G20 V38443 MKSP4 V38443	002004 006100 107107 121503 904999	2
101	251N2605-2		.. MOUNT- OPTIONAL PART: 251N2605-3 USED ON: 251N2034-7	002004 006100 107107 121503 904999	2
101	251N2605-3		.. MOUNT- OPTIONAL PART: 251N2605-2 USED ON: 251N2034-7	002004 006100 107107 121503 904999	2
102	251N2800-1		.. MOUNT- USED ON: 251N2034-6	002004 006100 107107 121503 904999	2
105	251N2063-7		.. BELLCRANK ASSY- USED ON: 251N2034-1 251N2034-7	002004 006100 107107 121503 904999	1
107	251N2063-9		.. BELLCRANK ASSY- USED ON: 251N2034-6	002004 006100 107107 121503 904999	1

MISSING ITEM NUMBERS NOT APPLICABLE

- ITEM NOT ILLUSTRATED

27-31-54-01

27-31-54  
 FIG. 01  
 PAGE 4  
 JAN 20/09

BRI

BOEING PROPRIETARY - Copyright © - Unpublished Work - See title page for details.





757

PARTS CATALOG (MAINTENANCE)

FIG ITEM	PART NUMBER	1 2 3 4 5 6 7	NOMENCLATURE	EFFECT FROM TO	UNITS PER ASSY
1					
110	251N2556-1	...	SLEEVE-	002004 006100 107107 121503 904999	1
115	251N2063-3	...	CRANK- USED ON: 251N2063-7 251N2063-9	002004 006100 107107 121503 904999	1
120	251N2036-1	.	CRANK INSTL	002004 006100 107107 121503 904999	1
125	251N2361-6	..	CRANK AND TORQUE TUBE- ASSY- COMPONENT MAINT MANUAL REF: 27-31-72	002004 006100 107107 121503 904999	1
130	BACB30NF4-9	..	BOLT- OPTIONAL PART: BACB30NF4-10	002004 006011 107107 121503 904999	6
130	BACB30NF4-10	..	BOLT- OPTIONAL PART: BACB30NF4-9	006100 950951 953999	6
135	BACB30NF4-10	..	BOLT- OPTIONAL PART: BACB30NF4-11	002004 006011 107107 121503 904999	2
135	BACB30NF4-11	..	BOLT- OPTIONAL PART: BACB30NF4-10	006100 950951 953999	2
140	AN960PD416	..	WASHER	002004 006100 107107 121503 904999	16
140	AN960JD416	..	WASHER-	002004 006100 107107 121503 904999	16

MISSING ITEM NUMBERS NOT APPLICABLE

- ITEM NOT ILLUSTRATED

27-31-54-01

27-31-54  
FIG. 01  
PAGE 5  
JAN 20/09

BRI

BOEING PROPRIETARY - Copyright © - Unpublished Work - See title page for details.



757

PARTS CATALOG (MAINTENANCE)

FIG ITEM	PART NUMBER	1 2 3 4 5 6 7	NOMENCLATURE	EFFECT FROM TO	UNITS PER ASSY
1					
140	AN960JD416	..	WASHER- QUALIFIED OPTIONAL DATA: (AN960JD416 QTY OF 8 OPTIONAL TO AN960JD416 QTY OF 16)	006011 950951 953999	16
145	AN960JD416	..	WASHER-	006100 950951 953999	8
145	AN960JD416	..	WASHER- QUALIFIED OPTIONAL DATA: (AN960JD416 QTY OF 8 OPT TO AN960JD416 QTY OF 16)	006011 950951 953999	8
150	BRH10C4D	..	NUT- SUPPLIER CODE: V52828 SPECIFICATION NUMBER: BACN10JC4CD OPTIONAL PART: T6C428JCD V11815 NS202486-048 V80539 102LH9075-4W V72962 H51650-4BAC V15653 -----*-----	002004 006100 107107 121503 904999	8
155	BACB30NF5-139	...	BOLT	002004 006100 107107 121503 904999	1
160	AN960PD516	...	WASHER	002004 006100 107107 121503 904999	1

MISSING ITEM NUMBERS NOT APPLICABLE

- ITEM NOT ILLUSTRATED

27-31-54-01

27-31-54  
FIG. 01  
PAGE 6  
JAN 20/09

BRI



757

PARTS CATALOG (MAINTENANCE)

FIG ITEM	PART NUMBER	1 2 3 4 5 6 7	NOMENCLATURE	EFFECT FROM TO	UNITS PER ASSY
1 165	BRH10A5	...	NUT SUPPLIER CODE: V52828 SPECIFICATION NUMBER: BACN10JC5 OPTIONAL PART: T6S524J V11815 96-054 V80539 RMLH9075-5W V72962 H10-5BAC V15653	002004 006100 107107 121503 904999	1
170	251N2555-1	...	SPACER	002004 006100 107107 121503 904999	1
175	MKSP5SD610	...	BEARING SUPPLIER CODE: V83086 SPECIFICATION NUMBER: BACB10AR5 OPTIONAL PART: HHMKSP5 V38443 MKSP5-2TS V43991 MKSP5E9440A V21335 MKSP5FS428 V21335 MKSP53TT V43991 MKSP5G20 V38443 MKSP5 V38443	002004 006100 107107 121503 904999	2
180	251N2363-7	...	BELLCRANK ASSY- OPTIONAL PART: 251N2363-8 USED ON: 251N2361-6	002004 006100 107107 121503 904999	1
185	251N2363-8	...	BELLCRANK ASSY- OPTIONAL PART: 251N2363-7	002004 006100 107107 121503 904999	1

MISSING ITEM NUMBERS NOT APPLICABLE

- ITEM NOT ILLUSTRATED

27-31-54-01

27-31-54  
FIG. 01  
PAGE 7  
JAN 20/09

BRI



757

PARTS CATALOG (MAINTENANCE)

FIG ITEM	PART NUMBER	1 2 3 4 5 6 7	NOMENCLATURE	EFFECT FROM TO	UNITS PER ASSY
1 190	251N2364-8		...CRANK ASSY- OPTIONAL PART: 251N2364-7 USED ON: 251N2361-6	002004 006100 107107 121503 904999	1
195	251N2364-7		...CRANK ASSY- OPTIONAL PART: 251N2364-8	002004 006100 107107 121503 904999	1

MISSING ITEM NUMBERS NOT APPLICABLE

- ITEM NOT ILLUSTRATED

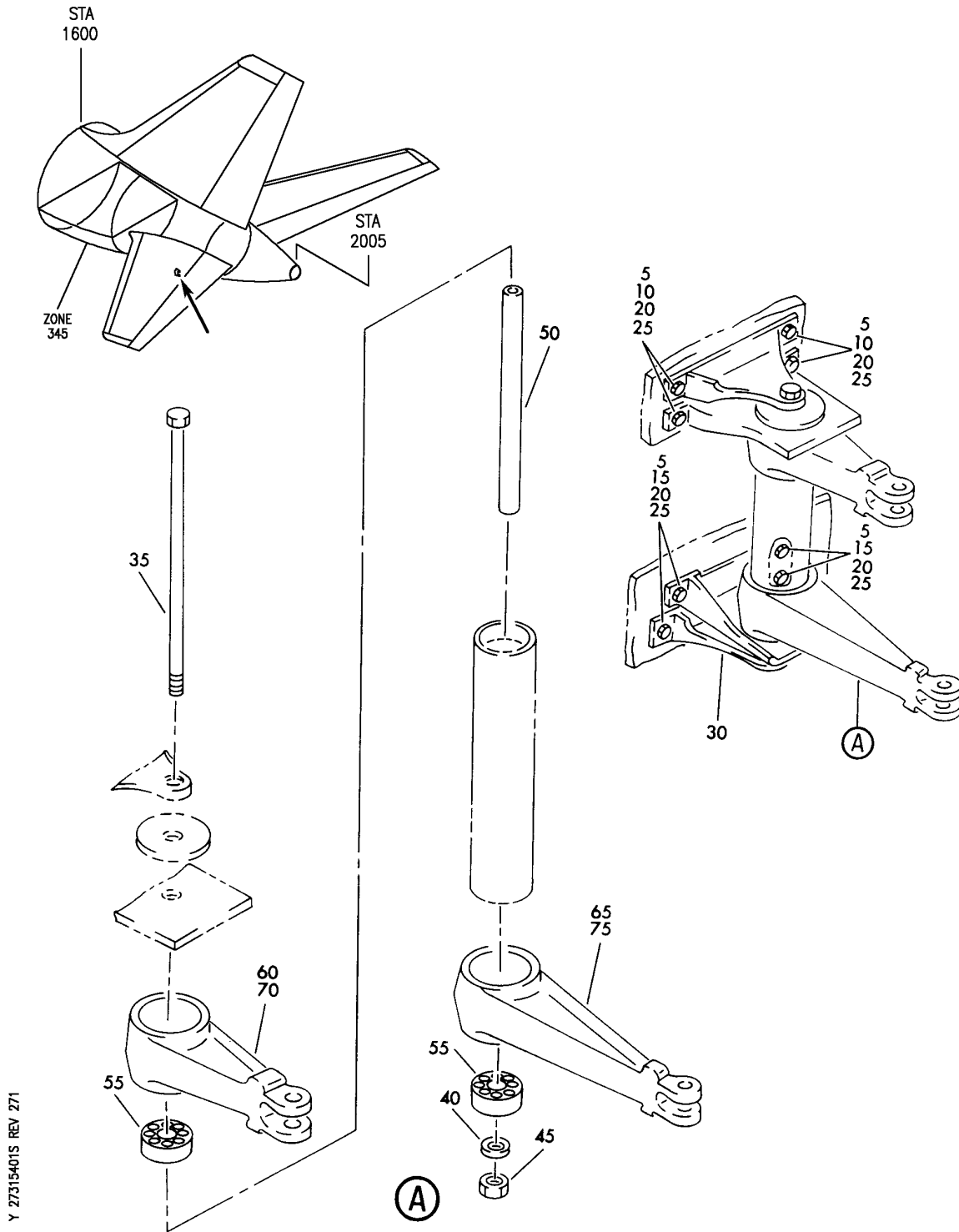
BRI

27-31-54-01

BOEING PROPRIETARY - Copyright © - Unpublished Work - See title page for details.

27-31-54  
FIG. 01  
PAGE 8  
JAN 20/09

**BOEING**  
757  
PARTS CATALOG (MAINTENANCE)



Y 27315401S REV 271

CRANK INSTL-ELEV CONT  
FIGURE 1S

BRI  
MAY 28/07

**27-31-54-01S**

27-31-54-01S  
PAGE 0

**BOEING**  
757  
**PARTS CATALOG (MAINTENANCE)**

FIG ITEM	PART NUMBER	1 2 3 4 5 6 7	NOMENCLATURE	EFFECT FROM TO	UNITS PER ASSY
1S			CRANK INSTL-ELEV CONT	101106 108120 504903	
- 1	251N2036-2		CRANK INSTL-ELEV CONT FOR NHA SEE: 27-00-00-22	101102 108120 504903	RF
- 1	MODREF7354		CRANK INSTL-ELEV CONT MODULE NUMBER: 251N2036-2 REV A ATTACHING PARTS	103106	1
5	BACB30NF4-10		.BOLT	101106 108120 504903	8
10	BACB30NF4-9		.BOLT	101106 108120 504903	6
15	BACB30NF4-11		.BOLT	101106 108120 504903	2
20	AN960JD416		.WASHER	101106 108120 504903	8
25	BRH10C4D		.NUT SUPPLIER CODE: V52828 SPECIFICATION NUMBER: BACN10JC4CD OPTIONAL PART: T6C428JCD V11815 NS202486-048 V80539 102LH9075-4W V72962 H51650-4BAC V15653 -----*-----	101106 108120 504903	8
30	251N2361-6		.CRANK AND TORQUE TUBE- COMPONENT MAINT MANUAL REF: 27-31-72 OPTIONAL PART: 251N2361-5	101106 108120 504903	1
30	251N2361-5		.CRANK AND TORQUE TUBE- COMPONENT MAINT MANUAL REF: 27-31-72 OPTIONAL PART: 251N2361-6	101106 108120 504903	1

MISSING ITEM NUMBERS NOT APPLICABLE

- ITEM NOT ILLUSTRATED

BRI

# 27-31-54-01S

BOEING PROPRIETARY - Copyright © - Unpublished Work - See title page for details.

27-31-54  
FIG. 01S  
PAGE 1  
JAN 20/09

 **BOEING**  
757  
**PARTS CATALOG (MAINTENANCE)**

FIG ITEM	PART NUMBER	1 2 3 4 5 6 7	NOMENCLATURE	EFFECT FROM TO	UNITS PER ASSY
1S					
35	BACB30NF5-139	..	BOLT	101106 108120 504903	1
40	AN960PD516	..	WASHER	101106 108120 504903	1
45	BRH10A5	..	NUT SUPPLIER CODE: V52828 SPECIFICATION NUMBER: BACN10JC5 OPTIONAL PART: T6S524J V11815 96-054 V80539 RMLH9075-5W V72962 H10-5BAC V15653	101106 108120 504903	1
50	251N2555-1	..	SPACER	101106 108120 504903	1
55	MKSP5SD610	..	BEARING SUPPLIER CODE: V83086 SPECIFICATION NUMBER: BACB10AR5 OPTIONAL PART: HHMKSP5 V38443 MKSP5-2TS V43991 MKSP5E9440A V21335 MKSP5FS428 V21335 MKSP53TT V43991 MKSP5G20 V38443 MKSP5 V38443	101106 108120 504903	2
60	251N2363-7	..	BELLCRANK ASSY- OPTIONAL PART: 251N2363-8 USED ON: 251N2361-6	101106 108120 504903	1

MISSING ITEM NUMBERS NOT APPLICABLE

— ITEM NOT ILLUSTRATED

BRI

# 27-31-54-01S

BOEING PROPRIETARY - Copyright © - Unpublished Work - See title page for details.

27-31-54  
FIG. 01S  
PAGE 2  
JAN 20/09



757

PARTS CATALOG (MAINTENANCE)

FIG ITEM	PART NUMBER	1 2 3 4 5 6 7	NOMENCLATURE	EFFECT FROM TO	UNITS PER ASSY
1S					
60	251N2363-8	..	BELLCRANK ASSY- OPTIONAL PART: 251N2363-7 USED ON: 251N2361-5	101106 108120 504903	1
65	251N2364-8	..	CRANK ASSY- OPTIONAL PART: 251N2364-7 USED ON: 251N2361-6	101106 108120 504903	1
65	251N2364-7	..	CRANK ASSY- OPTIONAL PART: 251N2364-8 USED ON: 251N2361-5	101106 108120 504903	1
70	251N2363-9	...	BELLCRANK- USED ON: 251N2363-7	101106 108120 504903	2
70	251N2363-10	...	BELLCRANK- USED ON: 251N2363-8	101106 108120 504903	2
75	251N2364-3	...	BELLCRANK- USED ON: 251N2364-8	101106 108120 504903	2
75	251N2364-4	...	BELLCRANK- USED ON: 251N2364-7	101106 108120 504903	2

MISSING ITEM NUMBERS NOT APPLICABLE

- ITEM NOT ILLUSTRATED

BRI

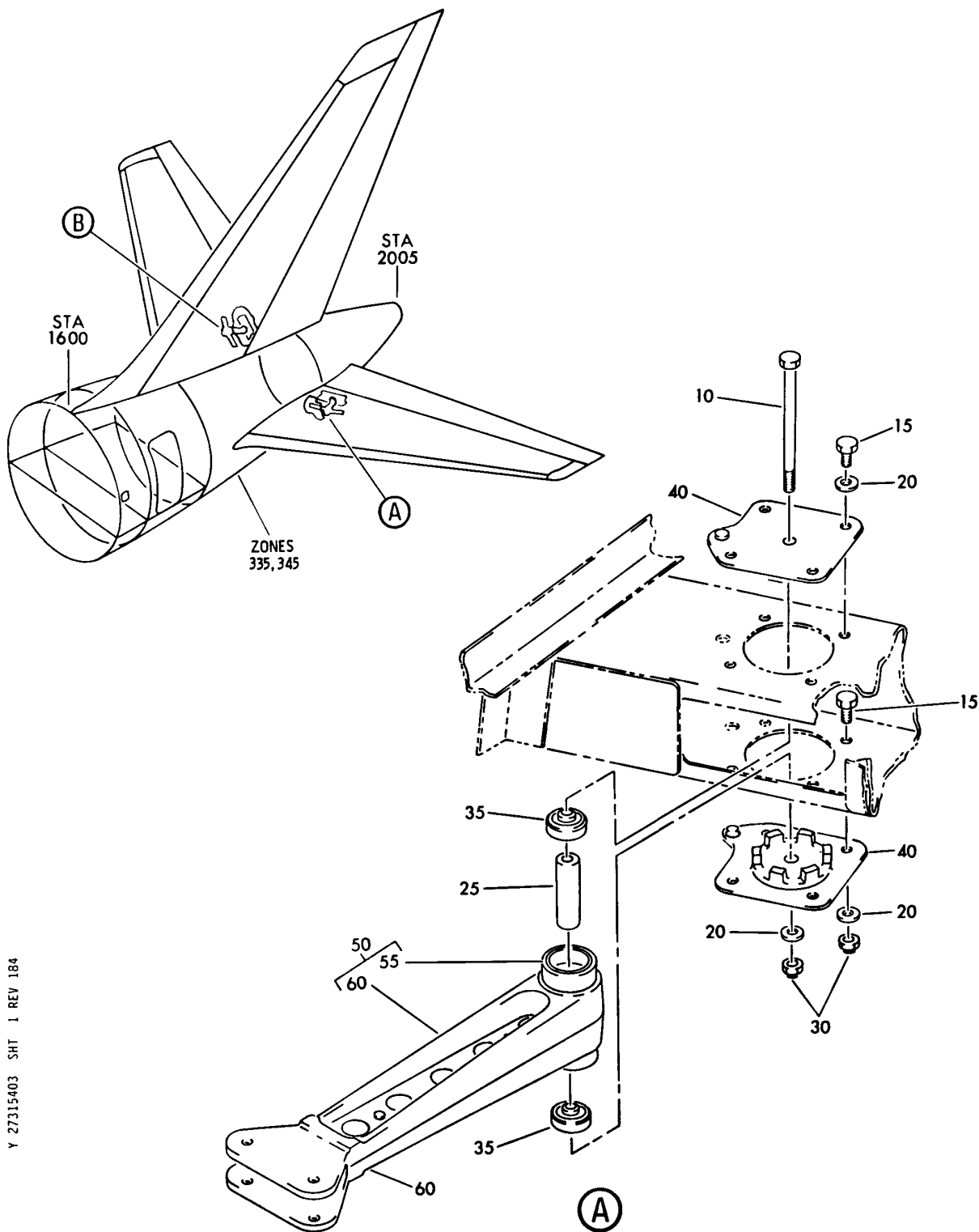
27-31-54-01S

BOEING PROPRIETARY - Copyright © - Unpublished Work - See title page for details.

27-31-54  
FIG. 01S  
PAGE 3  
JAN 20/09



**BOEING**  
757  
PARTS CATALOG (MAINTENANCE)



Y 27315403 SHT 1 REV 184

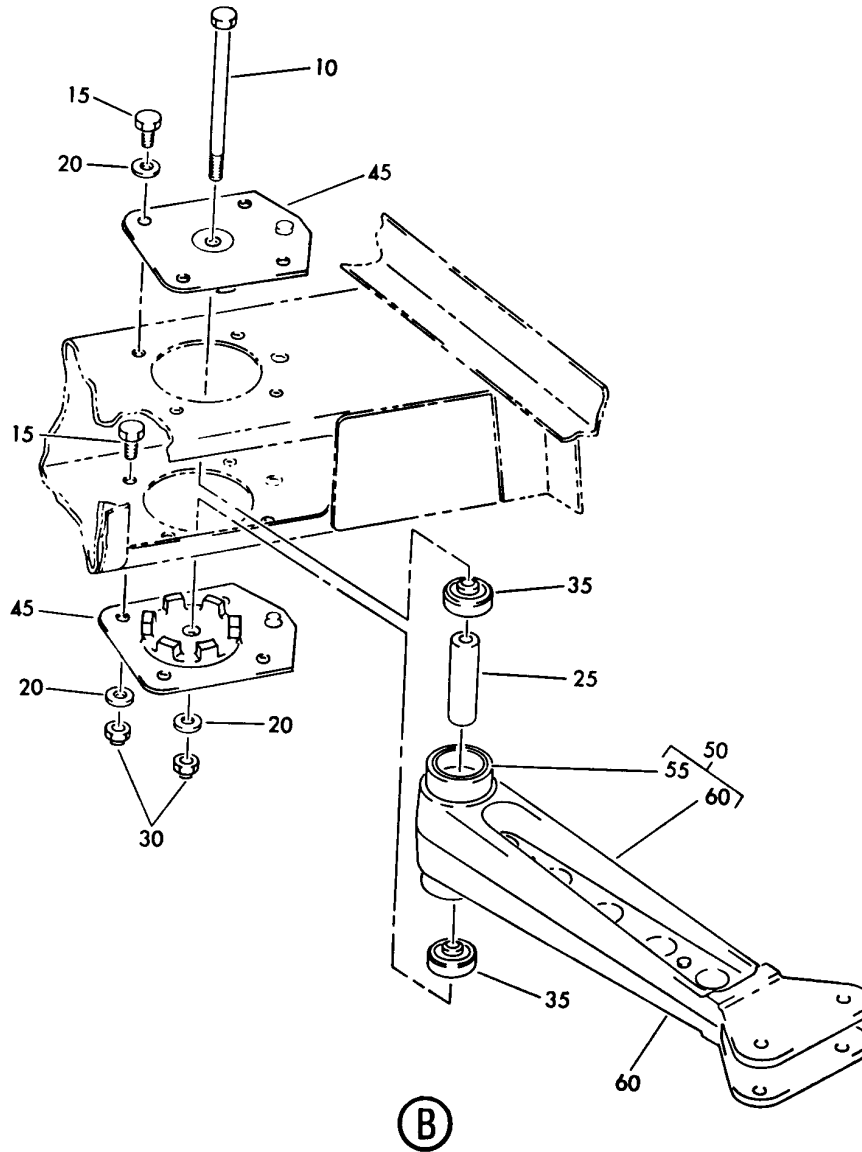
CRANK INSTL-IDLER LINK ELEVATOR CONTROL  
FIGURE 3 (SHEET 1)

**27-31-54-03**

BRI  
MAY 28/07

27-31-54-03  
PAGE 0

**BOEING**  
757  
PARTS CATALOG (MAINTENANCE)



Y 27315403 SHT 2 REV 1B4

CRANK INSTL-IDLER LINK ELEVATOR CONTROL  
FIGURE 3 (SHEET 2)

**27-31-54-03**

BRI  
MAY 28/07

27-31-54-03  
PAGE 0A



757

PARTS CATALOG (MAINTENANCE)

FIG ITEM	PART NUMBER	1 2 3 4 5 6 7	NOMENCLATURE	EFFECT FROM TO	UNITS PER ASSY
3			CRANK INSTL-IDLER LINK ELEVATOR CONTROL	101106 108120 504903	
- 1	251N2034-7		CRANK INSTL-IDLER LINK ELEVATOR CONTROL FOR NHA SEE: 27-00-00-22	101102 108120 504903	RF
- 1	MODREF31717		CRANK INSTL-IDLER LINK ELEVATOR CONTROL MODULE NUMBER: 251N2034-7 REV B	103106	1
- 5	251N2034-10		CRANK INSTL-IDLER LINK ELEVATOR CONTROL FOR NHA SEE: 27-00-00-22	101102 108120 504903	RF
- 5	MODREF31716		CRANK INSTL-IDLER LINK ELEVATOR CONTROL MODULE NUMBER: 251N2034-10 REV B	103106	1
10	BACB30NF4-50		.BOLT	101106 108120 504903	1
15	BACB30NF4-3		.BOLT	101106 108120 504903	8
20	AN960PD416		.WASHER	101106 108120 504903	9
25	NAS42DD8-108FC		.SPACER-	101106 108120 504903	1
30	BRH10A4		.NUT SUPPLIER CODE: V52828 SPECIFICATION NUMBER: BACN10JC4 OPTIONAL PART: T6S428J V11815 96-048 V80539 VN303A048 V92215 RMLH9075-4W V72962 NS202101-048 V80539 H10-4BAC V15653	101106 108120 504903	5

MISSING ITEM NUMBERS NOT APPLICABLE

- ITEM NOT ILLUSTRATED

27-31-54-03

27-31-54  
FIG. 03  
PAGE 1  
JAN 20/09

BRI



757

PARTS CATALOG (MAINTENANCE)

FIG ITEM	PART NUMBER	1 2 3 4 5 6 7	NOMENCLATURE	EFFECT FROM TO	UNITS PER ASSY
3	35 MKSP4SD610		.BEARING- SUPPLIER CODE: V83086 SPECIFICATION NUMBER: BACB10AR4 OPTIONAL PART: HHMKSP4 V38443 MKSP4-2TS V43991 MKSP4E9440A V21335 MKSP4FS428 V21335 MKSP43TT V43991 MKSP4G20 V38443 MKSP4 V38443 BACB10AR04	101106 108120 504903	2
R R	35 MKSP04SD610		.BEARING- SUPPLIER CODE: V83086 SPECIFICATION NUMBER: BACB10AR04 OPTIONAL PART: MKSP04G20 V38443 MKSP04 V38443 MKSP04-2TS V43991 MKSP04E9440A V21335 MKSP043TT V43991 HHMKSP04 V38443 MKSP04FS428 V21335 MKSP4SD510 V50294 MKSP4FS428 V73134 MKSP4NJC V73134 BACB10AR4	103106	2

MISSING ITEM NUMBERS NOT APPLICABLE

- ITEM NOT ILLUSTRATED

# 27-31-54-03

BRI



757

PARTS CATALOG (MAINTENANCE)

FIG ITEM	PART NUMBER	1 2 3 4 5 6 7	NOMENCLATURE	EFFECT FROM TO	UNITS PER ASSY
3					
40	251N2605-2		.MOUNT- OPTIONAL PART: 251N2605-3 USED ON: 251N2034-7 MODREF7353 MODREF31717	101106 108120 504903	2
40	251N2605-3		.MOUNT- OPTIONAL PART: 251N2605-2 USED ON: 251N2034-7 MODREF7353 MODREF31717	101106 108120 504903	2
45	251N2800-1		.MOUNT- USED ON: 251N2034-10 MODREF7352 MODREF31716	101106 108120 504903	2
50	251N2063-7		.BELLCRANK ASSY- OPTIONAL PART: 251N2063-8 USED ON: 251N2034-7 MODREF7353 MODREF31717	101106 108120 504903	1
50	251N2063-9		.BELLCRANK ASSY- OPTIONAL PART: 251N2063-10 USED ON: 251N2034-10 MODREF7352 MODREF31716	101106 108120 504903	1
50	251N2063-8		.BELLCRANK ASSY- OPTIONAL PART: 251N2063-7 USED ON: 251N2034-7 MODREF7353 MODREF31717	101106 108120 504903	1
50	251N2063-10		.BELLCRANK ASSY- OPTIONAL PART: 251N2063-9 USED ON: 251N2034-10 MODREF7352 MODREF31716	101106 108120 504903	1

MISSING ITEM NUMBERS NOT APPLICABLE

- ITEM NOT ILLUSTRATED

27-31-54-03

27-31-54  
FIG. 03  
PAGE 3  
MAY 20/09

BRI

BOEING PROPRIETARY - Copyright © - Unpublished Work - See title page for details.



757

PARTS CATALOG (MAINTENANCE)

FIG ITEM	PART NUMBER	1 2 3 4 5 6 7	NOMENCLATURE	EFFECT FROM TO	UNITS PER ASSY
3					
55	251N2556-1	. .	SLEEVE	101106 108120 504903	1
60	251N2063-3	. .	CRANK	101106 108120 504903	2

MISSING ITEM NUMBERS NOT APPLICABLE

- ITEM NOT ILLUSTRATED

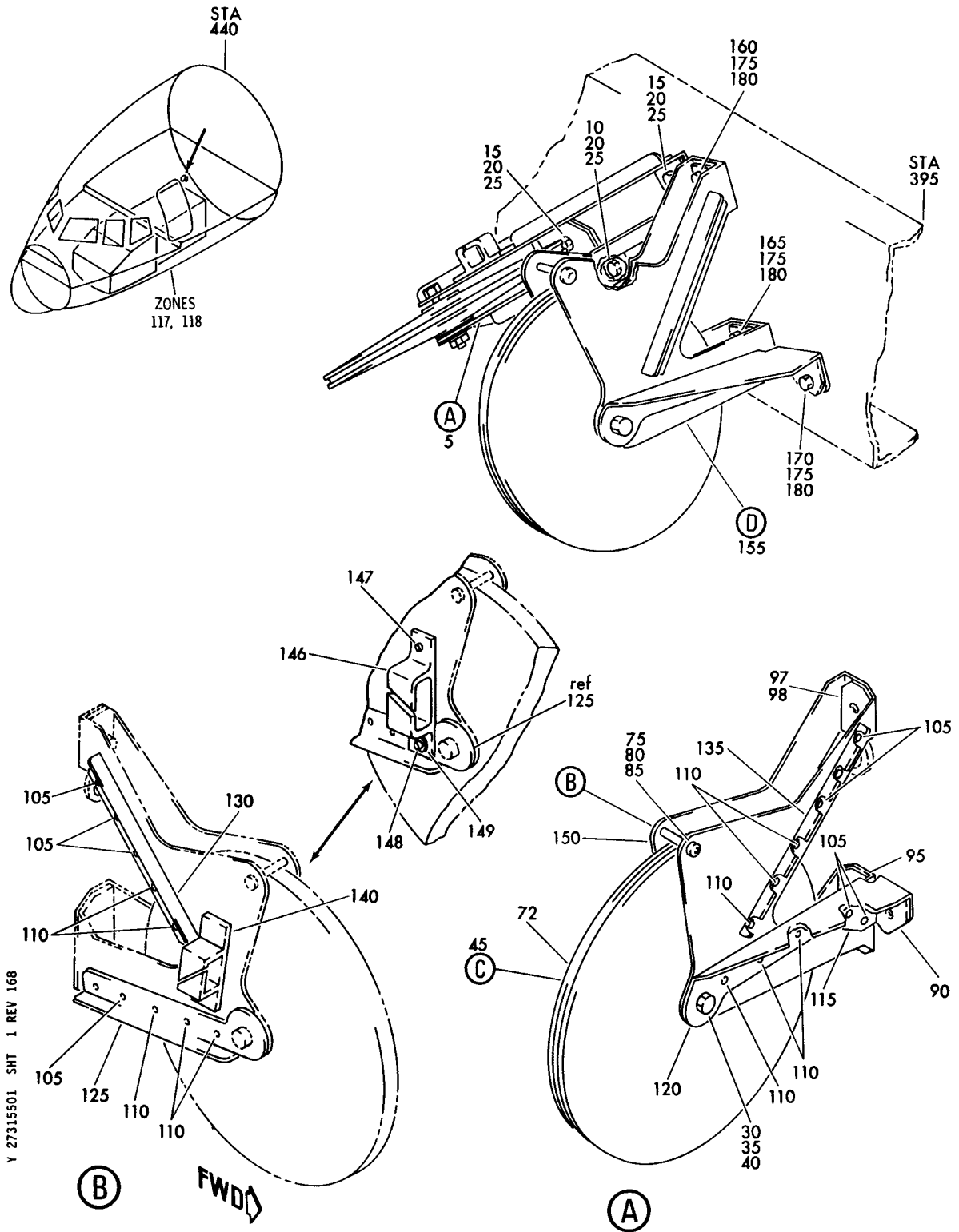
BRI

27-31-54-03

BOEING PROPRIETARY - Copyright © - Unpublished Work - See title page for details.

27-31-54  
FIG. 03  
PAGE 4  
MAY 20/09

**BOEING**  
757  
**PARTS CATALOG (MAINTENANCE)**



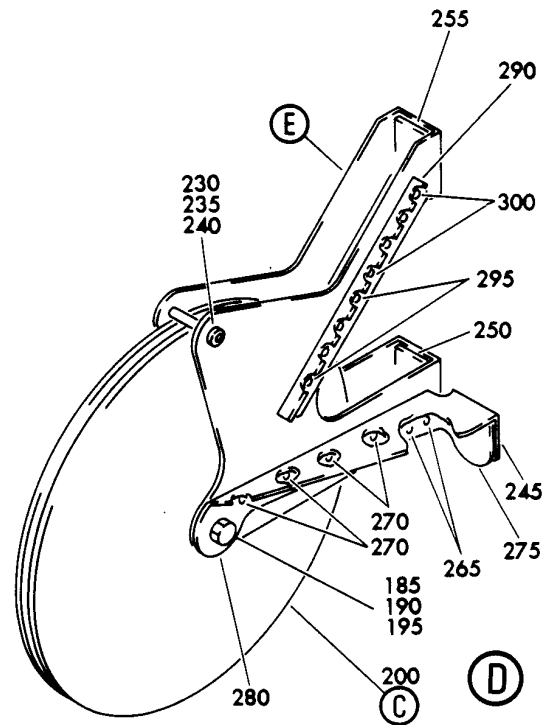
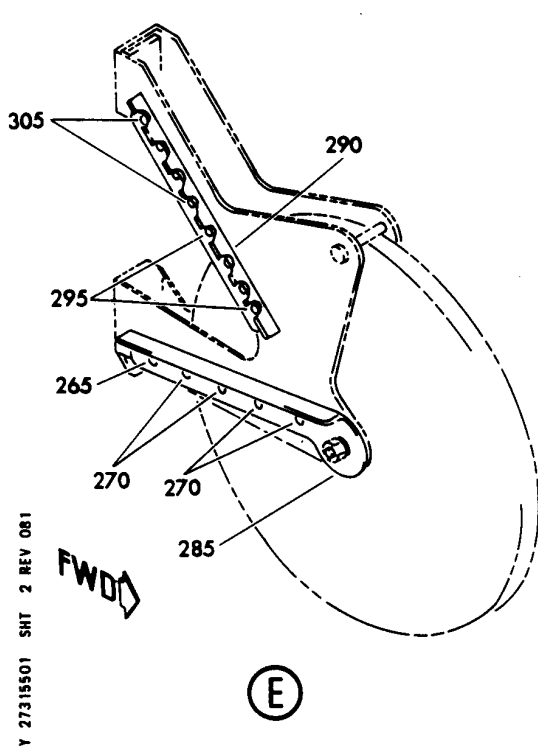
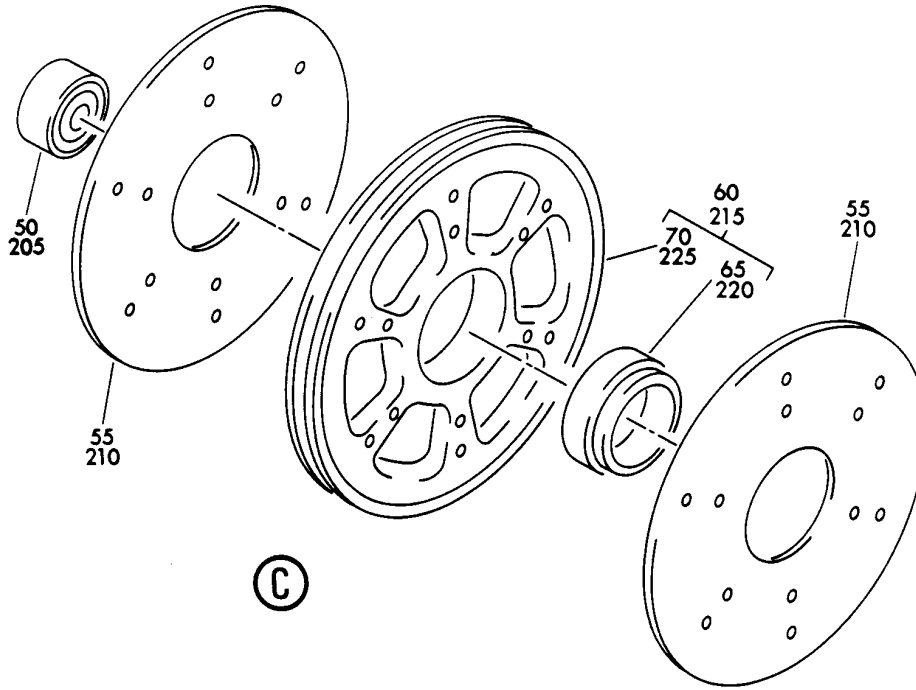
BRACKET INSTL-STA 395 E2A AND E2B PULLEY (ELEVATOR CONTROL SYSTEM ONLY)  
FIGURE 1 (SHEET 1)

27-31-55-01

BRI  
MAY 28/07

27-31-55-01  
PAGE 0

**BOEING**  
757  
PARTS CATALOG (MAINTENANCE)



BRACKET INSTL-STA 395 E2A AND E2B PULLEY (ELEVATOR CONTROL SYSTEM ONLY)  
FIGURE 1 (SHEET 2)

**27-31-55-01**

BRI  
MAY 28/07

27-31-55-01  
PAGE 0A





757

PARTS CATALOG (MAINTENANCE)

FIG ITEM	PART NUMBER	1 2 3 4 5 6 7	NOMENCLATURE	EFFECT FROM TO	UNITS PER ASSY
1			BRACKET INSTL-STA 395 E2A AND E2B PULLEY (ELEVATOR CONTROL SYSTEM ONLY)	002004 006999	
- 1	251N6010-3		BRACKET INSTL-E2A AND E2B PULLEY (ELEVATOR CONTROL SYSTEM ONLY) POSITION DATA: STA 395 FOR NHA SEE: 27-31-00-02	002004 006100 107107 121503 904999	RF
- 1	251N6010-5		BRACKET INSTL-E2A AND E2B PULLEY (ELEVATOR CONTROL SYSTEM ONLY) POSITION DATA: STA 395 FOR NHA SEE: 27-00-00-22	101102 108120 504903	RF
- 1	MODREF7972		BRACKET INSTL-E2A AND E2B PULLEY (ELEVATOR CONTROL SYSTEM ONLY) MODULE NUMBER: 251N6010-5 REV A POSITION DATA: STA 395	103106	1
5	251N6151-10		.BRACKET ASSY-E2B PULLEY POSITION DATA: STA 395	107107	1
5	251N6151-11		.BRACKET ASSY-E2B PULLEY POSITION DATA: STA 395	107107 904949	1
5	251N6151-501		.BRACKET ASSY-E2B PULLEY POSITION DATA: STA 395	002004 006106 108903 950999	1
10	BACB30NF4-5		ATTACHING PARTS .BOLT	002004 006999	1
15	BACB30NF4-6		.BOLT	002004 006999	2
20	AN960PD416		.WASHER	002004 006999	3

MISSING ITEM NUMBERS NOT APPLICABLE

- ITEM NOT ILLUSTRATED

27-31-55-01

27-31-55  
FIG. 01  
PAGE 1  
JAN 20/09

BRI



757

PARTS CATALOG (MAINTENANCE)

FIG ITEM	PART NUMBER	1 2 3 4 5 6 7	NOMENCLATURE	EFFECT FROM TO	UNITS PER ASSY
1	25 BRH10A4	.	NUT SUPPLIER CODE: V52828 SPECIFICATION NUMBER: BACN10JC4 OPTIONAL PART: T6S428J V11815 96-048 V80539 VN303A048 V92215 RMLH9075-4W V72962 NS202101-048 V80539 H10-4BAC V15653 -----*-----	002004 006999	3
	30 BACB30NF5-18	..	BOLT	002004 006999	1
	35 AN960PD516	..	WASHER	002004 006999	1
	40 BRH10A5	..	NUT SUPPLIER CODE: V52828 SPECIFICATION NUMBER: BACN10JC5 OPTIONAL PART: T6S524J V11815 96-054 V80539 RMLH9075-5W V72962 H10-5BAC V15653	002004 006999	1
	45 65B80970-2	..	PULLEY ASSY-8 IN. DIA 1/8 IN. CABLE MISCELLANEOUS DATA: 65B80970-2 RB BACP30M1A ONE WAY FORWARD FOR SPARES PROCURE: BACP30M1A	101106 108120 504903	1

MISSING ITEM NUMBERS NOT APPLICABLE

- ITEM NOT ILLUSTRATED

BRI

27-31-55-01

BOEING PROPRIETARY - Copyright © - Unpublished Work - See title page for details.

27-31-55  
FIG. 01  
PAGE 2  
JAN 20/09



757

PARTS CATALOG (MAINTENANCE)

FIG ITEM	PART NUMBER	1 2 3 4 5 6 7	NOMENCLATURE	EFFECT FROM TO	UNITS PER ASSY
1					
50	DW5E6531	...	BEARING SUPPLIER CODE: V21335 SPECIFICATION NUMBER: BACB10A672 OPTIONAL PART: LLDW5 V38443 DW5-6 V38443	101106 108120 504903	1
55	65B80972-1	...	SHIELD	101106 108120 504903	2
60	65B80971-3	...	SHEAVE ASSY-	101106 108120 504903	1
65	69B81362-1	....	INSERT	101106 108120 504903	1
70	65B80971-2	....	SHEAVE	101106 108120 504903	1
72	AVS1M1A	..	PULLEY- SUPPLIER CODE: V29965 SPECIFICATION NUMBER: BACP30M1A	002004 006100 107107 121503 904999	1
75	BACB30MY6K	..	BOLT- SIZE DETERMINED ON INSTL.	002004 006999	1
80	HL79-6	..	COLLAR SUPPLIER CODE: V5M902 SPECIFICATION NUMBER: BACC30M6 OPTIONAL PART: HL79-6 V73197 HL79-6 V92215 66014-6 V56878 HL79-6 V56878	002004 006999	1
85	NAS42DD6-60	..	SPACER	002004 006999	1
90	251N6151-6	..	FILLER-RADIUS	002004 006999	1
95	251N6151-7	..	FILLER-RADIUS	002004 006999	1

MISSING ITEM NUMBERS NOT APPLICABLE

- ITEM NOT ILLUSTRATED

27-31-55-01

27-31-55  
FIG. 01  
PAGE 3  
JAN 20/09

BRI

BOEING PROPRIETARY - Copyright © - Unpublished Work - See title page for details.



757

PARTS CATALOG (MAINTENANCE)

FIG ITEM	PART NUMBER	1 2 3 4 5 6 7	NOMENCLATURE	EFFECT FROM TO	UNITS PER ASSY
1					
97	251N6151-7	..	FILLER-RADIUS	107107 904949	1
98	251N6151-502	..	FILLER-RADIUS	002004 006106 108903 950999	1
			ATTACHING PARTS		
- 100	BACR15BA5AD	..	RIVET- SIZE DETERMINED ON INSTL. -----*-----	002004 006999	3
105	BACR15FT5D	..	RIVET- SIZE DETERMINED ON INSTL.	002004 006999	10
110	BACR15CE5D	..	RIVET- SIZE DETERMINED ON INSTL.	002004 006999	11
115	251N6151-5	..	CLIP	002004 006999	1
120	251N6151-3	..	SUPPORT	002004 006999	1
125	251N6151-4	..	SUPPORT	002004 006999	1
130	251N6151-8	..	SUPPORT	002004 006999	1
135	251N6151-9	..	SUPPORT	002004 006999	1
140	69B81855-1	..	FAIRLEAD- ATTACHING PARTS	107107	1
- 145	BACR15BA4AD	..	RIVET- SIZE DETERMINED ON INSTL. -----*-----	107107	2
146	251N6151-12	..	GUIDE-CABLE	002004 006100 121503 904999	1
			ATTACHING PARTS		
147	BACR15BA4AD	..	RIVET- SIZE DETERMINED ON INSTL.	002004 006100 121503 904999	1
148	BACR15BA5AD	..	RIVET- SIZE DETERMINED ON INSTL.	002004 006100 121503 904999	1
149	AN960KD8	..	WASHER	002004 006100 121503 904999	1
			-----*-----		
150	251N6151-2	..	BRACKET-	107107 904949	1

MISSING ITEM NUMBERS NOT APPLICABLE

- ITEM NOT ILLUSTRATED

27-31-55-01

27-31-55  
FIG. 01  
PAGE 4  
JAN 20/09

BRI

BOEING PROPRIETARY - Copyright © - Unpublished Work - See title page for details.



757

PARTS CATALOG (MAINTENANCE)

FIG ITEM	PART NUMBER	1 2 3 4 5 6 7	NOMENCLATURE	EFFECT FROM TO	UNITS PER ASSY
1					
150	251N6151-14	. .	BRACKET-	002004 006100 121503 950999	1
155	251N6152-11	. .	BRACKET ASSY-E2A PULLEY POSITION DATA: STA 395	002004 006100 107107 121503 904999	1
			ATTACHING PARTS		
160	BACB30NF4-6	. .	BOLT	002004 006999	1
165	BACB30NF4-4	. .	BOLT	002004 006999	1
170	BACB30NF4-7	. .	BOLT	002004 006999	1
175	AN960PD416	. .	WASHER	002004 006999	3
180	BRH10A4	. .	NUT SUPPLIER CODE: V52828 SPECIFICATION NUMBER: BACN10JC4 OPTIONAL PART: T6S428J V11815 96-048 V80539 VN303A048 V92215 RMLH9075-4W V72962 NS202101-048 V80539 H10-4BAC V15653 -----*-----	002004 006999	3
185	BACB30NF5-18	. .	BOLT	002004 006999	1
190	AN960PD516	. .	WASHER	002004 006999	1

MISSING ITEM NUMBERS NOT APPLICABLE

- ITEM NOT ILLUSTRATED

BRI

27-31-55-01

27-31-55  
FIG. 01  
PAGE 5  
JAN 20/09



757

PARTS CATALOG (MAINTENANCE)

FIG ITEM	PART NUMBER	1 2 3 4 5 6 7	NOMENCLATURE	EFFECT FROM TO	UNITS PER ASSY
1 195	BRH10A5	..	NUT SUPPLIER CODE: V52828 SPECIFICATION NUMBER: BACN10JC5 OPTIONAL PART: T6S524J V11815 96-054 V80539 RMLH9075-5W V72962 H10-5BAC V15653	002004 006999	1
200	65B80970-2	..	PULLEY ASSY-8 IN. DIA 1/8 IN. CABLE MISCELLANEOUS DATA: 65B80970-2 RB BACP30M1A ONE WAY FORWARD FOR SPARES PROCURE: BACP30M1A POST SERVICE BULLETIN: 27-0113	101106 108120 504903	1
205	DW5E6531	...	BEARING SUPPLIER CODE: V21335 SPECIFICATION NUMBER: BACB10A672 OPTIONAL PART: LLDW5 V38443 DW5-6 V38443	101106 108120 504903	1
210	65B80972-1	...	SHIELD	101106 108120 504903	2
215	65B80971-3	...	SHEAVE ASSY-	101106 108120 504903	1
220	69B81362-1	....	INSERT	101106 108120 504903	1
225	65B80971-2	....	SHEAVE	101106 108120 504903	1

MISSING ITEM NUMBERS NOT APPLICABLE

- ITEM NOT ILLUSTRATED

27-31-55-01

27-31-55  
FIG. 01  
PAGE 6  
JAN 20/09

BRI

BOEING PROPRIETARY - Copyright © - Unpublished Work - See title page for details.



757

PARTS CATALOG (MAINTENANCE)

FIG ITEM	PART NUMBER	1 2 3 4 5 6 7	NOMENCLATURE	EFFECT FROM TO	UNITS PER ASSY
1					
227	AVS1M1A	..	PULLEY- SUPPLIER CODE: V29965 SPECIFICATION NUMBER: BACP30M1A	002004 006100 107107 121503 904999	1
230	L8006K17	..	BOLT SUPPLIER CODE: V06725 SPECIFICATION NUMBER: BACB30MY6K17	002004 006999	1
235	HL79-6	..	COLLAR SUPPLIER CODE: V5M902 SPECIFICATION NUMBER: BACC30M6 OPTIONAL PART: HL79-6 V73197 HL79-6 V92215 66014-6 V56878 HL79-6 V56878	002004 006999	1
240	NAS42DD6-60	..	SPACER	002004 006999	1
245	251N6152-6	..	FILLER-RADIUS	002004 006999	1
250	251N6152-7	..	FILLER-RADIUS	002004 006999	1
255	50-3361-8502	..	FILLER-RADIUS	002004 006999	1
			ATTACHING PARTS		
- 260	BACR15BA5D	..	RIVET- SIZE DETERMINED ON INSTL. -----*-----	002004 006999	3
265	BACR15FT5D	..	RIVET- SIZE DETERMINED ON INSTL.	002004 006999	3
270	BACR15BA5D	..	RIVET- SIZE DETERMINED ON INSTL.	002004 006999	8
275	251N6152-5	..	CLIP	002004 006999	1
280	251N6152-4	..	SUPPORT	002004 006999	1
285	251N6152-3	..	STIFFENER	002004 006999	1
290	251N6152-8	..	STIFFENER	002004 006999	2

MISSING ITEM NUMBERS NOT APPLICABLE

- ITEM NOT ILLUSTRATED

27-31-55-01

27-31-55  
FIG. 01  
PAGE 7  
JAN 20/09

BRI

BOEING PROPRIETARY - Copyright © - Unpublished Work - See title page for details.



757

PARTS CATALOG (MAINTENANCE)

FIG ITEM	PART NUMBER	1 2 3 4 5 6 7	NOMENCLATURE	EFFECT FROM TO	UNITS PER ASSY
1			ATTACHING PARTS		
295	BACR15BA4AD	..	RIVET- SIZE DETERMINED ON INSTL.	002004 006999	8
300	BACR15BB5AD	..	RIVET- SIZE DETERMINED ON INSTL.	002004 006999	4
305	BACR15BB4AD	..	RIVET- SIZE DETERMINED ON INSTL.	002004 006999	4
			-----*-----		

MISSING ITEM NUMBERS NOT APPLICABLE

- ITEM NOT ILLUSTRATED

BRI

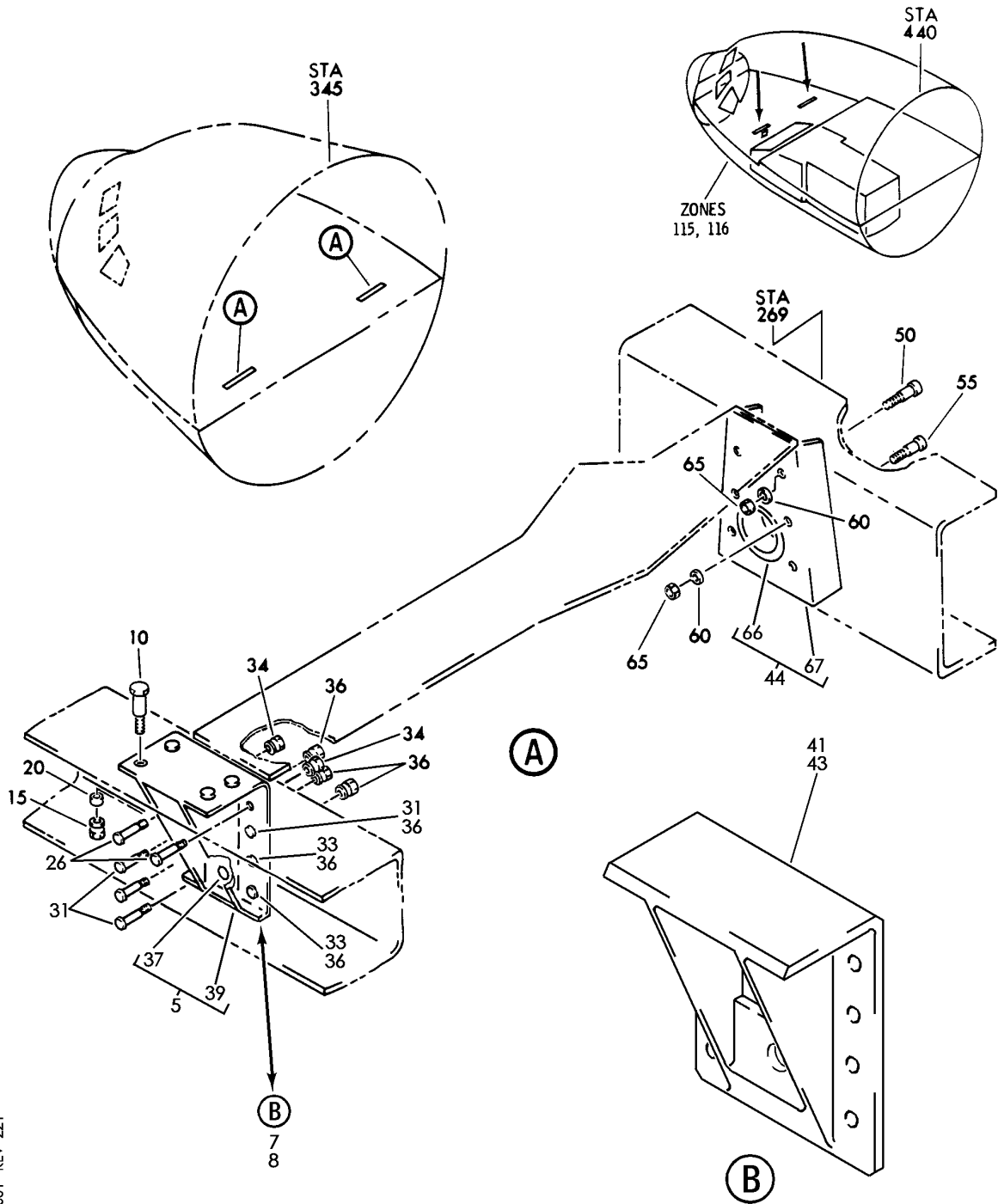
**27-31-55-01**

BOEING PROPRIETARY - Copyright © - Unpublished Work - See title page for details.

27-31-55  
FIG. 01  
PAGE 8  
JAN 20/09



**BOEING**  
757  
PARTS CATALOG (MAINTENANCE)



Y 27315601 REV 221

SUPPORT INSTL-TNSN REGULATOR ELEV  
FIGURE 1

**27-31-56-01**

BRI  
MAY 28/07

27-31-56-01  
PAGE 0



757

PARTS CATALOG (MAINTENANCE)

FIG ITEM	PART NUMBER	1 2 3 4 5 6 7	NOMENCLATURE	EFFECT FROM TO	UNITS PER ASSY
1			SUPPORT INSTL-TNSN REGULATOR ELEV	002004 006999	
- 1	251N2023-2		SUPPORT INSTL-TNSN REGULATOR ELEV FOR NHA SEE: 53-00-00-01	002004 006100 107107 121503 904999	RF
- 1	251N2023-7		SUPPORT INSTL-TNSN REGULATOR ELEV FOR NHA SEE: 53-00-00-01A	101102 108120 504903	RF
- 1	MODREF7347		SUPPORT INSTL-TNSN REGULATOR ELEV MODULE NUMBER: 251N2023-7 REV A	103106	1
5	251N2604-1		.GUSSET ASSY- COMPONENT MAINT MANUAL REF: 27-00-12	002004 006100 107107 121503 904999	2
7	251N2604-3		.GUSSET ASSY	101106 108120 504903	1
8	251N2604-4		.GUSSET ASSY	101106 108120 504903	1
10	HL13VAZ5-4		ATTACHING PARTS .BOLT SUPPLIER CODE: V56878 SPECIFICATION NUMBER: BACB30NY5K4 OPTIONAL PART: HL13VAZ5-4 V73197 HL13VAZ5-4 V92215 HL13VAZ5-4 V97928 L801-5K4 V06725 HL13VAZ5-4 V60516 L801-5K4 VOPTK6 HL13VAZ5-4 V17446	002004 006999	8

MISSING ITEM NUMBERS NOT APPLICABLE

- ITEM NOT ILLUSTRATED

BRI

27-31-56-01

27-31-56  
FIG. 01  
PAGE 1  
JAN 20/09



757

PARTS CATALOG (MAINTENANCE)

FIG ITEM	PART NUMBER	1 2 3 4 5 6 7	NOMENCLATURE	EFFECT FROM TO	UNITS PER ASSY
1 15	HL1187-5		.COLLAR SUPPLIER CODE: V5M902 SPECIFICATION NUMBER: BACC30X5 OPTIONAL PART: HL86PB5 V73197 HL86PB5 V92215 HL86PB5 V56878 HL1187-5 V56878 HL1187-5 V92215 HL1187-5 V73197 HL1187-5 V92215 HL87-5 V56878 HL1187-5 V73197	002004 006999	8
20	AN960PD10L		.WASHER	002004 006999	8
26	L8005K5		.BOLT SUPPLIER CODE: V06725 SPECIFICATION NUMBER: BACB30MY5K5	002004 006999	4
31	L8006K4		.BOLT SUPPLIER CODE: V06725 SPECIFICATION NUMBER: BACB30MY6K4	002004 006999	8

MISSING ITEM NUMBERS NOT APPLICABLE

- ITEM NOT ILLUSTRATED

BRI

27-31-56-01

BOEING PROPRIETARY - Copyright © - Unpublished Work - See title page for details.

27-31-56  
FIG. 01  
PAGE 2  
JAN 20/09



757

PARTS CATALOG (MAINTENANCE)

FIG ITEM	PART NUMBER	1 2 3 4 5 6 7	NOMENCLATURE	EFFECT FROM TO	UNITS PER ASSY
1 33	HL11VAZ6-4	.BOLT	SUPPLIER CODE: V60516 SPECIFICATION NUMBER: BACB30NW6K4 OPTIONAL PART: B30NW6K4 V97928 HL11VAZ6-4 V73197 HL11VAZ6-4 V92215 HL11VAZ6-4 V97928 L803-6K4 V06725 HL11VAZ6-4 VOPTK6 HL11VAZ6-4 V56878	002004 006999	4
34	HL70-5	.COLLAR	SUPPLIER CODE: V5M902 SPECIFICATION NUMBER: BACC30M5 OPTIONAL PART: HL70-5 V73197 HL70-5 V92215 66014-5 V56878 HL70-5 V56878	002004 006999	4
36	HL79-6	.COLLAR	SUPPLIER CODE: V5M902 SPECIFICATION NUMBER: BACC30M6 OPTIONAL PART: HL79-6 V73197 HL79-6 V92215 66014-6 V56878 HL79-6 V56878 -----*	002004 006999	12

MISSING ITEM NUMBERS NOT APPLICABLE

- ITEM NOT ILLUSTRATED

27-31-56-01

27-31-56  
FIG. 01  
PAGE 3  
SEP 20/08

BRI



757

PARTS CATALOG (MAINTENANCE)

FIG ITEM	PART NUMBER	1 2 3 4 5 6 7	NOMENCLATURE	EFFECT FROM TO	UNITS PER ASSY
1	37 BACB28X6C024		.. BUSHING	002004 006999	1
	39 251N2604-2		.. GUSSET	002004 006100 107107 121503 904999	1
	41 251N2604-5		.. GUSSET- USED ON: 251N2604-3	101106 108120 504903	1
	43 251N2604-6		.. GUSSET- USED ON: 251N2604-4	101106 108120 504903	1
	44 251N2615-1		. HOUSING ASSY-BRG POSITION DATA: LH SIDE COMPONENT MAINT MANUAL REF: 27-00-12	002004 006999	1
-	45 251N2615-2		. HOUSING ASSY-BRG POSITION DATA: RH SIDE COMPONENT MAINT MANUAL REF: 27-00-12	002004 006999	1

MISSING ITEM NUMBERS NOT APPLICABLE

- ITEM NOT ILLUSTRATED

BRI

27-31-56-01

BOEING PROPRIETARY - Copyright © - Unpublished Work - See title page for details.

27-31-56  
FIG. 01  
PAGE 4  
JAN 20/09



757

PARTS CATALOG (MAINTENANCE)

FIG ITEM	PART NUMBER	1 2 3 4 5 6 7	NOMENCLATURE	EFFECT FROM TO	UNITS PER ASSY
1 50	HL1012AZ6-5		ATTACHING PARTS .BOLT SUPPLIER CODE: V97928 SPECIFICATION NUMBER: BACB30NX6K5 OPTIONAL PART: HL12VAZ6-5 V73197 HL12VAZ6-5 V92215 HL12VAZ6-5 V97928 L802-6K5 V06725 HL12VAZ6-5 V56878 HL1012AZ6-5 VOPTK6 HL1012AZ6-5 V06725 HL1012AZ6-5 V06950 HL1012AZ6-5 V17446 HL1012AZ6-5 V56878 HL1012AZ6-5 V60516 HL1012AZ6-5 V73197	002004 006999	4

MISSING ITEM NUMBERS NOT APPLICABLE

- ITEM NOT ILLUSTRATED

BRI

27-31-56-01

BOEING PROPRIETARY - Copyright © - Unpublished Work - See title page for details.

27-31-56  
FIG. 01  
PAGE 5  
SEP 20/08

 **BOEING**  
757  
**PARTS CATALOG (MAINTENANCE)**

FIG ITEM	PART NUMBER	1 2 3 4 5 6 7	NOMENCLATURE	EFFECT FROM TO	UNITS PER ASSY
1 55	HL11VAZ6-3		.BOLT SUPPLIER CODE: V60516 SPECIFICATION NUMBER: BACB30NW6K3 OPTIONAL PART: B30NW6K3 V97928 HL11VAZ6-3 V73197 HL11VAZ6-3 V92215 HL11VAZ6-3 V97928 L803-6K3 V06725 HL11VAZ6-3 VOPTK6 HL11VAZ6-3 V56878	002004 006999	8
60	AN960PD10L		.WASHER-	002004 006999	12
65	BRH10C3D		.NUT- SUPPLIER CODE: V52828 SPECIFICATION NUMBER: BACN10JC3CD OPTIONAL PART: T6C1032JCD V11815 NS202486-02 V80539 102LH9075-3W V72962 H51650-3BAC V15653 -----*-----	002004 006999	12
66	HTC7		..BEARING- SUPPLIER CODE: V8F770 OPTIONAL PART: ADB7-313 V50294	002004 006999	1
66	ADB7-313		..BEARING- SUPPLIER CODE: V50294 OPTIONAL PART: HTC7 V8F770	002004 006999	1

MISSING ITEM NUMBERS NOT APPLICABLE

— ITEM NOT ILLUSTRATED

BRI

# 27-31-56-01

BOEING PROPRIETARY - Copyright © - Unpublished Work - See title page for details.

27-31-56  
FIG. 01  
PAGE 6  
SEP 20/08



757

PARTS CATALOG (MAINTENANCE)

FIG ITEM	PART NUMBER	1 2 3 4 5 6 7	NOMENCLATURE	EFFECT FROM TO	UNITS PER ASSY
1 67	251N2615-3		.. HOUSING-BRG USED ON: 251N2615-1	002004 006999	1
- 68	251N2615-4		.. HOUSING-BRG USED ON: 251N2615-2	002004 006999	1

MISSING ITEM NUMBERS NOT APPLICABLE

- ITEM NOT ILLUSTRATED

BRI

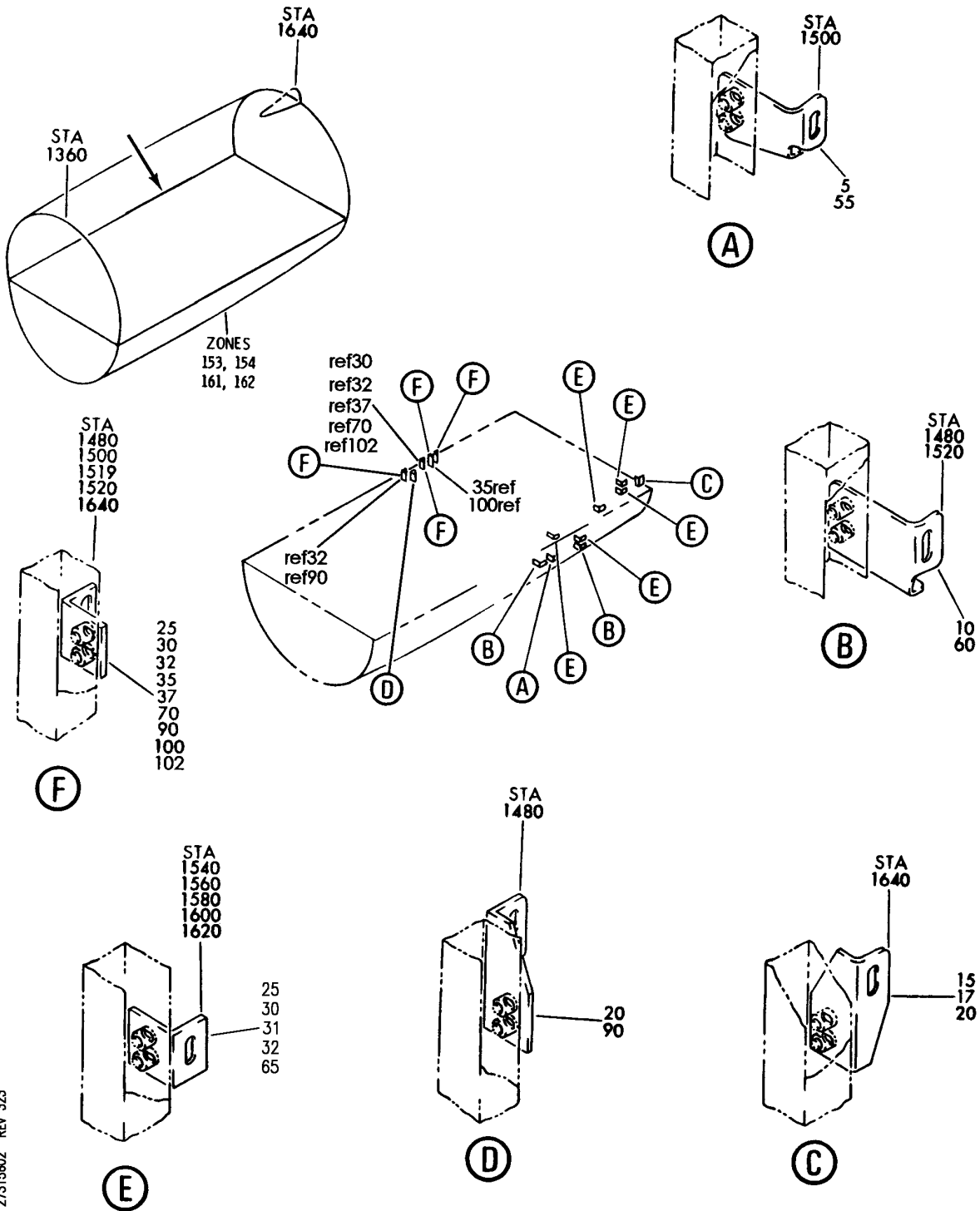
27-31-56-01

BOEING PROPRIETARY - Copyright © - Unpublished Work - See title page for details.

27-31-56  
FIG. 01  
PAGE 7  
SEP 20/08



**BOEING**  
757  
PARTS CATALOG (MAINTENANCE)



Y 27315602 REV 323

SUPPORT INSTL-SECT. 46 ELEV FEEL COMPUTER STATIC PRESSURE TUBE  
FIGURE 2

**27-31-56-02**

BRI  
MAY 20/08

27-31-56-02  
PAGE 0



757

PARTS CATALOG (MAINTENANCE)

FIG ITEM	PART NUMBER	1 2 3 4 5 6 7	NOMENCLATURE	EFFECT FROM TO	UNITS PER ASSY
2			SUPPORT INSTL-SECT. 46 ELEV FEEL COMPUTER STATIC PRESSURE TUBE	002004 006999	
- 1	271N6247-1		SUPPORT INSTL-ELEV FEEL COMPUTER STATIC PRESSURE TUBE POSITION DATA: SECT. 46 FOR NHA SEE: 29-00-51-04	002004 006100 107107 121503 904999	RF
5	271N6244-1		.BRACKET	002004 006100 107107 121503 904999	1
10	271N6244-2		.BRACKET	002004 006100 107107 121503 904999	2
15	271N6245-1		.BRACKET	002004 006100 107107 121503 904999	1
30	271N6245-2		.BRACKET-	002004 006100 121503 904999	6
32	271N6245-2		.BRACKET	107107	7
35	271N6245-4		.BRACKET	002004 006100 107107 121503 904999	1
37	271N6245-5		.BRACKET	002004 006100 121503 904999	1
- 40	NAS603-10P		ATTACHING PARTS .SCREW	002004 006100 107107 121503 904999	24

MISSING ITEM NUMBERS NOT APPLICABLE

- ITEM NOT ILLUSTRATED

27-31-56-02

27-31-56  
FIG. 02  
PAGE 1  
JAN 20/09

BRI

BOEING PROPRIETARY - Copyright © - Unpublished Work - See title page for details.



757

PARTS CATALOG (MAINTENANCE)

FIG ITEM	PART NUMBER	1 2 3 4 5 6 7	NOMENCLATURE	EFFECT FROM TO	UNITS PER ASSY
2					
- 45	AN960KD10L	.	WASHER	002004 006100 107107 121503 904999	24
- 50	271N6247-4	-----*-----	SUPPORT INSTL-ELEV FEEL COMPUTER STATIC PRESSURE TUBE POSITION DATA: SECT. 46 FOR NHA SEE: 27-00-00-03	101102 108120 504903	RF
- 50	MODREF7644		SUPPORT INSTL-ELEV FEEL COMPUTER STATIC PRESSURE TUBE MODULE NUMBER: 271N6247-6 REV A POSITION DATA: SECT. 46	103106	1
55	271N6244-1	.	BRACKET	101106 108120 504903	1
60	271N6244-2	.	BRACKET	101106 108120 504903	2
65	271N6245-2	.	BRACKET-	101106 108120 504903	5
- 75	NAS603-10P		ATTACHING PARTS .SCREW	101106 108120 504903	16
- 80	NAS1149D0332J	.	WASHER	101106 108120 504903	16
- 85	271N6247-5	-----*-----	SUPPORT INSTL-ELEV FEEL COMPUTER STATIC PRESSURE TUBE POSITION DATA: SECT. 46 FOR NHA SEE: 27-00-00-04	101102 108120 504903	RF

MISSING ITEM NUMBERS NOT APPLICABLE

- ITEM NOT ILLUSTRATED

27-31-56-02

27-31-56  
FIG. 02  
PAGE 2  
JAN 20/09

BRI

**BOEING**  
757  
PARTS CATALOG (MAINTENANCE)

FIG ITEM	PART NUMBER	1 2 3 4 5 6 7	NOMENCLATURE	EFFECT FROM TO	UNITS PER ASSY
2					
- 85	MODREF7643		SUPPORT INSTL-ELEV FEEL COMPUTER STATIC PRESSURE TUBE MODULE NUMBER: 271N6247-5 REV A POSITION DATA: SECT. 46	103106	1
90	271N6245-1		.BRACKET	101106 108120 504903	1
95	271N6245-2		.BRACKET	101106 108120 504903	1
100	271N6245-4		.BRACKET	101106 108120 504903	1
102	271N6245-5		.BRACKET	101106 108120 504903	1
- 105	NAS603-10P		ATTACHING PARTS .SCREW	101106 108120 504903	6
- 107	NAS603-10P		.SCREW	101106 108120 504903	2
- 110	NAS1149D0332J		.WASHER	101106 108120 504903	6
- 112	NAS1149D0332J		.WASHER	101106 108120 504903	2
			-----*		

MISSING ITEM NUMBERS NOT APPLICABLE

- ITEM NOT ILLUSTRATED

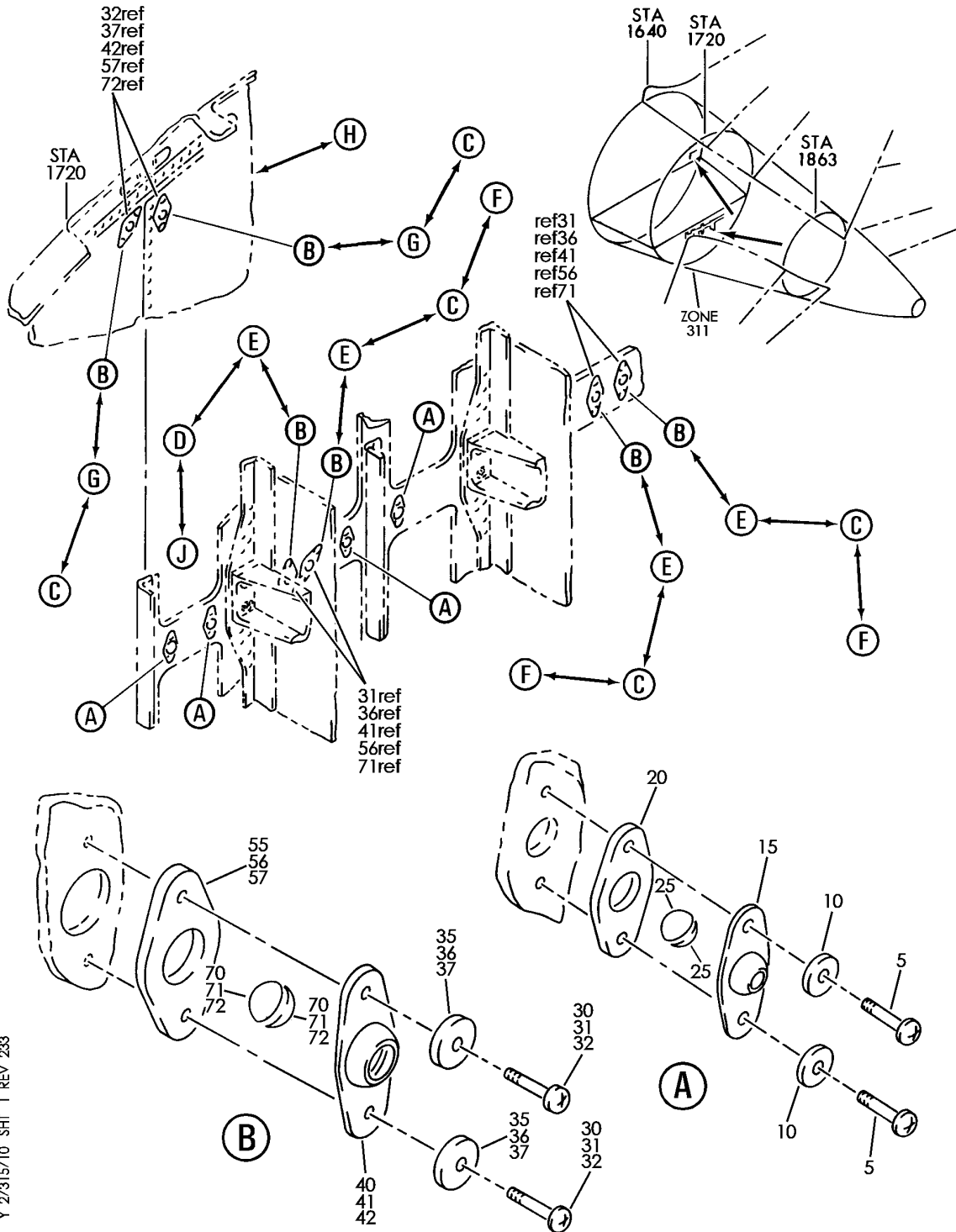
BRI

# 27-31-56-02

BOEING PROPRIETARY - Copyright © - Unpublished Work - See title page for details.

27-31-56  
FIG. 02  
PAGE 3  
JAN 20/09

**BOEING**  
757  
**PARTS CATALOG (MAINTENANCE)**



Y 27315710 SH1 1 REV 233

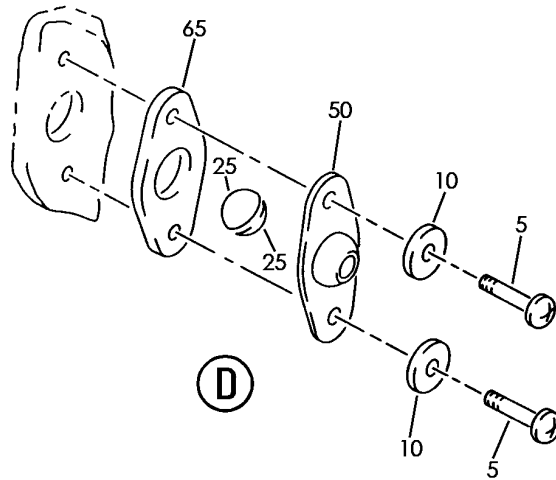
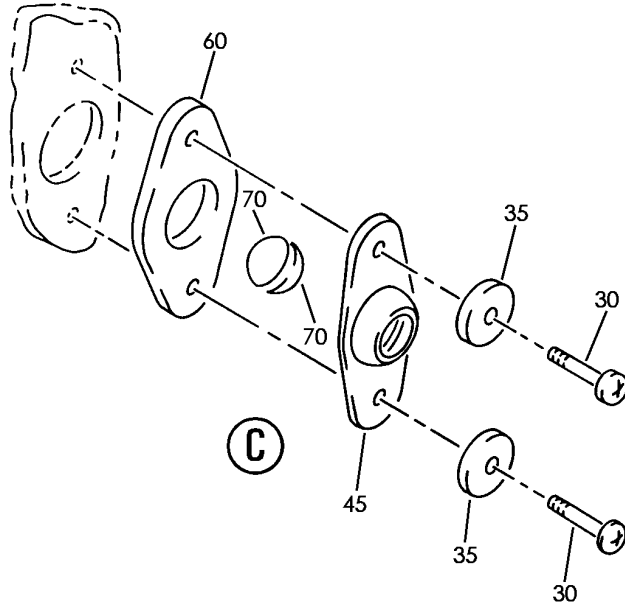
SEAL INSTL-PRESSURE  
FIGURE 10 (SHEET 1)

**27-31-57-10**

BRI  
MAY 28/07

27-31-57-10  
PAGE 0

**BOEING**  
757  
PARTS CATALOG (MAINTENANCE)



Y 27315710 SHT 2 REV 213

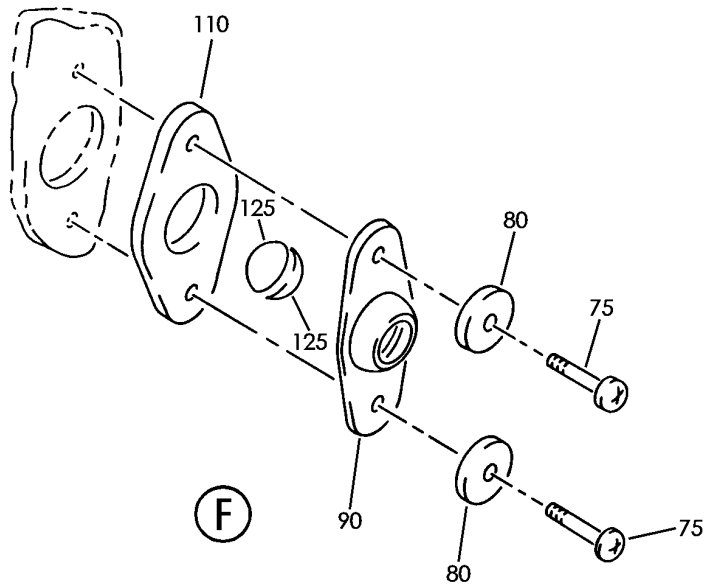
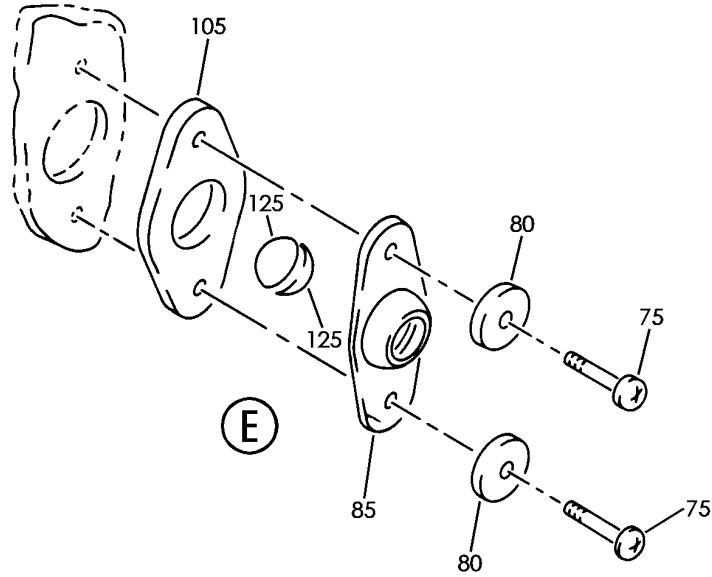
SEAL INSTL-PRESSURE  
FIGURE 10 (SHEET 2)

**27-31-57-10**

BRI  
MAY 28/07

27-31-57-10  
PAGE 0A

**BOEING**  
757  
PARTS CATALOG (MAINTENANCE)



Y 27315710 SH1 3 REV 213

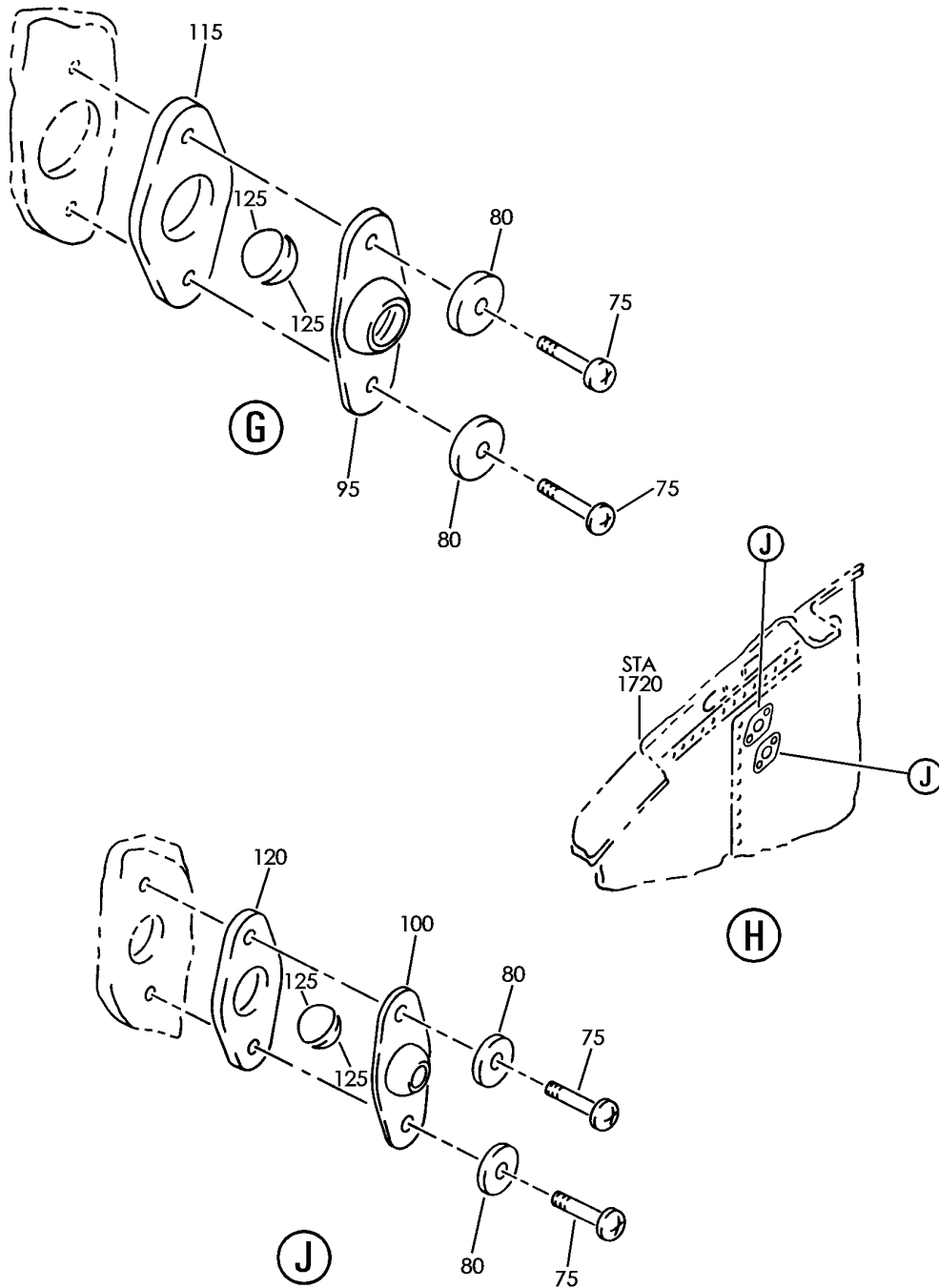
SEAL INSTL-PRESSURE  
FIGURE 10 (SHEET 3)

**27-31-57-10**

BRI  
MAY 28/07

27-31-57-10  
PAGE 0B

**BOEING**  
757  
PARTS CATALOG (MAINTENANCE)



Y 27315710 SH1 4 REV 213

SEAL INSTL-PRESSURE  
FIGURE 10 (SHEET 4)

**27-31-57-10**

BRI  
MAY 28/07

27-31-57-10  
PAGE 0C





757

PARTS CATALOG (MAINTENANCE)

FIG ITEM	PART NUMBER	1 2 3 4 5 6 7	NOMENCLATURE	EFFECT FROM TO	UNITS PER ASSY
10			SEAL INSTL-PRESSURE	002004	
- 1	251N6030-1		SEAL INSTL-PRESSURE FOR NHA SEE: 27-31-00-02	006999 107107 904949	RF
- 1	251N6030-3		SEAL INSTL-PRESSURE FOR NHA SEE: 27-31-00-02	002004 006015 121503 950999	RF
- 1	251N6030-5		SEAL INSTL-PRESSURE FOR NHA SEE: 27-31-00-02 27-30-00-01A	016102 108120 504903	RF
- 1	MODREF8286		SEAL INSTL-PRESSURE MODULE NUMBER: 251N6030-5 REV A	103106	1
5	BACB30LK3-5		.BOLT	107107 904949	8
10	BACW10P43AL		.WASHER	107107 904949	8
15	65-28173-4		.COVER	107107 904949	4
20	65-28173-3		.PLATE	107107 904949	4
25	66-20193-1		.SEAL-HALF BALL QUALIFIED I/W DATA: 2 EACH 69-73455-1 I/W 2 EACH 66-20193-1 OPTIONAL PART: 69-73455-1	107107 904949	8
25	69-73455-1		.SEAL-HALF BALL QUALIFIED I/W DATA: 2 EACH OF 69-73455-1 CAN REPLACE OR BE REPLACED BY 2 EACH OF 66-20193-1 OPTIONAL PART: 66-20193-1	107107 904949	8
30	BACB30LK3-5		.BOLT	002004 006999	12
35	BACW10P43AL		.WASHER-	002004 006999	12
40	65-28174-2		.COVER-	002004 006015 107107 121503 904999	6
45	65-28174-2		.COVER	016106 108120 504903	5

MISSING ITEM NUMBERS NOT APPLICABLE

- ITEM NOT ILLUSTRATED

27-31-57-10

27-31-57  
FIG. 10  
PAGE 1  
JAN 20/09

BRI

BOEING PROPRIETARY - Copyright © - Unpublished Work - See title page for details.



757

PARTS CATALOG (MAINTENANCE)

FIG ITEM	PART NUMBER	1 2 3 4 5 6 7	NOMENCLATURE	EFFECT FROM TO	UNITS PER ASSY
10					
50	65-28174-4	.	COVER-	016106 108120 504903	1
55	65-28174-1	.	PLATE-	002004 006015 107107 121503 904999	6
60	65-28174-1	.	PLATE	016106 108120 504903	5
65	65-28174-3	.	PLATE-	016106 108120 504903	1
70	66-20184-1	.	SEAL-HALF BALL	002004 006999	12

MISSING ITEM NUMBERS NOT APPLICABLE

- ITEM NOT ILLUSTRATED

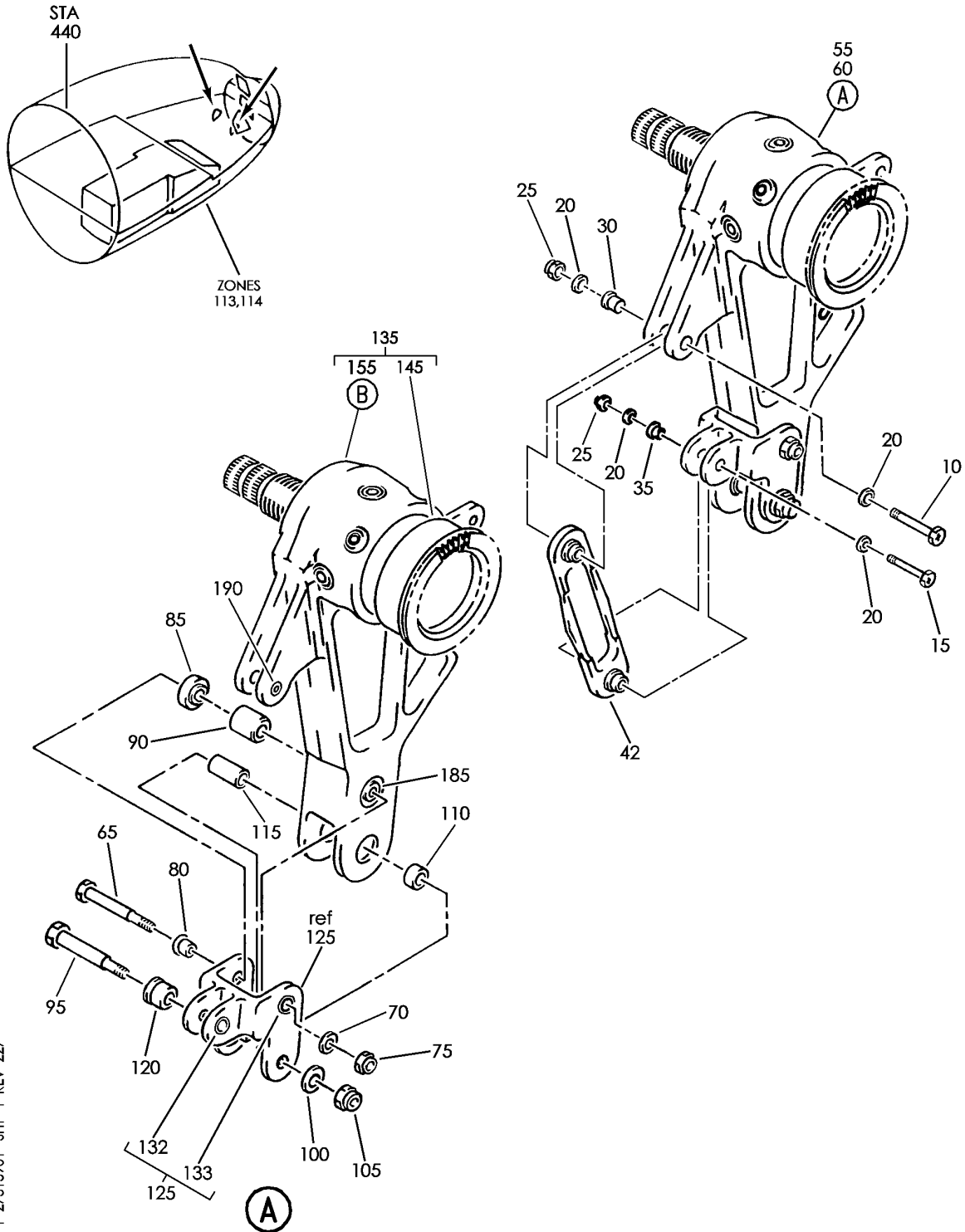
BRI

27-31-57-10

BOEING PROPRIETARY - Copyright © - Unpublished Work - See title page for details.

27-31-57  
FIG. 10  
PAGE 2  
JAN 20/09

**BOEING**  
757  
PARTS CATALOG (MAINTENANCE)



Y 27315901 SHT 1 REV 227

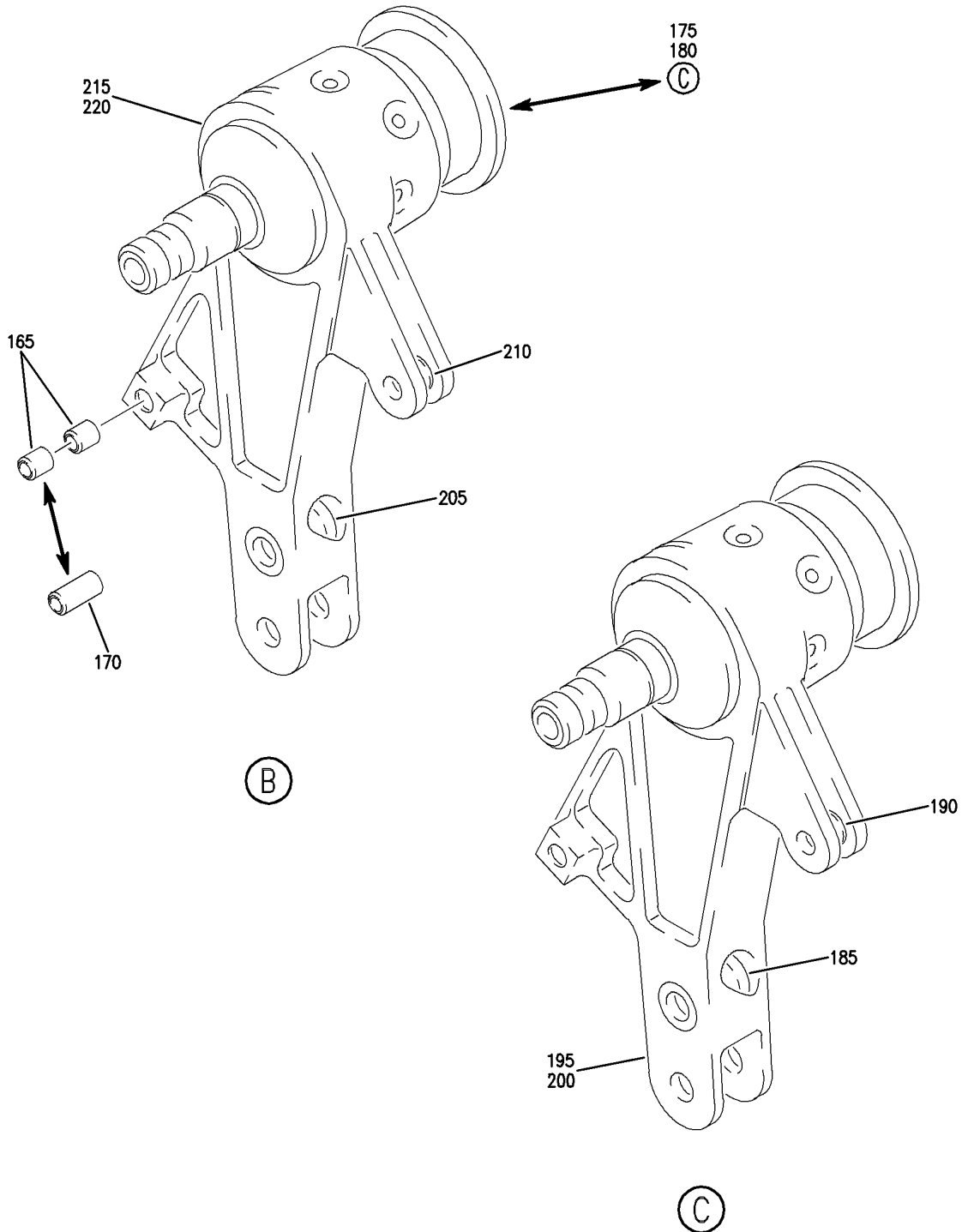
CRANK AND SHAFT ASSY (FLIGHT CONTROLS ONLY)  
FIGURE 1 (SHEET 1)

**27-31-59-01**

BRI  
MAY 28/07

27-31-59-01  
PAGE 0

**BOEING**  
757  
PARTS CATALOG (MAINTENANCE)



Y 27315901 SHT 2 REV 227

CRANK AND SHAFT ASSY (FLIGHT CONTROLS ONLY)  
FIGURE 1 (SHEET 2)

**27-31-59-01**

BRI  
MAY 28/07

27-31-59-01  
PAGE 0A



757

PARTS CATALOG (MAINTENANCE)

FIG ITEM	PART NUMBER	1 2 3 4 5 6 7	NOMENCLATURE	EFFECT FROM TO	UNITS PER ASSY
1			CRANK AND SHAFT ASSY (FLIGHT CONTROLS ONLY)	002004 006010 103105 107503 904950 952999 107107	
- 1	251N1235-17		CRANK AND SHAFT ASSY-BASIC (FLIGHT CONTROLS ONLY) POSITION DATA: PILOT SIDE COMPONENT MAINT MANUAL REF: 27-31-36 FOR NHA/OTHER SYS DET SEE: 27-31-10-01		RF
- 1	251N1235-25		CRANK AND SHAFT ASSY-BASIC (FLIGHT CONTROLS ONLY) POSITION DATA: PILOT SIDE COMPONENT MAINT MANUAL REF: 27-31-36 FOR NHA SEE: 27-31-10-01	904949 952952	RF
- 1	251N1235-35		CRANK AND SHAFT ASSY-BASIC (FLIGHT CONTROLS ONLY) POSITION DATA: PILOT SIDE COMPONENT MAINT MANUAL REF: 27-31-36 FOR NHA SEE: 27-31-10-01	002004	RF
- 1	251N1235-43		CRANK AND SHAFT ASSY-BASIC (FLIGHT CONTROLS ONLY) POSITION DATA: PILOT SIDE COMPONENT MAINT MANUAL REF: 27-31-36 FOR NHA SEE: 27-31-10-01	006010 121503 950950 953999	RF
- 1	251N1235-47		CRANK AND SHAFT ASSY- (FLIGHT CONTROLS ONLY) POSITION DATA: PILOT SIDE COMPONENT MAINT MANUAL REF: 27-31-36 FOR NHA/OTHER SYS DET SEE: 27-31-10-01	108120	RF

MISSING ITEM NUMBERS NOT APPLICABLE

- ITEM NOT ILLUSTRATED

**27-31-59-01**

27-31-59  
FIG. 01  
PAGE 1  
JAN 20/09

BRI



757

PARTS CATALOG (MAINTENANCE)

FIG ITEM	PART NUMBER	1 2 3 4 5 6 7	NOMENCLATURE	EFFECT FROM TO	UNITS PER ASSY
1					
- 1	251N1235-65		CRANK AND SHAFT ASSY- (FLIGHT CONTROL ONLY) POSITION DATA: PILOT SIDE FOR NHA/OTHER SYS DET SEE: 27-31-10-01	103105	RF
- 5	251N1235-18		CRANK AND SHAFT ASSY-BASIC (FLIGHT CONTROL ONLY) COMPONENT MAINT MANUAL REF: 27-31-36 FOR NHA/OTHER SYS DET SEE: 27-31-10-01	107107	RF
- 5	251N1235-26		CRANK AND SHAFT ASSY-BASIC (FLIGHT CONTROLS ONLY) POSITION DATA: CO-PILOT SIDE COMPONENT MAINT MANUAL REF: 27-31-36 FOR NHA SEE: 27-31-10-01	904949 952952	RF
- 5	251N1235-36		CRANK AND SHAFT ASSY-BASIC (FLIGHT CONTROLS ONLY) COMPONENT MAINT MANUAL REF: 27-31-36 FOR NHA SEE: 27-31-10-01	002004	RF
- 5	251N1235-44		CRANK AND SHAFT ASSY-BASIC (FLIGHT CONTROLS ONLY) POSITION DATA: CO-PILOT SIDE COMPONENT MAINT MANUAL REF: 27-31-36 FOR NHA SEE: 27-31-10-01	006010 121503 950950 953999	RF
- 5	251N1235-48		CRANK AND SHAFT ASSY- (FLIGHT CONTROLS ONLY) POSITION DATA: CO-PILOT SIDE COMPONENT MAINT MANUAL REF: 27-31-36 FOR NHA/OTHER SYS DET SEE: 27-31-10-01	108120	RF
- 5	251N1235-66		CRANK AND SHAFT ASSY- (FLIGHT CONTROL ONLY) POSITION DATA: PILOT SIDE FOR NHA/OTHER SYS DET SEE: 27-31-10-01	103105	RF

MISSING ITEM NUMBERS NOT APPLICABLE

- ITEM NOT ILLUSTRATED

**27-31-59-01**

27-31-59  
FIG. 01  
PAGE 2  
JAN 20/09

BRI

 **BOEING**  
757  
**PARTS CATALOG (MAINTENANCE)**

FIG ITEM	PART NUMBER	1 2 3 4 5 6 7	NOMENCLATURE	EFFECT FROM TO	UNITS PER ASSY
1					
10	NAS6603-15	.	BOLT	904949 952952	1
15	NAS6603-12	.	BOLT-	107107 904949 952952	1
15	NAS6603-13	.	BOLT-	002004 006010 121503 950950 953999	1
20	AN960JD10	.	WASHER-	107107 904949 952952	4
20	AN960-10	.	WASHER-	002004 006010 121503 950950 953999	4
25	PLH53CD	.	NUT- SUPPLIER CODE: VF0224 SPECIFICATION NUMBER: BACN10YR3CD OPTIONAL PART: H52732-3CD V15653	904949 952952	2
30	BACB28X3C030	.	BUSHING-	107107 904949 952952	1
30	NAS75-3-012	.	BUSHING-	002004 006010 121503 950950 953999	1
35	BACB28X3C020	.	BUSHING-	107107 904949 952952	1
35	NAS75-3-008	.	BUSHING-	002004 006010 121503 950950 953999	1
42	251N1099-1	.	LINK ASSY-TRANSDUCER OPTIONAL PART: 251N1099-3	904949 952952	1
42	251N1099-3	.	LINK ASSY-TRANSDUCER OPTIONAL PART: 251N1099-1	904949 952952	1

MISSING ITEM NUMBERS NOT APPLICABLE

- ITEM NOT ILLUSTRATED

BRI

# 27-31-59-01

BOEING PROPRIETARY - Copyright © - Unpublished Work - See title page for details.

27-31-59  
FIG. 01  
PAGE 3  
JAN 20/09

**BOEING**  
757  
**PARTS CATALOG (MAINTENANCE)**

FIG ITEM	PART NUMBER	1 2 3 4 5 6 7	NOMENCLATURE	EFFECT FROM TO	UNITS PER ASSY
1					
55	251N1235-21	.ARM ASSY-	POSITION DATA: PILOT SIDE	002004 107107 904949 952952	1
55	251N1235-41	.ARM ASSY-	POSITION DATA: PILOT SIDE	006010 108503 950950 953999	1
55	251N1235-63	.ARM ASSY-	POSITION DATA: PILOT SIDE	103105	1
- 60	251N1235-22	.ARM ASSY-	POSITION DATA: CO-PILOT SIDE	002004 107107 904949 952952	1
- 60	251N1235-42	.ARM ASSY-	POSITION DATA: CO-PILOT SIDE	006010 108503 950950 953999	1
- 60	251N1235-64	.ARM ASSY-	POSITION DATA: CO-PILOT SIDE	103105	1
65	BACB30LJ4-28	..BOLT		002004 006010 103105 107503 904950 952999	1
70	AN960JD416	..WASHER-		002004 006010 103105 107503 904950 952999	1
75	PLH54CM	..NUT-	SUPPLIER CODE: V62554 SPECIFICATION NUMBER: BACN10YR4CM OPTIONAL PART: H52732-4CM V15653	002004 006010 103105 107503 904950 952999	1
80	BACB28X4C024	..BUSHING		002004 006010 103105 107503 904950 952999	1

MISSING ITEM NUMBERS NOT APPLICABLE

- ITEM NOT ILLUSTRATED

BRI

# 27-31-59-01

BOEING PROPRIETARY - Copyright © - Unpublished Work - See title page for details.

27-31-59  
FIG. 01  
PAGE 4  
JAN 20/09





757

PARTS CATALOG (MAINTENANCE)

FIG ITEM	PART NUMBER	1 2 3 4 5 6 7	NOMENCLATURE	EFFECT FROM TO	UNITS PER ASSY
1	85 ACMKP4AFS428		.. BEARING- SUPPLIER CODE: V21335 SPECIFICATION NUMBER: BACB10FS4R OPTIONAL PART: SSMKP4SD706 V83086 ACMKP4AA3908 V21335 AMCS24EG7A VK8455 SSMK4RAP V21760	002004 006010 103105 107503 904950 952999	1
	90 69B82642-1		.. BUSHING	002004 006010 103105 107503 904950 952999	1
	95 BACB30LJ5-28		.. BOLT-	002004 006010 103105 107503 904950 952999	1
	100 AN960JD516		.. WASHER-	002004 006010 103105 107503 904950 952999	1
	105 PLH55CM		.. NUT- SUPPLIER CODE: V62554 SPECIFICATION NUMBER: BACN10YR5CM OPTIONAL PART: H52732-5CM V15653	002004 006010 103105 107503 904950 952999	1
	110 69B82641-2		.. BUSHING-	002004 006010 103105 107503 904950 952999	1

MISSING ITEM NUMBERS NOT APPLICABLE

- ITEM NOT ILLUSTRATED

27-31-59-01

27-31-59  
FIG. 01  
PAGE 5  
JAN 20/09

BRI

BOEING PROPRIETARY - Copyright © - Unpublished Work - See title page for details.



757

PARTS CATALOG (MAINTENANCE)

FIG ITEM	PART NUMBER	1 2 3 4 5 6 7	NOMENCLATURE	EFFECT FROM TO	UNITS PER ASSY
1					
115	NAS43DD5-56FC	..	SPACER-	002004 006010 103105 107503 904950 952999	1
120	69B82641-1	..	BUSHING-	002004 006010 103105 107503 904950 952999	1
125	251N1055-1	..	ARM ASSY- POSITION DATA: PILOT SIDE	002004 006010 103105 107503 904950 952999	1
- 130	251N1055-4	..	ARM ASSY- POSITION DATA: CO-PILOT SIDE	002004 006010 103105 107503 904950 952999	1
132	BACB28X3C013	...	BUSHING	002004 006010 103105 107503 904950 952999	1
133	BACB28X4C013	...	BUSHING	002004 006010 103105 107503 904950 952999	1
135	251N1235-39	..	CRANK ASSY- POSITION DATA: PILOT SIDE	006010 103105 108503 950950 953999	1
135	251N1235-23	..	CRANK ASSY- POSITION DATA: PILOT SIDE	002004 107107 904949 952952	1

MISSING ITEM NUMBERS NOT APPLICABLE

- ITEM NOT ILLUSTRATED

BRI

27-31-59-01

27-31-59  
FIG. 01  
PAGE 6  
JAN 20/09



757

PARTS CATALOG (MAINTENANCE)

FIG ITEM	PART NUMBER	1 2 3 4 5 6 7	NOMENCLATURE	EFFECT FROM TO	UNITS PER ASSY
1					
- 140	251N1235-40	..	CRANK ASSY- POSITION DATA: CO-PILOT SIDE	006010 103105 108503 950950 953999	1
- 140	251N1235-24	..	CRANK ASSY- POSITION DATA: CO-PILOT SIDE	002004 107107 904949 952952	1
145	251N1054-3	...	SHAFT- POSITION DATA: PILOT SIDE	002004 107107 904949 952952	1
145	251N1054-5	...	SHAFT- POSITION DATA: PILOT SIDE	006010 103105 108503 950950 953999	1
- 150	251N1054-4	...	SHAFT- POSITION DATA: CO-PILOT SIDE	002004 107107 904949 952952	1
- 150	251N1054-6	...	SHAFT- POSITION DATA: CO-PILOT SIDE	006010 103105 108503 950950 953999	1
155	251N1052-7	...	CRANK ASSY- POSITION DATA: PILOT SIDE OPTIONAL PART: 251N1052-9	002004 006010 103105 107503 904950 952999	1
155	251N1052-9	...	CRANK ASSY- POSITION DATA: PILOT SIDE OPTIONAL PART: 251N1052-7	002004 006010 103105 107503 904950 952999	1
- 160	251N1052-8	...	CRANK ASSY- POSITION DATA: CO-PILOT SIDE OPTIONAL PART: 251N1052-10	002004 006010 103105 107503 904950 952999	1

MISSING ITEM NUMBERS NOT APPLICABLE

- ITEM NOT ILLUSTRATED

27-31-59-01

27-31-59  
FIG. 01  
PAGE 7  
JAN 20/09

BRI



757

PARTS CATALOG (MAINTENANCE)

FIG ITEM	PART NUMBER	1 2 3 4 5 6 7	NOMENCLATURE	EFFECT FROM TO	UNITS PER ASSY
1					
- 160	251N1052-10		...CRANK ASSY- POSITION DATA: CO-PILOT SIDE OPTIONAL PART: 251N1052-8	002004 006010 103105 107503 904950 952999	1
165	251N1052-11		....BUSHING- POSITION DATA: PILOT SIDE USED ON: 251N1052-7	002004 006010 103105 107503 904950 952999	2
170	251N1052-12		....PLUG- POSITION DATA: CO-PILOT SIDE USED ON: 251N1052-8	002004 006010 103105 107503 904950 952999	1
175	251N1052-1		....CRANK ASSY- POSITION DATA: PILOT SIDE USED ON: 251N1052-7	002004 006010 103105 107503 904950 952999	1
- 180	251N1052-2		....CRANK ASSY- POSITION DATA: PILOT SIDE USED ON: 251N1052-8	002004 006010 103105 107503 904950 952999	1

MISSING ITEM NUMBERS NOT APPLICABLE

- ITEM NOT ILLUSTRATED

BRI

27-31-59-01

BOEING PROPRIETARY - Copyright © - Unpublished Work - See title page for details.

27-31-59  
FIG. 01  
PAGE 8  
JAN 20/09



757

PARTS CATALOG (MAINTENANCE)

FIG ITEM	PART NUMBER	1 2 3 4 5 6 7	NOMENCLATURE	EFFECT FROM TO	UNITS PER ASSY
R R R R R R R R R R R R R R R R R R	1 185	MKP4AFS428	.....BEARING SUPPLIER CODE: V06144 SPECIFICATION NUMBER: BACB10AP4 OPTIONAL PART: MCS204E VK8455 LLMKP4A V38443 MKP4AFS428 V21335 MKP4ATT V43991 MKP4A2TS V43991 MKP4E6531 V21335 MKP4AG20 V38443 MKP4ALY196 V40920 MKP4A V38443 MCS24E VK8455 MKP4ASD610 V83086 MKP4ANJC V06144	002004 006010 103105 107503 904950 952999	1
	190	BACB28X3C017	.....BUSHING	002004 006010 103105 107503 904950 952999	1
	195	251N1052-5	.....CRANK- POSITION DATA: PILOT SIDE	002004 006010 103105 107503 904950 952999	1
	- 200	251N1052-6	.....CRANK- POSITION DATA: CO-PILOT SIDE	002004 006010 103105 107503 904950 952999	1

MISSING ITEM NUMBERS NOT APPLICABLE

- ITEM NOT ILLUSTRATED

27-31-59-01

27-31-59  
FIG. 01  
PAGE 9  
MAY 20/09

BRI

**BOEING**  
757  
**PARTS CATALOG (MAINTENANCE)**

FIG ITEM	PART NUMBER	1 2 3 4 5 6 7	NOMENCLATURE	EFFECT FROM TO	UNITS PER ASSY
1	205 MKP4AFS428	.....	BEARING-	002004	1
			SUPPLIER CODE:	006010	
			V06144	103105	
210	BACB28X3C017	.....	SPECIFICATION NUMBER:	107503	1
			BACB10AP4	904950	
			OPTIONAL PART:	952999	
215	251N1052-13	.....	MCS204E		1
			VK8455		
			LLMKP4A		
			V38443		
			MKP4AFS428		
			V21335		
			MKP4ATT		
			V43991		
			MKP4A2TS		
			V43991		
			MKP4E6531		
			V21335		
			MKP4AG20		
			V38443		
			MKP4ALY196		
			V40920		
			MKP4A		
			V38443		
			MCS24E		
			VK8455		
			MKP4ASD610		
			V83086		
			MKP4ANJC		
			V06144		
			USED ON:		
			251N1052-9		
			251N1052-10		
			.....		
			BUSHING-	002004	
			USED ON:	006010	
			251N1052-9	103105	
			251N1052-10	107503	
				904950	
				952999	
			.....		
			CRANK-	002004	
			POSITION DATA:	006010	
			PILOT SIDE	103105	
			USED ON:	107503	
			251N1052-9	904950	
				952999	

MISSING ITEM NUMBERS NOT APPLICABLE

— ITEM NOT ILLUSTRATED

BRI

# 27-31-59-01

BOEING PROPRIETARY - Copyright © - Unpublished Work - See title page for details.

27-31-59  
FIG. 01  
PAGE 10  
MAY 20/09



757

PARTS CATALOG (MAINTENANCE)

FIG ITEM	PART NUMBER	1 2 3 4 5 6 7	NOMENCLATURE	EFFECT FROM TO	UNITS PER ASSY
1 - 220	251N1052-14	.....	CRANK- POSITION DATA: CO-PILOT SIDE USED ON: 251N1052-10	002004 006010 103105 107503 904950 952999	1

MISSING ITEM NUMBERS NOT APPLICABLE

- ITEM NOT ILLUSTRATED

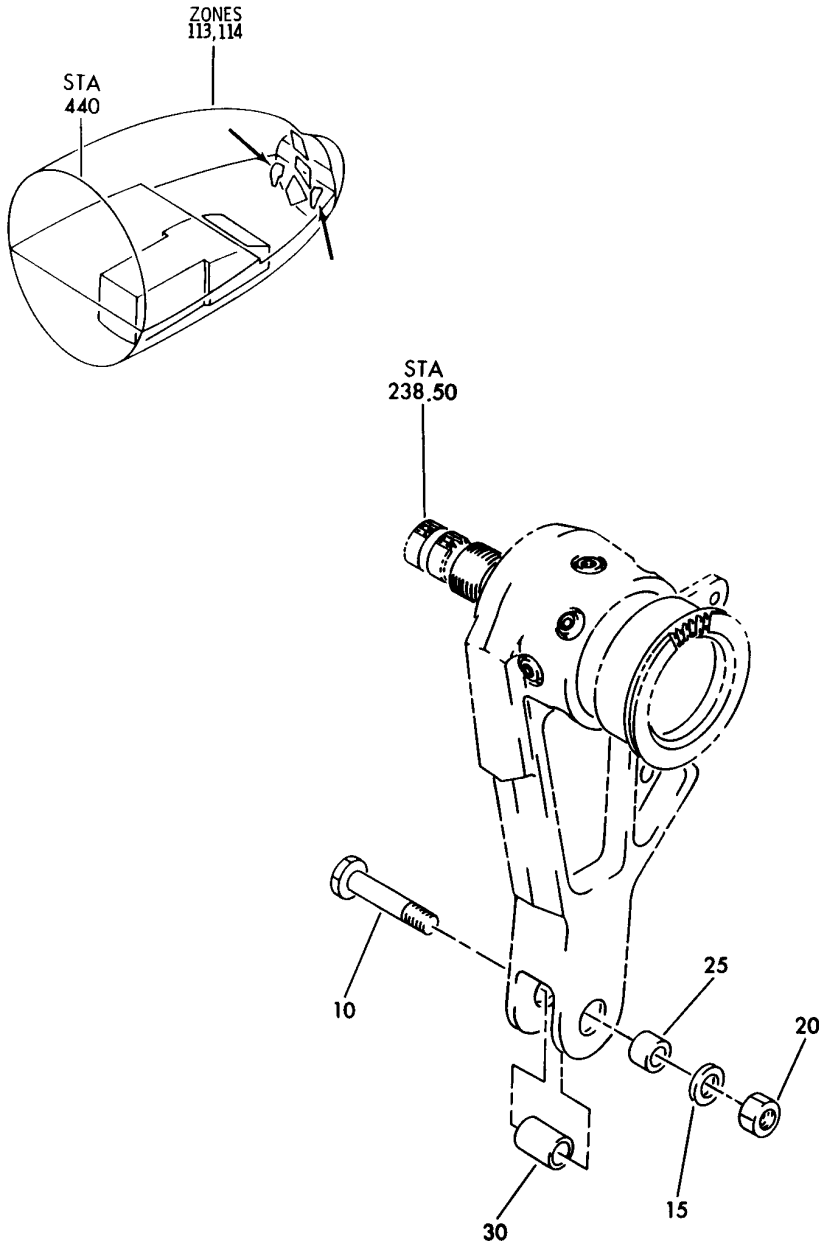
BRI

27-31-59-01

BOEING PROPRIETARY - Copyright © - Unpublished Work - See title page for details.

27-31-59  
FIG. 01  
PAGE 11  
MAY 20/09

**BOEING**  
757  
PARTS CATALOG (MAINTENANCE)



Y 27315902 REV 160

CRANK AND SHAFT ASSY  
FIGURE 2

**27-31-59-02**

BRI  
MAY 28/07

27-31-59-02  
PAGE 0





757

PARTS CATALOG (MAINTENANCE)

FIG ITEM	PART NUMBER	1 2 3 4 5 6 7	NOMENCLATURE	EFFECT FROM TO	UNITS PER ASSY
2			CRANK AND SHAFT ASSY	011102 504903 951951	
- 1	251N1235-29		CRANK AND SHAFT ASSY- POSITION DATA: PILOT SIDE COMPONENT MAINT MANUAL REF: 27-31-36 FOR NHA SEE: 27-31-10-01	011102 504903 951951	RF
- 5	251N1235-30		CRANK AND SHAFT ASSY- POSITION DATA: CO-PILOT SIDE COMPONENT MAINT MANUAL REF: 27-31-36 FOR NHA SEE: 27-31-10-01	011102 504903 951951	RF
10	BACB30LJ5-21		.BOLT	011102 504903 951951	1
15	BACW10BP5DP		.WASHER	011102 504903 951951	1
20	PLH55CM		.NUT SUPPLIER CODE: V62554 SPECIFICATION NUMBER: BACN10YR5CM OPTIONAL PART: H52732-5CM V15653	011102 504903 951951	1
25	BACB28AK05-024		.BUSHING	011102 504903 951951	1
35	251N1054-5		.SHAFT-STUB POSITION DATA: PILOT SIDE	011102 504903 951951	1
40	251N1054-6		.SHAFT-STUB POSITION DATA: CO-PILOT SIDE	011102 504903 951951	1
45	251N1052-15		.CRANK ASSY- POSITION DATA: PILOT SIDE	011102 504903 951951	1
50	251N1052-16		.CRANK ASSY- POSITION DATA: CO-PILOT SIDE	011102 504903 951951	1
55	BACB28AP05P014		..BUSHING	011102 504903 951951	1

MISSING ITEM NUMBERS NOT APPLICABLE

- ITEM NOT ILLUSTRATED

27-31-59-02

27-31-59  
FIG. 02  
PAGE 1  
JAN 20/09

BRI



757

PARTS CATALOG (MAINTENANCE)

FIG ITEM	PART NUMBER	1 2 3 4 5 6 7	NOMENCLATURE	EFFECT FROM TO	UNITS PER ASSY
2					
60	251N1052-17		.. CRANK- POSITION DATA: PILOT SIDE	011102 504903 951951	1
65	251N1052-18		.. CRANK- POSITION DATA: CO-PILOT SIDE	011102 504903 951951	1

MISSING ITEM NUMBERS NOT APPLICABLE

- ITEM NOT ILLUSTRATED

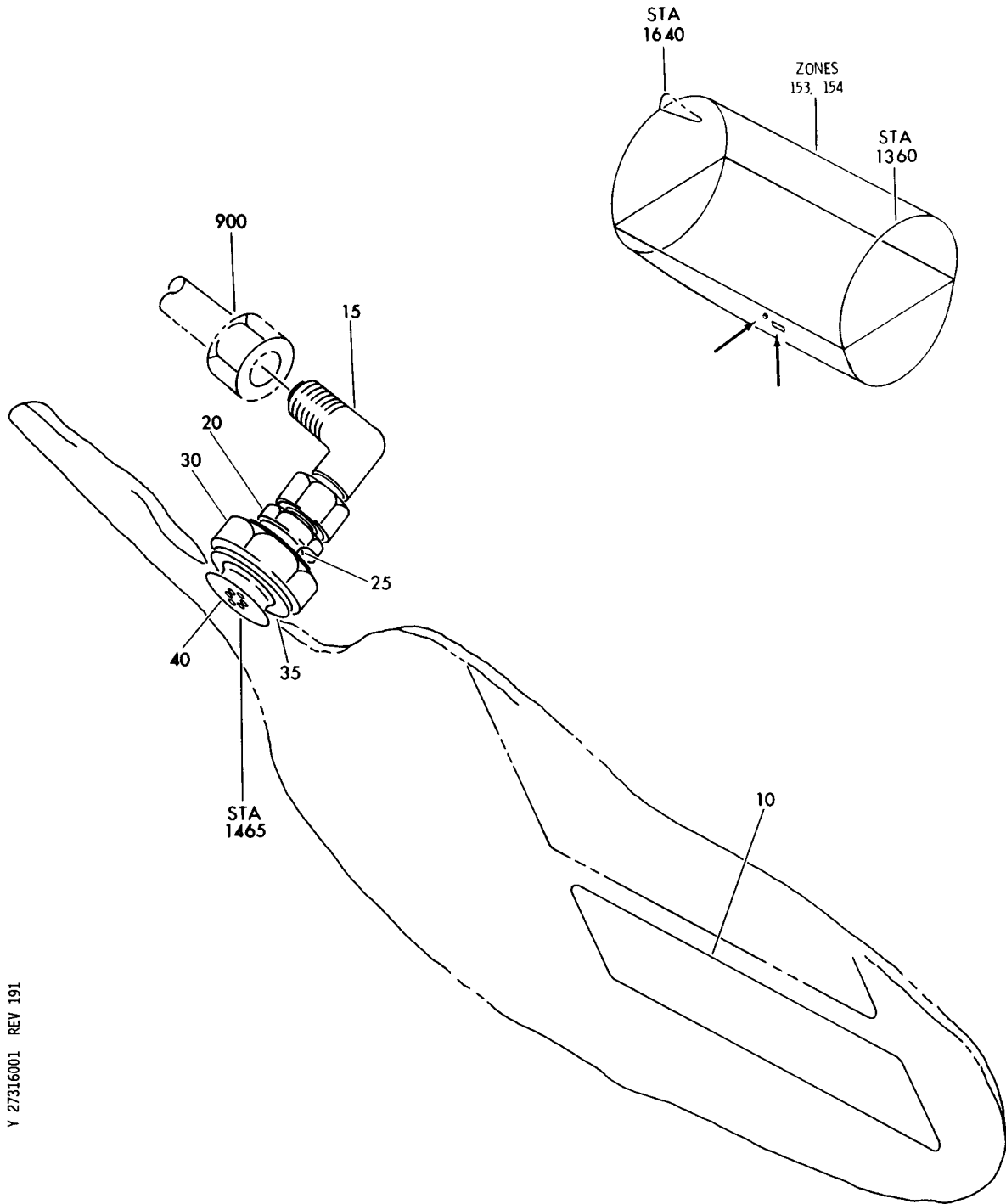
BRI

27-31-59-02

BOEING PROPRIETARY - Copyright © - Unpublished Work - See title page for details.

27-31-59  
FIG. 02  
PAGE 2  
JAN 20/09

**BOEING**  
757  
PARTS CATALOG (MAINTENANCE)



Y 27316001 REV 191

PORT INSTL-ELEV FEEL COMPUTER STATIC PRESSURE (FLIGHT CONTROLS ONLY)  
FIGURE 1

**27-31-60-01**

BRI  
MAY 28/07

27-31-60-01  
PAGE 0



757

PARTS CATALOG (MAINTENANCE)

FIG ITEM	PART NUMBER	1 2 3 4 5 6 7	NOMENCLATURE	EFFECT FROM TO	UNITS PER ASSY
1			PORT INSTL-ELEV FEEL COMPUTER STATIC PRESSURE (FLIGHT CONTROLS ONLY)	002004 006999	
- 1	271N6246-1		PORT INSTL-ELEV FEEL COMPUTER STATIC PRESSURE (FLIGHT CONTROLS ONLY)	002004 006100	RF
			FOR NHA/OTHER SYS DET SEE: 29-00-51-04	107107 121503	
- 1	271N6246-5		PORT INSTL-ELEV FEEL COMPUTER STATIC PRESSURE (FLIGHT CONTROLS ONLY)	904999 101102	RF
			FOR NHA/OTHER SYS DET SEE: 27-00-00-03	108120 504903	
- 1	MODREF7637		PORT INSTL-ELEV FEEL COMPUTER STATIC PRESSURE (FLIGHT CONTROLS ONLY)	103103	1
			MODULE NUMBER: 271N6246-5 REV A		
			FOR ADDITIONAL DETAILS SEE: 11-21-30-01		
- 1	MODREF27624		PORT INSTL-ELEV FEEL COMPUTER STATIC PRESSURE (FLIGHT CONTROLS ONLY)	104106	1
			MODULE NUMBER: 271N6246-5 REV B		
			FOR ADDITIONAL DETAILS SEE: 11-21-30-01		
- 5	271N6246-2		PORT INSTL-ELEV FEEL COMPUTER STATIC PRESSURE (FLIGHT CONTROLS ONLY)	002004 006100	RF
			FOR NHA/OTHER SYS DET SEE: 29-00-51-04	107107 121503	
- 5	271N6246-6		PORT INSTL-ELEV FEEL COMPUTER STATIC PRESSURE (FLIGHT CONTROLS ONLY)	904999 101102	RF
			FOR NHA/OTHER SYS DET SEE: 27-00-00-03	108120 504903	
- 5	MODREF7638		PORT INSTL-ELEV FEEL COMPUTER STATIC PRESSURE (FLIGHT CONTROLS ONLY)	103103	1
			MODULE NUMBER: 271N6246-6 REV A		
			FOR ADDITIONAL DETAILS SEE: 11-21-30-01		

MISSING ITEM NUMBERS NOT APPLICABLE

- ITEM NOT ILLUSTRATED

BRI

27-31-60-01

27-31-60  
FIG. 01  
PAGE 1  
JAN 20/09



757

PARTS CATALOG (MAINTENANCE)

FIG ITEM	PART NUMBER	1 2 3 4 5 6 7	NOMENCLATURE	EFFECT FROM TO	UNITS PER ASSY
1					
- 5	MODREF27625		PORT INSTL-ELEV FEEL COMPUTER STATIC PRESSURE (FLIGHT CONTROLS ONLY) MODULE NUMBER: 271N6246-6 REV B FOR ADDITIONAL DETAILS SEE: 11-21-30-01	104106	1
10	BAC27NHY0196		.DECAL- PLACARD CONTENT: ELEV FEEL COMPUTER STATIC PRESSURE	002004 006999	1
15	NAS1762D0606		.ELBOW- MISCELLANEOUS DATA: MAY USE NAS1762W0606	002004 006999	1
20	MS21902D6		.UNION	002004 006999	1
25	NAS1612-6		.PACKING-	002004 006100 107107 121503 904999	1
25	NAS1612-6A		.PACKING-	101106 108120 504903	1
30	NAS509-14		.NUT- OPTIONAL PART: BACN10DR10D	002004 006999	1
30	BACN10DR10D		.NUT- OPTIONAL PART: NAS509-14	002004 006999	1
35	232N9104-1		.WASHER	002004 006999	1
40	69-15853-3		.PORT	002004 006999	1
900			ILLUSTRATION REFERENCE: PLUMBING INSTL-SECT. 46 HYDR (ELEVATOR CONTROL SYSTEM ONLY) 27-31-51-30	002004 006100 107107 121503 904999	RF
900			ILLUSTRATION REFERENCE: PLUMBING INSTL-SECT. 46 29-11-51-95	101102 108120 504903	RF

MISSING ITEM NUMBERS NOT APPLICABLE

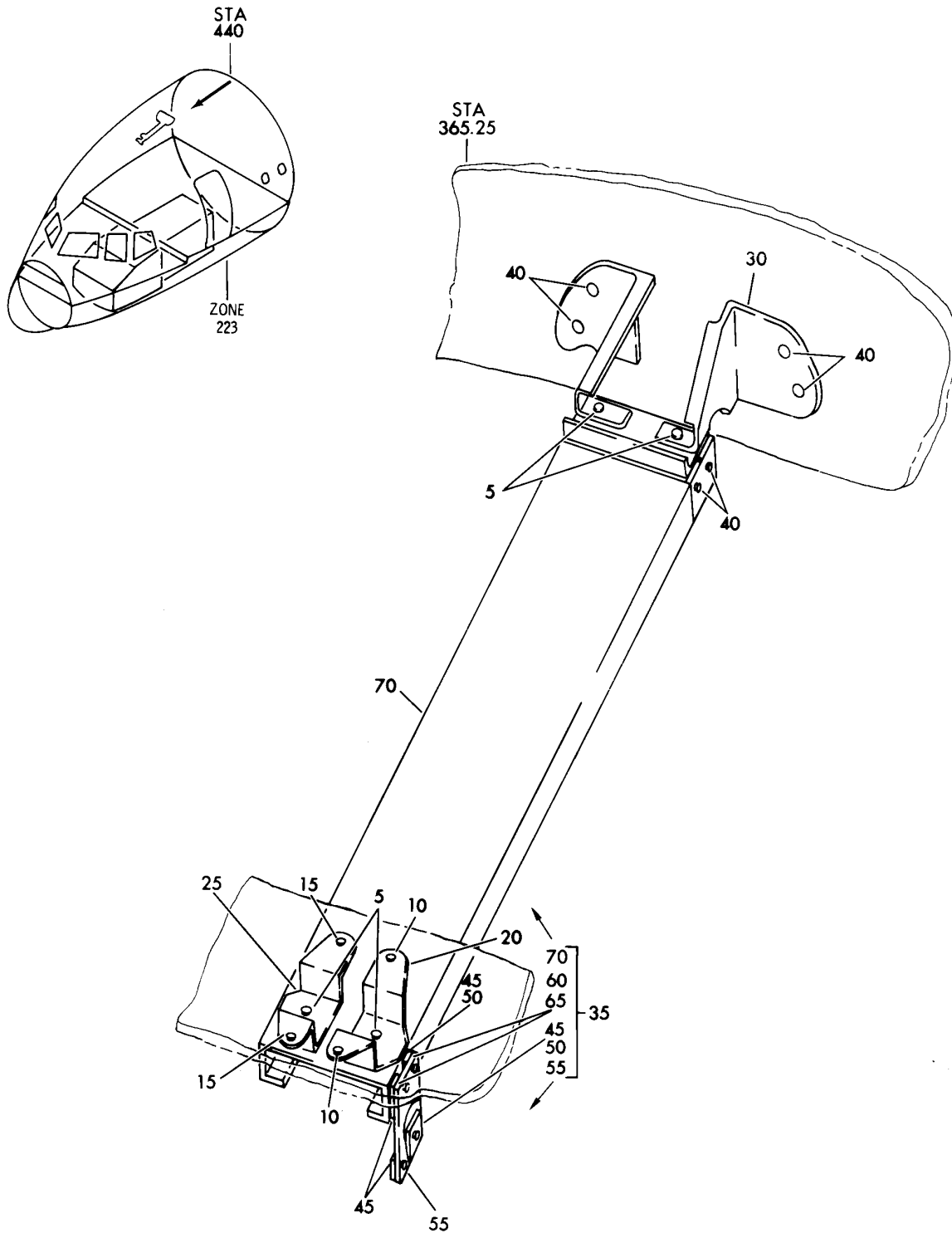
- ITEM NOT ILLUSTRATED

BRI

27-31-60-01

27-31-60  
FIG. 01  
PAGE 2  
JAN 20/09

**BOEING**  
757  
PARTS CATALOG (MAINTENANCE)



Y 27316304 SHT 1 REV 098

SHROUD INSTL-CONTROL CABLE, ELEVATOR STA. 350-STA. 365.25

FIGURE 4

**27-31-63-04**

BRI  
MAY 28/07

27-31-63-04  
PAGE 0



757

PARTS CATALOG (MAINTENANCE)

FIG ITEM	PART NUMBER	1 2 3 4 5 6 7	NOMENCLATURE	EFFECT FROM TO	UNITS PER ASSY
4			SHROUD INSTL-CONTROL CABLE, ELEVATOR STA. 350- STA. 365.25	002004 006999	
- 1	251N6062-2		SHROUD INSTL-CONTROL CABLE, ELEVATOR POSITION DATA: STA. 350, STA. 365.25 FOR NHA SEE: 27-31-00-02	002004 006100 107107 121503 904999	RF
- 1	251N6062-14		SHROUD INSTL-CONTROL CABLE, ELEVATOR POSITION DATA: STA. 350, STA. 365.25 FOR NHA SEE: 27-31-00-01	101102 108120 504903	RF
- 1	MODREF8691		SHROUD INSTL-CONTROL CABLE, ELEVATOR MODULE NUMBER: 251N6062-14 REV A POSITION DATA: STA. 350, STA. 365.25	103106	1
5	NAS1398D6-3		.RIVET	002004 006999	4
10	BACR15BA5D		.RIVET- SIZE DETERMINED ON INSTL.	002004 006999	2
15	BACR15FT5AD		.RIVET- SIZE DETERMINED ON INSTL.	002004 006999	2
20	251N6308-2		.SUPPORT ASSY	002004 006999	1
25	251N6308-3		.SUPPORT ASSY	002004 006999	1
30	251N6308-7		.SUPPORT ASSY	002004 006999	1
35	251N6310-5		.SHROUD ASSY- POST SERVICE BULLETIN: 27-0091	002004 006999	1
40	NAS1738E4		..RIVET- SIZE DETERMINED ON INSTL.	002004 006999	8
50	BACF3F007D012NN		..FILLER- POST SERVICE BULLETIN: 27-0091	002004 006999	2
55	251N6149-1		..STRAP-SHROUD SUPPORT POST SERVICE BULLETIN: 27-0091	002004 006999	1
60	251N6310-2		..CLIP	002004 006999	2
65	251N6310-3		..CLIP	002004 006999	2

MISSING ITEM NUMBERS NOT APPLICABLE

- ITEM NOT ILLUSTRATED

27-31-63-04

27-31-63  
FIG. 04  
PAGE 1  
JAN 20/09

BRI



757

PARTS CATALOG (MAINTENANCE)

FIG ITEM	PART NUMBER	1 2 3 4 5 6 7	NOMENCLATURE	EFFECT FROM TO	UNITS PER ASSY
4 70	251N6310-4	. .	SHROUD	002004 006999	1

MISSING ITEM NUMBERS NOT APPLICABLE

- ITEM NOT ILLUSTRATED

BRI

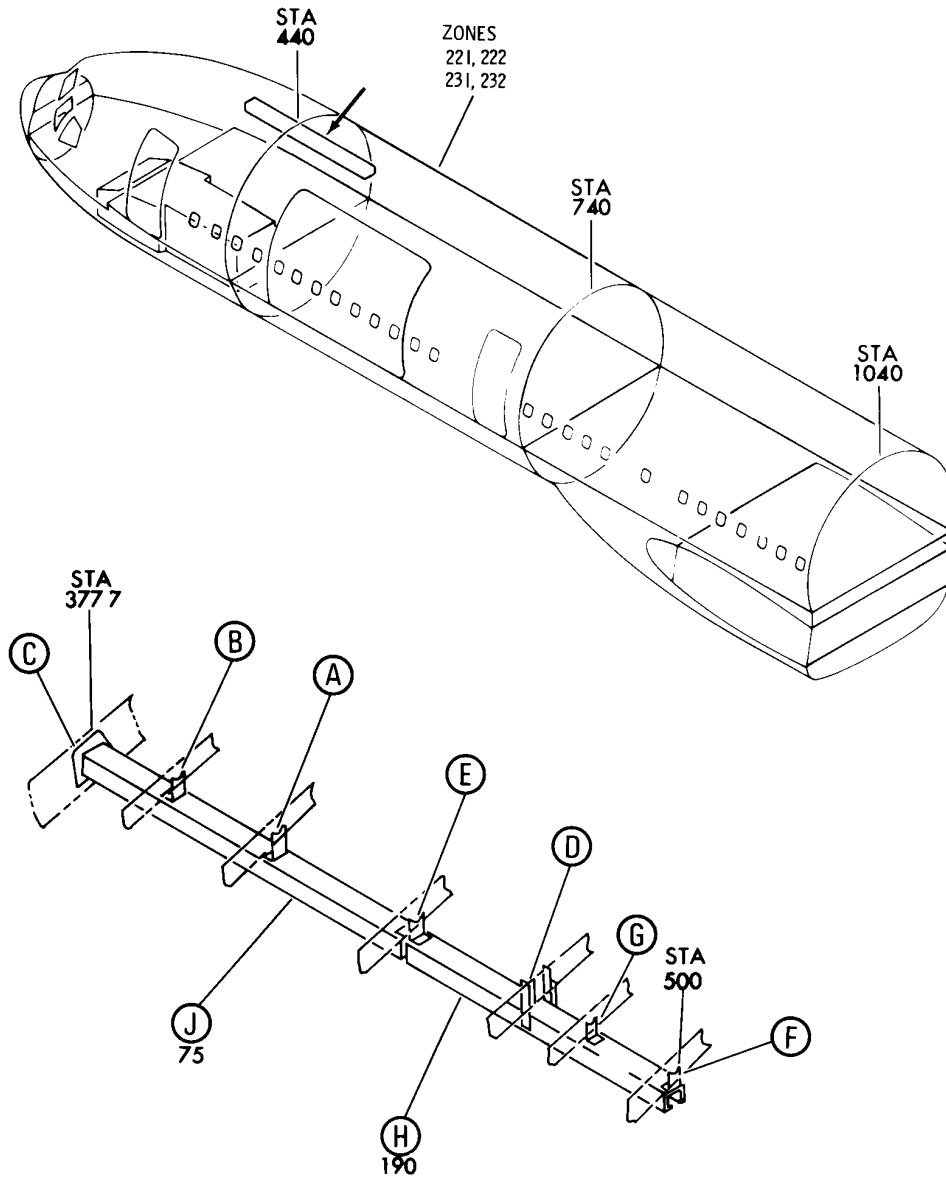
27-31-63-04

BOEING PROPRIETARY - Copyright © - Unpublished Work - See title page for details.

27-31-63  
FIG. 04  
PAGE 2  
JAN 20/09



**BOEING**  
757  
PARTS CATALOG (MAINTENANCE)



Y 27316305 SHT 1 REV 098

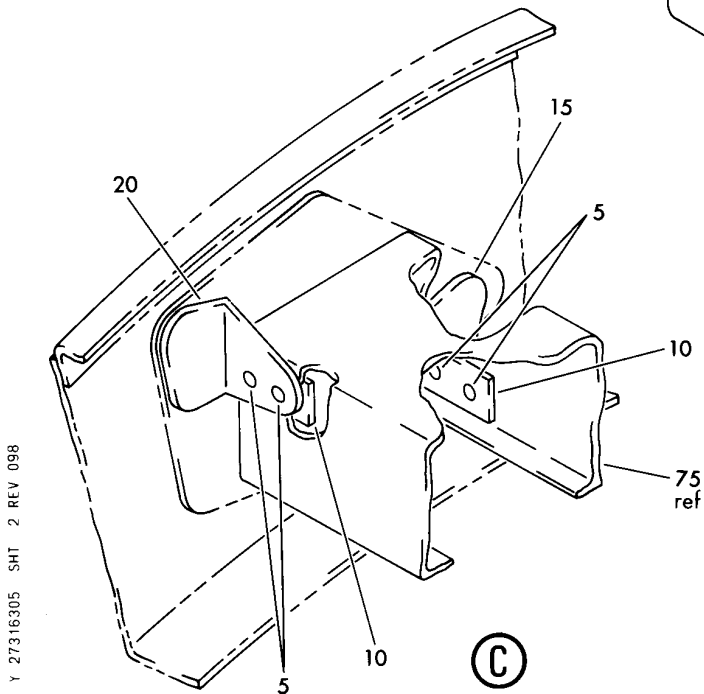
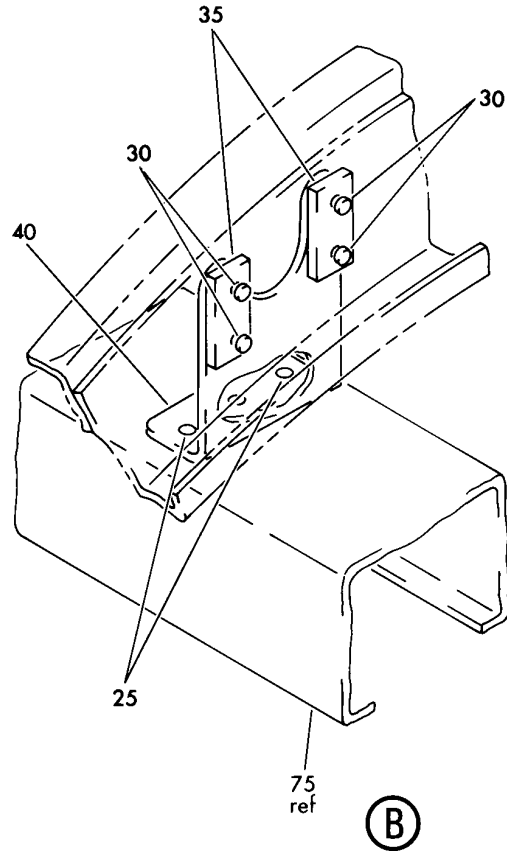
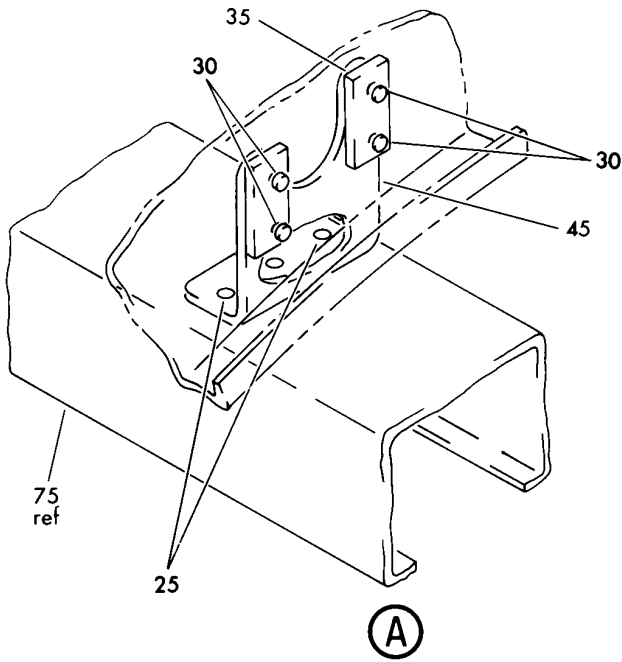
SHROUD INSTL-ELEV STA 377.70 TO 500 CONT CABLE  
FIGURE 5 (SHEET 1)

**27-31-63-05**

BRI  
MAY 28/07

27-31-63-05  
PAGE 0

**BOEING**  
757  
PARTS CATALOG (MAINTENANCE)



Y 27316305 SHT 2 REV 098

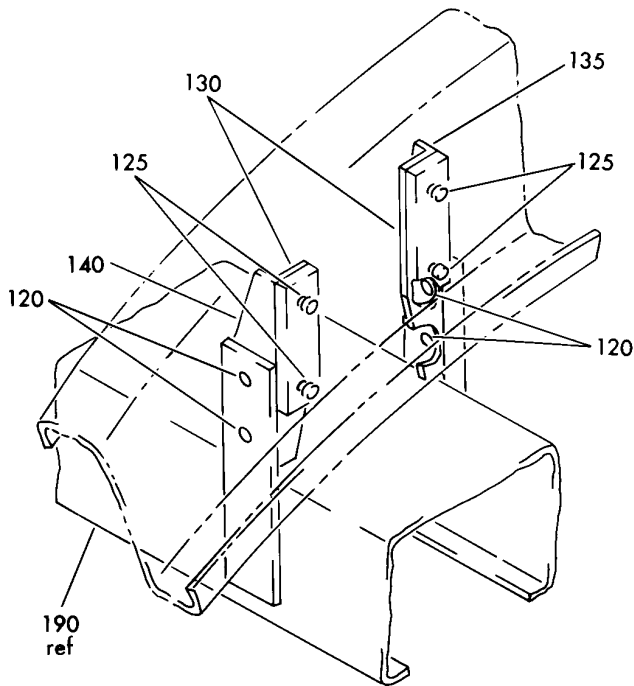
SHROUD INSTL-ELEV STA 377.70 TO 500 CONT CABLE  
FIGURE 5 (SHEET 2)

**27-31-63-05**

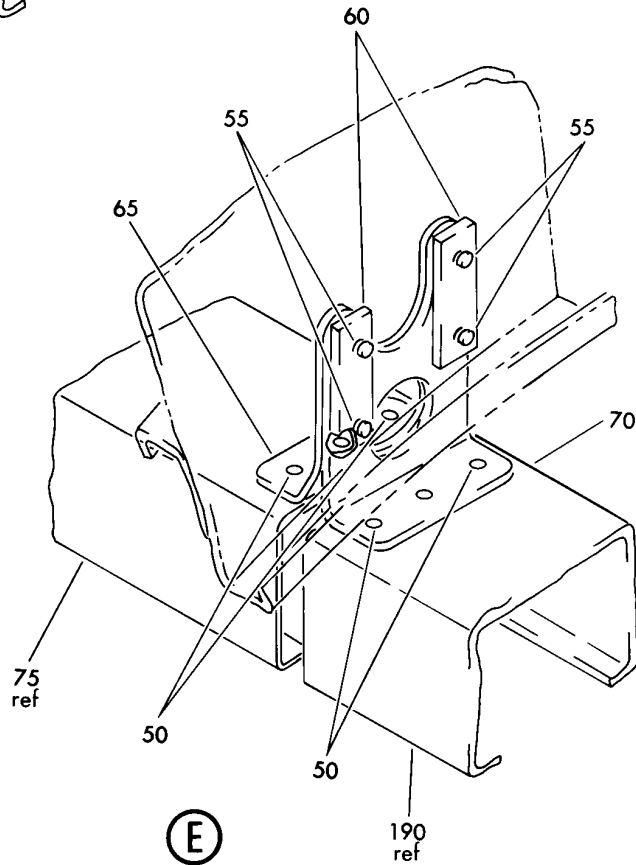
BRI  
MAY 28/07

27-31-63-05  
PAGE 0A

**BOEING**  
757  
PARTS CATALOG (MAINTENANCE)



(D)



(E)

Y 27316305 SHT 3 REV 098

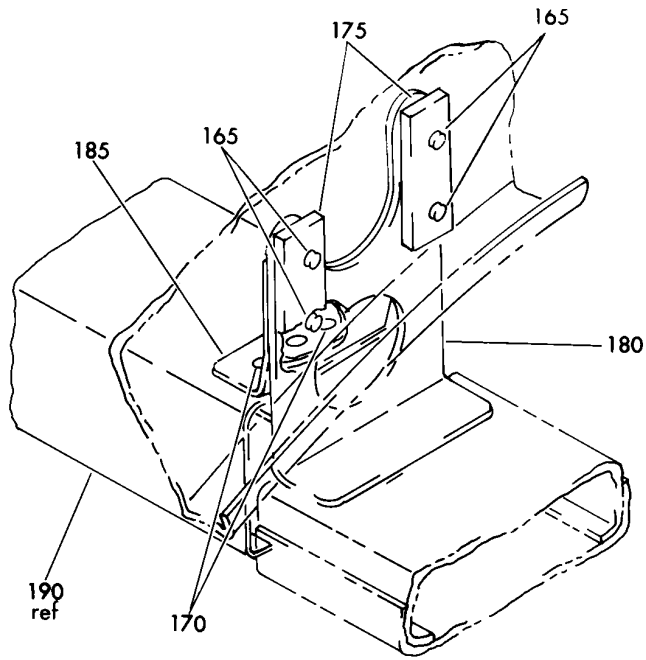
SHROUD INSTL-ELEV STA 377.70 TO 500 CONT CABLE  
FIGURE 5 (SHEET 3)

**27-31-63-05**

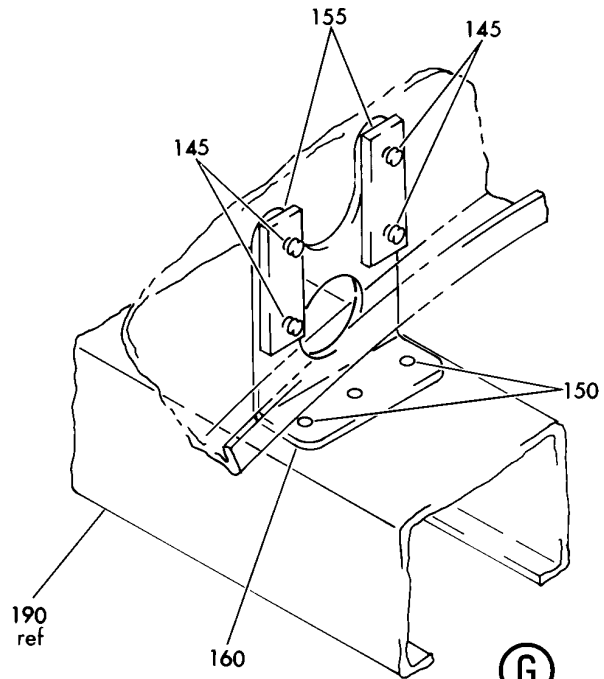
BRI  
MAY 28/07

27-31-63-05  
PAGE 0B

**BOEING**  
757  
PARTS CATALOG (MAINTENANCE)



(F)



(G)

Y 27316305 SHIT 4 REV 098

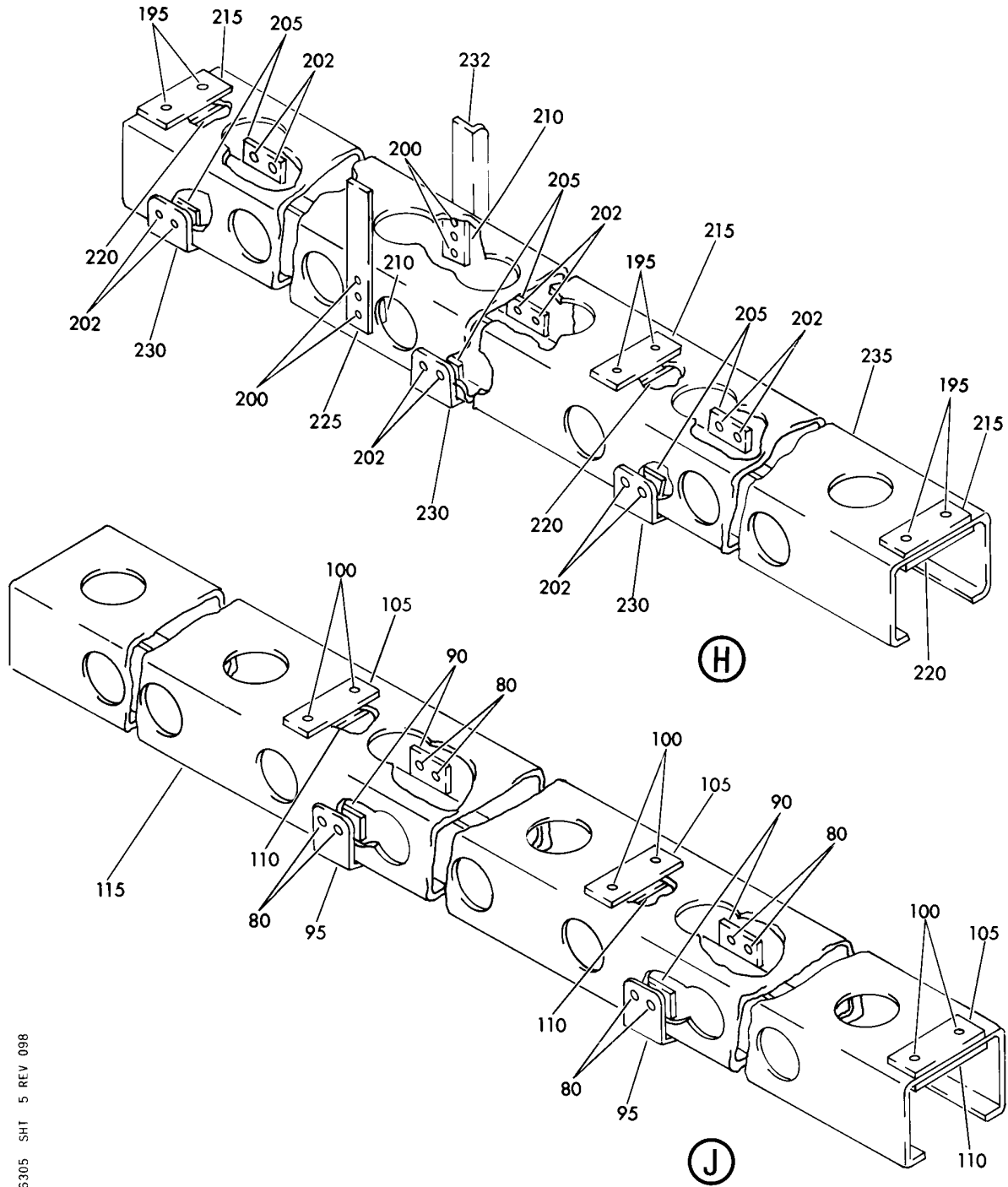
SHROUD INSTL-ELEV STA 377.70 TO 500 CONT CABLE  
FIGURE 5 (SHEET 4)

**27-31-63-05**

BRI  
MAY 28/07

27-31-63-05  
PAGE 0C

**BOEING**  
 757  
 PARTS CATALOG (MAINTENANCE)



Y 27316305 SHT 5 REV 098

SHROUD INSTL-ELEV STA 377.70 TO 500 CONT CABLE  
 FIGURE 5 (SHEET 5)

**27-31-63-05**

BRI  
 MAY 28/07

27-31-63-05  
 PAGE 0D



757

PARTS CATALOG (MAINTENANCE)

FIG ITEM	PART NUMBER	1 2 3 4 5 6 7	NOMENCLATURE	EFFECT FROM TO	UNITS PER ASSY
5			SHROUD INSTL-ELEV STA 377.70 TO 500 CONT CABLE	002004 006100 107503 904999	
- 1	251N6062-7		SHROUD INSTL-CONT CABLE POSITION DATA: ELEV STA 377.70 TO 500 FOR NHA/ADDITIONAL DET SEE: 27-31-00-02	002004 006100 107107 121503 904999	RF
- 1	251N6062-15		SHROUD INSTL-CONT CABLE POSITION DATA: ELEV STA 377.70 TO 500 FOR NHA SEE: 27-31-00-01	108120	RF
5	NAS1398D5-3		.RIVET	002004 006100 107503 904999	4
10	BACF3F007D012NN		.FILLER	002004 006100 107503 904999	2
15	251N6315-2		.SUPPORT	002004 006100 107503 904999	1
20	251N6315-14		.SUPPORT	002004 006100 107503 904999	1
25	NAS1398D5-3		.RIVET	002004 006100 107503 904999	6
30	BACR15FTAD		.RIVET- SIZE DETERMINED ON INSTL.	002004 006100 107503 904999	8
35	251N6297-1		.INSULATOR	002004 006100 107503 904999	4
40	251N6309-7		.SUPPORT	002004 006100 107503 904999	1

MISSING ITEM NUMBERS NOT APPLICABLE

- ITEM NOT ILLUSTRATED

27-31-63-05

27-31-63  
FIG. 05  
PAGE 1  
JAN 20/09

BRI



757

PARTS CATALOG (MAINTENANCE)

FIG ITEM	PART NUMBER	1 2 3 4 5 6 7	NOMENCLATURE	EFFECT FROM TO	UNITS PER ASSY
5					
45	251N6309-10	.	SUPPORT	002004 006100 107503 904999	1
50	NAS1398D5-3	.	RIVET	002004 006100 107503 904999	6
55	BACR15FT5AD	.	RIVET- SIZE DETERMINED ON INSTL.	002004 006100 107503 904999	4
60	251N6297-7	.	INSULATOR	002004 006100 107503 904999	2
65	251N6309-14	.	SUPPORT	002004 006100 107503 904999	1
70	251N6309-15	.	SUPPORT	002004 006100 107503 904999	1
75	251N6303-6	.	SHROUD ASSY-	107107 904949	1
75	251N6303-8	.	SHROUD ASSY-	107107 904949	1
75	251N6303-10	.	SHROUD ASSY-	002004 006100 107503 904951 953999	1
80	NAS1738E4	..	RIVET- SIZE DETERMINED ON INSTL.	107120 950951	8
90	BACF3F007D012NN	..	FILLER	002004 006100 107503 904999	4
95	251N6315-16	..	BRACKET	002004 006100 107503 904999	2
100	NAS1739E4	..	RIVET- SIZE DETERMINED ON INSTL.	107120 950951	6
105	BACF3F008E025NN	..	FILLER	002004 006100 107503 904999	3

MISSING ITEM NUMBERS NOT APPLICABLE

- ITEM NOT ILLUSTRATED

27-31-63-05

27-31-63  
FIG. 05  
PAGE 2  
JAN 20/09

BRI



757

PARTS CATALOG (MAINTENANCE)

FIG ITEM	PART NUMBER	1 2 3 4 5 6 7	NOMENCLATURE	EFFECT FROM TO	UNITS PER ASSY
5					
110	251N6317-1	. .	DOUBLER	002004 006100 107503 904999	3
115	251N6303-3	. .	SHROUD	002004 006100 107503 904999	1
120	NAS1398D6-2	. RIVET		002004 006100 107503 904999	4
125	BACR15FT5AD	. RIVET-	SIZE DETERMINED ON INSTL.	002004 006100 107503 904999	4
130	251N6297-7	. INSULATOR		002004 006100 107503 904999	2
135	251N6316-1	. SUPPORT		002004 006100 107503 904999	1
140	251N6316-2	. SUPPORT		002004 006100 107503 904999	1
145	BACR15FT5AD	. RIVET-	SIZE DETERMINED ON INSTL.	002004 006100 107503 904999	4
150	NAS1398D5-3	. RIVET		002004 006100 107503 904999	3
155	251N6297-7	. INSULATOR		002004 006100 107503 904999	2
160	251N6309-15	. SUPPORT		002004 006100 107503 904999	1
165	BACR15FT5AD	. RIVET-	SIZE DETERMINED ON INSTL.	002004 006100 107503 904999	4

MISSING ITEM NUMBERS NOT APPLICABLE

- ITEM NOT ILLUSTRATED

27-31-63-05

27-31-63  
FIG. 05  
PAGE 3  
JAN 20/09

BRI

BOEING PROPRIETARY - Copyright © - Unpublished Work - See title page for details.





757

PARTS CATALOG (MAINTENANCE)

FIG ITEM	PART NUMBER	1 2 3 4 5 6 7	NOMENCLATURE	EFFECT FROM TO	UNITS PER ASSY
5					
170	NAS1398D5-3	.	RIVET	002004 006100 107503 904999	3
175	251N6297-7	.	INSULATOR	002004 006100 107503 904999	2
180	251N6309-1	.	SUPPORT	002004 006100 107503 904999	1
185	251N6309-8	.	SUPPORT	002004 006100 107503 904999	1
190	251N6303-7	.	SHROUD ASSY	002004 006100 107503 904999	1
195	NAS1739E4-2	..	RIVET	107120 950951	6
200	NAS1738E4-2	..	RIVET	107120 950951	6
205	BACF3F007D012NN	..	FILLER	002004 006100 107503 904999	6
210	BACF3F008D018NN	..	DOUBLER	002004 006100 107503 904999	2
215	BACF3F008E025NN	..	FILLER	002004 006100 107503 904999	3
220	251N6317-1	..	DOUBLER	002004 006100 107503 904999	3
225	251N6317-2	..	DOUBLER	002004 006100 107503 904999	1
230	251N6315-16	..	BRACKET	002004 006100 107503 904999	3

MISSING ITEM NUMBERS NOT APPLICABLE

- ITEM NOT ILLUSTRATED

27-31-63-05

27-31-63  
FIG. 05  
PAGE 4  
JAN 20/09

BRI

BOEING PROPRIETARY - Copyright © - Unpublished Work - See title page for details.



757

PARTS CATALOG (MAINTENANCE)

FIG ITEM	PART NUMBER	1 2 3 4 5 6 7	NOMENCLATURE	EFFECT FROM TO	UNITS PER ASSY
5 232	251N6315-6	. .	BRACKET	002004 006100 107503 904999	1
235	251N6303-4	. .	SHROUD	002004 006100 107503 904999	1

MISSING ITEM NUMBERS NOT APPLICABLE

- ITEM NOT ILLUSTRATED

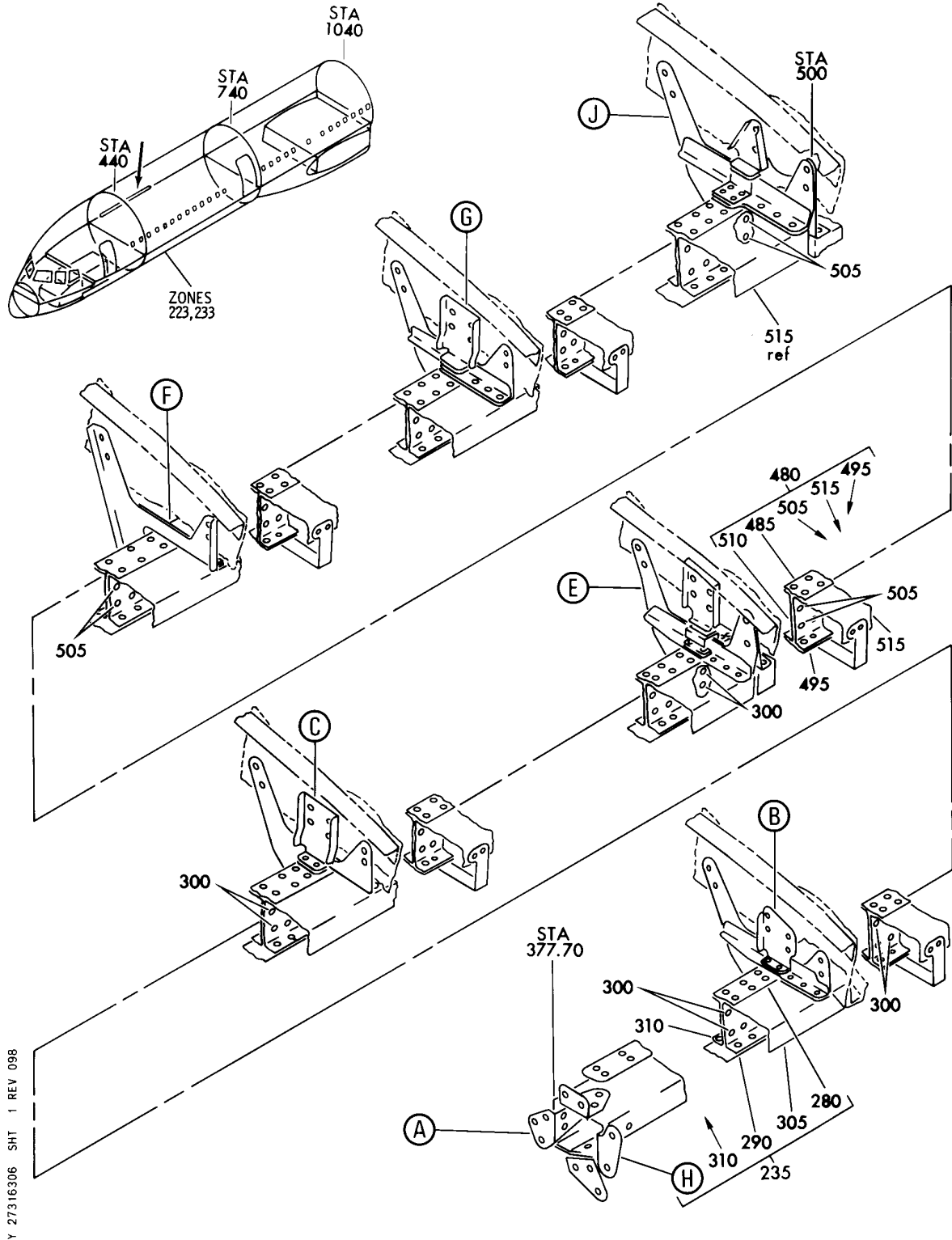
BRI

27-31-63-05

BOEING PROPRIETARY - Copyright © - Unpublished Work - See title page for details.

27-31-63  
FIG. 05  
PAGE 5  
JAN 20/09

**BOEING**  
757  
PARTS CATALOG (MAINTENANCE)



Y 27316306 SHT 1 REV 098

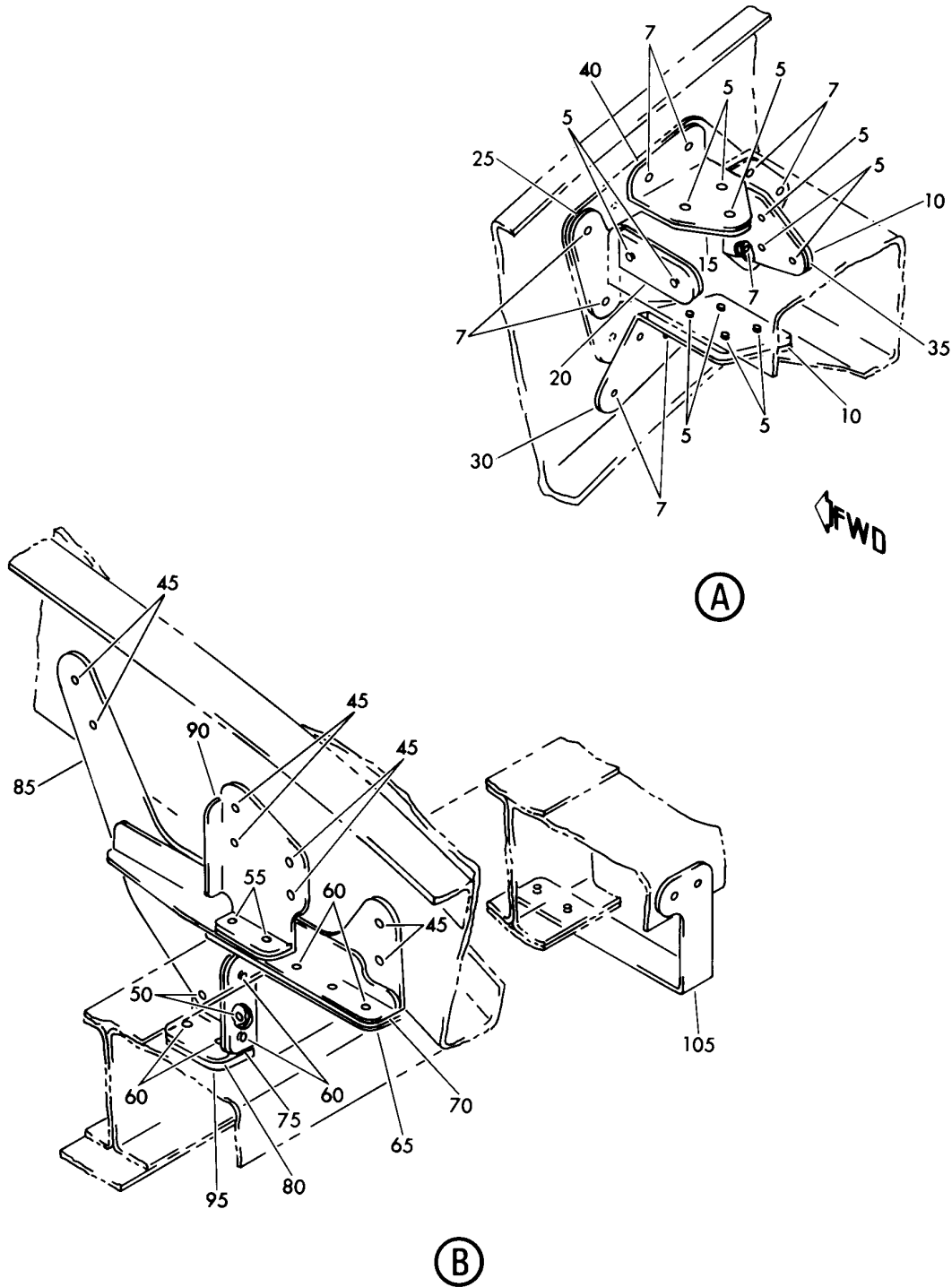
SHROUD INSTL-ELEV STA 377.70 TO 500 CONT CABLE  
FIGURE 6 (SHEET 1)

**27-31-63-06**

BRI  
MAY 28/07

27-31-63-06  
PAGE 0

**BOEING**  
757  
PARTS CATALOG (MAINTENANCE)



Y 27316306 SHT 2 REV 098

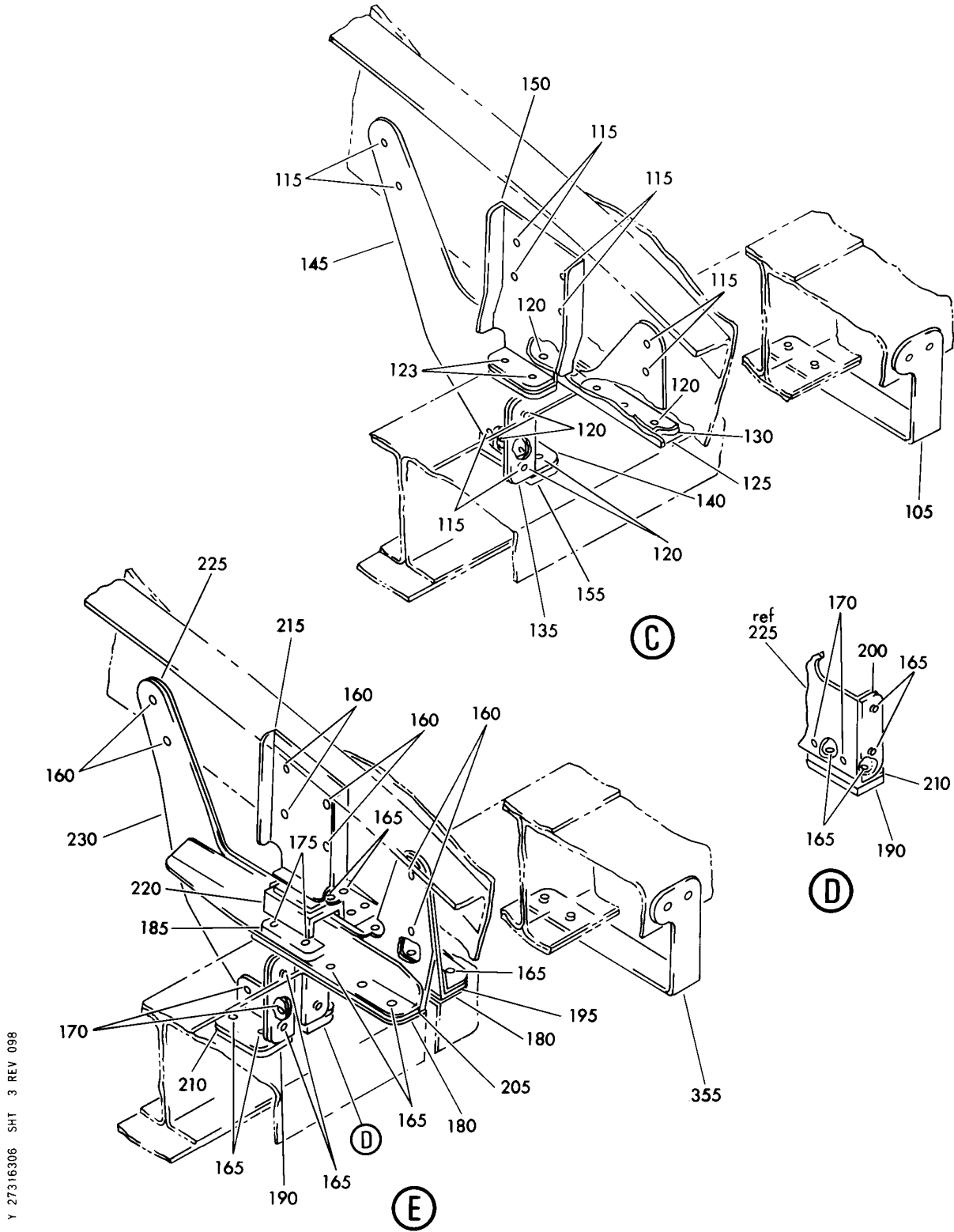
SHROUD INSTL-ELEV STA 377.70 TO 500 CONT CABLE  
FIGURE 6 (SHEET 2)

**27-31-63-06**

BRI  
MAY 28/07

27-31-63-06  
PAGE 0A

**BOEING**  
757  
PARTS CATALOG (MAINTENANCE)



Y 27316306 SHT 3 REV 098

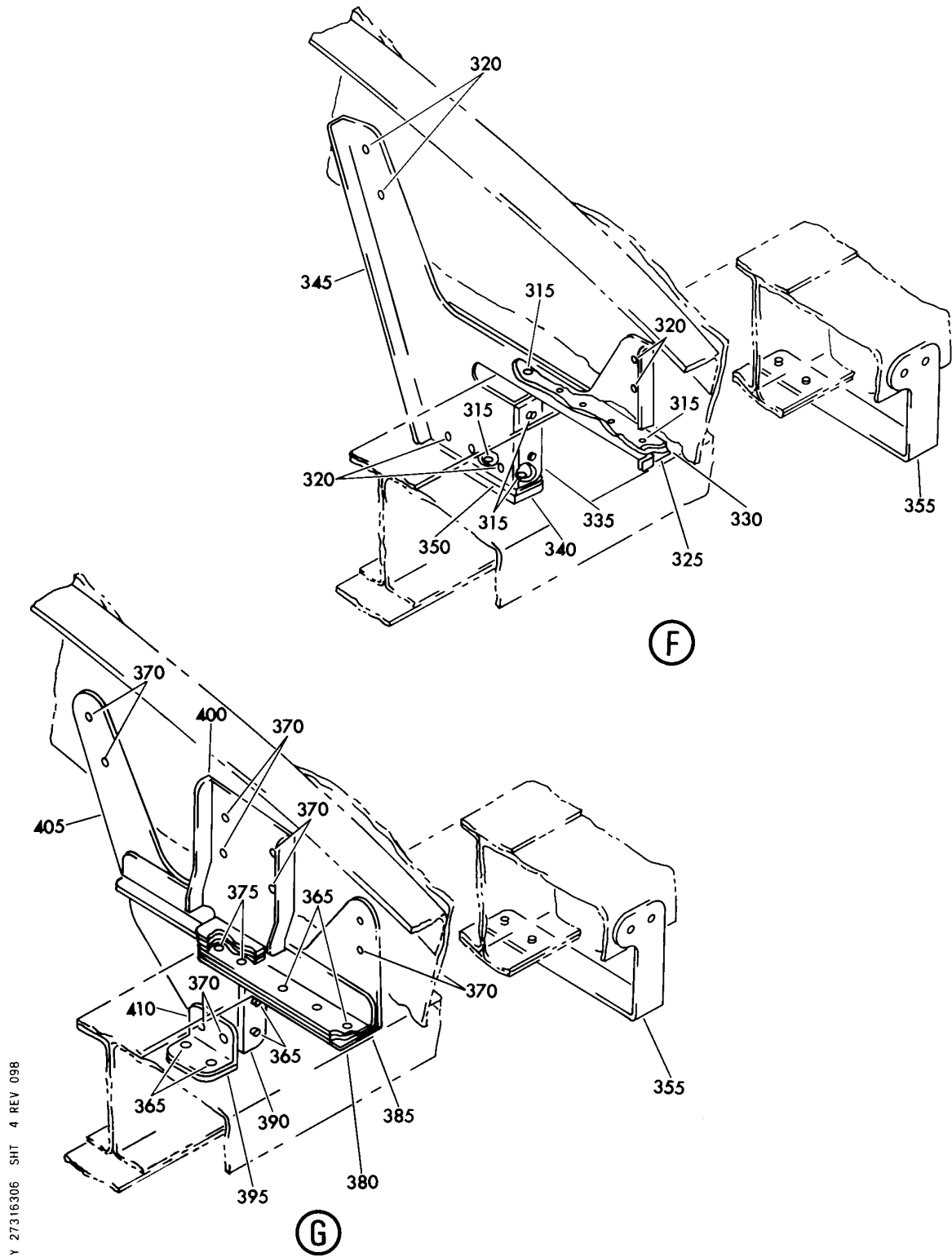
SHROUD INSTL-ELEV STA 377.70 TO 500 CONT CABLE  
FIGURE 6 (SHEET 3)

**27-31-63-06**

BRI  
MAY 28/07

27-31-63-06  
PAGE 0B

**BOEING**  
757  
PARTS CATALOG (MAINTENANCE)



Y 27316306 SHT 4 REV 098

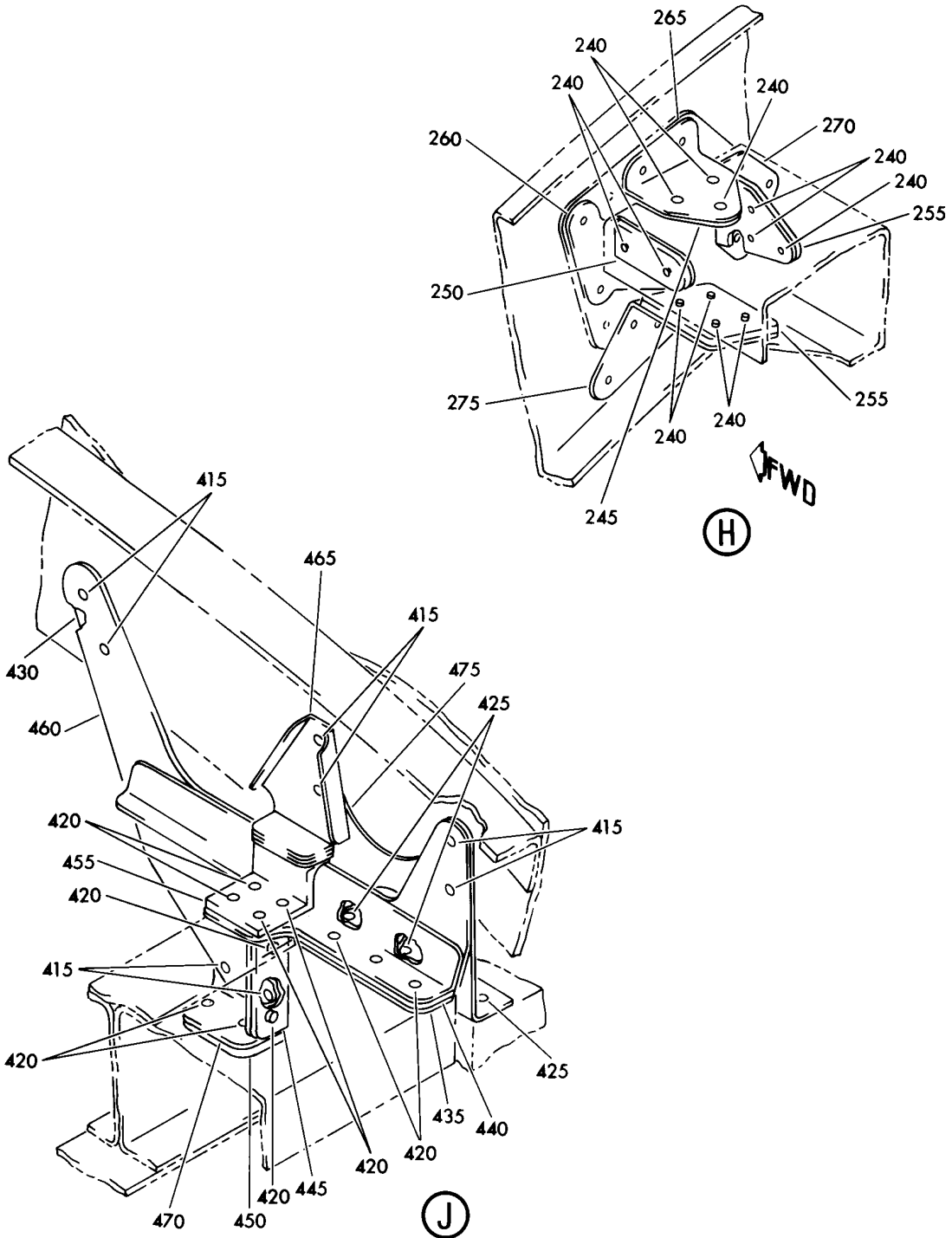
SHROUD INSTL-ELEV STA 377.70 TO 500 CONT CABLE  
FIGURE 6 (SHEET 4)

**27-31-63-06**

BRI  
MAY 28/07

27-31-63-06  
PAGE 0C

**BOEING**  
757  
PARTS CATALOG (MAINTENANCE)



Y 27316306 SHT 5 REV 098

SHROUD INSTL-ELEV STA 377.70 TO 500 CONT CABLE  
FIGURE 6 (SHEET 5)

**27-31-63-06**

BRI  
MAY 28/07

27-31-63-06  
PAGE 0D



757

PARTS CATALOG (MAINTENANCE)

FIG ITEM	PART NUMBER	1 2 3 4 5 6 7	NOMENCLATURE	EFFECT FROM TO	UNITS PER ASSY
6			SHROUD INSTL-ELEV STA 377.70 TO 500 CONT CABLE	002004 006102 121949 952999	
- 1	251N6062-7		SHROUD INSTL-CONT CABLE POSITION DATA: ELEV STA 377.70 TO 500 VARIABLE DRAWING REF: 251N6062-11 251N6062-12 FOR NHA/ADDITIONAL DET SEE: 27-31-00-02	002004 006100 121503 904949 952999	RF
- 1	251N6062-16		SHROUD INSTL-CONT CABLE POSITION DATA: ELEV STA 377.70 TO 500 FOR NHA SEE: 27-31-00-01	101101	RF
- 1	251N6062-20		SHROUD INSTL-CONT CABLE POSITION DATA: ELEV STA 377.70 TO 500 FOR NHA SEE: 27-31-00-01	102102 504903	RF
5	BACR15FT5AD		.RIVET- SIZE DETERMINED ON INSTL.	002004 006102 121949 952999	12
7	BACR15FT6DD		.RIVET- SIZE DETERMINED ON INSTL.	002004 006102 121949 952999	10
10	251N6335-5		.INSULATOR	002004 006102 121949 952999	2
15	251N6335-1		.INSULATOR	002004 006102 121949 952999	1
20	251N6335-3		.INSULATOR	002004 006102 121949 952999	1
25	251N6334-8		.CLIP	002004 006102 121949 952999	1

MISSING ITEM NUMBERS NOT APPLICABLE

- ITEM NOT ILLUSTRATED

27-31-63-06

27-31-63  
FIG. 06  
PAGE 1  
JAN 20/09

BRI





757

PARTS CATALOG (MAINTENANCE)

FIG ITEM	PART NUMBER	1 2 3 4 5 6 7	NOMENCLATURE	EFFECT FROM TO	UNITS PER ASSY
6	30	251N6334-11	.CLIP-	002004 006102 121949 952999	1
	35	251N6334-10	.CLIP	002004 006102 121949 952999	1
	40	251N6334-9	.CLIP	002004 006102 121949 952999	1
	45	BACR15FT6D	.RIVET- SIZE DETERMINED ON INSTL.	002004 006102 121949 952999	8
	50	BACR15FT5D	.RIVET- SIZE DETERMINED ON INSTL.	002004 006102 121949 952999	2
	55	BACR15BA5A	.RIVET- SIZE DETERMINED ON INSTL.	002004 006102 121949 952999	2
	60	BACR15BB5A	.RIVET- SIZE DETERMINED ON INSTL.	002004 006102 121949 952999	7
	65	BACF3F007E021NN	.FILLER	002004 006102 121949 952999	1
	70	251N6335-4	.INSULATOR	002004 006102 121949 952999	1
	75	251N6335-2	.INSULATOR	002004 006102 121949 952999	1
	80	251N6334-5	.CLIP	002004 006102 121949 952999	1
	85	251N6337-1	.BRACKET ASSY	002004 006102 121949 952999	1

MISSING ITEM NUMBERS NOT APPLICABLE

- ITEM NOT ILLUSTRATED

27-31-63-06

27-31-63  
FIG. 06  
PAGE 2  
JAN 20/09

BRI

BOEING PROPRIETARY - Copyright © - Unpublished Work - See title page for details.



757

PARTS CATALOG (MAINTENANCE)

FIG ITEM	PART NUMBER	1 2 3 4 5 6 7	NOMENCLATURE	EFFECT FROM TO	UNITS PER ASSY
6					
90	251N6337-11	.	SUPPORT ASSY	002004 006102 121949 952999	1
95	251N6335-3	.	INSULATOR	002004 006102 121949 952999	1
105	251N6334-4	.	STRAP	002004 006102 121949 952999	2
			ATTACHING PARTS		
- 110	BACR15FT5D	.	RIVET- SIZE DETERMINED ON INSTL.	002004 006102 121949 952999	8
			-----*-----		
115	BACR15FT5D	.	RIVET- SIZE DETERMINED ON INSTL.	002004 006102 121949 952999	10
120	BACR15BB5A	.	RIVET- SIZE DETERMINED ON INSTL.	002004 006102 121949 952999	5
123	BACR15BA5A	.	RIVET- SIZE DETERMINED ON INSTL.	002004 006102 121949 952999	2
125	BACF3F007E021NN	.	FILLER	002004 006102 121949 952999	1
130	251N6335-4	.	INSULATOR	002004 006102 121949 952999	1
135	251N6335-2	.	INSULATOR	002004 006102 121949 952999	1
140	251N6334-5	.	CLIP	002004 006102 121949 952999	1

MISSING ITEM NUMBERS NOT APPLICABLE

- ITEM NOT ILLUSTRATED

27-31-63-06

27-31-63  
FIG. 06  
PAGE 3  
JAN 20/09

BRI

BOEING PROPRIETARY - Copyright © - Unpublished Work - See title page for details.



757

PARTS CATALOG (MAINTENANCE)

FIG ITEM	PART NUMBER	1 2 3 4 5 6 7	NOMENCLATURE	EFFECT FROM TO	UNITS PER ASSY
6					
145	251N6337-2	.	BRACKET ASSY	002004 006102 121949 952999	1
150	251N6337-10	.	SUPPORT ASSY	002004 006102 121949 952999	1
150	251N6337-15	.	SUPPORT ASSY-	102102 504903	1
155	251N6335-3	.	INSULATOR	002004 006102 121949 952999	1
160	BACR15FT5D	.	RIVET- SIZE DETERMINED ON INSTL.	002004 006102 121949 952999	8
165	BACR15BB5A	.	RIVET- SIZE DETERMINED ON INSTL.	002004 006102 121949 952999	14
170	BACR15BA5D	.	RIVET- SIZE DETERMINED ON INSTL.	002004 006102 121949 952999	2
175	BACR15BA5A	.	RIVET- SIZE DETERMINED ON INSTL.	002004 006102 121949 952999	2
180	BACF3F007E023NN	.	FILLER	002004 006102 121949 952999	2
185	251N6345-6	.	INSULATOR	002004 006102 121949 952999	1
190	251N6335-3	.	INSULATOR	002004 006102 121949 952999	2
- 193	251N6335-2	.	INSULATOR	002004 006102 121949 952999	1

MISSING ITEM NUMBERS NOT APPLICABLE

- ITEM NOT ILLUSTRATED

27-31-63-06

27-31-63  
FIG. 06  
PAGE 4  
JAN 20/09

BRI

BOEING PROPRIETARY - Copyright © - Unpublished Work - See title page for details.



757

PARTS CATALOG (MAINTENANCE)

FIG ITEM	PART NUMBER	1 2 3 4 5 6 7	NOMENCLATURE	EFFECT FROM TO	UNITS PER ASSY
6					
195	251N6335-8	.	INSULATOR	002004 006102 121949 952999	1
200	251N6335-2	.	INSULATOR	002004 006102 121949 952999	1
205	251N6335-7	.	INSULATOR	002004 006102 121949 952999	1
210	251N6334-5	.	CLIP	002004 006102 121949 952999	2
215	251N6346-2	.	CLIP	002004 006102 121949 952999	1
220	251N6362-1	.	SUPPORT ASSY	002004 006102 121949 952999	1
225	251N6337-12	.	BRACKET ASSY- OPTIONAL PART: 251N6337-3	002004 006102 121949 952999	1
225	251N6337-3	.	BRACKET ASSY- OPTIONAL PART: 251N6337-12	002004 006102 121949 952999	1
230	251N6337-14	.	BRACKET ASSY	002004 006102 121949 952999	1
235	251N6331-4	.	GUARD ASSY	002004 006102 121949 952999	1
280	251N6332-8	..	CAP	002004 006102 121949 952999	1

MISSING ITEM NUMBERS NOT APPLICABLE

- ITEM NOT ILLUSTRATED

BRI

27-31-63-06

BOEING PROPRIETARY - Copyright © - Unpublished Work - See title page for details.

27-31-63  
FIG. 06  
PAGE 5  
JAN 20/09



757

PARTS CATALOG (MAINTENANCE)

FIG ITEM	PART NUMBER	1 2 3 4 5 6 7	NOMENCLATURE	EFFECT FROM TO	UNITS PER ASSY
6			ATTACHING PARTS		
- 285	BACR15FT5AD		..RIVET- SIZE DETERMINED ON INSTL.	002004 006102 121949 952999	AR
			-----*-----		
290	251N6332-6		..CAP	002004 006102 121949 952999	1
			ATTACHING PARTS		
- 295	BACR15FT5AD		..RIVET- SIZE DETERMINED ON INSTL.	002004 006102 121949 952999	AR
			-----*-----		
300	BACR15FT5D		..RIVET- SIZE DETERMINED ON INSTL.	002004 006102 121949 952999	AR
305	251N6375-1		..GUARD	002004 006102 121949 952999	1
310	251N6332-4		..CHANNEL	002004 006102 121949 952999	1
315	BACR15BB5A		.RIVET- SIZE DETERMINED ON INSTL.	002004 006102 121949 952999	12
320	BACR15FT5D		.RIVET- SIZE DETERMINED ON INSTL.	002004 006102 121949 952999	7
325	BACF3F007E023NN		.FILLER	002004 006102 121949 952999	1
330	251N6335-4		.INSULATOR	002004 006102 121949 952999	1
335	251N6335-2		.INSULATOR	002004 006102 121949 952999	1

MISSING ITEM NUMBERS NOT APPLICABLE

- ITEM NOT ILLUSTRATED

27-31-63-06

27-31-63  
FIG. 06  
PAGE 6  
JAN 20/09

BRI

BOEING PROPRIETARY - Copyright © - Unpublished Work - See title page for details.



757

PARTS CATALOG (MAINTENANCE)

FIG ITEM	PART NUMBER	1 2 3 4 5 6 7	NOMENCLATURE	EFFECT FROM TO	UNITS PER ASSY
6					
340	251N6335-3	.	INSULATOR	002004 006102 121949 952999	1
345	251N6337-5	.	BRACKET ASSY	002004 006102 121949 952999	1
350	251N6334-6	.	CLIP	002004 006102 121949 952999	1
355	251N6334-4	.	STRAP	002004 006102 121949 952999	3
			ATTACHING PARTS		
- 360	BACR15FT5D	.	RIVET- SIZE DETERMINED ON INSTL.	002004 006102 121949 952999	8
365	BACR15BB5A	.	RIVET- SIZE DETERMINED ON INSTL.	002004 006102 121949 952999	7
370	BACR15FT5D	.	RIVET- SIZE DETERMINED ON INSTL.	002004 006102 121949 952999	10
375	BACR15BA5A	.	RIVET- SIZE DETERMINED ON INSTL.	002004 006102 121949 952999	2
			-----*-----		
380	BACF3F007E023NN	.	FILLER	002004 006102 121949 952999	1
385	251N6335-4	.	INSULATOR	002004 006102 121949 952999	1
390	251N6335-2	.	INSULATOR	002004 006102 121949 952999	1

MISSING ITEM NUMBERS NOT APPLICABLE

- ITEM NOT ILLUSTRATED

BRI

27-31-63-06

27-31-63  
FIG. 06  
PAGE 7  
JAN 20/09

 **BOEING**  
757  
**PARTS CATALOG (MAINTENANCE)**

FIG ITEM	PART NUMBER	1 2 3 4 5 6 7	NOMENCLATURE	EFFECT FROM TO	UNITS PER ASSY
6					
395	251N6335-3	.	INSULATOR	002004 006102 121949 952999	1
400	251N6337-9	.	SUPPORT ASSY	002004 006102 121949 952999	1
405	251N6337-6	.	BRACKET ASSY	002004 006102 121949 952999	1
410	251N6334-5	.	CLIP	002004 006102 121949 952999	1
415	BACR15FT5D	.	RIVET- SIZE DETERMINED ON INSTL.	002004 006102 121949 952999	8
420	BACR15BB5A	.	RIVET- SIZE DETERMINED ON INSTL.	002004 006102 121949 952999	11
425	NAS1398D5	.	RIVET- SIZE DETERMINED ON INSTL.	002004 006102 121949 952999	3
430	BACF3F007E018NN	.	FILLER	002004 006102 121949 952999	1
435	BACF3F007E023NN	.	FILLER	002004 006102 121949 952999	1
440	251N6335-8	.	INSULATOR	002004 006102 121949 952999	1
445	251N6335-2	.	INSULATOR	002004 006102 121949 952999	1
450	251N6335-3	.	INSULATOR	002004 006102 121949 952999	1

MISSING ITEM NUMBERS NOT APPLICABLE

— ITEM NOT ILLUSTRATED

BRI

# 27-31-63-06

BOEING PROPRIETARY - Copyright © - Unpublished Work - See title page for details.

27-31-63  
FIG. 06  
PAGE 8  
JAN 20/09



757

PARTS CATALOG (MAINTENANCE)

FIG ITEM	PART NUMBER	1 2 3 4 5 6 7	NOMENCLATURE	EFFECT FROM TO	UNITS PER ASSY
6					
455	251N6362-2	.	SUPPORT ASSY	002004 006102 121949 952999	1
460	251N6337-7	.	SUPPORT ASSY	002004 006102 121949 952999	1
465	251N6337-8	.	SUPPORT ASSY	002004 006102 121949 952999	1
470	251N6334-5	.	CLIP	002004 006102 121949 952999	1
475	251N6309-1	.	SUPPORT-SHROUD	002004 006102 121949 952999	1
480	251N6331-2	.	GUARD ASSY	002004 006102 121949 952999	1
485	251N6332-7	..	CAP	002004 006102 121949 952999	1
- 490	BACR15FT5D	..	ATTACHING PARTS RIVET- SIZE DETERMINED ON INSTL.	002004 006102 121949 952999	AR
495	251N6332-5	..	-----*----- CAP	002004 006102 121949 952999	1
- 500	BACR15FT5D	..	ATTACHING PARTS RIVET- SIZE DETERMINED ON INSTL.	002004 006102 121949 952999	AR
505	BACR15FT5D	..	-----*----- RIVET- SIZE DETERMINED ON INSTL.	002004 006102 121949 952999	AR

MISSING ITEM NUMBERS NOT APPLICABLE

- ITEM NOT ILLUSTRATED

BRI

27-31-63-06

27-31-63  
FIG. 06  
PAGE 9  
JAN 20/09





757

PARTS CATALOG (MAINTENANCE)

FIG ITEM	PART NUMBER	1 2 3 4 5 6 7	NOMENCLATURE	EFFECT FROM TO	UNITS PER ASSY
6 510	251N6332-3	. .	CHANNEL	002004 006102 121949 952999	1
515	251N6332-1	. .	GUARD	002004 006102 121949 952999	1

MISSING ITEM NUMBERS NOT APPLICABLE

- ITEM NOT ILLUSTRATED

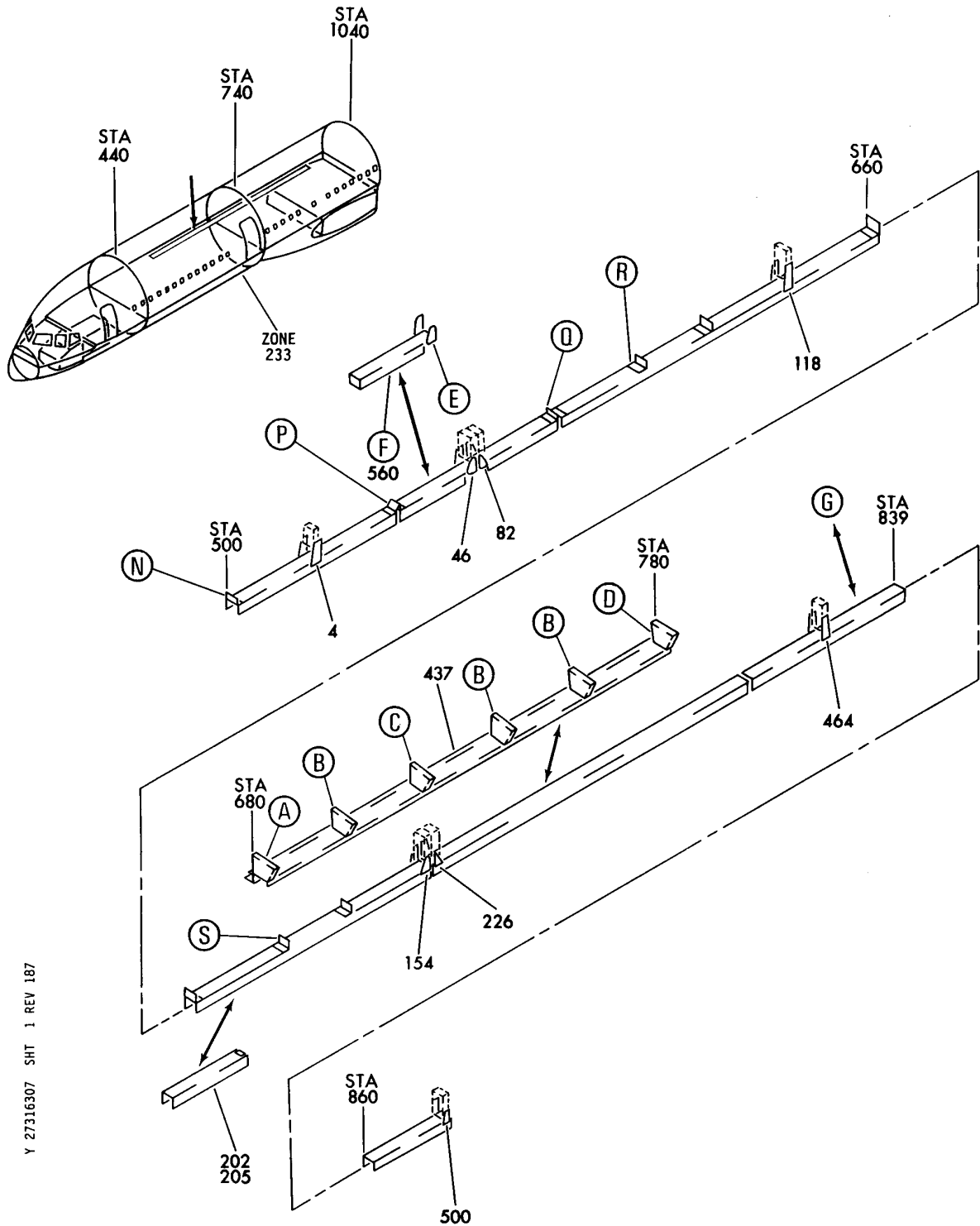
BRI

27-31-63-06

BOEING PROPRIETARY - Copyright © - Unpublished Work - See title page for details.

27-31-63  
FIG. 06  
PAGE 10  
JAN 20/09

**BOEING**  
757  
PARTS CATALOG (MAINTENANCE)



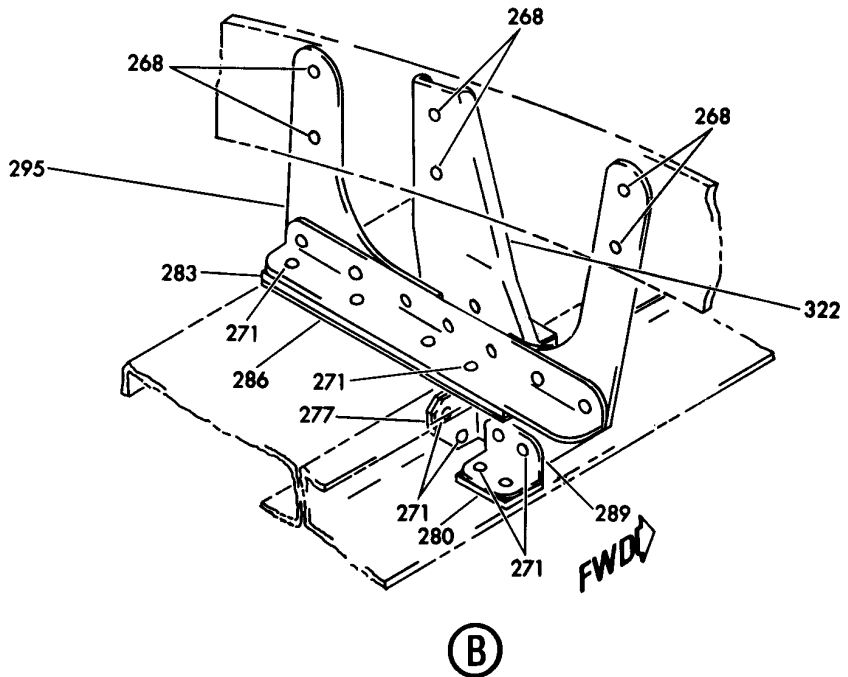
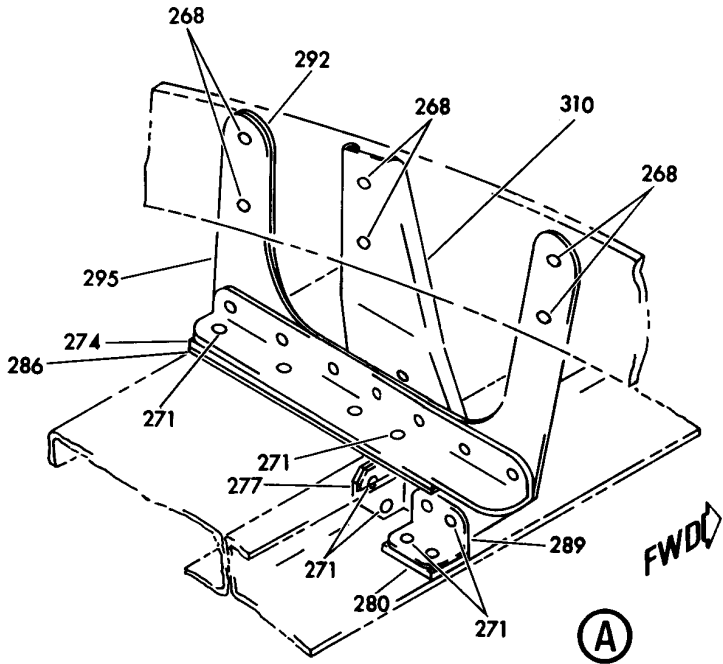
SHROUD INSTL- CONTROL CABLE, ELEVATOR STA 500-STA 900  
FIGURE 7 (SHEET 1)

**27-31-63-07**

BRI  
MAY 28/07

27-31-63-07  
PAGE 0

**BOEING**  
757  
PARTS CATALOG (MAINTENANCE)



Y 27316307 SH1 2 REV 187

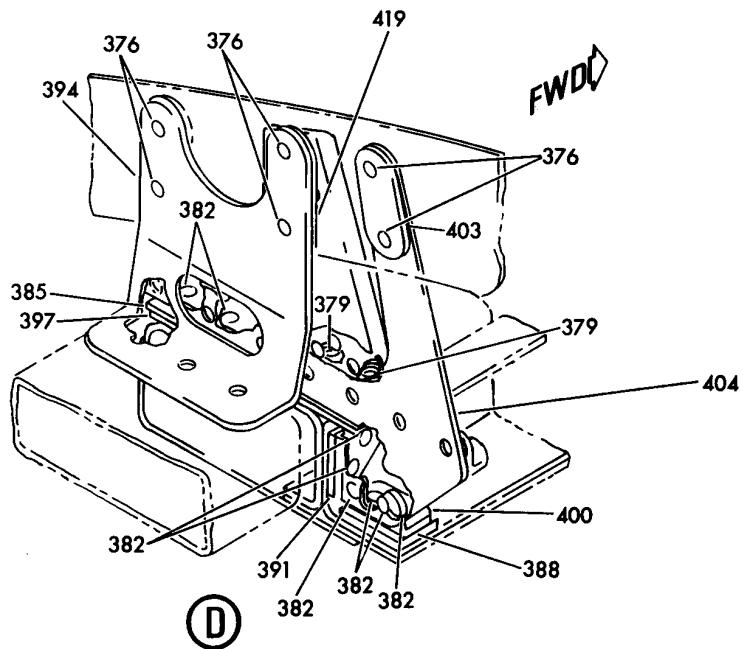
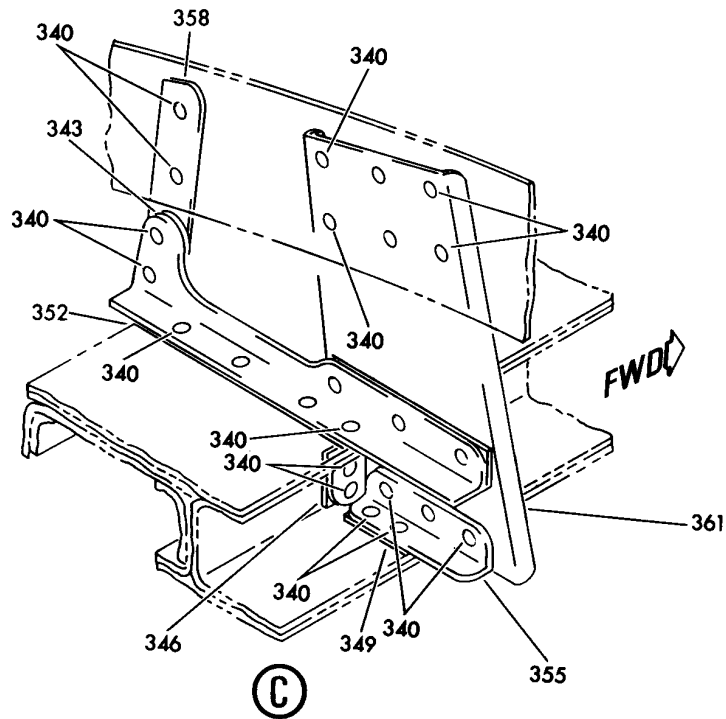
SHROUD INSTL- CONTROL CABLE, ELEVATOR STA 500-STA 900  
FIGURE 7 (SHEET 2)

**27-31-63-07**

BRI  
MAY 28/07

27-31-63-07  
PAGE 0A

**BOEING**  
757  
PARTS CATALOG (MAINTENANCE)



Y 27316307 SHT 3 REV 187

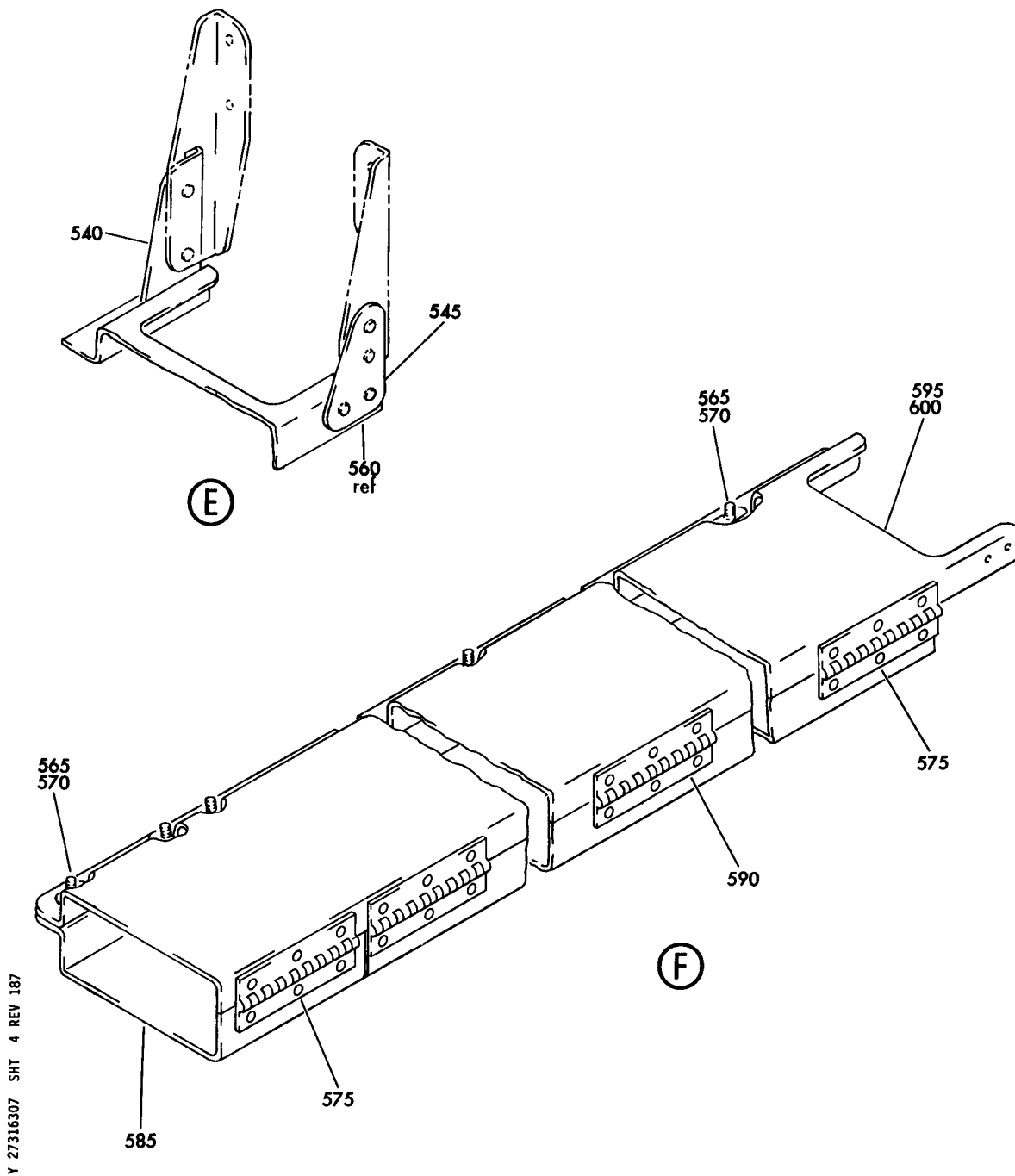
SHROUD INSTL- CONTROL CABLE, ELEVATOR STA 500-STA 900  
FIGURE 7 (SHEET 3)

**27-31-63-07**

BRI  
MAY 28/07

27-31-63-07  
PAGE 0B

**BOEING**  
757  
PARTS CATALOG (MAINTENANCE)



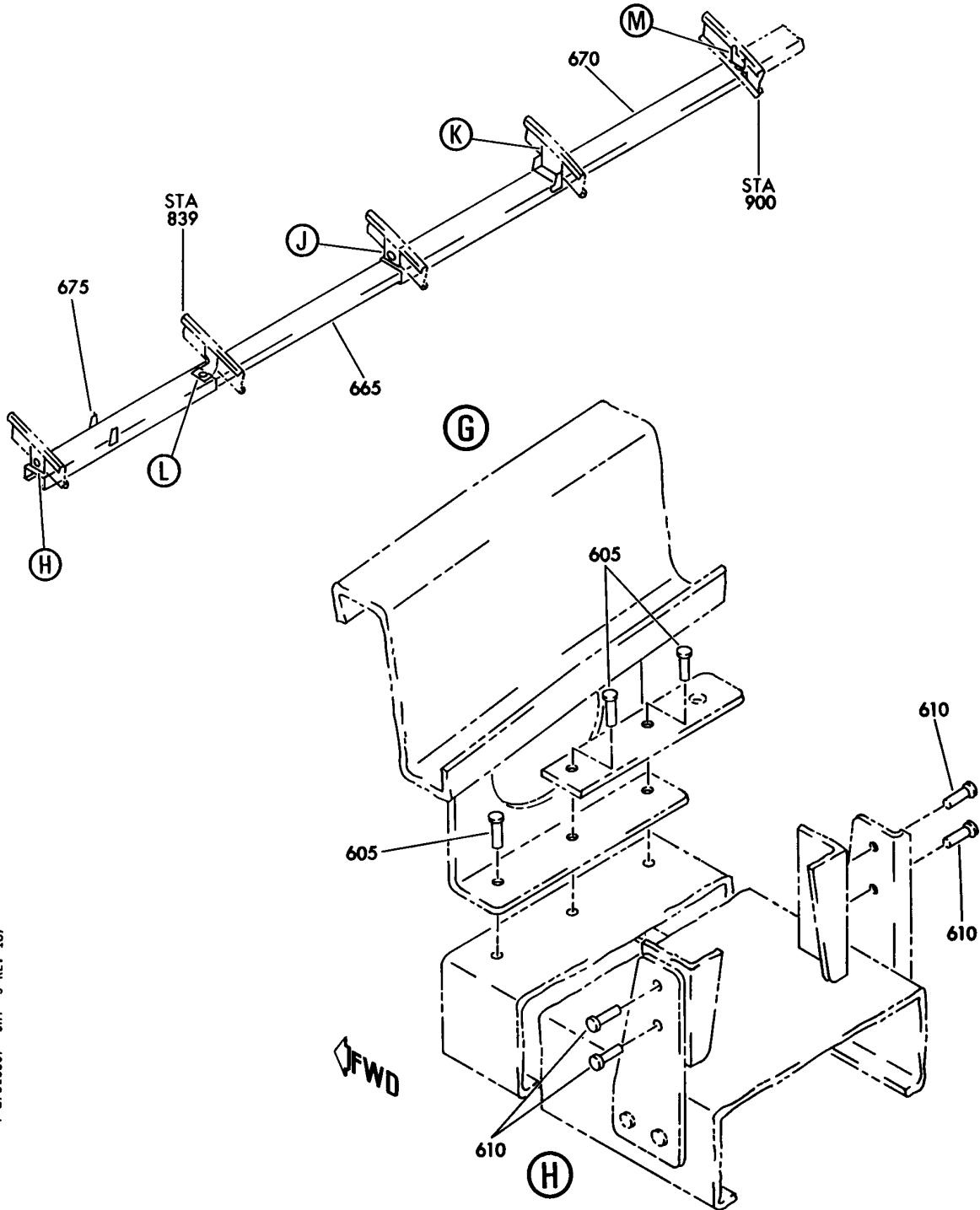
SHROUD INSTL- CONTROL CABLE, ELEVATOR STA 500-STA 900  
FIGURE 7 (SHEET 4)

**27-31-63-07**

BRI  
MAY 28/07

27-31-63-07  
PAGE 0C

**BOEING**  
757  
PARTS CATALOG (MAINTENANCE)



Y 27316307 SHT 5 REV 187

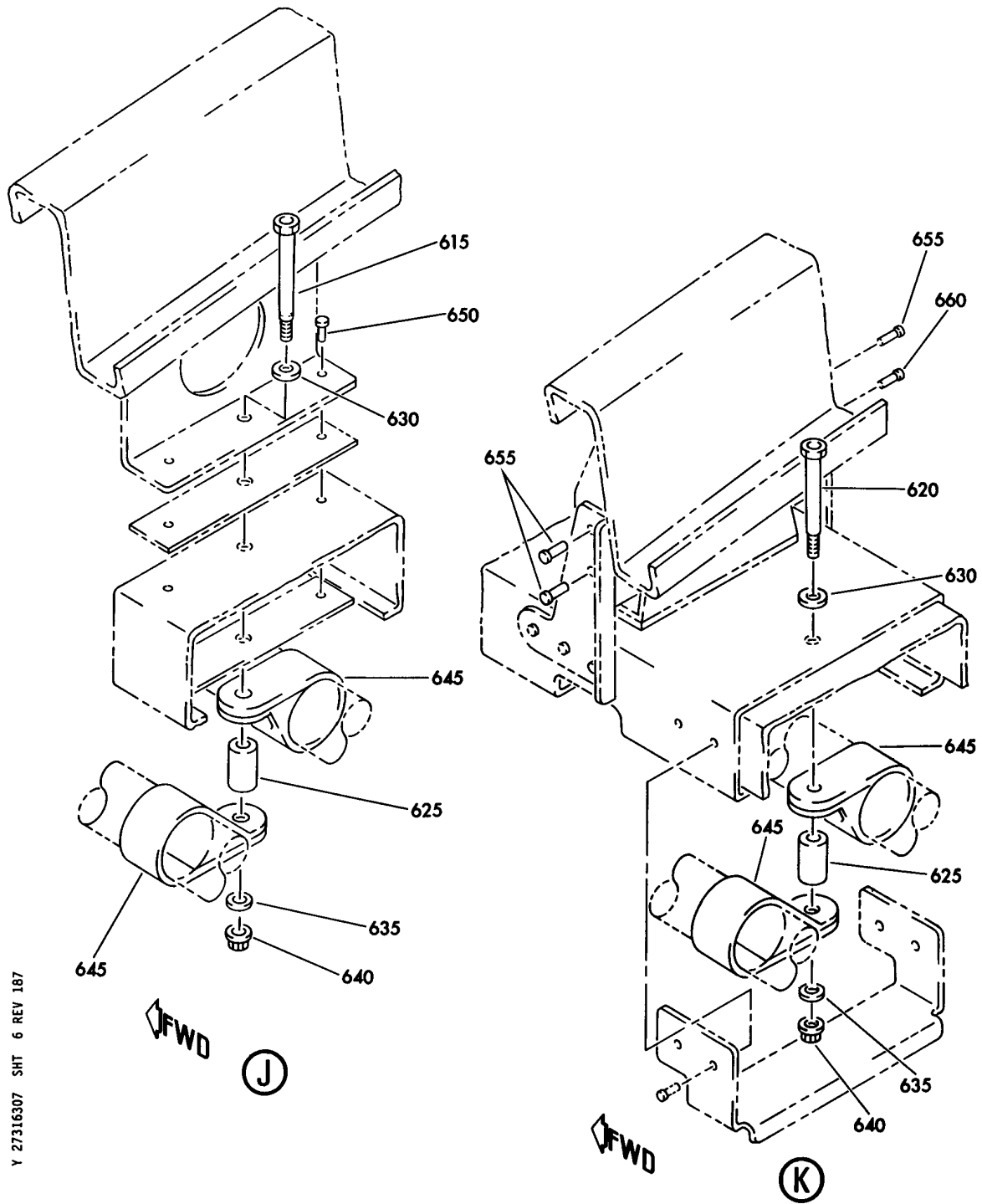
SHROUD INSTL- CONTROL CABLE, ELEVATOR STA 500-STA 900  
FIGURE 7 (SHEET 5)

**27-31-63-07**

BRI  
MAY 28/07

27-31-63-07  
PAGE 0D

**BOEING**  
757  
PARTS CATALOG (MAINTENANCE)



Y 27316307 SHT 6 REV 187

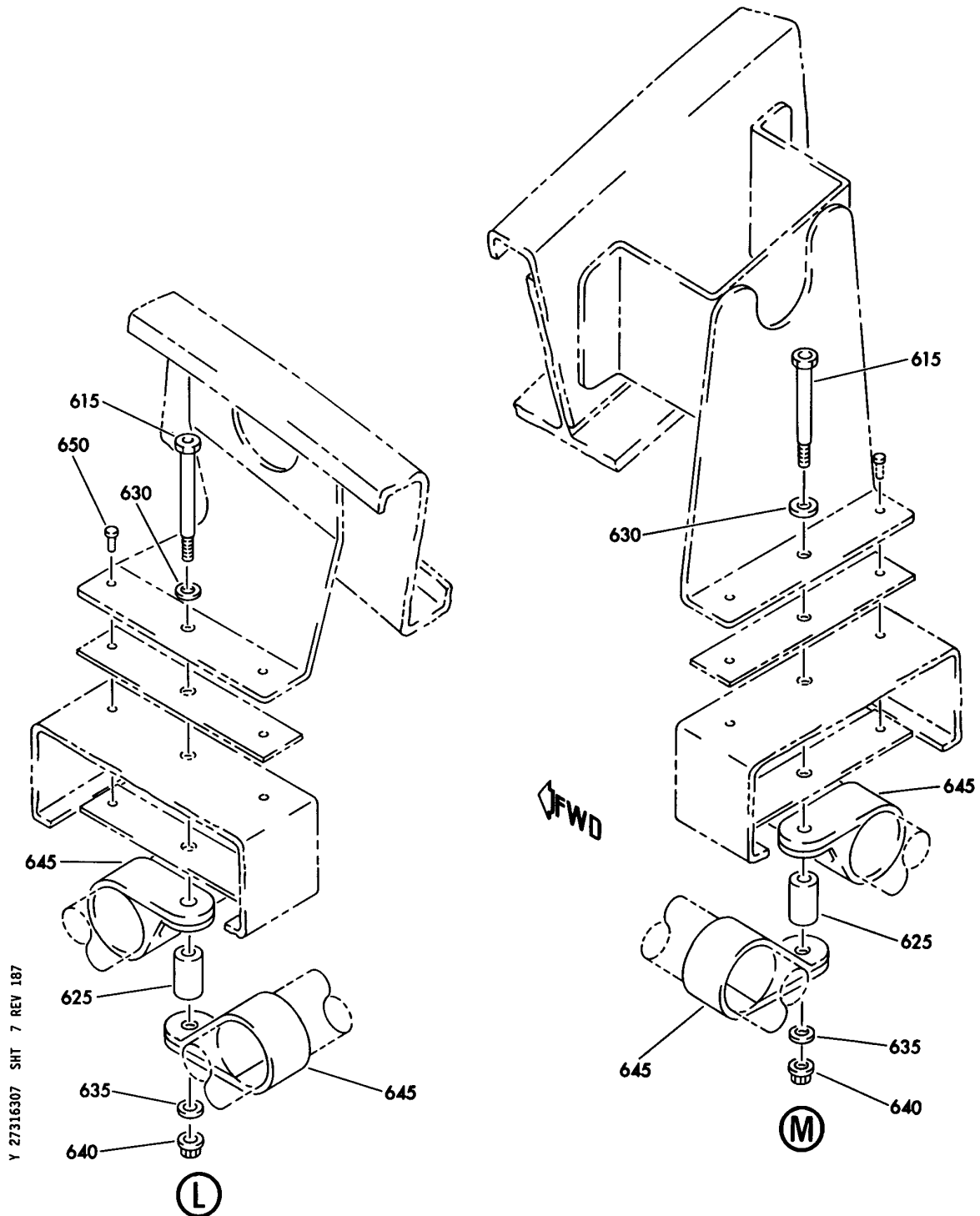
SHROUD INSTL- CONTROL CABLE, ELEVATOR STA 500-STA 900  
FIGURE 7 (SHEET 6)

**27-31-63-07**

BRI  
MAY 28/07

27-31-63-07  
PAGE 0E

**BOEING**  
757  
PARTS CATALOG (MAINTENANCE)



SHROUD INSTL- CONTROL CABLE, ELEVATOR STA 500-STA 900  
FIGURE 7 (SHEET 7)

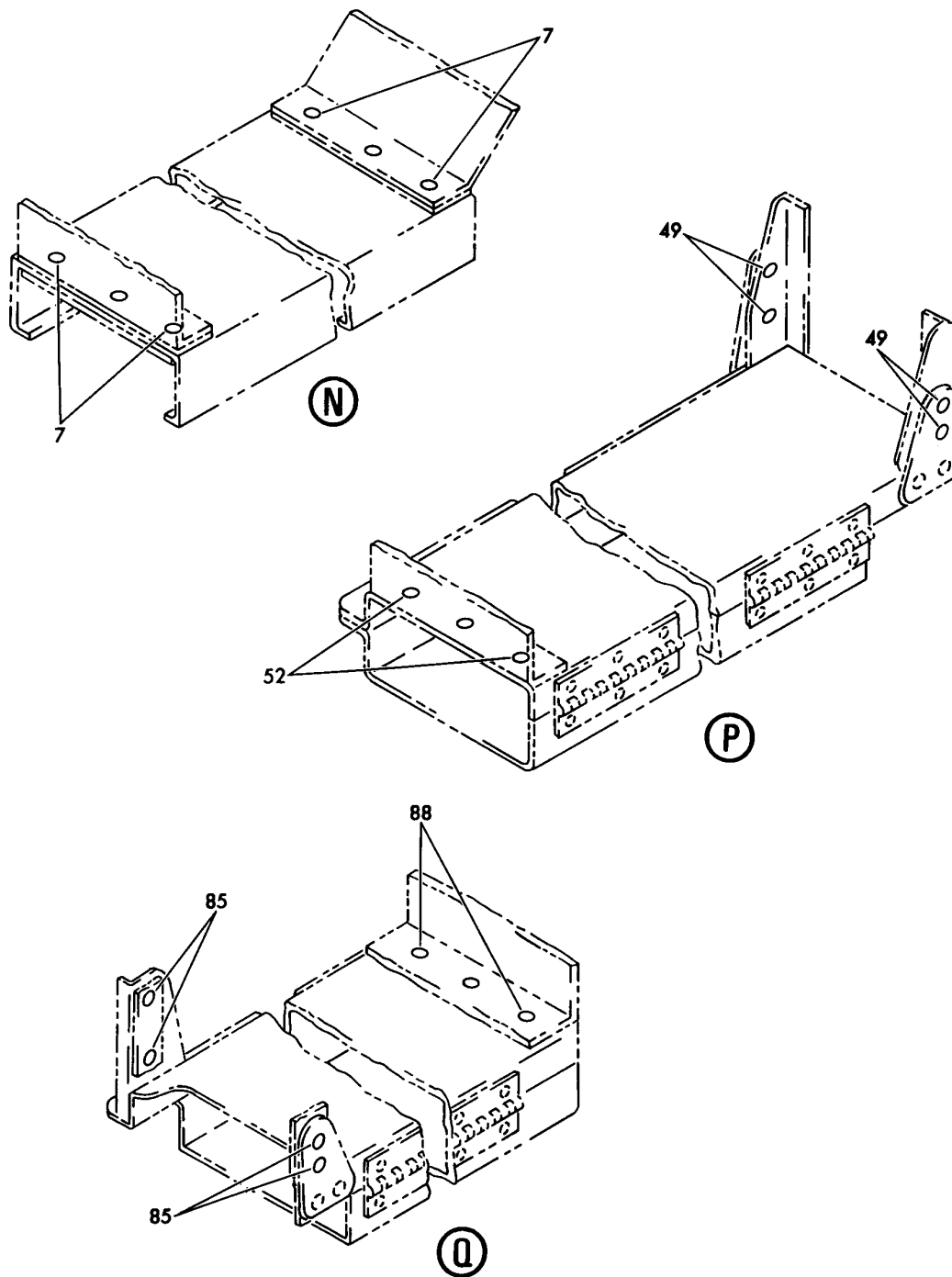
**27-31-63-07**

BRI  
MAY 28/07

27-31-63-07  
PAGE OF



**BOEING**  
757  
PARTS CATALOG (MAINTENANCE)



Y 27316307 SHT 8 REV 187

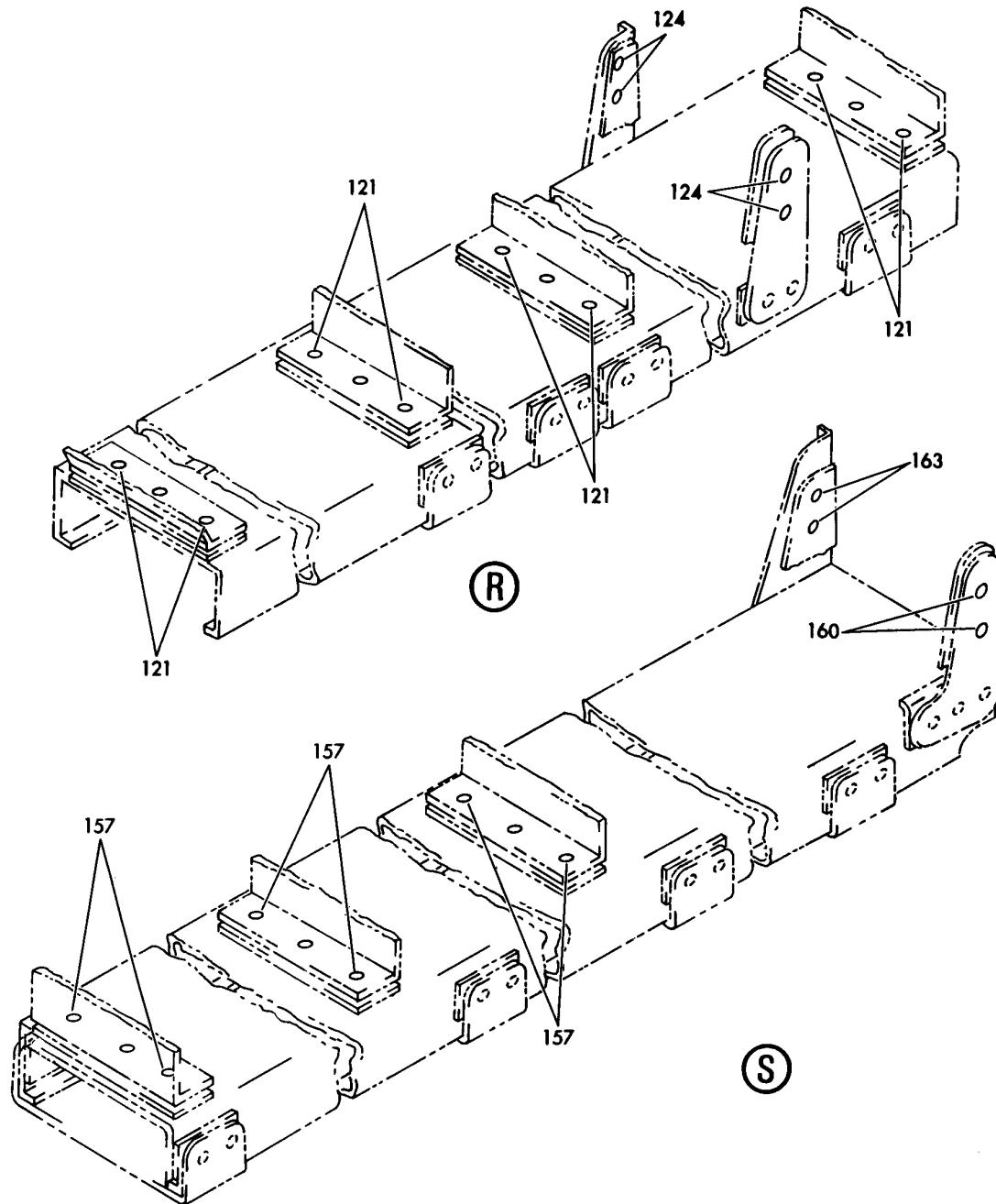
SHROUD INSTL- CONTROL CABLE, ELEVATOR STA 500-STA 900  
FIGURE 7 (SHEET 8)

**27-31-63-07**

BRI  
MAY 28/07

27-31-63-07  
PAGE 0G

**BOEING**  
757  
PARTS CATALOG (MAINTENANCE)



Y 27316307 SHT 9 REV 187

SHROUD INSTL- CONTROL CABLE, ELEVATOR STA 500-STA 900  
FIGURE 7 (SHEET 9)

**27-31-63-07**

BRI  
MAY 28/07

27-31-63-07  
PAGE 0H



757

PARTS CATALOG (MAINTENANCE)

FIG ITEM	PART NUMBER	1 2 3 4 5 6 7	NOMENCLATURE	EFFECT FROM TO	UNITS PER ASSY
7			SHROUD INSTL- CONTROL CABLE, ELEVATOR STA 500- STA 900	002004 006102 107999	
- 1	251N6061-43		SHROUD INSTL-CONTROL CABLE, ELEVATOR POSITION DATA: STA 500-STA 900 FOR NHA SEE: 27-31-00-02	107107 904949	RF
- 1	251N6061-443		SHROUD INSTL-CONTROL CABLE, ELEVATOR POSITION DATA: STA 500-STA 900 FOR NHA SEE: 27-31-00-02	002004 006100 121503 950999	RF
- 1	251N6061-444		SHROUD INSTL-CONTROL CABLE, ELEVATOR POSITION DATA: STA 500-STA 900 FOR NHA SEE: 27-31-00-01	101102 108120 504903	RF
4	251N6299-50		.SHROUD ASSY	002004 006102 107999	1
7	NAS1398D5		ATTACHING PARTS .RIVET- SIZE DETERMINED ON INSTL.	002004 006102 107999	6
10	NAS1398D6-2		.RIVET	002004 006102 107999	4
46	251N6296-4		-----*----- .SHROUD ASSY-	107107 904949	1
49	NAS1398D5		ATTACHING PARTS .RIVET- SIZE DETERMINED ON INSTL.	107107 904949	4
52	NAS1398B5		.RIVET- SIZE DETERMINED ON INSTL.	107107 904949	3
82	251N6296-3		-----*----- .SHROUD ASSY	002004 006102 107999	1
85	NAS1398D6		ATTACHING PARTS .RIVET- SIZE DETERMINED ON INSTL.	002004 006102 107999	4

MISSING ITEM NUMBERS NOT APPLICABLE

- ITEM NOT ILLUSTRATED

27-31-63-07

27-31-63  
FIG. 07  
PAGE 1  
JAN 20/09

BRI



757

PARTS CATALOG (MAINTENANCE)

FIG ITEM	PART NUMBER	1 2 3 4 5 6 7	NOMENCLATURE	EFFECT FROM TO	UNITS PER ASSY
7					
88	NAS1398D5	.	RIVET- SIZE DETERMINED ON INSTL.	002004 006102 107999	3
			-----*-----		
118	251N6299-53	.	SHROUD ASSY	002004 006102 107999	1
			ATTACHING PARTS		
121	NAS1398D5	.	RIVET- SIZE DETERMINED ON INSTL.	002004 006102 107999	12
124	NAS1398D6-2	.	RIVET	002004 006102 107999	4
			-----*-----		
143	251N6315-7	..	STRAP	002004 006100 107107 121503 904999	4
154	251N6299-40	.	SHROUD ASSY	002004 006102 107999	1
			ATTACHING PARTS		
157	NAS1398D5	.	RIVET- SIZE DETERMINED ON INSTL.	002004 006102 107999	9
163	NAS1398D5	.	RIVET- SIZE DETERMINED ON INSTL.	002004 006102 107999	2
			-----*-----		
202	251N6299-65	.	SHROUD ASSY-	101102 108120 504903	1
226	251N6299-45	.	SHROUD ASSY-	002004 006102 107999	1
			ATTACHING PARTS		
229	NAS1398D6	.	RIVET- SIZE DETERMINED ON INSTL.	002004 006102 107999	4
232	NAS1398D5	.	RIVET- SIZE DETERMINED ON INSTL.	002004 006102 107999	4
235	NAS1398D6-2	.	RIVET	002004 006102 107999	6
			-----*-----		

MISSING ITEM NUMBERS NOT APPLICABLE

- ITEM NOT ILLUSTRATED

27-31-63-07

27-31-63  
FIG. 07  
PAGE 2  
JAN 20/09

BRI

BOEING PROPRIETARY - Copyright © - Unpublished Work - See title page for details.



757

PARTS CATALOG (MAINTENANCE)

FIG ITEM	PART NUMBER	1 2 3 4 5 6 7	NOMENCLATURE	EFFECT FROM TO	UNITS PER ASSY
7					
464	251N6299-42	.	SHROUD ASSY-	002004 006100 107107 121503 904999	1
467	NAS1398D5	.	ATTACHING PARTS RIVET- SIZE DETERMINED ON INSTL.	002004 006100 107107 121503 904999	6
470	NAS1398D6	.	RIVET- SIZE DETERMINED ON INSTL.	002004 006100 107107 121503 904999	4
			-----*-----		
500	251N6299-41	.	SHROUD ASSY-	107107	1
500	251N6299-60	.	SHROUD ASSY- ATTACHING PARTS	904949	1
503	NAS1398D5	.	RIVET- SIZE DETERMINED ON INSTL.	107107	5
504	NAS1398D5A5	.	RIVET-	904949	1
506	NAS1398D6	.	RIVET- SIZE DETERMINED ON INSTL.	107107	2
506	NAS1398D5A4	.	RIVET-	904949	2
			-----*-----		
605	NAS1398D5	.	RIVET- SIZE DETERMINED ON INSTL.	101102 108120 504903	3
610	NAS1398D6-2	.	RIVET- SIZE DETERMINED ON INSTL.	101102 108120 504903	4
615	BACB30NM3K21	.	BOLT	101102 108120 504903	3
620	BACB30NM3K20	.	BOLT	101102 108120 504903	1
625	NAS43DD3-40FC	.	SPACER	101102 108120 504903	4
630	BACW10BP3CD	.	WASHER- POSITION DATA: UNDER HEAD	101102 108120 504903	4
635	BACW10BP3DP	.	WASHER- POSITION DATA: UNDER NUT	101102 108120 504903	4

MISSING ITEM NUMBERS NOT APPLICABLE

- ITEM NOT ILLUSTRATED

27-31-63-07

27-31-63  
FIG. 07  
PAGE 3  
JAN 20/09

BRI

BOEING PROPRIETARY - Copyright © - Unpublished Work - See title page for details.



757

PARTS CATALOG (MAINTENANCE)

FIG ITEM	PART NUMBER	1 2 3 4 5 6 7	NOMENCLATURE	EFFECT FROM TO	UNITS PER ASSY
7					
640	NAS1805-3L	.	NUT	101102 108120 504903	4
645	BACC10DK16	.	CLAMP	101102 108120 504903	8
650	BACR15FP5E	.	RIVET- SIZE DETERMINED ON INSTL.	101102 108120 504903	4
655	NAS1398D5A	.	RIVET- SIZE DETERMINED ON INSTL.	101102 108120 504903	3
660	NAS1399D5A	.	RIVET- SIZE DETERMINED ON INSTL.	101102 108120 504903	1
665	251N6197-1	.	GUARD ASSY-CABLE	101102 108120 504903	2
670	251N6197-2	.	GUARD ASSY-CABLE	101102 108120 504903	2
675	251N6299-63	.	SHROUD ASSY	101102 108120 504903	1
677	251N6299-64	.	SHROUD ASSY	101102 108120 504903	1

MISSING ITEM NUMBERS NOT APPLICABLE

- ITEM NOT ILLUSTRATED

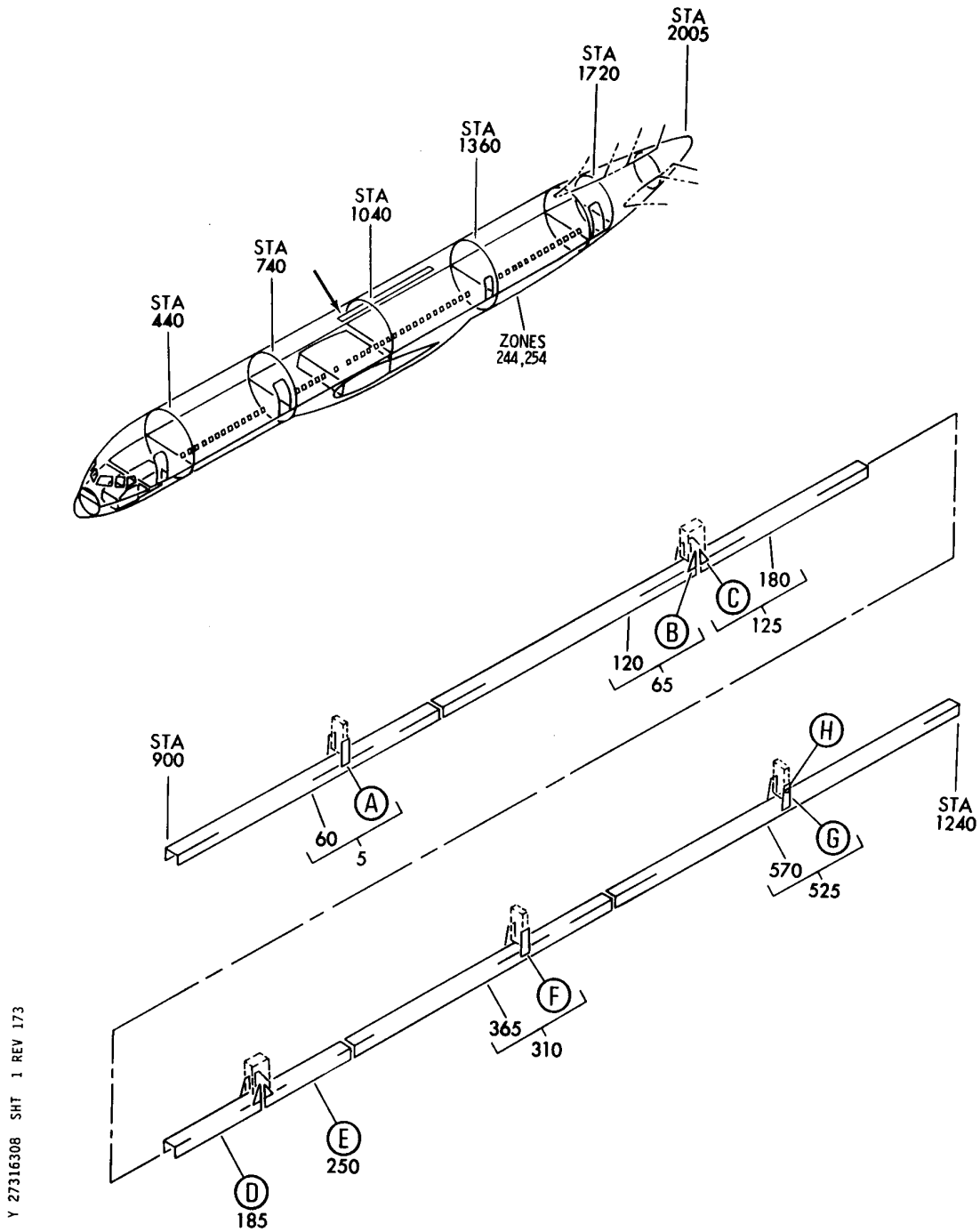
BRI

27-31-63-07

BOEING PROPRIETARY - Copyright © - Unpublished Work - See title page for details.

27-31-63  
FIG. 07  
PAGE 4  
JAN 20/09

**BOEING**  
757  
PARTS CATALOG (MAINTENANCE)



Y 27316308 SHT 1 REV 173

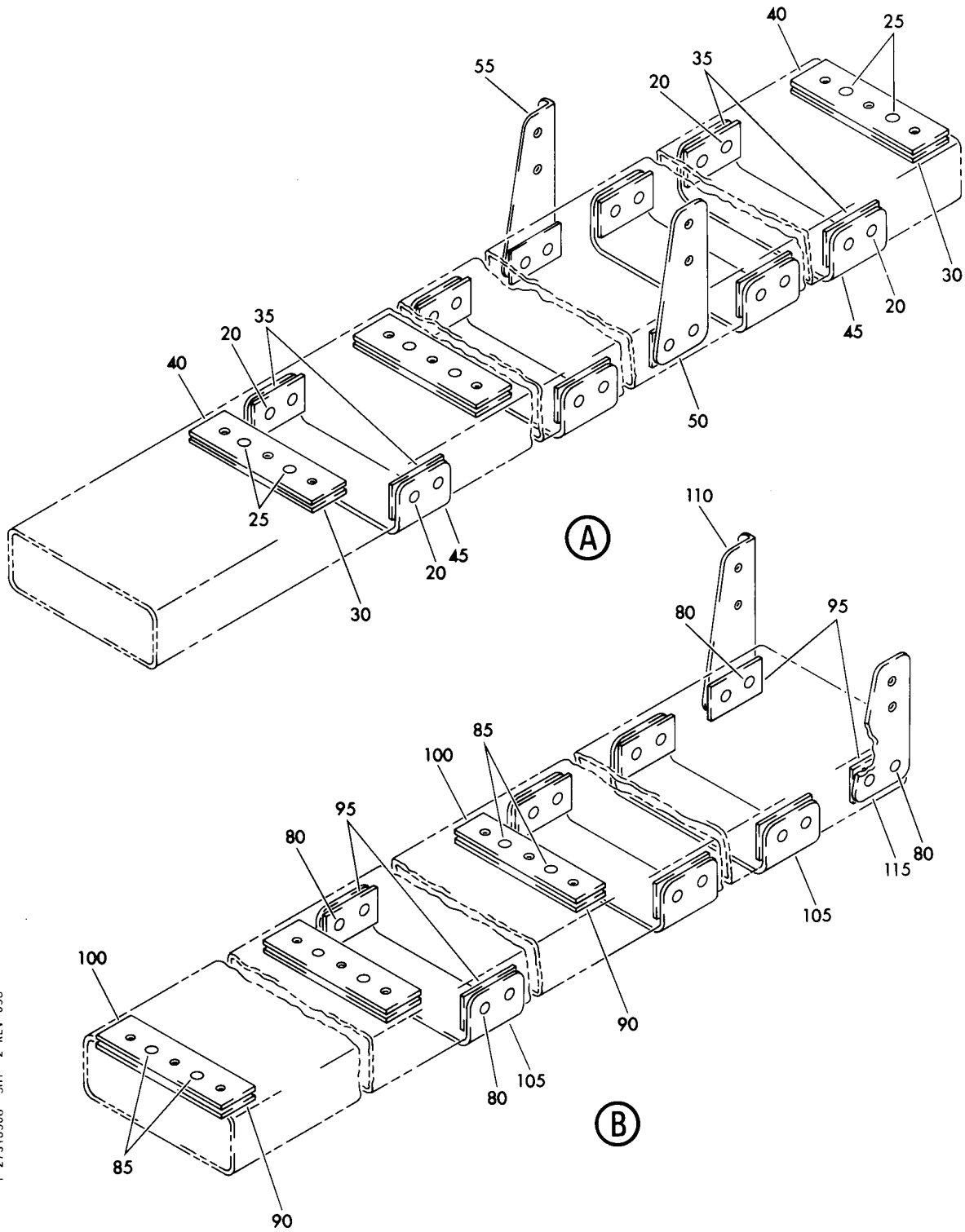
SHROUD INSTL-CONTROL CABLE ELEVATOR STA. 900-STA. 1240  
FIGURE 8 (SHEET 1)

**27-31-63-08**

BRI  
MAY 28/07

27-31-63-08  
PAGE 0

**BOEING**  
757  
PARTS CATALOG (MAINTENANCE)



Y 27316308 SH1 2 REV 098

SHROUD INSTL-CONTROL CABLE ELEVATOR STA. 900-STA. 1240  
FIGURE 8 (SHEET 2)

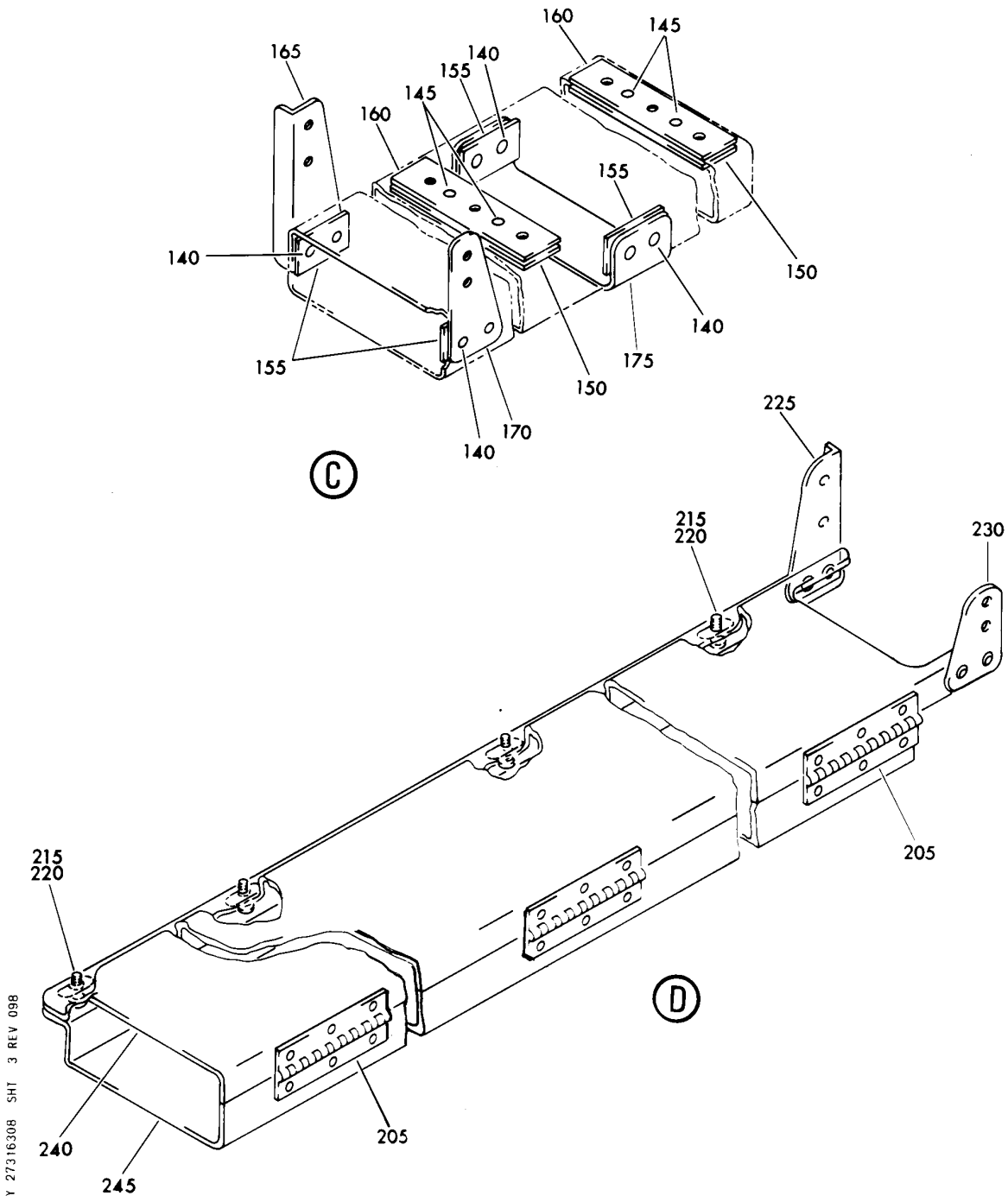
**27-31-63-08**

BRI  
MAY 28/07

27-31-63-08  
PAGE 0A



**BOEING**  
757  
PARTS CATALOG (MAINTENANCE)



Y 27316308 SHT 3 REV 098

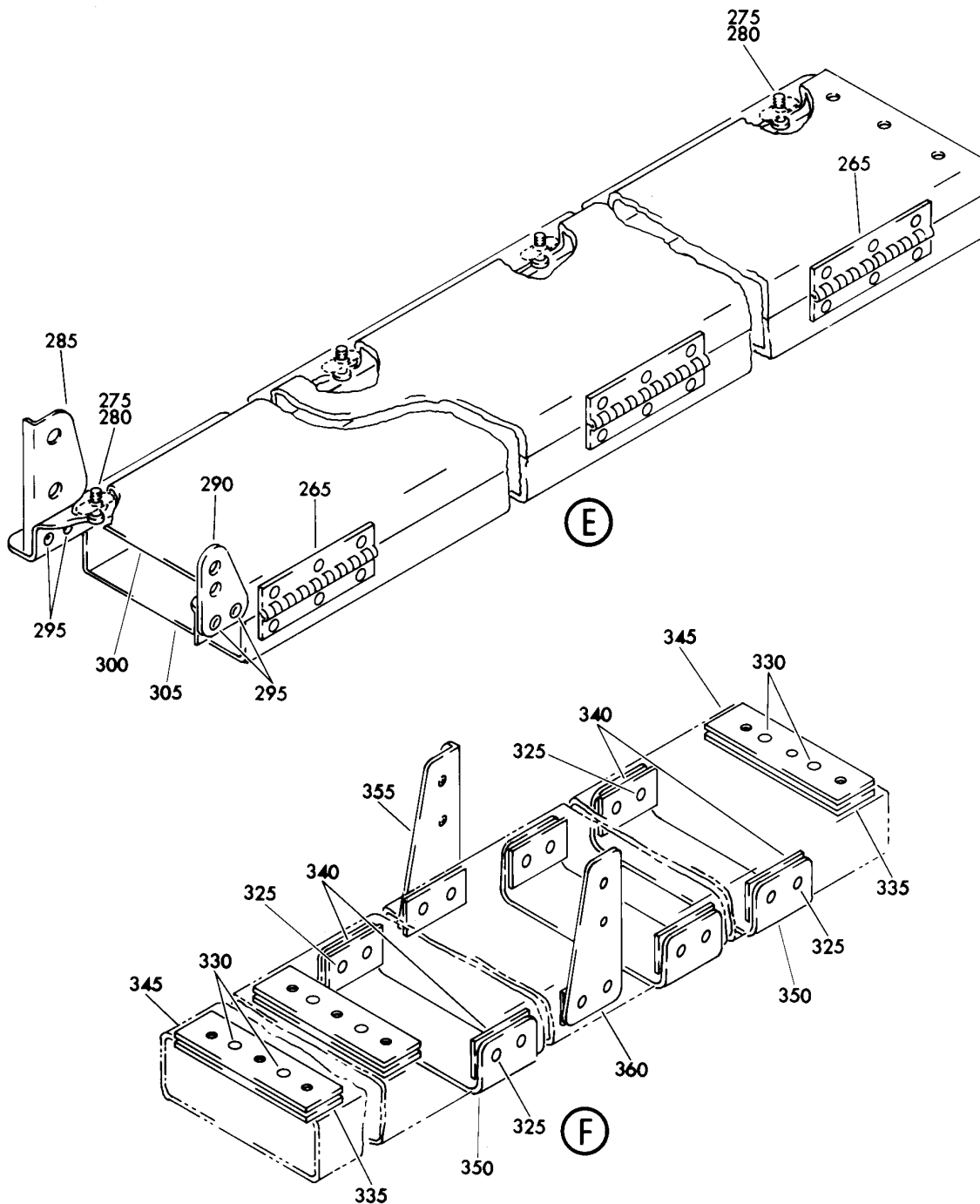
SHROUD INSTL-CONTROL CABLE ELEVATOR STA. 900-STA. 1240  
FIGURE 8 (SHEET 3)

**27-31-63-08**

BRI  
MAY 28/07

27-31-63-08  
PAGE 08

**BOEING**  
757  
PARTS CATALOG (MAINTENANCE)



Y 27316308 SHI 4 REV 098

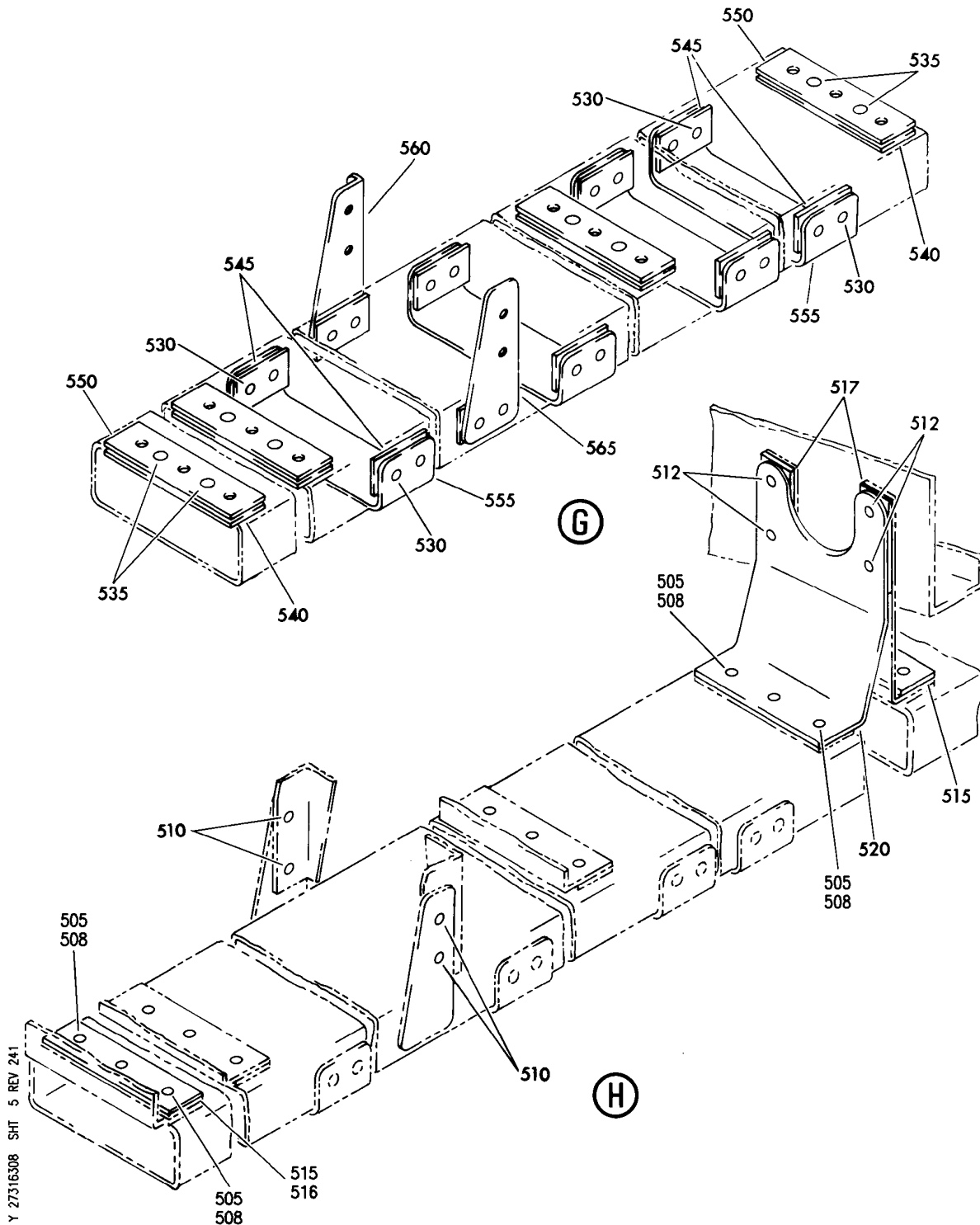
SHROUD INSTL-CONTROL CABLE ELEVATOR STA. 900-STA. 1240  
FIGURE 8 (SHEET 4)

**27-31-63-08**

BRI  
MAY 28/07

27-31-63-08  
PAGE 0C

**BOEING**  
757  
PARTS CATALOG (MAINTENANCE)



Y 27316308 SHT 5 REV 241

SHROUD INSTL-CONTROL CABLE ELEVATOR STA. 900-STA. 1240  
FIGURE 8 (SHEET 5)

**27-31-63-08**

BRI  
MAY 28/07

27-31-63-08  
PAGE 0D



757

PARTS CATALOG (MAINTENANCE)

FIG ITEM	PART NUMBER	1 2 3 4 5 6 7	NOMENCLATURE	EFFECT FROM TO	UNITS PER ASSY
8			SHROUD INSTL-CONTROL CABLE ELEVATOR STA. 900- STA. 1240	002004 006102 107999	
- 1	251N6061-44		SHROUD INSTL- POSITION DATA: STA 900-STA. 1160 FOR NHA SEE: 27-31-00-02	002004 006100 107107 121503 904999	RF
- 1	251N6061-49		SHROUD INSTL- STA. 900-STA. 1160 FOR NHA SEE: 27-31-00-01	101102 108120 504903	RF
	5 251N6299-44		.SHROUD ASSY-	002004 006010 107107 121503 904999	1
	5 251N6061-47		.SHROUD ASSY-	011100	1
	5 251N6299-61		.SHROUD ASSY-	101102 108120 504903	1
- 10	NAS1398D5		ATTACHING PARTS .RIVET- SIZE DETERMINED ON INSTL.	002004 006102 107999	9
- 15	NAS1398D6-2		.RIVET	002004 006102 107999	4
	65 251N6299-54		-----*----- .SHROUD ASSY	002004 006102 107999	1
- 70	NAS1398D5		ATTACHING PARTS .RIVET- SIZE DETERMINED ON INSTL.	002004 006102 107999	11
- 75	NAS1398D6		.RIVET- SIZE DETERMINED ON INSTL.	002004 006102 107999	2
	125 251N6299-52		-----*----- .SHROUD ASSY	002004 006102 107999	1
- 130	NAS1398D6		ATTACHING PARTS .RIVET- SIZE DETERMINED ON INSTL.	002004 006102 107999	2

MISSING ITEM NUMBERS NOT APPLICABLE

- ITEM NOT ILLUSTRATED

27-31-63-08

27-31-63  
FIG. 08  
PAGE 1  
JAN 20/09

BRI



757

PARTS CATALOG (MAINTENANCE)

FIG ITEM	PART NUMBER	1 2 3 4 5 6 7	NOMENCLATURE	EFFECT FROM TO	UNITS PER ASSY
8					
- 135	NAS1398D5	.	RIVET- SIZE DETERMINED ON INSTL.	002004 006102 107999	8
185	251N6296-4	-----*	.SHROUD ASSY	002004 006102 107999	1
			ATTACHING PARTS		
- 190	NAS1398D5	.	RIVET- SIZE DETERMINED ON INSTL.	002004 006102 107999	2
- 195	NAS1398D6	.	RIVET- SIZE DETERMINED ON INSTL.	002004 006102 107999	2
- 200	NAS1398B5	.	RIVET- SIZE DETERMINED ON INSTL.	002004 006102 107999	3
250	251N6296-3	-----*	.SHROUD ASSY	002004 006102 107999	1
			ATTACHING PARTS		
- 255	NAS1398D6	.	RIVET- SIZE DETERMINED ON INSTL.	002004 006102 107999	4
- 260	NAS1398D5	.	RIVET- SIZE DETERMINED ON INSTL.	002004 006102 107999	3
310	251N6299-55	-----*	.SHROUD ASSY	002004 006102 107999	1
			ATTACHING PARTS		
- 315	NAS1398D5	.	RIVET- SIZE DETERMINED ON INSTL.	002004 006102 107999	9
- 320	NAS1398D6	.	RIVET- SIZE DETERMINED ON INSTL.	002004 006102 107999	4
- 500	251N6061-1	-----*	SHROUD INSTL- POSITION DATA: STA. 1160-STA. 1240 FOR NHA SEE: 27-31-00-02	002004 006100 107107 121503 904999	RF

MISSING ITEM NUMBERS NOT APPLICABLE

- ITEM NOT ILLUSTRATED

27-31-63-08

27-31-63  
FIG. 08  
PAGE 2  
JAN 20/09

BRI

BOEING PROPRIETARY - Copyright © - Unpublished Work - See title page for details.



757

PARTS CATALOG (MAINTENANCE)

FIG ITEM	PART NUMBER	1 2 3 4 5 6 7	NOMENCLATURE	EFFECT FROM TO	UNITS PER ASSY
8					
- 500	251N6061-51		SHROUD INSTL- POSITION DATA: STA. 1160-STA. 1240 FOR NHA SEE: 27-31-00-01	101102 108120 504903	RF
505	NAS1398D5		.RIVET- SIZE DETERMINED ON INSTL.	002004 006100 107107 121503 904999	12
508	NAS1398D5		.RIVET- SIZE DETERMINED ON INSTL.	101102 108120 504903	6
510	NAS1398D6		.RIVET- SIZE DETERMINED ON INSTL.	002004 006102 107999	4
512	BACR15PT5AD		.RIVET- SIZE DETERMINED ON INSTL.	002004 006102 107999	4
515	287N4106-130		.STRAP	002004 006100 107107 121503 904999	2
516	287N4106-130		.STRAP	101102 108120 504903	1
517	251N6297-7		.INSULATOR	002004 006102 107999	2
520	251N6309-4		.SUPPORT	002004 006102 107999	1
525	251N6299-32		.SHROUD ASSY	002004 006102 107999	1

MISSING ITEM NUMBERS NOT APPLICABLE

- ITEM NOT ILLUSTRATED

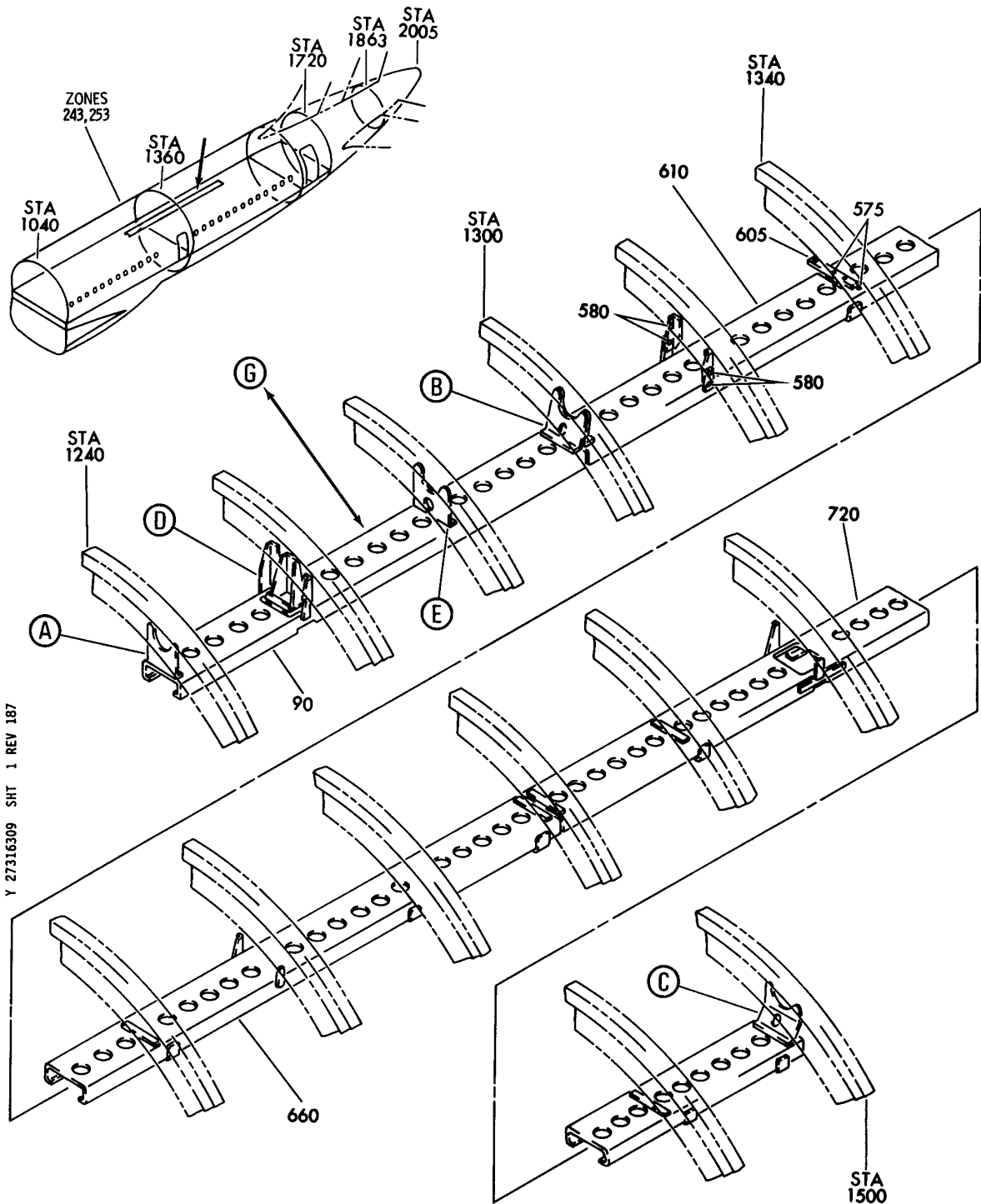
BRI

27-31-63-08

BOEING PROPRIETARY - Copyright © - Unpublished Work - See title page for details.

27-31-63  
FIG. 08  
PAGE 3  
JAN 20/09

**BOEING**  
757  
PARTS CATALOG (MAINTENANCE)



Y 27316309 SHT 1 REV 187

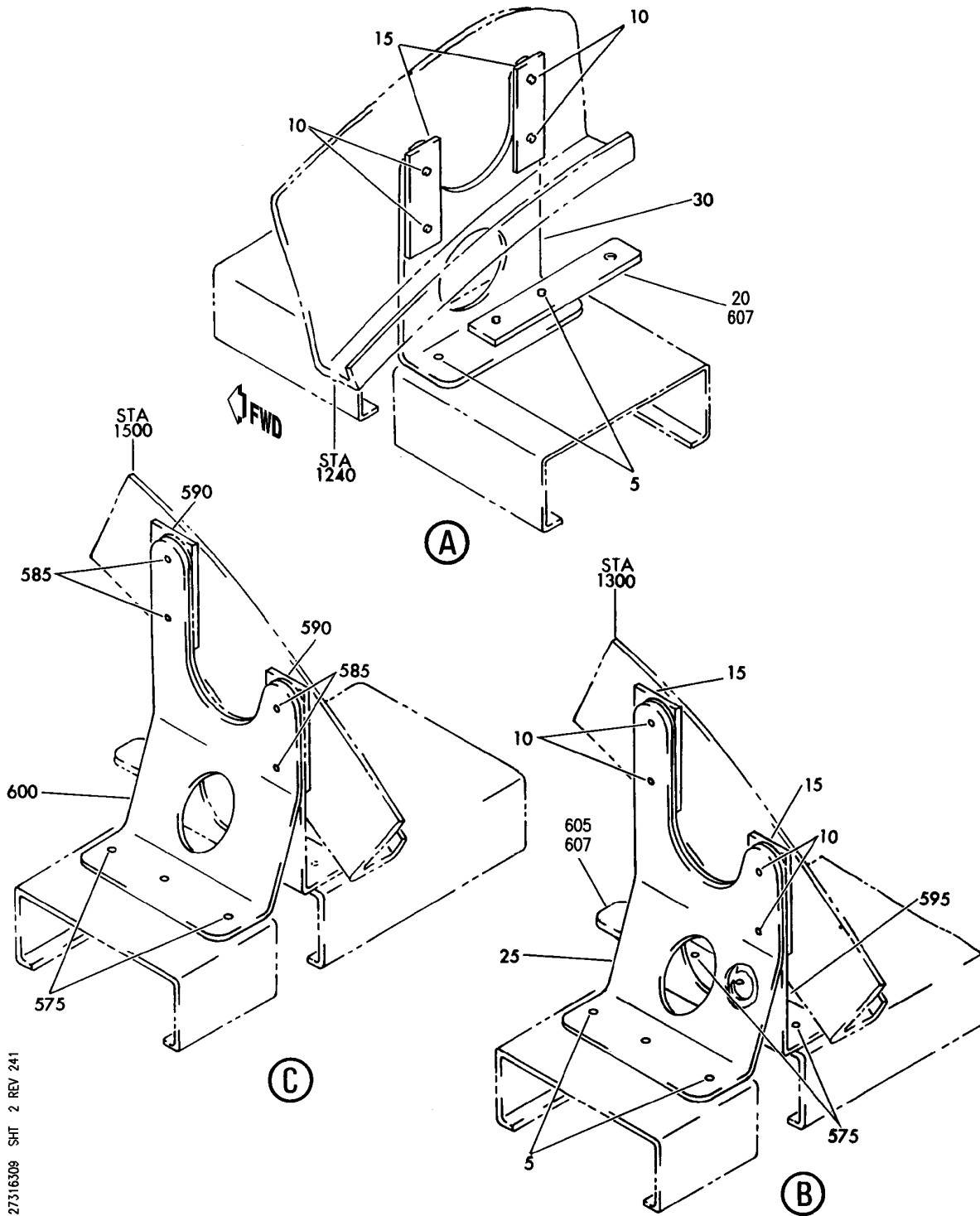
SHROUD AND GUARD INSTL CONT CABLE ELEV STA 1240 TO 1500  
FIGURE 9 (SHEET 1)

**27-31-63-09**

BRI  
MAY 28/07

27-31-63-09  
PAGE 0

**BOEING**  
757  
PARTS CATALOG (MAINTENANCE)



Y 27316309 SHT 2 REV 241

SHROUD AND GUARD INSTL CONT CABLE ELEV STA 1240 TO 1500  
FIGURE 9 (SHEET 2)

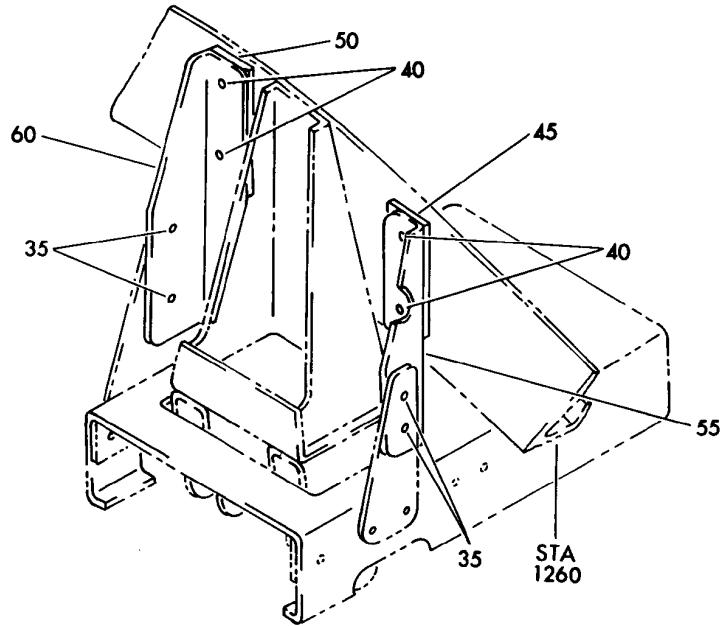
**27-31-63-09**

BRI  
MAY 28/07

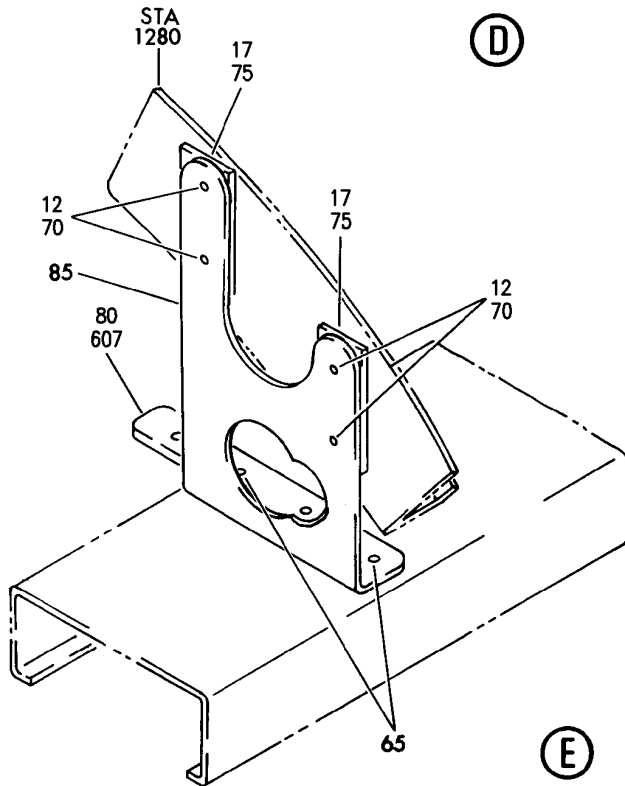
27-31-63-09  
PAGE 0A



**BOEING**  
757  
PARTS CATALOG (MAINTENANCE)



(D)



(E)

Y 27316309 SHT 3 REV 241

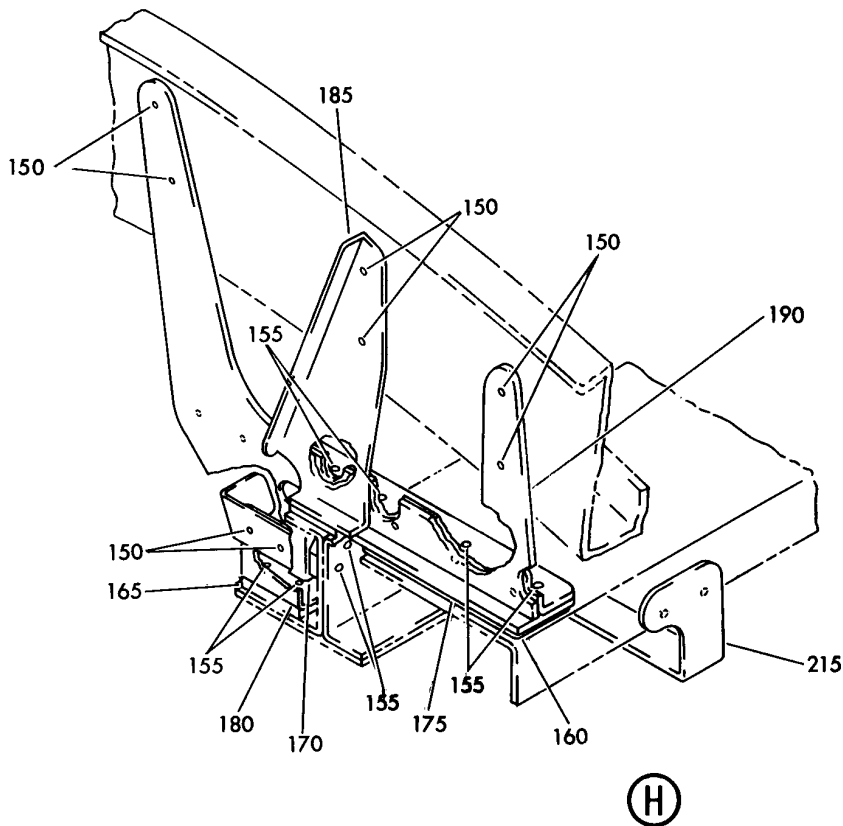
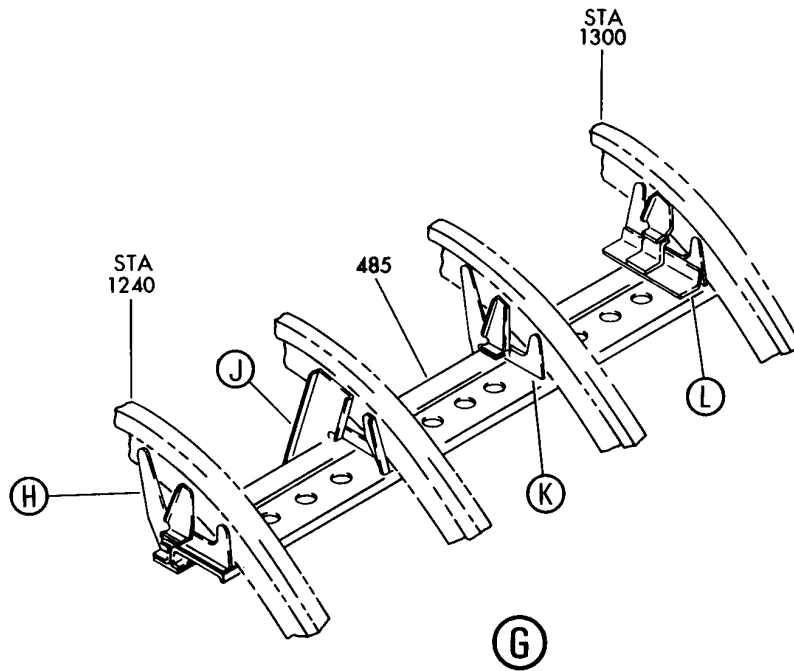
SHROUD AND GUARD INSTL CONT CABLE ELEV STA 1240 TO 1500  
FIGURE 9 (SHEET 3)

**27-31-63-09**

BRI  
MAY 28/07

27-31-63-09  
PAGE 0B

**BOEING**  
757  
PARTS CATALOG (MAINTENANCE)



Y 27316309 SHT 4 REV 187

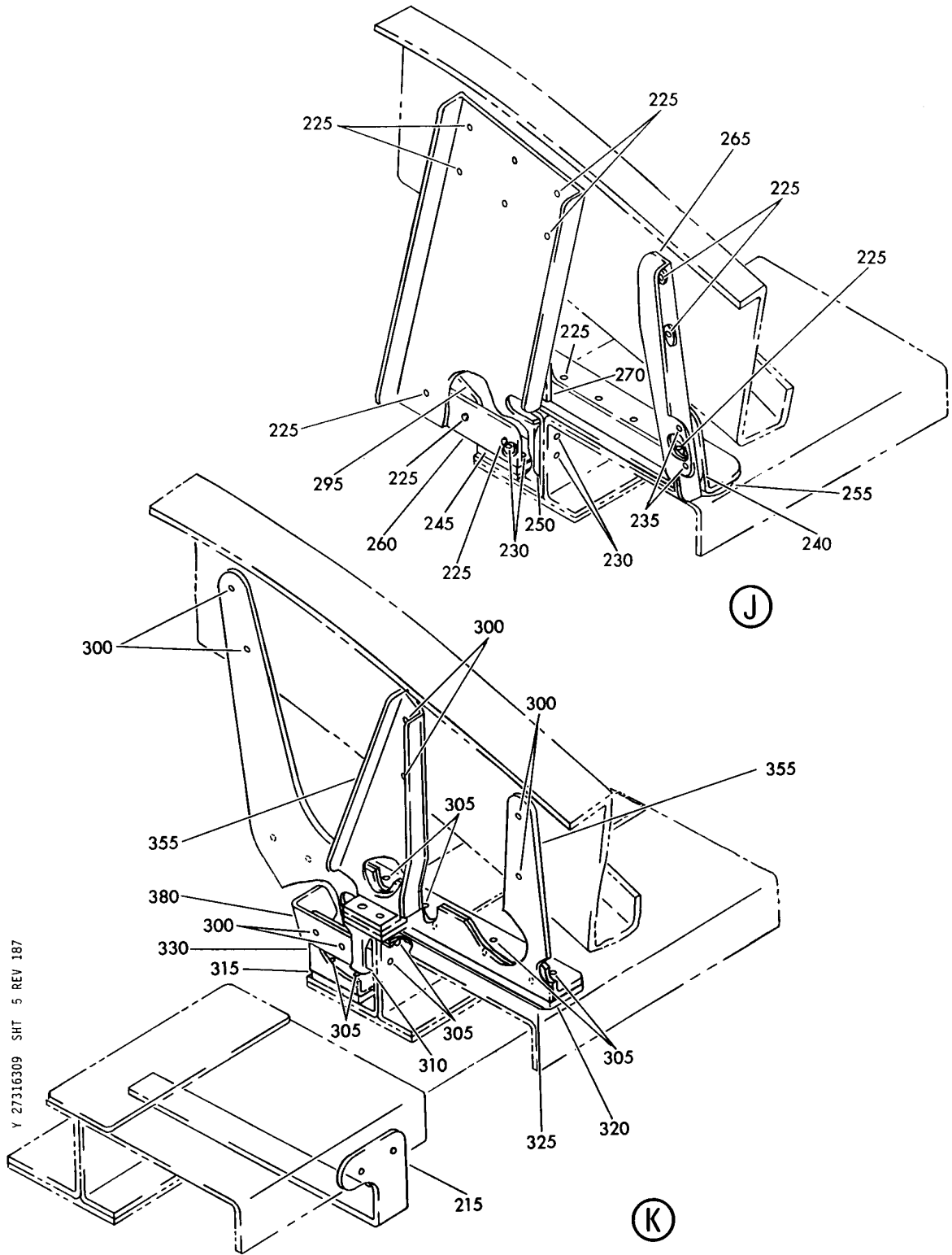
SHROUD AND GUARD INSTL CONT CABLE ELEV STA 1240 TO 1500  
FIGURE 9 (SHEET 4)

**27-31-63-09**

BRI  
MAY 28/07

27-31-63-09  
PAGE 0C

**BOEING**  
757  
PARTS CATALOG (MAINTENANCE)



Y 27316309 SHT 5 REV 187

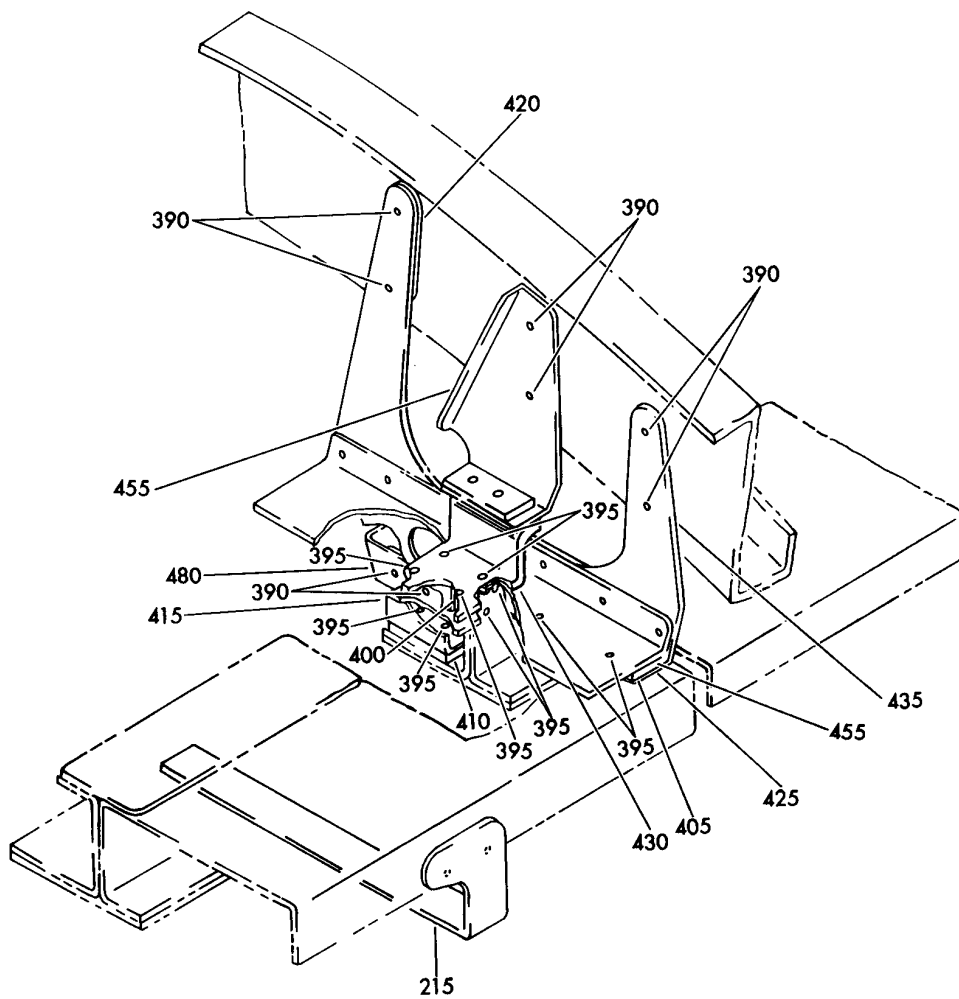
SHROUD AND GUARD INSTL CONT CABLE ELEV STA 1240 TO 1500  
FIGURE 9 (SHEET 5)

**27-31-63-09**

BRI  
MAY 28/07

27-31-63-09  
PAGE 0D

**BOEING**  
757  
PARTS CATALOG (MAINTENANCE)



Y 27316309 SHT 6 REV 187

(L)

SHROUD AND GUARD INSTL CONT CABLE ELEV STA 1240 TO 1500  
FIGURE 9 (SHEET 6)

**27-31-63-09**

BRI  
MAY 28/07

27-31-63-09  
PAGE 0E



757

PARTS CATALOG (MAINTENANCE)

FIG ITEM	PART NUMBER	1 2 3 4 5 6 7	NOMENCLATURE	EFFECT FROM TO	UNITS PER ASSY
9			SHROUD AND GUARD INSTL CONT CABLE ELEV STA 1240 TO 1500	002004 006102 107999	
- 1	251N6061-2		SHROUD INSTL- POSITION DATA: STA. 1240-STA 1300 VARIABLE DRAWING REF: 251N6061-152 251N6061-155 251N6061-159 251N6061-161 FOR NHA SEE: 27-31-00-02	002004 006100 107107 121503 904999	RF
- 1	251N6061-52		SHROUD INSTL- POSITION DATA: STA. 1240-STA 1300 FOR NHA SEE: 27-31-00-01	108120	RF
- 1	251N6061-161		GUARD INSTL- POSITION DATA: STA. 1240-STA 1300 FOR NHA SEE: 27-31-00-01	101102 504903	RF
5	NAS1398D5		.RIVET- SIZE DETERMINED ON INSTL.	002004 006100 107120 950999	12
10	BACR15FT5AD		.RIVET- SIZE DETERMINED ON INSTL.	002004 006100 107107 950999	8
12	BACR15FT5AD		.RIVET- SIZE DETERMINED ON INSTL.	108120	4
15	251N6297-7		.INSULATOR	002004 006100 107107 950999	4
17	251N6297-7		.INSULATOR	108120	2
20	287N4106-130		.STRAP	002004 006100 107120 950999	1
25	251N6309-4		.SUPPORT	002004 006100 107120 950999	1

MISSING ITEM NUMBERS NOT APPLICABLE

- ITEM NOT ILLUSTRATED

27-31-63-09

27-31-63  
FIG. 09  
PAGE 1  
JAN 20/09

BRI



757

PARTS CATALOG (MAINTENANCE)

FIG ITEM	PART NUMBER	1 2 3 4 5 6 7	NOMENCLATURE	EFFECT FROM TO	UNITS PER ASSY
9					
30	251N6309-1	.	SUPPORT	002004 006100 107120 950999	1
35	NAS1398D6	.	RIVET- SIZE DETERMINED ON INSTL.	002004 006100 107120 950999	4
40	BACR15FT5AD	.	RIVET- SIZE DETERMINED ON INSTL.	002004 006100 107120 950999	4
45	251N6297-2	.	INSULATOR	002004 006100 107120 950999	1
50	251N6297-7	.	INSULATOR	002004 006100 107120 950999	1
55	251N6316-4	.	SUPPORT	002004 006100 107120 950999	1
60	251N6316-3	.	SUPPORT	002004 006100 107120 950999	1
65	NAS1398D5	.	RIVET- SIZE DETERMINED ON INSTL.	002004 006100 107120 950999	3
70	BACR15FT5AD	.	RIVET- SIZE DETERMINED ON INSTL.	002004 006100 107120 950999	4
75	251N6297-7	.	INSULATOR	002004 006100 107120 950999	2
80	287N4106-130	.	STRAP	002004 006100 107120 950999	1
85	251N6309-1	.	SUPPORT	002004 006100 107120 950999	1

MISSING ITEM NUMBERS NOT APPLICABLE

- ITEM NOT ILLUSTRATED

27-31-63-09

27-31-63  
FIG. 09  
PAGE 2  
JAN 20/09

BRI

BOEING PROPRIETARY - Copyright © - Unpublished Work - See title page for details.



757

PARTS CATALOG (MAINTENANCE)

FIG ITEM	PART NUMBER	1 2 3 4 5 6 7	NOMENCLATURE	EFFECT FROM TO	UNITS PER ASSY
9					
90	251N6299-35	.	SHROUD ASSY	002004 006100 107120 950999	1
150	BACR15FT5D	.	RIVET- SIZE DETERMINED ON INSTL.	002004 006102 121951	8
155	BACR15BB5A	.	RIVET- SIZE DETERMINED ON INSTL.	002004 006102 121951	8
160	251N6345-5	.	INSULATOR	002004 006102 121951	1
165	251N6345-2	.	INSULATOR	002004 006102 121951	1
170	251N6360-3	.	INSULATOR	002004 006102 121951	1
175	251N6357-3	.	CLIP	002004 006102 121951	1
180	251N6348-4	.	CLIP	002004 006102 121951	1
185	251N6356-1	.	CLIP-	002002 904949	1
185	251N6350-3	.	SUPPORT-	003004 006102 121903 950951 953999	1
190	251N6351-2	.	SUPPORT ASSY	002004 006102 121951	1
210	287N4106-238	.	BRACKET	002004 006102 121999	1
215	251N6358-1	.	STRAP	002004 006102 121951	3
- 220	BACR15FT5D	.	ATTACHING PARTS RIVET- SIZE DETERMINED ON INSTL.	002004 006102 121951	12
225	BACR15FT5D	.	-----*----- RIVET- SIZE DETERMINED ON INSTL.	002004 006102 121951	20

MISSING ITEM NUMBERS NOT APPLICABLE

- ITEM NOT ILLUSTRATED

27-31-63-09

27-31-63  
FIG. 09  
PAGE 3  
JAN 20/09

BRI

BOEING PROPRIETARY - Copyright © - Unpublished Work - See title page for details.



757

PARTS CATALOG (MAINTENANCE)

FIG ITEM	PART NUMBER	1 2 3 4 5 6 7	NOMENCLATURE	EFFECT FROM TO	UNITS PER ASSY
9					
230	BACR15BB5A	.	RIVET- SIZE DETERMINED ON INSTL.	002004 006102 121951	4
235	BACR15BB5B	.	RIVET- SIZE DETERMINED ON INSTL.	002004 006102 121951	2
240	251N6360-4	.	INSULATOR	002004 006102 121951	1
245	251N6345-2	.	INSULATOR	002004 006102 121951	1
250	251N6360-5	.	INSULATOR	002004 006102 121951	1
255	251N6357-3	.	CLIP	002004 006102 121951	1
260	251N6348-5	.	CLIP	002004 006102 121951	1
265	251N6357-2	.	CLIP	002004 006102 121951	1
270	251N6351-6	.	SUPPORT ASSY	002004 006102 121999	1
295	287N4106-280	.	BRACKET	904949	1
300	BACR15FT5D	.	RIVET- SIZE DETERMINED ON INSTL.	002004 006102 121951	8
305	BACR15BB5A	.	RIVET- SIZE DETERMINED ON INSTL.	002004 006102 121951	8
310	251N6360-3	.	INSULATOR	002004 006102 121951	1
315	251N6345-2	.	INSULATOR	002004 006102 121951	1
320	251N6345-1	.	INSULATOR	002004 006102 121951	1
325	251N6357-3	.	CLIP	002004 006102 121951	1
330	251N6348-4	.	CLIP	002004 006102 121951	1

MISSING ITEM NUMBERS NOT APPLICABLE

- ITEM NOT ILLUSTRATED

27-31-63-09

27-31-63  
FIG. 09  
PAGE 4  
JAN 20/09

BRI

BOEING PROPRIETARY - Copyright © - Unpublished Work - See title page for details.





757

PARTS CATALOG (MAINTENANCE)

FIG ITEM	PART NUMBER	1 2 3 4 5 6 7	NOMENCLATURE	EFFECT FROM TO	UNITS PER ASSY
9					
335	251N6351-2	.	SUPPORT ASSY	002004 006102 121951	1
355	251N6351-5	.	SUPPORT ASSY	002004 006102 121951	1
380	287N4106-132	.	BRACKET	002004 006100 950951	1
380	287N4106-238	.	BRACKET	002004 006102 121999	1
390	BACR15FT5D	.	RIVET- SIZE DETERMINED ON INSTL.	002004 006102 121951	8
395	BACR15BB5A	.	RIVET- SIZE DETERMINED ON INSTL.	002004 006102 121951	10
400	251N6360-3	.	INSULATOR	002004 006102 121951	1
405	251N6345-4	.	INSULATOR	002004 006102 121951	1
410	251N6345-2	.	INSULATOR	002004 006102 121951	1
415	251N6348-4	.	CLIP	002004 006102 121951	1
420	251N6357-1	.	CLIP	002004 006102 121951	1
425	251N6357-3	.	CLIP	002004 006102 121951	1
430	251N6362-2	.	SUPPORT ASSY	002004 006102 121951	1
435	251N6351-1	.	SUPPORT ASSY	002004 006102 121951	1
455	251N6351-4	.	SUPPORT ASSY	002004 006102 121951	1
480	287N4106-132	.	BRACKET	101102 121999	1
485	251N6340-2	.	GUARD ASSY-	904949	1
485	251N6340-5	.	GUARD ASSY-	952952	1

MISSING ITEM NUMBERS NOT APPLICABLE

- ITEM NOT ILLUSTRATED

27-31-63-09

27-31-63  
FIG. 09  
PAGE 5  
JAN 20/09

BRI

BOEING PROPRIETARY - Copyright © - Unpublished Work - See title page for details.



757

PARTS CATALOG (MAINTENANCE)

FIG ITEM	PART NUMBER	1 2 3 4 5 6 7	NOMENCLATURE	EFFECT FROM TO	UNITS PER ASSY
9					
485	251N6340-6		. GUARD ASSY-	002004 006102 121903 953999	1
- 570	251N6061-46		SHROUD INSTL- POSITION DATA: STA. 1300 TO 1500 FOR NHA SEE: 27-31-00-02	002004 006100 107107 121503 904999	RF
- 570	251N6061-50		SHROUD INSTL- POSITION DATA: STA. 1300 TO 1500 FOR NHA SEE: 27-31-00-01	101102 108120 504903	RF
575	NAS1398D5		. RIVET- SIZE DETERMINED ON INSTL.	002004 006102 107999	9
580	NAS1398D6		. RIVET- SIZE DETERMINED ON INSTL.	002004 006102 107999	4
585	BACR15FT5AD		. RIVET- SIZE DETERMINED ON INSTL.	002004 006102 107999	4
590	251N6297-7		. INSULATOR	002004 006102 107999	2
595	251N6309-1		. SUPPORT	101102 108120 504903	1
600	251N6309-4		. SUPPORT	002004 006102 107999	1
605	287N4106-130		. STRAP	002004 006100 107107 121503 904999	2
607	287N4106-130		. STRAP	101102 108120 504903	3
610	251N6299-48		. SHROUD ASSY	002004 006102 107999	1
660	251N6299-39		. SHROUD ASSY	002004 006102 107999	1

MISSING ITEM NUMBERS NOT APPLICABLE

- ITEM NOT ILLUSTRATED

BRI

27-31-63-09

27-31-63  
FIG. 09  
PAGE 6  
JAN 20/09



757

PARTS CATALOG (MAINTENANCE)

FIG ITEM	PART NUMBER	1 2 3 4 5 6 7	NOMENCLATURE	EFFECT FROM TO	UNITS PER ASSY
9			ATTACHING PARTS		
- 665	NAS1398D5		.RIVET- SIZE DETERMINED ON INSTL.	002004 006102 107999	6
- 670	NAS1398D6		.RIVET- SIZE DETERMINED ON INSTL.	002004 006102 107999	4
			-----*-----		
720	251N6299-47		.SHROUD ASSY	002004 006102 107999	1
			ATTACHING PARTS		
- 725	NAS1398D5		.RIVET- SIZE DETERMINED ON INSTL.	002004 006102 107999	9
- 730	NAS1398D6		.RIVET- SIZE DETERMINED ON INSTL.	002004 006102 107999	4
			-----*-----		

MISSING ITEM NUMBERS NOT APPLICABLE

- ITEM NOT ILLUSTRATED

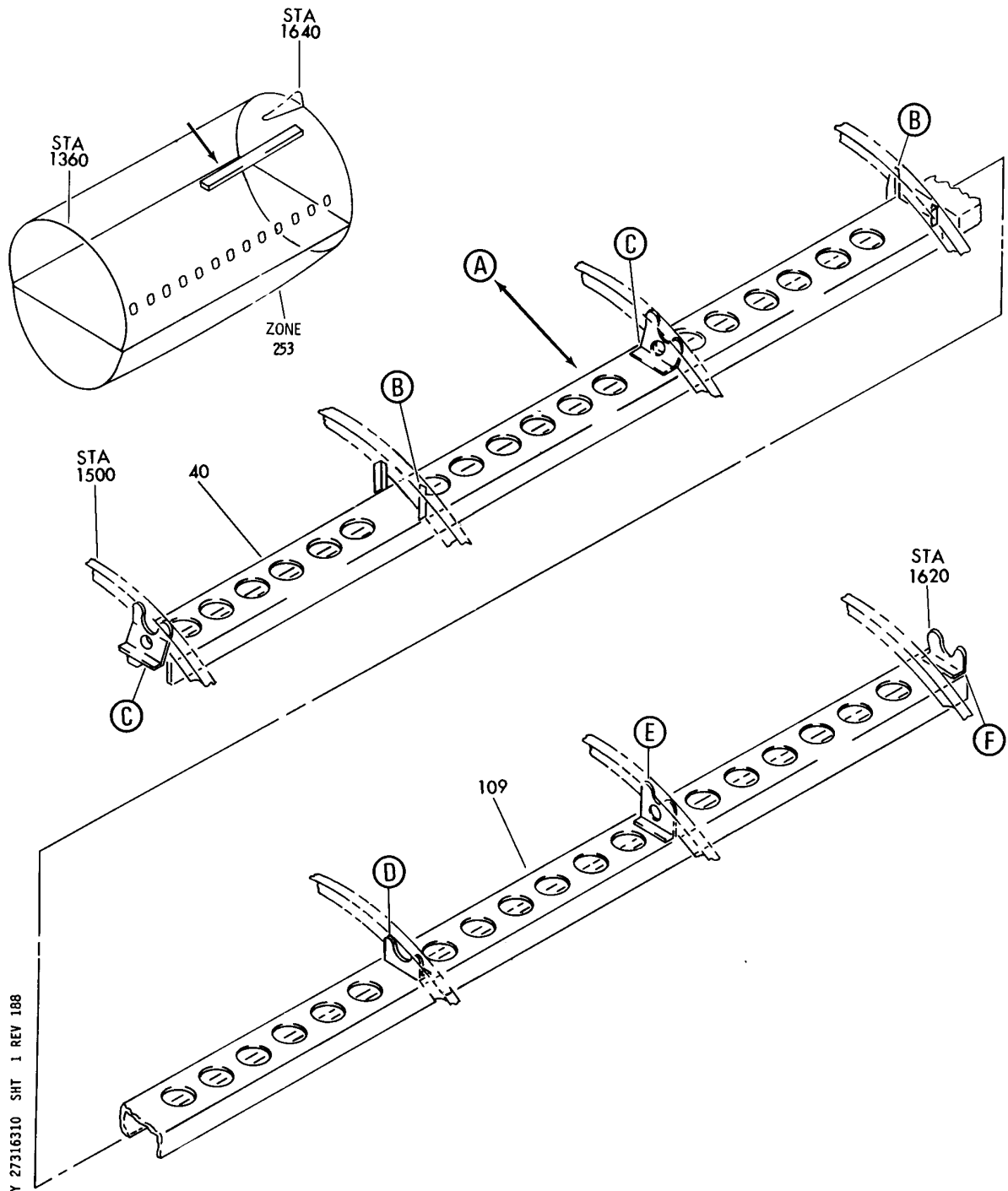
BRI

27-31-63-09

BOEING PROPRIETARY - Copyright © - Unpublished Work - See title page for details.

27-31-63  
FIG. 09  
PAGE 7  
JAN 20/09

**BOEING**  
757  
PARTS CATALOG (MAINTENANCE)



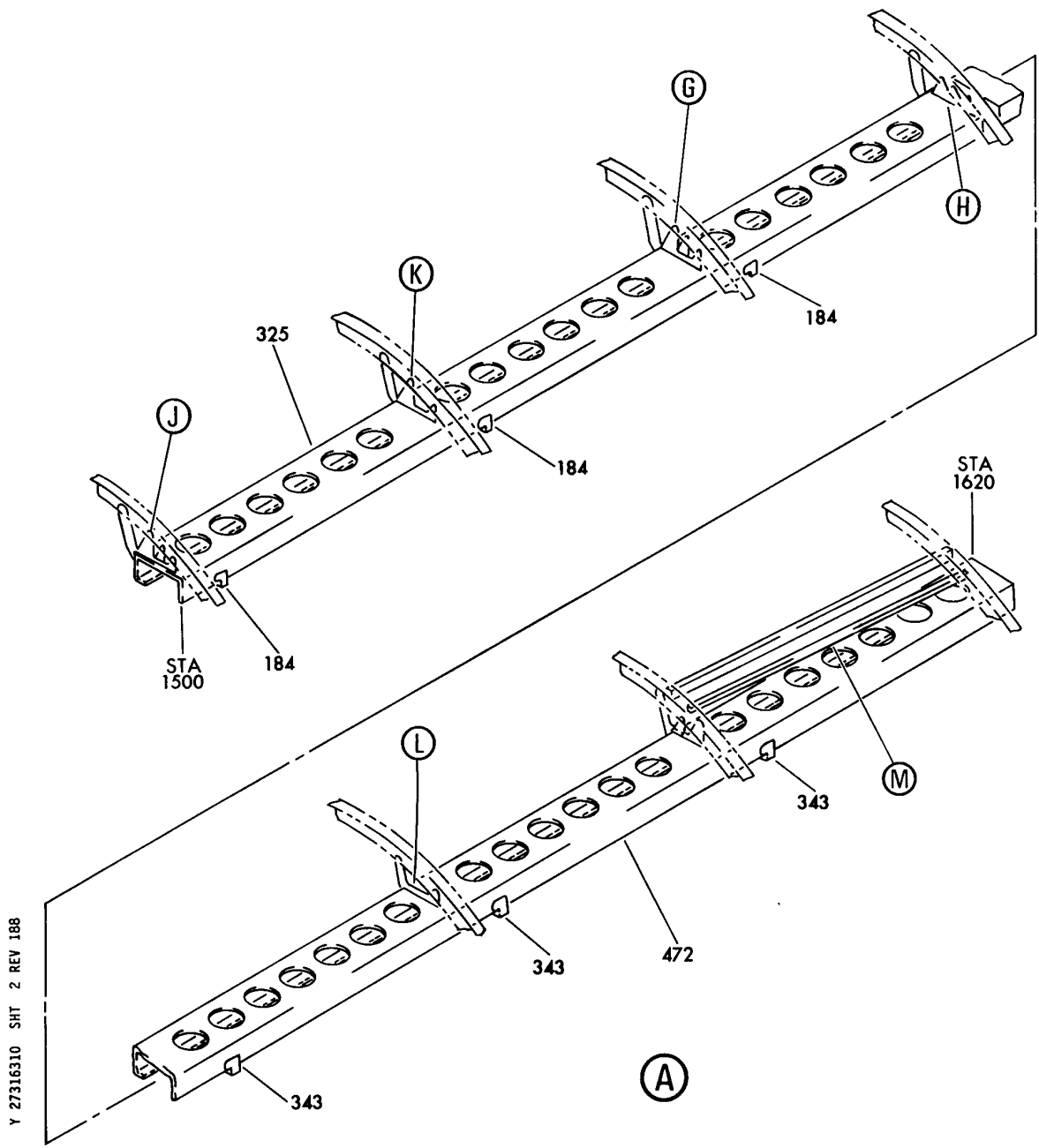
SHROUD AND GUARD INSTL CONT CABLE ELEV STA. 1500 TO 1620  
FIGURE 10 (SHEET 1)

**27-31-63-10**

BRI  
MAY 28/07

27-31-63-10  
PAGE 0

**BOEING**  
757  
PARTS CATALOG (MAINTENANCE)



SHROUD AND GUARD INSTL CONT CABLE ELEV STA. 1500 TO 1620  
FIGURE 10 (SHEET 2)

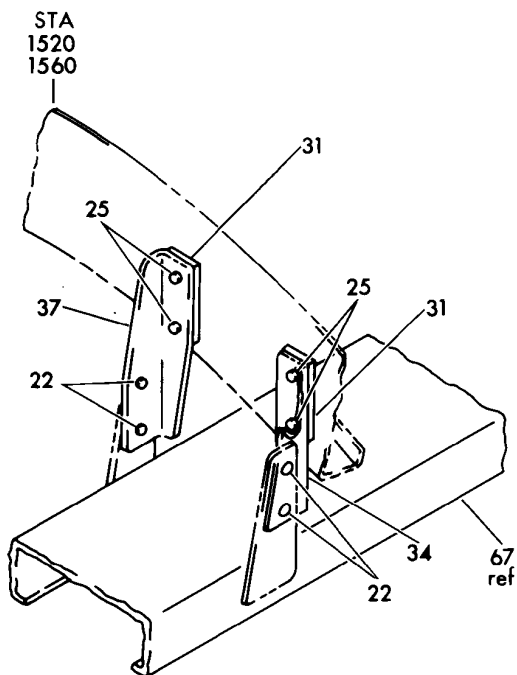
**27-31-63-10**

BRI  
MAY 28/07

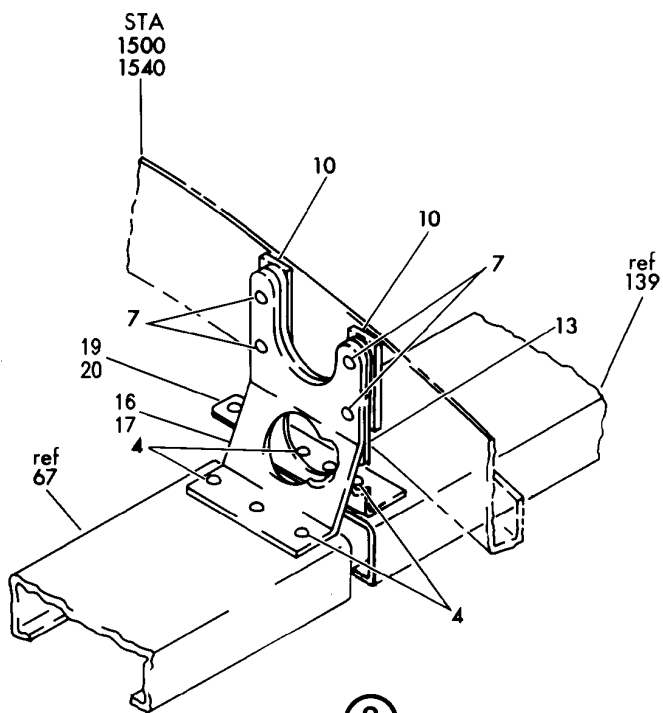
27-31-63-10  
PAGE 0A

BOEING PROPRIETARY - Copyright © - Unpublished Work - See title page for details.

**BOEING**  
757  
PARTS CATALOG (MAINTENANCE)



(B)



(C)

Y 27316310 SHT 3 REV 241

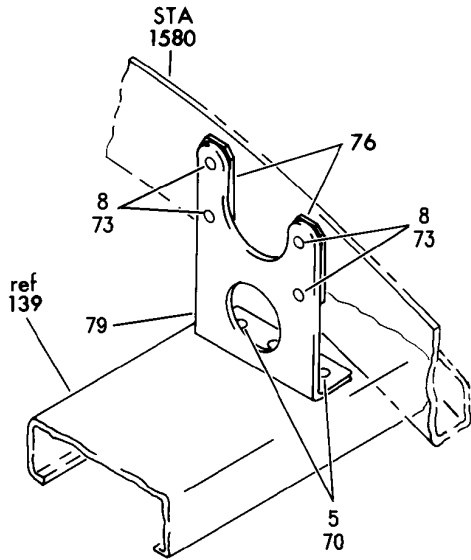
SHROUD AND GUARD INSTL CONT CABLE ELEV STA. 1500 TO 1620  
FIGURE 10 (SHEET 3)

**27-31-63-10**

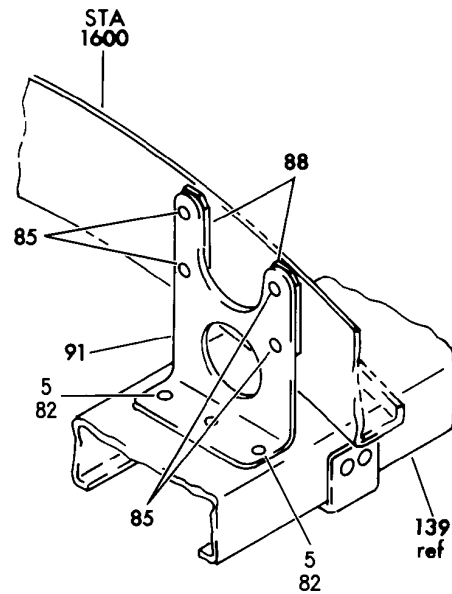
BRI  
MAY 28/07

27-31-63-10  
PAGE 0B

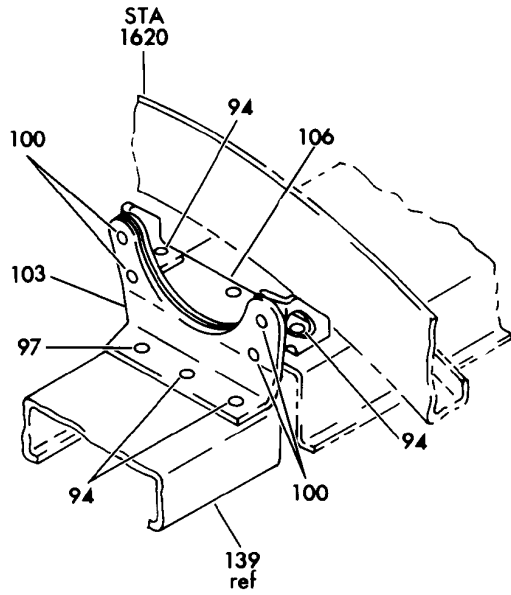
**BOEING**  
757  
PARTS CATALOG (MAINTENANCE)



D



E



F

Y 27316310 SHT 4 REV 241

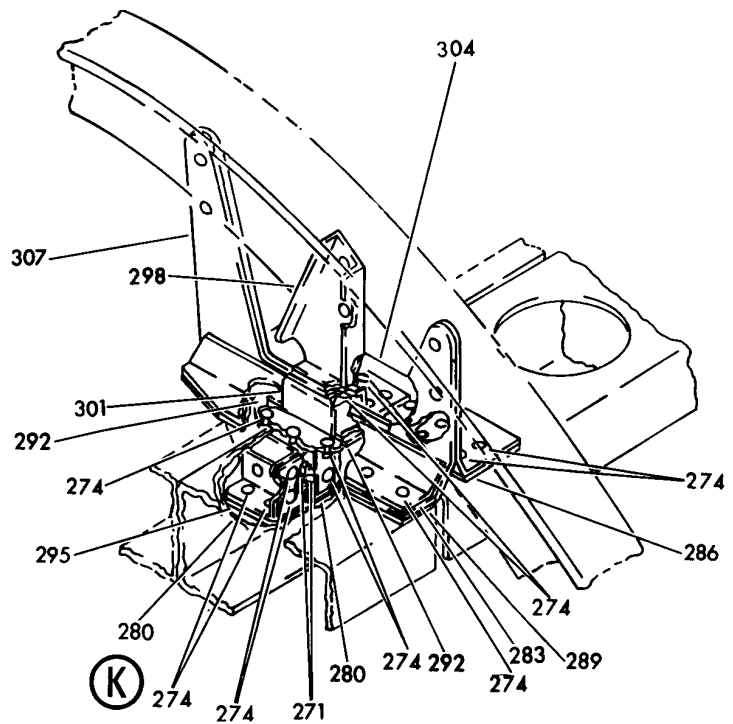
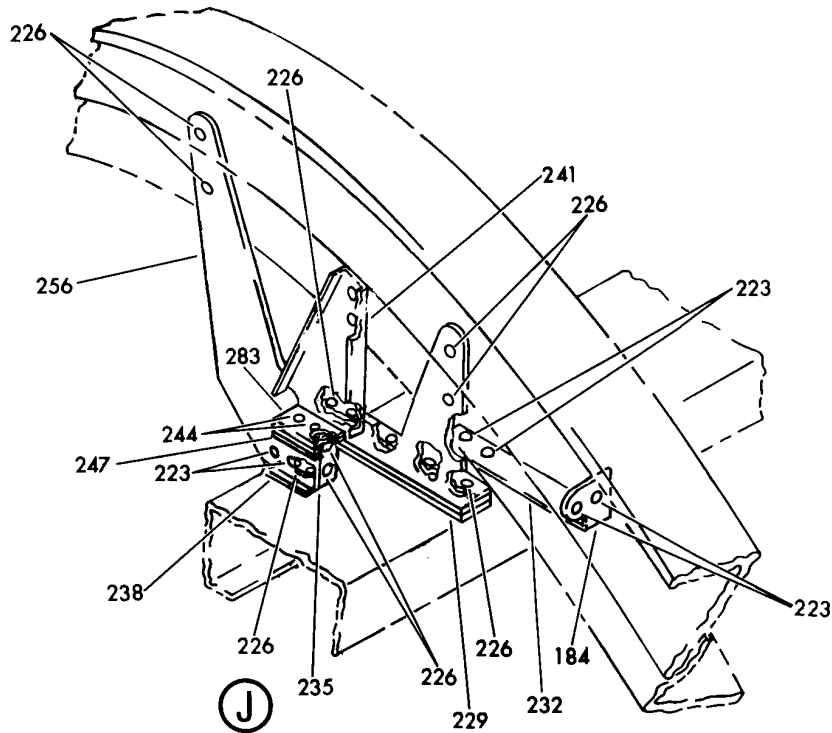
SHROUD AND GUARD INSTL CONT CABLE ELEV STA. 1500 TO 1620  
FIGURE 10 (SHEET 4)

**27-31-63-10**

BRI  
MAY 28/07

27-31-63-10  
PAGE 0C

**BOEING**  
757  
PARTS CATALOG (MAINTENANCE)



Y 27316310 SHT 5 REV 188

SHROUD AND GUARD INSTL CONT CABLE ELEV STA. 1500 TO 1620  
FIGURE 10 (SHEET 5)

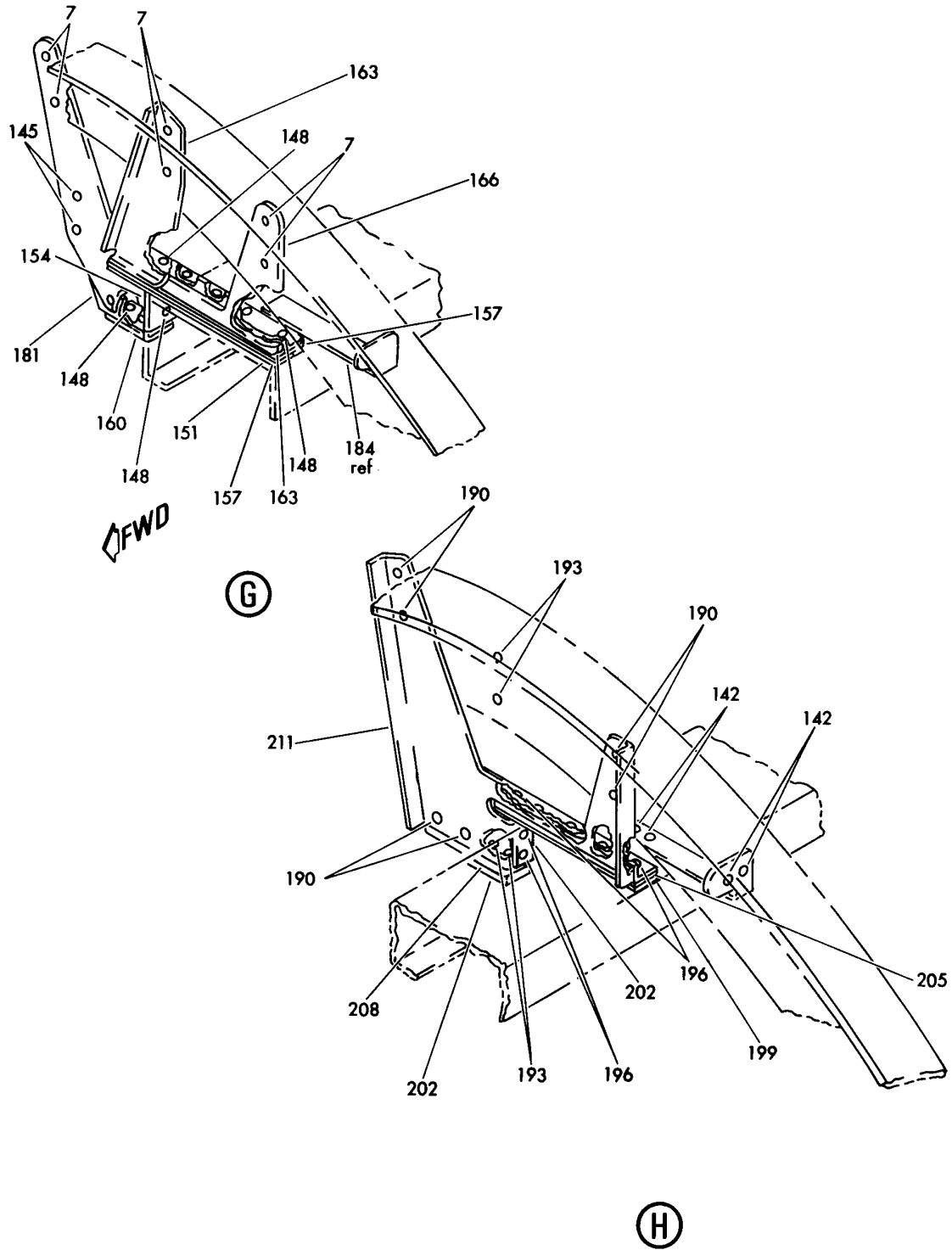
**27-31-63-10**

BRI  
MAY 28/07

27-31-63-10  
PAGE 0D



**BOEING**  
757  
PARTS CATALOG (MAINTENANCE)



Y 27316310 SHT 6 REV 188

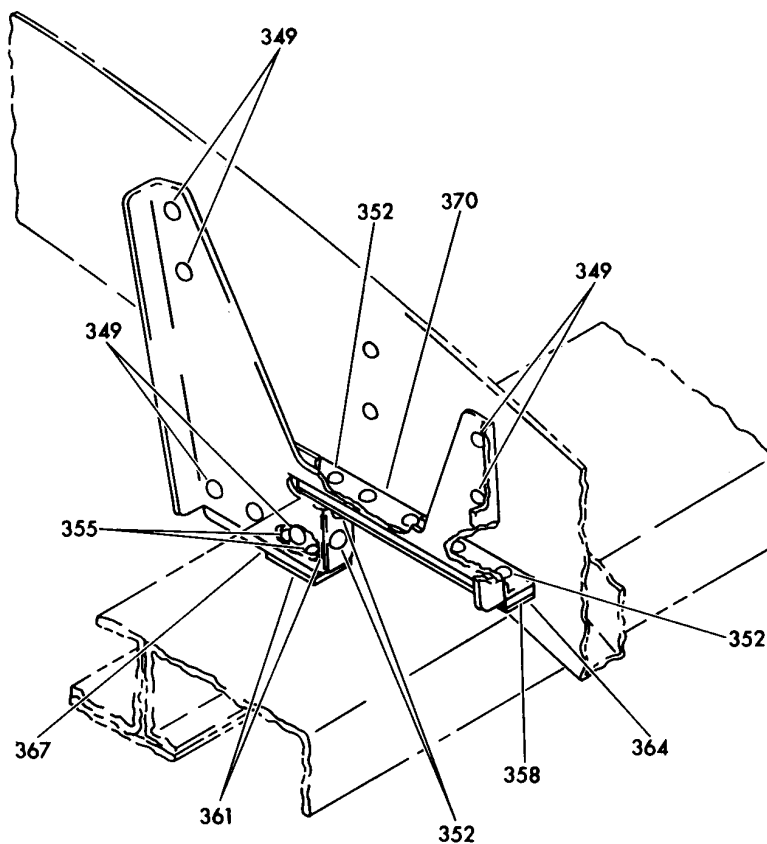
SHROUD AND GUARD INSTL CONT CABLE ELEV STA. 1500 TO 1620  
FIGURE 10 (SHEET 6)

**27-31-63-10**

BRI  
MAY 28/07

27-31-63-10  
PAGE 0E

**BOEING**  
757  
PARTS CATALOG (MAINTENANCE)



(L)

Y 27316310 SHT 7 REV 188

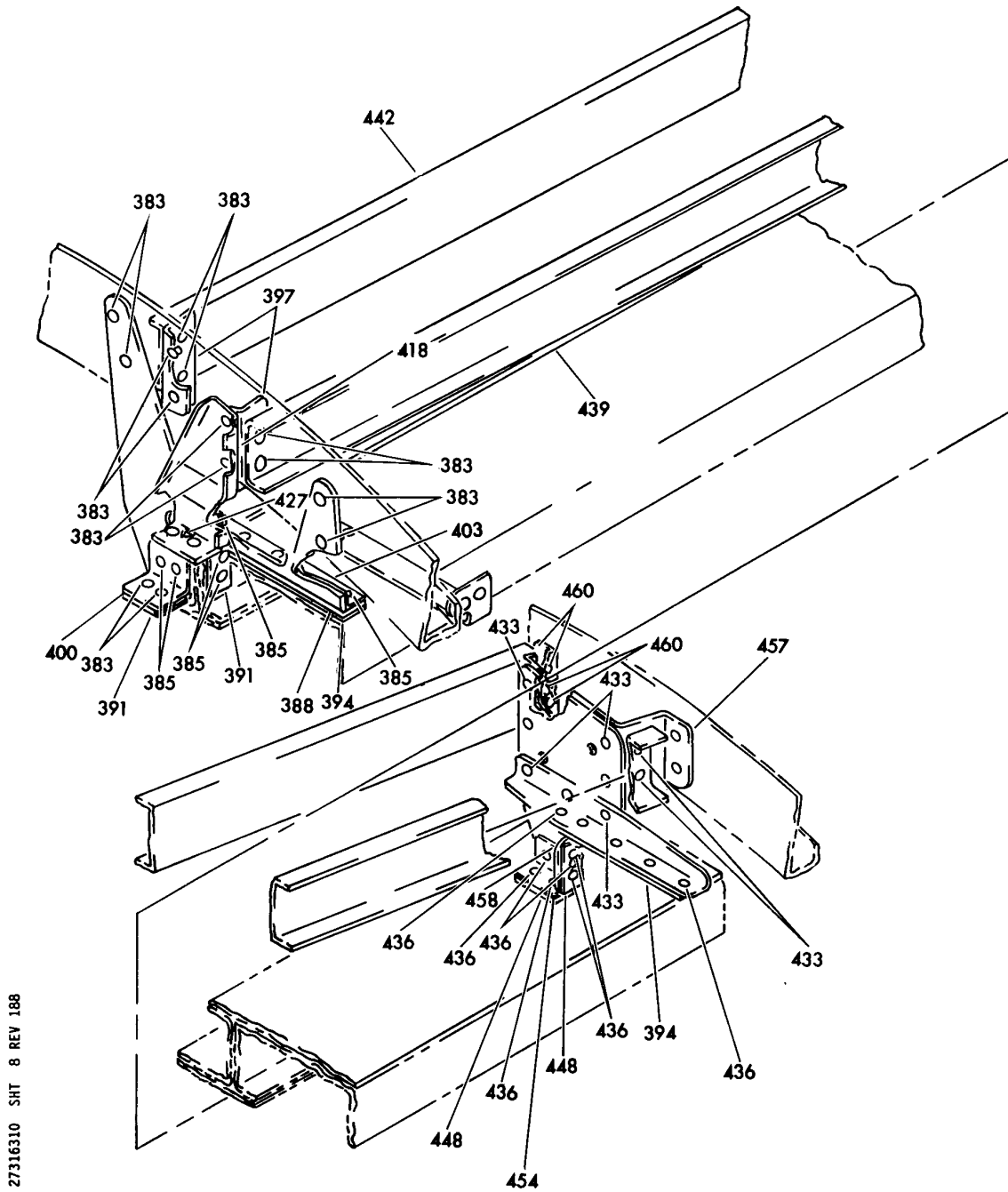
SHROUD AND GUARD INSTL CONT CABLE ELEV STA. 1500 TO 1620  
FIGURE 10 (SHEET 7)

**27-31-63-10**

BRI  
MAY 28/07

27-31-63-10  
PAGE OF

**BOEING**  
757  
PARTS CATALOG (MAINTENANCE)



Y 27316310 SHT 8 REV 188



SHROUD AND GUARD INSTL CONT CABLE ELEV STA. 1500 TO 1620  
FIGURE 10 (SHEET 8)

**27-31-63-10**

BRI  
MAY 28/07

27-31-63-10  
PAGE 0G



757

PARTS CATALOG (MAINTENANCE)

FIG ITEM	PART NUMBER	1 2 3 4 5 6 7	NOMENCLATURE	EFFECT FROM TO	UNITS PER ASSY
10			SHROUD AND GUARD INSTL CONT CABLE ELEV STA. 1500 TO 1620	002004 006102 107999	
- 1	251N6061-3		SHROUD INSTL- POSITION DATA: STA 1500 TO 1620 VARIABLE DRAWING REF: 251N6061-150 251N6061-153 251N6061-157 251N6061-160 FOR NHA SEE: 27-31-00-02	002004 006100 107107 121503 904999	RF
- 1	251N6061-53		SHROUD INSTL- POSITION DATA: STA 1500 TO 1620 FOR NHA SEE: 27-31-00-01	108120	RF
- 1	251N6061-160		GUARD INSTL- POSITION DATA: STA 1500 TO 1620 FOR NHA SEE: 27-31-00-01	101102 504903	RF
4	NAS1398D5		.RIVET- SIZE DETERMINED ON INSTL.	107107	12
5	NAS1398D5		.RIVET- SIZE DETERMINED ON INSTL.	108120	6
7	BACR15FT5AD		.RIVET- SIZE DETERMINED ON INSTL.	107107	8
8	BACR15FT5AD		.RIVET- SIZE DETERMINED ON INSTL.	108120	4
10	251N6297-7		.INSULATOR	107120	4
13	251N6309-1		.SUPPORT	107120	2
16	251N6309-4		.SUPPORT	107107	2
17	251N6309-4		.SUPPORT	108120	1
19	287N4106-130		.STRAP	107107	2
20	287N4106-130		.STRAP	108120	1
22	NAS1398D6		.RIVET- SIZE DETERMINED ON INSTL.	107120	8
25	BACR15FT5AD		.RIVET- SIZE DETERMINED ON INSTL.	107120	8
31	251N6297-2		.INSULATOR	107120	4
34	251N6316-3		.SUPPORT	107120	2
37	251N6316-4		.SUPPORT	107120	2
40	251N6299-48		.SHROUD ASSY-	107120	1
70	NAS1398D5		.RIVET- SIZE DETERMINED ON INSTL.	107120	3
73	BACR15FT5AD		.RIVET- SIZE DETERMINED ON INSTL.	107120	4

MISSING ITEM NUMBERS NOT APPLICABLE

- ITEM NOT ILLUSTRATED

27-31-63-10

27-31-63  
FIG. 10  
PAGE 1  
JAN 20/09

BRI



757

PARTS CATALOG (MAINTENANCE)

FIG ITEM	PART NUMBER	1 2 3 4 5 6 7	NOMENCLATURE	EFFECT FROM TO	UNITS PER ASSY
10					
76	251N6297-7	.	INSULATOR	107120	2
79	251N6309-1	.	SUPPORT	107120	1
82	NAS1398D5	.	RIVET-	107120	3
			SIZE DETERMINED ON INSTL.		
85	BACR15FT5AD	.	RIVET-	107120	4
			SIZE DETERMINED ON INSTL.		
88	251N6297-7	.	INSULATOR	107120	2
91	251N6309-17	.	FILLER	107120	1
94	NAS1398D5	.	RIVET-	107120	2
			SIZE DETERMINED ON INSTL.		
97	NAS1399D5	.	RIVET-	107120	1
			SIZE DETERMINED ON INSTL.		
100	BACR15FT5AD	.	RIVET-	107120	4
			SIZE DETERMINED ON INSTL.		
103	251N6309-12	.	SUPPORT	107120	1
106	251N6309-13	.	SUPPORT	107120	1
109	251N6299-49	.	SHROUD ASSY-	107120	1
142	BACR15FT5D	.	RIVET-	002004	8
			SIZE DETERMINED ON INSTL.	006102	
				121999	
145	BACR15BB5D	.	RIVET-	002004	2
			SIZE DETERMINED ON INSTL.	006102	
				121999	
148	BACR15BB5A	.	RIVET-	002004	9
			SIZE DETERMINED ON INSTL.	006102	
				121999	
151	251N6349-3	.	SPACER	002004	1
				006102	
				121999	
154	251N6345-2	.	INSULATOR	002004	2
				006102	
				121999	
157	251N6345-5	.	INSULATOR	002004	1
				006102	
				121999	
160	251N6348-4	.	CLIP	002004	1
				006102	
				121999	
163	251N6350-3	.	SUPPORT	002004	1
				006102	
				121999	
166	251N6344-10	.	SUPPORT ASSY-	002004	1
				006102	
				121999	
181	287N4106-238	.	BRACKET	952999	1
184	251N6349-4	.	STRAP	002004	3
				006102	
				121949	
				952999	

MISSING ITEM NUMBERS NOT APPLICABLE

- ITEM NOT ILLUSTRATED

BRI

27-31-63-10

27-31-63  
FIG. 10  
PAGE 2  
JAN 20/09



757

PARTS CATALOG (MAINTENANCE)

FIG ITEM	PART NUMBER	1 2 3 4 5 6 7	NOMENCLATURE	EFFECT FROM TO	UNITS PER ASSY
10			ATTACHING PARTS		
- 187	BACR15FT5D		.RIVET- SIZE DETERMINED ON INSTL.	002004 006102 121999	12
			-----*-----		
190	BACR15FT5D		.RIVET- SIZE DETERMINED ON INSTL.	002004 006102 121999	7
193	BACR15BA5A		.RIVET- SIZE DETERMINED ON INSTL.	002004 006102 121999	2
196	BACR15BB5A		.RIVET- SIZE DETERMINED ON INSTL.	002004 006102 121999	7
199	251N6349-3		.SPACER	002004 006102 121999	1
202	251N6345-2		.INSULATOR	002004 006102 121999	2
205	251N6345-1		.INSULATOR	002004 006102 121999	1
208	251N6348-5		.CLIP	002004 006102 121999	1
211	251N6344-2		.SUPPORT ASSY	002004 006102 121999	1
223	BACR15FT5D		.RIVET- SIZE DETERMINED ON INSTL.	002004 006102 121999	8
226	BACR15BB5A		.RIVET- SIZE DETERMINED ON INSTL.	002004 006102 121999	9
229	251N6349-3		.SPACER	002004 006102 121999	1
232	251N6345-1		.INSULATOR	002004 006102 121999	1
235	251N6345-2		.INSULATOR	002004 006102 121999	1
238	251N6348-4		.CLIP	002004 006102 121999	1

MISSING ITEM NUMBERS NOT APPLICABLE

- ITEM NOT ILLUSTRATED

27-31-63-10

27-31-63  
FIG. 10  
PAGE 3  
JAN 20/09

BRI

BOEING PROPRIETARY - Copyright © - Unpublished Work - See title page for details.

 **BOEING**  
757  
**PARTS CATALOG (MAINTENANCE)**

FIG ITEM	PART NUMBER	1 2 3 4 5 6 7	NOMENCLATURE	EFFECT FROM TO	UNITS PER ASSY
10					
241	251N6344-7	.	SUPPORT ASSY	002004 006102 121999	1
244	BACR15BA5A	.	RIVET- SIZE DETERMINED ON INSTL.	002004 006102 121999	2
247	251N6345-6	.	INSULATOR	002004 006102 121999	1
256	251N6344-10	.	SUPPORT ASSY-	002004 006102 121999	1
271	BACR15BA5D	.	RIVET- SIZE DETERMINED ON INSTL.	002004 006102 121999	8
274	BACR15BB5A	.	RIVET- SIZE DETERMINED ON INSTL.	002004 006102 121999	9
277	251N6345-6	.	INSULATOR	002004 006102 121999	1
280	251N6345-2	.	INSULATOR	002004 006102 121999	2
283	251N6345-3	.	INSULATOR	002004 006102 121999	1
286	251N6345-4	.	INSULATOR	002004 006102 121999	1
289	251N6349-3	.	SPACER	002004 006102 121999	2
292	50-3361-8635	.	FILLER	002004 006102 121999	2
295	251N6348-4	.	CLIP	002004 006102 121999	2
298	251N6350-2	.	SUPPORT	002004 006102 121999	1
301	251N6362-1	.	SUPPORT ASSY	002004 006102 121999	1
304	251N6344-12	.	SUPPORT ASSY-	002004 006102 121999	1

MISSING ITEM NUMBERS NOT APPLICABLE

— ITEM NOT ILLUSTRATED

BRI

# 27-31-63-10

BOEING PROPRIETARY - Copyright © - Unpublished Work - See title page for details.

27-31-63  
FIG. 10  
PAGE 4  
JAN 20/09



757

PARTS CATALOG (MAINTENANCE)

FIG ITEM	PART NUMBER	1 2 3 4 5 6 7	NOMENCLATURE	EFFECT FROM TO	UNITS PER ASSY
10					
307	251N6344-13	.	SUPPORT ASSY-	002004 006102 121999	1
325	251N6338-1	.	GUARD ASSY	002004 006102 121999	1
343	251N6349-4	.	STRAP	002004 006102 121949 952999	3
			ATTACHING PARTS		
- 346	BACR15FT5D	.	RIVET- SIZE DETERMINED ON INSTL.	002004 006102 121999	12
			-----*-----		
349	BACR15FT5D	.	RIVET- SIZE DETERMINED ON INSTL.	002004 006102 121999	7
352	BACR15BB5A	.	RIVET- SIZE DETERMINED ON INSTL.	002004 006102 121999	7
355	BACR15BA5A	.	RIVET- SIZE DETERMINED ON INSTL.	002004 006102 121999	2
358	251N6345-1	.	INSULATOR	002004 006102 121999	1
361	251N6345-2	.	INSULATOR	002004 006102 121999	2
364	251N6349-3	.	SPACER	002004 006102 121999	1
367	251N6348-5	.	CLIP	002004 006102 121999	1
370	251N6344-5	.	SUPPORT ASSY	002004 006102 121999	1
383	BACR15FT5D	.	RIVET- SIZE DETERMINED ON INSTL.	002004 006102 121999	14
385	BACR15BB5A	.	RIVET- SIZE DETERMINED ON INSTL.	002004 006102 121999	9
388	251N6345-1	.	INSULATOR	002004 006102 121999	1

MISSING ITEM NUMBERS NOT APPLICABLE

- ITEM NOT ILLUSTRATED

27-31-63-10

27-31-63  
FIG. 10  
PAGE 5  
JAN 20/09

BRI

BOEING PROPRIETARY - Copyright © - Unpublished Work - See title page for details.





757

PARTS CATALOG (MAINTENANCE)

FIG ITEM	PART NUMBER	1 2 3 4 5 6 7	NOMENCLATURE	EFFECT FROM TO	UNITS PER ASSY
10					
391	251N6345-2	.	INSULATOR	002004 006102 121999	2
394	251N6349-3	.	SPACER	002004 006102 121999	1
397	251N6348-3	.	CLIP	002004 006102 121999	2
400	251N6348-4	.	CLIP	002004 006102 121999	1
403	251N6344-11	.	SUPPORT ASSY-	002004 006102 121999	1
418	251N6344-9	.	SUPPORT ASSY	002004 006102 121999	1
433	BACR15FT5D	.	RIVET- SIZE DETERMINED ON INSTL.	002004 006102 121999	10
436	BACR15BB5A	.	RIVET- SIZE DETERMINED ON INSTL.	002004 006102 121999	9
439	251N6348-1	.	INTERCOSTAL	002004 006102 121999	1
442	251N6348-2	.	INTERCOSTAL	002004 006102 121999	1
445	251N6345-1	.	INSULATOR	002004 006102 121999	2
448	251N6345-2	.	INSULATOR	002004 006102 121999	4
451	251N6349-3	.	SPACER	002004 006102 121999	2
454	251N6348-4	.	CLIP	002004 006102 121999	2
457	251N6344-6	.	SUPPORT ASSY	002004 006102 121999	2
458	251N6348-4	.	CLIP	002004 006102 121999	1

MISSING ITEM NUMBERS NOT APPLICABLE

- ITEM NOT ILLUSTRATED

BRI

27-31-63-10

BOEING PROPRIETARY - Copyright © - Unpublished Work - See title page for details.

27-31-63  
FIG. 10  
PAGE 6  
JAN 20/09



757  
PARTS CATALOG (MAINTENANCE)

FIG ITEM	PART NUMBER	1 2 3 4 5 6 7	NOMENCLATURE	EFFECT FROM TO	UNITS PER ASSY
10 472	251N6338-2		. GUARD ASSY	002004 006102 121999	1

MISSING ITEM NUMBERS NOT APPLICABLE

- ITEM NOT ILLUSTRATED

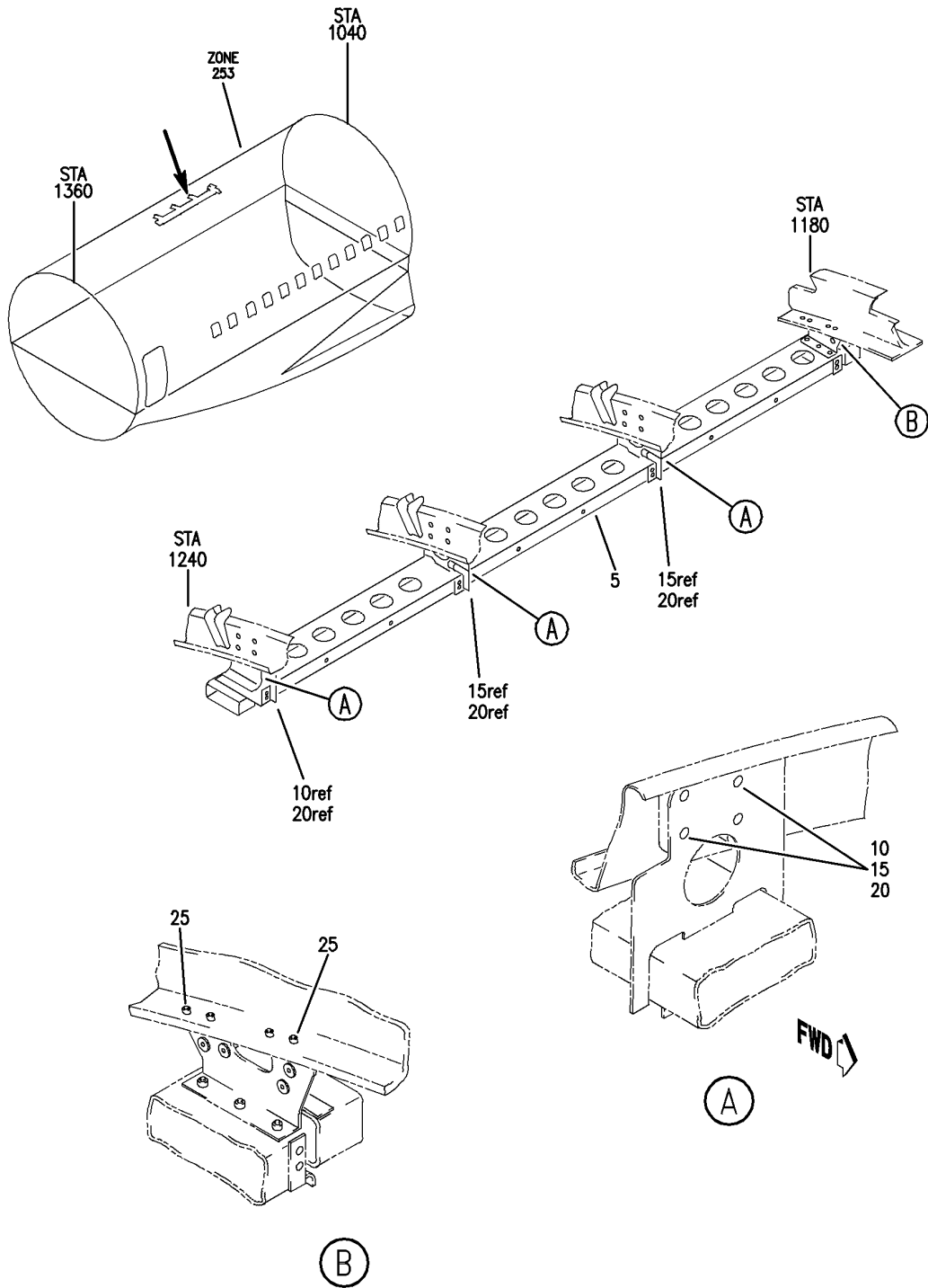
BRI

27-31-63-10

BOEING PROPRIETARY - Copyright © - Unpublished Work - See title page for details.

27-31-63  
FIG. 10  
PAGE 7  
JAN 20/09

**BOEING**  
757  
PARTS CATALOG (MAINTENANCE)



Y 27316312 REV 241

SHROUD INSTL- CONTROL CABLE, ELEVATOR STA 1180 TO STA 1240  
FIGURE 12

**27-31-63-12**

BRI  
JAN 20/09

27-31-63-12  
PAGE 0



757

PARTS CATALOG (MAINTENANCE)

FIG ITEM	PART NUMBER	1 2 3 4 5 6 7	NOMENCLATURE	EFFECT FROM TO	UNITS PER ASSY
12			SHROUD INSTL- CONTROL CABLE, ELEVATOR STA 1180 TO STA 1240	103106	
- 1	MODREF8685		SHROUD INSTL-CONTROL CABLE, ELEVATOR MODULE NUMBER: 251N6061-86 REV A POSITION DATA: STA 1180-STA 1240	103106	1
5	251N6340-19		.SHROUD ASSY ATTACHING PARTS	103106	1
20	BACR15FT5D7C		.RIVET- SIZE DETERMINED ON INSTL.	103106	12
25	BACR15FT5D9C		.RIVET- SIZE DETERMINED ON INSTL. -----*-----	103106	4

MISSING ITEM NUMBERS NOT APPLICABLE

- ITEM NOT ILLUSTRATED

BRI

27-31-63-12

BOEING PROPRIETARY - Copyright © - Unpublished Work - See title page for details.

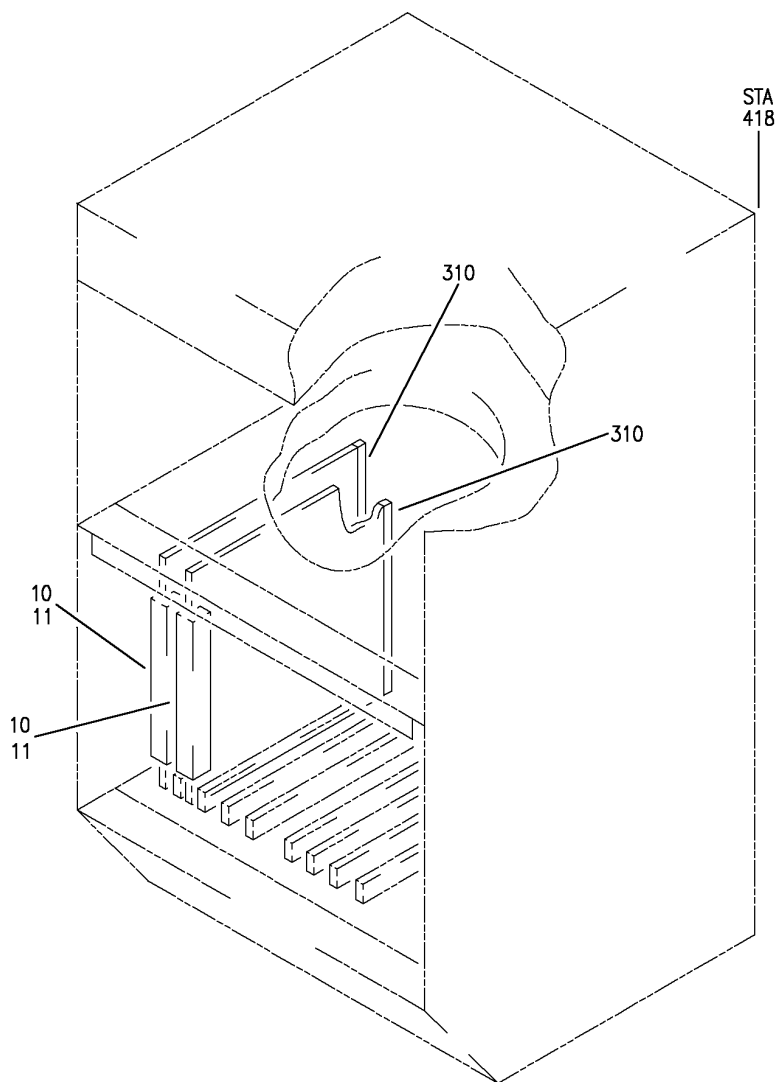
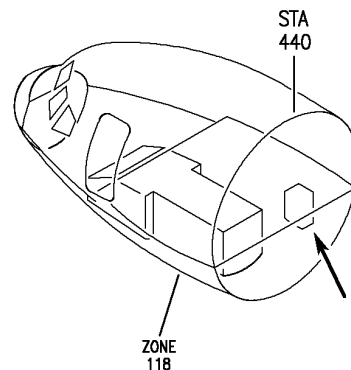
27-31-63  
FIG. 12  
PAGE 1  
JAN 20/09

## **STALL WARNING**

**BRI**  
**MAY 28/07**

**27-32-00**  
**SECTION TITLE**  
**PAGE 1**

**BOEING**  
757  
PARTS CATALOG (MAINTENANCE)



Y 27320101 REV 331

EQUIPMENT INSTL-MAIN ELECTRONICS EQPT CTR (STALL WARNING SYSTEM ONLY)

FIGURE 1

**27-32-01-01**

BRI  
JAN 20/09

27-32-01-01  
PAGE 0



757

PARTS CATALOG (MAINTENANCE)

FIG ITEM	PART NUMBER	1 2 3 4 5 6 7	NOMENCLATURE	EFFECT FROM TO	UNITS PER ASSY
1			EQUIPMENT INSTL-MAIN ELECTRONICS EQPT CTR (STALL WARNING SYSTEM ONLY)	002004 006100 107107 121999	
- 3	284N1800-16		EQUIPMENT INSTL-MAIN ELECTRONICS EQPT CTR (STALL WARNING SYSTEM ONLY) FOR NHA/OTHER SYS DET SEE: 24-00-58-01	121503 904949	RF
- 4	284N1800-32		EQUIPMENT INSTL-MAIN ELECTRONICS EQPT CTR (STALL WARNING SYSTEM ONLY) FOR NHA/OTHER SYS DET SEE: 24-00-58-01	952999	RF
- 4	284N1800-34		EQUIPMENT INSTL-MAIN ELECTRONICS EQPT CTR (STALL WARNING SYSTEM ONLY) FOR NHA/OTHER SYS DET SEE: 24-00-58-01	002004 006100	RF
- 5	284N1800-38		EQUIPMENT INSTL-MAIN ELECTRONICS EQPT CTR (STALL WARNING SYSTEM ONLY) FOR NHA/OTHER SYS DET SEE: 24-00-58-01	950951	RF
- 6	284N1800-88		EQUIPMENT INSTL-MAIN ELECTRONICS EQPT CTR (STALL WARNING SYSTEM ONLY) FOR NHA/OTHER SYS DET SEE: 24-00-58-05E	505505	RF
- 7	284N1800-190		EQUIPMENT INSTL-MAIN ELECTRONICS EQPT CTR (STALL WARNING SYSTEM ONLY) FOR NHA/OTHER SYS DET SEE: 24-00-58-05E	504504 506903	RF

MISSING ITEM NUMBERS NOT APPLICABLE

- ITEM NOT ILLUSTRATED

**27-32-01-01**

27-32-01  
FIG. 01  
PAGE 1  
JAN 20/09

BRI



**757  
PARTS CATALOG (MAINTENANCE)**

FIG ITEM	PART NUMBER	1 2 3 4 5 6 7	NOMENCLATURE	EFFECT FROM TO	UNITS PER ASSY
1 10	285T1104-11		.PRINTED CIRCUIT ASSY-STALL WARNING SUPPLIER CODE: V89954 ELECTRICAL EQUIP NUMBER: M00615 M00938 COMPONENT MAINT MANUAL REF: 27-32-52 QUALIFIED I/W DATA: FOR FAA: WITH SPEED TAPE OPTION IS NOT ENABLED, THE 285T1104-11, 285T1104-13, 285T1104-17, 285T1104-19, 285T1104-21 AND 285T1104-22 ARE INTERCHANGEABLE ON 757-200. WITH SPEED TAPE OPTION IS ENABLED, ONLY 285T1104-13, 285T1104-17, 285T1104-19, 285T1104-21 AND 285T1104-22 ARE INTERCHANGEABLE ON 757-200. FOR CAA: ONLY 285T1104-19, 285T1104-21 AND 285T1104-22 ARE INTERCHANGEABLE ON 757-200	002004 107107 121503 904949 952952	2

MISSING ITEM NUMBERS NOT APPLICABLE

— ITEM NOT ILLUSTRATED

BRI

# 27-32-01-01

BOEING PROPRIETARY - Copyright © - Unpublished Work - See title page for details.

27-32-01  
FIG. 01  
PAGE 2  
JAN 20/09





757

PARTS CATALOG (MAINTENANCE)

FIG ITEM	PART NUMBER	1 2 3 4 5 6 7	NOMENCLATURE	EFFECT FROM TO	UNITS PER ASSY
1 10	285T1104-17		.PRINTED CIRCUIT ASSY-STALL WARNING SUPPLIER CODE: V89954 ELECTRICAL EQUIP NUMBER: M00615 M00938 COMPONENT MAINT MANUAL REF: 27-32-52 QUALIFIED I/W DATA: FOR FAA: WITH SPEED TAPE OPTION IS NOT ENABLED, THE 285T1104-11, 285T1104-13, 285T1104-17, 285T1104-19, 285T1104-21 AND 285T1104-22 ARE INTERCHANGEABLE ON 757-200. WITH SPEED TAPE OPTION IS ENABLED, ONLY 285T1104-13, 285T1104-17, 285T1104-19, 285T1104-21 AND 285T1104-22 ARE INTERCHANGEABLE ON 757-200. FOR CAA: ONLY 285T1104-19, 285T1104-21 AND 285T1104-22 ARE INTERCHANGEABLE ON 757-200.	002004 107107 121503 904949 952952	2
10	285T1104-19		.PRINTED CIRCUIT ASSY-STALL WARNING SUPPLIER CODE: V89954 ELECTRICAL EQUIP NUMBER: M00615 M00938 COMPONENT MAINT MANUAL REF: 27-32-52 QUALIFIED I/W DATA: FOR FAA: WITH SPEED TAPE OPTION IS NOT ENABLED, THE 285T1104-11, 285T1104-13, 285T1104-17, 285T1104-19, 285T1104-21 AND 285T1104-22 ARE INTERCHANGEABLE ON 757-200. WITH SPEED TAPE	002004 006100 107107 121999	2

MISSING ITEM NUMBERS NOT APPLICABLE

- ITEM NOT ILLUSTRATED

BRI

27-32-01-01

27-32-01  
FIG. 01  
PAGE 3  
JAN 20/09



757

PARTS CATALOG (MAINTENANCE)

FIG ITEM	PART NUMBER	1 2 3 4 5 6 7	NOMENCLATURE	EFFECT FROM TO	UNITS PER ASSY
1			<p>OPTION ENABLED ONLY            285T1104-13,            285T1104-17,            285T1104-19, 285T1104-21            AND 285T1104-22 ARE            INTERCHANGEABLE ON            757-200. FOR CAA: ONLY            285T1104-19, 285T1104-21            AND 285T1104-22 ARE            INTERCHANGEABLE ON            757-200.            FOR FAA: WITH SPEED TAPE            OPTION IS NOT ENABLED,            THE 285T1104-11,            285T1104-13,            285T1104-17,            285T1104-19, 285T1104-21            AND 285T1104-22 ARE            INTERCHANGEABLE ON            757-200. WITH SPEED TAPE            OPTION ENABLED, ONLY            285T1104-13,            285T1104-17,            285T1104-19, 285T1104-21            AND 285T1104-22 ARE            INTERCHANGEABLE ON            757-200. FOR CAA: ONLY            285T1104-19, 285T1104-21            AND 285T1104-22 ARE            INTERCHANGEABLE ON            757-200. FOR 757-300            285T1104-21 MUST BE            USED.</p>		
10	285T1104-18		<p>.PRINTED CIRCUIT ASSY-STALL            WARNING            SUPPLIER CODE:            V89954            ELECTRICAL EQUIP NUMBER:            M00615            M00938            COMPONENT MAINT MANUAL REF:            27-32-52</p>	002004 006100 107107 121999	2
- 300	286N1451-002		WIRE BUNDLE ASSY-	121503 904949	RF
- 300	286N1451-003		WIRE BUNDLE ASSY	107107	RF
- 300	286N1451-004		WIRE BUNDLE ASSY- REWORKED BY SB: 31-0127R1	002004 006100 950999	RF
- 302	286N1451-360		WIRE BUNDLE ASSY	504903	RF

MISSING ITEM NUMBERS NOT APPLICABLE

- ITEM NOT ILLUSTRATED

27-32-01-01

27-32-01  
FIG. 01  
PAGE 4  
JAN 20/09

BRI



757

PARTS CATALOG (MAINTENANCE)

FIG ITEM	PART NUMBER	1 2 3 4 5 6 7	NOMENCLATURE	EFFECT FROM TO	UNITS PER ASSY
1 310	300052-001		.CONNECTOR- SUPPLIER CODE: V0D9V3 SPECIFICATION NUMBER: BACC65L66 OPTIONAL PART: 200620-01 V16512 300052-001 V03877 192-366-0010 V26742 S1009-00833 V03877 ELECTRICAL EQUIP NUMBER: D00121 D00589 WIRING DIAGRAM REF: 273211 273221	002004 006100 107107 121999	2

MISSING ITEM NUMBERS NOT APPLICABLE

- ITEM NOT ILLUSTRATED

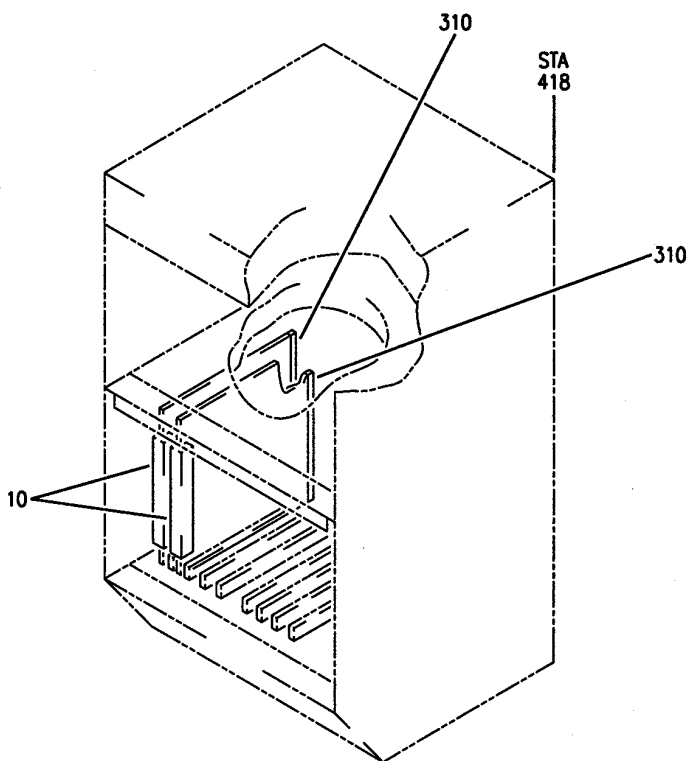
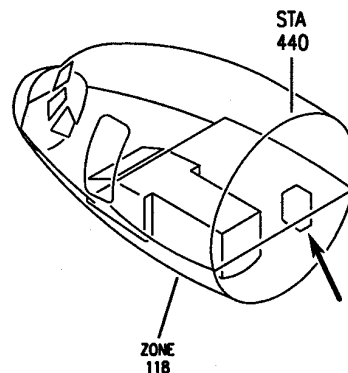
BRI

27-32-01-01

BOEING PROPRIETARY - Copyright © - Unpublished Work - See title page for details.

27-32-01  
FIG. 01  
PAGE 5  
JAN 20/09

**BOEING**  
757  
PARTS CATALOG (MAINTENANCE)



Y 27320101B REV 219

EQUIPMENT INSTL-MAIN ELECTRONICS EQPT CTR (STALL WARNING SYSTEM ONLY)  
FIGURE 1B

BRI  
MAY 28/07

**27-32-01-01B**

27-32-01-01B  
PAGE 0



757

PARTS CATALOG (MAINTENANCE)

FIG ITEM	PART NUMBER	1 2 3 4 5 6 7	NOMENCLATURE	EFFECT FROM TO	UNITS PER ASSY
1B			EQUIPMENT INSTL-MAIN ELECTRONICS EQPT CTR (STALL WARNING SYSTEM ONLY)	101102	
- 3	284N1800-140		EQUIPMENT INSTL-MAIN ELECTRONICS EQPT CTR (STALL WARNING SYSTEM ONLY)	101101	RF
- 3	284N1800-141		FOR NHA/OTHER SYS DET SEE: 24-00-58-05E		
			EQUIPMENT INSTL-MAIN ELECTRONICS EQPT CTR (STALL WARNING SYSTEM ONLY)	102102	RF
			FOR NHA/OTHER SYS DET SEE: 24-00-58-05E		
10	285T1104-19		.PRINTED CIRCUIT ASSY-STALL WARNING SUPPLIER CODE: V89954 ELECTRICAL EQUIP NUMBER: M00615 M00938 COMPONENT MAINT MANUAL REF: 27-32-52 QUALIFIED I/W DATA: FOR FAA: WITH SPEED TAPE OPTION IS NOT ENABLED, THE 285T1104-11, 285T1104-13, 285T1104-17, 285T1104-19, 285T1104-21 AND 285T1104-22 ARE INTERCHANGEABLE ON 757-200. WITH SPEED TAPE OPTION ENABLED ONLY 285T1104-13, 285T1104-17, 285T1104-19, 285T1104-21 AND 285T1104-22 ARE INTERCHANGEABLE ON 757-200. FOR CAA: ONLY 285T1104-19, 285T1104-21 AND 285T1104-22 ARE INTERCHANGEABLE ON 757-200. FOR FAA: WITH SPEED TAPE OPTION IS NOT ENABLED, THE 285T1104-11,	101102	2

MISSING ITEM NUMBERS NOT APPLICABLE

- ITEM NOT ILLUSTRATED

**27-32-01-01B**

27-32-01  
FIG. 01B  
PAGE 1  
JAN 20/09

BRI

BOEING PROPRIETARY - Copyright © - Unpublished Work - See title page for details.



757

PARTS CATALOG (MAINTENANCE)

FIG ITEM	PART NUMBER	1 2 3 4 5 6 7	NOMENCLATURE	EFFECT FROM TO	UNITS PER ASSY
1 B			285T1104-13, 285T1104-17, 285T1104-19, 285T1104-21 AND 285T1104-22 ARE INTERCHANGEABLE ON 757-200. WITH SPEED TAPE OPTION ENABLED, ONLY 285T1104-13, 285T1104-17, 285T1104-19, 285T1104-21 AND 285T1104-22 ARE INTERCHANGEABLE ON 757-200. FOR CAA: ONLY 285T1104-19, 285T1104-21 AND 285T1104-22 ARE INTERCHANGEABLE ON 757-200. FOR 757-300 285T1104-21 MUST BE USED.		
10	285T1104-18		.PRINTED CIRCUIT ASSY-STALL WARNING SUPPLIER CODE: V89954 ELECTRICAL EQUIP NUMBER: M00615 M00938 COMPONENT MAINT MANUAL REF: 27-32-52	101102	2
- 300	286N1451-353		WIRE BUNDLE ASSY	101101	RF
- 301	286N1451-354		WIRE BUNDLE ASSY	102102	RF

MISSING ITEM NUMBERS NOT APPLICABLE

- ITEM NOT ILLUSTRATED

**27-32-01-01B**

27-32-01  
 FIG. 01B  
 PAGE 2  
 JAN 20/09

BRI



757

PARTS CATALOG (MAINTENANCE)

FIG ITEM	PART NUMBER	1 2 3 4 5 6 7	NOMENCLATURE	EFFECT FROM TO	UNITS PER ASSY
1B 310	300052-001		.CONNECTOR- SUPPLIER CODE: V0D9V3 SPECIFICATION NUMBER: BACC65L66 OPTIONAL PART: 200620-01 V16512 300052-001 V03877 192-366-0010 V26742 S1009-00833 V03877 ELECTRICAL EQUIP NUMBER: D00121 D00598 WIRING DIAGRAM REF: 273221 315121	101102	2

MISSING ITEM NUMBERS NOT APPLICABLE

- ITEM NOT ILLUSTRATED

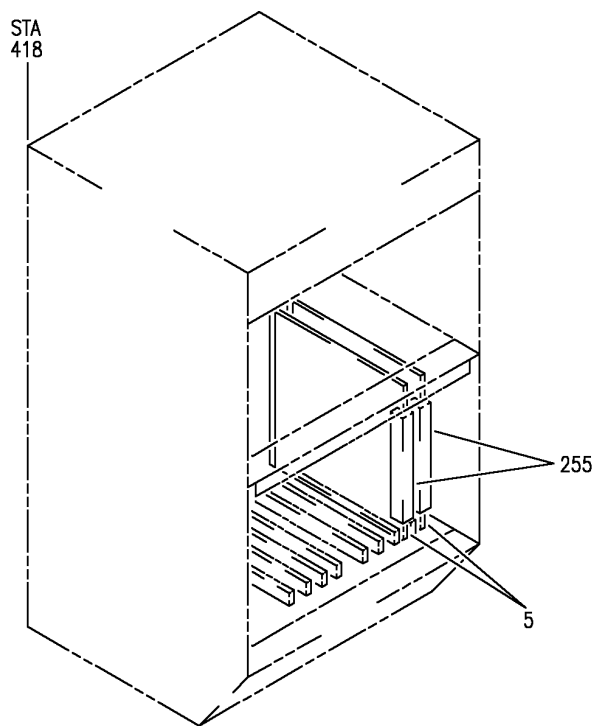
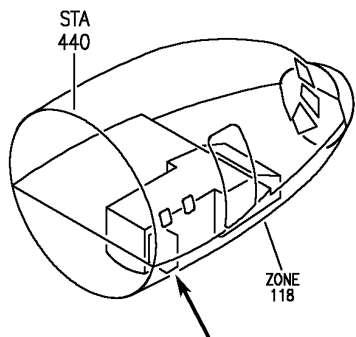
BRI

**27-32-01-01B**

BOEING PROPRIETARY - Copyright © - Unpublished Work - See title page for details.

27-32-01  
FIG. 01B  
PAGE 3  
JAN 20/09

**BOEING**  
757  
PARTS CATALOG (MAINTENANCE)



Y 27320108 REV 262

EQUIPMENT INSTL-MAIN ELECTRONICS EQPT CTR STALL WARNING  
FIGURE 8

**27-32-01-08**

BRI  
JAN 20/09

27-32-01-08  
PAGE 0





757

PARTS CATALOG (MAINTENANCE)

FIG ITEM	PART NUMBER	1 2 3 4 5 6 7	NOMENCLATURE	EFFECT FROM TO	UNITS PER ASSY
8			EQUIPMENT INSTL-MAIN ELECTRONICS EQPT CTR STALL WARNING	103106 108120	
- 1	284N4000-270016		EQUIPMENT INSTL-MAIN ELECTRONICS EQPT CTR STALL WARNING	108120	RF
- 1	MODREF10043		FOR NHA SEE: 24-00-58-05 EQUIPMENT INSTL-MAIN ELECTRONICS EQPT CTR STALL WARNING	103106	1
5	285T1104-21		MODULE NUMBER: 284N4000-270016 REV A .PRINTED CIRCUIT ASSY- SUPPLIER CODE: V89954 ELECTRICAL EQUIP NUMBER: M00615 M00938 COMPONENT MAINT MANUAL REF: 27-32-52 QUALIFIED I/W DATA: FOR FAA: WITH SPEED TAPE OPTION IS NOT ENABLED, THE 285T1104-11, 285T1104-13, 285T1104-17, 285T1104-19, 285T1104-21 AND 285T1104-22 ARE INTERCHANGEABLE ON 757-200. WITH SPEED TAPE OPTION ENABLED ONLY 285T1104-13, 285T1104-17, 285T1104-19, 285T1104-21 AND 285T1104-22 ARE INTERCHANGEABLE ON 757-200. FOR CAA: ONLY 285T1104-19, 285T1104-21 AND 285T1104-22 ARE INTERCHANGEABLE ON 757-200. FOR 757-300 285T1104-21 MUST BE USED. FUNCTIONAL REFERENCE: PLACARDS AND MARKINGS FOR DETAILS SEE 11-36-26-08	103106 108120	2

MISSING ITEM NUMBERS NOT APPLICABLE

- ITEM NOT ILLUSTRATED

27-32-01-08

27-32-01  
FIG. 08  
PAGE 1  
JAN 20/09

BRI



757

PARTS CATALOG (MAINTENANCE)

FIG ITEM	PART NUMBER	1 2 3 4 5 6 7	NOMENCLATURE	EFFECT FROM TO	UNITS PER ASSY
8	5 285T1104-22		.PRINTED CIRCUIT ASSY- SUPPLIER CODE: V89954 ELECTRICAL EQUIP NUMBER: M00615 M00938 COMPONENT MAINT MANUAL REF: 27-32-52	103106 108120	2
	5 285T1104-23		.PRINTED CIRCUIT ASSY- SUPPLIER CODE: V89954 ELECTRICAL EQUIP NUMBER: M00615 M00938 COMPONENT MAINT MANUAL REF: 27-32-52	103106 108120	2
	- 202 286N1451-389 - 203 286N1451-701 255 300052-001		WIRE BUNDLE ASSY- WIRE BUNDLE ASSY .CONNECTOR- SUPPLIER CODE: V0D9V3 SPECIFICATION NUMBER: BACC65L66 OPTIONAL PART: 200620-01 V16512 300052-001 V03877 192-366-0010 V26742 S1009-00833 V03877 ELECTRICAL EQUIP NUMBER: D00121 D00589 WIRING DIAGRAM REF: 273211 273221	108120 103106 103106 108120	RF RF 2

MISSING ITEM NUMBERS NOT APPLICABLE

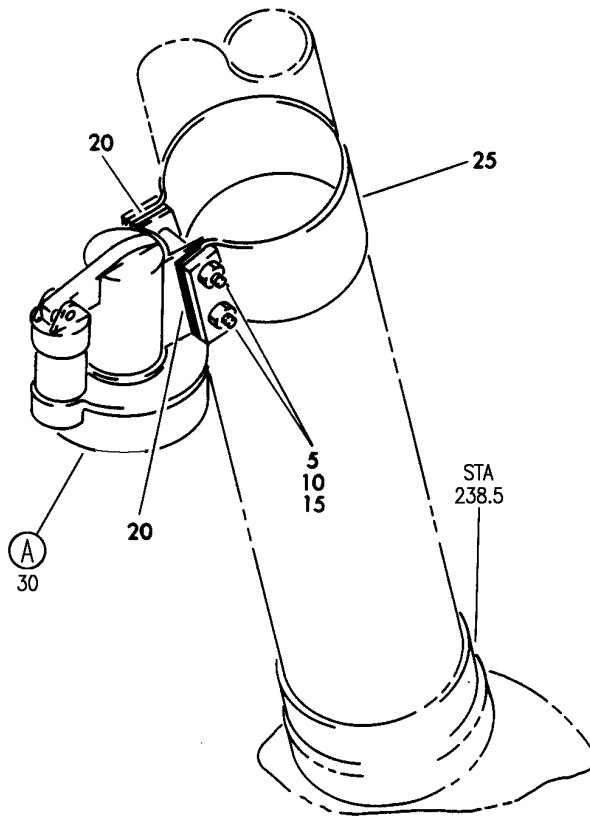
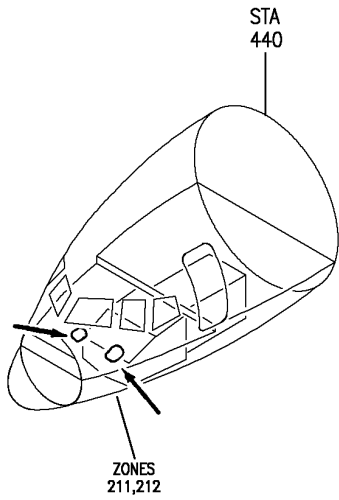
- ITEM NOT ILLUSTRATED

27-32-01-08

27-32-01  
FIG. 08  
PAGE 2  
JAN 20/09

BRI

**BOEING**  
757  
PARTS CATALOG (MAINTENANCE)



Y 27320501 SH1 1 REV 260

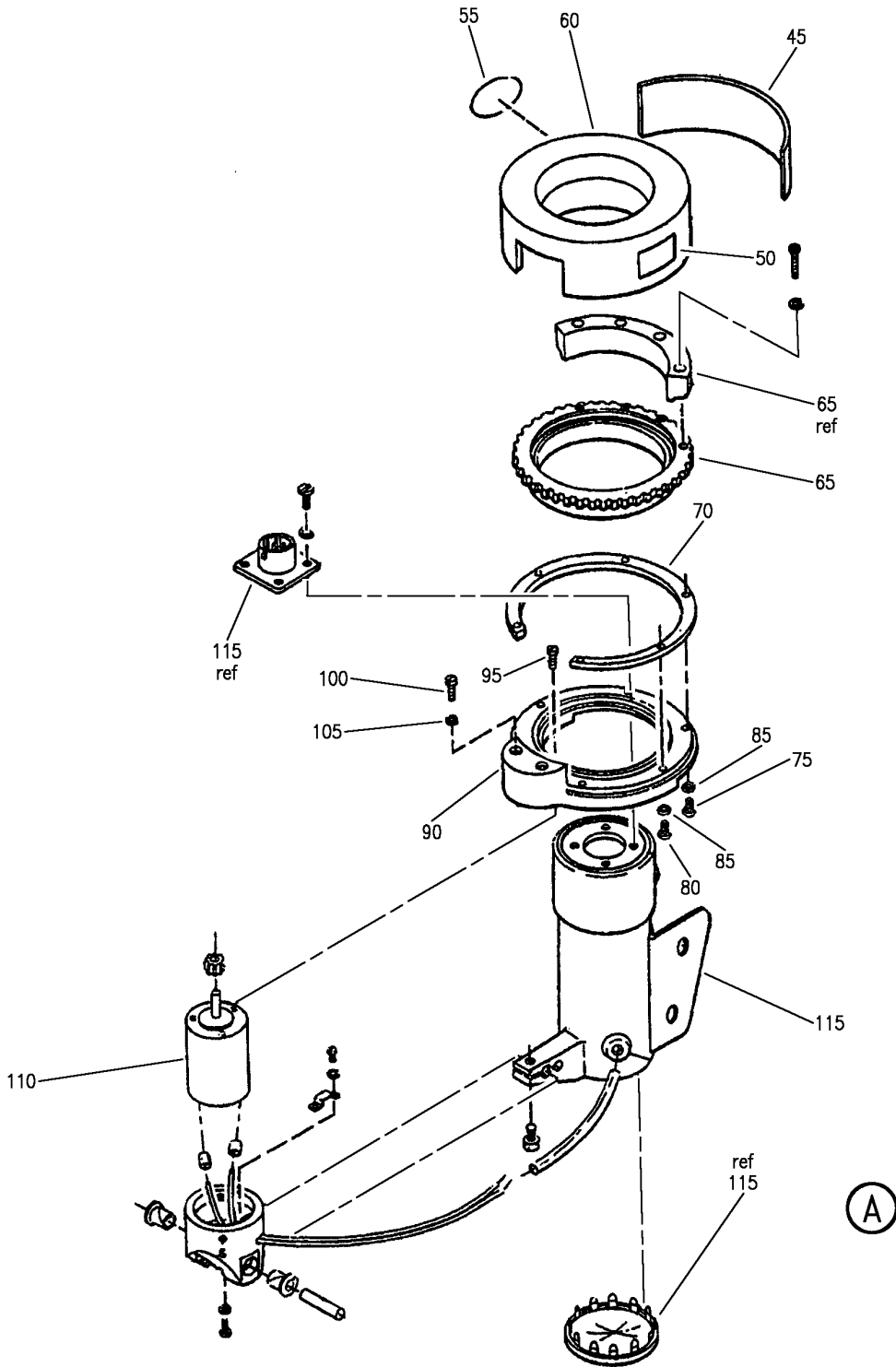
COLUMN SHAKER INSTL-ALTITUDE WARNING SYS  
FIGURE 1 (SHEET 1)

**27-32-05-01**

BRI  
MAY 28/07

27-32-05-01  
PAGE 0

**BOEING**  
757  
PARTS CATALOG (MAINTENANCE)



Y 27320501 SH1 2 REV 296

COLUMN SHAKER INSTL-ALTITUDE WARNING SYS  
FIGURE 1 (SHEET 2)

**27-32-05-01**

BRI  
MAY 28/07

27-32-05-01  
PAGE 0A



757

PARTS CATALOG (MAINTENANCE)

FIG ITEM	PART NUMBER	1 2 3 4 5 6 7	NOMENCLATURE	EFFECT FROM TO	UNITS PER ASSY
1			COLUMN SHAKER INSTL- ALTITUDE WARNING SYS	002004 006999	
- 1	251N1019-1		COLUMN SHAKER INSTL- ALTITUDE WARNING SYS FOR NHA SEE: 27-31-10-01	002004 107107 904949 952952	RF
- 2	251N1060-47		WHEEL AND COLUMN ASSY- AILERON & ELEVATOR CONT (ALTITUDE WARNING SYSTEM ONLY) COMPONENT MAINT MANUAL REF: 27-09-22 QUALIFIED I/W DATA: 251N1060-9, -15, -19, -23, -31 OR -41 TOGETHER WITH (2) 69-11957-10 SHIM, (1) 69-11957-9 STRAP ASSY, (2) C07202-2 SHAKER, (2) NAS43DD3-56FC SPACER, AND (2) NAS6703-26 BOLT IS INTERCHANGEABLE WITH 251N1060-47. FOR NHA/OTHER SYS DET SEE: 27-31-10-01	950951	RF
- 2	251N1060-49		WHEEL AND COLUMN ASSY- AILERON & ELEVATOR CONT (ALTITUDE WARNING SYSTEM ONLY) COMPONENT MAINT MANUAL REF: 27-09-22 QUALIFIED I/W DATA: 251N1060-25, -33 OR -43 TOGETHER WITH (2) WITH (2) 69-11957-10 SHIM, (1) 69-11957-9 STRAP ASSY, (2) C07202-2 SHAKER, (2) NAS43DD3-56FC SPACER, AND (2) NAS6703-26 BOLT IS INTERCHANGEABLE WITH 251N1060-49. FOR NHA/OTHER SYS DET SEE: 27-31-10-01	006102 108903 953999	RF

MISSING ITEM NUMBERS NOT APPLICABLE

- ITEM NOT ILLUSTRATED

BRI

27-32-05-01

BOEING PROPRIETARY - Copyright © - Unpublished Work - See title page for details.

27-32-05  
FIG. 01  
PAGE 1  
JAN 20/09



757

PARTS CATALOG (MAINTENANCE)

FIG ITEM	PART NUMBER	1 2 3 4 5 6 7	NOMENCLATURE	EFFECT FROM TO	UNITS PER ASSY
1 - 2	251N1060-55		WHEEL AND COLUMN ASSY- AILERON & ELEVATOR CONT (ALTITUDE WARNING SYSTEM ONLY) COMPONENT MAINT MANUAL REF: 27-09-22 QUALIFIED I/W DATA: 251N1060-9, -15, -19, -23, -31 OR -41 TOGETHER WITH (2) 69-11957-10 SHIM, (1) 69-11957-9 STRAP ASSY, (2) C07202-2 SHAKER, (2) NAS43DD3-56FC SPACER, AND (2) NAS6703-26 BOLT IS INTERCHANGEABLE WITH 251N1060-55. FOR NHA/OTHER SYS DET SEE: 27-31-10-01	950951	RF
- 2	251N1060-57		WHEEL AND COLUMN ASSY- AILERON & ELEVATOR CONT (ALTITUDE WARNING SYSTEM ONLY) COMPONENT MAINT MANUAL REF: 27-09-22 QUALIFIED I/W DATA: 251N1060-25, -33 OR -43 TOGETHER WITH (2) 69-11957-10 SHIM, (1) 69-11957-9 STRAP ASSY, (2) C07202-2 SHAKER, (2) NAS43DD3-56FC SPACER, AND (2) NAS6703-26 BOLT IS INTERCHANGEABLE WITH 251N1060-57. FOR NHA/OTHER SYS DET SEE: 27-31-10-01	006102 108903 953999	RF
- 2	251N1060-63		WHEEL AND COLUMN ASSY- AILERON & ELEVATOR CONT (ALTITUDE WARNING SYSTEM ONLY) COMPONENT MAINT MANUAL REF: 27-09-22 FOR NHA/OTHER SYS DET SEE: 27-31-10-01	103106	RF

MISSING ITEM NUMBERS NOT APPLICABLE

- ITEM NOT ILLUSTRATED

27-32-05-01

27-32-05  
FIG. 01  
PAGE 2  
JAN 20/09

BRI



757

## PARTS CATALOG (MAINTENANCE)

FIG ITEM	PART NUMBER	1 2 3 4 5 6 7	NOMENCLATURE	EFFECT FROM TO	UNITS PER ASSY
1 -	3 251N1060-48		WHEEL AND COLUMN ASSY- AILERON & ELEVATOR CONT (ALTITUDE WARNING SYSTEM ONLY) COMPONENT MAINT MANUAL REF: 27-09-22 QUALIFIED I/W DATA: 251N1060-10, -16, -20, -24, -32 OR -42 TOGETHER WITH (2) 69-11957-10 SHIM, (1) 69-11957-9 STRAP ASSY, (2) C07202-2 SHAKER, (2) NAS43DD3-56FC SPACER, AND (2) NAS6703-26 BOLT IS INTERCHANGEABLE WITH 251N1060-48. FOR NHA/OTHER SYS DET SEE: 27-31-10-01	950951	RF
-	3 251N1060-50		WHEEL AND COLUMN ASSY- AILERON & ELEVATOR CONT (ALTITUDE WARNING SYSTEM ONLY) COMPONENT MAINT MANUAL REF: 27-09-22 QUALIFIED I/W DATA: 251N1060-44, -34 OR -26 TOGETHER WITH (2) 69-11957-10 SHIM, (1) 69-11957-9 STRAP ASSY, (2) C07202-2 SHAKER, (2) NAS43DD3-56FC SPACER, AND (2) NAS6703-26 BOLT IS INTERCHANGEABLE WITH 251N1060-50. FOR NHA/OTHER SYS DET SEE: 27-31-10-01	006102 108903 953999	RF

MISSING ITEM NUMBERS NOT APPLICABLE

- ITEM NOT ILLUSTRATED

BRI

# 27-32-05-01

BOEING PROPRIETARY - Copyright © - Unpublished Work - See title page for details.

27-32-05  
FIG. 01  
PAGE 3  
JAN 20/09



757

PARTS CATALOG (MAINTENANCE)

FIG ITEM	PART NUMBER	1 2 3 4 5 6 7	NOMENCLATURE	EFFECT FROM TO	UNITS PER ASSY
1 -	3 251N1060-56		WHEEL AND COLUMN ASSY- AILERON & ELEVATOR CONT (ALTITUDE WARNING SYSTEM ONLY) COMPONENT MAINT MANUAL REF: 27-09-22 QUALIFIED I/W DATA: 251N1060-10, -16, -20, -24, -32 OR -42 TOGETHER WITH (2) 69-11957-10 SHIM, (1) 69-11957-9 STRAP ASSY, (2) C07202-2 SHAKER, (2) NAS43DD3-56FC SPACER, AND (2) NAS6703-26 BOLT IS INTERCHANGEABLE WITH 251N1060-56. FOR NHA/OTHER SYS DET SEE: 27-31-10-01	950951	RF
-	3 251N1060-58		WHEEL AND COLUMN ASSY- AILERON & ELEVATOR CONT (ALTITUDE WARNING SYSTEM ONLY) COMPONENT MAINT MANUAL REF: 27-09-22 QUALIFIED I/W DATA: 251N1060-44, -34 OR -26 TOGETHER WITH (2) 69-11957-10 SHIM, (1) 69-11957-9 STRAP ASSY, (2) C07202-2 SHAKER, (2) NAS43DD3-56FC SPACER, AND (2) NAS6703-26 BOLT IS INTERCHANGEABLE WITH 251N1060-58. FOR NHA/OTHER SYS DET SEE: 27-31-10-01	006102 108903 953999	RF
-	3 251N1060-70		WHEEL AND COLUMN ASSY- AILERON & ELEVATOR CONT (ALTITUDE WARNING SYSTEM ONLY) COMPONENT MAINT MANUAL REF: 27-09-22 FOR NHA/OTHER SYS DET SEE: 27-31-10-01	103106	RF
	5 NAS6703-26		.BOLT-	002004 006100 103999	2

MISSING ITEM NUMBERS NOT APPLICABLE

- ITEM NOT ILLUSTRATED

27-32-05-01

27-32-05  
FIG. 01  
PAGE 4  
JAN 20/09

BRI





757

PARTS CATALOG (MAINTENANCE)

FIG ITEM	PART NUMBER	1 2 3 4 5 6 7	NOMENCLATURE	EFFECT FROM TO	UNITS PER ASSY
1					
10	NAS43DD3-56FC	.	SPACER-	002004 006100 103999	2
15	BRH10A3	.	NUT- SUPPLIER CODE: V52828 SPECIFICATION NUMBER: BACN10JC3 OPTIONAL PART: H10-3BAC V15653 NS202101-02 V80539 RMLH9075-3W V72962 VN303A02 V92215 96-02 V80539 T6S1032J V11815	002004 006100 103999	2
20	69-11957-9	.	STRAP	002004 006100 103999	2
25	69-11957-10	.	SHIM	002004 006100 103999	1
30	C07202-2	.	SHAKER ASSY-CONT SUPPLIER CODE: V83326 FUNCTIONAL DESCRIPTION: VIBRATES THE ELEVATOR TORQUE TUBE AND CONTROL COLUMN WHEN THE AIRCRAFT NEARS A STALL CONDITION COMPONENT MAINT MANUAL REF: 27-32-02	002004 006100 103999	1
30	C07202-3	.	SHAKER ASSY-CONT SUPPLIER CODE: V83326 FUNCTIONAL DESCRIPTION: VIBRATES THE ELEVATOR TORQUE TUBE AND CONTROL COLUMN WHEN THE AIRCRAFT NEARS A STALL CONDITION COMPONENT MAINT MANUAL REF: 27-32-02	002004 006100 103999	1

MISSING ITEM NUMBERS NOT APPLICABLE

- ITEM NOT ILLUSTRATED

BRI

27-32-05-01

27-32-05  
FIG. 01  
PAGE 5  
JAN 20/09



757

PARTS CATALOG (MAINTENANCE)

FIG ITEM	PART NUMBER	1 2 3 4 5 6 7	NOMENCLATURE	EFFECT FROM TO	UNITS PER ASSY
1					
45	32454-1		..NAMEPLATE- SUPPLIER CODE: V83326	002004 006100 103999	1
50	04411		..DECAL- SUPPLIER CODE: V83326	002004 006100 103999	1
55	51531-102		..DECAL- SUPPLIER CODE: V83326	002004 006100 103999	1
60	32584-1		..CASE- SUPPLIER CODE: V83326 USED ON: C07202-2	002004 006100 103999	1
60	32589		..CASE- SUPPLIER CODE: V83326 USED ON: C07202-3	002004 006100 103999	1
65	32212		..WEIGHT ASSY- SUPPLIER CODE: V83326 USED ON: C07202-2	002004 006100 103999	1
65	32250		..WEIGHT ASSY- SUPPLIER CODE: V83326 USED ON: C07202-3	002004 006100 103999	1
70	32450		..RING-RETAINING SUPPLIER CODE: V83326 ATTACHING PARTS	002004 006100 103999	1
75	MS35275-203		..SCREW	002004 006100 103999	6
80	MS35275-206		..SCREW- USED ON: C07202-3	002004 006100 103999	4
85	MS35338-134		..WASHER	002004 006100 103999	6
90	32604-1		-----*----- ..CASE- SUPPLIER CODE: V83326 USED ON: C07202-2	002004 006100 103999	1

MISSING ITEM NUMBERS NOT APPLICABLE

- ITEM NOT ILLUSTRATED

27-32-05-01

27-32-05  
FIG. 01  
PAGE 6  
JAN 20/09

BRI

BOEING PROPRIETARY - Copyright © - Unpublished Work - See title page for details.



757

PARTS CATALOG (MAINTENANCE)

FIG ITEM	PART NUMBER	1 2 3 4 5 6 7	NOMENCLATURE	EFFECT FROM TO	UNITS PER ASSY
1					
90	32609		.. CASE- SUPPLIER CODE: V83326 USED ON: C07202-3 ATTACHING PARTS	002004 006100 103999	1
95	59038-101		.. SCREW- SUPPLIER CODE: V83326	002004 006100 103999	1
100	59038-104		.. SCREW- SUPPLIER CODE: V83326	002004 006100 103999	2
105	MS35338-134		.. WASHER	002004 006100 103999	2
			-----*-----		
110	32200-3		.. MOTOR-PINION ASSY SUPPLIER CODE: V83326	002004 006100 103999	1
115	32090-6		.. STRIKER ASSY- SUPPLIER CODE: V83326 USED ON: C07202-2	002004 006100 103999	1
115	32091-7		.. STRIKER ASSY- SUPPLIER CODE: V83326 USED ON: C07202-3	002004 006100 103999	1

MISSING ITEM NUMBERS NOT APPLICABLE

- ITEM NOT ILLUSTRATED

BRI

27-32-05-01

BOEING PROPRIETARY - Copyright © - Unpublished Work - See title page for details.

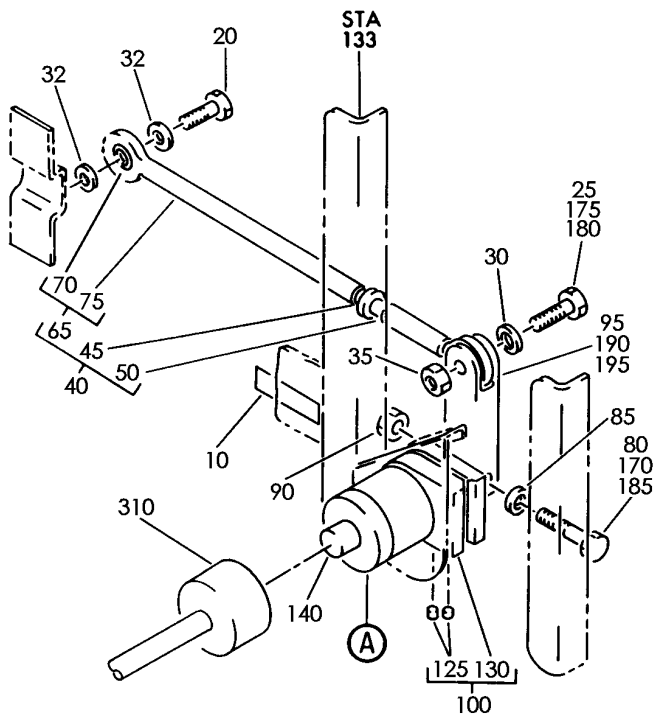
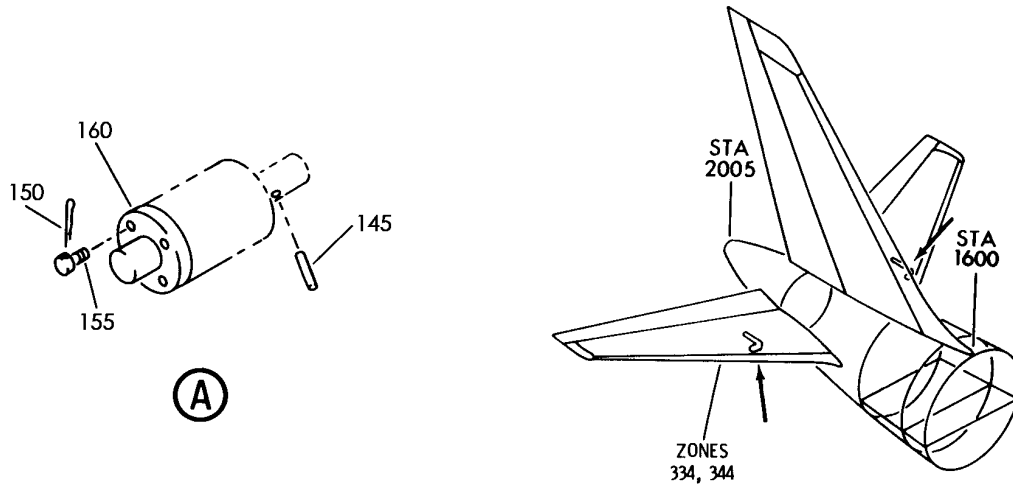
27-32-05  
FIG. 01  
PAGE 7  
JAN 20/09

## ELEVATOR POSITION INDICATING SYSTEM

BRI  
MAY 28/07

27-38-00  
SECTION TITLE  
PAGE 1

**BOEING**  
757  
PARTS CATALOG (MAINTENANCE)



Y 27380201 REV 240

TRANSMITTER INSTL-ELEV CONT POSITION  
FIGURE 1

**27-38-02-01**

BRI  
MAY 28/07

27-38-02-01  
PAGE 0



757

PARTS CATALOG (MAINTENANCE)

FIG ITEM	PART NUMBER	1 2 3 4 5 6 7	NOMENCLATURE	EFFECT FROM TO	UNITS PER ASSY
1			TRANSMITTER INSTL-ELEV CONT POSITION	002004 006999	
- 1	251N2009-1		TRANSMITTER INSTL-ELEV CONT POSITION POSITION DATA: LH FOR NHA SEE: 27-31-00-02	002004 006100 107107 121503 904999	RF
- 1	251N2009-3		TRANSMITTER INSTL-ELEV CONT POSITION POSITION DATA: LH FOR NHA SEE: 27-00-00-22	101102 108120 504903	RF
- 1	MODREF7252		TRANSMITTER INSTL-ELEV CONT POSITION MODULE NUMBER: 251N2009-3 REV A POSITION DATA: LH	103103	1
- 1	MODREF27502		TRANSMITTER INSTL-ELEV CONT POSITION MODULE NUMBER: 251N2009-3 REV B POSITION DATA: LH	104106	1
- 5	251N2009-2		TRANSMITTER INSTL-ELEV CONT POSITION POSITION DATA: RH FOR NHA SEE: 27-31-00-02	002004 006100 107107 121503 904999	RF
- 5	251N2009-4		TRANSMITTER INSTL-ELEV CONT POSITION POSITION DATA: RH FOR NHA SEE: 27-00-00-22	101102 108120 504903	RF
- 5	MODREF7253		TRANSMITTER INSTL-ELEV CONT POSITION MODULE NUMBER: 251N2009-4 REV A POSITION DATA: RH	103103	1

MISSING ITEM NUMBERS NOT APPLICABLE

- ITEM NOT ILLUSTRATED

27-38-02-01

27-38-02  
FIG. 01  
PAGE 1  
JAN 20/09

BRI



757

PARTS CATALOG (MAINTENANCE)

FIG ITEM	PART NUMBER	1 2 3 4 5 6 7	NOMENCLATURE	EFFECT FROM TO	UNITS PER ASSY
1					
- 5	MODREF27503		TRANSMITTER INSTL-ELEV CONT POSITION MODULE NUMBER: 251N2009-4 REV B POSITION DATA: RH	104106	1
10	BAC27NCT0074		.DECAL- PLACARD CONTENT: M517 ELEV POS SENSOR CONN D02068 USED ON: 251N2009-1	002004 006999	1
- 15	BAC27NCT0075		.DECAL- PLACARD CONTENT: M518 ELEV POS SENSOR CONN D02106 USED ON: 251N2009-2	002004 006999	1
20	BACB30NT3K6		.BOLT-	002004 006999	1
25	BACB30NT3K10		.BOLT- QUALIFIED OPTIONAL DATA: (BACB30NT3K16 AND BACB30NT3K10 USED WITH 69-15812-1 AND 69-15812-2. BACB30NT3K12 AND BACB30NT3K8 USED WITH 69-71007-3)	002004 006100 107107 121503 904999	1
25	BACB30NT3K8		.BOLT- QUALIFIED OPTIONAL DATA: (BACB30NT3K16 AND BACB30NT3K10 USED WITH 69-15812-1 AND 69-15812-2. BACB30NT3K12 AND BACB30NT3K8 USED WITH 69-71007-3)	002004 006100 107107 121503 904999	1
30	BACW10BP3DP		.WASHER	002004 006999	1
32	BACW10BP3DP		.WASHER- OPTIONAL PART: BACW10P63S	002004 006999	2
32	BACW10P63S		.WASHER- OPTIONAL PART: BACW10BP3DP	002004 006999	2

MISSING ITEM NUMBERS NOT APPLICABLE

- ITEM NOT ILLUSTRATED

27-38-02-01

27-38-02  
FIG. 01  
PAGE 2  
JAN 20/09

BRI



757

PARTS CATALOG (MAINTENANCE)

FIG ITEM	PART NUMBER	1 2 3 4 5 6 7	NOMENCLATURE	EFFECT FROM TO	UNITS PER ASSY
1					
35	BRH10C3D	.NUT	SUPPLIER CODE: V52828 SPECIFICATION NUMBER: BACN10JC3CD OPTIONAL PART: T6C1032JCD V11815 NS202486-02 V80539 102LH9075-3W V72962 H51650-3BAC V15653	002004 006999	1
40	251N2600-1	.ROD ASSY		002004 006999	1
45	69-43493-1	..NUT		002004 006999	1
50	69-43491-1	..END ASSY		002004 006999	1
65	251N2599-1	..END ASSY		002004 006999	1
70	BACB10FP03LJ	...BEARING		002004 006999	1
75	251N2599-2	...END		002004 006999	1
80	BACB30NT3K16	.BOLT-	QUALIFIED OPTIONAL DATA: (BACB30NT3K16 AND BACB30NT3K10 USED WITH 69-15812-1 AND 69-15812-2. BACB30NT3K12 AND BACB30NT3K8 USED WITH 69-71007-3)	002004 006100 107107 121503 904999	1
80	BACB30NT3K12	.BOLT-	QUALIFIED OPTIONAL DATA: (BACB30NT3K16 AND BACB30NT3K10 USED WITH 69-15812-1 AND 69-15812-2. BACB30NT3K12 AND BACB30NT3K8 USED WITH 69-71007-3)	002004 006100 107107 121503 904999	1
85	BACW10BP3DP	.WASHER-		002004 006999	1

MISSING ITEM NUMBERS NOT APPLICABLE

- ITEM NOT ILLUSTRATED

27-38-02-01

27-38-02  
FIG. 01  
PAGE 3  
JAN 20/09

BRI

BOEING PROPRIETARY - Copyright © - Unpublished Work - See title page for details.



**BOEING**  
757  
**PARTS CATALOG (MAINTENANCE)**

FIG ITEM	PART NUMBER	1 2 3 4 5 6 7	NOMENCLATURE	EFFECT FROM TO	UNITS PER ASSY
1 90	BRH10C3D	.	NUT SUPPLIER CODE: V52828 SPECIFICATION NUMBER: BACN10JC3CD OPTIONAL PART: T6C1032JCD V11815 NS202486-02 V80539 102LH9075-3W V72962 H51650-3BAC V15653	002004 006999	1
95	69-15812-1	.	CRANK-	002004 006999	1
95	69-15812-2	.	CRANK- QUALIFIED OPTIONAL DATA: (69-71007-3 OPTIONAL TO 69-15812-2. BACB30NT3K16 AND BACB30NT3K10 USED WITH 69-15812-1 AND 69-15892-2. BACB30NT3K12 AND BACB30NT3K8 USED WITH 69-71007-3)	002004 006999	1
95	69-71007-3	.	CRANK- QUALIFIED OPTIONAL DATA: (69-71007-3 OPTIONAL TO 69-15812-2. BACB30NT3K16 AND BACB30NT3K10 USED WITH 69-14812-1 AND 69-15812-2. BACB30NT3K12 AND BACB30NT3K8 USED WITH 69-71007-3)	002004 006999	1
100	65B80863-31	.	BRACKET ASSY-POSITION XMTR POSITION DATA: LH SIDE	002004 006999	1
- 105	65B80863-32	.	BRACKET ASSY-POSITION XMTR POSITION DATA: RH SIDE	002004 006999	1
- 110	BACB30NT3K8	.	BOLT ATTACHING PARTS	002004 006999	2
- 115	BACB30NT3K18	.	BOLT	002004 006999	2
- 120	BACW10BP3DP	.	WASHER-	002004 006999	4
			-----*-----		

MISSING ITEM NUMBERS NOT APPLICABLE

- ITEM NOT ILLUSTRATED

BRI

# 27-38-02-01

BOEING PROPRIETARY - Copyright © - Unpublished Work - See title page for details.

27-38-02  
FIG. 01  
PAGE 4  
JAN 20/09



757

PARTS CATALOG (MAINTENANCE)

FIG ITEM	PART NUMBER	1 2 3 4 5 6 7	NOMENCLATURE	EFFECT FROM TO	UNITS PER ASSY
1					
125	MS21209F1-15	..	INSERT	002004 006999	2
130	65B80863-33	..	BRACKET- POSITION DATA: LH SIDE USED ON: 65B80863-31	002004 006999	1
- 135	65B80863-34	..	BRACKET- POSITION DATA: RH SIDE USED ON: 65B80863-32	002004 006999	1
140	H505A	.	TRANSMITTER ASSY- SUPPLIER CODE: V33463 SPECIFICATION NUMBER: S250N104-1 ELECTRICAL EQUIP NUMBER: M00517 M00518 COMPONENT MAINT MANUAL REF: 27-01-01 OPTIONAL PART: 13TX0115A V51761 7977-18-01 V1K426 ZR1A V51761	002004 006999	1
140	13TX0115A	.	TRANSMITTER ASSY- SUPPLIER CODE: V51761 SPECIFICATION NUMBER: 60B40042-3 ELECTRICAL EQUIP NUMBER: M00517 M00518 COMPONENT MAINT MANUAL REF: 27-09-02 OPTIONAL PART: 7977-18-01 V1K426 OPTIONAL PART: H505A V33463 ZR1A V51761	002004 006999	1

MISSING ITEM NUMBERS NOT APPLICABLE

- ITEM NOT ILLUSTRATED

27-38-02-01

27-38-02  
FIG. 01  
PAGE 5  
JAN 20/09

BRI



757

PARTS CATALOG (MAINTENANCE)

FIG ITEM	PART NUMBER	1 2 3 4 5 6 7	NOMENCLATURE	EFFECT FROM TO	UNITS PER ASSY
1 140	H505B		.TRANSMITTER ASSY- SUPPLIER CODE: V33463 FUNCTIONAL DESCRIPTION: PROVIDES ELECTRICAL SIGNALS CORRESPONDING TO CONTROL SURFACE MOVEMENT SPECIFICATION NUMBER: S250N104-4 ELECTRICAL EQUIP NUMBER: M00517 M00518 COMPONENT MAINT MANUAL REF: 27-01-07 OPTIONAL PART: ZR1A V51761	002004 006999	1
140	7977-18-01		.TRANSMITTER- SUPPLIER CODE: V1K426 SPECIFICATION NUMBER: 60B40042-3 ELECTRICAL EQUIP NUMBER: M00517 M00518 COMPONENT MAINT MANUAL REF: 27-09-02 OPTIONAL PART: 13TX0115A V51761 OPTIONAL PART: H505A V33463 ZR1A V51761	002004 006999	1

MISSING ITEM NUMBERS NOT APPLICABLE

- ITEM NOT ILLUSTRATED

BRI

**27-38-02-01**

BOEING PROPRIETARY - Copyright © - Unpublished Work - See title page for details.

27-38-02  
FIG. 01  
PAGE 6  
JAN 20/09



757

PARTS CATALOG (MAINTENANCE)

FIG ITEM	PART NUMBER	1 2 3 4 5 6 7	NOMENCLATURE	EFFECT FROM TO	UNITS PER ASSY
1 140	ZR1A		.TRANSMITTER ASSY- SUPPLIER CODE: V51761 FUNCTIONAL DESCRIPTION: PROVIDES ELECTRICAL SIGNALS CORRESPONDING TO CONTROL SURFACE MOVEMENT SPECIFICATION NUMBER: S250N104-4 COMPONENT MAINT MANUAL REF: 27-01-07 OPTIONAL PART: H505B V33463 OPTIONAL PART: H505A V33463 13TX0115A V51761 7977-18-01 V1K426	002004 006999	1
145	1018-111-001		..PIN- SUPPLIER CODE: V33463	002004 006999	1
150	3100-001-020		..WIRE-LOCK SUPPLIER CODE: V33463	002004 006999	AR
155	6120-001-025		..SCREW- SUPPLIER CODE: V33463	002004 006999	4
160	1129-111-003		..CONNECTOR- SUPPLIER CODE: V33463	002004 006999	1
- 165	251N2009-5		.SUB KIT ASSY- OPTIONAL PART: 251N2009-6	101106 108120 504903	1
- 165	251N2009-6		.SUB KIT ASSY- OPTIONAL PART: 251N2009-5	101106 108120 504903	1
170	BACB30NT3K12		..BOLT- USED ON: 251N2009-5	101106 108120 504903	1
175	BACB30NT3K10		..BOLT- USED ON: 251N2009-6	101106 108120 504903	1
180	BACB30NT3K8		..BOLT- USED ON: 251N2009-5	101106 108120 504903	1

MISSING ITEM NUMBERS NOT APPLICABLE

- ITEM NOT ILLUSTRATED

27-38-02-01

27-38-02  
FIG. 01  
PAGE 7  
JAN 20/09

BRI



757

PARTS CATALOG (MAINTENANCE)

FIG ITEM	PART NUMBER	1 2 3 4 5 6 7	NOMENCLATURE	EFFECT FROM TO	UNITS PER ASSY
1					
185	BACB30NT3K16	..	BOLT- USED ON: 251N2009-6	101106 108120 504903	1
190	69-71007-3	..	CRANK- USED ON: 251N2009-3	101106 108120 504903	1
195	69-15812-2	..	CRANK- USED ON: 251N2009-6	101106 108120 504903	1
195	69-15812-1	..	CRANK-	101106 108120 504903	1
- 300	286N3200-002		WIRE BUNDLE ASSY-	002004 006100 107107 121503 904999	RF
- 300	286N3200-302		WIRE BUNDLE ASSY-	108120	RF
- 305	286N3202-002		WIRE BUNDLE ASSY-	002004 006100 107107 121503 904999	RF
- 305	286N3202-302		WIRE BUNDLE ASSY-	108120	RF
310	C0909A10C05SN	.CON	NECTOR- SUPPLIER CODE: V13556 SPECIFICATION NUMBER: BACC63BN10C5S OPTIONAL PART: 48-63N10C5S V02660 R071210C5S V41118 ELECTRICAL EQUIP NUMBER: D02068 D02106 WIRING DIAGRAM REF: 273811	002004 006100 107503 904999	1

MISSING ITEM NUMBERS NOT APPLICABLE

- ITEM NOT ILLUSTRATED

BRI

27-38-02-01

BOEING PROPRIETARY - Copyright © - Unpublished Work - See title page for details.

27-38-02  
FIG. 01  
PAGE 8  
JAN 20/09

## HORIZONTAL STABILIZER

BRI  
MAY 28/07

27-40-00  
SECTION TITLE  
PAGE 1

 **BOEING**  
757  
PARTS CATALOG (MAINTENANCE)

NON-ILLUSTRATED FIGURE

THE ITEMS REFLECTED IN THIS FIGURE ARE INTENTIONALLY  
NON-ILLUSTRATED. THEY ARE REFERENCED TO EITHER A  
NEXT HIGHER OR NEXT LOWER ASSEMBLY/INSTALLATION FIGURE.

MANAGEMENT COLLECTOR/ STAB TRIM CONTROL SYS  
FIGURE 1

**27-40-00-01**

BRI  
MAY 28/07

27-40-00-01  
PAGE 0



757

PARTS CATALOG (MAINTENANCE)

FIG ITEM	PART NUMBER	1 2 3 4 5 6 7	NOMENCLATURE	EFFECT FROM TO	UNITS PER ASSY
1			MANAGEMENT COLLECTOR/ STAB TRIM CONTROL SYS	101102 108120 504903	
- 1	251N0014-1000		STAB TRIM CONTROL SYSTEM- VARIABLE DRAWING REF: 251N0014-5001	101102 108120 504903	RF
- 5	251N2010-4		.JACKSCREW INSTL-STAB. TRIM CONT FOR DETAILS SEE: 27-41-10-01	101102 108120 504903	1
- 10	251N2012-8		.MODULE INSTL-STAB. TRIM CONT FUNCTIONAL REFERENCE: FLIGHT CONTROLS FOR DETAILS SEE 27-41-05-01 PLACARDS AND MARKINGS FOR DETAILS SEE 11-38-30-01	101102 108120 504903	1
- 15	251N2019-2		.BRACKET INSTL-STAB. TRAVEL LIMIT AND POSITION INDICATION SHEAROUT FOR DETAILS SEE: 53-81-55-01	101102 108120 504903	1
- 20	251N2020-4		.TRANSMITTER INSTL-STAB. TRAVEL LIMIT AND POSITIO IND FOR DETAILS SEE: 27-48-51-02	101102 108120 504903	1
- 25	251N2021-3		.PULLEY INSTL-STAB. TRAVEL LIMIT AND POSITION INDICATION FOR DETAILS SEE: 27-48-51-01	101102 108120 504903	1
- 30	251N2070-1		.CABLE INSTL-SYSTEM CONTROL FOR DETAILS SEE: 27-41-01-01	101102 108120 504903	1

MISSING ITEM NUMBERS NOT APPLICABLE

- ITEM NOT ILLUSTRATED

BRI

27-40-00-01

27-40-00  
FIG. 01  
PAGE 1  
JAN 20/09

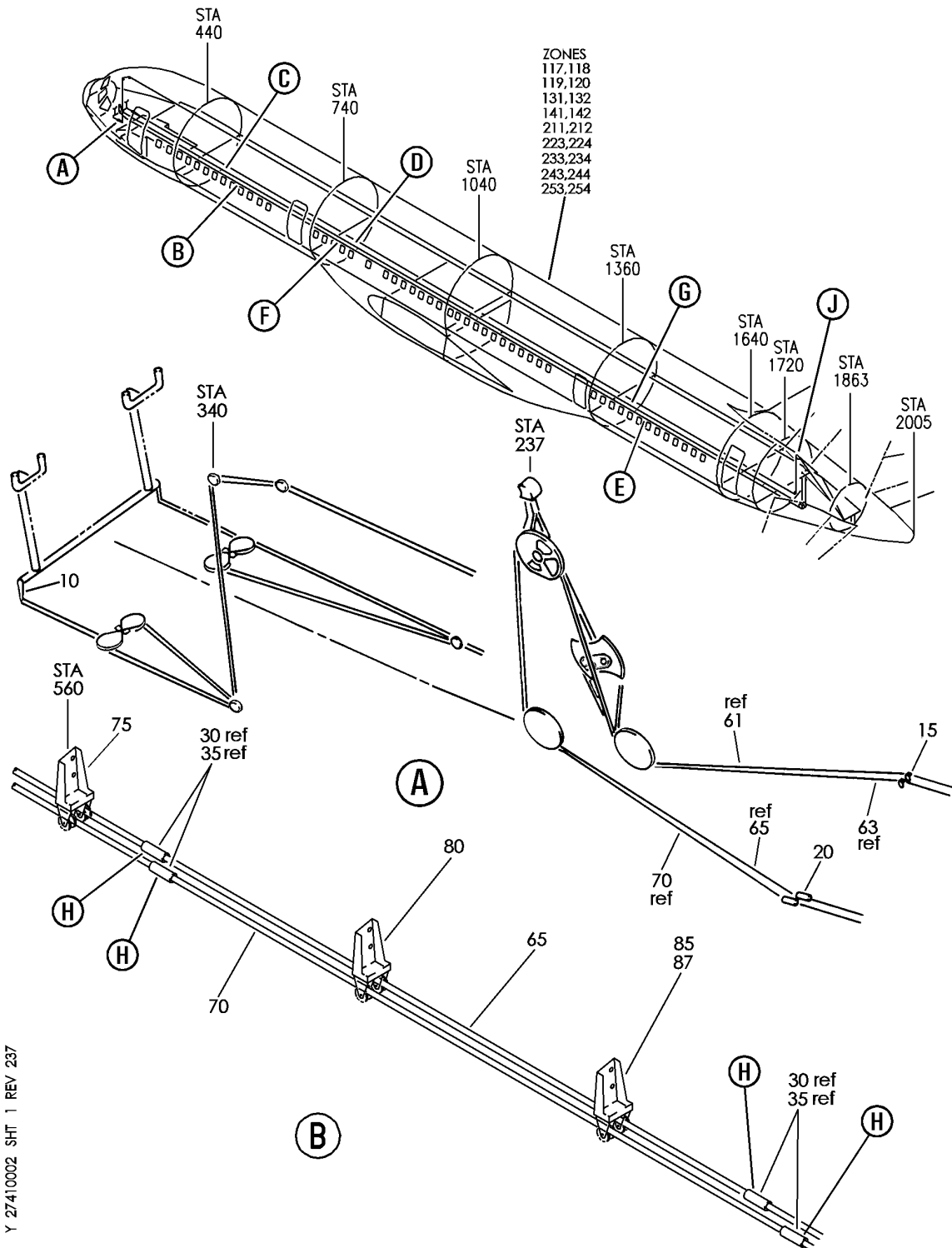


## HORIZONTAL STABILIZER CONTROL

BRI  
MAY 28/07

27-41-00  
SECTION TITLE  
PAGE 1

**BOEING**  
757  
PARTS CATALOG (MAINTENANCE)



Y 27410002 SHT 1 REV 237

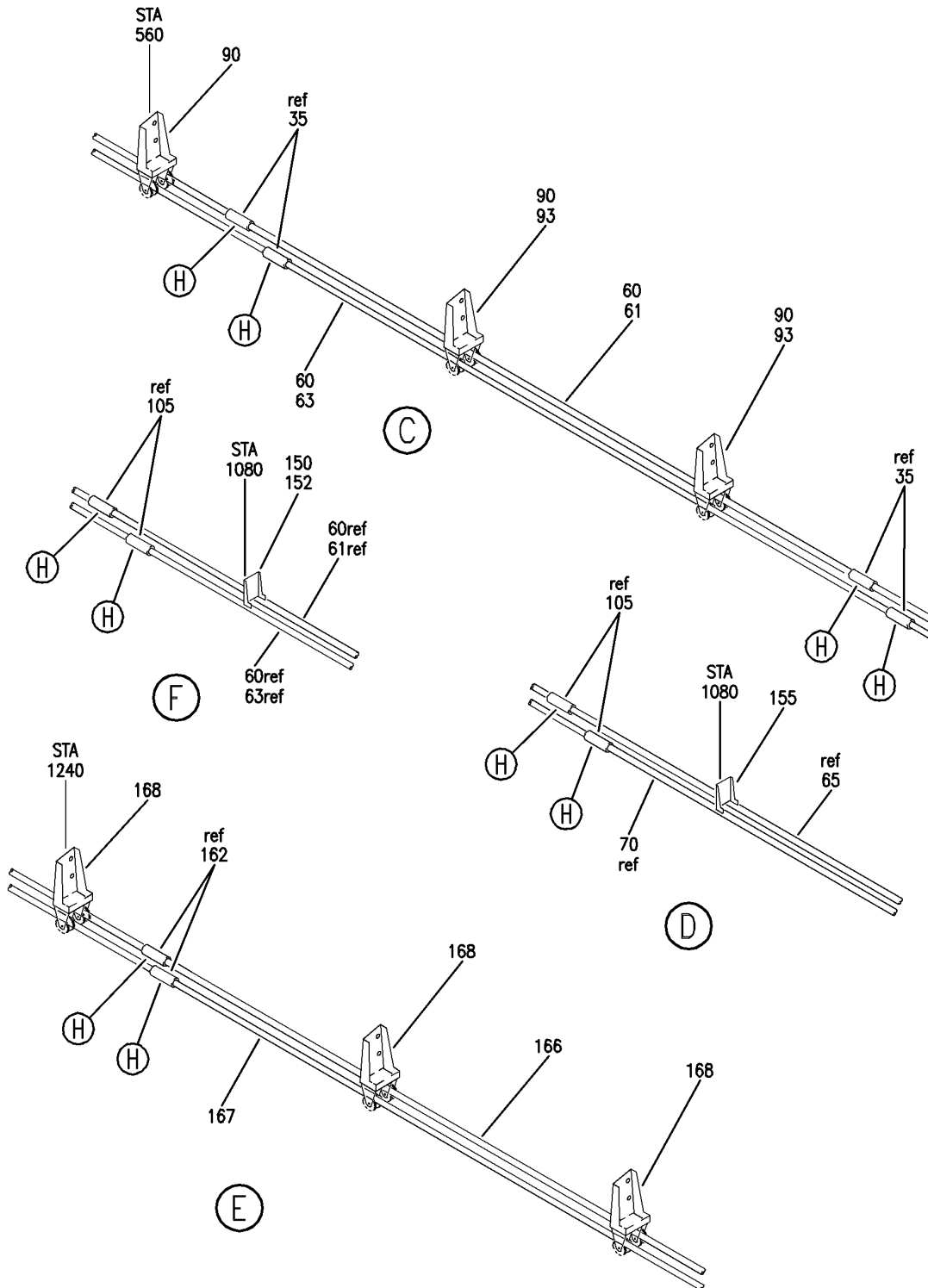
CONTROL INSTL-ELEV AND STAB. TRIM SYS (HORIZONTAL STABILIZER TRIM CONTROL SYSTEM ONLY)  
FIGURE 2 (SHEET 1)

BRI  
MAY 28/07

**27-41-00-02**

27-41-00-02  
PAGE 0


**BOEING**  
 757  
**PARTS CATALOG (MAINTENANCE)**



Y 27410002 SH1 2 REV 237

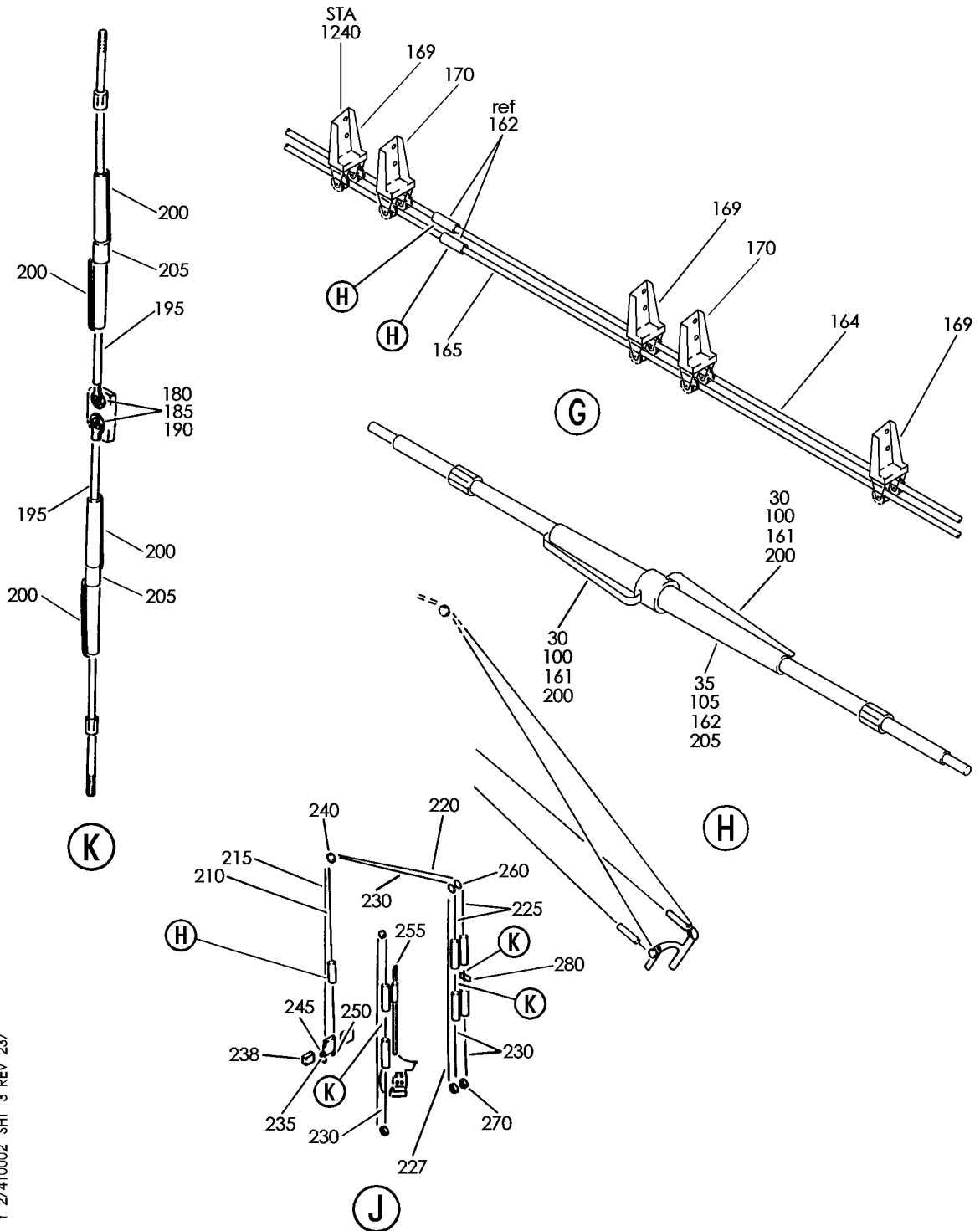
CONTROL INSTL-ELEV AND STAB. TRIM SYS (HORIZONTAL STABILIZER TRIM CONTROL SYSTEM ONLY)  
 FIGURE 2 (SHEET 2)

BRI  
MAY 28/07

**27-41-00-02**

27-41-00-02  
 PAGE 0A

**BOEING**  
757  
PARTS CATALOG (MAINTENANCE)



Y 27410002 SHT 3 REV 237

CONTROL INSTL-ELEV AND STAB. TRIM SYS (HORIZONTAL STABILIZER TRIM CONTROL SYSTEM ONLY)  
FIGURE 2 (SHEET 3)

**27-41-00-02**

BRI  
MAY 28/07

27-41-00-02  
PAGE 0B



757

PARTS CATALOG (MAINTENANCE)

FIG ITEM	PART NUMBER	1 2 3 4 5 6 7	NOMENCLATURE	EFFECT FROM TO	UNITS PER ASSY
2			CONTROL INSTL-ELEV AND STAB. TRIM SYS (HORIZONTAL STABILIZER TRIM CONTROL SYSTEM ONLY)	002004 006100 107107 121503 904999	
- 5	251N2001-41		CONTROL INSTL- (HORIZONTAL STABILIZER TRIM CONTROL SYSTEM ONLY) POSITION DATA: SECT. 41 FOR NHA/OTHER SYS DET SEE: 27-00-00-10	002004 006100 107107 121503 904999	RF
10	251N2014-1		.SWITCH INSTL-STAB. CUTOFF FOR DETAILS SEE: 27-41-54-01	002004 006100 107107 121503 904999	1
15	251N6017-2		.BRACKET INSTL-ST2A ST2B LGVA LBVB POSITION DATA: STA 377.7 FUNCTIONAL REFERENCE: FLIGHT CONTROL FOR DETAILS SEE 27-41-52-03 LANDING GEAR FOR DETAILS SEE 32-31-51-03	107107 904949	1
15	251N6017-6		.BRACKET INSTL-ST2A ST2B LGVA LBVB POSITION DATA: STA 377.7 FOR DETAILS SEE: 32-31-51-03	003004 006100 121503 950999	1
20	251N6017-1		.BRACKET INSTL-ST1A AND ST1B PULLEY POSITION DATA: STA 395 FOR DETAILS SEE: 27-41-52-03	107107 904949	1
- 25	251N2001-43		CONTROL INSTL- (HORIZONTAL STABILIZER TRIM CONTROL SYSTEM ONLY) POSITION DATA: SECT. 43 FOR NHA/OTHER SYS DET SEE: 27-00-00-10	002004 006100 107107 121503 904999	RF

MISSING ITEM NUMBERS NOT APPLICABLE

- ITEM NOT ILLUSTRATED

27-41-00-02

27-41-00  
FIG. 02  
PAGE 1  
JAN 20/09

BRI



757

PARTS CATALOG (MAINTENANCE)

FIG ITEM	PART NUMBER	1 2 3 4 5 6 7	NOMENCLATURE	EFFECT FROM TO	UNITS PER ASSY
2	30	BACC15AJ2	.CLIP	002004 006100 107107 121503 904999	8
	35	MS21251B3L	.TURNBUCKLE BODY	002004 006100 107107 121503 904999	
	61	251N2796-6	.CABLE ASSY-ST2A	107107 904949	1
	61	251N2796-16	.CABLE ASSY-ST2A	107107 904949	
	63	251N2796-8	.CABLE ASSY-ST2B	107107 904949	1
	63	251N2796-18	.CABLE ASSY-ST2B	107107 904949	
	65	251N2796-2	.CABLE ASSY-ST1A	107107 904949	1
	65	251N2796-12	.CABLE ASSY-ST1A	107107 904949	
	70	251N2796-4	.CABLE ASSY-ST1B	107107 904949	1
	70	251N2796-14	.CABLE ASSY-ST1B	107107 904949	
	75	251N6018-13	.BRACKET INSTL-IDLER PULLEY POSITION DATA: SECT. 43 STA 560 FOR DETAILS SEE: 53-30-51-35	002004 006100 107107 121503 904999	1
	80	251N6018-13	.BRACKET INSTL-IDLER PULLEY POSITION DATA: SECT. 43 STA 720 FOR DETAILS SEE: 53-30-51-35	002004 006100 107107 121503 904999	
	87	251N6018-13	.BRACKET INSTL-IDLER PULLEY POSITION DATA: SECT. 43 STA 879 FOR DETAILS SEE: 53-30-51-35	002004 006100 107107 121503 904999	1

MISSING ITEM NUMBERS NOT APPLICABLE

- ITEM NOT ILLUSTRATED

27-41-00-02

27-41-00  
FIG. 02  
PAGE 2  
JAN 20/09

BRI

BOEING PROPRIETARY - Copyright © - Unpublished Work - See title page for details.



757

PARTS CATALOG (MAINTENANCE)

FIG ITEM	PART NUMBER	1 2 3 4 5 6 7	NOMENCLATURE	EFFECT FROM TO	UNITS PER ASSY
2	90 251N6018-6		.BRACKET INSTL-IDLER PULLEY POSITION DATA: SECT. 43 STA 560 TO 878 FOR DETAILS SEE: 53-30-51-35	002004 006100 107107 121503 904999	3
-	95 251N2001-44		CONTROL INSTL- (HORIZONTAL STABILIZER TRIM CONTROL SYSTEM ONLY) POSITION DATA: SECT. 41 FOR NHA/OTHER SYS DET SEE: 27-00-00-10	002004 006100 107107 121503 904999	RF
	100 BACC15AJ2		.CLIP	002004 006100 107107 121503 904999	8
	105 MS21251B3L		.TURNBUCKLE BODY	002004 006100 107107 121503 904999	4
	152 251N6018-14		.BRACKET INSTL-IDLER PULLEY POSITION DATA: SECT. 44 STA 1080 FOR DETAILS SEE: 53-41-58-01	002004 006100 107107 121503 904999	1
	155 251N6018-6		.BRACKET INSTL-IDLER PULLEY POSITION DATA: SECT. 44 STA 1080 FOR DETAILS SEE: 53-41-58-01	002004 006100 107107 121503 904999	1
-	160 251N2001-46		CONTROL INSTL- (HORIZONTAL STABILIZER TRIM CONTROL SYSTEM ONLY) POSITION DATA: SECT. 46 FOR NHA/OTHER SYS DET SEE: 27-00-00-10	002004 006100 107107 121503 904999	RF
	161 BACC15AJ2		.CLIP	002004 006100 107107 121503 904999	8

MISSING ITEM NUMBERS NOT APPLICABLE

- ITEM NOT ILLUSTRATED

27-41-00-02

27-41-00  
FIG. 02  
PAGE 3  
JAN 20/09

BRI



757

PARTS CATALOG (MAINTENANCE)

FIG ITEM	PART NUMBER	1 2 3 4 5 6 7	NOMENCLATURE	EFFECT FROM TO	UNITS PER ASSY
2					
162	MS21251B3L	.	TURNBUCKLE BODY-	002004 006100 107107 121503 904999	4
164	251N2796-5	.	CABLE ASSY-ST2A	107107 904949	1
164	251N2796-15	.	CABLE ASSY-ST2A	107107 904949	1
165	251N2796-7	.	CABLE ASSY-ST2B	107107 904949	1
165	251N2796-17	.	CABLE ASSY-ST2B	107107 904949	1
166	251N2796-1	.	CABLE ASSY-ST1A USED WITH: 251N2796-2 MS21251B3L	107107 904949	1
166	251N2796-11	.	CABLE ASSY-ST1A	107107 904949	1
167	251N2796-3	.	CABLE ASSY-ST1B	107107 904949	1
167	251N2796-13	.	CABLE ASSY-ST1B	107107 904949	1
169	251N6018-15	.	BRACKET INSTL-IDLER PULLEY POSITION DATA: SECT. 46 STA 1240 THRU 1580 FOR DETAILS SEE: 53-61-56-01	002004 006100 107107 121503 904999	3
170	251N6018-6	.	BRACKET INSTL-IDLER PULLEY POSITION DATA: SECT. 46 STA 1260 THRU 1460 FOR DETAILS SEE: 53-61-56-01	002004 006100 107107 121503 904999	2
- 175	251N2001-48		CONTROL INSTL- (HORIZONTAL STABILIZER TRIM CONTROL SYSTEM ONLY) POSITION DATA: SECT. 48 FOR NHA/OTHER SYS DET SEE: 27-00-00-10	002004 006100 107107 121503 904999	RF

MISSING ITEM NUMBERS NOT APPLICABLE

- ITEM NOT ILLUSTRATED

BRI

27-41-00-02

27-41-00  
FIG. 02  
PAGE 4  
JAN 20/09





757

PARTS CATALOG (MAINTENANCE)

FIG ITEM	PART NUMBER	1 2 3 4 5 6 7	NOMENCLATURE	EFFECT FROM TO	UNITS PER ASSY
2 180	NAS623-3-6	.	SCREW	002004 006100 107107 121503 904999	6
185	AN960KD10	.	WASHER	002004 006100 107107 121503 904999	6
190	BRH10A3	.	NUT SUPPLIER CODE: V52828 SPECIFICATION NUMBER: BACN10JC3 OPTIONAL PART: H10-3BAC V15653 NS202101-02 V80539 RMLH9075-3W V72962 VN303A02 V92215 96-02 V80539 T6S1032J V11815	002004 006100 107107 121503 904999	6
195	MS21252-3LL	.	CLEVIS	002004 006100 107107 121503 904999	6
200	BACC15AJ2	.	CLIP	002004 006100 107107 121503 904999	14
205	MS21251B3L	.	TURNBUCKLE BODY	002004 006100 107107 121503 904999	7
210	BACC2C3D00559EG	.	CABLE ASSY-SLA POST SERVICE LETTER: 20-7	107107 904949	1
215	BACC2C3D01702FG	.	CABLE ASSY-SLA POST SERVICE LETTER: 20-7	107107 904949	1

MISSING ITEM NUMBERS NOT APPLICABLE

- ITEM NOT ILLUSTRATED

27-41-00-02

27-41-00  
FIG. 02  
PAGE 5  
JAN 20/09

BRI



757

PARTS CATALOG (MAINTENANCE)

FIG ITEM	PART NUMBER	1 2 3 4 5 6 7	NOMENCLATURE	EFFECT FROM TO	UNITS PER ASSY
2					
220	BACC2C3D01833FG	.	CABLE ASSY-SLB POST SERVICE LETTER: 20-7	107107 904949	1
225	BACC2C3D01294FG	.	CABLE ASSY-SP1B AND SP2B POST SERVICE LETTER: 20-7	002004 006100 107107 121503 904999	2
227	BACC2C3D01294FG	.	CABLE ASSY-SP3B	002004 006100 121503 950999	1
230	BACC2C3D00494FG	.	CABLE ASSY-SP1A, SP2A SP3A AND SLA POST SERVICE LETTER: 20-7	002004 006100 107107 121503 904999	4
235	251N2012-1	.	MODULE INSTL-STAB. TRIM CONT FUNCTIONAL REFERENCE: FLIGHT CONTROLS FOR DETAILS SEE 27-41-05-01 PLACARDS AND MARKINGS FOR DETAILS SEE 11-38-30-01	107107 904949	1
238	251N2012-7	.	MODULE INSTL-STAB. TRIM CONT FUNCTIONAL REFERENCE: FLIGHT CONTROLS FOR DETAILS SEE 27-41-05-01 PLACARDS AND MARKINGS FOR DETAILS SEE 11-38-30-01	002004 006100 121503 950999	1
240	251N2016-1	.	BRACKET INSTL-SLA AND SLB TRANSVERSE BEAM PULLEY FOR DETAILS SEE: 53-81-51-02	107107 904949	1
245	251N6031-2	.	BRACKET INSTL-STAB. TRIM 2A AND 2B POSITION DATA: STA 1720 FOR DETAILS SEE: 27-41-52-01	107107 904949	1

MISSING ITEM NUMBERS NOT APPLICABLE

- ITEM NOT ILLUSTRATED

BRI

27-41-00-02

27-41-00  
FIG. 02  
PAGE 6  
JAN 20/09



757

PARTS CATALOG (MAINTENANCE)

FIG ITEM	PART NUMBER	1 2 3 4 5 6 7	NOMENCLATURE	EFFECT FROM TO	UNITS PER ASSY
2					
250	251N6031-3		.BRACKET INSTL-PULLEY POSITION DATA: STA 1720 FOR DETAILS SEE: 27-41-52-02	107107 904949	1
255	251N2010-1		.JACKSCREW INSTL-STAB. TRIM CONT FOR DETAILS SEE: 27-41-10-01	002004 006100 107107 121503 904999	1
260	251N2021-1		.PULLEY INSTL-STAB. TRAVEL LIMIT AND POSITION INDICATION FOR DETAILS SEE: 27-48-51-01	107107 904949	1
260	251N2021-3		.PULLEY INSTL-STAB. TRAVEL LIMIT AND POSITION INDICATION FOR DETAILS SEE: 27-48-51-01	003004 006100 121503 950999	1
- 265	251N2021-2		.SUPPORT INSTL-PULLEY	107107 904949	1
270	251N2020-2		.TRANSMITTER INSTL-STAB. TRAVEL LIMIT AND POSITION INDICATION FOR DETAILS SEE: 27-48-51-02	002004 006100 107107 121503 904999	1
275	251N2001-82		CONTROL INSTL- POSITION DATA: SECT. 82	002004 006100 107107 121503 904999	RF
280	251N2019-1		.BRACKET INSTL-STAB. TRAVEL LIMIT AND POSITION INDICATION SHEAROUT FOR DETAILS SEE: 53-81-55-01	002004 006100 107107 121503 904999	1

MISSING ITEM NUMBERS NOT APPLICABLE

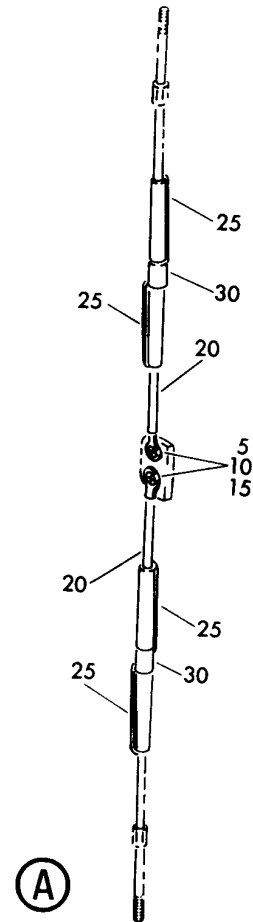
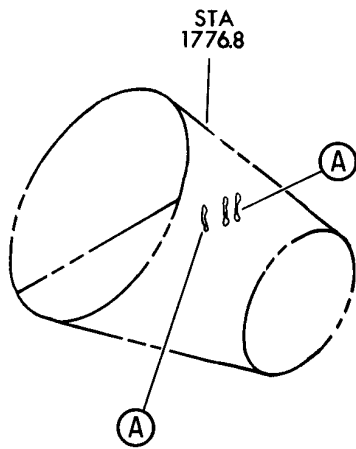
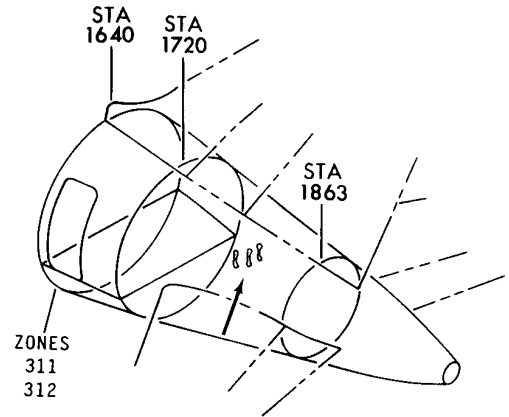
- ITEM NOT ILLUSTRATED

27-41-00-02

27-41-00  
FIG. 02  
PAGE 7  
JAN 20/09

BRI

**BOEING**  
757  
PARTS CATALOG (MAINTENANCE)



Y 27410101 REV 190

CABLE INSTL-SYSTEM CONTROL  
FIGURE 1

**27-41-01-01**

BRI  
MAY 28/07

27-41-01-01  
PAGE 0



757

PARTS CATALOG (MAINTENANCE)

FIG ITEM	PART NUMBER	1 2 3 4 5 6 7	NOMENCLATURE	EFFECT FROM TO	UNITS PER ASSY
1			CABLE INSTL-SYSTEM CONTROL	101106 108120 504903	
- 1	251N2070-1		CABLE INSTL-SYSTEM CONTROL FOR NHA SEE: 27-40-00-01	101102 108120 504903	RF
- 1	MODREF7359		CABLE INSTL-SYSTEM CONTROL MODULE NUMBER: 251N2070-1 REV A	103106	1
5	NAS623-3-6		.SCREW	101106 108120 504903	6
10	AN960KD10		.WASHER	101106 108120 504903	6
15	BRH10A3		.NUT SUPPLIER CODE: V52828 SPECIFICATION NUMBER: BACN10JC3 OPTIONAL PART: H10-3BAC V15653 NS202101-02 V80539 RMLH9075-3W V72962 VN303A02 V92215 96-02 V80539 T6S1032J V11815	101106 108120 504903	6
20	MS21252-3LL		.CLEVIS	101106 108120 504903	6
25	MS21256-2		.CLIP	101106 108120 504903	12
30	MS21251B3L		.TURNBUCKLE BODY	101106 108120 504903	6

MISSING ITEM NUMBERS NOT APPLICABLE

- ITEM NOT ILLUSTRATED

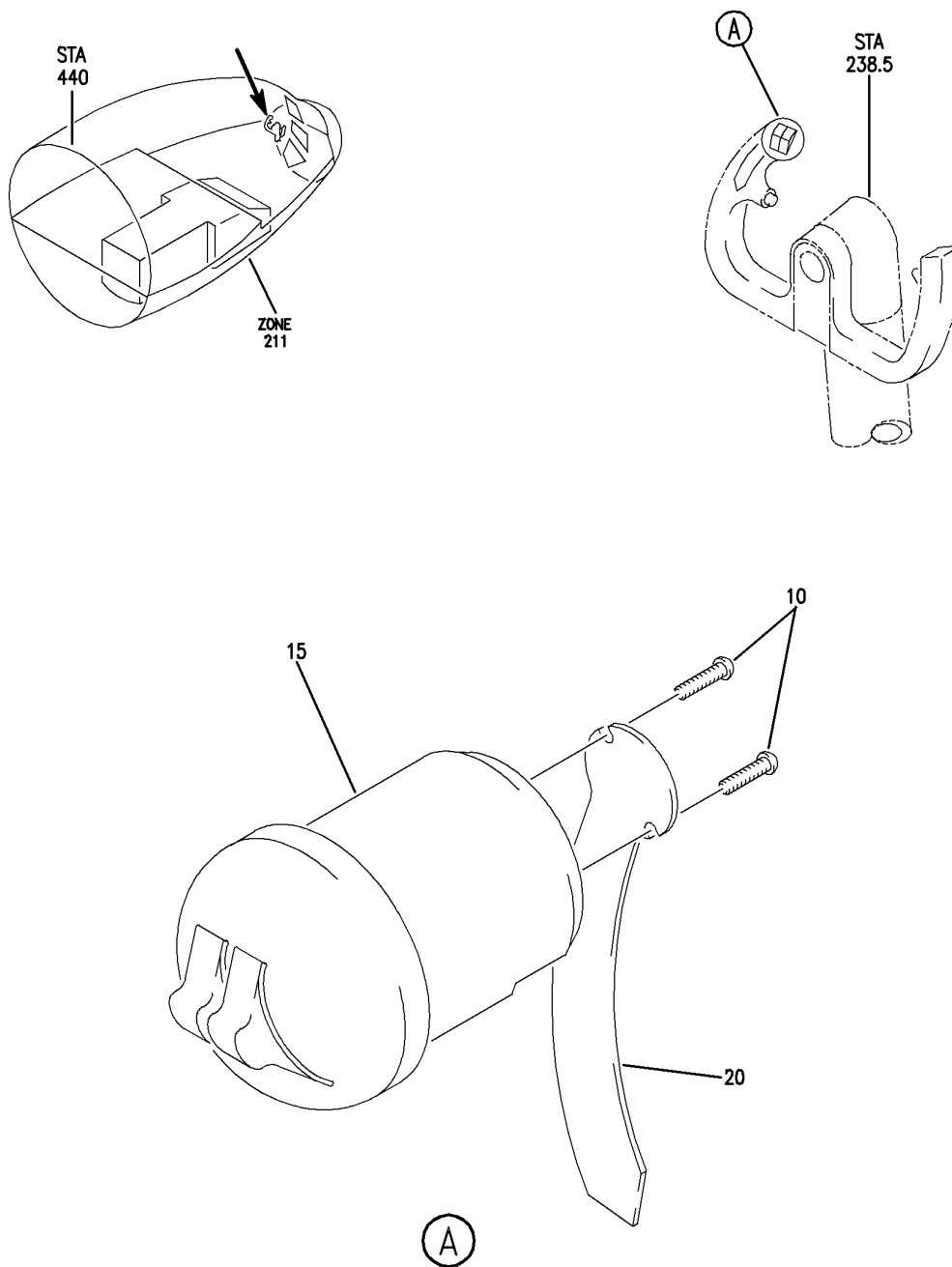
BRI

27-41-01-01

BOEING PROPRIETARY - Copyright © - Unpublished Work - See title page for details.

27-41-01  
FIG. 01  
PAGE 1  
JAN 20/09

**BOEING**  
757  
PARTS CATALOG (MAINTENANCE)



Y 27410102 REV 230

WHEEL ASSY-CONT COLUMN (STABILIZER TRIM CONTROL WHEEL SWITCH ONLY)  
FIGURE 2

**27-41-01-02**

BRI  
MAY 28/07

27-41-01-02  
PAGE 0



757

PARTS CATALOG (MAINTENANCE)

FIG ITEM	PART NUMBER	1 2 3 4 5 6 7	NOMENCLATURE	EFFECT FROM TO	UNITS PER ASSY
2			WHEEL ASSY-CONT COLUMN (STABILIZER TRIM CONTROL WHEEL SWITCH ONLY)	002004 006999	
- 1	251N1140-17		WHEEL ASSY-CONT COLUMN (STABILIZER TRIM CONTROL WHEEL SWITCH ONLY) FOR NHA/OTHER SYS DET SEE: 27-11-02-01	950952	RF
- 1	251N1140-19		WHEEL ASSY-CONT COLUMN (STABILIZER TRIM CONTROL WHEEL SWITCH ONLY) FOR NHA/OTHER SYS DET SEE: 27-11-02-01	002004 006949 953999	RF
- 1	251N1140-7		WHEEL ASSY-CONT COLUMN (STABILIZER TRIM CONTROL WHEEL SWITCH ONLY) FOR NHA/OTHER SYS DET SEE: 27-11-02-01	950952	RF
- 1	251N1140-9		WHEEL ASSY-CONT COLUMN (STABILIZER TRIM CONTROL WHEEL SWITCH ONLY) FOR NHA/OTHER SYS DET SEE: 27-11-02-01	002004 006949 953999	RF
- 1	251N1140-1		WHEEL ASSY-CONT COLUMN (STABILIZER TRIM CONTROL WHEEL SWITCH ONLY) FOR NHA/OTHER SYS DET SEE: 27-11-02-01	950952	RF
- 1	251N1140-5		WHEEL ASSY-CONT COLUMN (STABILIZER TRIM CONTROL WHEEL SWITCH ONLY) FOR NHA/OTHER SYS DET SEE: 27-11-02-01	002004 006949 953999	RF
- 5	251N1140-18		WHEEL ASSY-CONT COLUMN (STABILIZER TRIM CONTROL WHEEL SWITCH ONLY) FOR NHA/OTHER SYS DET SEE: 27-11-02-01	950952	RF
- 5	251N1140-20		WHEEL ASSY-CONT COLUMN (STABILIZER TRIM CONTROL WHEEL SWITCH ONLY) FOR NHA/OTHER SYS DET SEE: 27-11-02-01	002004 006949 953999	RF
- 5	251N1140-8		WHEEL ASSY-CONT COLUMN (STABILIZER TRIM CONTROL WHEEL SWITCH ONLY) FOR NHA/OTHER SYS DET SEE: 27-11-02-01	950952	RF

MISSING ITEM NUMBERS NOT APPLICABLE

- ITEM NOT ILLUSTRATED

**27-41-01-02**

27-41-01  
FIG. 02  
PAGE 1  
JAN 20/09

BRI



757

PARTS CATALOG (MAINTENANCE)

FIG ITEM	PART NUMBER	1 2 3 4 5 6 7	NOMENCLATURE	EFFECT FROM TO	UNITS PER ASSY
2					
- 5	251N1140-10		WHEEL ASSY-CONT COLUMN (STABILIZER TRIM CONTROL WHEEL SWITCH ONLY) FOR NHA/OTHER SYS DET SEE: 27-11-02-01	002004 006949 953999	RF
- 5	251N1140-2		WHEEL ASSY-CONT COLUMN (STABILIZER TRIM CONTROL WHEEL SWITCH ONLY) FOR NHA/OTHER SYS DET SEE: 27-11-02-01	950952	RF
- 5	251N1140-6		WHEEL ASSY-CONT COLUMN (STABILIZER TRIM CONTROL WHEEL SWITCH ONLY) FOR NHA/OTHER SYS DET SEE: 27-11-02-01	002004 006949 953999	RF
10	NAS600-8B		.SCREW- USED ON: 251N1140-1 251N1140-2 251N1140-5 251N1140-6 251N1140-7 251N1140-8 251N1140-9 251N1140-10 251N1140-11 251N1140-12	002004 006999	2
10	BACS12CK04H8		.SCREW- USED ON: 251N1140-17 251N1140-18 251N1140-19 251N1140-20 251N1140-21 251N1140-22	002004 006999	2
15	306-4312		.SWITCH- SUPPLIER CODE: V81579 SPECIFICATION NUMBER: S253T407-1	002004 006999	1
20	251N1079-1		.INSULATOR	002004 006999	1

MISSING ITEM NUMBERS NOT APPLICABLE

- ITEM NOT ILLUSTRATED

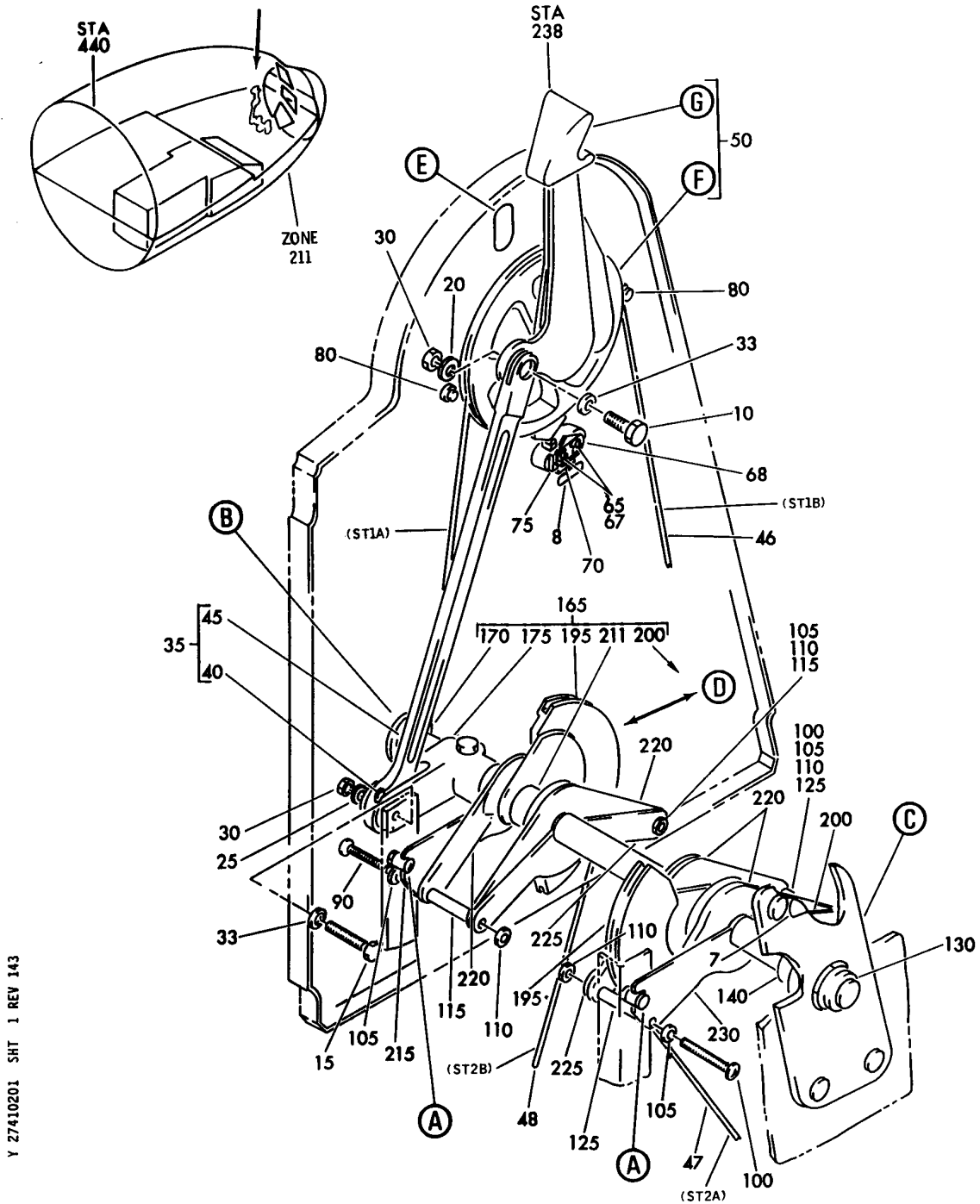
27-41-01-02

27-41-01  
FIG. 02  
PAGE 2  
JAN 20/09

BRI




**BOEING**  
 757  
**PARTS CATALOG (MAINTENANCE)**



Y 27410201 SHT 1 REV 143

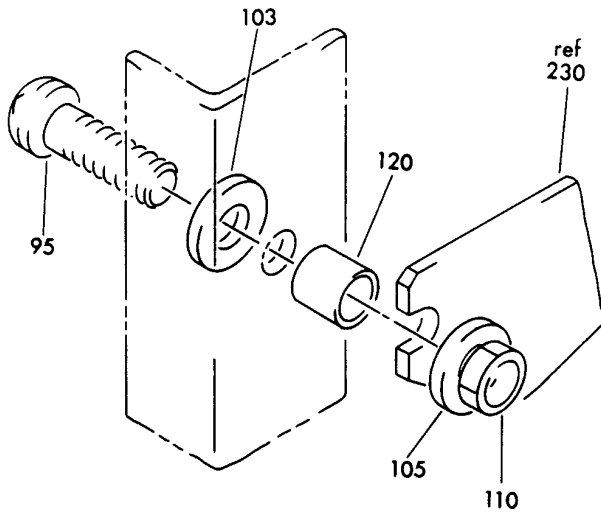
LEVER INSTL AND TRIM INSTL-STAB. CONT  
 FIGURE 1 (SHEET 1)

**27-41-02-01**

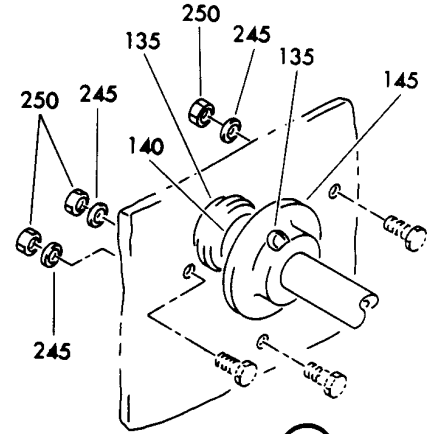
BRI  
 MAY 28/07

27-41-02-01  
 PAGE 0

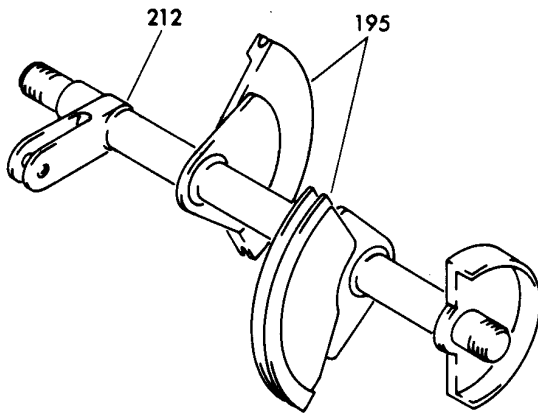
**BOEING**  
757  
PARTS CATALOG (MAINTENANCE)



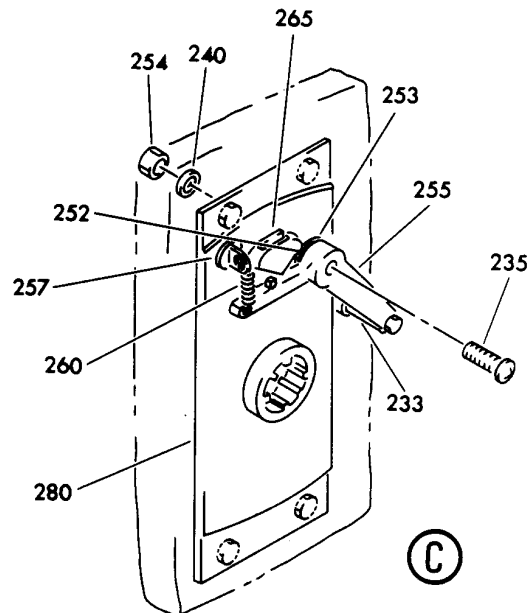
(A)



(B)



(D)



(C)

Y 27410201 SHT 2 REV 082

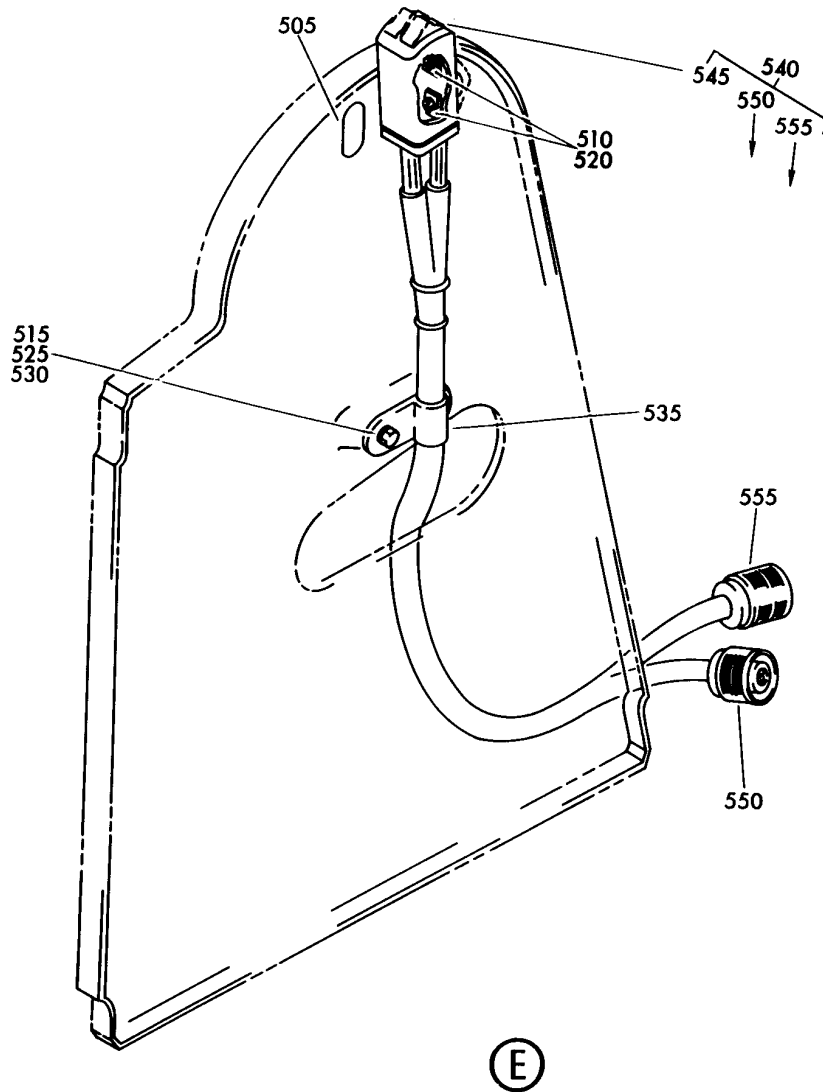
LEVER INSTL AND TRIM INSTL-STAB. CONT  
FIGURE 1 (SHEET 2)

**27-41-02-01**

BRI  
MAY 28/07

27-41-02-01  
PAGE 0A

**BOEING**  
757  
PARTS CATALOG (MAINTENANCE)



Y 27410201 SHT 3 REV 113

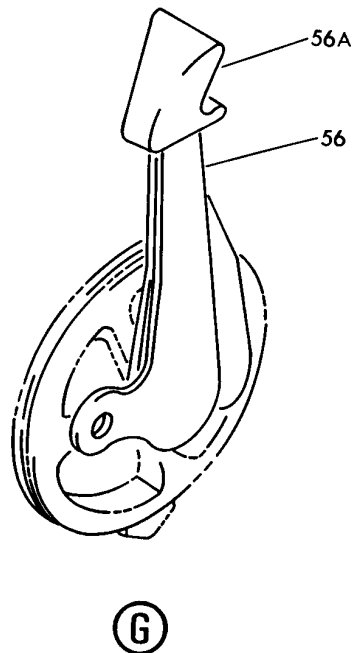
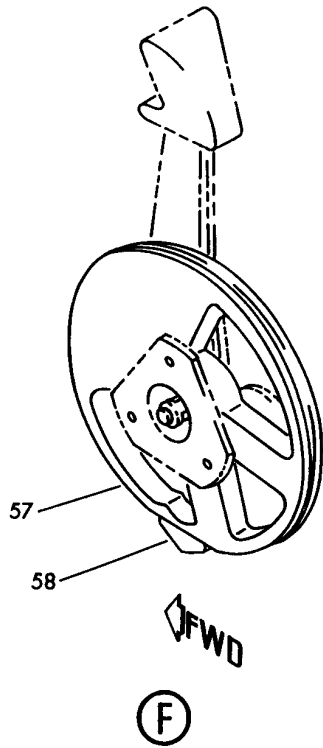
LEVER INSTL AND TRIM INSTL-STAB. CONT  
FIGURE 1 (SHEET 3)

**27-41-02-01**

BRI  
MAY 28/07

27-41-02-01  
PAGE 0B

**BOEING**  
757  
PARTS CATALOG (MAINTENANCE)



Y 27410201 SHT 4 REV 143

LEVER INSTL AND TRIM INSTL-STAB. CONT  
FIGURE 1 (SHEET 4)

**27-41-02-01**

BRI  
MAY 28/07

27-41-02-01  
PAGE 0C



757

PARTS CATALOG (MAINTENANCE)

FIG ITEM	PART NUMBER	1 2 3 4 5 6 7	NOMENCLATURE	EFFECT FROM TO	UNITS PER ASSY
1			LEVER INSTL AND TRIM INSTL-STAB. CONT	002004	
- 1	254N1055-11		LEVER INSTL-STAB. TRIM CONT FOR NHA SEE: 76-11-04-02	006999 107107 904949	RF
7	BAC27TCT0070		.DECAL- PLACARD CONTENT: S538	107107 904949	1
8	BAC27NEL0937		.DECAL- PLACARD CONTENT: S575	107107 904949	1
10	L8008K5		.BOLT SUPPLIER CODE: V06725 SPECIFICATION NUMBER: BACB30MY8K5	107107 904949	1
15	BACB30NR4K7		.BOLT	107107 904949	1
20	AN960PD416L		.WASHER	107107 904949	1
25	AN960PD416		.WASHER	107107 904949	1
30	BRH10A4		.NUT SUPPLIER CODE: V52828 SPECIFICATION NUMBER: BACN10JC4 OPTIONAL PART: T6S428J V11815 96-048 V80539 VN303A048 V92215 RMLH9075-4W V72962 NS202101-048 V80539 H10-4BAC V15653	107107 904949	2
33	BACB28AK04-012		.BUSHING	107107 904949	2
35	253T5414-1		.LINK ASSY	107107 904949	1

MISSING ITEM NUMBERS NOT APPLICABLE

- ITEM NOT ILLUSTRATED

BRI

27-41-02-01

27-41-02  
FIG. 01  
PAGE 1  
JAN 20/09

 **BOEING**  
757  
**PARTS CATALOG (MAINTENANCE)**

FIG ITEM	PART NUMBER	1 2 3 4 5 6 7	NOMENCLATURE	EFFECT FROM TO	UNITS PER ASSY
R R R R R R R R R R R R R R R R R	1 40	MKP4AFS428	.. BEARING SUPPLIER CODE: V06144 SPECIFICATION NUMBER: BACB10AP4 OPTIONAL PART: MCS204E VK8455 LLMKP4A V38443 MKP4AFS428 V21335 MKP4ATT V43991 MKP4A2TS V43991 MKP4E6531 V21335 MKP4AG20 V38443 MKP4ALY196 V40920 MKP4A V38443 MCS24E VK8455 MKP4ASD610 V83086 MKP4ANJC V06144	107107 904949	1
	45	253T5414-2	.. LINK	107107 904949	1
	46	251T2050-79	. CABLE ASSY-ST1A, ST1B	107107 904949	1
	46	251T2050-82	. CABLE ASSY-ST1A, ST1B	107107 904949	1

MISSING ITEM NUMBERS NOT APPLICABLE

— ITEM NOT ILLUSTRATED

BRI

# 27-41-02-01

BOEING PROPRIETARY - Copyright © - Unpublished Work - See title page for details.

27-41-02  
FIG. 01  
PAGE 2  
MAY 20/09



757

PARTS CATALOG (MAINTENANCE)

FIG ITEM	PART NUMBER	1 2 3 4 5 6 7	NOMENCLATURE	EFFECT FROM TO	UNITS PER ASSY
1					
47	BACC2C3A03571FG	.	CABLE ASSY-ST2A MISCELLANEOUS DATA: ZINC-ONLY AND TIN-OVER-ZINC COATED CABLES ARE INTERCHANGEABLE, AND MAY BE INTERMIXED WITHIN A SYSTEM PROVIDING OPPOSITE CABLES WITHIN A GIVEN CABLE LOOP ARE REPLACED WITH CABLES OF THE SAME TYPE. OPTIONAL PART: 251N2796-9	107107 904949	1
47	251N2796-9	.	CABLE ASSY-ST2A	107107 904949	1
47	251N2796-19	.	CABLE ASSY-ST2A	107107 904949	1
48	251N2796-10	.	CABLE ASSY-ST2B	107107 904949	1
48	251N2796-20	.	CABLE ASSY-(ST2B)	107107 904949	1
50	253T5425-1	.	LEVER ASSY- COMPONENT MAINT MANUAL REF: 27-41-31 ATTACHING PARTS	107107 904949	1
- 55	BACB30LH3U4	.	BOLT	107107 904949	3
			-----*-----		
56	253T5425-2	..	LEVER ASSY	107107 904949	1
56A	65B82423-11	...	KNOB ASSY	107107 904949	1
57	253T5425-3	..	LEVER ASSY	107107 904949	1
58	253T5424-1	...	CAM-SWITCH	107107 904949	1
65	NAS601-20P	.	SCREW-	107107 904949	2
67	AN960PD6L	.	WASHER	107107 904949	2
68	253T5428-1	.	PLATE ASSY	107107 904949	1
70	10AT96-2	.	SWITCH- SUPPLIER CODE: V82647	107107 904949	1
75	253T5732-3	.	SHIM	107107 904949	1

MISSING ITEM NUMBERS NOT APPLICABLE

- ITEM NOT ILLUSTRATED

27-41-02-01

27-41-02  
FIG. 01  
PAGE 3  
MAY 20/09

BRI



757

PARTS CATALOG (MAINTENANCE)

FIG ITEM	PART NUMBER	1 2 3 4 5 6 7	NOMENCLATURE	EFFECT FROM TO	UNITS PER ASSY
1	80 69B81883-3		.PIN ASSY	107107 904949	2
-	85 BACB30LU3-2		.ATTACHING PARTS .BOLT	107107 904949	2
	90 NAS623-3-18		-----*----- .SCREW	107107 904949	2
	95 NAS623-3-11		.SCREW-	107107 904949	2
	100 NAS623-3-19		.SCREW	107107 904949	2
	103 AN970-3		.WASHER	107107 904949	2
	105 AN960PD10		.WASHER	107107 904949	6
	110 BRH10A3		.NUT SUPPLIER CODE: V52828 SPECIFICATION NUMBER: BACN10JC3 OPTIONAL PART: H10-3BAC V15653 NS202101-02 V80539 RMLH9075-3W V72962 VN303A02 V92215 96-02 V80539 T6S1032J V11815	107107 904949	6
	115 NAS42DD6-56		.SPACER	107107 904949	2
	120 NAS42DD6-33		.SPACER-	107107 904949	2
	125 NAS42DD6-60		.SPACER	107107 904949	2

MISSING ITEM NUMBERS NOT APPLICABLE

- ITEM NOT ILLUSTRATED

27-41-02-01

27-41-02  
FIG. 01  
PAGE 4  
MAY 20/09

BRI

BOEING PROPRIETARY - Copyright © - Unpublished Work - See title page for details.




**BOEING**  
 757  
**PARTS CATALOG (MAINTENANCE)**

FIG ITEM	PART NUMBER	1 2 3 4 5 6 7	NOMENCLATURE	EFFECT FROM TO	UNITS PER ASSY
1	82631-1018	.	NUT	107107 904949	2
			SUPPLIER CODE: V56878		
			SPECIFICATION NUMBER: BACN10RF10		
			OPTIONAL PART: BR9080-10		
			V72962		
			SL2822-10		
			V97393		
R	135	MB538DDFS428	.BEARING	107107 904949	1
R			SUPPLIER CODE: V06144		
R			SPECIFICATION NUMBER: BACB10AS10		
R			OPTIONAL PART: MB538-2TS		
R			V43991		
R			MB538DDFS428		
R			V21335		
R			MB538TT		
R			V43991		
R			MT338E		
R			VK8455		
R			MB538DDL196		
R			V40920		
R			MB538DD		
R			V06144		
R			MB538DDNJ C		
R			V06144		
R			MB538DDSD610		
R			V83086		
	140	253T4006-5	.SPACER	107107 904949	2
	145	253T5415-1	.HOUSING-BRG	107107 904949	1
			ATTACHING PARTS		
-	150	BACB30LM3U3	.BOLT	107107 904949	3
-	155	AN960PD10	.WASHER	107107 904949	3

MISSING ITEM NUMBERS NOT APPLICABLE

- ITEM NOT ILLUSTRATED

# 27-41-02-01

27-41-02  
 FIG. 01  
 PAGE 5  
 MAY 20/09

BRI

BOEING PROPRIETARY - Copyright © - Unpublished Work - See title page for details.



757

PARTS CATALOG (MAINTENANCE)

FIG ITEM	PART NUMBER	1 2 3 4 5 6 7	NOMENCLATURE	EFFECT FROM TO	UNITS PER ASSY
1 - 160	BRH10A3	.NUT	SUPPLIER CODE: V52828 SPECIFICATION NUMBER: BACN10JC3 OPTIONAL PART: H10-3BAC V15653 NS202101-02 V80539 RMLH9075-3W V72962 VN303A02 V92215 96-02 V80539 T6S1032J V11815 -----*-----	107107 904949	3
165	254N1057-2	.SHAFT ASSY-		107107 904949	1
165	254N1057-3	.SHAFT ASSY-		107107 904949	1
170	253T5421-1	..STUB- OPTIONAL PART: 253T5421-2		107107 904949	1
170	253T5421-2	..STUB- OPTIONAL PART: 253T5421-1		107107 904949	1
175	253T5420-1	..CLEVIS		107107 904949	1
- 180	BACB30NF4-20	ATTACHING PARTS ..BOLT		107107 904949	1
- 185	AN960C416L	..WASHER		107107 904949	2

MISSING ITEM NUMBERS NOT APPLICABLE

- ITEM NOT ILLUSTRATED

27-41-02-01

27-41-02  
FIG. 01  
PAGE 6  
MAY 20/09

BRI



757

PARTS CATALOG (MAINTENANCE)

FIG ITEM	PART NUMBER	1 2 3 4 5 6 7	NOMENCLATURE	EFFECT FROM TO	UNITS PER ASSY
1 - 190	BRH10A4		..NUT SUPPLIER CODE: V52828 SPECIFICATION NUMBER: BACN10JC4 OPTIONAL PART: T6S428J V11815 96-048 V80539 VN303A048 V92215 RMLH9075-4W V72962 NS202101-048 V80539 H10-4BAC V15653 -----*-----	107107 904949	1
195	254N1104-1		..QUADRANT  ATTACHING PARTS	107107 904949	2
- 196	BACR15BB6AD		..RIVET- SIZE DETERMINED ON INSTL. -----*-----	107107 904949	6
200	254N1123-1		..CAM  ATTACHING PARTS	107107 904949	1
- 205	L8006-15		..BOLT SUPPLIER CODE: V06725 SPECIFICATION NUMBER: BACB30MY6K15	107107 904949	1
- 210	HL79-6		..COLLAR SUPPLIER CODE: V5M902 SPECIFICATION NUMBER: BACC30M6 OPTIONAL PART: HL79-6 V73197 HL79-6 V92215 66014-6 V56878 HL79-6 V56878 -----*-----	107107 904949	1

MISSING ITEM NUMBERS NOT APPLICABLE

- ITEM NOT ILLUSTRATED

27-41-02-01

27-41-02  
FIG. 01  
PAGE 7  
MAY 20/09

BRI



757

PARTS CATALOG (MAINTENANCE)

FIG ITEM	PART NUMBER	1 2 3 4 5 6 7	NOMENCLATURE	EFFECT FROM TO	UNITS PER ASSY
1					
211	254N1056-1	..	SHAFT- OPTIONAL PART: 254N1056-3	107107 904949	1
211	254N1056-3	..	SHAFT- OPTIONAL PART: 245N1056-1	107107 904949	1
212	254N1139-1	..	SHAFT- OPTIONAL PART: 254N1139-3	107107 904949	1
212	254N1139-3	..	SHAFT- OPTIONAL PART: 254N1139-1	107107 904949	1
215	254N1110-1	.	BRACKET	107107 904949	1
220	254N1110-4	.	BRACKET	107107 904949	4
225	254N1110-3	.	BRACKET	107107 904949	2
230	254N1110-2	.	BRACKET	107107 904949	1
233	HRS1CFR11	.	CAM FOLLOWER- SUPPLIER CODE: V60380 SPECIFICATION NUMBER: BACB10AF3F11HS OPTIONAL PART: HRS1CFR11 V92563 HRS1CFR11 V07484	107107 904949	1
235	NAS623-3-15	.	SCREW	107107 904949	1
240	AN960PD10L	.	WASHER- POSITION DATA: UNDER NUT	107107 904949	1
245	AN960PD10L	.	WASHER-	107107 904949	3

MISSING ITEM NUMBERS NOT APPLICABLE

- ITEM NOT ILLUSTRATED

27-41-02-01

27-41-02  
FIG. 01  
PAGE 8  
MAY 20/09

BRI

BOEING PROPRIETARY - Copyright © - Unpublished Work - See title page for details.

 **BOEING**  
757  
**PARTS CATALOG (MAINTENANCE)**

FIG ITEM	PART NUMBER	1 2 3 4 5 6 7	NOMENCLATURE	EFFECT FROM TO	UNITS PER ASSY
1 250	BRH10A3	.	NUT SUPPLIER CODE: V52828 SPECIFICATION NUMBER: BACN10JC3 OPTIONAL PART: H10-3BAC V15653 NS202101-02 V80539 RMLH9075-3W V72962 VN303A02 V92215 96-02 V80539 T6S1032J V11815	107107 904949	2
252	253T4006-7	.	SPACER	107107 904949	1
253	KP3ALP	.	BEARING SUPPLIER CODE: V21760 SPECIFICATION NUMBER: BACB10BG1M OPTIONAL PART: KP3ALE6531 V21335 KP3ALFS428 V21335 KP3ALTT V43991 KP3ALT1C1-01 V21760 LLKP3AL V38443 KP3ALG20 V38443 CS203AE VK8455 KP3ALSD610 V83086 KP3ALE V21760 KP3AL V38443	107107 904949	1
254	BACN10JD103	.	NUT	107107 904949	1

MISSING ITEM NUMBERS NOT APPLICABLE

— ITEM NOT ILLUSTRATED

BRI

# 27-41-02-01

BOEING PROPRIETARY - Copyright © - Unpublished Work - See title page for details.

27-41-02  
FIG. 01  
PAGE 9  
MAY 20/09



757

PARTS CATALOG (MAINTENANCE)

FIG ITEM	PART NUMBER	1 2 3 4 5 6 7	NOMENCLATURE	EFFECT FROM TO	UNITS PER ASSY
1					
255	253T5426-1	.	ROLLER ASSY	107107 904949	1
257	AN43BC5A	.	BOLT-	107107 904949	1
260	MS24586C49	.	SPRING-	107107 904949	1
265	10AT96-1	.	SWITCH- SUPPLIER CODE: V82647	107107 904949	1
265	63749-1	.	SWITCH- SUPPLIER CODE: V02005	107107 904949	1
- 270	NAS601-14P	.	SCREW-	107107 904949	2
- 275	AN960PD6L	.	WASHER-	107107 904949	2
			-----*-----		
280	253T5416-4	.	HOUSING ASSY-BRG ATTACHING PARTS	107107 904949	1
- 285	BACB30NR4K4	.	BOLT	107107 904949	3
- 290	AN960PD416	.	WASHER	107107 904949	3
- 295	BRH10A4	.	NUT SUPPLIER CODE: V52828 SPECIFICATION NUMBER: BACN10JC4 OPTIONAL PART: T6S428J V11815 96-048 V80539 VN303A048 V92215 RMLH9075-4W V72962 NS202101-048 V80539 H10-4BAC V15653	107107 904949	3
			-----*-----		
- 500	254N1055-12		TRIM INSTL-STAB. FOR NHA SEE: 76-11-04-02	002004 121503 952952	RF

MISSING ITEM NUMBERS NOT APPLICABLE

- ITEM NOT ILLUSTRATED

BRI

27-41-02-01

BOEING PROPRIETARY - Copyright © - Unpublished Work - See title page for details.

27-41-02  
FIG. 01  
PAGE 10  
MAY 20/09



757

PARTS CATALOG (MAINTENANCE)

FIG ITEM	PART NUMBER	1 2 3 4 5 6 7	NOMENCLATURE	EFFECT FROM TO	UNITS PER ASSY
1					
- 500	254N1055-13		TRIM INSTL-STAB. FOR NHA SEE: 76-11-04-02	006106 108120 504903 950951 953999	RF
505	BAC27NCT0275		.DECAL- PLACARD CONTENT: S10580	002004 006106 108903 950999	1
510	NAS8202AL5		.SCREW	002004 006106 108903 950999	2
515	NAS514P1032-16		.SCREW	002004 006106 108903 950999	1
520	AN960JD8L		.WASHER	002004 006106 108903 950999	2
525	AN960JD10L		.WASHER	002004 006106 108903 950999	1
530	MS21042L3		.NUT	002004 006106 108903 950999	1
535	BACC10DK6		.CLAMP-	002004 006106 108903 950999	1
540	254N1050-1		.SWITCH ASSY-	002004 121503 952952	1
540	254N1050-2		.SWITCH ASSY-	006106 108120 504903 950951 953999	1
545	306-4314		..SWITCH- SUPPLIER CODE: V81579 SPECIFICATION NUMBER: S253T407-2	002004 006106 108903 950999	1

MISSING ITEM NUMBERS NOT APPLICABLE

- ITEM NOT ILLUSTRATED

BRI

27-41-02-01

27-41-02  
FIG. 01  
PAGE 11  
MAY 20/09



757

PARTS CATALOG (MAINTENANCE)

FIG ITEM	PART NUMBER	1 2 3 4 5 6 7	NOMENCLATURE	EFFECT FROM TO	UNITS PER ASSY
1 545	306-4320		.. SWITCH- SUPPLIER CODE: V81579 SPECIFICATION NUMBER: S253T407-4	002004 006106 108903 950999	1
550	BACC45FT12A12P6		.. CONNECTOR- ELECTRICAL EQUIP NUMBER: D01827	002004 006106 108903 950999	1
555	BACC45FT12A12P7		.. CONNECTOR- ELECTRICAL EQUIP NUMBER: D01825	002004 006106 108903 950999	1

MISSING ITEM NUMBERS NOT APPLICABLE

- ITEM NOT ILLUSTRATED

BRI

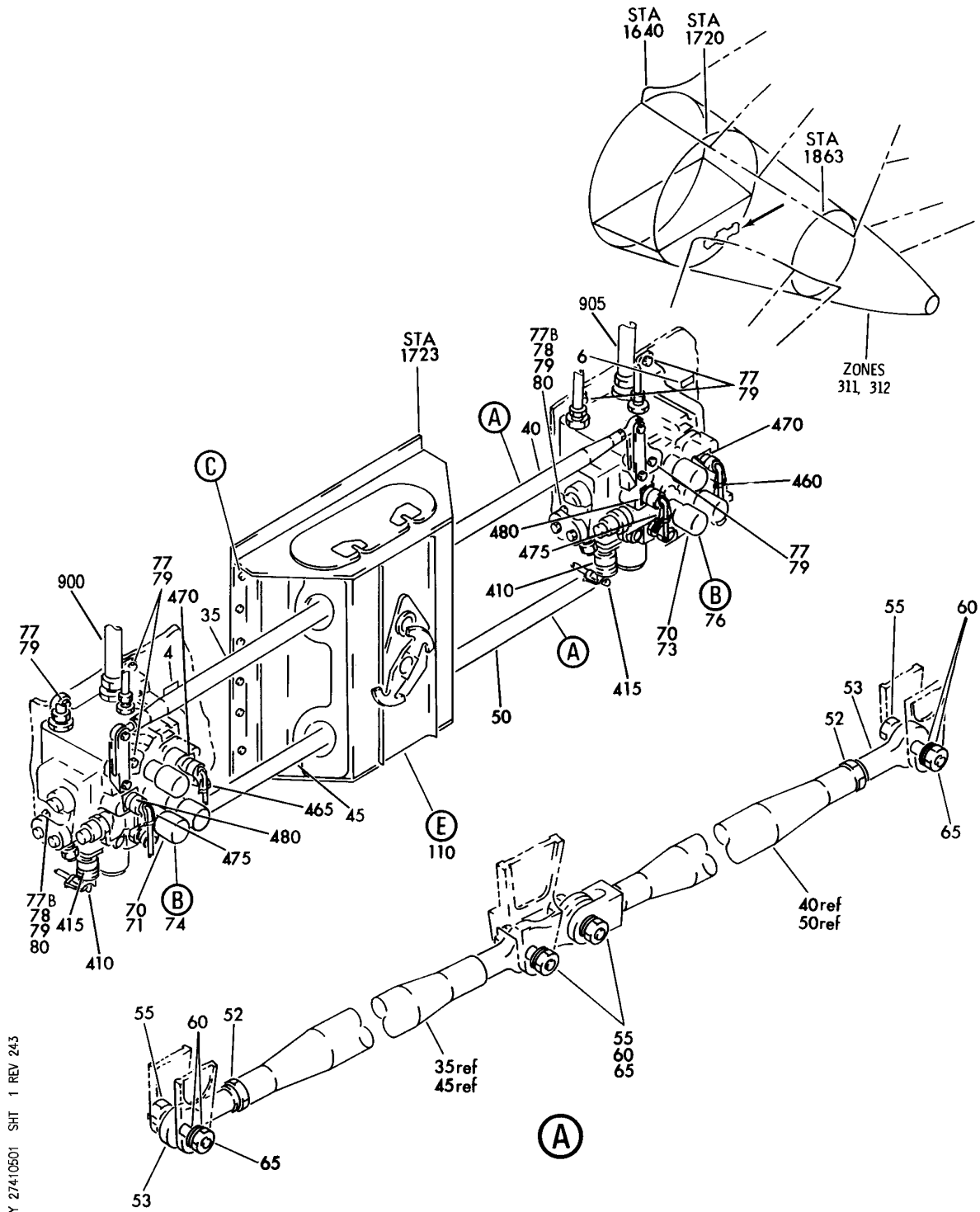
**27-41-02-01**

BOEING PROPRIETARY - Copyright © - Unpublished Work - See title page for details.

27-41-02  
FIG. 01  
PAGE 12  
MAY 20/09



**BOEING**  
757  
PARTS CATALOG (MAINTENANCE)



Y 27410501 SHT 1 REV 243

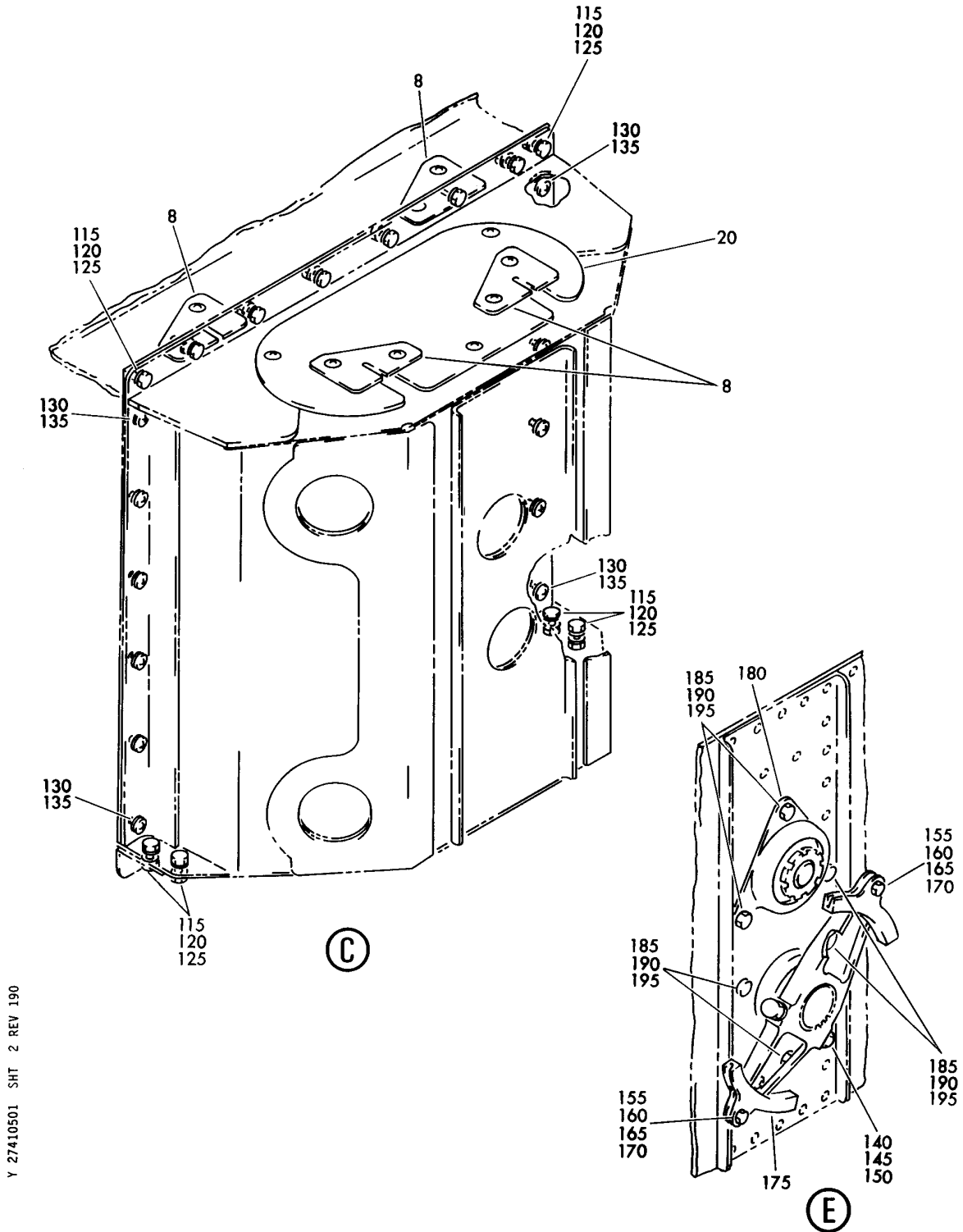
MODULE INSTL-STAB. TRIM CONT (HORIZONTAL STABILIZER TRIM CONTROL ONLY)  
FIGURE 1 (SHEET 1)

**27-41-05-01**

BRI  
MAY 28/07

27-41-05-01  
PAGE 0

**BOEING**  
757  
PARTS CATALOG (MAINTENANCE)



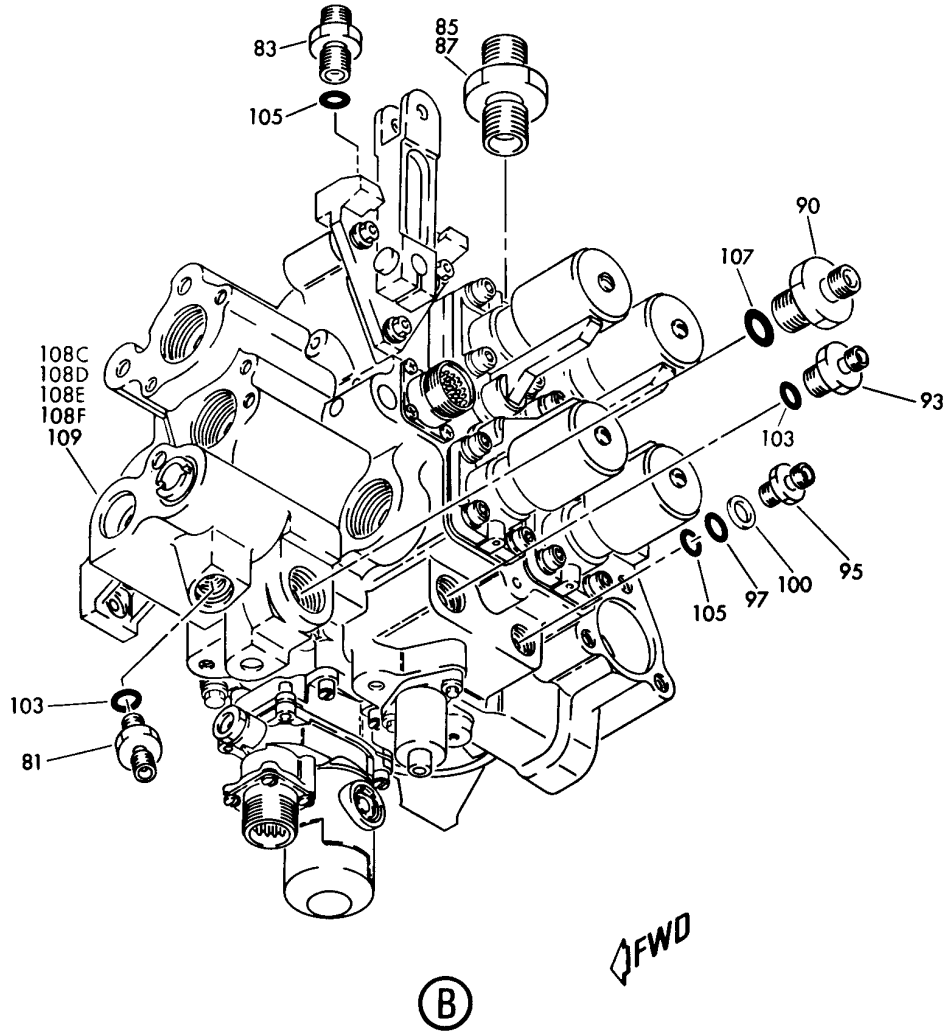
MODULE INSTL-STAB. TRIM CONT (HORIZONTAL STABILIZER TRIM CONTROL ONLY)  
FIGURE 1 (SHEET 2)

**27-41-05-01**

BRI  
MAY 28/07

27-41-05-01  
PAGE 0A

**BOEING**  
757  
PARTS CATALOG (MAINTENANCE)



Y 27410501 SHT 3 REV 184

MODULE INSTL-STAB. TRIM CONT (HORIZONTAL STABILIZER TRIM CONTROL ONLY)  
FIGURE 1 (SHEET 3)

**27-41-05-01**

BRI  
MAY 28/07

27-41-05-01  
PAGE 0B



757

PARTS CATALOG (MAINTENANCE)

FIG ITEM	PART NUMBER	1 2 3 4 5 6 7	NOMENCLATURE	EFFECT FROM TO	UNITS PER ASSY
1			MODULE INSTL-STAB. TRIM CONT (HORIZONTAL STABILIZER TRIM CONTROL ONLY)	002004 006999	
- 1	251N2012-1		MODULE INSTL-STAB. TRIM CONT (HORIZONTAL STABILIZER TRIM CONTROL ONLY) FOR NHA/OTHER SYS DET SEE: 27-41-00-02	107107 904949	RF
- 2	251N2012-7		MODULE INSTL-STAB. TRIM CONT (HORIZONTAL STABILIZER TRIM CONTROL ONLY) FOR NHA/OTHER SYS DET SEE: 27-41-00-02	002004 006100 121503 950999	RF
- 2	251N2012-8		MODULE INSTL-STAB. TRIM CONT (HORIZONTAL STABILIZER TRIM CONTROL ONLY) FOR NHA/OTHER SYS DET SEE: 27-40-00-01	101102 108120 504903	RF
- 2	MODREF7255		MODULE INSTL-STAB. TRIM CONT (HORIZONTAL STABILIZER TRIM CONTROL ONLY) MODULE NUMBER: 251N2012-8 REV A	103106	1
8	251N2402-1		.FAIRLEAD	107107 904949	4
- 10	NAS603-9		ATTACHING PARTS .SCREW	107107 904949	8
- 15	AN960PD10L		.WASHER	107107 904949	8
20	251N2406-1		-----*----- .COVER ASSY	107107 904949	1
- 25	NAS603-9		ATTACHING PARTS .SCREW	107107 904949	3
- 30	AN960PD10L		.WASHER	107107 904949	3
35	250N2004-220		-----*----- .ROD ASSY- COMPONENT MAINT MANUAL REF: 27-00-12	107107 904949	1

MISSING ITEM NUMBERS NOT APPLICABLE

- ITEM NOT ILLUSTRATED

27-41-05-01

27-41-05  
FIG. 01  
PAGE 1  
JAN 20/09

BRI



757

PARTS CATALOG (MAINTENANCE)

FIG ITEM	PART NUMBER	1 2 3 4 5 6 7	NOMENCLATURE	EFFECT FROM TO	UNITS PER ASSY
1					
40	250N2004-217	.ROD ASSY-	COMPONENT MAINT MANUAL REF: 27-00-12	107107 904949	1
45	250N2004-218	.ROD ASSY-	COMPONENT MAINT MANUAL REF: 27-00-12	107107 904949	1
50	250N2004-219	.ROD ASSY-	COMPONENT MAINT MANUAL REF: 27-00-12	107107 904949	1
52	AN316-6R	..NUT		107107 904949	1
53	SM4-6H22	..END-	SUPPLIER CODE: V77896	107107 904949	1
55	BACB30NF4-12	.BOLT		107107 904949	8
60	AN960PD416L	.WASHER		107107 904949	16
65	BRH10A4	.NUT	SUPPLIER CODE: V52828 SPECIFICATION NUMBER: BACN10JC4 OPTIONAL PART: T6S428J V11815 96-048 V80539 VN303A048 V92215 RMLH9075-4W V72962 NS202101-048 V80539 H10-4BAC V15653	107107 904949	8

MISSING ITEM NUMBERS NOT APPLICABLE

- ITEM NOT ILLUSTRATED

**27-41-05-01**

27-41-05  
FIG. 01  
PAGE 2  
JAN 20/09

BRI



757

PARTS CATALOG (MAINTENANCE)

FIG ITEM	PART NUMBER	1 2 3 4 5 6 7	NOMENCLATURE	EFFECT FROM TO	UNITS PER ASSY
1 73	160100-105		.MODULE ASSY- SUPPLIER CODE: V19156 POSITION DATA: RIGHT SPECIFICATION NUMBER: S251T411-109 NOT APPROVED FOR ETOPS. ELECTRICAL EQUIP NUMBER: M00212 COMPONENT MAINT MANUAL REF: 27-41-05 QUALIFIED I/W DATA: 160100-105 LESS BACA14AZ6A4, BACU24K4, BACU24K6, BACU24K8, MS21916-6-4 AND MS21916-8-6 IS I/W 160100-107. OPTIONAL PART: 251N2813-2 FOR DETAILS SEE: 27-41-05-50	107107 904949	1
73	160100-114		.MODULE ASSY- SUPPLIER CODE: V19156 POSITION DATA: RIGHT SPECIFICATION NUMBER: S251T411-108 ELECTRICAL EQUIP NUMBER: M00212 COMPONENT MAINT MANUAL REF: 27-41-05 FOR DETAILS SEE: 27-41-05-50	107107 904949	1

MISSING ITEM NUMBERS NOT APPLICABLE

- ITEM NOT ILLUSTRATED

BRI

27-41-05-01

BOEING PROPRIETARY - Copyright © - Unpublished Work - See title page for details.

27-41-05  
FIG. 01  
PAGE 3  
JAN 20/09



757

PARTS CATALOG (MAINTENANCE)

FIG ITEM	PART NUMBER	1 2 3 4 5 6 7	NOMENCLATURE	EFFECT FROM TO	UNITS PER ASSY
1 73	160100-113		.MODULE ASSY- SUPPLIER CODE: V19156 POSITION DATA: RIGHT SPECIFICATION NUMBER: S251T411-107 ELECTRICAL EQUIP NUMBER: M00212 COMPONENT MAINT MANUAL REF: 27-41-05 OPTIONAL PART: 160100-105 V19156 160100-114 V19156 FOR DETAILS SEE: 27-41-05-50	107107 904949	1
74	251N2813-1		.MODULE ASSY- POSITION DATA: LEFT MISCELLANEOUS DATA: 251N2813-1 CONSISTS OF S251T411-110, BACA14AZ6A4, BACR17E10-8, BACU24K4, BACU24K6, MS21916-6-4, MS21916-8-6, AND NAS1611-008.	107107 904949	1
74	251N2813-3		.MODULE ASSY- POSITION DATA: LEFT MISCELLANEOUS DATA: 251N2813-3 CONSISTS OF S252U200-201, BACA14AZ6A4, BACR12BM008, BACR17E10-8, BACU24K4, BACU24K6, MS21916-6-4, MS21916-8-6, AND NAS1611-008.	002004 006106 108903 950999	1
74	251N2813-5		.MODULE ASSY- POSITION DATA: LEFT	002004 006106 108903 950999	1

MISSING ITEM NUMBERS NOT APPLICABLE

- ITEM NOT ILLUSTRATED

27-41-05-01

27-41-05  
FIG. 01  
PAGE 4  
JAN 20/09

BRI



757

PARTS CATALOG (MAINTENANCE)

FIG ITEM	PART NUMBER	1 2 3 4 5 6 7	NOMENCLATURE	EFFECT FROM TO	UNITS PER ASSY
1	76 251N2813-2		.MODULE ASSY- POSITION DATA: RIGHT MISCELLANEOUS DATA: 251N2813-2 CONSISTS OF S251T411-110, BACA14AZ6A4, BACR12BM008, BACU24K4, BACU24K6, BACU24K8, MS21916-6-4, MS21916-8-6, AND NAS1611-008. OPTIONAL PART: 160100-105 V19156	107107 904949	1
	76 251N2813-4		.MODULE ASSY- POSITION DATA: RIGHT MISCELLANEOUS DATA: 251N2813-4 CONSISTS OF S252U200-201, BACA14AZ6A4, BACR12BM008, BACU24K4, BACU24K6, BACU24K8, MS21916-6-4, MS21916-8-6, AND NAS1611-008.	002004 006106 108903 950999	1
	76 251N2813-6		.MODULE ASSY- POSITION DATA: RIGHT	002004 006106 108903 950999	1
	77 BACB30NF4-6		ATTACHING PARTS .BOLT	002004 006999	6
	77B BACB30NF4-10		.BOLT	002004 006999	2
	78 AN960PD416		.WASHER-	002004 006999	6
	78 AN960JD416		.WASHER-	002004 006999	6
	79 AN960PD416L		.WASHER-	002004 006999	8
	79 AN960JD416L		.WASHER-	002004 006999	8
	80 MS21042L4		.NUT	002004 006999	2
			-----*-----		

MISSING ITEM NUMBERS NOT APPLICABLE

- ITEM NOT ILLUSTRATED

27-41-05-01

27-41-05  
FIG. 01  
PAGE 5  
JAN 20/09

BRI

BOEING PROPRIETARY - Copyright © - Unpublished Work - See title page for details.





757

PARTS CATALOG (MAINTENANCE)

FIG ITEM	PART NUMBER	1 2 3 4 5 6 7	NOMENCLATURE	EFFECT FROM TO	UNITS PER ASSY
1	81 BACU24K6		..UNION- POSITION DATA: LH SIDE	002004 006100 107107 121503 904999	1
-	82 BACU24K6		..UNION- POSITION DATA: RH SIDE	002004 006999	1
	83 BACU24K4		..UNION- POSITION DATA: LH SIDE	002004 006100 107107 121503 904999	1
-	84 BACU24K4		..UNION- POSITION DATA: RH SIDE	002004 006999	1
	85 BACU24K8		..UNION- POSITION DATA: RH SIDE	002004 006999	1
	87 AFP23210-8		..REDUCER- SUPPLIER CODE: V30974 SPECIFICATION NUMBER: BACR17E10-8 OPTIONAL PART: AP102710-8 V01673 BC916T10-8 V50948 DBOR17E10-8 V14798 ER21916T10-8 V88334 ER31916-10-8 V88334 F23-10-8 V73197 2-01075T10-8 V11328 31778-10-8 V14397 US2114-10-8 V50808 POSITION DATA: LH SIDE	002004 006100 107107 121503 904999	1

MISSING ITEM NUMBERS NOT APPLICABLE

- ITEM NOT ILLUSTRATED

BRI

27-41-05-01

BOEING PROPRIETARY - Copyright © - Unpublished Work - See title page for details.

27-41-05  
FIG. 01  
PAGE 6  
JAN 20/09



757

PARTS CATALOG (MAINTENANCE)

FIG ITEM	PART NUMBER	1 2 3 4 5 6 7	NOMENCLATURE	EFFECT FROM TO	UNITS PER ASSY
1	90 MS21916-8-6		..REDUCER- POSITION DATA: LH SIDE	002004 006100 107107 121503 904999	1
-	92 MS21916-8-6		..REDUCER- POSITION DATA: RH SIDE	002004 006999	1
	93 MS21916-6-4		..REDUCER- POSITION DATA: LH SIDE	002004 006100 107107 121503 904999	1
-	94 MS21916-6-4		..REDUCER- POSITION DATA: RH SIDE	002004 006999	1
	95 BACA14AZ6A4		..ADAPTER- POSITION DATA: LH SIDE	002004 006100 107107 121503 904999	1
-	96 BACA14AZ6A4		..ADAPTER- POSITION DATA: RH SIDE	002004 006999	1
	97 NAS1611-008		..PACKING- POSITION DATA: LH SIDE	002004 006100 107107 121503 904999	1
-	98 NAS1611-008		..PACKING- POSITION DATA: RH SIDE	002004 006999	1

MISSING ITEM NUMBERS NOT APPLICABLE

- ITEM NOT ILLUSTRATED

27-41-05-01

27-41-05  
FIG. 01  
PAGE 7  
JAN 20/09

BRI



757

PARTS CATALOG (MAINTENANCE)

FIG ITEM	PART NUMBER	1 2 3 4 5 6 7	NOMENCLATURE	EFFECT FROM TO	UNITS PER ASSY
1 100	C11236-008B		..RING- SUPPLIER CODE: V26879 SPECIFICATION NUMBER: BACR12BM008 OPTIONAL PART: RMR12BM008 V94878 STF800-008 V02107 S30294-008-1 V97820 TF450-008A V07128 2100-008 V26303 POSITION DATA: LH SIDE	002004 006100 107107 121503 904999	1
- 101	C11236-008B		..RING- SUPPLIER CODE: V26879 SPECIFICATION NUMBER: BACR12BM008 OPTIONAL PART: RMR12BM008 V94878 STF800-008 V02107 S30294-008-1 V97820 TF450-008A V07128 2100-008 V26303 POSITION DATA: RH SIDE	002004 006999	1
103	NAS1612-6		..PACKING- POSITION DATA: LH SIDE	002004 006100 107107 121503 904999	2
- 104	NAS1612-6		..PACKING- POSITION DATA: RH SIDE	002004 006999	2
105	NAS1612-4		..PACKING- POSITION DATA: LH SIDE	002004 006100 107107 121503 904999	2

MISSING ITEM NUMBERS NOT APPLICABLE

- ITEM NOT ILLUSTRATED

27-41-05-01

27-41-05  
FIG. 01  
PAGE 8  
JAN 20/09

BRI



757

PARTS CATALOG (MAINTENANCE)

FIG ITEM	PART NUMBER	1 2 3 4 5 6 7	NOMENCLATURE	EFFECT FROM TO	UNITS PER ASSY
1					
- 106	NAS1612-4		..PACKING- POSITION DATA: RH SIDE	002004 006999	2
107	NAS1612-8		..PACKING- POSITION DATA: LH SIDE	002004 006100 107107 121503 904999	1
- 108	NAS1612-8		..PACKING- POSITION DATA: RH SIDE	002004 006999	1
108C	160100-106		..MODULE ASSY- SUPPLIER CODE: V19156 POSITION DATA: RH SIDE SPECIFICATION NUMBER: S251T411-110 COMPONENT MAINT MANUAL REF: 27-41-05 OPTIONAL PART: 160100-107 V19156 FOR DETAILS SEE: 27-41-05-50	107107 904949	1
108D	160100-107		..MODULE ASSY- SUPPLIER CODE: V19156 POSITION DATA: RH SIDE SPECIFICATION NUMBER: S251T411-110 COMPONENT MAINT MANUAL REF: 27-41-05 QUALIFIED I/W DATA: 160100-105 LESS BACA14AZ6A4, BACU24K4, BACU24K6, BACU24K8, MS21916-6-4, AND MS21916-8-6 IS I/W 160100-107 OPTIONAL PART: 160100-106 V19156 FOR DETAILS SEE: 27-41-05-50	107107 904949	1

MISSING ITEM NUMBERS NOT APPLICABLE

- ITEM NOT ILLUSTRATED

BRI

27-41-05-01

27-41-05  
FIG. 01  
PAGE 9  
JAN 20/09



757

PARTS CATALOG (MAINTENANCE)

FIG ITEM	PART NUMBER	1 2 3 4 5 6 7	NOMENCLATURE	EFFECT FROM TO	UNITS PER ASSY
1 108E	160202-100		..MODULE ASSY- SUPPLIER CODE: V19156 SPECIFICATION NUMBER: S252U200-201 COMPONENT MAINT MANUAL REF: 27-41-14 USED ON: 251N2813-3 251N2813-4 FOR DETAILS SEE: 27-41-05-50A	002004 006106 108903 950999	1
108G	160202-101		..MODULE ASSY- SUPPLIER CODE: V19156 SPECIFICATION NUMBER: S252U200-202 COMPONENT MAINT MANUAL REF: 27-41-14 USED ON: 251N2813-5 251N2813-6 FOR DETAILS SEE: 27-41-05-50A	002004 006106 108903 950999	1
109	160100-106		..MODULE ASSY- SUPPLIER CODE: V19156 POSITION DATA: LH SIDE SPECIFICATION NUMBER: S251T411-110 COMPONENT MAINT MANUAL REF: 27-41-05 OPTIONAL PART: 160100-107 V19156 FOR DETAILS SEE: 27-41-05-50	107107 904949	1

MISSING ITEM NUMBERS NOT APPLICABLE

- ITEM NOT ILLUSTRATED

**27-41-05-01**

27-41-05  
FIG. 01  
PAGE 10  
JAN 20/09

BRI



757

PARTS CATALOG (MAINTENANCE)

FIG ITEM	PART NUMBER	1 2 3 4 5 6 7	NOMENCLATURE	EFFECT FROM TO	UNITS PER ASSY
1 109	160100-107		..MODULE ASSY- SUPPLIER CODE: V19156 POSITION DATA: LH SIDE SPECIFICATION NUMBER: S251T411-110 COMPONENT MAINT MANUAL REF: 27-41-05 QUALIFIED I/W DATA: 160100-105 LESS BACA14AZ6A4, BACU24K4, BACU24K6, BACU24K8, MS21916-6-4, AND MS21916-8-6 IS I/W 160100-107 OPTIONAL PART: 160100-106 V19156 FOR DETAILS SEE: 27-41-05-50	107107 904949	1
110	251N2392-3		.LINKAGE ASSY- COMPONENT MAINT MANUAL REF: 27-41-25 OPTIONAL PART: 251N2392-5	107107	1
110	251N2392-5		.LINKAGE ASSY- COMPONENT MAINT MANUAL REF: 27-41-25 OPTIONAL PART: 251N2392-3	107107 904949	1
115	BACB30NF4-4		.ATTACHING PARTS .BOLT	107107 904949	12
120	AN960PD416L		.WASHER	107107 904949	24

MISSING ITEM NUMBERS NOT APPLICABLE

- ITEM NOT ILLUSTRATED

27-41-05-01

27-41-05  
FIG. 01  
PAGE 11  
JAN 20/09

BRI



757

PARTS CATALOG (MAINTENANCE)

FIG ITEM	PART NUMBER	1 2 3 4 5 6 7	NOMENCLATURE	EFFECT FROM TO	UNITS PER ASSY
1 125	BRH10A4	.NUT	SUPPLIER CODE: V52828 SPECIFICATION NUMBER: BACN10JC4 OPTIONAL PART: T6S428J V11815 96-048 V80539 VN303A048 V92215 RMLH9075-4W V72962 NS202101-048 V80539 H10-4BAC V15653	107107 904949	12
130	NAS603-9	.SCREW		107107 904949	12
135	AN960PD10L	.WASHER		107107 904949	12
		-----*-----			
140	NAS6604-29	..BOLT		107107 904949	1
145	AN960D416L	..WASHER		107107 904949	2
150	BRH10A4	..NUT	SUPPLIER CODE: V52828 SPECIFICATION NUMBER: BACN10JC4 OPTIONAL PART: T6S428J V11815 96-048 V80539 VN303A048 V92215 RMLH9075-4W V72962 NS202101-048 V80539 H10-4BAC V15653	107107 904949	1
155	NAS623-3-5	..SCREW		107107 904949	2
160	NAS42DD6-13	..SPACER		107107 904949	2

MISSING ITEM NUMBERS NOT APPLICABLE

- ITEM NOT ILLUSTRATED

27-41-05-01

27-41-05  
FIG. 01  
PAGE 12  
JAN 20/09

BRI



757

PARTS CATALOG (MAINTENANCE)

FIG ITEM	PART NUMBER	1 2 3 4 5 6 7	NOMENCLATURE	EFFECT FROM TO	UNITS PER ASSY
1					
165	AN960PD10	..	WASHER	107107 904949	2
170	BRH10A3	..	NUT SUPPLIER CODE: V52828 SPECIFICATION NUMBER: BACN10JC3 OPTIONAL PART: H10-3BAC V15653 NS202101-02 V80539 RMLH9075-3W V72962 VN303A02 V92215 96-02 V80539 T6S1032J V11815	107107 904949	2
175	251N2399-2	..	QUADRANT	107107	1
175	251N2399-5	..	QUADRANT	107107 904949	1
180	251N2614-1	..	HOUSING	107107 904949	1
			ATTACHING PARTS		
185	NAS6604-4	..	BOLT	107107 904949	6
190	AN960D416L	..	WASHER	107107 904949	6
195	BRH10A4	..	NUT SUPPLIER CODE: V52828 SPECIFICATION NUMBER: BACN10JC4 OPTIONAL PART: T6S428J V11815 96-048 V80539 VN303A048 V92215 RMLH9075-4W V72962 NS202101-048 V80539 H10-4BAC V15653 -----*-----	107107 904949	6

MISSING ITEM NUMBERS NOT APPLICABLE

- ITEM NOT ILLUSTRATED

BRI

27-41-05-01

BOEING PROPRIETARY - Copyright © - Unpublished Work - See title page for details.

27-41-05  
FIG. 01  
PAGE 13  
JAN 20/09





757

PARTS CATALOG (MAINTENANCE)

FIG ITEM	PART NUMBER	1 2 3 4 5 6 7	NOMENCLATURE	EFFECT FROM TO	UNITS PER ASSY
1					
- 400	286N2815-002		WIRE BUNDLE ASSY- (HORIZONTAL STABILIZER TRIM CONTROL ONLY)	107107 904949	RF
- 400	286N2815-005		WIRE BUNDLE ASSY- (HORIZONTAL STABILIZER TRIM CONTROL ONLY)	002004 006100 121503 950999	RF
- 400	286N2815-015		WIRE BUNDLE ASSY- (HORIZONTAL STABILIZER TRIM CONTROL ONLY)	504903	RF
- 400	286N2815-302		WIRE BUNDLE ASSY- (HORIZONTAL STABILIZER TRIM CONTROL ONLY)	108120	RF
- 405	286N2805-002		WIRE BUNDLE ASSY- (HORIZONTAL STABILIZER TRIM CONTROL ONLY)	107107 904949	RF
- 405	286N2805-005		WIRE BUNDLE ASSY- (HORIZONTAL STABILIZER TRIM CONTROL ONLY)	002004 006100 121503 950999	RF
- 405	286N2805-303		WIRE BUNDLE ASSY- (HORIZONTAL STABILIZER TRIM CONTROL ONLY)	108120	RF
410	620AA028NF10L		.CLAMP- SUPPLIER CODE: V06324 SPECIFICATION NUMBER: BACC10KE10 OPTIONAL PART: S3820-10-65 V07418 ELECTRICAL EQUIP NUMBER: D00409T D00505T WIRING DIAGRAM REF: 274111 274121	107107 904949	1

MISSING ITEM NUMBERS NOT APPLICABLE

- ITEM NOT ILLUSTRATED

BRI

27-41-05-01

BOEING PROPRIETARY - Copyright © - Unpublished Work - See title page for details.

27-41-05  
FIG. 01  
PAGE 14  
JAN 20/09



757

PARTS CATALOG (MAINTENANCE)

FIG ITEM	PART NUMBER	1 2 3 4 5 6 7	NOMENCLATURE	EFFECT FROM TO	UNITS PER ASSY
1 410	GS3418-10CD		.CLAMP- SUPPLIER CODE: V06324 SPECIFICATION NUMBER: BACC10HG10 OPTIONAL PART: S2126-10-8 V07418 ELECTRICAL EQUIP NUMBER: D00409T D00505T WIRING DIAGRAM REF: 274111 274121	107107 904949	1
415	R071010A5SNL		.CONNECTOR- SUPPLIER CODE: V41118 SPECIFICATION NUMBER: BACC63BP10A5SNL ELECTRICAL EQUIP NUMBER: D00409 D00505 WIRING DIAGRAM REF: 274111 274121	107107 904949	1
- 420	GS3418-14CD		.CLAMP- SUPPLIER CODE: V06324 SPECIFICATION NUMBER: BACC10HG14 OPTIONAL PART: S2126-14-8 V07418 ELECTRICAL EQUIP NUMBER: D00411T D00507T WIRING DIAGRAM REF: 274111 274121	107107 904949	1
- 425	BACC63BP14A7S8L		.CONNECTOR- ELECTRICAL EQUIP NUMBER: D00411 D00507 WIRING DIAGRAM REF: 274111 274121	107107 904949	1
- 450	286N2813-002		WIRE BUNDLE ASSY- (HORIZONTAL STABILIZER TRIM CONTROL ONLY)	107107 904949	RF

MISSING ITEM NUMBERS NOT APPLICABLE

- ITEM NOT ILLUSTRATED

27-41-05-01

27-41-05  
FIG. 01  
PAGE 15  
JAN 20/09

BRI



757

PARTS CATALOG (MAINTENANCE)

FIG ITEM	PART NUMBER	1 2 3 4 5 6 7	NOMENCLATURE	EFFECT FROM TO	UNITS PER ASSY
1					
- 450	286N2813-005		WIRE BUNDLE ASSY- (HORIZONTAL STABILIZER TRIM CONTROL ONLY)	002004 006100 121503 950999	RF
- 450	286N2813-301		WIRE BUNDLE ASSY- (HORIZONTAL STABILIZER TRIM CONTROL ONLY)	108120	RF
- 455	286N2803-002		WIRE BUNDLE ASSY- (HORIZONTAL STABILIZER TRIM CONTROL ONLY)	107107 904949	RF
- 455	286N2803-005		WIRE BUNDLE ASSY- (HORIZONTAL STABILIZER TRIM CONTROL ONLY)	002004 006100 121503 950999	RF
- 455	286N2803-303		WIRE BUNDLE ASSY- (HORIZONTAL STABILIZER TRIM CONTROL ONLY)	108120	RF
460	GS3418-14CD		.CLAMP- SUPPLIER CODE: V06324 SPECIFICATION NUMBER: BACC10HG14 OPTIONAL PART: S2126-14-8 V07418 ELECTRICAL EQUIP NUMBER: D00407T WIRING DIAGRAM REF: 274121	107107 904949	1
465	GS3417-14C		.CLAMP- SUPPLIER CODE: V06324 SPECIFICATION NUMBER: BACC10HF14 OPTIONAL PART: S2125-14-8 V07418 ELECTRICAL EQUIP NUMBER: D00503T WIRING DIAGRAM REF: 274111	107107 904949	1

MISSING ITEM NUMBERS NOT APPLICABLE

- ITEM NOT ILLUSTRATED

BRI

27-41-05-01

BOEING PROPRIETARY - Copyright © - Unpublished Work - See title page for details.

27-41-05  
FIG. 01  
PAGE 16  
JAN 20/09



757

PARTS CATALOG (MAINTENANCE)

FIG ITEM	PART NUMBER	1 2 3 4 5 6 7	NOMENCLATURE	EFFECT FROM TO	UNITS PER ASSY
1 470	BCREFA0256		.CONNECTOR- OVERLENGTH PART NUMBER: BACC63BP14A15SNL ELECTRICAL EQUIP NUMBER: D00407 D00503 WIRING DIAGRAM REF: 274111 274121	107107 904949	1
475	GS3418-14CD		.CLAMP- SUPPLIER CODE: V06324 SPECIFICATION NUMBER: BACC10HG14 OPTIONAL PART: S2126-14-8 V07418 ELECTRICAL EQUIP NUMBER: D00405T D00501T WIRING DIAGRAM REF: 274111 274121	107107 904949	1
480	R071014R7S7L		.CONNECTOR- SUPPLIER CODE: V41118 SPECIFICATION NUMBER: BACC63BP14R7S7L ELECTRICAL EQUIP NUMBER: D00405 D00501 WIRING DIAGRAM REF: 274111 274121	107107 904949	1
900			ILLUSTRATION REFERENCE: PLUMBING INSTL-SECT. 48 L HYDR (HORIZONTAL STABILIZER TRIM CONTROL ONLY) 27-41-51-20	002004 006100 107107 121503 904999	RF
900			ILLUSTRATION REFERENCE: PLUMBING INSTL-SECT. 48 L HYDR (HORIZONTAL STABILIZER TRIM CONTROL ONLY) 27-41-51-21	002004 006100 107107 121503 904999	RF

MISSING ITEM NUMBERS NOT APPLICABLE

- ITEM NOT ILLUSTRATED

BRI

27-41-05-01

27-41-05  
FIG. 01  
PAGE 17  
JAN 20/09



757

PARTS CATALOG (MAINTENANCE)

FIG ITEM	PART NUMBER	1 2 3 4 5 6 7	NOMENCLATURE	EFFECT FROM TO	UNITS PER ASSY
1 905			ILLUSTRATION REFERENCE: PLUMBING INSTL-SECT. 48 R HYDR (HORIZONTAL STABILIZER TRIM CONTROL ONLY) 27-41-51-24	002004 006100 107107 121503 904999	RF

MISSING ITEM NUMBERS NOT APPLICABLE

- ITEM NOT ILLUSTRATED

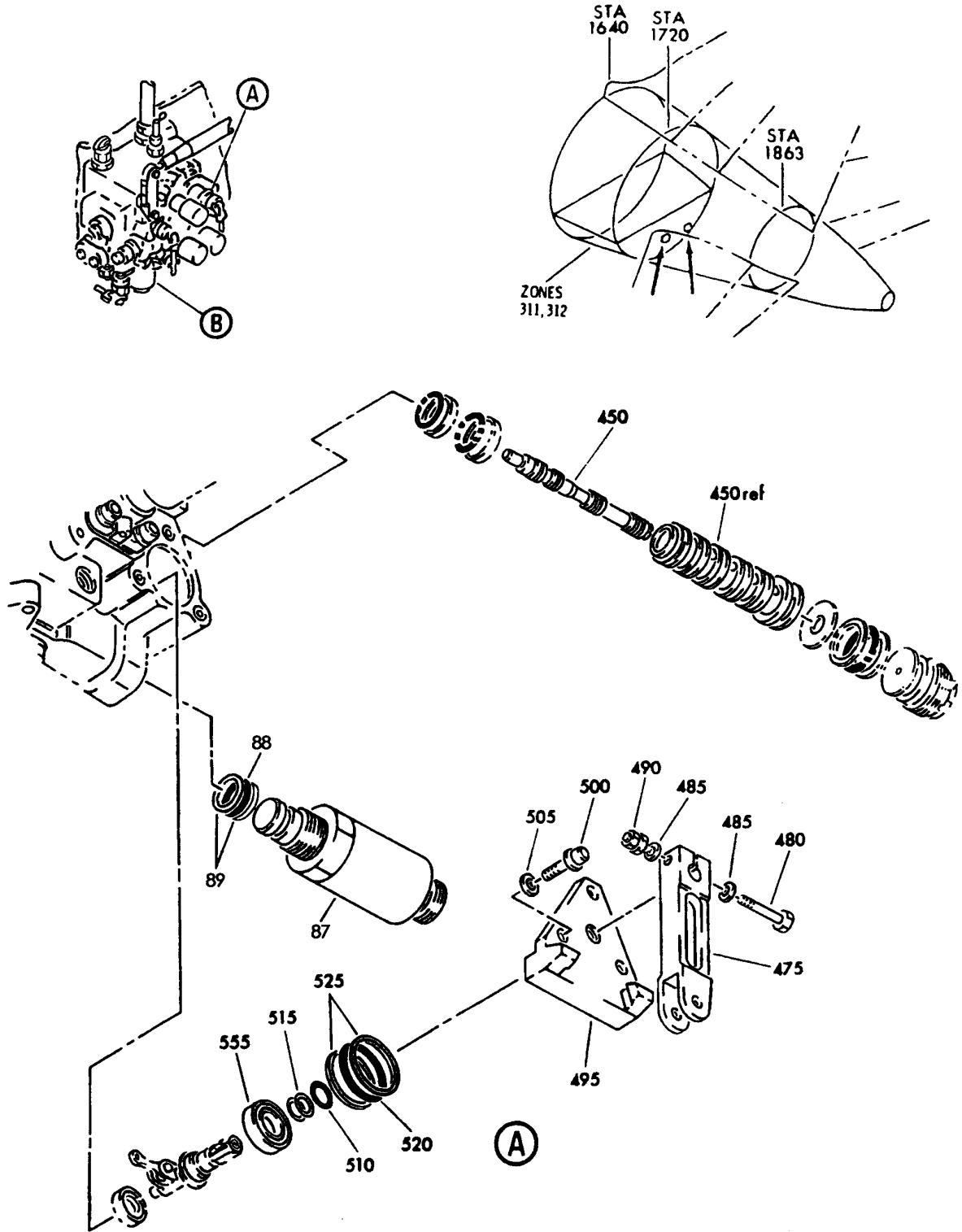
BRI

27-41-05-01

BOEING PROPRIETARY - Copyright © - Unpublished Work - See title page for details.

27-41-05  
FIG. 01  
PAGE 18  
JAN 20/09

**BOEING**  
757  
PARTS CATALOG (MAINTENANCE)



Y 27410550 SHT 1 REV 193

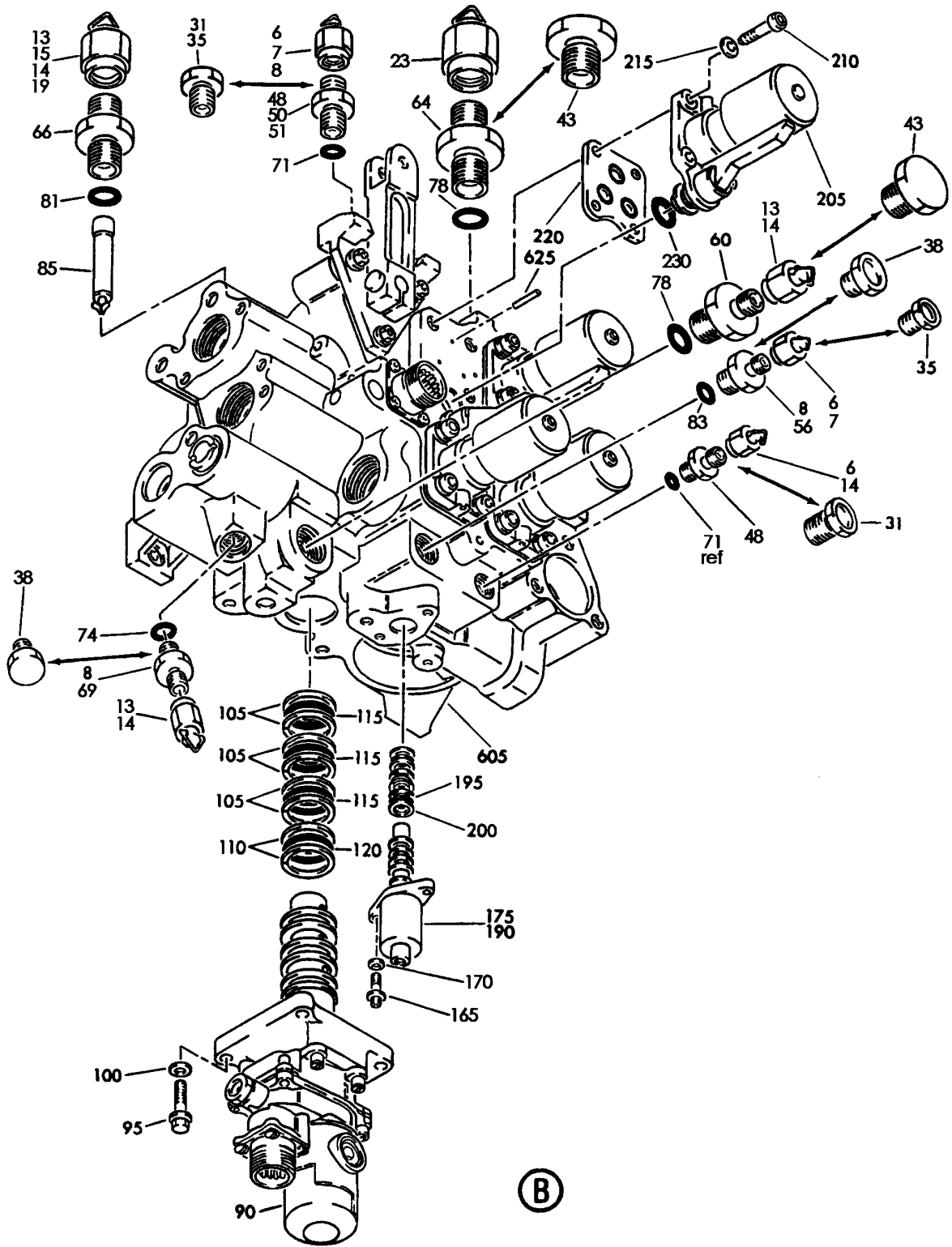
MODULE ASSY-STAB. TRIM CONT  
FIGURE 50 (SHEET 1)

**27-41-05-50**

BRI  
MAY 28/07

27-41-05-50  
PAGE 0

**BOEING**  
757  
PARTS CATALOG (MAINTENANCE)



Y 27410550 SHT 2 REV 193

MODULE ASSY-STAB. TRIM CONT  
FIGURE 50 (SHEET 2)

**27-41-05-50**

BRI  
MAY 28/07

27-41-05-50  
PAGE 0A



757

PARTS CATALOG (MAINTENANCE)

FIG ITEM	PART NUMBER	1 2 3 4 5 6 7	NOMENCLATURE	EFFECT FROM TO	UNITS PER ASSY
50			MODULE ASSY-STAB. TRIM CONT	002004	
- 2	160100-106		MODULE ASSY-STAB. TRIM CONT SUPPLIER CODE: V19156 POSITION DATA: LH SPECIFICATION NUMBER: S251T411-110 COMPONENT MAINT MANUAL REF: 27-41-05 OPTIONAL PART: 160100-107 V19156 FOR NHA SEE: 27-41-05-01	006999 107107 904949	RF
- 2	160100-107		MODULE ASSY-STAB. TRIM CONT SUPPLIER CODE: V19156 POSITION DATA: LH SPECIFICATION NUMBER: S251T411-110 COMPONENT MAINT MANUAL REF: 27-41-05 QUALIFIED I/W DATA: 160100-105 LESS BACA14AZ6A4, BACU24K4, BACU24K6, BACU24K8, MS21916-6-4 AND MS21916-8-6 IS I/W 160100-107. OPTIONAL PART: 160100-106 V19156 FOR NHA SEE: 27-41-05-01	107107 904949	RF

MISSING ITEM NUMBERS NOT APPLICABLE

- ITEM NOT ILLUSTRATED

**27-41-05-50**

27-41-05  
FIG. 50  
PAGE 1  
JAN 20/09

BRI





757

PARTS CATALOG (MAINTENANCE)

FIG ITEM	PART NUMBER	1 2 3 4 5 6 7	NOMENCLATURE	EFFECT FROM TO	UNITS PER ASSY
50 - 3	160100-105		MODULE ASSY-STAB. TRIM CONT SUPPLIER CODE: V19156 POSITION DATA: RH SPECIFICATION NUMBER: S251T411-109 NOT APPROVED FOR ETOPS. MISCELLANEOUS DATA: (S251T411-109 IS I/W 251N2813-2 ON RIGHT SIDE ONLY) COMPONENT MAINT MANUAL REF: 27-41-05 QUALIFIED I/W DATA: 160100-105 LESS BACA14AZ6A4, BACU24K4, BACU24K6, BACU24K8, MS21916-6-4 AND MS21916-8-6 IS I/W 160100-107. OPTIONAL PART: 251N2813-2 FOR NHA SEE: 27-41-05-01	107107 904949	RF
- 3	160100-106		MODULE ASSY-STAB. TRIM CONT SUPPLIER CODE: V19156 POSITION DATA: RH SPECIFICATION NUMBER: S251T411-110 COMPONENT MAINT MANUAL REF: 27-41-05 OPTIONAL PART: 160100-107 V19156 FOR NHA SEE: 27-41-05-01	107107 904949	RF

MISSING ITEM NUMBERS NOT APPLICABLE

- ITEM NOT ILLUSTRATED

BRI

**27-41-05-50**

BOEING PROPRIETARY - Copyright © - Unpublished Work - See title page for details.

27-41-05  
FIG. 50  
PAGE 2  
JAN 20/09



757

PARTS CATALOG (MAINTENANCE)

FIG ITEM	PART NUMBER	1 2 3 4 5 6 7	NOMENCLATURE	EFFECT FROM TO	UNITS PER ASSY
50 - 3	160100-107		MODULE ASSY-STAB. TRIM CONT SUPPLIER CODE: V19156 POSITION DATA: RH SPECIFICATION NUMBER: S251T411-110 COMPONENT MAINT MANUAL REF: 27-41-05 QUALIFIED I/W DATA: 160100-105 LESS BACA14AZ6A4, BACU24K4, BACU24K6, BACU24K8, MS21916-6-4 AND MS21916-8-6 IS I/W 160100-107. OPTIONAL PART: 160100-106 V19156 FOR NHA SEE: 27-41-05-01	107107 904949	RF
- 3	160100-113		MODULE ASSY-STAB. TRIM CONT SUPPLIER CODE: V19156 POSITION DATA: RIGHT SPECIFICATION NUMBER: S251T411-107 COMPONENT MAINT MANUAL REF: 27-41-05 OPTIONAL PART: 251N2813-2 FOR NHA SEE: 27-41-05-01	107107 904949	RF

MISSING ITEM NUMBERS NOT APPLICABLE

- ITEM NOT ILLUSTRATED

BRI

27-41-05-50

BOEING PROPRIETARY - Copyright © - Unpublished Work - See title page for details.

27-41-05  
FIG. 50  
PAGE 3  
JAN 20/09



757

PARTS CATALOG (MAINTENANCE)

FIG ITEM	PART NUMBER	1 2 3 4 5 6 7	NOMENCLATURE	EFFECT FROM TO	UNITS PER ASSY
50 - 3	160100-114		MODULE ASSY-STAB. TRIM CONT SUPPLIER CODE: V19156 POSITION DATA: RIGHT SPECIFICATION NUMBER: S251T411-108 COMPONENT MAINT MANUAL REF: 27-41-05 OPTIONAL PART: 251N2813-2 160100-105 V19156 160100-113 V19156 FOR NHA SEE: 27-41-05-01	107107 904949	RF
	5 NAS1612-4		.PACKING-	101120 504949	2
- 9	AP1008-04D		.CAP- SUPPLIER CODE: V01673 SPECIFICATION NUMBER: BACC14AD04 OPTIONAL PART: US2103-04D V50808 POSITION DATA: RH SIDE MS21914-4D BACC14AD04 USED ON: 160100-105 160100-113 160100-114	107107 904949	2
- 9	MS21914-4D		.CAP ASSY- POSITION DATA: RH SIDE OPTIONAL PART: BACC14AD04 BACC14AD04 USED ON: 160100-105 160100-113 160100-114	107107 904949	2

MISSING ITEM NUMBERS NOT APPLICABLE

- ITEM NOT ILLUSTRATED

27-41-05-50

27-41-05  
FIG. 50  
PAGE 4  
JAN 20/09

BRI



757

PARTS CATALOG (MAINTENANCE)

FIG ITEM	PART NUMBER	1 2 3 4 5 6 7	NOMENCLATURE	EFFECT FROM TO	UNITS PER ASSY
50 - 9	AFP241-04	.CAP-	SUPPLIER CODE: V30974 SPECIFICATION NUMBER: BACC14AD04 OPTIONAL PART: DBOC14AD4 V14798 FER22661-04 V14397 2-02813-4 V11328 4690009-04 V50948 US2103-04 V50808 AP1008-04 V01673 POSITION DATA: RH SIDE BACC14AD04D MS21914-4D USED ON: 160100-105 160100-113 160100-114	107107 904949	2

MISSING ITEM NUMBERS NOT APPLICABLE

- ITEM NOT ILLUSTRATED

BRI

27-41-05-50

BOEING PROPRIETARY - Copyright © - Unpublished Work - See title page for details.

27-41-05  
FIG. 50  
PAGE 5  
JAN 20/09



757

PARTS CATALOG (MAINTENANCE)

FIG ITEM	PART NUMBER	1 2 3 4 5 6 7	NOMENCLATURE	EFFECT FROM TO	UNITS PER ASSY
50 - 18	AP1008-06D		.CAP ASSY- SUPPLIER CODE: V01673 SPECIFICATION NUMBER: BACC14AD06D OPTIONAL PART: DBOC14AD06D V14798 FER22661-06D V14397 2-02813-06D V11328 4690009-06D V50948 AFP241-06D V30974 US2103-06D V50808 POSITION DATA: RH SIDE USED ON: 160100-105 160100-113 160100-114	107107 904949	4
- 18	MS21914-6D		.CAP ASSY- POSITION DATA: RH SIDE OPTIONAL PART: BACC14AD06D BACC14AD06 USED ON: 160100-105 160100-113 160100-114	107107 904949	4

MISSING ITEM NUMBERS NOT APPLICABLE

- ITEM NOT ILLUSTRATED

**27-41-05-50**

27-41-05  
FIG. 50  
PAGE 6  
JAN 20/09

BRI



757

PARTS CATALOG (MAINTENANCE)

FIG ITEM	PART NUMBER	1 2 3 4 5 6 7	NOMENCLATURE	EFFECT FROM TO	UNITS PER ASSY
50 - 18	AFP241-06		.CAP ASSY- SUPPLIER CODE: V30974 SPECIFICATION NUMBER: BACC14AD06 OPTIONAL PART: DBOC14AD6 V14798 FER22661-06 V14397 2-02813-6 V11328 4690009-06 V50948 US2103-06 V50808 AP1008-06 V01673 POSITION DATA: RH SIDE MS21914-6D BACC14AD06D USED ON: 160100-105 160100-113 160100-114	107107 904949	4

MISSING ITEM NUMBERS NOT APPLICABLE

- ITEM NOT ILLUSTRATED

BRI

27-41-05-50

BOEING PROPRIETARY - Copyright © - Unpublished Work - See title page for details.

27-41-05  
FIG. 50  
PAGE 7  
JAN 20/09



757

PARTS CATALOG (MAINTENANCE)

FIG ITEM	PART NUMBER	1 2 3 4 5 6 7	NOMENCLATURE	EFFECT FROM TO	UNITS PER ASSY
50 19	AP1008-06D		.CAP ASSY- SUPPLIER CODE: V01673 SPECIFICATION NUMBER: BACC14AD06D OPTIONAL PART: DBOC14AD06D V14798 FER22661-06D V14397 2-02813-06D V11328 4690009-06D V50948 AFP241-06D V30974 US2103-06D V50808 POSITION DATA: LH SIDE MS21914-6D BACC14AD06 USED ON: 160100-106 160100-107	107107 904949	1
19	MS21914-6D		.CAP ASSY- POSITION DATA: LH SIDE OPTIONAL PART: BACC14AD06D BACC14AD06 USED ON: 160100-106 160100-107	107107 904949	1

MISSING ITEM NUMBERS NOT APPLICABLE

- ITEM NOT ILLUSTRATED

BRI

27-41-05-50

BOEING PROPRIETARY - Copyright © - Unpublished Work - See title page for details.

27-41-05  
FIG. 50  
PAGE 8  
JAN 20/09

 **BOEING**  
757  
**PARTS CATALOG (MAINTENANCE)**

FIG ITEM	PART NUMBER	1 2 3 4 5 6 7	NOMENCLATURE	EFFECT FROM TO	UNITS PER ASSY
50 19	AFP241-06		.CAP ASSY- SUPPLIER CODE: V30974 SPECIFICATION NUMBER: BACC14AD06 OPTIONAL PART: DBOC14AD6 V14798 FER22661-06 V14397 2-02813-6 V11328 4690009-06 V50948 US2103-06 V50808 AP1008-06 V01673 POSITION DATA: LH SIDE BACC14AD06D MS21914-6D USED ON: 160100-106 160100-107	107107 904949	1
- 22	AP1008-06D		.CAP ASSY- SUPPLIER CODE: V01673 SPECIFICATION NUMBER: BACC14AD06D OPTIONAL PART: DBOC14AD06D V14798 FER22661-06D V14397 2-02813-06D V11328 4690009-06D V50948 AFP241-06D V30974 US2103-06D V50808 POSITION DATA: RH SIDE USED ON: 160100-106 160100-107	107107 904949	1

MISSING ITEM NUMBERS NOT APPLICABLE

- ITEM NOT ILLUSTRATED

BRI

# 27-41-05-50

BOEING PROPRIETARY - Copyright © - Unpublished Work - See title page for details.

27-41-05  
FIG. 50  
PAGE 9  
JAN 20/09





757

PARTS CATALOG (MAINTENANCE)

FIG ITEM	PART NUMBER	1 2 3 4 5 6 7	NOMENCLATURE	EFFECT FROM TO	UNITS PER ASSY
50 - 22	MS21914-6D		.CAP ASSY- POSITION DATA: RH SIDE OPTIONAL PART: BACC14AD06D BACC14AD06 USED ON: 160100-106 160100-107	107107 904949	1
- 22	AFP241-06		.CAP ASSY- SUPPLIER CODE: V30974 SPECIFICATION NUMBER: BACC14AD06 OPTIONAL PART: DBOC14AD6 V14798 FER22661-06 V14397 2-02813-6 V11328 4690009-06 V50948 US2103-06 V50808 AP1008-06 V01673 POSITION DATA: RH SIDE BACC14AD06D MS21914-6D USED ON: 160100-106 160100-107	107107 904949	1

MISSING ITEM NUMBERS NOT APPLICABLE

- ITEM NOT ILLUSTRATED

**27-41-05-50**

27-41-05  
FIG. 50  
PAGE 10  
JAN 20/09

BRI



757

PARTS CATALOG (MAINTENANCE)

FIG ITEM	PART NUMBER	1 2 3 4 5 6 7	NOMENCLATURE	EFFECT FROM TO	UNITS PER ASSY
50 - 28	AP1008-08D	.CAP-	SUPPLIER CODE: V01673 SPECIFICATION NUMBER: BACC14AD08 OPTIONAL PART: US2103-08D V50808 POSITION DATA: RH SIDE MS21914-8D BACC14AD08 USED ON: 160100-105 160100-113 160100-114	107107 904949	1
- 28	MS21914-8D	.CAP-	POSITION DATA: RH SIDE OPTIONAL PART: BACC14AD08 BACC14AD08D USED ON: 160100-105 160100-113 160100-114	107107 904949	1

MISSING ITEM NUMBERS NOT APPLICABLE

- ITEM NOT ILLUSTRATED

BRI

**27-41-05-50**

BOEING PROPRIETARY - Copyright © - Unpublished Work - See title page for details.

27-41-05  
FIG. 50  
PAGE 11  
JAN 20/09



757

PARTS CATALOG (MAINTENANCE)

FIG ITEM	PART NUMBER	1 2 3 4 5 6 7	NOMENCLATURE	EFFECT FROM TO	UNITS PER ASSY
50 - 28	AP1008-08	.CAP-	SUPPLIER CODE: V01673 SPECIFICATION NUMBER: BACC14AD08 OPTIONAL PART: DBOC14AD8 V14798 FER22661-08 V14397 2-02813-8 V11328 4690009-08 V50948 AFP241-08 V30974 US2103-08 V50808 POSITION DATA: RH SIDE BACC14AD08D MS21914-8D USED ON: 160100-105 160100-113 160100-114	107107 904949	1
31	AN814-4D	.PLUG-	OPTIONAL PART: MS21913D4 USED ON: 160100-106 160100-107	002004 006100 121503 950999	2
31	MS21913D4	.PLUG-	OPTIONAL PART: AN814-4D	002004 006100 121503 950999	2
35	AN814-4D	.PLUG-	POSITION DATA: LH SIDE OPTIONAL PART: MS21913D4 USED ON: 160100-106 160100-107	107107 904949	2

MISSING ITEM NUMBERS NOT APPLICABLE

- ITEM NOT ILLUSTRATED

27-41-05-50

27-41-05  
FIG. 50  
PAGE 12  
JAN 20/09

BRI



757

PARTS CATALOG (MAINTENANCE)

FIG ITEM	PART NUMBER	1 2 3 4 5 6 7	NOMENCLATURE	EFFECT FROM TO	UNITS PER ASSY
50					
- 35	MS21913D4		.PLUG- POSITION DATA: LH SIDE OPTIONAL PART: AN814-4D USED ON: 160100-106 160100-107	107107 904949	2
- 36	AN814-4D		.PLUG- POSITION DATA: RH SIDE OPTIONAL PART: MS21913D4 USED ON: 160100-106 160100-107	107107 904949	2
- 36	MS21913D4		.PLUG- POSITION DATA: RH SIDE OPTIONAL PART: AN814-4D USED ON: 160100-106 160100-107	107107 904949	2
38	AN814-6D		.PLUG- POSITION DATA: LH SIDE OPTIONAL PART: MS21913D6 USED ON: 160100-106 160100-107	107107 904949	2
38	MS21913D6		.PLUG- POSITION DATA: LH SIDE OPTIONAL PART: AN814-6D USED ON: 160100-106 160100-107	107107 904949	2
- 39	AN814-6D		.PLUG- POSITION DATA: RH SIDE USED ON: 160100-106 160100-107	107107 904949	2

MISSING ITEM NUMBERS NOT APPLICABLE

- ITEM NOT ILLUSTRATED

27-41-05-50

27-41-05  
FIG. 50  
PAGE 13  
JAN 20/09

BRI



757

PARTS CATALOG (MAINTENANCE)

FIG ITEM	PART NUMBER	1 2 3 4 5 6 7	NOMENCLATURE	EFFECT FROM TO	UNITS PER ASSY
50					
- 39	MS21913D6		.PLUG- POSITION DATA: RH SIDE OPTIONAL PART: AN814-6D USED ON: 160100-106 160100-107	107107 904949	2
43	AN814-8D		.PLUG- POSITION DATA: LH SIDE OPTIONAL PART: MS21913D8 USED ON: 160100-106 160100-107	107107 904949	2
43	MS21913D8		.PLUG- POSITION DATA: LH SIDE OPTIONAL PART: AN814-8D USED ON: 160100-106 160100-107	107107 904949	2
- 44	AN814-8D		.PLUG- POSITION DATA: RH SIDE USED ON: 160100-106 160100-107	107107 904949	2
- 44	MS21913D8		.PLUG- POSITION DATA: RH SIDE OPTIONAL PART: AN814-8D USED ON: 160100-106 160100-107	107107 904949	2
- 52	BACU24K4		.UNION- POSITION DATA: RH SIDE USED ON: 160100-105 160100-113 160100-114	107107 904949	1

MISSING ITEM NUMBERS NOT APPLICABLE

- ITEM NOT ILLUSTRATED

27-41-05-50

27-41-05  
FIG. 50  
PAGE 14  
JAN 20/09

BRI



757

PARTS CATALOG (MAINTENANCE)

FIG ITEM	PART NUMBER	1 2 3 4 5 6 7	NOMENCLATURE	EFFECT FROM TO	UNITS PER ASSY
50					
- 55	BACA14AZ6A4		.ADAPTER- POSITION DATA: RH SIDE USED ON: 160100-105	107107 904949	1
- 57B	MS21916-6-4		.REDUCER- POSITION DATA: RH SIDE REWORK DRAWING REF: 251N2012-6 USED ON: 160100-105	107107 904949	1
- 58A	MS21916-6-4		.REDUCER- POSITION DATA: RH SIDE USED ON: 160100-113 160100-114	107107 904949	2
- 61A	MS21916-8-6		.REDUCER- POSITION DATA: RH SIDE USED ON: 160100-105 160100-113 160100-114 160100-111	107107 904949	1
- 64B	BACU24K8		.UNION- POSITION DATA: RH SIDE USED ON: 160100-105 160100-113 160100-114 160100-111 160100-101 160100-102	107107 904949	1
66	BACU24K6		.UNION	107107 904949	1
- 69B	BACU24K6		.UNION- POSITION DATA: RH SIDE USED ON: 160100-101 160100-102 160100-105 160100-111 160100-113 160100-114	107107 904949	1

MISSING ITEM NUMBERS NOT APPLICABLE

- ITEM NOT ILLUSTRATED

27-41-05-50

27-41-05  
FIG. 50  
PAGE 15  
JAN 20/09

BRI

BOEING PROPRIETARY - Copyright © - Unpublished Work - See title page for details.



757

PARTS CATALOG (MAINTENANCE)

FIG ITEM	PART NUMBER	1 2 3 4 5 6 7	NOMENCLATURE	EFFECT FROM TO	UNITS PER ASSY
50					
71	C11236-008B		.RING- SUPPLIER CODE: V26879 SPECIFICATION NUMBER: BACR12BM008 OPTIONAL PART: RMR12BM008 V94878 STF800-008 V02107 S30294-008-1 V97820 TF450-008A V07128 2100-008 V26303 POSITION DATA: LH SIDE USED ON: 160100-105	107107 904949	1
- 72	C11236-008B		.RING- SUPPLIER CODE: V26879 SPECIFICATION NUMBER: BACR12BM008 OPTIONAL PART: RMR12BM008 V94878 STF800-008 V02107 S30294-008-1 V97820 TF450-008A V07128 2100-008 V26303 POSITION DATA: RH SIDE USED ON: 160100-105	107107 904949	1
73	NAS1611-008		.PACKING- POSITION DATA: LH SIDE USED ON: 160100-105	107107 904949	1

MISSING ITEM NUMBERS NOT APPLICABLE

- ITEM NOT ILLUSTRATED

27-41-05-50

27-41-05  
FIG. 50  
PAGE 16  
JAN 20/09

BRI



757

PARTS CATALOG (MAINTENANCE)

FIG ITEM	PART NUMBER	1 2 3 4 5 6 7	NOMENCLATURE	EFFECT FROM TO	UNITS PER ASSY
50					
- 74	NAS1611-008		.PACKING- POSITION DATA: RH SIDE USED ON: 160100-105	107107 904949	1
- 76	NAS1612-6		.PACKING- POSITION DATA: LH SIDE USED ON: 160100-105 160100-106 160100-107 160100-113 160100-114	107107 904949	2
- 77	NAS1612-6		.PACKING- POSITION DATA: RH SIDE USED ON: 160100-105 160100-113 160100-114 160100-106 160100-107 160100-101	107107 904949	2
78	NAS1612-8		.PACKING-	101120 504949	2
- 79	NAS1612-8		.PACKING- POSITION DATA: LH SIDE USED ON: 160100-101 160100-105 160100-106 160100-107 160100-113 160100-114	107107 904949	2
- 80	NAS1612-8		.PACKING- POSITION DATA: RH SIDE USED ON: 160100-105 160100-113 160100-114 160100-101 160100-106 160100-107	107107 904949	2
81	NAS1612-6		.PACKING-	101120 504949	1

MISSING ITEM NUMBERS NOT APPLICABLE

- ITEM NOT ILLUSTRATED

27-41-05-50

27-41-05  
FIG. 50  
PAGE 17  
JAN 20/09

BRI





**757  
PARTS CATALOG (MAINTENANCE)**

FIG ITEM	PART NUMBER	1 2 3 4 5 6 7	NOMENCLATURE	EFFECT FROM TO	UNITS PER ASSY
50					
85	174540-03	.	SCREEN-FILTER SUPPLIER CODE: V90005 SPECIFICATION NUMBER: S250N211-2 OPTIONAL PART: FSHX0507650B V92555 3121-517 V19156	101120 504949	1
85	3121-517	.	SCREEN-FILTER SUPPLIER CODE: V19156 SPECIFICATION NUMBER: S250N211-2	101120 504949	1
85	FSHX0507650B	.	SCREEN-FILTER SUPPLIER CODE: V92555 SPECIFICATION NUMBER: S250N211-2 OPTIONAL PART: 3121-517 V21550 1745040-03 V90005	101120 504949	1
87	90G237	.	SWITCH-PRESSURE SUPPLIER CODE: V09049 FUNCTIONAL DESCRIPTION: PROVIDES CONTROL OF HYDRAULIC PRESSURE TO THE BRAKE CONTROL AND BODY GEAR STEERING SYSTEMS SPECIFICATION NUMBER: 10-60552-5 OPTIONAL PART: 90G97 V09049	101120 504949	1
87	90G97	.	SWITCH-PRESSURE SUPPLIER CODE: V09049 SPECIFICATION NUMBER: 10-60552-5 OPTIONAL PART: 90G237 V09049	101120 504949	1
88	NAS1611-113	.	PACKING-	101120 504949	1

R  
R  
R  
R  
R  
R  
R  
R  
R  
R  
R  
R

MISSING ITEM NUMBERS NOT APPLICABLE

- ITEM NOT ILLUSTRATED

# 27-41-05-50

27-41-05  
FIG. 50  
PAGE 18  
MAY 20/09

BRI



757

PARTS CATALOG (MAINTENANCE)

FIG ITEM	PART NUMBER	1 2 3 4 5 6 7	NOMENCLATURE	EFFECT FROM TO	UNITS PER ASSY
50 89	S30310-113	.	RING SUPPLIER CODE: V09257 SPECIFICATION NUMBER: BACR12BP113 OPTIONAL PART: DW969516-113 V02886 RM9157BU113 V94878 STS900-113 V02107 TF456-113 V07128 2150-113 V26303 C11237-113 V26879	101120 504949	2
90	AV13J5158	.	VALVE-MOTOR OPERATED SUPPLIER CODE: V73760 SPECIFICATION NUMBER: S251T411-3 COMPONENT MAINT MANUAL REF: 29-10-06 OPTIONAL PART: 920129-100 V19156 920129-200 V19156 65860 V99643 65860-1 V99643	101120 504949	1

MISSING ITEM NUMBERS NOT APPLICABLE

- ITEM NOT ILLUSTRATED

BRI

27-41-05-50

BOEING PROPRIETARY - Copyright © - Unpublished Work - See title page for details.

27-41-05  
FIG. 50  
PAGE 19  
JAN 20/09



757

PARTS CATALOG (MAINTENANCE)

FIG ITEM	PART NUMBER	1 2 3 4 5 6 7	NOMENCLATURE	EFFECT FROM TO	UNITS PER ASSY
50 90	65860		.VALVE-MOTOR OPERATED SUPPLIER CODE: V99643 SPECIFICATION NUMBER: S251T411-3 COMPONENT MAINT MANUAL REF: 27-41-01 OPTIONAL PART: 920129-100 V19156 920129-200 V19156 AV13J5158 V73760 65860-1 V99643	101120 504949	1
90	920129-200		.VALVE-MOTOR OPERATED SUPPLIER CODE: V19156 OPTIONAL PART: 920129-100 V19156 AV13J5158 V73760 65860 V99643 65860-1 V99643	101120 504949	1
90	920129-100		.VALVE-MOTOR OPERATED SUPPLIER CODE: V19156 OPTIONAL PART: 920129-200 V19156 AV13J5158 V73760 65860 V99643 65860-1 V99643	101120 504949	1

MISSING ITEM NUMBERS NOT APPLICABLE

- ITEM NOT ILLUSTRATED

BRI

**27-41-05-50**

BOEING PROPRIETARY - Copyright © - Unpublished Work - See title page for details.

27-41-05  
FIG. 50  
PAGE 20  
JAN 20/09



757

PARTS CATALOG (MAINTENANCE)

FIG ITEM	PART NUMBER	1 2 3 4 5 6 7	NOMENCLATURE	EFFECT FROM TO	UNITS PER ASSY
50 90	65860-1		. VALVE-MOTOR OPERATED SUPPLIER CODE: V99643 SPECIFICATION NUMBER: S251T411-3 COMPONENT MAINT MANUAL REF: 27-41-01 OPTIONAL PART: 920129-200 V19156 AV13J5158 V73760 65860 V99643 920129-100 V19156	101120 504949	1
- 92	920129-200		. VALVE-MOTOR OPERATED SUPPLIER CODE: V19156 POSITION DATA: RH SIDE OPTIONAL PART: 920129-100 V19156 AV13J5158 V73760 65860 V99643 65860-1 V99643 USED ON: 160100-105 160100-113 160100-114 160100-101 160100-102 160100-106 160100-107	002004 006999	1

MISSING ITEM NUMBERS NOT APPLICABLE

- ITEM NOT ILLUSTRATED

27-41-05-50

27-41-05  
FIG. 50  
PAGE 21  
JAN 20/09

BRI



757

PARTS CATALOG (MAINTENANCE)

FIG ITEM	PART NUMBER	1 2 3 4 5 6 7	NOMENCLATURE	EFFECT FROM TO	UNITS PER ASSY
50					
- 92	920129-100		.VALVE-MOTOR OPERATED SUPPLIER CODE: V19156 POSITION DATA: RH SIDE OPTIONAL PART: 920129-200 V19156 AV13J5158 V73760 65860 V99643 65860-1 V99643 USED ON: 160100-106 160100-107 USED ON: 160100-105 160100-113 160100-114	002004 006999	1
- 92	AV13J5158		.VALVE-MOTOR OPERATED SUPPLIER CODE: V73760 POSITION DATA: RH SIDE SPECIFICATION NUMBER: S251T411-3 COMPONENT MAINT MANUAL REF: 29-10-06 OPTIONAL PART: 920129-200 V19156 920129-100 V19156 65860 V99643 65860-1 V99643 USED ON: 160100-105 160100-106 160100-107 160100-113 160100-114	002004 006999	1

MISSING ITEM NUMBERS NOT APPLICABLE

- ITEM NOT ILLUSTRATED

27-41-05-50

27-41-05  
FIG. 50  
PAGE 22  
SEP 20/08

BRI



757

PARTS CATALOG (MAINTENANCE)

FIG ITEM	PART NUMBER	1 2 3 4 5 6 7	NOMENCLATURE	EFFECT FROM TO	UNITS PER ASSY
50 - 92	65860		.VALVE-MOTOR OPERATED SUPPLIER CODE: V99643 POSITION DATA: RH SIDE SPECIFICATION NUMBER: S251T411-3 COMPONENT MAINT MANUAL REF: 27-41-01 OPTIONAL PART: 920129-200 V19156 920129-100 V19156 AV13J5158 V73760 65860-1 V99643 USED ON: 160100-105 160100-106 160100-107 160100-113 160100-114	002004 006999	1
- 92	65860-1		.VALVE-MOTOR OPERATED SUPPLIER CODE: V99643 POSITION DATA: RH SIDE SPECIFICATION NUMBER: S251T411-3 COMPONENT MAINT MANUAL REF: 27-41-01 OPTIONAL PART: 920129-200 V19156 920129-100 V19156 AV13J5158 V73760 65860 V99643	002004 006999	1
95	MS9218-12		.BOLT	101120 504949	4
100	NAS620A416L		.WASHER	101120 504949	4

MISSING ITEM NUMBERS NOT APPLICABLE

- ITEM NOT ILLUSTRATED

27-41-05-50

27-41-05  
FIG. 50  
PAGE 23  
JAN 20/09

BRI



757

PARTS CATALOG (MAINTENANCE)

FIG ITEM	PART NUMBER	1 2 3 4 5 6 7	NOMENCLATURE	EFFECT FROM TO	UNITS PER ASSY
50 105	C11236-119B	.	RETAINER SUPPLIER CODE: V26879 SPECIFICATION NUMBER: BACR12BM119 OPTIONAL PART: RMR12BM119 V94878 STF800-119 V02107 S30294-119-1 V97820 TF450-119A V07128 2100-119 V26303	101120 504949	6
110	C11236-022B	.	RETAINER SUPPLIER CODE: V26879 SPECIFICATION NUMBER: BACR12BM022 OPTIONAL PART: RMR12BM022 V94878 STF800-022 V02107 S30294-022-1 V97820 TF450-022A V07128 2100-022 V26303	101120 504949	2
115	NAS1611-119	.	PACKING-	101120 504949	3
120	NAS1611-022	.	PACKING-	101120 504949	1
165	MS9217-08	.	BOLT	101120 504949	2
170	NAS620A10L	.	WASHER	101120 504949	2
175	401-13017-01	.	CARTRIDGE ASSY-BYPASS SUPPLIER CODE: V19156	101120 504949	1
190	401-13017-02	..	SLEEVE AND SLIDER ASSY- MATCHED SET SUPPLIER CODE: V19156	101120 504949	1
195	NAS1611-012	.	PACKING-	101120 504949	3

MISSING ITEM NUMBERS NOT APPLICABLE

- ITEM NOT ILLUSTRATED

27-41-05-50

27-41-05  
FIG. 50  
PAGE 24  
JAN 20/09

BRI

BOEING PROPRIETARY - Copyright © - Unpublished Work - See title page for details.



757

PARTS CATALOG (MAINTENANCE)

FIG ITEM	PART NUMBER	1 2 3 4 5 6 7	NOMENCLATURE	EFFECT FROM TO	UNITS PER ASSY
50 200	C11236-012B	.RING	SUPPLIER CODE: V26879 SPECIFICATION NUMBER: BACR12BM012 OPTIONAL PART: RMR12BM012 V94878 STF800-012 V02107 S30294-012-1 V97820 TF450-012A V07128 2100-012 V26303	101120 504949	6
205	920130-100	.VALVE ASSY-SOL.	SUPPLIER CODE: V19156 SPECIFICATION NUMBER: S251411-2 COMPONENT MAINT MANUAL REF: 27-41-05 OPTIONAL PART: 65400 V99643	101120 504949	4
205	65400	.VALVE ASSY-SOL.	SUPPLIER CODE: V99643 SPECIFICATION NUMBER: S251411-2 COMPONENT MAINT MANUAL REF: 27-41-05 OPTIONAL PART: 920130-100 V19156	101120 504949	4
210	NAS1351-4H12P	ATTACHING PARTS .SCREW-	OPTIONAL PART: MS9218-10 NAS1351N4H12P	101120 504949	16
210	MS9218-10	.BOLT-	OPTIONAL PART: NAS1351-4H12P NAS1351N4H12P	101120 504949	16
210	NAS1351N4H12P	.SCREW-	OPTIONAL PART: MS9218-10 NAS1351-4H12P	101120 504949	16

MISSING ITEM NUMBERS NOT APPLICABLE

- ITEM NOT ILLUSTRATED

27-41-05-50

27-41-05  
FIG. 50  
PAGE 25  
JAN 20/09

BRI





**757  
PARTS CATALOG (MAINTENANCE)**

FIG ITEM	PART NUMBER	1 2 3 4 5 6 7	NOMENCLATURE	EFFECT FROM TO	UNITS PER ASSY
50 215	NAS620A416L	.	WASHER	101120 504949	16
220	069000197-1	-----*-----	.PLATE-GSKT SUPPLIER CODE: V05939 SPECIFICATION NUMBER: 69-20184-1 OPTIONAL PART: 828108-1 V83259 071261 V83259 071261-1 V83259 BA1837 V95272 OPTIONAL PART: 920385-001 V19156	101120 504949	4
220	BA1837	.	PLATE-GSKT SUPPLIER CODE: V95272 SPECIFICATION NUMBER: 69-20184-1 OPTIONAL PART: 828108-1 V83259 071261 V83259 071261-1 V83259 069000197-1 V83259 OPTIONAL PART: 920385-001 V19156	101120 504949	4
220	828108-1	.	PLATE-GSKT SUPPLIER CODE: V99643 OPTIONAL PART: 920385-001 V19156	101120 504949	4
220	071261	.	PLATE-GSKT SUPPLIER CODE: V83259 OPTIONAL PART: 920385-001 V19156	101120 504949	4

MISSING ITEM NUMBERS NOT APPLICABLE

— ITEM NOT ILLUSTRATED

BRI

# 27-41-05-50

BOEING PROPRIETARY - Copyright © - Unpublished Work - See title page for details.

27-41-05  
FIG. 50  
PAGE 26  
JAN 20/09



757

PARTS CATALOG (MAINTENANCE)

FIG ITEM	PART NUMBER	1 2 3 4 5 6 7	NOMENCLATURE	EFFECT FROM TO	UNITS PER ASSY
50 220	071261-1		.PLATE-GSKT SUPPLIER CODE: V83259 OPTIONAL PART: 920385-001 V19156	101120 504949	4
220	920385-001		.PLATE-GSKT SUPPLIER CODE: V19156 OPTIONAL PART: BA1837 V95272 828108-1 V83259 071261 V83259 069000197-1 V05939	101120 504949	4
230	NAS1611-112		.PACKING-U-CUP OPTIONAL PART: 920312-112 V19156	101120 504949	4
230	920312-112		.SEAL-U-CUP SUPPLIER CODE: V19156 OPTIONAL PART: NAS1611-112	101120 504949	4
450	160117-100		.VALVE ASSY-RATE CONT MATCHED SET SUPPLIER CODE: V19156	107107 904949	1
475	401-09921-01		.ARM-MANUAL INPUT SUPPLIER CODE: V19156 ATTACHING PARTS	101120 504949	2
480	NAS464P3A13		.BOLT	101120 504949	2
485	AN960PD10L		.WASHER	101120 504949	4
490	50FT1032		.NUT- SUPPLIER CODE: V56878 -----*-----	101120 504949	2
495	401-09919-01		.RETAINER-STOP SUPPLIER CODE: V19156 ATTACHING PARTS	101120 504949	2
500	MS9218-09		.BOLT	101120 504949	6

MISSING ITEM NUMBERS NOT APPLICABLE

- ITEM NOT ILLUSTRATED

27-41-05-50

27-41-05  
FIG. 50  
PAGE 27  
MAY 20/09

BRI



757

PARTS CATALOG (MAINTENANCE)

FIG ITEM	PART NUMBER	1 2 3 4 5 6 7	NOMENCLATURE	EFFECT FROM TO	UNITS PER ASSY
50					
505	NAS620A416L	.	WASHER	101120 504949	6
			-----*-----		
510	BZ1816-111	.	PACKING SUPPLIER CODE: V95272 SPECIFICATION NUMBER: BACP11W111 OPTIONAL PART: 031162-111 V83259	101120 504949	2
515	S11860-9	.	RING SUPPLIER CODE: V09257 SPECIFICATION NUMBER: BACR12AT111 OPTIONAL PART: TF393-111 V07128	101120 504949	2
520	NAS1611-217	.	SEAL-	101120 504949	2
525	C11236-217B	.	RING- SUPPLIER CODE: V26879	101120 504949	4
555	MB538	.	BEARING- SUPPLIER CODE: V21335	101120 504949	2
605	160005-204	.	MANIFOLD ASSY- SUPPLIER CODE: V19156 OPTIONAL PART: 160005-205 V19156 USED ON: 160100-102 160100-105 160100-106 160100-107 160100-112 160100-114	107107 904949	1

MISSING ITEM NUMBERS NOT APPLICABLE

- ITEM NOT ILLUSTRATED

27-41-05-50

27-41-05  
FIG. 50  
PAGE 28  
MAY 20/09

BRI



757

PARTS CATALOG (MAINTENANCE)

FIG ITEM	PART NUMBER	1 2 3 4 5 6 7	NOMENCLATURE	EFFECT FROM TO	UNITS PER ASSY
50 605	160005-205		.MANIFOLD ASSY- SUPPLIER CODE: V19156 OPTIONAL PART: 160005-204 V19156 USED ON: 160100-102 160100-105 160100-106 160100-107 160100-112 160100-114	107107 904949	1
-606B	160005-203		.MANIFOLD ASSY- SUPPLIER CODE: V19156 POSITION DATA: LH SIDE USED ON: 160100-105 160100-106	107107 904949	1
- 607	160005-202		.MANIFOLD ASSY- SUPPLIER CODE: V19156 POSITION DATA: RH SIDE USED ON: 160100-114	107107 904949	1
- 607	160005-203		.MANIFOLD ASSY- SUPPLIER CODE: V19156 POSITION DATA: RH SIDE USED ON: 160100-106 USED ON: 160100-105	107107 904949	1
- 607	160005-201		.MANIFOLD ASSY- SUPPLIER CODE: V19156 POSITION DATA: RH SIDE USED ON: 160100-113	107107 904949	1
- 615	MS90376-14R		..CAP	101120 504949	2

MISSING ITEM NUMBERS NOT APPLICABLE

- ITEM NOT ILLUSTRATED

27-41-05-50

27-41-05  
FIG. 50  
PAGE 29  
JAN 20/09

BRI



757

PARTS CATALOG (MAINTENANCE)

FIG ITEM	PART NUMBER	1 2 3 4 5 6 7	NOMENCLATURE	EFFECT FROM TO	UNITS PER ASSY
50 - 620	MS90376-16R	. .	CAP	002004 006100 121503 950999	2
625	MS16562-211	. .	PIN	002004 006100 121503 950999	4

MISSING ITEM NUMBERS NOT APPLICABLE

- ITEM NOT ILLUSTRATED

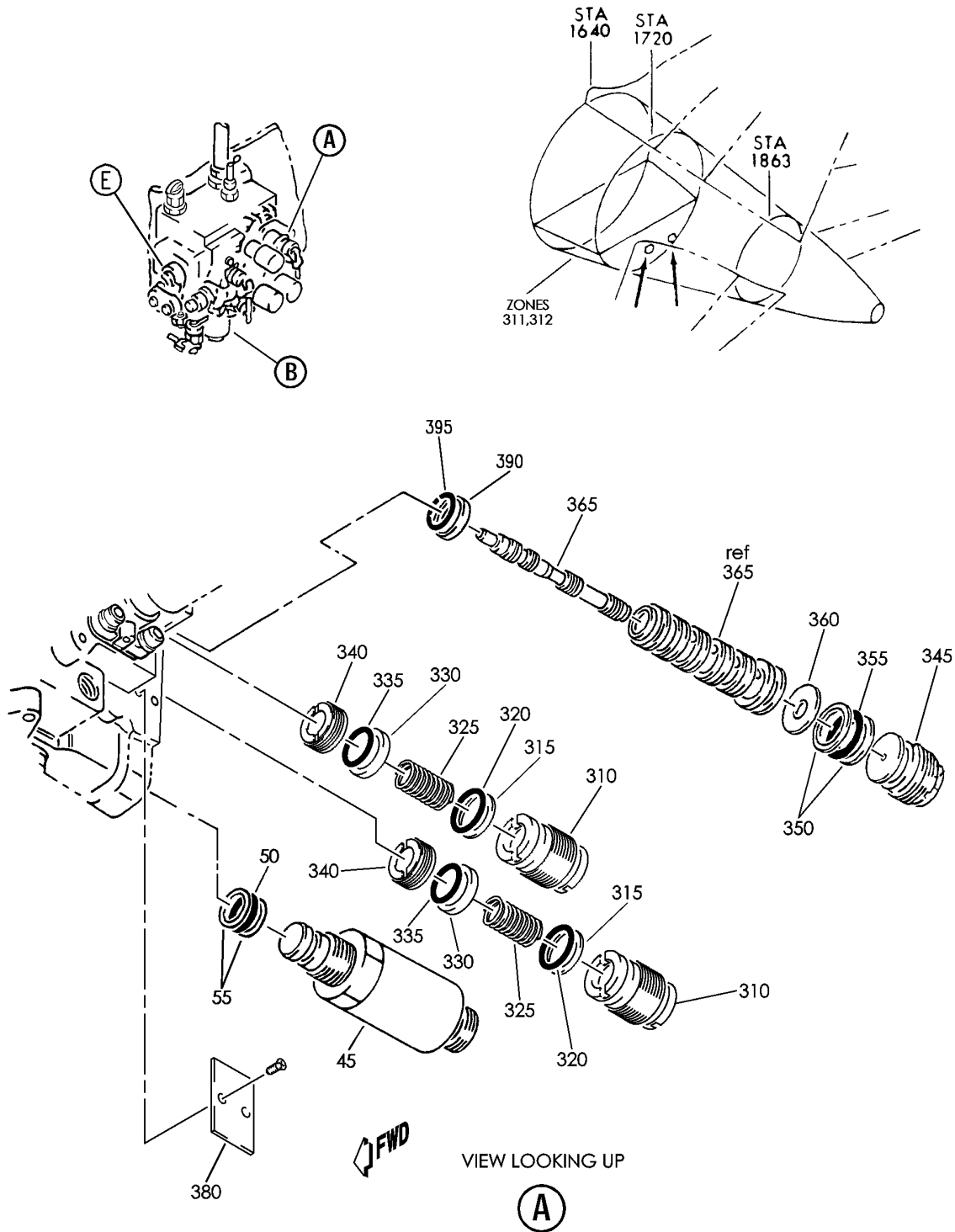
BRI

**27-41-05-50**

BOEING PROPRIETARY - Copyright © - Unpublished Work - See title page for details.

27-41-05  
FIG. 50  
PAGE 30  
JAN 20/09

**BOEING**  
757  
PARTS CATALOG (MAINTENANCE)



Y 27410550A SHT 1 REV 333

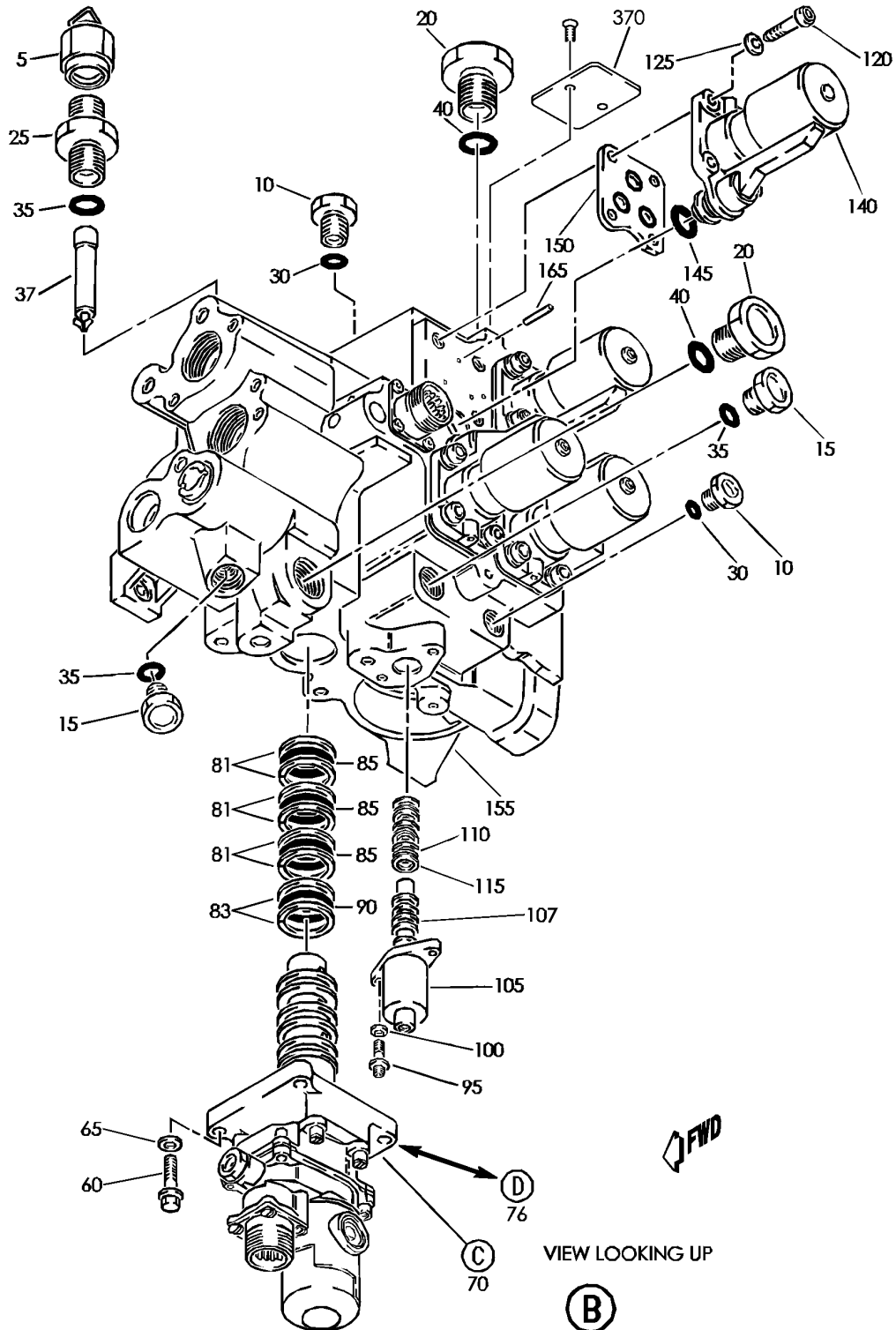
MODULE ASSY-STAB. TRIM CONT  
FIGURE 50A (SHEET 1)

**27-41-05-50A**

BRI  
MAY 20/09

27-41-05-50A  
PAGE 0

**BOEING**  
757  
PARTS CATALOG (MAINTENANCE)



Y 27410550A SH1 2 REV 234

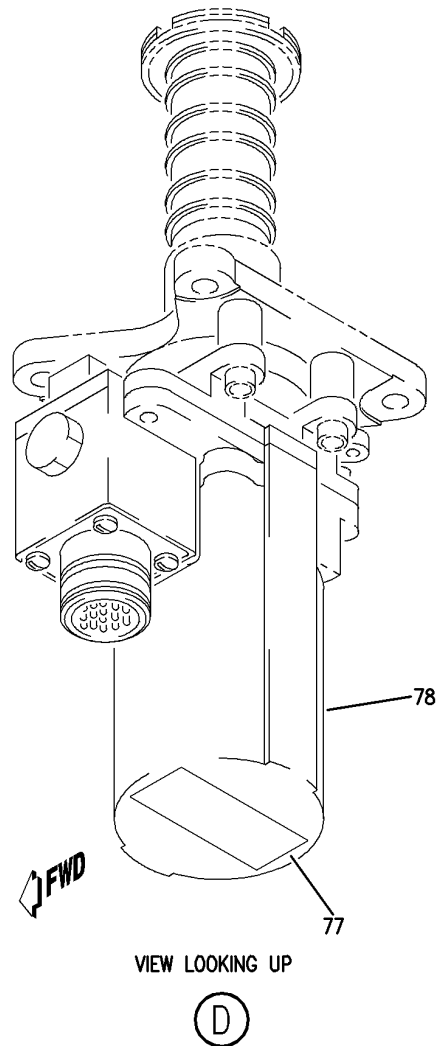
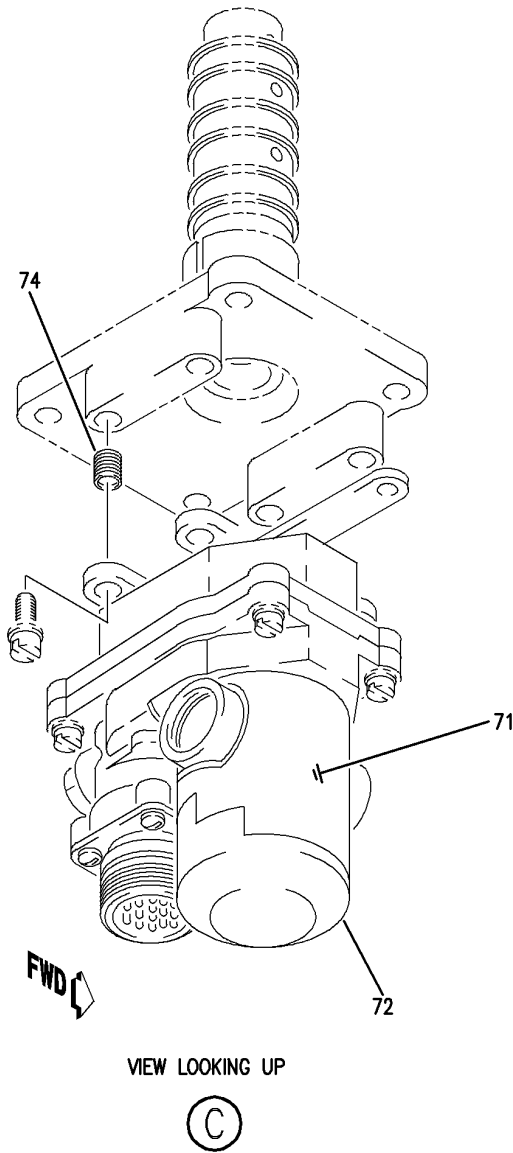
MODULE ASSY-STAB. TRIM CONT  
FIGURE 50A (SHEET 2)

**27-41-05-50A**

BRI  
MAY 28/07

27-41-05-50A  
PAGE 0A

**BOEING**  
757  
PARTS CATALOG (MAINTENANCE)



Y 27410550A SH1 3 REV 234

MODULE ASSY-STAB. TRIM CONT  
FIGURE 50A (SHEET 3)

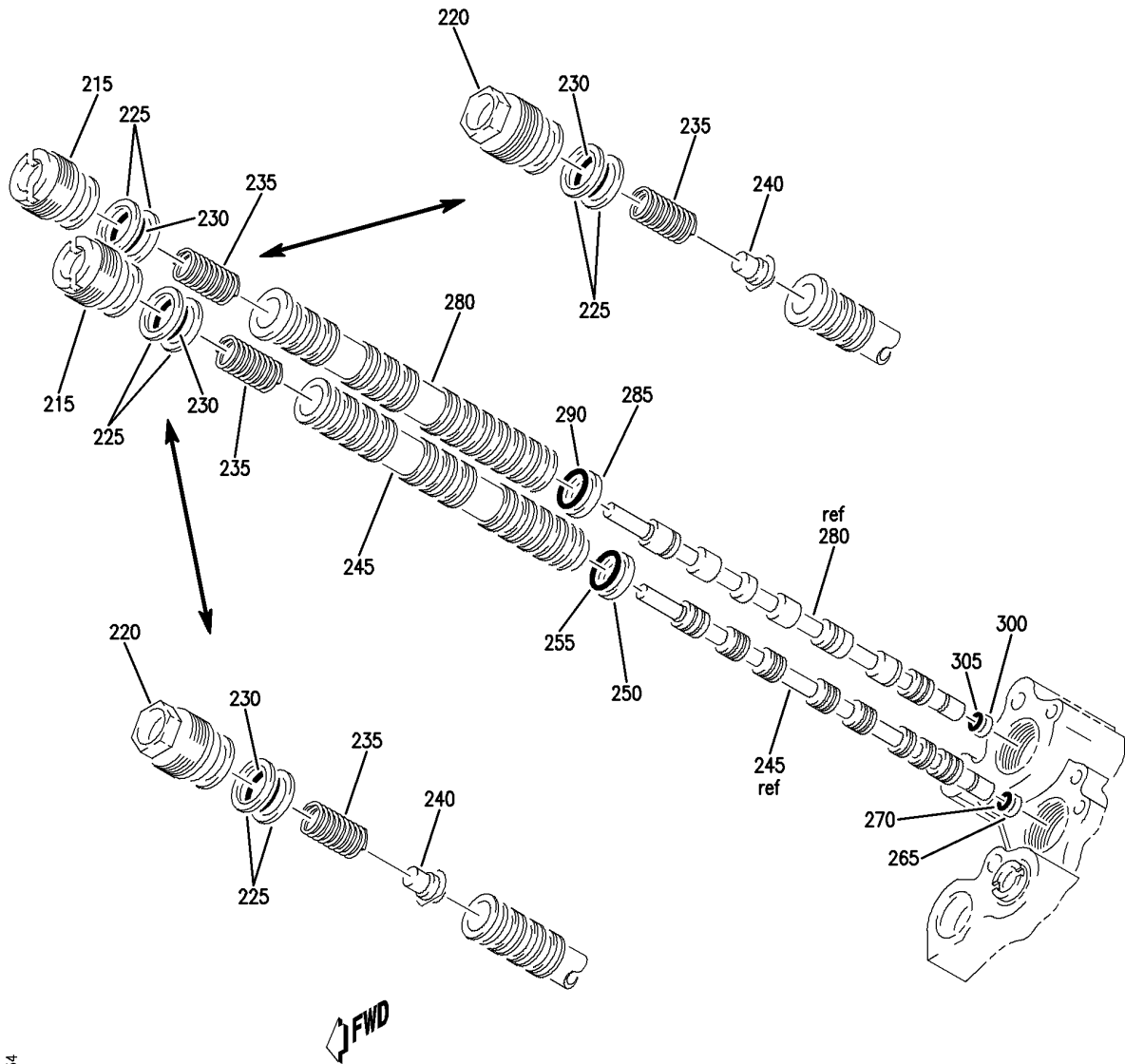
**27-41-05-50A**

BRI  
MAY 28/07

27-41-05-50A  
PAGE 0B



**BOEING**  
757  
PARTS CATALOG (MAINTENANCE)



VIEW LOOKING UP

(E)

Y 27410550A SH1 4 REV 234

MODULE ASSY-STAB. TRIM CONT  
FIGURE 50A (SHEET 4)

**27-41-05-50A**

BRI  
MAY 28/07

27-41-05-50A  
PAGE 0C

 **BOEING**  
757  
**PARTS CATALOG (MAINTENANCE)**

FIG ITEM	PART NUMBER	1 2 3 4 5 6 7	NOMENCLATURE	EFFECT FROM TO	UNITS PER ASSY
50A			MODULE ASSY-STAB. TRIM CONT	002004 006106 108903 950999	
- 1	160202-100		MODULE ASSY-STAB. TRIM SUPPLIER CODE: V19156 SPECIFICATION NUMBER: S252U200-201 COMPONENT MAINT MANUAL REF: 27-41-14 FOR NHA SEE: 27-41-05-01	002004 006106 108903 950999	RF
- 1	160202-101		MODULE ASSY-STAB. TRIM SUPPLIER CODE: V19156 SPECIFICATION NUMBER: S252U200-202 COMPONENT MAINT MANUAL REF: 27-41-14 FOR NHA SEE: 27-41-05-01	002004 006106 108903 950999	RF
5	AP1008-06D		.CAP ASSY- SUPPLIER CODE: V01673 SPECIFICATION NUMBER: BACC14AD06D OPTIONAL PART: DBOC14AD06D V14798 FER22661-06D V14397 2-02813-06D V11328 4690009-06D V50948 AFP241-06D V30974 US2103-06D V50808 MS21914-6D	002004 006106 108903 950999	1
5	MS21914-6D		.CAP ASSY- OPTIONAL PART: BACC14AD06D	002004 006106 108903 950999	1
10	AN814-4D		.PLUG- OPTIONAL PART: MS21913D4	002004 006106 108903 950999	2

MISSING ITEM NUMBERS NOT APPLICABLE

- ITEM NOT ILLUSTRATED

BRI

# 27-41-05-50A

BOEING PROPRIETARY - Copyright © - Unpublished Work - See title page for details.

27-41-05  
FIG. 50A  
PAGE 1  
JAN 20/09



757

PARTS CATALOG (MAINTENANCE)

FIG ITEM	PART NUMBER	1 2 3 4 5 6 7	NOMENCLATURE	EFFECT FROM TO	UNITS PER ASSY
50A					
10	MS21913D4	.PLUG-	OPTIONAL PART: AN814-4D	002004 006106 108903 950999	2
15	AN814-6D	.PLUG-	OPTIONAL PART: MS21913D6	002004 006106 108903 950999	2
15	MS21913D6	.PLUG-	OPTIONAL PART: AN814-6D	002004 006106 108903 950999	2
20	AN814-8D	.PLUG-	OPTIONAL PART: MS21913D8	002004 006106 108903 950999	2
20	MS21913D8	.PLUG-	OPTIONAL PART: AN814-8D	002004 006106 108903 950999	2
25	BACU24K6	.UNION		002004 006106 108903 950999	1
30	NAS1612-4	.PACKING-		002004 006106 108903 950999	2
35	NAS1612-6	.PACKING-		002004 006106 108903 950999	3
37	FSHX0507650B	.SCREEN-FILTER	SUPPLIER CODE: V92555 SPECIFICATION NUMBER: S250N211-2 OPTIONAL PART: 3121-517 V19156 1745040-03 V90005	002004 006106 108903 950999	1
40	NAS1612-8	.PACKING-		002004 006106 108903 950999	2

R  
R  
R  
R  
R  
R  
R  
R  
R

MISSING ITEM NUMBERS NOT APPLICABLE

- ITEM NOT ILLUSTRATED

**27-41-05-50A**

27-41-05  
FIG. 50A  
PAGE 2  
MAY 20/09

BRI

BOEING PROPRIETARY - Copyright © - Unpublished Work - See title page for details.



757

PARTS CATALOG (MAINTENANCE)

FIG ITEM	PART NUMBER	1 2 3 4 5 6 7	NOMENCLATURE	EFFECT FROM TO	UNITS PER ASSY
50A 45	90G97		.SWITCH-PRESSURE SUPPLIER CODE: V09049 SPECIFICATION NUMBER: 10-60552-5 OPTIONAL PART: 90G237 V09049	002004 006106 108903 950999	1
R R R R R R R R R R R	45	90G237	.SWITCH-PRESSURE SUPPLIER CODE: V09049 FUNCTIONAL DESCRIPTION: PROVIDES CONTROL OF HYDRAULIC PRESSURE TO THE BRAKE CONTROL AND BODY GEAR STEERING SYSTEMS SPECIFICATION NUMBER: 10-60552-5 OPTIONAL PART: 90G97 V09049	002004 006106 108903 950999	1
	50	NAS1611-113	.PACKING-	002004 006106 108903 950999	1
	55	S30310-113	.RING SUPPLIER CODE: V09257 SPECIFICATION NUMBER: BACR12BP113 OPTIONAL PART: DW969516-113 V02886 RM9157BU113 V94878 STS900-113 V02107 TF456-113 V07128 2150-113 V26303 C11237-113 V26879	002004 006106 108903 950999	2
	60	MS9218-12	.BOLT	002004 006106 108903 950999	4

MISSING ITEM NUMBERS NOT APPLICABLE

- ITEM NOT ILLUSTRATED

**27-41-05-50A**

27-41-05  
FIG. 50A  
PAGE 3  
MAY 20/09

BRI

BOEING PROPRIETARY - Copyright © - Unpublished Work - See title page for details.



**757**  
**PARTS CATALOG (MAINTENANCE)**

FIG ITEM	PART NUMBER	1 2 3 4 5 6 7	NOMENCLATURE	EFFECT FROM TO	UNITS PER ASSY
50A 65	NAS620A416L	.	WASHER	002004 006106 108903 950999	4
R R R R R R R R R R R R R R R	70	C84500-001	.VALVE ASSY-MOTOR OPERATED SUPPLIER CODE: V19156 SPECIFICATION NUMBER: S251T411-3 920129-300 OPTIONAL PART: 920129-100 V19156 920129-200 V19156 920129-300 V19156 OPTIONAL PART: AV13J5158 V73760	002004 006106 108903 950999	1
	70	920129-100	.VALVE-MOTOR OPERATED SUPPLIER CODE: V19156 SPECIFICATION NUMBER: S251T411-3 OPTIONAL PART: C84500-001 V19156 920129-200 V19156 920129-300 V19156 OPTIONAL PART: AV13J5158 V73760	002004 006106 108903 950999	1

MISSING ITEM NUMBERS NOT APPLICABLE

— ITEM NOT ILLUSTRATED

# 27-41-05-50A

27-41-05  
FIG. 50A  
PAGE 4  
MAY 20/09

BRI

**BOEING**  
757  
**PARTS CATALOG (MAINTENANCE)**

FIG ITEM	PART NUMBER	1 2 3 4 5 6 7	NOMENCLATURE	EFFECT FROM TO	UNITS PER ASSY
R R	50A 70	920129-200	.VALVE-MOTOR OPERATED SUPPLIER CODE: V19156 SPECIFICATION NUMBER: S251T411-3 OPTIONAL PART: C84500-001 V19156 920129-100 V19156 920129-300 V19156 OPTIONAL PART: AV13J5158 V73760	002004 006106 108903 950999	1
	70	AV13J5158	.VALVE-MOTOR OPERATED SUPPLIER CODE: V73760 MISCELLANEOUS DATA: MONTEK PART NO. 620129-100 COMPONENT MAINT MANUAL REF: 29-10-06 OPTIONAL PART: 920129-100 V19156 920129-200 V19156 920129-300 V19156 C84500-001 V19156	002004 006106 108903 950999	1
	70	920129-300	.VALVE ASSY-MOTOR OPERATED SUPPLIER CODE: V19156 SPECIFICATION NUMBER: S251T411-3 OPTIONAL PART: C84500-001 V19156 920129-100 V19156 920129-200 V19156 OPTIONAL PART: AV13J5158 V73760	002004 006106 108903 950999	1

MISSING ITEM NUMBERS NOT APPLICABLE

— ITEM NOT ILLUSTRATED

# 27-41-05-50A

27-41-05  
FIG. 50A  
PAGE 5  
MAY 20/09

BRI

BOEING PROPRIETARY - Copyright © - Unpublished Work - See title page for details.



757

PARTS CATALOG (MAINTENANCE)

FIG ITEM	PART NUMBER	1 2 3 4 5 6 7	NOMENCLATURE	EFFECT FROM TO	UNITS PER ASSY
50A 71	15562EM		.. PLATE-IDENT SUPPLIER CODE: V73760	002004 006106 108903 950999	1
72	106788A207		.. ACTUATOR-ELECTRO MECHANICAL SUPPLIER CODE: V73760	002004 006106 108903 950999	1
- 73	49960		ATTACHING PARTS .. SCREW- SUPPLIER CODE: V73760	002004 006106 108903 950999	4
74	MS21209C0815		-----*----- .. INSERT	002004 006106 108903 950999	4
76	65860		. VALVE-MOTOR OPERATED SUPPLIER CODE: V99643 SPECIFICATION NUMBER: S251T411-3 MISCELLANEOUS DATA: MONTEK SPEC NO. 920129-200 COMPONENT MAINT MANUAL REF: 27-41-01 OPTIONAL PART: AV13J5158 V73760	002004 006106 108903 950999	1
77	40481		.. NAMEPLATE- SUPPLIER CODE: V99643	002004 006106 108903 950999	1
78	66600-1		.. ACTUATOR ASSY-D. C. MOTOR OPERATED SUPPLIER CODE: V99643	002004 006106 108903 950999	1
- 79	NAS1352C08H8		ATTACHING PARTS .. SCREW  -----*-----	002004 006106 108903 950999	4

MISSING ITEM NUMBERS NOT APPLICABLE

- ITEM NOT ILLUSTRATED

27-41-05-50A

27-41-05  
FIG. 50A  
PAGE 6  
MAY 20/09

BRI

BOEING PROPRIETARY - Copyright © - Unpublished Work - See title page for details.



757

PARTS CATALOG (MAINTENANCE)

FIG ITEM	PART NUMBER	1 2 3 4 5 6 7	NOMENCLATURE	EFFECT FROM TO	UNITS PER ASSY
50A 81	C11236-119B		.RETAINER SUPPLIER CODE: V26879 SPECIFICATION NUMBER: BACR12BM119 OPTIONAL PART: RMR12BM119 V94878 STF800-119 V02107 S30294-119-1 V97820 TF450-119A V07128 2100-119 V26303	002004 006106 108903 950999	6
83	C11236-022B		.RETAINER SUPPLIER CODE: V26879 SPECIFICATION NUMBER: BACR12BM022 OPTIONAL PART: RMR12BM022 V94878 STF800-022 V02107 S30294-022-1 V97820 TF450-022A V07128 2100-022 V26303	002004 006106 108903 950999	2
85	NAS1611-119		.PACKING-	002004 006106 108903 950999	3
90	NAS1611-022		.PACKING-	002004 006106 108903 950999	1
95	MS9217-08		.BOLT	002004 006106 108903 950999	2
100	NAS620A10L		.WASHER	002004 006106 108903 950999	2

MISSING ITEM NUMBERS NOT APPLICABLE

- ITEM NOT ILLUSTRATED

27-41-05-50A

27-41-05  
FIG. 50A  
PAGE 7  
MAY 20/09

BRI

BOEING PROPRIETARY - Copyright © - Unpublished Work - See title page for details.





**757  
PARTS CATALOG (MAINTENANCE)**

FIG ITEM	PART NUMBER	1 2 3 4 5 6 7	NOMENCLATURE	EFFECT FROM TO	UNITS PER ASSY
50A 105	401-13017-01	.	CARTRIDGE ASSY-BYPASS SUPPLIER CODE: V19156	002004 006106 108903 950999	1
107	401-13017-02	..	SLEEVE AND SLIDER ASSY- SUPPLIER CODE: V19156	002004 006106 108903 950999	1
110	C11236-012B	.	RING SUPPLIER CODE: V26879 SPECIFICATION NUMBER: BACR12BM012 OPTIONAL PART: RMR12BM012 V94878 STF800-012 V02107 S30294-012-1 V97820 TF450-012A V07128 2100-012 V26303	002004 006106 108903 950999	6
115	NAS1611-012	.	PACKING-	002004 006106 108903 950999	3
120	MS9218-10	.	BOLT	002004 006106 108903 950999	16
125	NAS620A416L	.	WASHER	002004 006106 108903 950999	16
140	401-09772-03	.	VALVE ASSY-SOL. SUPPLIER CODE: V19156 OPTIONAL PART: 36500-1 V99643 401-09772-04 V19156 880800-1001 V92003	002004 006106 108903 950999	4

R  
R  
R  
R  
R  
R  
R  
R  
R

MISSING ITEM NUMBERS NOT APPLICABLE

- ITEM NOT ILLUSTRATED

# 27-41-05-50A

27-41-05  
FIG. 50A  
PAGE 8  
MAY 20/09

BRI

BOEING PROPRIETARY - Copyright © - Unpublished Work - See title page for details.



757

PARTS CATALOG (MAINTENANCE)

FIG ITEM	PART NUMBER	1 2 3 4 5 6 7	NOMENCLATURE	EFFECT FROM TO	UNITS PER ASSY
R R	50A 140	401-09772-04	.VALVE ASSY-SOL. SUPPLIER CODE: V19156 OPTIONAL PART: 36500-1 V99643 401-09772-03 V19156 880800-1001 V92003	002004 006106 108903 950999	4
	140	36500-1	.VALVE-SOL SUPPLIER CODE: V99643 OPTIONAL PART: 401-09772-03 V19156 401-09772-04 V19156 880800-1001 V92003	002004 006106 108903 950999	4
	140	880800-1001	.VALVE ASSY-SOL. SUPPLIER CODE: V19156 OPTIONAL PART: 36500-1 V99643 401-09772-03 V19156 401-09772-04 V19156	002004 006106 108903 950999	4
	145	920312-112	.SEAL-U-CUP SUPPLIER CODE: V19156 OPTIONAL PART: NAS1611-112	002004 006106 108903 950999	4
	145	NAS1611-112	.PACKING-U-CUP OPTIONAL PART: 920312-112 V19156	002004 006106 108903 950999	4

MISSING ITEM NUMBERS NOT APPLICABLE

- ITEM NOT ILLUSTRATED

**27-41-05-50A**

27-41-05  
FIG. 50A  
PAGE 9  
MAY 20/09

BRI


**BOEING**  
 757  
**PARTS CATALOG (MAINTENANCE)**

FIG ITEM	PART NUMBER	1 2 3 4 5 6 7	NOMENCLATURE	EFFECT FROM TO	UNITS PER ASSY
50A 150	BA1837		.PLATE-GSKT SUPPLIER CODE: V95272 SPECIFICATION NUMBER: 69-20184-1 OPTIONAL PART: 069000197-1 V05939 828108-1 V99643 071261 V83259 071261-1 V83259 OPTIONAL PART: 920385-001 V19156	002004 006106 108903 950999	4
	150 069000197-1		.PLATE-GSKT SUPPLIER CODE: V05939 SPECIFICATION NUMBER: 69-20184-1 OPTIONAL PART: 071261 V83259 071261-1 V83259 828108-1 V99643 BA1837 V95272 OPTIONAL PART: 920385-001 V19156	002004 006106 108903 950999	2

MISSING ITEM NUMBERS NOT APPLICABLE

— ITEM NOT ILLUSTRATED

BRI

# 27-41-05-50A

BOEING PROPRIETARY - Copyright © - Unpublished Work - See title page for details.

27-41-05  
 FIG. 50A  
 PAGE 10  
 MAY 20/09



757

PARTS CATALOG (MAINTENANCE)

FIG ITEM	PART NUMBER	1 2 3 4 5 6 7	NOMENCLATURE	EFFECT FROM TO	UNITS PER ASSY
R R R R R R R R R R R R R R	50A 150	071261	.PLATE-GSKT SUPPLIER CODE: V83259 SPECIFICATION NUMBER: 69-20184-1 OPTIONAL PART: 069000197-1 V05939 828108-1 V99643 BA1837 V95272 071261-1 V83259 OPTIONAL PART: 920385-001 V19156	002004 006106 108903 950999	4
	150	920385-001	.PLATE-GSKT SUPPLIER CODE: V19156 OPTIONAL PART: BA1837 V95272 071261 V83259 069000197-1 V05939	002004 006106 108903 950999	4
	155	160211-201	.MANIFOLD ASSY-STAB TRIM SUPPLIER CODE: V19156	002004 006106 108903 950999	1
	- 160	MS90376-16R	..CAP	002004 006106 108903 950999	2
	165	MS16562-211	..PIN	002004 006106 108903 950999	4
	- 170	PLGA1561010	..PLUG- SUPPLIER CODE: V92555 OPTIONAL PART: 920250-15AL V19156	002004 006106 108903 950999	10

MISSING ITEM NUMBERS NOT APPLICABLE

- ITEM NOT ILLUSTRATED

**27-41-05-50A**

27-41-05  
FIG. 50A  
PAGE 11  
MAY 20/09

BRI



757

PARTS CATALOG (MAINTENANCE)

FIG ITEM	PART NUMBER	1 2 3 4 5 6 7	NOMENCLATURE	EFFECT FROM TO	UNITS PER ASSY
R R R R R R R	50A - 170	920250-15AL	.. PLUG- SUPPLIER CODE: V19156 OPTIONAL PART: PLGA1561010 V92555	002004 006106 108903 950999	10
	- 175	PLGA2181010	.. PLUG- SUPPLIER CODE: V92555 OPTIONAL PART: 920250-21AL V19156	002004 006106 108903 950999	6
	- 175	920250-21AL	.. PLUG- SUPPLIER CODE: V19156 OPTIONAL PART: PLGA2181010 V92555	002004 006106 108903 950999	6
	- 180	PLGA2811010	.. PLUG- SUPPLIER CODE: V92555 OPTIONAL PART: 920250-28AL V19156	002004 006106 108903 950999	4
	- 180	920250-28AL	.. PLUG- SUPPLIER CODE: V19156 OPTIONAL PART: PLGA2811010 V92555	002004 006106 108903 950999	4
	215	160123-001	.RETAINER- SUPPLIER CODE: V19156 USED ON: 160202-100	002004 006106 108903 950999	2
	220	160255-001	.RETAINER-THREADED SUPPLIER CODE: V19156 USED ON: 160202-101	002004 006106 108903 950999	2

MISSING ITEM NUMBERS NOT APPLICABLE

- ITEM NOT ILLUSTRATED

# 27-41-05-50A

27-41-05  
FIG. 50A  
PAGE 12  
MAY 20/09

BRI



757

PARTS CATALOG (MAINTENANCE)

FIG ITEM	PART NUMBER	1 2 3 4 5 6 7	NOMENCLATURE	EFFECT FROM TO	UNITS PER ASSY
50A 225	S30310-117	.RING	SUPPLIER CODE: V09257 SPECIFICATION NUMBER: BACR12BP117 OPTIONAL PART: DW969516-117 V02886 RM9157BU117 V94878 STS900-117 V02107 TF456-117 V07128 2150-117 V26303 C11237-117 V26879	002004 006106 108903 950999	4
230	NAS1611-117	.PACKING-		002004 006106 108903 950999	2
235	401-09907-01	.SPRING-	SUPPLIER CODE: V19156 USED ON: 160202-100	002004 006106 108903 950999	2
235	160253-001	.SPRING-	SUPPLIER CODE: V19156 USED ON: 160202-101	002004 006106 108903 950999	2
240	160254-001	.GUIDE-	SUPPLIER CODE: V19156 USED ON: 160202-101	002004 006106 108903 950999	2
245	160011-101	.VALVE ASSY-CONT	SUPPLIER CODE: V19156 CONFIG CHG DATA FROM A CMM: REF 160202-27-104 USED ON: 160202-100	002004 006106 108903 950999	1
245	160260-100	.VALVE ASSY-CONT	SUPPLIER CODE: V19156 USED ON: 160202-101	002004 006106 108903 950999	1

MISSING ITEM NUMBERS NOT APPLICABLE

- ITEM NOT ILLUSTRATED

**27-41-05-50A**

27-41-05  
FIG. 50A  
PAGE 13  
MAY 20/09

BRI

BOEING PROPRIETARY - Copyright © - Unpublished Work - See title page for details.



757

PARTS CATALOG (MAINTENANCE)

FIG ITEM	PART NUMBER	1 2 3 4 5 6 7	NOMENCLATURE	EFFECT FROM TO	UNITS PER ASSY
50A 250	S30660-115		.SEAL-DBL DELTA II, O.D. SUPPLIER CODE: V09257 QUALIFIED OPTIONAL DATA: S30660-115 USED WITH NAS1611-115 OPTIONAL TO 7115MR952P4	002004 006106 108903 950999	12
255	NAS1611-115		.PACKING- QUALIFIED OPTIONAL DATA: S30660-115 USED WITH NAS1611-115 OPTIONAL TO 7115MR952P4	002004 006106 108903 950999	12
- 260	7115MR952P4		.SEAL-T SUPPLIER CODE: V5F573 QUALIFIED OPTIONAL DATA: S30660-115 USED WITH NAS1611-115 OPTIONAL TO 7115MR952P4	002004 006106 108903 950999	12
265	S30660-010		.SEAL-DBL DELTA II, O.D. SUPPLIER CODE: V97820	002004 006106 108903 950999	1
270	NAS1611-009		.PACKING-	002004 006106 108903 950999	1
280	160008-101		.VALVE ASSY-ARMING SUPPLIER CODE: V19156 CONFIG CHG DATA FROM A CMM: REF 160202-27-104 USED ON: 160202-100	002004 006106 108903 950999	1
280	160250-100		.VALVE ASSY-CONT SUPPLIER CODE: V19156 USED ON: 160202-101	002004 006106 108903 950999	1
285	S30660-115		.SEAL-DBL DELTA II, O.D. SUPPLIER CODE: V09257 QUALIFIED OPTIONAL DATA: S30660-115 USED WITH NAS1611-115 OPTIONAL TO 7115MR952P4	002004 006106 108903 950999	13

MISSING ITEM NUMBERS NOT APPLICABLE

- ITEM NOT ILLUSTRATED

BRI

**27-41-05-50A**

BOEING PROPRIETARY - Copyright © - Unpublished Work - See title page for details.

27-41-05  
FIG. 50A  
PAGE 14  
MAY 20/09



**757  
PARTS CATALOG (MAINTENANCE)**

FIG ITEM	PART NUMBER	1 2 3 4 5 6 7	NOMENCLATURE	EFFECT FROM TO	UNITS PER ASSY
50A 290	NAS1611-115		.PACKING- QUALIFIED OPTIONAL DATA: S30660-115 USED WITH NAS1611-115 OPTIONAL TO 7115MR952P4	002004 006106 108903 950999	13
- 295	7115MR952P4		.SEAL-T SUPPLIER CODE: V5F573 QUALIFIED OPTIONAL DATA: S30660-115 USED WITH NAS1611-115 OPTIONAL TO 7115MR952P4	002004 006106 108903 950999	13
300	S30660-010		.SEAL-DBL DELTA II, O.D. SUPPLIER CODE: V97820	002004 006106 108903 950999	1
305	NAS1611-009		.PACKING-	002004 006106 108903 950999	1
310	160031-001		.RETAINER- SUPPLIER CODE: V19156	002004 006106 108903 950999	2
315	S30310-117		.RING SUPPLIER CODE: V09257 SPECIFICATION NUMBER: BACR12BP117 OPTIONAL PART: DW969516-117 V02886 RM9157BU117 V94878 STS900-117 V02107 TF456-117 V07128 2150-117 V26303 C11237-117 V26879	002004 006106 108903 950999	2
320	NAS1611-117		.PACKING-	002004 006106 108903 950999	2

MISSING ITEM NUMBERS NOT APPLICABLE

- ITEM NOT ILLUSTRATED

BRI

# 27-41-05-50A

BOEING PROPRIETARY - Copyright © - Unpublished Work - See title page for details.

27-41-05  
FIG. 50A  
PAGE 15  
MAY 20/09





757

PARTS CATALOG (MAINTENANCE)

FIG ITEM	PART NUMBER	1 2 3 4 5 6 7	NOMENCLATURE	EFFECT FROM TO	UNITS PER ASSY
50A 325	401-66998-01	.	SPRING- SUPPLIER CODE: V19156 USED ON: 160202-100	002004 006106 108903 950999	2
325	160253-001	.	SPRING- SUPPLIER CODE: V19156 USED ON: 160202-101	002004 006106 108903 950999	2
330	S30660-115	.	SEAL-DBL DELTA II, O.D. SUPPLIER CODE: V09257	002004 006106 108903 950999	2
335	NAS1611-115	.	PACKING-	002004 006106 108903 950999	2
340	401-09909-01	.	PISTON- SUPPLIER CODE: V19156 USED ON: 160202-100	002004 006106 108903 950999	2
345	401-09927-02	.	RETAINER- SUPPLIER CODE: V19156 OPTIONAL PART: 160327-001 V19156 USED WITH: BACR12BP210 NAS1611-210	002004 006106 108903 950999	1
345	160327-001	.	RETAINER- SUPPLIER CODE: V19156 OPTIONAL PART: 401-09927-02 V19156 USED WITH: BACR12BP210 NAS1611-210	002004 006106 108903 950999	1

MISSING ITEM NUMBERS NOT APPLICABLE

- ITEM NOT ILLUSTRATED

**27-41-05-50A**

27-41-05  
FIG. 50A  
PAGE 16  
MAY 20/09

BRI

BOEING PROPRIETARY - Copyright © - Unpublished Work - See title page for details.



757

PARTS CATALOG (MAINTENANCE)

FIG ITEM	PART NUMBER	1 2 3 4 5 6 7	NOMENCLATURE	EFFECT FROM TO	UNITS PER ASSY
50A 350	S30310-210	.RING-	SUPPLIER CODE: V09257 SPECIFICATION NUMBER: BACR12BP210 OPTIONAL PART: DW969516-210 V02886 RM9157BU210 V94878 STS900-210 V02107 TF456-210 V07128 2150-210 V26303 C11237-210 V26879 USED WITH: 401-09927-02 NAS1611-210	002004 006106 108903 950999	2
350	S30310-117	.RING-	SUPPLIER CODE: V09257 SPECIFICATION NUMBER: BACR12BP117 OPTIONAL PART: DW969516-117 V02886 RM9157BU117 V94878 STS900-117 V02107 TF456-117 V07128 2150-117 V26303 C11237-117 V26879 USED WITH: 160327-001 NAS1611-210	002004 006106 108903 950999	2
355	NAS1611-210	.PACKING-	USED WITH: 401-09927-02 BACR12BP210	002004 006106 108903 950999	1

MISSING ITEM NUMBERS NOT APPLICABLE

- ITEM NOT ILLUSTRATED

**27-41-05-50A**

27-41-05  
FIG. 50A  
PAGE 17  
MAY 20/09

BRI



757

PARTS CATALOG (MAINTENANCE)

FIG ITEM	PART NUMBER	1 2 3 4 5 6 7	NOMENCLATURE	EFFECT FROM TO	UNITS PER ASSY
50A 355	NAS1611-117		.PACKING- USED WITH: 160327-001 BACR12BP117	002004 006106 108903 950999	1
360	160029-011		.SHIM-(.003 + OR - .001) SUPPLIER CODE: V19156 SELECT FROM ITEM.	002004 006106 108903 950999	AR
360	160029-012		.SHIM-(.005 + OR - .001) SUPPLIER CODE: V19156 SELECT FROM ITEM.	002004 006106 108903 950999	AR
360	160029-013		.SHIM-(.007 + OR - .0015) SUPPLIER CODE: V19156 SELECT FROM ITEM.	002004 006106 108903 950999	AR
360	160029-014		.SHIM-(.020 + OR - .003) SUPPLIER CODE: V19156 SELECT FROM ITEM.	002004 006106 108903 950999	AR
360	160029-015		.SHIM-(.030 + OR - .004) SUPPLIER CODE: V19156 SELECT FROM ITEM.	002004 006106 108903 950999	AR
365	160220-100		.VALVE ASSY-RATE CONT SUPPLIER CODE: V19156	002004 006106 108903 950999	1
370	160237-003		.NAMEPLATE- SUPPLIER CODE: V19156	002004 006106 108903 950999	1
- 375	NAS1190-04P3NH		ATTACHING PARTS .SCREW	002004 006106 108903 950999	2
380	41-67804-004		-----*----- .PLATE-MOD SUPPLIER CODE: V19156	002004 006106 108903 950999	1
- 385	NAS1190-04P3NH		ATTACHING PARTS .SCREW  -----*-----	002004 006106 108903 950999	2

MISSING ITEM NUMBERS NOT APPLICABLE

- ITEM NOT ILLUSTRATED

27-41-05-50A

27-41-05  
FIG. 50A  
PAGE 18  
MAY 20/09

BRI

BOEING PROPRIETARY - Copyright © - Unpublished Work - See title page for details.



757

PARTS CATALOG (MAINTENANCE)

FIG ITEM	PART NUMBER	1 2 3 4 5 6 7	NOMENCLATURE	EFFECT FROM TO	UNITS PER ASSY
R R R R R R R R R R R R R R R	50A 390	S30660-115	.SEAL-DBL DELTA II, O.D. SUPPLIER CODE: V09257 QUALIFIED OPTIONAL DATA: S30660-115 USED WITH NAS1611-115 OPTIONAL TO 7115MR952P4	002004 006106 108903 950999	6
	395	NAS1611-115	.PACKING- QUALIFIED OPTIONAL DATA: S30660-115 USED WITH NAS1611-115 OPTIONAL TO 7115MR952P4	002004 006106 108903 950999	6
	- 400	7115MR952P4	.SEAL-T SUPPLIER CODE: V5F573 QUALIFIED OPTIONAL DATA: S30660-115 USED WITH NAS1611-115 OPTIONAL TO 7115MR952P4	002004 006106 108903 950999	6
	MISSING ITEM NUMBERS NOT APPLICABLE				

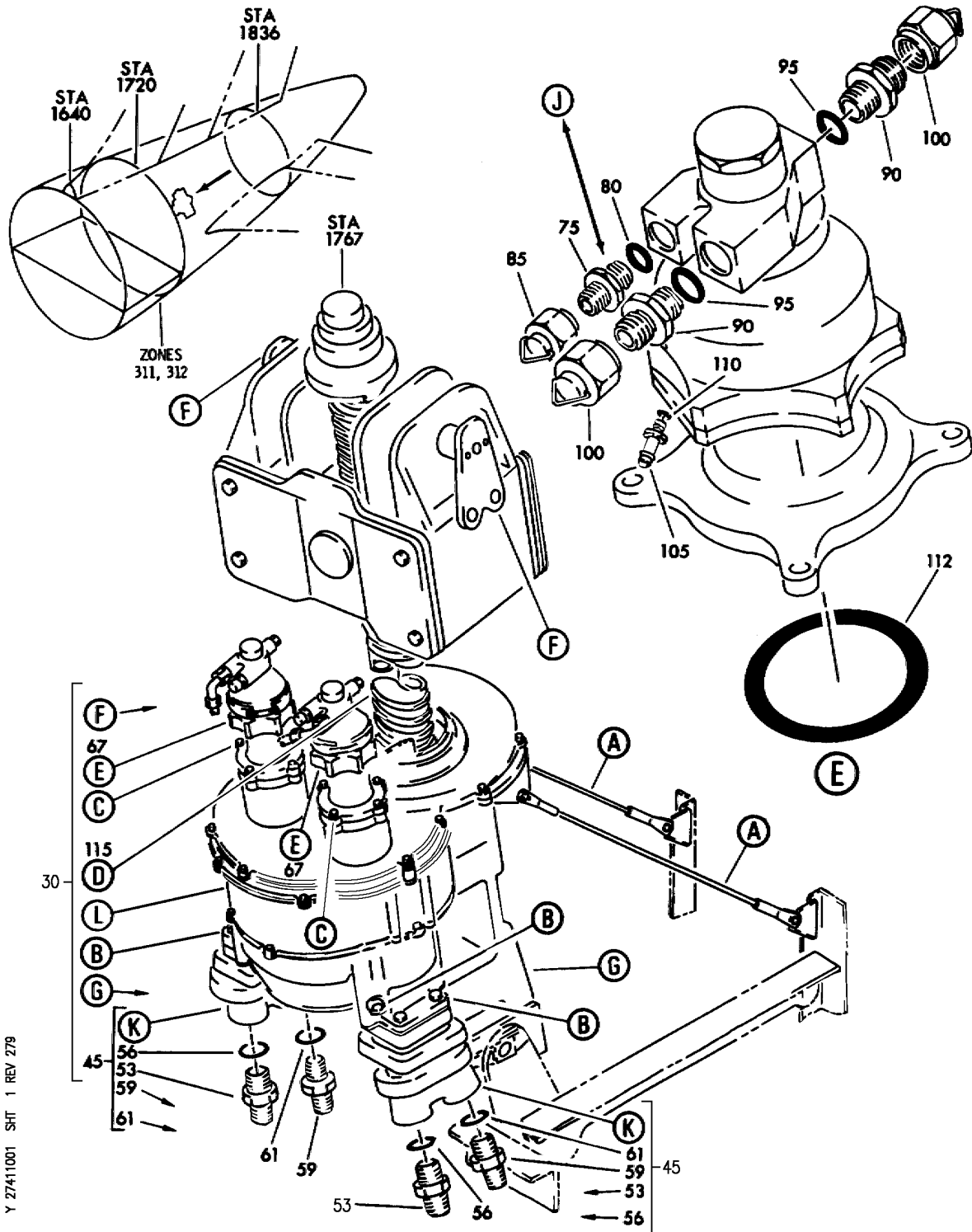
- ITEM NOT ILLUSTRATED

**27-41-05-50A**

27-41-05  
FIG. 50A  
PAGE 19  
MAY 20/09

BRI

**BOEING**  
757  
PARTS CATALOG (MAINTENANCE)

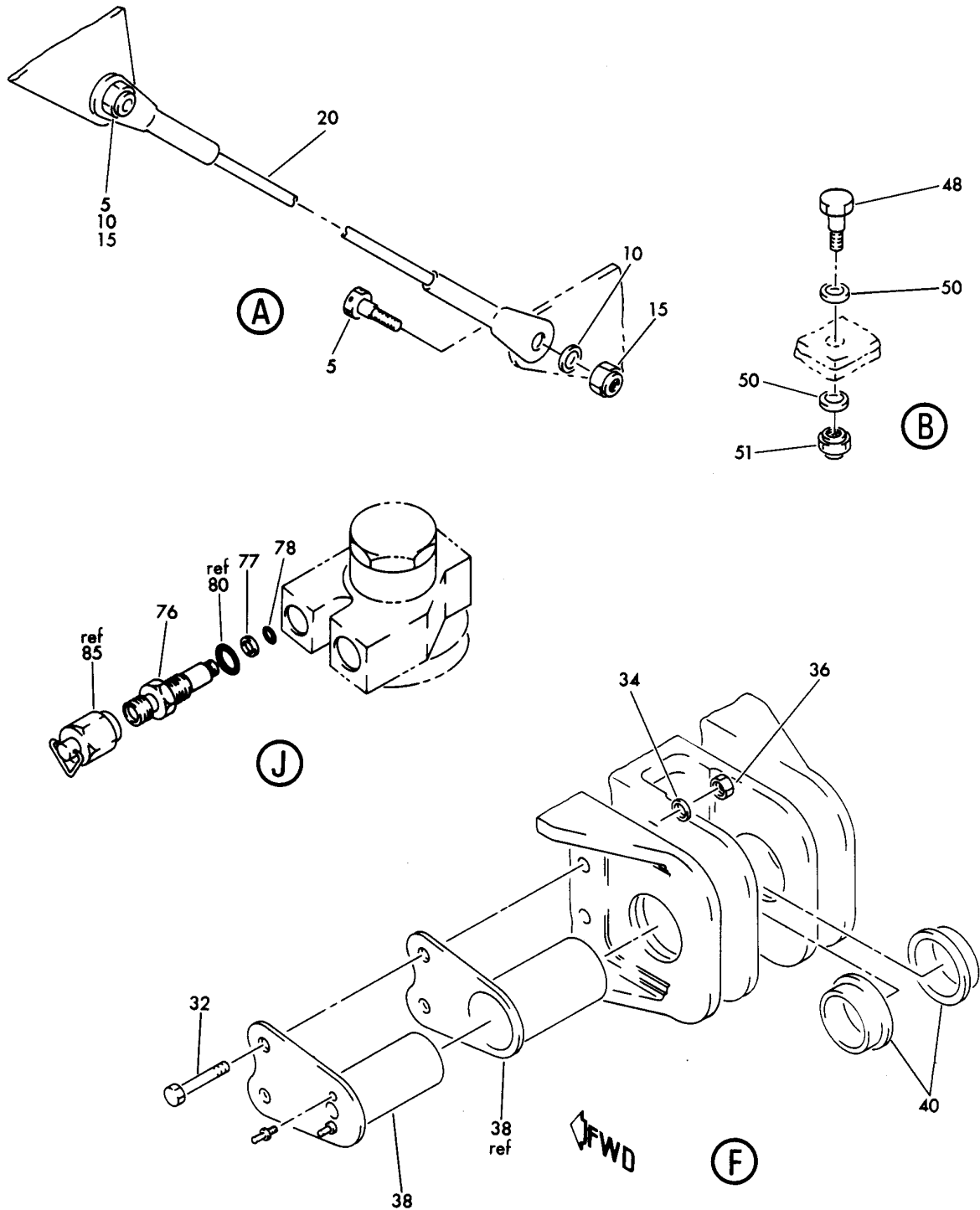


Y 27411001 SHT 1 REV 279

JACKSCREW INSTL-STAB. TRIM CONT  
FIGURE 1 (SHEET 1)

**27-41-10-01**

**BOEING**  
757  
PARTS CATALOG (MAINTENANCE)



Y 27411001 SHT 2 REV 047

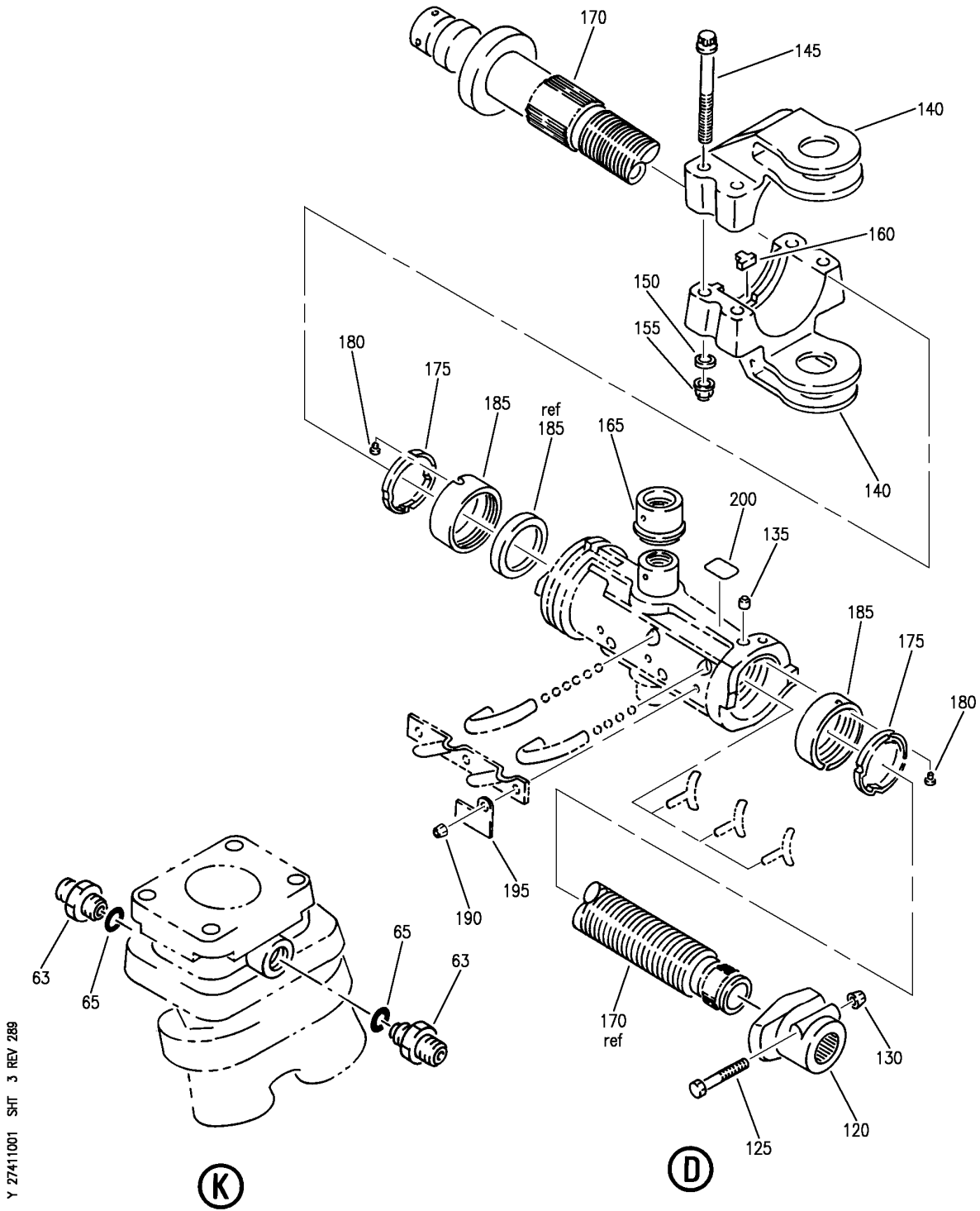
JACKSCREW INSTL-STAB. TRIM CONT  
FIGURE 1 (SHEET 2)

**27-41-10-01**

BRI  
MAY 28/07

27-41-10-01  
PAGE 0A

**BOEING**  
757  
PARTS CATALOG (MAINTENANCE)



Y 27411001 SH1 3 REV 288

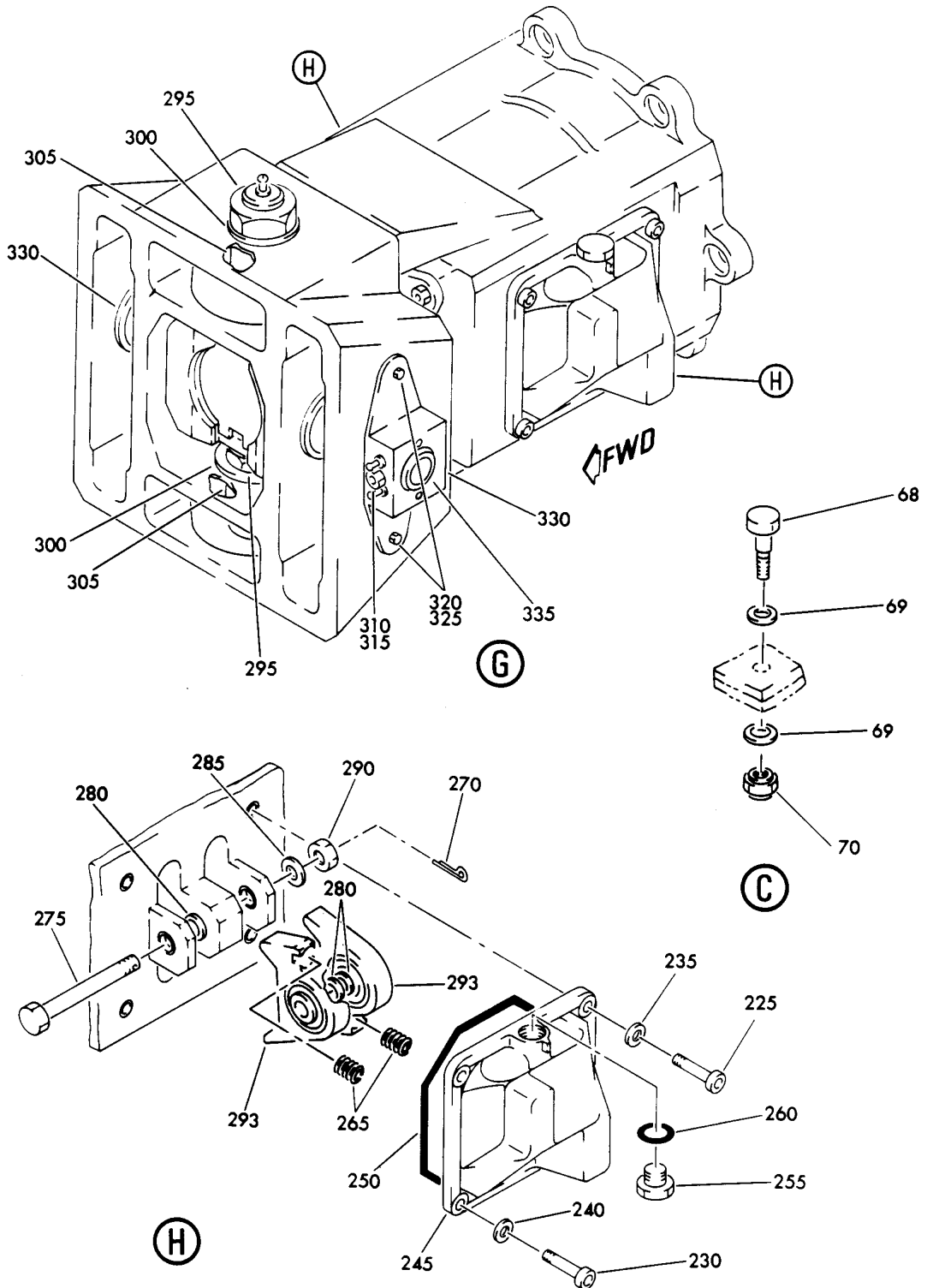
JACKSCREW INSTL-STAB. TRIM CONT  
FIGURE 1 (SHEET 3)

**27-41-10-01**

BRI  
MAY 28/07

27-41-10-01  
PAGE 0B

**BOEING**  
757  
PARTS CATALOG (MAINTENANCE)



Y 27411001 SHT 4 REV 083

JACKSCREW INSTL-STAB. TRIM CONT  
FIGURE 1 (SHEET 4)

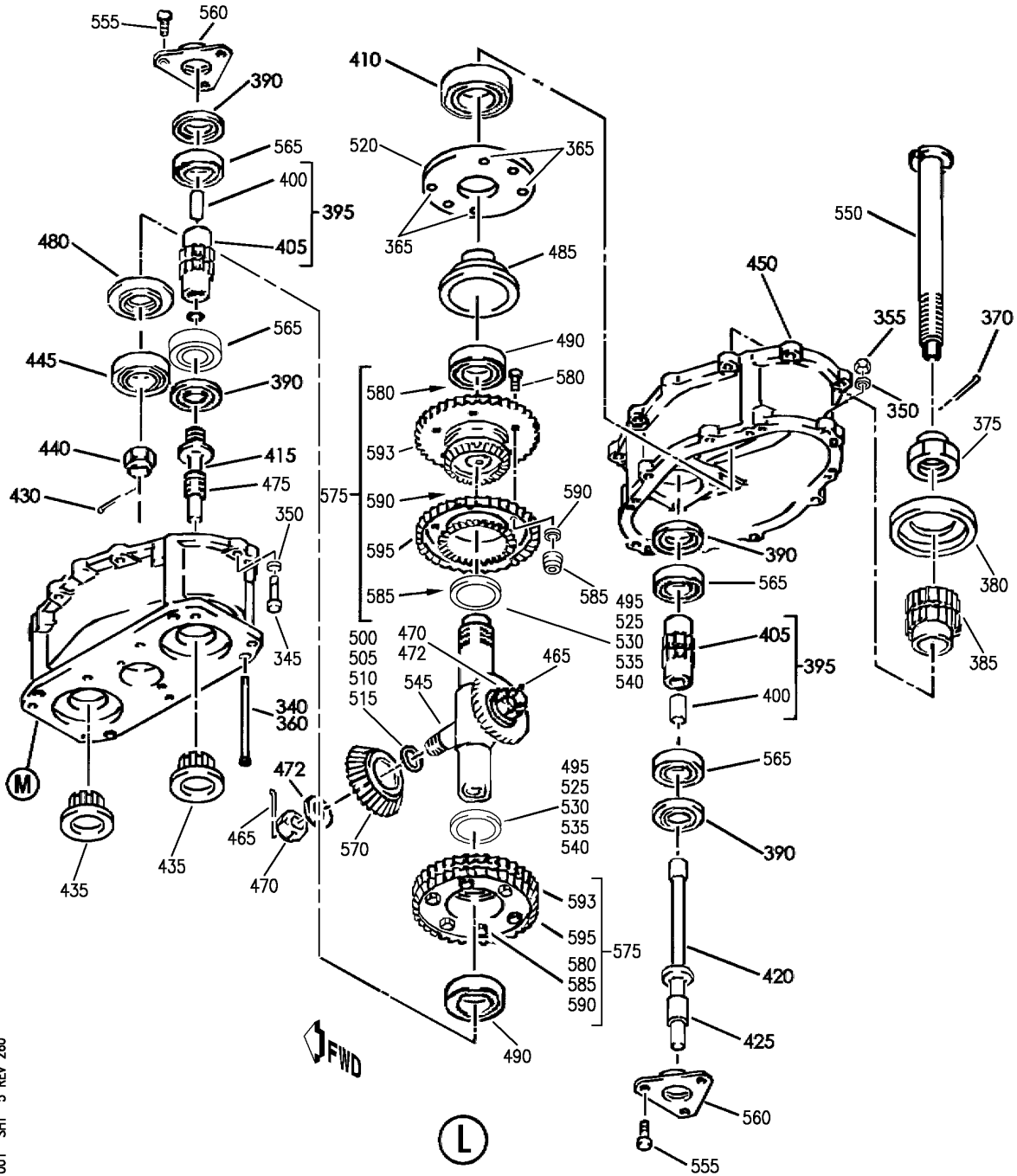
**27-41-10-01**

BRI  
MAY 28/07

27-41-10-01  
PAGE 0C



**BOEING**  
757  
PARTS CATALOG (MAINTENANCE)



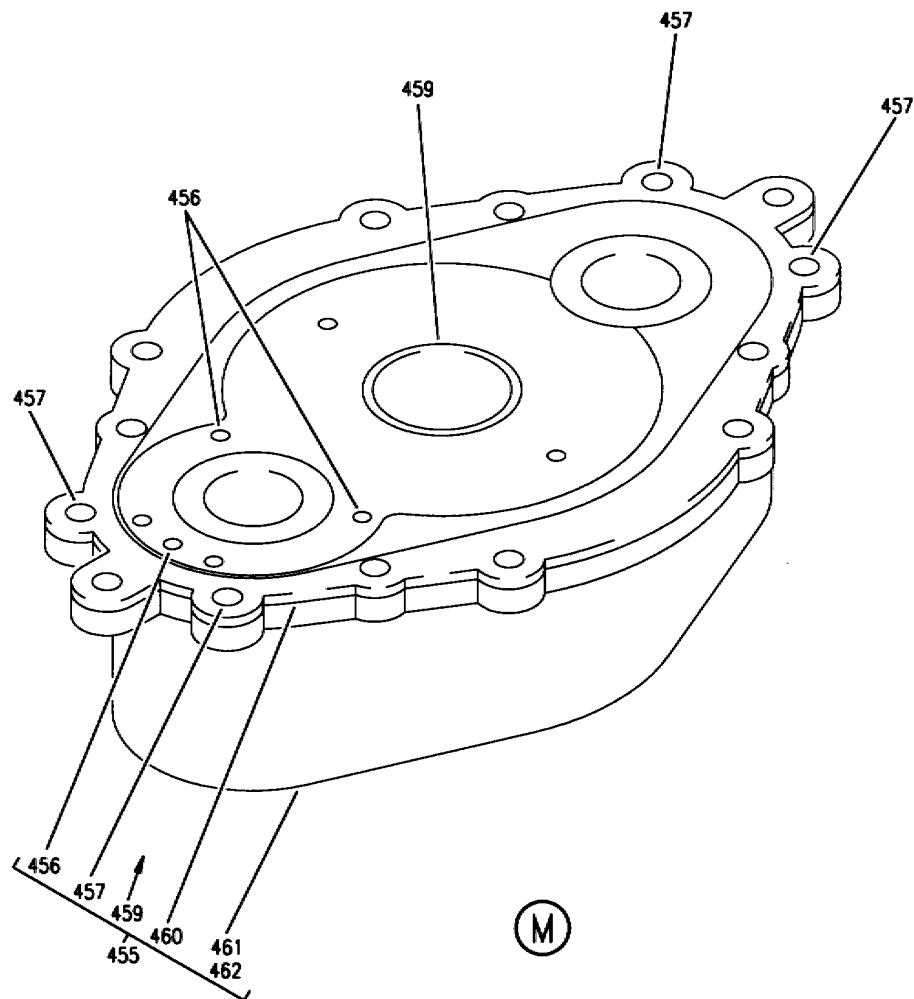
Y 27411001 SHIT 5 REV 260

JACKSCREW INSTL-STAB. TRIM CONT  
FIGURE 1 (SHEET 5)

**27-41-10-01**

BRI  
MAY 28/07

27-41-10-01  
PAGE 0D



Y 27411001 SHT 6 REV 194

JACKSCREW INSTL-STAB. TRIM CONT  
FIGURE 1 (SHEET 6)

**27-41-10-01**

BRI  
MAY 28/07

27-41-10-01  
PAGE 0E



757

PARTS CATALOG (MAINTENANCE)

FIG ITEM	PART NUMBER	1 2 3 4 5 6 7	NOMENCLATURE	EFFECT FROM TO	UNITS PER ASSY
1			JACKSCREW INSTL-STAB. TRIM CONT	002004 006999	
- 1	251N2010-1		JACKSCREW INSTL-STAB. TRIM CONT FOR NHA SEE: 27-41-00-02	002004 006100 107107 121503 904999	RF
- 1	251N2010-4		JACKSCREW INSTL-STAB. TRIM CONT FOR NHA SEE: 27-40-00-01	101102 108120 504903	RF
- 1	MODREF7254		JACKSCREW INSTL-STAB. TRIM CONT MODULE NUMBER: 251N2010-4 REV A	103105	1
- 1	MODREF32666		JACKSCREW INSTL-STAB. TRIM CONT MODULE NUMBER: 251N2010-4 REV B	106106	1
5	BACB30NF4-7		.BOLT	002004 006999	4
10	AN960PD416		.WASHER	002004 006999	4
15	BRH10A4		.NUT SUPPLIER CODE: V52828 SPECIFICATION NUMBER: BACN10JC4 OPTIONAL PART: T6S428J V11815 96-048 V80539 VN303A048 V92215 RMLH9075-4W V72962 NS202101-048 V80539 H10-4BAC V15653	002004 006999	4
20	251N2365-1		.CABLE ASSY	002004 006999	2
- 25	MS20667-5		.. TERMINAL	002004 006999	2

MISSING ITEM NUMBERS NOT APPLICABLE

- ITEM NOT ILLUSTRATED

BRI

27-41-10-01

27-41-10  
FIG. 01  
PAGE 1  
JAN 20/09



757

PARTS CATALOG (MAINTENANCE)

FIG ITEM	PART NUMBER	1 2 3 4 5 6 7	NOMENCLATURE	EFFECT FROM TO	UNITS PER ASSY
1					
30	251N2051-10	.	ACTUATOR ASSY- MISCELLANEOUS DATA: FOR SPARES PROCURE DETAIL PARTS COMPONENT MAINT MANUAL REF: 27-41-05 REWORKED BY SB: 27A0142	002004 006999	1
30	251N2051-12	.	ACTUATOR ASSY- MISCELLANEOUS DATA: FOR SPARES PROCURE DETAIL PARTS	002004 006999	1
30	251N2051-7	.	ACTUATOR ASSY- MISCELLANEOUS DATA: FOR SPARES PROCURE DETAIL PARTS COMPONENT MAINT MANUAL REF: 27-41-05	002004 006999	1
30	251N2051-8	.	ACTUATOR ASSY- MISCELLANEOUS DATA: FOR SPARES PROCURE DETAIL PARTS COMPONENT MAINT MANUAL REF: 27-41-05	002004 006999	1
30	251N2051-9	.	ACTUATOR ASSY- MISCELLANEOUS DATA: FOR SPARES PROCURE DETAIL PARTS COMPONENT MAINT MANUAL REF: 27-41-05	002004 006999	1
30	251N2051-9	.	ACTUATOR ASSY- MISCELLANEOUS DATA: FOR SPARES PROCURE DETAIL PARTS COMPONENT MAINT MANUAL REF: 27-41-05	002004 006999	1
30	251N2051-10	.	ACTUATOR ASSY- MISCELLANEOUS DATA: FOR SPARES PROCURE DETAIL PARTS COMPONENT MAINT MANUAL REF: 27-41-05	002004 006999	1
32	BACB30NF4-16	..	BOLT	002004 006999	4
34	AN960PD416	..	WASHER-	002004 006105 107999	4
34	NAS1149D0463J	..	WASHER-	106106	4

MISSING ITEM NUMBERS NOT APPLICABLE

- ITEM NOT ILLUSTRATED

27-41-10-01

27-41-10  
FIG. 01  
PAGE 2  
JAN 20/09

BRI

BOEING PROPRIETARY - Copyright © - Unpublished Work - See title page for details.

**BOEING**  
757  
**PARTS CATALOG (MAINTENANCE)**

FIG ITEM	PART NUMBER	1 2 3 4 5 6 7	NOMENCLATURE	EFFECT FROM TO	UNITS PER ASSY
1 36	BRH10A4	..	NUT- SUPPLIER CODE: V52828 SPECIFICATION NUMBER: BACN10JC4 OPTIONAL PART: T6S428J V11815 96-048 V80539 VN303A048 V92215 RMLH9075-4W V72962 NS202101-048 V80539 H10-4BAC V15653	002004 006105 107999	4
36	BRH10C4D	..	NUT- SUPPLIER CODE: V52828 SPECIFICATION NUMBER: BACN10JC4CD OPTIONAL PART: T6C428JCD V11815 NS202486-048 V80539 102LH9075-4W V72962 H51650-4BAC V15653	106106	4
38	251N2114-1	..	RETAINER ASSY-GIMBAL POSITION DATA: UPR	002004 006999	2
40	BACB28AM21A050A	..	BUSHING	002004 006999	4
45	887087	..	MOTOR ASSY-HYDR SUPPLIER CODE: V62983 SPECIFICATION NUMBER: S250N212-5	002004 006999	2
45	569668	..	MOTOR ASSY-HYDR SUPPLIER CODE: V62983 SPECIFICATION NUMBER: S250N212-3 COMPONENT MAINT MANUAL REF: 27-50-07	002004 006999	2

MISSING ITEM NUMBERS NOT APPLICABLE

— ITEM NOT ILLUSTRATED

BRI

# 27-41-10-01

27-41-10  
FIG. 01  
PAGE 3  
JAN 20/09



757

PARTS CATALOG (MAINTENANCE)

FIG ITEM	PART NUMBER	1 2 3 4 5 6 7	NOMENCLATURE	EFFECT FROM TO	UNITS PER ASSY
1					
45	622634		..MOTOR ASSY-HYDR SUPPLIER CODE: V62983 SPECIFICATION NUMBER: S250N212-4 COMPONENT MAINT MANUAL REF: 27-50-07 ATTACHING PARTS	002004 006999	2
48	BACB30NF4-10		..BOLT-	002004 006999	8
50	AN960PD416		..WASHER-	002004 006105 107999	16
50	NAS1149D0463J		-----*----- ..WASHER- ATTACHING PARTS	106106	16
51	BRH10A4		..NUT- SUPPLIER CODE: V52828 SPECIFICATION NUMBER: BACN10JC4 OPTIONAL PART: T6S428J V11815 96-048 V80539 VN303A048 V92215 RMLH9075-4W V72962 NS202101-048 V80539 H10-4BAC V15653 -----*-----	002004 006105 107999	8
51	BRH10C4D		..NUT- SUPPLIER CODE: V52828 SPECIFICATION NUMBER: BACN10JC4CD OPTIONAL PART: T6C428JCD V11815 NS202486-048 V80539 102LH9075-4W V72962 H51650-4BAC V15653	106106	8

MISSING ITEM NUMBERS NOT APPLICABLE

- ITEM NOT ILLUSTRATED

BRI

27-41-10-01

27-41-10  
FIG. 01  
PAGE 4  
JAN 20/09

**BOEING**  
757  
**PARTS CATALOG (MAINTENANCE)**

FIG ITEM	PART NUMBER	1 2 3 4 5 6 7	NOMENCLATURE	EFFECT FROM TO	UNITS PER ASSY
1					
53	591737	...	UNION- SUPPLIER CODE: V62983 USED ON: 887087	002004 006999	1
56	NAS1602-904	...	PACKING- USED ON: 887087	002004 006999	1
56	NAS1612-4	...	PACKING- USED ON: 569668 622634	002004 006999	1
59	591738	...	UNION- SUPPLIER CODE: V62983 USED ON: 887087	002004 006999	1
61	NAS1602-906	...	PACKING- USED ON: 887087	002004 006999	1
61	NAS1612-6	...	PACKING- USED ON: 569668 622634	002004 006999	1
63	591737	...	UNION- SUPPLIER CODE: V62983 USED ON: 887087	002004 006999	2
65	NAS1602-904	...	PACKING- USED ON: 887087	002004 006999	2
67	160500-101	..	BRAKE ASSY-STAB. TRIM HYDR SUPPLIER CODE: V19156 SPECIFICATION NUMBER: S251N276-2 COMPONENT MAINT MANUAL REF: 27-41-04 ATTACHING PARTS	002004 006999	2
68	BACB30NF4-11	..	BOLT	002004 006999	8
69	AN960PD416	..	WASHER-	002004 006105 107999	16
69	NAS1149D0463J	..	-----*----- WASHER-	106106	16

MISSING ITEM NUMBERS NOT APPLICABLE

— ITEM NOT ILLUSTRATED

BRI

# 27-41-10-01

BOEING PROPRIETARY - Copyright © - Unpublished Work - See title page for details.

27-41-10  
FIG. 01  
PAGE 5  
JAN 20/09



757

PARTS CATALOG (MAINTENANCE)

FIG ITEM	PART NUMBER	1 2 3 4 5 6 7	NOMENCLATURE	EFFECT FROM TO	UNITS PER ASSY
1			ATTACHING PARTS		
70	BRH10A4		..NUT- SUPPLIER CODE: V52828 SPECIFICATION NUMBER: BACN10JC4 OPTIONAL PART: T6S428J V11815 96-048 V80539 VN303A048 V92215 RMLH9075-4W V72962 NS202101-048 V80539 H10-4BAC V15653	002004 006105 107999	8
70	BRH10C4D		-----*----- ..NUT- SUPPLIER CODE: V52828 SPECIFICATION NUMBER: BACN10JC4CD OPTIONAL PART: T6C428JCD V11815 NS202486-048 V80539 102LH9075-4W V72962 H51650-4BAC V15653	106106	8
75	BACU24K4		...UNION- USED ON: 160500-100	002004 006100 107107 121503 904999	1
76	930142-001		...ADAPTER-STRAIGHT SUPPLIER CODE: V19156 USED ON: 160500-101	002004 006999	1

MISSING ITEM NUMBERS NOT APPLICABLE

- ITEM NOT ILLUSTRATED

27-41-10-01

27-41-10  
FIG. 01  
PAGE 6  
JAN 20/09

BRI





757

PARTS CATALOG (MAINTENANCE)

FIG ITEM	PART NUMBER	1 2 3 4 5 6 7	NOMENCLATURE	EFFECT FROM TO	UNITS PER ASSY
1	77 C11236-008B		...RING- SUPPLIER CODE: V26879 SPECIFICATION NUMBER: BACR12BM008 OPTIONAL PART: RMR12BM008 V94878 STF800-008 V02107 S30294-008-1 V97820 TF450-008A V07128 2100-008 V26303 USED ON: 160500-101	002004 006999	1
	78 NAS1611-008		...PACKING- USED ON: 160500-101	002004 006999	1
	80 NAS1612-4		...PACKING-	002004 006999	1
	85 AP1008-04D		...CAP- SUPPLIER CODE: V01673 SPECIFICATION NUMBER: BACC14AD04D OPTIONAL PART: US2103-04D V50808 MS21914-4D BACC14AD04	002004 006999	1
	85 MS21914-4D		...CAP ASSY- OPTIONAL PART: BACC14AD04D	002004 006999	1

MISSING ITEM NUMBERS NOT APPLICABLE

- ITEM NOT ILLUSTRATED

BRI

27-41-10-01

BOEING PROPRIETARY - Copyright © - Unpublished Work - See title page for details.

27-41-10  
FIG. 01  
PAGE 7  
JAN 20/09



757

PARTS CATALOG (MAINTENANCE)

FIG ITEM	PART NUMBER	1 2 3 4 5 6 7	NOMENCLATURE	EFFECT FROM TO	UNITS PER ASSY
1 85	AFP241-04	...	CAP- SUPPLIER CODE: V30974 SPECIFICATION NUMBER: BACC14AD04 OPTIONAL PART: DBOC14AD4 V14798 FER22661-04 V14397 2-02813-4 V11328 4690009-04 V50948 US2103-04 V50808 AP1008-04 V01673 BACC14AD04D	002004 006999	1
90	BACU24K6	...	UNION	002004 006999	2
95	NAS1612-6	...	PACKING-	002004 006999	2
100	AP1008-06D	...	CAP ASSY- SUPPLIER CODE: V01673 SPECIFICATION NUMBER: BACC14AD06D OPTIONAL PART: DBOC14AD06D V14798 FER22661-06D V14397 2-02813-06D V11328 4690009-06D V50948 AFP241-06D V30974 US2103-06D V50808 MS21914-6D BACC14AD06	002004 006999	2
100	MS21914-6D	...	CAP ASSY- OPTIONAL PART: BACC14AD06D	002004 006999	2

MISSING ITEM NUMBERS NOT APPLICABLE

- ITEM NOT ILLUSTRATED

27-41-10-01

27-41-10  
FIG. 01  
PAGE 8  
JAN 20/09

BRI



757

PARTS CATALOG (MAINTENANCE)

FIG ITEM	PART NUMBER	1 2 3 4 5 6 7	NOMENCLATURE	EFFECT FROM TO	UNITS PER ASSY
1 100	AFP241-06		...CAP ASSY- SUPPLIER CODE: V30974 SPECIFICATION NUMBER: BACC14AD06 OPTIONAL PART: DBOC14AD6 V14798 FER22661-06 V14397 2-02813-6 V11328 4690009-06 V50948 US2103-06 V50808 AP1008-06 V01673 BACC14AD06D	002004 006999	2
105	160510-001		...FITTING-HOSE SUPPLIER CODE: V19156	002004 006999	1
110	NAS1611-007		...PACKING-	002004 006999	1
112	MS28775-114		..PACKING	002004 006999	2
115	7820700		..BALLSCREW ASSY- SUPPLIER CODE: VOA335 SPECIFICATION NUMBER: S251N201-1 COMPONENT MAINT MANUAL REF: 27-41-10	002004 006999	1
115	FV315000000		..BALLSCREW ASSY- SUPPLIER CODE: VF0221	002004 006999	1
120	7820705		...STOP- SUPPLIER CODE: VOA335 POSITION DATA: UPR ATTACHING PARTS	002004 006999	1
125	NAS7703-31		...BOLT	002004 006999	1
130	NAS1291-3		...NUT  -----*-----	002004 006999	1

MISSING ITEM NUMBERS NOT APPLICABLE

- ITEM NOT ILLUSTRATED

27-41-10-01

27-41-10  
FIG. 01  
PAGE 9  
JAN 20/09

BRI

BOEING PROPRIETARY - Copyright © - Unpublished Work - See title page for details.



757

PARTS CATALOG (MAINTENANCE)

FIG ITEM	PART NUMBER	1 2 3 4 5 6 7	NOMENCLATURE	EFFECT FROM TO	UNITS PER ASSY
1					
135	3019		...DRIVE FITTING- LUBRICATION SUPPLIER CODE: VOFKM1	002004 006999	4
140	7820724		...YOKE ASSY-MATCHED SET SUPPLIER CODE: VOA335 ATTACHING PARTS	002004 006999	1
145	BACB30LE6-32		...BOLT	002004 006999	4
150	AN960C616L		...WASHER	002004 006999	4
155	BACN10GW6AS		...NUT-	002004 006999	4
			-----*-----		
160	7820765		...KEY-YOKE SUPPLIER CODE: VOA335	002004 006999	2
165	7820731		...BUSHING-TRUNNION SUPPLIER CODE: VOA335	002004 006999	2
170	7820692		...SCREW- SUPPLIER CODE: VOA335	002004 006999	1
175	7820729		...SCRAPER- SUPPLIER CODE: VOA335	002004 006999	2
180	7820722		...PIN-RETAINER SUPPLIER CODE: VOA335	002004 006999	4
185	7820707		...RETAINER AND SEAL ASSY- SUPPLIER CODE: VOA335	002004 006999	2
190	NAS1291-3		...NUT	002004 006999	1
195	5669341		...PLATE-IDENT SUPPLIER CODE: VOA335	002004 006999	1
200	5702378		...PLATE-INSTRUCTION SUPPLIER CODE: VOA335	002004 006999	4
225	NAS1351-3H8P		..SCREW	002004 006999	6
230	NAS1351-3H8P		..SCREW- USED ON: 251N2051-3	107107	2

MISSING ITEM NUMBERS NOT APPLICABLE

- ITEM NOT ILLUSTRATED

BRI

27-41-10-01

27-41-10  
FIG. 01  
PAGE 10  
JAN 20/09



757

PARTS CATALOG (MAINTENANCE)

FIG ITEM	PART NUMBER	1 2 3 4 5 6 7	NOMENCLATURE	EFFECT FROM TO	UNITS PER ASSY
1					
230	NAS1351-4H8P	..	SCREW- USED ON: 251N2051-4 251N2051-7 251N2051-8	002004 006999	2
235	AN960PD10	..	WASHER	002004 006999	6
240	AN960PD10	..	WASHER- USED ON: 251N2051-3	107107	2
240	AN960PD416	..	WASHER- USED ON: 251N2051-4 251N2051-7 251N2051-8	002004 006999	2
245	251N2110-1	..	COVER-RATCHET OPTIONAL PART: 251N2110-3 USED ON: 251N2051-3	107107	2
245	251N2110-3	..	COVER-RATCHET OPTIONAL PART: 251N2110-1 USED ON: 251N2051-3	107107	2
245	251N2110-5	..	COVER-RATCHET OPTIONAL PART: 251N2110-6 USED ON: 251N2051-4 251N2051-7 251N2051-8 251N2051-9 251N2051-10	002004 006999	2
245	251N2110-6	..	COVER-RATCHET OPTIONAL PART: 251N2110-5 USED ON: 251N2051-4 251N2051-7 251N2051-8 251N2051-9 251N2051-10	002004 006999	2
250	MS28775-154	..	PACKING	002004 006999	2
255	AN814-4DL	..	PLUG	002004 006999	2
260	MS28778-4	..	PACKING	002004 006999	2

MISSING ITEM NUMBERS NOT APPLICABLE

- ITEM NOT ILLUSTRATED

27-41-10-01

27-41-10  
FIG. 01  
PAGE 11  
JAN 20/09

BRI



757

PARTS CATALOG (MAINTENANCE)

FIG ITEM	PART NUMBER	1 2 3 4 5 6 7	NOMENCLATURE	EFFECT FROM TO	UNITS PER ASSY
1					
265	251N2747-1	..	SPRING-	002004 006999	4
265	63-8663	..	SPRING- OPTIONAL PART: 251N2747-1	002004 006999	4
270	MS24665-132	..	PIN-	002004 006105 107999	2
270	BAC918BC02C04P	..	PIN-	106106	2
275	BACB30NF5D41	..	BOLT	002004 006999	2
280	AN960KD516	..	WASHER- USED ON: 251N2051-3	107107	AR
285	AN960KD516	..	WASHER- POSITION DATA: UNDER NUT	002004 006105 107999	2
285	NAS1149D0563J	..	WASHER-	106106	2
290	BACN10JD105	..	NUT	002004 006999	2
293	251N2746-1	..	PAWL ASSY-BRAKE	002004 006999	4
295	BMN4122AD3-14	..	NUT- SUPPLIER CODE: V97928 SPECIFICATION NUMBER: BACN10JC14 OPTIONAL PART: H10-14BAC V15653 BMN4122A14 V85495 RMLH9074-14 V72962 48FT1414 V56878	002004 006105 107999	2
295	H51650-14BAC	..	NUT- SUPPLIER CODE: V15653 SPECIFICATION NUMBER: BACN10JC14CD OPTIONAL PART: 102LH9074-14 V72962 69235-1414CD V92215 BMN4122CPD8-14 V97928	106106	2

MISSING ITEM NUMBERS NOT APPLICABLE

- ITEM NOT ILLUSTRATED

BRI

27-41-10-01

27-41-10  
FIG. 01  
PAGE 12  
JAN 20/09



757

PARTS CATALOG (MAINTENANCE)

FIG ITEM	PART NUMBER	1 2 3 4 5 6 7	NOMENCLATURE	EFFECT FROM TO	UNITS PER ASSY
1					
300	AN960PD1416	..	WASHER-	002004 006105 107999	2
300	NAS1149D1490J	..	WASHER-	106106	4
305	251N2168-1	..	PIN ASSY-GIMBAL POSITION DATA: LWR	002004 006999	2
310	BACB30NF4-24	..	BOLT	002004 006999	2
315	BRH10A4	..	NUT- SUPPLIER CODE: V52828 SPECIFICATION NUMBER: BACN10JC4 OPTIONAL PART: T6S428J V11815 96-048 V80539 VN303A048 V92215 RMLH9075-4W V72962 NS202101-048 V80539 H10-4BAC V15653	002004 006105 107999	2
315	BRH10C4D	..	NUT- SUPPLIER CODE: V52828 SPECIFICATION NUMBER: BACN10JC4CD OPTIONAL PART: T6C428JCD V11815 NS202486-048 V80539 102LH9075-4W V72962 H51650-4BAC V15653	106106	2
320	AN960PD416	..	WASHER-	002004 006105 107999	4
320	NAS1149D0463J	..	WASHER-	106106	4

MISSING ITEM NUMBERS NOT APPLICABLE

- ITEM NOT ILLUSTRATED

BRI

27-41-10-01

27-41-10  
FIG. 01  
PAGE 13  
JAN 20/09



757

PARTS CATALOG (MAINTENANCE)

FIG ITEM	PART NUMBER	1 2 3 4 5 6 7	NOMENCLATURE	EFFECT FROM TO	UNITS PER ASSY
1 325	BRH10A4	..	NUT- SUPPLIER CODE: V52828 SPECIFICATION NUMBER: BACN10JC4 OPTIONAL PART: T6S428J V11815 96-048 V80539 VN303A048 V92215 RMLH9075-4W V72962 NS202101-048 V80539 H10-4BAC V15653	002004 006105 107999	4
325	BRH10C4D	..	NUT- SUPPLIER CODE: V52828 SPECIFICATION NUMBER: BACN10JC4CD OPTIONAL PART: T6C428JCD V11815 NS202486-048 V80539 102LH9075-4W V72962 H51650-4BAC V15653	106106	4
330	251N2113-1	..	RETAINER ASSY-GIMBAL POSITION DATA: LWR	002004 006999	2
335	251N2158-1	..	PIN-SAFETY	002004 006999	1
- 336	251N2101-3	..	DIFFERENTIAL ASSY- USED ON: 251N2051-8 USED ON: 251N2051-8	002004 006105 107999	1
- 336	251N2101-4	..	DIFFERENTIAL ASSY-	106106	1
340	BACB30LH3-60	...	BOLT	002004 006999	4
345	BACB30NF4-9	...	BOLT	002004 006999	6

MISSING ITEM NUMBERS NOT APPLICABLE

- ITEM NOT ILLUSTRATED

27-41-10-01

27-41-10  
FIG. 01  
PAGE 14  
JAN 20/09

BRI





757

PARTS CATALOG (MAINTENANCE)

FIG ITEM	PART NUMBER	1 2 3 4 5 6 7	NOMENCLATURE	EFFECT FROM TO	UNITS PER ASSY
1					
350	AN960PD416	...	WASHER-	002004 006105 107999	12
350	NAS1149D0463J	...	WASHER-	106106	12
355	BRH10A4	...	NUT-	002004 006105 107999	6
			SUPPLIER CODE: V52828		
			SPECIFICATION NUMBER: BACN10JC4		
			OPTIONAL PART: T6S428J		
			V11815		
			96-048		
			V80539		
			VN303A048		
			V92215		
			RMLH9075-4W		
			V72962		
			NS202101-048		
			V80539		
			H10-4BAC		
			V15653		
355	BRH10C4D	...	NUT-	106106	6
			SUPPLIER CODE: V52828		
			SPECIFICATION NUMBER: BACN10JC4CD		
			OPTIONAL PART: T6C428JCD		
			V11815		
			NS202486-048		
			V80539		
			102LH9075-4W		
			V72962		
			H51650-4BAC		
			V15653		
360	BACB30LH3-50	...	BOLT-	002004 006999	4
			OPTIONAL PART: BACB30LU3-50		
360	BACB30LU3-50	...	BOLT-	002004 006999	4
			OPTIONAL PART: BACB30LH3-50		
365	MS20427M4-6	...	RIVET	002004 006999	6
370	MS24665-71	...	PIN-	002004 006105 107999	1
370	BACP18BC01C06P	...	PIN-	106106	1

MISSING ITEM NUMBERS NOT APPLICABLE

- ITEM NOT ILLUSTRATED

BRI

27-41-10-01

27-41-10  
FIG. 01  
PAGE 15  
JAN 20/09



757

PARTS CATALOG (MAINTENANCE)

FIG ITEM	PART NUMBER	1 2 3 4 5 6 7	NOMENCLATURE	EFFECT FROM TO	UNITS PER ASSY
1 375	BRH10A6	...	NUT- SUPPLIER CODE: V52828 SPECIFICATION NUMBER: BACN10JC6 OPTIONAL PART: 96-064 V80539 RMLH9075-6 V72962 H10-6BAC V15653	002004 006105 107999	1
375	BRH10C6D	...	NUT- SUPPLIER CODE: V52828 SPECIFICATION NUMBER: BACN10JC6CD OPTIONAL PART: H51650-6BAC V15653	106106	1
380	251N2173-1	...	RING	002004 006999	1
385	251N2122-1	...	PINION OUITPUT	002004 006999	1
390	251N2131-1	...	BEARING	002004 006999	4
395	251N2126-1	...	PINION ASSY-INPUT	002004 006999	2
400	251N2130-1	....	SLEEVE-INPUT	002004 006999	1
405	251N2126-2	....	PINION-INPUT	002004 006999	1
410	1206LLT1C1-01	...	BEARING SUPPLIER CODE: V21760 SPECIFICATION NUMBER: BACB10AZ30PP OPTIONAL PART: 206FTT V43991 99206 V29337 LL206S V38443 R206PPA4298 V9V013 R206PPA4298 V21335	002004 006999	1

R  
R  
R  
R  
R  
R  
R  
R  
R  
R  
R  
R  
R  
R  
R  
R  
R  
R  
R  
R  
R  
R

MISSING ITEM NUMBERS NOT APPLICABLE

- ITEM NOT ILLUSTRATED

27-41-10-01

27-41-10  
FIG. 01  
PAGE 16  
MAY 20/09

BRI



757

PARTS CATALOG (MAINTENANCE)

FIG ITEM	PART NUMBER	1 2 3 4 5 6 7	NOMENCLATURE	EFFECT FROM TO	UNITS PER ASSY
1					
415	251N2125-1	...	SHAFT-SHORT MOTOR OPTIONAL PART: 251N2125-5 251N2125-7	002004 006999	1
415	251N2125-5	...	SHAFT-SHORT MOTOR OPTIONAL PART: 251N2125-1 251N2125-7	002004 006999	1
415	251N2125-7	...	SHAFT-SHORT MOTOR OPTIONAL PART: 251N2125-1 251N2125-5	106106	1
420	251N2125-2	...	SHAFT-LONG MOTOR OPTIONAL PART: 251N2125-6 251N2125-8	002004 006999	1
420	251N2125-6	...	SHAFT-LONG MOTOR OPTIONAL PART: 251N2125-2 251N2125-8	002004 006999	1
420	251N2125-8	...	SHAFT-LONG MOTOR OPTIONAL PART: 251N2125-2 251N2125-6	106106	1
425	MS28775-011	...	PACKING	002004 006999	2
430	MS24665-73	...	PIN-COTTER	002004 006105 107999	1
430	BACP918BC01C08P	...	PIN-COTTER	106106	1
435	251N2132-2	...	RETAINER-	002004 006105 107999	2
435	251N2132-1	...	RETAINER-	106106	2
440	BMN4122AD3-8	...	NUT- SUPPLIER CODE: V97928 SPECIFICATION NUMBER: BACN10JC8 OPTIONAL PART: BMN4122A8 V85495 H10-8BAC V15653 RMLH9074-8 V72962 48FT820 V56878	002004 006105 107999	1

MISSING ITEM NUMBERS NOT APPLICABLE

- ITEM NOT ILLUSTRATED

BRI

27-41-10-01

27-41-10  
FIG. 01  
PAGE 17  
JAN 20/09



757

PARTS CATALOG (MAINTENANCE)

FIG ITEM	PART NUMBER	1 2 3 4 5 6 7	NOMENCLATURE	EFFECT FROM TO	UNITS PER ASSY
1 440	69235-820CD	...	NUT- SUPPLIER CODE: V92215 SPECIFICATION NUMBER: BACN10JC8CD OPTIONAL PART: 102LH9074-8 V72962 BMN4122CPD8-8 V97928 H51650-8BAC V15653	106106	1
445	251N2128-1	...	BEARING	002004 006999	1
450	251N2118-3	...	HOUSING ASSY-UPR USED ON: 251N2101-2	002004 006105 107999	1
450	251N2118-4	...	HOUSING ASSY-UPR	106106	1
455	251N2119-1	...	HOUSING ASSY-UPR OPTIONAL PART: 251N2119-3	002004 006105 107999	1
455	251N2119-3	...	HOUSING ASSY-UPR OPTIONAL PART: 251N2119-1	002004 006105 107999	1
455	251N2119-4	...	HOUSING ASSY-UPR	106106	1
456	MS21209F1-15	....	INSERT	002004 006999	3
457	MS21209F1-20	....	INSERT	002004 006999	4
458	MS21209F4-10	....	INSERT- USED ON: 251N2118-1 251N2118-3	002004 006105 107999	3
458	MS21209F4-15	....	INSERT- USED ON: 251N2118-4	106106	3
459	251N2172-1	....	SLEEVE- USED ON: 251N2119-1 USED ON: 251N2119-1	002004 006105 107999	1
459	251N2172-2	....	SLEEVE- USED ON: 251N2119-3 251N2119-4 USED ON: 251N2119-3	002004 006999	1

MISSING ITEM NUMBERS NOT APPLICABLE

- ITEM NOT ILLUSTRATED

27-41-10-01

27-41-10  
FIG. 01  
PAGE 18  
JAN 20/09

BRI



**757  
PARTS CATALOG (MAINTENANCE)**

FIG ITEM	PART NUMBER	1 2 3 4 5 6 7	NOMENCLATURE	EFFECT FROM TO	UNITS PER ASSY
1					
460	251N2127-1	....	PLATE- USED ON: 251N2119-1 251N2119-3	002004 006105 107999	1
460	251N2127-2	....	PLATE- USED ON: 251N2119-4	106106	1
461	251N2118-2	....	HOUSING- USED ON: 251N2118-1 251N2118-3	002004 006105 107999	1
461	251N2118-5	....	HOUSING- USED ON: 251N2118-4	106106	1
462	251N2119-2	....	HOUSING- USED ON: 251N2119-1 251N2119-3	002004 006105 107999	1
462	251N2119-5	....	HOUSING- USED ON: 251N2119-4	106106	1
465	MS24665-73	...	PIN-COTTER	002004 006105 107999	2
465	BACP18BC01C08P	...	PIN-COTTER	106106	2
470	BMN4122AD3-8	...	NUT- SUPPLIER CODE: V97928 SPECIFICATION NUMBER: BACN10JC8 OPTIONAL PART: BMN4122A8 V85495 H10-8BAC V15653 RMLH9074-8 V72962 48FT820 V56878	002004 006105 107999	2

MISSING ITEM NUMBERS NOT APPLICABLE

— ITEM NOT ILLUSTRATED

BRI

# 27-41-10-01

BOEING PROPRIETARY - Copyright © - Unpublished Work - See title page for details.

27-41-10  
FIG. 01  
PAGE 19  
JAN 20/09

 **BOEING**  
757  
**PARTS CATALOG (MAINTENANCE)**

FIG ITEM	PART NUMBER	1 2 3 4 5 6 7	NOMENCLATURE	EFFECT FROM TO	UNITS PER ASSY
1 470	69235-820CD	...	NUT- SUPPLIER CODE: V92215 SPECIFICATION NUMBER: BACN10JC8CD OPTIONAL PART: 102LH9074-8 V72962 BMN4122CPD8-8 V97928 H51650-8BAC V15653	106106	2
472	AN960-816	...	WASHER-	002004 006105 107999	2
472	NAS1149F0863P	...	WASHER-	106106	2
473	9102NPPA1021	...	BEARING- SUPPLIER CODE: V21335 SPECIFICATION NUMBER: 60B00179-10	002004 006999	4
474	9105NPPA1021	...	BEARING- SUPPLIER CODE: V21335 SPECIFICATION NUMBER: 60B00179-11	002004 006999	5
475	MS28775-110	...	PACKING-	002004 006999	2
480	251N2133-1	...	SPACER-	002004 006999	1
485	251N2134-1	...	SPACER	002004 006999	1
490	251N2135-1	...	SPACER	002004 006999	2
495	251N2136-1	...	SPACER	002004 006105 107999	2
500	256A3148-45	...	SHIM	106106	AR
505	256A3148-46	...	SHIM	106106	AR
510	256A3148-47	...	SHIM	106106	AR
515	256A3148-48	...	SHIM	106106	AR
520	251N2167-1	...	RETAINER	002004 006999	1
525	256A3148-21	...	SHIM	106106	AR
530	256A3148-22	...	SHIM	106106	AR
535	256A3148-23	...	SHIM	106106	AR
540	256A3148-24	...	SHIM	106106	AR
545	251N2117-1	...	SHAFT	002004 006999	1

MISSING ITEM NUMBERS NOT APPLICABLE

— ITEM NOT ILLUSTRATED

BRI

# 27-41-10-01

BOEING PROPRIETARY - Copyright © - Unpublished Work - See title page for details.

27-41-10  
FIG. 01  
PAGE 20  
JAN 20/09



757  
PARTS CATALOG (MAINTENANCE)

FIG ITEM	PART NUMBER	1 2 3 4 5 6 7	NOMENCLATURE	EFFECT FROM TO	UNITS PER ASSY
1					
550	251N2123-1	...	SHAFT-INNER	002004 006999	1
555	NAS1351-3H6P	...	SCREW	002004 006999	6
560	251N2129-1	...	RETAINER	002004 006999	2
565	R9104PPA4298	...	BEARING SUPPLIER CODE: V21335 SPECIFICATION NUMBER: BACB10BA20PP OPTIONAL PART: LL104KSG20 V38443 LL104KS V38443 6004FTT V43991 9104LLT1C1-01 V21760 9104NPPFS428 V21335 993L04 V29337 PKTLL104P1 V78118 C104RRP0ZZ V40920 R9104PPA4298 V9V013 C104RRP1P28LY19 V40920 R9104PPA4298 V9V013	002004 006999	4
570	251N2121-1	...	PINION-PLANET	002004 006999	2
575	251N2120-1	...	GEAR ASSY	002004 006105 107999	2
575	251N2120-4	...	GEAR ASSY	106106	2

R  
R  
R  
R  
R  
R  
R  
R  
R  
R  
R  
R  
R  
R  
R  
R  
R  
R  
R  
R  
R  
R  
R  
R  
R

MISSING ITEM NUMBERS NOT APPLICABLE

- ITEM NOT ILLUSTRATED

27-41-10-01

27-41-10  
FIG. 01  
PAGE 21  
MAY 20/09

BRI

BOEING PROPRIETARY - Copyright © - Unpublished Work - See title page for details.



757

PARTS CATALOG (MAINTENANCE)

FIG ITEM	PART NUMBER	1 2 3 4 5 6 7	NOMENCLATURE	EFFECT FROM TO	UNITS PER ASSY
1 580	HL441UC6-4	.....	BOLT- SUPPLIER CODE: V60516 SPECIFICATION NUMBER: BACB30FM6A4 OPTIONAL PART: HL440UC6-4 V73197 HL440UC6-4 V92215 HL440UC6-4 V97928 HL440UC6-4 V80539 67067-6A4 V56878 HL440UC6-4 V08524 HL440UC6-4 V56878 HL440UC6-4 V56878	002004 006999	12
585	HL79-6	.....	COLLAR SUPPLIER CODE: V5M902 SPECIFICATION NUMBER: BACC30M6 OPTIONAL PART: HL79-6 V73197 HL79-6 V92215 66014-6 V56878 HL79-6 V56878	002004 006999	12
590	NAS1149F0332P	.....	WASHER-	002004 006999	12
593	251N2120-3	.....	GEAR-OUTER	002004 006105 107999	2
593	251N2105-3	.....	GEAR-OUTER	106106	2
595	251N2120-2	.....	GEAR-INNER	002004 006105 107999	2
595	251N2104-3	.....	GEAR-INNER	106106	2

MISSING ITEM NUMBERS NOT APPLICABLE

- ITEM NOT ILLUSTRATED

27-41-10-01

27-41-10  
FIG. 01  
PAGE 22  
JAN 20/09

BRI





757

PARTS CATALOG (MAINTENANCE)

FIG ITEM	PART NUMBER	1 2 3 4 5 6 7	NOMENCLATURE	EFFECT FROM TO	UNITS PER ASSY
1					
900			ILLUSTRATION REFERENCE: PLUMBING INSTL-SECT. 48 L HYDR (HORIZONTAL STABILIZER TRIM CONTROL ONLY) 27-41-51-20	002004 006100 107107 121503 904999	RF
905			ILLUSTRATION REFERENCE: PLUMBING INSTL-SECT. 48 R HYDR (HORIZONTAL STABILIZER TRIM CONTROL ONLY) 27-41-51-24	002004 006100 107107 121503 904999	RF

MISSING ITEM NUMBERS NOT APPLICABLE

- ITEM NOT ILLUSTRATED

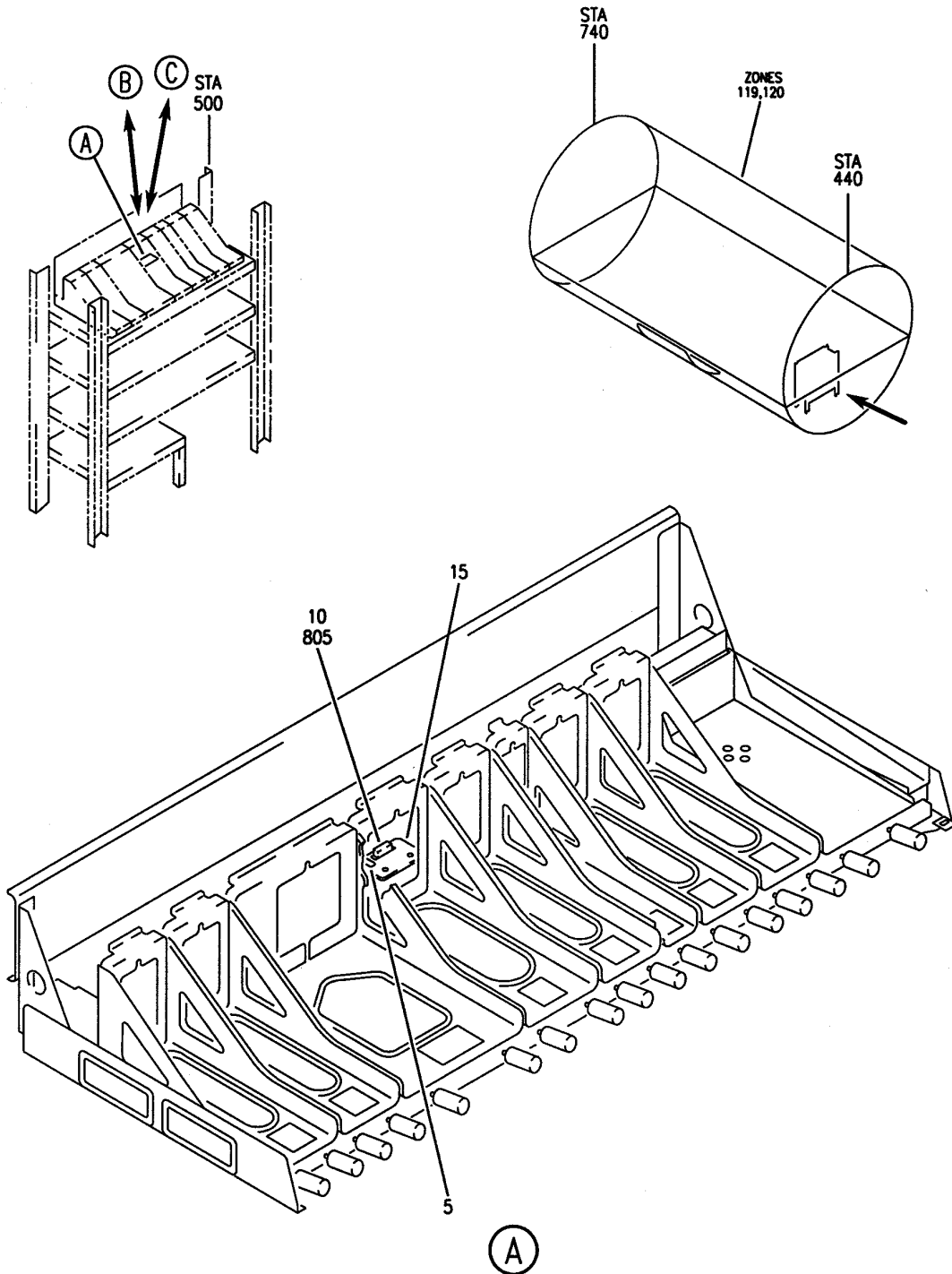
BRI

**27-41-10-01**

BOEING PROPRIETARY - Copyright © - Unpublished Work - See title page for details.

27-41-10  
FIG. 01  
PAGE 23  
JAN 20/09

**BOEING**  
757  
PARTS CATALOG (MAINTENANCE)



Y 2741101B SHT 1 REV 219

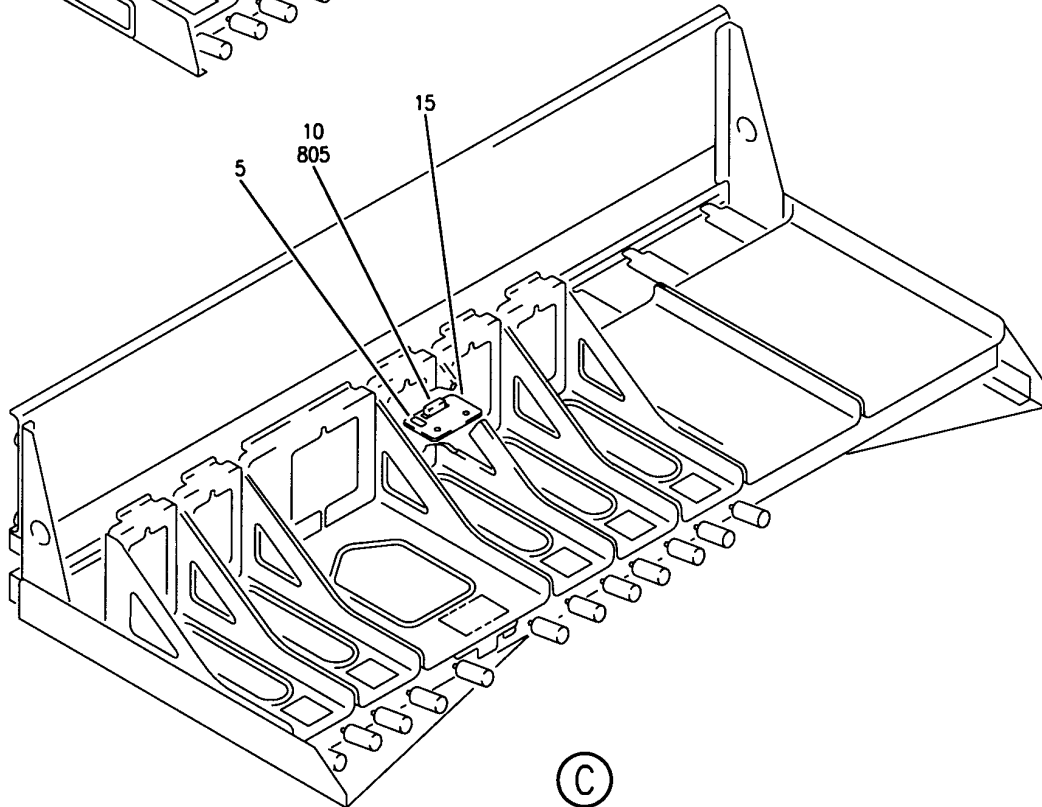
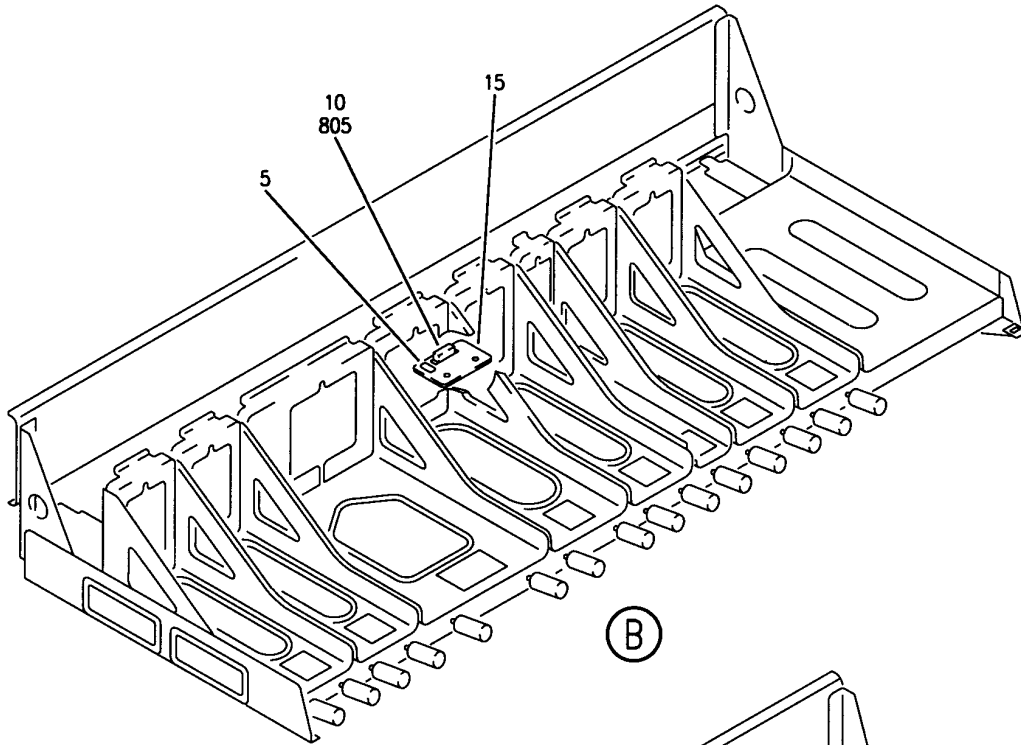
SHELF ASSY-ELECTRONIC EQPT E3-1 (FLIGHT CONTROL ONLY)  
FIGURE 1B (SHEET 1)

**27-41-11-01B**

BRI  
MAY 28/07

27-41-11-01B  
PAGE 0

**BOEING**  
757  
PARTS CATALOG (MAINTENANCE)



Y 27411101B SHT 2 REV 208

SHELF ASSY-ELECTRONIC EQPT E3-1 (FLIGHT CONTROL ONLY)  
FIGURE 1B (SHEET 2)

**27-41-11-01B**

BRI  
MAY 28/07

27-41-11-01B  
PAGE 0A



757

PARTS CATALOG (MAINTENANCE)

FIG ITEM	PART NUMBER	1 2 3 4 5 6 7	NOMENCLATURE	EFFECT FROM TO	UNITS PER ASSY
1B			SHELF ASSY-ELECTRONIC EQPT E3-1 (FLIGHT CONTROL ONLY)	101102 108120 504903	
- 1	284N1531-26		SHELF ASSY-ELECTRONICS EQPT E3-1 (FLIGHT CONTROLS ONLY) FOR NHA/OTHER SYS DET SEE: 24-00-58-05D	101102	RF
- 1	284N1531-28		SHELF ASSY-ELECTRONICS EQPT E3-1 (FLIGHT CONTROLS ONLY) FOR NHA/OTHER SYS DET SEE: 24-00-58-05D	108120	RF
- 1	284N1531-32		SHELF ASSY-ELECTRONICS EQPT E3-1 (FLIGHT CONTROLS ONLY) FOR NHA/OTHER SYS DET SEE: 24-00-58-05D	504903	RF
10	XD4N		.RELAY- SUPPLIER CODE: V58657 ELECTRICAL EQUIP NUMBER: K00574	101102 108120 504903	1
10	XD4N103		.RELAY- SUPPLIER CODE: V80183 ELECTRICAL EQUIP NUMBER: K00574	101102 108120 504903	1
- 800	286N1265-303		WIRE BUNDLE ASSY-	101102	RF
- 801	286N1265-321		WIRE BUNDLE ASSY	504903	RF
- 801	286N1265-328		WIRE BUNDLE ASSY-	108120	RF
805	S0-1064-007		.SOCKET- SUPPLIER CODE: V35344 ELECTRICAL EQUIP NUMBER: D00787 WIRING DIAGRAM REF: 274111	101102 108120 504903	1

MISSING ITEM NUMBERS NOT APPLICABLE

- ITEM NOT ILLUSTRATED

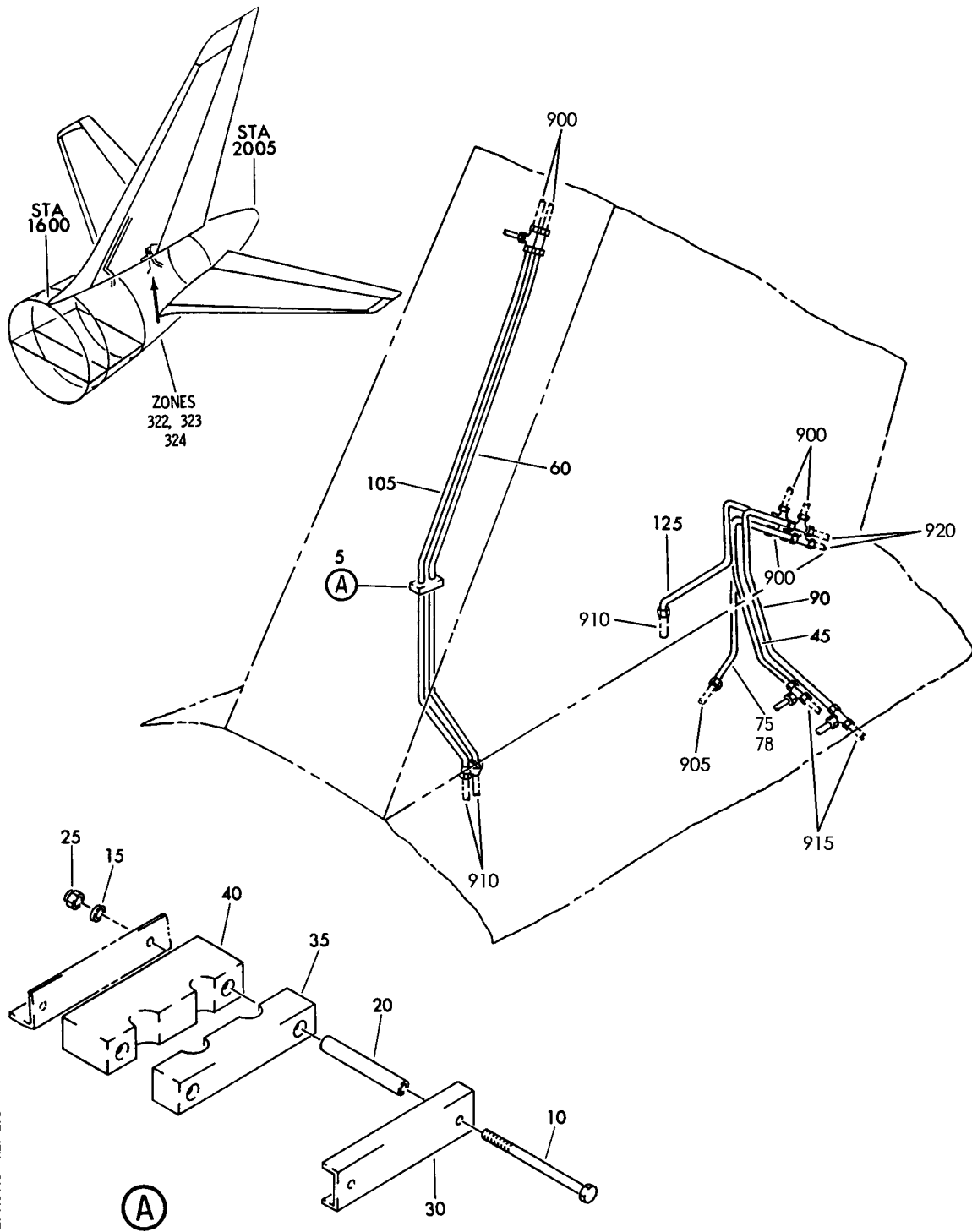
BRI

27-41-11-01B

BOEING PROPRIETARY - Copyright © - Unpublished Work - See title page for details.

27-41-11  
FIG. 01B  
PAGE 1  
JAN 20/09

**BOEING**  
757  
PARTS CATALOG (MAINTENANCE)



Y 27415115 REV 278

PLUMBING INSTL-VERT. FIN SECT. 70 HYDR (HORIZONTAL STABILIZER TRIM CONTROL ONLY)  
FIGURE 15

BRI  
MAY 28/07

**27-41-51-15**

27-41-51-15  
PAGE 0



757

PARTS CATALOG (MAINTENANCE)

FIG ITEM	PART NUMBER	1 2 3 4 5 6 7	NOMENCLATURE	EFFECT FROM TO	UNITS PER ASSY
15			PLUMBING INSTL-VERT. FIN SECT. 70 HYDR (HORIZONTAL STABILIZER TRIM CONTROL ONLY)	002004 006999	
- 1	271N6701-1		PLUMBING INSTL-VERT. FIN HYDR (HORIZONTAL STABILIZER TRIM CONTROL ONLY) POSITION DATA: SECT. 70 REWORK DRAWING REF: 012N8467-1 012N8467-3 REWORKED BY ALERT SB: 29A0030 FOR NHA/OTHER SYS DET SEE: 29-00-51-04	002004 006100 107107 121503 904999	RF
- 1	271N6701-3		PLUMBING INSTL-VERT. FIN HYDR (HORIZONTAL STABILIZER TRIM CONTROL ONLY) POSITION DATA: SECT. 70 FOR NHA/OTHER SYS DET SEE: 27-00-00-03	101102 504903	RF
- 1	271N6701-4		PLUMBING INSTL-VERT. FIN HYDR (HORIZONTAL STABILIZER TRIM CONTROL ONLY) POSITION DATA: SECT. 70 FOR NHA/OTHER SYS DET SEE: 27-00-00-03	108120	RF
- 1	MODREF31932		PLUMBING INSTL-VERT. FIN HYDR (HORIZONTAL STABILIZER TRIM CONTROL ONLY) MODULE NUMBER: 271N6701-5 REV B POSITION DATA: SECT. 70 FOR OTHER SYS DETAILS SEE: 22-13-51-15 27-41-51-15	103106	1
5	270N2000-142		.CLAMP ASSY-BLK	002004 006999	1
10	NAS1801-3-33		..SCREW-	002004 006999	2

MISSING ITEM NUMBERS NOT APPLICABLE

- ITEM NOT ILLUSTRATED

27-41-51-15

27-41-51  
FIG. 15  
PAGE 1  
JAN 20/09

BRI



757

PARTS CATALOG (MAINTENANCE)

FIG ITEM	PART NUMBER	1 2 3 4 5 6 7	NOMENCLATURE	EFFECT FROM TO	UNITS PER ASSY
15					
15	AN960PD10L	..	WASHER	002004 006999	2
20	NAS43DD3-95	..	SPACER-	002004 006999	2
25	BRH10A3	..	NUT	002004 006999	2
			SUPPLIER CODE: V52828		
			SPECIFICATION NUMBER: BACN10JC3		
			OPTIONAL PART: H10-3BAC		
			V15653		
			NS202101-02		
			V80539		
			RMLH9075-3W		
			V72962		
			VN303A02		
			V92215		
			96-02		
			V80539		
			T6S1032J		
			V11815		
30	270N2000-805	..	CHANNEL	002004 006999	1
35	270N2000-594	..	BLOCK	002004 006999	1
40	270N2000-596	..	BLOCK-	002004 006999	1
45	271N6701-1001	.TUBE ASSY-PRESSURE SYS	POSITION DATA: L	002004 006999	1
			TUBING MATERIAL: .375 IN. OD .019 IN. WALL 36.40 IN. LG TITANIUM BMS 7-234 TI-3AL-2.5V COLD WORKED, STRESS RELIEVED TUBING		
- 50	AS1581T06	..	SLEEVE	002004 006999	2
- 55	BACN10YA6	..	NUT	002004 006999	2

MISSING ITEM NUMBERS NOT APPLICABLE

- ITEM NOT ILLUSTRATED

27-41-51-15

27-41-51  
FIG. 15  
PAGE 2  
JAN 20/09

BRI

BOEING PROPRIETARY - Copyright © - Unpublished Work - See title page for details.



757

PARTS CATALOG (MAINTENANCE)

FIG ITEM	PART NUMBER	1 2 3 4 5 6 7	NOMENCLATURE	EFFECT FROM TO	UNITS PER ASSY
15 60	271N6701-1054		.TUBE ASSY-PRESSURE SYS POSITION DATA: R TUBING MATERIAL: .375 IN. OD .019 IN. WALL 65.40 IN. LG TI BMS 7-234 TI-3AL-2.5V COLD WORKED, STRESS RELIEVED TUBING	002004 006999	1
60	271N6701-1102		.TUBE ASSY-PRESSURE SYS POSITION DATA: RH TUBING MATERIAL: .375 IN. OD .019 IN. WALL 64.60 IN. LG TI BMS 7-234 TI-3AL-2.5V COLD WORKED, STRESS RELIEVED TUBING	103106	1
- 65	AS1581T06		..SLEEVE	002004 006999	2
- 70	BACN10YA6		..NUT	002004 006999	2
78	271N6701-1081		.TUBE ASSY-PRESSURE SYS POSITION DATA: CTR TUBING MATERIAL: .375 IN. OD .019 IN. WALL 25.80 IN. LG TI BMS 7-234 TI-3AL-2.5V COLD WORKED, STRESS RELIEVED TUBING POST ALERT SB: 29A0030	002004 006999	1
- 82	AS1582T06		..UNION	002004 006999	1
- 83	AS1581T06		..SLEEVE	002004 006999	1
- 88	BACN10YA6		..NUT-	002004 006999	1

MISSING ITEM NUMBERS NOT APPLICABLE

- ITEM NOT ILLUSTRATED

27-41-51-15

27-41-51  
FIG. 15  
PAGE 3  
JAN 20/09

BRI





757

PARTS CATALOG (MAINTENANCE)

FIG ITEM	PART NUMBER	1 2 3 4 5 6 7	NOMENCLATURE	EFFECT FROM TO	UNITS PER ASSY
15 90	271N6701-1007	.	TUBE ASSY-RETURN SYS POSITION DATA: L TUBING MATERIAL: .500 IN. OD .035 IN. WALL 41.90 IN. LG AL AMS 40836061 T6 TUBING	002004 006999	1
- 95	AP2097HP08	..	SLEEVE SUPPLIER CODE: V01673 SPECIFICATION NUMBER: BACS13BX08HP OPTIONAL PART: 2-02903-08HP V11328 35235VN08 V08199 AFP175V08P V30974 DBOS13BX08HP V14798	002004 006999	2
- 100	MS21921-8D	..	NUT- OPTIONAL PART: BACN10YL08	002004 006999	2
- 100	BACN10YL08	..	NUT- OPTIONAL PART: MS21921-8D	002004 006999	2
105	271N6701-1075	.	TUBING ASSY-RETURN SYS POSITION DATA: R TUBING MATERIAL: .500 IN. OD .035 IN. WALL 66.00 IN. LG AL AMS 40836061 T6 TUBING	107107 904949	1
105	271N6701-1089	.	TUBING ASSY-RETURN SYS POSITION DATA: R TUBING MATERIAL: .500 IN. OD .035 IN. WALL 65.90 IN. LG AL AMS 40836061 T6 TUBING	002004 006106 108999	1

MISSING ITEM NUMBERS NOT APPLICABLE

- ITEM NOT ILLUSTRATED

27-41-51-15

27-41-51  
FIG. 15  
PAGE 4  
JAN 20/09

BRI



757

PARTS CATALOG (MAINTENANCE)

FIG ITEM	PART NUMBER	1 2 3 4 5 6 7	NOMENCLATURE	EFFECT FROM TO	UNITS PER ASSY
15 105	271N6701-1101		.TUBING ASSY-RETURN SYS POSITION DATA: R TUBING MATERIAL: .500 IN. OD .035 IN. WALL 65.40 IN. LG AL AMS 40836061 T6 TUBING	103106	1
- 110	AP2097HP08		..SLEEVE SUPPLIER CODE: V01673 SPECIFICATION NUMBER: BACS13BX08HP OPTIONAL PART: 2-02903-08HP V11328 35235VN08 V08199 AFP175V08P V30974 DBOS13BX08HP V14798	002004 006999	1
- 115	MS21921-8D		..NUT- OPTIONAL PART: BACN10YL08	002004 006999	1
- 115	BACN10YL08		..NUT- OPTIONAL PART: MS21921-8D	002004 006999	1
- 120	35056GV08		..UNION SUPPLIER CODE: V08199 SPECIFICATION NUMBER: BACU24AB8W OPTIONAL PART: 2-01027-8W V11328 31875-8W V14397 4671097W8 V50948 AP1004W08 V01673 AFP941W8 V30974 DBOU24AB8W V14798	002004 006999	1

MISSING ITEM NUMBERS NOT APPLICABLE

- ITEM NOT ILLUSTRATED

27-41-51-15

27-41-51  
FIG. 15  
PAGE 5  
JAN 20/09

BRI



757

PARTS CATALOG (MAINTENANCE)

FIG ITEM	PART NUMBER	1 2 3 4 5 6 7	NOMENCLATURE	EFFECT FROM TO	UNITS PER ASSY
15 125	271N6701-1082		.TUBING ASSY-RETURN SYS POSITION DATA: CTR TUBING MATERIAL: .500 IN. OD .035 IN. WALL 32.20 IN. LG AL AMS 40836061 T6 TUBING POST ALERT SB: 29A0030	002004 006999	1
- 133	AP2097HP08		..SLEEVE SUPPLIER CODE: V01673 SPECIFICATION NUMBER: BACS13BX08HP OPTIONAL PART: 2-02903-08HP V11328 35235VN08 V08199 AFP175V08P V30974 DBOS13BX08HP V14798	002004 006999	1
- 137	MS21921-8D		..NUT- OPTIONAL PART: BACN10YL08	002004 006999	1
- 137	BACN10YL08		..NUT- OPTIONAL PART: MS21921-8D	002004 006999	1
- 145	35056GV08		..UNION SUPPLIER CODE: V08199 SPECIFICATION NUMBER: BACU24AB8W OPTIONAL PART: 2-01027-8W V11328 31875-8W V14397 4671097W8 V50948 AP1004W08 V01673 AFP941W8 V30974 DBOU24AB8W V14798	002004 006999	1

MISSING ITEM NUMBERS NOT APPLICABLE

- ITEM NOT ILLUSTRATED

27-41-51-15

27-41-51  
FIG. 15  
PAGE 6  
JAN 20/09

BRI



757

PARTS CATALOG (MAINTENANCE)

FIG ITEM	PART NUMBER	1 2 3 4 5 6 7	NOMENCLATURE	EFFECT FROM TO	UNITS PER ASSY
15 900			ILLUSTRATION REFERENCE: PLUMBING INSTL-VERT. FIN SECT. 70 HYDR (RUDDER AND RUDDER TRIM ONLY) 27-21-51-15	002004 006999	RF
905			ILLUSTRATION REFERENCE: PLUMBING INSTL-SECT. 48 L HYDR (HORIZONTAL STABILIZER TRIM CONTROL ONLY) 27-41-51-21	002004 006100 107107 121503 904999	RF
905			ILLUSTRATION REFERENCE: PLUMBING INSTL-SECT. 48 L HYDR (HORIZONTAL STABILIZER TRIM CONTROL ONLY) 27-41-51-21A	101102 504903	RF
915			ILLUSTRATION REFERENCE: PLUMBING INSTL-SECT. 48 L HYDR (HORIZONTAL STABILIZER TRIM CONTROL ONLY) 27-41-51-21	002004 006100 107107 121503 904999	RF
915			ILLUSTRATION REFERENCE: PLUMBING INSTL-SECT. 48 L HYDR (HORIZONTAL STABILIZER TRIM CONTROL ONLY) 27-41-51-21A	101102 504903	RF
920			ILLUSTRATION REFERENCE: PLUMBING INSTL-VERT. FIN SECT. 70 HYDR (AUTOPILOT ROLLOUT GUIDANCE SERVO ONLY) 22-13-51-15	002004 006999	RF

MISSING ITEM NUMBERS NOT APPLICABLE

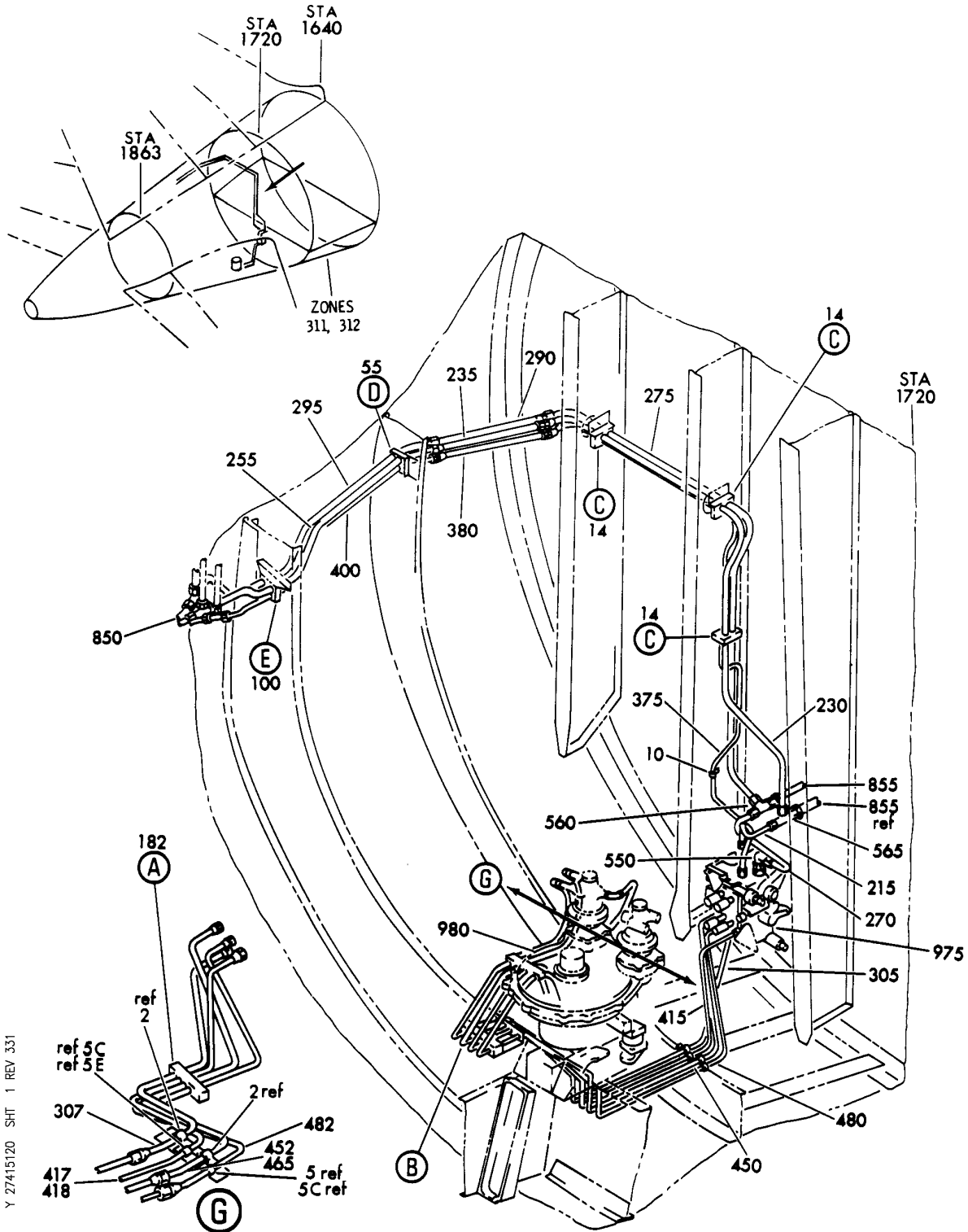
- ITEM NOT ILLUSTRATED

BRI

**27-41-51-15**

27-41-51  
FIG. 15  
PAGE 7  
JAN 20/09

**BOEING**  
757  
PARTS CATALOG (MAINTENANCE)



Y 27415120 SHT 1 REV 331

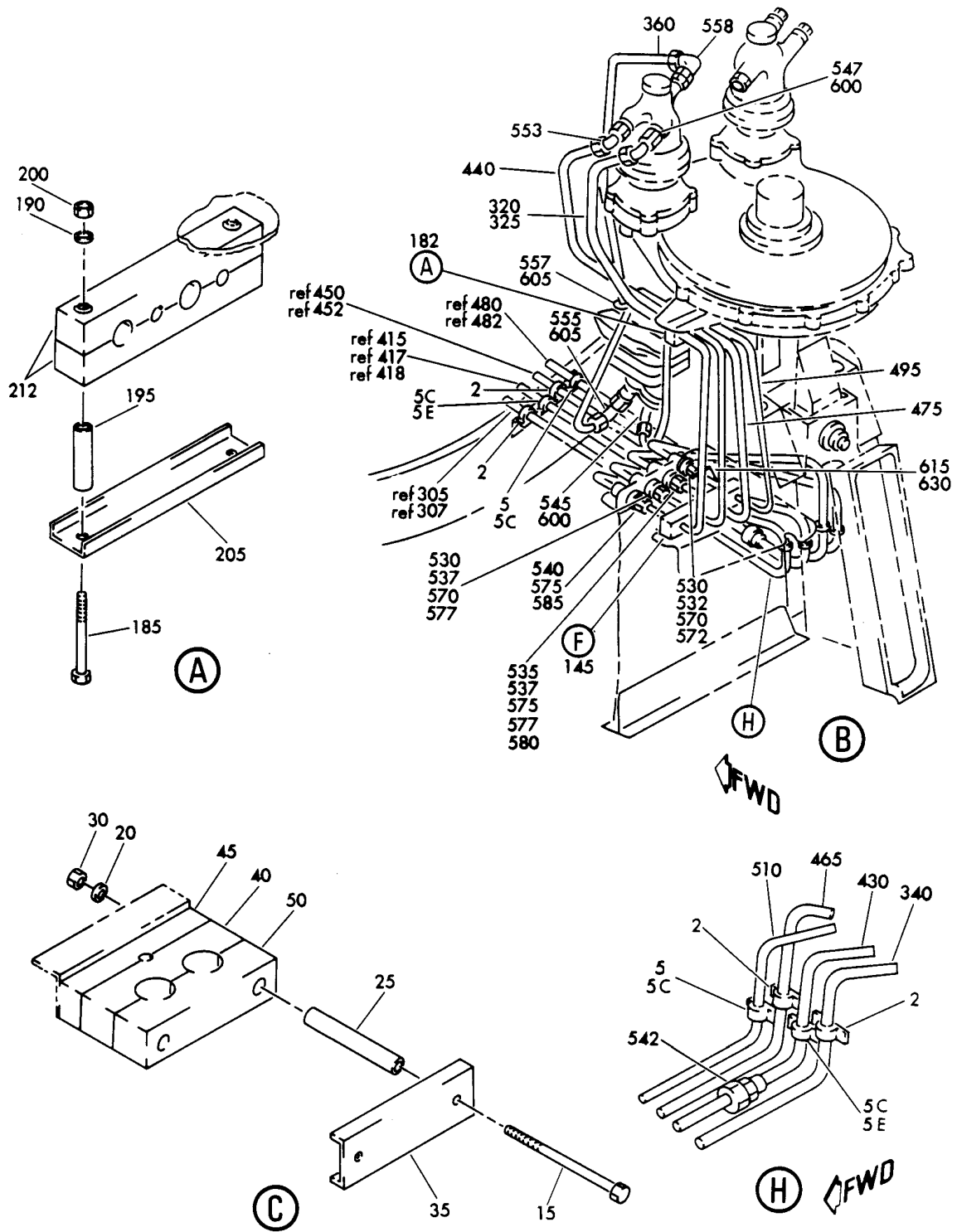
PLUMBING INSTL-SECT. 48 L HYDR (HORIZONTAL STABILIZER TRIM CONTROL ONLY)  
FIGURE 20 (SHEET 1)

**27-41-51-20**

BRI  
JAN 20/09

27-41-51-20  
PAGE 0

**BOEING**  
757  
PARTS CATALOG (MAINTENANCE)



Y 27415120 SH1 2 REV 331

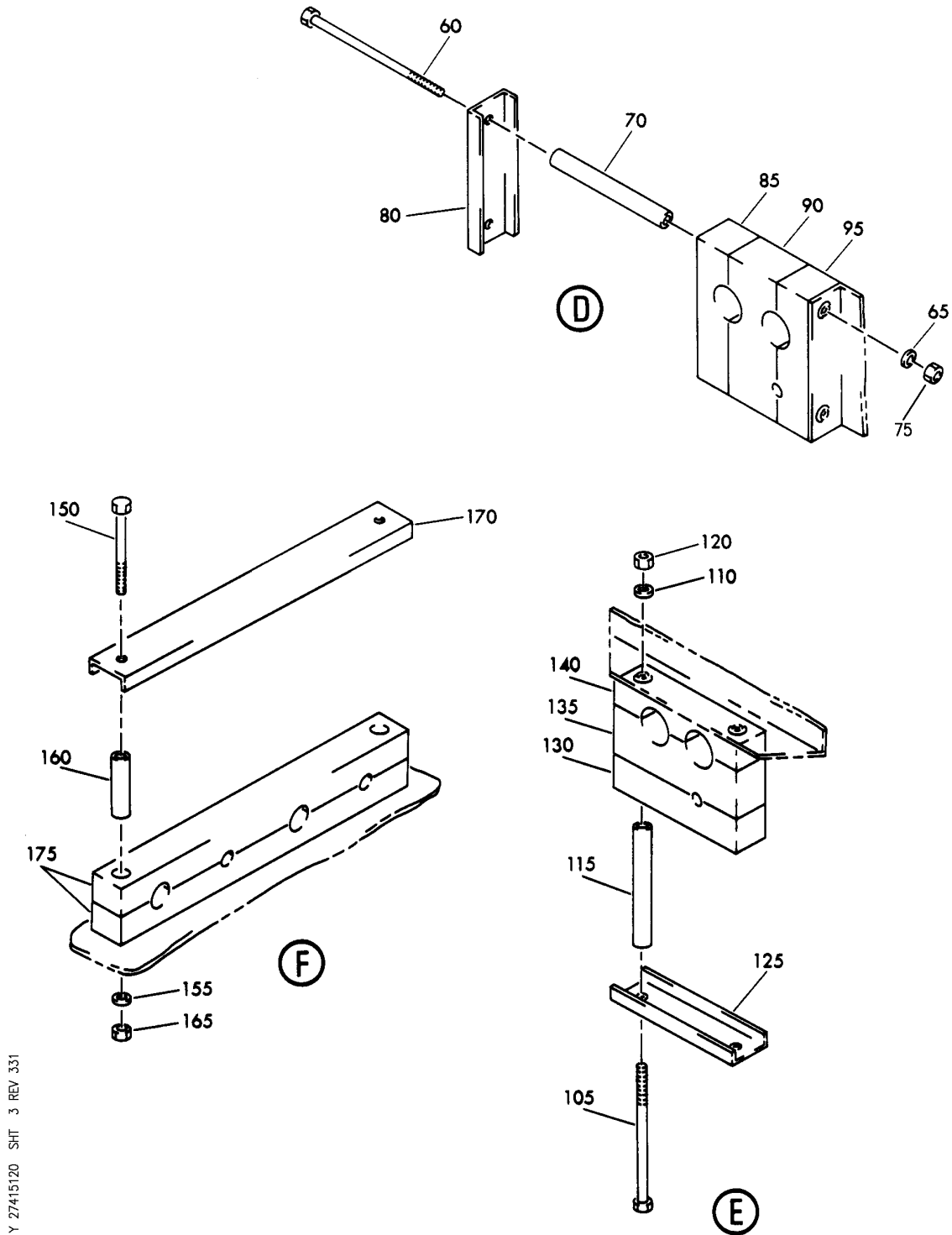
PLUMBING INSTL-SECT. 48 L HYDR (HORIZONTAL STABILIZER TRIM CONTROL ONLY)  
FIGURE 20 (SHEET 2)

**27-41-51-20**

BRI  
JAN 20/09

27-41-51-20  
PAGE 0A

**BOEING**  
757  
PARTS CATALOG (MAINTENANCE)



Y 27415120 SH1 3 REV 331

PLUMBING INSTL-SECT. 48 L HYDR (HORIZONTAL STABILIZER TRIM CONTROL ONLY)  
FIGURE 20 (SHEET 3)

**27-41-51-20**

BRI  
JAN 20/09

27-41-51-20  
PAGE 0B



757

PARTS CATALOG (MAINTENANCE)

FIG ITEM	PART NUMBER	1 2 3 4 5 6 7	NOMENCLATURE	EFFECT FROM TO	UNITS PER ASSY
20			PLUMBING INSTL-SECT. 48 L HYDR (HORIZONTAL STABILIZER TRIM CONTROL ONLY)	002004 006100 107107 121503 904999	
- 1	271N6481-1		PLUMBING INSTL-HYDR (HORIZONTAL STABILIZER TRIM CONTROL ONLY) POSITION DATA: SECT. 48 L FOR NHA/OTHER SYS DET SEE: 29-00-51-06	002004 006100 107107 121503 904999	RF
2	TA0910004H106		.CLAMP- SUPPLIER CODE: V84971 SPECIFICATION NUMBER: BACC10HB06C ATTACHING PARTS	002004 006100 107107 121503 904999	4
- 3A	NAS1801-3		.SCREW- SIZE DETERMINED ON INSTL.	002004 006100 107107 121503 904949 952999 950951	8
- 3C	NAS1801-3-6		.SCREW- POST SERVICE BULLETIN: 27-0040	002004 006100 107107 121503 904999	8
- 3E	AN960KD10L		.WASHER	002004 006100 107107 121503 904999	8

MISSING ITEM NUMBERS NOT APPLICABLE

- ITEM NOT ILLUSTRATED

BRI

27-41-51-20

27-41-51  
FIG. 20  
PAGE 1  
JAN 20/09





757

PARTS CATALOG (MAINTENANCE)

FIG ITEM	PART NUMBER	1 2 3 4 5 6 7	NOMENCLATURE	EFFECT FROM TO	UNITS PER ASSY
20 - 4	BRH10A3		.NUT SUPPLIER CODE: V52828 SPECIFICATION NUMBER: BACN10JC3 OPTIONAL PART: H10-3BAC V15653 NS202101-02 V80539 RMLH9075-3W V72962 VN303A02 V92215 96-02 V80539 T6S1032J V11815 -----*-----	002004 006100 107107 121503 904999	8
5	M85052-2-4		.CLAMP- POST SERVICE BULLETIN: 27-0040	002004 006100 107107 121503 904999	2
5E	M85052-2-6		.CLAMP- POST SERVICE BULLETIN: 27-0040	002004 006100 107107 121503 904999	2
- 7	NAS1801-3		ATTACHING PARTS .SCREW- SIZE DETERMINED ON INSTL.	002004 006100 107107 121503 904949 952999	4
- 7	NAS1801-3-6		.SCREW- POST SERVICE BULLETIN: 27-0040 POST AIRLINE MOD: PCR42 VALP	950951	4
- 8	AN960KD10L		.WASHER	002004 006100 107107 121503 904999	4

MISSING ITEM NUMBERS NOT APPLICABLE

- ITEM NOT ILLUSTRATED

27-41-51-20

27-41-51  
FIG. 20  
PAGE 2  
JAN 20/09

BRI



**757  
PARTS CATALOG (MAINTENANCE)**

FIG ITEM	PART NUMBER	1 2 3 4 5 6 7	NOMENCLATURE	EFFECT FROM TO	UNITS PER ASSY
20 - 9	BRH10A3	.NUT	SUPPLIER CODE: V52828 SPECIFICATION NUMBER: BACN10JC3 OPTIONAL PART: H10-3BAC V15653 NS202101-02 V80539 RMLH9075-3W V72962 VN303A02 V92215 96-02 V80539 T6S1032J V11815 -----*-----	002004 006100 107107 121503 904999	4
10	M85052-2-4	.CLAMP		002004 006100 107107 121503 904999	1
- 11	NAS1801-3	.SCREW-	ATTACHING PARTS SIZE DETERMINED ON INSTL.	002004 006100 107107 121503 904999	1
- 12	AN960KD10L	.WASHER		002004 006100 107107 121503 904999	1

MISSING ITEM NUMBERS NOT APPLICABLE

- ITEM NOT ILLUSTRATED

BRI

# 27-41-51-20

BOEING PROPRIETARY - Copyright © - Unpublished Work - See title page for details.

27-41-51  
FIG. 20  
PAGE 3  
JAN 20/09



757

PARTS CATALOG (MAINTENANCE)

FIG ITEM	PART NUMBER	1 2 3 4 5 6 7	NOMENCLATURE	EFFECT FROM TO	UNITS PER ASSY
20 - 13	BRH10A3	.NUT	SUPPLIER CODE: V52828 SPECIFICATION NUMBER: BACN10JC3 OPTIONAL PART: H10-3BAC V15653 NS202101-02 V80539 RMLH9075-3W V72962 VN303A02 V92215 96-02 V80539 T6S1032J V11815	002004 006100 107107 121503 904999	1
14	270N2000-43	-----*----- .CLAMP ASSY-BLK		002004 006100 107107 121503 904999	3
15	NAS1801-3-38	..SCREW-		002004 006100 107107 121503 904999	2
20	AN960PD10L	..WASHER		002004 006100 107107 121503 904999	2
25	NAS43DD3-119	..SPACER		002004 006100 107107 121503 904999	2

MISSING ITEM NUMBERS NOT APPLICABLE

- ITEM NOT ILLUSTRATED

27-41-51-20

27-41-51  
FIG. 20  
PAGE 4  
JAN 20/09

BRI



757

PARTS CATALOG (MAINTENANCE)

FIG ITEM	PART NUMBER	1 2 3 4 5 6 7	NOMENCLATURE	EFFECT FROM TO	UNITS PER ASSY
20					
30	BRH10A3	. .	NUT SUPPLIER CODE: V52828 SPECIFICATION NUMBER: BACN10JC3 OPTIONAL PART: H10-3BAC V15653 NS202101-02 V80539 RMLH9075-3W V72962 VN303A02 V92215 96-02 V80539 T6S1032J V11815	002004 006100 107107 121503 904999	2
35	270N2000-821	. .	CHANNEL	002004 006100 107107 121503 904999	1
40	270N2000-490	. .	BLOCK	002004 006100 107107 121503 904999	1
45	270N2000-491	. .	BLOCK	002004 006100 107107 121503 904999	1
50	270N2000-522	. .	BLOCK	002004 006100 107107 121503 904999	1
55	270N2000-59	. .	CLAMP ASSY-BLK	002004 006100 107107 121503 904999	1
60	NAS1801-3-43	. .	SCREW-	002004 006100 107107 121503 904999	2

MISSING ITEM NUMBERS NOT APPLICABLE

- ITEM NOT ILLUSTRATED

27-41-51-20

27-41-51  
FIG. 20  
PAGE 5  
JAN 20/09

BRI

BOEING PROPRIETARY - Copyright © - Unpublished Work - See title page for details.



757

PARTS CATALOG (MAINTENANCE)

FIG ITEM	PART NUMBER	1 2 3 4 5 6 7	NOMENCLATURE	EFFECT FROM TO	UNITS PER ASSY
20					
65	AN960PD10L	..	WASHER	002004 006100 107107 121503 904999	2
70	NAS43DD3-137	..	SPACER	002004 006100 107107 121503 904999	2
75	BRH10A3	..	NUT SUPPLIER CODE: V52828 SPECIFICATION NUMBER: BACN10JC3 OPTIONAL PART: H10-3BAC V15653 NS202101-02 V80539 RMLH9075-3W V72962 VN303A02 V92215 96-02 V80539 T6S1032J V11815	002004 006100 107107 121503 904999	2
80	270N2000-857	..	CHANNEL	002004 006100 107107 121503 904999	1
85	270N2000-515	..	BLOCK	002004 006100 107107 121503 904999	1
90	270N2000-516	..	BLOCK	002004 006100 107107 121503 904999	1
95	270N2000-517	..	BLOCK	002004 006100 107107 121503 904999	1

MISSING ITEM NUMBERS NOT APPLICABLE

- ITEM NOT ILLUSTRATED

27-41-51-20

27-41-51  
FIG. 20  
PAGE 6  
JAN 20/09

BRI



757

PARTS CATALOG (MAINTENANCE)

FIG ITEM	PART NUMBER	1 2 3 4 5 6 7	NOMENCLATURE	EFFECT FROM TO	UNITS PER ASSY
20					
100	270N2000-63	.	CLAMP ASSY-BLK	002004 006100 107107 121503 904999	1
105	NAS1801-3-39	..	SCREW-	002004 006100 107107 121503 904999	2
110	AN960PD10L	..	WASHER	002004 006100 107107 121503 904999	2
115	NAS43DD3-119	..	SPACER	002004 006100 107107 121503 904999	2
120	BRH10A3	..	NUT SUPPLIER CODE: V52828 SPECIFICATION NUMBER: BACN10JC3 OPTIONAL PART: H10-3BAC V15653 NS202101-02 V80539 RMLH9075-3W V72962 VN303A02 V92215 96-02 V80539 T6S1032J V11815	002004 006100 107107 121503 904999	2
125	270N2000-821	..	CHANNEL	002004 006100 107107 121503 904999	1
130	270N2000-530	..	BLOCK	002004 006100 107107 121503 904999	1

MISSING ITEM NUMBERS NOT APPLICABLE

- ITEM NOT ILLUSTRATED

27-41-51-20

27-41-51  
FIG. 20  
PAGE 7  
JAN 20/09

BRI

BOEING PROPRIETARY - Copyright © - Unpublished Work - See title page for details.



757

PARTS CATALOG (MAINTENANCE)

FIG ITEM	PART NUMBER	1 2 3 4 5 6 7	NOMENCLATURE	EFFECT FROM TO	UNITS PER ASSY
20 135	270N2000-531	..	.. BLOCK	002004 006100 107107 121503 904999	1
140	270N2000-532	..	.. BLOCK	002004 006100 107107 121503 904999	1
145	270N2000-254	.	. CLAMP ASSY-BLK	002004 006100 107107 121503 904999	1
150	NAS1801-3-25	..	.. SCREW-	002004 006100 107107 121503 904999	2
155	AN960PD10L	..	.. WASHER-	002004 006100 107107 121503 904999	2
155	AN960KD10L	..	.. WASHER- POST SERVICE BULLETIN: 27-0040	002004 006100 107107 121503 904999	2
160	NAS43DD3-59	..	.. SPACER-	002004 006100 107107 121503 904999	2
160	NAS43DD3-60	..	.. SPACER-	002004 006100 107107 121503 904999	2

MISSING ITEM NUMBERS NOT APPLICABLE

- ITEM NOT ILLUSTRATED

BRI

27-41-51-20

BOEING PROPRIETARY - Copyright © - Unpublished Work - See title page for details.

27-41-51  
FIG. 20  
PAGE 8  
JAN 20/09



757

PARTS CATALOG (MAINTENANCE)

FIG ITEM	PART NUMBER	1 2 3 4 5 6 7	NOMENCLATURE	EFFECT FROM TO	UNITS PER ASSY
20 165	BRH10A3	. .	NUT SUPPLIER CODE: V52828 SPECIFICATION NUMBER: BACN10JC3 OPTIONAL PART: H10-3BAC V15653 NS202101-02 V80539 RMLH9075-3W V72962 VN303A02 V92215 96-02 V80539 T6S1032J V11815	002004 006100 107107 121503 904999	2
170	270N2000-709	. .	CHANNEL	002004 006100 107107 121503 904999	1
175	270N2000-1275	. .	BLOCK-	002004 006100 107107 121503 904999	2
182	270N2000-252	. .	CLAMP ASSY-BLK	002004 006100 107107 121503 904999	2
185	NAS1801-3-24	. .	SCREW-	002004 006100 107107 121503 904999	2
190	AN960PD10L	. .	WASHER	002004 006100 107107 121503 904999	2
190	AN960KD10L	. .	WASHER	002004 006100 107107 121503 904999	2

MISSING ITEM NUMBERS NOT APPLICABLE

- ITEM NOT ILLUSTRATED

27-41-51-20

27-41-51  
FIG. 20  
PAGE 9  
JAN 20/09

BRI

BOEING PROPRIETARY - Copyright © - Unpublished Work - See title page for details.





757

PARTS CATALOG (MAINTENANCE)

FIG ITEM	PART NUMBER	1 2 3 4 5 6 7	NOMENCLATURE	EFFECT FROM TO	UNITS PER ASSY
20					
195	NAS43DD3-59	..	SPACER	002004 006100 107107 121503 904999	2
200	BRH10A3	..	NUT SUPPLIER CODE: V52828 SPECIFICATION NUMBER: BACN10JC3 OPTIONAL PART: H10-3BAC V15653 NS202101-02 V80539 RMLH9075-3W V72962 VN303A02 V92215 96-02 V80539 T6S1032J V11815	002004 006100 107107 121503 904999	2
205	270N2000-710	..	CHANNEL	002004 006100 107107 121503 904999	1
212	270N2000-1274	..	BLOCK-	002004 006100 107107 121503 904999	2
215	271N6481-1022	.TUBE ASSY-PRESSURE SYS POSITION DATA: CTR TUBING MATERIAL: .375 IN. OD .019 IN. WALL 12.40 IN. LG TI BMS 7-234 TI-3AL-2.5V COLD WORKED, STRESS RELIEVED TUBING		002004 006100 107107 121503 904999	1
- 220	AS1581T06	..	SLEEVE	002004 006100 107107 121503 904999	2

MISSING ITEM NUMBERS NOT APPLICABLE

- ITEM NOT ILLUSTRATED

BRI

27-41-51-20

BOEING PROPRIETARY - Copyright © - Unpublished Work - See title page for details.

27-41-51  
FIG. 20  
PAGE 10  
JAN 20/09



757

PARTS CATALOG (MAINTENANCE)

FIG ITEM	PART NUMBER	1 2 3 4 5 6 7	NOMENCLATURE	EFFECT FROM TO	UNITS PER ASSY
20 - 225	BACN10YA6	..	NUT	002004 006100 107107 121503 904999	2
230	271N6481-1023	.TUBE ASSY-PRESSURE SYS POSITION DATA: CTR TUBING MATERIAL: .625 IN. OD .032 IN. WALL 66.80 IN. LG TI BMS 7-234 TI-3AL-2.5V COLD WORKED, STRESS RELIEVED TUBING		002004 006100 107107 121503 904999	1
235	271N6481-1024	.TUBE ASSY-PRESSURE SYS POSITION DATA: CTR TUBING MATERIAL: .625 IN. OD .032 IN. WALL 12.40 IN. LG TI BMS 7-234 TI-3AL-2.5V COLD WORKED, STRESS RELIEVED TUBING		002004 006100 107107 121503 904999	1
- 240	AS1581T10	..	SLEEVE	002004 006100 107107 121503 904999	1
- 245	BACN10YA10	..	NUT-	002004 006100 107107 121503 904999	1
- 250	AS1582T10	..	UNION	002004 006100 107107 121503 904999	1
255	271N6481-1025	.TUBE ASSY-PRESSURE SYS POSITION DATA: CTR TUBING MATERIAL: .625 IN. OD .032 IN. WALL 44.00 IN. LG TI BMS 7-234 TI-3AL-2.5V COLD WORKED, STRESS RELIEVED TUBING		002004 006100 107107 121503 904999	1

MISSING ITEM NUMBERS NOT APPLICABLE

- ITEM NOT ILLUSTRATED

27-41-51-20

27-41-51  
FIG. 20  
PAGE 11  
JAN 20/09

BRI



757

PARTS CATALOG (MAINTENANCE)

FIG ITEM	PART NUMBER	1 2 3 4 5 6 7	NOMENCLATURE	EFFECT FROM TO	UNITS PER ASSY
20					
- 260	AS1581T10	..	SLEEVE	002004 006100 107107 121503 904999	2
- 265	BACN10YA10	..	NUT-	002004 006100 107107 121503 904999	2
270	271N6481-1030	.TUBE ASSY-RETURN SYS POSITION DATA: CTR TUBING MATERIAL: .625 IN. OD .035 IN. WALL 18.40 IN. LG AL AMS 4083 6061 T6 TUBING		002004 006100 107107 121503 904999	1
275	271N6481-1031	.TUBE ASSY-RETURN SYS POSITION DATA: CTR TUBING MATERIAL: .625 IN. OD .035 IN. WALL 66.70 IN. LG AL AMS 4083 6061 T6 TUBING		002004 006100 107107 121503 904999	1
- 280	AP2097HP10	..SLEEVE SUPPLIER CODE: V01673 SPECIFICATION NUMBER: BACS13BX10HP OPTIONAL PART: 2-02903-10HP V11328 35235VN10 V08199 AFP175V10P V30974 DBOS13BX10HP V14798		002004 006100 107107 121503 904999	2
- 285	BACN10YL10	..	NUT	002004 006100 107107 121503 904999	2

MISSING ITEM NUMBERS NOT APPLICABLE

- ITEM NOT ILLUSTRATED

27-41-51-20

27-41-51  
FIG. 20  
PAGE 12  
JAN 20/09

BRI



757

PARTS CATALOG (MAINTENANCE)

FIG ITEM	PART NUMBER	1 2 3 4 5 6 7	NOMENCLATURE	EFFECT FROM TO	UNITS PER ASSY
20					
290	271N6481-1032	.TUBE ASSY-RETURN SYS POSITION DATA: CTR TUBING MATERIAL: .625 IN. OD .035 IN. WALL 15.00 IN. LG AL AMS 4083 6061 T6 TUBING		002004 006100 107107 121503 904999	1
295	271N6481-1033	.TUBE ASSY-RETURN SYS POSITION DATA: CTR TUBING MATERIAL: .625 IN. OD .035 IN. WALL 44.90 IN. LG AL AMS 4083 6061 T6 TUBING		002004 006100 107107 121503 904999	1
- 297	AP2097HP10	..SLEEVE SUPPLIER CODE: V01673 SPECIFICATION NUMBER: BACS13BX10HP OPTIONAL PART: 2-02903-10HP V11328 35235VN10 V08199 AFP175V10P V30974 DBOS13BX10HP V14798		002004 006100 107107 121503 904999	1
- 300	BACN10YL10	..NUT-		002004 006100 107107 121503 904999	1

MISSING ITEM NUMBERS NOT APPLICABLE

- ITEM NOT ILLUSTRATED

BRI

27-41-51-20

27-41-51  
FIG. 20  
PAGE 13  
JAN 20/09



757

PARTS CATALOG (MAINTENANCE)

FIG ITEM	PART NUMBER	1 2 3 4 5 6 7	NOMENCLATURE	EFFECT FROM TO	UNITS PER ASSY
20 - 302	35056GV10		.. UNION SUPPLIER CODE: V08199 SPECIFICATION NUMBER: BACU24AB10W OPTIONAL PART: 4671097W10 V50948 2-01027-10W V11328 31875-10W V14397 AP1004W10 V01673 AFP941W10 V30974 DBOU24AB10W V14798	002004 006100 107107 121503 904999	1
307	271N6481-1105		. TUBE ASSY-RETURN SYS POSITION DATA: CTR TUBING MATERIAL: .375 IN. OD .035 IN. WALL 38.3 IN. LG AL AMS 4083 6061 T6 TUBING	002004 006100 107107 121503 904999	1
- 311	AP2097HP06		.. SLEEVE- SUPPLIER CODE: V01673 SPECIFICATION NUMBER: BACS13BX06HP OPTIONAL PART: 2-02903-06HP V11328 35235VN06 V08199 AFP175V06P V30974 DBOS13BX06HP V14798	002004 006100 107107 121503 904999	1
- 314	BACN10YLO6		.. NUT-	002004 006100 107107 121503 904999	1

MISSING ITEM NUMBERS NOT APPLICABLE

- ITEM NOT ILLUSTRATED

BRI

27-41-51-20

27-41-51  
FIG. 20  
PAGE 14  
JAN 20/09



757

PARTS CATALOG (MAINTENANCE)

FIG ITEM	PART NUMBER	1 2 3 4 5 6 7	NOMENCLATURE	EFFECT FROM TO	UNITS PER ASSY
20 - 316	35056GV06		..UNION- SUPPLIER CODE: V08199 SPECIFICATION NUMBER: BACU24AB6W OPTIONAL PART: 2-01027-6W V11328 31875-6W V14397 4671097W6 V50948 AP1004W06 V01673 AFP941W6 V30974 DBOU24AB6W V14798	002004 006100 107107 121503 904999	1
325	271N6481-1111		.TUBE ASSY-RETURN SYS POSITION DATA: CTR TUBING MATERIAL: .375 IN. OD .-35 IN. WALL 35.4 IN. LG AL AMS 4083 6061 T6 TUBING	002004 006100 107107 121503 904999	1
- 330	AP2097HP06		..SLEEVE SUPPLIER CODE: V01673 SPECIFICATION NUMBER: BACS13BX06HP OPTIONAL PART: 2-02903-06HP V11328 35235VN06 V08199 AFP175V06P V30974 DBOS13BX06HP V14798	002004 006100 107107 121503 904999	2
- 335	BACN10YL06		..NUT- POST SERVICE BULLETIN: 27-0040	002004 006100 107107 121503 904999	2

MISSING ITEM NUMBERS NOT APPLICABLE

- ITEM NOT ILLUSTRATED

BRI

27-41-51-20

27-41-51  
FIG. 20  
PAGE 15  
JAN 20/09

 **BOEING**  
757  
**PARTS CATALOG (MAINTENANCE)**

FIG ITEM	PART NUMBER	1 2 3 4 5 6 7	NOMENCLATURE	EFFECT FROM TO	UNITS PER ASSY
20					
340	271N6481-1106		.TUBE ASSY-RETURN SYS POSITION DATA: CTR TUBING MATERIAL: .375 IN. OD .035 IN. WALL 35.4 IN. LG AL AMS 4083 6061 T6 TUBING	002004 006100 107107 121503 904999	1
- 347	AP2097HP06		..SLEEVE- SUPPLIER CODE: V01673 SPECIFICATION NUMBER: BACS13BX06HP OPTIONAL PART: 2-02903-06HP V11328 35235VN06 V08199 AFP175V06P V30974 DBOS13BX06HP V14798	002004 006100 107107 121503 904999	2
- 352	BACN10YLO6		..NUT-	002004 006100 107107 121503 904999	2
360	271N6481-1062		.TUBE ASSY-RETURN SYS POSITION DATA: CTR TUBING MATERIAL: .250 IN. OD .016 IN. WALL 18.60 IN. LG TI BMS 7-234 TI-3AL-2.5V COLD WORKED, STRESS RELIEVED TUBING	002004 006100 107107 121503 904999	1
- 365	AS1581T04		..SLEEVE	002004 006100 107107 121503 904999	2
- 370	BACN10YA4		..NUT	002004 006100 107107 121503 904999	2

MISSING ITEM NUMBERS NOT APPLICABLE

- ITEM NOT ILLUSTRATED

BRI

# 27-41-51-20

BOEING PROPRIETARY - Copyright © - Unpublished Work - See title page for details.

27-41-51  
FIG. 20  
PAGE 16  
JAN 20/09



757

PARTS CATALOG (MAINTENANCE)

FIG ITEM	PART NUMBER	1 2 3 4 5 6 7	NOMENCLATURE	EFFECT FROM TO	UNITS PER ASSY
20 375	271N6481-1038		.TUBE ASSY-FEEL PRESSURE SYS POSITION DATA: CTR TUBING MATERIAL: .250 IN. OD .016 IN. WALL 76.20 IN. LG TI BMS 7-234 TI-3AL-2.5V COLD WORKED, STRESS RELIEVED TUBING	002004 006100 107107 121503 904999	1
380	271N6481-1039		.TUBE ASSY-FEEL PRESSURE SYS POSITION DATA: CTR TUBING MATERIAL: .250 IN. OD .016 IN. WALL 11.50 IN. LG TI BMS 7-234 TI-3AL-2.5V COLD WORKED, STRESS RELIEVED TUBING	002004 006100 107107 121503 904999	1
- 385	AS1581T04		..SLEEVE	002004 006100 107107 121503 904999	1
- 390	BACN10YA4		..NUT	002004 006100 107107 121503 904999	1
- 395	AS1582T04		..UNION	002004 006100 107107 121503 904999	1
400	271N6481-1040		.TUBE ASSY-FEEL PRESSURE SYS POSITION DATA: CTR TUBING MATERIAL: .250 IN. OD .016 IN. WALL 47.30 IN. LG TI BMS 7-234 TI-3AL-2.5V COLD WORKED, STRESS RELIEVED TUBING	002004 006100 107107 121503 904999	1

MISSING ITEM NUMBERS NOT APPLICABLE

- ITEM NOT ILLUSTRATED

BRI

27-41-51-20

27-41-51  
FIG. 20  
PAGE 17  
JAN 20/09





757

PARTS CATALOG (MAINTENANCE)

FIG ITEM	PART NUMBER	1 2 3 4 5 6 7	NOMENCLATURE	EFFECT FROM TO	UNITS PER ASSY
20					
- 405	AS1581T04	..	SLEEVE	002004 006100 107107 121503 904999	2
- 410	BACN10YA4	..	NUT	002004 006100 107107 121503 904999	2
418	271N6481-1119	.	TUBE ASSY-BRAKE RELEASE SYS POSITION DATA: L MISCELLANEOUS DATA: REPLACEMENT TUBE REQUIRES AUTOFRETTAGE PROCESS; ETOPS SENSITIVE -AMM CHAPTER 20-10-09/801 TUBING MATERIAL: .375 IN. OD .020 IN. WALL 52.10 IN. LG ST BMS 7-185 21-6-9 COLD REDUCED TUBING POST SERVICE BULLETIN: 27-0040R2	002004 006100 107107 121503 904999	1
- 421	AP2097HP06	..	SLEEVE- SUPPLIER CODE: V01673 SPECIFICATION NUMBER: BACS13BX06HP OPTIONAL PART: 2-02903-06HP V11328 35235VN06 V08199 AFP175V06P V30974 DBOS13BX06HP V14798	002004 006100 107107 121503 904999	2
- 424	BACN10YE6	..	NUT-	002004 006100 107107 121503 904999	2

MISSING ITEM NUMBERS NOT APPLICABLE

- ITEM NOT ILLUSTRATED

BRI

27-41-51-20

27-41-51  
FIG. 20  
PAGE 18  
JAN 20/09



757

PARTS CATALOG (MAINTENANCE)

FIG ITEM	PART NUMBER	1 2 3 4 5 6 7	NOMENCLATURE	EFFECT FROM TO	UNITS PER ASSY
20 - 424	MS21921-6	. .	NUT-	002004 006100 107107 121503 904999	2
430	271N6481-1120	. TUBE ASSY-BRAKE RELEASE SYS POSITION DATA: L MISCELLANEOUS DATA: REPLACEMENT TUBE REQUIRES AUTOFRETTAGE PROCESS; ETOPS SENSITIVE -AMM CHAPTER 20-10-09/801 TUBING MATERIAL: .375 IN. OD .020 IN. WALL 19.30 IN. LG ST BMS 7-185 21-6-9 COLD REDUCED TUBING POST SERVICE BULLETIN: 27-0040R2		002004 006100 107107 121503 904999	1
- 433	AP2097HP06	. . SLEEVE- SUPPLIER CODE: V01673 SPECIFICATION NUMBER: BACS13BX06HP OPTIONAL PART: 2-02903-06HP V11328 35235VN06 V08199 AFP175V06P V30974 DBOS13BX06HP V14798		002004 006100 107107 121503 904999	1
- 436	BACN10YE6	. .	NUT-	002004 006100 107107 121503 904999	1

MISSING ITEM NUMBERS NOT APPLICABLE

- ITEM NOT ILLUSTRATED

BRI

27-41-51-20

27-41-51  
FIG. 20  
PAGE 19  
JAN 20/09



757

PARTS CATALOG (MAINTENANCE)

FIG ITEM	PART NUMBER	1 2 3 4 5 6 7	NOMENCLATURE	EFFECT FROM TO	UNITS PER ASSY
20 - 438	35056V06		..UNION- SUPPLIER CODE: V08199 SPECIFICATION NUMBER: BACU24AB6H OPTIONAL PART: 2-01027-6H V11328 31875-6H V14397 4671097H6 V50948 AP1004H06 V01673 AFP941H6 V30974 DBOU24AB6H V14798	002004 006100 107107 121503 904999	1
440	271N6481-1121		.TUBE ASSY-BRAKE RELEASE SYS POSITION DATA: L MISCELLANEOUS DATA: REPLACEMENT TUBE REQUIRES AUTOFRETTAGE PROCESS; ETOPS SENSITIVE -AMM CHAPTER 20-10-09/801 TUBING MATERIAL: .375 IN. OD .020 IN. WALL 37.70 IN. LG ST BMS 7-185 21-6-9 COLD REDUCED TUBING POST SERVICE BULLETIN: 27-0040R2	002004 006100 107107 121503 904999	1
- 443	AP2097HP06		..SLEEVE- SUPPLIER CODE: V01673 SPECIFICATION NUMBER: BACS13BX06HP OPTIONAL PART: 2-02903-06HP V11328 35235VN06 V08199 AFP175V06P V30974 DBOS13BX06HP V14798	002004 006100 107107 121503 904999	2

MISSING ITEM NUMBERS NOT APPLICABLE

- ITEM NOT ILLUSTRATED

27-41-51-20

27-41-51  
FIG. 20  
PAGE 20  
JAN 20/09

BRI



757

PARTS CATALOG (MAINTENANCE)

FIG ITEM	PART NUMBER	1 2 3 4 5 6 7	NOMENCLATURE	EFFECT FROM TO	UNITS PER ASSY
20 - 445	BACN10YE6	..	NUT-	002004 006100 107107 121503 904999	2
452	271N6481-1097	.TUBE ASSY-STAB. UP SYS POSITION DATA: L TUBING MATERIAL: .375 IN. OD .02 IN. WALL 38.1 IN. LG ST BMS 7-185 21-6-9 COLD REDUCED TUBING		002004 006100 107107 121503 904999	1
- 457	AP2097HP06	..SLEEVE- SUPPLIER CODE: V01673 SPECIFICATION NUMBER: BACS13BX06HP OPTIONAL PART: 2-02903-06HP V11328 35235VN06 V08199 AFP175V06P V30974 DBOS13BX06HP V14798		002004 006100 107107 121503 904999	2
465	271N6481-1100	.TUBE ASSY-STAB. UP SYS POSITION DATA: L TUBING MATERIAL: .375 IN. OD .02 IN. WALL 35.5 IN. LG ST BMS 7-185 21-6-9 COLD REDUCED TUBING		002004 006100 107107 121503 904999	1
- 468	AP2097HP06	..SLEEVE- SUPPLIER CODE: V01673 SPECIFICATION NUMBER: BACS13BX06HP OPTIONAL PART: 2-02903-06HP V11328 35235VN06 V08199 AFP175V06P V30974 DBOS13BX06HP V14798		002004 006100 107107 121503 904999	1

MISSING ITEM NUMBERS NOT APPLICABLE

- ITEM NOT ILLUSTRATED

27-41-51-20

27-41-51  
FIG. 20  
PAGE 21  
JAN 20/09

BRI



757

PARTS CATALOG (MAINTENANCE)

FIG ITEM	PART NUMBER	1 2 3 4 5 6 7	NOMENCLATURE	EFFECT FROM TO	UNITS PER ASSY
20 - 473	35056V06		..UNION- SUPPLIER CODE: V08199 SPECIFICATION NUMBER: BACU24AB6H OPTIONAL PART: 2-01027-6H V11328 31875-6H V14397 4671097H6 V50948 AP1004H06 V01673 AFP941H6 V30974 DBOU24AB6H V14798	002004 006100 107107 121503 904999	1
475	271N6481-1103		.TUBE ASSY-STAB. UP SYS POSITION DATA: L TUBING MATERIAL: .375 IN. OD .02 IN. WALL 35.2 IN. LG ST BMS 7-185 21-6-9 COLD REDUCED TUBING	002004 006100 107107 121503 904999	1
- 477	AP2097HP06		..SLEEVE- SUPPLIER CODE: V01673 SPECIFICATION NUMBER: BACS13BX06HP OPTIONAL PART: 2-02903-06HP V11328 35235VN06 V08199 AFP175V06P V30974 DBOS13BX06HP V14798	002004 006100 107107 121503 904999	2
- 478	BACN10YA6		..NUT-	002004 006100 107107 121503 904999	2

MISSING ITEM NUMBERS NOT APPLICABLE

- ITEM NOT ILLUSTRATED

BRI

27-41-51-20

27-41-51  
FIG. 20  
PAGE 22  
JAN 20/09



757

PARTS CATALOG (MAINTENANCE)

FIG ITEM	PART NUMBER	1 2 3 4 5 6 7	NOMENCLATURE	EFFECT FROM TO	UNITS PER ASSY
20 482	271N6481-1096		.TUBE ASSY-STAB. DOWN SYS POSITION DATA: L TUBING MATERIAL: .250 IN. OD .016 IN. WALL 38.3 IN. LG ST BMS 7-185 21-6-9 COLD REDUCED TUBING	002004 006100 107107 121503 904999	1
- 486	AP2097HP04		..SLEEVE- SUPPLIER CODE: V01673 SPECIFICATION NUMBER: BACS13BX04HP OPTIONAL PART: 2-02903-04HP V11328 35235VN04 V08199 AFP175V04P V30974 DBOS13BX04HP V14798	002004 006100 107107 121503 904999	1
- 492	35056V04		..UNION- SUPPLIER CODE: V08199 SPECIFICATION NUMBER: BACU24AB4H OPTIONAL PART: 4671097H4 V50948 31875-4H V14397 AP1004H04 V01673 AFP941H4 V30974 DBOU24AB4H V14798 2-01027-4H V11328	002004 006100 107107 121503 904999	1
495	271N6481-1102		.TUBE ASSY-STAB. DOWN SYS POSITION DATA: L TUBING MATERIAL: .25 IN. OD .016 IN. WALL 33.8 IN. LG ST BMS 7-185 21-6-9 COLD REDUCED TUBING	002004 006100 107107 121503 904999	1

MISSING ITEM NUMBERS NOT APPLICABLE

- ITEM NOT ILLUSTRATED

BRI

27-41-51-20

27-41-51  
FIG. 20  
PAGE 23  
JAN 20/09



757

PARTS CATALOG (MAINTENANCE)

FIG ITEM	PART NUMBER	1 2 3 4 5 6 7	NOMENCLATURE	EFFECT FROM TO	UNITS PER ASSY
20 - 502	AP2097HP04		.. SLEEVE- SUPPLIER CODE: V01673 SPECIFICATION NUMBER: BACS13BX04HP OPTIONAL PART: 2-02903-04HP V11328 35235VN04 V08199 AFP175V04P V30974 DBOS13BX04HP V14798	002004 006100 107107 121503 904999	2
510	271N6481-1099		.TUBE ASSY-STAB. DOWN SYS POSITION DATA: L TUBING MATERIAL: .250 IN. OD .016 IN. WALL 34.9 IN. LG ST BMS 7-185 21-6-9 COLD REDUCED TUBING	002004 006100 107107 121503 904999	1
- 517	AP2097HP04		.. SLEEVE- SUPPLIER CODE: V01673 SPECIFICATION NUMBER: BACS13BX04HP OPTIONAL PART: 2-02903-04HP V11328 35235VN04 V08199 AFP175V04P V30974 DBOS13BX04HP V14798	002004 006100 107107 121503 904999	2
530	BACU24L4		.UNION-	002004 006100 107107 121503 904999	2
530	MS21924-4		.UNION-	002004 006100 107107 121503 904999	2

MISSING ITEM NUMBERS NOT APPLICABLE

- ITEM NOT ILLUSTRATED

27-41-51-20

27-41-51  
FIG. 20  
PAGE 24  
JAN 20/09

BRI

BOEING PROPRIETARY - Copyright © - Unpublished Work - See title page for details.

**BOEING**  
757  
PARTS CATALOG (MAINTENANCE)

FIG ITEM	PART NUMBER	1 2 3 4 5 6 7	NOMENCLATURE	EFFECT FROM TO	UNITS PER ASSY
20 532	MS21924-4	.	UNION-	002004 006100 107107 121503 904999	1
535	BACU24L6	.	UNION-	002004 006100 107107 121503 904999	1
535	MS21924-6	.	UNION-	002004 006100 107107 121503 904999	1
537	MS21924-6	.	UNION- POST SERVICE BULLETIN: 27-0040	002004 006100 107107 121503 904999	2
540	MS21924D6	.	UNION	002004 006100 107107 121503 904999	1
542	MS21916-6-4	.	REDUCER	002004 006100 107107 121503 904999	1
545	NAS1762T0606	.	ELBOW-	002004 006100 107107 121503 904999	1
545	NAS1762J0606	.	ELBOW- MISCELLANEOUS DATA: OPTIONAL PART NUMBER: BAC21BT0606JN (81205)	002004 006100 107107 121503 904999	1
550	NAS1762D1010	.	ELBOW-	002004 006100 107107 121503 904999	1

MISSING ITEM NUMBERS NOT APPLICABLE

- ITEM NOT ILLUSTRATED

BRI

# 27-41-51-20

BOEING PROPRIETARY - Copyright © - Unpublished Work - See title page for details.

27-41-51  
FIG. 20  
PAGE 25  
JAN 20/09





757

PARTS CATALOG (MAINTENANCE)

FIG ITEM	PART NUMBER	1 2 3 4 5 6 7	NOMENCLATURE	EFFECT FROM TO	UNITS PER ASSY
20					
553	NAS1762J0406	.	ELBOW-	002004 006100 107107 121503 904999	1
555	NAS1762T0404	.	ELBOW-	002004 006100 107107 121503 904999	1
555	NAS1762J0404	.	ELBOW-	002004 006100 107107 121503 904999	1
558	NAS1762T0604	.	ELBOW-	002004 006100 107107 121503 904999	1
558	NAS1762J0604	.	REDUCER-	002004 006100 107107 121503 904999	1
560	NAS1763D101010	.	TEE-	002004 006100 107107 121503 904999	1
565	NAS1763T100610	.	TEE-	002004 006100 107107 121503 904999	1
565	NAS1763J100610	.	TEE-	002004 006100 107107 121503 904999	1
570	AN924-4D	.	NUT-	002004 006100 107107 121503 904999	2

MISSING ITEM NUMBERS NOT APPLICABLE

- ITEM NOT ILLUSTRATED

27-41-51-20

27-41-51  
FIG. 20  
PAGE 26  
JAN 20/09

BRI

BOEING PROPRIETARY - Copyright © - Unpublished Work - See title page for details.

 **BOEING**  
757  
**PARTS CATALOG (MAINTENANCE)**

FIG ITEM	PART NUMBER	1 2 3 4 5 6 7	NOMENCLATURE	EFFECT FROM TO	UNITS PER ASSY
20					
570	AN924-4	.	NUT-	002004 006100 107107 121503 904999	2
572	AN924-4	.	NUT- POST SERVICE BULLETIN: 27-0040	002004 006100 107107 121503 904999	1
575	AN924-6D	.	NUT-	002004 006100 107107 121503 904999	2
577	AN924-6	.	NUT- POST SERVICE BULLETIN: 27-0040	002004 006100 107107 121503 904999	2
580	AN924-6	.	NUT-	002004 006100 107107 121503 904999	1
585	AN924-6D	.	NUT-	002004 006100 107107 121503 904999	1
615	271N6296-2	.	BRACKET ASSY-TUBING PROTECTION	002004 006100 107107 121503 904999	1
- 620	NAS1801-3-10	.	ATTACHING PARTS SCREW-	002004 006100 107107 121503 904999	4
- 625	AN960KD10L	.	WASHER-	002004 006100 107107 121503 904999	4
			-----*-----		

MISSING ITEM NUMBERS NOT APPLICABLE

- ITEM NOT ILLUSTRATED

BRI

# 27-41-51-20

BOEING PROPRIETARY - Copyright © - Unpublished Work - See title page for details.

27-41-51  
FIG. 20  
PAGE 27  
JAN 20/09



757

PARTS CATALOG (MAINTENANCE)

FIG ITEM	PART NUMBER	1 2 3 4 5 6 7	NOMENCLATURE	EFFECT FROM TO	UNITS PER ASSY
20 630	271N6272-9		.BRACKET ASSY-TUBE SPRT	002004 006100 107107 121503 904999	1
850			ILLUSTRATION REFERENCE: PLUMBING INSTL-SECT. 48 L HYDR (HORIZONTAL STABILIZER TRIM CONTROL ONLY) 27-41-51-21	002004 006100 107107 121503 904999	RF
855			ILLUSTRATION REFERENCE: PLUMBING INSTL-SECT. 46 HYDR (ELEVATOR CONTROL SYSTEM ONLY) 27-31-51-30	002004 006100 107107 121503 904999	RF
975			ILLUSTRATION REFERENCE: MODULE INSTL-STAB. TRIM CONT (HORIZONTAL STABILIZER TRIM CONTROL ONLY) 27-41-05-01	002004 006100 107107 121503 904999	RF
980			ILLUSTRATION REFERENCE: JACKSCREW INSTL-STAB. TRIM CONT 27-41-10-01	002004 006100 107107 121503 904999	RF

MISSING ITEM NUMBERS NOT APPLICABLE

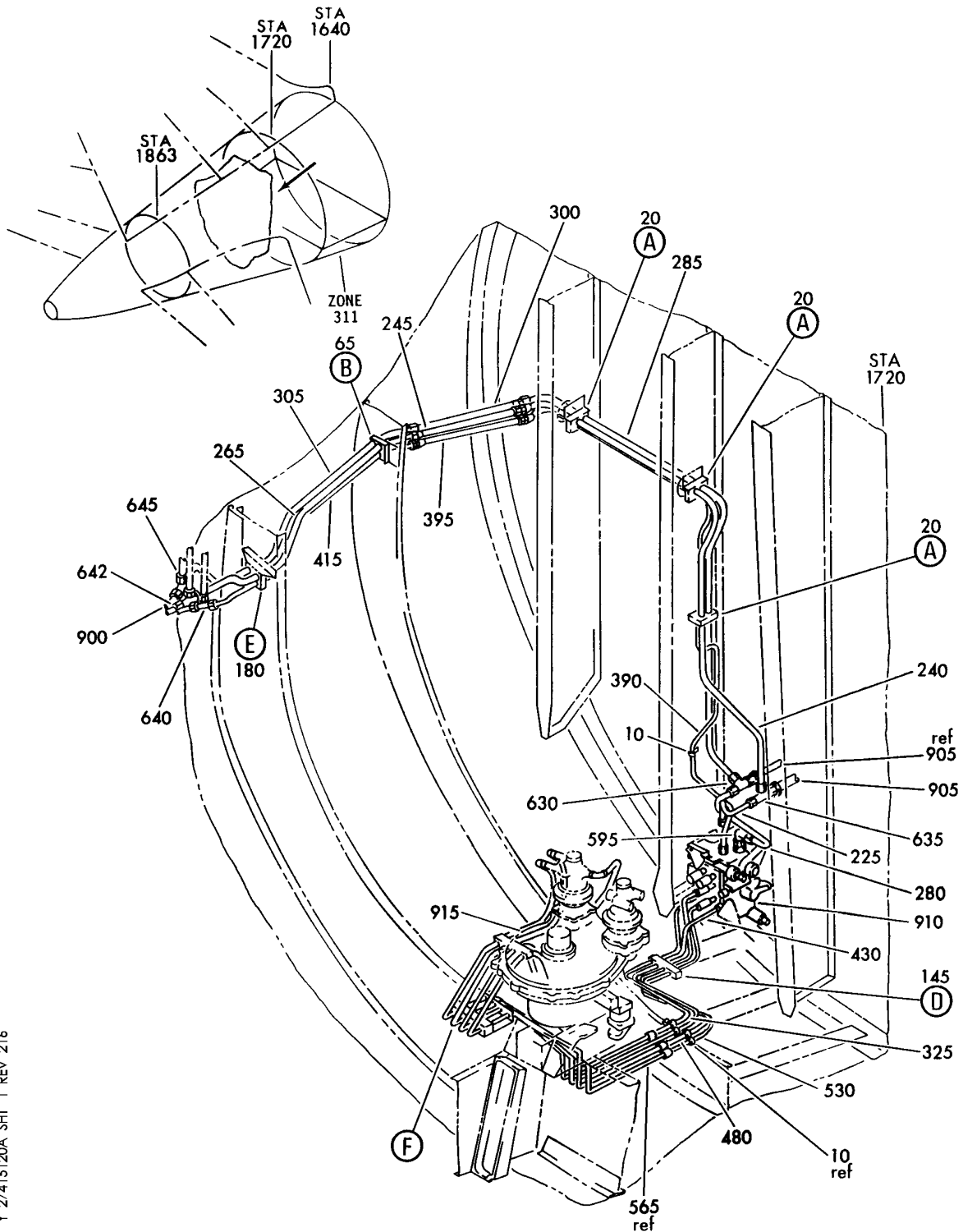
- ITEM NOT ILLUSTRATED

**27-41-51-20**

27-41-51  
FIG. 20  
PAGE 28  
JAN 20/09

BRI

**BOEING**  
757  
PARTS CATALOG (MAINTENANCE)



Y 27415120A SHT 1 REV 216

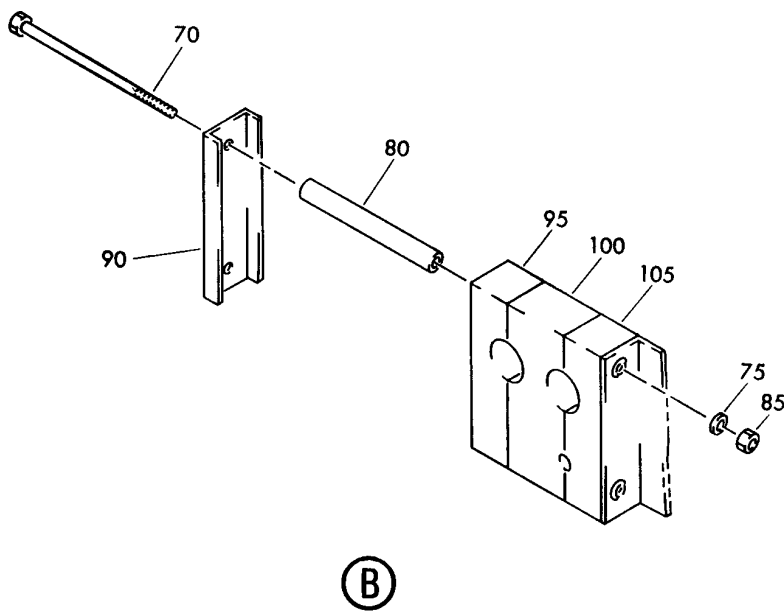
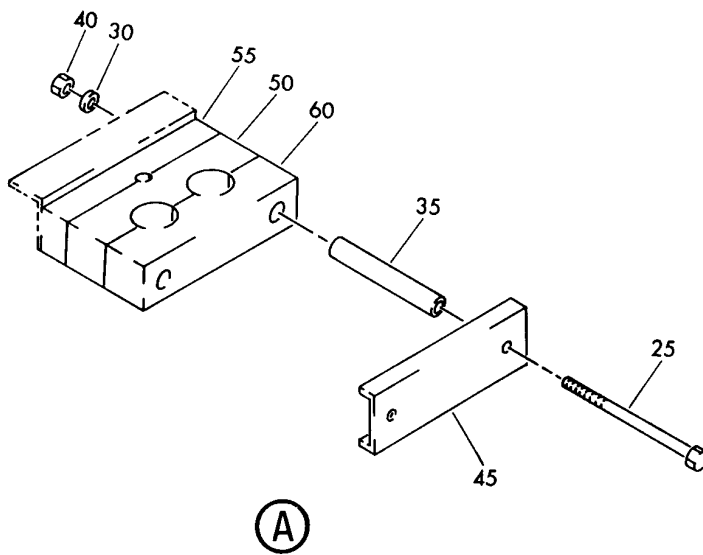
PLUMBING INSTL-SECT. 48 L HYDR (HORIZONTAL STABILIZER TRIM CONTROL ONLY)  
FIGURE 20A (SHEET 1)

**27-41-51-20A**

BRI  
MAY 28/07

27-41-51-20A  
PAGE 0

**BOEING**  
757  
PARTS CATALOG (MAINTENANCE)



Y 27415120A SHT 2 REV 192

PLUMBING INSTL-SECT. 48 L HYDR (HORIZONTAL STABILIZER TRIM CONTROL ONLY)  
FIGURE 20A (SHEET 2)

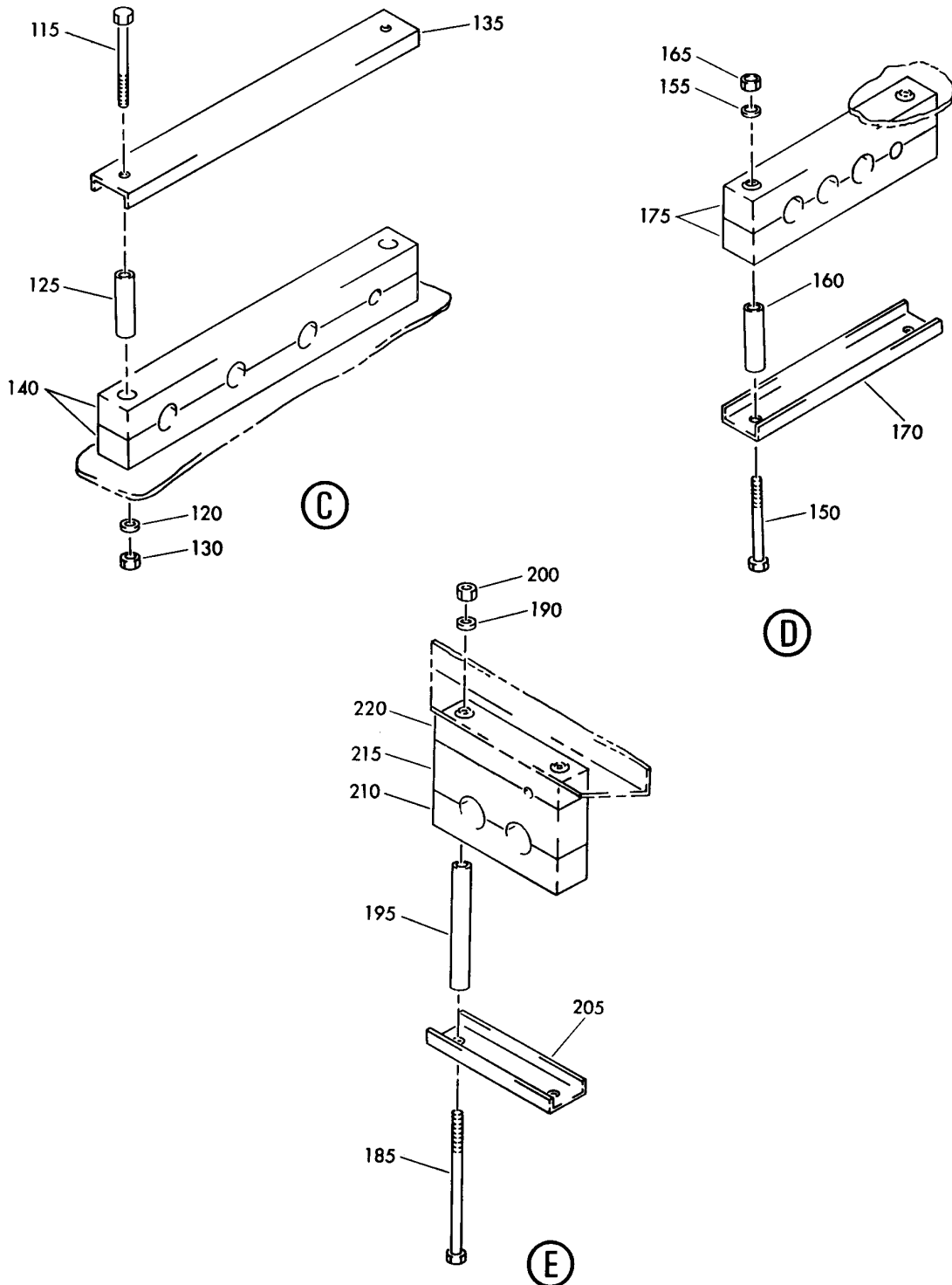
**27-41-51-20A**

BRI  
MAY 28/07

27-41-51-20A  
PAGE 0A

BOEING PROPRIETARY - Copyright © - Unpublished Work - See title page for details.

**BOEING**  
757  
PARTS CATALOG (MAINTENANCE)



Y 27415120A SHT 3 REV 192

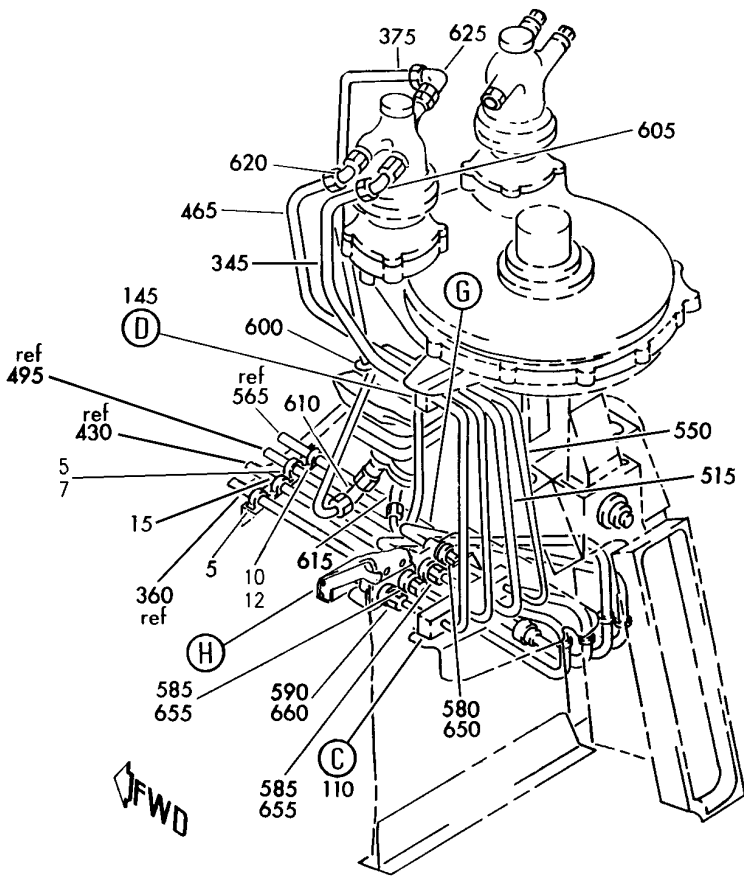
PLUMBING INSTL-SECT. 48 L HYDR (HORIZONTAL STABILIZER TRIM CONTROL ONLY)  
FIGURE 20A (SHEET 3)

**27-41-51-20A**

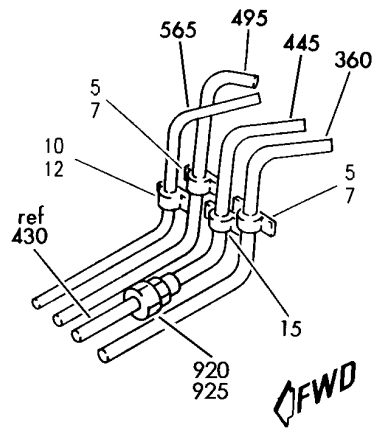
BRI  
MAY 28/07

27-41-51-20A  
PAGE 0B

**BOEING**  
757  
**PARTS CATALOG (MAINTENANCE)**



**(F)**



**(G)**

Y 27415120A SHT 4 REV 242

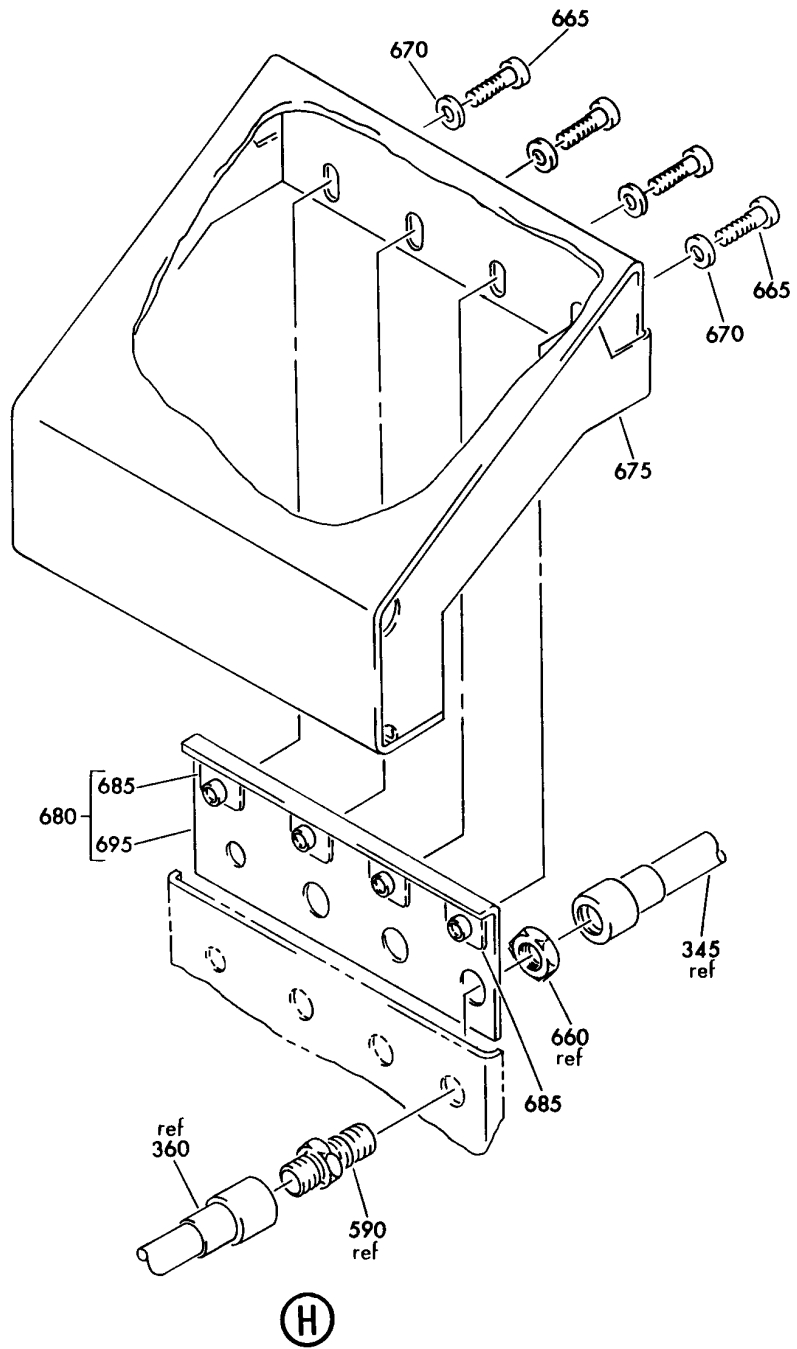
PLUMBING INSTL-SECT. 48 L HYDR (HORIZONTAL STABILIZER TRIM CONTROL ONLY)  
FIGURE 20A (SHEET 4)

BRI  
MAY 28/07

**27-41-51-20A**

27-41-51-20A  
PAGE 0C

**BOEING**  
757  
PARTS CATALOG (MAINTENANCE)



Y 27415120A SHT 5 REV 192

PLUMBING INSTL-SECT. 48 L HYDR (HORIZONTAL STABILIZER TRIM CONTROL ONLY)  
FIGURE 20A (SHEET 5)

**27-41-51-20A**

BRI  
MAY 28/07

27-41-51-20A  
PAGE 0D





757

PARTS CATALOG (MAINTENANCE)

FIG ITEM	PART NUMBER	1 2 3 4 5 6 7	NOMENCLATURE	EFFECT FROM TO	UNITS PER ASSY
20A			PLUMBING INSTL-SECT. 48 L HYDR (HORIZONTAL STABILIZER TRIM CONTROL ONLY)	101106 108120 504903	
- 1	271N6481-9		PLUMBING INSTL-HYDR (HORIZONTAL STABILIZER TRIM CONTROL ONLY) POSITION DATA: SECT. 48 L FOR NHA/OTHER SYS DET SEE: 27-00-00-03	101101	RF
- 1	271N6481-11		PLUMBING INSTL-HYDR (HORIZONTAL STABILIZER TRIM CONTROL ONLY) POSITION DATA: SECT. 48 L FOR NHA/OTHER SYS DET SEE: 27-00-00-03	102102 108120 504903	RF
- 1	MODREF31920		PLUMBING INSTL-HYDR (HORIZONTAL STABILIZER TRIM CONTROL ONLY) MODULE NUMBER: 271N6481-13 REV B POSITION DATA: SECT. 48 L FOR OTHER SYS DETAILS SEE: 27-21-51-20A 27-31-51-20A FOR ADDITIONAL DETAILS SEE: 27-41-51-21A	103106	1
5	TA0910004H106		.CLAMP SUPPLIER CODE: V84971 SPECIFICATION NUMBER: BACC10HB06C	101102 108120 504903	4
7	TA0910004H106		.CLAMP SUPPLIER CODE: V84971 SPECIFICATION NUMBER: BACC10HB06C	103106	3
10	M85052-2-4		.CLAMP	101102 108120 504903	3
12	M85052-2-4		.CLAMP	103106	2
15	M85052-2-6		.CLAMP	101106 108120 504903	2

MISSING ITEM NUMBERS NOT APPLICABLE

- ITEM NOT ILLUSTRATED

**27-41-51-20A**

27-41-51  
FIG. 20A  
PAGE 1  
JAN 20/09

BRI



757

PARTS CATALOG (MAINTENANCE)

FIG ITEM	PART NUMBER	1 2 3 4 5 6 7	NOMENCLATURE	EFFECT FROM TO	UNITS PER ASSY
20A					
20	270N2000-43	.	CLAMP ASSY-BLK	101106 108120 504903	3
25	NAS1801-3-38	..	SCREW	101106 108120 504903	2
30	AN960PD10L	..	WASHER	101106 108120 504903	2
35	NAS43DD3-119	..	SPACER	101106 108120 504903	2
40	BRH10A3	..	NUT SUPPLIER CODE: V52828 SPECIFICATION NUMBER: BACN10JC3 OPTIONAL PART: H10-3BAC V15653 NS202101-02 V80539 RMLH9075-3W V72962 VN303A02 V92215 96-02 V80539 T6S1032J V11815	101106 108120 504903	2
45	270N2000-821	..	CHANNEL	101106 108120 504903	1
50	270N2000-490	..	BLOCK	101106 108120 504903	1
55	270N2000-491	..	BLOCK	101106 108120 504903	1
60	270N2000-522	..	BLOCK	101106 108120 504903	1
65	270N2000-59	.	CLAMP ASSY-BLK	101106 108120 504903	1
70	NAS1801-3-43	..	SCREW	101106 108120 504903	2

MISSING ITEM NUMBERS NOT APPLICABLE

- ITEM NOT ILLUSTRATED

**27-41-51-20A**

27-41-51  
FIG. 20A  
PAGE 2  
JAN 20/09

BRI

BOEING PROPRIETARY - Copyright © - Unpublished Work - See title page for details.



757

PARTS CATALOG (MAINTENANCE)

FIG ITEM	PART NUMBER	1 2 3 4 5 6 7	NOMENCLATURE	EFFECT FROM TO	UNITS PER ASSY
20A					
75	AN960PD10L	..	WASHER	101106 108120 504903	2
80	NAS43DD3-137	..	SPACER	101106 108120 504903	2
85	BRH10A3	..	NUT SUPPLIER CODE: V52828 SPECIFICATION NUMBER: BACN10JC3 OPTIONAL PART: H10-3BAC V15653 NS202101-02 V80539 RMLH9075-3W V72962 VN303A02 V92215 96-02 V80539 T6S1032J V11815	101106 108120 504903	2
90	270N2000-857	..	CHANNEL	101106 108120 504903	1
95	270N2000-515	..	BLOCK	101106 108120 504903	1
100	270N2000-516	..	BLOCK	101106 108120 504903	1
105	270N2000-517	..	BLOCK	101106 108120 504903	1
110	270N2000-254	.	CLAMP ASSY-BLK	101106 108120 504903	1
115	NAS1801-3-25	..	SCREW	101106 108120 504903	2
120	AN960KD10L	..	WASHER	101106 108120 504903	2
125	NAS43DD3-60	..	SPACER	101106 108120 504903	2

MISSING ITEM NUMBERS NOT APPLICABLE

- ITEM NOT ILLUSTRATED

27-41-51-20A

27-41-51  
FIG. 20A  
PAGE 3  
JAN 20/09

BRI

BOEING PROPRIETARY - Copyright © - Unpublished Work - See title page for details.

 **BOEING**  
757  
**PARTS CATALOG (MAINTENANCE)**

FIG ITEM	PART NUMBER	1 2 3 4 5 6 7	NOMENCLATURE	EFFECT FROM TO	UNITS PER ASSY
20A 130	BRH10A3	..	NUT SUPPLIER CODE: V52828 SPECIFICATION NUMBER: BACN10JC3 OPTIONAL PART: H10-3BAC V15653 NS202101-02 V80539 RMLH9075-3W V72962 VN303A02 V92215 96-02 V80539 T6S1032J V11815	101106 108120 504903	2
135	270N2000-709	..	CHANNEL	101106 108120 504903	1
140	270N2000-1275	..	BLOCK	101106 108120 504903	2
145	270N2000-252	.	CLAMP ASSY-BLK	101106 108120 504903	2
150	NAS1801-3-24	..	SCREW	101106 108120 504903	2
155	AN960KD10L	..	WASHER	101106 108120 504903	2
160	NAS43DD3-59	..	SPACER	101106 108120 504903	2

MISSING ITEM NUMBERS NOT APPLICABLE

— ITEM NOT ILLUSTRATED

BRI

# 27-41-51-20A

BOEING PROPRIETARY - Copyright © - Unpublished Work - See title page for details.

27-41-51  
FIG. 20A  
PAGE 4  
JAN 20/09



757

PARTS CATALOG (MAINTENANCE)

FIG ITEM	PART NUMBER	1 2 3 4 5 6 7	NOMENCLATURE	EFFECT FROM TO	UNITS PER ASSY
20A 165	BRH10A3	..	NUT SUPPLIER CODE: V52828 SPECIFICATION NUMBER: BACN10JC3 OPTIONAL PART: H10-3BAC V15653 NS202101-02 V80539 RMLH9075-3W V72962 VN303A02 V92215 96-02 V80539 T6S1032J V11815	101106 108120 504903	2
170	270N2000-710	..	CHANNEL	101106 108120 504903	1
175	270N2000-1274	..	BLOCK	101106 108120 504903	2
180	270N2000-63	.	CLAMP ASSY-BLK	101106 108120 504903	1
185	NAS1801-3-39	..	SCREW	101106 108120 504903	2
190	AN960PD10L	..	WASHER	101106 108120 504903	2
195	NAS43DD3-119	..	SPACER	101106 108120 504903	2

MISSING ITEM NUMBERS NOT APPLICABLE

- ITEM NOT ILLUSTRATED

**27-41-51-20A**

27-41-51  
FIG. 20A  
PAGE 5  
JAN 20/09

BRI

BOEING PROPRIETARY - Copyright © - Unpublished Work - See title page for details.



757

PARTS CATALOG (MAINTENANCE)

FIG ITEM	PART NUMBER	1 2 3 4 5 6 7	NOMENCLATURE	EFFECT FROM TO	UNITS PER ASSY
20A 200	BRH10A3	..	NUT SUPPLIER CODE: V52828 SPECIFICATION NUMBER: BACN10JC3 OPTIONAL PART: H10-3BAC V15653 NS202101-02 V80539 RMLH9075-3W V72962 VN303A02 V92215 96-02 V80539 T6S1032J V11815	101106 108120 504903	2
205	270N2000-821	..	CHANNEL	101106 108120 504903	1
210	270N2000-530	..	BLOCK	101106 108120 504903	1
215	270N2000-531	..	BLOCK	101106 108120 504903	1
220	270N2000-532	..	BLOCK	101106 108120 504903	1
225	271N6481-1022	.TUBE ASSY-PRESSURE SYS POSITION DATA: CTR TUBING MATERIAL: .375 IN. OD .019 IN. WALL 12.40 IN. LG TI BMS 7-234 TI-3AL-2.5V COLD WORKED, STRESS RELIEVED TUBING	101106 108120 504903	1	
- 230	AS1581T06	..	SLEEVE	101106 108120 504903	2
- 235	BACN10YA6	..	NUT	101106 108120 504903	2

MISSING ITEM NUMBERS NOT APPLICABLE

- ITEM NOT ILLUSTRATED

27-41-51-20A

27-41-51  
FIG. 20A  
PAGE 6  
JAN 20/09

BRI

BOEING PROPRIETARY - Copyright © - Unpublished Work - See title page for details.



757

PARTS CATALOG (MAINTENANCE)

FIG ITEM	PART NUMBER	1 2 3 4 5 6 7	NOMENCLATURE	EFFECT FROM TO	UNITS PER ASSY
20A 240	271N6481-1023	.	TUBE ASSY-PRESSURE SYS POSITION DATA: CTR TUBING MATERIAL: .625 IN. OD .032 IN. WALL 66.80 IN. LG TI BMS 7-234 TI-3AL-2.5V COLD WORKED, STRESS RELIEVED TUBING	101106 108120 504903	1
245	271N6481-1024	.	TUBE ASSY-PRESSURE SYS POSITION DATA: CTR TUBING MATERIAL: .625 IN. OD .032 IN. WALL 12.50 IN. LG TI BMS 7-234 TI-3AL-2.5V COLD WORKED, STRESS RELIEVED TUBING	101106 108120 504903	1
- 250	AS1581T10	..	SLEEVE	101106 108120 504903	1
- 255	BACN10YA10	..	NUT	101106 108120 504903	1
- 260	AS1582T10	..	UNION	101106 108120 504903	1
265	271N6481-1025	.	TUBE ASSY-PRESSURE SYS POSITION DATA: CTR TUBING MATERIAL: .625 IN. OD .032 IN. WALL 44.00 IN. LG TI BMS 7-234 TI-3AL-2.5V COLD WORKED, STRESS RELIEVED TUBING	101106 108120 504903	1
- 270	AS1581T10	..	SLEEVE	101106 108120 504903	2
- 275	BACN10YA10	..	NUT	101106 108120 504903	2

MISSING ITEM NUMBERS NOT APPLICABLE

- ITEM NOT ILLUSTRATED

27-41-51-20A

27-41-51  
FIG. 20A  
PAGE 7  
JAN 20/09

BRI



757

PARTS CATALOG (MAINTENANCE)

FIG ITEM	PART NUMBER	1 2 3 4 5 6 7	NOMENCLATURE	EFFECT FROM TO	UNITS PER ASSY
20A 280	271N6481-1030		.TUBE ASSY-RETURN SYS POSITION DATA: CTR TUBING MATERIAL: .625 IN. OD .035 IN. WALL 18.40 IN. LG AL AMS 4083 6061 T6 TUBING	101106 108120 504903	1
285	271N6481-1031		.TUBE ASSY-RETURN SYS POSITION DATA: CTR TUBING MATERIAL: .625 IN. OD .035 IN. WALL 66.70 IN. LG AL AMS 4083 6061 T6 TUBING	101106 108120 504903	1
- 290	AP2097HP10		..SLEEVE SUPPLIER CODE: V01673 SPECIFICATION NUMBER: BACS13BX10HP OPTIONAL PART: 2-02903-10HP V11328 35235VN10 V08199 AFP175V10P V30974 DBOS13BX10HP V14798	101106 108120 504903	2
- 295	BACN10YL10		..NUT	101106 108120 504903	2
300	271N6481-1032		.TUBE ASSY-RETURN SYS POSITION DATA: CTR TUBING MATERIAL: .625 IN. OD .035 IN. WALL 15.00 IN. LG AL AMS 4083 6061 T6 TUBING	101106 108120 504903	1
305	271N6481-1033		.TUBE ASSY-RETURN SYS POSITION DATA: CTR TUBING MATERIAL: .625 IN. OD .035 IN. WALL 44.90 IN. LG AL AMS 4083 6061 T6 TUBING	101106 108120 504903	1

MISSING ITEM NUMBERS NOT APPLICABLE

- ITEM NOT ILLUSTRATED

BRI

27-41-51-20A

BOEING PROPRIETARY - Copyright © - Unpublished Work - See title page for details.

27-41-51  
FIG. 20A  
PAGE 8  
JAN 20/09





757

PARTS CATALOG (MAINTENANCE)

FIG ITEM	PART NUMBER	1 2 3 4 5 6 7	NOMENCLATURE	EFFECT FROM TO	UNITS PER ASSY
20A - 310	AP2097HP10	..	SLEEVE SUPPLIER CODE: V01673 SPECIFICATION NUMBER: BACS13BX10HP OPTIONAL PART: 2-02903-10HP V11328 35235VN10 V08199 AFP175V10P V30974 DBOS13BX10HP V14798	101106 108120 504903	1
- 315	BACN10YL10	..	NUT	101106 108120 504903	1
- 320	35056GV10	..	UNION SUPPLIER CODE: V08199 SPECIFICATION NUMBER: BACU24AB10W OPTIONAL PART: 4671097W10 V50948 2-01027-10W V11328 31875-10W V14397 AP1004W10 V01673 AFP941W10 V30974 DBOU24AB10W V14798	101106 108120 504903	1
345	271N6481-1111	.TUBE ASSY-RETURN SYS POSITION DATA: CTR TUBING MATERIAL: .375 IN. OD .035 IN. WALL 35.4 IN. LG AL AMS 4083 6061 T6 TUBING	101106 108120 504903	1	

MISSING ITEM NUMBERS NOT APPLICABLE

- ITEM NOT ILLUSTRATED

BRI

27-41-51-20A

BOEING PROPRIETARY - Copyright © - Unpublished Work - See title page for details.

27-41-51  
FIG. 20A  
PAGE 9  
JAN 20/09



757

PARTS CATALOG (MAINTENANCE)

FIG ITEM	PART NUMBER	1 2 3 4 5 6 7	NOMENCLATURE	EFFECT FROM TO	UNITS PER ASSY
20A - 350	AP2097HP06	..	SLEEVE SUPPLIER CODE: V01673 SPECIFICATION NUMBER: BACS13BX06HP OPTIONAL PART: 2-02903-06HP V11328 35235VN06 V08199 AFP175V06P V30974 DBOS13BX06HP V14798	101106 108120 504903	2
- 355	BACN10YLO6	..	NUT	101106 108120 504903	2
375	271N6481-1062	.TUBE ASSY-RETURN SYS POSITION DATA: CTR TUBING MATERIAL: .250 IN. OD .016 IN. WALL 18.60 IN. LG TI BMS 7-234 TI-3AL-2.5V COLD WORKED, STRESS RELIEVED TUBING	101106 108120 504903	1	
- 380	AS1581T04	..	SLEEVE	101106 108120 504903	2
- 385	BACN10YA4	..	NUT	101106 108120 504903	2
390	271N6481-1038	.TUBE ASSY-FEEL PRESSURE SYS POSITION DATA: CTR TUBING MATERIAL: .250 IN. OD .016 IN. WALL 76.20 IN. LG TI BMS 7-234 TI-3AL-2.5V COLD WORKED, STRESS RELIEVED TUBING	101106 108120 504903	1	

MISSING ITEM NUMBERS NOT APPLICABLE

- ITEM NOT ILLUSTRATED

**27-41-51-20A**

27-41-51  
FIG. 20A  
PAGE 10  
JAN 20/09

BRI



757

PARTS CATALOG (MAINTENANCE)

FIG ITEM	PART NUMBER	1 2 3 4 5 6 7	NOMENCLATURE	EFFECT FROM TO	UNITS PER ASSY
20A 395	271N6481-1039	.	TUBE ASSY-FEEL PRESSURE SYS POSITION DATA: CTR TUBING MATERIAL: .250 IN. OD .016 IN. WALL 11.50 IN. LG TI BMS 7-234 TI-3AL-2.5V COLD WORKED, STRESS RELIEVED TUBING	101106 108120 504903	1
- 400	AS1581T04	..	SLEEVE	101106 108120 504903	1
- 405	BACN10YA4	..	NUT	101106 108120 504903	1
- 410	AS1582T04	..	UNION	101106 108120 504903	1
415	271N6481-1040	.	TUBE ASSY-FEEL PRESSURE SYS POSITION DATA: CTR TUBING MATERIAL: .250 IN. OD .016 IN. WALL 47.30 IN. LG TI BMS 7-234 TI-3AL-2.5V COLD WORKED, STRESS RELIEVED TUBING	101106 108120 504903	1
- 420	AS1581T04	..	SLEEVE	101106 108120 504903	2
- 425	BACN10YA4	..	NUT	101106 108120 504903	2

MISSING ITEM NUMBERS NOT APPLICABLE

- ITEM NOT ILLUSTRATED

**27-41-51-20A**

27-41-51  
FIG. 20A  
PAGE 11  
JAN 20/09

BRI



757

PARTS CATALOG (MAINTENANCE)

FIG ITEM	PART NUMBER	1 2 3 4 5 6 7	NOMENCLATURE	EFFECT FROM TO	UNITS PER ASSY
20A 465	271N6481-1121	.	TUBE ASSY-BRAKE RELEASE SYS POSITION DATA: L MISCELLANEOUS DATA: REPLACEMENT TUBE REQUIRES AUTOFRETTAGE PROCESS; ETOPS SENSITIVE -AMM CHAPTER 20-10-09/801 TUBING MATERIAL: .375 IN. OD .020 IN. WALL 37.70 IN. LG ST BMS 7-185 21-6-9 COLD REDUCED TUBING	101106 108120 504903	1
- 470	AP2097HP06	..	SLEEVE SUPPLIER CODE: V01673 SPECIFICATION NUMBER: BACS13BX06HP OPTIONAL PART: 2-02903-06HP V11328 35235VN06 V08199 AFP175V06P V30974 DBOS13BX06HP V14798	101106 108120 504903	2
- 475	BACN10YE6	..	NUT	101106 108120 504903	2
515	271N6481-1103	.	TUBE ASSY-STAB. UP SYS POSITION DATA: L TUBING MATERIAL: .375 IN. OD .02 IN. WALL 35.2 IN. LG ST BMS 7-185 21-6-9 COLD REDUCED TUBING	101106 108120 504903	1

MISSING ITEM NUMBERS NOT APPLICABLE

- ITEM NOT ILLUSTRATED

27-41-51-20A

27-41-51  
FIG. 20A  
PAGE 12  
JAN 20/09

BRI



757

PARTS CATALOG (MAINTENANCE)

FIG ITEM	PART NUMBER	1 2 3 4 5 6 7	NOMENCLATURE	EFFECT FROM TO	UNITS PER ASSY
20A - 520	AP2097HP06	..	SLEEVE SUPPLIER CODE: V01673 SPECIFICATION NUMBER: BACS13BX06HP OPTIONAL PART: 2-02903-06HP V11328 35235VN06 V08199 AFP175V06P V30974 DBOS13BX06HP V14798	101106 108120 504903	2
- 525	BACN10YE6	..	NUT-	101106 108120 504903	2
550	271N6481-1102	.TUBE ASSY-STAB. DOWN SYS POSITION DATA: L TUBING MATERIAL: .25 IN. OD .016 IN. WALL 33.8 IN. LG ST BMS 7-185 21-6-9 COLD REDUCED TUBING	101106 108120 504903	1	
- 555	AP2097HP04	..	SLEEVE SUPPLIER CODE: V01673 SPECIFICATION NUMBER: BACS13BX04HP OPTIONAL PART: 2-02903-04HP V11328 35235VN04 V08199 AFP175V04P V30974 DBOS13BX04HP V14798	101106 108120 504903	2
- 560	BACN10YE4	..	NUT-	101106 108120 504903	2
580	MS21924-4	.UNION		101106 108120 504903	1
585	MS21924-6	.UNION		101106 108120 504903	2

MISSING ITEM NUMBERS NOT APPLICABLE

- ITEM NOT ILLUSTRATED

27-41-51-20A

27-41-51  
FIG. 20A  
PAGE 13  
JAN 20/09

BRI

BOEING PROPRIETARY - Copyright © - Unpublished Work - See title page for details.



757

PARTS CATALOG (MAINTENANCE)

FIG ITEM	PART NUMBER	1 2 3 4 5 6 7	NOMENCLATURE	EFFECT FROM TO	UNITS PER ASSY
20A 590	MS21924D6	.	UNION	101106 108120 504903	1
595	NAS1762W1010	.	ELBOW	101106 108120 504903	1
600	NAS1762T0404	.	ELBOW	101106 108120 504903	1
605	NAS1762W0606	.	ELBOW	101106 108120 504903	1
610	NAS1762J0404	.	ELBOW	101106 108120 504903	1
615	NAS1762J0606	.	ELBOW- MISCELLANEOUS DATA: OPTIONAL PART NUMBER: BAC21BT0606JN (81205)	101106 108120 504903	1
620	NAS1762J0406	.	ELBOW	101106 108120 504903	1
625	NAS1762J0604	.	REDUCER	101106 108120 504903	1
630	NAS1763W101010	.	TEE	101106 108120 504903	1
635	NAS1763J100610	.	TEE	101106 108120 504903	1
640	BACT16BL060406J	.	TEE-REDUCER	101106 108120 504903	1

MISSING ITEM NUMBERS NOT APPLICABLE

- ITEM NOT ILLUSTRATED

BRI

27-41-51-20A

BOEING PROPRIETARY - Copyright © - Unpublished Work - See title page for details.

27-41-51  
FIG. 20A  
PAGE 14  
JAN 20/09



757

PARTS CATALOG (MAINTENANCE)

FIG ITEM	PART NUMBER	1 2 3 4 5 6 7	NOMENCLATURE	EFFECT FROM TO	UNITS PER ASSY
20A 645	APX824F100808W	. TEE	SUPPLIER CODE: V01673 SPECIFICATION NUMBER: BACT16AS100808W OPTIONAL PART: APX824-100808W V01673 DBOT16AS100808W V14798 ER824-100808W V50948 FER1571-100808W V14397 LER824-100808W V11328 NAF1824-100808W V52930 US1925-100808W V50808 AFP325-100808W V30974	101106 108120 504903	2
650	AN924-4	. NUT		101106 108120 504903	1
655	AN924-6	. NUT		101106 108120 504903	2
660	AN924-6D	. NUT		101106 108120 504903	1
665	NAS1801-3-10	. SCREW		101106 108120 504903	4
670	AN960KD10L	. WASHER		101106 108120 504903	4
675	271N6296-3	. BRACKET ASSY		101106 108120 504903	1
680	271N6272-9	. BRACKET ASSY-TUBE SPRT		101106 108120 504903	1

MISSING ITEM NUMBERS NOT APPLICABLE

- ITEM NOT ILLUSTRATED

**27-41-51-20A**

27-41-51  
FIG. 20A  
PAGE 15  
JAN 20/09

BRI

BOEING PROPRIETARY - Copyright © - Unpublished Work - See title page for details.

**BOEING**  
757  
PARTS CATALOG (MAINTENANCE)

FIG ITEM	PART NUMBER	1 2 3 4 5 6 7	NOMENCLATURE	EFFECT FROM TO	UNITS PER ASSY
20A 685	MF53050-3CD		..NUTPLATE SUPPLIER CODE: V15653 SPECIFICATION NUMBER: BACN10JN3CD OPTIONAL PART: BRFM20C3D V52828 102F9201M3 V72962 NS202487-02 V80539 MF51637-3 V15653 ATTACHING PARTS	101106 108120 504903	4
- 690	BACR15BA3AD		..RIVET- SIZE DETERMINED ON INSTL.  -----*-----	101106 108120 504903	8
695	271N6272-7		..BRACKET	101106 108120 504903	1
900			ILLUSTRATION REFERENCE: PLUMBING INSTL-SECT. 48 L HYDR (HORIZONTAL STABILIZER TRIM CONTROL ONLY) 27-41-51-21A	101106 108120 504903	RF
905			ILLUSTRATION REFERENCE: PLUMBING INSTL-SECT. 46 HYDR (RUDDER AND ELEVATOR HYDRAULIC SYSTEMS ONLY) 27-23-51-30A	101106 108120 504903	RF
910			ILLUSTRATION REFERENCE: MODULE INSTL-STAB. TRIM CONT (HORIZONTAL STABILIZER TRIM CONTROL ONLY) 27-41-05-01	101106 108120 504903	RF
915			ILLUSTRATION REFERENCE: JACKSCREW INSTL-STAB. TRIM CONT 27-41-10-01	101106 108120 504903	RF
920			ILLUSTRATION REFERENCE: PLUMBING INSTL-SECT. 48 L HYDR 29-11-52-27	101106 108120 504903	RF

MISSING ITEM NUMBERS NOT APPLICABLE

- ITEM NOT ILLUSTRATED

BRI

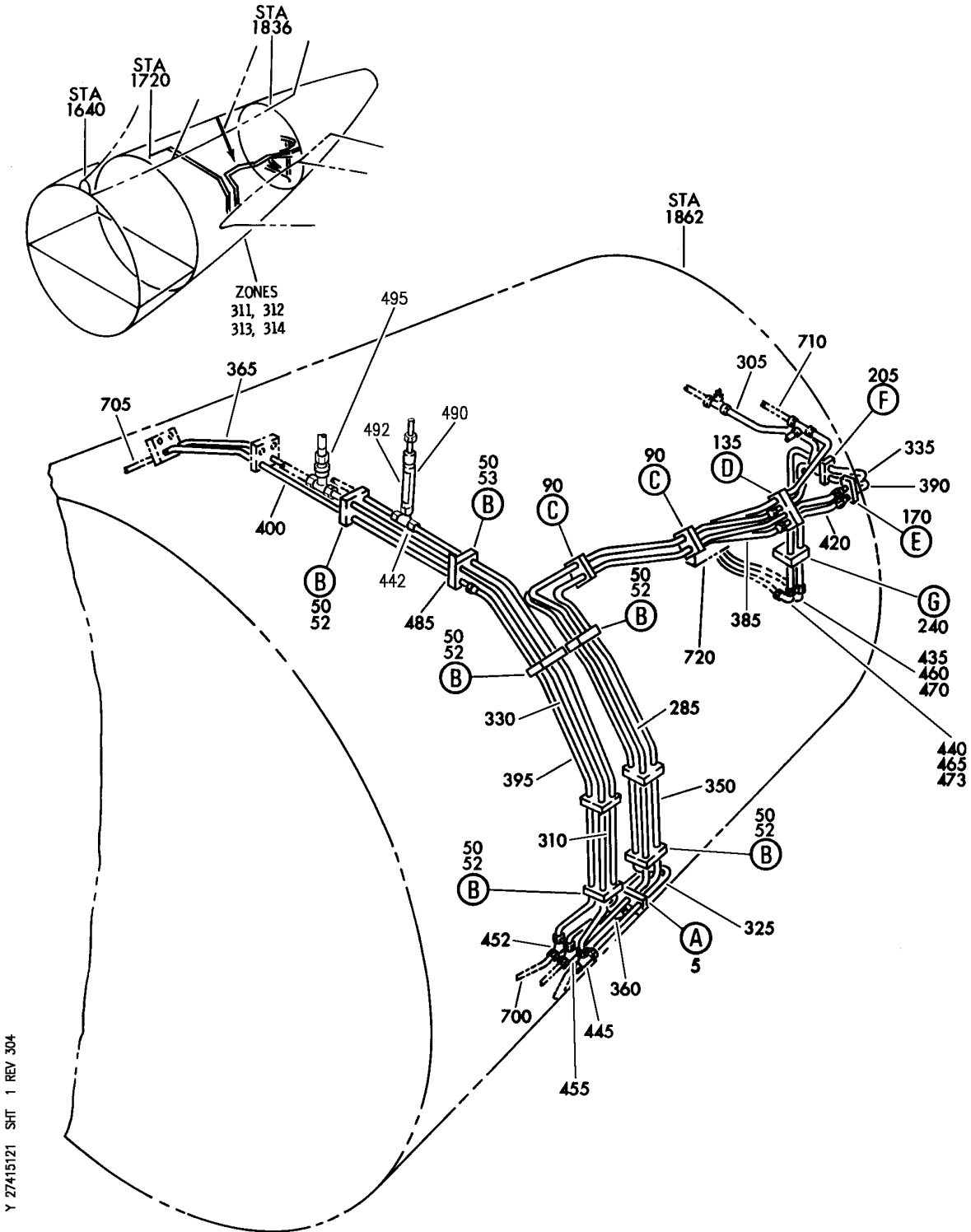
# 27-41-51-20A

27-41-51  
FIG. 20A  
PAGE 16  
JAN 20/09

BOEING PROPRIETARY - Copyright © - Unpublished Work - See title page for details.



**BOEING**  
757  
**PARTS CATALOG (MAINTENANCE)**



Y 27415121 SHT 1 REV 304

PLUMBING INSTL-SECT. 48 L HYDR (HORIZONTAL STABILIZER TRIM CONTROL ONLY)  
FIGURE 21 (SHEET 1)

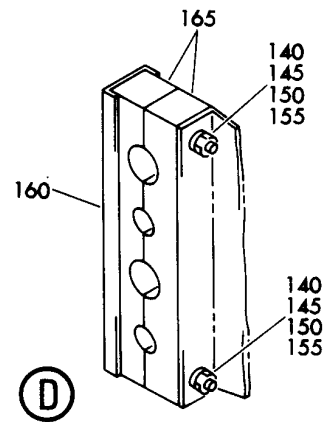
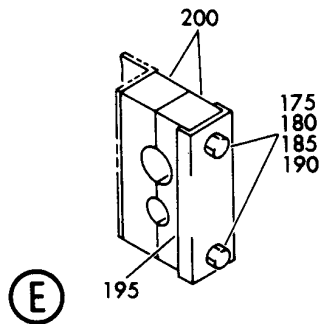
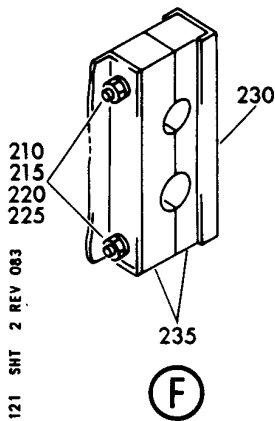
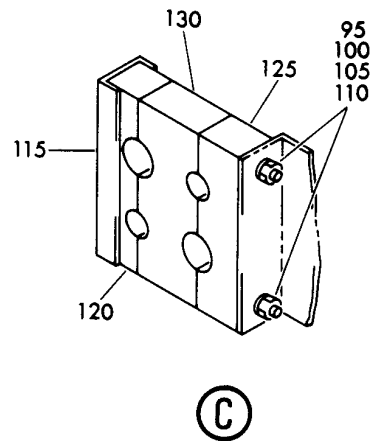
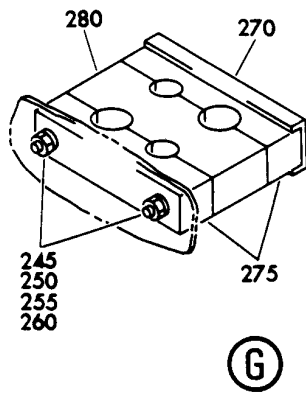
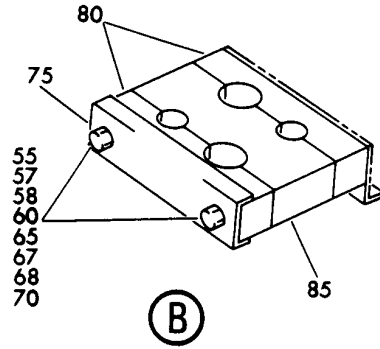
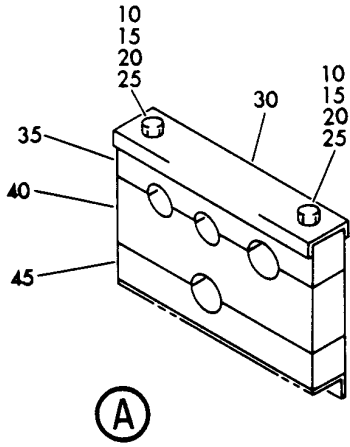
# 27-41-51-21

BRI  
MAY 28/07

27-41-51-21  
PAGE 0

BOEING PROPRIETARY - Copyright © - Unpublished Work - See title page for details.


**BOEING**  
 757  
**PARTS CATALOG (MAINTENANCE)**



Y 27415121 SMT 2 REV 083

PLUMBING INSTL-SECT. 48 L HYDR (HORIZONTAL STABILIZER TRIM CONTROL ONLY)  
 FIGURE 21 (SHEET 2)

**27-41-51-21**

BRI  
 MAY 28/07

27-41-51-21  
 PAGE 0A



757

PARTS CATALOG (MAINTENANCE)

FIG ITEM	PART NUMBER	1 2 3 4 5 6 7	NOMENCLATURE	EFFECT FROM TO	UNITS PER ASSY
21			PLUMBING INSTL-SECT. 48 L HYDR (HORIZONTAL STABILIZER TRIM CONTROL ONLY)	002004 006100 107107 121503 904999	
- 1	271N6481-1		PLUMBING INSTL-HYDR (HORIZONTAL STABILIZER TRIM CONTROL ONLY) POSITION DATA: SECT. 48 L FOR NHA/OTHER SYS DET SEE: 29-00-51-06	002004 006100 107107 121503 904999	RF
5	270N2000-45		.CLAMP ASSY-BLK	002004 006100 107107 121503 904999	1
10	NAS1801-3-44		.. SCREW-	002004 006100 107107 121503 904999	2
15	AN960PD10L		.. WASHER	002004 006100 107107 121503 904999	2
20	NAS43DD3-140		.. SPACER	002004 006100 107107 121503 904999	2

MISSING ITEM NUMBERS NOT APPLICABLE

- ITEM NOT ILLUSTRATED

BRI

27-41-51-21

27-41-51  
FIG. 21  
PAGE 1  
JAN 20/09



757

PARTS CATALOG (MAINTENANCE)

FIG ITEM	PART NUMBER	1 2 3 4 5 6 7	NOMENCLATURE	EFFECT FROM TO	UNITS PER ASSY
21	25 BRH10A3		..NUT	002004	2
			SUPPLIER CODE: V52828 SPECIFICATION NUMBER: BACN10JC3 OPTIONAL PART: H10-3BAC V15653 NS202101-02 V80539 RMLH9075-3W V72962 VN303A02 V92215 96-02 V80539 T6S1032J V11815	006100 107107 121503 904999	
30	270N2000-838		..CHANNEL	002004 006100 107107 121503 904999	1
35	270N2000-493		..BLOCK	002004 006100 107107 121503 904999	1
40	270N2000-494		..BLOCK	002004 006100 107107 121503 904999	1
45	270N2000-495		..BLOCK	002004 006100 107107 121503 904999	1
50	270N2000-173		.CLAMP ASSY-BLK	002004 006100 107107 121503 904999	8
52	270N2000-173		.CLAMP ASSY-BLK	002004 006100 107107 121503 904999	7

MISSING ITEM NUMBERS NOT APPLICABLE

- ITEM NOT ILLUSTRATED

27-41-51-21

27-41-51  
FIG. 21  
PAGE 2  
JAN 20/09

BRI

BOEING PROPRIETARY - Copyright © - Unpublished Work - See title page for details.



757

PARTS CATALOG (MAINTENANCE)

FIG ITEM	PART NUMBER	1 2 3 4 5 6 7	NOMENCLATURE	EFFECT FROM TO	UNITS PER ASSY
21					
53	270N2000-277	.	CLAMP ASSY-BLK	002004 006100 107107 121503 904999	1
55	NAS1801-3-40	..	SCREW-	002004 006100 107107 121503 904999	2
60	AN960PD10L	..	WASHER	002004 006100 107107 121503 904999	2
65	NAS43DD3-125	..	SPACER	002004 006100 107107 121503 904999	2
70	BRH10A3	..	NUT SUPPLIER CODE: V52828 SPECIFICATION NUMBER: BACN10JC3 OPTIONAL PART: H10-3BAC V15653 NS202101-02 V80539 RMLH9075-3W V72962 VN303A02 V92215 96-02 V80539 T6S1032J V11815	002004 006100 107107 121503 904999	2
75	270N2000-840	..	CHANNEL	002004 006100 107107 121503 904999	1
80	270N2000-645	..	BLOCK	002004 006100 107107 121503 904999	2

MISSING ITEM NUMBERS NOT APPLICABLE

- ITEM NOT ILLUSTRATED

BRI

27-41-51-21

27-41-51  
FIG. 21  
PAGE 3  
JAN 20/09



757

PARTS CATALOG (MAINTENANCE)

FIG ITEM	PART NUMBER	1 2 3 4 5 6 7	NOMENCLATURE	EFFECT FROM TO	UNITS PER ASSY
21					
85	270N2000-644	..	BLOCK	002004 006100 107107 121503 904999	1
90	270N2000-172	.CLAMP	ASSY-BLK	002004 006100 107107 121503 904999	2
95	NAS1801-3-43	..	SCREW-	002004 006100 107107 121503 904999	2
100	AN960PD10L	..	WASHER	002004 006100 107107 121503 904999	2
105	NAS43DD3-136	..	SPACER	002004 006100 107107 121503 904999	2
110	BRH10A3	..	NUT SUPPLIER CODE: V52828 SPECIFICATION NUMBER: BACN10JC3 OPTIONAL PART: H10-3BAC V15653 NS202101-02 V80539 RMLH9075-3W V72962 VN303A02 V92215 96-02 V80539 T6S1032J V11815	002004 006100 107107 121503 904999	2
115	270N2000-821	..	CHANNEL	002004 006100 107107 121503 904999	1

MISSING ITEM NUMBERS NOT APPLICABLE

- ITEM NOT ILLUSTRATED

27-41-51-21

27-41-51  
FIG. 21  
PAGE 4  
JAN 20/09

BRI



757

PARTS CATALOG (MAINTENANCE)

FIG ITEM	PART NUMBER	1 2 3 4 5 6 7	NOMENCLATURE	EFFECT FROM TO	UNITS PER ASSY
21					
120	270N2000-623	..	BLOCK	002004 006100 107107 121503 904999	1
125	270N2000-642	..	BLOCK	002004 006100 107107 121503 904999	1
130	270N2000-643	..	BLOCK	002004 006100 107107 121503 904999	1
135	270N2000-52	.CLAMP	ASSY-BLK	002004 006100 107107 121503 904999	1
140	NAS1801-3-26	..	SCREW-	002004 006100 107107 121503 904999	2
145	AN960PD10L	..	WASHER	002004 006100 107107 121503 904999	2
150	NAS43DD3-67	..	SPACER	002004 006100 107107 121503 904999	2

MISSING ITEM NUMBERS NOT APPLICABLE

- ITEM NOT ILLUSTRATED

BRI

27-41-51-21

BOEING PROPRIETARY - Copyright © - Unpublished Work - See title page for details.

27-41-51  
FIG. 21  
PAGE 5  
JAN 20/09



757

PARTS CATALOG (MAINTENANCE)

FIG ITEM	PART NUMBER	1 2 3 4 5 6 7	NOMENCLATURE	EFFECT FROM TO	UNITS PER ASSY
21 155	BRH10A3	. .	NUT SUPPLIER CODE: V52828 SPECIFICATION NUMBER: BACN10JC3 OPTIONAL PART: H10-3BAC V15653 NS202101-02 V80539 RMLH9075-3W V72962 VN303A02 V92215 96-02 V80539 T6S1032J V11815	002004 006100 107107 121503 904999	2
160	270N2000-835	. .	CHANNEL	002004 006100 107107 121503 904999	1
165	270N2000-487	. .	BLOCK	002004 006100 107107 121503 904999	2
170	270N2000-65	. .	CLAMP ASSY-BLK	002004 006100 107107 121503 904999	1
175	NAS1801-3-26	. .	SCREW-	002004 006100 107107 121503 904999	2
180	AN960PD10L	. .	WASHER	002004 006100 107107 121503 904999	2
185	NAS43DD3-67	. .	SPACER	002004 006100 107107 121503 904999	2

MISSING ITEM NUMBERS NOT APPLICABLE

- ITEM NOT ILLUSTRATED

27-41-51-21

27-41-51  
FIG. 21  
PAGE 6  
JAN 20/09

BRI

BOEING PROPRIETARY - Copyright © - Unpublished Work - See title page for details.





757

PARTS CATALOG (MAINTENANCE)

FIG ITEM	PART NUMBER	1 2 3 4 5 6 7	NOMENCLATURE	EFFECT FROM TO	UNITS PER ASSY
21 190	BRH10A3	..	NUT SUPPLIER CODE: V52828 SPECIFICATION NUMBER: BACN10JC3 OPTIONAL PART: H10-3BAC V15653 NS202101-02 V80539 RMLH9075-3W V72962 VN303A02 V92215 96-02 V80539 T6S1032J V11815	002004 006100 107107 121503 904999	2
195	270N2000-863	..	CHANNEL	002004 006100 107107 121503 904999	1
200	270N2000-529	..	BLOCK	002004 006100 107107 121503 904999	2
205	270N2000-170	.	CLAMP ASSY-BLK	002004 006100 107107 121503 904999	1
210	NAS1801-3-26	..	SCREW-	002004 006100 107107 121503 904999	2
215	AN960PD10L	..	WASHER	002004 006100 107107 121503 904999	2
220	NAS43DD3-67	..	SPACER	002004 006100 107107 121503 904999	2

MISSING ITEM NUMBERS NOT APPLICABLE

- ITEM NOT ILLUSTRATED

27-41-51-21

27-41-51  
FIG. 21  
PAGE 7  
JAN 20/09

BRI



757

PARTS CATALOG (MAINTENANCE)

FIG ITEM	PART NUMBER	1 2 3 4 5 6 7	NOMENCLATURE	EFFECT FROM TO	UNITS PER ASSY
21 225	BRH10A3	..	NUT SUPPLIER CODE: V52828 SPECIFICATION NUMBER: BACN10JC3 OPTIONAL PART: H10-3BAC V15653 NS202101-02 V80539 RMLH9075-3W V72962 VN303A02 V92215 96-02 V80539 T6S1032J V11815	002004 006100 107107 121503 904999	2
230	270N2000-839	..	CHANNEL	002004 006100 107107 121503 904999	1
235	270N2000-640	..	BLOCK	002004 006100 107107 121503 904999	2
240	270N2000-54	.	CLAMP ASSY-BLK	002004 006100 107107 121503 904999	1
245	NAS1801-3-40	..	SCREW	002004 006100 107107 121503 904999	2
250	AN960PD10L	..	WASHER	002004 006100 107107 121503 904999	2
255	NAS43DD3-126	..	SPACER	002004 006100 107107 121503 904999	2

MISSING ITEM NUMBERS NOT APPLICABLE

- ITEM NOT ILLUSTRATED

27-41-51-21

27-41-51  
FIG. 21  
PAGE 8  
JAN 20/09

BRI



757

PARTS CATALOG (MAINTENANCE)

FIG ITEM	PART NUMBER	1 2 3 4 5 6 7	NOMENCLATURE	EFFECT FROM TO	UNITS PER ASSY
21 260	BRH10A3	..	NUT SUPPLIER CODE: V52828 SPECIFICATION NUMBER: BACN10JC3 OPTIONAL PART: H10-3BAC V15653 NS202101-02 V80539 RMLH9075-3W V72962 VN303A02 V92215 96-02 V80539 T6S1032J V11815	002004 006100 107107 121503 904999	2
270	270N2000-837	..	CHANNEL	002004 006100 107107 121503 904999	1
275	270N2000-523	..	BLOCK	002004 006100 107107 121503 904999	2
280	270N2000-489	..	BLOCK	002004 006100 107107 121503 904999	1
285	271N6481-1026	.	TUBE ASSY-PRESSURE SYS POSITION DATA: CTR TUBING MATERIAL: .375 IN. OD .019 IN. WALL 106.80 IN. LG TI BMS 7-234 TI-3AL-2.5V COLD WORKED, STRESS RELIEVED TUBING	002004 006100 107107 121503 904999	1
- 290	AS1581T06	..	SLEEVE	002004 006100 107107 121503 904999	1

MISSING ITEM NUMBERS NOT APPLICABLE

- ITEM NOT ILLUSTRATED

27-41-51-21

27-41-51  
FIG. 21  
PAGE 9  
JAN 20/09

BRI

BOEING PROPRIETARY - Copyright © - Unpublished Work - See title page for details.



757

PARTS CATALOG (MAINTENANCE)

FIG ITEM	PART NUMBER	1 2 3 4 5 6 7	NOMENCLATURE	EFFECT FROM TO	UNITS PER ASSY
21 - 295	BACN10YA6	..	NUT	002004 006100 107107 121503 904999	1
- 300	AS1582T06	..	UNION	002004 006100 107107 121503 904999	1
305	271N6481-1064	.TUBE ASSY-PRESSURE SYS POSITION DATA: CTR TUBING MATERIAL: .375 IN. OD .019 IN. WALL 33.40 IN. LG TI BMS 7-234 TI-3AL-2.5V COLD WORKED, STRESS RELIEVED TUBING		002004 006100 107107 121503 904999	1
310	271N6481-1113	.TUBE ASSY-PRESSURE SYS POSITION DATA: CTR TUBING MATERIAL: .375 IN. OD .019 IN. WALL 63.80 IN. LG TI BMS 7-234 TI-3AL-2.5V COLD WORKED, STRESS RELIEVED TUBING		002004 006100 107107 121503 904999	1
- 315	AS1581T06	..	SLEEVE	002004 006100 107107 121503 904999	2
- 320	BACN10YA6	..	NUT	002004 006100 107107 121503 904999	2
325	271N6481-1034	.TUBE ASSY-RETURN SYS POSITION DATA: CTR TUBING MATERIAL: .500 IN. OD .035 IN. WALL 133.40 IN. LG AL AMS 4083 6061 T6 TUBING		002004 006100 107107 121503 904999	1

MISSING ITEM NUMBERS NOT APPLICABLE

- ITEM NOT ILLUSTRATED

BRI

27-41-51-21

27-41-51  
FIG. 21  
PAGE 10  
JAN 20/09



757

PARTS CATALOG (MAINTENANCE)

FIG ITEM	PART NUMBER	1 2 3 4 5 6 7	NOMENCLATURE	EFFECT FROM TO	UNITS PER ASSY
21 330	271N6481-1049		.TUBE ASSY-RETURN SYS POSITION DATA: CTR TUBING MATERIAL: .500 IN. OD .035 IN. WALL 73.40 IN. LG AL AMS 4083 6061 T6 TUBING	002004 006100 107107 121503 904999	1
335	271N6481-1048		.TUBE ASSY-RETURN SYS POSITION DATA: CTR TUBING MATERIAL: .500 IN. OD .035 IN. WALL 41.00 IN. LG AL AMS 4083 6061 T6 TUBING	107107	1
335	271N6481-1118		.TUBE ASSY-RETURN SYS POSITION DATA: CTR TUBING MATERIAL: .500 IN. OD .035 IN. WALL 40.70 IN. LG AL AMS 4083 6061 T6 TUBING	002004 006100 121503 904999	1
- 340	AP2097HP08		..SLEEVE SUPPLIER CODE: V01673 SPECIFICATION NUMBER: BACS13BX08HP OPTIONAL PART: 2-02903-08HP V11328 35235VN08 V08199 AFP175V08P V30974 DBOS13BX08HP V14798	002004 006100 107107 121503 904999	2
- 345	BACN10YL08		..NUT	002004 006100 107107 121503 904999	2

MISSING ITEM NUMBERS NOT APPLICABLE

- ITEM NOT ILLUSTRATED

BRI

27-41-51-21

27-41-51  
FIG. 21  
PAGE 11  
JAN 20/09



757

PARTS CATALOG (MAINTENANCE)

FIG ITEM	PART NUMBER	1 2 3 4 5 6 7	NOMENCLATURE	EFFECT FROM TO	UNITS PER ASSY
21 350	271N6481-1047		.TUBE ASSY-RETURN SYS POSITION DATA: CTR TUBING MATERIAL: .500 IN. OD .035 IN. WALL 127.20 IN. LG AL AMS 4083 6061 T6 TUBING	002004 006100 107107 121503 904999	1
- 355	35056GV08		..UNION SUPPLIER CODE: V08199 SPECIFICATION NUMBER: BACU24AB8W OPTIONAL PART: 2-01027-8W V11328 31875-8W V14397 4671097W8 V50948 AP1004W08 V01673 AFP941W8 V30974 DBOU24AB8W V14798	002004 006100 107107 121503 904999	2
360	271N6481-1046		.TUBE ASSY-RETURN SYS POSITION DATA: CTR TUBING MATERIAL: .500 IN. OD .035 IN. WALL 53.60 IN. LG AL AMS 4083 6061 T6 TUBING	002004 006100 107107 121503 904999	1
365	271N6481-1045		.TUBE ASSY-RETURN SYS POSITION DATA: CTR TUBING MATERIAL: .500 IN. OD .035 IN. WALL 49.60 IN. LG AL AMS 4083 6061 T6 TUBING	002004 006100 107107 121503 904999	1

MISSING ITEM NUMBERS NOT APPLICABLE

- ITEM NOT ILLUSTRATED

BRI

27-41-51-21

27-41-51  
FIG. 21  
PAGE 12  
JAN 20/09



757

PARTS CATALOG (MAINTENANCE)

FIG ITEM	PART NUMBER	1 2 3 4 5 6 7	NOMENCLATURE	EFFECT FROM TO	UNITS PER ASSY
21 - 370	AP2097HP08	..	SLEEVE SUPPLIER CODE: V01673 SPECIFICATION NUMBER: BACS13BX08HP OPTIONAL PART: 2-02903-08HP V11328 35235VN08 V08199 AFP175V08P V30974 DBOS13BX08HP V14798	002004 006100 107107 121503 904999	1
- 375	BACN10YLO8	..	NUT	002004 006100 107107 121503 904999	1
- 380	35056GV08	..	UNION SUPPLIER CODE: V08199 SPECIFICATION NUMBER: BACU24AB8W OPTIONAL PART: 2-01027-8W V11328 31875-8W V14397 4671097W8 V50948 AP1004W08 V01673 AFP941W8 V30974 DBOU24AB8W V14798	002004 006100 107107 121503 904999	1
385	271N6481-1043	.TUBE ASSY-FEEL PRESSURE SYS POSITION DATA: CTR TUBING MATERIAL: .375 IN. OD .019 IN. WALL 105.00 IN. LG TI BMS 7-234 TI-3AL-2.5V COLD WORKED, STRESS RELIEVED TUBING	002004 006100 107107 121503 904999	1	

MISSING ITEM NUMBERS NOT APPLICABLE

- ITEM NOT ILLUSTRATED

BRI

27-41-51-21

27-41-51  
FIG. 21  
PAGE 13  
JAN 20/09



757

PARTS CATALOG (MAINTENANCE)

FIG ITEM	PART NUMBER	1 2 3 4 5 6 7	NOMENCLATURE	EFFECT FROM TO	UNITS PER ASSY
21 390	271N6481-1044		.TUBE ASSY-FEEL PRESSURE SYS POSITION DATA: CTR TUBING MATERIAL: .375 IN. OD .019 IN. WALL 39.10 IN. LG TI BMS 7-234 TI-3AL-2.5V COLD WORKED, STRESS RELIEVED TUBING	107107	1
390	271N6481-1117		.TUBE ASSY-FEEL PRESSURE SYS POSITION DATA: CTR TUBING MATERIAL: .375 IN. OD .019 IN. WALL 39.10 IN. LG TI BMS 7-234 TI-3AL-2.5V COLD WORKED, STRESS RELIEVED TUBING	002004 006100 121503 904999	1
395	271N6481-1041		.TUBE ASSY-FEEL PRESSURE SYS POSITION DATA: CTR TUBING MATERIAL: .375 IN. OD .019 IN. WALL 49.20 IN. LG TI BMS 7-234 TI-3AL-2.5V COLD WORKED, STRESS RELIEVED TUBING	002004 006100 107107 121503 904999	1
400	271N6481-1042		.TUBE ASSY-FEEL PRESSURE SYS POSITION DATA: CTR TUBING MATERIAL: .375 IN. OD .019 IN. WALL 47.20 IN. LG TI BMS 7-234 TI-3AL-2.5V COLD WORKED, STRESS RELIEVED TUBING	107107	1

MISSING ITEM NUMBERS NOT APPLICABLE

- ITEM NOT ILLUSTRATED

BRI

27-41-51-21

27-41-51  
FIG. 21  
PAGE 14  
JAN 20/09





757

PARTS CATALOG (MAINTENANCE)

FIG ITEM	PART NUMBER	1 2 3 4 5 6 7	NOMENCLATURE	EFFECT FROM TO	UNITS PER ASSY
21 400	271N6481-1122		.TUBE ASSY-FEEL PRESSURE SYS POSITION DATA: CTR TUBING MATERIAL: .375 IN. OD .019 IN. WALL 39.90 IN. LG TI BMS 7-234 TI03AL-2.5V COLD WORKED, STRESS RELIEVED TUBING	002004 006100 121503 904999	1
- 405	AS1581T06		..SLEEVE	002004 006100 107107 121503 904999	1
- 410	BACN10YA6		..NUT	002004 006100 107107 121503 904999	1
- 415	AS1582T06		..UNION	002004 006100 107107 121503 904999	1
420	271N6481-1065		.TUBE ASSY-FEEL PRESSURE SYS POSITION DATA: CTR TUBING MATERIAL: .375 IN. OD .019 IN. WALL 17.50 IN. LG TI BMS 7-234 TI-3AL-2.5V COLD WORKED, STRESS RELIEVED TUBING	002004 006100 107107 121503 904999	1
- 425	AS1581T06		..SLEEVE	002004 006100 107107 121503 904999	2
- 430	BACN10YA6		..NUT	002004 006100 107107 121503 904999	2
435	BACE21BN0606T		.ELBOW-90 DEG BHD	107107	1

MISSING ITEM NUMBERS NOT APPLICABLE

- ITEM NOT ILLUSTRATED

27-41-51-21

27-41-51  
FIG. 21  
PAGE 15  
JAN 20/09

BRI



757

PARTS CATALOG (MAINTENANCE)

FIG ITEM	PART NUMBER	1 2 3 4 5 6 7	NOMENCLATURE	EFFECT FROM TO	UNITS PER ASSY
21					
435	BACE21BN0606J	.	ELBOW-90 DEG BHD	002004 006100 121503 904999	1
440	MS21908D8	.	ELBOW	002004 006100 107107 121503 904999	1
442	BACT16BL060606J	.	TEE	002004 006100 121503 904999	1
442	BACT16BT060606P	.	TEE-SWIVEL POST ALERT SB: 29A0030	107107	1
445	APX824D100808	.	TEE- SUPPLIER CODE: V01673 SPECIFICATION NUMBER: BACT16AS100808D OPTIONAL PART: APX824-100808D V01673 DBOT16AS100808D V14798 ER824-100808D V50948 FER1571-100808D V14397 LER824-100808D V11328 NAF1824-100808D V52930 US1925-100808D V50808 AFP325-100808D V30974	002004 006100 107107 121503 904999	1
452	BACT16BL060406T	.	TEE-REDUCER	107107	1
452	BACT16BL060406J	.	TEE-REDUCER	002004 006100 121503 904999	1
455	BACT16BL100606T	.	TEE-REDUCER	002004 006100 107107 121503 904999	1

MISSING ITEM NUMBERS NOT APPLICABLE

- ITEM NOT ILLUSTRATED

BRI

27-41-51-21

27-41-51  
FIG. 21  
PAGE 16  
JAN 20/09



757

PARTS CATALOG (MAINTENANCE)

FIG ITEM	PART NUMBER	1 2 3 4 5 6 7	NOMENCLATURE	EFFECT FROM TO	UNITS PER ASSY
21 455	BACT16BL100606J	.	TEE-REDUCER	002004 006100 107107 121503 904999	1
460	AN924-6D	.	NUT	002004 006100 107107 121503 904999	1
465	AN924-8D	.	NUT	002004 006100 107107 121503 904999	1
470	AN960KD916	.	WASHER-	002004 006100 107107 121503 904999	1
473	AN960KD1216	.	WASHER	002004 006100 107107 121503 904999	1
490	2-7681-1	.	FUSE-HYDR VELOCITY SUPPLIER CODE: V97415 FUNCTIONAL DESCRIPTION: PREVENTS LOSS OF HYDRAULIC FLUID IN THE EVENT OF A LINE RUPTURE SPECIFICATION NUMBER: S272U860-7 COMPONENT MAINT MANUAL REF: 27-32-03 OPTIONAL PART: 2-7681-2 V97415 POST ALERT SB: 29A0030	002004 006100 107107 121503 904999	1

MISSING ITEM NUMBERS NOT APPLICABLE

- ITEM NOT ILLUSTRATED

BRI

27-41-51-21

27-41-51  
FIG. 21  
PAGE 17  
JAN 20/09



757

PARTS CATALOG (MAINTENANCE)

FIG ITEM	PART NUMBER	1 2 3 4 5 6 7	NOMENCLATURE	EFFECT FROM TO	UNITS PER ASSY
21 490	2-7681-2	.	FUSE-HYDR VELOCITY SUPPLIER CODE: V97415 FUNCTIONAL DESCRIPTION: PREVENTS LOSS OF HYDRAULIC FLUID IN THE EVENT OF A LINE RUPTURE SPECIFICATION NUMBER: S272U860-7 COMPONENT MAINT MANUAL REF: 27-32-04 OPTIONAL PART: 2-7681-1 V97415 POST ALERT SB: 29A0030	002004 006100 107107 121503 904999	1
492	7-1538-1	..	PLATE-IDENT SUPPLIER CODE: V97415 OPTIONAL PART: 7-1538-2 V97415	002004 006100 107107 121503 904999	1
492	7-1538-2	..	PLATE-IDENT SUPPLIER CODE: V97415 OPTIONAL PART: 7-1538-1 V97415 7-1538-3 V97415	002004 006100 107107 121503 904999	1
492	7-1538-3	..	PLATE-IDENT SUPPLIER CODE: V97415 OPTIONAL PART: 7-1538-2 V97415	002004 006100 107107 121503 904999	1
495	1C1348	.	VALVE-CHECK SUPPLIER CODE: V99240 SPECIFICATION NUMBER: BACV10CD3	002004 006100 121503 904999	1
700			ILLUSTRATION REFERENCE: PLUMBING INSTL-SECT. 48 L HYDR (HORIZONTAL STABILIZER TRIM CONTROL ONLY) 27-41-51-20	002004 006100 107107 121503 904999	RF

MISSING ITEM NUMBERS NOT APPLICABLE

- ITEM NOT ILLUSTRATED

BRI

27-41-51-21

27-41-51  
FIG. 21  
PAGE 18  
JAN 20/09



757

PARTS CATALOG (MAINTENANCE)

FIG ITEM	PART NUMBER	1 2 3 4 5 6 7	NOMENCLATURE	EFFECT FROM TO	UNITS PER ASSY
21		.....		002004 006100 107107 121503 904999	RF
710			ILLUSTRATION REFERENCE: PLUMBING INSTL-SECT. 48 L HYDR (HORIZONTAL STABILIZER TRIM CONTROL ONLY) 27-41-51-20	002004 006100 107107 121503 904999	RF
720			ILLUSTRATION REFERENCE: MODULE INSTL-STAB. TRIM CONT (HORIZONTAL STABILIZER TRIM CONTROL ONLY) 27-41-05-01	002004 006100 107107 121503 904999	RF

MISSING ITEM NUMBERS NOT APPLICABLE

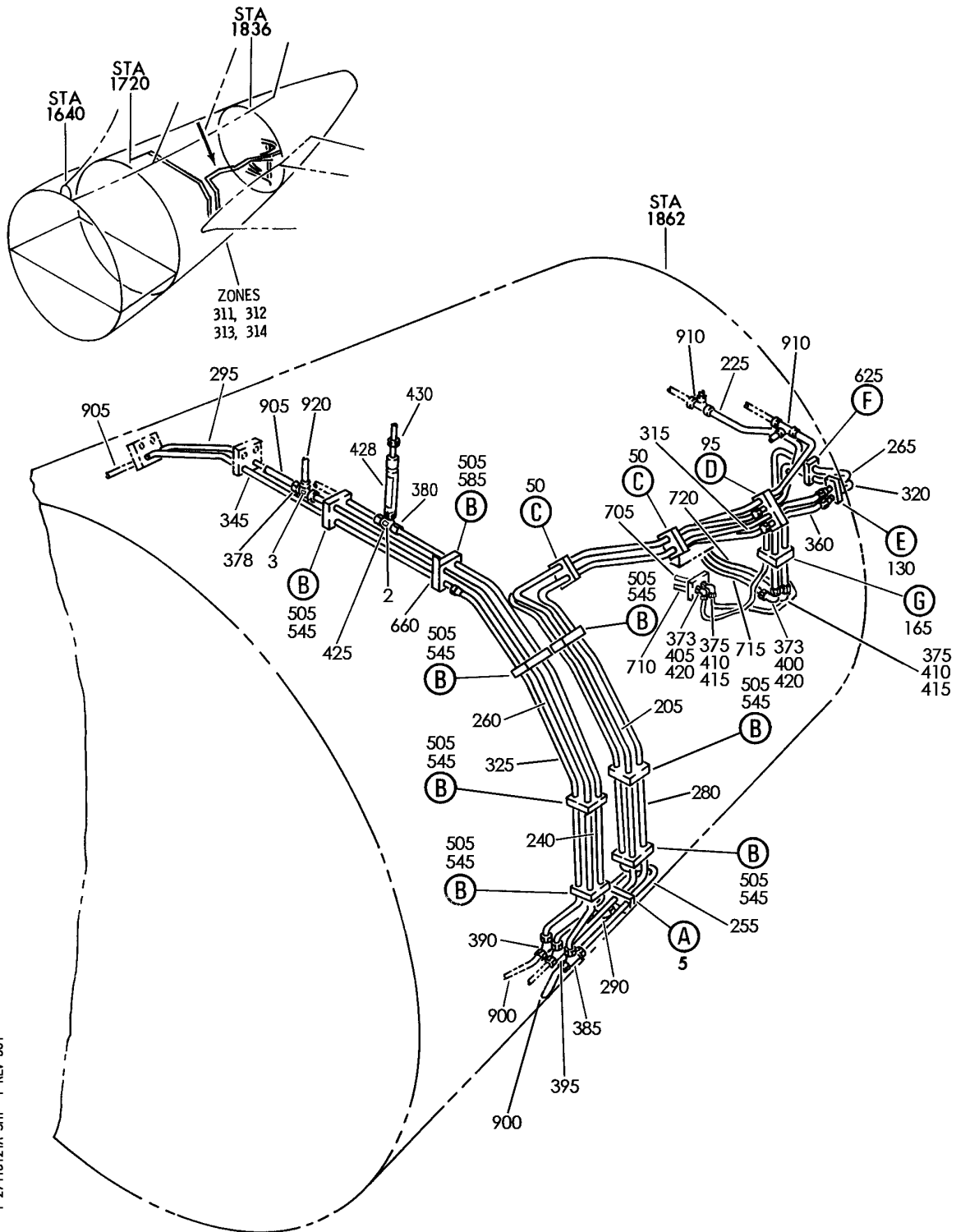
- ITEM NOT ILLUSTRATED

BRI

**27-41-51-21**

27-41-51  
FIG. 21  
PAGE 19  
JAN 20/09

**BOEING**  
757  
PARTS CATALOG (MAINTENANCE)



Y 27415121A SHT 1 REV 304

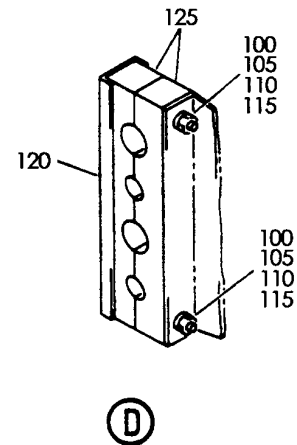
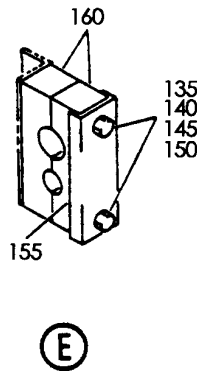
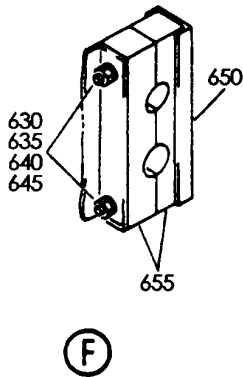
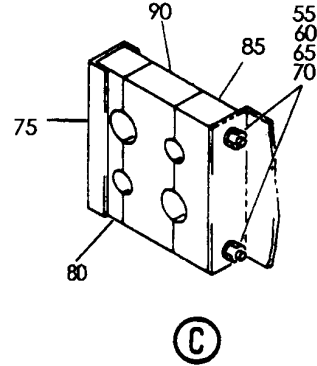
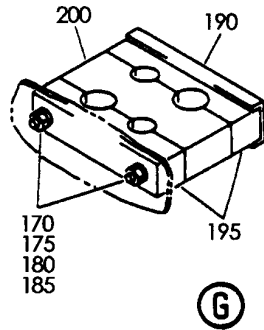
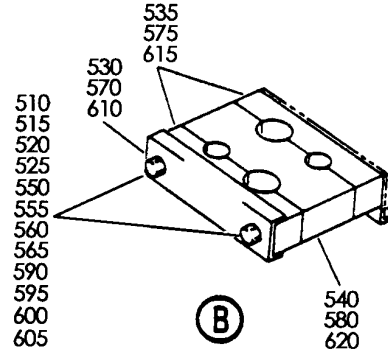
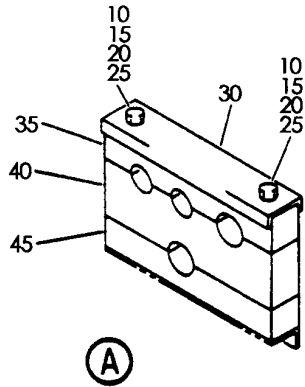
PLUMBING INSTL-SECT. 48 L HYDR (HORIZONTAL STABILIZER TRIM CONTROL ONLY)  
FIGURE 21A (SHEET 1)

**27-41-51-21A**

BRI  
MAY 28/07

27-41-51-21A  
PAGE 0

**BOEING**  
757  
PARTS CATALOG (MAINTENANCE)



Y 27415121A SHT. 2 REV 190

PLUMBING INSTL-SECT. 48 L HYDR (HORIZONTAL STABILIZER TRIM CONTROL ONLY)  
FIGURE 21A (SHEET 2)

# 27-41-51-21A

BRI  
MAY 28/07

27-41-51-21A  
PAGE 0A



757

PARTS CATALOG (MAINTENANCE)

FIG ITEM	PART NUMBER	1 2 3 4 5 6 7	NOMENCLATURE	EFFECT FROM TO	UNITS PER ASSY
21A			PLUMBING INSTL-SECT. 48 L HYDR (HORIZONTAL STABILIZER TRIM CONTROL ONLY)	101106 108120 504903	
- 1	271N6481-9		PLUMBING INSTL-HYDR (HORIZONTAL STABILIZER TRIM CONTROL ONLY) POSITION DATA: SECT. 48 L FOR NHA/OTHER SYS DET SEE: 27-00-00-03	101101	RF
- 1	271N6481-11		PLUMBING INSTL-HYDR (HORIZONTAL STABILIZER TRIM CONTROL ONLY) POSITION DATA: SECT. 48 L FOR NHA/OTHER SYS DET SEE: 27-00-00-03	102102 108120 504903	RF
- 1	MODREF31920		PLUMBING INSTL-HYDR (HORIZONTAL STABILIZER TRIM CONTROL ONLY) MODULE NUMBER: 271N6481-13 REV B POSITION DATA: SECT. 48 L FOR OTHER SYS DETAILS SEE: 27-21-51-20A 27-31-51-20A FOR ADDITIONAL DETAILS SEE: 27-41-51-20A	103106	1
2	BACM10F8DB		.MARKER	101106 108120 504903	1
2	BACM10F8D8		.MARKER	101106 108120 504903	1
3	BACM10V21-2JG		.MARKER	101106 108120 504903	1
5	270N2000-45		.CLAMP ASSY-BLK	101106 108120 504903	1
10	NAS1801-3-44		..SCREW	101106 108120 504903	2
15	AN960PD10L		..WASHER	101106 108120 504903	2

MISSING ITEM NUMBERS NOT APPLICABLE

- ITEM NOT ILLUSTRATED

27-41-51-21A

27-41-51  
FIG. 21A  
PAGE 1  
JAN 20/09

BRI

BOEING PROPRIETARY - Copyright © - Unpublished Work - See title page for details.





757

PARTS CATALOG (MAINTENANCE)

FIG ITEM	PART NUMBER	1 2 3 4 5 6 7	NOMENCLATURE	EFFECT FROM TO	UNITS PER ASSY
21A					
20	NAS43DD3-140	..	SPACER	101106 108120 504903	2
25	BRH10A3	..	NUT SUPPLIER CODE: V52828 SPECIFICATION NUMBER: BACN10JC3 OPTIONAL PART: H10-3BAC V15653 NS202101-02 V80539 RMLH9075-3W V72962 VN303A02 V92215 96-02 V80539 T6S1032J V11815	101106 108120 504903	2
30	270N2000-838	..	CHANNEL	101106 108120 504903	1
35	270N2000-493	..	BLOCK	101106 108120 504903	1
40	270N2000-494	..	BLOCK	101106 108120 504903	1
45	270N2000-495	..	BLOCK	101106 108120 504903	1
50	270N2000-172	.	CLAMP ASSY-BLK	101106 108120 504903	2
55	NAS1801-3-43	..	SCREW	101106 108120 504903	2
60	AN960PD10L	..	WASHER	101106 108120 504903	2
65	NAS43DD3-136	..	SPACER	101106 108120 504903	2

MISSING ITEM NUMBERS NOT APPLICABLE

- ITEM NOT ILLUSTRATED

27-41-51-21A

27-41-51  
FIG. 21A  
PAGE 2  
JAN 20/09

BRI

BOEING PROPRIETARY - Copyright © - Unpublished Work - See title page for details.



757

PARTS CATALOG (MAINTENANCE)

FIG ITEM	PART NUMBER	1 2 3 4 5 6 7	NOMENCLATURE	EFFECT FROM TO	UNITS PER ASSY
21A 70	BRH10A3	..	NUT SUPPLIER CODE: V52828 SPECIFICATION NUMBER: BACN10JC3 OPTIONAL PART: H10-3BAC V15653 NS202101-02 V80539 RMLH9075-3W V72962 VN303A02 V92215 96-02 V80539 T6S1032J V11815	101106 108120 504903	2
75	270N2000-821	..	CHANNEL	101106 108120 504903	1
80	270N2000-623	..	BLOCK	101106 108120 504903	1
85	270N2000-642	..	BLOCK	101106 108120 504903	1
90	270N2000-643	..	BLOCK	101106 108120 504903	1
95	270N2000-52	.	CLAMP ASSY-BLK	101106 108120 504903	1
100	NAS1801-3-26	..	SCREW	101106 108120 504903	2
105	AN960PD10L	..	WASHER	101106 108120 504903	2
110	NAS43DD3-67	..	SPACER	101106 108120 504903	2

MISSING ITEM NUMBERS NOT APPLICABLE

- ITEM NOT ILLUSTRATED

27-41-51-21A

27-41-51  
FIG. 21A  
PAGE 3  
JAN 20/09

BRI

BOEING PROPRIETARY - Copyright © - Unpublished Work - See title page for details.



757

PARTS CATALOG (MAINTENANCE)

FIG ITEM	PART NUMBER	1 2 3 4 5 6 7	NOMENCLATURE	EFFECT FROM TO	UNITS PER ASSY
21A 115	BRH10A3	. .	NUT SUPPLIER CODE: V52828 SPECIFICATION NUMBER: BACN10JC3 OPTIONAL PART: H10-3BAC V15653 NS202101-02 V80539 RMLH9075-3W V72962 VN303A02 V92215 96-02 V80539 T6S1032J V11815	101106 108120 504903	2
120	270N2000-835	. .	CHANNEL	101106 108120 504903	1
125	270N2000-487	. .	BLOCK	101106 108120 504903	2
130	270N2000-65	. .	CLAMP ASSY-BLK	101106 108120 504903	1
135	NAS1801-3-26	. .	SCREW	101106 108120 504903	2
140	AN960PD10L	. .	WASHER	101106 108120 504903	2
145	NAS43DD3-67	. .	SPACER	101106 108120 504903	2

MISSING ITEM NUMBERS NOT APPLICABLE

- ITEM NOT ILLUSTRATED

27-41-51-21A

27-41-51  
FIG. 21A  
PAGE 4  
JAN 20/09

BRI

BOEING PROPRIETARY - Copyright © - Unpublished Work - See title page for details.



757

PARTS CATALOG (MAINTENANCE)

FIG ITEM	PART NUMBER	1 2 3 4 5 6 7	NOMENCLATURE	EFFECT FROM TO	UNITS PER ASSY
21A 150	BRH10A3	..	NUT SUPPLIER CODE: V52828 SPECIFICATION NUMBER: BACN10JC3 OPTIONAL PART: H10-3BAC V15653 NS202101-02 V80539 RMLH9075-3W V72962 VN303A02 V92215 96-02 V80539 T6S1032J V11815	101106 108120 504903	2
155	270N2000-863	..	CHANNEL	101106 108120 504903	1
160	270N2000-529	..	BLOCK	101106 108120 504903	2
165	270N2000-54	.	CLAMP ASSY-BLK	101106 108120 504903	1
170	NAS1801-3-40	..	SCREW	101106 108120 504903	2
175	AN960PD10L	..	WASHER	101106 108120 504903	2
180	NAS43DD3-126	..	SPACER	101106 108120 504903	2

MISSING ITEM NUMBERS NOT APPLICABLE

- ITEM NOT ILLUSTRATED

**27-41-51-21A**

27-41-51  
FIG. 21A  
PAGE 5  
JAN 20/09

BRI

BOEING PROPRIETARY - Copyright © - Unpublished Work - See title page for details.



757

PARTS CATALOG (MAINTENANCE)

FIG ITEM	PART NUMBER	1 2 3 4 5 6 7	NOMENCLATURE	EFFECT FROM TO	UNITS PER ASSY
21A 185	BRH10A3	..	NUT SUPPLIER CODE: V52828 SPECIFICATION NUMBER: BACN10JC3 OPTIONAL PART: H10-3BAC V15653 NS202101-02 V80539 RMLH9075-3W V72962 VN303A02 V92215 96-02 V80539 T6S1032J V11815	101106 108120 504903	2
190	270N2000-837	..	CHANNEL	101106 108120 504903	1
195	270N2000-523	..	BLOCK	101106 108120 504903	2
200	270N2000-489	..	BLOCK	101106 108120 504903	1
205	271N6481-1026	.TUBE ASSY-PRESSURE SYS POSITION DATA: CTR TUBING MATERIAL: .375 IN. OD .019 IN. WALL 106.80 IN. LG TI BMS 70234 TI-3AL-2.5V COLD WORKED, STRESS RELIEVED TUBING	101106 108120 504903	1	
- 210	AS1581T06	..	SLEEVE	101106 108120 504903	1
- 215	BACN10YA6	..	NUT	101106 108120 504903	1
- 220	AS1582T06	..	UNION	101106 108120 504903	1

MISSING ITEM NUMBERS NOT APPLICABLE

- ITEM NOT ILLUSTRATED

27-41-51-21A

27-41-51  
FIG. 21A  
PAGE 6  
JAN 20/09

BRI

BOEING PROPRIETARY - Copyright © - Unpublished Work - See title page for details.



757

PARTS CATALOG (MAINTENANCE)

FIG ITEM	PART NUMBER	1 2 3 4 5 6 7	NOMENCLATURE	EFFECT FROM TO	UNITS PER ASSY
21A 225	271N6481-1064		.TUBE ASSY-PRESSURE SYS POSITION DATA: CTR TUBING MATERIAL: .375 IN. OD .019 IN. WALL 33.40 IN. LG TI BMS 7-234 TI-3AL-2.5V COLD WORKED, STRESS RELIEVED TUBING	101106 108120 504903	1
- 230	AS1581T06		..SLEEVE	101106 108120 504903	2
- 235	BACN10YA6		..NUT	101106 108120 504903	2
240	271N6481-1113		.TUBE ASSY-PRESSURE SYS POSITION DATA: CTR TUBING MATERIAL: .375 IN. OD .019 IN. WALL 63.80 IN. LG TI BMS 7-234 TI03AL-2.5V COLD WORKED, STRESS RELIEVED TUBING	101106 108120 504903	1
- 245	AS1581T06		..SLEEVE	101106 108120 504903	2
- 250	BACN10YA6		..NUT-	101106 108120 504903	2
255	271N6481-1034		.TUBE ASSY-RETURN SYS POSITION DATA: CTR TUBING MATERIAL: .500 IN. OD .035 IN. WALL 133.40 IN. LG AL AMS 4083 6061 T6 TUBING	101106 108120 504903	1
260	271N6481-1049		.TUBE ASSY-RETURN SYS POSITION DATA: CTR TUBING MATERIAL: .500 IN. OD .035 IN. WALL 73.40 IN. LG AL AMS 4083 6061 T6 TUBING	101106 108120 504903	1

MISSING ITEM NUMBERS NOT APPLICABLE

- ITEM NOT ILLUSTRATED

**27-41-51-21A**

27-41-51  
FIG. 21A  
PAGE 7  
JAN 20/09

BRI



757

PARTS CATALOG (MAINTENANCE)

FIG ITEM	PART NUMBER	1 2 3 4 5 6 7	NOMENCLATURE	EFFECT FROM TO	UNITS PER ASSY
21A 265	271N6481-1118	.	TUBE ASSY-RETURN SYS POSITION DATA: CTR TUBING MATERIAL: .500 IN. OD .035 IN. WALL 40.70 IN. LG AL AMS 4083 6061 T6 TUBING	101106 108120 504903	1
- 270	AP2097HP08	..	SLEEVE SUPPLIER CODE: V01673 SPECIFICATION NUMBER: BACS13BX08HP OPTIONAL PART: 2-02903-08HP V11328 35235VN08 V08199 AFP175V08P V30974 DBOS13BX08HP V14798	101106 108120 504903	2
- 275	BACN10YL08	..	NUT	101106 108120 504903	2
280	271N6481-1047	.	TUBE ASSY-RETURN SYS POSITION DATA: CTR TUBING MATERIAL: .500 IN. OD .035 IN. WALL 127.20 IN. LG AL AMS 4083 6061 T6 TUBING	101106 108120 504903	1

MISSING ITEM NUMBERS NOT APPLICABLE

- ITEM NOT ILLUSTRATED

BRI

27-41-51-21A

BOEING PROPRIETARY - Copyright © - Unpublished Work - See title page for details.

27-41-51  
FIG. 21A  
PAGE 8  
JAN 20/09



757

PARTS CATALOG (MAINTENANCE)

FIG ITEM	PART NUMBER	1 2 3 4 5 6 7	NOMENCLATURE	EFFECT FROM TO	UNITS PER ASSY
21A - 285	35056GV08		.. UNION SUPPLIER CODE: V08199 SPECIFICATION NUMBER: BACU24AB8W OPTIONAL PART: 2-01027-8W V11328 31875-8W V14397 4671097W8 V50948 AP1004W08 V01673 AFP941W8 V30974 DBOU24AB8W V14798	101106 108120 504903	2
290	271N6481-1046		. TUBE ASSY-RETURN SYS POSITION DATA: CTR TUBING MATERIAL: .500 IN. OD .035 IN. WALL 53.60 IN. LG AL AMS 4083 6061 T6 TUBING	101106 108120 504903	1
295	271N6481-1045		. TUBE ASSY-RETURN SYS POSITION DATA: CTR TUBING MATERIAL: .500 IN. OD .035 IN. WALL 49.60 IN. LG AL AMS 4083 6061 T6 TUBING	101106 108120 504903	1
- 300	AP2097HP08		.. SLEEVE SUPPLIER CODE: V01673 SPECIFICATION NUMBER: BACS13BX08HP OPTIONAL PART: 2-02903-08HP V11328 35235VN08 V08199 AFP175V08P V30974 DBOS13BX08HP V14798	101106 108120 504903	1

MISSING ITEM NUMBERS NOT APPLICABLE

- ITEM NOT ILLUSTRATED

27-41-51-21A

27-41-51  
FIG. 21A  
PAGE 9  
JAN 20/09

BRI

BOEING PROPRIETARY - Copyright © - Unpublished Work - See title page for details.





757

PARTS CATALOG (MAINTENANCE)

FIG ITEM	PART NUMBER	1 2 3 4 5 6 7	NOMENCLATURE	EFFECT FROM TO	UNITS PER ASSY
21A - 305	BACN10YL08	. .	NUT	101106 108120 504903	1
- 310	35056GV08	. .	UNION SUPPLIER CODE: V08199 SPECIFICATION NUMBER: BACU24AB8W OPTIONAL PART: 2-01027-8W V11328 31875-8W V14397 4671097W8 V50948 AP1004W08 V01673 AFP941W8 V30974 DBOU24AB8W V14798	101106 108120 504903	1
315	271N6481-1043	. TUBE ASSY-FEEL PRESSURE SYS POSITION DATA: CTR TUBING MATERIAL: .375 IN. OD .019 IN. WALL 105.00 IN. LG TI BMS 7-234 TI-3AL-2.5V COLD WORKED, STRESS RELIEVED TUBING		101106 108120 504903	1
320	271N6481-1117	. TUBE ASSY-FEEL PRESSURE SYS POSITION DATA: CTR TUBING MATERIAL: .375 IN. OD .019 IN. WALL 39.10 IN. LG TI BMS 7-234 TI-3AL-2.5V COLD WORKED, STRESS RELIEVED TUBING		101106 108120 504903	1

MISSING ITEM NUMBERS NOT APPLICABLE

- ITEM NOT ILLUSTRATED

27-41-51-21A

27-41-51  
FIG. 21A  
PAGE 10  
JAN 20/09

BRI



757

PARTS CATALOG (MAINTENANCE)

FIG ITEM	PART NUMBER	1 2 3 4 5 6 7	NOMENCLATURE	EFFECT FROM TO	UNITS PER ASSY
21A 325	271N6481-1041		.TUBE ASSY-FEEL PRESSURE SYS POSITION DATA: CTR TUBING MATERIAL: .375 IN. OD .019 IN. WALL 49.20 IN. LG TI BMS 7-234 TI-3AL-2.5V COLD WORKED, STRESS RELIEVED TUBING	101106 108120 504903	1
- 330	AS1581T06		..SLEEVE	101106 108120 504903	1
- 335	BACN10YA6		..NUT	101106 108120 504903	1
- 340	AS1582T06		..UNION	101106 108120 504903	1
345	271N6481-1122		.TUBE ASSY-FEEL PRESSURE SYS POSITION DATA: CTR TUBING MATERIAL: .375 IN. OD .019 IN. WALL 39.90 IN. LG TI BMS 7-234 TI-3AL-2.5V COLD WORKED, STRESS RELIEVED TUBING	101106 108120 504903	1
- 350	AS1581T06		..SLEEVE	101106 108120 504903	1
- 355	AS1582T06		..UNION	101106 108120 504903	1
360	271N6481-1065		.TUBE ASSY-FEEL PRESSURE SYS POSITION DATA: CTR TUBING MATERIAL: .375 IN. OD .019 IN. WALL 17.50 IN. LG TI BMS 7-234 TI-3AL-2.5V COLD WORKED, STRESS RELIEVED TUBING	101106 108120 504903	1
- 365	AS1581T06		..SLEEVE	101106 108120 504903	2

MISSING ITEM NUMBERS NOT APPLICABLE

- ITEM NOT ILLUSTRATED

27-41-51-21A

27-41-51  
FIG. 21A  
PAGE 11  
JAN 20/09

BRI

BOEING PROPRIETARY - Copyright © - Unpublished Work - See title page for details.



757

PARTS CATALOG (MAINTENANCE)

FIG ITEM	PART NUMBER	1 2 3 4 5 6 7	NOMENCLATURE	EFFECT FROM TO	UNITS PER ASSY
21A - 370	BACN10YA6	. .	NUT	101106 108120 504903	2
373	MS21908W8	. ELBOW		101106 108120 504903	2
375	BACE21BN0606J	. ELBOW-90 DEG BHD		101106 108120 504903	2
378	NAS1764W080808	. TEE		101106 108120 504903	1
380	BACT16BT060606P	. TEE-SWIVEL		101106 108120 504903	1
385	APX824F100808W	. TEE	SUPPLIER CODE: V01673 SPECIFICATION NUMBER: BACT16AS100808W OPTIONAL PART: APX824-100808W V01673 DBOT16AS100808W V14798 ER824-100808W V50948 FER1571-100808W V14397 LER824-100808W V11328 NAF1824-100808W V52930 US1925-100808W V50808 AFP325-100808W V30974	101106 108120 504903	1
390	BACT16BL060406J	. TEE-REDUCER		101106 108120 504903	1
390	BACT16BL080606T	. TEE-REDUCER		102106 108120 504903	1
395	BACT16BL100606J	. TEE-REDUCER		101106 108120 504903	1
400	AN960JD1216	. WASHER		101106 108120 504903	1

MISSING ITEM NUMBERS NOT APPLICABLE

- ITEM NOT ILLUSTRATED

27-41-51-21A

27-41-51  
FIG. 21A  
PAGE 12  
JAN 20/09

BRI

BOEING PROPRIETARY - Copyright © - Unpublished Work - See title page for details.



757

PARTS CATALOG (MAINTENANCE)

FIG ITEM	PART NUMBER	1 2 3 4 5 6 7	NOMENCLATURE	EFFECT FROM TO	UNITS PER ASSY
21A 405	NAS1149D1216J	.	WASHER	101106 108120 504903	1
410	NAS1149D0916J	.	WASHER	101106 108120 504903	2
415	AN924-6D	.	NUT	101106 108120 504903	2
420	AN924-8D	.	NUT	101106 108120 504903	2
425	2-7681-1	.	FUSE-HYDR VELOCITY SUPPLIER CODE: V97415 FUNCTIONAL DESCRIPTION: PREVENTS LOSS OF HYDRAULIC FLUID IN THE EVENT OF A LINE RUPTURE SPECIFICATION NUMBER: S272U860-7 COMPONENT MAINT MANUAL REF: 27-32-03 OPTIONAL PART: 2-7681-2 V97415	101106 108120 504903	1
425	2-7681-2	.	FUSE-HYDR VELOCITY SUPPLIER CODE: V97415 FUNCTIONAL DESCRIPTION: PREVENTS LOSS OF HYDRAULIC FLUID IN THE EVENT OF A LINE RUPTURE SPECIFICATION NUMBER: S272U860-7 COMPONENT MAINT MANUAL REF: 27-32-04 OPTIONAL PART: 2-7681-1 V97415	101106 108120 504903	1
428	7-1538-1	..	PLATE-IDENT SUPPLIER CODE: V97415 OPTIONAL PART: 7-1538-2 V97415	101106 108120 504903	1

MISSING ITEM NUMBERS NOT APPLICABLE

- ITEM NOT ILLUSTRATED

BRI

27-41-51-21A

BOEING PROPRIETARY - Copyright © - Unpublished Work - See title page for details.

27-41-51  
FIG. 21A  
PAGE 13  
JAN 20/09



757

PARTS CATALOG (MAINTENANCE)

FIG ITEM	PART NUMBER	1 2 3 4 5 6 7	NOMENCLATURE	EFFECT FROM TO	UNITS PER ASSY
21A 428	7-1538-2	..	PLATE-IDENT SUPPLIER CODE: V97415 OPTIONAL PART: 7-1538-1 V97415 7-1538-3 V97415	101106 108120 504903	1
428	7-1538-3	..	PLATE-IDENT SUPPLIER CODE: V97415 OPTIONAL PART: 7-1538-2 V97415	101106 108120 504903	1
430	1C3510	. VALVE-CHECK	SUPPLIER CODE: V99240 SPECIFICATION NUMBER: BACV10CD13 OPTIONAL PART: 0121520900-13 V83533	101106 108120 504903	1
- 500	271N6481-3	PLUMBING INSTL-HYDR	(HORIZONTAL STABILIZER TRIM CONTROL ONLY) POSITION DATA: SECT. 48 L FOR NHA/OTHER SYS DET SEE: 27-00-00-04 27-00-00-05	101102 108120 504903	RF
- 500	MODREF31921	PLUMBING INSTL-HYDR	(HORIZONTAL STABILIZER TRIM CONTROL ONLY) MODULE NUMBER: 271N6481-3 REV B POSITION DATA: SECT. 48 L FOR OTHER SYS DETAILS SEE: 27-31-51-20A	103106	1
505	270N2000-173	. CLAMP ASSY-BLK		101106 108120 504903	8
510	NAS1801-3-40	.. SCREW		101106 108120 504903	2
515	AN960PD10L	.. WASHER		101106 108120 504903	2

MISSING ITEM NUMBERS NOT APPLICABLE

- ITEM NOT ILLUSTRATED

27-41-51-21A

27-41-51  
FIG. 21A  
PAGE 14  
JAN 20/09

BRI

BOEING PROPRIETARY - Copyright © - Unpublished Work - See title page for details.



757

PARTS CATALOG (MAINTENANCE)

FIG ITEM	PART NUMBER	1 2 3 4 5 6 7	NOMENCLATURE	EFFECT FROM TO	UNITS PER ASSY
21A 520	NAS43DD3-124	..	SPACER	101106 108120 504903	2
525	BRH10A3	..	NUT SUPPLIER CODE: V52828 SPECIFICATION NUMBER: BACN10JC3 OPTIONAL PART: H10-3BAC V15653 NS202101-02 V80539 RMLH9075-3W V72962 VN303A02 V92215 96-02 V80539 T6S1032J V11815	101106 108120 504903	2
530	270N2000-840	..	CHANNEL	101106 108120 504903	1
535	270N2000-645	..	BLOCK	101106 108120 504903	2
540	270N2000-644	..	BLOCK	101106 108120 504903	1
625	270N2000-170	.	CLAMP ASSY-BLK	101106 108120 504903	1
630	NAS1801-3-26	..	SCREW	101106 108120 504903	2
635	AN960PD10L	..	WASHER	101106 108120 504903	2
640	NAS43DD3-67	..	SPACER	101106 108120 504903	2

MISSING ITEM NUMBERS NOT APPLICABLE

- ITEM NOT ILLUSTRATED

27-41-51-21A

27-41-51  
FIG. 21A  
PAGE 15  
JAN 20/09

BRI

BOEING PROPRIETARY - Copyright © - Unpublished Work - See title page for details.

 **BOEING**  
757  
**PARTS CATALOG (MAINTENANCE)**

FIG ITEM	PART NUMBER	1 2 3 4 5 6 7	NOMENCLATURE	EFFECT FROM TO	UNITS PER ASSY
21A 645	BRH10A3	. .	NUT SUPPLIER CODE: V52828 SPECIFICATION NUMBER: BACN10JC3 OPTIONAL PART: H10-3BAC V15653 NS202101-02 V80539 RMLH9075-3W V72962 VN303A02 V92215 96-02 V80539 T6S1032J V11815	101106 108120 504903	2
650	270N2000-839	. .	CHANNEL	101106 108120 504903	1
655	270N2000-640	. .	BLOCK	101106 108120 504903	2
- 700	271N6201-2		HOSE INSTL-ELEV FEEL AND CENTERING UNIT CONTROLS POSITION DATA: SECT. 48 FOR NHA SEE: 27-00-00-03	101102 108120 504903	RF
- 700	MODREF7631		HOSE INSTL-ELEV FEEL AND CENTERING UNIT CONTROLS MODULE NUMBER: 271N6201-2 REV A POSITION DATA: SECT. 48	103106	1
705	AS116-06K0224	.HOSE	ASSY	101106 108120 504903	1
710	AS116-08K0196	.HOSE	ASSY	101106 108120 504903	1
715	AS116-08K0202	.HOSE	ASSY	101106 108120 504903	1
720	AS116-06K0216	.HOSE	ASSY	101106 108120 504903	1

MISSING ITEM NUMBERS NOT APPLICABLE

- ITEM NOT ILLUSTRATED

BRI

# 27-41-51-21A

BOEING PROPRIETARY - Copyright © - Unpublished Work - See title page for details.

27-41-51  
FIG. 21A  
PAGE 16  
JAN 20/09



757

PARTS CATALOG (MAINTENANCE)

FIG ITEM	PART NUMBER	1 2 3 4 5 6 7	NOMENCLATURE	EFFECT FROM TO	UNITS PER ASSY
21A 900			ILLUSTRATION REFERENCE: PLUMBING INSTL-SECT. 48 L HYDR (HORIZONTAL STABILIZER TRIM CONTROL ONLY) 27-41-51-20A	101106 108120 504903	RF
905			ILLUSTRATION REFERENCE: PLUMBING INSTL-SECT. 48 R HYDR (HORIZONTAL STABILIZER TRIM CONTROL ONLY) 27-41-51-24	101106 108120 504903	RF
910			ILLUSTRATION REFERENCE: PLUMBING INSTL-SECT. 48 HYDR L (ELEVATOR CONTROL SYSTEM ONLY) 27-31-51-20A	101106 108120 504903	RF
915			ILLUSTRATION REFERENCE: MECHANISM INSTL-ELEV CONT AFT 27-31-53-01	101102 108120 504903	RF
920			ILLUSTRATION REFERENCE: PLUMBING INSTL-VERT. FIN SECT. 70 HYDR (HORIZONTAL STABILIZER TRIM CONTROL ONLY) 27-41-51-15	101106 108120 504903	RF

MISSING ITEM NUMBERS NOT APPLICABLE

- ITEM NOT ILLUSTRATED

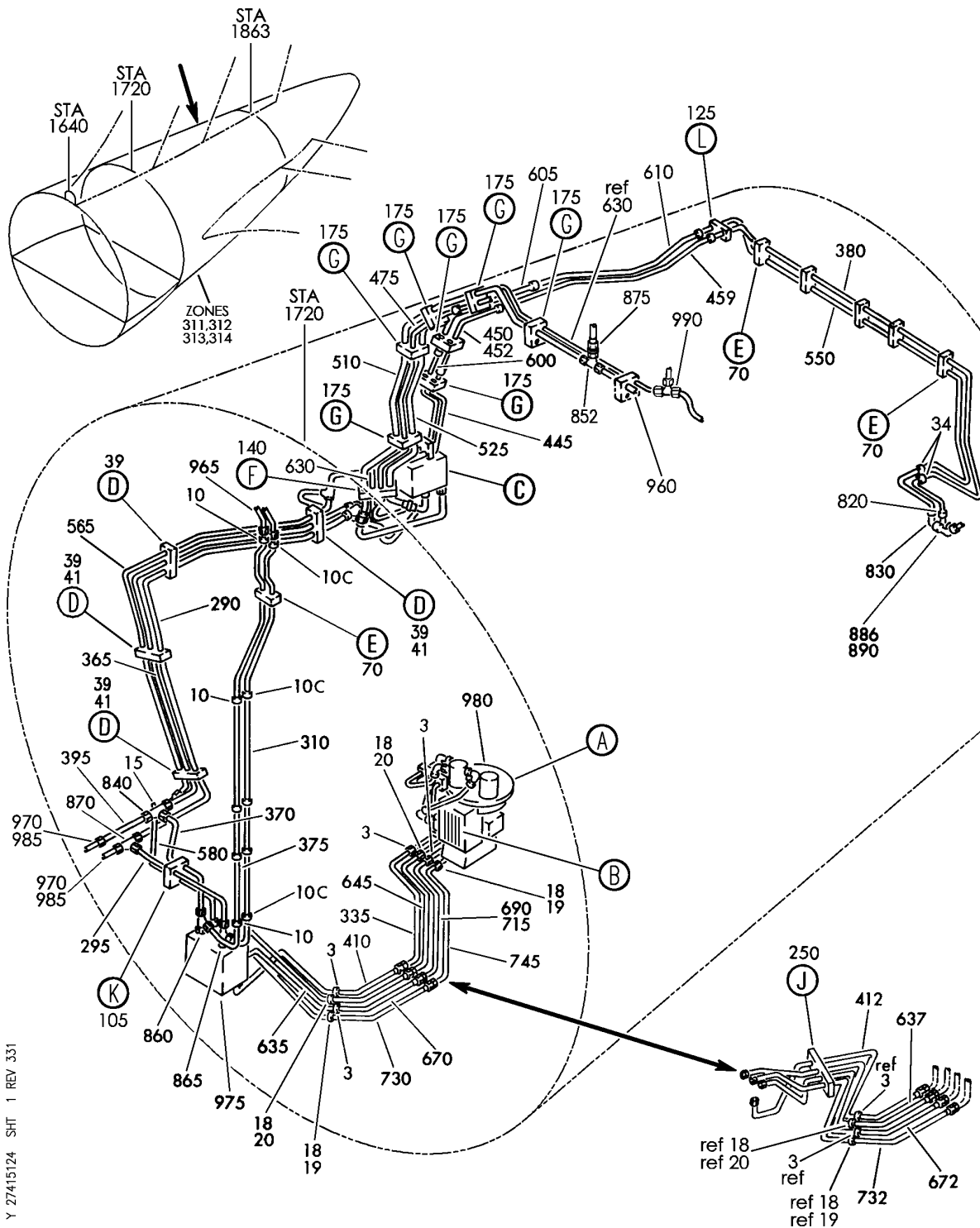
# 27-41-51-21A

27-41-51  
FIG. 21A  
PAGE 17  
JAN 20/09

BRI



**BOEING**  
757  
PARTS CATALOG (MAINTENANCE)



Y 27415124 SHT 1 REV 331

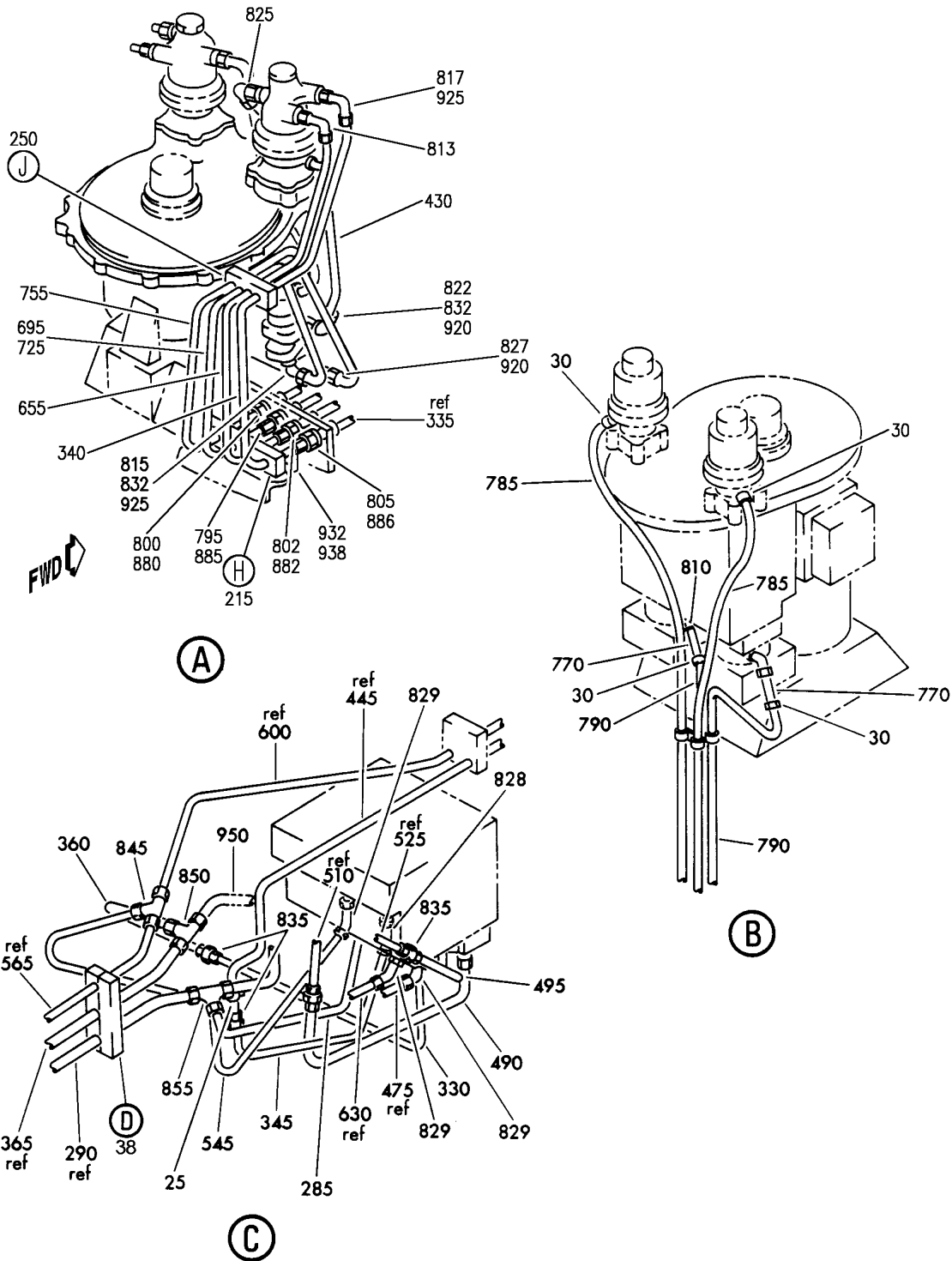
PLUMBING INSTL-SECT. 48 R HYDR (HORIZONTAL STABILIZER TRIM CONTROL ONLY)  
FIGURE 24 (SHEET 1)

**27-41-51-24**

BRI  
JAN 20/09

27-41-51-24  
PAGE 0

**BOEING**  
757  
PARTS CATALOG (MAINTENANCE)



Y 27415124 SH1 2 REV 331

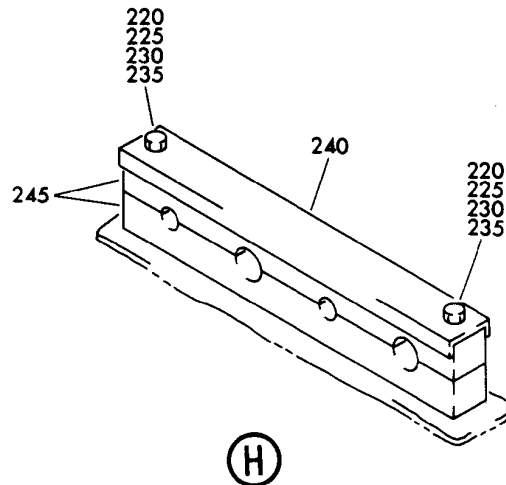
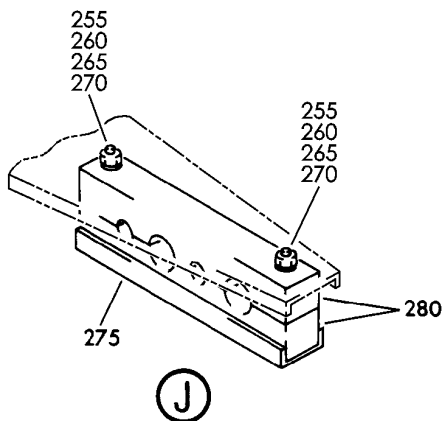
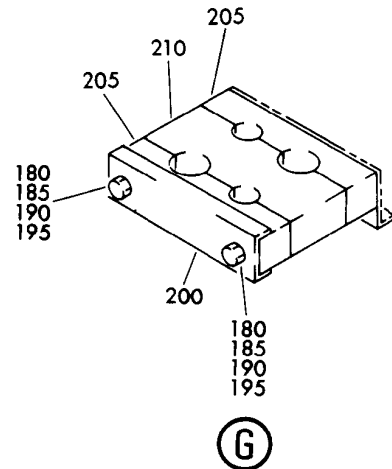
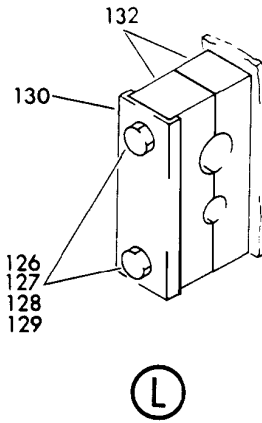
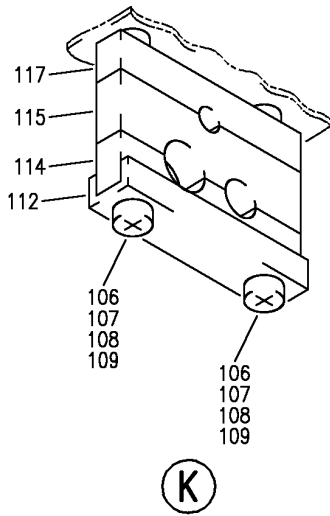
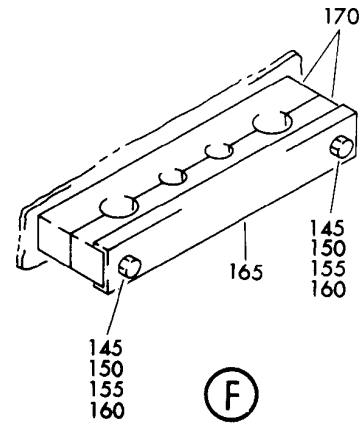
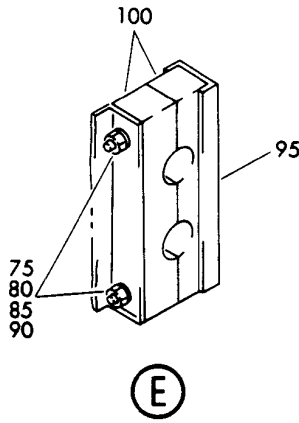
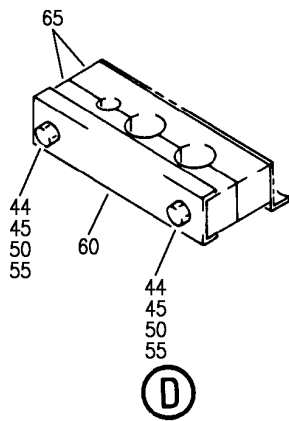
PLUMBING INSTL-SECT. 48 R HYDR (HORIZONTAL STABILIZER TRIM CONTROL ONLY)  
FIGURE 24 (SHEET 2)

BRI  
JAN 20/09

**27-41-51-24**

27-41-51-24  
PAGE 0A

**BOEING**  
757  
PARTS CATALOG (MAINTENANCE)



Y 27415124 SH1 3 REV 277

PLUMBING INSTL-SECT. 48 R HYDR (HORIZONTAL STABILIZER TRIM CONTROL ONLY)  
FIGURE 24 (SHEET 3)



757

PARTS CATALOG (MAINTENANCE)

FIG ITEM	PART NUMBER	1 2 3 4 5 6 7	NOMENCLATURE	EFFECT FROM TO	UNITS PER ASSY
24			PLUMBING INSTL-SECT. 48 R HYDR (HORIZONTAL STABILIZER TRIM CONTROL ONLY)	002004 006999	
- 1	271N6482-1		PLUMBING INSTL-HYDR (HORIZONTAL STABILIZER TRIM CONTROL ONLY) POSITION DATA: SECT. 48 R FOR NHA/OTHER SYS DET SEE: 29-00-51-06	002004 006100 107107 121503 904999	RF
- 1	271N6482-8		PLUMBING INSTL-HYDR FOR NHA/OTHER SYS DET SEE: 27-00-00-03	101102 108120 504903	RF
- 1	MODREF31923		PLUMBING INSTL-HYDR AND PKG MINOR MODEL (HORIZONTAL STABILIZER TRIM CONTROL ONLY) MODULE NUMBER: 271N6482-10 REV B FOR OTHER SYS DETAILS SEE: 27-23-00-02	103106	1
- 2	271N6482-5		PLUMBING INSTL-200 PASS. AND PKG MINOR MODEL FOR NHA/OTHER SYS DET SEE: 27-00-00-04	101102 108120 504903	RF
- 2	MODREF31924		PLUMBING INSTL-200 PASS. AND PKG MINOR MODEL (HORIZONTAL STABILIZER TRIM CONTROL ONLY) MODULE NUMBER: 271N6482-11 REV B FOR OTHER SYS DETAILS SEE: 27-23-00-02	103105	1
- 2	MODREF100068		PLUMBING INSTL-200 PASS. AND PKG MINOR MODEL (HORIZONTAL STABILIZER TRIM CONTROL ONLY) MODULE NUMBER: 271N6482-11 REV C FOR OTHER SYS DETAILS SEE: 27-23-00-02	106106	1

MISSING ITEM NUMBERS NOT APPLICABLE

- ITEM NOT ILLUSTRATED

27-41-51-24

27-41-51  
FIG. 24  
PAGE 1  
JAN 20/09

BRI



757

PARTS CATALOG (MAINTENANCE)

FIG ITEM	PART NUMBER	1 2 3 4 5 6 7	NOMENCLATURE	EFFECT FROM TO	UNITS PER ASSY
24	3 TA0910004H106		.CLAMP- SUPPLIER CODE: V84971 SPECIFICATION NUMBER: BACC10HB06C USED ON: 271N6482-11 271N6482-5 MODREF19393 MODREF31924 MODREF100068 ATTACHING PARTS	002004 006999	4
-	6 NAS1801-3		.SCREW- SIZE DETERMINED ON INSTL. USED ON: MODREF19393 MODREF31924 MODREF100068 271N6482-11 271N6482-5	002004 006999	8
-	7 AN960KD10L		.WASHER- USED ON: MODREF19393 MODREF100068 MODREF31924 271N6482-11 271N6482-5	002004 006999	8

MISSING ITEM NUMBERS NOT APPLICABLE

- ITEM NOT ILLUSTRATED

27-41-51-24

27-41-51  
FIG. 24  
PAGE 2  
JAN 20/09

BRI



757

PARTS CATALOG (MAINTENANCE)

FIG ITEM	PART NUMBER	1 2 3 4 5 6 7	NOMENCLATURE	EFFECT FROM TO	UNITS PER ASSY
24 - 8	BRH10A3		.NUT- SUPPLIER CODE: V52828 SPECIFICATION NUMBER: BACN10JC3 OPTIONAL PART: H10-3BAC V15653 NS202101-02 V80539 RMLH9075-3W V72962 VN303A02 V92215 96-02 V80539 T6S1032J V11815 USED ON: MODREF19393 MODREF100068 MODREF31924 271N6482-11 271N6482-5	002004 006999	8
10	TA0910005H108		-----*----- .CLAMP- SUPPLIER CODE: V84971 SPECIFICATION NUMBER: BACC10HC08C USED ON: MODREF19393 MODREF100068 MODREF31924 271N6482-11 271N6482-5	002004 006999	5
10C	TA0910005H106		.CLAMP- SUPPLIER CODE: V84971 SPECIFICATION NUMBER: BACC10HC06C USED ON: MODREF19393 MODREF100068 MODREF31924 271N6482-11 271N6482-5	002004 006999	5

MISSING ITEM NUMBERS NOT APPLICABLE

- ITEM NOT ILLUSTRATED

27-41-51-24

27-41-51  
FIG. 24  
PAGE 3  
JAN 20/09

BRI



757

PARTS CATALOG (MAINTENANCE)

FIG ITEM	PART NUMBER	1 2 3 4 5 6 7	NOMENCLATURE	EFFECT FROM TO	UNITS PER ASSY
24			ATTACHING PARTS		
- 11	NAS1801-3		.SCREW- SIZE DETERMINED ON INSTL. USED ON: MODREF19393 MODREF100068 MODREF31924 271N6482-11 271N6482-5	002004 006999	20
- 12	AN960KD10L		.WASHER- USED ON: MODREF19393 MODREF100068 MODREF31924 271N6482-11 271N6482-5	002004 006999	20
- 13	BRH10A3		.NUT- SUPPLIER CODE: V52828 SPECIFICATION NUMBER: BACN10JC3 OPTIONAL PART: H10-3BAC V15653 NS202101-02 V80539 RMLH9075-3W V72962 VN303A02 V92215 96-02 V80539 T6S1032J V11815 USED ON: MODREF19393 MODREF100068 MODREF31924 271N6482-11 271N6482-5 -----*-----	002004 006999	20

MISSING ITEM NUMBERS NOT APPLICABLE

- ITEM NOT ILLUSTRATED

27-41-51-24

27-41-51  
FIG. 24  
PAGE 4  
JAN 20/09

BRI



757

PARTS CATALOG (MAINTENANCE)

FIG ITEM	PART NUMBER	1 2 3 4 5 6 7	NOMENCLATURE	EFFECT FROM TO	UNITS PER ASSY
24 15	M85052-2-4		.CLAMP- USED ON: MODREF8148 MODREF183340 MODREF31923 271N6482-10 271N6482-4 271N6482-6 271N6482-8 271N6482-9	002004 006999	1
- 16	NAS1801-3		ATTACHING PARTS .SCREW- SIZE DETERMINED ON INSTL. USED ON: MODREF8148 MODREF183340 MODREF31923 271N6482-10 271N6482-4 271N6482-6 271N6482-8 271N6482-9	002004 006999	1
- 16C	AN960KD10L		.WASHER- USED ON: MODREF8148 MODREF183340 MODREF31923 271N6482-10 271N6482-4 271N6482-6 271N6482-8 271N6482-9	002004 006999	1

MISSING ITEM NUMBERS NOT APPLICABLE

- ITEM NOT ILLUSTRATED

27-41-51-24

27-41-51  
FIG. 24  
PAGE 5  
JAN 20/09

BRI





757

PARTS CATALOG (MAINTENANCE)

FIG ITEM	PART NUMBER	1 2 3 4 5 6 7	NOMENCLATURE	EFFECT FROM TO	UNITS PER ASSY
24 - 16E	BRH10A3		.NUT- SUPPLIER CODE: V52828 SPECIFICATION NUMBER: BACN10JC3 OPTIONAL PART: H10-3BAC V15653 NS202101-02 V80539 RMLH9075-3W V72962 VN303A02 V92215 96-02 V80539 T6S1032J V11815 USED ON: MODREF8148 MODREF183340 MODREF31923 271N6482-10 271N6482-4 271N6482-6 271N6482-8 271N6482-9 -----*-----	002004 006999	1
19	M85052-2-4		.CLAMP- USED ON: MODREF19393 MODREF100068 MODREF31924 271N6482-11 271N6482-5	002004 006999	2
20	M85052-2-6		.CLAMP- USED ON: MODREF19393 MODREF100068 MODREF31924 271N6482-11 271N6482-5	002004 006999	2

MISSING ITEM NUMBERS NOT APPLICABLE

- ITEM NOT ILLUSTRATED

27-41-51-24

27-41-51  
FIG. 24  
PAGE 6  
JAN 20/09

BRI



757

PARTS CATALOG (MAINTENANCE)

FIG ITEM	PART NUMBER	1 2 3 4 5 6 7	NOMENCLATURE	EFFECT FROM TO	UNITS PER ASSY
24			ATTACHING PARTS		
- 21	NAS1801-3		.SCREW- SIZE DETERMINED ON INSTL. USED ON: MODREF19393 MODREF100068 MODREF31924 271N6482-11 271N6482-5	002004 006999	8
- 22	AN960KD10L		.WASHER- USED ON: MODREF19393 MODREF100068 MODREF31924 271N6482-11 271N6482-5	002004 006999	8
- 23	BRH10A3		.NUT- SUPPLIER CODE: V52828 SPECIFICATION NUMBER: BACN10JC3 OPTIONAL PART: H10-3BAC V15653 NS202101-02 V80539 RMLH9075-3W V72962 VN303A02 V92215 96-02 V80539 T6S1032J V11815 USED ON: MODREF19393 MODREF100068 MODREF31924 271N6482-11 271N6482-5 -----*-----	002004 006999	8

MISSING ITEM NUMBERS NOT APPLICABLE

- ITEM NOT ILLUSTRATED

27-41-51-24

27-41-51  
FIG. 24  
PAGE 7  
JAN 20/09

BRI



757

PARTS CATALOG (MAINTENANCE)

FIG ITEM	PART NUMBER	1 2 3 4 5 6 7	NOMENCLATURE	EFFECT FROM TO	UNITS PER ASSY
24 25	TA0910004H108	.CLAMP-	SUPPLIER CODE: V84971 SPECIFICATION NUMBER: BACC10HB08C USED ON: MODREF19393 MODREF100068 MODREF31924 271N6482-11 271N6482-5	002004 006999	1
- 26	NAS1801-3	.SCREW-	ATTACHING PARTS SIZE DETERMINED ON INSTL. USED ON: MODREF19393 MODREF100068 MODREF31924 271N6482-11 271N6482-5	002004 006999	2
- 27	AN960KD10L	.WASHER-	USED ON: MODREF19393 MODREF100068 MODREF31924 271N6482-11 271N6482-5	002004 006999	2

MISSING ITEM NUMBERS NOT APPLICABLE

- ITEM NOT ILLUSTRATED

27-41-51-24

27-41-51  
FIG. 24  
PAGE 8  
JAN 20/09

BRI

 **BOEING**  
757  
**PARTS CATALOG (MAINTENANCE)**

FIG ITEM	PART NUMBER	1 2 3 4 5 6 7	NOMENCLATURE	EFFECT FROM TO	UNITS PER ASSY
24 - 28	BRH10A3		.NUT- SUPPLIER CODE: V52828 SPECIFICATION NUMBER: BACN10JC3 OPTIONAL PART: H10-3BAC V15653 NS202101-02 V80539 RMLH9075-3W V72962 VN303A02 V92215 96-02 V80539 T6S1032J V11815 USED ON: MODREF19393 MODREF100068 MODREF31924 271N6482-11 271N6482-5	002004 006999	2
30	6203		-----*----- .CLAMP- SUPPLIER CODE: V81646 USED ON: MODREF8148 MODREF183340 MODREF31923 271N6482-10 271N6482-4 271N6482-6 271N6482-8 271N6482-9	002004 006999	4
- 31	NAS1801-3		ATTACHING PARTS .SCREW- SIZE DETERMINED ON INSTL. USED ON: MODREF8148 MODREF183340 MODREF31923 271N6482-10 271N6482-4 271N6482-6 271N6482-8 271N6482-9	002004 006999	4

MISSING ITEM NUMBERS NOT APPLICABLE

- ITEM NOT ILLUSTRATED

BRI

# 27-41-51-24

BOEING PROPRIETARY - Copyright © - Unpublished Work - See title page for details.

27-41-51  
FIG. 24  
PAGE 9  
JAN 20/09

 **BOEING**  
757  
**PARTS CATALOG (MAINTENANCE)**

FIG ITEM	PART NUMBER	1 2 3 4 5 6 7	NOMENCLATURE	EFFECT FROM TO	UNITS PER ASSY
24 - 32	AN960KD10L		.WASHER- USED ON: MODREF8148 MODREF183340 MODREF31923 271N6482-10 271N6482-4 271N6482-6 271N6482-8 271N6482-9	002004 006999	4
- 33	BRH10A3		.NUT- SUPPLIER CODE: V52828 SPECIFICATION NUMBER: BACN10JC3 OPTIONAL PART: H10-3BAC V15653 NS202101-02 V80539 RMLH9075-3W V72962 VN303A02 V92215 96-02 V80539 T6S1032J V11815 USED ON: MODREF8148 MODREF183340 MODREF31923 271N6482-10 271N6482-4 271N6482-6 271N6482-8 271N6482-9	002004 006999	4
34	M85052-2-6		-----*----- .CLAMP- USED ON: MODREF8148 MODREF183340 MODREF31923 271N6482-10 271N6482-4 271N6482-6 271N6482-8 271N6482-9	002004 006999	2

MISSING ITEM NUMBERS NOT APPLICABLE

- ITEM NOT ILLUSTRATED

BRI

# 27-41-51-24

BOEING PROPRIETARY - Copyright © - Unpublished Work - See title page for details.

27-41-51  
FIG. 24  
PAGE 10  
JAN 20/09



757

PARTS CATALOG (MAINTENANCE)

FIG ITEM	PART NUMBER	1 2 3 4 5 6 7	NOMENCLATURE	EFFECT FROM TO	UNITS PER ASSY
24			ATTACHING PARTS		
- 35	NAS1801-3-5		.SCREW- USED ON: MODREF8148 MODREF183340 MODREF31923 271N6482-10 271N6482-4 271N6482-6 271N6482-8 271N6482-9	002004 006999	2
- 36	AN960KD10L		.WASHER- USED ON: 271N6482-6 271N6482-8 271N6482-9 MODREF8148 MODREF183340 MODREF31923 271N6482-10 271N6482-4	002004 006999	2
- 37	BRH10A3		.NUT- SUPPLIER CODE: V52828 SPECIFICATION NUMBER: BACN10JC3 OPTIONAL PART: H10-3BAC V15653 NS202101-02 V80539 RMLH9075-3W V72962 VN303A02 V92215 96-02 V80539 T6S1032J V11815 USED ON: MODREF8148 MODREF183340 MODREF31923 271N6482-10 271N6482-4 271N6482-6 271N6482-8 271N6482-9	002004 006999	2
-----*-----					
MISSING ITEM NUMBERS NOT APPLICABLE					

- ITEM NOT ILLUSTRATED

27-41-51-24

27-41-51  
FIG. 24  
PAGE 11  
JAN 20/09

BRI



757

PARTS CATALOG (MAINTENANCE)

FIG ITEM	PART NUMBER	1 2 3 4 5 6 7	NOMENCLATURE	EFFECT FROM TO	UNITS PER ASSY
24					
38	270N2000-53	.CLAMP ASSY-BLK USED ON: 271N6482-5 271N6482-11 MODREF19393 MODREF31924 MODREF100068		101106 108120 504903	1
39	270N2000-53	.CLAMP ASSY-BLK USED ON: 271N6482-1 271N6482-2 271N6482-10 MODREF8148 MODREF31923 MODREF183340		002004 006100 103107 121503 904999	4
41	270N2000-53	.CLAMP ASSY-BLK USED ON: 271N6482-4 271N6482-6 271N6482-8 271N6482-9		101102 108120 504903	3
44	NAS1801-3-26	..SCREW-		002004 006999	2
45	AN960PD10L	..WASHER		002004 006999	2
50	NAS43DD3-67	..SPACER		002004 006999	2
55	BRH10A3	..NUT SUPPLIER CODE: V52828 SPECIFICATION NUMBER: BACN10JC3 OPTIONAL PART: H10-3BAC V15653 NS202101-02 V80539 RMLH9075-3W V72962 VN303A02 V92215 96-02 V80539 T6S1032J V11815		002004 006999	2
60	270N2000-836	..CHANNEL		002004 006999	1
65	270N2000-488	..BLOCK		002004 006999	2

MISSING ITEM NUMBERS NOT APPLICABLE

- ITEM NOT ILLUSTRATED

27-41-51-24

27-41-51  
FIG. 24  
PAGE 12  
JAN 20/09

BRI

BOEING PROPRIETARY - Copyright © - Unpublished Work - See title page for details.



757

PARTS CATALOG (MAINTENANCE)

FIG ITEM	PART NUMBER	1 2 3 4 5 6 7	NOMENCLATURE	EFFECT FROM TO	UNITS PER ASSY
24					
70	270N2000-170	.CLAMP ASSY-BLK USED ON: 271N6482-1 271N6482-2 271N6482-4 271N6482-6 271N6482-8 271N6482-9 271N6482-10 MODREF8148 MODREF31923 MODREF183340		002004 006999	6
75	NAS1801-3-26	..SCREW-		002004 006999	2
80	AN960PD10L	..WASHER		002004 006999	2
85	NAS43DD3-67	..SPACER		002004 006999	2
90	BRH10A3	..NUT SUPPLIER CODE: V52828 SPECIFICATION NUMBER: BACN10JC3 OPTIONAL PART: H10-3BAC V15653 NS202101-02 V80539 RMLH9075-3W V72962 VN303A02 V92215 96-02 V80539 T6S1032J V11815		002004 006999	2
95	270N2000-839	..CHANNEL		002004 006999	1
100	270N2000-640	..BLOCK		002004 006999	2

MISSING ITEM NUMBERS NOT APPLICABLE

- ITEM NOT ILLUSTRATED

BRI

27-41-51-24

27-41-51  
FIG. 24  
PAGE 13  
JAN 20/09





757

PARTS CATALOG (MAINTENANCE)

FIG ITEM	PART NUMBER	1 2 3 4 5 6 7	NOMENCLATURE	EFFECT FROM TO	UNITS PER ASSY
24 105	270N2000-51	.CLAMP ASSY-BLK USED ON: 271N6482-10 271N6482-2 271N6482-4 271N6482-6 271N6482-8 271N6482-9 MODREF8148 MODREF31923 MODREF183340		002004 006999	1
106	NAS1801-3-33	..SCREW- OPTIONAL PART: NAS1801-3-84		002004 006999	2
107	AN960PD10L	..WASHER		002004 006999	2
108	NAS43DD3-298	..SPACER		002004 006100 107107 121503 904999	2
108	NAS43DD3-95	..SPACER		002004 006999	2
109	BRH10A3	..NUT SUPPLIER CODE: V52828 SPECIFICATION NUMBER: BACN10JC3 OPTIONAL PART: H10-3BAC V15653 NS202101-02 V80539 RMLH9075-3W V72962 VN303A02 V92215 96-02 V80539 T6S1032J V11815		002004 006100 107107 121503 904999	2
112	270N2000-830	..CHANNEL		002004 006999	1
114	270N2000-484	..BLOCK		002004 006999	1
115	270N2000-485	..BLOCK		002004 006999	1
117	270N2000-486	..BLOCK		002004 006999	1

MISSING ITEM NUMBERS NOT APPLICABLE

- ITEM NOT ILLUSTRATED

27-41-51-24

27-41-51  
FIG. 24  
PAGE 14  
JAN 20/09

BRI

 **BOEING**  
757  
**PARTS CATALOG (MAINTENANCE)**

FIG ITEM	PART NUMBER	1 2 3 4 5 6 7	NOMENCLATURE	EFFECT FROM TO	UNITS PER ASSY
24 125	270N2000-65	.CLAMP ASSY-BLK USED ON: 271N6482-1 271N6482-2 271N6482-4 271N6482-6 271N6482-8 271N6482-9 271N6482-10 MODREF8148 MODREF31923 MODREF183340		002004 006999	1
126	NAS1801-3-26	..SCREW-		002004 006999	2
127	AN960PD10L	..WASHER		002004 006999	2
128	NAS43DD3-67	..SPACER		002004 006999	2
129	BRH10A3	..NUT SUPPLIER CODE: V52828 SPECIFICATION NUMBER: BACN10JC3 OPTIONAL PART: H10-3BAC V15653 NS202101-02 V80539 RMLH9075-3W V72962 VN303A02 V92215 96-02 V80539 T6S1032J V11815		002004 006999	2
130	270N2000-863	..CHANNEL		002004 006999	1
132	270N2000-529	..BLOCK		002004 006999	2
140	270N2000-61	.CLAMP ASSY-BLK USED ON: 271N6482-1 271N6482-2 271N6482-5 271N6482-11 MODREF19393 MODREF31924 MODREF100068		002004 006999	1

MISSING ITEM NUMBERS NOT APPLICABLE

— ITEM NOT ILLUSTRATED

BRI

# 27-41-51-24

BOEING PROPRIETARY - Copyright © - Unpublished Work - See title page for details.

27-41-51  
FIG. 24  
PAGE 15  
JAN 20/09



757

PARTS CATALOG (MAINTENANCE)

FIG ITEM	PART NUMBER	1 2 3 4 5 6 7	NOMENCLATURE	EFFECT FROM TO	UNITS PER ASSY
24					
145	NAS1801-3-26	..	SCREW-	002004 006999	2
150	AN960PD10L	..	WASHER	002004 006999	2
155	NAS43DD3-67	..	SPACER	002004 006999	2
160	BRH10A3	..	NUT SUPPLIER CODE: V52828 SPECIFICATION NUMBER: BACN10JC3 OPTIONAL PART: H10-3BAC V15653 NS202101-02 V80539 RMLH9075-3W V72962 VN303A02 V92215 96-02 V80539 T6S1032J V11815	002004 006999	2
165	270N2000-835	..	CHANNEL	002004 006999	1
170	270N2000-521	..	BLOCK	002004 006999	2
175	270N2000-173	.CLAMP ASSY-BLK USED ON: 271N6482-1 271N6482-2 271N6482-4 271N6482-6 271N6482-8 271N6482-9 271N6482-10 MODREF8148 MODREF31923 MODREF183340		002004 006999	7
180	NAS1801-3-40	..	SCREW-	002004 006999	2
185	AN960PD10L	..	WASHER	002004 006999	2
190	NAS43DD3-125	..	SPACER	002004 006999	2

MISSING ITEM NUMBERS NOT APPLICABLE

- ITEM NOT ILLUSTRATED

27-41-51-24

27-41-51  
FIG. 24  
PAGE 16  
JAN 20/09

BRI

 **BOEING**  
757  
**PARTS CATALOG (MAINTENANCE)**

FIG ITEM	PART NUMBER	1 2 3 4 5 6 7	NOMENCLATURE	EFFECT FROM TO	UNITS PER ASSY
24 195	BRH10A3	..	NUT SUPPLIER CODE: V52828 SPECIFICATION NUMBER: BACN10JC3 OPTIONAL PART: H10-3BAC V15653 NS202101-02 V80539 RMLH9075-3W V72962 VN303A02 V92215 96-02 V80539 T6S1032J V11815	002004 006999	2
200	270N2000-840	..	CHANNEL	002004 006999	1
205	270N2000-645	..	BLOCK	002004 006999	2
210	270N2000-644	..	BLOCK	002004 006999	1
215	270N2000-254	.C	CLAMP ASSY-BLK USED ON: 271N6482-1 271N6482-2 271N6482-4 271N6482-6 271N6482-8 271N6482-9 271N6482-10 MODREF8148 MODREF31923 MODREF183340	002004 006999	1
220	NAS1801-3-25	..	SCREW-	002004 006999	2
225	AN960PD10L	..	WASHER-	002004 006999	2
225	AN960KD10L	..	WASHER-	002004 006999	2
230	NAS43DD3-59	..	SPACER-	002004 006999	2
230	NAS43DD3-60	..	SPACER-	002004 006999	2

MISSING ITEM NUMBERS NOT APPLICABLE

— ITEM NOT ILLUSTRATED

BRI

# 27-41-51-24

27-41-51  
FIG. 24  
PAGE 17  
JAN 20/09



757

PARTS CATALOG (MAINTENANCE)

FIG ITEM	PART NUMBER	1 2 3 4 5 6 7	NOMENCLATURE	EFFECT FROM TO	UNITS PER ASSY
24 235	BRH10A3	..	NUT SUPPLIER CODE: V52828 SPECIFICATION NUMBER: BACN10JC3 OPTIONAL PART: H10-3BAC V15653 NS202101-02 V80539 RMLH9075-3W V72962 VN303A02 V92215 96-02 V80539 T6S1032J V11815	002004 006999	2
240	270N2000-709	..	CHANNEL	002004 006999	1
245	270N2000-1275	..	BLOCK-	002004 006999	2
250	270N2000-252	.CLAMP ASSY-BLK USED ON:	271N6482-1 271N6482-2 271N6482-4 271N6482-6 271N6482-8 271N6482-9 271N6482-10 MODREF8148 MODREF31923 MODREF183340	002004 006999	2
255	NAS1801-3-24	..	SCREW-	002004 006999	2
260	AN960PD10L	..	WASHER- USED ON: 270N2000-176	002004 006999	2
260	AN960KD10L	..	WASHER- USED ON: 270N2000-252	002004 006999	2
265	NAS43DD3-59	..	SPACER	002004 006999	2

MISSING ITEM NUMBERS NOT APPLICABLE

- ITEM NOT ILLUSTRATED

BRI

27-41-51-24

27-41-51  
FIG. 24  
PAGE 18  
JAN 20/09



757

PARTS CATALOG (MAINTENANCE)

FIG ITEM	PART NUMBER	1 2 3 4 5 6 7	NOMENCLATURE	EFFECT FROM TO	UNITS PER ASSY
24 270	BRH10A3	. .	NUT SUPPLIER CODE: V52828 SPECIFICATION NUMBER: BACN10JC3 OPTIONAL PART: H10-3BAC V15653 NS202101-02 V80539 RMLH9075-3W V72962 VN303A02 V92215 96-02 V80539 T6S1032J V11815	002004 006999	2
275	270N2000-710	. .	CHANNEL	002004 006999	1
280	270N2000-1274	. .	BLOCK- USED ON: 270N2000-252	002004 006999	2
285	271N6482-1003	. .	TUBE ASSY-PRESSURE SYS POSITION DATA: R TUBING MATERIAL: .375 IN. OD. 019 IN. WALL 13.10 IN. LG TI BMS 7-234 TI-3AL-2.5V COLD WORKED, STRESS RELIEVED TUBING USED ON: 271N6482-1 271N6482-2 271N6482-5 271N6482-11 MODREF19393 MODREF31924 MODREF100068	002004 006999	1

MISSING ITEM NUMBERS NOT APPLICABLE

- ITEM NOT ILLUSTRATED

BRI

27-41-51-24

27-41-51  
FIG. 24  
PAGE 19  
JAN 20/09



757

PARTS CATALOG (MAINTENANCE)

FIG ITEM	PART NUMBER	1 2 3 4 5 6 7	NOMENCLATURE	EFFECT FROM TO	UNITS PER ASSY
24 290	271N6482-1002		.TUBE ASSY-PRESSURE SYS POSITION DATA: R TUBING MATERIAL: .500 IN. OD. 026 IN. WALL 90.90 IN LG. TI BMS 7-234 TI-3AL-2.5V COLD WORKED, STRESS RELIEVED TUBING USED ON: 271N6482-1 271N6482-2 271N6482-5 271N6482-11 MODREF19393 MODREF100068 MODREF31924	002004 006999	1
295	271N6482-1001		.TUBE ASSY-PRESSURE SYS POSITION DATA: R TUBING MATERIAL: .375 IN. OD .019 IN. WALL 28.40 IN. LG TI BMS 7-234 TI-3AL-2.5V COLD WORKED, STRESS RELIEVED TUBING USED ON: 271N6482-1 271N6482-2 271N6482-4 271N6482-6 271N6482-8 271N6482-9 271N6482-10 MODREF8148 MODREF31923 MODREF183340	002004 006999	1
- 300	AS1581T06		..SLEEVE- USED ON: 271N6482-1001 271N6482-1003	002004 006999	2
- 300	AS1581T08		..SLEEVE- USED ON: 271N6482-1002	002004 006999	2
- 305	BACN10YA6		..NUT- USED ON: 271N6482-1001 271N6482-1003	002004 006999	2

MISSING ITEM NUMBERS NOT APPLICABLE

- ITEM NOT ILLUSTRATED

27-41-51-24

27-41-51  
FIG. 24  
PAGE 20  
JAN 20/09

BRI



757

PARTS CATALOG (MAINTENANCE)

FIG ITEM	PART NUMBER	1 2 3 4 5 6 7	NOMENCLATURE	EFFECT FROM TO	UNITS PER ASSY
24					
- 305	BACN10YA8	..	NUT- USED ON: 271N6482-1002	002004 006999	2
310	271N6482-1110	.TUBE	ASSY-PRESSURE SYS POSITION DATA: R TUBING MATERIAL: .375 IN. OD .019 IN. WALL 98.40 IN. LG TI BMS 7-234 TI-3AL-2.5V COLD WORKED, STRESS RELIEVED TUBING USED ON: 271N6482-1 271N6482-2 271N6482-5 271N6482-11 MODREF19393 MODREF31924 MODREF100068	002004 006999	1
- 315	AS1581T06	..	SLEEVE	002004 006999	1
- 320	BACN10YA6	..	NUT-	002004 006999	1
- 325	AS1582T06	..	UNION	002004 006999	1
330	271N6482-1054	.TUBE	ASSY-RETURN SYS POSITION DATA: R TUBING MATERIAL: .375 IN. OD .035 IN. WALL 15.20 IN. LG AL AMS 4083 6061 T6 TUBING USED ON: 271N6482-1 271N6482-2 271N6482-5 271N6482-11 MODREF19393 MODREF31924 MODREF100068	002004 006999	1

MISSING ITEM NUMBERS NOT APPLICABLE

- ITEM NOT ILLUSTRATED

27-41-51-24

27-41-51  
FIG. 24  
PAGE 21  
JAN 20/09

BRI





757

PARTS CATALOG (MAINTENANCE)

FIG ITEM	PART NUMBER	1 2 3 4 5 6 7	NOMENCLATURE	EFFECT FROM TO	UNITS PER ASSY
24 335	271N6482-1099		.TUBE ASSY-RETURN SYS POSITION DATA: R TUBING MATERIAL: .375 IN. OD .035 IN. WALL 33.60 IN. LG AL AMS 4083 6061 T6 TUBING USED ON: 271N6482-1 271N6482-2 271N6482-5 271N6482-11 MODREF19393 MODREF31924 MODREF100068	002004 006999	1
- 337	AP2097HP06		..SLEEVE SUPPLIER CODE: V01673 SPECIFICATION NUMBER: BACS13BX06HP OPTIONAL PART: 2-02903-06HP V11328 35235VN06 V08199 AFP175V06P V30974 DBOS13BX06HP V14798	002004 006999	2
- 338	BACN10YL06		..NUT	002004 006999	2

MISSING ITEM NUMBERS NOT APPLICABLE

- ITEM NOT ILLUSTRATED

BRI

27-41-51-24

BOEING PROPRIETARY - Copyright © - Unpublished Work - See title page for details.

27-41-51  
FIG. 24  
PAGE 22  
JAN 20/09



757

PARTS CATALOG (MAINTENANCE)

FIG ITEM	PART NUMBER	1 2 3 4 5 6 7	NOMENCLATURE	EFFECT FROM TO	UNITS PER ASSY
24 340	271N6482-1106		.TUBE ASSY-RETURN SYS POSITION DATA: R TUBING MATERIAL: .375 IN. OD. 035 IN. WALL 36.40 IN. LG AL AMS 4083 6061 T6 TUBING USED ON: 271N6482-1 271N6482-2 271N6482-4 271N6482-6 271N6482-8 271N6482-9 271N6482-10 MODREF8148 MODREF183340	002004 006999	1
- 342	AP2097HP06		..SLEEVE SUPPLIER CODE: V01673 SPECIFICATION NUMBER: BACS13BX06HP OPTIONAL PART: 2-02903-06HP V11328 35235VN06 V08199 AFP175V06P V30974 DBOS13BX06HP V14798	002004 006999	2
- 343	BACN10YL06		..NUT-	002004 006999	2

MISSING ITEM NUMBERS NOT APPLICABLE

- ITEM NOT ILLUSTRATED

27-41-51-24

27-41-51  
FIG. 24  
PAGE 23  
JAN 20/09

BRI



757

PARTS CATALOG (MAINTENANCE)

FIG ITEM	PART NUMBER	1 2 3 4 5 6 7	NOMENCLATURE	EFFECT FROM TO	UNITS PER ASSY
24 345	271N6482-1057		.TUBE ASSY-RETURN SYS POSITION DATA: R TUBING MATERIAL: .375 IN. OD .035 IN. WALL 12.10 IN. LG AL AMS 4083 6061 T6 TUBING USED ON: 271N6482-1 271N6482-2 271N6482-5 271N6482-11 MODREF19393 MODREF31924 MODREF100068	002004 006999	1
- 350	AP2097HP06		..SLEEVE SUPPLIER CODE: V01673 SPECIFICATION NUMBER: BACS13BX06HP OPTIONAL PART: 2-02903-06HP V11328 35235VN06 V08199 AFP175V06P V30974 DBOS13BX06HP V14798	002004 006999	2
- 355	BACN10YL06		..NUT	002004 006999	2
360	271N6482-1016		.TUBE ASSY-RETURN SYS POSITION DATA: R AL TUBING MATERIAL: .500 IN. OD .035 IN. WALL 9.30 IN. LG AL AMS 4083 6061 T6 TUBING USED ON: 271N6482-1 271N6482-2 271N6482-5 271N6482-11 MODREF19393 MODREF31924 MODREF100068	002004 006999	1

MISSING ITEM NUMBERS NOT APPLICABLE

- ITEM NOT ILLUSTRATED

27-41-51-24

27-41-51  
FIG. 24  
PAGE 24  
JAN 20/09

BRI



757

PARTS CATALOG (MAINTENANCE)

FIG ITEM	PART NUMBER	1 2 3 4 5 6 7	NOMENCLATURE	EFFECT FROM TO	UNITS PER ASSY
24 365	271N6482-1015		.TUBE ASSY-RETURN SYS POSITION DATA: R TUBING MATERIAL: .500 IN. OD .035 IN. WALL 88.20 IN. LG AL AMS 4083 6061 T6 TUBING USED ON: 271N6482-1 271N6482-2 271N6482-5 271N6482-11 MODREF19393 MODREF31924 MODREF100068	002004 006999	1
370	271N6482-1014		.TUBE ASSY-RETURN SYS POSITION DATA: R TUBING MATERIAL: .500 IN. OD .035 IN. WALL 29.10 IN. LG AL AMS 4083 6061 T6 TUBING USED ON: 271N6482-1 271N6482-2 271N6482-4 271N6482-6 271N6482-8 271N6482-9 271N6482-10 MODREF8148 MODREF31923 MODREF183340	002004 006999	1
- 372	AP2097HP08		..SLEEVE SUPPLIER CODE: V01673 SPECIFICATION NUMBER: BACS13BX08HP OPTIONAL PART: 2-02903-08HP V11328 35235VN08 V08199 AFP175V08P V30974 DBOS13BX08HP V14798	002004 006999	2

MISSING ITEM NUMBERS NOT APPLICABLE

- ITEM NOT ILLUSTRATED

27-41-51-24

27-41-51  
FIG. 24  
PAGE 25  
JAN 20/09

BRI



757

PARTS CATALOG (MAINTENANCE)

FIG ITEM	PART NUMBER	1 2 3 4 5 6 7	NOMENCLATURE	EFFECT FROM TO	UNITS PER ASSY
24					
- 373	BACN10YL08	..	NUT	002004 006999	2
375	271N6482-1111	.TUBE ASSY-RETURN SYS POSITION DATA: R TUBING MATERIAL: .500 IN. OD .035 IN. WALL 99.80 IN. LG AL AMS 4083 6061 T6 TUBING		107107	1
375	271N6482-1122	.TUBE ASSY-RETURN SYS POSITION DATA: R TUBING MATERIAL: .500 IN. OD .035 IN. WALL 99.80 IN. LG AL AMS 4083 6061 T6 TUBING USED ON: 271N6482-1 271N6482-2 271N6482-5		002004 006102 108999	1
375	271N6482-1182	.TUBE ASSY-RETURN SYS POSITION DATA: R TUBING MATERIAL: .500 IN. OD .035 IN. WALL 100.15 IN. LG AL AMS 4083 6061 T6 TUBING USED ON: 271N6482-11 MODREF19393 MODREF31924 MODREF100068		103106	1
- 377	AP2097HP08	..SLEEVE SUPPLIER CODE: V01673 SPECIFICATION NUMBER: BACS13BX08HP OPTIONAL PART: 2-02903-08HP V11328 35235VN08 V08199 AFP175V08P V30974 DBOS13BX08HP V14798		002004 006999	2

MISSING ITEM NUMBERS NOT APPLICABLE

- ITEM NOT ILLUSTRATED

27-41-51-24

27-41-51  
FIG. 24  
PAGE 26  
JAN 20/09

BRI



757

PARTS CATALOG (MAINTENANCE)

FIG ITEM	PART NUMBER	1 2 3 4 5 6 7	NOMENCLATURE	EFFECT FROM TO	UNITS PER ASSY
24					
- 378	BACN10YL08	. .	NUT	002004 006999	2
380	271N6482-1112	. .	TUBE ASSY-RETURN SYS POSITION DATA: R TUBING MATERIAL: .500 IN. OD .035 IN. WALL 107.80 IN. LG AL AMS 4083 6061 T6 TUBING USED ON: 271N6482-1 271N6482-2 271N6482-4 271N6482-6 271N6482-8 271N6482-9 271N6482-10 MODREF8148 MODREF31923 MODREF183340	002004 006999	1
- 385	AP2097HP08	. .	SLEEVE SUPPLIER CODE: V01673 SPECIFICATION NUMBER: BACS13BX08HP OPTIONAL PART: 2-02903-08HP V11328 35235VN08 V08199 AFP175V08P V30974 DBOS13BX08HP V14798	002004 006999	2
- 390	BACN10YL08	. .	NUT	002004 006999	2

MISSING ITEM NUMBERS NOT APPLICABLE

- ITEM NOT ILLUSTRATED

27-41-51-24

27-41-51  
FIG. 24  
PAGE 27  
JAN 20/09

BRI



757

PARTS CATALOG (MAINTENANCE)

FIG ITEM	PART NUMBER	1 2 3 4 5 6 7	NOMENCLATURE	EFFECT FROM TO	UNITS PER ASSY
24 395	271N6482-1013		.TUBE ASSY-RETURN SYS POSITION DATA: R TUBING MATERIAL: .625 IN. OD .035 IN. WALL 6.50 IN. LG AL AMS 4083 6061 T6 TUBING USED ON: 271N6482-1 271N6482-2 271N6482-4 271N6482-6 271N6482-8 271N6482-9 271N6482-10 MODREF8148 MODREF31923 MODREF183340	002004 006999	1
- 400	AP2097HP10		..SLEEVE SUPPLIER CODE: V01673 SPECIFICATION NUMBER: BACS13BX10HP OPTIONAL PART: 2-02903-10HP V11328 35235VN10 V08199 AFP175V10P V30974 DBOS13BX10HP V14798	002004 006999	2
- 405	BACN10YL10		..NUT	002004 006999	2

MISSING ITEM NUMBERS NOT APPLICABLE

- ITEM NOT ILLUSTRATED

BRI

27-41-51-24

BOEING PROPRIETARY - Copyright © - Unpublished Work - See title page for details.

27-41-51  
FIG. 24  
PAGE 28  
JAN 20/09



757

PARTS CATALOG (MAINTENANCE)

FIG ITEM	PART NUMBER	1 2 3 4 5 6 7	NOMENCLATURE	EFFECT FROM TO	UNITS PER ASSY
24 412	271N6482-1098		.TUBE ASSY-RETURN SYS POSITION DATA: R TUBING MATERIAL: .375 IN. OD .035 IN. WALL 35.10 IN. LG AL AMS 4083 6061 T6 TUBING USED ON: 271N6482-1 271N6482-2 271N6482-5 271N6482-11 MODREF19393 MODREF31924 MODREF100068	002004 006999	1
- 415	AP2097HP06		..SLEEVE SUPPLIER CODE: V01673 SPECIFICATION NUMBER: BACS13BX06HP OPTIONAL PART: 2-02903-06HP V11328 35235VN06 V08199 AFP175V06P V30974 DBOS13BX06HP V14798	002004 006999	1
- 420	BACN10YL06		..NUT-	002004 006999	1

MISSING ITEM NUMBERS NOT APPLICABLE

- ITEM NOT ILLUSTRATED

BRI

27-41-51-24

BOEING PROPRIETARY - Copyright © - Unpublished Work - See title page for details.

27-41-51  
FIG. 24  
PAGE 29  
JAN 20/09





757

PARTS CATALOG (MAINTENANCE)

FIG ITEM	PART NUMBER	1 2 3 4 5 6 7	NOMENCLATURE	EFFECT FROM TO	UNITS PER ASSY
24 - 425	35056GV06	..	UNION SUPPLIER CODE: V08199 SPECIFICATION NUMBER: BACU24AB6W OPTIONAL PART: 2-01027-6W V11328 31875-6W V14397 4671097W6 V50948 AP1004W06 V01673 AFP941W6 V30974 DBOU24AB6W V14798	002004 006999	1
430	271N6482-1083	.TUBE ASSY-RETURN SYS POSITION DATA: R TUBING MATERIAL: .250 IN. OD .016 IN. WALL 20.20 IN. LG TI BMS 7-234 TI-3AL-2.5V COLD WORKED, STRESS RELIEVED TUBING USED ON: 271N6482-1 271N6482-2 271N6482-4 271N6482-6 271N6482-8 271N6482-9 271N6482-10 MODREF8148 MODREF31923 MODREF183340	002004 006999	1	
- 435	AS1581T04	..	SLEEVE	002004 006999	2
- 440	BACN10YA4	..	NUT	002004 006999	2

MISSING ITEM NUMBERS NOT APPLICABLE

- ITEM NOT ILLUSTRATED

27-41-51-24

27-41-51  
FIG. 24  
PAGE 30  
JAN 20/09

BRI



757

PARTS CATALOG (MAINTENANCE)

FIG ITEM	PART NUMBER	1 2 3 4 5 6 7	NOMENCLATURE	EFFECT FROM TO	UNITS PER ASSY
24 445	271N6482-1034		.TUBE ASSY-RETURN SYS POSITION DATA: R TUBING MATERIAL: .500 IN. OD .035 IN. WALL 38.70 IN. LG AL AMS 4083 6061 T6 TUBING USED ON: 271N6482-1 271N6482-2 271N6482-5 271N6482-11 MODREF19393 MODREF31924 MODREF100068	002004 006999	1
450	271N6482-1035		.TUBE ASSY-RETURN SYS POSITION DATA: R TUBING MATERIAL: .500 IN. OD .035 IN. WALL 35.40 IN. LG AL AMS 4083 6061 T6 TUBING	002004 006102 107999	1
452	271N6482-1161		.TUBE ASSY-RETURN SYS POSITION DATA: R TUBING MATERIAL: ALUMINUM USED ON: 271N6482-4 271N6482-6 271N6482-8 271N6482-9 271N6482-10 MODREF8148 MODREF31923 MODREF183340	101106 108120 504903	1

MISSING ITEM NUMBERS NOT APPLICABLE

- ITEM NOT ILLUSTRATED

BRI

27-41-51-24

BOEING PROPRIETARY - Copyright © - Unpublished Work - See title page for details.

27-41-51  
FIG. 24  
PAGE 31  
JAN 20/09



757

PARTS CATALOG (MAINTENANCE)

FIG ITEM	PART NUMBER	1 2 3 4 5 6 7	NOMENCLATURE	EFFECT FROM TO	UNITS PER ASSY
24 - 454	AP2097HP08	..	SLEEVE SUPPLIER CODE: V01673 SPECIFICATION NUMBER: BACS13BX08HP OPTIONAL PART: 2-02903-08HP V11328 35235VN08 V08199 AFP175V08P V30974 DBOS13BX08HP V14798	101102 108120 504903	1
- 454	AP2097HP08	..	SLEEVE SUPPLIER CODE: V01673 SPECIFICATION NUMBER: BACS13BX08HP OPTIONAL PART: 2-02903-08HP V11328 35235VN08 V08199 AFP175V08P V30974 DBOS13BX08HP V14798	002004 006100 103107 121503 904999	1
- 456	BACN10YLO8	..	NUT	101102 108120 504903	1
- 456	BACN10YLO8	..	NUT	002004 006100 103107 121503 904999	1

MISSING ITEM NUMBERS NOT APPLICABLE

- ITEM NOT ILLUSTRATED

BRI

27-41-51-24

BOEING PROPRIETARY - Copyright © - Unpublished Work - See title page for details.

27-41-51  
FIG. 24  
PAGE 32  
JAN 20/09



757

PARTS CATALOG (MAINTENANCE)

FIG ITEM	PART NUMBER	1 2 3 4 5 6 7	NOMENCLATURE	EFFECT FROM TO	UNITS PER ASSY
24 - 457	35056GV08		..UNION SUPPLIER CODE: V08199 SPECIFICATION NUMBER: BACU24AB8W OPTIONAL PART: 2-01027-8W V11328 31875-8W V14397 4671097W8 V50948 AP1004W08 V01673 AFP941W8 V30974 DBOU24AB8W V14798	101102 108120 504903	1
- 457	35056GV08		..UNION SUPPLIER CODE: V08199 SPECIFICATION NUMBER: BACU24AB8W OPTIONAL PART: 2-01027-8W V11328 31875-8W V14397 4671097W8 V50948 AP1004W08 V01673 AFP941W8 V30974 DBOU24AB8W V14798	002004 006100 103107 121503 904999	1

MISSING ITEM NUMBERS NOT APPLICABLE

- ITEM NOT ILLUSTRATED

27-41-51-24

27-41-51  
FIG. 24  
PAGE 33  
JAN 20/09

BRI



757

PARTS CATALOG (MAINTENANCE)

FIG ITEM	PART NUMBER	1 2 3 4 5 6 7	NOMENCLATURE	EFFECT FROM TO	UNITS PER ASSY
24 459	271N6482-1107		.TUBE ASSY-RETURN SYS POSITION DATA: R TUBING MATERIAL: .500 IN. OD .035 IN. WALL 52.00 IN. LG AL AMS 4083 6061 T6 TUBING USED ON: 271N6482-1 271N6482-2 271N6482-4 271N6482-6 271N6482-8 271N6482-9 271N6482-10 MODREF8148 MODREF31923 MODREF183340	002004 006999	1
- 460	AP2097HP08		..SLEEVE SUPPLIER CODE: V01673 SPECIFICATION NUMBER: BACS13BX08HP OPTIONAL PART: 2-02903-08HP V11328 35235VN08 V08199 AFP175V08P V30974 DBOS13BX08HP V14798	002004 006999	1
- 465	BACN10YL08		..NUT	002004 006999	1

MISSING ITEM NUMBERS NOT APPLICABLE

- ITEM NOT ILLUSTRATED

27-41-51-24

27-41-51  
FIG. 24  
PAGE 34  
JAN 20/09

BRI



757

PARTS CATALOG (MAINTENANCE)

FIG ITEM	PART NUMBER	1 2 3 4 5 6 7	NOMENCLATURE	EFFECT FROM TO	UNITS PER ASSY
24 - 470	35056GV08	..	UNION SUPPLIER CODE: V08199 SPECIFICATION NUMBER: BACU24AB8W OPTIONAL PART: 2-01027-8W V11328 31875-8W V14397 4671097W8 V50948 AP1004W08 V01673 AFP941W8 V30974 DBOU24AB8W V14798	002004 006999	1
475	271N6482-1026	.TUBE ASSY-PRESSURE SYS POSITION DATA: CTR TUBING MATERIAL: .024 IN. OD .019 IN. WALL 67.80 IN. LG TI BMS 7-234 TI-3AL-2.5V COLD WORKED, STRESS RELIEVED TUBING	107107	1	
475	271N6482-1119	.TUBE ASSY-PRESSURE SYS POSITION DATA: CTR TUBING MATERIAL: .375 IN. OD .019 IN. WALL 74.60 IN. LG TI BMS 7-234 TI-3AL-2.5V COLD WORKED, STRESS RELIEVED TUBING USED ON: 271N6482-1 271N6482-2 271N6482-5 271N6482-11 MODREF19393 MODREF31924 MODREF100068	002004 006106 108999	1	
- 480	AS1581T06	..	SLEEVE	002004 006999	2
- 485	BACN10YA6	..	NUT	002004 006999	2

MISSING ITEM NUMBERS NOT APPLICABLE

- ITEM NOT ILLUSTRATED

27-41-51-24

27-41-51  
FIG. 24  
PAGE 35  
JAN 20/09

BRI



757

PARTS CATALOG (MAINTENANCE)

FIG ITEM	PART NUMBER	1 2 3 4 5 6 7	NOMENCLATURE	EFFECT FROM TO	UNITS PER ASSY
24 490	271N6482-1056		.TUBE ASSY-RETURN SYS POSITION DATA: CTR TUBING MATERIAL: .375 IN. OD .035 IN. WALL 13.10 IN. LG AL AMS 4083 6061 T6 TUBING USED ON: 271N6482-1 271N6482-2 271N6482-5 271N6482-11 MODREF19393 MODREF31924 MODREF100068	002004 006999	1
495	271N6482-1055		.TUBE ASSY-RETURN SYS POSITION DATA: CTR TUBING MATERIAL: .375 IN. OD .035 IN. WALL 9.20 IN. LG AL AMS 4083 6061 T6 TUBING USED ON: 271N6482-1 271N6482-2 271N6482-5 271N6482-11 MODREF19393 MODREF31924 MODREF100068	002004 006999	1
- 500	AP2097HP06		..SLEEVE SUPPLIER CODE: V01673 SPECIFICATION NUMBER: BACS13BX06HP OPTIONAL PART: 2-02903-06HP V11328 35235VN06 V08199 AFP175V06P V30974 DBOS13BX06HP V14798	002004 006999	2
- 505	BACN10YL06		..NUT	002004 006999	2

MISSING ITEM NUMBERS NOT APPLICABLE

- ITEM NOT ILLUSTRATED

27-41-51-24

27-41-51  
FIG. 24  
PAGE 36  
JAN 20/09

BRI



757

PARTS CATALOG (MAINTENANCE)

FIG ITEM	PART NUMBER	1 2 3 4 5 6 7	NOMENCLATURE	EFFECT FROM TO	UNITS PER ASSY
24 510	271N6482-1109		.TUBE ASSY-RETURN SYS POSITION DATA: CTR TUBING MATERIAL: .500 IN. OD .035 IN. WALL 93.40 IN. LG AL AMS 4083 6061 T6 TUBING	107107	1
510	271N6482-1120		.TUBE ASSY-RETURN SYS POSITION DATA: CTR TUBING MATERIAL: .500 IN. OD .035 IN. WALL 95.60 IN. LG AL AMS 4083 6061 T6 TUBING USED ON: 271N6482-1 271N6482-2 271N6482-5 271N6482-11 MODREF19393 MODREF31924 MODREF100068	002004 006106 108999	1
- 515	AP2097HP08		..SLEEVE SUPPLIER CODE: V01673 SPECIFICATION NUMBER: BACS13BX08HP OPTIONAL PART: 2-02903-08HP V11328 35235VN08 V08199 AFP175V08P V30974 DBOS13BX08HP V14798	002004 006999	2
- 520	BACN10YL08		..NUT	002004 006999	2
525	271N6482-1025		.TUBE ASSY-RETURN SYS POSITION DATA: CTR TUBING MATERIAL: .032 IN. OD .035 IN. WALL 63.40 IN. LG AL AMS 4083 6061 T6 TUBING	107107	1

MISSING ITEM NUMBERS NOT APPLICABLE

- ITEM NOT ILLUSTRATED

27-41-51-24

27-41-51  
FIG. 24  
PAGE 37  
JAN 20/09

BRI





757

PARTS CATALOG (MAINTENANCE)

FIG ITEM	PART NUMBER	1 2 3 4 5 6 7	NOMENCLATURE	EFFECT FROM TO	UNITS PER ASSY
24 525	271N6482-1118		.TUBE ASSY-RETURN SYS POSITION DATA: CTR TUBING MATERIAL: .500 IN. OD .035 IN. WALL 63.40 IN. LG AL AMS 4083 6061 T6 TUBING USED ON: 271N6482-1 271N6482-2 271N6482-5 271N6482-11 MODREF19393 MODREF31924 MODREF100068	002004 006106 108999	1
- 530	AP2097HP08		..SLEEVE SUPPLIER CODE: V01673 SPECIFICATION NUMBER: BACS13BX08HP OPTIONAL PART: 2-02903-08HP V11328 35235VN08 V08199 AFP175V08P V30974 DBOS13BX08HP V14798	002004 006999	2
- 535	BACN10YL08		..NUT	002004 006999	2

MISSING ITEM NUMBERS NOT APPLICABLE

- ITEM NOT ILLUSTRATED

BRI

27-41-51-24

BOEING PROPRIETARY - Copyright © - Unpublished Work - See title page for details.

27-41-51  
FIG. 24  
PAGE 38  
JAN 20/09



757

PARTS CATALOG (MAINTENANCE)

FIG ITEM	PART NUMBER	1 2 3 4 5 6 7	NOMENCLATURE	EFFECT FROM TO	UNITS PER ASSY
24 545	271N6482-1030		.TUBE ASSY-FEEL PRESSURE SYS POSITION DATA: R TUBING MATERIAL: .375 IN. OD .019 IN. WALL 21.00 IN. LG TI BMS 7-234 TI-3AL-2.5V COLD WORKED, STRESS RELIEVED TUBING USED ON: 271N6482-1 271N6482-2 271N6482-5 271N6482-11 MODREF19393 MODREF31924 MODREF100068	002004 006999	1
550	271N6482-1033		.TUBE ASSY-FEEL PRESSURE SYS POSITION DATA: R TUBING MATERIAL: .024 IN. OD .019 IN. WALL 112.40 IN. LG TI BMS 7-234 TI-3AL-2.5V COLD WORKED, STRESS RELIEVED TUBING	107107	1
550	271N6482-1121		.TUBE ASSY-FEEL PRESSURE SYS POSITION DATA: R TUBING MATERIAL: .375 IN. OD .019 IN. WALL 112.60 IN. LG TI BMS 7-234 TI-3AL-2.5V COLD WORKED, STRESS RELIEVED TUBING USED ON: 271N6482-1 271N6482-2 271N6482-4 271N6482-6 271N6482-8 271N6482-9 271N6482-10 MODREF8148 MODREF31923 MODREF183340	002004 006106 108999	1

MISSING ITEM NUMBERS NOT APPLICABLE

- ITEM NOT ILLUSTRATED

27-41-51-24

27-41-51  
FIG. 24  
PAGE 39  
JAN 20/09

BRI



757

PARTS CATALOG (MAINTENANCE)

FIG ITEM	PART NUMBER	1 2 3 4 5 6 7	NOMENCLATURE	EFFECT FROM TO	UNITS PER ASSY
24					
- 555	AS1581T06	..	SLEEVE	002004 006999	2
- 560	BACN10YA6	..	NUT	002004 006999	2
565	271N6482-1029	.TUBE	ASSY-FEEL PRESSURE SYS POSITION DATA: R TUBING MATERIAL: .250 IN. OD .016 IN. WALL 82.00 IN. LG TI BMS 7-234 TI-3AL-2.5V COLD WORKED, STRESS RELIEVED TUBING USED ON: 271N6482-1 271N6482-2 271N6482-5 271N6482-11 MODREF19393 MODREF31924 MODREF100068	002004 006999	1
- 570	AS1581T04	..	SLEEVE	002004 006999	2
- 575	BACN10YA4	..	NUT	002004 006999	2
580	271N6482-1102	.TUBE	ASSY-FEEL PRESSURE SYS POSITION DATA: R TUBING MATERIAL: .250 IN. OD .016 IN. WALL 47.60 IN. LG TI BMS 7-234 TI-3AL-2.5V COLD WORKED, STRESS RELIEVED TUBING USED ON: 271N6482-1 271N6482-2 271N6482-4 271N6482-6 271N6482-8 271N6482-9 271N6482-10 MODREF8148 MODREF31923 MODREF183340	002004 006999	1
- 585	AS1581T04	..	SLEEVE	002004 006999	1

MISSING ITEM NUMBERS NOT APPLICABLE

- ITEM NOT ILLUSTRATED

27-41-51-24

27-41-51  
FIG. 24  
PAGE 40  
JAN 20/09

BRI



757

PARTS CATALOG (MAINTENANCE)

FIG ITEM	PART NUMBER	1 2 3 4 5 6 7	NOMENCLATURE	EFFECT FROM TO	UNITS PER ASSY
24					
- 590	BACN10YA4	..	NUT	002004 006999	1
- 595	AS1582T04	..	UNION	002004 006999	1
600	271N6482-1031	.TUBE	ASSY-FEEL PRESSURE SYS POSITION DATA: R TUBING MATERIAL: .375 IN. OD .019 IN WALL 44.00 IN. LG TI BMS 7-234 TI-3AL-2.5V COLD WORKED, STRESS RELIEVED TUBING USED ON: 271N6482-1 271N6482-2 271N6482-5 271N6482-11 MODREF19393 MODREF31924 MODREF100068	002004 006999	1
605	271N6482-1032	.TUBE	ASSY-FEEL PRESSURE SYS POSITION DATA: R TUBING MATERIAL: .375 IN. OD .019 IN. WALL 38.20 IN. LG TI BMS 7-234 TI-3AL-2.5V COLD WORKED, STRESS RELIEVED TUBING USED ON: 271N6482-1 271N6482-2 271N6482-4 271N6482-6 271N6482-8 271N6482-9 271N6482-10 MODREF8148 MODREF31923 MODREF183340	002004 006999	1

MISSING ITEM NUMBERS NOT APPLICABLE

- ITEM NOT ILLUSTRATED

27-41-51-24

27-41-51  
FIG. 24  
PAGE 41  
JAN 20/09

BRI



757

PARTS CATALOG (MAINTENANCE)

FIG ITEM	PART NUMBER	1 2 3 4 5 6 7	NOMENCLATURE	EFFECT FROM TO	UNITS PER ASSY
24 610	271N6482-1051		.TUBE ASSY-FEEL PRESSURE SYS POSITION DATA: R TUBING MATERIAL: .375 IN. OD .019 IN. WALL 38.00 IN. LG TI BMS 7-234 TI-3AL-2.5V COLD WORKED, STRESS RELIEVED TUBING USED ON: 271N6482-1 271N6482-2 271N6482-4 271N6482-6 271N6482-8 271N6482-9 271N6482-10 MODREF8148 MODREF31923 MODREF183340	002004 006999	1
- 615	AS1581T06		..SLEEVE- USED ON: 271N6482-1031 271N6482-1051 271N6482-1032	002004 006999	1
- 620	BACN10YA6		..NUT	002004 006999	1
- 625	AS1582T06		..UNION- USED ON: 271N6482-1031 271N6482-1032	002004 006999	1
630	271N6482-1024		.TUBE ASSY-FEEL PRESSURE SYS POSITION DATA: CTR TUBING MATERIAL: .375 IN. OD .019 IN. WALL 106.7 IN. LG TI BMS 7-234 TI-3AL-2.5V COLD WORKED, STRESS RELIEVED TUBING	107107	1

MISSING ITEM NUMBERS NOT APPLICABLE

- ITEM NOT ILLUSTRATED

BRI

27-41-51-24

27-41-51  
FIG. 24  
PAGE 42  
JAN 20/09



757

PARTS CATALOG (MAINTENANCE)

FIG ITEM	PART NUMBER	1 2 3 4 5 6 7	NOMENCLATURE	EFFECT FROM TO	UNITS PER ASSY
24 630	271N6482-1117		.TUBE ASSY-FEEL PRESSURE SYS POSITION DATA: CTR TUBING MATERIAL: .375 IN. OD .019 IN. WALL 105.80 IN. LG TI BMS 7-234 TI-3AL-2.5V COLD WORKED, STRESS RELIEVED TUBING USED ON: 271N6482-1 271N6482-2 271N6482-5 271N6482-11 MODREF19393 MODREF31924 MODREF100068	002004 006106 108999	1
- 632	AS1581T06		..SLEEVE	002004 006999	2
- 633	BACN10YA6L		..NUT	002004 006999	2
637	271N6482-1114		.TUBE ASSY-BRAKE RELEASE MISCELLANEOUS DATA: REPLACEMENT TUBE REQUIRES AUTOFRETTAGE PROCESS; ETOPS SENSITIVE -AMM CHAPTER 20-10-09/801 TUBING MATERIAL: .375 IN. OD .020 IN. WALL 50.20 IN. LG ST BMS 7-185 21-6-9 COLD REDUCED TUBING USED ON: 271N6482-1 271N6482-2 271N6482-5 MODREF19393 MODREF31924 MODREF100068 POST SERVICE BULLETIN: 27-0040R2	002004 006999	1

MISSING ITEM NUMBERS NOT APPLICABLE

- ITEM NOT ILLUSTRATED

27-41-51-24

27-41-51  
FIG. 24  
PAGE 43  
JAN 20/09

BRI



757

PARTS CATALOG (MAINTENANCE)

FIG ITEM	PART NUMBER	1 2 3 4 5 6 7	NOMENCLATURE	EFFECT FROM TO	UNITS PER ASSY
24 - 642	AP2097HP06	..	SLEEVE- SUPPLIER CODE: V01673 SPECIFICATION NUMBER: BACS13BX06HP OPTIONAL PART: 2-02903-06HP V11328 35235VN06 V08199 AFP175V06P V30974 DBOS13BX06HP V14798	002004 006999	2
- 644	BACN10YE6	..	NUT-	002004 006999	2
645	271N6482-1115	.TUBE ASSY-BRAKE RELEASE MISCELLANEOUS DATA: REPLACEMENT TUBE REQUIRES AUTOFRETTAGE PROCESS; ETOPS SENSITIVE -AMM CHAPTER 20-10-09/801 TUBING MATERIAL: .375 IN. OD .020 IN. WALL 15.80 IN. LG ST BMS 7-185 21-6-9 COLD REDUCED TUBING USED ON: 271N6482-1 271N6482-2 271N6482-5 MODREF19393 MODREF31924 MODREF100068 POST SERVICE BULLETIN: 27-0040R2	002004 006999	1	

MISSING ITEM NUMBERS NOT APPLICABLE

- ITEM NOT ILLUSTRATED

27-41-51-24

27-41-51  
FIG. 24  
PAGE 44  
JAN 20/09

BRI



757

PARTS CATALOG (MAINTENANCE)

FIG ITEM	PART NUMBER	1 2 3 4 5 6 7	NOMENCLATURE	EFFECT FROM TO	UNITS PER ASSY
24 - 649	AP2097HP06		.. SLEEVE- SUPPLIER CODE: V01673 SPECIFICATION NUMBER: BACS13BX06HP OPTIONAL PART: 2-02903-06HP V11328 35235VN06 V08199 AFP175V06P V30974 DBOS13BX06HP V14798	002004 006999	1
- 652	BACN10YE6		.. NUT-	002004 006999	1
- 654	35056V06		.. UNION- SUPPLIER CODE: V08199 SPECIFICATION NUMBER: BACU24AB6H OPTIONAL PART: 2-01027-6H V11328 31875-6H V14397 4671097H6 V50948 AP1004H06 V01673 AFP941H6 V30974 DBOU24AB6H V14798	002004 006999	1

MISSING ITEM NUMBERS NOT APPLICABLE

- ITEM NOT ILLUSTRATED

27-41-51-24

27-41-51  
FIG. 24  
PAGE 45  
JAN 20/09

BRI





757

PARTS CATALOG (MAINTENANCE)

FIG ITEM	PART NUMBER	1 2 3 4 5 6 7	NOMENCLATURE	EFFECT FROM TO	UNITS PER ASSY
24 655	271N6482-1116		.TUBE ASSY-BRAKE RELEASE MISCELLANEOUS DATA: REPLACEMENT TUBE REQUIRES AUTOFRETTAGE PROCESS; ETOPS SENSITIVE -AMM CHAPTER 20-10-09/801 TUBING MATERIAL: .375 IN. OD .020 IN. WALL 36.60 IN. LG ST BMS 7-185 21-6-9 COLD REDUCED TUBING USED ON: 271N6482-1 271N6482-2 271N6482-4 271N6482-6 271N6482-8 271N6482-9 271N6482-10 MODREF8148 MODREF31923 MODREF183340 POST SERVICE BULLETIN: 27-0040R2	002004 006999	1
- 662	AP2097HP06		..SLEEVE- SUPPLIER CODE: V01673 SPECIFICATION NUMBER: BACS13BX06HP OPTIONAL PART: 2-02903-06HP V11328 35235VN06 V08199 AFP175V06P V30974 DBOS13BX06HP V14798	002004 006999	2
- 667	BACN10YE6		..NUT-	002004 006999	2

MISSING ITEM NUMBERS NOT APPLICABLE

- ITEM NOT ILLUSTRATED

27-41-51-24

27-41-51  
FIG. 24  
PAGE 46  
JAN 20/09

BRI



757

PARTS CATALOG (MAINTENANCE)

FIG ITEM	PART NUMBER	1 2 3 4 5 6 7	NOMENCLATURE	EFFECT FROM TO	UNITS PER ASSY
24 672	271N6482-1090		.TUBE ASSY-STAB. UP TUBING MATERIAL: .375 IN. OD .020 IN. WALL 35.20 IN. LG ST BMS 7-185 21-6-9 COLD REDUCED TUBING USED ON: 271N6482-1 271N6482-2 271N6482-5 271N6482-11 MODREF19393 MODREF31924 MODREF100068	002004 006999	1
- 677	AP2097HP06		..SLEEVE- SUPPLIER CODE: V01673 SPECIFICATION NUMBER: BACS13BX06HP OPTIONAL PART: 2-02903-06HP V11328 35235VN06 V08199 AFP175V06P V30974 DBOS13BX06HP V14798	002004 006999	2
- 682	BACN10YE6		..NUT-	002004 006999	2
715	271N6482-1093		.TUBE ASSY-STAB. UP TUBING MATERIAL: .375 IN. OD .020 IN WALL 35.00 IN. LG ST BMS 7-185 21-6-9 COLD REDUCED TUBING USED ON: 271N6482-1 271N6482-2 271N6482-5 271N6482-11 MODREF19393 MODREF31924 MODREF100068	002004 006999	1

MISSING ITEM NUMBERS NOT APPLICABLE

- ITEM NOT ILLUSTRATED

BRI

27-41-51-24

BOEING PROPRIETARY - Copyright © - Unpublished Work - See title page for details.

27-41-51  
FIG. 24  
PAGE 47  
JAN 20/09



757

PARTS CATALOG (MAINTENANCE)

FIG ITEM	PART NUMBER	1 2 3 4 5 6 7	NOMENCLATURE	EFFECT FROM TO	UNITS PER ASSY
24 - 717	AP2097HP06	..	SLEEVE SUPPLIER CODE: V01673 SPECIFICATION NUMBER: BACS13BX06HP OPTIONAL PART: 2-02903-06HP V11328 35235VN06 V08199 AFP175V06P V30974 DBOS13BX06HP V14798	002004 006999	1
- 719	BACN10YE6	..	NUT-	002004 006999	1
- 721	35056V06	..	UNION SUPPLIER CODE: V08199 SPECIFICATION NUMBER: BACU24AB6H OPTIONAL PART: 2-01027-6H V11328 31875-6H V14397 4671097H6 V50948 AP1004H06 V01673 AFP941H6 V30974 DBOU24AB6H V14798	002004 006999	1
725	271N6482-1096	.TUBE	ASSY-STAB. UP TUBING MATERIAL: .375 IN. OD .020 IN. WALL 39.70 IN. LG ST BMS 7-185 21-6-9 COLD REDUCED TUBING	107107	1

MISSING ITEM NUMBERS NOT APPLICABLE

- ITEM NOT ILLUSTRATED

BRI

27-41-51-24

BOEING PROPRIETARY - Copyright © - Unpublished Work - See title page for details.

27-41-51  
FIG. 24  
PAGE 48  
JAN 20/09



757

PARTS CATALOG (MAINTENANCE)

FIG ITEM	PART NUMBER	1 2 3 4 5 6 7	NOMENCLATURE	EFFECT FROM TO	UNITS PER ASSY
24 725	271N6482-1113		.TUBE ASSY-STAB. UP TUBING MATERIAL: .375 IN. OD .020 IN. WALL 40.30 IN. LG ST BMS 7-185 21-6-9 COLD REDUCED TUBING USED ON: 271N6482-1 271N6482-2 271N6482-4 271N6482-6 271N6482-8 271N6482-9 271N6482-10 MODREF8148 MODREF31923 MODREF183340	002004 006106 108999	1
- 727	AP2097HP06		..SLEEVE SUPPLIER CODE: V01673 SPECIFICATION NUMBER: BACS13BX06HP OPTIONAL PART: 2-02903-06HP V11328 35235VN06 V08199 AFP175V06P V30974 DBOS13BX06HP V14798	002004 006100 103107 121503 904999	2
- 728	BACN10YE6		..NUT-	002004 006100 103107 121503 904999	2

MISSING ITEM NUMBERS NOT APPLICABLE

- ITEM NOT ILLUSTRATED

BRI

27-41-51-24

BOEING PROPRIETARY - Copyright © - Unpublished Work - See title page for details.

27-41-51  
FIG. 24  
PAGE 49  
JAN 20/09



757

PARTS CATALOG (MAINTENANCE)

FIG ITEM	PART NUMBER	1 2 3 4 5 6 7	NOMENCLATURE	EFFECT FROM TO	UNITS PER ASSY
24 732	271N6482-1091		.TUBE ASSY-STAB. DOWN TUBING MATERIAL: .250 IN. OD .016 IN. WALL 31.60 IN. LG ST BMS 7-185 21-6-9 COLD REDUCED TUBING USED ON: 271N6482-1 271N6482-2 271N6482-5 271N6482-11 MODREF19393 MODREF31924 MODREF100068	002004 006999	1
- 737	AP2097HP04		..SLEEVE- SUPPLIER CODE: V01673 SPECIFICATION NUMBER: BACS13BX04HP OPTIONAL PART: 2-02903-04HP V11328 35235VN04 V08199 AFP175V04P V30974 DBOS13BX04HP V14798	002004 006999	1
- 742	BACN10YE4		..NUT-	002004 006999	1
- 744	35056V04		..UNION- SUPPLIER CODE: V08199 SPECIFICATION NUMBER: BACU24AB4H OPTIONAL PART: 4671097H4 V50948 31875-4H V14397 AP1004H04 V01673 AFP941H4 V30974 DBOU24AB4H V14798 2-01027-4H V11328	002004 006999	1

MISSING ITEM NUMBERS NOT APPLICABLE

- ITEM NOT ILLUSTRATED

BRI

27-41-51-24

27-41-51  
FIG. 24  
PAGE 50  
JAN 20/09



757

PARTS CATALOG (MAINTENANCE)

FIG ITEM	PART NUMBER	1 2 3 4 5 6 7	NOMENCLATURE	EFFECT FROM TO	UNITS PER ASSY
24 745	271N6482-1094		.TUBE ASSY-STAB. DOWN TUBING MATERIAL: .250 IN. OD .016 IN WALL 35.00 IN. LG ST BMS 7-185 21-6-9 COLD REDUCED TUBING USED ON: 271N6482-1 271N6482-2 271N6482-5 271N6482-11 MODREF19393 MODREF31924 MODREF100068	002004 006999	1
- 748	AP2097HP04		..SLEEVE- SUPPLIER CODE: V01673 SPECIFICATION NUMBER: BACS13BX04HP OPTIONAL PART: 2-02903-04HP V11328 35235VN04 V08199 AFP175V04P V30974 DBOS13BX04HP V14798	002004 006999	2
- 751	BACN10YE4		..NUT-	002004 006999	2
755	271N6482-1097		.TUBE ASSY-STAB. DOWN TUBING MATERIAL: .250 IN. OD .016 IN. WALL 38.50 IN. LG ST BMS 7-185 21-6-9 COLD REDUCED TUBING USED ON: 271N6482-1 271N6482-2 271N6482-4 271N6482-6 271N6482-8 271N6482-9 271N6482-10 MODREF8148 MODREF31923 MODREF183340	002004 006100 103107 121503 904999	1

MISSING ITEM NUMBERS NOT APPLICABLE

- ITEM NOT ILLUSTRATED

27-41-51-24

27-41-51  
FIG. 24  
PAGE 51  
JAN 20/09

BRI



757

PARTS CATALOG (MAINTENANCE)

FIG ITEM	PART NUMBER	1 2 3 4 5 6 7	NOMENCLATURE	EFFECT FROM TO	UNITS PER ASSY
24 - 760	AP2097HP04	..	SLEEVE- SUPPLIER CODE: V01673 SPECIFICATION NUMBER: BACS13BX04HP OPTIONAL PART: 2-02903-04HP V11328 35235VN04 V08199 AFP175V04P V30974 DBOS13BX04HP V14798	002004 006100 103107 121503 904999	2
- 765	BACN10YE4	..	NUT-	002004 006100 103107 121503 904999	2
770	271N6482-1064	.TUBE ASSY-DRAIN TUBING MATERIAL: .250 IN. OD X .028 IN. WALL X 2.00 IN. LG AMS 4083 6061 T6 TUBING OPTIONAL TO: .250 IN. OD X .035 IN. WALL X 2.00 IN. LG MIL-T-7081 6061 T6 TUBING USED ON: 271N6482-1 271N6482-2 271N6482-4 271N6482-6 271N6482-8 271N6482-9 271N6482-10 MODREF8148 MODREF31923 MODREF183340	002004 006999	2	

MISSING ITEM NUMBERS NOT APPLICABLE

- ITEM NOT ILLUSTRATED

27-41-51-24

27-41-51  
FIG. 24  
PAGE 52  
JAN 20/09

BRI



757

PARTS CATALOG (MAINTENANCE)

FIG ITEM	PART NUMBER	1 2 3 4 5 6 7	NOMENCLATURE	EFFECT FROM TO	UNITS PER ASSY
24 - 775	AFP1644	. .	SLEEVE SUPPLIER CODE: V30974 SPECIFICATION NUMBER: BACS13AP4 OPTIONAL PART: BC922-4 V50948 DBOS13AP4 V14798 2-01033-4 V11328 2-01033-4 V70195 BC922-4 V92003	002004 006999	1
- 780	BACN10YL04	. .	NUT	002004 006999	1
785	271N6482-603	. TUBE-DRAIN	TUBING MATERIAL: BAC1521-598 SILICONE RUBBER USED ON: 271N6482-1 271N6482-2 271N6482-4 271N6482-6 271N6482-8 271N6482-9 271N6482-10 MODREF8148 MODREF31923 MODREF183340	002004 006999	2
790	271N6482-604	. TUBE-DRAIN	TUBING MATERIAL: BAC1521-598 SILICONE RUBBER USED ON: 271N6482-1 271N6482-2 271N6482-4 271N6482-6 271N6482-8 271N6482-9 271N6482-10 MODREF8148 MODREF31923 MODREF183340	002004 006999	2

MISSING ITEM NUMBERS NOT APPLICABLE

- ITEM NOT ILLUSTRATED

BRI

27-41-51-24

BOEING PROPRIETARY - Copyright © - Unpublished Work - See title page for details.

27-41-51  
FIG. 24  
PAGE 53  
JAN 20/09





757

PARTS CATALOG (MAINTENANCE)

FIG ITEM	PART NUMBER	1 2 3 4 5 6 7	NOMENCLATURE	EFFECT FROM TO	UNITS PER ASSY
24 795	MS21924-6		.UNION- USED ON: MODREF8148 MODREF31923 MODREF183340 271N6482-10 271N6482-2 271N6482-4 271N6482-6 271N6482-8 271N6482-9	002004 006999	1
800	MS21924-4		.UNION- USED ON: MODREF8148 MODREF31923 MODREF183340 271N6482-10 271N6482-2 271N6482-4 271N6482-6 271N6482-8 271N6482-9	002004 006999	1
802	MS21924-6		.UNION- USED ON: MODREF8148 MODREF31923 MODREF183340 271N6482-10 271N6482-2 271N6482-4 271N6482-6 271N6482-8 271N6482-9	002004 006999	1
805	MS21924D6		.UNION- USED ON: MODREF8148 MODREF31923 MODREF183340 271N6482-10 271N6482-2 271N6482-4 271N6482-6 271N6482-8 271N6482-9	002004 006999	1
810	NAS1761D0404		.ELBOW- OPTIONAL PART: NAS1761T0404	107107	1

MISSING ITEM NUMBERS NOT APPLICABLE

- ITEM NOT ILLUSTRATED

27-41-51-24

27-41-51  
FIG. 24  
PAGE 54  
JAN 20/09

BRI

BOEING PROPRIETARY - Copyright © - Unpublished Work - See title page for details.



757

PARTS CATALOG (MAINTENANCE)

FIG ITEM	PART NUMBER	1 2 3 4 5 6 7	NOMENCLATURE	EFFECT FROM TO	UNITS PER ASSY
24					
810	NAS1761T0404	.ELBOW-	OPTIONAL PART: NAS1761D0404	107107	1
810	NAS1761W0404	.ELBOW-		107107	1
810	AP1042JN0404	.ELBOW-	SUPPLIER CODE: V01673 SPECIFICATION NUMBER: BACE21BT0404JN USED ON: MODREF8148 MODREF31923 MODREF183340 271N6482-10 271N6482-6 271N6482-8 271N6482-9	101106 108120 504903	1
813	NAS1762J0406	.ELBOW-		002004 006100 121503 904999	1
813	AP1042JN0406	.ELBOW-	SUPPLIER CODE: V01673 SPECIFICATION NUMBER: BACE21BT0406JN USED ON: MODREF8148 MODREF31923 MODREF183340 271N6482-10 271N6482-4 271N6482-6 271N6482-8 271N6482-9	101106 108120 504903	1
815	NAS1762J0606	.ELBOW-	MISCELLANEOUS DATA: OPTIONAL PART NUMBER: BAC21BT0606JN (81205)	002004 006100 107107 121503 904999	1

MISSING ITEM NUMBERS NOT APPLICABLE

- ITEM NOT ILLUSTRATED

27-41-51-24

27-41-51  
FIG. 24  
PAGE 55  
JAN 20/09

BRI



757

PARTS CATALOG (MAINTENANCE)

FIG ITEM	PART NUMBER	1 2 3 4 5 6 7	NOMENCLATURE	EFFECT FROM TO	UNITS PER ASSY
24 815	AP1042JN0606	.ELBOW-	SUPPLIER CODE: V01673 SPECIFICATION NUMBER: BACE21BT0606JN USED ON: 271N6482-10 271N6482-4 271N6482-6 271N6482-8 271N6482-9	101102 108120 504903	1
817	NAS1762W0606	.ELBOW-	USED ON: MODREF8148 MODREF31923 MODREF183340 271N6482-10 271N6482-4 271N6482-6 271N6482-8 271N6482-9	101106 108120 504903	1
820	NAS1762D0808	.ELBOW		002004 006100 107107 121503 904999	1
825	NAS1762T0604	.ELBOW-		002004 006100 107107 121503 904999	1
- 825	AP1042JN0604	.ELBOW-	SUPPLIER CODE: V01673 SPECIFICATION NUMBER: BACE21BT0604JN USED ON: MODREF8148 MODREF31923 MODREF183340 271N6482-10 271N6482-8 271N6482-9	101106 108120 504903	1
827	NAS1762J0404	.ELBOW-		002004 006100 107107 121503 904999	1

MISSING ITEM NUMBERS NOT APPLICABLE

- ITEM NOT ILLUSTRATED

27-41-51-24

27-41-51  
FIG. 24  
PAGE 56  
JAN 20/09

BRI



757

PARTS CATALOG (MAINTENANCE)

FIG ITEM	PART NUMBER	1 2 3 4 5 6 7	NOMENCLATURE	EFFECT FROM TO	UNITS PER ASSY
24 827	AP1042JN0404	.ELBOW	SUPPLIER CODE: V01673 SPECIFICATION NUMBER: BACE21BT0404JN	101102 108120 504903	1
828	NAS1761D0606	.ELBOW-		002004 006100 107107 121503 904999	1
828	NAS1761W0606	.ELBOW-		101106 108120 504903	1
829	NAS1761T0606	.ELBOW-		002004 006100 107107 121503 904999	3
829	NAS1761J0606	.ELBOW-	MISCELLANEOUS DATA: REPLACED BY BACE21BR0606JN	002004 006100 107107 121503 904999	3
830	NAS1762T0606	.ELBOW-		002004 006999	1
830	NAS1762J0606	.ELBOW-	MISCELLANEOUS DATA: OPTIONAL PART NUMBER: BAC21BT0606JN (81205)	002004 006100 107107 121503 904999	1
832	AP1042JN0404	.ELBOW-	SUPPLIER CODE: V01673 SPECIFICATION NUMBER: BACE21BT0404JN USED ON: MODREF8148 MODREF31923 MODREF183340	103106	2
835	MS21916D8-6	.REDUCER-	USED ON: MODREF19393 MODREF31924 MODREF100068	101106 108120 504903	3
- 837	MS21916D8-6	.REDUCER		002004 006100 107107 121503 904999	4

MISSING ITEM NUMBERS NOT APPLICABLE

- ITEM NOT ILLUSTRATED

27-41-51-24

27-41-51  
FIG. 24  
PAGE 57  
JAN 20/09

BRI



757

PARTS CATALOG (MAINTENANCE)

FIG ITEM	PART NUMBER	1 2 3 4 5 6 7	NOMENCLATURE	EFFECT FROM TO	UNITS PER ASSY
24 840	APX824D100808	. TEE-	SUPPLIER CODE: V01673 SPECIFICATION NUMBER: BACT16AS100808D OPTIONAL PART: APX824-100808D V01673 DBOT16AS100808D V14798 ER824-100808D V50948 FER1571-100808D V14397 LER824-100808D V11328 NAF1824-100808D V52930 US1925-100808D V50808 AFP325-100808D V30974	002004 006100 107107 121503 904999	1
840	APX824F100808	. TEE-REQUIRES A 7075	SUPPLIER CODE: V01673 SPECIFICATION NUMBER: BACT16AS100808 OPTIONAL PART: APX824-100808 V01673 DBOT16AS100808 V14798 ER824-100808 V50948 FER1571-100808 V14397 LER824-100808 V11328 NAF1824-100808 V52930 US1925-100808 V50808 AFP325-100808 V30974 STANDARD CALLOUT	101106 108120 504903	1

MISSING ITEM NUMBERS NOT APPLICABLE

- ITEM NOT ILLUSTRATED

27-41-51-24

27-41-51  
FIG. 24  
PAGE 58  
JAN 20/09

BRI



757

PARTS CATALOG (MAINTENANCE)

FIG ITEM	PART NUMBER	1 2 3 4 5 6 7	NOMENCLATURE	EFFECT FROM TO	UNITS PER ASSY
24 845	BACT16BL060406T	. TEE-		002004 006100 107107 121503 904999	1
845	BACT16BL060406J	. TEE- USED ON: MODREF19393 MODREF100068 MODREF31924		002004 006999	1
850	MS21905D8	. TEE-		002004 006100 107107 121503 904999	1
850	MS21905W8	. TEE- USED ON: MODREF8148 MODREF183340 MODREF31923		101106 108120 504903	2
852	MS21905D8	. TEE-		002004 006100 121503 904999	1
852	NAS1764D080808	. TEE- POST ALERT SB: 29A0030R3		107107	1
855	BACT16BL080606T	. TEE-		002004 006100 107107 121503 904999	1
855	BACT16BL080606J	. TEE- USED ON: MODREF19393 MODREF100068 MODREF31924		002004 006106 108999	1
860	NAS1763D080808	. TEE-		002004 006100 107107 121503 904999	1
860	NAS1763W080808	. TEE-		101106 108120 504903	1

MISSING ITEM NUMBERS NOT APPLICABLE

- ITEM NOT ILLUSTRATED

BRI

27-41-51-24

BOEING PROPRIETARY - Copyright © - Unpublished Work - See title page for details.

27-41-51  
FIG. 24  
PAGE 59  
JAN 20/09



757

PARTS CATALOG (MAINTENANCE)

FIG ITEM	PART NUMBER	1 2 3 4 5 6 7	NOMENCLATURE	EFFECT FROM TO	UNITS PER ASSY
24 865	NAS1763T060606	. TEE-		002004 006100 107107 121503 904999	1
865	NAS1763J060606	. TEE-		002004 006100 107107 121503 904999	1
870	NAS1763T100806	. TEE-		002004 006100 107107 121503 904999	1
870	NAS1763J100806	. TEE-		002004 006100 107107 121503 904999	1
875	1C1348	. VALVE-CHECK	SUPPLIER CODE: V99240 SPECIFICATION NUMBER: BACV10CD3 POST ALERT SB: 29A0030R3	107107	1
880	AN924-4D	. NUT-	USED ON: MODREF8148 MODREF183340 MODREF31923	002004 006999	1
880	AN924-4	. NUT-		002004 006999	1
882	AN924-6	. NUT-		002004 006999	1
885	AN924-6D	. NUT-		002004 006999	1
885	AN924-6	. NUT-		002004 006999	1
886	AN924-6D	. NUT-	USED ON: MODREF8148 MODREF183340 MODREF31923	002004 006999	2

MISSING ITEM NUMBERS NOT APPLICABLE

- ITEM NOT ILLUSTRATED

BRI

27-41-51-24

27-41-51  
FIG. 24  
PAGE 60  
JAN 20/09



757

PARTS CATALOG (MAINTENANCE)

FIG ITEM	PART NUMBER	1 2 3 4 5 6 7	NOMENCLATURE	EFFECT FROM TO	UNITS PER ASSY
24 890	AN960KD916		.WASHER- USED ON: MODREF8148 MODREF183340 MODREF31923	002004 006999	1
932	271N6296-2		.BRACKET ASSY-TUBING PROTECTION	002004 006100 107107 121503 904999	1
- 934	NAS1801-3-10		ATTACHING PARTS .SCREW	002004 006100 107107 121503 904999	4
- 936	AN960KD10L		.WASHER	002004 006999	4
938	271N6272-10		-----*----- .BRACKET ASSY-TUBE SPRT USED ON: 271N6482-1 271N6482-2 271N6482-4 271N6482-6 271N6482-8 271N6482-9 271N6482-10 MODREF8148 MODREF31923 MODREF183340	002004 006999	1
950			ILLUSTRATION REFERENCE: PLUMBING INSTL-SECT. 48 (RUDDER AND ELEVATOR HYDRAULIC SYSTEMS ONLY) 27-23-00-02	002004 006100 107107 121503 904999	RF
960			ILLUSTRATION REFERENCE: PLUMBING INSTL-SECT. 48 L HYDR (HORIZONTAL STABILIZER TRIM CONTROL ONLY) 27-41-51-21	002004 006100 107107 121503 904999	RF
965			ILLUSTRATION REFERENCE: PLUMBING INSTL-VERT. FIN SECT. 70 HYDR (HORIZONTAL STABILIZER TRIM CONTROL ONLY) 27-41-51-15	002004 006100 107107 121503 904999	RF

MISSING ITEM NUMBERS NOT APPLICABLE

- ITEM NOT ILLUSTRATED

27-41-51-24

27-41-51  
FIG. 24  
PAGE 61  
JAN 20/09

BRI





757

PARTS CATALOG (MAINTENANCE)

FIG ITEM	PART NUMBER	1 2 3 4 5 6 7	NOMENCLATURE	EFFECT FROM TO	UNITS PER ASSY
24 970			ILLUSTRATION REFERENCE: PLUMBING INSTL-SECT. 46 HYDR (RUDDER AND ELEVATOR HYDRAULIC SYSTEMS ONLY) 27-23-51-31	002004 006100 107107 121503 904999	RF
970			ILLUSTRATION REFERENCE: PLUMBING INSTL-HYDR SECT. 46 29-11-51-87	101102	RF
970			ILLUSTRATION REFERENCE: PLUMBING INSTL-4-DOOR, NO GALLEY CHILLERS 29-11-51-88	108120 504903	RF
975			ILLUSTRATION REFERENCE: MODULE INSTL-STAB. TRIM CONT (HORIZONTAL STABILIZER TRIM CONTROL ONLY) 27-41-05-01	002004 006100 107107 121503 904999	RF
980			ILLUSTRATION REFERENCE: JACKSCREW INSTL-STAB. TRIM CONT 27-41-10-01	002004 006100 107107 121503 904999	RF

MISSING ITEM NUMBERS NOT APPLICABLE

- ITEM NOT ILLUSTRATED

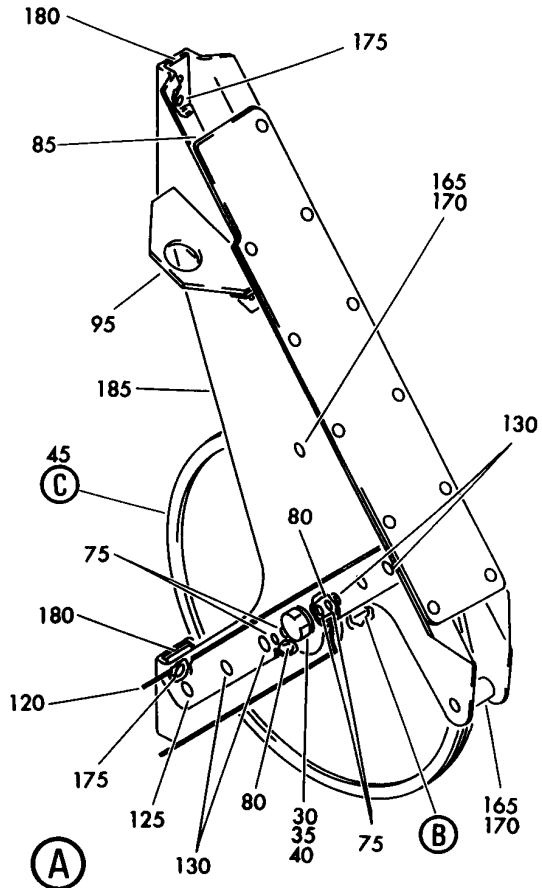
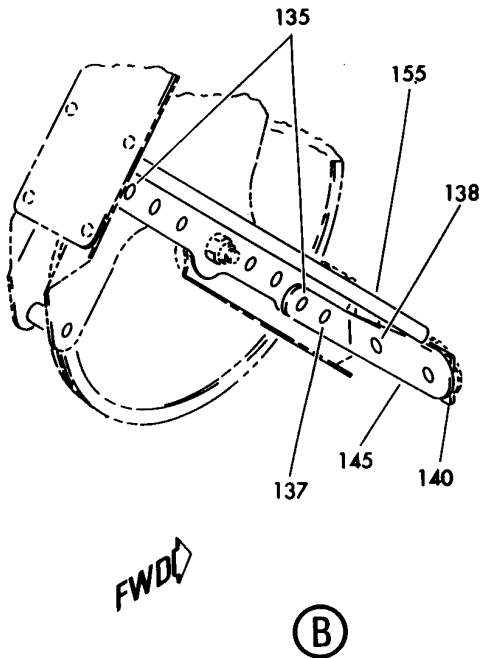
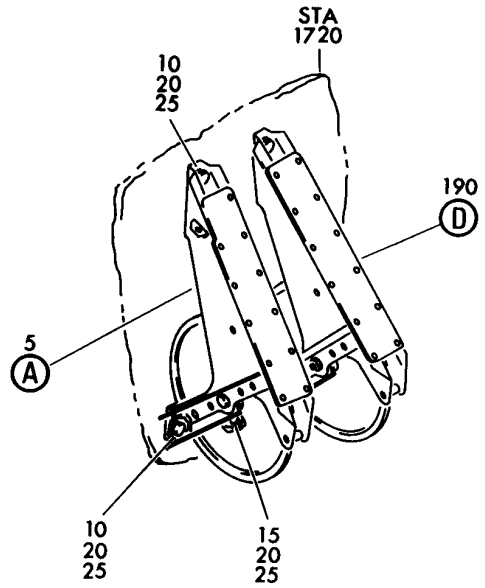
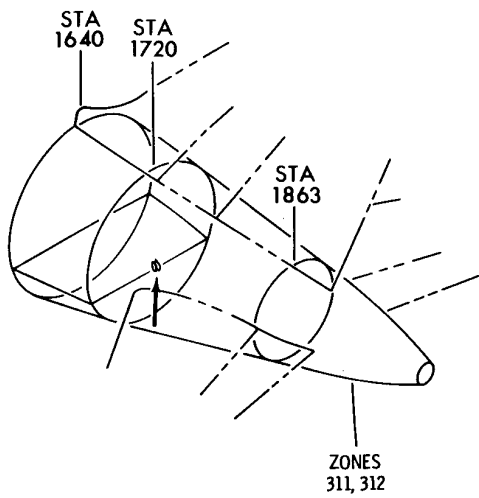
BRI

27-41-51-24

BOEING PROPRIETARY - Copyright © - Unpublished Work - See title page for details.

27-41-51  
FIG. 24  
PAGE 62  
JAN 20/09

**BOEING**  
757  
PARTS CATALOG (MAINTENANCE)



Y 27415201 SHT 1 REV 106

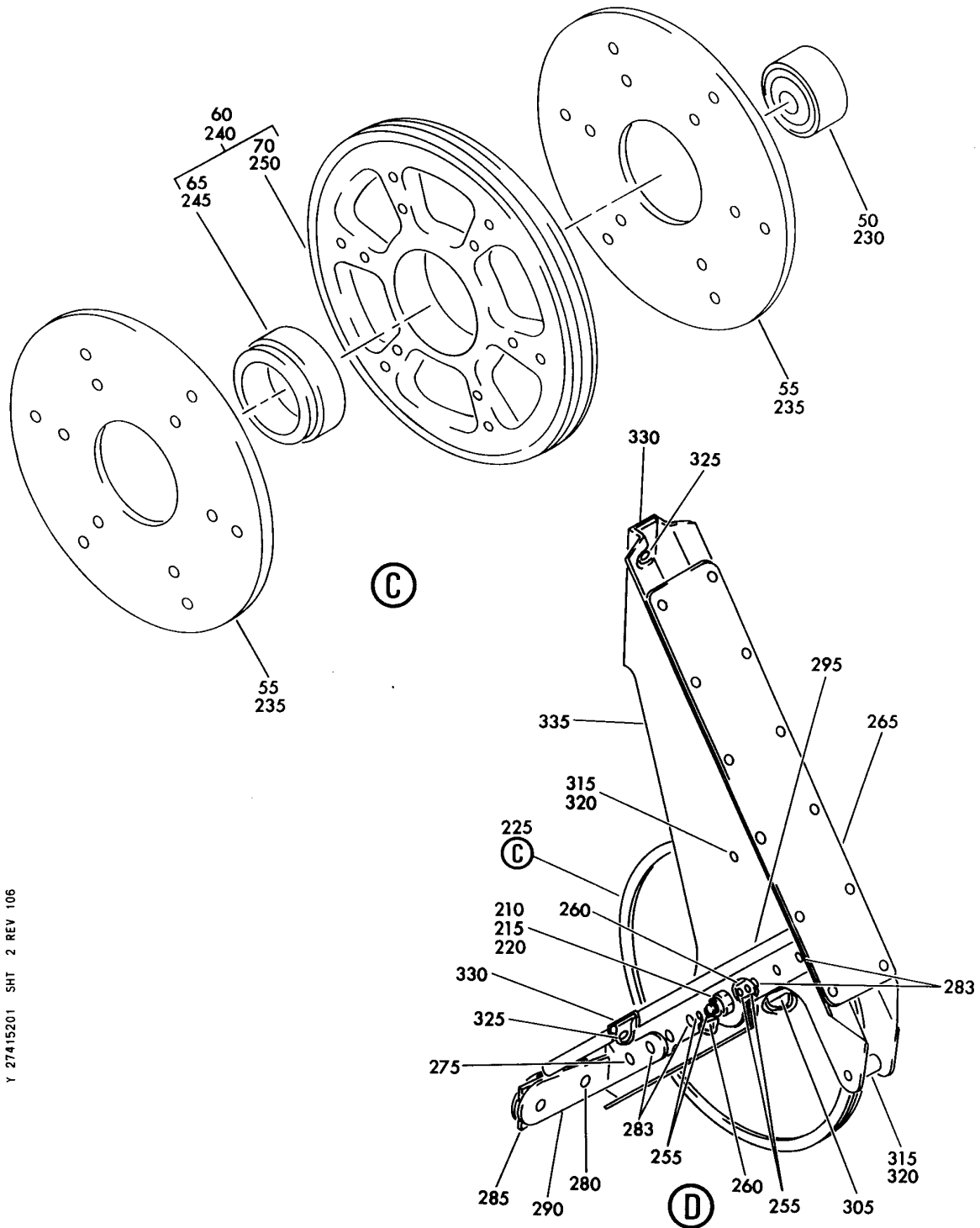
BRACKET INSTL-STA 1720 STAB. TRIM 2A AND 2B CABLES PULLEY  
FIGURE 1 (SHEET 1)

**27-41-52-01**

BRI  
MAY 28/07

27-41-52-01  
PAGE 0

**BOEING**  
757  
PARTS CATALOG (MAINTENANCE)



Y 27415201 SHT 2 REV 106

BRACKET INSTL-STA 1720 STAB. TRIM 2A AND 2B CABLES PULLEY  
FIGURE 1 (SHEET 2)

**27-41-52-01**

BRI  
MAY 28/07

27-41-52-01  
PAGE 0A



757

PARTS CATALOG (MAINTENANCE)

FIG ITEM	PART NUMBER	1 2 3 4 5 6 7	NOMENCLATURE	EFFECT FROM TO	UNITS PER ASSY
1			BRACKET INSTL-STA 1720 STAB. TRIM 2A AND 2B CABLES PULLEY	107107 904949	
- 1	251N6031-2		BRACKET INSTL-STAB. TRIM 2A AND 2B CABLES PULLEY POSITION DATA: STA. 1720 FOR NHA SEE: 27-41-00-02	107107 904949	RF
5	251N6239-7		.BRACKET ASSY	107107 904949	1
10	BACB30NF4-6		ATTACHING PARTS .BOLT	107107 904949	2
15	BACB30NF4-7		.BOLT	107107 904949	1
20	AN960PD416		.WASHER	107107 904949	3
25	BRH10A4		.NUT SUPPLIER CODE: V52828 SPECIFICATION NUMBER: BACN10JC4 OPTIONAL PART: T6S428J V11815 96-048 V80539 VN303A048 V92215 RMLH9075-4W V72962 NS202101-048 V80539 H10-4BAC V15653 -----*-----	107107 904949	3
30	BACB30NF4-14		..BOLT	107107 904949	1
35	AN960PD416		..WASHER	107107 904949	1

MISSING ITEM NUMBERS NOT APPLICABLE

- ITEM NOT ILLUSTRATED

BRI

27-41-52-01

27-41-52  
FIG. 01  
PAGE 1  
JAN 20/09



757

PARTS CATALOG (MAINTENANCE)

FIG ITEM	PART NUMBER	1 2 3 4 5 6 7	NOMENCLATURE	EFFECT FROM TO	UNITS PER ASSY
1 40	BRH10A4	..	NUT SUPPLIER CODE: V52828 SPECIFICATION NUMBER: BACN10JC4 OPTIONAL PART: T6S428J V11815 96-048 V80539 VN303A048 V92215 RMLH9075-4W V72962 NS202101-048 V80539 H10-4BAC V15653	107107 904949	1
45	65B80973-1	..	PULLEY ASSY-6 IN. DIA 3/32 IN. CABLE	107107 904949	1
50	JMKP4P25LY196	...	BEARING- SUPPLIER CODE: V40920 SPECIFICATION NUMBER: BACB10AN4 OPTIONAL PART: MKP4FS428 V21335 MKP4G20 V38443 LLMKP4 V38443 MKP4 V38443 MKP4-2TS V43991 MKP4E6531 V21335 MKP4TT V43991 MKP4SD610 V83086	107107 904949	1
55	65B81234-1	...	SHIELD	107107 904949	2
60	65B80974-1	...	SHEAVE ASSY	107107 904949	1
65	69B81362-2	....	INSERT	107107 904949	1

MISSING ITEM NUMBERS NOT APPLICABLE

- ITEM NOT ILLUSTRATED

BRI

27-41-52-01

27-41-52  
FIG. 01  
PAGE 2  
JAN 20/09

 **BOEING**  
757  
**PARTS CATALOG (MAINTENANCE)**

FIG ITEM	PART NUMBER	1 2 3 4 5 6 7	NOMENCLATURE	EFFECT FROM TO	UNITS PER ASSY
1	70 65B80974-2	....	SHEAVE	107107 904949	1
	75 BACR15BA3AD	..	RIVET- SIZE DETERMINED ON INSTL.	107107 904949	4
	80 NAS463TKDD416H	..	SPACER	107107 904949	2
	85 251N6239-6	..	WEB	107107 904949	1
			ATTACHING PARTS		
-	90 BACR15FT5D	..	RIVET- SIZE DETERMINED ON INSTL.	107107 904949	11
	95 251N6139-1	..	GUARD ASSY	107107 904949	1
			ATTACHING PARTS		
-	100 BACR15FT5D	..	RIVET- SIZE DETERMINED ON INSTL.	107107 904949	2
	120 251N6239-4	..	STIFFENER	107107 904949	1
			ATTACHING PARTS		
	125 BACR15FT5D	..	RIVET- SIZE DETERMINED ON INSTL.	107107 904949	1
	130 BACR15FT5D	..	RIVET- SIZE DETERMINED ON INSTL.	107107 904949	5
	130 BACR15CE5D	..	RIVET- SIZE DETERMINED ON INSTL. OPTIONAL PART: BACR15CE5D	107107 904949	5
	135 BACR15FT5D	..	RIVET- SIZE DETERMINED ON INSTL. OPTIONAL PART: BACR15CE5D	107107 904949	6
	135 BACR15CE5D	..	RIVET- SIZE DETERMINED ON INSTL. OPTIONAL PART: BACR15FT5D	107107 904949	6
	137 BACR15FT5D	..	RIVET- SIZE DETERMINED ON INSTL.	107107 904949	1
	138 BACR15CE5D	..	RIVET- SIZE DETERMINED ON INSTL.	107107 904949	1
	140 251N6239-10	..	FILLER-RADIUS	107107 904949	1
	145 251N6239-5	..	CLIP-	107107 904949	1

MISSING ITEM NUMBERS NOT APPLICABLE

- ITEM NOT ILLUSTRATED

BRI

# 27-41-52-01

BOEING PROPRIETARY - Copyright © - Unpublished Work - See title page for details.

27-41-52  
FIG. 01  
PAGE 3  
JAN 20/09



757

PARTS CATALOG (MAINTENANCE)

FIG ITEM	PART NUMBER	1 2 3 4 5 6 7	NOMENCLATURE	EFFECT FROM TO	UNITS PER ASSY
1					
155	251N6239-9	..	BRACE-SIDE	107107 904949	1
165	BACR15BB4AD	..	RIVET- SIZE DETERMINED ON INSTL.	107107 904949	2
170	NAS42DD4-43	..	SPACER	107107 904949	2
175	BACR15CE5D	..	RIVET- SIZE DETERMINED ON INSTL.	107107 904949	2
180	50-3361-8512	..	FILLER-RADIUS	107107 904949	2
185	251N6239-8	..	BRACKET	107107 904949	1
190	251N6238-7	.	BRACKET ASSY	107107 904949	1
			ATTACHING PARTS		
- 195	BACB30NF4-7	.	BOLT	107107 904949	3
- 200	AN960PD416	.	WASHER	107107 904949	3
- 205	BRH10A4	.	NUT	107107 904949	3
			SUPPLIER CODE: V52828		
			SPECIFICATION NUMBER: BACN10JC4		
			OPTIONAL PART: T6S428J		
			V11815		
			96-048		
			V80539		
			VN303A048		
			V92215		
			RMLH9075-4W		
			V72962		
			NS202101-048		
			V80539		
			H10-4BAC		
			V15653		
			-----*-----		
210	BACB30NF4-14	..	BOLT	107107 904949	1
215	AN960PD416	..	WASHER	107107 904949	1

MISSING ITEM NUMBERS NOT APPLICABLE

- ITEM NOT ILLUSTRATED

27-41-52-01

27-41-52  
FIG. 01  
PAGE 4  
JAN 20/09

BRI

BOEING PROPRIETARY - Copyright © - Unpublished Work - See title page for details.



757

PARTS CATALOG (MAINTENANCE)

FIG ITEM	PART NUMBER	1 2 3 4 5 6 7	NOMENCLATURE	EFFECT FROM TO	UNITS PER ASSY
1 220	BRH10A4	..	NUT SUPPLIER CODE: V52828 SPECIFICATION NUMBER: BACN10JC4 OPTIONAL PART: T6S428J V11815 96-048 V80539 VN303A048 V92215 RMLH9075-4W V72962 NS202101-048 V80539 H10-4BAC V15653	107107 904949	1
225	65B80973-1	..	PULLEY ASSY-6 IN. DIA 3/32 IN. CABLE	107107 904949	1
230	JMKP4P25LY196	...	BEARING- SUPPLIER CODE: V40920 SPECIFICATION NUMBER: BACB10AN4 OPTIONAL PART: MKP4FS428 V21335 MKP4G20 V38443 LLMKP4 V38443 MKP4 V38443 MKP4-2TS V43991 MKP4E6531 V21335 MKP4TT V43991 MKP4SD610 V83086	107107 904949	1
235	65B81234-1	...	SHIELD	107107 904949	2
240	65B80974-1	...	SHEAVE ASSY	107107 904949	1
245	69B81362-2	....	INSERT	107107 904949	1

MISSING ITEM NUMBERS NOT APPLICABLE

- ITEM NOT ILLUSTRATED

27-41-52-01

27-41-52  
FIG. 01  
PAGE 5  
JAN 20/09

BRI



 **BOEING**  
757  
**PARTS CATALOG (MAINTENANCE)**

FIG ITEM	PART NUMBER	1 2 3 4 5 6 7	NOMENCLATURE	EFFECT FROM TO	UNITS PER ASSY
1					
250	65B80974-2	....	SHEAVE	107107 904949	1
255	BACR15BA3AD	..	RIVET- SIZE DETERMINED ON INSTL.	107107 904949	4
260	NAS463TKDD416H	..	SPACER	107107 904949	2
265	251N6238-6	..	WEB	107107 904949	1
			ATTACHING PARTS		
- 270	BACR15FT5D	..	RIVET- SIZE DETERMINED ON INSTL. -----*-----	107107 904949	12
275	BACR15FT5D	..	RIVET- SIZE DETERMINED ON INSTL.	107107 904949	1
280	BACR15CE5D	..	RIVET- SIZE DETERMINED ON INSTL.	107107 904949	1
283	BACR15FT5D	..	RIVET- SIZE DETERMINED ON INSTL. OPTIONAL PART: BACR15CE5D	107107 904949	6
283	BACR15CE5D	..	RIVET- SIZE DETERMINED ON INSTL. OPTIONAL PART: BACR15FT5D	107107 904949	6
285	251N6238-8	..	FILLER-RADIUS	107107 904949	1
290	251N6238-5	..	CLIP	107107 904949	1
295	251N6238-4	..	BRACKET-SPRT	107107 904949	1
305	251N6238-3	..	STIFFENER	107107 904949	1
			ATTACHING PARTS		
- 310	BACR15FT5D	..	RIVET- SIZE DETERMINED ON INSTL. OPTIONAL PART: BACR15CE5D	107107 904949	6
- 310	BACR15CE5D	..	RIVET- SIZE DETERMINED ON INSTL. OPTIONAL PART: BACR15FT5D -----*-----	107107 904949	6
315	BACR15BB4AD	..	RIVET- SIZE DETERMINED ON INSTL.	107107 904949	2
320	NAS42DD4-43	..	SPACER	107107 904949	2
325	BACR15CE5D	..	RIVET- SIZE DETERMINED ON INSTL.	107107 904949	2

MISSING ITEM NUMBERS NOT APPLICABLE

- ITEM NOT ILLUSTRATED

BRI

# 27-41-52-01

27-41-52  
FIG. 01  
PAGE 6  
JAN 20/09

BOEING PROPRIETARY - Copyright © - Unpublished Work - See title page for details.



757

PARTS CATALOG (MAINTENANCE)

FIG ITEM	PART NUMBER	1 2 3 4 5 6 7	NOMENCLATURE	EFFECT FROM TO	UNITS PER ASSY
1					
330	50-3361-8512		.. FILLER-	107107 904949	2
335	251N6238-2		.. BRACKET	107107 904949	1

MISSING ITEM NUMBERS NOT APPLICABLE

- ITEM NOT ILLUSTRATED

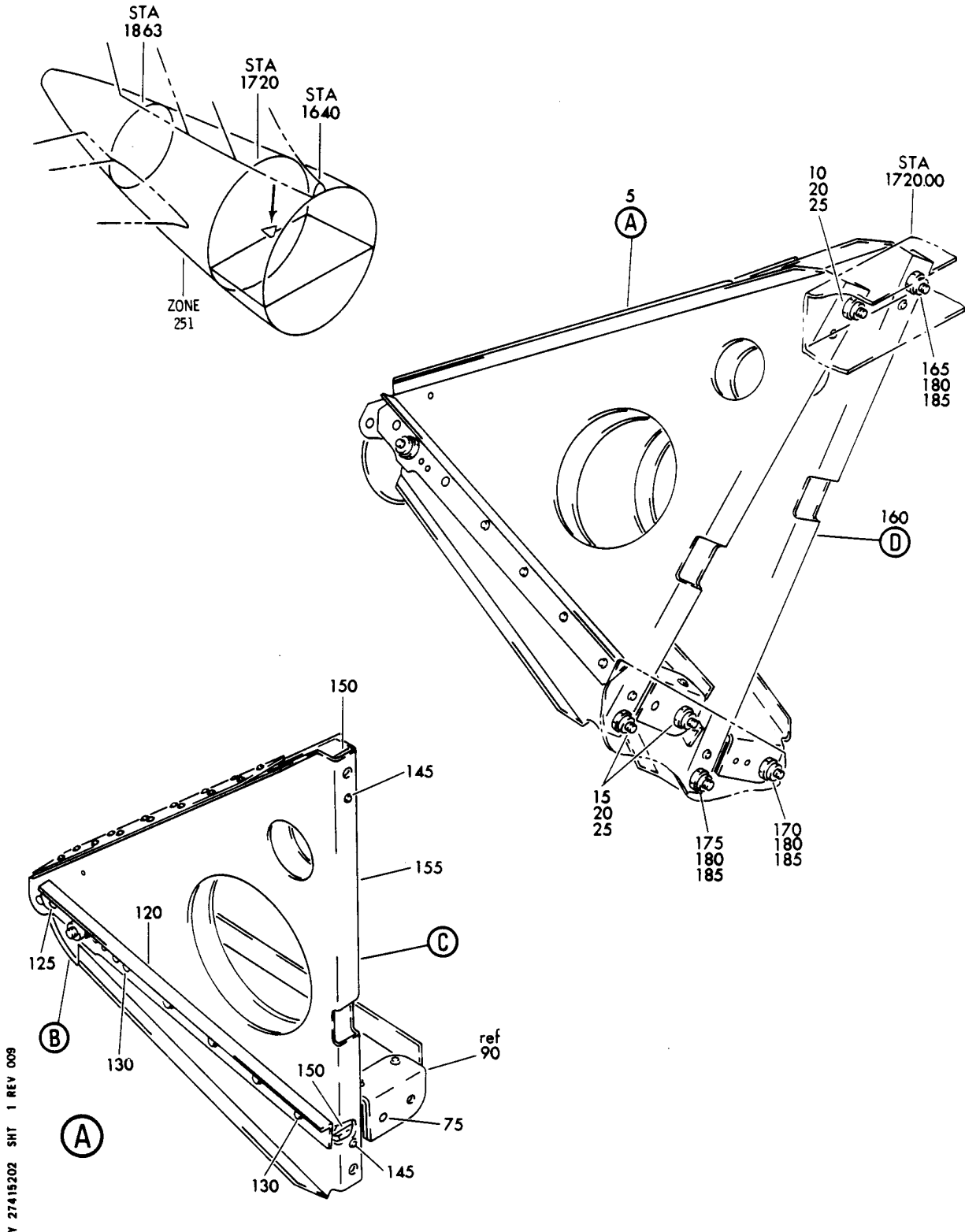
BRI

27-41-52-01

BOEING PROPRIETARY - Copyright © - Unpublished Work - See title page for details.

27-41-52  
FIG. 01  
PAGE 7  
JAN 20/09

**BOEING**  
757  
PARTS CATALOG (MAINTENANCE)



Y 27415202 SHT 1 REV 009

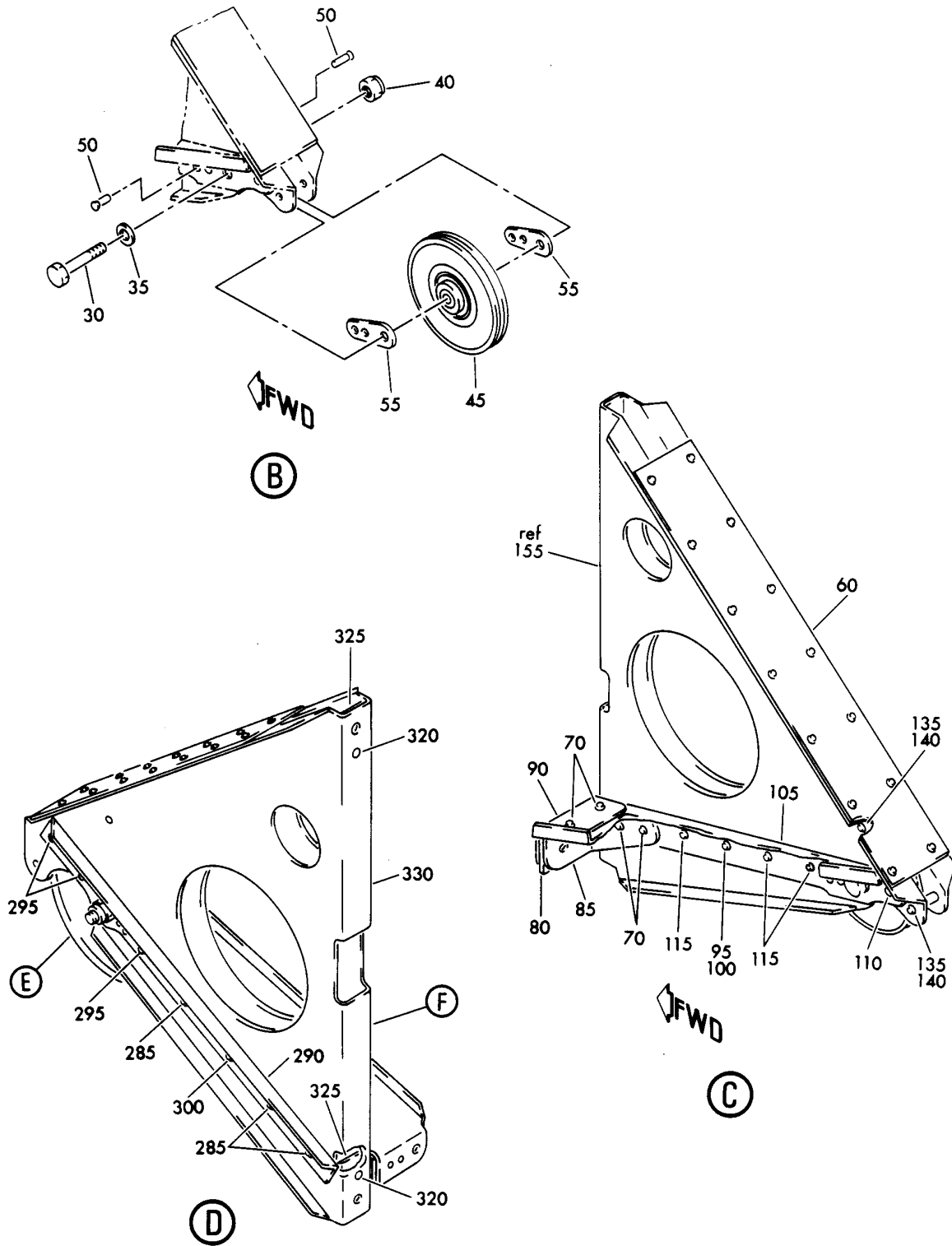
BRACKET INSTL-STA 1720 PULLEY  
FIGURE 2 (SHEET 1)

**27-41-52-02**

BRI  
MAY 28/07

27-41-52-02  
PAGE 0

**BOEING**  
757  
PARTS CATALOG (MAINTENANCE)



Y 27415202 SHT 2 REV 008

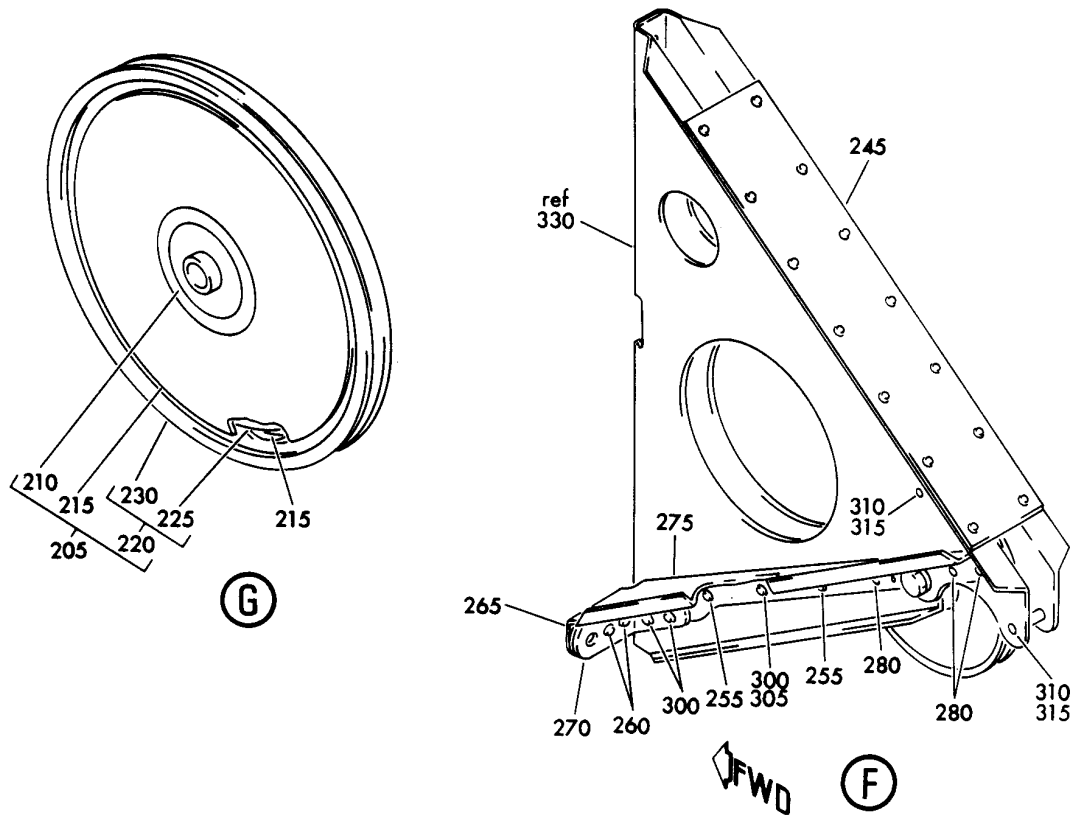
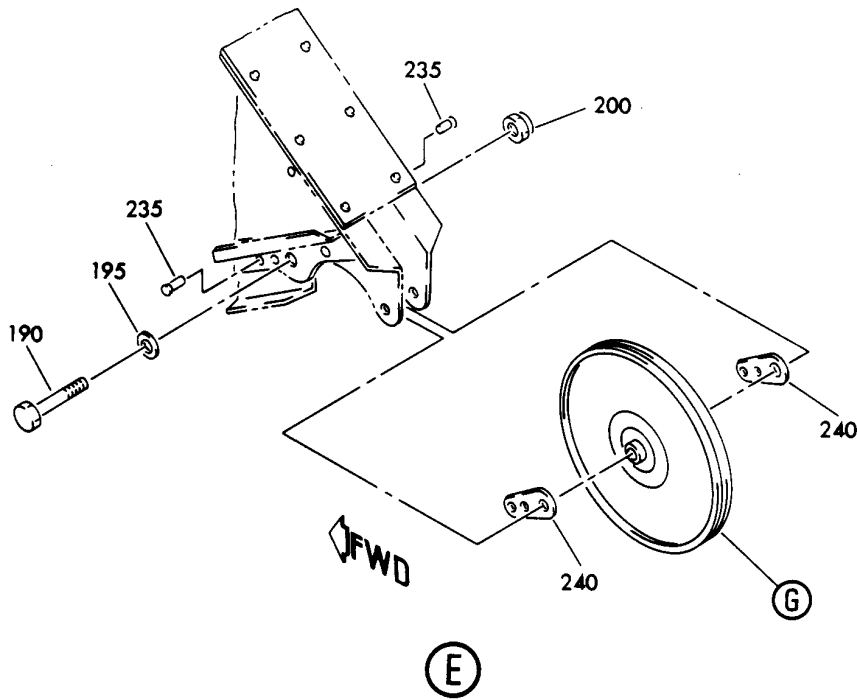
BRACKET INSTL-STA 1720 PULLEY  
FIGURE 2 (SHEET 2)

**27-41-52-02**

BRI  
MAY 28/07

27-41-52-02  
PAGE 0A

**BOEING**  
757  
PARTS CATALOG (MAINTENANCE)



Y 27415202 SHT 3 REV 008

BRACKET INSTL-STA 1720 PULLEY  
FIGURE 2 (SHEET 3)

**27-41-52-02**

BRI  
MAY 28/07

27-41-52-02  
PAGE 08

 **BOEING**  
757  
**PARTS CATALOG (MAINTENANCE)**

FIG ITEM	PART NUMBER	1 2 3 4 5 6 7	NOMENCLATURE	EFFECT FROM TO	UNITS PER ASSY
2			BRACKET INSTL-STA 1720	107107	
- 1	251N6031-3		PULLEY BRACKET INSTL-PULLEY	904949	RF
			POSITION DATA:	107107	
			STA.1720	904949	
			FOR NHA SEE:		
			27-41-00-02		
5	251N6236-8		.BRACKET ASSY-	107107	1
				904949	
			ATTACHING PARTS		
10	BACB30NF4-4		.BOLT	107107	1
				904949	
15	BACB30NF4-6		.BOLT	107107	2
				904949	
20	AN960PD416		.WASHER	107107	3
				904949	
25	BRH10A4		.NUT	107107	3
			SUPPLIER CODE:	904949	
			V52828		
			SPECIFICATION NUMBER:		
			BACN10JC4		
			OPTIONAL PART:		
			T6S428J		
			V11815		
			96-048		
			V80539		
			VN303A048		
			V92215		
			RMLH9075-4W		
			V72962		
			NS202101-048		
			V80539		
			H10-4BAC		
			V15653		
			-----*-----		
30	BACB30NF4-13		..BOLT	107107	1
				904949	
35	AN960PD416		..WASHER	107107	1
				904949	

MISSING ITEM NUMBERS NOT APPLICABLE

- ITEM NOT ILLUSTRATED

BRI

# 27-41-52-02

BOEING PROPRIETARY - Copyright © - Unpublished Work - See title page for details.

27-41-52  
FIG. 02  
PAGE 1  
JAN 20/09



757

PARTS CATALOG (MAINTENANCE)

FIG ITEM	PART NUMBER	1 2 3 4 5 6 7	NOMENCLATURE	EFFECT FROM TO	UNITS PER ASSY
2	40 BRH10A4	..	NUT SUPPLIER CODE: V52828 SPECIFICATION NUMBER: BACN10JC4 OPTIONAL PART: T6S428J V11815 96-048 V80539 VN303A048 V92215 RMLH9075-4W V72962 NS202101-048 V80539 H10-4BAC V15653	107107 904949	1
	45 BMP30J4	..	PULLEY SUPPLIER CODE: V22277 SPECIFICATION NUMBER: BACP30J4 OPTIONAL PART: R30F4 V25337	107107 904949	1
	50 BACR15BA3AD	..	RIVET- SIZE DETERMINED ON INSTL.	107107 904949	4
	55 NAS463TKDD416H	..	SPACER-	107107 904949	2
	60 251N6236-6	..	PLATE	107107 904949	1
	65 BACR15FT5D	..	RIVET- SIZE DETERMINED ON INSTL. -----*-----	107107 904949	14
	70 BACR15FT5D	..	RIVET- SIZE DETERMINED ON INSTL.	107107 904949	4
	75 BACR15CE5D	..	RIVET- SIZE DETERMINED ON INSTL.	107107 904949	1
	80 50-3361-8601	..	FILLER-RADIUS	107107 904949	1
	85 251N6236-9	..	CLIP-	107107 904949	1
	90 251N6236-10	..	CLIP-	107107 904949	1
	95 BACR15BB4AD	..	RIVET- SIZE DETERMINED ON INSTL.	107107 904949	1

MISSING ITEM NUMBERS NOT APPLICABLE

- ITEM NOT ILLUSTRATED

27-41-52-02

27-41-52  
FIG. 02  
PAGE 2  
JAN 20/09

BRI



757

PARTS CATALOG (MAINTENANCE)

FIG ITEM	PART NUMBER	1 2 3 4 5 6 7	NOMENCLATURE	EFFECT FROM TO	UNITS PER ASSY
2					
100	NAS42DD4-40	..	SPACER	107107 904949	1
105	251N6236-3	..	BRACE	107107 904949	1
			ATTACHING PARTS		
110	BACR15FT5D	..	RIVET- SIZE DETERMINED ON INSTL. OPTIONAL PART: BACR15CE5D	107107 904949	1
110	BACR15CE5D	..	RIVET- SIZE DETERMINED ON INSTL. OPTIONAL PART: BACR15FT5D	107107 904949	1
115	BACR15FT5D	..	RIVET- SIZE DETERMINED ON INSTL. -----*-----	107107 904949	3
120	251N6236-4	..	STIFFENER	107107 904949	1
			ATTACHING PARTS		
125	BACR15FT5D	..	RIVET- SIZE DETERMINED ON INSTL. OPTIONAL PART: BACR15CE5D	107107 904949	1
125	BACR15CE5D	..	RIVET- SIZE DETERMINED ON INSTL. OPTIONAL PART: BACR15FT5D	107107 904949	1
130	BACR15FT5D	..	RIVET- SIZE DETERMINED ON INSTL. -----*-----	107107 904949	5
135	BACR15BB4AD	..	RIVET- SIZE DETERMINED ON INSTL.	107107 904949	2
140	NAS42DD4-40	..	SPACER	107107 904949	2
145	BACR15CE5D	..	RIVET- SIZE DETERMINED ON INSTL.	107107 904949	2
150	50-3361-8622	..	FILLER-RADIUS	107107 904949	2
155	251N6236-11	..	BRACKET-	107107 904949	1
160	251N6237-7	.	BRACKET ASSY-	107107 904949	1
			ATTACHING PARTS		
165	BACB30NF4-4	.	BOLT	107107 904949	1
170	BACB30NF4-5	.	BOLT	107107 904949	1
175	BACB30NF4-7	.	BOLT	107107 904949	1

MISSING ITEM NUMBERS NOT APPLICABLE

- ITEM NOT ILLUSTRATED

27-41-52-02

27-41-52  
FIG. 02  
PAGE 3  
JAN 20/09

BRI

BOEING PROPRIETARY - Copyright © - Unpublished Work - See title page for details.





757

PARTS CATALOG (MAINTENANCE)

FIG ITEM	PART NUMBER	1 2 3 4 5 6 7	NOMENCLATURE	EFFECT FROM TO	UNITS PER ASSY
2					
180	AN960PD416	.	WASHER	107107 904949	3
185	BRH10A4	.	NUT SUPPLIER CODE: V52828 SPECIFICATION NUMBER: BACN10JC4 OPTIONAL PART: T6S428J V11815 96-048 V80539 VN303A048 V92215 RMLH9075-4W V72962 NS202101-048 V80539 H10-4BAC V15653	107107 904949	3
190	BACB30NF4-13	..	BOLT-	107107 904949	1
195	AN960PD416	..	WASHER	107107 904949	1
200	BRH10A4	..	NUT SUPPLIER CODE: V52828 SPECIFICATION NUMBER: BACN10JC4 OPTIONAL PART: T6S428J V11815 96-048 V80539 VN303A048 V92215 RMLH9075-4W V72962 NS202101-048 V80539 H10-4BAC V15653	107107 904949	1
205	65B80977-1	..	PULLEY ASSY-4 IN. DIA 3/32 IN. CABLE FOR SPARES PROCURE: BACP30M4	107107 904949	1

MISSING ITEM NUMBERS NOT APPLICABLE

- ITEM NOT ILLUSTRATED

BRI

27-41-52-02

27-41-52  
FIG. 02  
PAGE 4  
JAN 20/09

 **BOEING**  
757  
**PARTS CATALOG (MAINTENANCE)**

FIG ITEM	PART NUMBER	1 2 3 4 5 6 7	NOMENCLATURE	EFFECT FROM TO	UNITS PER ASSY
2 210	JMKP4P25LY196	...	BEARING- SUPPLIER CODE: V40920 SPECIFICATION NUMBER: BACB10AN4 OPTIONAL PART: MKP4FS428 V21335 MKP4G20 V38443 LLMKP4 V38443 MKP4 V38443 MKP4-2TS V43991 MKP4E6531 V21335 MKP4TT V43991 MKP4SD610 V83086	107107 904949	1
215	69B81979-1	...	SHIELD	107107 904949	2
220	65B80978-1	...	SHEAVE ASSY	107107 904949	1
225	69B81362-2	....	INSERT	107107 904949	1
230	65B80978-2	....	SHEAVE	107107 904949	1
235	BACR15BA3AD	..	RIVET- SIZE DETERMINED ON INSTL.	107107 904949	4
240	NAS463TKDD416H	..	SPACER-	107107 904949	2
245	251N6237-6	..	PLATE	107107 904949	1
- 250	BACR15FT5D	..	RIVET- SIZE DETERMINED ON INSTL. -----*-----	107107 904949	14
255	BACR15FT5D	..	RIVET- SIZE DETERMINED ON INSTL.	107107 904949	2
260	BACR15CE5D	..	RIVET- SIZE DETERMINED ON INSTL.	107107 904949	2
265	50-3361-8596	..	FILLER-RADIUS	107107 904949	1
270	251N6237-5	..	CLIP	107107 904949	1

MISSING ITEM NUMBERS NOT APPLICABLE

- ITEM NOT ILLUSTRATED

BRI

# 27-41-52-02

BOEING PROPRIETARY - Copyright © - Unpublished Work - See title page for details.

27-41-52  
FIG. 02  
PAGE 5  
JAN 20/09

 **BOEING**  
757  
**PARTS CATALOG (MAINTENANCE)**

FIG ITEM	PART NUMBER	1 2 3 4 5 6 7	NOMENCLATURE	EFFECT FROM TO	UNITS PER ASSY
2					
275	251N6237-3	..	BRACE	107107 904949	1
			ATTACHING PARTS		
280	BACR15FT5D	..	RIVET- SIZE DETERMINED ON INSTL. OPTIONAL PART: BACR15CE5D	107107 904949	3
280	BACR15CE5D	..	RIVET- SIZE DETERMINED ON INSTL. OPTIONAL PART: BACR15FT5D	107107 904949	3
285	BACR15FT5D	..	RIVET- SIZE DETERMINED ON INSTL. -----*-----	107107 904949	3
290	251N6237-4	..	STIFFENER	107107 904949	1
			ATTACHING PARTS		
295	BACR15FT5D	..	RIVET- SIZE DETERMINED ON INSTL. OPTIONAL PART: BACR15CE5D	107107 904949	3
295	BACR15CE5D	..	RIVET- SIZE DETERMINED ON INSTL. OPTIONAL PART: BACR15FT5D	107107 904949	3
300	BACR15FT5D	..	RIVET- SIZE DETERMINED ON INSTL. -----*-----	107107 904949	2
305	NAS42DD5-43	..	SPACER	107107 904949	1
310	BACR15BB4AD	..	RIVET- SIZE DETERMINED ON INSTL.	107107 904949	2
315	NAS42DD4-43	..	SPACER	107107 904949	2
320	BACR15CE5D	..	RIVET- SIZE DETERMINED ON INSTL.	107107 904949	2
325	50-3361-8512	..	FILLER-RADIUS	107107 904949	2
330	251N6237-8	..	BRACKET-	107107 904949	1

MISSING ITEM NUMBERS NOT APPLICABLE

— ITEM NOT ILLUSTRATED

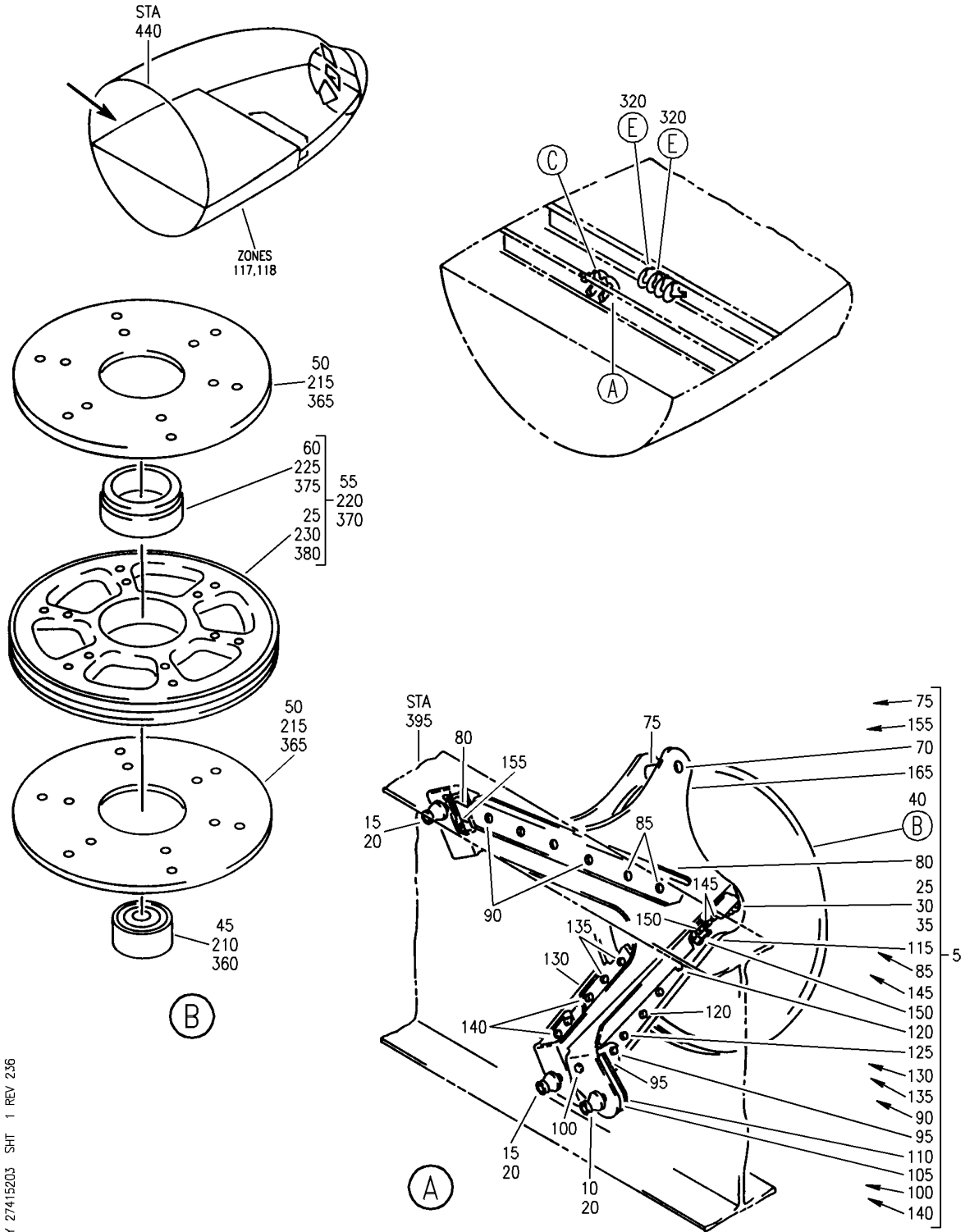
BRI

# 27-41-52-02

BOEING PROPRIETARY - Copyright © - Unpublished Work - See title page for details.

27-41-52  
FIG. 02  
PAGE 6  
JAN 20/09

**BOEING**  
757  
PARTS CATALOG (MAINTENANCE)



Y 27415203 SH 1 REV 236

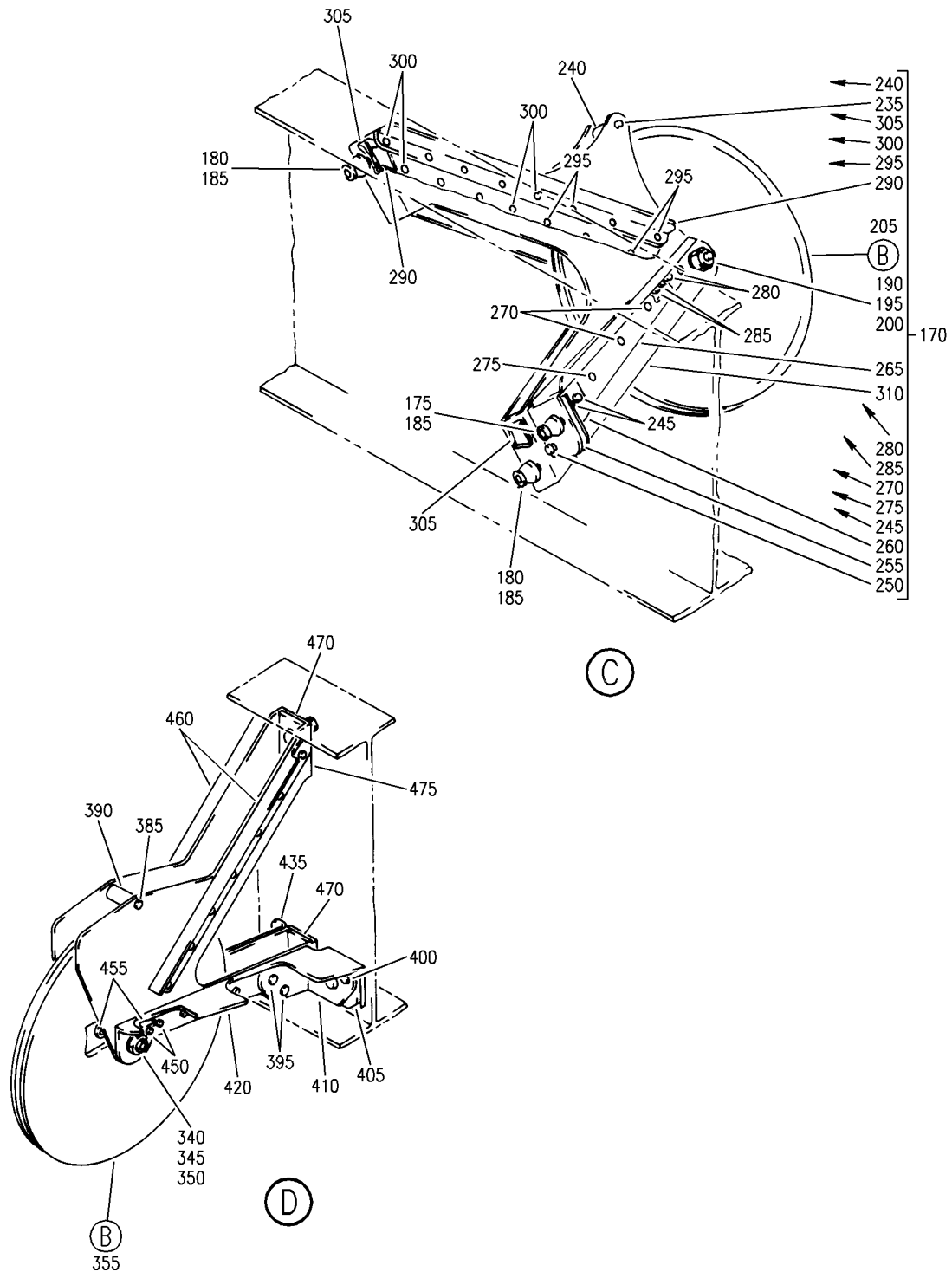
BRACKET INSTL-STA 377.7 AND STA 395, ST1A, ST1B, ST2A, ST2B PULLEY (FLIGHT CONTROLS ONLY)  
FIGURE 3 (SHEET 1)

BRI  
MAY 28/07

**27-41-52-03**

27-41-52-03  
PAGE 0

**BOEING**  
757  
PARTS CATALOG (MAINTENANCE)



Y 27415203 SH1 2 REV 236

BRACKET INSTL-STA 377.7 AND STA 395, ST1A, ST1B, ST2A, ST2B PULLEY (FLIGHT CONTROLS ONLY)  
FIGURE 3 (SHEET 2)

BRI  
MAY 28/07

**27-41-52-03**

27-41-52-03  
PAGE 0A



757

PARTS CATALOG (MAINTENANCE)

FIG ITEM	PART NUMBER	1 2 3 4 5 6 7	NOMENCLATURE	EFFECT FROM TO	UNITS PER ASSY
3			BRACKET INSTL-STA 377.7 AND STA 395, ST1A, ST1B, ST2A, ST2B PULLEY (FLIGHT CONTROLS ONLY)	107107 904949	
- 1	251N6017-1		BRACKET INSTL-ST1A AND ST1B PULLEY (FLIGHT CONTROLS ONLY) POSITION DATA: STA 395 FOR NHA SEE: 27-41-00-02	107107 904949	RF
5	251N6188-1		.BRACKET ASSY	107107 904949	1
10	HL1012AZ8-5		.ATTACHING PARTS .BOLT SUPPLIER CODE: VOPTK6 SPECIFICATION NUMBER: BACB30NX8K5 OPTIONAL PART: HL12VAZ8-5 V73197 HL12VAZ8-5 V92215 HL12VAZ8-5 V97928 L802-8K5 V06725 HL12VAZ8-5 V56878 HL1012AZ8-5 V06725 HL1012AZ8-5 V06950 HL1012AZ8-5 V17446 HL1012AZ8-5 V56878 HL1012AZ8-5 V60516 HL1012AZ8-5 V73197 HL1012AZ8-5 V97928	107107 904949	1

MISSING ITEM NUMBERS NOT APPLICABLE

- ITEM NOT ILLUSTRATED

27-41-52-03

27-41-52  
FIG. 03  
PAGE 1  
JAN 20/09

BRI



757

PARTS CATALOG (MAINTENANCE)

FIG ITEM	PART NUMBER	1 2 3 4 5 6 7	NOMENCLATURE	EFFECT FROM TO	UNITS PER ASSY
3 15	HL1012AZ8-4	.BOLT	SUPPLIER CODE: VOPTK6 SPECIFICATION NUMBER: BACB30NX8K4 OPTIONAL PART: HL12VAZ8-4 V73197 HL12VAZ8-4 V92215 HL12VAZ8-4 V97928 L802-8K4 V06725 HL12VAZ8-4 V56878 HL1012AZ8-4 V06725 HL1012AZ8-4 V06950 HL1012AZ8-4 V17446 HL1012AZ8-4 V56878 HL1012AZ8-4 V60516 HL1012AZ8-4 V73197 HL1012AZ8-4 V97928	107107 904949	2
20	HL1187-8	.COLLAR	SUPPLIER CODE: V5M902 SPECIFICATION NUMBER: BACC30X8 OPTIONAL PART: HL87-8 V92215 HL87-8 V73197 HL1187-8 V56878 HL1187-8 V92215 HL87-8 V56878 HL1187-8 V73197 -----*	107107 904949	3

MISSING ITEM NUMBERS NOT APPLICABLE

- ITEM NOT ILLUSTRATED

27-41-52-03

27-41-52  
FIG. 03  
PAGE 2  
JAN 20/09

BRI



757

PARTS CATALOG (MAINTENANCE)

FIG ITEM	PART NUMBER	1 2 3 4 5 6 7	NOMENCLATURE	EFFECT FROM TO	UNITS PER ASSY
3					
25	BACB30NF4-13	..	BOLT	107107 904949	1
30	AN960PD416	..	WASHER	107107 904949	1
35	BRH10A4	..	NUT	107107 904949	1
			SUPPLIER CODE: V52828		
			SPECIFICATION NUMBER: BACN10JC4		
			OPTIONAL PART: T6S428J		
			V11815		
			96-048		
			V80539		
			VN303A048		
			V92215		
			RMLH9075-4W		
			V72962		
			NS202101-048		
			V80539		
			H10-4BAC		
			V15653		
40	65B80973-1	..	PULLEY ASSY-6 IN. DIA 3/32 IN. CABLE	107107 904949	1
45	JMKP4P25LY196	...	BEARING-	107107 904949	1
			SUPPLIER CODE: V40920		
			SPECIFICATION NUMBER: BACB10AN4		
			OPTIONAL PART: MKP4FS428		
			V21335		
			MKP4G20		
			V38443		
			LLMKP4		
			V38443		
			MKP4		
			V38443		
			MKP4-2TS		
			V43991		
			MKP4E6531		
			V21335		
			MKP4TT		
			V43991		
			MKP4SD610		
			V83086		
50	65B81234-1	...	SHIELD	107107 904949	2

MISSING ITEM NUMBERS NOT APPLICABLE

- ITEM NOT ILLUSTRATED

27-41-52-03

27-41-52  
FIG. 03  
PAGE 3  
JAN 20/09

BRI

BOEING PROPRIETARY - Copyright © - Unpublished Work - See title page for details.



**BOEING**  
757  
**PARTS CATALOG (MAINTENANCE)**

FIG ITEM	PART NUMBER	1 2 3 4 5 6 7	NOMENCLATURE	EFFECT FROM TO	UNITS PER ASSY
3					
55	65B80974-1	...	SHEAVE ASSY	107107 904949	1
60	69B81362-2	....	INSERT	107107 904949	1
65	65B80974-2	....	SHEAVE	107107 904949	1
70	BACR15BB4AD	..	RIVET- SIZE DETERMINED ON INSTL.	107107 904949	1
75	NAS42DD4-42	..	SPACER	107107 904949	1
80	251N6188-7	..	STIFFENER	107107 904949	2
			ATTACHING PARTS		
85	BACR15BA5D	..	RIVET- SIZE DETERMINED ON INSTL.	107107 904949	4
90	BACR15FT5D	..	RIVET- SIZE DETERMINED ON INSTL.	107107 904949	8
			-----*-----		
95	BACR15FT5D	..	RIVET- SIZE DETERMINED ON INSTL.	107107 904949	2
100	BACR15BA5D	..	RIVET- SIZE DETERMINED ON INSTL.	107107 904949	1
105	251N6188-5	..	FILLER-RADIUS	107107 904949	1
110	251N6188-4	..	CLIP	107107 904949	1
115	251N6188-3	..	STIFFENER	107107 904949	1
			ATTACHING PARTS		
120	BACR15BA5D	..	RIVET- SIZE DETERMINED ON INSTL.	107107 904949	3
125	BACR15FT5D	..	RIVET- SIZE DETERMINED ON INSTL.	107107 904949	1
			-----*-----		
130	251N6188-6	..	STIFFENER	107107 904949	1
			ATTACHING PARTS		
135	BACR15BA5D	..	RIVET- SIZE DETERMINED ON INSTL.	107107 904949	2
140	BACR15FT5D	..	RIVET- SIZE DETERMINED ON INSTL.	107107 904949	3
			-----*-----		
145	BACR15BA3AD	..	RIVET- SIZE DETERMINED ON INSTL.	107107 904949	4
150	NAS463TKDD416H	..	SPACER	107107 904949	2
155	50-3361-8503	..	FILLER-RADIUS	107107 904949	1

MISSING ITEM NUMBERS NOT APPLICABLE

— ITEM NOT ILLUSTRATED

BRI

**27-41-52-03**

27-41-52  
FIG. 03  
PAGE 4  
JAN 20/09



757

PARTS CATALOG (MAINTENANCE)

FIG ITEM	PART NUMBER	1 2 3 4 5 6 7	NOMENCLATURE	EFFECT FROM TO	UNITS PER ASSY
3			ATTACHING PARTS		
- 160	BACR15BA4AD	..	RIVET- SIZE DETERMINED ON INSTL. -----*-----	107107 904949	1
165	251N6188-2	..	BRACKET	107107 904949	1
170	251N6189-7	.	BRACKET ASSY-	107107 904949	1
175	HL1012AZ8-5	.	ATTACHING PARTS BOLT SUPPLIER CODE: VOPTK6 SPECIFICATION NUMBER: BACB30NX8K5 OPTIONAL PART: HL12VAZ8-5 V73197 HL12VAZ8-5 V92215 HL12VAZ8-5 V97928 L802-8K5 V06725 HL12VAZ8-5 V56878 HL1012AZ8-5 V06725 HL1012AZ8-5 V06950 HL1012AZ8-5 V17446 HL1012AZ8-5 V56878 HL1012AZ8-5 V60516 HL1012AZ8-5 V73197 HL1012AZ8-5 V97928	107107 904949	1

MISSING ITEM NUMBERS NOT APPLICABLE

- ITEM NOT ILLUSTRATED

27-41-52-03

27-41-52  
FIG. 03  
PAGE 5  
JAN 20/09

BRI



757

PARTS CATALOG (MAINTENANCE)

FIG ITEM	PART NUMBER	1 2 3 4 5 6 7	NOMENCLATURE	EFFECT FROM TO	UNITS PER ASSY
3 180	HL1012AZ8-4	.BOLT	SUPPLIER CODE: VOPTK6 SPECIFICATION NUMBER: BACB30NX8K4 OPTIONAL PART: HL12VAZ8-4 V73197 HL12VAZ8-4 V92215 HL12VAZ8-4 V97928 L802-8K4 V06725 HL12VAZ8-4 V56878 HL1012AZ8-4 V06725 HL1012AZ8-4 V06950 HL1012AZ8-4 V17446 HL1012AZ8-4 V56878 HL1012AZ8-4 V60516 HL1012AZ8-4 V73197 HL1012AZ8-4 V97928	107107 904949	2
185	HL1187-8	.COLLAR	SUPPLIER CODE: V5M902 SPECIFICATION NUMBER: BACC30X8 OPTIONAL PART: HL87-8 V92215 HL87-8 V73197 HL1187-8 V56878 HL1187-8 V92215 HL87-8 V56878 HL1187-8 V73197 -----*	107107 904949	3

MISSING ITEM NUMBERS NOT APPLICABLE

- ITEM NOT ILLUSTRATED

BRI

27-41-52-03

BOEING PROPRIETARY - Copyright © - Unpublished Work - See title page for details.

27-41-52  
FIG. 03  
PAGE 6  
JAN 20/09



757

PARTS CATALOG (MAINTENANCE)

FIG ITEM	PART NUMBER	1 2 3 4 5 6 7	NOMENCLATURE	EFFECT FROM TO	UNITS PER ASSY
3					
190	BACB30NF4-12	..	BOLT	107107 904949	1
195	AN960PD416	..	WASHER	107107 904949	1
200	BRH10A4	..	NUT	107107 904949	1
			SUPPLIER CODE: V52828		
			SPECIFICATION NUMBER: BACN10JC4		
			OPTIONAL PART: T6S428J		
			V11815		
			96-048		
			V80539		
			VN303A048		
			V92215		
			RMLH9075-4W		
			V72962		
			NS202101-048		
			V80539		
			H10-4BAC		
			V15653		
205	65B80973-1	..	PULLEY ASSY-6 IN. DIA 3/32 IN. CABLE	107107 904949	1
210	JMKP4P25LY196	...	BEARING-	107107 904949	1
			SUPPLIER CODE: V40920		
			SPECIFICATION NUMBER: BACB10AN4		
			OPTIONAL PART: MKP4FS428		
			V21335		
			MKP4G20		
			V38443		
			LLMKP4		
			V38443		
			MKP4		
			V38443		
			MKP4-2TS		
			V43991		
			MKP4E6531		
			V21335		
			MKP4TT		
			V43991		
			MKP4SD610		
			V83086		
215	65B81234-1	...	SHIELD	107107 904949	2

MISSING ITEM NUMBERS NOT APPLICABLE

- ITEM NOT ILLUSTRATED

27-41-52-03

27-41-52  
FIG. 03  
PAGE 7  
JAN 20/09

BRI



757

PARTS CATALOG (MAINTENANCE)

FIG ITEM	PART NUMBER	1 2 3 4 5 6 7	NOMENCLATURE	EFFECT FROM TO	UNITS PER ASSY
3					
220	65B80974-1	...	SHEAVE ASSY	107107 904949	1
225	69B81362-2	....	INSERT	107107 904949	1
230	65B80974-2	....	SHEAVE	107107 904949	1
235	BACR15BB4AD	..	RIVET- SIZE DETERMINED ON INSTL.	107107 904949	1
240	NAS42DD4-42	..	SPACER- USED ON: 251N6189-7	107107 904949	1
245	BACR15FT5D	..	RIVET- SIZE DETERMINED ON INSTL.	107107 904949	2
250	BACR15BA5AD	..	RIVET- SIZE DETERMINED ON INSTL.	107107 904949	1
255	251N6189-5	..	FILLER-RADIUS	107107 904949	1
260	251N6189-4	..	STIFFENER	107107 904949	1
265	251N6189-3	..	BRACE-SIDE	107107 904949	1
			ATTACHING PARTS		
270	BACR15BA5AD	..	RIVET- SIZE DETERMINED ON INSTL.	107107 904949	2
275	BACR15FT5D	..	RIVET- SIZE DETERMINED ON INSTL.	107107 904949	1
			-----*-----		
280	BACR15BA3AD	..	RIVET- SIZE DETERMINED ON INSTL.	107107 904949	4
285	NAS463TKDD416H	..	SPACER	107107 904949	2
290	251N6189-6	..	STIFFENER	107107 904949	2
			ATTACHING PARTS		
295	BACR15BA5AD	..	RIVET- SIZE DETERMINED ON INSTL.	107107 904949	6
300	BACR15FT5D	..	RIVET- SIZE DETERMINED ON INSTL.	107107 904949	10
			-----*-----		
305	50-3361-8558	..	FILLER-RADIUS	107107 904949	2
310	251N6189-8	..	BRACKET-	107107 904949	1

MISSING ITEM NUMBERS NOT APPLICABLE

- ITEM NOT ILLUSTRATED

27-41-52-03

27-41-52  
FIG. 03  
PAGE 8  
JAN 20/09

BRI

BOEING PROPRIETARY - Copyright © - Unpublished Work - See title page for details.



757

PARTS CATALOG (MAINTENANCE)

FIG ITEM	PART NUMBER	1 2 3 4 5 6 7	NOMENCLATURE	EFFECT FROM TO	UNITS PER ASSY
3					
- 315	251N6017-2		BRACKET INSTL-STAB. TRIM 2A, STAB. TRIM 2B PULLEY (FLIGHT CONTROLS ONLY) POSITION DATA: STA 377.7 FOR NHA/OTHER SYS DET SEE: 27-41-00-02	107107 904949	RF
320	251N6187-1		.BRACKET ASSY	107107 904949	2
- 330	HL1012AZ8-4		ATTACHING PARTS .BOLT SUPPLIER CODE: VOPTK6 SPECIFICATION NUMBER: BACB30NX8K4 OPTIONAL PART: HL12VAZ8-4 V73197 HL12VAZ8-4 V92215 HL12VAZ8-4 V97928 L802-8K4 V06725 HL12VAZ8-4 V56878 HL1012AZ8-4 V06725 HL1012AZ8-4 V06950 HL1012AZ8-4 V17446 HL1012AZ8-4 V56878 HL1012AZ8-4 V60516 HL1012AZ8-4 V73197 HL1012AZ8-4 V97928	107107 904949	6

MISSING ITEM NUMBERS NOT APPLICABLE

- ITEM NOT ILLUSTRATED

27-41-52-03

27-41-52  
FIG. 03  
PAGE 9  
JAN 20/09

BRI



**757  
PARTS CATALOG (MAINTENANCE)**

FIG ITEM	PART NUMBER	1 2 3 4 5 6 7	NOMENCLATURE	EFFECT FROM TO	UNITS PER ASSY
3 - 335	HL1187-8		. COLLAR SUPPLIER CODE: V5M902 SPECIFICATION NUMBER: BACC30X8 OPTIONAL PART: HL87-8 V92215 HL87-8 V73197 HL1187-8 V56878 HL1187-8 V92215 HL87-8 V56878 HL1187-8 V73197 -----*-----	107107 904949	6
340	BACB30NF4-14		.. BOLT	107107 904949	1
345	AN960PD416		.. WASHER	107107 904949	1
350	BRH10A4		.. NUT SUPPLIER CODE: V52828 SPECIFICATION NUMBER: BACN10JC4 OPTIONAL PART: T6S428J V11815 96-048 V80539 VN303A048 V92215 RMLH9075-4W V72962 NS202101-048 V80539 H10-4BAC V15653	107107 904949	1
355	65B80973-1		.. PULLEY ASSY-6 IN. DIA 3/32 IN. CABLE	107107 904949	1

MISSING ITEM NUMBERS NOT APPLICABLE

- ITEM NOT ILLUSTRATED

# 27-41-52-03

27-41-52  
FIG. 03  
PAGE 10  
JAN 20/09

BRI

**BOEING**  
757  
**PARTS CATALOG (MAINTENANCE)**

FIG ITEM	PART NUMBER	1 2 3 4 5 6 7	NOMENCLATURE	EFFECT FROM TO	UNITS PER ASSY
3					
360	JMKP4P25LY196	...	BEARING SUPPLIER CODE: V40920 SPECIFICATION NUMBER: BACB10AN4 OPTIONAL PART: MKP4FS428 V21335 MKP4G20 V38443 LLMKP4 V38443 MKP4 V38443 MKP4-2TS V43991 MKP4E6531 V21335 MKP4TT V43991 MKP4SD610 V83086	107107 904949	1
365	65B81234-1	...	SHIELD	107107 904949	2
370	65B80974-1	...	SHEAVE ASSY	107107 904949	1
375	69B81362-2	....	INSERT	107107 904949	1
380	65B80974-2	....	SHEAVE	107107 904949	1
385	BACR15FT4D	..	RIVET- SIZE DETERMINED ON INSTL.	107107 904949	1
390	NAS42DD4-42	..	SPACER	107107 904949	1
395	BACR15FT5D	..	RIVET- SIZE DETERMINED ON INSTL.	107107 904949	2
400	BACR15BA5D	..	RIVET- SIZE DETERMINED ON INSTL.	107107 904949	1
405	251N6187-11	..	FILLER-RADIUS	107107 904949	1
410	251N6187-7	..	CLIP	107107 904949	1
420	251N6187-3	..	SUPPORT	107107 904949	1
- 430	BACR15FT5D	..	ATTACHING PARTS RIVET- SIZE DETERMINED ON INSTL. -----*-----	107107 904949	2

MISSING ITEM NUMBERS NOT APPLICABLE

- ITEM NOT ILLUSTRATED

BRI

# 27-41-52-03

BOEING PROPRIETARY - Copyright © - Unpublished Work - See title page for details.

27-41-52  
FIG. 03  
PAGE 11  
JAN 20/09





757

PARTS CATALOG (MAINTENANCE)

FIG ITEM	PART NUMBER	1 2 3 4 5 6 7	NOMENCLATURE	EFFECT FROM TO	UNITS PER ASSY
3					
435	251N6187-5	..	SUPPORT	107107 904949	1
			ATTACHING PARTS		
- 445	BACR15FT5D	..	RIVET- SIZE DETERMINED ON INSTL. -----*-----	107107 904949	3
450	BACR15BA3AD	..	RIVET- SIZE DETERMINED ON INSTL.	107107 904949	4
455	NAS463TKDD416H	..	SPACER	107107 904949	2
460	251N6187-10	..	ANGLE	107107 904949	2
			ATTACHING PARTS		
- 465	BACR15FT5D	..	RIVET- SIZE DETERMINED ON INSTL. -----*-----	107107 904949	14
470	50-3361-8558	..	FILLER-RADIUS	107107 904949	2
475	251N6187-9	..	BRACKET	107107 904949	1

MISSING ITEM NUMBERS NOT APPLICABLE

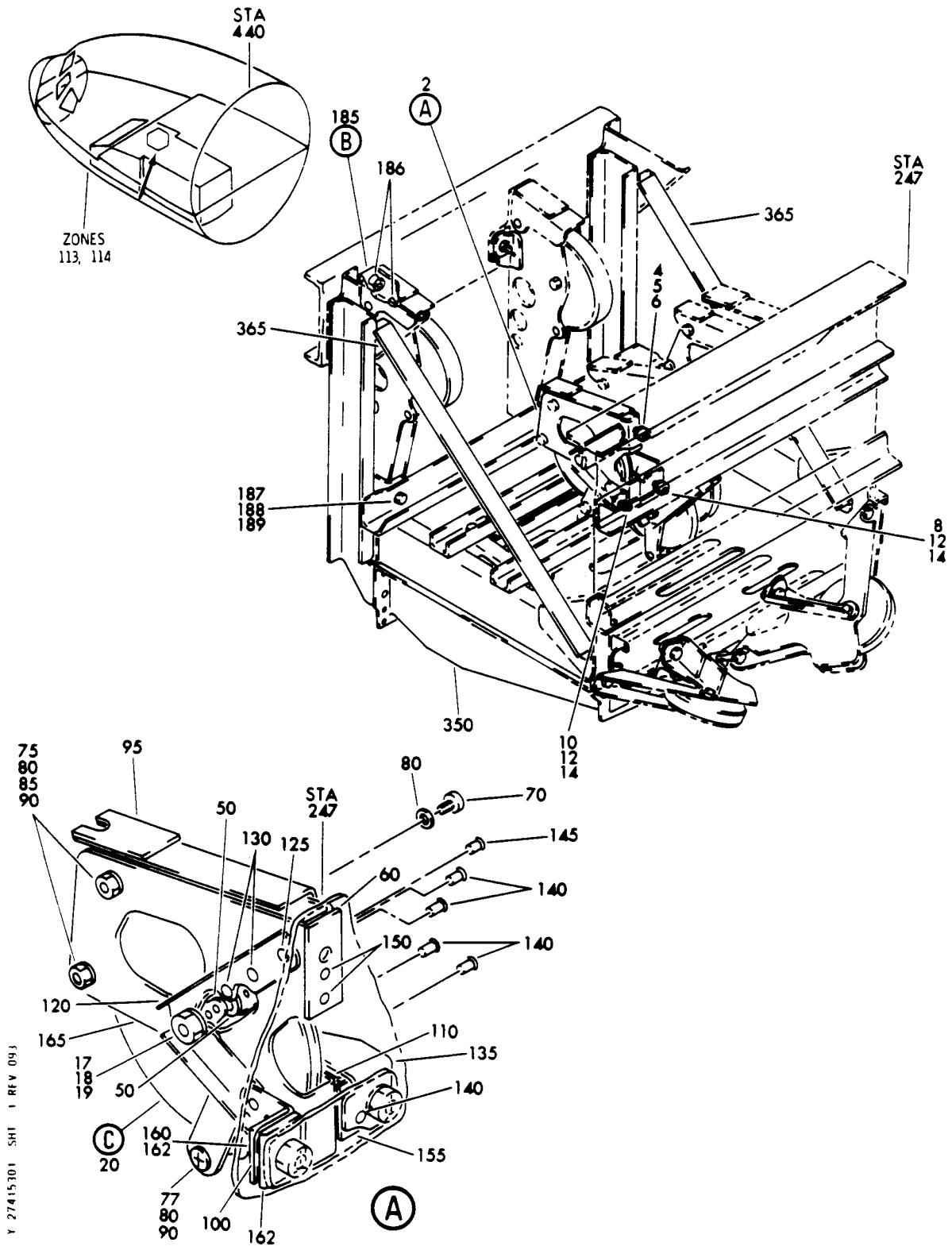
- ITEM NOT ILLUSTRATED

27-41-52-03

27-41-52  
FIG. 03  
PAGE 12  
JAN 20/09

BRI

**BOEING**  
757  
**PARTS CATALOG (MAINTENANCE)**



Y 27415301 SH1 1 REV 093

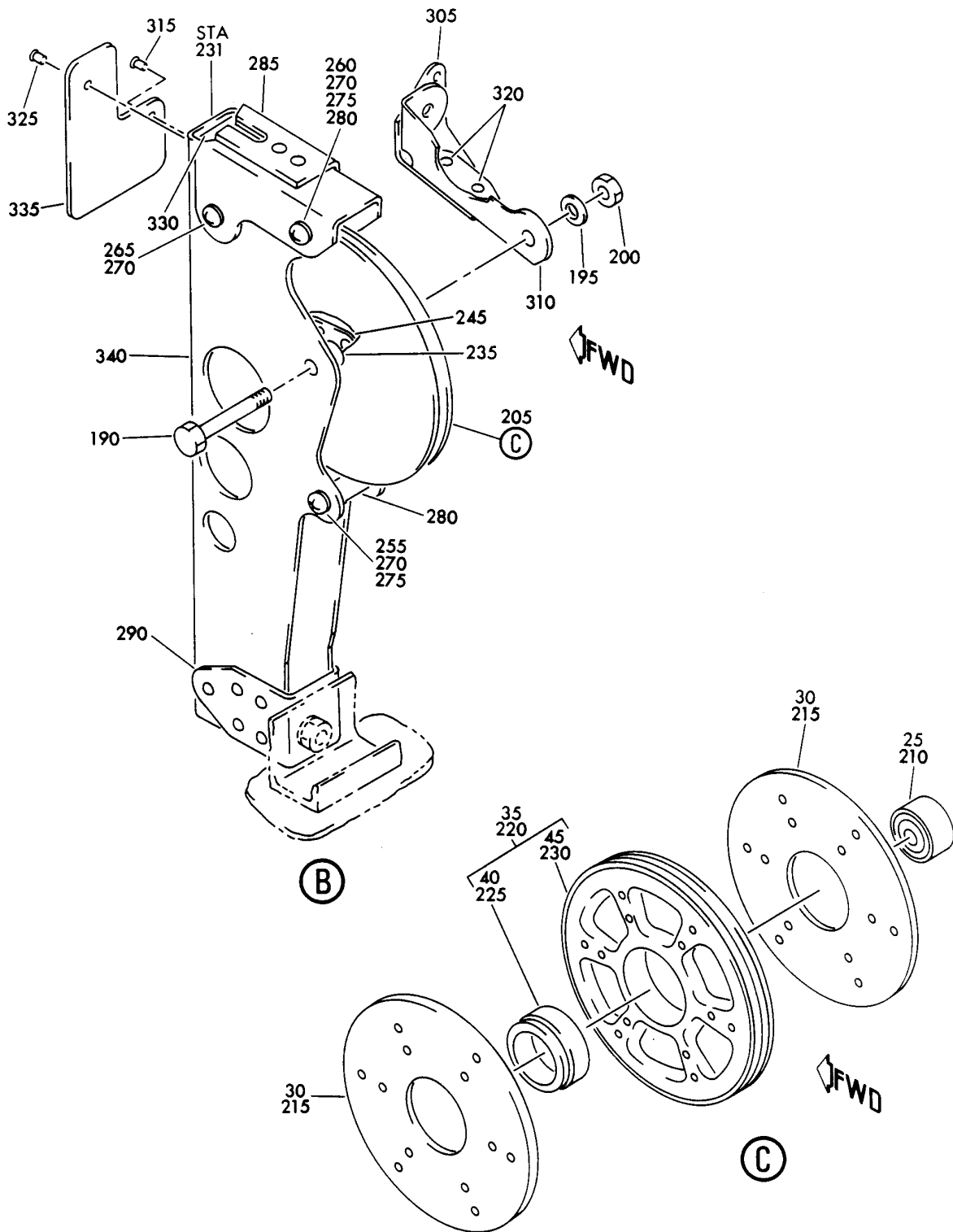
BRACKET INSTL-STA 230 THRU STA 247 PULLEY (STABILIZER TRIM CONTROL ONLY)  
FIGURE 1 (SHEET 1)

# 27-41-53-01

BRI  
MAY 28/07

27-41-53-01  
PAGE 0

**BOEING**  
757  
PARTS CATALOG (MAINTENANCE)



Y 27415301 SH1 2 REV 005

BRACKET INSTL-STA 230 THRU STA 247 PULLEY (STABILIZER TRIM CONTROL ONLY)  
FIGURE 1 (SHEET 2)

**27-41-53-01**

BRI  
MAY 28/07

27-41-53-01  
PAGE 0A



757

PARTS CATALOG (MAINTENANCE)

FIG ITEM	PART NUMBER	1 2 3 4 5 6 7	NOMENCLATURE	EFFECT FROM TO	UNITS PER ASSY
1			BRACKET INSTL-STA 230 THRU STA 247 PULLEY (STABILIZER TRIM CONTROL ONLY)	002004 006999	
- 1	MODREF7872		BRACKET INSTL-PULLEY (STABILIZER TRIM CONTROL ONLY) MODULE NUMBER: 251N6001-12 REV A POSITION DATA: STA 230 THRU STA 247	103106	1
- 1	251N6001-3		BRACKET INSTL-PULLEY (STABILIZER TRIM CONTROL ONLY) POSITION DATA: STA 230 THRU STA 247 VARIABLE DRAWING REF: 251N6001-5 FOR NHA/OTHER SYS DET SEE: 27-31-00-02	107107 904949	RF
- 1	251N6001-8		BRACKET INSTL-PULLEY (STABILIZER TRIM CONTROL ONLY) POSITION DATA: STA 230 THRU STA 247 VARIABLE DRAWING REF: 251N6001-5 FOR NHA/OTHER SYS DET SEE: 27-31-00-02	003004 006100 121503 950999	RF
- 1	251N6001-12		BRACKET INSTL-PULLEY (STABILIZER TRIM CONTROL ONLY) POSITION DATA: STA 230 THRU STA 247 FOR NHA/OTHER SYS DET SEE: 27-50-00-01	101102 108120 504903	RF
2	251N6109-11		.BRACKET ASSY-STAB. TRIM 1A POSITION DATA: STA 240 TO STA 247	107107 904949	1
2	251N6109-12		.BRACKET ASSY-PULLEY OPTIONAL PART: 251N6109-13	107107 904949	1
2	251N6109-13		.BRACKET ASSY-PULLEY OPTIONAL PART: 251N6109-12	904949	1
4	BACB30NF4-4		ATTACHING PARTS .BOLT	107107 904949	1

MISSING ITEM NUMBERS NOT APPLICABLE

- ITEM NOT ILLUSTRATED

27-41-53-01

27-41-53  
FIG. 01  
PAGE 1  
JAN 20/09

BRI



757

PARTS CATALOG (MAINTENANCE)

FIG ITEM	PART NUMBER	1 2 3 4 5 6 7	NOMENCLATURE	EFFECT FROM TO	UNITS PER ASSY
1					
5	AN960PD416	.	WASHER	107107 904949	1
6	BRH10A4	.	NUT	107107 904949	1
			SUPPLIER CODE: V52828		
			SPECIFICATION NUMBER: BACN10JC4		
			OPTIONAL PART: T6S428J		
			V11815		
			96-048		
			V80539		
			VN303A048		
			V92215		
			RMLH9075-4W		
			V72962		
			NS202101-048		
			V80539		
			H10-4BAC		
			V15653		
8	NAS623-3-6	.	SCREW	107107 904949	1
10	NAS623-3-7	.	SCREW	107107 904949	1
12	AN960PD10	.	WASHER	107107 904949	2
14	BRH10A3	.	NUT	107107 904949	2
			SUPPLIER CODE: V52828		
			SPECIFICATION NUMBER: BACN10JC3		
			OPTIONAL PART: H10-3BAC		
			V15653		
			NS202101-02		
			V80539		
			RMLH9075-3W		
			V72962		
			VN303A02		
			V92215		
			96-02		
			V80539		
			T6S1032J		
			V11815		
			-----*-----		
17	BACB30NF4-14	..	BOLT	107107 904949	1
18	AN960PD416	..	WASHER	107107 904949	1

MISSING ITEM NUMBERS NOT APPLICABLE

- ITEM NOT ILLUSTRATED

BRI

27-41-53-01

27-41-53  
FIG. 01  
PAGE 2  
JAN 20/09



757

PARTS CATALOG (MAINTENANCE)

FIG ITEM	PART NUMBER	1 2 3 4 5 6 7	NOMENCLATURE	EFFECT FROM TO	UNITS PER ASSY
1	19 BRH10A4		..NUT SUPPLIER CODE: V52828 SPECIFICATION NUMBER: BACN10JC4 OPTIONAL PART: T6S428J V11815 96-048 V80539 VN303A048 V92215 RMLH9075-4W V72962 NS202101-048 V80539 H10-4BAC V15653	107107 904949	1
	20 65B80977-1		..PULLEY ASSY-4 IN. DIA 3/32 IN. CABLE FOR SPARES PROCURE: BACP30M4	107107 904949	1
	25 JMKP4P25LY196		...BEARING- SUPPLIER CODE: V40920 SPECIFICATION NUMBER: BACB10AN4 OPTIONAL PART: MKP4FS428 V21335 MKP4G20 V38443 LLMKP4 V38443 MKP4 V38443 MKP4-2TS V43991 MKP4E6531 V21335 MKP4TT V43991 MKP4SD610 V83086	107107 904949	1
	30 69B81979-1		...SHIELD	107107 904949	2
	35 65B80978-1		...SHEAVE ASSY	107107 904949	1

MISSING ITEM NUMBERS NOT APPLICABLE

- ITEM NOT ILLUSTRATED

27-41-53-01

27-41-53  
FIG. 01  
PAGE 3  
JAN 20/09

BRI



757

PARTS CATALOG (MAINTENANCE)

FIG ITEM	PART NUMBER	1 2 3 4 5 6 7	NOMENCLATURE	EFFECT FROM TO	UNITS PER ASSY
1	40 69B81362-2	....	INSERT	107107 904949	1
	45 65B80978-2	....	SHEAVE	107107 904949	1
	50 NAS463TKDD416H	..	SPACER	107107 904949	2
			ATTACHING PARTS		
-	55 BACR15BA3AD	..	RIVET- SIZE DETERMINED ON INSTL. -----*-----	107107 904949	4
	60 251N6112-4	..	SPACER	107107 904949	1
			ATTACHING PARTS		
-	65 BACR15BA4AD	..	RIVET- SIZE DETERMINED ON INSTL. -----*-----	107107 904949	2
	70 NAS623-3-2	..	SCREW	107107 904949	1
	75 NAS623-3-12	..	SCREW	107107 904949	2
	77 NAS623-3-13	..	SCREW	107107 904949	1
	80 AN960PD10	..	WASHER	107107 904949	4
	85 BRH10A3	..	NUT SUPPLIER CODE: V52828 SPECIFICATION NUMBER: BACN10JC3 OPTIONAL PART: H10-3BAC V15653 NS202101-02 V80539 RMLH9075-3W V72962 VN303A02 V92215 96-02 V80539 T6S1032J V11815	107107 904949	2
	90 NAS42DD6-42	..	SPACER	107107 904949	3
	95 251N6109-9	..	GUARD ASSY-	107107	1
	100 251N6109-504	..	CLIP-	107107 904949	1

MISSING ITEM NUMBERS NOT APPLICABLE

- ITEM NOT ILLUSTRATED

27-41-53-01

27-41-53  
FIG. 01  
PAGE 4  
JAN 20/09

BRI

BOEING PROPRIETARY - Copyright © - Unpublished Work - See title page for details.

 **BOEING**  
757  
**PARTS CATALOG (MAINTENANCE)**

FIG ITEM	PART NUMBER	1 2 3 4 5 6 7	NOMENCLATURE	EFFECT FROM TO	UNITS PER ASSY
1			ATTACHING PARTS		
- 105	BACR15BA5AD	..	RIVET- SIZE DETERMINED ON INSTL. -----*-----	107107 904949	2
110	251N6109-505	..	CLIP-	107107 904949	1
			ATTACHING PARTS		
- 115	BACR15FT5D	..	RIVET- SIZE DETERMINED ON INSTL. -----*-----	107107 904949	2
120	251N6101-5	..	BRACE	107107 904949	1
			ATTACHING PARTS		
125	BACR15FT5D	..	RIVET- SIZE DETERMINED ON INSTL.	107107 904949	1
130	BACR15BA5AD	..	RIVET- SIZE DETERMINED ON INSTL. -----*-----	107107 904949	2
135	251N6109-503	..	BRACE-SIDE	107107 904949	1
			ATTACHING PARTS		
140	BACR15BA5AD	..	RIVET- SIZE DETERMINED ON INSTL.	107107 904949	5
145	BACR15FT5D	..	RIVET- SIZE DETERMINED ON INSTL. -----*-----	107107 904949	1
150	BACR15BA4AD	..	RIVET- SIZE DETERMINED ON INSTL.	107107 904949	1
155	251N6109-502	..	FILLER-RADIUS	107107 904949	1
160	251N6109-506	..	FILLER-RADIUS	107107	1
162	251N6109-506	..	FILLER-RADIUS	904949	2
165	251N6109-3	..	BRACKET	107107 904949	1
185	251N6110-9	.	BRACKET ASSY-STAB. TRIM 1B POSITION DATA: STA 240 TO 247	107107 904949	1

MISSING ITEM NUMBERS NOT APPLICABLE

- ITEM NOT ILLUSTRATED

BRI

# 27-41-53-01

27-41-53  
FIG. 01  
PAGE 5  
JAN 20/09





757

PARTS CATALOG (MAINTENANCE)

FIG ITEM	PART NUMBER	1 2 3 4 5 6 7	NOMENCLATURE	EFFECT FROM TO	UNITS PER ASSY
1			ATTACHING PARTS		
186	HL1012AZ8-5	.BOLT	SUPPLIER CODE: VOPTK6 SPECIFICATION NUMBER: BACB30NX8K5 OPTIONAL PART: HL12VAZ8-5 V73197 HL12VAZ8-5 V92215 HL12VAZ8-5 V97928 L802-8K5 V06725 HL12VAZ8-5 V56878 HL1012AZ8-5 V06725 HL1012AZ8-5 V06950 HL1012AZ8-5 V17446 HL1012AZ8-5 V56878 HL1012AZ8-5 V60516 HL1012AZ8-5 V73197 HL1012AZ8-5 V97928	107107 904949	2
187	BACB30NF4-2	.BOLT		107107 904949	1
188	AN960PD416	.WASHER		107107 904949	1

MISSING ITEM NUMBERS NOT APPLICABLE

- ITEM NOT ILLUSTRATED

BRI

27-41-53-01

BOEING PROPRIETARY - Copyright © - Unpublished Work - See title page for details.

27-41-53  
FIG. 01  
PAGE 6  
JAN 20/09



757  
PARTS CATALOG (MAINTENANCE)

FIG ITEM	PART NUMBER	1 2 3 4 5 6 7	NOMENCLATURE	EFFECT FROM TO	UNITS PER ASSY
1 189	BRH10A4	.	NUT SUPPLIER CODE: V52828 SPECIFICATION NUMBER: BACN10JC4 OPTIONAL PART: T6S428J V11815 96-048 V80539 VN303A048 V92215 RMLH9075-4W V72962 NS202101-048 V80539 H10-4BAC V15653 -----*-----	107107 904949	1
190	BACB30NF4-16	..	BOLT	107107 904949	1
195	AN960PD416	..	WASHER	107107 904949	1
200	BRH10A4	..	NUT SUPPLIER CODE: V52828 SPECIFICATION NUMBER: BACN10JC4 OPTIONAL PART: T6S428J V11815 96-048 V80539 VN303A048 V92215 RMLH9075-4W V72962 NS202101-048 V80539 H10-4BAC V15653	107107 904949	1
205	65B80977-1	..	PULLEY ASSY-4 IN. DIA 3/32 IN. CABLE FOR SPARES PROCURE: BACP30M4	107107 904949	1

MISSING ITEM NUMBERS NOT APPLICABLE

— ITEM NOT ILLUSTRATED

BRI

# 27-41-53-01

BOEING PROPRIETARY - Copyright © - Unpublished Work - See title page for details.

27-41-53  
FIG. 01  
PAGE 7  
JAN 20/09



757

PARTS CATALOG (MAINTENANCE)

FIG ITEM	PART NUMBER	1 2 3 4 5 6 7	NOMENCLATURE	EFFECT FROM TO	UNITS PER ASSY
1 210	JMKP4P25LY196		... BEARING- SUPPLIER CODE: V40920 SPECIFICATION NUMBER: BACB10AN4 OPTIONAL PART: MKP4FS428 V21335 MKP4G20 V38443 LLMKP4 V38443 MKP4 V38443 MKP4-2TS V43991 MKP4E6531 V21335 MKP4TT V43991 MKP4SD610 V83086	107107 904949	1
215	69B81979-1		... SHIELD	107107 904949	2
220	65B80978-1		... SHEAVE ASSY	107107 904949	1
225	69B81362-2		.... INSERT	107107 904949	1
230	65B80978-2		.... SHEAVE	107107 904949	1
235	BACS18G31B		.. SPACER	107107 904949	1
- 240	BACR15BB3AD		ATTACHING PARTS .. RIVET- SIZE DETERMINED ON INSTL. -----*-----	107107 904949	2
245	NAS463TKDD416H		.. SPACER	107107 904949	1
- 250	BACR15BA3AD		ATTACHING PARTS .. RIVET- SIZE DETERMINED ON INSTL. -----*-----	107107 904949	2
255	NAS623-3-16		.. SCREW	107107 904949	1
260	NAS623-3-17		.. SCREW	107107 904949	1
265	NAS623-3-2		.. SCREW	107107 904949	1

MISSING ITEM NUMBERS NOT APPLICABLE

- ITEM NOT ILLUSTRATED

27-41-53-01

27-41-53  
FIG. 01  
PAGE 8  
JAN 20/09

BRI

BOEING PROPRIETARY - Copyright © - Unpublished Work - See title page for details.

**BOEING**  
757  
**PARTS CATALOG (MAINTENANCE)**

FIG ITEM	PART NUMBER	1 2 3 4 5 6 7	NOMENCLATURE	EFFECT FROM TO	UNITS PER ASSY
1					
270	AN960PD10	..	WASHER	107107 904949	3
275	BRH10A3	..	NUT	107107 904949	2
			SUPPLIER CODE: V52828		
			SPECIFICATION NUMBER: BACN10JC3		
			OPTIONAL PART: H10-3BAC		
			V15653		
			NS202101-02		
			V80539		
			RMLH9075-3W		
			V72962		
			VN303A02		
			V92215		
			96-02		
			V80539		
			T6S1032J		
			V11815		
280	NAS42DD6-56	..	SPACER	107107 904949	2
285	251N6110-2	..	GUARD ASSY	107107 904949	1
290	251N6110-10	..	CLIP	107107 904949	1
			ATTACHING PARTS		
- 295	BACR15FT5D	..	RIVET-	107107 904949	10
			SIZE DETERMINED ON INSTL. -----*-----		
300	BACR15BA4AD	..	RIVET-	107107 904949	1
			SIZE DETERMINED ON INSTL.		
305	251N6110-13	..	CLIP	107107 904949	1
310	251N6110-12	..	BRACE	107107 904949	1
			ATTACHING PARTS		
315	BACR15BA4AD	..	RIVET-	107107 904949	1
			SIZE DETERMINED ON INSTL.		
320	BACR15FT5D	..	RIVET-	107107 904949	2
			SIZE DETERMINED ON INSTL. -----*-----		
325	BACR15BA5AD	..	RIVET-	107107 904949	1
			SIZE DETERMINED ON INSTL.		
330	50-3361-8513	..	FILLER-RADIUS	107107 904949	1
335	251N6110-14	..	SHIM	107107 904949	1

MISSING ITEM NUMBERS NOT APPLICABLE

- ITEM NOT ILLUSTRATED

BRI

# 27-41-53-01

BOEING PROPRIETARY - Copyright © - Unpublished Work - See title page for details.

27-41-53  
FIG. 01  
PAGE 9  
JAN 20/09



757

PARTS CATALOG (MAINTENANCE)

FIG ITEM	PART NUMBER	1 2 3 4 5 6 7	NOMENCLATURE	EFFECT FROM TO	UNITS PER ASSY
1					
340	251N6110-11	. .	BRACKET	107107 904949	1
350	251N6113-13	. .	COVER ASSY	002004 006999	1
			ATTACHING PARTS		
- 355	NAS623-3-3	. .	SCREW	002004 006999	10
- 360	AN960PD10	. .	WASHER	002004 006999	10
			-----*		
365	251N6113-12	. .	BRACE	002004 006999	2
			ATTACHING PARTS		
- 370	BACB30NF4-3	. .	BOLT	002004 006999	4
- 375	AN960PD416	. .	WASHER	002004 006999	4
			-----*		

MISSING ITEM NUMBERS NOT APPLICABLE

- ITEM NOT ILLUSTRATED

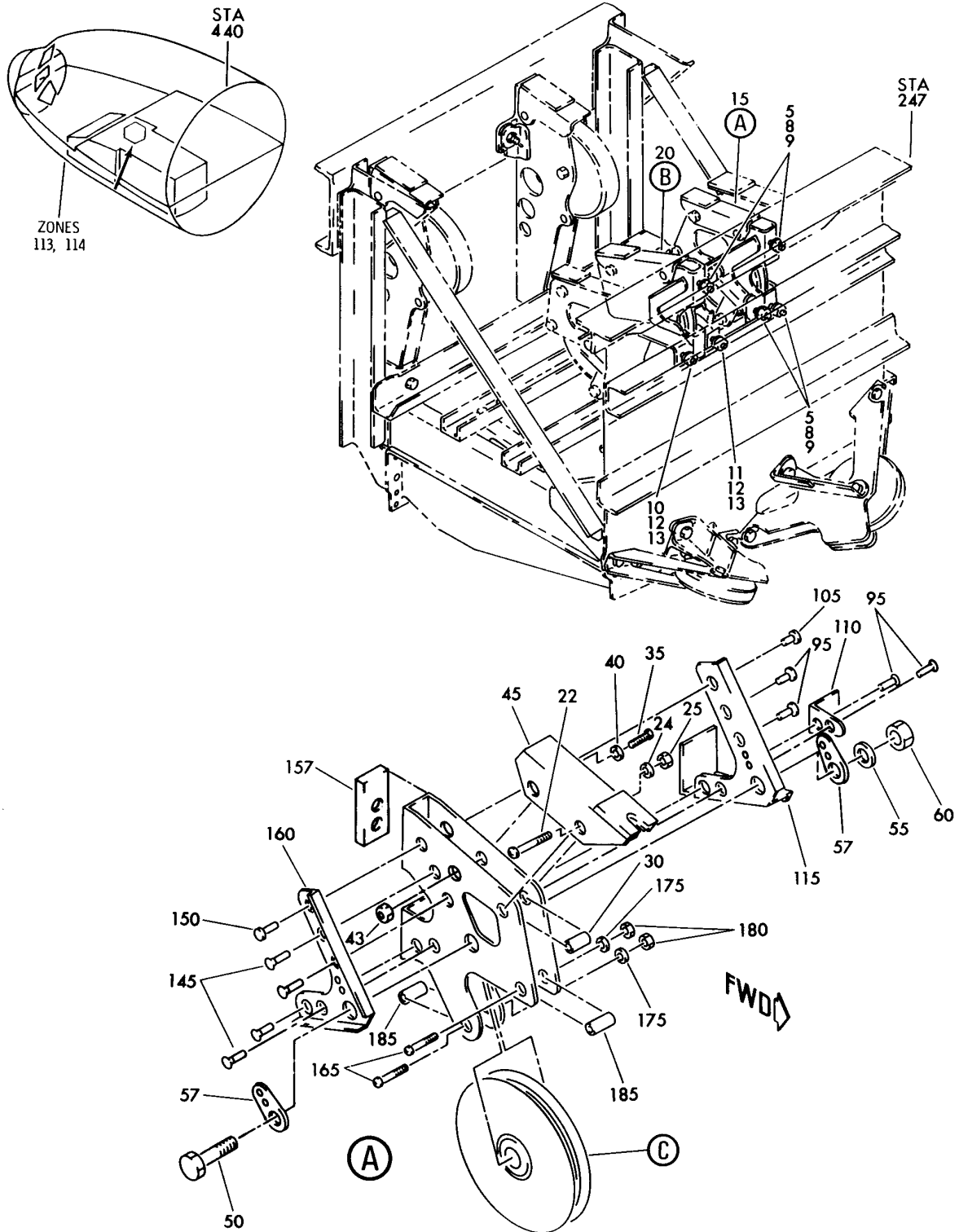
BRI

27-41-53-01

BOEING PROPRIETARY - Copyright © - Unpublished Work - See title page for details.

27-41-53  
FIG. 01  
PAGE 10  
JAN 20/09

**BOEING**  
757  
PARTS CATALOG (MAINTENANCE)



Y 27415302 SHT 1 REV 106

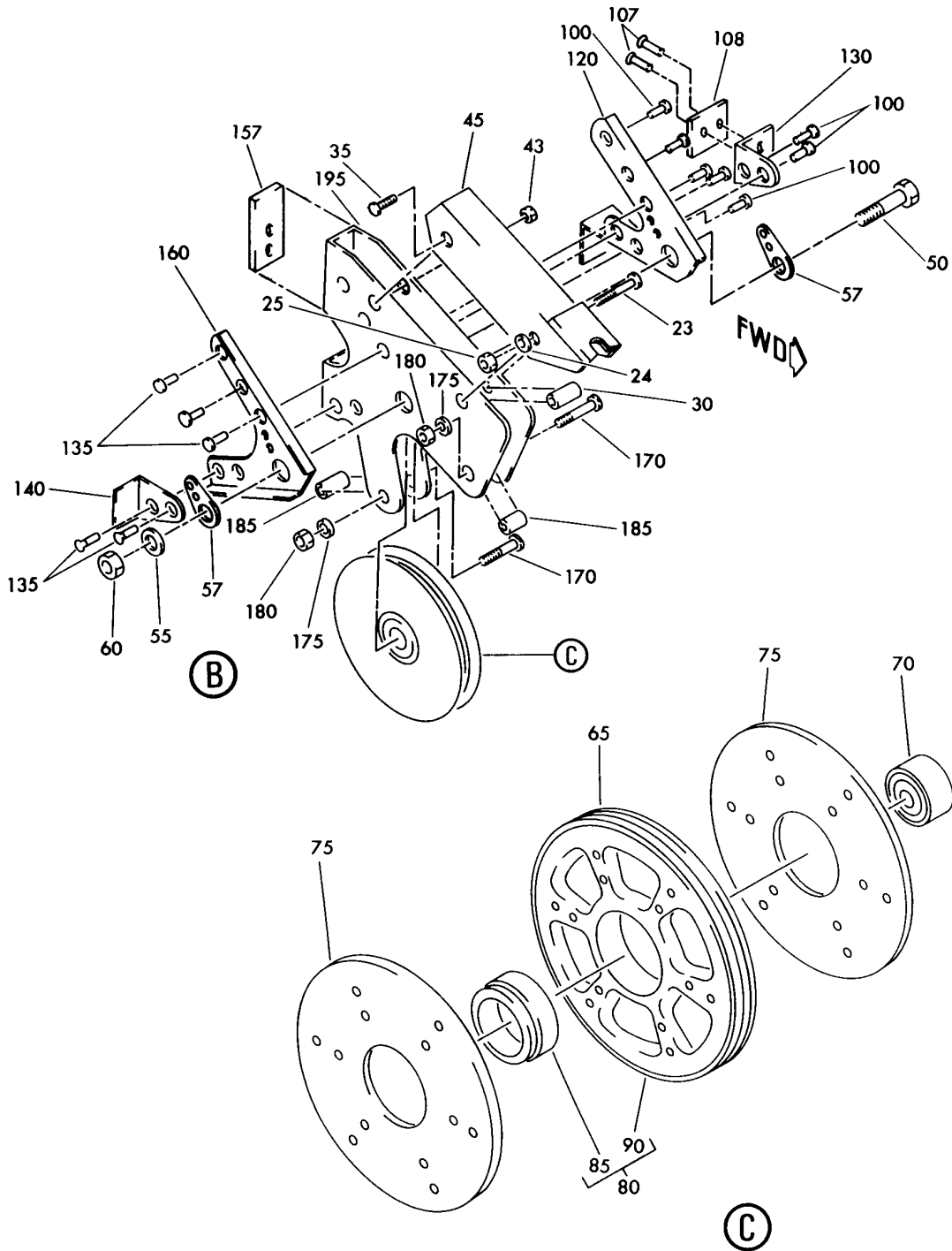
BRACKET INSTL-STA 230 THRU STA 247 PULLEY  
FIGURE 2 (SHEET 1)

**27-41-53-02**

BRI  
MAY 28/07

27-41-53-02  
PAGE 0

**BOEING**  
757  
PARTS CATALOG (MAINTENANCE)



Y 27415302 SH1 2 REV 106

BRACKET INSTL-STA 230 THRU STA 247 PULLEY  
FIGURE 2 (SHEET 2)

**27-41-53-02**

BRI  
MAY 28/07

27-41-53-02  
PAGE 0A



757

PARTS CATALOG (MAINTENANCE)

FIG ITEM	PART NUMBER	1 2 3 4 5 6 7	NOMENCLATURE	EFFECT FROM TO	UNITS PER ASSY
2			BRACKET INSTL-STA 230 THRU STA 247 PULLEY	107107 904949	
- 1	251N6001-3		BRACKET INSTL-PULLEY (STABILIZER TRIM CONTROL ONLY) POSITION DATA: STA 230 THRU 247 VARIABLE DRAWING REF: 251N6001-5 FOR NHA/OTHER SYS DET SEE: 27-31-00-02	107107 904949	RF
	5 BACB30NF4-4		.BOLT	107107 904949	4
	8 AN960PD416		.WASHER	107107 904949	4
	9 BRH10A4		.NUT SUPPLIER CODE: V52828 SPECIFICATION NUMBER: BACN10JC4 OPTIONAL PART: T6S428J V11815 96-048 V80539 VN303A048 V92215 RMLH9075-4W V72962 NS202101-048 V80539 H10-4BAC V15653	107107 904949	4
	10 NAS623-3-6		.SCREW	107107 904949	1
	11 NAS623-3-5		.SCREW	107107 904949	1
	12 AN960PD10		.WASHER	107107 904949	2

MISSING ITEM NUMBERS NOT APPLICABLE

- ITEM NOT ILLUSTRATED

BRI

27-41-53-02

BOEING PROPRIETARY - Copyright © - Unpublished Work - See title page for details.

27-41-53  
FIG. 02  
PAGE 1  
JAN 20/09





757

PARTS CATALOG (MAINTENANCE)

FIG ITEM	PART NUMBER	1 2 3 4 5 6 7	NOMENCLATURE	EFFECT FROM TO	UNITS PER ASSY
2					
13	BRH10A3	.	NUT SUPPLIER CODE: V52828 SPECIFICATION NUMBER: BACN10JC3 OPTIONAL PART: H10-3BAC V15653 NS202101-02 V80539 RMLH9075-3W V72962 VN303A02 V92215 96-02 V80539 T6S1032J V11815	107107 904949	2
15	251N6111-1	.	BRACKET ASSY-ST2A PULLEY POSITION DATA: STA 240 TO 247	107107 904949	1
20	251N6112-1	.	BRACKET ASSY-ST2B PULLEY POSITION DATA: STA 240 TO 247	107107 904949	1
22	NAS623-3-13	..	SCREW- USED ON: 251N6111-1	107107 904949	1
23	NAS623-3-12	..	SCREW- USED ON: 251N6112-1	107107 904949	1
24	AN960PD10	..	WASHER	107107 904949	1

MISSING ITEM NUMBERS NOT APPLICABLE

- ITEM NOT ILLUSTRATED

27-41-53-02

27-41-53  
FIG. 02  
PAGE 2  
JAN 20/09

BRI

BOEING PROPRIETARY - Copyright © - Unpublished Work - See title page for details.



757

PARTS CATALOG (MAINTENANCE)

FIG ITEM	PART NUMBER	1 2 3 4 5 6 7	NOMENCLATURE	EFFECT FROM TO	UNITS PER ASSY
2	25 BRH10A3	..	NUT SUPPLIER CODE: V52828 SPECIFICATION NUMBER: BACN10JC3 OPTIONAL PART: H10-3BAC V15653 NS202101-02 V80539 RMLH9075-3W V72962 VN303A02 V92215 96-02 V80539 T6S1032J V11815	107107 904949	1
	30 NAS42DD6-42	..	SPACER	107107 904949	1
	35 NAS623-3-2	..	SCREW	107107 904949	1
	40 AN960PD10L	..	WASHER- USED ON: 251N6111-1	107107 904949	1
	43 T8076S1032	..	NUTPLATE SUPPLIER CODE: V11815 SPECIFICATION NUMBER: BACN10JP3A OPTIONAL PART: MK1000-3BAC V15653 NS103197-02 V80539 RMA9201M3 V72962 VN202A1-02 V92215 BRM200A3 V52828	107107 904949	1
	45 251N6111-2	..	GUARD ASSY- USED ON: 251N6111-1	107107 904949	1
	45 251N6112-2	..	GUARD ASSY- USED ON: 251N6112-1	107107 904949	1
	50 BACB30NF4-14	..	BOLT	107107 904949	1

MISSING ITEM NUMBERS NOT APPLICABLE

- ITEM NOT ILLUSTRATED

27-41-53-02

27-41-53  
FIG. 02  
PAGE 3  
JAN 20/09

BRI

BOEING PROPRIETARY - Copyright © - Unpublished Work - See title page for details.



757

PARTS CATALOG (MAINTENANCE)

FIG ITEM	PART NUMBER	1 2 3 4 5 6 7	NOMENCLATURE	EFFECT FROM TO	UNITS PER ASSY
2					
55	AN960PD416	..	WASHER	107107 904949	1
57	NAS463TKDD416H	..	SPACER	107107 904949	2
60	BRH10A4	..	NUT SUPPLIER CODE: V52828 SPECIFICATION NUMBER: BACN10JC4 OPTIONAL PART: T6S428J V11815 96-048 V80539 VN303A048 V92215 RMLH9075-4W V72962 NS202101-048 V80539 H10-4BAC V15653	107107 904949	1
65	65B80977-1	..	PULLEY ASSY-4 IN. DIA 3/32 IN. CABLE FOR SPARES PROCURE: BACP30M4	107107 904949	1
70	JMKP4P25LY196	...	BEARING- SUPPLIER CODE: V40920 SPECIFICATION NUMBER: BACB10AN4 OPTIONAL PART: MKP4FS428 V21335 MKP4G20 V38443 LLMKP4 V38443 MKP4 V38443 MKP4-2TS V43991 MKP4E6531 V21335 MKP4TT V43991 MKP4SD610 V83086	107107 904949	1

MISSING ITEM NUMBERS NOT APPLICABLE

- ITEM NOT ILLUSTRATED

27-41-53-02

27-41-53  
FIG. 02  
PAGE 4  
JAN 20/09

BRI



757

PARTS CATALOG (MAINTENANCE)

FIG ITEM	PART NUMBER	1 2 3 4 5 6 7	NOMENCLATURE	EFFECT FROM TO	UNITS PER ASSY
2					
75	69B81979-1	...	SHIELD	107107 904949	2
80	65B80978-1	...	SHEAVE ASSY	107107 904949	1
85	69B81362-2	....	INSERT	107107 904949	1
90	65B80978-2	....	SHEAVE	107107 904949	1
95	BACR15BA5AD	..	RIVET- SIZE DETERMINED ON INSTL. USED ON: 251N6111-1	107107 904949	4
100	BACR15FT5D	..	RIVET- SIZE DETERMINED ON INSTL. USED ON: 251N6112-1	107107 904949	7
105	BACR15FT5D	..	RIVET- SIZE DETERMINED ON INSTL. USED ON: 251N6111-1	107107 904949	1
107	BACR15BA5AD	..	RIVET- SIZE DETERMINED ON INSTL. USED ON: 251N6112-1	107107 904949	2
108	50-3361-8548	..	FILLER- USED ON: 251N6112-1	107107 904949	1
110	251N6111-4	..	CLIP- USED ON: 251N6111-1	107107 904949	1
115	251N6111-6	..	SUPPORT- USED ON: 251N6111-1	107107 904949	1
120	251N6112-8	..	SUPPORT- USED ON: 251N6112-1	107107 904949	1
130	251N6112-7	..	CLIP- USED ON: 251N6112-1	107107 904949	1
135	BACR15BA5AD	..	RIVET- SIZE DETERMINED ON INSTL. USED ON: 251N6112-1	107107 904949	4
140	251N6112-6	..	CLIP- USED ON: 251N6112-1	107107 904949	1

MISSING ITEM NUMBERS NOT APPLICABLE

- ITEM NOT ILLUSTRATED

BRI

27-41-53-02

27-41-53  
FIG. 02  
PAGE 5  
JAN 20/09



757

PARTS CATALOG (MAINTENANCE)

FIG ITEM	PART NUMBER	1 2 3 4 5 6 7	NOMENCLATURE	EFFECT FROM TO	UNITS PER ASSY
2					
145	BACR15BA5AD	..	RIVET- SIZE DETERMINED ON INSTL. USED ON: 251N6111-1	107107 904949	4
150	BACR15FT5D	..	RIVET- SIZE DETERMINED ON INSTL. USED ON: 251N6111-1	107107 904949	1
157	251N6112-4	..	SPACER	107107 904949	1
			ATTACHING PARTS		
- 158	BACR15BA5AD	..	RIVET- SIZE DETERMINED ON INSTL. -----*-----	107107 904949	2
160	251N6101-6	..	SUPPORT	107107 904949	1
165	NAS623-3-12	..	SCREW- USED ON: 251N6111-1	107107 904949	2
170	NAS623-3-11	..	SCREW- USED ON: 251N6112-1	107107 904949	2
175	AN960PD10	..	WASHER	107107 904949	2
180	BRH10A3	..	NUT SUPPLIER CODE: V52828 SPECIFICATION NUMBER: BACN10JC3 OPTIONAL PART: H10-3BAC V15653 NS202101-02 V80539 RMLH9075-3W V72962 VN303A02 V92215 96-02 V80539 T6S1032J V11815	107107 904949	2
185	NAS42DD6-42	..	SPACER	107107 904949	2
190	251N6111-3	..	BRACKET-PULLEY USED ON: 251N6111-1	107107 904949	1

MISSING ITEM NUMBERS NOT APPLICABLE

- ITEM NOT ILLUSTRATED

BRI

27-41-53-02

27-41-53  
FIG. 02  
PAGE 6  
JAN 20/09



757

PARTS CATALOG (MAINTENANCE)

FIG ITEM	PART NUMBER	1 2 3 4 5 6 7	NOMENCLATURE	EFFECT FROM TO	UNITS PER ASSY
2 195	251N6112-3		. . BRACKET-PULLEY USED ON: 251N6112-1	107107 904949	1

MISSING ITEM NUMBERS NOT APPLICABLE

- ITEM NOT ILLUSTRATED

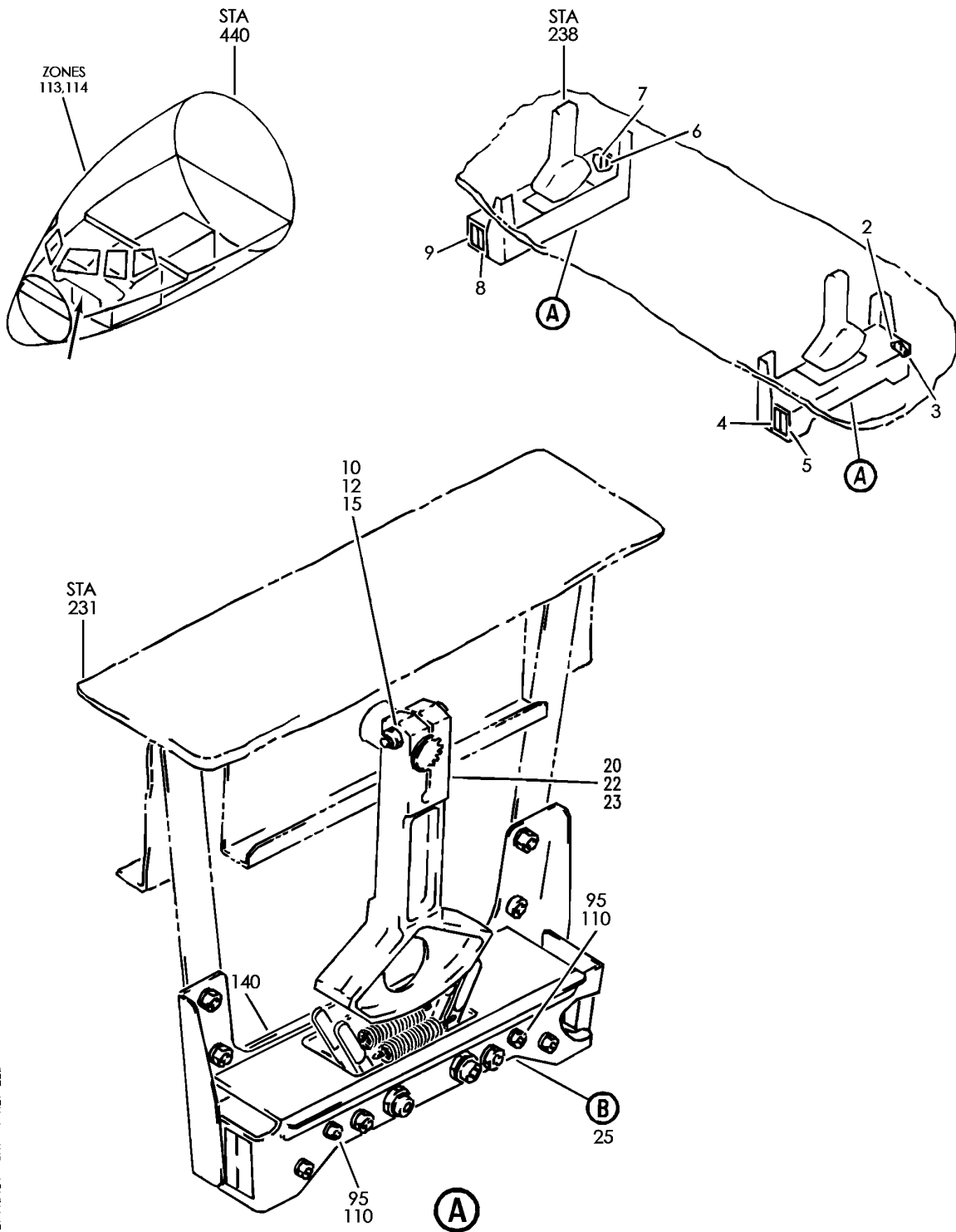
BRI

27-41-53-02

BOEING PROPRIETARY - Copyright © - Unpublished Work - See title page for details.

27-41-53  
FIG. 02  
PAGE 7  
JAN 20/09

**BOEING**  
757  
PARTS CATALOG (MAINTENANCE)



Y 27415401 SHT 1 REV 225

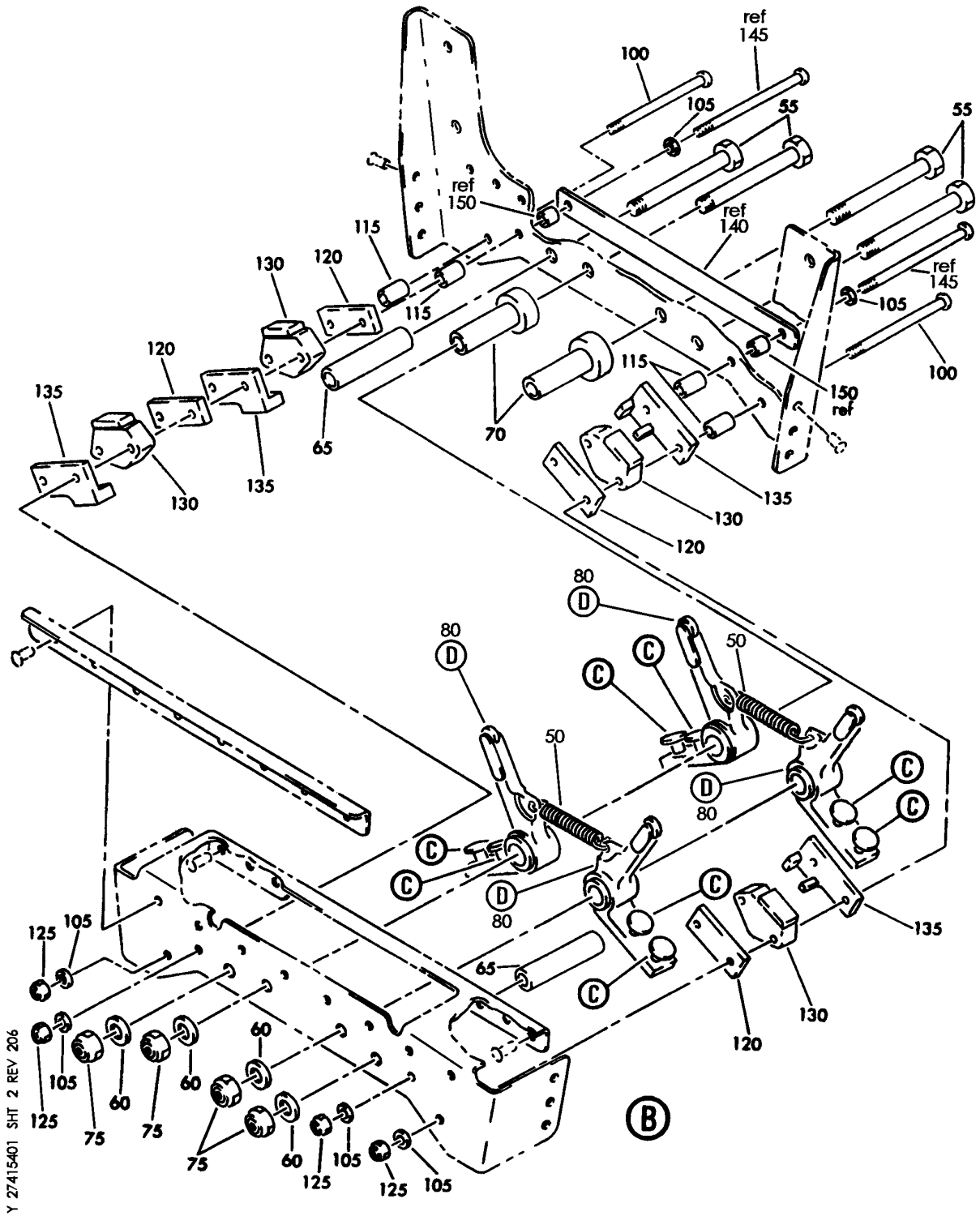
SWITCH INSTL-STAB. CUTOFF  
FIGURE 1 (SHEET 1)

**27-41-54-01**

BRI  
MAY 28/07

27-41-54-01  
PAGE 0

**BOEING**  
757  
**PARTS CATALOG (MAINTENANCE)**



SWITCH INSTL-STAB. CUTOFF  
FIGURE 1 (SHEET 2)

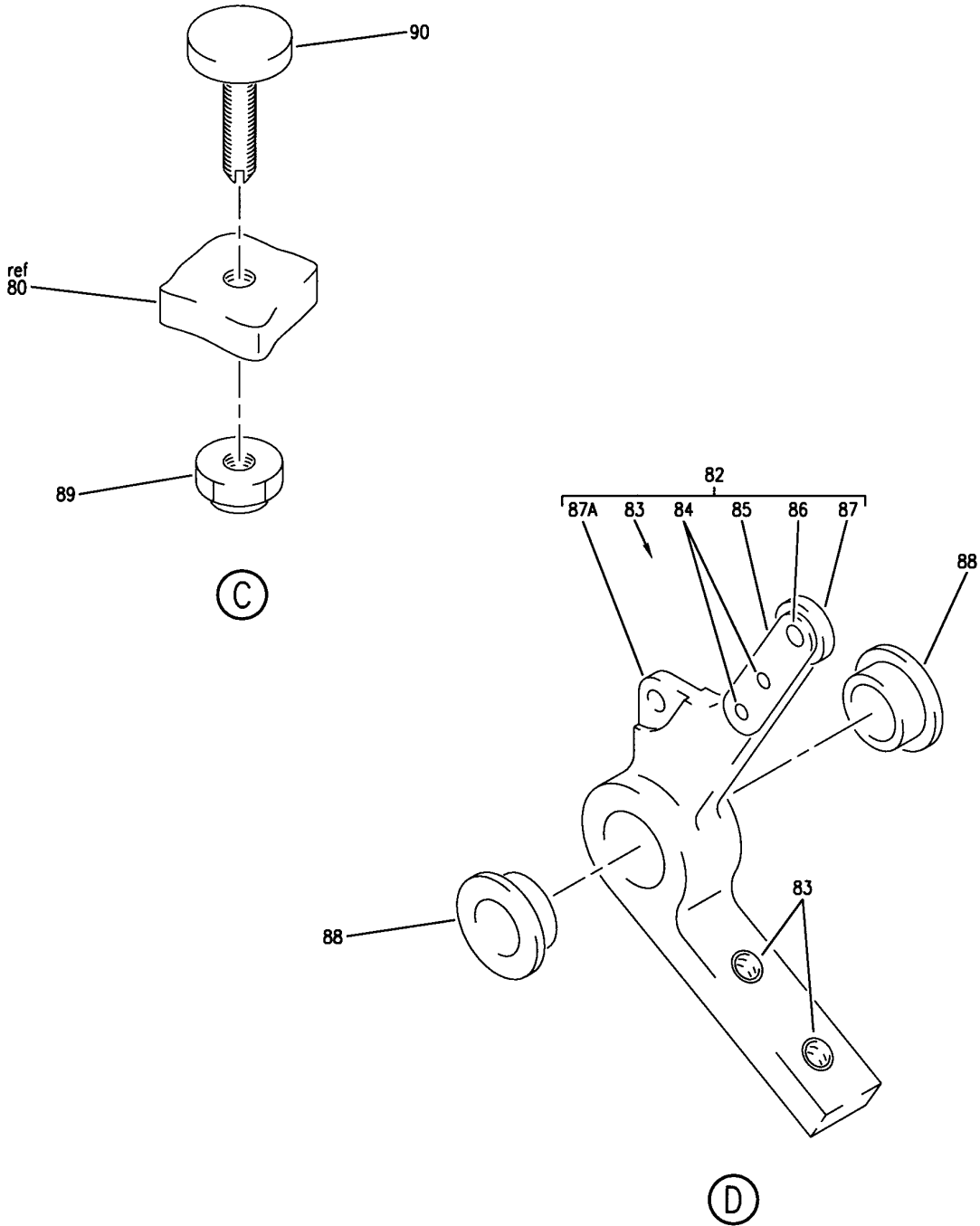
**27-41-54-01**

BRI  
MAY 28/07

27-41-54-01  
PAGE 0A



**BOEING**  
757  
PARTS CATALOG (MAINTENANCE)



Y 27415401 SHT 3 REV 206

SWITCH INSTL-STAB. CUTOFF  
FIGURE 1 (SHEET 3)

**27-41-54-01**

BRI  
MAY 28/07

27-41-54-01  
PAGE 0B



757

PARTS CATALOG (MAINTENANCE)

FIG ITEM	PART NUMBER	1 2 3 4 5 6 7	NOMENCLATURE	EFFECT FROM TO	UNITS PER ASSY
1			SWITCH INSTL-STAB. CUTOFF	002004 006999	
- 1	251N2014-1		SWITCH INSTL-STAB. CUTOFF FOR NHA SEE: 27-41-00-02	002004 006100 107107 121503 904999	RF
- 1	251N2014-10		SWITCH INSTL-STAB. CUTOFF FOR NHA SEE: 27-00-00-22	101102 108120 504903	RF
- 1	MODREF7258		SWITCH INSTL-STAB. CUTOFF MODULE NUMBER: 251N2014-10 REV A	103106	1
2	BAC27NEL0955		.DECAL- PLACARD CONTENT: S10236	002004 006999	1
3	BAC27TCT0185		.DECAL- PLACARD CONTENT: S334	002004 006999	1
4	BAC27NEL0956		.DECAL- PLACARD CONTENT: S10237	002004 006999	1
5	BAC27TCT0186		.DECAL- PLACARD CONTENT: S335	002004 006999	1
6	BAC27NEL0957		.DECAL- PLACARD CONTENT: S10234	002004 006999	1
7	BAC27TCT0188		.DECAL- PLACARD CONTENT: S337	002004 006999	1
8	BAC27NEL0958		.DECAL- PLACARD CONTENT: S10235	002004 006999	1
9	BAC27TCT0189		.DECAL- PLACARD CONTENT: S338	002004 006999	1
10	BACB30NM4K19		.BOLT	002004 006999	2
12	AN960PD416L		.WASHER	002004 006999	2

MISSING ITEM NUMBERS NOT APPLICABLE

- ITEM NOT ILLUSTRATED

27-41-54-01

27-41-54  
FIG. 01  
PAGE 1  
JAN 20/09

BRI

BOEING PROPRIETARY - Copyright © - Unpublished Work - See title page for details.



757

PARTS CATALOG (MAINTENANCE)

FIG ITEM	PART NUMBER	1 2 3 4 5 6 7	NOMENCLATURE	EFFECT FROM TO	UNITS PER ASSY
1					
15	BRH10C4D	.	NUT SUPPLIER CODE: V52828 SPECIFICATION NUMBER: BACN10JC4CD OPTIONAL PART: T6C428JCD V11815 NS202486-048 V80539 102LH9075-4W V72962 H51650-4BAC V15653	002004 006999	2
20	251N2443-1	.	CAM-STAB. CUTOFF	002004 006999	2
25	251N2564-2	.	SWITCH ASSY- COMPONENT MAINT MANUAL REF: 27-41-46 ATTACHING PARTS	002004 006999	2
- 30	NAS623-3-3	.	SCREW	002004 006999	8
- 35	AN960PD10	.	WASHER	002004 006999	8
- 40	BRH10A3	.	NUT SUPPLIER CODE: V52828 SPECIFICATION NUMBER: BACN10JC3 OPTIONAL PART: H10-3BAC V15653 NS202101-02 V80539 RMLH9075-3W V72962 VN303A02 V92215 96-02 V80539 T6S1032J V11815 -----*-----	002004 006999	8
50	MS24586C112	..	SPRING	002004 006999	2
55	BACB30NR4K33	..	BOLT	002004 006999	4
60	AN960PD416L	..	WASHER	002004 006999	4

MISSING ITEM NUMBERS NOT APPLICABLE

- ITEM NOT ILLUSTRATED

27-41-54-01

27-41-54  
FIG. 01  
PAGE 2  
SEP 20/08

BRI



757

PARTS CATALOG (MAINTENANCE)

FIG ITEM	PART NUMBER	1 2 3 4 5 6 7	NOMENCLATURE	EFFECT FROM TO	UNITS PER ASSY
1					
65	NAS43DD4-125	..	SPACER	002004 006999	2
70	253T2140-1	..	SPACER	002004 006999	2
75	BRH10C4D	..	NUT SUPPLIER CODE: V52828 SPECIFICATION NUMBER: BACN10JC4CD OPTIONAL PART: T6C428JCD V11815 NS202486-048 V80539 102LH9075-4W V72962 H51650-4BAC V15653	002004 006999	4
80	251N2564-4	..	ARM ASSY	002004 006999	4
82	253T2137-1	...	ARM ASSY	002004 006999	1
83	MS21209F1-10	....	INSERT	002004 006999	2
84	BACR15BB2B	....	RIVET- SIZE DETERMINED ON INSTL.	002004 006999	2
85	253T2143-1	....	RETAINER	002004 006999	1
86	253T2137-4	....	RIVET	002004 006999	1
87	SR2-6EE	....	BEARING- SUPPLIER CODE: V83086 OPTIONAL PART: BCREF11098 V83086 S618CE7 V83086	002004 006999	1
87	BCREF11098	....	BEARING- SUPPLIER CODE: V83086 OVERLENGTH PART NUMBER: SSR1-618EEHA7P25LDP OPTIONAL PART: SR2-6EE V83086 S618CE7 V83086	002004 006999	1

MISSING ITEM NUMBERS NOT APPLICABLE

- ITEM NOT ILLUSTRATED

27-41-54-01

27-41-54  
FIG. 01  
PAGE 3  
SEP 20/08

BRI



757

PARTS CATALOG (MAINTENANCE)

FIG ITEM	PART NUMBER	1 2 3 4 5 6 7	NOMENCLATURE	EFFECT FROM TO	UNITS PER ASSY
1					
87	S618CE7	....	BEARING- SUPPLIER CODE: V83086 OPTIONAL PART: SR2-6EE V83086 BCREF11098 V83086	002004 006999	1
88	253T2150-1	...	BUSHING	002004 006999	2
89	BRH10A3	..	NUT SUPPLIER CODE: V52828 SPECIFICATION NUMBER: BACN10JC3 OPTIONAL PART: H10-3BAC V15653 NS202101-02 V80539 RMLH9075-3W V72962 VN303A02 V92215 96-02 V80539 T6S1032J V11815	002004 006999	8
90	253T2139-1	..	STOP- OPTIONAL PART: 253T2139-2 253T2139-3	002004 006999	8
90	253T2139-2	..	STOP- OPTIONAL PART: 253T2139-1 253T2139-3	002004 006999	8
90	253T2139-3	..	STOP- OPTIONAL PART: 253T2139-1 253T2139-2	002004 006999	8
95	BACB30LK06-37	..	BOLT	002004 006999	2
100	BACB30LK06-33	..	BOLT	002004 006999	2
105	AN960PD6L	..	WASHER	002004 006999	6
110	NAS43DD1-13	..	SPACER	002004 006999	2

MISSING ITEM NUMBERS NOT APPLICABLE

- ITEM NOT ILLUSTRATED

27-41-54-01

27-41-54  
FIG. 01  
PAGE 4  
SEP 20/08

BRI

BOEING PROPRIETARY - Copyright © - Unpublished Work - See title page for details.

 **BOEING**  
757  
**PARTS CATALOG (MAINTENANCE)**

FIG ITEM	PART NUMBER	1 2 3 4 5 6 7	NOMENCLATURE	EFFECT FROM TO	UNITS PER ASSY
1					
115	NAS43DD1-32	..	SPACER	002004 006999	4
120	253T2161-1	..	SPACER	002004 006999	4
125	BRH10C06D	..	NUT SUPPLIER CODE: V52828 SPECIFICATION NUMBER: BACN10JC06CD OPTIONAL PART: T6C632JCD V11815 NS202486-62 V80539 102LH9075-62W V72962 H51650-06BAC V15653	002004 006999	4
130	10AT96-1	..	SWITCH- SUPPLIER CODE: V82647 OPTIONAL PART: 63749-1 V82647	002004 006999	4
130	63749-1	..	SWITCH- SUPPLIER CODE: V02005	002004 006999	4
135	253T2141-2	..	GUARD-SWITCH	002004 006999	4
135	253T2141-3	..	GUARD-SWITCH	002004 006999	4
140	251N2592-5	.	BRACKET ASSY	002004 006999	2

R  
R  
R  
R  
R  
R

MISSING ITEM NUMBERS NOT APPLICABLE

- ITEM NOT ILLUSTRATED

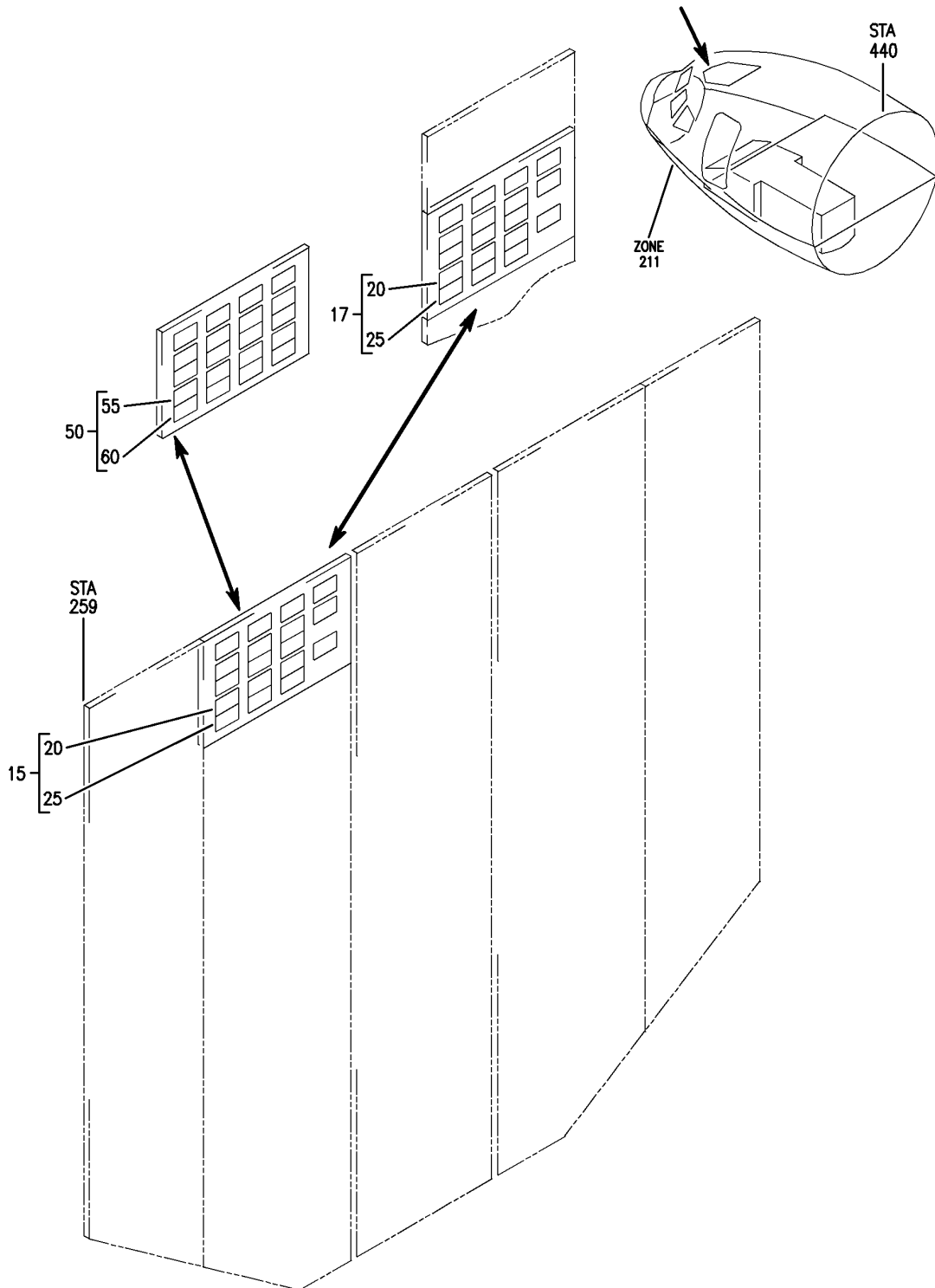
BRI

27-41-54-01

BOEING PROPRIETARY - Copyright © - Unpublished Work - See title page for details.

27-41-54  
FIG. 01  
PAGE 5  
MAY 20/09

**BOEING**  
757  
PARTS CATALOG (MAINTENANCE)



Y 27415501 REV 239

PANEL INSTL-P5 OVHD (HORIZONTAL STABILIZER TRIM CONTROL SYSTEM ONLY)

FIGURE 1

**27-41-55-01**

BRI  
MAY 28/07

27-41-55-01  
PAGE 0



**757  
PARTS CATALOG (MAINTENANCE)**

FIG ITEM	PART NUMBER	1 2 3 4 5 6 7	NOMENCLATURE	EFFECT FROM TO	UNITS PER ASSY
1			PANEL INSTL-P5 OVHD (HORIZONTAL STABILIZER TRIM CONTROL SYSTEM ONLY)	002004 006999	
- 1	233N3101-1		PANEL INSTL-P5 OVHD (HORIZONTAL STABILIZER TRIM CONTROL SYSTEM ONLY) VARIABLE DRAWING REF: 233N3101-5005 233N3101-5025 233N3101-5041 233N3101-5042 233N3101-5045 233N3101-5142 FOR NHA/OTHER SYS DET SEE: 25-10-00-05A	002004 006100 107107 121503 904949 952999	RF
- 1	233N3101-1		PANEL INSTL-P5 OVHD (HORIZONTAL STABILIZER TRIM CONTROL SYSTEM ONLY) FOR NHA/OTHER SYS DET SEE: 25-10-00-05A	950951	RF
- 3	233N3103-136		PANEL INSTL-P5 OVHD (HORIZONTAL STABILIZER TRIM CONTROL SYSTEM ONLY) FOR NHA/OTHER SYS DET SEE: 25-10-00-15E	504903	RF
- 7	233N3103-132		PANEL INSTL-P5 OVHD (HORIZONTAL STABILIZER TRIM CONTROL SYSTEM ONLY) FOR NHA/OTHER SYS DET SEE: 25-10-00-15E	101102	RF
- 8	233N3103-59		PANEL INSTL-P5 OVHD (HORIZONTAL STABILIZER TRIM CONTROL SYSTEM ONLY) FOR NHA/OTHER SYS DET SEE: 25-10-00-15E	108120	RF
- 10	MODREF170180		PANEL INSTL-P5 OVHD (HORIZONTAL STABILIZER TRIM CONTROL SYSTEM ONLY) MODULE NUMBER: 233N3103-353 REV B FOR OTHER SYS DETAILS SEE: 11-31-10-12 21-25-55-03 21-31-01-02 21-33-51-03 21-51-54-03 21-58-19-10 21-58-51-03	106106	1

MISSING ITEM NUMBERS NOT APPLICABLE

- ITEM NOT ILLUSTRATED

# 27-41-55-01

27-41-55  
FIG. 01  
PAGE 1  
JAN 20/09

BRI





757

PARTS CATALOG (MAINTENANCE)

FIG ITEM	PART NUMBER	1 2 3 4 5 6 7 NOMENCLATURE	EFFECT FROM TO	UNITS PER ASSY
1		21-61-04-03 21-65-51-01 22-21-01-04 22-24-51-02 23-24-01-01 23-32-00-11 23-42-02-02 23-71-05-02 24-11-52-05 24-22-01-03 24-31-01-10 24-31-03-09 24-33-04-01 24-41-51-04 24-51-62-01 26-18-51-04 27-21-53-02 27-61-51-03 27-62-52-02 28-22-51-02 28-41-04-01 28-41-51-03 29-11-02-03 29-11-05-04 29-11-52-07 29-21-54-03 29-31-00-01 29-32-51-03 29-33-52-03 30-11-51-03 30-21-51-03 30-31-51-02 30-32-51-01 30-33-51-02 30-41-51-03 30-42-51-03 31-12-11-84 31-12-11-84 A 32-42-52-03 33-11-03-03 33-11-51-17 33-13-01-65 33-13-02-03 33-16-51-03 33-24-51-02 33-41-52-04 33-42-01-04 33-42-02-04 33-42-52-04		

MISSING ITEM NUMBERS NOT APPLICABLE

- ITEM NOT ILLUSTRATED

# 27-41-55-01

27-41-55  
FIG. 01  
PAGE 2  
JAN 20/09

BR I



757

PARTS CATALOG (MAINTENANCE)

FIG ITEM	PART NUMBER	1 2 3 4 5 6 7 NOMENCLATURE	EFFECT FROM TO	UNITS PER ASSY
1		33-43-51-04 33-44-51-05 33-45-53-03 33-51-08-05 34-21-02-01 35-21-51-04 36-11-04-01 36-21-00-01 36-21-02-05 36-22-51-03 49-41-00-02 49-52-00-01 49-70-00-01 52-51-51-03 52-71-51-02 73-21-52-02 74-31-51-05 75-32-00-01 80-11-09-02		
- 10	MODREF33760	PANEL INSTL-P5 OVHD (HORIZONTAL STABILIZER TRIM CONTROL SYSTEM ONLY) MODULE NUMBER: 233N3103-351 REV C FOR OTHER SYS DETAILS SEE: 11-31-10-12 21-25-55-03 21-31-01-02 21-33-51-03 21-51-54-03 21-58-19-10 21-58-51-03 21-61-04-03 21-65-51-01 22-21-01-04 22-24-51-02 23-24-01-01 23-32-00-11 23-42-02-02 23-71-05-02 24-11-52-05 24-22-01-03 24-31-01-10 24-31-03-09 24-33-04-01 24-41-51-04 24-51-62-01 26-18-51-04 27-21-53-02	103103	1

MISSING ITEM NUMBERS NOT APPLICABLE

- ITEM NOT ILLUSTRATED

**27-41-55-01**

27-41-55  
 FIG. 01  
 PAGE 3  
 JAN 20/09

BRI



757

PARTS CATALOG (MAINTENANCE)

FIG ITEM	PART NUMBER	1 2 3 4 5 6 7 NOMENCLATURE	EFFECT FROM TO	UNITS PER ASSY
1		27-61-51-03 27-62-52-02 28-22-51-02 28-41-04-01 28-41-51-03 29-11-02-03 29-11-05-04 29-11-52-07 29-21-54-03 29-31-00-01 29-32-51-03 29-33-52-03 30-11-51-03 30-21-51-03 30-31-51-02 30-32-51-01 30-33-51-02 30-41-51-03 30-42-51-03 31-12-11-91 31-12-11-91 A 32-42-52-03 33-11-03-03 33-11-51-17 33-13-01-65 33-13-02-03 33-16-51-03 33-24-51-02 33-41-52-04 33-42-01-04 33-42-02-04 33-42-52-04 33-43-51-04 33-44-51-05 33-45-53-03 33-51-08-05 34-21-02-01 35-21-51-04 36-11-04-01 36-21-00-01 36-21-02-05 36-22-51-03 49-41-00-02 49-52-00-01 49-70-00-01 52-51-51-03 52-71-51-02 73-21-52-02 74-31-51-05		

MISSING ITEM NUMBERS NOT APPLICABLE

- ITEM NOT ILLUSTRATED

# 27-41-55-01

27-41-55  
FIG. 01  
PAGE 4  
JAN 20/09

BR I



757

PARTS CATALOG (MAINTENANCE)

FIG ITEM	PART NUMBER	1 2 3 4 5 6 7	NOMENCLATURE	EFFECT FROM TO	UNITS PER ASSY
1					
- 10	MODREF34038		75-32-00-01 80-11-09-02 PANEL INSTL-P5 OVHD (HORIZONTAL STABILIZER TRIM CONTROL SYSTEM ONLY) MODULE NUMBER: 233N3103-351 REV D FOR OTHER SYS DETAILS SEE: 11-31-10-12 21-25-55-03 21-31-01-02 21-33-51-03 21-51-54-03 21-58-19-10 21-58-51-03 21-61-04-03 21-65-51-01 22-21-01-04 22-24-51-02 23-24-01-01 23-32-00-11 23-42-02-02 23-71-05-02 24-11-52-05 24-22-01-03 24-31-01-10 24-31-03-09 24-33-04-01 24-41-51-04 24-51-62-01 26-18-51-04 27-21-53-02 27-61-51-03 27-62-52-02 28-22-51-02 28-41-04-01 28-41-51-03 29-11-02-03 29-11-05-04 29-11-52-07 29-21-54-03 29-31-00-01 29-32-51-03 29-33-52-03 30-11-51-03 30-21-51-03 30-31-51-02 30-32-51-01 30-33-51-02	104105	1
MISSING ITEM NUMBERS NOT APPLICABLE					

- ITEM NOT ILLUSTRATED

# 27-41-55-01

27-41-55  
FIG. 01  
PAGE 5  
JAN 20/09

BRI



757

PARTS CATALOG (MAINTENANCE)

FIG ITEM	PART NUMBER	1 2 3 4 5 6 7 NOMENCLATURE	EFFECT FROM TO	UNITS PER ASSY
1		30-41-51-03 30-42-51-03 31-12-11-91 31-12-11-91A 32-42-52-03 33-11-03-03 33-11-51-17 33-13-01-65 33-13-02-03 33-16-51-03 33-24-51-02 33-41-52-04 33-42-01-04 33-42-02-04 33-42-52-04 33-43-51-04 33-44-51-05 33-45-53-03 33-51-08-05 34-21-02-01 35-21-51-04 36-11-04-01 36-21-00-01 36-21-02-05 36-22-51-03 49-41-00-02 49-52-00-01 49-70-00-01 52-51-51-03 52-71-51-02 73-21-52-02 74-31-51-05 75-32-00-01 80-11-09-02		
R R R R R R R R R R	15 233N3202-17	.PANEL ASSY-ANN. SUPPLIER CODE: V89954 MISCELLANEOUS DATA: FOR SPARES PROCURE DETAIL PARTS ELECTRICAL EQUIP NUMBER: M10394 COMPONENT MAINT MANUAL REF: 33-16-71 POST SERVICE BULLETIN: 24-0048	107107	RF

MISSING ITEM NUMBERS NOT APPLICABLE

- ITEM NOT ILLUSTRATED

BRI

**27-41-55-01**

BOEING PROPRIETARY - Copyright © - Unpublished Work - See title page for details.

27-41-55  
 FIG. 01  
 PAGE 6  
 MAY 20/09



757

PARTS CATALOG (MAINTENANCE)

FIG ITEM	PART NUMBER	1 2 3 4 5 6 7	NOMENCLATURE	EFFECT FROM TO	UNITS PER ASSY
1					
15	233N3202-17		.PANEL ASSY-ANN. LIGHTS SUPPLIER CODE: V89954 ELECTRICAL EQUIP NUMBER: M10394 COMPONENT MAINT MANUAL REF: 33-16-71	101105 108503 904949 952999	RF
15	233N3202-10		.PANEL ASSY-ANN. LIGHTS SUPPLIER CODE: V89954 ELECTRICAL EQUIP NUMBER: M10394 COMPONENT MAINT MANUAL REF: 33-16-71	950951	RF
15	233N3202-15		.PANEL ASSY-ANN. LIGHTS SUPPLIER CODE: V89954 NOT APPROVED FOR ETOPS. ELECTRICAL EQUIP NUMBER: M10394 COMPONENT MAINT MANUAL REF: 33-16-71	504903 950951	RF
15	233N3202-21		.PANEL ASSY-ANN. LIGHTS SUPPLIER CODE: V89954 ELECTRICAL EQUIP NUMBER: M10394 COMPONENT MAINT MANUAL REF: 33-16-71	002004 006100	RF
20	BCREF8548		..LIGHT ASSY-STAB. TRIM IND SUPPLIER CODE: V81590 OVERLENGTH PART NUMBER: 434-674-1031-2111 SPECIFICATION NUMBER: S231T300-2111 OPTIONAL PART: BCREF6147 V81590 FOR DETAILS SEE: 33-14-70-02	002004 006105 107999	1

MISSING ITEM NUMBERS NOT APPLICABLE

- ITEM NOT ILLUSTRATED

BRI

27-41-55-01

BOEING PROPRIETARY - Copyright © - Unpublished Work - See title page for details.

27-41-55  
FIG. 01  
PAGE 7  
JAN 20/09



757

PARTS CATALOG (MAINTENANCE)

FIG ITEM	PART NUMBER	1 2 3 4 5 6 7	NOMENCLATURE	EFFECT FROM TO	UNITS PER ASSY
1	20 BCRE6147		..LIGHT ASSY-STAB. TRIM IND SUPPLIER CODE: V81590 OVERLENGTH PART NUMBER: 434-674-1005-1111 SPECIFICATION NUMBER: S231T300-1111 OPTIONAL PART: BCREF8548 V81590 FOR DETAILS SEE: 33-14-70-02	002004 006105 107999	1
	25 BCRE8585		..LIGHT ASSY-UNSCHE D STAB. TRIM IND SUPPLIER CODE: V81590 OVERLENGTH PART NUMBER: 434-674-1031-2267 SPECIFICATION NUMBER: S231T300-2267 OPTIONAL PART: BCREF6129 V81590 USED ON: 233N3202-15 FOR DETAILS SEE: 33-14-70-02	504903 950951	1
	25 BCRE6129		..LIGHT ASSY-UNSCHE D STAB. TRIM IND SUPPLIER CODE: V81590 OVERLENGTH PART NUMBER: 434-674-1005-1267 SPECIFICATION NUMBER: S231T300-1267 OPTIONAL PART: BCREF8585 V81590 USED ON: 233N3202-15 FOR DETAILS SEE: 33-14-70-02	504903 950951	1

MISSING ITEM NUMBERS NOT APPLICABLE

- ITEM NOT ILLUSTRATED

**27-41-55-01**

27-41-55  
FIG. 01  
PAGE 8  
JAN 20/09

BRI



757

PARTS CATALOG (MAINTENANCE)

FIG ITEM	PART NUMBER	1 2 3 4 5 6 7	NOMENCLATURE	EFFECT FROM TO	UNITS PER ASSY
1 25	BCREF8585		..LIGHT ASSY-UNSCHE D STAB. TRIM IND SUPPLIER CODE: V81590 OVERLENGTH PART NUMBER: 434-674-1031-2267 SPECIFICATION NUMBER: S231T300-2267 OPTIONAL PART: BCREF6129 V81590 USED ON: 233N3202-17 233N3202-18 233N3202-21 233N3202-25 233N3202-30 FOR DETAILS SEE: 33-14-70-02	002004 006105 107503 904949 952999	1
25	BCREF6129		..LIGHT ASSY-UNSCHE D STAB. TRIM IND SUPPLIER CODE: V81590 OVERLENGTH PART NUMBER: 434-674-1005-1267 SPECIFICATION NUMBER: S231T300-1267 OPTIONAL PART: BCREF8585 V81590 USED ON: 233N3202-17 233N3202-18 233N3202-25 233N3202-30 FOR DETAILS SEE: 33-14-70-02	101105 107503 904949 952999	1
50	233N3202-82		.PANEL ASSY-ANN. LIGHTS SUPPLIER CODE: V89954 ELECTRICAL EQUIP NUMBER: M10394 COMPONENT MAINT MANUAL REF: 33-16-71	106106	RF

MISSING ITEM NUMBERS NOT APPLICABLE

- ITEM NOT ILLUSTRATED

27-41-55-01

27-41-55  
FIG. 01  
PAGE 9  
JAN 20/09

BRI





757

PARTS CATALOG (MAINTENANCE)

FIG ITEM	PART NUMBER	1 2 3 4 5 6 7	NOMENCLATURE	EFFECT FROM TO	UNITS PER ASSY
1	55 BCREF8548		..LIGHT ASSY-STAB. TRIM IND SUPPLIER CODE: V81590 OVERLENGTH PART NUMBER: 434-674-1031-2111 SPECIFICATION NUMBER: S231T300-2111 FOR DETAILS SEE: 33-14-70-02	106106	1
	55 BCREF6147		..LIGHT ASSY-STAB. TRIM IND SUPPLIER CODE: V81590 OVERLENGTH PART NUMBER: 434-674-1005-1111 SPECIFICATION NUMBER: S231T300-1111 FOR DETAILS SEE: 33-14-70-02	106106	1
	60 BCREF8585		..LIGHT ASSY-UNSCHEDED STAB. TRIM IND SUPPLIER CODE: V81590 OVERLENGTH PART NUMBER: 434-674-1031-2267 SPECIFICATION NUMBER: S231T300-2267 FOR DETAILS SEE: 33-14-70-02	106106	1

MISSING ITEM NUMBERS NOT APPLICABLE

- ITEM NOT ILLUSTRATED

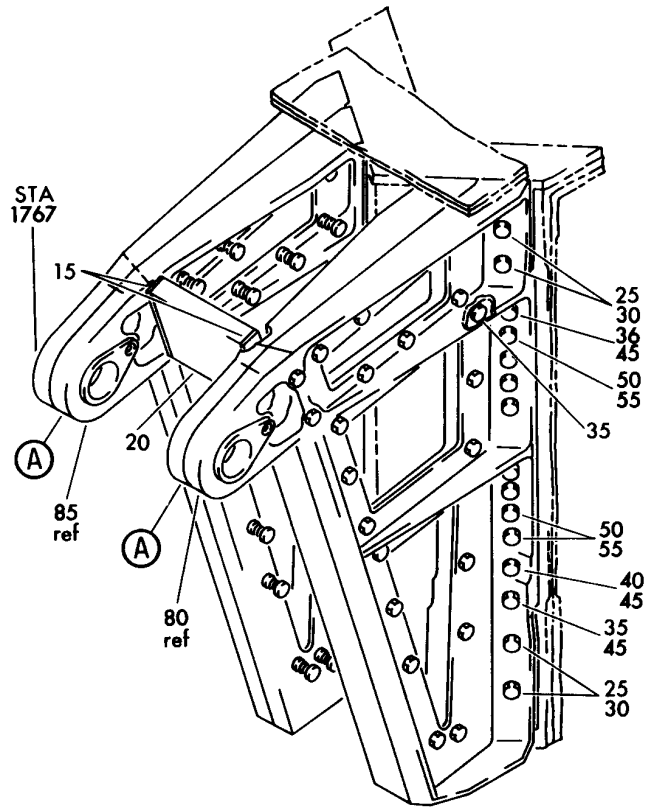
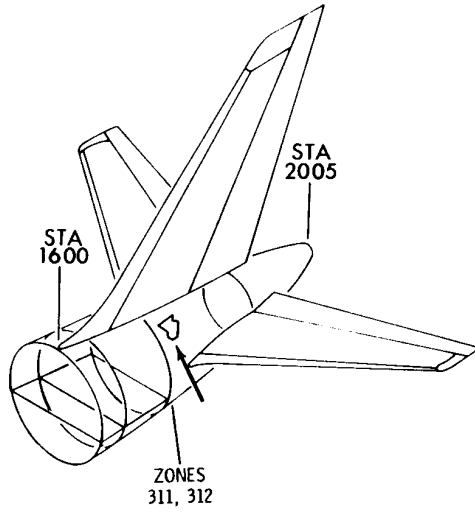
BRI

**27-41-55-01**

BOEING PROPRIETARY - Copyright © - Unpublished Work - See title page for details.

27-41-55  
FIG. 01  
PAGE 10  
JAN 20/09

**BOEING**  
757  
PARTS CATALOG (MAINTENANCE)



Y 27415601 SHT 1 REV 115

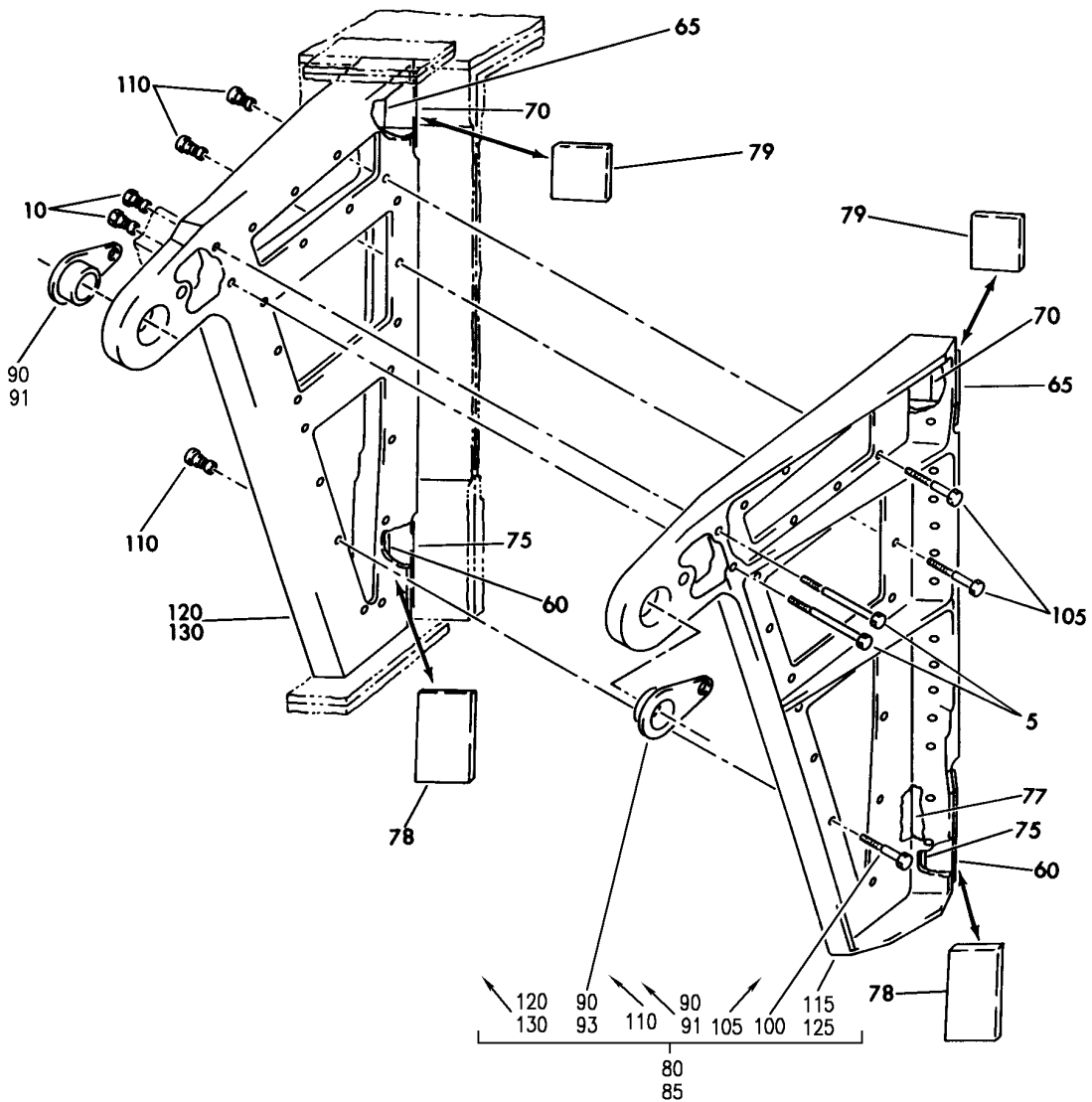
FITTING INSTL-HORIZ STAB. JACKSCREW SPRT  
FIGURE 1 (SHEET 1)

**27-41-56-01**

BRI  
MAY 28/07

27-41-56-01  
PAGE 0

**BOEING**  
757  
PARTS CATALOG (MAINTENANCE)



Y 27415601 SHT 2 REV 248

FITTING INSTL-HORIZ STAB. JACKSCREW SPRT  
FIGURE 1 (SHEET 2)

**27-41-56-01**

BRI  
MAY 28/07

27-41-56-01  
PAGE 0A



757

PARTS CATALOG (MAINTENANCE)

FIG ITEM	PART NUMBER	1 2 3 4 5 6 7	NOMENCLATURE	EFFECT FROM TO	UNITS PER ASSY
1			FITTING INSTL-HORIZ STAB. JACKSCREW SPRT	002004 006999	
- 1	182N9001-1		FITTING INSTL-HORIZ STAB. JACKSCREW SPRT FOR NHA SEE: 55-10-52-01	002004 006100 107107 121503 904999	RF
- 1	182N9001-405		FITTING INSTL-HORIZ STAB. JACKSCREW SPRT FOR NHA SEE: 55-10-51-04	101106 108120 504903	RF
5	HL10142AZ8-30		.BOLT SUPPLIER CODE: VOPTK6 SPECIFICATION NUMBER: BACB30NX8K30 OPTIONAL PART: HL12VAZ8-30 V73197 HL12VAZ8-30 V92215 HL12VAZ8-30 V97928 L802-8K30 V06725 HL12VAZ8-30 V56878 HL1012AZ8-30 V06725 HL1012AZ8-30 V06950 HL1012AZ8-30 V17446 HL1012AZ8-30 V56878 HL1012AZ8-30 V60516 HL1012AZ8-30 V73197 HL1012AZ8-30 V97928	002004 006999	4

MISSING ITEM NUMBERS NOT APPLICABLE

- ITEM NOT ILLUSTRATED

BRI

27-41-56-01

27-41-56  
FIG. 01  
PAGE 1  
JAN 20/09



757

PARTS CATALOG (MAINTENANCE)

FIG ITEM	PART NUMBER	1 2 3 4 5 6 7	NOMENCLATURE	EFFECT FROM TO	UNITS PER ASSY
1 10	HL1187-8	. S V S O H V H V H V H V H V H	COLLAR SUPPLIER CODE: V5M902 SPECIFICATION NUMBER: BACC30X8 OPTIONAL PART: HL87-8 V92215 HL87-8 V73197 HL1187-8 V56878 HL1187-8 V92215 HL87-8 V56878 HL1187-8 V73197	002004 006999	4
15	BACS40R10C35F	. S H I M	SHIM-	002004 006100 107107 121503 904999	2
15	BACS40R010C035F	. S H I M	SHIM-	101106 108120 504903	2
20	182N9007-2	. F I T T I N G	FITTING-CROSS BRACE	002004 006999	1

MISSING ITEM NUMBERS NOT APPLICABLE

- ITEM NOT ILLUSTRATED

27-41-56-01

27-41-56  
FIG. 01  
PAGE 2  
JAN 20/09

BRI

BOEING PROPRIETARY - Copyright © - Unpublished Work - See title page for details.



757

PARTS CATALOG (MAINTENANCE)

FIG ITEM	PART NUMBER	1 2 3 4 5 6 7	NOMENCLATURE	EFFECT FROM TO	UNITS PER ASSY
1 25	HL1012AZ12-15	.BOLT	SUPPLIER CODE: VOPTK6 SPECIFICATION NUMBER: BACB30NX12K15 OPTIONAL PART: HL12VAZ12-15 V73197 HL12VAZ12-15 V92215 HL12VAZ12-15 V97928 L802-12K15 V06725 HL12VAZ12-15 V56878 HL12AZ12-15 V06725 HL12AZ12-15 V06950 HL1012AZ12-15 V17446 HL1012AZ12-15 V56878 HL1012AZ12-15 V60516 HL1012AZ12-15 V73197 HL1012AZ12-15 V97928	002004 006999	16
30	HL1187-12	.COLLAR	SUPPLIER CODE: V5M902 SPECIFICATION NUMBER: BACC30X12 OPTIONAL PART: HL1187-12 V73197 HL1187-12 V56878 HL1187-12 V92215 HL1187-12 V92215 HL87-12 V56878 HL87-12 V73197	002004 006999	16

MISSING ITEM NUMBERS NOT APPLICABLE

- ITEM NOT ILLUSTRATED

27-41-56-01

27-41-56  
FIG. 01  
PAGE 3  
JAN 20/09

BRI



757

PARTS CATALOG (MAINTENANCE)

FIG ITEM	PART NUMBER	1 2 3 4 5 6 7	NOMENCLATURE	EFFECT FROM TO	UNITS PER ASSY
1 35	HL1012AZ8-13	.	BOLT SUPPLIER CODE: VOPTK6 SPECIFICATION NUMBER: BACB30NX8K13 OPTIONAL PART: HL12VAZ8-13 V73197 HL12VAZ8-13 V92215 HL12VAZ8-13 V97928 L802-8K13 V06725 HL12VAZ8-13 V56878 HL1012AZ8-13 V06725 HL1012AZ8-13 V06950 HL1012AZ8-13 V17446 HL1012AZ8-13 V56878 HL1012AZ8-13 V60516 HL1012AZ8-13 V73197 HL1012AZ8-13 V97928	002004 006999	7

MISSING ITEM NUMBERS NOT APPLICABLE

- ITEM NOT ILLUSTRATED

BRI

27-41-56-01

BOEING PROPRIETARY - Copyright © - Unpublished Work - See title page for details.

27-41-56  
FIG. 01  
PAGE 4  
SEP 20/08



757

PARTS CATALOG (MAINTENANCE)

FIG ITEM	PART NUMBER	1 2 3 4 5 6 7	NOMENCLATURE	EFFECT FROM TO	UNITS PER ASSY
1 36	HL1012AZ8-15	.BOLT	SUPPLIER CODE: VOPTK6 SPECIFICATION NUMBER: BACB30NX8K15 OPTIONAL PART: HL12VAZ8-15 V73197 HL12VAZ8-15 V92215 HL12VAZ8-15 V97928 L802-8K15 V06725 HL12VAZ8-15 V56878 HL1012AZ8-15 V06725 HL1012AZ8-15 V06950 HL1012AZ8-15 V17446 HL1012AZ8-15 V56878 HL1012AZ8-15 V60516 HL1012AZ8-15 V73197 HL1012AZ8-15 V97928	002004 006999	1

MISSING ITEM NUMBERS NOT APPLICABLE

- ITEM NOT ILLUSTRATED

BRI

**27-41-56-01**

BOEING PROPRIETARY - Copyright © - Unpublished Work - See title page for details.

27-41-56  
FIG. 01  
PAGE 5  
SEP 20/08





757

PARTS CATALOG (MAINTENANCE)

FIG ITEM	PART NUMBER	1 2 3 4 5 6 7	NOMENCLATURE	EFFECT FROM TO	UNITS PER ASSY
1 40	HL1012AZ8-9	.BOLT	SUPPLIER CODE: VOPTK6 SPECIFICATION NUMBER: BACB30NX8K9 OPTIONAL PART: HL12VAZ8-9 V73197 HL12VAZ8-9 V92215 HL12VAZ8-9 V97928 L802-8K9 V06725 HL12VAZ8-9 V56878 HL1012AZ8-9 V06725 HL1012AZ8-9 V06950 HL1012AZ8-9 V17446 HL1012AZ8-9 V56878 HL1012AZ8-9 V60516 HL1012AZ8-9 V73197 HL1012AZ8-9 V97928	002004 006999	4
45	HL1187-8	.COLLAR	SUPPLIER CODE: V5M902 SPECIFICATION NUMBER: BACC30X8 OPTIONAL PART: HL87-8 V92215 HL87-8 V73197 HL1187-8 V56878 HL1187-8 V92215 HL87-8 V56878 HL1187-8 V73197	002004 006999	12

MISSING ITEM NUMBERS NOT APPLICABLE

- ITEM NOT ILLUSTRATED

27-41-56-01

27-41-56  
FIG. 01  
PAGE 6  
SEP 20/08

BRI



757

PARTS CATALOG (MAINTENANCE)

FIG ITEM	PART NUMBER	1 2 3 4 5 6 7	NOMENCLATURE	EFFECT FROM TO	UNITS PER ASSY
1					
50	L8008K6		.BOLT SUPPLIER CODE: V06725 SPECIFICATION NUMBER: BACB30MY8K6	002004 006999	34
55	HL79-8		.COLLAR SUPPLIER CODE: V5M902 SPECIFICATION NUMBER: BACC30M8 OPTIONAL PART: HL79-8 V73197 HL79-8 V92215 66014-8 V56878 HL79-8 V56878	002004 006999	34
60	182N9001-2		.SHIM- QUALIFIED OPTIONAL DATA: 182N9001-2 TOGETHER WITH 182N9001-5 OPT TO 182N9001-8	002004 006999	2
65	182N9001-3		.SHIM- QUALIFIED OPTIONAL DATA: 182N9001-3 TOGETHER WITH 182N9001-4 OPT TO 182N9001-9	002004 006999	2
70	182N9001-4		.SHIM- QUALIFIED OPTIONAL DATA: 182N9001-3 TOGETHER WITH 182N9001-4 OPT TO 182N9001-9	002004 006999	2
75	182N9001-5		.SHIM- QUALIFIED OPTIONAL DATA: 182N9001-2 TOGETHER WITH 182N9001-5 OPT TO 182N9001-8	002004 006999	2
77	182N9001-6		.SHIM	002004 006999	2
78	182N9001-8		.SHIM- QUALIFIED OPTIONAL DATA: 182N9001-2 TOGETHER WITH 182N9001-5 OPT TO 182N9001-8)	002004 006999	2

MISSING ITEM NUMBERS NOT APPLICABLE

- ITEM NOT ILLUSTRATED

27-41-56-01

27-41-56  
FIG. 01  
PAGE 7  
SEP 20/08

BRI

BOEING PROPRIETARY - Copyright © - Unpublished Work - See title page for details.



757

PARTS CATALOG (MAINTENANCE)

FIG ITEM	PART NUMBER	1 2 3 4 5 6 7	NOMENCLATURE	EFFECT FROM TO	UNITS PER ASSY
1	79 182N9001-9	.	SHIM- QUALIFIED OPTIONAL DATA: (182N9001-3 TOGETHER WITH 182N9001-4 OPT TO 182N9001-9)	002004 006999	2
	80 182N9002-1	.	FITTING ASSY- OPTIONAL PART: 182N9002-3	002004 006100 107107 121503 904999	1
	80 182N9002-7	.	FITTING ASSY- OPTIONAL PART: 182N9002-9	101106 108120 504903	1
	80 182N9002-9	.	FITTING ASSY- OPTIONAL PART: 182N9002-7	101106 108120 504903	1
	85 182N9002-2	.	FITTING ASSY- OPTIONAL PART: 182N9002-4	002004 006100 107107 121503 904999	1
	85 182N9002-10	.	FITTING ASSY- OPTIONAL PART: 182N9002-8	101106 108120 504903	1
	85 182N9002-8	.	FITTING ASSY- OPTIONAL PART: 182N9002-10	101106 108120 504903	1
	90 182N9008-2	..	BUSHING	002004 006999	2
-	95 BACR15BA8D24	..	RIVET-	002004 006999	2

MISSING ITEM NUMBERS NOT APPLICABLE

- ITEM NOT ILLUSTRATED

27-41-56-01

27-41-56  
FIG. 01  
PAGE 8  
JAN 20/09

BRI

BOEING PROPRIETARY - Copyright © - Unpublished Work - See title page for details.



757

PARTS CATALOG (MAINTENANCE)

FIG ITEM	PART NUMBER	1 2 3 4 5 6 7 NOMENCLATURE	EFFECT FROM TO	UNITS PER ASSY
1 100	HL1012AZ8-5	.. BOLT SUPPLIER CODE: VOPTK6 SPECIFICATION NUMBER: BACB30NX8K5 OPTIONAL PART: HL12VAZ8-5 V73197 HL12VAZ8-5 V92215 HL12VAZ8-5 V97928 L802-8K5 V06725 HL12VAZ8-5 V56878 HL1012AZ8-5 V06725 HL1012AZ8-5 V06950 HL1012AZ8-5 V17446 HL1012AZ8-5 V56878 HL1012AZ8-5 V60516 HL1012AZ8-5 V73197 HL1012AZ8-5 V97928	002004 006999	8

MISSING ITEM NUMBERS NOT APPLICABLE

- ITEM NOT ILLUSTRATED

BRI

27-41-56-01

BOEING PROPRIETARY - Copyright © - Unpublished Work - See title page for details.

27-41-56  
FIG. 01  
PAGE 9  
SEP 20/08



757

PARTS CATALOG (MAINTENANCE)

FIG ITEM	PART NUMBER	1 2 3 4 5 6 7	NOMENCLATURE	EFFECT FROM TO	UNITS PER ASSY
1 105	HL1012AZ8-7	..	BOLT SUPPLIER CODE: VOPTK6 SPECIFICATION NUMBER: BACB30NX8K7 OPTIONAL PART: HL12VAZ8-7 V73197 HL12VAZ8-7 V92215 HL12VAZ8-7 V97928 L802-8K7 V06725 HL12VAZ8-7 V56878 HL1012AZ8-7 V06725 HL1012AZ8-7 V06950 HL1012AZ8-7 V17446 HL1012AZ8-7 V56878 HL1012AZ8-7 V60516 HL1012AZ8-7 V73197 HL1012AZ8-7 V97928	002004 006999	13
110	HL1187-8	..	COLLAR SUPPLIER CODE: V5M902 SPECIFICATION NUMBER: BACC30X8 OPTIONAL PART: HL87-8 V92215 HL87-8 V73197 HL1187-8 V56878 HL1187-8 V92215 HL87-8 V56878 HL1187-8 V73197	002004 006999	21

MISSING ITEM NUMBERS NOT APPLICABLE

- ITEM NOT ILLUSTRATED

BRI

27-41-56-01

BOEING PROPRIETARY - Copyright © - Unpublished Work - See title page for details.

27-41-56  
FIG. 01  
PAGE 10  
SEP 20/08



757

PARTS CATALOG (MAINTENANCE)

FIG ITEM	PART NUMBER	1 2 3 4 5 6 7	NOMENCLATURE	EFFECT FROM TO	UNITS PER ASSY
1 115	182N9003-1		.. FITTING- POSITION DATA: OUTBD OPTIONAL PART: 182N9003-3 USED ON: 182N9002-1 USED ON: 182N9002-1	002004 006999	1
115	182N9003-3		.. FITTING- POSITION DATA: OUTBD OPTIONAL PART: 182N9003-1 USED ON: 182N9002-9	101106 108120 504903	1
120	182N9004-1		.. FITTING- POSITION DATA: INBD OPTIONAL PART: 182N9004-3 USED ON: 182N9002-1	002004 006999	1
130	182N9004-7		.. FITTING- POSITION DATA: INBD USED ON: 182N9002-7	101106 108120 504903	1
130	182N9004-8		.. FITTING- POSITION DATA: INBD USED ON: 182N9002-8	101106 108120 504903	1
130	182N9004-9		.. FITTING- POSITION DATA: INBD USED ON: 182N9002-9	101106 108120 504903	1
130	182N9004-10		.. FITTING- POSITION DATA: INBD USED ON: 182N9002-10	101106 108120 504903	1

MISSING ITEM NUMBERS NOT APPLICABLE

- ITEM NOT ILLUSTRATED

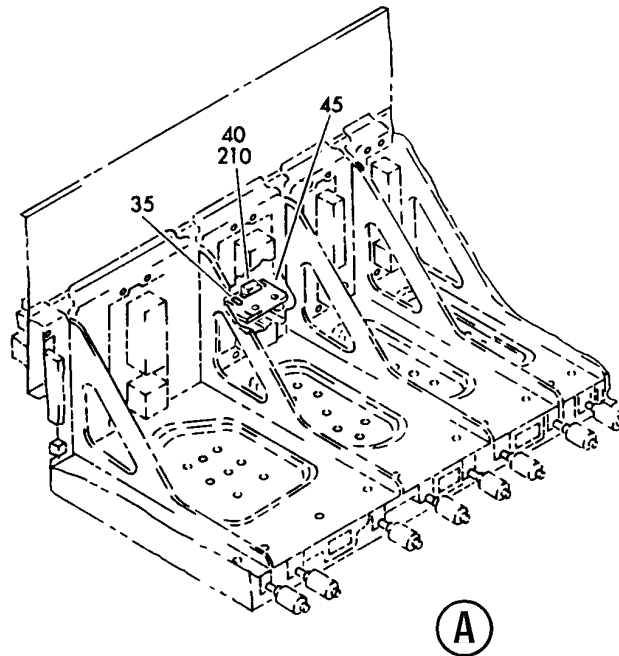
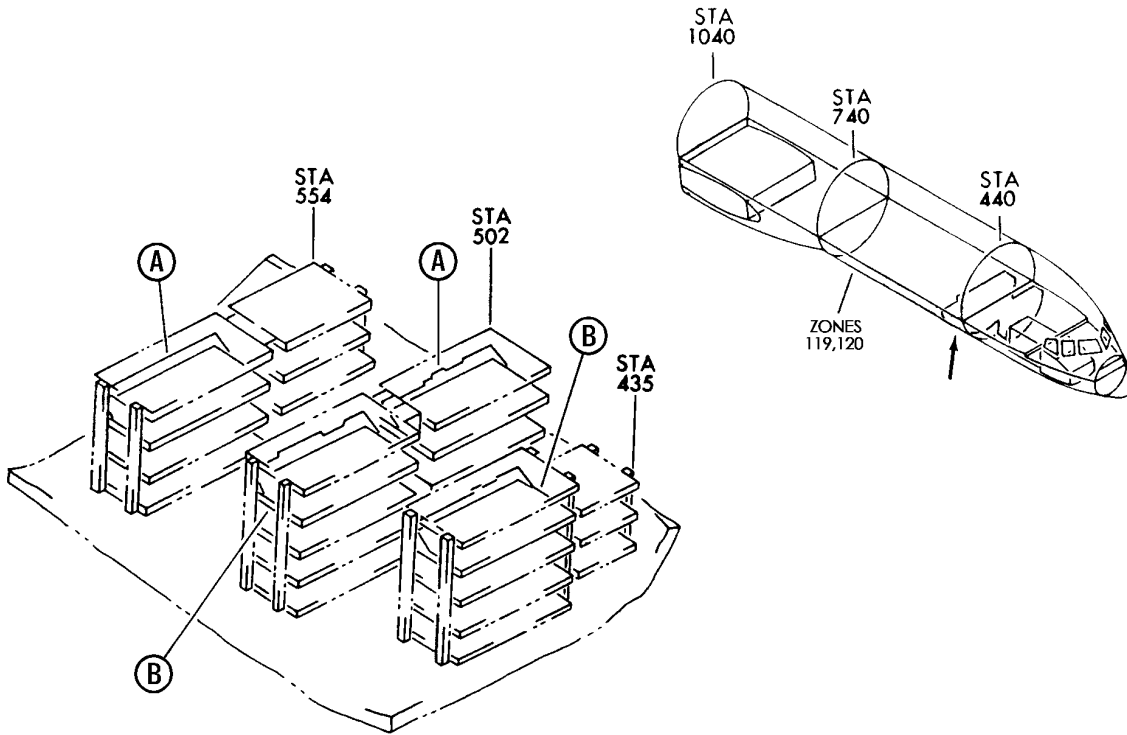
**27-41-56-01**

27-41-56  
FIG. 01  
PAGE 11  
JAN 20/09

BRI

BOEING PROPRIETARY - Copyright © - Unpublished Work - See title page for details.

**BOEING**  
757  
PARTS CATALOG (MAINTENANCE)



Y 27417101 SHT 1 REV 242

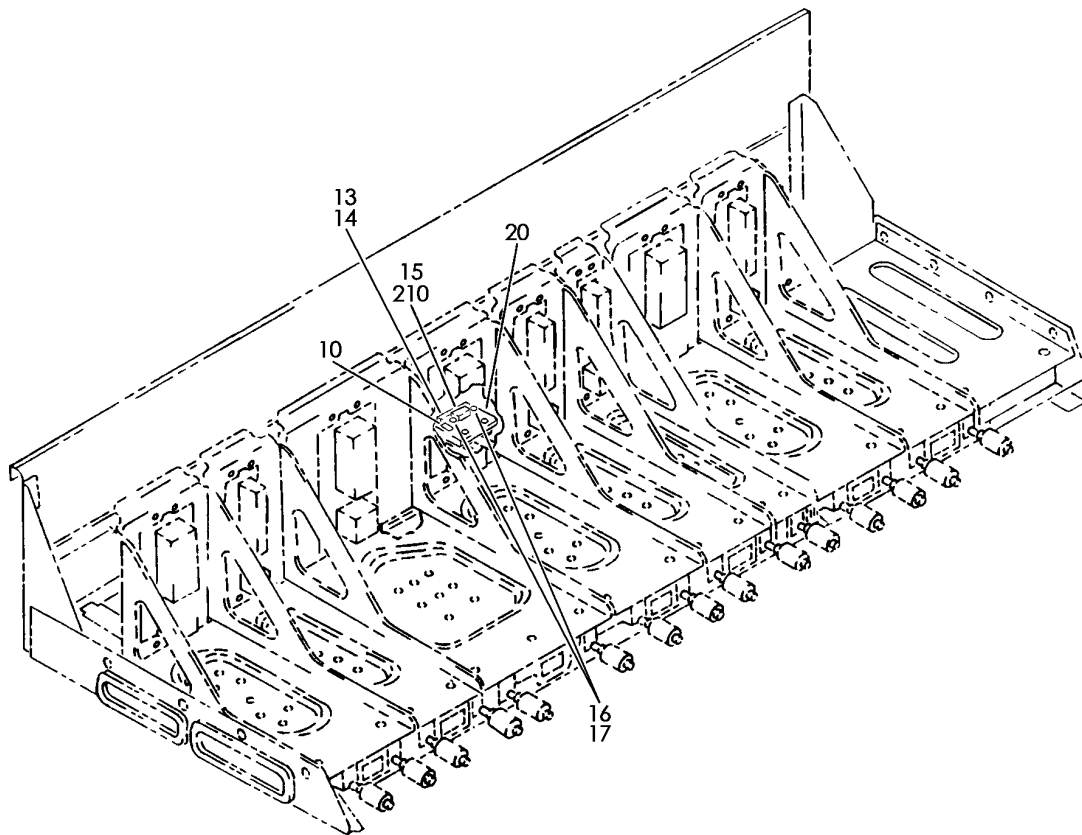
SHELF ASSY-ELECTRONICS EQPT E2-1, E3-1 AND E4-1 (FLIGHT CONTROLS ONLY)  
FIGURE 1 (SHEET 1)

BRI  
MAY 28/07

**27-41-71-01**

27-41-71-01  
PAGE 0

**BOEING**  
757  
PARTS CATALOG (MAINTENANCE)



(B)

Y 27417101 SHT 2 REV 215

SHELF ASSY-ELECTRONICS EQPT E2-1, E3-1 AND E4-1 (FLIGHT CONTROLS ONLY)  
FIGURE 1 (SHEET 2)

BRI  
MAY 28/07

**27-41-71-01**

27-41-71-01  
PAGE 0A





757

PARTS CATALOG (MAINTENANCE)

FIG ITEM	PART NUMBER	1 2 3 4 5 6 7	NOMENCLATURE	EFFECT FROM TO	UNITS PER ASSY
1			SHELF ASSY-ELECTRONICS EQPT E2-1, E3-1 AND E4-1 (FLIGHT CONTROLS ONLY)	002004 006100 103999	
- 5	284N1541-1		SHELF ASSY-ELECTRONICS EQPT CTR E4-1 (FLIGHT CONTROLS ONLY) FOR NHA/OTHER SYS DET SEE: 25-70-51-02	103107 121503 904999	RF
- 5	284N1541-2		SHELF ASSY-ELECTRONICS EQPT CTR E4-1 (FLIGHT CONTROLS ONLY) FOR NHA/OTHER SYS DET SEE: 25-70-51-02	002004 006100	RF
10	BAC27TEX1922		.DECAL- PLACARD CONTENT: K575	002004 006100 103107 121503 904999	1
13	BACG20ZA001275		.GROMMET	002004 006100 103107 121503 904999	1
15	XD4N		.RELAY- SUPPLIER CODE: V58657 ELECTRICAL EQUIP NUMBER: K00575	002004 006100 103107 121503 904999	1
15	XD4N103		.RELAY- SUPPLIER CODE: V80183 ELECTRICAL EQUIP NUMBER: K00575	002004 006100 103107 121503 904999	1
20	284T0901-1		.BRACKET	002004 006100 103107 121503 904999	1
- 21	NAS1801-3-26		ATTACHING PARTS .SCREW	002004 006100 103107 121503 904999	2
- 22	NAS43DD3-72		.SPACER-	002004 006100 103107 121503 904999	2

MISSING ITEM NUMBERS NOT APPLICABLE

- ITEM NOT ILLUSTRATED

BRI

27-41-71-01

27-41-71  
FIG. 01  
PAGE 1  
JAN 20/09



757

PARTS CATALOG (MAINTENANCE)

FIG ITEM	PART NUMBER	1 2 3 4 5 6 7	NOMENCLATURE	EFFECT FROM TO	UNITS PER ASSY
1					
- 24	MS21042L3	.	NUT	002004 006100 103107 121503 904999	2
- 30	284N1531-1	-----*-----	SHELF ASSY-ELECTRONIC EQPT E3-1 (FLIGHT CONTROLS ONLY) FOR NHA/OTHER SYS DET SEE: 25-70-51-02	002004 006100 103107 121503 904999	RF
35	BAC27TEX1921	.	DECAL- PLACARD CONTENT: K574	002004 006100 103107 121503 904999	1
40	XD4N103	.	RELAY- SUPPLIER CODE: V80183 ELECTRICAL EQUIP NUMBER: K00574	002004 006100 103107 121503 904999	1
40	XD4N	.	RELAY- SUPPLIER CODE: V58657 ELECTRICAL EQUIP NUMBER: K00574	002004 006100 103107 121503 904999	1
45	284T0901-1	.	BRACKET	002004 006100 103107 121503 904999	1
- 50	NAS1801-3-26		ATTACHING PARTS .SCREW	002004 006100 103107 121503 904999	2
- 55	NAS43DD3-72	.	SPACER	002004 006100 103107 121503 904999	2

MISSING ITEM NUMBERS NOT APPLICABLE

- ITEM NOT ILLUSTRATED

BRI

27-41-71-01

BOEING PROPRIETARY - Copyright © - Unpublished Work - See title page for details.

27-41-71  
FIG. 01  
PAGE 2  
JAN 20/09



757

PARTS CATALOG (MAINTENANCE)

FIG ITEM	PART NUMBER	1 2 3 4 5 6 7	NOMENCLATURE	EFFECT FROM TO	UNITS PER ASSY
1 - 60	BRH10A3		.NUT SUPPLIER CODE: V52828 SPECIFICATION NUMBER: BACN10JC3 OPTIONAL PART: H10-3BAC V15653 NS202101-02 V80539 RMLH9075-3W V72962 VN303A02 V92215 96-02 V80539 T6S1032J V11815 -----*-----	002004 006100 103107 121503 904999	2
- 200	286N1265-004		WIRE BUNDLE ASSY-	107107 121503 904949	RF
- 200	286N1265-005		WIRE BUNDLE ASSY- REWORKED BY SB: 34-0200	002004 006100 103106 950999	RF
- 205	286N1165-004		WIRE BUNDLE ASSY-	107107 121503 904949	RF
- 205	286N1165-005		WIRE BUNDLE ASSY-	002004 006100 950999	RF
210	SO-1064-007		.SOCKET- SUPPLIER CODE: V35344 ELECTRICAL EQUIP NUMBER: D00787 D00809 WIRING DIAGRAM REF: 274111 274121	002004 006100 103999	1

MISSING ITEM NUMBERS NOT APPLICABLE

- ITEM NOT ILLUSTRATED

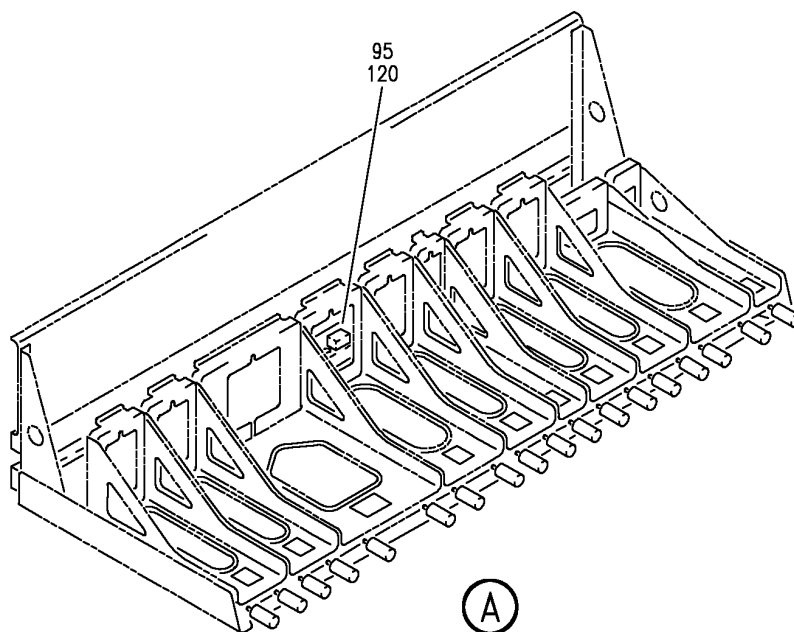
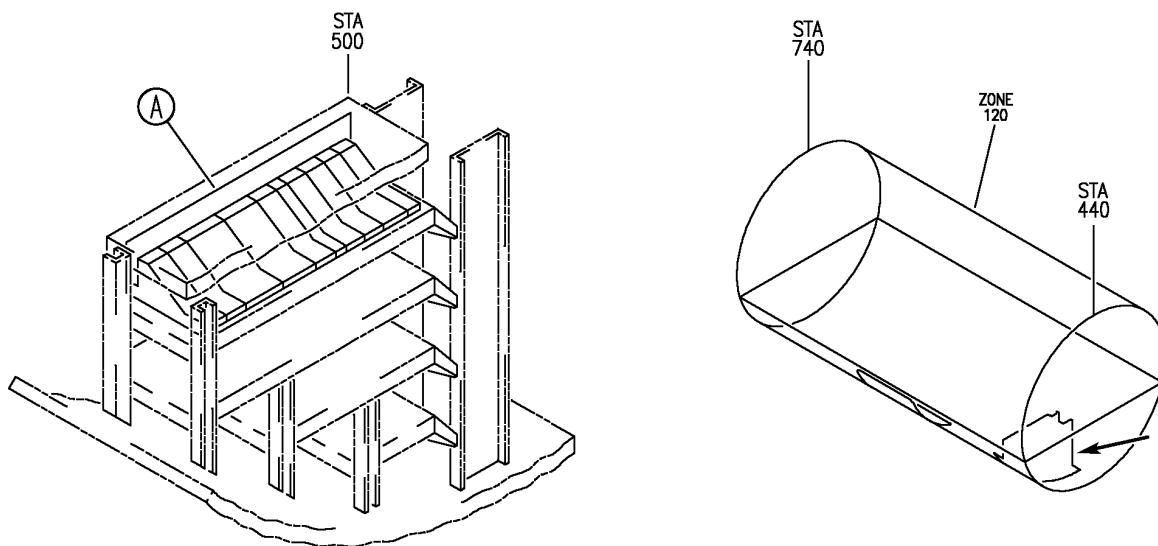
BRI

27-41-71-01

BOEING PROPRIETARY - Copyright © - Unpublished Work - See title page for details.

27-41-71  
FIG. 01  
PAGE 3  
JAN 20/09

**BOEING**  
757  
PARTS CATALOG (MAINTENANCE)



Y 27417101A REV 258

SHELF ASSY-ELECTRONICS EQPT CTR E4-1 (FLIGHT CONTROLS ONLY)  
FIGURE 1A

BRI  
MAY 28/07

**27-41-71-01A**

27-41-71-01A  
PAGE 0

BOEING PROPRIETARY - Copyright © - Unpublished Work - See title page for details.



757

PARTS CATALOG (MAINTENANCE)

FIG ITEM	PART NUMBER	1 2 3 4 5 6 7	NOMENCLATURE	EFFECT FROM TO	UNITS PER ASSY
1 A			SHELF ASSY-ELECTRONICS EQPT CTR E4-1 (FLIGHT CONTROLS ONLY)	101106 108120 504903	
- 1	284N1541-36		SHELF ASSY-ELECTRONICS EQPT CTR E4-1 (FLIGHT CONTROLS ONLY) FOR NHA/OTHER SYS DET SEE: 24-00-58-05D	108120	RF
- 1	284N1541-48		SHELF ASSY-ELECTRONICS EQPT CTR E4-1 (FLIGHT CONTROLS ONLY) FOR NHA/OTHER SYS DET SEE: 24-00-58-05D	101102 504903	RF
- 2	MODREF31690		SHELF ASSY-ELECTRONICS EQPT CTR E4-1 (FLIGHT CONTROLS ONLY) MODULE NUMBER: 284N1541-67 REV C FOR OTHER SYS DETAILS SEE: 25-70-55-05K	103106	1
95	XD4N		.RELAY- SUPPLIER CODE: V58657 ELECTRICAL EQUIP NUMBER: K00575	101106 108120 504903	1
95	XD4N103		.RELAY- SUPPLIER CODE: V80183 ELECTRICAL EQUIP NUMBER: K00575	101106 108120 504903	1
- 100	286N1165-318		WIRE BUNDLE ASSY	101102	RF
- 100	286N1165-320		WIRE BUNDLE ASSY	108120	RF
- 105	286N1165-323		WIRE BUNDLE ASSY	504903	RF
- 105	286N1165-601		WIRE BUNDLE ASSY	103106	RF
120	SO-1064-007		.SOCKET-RELAY SUPPLIER CODE: V35344 ELECTRICAL EQUIP NUMBER: D00809 WIRING DIAGRAM REF: 274121	101106 108120 504903	1

MISSING ITEM NUMBERS NOT APPLICABLE

- ITEM NOT ILLUSTRATED

**27-41-71-01A**

27-41-71  
FIG. 01A  
PAGE 1  
JAN 20/09

BRI

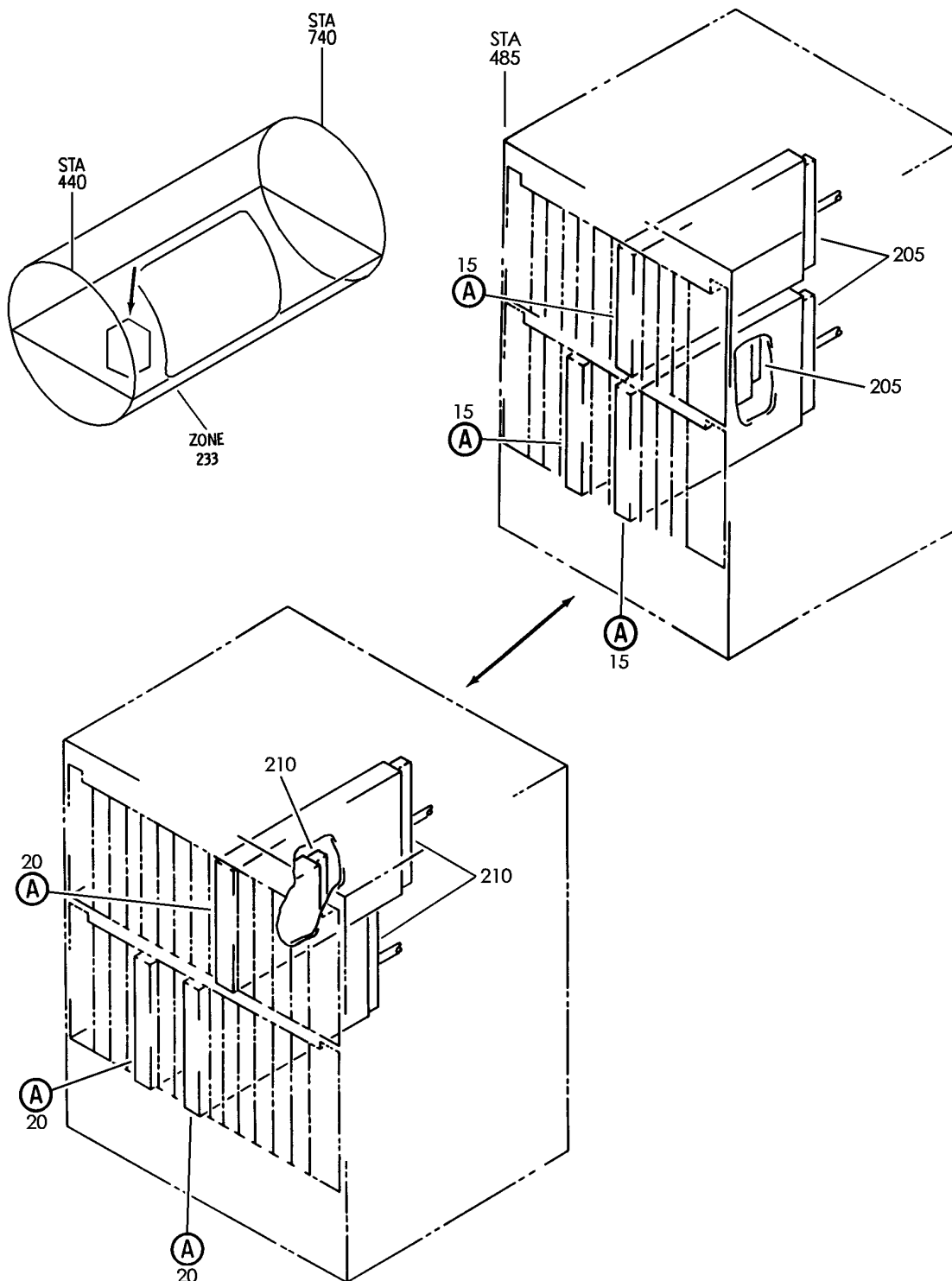
BOEING PROPRIETARY - Copyright © - Unpublished Work - See title page for details.

## HORIZONTAL STABILIZER POSITION INDICATION

BRI  
MAY 28/07

27-48-00  
SECTION TITLE  
PAGE 1

**BOEING**  
757  
PARTS CATALOG (MAINTENANCE)



Y 27480301 SHT 1 REV 219

EQUIPMENT INSTL-MAIN ELECTRONICS EQPT CTR (STABILIZER TRIM POSITION INDICATING SYSTEM ONLY)

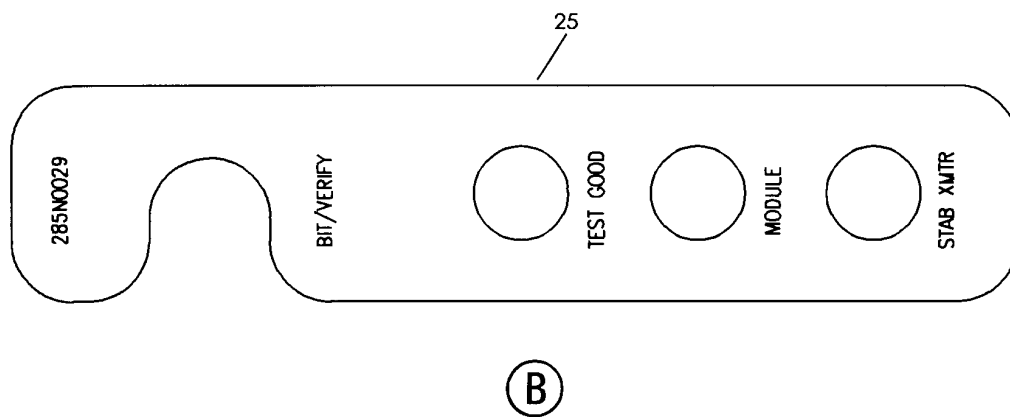
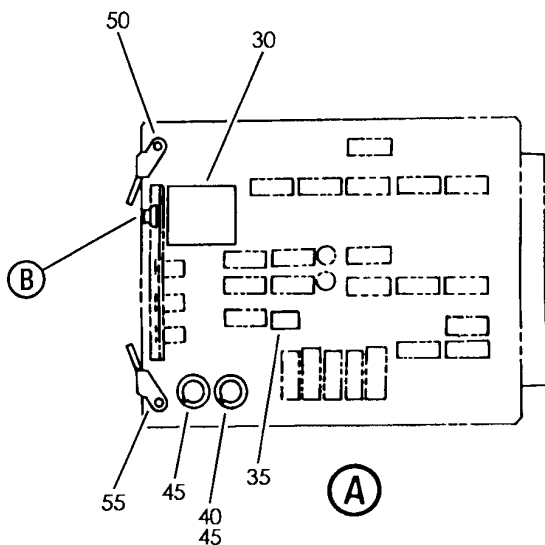
FIGURE 1 (SHEET 1)

**27-48-03-01**

BRI  
MAY 28/07

27-48-03-01  
PAGE 0

**BOEING**  
757  
PARTS CATALOG (MAINTENANCE)



Y 27480301 SHT 2 REV 211

EQUIPMENT INSTL-MAIN ELECTRONICS EQPT CTR (STABILIZER TRIM POSITION INDICATING SYSTEM ONLY)  
FIGURE 1 (SHEET 2)

BRI  
MAY 28/07

**27-48-03-01**

27-48-03-01  
PAGE 0A





757

PARTS CATALOG (MAINTENANCE)

FIG ITEM	PART NUMBER	1 2 3 4 5 6 7	NOMENCLATURE	EFFECT FROM TO	UNITS PER ASSY
1			EQUIPMENT INSTL-MAIN ELECTRONICS EQPT CTR (STABILIZER TRIM POSITION INDICATING SYSTEM ONLY)	002004 006100 107107 121999	
- 2	284N1307-33		EQUIPMENT INSTL-MAIN ELECTRONICS EQPT CTR (STABILIZER TRIM POSITION INDICATING SYSTEM ONLY) FOR NHA/OTHER SYS DET SEE: 24-00-58-01	107107	RF
- 2	284N1800-32		EQUIPMENT INSTL-MAIN ELECTRONICS EQPT CTR (STABILIZER TRIM POSITION INDICATING SYSTEM ONLY) FOR NHA/OTHER SYS DET SEE: 24-00-58-01	952999	RF
- 4	284N1800-16		EQUIPMENT INSTL-MAIN ELECTRONICS EQPT CTR (STABILIZER TRIM POSITION INDICATING SYSTEM ONLY) FOR NHA/OTHER SYS DET SEE: 24-00-58-01	121503 904949	RF
- 5	284N1800-34		EQUIPMENT INSTL-MAIN ELECTRONICS EQPT CTR (STABILIZER TRIM POSITION INDICATING SYSTEM ONLY) FOR NHA/OTHER SYS DET SEE: 24-00-58-01	002004 006100	RF
- 5	284N1800-38		EQUIPMENT INSTL-MAIN ELECTRONICS EQPT CTR (STABILIZER TRIM POSITION INDICATING SYSTEM ONLY) FOR NHA/OTHER SYS DET SEE: 24-00-58-01	950951	RF
- 6	284N1800-88		EQUIPMENT INSTL-MAIN ELECTRONICS EQPT CTR (STABILIZER TRIM POSITION INDICATING SYSTEM ONLY) FOR NHA/OTHER SYS DET SEE: 24-00-58-05E	505505	RF
- 7	284N1800-190		EQUIPMENT INSTL-MAIN ELECTRONICS EQPT CTR (STABILIZER TRIM POSITION INDICATING SYSTEM ONLY) FOR NHA/OTHER SYS DET SEE: 24-00-58-05E	504504 506903	RF

MISSING ITEM NUMBERS NOT APPLICABLE

- ITEM NOT ILLUSTRATED

27-48-03-01

27-48-03  
FIG. 01  
PAGE 1  
JAN 20/09

BRI



757

PARTS CATALOG (MAINTENANCE)

FIG ITEM	PART NUMBER	1 2 3 4 5 6 7	NOMENCLATURE	EFFECT FROM TO	UNITS PER ASSY
1 20	285N0029-1		.PRINTED CIRCUIT ASSY-STAB. POSITION MODULE SUPPLIER CODE: V89954 ELECTRICAL EQUIP NUMBER: M10408 M10409 M10410 COMPONENT MAINT MANUAL REF: 27-48-51 OPTIONAL PART: 285N0029-9 V89954	002004 006100 107107 121999	3
20	285N0029-9		.PRINTED CIRCUIT ASSY-STAB. POSITION MODULE SUPPLIER CODE: V89954 ELECTRICAL EQUIP NUMBER: M10408 M10409 M10410 COMPONENT MAINT MANUAL REF: 27-48-51 OPTIONAL PART: 285N0029-1 V89954	002004 006100 107107 121999	3
20	285N0029-12		.PRINTED CIRCUIT ASSY-STAB. POSITION MODULE SUPPLIER CODE: V89954 ELECTRICAL EQUIP NUMBER: M10408 M10409 M10410 COMPONENT MAINT MANUAL REF: 27-48-51	002004 006100 107107 121999	3
25	BAC27TEX2069		..DECAL- SUPPLIER CODE: V89954	002004 006100 107107 121999	1
30	P4-10073-9		..SWITCH- SUPPLIER CODE: V21649	002004 006100 107107 121999	1
35	LM555J883		..TIMER-SINGLE SUPPLIER CODE: V27014 ELECTRICAL EQUIP NUMBER: U16	002004 006100 107107 121999	1

MISSING ITEM NUMBERS NOT APPLICABLE

- ITEM NOT ILLUSTRATED

27-48-03-01

27-48-03  
FIG. 01  
PAGE 2  
JAN 20/09

BRI

BOEING PROPRIETARY - Copyright © - Unpublished Work - See title page for details.



757

PARTS CATALOG (MAINTENANCE)

FIG ITEM	PART NUMBER	1 2 3 4 5 6 7	NOMENCLATURE	EFFECT FROM TO	UNITS PER ASSY
1					
40	2270R		..HEAT SINK- SUPPLIER CODE: V13103	002004 006100 107107 121999	1
45	UA79M15HMQB		..MICROCIRCUIT-TYPE 79M15 SUPPLIER CODE: V07263 SPECIFICATION NUMBER: 280-22002-332 ELECTRICAL EQUIP NUMBER: U1 U2 OPTIONAL PART: 79M15HMQB V07263	002004 006100 107107 121999	2
50	71-2LA		..EXTRACTOR- SUPPLIER CODE: V18915	002004 006100 107107 121999	1
55	71-2RA		..EXTRACTOR- SUPPLIER CODE: V18915	002004 006100 107107 121999	1
- 200	286N1140-314		WIRE BUNDLE ASSY	504903	RF
- 200	286N1140-002		WIRE BUNDLE ASSY	107107 121503 904949	RF
- 200	286N1140-004		WIRE BUNDLE ASSY	002004 006100 950999	RF

MISSING ITEM NUMBERS NOT APPLICABLE

- ITEM NOT ILLUSTRATED

BRI

27-48-03-01

BOEING PROPRIETARY - Copyright © - Unpublished Work - See title page for details.

27-48-03  
FIG. 01  
PAGE 3  
JAN 20/09



757

PARTS CATALOG (MAINTENANCE)

FIG ITEM	PART NUMBER	1 2 3 4 5 6 7	NOMENCLATURE	EFFECT FROM TO	UNITS PER ASSY
1 210	300052-001		.CONNECTOR- SUPPLIER CODE: V0D9V3 SPECIFICATION NUMBER: BACC65L66 OPTIONAL PART: 200620-01 V16512 300052-001 V03877 192-366-0010 V26742 S1009-00833 V03877 ELECTRICAL EQUIP NUMBER: D00821 D00823 D00909 WIRING DIAGRAM REF: 274821	002004 006100 107107 121999	3

MISSING ITEM NUMBERS NOT APPLICABLE

- ITEM NOT ILLUSTRATED

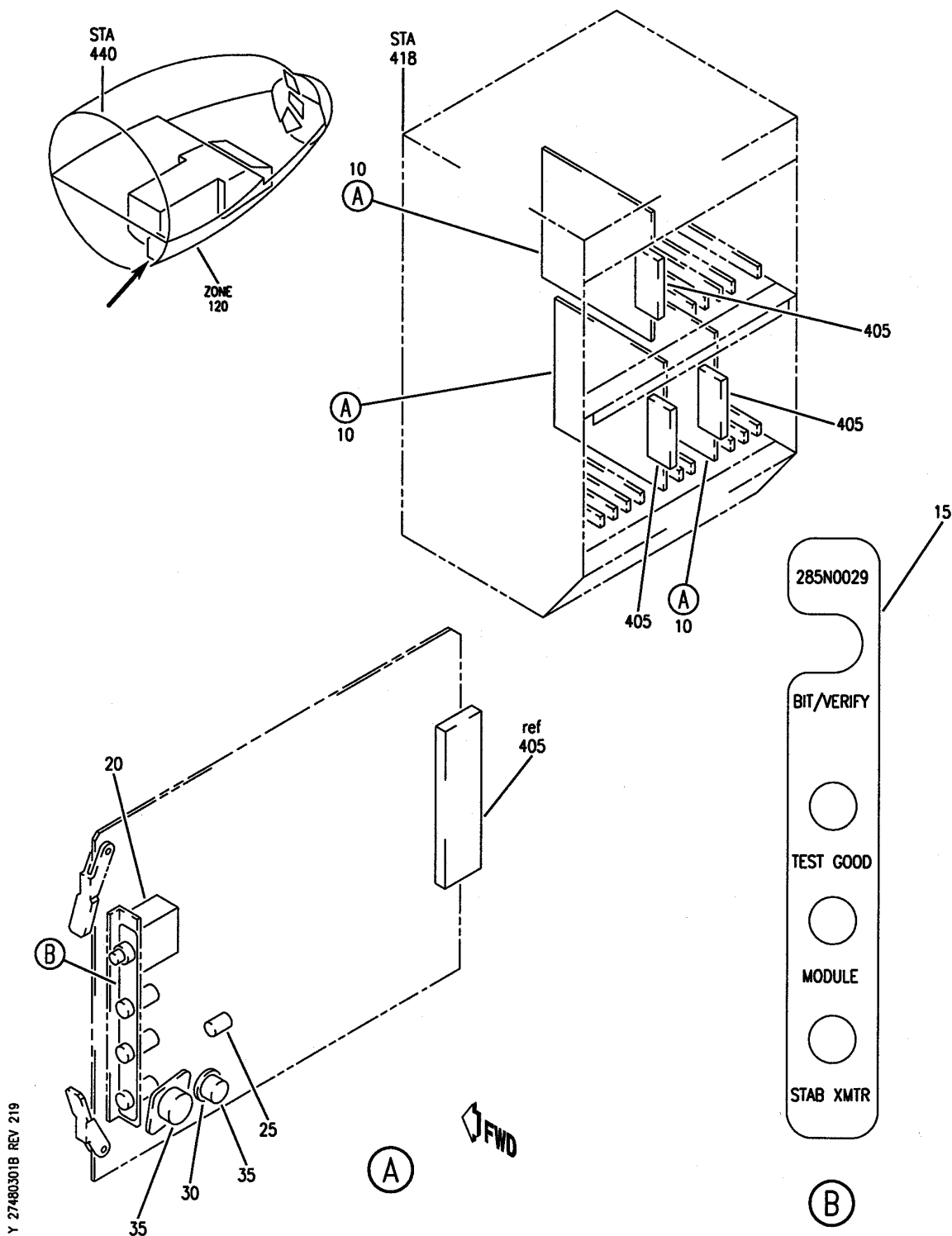
BRI

27-48-03-01

BOEING PROPRIETARY - Copyright © - Unpublished Work - See title page for details.

27-48-03  
FIG. 01  
PAGE 4  
JAN 20/09

**BOEING**  
757  
PARTS CATALOG (MAINTENANCE)



Y 27480301B REV 219

EQUIPMENT INSTL-MAIN ELECTRONICS EQPT CTR (STABILIZER TRIM POSITION INDICATING SYSTEM ONLY)  
FIGURE 1B

BRI  
MAY 28/07

**27-48-03-01B**

27-48-03-01B  
PAGE 0



757

PARTS CATALOG (MAINTENANCE)

FIG ITEM	PART NUMBER	1 2 3 4 5 6 7	NOMENCLATURE	EFFECT FROM TO	UNITS PER ASSY
1B			EQUIPMENT INSTL-MAIN ELECTRONICS EQPT CTR (STABILIZER TRIM POSITION INDICATING SYSTEM ONLY)	101102	
- 3	284N1800-140		EQUIPMENT INSTL-MAIN ELECTRONICS EQPT CTR (STABILIZER TRIM POSITION INDICATING SYSTEM ONLY) FOR NHA/OTHER SYS DET SEE: 24-00-58-05E	101101	RF
- 3	284N1800-141		EQUIPMENT INSTL-MAIN ELECTRONICS EQPT CTR (STABILIZER TRIM POSITION INDICATING SYSTEM ONLY) FOR NHA/OTHER SYS DET SEE: 24-00-58-05E	102102	RF
10	285N0029-12		.PRINTED CIRCUIT ASSY-STAB. POSITION MODULE SUPPLIER CODE: V89954 ELECTRICAL EQUIP NUMBER: M10408 M10409 M10410 COMPONENT MAINT MANUAL REF: 27-48-51	101102	3
10	285N0029-1		.PRINTED CIRCUIT ASSY-STAB. POSITION MODULE SUPPLIER CODE: V89954 ELECTRICAL EQUIP NUMBER: M10408 M10409 M10410 COMPONENT MAINT MANUAL REF: 27-48-51	101102	3
10	285N0029-9		.PRINTED CIRCUIT ASSY-STAB. POSITION MODULE SUPPLIER CODE: V89954 ELECTRICAL EQUIP NUMBER: M10408 M10409 M10410 COMPONENT MAINT MANUAL REF: 27-48-51	101102	3
15	BAC27TEX2069		..DECAL- SUPPLIER CODE: V89954	101102	1

MISSING ITEM NUMBERS NOT APPLICABLE

- ITEM NOT ILLUSTRATED

**27-48-03-01B**

27-48-03  
FIG. 01B  
PAGE 1  
JAN 20/09

BRI

BOEING PROPRIETARY - Copyright © - Unpublished Work - See title page for details.



757

PARTS CATALOG (MAINTENANCE)

FIG ITEM	PART NUMBER	1 2 3 4 5 6 7	NOMENCLATURE	EFFECT FROM TO	UNITS PER ASSY
1B					
20	P4-10073-9	..	SWITCH- SUPPLIER CODE: V21649	101102	1
25	LM555J883	..	TIMER-SINGLE SUPPLIER CODE: V27014 ELECTRICAL EQUIP NUMBER: U16	101102	1
30	2270R	..	HEAT SINK- SUPPLIER CODE: V13103	101102	1
35	UA79M15HMQB	..	MICROCIRCUIT-TYPE 79M15 SUPPLIER CODE: V07263 SPECIFICATION NUMBER: 280-22002-332 ELECTRICAL EQUIP NUMBER: U1 U2 OPTIONAL PART: 79M15HMQB V07263	101102	2
40	71-2LA	..	EXTRACTOR- SUPPLIER CODE: V18915	101102	1
45	71-2RA	..	EXTRACTOR- SUPPLIER CODE: V18915	101102	1
- 400	286N1140-306		WIRE BUNDLE ASSY	101102	RF
405	300052-001	.	CONNECTOR- SUPPLIER CODE: V0D9V3 SPECIFICATION NUMBER: BACC65L66 OPTIONAL PART: 200620-01 V16512 300052-001 V03877 192-366-0010 V26742 S1009-00833 V03877 ELECTRICAL EQUIP NUMBER: D00821 D00823 D00909 WIRING DIAGRAM REF: 274821	101102	3

MISSING ITEM NUMBERS NOT APPLICABLE

- ITEM NOT ILLUSTRATED

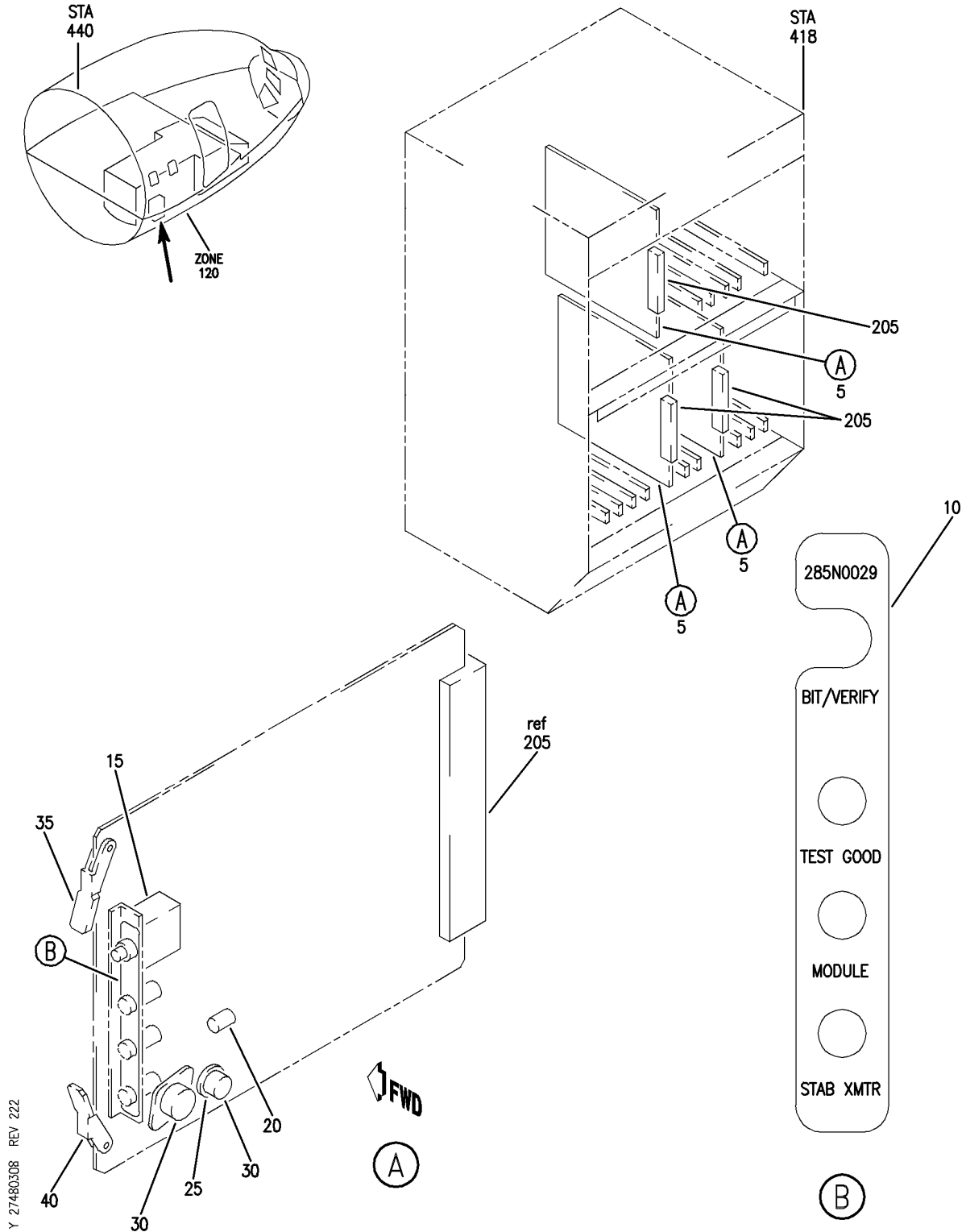
**27-48-03-01B**

27-48-03  
FIG. 01B  
PAGE 2  
JAN 20/09

BRI

BOEING PROPRIETARY - Copyright © - Unpublished Work - See title page for details.

**BOEING**  
757  
PARTS CATALOG (MAINTENANCE)



Y 27480308 REV 222

EQUIPMENT INSTL-MAIN ELECTRONICS EQPT CTR STAB. POSITION MODULE  
FIGURE 8

**27-48-03-08**

BRI  
JAN 20/09

27-48-03-08  
PAGE 0





757

PARTS CATALOG (MAINTENANCE)

FIG ITEM	PART NUMBER	1 2 3 4 5 6 7	NOMENCLATURE	EFFECT FROM TO	UNITS PER ASSY
8			EQUIPMENT INSTL-MAIN ELECTRONICS EQPT CTR STAB. POSITION MODULE	103106 108120	
- 1	284N4000-270001		EQUIPMENT INSTL-MAIN ELECTRONICS EQPT CTR STAB. POSITION MODULE	108120	RF
- 1	MODREF10033		FOR NHA SEE: 24-00-58-05 EQUIPMENT INSTL-MAIN ELECTRONICS EQPT CTR STAB. POSITION MODULE	103106	1
5	285N0029-12		MODULE NUMBER: 284N4000-270001 REV A .PRINTED CIRCUIT ASSY- SUPPLIER CODE: V89954 ELECTRICAL EQUIP NUMBER: M10408 M10409 M10410 COMPONENT MAINT MANUAL REF: 27-48-51 FUNCTIONAL REFERENCE: PLACARDS AND MARKINGS FOR DETAILS SEE 11-36-25-08	103106 108120	3
5	285N0029-1		.PRINTED CIRCUIT ASSY- SUPPLIER CODE: V89954 ELECTRICAL EQUIP NUMBER: M10408 M10409 M10410 COMPONENT MAINT MANUAL REF: 27-48-51 FUNCTIONAL REFERENCE: PLACARDS AND MARKINGS FOR DETAILS SEE 11-36-25-08	103106 108120	3

MISSING ITEM NUMBERS NOT APPLICABLE

- ITEM NOT ILLUSTRATED

**27-48-03-08**

27-48-03  
FIG. 08  
PAGE 1  
JAN 20/09

BRI



757

PARTS CATALOG (MAINTENANCE)

FIG ITEM	PART NUMBER	1 2 3 4 5 6 7	NOMENCLATURE	EFFECT FROM TO	UNITS PER ASSY
8					
5	285N0029-9		.PRINTED CIRCUIT ASSY- SUPPLIER CODE: V89954 ELECTRICAL EQUIP NUMBER: M10408 M10409 M10410 COMPONENT MAINT MANUAL REF: 27-48-51 FUNCTIONAL REFERENCE: PLACARDS AND MARKINGS FOR DETAILS SEE 11-36-25-08	103106 108120	3
10	BAC27TEX2069		..DECAL- SUPPLIER CODE: V89954	103106 108120	1
15	P4-10073-9		..SWITCH- SUPPLIER CODE: V21649	103106 108120	1
20	LM555J883		..TIMER-SINGLE SUPPLIER CODE: V27014 ELECTRICAL EQUIP NUMBER: U16	103106 108120	1
25	2270R		..HEAT SINK- SUPPLIER CODE: V13103	103106 108120	1
30	UA79M15HMQB		..MICROCIRCUIT-TYPE 79M15 SUPPLIER CODE: V07263 SPECIFICATION NUMBER: 280-22002-332 ELECTRICAL EQUIP NUMBER: U1 U2 OPTIONAL PART: 79M15HMQB V07263	103106 108120	2
35	71-2LA		..EXTRACTOR- SUPPLIER CODE: V18915	103106 108120	1
40	71-2RA		..EXTRACTOR- SUPPLIER CODE: V18915	103106 108120	1
- 200	286N1140-324		WIRE BUNDLE ASSY-	108120	RF
- 200	286N1140-701		WIRE BUNDLE ASSY	103106	RF

MISSING ITEM NUMBERS NOT APPLICABLE

- ITEM NOT ILLUSTRATED

27-48-03-08

27-48-03  
FIG. 08  
PAGE 2  
JAN 20/09

BRI

BOEING PROPRIETARY - Copyright © - Unpublished Work - See title page for details.



757

PARTS CATALOG (MAINTENANCE)

FIG ITEM	PART NUMBER	1 2 3 4 5 6 7	NOMENCLATURE	EFFECT FROM TO	UNITS PER ASSY
8 205	300052-001		.CONNECTOR- SUPPLIER CODE: V0D9V3 SPECIFICATION NUMBER: BACC65L66 OPTIONAL PART: 200620-01 V16512 300052-001 V03877 192-366-0010 V26742 S1009-00833 V03877 ELECTRICAL EQUIP NUMBER: D00821 D00823 D00909 WIRING DIAGRAM REF: 274821	103106 108120	3

MISSING ITEM NUMBERS NOT APPLICABLE

- ITEM NOT ILLUSTRATED

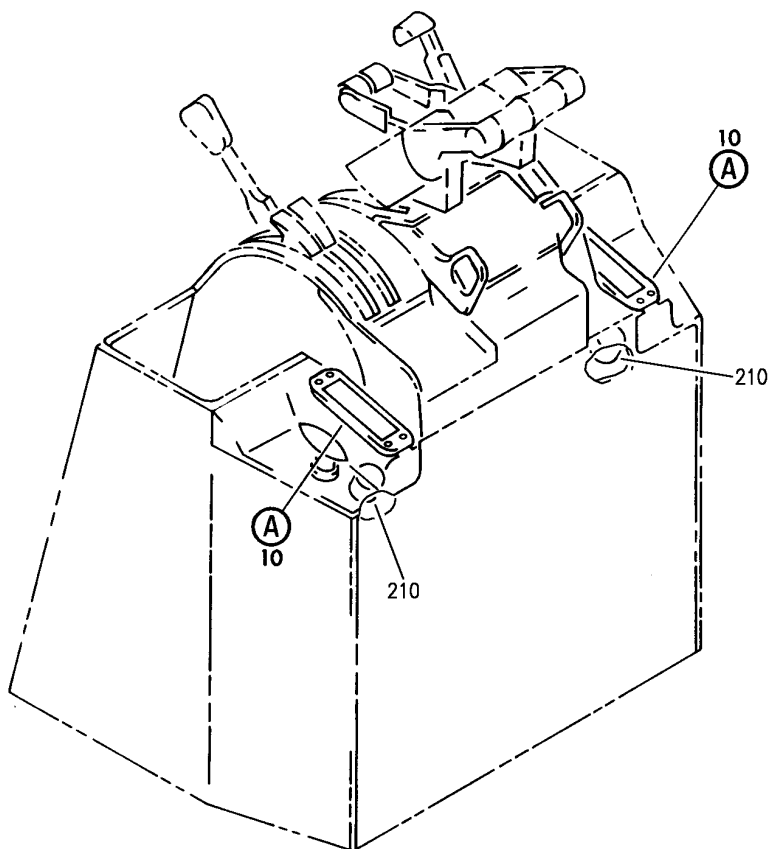
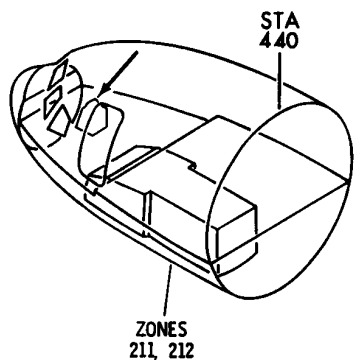
BRI

27-48-03-08

BOEING PROPRIETARY - Copyright © - Unpublished Work - See title page for details.

27-48-03  
FIG. 08  
PAGE 3  
JAN 20/09

**BOEING**  
757  
PARTS CATALOG (MAINTENANCE)



Y 27480601 SH1 1 REV 259

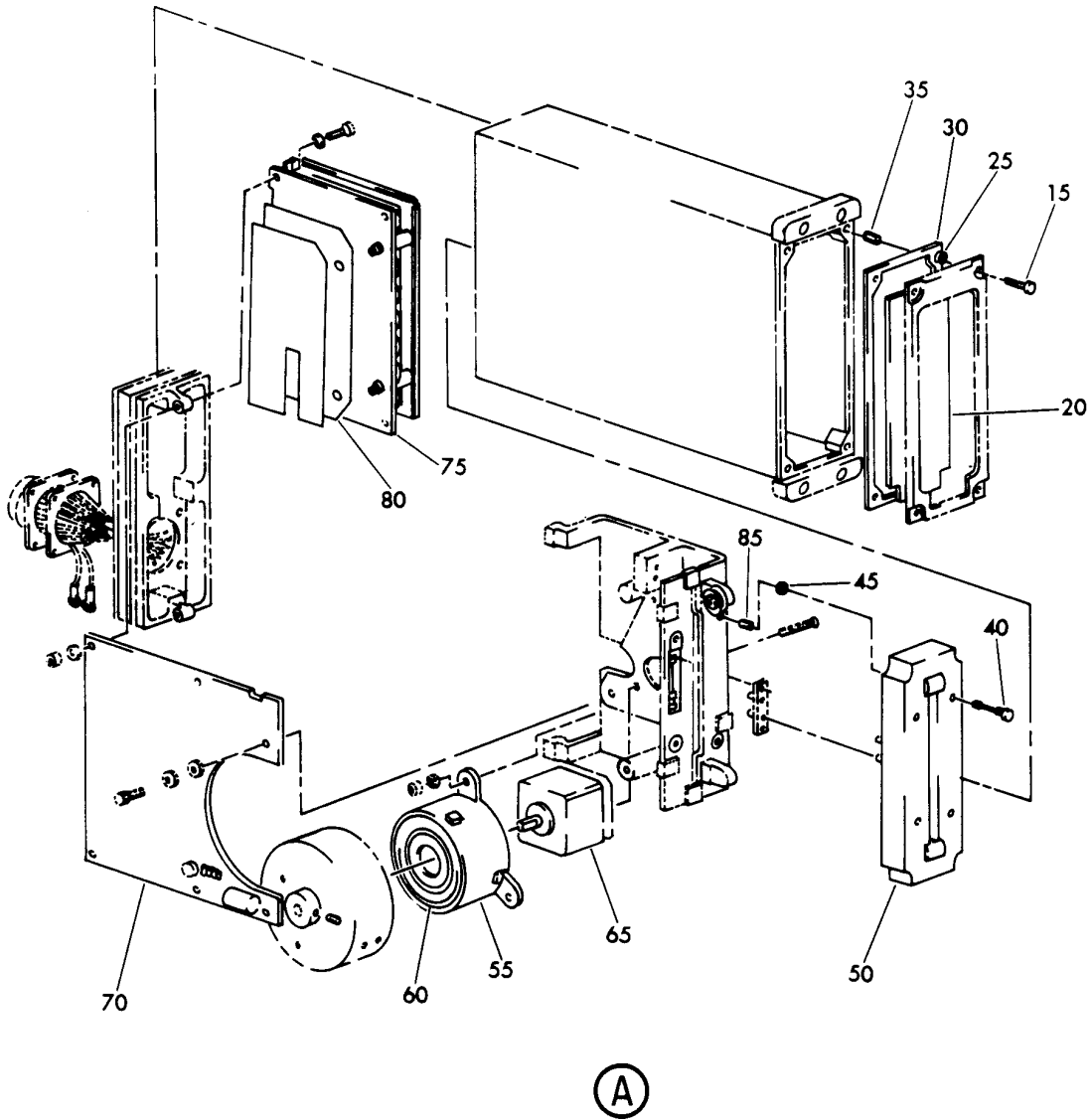
STAND ASSY-CONT VAR (FLIGHT CONTROLS ONLY)  
FIGURE 1 (SHEET 1)

**27-48-06-01**

BRI  
MAY 28/07

27-48-06-01  
PAGE 0

**BOEING**  
757  
PARTS CATALOG (MAINTENANCE)



Y 27480601 SHT 2 REV 082

STAND ASSY-CONT VAR (FLIGHT CONTROLS ONLY)  
FIGURE 1 (SHEET 2)

**27-48-06-01**

BRI  
MAY 28/07

27-48-06-01  
PAGE 0A



757

PARTS CATALOG (MAINTENANCE)

FIG ITEM	PART NUMBER	1 2 3 4 5 6 7	NOMENCLATURE	EFFECT FROM TO	UNITS PER ASSY
1			STAND ASSY-CONT VAR (FLIGHT CONTROLS ONLY)	002004 006999	
- 2	254N1008-311		STAND ASSY-CONT VAR (FLIGHT CONTROLS ONLY) FOR NHA/OTHER SYS DET SEE: 76-11-04-02	006006 015016	RF
- 3	254N1008-241		STAND ASSY-CONT VAR (FLIGHT CONTROLS ONLY) FOR NHA/OTHER SYS DET SEE: 76-11-04-02	107107	RF
- 4	254N1008-302		STAND ASSY-CONT VAR (FLIGHT CONTROLS ONLY) FOR NHA/OTHER SYS DET SEE: 76-11-04-02	904949	RF
- 5	254N1008-307		STAND ASSY-CONT VAR (FLIGHT CONTROLS ONLY) FOR NHA/OTHER SYS DET SEE: 76-11-04-02	002004 952952	RF
- 5	254N1008-308		STAND ASSY-CONT VAR (FLIGHT CONTROLS ONLY) FOR NHA/OTHER SYS DET SEE: 76-11-04-02	121503	RF
- 5	254N1008-309		STAND ASSY-CONT VAR (FLIGHT CONTROLS ONLY) FOR NHA/OTHER SYS DET SEE: 76-11-04-02	017100	RF
- 6	254N1008-316		STAND ASSY-CONT VAR (FLIGHT CONTROLS ONLY) FOR NHA/OTHER SYS DET SEE: 76-11-04-02	007014 950951 953999	RF
- 6	254N1008-321		STAND ASSY-CONT VAR (FLIGHT CONTROLS ONLY) FOR NHA/OTHER SYS DET SEE: 76-11-04-02	101102 504903	RF
- 7	254N1008-456		STAND ASSY-CONT VAR (FLIGHT CONTROLS ONLY) FOR NHA/OTHER SYS DET SEE: 76-11-04-02	108120	RF
- 8	254N1008-460		STAND ASSY-CONT VAR (FLIGHT CONTROLS ONLY) FOR NHA/OTHER SYS DET SEE: 76-11-04-02	103106	RF

MISSING ITEM NUMBERS NOT APPLICABLE

- ITEM NOT ILLUSTRATED

BRI

27-48-06-01

BOEING PROPRIETARY - Copyright © - Unpublished Work - See title page for details.

27-48-06  
FIG. 01  
PAGE 1  
JAN 20/09



757

PARTS CATALOG (MAINTENANCE)

FIG ITEM	PART NUMBER	1 2 3 4 5 6 7	NOMENCLATURE	EFFECT FROM TO	UNITS PER ASSY
1					
10	40-618-2		. INDICATOR ASSY-STAB. TRIM SUPPLIER CODE: V13068 SPECIFICATION NUMBER: S253T405-2 ELECTRICAL EQUIP NUMBER: N00068 N00069 COMPONENT MAINT MANUAL REF: 27-48-01	002004 006999	2
10	40-618-6		. INDICATOR ASSY-STAB. TRIM SUPPLIER CODE: V13068 SPECIFICATION NUMBER: S253T405-6 ELECTRICAL EQUIP NUMBER: N00068 N00069 COMPONENT MAINT MANUAL REF: 27-48-02	002004 006999	2
15	40-618-1229		.. SCREW-BEZEL MTG SUPPLIER CODE: V58880	002004 006999	4
20	40-618-1237		.. GLASS- SUPPLIER CODE: V58880 USED ON: 40-618-6	002004 006999	1
20	40-618-1202		.. GLASS- SUPPLIER CODE: V58880 USED ON: 40-618-2 40-618-7	002004 006999	1
25	40-618-1231		.. SPACER-THREADED SUPPLIER CODE: V58880	002004 006999	4
30	40-618-1204		.. GASKET- SUPPLIER CODE: V58880	002004 006999	1
35	MS21209C0225		.. INSERT	002004 006999	4
40	40-618-1230		.. SCREW-LIGHTING SUPPLIER CODE: V58880	002004 006999	4
45	40-618-1231		.. SPACER-THREADED SUPPLIER CODE: V58880	002004 006999	4

MISSING ITEM NUMBERS NOT APPLICABLE

- ITEM NOT ILLUSTRATED

27-48-06-01

27-48-06  
FIG. 01  
PAGE 2  
JAN 20/09

BRI

BOEING PROPRIETARY - Copyright © - Unpublished Work - See title page for details.



757

PARTS CATALOG (MAINTENANCE)

FIG ITEM	PART NUMBER	1 2 3 4 5 6 7	NOMENCLATURE	EFFECT FROM TO	UNITS PER ASSY
1					
50	40-618-1103-2	..	LIGHTING ASSY- SUPPLIER CODE: V13068 USED ON: 40-618-2	002004 006999	1
50	40-618-1103-4	..	LIGHTING ASSY- SUPPLIER CODE: V58880 USED ON: 40-618-6	002004 006999	1
55	40-618-1111	..	HOUSING ASSY- POTENTIOMETER SUPPLIER CODE: V58880	002004 006999	1
60	100-19-013	...	POTENTIOMETER-R38 SUPPLIER CODE: V58880	002004 006999	1
65	100-6-015	..	MOTOR-DC TORQUE B101 SUPPLIER CODE: V58880	002004 006999	1
70	40-618-1107	..	BOARD ASSY-PRINTED CKT A1 SUPPLIER CODE: V58880	002004 006999	1
75	40-618-1108	..	BOARD ASSY-PRINTED CKT A2 SUPPLIER CODE: V58880	002004 006999	1
80	40-618-1222	...	PLATE- SUPPLIER CODE: V58880	002004 006999	1
85	MS21209C0220	..	INSERT	002004 006999	4
- 200	286N2357-002		WIRE BUNDLE ASSY	002004 006100 107107 950999	RF
- 200	286N2357-601		WIRE BUNDLE ASSY	103105	RF
- 200	286N2357-003		WIRE BUNDLE ASSY	121503 904949	RF
- 200	286N2357-317		WIRE BUNDLE ASSY	108120	RF
- 200	286N2357-305		WIRE BUNDLE ASSY	101102	RF
- 201	286N2357-312		WIRE BUNDLE ASSY	504903	RF
- 205	286N2355-002		WIRE BUNDLE ASSY	002004 006100 107107 950999	RF
- 205	286N2355-003		WIRE BUNDLE ASSY	121503 904949	RF
- 205	286N2355-601		WIRE BUNDLE ASSY	103105	RF
- 206	286N2355-334		WIRE BUNDLE ASSY	108120	RF

MISSING ITEM NUMBERS NOT APPLICABLE

- ITEM NOT ILLUSTRATED

27-48-06-01

27-48-06  
FIG. 01  
PAGE 3  
JAN 20/09

BRI





757

PARTS CATALOG (MAINTENANCE)

FIG ITEM	PART NUMBER	1 2 3 4 5 6 7	NOMENCLATURE	EFFECT FROM TO	UNITS PER ASSY
1					
- 206	286N2355-321		WIRE BUNDLE ASSY	101102	RF
- 206	286N2355-314		WIRE BUNDLE ASSY	504903	RF
210	BACC45FT12D12S6		.CONNECTOR-	002004	1
			ELECTRICAL EQUIP NUMBER:	006105	
			D02496	107120	
			D02542	504903	
			WIRING DIAGRAM REF:	950999	
			274811		

MISSING ITEM NUMBERS NOT APPLICABLE

- ITEM NOT ILLUSTRATED

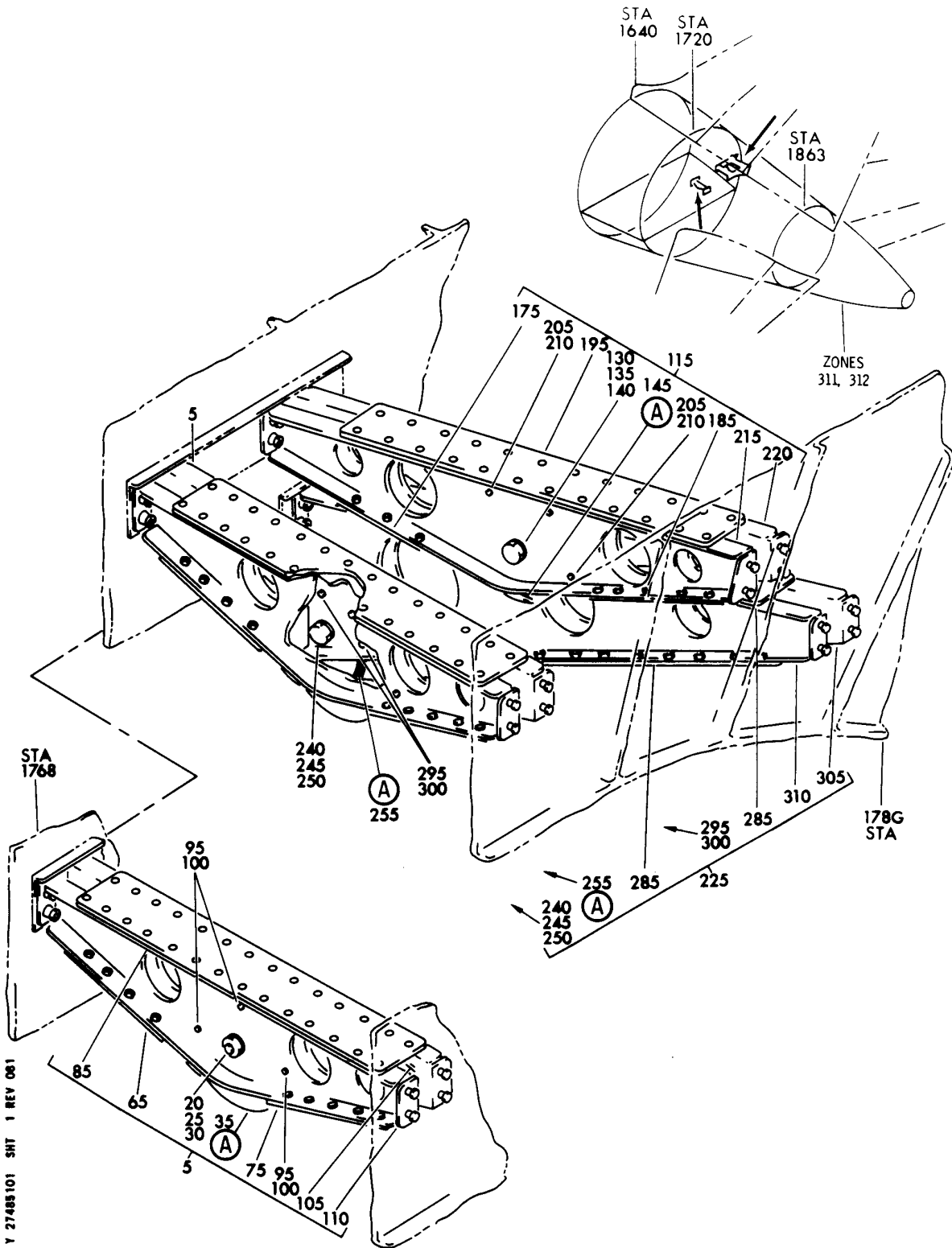
BRI

27-48-06-01

BOEING PROPRIETARY - Copyright © - Unpublished Work - See title page for details.

27-48-06  
FIG. 01  
PAGE 4  
JAN 20/09

**BOEING**  
757  
PARTS CATALOG (MAINTENANCE)



Y 27485101 SH1 1 REV 081

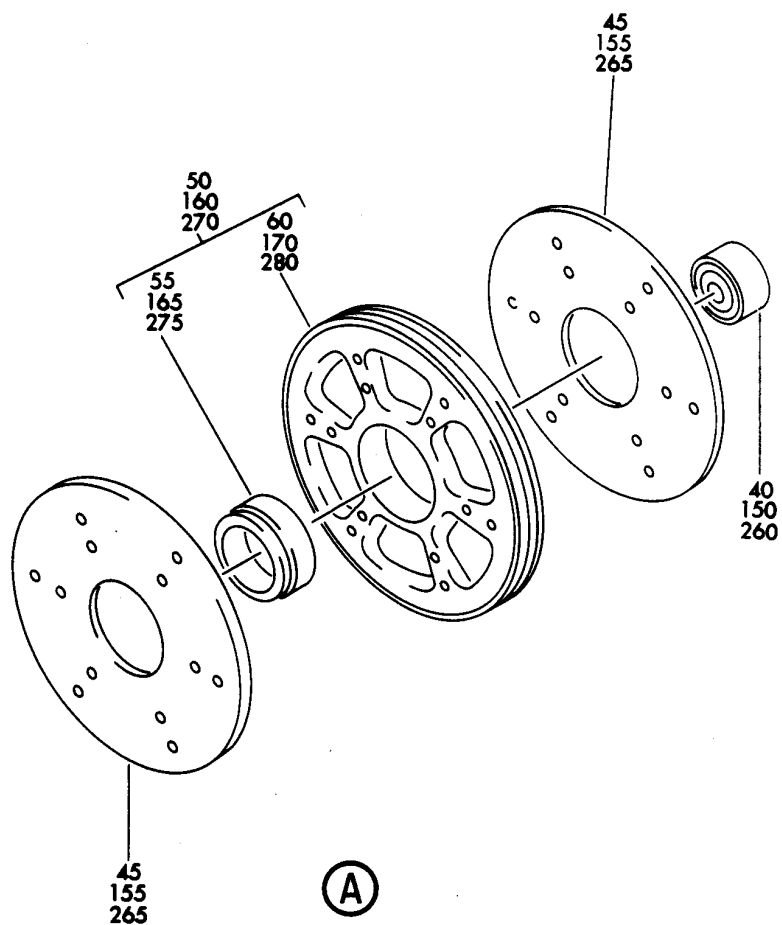
PULLEY INSTL-STAB. TRAVEL LIMIT AND POSITION INDICATOR  
FIGURE 1 (SHEET 1)

**27-48-51-01**

BRI  
MAY 28/07

27-48-51-01  
PAGE 0

**BOEING**  
757  
PARTS CATALOG (MAINTENANCE)



Y 27485101 SMT 2 REV 005

PULLEY INSTL-STAB. TRAVEL LIMIT AND POSITION INDICATOR  
FIGURE 1 (SHEET 2)

**27-48-51-01**

BRI  
MAY 28/07

27-48-51-01  
PAGE 0A



**757  
PARTS CATALOG (MAINTENANCE)**

FIG ITEM	PART NUMBER	1 2 3 4 5 6 7	NOMENCLATURE	EFFECT FROM TO	UNITS PER ASSY
1			PULLEY INSTL-STAB. TRAVEL LIMIT AND POSITION INDICATOR	002004 006999	
- 1	251N2021-1		PULLEY INSTL-STAB. TRAVEL LIM AND POSN INDICATOR FOR NHA SEE: 27-41-00-02	107107 904949	RF
- 1	251N2021-3		PULLEY INSTL-STAB. TRAVEL LIMIT AND POSITION INDICATOR FOR NHA SEE: 27-41-00-02 27-40-00-01	002004 006102 108903 950999	RF
- 1	MODREF7340		PULLEY INSTL-STAB. TRAVEL LIMIT AND POSITION INDICATOR MODULE NUMBER: 251N2021-3 REV A	103106	1
5	251N2424-1		.BRACKET ASSY-	107107	2
5	251N2424-4		.BRACKET ASSY-	002004 006999	2
- 10	BACB30MY5K		ATTACHING PARTS .BOLT-	002004 006999	24
- 15	HL70-5		.COLLAR SUPPLIER CODE: V5M902 SPECIFICATION NUMBER: BACC30M5 OPTIONAL PART: HL70-5 V73197 HL70-5 V92215 66014-5 V56878 HL70-5 V56878 -----*-----	002004 006999	24
20	BACB30NF4-10		..BOLT	002004 006999	1
25	AN960PD416		..WASHER	002004 006999	1

MISSING ITEM NUMBERS NOT APPLICABLE

- ITEM NOT ILLUSTRATED

BRI

# 27-48-51-01

BOEING PROPRIETARY - Copyright © - Unpublished Work - See title page for details.

27-48-51  
FIG. 01  
PAGE 1  
JAN 20/09



757

PARTS CATALOG (MAINTENANCE)

FIG ITEM	PART NUMBER	1 2 3 4 5 6 7	NOMENCLATURE	EFFECT FROM TO	UNITS PER ASSY
1	30 BRH10A4		..NUT SUPPLIER CODE: V52828 SPECIFICATION NUMBER: BACN10JC4 OPTIONAL PART: T6S428J V11815 96-048 V80539 VN303A048 V92215 RMLH9075-4W V72962 NS202101-048 V80539 H10-4BAC V15653	002004 006999	1
	35 65B80977-1		..PULLEY ASSY-4 IN. DIA 3/32 IN. CABLE FOR SPARES PROCURE: BACP30M4	002004 006999	1
	40 JMKP4P25LY196		...BEARING- SUPPLIER CODE: V40920 SPECIFICATION NUMBER: BACB10AN4 OPTIONAL PART: MKP4FS428 V21335 MKP4G20 V38443 LLMKP4 V38443 MKP4 V38443 MKP4-2TS V43991 MKP4E6531 V21335 MKP4TT V43991 MKP4SD610 V83086	002004 006999	1
	45 69B81979-1		...SHIELD	002004 006999	2
	50 65B80978-1		...SHEAVE ASSY	002004 006999	1

MISSING ITEM NUMBERS NOT APPLICABLE

- ITEM NOT ILLUSTRATED

BRI

27-48-51-01

27-48-51  
FIG. 01  
PAGE 2  
SEP 20/08



757

PARTS CATALOG (MAINTENANCE)

FIG ITEM	PART NUMBER	1 2 3 4 5 6 7	NOMENCLATURE	EFFECT FROM TO	UNITS PER ASSY
1					
55	69B81362-2	....	INSERT	002004 006999	1
60	65B80978-2	....	SHEAVE	002004 006999	1
65	251N2426-6	..	CAP	002004 006999	1
			ATTACHING PARTS		
- 70	BACR15BB4AD	..	RIVET- SIZE DETERMINED ON INSTL. -----*-----	002004 006999	8
75	251N2426-4	..	CAP	002004 006999	1
			ATTACHING PARTS		
- 80	BACR15BB4AD	..	RIVET- SIZE DETERMINED ON INSTL. -----*-----	002004 006999	10
85	251N2426-3	..	CAP	002004 006999	1
			ATTACHING PARTS		
- 90	BACR15BB4AD	..	RIVET- SIZE DETERMINED ON INSTL. -----*-----	002004 006999	28
95	BACR15BB4AD	..	RIVET- SIZE DETERMINED ON INSTL.	002004 006999	3
100	NAS42DD4-39	..	SPACER	002004 006999	3
105	251N2425-1	..	BRACKET	002004 006999	1
110	251N2425-2	..	BRACKET	002004 006999	1
115	251N2424-2	.	BRACKET ASSY-	107107	1
115	251N2424-5	.	BRACKET ASSY-	107107 904949	1
115	251N2424-4	.	BRACKET ASSY-	002004 006106 108903 950999	1
			ATTACHING PARTS		
- 120	BACB30MY5K	.	BOLT- SIZE DETERMINED ON INSTL.	002004 006999	16

MISSING ITEM NUMBERS NOT APPLICABLE

- ITEM NOT ILLUSTRATED

27-48-51-01

27-48-51  
FIG. 01  
PAGE 3  
JAN 20/09

BRI

BOEING PROPRIETARY - Copyright © - Unpublished Work - See title page for details.



757

PARTS CATALOG (MAINTENANCE)

FIG ITEM	PART NUMBER	1 2 3 4 5 6 7	NOMENCLATURE	EFFECT FROM TO	UNITS PER ASSY
1 - 125	HL70-5	.	COLLAR SUPPLIER CODE: V5M902 SPECIFICATION NUMBER: BACC30M5 OPTIONAL PART: HL70-5 V73197 HL70-5 V92215 66014-5 V56878 HL70-5 V56878 -----*-----	002004 006999	16
130	BACB30NF4-10	..	BOLT	002004 006999	1
135	AN960PD416	..	WASHER	002004 006999	1
140	BRH10A4	..	NUT SUPPLIER CODE: V52828 SPECIFICATION NUMBER: BACN10JC4 OPTIONAL PART: T6S428J V11815 96-048 V80539 VN303A048 V92215 RMLH9075-4W V72962 NS202101-048 V80539 H10-4BAC V15653	002004 006999	1
145	65B80977-1	..	PULLEY ASSY-4 IN. DIA 3/32 IN. CABLE FOR SPARES PROCURE: BACP30M4	002004 006999	1

MISSING ITEM NUMBERS NOT APPLICABLE

- ITEM NOT ILLUSTRATED

BRI

27-48-51-01

BOEING PROPRIETARY - Copyright © - Unpublished Work - See title page for details.

27-48-51  
FIG. 01  
PAGE 4  
SEP 20/08

 **BOEING**  
757  
**PARTS CATALOG (MAINTENANCE)**

FIG ITEM	PART NUMBER	1 2 3 4 5 6 7	NOMENCLATURE	EFFECT FROM TO	UNITS PER ASSY
1 150	JMKP4P25LY196	...	BEARING- SUPPLIER CODE: V40920 SPECIFICATION NUMBER: BACB10AN4 OPTIONAL PART: MKP4FS428 V21335 MKP4G20 V38443 LLMKP4 V38443 MKP4 V38443 MKP4-2TS V43991 MKP4E6531 V21335 MKP4TT V43991 MKP4SD610 V83086	002004 006999	1
155	69B81979-1	...	SHIELD	002004 006999	2
160	65B80978-1	...	SHEAVE ASSY	002004 006999	1
165	69B81362-2	....	INSERT	002004 006999	1
170	65B80978-2	....	SHEAVE	002004 006999	1
175	251N2426-5	..	CAP-	107107 904949	1
175	251N2426-6	..	CAP-	002004 006106 108903 950999	1
			ATTACHING PARTS		
- 180	BACR15BB4AD	..	RIVET- SIZE DETERMINED ON INSTL.	107107 904949	6
- 182	BACR15BB4AD	..	RIVET- SIZE DETERMINED ON INSTL.	002004 006106 108903 950999	8
			-----*-----		
185	251N2426-4	..	CAP	002004 006999	1

MISSING ITEM NUMBERS NOT APPLICABLE

- ITEM NOT ILLUSTRATED

BRI

# 27-48-51-01

BOEING PROPRIETARY - Copyright © - Unpublished Work - See title page for details.

27-48-51  
FIG. 01  
PAGE 5  
JAN 20/09





757

PARTS CATALOG (MAINTENANCE)

FIG ITEM	PART NUMBER	1 2 3 4 5 6 7	NOMENCLATURE	EFFECT FROM TO	UNITS PER ASSY
1			ATTACHING PARTS		
- 190	BACR15BB4AD	..	RIVET- SIZE DETERMINED ON INSTL.	002004 006999	10
			-----*-----		
195	251N2426-2	..	CAP-	107107 904949	1
			ATTACHING PARTS		
- 200	BACR15BB4AD	..	RIVET- SIZE DETERMINED ON INSTL.	107107 904949	24
- 202	BACR15BB4AD	..	RIVET- SIZE DETERMINED ON INSTL.	002004 006106 108903 950999	28
			-----*-----		
205	BACR15BB4AD	..	RIVET- SIZE DETERMINED ON INSTL.	002004 006999	3
210	NAS42DD4-39	..	SPACER	002004 006999	3
215	251N2425-3	..	BRACKET-	107107 904949	1
215	251N2425-1	..	BRACKET-	002004 006106 108903 950999	1
220	251N2425-4	..	BRACKET-	107107 904949	1
220	251N2425-2	..	BRACKET-	002004 006106 108903 950999	1
225	251N2424-3	.	BRACKET ASSY-	107107	1
225	251N2424-6	.	BRACKET ASSY-	107107 904949	1
			ATTACHING PARTS		
- 230	BACB30MY5K	.	BOLT- SIZE DETERMINED ON INSTL.	107107 904949	12

MISSING ITEM NUMBERS NOT APPLICABLE

- ITEM NOT ILLUSTRATED

27-48-51-01

27-48-51  
FIG. 01  
PAGE 6  
JAN 20/09

BRI



757

PARTS CATALOG (MAINTENANCE)

FIG ITEM	PART NUMBER	1 2 3 4 5 6 7	NOMENCLATURE	EFFECT FROM TO	UNITS PER ASSY
1 - 235	HL70-5		. COLLAR SUPPLIER CODE: V5M902 SPECIFICATION NUMBER: BACC30M5 OPTIONAL PART: HL70-5 V73197 HL70-5 V92215 66014-5 V56878 HL70-5 V56878 -----*-----	107107 904949	12
240	BACB30NF4-10		.. BOLT	107107 904949	1
245	AN960PD416		.. WASHER	107107 904949	1
250	BRH10A4		.. NUT SUPPLIER CODE: V52828 SPECIFICATION NUMBER: BACN10JC4 OPTIONAL PART: T6S428J V11815 96-048 V80539 VN303A048 V92215 RMLH9075-4W V72962 NS202101-048 V80539 H10-4BAC V15653	107107 904949	1
255	65B80977-1		.. PULLEY ASSY-4 IN. DIA 3/32 IN. CABLE FOR SPARES PROCURE: BACP30M4	107107 904949	1

MISSING ITEM NUMBERS NOT APPLICABLE

- ITEM NOT ILLUSTRATED

BRI

27-48-51-01

BOEING PROPRIETARY - Copyright © - Unpublished Work - See title page for details.

27-48-51  
FIG. 01  
PAGE 7  
JAN 20/09



757

PARTS CATALOG (MAINTENANCE)

FIG ITEM	PART NUMBER	1 2 3 4 5 6 7	NOMENCLATURE	EFFECT FROM TO	UNITS PER ASSY
1 260	JMKP4P25LY196		... BEARING- SUPPLIER CODE: V40920 SPECIFICATION NUMBER: BACB10AN4 OPTIONAL PART: MKP4FS428 V21335 MKP4G20 V38443 LLMKP4 V38443 MKP4 V38443 MKP4-2TS V43991 MKP4E6531 V21335 MKP4TT V43991 MKP4SD610 V83086	107107 904949	1
265	69B81979-1		... SHIELD	107107 904949	2
270	65B80978-1		... SHEAVE ASSY	107107 904949	1
275	69B81362-2		.... INSERT	107107 904949	1
280	65B80978-2		.... SHEAVE	107107 904949	1
285	251N2426-1		.. CAP	107107 904949	2
			ATTACHING PARTS		
- 290	BACR15BB4AD		.. RIVET- SIZE DETERMINED ON INSTL. -----*-----	107107 904949	52
295	BACR15BB4AD		.. RIVET- SIZE DETERMINED ON INSTL.	107107 904949	3
300	NAS42DD4-39		.. SPACER	107107 904949	3
305	251N2425-5		.. BRACKET	107107 904949	1
310	251N2425-6		.. BRACKET	107107 904949	1

MISSING ITEM NUMBERS NOT APPLICABLE

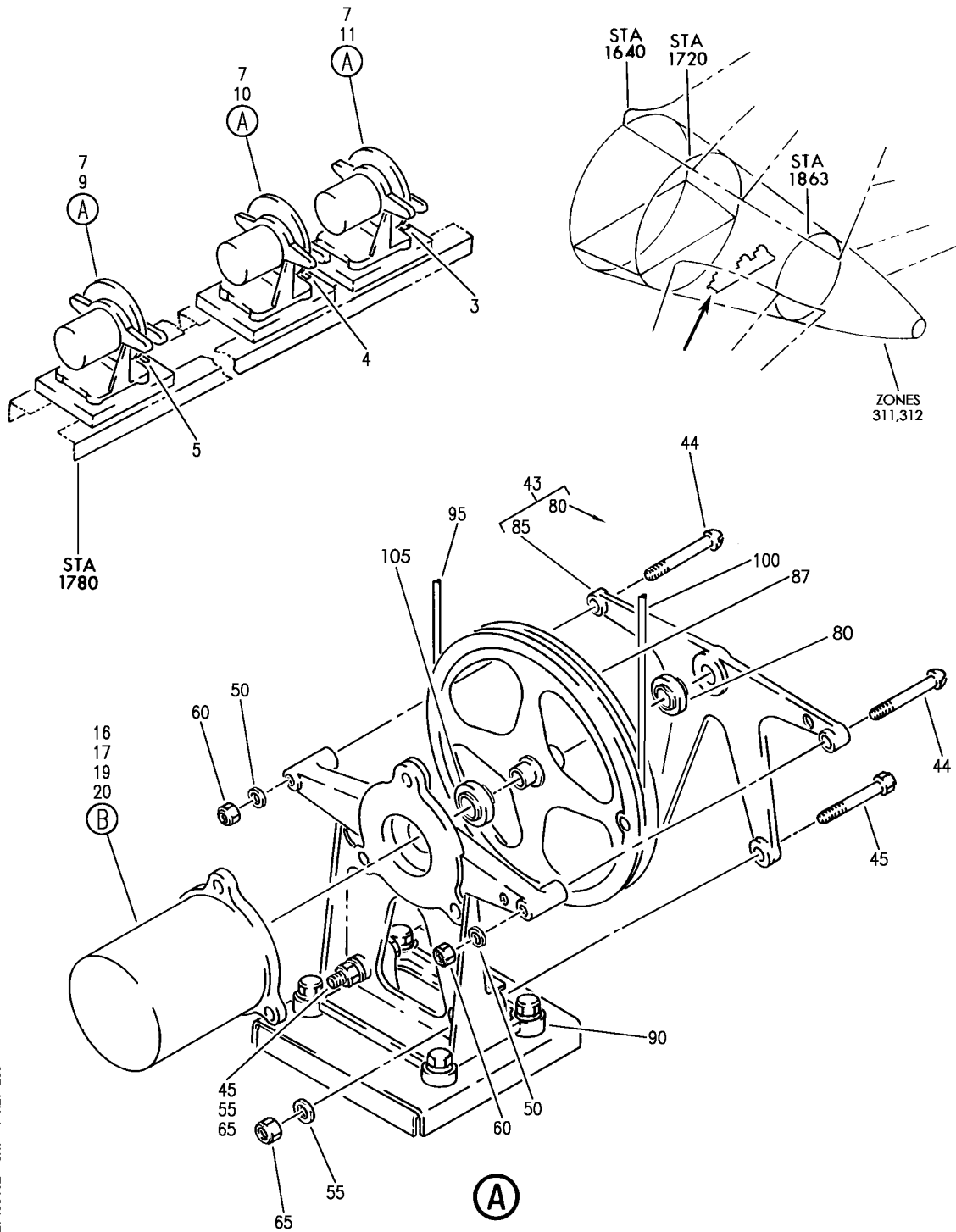
- ITEM NOT ILLUSTRATED

BRI

27-48-51-01

27-48-51  
FIG. 01  
PAGE 8  
JAN 20/09

**BOEING**  
757  
PARTS CATALOG (MAINTENANCE)



Y 27485102 SHT 1 REV 289

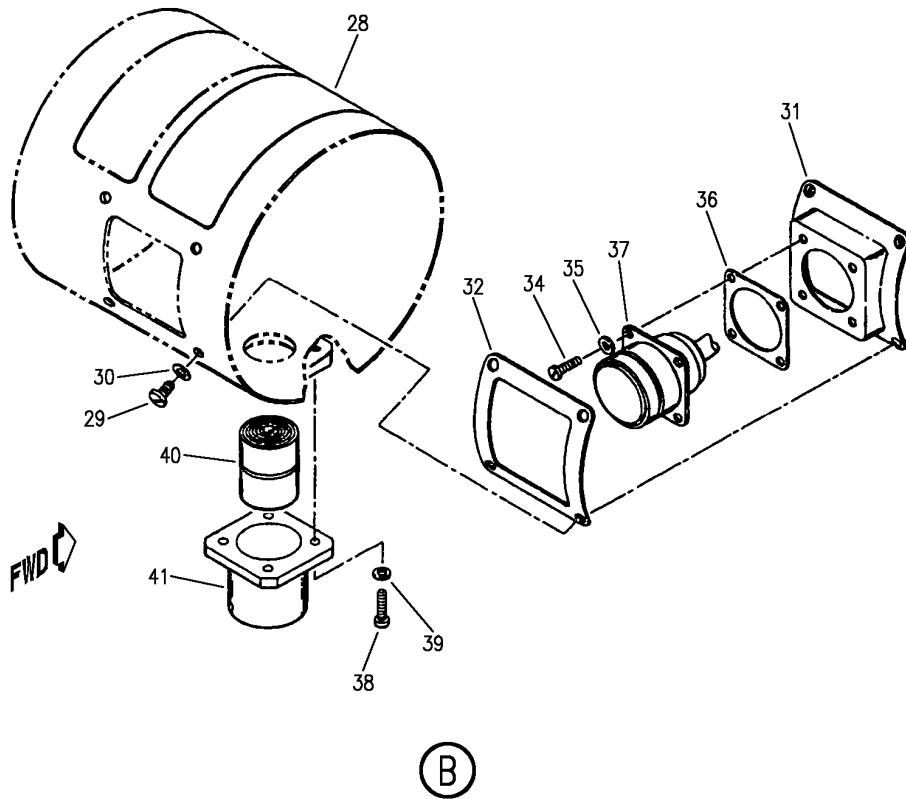
TRANSMITTER INSTL-STAB. TRAVEL LIMIT AND POSITION IND  
FIGURE 2 (SHEET 1)

**27-48-51-02**

BRI  
MAY 28/07

27-48-51-02  
PAGE 0

**BOEING**  
757  
PARTS CATALOG (MAINTENANCE)



Y 27485102 SH1 2 REV 281

TRANSMITTER INSTL-STAB. TRAVEL LIMIT AND POSITION IND  
FIGURE 2 (SHEET 2)

**27-48-51-02**

BRI  
MAY 28/07

27-48-51-02  
PAGE 0A



757

PARTS CATALOG (MAINTENANCE)

FIG ITEM	PART NUMBER	1 2 3 4 5 6 7	NOMENCLATURE	EFFECT FROM TO	UNITS PER ASSY
2			TRANSMITTER INSTL-STAB. TRAVEL LIMIT AND POSITION IND	002004 006999	
- 1	251N2020-2		TRANSMITTER INSTL-STAB. TRAVEL LIMIT AND POSITION IND	002004 006100 107107	RF
- 1	251N2020-4		FOR NHA SEE: 27-41-00-02 TRANSMITTER INSTL-STAB. TRAVEL LIMIT AND POSITION IND	121503 904999 101102 108120 504903	RF
- 1	MODREF7339		FOR NHA SEE: 27-40-00-01 TRANSMITTER INSTL-STAB. TRAVEL LIMIT AND POSITION IND	103106	1
3	BAC27NCT0067		MODULE NUMBER: 251N2020-5 REV A .DECAL-	107107 904949 952952	1
3	BAC27NCT0301		PLACARD CONTENT: M520 STAB TRIM POS MODULE CONN D00677 .DECAL-	002004 006106 108903 950951 953999	1
4	BAC27NCT0068		PLACARD CONTENT: M520 STAB TRIM POS MODULE CONN D00677 .DECAL-	107107 904949 952952	1
4	BAC27NCT0302		PLACARD CONTENT: M521 STAB TRIM POS MODULE CONN D00679 .DECAL-	002004 006106 108903 950951 953999	1
5	BAC27NCT0066		PLACARD CONTENT: M519 STAB TRIM POS MODULE CONN D00707 .DECAL-	107107 904949 952952	1
5	BAC27NCT0300		PLACARD CONTENT: M519 STAB TRIM POS MODULE CONN D00707 .DECAL-	002004 006106 108903 950951 953999	1

MISSING ITEM NUMBERS NOT APPLICABLE

- ITEM NOT ILLUSTRATED

BRI

27-48-51-02

27-48-51  
FIG. 02  
PAGE 1  
JAN 20/09



757

PARTS CATALOG (MAINTENANCE)

FIG ITEM	PART NUMBER	1 2 3 4 5 6 7	NOMENCLATURE	EFFECT FROM TO	UNITS PER ASSY
2	7 251N2078-6		.TRANSMITTER ASSY- QUALIFIED I/W DATA: ONLY FOR RIGHT MODULE LOCATION, 251N2078-9 CAN REPLACE OR BE REPLACED BY 251N2078-6 ONLY FOR CENTER MODULE LOCATION, 251N2078-8 CAN REPLACE OR BE REPLACED BY 251N2078-6 ONLY FOR LEFT MODULE LOCATION, 251N2078-7 CAN REPLACE OR BE REPLACED BY 251N2078-6	002004 006102 108903 950999	3
	7 251N2078-4		.TRANSMITTER ASSY-	107107 904949	3
	7 251N2078-5		.TRANSMITTER ASSY- QUALIFIED I/W DATA: ONLY FOR RIGHT MODULE LOCATION, 251N2078-9 CAN REPLACE OR BE REPLACED BY 251N2078-5 ONLY FOR CENTER MODULE LOCATION, 251N2078-8 CAN REPLACE OR BE REPLACED BY 251N2078-5 ONLY FOR LEFT MODULE LOCATION, 251N2078-7 CAN REPLACE OR BE REPLACED BY 251N2078-5	002004 006102 108903 950999	3
9	251N2078-7		.TRANSMITTER ASSY-STAB POSTION POSITION DATA: LEFT MODULE, LBL 20 QUALIFIED I/W DATA: ONLY FOR LEFT MODULE LOCATION, 251N2078-7 CAN REPLACE OR BE REPLACED BY 251N2078-6 ONLY FOR LEFT MODULE LOCATION, 251N2078-7 CAN REPLACE OR BE REPLACED BY 251N2078-5	103106	1

MISSING ITEM NUMBERS NOT APPLICABLE

- ITEM NOT ILLUSTRATED

BRI

27-48-51-02

BOEING PROPRIETARY - Copyright © - Unpublished Work - See title page for details.

27-48-51  
FIG. 02  
PAGE 2  
JAN 20/09

**BOEING**  
757  
**PARTS CATALOG (MAINTENANCE)**

FIG ITEM	PART NUMBER	1 2 3 4 5 6 7	NOMENCLATURE	EFFECT FROM TO	UNITS PER ASSY
2					
10	251N2078-8		.TRANSMITTER ASSY-STAB POSITION POSITION DATA: CENTER MODULE, RBL 13 QUALIFIED I/W DATA: ONLY FOR CENTER MODULE LOCATION, 251N2078-8 CAN REPLACE OR BE REPLACED BY 251N2078-6 ONLY FOR CENTER MODULE LOCATION, 251N2078-8 CAN REPLACE OR BE REPLACED BY 251N2078-5	103106	1
11	251N2078-9		.TRANSMITTER ASSY-STAB POSITION POSITION DATA: RIGHT MODULE, RBL 22 QUALIFIED I/W DATA: ONLY FOR RIGHT MODULE LOCATION, 251N2078-9 CAN REPLACE OR BE REPLACED BY 251N2078-6 ONLY FOR RIGHT MODULE LOCATION, 251N2078-9 CAN REPLACE OR BE REPLACED BY 251N2078-5	103106	1
- 13	BACB30NF4-18		.BOLT	002004 006999	12
- 15	NAS1149D0463J		.WASHER	002004 006999	12
			-----*-----		
R R R R R R R R R R R	16	9000428-6	..STAB-TRIM LIMIT SWITCH SUPPLIER CODE: V96774 POSITION DATA: LEFT SPECIFICATION NUMBER: S251T440-104 USED ON: 251N2078-7	103106	1
	16	9000428-16	..STAB-TRIM LIMIT SWITCH SUPPLIER CODE: V96774 SPECIFICATION NUMBER: S251T440-104	103106	1

MISSING ITEM NUMBERS NOT APPLICABLE

- ITEM NOT ILLUSTRATED

BRI

# 27-48-51-02

BOEING PROPRIETARY - Copyright © - Unpublished Work - See title page for details.

27-48-51  
FIG. 02  
PAGE 3  
MAY 20/09



**BOEING**  
757  
**PARTS CATALOG (MAINTENANCE)**

FIG ITEM	PART NUMBER	1 2 3 4 5 6 7	NOMENCLATURE	EFFECT FROM TO	UNITS PER ASSY
2 17  17  19  19  20	9000428-7		.. STAB-TRIM LIMIT SWITCH SUPPLIER CODE: V96774 POSITION DATA: CTR SPECIFICATION NUMBER: 251T440-105 OPTIONAL PART: 9000428-10 V96774 USED ON: 251N2078-8	103106	1
	9000428-20		.. STAB-TRIM LIMIT SWITCH SUPPLIER CODE: V96774 POSITION DATA: CTR SPECIFICATION NUMBER: 251T440-105 OPTIONAL PART: 9000428-7 V96774 USED ON: 251N2078-8	103106	1
	9000428-8		.. STAB-TRIM LIMIT SWITCH SUPPLIER CODE: V96774 POSITION DATA: RIGHT SPECIFICATION NUMBER: S251T440-106 USED ON: 251N2078-9	103106	1
	9000428-18		.. STAB-TRIM LIMIT SWITCH SUPPLIER CODE: V96774 SPECIFICATION NUMBER: S251T440-106	103106	1
	80000000-07		.. MODULE ASSY-XMTR SUPPLIER CODE: V1K426 SPECIFICATION NUMBER: S251T440-102 COMPONENT MAINT MANUAL REF: 27-41-01 FUNCTIONAL REFERENCE: PLACARDS AND MARKINGS FOR DETAILS SEE 11-26-02-01	107107 904949	1

MISSING ITEM NUMBERS NOT APPLICABLE

— ITEM NOT ILLUSTRATED

BRI

# 27-48-51-02

BOEING PROPRIETARY - Copyright © - Unpublished Work - See title page for details.

27-48-51  
FIG. 02  
PAGE 4  
MAY 20/09



757

PARTS CATALOG (MAINTENANCE)

FIG ITEM	PART NUMBER	1 2 3 4 5 6 7	NOMENCLATURE	EFFECT FROM TO	UNITS PER ASSY
2	20 80000000-16		..MODULE ASSY-XMTR SUPPLIER CODE: V1K426 SPECIFICATION NUMBER: S251T440-103 COMPONENT MAINT MANUAL REF: 27-41-01 FUNCTIONAL REFERENCE: PLACARDS AND MARKINGS FOR DETAILS SEE 11-26-02-01 ATTACHING PARTS	002004 006102 108903 950999	1
- 25	BACB30NF4-9		..BOLT	002004 006999	3
- 26	NAS1149D0463J		..WASHER	002004 006999	3
			-----*-----		
28	80010001-01		...PLATE-IDENT SUPPLIER CODE: V1K426	002004 006102 107999	1
29	NAS600-5P		...SCREW	002004 006102 107999	4
30	NAS620-4L		...WASHER	002004 006102 107999	4
31	80014101-01		...BRACKET-CONN. SUPPLIER CODE: V1K426 OPTIONAL PART: 80011412-01 V1K426	002004 006102 107999	1
31	80011412-01		...BRACKET-CONN. SUPPLIER CODE: V1K426 OPTIONAL PART: 80014101-01 V1K426	002004 006102 107999	1
32	80012003-02		...GASKET-CONN. SUPPLIER CODE: V1K426	002004 006102 107999	1
34	NAS600-6P		...SCREW	002004 006102 107999	4
35	NAS620-4		...WASHER	002004 006102 107999	4

MISSING ITEM NUMBERS NOT APPLICABLE

- ITEM NOT ILLUSTRATED

27-48-51-02

27-48-51  
FIG. 02  
PAGE 5  
JAN 20/09

BRI



757

PARTS CATALOG (MAINTENANCE)

FIG ITEM	PART NUMBER	1 2 3 4 5 6 7	NOMENCLATURE	EFFECT FROM TO	UNITS PER ASSY
2					
36	80011401-01	...	GASKET-CONN. SUPPLIER CODE: V1K426	002004 006102 107999	1
37	MS24264R18T31P	...	CONNECTOR	107107 904949	1
37	MS24264R18T31P8	...	CONNECTOR	002004 006102 108903 950999	1
38	NAS600-5P	...	SCREW	002004 006102 107999	4
39	NAS620-4L	...	WASHER	002004 006102 107999	4
40	605-100-0001-02	...	ARRESTOR-FLAME SUPPLIER CODE: V1K426	002004 006102 107999	1
41	80012401-02	...	HOUSING- SUPPLIER CODE: V1K426	002004 006102 107999	1
43	251N2077-10	..	GUARD ASSY- OPTIONAL PART: 251N2077-9 USED ON: 251N2078-4 251N2078-2	002004 006999	1
43	251N2077-9	..	GUARD ASSY- OPTIONAL PART: 251N2077-10 USED ON: 251N2078-6 USED ON: 251N2078-3 251N2078-1 ATTACHING PARTS	006100 103106 950951 953999	1
44	BACB30NT3K30	..	BOLT	002004 006999	2
45	BACB30NR4K30	..	BOLT	002004 006999	2
50	NAS1149D0363J	..	WASHER	002004 006999	2
55	NAS1149D0463J	..	WASHER	002004 006999	2

MISSING ITEM NUMBERS NOT APPLICABLE

- ITEM NOT ILLUSTRATED

27-48-51-02

27-48-51  
FIG. 02  
PAGE 6  
JAN 20/09

BRI

BOEING PROPRIETARY - Copyright © - Unpublished Work - See title page for details.



757

PARTS CATALOG (MAINTENANCE)

FIG ITEM	PART NUMBER	1 2 3 4 5 6 7	NOMENCLATURE	EFFECT FROM TO	UNITS PER ASSY
2 60	BRH10C3D	. .	NUT SUPPLIER CODE: V52828 SPECIFICATION NUMBER: BACN10JC3CD OPTIONAL PART: T6C1032JCD V11815 NS202486-02 V80539 102LH9075-3W V72962 H51650-3BAC V15653	002004 006999	2
65	BRH10C4D	. .	NUT SUPPLIER CODE: V52828 SPECIFICATION NUMBER: BACN10JC4CD OPTIONAL PART: T6C428JCD V11815 NS202486-048 V80539 102LH9075-4W V72962 H51650-4BAC V15653 -----*-----	002004 006999	2

MISSING ITEM NUMBERS NOT APPLICABLE

- ITEM NOT ILLUSTRATED

BRI

27-48-51-02

BOEING PROPRIETARY - Copyright © - Unpublished Work - See title page for details.

27-48-51  
FIG. 02  
PAGE 7  
JAN 20/09



757

PARTS CATALOG (MAINTENANCE)

FIG ITEM	PART NUMBER	1 2 3 4 5 6 7	NOMENCLATURE	EFFECT FROM TO	UNITS PER ASSY
R R R R R R R R R R R R	2 80	KP8AFS428	... BEARING SUPPLIER CODE: V06144 SPECIFICATION NUMBER: BACB10BX8 OPTIONAL PART: KP8AFS428 V21335 KP8A2TS V43991 LLKP8A V38443 KP8AG27 V30163 KP8A V38443 KP8BSD610 V83086 CS208E VK8455 KP8A V21760 KP8ANJC V06144 KP8ALY196 V40920	002004 006999	1
	85	251N2077-8	... GUARD- USED ON: 251N2077-10	002004 006999	1
	85	251N2077-7	... GUARD- USED ON: 251N2077-9	006100 103106 950951 953999	1
	87	251N2076-5	.. DRUM- OPTIONAL PART: 251N2076-6	002004 006999	1
	87	251N2076-6	.. DRUM- OPTIONAL PART: 251N2076-5	002004 006999	1
	90	251N2075-1	.. BRACKET ASSY	002004 006999	1
	95	BACC2C3D00494FG	.. CABLE ASSY- USED ON: 251N2078-6	002004 006106 108903 950999	1
	100	BACC2C3D01294FG	.. CABLE ASSY- USED ON: 251N2078-6	002004 006106 108903 950999	1

MISSING ITEM NUMBERS NOT APPLICABLE

- ITEM NOT ILLUSTRATED

27-48-51-02

27-48-51  
FIG. 02  
PAGE 8  
MAY 20/09

BRI


**BOEING**  
 757  
**PARTS CATALOG (MAINTENANCE)**

FIG ITEM	PART NUMBER	1 2 3 4 5 6 7	NOMENCLATURE	EFFECT FROM TO	UNITS PER ASSY
2 105	KP10AFS428	. .	BEARING-BALL SUPPLIER CODE: V21335 SPECIFICATION NUMBER: BACB10BX10 OPTIONAL PART: KP10A2TS V43991 LLKP10A V38443 KP10AG27 V30163 KP10A V38443 KP10ALY196 V40920 KP10ASD610 V83086 CS210E VK8455 KP10A V21760 KP10ANJC V06144 USED ON: 251N2078-6	002004 006106 108903 950999	1

R  
R  
R  
R  
R  
R  
R  
R  
R  
R  
R  
R  
R  
R  
R  
R  
R  
R  
R  
R  
R  
R  
R  
R  
R  
R

MISSING ITEM NUMBERS NOT APPLICABLE

- ITEM NOT ILLUSTRATED

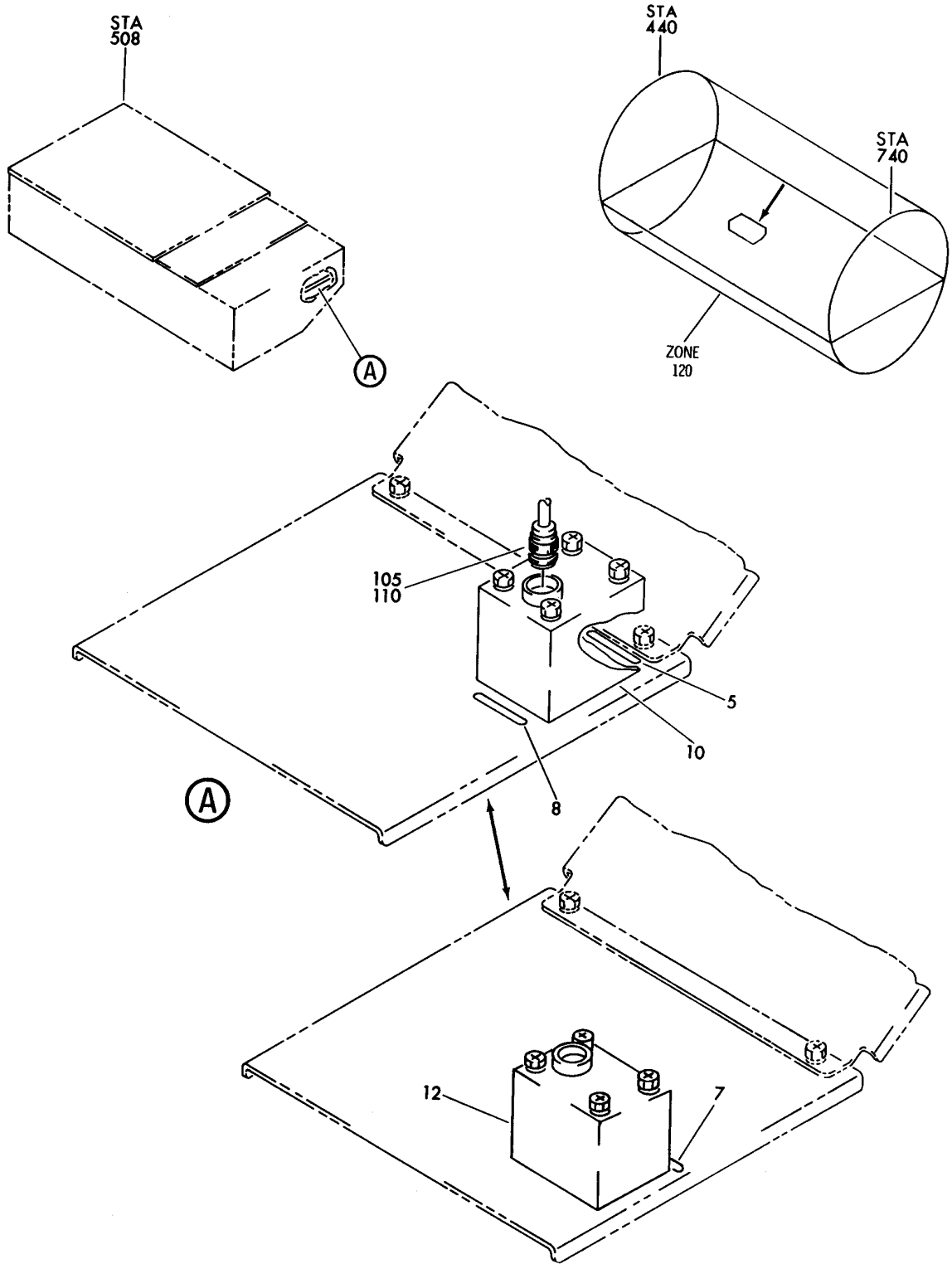
BRI

# 27-48-51-02

BOEING PROPRIETARY - Copyright © - Unpublished Work - See title page for details.

27-48-51  
 FIG. 02  
 PAGE 9  
 MAY 20/09

**BOEING**  
757  
PARTS CATALOG (MAINTENANCE)



Y 27485203 REV 153

PANEL ASSY-P36 MISC RELAY L (STABILIZER TRIM INDICATING SYSTEM ONLY)  
FIGURE 3

**27-48-52-03**

BRI  
MAY 28/07

27-48-52-03  
PAGE 0



757

PARTS CATALOG (MAINTENANCE)

FIG ITEM	PART NUMBER	1 2 3 4 5 6 7	NOMENCLATURE	EFFECT FROM TO	UNITS PER ASSY
3			PANEL ASSY-P36 MISC RELAY L (STABILIZER TRIM INDICATING SYSTEM ONLY)	002004 006100 107107 121503 904999	
- 1	284N1125-1		PANEL ASSY-P36 MISC RELAY L (STABILIZER TRIM INDICATING SYSTEM ONLY) VARIABLE DRAWING REF: 284N1125-5023 284N1125-5030 284N1125-5049 284N1125-5050 284N1125-5054 REWORKED BY SB: 34-0200 REWORKED BY ALERT SB: 27A0130 FOR NHA/OTHER SYS DET SEE: 31-01-36-01B	002004 006100 107107 121503 904999	RF
5	BAC27NEX1414		.DECAL- PLACARD CONTENT: T10031	107107	1
7	BAC27NEX1414		.DECAL- PLACARD CONTENT: T10031	002004 006100 950999	1
8	BAC27NEX1414		.DECAL- PLACARD CONTENT: T10031	121503 904949	1
10	FT1007		.TRANSFORMER- SUPPLIER CODE: V14752 SPECIFICATION NUMBER: 60B40026-19 ELECTRICAL EQUIP NUMBER: T10031	107107 121503 904949	1
12	FT1007		.TRANSFORMER- SUPPLIER CODE: V14752 SPECIFICATION NUMBER: 60B40026-19 ELECTRICAL EQUIP NUMBER: T10031	002004 006100 950999	1

MISSING ITEM NUMBERS NOT APPLICABLE

- ITEM NOT ILLUSTRATED

27-48-52-03

27-48-52  
FIG. 03  
PAGE 1  
JAN 20/09

BRI





757

PARTS CATALOG (MAINTENANCE)

FIG ITEM	PART NUMBER	1 2 3 4 5 6 7	NOMENCLATURE	EFFECT FROM TO	UNITS PER ASSY
3			ATTACHING PARTS		
- 15	NAS1801-3-7		.SCREW	002004 006100 107107 121503 904999	4
- 100	286N1260-002		-----*----- WIRE BUNDLE ASSY- (STABILIZER TRIM INDICATING SYSTEM ONLY) REWORKED BY ALERT SB: 27A0130	121503 904949	RF
- 100	286N1260-003		WIRE BUNDLE ASSY- (STABILIZER TRIM INDICATING SYSTEM ONLY) REWORKED BY ALERT SB: 27A0130	107107	RF
- 100	286N1260-005		WIRE BUNDLE ASSY- (STABILIZER TRIM INDICATING SYSTEM ONLY) REWORKED BY SB: 34-0200 REWORKED BY ALERT SB: 27A0130	002004 006100 950999	RF
105	BACC45FT14D7S		.CONNECTOR- ELECTRICAL EQUIP NUMBER: D00825 WIRING DIAGRAM REF: 274821	107107 121503 904949	1
110	BACC45FT14D7S		.CONNECTOR- ELECTRICAL EQUIP NUMBER: D00825 WIRING DIAGRAM REF: 274821	002004 006100 950999	1

MISSING ITEM NUMBERS NOT APPLICABLE

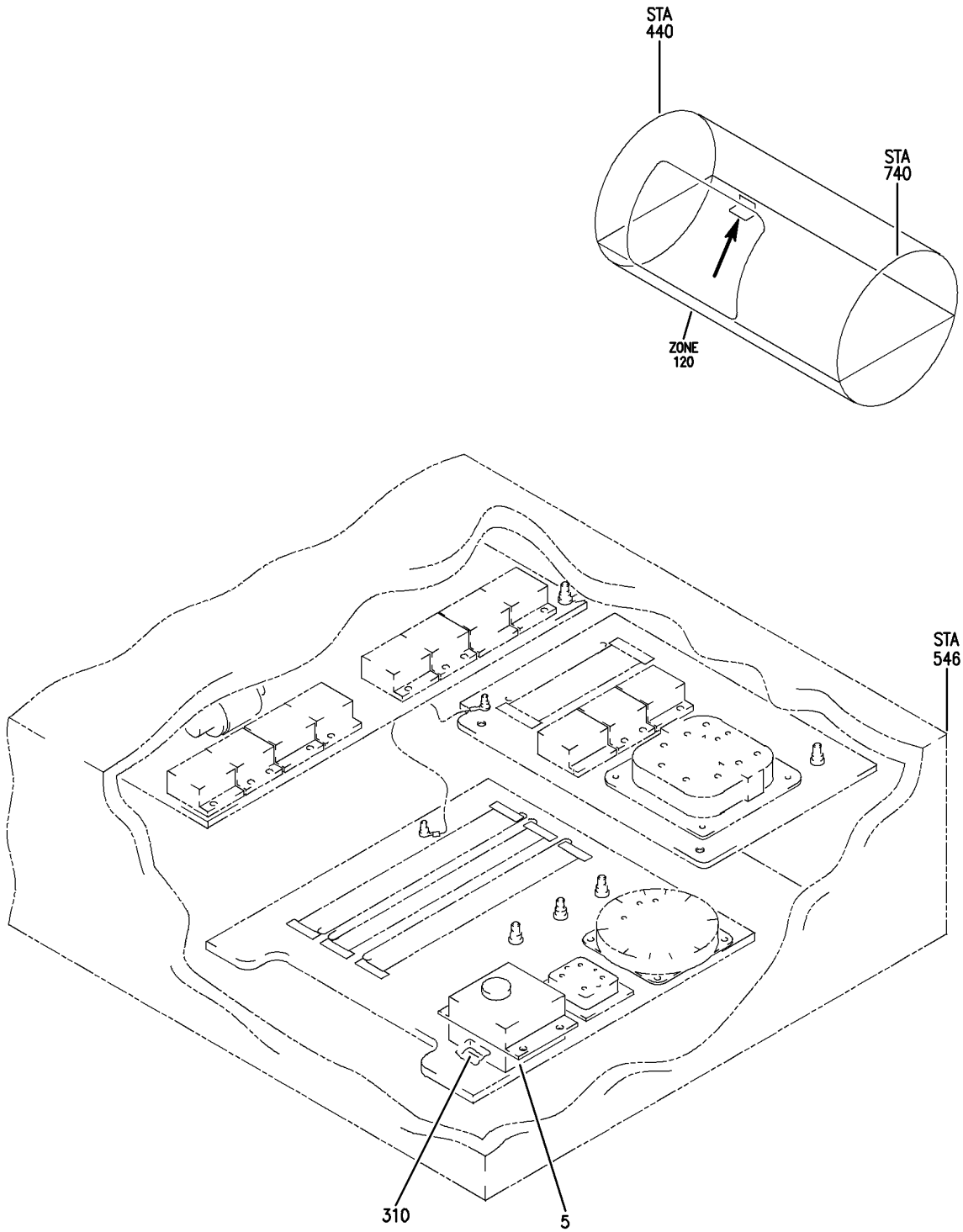
- ITEM NOT ILLUSTRATED

BRI

27-48-52-03

27-48-52  
FIG. 03  
PAGE 2  
JAN 20/09

**BOEING**  
757  
PARTS CATALOG (MAINTENANCE)



Y 27485203A REV 225

OPTION PACKAGE ASSY-P36 MISC RELAY LH (STABILIZER TRIM INDICATING SYSTEM ONLY)  
FIGURE 3A

BRI  
MAY 28/07

**27-48-52-03A**

27-48-52-03A  
PAGE 0



757

PARTS CATALOG (MAINTENANCE)

FIG ITEM	PART NUMBER	1 2 3 4 5 6 7	NOMENCLATURE	EFFECT FROM TO	UNITS PER ASSY
3A			OPTION PACKAGE ASSY-P36 MISC RELAY LH (STABILIZER TRIM INDICATING SYSTEM ONLY)	101102 504903	
- 1	284N1125-1018		OPTION PACKAGE ASSY-P36 MISC RELAY (STABILIZER TRIM INDICATING SYSTEM ONLY) POSITION DATA: LH REWORKED BY ALERT SB: 27A0130 FOR NHA/OTHER SYS DET SEE: 31-01-36-05	101102 504903	RF
5	FT1007		. TRANSFORMER- SUPPLIER CODE: V14752 SPECIFICATION NUMBER: 60B40026-19 ELECTRICAL EQUIP NUMBER: T10031 ATTACHING PARTS	101102 504903	1
- 10	NAS1801-3-7		. SCREW	101102 504903	4
- 301	286N1260-358		-----*----- WIRE BUNDLE ASSY- REWORKED BY ALERT SB: 27A0130	101102	RF
- 301	286N1260-364		WIRE BUNDLE ASSY- REWORKED BY ALERT SB: 27A0130	504903	RF
310	BACC45FT14D7S		. CONNECTOR- ELECTRICAL EQUIP NUMBER: D00825 WIRING DIAGRAM REF: 274821	101102 504903	1

MISSING ITEM NUMBERS NOT APPLICABLE

- ITEM NOT ILLUSTRATED

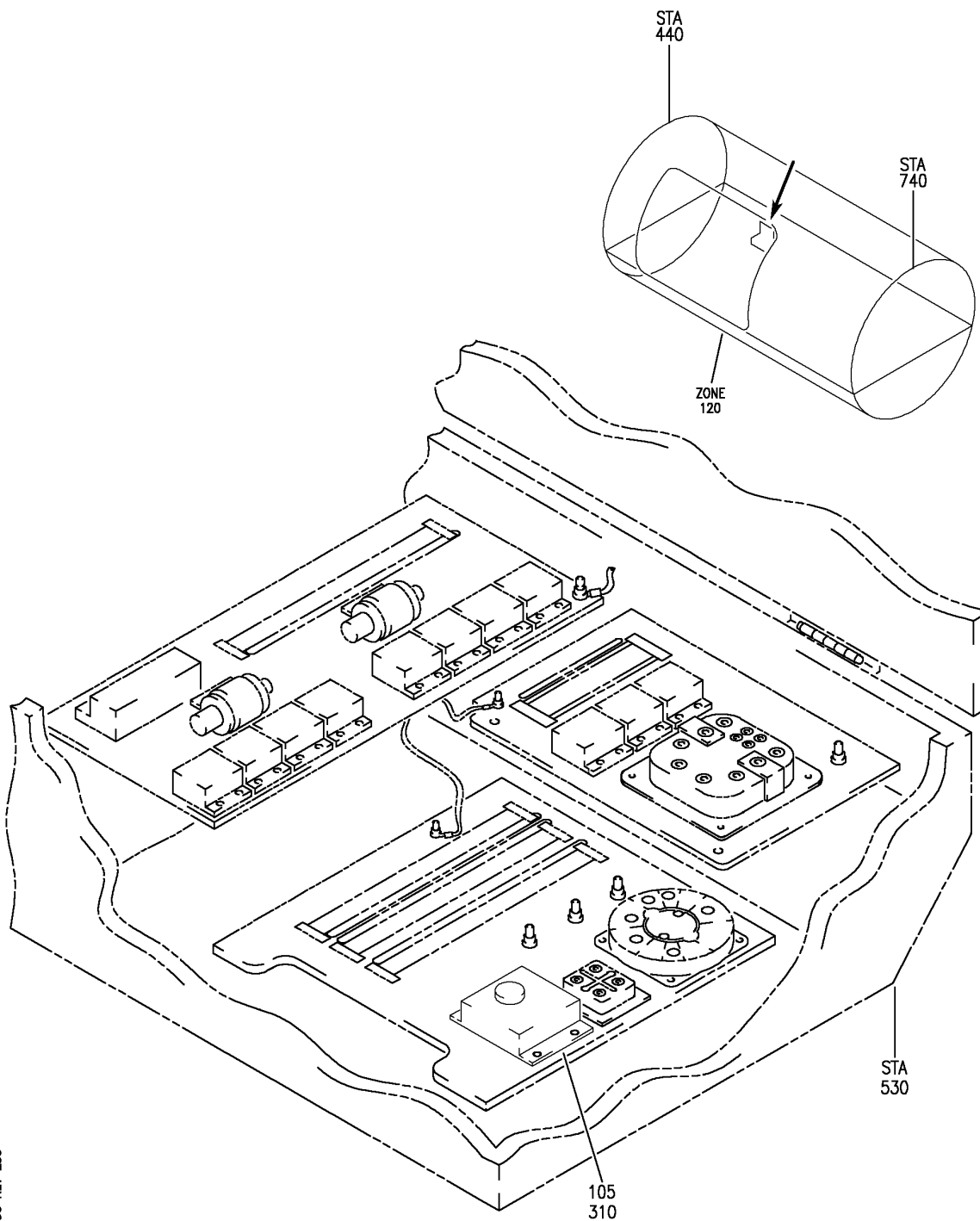
**27-48-52-03A**

27-48-52  
FIG. 03A  
PAGE 1  
JAN 20/09

BRI

BOEING PROPRIETARY - Copyright © - Unpublished Work - See title page for details.

**BOEING**  
757  
PARTS CATALOG (MAINTENANCE)



Y 27485203C REV 250

PANEL INSTL-P36 L MISC RELAY (STABILIZER TRIM POSITION INDICATING SYSTEM ONLY)  
FIGURE 3C

BRI  
JAN 20/09

**27-48-52-03C**

27-48-52-03C  
PAGE 0



757

PARTS CATALOG (MAINTENANCE)

FIG ITEM	PART NUMBER	1 2 3 4 5 6 7	NOMENCLATURE	EFFECT FROM TO	UNITS PER ASSY
3C			PANEL INSTL-P36 L MISC RELAY (STABILIZER TRIM POSITION INDICATING SYSTEM ONLY)	103106 108120	
- 3	284N1125-94		PANEL INSTL-P36 L MISC RELAY (STABILIZER TRIM POSITION INDICATING SYSTEM ONLY) FOR NHA/OTHER SYS DET SEE: 24-00-58-05C	108120	RF

MISSING ITEM NUMBERS NOT APPLICABLE

- ITEM NOT ILLUSTRATED

BRI

27-48-52-03C

BOEING PROPRIETARY - Copyright © - Unpublished Work - See title page for details.

27-48-52  
FIG. 03C  
PAGE 1  
JAN 20/09



757

PARTS CATALOG (MAINTENANCE)

FIG ITEM	PART NUMBER	1 2 3 4 5 6 7	NOMENCLATURE	EFFECT FROM TO	UNITS PER ASSY
3C - 7	MODREF31944		PANEL INSTL-P36 L MISC RELAY (STABILIZER TRIM POSITION INDICATING SYSTEM ONLY) MODULE NUMBER: 284N1125-123 REV A FOR OTHER SYS DETAILS SEE: 11-36-08-03C 21-25-71-02C 21-33-71-02C 21-51-56-01C 21-58-71-02C 23-12-00-05 23-31-54-01C 23-34-52-01C 24-21-51-01A 26-15-71-02C 26-16-71-01C 26-22-71-01C 27-51-71-03C 27-58-71-02C 27-62-71-03C 29-11-71-03C 29-21-71-01C 30-21-71-03C 30-34-51-01C 31-01-36-01 32-09-02-03C 32-35-71-01C 32-42-71-02C 32-44-71-02C 32-61-71-02C 34-12-71-02C 34-21-71-02C 34-22-52-01C 34-61-52-01C 36-11-71-02C 73-21-55-01C 74-31-71-02C 76-11-71-02C 77-12-71-01C 78-34-71-02C 78-36-71-02C 80-11-71-02C	103106	1

MISSING ITEM NUMBERS NOT APPLICABLE

- ITEM NOT ILLUSTRATED

**27-48-52-03C**

27-48-52  
 FIG. 03C  
 PAGE 2  
 JAN 20/09

BRI



757

PARTS CATALOG (MAINTENANCE)

FIG ITEM	PART NUMBER	1 2 3 4 5 6 7	NOMENCLATURE	EFFECT FROM TO	UNITS PER ASSY
3C 105	FT1007		.TRANSFORMER- SUPPLIER CODE: V14752 SPECIFICATION NUMBER: 60B40026-19 ELECTRICAL EQUIP NUMBER: T10031 ATTACHING PARTS	103106 108120	1
- 110	NAS1801-3-7		.SCREW-	103106 108120	4
- 300	286N1260-357		-----*----- WIRE BUNDLE ASSY	108120	RF
- 302	286N1260-601		WIRE BUNDLE ASSY	103106	RF
310	BACC45FT14D7S		.CONNECTOR- ELECTRICAL EQUIP NUMBER: D00825 WIRING DIAGRAM REF: 274821	103106 108120	1

MISSING ITEM NUMBERS NOT APPLICABLE

- ITEM NOT ILLUSTRATED

**27-48-52-03C**

27-48-52  
FIG. 03C  
PAGE 3  
JAN 20/09

BRI

## FLAPS



 **BOEING**  
757  
PARTS CATALOG (MAINTENANCE)

NON-ILLUSTRATED FIGURE

THE ITEMS REFLECTED IN THIS FIGURE ARE INTENTIONALLY  
NON-ILLUSTRATED. THEY ARE REFERENCED TO EITHER A  
NEXT HIGHER OR NEXT LOWER ASSEMBLY/INSTALLATION FIGURE.

MANAGEMENT COLLECTOR-TE FLAP SYS MAJOR MODEL  
FIGURE 1

**27-50-00-01**

BRI  
MAY 28/07

27-50-00-01  
PAGE 0



757

PARTS CATALOG (MAINTENANCE)

FIG ITEM	PART NUMBER	1 2 3 4 5 6 7	NOMENCLATURE	EFFECT FROM TO	UNITS PER ASSY
1			MANAGEMENT COLLECTOR-TE FLAP SYS MAJOR MODEL	101102 108120 504903	
- 1	251N0004-1000		MANAGEMENT COLLECTOR-TE FLAP SYS MAJOR MODEL	101102 108120 504903	RF
- 5	251N4001-12		.CONTROL AND DRIVE INSTL-TE FLAP FOR DETAILS SEE: 27-51-25-03B	101102 108120 504903	1
- 10	251N4002-18		.UNIT INSTL-TE FLAP PWR DRIVE FOR DETAILS SEE: 27-51-26-01	101102 504903	1
- 10	251N4002-21		.UNIT INSTL-TE FLAP PWR DRIVE FOR DETAILS SEE: 27-51-26-01	108120	1
- 11	251N4002-15		.FITTING INSTL-TE FLAP PWR DRIVE FOR DETAILS SEE: 27-51-26-01	101102 108120 504903	1
- 15	251N4003-5		.GEAR BOX INSTL-FLAP DRIVE INBD TE INBD ANGLE POSITION DATA: LH FOR DETAILS SEE: 27-51-09-01	101102 108120 504903	1
- 20	251N4003-6		.GEAR BOX INSTL-FLAP DRIVE INBD TE INBD ANGLE POSITION DATA: RH FOR DETAILS SEE: 27-51-09-01	101102 108120 504903	1
- 25	251N4005-5		.GEAR BOX INSTL-INBD TE FLAP DRIVE INBD TEE POSITION DATA: LH FOR DETAILS SEE: 27-51-07-01	101101	1
- 25	251N4005-13		.GEAR BOX INSTL-INBD TE FLAP DRIVE INBD TEE POSITION DATA: LH FOR DETAILS SEE: 27-51-07-01	102102 108120 504903	1

MISSING ITEM NUMBERS NOT APPLICABLE

- ITEM NOT ILLUSTRATED

**27-50-00-01**

27-50-00  
FIG. 01  
PAGE 1  
JAN 20/09

BRI



757

PARTS CATALOG (MAINTENANCE)

FIG ITEM	PART NUMBER	1 2 3 4 5 6 7	NOMENCLATURE	EFFECT FROM TO	UNITS PER ASSY
1					
- 30	251N4005-6		.GEAR BOX INSTL-INBD TE FLAP DRIVE INBD TEE POSITION DATA: RH FOR DETAILS SEE: 27-51-07-01	101101	1
- 30	251N4005-14		.GEAR BOX INSTL-INBD TE FLAP DRIVE INBD TEE POSITION DATA: RH FOR DETAILS SEE: 27-51-07-01	102102 108120 504903	1
- 35	251N4006-1		.PLACARD INSTL- FOR DETAILS SEE: 11-21-23-08	101102 108120 504903	1
- 90	251N4014-10		.BEARING INSTL-TE FLAP DRIVE TORQUE TUBE SPRT POSITION DATA: RH FOR DETAILS SEE: 27-51-25-02	101102 504903	1
- 90	251N4014-24		.BEARING INSTL-TE FLAP DRIVE TORQUE TUBE SPRT POSITION DATA: RH FOR DETAILS SEE: 27-51-25-02	108120	1
- 95	251N4014-11		.BEARING INSTL-TE FLAP DRIVE TORQUE TUBE SPRT POSITION DATA: LH FOR DETAILS SEE: 27-51-25-02	101102 504903	1
- 95	251N4014-25		.BEARING INSTL-TE FLAP DRIVE TORQUE TUBE SPRT POSITION DATA: LH FOR DETAILS SEE: 27-51-25-02	108120	1
- 100	251N4014-12		.BEARING INSTL-TE FLAP DRIVE TORQUE TUBE SPRT POSITION DATA: RH FOR DETAILS SEE: 27-51-25-02	101102 504903	1

MISSING ITEM NUMBERS NOT APPLICABLE

- ITEM NOT ILLUSTRATED

27-50-00-01

27-50-00  
FIG. 01  
PAGE 2  
JAN 20/09

BRI

 **BOEING**  
757  
**PARTS CATALOG (MAINTENANCE)**

FIG ITEM	PART NUMBER	1 2 3 4 5 6 7	NOMENCLATURE	EFFECT FROM TO	UNITS PER ASSY
1					
- 100	251N4014-26		.BEARING INSTL-TE FLAP DRIVE TORQUE TUBE SPRT POSITION DATA: RH FOR DETAILS SEE: 27-51-25-02	108120	1
- 105	251N4014-13		.BEARING INSTL-TE FLAP DRIVE TORQUE TUBE SPRT POSITION DATA: LH FOR DETAILS SEE: 27-51-25-02	101102 504903	1
- 105	251N4014-27		.BEARING INSTL-TE FLAP DRIVE TORQUE TUBE SPRT POSITION DATA: LH FOR DETAILS SEE: 27-51-25-02	108120	1
- 110	251N4014-14		.BEARING INSTL-TE FLAP DRIVE TORQUE TUBE SPRT POSITION DATA: RH FOR DETAILS SEE: 27-51-25-02	101102 504903	1
- 110	251N4014-28		.BEARING INSTL-TE FLAP DRIVE TORQUE TUBE SPRT POSITION DATA: RH FOR DETAILS SEE: 27-51-25-02	108120	1
- 115	251N4014-9		.BEARING INSTL-TE FLAP DRIVE TORQUE TUBE SPRT POSITION DATA: LH FOR DETAILS SEE: 27-51-25-02	101102 504903	1
- 115	251N4014-23		.BEARING INSTL-TE FLAP DRIVE TORQUE TUBE SPRT POSITION DATA: LH FOR DETAILS SEE: 27-51-25-02	108120	1
- 120	251N4015-7		.GEAR BOX INSTL-INBD TE FLAP DRIVE TEE POSITION DATA: OUTBD LH FOR DETAILS SEE: 27-51-08-01	101102 108120 504903	1

MISSING ITEM NUMBERS NOT APPLICABLE

- ITEM NOT ILLUSTRATED

BRI

# 27-50-00-01

27-50-00  
FIG. 01  
PAGE 3  
JAN 20/09



757

PARTS CATALOG (MAINTENANCE)

FIG ITEM	PART NUMBER	1 2 3 4 5 6 7	NOMENCLATURE	EFFECT FROM TO	UNITS PER ASSY
1					
- 125	251N4015-8		.GEAR BOX INSTL-INBD TE FLAP DRIVE TEE POSITION DATA: OUTBD RH FOR DETAILS SEE: 27-51-08-01	101102 108120 504903	1
- 130	251N6010-4		.BRACKET INSTL-WFA AND WFB PULLEY POSITION DATA: STA 395 FOR DETAILS SEE: 27-51-56-01	101102 108120 504903	1
- 135	251N6022-3		.SEAL INSTL-WING ROOT BODY SKIN PRESSURE FOR DETAILS SEE: 53-36-51-01	101102 108120 504903	1
- 140	251N6026-6		.BRACKET INSTL-LGV AND WF CABLES POSITION DATA: STA 1045 AND 1056 FOR DETAILS SEE: 27-51-56-02	101102 108120 504903	1
- 145	251N6027-3		.BRACKET INSTL-LE SLATS A AND B CABLE PULLEY POSITION DATA: STA 1064 FOR DETAILS SEE: 27-81-51-01	101102 108120 504903	1
- 150	251N6028-15		.SEAL INSTL-SLOPING PRESSURE DECK PRESSURE FOR DETAILS SEE: 27-51-25-10	101102 108120 504903	1
- 155	251N6028-16		.SEAL INSTL-SLOPING PRESSURE DECK PRESSURE FOR DETAILS SEE: 27-51-25-10	101102 108120 504903	1
- 160	251N6028-18		.SEAL INSTL-SLOPING PRESSURE DECK PRESSURE FOR DETAILS SEE: 27-51-25-10	101102 108120 504903	1
- 165	251N6028-20		.SEAL INSTL-SLOPING PRESSURE DECK PRESSURE FOR DETAILS SEE: 27-51-25-10	101102 108120 504903	1

MISSING ITEM NUMBERS NOT APPLICABLE

- ITEM NOT ILLUSTRATED

27-50-00-01

27-50-00  
FIG. 01  
PAGE 4  
JAN 20/09

BRI



757

PARTS CATALOG (MAINTENANCE)

FIG ITEM	PART NUMBER	1 2 3 4 5 6 7	NOMENCLATURE	EFFECT FROM TO	UNITS PER ASSY
1					
- 170	251N6040-1		.BRACKET INSTL-FRONT SPAR LE SLATS A AND B PULLEY POSITION DATA: STA 900 FOR DETAILS SEE: 53-40-51-07	101102 108120 504903	1
- 175	251N6041-5		.BRACKET INSTL-FRONT SPAR INBD LE SLATS A AND B PULLEY POSITION DATA: STA 900 FOR DETAILS SEE: 53-40-51-08	101102 108120 504903	1
- 180	251N6042-5		.BRACKET INSTL-BODY LESAP5 AND LESBP5 PULLEY POSITION DATA: STA 892 FOR DETAILS SEE: 53-30-51-34	101102 108120 504903	1
- 185	251N6042-4		.BRACKET INSTL-LESAP5 AND LESBP5 PULLEY POSITION DATA: STA 892 FOR DETAILS SEE: 53-30-51-34	101102 108120 504903	1
- 195	251N6057-9		.SEAL INSTL-VAPOR FOR DETAILS SEE: 27-51-25-06	101102 108120 504903	1
- 200	251N6001-12		.BRACKET INSTL-PULLEY FUNCTIONAL REFERENCE: FLIGHT CONTROL FOR DETAILS SEE 27-41-53-01 27-51-52-01 LANDING GEAR FOR DETAILS SEE 32-31-51-01	101102 108120 504903	1

MISSING ITEM NUMBERS NOT APPLICABLE

- ITEM NOT ILLUSTRATED

BRI

27-50-00-01

BOEING PROPRIETARY - Copyright © - Unpublished Work - See title page for details.

27-50-00  
FIG. 01  
PAGE 5  
JAN 20/09

 **BOEING**  
757  
PARTS CATALOG (MAINTENANCE)

NON-ILLUSTRATED FIGURE

THE ITEMS REFLECTED IN THIS FIGURE ARE INTENTIONALLY  
NON-ILLUSTRATED. THEY ARE REFERENCED TO EITHER A  
NEXT HIGHER OR NEXT LOWER ASSEMBLY/INSTALLATION FIGURE.

MANAGEMENT COLLECTOR-TE FLAP SYS MINOR MODEL  
FIGURE 2

**27-50-00-02**

BRI  
MAY 28/07

27-50-00-02  
PAGE 0



757

PARTS CATALOG (MAINTENANCE)

FIG ITEM	PART NUMBER	1 2 3 4 5 6 7	NOMENCLATURE	EFFECT FROM TO	UNITS PER ASSY
2			MANAGEMENT COLLECTOR-TE FLAP SYS MINOR MODEL	101102 108120 504903	
- 1	251N0004-3000		MANAGEMENT COLLECTOR-TE FLAP SYS MINOR MODEL	101102 108120	1
- 5	251N4001-13		757-200 PASSENGER .CONTROL AND DRIVE INSTL-TE FLAP	504903 101102 108120	1
- 10	251N4008-31		FOR DETAILS SEE: 27-51-25-03B .TRANSMISSION INSTL-TE FLAP DRIVE	101102 108120 504903	1
- 10	251N4008-35		POSITION DATA: OUTBD LH FUNCTIONAL REFERENCE: PLACARDS AND MARKINGS FOR DETAILS SEE 11-24-55-02 FLIGHT CONTROL FOR DETAILS SEE 27-51-17-01 27-51-18-01 27-51-21-01 .TRANSMISSION INSTL-TE FLAP DRIVE	108120 504903	1
- 15	251N4008-32		POSITION DATA: OUTBD RH FUNCTIONAL REFERENCE: PLACARDS AND MARKINGS FOR DETAILS SEE 11-24-55-02 FLIGHT CONTROL FOR DETAILS SEE 27-51-17-01 27-51-18-01 27-51-21-01 .TRANSMISSION INSTL-TE FLAP DRIVE	101102	1

MISSING ITEM NUMBERS NOT APPLICABLE

- ITEM NOT ILLUSTRATED

BRI

27-50-00-02

27-50-00  
FIG. 02  
PAGE 1  
JAN 20/09





757

PARTS CATALOG (MAINTENANCE)

FIG ITEM	PART NUMBER	1 2 3 4 5 6 7	NOMENCLATURE	EFFECT FROM TO	UNITS PER ASSY
2 - 15	251N4008-36		.TRANSMISSION INSTL-TE FLAP DRIVE POSITION DATA: OUTBD RH FUNCTIONAL REFERENCE: PLACARDS AND MARKINGS FOR DETAILS SEE 11-24-55-02 FLIGHT CONTROL FOR DETAILS SEE 27-51-17-01 27-51-18-01 27-51-21-01	108120 504903	1
- 20	251N4009-37		.TRANSMISSION INSTL-OUTBD TE FLAP DRIVE POSITION DATA: INBD LH FUNCTIONAL REFERENCE: PLACARDS AND MARKINGS FOR DETAILS SEE 11-24-55-03 FLIGHT CONTROL FOR DETAILS SEE 27-51-17-02 27-51-18-02 27-51-21-02	101102 108120 504903	1
- 25	251N4009-38		.TRANSMISSION INSTL-OUTBD TE FLAP DRIVE POSITION DATA: INBD RH FUNCTIONAL REFERENCE: PLACARDS AND MARKINGS FOR DETAILS SEE 11-24-55-03 FLIGHT CONTROL FOR DETAILS SEE 27-51-17-02 27-51-18-02 27-51-21-02	101102 108120 504903	1

MISSING ITEM NUMBERS NOT APPLICABLE

- ITEM NOT ILLUSTRATED

BRI

**27-50-00-02**

BOEING PROPRIETARY - Copyright © - Unpublished Work - See title page for details.

27-50-00  
FIG. 02  
PAGE 2  
JAN 20/09



757

PARTS CATALOG (MAINTENANCE)

FIG ITEM	PART NUMBER	1 2 3 4 5 6 7	NOMENCLATURE	EFFECT FROM TO	UNITS PER ASSY
2					
- 30	251N4010-13		.TRANSMISSION INSTL- FLAP DRIVE POSITION DATA: INBD TE OUTBD LH FUNCTIONAL REFERENCE: PLACARDS AND MARKINGS FOR DETAILS SEE 11-24-55-01 FLIGHT CONTROL FOR DETAILS SEE 27-51-06-01 27-51-10-01 27-51-11-01	101102 108120 504903	1
- 35	251N4010-14		.TRANSMISSION INSTL- FLAP DRIVE POSITION DATA: INBD TE OUTBD RH FUNCTIONAL REFERENCE: PLACARDS AND MARKINGS FOR DETAILS SEE 11-24-55-01 FLIGHT CONTROL FOR DETAILS SEE 27-51-06-01 27-51-10-01 27-51-11-01	101102 108120 504903	1
- 40	251N4011-21		.TRANSMISSION INSTL- FLAP DRIVE POSITION DATA: INBD TE INBD LH FOR DETAILS SEE: 27-51-06-02	101102 108120 504903	1
- 45	251N4011-22		.TRANSMISSION INSTL- FLAP DRIVE POSITION DATA: INBD TE INBD RH FOR DETAILS SEE: 27-51-06-02	101102 108120 504903	1
- 55	251N6054-2		.BRACKET INSTL-WFA AND WFB CABLES PULLEY POSITION DATA: STA 1056 FOR DETAILS SEE: 53-41-54-01	101102 108120 504903	1

MISSING ITEM NUMBERS NOT APPLICABLE

- ITEM NOT ILLUSTRATED

27-50-00-02

27-50-00  
FIG. 02  
PAGE 3  
JAN 20/09

BRI



757

PARTS CATALOG (MAINTENANCE)

FIG ITEM	PART NUMBER	1 2 3 4 5 6 7	NOMENCLATURE	EFFECT FROM TO	UNITS PER ASSY
2 - 60	251N4013-3		.STRAP INSTL-TE FLAF DRIVE TORQUE TUBE SAFETY POSITION DATA: LH FOR DETAILS SEE: 27-51-25-01	101102 504903	1
- 60	251N4013-15		.STRAP INSTL-TE FLAF DRIVE TORQUE TUBE SAFETY POSITION DATA: LH FOR DETAILS SEE: 27-51-25-01	108120	1
- 65	251N4013-4		.STRAP INSTL-TE FLAF DRIVE TORQUE TUBE SAFETY POSITION DATA: RH FOR DETAILS SEE: 27-51-25-01	101102 504903	1
- 65	251N4013-16		.STRAP INSTL-TE FLAF DRIVE TORQUE TUBE SAFETY POSITION DATA: RH FOR DETAILS SEE: 27-51-25-01	108120	1
- 70	251N6057-10		.BRACKET INSTL-IDLER FOR DETAILS SEE: 27-51-25-06	101102 108120 504903	1

MISSING ITEM NUMBERS NOT APPLICABLE

- ITEM NOT ILLUSTRATED

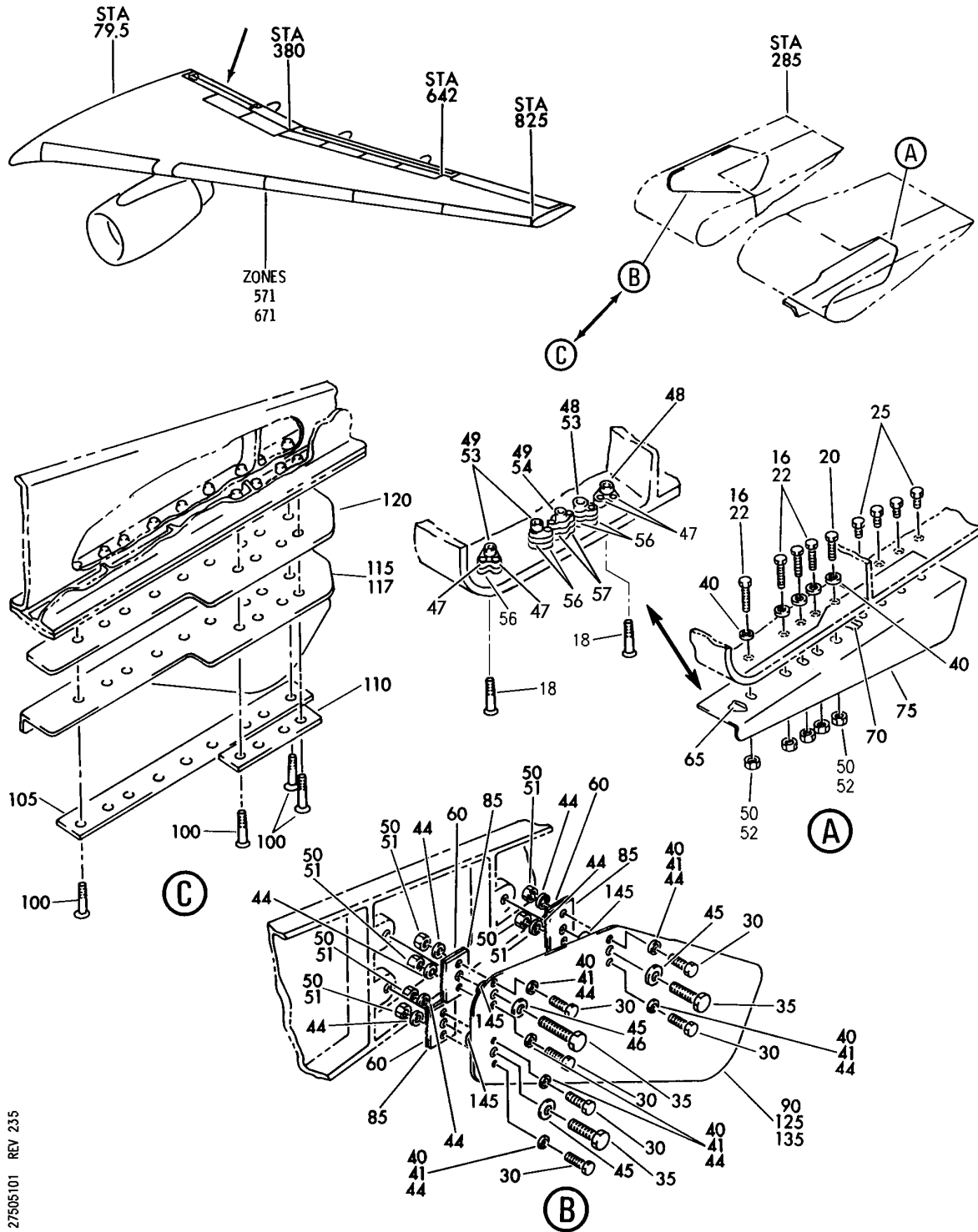
BRI

27-50-00-02

BOEING PROPRIETARY - Copyright © - Unpublished Work - See title page for details.

27-50-00  
FIG. 02  
PAGE 4  
JAN 20/09

**BOEING**  
757  
PARTS CATALOG (MAINTENANCE)



Y 27505101 REV 235

PLATE INSTL-INBD TE FLAP SEAL  
FIGURE 1

**27-50-51-01**

BRI  
MAY 28/07

27-50-51-01  
PAGE 0



757

PARTS CATALOG (MAINTENANCE)

FIG ITEM	PART NUMBER	1 2 3 4 5 6 7	NOMENCLATURE	EFFECT FROM TO	UNITS PER ASSY
1			PLATE INSTL-INBD TE FLAP SEAL	002004 006999	
- 1	113N1780-9		PLATE INSTL-TE FLAP SEAL POSITION DATA: INBD LH FOR NHA SEE: 57-00-00-01	107107	RF
- 1	113N1780-23		PLATE INSTL-TE FLAP SEAL POSITION DATA: INBD LH FOR NHA SEE: 57-00-00-01	002004 006100 107107	RF
- 1	113N1780-401		PLATE INSTL-SEAL TE FLAP POSITION DATA: INBD LH FOR NHA SEE: 57-00-00-01	121503 904999 101102	RF
- 1	MODREF1471		PLATE INSTL-SEAL TE FLAP MODULE NUMBER: 113N1780-401 REV A POSITION DATA: INBD LH	103103	1
- 1	MODREF26589		PLATE INSTL-SEAL TE FLAP MODULE NUMBER: 113N1780-401 REV B POSITION DATA: INBD LH	104106	1
- 5	113N1780-10		PLATE INSTL-TE FLAP SEAL POSITION DATA: INBD RH FOR NHA SEE: 57-00-00-01	107107	RF
- 5	113N1780-24		PLATE INSTL-TE FLAP SEAL POSITION DATA: INBD RH FOR NHA SEE: 57-00-00-01	002004 006100 107107	RF
- 5	113N1780-402		PLATE INSTL-SEAL TE FLAP POSITION DATA: INBD RH FOR NHA SEE: 57-00-00-01	121503 904999 101102	RF
- 5	MODREF1472		PLATE INSTL-SEAL TE FLAP MODULE NUMBER: 113N1780-402 REV A POSITION DATA: INBD RH	108120 504903 103103	1

MISSING ITEM NUMBERS NOT APPLICABLE

- ITEM NOT ILLUSTRATED

27-50-51-01

27-50-51  
FIG. 01  
PAGE 1  
JAN 20/09

BRI



757

PARTS CATALOG (MAINTENANCE)

FIG ITEM	PART NUMBER	1 2 3 4 5 6 7	NOMENCLATURE	EFFECT FROM TO	UNITS PER ASSY
1					
- 5	MODREF26590		PLATE INSTL-SEAL TE FLAP MODULE NUMBER: 113N1780-402 REV B POSITION DATA: INBD RH	104106	1
16	BACB30NN4K10		.BOLT-	002004 006106 108999	4
20	BACB30NN3K9		.BOLT-	107107	1
20	BACB30NN4K10		.BOLT-	002004 006106 108999	1
22	BACB30NN3K9		.BOLT-	002004 006100 103107 121503 904999	4
25	BACB30NN3K4		.BOLT	002004 006999	4
65	113N1783-3		.PLATE-CLAMP QUALIFIED I/W DATA: -7 OR -11 OR -25SP I/W -3 SUBJECT TO COLOR PREF	107107	1
65	113N1783-19SP		.PLATE-CLAMP QUALIFIED I/W DATA: -19SP MAY REPLACE -25SP UPON INCORPORATION OF S/B 757-57-0030	002004 006106 108999	1
70	113N1783-4		.PLATE-CLAMP QUALIFIED I/W DATA: 08 OR -12 OR -26SP I/W -4 SUBJECT TO COLOR PREF	107107	1
70	113N1783-26SP		.PLATE-CLAMP QUALIFIED I/W DATA: -26SP I/W -4 OR -8 OR -12 SUBJECT TO COLOR PREF	002004 006106 108999	1
75	113N1783-1		.PLATE-SEAL POSITION DATA: LH SIDE QUALIFIED I/W DATA: -5 OR -9 OR -23SP I/W -1 SUBJECT TO COLOR PREF	107107	1

MISSING ITEM NUMBERS NOT APPLICABLE

- ITEM NOT ILLUSTRATED

BRI

27-50-51-01

27-50-51  
FIG. 01  
PAGE 2  
JAN 20/09



757

PARTS CATALOG (MAINTENANCE)

FIG ITEM	PART NUMBER	1 2 3 4 5 6 7	NOMENCLATURE	EFFECT FROM TO	UNITS PER ASSY
1					
75	113N1783-13SP		.PLATE-SEAL POSITION DATA: LH SIDE QUALIFIED I/W DATA: -13SP MAY REPLACE -23SP UPON INCORPORATION OF S/B 757-57-0030	002004 006017 121503 904999	1
75	113N1783-27SP		.PLATE-SEAL POSITION DATA: LH SIDE	002004 006017 121503 904999	1
75	113N1783-29SP		.PLATE-SEAL POSITION DATA: LH SIDE	002004 006106 108999	1
- 80	113N1783-2		.PLATE-SEAL POSITION DATA: RH SIDE QUALIFIED I/W DATA: -6 OR -10 OR -24SP I/W -2 SUBJECT TO COLOR PREF	107107	1
- 80	113N1783-14SP		.PLATE-SEAL POSITION DATA: RH SIDE QUALIFIED I/W DATA: -14SP MAY REPLACE -24SP UPON INCORPORATION OF S/B 757-57-0030	002004 006017 121503 904999	1
- 80	113N1783-28SP		.PLATE-SEAL POSITION DATA: RH SIDE	002004 006017 121503 904999	1
- 80	113N1783-30SP		.PLATE-SEAL POSITION DATA: RH SIDE	002004 006106 108999	1
100	BACB30NN3K14		.BOLT	002004 006999	14
105	113N2038-1		.PLATE-CLAMP	002004 006100 103999	1
105	113N2038-7		.PLATE-CLAMP	002004 006999	1
110	113N2038-2		.PLATE-CLAMP	002004 006100 103999	1
110	113N2038-8		.PLATE-CLAMP	002004 006999	1

MISSING ITEM NUMBERS NOT APPLICABLE

- ITEM NOT ILLUSTRATED

27-50-51-01

27-50-51  
FIG. 01  
PAGE 3  
JAN 20/09

BRI



757

PARTS CATALOG (MAINTENANCE)

FIG ITEM	PART NUMBER	1 2 3 4 5 6 7	NOMENCLATURE	EFFECT FROM TO	UNITS PER ASSY
1 115	113N2037-1		.PLATE-SEAL POSITION DATA: LH SIDE QUALIFIED I/W DATA: 113N2037-7SP I/W -113N2037-1 SUBJECT TO COLOR PREF	002004 006100 103107 121503 904999	1
115	113N2037-7SP		.PLATE-SEAL POSITION DATA: LH SIDE QUALIFIED I/W DATA: -7SP I/W -1 OR -3 OR -5 SUBJECT TO COLOR PREFERENCE OPTIONAL PART: 113N2037-9SP	002004 006106 108999	1
115	113N2037-9SP		.PLATE-SEAL POSITION DATA: LH SIDE OPTIONAL PART: 113N2037-7SP	002004 006106 108999	1
117	113N2037-2		.PLATE-SEAL POSITION DATA: RH SIDE QUALIFIED I/W DATA: 113N2037-8SP I/W 113N2037-2 SUBJECT TO COLOR PREF	002004 006100 103107 121503 904999	1
117	113N2037-8SP		.PLATE-SEAL POSITION DATA: RH SIDE QUALIFIED I/W DATA: -8SP I/W -2 OR -4 OR -6 SUBJECT TO COLOR PREFERENCE OPTIONAL PART: 113N2037-10SP	002004 006106 108999	1
117	113N2037-10SP		.PLATE-SEAL POSITION DATA: RH SIDE OPTIONAL PART: 113N2037-8SP	002004 006106 108999	1
120	113N2039-1		.SHIM	002004 006999	1

MISSING ITEM NUMBERS NOT APPLICABLE

- ITEM NOT ILLUSTRATED

BRI

27-50-51-01

BOEING PROPRIETARY - Copyright © - Unpublished Work - See title page for details.

27-50-51  
FIG. 01  
PAGE 4  
JAN 20/09

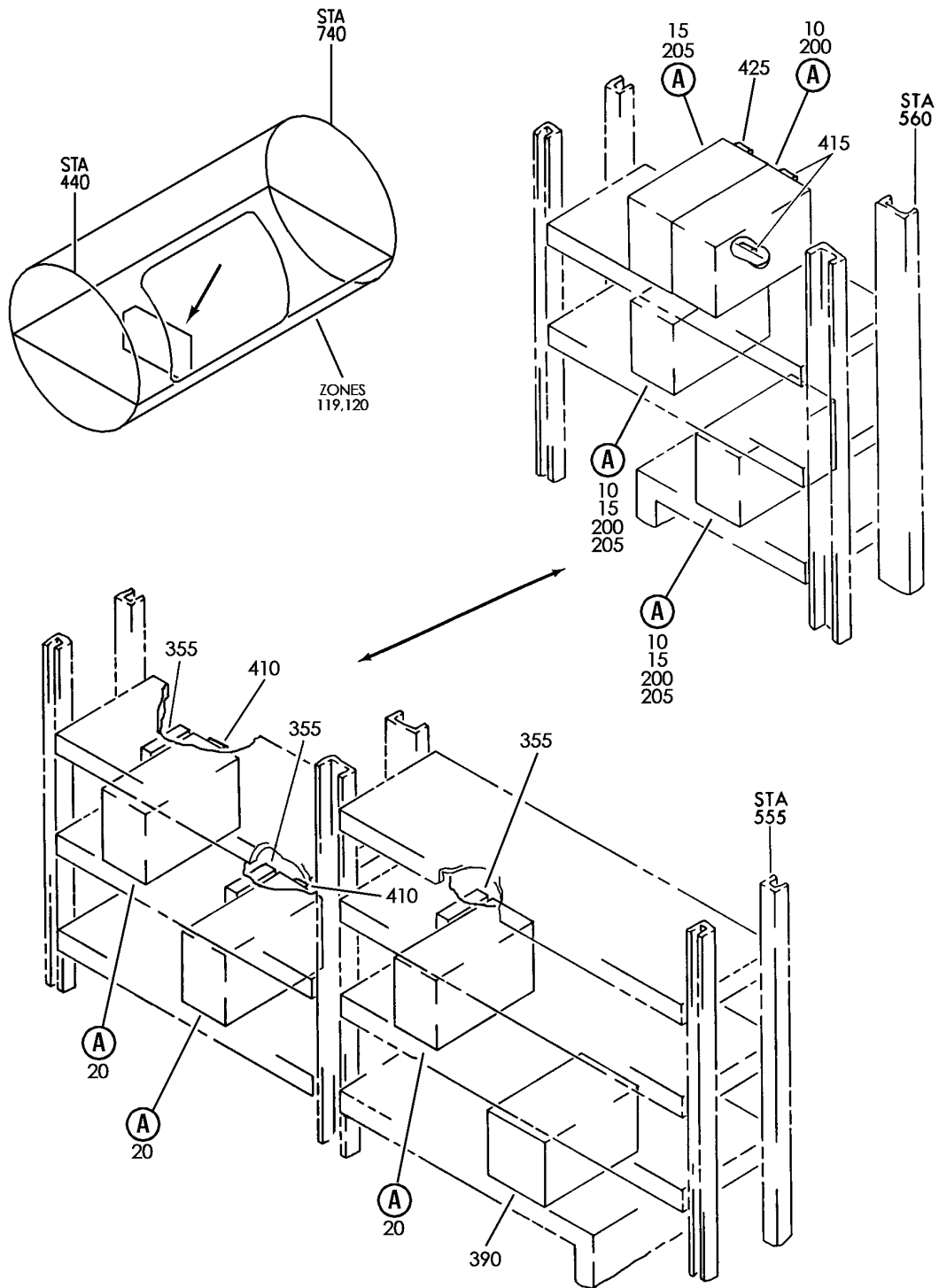


## **TRAILING EDGE FLAPS**

**BRI**  
**MAY 28/07**

**27-51-00**  
**SECTION TITLE**  
**PAGE 1**

**BOEING**  
757  
PARTS CATALOG (MAINTENANCE)



Y 27510102 SHT 1 REV 219

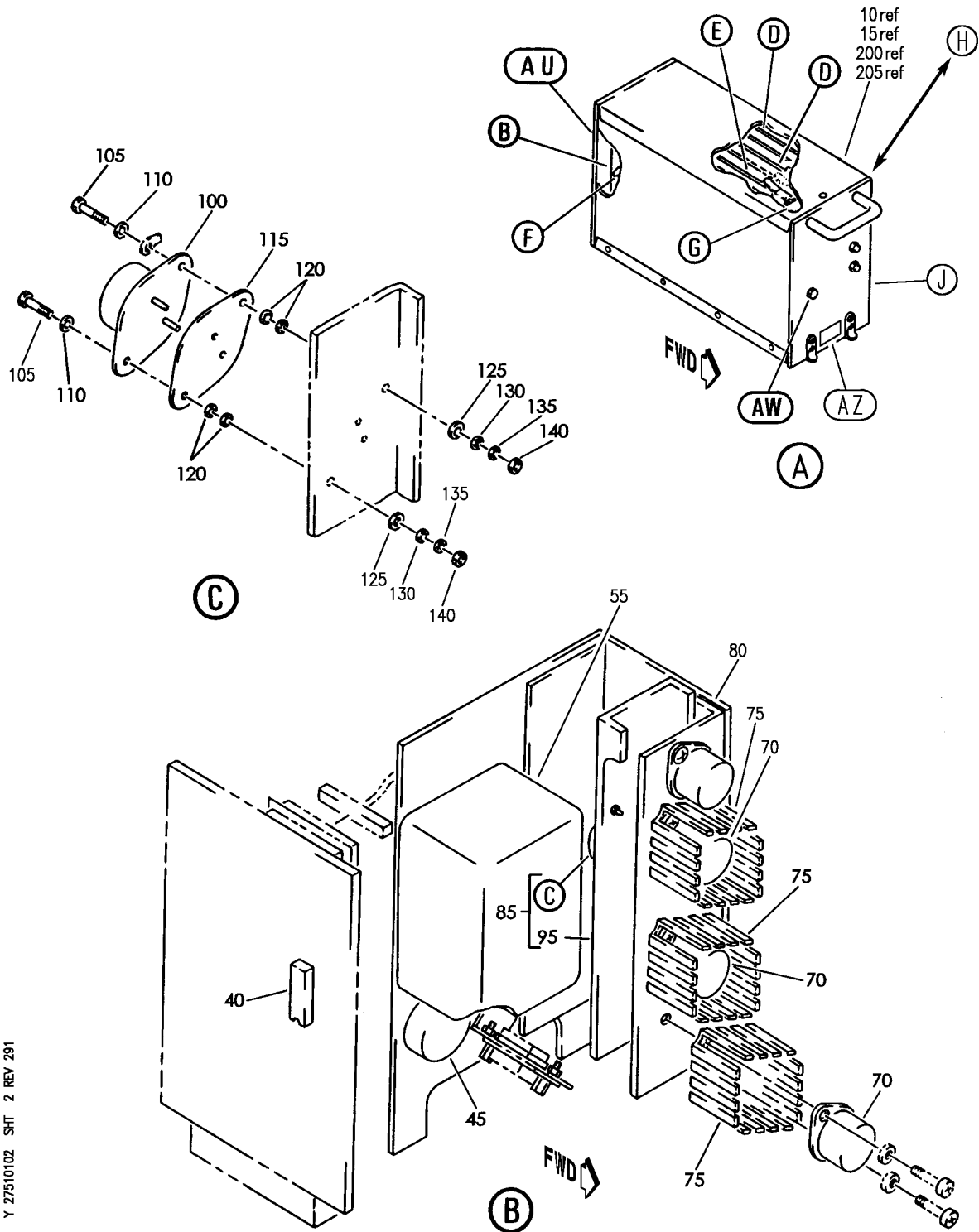
EQUIPMENT INSTL-MAIN ELECTRONICS EQPT CTR (TRAILING EDGE FLAP SYSTEM ONLY)  
FIGURE 2 (SHEET 1)

**27-51-01-02**

BRI  
MAY 28/07

27-51-01-02  
PAGE 0

**BOEING**  
757  
PARTS CATALOG (MAINTENANCE)



Y 27510102 SH1 2 REV 291

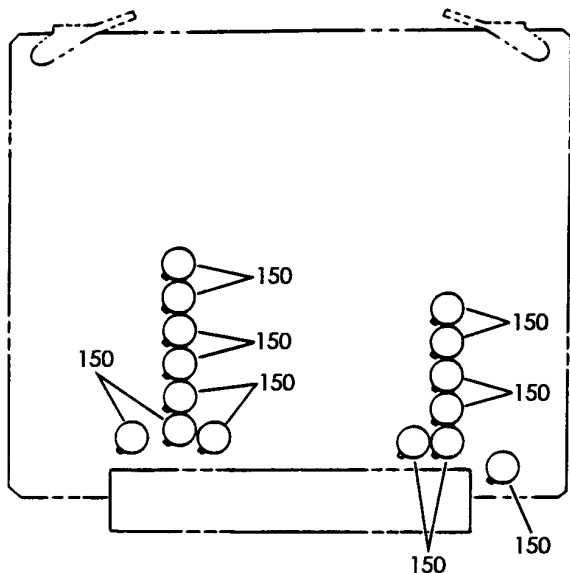
EQUIPMENT INSTL-MAIN ELECTRONICS EQPT CTR (TRAILING EDGE FLAP SYSTEM ONLY)  
FIGURE 2 (SHEET 2)

BRI  
MAY 28/07

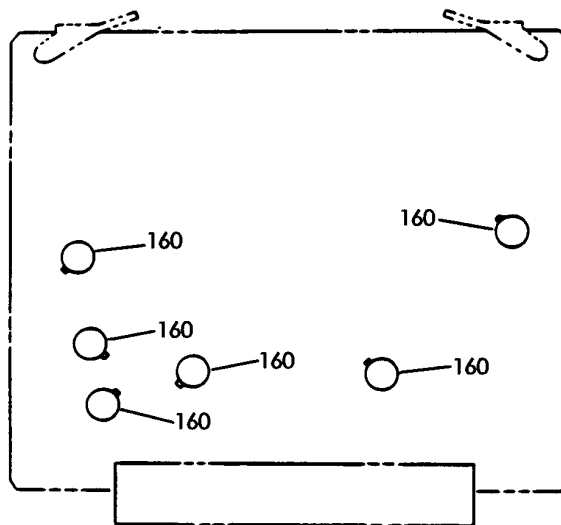
**27-51-01-02**

27-51-01-02  
PAGE 0A

**BOEING**  
757  
PARTS CATALOG (MAINTENANCE)



(D)



(E)

Y 27510102 SHT 3 REV 204

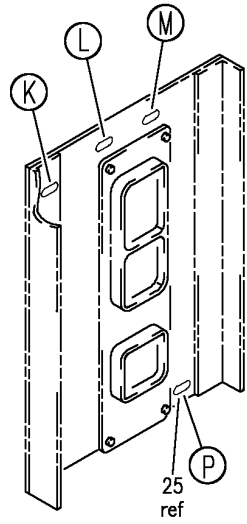
EQUIPMENT INSTL-MAIN ELECTRONICS EQPT CTR (TRAILING EDGE FLAP SYSTEM ONLY)  
FIGURE 2 (SHEET 3)

**27-51-01-02**

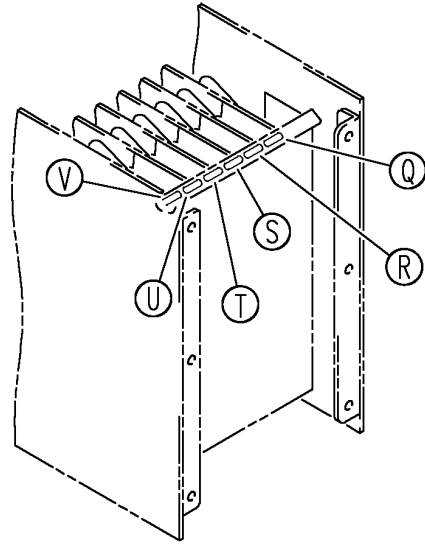
BRI  
MAY 28/07

27-51-01-02  
PAGE 0B

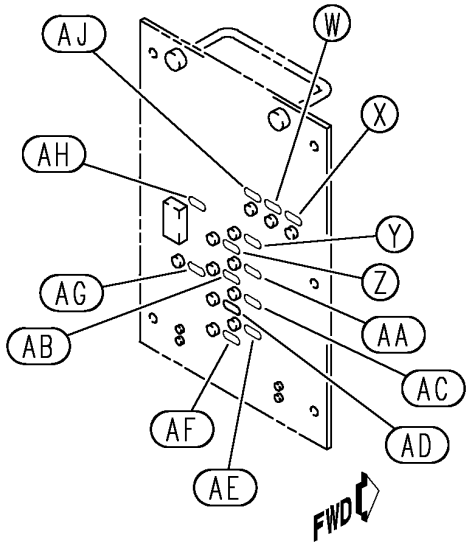
**BOEING**  
757  
PARTS CATALOG (MAINTENANCE)



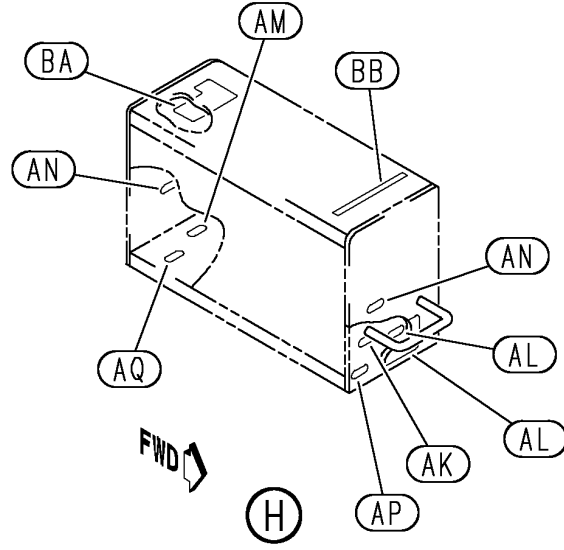
(F)



(G)



(J)



(H)

Y 27510102 SHT 4 REV 250

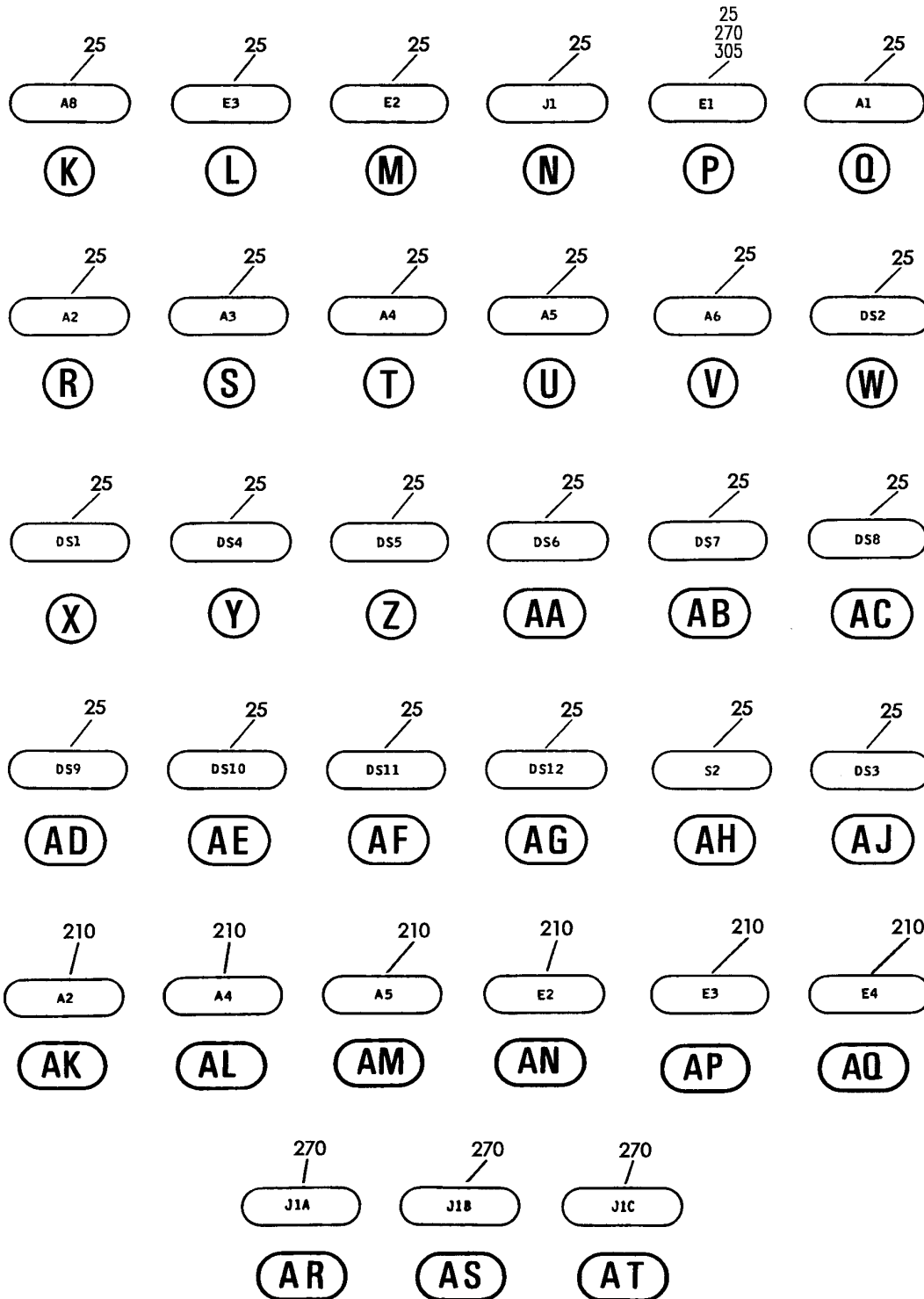
EQUIPMENT INSTL-MAIN ELECTRONICS EQPT CTR (TRAILING EDGE FLAP SYSTEM ONLY)  
FIGURE 2 (SHEET 4)

**27-51-01-02**

BRI  
MAY 28/07

27-51-01-02  
PAGE 0C

**BOEING**  
757  
PARTS CATALOG (MAINTENANCE)



Y 27510102 SH- 5 REV 255

EQUIPMENT INSTL-MAIN ELECTRONICS EQPT CTR (TRAILING EDGE FLAP SYSTEM ONLY)  
FIGURE 2 (SHEET 5)

**27-51-01-02**

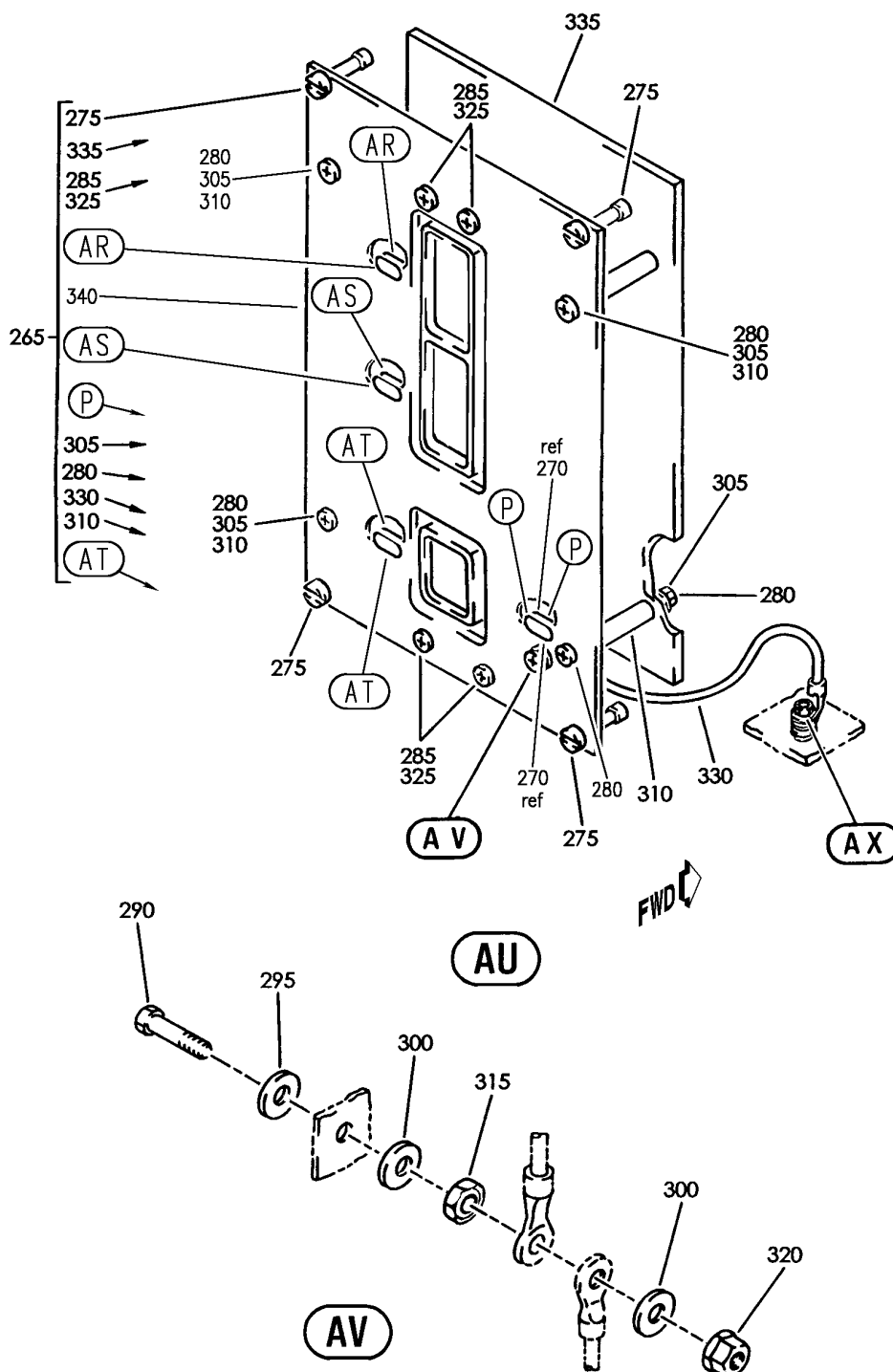
BRI  
MAY 28/07

27-51-01-02  
PAGE 0D

# BOEING

## 757

### PARTS CATALOG (MAINTENANCE)



Y 27510102 SH1 6 REV 255

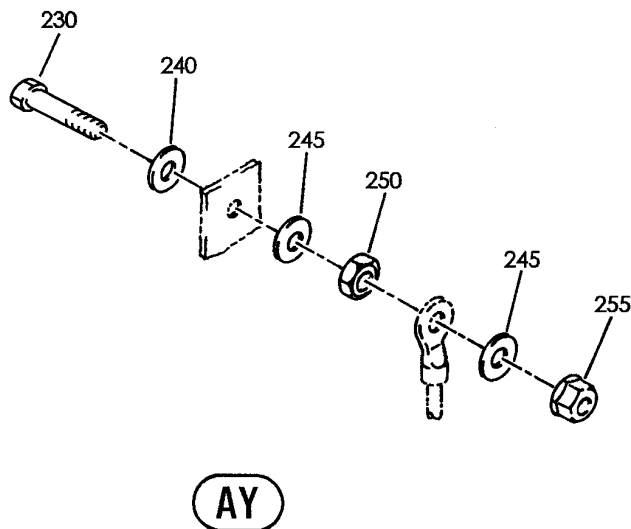
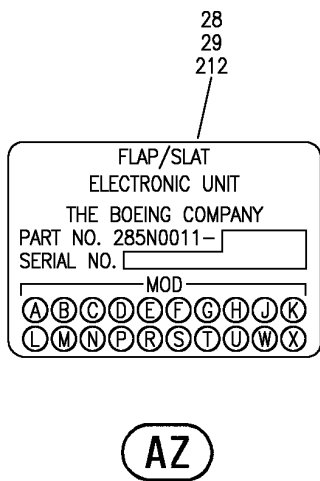
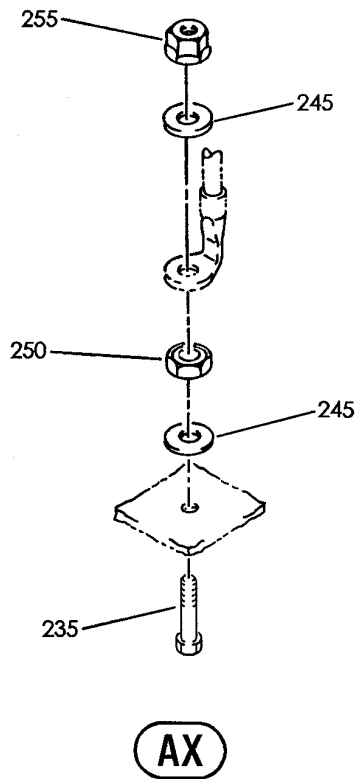
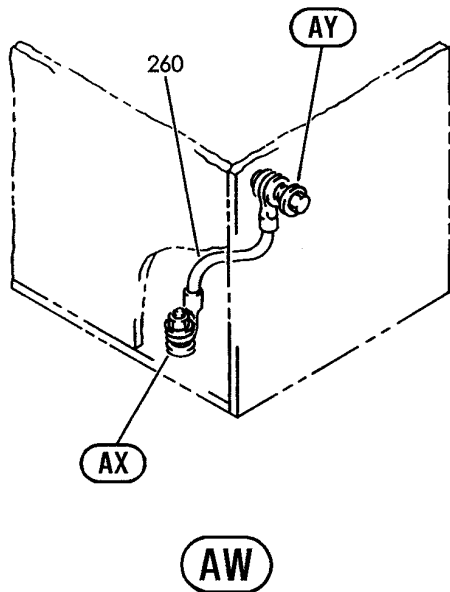
EQUIPMENT INSTL-MAIN ELECTRONICS EQPT CTR (TRAILING EDGE FLAP SYSTEM ONLY)  
FIGURE 2 (SHEET 6)

# 27-51-01-02

BRI  
MAY 28/07

27-51-01-02  
PAGE 0E


**BOEING**  
 757  
**PARTS CATALOG (MAINTENANCE)**



Y 27510102 SH-7 REV 291

EQUIPMENT INSTL-MAIN ELECTRONICS EQPT CTR (TRAILING EDGE FLAP SYSTEM ONLY)  
FIGURE 2 (SHEET 7)

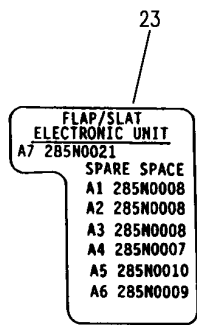
BRI  
MAY 28/07

**27-51-01-02**

27-51-01-02  
PAGE OF



**BOEING**  
757  
PARTS CATALOG (MAINTENANCE)



BA



BB

Y 27510102 SHT 8 REV 250

EQUIPMENT INSTL-MAIN ELECTRONICS EQPT CTR (TRAILING EDGE FLAP SYSTEM ONLY)  
FIGURE 2 (SHEET 8)

BRI  
MAY 28/07

**27-51-01-02**

27-51-01-02  
PAGE 06



757

PARTS CATALOG (MAINTENANCE)

FIG ITEM	PART NUMBER	1 2 3 4 5 6 7	NOMENCLATURE	EFFECT FROM TO	UNITS PER ASSY
2			EQUIPMENT INSTL-MAIN ELECTRONICS EQPT CTR (TRAILING EDGE FLAP SYSTEM ONLY)	002004 006100 107107 121999	
- 2	284N1307-33		EQUIPMENT INSTL-MAIN ELECTRONICS EQPT CTR (TRAILING EDGE FLAP SYSTEM ONLY) FOR NHA/OTHER SYS DET SEE: 24-00-58-01	107107	RF
- 3	284N1800-16		EQUIPMENT INSTL-MAIN ELECTRONICS EQPT CTR (TRAILING EDGE FLAP SYSTEM ONLY) FOR NHA/OTHER SYS DET SEE: 24-00-58-01	121503 904949	RF
- 4	284N1800-32		EQUIPMENT INSTL-MAIN ELECTRONICS EQPT CTR (TRAILING EDGE FLAP SYSTEM ONLY) FOR NHA/OTHER SYS DET SEE: 24-00-58-01	952999	RF
- 4	284N1800-34		EQUIPMENT INSTL-MAIN ELECTRONICS EQPT CTR (TRAILING EDGE FLAP SYSTEM ONLY) FOR NHA/OTHER SYS DET SEE: 24-00-58-01	002004 006100	RF
- 5	284N1800-38		EQUIPMENT INSTL-MAIN ELECTRONICS EQPT CTR (TRAILING EDGE FLAP SYSTEM ONLY) FOR NHA/OTHER SYS DET SEE: 24-00-58-01	950951	RF
- 7	284N1800-88		EQUIPMENT INSTL-MAIN ELECTRONICS EQPT CTR (TRAILING EDGE FLAP SYSTEM ONLY) FOR NHA/OTHER SYS DET SEE: 24-00-58-05E	505505	RF
- 7	284N1800-190		EQUIPMENT INSTL-MAIN ELECTRONICS EQPT CTR (TRAILING EDGE FLAP SYSTEM ONLY) FOR NHA/OTHER SYS DET SEE: 24-00-58-05E	504504 506903	RF

MISSING ITEM NUMBERS NOT APPLICABLE

- ITEM NOT ILLUSTRATED

27-51-01-02

27-51-01  
FIG. 02  
PAGE 1  
JAN 20/09

BRI



757

PARTS CATALOG (MAINTENANCE)

FIG ITEM	PART NUMBER	1 2 3 4 5 6 7	NOMENCLATURE	EFFECT FROM TO	UNITS PER ASSY
2					
10	285N0011-17		.UNIT ASSY-FLAP/SLAT ELECT. SUPPLIER CODE: V89954 ELECTRICAL EQUIP NUMBER: M10331 M10332 M10333 COMPONENT MAINT MANUAL REF: 27-51-52 QUALIFIED I/W DATA: 285N0011-17 MAY REPLACE 285N0011-9 IN SHIPSETS ONLY. OPTIONAL PART: 285N0011-14 V89954	904949	3
10	285N0011-14		.UNIT ASSY-FLAP/SLAT ELECT. SUPPLIER CODE: V89954 ELECTRICAL EQUIP NUMBER: M10331 M10332 M10333 COMPONENT MAINT MANUAL REF: 27-51-52 QUALIFIED I/W DATA: 285N0011 -14 MAY REPLACE 285N0011-9 IN SHIPSETS ONLY OPTIONAL PART: 285N0011-17 V89954	904949	3
10	285N0011-32		.UNIT ASSY-FLAP/SLAT ELECT. SUPPLIER CODE: V89954 ELECTRICAL EQUIP NUMBER: M10331 M10332 M10333 COMPONENT MAINT MANUAL REF: 27-51-52 QUALIFIED I/W DATA: SUBJECT TO CUSTOMER PREFERENCE THE 285N0011-32 IS I/W THE 285N0011-40 EXCEPT THE 285N0011-40 PROVIDES ADDITIONAL MAINTENANCE CAPABILITY FOR RIGGING	904949	3

MISSING ITEM NUMBERS NOT APPLICABLE

- ITEM NOT ILLUSTRATED

27-51-01-02

27-51-01  
FIG. 02  
PAGE 2  
JAN 20/09

BRI



757

PARTS CATALOG (MAINTENANCE)

FIG ITEM	PART NUMBER	1 2 3 4 5 6 7	NOMENCLATURE	EFFECT FROM TO	UNITS PER ASSY
2	10 285N0011-40		.UNIT ASSY-FLAP/SLAT ELECT. SUPPLIER CODE: V89954 ELECTRICAL EQUIP NUMBER: M10331 M10332 M10333 COMPONENT MAINT MANUAL REF: 27-51-79 QUALIFIED I/W DATA: SUBJECT TO CUSTOMER PREFERENCE THE 285N0011-32 IS I/W THE 285N0011-40 EXCEPT THE 285N0011-40 PROVIDES ADDITIONAL MAINTENANCE CAPABILITY FOR RIGGING POST AIRLINE MOD: B757/IPC/00-0052 VBAB	504903	3
	15 285N0011-17		.UNIT ASSY-FLAP/SLAT ELECT. SUPPLIER CODE: V89954 ELECTRICAL EQUIP NUMBER: M10331 M10332 M10333 COMPONENT MAINT MANUAL REF: 27-51-52 QUALIFIED I/W DATA: 285N0011-17 MAY REPLACE 285N0011-9 IN SHIPSETS ONLY. OPTIONAL PART: 285N0011-14 V89954	107107	3

MISSING ITEM NUMBERS NOT APPLICABLE

- ITEM NOT ILLUSTRATED

BRI

27-51-01-02

BOEING PROPRIETARY - Copyright © - Unpublished Work - See title page for details.

27-51-01  
FIG. 02  
PAGE 3  
JAN 20/09



757

PARTS CATALOG (MAINTENANCE)

FIG ITEM	PART NUMBER	1 2 3 4 5 6 7	NOMENCLATURE	EFFECT FROM TO	UNITS PER ASSY
2	15 285N0011-14		.UNIT ASSY-FLAP/SLAT ELECT. SUPPLIER CODE: V89954 ELECTRICAL EQUIP NUMBER: M10331 M10332 M10333 COMPONENT MAINT MANUAL REF: 27-51-52 QUALIFIED I/W DATA: 285N0011 -14 MAY REPLACE 285N0011-9 IN SHIPSETS ONLY OPTIONAL PART: 285N0011-17 V89954	107107	3
	15 285N0011-32		.UNIT ASSY-FLAP/SLAT ELECT. SUPPLIER CODE: V89954 ELECTRICAL EQUIP NUMBER: M10331 M10332 M10333 COMPONENT MAINT MANUAL REF: 27-51-52 QUALIFIED I/W DATA: SUBJECT TO CUSTOMER PREFERENCE THE 285N0011-32 IS I/W THE 285N0011-40 EXCEPT THE 285N0011-40 PROVIDES ADDITIONAL MAINTENANCE CAPABILITY FOR RIGGING	107107	3
	23 BAC27DEX5766		..DECAL- SUPPLIER CODE: V89954 USED ON: 285N0011-14 285N0011-17 285N0011-32	107107 904949	1
	25 BAC27TEX3486		..DECALSET-INCLUDES DECALS IDENTIFIED ON THE ILLUSTRATION SUPPLIER CODE: V89954 USED ON: 285N0011-32	904949	1

MISSING ITEM NUMBERS NOT APPLICABLE

- ITEM NOT ILLUSTRATED

27-51-01-02

27-51-01  
FIG. 02  
PAGE 4  
JAN 20/09

BRI



757

PARTS CATALOG (MAINTENANCE)

FIG ITEM	PART NUMBER	1 2 3 4 5 6 7	NOMENCLATURE	EFFECT FROM TO	UNITS PER ASSY
2					
27	BAC27TEX2946	..	DECAL- SUPPLIER CODE: V89954 OPTIONAL PART: BAC27TEX3649 V89954 USED ON: 285N0011-14 285N0011-17 285N0011-32	107107 904949	1
27	BAC27TEX3649	..	DECAL-BOEING SUPPLIER CODE: V89954 OPTIONAL PART: BAC27TEX2946 V89954 USED ON: 285N0011-14 285N0011-17 285N0011-32	107107 904949	1
28	BAC27DEX5837	..	DECAL- SUPPLIER CODE: V89954 USED ON: 285N0011-40	504903	1
40	SG1532J883B	..	REGULATOR-VOLTAGE SUPPLIER CODE: V34333 OPTIONAL PART: SG1532J12211 V34333	107107 904949	1
40	SG1532J12211	..	REGULATOR-VOLTAGE SUPPLIER CODE: V34333 OPTIONAL PART: SG1532J883B V34333	107107 904949	1
45	182-14541-1	..	INDUCTOR- SUPPLIER CODE: V89954 ATTACHING PARTS	107107 904949	1
- 50	NAS514P440-4	..	SCREW	107107 904949	1
55	182-14540-1	..	-----*----- TRANSFORMER- SUPPLIER CODE: V89954	107107 904949	1

MISSING ITEM NUMBERS NOT APPLICABLE

- ITEM NOT ILLUSTRATED

27-51-01-02

27-51-01  
FIG. 02  
PAGE 5  
JAN 20/09

BRI

BOEING PROPRIETARY - Copyright © - Unpublished Work - See title page for details.



757

PARTS CATALOG (MAINTENANCE)

FIG ITEM	PART NUMBER	1 2 3 4 5 6 7	NOMENCLATURE	EFFECT FROM TO	UNITS PER ASSY
2			ATTACHING PARTS		
- 60	NAS514P440-4		.. SCREW	107107 904949	4
- 65	BRH10A04		.. NUT	107107 904949	4
			SUPPLIER CODE: V52828		
			SPECIFICATION NUMBER: BACN10JCO4		
			OPTIONAL PART: NS202101-40		
			V80539		
			RMLH9075-40W		
			V72962		
			VN303A40		
			V92215		
			96-40		
			V80539		
			T6S440J		
			V11815		
			H10-04BAC		
			V15653		
			-----*-----		
70	LM150KSTEEL883		.. REGULATOR-	107107 904949	2
			SUPPLIER CODE: V27014		
			OPTIONAL PART: SG150K883B		
			V34333		
70	SG150K883B		.. REGULATOR-	107107 904949	2
			SUPPLIER CODE: V34333		
			OPTIONAL PART: LM150KSTEEL883		
			V27014		
75	443-1D		.. HEAT SINK-	107107 904949	3
			SUPPLIER CODE: V53894		
			OPTIONAL PART: 442-1D		
			V53894		
75	442-1D		.. HEAT SINK-	107107 904949	3
			SUPPLIER CODE: V53894		
			OPTIONAL PART: 443-1D		
			V53894		
80	285N0023-1		.. HEAT SINK-	107107 904949	1
			SUPPLIER CODE: V89954		

MISSING ITEM NUMBERS NOT APPLICABLE

- ITEM NOT ILLUSTRATED

BRI

27-51-01-02

27-51-01  
FIG. 02  
PAGE 6  
JAN 20/09



757

PARTS CATALOG (MAINTENANCE)

FIG ITEM	PART NUMBER	1 2 3 4 5 6 7	NOMENCLATURE	EFFECT FROM TO	UNITS PER ASSY
2			ATTACHING PARTS		
- 90	NAS514P440-5	..	SCREW	107107 904949	4
			-----*-----		
95	285N0023-2	...	HEAT SINK- SUPPLIER CODE: V89954	107107 904949	1
100	UA7915KMQB	...	MICROCIRCUIT-TYPE 7915 SUPPLIER CODE: V07263 SPECIFICATION NUMBER: 280-22002-330 OPTIONAL PART: 7915KMQB V07263	107107 904949	1
			ATTACHING PARTS		
105	NAS1801-06-8	...	SCREW	107107 904949	2
110	NAS620-6L	...	WASHER	107107 904949	2
115	BACW10BE2	...	WASHER	107107 904949	1
120	BACW10P287TF	...	SPACER	107107 904949	4
125	BACW10P352M	...	WASHER	107107 904949	2
130	AN960C6	...	WASHER	107107 904949	2
135	MS35338-41	...	WASHER	107107 904949	2
140	MS35649-265S	...	NUT	107107 904949	2
			-----*-----		
150	ITS4052	..	TRANSISTOR-VMOS PWR SUPPLIER CODE: V32293 OPTIONAL PART: ITS4052-1 V32293	107107 904949	15
150	ITS4052-1	..	TRANSISTOR-VMOS PWR SUPPLIER CODE: V32293 OPTIONAL PART: ITS4052 V32293 S182-10802-1	107107 904949	15

MISSING ITEM NUMBERS NOT APPLICABLE

- ITEM NOT ILLUSTRATED

BRI

27-51-01-02

27-51-01  
FIG. 02  
PAGE 7  
JAN 20/09





757

PARTS CATALOG (MAINTENANCE)

FIG ITEM	PART NUMBER	1 2 3 4 5 6 7	NOMENCLATURE	EFFECT FROM TO	UNITS PER ASSY
2 160	ITS4052		.. TRANSISTOR-VMOS PWR SUPPLIER CODE: V32293 OPTIONAL PART: ITS4052-1 V32293 S182-10802-1	107107 904949	6
160	ITS4052-1		.. TRANSISTOR-VMOS PWR SUPPLIER CODE: V32293 OPTIONAL PART: ITS4052 V32293 S182-10802-1	107107 904949	6
200	285N0011-40		. UNIT ASSY-FLAP/SLAT ELECT. SUPPLIER CODE: V89954 ELECTRICAL EQUIP NUMBER: M10331 M10332 M10333 COMPONENT MAINT MANUAL REF: 27-51-79 QUALIFIED I/W DATA: SUBJECT TO CUSTOMER PREFERENCE THE 285N0011-32 IS I/W THE 285N0011-40 EXCEPT THE 285N0011-40 PROVIDES ADDITIONAL MAINTENANCE CAPABILITY FOR RIGGING	121503	3
205	285N0011-40		. UNIT ASSY-FLAP/SLAT ELECT. SUPPLIER CODE: V89954 ELECTRICAL EQUIP NUMBER: M10331 M10332 M10333 COMPONENT MAINT MANUAL REF: 27-51-79 QUALIFIED I/W DATA: SUBJECT TO CUSTOMER PREFERENCE THE 285N0011-32 IS I/W THE 285N0011-40 EXCEPT THE 285N0011-40 PROVIDES ADDITIONAL MAINTENANCE CAPABILITY FOR RIGGING	002004 006100 504903 950999	3

MISSING ITEM NUMBERS NOT APPLICABLE

- ITEM NOT ILLUSTRATED

27-51-01-02

27-51-01  
FIG. 02  
PAGE 8  
JAN 20/09

BRI

**BOEING**  
757  
**PARTS CATALOG (MAINTENANCE)**

FIG ITEM	PART NUMBER	1 2 3 4 5 6 7	NOMENCLATURE	EFFECT FROM TO	UNITS PER ASSY
2					
210	BAC27TEX3588	..	DECALSET-INCLUDES DECALS IDENTIFIED ON THE ILLUSTRATION SUPPLIER CODE: V89954 OPTIONAL PART: BAC27TEX3327	002004 006100 121903 950999	1
210	BAC27TEX3327	..	DECALSET-INCLUDES DECALS IDENTIFIED ON THE ILLUSTRATION OPTIONAL PART: BAC27TEX3588 V89954	002004 006100 121903 950999	1
212	BAC27DEX5837	..	DECAL- SUPPLIER CODE: V89954	504903	1
230	NAS1801-08-12	..	SCREW- OPTIONAL PART: MS51957-47 BACS12CK08U12	002004 006100 121903 950999	1
230	MS15957-47	..	SCREW- OPTIONAL PART: NAS1801-08-12 BACS12CK08U12	002004 006100 121903 950999	1
230	BACS12CK08U12	..	SCREW- OPTIONAL PART: NAS1801-08-12 MS15957-47	002004 006100 121903 950999	1
235	NAS514P832-9P	..	SCREW	002004 006100 121903 950999	2
240	MS35338-42	..	WASHER- OPTIONAL PART: BACW10EC08S	002004 006100 121903 950999	1
240	BACW10EC08S	..	WASHER- OPTIONAL PART: MS35338-42	002004 006100 121903 950999	1
245	AN960D8	..	WASHER- OPTIONAL PART: NAS1149DN832H	002004 006100 121903 950999	6
245	NAS1149DN832H	..	WASHER- OPTIONAL PART: AN960D8	002004 006100 121903 950999	6

MISSING ITEM NUMBERS NOT APPLICABLE

— ITEM NOT ILLUSTRATED

BRI

**27-51-01-02**

BOEING PROPRIETARY - Copyright © - Unpublished Work - See title page for details.

27-51-01  
FIG. 02  
PAGE 9  
JAN 20/09



757

PARTS CATALOG (MAINTENANCE)

FIG ITEM	PART NUMBER	1 2 3 4 5 6 7	NOMENCLATURE	EFFECT FROM TO	UNITS PER ASSY
2					
250	MS35649-286T	..	NUT	002004 006100 121903 950999	3
255	MS21042L08	..	NUT- OPTIONAL PART: BACN10YR08CD	002004 006100 121903 950999	3
255	PLH508CD	..	NUT- SUPPLIER CODE: VF0224 SPECIFICATION NUMBER: BACN10YR08CD OPTIONAL PART: H52732-08CD V15653 MS21042L08	002004 006100 121903 950999	3
260	285N0004-2	..	JUMPER ASSY- SUPPLIER CODE: V89954	002004 006100 121903 950999	1
265	285N0004-1	..	PANEL ASSY-REAR SUPPLIER CODE: V89954 FUNCTIONAL REFERENCE: PLACARDS AND MARKINGS FOR DETAILS SEE 11-36-04-09A	002004 006100 121903 950999	1
270	BAC27TEX3588	...	DECALSET-INCLUDES DECALS IDENTIFIED ON THE ILLUSTRATION SUPPLIER CODE: V89954 OPTIONAL PART: BAC27TEX3327	002004 006100 121903 950999	2
270	BAC27TEX3327	...	DECALSET-INCLUDES DECALS IDENTIFIED ON THE ILLUSTRATION OPTIONAL PART: BAC27TEX3588 V89954	002004 006100 121903 950999	2
275	787-812SS12	...	SCREW- SUPPLIER CODE: V51506 OPTIONAL PART: PGD08X812PFSSC V51506	002004 006100 121903 950999	4

MISSING ITEM NUMBERS NOT APPLICABLE

- ITEM NOT ILLUSTRATED

27-51-01-02

27-51-01  
FIG. 02  
PAGE 10  
JAN 20/09

BRI



757

PARTS CATALOG (MAINTENANCE)

FIG ITEM	PART NUMBER	1 2 3 4 5 6 7	NOMENCLATURE	EFFECT FROM TO	UNITS PER ASSY
2					
275	PGD08X812PFSSC	...	SCREW- SUPPLIER CODE: V51506 OPTIONAL PART: 787-812SS12 V51506	002004 006100 121903 950999	4
280	PL1801-06-7	...	SCREW- SUPPLIER CODE: V03038 SPECIFICATION NUMBER: S285T004-8	002004 006100 121903 950999	8
285	NAS1801-06-7	...	SCREW	002004 006100 121903 950999	4
290	NAS1801-08-10	...	SCREW	002004 006100 121903 950999	1
295	MS35338-42	...	WASHER	002004 006100 121903 950999	1
300	AN960D8	...	WASHER	002004 006100 121903 950999	2
305	NAS620A6L	...	WASHER	002004 006100 121903 950999	4
310	1130HSS1375-12	...	SPACER- SUPPLIER CODE: V51506	002004 006100 121903 950999	4
315	MS35649-286T	...	NUT	002004 006100 121903 950999	1
320	MS21042L08	...	NUT- OPTIONAL PART: BACN10YR08C	002004 006100 121903 950999	1

MISSING ITEM NUMBERS NOT APPLICABLE

- ITEM NOT ILLUSTRATED

BRI

27-51-01-02

BOEING PROPRIETARY - Copyright © - Unpublished Work - See title page for details.

27-51-01  
FIG. 02  
PAGE 11  
JAN 20/09



757

PARTS CATALOG (MAINTENANCE)

FIG ITEM	PART NUMBER	1 2 3 4 5 6 7	NOMENCLATURE	EFFECT FROM TO	UNITS PER ASSY
2 320	PLH508C	...	NUT- SUPPLIER CODE: VFO224 SPECIFICATION NUMBER: BACN10YR08C OPTIONAL PART: H52732-08C V15653 MS21042L08	002004 006100 121903 950999	1
325	MS21042L06	...	NUT- OPTIONAL PART: BACN10YR06C	002004 006100 121903 950999	4
325	PLH506C	...	NUT- SUPPLIER CODE: V62554 SPECIFICATION NUMBER: BACN10YR06C OPTIONAL PART: H52732-06C V15653 MS21042L06	002004 006100 121903 950999	4
330	285N0004-2	...	JUMPER ASSY- SUPPLIER CODE: V89954	002004 006100 121903 950999	1
335	285N0434-5	...	PRINTED CIRCUIT ASSY- PSEU SUPPLIER CODE: V89954 OPTIONAL PART: 285N0434-1 V89954	002004 006100 121903 950999	1
335	285N0434-1	...	PRINTED CIRCUIT ASSY- FSEU SUPPLIER CODE: V89954 OPTIONAL PART: 285N0434-5 V89954	002004 006100 121903 950999	1
340	285N0097-3	...	PANEL-REAR SUPPLIER CODE: V89954	002004 006100 121903 950999	1
- 400	286N1286-001		WIRE BUNDLE ASSY-	121503 904949	RF

MISSING ITEM NUMBERS NOT APPLICABLE

- ITEM NOT ILLUSTRATED

27-51-01-02

27-51-01  
FIG. 02  
PAGE 12  
JAN 20/09

BRI

BOEING PROPRIETARY - Copyright © - Unpublished Work - See title page for details.



757

PARTS CATALOG (MAINTENANCE)

FIG ITEM	PART NUMBER	1 2 3 4 5 6 7	NOMENCLATURE	EFFECT FROM TO	UNITS PER ASSY
2					
- 400	286N1286-002		WIRE BUNDLE ASSY- REWORKED BY SB: 34-0200	002004 006100 107107 950999	RF
- 401	286N1286-333		WIRE BUNDLE ASSY-	504903	RF
- 405	286N1284-001		WIRE BUNDLE ASSY-	121503 904949	RF
- 405	286N1284-003		WIRE BUNDLE ASSY-	107107	RF
- 405	286N1284-004		WIRE BUNDLE ASSY- REWORKED BY SB: 34-0200	002004 006100 950999	RF
415	BACC66H21C5201		.CONNECTOR- ELECTRICAL EQUIP NUMBER: D03258 D03260 WIRING DIAGRAM REF: 275111 275161	002004 006100 107107 121503 904999	1
- 420	286N1282-001		WIRE BUNDLE ASSY-	121503 904949	RF
- 420	286N1282-003		WIRE BUNDLE ASSY-	107107	RF
- 420	286N1282-004		WIRE BUNDLE ASSY-	002004 006100 950999	RF
- 421	286N1282-318		WIRE BUNDLE ASSY	504903	RF
425	BACC66H21C5201		.CONNECTOR- ELECTRICAL EQUIP NUMBER: D03312 WIRING DIAGRAM REF: 275831	002004 006100 107107 121999	1

MISSING ITEM NUMBERS NOT APPLICABLE

- ITEM NOT ILLUSTRATED

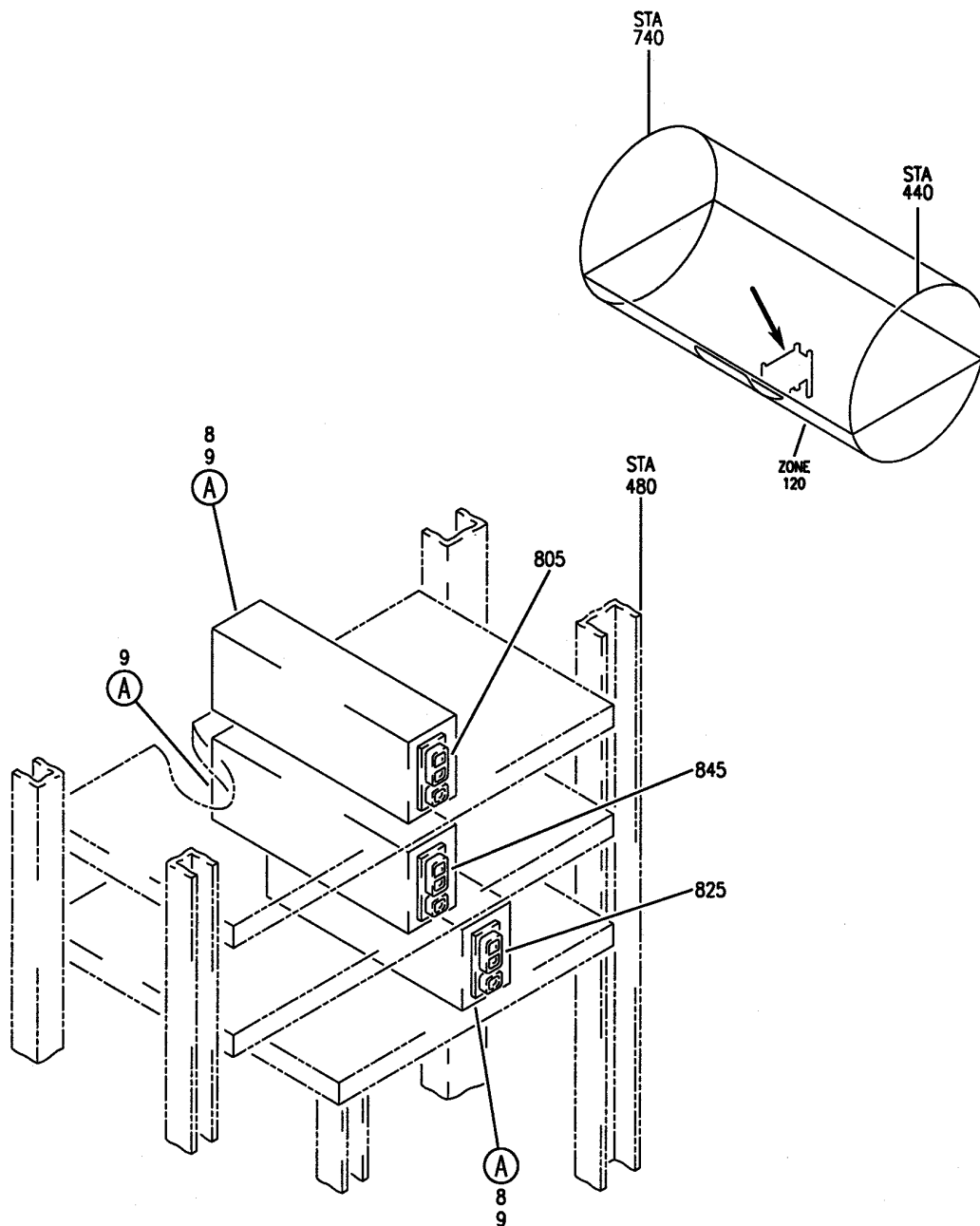
BRI

27-51-01-02

BOEING PROPRIETARY - Copyright © - Unpublished Work - See title page for details.

27-51-01  
FIG. 02  
PAGE 13  
JAN 20/09

**BOEING**  
757  
PARTS CATALOG (MAINTENANCE)



Y 27510102B SHT 1 REV 219

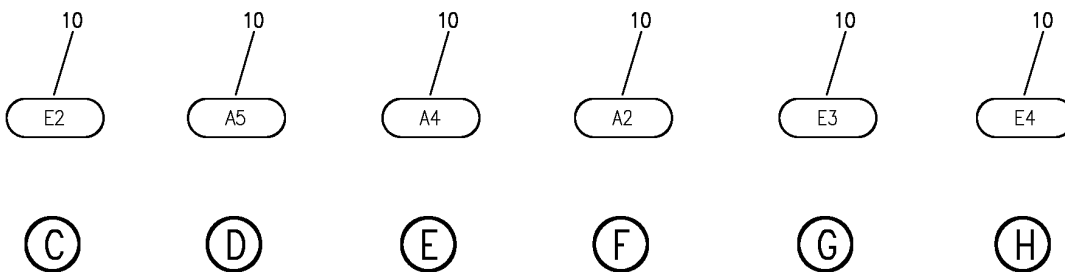
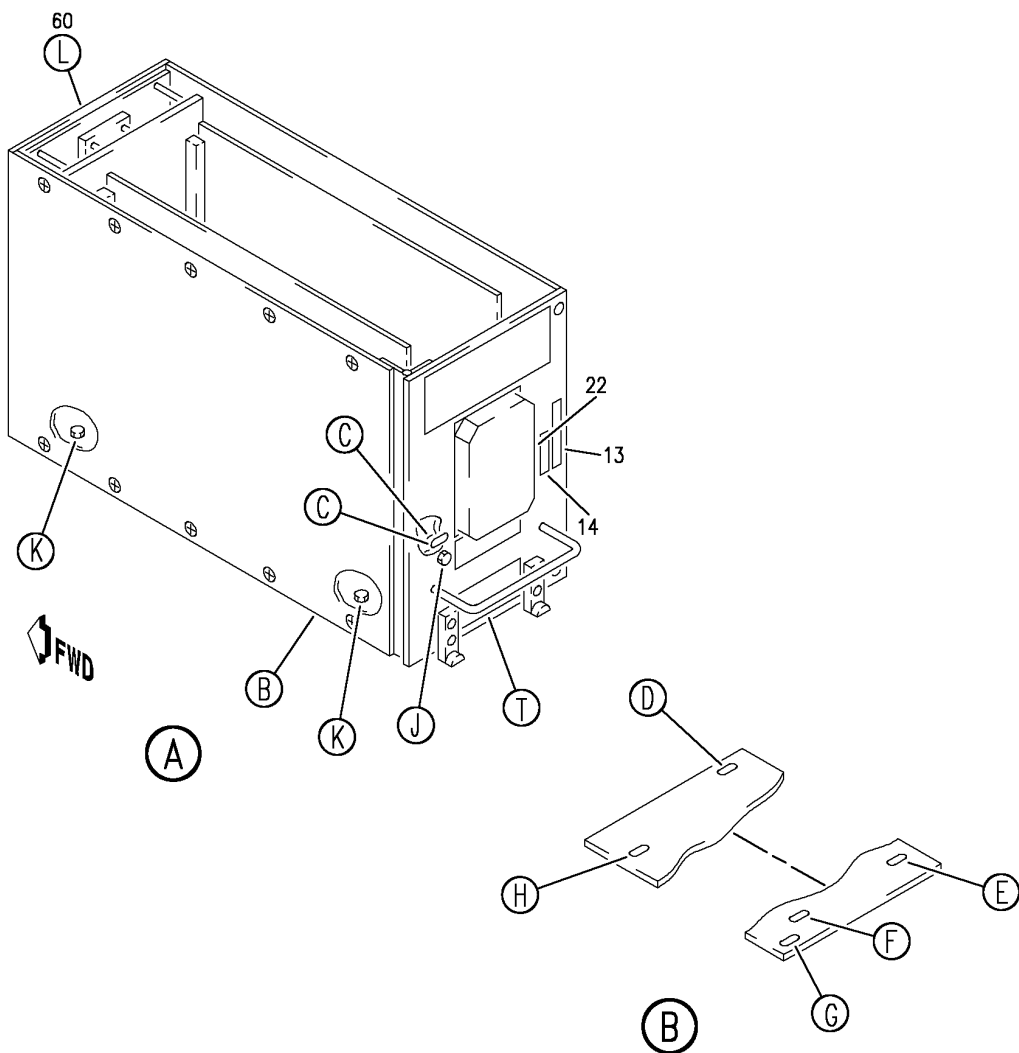
EQUIPMENT INSTL-MAIN ELECTRONICS EQPT CTR (TRAILING EDGE FLAP SYSTEM ONLY)  
FIGURE 2B (SHEET 1)

**27-51-01-02B**

BRI  
MAY 28/07

27-51-01-02B  
PAGE 0


**BOEING**  
 757  
**PARTS CATALOG (MAINTENANCE)**



Y 27510102B SHT 2 REV 258

EQUIPMENT INSTL-MAIN ELECTRONICS EQPT CTR (TRAILING EDGE FLAP SYSTEM ONLY)  
 FIGURE 2B (SHEET 2)

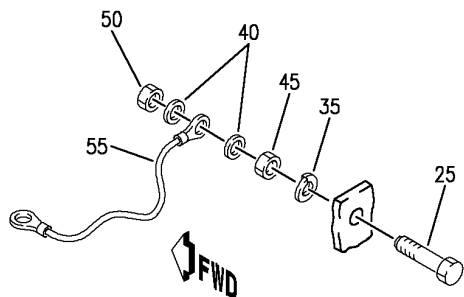
**27-51-01-02B**

BRI  
 MAY 28/07

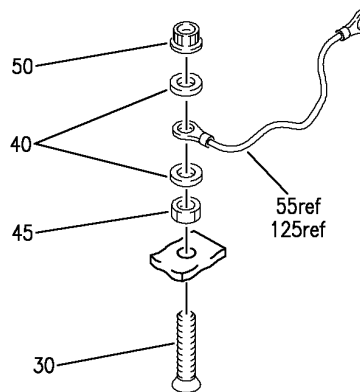
27-51-01-02B  
 PAGE 0A



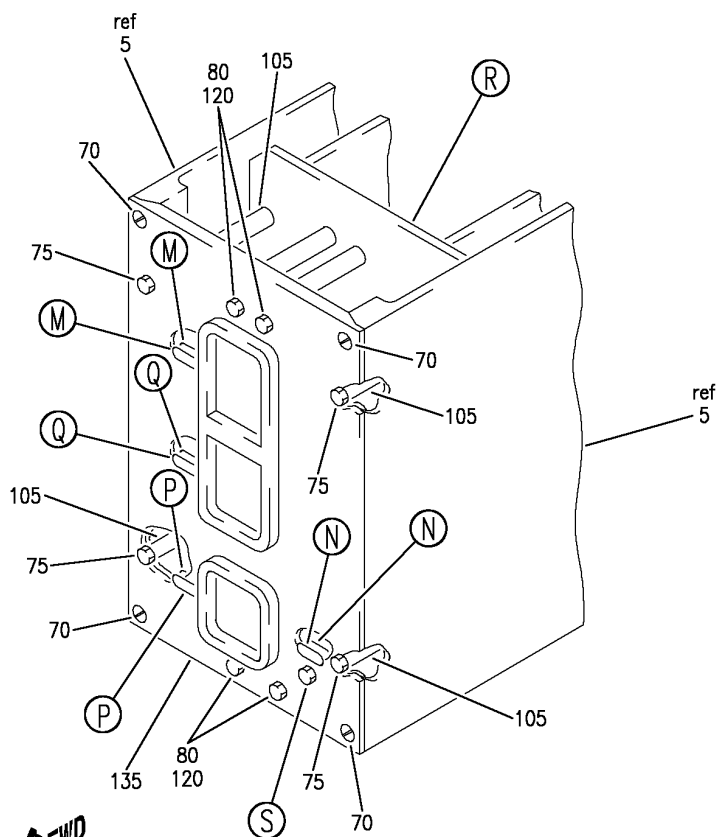

**BOEING**  
 757  
**PARTS CATALOG (MAINTENANCE)**



J



K



L

Y 27510102B SHT 3 REV 255

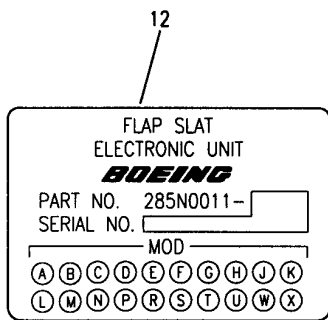
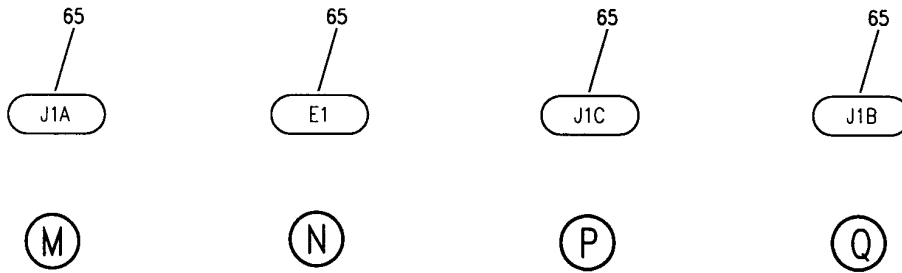
EQUIPMENT INSTL-MAIN ELECTRONICS EQPT CTR (TRAILING EDGE FLAP SYSTEM ONLY)  
 FIGURE 2B (SHEET 3)

**27-51-01-02B**

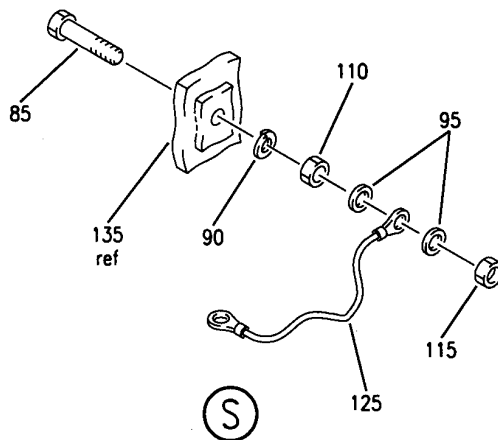
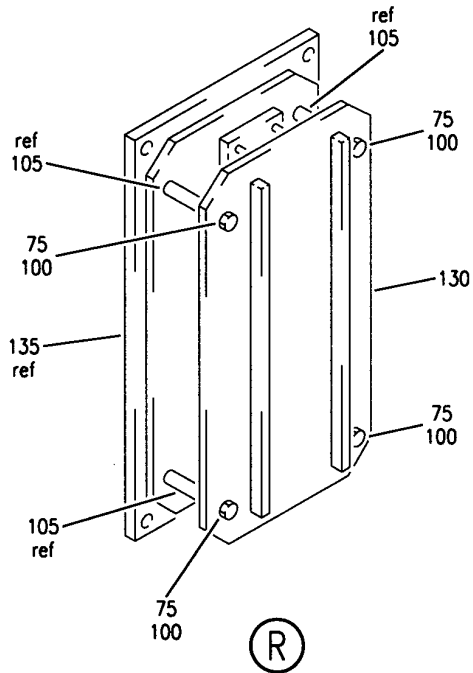
BRI  
 MAY 28/07

27-51-01-02B  
 PAGE 0B


**BOEING**  
 757  
**PARTS CATALOG (MAINTENANCE)**



T



Y 27510102B SHT 4 REV 210

EQUIPMENT INSTL-MAIN ELECTRONICS EQPT CTR (TRAILING EDGE FLAP SYSTEM ONLY)  
 FIGURE 2B (SHEET 4)

**27-51-01-02B**

BRI  
 MAY 28/07

27-51-01-02B  
 PAGE 0C



757

PARTS CATALOG (MAINTENANCE)

FIG ITEM	PART NUMBER	1 2 3 4 5 6 7	NOMENCLATURE	EFFECT FROM TO	UNITS PER ASSY
2B			EQUIPMENT INSTL-MAIN ELECTRONICS EQPT CTR (TRAILING EDGE FLAP SYSTEM ONLY)	101102	
- 2	284N1800-140		EQUIPMENT INSTL-MAIN ELECTRONICS EQPT CTR (TRAILING EDGE FLAP SYSTEM ONLY)	101101	RF
- 2	284N1800-141		FOR NHA/OTHER SYS DET SEE: 24-00-58-05E		
			EQUIPMENT INSTL-MAIN ELECTRONICS EQPT CTR (TRAILING EDGE FLAP SYSTEM ONLY)	102102	RF
			FOR NHA/OTHER SYS DET SEE: 24-00-58-05E		
9	285N0011-40		.UNIT ASSY-FLAP/SLAT ELECTRONIC SUPPLIER CODE: V89954 ELECTRICAL EQUIP NUMBER: M10331 M10332 M10333 COMPONENT MAINT MANUAL REF: 27-51-79 QUALIFIED I/W DATA: SUBJECT TO CUSTOMER PREFERENCE THE 285N0011-32 IS I/W THE 285N0011-40 EXCEPT THE 285N0011-40 PROVIDES ADDITIONAL MAINTENANCE CAPABILITY FOR RIGGING	101102	3
10	BAC27TEX3588		..DECALSET-INCLUDES DECALS IDENTIFIED ON THE ILLUSTRATION SUPPLIER CODE: V89954	101102	1
12	BAC27DEX5837		..DECAL- SUPPLIER CODE: V89954	101102	1
13	S906-10207-2		..LABEL	101102	3
14	S906-10207-4		..LABEL	101102	1

MISSING ITEM NUMBERS NOT APPLICABLE

- ITEM NOT ILLUSTRATED

**27-51-01-02B**

27-51-01  
FIG. 02B  
PAGE 1  
JAN 20/09

BRI

BOEING PROPRIETARY - Copyright © - Unpublished Work - See title page for details.



757

PARTS CATALOG (MAINTENANCE)

FIG ITEM	PART NUMBER	1 2 3 4 5 6 7	NOMENCLATURE	EFFECT FROM TO	UNITS PER ASSY
2B					
22	P90640010-3	..	MODULE-BITE SUPPLIER CODE: V51896 SPECIFICATION NUMBER: 906-40010-3 OPTIONAL PART: 906-40010-2 V89954 69-73010-2 V89954	101102	1
22	906-40010-2	..	MODULE-BITE SUPPLIER CODE: V89954 OPTIONAL PART: P90640010-3 V51896 69-73010-2 V89954	101102	1
22	69-73010-2	..	MODULE ASSY-BITE SUPPLIER CODE: V89954 OPTIONAL PART: P90640010-3 V51896 906-40010-2 V89954	101102	1
25	NAS1801-08-12	..	SCREW- OPTIONAL PART: MS51957-47 BACS12CK08U12	101102	1
25	MS15957-47	..	SCREW- OPTIONAL PART: NAS1801-08-12 BACS12CK08U12	101102	1
25	BACS12CK08U12	..	SCREW- OPTIONAL PART: NAS1801-08-12 MS15957-47	101102	1
30	NAS514P832-9P	..	SCREW	101102	2
35	MS35338-42	..	WASHER	101102	1
40	AN960D8	..	WASHER- OPTIONAL PART: NAS1149DN832H	101102	6
40	NAS1149DN832H	..	WASHER- OPTIONAL PART: AN960D8	101102	6
45	MS35649-286T	..	NUT	101102	3

MISSING ITEM NUMBERS NOT APPLICABLE

- ITEM NOT ILLUSTRATED

27-51-01-02B

27-51-01  
FIG. 02B  
PAGE 2  
JAN 20/09

BRI

BOEING PROPRIETARY - Copyright © - Unpublished Work - See title page for details.



757

PARTS CATALOG (MAINTENANCE)

FIG ITEM	PART NUMBER	1 2 3 4 5 6 7	NOMENCLATURE	EFFECT FROM TO	UNITS PER ASSY
2B					
50	MS21042L08	..	NUT- OPTIONAL PART: BACN10YR08CD	101102	3
50	PLH508CD	..	NUT- SUPPLIER CODE: VFO224 SPECIFICATION NUMBER: BACN10YR08CD OPTIONAL PART: H52732-08CD V15653 MS21042L08	101102	3
55	285N0004-2	..	JUMPER ASSY- SUPPLIER CODE: V89954	101102	1
60	285N0004-1	..	PANEL ASSY-REAR SUPPLIER CODE: V89954 FUNCTIONAL REFERENCE: PLACARDS AND MARKINGS FOR DETAILS SEE 11-36-04-09A	101102	1
65	BAC27TEX3588	...	DECALSET-INCLUDES DECALS IDENTIFIED ON THE ILLUSTRATION SUPPLIER CODE: V89954 OPTIONAL PART: BAC27TEX3327	101102	2
65	BAC27TEX3327	...	DECALSET-INCLUDES DECALS IDENTIFIED ON THE ILLUSTRATION OPTIONAL PART: BAC27TEX3588 V89954	101102	2
70	787-812SS12	...	SCREW- SUPPLIER CODE: V51506 OPTIONAL PART: PGD08X812PFSSC V51506	101102	4
70	PGD08X812PFSSC	...	SCREW- SUPPLIER CODE: V51506 OPTIONAL PART: 787-812SS12 V51506	101102	4

MISSING ITEM NUMBERS NOT APPLICABLE

- ITEM NOT ILLUSTRATED

27-51-01-02B

27-51-01  
FIG. 02B  
PAGE 3  
JAN 20/09

BRI

BOEING PROPRIETARY - Copyright © - Unpublished Work - See title page for details.



757

PARTS CATALOG (MAINTENANCE)

FIG ITEM	PART NUMBER	1 2 3 4 5 6 7	NOMENCLATURE	EFFECT FROM TO	UNITS PER ASSY
2B					
75	PL1801-06-7	...	SCREW- SUPPLIER CODE: V03038 SPECIFICATION NUMBER: S285T004-8	101102	8
80	NAS1801-06-7	...	SCREW	101102	4
85	NAS1801-08-10	...	SCREW	101102	1
90	MS35338-42	...	WASHER	101102	1
95	AN960D8	...	WASHER	101102	2
100	NAS620A6L	...	WASHER	101102	4
105	1130HSS1375-12	...	SPACER- SUPPLIER CODE: V51506	101102	4
110	MS35649-286T	...	NUT	101102	1
115	MS21042L08	...	NUT- OPTIONAL PART: BACN10YR08C	101102	1
115	PLH508C	...	NUT- SUPPLIER CODE: VF0224 SPECIFICATION NUMBER: BACN10YR08C OPTIONAL PART: H52732-08C V15653 MS21042L08	101102	1
120	MS21042L06	...	NUT- OPTIONAL PART: BACN10YR06C	101102	4
120	PLH506C	...	NUT- SUPPLIER CODE: V62554 SPECIFICATION NUMBER: BACN10YR06C OPTIONAL PART: H52732-06C V15653 MS21042L06	101102	4
125	285N0004-2	...	JUMPER ASSY- SUPPLIER CODE: V89954	101102	1
130	285N0434-5	...	PRINTED CIRCUIT ASSY- PSEU SUPPLIER CODE: V89954 OPTIONAL PART: 285N0434-1 V89954	101102	1

MISSING ITEM NUMBERS NOT APPLICABLE

- ITEM NOT ILLUSTRATED

27-51-01-02B

27-51-01  
FIG. 02B  
PAGE 4  
JAN 20/09

BRI

BOEING PROPRIETARY - Copyright © - Unpublished Work - See title page for details.

 **BOEING**  
757  
**PARTS CATALOG (MAINTENANCE)**

FIG ITEM	PART NUMBER	1 2 3 4 5 6 7	NOMENCLATURE	EFFECT FROM TO	UNITS PER ASSY
2B 130	285N0434-1		...PRINTED CIRCUIT ASSY- FSEU SUPPLIER CODE: V89954 OPTIONAL PART: 285N0434-5 V89954	101102	1
135	285N0097-3		...PANEL-REAR SUPPLIER CODE: V89954	101102	1
- 800 805	286N1282-316 BACC66H21C5201		WIRE BUNDLE ASSY .CONNECTOR- ELECTRICAL EQUIP NUMBER: D03312 WIRING DIAGRAM REF: 275831	101102 101102	RF 1
- 820 825	286N1286-335 BACC66H21C5201		WIRE BUNDLE ASSY .CONNECTOR- ELECTRICAL EQUIP NUMBER: D03258 WIRING DIAGRAM REF: 275161	101102 101102	RF 1
- 840 845	286N1284-324 BACC66H21C5201		WIRE BUNDLE ASSY .CONNECTOR- ELECTRICAL EQUIP NUMBER: D03260 WIRING DIAGRAM REF: 275111	101102 101102	RF 1

MISSING ITEM NUMBERS NOT APPLICABLE

- ITEM NOT ILLUSTRATED

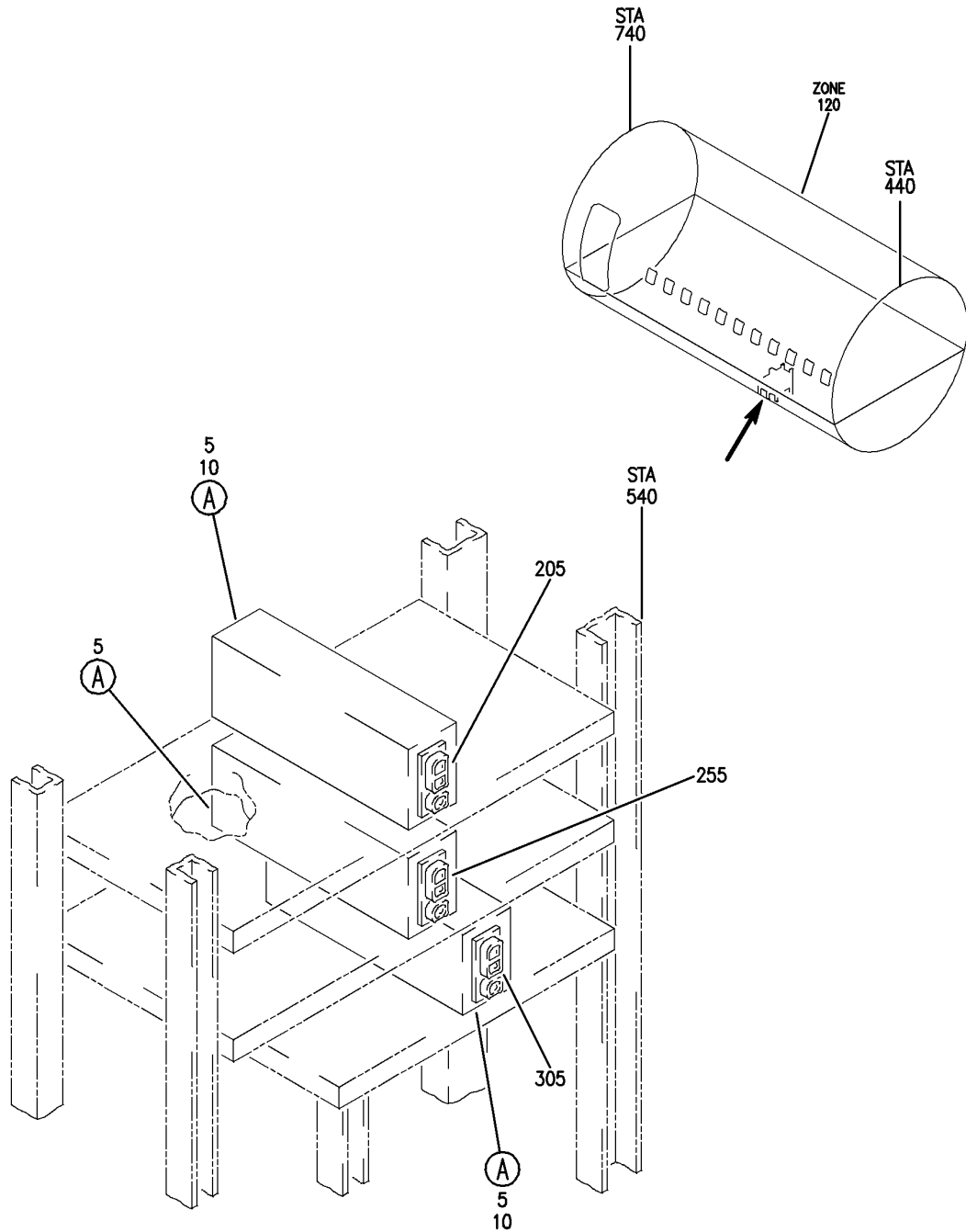
BRI

# 27-51-01-02B

BOEING PROPRIETARY - Copyright © - Unpublished Work - See title page for details.

27-51-01  
FIG. 02B  
PAGE 5  
JAN 20/09

**BOEING**  
757  
PARTS CATALOG (MAINTENANCE)



Y 27510108 SHT 1 REV 222

EQUIPMENT INSTL-MAIN ELECTRONICS EQPT CTR FLAP SLAT UNIT  
FIGURE 8 (SHEET 1)

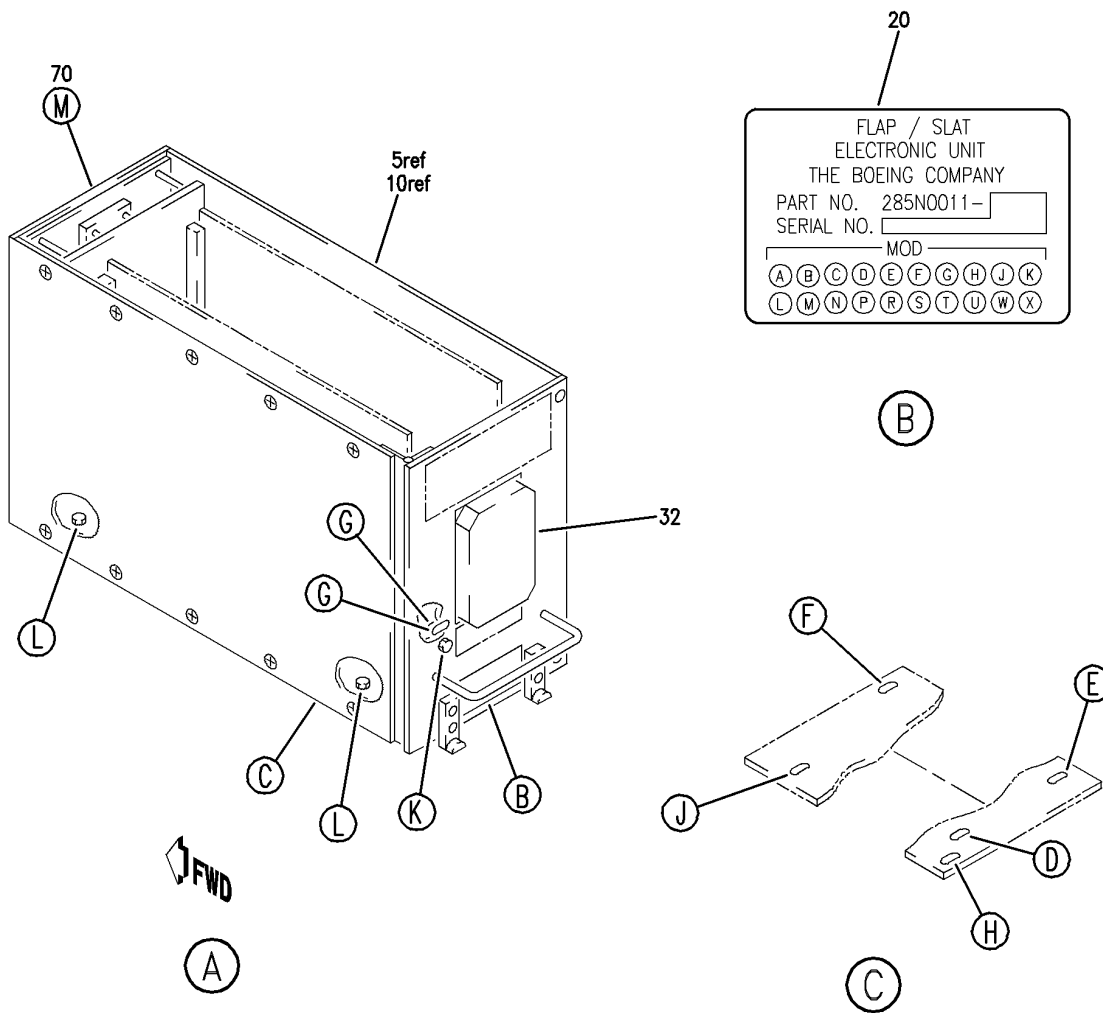
**27-51-01-08**

BRI  
JAN 20/09

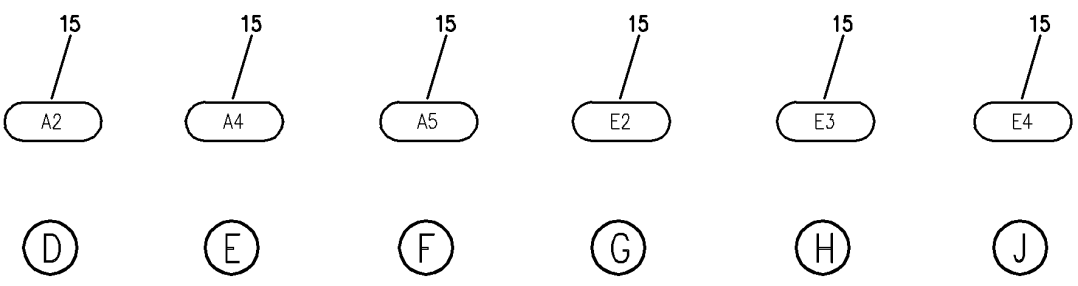
27-51-01-08  
PAGE 0



**BOEING**  
757  
PARTS CATALOG (MAINTENANCE)



Y 27510108 SH1 2 REV 249



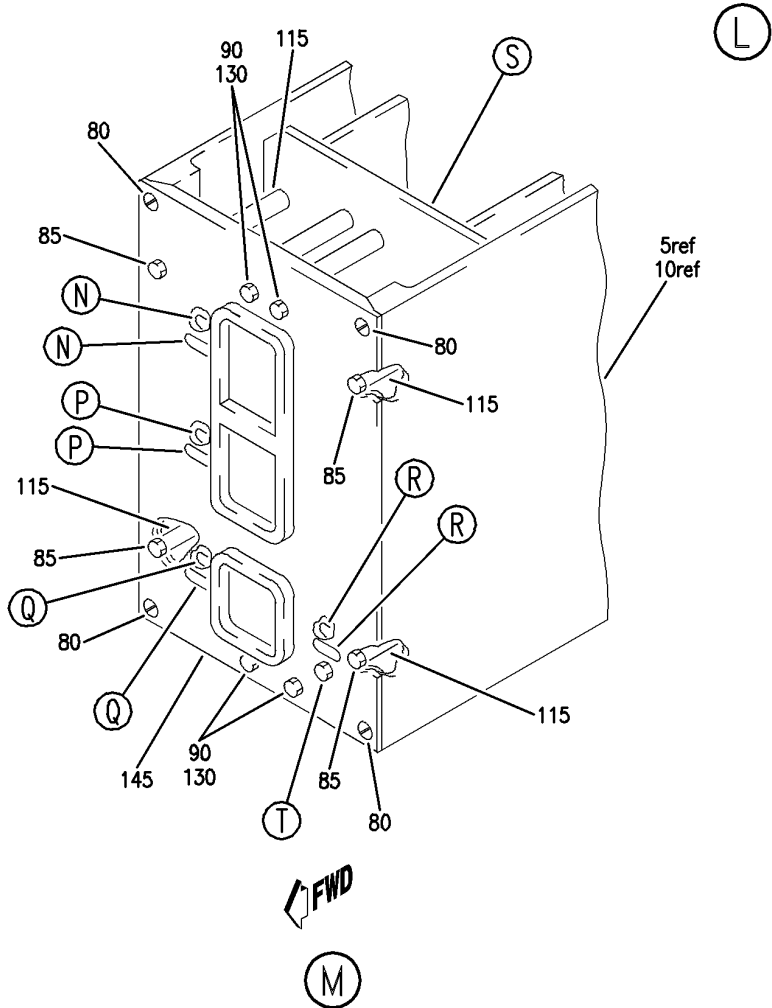
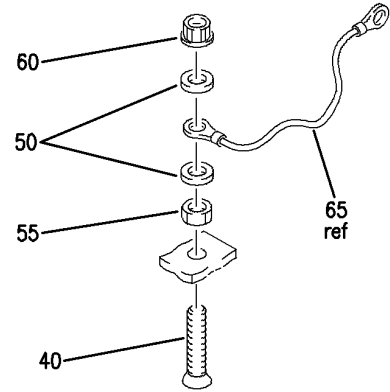
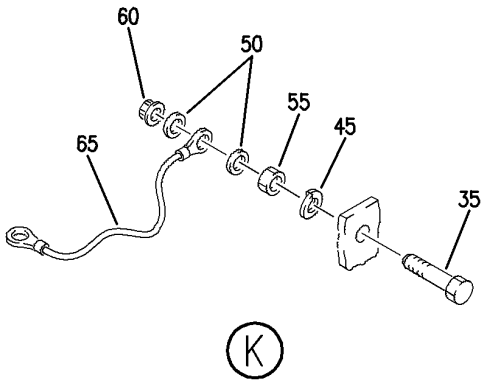
EQUIPMENT INSTL-MAIN ELECTRONICS EQPT CTR FLAP SLAT UNIT  
FIGURE 8 (SHEET 2)

**27-51-01-08**

BRI  
JAN 20/09

27-51-01-08  
PAGE 0A


**BOEING**  
 757  
**PARTS CATALOG (MAINTENANCE)**



Y 27510108 SHT 3 REV 222

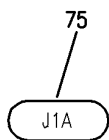
EQUIPMENT INSTL-MAIN ELECTRONICS EQPT CTR FLAP SLAT UNIT  
 FIGURE 8 (SHEET 3)

**27-51-01-08**

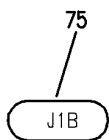
BRI  
 JAN 20/09

27-51-01-08  
 PAGE 0B

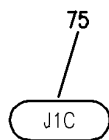
**BOEING**  
757  
PARTS CATALOG (MAINTENANCE)



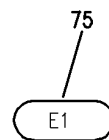
(N)



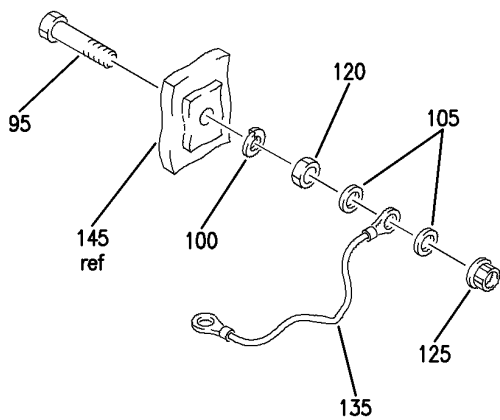
(P)



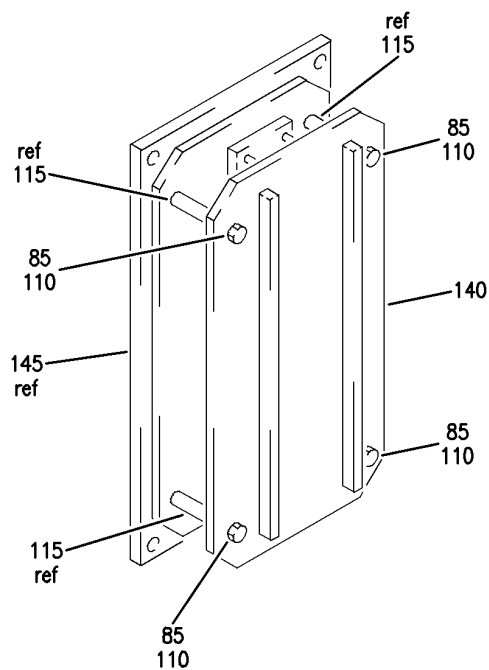
(Q)



(R)



(T)



(S)

Y 27510108 SHT 4 REV 222

EQUIPMENT INSTL-MAIN ELECTRONICS EQPT CTR FLAP SLAT UNIT  
FIGURE 8 (SHEET 4)

**27-51-01-08**

BRI  
JAN 20/09

27-51-01-08  
PAGE 0C



757

PARTS CATALOG (MAINTENANCE)

FIG ITEM	PART NUMBER	1 2 3 4 5 6 7	NOMENCLATURE	EFFECT FROM TO	UNITS PER ASSY
8			EQUIPMENT INSTL-MAIN ELECTRONICS EQPT CTR FLAP SLAT UNIT	103106 108120	
- 1	284N4000-270000		EQUIPMENT INSTL-MAIN ELECTRONICS EQPT CTR FLAP SLAT UNIT	108120	RF
- 1	MODREF10041		FOR NHA SEE: 24-00-58-05A EQUIPMENT INSTL-MAIN ELECTRONICS EQPT CTR FLAP SLAT UNIT	103106	1
5	285N0011-40		MODULE NUMBER: 284N4000-270010 REV A .UNIT ASSY- SUPPLIER CODE: V89954 ELECTRICAL EQUIP NUMBER: M10331 M10332 M10333 COMPONENT MAINT MANUAL REF: 27-51-79 FUNCTIONAL REFERENCE: PLACARDS AND MARKINGS FOR DETAILS SEE 11-36-04-08	108120	3
10	285N0011-40		.UNIT ASSY- SUPPLIER CODE: V89954 ELECTRICAL EQUIP NUMBER: M10331 M10332 COMPONENT MAINT MANUAL REF: 27-51-79 FUNCTIONAL REFERENCE: PLACARDS AND MARKINGS FOR DETAILS SEE 11-36-04-08	103106	2
15	BAC27TEX3588		..DECALSET-INCLUDES DECALS IDENTIFIED ON THE ILLUSTRATION SUPPLIER CODE: V89954	108120	1
15	BAC27TEX3588		..DECALSET-INCLUDES DECALS IDENTIFIED ON THE ILLUSTRATION SUPPLIER CODE: V89954	103106	1

MISSING ITEM NUMBERS NOT APPLICABLE

- ITEM NOT ILLUSTRATED

27-51-01-08

27-51-01  
FIG. 08  
PAGE 1  
JAN 20/09

BRI



757

PARTS CATALOG (MAINTENANCE)

FIG ITEM	PART NUMBER	1 2 3 4 5 6 7	NOMENCLATURE	EFFECT FROM TO	UNITS PER ASSY
8					
20	BAC27DEX5837	..	DECAL- SUPPLIER CODE: V89954	108120	1
20	BAC27DEX5837	..	DECAL- SUPPLIER CODE: V89954	103106	1
32	P90640010-3	..	MODULE-BITE SUPPLIER CODE: V51896 SPECIFICATION NUMBER: 906-40010-3 OPTIONAL PART: 906-40010-2 V89954 69-73010-2 V89954	108120	1
32	906-40010-2	..	MODULE-BITE SUPPLIER CODE: V89954 OPTIONAL PART: P90640010-3 V51896 69-73010-2 V89954	108120	1
32	69-73010-2	..	MODULE ASSY-BITE SUPPLIER CODE: V89954 OPTIONAL PART: P90640010-3 V51896 906-40010-2 V89954	108120	1
32	P90640010-3	..	MODULE-BITE SUPPLIER CODE: V51896 SPECIFICATION NUMBER: 906-40010-3 OPTIONAL PART: 906-40010-2 V89954 69-73010-2 V89954	103106	1

MISSING ITEM NUMBERS NOT APPLICABLE

- ITEM NOT ILLUSTRATED

BRI

27-51-01-08

BOEING PROPRIETARY - Copyright © - Unpublished Work - See title page for details.

27-51-01  
FIG. 08  
PAGE 2  
JAN 20/09



757

PARTS CATALOG (MAINTENANCE)

FIG ITEM	PART NUMBER	1 2 3 4 5 6 7	NOMENCLATURE	EFFECT FROM TO	UNITS PER ASSY
8					
32	906-40010-2	..	MODULE-BITE SUPPLIER CODE: V89954 OPTIONAL PART: P90640010-3 V51896 69-73010-2 V89954	103106	1
32	69-73010-2	..	MODULE ASSY-BITE SUPPLIER CODE: V89954 OPTIONAL PART: P90640010-3 V51896 906-40010-2 V89954	103106	1
35	NAS1801-08-12	..	SCREW- OPTIONAL PART: MS51957-47 BACS12CK08U12	108120	1
35	MS15957-47	..	SCREW- OPTIONAL PART: NAS1801-08-12 BACS12CK08U12	108120	1
35	NAS1801-08-12	..	SCREW- OPTIONAL PART: MS51957-47 BACS12CK08U12	103106	1
35	MS15957-47	..	SCREW- OPTIONAL PART: NAS1801-08-12 BACS12CK08U12	103106	1
35	BACS12CK08U12	..	SCREW- OPTIONAL PART: NAS1801-08-12 MS15957-47	108120	1
35	BACS12CK08U12	..	SCREW- OPTIONAL PART: NAS1801-08-12 MS15957-47	103106	1
40	NAS514P832-9P	..	SCREW	108120	2
40	NAS514P832-9P	..	SCREW	103106	2
45	MS35338-42	..	WASHER- OPTIONAL PART: BACW10EC08S	108120	1
45	MS35338-42	..	WASHER- OPTIONAL PART: BACW10EC08S	103106	1

MISSING ITEM NUMBERS NOT APPLICABLE

- ITEM NOT ILLUSTRATED

27-51-01-08

27-51-01  
FIG. 08  
PAGE 3  
JAN 20/09

BRI

BOEING PROPRIETARY - Copyright © - Unpublished Work - See title page for details.



757

PARTS CATALOG (MAINTENANCE)

FIG ITEM	PART NUMBER	1 2 3 4 5 6 7	NOMENCLATURE	EFFECT FROM TO	UNITS PER ASSY
8					
45	BACW10EC08S	..	WASHER- OPTIONAL PART: MS35338-42	108120	1
45	BACW10EC08S	..	WASHER- OPTIONAL PART: MS35338-42	103106	1
50	AN960D8	..	WASHER- OPTIONAL PART: NAS1149DN832	108120	6
50	AN960D8	..	WASHER- OPTIONAL PART: NAS1149DN832	103106	6
50	NAS1149DN832	..	WASHER- OPTIONAL PART: AN960D8	108120	6
50	NAS1149DN832	..	WASHER- OPTIONAL PART: AN960D8	103106	6
55	MS35649-286T	..	NUT	108120	3
55	MS35649-286T	..	NUT	103106	3
60	MS21042L08	..	NUT- OPTIONAL PART: BACN10YR08CD	108120	3
60	MS21042L08	..	NUT- OPTIONAL PART: BACN10YR08CD	103106	3
60	PLH508CD	..	NUT- SUPPLIER CODE: VFO224 SPECIFICATION NUMBER: BACN10YR08CD OPTIONAL PART: H52732-08CD V15653 MS21042L08	108120	3
60	PLH508CD	..	NUT- SUPPLIER CODE: VFO224 SPECIFICATION NUMBER: BACN10YR08CD OPTIONAL PART: H52732-08CD V15653 MS21042L08	103106	3
65	285N0004-2	..	JUMPER ASSY- SUPPLIER CODE: V89954	108120	1

MISSING ITEM NUMBERS NOT APPLICABLE

- ITEM NOT ILLUSTRATED

27-51-01-08

27-51-01  
FIG. 08  
PAGE 4  
JAN 20/09

BRI

BOEING PROPRIETARY - Copyright © - Unpublished Work - See title page for details.



757

PARTS CATALOG (MAINTENANCE)

FIG ITEM	PART NUMBER	1 2 3 4 5 6 7	NOMENCLATURE	EFFECT FROM TO	UNITS PER ASSY
8					
65	285N0004-2	..	JUMPER ASSY- SUPPLIER CODE: V89954	103106	1
70	285N0004-1	..	PANEL ASSY-REAR SUPPLIER CODE: V89954 FUNCTIONAL REFERENCE: PLACARDS AND MARKINGS FOR DETAILS SEE 11-36-04-09A	108120	1
70	285N0004-1	..	PANEL ASSY-REAR SUPPLIER CODE: V89954 FUNCTIONAL REFERENCE: PLACARDS AND MARKINGS FOR DETAILS SEE 11-36-04-09A	103106	1
75	BAC27TEX3588	...	DECALSET-INCLUDES DECALS IDENTIFIED ON THE ILLUSTRATION SUPPLIER CODE: V89954 OPTIONAL PART: BAC27TEX3327	108120	2
75	BAC27TEX3327	...	DECALSET-INCLUDES DECALS IDENTIFIED ON THE ILLUSTRATION OPTIONAL PART: BAC27TEX3588 V89954	108120	2
75	BAC27TEX3588	...	DECALSET-INCLUDES DECALS IDENTIFIED ON THE ILLUSTRATION SUPPLIER CODE: V89954 OPTIONAL PART: BAC27TEX3327	103106	2
75	BAC27TEX3327	...	DECALSET-INCLUDES DECALS IDENTIFIED ON THE ILLUSTRATION OPTIONAL PART: BAC27TEX3588 V89954	103106	2
80	787-812SS12	...	SCREW- SUPPLIER CODE: V51506 OPTIONAL PART: PGD08X812PFSSC V51506	108120	4

MISSING ITEM NUMBERS NOT APPLICABLE

- ITEM NOT ILLUSTRATED

27-51-01-08

27-51-01  
FIG. 08  
PAGE 5  
JAN 20/09

BRI



 **BOEING**  
757  
**PARTS CATALOG (MAINTENANCE)**

FIG ITEM	PART NUMBER	1 2 3 4 5 6 7	NOMENCLATURE	EFFECT FROM TO	UNITS PER ASSY
8					
80	787-812SS12	...	SCREW- SUPPLIER CODE: V51506 OPTIONAL PART: PGD08X812PFSSC V51506	103106	4
80	PGD08X812PFSSC	...	SCREW- SUPPLIER CODE: V51506 OPTIONAL PART: 787-812SS12 V51506	108120	4
80	PGD08X812PFSSC	...	SCREW- SUPPLIER CODE: V51506 OPTIONAL PART: 787-812SS12 V51506	103106	4
85	PL1801-06-7	...	SCREW- SUPPLIER CODE: V03038 SPECIFICATION NUMBER: S285T004-8	108120	8
85	PL1801-06-7	...	SCREW- SUPPLIER CODE: V03038 SPECIFICATION NUMBER: S285T004-8	103106	8
90	NAS1801-06-7	...	SCREW	108120	4
90	NAS1801-06-7	...	SCREW	103106	4
95	NAS1801-08-10	...	SCREW	108120	1
95	NAS1801-08-10	...	SCREW	103106	1
100	MS35338-42	...	WASHER	108120	1
100	MS35338-42	...	WASHER	103106	1
105	AN960D8	...	WASHER	108120	2
105	AN960D8	...	WASHER	103106	2
110	NAS620A6L	...	WASHER	108120	4
110	NAS620A6L	...	WASHER	103106	4
115	1130HSS1375-12	...	SPACER- SUPPLIER CODE: V51506	108120	4
115	1130HSS1375-12	...	SPACER- SUPPLIER CODE: V51506	103106	4
120	MS35649-286T	...	NUT	108120	1
120	MS35649-286T	...	NUT	103106	1
125	MS21042L08	...	NUT- OPTIONAL PART: BACN10YR08C	108120	1

MISSING ITEM NUMBERS NOT APPLICABLE

— ITEM NOT ILLUSTRATED

BRI

# 27-51-01-08

BOEING PROPRIETARY - Copyright © - Unpublished Work - See title page for details.

27-51-01  
FIG. 08  
PAGE 6  
JAN 20/09



757

PARTS CATALOG (MAINTENANCE)

FIG ITEM	PART NUMBER	1 2 3 4 5 6 7	NOMENCLATURE	EFFECT FROM TO	UNITS PER ASSY
8					
125	MS21042L08	...	NUT- OPTIONAL PART: BACN10YR08C	103106	1
125	PLH508C	...	NUT- SUPPLIER CODE: VFO224 SPECIFICATION NUMBER: BACN10YR08C OPTIONAL PART: H52732-08C V15653 MS21042L08	108120	1
125	PLH508C	...	NUT- SUPPLIER CODE: VFO224 SPECIFICATION NUMBER: BACN10YR08C OPTIONAL PART: H52732-08C V15653 MS21042L08	103106	1
130	MS21042L06	...	NUT- OPTIONAL PART: BACN10YR06C	108120	4
130	MS21042L06	...	NUT- OPTIONAL PART: BACN10YR06C	103106	4
130	PLH506C	...	NUT- SUPPLIER CODE: V62554 SPECIFICATION NUMBER: BACN10YR06C OPTIONAL PART: H52732-06C V15653 MS21042L06	108120	4
130	PLH506C	...	NUT- SUPPLIER CODE: V62554 SPECIFICATION NUMBER: BACN10YR06C OPTIONAL PART: H52732-06C V15653 MS21042L06	103106	4
135	285N0004-2	...	JUMPER ASSY- SUPPLIER CODE: V89954	108120	1

MISSING ITEM NUMBERS NOT APPLICABLE

- ITEM NOT ILLUSTRATED

27-51-01-08

27-51-01  
FIG. 08  
PAGE 7  
JAN 20/09

BRI



757

PARTS CATALOG (MAINTENANCE)

FIG ITEM	PART NUMBER	1 2 3 4 5 6 7	NOMENCLATURE	EFFECT FROM TO	UNITS PER ASSY
8					
135	285N0004-2		...JUMPER ASSY- SUPPLIER CODE: V89954	103106	1
140	285N0434-5		...PRINTED CIRCUIT ASSY- PSEU SUPPLIER CODE: V89954 OPTIONAL PART: 285N0434-1 V89954	108120	1
140	285N0434-1		...PRINTED CIRCUIT ASSY- FSEU SUPPLIER CODE: V89954 OPTIONAL PART: 285N0434-5 V89954	108120	1
140	285N0434-5		...PRINTED CIRCUIT ASSY- PSEU SUPPLIER CODE: V89954 OPTIONAL PART: 285N0434-1 V89954	103106	1
140	285N0434-1		...PRINTED CIRCUIT ASSY- FSEU SUPPLIER CODE: V89954 OPTIONAL PART: 285N0434-5 V89954	103106	1
145	285N0097-3		...PANEL-REAR SUPPLIER CODE: V89954	108120	1
145	285N0097-3		...PANEL-REAR SUPPLIER CODE: V89954	103106	1
- 200	286N1282-320		WIRE BUNDLE ASSY	108120	RF
- 201	286N1282-702		WIRE BUNDLE ASSY	103106	RF
205	BACC66H21C5201		.CONNECTOR- ELECTRICAL EQUIP NUMBER: D03312 WIRING DIAGRAM REF: 275831	108120	1
- 251	286N1284-363		WIRE BUNDLE ASSY	108120	RF

MISSING ITEM NUMBERS NOT APPLICABLE

- ITEM NOT ILLUSTRATED

27-51-01-08

27-51-01  
FIG. 08  
PAGE 8  
JAN 20/09

BRI



757

PARTS CATALOG (MAINTENANCE)

FIG ITEM	PART NUMBER	1 2 3 4 5 6 7	NOMENCLATURE	EFFECT FROM TO	UNITS PER ASSY
8 255	BACC66H21C5201		.CONNECTOR- ELECTRICAL EQUIP NUMBER: D03260 WIRING DIAGRAM REF: 275111	108120	1
- 300	286N1286-337		WIRE BUNDLE ASSY	108120	RF
- 301	286N1286-702		WIRE BUNDLE ASSY	103106	RF
305	BACC66H21C5201		.CONNECTOR- ELECTRICAL EQUIP NUMBER: D03258 WIRING DIAGRAM REF: 275161	108120	1

MISSING ITEM NUMBERS NOT APPLICABLE

- ITEM NOT ILLUSTRATED

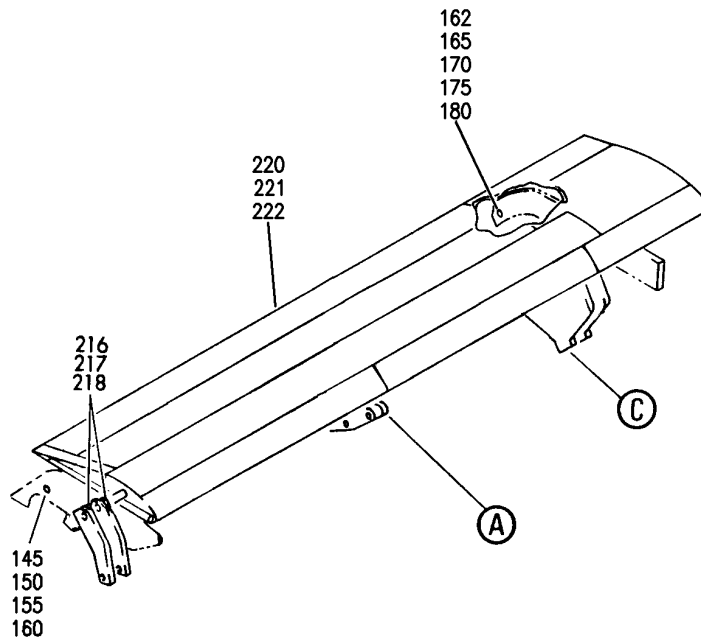
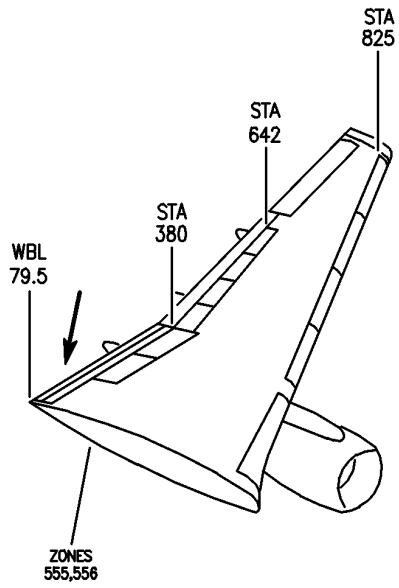
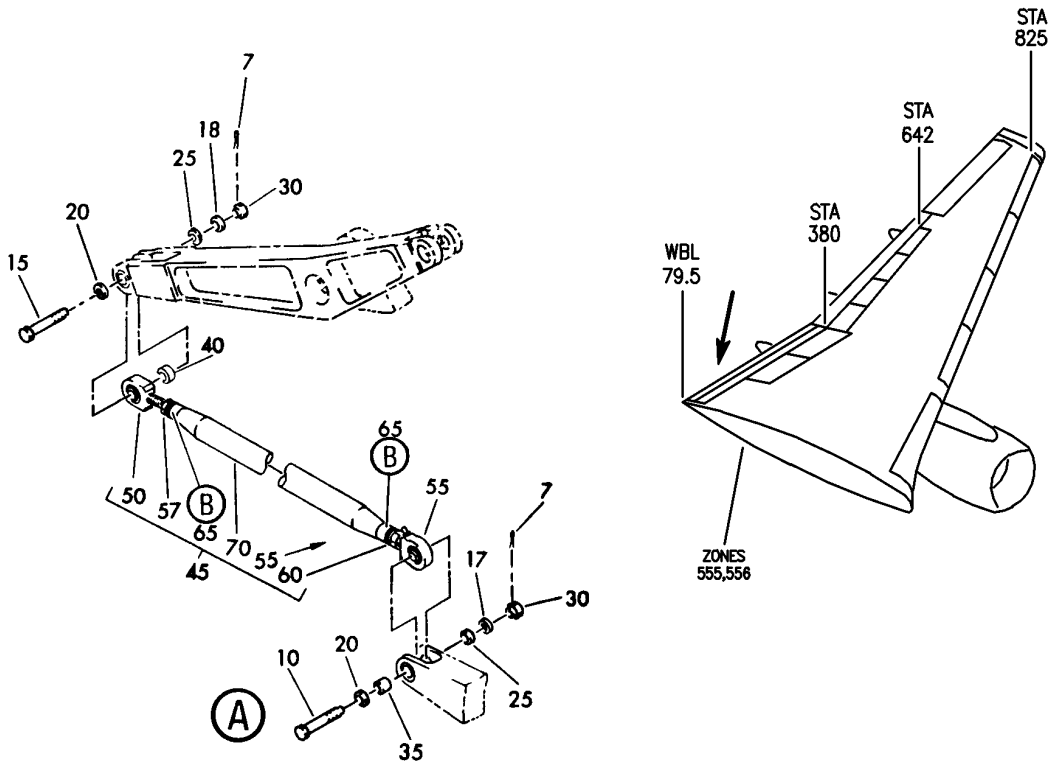
BRI

27-51-01-08

BOEING PROPRIETARY - Copyright © - Unpublished Work - See title page for details.

27-51-01  
FIG. 08  
PAGE 9  
JAN 20/09

**BOEING**  
757  
PARTS CATALOG (MAINTENANCE)



Y 27510202 SHT 1 REV 241

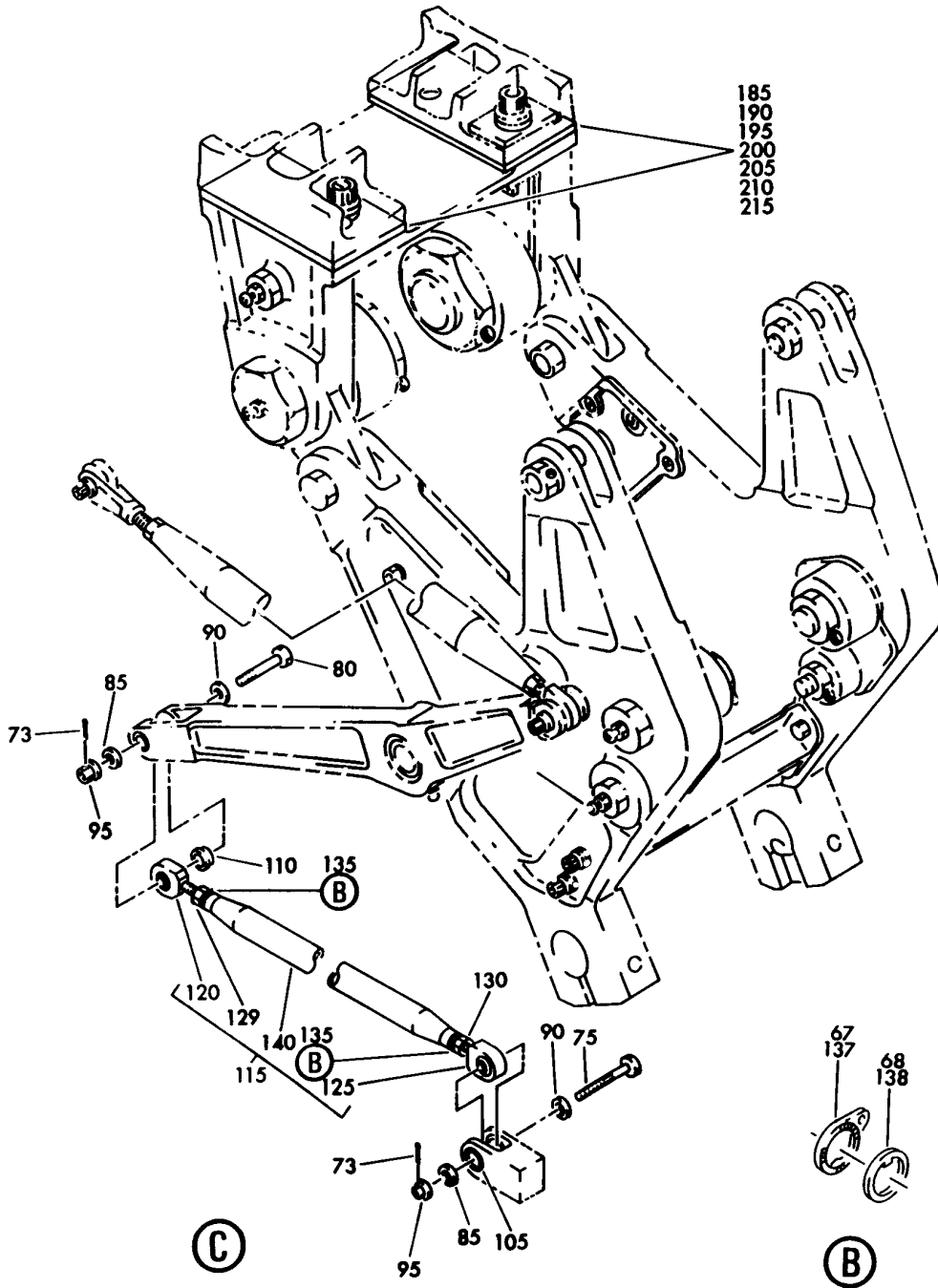
FLAP INSTL-TE INBD  
FIGURE 2 (SHEET 1)

**27-51-02-02**

BRI  
MAY 28/07

27-51-02-02  
PAGE 0

**BOEING**  
757  
PARTS CATALOG (MAINTENANCE)



Y 27510202 SHT 2 REV 241

FLAP INSTL-TE INBD  
FIGURE 2 (SHEET 2)

**27-51-02-02**

BRI  
MAY 28/07

27-51-02-02  
PAGE 0A



757

PARTS CATALOG (MAINTENANCE)

FIG ITEM	PART NUMBER	1 2 3 4 5 6 7	NOMENCLATURE	EFFECT FROM TO	UNITS PER ASSY
2			FLAP INSTL-TE INBD	002004 006999	
- 1	113N2001-1		FLAP INSTL-TE POSITION DATA: INBD LH FOR NHA SEE: 57-00-00-01	002004 006100 107107 121503 904999	RF
- 1	113N2001-203		FLAP INSTL-TE POSITION DATA: INBD LH SIDE FOR NHA SEE: 57-00-00-05	101102 504504	RF
- 1	113N2001-201		FLAP INSTL-TE POSITION DATA: INBD LH SIDE FOR NHA SEE: 57-00-00-05	108120 505903	RF
- 1	MODREF1546		FLAP INSTL-TE MODULE NUMBER: 113N2001-205 REV A POSITION DATA: INBD LH SIDE	103103	1
- 1	MODREF26611		FLAP INSTL-TE MODULE NUMBER: 113N2001-205 REV B POSITION DATA: INBD LH SIDE	104106	1
7	MS24665-304		.PIN-	002004 006100 107107 121503 904999	2
7	BACP18BC03A10P		.PIN-	101106 108120 504903	2
10	NAS6707D21		.BOLT-	002004 006999	1
15	NAS6707D22		.BOLT-	002004 006999	1
17	AN960C716		.WASHER-	002004 006100 107107 121503 904999	1
17	NAS1149C0736R		.WASHER-	101106 108120 504903	1

MISSING ITEM NUMBERS NOT APPLICABLE

- ITEM NOT ILLUSTRATED

27-51-02-02

27-51-02  
FIG. 02  
PAGE 1  
JAN 20/09

BRI

BOEING PROPRIETARY - Copyright © - Unpublished Work - See title page for details.



757

PARTS CATALOG (MAINTENANCE)

FIG ITEM	PART NUMBER	1 2 3 4 5 6 7	NOMENCLATURE	EFFECT FROM TO	UNITS PER ASSY
2					
18	AN960C716L	.	WASHER-	002004 006100 107107 121503 904999	1
18	NAS1149C0732R	.	WASHER-	101106 108120 504903	1
20	BACW10BP7CD	.	WASHER-	002004 006999	2
25	BACW10BP7DP	.	WASHER-	002004 006999	2
30	73781CD720	.	NUT-	002004 006999	2
			SUPPLIER CODE: V56878		
			OPTIONAL PART: 102E9925-7		
			V72962		
			PHCR57CD		
			VF0224		
30	102E9925-7	.	NUT-	002004 006999	2
			SUPPLIER CODE: V72962		
			OPTIONAL PART: 73781CD720		
			V56878		
			PHCR57CD		
			VF0224		
30	PHCR57CD	.	NUT-	002004 006999	2
			SUPPLIER CODE: VF0224		
			OPTIONAL PART: 102E9925-7		
			V72962		
			73781CD720		
			V56878		
35	BACB28AK07-040	.	BUSHING	002004 006999	1
40	BACB28AK07-050	.	BUSHING-	002004 006999	1
45	113N2888-13	.	ROD ASSY-PUSH	002004 006999	1

MISSING ITEM NUMBERS NOT APPLICABLE

- ITEM NOT ILLUSTRATED

BRI

27-51-02-02

BOEING PROPRIETARY - Copyright © - Unpublished Work - See title page for details.

27-51-02  
FIG. 02  
PAGE 2  
JAN 20/09





757

PARTS CATALOG (MAINTENANCE)

FIG ITEM	PART NUMBER	1 2 3 4 5 6 7	NOMENCLATURE	EFFECT FROM TO	UNITS PER ASSY
2	50 MKL7EPDL	..	BEARING-END SUPPLIER CODE: V73134 SPECIFICATION NUMBER: S012T234-107-789 OPTIONAL PART: ARH7E115KLM VS0352 KBEL7-225W V97613 ARBL7E190W9 V15860	002004 006999	1
	55 MK7EPDL	..	BEARING-END SUPPLIER CODE: V73134 SPECIFICATION NUMBER: S012T234-107-79 OPTIONAL PART: ARH7E115KM VS0352 ARB7E190W9 V15860 KBE7-225W V97613	002004 006999	1
	57 NAS509L8C	..	NUT	002004 006999	1
	60 NAS509-8C	..	NUT	002004 006999	1
	65 NAS1193K8CP	..	LOCKING DEVICE	002004 006999	2
	67 NAS1193K8-1P	...	WASHER	002004 006999	1
	68 NAS1193K8-2P	...	WASHER	002004 006999	1
	70 113N2888-17	..	ROD-	002004 006999	1
	73 MS24665-153	.	PIN-	002004 006100 107107 121503 904999	2
	73 BACP18BC02A06P	.	PIN-	101106 108120 504903 904999	2
	75 NAS6705D18	.	BOLT-	002004 006999	1
	80 NAS6705D25	.	BOLT-	002004 006999	1

MISSING ITEM NUMBERS NOT APPLICABLE

- ITEM NOT ILLUSTRATED

27-51-02-02

27-51-02  
FIG. 02  
PAGE 3  
JAN 20/09

BRI

BOEING PROPRIETARY - Copyright © - Unpublished Work - See title page for details.



757

PARTS CATALOG (MAINTENANCE)

FIG ITEM	PART NUMBER	1 2 3 4 5 6 7	NOMENCLATURE	EFFECT FROM TO	UNITS PER ASSY
2					
85	BACW10BP5DP	.	WASHER-	002004 006999	2
90	BACW10BP5CD	.	WASHER-	002004 006999	2
95	73781CD524	.	NUT-	002004 006999	2
			SUPPLIER CODE: V56878		
			OPTIONAL PART: 102E9925-5		
			V72962		
			PHCR55CD		
			VF0224		
95	102E9925-5	.	NUT-	002004 006999	2
			SUPPLIER CODE: V72962		
			OPTIONAL PART: 73781CD524		
			V56878		
			PHCR55CD		
			VF0224		
95	PHCR55CD	.	NUT-	002004 006999	2
			SUPPLIER CODE: VF0224		
			OPTIONAL PART: 102E9925-5		
			V72962		
			73781CD524		
			V56878		
105	BACB28AK05-035	.	BUSHING	002004 006999	1
110	BACB28AK05-060	.	BUSHING-	002004 006999	1
115	113N2888-14	.	ROD ASSY-PUSH	002004 006999	1
120	MKL5EPDL	..	BEARING-END	002004 006999	1
			SUPPLIER CODE: V73134		
			SPECIFICATION NUMBER: S012T234-105-789		
			OPTIONAL PART: ARH5E115KLM		
			VS0352		
			ARBL5E190W9		
			V15860		
			KBE4-225W		
			V97613		

MISSING ITEM NUMBERS NOT APPLICABLE

- ITEM NOT ILLUSTRATED

27-51-02-02

27-51-02  
FIG. 02  
PAGE 4  
JAN 20/09

BRI



757

PARTS CATALOG (MAINTENANCE)

FIG ITEM	PART NUMBER	1 2 3 4 5 6 7	NOMENCLATURE	EFFECT FROM TO	UNITS PER ASSY
2					
125	MK5EPDL	..	BEARING-END SUPPLIER CODE: V73134 SPECIFICATION NUMBER: S012T234-105-79 OPTIONAL PART: ARH5E115KM VS0352 KBE5-225W V97613	002004 006999	1
129	NAS509L6C	..	NUT	002004 006999	1
130	NAS509-6C	..	NUT	002004 006999	1
135	NAS1193K6CP	..	LOCKING DEVICE	002004 006999	2
137	NAS1193K6-1P	...	WASHER	002004 006999	1
138	NAS1193K6-2P	...	WASHER	002004 006999	1
140	113N2888-18	..	ROD-	002004 006999	1
145	BACB30LJ5-10	.	BOLT-	002004 006999	1
150	NAS42DD10-24	.	SPACER-	002004 006100 107107 121503 904999	1
150	NAS42DD10-24FC	.	SPACER-	101106 108120 504903	1
155	BACW10BP5DP	.	WASHER-	002004 006999	1
160	BRH10C5D	.	NUT- SUPPLIER CODE: V52828 SPECIFICATION NUMBER: BACN10JC5CD OPTIONAL PART: T6C524JCD V11815 102LH9075-5W V72962 H51650-5BAC V15653	002004 006999	1

MISSING ITEM NUMBERS NOT APPLICABLE

- ITEM NOT ILLUSTRATED

27-51-02-02

27-51-02  
FIG. 02  
PAGE 5  
JAN 20/09

BRI

BOEING PROPRIETARY - Copyright © - Unpublished Work - See title page for details.



757

PARTS CATALOG (MAINTENANCE)

FIG ITEM	PART NUMBER	1 2 3 4 5 6 7	NOMENCLATURE	EFFECT FROM TO	UNITS PER ASSY
2					
162	MS24665-153	.	PIN-	002004 006100 107107 121503 904999	1
162	BACP18BC02A06P	.	PIN-	002004 006999	1
165	BACB30LJ4D32	.	BOLT-	002004 006999	1
170	BACS18K25-26W	.	SPACER-	002004 006999	1
175	BACW10BP4DP	.	WASHER-	002004 006999	1
180	BACN10JD104CD	.	NUT-	002004 006999	1
185	113N2159-31	.	SHIM-	002004 006102 107999	AR
190	113N2159-32	.	SHIM-	002004 006102 107999	AR
195	113N2159-33	.	SHIM-	002004 006100 103107 121503 904999	AR
195	113N2159-52	.	SHIM	101106 108120 504903	AR
200	113N2159-35	.	SHIM-	002004 006102 107999	AR
205	113N2159-36	.	SHIM-	002004 006102 107999	AR
210	113N2159-37	.	SHIM-	002004 006102 107999	AR
215	113N2159-38	.	SHIM-	002004 006102 107999	AR
215	113N2159-53	.	SHIM	101106 108120 504903	AR
216	113N2113-6	.	SHIM	002004 006999	AR
217	113N2113-7	.	SHIM	002004 006999	AR

MISSING ITEM NUMBERS NOT APPLICABLE

- ITEM NOT ILLUSTRATED

BRI

27-51-02-02

27-51-02  
FIG. 02  
PAGE 6  
JAN 20/09



757

PARTS CATALOG (MAINTENANCE)

FIG ITEM	PART NUMBER	1 2 3 4 5 6 7	NOMENCLATURE	EFFECT FROM TO	UNITS PER ASSY
2					
218	113N2113-8	.	SHIM	002004 006999	AR
220	113N2002-159SP	.	FLAP ASSY-VAR TE POSITION DATA: INBD LH COMPONENT MAINT MANUAL REF: 57-53-43 QUALIFIED I/W DATA: 113N2002-159SP MAY REPLACE 113N2002-107SP UPON INCORPORATION OF FOR DETAILS SEE: 27-51-02-10C	002004 006106 108903 950999	1
221	113N2002-57	.	FLAP ASSY- POSITION DATA: LH SIDE COMPONENT MAINT MANUAL REF: 57-53-43 QUALIFIED I/W DATA: 113N2002-57 INTERCHANGEABLE WITH 113N2002-63 SUBJECT TO CUSTOMER COLOR PREFERENCE -65 MAY REPLACE -57 FOR RR535C ENGINE CONFIGURATION REWORKED BY SB: 57-0032 FOR DETAILS SEE: 27-51-02-10B	107107	1
221	113N2002-145SP	.	FLAP ASSY- POSITION DATA: LH SIDE COMPONENT MAINT MANUAL REF: 57-53-43 QUALIFIED I/W DATA: -145SP OR -149SP MAY REPLACE -107SP UPON INCRP OF 757-57-0032. FOR DETAILS SEE: 27-51-02-10C	002004 006106 108903 950999	1

MISSING ITEM NUMBERS NOT APPLICABLE

- ITEM NOT ILLUSTRATED

BRI

27-51-02-02

BOEING PROPRIETARY - Copyright © - Unpublished Work - See title page for details.

27-51-02  
FIG. 02  
PAGE 7  
JAN 20/09



757

PARTS CATALOG (MAINTENANCE)

FIG ITEM	PART NUMBER	1 2 3 4 5 6 7	NOMENCLATURE	EFFECT FROM TO	UNITS PER ASSY
2 222	113N2002-149SP		. FLAP ASSY- POSITION DATA: LH SIDE COMPONENT MAINT MANUAL REF: 57-53-43 QUALIFIED I/W DATA: -145SP OR -149SP MAY REPLACE -107SP UPON INCRP OF 757-57-0032. FOR DETAILS SEE: 27-51-02-10C	002004 006106 108903 950999	1
222	113N2002-77		. FLAP ASSY- POSITION DATA: LH SIDE COMPONENT MAINT MANUAL REF: 57-53-43 QUALIFIED I/W DATA: -117 OR -93 T/W 012N8528-5 KIT MAY REPLACE -87 OR 77 REWORKED BY SB: 57-0032 FOR DETAILS SEE: 27-51-02-10B	107107	1

MISSING ITEM NUMBERS NOT APPLICABLE

- ITEM NOT ILLUSTRATED

BRI

27-51-02-02

BOEING PROPRIETARY - Copyright © - Unpublished Work - See title page for details.

27-51-02  
FIG. 02  
PAGE 8  
JAN 20/09



757

PARTS CATALOG (MAINTENANCE)

FIG ITEM	PART NUMBER	1 2 3 4 5 6 7 NOMENCLATURE	EFFECT FROM TO	UNITS PER ASSY
2 222	113N2002-87	.FLAP ASSY- POSITION DATA: LH SIDE COMPONENT MAINT MANUAL REF: 57-53-43 QUALIFIED I/W DATA: -87 I/W -93 UPON INCORPORATION OF S/B 757-57-0026 -101 I/W -87 UPON INCORPORATION OF S/B 757-57-0026 -117 I/W -87 UPON INCORPORATION OF S/B 757-57-0026 -107 I/W -87 UPON INCORPORATION OF S/B 757-57-0026 AND 654N0010-178 -115SP I/W -87 UPON INCORPORATION OF S/B 757-57-0026 -121SP CAN REPLACE -87 UPON INCORPORATION OF S/B 757-57-0026 AND S/B 757-57-0032 REWORKED BY SB: 57-0032 FOR DETAILS SEE: 27-51-02-10B	107107	1

MISSING ITEM NUMBERS NOT APPLICABLE

- ITEM NOT ILLUSTRATED

BRI

**27-51-02-02**

BOEING PROPRIETARY - Copyright © - Unpublished Work - See title page for details.

27-51-02  
 FIG. 02  
 PAGE 9  
 JAN 20/09



757

PARTS CATALOG (MAINTENANCE)

FIG ITEM	PART NUMBER	1 2 3 4 5 6 7	NOMENCLATURE	EFFECT FROM TO	UNITS PER ASSY
2 222	113N2002-107SP		. FLAP ASSY- POSITION DATA: LH SIDE COMPONENT MAINT MANUAL REF: 57-53-43 QUALIFIED I/W DATA: -129SP OR -121SP MAY REPLACE -107SP UPON INCORPORATION OF S/B 757-57-0032. -107SP TOGETHER WITH 654N0010-178 ATTACHING HARDWARE KIT MAY REPLACE -115SP OR -101 OR -117 OR -93 -145SP OR -149SP MAY REPLACE -107SP UPON INCRP OF S/B 757-57-0032. 113N2002-159SP MAY REPLACE 113N2002-107SP UPON INCORPORATION OF S/B 757-57-0032 -107SP I/W -87 UPON INCORPORATION OF S/B 757-57-0026 AND 654N0010-178 FOR DETAILS SEE: 27-51-02-10B	904949	1

MISSING ITEM NUMBERS NOT APPLICABLE

- ITEM NOT ILLUSTRATED

BRI

27-51-02-02

BOEING PROPRIETARY - Copyright © - Unpublished Work - See title page for details.

27-51-02  
FIG. 02  
PAGE 10  
JAN 20/09





757

PARTS CATALOG (MAINTENANCE)

FIG ITEM	PART NUMBER	1 2 3 4 5 6 7	NOMENCLATURE	EFFECT FROM TO	UNITS PER ASSY
2 222	113N2002-121SP		.FLAP ASSY- POSITION DATA: LH SIDE COMPONENT MAINT MANUAL REF: 57-53-43 QUALIFIED I/W DATA: -129SP OR -121SP MAY REPLACE -107SP UPON INCORPORATION OF S/B 757-57-0032. 113N2002-117 TOGETHER WITH 654N0010-178 INTERCHANGEABLE WITH 113N2002-121SP UPON INCORPORATION OF S/B 757-57-0032 -121SP CAN REPLACE -87 UPON INCORPORATION OF S/B 757-57-0026 AND S/B 757-57-0032 FOR DETAILS SEE: 27-51-02-10C	002004 006106 108903 950999	1
222	113N2002-129SP		.FLAP ASSY- POSITION DATA: LH SIDE COMPONENT MAINT MANUAL REF: 57-53-43 FOR DETAILS SEE: 27-51-02-10C	002004 006106 108903 950999	1

MISSING ITEM NUMBERS NOT APPLICABLE

- ITEM NOT ILLUSTRATED

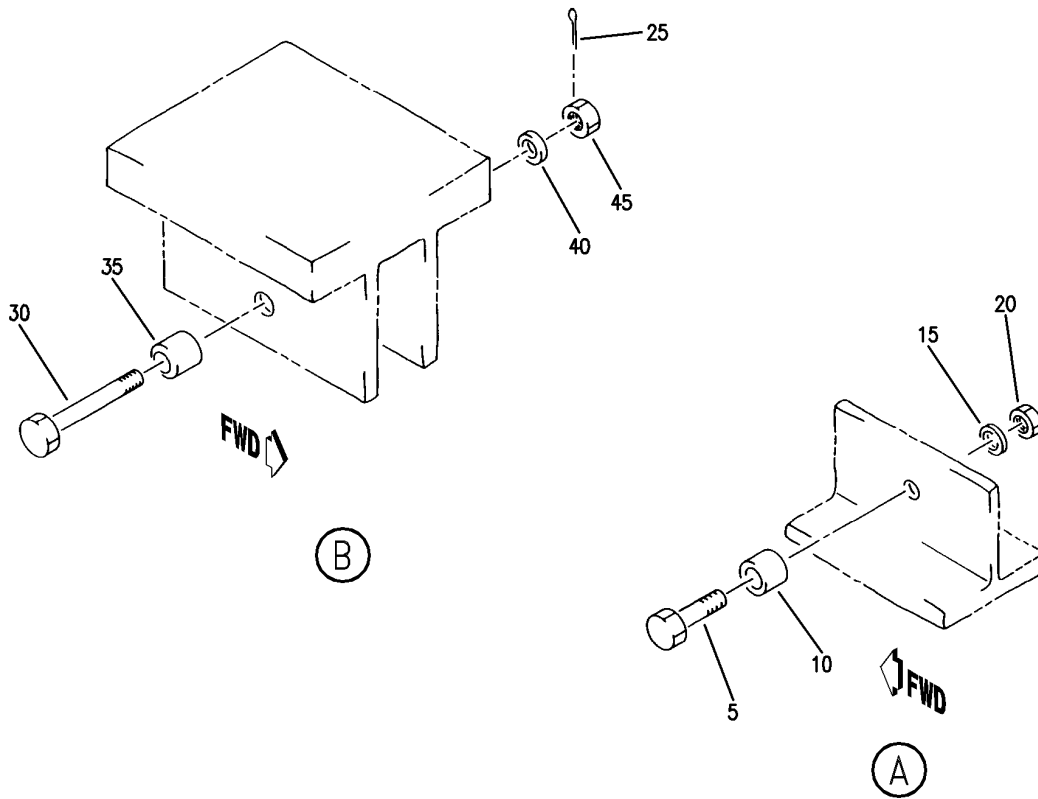
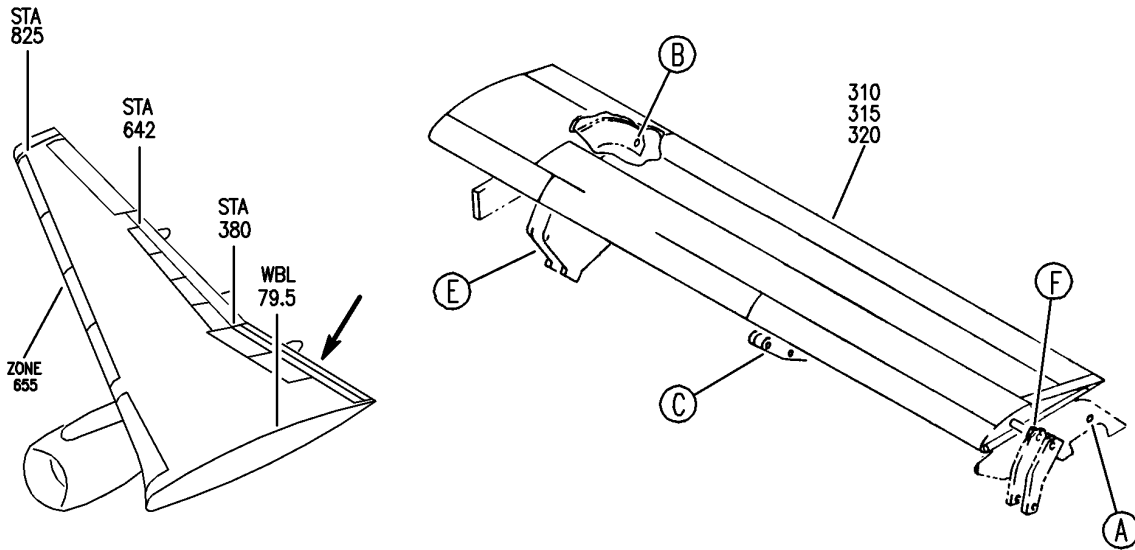
BRI

**27-51-02-02**

BOEING PROPRIETARY - Copyright © - Unpublished Work - See title page for details.

27-51-02  
FIG. 02  
PAGE 11  
JAN 20/09

**BOEING**  
757  
PARTS CATALOG (MAINTENANCE)



Y 27510202A SHT 1 REV 240

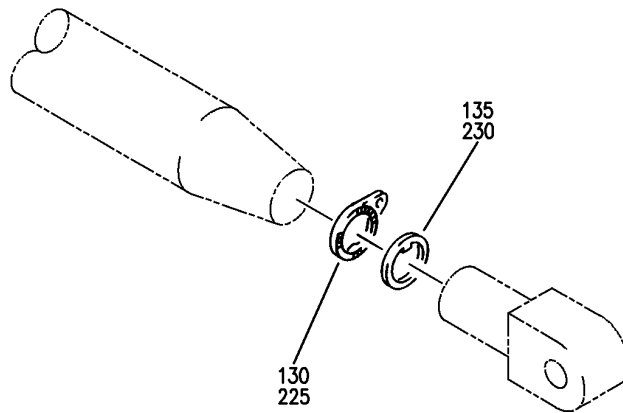
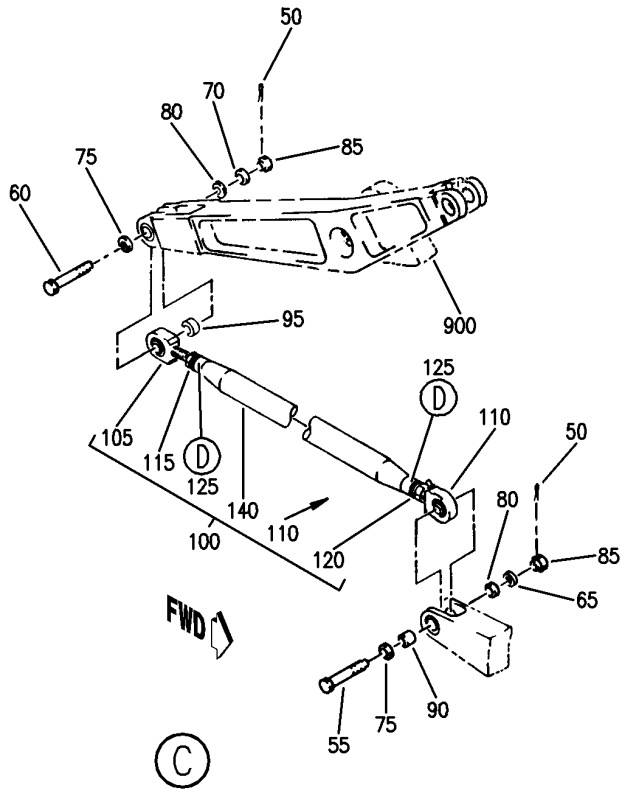
FLAP INSTL-T.E. INBD RH  
FIGURE 2A (SHEET 1)

**27-51-02-02A**

BRI  
MAY 28/07

27-51-02-02A  
PAGE 0

**BOEING**  
757  
PARTS CATALOG (MAINTENANCE)



Y 27510202A SH1 2 REV 240

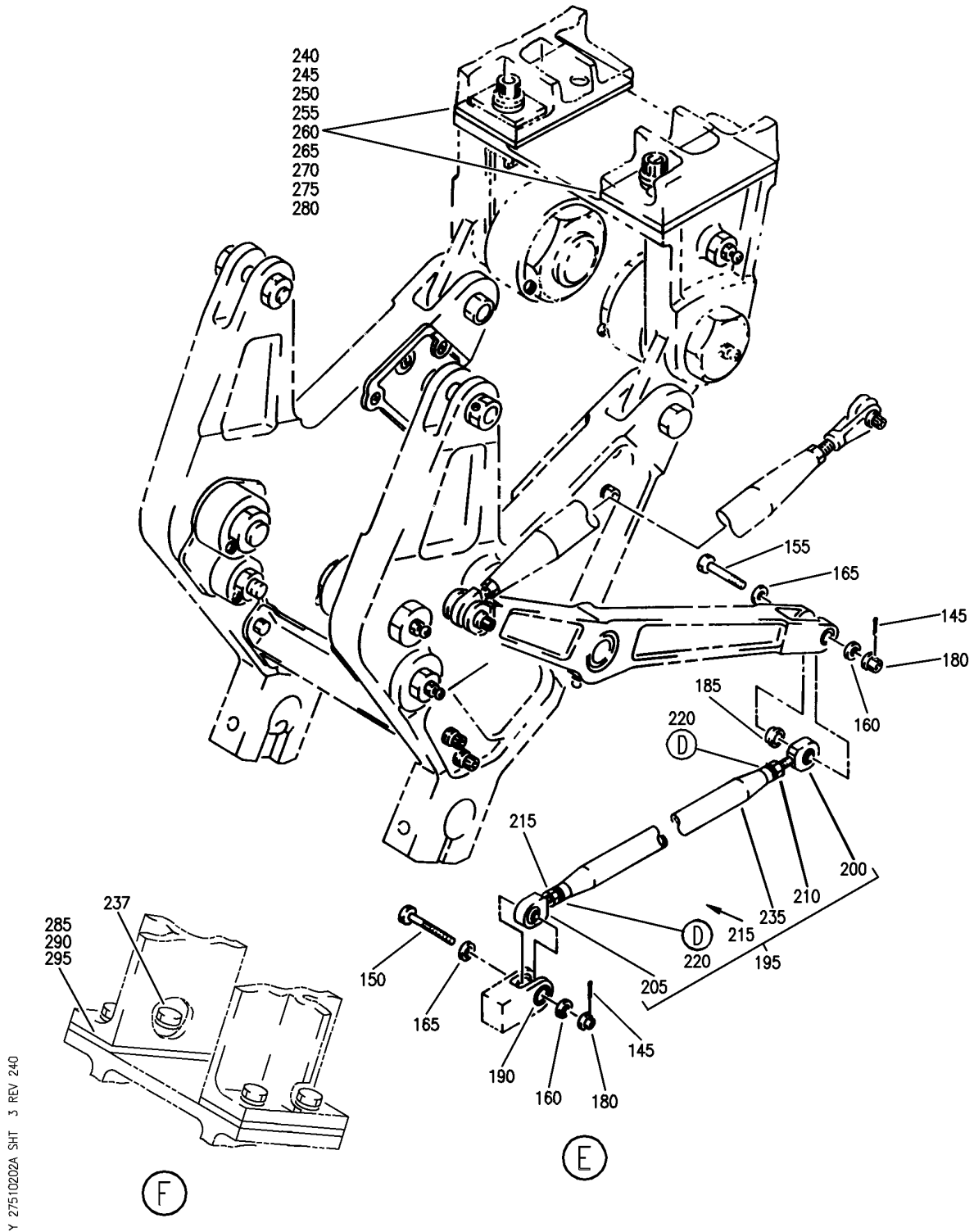
FLAP INSTL-T.E. INBD RH  
FIGURE 2A (SHEET 2)

**27-51-02-02A**

BRI  
MAY 28/07

27-51-02-02A  
PAGE 0A

**BOEING**  
757  
PARTS CATALOG (MAINTENANCE)



Y 27510202A SH1 3 REV 240

FLAP INSTL-T.E. INBD RH  
FIGURE 2A (SHEET 3)

**27-51-02-02A**

BRI  
MAY 28/07

27-51-02-02A  
PAGE 0B



757

PARTS CATALOG (MAINTENANCE)

FIG ITEM	PART NUMBER	1 2 3 4 5 6 7	NOMENCLATURE	EFFECT FROM TO	UNITS PER ASSY
2A			FLAP INSTL-T.E. INBD RH	002004 006999	
- 1	113N2001-2		FLAP INSTL-T.E. POSITION DATA: INBD RH FOR NHA SEE: 57-00-00-01	002004 006100 107107 121503 904999	RF
- 1	113N2001-202		FLAP INSTL-T.E. POSITION DATA: INBD RH FOR NHA SEE: 57-00-00-05	108120 505903	RF
- 1	113N2001-204		FLAP INSTL-T.E. POSITION DATA: INBD RH FOR NHA SEE: 57-00-00-05	101102 504504	RF
- 1	MODREF1547		FLAP INSTL-T.E. MODULE NUMBER: 113N2001-206 REV A POSITION DATA: INBD RH	103103	1
- 1	MODREF30013		FLAP INSTL-T.E. MODULE NUMBER: 113N2001-206 REV B POSITION DATA: INBD RH	104106	1
5	BACB30LJ5-10		.BOLT-	002004 006999	1
10	NAS42DD10-24		.SPACER-	002004 006100 107107 121503 904999	1
10	NAS42DD10-24FC		.SPACER-	101106 108120 504903	1
15	BACW10BP5DP		.WASHER-	002004 006999	1

MISSING ITEM NUMBERS NOT APPLICABLE

- ITEM NOT ILLUSTRATED

27-51-02-02A

27-51-02  
FIG. 02A  
PAGE 1  
JAN 20/09

BRI

BOEING PROPRIETARY - Copyright © - Unpublished Work - See title page for details.



757

PARTS CATALOG (MAINTENANCE)

FIG ITEM	PART NUMBER	1 2 3 4 5 6 7	NOMENCLATURE	EFFECT FROM TO	UNITS PER ASSY
2A					
20	BRH10C5D	.NUT-	SUPPLIER CODE: V52828 SPECIFICATION NUMBER: BACN10JC5CD OPTIONAL PART: T6C524JCD V11815 102LH9075-5W V72962 H51650-5BAC V15653	002004 006999	1
25	MS24665-153	.PIN-		002004 006100 107107 121503 904999	1
25	BACP18BC02A06P	.PIN-		101106 108120 504903	1
30	BACB30LJ4D32	.BOLT-		002004 006999	1
35	BACS18K25-26W	.SPACER-		002004 006999	1
40	BACW10BP4DP	.WASHER-		002004 006999	1
45	BACN10JD104CD	.NUT-		002004 006999	1
50	MS24665-304	.PIN-		002004 006100 107107 121503 904999	2
50	BACP18BC03A10P	.PIN-		101106 108120 504903	2
55	NAS6707D21	.BOLT-		002004 006999	1
60	NAS6707D22	.BOLT-		002004 006999	1
65	AN960C716	.WASHER-		002004 006100 107107 121503 904999	1
65	NAS1149C0763R	.WASHER-		101106 108120 504903	1

MISSING ITEM NUMBERS NOT APPLICABLE

- ITEM NOT ILLUSTRATED

27-51-02-02A

27-51-02  
FIG. 02A  
PAGE 2  
JAN 20/09

BRI

BOEING PROPRIETARY - Copyright © - Unpublished Work - See title page for details.

 **BOEING**  
757  
**PARTS CATALOG (MAINTENANCE)**

FIG ITEM	PART NUMBER	1 2 3 4 5 6 7	NOMENCLATURE	EFFECT FROM TO	UNITS PER ASSY
2A					
70	AN960C716L	.	WASHER	002004 006100 107107 121503 904999	1
70	NAS1149C0732R	.	WASHER	101106 108120 504903	1
75	BACW10BP7CD	.	WASHER-	002004 006999	2
80	BACW10BP7DP	.	WASHER-	002004 006999	2
85	73781CD720	.	NUT-	002004 006999	2
			SUPPLIER CODE: V56878		
			OPTIONAL PART: 102E9925-7		
			V72962		
			PHCR57CD		
			VF0224		
85	102E9925-7	.	NUT-	002004 006999	2
			SUPPLIER CODE: V72962		
			OPTIONAL PART: 73781CD720		
			V56878		
			PHCR57CD		
			VF0224		
85	PHCR57CD	.	NUT-	002004 006999	2
			SUPPLIER CODE: VF0224		
			OPTIONAL PART: 102E9925-7		
			V72962		
			73781CD720		
			V56878		
90	BACB28AK07-040	.	BUSHING	002004 006999	1
95	BACB28AK07-050	.	BUSHING-	002004 006999	1
100	113N2888-13	.	ROD ASSY-PUSH	002004 006999	1

MISSING ITEM NUMBERS NOT APPLICABLE

- ITEM NOT ILLUSTRATED

BRI

# 27-51-02-02A

BOEING PROPRIETARY - Copyright © - Unpublished Work - See title page for details.

27-51-02  
FIG. 02A  
PAGE 3  
JAN 20/09



757

PARTS CATALOG (MAINTENANCE)

FIG ITEM	PART NUMBER	1 2 3 4 5 6 7	NOMENCLATURE	EFFECT FROM TO	UNITS PER ASSY
2A 105	MKL7EPDL	..	BEARING-END SUPPLIER CODE: V73134 SPECIFICATION NUMBER: S012T234-107-789 OPTIONAL PART: ARH7E115KLM VS0352 KBEL7-225W V97613 ARBL7E190W9 V15860	002004 006999	1
110	MK7EPDL	..	BEARING-END SUPPLIER CODE: V73134 SPECIFICATION NUMBER: S012T234-107-79 OPTIONAL PART: ARH7E115KM VS0352 ARB7E190W9 V15860 KBE7-225W V97613	002004 006999	1
115	NAS509L8C	..	NUT	002004 006999	1
120	NAS509-8C	..	NUT	002004 006999	1
125	NAS1193K8CP	..	LOCKING DEVICE	002004 006999	2
130	NAS1193K8-1P	...	WASHER	002004 006999	1
135	NAS1193K8-2P	...	WASHER	002004 006999	1
140	113N2888-17	..	ROD- OPTIONAL PART: 113N2888-21	002004 006999	1
140	113N2888-21	..	ROD- OPTIONAL PART: 113N2888-17	002004 006999	1
145	MS24665-153	.	PIN-	002004 006100 107107 121503 904999	2
145	BACP18BC02A06P	.	PIN-	101106 108120 504903	2

MISSING ITEM NUMBERS NOT APPLICABLE

- ITEM NOT ILLUSTRATED

27-51-02-02A

27-51-02  
FIG. 02A  
PAGE 4  
JAN 20/09

BRI

BOEING PROPRIETARY - Copyright © - Unpublished Work - See title page for details.





757

PARTS CATALOG (MAINTENANCE)

FIG ITEM	PART NUMBER	1 2 3 4 5 6 7	NOMENCLATURE	EFFECT FROM TO	UNITS PER ASSY
2A					
150	NAS6705D18	.	BOLT	002004 006999	1
155	NAS6705D25	.	BOLT-	002004 006999	1
160	BACW10BP5DP	.	WASHER-	002004 006999	2
165	BACW10BP5CD	.	WASHER-	002004 006999	2
180	73781CD524	.	NUT-	002004 006999	2
			SUPPLIER CODE: V56878		
			OPTIONAL PART: 102E9925-5		
			V72962		
			PHCR55CD		
			VF0224		
180	102E9925-5	.	NUT-	002004 006999	2
			SUPPLIER CODE: V72962		
			OPTIONAL PART: 73781CD524		
			V56878		
			PHCR55CD		
			VF0224		
180	PHCR55CD	.	NUT-	002004 006999	2
			SUPPLIER CODE: VF0224		
			OPTIONAL PART: 102E9925-5		
			V72962		
			73781CD524		
			V56878		
185	BACB28AK05-035	.	BUSHING	002004 006999	1
190	BACB28AK05-060	.	BUSHING-	002004 006999	1
195	113N2888-14	.	ROD ASSY-PUSH	002004 006999	1

MISSING ITEM NUMBERS NOT APPLICABLE

- ITEM NOT ILLUSTRATED

27-51-02-02A

27-51-02  
FIG. 02A  
PAGE 5  
JAN 20/09

BRI

BOEING PROPRIETARY - Copyright © - Unpublished Work - See title page for details.



757

PARTS CATALOG (MAINTENANCE)

FIG ITEM	PART NUMBER	1 2 3 4 5 6 7	NOMENCLATURE	EFFECT FROM TO	UNITS PER ASSY
2A 200	MKL5EPDL	..	BEARING-END SUPPLIER CODE: V73134 SPECIFICATION NUMBER: S012T234-105-789 OPTIONAL PART: ARH5E115KLM VS0352 ARBL5E190W9 V15860 KBE4-225W V97613	002004 006999	1
205	MK5EPDL	..	BEARING-END SUPPLIER CODE: V73134 SPECIFICATION NUMBER: S012T234-105-79 OPTIONAL PART: ARH5E115KM VS0352 KBE5-225W V97613	002004 006999	1
210	NAS509L6C	..	NUT	002004 006999	1
215	NAS509-6C	..	NUT	002004 006999	1
220	NAS1193K6CP	..	LOCKING DEVICE	002004 006999	2
225	NAS1193K6-1P	...	WASHER	002004 006999	1
230	NAS1193K6-2P	...	WASHER	002004 006999	1
235	113N2888-18	..	ROD- OPTIONAL PART: 113N2888-22	002004 006999	1
235	113N2888-22	..	ROD- OPTIONAL PART: 113N2888-18	002004 006999	1
237	BACB30US9K	.BOLT-	SIZE DETERMINED ON INSTL.	002004 006999	4
240	113N2159-31	.SHIM		002004 006102 107999	AR
245	113N2159-32	.SHIM		002004 006102 107999	AR
250	113N2159-33	.SHIM		002004 006999	AR

MISSING ITEM NUMBERS NOT APPLICABLE

- ITEM NOT ILLUSTRATED

27-51-02-02A

27-51-02  
FIG. 02A  
PAGE 6  
JAN 20/09

BRI

BOEING PROPRIETARY - Copyright © - Unpublished Work - See title page for details.



757

PARTS CATALOG (MAINTENANCE)

FIG ITEM	PART NUMBER	1 2 3 4 5 6 7	NOMENCLATURE	EFFECT FROM TO	UNITS PER ASSY
2A					
255	113N2159-35	.	SHIM	002004 006102 107999	AR
260	113N2159-36	.	SHIM	002004 006102 107999	AR
265	113N2159-37	.	SHIM	002004 006102 107999	AR
270	113N2159-38	.	SHIM	002004 006102 107999	AR
275	113N2159-52	.	SHIM	101106 108120 504903	AR
280	113N2159-53	.	SHIM	101106 108120 504903	AR
285	113N2113-6	.	SHIM	002004 006999	AR
290	113N2113-7	.	SHIM	002004 006999	AR
295	113N2113-8	.	SHIM	002004 006999	AR

MISSING ITEM NUMBERS NOT APPLICABLE

- ITEM NOT ILLUSTRATED

BRI

27-51-02-02A

BOEING PROPRIETARY - Copyright © - Unpublished Work - See title page for details.

27-51-02  
FIG. 02A  
PAGE 7  
JAN 20/09



757

PARTS CATALOG (MAINTENANCE)

FIG ITEM	PART NUMBER	1 2 3 4 5 6 7	NOMENCLATURE	EFFECT FROM TO	UNITS PER ASSY
2A 310	113N2002-108SP	.	FLAP ASSY-BASIC COMPONENT MAINT MANUAL REF: 57-53-43 QUALIFIED I/W DATA: -108SP TOGETHER WITH 654N0010-178 ATTACHING HARDWARE KIT MAY REPLACE -116SP OR -102 OR -118 OR -94 -130SP OR -122SP MAY REPLACE -108SP UPON INCORPORATION OF S/B 757-57-0032. -146SP OR -150SP MAY REPLACE -108SP UPON INCOMP OF S/B 757-57-0032. 113N2002-160SP MAY REPLACE 113N2002-108SP UPON INCORPORATION OF S/B 757-57-0032 -108SP I/W -88 UPON INCORPORATION OF S/B 757-57-0026 AND 654N0010-178 FOR DETAILS SEE: 27-51-02-10	904949	1
310	113N2002-122SP	.	FLAP ASSY-BASIC COMPONENT MAINT MANUAL REF: 57-53-43 QUALIFIED I/W DATA: -130 SP OR -122SP MAY REPLACE -108SP UPON INCORPORATION OF S/B 757-57-0032 113N2002-118 TOGETHER WITH 654N0010-178 INTERCHANGEABLE WITH 113N2002-122SP UPON INCORPORATION OF S/B 757-57-0032 -122SP CAN REPLACE -88 UPON INCORPORATION OF S/B 757-57-0026 AND S/B 757-57-0032 FOR DETAILS SEE: 27-51-02-10A	002004 006106 108903 950999	1

MISSING ITEM NUMBERS NOT APPLICABLE

- ITEM NOT ILLUSTRATED

**27-51-02-02A**

27-51-02  
FIG. 02A  
PAGE 8  
JAN 20/09

BRI



757

PARTS CATALOG (MAINTENANCE)

FIG ITEM	PART NUMBER	1 2 3 4 5 6 7	NOMENCLATURE	EFFECT FROM TO	UNITS PER ASSY
2A 310	113N2002-130SP	.	FLAP ASSY- COMPONENT MAINT MANUAL REF: 57-53-43 QUALIFIED I/W DATA: -130SP OR -122SP MAY REPALCE -108SP UPON INCORPORATION OF SB 757-57-0032. FOR DETAILS SEE: 27-51-02-10A	002004 006106 108903 950999	1
310	113N2002-146SP	.	FLAP ASSY- COMPONENT MAINT MANUAL REF: 57-53-43 QUALIFIED I/W DATA: 146SP OR -150SP MAY REPLACE -108SP UPON INCORP OF S/B 757-57-0032. FOR DETAILS SEE: 27-51-02-10A	002004 006106 108903 950999	1
310	113N2002-150SP	.	FLAP ASSY- COMPONENT MAINT MANUAL REF: 57-53-43 QUALIFIED I/W DATA: -146SP OR -150SP MAY REPLACE -108SP UPON INCORP OF S/B 757-57-0032. FOR DETAILS SEE: 27-51-02-10A	002004 006106 108903 950999	1
310	113N2002-160SP	.	FLAP ASSY- POSITION DATA: INBD RH QUALIFIED I/W DATA: 113N2002-160SP MAY REPLACE 113N2002-108SP UPON INCORPORATION OF S/B 757-57-0032 FOR DETAILS SEE: 27-51-02-10A	002004 006106 108903 950999	1

MISSING ITEM NUMBERS NOT APPLICABLE

- ITEM NOT ILLUSTRATED

**27-51-02-02A**

27-51-02  
FIG. 02A  
PAGE 9  
JAN 20/09

BRI



757

PARTS CATALOG (MAINTENANCE)

FIG ITEM	PART NUMBER	1 2 3 4 5 6 7	NOMENCLATURE	EFFECT FROM TO	UNITS PER ASSY
2A 315	113N2002-58	.	FLAP ASSY-BASIC COMPONENT MAINT MANUAL REF: 57-53-43 QUALIFIED I/W DATA: 113N2002-64 INTERCHANGEABLE WITH 113N2002-58 SUBJECT TO CUSTOMER COLOR PREFERENCE -66 MAY REPLACE -58 FOR RR535C ENGINE CONFIGURATION REWORKED BY SB: 57-0032 FOR DETAILS SEE: 27-51-02-10	107107	1
320	113N2002-78	.	FLAP ASSY-BASIC COMPONENT MAINT MANUAL REF: 57-53-43 QUALIFIED I/W DATA: -118 OR -94 T/W 012N8528-6 KIT MAY REPLACE -88 OR 78 REWORKED BY SB: 57-0032 FOR DETAILS SEE: 27-51-02-10	107107	1

MISSING ITEM NUMBERS NOT APPLICABLE

- ITEM NOT ILLUSTRATED

BRI

**27-51-02-02A**

BOEING PROPRIETARY - Copyright © - Unpublished Work - See title page for details.

27-51-02  
FIG. 02A  
PAGE 10  
JAN 20/09



757

PARTS CATALOG (MAINTENANCE)

FIG ITEM	PART NUMBER	1 2 3 4 5 6 7	NOMENCLATURE	EFFECT FROM TO	UNITS PER ASSY
2A 320	113N2002-88		. FLAP ASSY-BASIC COMPONENT MAINT MANUAL REF: 57-53-43 QUALIFIED I/W DATA: -88 I/W -94 UPON INCORPORATION OF S/B 757-57-0026 -102 I/W -88 UPON INCORPORATION OF S/B 757-57-0026 -118 I/W -88 UPON INCORPORATION OF S/B 757-57-0026 -108 I/W -88 UPON INCORPORATION OF S/B 757-57-0026 AND 654N0010-178 -116SP I/W -88 UPON INCORPORATION OF S/B 757-57-0026 -122SP CAN REPLACE -88 UPON INCORPORATION OF S/B 757-57-0026 AND S/B 757-57-0032 REWORKED BY SB: 57-0032 FOR DETAILS SEE: 27-51-02-10	107107	1

MISSING ITEM NUMBERS NOT APPLICABLE

- ITEM NOT ILLUSTRATED

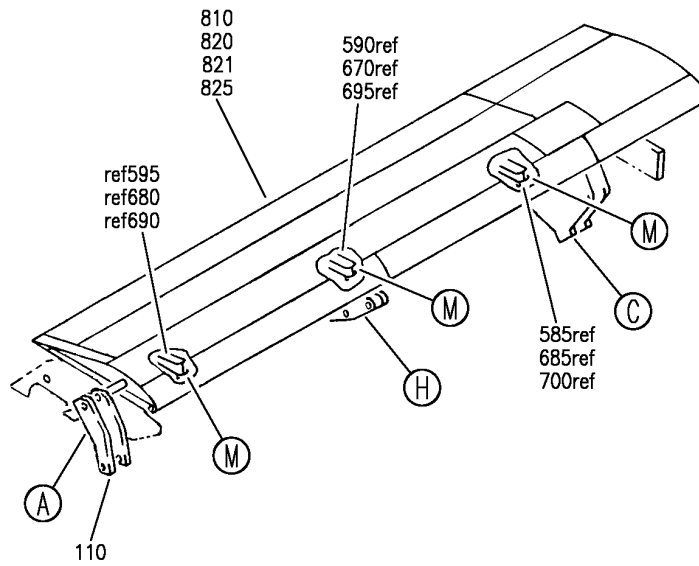
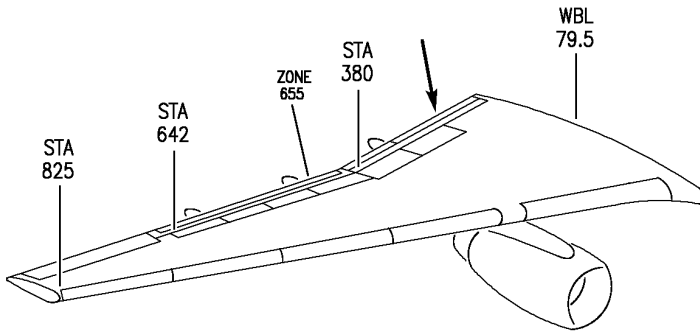
BRI

**27-51-02-02A**

BOEING PROPRIETARY - Copyright © - Unpublished Work - See title page for details.

27-51-02  
FIG. 02A  
PAGE 11  
JAN 20/09

**BOEING**  
757  
PARTS CATALOG (MAINTENANCE)



Y 27510210 SH-T 1 REV 267

FLAP ASSY-T.E. INBD  
FIGURE 10 (SHEET 1)

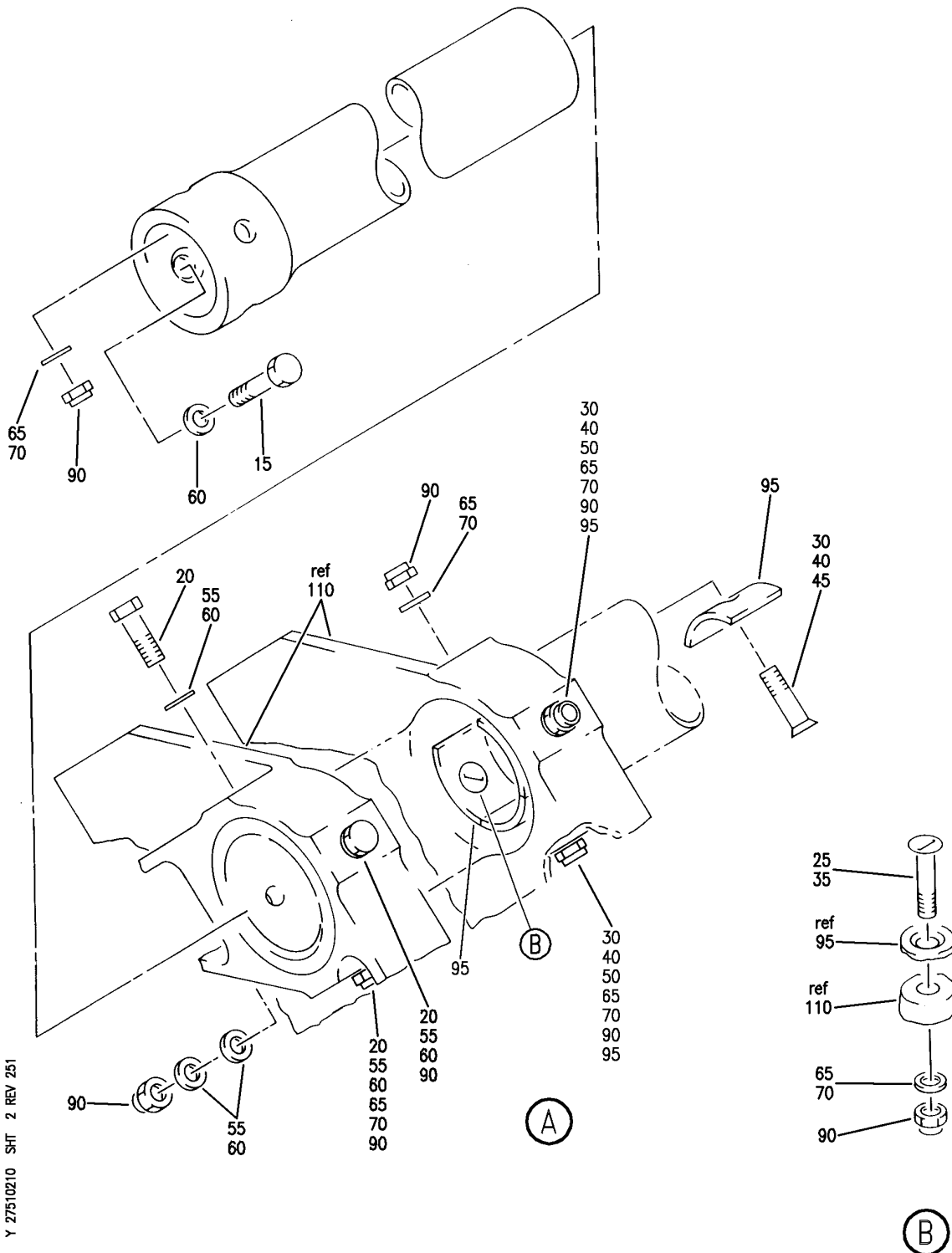
**27-51-02-10**

BRI  
MAY 28/07

27-51-02-10  
PAGE 0



**BOEING**  
757  
PARTS CATALOG (MAINTENANCE)



Y 27510210 SHT 2 REV 251

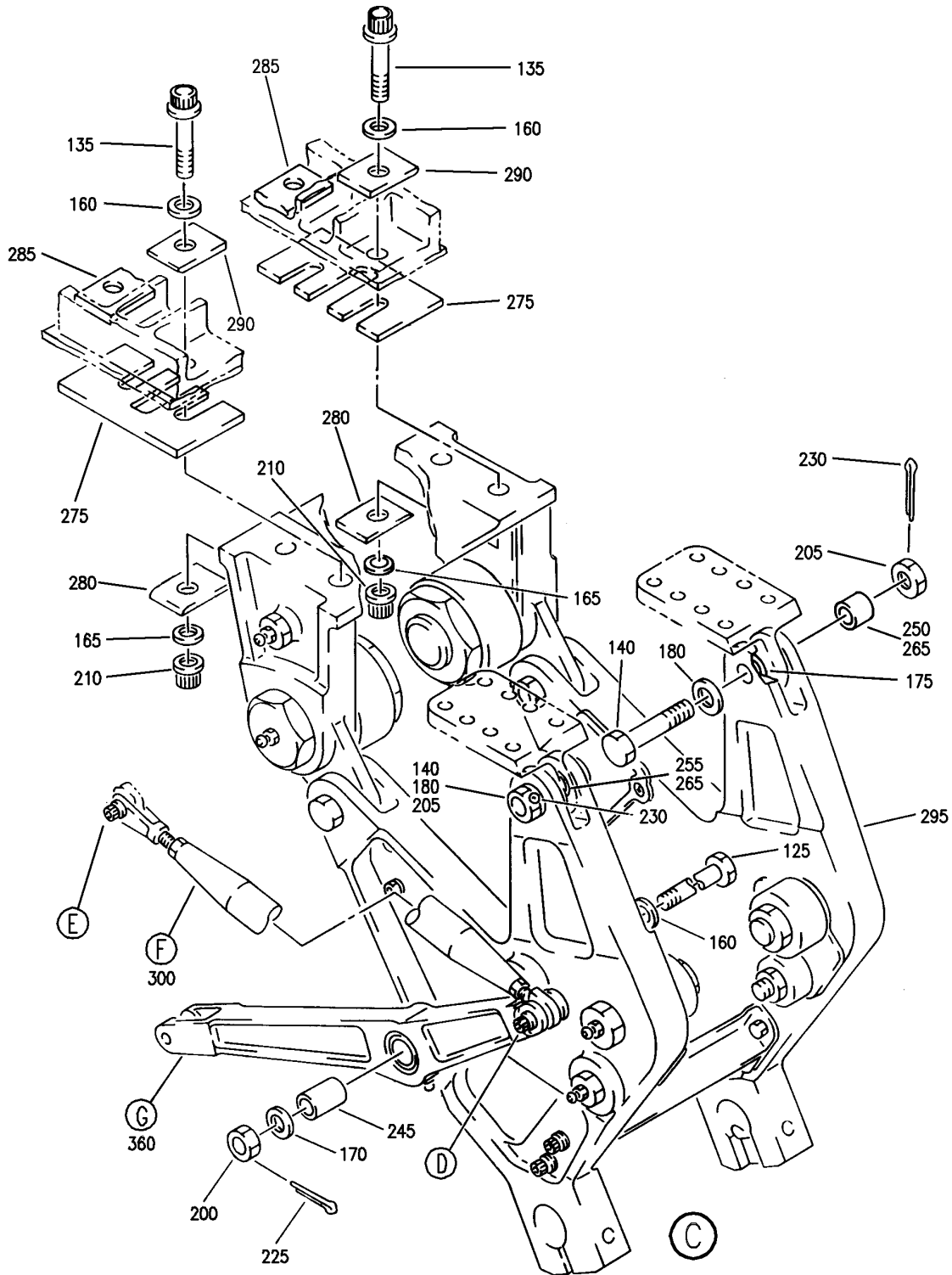
FLAP ASSY-T.E. INBD  
FIGURE 10 (SHEET 2)

**27-51-02-10**

BRI  
MAY 28/07

27-51-02-10  
PAGE 0A

**BOEING**  
757  
PARTS CATALOG (MAINTENANCE)



Y 27510210 SHT 3 REV 251

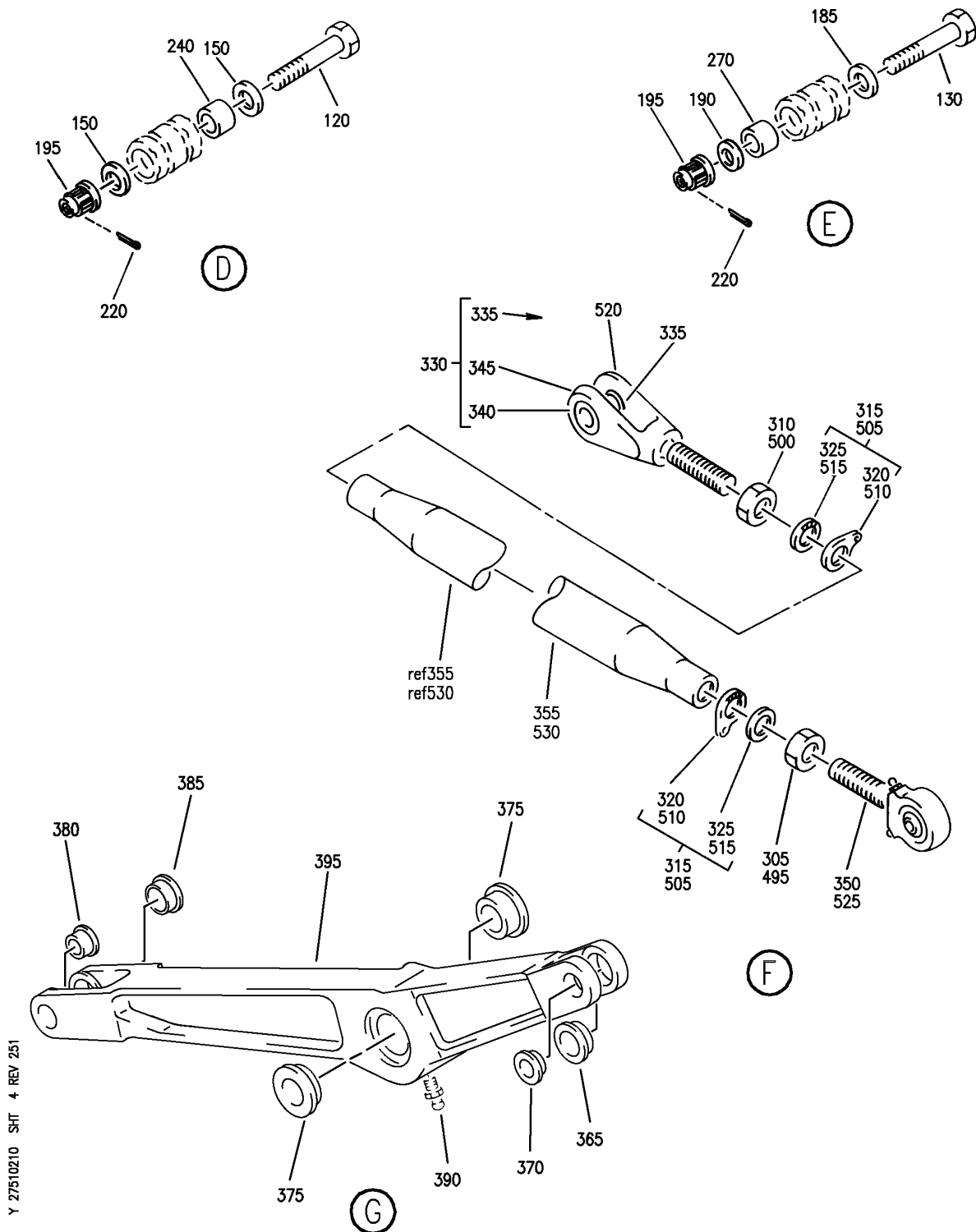
FLAP ASSY-T.E. INBD  
FIGURE 10 (SHEET 3)

**27-51-02-10**

BRI  
MAY 28/07

27-51-02-10  
PAGE 0B

**BOEING**  
757  
PARTS CATALOG (MAINTENANCE)



Y 27510210 SH1 4 REV 251

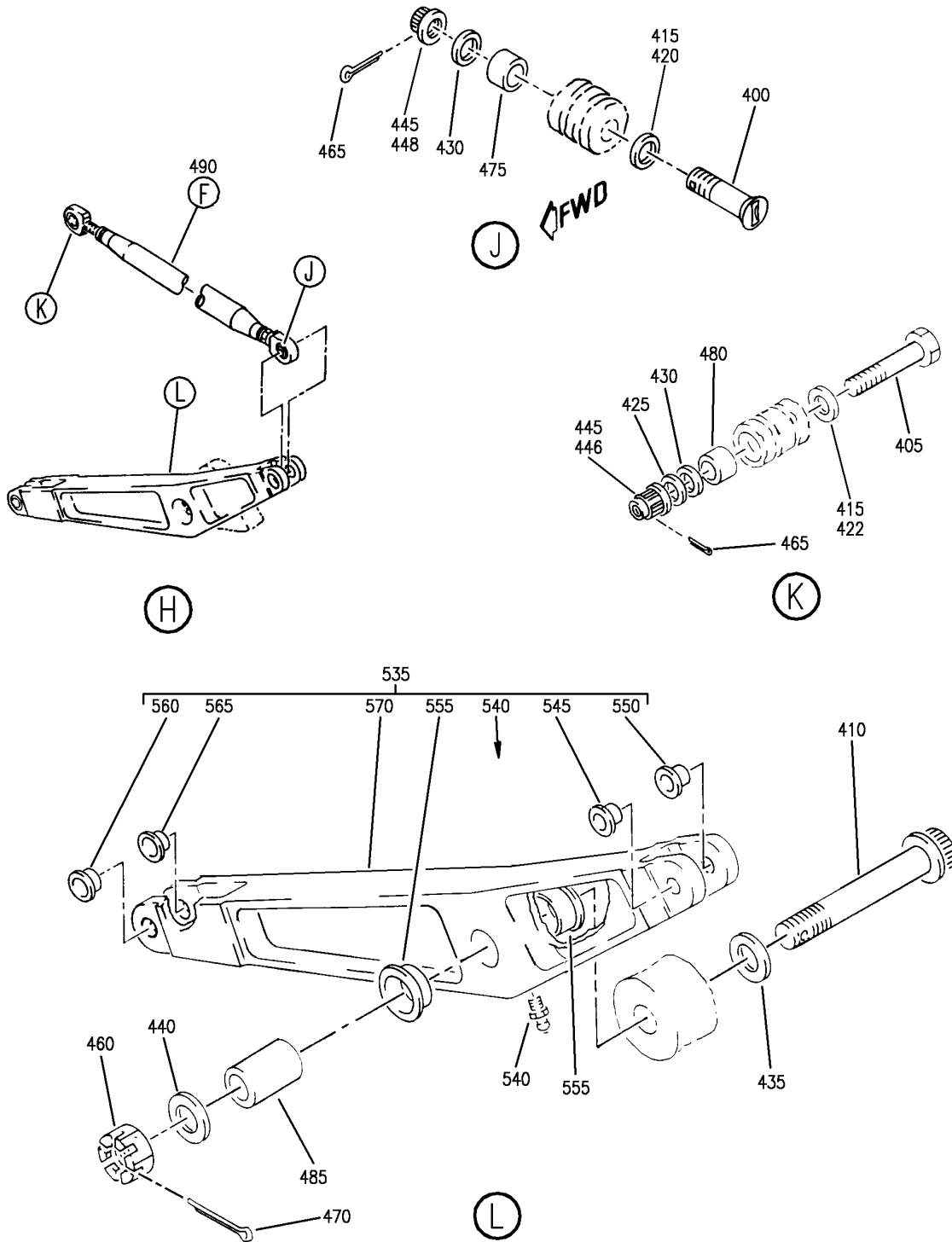
FLAP ASSY-T.E. INBD  
FIGURE 10 (SHEET 4)

**27-51-02-10**

BRI  
MAY 28/07

27-51-02-10  
PAGE 0C

**BOEING**  
757  
PARTS CATALOG (MAINTENANCE)



Y 27510210 SH1 5 REV 267

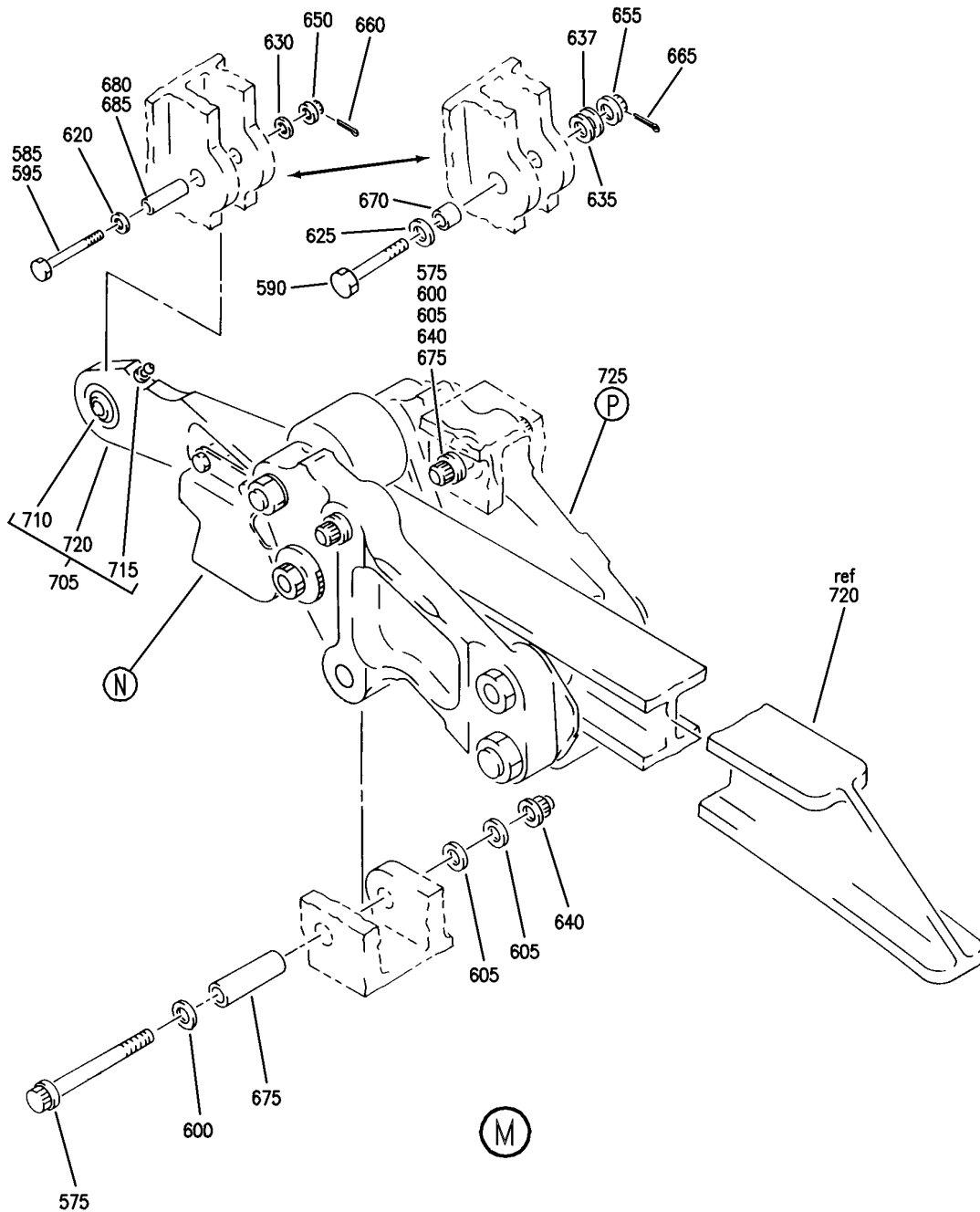
FLAP ASSY-T.E. INBD  
FIGURE 10 (SHEET 5)

**27-51-02-10**

BRI  
MAY 28/07

27-51-02-10  
PAGE 0D

**BOEING**  
757  
PARTS CATALOG (MAINTENANCE)



Y 27510210 SHT 6 REV 240

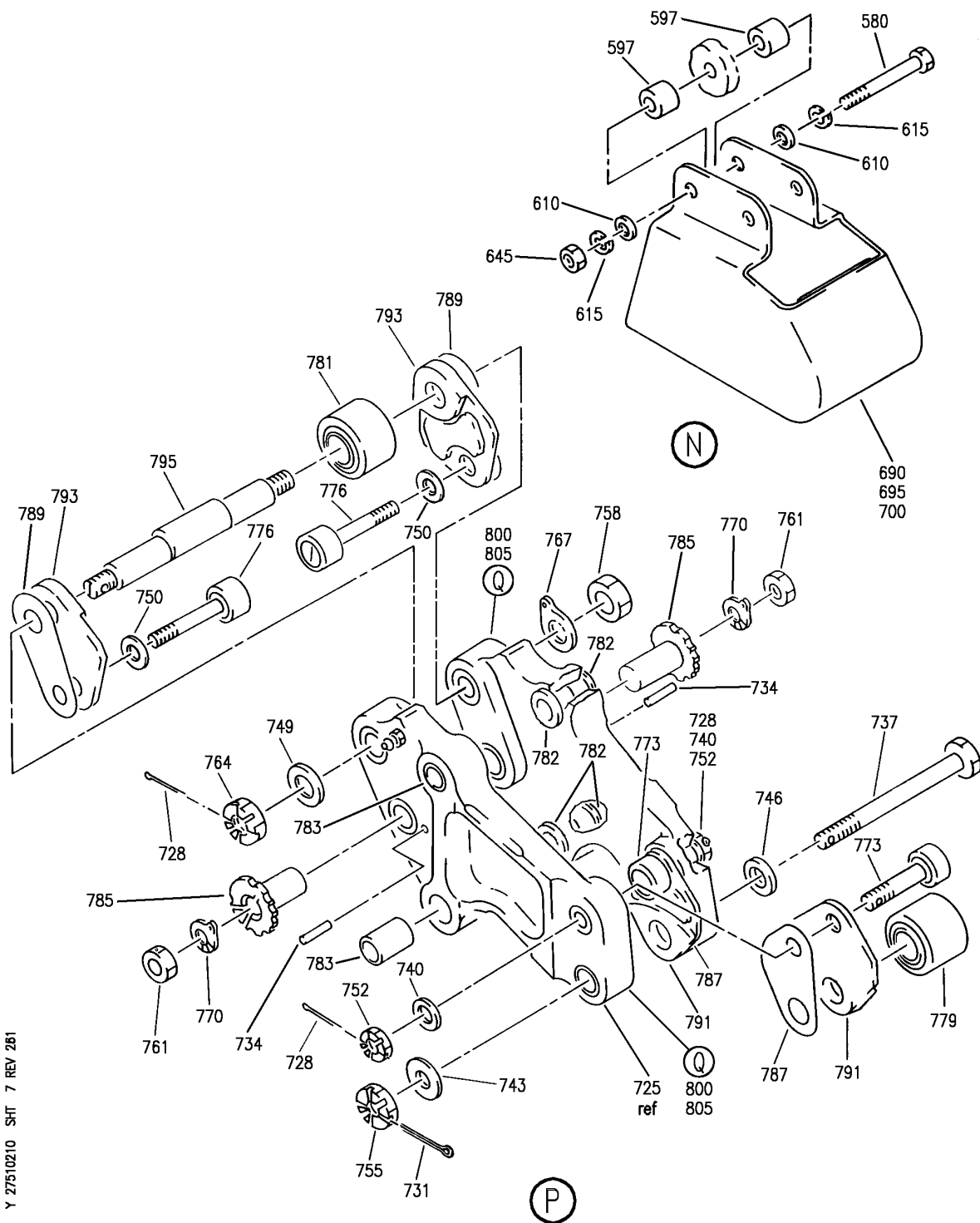
FLAP ASSY-T.E. INBD  
FIGURE 10 (SHEET 6)

**27-51-02-10**

BRI  
MAY 28/07

27-51-02-10  
PAGE 0E

**BOEING**  
757  
PARTS CATALOG (MAINTENANCE)



Y 27510210 SHT 7 REV 261

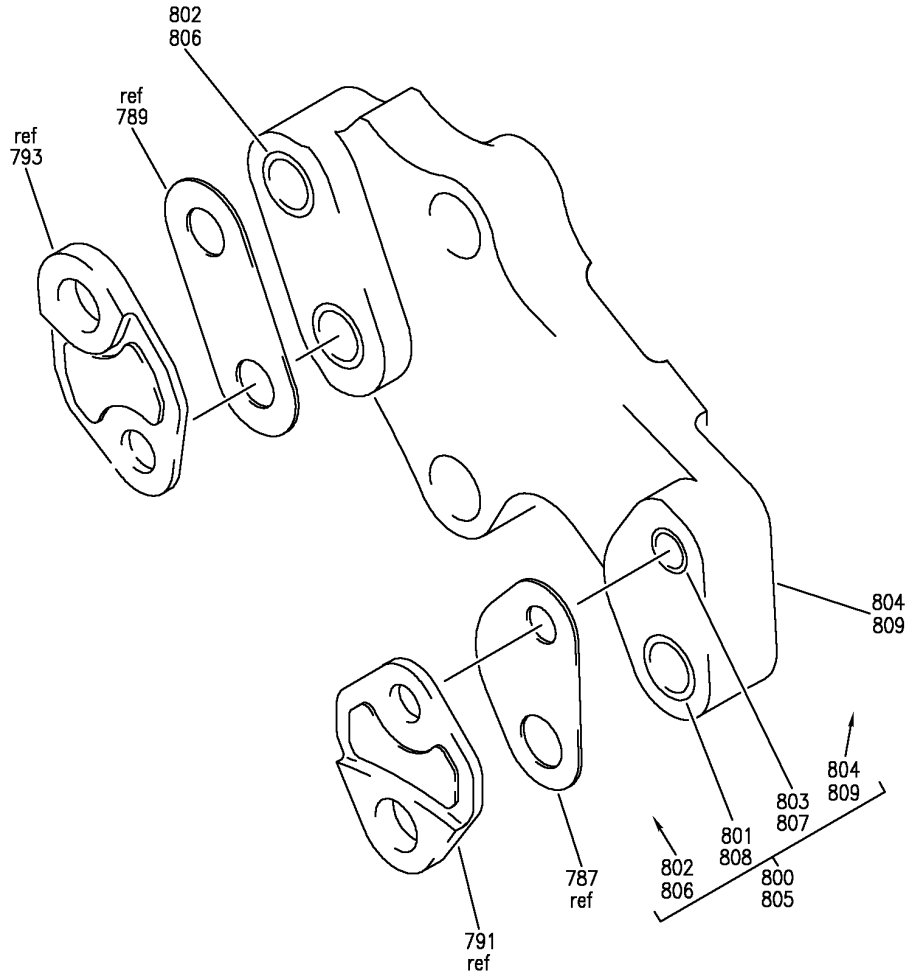
FLAP ASSY-T.E. INBD  
FIGURE 10 (SHEET 7)

**27-51-02-10**

BRI  
MAY 28/07

27-51-02-10  
PAGE OF

**BOEING**  
757  
PARTS CATALOG (MAINTENANCE)



Q

Y 27510210 SH 8 REV 261

FLAP ASSY-T.E. INBD  
FIGURE 10 (SHEET 8)

**27-51-02-10**

BRI  
MAY 28/07

27-51-02-10  
PAGE 0G



757

PARTS CATALOG (MAINTENANCE)

FIG ITEM	PART NUMBER	1 2 3 4 5 6 7	NOMENCLATURE	EFFECT FROM TO	UNITS PER ASSY
10			FLAP ASSY-T.E. INBD	107107	
- 1	113N2002-108SP		FLAP ASSY-BASIC POSITION DATA: INBD COMPONENT MAINT MANUAL REF: 57-53-43 QUALIFIED I/W DATA: -108SP TOGETHER WITH 654N0010-178 ATTACHING HARDWARE KIT MAY REPLACE -116SP OR -102 OR -118 OR -94 -130SP OR -122SP MAY REPLACE -108SP UPON INCORPORATION OF S/B 757-57-0032. -146SP OR -150SP MAY REPLACE -108SP UPON INCRP OF S/B 757-57-0032. 113N2002-160SP MAY REPLACE 113N2002-108SP UPON INCORPORATION OF S/B 757-57-0032 -108SP I/W -88 UPON INCORPORATION OF S/B 757-57-0026 AND 654N0010-178 FOR NHA SEE: 27-51-02-02A	904949 904949	RF
- 5	113N2002-58		FLAP ASSY-BASIC POSITION DATA: INBD COMPONENT MAINT MANUAL REF: 57-53-43 QUALIFIED I/W DATA: 113N2002-64 INTERCHANGEABLE WITH 113N2002-58 SUBJECT TO CUSTOMER COLOR PREFERENCE -66 MAY REPLACE -58 FOR RR535C ENGINE CONFIGURATION REWORKED BY SB: 57-0032 FOR NHA SEE: 27-51-02-02A	107107	RF

MISSING ITEM NUMBERS NOT APPLICABLE

- ITEM NOT ILLUSTRATED

27-51-02-10

27-51-02  
FIG. 10  
PAGE 1  
JAN 20/09

BRI





757

PARTS CATALOG (MAINTENANCE)

FIG ITEM	PART NUMBER	1 2 3 4 5 6 7	NOMENCLATURE	EFFECT FROM TO	UNITS PER ASSY
10					
- 10	113N2002-78		FLAP ASSY-BASIC POSITION DATA: INBD COMPONENT MAINT MANUAL REF: 57-53-43 QUALIFIED I/W DATA: -118 OR -94 T/W 012N8528-6 KIT MAY REPLACE -88 OR 78 REWORKED BY SB: 57-0032 FOR NHA SEE: 27-51-02-02A	107107	RF
- 10	113N2002-88		FLAP ASSY-BASIC POSITION DATA: INBD COMPONENT MAINT MANUAL REF: 57-53-43 QUALIFIED I/W DATA: -88 I/W -94 UPON INCORPORATION OF S/B 757-57-0026 -102 I/W -88 UPON INCORPORATION OF S/B 757-57-0026 -118 I/W -88 UPON INCORPORATION OF S/B 757-57-0026 -108 I/W -88 UPON INCORPORATION OF S/B 757-57-0026 AND 654N0010-178 -116SP I/W -88 UPON INCORPORATION OF S/B 757-57-0026 -122SP CAN REPLACE -88 UPON INCORPORATION OF S/B 757-57-0026 AND S/B 757-57-0032 REWORKED BY SB: 57-0032 FOR NHA SEE: 27-51-02-02A	107107	RF
15	BACB30NR8K17	.BOLT		107107 904949	1
20	BACB30NR8K18	.BOLT		107107 904949	3
25	BACB30NU8K13	.BOLT		107107 904949	1

MISSING ITEM NUMBERS NOT APPLICABLE

- ITEM NOT ILLUSTRATED

27-51-02-10

27-51-02  
FIG. 10  
PAGE 2  
JAN 20/09

BRI

 **BOEING**  
757  
**PARTS CATALOG (MAINTENANCE)**

FIG ITEM	PART NUMBER	1 2 3 4 5 6 7	NOMENCLATURE	EFFECT FROM TO	UNITS PER ASSY
10					
30	BACB30NU8K15	.	BOLT	107107 904949	3
55	BACW10BP8CD	.	WASHER	107107 904949	6
65	BACW10BP8DP	.	WASHER	107107 904949	6
90	69235-820CD	.	NUT SUPPLIER CODE: V92215 SPECIFICATION NUMBER: BACN10JC8CD OPTIONAL PART: 102LH9074-8 V72962 BMN4122CPD8-8 V97928 H51650-8BAC V15653	107107 904949	8
95	113N2106-2	.	SPACER-TORQUE TUBE	107107 904949	4
110	113N2100-1	.	CARRIAGE ASSY- COMPONENT MAINT MANUAL REF: 27-51-09 FOR DETAILS SEE: 27-51-05-01	107107 904949	1
110	113N2100-11	.	CARRIAGE ASSY- COMPONENT MAINT MANUAL REF: 27-51-09 FOR DETAILS SEE: 27-51-05-01	107107 904949	1
110	113N2100-13	.	CARRIAGE ASSY- COMPONENT MAINT MANUAL REF: 27-51-09 FOR DETAILS SEE: 27-51-05-01	107107 904949	1
110	113N2100-17	.	CARRIAGE ASSY- COMPONENT MAINT MANUAL REF: 27-51-09 FOR DETAILS SEE: 27-51-05-01	107107 904949	1
110	113N2100-4	.	CARRIAGE ASSY- COMPONENT MAINT MANUAL REF: 27-51-09 FOR DETAILS SEE: 27-51-05-01	107107 904949	1

MISSING ITEM NUMBERS NOT APPLICABLE

— ITEM NOT ILLUSTRATED

BRI

# 27-51-02-10

27-51-02  
FIG. 10  
PAGE 3  
JAN 20/09



757

PARTS CATALOG (MAINTENANCE)

FIG ITEM	PART NUMBER	1 2 3 4 5 6 7	NOMENCLATURE	EFFECT FROM TO	UNITS PER ASSY
10					
110	113N2100-6		.CARRIAGE ASSY- COMPONENT MAINT MANUAL REF: 27-51-09 FOR DETAILS SEE: 27-51-05-01	107107 904949	1
110	113N2100-8		.CARRIAGE ASSY- POSITION DATA: INBD COMPONENT MAINT MANUAL REF: 27-51-09 FOR DETAILS SEE: 27-51-05-01	107107 904949	1
120	NAS6705D19		.BOLT	107107 904949	1
125	NAS6708DE42		.BOLT- OPTIONAL PART: NAS6708D42	107107 904949	1
125	NAS6708D42		.BOLT- OPTIONAL PART: NAS6708DE42	107107 904949	1
130	NAS6705D16		.BOLT	107107 904949	1
135	BACB30LE8-26		.BOLT	107107 904949	4
140	113N2157-17		.BOLT	107107 904949	2
150	AN960C516L		.WASHER	107107 904949	2
160	BACW10BP8CD		.WASHER	107107 904949	5
165	BACW10BP8DP		.WASHER	107107 904949	4
170	BACW10BP8DP		.WASHER- POSITION DATA: UNDER NUT	107107 904949	1
175	AN960XC1016L		.WASHER	107107 904949	1
180	AN960KD1016L		.WASHER- OPTIONAL PART: NAS1149D1016K NAS1149D1016L	107107 904949	2
180	NAS1149D1016K		.WASHER- OPTIONAL PART: AN960KD1016L NAS1149D1016L	107107 904949	2
180	NAS1149D1016L		.WASHER- OPTIONAL PART: AN960KD1016L NAS1149D1016K	107107 904949	2

MISSING ITEM NUMBERS NOT APPLICABLE

- ITEM NOT ILLUSTRATED

27-51-02-10

27-51-02  
FIG. 10  
PAGE 4  
JAN 20/09

BRI



757

PARTS CATALOG (MAINTENANCE)

FIG ITEM	PART NUMBER	1 2 3 4 5 6 7	NOMENCLATURE	EFFECT FROM TO	UNITS PER ASSY
10					
185	BACW10BP5CD	.	WASHER-	107107 904949	1
190	BACW10BP5DP	.	WASHER-	107107 904949	1
195	73781CD524	.	NUT-	107107 904949	2
			SUPPLIER CODE: V56878		
			OPTIONAL PART: 102E9925-5		
			V72962		
			PHCR55CD		
			VF0224		
195	102E9925-5	.	NUT-	107107 904949	2
			SUPPLIER CODE: V72962		
			OPTIONAL PART: 73781CD524		
			V56878		
			PHCR55CD		
			VF0224		
195	PHCR55CD	.	NUT-	107107 904949	2
			SUPPLIER CODE: VF0224		
			OPTIONAL PART: 102E9925-5		
			V72962		
			73781CD524		
			V56878		
200	73781CD820	.	NUT-	107107 904949	1
			SUPPLIER CODE: V80539		
			OPTIONAL PART: 102E9925-8		
			V72962		
			PHCR58CD		
			VF0224		
200	102E9925-8	.	NUT-	107107 904949	1
			SUPPLIER CODE: V72962		
			OPTIONAL PART: 73781CD820		
			V80539		
			PHCR58CD		
			VF0224		

MISSING ITEM NUMBERS NOT APPLICABLE

- ITEM NOT ILLUSTRATED

BRI

27-51-02-10

BOEING PROPRIETARY - Copyright © - Unpublished Work - See title page for details.

27-51-02  
FIG. 10  
PAGE 5  
JAN 20/09



757

PARTS CATALOG (MAINTENANCE)

FIG ITEM	PART NUMBER	1 2 3 4 5 6 7	NOMENCLATURE	EFFECT FROM TO	UNITS PER ASSY
10 200	PHCR58CD	.NUT-	SUPPLIER CODE: VF0224 OPTIONAL PART: 73781CD820 V80539 102E9925-8 V72962	107107 904949	1
205	BACN10JD110CD	.NUT		107107 904949	2
210	BMN10HRCWD3-8	.NUT	SUPPLIER CODE: V97928 SPECIFICATION NUMBER: BACN10HR8CD OPTIONAL PART: H51560-8 V15653 67832CD820 V56878 102LH9031-8 V72962 BH00303CM8 V27238 BMN5024CWD38 V97928 SL7108C8 V11815 VCU0005D8 V06710 102LH90318 V72962 67832CD8 V56878 CR6030-8 VF0224	107107 904949	4
220	MS24665-153	.PIN		107107 904949	2
225	MS24665-287	.PIN		107107 904949	1
230	MS24665-357	.PIN		107107 904949	2
240	BACB28AK05-045	.BUSHING		107107 904949	1
245	BACB28AK08-118	.BUSHING		107107 904949	1
250	BACB28AK10-092	.BUSHING		904949	1
255	BACB28AK10-095	.BUSHING		904949	1
265	BACB28AK10-095	.BUSHING		107107	2

MISSING ITEM NUMBERS NOT APPLICABLE

- ITEM NOT ILLUSTRATED

27-51-02-10

27-51-02  
FIG. 10  
PAGE 6  
JAN 20/09

BRI

BOEING PROPRIETARY - Copyright © - Unpublished Work - See title page for details.



757

PARTS CATALOG (MAINTENANCE)

FIG ITEM	PART NUMBER	1 2 3 4 5 6 7	NOMENCLATURE	EFFECT FROM TO	UNITS PER ASSY
10					
270	BACB28AK05-030	.	BUSHING	107107 904949	1
275	113N2159-34	.	SHIM-	107107 904949	2
280	113N2159-13	.	PAD-STRESS	107107 904949	4
285	113N2159-11	.	PAD-STRESS	107107	2
285	113N2159-42	.	PAD-STRESS	904949	2
285	113N2159-44	.	PAD-STRESS	904949	2
			USED ON: 113N2002-108SP		
285	113N2159-48	.	PAD-STRESS	904949	2
290	113N2159-9	.	PAD-STRESS	107107	2
290	113N2159-43	.	PAD-STRESS	904949	2
290	113N2159-45	.	PAD-STRESS	904949	2
			USED ON: 113N2002-108SP		
290	113N2159-49	.	PAD-STRESS	904949	2
295	113N2150-10	.	CARRIAGE ASSY-	107107	1
			COMPONENT MAINT MANUAL REF: 27-51-06	904949	
			FOR DETAILS SEE: 27-51-05-01		
295	113N2150-2	.	CARRIAGE ASSY-	107107	1
			COMPONENT MAINT MANUAL REF: 27-51-06	904949	
			OPTIONAL PART: 113N2150-5 113N2150-8		
			FOR DETAILS SEE: 27-51-05-01		
295	113N2150-5	.	CARRIAGE ASSY-	107107	1
			COMPONENT MAINT MANUAL REF: 27-51-06		
			OPTIONAL PART: 113N2150-8		
			FOR DETAILS SEE: 27-51-05-01		
295	113N2150-8	.	CARRIAGE ASSY-	107107	1
			COMPONENT MAINT MANUAL REF: 27-51-06		
			OPTIONAL PART: 113N2150-5		
			FOR DETAILS SEE: 27-51-05-01		
300	113N2888-12	.	ROD ASSY-FLAP	107107 904949	1
305	NAS509L6C	..	NUT	107107 904949	1

MISSING ITEM NUMBERS NOT APPLICABLE

- ITEM NOT ILLUSTRATED

27-51-02-10

27-51-02  
FIG. 10  
PAGE 7  
JAN 20/09

BRI



757

PARTS CATALOG (MAINTENANCE)

FIG ITEM	PART NUMBER	1 2 3 4 5 6 7	NOMENCLATURE	EFFECT FROM TO	UNITS PER ASSY
10					
310	NAS509-6C	..	NUT	107107 904949	1
315	NAS1193K6CP	..	LOCKING DEVICE	107107 904949	2
320	NAS1193K6-1P	...	WASHER	107107 904949	1
325	NAS1193K6-2P	...	WASHER	107107 904949	1
330	113N2890-2	..	CLEVIS ASSY-END	107107 904949	1
335	BACB28AP05P010	...	BUSHING	107107 904949	1
340	BACB28AP07P010	...	BUSHING	107107 904949	1
345	113N2890-4	...	CLEVIS	107107 904949	1
350	MKL5EPDL	..	BEARING-ROD END SUPPLIER CODE: V73134 SPECIFICATION NUMBER: S012T234-105-789 OPTIONAL PART: ARH5E115KLM VS0352 ARBL5E190W9 V15860 KBE4-225W V97613	107107 904949	1
355	113N2888-16	..	ROD- OPTIONAL PART: 113N2888-20	107107 904949	1
355	113N2888-20	..	ROD- OPTIONAL PART: 113N2888-16	107107 904949	1
360	113N2896-2	.	BELLCRANK ASSY-	107107 904949	1
360	113N2883-2	.	BELLCRANK ASSY-	107107 904949	1
365	BACB28AM07B022	..	BUSHING	107107 904949	1
370	BACB28AP05-022	..	BUSHING	107107 904949	1
375	BACB28AM11B047	..	BUSHING	107107 904949	2
380	BACB28AP05-036	..	BUSHING	107107 904949	1
385	BACB28AM07B035	..	BUSHING	107107 904949	1

MISSING ITEM NUMBERS NOT APPLICABLE

- ITEM NOT ILLUSTRATED

27-51-02-10

27-51-02  
FIG. 10  
PAGE 8  
MAY 20/09

BRI

BOEING PROPRIETARY - Copyright © - Unpublished Work - See title page for details.



757

PARTS CATALOG (MAINTENANCE)

FIG ITEM	PART NUMBER	1 2 3 4 5 6 7	NOMENCLATURE	EFFECT FROM TO	UNITS PER ASSY
10					
390	MS15001-1	..	FITTING	107107 904949	1
395	113N2896-4	..	BELLCRANK- USED ON: 113N2896-2	107107 904949	1
395	113N2883-4	..	BELLCRANK- USED ON: 113N2883-2	107107 904949	1
400	NAS6706D22	.BOLT-	PRE SERVICE BULLETIN: 57-0032	107107 904949	1
400	BACB30LL6D19	.BOLT-	POST SERVICE BULLETIN: 57-0032	904949	1
405	NAS6706D19	.BOLT		107107 904949	1
410	113N2157-18	.BOLT-MAIN FLAP	QUALIFIED I/W DATA: -19 MAY REPLACE -18 UPON INCORPORATION OF S/B 757-57-0032 PRE SERVICE BULLETIN: 57-0032	904949	1
410	113N2157-19	.BOLT-MAIN FLAP	QUALIFIED I/W DATA: -19 MAY REPLACE -18 UPON INCORPORATION OF S/B 757-57-0032 POST SERVICE BULLETIN: 57-0032	904949	1
415	BACW10BP6CD	.WASHER-	QUALIFIED I/W DATA: 113N2050-1 MAY REPLACE BACW10BP6CD UPON INCORPORATION OF S/B 757-57-0032 PRE SERVICE BULLETIN: 57-0032	107107	2
420	113N2050-1	.WASHER-	POSITION DATA: UNDER BOLT HEAD QUALIFIED I/W DATA: 113N2050-1 MAY REPLACE BACW10BP6CD UPON INCORPORATION OF S/B 757-57-0032 POST SERVICE BULLETIN: 57-0032	904949	1

MISSING ITEM NUMBERS NOT APPLICABLE

- ITEM NOT ILLUSTRATED

27-51-02-10

27-51-02  
FIG. 10  
PAGE 9  
JAN 20/09

BRI

BOEING PROPRIETARY - Copyright © - Unpublished Work - See title page for details.





757

PARTS CATALOG (MAINTENANCE)

FIG ITEM	PART NUMBER	1 2 3 4 5 6 7	NOMENCLATURE	EFFECT FROM TO	UNITS PER ASSY
10 420	BACW10BP6CD		.WASHER- QUALIFIED I/W DATA: 113N2050-1 MAY REPLACE BACW10BP6CD UPON INCORPORATION OF S/B 757-57-0032 PRE SERVICE BULLETIN: 57-0032	904949	1
422	BACW10BP6CD		.WASHER- QUALIFIED I/W DATA: 113N2050-1 MAY REPLACE BACW10BP6CD UPON INCORPORATION OF S/B 757-57-0032	904949	1
425	AN960C616L		.WASHER	107107 904949	1
430	BACW10BP6DP		.WASHER	107107 904949	2
435	BACW10BP12CD		.WASHER- PRE SERVICE BULLETIN: 57-0032	107107 904949	1
435	BACW10BP8CD		.WASHER- POST SERVICE BULLETIN: 57-0032	904949	1
440	BACW10BP12DP		.WASHER- PRE SERVICE BULLETIN: 57-0032	107107 904949	1
440	BACW10BP8DP		.WASHER- POST SERVICE BULLETIN: 57-0032	904949	1
445	73781CD624		.NUT- SUPPLIER CODE: V56878 OPTIONAL PART: 102E9925-6 V72962 PHCR56CD VF0224 PRE SERVICE BULLETIN: 57-0032	107107	2
445	102E9925-6		.NUT- SUPPLIER CODE: V72962 OPTIONAL PART: 73781CD624 V56878 PHCR56CD VF0224	107107	2

MISSING ITEM NUMBERS NOT APPLICABLE

- ITEM NOT ILLUSTRATED

BRI

27-51-02-10

27-51-02  
FIG. 10  
PAGE 10  
JAN 20/09



757

PARTS CATALOG (MAINTENANCE)

FIG ITEM	PART NUMBER	1 2 3 4 5 6 7	NOMENCLATURE	EFFECT FROM TO	UNITS PER ASSY
10 445	PHCR56CD		.NUT- SUPPLIER CODE: VF0224 OPTIONAL PART: 102E9925-6 V72962 73781CD624 V56878	107107	2
446	73781CD624		.NUT- SUPPLIER CODE: V56878 OPTIONAL PART: 102E9925-6 V72962 PHCR56CD VF0224	904949	1
446	102E9925-6		.NUT- SUPPLIER CODE: V72962 OPTIONAL PART: 73781CD624 V56878 PHCR56CD VF0224	904949	1
446	PHCR56CD		.NUT- SUPPLIER CODE: VF0224 OPTIONAL PART: 102E9925-6 V72962 73781CD624 V56878	904949	1
448	73781CD624		.NUT- SUPPLIER CODE: V56878 OPTIONAL PART: 102E9925-6 V72962 PHCR56CD VF0224 PRE SERVICE BULLETIN: 57-0032	904949	1

MISSING ITEM NUMBERS NOT APPLICABLE

- ITEM NOT ILLUSTRATED

BRI

27-51-02-10

BOEING PROPRIETARY - Copyright © - Unpublished Work - See title page for details.

27-51-02  
FIG. 10  
PAGE 11  
JAN 20/09



757

PARTS CATALOG (MAINTENANCE)

FIG ITEM	PART NUMBER	1 2 3 4 5 6 7	NOMENCLATURE	EFFECT FROM TO	UNITS PER ASSY
10 448	102E9925-6	.NUT-	SUPPLIER CODE: V72962 OPTIONAL PART: 73781CD624 V56878 PHCR56CD VF0224 PRE SERVICE BULLETIN: 57-0032	904949	1
448	PHCR56CD	.NUT-	SUPPLIER CODE: VF0224 OPTIONAL PART: 102E9925-6 V72962 73781CD624 V56878 PRE SERVICE BULLETIN: 57-0032	904949	1
448	73783CD624	.NUT-	SUPPLIER CODE: V56878 SERVICE BULLETIN OPT DATA: BACN11N106CD POST SERVICE BULLETIN: 57-0032	904949	1
448	BACN11N106CD	.NUT-	SERVICE BULLETIN OPT DATA: 73783CD624 V56878 POST SERVICE BULLETIN: 57-0032R1	904949	1
460	73781CD1216	.NUT-	SUPPLIER CODE: V80539 OPTIONAL PART: 102E9925-12 V72962 PHCR512CD VF0224 PRE SERVICE BULLETIN: 57-0032	107107 904949	1

MISSING ITEM NUMBERS NOT APPLICABLE

- ITEM NOT ILLUSTRATED

27-51-02-10

27-51-02  
FIG. 10  
PAGE 12  
JAN 20/09

BRI



757

PARTS CATALOG (MAINTENANCE)

FIG ITEM	PART NUMBER	1 2 3 4 5 6 7	NOMENCLATURE	EFFECT FROM TO	UNITS PER ASSY
10 460	102E9925-12	.NUT-	SUPPLIER CODE: V72962 OPTIONAL PART: 73781CD1216 V80539 PHCR512CD VF0224 PRE SERVICE BULLETIN: 57-0032	107107 904949	1
460	PHCR512CD	.NUT-	SUPPLIER CODE: VF0224 OPTIONAL PART: 102E9925-12 V72962 73781CD1216 V80539 PRE SERVICE BULLETIN: 57-0032	107107 904949	1
460	73781CD820	.NUT-	SUPPLIER CODE: V80539 SERVICE BULLETIN OPT DATA: BACN11N8CD 102E9925-8 V72962 POST SERVICE BULLETIN: 57-0032	904949	1
460	102E9925-8	.NUT-	SUPPLIER CODE: V72962 SERVICE BULLETIN OPT DATA: BACN11N8CD 73781CD820 V80539 POST SERVICE BULLETIN: 57-0032R1	904949	1

MISSING ITEM NUMBERS NOT APPLICABLE

- ITEM NOT ILLUSTRATED

27-51-02-10

27-51-02  
FIG. 10  
PAGE 13  
JAN 20/09

BRI



757

PARTS CATALOG (MAINTENANCE)

FIG ITEM	PART NUMBER	1 2 3 4 5 6 7	NOMENCLATURE	EFFECT FROM TO	UNITS PER ASSY
10 460	PHCR58CDBACN	.NUT-	SUPPLIER CODE: VF0224 SPECIFICATION NUMBER: BACN11N8CD SERVICE BULLETIN OPT DATA: 102E9925-8 V72962 73781CD820 V80539 POST SERVICE BULLETIN: 57-0032R1	904949	1
465	MS24665-304	.PIN		107107 904949	2
470	MS24665-359	.PIN		107107 904949	1
475	BACB28AK06-050	.BUSHING-	PRE SERVICE BULLETIN: 57-0032	107107 904949	1
475	BACB28AK06-032	.BUSHING-	POST SERVICE BULLETIN: 57-0032	904949	1
480	BACB28AK06-030	.BUSHING		107107 904949	1
485	BACB28AK12-150	.BUSHING-	OPTIONAL PART: BACB28AK12-151 PRE SERVICE BULLETIN: 57-0032	107107 904949	1
485	BACB28AK12-151	.BUSHING-	OPTIONAL PART: BACB28AK12-150 PRE SERVICE BULLETIN: 57-0032	107107 904949	1
485	BACB28AK08-271	.BUSHING-	POST SERVICE BULLETIN: 57-0032	904949	1
490	113N2888-11	.ROD ASSY-FLAP		107107 904949	1
495	NAS509L7C	..NUT		107107 904949	1
500	NAS509-7C	..NUT-	OPTIONAL PART: NAS1423-7	107107 904949	1
500	NAS1423-7	..NUT-	OPTIONAL PART: NAS509-7C	107107 904949	1
505	NAS1193K6CP	..LOCKING DEVICE		107107 904949	2

MISSING ITEM NUMBERS NOT APPLICABLE

- ITEM NOT ILLUSTRATED

27-51-02-10

27-51-02  
FIG. 10  
PAGE 14  
JAN 20/09

BRI

BOEING PROPRIETARY - Copyright © - Unpublished Work - See title page for details.



757

PARTS CATALOG (MAINTENANCE)

FIG ITEM	PART NUMBER	1 2 3 4 5 6 7	NOMENCLATURE	EFFECT FROM TO	UNITS PER ASSY
10					
510	NAS1193K6-1P	...	WASHER	107107 904949	1
515	NAS1193K6-2P	...	WASHER	107107 904949	1
520	113N2890-5	..	CLEVIS ASSY-END	107107 904949	1
525	MKL6EPDL	..	BEARING-ROD END SUPPLIER CODE: V73134 SPECIFICATION NUMBER: BCREF106925 OPTIONAL PART: ARH6E115KLM VS0352 ARBL6E190W9 V15860 KBEL6-225W V97613	107107 904949	1
530	113N2888-15	..	ROD- OPTIONAL PART: 113N2888-19	107107 904949	1
530	113N2888-19	..	ROD- OPTIONAL PART: 113N2888-15	107107 904949	1
535	113N2895-2	.	BELLCRANK ASSY- QUALIFIED I/W DATA: 113N2895-8 OR 113N2895-14 MAY REPLACE 113N2895-2 UPON INCORPORATION OF S/B 757-57-0032 OPTIONAL PART: 113N2882-6 PRE SERVICE BULLETIN: 57-0032	904949	1
535	113N2895-14	.	BELLCRANK ASSY- QUALIFIED I/W DATA: 113N2895-8 OR 113N2895-14 MAY REPLACE 113N2895-2 UPON INCORPORATION OF S/B 757-57-0032 POST SERVICE BULLETIN: 57-0032	107107 904949	1
535	113N2882-6	.	BELLCRANK ASSY- OPTIONAL PART: 113N2895-2 PRE SERVICE BULLETIN: 57-0032	904949	1

MISSING ITEM NUMBERS NOT APPLICABLE

- ITEM NOT ILLUSTRATED

27-51-02-10

27-51-02  
FIG. 10  
PAGE 15  
JAN 20/09

BRI



757

PARTS CATALOG (MAINTENANCE)

FIG ITEM	PART NUMBER	1 2 3 4 5 6 7	NOMENCLATURE	EFFECT FROM TO	UNITS PER ASSY
10					
540	MS15001-1	..	FITTING	107107 904949	1
545	BACB28AM09B027A	..	BUSHING- USED ON: 113N2882-6 113N2895-2	904949	1
545	BACB28AT09B018C	..	BUSHING- USED ON: 113N2895-14	107107 904949	1
550	BACB28AP06P027	..	BUSHING- USED ON: 113N2882-6 113N2895-2	904949	1
550	BACB28AP06P018	..	BUSHING- USED ON: 113N2895-14	107107 904949	1
555	BACB28AM17B056A	..	BUSHING- USED ON: 113N2882-6 113N2895-2	904949	2
555	BACB28AT11B065C	..	BUSHING- USED ON: 113N2895-14	107107 904949	2
560	BACB28AM10B027A	..	BUSHING- USED ON: 113N2882-6 113N2895-2	904949	1
560	BACB28AT10B028C	..	BUSHING- USED ON: 113N2895-14	107107 904949	1
565	BACB28AP07P027	..	BUSHING- USED ON: 113N2882-6 113N2895-2	904949	1
565	BACB28AP07P028	..	BUSHING- USED ON: 113N2895-14	107107 904949	1
570	113N2895-4	..	BELLCRANK- USED ON: 113N2895-2	904949	1
570	113N2895-16	..	BELLCRANK- USED ON: 113N2895-2	107107 904949	1

MISSING ITEM NUMBERS NOT APPLICABLE

- ITEM NOT ILLUSTRATED

BRI

27-51-02-10

27-51-02  
FIG. 10  
PAGE 16  
JAN 20/09



757

PARTS CATALOG (MAINTENANCE)

FIG ITEM	PART NUMBER	1 2 3 4 5 6 7	NOMENCLATURE	EFFECT FROM TO	UNITS PER ASSY
10					
570	113N2882-8	. .	BELLCRANK- USED ON: 113N2882-6 USED ON: 113N2882-6	904949	1
575	BACB30LE8-40	.BOLT		107107 904949	12
580	BACB30LJ3-19	.BOLT		107107 904949	6
585	NAS6705D31	.BOLT		107107 904949	1
590	NAS6707D24	.BOLT		107107 904949	1
595	NAS6705D28	.BOLT		107107 904949	1
597	BACS18K10-25W	.SPACER		107107 904949	12
600	BACW10BP8CD	.WASHER		107107 904949	12
605	AN960XC816L	.WASHER		107107 904949	24
610	BACW10BP3NDP	.WASHER-	OPTIONAL PART: AN960XC10LL	107107 904949	12
610	AN960XC10LL	.WASHER-	OPTIONAL PART: BACW10BP3NDP	107107 904949	12
615	MS35338-43	.WASHER		107107 904949	12
620	BACW10BP5CD	.WASHER		107107 904949	2
625	BACW10BP7CD	.WASHER		107107 904949	1
630	BACW10BP5DP	.WASHER		107107 904949	2
635	BACW10BP7DP	.WASHER		107107 904949	1
637	AN960C716L	.WASHER		107107 904949	1

MISSING ITEM NUMBERS NOT APPLICABLE

- ITEM NOT ILLUSTRATED

BRI

27-51-02-10

27-51-02  
FIG. 10  
PAGE 17  
JAN 20/09





757

PARTS CATALOG (MAINTENANCE)

FIG ITEM	PART NUMBER	1 2 3 4 5 6 7	NOMENCLATURE	EFFECT FROM TO	UNITS PER ASSY
10 640	BMN10HRCWD3-8	.NUT	SUPPLIER CODE: V97928 SPECIFICATION NUMBER: BACN10HR8CD OPTIONAL PART: H51560-8 V15653 67832CD820 V56878 102LH9031-8 V72962 BH00303CM8 V27238 BMN5024CWD38 V97928 SL7108C8 V11815 VCU0005D8 V06710 102LH90318 V72962 67832CD8 V56878 CR6030-8 VF0224	107107 904949	12
645	BRH10C3D	.NUT	SUPPLIER CODE: V52828 SPECIFICATION NUMBER: BACN10JC3CD OPTIONAL PART: T6C1032JCD V11815 NS202486-02 V80539 102LH9075-3W V72962 H51650-3BAC V15653	107107 904949	6
650	73781CD524	.NUT-	SUPPLIER CODE: V80539 OPTIONAL PART: 102E9925-5 V72962 PHCR55CD VF0224	107107 904949	2

MISSING ITEM NUMBERS NOT APPLICABLE

- ITEM NOT ILLUSTRATED

BRI

27-51-02-10

BOEING PROPRIETARY - Copyright © - Unpublished Work - See title page for details.

27-51-02  
FIG. 10  
PAGE 18  
JAN 20/09



757

PARTS CATALOG (MAINTENANCE)

FIG ITEM	PART NUMBER	1 2 3 4 5 6 7	NOMENCLATURE	EFFECT FROM TO	UNITS PER ASSY
10 650	102E9925-5	.NUT-	SUPPLIER CODE: V72962 OPTIONAL PART: 73781CD524 V80539 PHCR55CD VF0224	107107 904949	2
650	PHCR55CD	.NUT-	SUPPLIER CODE: VF0224 OPTIONAL PART: 102E9925-5 V72962 73781CD524 V80539	107107 904949	2
655	73781CD720	.NUT-	SUPPLIER CODE: V56878 OPTIONAL PART: 102E9925-7 V72962 PHCR57CD VF0224	107107 904949	1
655	102E9925-7	.NUT-	SUPPLIER CODE: V72962 OPTIONAL PART: 73781CD720 V56878 PHCR57CD VF0224	107107 904949	1
655	PHCR57CD	.NUT-	SUPPLIER CODE: VF0224 OPTIONAL PART: 102E9925-7 V72962 73781CD720 V80539	107107 904949	1
660	MS24665-153	.PIN		107107 904949	2
665	MS24665-304	.PIN		107107 904949	1
670	BACB28AK07-050	.BUSHING		107107 904949	1
675	BACB28AK08-190	.BUSHING		107107 904949	12

MISSING ITEM NUMBERS NOT APPLICABLE

- ITEM NOT ILLUSTRATED

BRI

27-51-02-10

BOEING PROPRIETARY - Copyright © - Unpublished Work - See title page for details.

27-51-02  
FIG. 10  
PAGE 19  
JAN 20/09

 **BOEING**  
757  
**PARTS CATALOG (MAINTENANCE)**

FIG ITEM	PART NUMBER	1 2 3 4 5 6 7	NOMENCLATURE	EFFECT FROM TO	UNITS PER ASSY
10					
680	113N2816-2	.	BUSHING	107107 904949	1
685	113N2816-3	.	BUSHING	107107 904949	1
690	113N2894-1	.	FAIRING ASSY-FLAP POSITION DATA: STA 88.40	107107 904949	1
695	113N2894-9	.	FAIRING ASSY-FLAP POSITION DATA: STA 150.65	107107 904949	1
700	113N2894-11	.	FAIRING ASSY-FLAP POSITION DATA: STA 212.90	107107 904949	1
705	113N2887-1	.	TRACK ASSY	107107 904949	3
710	BACB10EN07GC	..	BEARING	107107 904949	1
715	1728B	..	FITTING-LUBE SUPPLIER CODE: VOFKM1	107107 904949	1
720	113N2887-2	..	TRACK	107107 904949	1
725	113N2884-6	.	CARTRIDGE ASSY-	107107	3
725	113N2884-9	.	CARTRIDGE ASSY- OPTIONAL PART: 113N2884-6	107107	3
725	113N2884-11	.	CARTRIDGE ASSY- USED ON: 113N2002-94 113N2002-118	107107	3
725	113N2884-12	..	CARTRIDGE ASSY-	904949	3
725	113N2884-13	.	CARTRIDGE ASSY- QUALIFIED I/W DATA: 113N2884-13 T/W (1) 113N2701-1 I/W 113N2884-14	107107 904949	3
725	113N2884-14	.	CARTRIDGE ASSY- QUALIFIED I/W DATA: 113N2884-13 T/W (1) 113N2701-1 I/W 113N2884-14	107107 904949	3
728	MS24665-302	..	PIN	107107 904949	3
731	MS24665-372	..	PIN	107107 904949	1
734	MS16562-27	..	PIN	107107 904949	2
737	113N2886-1	..	BOLT ASSY-SPECIAL	107107 904949	1

MISSING ITEM NUMBERS NOT APPLICABLE

— ITEM NOT ILLUSTRATED

BRI

**27-51-02-10**

27-51-02  
FIG. 10  
PAGE 20  
JAN 20/09



757

PARTS CATALOG (MAINTENANCE)

FIG ITEM	PART NUMBER	1 2 3 4 5 6 7	NOMENCLATURE	EFFECT FROM TO	UNITS PER ASSY
10					
740	BACW10BN7SP	..	WASHER	107107 904949	2
743	BACW10BN10SP	..	WASHER	107107 904949	1
746	BACW10BN10SC	..	WASHER	107107 904949	1
749	BACW10BN8SP	..	WASHER	107107 904949	1
750	113N2884-8	..	WASHER	107107 904949	2
752	BACN10JD107CD	..	NUT	107107 904949	2
755	BACN10JD110CD	..	NUT	107107 904949	1
758	NAS509-10C	..	NUT	107107 904949	1
761	NAS509-7C	..	NUT	107107 904949	2
761	NAS509-7	..	NUT	107107 904949	2
764	BACN10JD108CD	..	NUT	107107 904949	1
767	NAS1193E10CP	..	LOCKING DEVICE	107107 904949	1
770	113N2884-10	..	LOCKING DEVICE	107107 904949	2
773	KRP142807VT	..	BEARING- SUPPLIER CODE: V50632	904949	2
773	CC55975	..	BEARING- SUPPLIER CODE: V60380 SPECIFICATION NUMBER: 60B00178-656 OPTIONAL PART: CR1X144 V07484	107107	2
776	KRP142907VT	..	BEARING- SUPPLIER CODE: V50632	904949	2

MISSING ITEM NUMBERS NOT APPLICABLE

- ITEM NOT ILLUSTRATED

27-51-02-10

27-51-02  
FIG. 10  
PAGE 21  
JAN 20/09

BRI

BOEING PROPRIETARY - Copyright © - Unpublished Work - See title page for details.



757

PARTS CATALOG (MAINTENANCE)

FIG ITEM	PART NUMBER	1 2 3 4 5 6 7	NOMENCLATURE	EFFECT FROM TO	UNITS PER ASSY
10 776	HRS5CTKR25	..	BEARING- SUPPLIER CODE: V07484 SPECIFICATION NUMBER: BACB10AF7K25HS OPTIONAL PART: HRS5CTKR25 V92563 HRS5CTKR25 V60380	107107	2
779	YAT10B	..	BEARING SUPPLIER CODE: V07484 SPECIFICATION NUMBER: BACB10EU10 OPTIONAL PART: 10AL2426 V92563 ATL10 V60380	107107 904949	1
781	YAT12B	..	BEARING SUPPLIER CODE: V07484 SPECIFICATION NUMBER: BACB10EU12 OPTIONAL PART: 12AL2830 V92563 ATL12 V60380	107107 904949	1
782	BACB28AM11B055A	..	BUSHING	107107 904949	4
783	BACB28U11B119	..	BUSHING	107107 904949	2
785	113N2892-1	..	BUSHING	107107 904949	2
787	113N2884-2	..	SHIM	107107 904949	2
789	113N2884-3	..	SHIM	107107 904949	2
791	113N2156-28	..	PLATE ASSY	107107	2
791	113N2156-38	..	PLATE ASSY	904949	2
793	113N2156-5	..	PLATE	107107	2
793	113N2156-37	..	PLATE	904949	2
795	113N2891-1	..	SPINDLE ASSY-ECCENTRIC	107107 904949	1
800	113N2885-1	..	PLATE ASSY-	107107	1
805	113N2885-2	..	PLATE ASSY-	107107	1

MISSING ITEM NUMBERS NOT APPLICABLE

- ITEM NOT ILLUSTRATED

27-51-02-10

27-51-02  
FIG. 10  
PAGE 22  
JAN 20/09

BRI



757

PARTS CATALOG (MAINTENANCE)

FIG ITEM	PART NUMBER	1 2 3 4 5 6 7	NOMENCLATURE	EFFECT FROM TO	UNITS PER ASSY
10 810	113N2800-62		. FLAP ASSY- POSITION DATA: RH SIDE COMPONENT MAINT MANUAL REF: 57-53-45 QUALIFIED I/W DATA: -62 TOGETHER WITH 654N0010-178 KIT MAY REPLACE -104SP OR -96SP AFTER INCORPORATION OF S/B 757-57-0032 (SEE DWG 113N2053) -62 TOGETHER WITH 654N0010-178 KIT MAY REPLACE -88SP (SEE DWG 113N2053) -2 OR A -44 OR A -56 TOGETHER WITH A 113N2803-32 CAN REPLACE OR BE REPLACED BY THE -62 -64 OR -66 INTERCHANGEABLE WITH -62 SUBJECT TO COLOR PREFERENCE USED ON: 113N2002-40 113N2002-50 113N2002-52 113N2002-58 113N2002-66 USED ON: 113N2002-18 REWORKED BY SB: 57-0032 FUNCTIONAL REFERENCE: FLIGHT CONTROL FOR DETAILS SEE 27-51-12-01 WINGS FOR DETAILS SEE 57-53-01-01	107107	1

MISSING ITEM NUMBERS NOT APPLICABLE

- ITEM NOT ILLUSTRATED

BRI

27-51-02-10

BOEING PROPRIETARY - Copyright © - Unpublished Work - See title page for details.

27-51-02  
FIG. 10  
PAGE 23  
JAN 20/09



757

PARTS CATALOG (MAINTENANCE)

FIG ITEM	PART NUMBER	1 2 3 4 5 6 7	NOMENCLATURE	EFFECT FROM TO	UNITS PER ASSY
10 810	113N2800-74		. FLAP ASSY- COMPONENT MAINT MANUAL REF: 57-53-45 QUALIFIED I/W DATA: -74 TOGETHER WITH KIT 654N0010-178 MAY REPLACE -96SP OR -104SP UPON INCORPORATION OF SERVICE BULLETIN 757-57-0032 (SEE DWG 113N2053). -74 TOGETHER WITH 654N0010-178 KIT MAY REPLACE -88SP (SEE DWG 113N2053). A -2 OR A -44 OR A -56 TOGETHER WITH A 113N2803-32 CAN REPLACE OR BE REPLACED BY THE -74 -86 INTERCHANGEABLE WITH -74 SUBJECT TO COLOR PREFERENCE USED ON: 113N2002-78 113N2002-92 REWORKED BY SB: 57-0032 FUNCTIONAL REFERENCE: 27-51-12-01 57-53-01-01	107107	1

MISSING ITEM NUMBERS NOT APPLICABLE

- ITEM NOT ILLUSTRATED

BRI

27-51-02-10

BOEING PROPRIETARY - Copyright © - Unpublished Work - See title page for details.

27-51-02  
FIG. 10  
PAGE 24  
JAN 20/09



757

PARTS CATALOG (MAINTENANCE)

FIG ITEM	PART NUMBER	1 2 3 4 5 6 7 NOMENCLATURE	EFFECT FROM TO	UNITS PER ASSY
10 810	113N2800-76	. FLAP ASSY- COMPONENT MAINT MANUAL REF: 57-53-45 QUALIFIED I/W DATA: -76 TOGETHER WITH KIT 654N0010-178 MAY REPLACE -96SP OR -104SP UPON INCORPORATION OF SERVICE BULLETIN 757-57-0032 (SEE DWG 113N2053). -76 TOGETHER WITH 654N0010-178 KIT MAY REPLACE -88SP (SEE DRAWING 113N2053). A -44 OR A -56 TOGETHER WITH A 113N2803-32 CAN REPLACE OR BE REPLACED BY THE -76 -78 OR -80 INTERCHANGEABLE WITH -76 SUBJECT TO COLOR PREFERENCE USED ON: 113N2002-86 113N2002-88 113N2002-94 113N2002-102 113N2002-118 REWORKED BY SB: 57-0032 FUNCTIONAL REFERENCE: FLIGHT CONTROL FOR DETAILS SEE 27-51-12-01 WINGS FOR DETAILS SEE 57-53-01-01	107107	1

MISSING ITEM NUMBERS NOT APPLICABLE

- ITEM NOT ILLUSTRATED

BRI

**27-51-02-10**

BOEING PROPRIETARY - Copyright © - Unpublished Work - See title page for details.

27-51-02  
 FIG. 10  
 PAGE 25  
 JAN 20/09



**PARTS CATALOG (MAINTENANCE)**

FIG ITEM	PART NUMBER	1 2 3 4 5 6 7	NOMENCLATURE	EFFECT FROM TO	UNITS PER ASSY
10 810	113N2800-88SP		.FLAP ASSY- COMPONENT MAINT MANUAL REF: 57-53-45 QUALIFIED I/W DATA: -94SP OR -76 OR -74 OR -62 T/W 654N0010-178 KIT MAY REPLACE -88SP (SEE DWG 113N2053). -104SP OR -96SP MAY REPLACE -88SP UPON INCORPORATION OF S/B 757-57-0032 (SEE DWG 113N2053). -56 OR -44 OR -2 T/W 654N0010-178 PLUS 113N2803-31 MAY REPLACE -88SP (SEE DWG 113N2053). 113N2800-96SP CAN REPLACE OR BE REPLACED BY 113N2800-88SP IF S/B 757-57-0032 HAS BEEN INCORPORATED. PRE SERVICE BULLETIN: 57-0032R1 FUNCTIONAL REFERENCE: 27-51-12-01 57-53-01-01	904949	1

R  
R  
R  
R  
R  
R  
R  
R  
R  
R  
R  
R  
R  
R  
R  
R  
R  
R  
R  
R  
R  
R  
R

MISSING ITEM NUMBERS NOT APPLICABLE

- ITEM NOT ILLUSTRATED

**27-51-02-10**

BRI

BOEING PROPRIETARY - Copyright © - Unpublished Work - See title page for details.

27-51-02  
FIG. 10  
PAGE 26  
MAY 20/09



757

PARTS CATALOG (MAINTENANCE)

FIG ITEM	PART NUMBER	1 2 3 4 5 6 7	NOMENCLATURE	EFFECT FROM TO	UNITS PER ASSY
10 810	113N2800-94SP		.FLAP ASSY- COMPONENT MAINT MANUAL REF: 57-53-45 QUALIFIED I/W DATA: -94SP T/W 654N0010-178 ATTACHING HARDWARE KIT MAY REPLACE -88SP (SEE DWG 113N2053) -104SP OR -96SP MAY REPLACE -94SP OR -76 OR -74 UPON INCORPORATION OF SERVICE BULLETIN 757-57-0032 (SEE DWG 113N2053) -56 OR -44 OR -2 TOGETHER WITH 113N2803-31 MAY REPLACE -94SP (SEE DWG 113N2053) USED ON: 113N2002-116SP REWORKED BY SB: 57-0032 FUNCTIONAL REFERENCE: FLIGHT CONTROL FOR DETAILS SEE 27-51-12-01 WINGS FOR DETAILS SEE 57-53-01-01	107107	1
810	113N2800-96SP		.FLAP ASSY- COMPONENT MAINT MANUAL REF: 57-53-45 QUALIFIED I/W DATA: -104SP OR -96SP MAY REPLACE -88SP UPON INCORPORATION OF S/B 757-57-0032 (SEE DWG 113N2053). -62 TOGETHER WITH 654N0010-178 KIT MAY REPLACE -104SP OR -96SP AFTER INCORPORATION OF S/B 757-57-0032 (SEE DWG 113N2053). 113N2820-1SP MAY REPLACE 113N2800-103SP OR -95SP PENDING CUSTOMER ACCEPTANCE OF WEIGHT	904949	1

R  
R  
R  
R  
R  
R  
R  
R  
R  
R  
R  
R  
R  
R  
R  
R  
R  
R  
R  
R  
R  
R

MISSING ITEM NUMBERS NOT APPLICABLE

- ITEM NOT ILLUSTRATED

27-51-02-10

27-51-02  
FIG. 10  
PAGE 27  
MAY 20/09

BRI





757

PARTS CATALOG (MAINTENANCE)

FIG ITEM	PART NUMBER	1 2 3 4 5 6 7 NOMENCLATURE	EFFECT FROM TO	UNITS PER ASSY
R R R R R R R R R R R R	10	<p>113N2800-96SP CAN  REPLACE OR BE REPLACED  BY 113N2800-88SP IF  S/B 757-57-0032  HAS BEEN INCORPORATED.  POST SERVICE BULLETIN:  57-0032R1  FUNCTIONAL REFERENCE:  FLIGHT CONTROL  FOR DETAILS SEE  27-51-12-01  WINGS  FOR DETAILS SEE  57-53-01-01</p>		

MISSING ITEM NUMBERS NOT APPLICABLE

- ITEM NOT ILLUSTRATED

27-51-02-10

27-51-02  
FIG. 10  
PAGE 29  
MAY 20/09

BRI



757

PARTS CATALOG (MAINTENANCE)

FIG ITEM	PART NUMBER	1 2 3 4 5 6 7 NOMENCLATURE	EFFECT FROM TO	UNITS PER ASSY
10 810	113N2800-104SP	. FLAP ASSY- COMPONENT MAINT MANUAL REF: 57-53-45 QUALIFIED I/W DATA: 113N2820-2SP TOGETHER WITH 113N2894-1 AND 113N2894-17 AND 113N2894-18 MAY REPLACE 113N2800-104SP TOGETHER WITH 113N2894-1 AND 113N2894-11 AND 113N2894-9 -104SP OR -96SP MAY REPLACE -88SP UPON INCORPORATION OF S/B 757-57-0032 (MAIN FLAP MUST BE REWORKED). -104SP OR -96SP MAY REPLACE -94SP OR -76 -74 OR -62 UPON INCORPORATION OF SERVICE BULLETIN 757-57-0032 (MAIN FLAP MUST BE REWORKED). -104SP OR -96SP MAY REPLACE -56 OR -44 OR -2 UPON INCORPORATION OF S/B 757-57-0032 (MAIN FLAP MUST BE REWORKED). 113N2820-24SP TOGETHER WITH 113N2894-2 AND 113N2894-17 AND 113N2894-18 MAY REPLACE 113N2800-104SP TOGETHER WITH 113N2894-2 AND 113N2894-12 AND 113N2894-10 FUNCTIONAL REFERENCE: FLIGHT CONTROL FOR DETAILS SEE 27-51-12-01 WINGS FOR DETAILS SEE 57-53-01-01	904949	1

MISSING ITEM NUMBERS NOT APPLICABLE

- ITEM NOT ILLUSTRATED

**27-51-02-10**

27-51-02  
FIG. 10  
PAGE 30  
JAN 20/09

BRI



757

PARTS CATALOG (MAINTENANCE)

FIG ITEM	PART NUMBER	1 2 3 4 5 6 7 NOMENCLATURE	EFFECT FROM TO	UNITS PER ASSY
10 820	113N2003-26	. FLAP ASSY-MAIN COMPONENT MAINT MANUAL REF: 57-53-44 QUALIFIED I/W DATA: -26 I/W -52SP OR -50SP OR -48SP OR -46SP UPON INCORPORATION OF S/B 757-57-0026 AND S/B 757-57-0032 (SEE DWG 113N2053) -26 I/W -44 OR -42SP OR -36 UPON INCORPORATION OF S/B 757-57-0026 (SEE 113N2053) -26 I/W -16 OR -14 OR -6 UPON INCORPORATION OF OF S/B 757-57-0023 (SEE 113N2053) -26 MAY REPLACE -2 UPON INCORPORATION OF S/B 757-53-0026 (SEE DWG 113N2053) USED ON: 113N2002-50 FOR DETAILS SEE: 27-51-02-10D	107107	1

MISSING ITEM NUMBERS NOT APPLICABLE

- ITEM NOT ILLUSTRATED

BRI

27-51-02-10

BOEING PROPRIETARY - Copyright © - Unpublished Work - See title page for details.

27-51-02  
FIG. 10  
PAGE 31  
JAN 20/09



757

PARTS CATALOG (MAINTENANCE)

FIG ITEM	PART NUMBER	1 2 3 4 5 6 7 NOMENCLATURE	EFFECT FROM TO	UNITS PER ASSY
10 820	113N2003-30	. FLAP ASSY-MAIN COMPONENT MAINT MANUAL REF: 57-53-44 QUALIFIED I/W DATA: -30 I/W -52SP OR -50SP OR -48SP OR -46SP UPON INCORPORATION OF S/B 757-57-0032 AND S/B 757-57-0026 (SEE DWG 113N2053) -30 I/W -44 OR -42SP OR -36 UPON INCORPORATION OF S/B 757-57-0026 (SEE DWG 113N2053) -30 I/W -16 OR -14 OR -6 UPON INCORPORATION OF S/B 757-53-0023 (SEE DWG 113N2053) -30 MAY REPLACE -2 UPON INCORPORATION OF S/B 757-53-0023 (SEE DWG 113N2053) 113N2003-64SP CAN REPLACE 113N2003-30 UPON INCORPORATION OF S/B 757-57-0026 AND S/B 757-57-0032 (SEE DWG 113N2053) 113N2003-56SP INTERCHANGEABLE WITH -30 UPON INCORPORATION OF S/B 757-57-0032 AND S/B 757-57-0026 (SEE DWG 113N2053) USED ON: 113N2002-58 113N2002-66 113N2002-78 113N2002-88 113N2002-92 FOR DETAILS SEE: 27-51-02-10D	107107	1

MISSING ITEM NUMBERS NOT APPLICABLE

- ITEM NOT ILLUSTRATED

BRI

**27-51-02-10**

BOEING PROPRIETARY - Copyright © - Unpublished Work - See title page for details.

27-51-02  
 FIG. 10  
 PAGE 32  
 JAN 20/09



757

PARTS CATALOG (MAINTENANCE)

FIG ITEM	PART NUMBER	1 2 3 4 5 6 7	NOMENCLATURE	EFFECT FROM TO	UNITS PER ASSY
10 820	113N2003-36		. FLAP ASSY-MAIN COMPONENT MAINT MANUAL REF: 57-53-44 QUALIFIED I/W DATA: -36 I/W -52SP OR -50SP OR -48SP OR -46SP UPON INCORPORATION OF S/B 757-57-0032 (SEE DWG 113N2053) -36 I/W -30 OR -26 UPON INCORPORATION OF S/B 757-57-0026 (SEE DWG 113N2053) -36 I/W -16 OR -14 OR -6 UPON INCORPORATION OF S/B 757-53-0023 AND S/B 757-57-0026 (SEE DWG 113N2053) -36 MAY REPLACE -2 UPON INCORPORATION OF S/B 757-53-0023 AND S/B 757-57-0026 (SEE DWG 113N2053) 113N2003-64SP CAN REPLACE 113N2003-44SP OR 113N2003-42SP OR 113N2003-36 UPON INCORPORATION OF S/B 757-57-0032 (SEE DWG 113N2003) USED ON: 113N2002-86 113N2002-94 PRE SERVICE BULLETIN: 57-0032R1 FOR DETAILS SEE: 27-51-02-10D	904949	1

MISSING ITEM NUMBERS NOT APPLICABLE

- ITEM NOT ILLUSTRATED

BRI

27-51-02-10

BOEING PROPRIETARY - Copyright © - Unpublished Work - See title page for details.

27-51-02  
FIG. 10  
PAGE 33  
JAN 20/09







757

PARTS CATALOG (MAINTENANCE)

FIG ITEM	PART NUMBER	1 2 3 4 5 6 7	NOMENCLATURE	EFFECT FROM TO	UNITS PER ASSY
10 821	113N2003-48SP		. FLAP ASSY- QUALIFIED I/W DATA: -48SP I/W -42SP OR -44 OR -36 UPON INCORPORATION OF S/B 757-57-0032 (SEE DWG 113N2053) -48SP I/W -30 OR -26 UPON INCORPORATION OF S/B 757-57-0026 AND S/B 757-57-0032 (SEE DWG 113N2053) -48SP I/W -16 OR -14 OR -6 UPON INCORPORATION OF S/B 757-53-0023 AND S/B 757-57-0026 AND S/B 757-57-0032 (SEE DWG 113N2053). -48SP MAY REPLACE -2 UPON INCORPORATION OF S/B 757-53-0023 AND S/B 757-57-0026 AND S/B 757-57-0032 (SEE DWG 113N2053). FOR DETAILS SEE: 27-51-02-10D	904949	1

MISSING ITEM NUMBERS NOT APPLICABLE

- ITEM NOT ILLUSTRATED

BRI

27-51-02-10

BOEING PROPRIETARY - Copyright © - Unpublished Work - See title page for details.

27-51-02  
FIG. 10  
PAGE 35  
JAN 20/09



757

PARTS CATALOG (MAINTENANCE)

FIG ITEM	PART NUMBER	1 2 3 4 5 6 7	NOMENCLATURE	EFFECT FROM TO	UNITS PER ASSY
10 821	113N2003-50SP		. FLAP ASSY- QUALIFIED I/W DATA: -50SP I/W -42SP OR -44 OR -36 UPON INCORPORATION OF S/B 757-57-0032 -50SP I/W -30 OR -26 UPON INCORPORATION OF S/B 757-57-0026 AND S/B 757-57-0032 (SEE DWG 113N2053) -50SP I/W -16 OR -14 OR -6 UPON INCORPORATION OF S/B 757-53-0023 AND S/B 757-57-0026 AND S/B 757-57-0032 (SEE DWG 113N2053) -50SP MAY REPLACE -2 UPON INCORPORATION OF S/B 757-53-0023 AND S/B 757-57-0026 AND S/B 757-57-0032 (SEE DWG 113N2053) FOR DETAILS SEE: 27-51-02-10D	904949	1

MISSING ITEM NUMBERS NOT APPLICABLE

- ITEM NOT ILLUSTRATED

BRI

27-51-02-10

BOEING PROPRIETARY - Copyright © - Unpublished Work - See title page for details.

27-51-02  
FIG. 10  
PAGE 36  
JAN 20/09



757

PARTS CATALOG (MAINTENANCE)

FIG ITEM	PART NUMBER	1 2 3 4 5 6 7 NOMENCLATURE	EFFECT FROM TO	UNITS PER ASSY
10 821	113N2003-52SP	.FLAP ASSY- QUALIFIED I/W DATA: -52SP OR -50SP OR -48SP -52SP OR -50SP OR -48SP OR -46SP MAY BE REPLACED BY -44 OR -42SP OR -36 AFTER INCORPORATION OF S/B 757-57-0032 (SEE DWG 113N2053) -52SP OR -50SP OR -48SP OR -46SP MAY BE REPLACED BY -30 OR -26 AFTER INCORPORATION OF S/B 757-57-0026 AND S/B 757-57-0032 (SEE DWG 113N2053) -52SP OR -50SP OR -48SP OR -46SP MAY BE REPLACED BY -16 OR -14 OR -6 AFTER INCORPORATION OF SERVICE BULLETINS 757-53-0023, 757-57-0026, 757-57-0032 SEE DWG 113N2053. 113N2003-52SP CAN REPLACE -2 UPON INCORPORATION OF S/B 757-53-0023 AND S/B 757-57-0026 AND S/B 757-57-0032 (SEE DWG 113N2053) FOR DETAILS SEE: 27-51-02-10D	904949	1

MISSING ITEM NUMBERS NOT APPLICABLE

- ITEM NOT ILLUSTRATED

BRI

**27-51-02-10**

BOEING PROPRIETARY - Copyright © - Unpublished Work - See title page for details.

27-51-02  
FIG. 10  
PAGE 37  
JAN 20/09



757

PARTS CATALOG (MAINTENANCE)

FIG ITEM	PART NUMBER	1 2 3 4 5 6 7	NOMENCLATURE	EFFECT FROM TO	UNITS PER ASSY
10 821	113N2003-56SP		.FLAP ASSY- QUALIFIED I/W DATA: -56SP I/W -42SP OR -44SP OR -36 UPON INCORPORATION OF S/B 757-57-0032 (SEE DWG 113N2053). -56SP I/W -30 OR -26 UPON INCORPORATION OF S/B 757-57-0026 AND S/B 757-57-0032 (SEE DWG 113N2053) -56SP I/W -16 OR -14 OR -6 UPON INCORPORATION OF S/B 757-53-0023 AND S/B 757-57-0026 AND S/B 757-57-0032 (SEE DWG 113N2053) -56SP MAY REPLACE -2 UPON INCORPORATION OF S/B 757-53-0023 AND S/B 757-57-0026 AND S/B 757-57-0032 (SEE DWG 113N2053) 113N2003-56SP INTERCHANGEABLE WITH -30 UPON INCORPORATION OF S/B 757-57-0032 AND S/B 757-57-0026 (SEE DWG 113N2053) FOR DETAILS SEE: 27-51-02-10D	904949	1

MISSING ITEM NUMBERS NOT APPLICABLE

- ITEM NOT ILLUSTRATED

BRI

27-51-02-10

BOEING PROPRIETARY - Copyright © - Unpublished Work - See title page for details.

27-51-02  
FIG. 10  
PAGE 38  
JAN 20/09



757

PARTS CATALOG (MAINTENANCE)

FIG ITEM	PART NUMBER	1 2 3 4 5 6 7	NOMENCLATURE	EFFECT FROM TO	UNITS PER ASSY
10 821	113N2003-64SP		. FLAP ASSY- QUALIFIED I/W DATA: 113N2003-64SP CAN REPLACE 113N2003-44SP OR 113N2003-42SP OR 113N2003-36 UPON INCORPORATION OF 757-57-0032 (SEE DWG 113N2053) 113N2003-64SP CAN REPLACE 113N2003-30 OR 113N2003-26 UPON INCORPORATION OF S/B 757-57-0026 AND S/B 757-57-0032 (SEE DWG 113N2053) 113N2003-64SP CAN REPLACE 113N2003-16 OR 113N2003-14 OR 113N2003-6 UPON INCORPORATION OF S/B 757-53-0023 AND S/B 757-57-0026 AND S/B 757-57-0032 (SEE DWG 113N2053) 113N2003-64SP CAN REPLACE 113N2003-2 UPON INCORPORATION OF S/B 757-53-0023 AND S/B 757-57-0026 AND S/B AND S/B 757-57-0032 FOR DETAILS SEE: 27-51-02-10D	904949	1
R R R R R R R R R R R R R R R	825	113N2003-42SP	. FLAP ASSY-MAIN COMPONENT MAINT MANUAL REF: 57-53-44 QUALIFIED I/W DATA: -42SP I/W -44 OR -40 SUBJECT TO COLOR PREFERENCE -42SP T/W 012N8528-20 KIT MAY REPLACE -32 SUBJECT TO COLOR PREFERENCE -42SP I/W -52SP OR -50SP OR -48SP OR -46SP UPON INCORPORATION OF S/B 757-57-0032 (SEE DWG 113N2053)	904949	1

MISSING ITEM NUMBERS NOT APPLICABLE

- ITEM NOT ILLUSTRATED

**27-51-02-10**

27-51-02  
FIG. 10  
PAGE 39  
MAY 20/09

BRI


**BOEING**  
 757  
**PARTS CATALOG (MAINTENANCE)**

FIG ITEM	PART NUMBER	1 2 3 4 5 6 7	NOMENCLATURE	EFFECT FROM TO	UNITS PER ASSY
10			-42SP I/W -30 OR -26 UPON INCORPORATION OF S/B 757-57-0026 (SEE DWG 113N2053) -42SP I/W -16 OR -14 OR -6 UPON INCORPORATION OF S/B 757-53-0023 AND S/B 757-57-0026 (SEE DWG 113N2053) -42SP MAY REPLACE -2 UPON INCORPORATION OF S/B 757-53-0023 AND S/B 757-57-0026 (SEE DWG 113N2053) 113N2003-64SP CAN REPLACE 113N2003-44SP OR 113N2003-42SP OR 113N2003-36 UPON INCORPORATION OF S/B 757-57-0032 (SEE DWG 113N2053) 113N2003-46SP CAN REPLACE OR BE REPLACED BY 113N2003-42SP IF SERVICE BULLETIN 757-57-0032 HAS BEEN INCORPORATED. USED ON: 113N2002-108SP 113N2002-116SP PRE SERVICE BULLETIN: 57-0032R1 FOR DETAILS SEE: 27-51-02-10D		

MISSING ITEM NUMBERS NOT APPLICABLE

- ITEM NOT ILLUSTRATED

# 27-51-02-10

27-51-02  
 FIG. 10  
 PAGE 40  
 MAY 20/09

BRI

BOEING PROPRIETARY - Copyright © - Unpublished Work - See title page for details.

 **BOEING**  
757  
**PARTS CATALOG (MAINTENANCE)**

FIG ITEM	PART NUMBER	1 2 3 4 5 6 7	NOMENCLATURE	EFFECT FROM TO	UNITS PER ASSY
10 825	113N2003-44SP		. FLAP ASSY-MAIN COMPONENT MAINT MANUAL REF: 57-53-44 QUALIFIED I/W DATA: -44 I/W -52SP OR -50SP OR -48SP OR -46SP UPON INCORPORATION OF S/B 757-57-0032 (SEE DWG 113N2053) -44 I/W -30 OR -26 UPON INCORPORATION OF S/B 757-57-0026 (SEE DWG 113N2053) -44 I/W -16 OR -14 OR -6 UPON INCORPORATION OF S/B 757-53-0023 AND S/B 757-57-0026 (SEE DWG 113N2053) -44 MAY REPLACE -2 UPON INCORPORATION OF S/B 757-53-0023 AND S/B 757-57-0026 (SEE DWG 113N2053) 113N2003-64SP CAN REPLACE 113N2003-44SP OR 113N2003-42SP OR 113N2003-36 UPON INCORPORATION OF S/B 757-57-0032 (SEE DWG 113N2053) USED ON: 113N2002-102 113N2002-118 PRE SERVICE BULLETIN: 57-0032R1 FOR DETAILS SEE: 27-51-02-10D	904949	1

MISSING ITEM NUMBERS NOT APPLICABLE

— ITEM NOT ILLUSTRATED

BRI

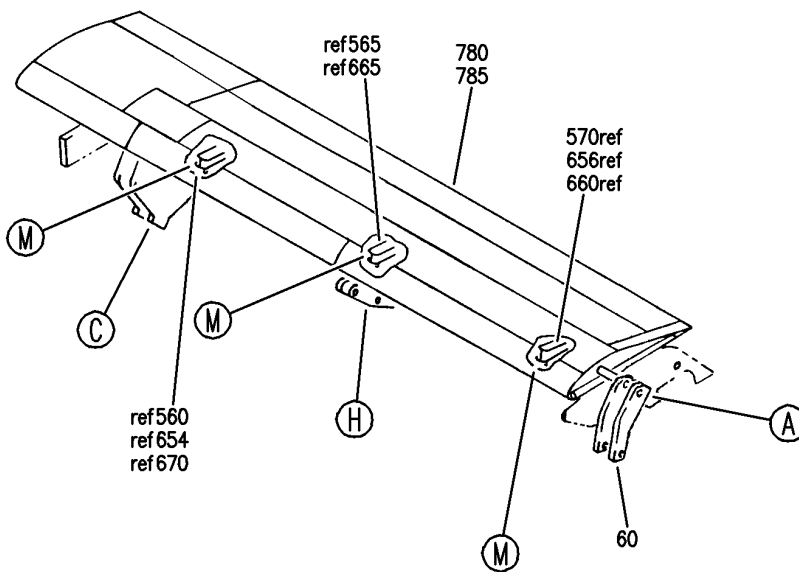
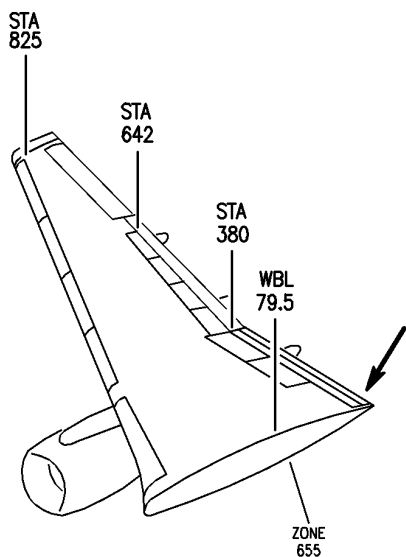
# 27-51-02-10

BOEING PROPRIETARY - Copyright © - Unpublished Work - See title page for details.

27-51-02  
FIG. 10  
PAGE 41  
JAN 20/09



**BOEING**  
757  
PARTS CATALOG (MAINTENANCE)



Y 27510210A SHT 1 REV 240

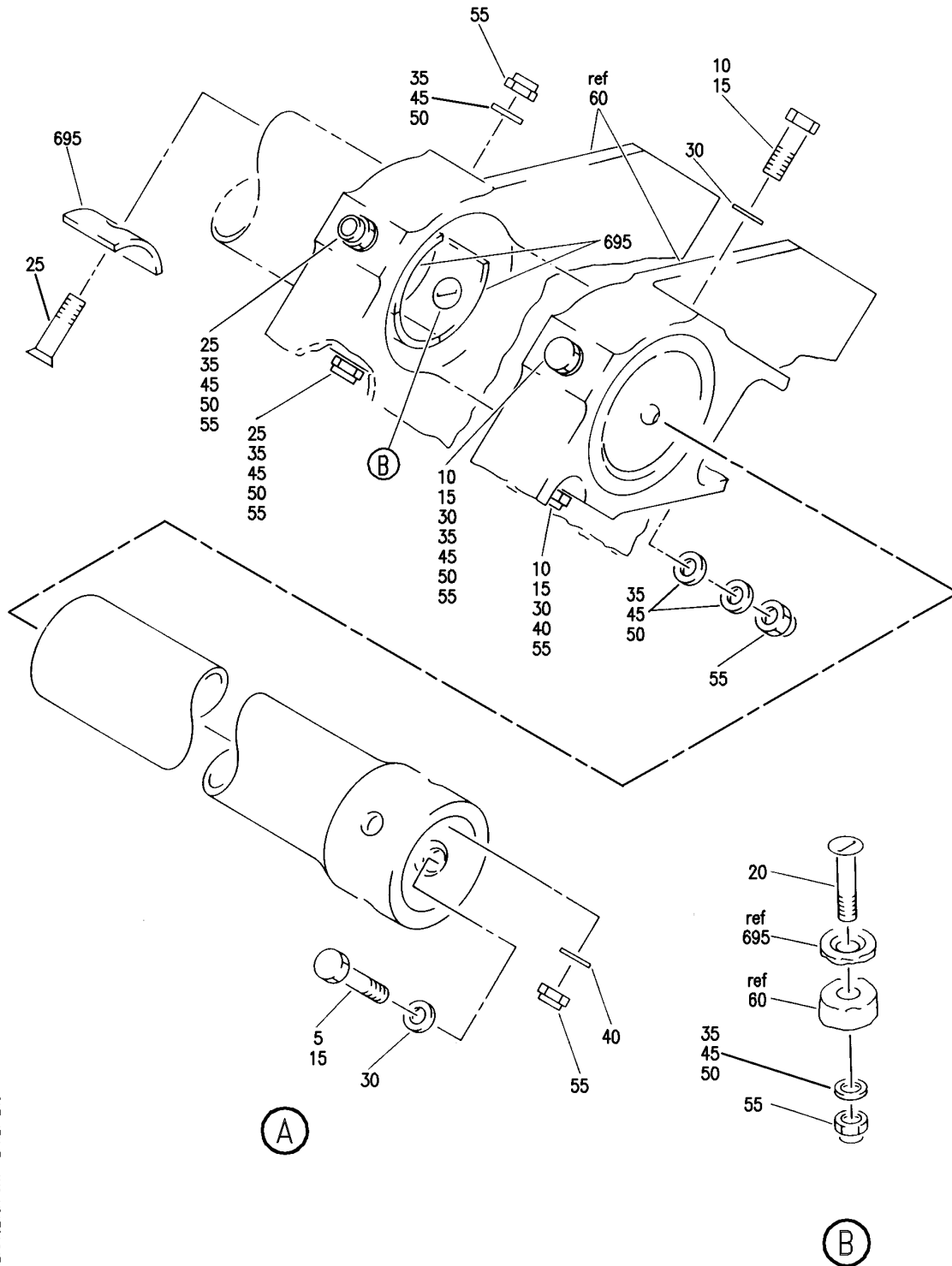
FLAP ASSY-T.E INBD  
FIGURE 10A (SHEET 1)

**27-51-02-10A**

BRI  
MAY 28/07

27-51-02-10A  
PAGE 0

**BOEING**  
757  
PARTS CATALOG (MAINTENANCE)



Y 27510210A SHT 2 REV 240

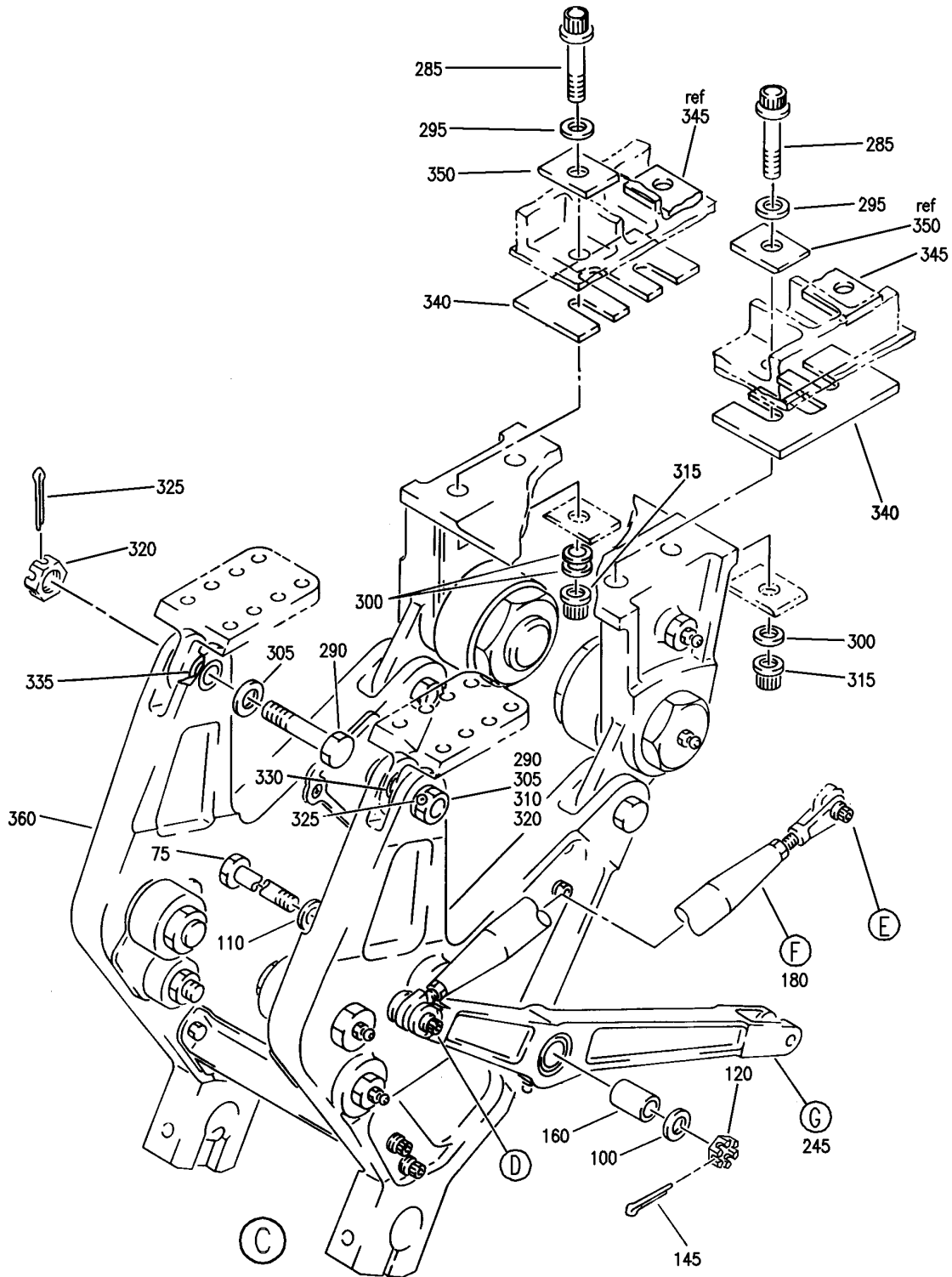
FLAP ASSY-T.E INBD  
FIGURE 10A (SHEET 2)

**27-51-02-10A**

BRI  
MAY 28/07

27-51-02-10A  
PAGE 0A

**BOEING**  
757  
PARTS CATALOG (MAINTENANCE)



Y 27510210A SHT 3 REV 240

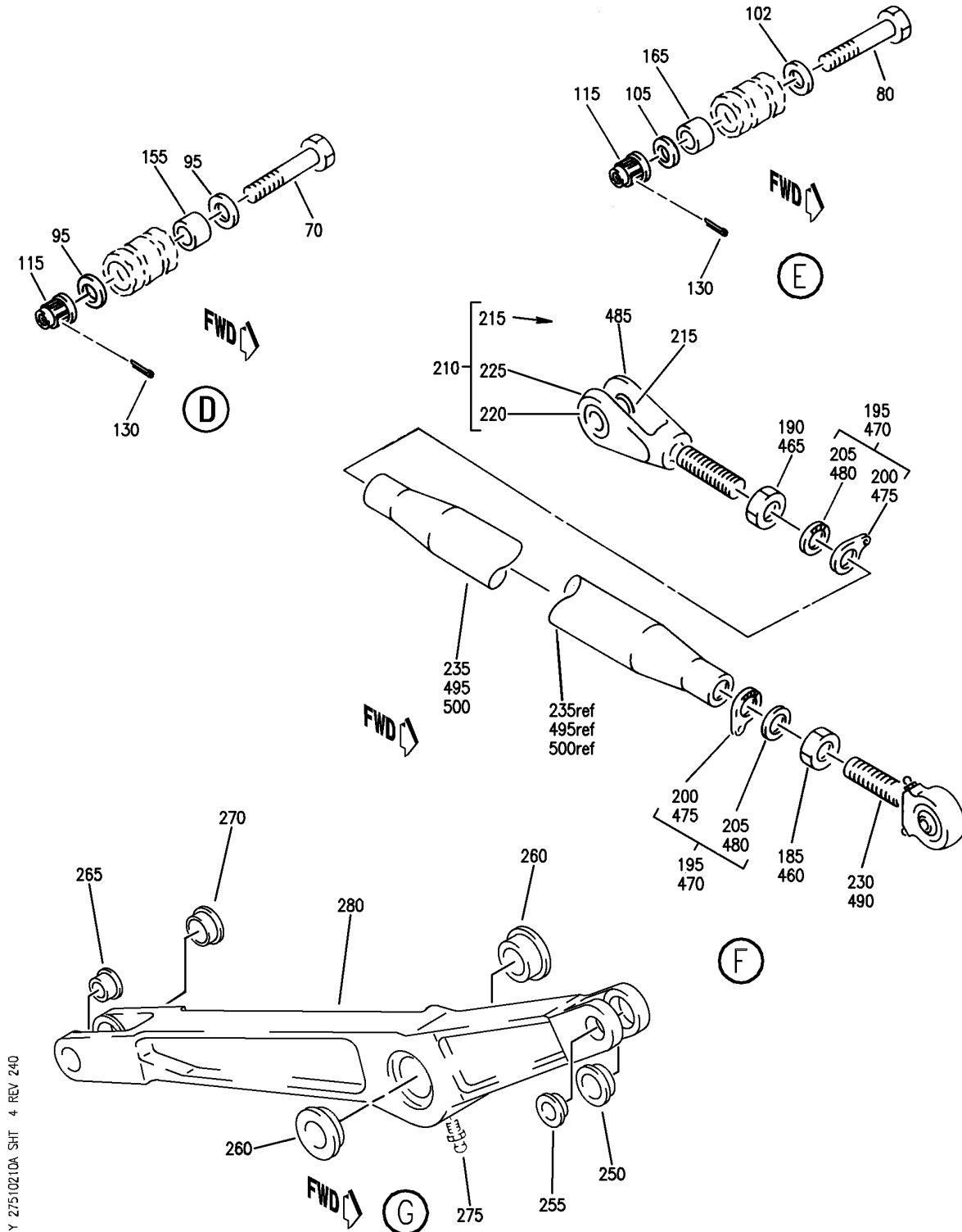
FLAP ASSY-T.E INBD  
FIGURE 10A (SHEET 3)

**27-51-02-10A**

BRI  
MAY 28/07

27-51-02-10A  
PAGE 0B

**BOEING**  
757  
PARTS CATALOG (MAINTENANCE)



Y 27510210A SHT 4 REV 240

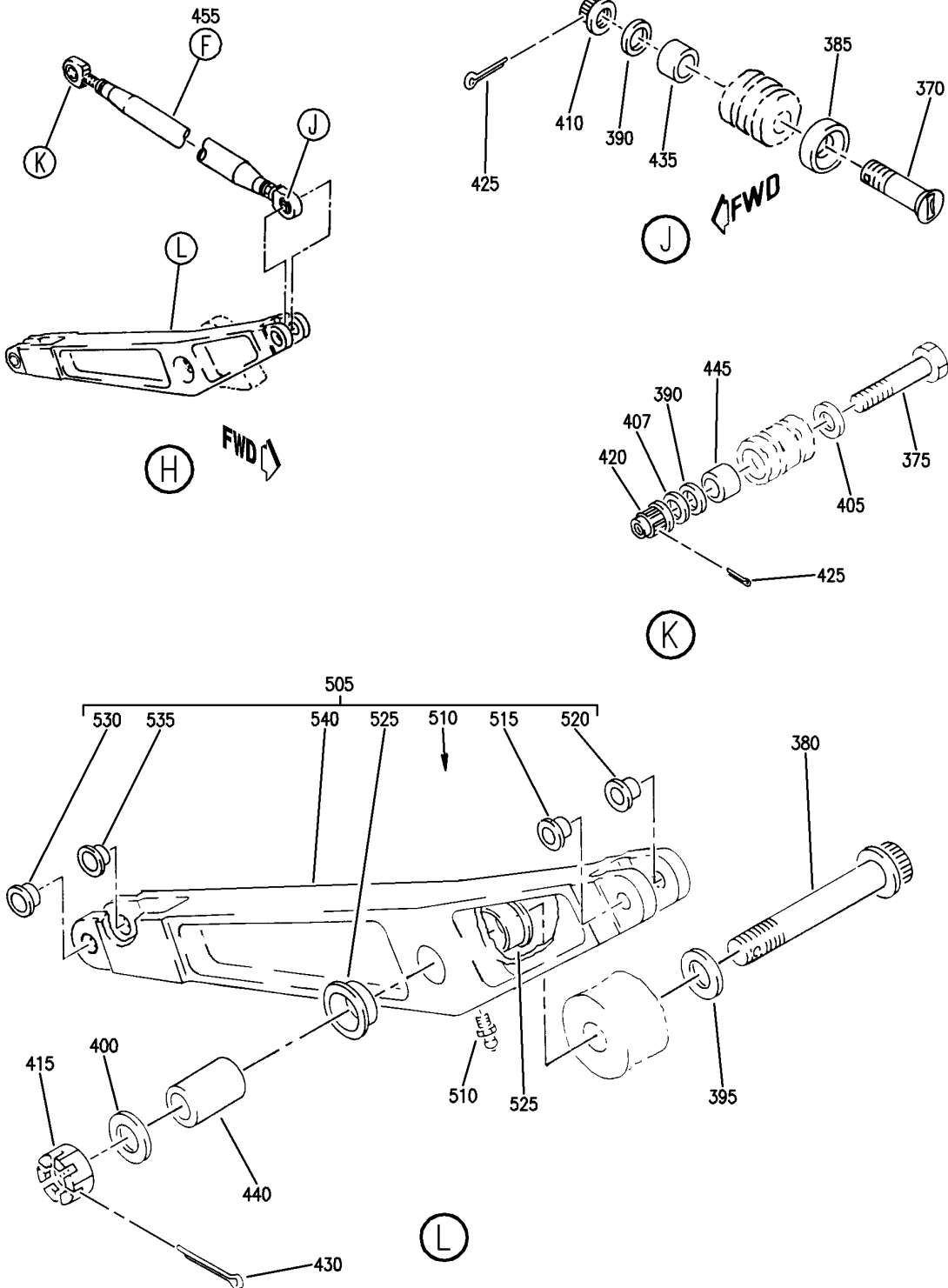
FLAP ASSY-T.E INBD  
FIGURE 10A (SHEET 4)

**27-51-02-10A**

BRI  
MAY 28/07

27-51-02-10A  
PAGE 0C

**BOEING**  
757  
PARTS CATALOG (MAINTENANCE)



Y 27510210A SHT 5 REV 240

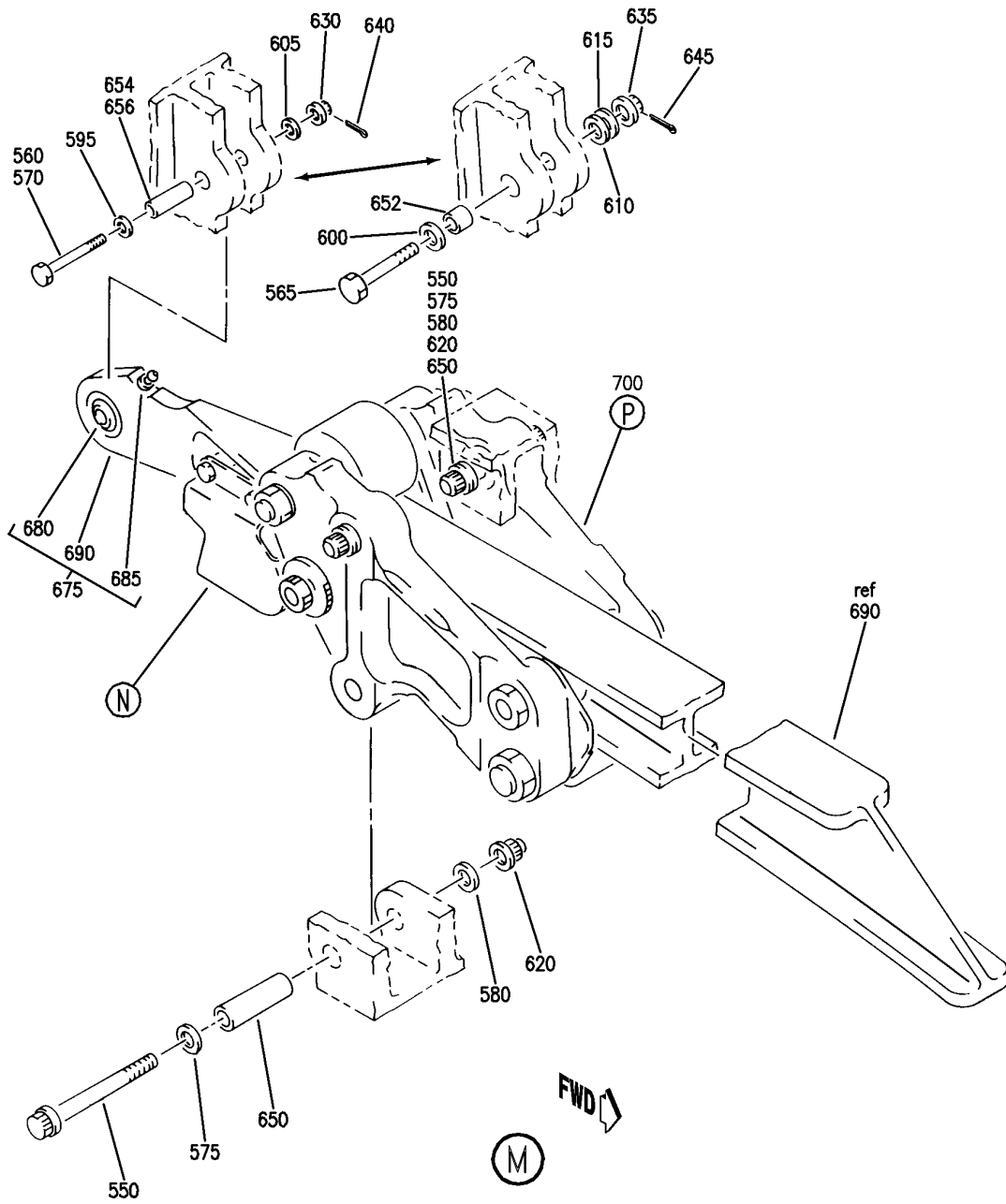
FLAP ASSY-T.E INBD  
FIGURE 10A (SHEET 5)

**27-51-02-10A**

BRI  
MAY 28/07

27-51-02-10A  
PAGE 0D

**BOEING**  
757  
PARTS CATALOG (MAINTENANCE)



Y 27510210A SHT 6 REV 251

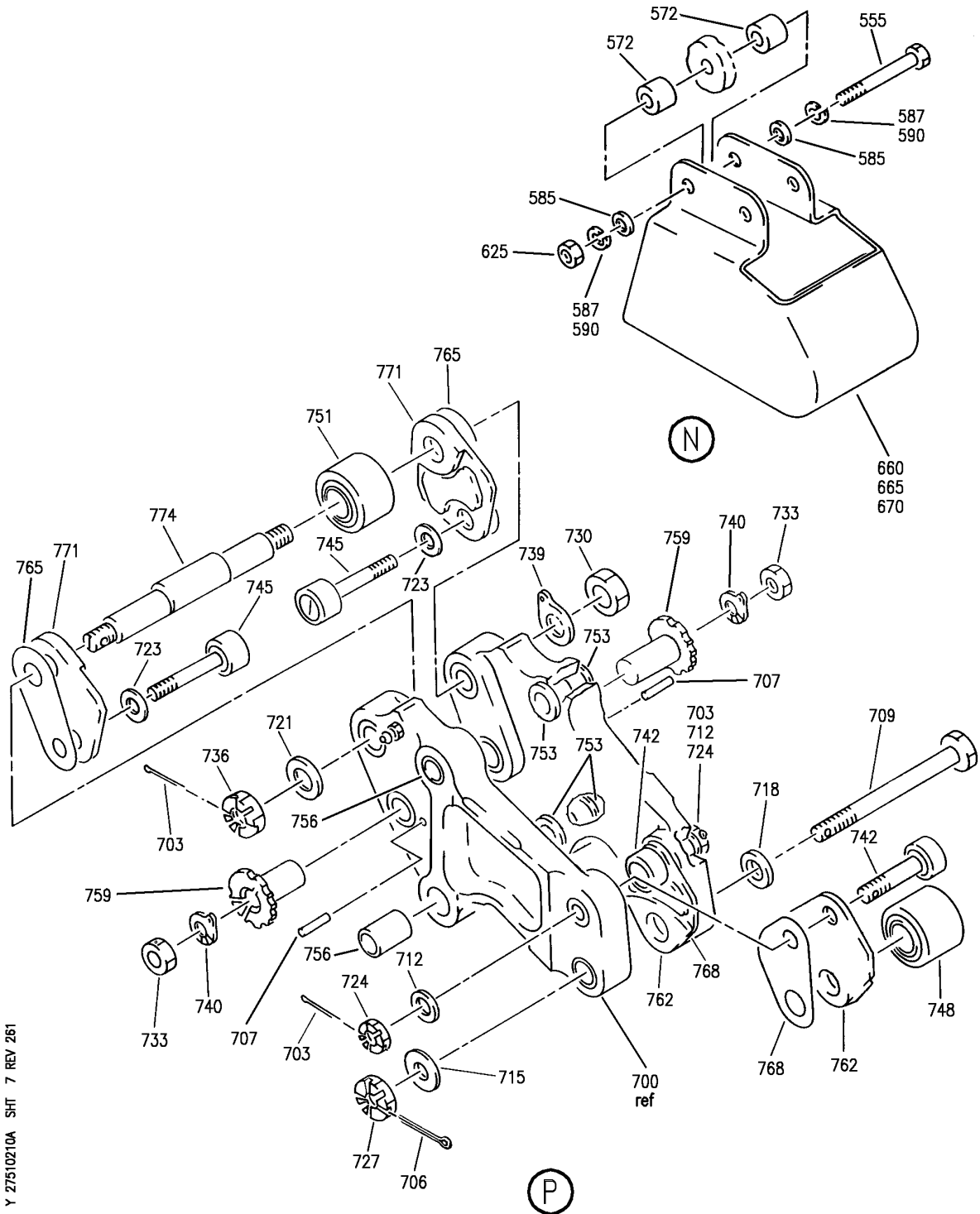
FLAP ASSY-T.E INBD  
FIGURE 10A (SHEET 6)

**27-51-02-10A**

BRI  
MAY 28/07

27-51-02-10A  
PAGE 0E

**BOEING**  
757  
**PARTS CATALOG (MAINTENANCE)**



Y 27510210A SHT 7 REV 261

FLAP ASSY-T.E INBD  
FIGURE 10A (SHEET 7)

**27-51-02-10A**

BRI  
MAY 28/07

27-51-02-10A  
PAGE OF



757

PARTS CATALOG (MAINTENANCE)

FIG ITEM	PART NUMBER	1 2 3 4 5 6 7	NOMENCLATURE	EFFECT FROM TO	UNITS PER ASSY
10A			FLAP ASSY-T.E INBD	002004 006106 108903 950999	
- 1	113N2002-122SP		FLAP ASSY- POSITION DATA: INBD COMPONENT MAINT MANUAL REF: 57-53-43 QUALIFIED I/W DATA: -130 SP OR -122SP MAY REPLACE -108SP UPON INCORPORATION OF S/B 757-57-0032 113N2002-118 TOGETHER WITH 654N0010-178 INTERCHANGEABLE WITH 113N2002-122SP UPON INCORPORATION OF S/B 757-57-0032 -122SP CAN REPLACE -88 UPON INCORPORATION OF S/B 757-57-0026 AND S/B 757-57-0032 FOR NHA SEE: 27-51-02-02A	002004 006106 108903 950999	RF
- 1	113N2002-130SP		FLAP ASSY- POSITION DATA: INBD COMPONENT MAINT MANUAL REF: 57-53-43 QUALIFIED I/W DATA: -130SP OR -122SP MAY REPALCE -108SP UPON INCORPORATION OF SB 757-57-0032. FOR NHA SEE: 27-51-02-02A	002004 006106 108903 950999	RF

MISSING ITEM NUMBERS NOT APPLICABLE

- ITEM NOT ILLUSTRATED

**27-51-02-10A**

27-51-02  
FIG. 10A  
PAGE 1  
JAN 20/09

BRI





757

PARTS CATALOG (MAINTENANCE)

FIG ITEM	PART NUMBER	1 2 3 4 5 6 7	NOMENCLATURE	EFFECT FROM TO	UNITS PER ASSY
10A - 1	113N2002-146SP		FLAP ASSY- POSITION DATA: INBD COMPONENT MAINT MANUAL REF: 57-53-43 QUALIFIED I/W DATA: -146SP OR -150SP MAY REPLACE -108SP UPON INCRP OF S/B 757-57-0032. FOR NHA SEE: 27-51-02-02A	002004 006106 108903 950999	RF
- 1	113N2002-150SP		FLAP ASSY- POSITION DATA: INBD COMPONENT MAINT MANUAL REF: 57-53-43 QUALIFIED I/W DATA: -146SP OR -150SP MAY REPLACE -108SP UPON INCRP OF S/B 757-57-0032. FOR NHA SEE: 27-51-02-02A	002004 006106 108903 950999	RF
- 1	113N2002-160SP		FLAP ASSY- POSITION DATA: INBD QUALIFIED I/W DATA: 113N2002-160SP MAY REPLACE 113N2002-108SP UPON INCORPORATION OF S/B 757-57-0032 FOR NHA SEE: 27-51-02-02A	002004 006106 108903 950999	RF
5	BACB30NR8K17		.BOLT- USED ON: 113N2002-134SP 113N2002-138SP	002004 006106 108903 950999	1
10	BACB30NR8K18		.BOLT- USED ON: 113N2002-134SP 113N2002-138SP	002004 006106 108903 950999	3
20	BACB30NU8K13		.BOLT	002004 006106 108903 950999	1

MISSING ITEM NUMBERS NOT APPLICABLE

- ITEM NOT ILLUSTRATED

**27-51-02-10A**

27-51-02  
FIG. 10A  
PAGE 2  
JAN 20/09

BRI

 **BOEING**  
757  
**PARTS CATALOG (MAINTENANCE)**

FIG ITEM	PART NUMBER	1 2 3 4 5 6 7	NOMENCLATURE	EFFECT FROM TO	UNITS PER ASSY
10A					
25	BACB30NU8K15	.	BOLT	002004 006106 108903 950999	3
30	BACW10BP8CD	.	WASHER	002004 006106 108903 950999	4
35	BACW10BP8DP	.	WASHER- USED ON: 113N2002-122SP 113N2002-130SP 113N2002-146SP 113N2002-150SP	002004 006106 108903 950999	7
40	BACW10BP8DD	.	WASHER- USED ON: 113N2002-122SP 113N2002-130SP 113N2002-146SP 113N2002-150SP	002004 006106 108903 950999	2
45	BACW10BP8DP	.	WASHER- USED ON: 113N2002-160SP	002004 006106 108903 950999	9
55	69235-820CD	.	NUT SUPPLIER CODE: V92215 SPECIFICATION NUMBER: BACN10JC8CD OPTIONAL PART: 102LH9074-8 V72962 BMN4122CPD8-8 V97928 H51650-8BAC V15653	002004 006106 108903 950999	8
60	113N2100-11	.	CARRIAGE ASSY- COMPONENT MAINT MANUAL REF: 27-51-09 USED ON: 113N2002-122SP FOR DETAILS SEE: 27-51-05-01	002004 006106 108903 950999	1
60	113N2100-13	.	CARRIAGE ASSY- COMPONENT MAINT MANUAL REF: 27-51-09 FOR DETAILS SEE: 27-51-05-01	002004 006106 108903 950999	1

MISSING ITEM NUMBERS NOT APPLICABLE

— ITEM NOT ILLUSTRATED

BRI

# 27-51-02-10A

BOEING PROPRIETARY - Copyright © - Unpublished Work - See title page for details.

27-51-02  
FIG. 10A  
PAGE 3  
JAN 20/09



757

PARTS CATALOG (MAINTENANCE)

FIG ITEM	PART NUMBER	1 2 3 4 5 6 7	NOMENCLATURE	EFFECT FROM TO	UNITS PER ASSY
10A					
60	113N2100-17		.CARRIAGE ASSY- COMPONENT MAINT MANUAL REF: 27-51-09 FOR DETAILS SEE: 27-51-05-01	002004 006106 108903 950999	1
60	113N2100-8		.CARRIAGE ASSY- POSITION DATA: INBD COMPONENT MAINT MANUAL REF: 27-51-09 FOR DETAILS SEE: 27-51-05-01	002004 006106 108903 950999	1
60	113N2100-1		.CARRIAGE ASSY- COMPONENT MAINT MANUAL REF: 27-51-09 FOR DETAILS SEE: 27-51-05-01	002004 006106 108903 950999	1
60	113N2100-4		.CARRIAGE ASSY- COMPONENT MAINT MANUAL REF: 27-51-09 FOR DETAILS SEE: 27-51-05-01	002004 006106 108903 950999	1
60	113N2100-6		.CARRIAGE ASSY- COMPONENT MAINT MANUAL REF: 27-51-09 FOR DETAILS SEE: 27-51-05-01	002004 006106 108903 950999	1
70	NAS6705D19		.BOLT	002004 006106 108903 950999	1
75	NAS6708DE42		.BOLT- OPTIONAL PART: NAS6708D42	002004 006106 108903 950999	1
75	NAS6708D42		.BOLT- OPTIONAL PART: NAS6708DE42	002004 006106 108903 950999	1
80	NAS6705D16		.BOLT	002004 006106 108903 950999	1
95	AN960C516L		.WASHER- USED ON: 113N2002-122SP	002004 006106 108903 950999	2

MISSING ITEM NUMBERS NOT APPLICABLE

- ITEM NOT ILLUSTRATED

27-51-02-10A

27-51-02  
FIG. 10A  
PAGE 4  
JAN 20/09

BRI

BOEING PROPRIETARY - Copyright © - Unpublished Work - See title page for details.



757

PARTS CATALOG (MAINTENANCE)

FIG ITEM	PART NUMBER	1 2 3 4 5 6 7	NOMENCLATURE	EFFECT FROM TO	UNITS PER ASSY
10A 95	NAS1149C0532R		.WASHER- USED ON: 113N2002-130SP 113N2002-146SP 113N2002-150SP 113N2002-160SP	002004 006106 108903 950999	2
100	BACW10BP8CD		.WASHER	002004 006106 108903 950999	1
102	BACW10BP5CD		.WASHER	002004 006106 108903 950999	1
105	BACW10BP5DP		.WASHER	002004 006106 108903 950999	1
110	BACW10BP8DP		.WASHER	002004 006106 108903 950999	1
115	73781CD524		.NUT- SUPPLIER CODE: V56878 OPTIONAL PART: 102E9925-5 V72962 PHCR55CD VF0224	002004 006106 108903 950999	2
115	102E9925-5		.NUT- SUPPLIER CODE: V72962 OPTIONAL PART: 73781CD524 V56878 PHCR55CD VF0224	002004 006106 108903 950999	2
115	PHCR55CD		.NUT- SUPPLIER CODE: VF0224 OPTIONAL PART: 102E9925-5 V72962 73781CD524 V56878	002004 006106 108903 950999	2

MISSING ITEM NUMBERS NOT APPLICABLE

- ITEM NOT ILLUSTRATED

**27-51-02-10A**

27-51-02  
FIG. 10A  
PAGE 5  
JAN 20/09

BRI

BOEING PROPRIETARY - Copyright © - Unpublished Work - See title page for details.



757

PARTS CATALOG (MAINTENANCE)

FIG ITEM	PART NUMBER	1 2 3 4 5 6 7	NOMENCLATURE	EFFECT FROM TO	UNITS PER ASSY
10A 120	73781CD820	.NUT-	SUPPLIER CODE: V80539 OPTIONAL PART: 102E9925-8 V72962 PHCR58CD VF0224	002004 006106 108903 950999	1
120	102E9925-8	.NUT-	SUPPLIER CODE: V72962 OPTIONAL PART: 73781CD820 V80539 PHCR58CD VF0224	002004 006106 108903 950999	1
120	PHCR58CD	.NUT-	SUPPLIER CODE: VF0224 OPTIONAL PART: 73781CD820 V80539 102E9925-8 V72962	002004 006106 108903 950999	1
130	MS24665-153	.PIN-	USED ON: 113N2002-122SP	002004 006106 108903 950999	2
130	BACP18BC02A06P	.PIN-	USED ON: 113N2002-130SP 113N2002-146SP 113N2002-150SP 113N2002-160SP	002004 006106 108903 950999	2
145	MS24665-287	.PIN-	USED ON: 113N2002-122SP	002004 006106 108903 950999	1
145	BACP18BC03C10P	.PIN-	USED ON: 113N2002-130SP 113N2002-146SP 113N2002-150SP 113N2002-160SP	002004 006106 108903 950999	1
155	BACB28AK05-045	.BUSHING		002004 006106 108903 950999	1

MISSING ITEM NUMBERS NOT APPLICABLE

- ITEM NOT ILLUSTRATED

27-51-02-10A

27-51-02  
FIG. 10A  
PAGE 6  
JAN 20/09

BRI

BOEING PROPRIETARY - Copyright © - Unpublished Work - See title page for details.



757

PARTS CATALOG (MAINTENANCE)

FIG ITEM	PART NUMBER	1 2 3 4 5 6 7	NOMENCLATURE	EFFECT FROM TO	UNITS PER ASSY
10A 160	BACB28AK08-118	.BUSHING		002004 006106 108903 950999	1
165	BACB28AK05-030	.BUSHING		002004 006106 108903 950999	1
180	113N2888-12	.ROD ASSY-FLAP		002004 006106 108903 950999	1
185	NAS509L6C	..NUT		002004 006106 108903 950999	1
190	NAS509-6C	..NUT		002004 006106 108903 950999	1
195	NAS1193K6CP	..LOCKING DEVICE		002004 006106 108903 950999	2
200	NAS1193K6-1P	...WASHER		002004 006106 108903 950999	1
205	NAS1193K6-2P	...WASHER		002004 006106 108903 950999	1
210	113N2890-2	..CLEVIS ASSY-END		002004 006106 108903 950999	1
215	BACB28AP05P010	...BUSHING		002004 006106 108903 950999	1
220	BACB28AP07P010	...BUSHING		002004 006106 108903 950999	1
225	113N2890-4	...CLEVIS		002004 006106 108903 950999	1

MISSING ITEM NUMBERS NOT APPLICABLE

- ITEM NOT ILLUSTRATED

BRI

27-51-02-10A

BOEING PROPRIETARY - Copyright © - Unpublished Work - See title page for details.

27-51-02  
FIG. 10A  
PAGE 7  
JAN 20/09



757

PARTS CATALOG (MAINTENANCE)

FIG ITEM	PART NUMBER	1 2 3 4 5 6 7	NOMENCLATURE	EFFECT FROM TO	UNITS PER ASSY
10A 230	MKL5EPDL		.. BEARING-ROD END SUPPLIER CODE: V73134 SPECIFICATION NUMBER: S012T234-105-789 OPTIONAL PART: ARH5E115KLM VS0352 ARBL5E190W9 V15860 KBE4-225W V97613	002004 006106 108903 950999	1
235	113N2888-16		.. ROD- OPTIONAL PART: 113N2888-20	002004 006106 108903 950999	1
235	113N2888-20		.. ROD- OPTIONAL PART: 113N2888-16	002004 006106 108903 950999	1
245	113N2896-2		. BELLCRANK ASSY-	002004 006106 108903 950999	1
245	113N2883-2		. BELLCRANK ASSY-	002004 006106 108903 950999	1
250	BACB28AM07B022		.. BUSHING	002004 006106 108903 950999	1
255	BACB28AP05-022		.. BUSHING	002004 006106 108903 950999	1
260	BACB28AM11B047		.. BUSHING	002004 006106 108903 950999	2
265	BACB28AP05-036		.. BUSHING	002004 006106 108903 950999	1
270	BACB28AM07B035		.. BUSHING	002004 006106 108903 950999	1

R  
R  
R  
R  
R  
R  
R

MISSING ITEM NUMBERS NOT APPLICABLE

- ITEM NOT ILLUSTRATED

**27-51-02-10A**

27-51-02  
FIG. 10A  
PAGE 8  
MAY 20/09

BRI

BOEING PROPRIETARY - Copyright © - Unpublished Work - See title page for details.



757

PARTS CATALOG (MAINTENANCE)

FIG ITEM	PART NUMBER	1 2 3 4 5 6 7	NOMENCLATURE	EFFECT FROM TO	UNITS PER ASSY
10A 275	MS15001-1		.. FITTING	002004 006106 108903 950999	1
280	113N2896-4		.. BELLCRANK- USED ON: 113N2896-2	002004 006106 108903 950999	1
280	113N2883-4		.. BELLCRANK- USED ON: 113N2883-2	002004 006106 108903 950999	1
285	BACB30LE8K26		.BOLT- USED ON: 113N2002-130SP 113N2002-146SP 113N2002-150SP	002004 006106 108903 950999	4
285	BACB30LE8K28		.BOLT- USED ON: 113N2002-160SP	002004 006106 108903 950999	4
285	BACB30LE8-26		.BOLT- USED ON: 113N2002-122SP	002004 006106 108903 950999	4
290	113N2157-17		.BOLT	002004 006106 108903 950999	2
295	BACW10BP8CD		.WASHER	002004 006106 108903 950999	4
300	BACW10BP8DP		.WASHER	002004 006106 108903 950999	6
305	AN960KD1016L		.WASHER- OPTIONAL PART: NAS1149D1016K NAS1149D1016L USED ON: 113N2002-122SP	002004 006106 108903 950999	2
305	BACW10DS10S		.WASHER- USED ON: 113N2002-130SP 113N2002-146SP 113N2002-150SP 113N2002-160SP	002004 006106 108903 950999	2

MISSING ITEM NUMBERS NOT APPLICABLE

- ITEM NOT ILLUSTRATED

27-51-02-10A

27-51-02  
FIG. 10A  
PAGE 9  
JAN 20/09

BRI

BOEING PROPRIETARY - Copyright © - Unpublished Work - See title page for details.





757

PARTS CATALOG (MAINTENANCE)

FIG ITEM	PART NUMBER	1 2 3 4 5 6 7	NOMENCLATURE	EFFECT FROM TO	UNITS PER ASSY
10A 305	NAS1149D1016K	.	WASHER- OPTIONAL PART: AN960KD1016L NAS1149D1016L USED ON: 113N2002-130SP	002004 006106 108903 950999	2
305	NAS1149D1016L	.	WASHER- OPTIONAL PART: AN960KD1016L NAS1149D1016K USED ON: 113N2002-130SP	002004 006106 108903 950999	2
310	AN960XC1016L	.	WASHER- USED ON: 113N2002-122SP	002004 006106 108903 950999	1
310	NAS1149C1032B	.	WASHER- USED ON: 113N2002-130SP 113N2002-146SP 113N2002-150SP 113N2002-160SP	002004 006106 108903 950999	1
315	BMN10HRCWD3-8	.	NUT SUPPLIER CODE: V97928 SPECIFICATION NUMBER: BACN10HR8CD OPTIONAL PART: H51560-8 V15653 67832CD820 V56878 102LH9031-8 V72962 BH00303CM8 V27238 BMN5024CWD38 V97928 SL7108C8 V11815 VCU0005D8 V06710 102LH90318 V72962 67832CD8 V56878 CR6030-8 VF0224	002004 006106 108903 950999	4

MISSING ITEM NUMBERS NOT APPLICABLE

- ITEM NOT ILLUSTRATED

27-51-02-10A

27-51-02  
FIG. 10A  
PAGE 10  
JAN 20/09

BRI

BOEING PROPRIETARY - Copyright © - Unpublished Work - See title page for details.



757

PARTS CATALOG (MAINTENANCE)

FIG ITEM	PART NUMBER	1 2 3 4 5 6 7	NOMENCLATURE	EFFECT FROM TO	UNITS PER ASSY
10A 320	BACN10JD110CD	.	NUT	002004 006106 108903 950999	2
325	MS24665-357	.	PIN- USED ON: 113N2002-122SP	002004 006106 108903 950999	2
325	BACP18BC04C12P	.	PIN- USED ON: 113N2002-130SP 113N2002-146SP 113N2002-150SP 113N2002-160SP	002004 006106 108903 950999	2
330	BACB28AK10-092	.	BUSHING	002004 006106 108903 950999	1
335	BACB28AK10-095	.	BUSHING	002004 006106 108903 950999	1
340	113N2159-34	.	SHIM-	002004 006106 108903 950999	2
340	113N2159-18	.	SHIM-	002004 006106 108903 950999	2
345	113N2159-44	.	PAD-STRESS USED ON: 113N2002-122SP	002004 006106 108903 950999	2
345	113N2159-48	.	PAD-STRESS USED ON: 113N2002-122SP	002004 006106 108903 950999	2
345	113N2159-50	.	PAD-STRESS	002004 006106 108903 950999	2
350	113N2159-45	.	PAD-STRESS USED ON: 113N2002-122SP	002004 006106 108903 950999	2

MISSING ITEM NUMBERS NOT APPLICABLE

- ITEM NOT ILLUSTRATED

27-51-02-10A

27-51-02  
FIG. 10A  
PAGE 11  
JAN 20/09

BRI

BOEING PROPRIETARY - Copyright © - Unpublished Work - See title page for details.



757

PARTS CATALOG (MAINTENANCE)

FIG ITEM	PART NUMBER	1 2 3 4 5 6 7	NOMENCLATURE	EFFECT FROM TO	UNITS PER ASSY
10A 350	113N2159-49		.PAD-STRESS USED ON: 113N2002-122SP	002004 006106 108903 950999	2
350	113N2159-51		.PAD-STRESS	002004 006106 108903 950999	2
360	113N2150-10		.CARRIAGE ASSY- COMPONENT MAINT MANUAL REF: 27-51-06 FOR DETAILS SEE: 27-51-05-01	002004 006106 108903 950999	1
360	113N2150-2		.CARRIAGE ASSY- COMPONENT MAINT MANUAL REF: 27-51-06 FOR DETAILS SEE: 27-51-05-01	002004 006106 108903 950999	1
360	113N2150-5		.CARRIAGE ASSY- COMPONENT MAINT MANUAL REF: 27-51-06 FOR DETAILS SEE: 27-51-05-01	002004 006106 108903 950999	1
360	113N2150-8		.CARRIAGE ASSY- COMPONENT MAINT MANUAL REF: 27-51-06 FOR DETAILS SEE: 27-51-05-01	002004 006106 108903 950999	1
370	BACB30LL6D19		.BOLT- USED ON: 113N2002-122SP	002004 006106 108903 950999	1
370	NAS8706D19		.BOLT- USED ON: 113N2002-130SP 113N2002-146SP 113N2002-150SP 113N2002-160SP	002004 006106 108903 950999	1
375	NAS6706D19		.BOLT	002004 006106 108903 950999	1
380	113N2157-19		.BOLT-MAIN FLAP QUALIFIED I/W DATA: -19 MAY REPLACE -18 UPON INCORPORATION OF S/B 757-57-0032	002004 006106 108903 950999	1

MISSING ITEM NUMBERS NOT APPLICABLE

- ITEM NOT ILLUSTRATED

BRI

**27-51-02-10A**

BOEING PROPRIETARY - Copyright © - Unpublished Work - See title page for details.

27-51-02  
FIG. 10A  
PAGE 12  
JAN 20/09



757

PARTS CATALOG (MAINTENANCE)

FIG ITEM	PART NUMBER	1 2 3 4 5 6 7	NOMENCLATURE	EFFECT FROM TO	UNITS PER ASSY
10A 385	113N2050-1		.WASHER- QUALIFIED I/W DATA: 113N2050-1 MAY REPLACE BACW10BP6CD UPON INCORPORATION OF S/B 757-57-0032	002004 006106 108903 950999	1
390	BACW10BP6DP		.WASHER	002004 006106 108903 950999	2
395	BACW10BP8CD		.WASHER	002004 006106 108903 950999	1
400	BACW10BP8DP		.WASHER	002004 006106 108903 950999	1
405	BACW10BP6CD		.WASHER	002004 006106 108903 950999	1
407	AN960C616L		.WASHER- USED ON: 113N2002-122SP	002004 006106 108903 950999	1
407	NAS1149C0632R		.WASHER- USED ON: 113N2002-130SP 113N2002-146SP 113N2002-150SP 113N2002-160SP	002004 006106 108903 950999	1
410	73783CD624		.NUT- SUPPLIER CODE: V56878	002004 006106 108903 950999	1
415	73781CD820		.NUT- SUPPLIER CODE: V80539 OPTIONAL PART: 102E9925-8 V72962 PHCR58CD VF0224	002004 006106 108903 950999	1

MISSING ITEM NUMBERS NOT APPLICABLE

- ITEM NOT ILLUSTRATED

27-51-02-10A

27-51-02  
FIG. 10A  
PAGE 13  
JAN 20/09

BRI

BOEING PROPRIETARY - Copyright © - Unpublished Work - See title page for details.



757

PARTS CATALOG (MAINTENANCE)

FIG ITEM	PART NUMBER	1 2 3 4 5 6 7	NOMENCLATURE	EFFECT FROM TO	UNITS PER ASSY
10A 415	102E9925-8	.NUT-	SUPPLIER CODE: V72962 OPTIONAL PART: 73781CD820 V80539 PHCR58CD VF0224	002004 006106 108903 950999	1
415	PHCR58CD	.NUT-	SUPPLIER CODE: VF0224 OPTIONAL PART: 73781CD820 V80539 102E9925-8 V72962	002004 006106 108903 950999	1
420	73781CD624	.NUT-	SUPPLIER CODE: V56878 OPTIONAL PART: 102E9925-6 V72962 PHCR56CD VF0224	002004 006106 108903 950999	1
420	102E9925-6	.NUT-	SUPPLIER CODE: V72962 OPTIONAL PART: 73781CD624 V56878 PHCR56CD VF0224	002004 006106 108903 950999	1
420	PHCR56CD	.NUT-	SUPPLIER CODE: VF0224 OPTIONAL PART: 102E9925-6 V72962 73781CD624 V56878	002004 006106 108903 950999	1
425	MS24665-304	.PIN-	USED ON: 113N2002-122SP	002004 006106 108903 950999	2

MISSING ITEM NUMBERS NOT APPLICABLE

- ITEM NOT ILLUSTRATED

27-51-02-10A

27-51-02  
FIG. 10A  
PAGE 14  
JAN 20/09

BRI



757

PARTS CATALOG (MAINTENANCE)

FIG ITEM	PART NUMBER	1 2 3 4 5 6 7	NOMENCLATURE	EFFECT FROM TO	UNITS PER ASSY
10A 425	BACP18BC03A10P	.PIN-	USED ON: 113N2002-130SP 113N2002-146SP 113N2002-150SP 113N2002-160SP	002004 006106 108903 950999	2
430	MS24665-359	.PIN-	USED ON: 113N2002-122SP	002004 006106 108903 950999	1
430	BACP18BC04C14P	.PIN-	USED ON: 113N2002-130SP 113N2002-146SP 113N2002-150SP 113N2002-160SP	002004 006106 108903 950999	1
435	BACB28AK06-032	.BUSHING		002004 006106 108903 950999	1
440	BACB28AK08-271	.BUSHING		002004 006106 108903 950999	1
445	BACB28AK06-030	.BUSHING		002004 006106 108903 950999	1
455	113N2888-11	.ROD ASSY-FLAP		002004 006106 108903 950999	1
460	NAS509L7C	..NUT		002004 006106 108903 950999	1
465	NAS509-7C	..NUT-	OPTIONAL PART: NAS1423-7	002004 006106 108903 950999	1
465	NAS1423-7	..NUT-	OPTIONAL PART: NAS509-7C	002004 006106 108903 950999	1
470	NAS1193K7CP	..LOCKING DEVICE-		002004 006106 108903 950999	2

MISSING ITEM NUMBERS NOT APPLICABLE

- ITEM NOT ILLUSTRATED

27-51-02-10A

27-51-02  
FIG. 10A  
PAGE 15  
JAN 20/09

BRI

BOEING PROPRIETARY - Copyright © - Unpublished Work - See title page for details.



757

PARTS CATALOG (MAINTENANCE)

FIG ITEM	PART NUMBER	1 2 3 4 5 6 7	NOMENCLATURE	EFFECT FROM TO	UNITS PER ASSY
10A 475	NAS1193K7-1P	...	WASHER-	002004 006106 108903 950999	1
480	NAS1193K7-2P	...	WASHER-	002004 006106 108903 950999	1
485	113N2890-5	..	CLEVIS ASSY-END	002004 006106 108903 950999	1
490	MKL6EPDL	..	BEARING-ROD END SUPPLIER CODE: V73134 SPECIFICATION NUMBER: BCREF106925 OPTIONAL PART: ARH6E115KLM VS0352 ARBL6E190W9 V15860 KBEL6-225W V97613	002004 006106 108903 950999	1
495	113N2888-15	..	ROD- OPTIONAL PART: 113N2888-19	002004 006106 108903 950999	1
500	113N2888-19	..	ROD- OPTIONAL PART: 113N2888-15	002004 006106 108903 950999	1
505	113N2895-8	.	BELLCRANK ASSY- QUALIFIED I/W DATA: 113N2895-8 MAY REPLACE 113N2895-2 UPON INCORPORATION OF S/B 757-57-0032	002004 006106 108903 950999	1
505	113N2895-14	.	BELLCRANK ASSY-	002004 006106 108903 950999	1
510	MS15001-1	..	FITTING	002004 006106 108903 950999	1

MISSING ITEM NUMBERS NOT APPLICABLE

- ITEM NOT ILLUSTRATED

27-51-02-10A

27-51-02  
FIG. 10A  
PAGE 16  
JAN 20/09

BRI

BOEING PROPRIETARY - Copyright © - Unpublished Work - See title page for details.



757

PARTS CATALOG (MAINTENANCE)

FIG ITEM	PART NUMBER	1 2 3 4 5 6 7	NOMENCLATURE	EFFECT FROM TO	UNITS PER ASSY
10A 515	BACB28AT09B018C	..	BUSHING	002004 006106 108903 950999	1
520	BACB28AP06P018	..	BUSHING	002004 006106 108903 950999	1
525	BACB28AT11B065C	..	BUSHING	002004 006106 108903 950999	2
530	BACB28AT10B028C	..	BUSHING	002004 006106 108903 950999	1
535	BACB28AP07P028	..	BUSHING	002004 006106 108903 950999	1
540	113N2895-10	..	BELLCRANK- USED ON: 113N2895-8	002004 006106 108903 950999	1
540	113N2895-16	..	BELLCRANK- USED ON: 113N2895-14	002004 006106 108903 950999	1
550	BACB30LE8K40	.	BOLT	002004 006106 108903 950999	12
555	NAS6703-19	.	BOLT	002004 006106 108903 950999	6
560	NAS6705D28	.	BOLT	002004 006106 108903 950999	1
565	NAS6707D24	.	BOLT	002004 006106 108903 950999	1
570	NAS6705D31	.	BOLT	002004 006106 108903 950999	1

MISSING ITEM NUMBERS NOT APPLICABLE

- ITEM NOT ILLUSTRATED

27-51-02-10A

27-51-02  
FIG. 10A  
PAGE 17  
JAN 20/09

BRI

BOEING PROPRIETARY - Copyright © - Unpublished Work - See title page for details.





757

PARTS CATALOG (MAINTENANCE)

FIG ITEM	PART NUMBER	1 2 3 4 5 6 7	NOMENCLATURE	EFFECT FROM TO	UNITS PER ASSY
10A 572	BACS18K10-25W	.	SPACER	002004 006106 108903 950999	12
575	BACW10BP8CD	.	WASHER	002004 006106 108903 950999	12
580	BACW10BP8DP	.	WASHER	002004 006106 108903 950999	12
585	BACW10BP3NDP	.	WASHER- OPTIONAL PART: AN960XC10LL NAS1149C0316B	002004 006106 108903 950999	12
585	AN960XC10LL	.	WASHER- OPTIONAL PART: BACW10BP3NDP	003004 006100 121503 950999	12
585	NAS1149C0316B	.	WASHER- OPTIONAL PART: BACW10BP3NDP	101106 108120 504903	12
587	MS35338-43	.	WASHER	003004 006100 121503 950999	12
587	NAS1149C0316B	.	WASHER	101106 108120 504903	12
590	BACW10EC3S	.	WASHER	002004 006106 108903 950999	12
595	BACW10BP5CD	.	WASHER	002004 006106 108903 950999	2
600	BACW10BP7CD	.	WASHER	002004 006106 108903 950999	1
605	BACW10BP5DP	.	WASHER	002004 006106 108903 950999	2

MISSING ITEM NUMBERS NOT APPLICABLE

- ITEM NOT ILLUSTRATED

BRI

27-51-02-10A

BOEING PROPRIETARY - Copyright © - Unpublished Work - See title page for details.

27-51-02  
FIG. 10A  
PAGE 18  
JAN 20/09



757

PARTS CATALOG (MAINTENANCE)

FIG ITEM	PART NUMBER	1 2 3 4 5 6 7	NOMENCLATURE	EFFECT FROM TO	UNITS PER ASSY
10A 610	BACW10BP7DP	.	WASHER	002004 006106 108903 950999	1
615	AN960C716L	.	WASHER	003004 006100 121503 950999	1
615	NAS1149C0732R	.	WASHER	101106 108120 504903	1
620	BMN10HRCWD3-8	.	NUT SUPPLIER CODE: V97928 SPECIFICATION NUMBER: BACN10HR8CD OPTIONAL PART: H51560-8 V15653 67832CD820 V56878 102LH9031-8 V72962 BH00303CM8 V27238 BMN5024CWD38 V97928 SL7108C8 V11815 VCU0005D8 V06710 102LH90318 V72962 67832CD8 V56878 CR6030-8 VF0224	002004 006106 108903 950999	12
625	PLH53CD	.	NUT SUPPLIER CODE: VF0224 SPECIFICATION NUMBER: BACN10YR3CD OPTIONAL PART: H52732-3CD V15653	002004 006106 108903 950999	6

MISSING ITEM NUMBERS NOT APPLICABLE

- ITEM NOT ILLUSTRATED

BRI

27-51-02-10A

BOEING PROPRIETARY - Copyright © - Unpublished Work - See title page for details.

27-51-02  
FIG. 10A  
PAGE 19  
JAN 20/09



757

PARTS CATALOG (MAINTENANCE)

FIG ITEM	PART NUMBER	1 2 3 4 5 6 7	NOMENCLATURE	EFFECT FROM TO	UNITS PER ASSY
10A 630	73781CD524	.NUT-	SUPPLIER CODE: V80539 OPTIONAL PART: 102E9925-5 V72962 PHCR55CD VF0224	002004 006106 108903 950999	2
630	102E9925-5	.NUT-	SUPPLIER CODE: V72962 OPTIONAL PART: 73781CD524 V80539 PHCR55CD VF0224	002004 006106 108903 950999	2
630	PHCR55CD	.NUT-	SUPPLIER CODE: VF0224 OPTIONAL PART: 102E9925-5 V72962 73781CD524 V80539	002004 006106 108903 950999	2
635	73781CD720	.NUT-	SUPPLIER CODE: V56878	002004 006106 108903 950999	1
640	MS24665-153	.PIN		003004 006100 121503 950999	2
640	BACP18BC02A06P	.PIN		101106 108120 504903	2
645	MS24665-304	.PIN		003004 006100 121503 950999	1
645	BACP18BC03A10P	.PIN		101106 108120 504903	1
650	BACB28AK08-190	.BUSHING-		002004 006106 108903 950999	12

MISSING ITEM NUMBERS NOT APPLICABLE

- ITEM NOT ILLUSTRATED

27-51-02-10A

27-51-02  
FIG. 10A  
PAGE 20  
JAN 20/09

BRI

BOEING PROPRIETARY - Copyright © - Unpublished Work - See title page for details.



757

PARTS CATALOG (MAINTENANCE)

FIG ITEM	PART NUMBER	1 2 3 4 5 6 7	NOMENCLATURE	EFFECT FROM TO	UNITS PER ASSY
10A 652	BACB28AK07-050	.BUSHING		002004 006106 108903 950999	1
654	113N2816-2	.BUSHING		002004 006106 108903 950999	1
656	113N2816-3	.BUSHING		002004 006106 108903 950999	1
660	113N2894-1	.FAIRING ASSY-FLAP POSITION DATA: STA 88.40		002004 006106 108903 950999	1
665	113N2894-9	.FAIRING ASSY-FLAP POSITION DATA: STA 150.65		002004 006106 108903 950999	1
665	113N2894-17	.FAIRING ASSY-FLAP POSITION DATA: STA 150.65		002004 006106 108903 950999	1
670	113N2894-11	.FAIRING ASSY-FLAP POSITION DATA: STA 212.90		002004 006106 108903 950999	1
670	113N2894-18	.FAIRING ASSY-FLAP POSITION DATA: STA 212.90		002004 006106 108903 950999	1
675	113N2887-1	.TRACK ASSY		002004 006106 108903 950999	3
680	BACB10EN07GC	..BEARING		002004 006106 108903 950999	1
685	1728B	..FITTING-LUBE SUPPLIER CODE: VOFKM1		002004 006106 108903 950999	1
690	113N2887-2	..TRACK		002004 006106 108903 950999	1

MISSING ITEM NUMBERS NOT APPLICABLE

- ITEM NOT ILLUSTRATED

27-51-02-10A

27-51-02  
FIG. 10A  
PAGE 21  
JAN 20/09

BRI

BOEING PROPRIETARY - Copyright © - Unpublished Work - See title page for details.



757

PARTS CATALOG (MAINTENANCE)

FIG ITEM	PART NUMBER	1 2 3 4 5 6 7	NOMENCLATURE	EFFECT FROM TO	UNITS PER ASSY
10A 695	113N2106-2	.	SPACER	002004 006106 108903 950999	4
700	113N2884-12	.	CARTRIDGE ASSY-	002004 006106 108903 950999	3
700	113N2884-13	.	CARTRIDGE ASSY- QUALIFIED I/W DATA: 113N2884-13 T/W (1) 113N2701-1 I/W 113N2884-14.	002004 006106 108903 950999	3
700	113N2884-14	.	CARTRIDGE ASSY- QUALIFIED I/W DATA: 113N2884-13 T/W (1) 113N2701-1 I/W 113N2884-14.	002004 006106 108903 950999	3
703	MS24665-302	..	PIN	002004 006106 108903 950999	3
706	MS24665-372	..	PIN	002004 006106 108903 950999	1
707	MS16562-27	..	PIN	002004 006106 108903 950999	2
709	113N2886-1	..	BOLT ASSY-SPECIAL	002004 006106 108903 950999	1
712	BACW10BN7SP	..	WASHER	002004 006106 108903 950999	2
715	BACW10BN10SP	..	WASHER	002004 006106 108903 950999	1
718	BACW10BN10SC	..	WASHER	002004 006106 108903 950999	1

MISSING ITEM NUMBERS NOT APPLICABLE

- ITEM NOT ILLUSTRATED

27-51-02-10A

27-51-02  
FIG. 10A  
PAGE 22  
JAN 20/09

BRI

BOEING PROPRIETARY - Copyright © - Unpublished Work - See title page for details.



757

PARTS CATALOG (MAINTENANCE)

FIG ITEM	PART NUMBER	1 2 3 4 5 6 7	NOMENCLATURE	EFFECT FROM TO	UNITS PER ASSY
10A 721	BACW10BN8SP	..	WASHER	002004 006106 108903 950999	1
723	113N2884-8	..	WASHER	002004 006106 108903 950999	2
724	BACN10JD107CD	..	NUT	002004 006106 108903 950999	2
724	BACN10JD207CD	..	NUT	002004 006106 108903 950999	2
727	BACN10JD110CD	..	NUT	002004 006106 108903 950999	1
730	NAS509-10C	..	NUT	002004 006106 108903 950999	1
733	NAS509-7C	..	NUT- USED ON: 113N2884-13	002004 006106 108903 950999	2
733	NAS1423-7	..	NUT- USED ON: 113N2884-12 113N2884-14	002004 006106 108903 950999	2
736	BACN10JD108CD	..	NUT	002004 006106 108903 950999	1
739	NAS1193E10CP	..	LOCKING DEVICE	002004 006106 108903 950999	1
740	113N2884-10	..	LOCKING DEVICE	002004 006106 108903 950999	2
742	KRP142807VT	..	BEARING- SUPPLIER CODE: V50632	002004 006106 108903 950999	2

MISSING ITEM NUMBERS NOT APPLICABLE

- ITEM NOT ILLUSTRATED

27-51-02-10A

27-51-02  
FIG. 10A  
PAGE 23  
JAN 20/09

BRI

BOEING PROPRIETARY - Copyright © - Unpublished Work - See title page for details.



757

PARTS CATALOG (MAINTENANCE)

FIG ITEM	PART NUMBER	1 2 3 4 5 6 7	NOMENCLATURE	EFFECT FROM TO	UNITS PER ASSY
10A 745	KRP142907VT	..	BEARING- SUPPLIER CODE: V50632	002004 006106 108903 950999	2
748	YAT10B	..	BEARING SUPPLIER CODE: V07484 SPECIFICATION NUMBER: BACB10EU10 OPTIONAL PART: 10AL2426 V92563 ATL10 V60380	002004 006106 108903 950999	1
751	YAT12B	..	BEARING SUPPLIER CODE: V07484 SPECIFICATION NUMBER: BACB10EU12 OPTIONAL PART: 12AL2830 V92563 ATL12 V60380	002004 006106 108903 950999	1
753	BACB28AM11B055A	..	BUSHING	002004 006106 108903 950999	4
756	BACB28U11B119	..	BUSHING	002004 006106 108903 950999	2
759	113N2892-1	..	BUSHING	002004 006106 108903 950999	2
762	113N2884-2	..	SHIM	002004 006106 108903 950999	2
765	113N2884-3	..	SHIM	002004 006106 108903 950999	2
768	113N2156-37	..	PLATE	002004 006106 108903 950999	2

MISSING ITEM NUMBERS NOT APPLICABLE

- ITEM NOT ILLUSTRATED

27-51-02-10A

27-51-02  
FIG. 10A  
PAGE 24  
JAN 20/09

BRI

BOEING PROPRIETARY - Copyright © - Unpublished Work - See title page for details.



**757  
PARTS CATALOG (MAINTENANCE)**

FIG ITEM	PART NUMBER	1 2 3 4 5 6 7	NOMENCLATURE	EFFECT FROM TO	UNITS PER ASSY
10A 771	113N2156-38		..PLATE ASSY	002004 006106 108903 950999	2
774	113N2891-1		..SPINDLE ASSY-ECCENTRIC	002004 006106 108903 950999	1

MISSING ITEM NUMBERS NOT APPLICABLE

— ITEM NOT ILLUSTRATED

BRI

# 27-51-02-10A

BOEING PROPRIETARY - Copyright © - Unpublished Work - See title page for details.

27-51-02  
FIG. 10A  
PAGE 25  
JAN 20/09



**BOEING**  
757  
**PARTS CATALOG (MAINTENANCE)**

FIG ITEM	PART NUMBER	1 2 3 4 5 6 7	NOMENCLATURE	EFFECT FROM TO	UNITS PER ASSY
10A 780	113N2800-96SP		. FLAP ASSY- COMPONENT MAINT MANUAL REF: 57-53-45 QUALIFIED I/W DATA: -104SP OR -96SP MAY REPLACE -88SP UPON INCRP OF S/B 757-57-0032 (MAIN FLAP MUST BE REWORKED). -104SP OR -96SP T/W KIT 654N0010-178 MAY REPLACE -94SP OR -76 OR -74 OR -62 UPON INCORPORATION OF S/B 757-57-0032 (MAIN FLAP MUST BE REWORKED). -104SP OR -96SP T/W KIT 113N2820-1SP MAY REPLACE 113N2800-103SP OR -95SP PENDING CUSTOMER ACCEPTANCE OF WEIGHT PENALTY. -104SP OR -96SP MAY REPLACE -56 OR -44 OR -2 UPON INCORPORATION OF S/B 757-57-0032 (MAIN FLAP MUST BE REWORKED) 113N2820-1SP MAY REPLACE 113N2800-103SP OR -95SP PENDING CUSTOMER ACCEPTANCE OF WEIGHT PENALTY. 113N2820-24SP TOGETHER WITH (1) 113N2894-1 AND (1) 113N2894-17 AND (1) 113N2894-18 MAY REPLACE 113N2800 -96SP TOGETHER WITH (1) 113N2894-1 AND (1) 113N2894- 11 AND (1) 113N2894-9 113N2800-96SP CAN REPLACE OR BE REPLACED BY 113N2800-88SP IF S/B 757-57-0032 HAS BEEN INCORPORATED. FUNCTIONAL REFERENCE: 27-51-12-01 57-53-01-01	002004 006106 108903 950999	1

MISSING ITEM NUMBERS NOT APPLICABLE

— ITEM NOT ILLUSTRATED

BRI

# 27-51-02-10A

BOEING PROPRIETARY - Copyright © - Unpublished Work - See title page for details.

27-51-02  
FIG. 10A  
PAGE 26  
MAY 20/09



757

PARTS CATALOG (MAINTENANCE)

FIG ITEM	PART NUMBER	1 2 3 4 5 6 7	NOMENCLATURE	EFFECT FROM TO	UNITS PER ASSY
10A 780	113N2800-104SP		<p>. FLAP ASSY-            COMPONENT MAINT MANUAL REF:            57-53-45            QUALIFIED I/W DATA:            113N2820-2SP TOGETHER            WITH 113N2894-1 AND            113N2894-17 AND            113N2894-18 MAY REPLACE            113N2800-104SP TOGETHER            WITH 113N2894-1 AND            113N2894-11 AND            113N2894-9            -104SP OR -96SP MAY            REPLACE -88SP UPON            INCORPORATION OF S/B            757-57-0032 (MAIN FLAP            MUST BE REWORKED).            -104SP OR -96SP MAY            REPLACE -94SP OR -76            -74 OR -62 UPON            INCORPORATION OF SERVICE            BULLETIN 757-57-0032            (MAIN FLAP MUST BE            REWORKED).            -104SP OR -96SP MAY            REPLACE -56 OR -44 OR -2            UPON INCORPORATION OF            S/B 757-57-0032 (MAIN            FLAP MUST BE REWORKED).            113N2820-24SP TOGETHER            WITH 113N2894-2 AND            113N2894-17 AND            113N2894-18 MAY REPLACE            113N2800-104SP TOGETHER            WITH 113N2894-2 AND            113N2894-12 AND            113N2894-10            FUNCTIONAL REFERENCE:            27-51-12-01            57-53-01-01</p>	002004 006106 108903 950999	1

MISSING ITEM NUMBERS NOT APPLICABLE

- ITEM NOT ILLUSTRATED

**27-51-02-10A**

27-51-02  
FIG. 10A  
PAGE 27  
JAN 20/09

BRI



757

PARTS CATALOG (MAINTENANCE)

FIG ITEM	PART NUMBER	1 2 3 4 5 6 7	NOMENCLATURE	EFFECT FROM TO	UNITS PER ASSY
10A 780	113N2820-2SP		. FLAP ASSY- QUALIFIED I/W DATA: 113N2820-2SP TOGETHER WITH 113N2894-1 AND 113N2894-17 AND 113N2894-18 MAY REPLACE 113N2800-96SP OR 113N2800-104SP TOGETHER WITH 113N2894-1 AND 113N2894-11 AND 113N2894-9 OPTIONAL PART: 113N2820-24SP FUNCTIONAL REFERENCE: 27-51-12-01 57-53-01-01	002004 006106 108903 950999	1
780	113N2820-24SP		. FLAP ASSY- QUALIFIED I/W DATA: 113N2820-24SP TOGETHER WITH 113N2894-1 AND 113N2894-17 AND 113N2894-18 MAY REPLACE 113N2800-96SP OR 113N2800-104SP TOGETHER WITH 113N2894-1 AND 113N2894-11 AND 113N2894-9 OPTIONAL PART: 113N2820-2SP FUNCTIONAL REFERENCE: 27-51-12-01 57-53-01-01	002004 006106 108903 950999	1

MISSING ITEM NUMBERS NOT APPLICABLE

- ITEM NOT ILLUSTRATED

**27-51-02-10A**

27-51-02  
FIG. 10A  
PAGE 28  
JAN 20/09

BRI



757

PARTS CATALOG (MAINTENANCE)

FIG ITEM	PART NUMBER	1 2 3 4 5 6 7	NOMENCLATURE	EFFECT FROM TO	UNITS PER ASSY
R R R R R R R R R R R R R R R R R R R R	10A 785	113N2003-46SP	. FLAP ASSY- COMPONENT MAINT MANUAL REF: 57-53-44 QUALIFIED I/W DATA: -46SP I/W -42SP OR -44 OR -36 UPON INCORPORATION OF S/B 757-57-0032 (SEE DWG 113N2053) -46SP I/W -30 OR -26 UPON INCORPORATION OF S/B 757-57-0026 AND S/B 757-57-0032 (SEE DWG 113N2053) -46SP I/W -16 OR -14 OR -6 UPON INCORPORATION OF S/B 757-53-0023 AND S/B 757-57-0026 AND S/B 757-57-0032 (SEE DWG 113N2053) -46SP MAY REPLACE -2 UPON INCORPORATION OF S/B 757-53-0023 AND S/B 757-57-0026 AND S/B 757-57-0032 (SEE DWG 113N2053) 113N2003-46SP CAN REPLACE OR BE REPLACED BY 113N2003-42SP IF SERVICE BULLETIN 757-57-0032 HAS BEEN INCORPORATED. FOR DETAILS SEE: 27-51-02-10D	002004 006102 108903 950999	1
	MISSING ITEM NUMBERS NOT APPLICABLE				

— ITEM NOT ILLUSTRATED

# 27-51-02-10A

27-51-02  
FIG. 10A  
PAGE 29  
MAY 20/09

BRI

BOEING PROPRIETARY - Copyright © - Unpublished Work - See title page for details.



757

PARTS CATALOG (MAINTENANCE)

FIG ITEM	PART NUMBER	1 2 3 4 5 6 7 NOMENCLATURE	EFFECT FROM TO	UNITS PER ASSY
10A 785	113N2003-48SP	. FLAP ASSY- QUALIFIED I/W DATA: -48SP I/W -42SP OR -44 OR -36 UPON INCORPORATION OF S/B 757-57-0032 (SEE DWG 113N2053) -48SP I/W -30 OR -26 UPON INCORPORATION OF S/B 757-57-0026 AND S/B 757-57-0032 (SEE DWG 113N2053) -48SP I/W -16 OR -14 OR -6 UPON INCORPORATION OF S/B 757-53-0023 AND S/B 757-57-0026 AND S/B 757-57-0032 (SEE DWG 113N2053) -48SP MAY REPLACE -2 UPON INCORPORATION OF S/B 757-53-0023 AND S/B 757-57-0026 AND S/B 757-57-0032 (SEE DWG 113N2053). FOR DETAILS SEE: 27-51-02-10D	002004 006102 108903 950999	1

MISSING ITEM NUMBERS NOT APPLICABLE

- ITEM NOT ILLUSTRATED

**27-51-02-10A**

27-51-02  
FIG. 10A  
PAGE 30  
JAN 20/09

BRI



757

PARTS CATALOG (MAINTENANCE)

FIG ITEM	PART NUMBER	1 2 3 4 5 6 7 NOMENCLATURE	EFFECT FROM TO	UNITS PER ASSY
10A 785	113N2003-50SP	. FLAP ASSY- QUALIFIED I/W DATA: -50SP I/W -42SP OR -44 OR -36 UPON INCORPORATION OF S/B 757-57-0032 -50SP I/W -30 OR -26 UPON INCORPORATION OF S/B 757-57-0026 AND S/B 757-57-0032 (SEE DWG 113N2053) -50SP I/W -16 OR -14 OR -6 UPON INCORPORATION OF S/B 757-53-0023 AND S/B 757-57-0026 AND S/B 757-57-0032 (SEE DWG 113N2053) -50SP MAY REPLACE -2 UPON INCORPORATION OF S/B 757-53-0023 AND S/B 757-57-0026 AND S/B 757-57-0032 (SEE DWG 113N2053) FOR DETAILS SEE: 27-51-02-10D	002004 006102 108903 950999	1

MISSING ITEM NUMBERS NOT APPLICABLE

- ITEM NOT ILLUSTRATED

**27-51-02-10A**

27-51-02  
FIG. 10A  
PAGE 31  
JAN 20/09

BRI



757

PARTS CATALOG (MAINTENANCE)

FIG ITEM	PART NUMBER	1 2 3 4 5 6 7 NOMENCLATURE	EFFECT FROM TO	UNITS PER ASSY
10A 785	113N2003-52SP	. FLAP ASSY- QUALIFIED I/W DATA: -52SP OR -50SP OR -48SP -52SP OR -50SP OR -48SP OR -46SP MAY BE REPLACED BY -44 OR -42SP OR -36 AFTER INCORPORATION OF S/B 757-57-0032 (SEE DWG 113N2053) -52SP OR -50SP OR -48SP OR -46SP MAY BE REPLACED BY -30 OR -26 AFTER INCORPORATION OF S/B 757-57-0026 AND S/B 757-57-0032 (SEE DWG 113N2053) -52SP OR -50SP OR -48SP OR -46SP MAY BE REPLACED BY -16 OR -14 OR -6 AFTER INCORPORATION OF SERVICE BULLETINS 757-53-0023, 757-57-0026, 757-57-0032 SEE DWG 113N2053. FOR DETAILS SEE: 27-51-02-10D	002004 006102 108903 950999	1

MISSING ITEM NUMBERS NOT APPLICABLE

- ITEM NOT ILLUSTRATED

BRI

**27-51-02-10A**

BOEING PROPRIETARY - Copyright © - Unpublished Work - See title page for details.

27-51-02  
FIG. 10A  
PAGE 32  
JAN 20/09



757

PARTS CATALOG (MAINTENANCE)

FIG ITEM	PART NUMBER	1 2 3 4 5 6 7 NOMENCLATURE	EFFECT FROM TO	UNITS PER ASSY
10A 785	113N2003-56SP	.FLAP ASSY- QUALIFIED I/W DATA: -56SP I/W -42SP OR -44SP OR -36 UPON INCORPORATION OF S/B 757-57-0032 (SEE DWG 113N2053). -56SP I/W -30 OR -26 UPON INCORPORATION OF S/B 757-57-0026 AND S/B 757-57-0032 (SEE DWG 113N2053) -56SP I/W -16 OR -14 OR -6 UPON INCORPORATION OF S/B 757-53-0023 AND S/B 757-57-0026 AND S/B 757-57-0032 (SEE DWG 113N2053) -56SP MAY REPLACE -2 UPON INCORPORATION OF S/B 757-53-0023 AND S/B 757-57-0026 AND S/B 757-57-0032 (SEE DWG 113N2053) 113N2003-56SP INTERCHANGEABLE WITH -30 UPON INCORPORATION OF S/B 757-57-0032 AND S/B 757-57-0026 (SEE DWG 113N2053) FOR DETAILS SEE: 27-51-02-10D	002004 006102 108903 950999	1

MISSING ITEM NUMBERS NOT APPLICABLE

- ITEM NOT ILLUSTRATED

BRI

**27-51-02-10A**

BOEING PROPRIETARY - Copyright © - Unpublished Work - See title page for details.

27-51-02  
FIG. 10A  
PAGE 33  
JAN 20/09





757

PARTS CATALOG (MAINTENANCE)

FIG ITEM	PART NUMBER	1 2 3 4 5 6 7 NOMENCLATURE	EFFECT FROM TO	UNITS PER ASSY
10A 785	113N2003-64SP	. FLAP ASSY- QUALIFIED I/W DATA: 113N2003-64SP CAN REPLACE 113N2003-44SP OR 113N2003-42SP OR 113N2003-36 UPON INCORPORATION OF 757-57-0032 (SEE DWG 113N2053) 113N2003-64SP CAN REPLACE 113N2003-30 OR 113N2003-26 UPON INCORPORATION OF S/B 757-57-0026 AND S/B 757-57-0032 (SEE DWG 113N2053) 113N2003-64SP CAN REPLACE 113N2003-16 OR 113N2003-14 OR UPON INCORPORATION OF S/B 757-53-0023 AND S/B 757-57-0026 AND S/B 757-57-0032 (SEE DWG 113N2053) 113N2003-64SP CAN REPLACE 113N2003-2 UPON INCORPORATION OF S/B 757-53-0023 AND S/B 757-57-0026 AND S/B AND S/B 757-57-0032 FOR DETAILS SEE: 27-51-02-10D	002004 006106 108903 950999	1

MISSING ITEM NUMBERS NOT APPLICABLE

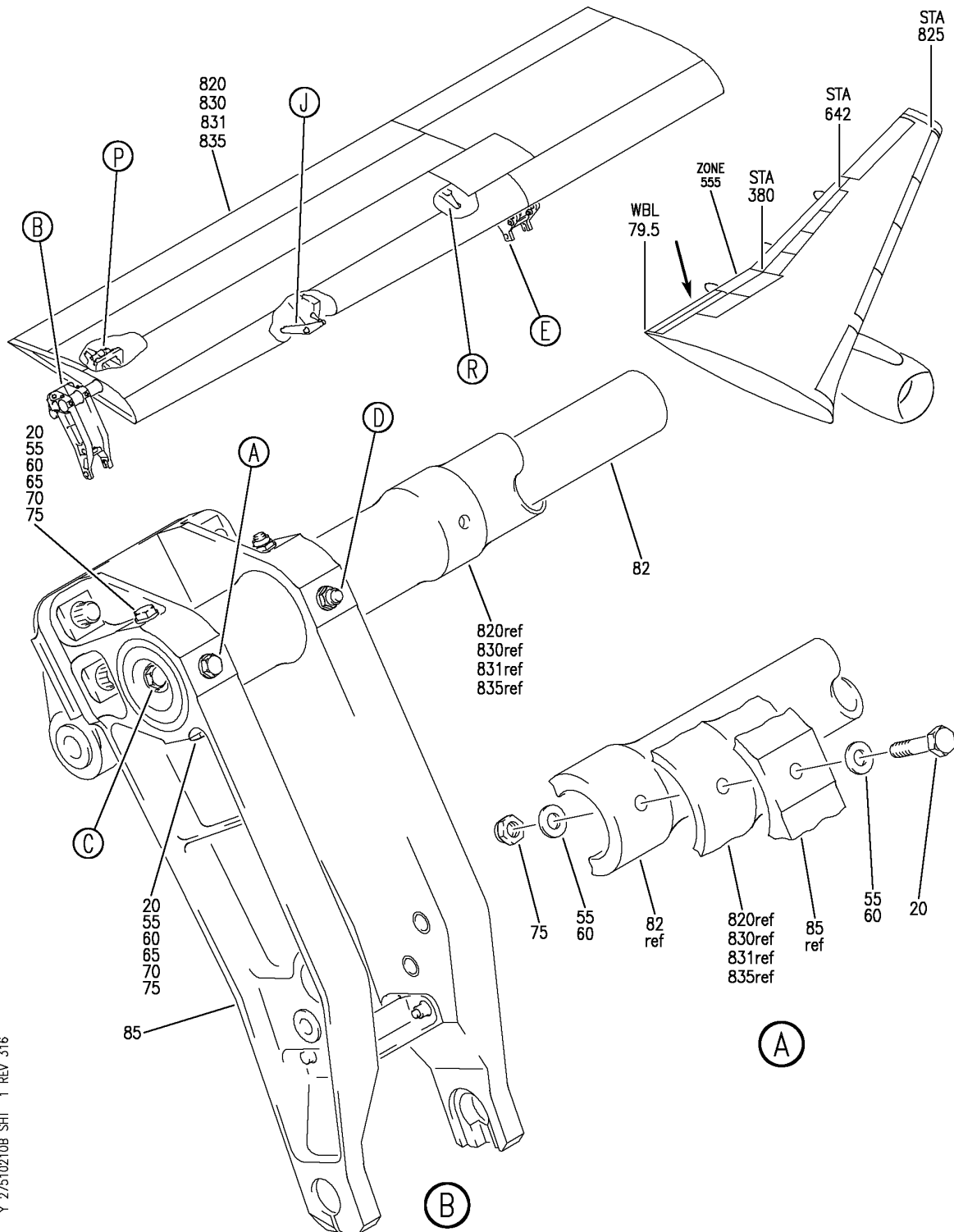
- ITEM NOT ILLUSTRATED

**27-51-02-10A**

27-51-02  
FIG. 10A  
PAGE 34  
JAN 20/09

BRI

**BOEING**  
757  
**PARTS CATALOG (MAINTENANCE)**



Y 27510210B SHT 1 REV 316

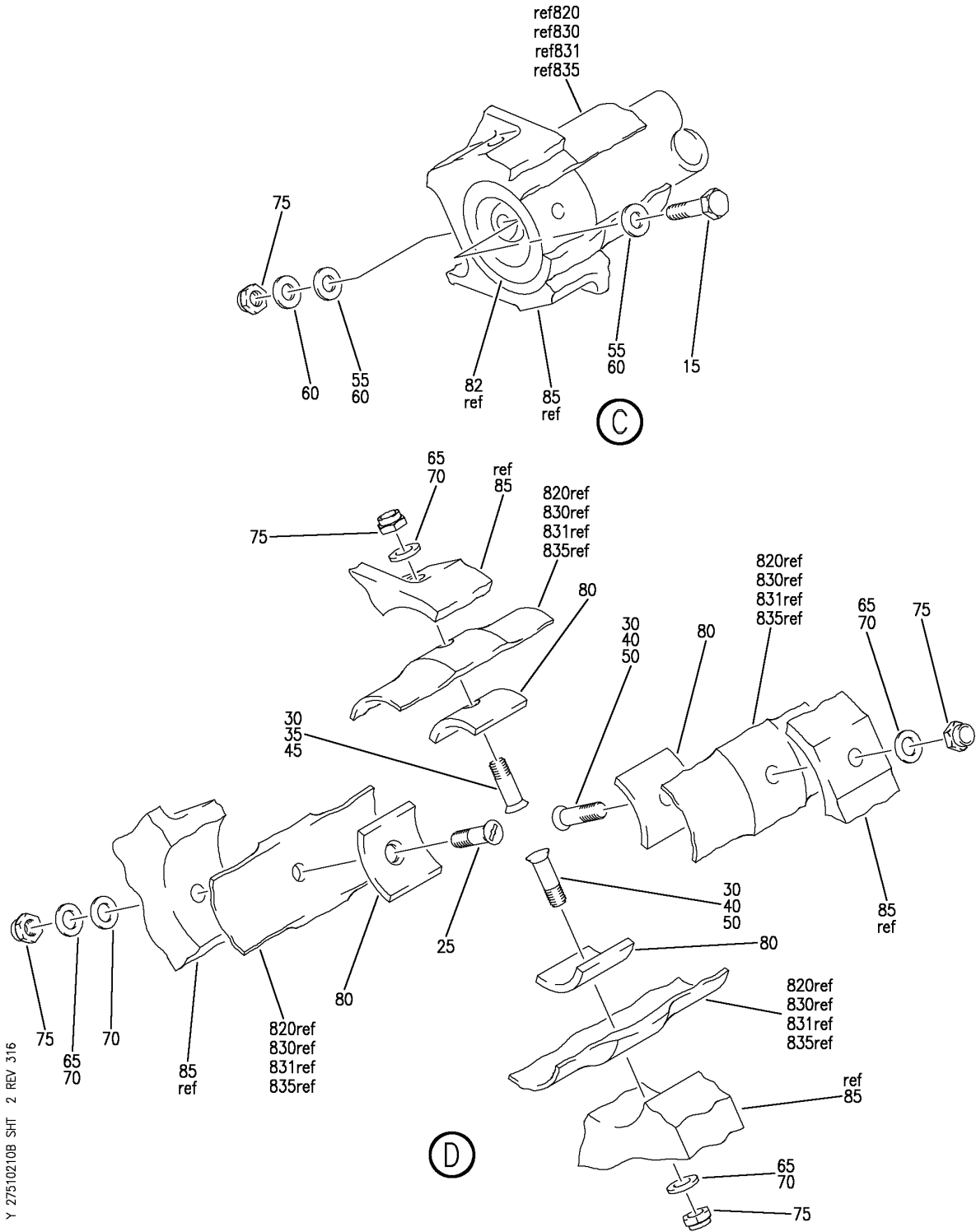
FLAP ASSY-INBD TE  
FIGURE 10B (SHEET 1)

**27-51-02-10B**

BRI  
JAN 20/08

27-51-02-10B  
PAGE 0

**BOEING**  
757  
**PARTS CATALOG (MAINTENANCE)**



Y 27510210B SHT 2 REV 316

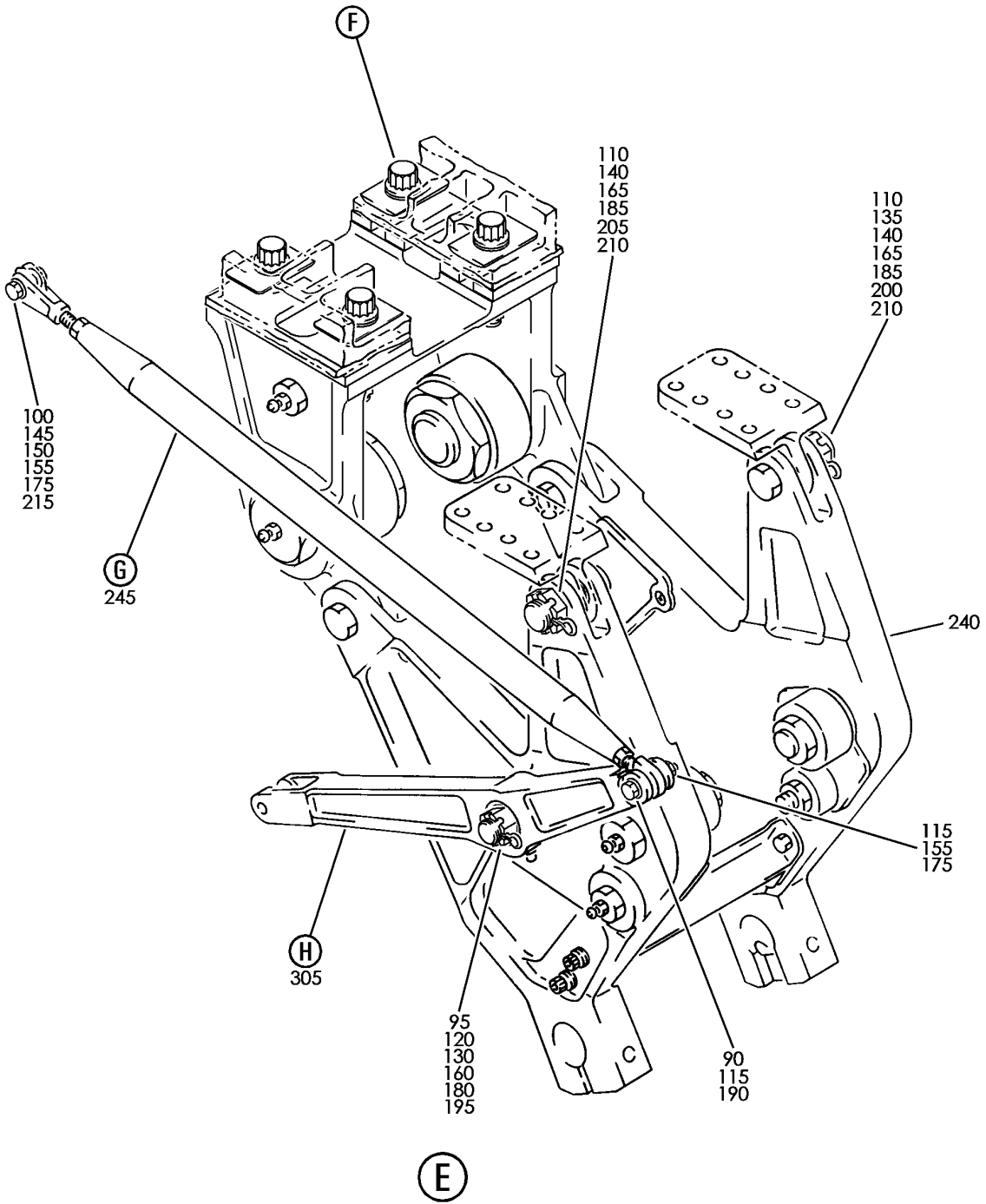
FLAP ASSY-INBD TE  
FIGURE 10B (SHEET 2)

**27-51-02-10B**

BRI  
JAN 20/08

27-51-02-10B  
PAGE 0A

**BOEING**  
757  
PARTS CATALOG (MAINTENANCE)



Y 27510210B SHT. 3 REV 241

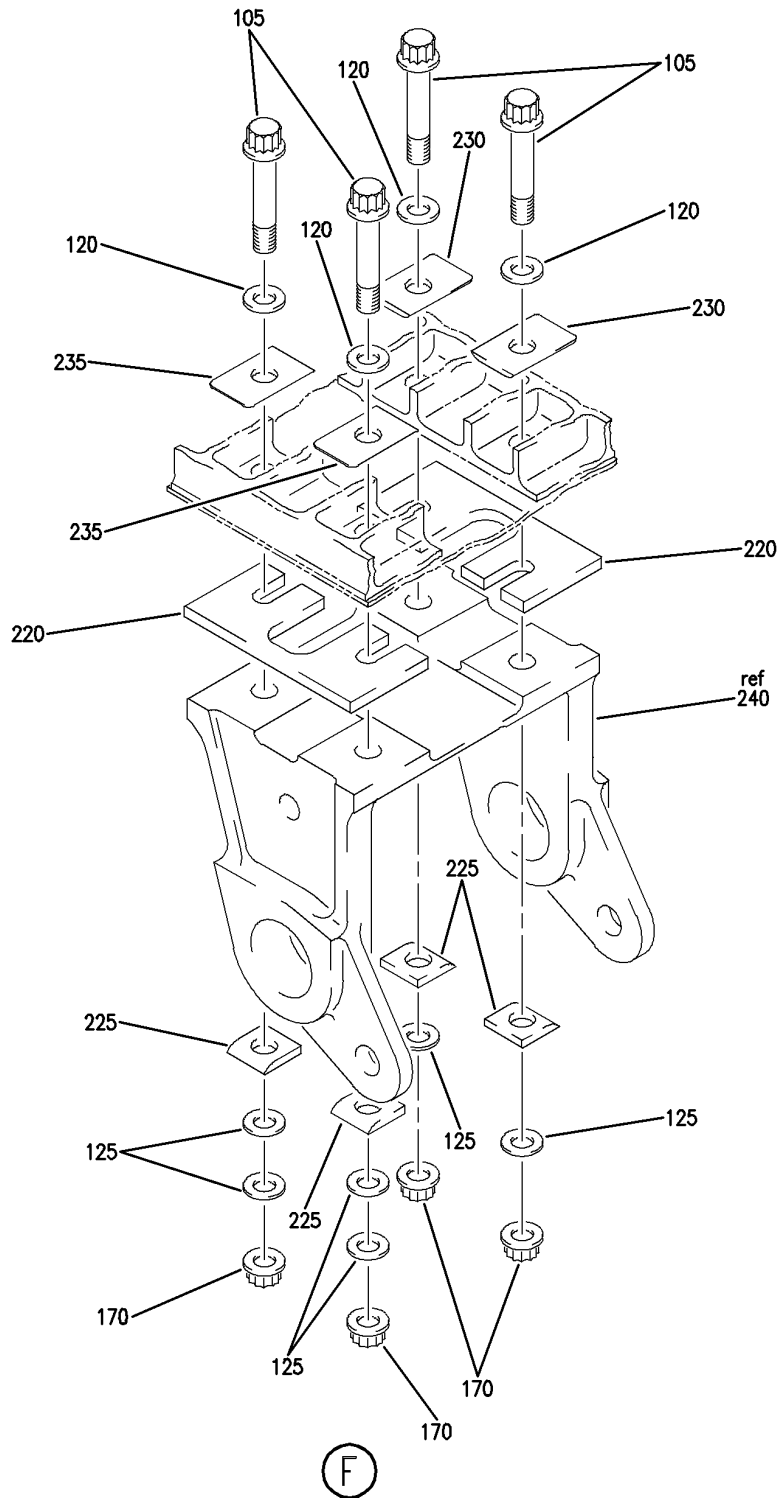
FLAP ASSY-INBD TE  
FIGURE 10B (SHEET 3)

**27-51-02-10B**

BRI  
MAY 28/07

27-51-02-10B  
PAGE 0B

**BOEING**  
757  
PARTS CATALOG (MAINTENANCE)



Y 27510210B SHT 4 REV 241

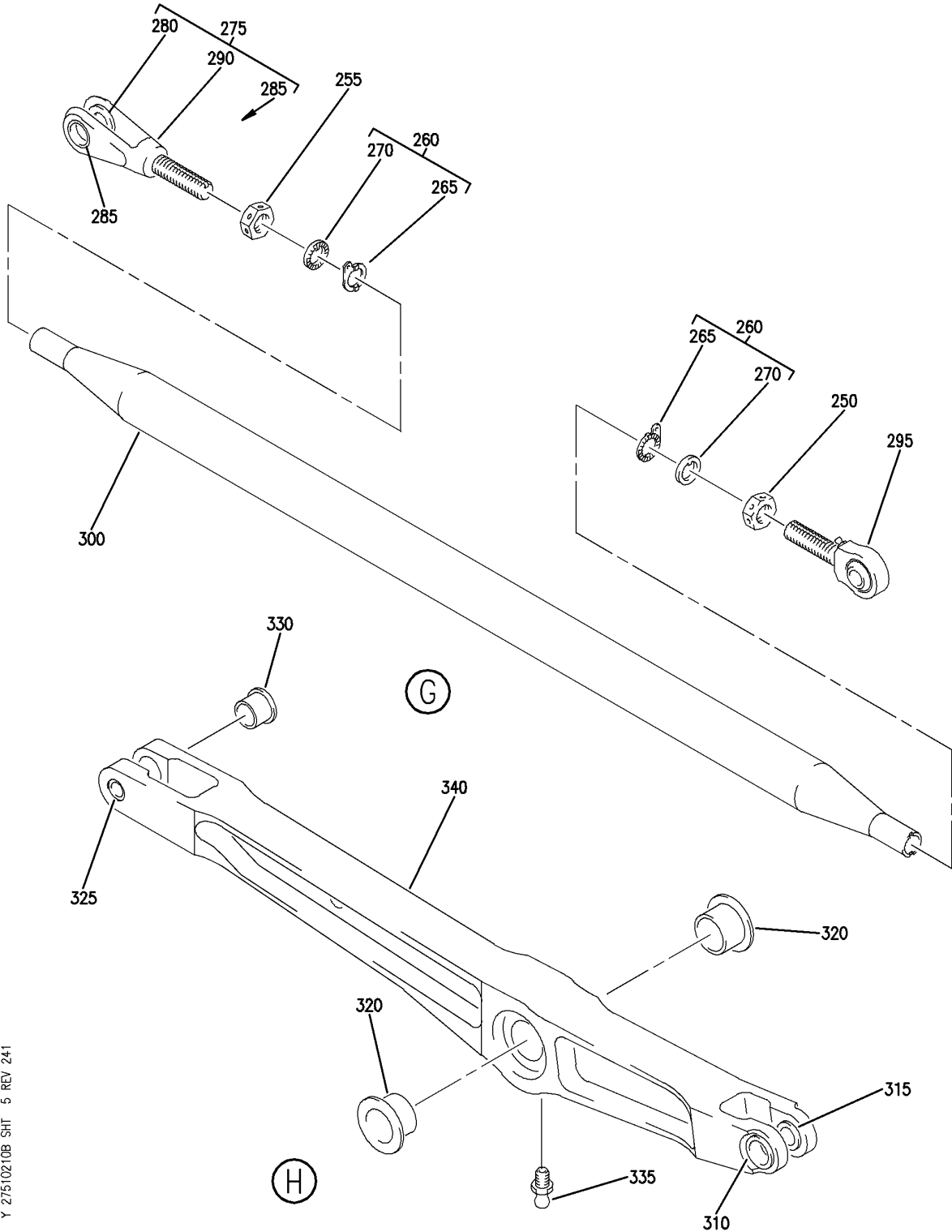
FLAP ASSY-INBD TE  
FIGURE 10B (SHEET 4)

**27-51-02-10B**

BRI  
MAY 28/07

27-51-02-10B  
PAGE 0C

**BOEING**  
757  
PARTS CATALOG (MAINTENANCE)



Y 27510210B SHT 5 REV 241

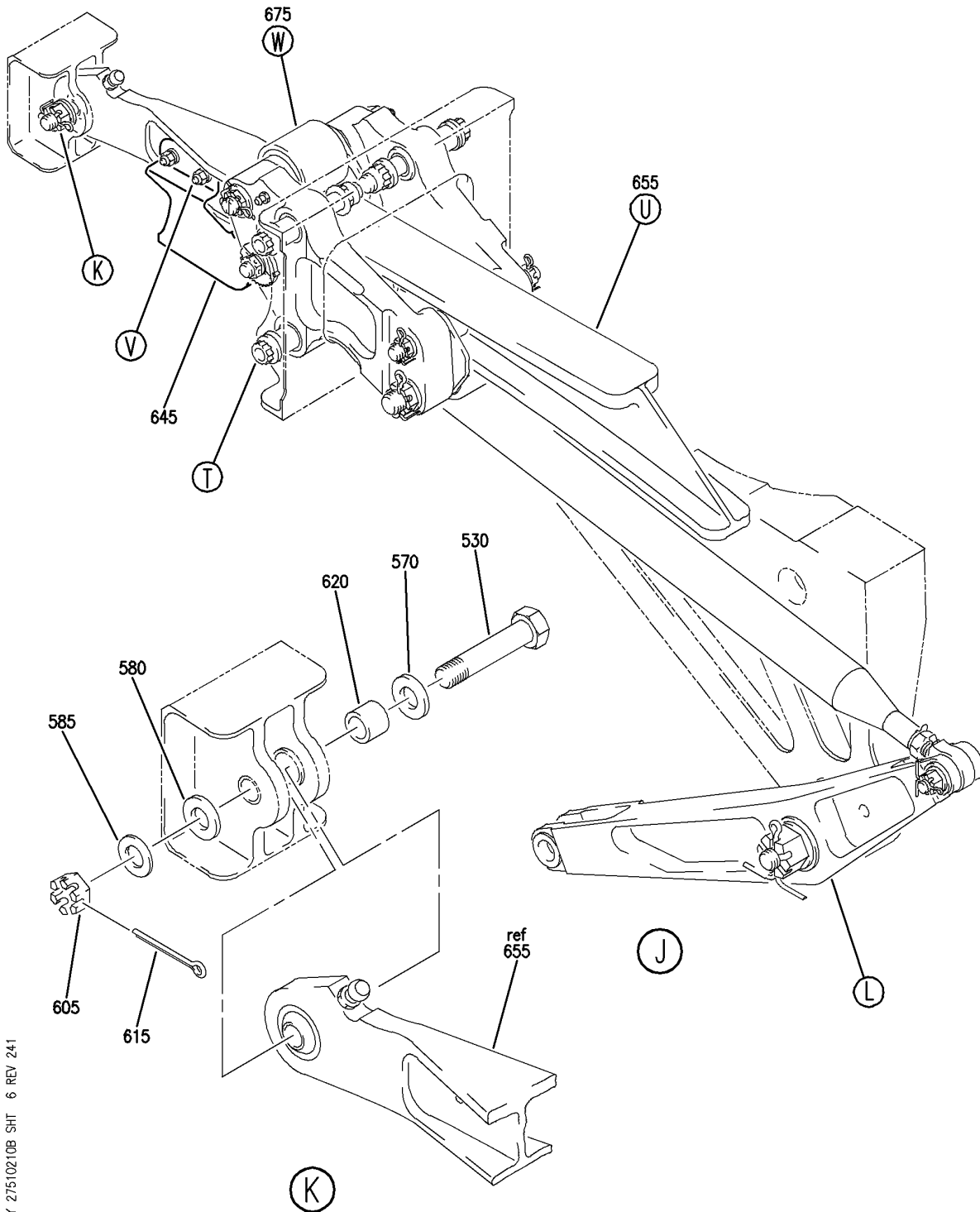
FLAP ASSY-INBD TE  
FIGURE 10B (SHEET 5)

**27-51-02-10B**

BRI  
MAY 28/07

27-51-02-10B  
PAGE 0D

**BOEING**  
757  
PARTS CATALOG (MAINTENANCE)



Y 27510210B SHT 6 REV 241

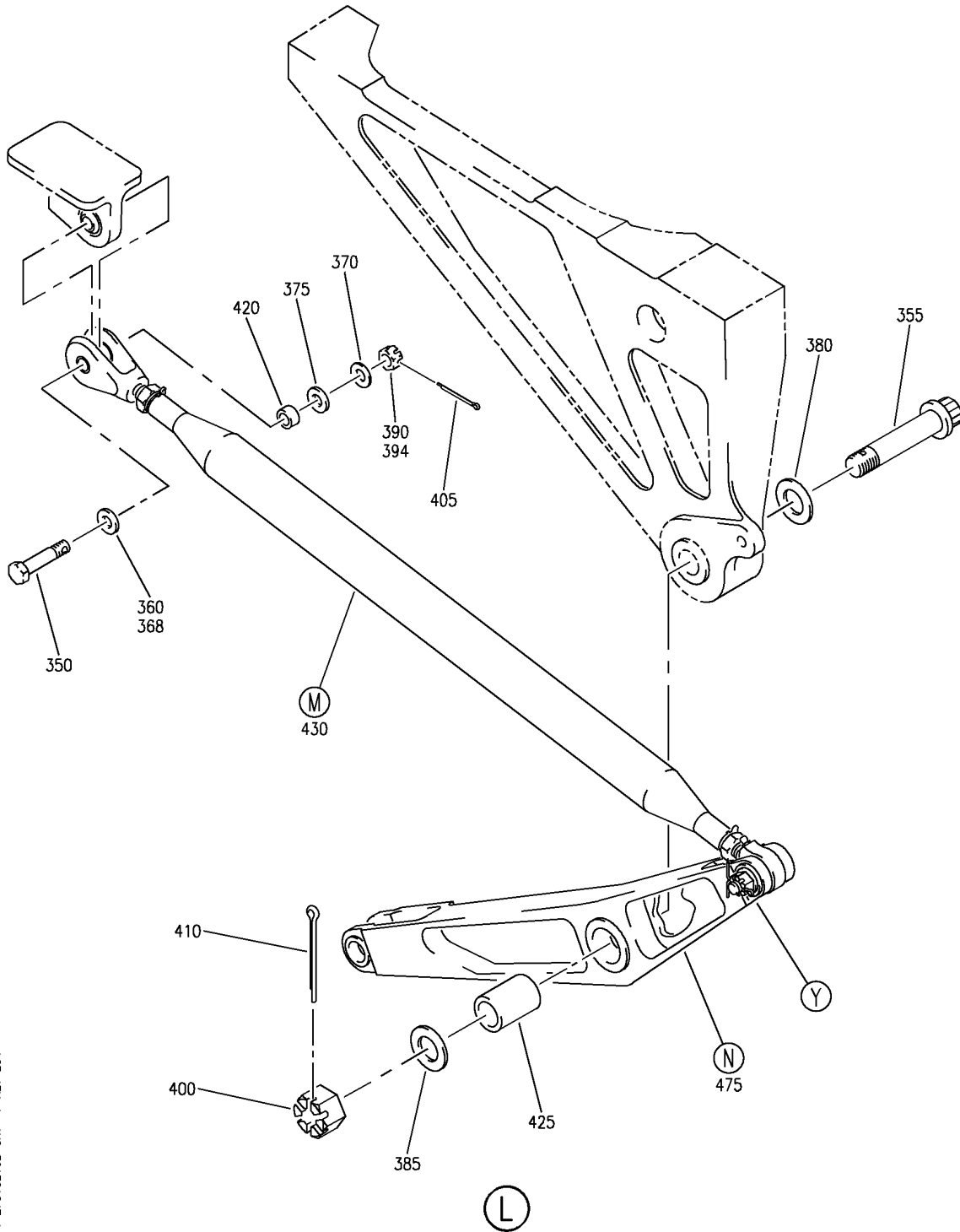
FLAP ASSY-INBD TE  
FIGURE 10B (SHEET 6)

**27-51-02-10B**

BRI  
MAY 28/07

27-51-02-10B  
PAGE 0E

**BOEING**  
757  
PARTS CATALOG (MAINTENANCE)



Y 27510210B SHT 7 REV 294

FLAP ASSY-INBD TE  
FIGURE 10B (SHEET 7)

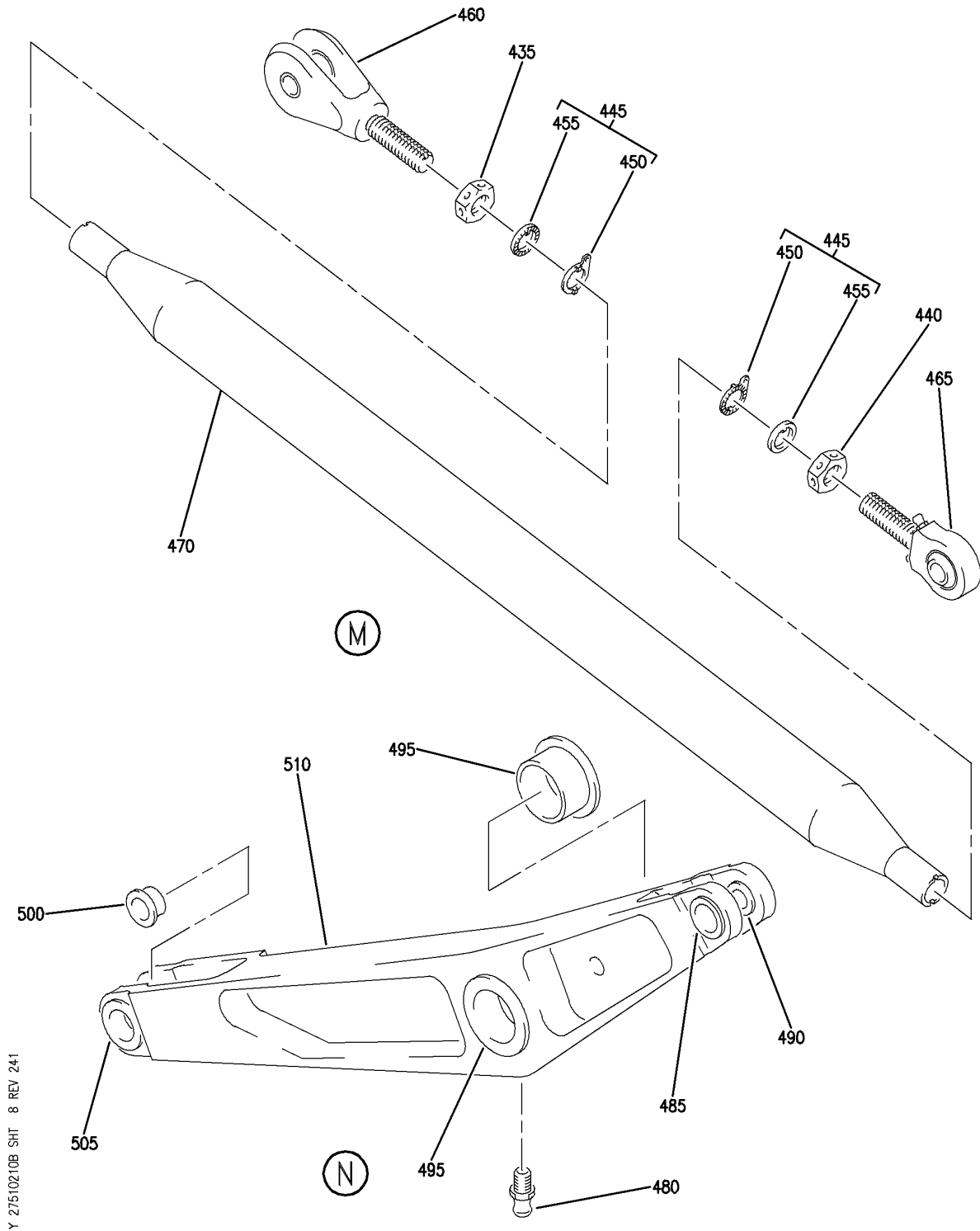
**27-51-02-10B**

BRI  
MAY 28/07

27-51-02-10B  
PAGE OF



**BOEING**  
757  
PARTS CATALOG (MAINTENANCE)



Y 27510210B SHT 8 REV 241

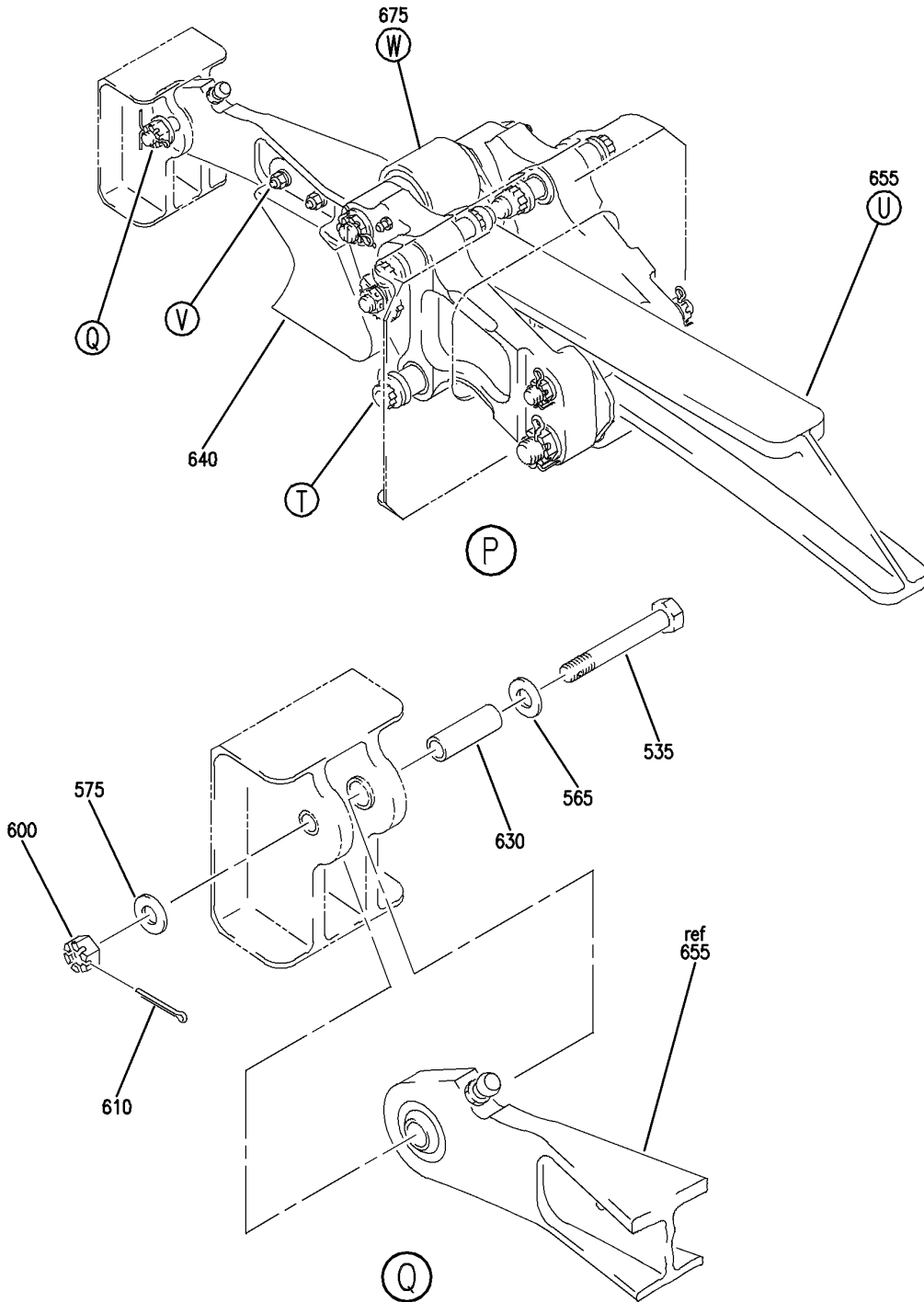
FLAP ASSY-INBD TE  
FIGURE 10B (SHEET 8)

**27-51-02-10B**

BRI  
MAY 28/07

27-51-02-10B  
PAGE 0G

**BOEING**  
757  
PARTS CATALOG (MAINTENANCE)



Y 27510210B SHT 9 REV 241

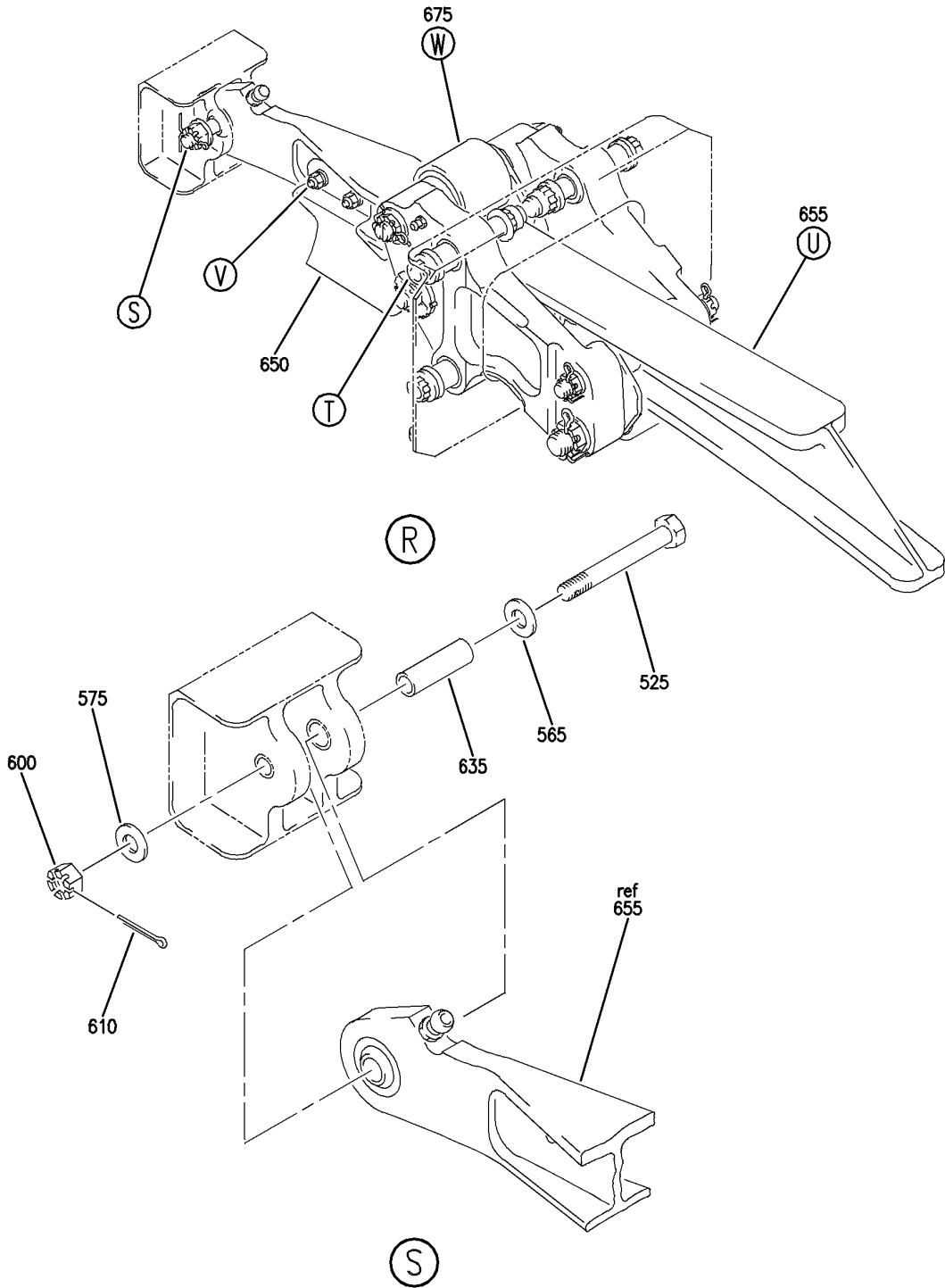
FLAP ASSY-INBD TE  
FIGURE 10B (SHEET 9)

**27-51-02-10B**

BRI  
MAY 28/07

27-51-02-10B  
PAGE 0H

**BOEING**  
757  
PARTS CATALOG (MAINTENANCE)



Y 27510210B SHT 10 REV 241

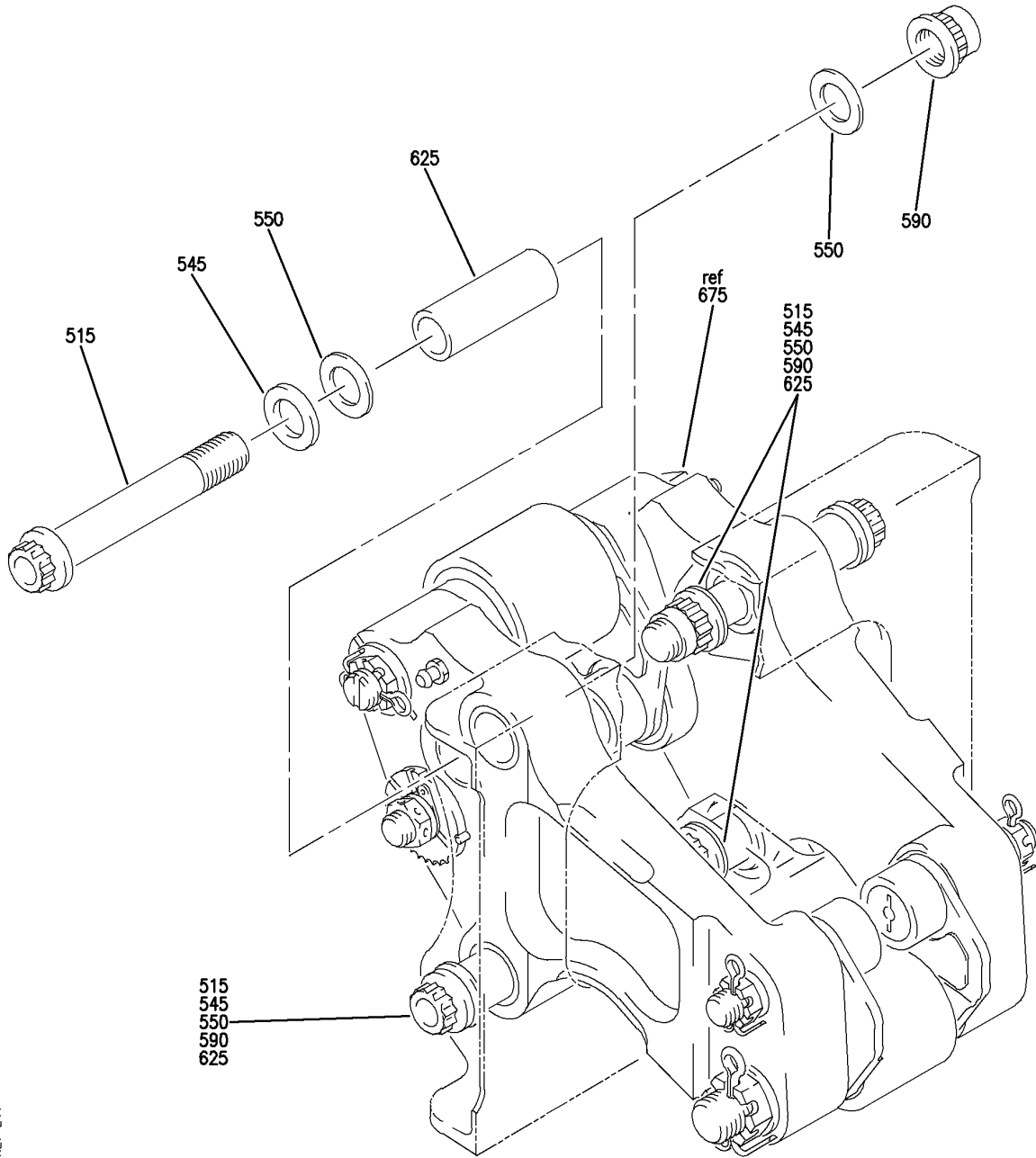
FLAP ASSY-INBD TE  
FIGURE 10B (SHEET 10)

**27-51-02-10B**

BRI  
MAY 28/07

27-51-02-10B  
PAGE 01

**BOEING**  
757  
PARTS CATALOG (MAINTENANCE)



Y 27510210B SHT 11 REV 241

(T)

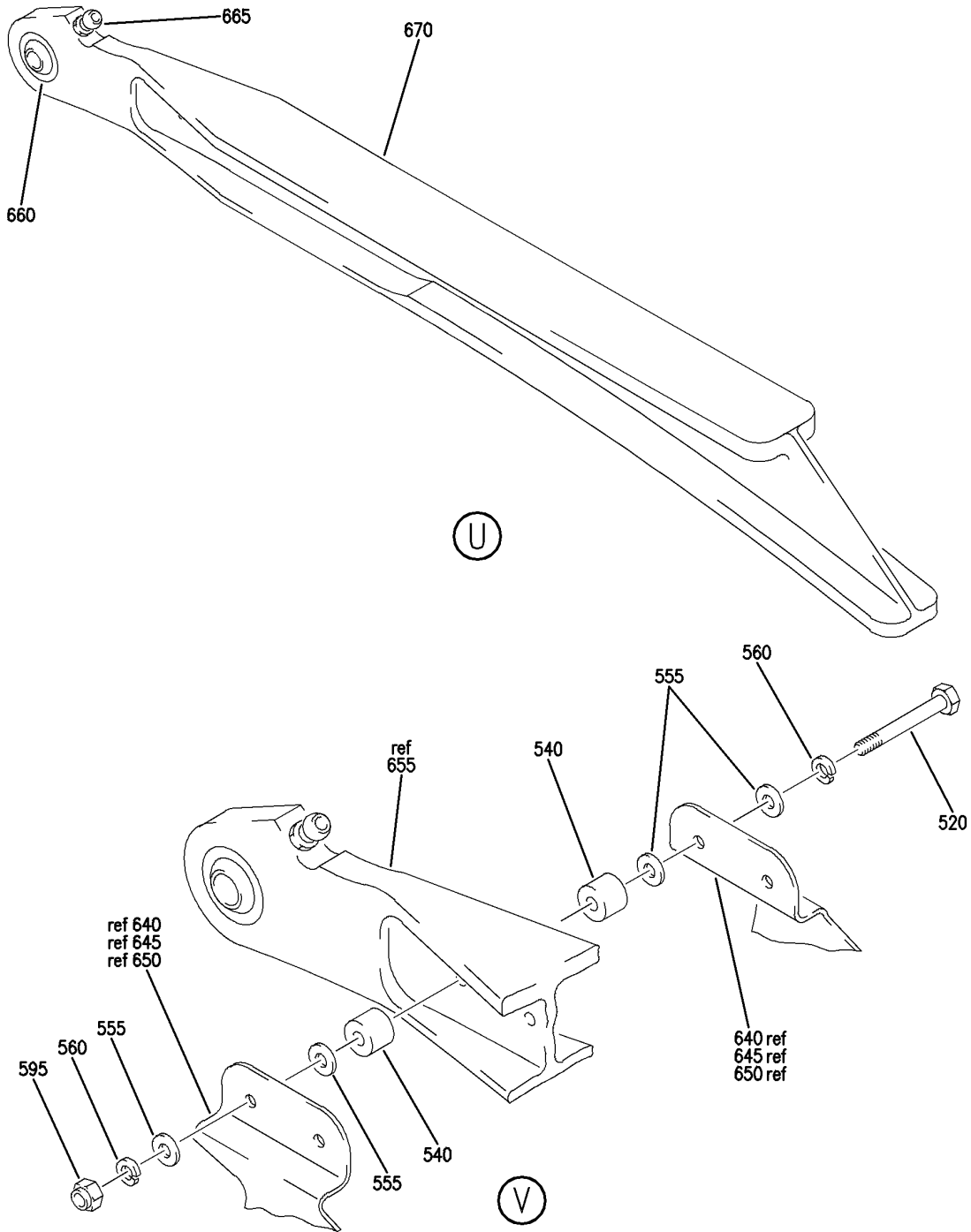
FLAP ASSY-INBD TE  
FIGURE 10B (SHEET 11)

**27-51-02-10B**

BRI  
MAY 28/07

27-51-02-10B  
PAGE 0J

**BOEING**  
757  
PARTS CATALOG (MAINTENANCE)



Y 27510210B SHT 12 REV 241

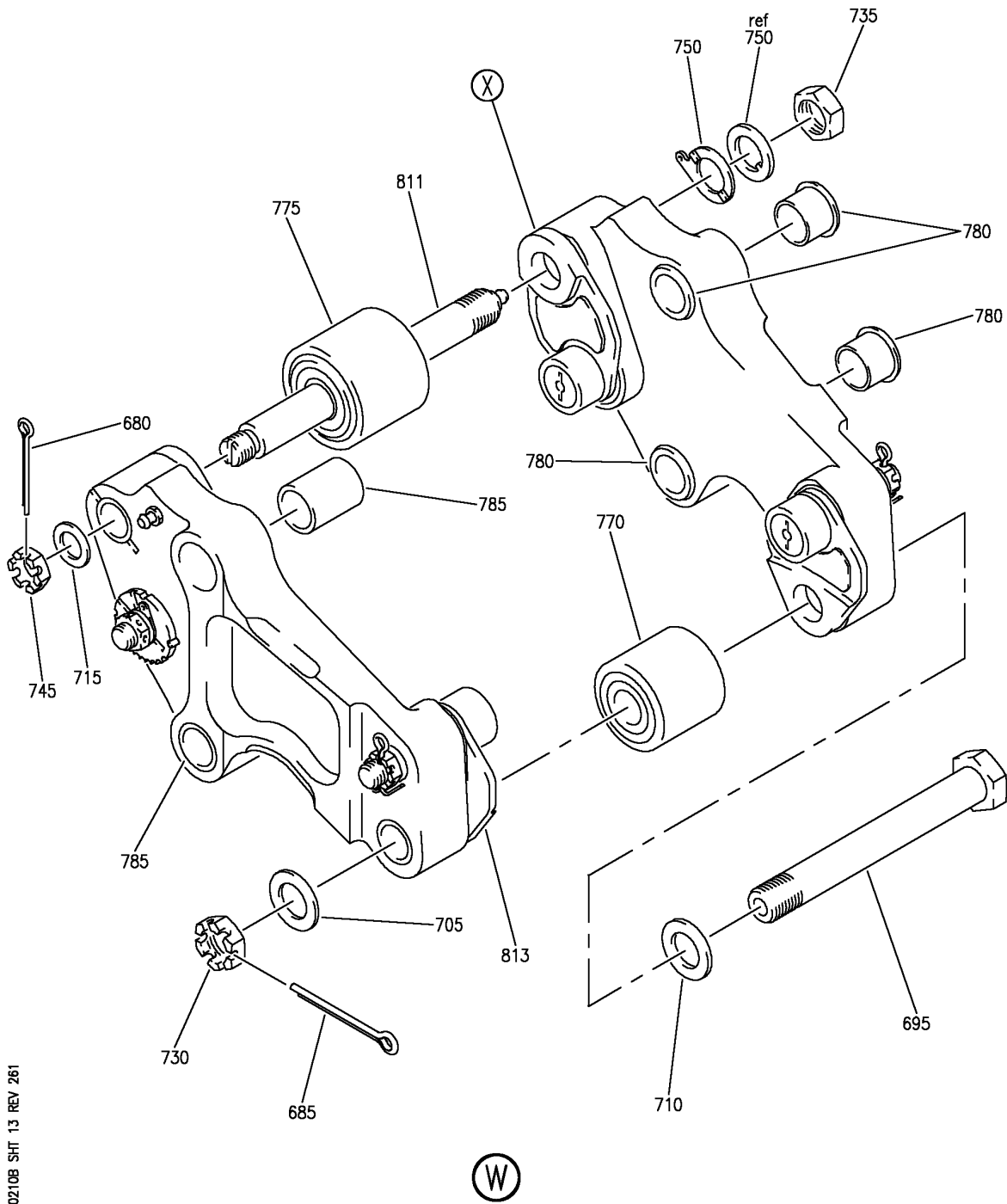
FLAP ASSY-INBD TE  
FIGURE 10B (SHEET 12)

**27-51-02-10B**

BRI  
MAY 28/07

27-51-02-10B  
PAGE 0K

**BOEING**  
757  
PARTS CATALOG (MAINTENANCE)



Y 27510210B SHT 13 REV 261

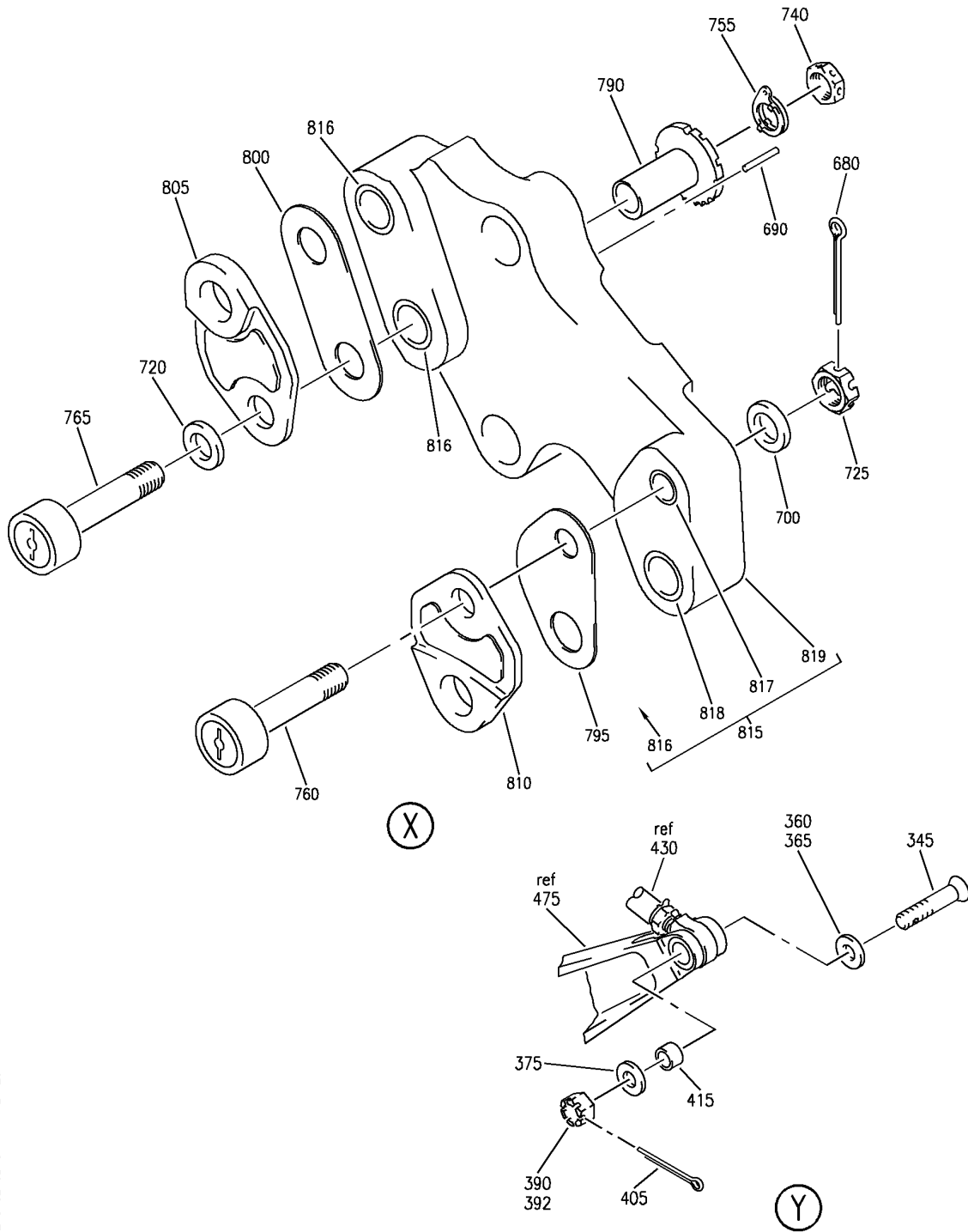
FLAP ASSY-INBD TE  
FIGURE 10B (SHEET 13)

**27-51-02-10B**

BRI  
MAY 28/07

27-51-02-10B  
PAGE 01

**BOEING**  
757  
PARTS CATALOG (MAINTENANCE)



Y 27510210B SHT 14 REV 294

FLAP ASSY-INBD TE  
FIGURE 10B (SHEET 14)

**27-51-02-10B**

BRI  
MAY 28/07

27-51-02-10B  
PAGE 0M



757

PARTS CATALOG (MAINTENANCE)

FIG ITEM	PART NUMBER	1 2 3 4 5 6 7	NOMENCLATURE	EFFECT FROM TO	UNITS PER ASSY
10B			FLAP ASSY-INBD TE	107107	
- 5	113N2002-57		FLAP ASSY-BASIC TE POSITION DATA: INBD LH COMPONENT MAINT MANUAL REF: 57-53-43 QUALIFIED I/W DATA: 113N2002-57 INTERCHANGEABLE WITH 113N2002-63 SUBJECT TO CUSTOMER COLOR PREFERENCE -65 MAY REPLACE -57 FOR RR535C ENGINE CONFIGURATION REWORKED BY SB: 57-0032 FOR NHA SEE: 27-51-02-02	904949 107107	RF
- 5	113N2002-77		FLAP ASSY-BASIC TE POSITION DATA: INBD LH COMPONENT MAINT MANUAL REF: 57-53-43 REWORKED BY SB: 57-0032 FOR NHA SEE: 27-51-02-02	107107	RF

MISSING ITEM NUMBERS NOT APPLICABLE

- ITEM NOT ILLUSTRATED

BRI

**27-51-02-10B**

BOEING PROPRIETARY - Copyright © - Unpublished Work - See title page for details.

27-51-02  
FIG. 10B  
PAGE 1  
JAN 20/09





757

PARTS CATALOG (MAINTENANCE)

FIG ITEM	PART NUMBER	1 2 3 4 5 6 7	NOMENCLATURE	EFFECT FROM TO	UNITS PER ASSY
10B - 5	113N2002-87		FLAP ASSY-BASIC TE POSITION DATA: INBD LH COMPONENT MAINT MANUAL REF: 57-53-43 QUALIFIED I/W DATA: -87 I/W -93 UPON INCORPORATION OF S/B 757-57-0026 -101 I/W -87 UPON INCORPORATION OF S/B 757-57-0026 -117 I/W -87 UPON INCORPORATION OF S/B 757-57-0026 -107 I/W -87 UPON INCORPORATION OF S/B 757-57-0026 AND 654N0010-178 -115SP I/W -87 UPON INCORPORATION OF S/B 757-57-0026 -121SP CAN REPLACE -87 UPON INCORPORATION OF S/B 757-57-0026 AND S/B 757-57-0032 REWORKED BY SB: 57-0032 FOR NHA SEE: 27-51-02-02	107107	RF

MISSING ITEM NUMBERS NOT APPLICABLE

- ITEM NOT ILLUSTRATED

BRI

27-51-02-10B

BOEING PROPRIETARY - Copyright © - Unpublished Work - See title page for details.

27-51-02  
FIG. 10B  
PAGE 2  
JAN 20/09



757

PARTS CATALOG (MAINTENANCE)

FIG ITEM	PART NUMBER	1 2 3 4 5 6 7	NOMENCLATURE	EFFECT FROM TO	UNITS PER ASSY
10B - 5	113N2002-107SP		FLAP ASSY-BASIC TE POSITION DATA: INBD LH COMPONENT MAINT MANUAL REF: 57-53-43 QUALIFIED I/W DATA: -107SP TOGETHER WITH 654N0010-178 ATTACHING HARDWARE KIT MAY REPLACE -115SP OR -101 OR -117 OR -93 -129SP OR -121SP MAY REPLACE -107SP UPON INCORPORATION OF S/B 757-57-0032. -145SP OR -149SP MAY REPLACE -107SP UPON INCRP OF S/B 757-57-0032. 113N2002-159SP MAY REPLACE 113N2002-107SP UPON INCORPORATION OF S/B 757-57-0032 -107SP I/W -87 UPON INCORPORATION OF S/B 757-57-0026 AND 654N0010-178 FOR NHA SEE: 27-51-02-02	904949	RF
15	BACB30NR8K17	.BOLT		107107 904949	1
20	BACB30NR8K18	.BOLT		107107 904949	3
25	BACB30NU8K13	.BOLT		107107 904949	1
55	BACW10BP8CD	.WASHER		107107 904949	6
65	BACW10BP8DP	.WASHER		107107 904949	6

MISSING ITEM NUMBERS NOT APPLICABLE

- ITEM NOT ILLUSTRATED

**27-51-02-10B**

27-51-02  
FIG. 10B  
PAGE 3  
JAN 20/09

BRI



757

PARTS CATALOG (MAINTENANCE)

FIG ITEM	PART NUMBER	1 2 3 4 5 6 7	NOMENCLATURE	EFFECT FROM TO	UNITS PER ASSY
10B 75	69235-820CD	.NUT	SUPPLIER CODE: V92215 SPECIFICATION NUMBER: BACN10JC8CD OPTIONAL PART: 102LH9074-8 V72962 BMN4122CPD8-8 V97928 H51650-8BAC V15653	107107 904949	8
80	113N2106-2	.SPACER-TORQUE TUBE		107107 904949	4
82	113N2108-1	.TUBE-TORQUE		107107 904949	1
85	113N2100-1	.CARRIAGE ASSY- COMPONENT MAINT MANUAL REF: 27-51-09 FOR DETAILS SEE: 27-51-05-01		107107 904949	1
85	113N2100-11	.CARRIAGE ASSY- COMPONENT MAINT MANUAL REF: 27-51-09 FOR DETAILS SEE: 27-51-05-01		107107 904949	1
85	113N2100-13	.CARRIAGE ASSY- COMPONENT MAINT MANUAL REF: 27-51-09 FOR DETAILS SEE: 27-51-05-01		107107 904949	1
85	113N2100-17	.CARRIAGE ASSY- COMPONENT MAINT MANUAL REF: 27-51-09 FOR DETAILS SEE: 27-51-05-01		107107 904949	1
85	113N2100-4	.CARRIAGE ASSY- COMPONENT MAINT MANUAL REF: 27-51-09 FOR DETAILS SEE: 27-51-05-01		107107 904949	1
85	113N2100-6	.CARRIAGE ASSY- COMPONENT MAINT MANUAL REF: 27-51-09 OPTIONAL PART: 113N2100-1 FOR DETAILS SEE: 27-51-05-01		107107 904949	1

MISSING ITEM NUMBERS NOT APPLICABLE

- ITEM NOT ILLUSTRATED

**27-51-02-10B**

27-51-02  
FIG. 10B  
PAGE 4  
JAN 20/09

BRI

BOEING PROPRIETARY - Copyright © - Unpublished Work - See title page for details.



757

PARTS CATALOG (MAINTENANCE)

FIG ITEM	PART NUMBER	1 2 3 4 5 6 7	NOMENCLATURE	EFFECT FROM TO	UNITS PER ASSY
10B 85	113N2100-8		.CARRIAGE ASSY- POSITION DATA: INBD COMPONENT MAINT MANUAL REF: 27-51-09 FOR DETAILS SEE: 27-51-05-01	107107 904949	1
90	NAS6705D19		.BOLT	107107 904949	1
95	NAS6708DE42		.BOLT- OPTIONAL PART: NAS6708D42	107107 904949	1
95	NAS6708D42		.BOLT- OPTIONAL PART: NAS6708DE42	107107 904949	1
100	NAS6705D16		.BOLT	107107 904949	1
105	BACB30LE8-26		.BOLT	107107 904949	4
110	113N2157-17		.BOLT	107107 904949	2
115	AN960C516L		.WASHER	107107 904949	2
120	BACW10BP8CD		.WASHER	107107 904949	5
125	BACW10BP8DP		.WASHER	107107 904949	6
130	BACW10BP8DP		.WASHER- POSITION DATA: UNDER NUT	107107 904949	1
135	AN960XC1016L		.WASHER	107107 904949	1
140	AN960KD1016L		.WASHER- OPTIONAL PART: NAS1149D1016K NAS1149D1016L	107107 904949	2
140	NAS1149D1016K		.WASHER- OPTIONAL PART: AN960KD1016L NAS1149D1016L	107107 904949	2
140	NAS1149D1016L		.WASHER- OPTIONAL PART: AN960KD1016L NAS1149D1016K	107107 904949	2
145	BACW10BP5CD		.WASHER	107107 904949	1
150	BACW10BP5DP		.WASHER	107107 904949	1

MISSING ITEM NUMBERS NOT APPLICABLE

- ITEM NOT ILLUSTRATED

**27-51-02-10B**

27-51-02  
FIG. 10B  
PAGE 5  
JAN 20/09

BRI

BOEING PROPRIETARY - Copyright © - Unpublished Work - See title page for details.



757

PARTS CATALOG (MAINTENANCE)

FIG ITEM	PART NUMBER	1 2 3 4 5 6 7	NOMENCLATURE	EFFECT FROM TO	UNITS PER ASSY
10B 155	73781CD524	.NUT-	SUPPLIER CODE: V56878 OPTIONAL PART: 102E9925-5 V72962 PHCR55CD VF0224	107107 904949	2
155	102E9925-5	.NUT-	SUPPLIER CODE: V72962 OPTIONAL PART: 73781CD524 V56878 PHCR55CD VF0224	107107 904949	2
155	PHCR55CD	.NUT-	SUPPLIER CODE: VF0224 OPTIONAL PART: 102E9925-5 V72962 73781CD524 V56878	107107 904949	2
160	73781CD820	.NUT-	SUPPLIER CODE: V80539 OPTIONAL PART: 102E9925-8 V72962 PHCR58CD VF0224 REFERENCE SERVICE BULLETIN: 57-0032R1	107107 904949	1
160	102E9925-8	.NUT-	SUPPLIER CODE: V72962 OPTIONAL PART: 73781CD820 V80539 PHCR58CD VF0224 REFERENCE SERVICE BULLETIN: 57-0032R1	107107 904949	1

MISSING ITEM NUMBERS NOT APPLICABLE

- ITEM NOT ILLUSTRATED

**27-51-02-10B**

27-51-02  
FIG. 10B  
PAGE 6  
JAN 20/09

BRI



757

PARTS CATALOG (MAINTENANCE)

FIG ITEM	PART NUMBER	1 2 3 4 5 6 7	NOMENCLATURE	EFFECT FROM TO	UNITS PER ASSY
10B 160	PHCR58CD	.NUT-	SUPPLIER CODE: VF0224 OPTIONAL PART: 73781CD820 V80539 102E9925-8 V72962	107107 904949	1
165	BACN10JD110CD	.NUT		107107 904949	2
170	BMN10HRCWD3-8	.NUT	SUPPLIER CODE: V97928 SPECIFICATION NUMBER: BACN10HR8CD OPTIONAL PART: H51560-8 V15653 67832CD820 V56878 102LH9031-8 V72962 BH00303CM8 V27238 BMN5024CWD38 V97928 SL7108C8 V11815 VCU0005D8 V06710 102LH90318 V72962 67832CD8 V56878 CR6030-8 VF0224	107107 904949	4
175	MS24665-153	.PIN		107107 904949	2
180	MS24665-287	.PIN		107107 904949	1
185	MS24665-357	.PIN		107107 904949	2
190	BACB28AK05-045	.BUSHING		107107 904949	1
195	BACB28AK08-118	.BUSHING		107107 904949	1
200	BACB28AK10-092	.BUSHING		904949	1
205	BACB28AK10-095	.BUSHING		904949	1
210	BACB28AK10-095	.BUSHING		107107	2

MISSING ITEM NUMBERS NOT APPLICABLE

- ITEM NOT ILLUSTRATED

27-51-02-10B

27-51-02  
FIG. 10B  
PAGE 7  
JAN 20/09

BRI

BOEING PROPRIETARY - Copyright © - Unpublished Work - See title page for details.

 **BOEING**  
757  
**PARTS CATALOG (MAINTENANCE)**

FIG ITEM	PART NUMBER	1 2 3 4 5 6 7	NOMENCLATURE	EFFECT FROM TO	UNITS PER ASSY
10B					
215	BACB28AK05-030	.	BUSHING	107107 904949	1
220	113N2159-34	.	SHIM- OPTIONAL PART: 113N2159-18	107107 904949	2
225	113N2159-13	.	PAD-STRESS	107107 904949	4
230	113N2159-11	.	PAD-STRESS	107107	2
230	113N2159-42	.	PAD-STRESS	904949	2
230	113N2159-44	.	PAD-STRESS USED ON: 113N2002-107SP	904949	2
230	113N2159-48	.	PAD-STRESS	904949	2
235	113N2159-9	.	PAD-STRESS	107107	2
235	113N2159-43	.	PAD-STRESS	904949	2
235	113N2159-45	.	PAD-STRESS USED ON: 113N2002-107SP	904949	2
235	113N2159-49	.	PAD-STRESS	904949	2
240	113N2150-9	.	CARRIAGE ASSY- COMPONENT MAINT MANUAL REF: 27-51-06 FOR DETAILS SEE: 27-51-05-01	107107 904949	1
240	113N2150-1	.	CARRIAGE ASSY- COMPONENT MAINT MANUAL REF: 27-51-06 OPTIONAL PART: 113N2150-4 113N2150-7 FOR DETAILS SEE: 27-51-05-01	107107 904949	1
240	113N2150-4	.	CARRIAGE ASSY- COMPONENT MAINT MANUAL REF: 27-51-06 OPTIONAL PART: 113N2150-7 FOR DETAILS SEE: 27-51-05-01	107107	1
240	113N2150-7	.	CARRIAGE ASSY- COMPONENT MAINT MANUAL REF: 27-51-06 OPTIONAL PART: 113N2150-4 FOR DETAILS SEE: 27-51-05-01	107107	1
245	113N2888-12	.	ROD ASSY-FLAP	107107 904949	1

MISSING ITEM NUMBERS NOT APPLICABLE

— ITEM NOT ILLUSTRATED

BRI

# 27-51-02-10B

BOEING PROPRIETARY - Copyright © - Unpublished Work - See title page for details.

27-51-02  
FIG. 10B  
PAGE 8  
JAN 20/09



757

PARTS CATALOG (MAINTENANCE)

FIG ITEM	PART NUMBER	1 2 3 4 5 6 7	NOMENCLATURE	EFFECT FROM TO	UNITS PER ASSY
10B					
250	NAS509L6C	..	NUT	107107 904949	1
255	NAS509-6C	..	NUT	107107 904949	1
260	NAS1193K6CP	..	LOCKING DEVICE	107107 904949	2
265	NAS1193K6-1P	...	WASHER	107107 904949	1
270	NAS1193K6-2P	...	WASHER	107107 904949	1
275	113N2890-2	..	CLEVIS ASSY-END	107107 904949	1
280	BACB28AP05P010	...	BUSHING	107107 904949	1
285	BACB28AP07P010	...	BUSHING	107107 904949	1
290	113N2890-4	...	CLEVIS	107107 904949	1
295	MKL5EPDL	..	BEARING-ROD END SUPPLIER CODE: V73134 SPECIFICATION NUMBER: S012T234-105-789 OPTIONAL PART: ARH5E115KLM VS0352 ARBL5E190W9 V15860 KBE4-225W V97613	107107 904949	1
300	113N2888-16	..	ROD- OPTIONAL PART: 113N2888-20	107107 904949	1
300	113N2888-20	..	ROD- OPTIONAL PART: 113N2888-16	107107 904949	1
305	113N2896-1	.	BELLCRANK ASSY-	107107 904949	1
305	113N2883-1	.	BELLCRANK ASSY-	107107 904949	1
310	BACB28AM07B022	..	BUSHING	107107 904949	1
315	BACB28AP05-022	..	BUSHING	107107 904949	1
320	BACB28AM11B047	..	BUSHING	107107 904949	2
325	BACB28AP05-036	..	BUSHING	107107 904949	1

MISSING ITEM NUMBERS NOT APPLICABLE

- ITEM NOT ILLUSTRATED

BRI

27-51-02-10B

BOEING PROPRIETARY - Copyright © - Unpublished Work - See title page for details.

27-51-02  
FIG. 10B  
PAGE 9  
JAN 20/09





757

PARTS CATALOG (MAINTENANCE)

FIG ITEM	PART NUMBER	1 2 3 4 5 6 7	NOMENCLATURE	EFFECT FROM TO	UNITS PER ASSY
10B					
330	BACB28AM07B035	..	BUSHING	107107 904949	1
335	MS15001-1	..	FITTING	107107 904949	1
340	113N2896-3	..	BELLCRANK- USED ON: 113N2896-1	107107 904949	1
340	113N2883-3	..	BELLCRANK- USED ON: 113N2883-1	107107 904949	1
345	NAS6706D22	.BOLT-	PRE SERVICE BULLETIN: 57-0032	107107 904949	1
345	BACB30LL6D19	.BOLT-	POST SERVICE BULLETIN: 57-0032	904949	1
350	NAS6706D19	.BOLT		107107 904949	1
355	113N2157-18	.BOLT-MAIN FLAP	QUALIFIED I/W DATA: -19 MAY REPLACE -18 UPON INCORPORATION OF S/B 757-57-0032 PRE SERVICE BULLETIN: 57-0032	904949	1
355	113N2157-19	.BOLT-MAIN FLAP	QUALIFIED I/W DATA: -19 MAY REPLACE -18 UPON INCORPORATION OF S/B 757-57-0032 POST SERVICE BULLETIN: 57-0032	904949	1
360	BACW10BP6CD	.WASHER-	QUALIFIED I/W DATA: 113N2050-1 MAY REPLACE BACW10BP6CD UPON INCORPORATION OF S/B 757-57-0032	107107	2
365	113N2050-1	.WASHER-	POSITION DATA: UNDER BOLT HEAD QUALIFIED I/W DATA: 113N2050-1 MAY REPLACE BACW10BP6CD UPON INCORPORATION OF S/B 757-57-0032 POST SERVICE BULLETIN: 57-0032	904949	1

MISSING ITEM NUMBERS NOT APPLICABLE

- ITEM NOT ILLUSTRATED

27-51-02-10B

27-51-02  
FIG. 10B  
PAGE 10  
JAN 20/09

BRI

BOEING PROPRIETARY - Copyright © - Unpublished Work - See title page for details.



757

PARTS CATALOG (MAINTENANCE)

FIG ITEM	PART NUMBER	1 2 3 4 5 6 7	NOMENCLATURE	EFFECT FROM TO	UNITS PER ASSY
10B 365	BACW10BP6CD		.WASHER- QUALIFIED I/W DATA: 113N2050-1 MAY REPLACE BACW10BP6CD UPON INCORPORATION OF S/B 757-57-0032 PRE SERVICE BULLETIN: 57-0032	904949	1
368	BACW10BP6CD		.WASHER- QUALIFIED I/W DATA: 113N2050-1 MAY REPLACE BACW10BP6CD UPON INCORPORATION OF S/B 757-57-0032	904949	1
370	AN960C616L		.WASHER	107107 904949	1
375	BACW10BP6DP		.WASHER-	107107 904949	2
380	BACW10BP12CD		.WASHER- PRE SERVICE BULLETIN: 57-0032	107107 904949	1
380	BACW10BP8CD		.WASHER- POST SERVICE BULLETIN: 57-0032	904949	1
385	BACW10BP12DP		.WASHER- PRE SERVICE BULLETIN: 57-0032	107107 904949	1
385	BACW10BP8DP		.WASHER- POST SERVICE BULLETIN: 57-0032	904949	1
390	73781CD624		.NUT- SUPPLIER CODE: V56878 OPTIONAL PART: 102E9925-6 V72962 PHCR56CD VF0224	107107	2
390	102E9925-6		.NUT- SUPPLIER CODE: V72962 OPTIONAL PART: 73781CD624 V56878 PHCR56CD VF0224	107107	2

MISSING ITEM NUMBERS NOT APPLICABLE

- ITEM NOT ILLUSTRATED

**27-51-02-10B**

27-51-02  
FIG. 10B  
PAGE 11  
JAN 20/09

BRI

BOEING PROPRIETARY - Copyright © - Unpublished Work - See title page for details.



757

PARTS CATALOG (MAINTENANCE)

FIG ITEM	PART NUMBER	1 2 3 4 5 6 7	NOMENCLATURE	EFFECT FROM TO	UNITS PER ASSY
10B 390	PHCR56CD		.NUT- SUPPLIER CODE: VF0224 OPTIONAL PART: 102E9925-6 V72962 73781CD624 V56878	107107	2
392	73781CD624		.NUT- SUPPLIER CODE: V56878 OPTIONAL PART: 102E9925-6 V72962 PHCR56CD VF0224 PRE SERVICE BULLETIN: 57-0032	904949	1
392	102E9925-6		.NUT- SUPPLIER CODE: V72962 OPTIONAL PART: 73781CD624 V56878 PHCR56CD VF0224 PRE SERVICE BULLETIN: 57-0032	904949	1
392	PHCR56CD		.NUT- SUPPLIER CODE: VF0224 OPTIONAL PART: 102E9925-6 V72962 73781CD624 V56878 PRE SERVICE BULLETIN: 57-0032	904949	1
392	73783CD624		.NUT- SUPPLIER CODE: V56878 POST SERVICE BULLETIN: 57-0032	904949	1
392	BACN11N106CD		.NUT- SERVICE BULLETIN OPT DATA: 73783CD624 V56878 POST SERVICE BULLETIN: 57-0032R1	904949	1

MISSING ITEM NUMBERS NOT APPLICABLE

- ITEM NOT ILLUSTRATED

**27-51-02-10B**

27-51-02  
FIG. 10B  
PAGE 12  
JAN 20/09

BRI

BOEING PROPRIETARY - Copyright © - Unpublished Work - See title page for details.



757

PARTS CATALOG (MAINTENANCE)

FIG ITEM	PART NUMBER	1 2 3 4 5 6 7	NOMENCLATURE	EFFECT FROM TO	UNITS PER ASSY
10B 394	73781CD624	.NUT-	SUPPLIER CODE: V56878 OPTIONAL PART: 102E9925-6 V72962 PHCR56CD VF0224	904949	1
394	102E9925-6	.NUT-	SUPPLIER CODE: V72962 OPTIONAL PART: 73781CD624 V56878 PHCR56CD VF0224	904949	1
394	PHCR56CD	.NUT-	SUPPLIER CODE: VF0224 OPTIONAL PART: 102E9925-6 V72962 73781CD624 V56878	904949	1
400	73781CD1216	.NUT-	SUPPLIER CODE: V80539 OPTIONAL PART: 102E9925-12 V72962 PHCR512CD VF0224 PRE SERVICE BULLETIN: 57-0032	107107 904949	1
400	102E9925-12	.NUT-	SUPPLIER CODE: V72962 OPTIONAL PART: 73781CD1216 V80539 PHCR512CD VF0224 PRE SERVICE BULLETIN: 57-0032	107107 904949	1

MISSING ITEM NUMBERS NOT APPLICABLE

- ITEM NOT ILLUSTRATED

**27-51-02-10B**

27-51-02  
FIG. 10B  
PAGE 13  
JAN 20/09

BRI

BOEING PROPRIETARY - Copyright © - Unpublished Work - See title page for details.



757

PARTS CATALOG (MAINTENANCE)

FIG ITEM	PART NUMBER	1 2 3 4 5 6 7	NOMENCLATURE	EFFECT FROM TO	UNITS PER ASSY
10B 400	PHCR512CD	.NUT-	SUPPLIER CODE: VF0224 OPTIONAL PART: 102E9925-12 V72962 73781CD1216 V80539 PRE SERVICE BULLETIN: 57-0032	107107 904949	1
400	73781CD820	.NUT-	SUPPLIER CODE: V80539 SERVICE BULLETIN OPT DATA: BACN11N8CD 102E9925-8 V72962 POST SERVICE BULLETIN: 57-0032	904949	1
400	102E9925-8	.NUT-	SUPPLIER CODE: V72962 SERVICE BULLETIN OPT DATA: BACN11N8CD 73781CD820 V80539 POST SERVICE BULLETIN: 57-0032R1	904949	1
400	PHCR58CDBACN	.NUT-	SUPPLIER CODE: VF0224 SPECIFICATION NUMBER: BACN11N8CD SERVICE BULLETIN OPT DATA: 102E9925-8 V72962 73781CD820 V80539 POST SERVICE BULLETIN: 57-0032R1	904949	1
400	73781CD820	.NUT-	SUPPLIER CODE: V80539 POST SERVICE BULLETIN: 57-0032	904949	1
405	MS24665-304	.PIN		107107 904949	2
410	MS24665-359	.PIN		107107 904949	1

MISSING ITEM NUMBERS NOT APPLICABLE

- ITEM NOT ILLUSTRATED

27-51-02-10B

27-51-02  
FIG. 10B  
PAGE 14  
JAN 20/09

BRI

BOEING PROPRIETARY - Copyright © - Unpublished Work - See title page for details.



757

PARTS CATALOG (MAINTENANCE)

FIG ITEM	PART NUMBER	1 2 3 4 5 6 7	NOMENCLATURE	EFFECT FROM TO	UNITS PER ASSY
10B					
415	BACB28AK06-050	.	BUSHING-	107107 904949	1
415	BACB28AK06-032	.	BUSHING- POST SERVICE BULLETIN: 57-0032	904949	1
420	BACB28AK06-030	.	BUSHING	107107 904949	1
425	BACB28AK12-150	.	BUSHING- OPTIONAL PART: BACB28AK12-151 PRE SERVICE BULLETIN: 57-0032	107107 904949	1
425	BACB28AK12-151	.	BUSHING- OPTIONAL PART: BACB28AK12-150 PRE SERVICE BULLETIN: 57-0032	107107 904949	1
425	BACB28AK08-271	.	BUSHING- POST SERVICE BULLETIN: 57-0032	904949	1
430	113N2888-11	.	ROD ASSY-FLAP	107107 904949	1
435	NAS509L7C	..	NUT- OPTIONAL PART: NAS1423-7	107107 904949	1
435	NAS1423-7	..	NUT- OPTIONAL PART: NAS509-7C	107107 904949	1
440	NAS509-7C	..	NUT- OPTIONAL PART: NAS1423-7	107107 904949	1
440	NAS1423-7	..	NUT- OPTIONAL PART: NAS509-7C	107107 904949	1
445	NAS1193K6CP	..	LOCKING DEVICE	107107 904949	2
450	NAS1193K6-1P	...	WASHER	107107 904949	1
455	NAS1193K6-2P	...	WASHER	107107 904949	1
460	113N2890-5	..	CLEVIS ASSY-END	107107 904949	1

MISSING ITEM NUMBERS NOT APPLICABLE

- ITEM NOT ILLUSTRATED

27-51-02-10B

27-51-02  
FIG. 10B  
PAGE 15  
JAN 20/09

BRI

BOEING PROPRIETARY - Copyright © - Unpublished Work - See title page for details.

 **BOEING**  
757  
**PARTS CATALOG (MAINTENANCE)**

FIG ITEM	PART NUMBER	1 2 3 4 5 6 7	NOMENCLATURE	EFFECT FROM TO	UNITS PER ASSY
10B 465	MKL6EPDL		.. BEARING-ROD END SUPPLIER CODE: V73134 SPECIFICATION NUMBER: BCREF106925 OPTIONAL PART: ARH6E115KLM VS0352 ARBL6E190W9 V15860 KBEL6-225W V97613	107107 904949	1
470	113N2888-15		.. ROD- OPTIONAL PART: 113N2888-19	107107 904949	1
470	113N2888-19		.. ROD- OPTIONAL PART: 113N2888-15	107107 904949	1
475	113N2895-1		. BELLCRANK ASSY- QUALIFIED I/W DATA: 113N2895-7 OR 113N2895-13 MAY REPLACE 113N2895-1 UPON INCORPORATION OF S/B 757-57-0032 OPTIONAL PART: 113N2882-5 PRE SERVICE BULLETIN: 57-0032	904949	1
475	113N2895-13		. BELLCRANK ASSY- POST SERVICE BULLETIN: 57-0032	107107 904949	1
475	113N2882-5		. BELLCRANK ASSY- OPTIONAL PART: 113N2895-1 PRE SERVICE BULLETIN: 57-0032	904949	1
480	MS15001-1		.. FITTING	107107 904949	1
485	BACB28AM09B027A		.. BUSHING- USED ON: 113N2895-1 113N2882-5	904949	1
485	BACB28AT09B018C		.. BUSHING- USED ON: 113N2895-13	107107 904949	1

MISSING ITEM NUMBERS NOT APPLICABLE

— ITEM NOT ILLUSTRATED

BRI

# 27-51-02-10B

BOEING PROPRIETARY - Copyright © - Unpublished Work - See title page for details.

27-51-02  
FIG. 10B  
PAGE 16  
JAN 20/09



757

PARTS CATALOG (MAINTENANCE)

FIG ITEM	PART NUMBER	1 2 3 4 5 6 7	NOMENCLATURE	EFFECT FROM TO	UNITS PER ASSY
10B 490	BACB28AP06P027	..	BUSHING- USED ON: 113N2895-1 113N2882-5	904949	1
490	BACB28AP06P018	..	BUSHING- USED ON: 113N2895-13	107107 904949	1
495	BACB28AM17B056A	..	BUSHING- USED ON: 113N2895-1 113N2882-5	904949	2
495	BACB28AT11B065C	..	BUSHING- USED ON: 113N2895-13	107107 904949	2
500	BACB28AM10B027A	..	BUSHING- USED ON: 113N2895-1 113N2882-5	904949	1
500	BACB28AT10B028C	..	BUSHING- USED ON: 113N2895-13	107107 904949	1
505	BACB28AP07P027	..	BUSHING- USED ON: 113N2895-1 113N2882-5	904949	1
505	BACB28AP07P028	..	BUSHING- USED ON: 113N2895-13	107107 904949	1
510	113N2895-3	..	BELLCRANK- USED ON: 113N2895-1 USED ON: 113N2895-1	904949	1
510	113N2895-15	..	BELLCRANK- USED ON: 113N2895-13	107107 904949	1
510	113N2882-7	..	BELLCRANK- USED ON: 113N2882-5 USED ON: 113N2882-5	904949	1
515	BACB30LE8-40	.BOLT		107107 904949	12
520	BACB30LJ3-19	.BOLT		107107 904949	6
525	NAS6705D31	.BOLT		107107 904949	1
530	NAS6707D24	.BOLT		107107 904949	1

MISSING ITEM NUMBERS NOT APPLICABLE

- ITEM NOT ILLUSTRATED

27-51-02-10B

27-51-02  
FIG. 10B  
PAGE 17  
JAN 20/09

BRI

BOEING PROPRIETARY - Copyright © - Unpublished Work - See title page for details.





757

PARTS CATALOG (MAINTENANCE)

FIG ITEM	PART NUMBER	1 2 3 4 5 6 7	NOMENCLATURE	EFFECT FROM TO	UNITS PER ASSY
10B					
535	NAS6705D28	.	BOLT	107107 904949	1
540	BACS18K10-25W	.	SPACER	107107 904949	12
545	BACW10BP8CD	.	WASHER	107107 904949	12
550	AN960XC816L	.	WASHER	107107 904949	24
555	BACW10BP3NDP	.	WASHER-	107107 904949	AR
			OPTIONAL PART: AN960XC10LL		
555	AN960XC10LL	.	WASHER-	107107 904949	AR
			OPTIONAL PART: BACW10BP3NDP		
560	MS35338-43	.	WASHER	107107 904949	12
565	BACW10BP5CD	.	WASHER	107107 904949	2
570	BACW10BP7CD	.	WASHER	107107 904949	1
575	BACW10BP5DP	.	WASHER	107107 904949	2
580	BACW10BP7DP	.	WASHER	107107 904949	1
585	AN960C716L	.	WASHER	107107 904949	1

MISSING ITEM NUMBERS NOT APPLICABLE

- ITEM NOT ILLUSTRATED

27-51-02-10B

27-51-02  
FIG. 10B  
PAGE 18  
JAN 20/09

BRI

BOEING PROPRIETARY - Copyright © - Unpublished Work - See title page for details.



757

PARTS CATALOG (MAINTENANCE)

FIG ITEM	PART NUMBER	1 2 3 4 5 6 7	NOMENCLATURE	EFFECT FROM TO	UNITS PER ASSY
10B 590	BMN10HRCWD3-8	.NUT	SUPPLIER CODE: V97928 SPECIFICATION NUMBER: BACN10HR8CD OPTIONAL PART: H51560-8 V15653 67832CD820 V56878 102LH9031-8 V72962 BH00303CM8 V27238 BMN5024CWD38 V97928 SL7108C8 V11815 VCU0005D8 V06710 102LH90318 V72962 67832CD8 V56878 CR6030-8 VF0224	107107 904949	12
595	BRH10C3D	.NUT	SUPPLIER CODE: V52828 SPECIFICATION NUMBER: BACN10JC3CD OPTIONAL PART: T6C1032JCD V11815 NS202486-02 V80539 102LH9075-3W V72962 H51650-3BAC V15653	107107 904949	6
600	73781CD524	.NUT-	SUPPLIER CODE: V80539 OPTIONAL PART: 102E9925-5 V72962 PHCR55CD VF0224	107107 904949	2

MISSING ITEM NUMBERS NOT APPLICABLE

- ITEM NOT ILLUSTRATED

BRI

27-51-02-10B

BOEING PROPRIETARY - Copyright © - Unpublished Work - See title page for details.

27-51-02  
FIG. 10B  
PAGE 19  
JAN 20/09



757

PARTS CATALOG (MAINTENANCE)

FIG ITEM	PART NUMBER	1 2 3 4 5 6 7	NOMENCLATURE	EFFECT FROM TO	UNITS PER ASSY
10B 600	102E9925-5		.NUT- SUPPLIER CODE: V72962 OPTIONAL PART: 73781CD524 V80539 PHCR55CD VF0224	107107 904949	2
605	73781CD720		.NUT- SUPPLIER CODE: V56878 OPTIONAL PART: 102E9925-7 V72962 PHCR57CD VF0224	107107 904949	1
605	102E9925-7		.NUT- SUPPLIER CODE: V72962 OPTIONAL PART: 73781CD720 V56878 PHCR57CD VF0224	107107 904949	1
605	PHCR57CD		.NUT- SUPPLIER CODE: VF0224 OPTIONAL PART: 102E9925-7 V72962 73781CD720 V80539	107107 904949	1
610	MS24665-153		.PIN	107107 904949	2
615	MS24665-304		.PIN	107107 904949	1
620	BACB28AK07-050		.BUSHING	107107 904949	1
625	BACB28AK08-190		.BUSHING	107107 904949	12
630	113N2816-2		.BUSHING	107107 904949	1
635	113N2816-3		.BUSHING	107107 904949	1
640	113N2894-1		.FAIRING ASSY-FLAP POSITION DATA: STA 88.40	107107 904949	1

MISSING ITEM NUMBERS NOT APPLICABLE

- ITEM NOT ILLUSTRATED

**27-51-02-10B**

27-51-02  
FIG. 10B  
PAGE 20  
JAN 20/09

BRI

BOEING PROPRIETARY - Copyright © - Unpublished Work - See title page for details.



757

PARTS CATALOG (MAINTENANCE)

FIG ITEM	PART NUMBER	1 2 3 4 5 6 7	NOMENCLATURE	EFFECT FROM TO	UNITS PER ASSY
10B					
645	113N2894-9		. FAIRING ASSY-FLAP POSITION DATA: STA 150.65	107107 904949	1
650	113N2894-11		. FAIRING ASSY-FLAP POSITION DATA: STA 212.90	107107 904949	1
655	113N2887-1		. TRACK ASSY	107107 904949	3
660	BACB10EN07GC		.. BEARING	107107 904949	1
665	1728B		.. FITTING-LUBE SUPPLIER CODE: VOFKM1	107107 904949	1
670	113N2887-2		.. TRACK-	107107 904949	1
675	113N2884-4		. CARTRIDGE ASSY- POSITION DATA: AFT USED ON: 113N2002-9	107107	3
675	113N2884-6		. CARTRIDGE ASSY- OPTIONAL PART: 113N2884-9	107107	3
675	113N2884-9		. CARTRIDGE ASSY- OPTIONAL PART: 113N2884-6	107107	3
675	113N2884-11		. CARTRIDGE ASSY- USED ON: 113N2002-93 113N2002-117	107107	3
675	113N2884-12		. CARTRIDGE ASSY-	904949	3
675	113N2884-13		. CARTRIDGE ASSY- QUALIFIED I/W DATA: 113N2884-13 T/W (1) 113N2701-1 I/W 113N2884-14	107107 904949	3
675	113N2884-14		. CARTRIDGE ASSY- QUALIFIED I/W DATA: 113N2884-13 T/W (1) 113N2701-1 I/W 113N2884-14	107107 904949	3
680	MS24665-302		.. PIN	107107 904949	3
685	MS24665-372		.. PIN	107107 904949	1
690	MS16562-27		.. PIN	107107 904949	2
695	113N2886-1		.. BOLT ASSY-SPECIAL	107107 904949	1

MISSING ITEM NUMBERS NOT APPLICABLE

- ITEM NOT ILLUSTRATED

27-51-02-10B

27-51-02  
FIG. 10B  
PAGE 21  
JAN 20/09

BRI

BOEING PROPRIETARY - Copyright © - Unpublished Work - See title page for details.



757

PARTS CATALOG (MAINTENANCE)

FIG ITEM	PART NUMBER	1 2 3 4 5 6 7	NOMENCLATURE	EFFECT FROM TO	UNITS PER ASSY
10B					
700	BACW10BN7SP	..	WASHER	107107 904949	2
705	BACW10BN10SP	..	WASHER	107107 904949	1
710	BACW10BN10SC	..	WASHER	107107 904949	1
715	BACW10BN8SP	..	WASHER	107107 904949	1
720	113N2884-8	..	WASHER	107107 904949	2
725	BACN10JD107CD	..	NUT	107107 904949	2
730	BACN10JD110CD	..	NUT	107107 904949	1
735	NAS509-10C	..	NUT	107107 904949	1
740	NAS509-7C	..	NUT	107107 904949	2
740	NAS1423-7	..	NUT- USED ON: 113N2884-12	107107 904949	2
745	BACN10JD108CD	..	NUT	107107 904949	1
750	NAS1193E10CP	..	LOCKING DEVICE- USED ON: 113N2884-12	107107 904949	1
755	113N2884-10	..	LOCKING DEVICE	107107 904949	2
760	KRP142807VT	..	BEARING- SUPPLIER CODE: V50632	904949	2
760	CC55975	..	BEARING- SUPPLIER CODE: V60380 SPECIFICATION NUMBER: 60B00178-656 OPTIONAL PART: CR1X144 V07484	107107	2
765	KRP142907VT	..	BEARING- SUPPLIER CODE: V50632	904949	2

MISSING ITEM NUMBERS NOT APPLICABLE

- ITEM NOT ILLUSTRATED

BRI

27-51-02-10B

BOEING PROPRIETARY - Copyright © - Unpublished Work - See title page for details.

27-51-02  
FIG. 10B  
PAGE 22  
JAN 20/09



757

PARTS CATALOG (MAINTENANCE)

FIG ITEM	PART NUMBER	1 2 3 4 5 6 7	NOMENCLATURE	EFFECT FROM TO	UNITS PER ASSY
10B 765	HRS5CTKR25		.. BEARING- SUPPLIER CODE: V07484 SPECIFICATION NUMBER: BACB10AF7K25HS OPTIONAL PART: HRS5CTKR25 V92563 HRS5CTKR25 V60380	107107	2
770	YAT10B		.. BEARING- SUPPLIER CODE: V07484 SPECIFICATION NUMBER: BACB10EU10 OPTIONAL PART: 10AL2426 V92563 ATL10 V60380 USED ON: 113N2884-12	107107 904949	1
775	YAT12B		.. BEARING- SUPPLIER CODE: V07484 SPECIFICATION NUMBER: BACB10EU12 OPTIONAL PART: 12AL2830 V92563 ATL12 V60380 USED ON: 113N2884-12	107107 904949	1
780	BACB28AM11B055A		.. BUSHING- USED ON: 113N2884-12	107107 904949	4
785	BACB28U11B119		.. BUSHING- USED ON: 113N2884-12	107107 904949	2
790	113N2892-1		.. BUSHING	107107 904949	2
795	113N2884-2		.. SHIM	107107 904949	2
800	113N2884-3		.. SHIM	107107 904949	2
805	113N2156-28		.. PLATE ASSY	107107	2

MISSING ITEM NUMBERS NOT APPLICABLE

- ITEM NOT ILLUSTRATED

**27-51-02-10B**

27-51-02  
FIG. 10B  
PAGE 23  
JAN 20/09

BRI

BOEING PROPRIETARY - Copyright © - Unpublished Work - See title page for details.

 **BOEING**  
757  
**PARTS CATALOG (MAINTENANCE)**

FIG ITEM	PART NUMBER	1 2 3 4 5 6 7	NOMENCLATURE	EFFECT FROM TO	UNITS PER ASSY
10B 805	113N2156-38	..	PLATE ASSY- USED ON: 113N2884-12	904949	2
805	113N2156-59	..	PLATE ASSY- USED ON: 113N2884-13 113N2884-14	107107 904949	2
810	113N2156-5	..	PLATE	107107	2
810	113N2156-37	..	PLATE	904949	2
811	113N2891-1	..	SPINDLE ASSY-ECCENTRIC	107107 904949	1
813	113N2885-2	..	PLATE ASSY-	107107	1
815	113N2885-1	..	PLATE ASSY-	107107	1
816	BACB28U10C124	...	BUSHING	107107	2
817	113N2889-2	...	BUSHING- QUALIFIED I/W DATA: BACB28AW07A107C CAN REPLACE BUT NOT BE REPLACED BY 113N2889-2 IF SERVICE BULLETIN 757-57-0033 HAS BEEN INCORPORATED	107107	1
818	113N2889-1	...	BUSHING	107107	1
819	113N2885-3	...	PLATE	107107	1
820	113N2800-61	.	FLAP ASSY- POSITION DATA: LH SIDE COMPONENT MAINT MANUAL REF: 57-53-45 QUALIFIED I/W DATA: -61 TOGETHER WITH 654N0010-178 KIT MAY REPLACE -103SP OR -95SP AFTER INCORPORATION OF S/B 757-57-0032 (SEE DWG 113N2053) -61 TOGETHER WITH 654N0010-178 KIT MAY REPLACE -87SP (SEE DWG 113N2053) -1 OR A -43 OR A -55 TOGETHER WITH A 113N2803-31 CAN REPLACE OR BE REPLACED BY THE -61 -63 OR -65 INTERCHANGEABLE WITH -61 SUBJECT TO COLOR PREFERENCE	107107	1

MISSING ITEM NUMBERS NOT APPLICABLE

— ITEM NOT ILLUSTRATED

BRI

# 27-51-02-10B

BOEING PROPRIETARY - Copyright © - Unpublished Work - See title page for details.

27-51-02  
FIG. 10B  
PAGE 24  
JAN 20/09



757

PARTS CATALOG (MAINTENANCE)

FIG ITEM	PART NUMBER	1 2 3 4 5 6 7 NOMENCLATURE	EFFECT FROM TO	UNITS PER ASSY
10B		USED ON: 113N2002-39 113N2002-17 113N2002-19 113N2002-25 113N2002-41 113N2002-43 113N2002-45 113N2002-47 113N2002-49 113N2002-51 113N2002-53 113N2002-57 113N2002-61 113N2002-63 113N2002-65 REWORKED BY SB: 57-0032 FUNCTIONAL REFERENCE: FLIGHT CONTROL FOR DETAILS SEE 27-51-12-01 WINGS FOR DETAILS SEE 57-53-01-01		

MISSING ITEM NUMBERS NOT APPLICABLE

- ITEM NOT ILLUSTRATED

BRI

**27-51-02-10B**

BOEING PROPRIETARY - Copyright © - Unpublished Work - See title page for details.

27-51-02  
FIG. 10B  
PAGE 25  
JAN 20/09



**BOEING**  
757  
**PARTS CATALOG (MAINTENANCE)**

FIG ITEM	PART NUMBER	1 2 3 4 5 6 7	NOMENCLATURE	EFFECT FROM TO	UNITS PER ASSY
10B 820	113N2800-73		. FLAP ASSY- COMPONENT MAINT MANUAL REF: 57-53-45 QUALIFIED I/W DATA: -73 TOGETHER WITH KIT 654N0010-178 MAY REPLACE -95SP OR -103SP UPON INCORPORATION OF SERVICE BULLETIN 757-57-0032 (SEE DWG 113N2053). -73 TOGETHER WITH 654N0010-178 KIT MAY REPLACE -87SP (SEE DWG 113N2053). A -1 OR A -43 OR A -55 TOGETHER WITH A 113N2803-31 CAN REPLACE OR BE REPLACED BY THE -73 -85 INTERCHANGEABLE WITH -73 SUBJECT TO COLOR PREFERENCE USED ON: 113N2002-77 113N2002-91 REWORKED BY SB: 57-0032 FUNCTIONAL REFERENCE: FLIGHT CONTROL FOR DETAILS SEE 27-51-12-01 WINGS FOR DETAILS SEE 57-53-01-01	107107	1

MISSING ITEM NUMBERS NOT APPLICABLE

— ITEM NOT ILLUSTRATED

BRI

# 27-51-02-10B

BOEING PROPRIETARY - Copyright © - Unpublished Work - See title page for details.

27-51-02  
FIG. 10B  
PAGE 26  
JAN 20/09



757

PARTS CATALOG (MAINTENANCE)

FIG ITEM	PART NUMBER	1 2 3 4 5 6 7 NOMENCLATURE	EFFECT FROM TO	UNITS PER ASSY
10B 820	113N2800-75	. FLAP ASSY- COMPONENT MAINT MANUAL REF: 57-53-45 QUALIFIED I/W DATA: -75 TOGETHER WITH KIT 654N0010-178 MAY REPLACE -95SP OR -103SP UPON INCORPORATION OF SERVICE BULLETIN 757-57-0032 (SEE DWG 113N2053). -75 TOGETHER WITH 654N0010-178 KIT MAY REPLACE -87SP (SEE DRAWING 113N2053). A -43 OR A -55 TOGETHER WITH A 113N2803-31 CAN REPLACE OR BE REPLACED BY THE -75 -77 OR -79 INTERCHANGEABLE WITH -75 SUBJECT TO COLOR PREFERENCE USED ON: 113N2002-85 113N2002-87 113N2002-93 113N2002-101 113N2002-117 REWORKED BY SB: 57-0032 FUNCTIONAL REFERENCE: FLIGHT CONTROL FOR DETAILS SEE 27-51-12-01 WINGS FOR DETAILS SEE 57-53-01-01	107107	1

MISSING ITEM NUMBERS NOT APPLICABLE

- ITEM NOT ILLUSTRATED

**27-51-02-10B**

27-51-02  
 FIG. 10B  
 PAGE 27  
 JAN 20/09

BRI



# PARTS CATALOG (MAINTENANCE)

FIG ITEM	PART NUMBER	1 2 3 4 5 6 7	NOMENCLATURE	EFFECT FROM TO	UNITS PER ASSY
10B 820	113N2800-87SP		. FLAP ASSY- COMPONENT MAINT MANUAL REF: 57-53-45 QUALIFIED I/W DATA: -93SP OR -75 OR -73 OR -61 T/W 654N0010-178 KIT MAY REPLACE -87SP (SEE DWG 113N2053). -103SP OR -95SP MAY REPLACE -87SP UPON INCORPORATION OF S/B 757-57-0032 (SEE DWG 113N2053). 113N2800-95SP CAN REPLACE OR BE REPLACED BY 113N2800-87SP IF S/B 757-57-0032 HAS BEEN INCORPORATED. -55 OR -43 OR -1 T/W 654N0010-178 PLUS 113N2803-31 MAY REPLACE -87SP (SEE DWG 113N2053). PRE SERVICE BULLETIN: 57-0032R1 FUNCTIONAL REFERENCE: FLIGHT CONTROL FOR DETAILS SEE 27-51-12-01 WINGS FOR DETAILS SEE 57-53-01-01	904949	1

R  
R  
R  
R  
R  
R  
R  
R  
R  
R  
R  
R  
R  
R  
R  
R  
R  
R  
R  
R  
R  
R  
R

MISSING ITEM NUMBERS NOT APPLICABLE

- ITEM NOT ILLUSTRATED

BRI

## 27-51-02-10B

BOEING PROPRIETARY - Copyright © - Unpublished Work - See title page for details.

27-51-02  
FIG. 10B  
PAGE 28  
MAY 20/09



757

PARTS CATALOG (MAINTENANCE)

FIG ITEM	PART NUMBER	1 2 3 4 5 6 7	NOMENCLATURE	EFFECT FROM TO	UNITS PER ASSY
10B 820	113N2800-93SP		. FLAP ASSY- COMPONENT MAINT MANUAL REF: 57-53-45 QUALIFIED I/W DATA: -93SP T/W 654N0010-178 ATTACHING HARDWARE KIT MAY REPLACE -87SP (SEE DWG 113N2053) -103SP OR -95SP MAY REPLACE -93SP OR -75 OR -73 UPON INCORPORATION OF SERVICE BULLETIN 757-57-0032 (SEE DWG 113N2053) -55 OR -43 OR -1 TOGETHER WITH 113N2803-31 MAY REPLACE -93SP USED ON: 113N2002-115SP REWORKED BY SB: 57-0032 FUNCTIONAL REFERENCE: FLIGHT CONTROL FOR DETAILS SEE 27-51-12-01 WINGS FOR DETAILS SEE 57-53-01-01	107107	1
R R	820	113N2800-95SP	. FLAP ASSY-TE (WINGS ONLY) COMPONENT MAINT MANUAL REF: 57-53-45 QUALIFIED I/W DATA: -103SP OR -95SP MAY REPLACE -87SP UPON INCRP OF S/B 757-57-0032 (MAIN FLAP MUST BE REWORKED). -103SP OR -95SP T/W KIT 654N0010-178 MAY REPLACE -93SP OR -75 OR -73 OR -61 UPON INCORPORATION OF S/B 757-57-0032 (MAIN FLAP MUST BE REWORKED). 113N2820-1SP TOGETHER WITH (1) 113N2894-1 AND (1) 113N2894-17 AND (1) 113N2894-18 MAY REPLACE 113N2800-103SP OR	904949	1

MISSING ITEM NUMBERS NOT APPLICABLE

- ITEM NOT ILLUSTRATED

27-51-02-10B

27-51-02  
FIG. 10B  
PAGE 29  
MAY 20/09

BRI

 **BOEING**  
757  
**PARTS CATALOG (MAINTENANCE)**

FIG ITEM	PART NUMBER	1 2 3 4 5 6 7 NOMENCLATURE	EFFECT FROM TO	UNITS PER ASSY
R R	10B	<p>113N2800-95SP TOGETHER WITH (1) 113N2894-1 AND (1) 113N2894-11 AND (1) 113N2894-9 -103SP OR -95SP MAY REPLACE -55 OR -43 OR -1 UPON INCORPORATION OF S/B 757-57-0032 (MAIN FLAP MUST BE REWORKED) 113N2800-95SP TOGETHER WITH (1) 113N2894-1 AND (1) 113N2894-11 AND (1) 113N2894-9 MAY BE REPLACED BY 113N2820-23SP TOGETHER WITH (1) 113N2894-1 AND (1) 113N2894-17 AND (1) 113N2894-18 113N2800-95SP CAN REPLACE OR BE REPLACED BY 113N2800-87SP IF S/B 757-57-0032 HAS BEEN INCORPORATED. POST SERVICE BULLETIN: 57-0032R1 FUNCTIONAL REFERENCE: FLIGHT CONTROL FOR DETAILS SEE 27-51-12-01 WINGS FOR DETAILS SEE 57-53-01-01</p>		

MISSING ITEM NUMBERS NOT APPLICABLE

- ITEM NOT ILLUSTRATED

BRI

27-51-02-10B

27-51-02  
FIG. 10B  
PAGE 30  
MAY 20/09



757

PARTS CATALOG (MAINTENANCE)

FIG ITEM	PART NUMBER	1 2 3 4 5 6 7 NOMENCLATURE	EFFECT FROM TO	UNITS PER ASSY
10B 820	113N2800-103SP	<p>. FLAP ASSY-  COMPONENT MAINT MANUAL REF:  57-53-45  QUALIFIED I/W DATA:  113N2820-1SP TOGETHER  WITH 113N2894-1 AND  113N2894-17 AND  113N2894-18 MAY REPLACE  113N2800-103SP TOGETHER  WITH 113N2894-1 AND  113N2894-11 AND  113N2894-9  -103SP OR -95SP MAY  REPLACE -87SP UPON  INCORPORATION OF S/B  757-57-0032 (MAIN FLAP  MUST BE REWORKED).  -103SP OR -95SP MAY  REPLACE -93SP OR -75  -73 UPON  INCORPORATION OF SERVICE  BULLETIN 757-57-0032  (MAIN FLAP MUST BE  REWORKED).  -103SP OR -95SP MAY  REPLACE -55 OR -43 OR -1  UPON INCORPORATION OF  S/B 757-57-0032 (MAIN  FLAP MUST BE REWORKED).  113N2820-23SP TOGETHER  WITH 113N2894-1 AND  113N2894-17 AND  113N2894-18 MAY REPLACE  113N2800-103SP TOGETHER  WITH 113N2894-1 AND  113N2894-11 AND  113N2894-9  FUNCTIONAL REFERENCE:  FLIGHT CONTROL  FOR DETAILS SEE  27-51-12-01  WINGS  FOR DETAILS SEE  57-53-01-01</p>	904949	1

MISSING ITEM NUMBERS NOT APPLICABLE

- ITEM NOT ILLUSTRATED

27-51-02-10B

27-51-02  
FIG. 10B  
PAGE 31  
JAN 20/09

BRI



757

PARTS CATALOG (MAINTENANCE)

FIG ITEM	PART NUMBER	1 2 3 4 5 6 7	NOMENCLATURE	EFFECT FROM TO	UNITS PER ASSY
10B 830	113N2003-25		. FLAP ASSY-MAIN COMPONENT MAINT MANUAL REF: 57-53-44 QUALIFIED I/W DATA: -28 I/W -51SP OR -49SP OR -47SP OR -45SP UPON INCORPORATION OF S/B 757-57-0026 AND S/B 757-57-0032 (SEE DWG 113N2053) -25 I/W -43 OR -41SP OR -35 UPON INCORPORATION OF S/B 757-57-0026 (SEE 113N2053) -25 I/W -15 OR -13 OR -5 UPON INCORPORATION OF OF S/B 757-57-0023 (SEE 113N2053) -25 MAY REPLACE -1 UPON INCORPORATION OF S/B 757-53-0026 (SEE DWG 113N2053) USED ON: 113N2002-49 FOR DETAILS SEE: 27-51-02-10D	107107	1

MISSING ITEM NUMBERS NOT APPLICABLE

- ITEM NOT ILLUSTRATED

BRI

**27-51-02-10B**

BOEING PROPRIETARY - Copyright © - Unpublished Work - See title page for details.

27-51-02  
FIG. 10B  
PAGE 32  
JAN 20/09



757

PARTS CATALOG (MAINTENANCE)

FIG ITEM	PART NUMBER	1 2 3 4 5 6 7	NOMENCLATURE	EFFECT FROM TO	UNITS PER ASSY
10B 830	113N2003-29		. FLAP ASSY-MAIN COMPONENT MAINT MANUAL REF: 57-53-44 QUALIFIED I/W DATA: -29 I/W -51SP OR -49SP OR -47SP OR -45SP UPON INCORPORATION OF S/B 757-57-0032 AND S/B 757-57-0026 (SEE DWG 113N2053) -29 I/W -43 OR -41SP OR -35 UPON INCORPORATION OF S/B 757-57-0026 (SEE DWG 113N2053) -29 I/W -15 OR -13 OR -5 UPON INCORPORATION OF S/B 757-53-0023 (SEE DWG 113N2053) -29 MAY REPLACE -1 UPON INCORPORATION OF S/B 757-53-0023 (SEE DWG 113N2053) 113N2003-61SP CAN REPLACE 113N2003-29 OR 113N2003-25 UPON INCORPORATION OF S/B 757-57-0026 AND S/B 757-57-0032 (SEE DWG 113N2053) 113N2003-55SP INTERCHANGEABLE WITH -29 UPON INCORPORATION OF S/B 757-57-0032 AND S/B 757-57-0026 (SEE DWG 113N2053) USED ON: 113N2002-57 113N2002-65 113N2002-77 113N2002-87 113N2002-91 FOR DETAILS SEE: 27-51-02-10D	107107	1

MISSING ITEM NUMBERS NOT APPLICABLE

- ITEM NOT ILLUSTRATED

BRI

27-51-02-10B

BOEING PROPRIETARY - Copyright © - Unpublished Work - See title page for details.

27-51-02  
FIG. 10B  
PAGE 33  
JAN 20/09





757

PARTS CATALOG (MAINTENANCE)

FIG ITEM	PART NUMBER	1 2 3 4 5 6 7 NOMENCLATURE	EFFECT FROM TO	UNITS PER ASSY
10B 830	113N2003-35	. FLAP ASSY-MAIN COMPONENT MAINT MANUAL REF: 57-53-44 QUALIFIED I/W DATA: -35 I/W -51SP OR -49SP OR -47SP OR -45SP UPON INCORPORATION OF S/B 757-57-0032 (SEE DWG 113N2053) -35 I/W -29 OR -25 UPON INCORPORATION OF S/B 757-57-0026 (SEE DWG 113N2053) -35 I/W -15 OR -13 OR -5 UPON INCORPORATION OF S/B 757-53-0023 AND S/B 757-57-0026 (SEE DWG 113N2053) -35 MAY REPLACE -1 UPON INCORPORATION OF S/B 757-53-0023 AND S/B 757-57-0026 (SEE DWG 113N2053) 113N2003-63SP CAN REPLACE 113N2003-43SP OR 113N2003-41SP OR 113N2003-35 UPON INCORPORATION OF S/B 757-57-0032 (SEE DWG 113N2003) USED ON: 113N2002-85 113N2002-93 PRE SERVICE BULLETIN: 57-0032R1 FOR DETAILS SEE: 27-51-02-10D	904949	1

MISSING ITEM NUMBERS NOT APPLICABLE

- ITEM NOT ILLUSTRATED

BRI

**27-51-02-10B**

BOEING PROPRIETARY - Copyright © - Unpublished Work - See title page for details.

27-51-02  
 FIG. 10B  
 PAGE 34  
 JAN 20/09



757

PARTS CATALOG (MAINTENANCE)

FIG ITEM	PART NUMBER	1 2 3 4 5 6 7	NOMENCLATURE	EFFECT FROM TO	UNITS PER ASSY
R R	10B 831 113N2003-45SP		. FLAP ASSY- COMPONENT MAINT MANUAL REF: 57-53-44 QUALIFIED I/W DATA: -45SP I/W -41SP OR -43 OR -35 UPON INCORPORATION OF S/B 757-57-0032 (SEE DWG 113N2053) -45SP I/W -29 OR -25 UPON INCORPORATION OF S/B 757-57-0026 AND S/B 757-57-0032 (SEE DWG 113N2053) -45SP I/W -15 OR -13 OR -5 UPON INCORPORATION OF S/B 757-53-0023 AND S/B 757-57-0026 AND S/B 757-57-0032 (SEE DWG 113N2053) -45SP MAY REPLACE -1 UPON INCORPORATION OF S/B 757-53-0023 AND S/B 757-57-0026 AND S/B 757-57-0032 (SEE DWG 113N2053) 113N2003-45SP CAN REPLACE OR BE REPLACED BY 113N2003-41SP IF SERVICE BULLETIN 757-57-0032 HAS BEEN INCORPORATED. POST SERVICE BULLETIN: 57-0032R1 FOR DETAILS SEE: 27-51-02-10D	904949	1

MISSING ITEM NUMBERS NOT APPLICABLE

- ITEM NOT ILLUSTRATED

27-51-02-10B

27-51-02  
FIG. 10B  
PAGE 35  
MAY 20/09

BRI



757

PARTS CATALOG (MAINTENANCE)

FIG ITEM	PART NUMBER	1 2 3 4 5 6 7 NOMENCLATURE	EFFECT FROM TO	UNITS PER ASSY
10B 831	113N2003-47SP	. FLAP ASSY- QUALIFIED I/W DATA: -47SP I/W -41SP OR -43 OR -35 UPON INCORPORATION OF S/B 757-57-0032 (SEE DWG 113N2053) -47SP I/W -29 OR -25 UPON INCORPORATION OF S/B 757-57-0026 AND S/B 757-57-0032 (SEE DWG 113N2053) -47SP I/W -15 OR -13 OR -5 UPON INCORPORATION OF S/B 757-53-0023 AND S/B 757-57-0026 AND S/B 757-57-0032 (SEE DWG 113N2053) -47SP MAY REPLACE -1 UPON INCORPORATION OF S/B 757-53-0023 AND S/B 757-57-0026 AND S/B 757-57-0032 (SEE DWG 113N2053). FOR DETAILS SEE: 27-51-02-10D	904949	1

MISSING ITEM NUMBERS NOT APPLICABLE

- ITEM NOT ILLUSTRATED

BRI

**27-51-02-10B**

BOEING PROPRIETARY - Copyright © - Unpublished Work - See title page for details.

27-51-02  
 FIG. 10B  
 PAGE 36  
 JAN 20/09



757

PARTS CATALOG (MAINTENANCE)

FIG ITEM	PART NUMBER	1 2 3 4 5 6 7	NOMENCLATURE	EFFECT FROM TO	UNITS PER ASSY
10B 831	113N2003-49SP		. FLAP ASSY- QUALIFIED I/W DATA: -49SP I/W -41SP OR -43 OR -35 UPON INCORPORATION OF S/B 757-57-0032 -49SP I/W -29 OR -25 UPON INCORPORATION OF S/B 757-57-0026 AND S/B 757-57-0032 (SEE DWG 113N2053) -49SP I/W -15 OR -13 OR -5 UPON INCORPORATION OF S/B 757-53-0023 AND S/B 757-57-0026 AND S/B 757-57-0032 (SEE DWG 113N2053) -49SP MAY REPLACE -1 UPON INCORPORATION OF S/B 757-53-0023 AND S/B 757-57-0026 AND S/B 757-57-0032 (SEE DWG 113N2053) FOR DETAILS SEE: 27-51-02-10D	904949	1

MISSING ITEM NUMBERS NOT APPLICABLE

- ITEM NOT ILLUSTRATED

BRI

# 27-51-02-10B

BOEING PROPRIETARY - Copyright © - Unpublished Work - See title page for details.

27-51-02  
FIG. 10B  
PAGE 37  
JAN 20/09



757

PARTS CATALOG (MAINTENANCE)

FIG ITEM	PART NUMBER	1 2 3 4 5 6 7 NOMENCLATURE	EFFECT FROM TO	UNITS PER ASSY
10B 831	113N2003-51SP	. FLAP ASSY- QUALIFIED I/W DATA: -51SP OR -49SP OR -47SP OR -45SP MAY BE REPLACED BY -43 OR -41SP OR -35 AFTER INCORPORATION OF S/B 757-57-0032 (SEE DWG 113N2053) -51SP OR -49SP OR -47SP OR -45SP MAY BE REPLACED BY -29 OR -25 AFTER INCORPORATION OF S/B 757-57-0026 AND S/B 757-57-0032 (SEE DWG 113N2053) -51SP OR -49SP OR -47SP OR -45SP MAY BE REPLACED BY -15 OR -13 OR -5 AFTER INCORPORATION OF SERVICE BULLETINS 757-53-0023, 757-57-0026, 757-57-0032 SEE DWG 113N2053. 113N2003-51SP CAN REPLACE -1 UPON INCORPORATION OF S/B 757-53-0023 AND S/B 757-57-0026 AND SB 757-57-0032 (SEE DWG 113N2053) FOR DETAILS SEE: 27-51-02-10D	904949	1

MISSING ITEM NUMBERS NOT APPLICABLE

- ITEM NOT ILLUSTRATED

**27-51-02-10B**

27-51-02  
FIG. 10B  
PAGE 38  
JAN 20/09

BRI



**757  
PARTS CATALOG (MAINTENANCE)**

FIG ITEM	PART NUMBER	1 2 3 4 5 6 7 NOMENCLATURE	EFFECT FROM TO	UNITS PER ASSY
10B 831	113N2003-55SP	.FLAP ASSY- QUALIFIED I/W DATA: -55SP I/W -41SP OR -43SP OR -35 UPON INCORPORATION OF S/B 757-57-0032 (SEE DWG 113N2053). -55SP I/W -29 OR -25 UPON INCORPORATION OF S/B 757-57-0026 AND S/B 757-57-0032 (SEE DWG 113N2053) -55SP I/W -15 OR -13 OR -5 UPON INCORPORATION OF S/B 757-53-0023 AND S/B 757-57-0026 AND S/B 757-57-0032 (SEE DWG 113N2053) -55SP MAY REPLACE -1 UPON INCORPORATION OF S/B 757-53-0023 AND S/B 757-57-0026 AND S/B 757-57-0032 (SEE DWG 113N2053) 113N2003-55SP INTERCHANGEABLE WITH -29 UPON INCORPORATION OF S/B 757-57-0032 AND S/B 757-57-0026 (SEE DWG 113N2053) FOR DETAILS SEE: 27-51-02-10D	904949	1

MISSING ITEM NUMBERS NOT APPLICABLE

— ITEM NOT ILLUSTRATED

BRI

# 27-51-02-10B

BOEING PROPRIETARY - Copyright © - Unpublished Work - See title page for details.

27-51-02  
FIG. 10B  
PAGE 39  
JAN 20/09

**BOEING**  
757  
**PARTS CATALOG (MAINTENANCE)**

FIG ITEM	PART NUMBER	1 2 3 4 5 6 7	NOMENCLATURE	EFFECT FROM TO	UNITS PER ASSY
10B 831	113N2003-63SP		. FLAP ASSY- QUALIFIED I/W DATA: 113N2003-63SP CAN REPLACE 113N2003-43SP OR 113N2003-41SP OR 113N2003-35 UPON INCORPORATION OF 757-57-0032 (SEE DWG 113N2053) 113N2003-63SP CAN REPLACE 113N2003-29 OR 113N2003-25 UPON INCORPORATION OF S/B 757-57-0026 AND S/B 757-57-0032 (SEE DWG 113N2053) 113N2003-63SP CAN REPLACE 113N2003-15 OR 113N2003-13 OR 113N2003-5 UPON INCORPORATION OF S/B 757-53-0023 AND S/B 757-57-0026 AND S/B 757-57-0032 (SEE DWG 113N2053) 113N2003-63SP CAN REPLACE 113N2003-1 UPON INCORPORATION OF S/B 757-53-0023 AND S/B 757-57-0026 AND S/B 757-57-0032	904949	1
R R	835	113N2003-41SP	. FLAP ASSY-MAIN COMPONENT MAINT MANUAL REF: 57-53-44 QUALIFIED I/W DATA: -41SP I/W -43 OR -39 SUBJECT TO COLOR PREFERENCE -41SP T/W 012N8528-19 KIT MAY REPLACE -31 SUBJECT TO COLOR PREFERENCE -41SP I/W -51SP OR -49SP OR -47SP OR -45SP UPON INCORPORATION OF S/B 757-57-0032 (SEE DWG 113N2053)	904949	1

MISSING ITEM NUMBERS NOT APPLICABLE

— ITEM NOT ILLUSTRATED

BRI

# 27-51-02-10B

BOEING PROPRIETARY - Copyright © - Unpublished Work - See title page for details.

27-51-02  
FIG. 10B  
PAGE 40  
MAY 20/09



757

## PARTS CATALOG (MAINTENANCE)

FIG ITEM	PART NUMBER	1 2 3 4 5 6 7	NOMENCLATURE	EFFECT FROM TO	UNITS PER ASSY
10B			<p>-42SP I/W -30 OR -26 UPON INCORPORATION OF S/B 757-57-0026 (SEE DWG 113N2053)</p> <p>-42SP I/W -16 OR -14 OR -6 UPON INCORPORATION OF S/B 757-53-0023 AND S/B 757-57-0026 (SEE DWG 113N2053)</p> <p>-42SP MAY REPLACE -2 UPON INCORPORATION OF S/B 757-53-0023 AND S/B 757-57-0026 (SEE DWG 113N2053)</p> <p>113N2003-63SP CAN REPLACE 113N2003-43SP OR 113N2003-41SP OR 113N2003-35 UPON INCORPORATION OF S/B 757-57-0032 (SEE DWG 113N2053)</p> <p>113N2003-45SP CAN REPLACE OR BE REPLACED BY 113N2003-41SP IF SERVICE BULLETIN 757-57-0032 HAS BEEN INCORPORATED.</p> <p>USED ON: 113N2002-107SP 113N2002-115SP</p> <p>PRE SERVICE BULLETIN: 57-0032R1</p> <p>FOR DETAILS SEE: 27-51-02-10D</p>		

R  
R  
R  
R  
R  
R  
R  
R  
R  
R  
R  
R  
R  
R  
R  
R  
R  
R  
R  
R  
R  
R  
R

MISSING ITEM NUMBERS NOT APPLICABLE

- ITEM NOT ILLUSTRATED

**27-51-02-10B**27-51-02  
FIG. 10B  
PAGE 41  
MAY 20/09

BRI





757

PARTS CATALOG (MAINTENANCE)

FIG ITEM	PART NUMBER	1 2 3 4 5 6 7 NOMENCLATURE	EFFECT FROM TO	UNITS PER ASSY
10B 835	113N2003-43SP	. FLAP ASSY-MAIN COMPONENT MAINT MANUAL REF: 57-53-44 QUALIFIED I/W DATA: -43 I/W -51SP OR -49SP OR -47SP OR -45SP UPON INCORPORATION OF S/B 757-57-0032 (SEE DWG 113N2053) -43 I/W -29 OR -25 UPON INCORPORATION OF S/B 757-57-0026 (SEE DWG 113N2053) -43 I/W -15 OR -13 OR -5 UPON INCORPORATION OF S/B 757-53-0023 AND S/B 757-57-0026 (SEE DWG 113N2053) -43 MAY REPLACE -1 UPON INCORPORATION OF S/B 757-53-0023 AND S/B 757-57-0026 (SEE DWG 113N2053) 113N2003-63SP CAN REPLACE 113N2003-43SP OR 113N2003-41SP OR 113N2003-35 UPON INCORPORATION OF S/B 757-57-0032 (SEE DWG 113N2053) USED ON: 113N2002-101 113N2002-117 PRE SERVICE BULLETIN: 57-0032R1 FOR DETAILS SEE: 27-51-02-10D	904949	1

MISSING ITEM NUMBERS NOT APPLICABLE

- ITEM NOT ILLUSTRATED

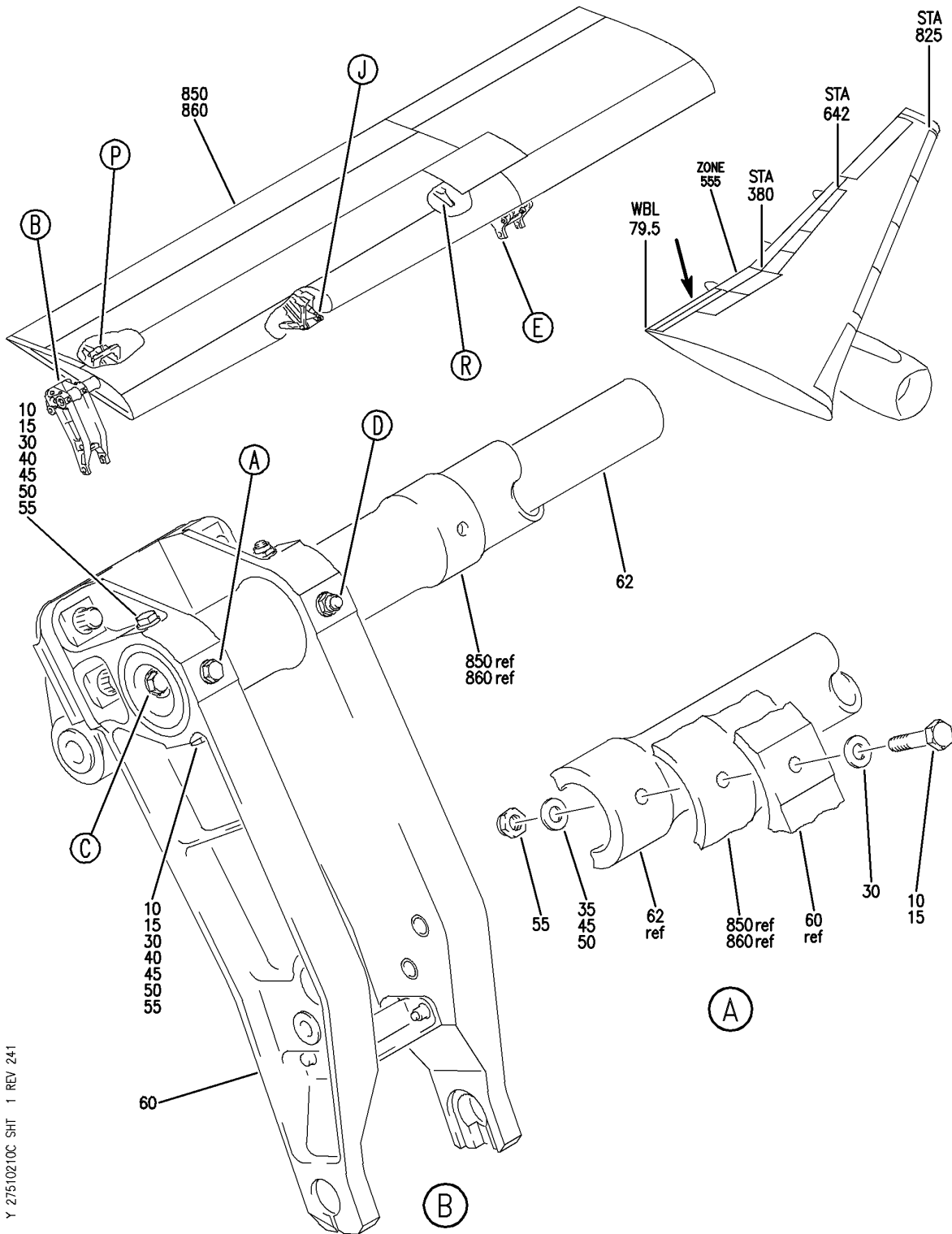
BRI

**27-51-02-10B**

BOEING PROPRIETARY - Copyright © - Unpublished Work - See title page for details.

27-51-02  
 FIG. 10B  
 PAGE 42  
 JAN 20/09

**BOEING**  
757  
PARTS CATALOG (MAINTENANCE)



Y 27510210C SHT 1 REV 241

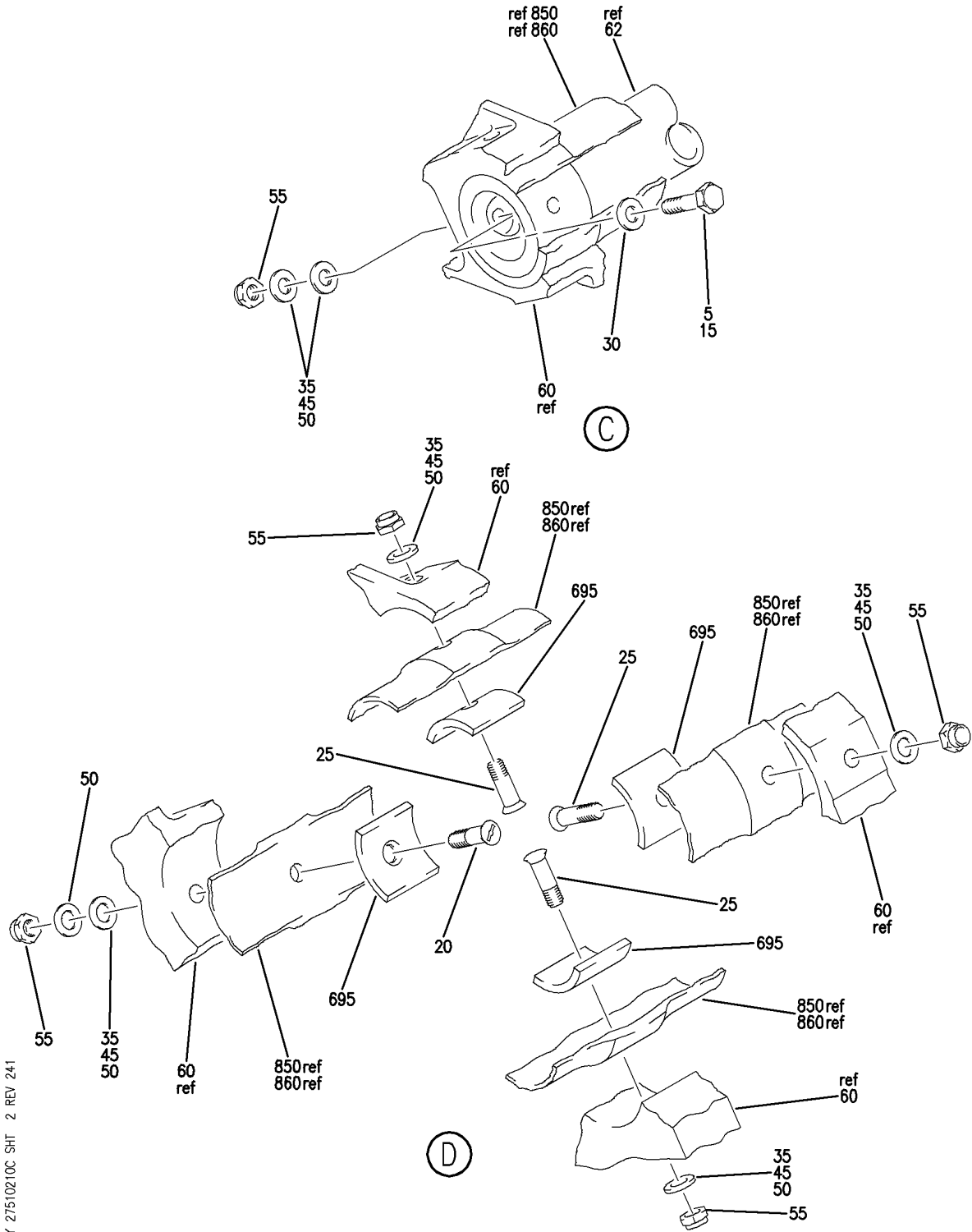
FLAP ASSY-INBD TE LH SIDE  
FIGURE 10C (SHEET 1)

**27-51-02-10C**

BRI  
MAY 28/07

27-51-02-10C  
PAGE 0

**BOEING**  
757  
PARTS CATALOG (MAINTENANCE)



Y 27510210C SH1 2 REV 241

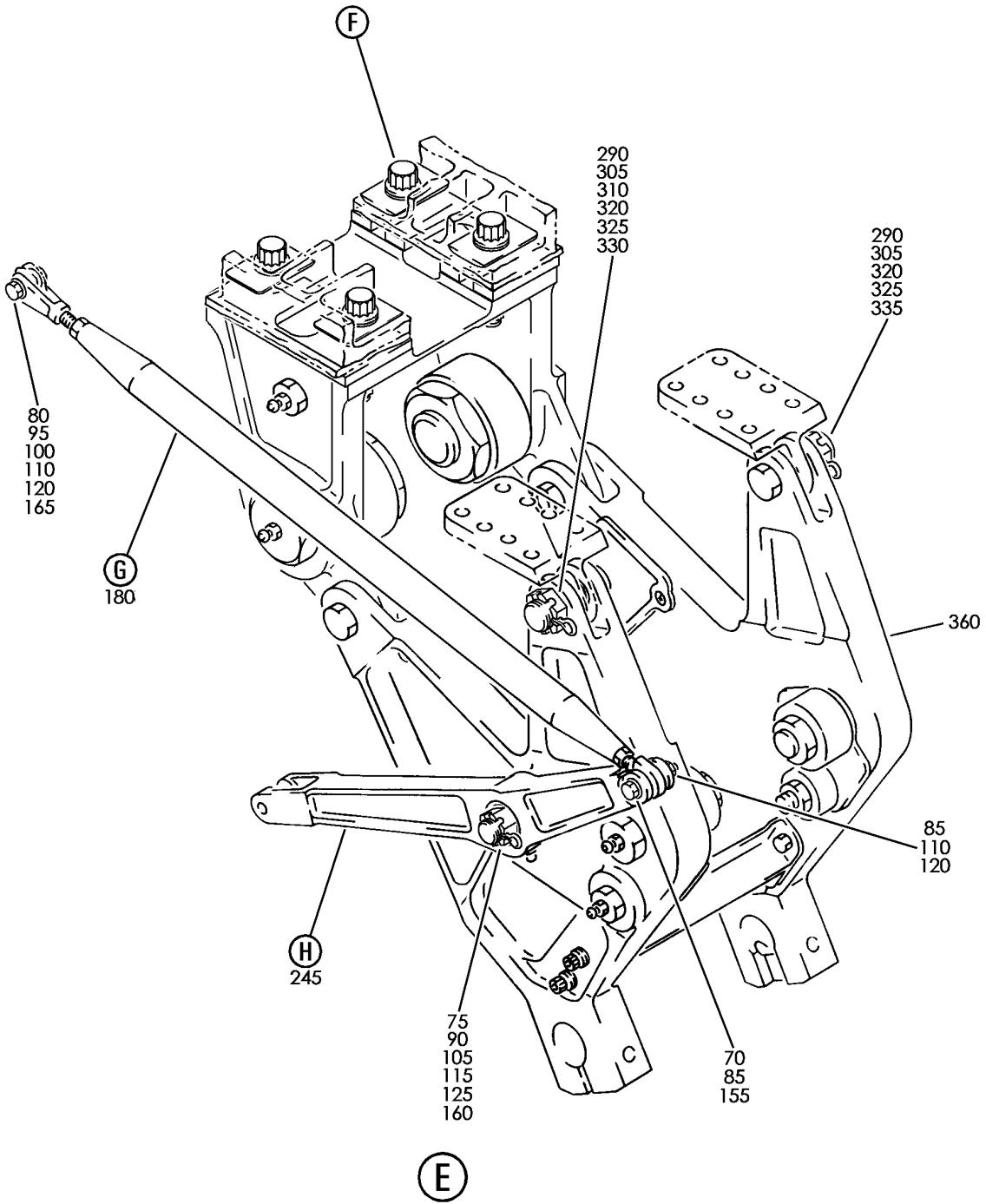
FLAP ASSY-INBD TE LH SIDE  
FIGURE 10C (SHEET 2)

**27-51-02-10C**

BRI  
MAY 28/07

27-51-02-10C  
PAGE 0A

**BOEING**  
757  
PARTS CATALOG (MAINTENANCE)



Y 27510210C SHT 3 REV 241

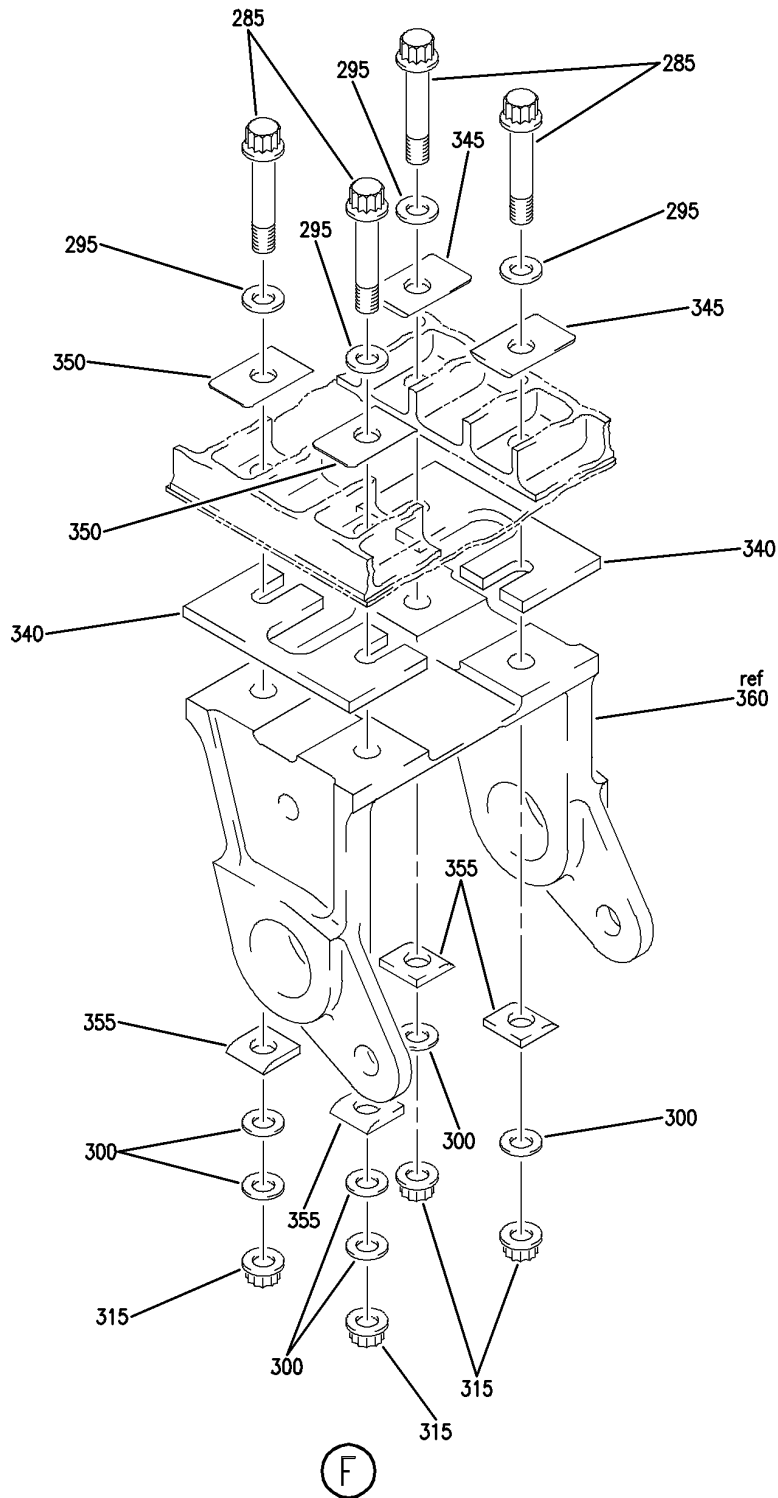
FLAP ASSY-INBD TE LH SIDE  
FIGURE 10C (SHEET 3)

**27-51-02-10C**

BRI  
MAY 28/07

27-51-02-10C  
PAGE 0B

**BOEING**  
**757**  
**PARTS CATALOG (MAINTENANCE)**



Y 27510210C SHT 4 REV 241

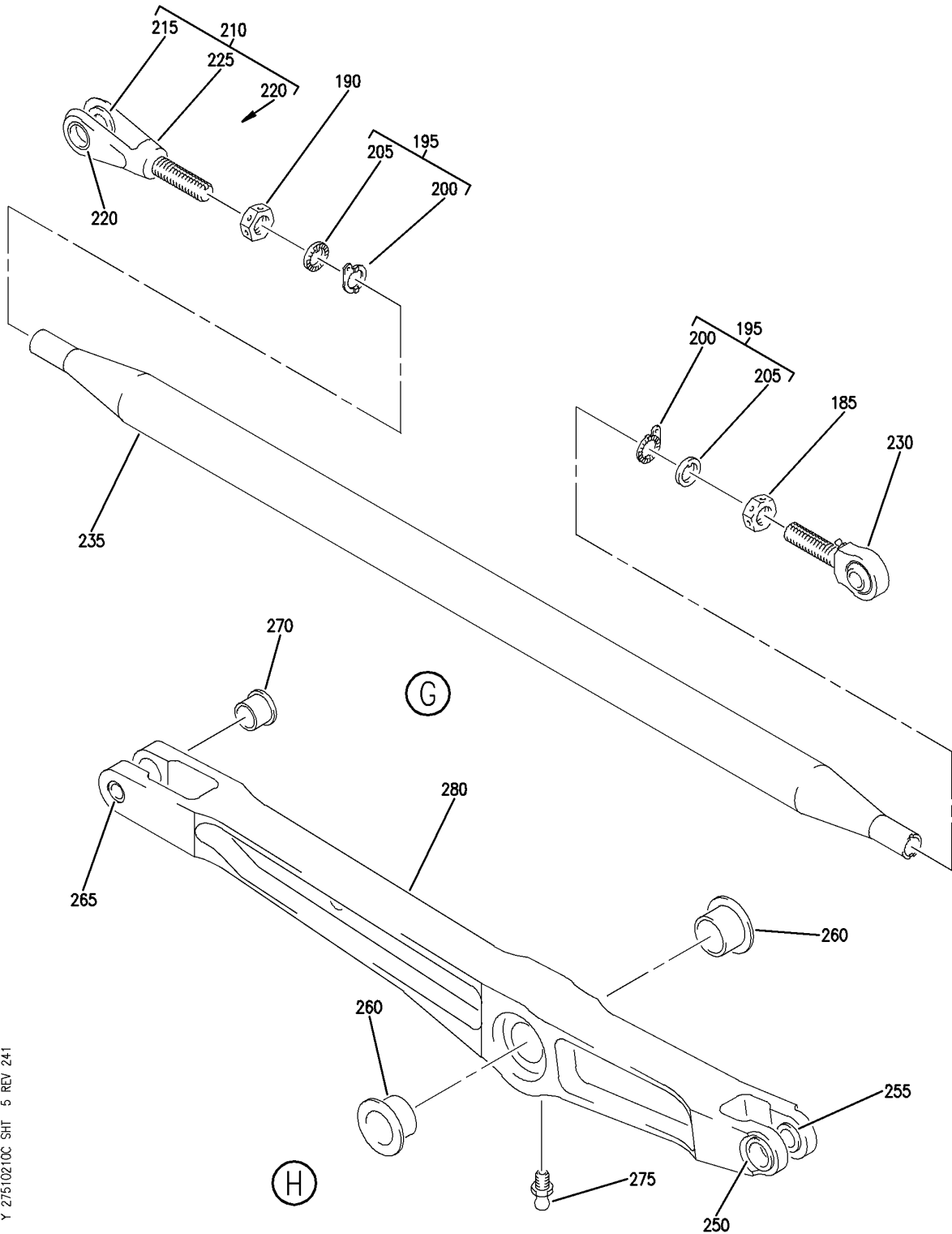
FLAP ASSY-INBD TE LH SIDE  
 FIGURE 10C (SHEET 4)

**27-51-02-10C**

BRI  
 MAY 28/07

27-51-02-10C  
 PAGE 0C

**BOEING**  
757  
PARTS CATALOG (MAINTENANCE)



Y 27510210C SHT 5 REV 241

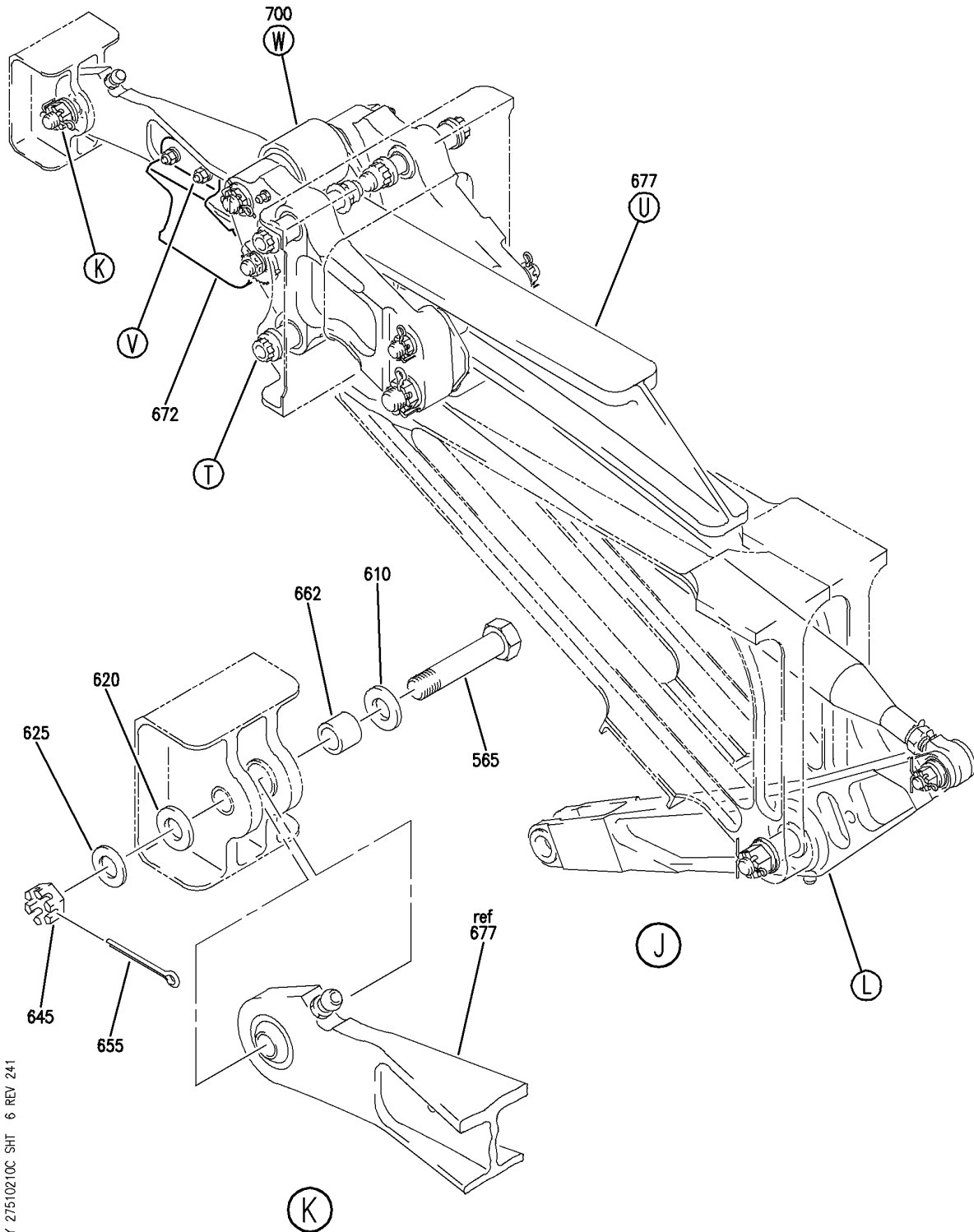
FLAP ASSY-INBD TE LH SIDE  
FIGURE 10C (SHEET 5)

**27-51-02-10C**

BRI  
MAY 28/07

27-51-02-10C  
PAGE 0D

**BOEING**  
757  
PARTS CATALOG (MAINTENANCE)



Y 27510210C SHT 6 REV 241

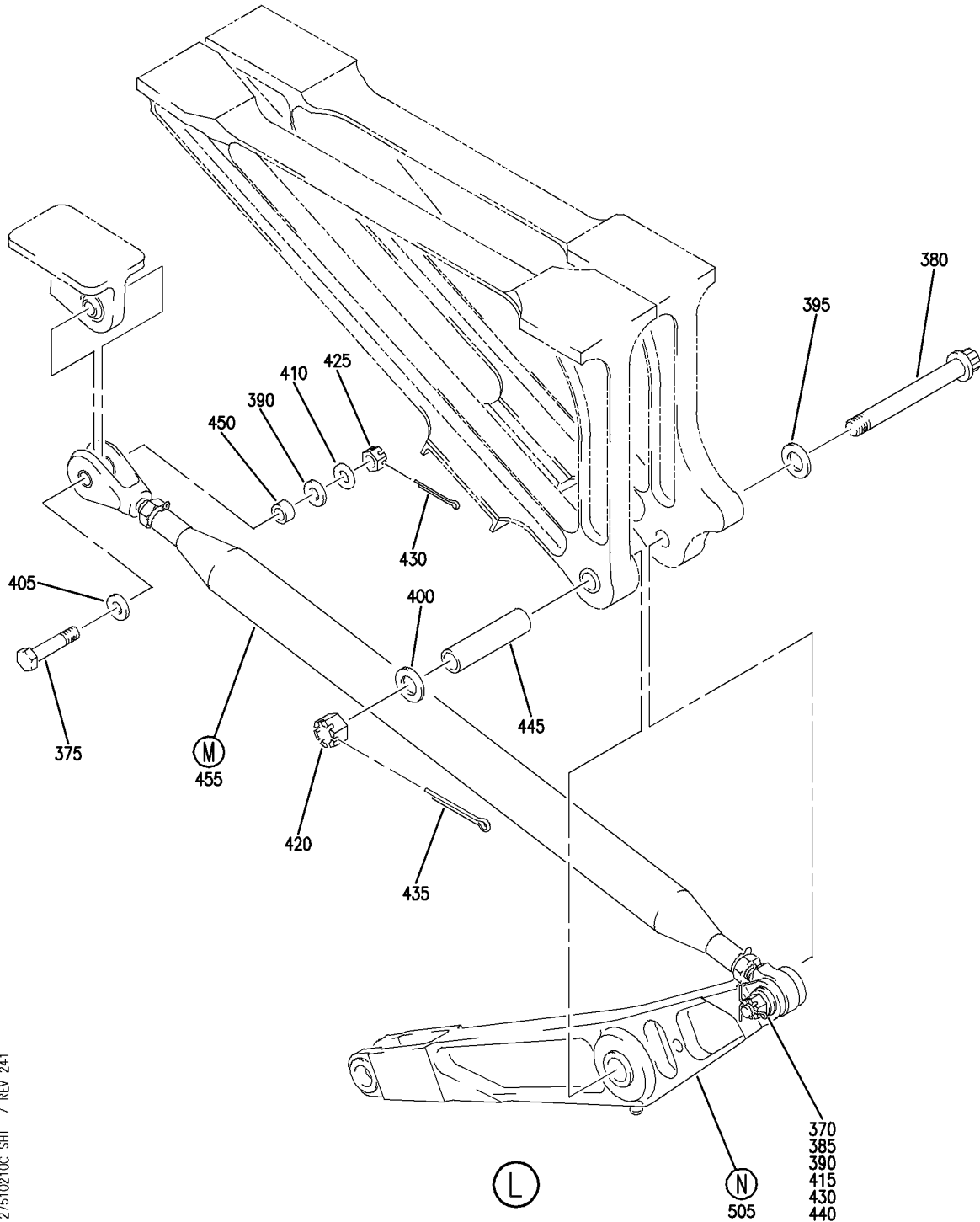
FLAP ASSY-INBD TE LH SIDE  
FIGURE 10C (SHEET 6)

**27-51-02-10C**

BRI  
MAY 28/07

27-51-02-10C  
PAGE 0E

**BOEING**  
757  
PARTS CATALOG (MAINTENANCE)



Y 27510210C SH1 7 REV 241

FLAP ASSY-INBD TE LH SIDE  
FIGURE 10C (SHEET 7)

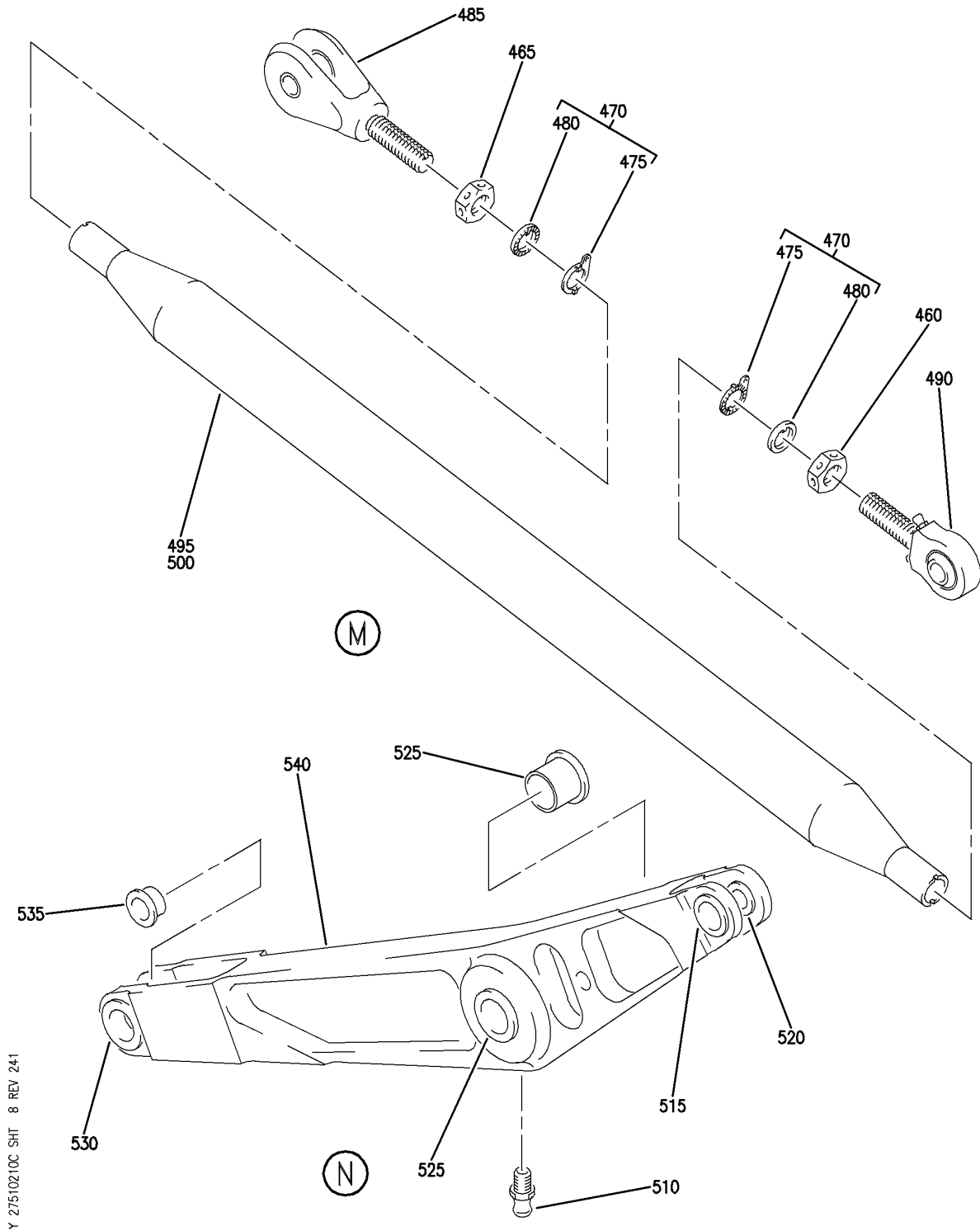
**27-51-02-10C**

BRI  
MAY 28/07

27-51-02-10C  
PAGE OF



**BOEING**  
757  
PARTS CATALOG (MAINTENANCE)



Y 27510210C SH1 8 REV 241

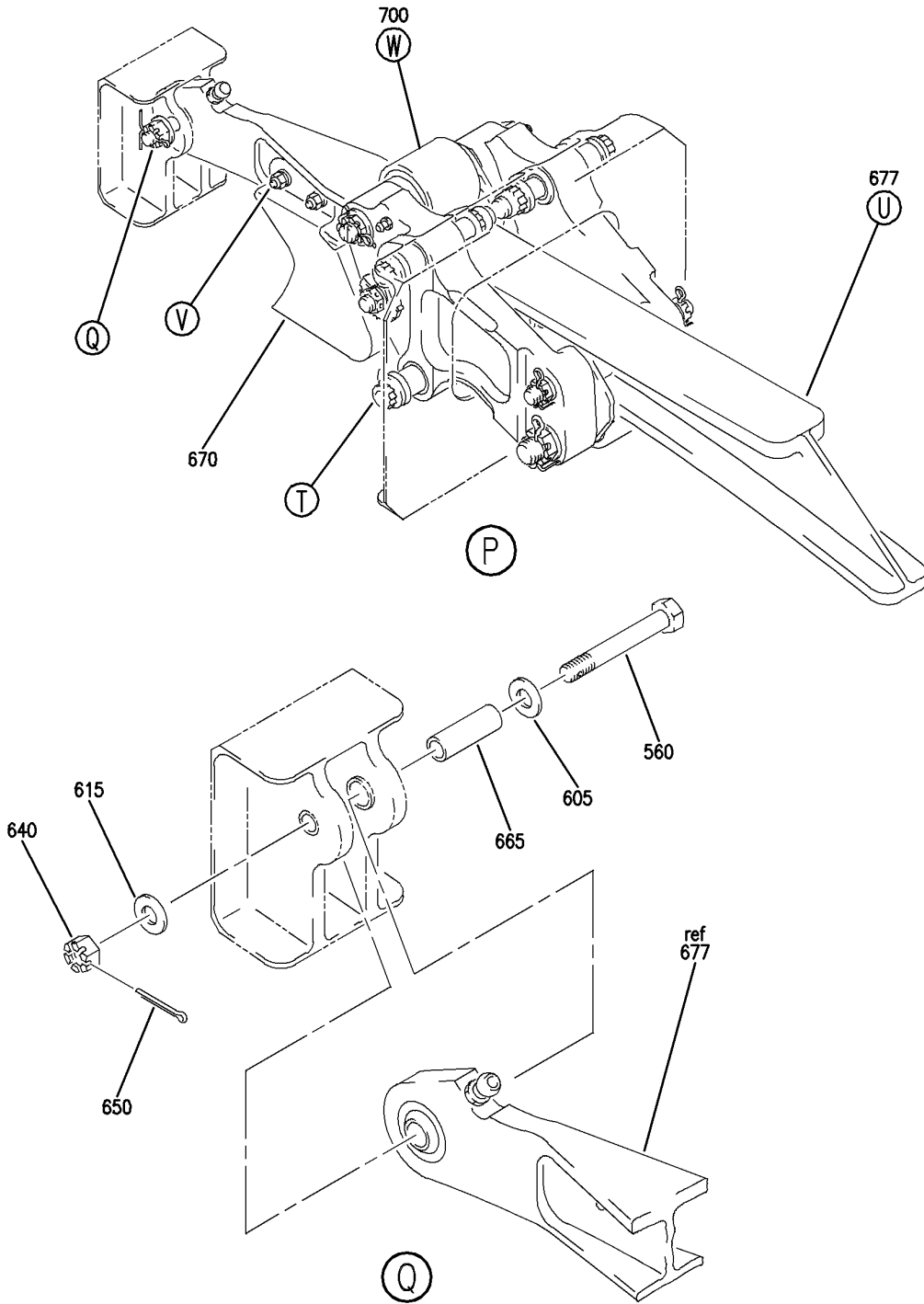
FLAP ASSY-INBD TE LH SIDE  
FIGURE 10C (SHEET 8)

**27-51-02-10C**

BRI  
MAY 28/07

27-51-02-10C  
PAGE 0G

**BOEING**  
757  
PARTS CATALOG (MAINTENANCE)



Y 27510210C SHT 9 REV 241

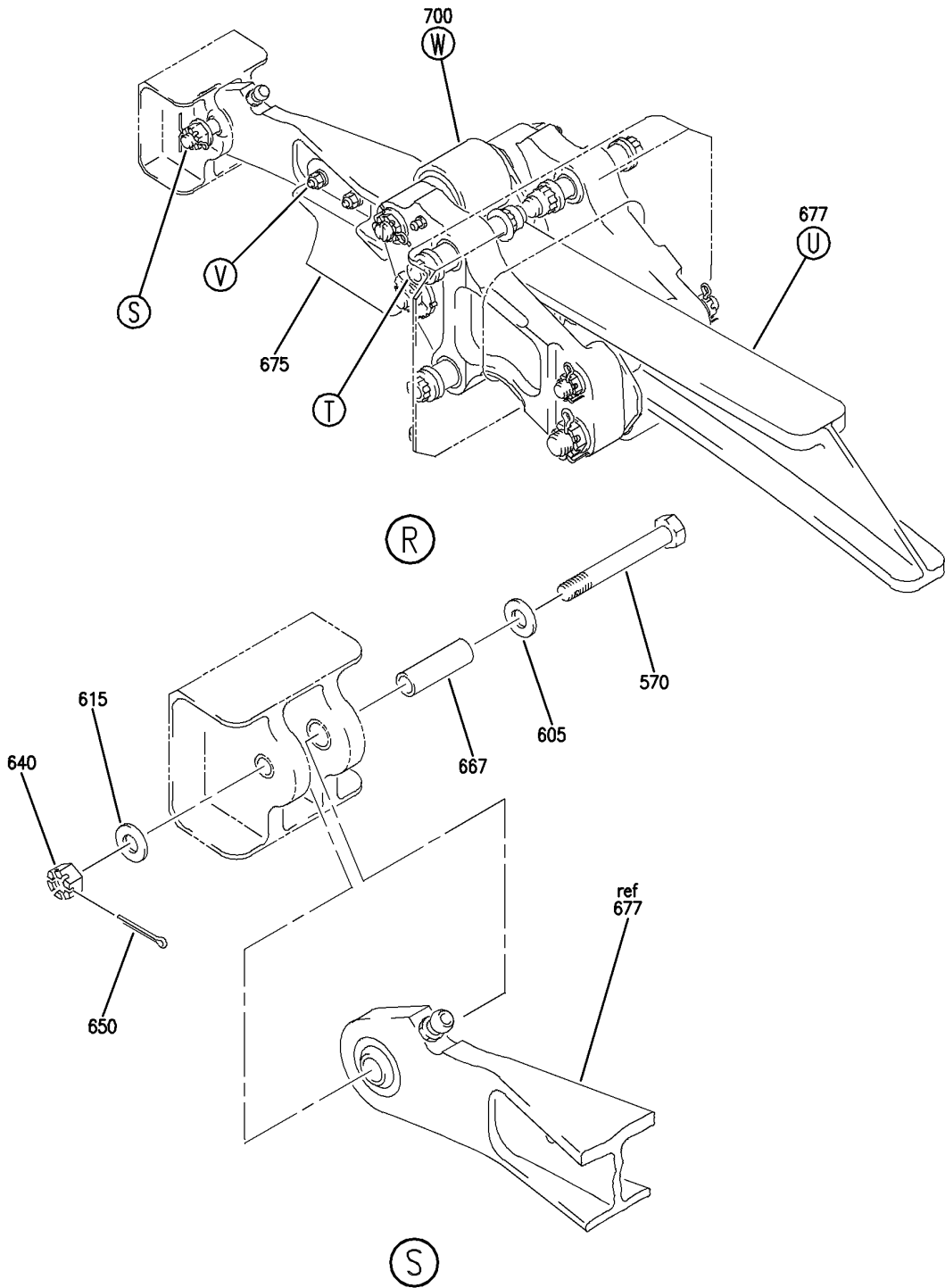
FLAP ASSY-INBD TE LH SIDE  
FIGURE 10C (SHEET 9)

**27-51-02-10C**

BRI  
MAY 28/07

27-51-02-10C  
PAGE 0H

**BOEING**  
757  
PARTS CATALOG (MAINTENANCE)



Y 27510210C SHT 10 REV 241

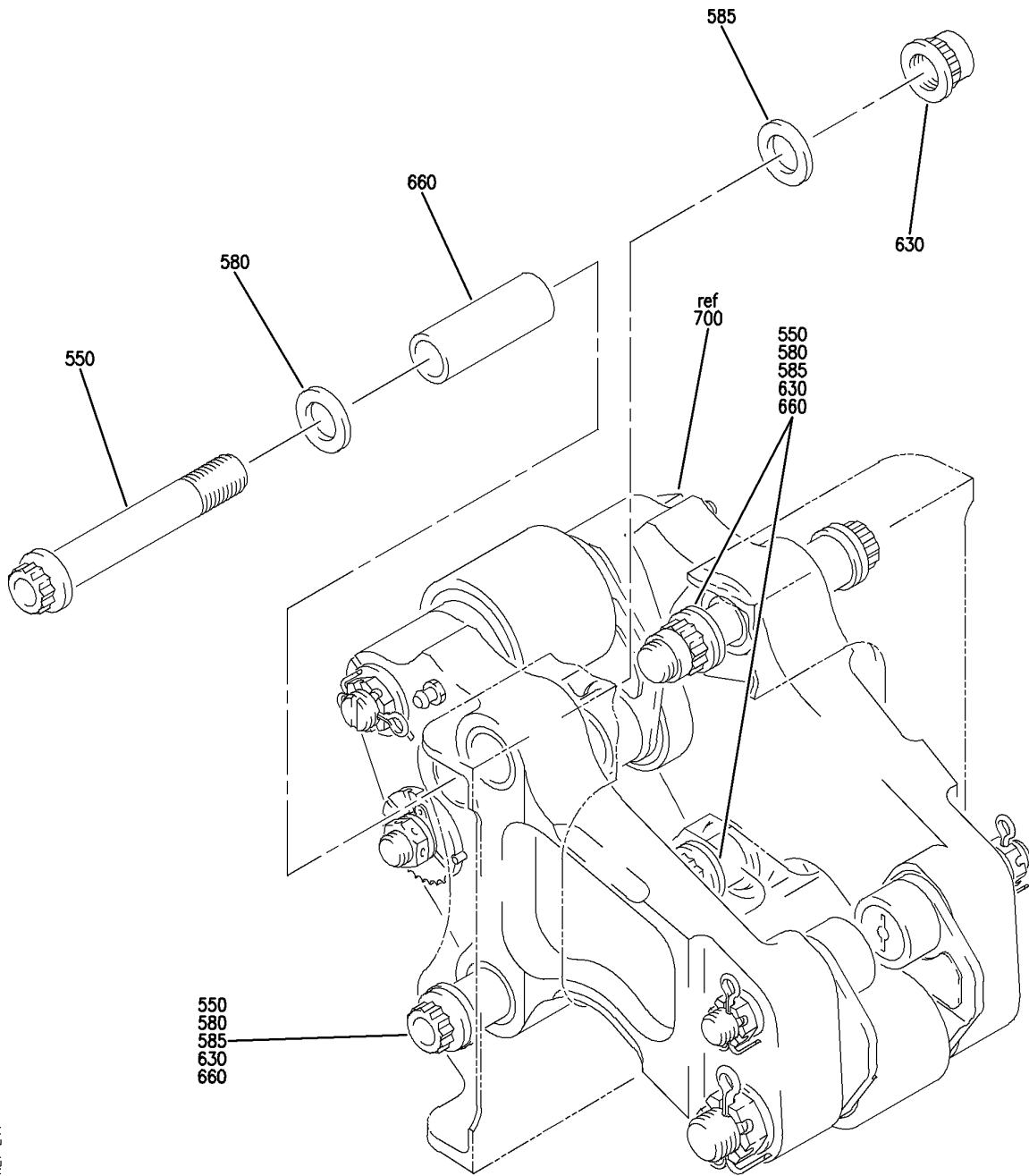
FLAP ASSY-INBD TE LH SIDE  
FIGURE 10C (SHEET 10)

**27-51-02-10C**

BRI  
MAY 28/07

27-51-02-10C  
PAGE 01

**BOEING**  
757  
PARTS CATALOG (MAINTENANCE)



550  
580  
585  
630  
660

550  
580  
585  
630  
660

Y 27510210C SHT 11 REV 241

(T)

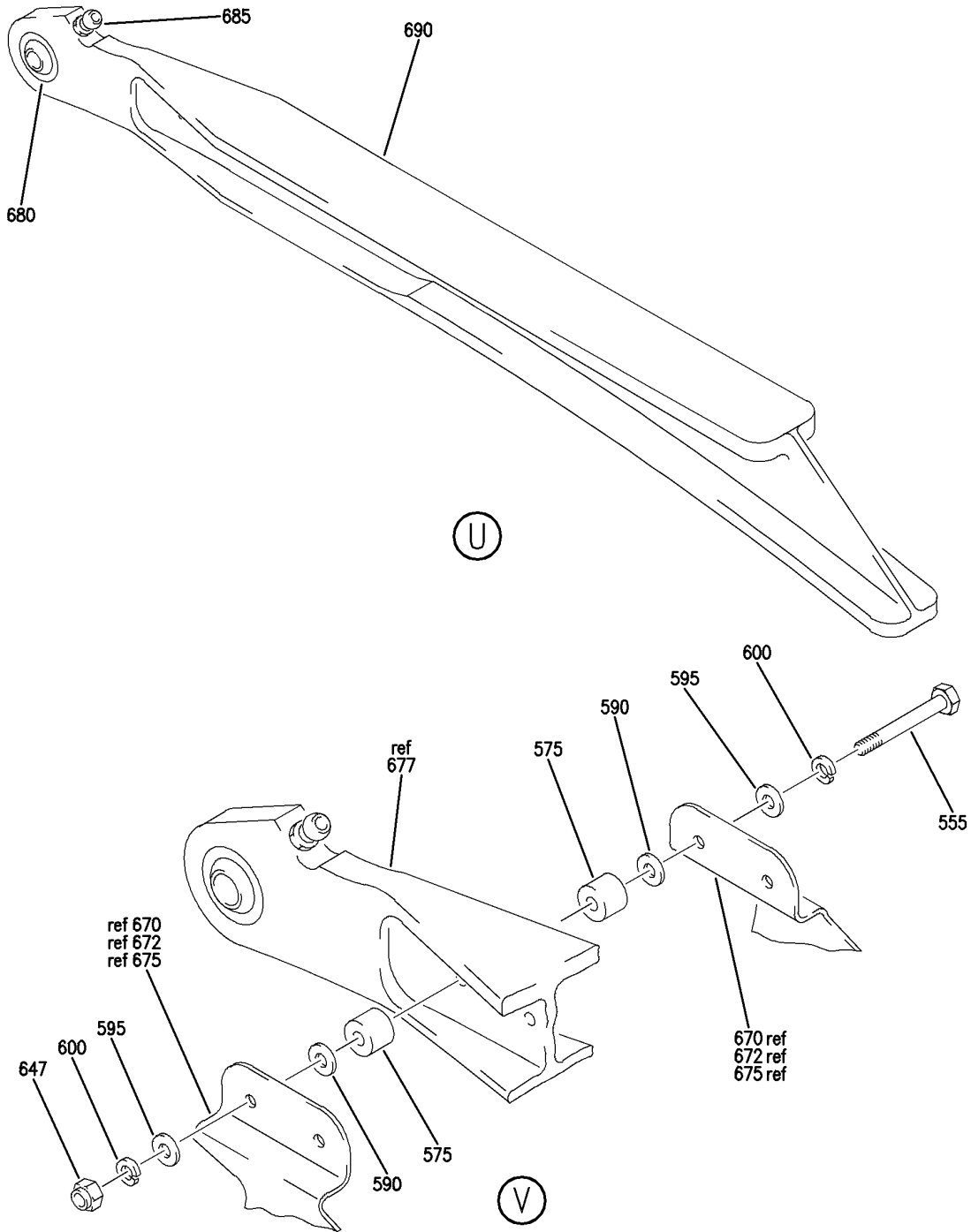
FLAP ASSY-INBD TE LH SIDE  
FIGURE 10C (SHEET 11)

**27-51-02-10C**

BRI  
MAY 28/07

27-51-02-10C  
PAGE 0J

**BOEING**  
757  
PARTS CATALOG (MAINTENANCE)



Y 27510210C SHT 12 REV 241

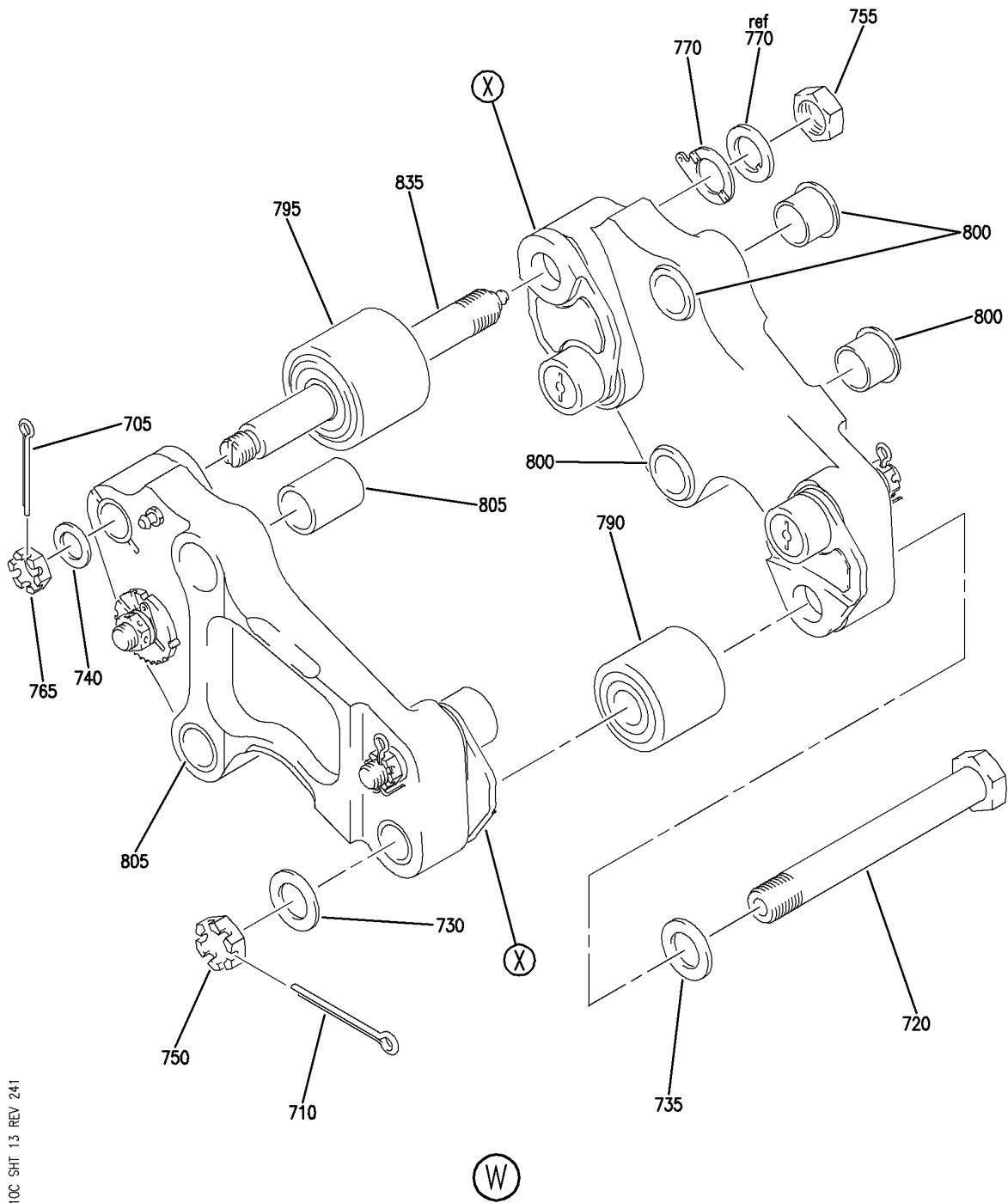
FLAP ASSY-INBD TE LH SIDE  
FIGURE 10C (SHEET 12)

**27-51-02-10C**

BRI  
MAY 28/07

27-51-02-10C  
PAGE OK

**BOEING**  
757  
PARTS CATALOG (MAINTENANCE)



Y 27510210C SHT 13 REV 241

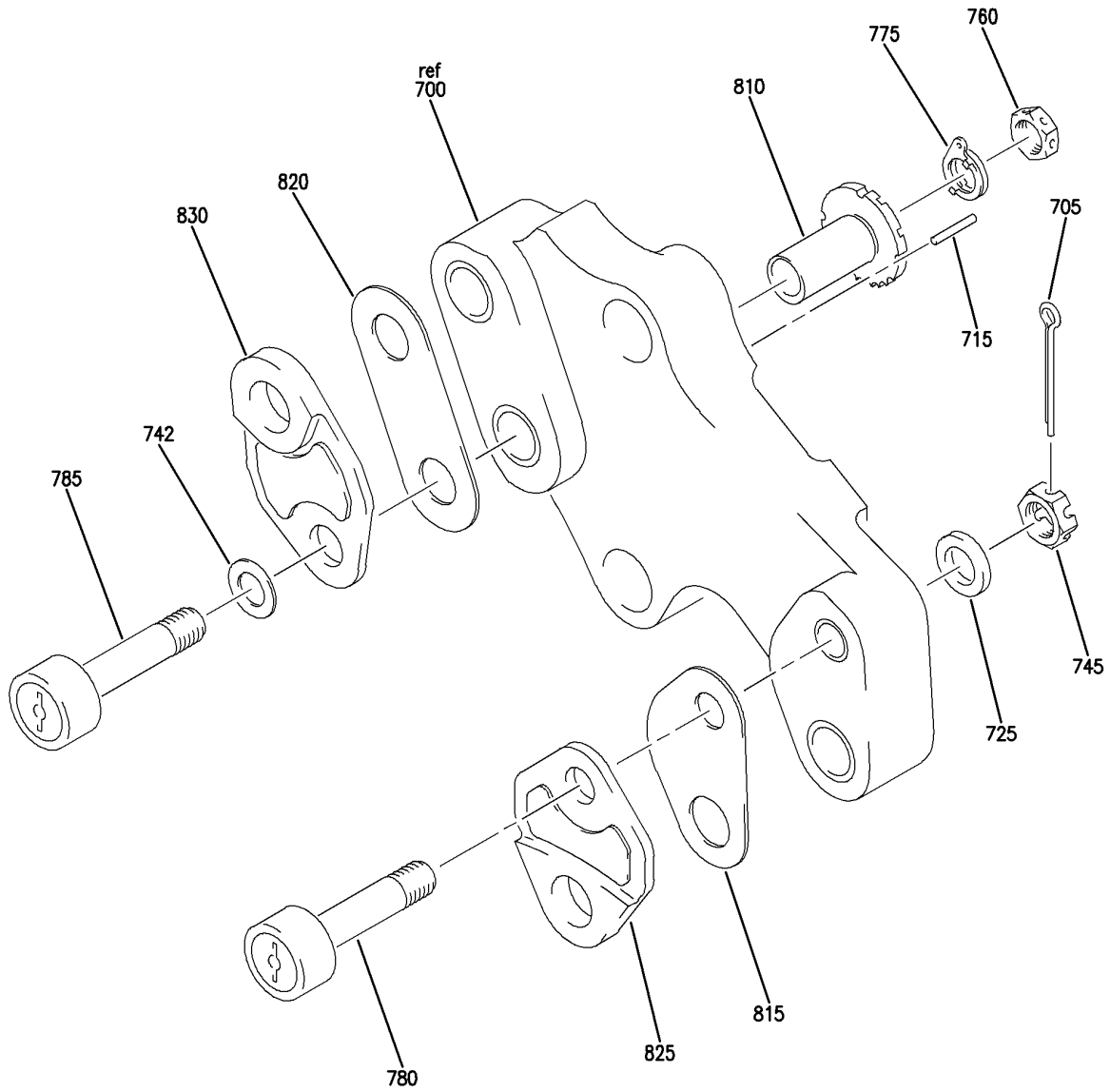
FLAP ASSY-INBD TE LH SIDE  
FIGURE 10C (SHEET 13)

**27-51-02-10C**

BRI  
MAY 28/07

27-51-02-10C  
PAGE 0L

**BOEING**  
757  
PARTS CATALOG (MAINTENANCE)



(X)

Y 27510210C SHT 14 REV 241

FLAP ASSY-INBD TE LH SIDE  
FIGURE 10C (SHEET 14)

**27-51-02-10C**

BRI  
MAY 28/07

27-51-02-10C  
PAGE 0M

BOEING PROPRIETARY - Copyright © - Unpublished Work - See title page for details.



757

PARTS CATALOG (MAINTENANCE)

FIG ITEM	PART NUMBER	1 2 3 4 5 6 7	NOMENCLATURE	EFFECT FROM TO	UNITS PER ASSY
10C			FLAP ASSY-INBD TE LH SIDE	002004 006106 108903 950999	
- 1	113N2002-121SP		FLAP ASSY-BASIC TE POSITION DATA: INBD LH COMPONENT MAINT MANUAL REF: 57-53-43 QUALIFIED I/W DATA: -129SP OR -121SP MAY REPLACE -107SP UPON INCORPORATION OF S/B 757-57-0032 113N2002-117 TOGETHER WITH 654N0010-178 INTERCHANGEABLE WITH 113N2002-121SP UPON INCORPORATION OF S/B 757-57-0032 -121SP CAN REPLACE -87 UPON INCORPORATION OF S/B 757-57-0026 AND S/B 757-57-0032	002004 006106 108903 950999	RF
- 1	113N2002-129SP		FLAP ASSY-BASIC TE POSITION DATA: INBD LH COMPONENT MAINT MANUAL REF: 57-53-43 FOR NHA SEE: 27-51-02-02	002004 006106 108903 950999	RF
- 1	113N2002-145SP		FLAP ASSY-VAR TE POSITION DATA: INBD LH COMPONENT MAINT MANUAL REF: 57-53-43 QUALIFIED I/W DATA: -145SP OR -149SP MAY REPLACE -107SP UPON INCORP OF 757-57-0032.	002004 006106 108903 950999	RF

MISSING ITEM NUMBERS NOT APPLICABLE

- ITEM NOT ILLUSTRATED

**27-51-02-10C**

27-51-02  
FIG. 10C  
PAGE 1  
JAN 20/09

BRI





757

PARTS CATALOG (MAINTENANCE)

FIG ITEM	PART NUMBER	1 2 3 4 5 6 7	NOMENCLATURE	EFFECT FROM TO	UNITS PER ASSY
10C - 1	113N2002-149SP		FLAP ASSY-VAR TE POSITION DATA: INBD LH COMPONENT MAINT MANUAL REF: 57-53-43 QUALIFIED I/W DATA: -145SP OR -149SP MAY REPLACE -107SP UPON INCORP OF 757-57-0032. FOR NHA SEE: 27-51-02-02	002004 006106 108903 950999	RF
	113N2002-159SP		FLAP ASSY-VAR TE POSITION DATA: INBD LH COMPONENT MAINT MANUAL REF: 57-53-43 QUALIFIED I/W DATA: 113N2002-159SP MAY REPLACE 113N2002-107SP UPON INCORPORATION OF FOR NHA SEE: 27-51-02-02	002004 006106 108903 950999	RF
	5 BACB30NR8K17		.BOLT- USED ON: 113N2002-133SP 113N2002-137SP	002004 006106 108903 950999	1
	10 BACB30NR8K18		.BOLT- USED ON: 113N2002-133SP 113N2002-137SP	002004 006106 108903 950999	3
	20 BACB30VF8K13		.BOLT	101102 108120 504903	1
	20 BACB30NU8K13		.BOLT	002004 006106 108903 950999	1
	25 BACB30VF8K15		.BOLT	101102 108120 504903	3
	25 BACB30NU8K15		.BOLT	002004 006106 108903 950999	3
	30 BACW10BP8CD		.WASHER	002004 006106 108903 950999	4

MISSING ITEM NUMBERS NOT APPLICABLE

- ITEM NOT ILLUSTRATED

27-51-02-10C

27-51-02  
FIG. 10C  
PAGE 2  
JAN 20/09

BRI

BOEING PROPRIETARY - Copyright © - Unpublished Work - See title page for details.



757

PARTS CATALOG (MAINTENANCE)

FIG ITEM	PART NUMBER	1 2 3 4 5 6 7	NOMENCLATURE	EFFECT FROM TO	UNITS PER ASSY
10C 35	BACW10BP8DP		.WASHER- USED ON: 113N2002-121SP 113N2002-129SP 113N2002-145SP 113N2002-149SP	002004 006106 108903 950999	7
40	BACW10BP8DP		.WASHER- USED ON: 113N2002-121SP 113N2002-129SP 113N2002-145SP 113N2002-149SP	002004 006106 108903 950999	2
45	BACW10BP8DP		.WASHER- USED ON: 113N2002-159SP	002004 006106 108903 950999	9
50	BACW10BP8DP		.WASHER	101102 108120 504903	10
55	69235-820CD		.NUT SUPPLIER CODE: V92215 SPECIFICATION NUMBER: BACN10JC8CD OPTIONAL PART: 102LH9074-8 V72962 BMN4122CPD8-8 V97928 H51650-8BAC V15653	002004 006106 108903 950999	8
60	113N2100-11		.CARRIAGE ASSY- COMPONENT MAINT MANUAL REF: 27-51-09 USED ON: 113N2002-121SP FOR DETAILS SEE: 27-51-05-01	002004 006106 108903 950999	1
60	113N2100-13		.CARRIAGE ASSY- COMPONENT MAINT MANUAL REF: 27-51-09 FOR DETAILS SEE: 27-51-05-01	002004 006106 108903 950999	1
60	113N2100-17		.CARRIAGE ASSY- COMPONENT MAINT MANUAL REF: 27-51-09 FOR DETAILS SEE: 27-51-05-01	002004 006106 108903 950999	1

MISSING ITEM NUMBERS NOT APPLICABLE

- ITEM NOT ILLUSTRATED

27-51-02-10C

27-51-02  
FIG. 10C  
PAGE 3  
JAN 20/09

BRI

BOEING PROPRIETARY - Copyright © - Unpublished Work - See title page for details.



757

PARTS CATALOG (MAINTENANCE)

FIG ITEM	PART NUMBER	1 2 3 4 5 6 7	NOMENCLATURE	EFFECT FROM TO	UNITS PER ASSY
10C					
60	113N2100-8		.CARRIAGE ASSY- POSITION DATA: INBD COMPONENT MAINT MANUAL REF: 27-51-09 FOR DETAILS SEE: 27-51-05-01	002004 006106 108903 950999	1
60	113N2100-1		.CARRIAGE ASSY- COMPONENT MAINT MANUAL REF: 27-51-09 FOR DETAILS SEE: 27-51-05-01	002004 006106 108903 950999	1
60	113N2100-4		.CARRIAGE ASSY- COMPONENT MAINT MANUAL REF: 27-51-09 FOR DETAILS SEE: 27-51-05-01	002004 006106 108903 950999	1
60	113N2100-6		.CARRIAGE ASSY- COMPONENT MAINT MANUAL REF: 27-51-09 FOR DETAILS SEE: 27-51-05-01	002004 006106 108903 950999	1
62	113N2108-1		.TUBE-TORQUE	002004 006106 108903 950999	1
70	NAS6705D19		.BOLT	002004 006106 108903 950999	1
75	NAS6708DE42		.BOLT- OPTIONAL PART: NAS6708D42	002004 006106 108903 950999	1
75	NAS6708D42		.BOLT- OPTIONAL PART: NAS6708DE42	002004 006106 108903 950999	1
80	NAS6705D16		.BOLT	002004 006106 108903 950999	1
85	AN960C516L		.WASHER- USED ON: 113N2002-121SP	002004 006106 108903 950999	2

MISSING ITEM NUMBERS NOT APPLICABLE

- ITEM NOT ILLUSTRATED

27-51-02-10C

27-51-02  
FIG. 10C  
PAGE 4  
JAN 20/09

BRI

BOEING PROPRIETARY - Copyright © - Unpublished Work - See title page for details.



757

PARTS CATALOG (MAINTENANCE)

FIG ITEM	PART NUMBER	1 2 3 4 5 6 7	NOMENCLATURE	EFFECT FROM TO	UNITS PER ASSY
10C 85	NAS1149C0532R		.WASHER- USED ON: 113N2002-129SP 113N2002-145SP 113N2002-149SP 113N2002-159SP	002004 006106 108903 950999	2
90	BACW10BP8CD		.WASHER	002004 006106 108903 950999	1
95	BACW10BP5CD		.WASHER	002004 006106 108903 950999	1
100	BACW10BP5DP		.WASHER	002004 006106 108903 950999	1
105	BACW10BP8DP		.WASHER	002004 006106 108903 950999	1
110	73781CD524		.NUT- SUPPLIER CODE: V56878 OPTIONAL PART: 102E9925-5 V72962 PHCR55CD VF0224	002004 006106 108903 950999	2
110	102E9925-5		.NUT- SUPPLIER CODE: V72962 OPTIONAL PART: 73781CD524 V56878 PHCR55CD VF0224	002004 006106 108903 950999	2
110	PHCR55CD		.NUT- SUPPLIER CODE: VF0224 OPTIONAL PART: 102E9925-5 V72962 73781CD524 V56878	002004 006106 108903 950999	2

MISSING ITEM NUMBERS NOT APPLICABLE

- ITEM NOT ILLUSTRATED

BRI

27-51-02-10C

BOEING PROPRIETARY - Copyright © - Unpublished Work - See title page for details.

27-51-02  
FIG. 10C  
PAGE 5  
JAN 20/09



757

PARTS CATALOG (MAINTENANCE)

FIG ITEM	PART NUMBER	1 2 3 4 5 6 7	NOMENCLATURE	EFFECT FROM TO	UNITS PER ASSY
10C 115	73781CD820	.NUT-	SUPPLIER CODE: V80539 OPTIONAL PART: 102E9925-8 V72962 PHCR58CD VF0224	002004 006106 108903 950999	1
115	102E9925-8	.NUT-	SUPPLIER CODE: V72962 OPTIONAL PART: 73781CD820 V80539 PHCR58CD VF0224	002004 006106 108903 950999	1
115	PHCR58CD	.NUT-	SUPPLIER CODE: VF0224 OPTIONAL PART: 73781CD820 V80539 102E9925-8 V72962	002004 006106 108903 950999	1
120	MS24665-153	.PIN-	USED ON: 113N2002-121SP	002004 006106 108903 950999	2
120	BACP18BC02A06P	.PIN-	USED ON: 113N2002-129SP 113N2002-145SP 113N2002-149SP 113N2002-159SP	002004 006106 108903 950999	2
125	MS24665-287	.PIN-	USED ON: 113N2002-121SP	002004 006106 108903 950999	1
125	BACP18BC03C10P	.PIN-	USED ON: 113N2002-129SP 113N2002-145SP 113N2002-149SP 113N2002-159SP	002004 006106 108903 950999	1
155	BACB28AK05-045	.BUSHING		002004 006106 108903 950999	1

MISSING ITEM NUMBERS NOT APPLICABLE

- ITEM NOT ILLUSTRATED

27-51-02-10C

27-51-02  
FIG. 10C  
PAGE 6  
JAN 20/09

BRI

BOEING PROPRIETARY - Copyright © - Unpublished Work - See title page for details.



757

PARTS CATALOG (MAINTENANCE)

FIG ITEM	PART NUMBER	1 2 3 4 5 6 7	NOMENCLATURE	EFFECT FROM TO	UNITS PER ASSY
10C 160	BACB28AK08-118	.	BUSHING	002004 006106 108903 950999	1
165	BACB28AK05-030	.	BUSHING	002004 006106 108903 950999	1
180	113N2888-12	.	ROD ASSY-FLAP	002004 006106 108903 950999	1
185	NAS509L6C	..	NUT	002004 006106 108903 950999	1
190	NAS509-6C	..	NUT	002004 006106 108903 950999	1
195	NAS1193K6CP	..	LOCKING DEVICE	002004 006106 108903 950999	2
200	NAS1193K6-1P	...	WASHER	002004 006106 108903 950999	1
205	NAS1193K6-2P	...	WASHER	002004 006106 108903 950999	1
210	113N2890-2	..	CLEVIS ASSY-END	002004 006106 108903 950999	1
215	BACB28AP05P010	...	BUSHING	002004 006106 108903 950999	1
220	BACB28AP07P010	...	BUSHING	002004 006106 108903 950999	1
225	113N2890-4	...	CLEVIS	002004 006106 108903 950999	1

MISSING ITEM NUMBERS NOT APPLICABLE

- ITEM NOT ILLUSTRATED

BRI

27-51-02-10C

BOEING PROPRIETARY - Copyright © - Unpublished Work - See title page for details.

27-51-02  
FIG. 10C  
PAGE 7  
JAN 20/09



757

PARTS CATALOG (MAINTENANCE)

FIG ITEM	PART NUMBER	1 2 3 4 5 6 7	NOMENCLATURE	EFFECT FROM TO	UNITS PER ASSY
10C 230	MKL5EPDL		.. BEARING-ROD END SUPPLIER CODE: V73134 SPECIFICATION NUMBER: S012T234-105-789 OPTIONAL PART: ARH5E115KLM VS0352 ARBL5E190W9 V15860 KBE4-225W V97613	002004 006106 108903 950999	1
235	113N2888-16		.. ROD- OPTIONAL PART: 113N2888-20	002004 006106 108903 950999	1
235	113N2888-20		.. ROD- OPTIONAL PART: 113N2888-16	002004 006106 108903 950999	1
245	113N2896-1		. BELLCRANK ASSY-	002004 006106 108903 950999	1
245	113N2883-1		. BELLCRANK ASSY-	002004 006106 108903 950999	1
250	BACB28AM07B022		.. BUSHING	002004 006106 108903 950999	1
255	BACB28AP05-022		.. BUSHING	002004 006106 108903 950999	1
260	BACB28AM11B047		.. BUSHING	002004 006106 108903 950999	2
265	BACB28AP05-036		.. BUSHING	002004 006106 108903 950999	1
270	BACB28AM07B035		.. BUSHING	002004 006106 108903 950999	1

MISSING ITEM NUMBERS NOT APPLICABLE

- ITEM NOT ILLUSTRATED

27-51-02-10C

27-51-02  
FIG. 10C  
PAGE 8  
JAN 20/09

BRI

BOEING PROPRIETARY - Copyright © - Unpublished Work - See title page for details.



757

PARTS CATALOG (MAINTENANCE)

FIG ITEM	PART NUMBER	1 2 3 4 5 6 7	NOMENCLATURE	EFFECT FROM TO	UNITS PER ASSY
10C 275	MS15001-1		.. FITTING	002004 006106 108903 950999	1
280	113N2896-3		.. BELLCRANK- USED ON: 113N2896-1	002004 006106 108903 950999	1
280	113N2883-4		.. BELLCRANK- USED ON: 113N2883-1	002004 006106 108903 950999	1
285	BACB30LE8K26		.BOLT- USED ON: 113N2002-129SP 113N2002-145SP 113N2002-149SP	002004 006106 108903 950999	4
285	BACB30LE8K28		.BOLT- USED ON: 113N2002-159SP	002004 006106 108903 950999	4
285	BACB30LE8-26		.BOLT- USED ON: 113N2002-121SP	002004 006106 108903 950999	4
290	113N2157-17		.BOLT	002004 006106 108903 950999	2
295	BACW10BP8CD		.WASHER	002004 006106 108903 950999	4
300	BACW10BP8DP		.WASHER	002004 006106 108903 950999	6
305	AN960KD1016L		.WASHER- OPTIONAL PART: NAS1149D1016K NAS1149D1016L USED ON: 113N2002-121SP	002004 006106 108903 950999	2
305	BACW10DS10S		.WASHER- USED ON: 113N2002-129SP 113N2002-145SP 113N2002-149SP 113N2002-159SP	002004 006106 108903 950999	2

MISSING ITEM NUMBERS NOT APPLICABLE

- ITEM NOT ILLUSTRATED

27-51-02-10C

27-51-02  
FIG. 10C  
PAGE 9  
JAN 20/09

BRI

BOEING PROPRIETARY - Copyright © - Unpublished Work - See title page for details.





757

PARTS CATALOG (MAINTENANCE)

FIG ITEM	PART NUMBER	1 2 3 4 5 6 7	NOMENCLATURE	EFFECT FROM TO	UNITS PER ASSY
10C 305	NAS1149D1016K	.	WASHER- OPTIONAL PART: AN960KD1016L NAS1149D1016L USED ON: 113N2002-121SP	002004 006106 108903 950999	2
305	NAS1149D1016L	.	WASHER- OPTIONAL PART: AN960KD1016L NAS1149D1016K USED ON: 113N2002-121SP	002004 006106 108903 950999	2
310	AN960XC1016L	.	WASHER- USED ON: 113N2002-121SP	002004 006106 108903 950999	1
310	NAS1149C1032B	.	WASHER- USED ON: 113N2002-129SP 113N2002-145SP 113N2002-149SP 113N2002-159SP	002004 006106 108903 950999	1
315	BMN10HRCWD3-8	.	NUT SUPPLIER CODE: V97928 SPECIFICATION NUMBER: BACN10HR8CD OPTIONAL PART: H51560-8 V15653 67832CD820 V56878 102LH9031-8 V72962 BH00303CM8 V27238 BMN5024CWD38 V97928 SL7108C8 V11815 VCU0005D8 V06710 102LH90318 V72962 67832CD8 V56878 CR6030-8 VF0224	002004 006106 108903 950999	4

MISSING ITEM NUMBERS NOT APPLICABLE

- ITEM NOT ILLUSTRATED

27-51-02-10C

27-51-02  
FIG. 10C  
PAGE 10  
JAN 20/09

BRI



757

PARTS CATALOG (MAINTENANCE)

FIG ITEM	PART NUMBER	1 2 3 4 5 6 7	NOMENCLATURE	EFFECT FROM TO	UNITS PER ASSY
10C 320	BACN10JD110CD	.	NUT	002004 006106 108903 950999	2
325	MS24665-357	.	PIN- USED ON: 113N2002-121SP	002004 006106 108903 950999	2
330	BACB28AK10-092	.	BUSHING	002004 006106 108903 950999	1
335	BACB28AK10-095	.	BUSHING	002004 006106 108903 950999	1
340	113N2159-34	.	SHIM-	002004 006106 108903 950999	2
340	113N2159-18	.	SHIM-	002004 006106 108903 950999	2
345	113N2159-44	.	PAD-STRESS USED ON: 113N2002-121SP	002004 006106 108903 950999	2
345	113N2159-48	.	PAD-STRESS USED ON: 113N2002-121SP	002004 006106 108903 950999	2
345	113N2159-50	.	PAD-STRESS	002004 006106 108903 950999	2
350	113N2159-45	.	PAD-STRESS USED ON: 113N2002-121SP	002004 006106 108903 950999	2
350	113N2159-49	.	PAD-STRESS USED ON: 113N2002-121SP	002004 006106 108903 950999	2
350	113N2159-51	.	PAD-STRESS	002004 006106 108903 950999	2

MISSING ITEM NUMBERS NOT APPLICABLE

- ITEM NOT ILLUSTRATED

27-51-02-10C

27-51-02  
FIG. 10C  
PAGE 11  
JAN 20/09

BRI

BOEING PROPRIETARY - Copyright © - Unpublished Work - See title page for details.



757

PARTS CATALOG (MAINTENANCE)

FIG ITEM	PART NUMBER	1 2 3 4 5 6 7	NOMENCLATURE	EFFECT FROM TO	UNITS PER ASSY
10C 355	113N2159-13	.	PAD	002004 006106 108903 950999	4
360	113N2150-9	.	CARRIAGE ASSY- COMPONENT MAINT MANUAL REF: 27-51-06 FOR DETAILS SEE: 27-51-05-01	002004 006106 108903 950999	1
360	113N2150-1	.	CARRIAGE ASSY- COMPONENT MAINT MANUAL REF: 27-51-06 FOR DETAILS SEE: 27-51-05-01	002004 006106 108903 950999	1
360	113N2150-4	.	CARRIAGE ASSY- COMPONENT MAINT MANUAL REF: 27-51-06 FOR DETAILS SEE: 27-51-05-01	002004 006106 108903 950999	1
360	113N2150-7	.	CARRIAGE ASSY- COMPONENT MAINT MANUAL REF: 27-51-06 FOR DETAILS SEE: 27-51-05-01	002004 006106 108903 950999	1
370	BACB30LL6D19	.	BOLT- USED ON: 113N2002-121SP	002004 006106 108903 950999	1
370	NAS8706D19	.	BOLT- USED ON: 113N2002-129SP 113N2002-145SP 113N2002-149SP 113N2002-159SP	002004 006106 108903 950999	1
375	NAS6706D19	.	BOLT	002004 006106 108903 950999	1
380	113N2157-19	.	BOLT-MAIN FLAP QUALIFIED I/W DATA: -19 MAY REPLACE -18 UPON INCORPORATION OF S/B 757-57-0032	002004 006106 108903 950999	1
385	113N2050-1	.	WASHER- QUALIFIED I/W DATA: 113N2050-1 MAY REPLACE BACW10BP6CD UPON INCORPORATION OF S/B 757-57-0032	002004 006106 108903 950999	1

MISSING ITEM NUMBERS NOT APPLICABLE

- ITEM NOT ILLUSTRATED

27-51-02-10C

27-51-02  
FIG. 10C  
PAGE 12  
JAN 20/09

BRI

BOEING PROPRIETARY - Copyright © - Unpublished Work - See title page for details.



757

PARTS CATALOG (MAINTENANCE)

FIG ITEM	PART NUMBER	1 2 3 4 5 6 7	NOMENCLATURE	EFFECT FROM TO	UNITS PER ASSY
10C 390	BACW10BP6DP	.	WASHER	002004 006106 108903 950999	2
395	BACW10BP8CD	.	WASHER	002004 006106 108903 950999	1
400	BACW10BP8DP	.	WASHER	002004 006106 108903 950999	1
405	BACW10BP6CD	.	WASHER	002004 006106 108903 950999	1
410	AN960C616L	.	WASHER- USED ON: 113N2002-121SP	002004 006106 108903 950999	1
410	NAS1149C0632R	.	WASHER- USED ON: 113N2002-129SP 113N2002-145SP 113N2002-149SP 113N2002-159SP	002004 006106 108903 950999	1
415	73783CD624	.	NUT- SUPPLIER CODE: V56878	002004 006106 108903 950999	1
420	73781CD820	.	NUT- SUPPLIER CODE: V80539 OPTIONAL PART: 102E9925-8 V72962 PHCR58CD VF0224	002004 006106 108903 950999	1
420	102E9925-8	.	NUT- SUPPLIER CODE: V72962 OPTIONAL PART: 73781CD820 V80539 PHCR58CD VF0224	002004 006106 108903 950999	1

MISSING ITEM NUMBERS NOT APPLICABLE

- ITEM NOT ILLUSTRATED

27-51-02-10C

27-51-02  
FIG. 10C  
PAGE 13  
JAN 20/09

BRI

BOEING PROPRIETARY - Copyright © - Unpublished Work - See title page for details.



757

PARTS CATALOG (MAINTENANCE)

FIG ITEM	PART NUMBER	1 2 3 4 5 6 7	NOMENCLATURE	EFFECT FROM TO	UNITS PER ASSY
10C 420	PHCR58CD	.NUT-	SUPPLIER CODE: VF0224 OPTIONAL PART: 73781CD820 V80539 102E9925-8 V72962	002004 006106 108903 950999	1
425	73781CD624	.NUT-	SUPPLIER CODE: V56878 OPTIONAL PART: 102E9925-6 V72962 PHCR56CD VF0224	002004 006106 108903 950999	1
425	102E9925-6	.NUT-	SUPPLIER CODE: V72962 OPTIONAL PART: 73781CD624 V56878 PHCR56CD VF0224	002004 006106 108903 950999	1
425	PHCR56CD	.NUT-	SUPPLIER CODE: VF0224 OPTIONAL PART: 102E9925-6 V72962 73781CD624 V56878	002004 006106 108903 950999	1
430	MS24665-304	.PIN-	USED ON: 113N2002-121SP	002004 006106 108903 950999	2
430	BACP18BC03A10P	.PIN-	USED ON: 113N2002-129SP 113N2002-145SP 113N2002-149SP 113N2002-159SP	002004 006106 108903 950999	2
435	MS24665-359	.PIN-	USED ON: 113N2002-121SP	002004 006106 108903 950999	1

MISSING ITEM NUMBERS NOT APPLICABLE

- ITEM NOT ILLUSTRATED

27-51-02-10C

27-51-02  
FIG. 10C  
PAGE 14  
JAN 20/09

BRI

BOEING PROPRIETARY - Copyright © - Unpublished Work - See title page for details.



757

PARTS CATALOG (MAINTENANCE)

FIG ITEM	PART NUMBER	1 2 3 4 5 6 7	NOMENCLATURE	EFFECT FROM TO	UNITS PER ASSY
10C 435	BACP18BC04C14P	.PIN-	USED ON: 113N2002-129SP 113N2002-145SP 113N2002-149SP 113N2002-159SP	002004 006106 108903 950999	1
440	BACB28AK06-032	.BUSHING		002004 006106 108903 950999	1
445	BACB28AK08-271	.BUSHING		002004 006106 108903 950999	1
450	BACB28AK06-030	.BUSHING		002004 006106 108903 950999	1
455	113N2888-11	.ROD ASSY-FLAP		002004 006106 108903 950999	1
460	NAS509L7C	..NUT-	OPTIONAL PART: NAS1423-7	002004 006106 108903 950999	1
460	NAS1423-7	..NUT-	OPTIONAL PART: NAS509-7C	002004 006106 108903 950999	1
465	NAS509-7C	..NUT-	OPTIONAL PART: NAS1423-7	002004 006106 108903 950999	1
465	NAS1423-7	..NUT-	OPTIONAL PART: NAS509-7C	002004 006106 108903 950999	1
470	NAS1193K6CP	..LOCKING DEVICE		002004 006106 108903 950999	2
475	NAS1193K6-1P	...WASHER		002004 006106 108903 950999	1

MISSING ITEM NUMBERS NOT APPLICABLE

- ITEM NOT ILLUSTRATED

27-51-02-10C

27-51-02  
FIG. 10C  
PAGE 15  
JAN 20/09

BRI

BOEING PROPRIETARY - Copyright © - Unpublished Work - See title page for details.



757

PARTS CATALOG (MAINTENANCE)

FIG ITEM	PART NUMBER	1 2 3 4 5 6 7	NOMENCLATURE	EFFECT FROM TO	UNITS PER ASSY
10C 480	NAS1193K6-2P	. . .	WASHER	002004 006106 108903 950999	1
485	113N2890-5	. . .	CLEVIS ASSY-END	002004 006106 108903 950999	1
490	MKL6EPDL	. . .	BEARING-ROD END SUPPLIER CODE: V73134 SPECIFICATION NUMBER: BCREF106925 OPTIONAL PART: ARH6E115KLM VS0352 ARBL6E190W9 V15860 KBEL6-225W V97613	002004 006106 108903 950999	1
495	113N2888-15	. . .	ROD- OPTIONAL PART: 113N2888-19	002004 006106 108903 950999	1
500	113N2888-19	. . .	ROD- OPTIONAL PART: 113N2888-15	002004 006106 108903 950999	1
505	113N2895-7	. . .	BELLCRANK ASSY- QUALIFIED I/W DATA: 113N2895-7 MAY REPLACE 113N2895-1 UPON INCORPORATION OF S/B 757-57-0032	002004 006106 108903 950999	1
505	113N2895-13	. . .	BELLCRANK ASSY-	002004 006106 108903 950999	1
510	MS15001-1	. . .	FITTING	002004 006106 108903 950999	1
515	BACB28AT09B018C	. . .	BUSHING	002004 006106 108903 950999	1

MISSING ITEM NUMBERS NOT APPLICABLE

- ITEM NOT ILLUSTRATED

27-51-02-10C

27-51-02  
FIG. 10C  
PAGE 16  
JAN 20/09

BRI

BOEING PROPRIETARY - Copyright © - Unpublished Work - See title page for details.

 **BOEING**  
757  
**PARTS CATALOG (MAINTENANCE)**

FIG ITEM	PART NUMBER	1 2 3 4 5 6 7	NOMENCLATURE	EFFECT FROM TO	UNITS PER ASSY
10C 520	BACB28AP06P018	..	BUSHING	002004 006106 108903 950999	1
525	BACB28AT11B065C	..	BUSHING	002004 006106 108903 950999	2
530	BACB28AT10B028C	..	BUSHING	002004 006106 108903 950999	1
535	BACB28AP07P028	..	BUSHING	002004 006106 108903 950999	1
540	113N2895-9	..	BELLCRANK- USED ON: 113N2895-7	002004 006106 108903 950999	1
540	113N2895-15	..	BELLCRANK- USED ON: 113N2895-13	002004 006106 108903 950999	1
550	BACB30LE8K40	.BOLT		002004 006106 108903 950999	12
555	NAS6703-19	.BOLT		002004 006106 108903 950999	6
560	NAS6705D28	.BOLT		002004 006106 108903 950999	1
565	NAS6707D24	.BOLT		002004 006106 108903 950999	1
570	NAS6705D31	.BOLT		002004 006106 108903 950999	1
575	BACS18K10-25W	.SPACER		002004 006106 108903 950999	12

MISSING ITEM NUMBERS NOT APPLICABLE

— ITEM NOT ILLUSTRATED

BRI

# 27-51-02-10C

BOEING PROPRIETARY - Copyright © - Unpublished Work - See title page for details.

27-51-02  
FIG. 10C  
PAGE 17  
JAN 20/09



 **BOEING**  
757  
**PARTS CATALOG (MAINTENANCE)**

FIG ITEM	PART NUMBER	1 2 3 4 5 6 7	NOMENCLATURE	EFFECT FROM TO	UNITS PER ASSY
10C 580	BACW10BP8CD	.	WASHER	002004 006106 108903 950999	12
585	BACW10BP8DP	.	WASHER	002004 006106 108903 950999	12
590	BACW10BP3NDP	.	WASHER- OPTIONAL PART: AN960XC10LL NAS1149C0316B	002004 006106 108903 950999	12
590	AN960XC10LL	.	WASHER- OPTIONAL PART: BACW10BP3NDP	003004 006100 121503 950999	12
590	NAS1149C0316B	.	WASHER- OPTIONAL PART: BACW10BP3NDP	101106 108120 504903	12
595	AN960XC10LL	.	WASHER- OPTIONAL PART: MS35338-43	003004 006100 121503 950999	12
595	NAS1149C0316B	.	WASHER	101106 108120 504903	12
600	MS35338-43	.	WASHER	003004 006100 121503 950999	12
605	BACW10BP5CD	.	WASHER	002004 006106 108903 950999	2
610	BACW10BP7CD	.	WASHER	002004 006106 108903 950999	1
615	BACW10BP5DP	.	WASHER	002004 006106 108903 950999	2
620	BACW10BP7DP	.	WASHER	002004 006106 108903 950999	1

MISSING ITEM NUMBERS NOT APPLICABLE

— ITEM NOT ILLUSTRATED

BRI

# 27-51-02-10C

BOEING PROPRIETARY - Copyright © - Unpublished Work - See title page for details.

27-51-02  
FIG. 10C  
PAGE 18  
JAN 20/09



757

PARTS CATALOG (MAINTENANCE)

FIG ITEM	PART NUMBER	1 2 3 4 5 6 7	NOMENCLATURE	EFFECT FROM TO	UNITS PER ASSY
10C 625	AN960C716L	.	WASHER	003004 006100 121503 950999	1
625	NAS1149C0732R	.	WASHER	101106 108120 504903	1
630	BMN10HRCWD3-8	.	NUT SUPPLIER CODE: V97928 SPECIFICATION NUMBER: BACN10HR8CD OPTIONAL PART: H51560-8 V15653 67832CD820 V56878 102LH9031-8 V72962 BH00303CM8 V27238 BMN5024CWD38 V97928 SL7108C8 V11815 VCU0005D8 V06710 102LH90318 V72962 67832CD8 V56878 CR6030-8 VF0224	002004 006106 108903 950999	12
640	73781CD524	.	NUT- SUPPLIER CODE: V80539 OPTIONAL PART: 102E9925-5 V72962 PHCR55CD VF0224	002004 006106 108903 950999	2
640	102E9925-5	.	NUT- SUPPLIER CODE: V72962 OPTIONAL PART: 73781CD524 V80539 PHCR55CD VF0224	002004 006106 108903 950999	2

MISSING ITEM NUMBERS NOT APPLICABLE

- ITEM NOT ILLUSTRATED

27-51-02-10C

27-51-02  
FIG. 10C  
PAGE 19  
JAN 20/09

BRI

BOEING PROPRIETARY - Copyright © - Unpublished Work - See title page for details.



757

PARTS CATALOG (MAINTENANCE)

FIG ITEM	PART NUMBER	1 2 3 4 5 6 7	NOMENCLATURE	EFFECT FROM TO	UNITS PER ASSY
10C 640	PHCR55CD	.NUT-	SUPPLIER CODE: VF0224 OPTIONAL PART: 102E9925-5 V72962 73781CD524 V80539	002004 006106 108903 950999	2
645	73781CD720	.NUT-	SUPPLIER CODE: V56878	002004 006106 108903 950999	1
647	PLH53CD	.NUT	SUPPLIER CODE: VF0224 SPECIFICATION NUMBER: BACN10YR3CD OPTIONAL PART: H52732-3CD V15653	002004 006106 108903 950999	6
650	MS24665-153	.PIN		003004 006100 121503 950999	2
650	BACP18BC02A06P	.PIN		101106 108120 504903	2
655	MS24665-304	.PIN		003004 006100 121503 950999	1
655	BACP18BC03A10P	.PIN		101106 108120 504903	1
660	BACB28AK08-190	.BUSHING		002004 006106 108903 950999	12
662	BACB28AK07-050	.BUSHING		002004 006106 108903 950999	1
665	113N2816-2	.BUSHING		002004 006106 108903 950999	1

MISSING ITEM NUMBERS NOT APPLICABLE

- ITEM NOT ILLUSTRATED

**27-51-02-10C**

27-51-02  
FIG. 10C  
PAGE 20  
JAN 20/09

BRI

BOEING PROPRIETARY - Copyright © - Unpublished Work - See title page for details.



757

PARTS CATALOG (MAINTENANCE)

FIG ITEM	PART NUMBER	1 2 3 4 5 6 7	NOMENCLATURE	EFFECT FROM TO	UNITS PER ASSY
10C 667	113N2816-3	.	BUSHING	002004 006106 108903 950999	1
670	113N2894-1	.	FAIRING ASSY-FLAP POSITION DATA: STA 88.40	002004 006106 108903 950999	1
672	113N2894-9	.	FAIRING ASSY-FLAP POSITION DATA: STA 150.65	002004 006106 108903 950999	1
672	113N2894-17	.	FAIRING ASSY-FLAP POSITION DATA: STA 150.65	002004 006106 108903 950999	1
675	113N2894-11	.	FAIRING ASSY-FLAP POSITION DATA: STA 212.90	002004 006106 108903 950999	1
675	113N2894-18	.	FAIRING ASSY-FLAP POSITION DATA: STA 212.90	002004 006106 108903 950999	1
677	113N2887-1	.	TRACK ASSY	002004 006106 108903 950999	3
680	BACB10EN07GC	..	BEARING	002004 006106 108903 950999	1
685	1728B	..	FITTING-LUBE SUPPLIER CODE: VOFKM1	002004 006106 108903 950999	1
690	113N2887-2	..	TRACK	002004 006106 108903 950999	1
695	113N2106-2	.	SPACER	002004 006106 108903 950999	4
700	113N2884-12	.	CARTRIDGE ASSY-	002004 006106 108903 950999	3

MISSING ITEM NUMBERS NOT APPLICABLE

- ITEM NOT ILLUSTRATED

27-51-02-10C

27-51-02  
FIG. 10C  
PAGE 21  
JAN 20/09

BRI

BOEING PROPRIETARY - Copyright © - Unpublished Work - See title page for details.



757

PARTS CATALOG (MAINTENANCE)

FIG ITEM	PART NUMBER	1 2 3 4 5 6 7	NOMENCLATURE	EFFECT FROM TO	UNITS PER ASSY
10C 705	MS24665-302	..	PIN	002004 006106 108903 950999	4
710	MS24665-372	..	PIN	002004 006106 108903 950999	1
715	MS16562-27	..	PIN	002004 006106 108903 950999	2
720	113N2886-1	..	BOLT ASSY-SPECIAL	002004 006106 108903 950999	1
725	BACW10BN7SP	..	WASHER	002004 006106 108903 950999	2
730	BACW10BN10SP	..	WASHER	002004 006106 108903 950999	1
735	BACW10BN10SC	..	WASHER	002004 006106 108903 950999	1
740	BACW10BN8SP	..	WASHER	002004 006106 108903 950999	1
742	113N2884-8	..	WASHER	002004 006106 108903 950999	2
745	BACN10JD107CD	..	NUT	002004 006106 108903 950999	2
745	BACN10JD207CD	..	NUT	002004 006106 108903 950999	2
750	BACN10JD110CD	..	NUT	002004 006106 108903 950999	1

MISSING ITEM NUMBERS NOT APPLICABLE

- ITEM NOT ILLUSTRATED

27-51-02-10C

27-51-02  
FIG. 10C  
PAGE 22  
JAN 20/09

BRI

BOEING PROPRIETARY - Copyright © - Unpublished Work - See title page for details.



757

PARTS CATALOG (MAINTENANCE)

FIG ITEM	PART NUMBER	1 2 3 4 5 6 7	NOMENCLATURE	EFFECT FROM TO	UNITS PER ASSY
10C 755	NAS509-10C	..	NUT	002004 006106 108903 950999	1
760	NAS509-7	..	NUT	002004 006106 108903 950999	2
765	BACN10JD108CD	..	NUT	002004 006106 108903 950999	1
770	NAS1193E10CP	..	LOCKING DEVICE	002004 006106 108903 950999	1
775	113N2884-10	..	LOCKING DEVICE	002004 006106 108903 950999	2
780	KRP142807VT	..	BEARING- SUPPLIER CODE: V50632	002004 006106 108903 950999	2
785	KRP142907VT	..	BEARING- SUPPLIER CODE: V50632	002004 006106 108903 950999	2
790	YAT10B	..	BEARING SUPPLIER CODE: V07484 SPECIFICATION NUMBER: BACB10EU10 OPTIONAL PART: 10AL2426 V92563 ATL10 V60380	002004 006106 108903 950999	1
795	YAT12B	..	BEARING SUPPLIER CODE: V07484 SPECIFICATION NUMBER: BACB10EU12 OPTIONAL PART: 12AL2830 V92563 ATL12 V60380	002004 006106 108903 950999	1

MISSING ITEM NUMBERS NOT APPLICABLE

- ITEM NOT ILLUSTRATED

BRI

27-51-02-10C

BOEING PROPRIETARY - Copyright © - Unpublished Work - See title page for details.

27-51-02  
FIG. 10C  
PAGE 23  
JAN 20/09



757

PARTS CATALOG (MAINTENANCE)

FIG ITEM	PART NUMBER	1 2 3 4 5 6 7	NOMENCLATURE	EFFECT FROM TO	UNITS PER ASSY
10C 795	ATL12SY	..	BEARING SUPPLIER CODE: V21335 SPECIFICATION NUMBER: BACB10GJ12 OPTIONAL PART: CR12AL V92563	101102 108120 504903	1
800	BACB28AM11B055A	..	BUSHING	002004 006106 108903 950999	4
805	BACB28U11B119	..	BUSHING	002004 006106 108903 950999	2
810	113N2892-1	..	BUSHING	002004 006106 108903 950999	2
815	113N2884-2	..	SHIM	002004 006106 108903 950999	2
820	113N2884-3	..	SHIM	002004 006106 108903 950999	2
825	113N2156-37	..	PLATE	002004 006106 108903 950999	2
830	113N2156-38	..	PLATE ASSY	002004 006106 108903 950999	2
830	113N2156-59	..	PLATE ASSY	002004 006106 108903 950999	2
835	113N2891-1	..	SPINDLE ASSY-ECCENTRIC	002004 006106 108903 950999	1
850	113N2800-95SP	..	FLAP ASSY- COMPONENT MAINT MANUAL REF: 57-53-45 QUALIFIED I/W DATA: -103SP OR -95SP MAY	002004 006106 108903 950999	1

R  
R  
R  
R  
R

MISSING ITEM NUMBERS NOT APPLICABLE

- ITEM NOT ILLUSTRATED

27-51-02-10C

27-51-02  
FIG. 10C  
PAGE 24  
MAY 20/09

BRI

BOEING PROPRIETARY - Copyright © - Unpublished Work - See title page for details.

# BOEING

## 757

### PARTS CATALOG (MAINTENANCE)

FIG ITEM	PART NUMBER	1 2 3 4 5 6 7	NOMENCLATURE	EFFECT FROM TO	UNITS PER ASSY	
R R	10C		REPLACE -87SP UPON INCorp OF S/B 757-57-0032 (MAIN FLAP MUST BE REWORKED). -103SP OR -95SP T/W KIT 654N0010-178 MAY REPLACE -93SP OR -75 OR -73 OR -61 UPON INCORPORATION OF S/B 757-57-0032 (MAIN FLAP MUST BE REWORKED). 113N2820-1SP TOGETHER WITH (1) 113N2894-1 AND (1) 113N2894-17 AND (1) 113N2894-18 MAY REPLACE 113N2800-103SP OR 113N2800-95SP TOGETHER WITH (1) 113N2894-1 AND (1) 113N2894-11 AND (1) 113N2894-9 -103SP OR -95SP MAY REPLACE -55 OR -43 OR -1 UPON INCORPORATION OF S/B 757-57-0032 (MAIN FLAP MUST BE REWORKED) 113N2800-95SP TOGETHER WITH (1) 113N2894-1 AND (1) 113N2894-11 AND (1) 113N2894-9 MAY BE REPLACED BY 113N2820-23SP TOGETHER WITH (1) 113N2894-1 AND (1) 113N2894-17 AND (1) 113N2894-18 113N2800-95SP CAN REPLACE OR BE REPLACED BY 113N2800-87SP IF S/B 757-57-0032 HAS BEEN INCORPORATED. FUNCTIONAL REFERENCE: FLIGHT CONTROL FOR DETAILS SEE 27-51-12-01 WINGS FOR DETAILS SEE 57-53-01-01			
	MISSING ITEM NUMBERS NOT APPLICABLE					

- ITEM NOT ILLUSTRATED

# 27-51-02-10C

27-51-02  
FIG. 10C  
PAGE 25  
MAY 20/09

BRI



 **BOEING**  
757  
**PARTS CATALOG (MAINTENANCE)**

FIG ITEM	PART NUMBER	1 2 3 4 5 6 7	NOMENCLATURE	EFFECT FROM TO	UNITS PER ASSY
10C 850	113N2800-103SP		. FLAP ASSY- COMPONENT MAINT MANUAL REF: 57-53-45 QUALIFIED I/W DATA: 113N2820-1SP TOGETHER WITH 113N2894-1 AND 113N2894-17 AND 113N2894-18 MAY REPLACE 113N2800-104SP TOGETHER WITH 113N2894-1 AND 113N2894-11 AND 113N2894-9 -103SP OR -95SP MAY REPLACE -93SP OR -75 -73 OR -61 UPON INCORPORATION OF SERVICE BULLETIN 757-57-0032 (MAIN FLAP MUST BE REWORKED). -103SP OR -95SP MAY REPLACE -55 OR -43 OR -1 UPON INCORPORATION OF S/B 757-57-0032 (MAIN FLAP MUST BE REWORKED). 113N2820-23SP TOGETHER WITH 113N2894-1 AND 113N2894-17 AND 113N2894-18 MAY REPLACE 113N2800-103SP TOGETHER WITH 113N2894-1 AND 113N2894-11 AND 113N2894-9 FUNCTIONAL REFERENCE: FLIGHT CONTROL FOR DETAILS SEE 27-51-12-01 WINGS FOR DETAILS SEE 57-53-01-01	002004 006106 108903 950999	1

MISSING ITEM NUMBERS NOT APPLICABLE

— ITEM NOT ILLUSTRATED

BRI

# 27-51-02-10C

BOEING PROPRIETARY - Copyright © - Unpublished Work - See title page for details.

27-51-02  
FIG. 10C  
PAGE 26  
MAY 20/09



757

PARTS CATALOG (MAINTENANCE)

FIG ITEM	PART NUMBER	1 2 3 4 5 6 7	NOMENCLATURE	EFFECT FROM TO	UNITS PER ASSY
10C 850	113N2820-1SP		. FLAP ASSY- QUALIFIED I/W DATA: 113N2820-1SP TOGETHER WITH 113N2894-1 AND 113N2894-17 AND 113N2894-18 MAY REPLACE 113N2800-95SP OR 113N2800-103SP TOGETHER WITH 113N2894-1 AND 113N2894-11 AND 113N2894-9 OPTIONAL PART: 113N2820-23SP FUNCTIONAL REFERENCE: FLIGHT CONTROL FOR DETAILS SEE 27-51-12-01 WINGS FOR DETAILS SEE 57-53-01-01	002004 006106 108903 950999	1
850	113N2820-23SP		. FLAP ASSY- QUALIFIED I/W DATA: 113N2820-23SP TOGETHER WITH 113N2894-1 AND 113N2894-17 AND 113N2894-18 MAY REPLACE 113N2800-95SP OR 113N2800-103SP TOGETHER WITH 113N2894-1 AND 113N2894-11 AND 113N2894-9 OPTIONAL PART: 113N2820-1SP FUNCTIONAL REFERENCE: FLIGHT CONTROL FOR DETAILS SEE 27-51-12-01 WINGS FOR DETAILS SEE 57-53-01-01	002004 006106 108903 950999	1

MISSING ITEM NUMBERS NOT APPLICABLE

- ITEM NOT ILLUSTRATED

**27-51-02-10C**

27-51-02  
FIG. 10C  
PAGE 27  
JAN 20/09

BRI


**BOEING**  
 757  
**PARTS CATALOG (MAINTENANCE)**

FIG ITEM	PART NUMBER	1 2 3 4 5 6 7	NOMENCLATURE	EFFECT FROM TO	UNITS PER ASSY
R R	10C 860	113N2003-45SP	. FLAP ASSY- COMPONENT MAINT MANUAL REF: 57-53-44 QUALIFIED I/W DATA: -45SP I/W -41SP OR -43 OR -35 UPON INCORPORATION OF S/B 757-57-0032 (SEE DWG 113N2053) -45SP I/W -29 OR -25 UPON INCORPORATION OF S/B 757-57-0026 AND S/B 757-57-0032 (SEE DWG 113N2053) -45SP I/W -15 OR -13 OR -6 UPON INCORPORATION OF S/B 757-53-0023 AND S/B 757-57-0026 AND S/B 757-57-0032 (SEE DWG 113N2053) -45SP MAY REPLACE -1 UPON INCORPORATION OF S/B 757-53-0023 AND S/B 757-57-0026 AND S/B 757-57-0032 (SEE DWG 113N2053) 113N2003-45SP CAN REPLACE OR BE REPLACED BY 113N2003-41SP IF SERVICE BULLETIN 757-57-0032 HAS BEEN INCORPORATED. FOR DETAILS SEE: 27-51-02-10D	002004 006102 108903 950999	1
	MISSING ITEM NUMBERS NOT APPLICABLE				

- ITEM NOT ILLUSTRATED

BRI

# 27-51-02-10C

BOEING PROPRIETARY - Copyright © - Unpublished Work - See title page for details.

27-51-02  
 FIG. 10C  
 PAGE 28  
 MAY 20/09



757

PARTS CATALOG (MAINTENANCE)

FIG ITEM	PART NUMBER	1 2 3 4 5 6 7	NOMENCLATURE	EFFECT FROM TO	UNITS PER ASSY
10C 860	113N2003-47SP		. FLAP ASSY- QUALIFIED I/W DATA: -47SP I/W -41SP OR -43 OR -35 UPON INCORPORATION OF S/B 757-57-0032 (SEE DWG 113N2053) -47SP I/W -29 OR -25 UPON INCORPORATION OF S/B 757-57-0026 AND S/B 757-57-0032 (SEE DWG 113N2053) -47SP I/W -15 OR -13 OR -5 UPON INCORPORATION OF S/B 757-53-0023 AND S/B 757-57-0026 AND S/B 757-57-0032 (SEE DWG 113N2053). -47SP MAY REPLACE -1 UPON INCORPORATION OF S/B 757-53-0023 AND S/B 757-57-0026 AND S/B 757-57-0032 (SEE DWG 113N2053). FOR DETAILS SEE: 27-51-02-10D	002004 006102 108903 950999	1

MISSING ITEM NUMBERS NOT APPLICABLE

- ITEM NOT ILLUSTRATED

BRI

# 27-51-02-10C

BOEING PROPRIETARY - Copyright © - Unpublished Work - See title page for details.

27-51-02  
FIG. 10C  
PAGE 29  
JAN 20/09



757

PARTS CATALOG (MAINTENANCE)

FIG ITEM	PART NUMBER	1 2 3 4 5 6 7 NOMENCLATURE	EFFECT FROM TO	UNITS PER ASSY
10C 860	113N2003-49SP	. FLAP ASSY- QUALIFIED I/W DATA: -49SP I/W -41SP OR -43 OR -35 UPON INCORPORATION OF S/B 757-57-0032 -49SP I/W -29 OR -25 UPON INCORPORATION OF S/B 757-57-0026 AND S/B 757-57-0032 (SEE DWG 113N2053) -49SP I/W -15 OR -13 OR -5 UPON INCORPORATION OF S/B 757-53-0023 AND S/B 757-57-0026 AND S/B 757-57-0032 (SEE DWG 113N2053) -49SP MAY REPLACE -1 UPON INCORPORATION OF S/B 757-53-0023 AND S/B 757-57-0026 AND S/B 757-57-0032 (SEE DWG 113N2053) FOR DETAILS SEE: 27-51-02-10D	002004 006102 108903 950999	1

MISSING ITEM NUMBERS NOT APPLICABLE

- ITEM NOT ILLUSTRATED

BRI

**27-51-02-10C**

BOEING PROPRIETARY - Copyright © - Unpublished Work - See title page for details.

27-51-02  
FIG. 10C  
PAGE 30  
JAN 20/09



757

PARTS CATALOG (MAINTENANCE)

FIG ITEM	PART NUMBER	1 2 3 4 5 6 7	NOMENCLATURE	EFFECT FROM TO	UNITS PER ASSY
10C 860	113N2003-51SP		. FLAP ASSY- QUALIFIED I/W DATA: -51SP OR -49SP OR -47SP OR -45SP MAY BE REPLACED BY -43 OR -41SP OR -35 AFTER INCORPORATION OF S/B 757-57-0032 (SEE DWG 113N2053) -51SP OR -49SP OR -47SP OR -45SP MAY BE REPLACED BY -29 OR -25 AFTER INCORPORATION OF S/B 757-57-0026 AND S/B 757-57-0032 (SEE DWG 113N2053) -51SP OR -49SP OR -47SP OR -45SP MAY BE REPLACED BY -15 OR -13 OR -5 AFTER INCORPORATION OF SERVICE BULLETINS 757-53-0023, 757-57-0026, 757-57-0032 SEE DWG 113N2053. FOR DETAILS SEE: 27-51-02-10D	002004 006102 108903 950999	1

MISSING ITEM NUMBERS NOT APPLICABLE

- ITEM NOT ILLUSTRATED

BRI

**27-51-02-10C**

BOEING PROPRIETARY - Copyright © - Unpublished Work - See title page for details.

27-51-02  
FIG. 10C  
PAGE 31  
JAN 20/09



757

PARTS CATALOG (MAINTENANCE)

FIG ITEM	PART NUMBER	1 2 3 4 5 6 7 NOMENCLATURE	EFFECT FROM TO	UNITS PER ASSY
10C 860	113N2003-55SP	.FLAP ASSY- QUALIFIED I/W DATA: -55SP I/W -41SP OR -43SP OR -35 UPON INCORPORATION OF S/B 757-57-0032 (SEE DWG 113N2053). -55SP I/W -29 OR -25 UPON INCORPORATION OF S/B 757-57-0026 AND S/B 757-57-0032 (SEE DWG 113N2053) -55SP I/W -15 OR -13 OR -5 UPON INCORPORATION OF S/B 757-53-0023 AND S/B 757-57-0026 AND S/B 757-57-0032 (SEE DWG 113N2053) -55SP MAY REPLACE -1 UPON INCORPORATION OF S/B 757-53-0023 AND S/B 757-57-0026 AND S/B 757-57-0032 (SEE DWG 113N2053) 113N2003-55SP INTERCHANGEABLE WITH -29 UPON INCORPORATION OF S/B 757-57-0032 AND S/B 757-57-0026 (SEE DWG 113N2053) FOR DETAILS SEE: 27-51-02-10D	002004 006102 108903 950999	1

MISSING ITEM NUMBERS NOT APPLICABLE

- ITEM NOT ILLUSTRATED

**27-51-02-10C**

27-51-02  
FIG. 10C  
PAGE 32  
JAN 20/09

BRI



757

PARTS CATALOG (MAINTENANCE)

FIG ITEM	PART NUMBER	1 2 3 4 5 6 7	NOMENCLATURE	EFFECT FROM TO	UNITS PER ASSY
10C 860	113N2003-63SP		. FLAP ASSY- QUALIFIED I/W DATA: 113N2003-63SP CAN REPLACE 113N2003-43SP OR 113N2003-41SP OR 113N2003-35 UPON INCORPORATION OF 757-57-0032 (SEE DWG 113N2053) 113N2003-63SP CAN REPLACE 113N2003-29 OR 113N2003-25 UPON INCORPORATION OF S/B 757-57-0026 AND S/B 757-57-0032 (SEE DWG 113N2053) 113N2003-63SP CAN REPLACE 113N2003-15 OR 113N2003-13 OR UPON INCORPORATION OF S/B 757-53-0023 AND S/B 757-57-0026 AND S/B 757-57-0032 (SEE DWG 113N2053) 113N2003-63SP CAN REPLACE 113N2003-1 UPON INCORPORATION OF S/B 757-53-0023 AND S/B 757-57-0026 AND S/B AND S/B 757-57-0032 FOR DETAILS SEE: 27-51-02-10D	002004 006106 108903 950999	1

MISSING ITEM NUMBERS NOT APPLICABLE

- ITEM NOT ILLUSTRATED

BRI

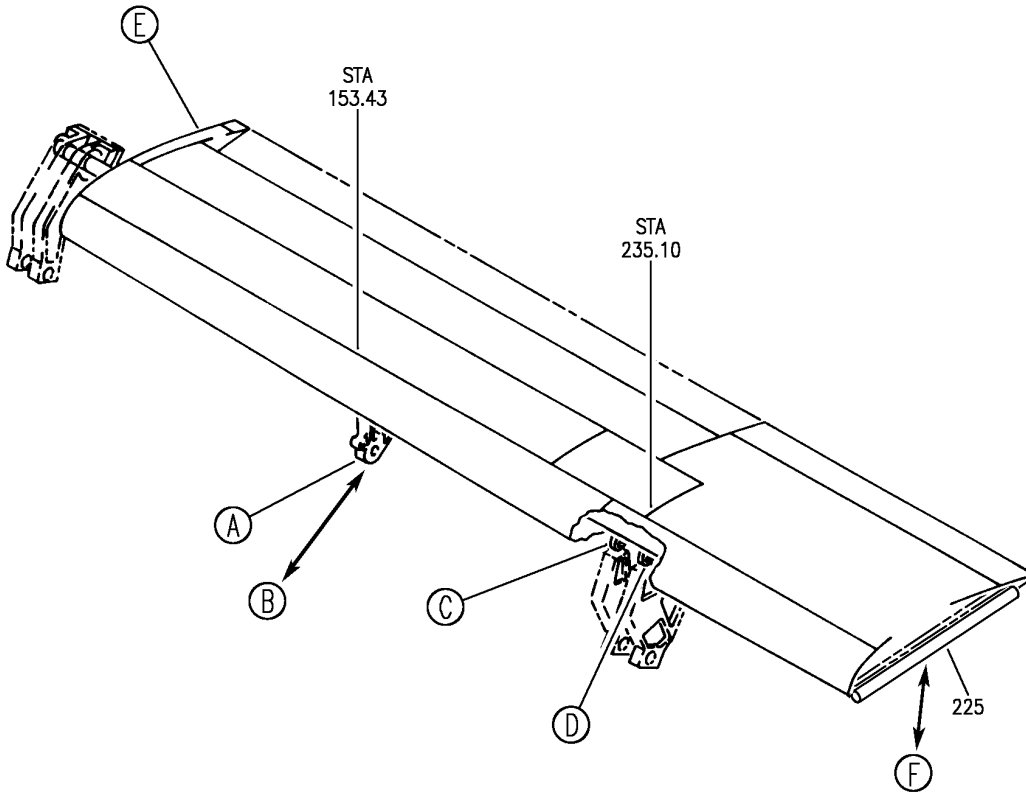
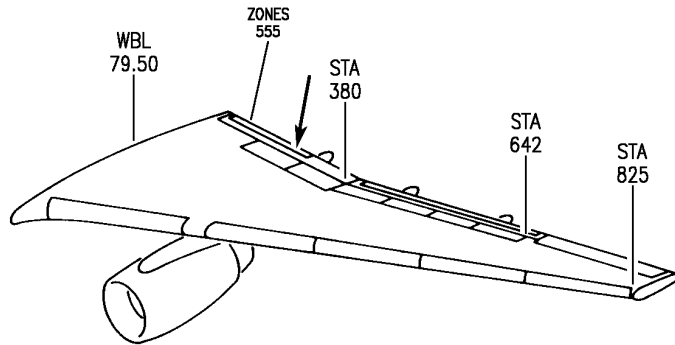
27-51-02-10C

BOEING PROPRIETARY - Copyright © - Unpublished Work - See title page for details.

27-51-02  
FIG. 10C  
PAGE 33  
JAN 20/09



**BOEING**  
757  
PARTS CATALOG (MAINTENANCE)



Y 27510210D SHT 1 REV 295

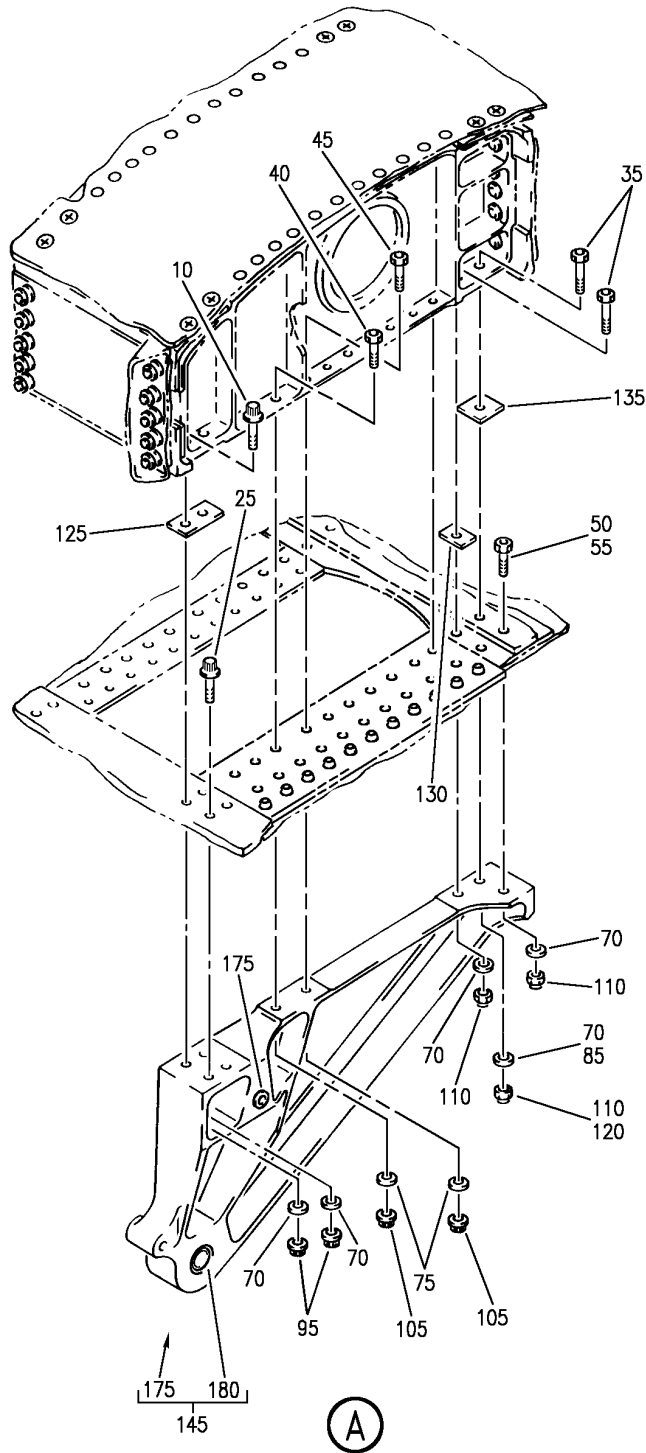
FLAP ASSY-INBD MAIN  
FIGURE 10D (SHEET 1)

**27-51-02-10D**

BRI  
MAY 28/07

27-51-02-10D  
PAGE 0

**BOEING**  
757  
PARTS CATALOG (MAINTENANCE)



Y 27510210D SHT 2 REV 295

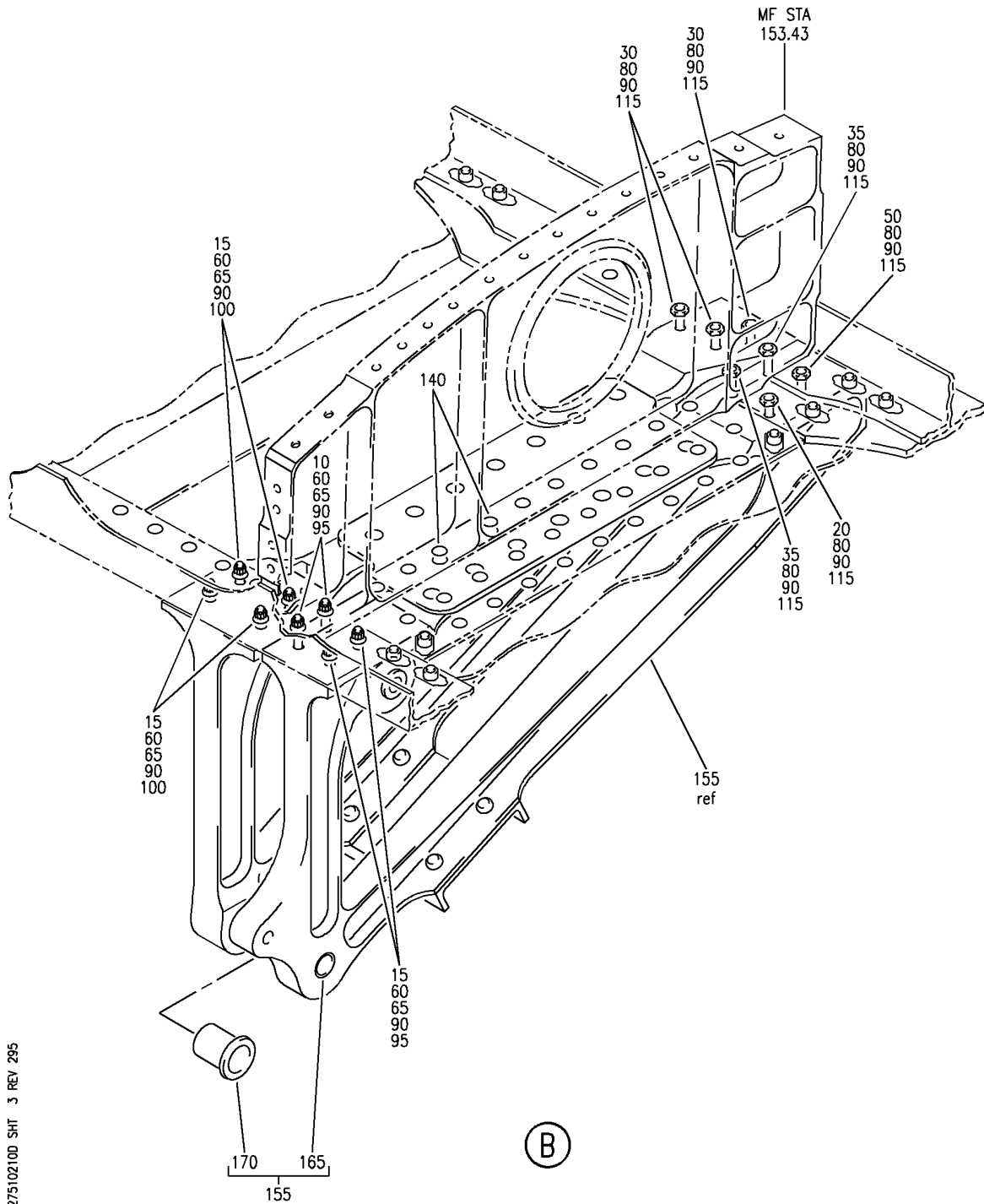
FLAP ASSY-INBD MAIN  
FIGURE 10D (SHEET 2)

**27-51-02-10D**

BRI  
MAY 28/07

27-51-02-10D  
PAGE 0A

**BOEING**  
757  
PARTS CATALOG (MAINTENANCE)



Y 27510210D SHT 3 REV 295

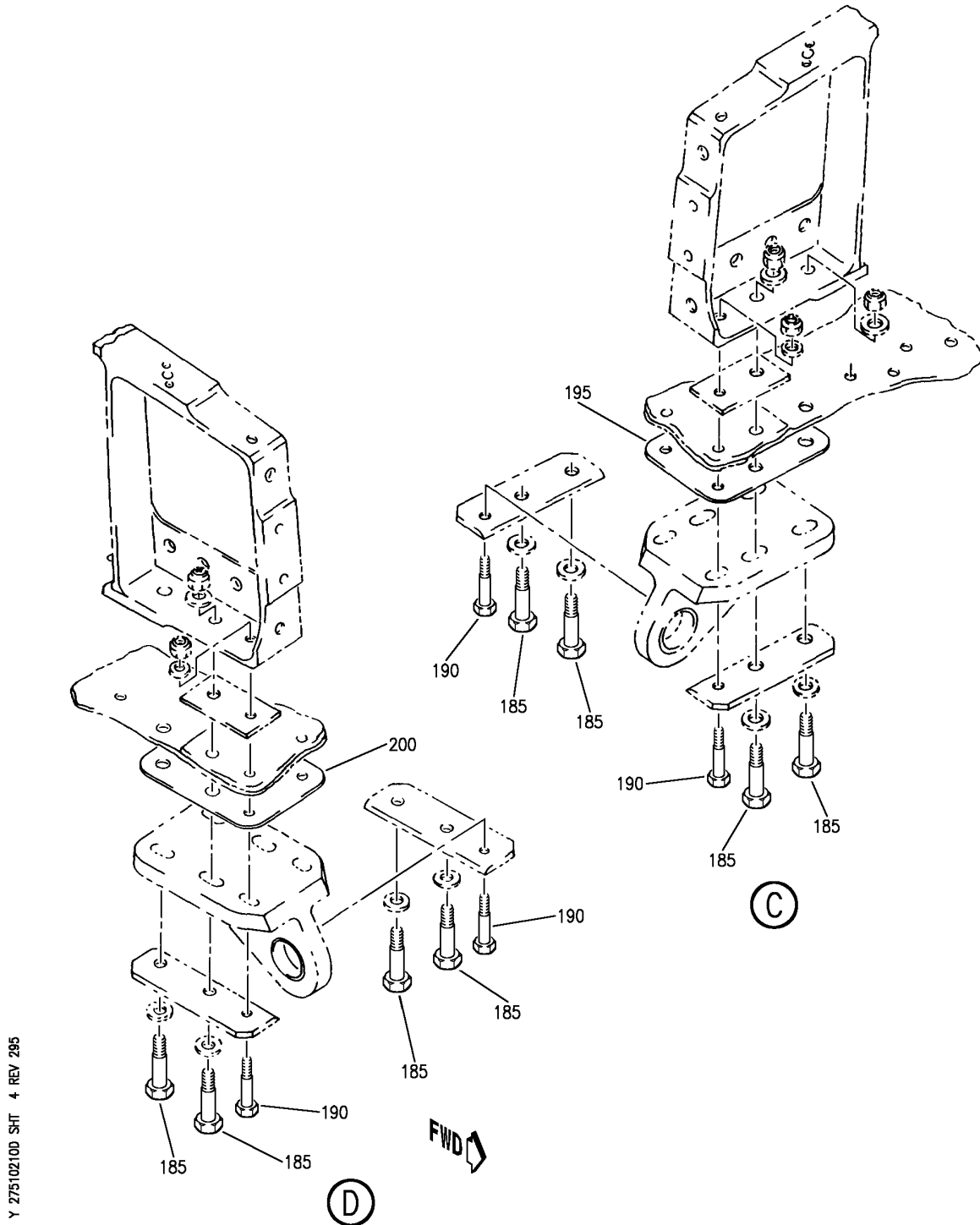
FLAP ASSY-INBD MAIN  
FIGURE 10D (SHEET 3)

**27-51-02-10D**

BRI  
MAY 28/07

27-51-02-10D  
PAGE 0B

**BOEING**  
757  
PARTS CATALOG (MAINTENANCE)



Y 27510210D SHT 4 REV 295

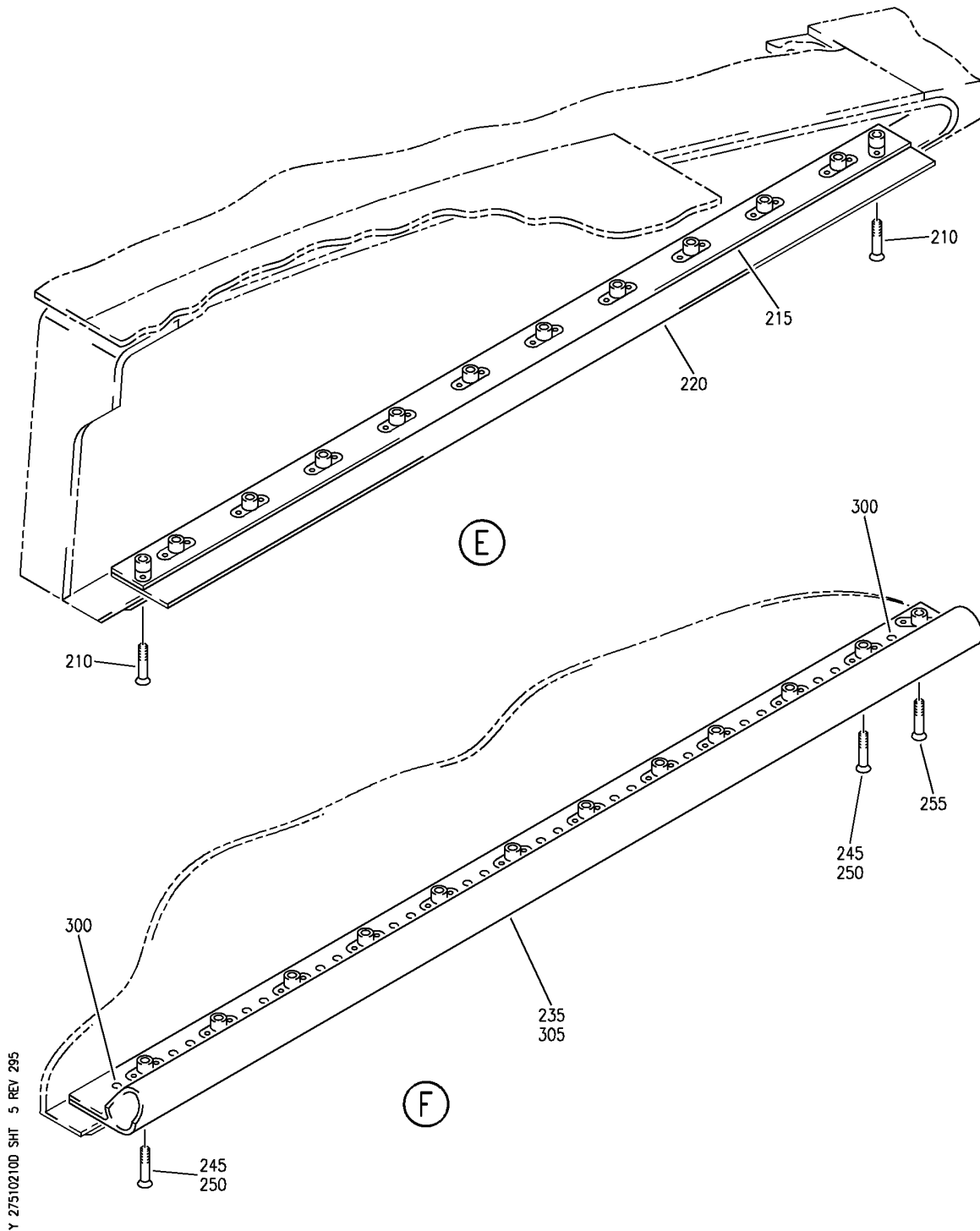
FLAP ASSY-INBD MAIN  
FIGURE 10D (SHEET 4)

**27-51-02-10D**

BRI  
MAY 28/07

27-51-02-10D  
PAGE 0C

**BOEING**  
757  
PARTS CATALOG (MAINTENANCE)



FLAP ASSY-INBD MAIN  
FIGURE 10D (SHEET 5)

BRI  
MAY 28/07

**27-51-02-10D**

27-51-02-10D  
PAGE 0D



757

PARTS CATALOG (MAINTENANCE)

FIG ITEM	PART NUMBER	1 2 3 4 5 6 7 NOMENCLATURE	EFFECT FROM TO	UNITS PER ASSY
10D  - 1	113N2003-25	FLAP ASSY-INBD MAIN  FLAP ASSY-MAIN POSITION DATA: INBD LH SIDE COMPONENT MAINT MANUAL REF: 57-53-44 QUALIFIED I/W DATA: -25 I/W -15 OR -13 OR -5 UPON INCORPORATION OF S/B 757-53-0023 (SEE DWG 113N2053) -25 I/W -51SP OR -49SP OR -47SP OR -45SP UPON INCORPORATION OF S/B 757-57-0026 AND S/B 757-57-0032 (SEE DWG 113N2053) -25 I/W -43 OR -41SP OR -35 UPON INCORPORATION OF S/B 757-57-0026 (SEE DWG 113N2053) -25 MAY REPLACE -1 UPON INCORPORATION OF S/B 757-53-0023 (SEE DWG 113N2053) 113N2003-63SP CAN REPLACE 113N2003-29 OR 113N2003-25 UPON INCORPORATION OF S/B 757-57-0026 AND S/B 757-57-0032 (SEE DWG 113N2053) FOR NHA SEE: 27-51-02-10B	002004 006999 107107	RF

MISSING ITEM NUMBERS NOT APPLICABLE

- ITEM NOT ILLUSTRATED

**27-51-02-10D**

27-51-02  
FIG. 10D  
PAGE 1  
JAN 20/09

BRI



757

PARTS CATALOG (MAINTENANCE)

FIG ITEM	PART NUMBER	1 2 3 4 5 6 7	NOMENCLATURE	EFFECT FROM TO	UNITS PER ASSY
10D - 1	113N2003-29		FLAP ASSY-MAIN POSITION DATA: INBD LH SIDE COMPONENT MAINT MANUAL REF: 57-53-44 QUALIFIED I/W DATA: -29 I/W -43 OR -41SP OR -35 UPON INCORPORATION OF S/B 757-57-0026 (SEE DWG 113N2053) -29 I/W -51SP OR -49SP OR -47SP OR -45SP UPON INCORPORATION OF S/B 757-57-0026 AND S/B 757-57-0032 (SEE DWG 113N2053) -29 I/W -15 OR -13 OR -5 UPON INCORPORATION OF S/B 757-53-0023 (SEE DWG 113N2053) -29 MAY REPLACE -1 UPON INCORPORATION OF S/B 757-53-0023 (SEE DWG 113N2053) 113N2003-63SP CAN REPLACE 113N2003-29 OR 113N2003-25 UPON INCORPORATION OF S/B 757-57-0026 AND S/B 757-57-0032 (SEE DWG 113N2053) 113N2003-55SP INTERCHANGEABLE WITH -29 UPON INCORPORATION OF S/B 757-57-0032 AND S/B 757-57-0026 (SEE DWG 113N2053) FOR NHA SEE: 27-51-02-10B	107107	RF

MISSING ITEM NUMBERS NOT APPLICABLE

- ITEM NOT ILLUSTRATED

27-51-02-10D

27-51-02  
FIG. 10D  
PAGE 2  
JAN 20/09

BRI

 **BOEING**  
757  
**PARTS CATALOG (MAINTENANCE)**

FIG ITEM	PART NUMBER	1 2 3 4 5 6 7	NOMENCLATURE	EFFECT FROM TO	UNITS PER ASSY
10D - 2	113N2003-35		FLAP ASSY-MAIN POSITION DATA: INBD LH SIDE COMPONENT MAINT MANUAL REF: 57-53-44 QUALIFIED I/W DATA: -35 I/W -51SP OR -49SP OR -47SP OR -45SP UPON INCORPORATION OF S/B 757-57-0032 (SEE DWG 113N2053) -35 I/W -29 OR -25 UPON INCORPORATION OF S/B 757-57-0026 (SEE DWG 113N2053) -35 I/W -15 OR -13 OR -5 UPON INCORPORATION OF S/B 757-53-0023 AND S/B 757-57-0026 (SEE DWG 113N2053) -35 MAY REPLACE -1 UPON INCORPORATION OF S/B 757-53-0023 AND S/B 757-57-0026 (SEE DWG 113N2053) 113N2003-63SP CAN REPLACE 113N2003-43SP OR 113N2003-41SP OR 113N2003-35 UPON INCORPORATION OF S/B 757-57-0032 (SEE DWG 113N2053) PRE SERVICE BULLETIN: 57-0032R1 FOR NHA SEE: 27-51-02-10B	904949	RF
R R R R R R R R R R	- 2 113N2003-41SP		FLAP ASSY-MAIN POSITION DATA: INBD LH SIDE COMPONENT MAINT MANUAL REF: 57-53-44 QUALIFIED I/W DATA: -41SP I/W -51SP OR -49SP OR -47SP OR -45SP UPON INCORPORATION OF S/B 757-57-0032 (SEE DWG 113N2053) 113N2003-45SP CAN REPLACE OR BE REPLACED	904949	RF

MISSING ITEM NUMBERS NOT APPLICABLE

- ITEM NOT ILLUSTRATED

BRI

# 27-51-02-10D

BOEING PROPRIETARY - Copyright © - Unpublished Work - See title page for details.

27-51-02  
FIG. 10D  
PAGE 3  
MAY 20/09







757

PARTS CATALOG (MAINTENANCE)

FIG ITEM	PART NUMBER	1 2 3 4 5 6 7	NOMENCLATURE	EFFECT FROM TO	UNITS PER ASSY
10D - 2	113N2003-43SP		FLAP ASSY-MAIN POSITION DATA: INBD LH SIDE COMPONENT MAINT MANUAL REF: 57-53-44 QUALIFIED I/W DATA: -43 I/W -51SP OR -49SP OR -47SP OR -45SP UPON INCORPORATION OF S/B 757-57-0032 (SEE DWG 113N2053) -43 I/W -29 OR -25 UPON INCORPORATION OF S/B 757-57-0026 (SEE DWG 113N2053) -43 I/W -15 OR -13 OR -5 UPON INCORPORATION OF S/B 757-53-0023 AND S/B 757-57-0026 (SEE DWG 113N2053) -43 MAY REPLACE -1 UPON INCORPORATION OF S/B 757-53-0023 AND S/B 757-57-0026 (SEE DWG 113N2053) 113N2003-63SP CAN REPLACE 113N2003-43SP OR 113N2003-41SP OR 113N2003-35 UPON INCORPORATION OF S/B 757-57-0032 (SEE DWG 113N2053) PRE SERVICE BULLETIN: 57-0032R1 FOR NHA SEE: 27-51-02-10B	904949	RF

MISSING ITEM NUMBERS NOT APPLICABLE

- ITEM NOT ILLUSTRATED

**27-51-02-10D**

27-51-02  
FIG. 10D  
PAGE 5  
JAN 20/09

BRI



757

PARTS CATALOG (MAINTENANCE)

FIG ITEM	PART NUMBER	1 2 3 4 5 6 7	NOMENCLATURE	EFFECT FROM TO	UNITS PER ASSY
10D - 2	113N2003-45SP		FLAP ASSY-MAIN POSITION DATA: INBD LH SIDE COMPONENT MAINT MANUAL REF: 57-53-44 QUALIFIED I/W DATA: -45SP I/W -41SP OR -43 OR -35 UPON INCORPORATION OF S/B 757-57-0032 (SEE DWG 113N2053) -45SP I/W -29 OR -25 UPON INCORPORATION OF S/B 757-57-0026 AND S/B 757-57-0032 (SEE DWG 113N2053) -45SP I/W -15 OR -13 OR -5 UPON INCORPORATION S/B 757-53-0023 AND S/B 757-57-0026 AND S/B 757-57-0032 (SEE DWG 113N2053) -45SP MAY REPLACE -1 UPON INCORPORATION OF S/B 757-53-0023 AND S/B 757-57-0026 AND S/B 757-57-0032 (SEE DWG 113N2053) 113N2003-45SP CAN REPLACE OR BE REPLACED BY 113N2003-41SP IF SERVICE BULLETIN 757-57-0032 HAS BEEN INCORPORATED. POST SERVICE BULLETIN: 57-0032R1 QUALIFIED SB I/W DATA: (AFTER INCORPORATION OF 757-SL-57-010 MAY USE 113N2003-1, -3, -5, -7, -13, -15, -17, -25, -29, -35, -41SP, -43SP, -47SP) REWORKED BY SERVICE LETTER: 57-010 FOR NHA SEE: 27-51-02-10C 27-51-02-10B	002004 006102 108999	RF

MISSING ITEM NUMBERS NOT APPLICABLE

- ITEM NOT ILLUSTRATED

BRI

27-51-02-10D

BOEING PROPRIETARY - Copyright © - Unpublished Work - See title page for details.

27-51-02  
FIG. 10D  
PAGE 6  
MAY 20/09



757

PARTS CATALOG (MAINTENANCE)

FIG ITEM	PART NUMBER	1 2 3 4 5 6 7	NOMENCLATURE	EFFECT FROM TO	UNITS PER ASSY
10D - 2	113N2003-47SP		FLAP ASSY-MAIN POSITION DATA: INBD LH SIDE QUALIFIED I/W DATA: -47SP I/W -29 OR -25 UPON INCORPORATION OF S/B 757-57-0026 AND S/B 757-57-0032 (SEE DWG 113N2053) -47SP I/W -41SP OR -43 OR -35 UPON INCORPORATION OF S/B 757-57-0032 (SEE DWG 113N2053) -47SP I/W -15 OR -13 OR -5 UPON INCORPORATION OF S/B 757-53-0023 AND S/B 757-57-0026 AND S/B 757-57-0032 (SEE DWG 113N2053) -47SP MAY REPLACE -1 UPON INCORPORATION OF S/B 757-53-0023 AND S/B 757-57-0026 AND S/B 757-57-0032 (SEE DWG 113N2053) QUALIFIED SB I/W DATA: (AFTER INCORPORATION OF 757-SL-57-010 MAY USE 113N2003-1, -3, -5, -7, -13, -15, -17, -25, -29, -35, -41SP, -43SP, -45SP) POST SERVICE LETTER: 57-010 FOR NHA SEE: 27-51-02-10C 27-51-02-10B	002004 006102 108999	RF

MISSING ITEM NUMBERS NOT APPLICABLE

- ITEM NOT ILLUSTRATED

BRI

27-51-02-10D

BOEING PROPRIETARY - Copyright © - Unpublished Work - See title page for details.

27-51-02  
FIG. 10D  
PAGE 7  
JAN 20/09



757

PARTS CATALOG (MAINTENANCE)

FIG ITEM	PART NUMBER	1 2 3 4 5 6 7	NOMENCLATURE	EFFECT FROM TO	UNITS PER ASSY
10D - 2	113N2003-49SP		FLAP ASSY-MAIN POSITION DATA: INBOARD LH SIDE QUALIFIED I/W DATA: -49SP I/W -41SP OR -43SP OR -35 UPON INCORPORATION OF S/B 757-57-0032 (SEE DWG 113N2053) -49SP I/W -15 OR -13 OR -5 UPON INCORPORATION OF S/B 757-53-0023 AND S/B 757-57-0026 AND S/B 757-57-0032 (SEE DWG 113N2053) -49SP I/W -29 OR -25 UPON INTERCHANGEABLE OF S/B 757-57-0026 AND S/B 757-57-0032 (SEE DWG 113N2053) -49SP MAY REPLACE -1 UPON INCORPORATION OF S/B 757-53-0023 AND S/B 757-57-0026 AND S/B 757-57-0032 FOR NHA SEE: 27-51-02-10C 27-51-02-10B	002004 006102 108999	RF

MISSING ITEM NUMBERS NOT APPLICABLE

- ITEM NOT ILLUSTRATED

BRI

**27-51-02-10D**

BOEING PROPRIETARY - Copyright © - Unpublished Work - See title page for details.

27-51-02  
FIG. 10D  
PAGE 8  
JAN 20/09



757

PARTS CATALOG (MAINTENANCE)

FIG ITEM	PART NUMBER	1 2 3 4 5 6 7 NOMENCLATURE	EFFECT FROM TO	UNITS PER ASSY
10D - 2	113N2003-51SP	FLAP ASSY-MAIN POSITION DATA: INBD LH SIDE QUALIFIED I/W DATA: -49SP OR -51SP OR -47SP OR -45SP MAY BE REPLACED BY -43 OR -41SP OR -35 AFTER INCORPORATION OF S/B 757-57-0032 (SEE DWG 113N2053) -51SP OR -49SP OR -47SP OR -45SP MAY BE REPLACED BY -29 OR -25 AFTER INCORPORATION OF S/B 757-57-0026 AND S/B 757-57-0032 (SEE DWG 113N2053) -51SP OR -49SP OR -47SP OR -45SP MAY BE REPLACED BY -15 OR -13 OR -5 AFTER INCORPORATION OF SERVICE BULLETINS 757-53-0023, 757-57-0026, 757-57-0032 SEE DWG 113N2053. FOR NHA SEE: 27-51-02-10C 27-51-02-10B	002004 006102 108999	RF

MISSING ITEM NUMBERS NOT APPLICABLE

- ITEM NOT ILLUSTRATED

BRI

**27-51-02-10D**

BOEING PROPRIETARY - Copyright © - Unpublished Work - See title page for details.

27-51-02  
FIG. 10D  
PAGE 9  
JAN 20/09



757

PARTS CATALOG (MAINTENANCE)

FIG ITEM	PART NUMBER	1 2 3 4 5 6 7	NOMENCLATURE	EFFECT FROM TO	UNITS PER ASSY
10D - 2	113N2003-55SP		FLAP ASSY-MAIN POSITION DATA: INBD LH SIDE QUALIFIED I/W DATA: -55SP I/W -41SP OR -43 OR -35 UPON INCORPORATION OF S/B 757-57-0032 (SEE DWG 113N2053) -55SP I/W -29 OR -25 UPON INCORPORATION OF S/B 757-57-0026 AND S/B 757-57-0032 (SEE DWG 113N2053) -55SP I/W -15 OR -13 OR -5 UPON INCORPORATION OF S/B 757-53-0023 AND S/B 757-57-0026 AND S/B 757-57-0032 (SEE DWG 113N2053) -55SP MAY REPLACE -1 UPON INCORPORATION OF S/B 757-53-0023 AND S/B 757-57-0026 AND S/B 757-57-0032 (SEE DWG 113N2053) 113N2003-55SP INTERCHANGEABLE WITH -29 UPON INCORPORATION OF S/B 757-57-0032 AND S/B 757-57-0026 (SEE DWG 113N2053) FOR NHA SEE: 27-51-02-10C 27-51-02-10B	002004 006102 108999	RF

MISSING ITEM NUMBERS NOT APPLICABLE

- ITEM NOT ILLUSTRATED

BRI

**27-51-02-10D**

BOEING PROPRIETARY - Copyright © - Unpublished Work - See title page for details.

27-51-02  
FIG. 10D  
PAGE 10  
JAN 20/09



757

PARTS CATALOG (MAINTENANCE)

FIG ITEM	PART NUMBER	1 2 3 4 5 6 7	NOMENCLATURE	EFFECT FROM TO	UNITS PER ASSY
10D - 2	113N2003-63SP		FLAP ASSY-MAIN QUALIFIED I/W DATA: 113N2003-63SP CAN REPLACE 113N2003-43SP OR 113N2003-41SP OR 113N2003-35 UPON INCORPORATION OF 757-57-0032 (SEE DWG 113N2053) 113N2003-63SP CAN REPLACE 113N2003-29 OR 113N2003-25 UPON INCORPORATION OF S/B 757-57-0026 AND S/B 757-57-0032 (SEE DWG 113N2053) 113N2003-63SP CAN REPLACE 113N2003-15 OR 113N2003-13 OR UPON INCORPORATION OF S/B 757-53-0023 AND S/B 757-57-0026 AND S/B 757-57-0032 (SEE DWG 113N2053) 113N2003-63SP CAN REPLACE 113N2003-1 UPON INCORPORATION OF S/B 757-53-0023 AND S/B 757-57-0026 AND S/B AND S/B 757-57-0032 FOR NHA SEE: 27-51-02-10C 27-51-02-10B	002004 006106 108999	RF

MISSING ITEM NUMBERS NOT APPLICABLE

- ITEM NOT ILLUSTRATED

27-51-02-10D

27-51-02  
FIG. 10D  
PAGE 11  
JAN 20/09

BRI





757

PARTS CATALOG (MAINTENANCE)

FIG ITEM	PART NUMBER	1 2 3 4 5 6 7	NOMENCLATURE	EFFECT FROM TO	UNITS PER ASSY
10D - 5	113N2003-26		FLAP ASSY-MAIN POSITION DATA: INBD RH SIDE COMPONENT MAINT MANUAL REF: 57-53-44 QUALIFIED I/W DATA: -26 I/W -16 OR -14 OR -6 UPON INCORPORATION OF S/B 757-53-0023 (SEE DWG 113N2053) -26 I/W -52SP OR -50SP OR -48SP OR -46SP UPON INCORPORATION OF S/B 757-57-0026 AND S/B 757-57-0032 (SEE DWG 113N2053) -26 I/W -44 OR -42SP OR -36 UPON INCORPORATION OF S/B 757-57-0026 (SEE 113N2053) -26 MAY REPLACE -2 UPON INCORPORATION OF S/B 757-53-0026 (SEE DWG 113N2053) 113N2003-64SP CAN REPLACE 113N2003-30 OR 113N2003-26 UPON INCORPORATION OF S/B 757-57-0026 AND S/B 757-57-0032 (SEE DWG 113N2053) FOR NHA SEE: 27-51-02-10	107107	RF

MISSING ITEM NUMBERS NOT APPLICABLE

- ITEM NOT ILLUSTRATED

BRI

27-51-02-10D

BOEING PROPRIETARY - Copyright © - Unpublished Work - See title page for details.

27-51-02  
FIG. 10D  
PAGE 12  
JAN 20/09



757

PARTS CATALOG (MAINTENANCE)

FIG ITEM	PART NUMBER	1 2 3 4 5 6 7	NOMENCLATURE	EFFECT FROM TO	UNITS PER ASSY
10D - 5	113N2003-30		FLAP ASSY-MAIN POSITION DATA: INBD RH SIDE COMPONENT MAINT MANUAL REF: 57-53-44 QUALIFIED I/W DATA: -30 I/W -52SP OR -50SP OR -48SP OR -46SP UPON INCORPORATION OF S/B 757-57-0032 AND S/B 757-57-0026 (SEE DWG 113N2053) -30 I/W -44 OR -42SP OR -36 UPON INCORPORATION OF S/B 757-57-0026 (SEE DWG 113N2053) -30 I/W -16 OR -14 OR -6 UPON INCORPORATION OF S/B 757-53-0023 (SEE DWG 113N2053) -30 MAY REPLACE -2 UPON INCORPORATION OF S/B 757-53-0023 (SEE DWG 113N2053) 113N2003-64SP CAN REPLACE 113N2003-30 UPON INCORPORATION OF S/B 757-57-0026 AND S/B 757-57-0032 (SEE DWG 113N2053) 113N2003-56SP INTERCHANGEABLE WITH -30 UPON INCORPORATION OF S/B 757-57-0032 AND S/B 757-57-0026 (SEE DWG 113N2053) FOR NHA SEE: 27-51-02-10	107107	RF

MISSING ITEM NUMBERS NOT APPLICABLE

- ITEM NOT ILLUSTRATED

27-51-02-10D

27-51-02  
FIG. 10D  
PAGE 13  
JAN 20/09

BRI



757

PARTS CATALOG (MAINTENANCE)

FIG ITEM	PART NUMBER	1 2 3 4 5 6 7	NOMENCLATURE	EFFECT FROM TO	UNITS PER ASSY
10D - 6	113N2003-36		FLAP ASSY-MAIN POSITION DATA: INBD RH SIDE COMPONENT MAINT MANUAL REF: 57-53-44 QUALIFIED I/W DATA: -36 I/W -30 OR -26 UPON INCORPORATION OF S/B 757-57-0026 (SEE DWG 113N2053) -36 I/W -52SP OR -50SP OR -48SP OR -46SP UPON INCORPORATION OF S/B 757-57-0032 (SEE DWG 113N2053) -36 I/W -16 OR -14 OR -6 UPON INCORPORATION OF S/B 757-53-0023 AND S/B 757-57-0026 (SEE DWG 113N2053) -36 MAY REPLACE -2 UPON INCORPORATION OF S/B 757-53-0023 AND S/B 757-57-0026 (SEE DWG 113N2053) 113N2003-64SP CAN REPLACE 113N2003-44SP OR 113N2003-42SP OR 113N2003-36 UPON INCORPORATION OF S/B 757-57-0032 (SEE DWG 113N2053) PRE SERVICE BULLETIN: 57-0032R1 FOR NHA SEE: 27-51-02-10	904949	RF
R R R R R R R R R R R	- 6 113N2003-42SP		FLAP ASSY-MAIN POSITION DATA: INBD RH SIDE COMPONENT MAINT MANUAL REF: 57-53-44 QUALIFIED I/W DATA: -42SP I/W -44 OR -40 SUBJECT TO COLOR PREFERENCE -42SP T/W 012N8528-20 KIT MAY REPLACE -32 SUBJECT TO COLOR PREFERENCE	904949	RF

MISSING ITEM NUMBERS NOT APPLICABLE

- ITEM NOT ILLUSTRATED

27-51-02-10D

27-51-02  
FIG. 10D  
PAGE 14  
MAY 20/09

BRI



757  
PARTS CATALOG (MAINTENANCE)

FIG ITEM	PART NUMBER	1 2 3 4 5 6 7	NOMENCLATURE	EFFECT FROM TO	UNITS PER ASSY
10D			-42SP I/W -52SP OR -50SP OR -48SP OR -46SP UPON INCORPORATION OF S/B 757-57-0032 (SEE DWG 113N2053) 113N2003-46SP CAN REPLACE OR BE REPLACED BY 113N2003-42SP IF SERVICE BULLETIN 757-57-0032 HAS BEEN INCORPORATED. -42SP I/W -30 OR -26 UPON INCORPORATION OF S/B 757-57-0026 (SEE DWG 113N2053) -42SP I/W -16 OR -14 OR -6 UPON INCORPORATION OF S/B 757-53-0023 AND S/B 757-57-0026 (SEE DWG 113N2053) -42SP MAY REPLACE -2 UPON INCORPORATION OF S/B 757-53-0023 AND S/B 757-57-0026 (SEE DWG 113N2053) 113N2003-64SP CAN REPLACE 113N2003-44SP OR 113N2003-42SP OR 113N2003-36 UPON INCORPORATION OF S/B 757-57-0032 (SEE DWG 113N2053) PRE SERVICE BULLETIN: 57-0032R1 FOR NHA SEE: 27-51-02-10		

R  
R  
R  
R  
R  
R  
R  
R  
R  
R  
R  
R  
R  
R  
R  
R  
R  
R  
R  
R  
R  
R  
R  
R

MISSING ITEM NUMBERS NOT APPLICABLE

— ITEM NOT ILLUSTRATED

27-51-02-10D

27-51-02  
FIG. 10D  
PAGE 15  
MAY 20/09

BRI



757

PARTS CATALOG (MAINTENANCE)

FIG ITEM	PART NUMBER	1 2 3 4 5 6 7	NOMENCLATURE	EFFECT FROM TO	UNITS PER ASSY
10D - 6	113N2003-44SP		FLAP ASSY-MAIN POSITION DATA: INBD RH SIDE COMPONENT MAINT MANUAL REF: 57-53-44 QUALIFIED I/W DATA: -44 I/W -52SP OR -50SP OR -48SP OR -46SP UPON INCORPORATION OF S/B 757-57-0032 (SEE DWG 113N2053) -44 I/W -30 OR -26 UPON INCORPORATION OF S/B 757-57-0026 (SEE DWG 113N2053) -44 I/W -16 OR -14 OR -6 UPON INCORPORATION OF S/B 757-53-0023 AND S/B 757-57-0026 (SEE DWG 113N2053) -44 MAY REPLACE -2 UPON INCORPORATION OF S/B 757-53-0023 AND S/B 757-57-0026 (SEE DWG 113N2053) 113N2003-64SP CAN REPLACE 113N2003-44SP OR 113N2003-42SP OR 113N2003-36 UPON INCORPORATION OF S/B 757-57-0032 (SEE DWG 113N2053) PRE SERVICE BULLETIN: 57-0032R1 FOR NHA SEE: 27-51-02-10	904949	RF

MISSING ITEM NUMBERS NOT APPLICABLE

- ITEM NOT ILLUSTRATED

BRI

27-51-02-10D

BOEING PROPRIETARY - Copyright © - Unpublished Work - See title page for details.

27-51-02  
FIG. 10D  
PAGE 16  
JAN 20/09

**BOEING**  
757  
**PARTS CATALOG (MAINTENANCE)**

FIG ITEM	PART NUMBER	1 2 3 4 5 6 7	NOMENCLATURE	EFFECT FROM TO	UNITS PER ASSY
10D - 6	113N2003-46SP		FLAP ASSY-MAIN POSITION DATA: INBD RH SIDE COMPONENT MAINT MANUAL REF: 57-53-44 QUALIFIED I/W DATA: -46SP I/W -42SP OR -44 OR -36 UPON INCORPORATION OF S/B 757-57-0032 (SEE DWG 113N2053) -46SP I/W -30 OR -26 UPON INCORPORATION OF S/B 757-57-0026 AND S/B 757-57-0032 (SEE DWG 113N2053) -46SP I/W -16 OR -14 OR -6 UPON INCORPORATION OF S/B 757-53-0023 AND S/B 757-57-0026 AND S/B 757-57-0032 (SEE DWG 113N2053) -46SP MAY REPLACE -2 UPON INCORPORATION OF S/B 757-53-0023 AND S/B 757-57-0026 AND S/B 757-57-0032 (SEE DWG 113N2053) 113N2003-46SP CAN REPLACE OR BE REPLACED BY 113N2003-42SP IF SERVICE BULLETIN 757-57-0032 HAS BEEN INCORPORATED. POST SERVICE BULLETIN: 57-0032R1 QUALIFIED SB I/W DATA: (AFTER INCORPORATION OF 113N2003-2, -4, -6, -8, -14, -16, -18, -26, -30, -36, -42SP, -44SP, -48SP) REWORKED BY SERVICE LETTER: 57-010 FOR NHA SEE: 27-51-02-10A 27-51-02-10	002004 006102 108999	RF

MISSING ITEM NUMBERS NOT APPLICABLE

- ITEM NOT ILLUSTRATED

BRI

# 27-51-02-10D

BOEING PROPRIETARY - Copyright © - Unpublished Work - See title page for details.

27-51-02  
FIG. 10D  
PAGE 17  
MAY 20/09



757

PARTS CATALOG (MAINTENANCE)

FIG ITEM	PART NUMBER	1 2 3 4 5 6 7	NOMENCLATURE	EFFECT FROM TO	UNITS PER ASSY
10D - 6	113N2003-48SP		FLAP ASSY-MAIN POSITION DATA: INBD RH SIDE QUALIFIED I/W DATA: -48SP I/W -42SP OR -44 OR -36 UPON INCORPORATION OF S/B 757-57-0032 (SEE DWG 113N2053) -48SP I/W -30 OR -26 UPON INCORPORATION OF S/B 757-57-0026 AND S/B 757-57-0032 (SEE DWG 113N2053) -48SP I/W -16 OR -14 OR -6 UPON INCORPORATION OF S/B 757-53-0023 AND S/B 757-57-0026 AND S/B 757-57-0032 (SEE DWG 113N2053) -48SP MAY REPLACE -2 UPON INCORPORATION OF S/B 757-53-0023 AND S/B 757-57-0026 AND S/B 757-57-0032 (SEE DWG 113N2053). QUALIFIED SB I/W DATA: (AFTER INCORPORATION OF 757-SL-57-010 MAY USE 113N2003-2, -4, -6, -8, -14, -16, -18, -26, -30, -36, -42SP, -44SP, -46SP) POST SERVICE LETTER: 57-010 FOR NHA SEE: 27-51-02-10A 27-51-02-10	002004 006102 108999	RF

MISSING ITEM NUMBERS NOT APPLICABLE

- ITEM NOT ILLUSTRATED

BRI

**27-51-02-10D**

BOEING PROPRIETARY - Copyright © - Unpublished Work - See title page for details.

27-51-02  
FIG. 10D  
PAGE 18  
JAN 20/09



757

PARTS CATALOG (MAINTENANCE)

FIG ITEM	PART NUMBER	1 2 3 4 5 6 7	NOMENCLATURE	EFFECT FROM TO	UNITS PER ASSY
10D - 6	113N2003-50SP		FLAP ASSY-MAIN POSITION DATA: INBOARD RH SIDE QUALIFIED I/W DATA: -50SP I/W -42SP OR -44 OR -36 UPON INCORPORATION OF S/B 757-57-0032 -50SP I/W -30 OR -26 UPON INCORPORATION OF S/B 757-57-0026 AND S/B 757-57-0032 (SEE DWG 113N2053) -50SP I/W -16 OR -14 OR -6 UPON INCORPORATION OF S/B 757-53-0023 AND S/B 757-57-0026 AND S/B 757-57-0032 (SEE DWG 113N2053) -50SP MAY REPLACE -2 UPON INCORPORATION OF S/B 757-53-0023 AND S/B 757-57-0026 AND S/B 757-57-0032 (SEE DWG 113N2053) FOR NHA SEE: 27-51-02-10A 27-51-02-10	002004 006102 108999	RF

MISSING ITEM NUMBERS NOT APPLICABLE

- ITEM NOT ILLUSTRATED

BRI

**27-51-02-10D**

BOEING PROPRIETARY - Copyright © - Unpublished Work - See title page for details.

27-51-02  
FIG. 10D  
PAGE 19  
JAN 20/09





757

PARTS CATALOG (MAINTENANCE)

FIG ITEM	PART NUMBER	1 2 3 4 5 6 7	NOMENCLATURE	EFFECT FROM TO	UNITS PER ASSY
10D - 6	113N2003-52SP		FLAP ASSY-MAIN POSITION DATA: INBD RH SIDE QUALIFIED I/W DATA: -52SP OR -50SP OR -48SP OR -46SP MAY BE REPLACED BY -44 OR -42SP OR -36 AFTER INCORPORATION OF S/B 757-57-0032 (SEE DWG 113N2053) -52SP OR -50SP OR -48SP OR -46SP MAY BE REPLACED BY -30 OR -26 AFTER INCORPORATION OF S/B 757-57-0026 AND S/B 757-57-0032 (SEE DWG 113N2053) -52SP OR -50SP OR -48SP OR -46SP MAY BE REPLACED BY -16 OR -14 OR -6 AFTER INCORPORATION OF SERVICE BULLETINS 757-53-0023, 757-57-0026, 757-57-0032 SEE DWG 113N2053. FOR NHA SEE: 27-51-02-10A 27-51-02-10	002004 006102 108999	RF

MISSING ITEM NUMBERS NOT APPLICABLE

- ITEM NOT ILLUSTRATED

BRI

**27-51-02-10D**

BOEING PROPRIETARY - Copyright © - Unpublished Work - See title page for details.

27-51-02  
FIG. 10D  
PAGE 20  
JAN 20/09



757

PARTS CATALOG (MAINTENANCE)

FIG ITEM	PART NUMBER	1 2 3 4 5 6 7	NOMENCLATURE	EFFECT FROM TO	UNITS PER ASSY
10D - 6	113N2003-56SP		FLAP ASSY-MAIN POSITION DATA: INBD RH SIDE QUALIFIED I/W DATA: -56SP I/W -42SP OR -44SP OR -36 UPON INCORPORATION OF S/B 757-57-0032(SEE DWG 113N2053). -56SP I/W -30 OR -26 UPON INCORPORATION OF S/B 757-57-0026 AND S/B 757-57-0032 (SEE DWG 113N2053) -56SP I/W -16 OR -14 OR -6 UPON INCORPORATION OF S/B 757-53-0023 AND S/B 757-57-0026 AND S/B 757-57-0032 (SEE DWG 113N2053) -56SP MAY REPLACE -2 UPON INCORPORATION OF S/B 757-53-0023 AND S/B 757-57-0026 AND S/B 757-57-0032 (SEE DWG 113N2053) 113N2003-56SP INTERCHANGEABLE WITH -30 UPON INCORPORATION OF S/B 757-57-0032 AND S/B 757-57-0026 (SEE DWG 113N2053) FOR NHA SEE: 27-51-02-10A 27-51-02-10	002004 006102 108999	RF

MISSING ITEM NUMBERS NOT APPLICABLE

- ITEM NOT ILLUSTRATED

BRI

**27-51-02-10D**

BOEING PROPRIETARY - Copyright © - Unpublished Work - See title page for details.

27-51-02  
FIG. 10D  
PAGE 21  
JAN 20/09



757

PARTS CATALOG (MAINTENANCE)

FIG ITEM	PART NUMBER	1 2 3 4 5 6 7	NOMENCLATURE	EFFECT FROM TO	UNITS PER ASSY
10D - 6	113N2003-64SP		FLAP ASSY-MAIN QUALIFIED I/W DATA: 113N2003-64SP CAN REPLACE 113N2003-44SP OR 113N2003-42SP OR 113N2003-36 UPON INCORPORATION OF 757-57-0032 (SEE DWG 113N2053) 113N2003-64SP CAN REPLACE 113N2003-30 OR 113N2003-26 UPON INCORPORATION OF S/B 757-57-0026 AND S/B 757-57-0032 (SEE DWG 113N2053) 113N2003-64SP CAN REPLACE 113N2003-16 OR 113N2003-14 OR UPON INCORPORATION OF S/B 757-53-0023 AND S/B 757-57-0026 AND S/B 757-57-0032 (SEE DWG 113N2053) 113N2003-64SP CAN REPLACE 113N2003-2 UPON INCORPORATION OF S/B 757-53-0023 AND S/B 757-57-0026 AND S/B AND S/B 757-57-0032 FOR NHA SEE: 27-51-02-10A 27-51-02-10	002004 006106 108999	RF
10	BACB30LE3-13	.BOLT-	PRE SERVICE BULLETIN: 57-0032	107107 904949	2
10	BACB30LE4-14	.BOLT		002004 006106 108999 904949	2
10	BACB30LE3-14X	.BOLT-	POST SERVICE BULLETIN: 57-0032	904949	2
15	BACB30LE3-10X	.BOLT-	POST SERVICE BULLETIN: 57-0032	904949	6
20	BACB30NM3K10X	.BOLT-	POST SERVICE BULLETIN: 57-0032	904949	1

MISSING ITEM NUMBERS NOT APPLICABLE

- ITEM NOT ILLUSTRATED

27-51-02-10D

27-51-02  
FIG. 10D  
PAGE 22  
JAN 20/09

BRI

BOEING PROPRIETARY - Copyright © - Unpublished Work - See title page for details.



757

PARTS CATALOG (MAINTENANCE)

FIG ITEM	PART NUMBER	1 2 3 4 5 6 7	NOMENCLATURE	EFFECT FROM TO	UNITS PER ASSY
10D					
25	BACB30LE3-10	.BOLT-	PRE SERVICE BULLETIN: 57-0032	107107 904949	2
25	BACB30LE4-10	.BOLT		002004 006106 108999 904949	2
30	BACB30NM3K12X	.BOLT-	POST SERVICE BULLETIN: 57-0032		3
35	BACB30NM3K15	.BOLT-	PRE SERVICE BULLETIN: 57-0032	107107 904949	2
35	BACB30NM4K14	.BOLT		002004 006106 108999 904949	2
35	BACB30NM3K14X	.BOLT-	POST SERVICE BULLETIN: 57-0032		2
40	BACB30NM3K10	.BOLT-	PRE SERVICE BULLETIN: 57-0032	107107 904949	1
45	BACB30NM3K11	.BOLT-	SUPPLIER CODE: V06710 SPECIFICATION NUMBER: BACB30NM3K11 PRE SERVICE BULLETIN: 57-0032	107107 904949	1
50	BACB30NM3K12	.BOLT-	PRE SERVICE BULLETIN: 57-0032	107107 904949	1
50	BACB30NM4K15	.BOLT		002004 006106 108999 904949	1
50	BACB30NM3K15X	.BOLT-	POST SERVICE BULLETIN: 57-0032		1
55	BACB30NM4K10	.BOLT		002004 006106 108999	1

MISSING ITEM NUMBERS NOT APPLICABLE

- ITEM NOT ILLUSTRATED

27-51-02-10D

27-51-02  
FIG. 10D  
PAGE 23  
JAN 20/09

BRI

BOEING PROPRIETARY - Copyright © - Unpublished Work - See title page for details.



757

PARTS CATALOG (MAINTENANCE)

FIG ITEM	PART NUMBER	1 2 3 4 5 6 7	NOMENCLATURE	EFFECT FROM TO	UNITS PER ASSY
10D 60	K29646-3		.WASHER- SUPPLIER CODE: V15653 SPECIFICATION NUMBER: BACW10CA3CV OPTIONAL PART: 70188-3 V56878 922007-3 V60119 942007-3 V60119 POST SERVICE BULLETIN: 57-0032	904949	8
65	K29913-3		.WASHER- SUPPLIER CODE: V15653 SPECIFICATION NUMBER: BACW10CA3CC OPTIONAL PART: 70191-3 V56878 922008-3 V60119 942008-3 V60119 POST SERVICE BULLETIN: 57-0032	904949	8
70	AN960-10		.WASHER- PRE SERVICE BULLETIN: 57-0032	107107 904949	7
70	BACW10BP4CD		.WASHER	002004 006106 108999	7
75	AN960-10		.WASHER- PRE SERVICE BULLETIN: 57-0032	107107 904949	2

MISSING ITEM NUMBERS NOT APPLICABLE

- ITEM NOT ILLUSTRATED

BRI

27-51-02-10D

BOEING PROPRIETARY - Copyright © - Unpublished Work - See title page for details.

27-51-02  
FIG. 10D  
PAGE 24  
JAN 20/09



757

PARTS CATALOG (MAINTENANCE)

FIG ITEM	PART NUMBER	1 2 3 4 5 6 7	NOMENCLATURE	EFFECT FROM TO	UNITS PER ASSY
10D 80	AS46-3		.WASHER- SUPPLIER CODE: V10630 SPECIFICATION NUMBER: BACW10AU3 OPTIONAL PART: K19701P3 V15653 53488W1032 V56878 6073-0 V72962 TLN1020L3W V08524 POST SERVICE BULLETIN: 57-0032	904949	7
85	BACW10BP4CD		.WASHER	002004 006106 108999	1
90	BACW10BP3CD		.WASHER- POST SERVICE BULLETIN: 57-0032	904949	AR

MISSING ITEM NUMBERS NOT APPLICABLE

- ITEM NOT ILLUSTRATED

BRI

**27-51-02-10D**

BOEING PROPRIETARY - Copyright © - Unpublished Work - See title page for details.

27-51-02  
FIG. 10D  
PAGE 25  
JAN 20/09



757

PARTS CATALOG (MAINTENANCE)

FIG ITEM	PART NUMBER	1 2 3 4 5 6 7 NOMENCLATURE	EFFECT FROM TO	UNITS PER ASSY
10D 95	BMN5024CWD33	.NUT- SUPPLIER CODE: V97928 SPECIFICATION NUMBER: BACN10HR3CD OPTIONAL PART: H51560-3 V15653 67832CD1032 V56878 BMN5024CWD3-3 V97928 102LH9031-3 V72962 BH00303CM3 V27238 SL7108C1032 V11815 SL7108C3 V11815 VCU0005D3 V06710 102LH90313 V72962 67832CD3 V56878 BMN10HRCWD3-3 V97928	107107 904949	4

MISSING ITEM NUMBERS NOT APPLICABLE

- ITEM NOT ILLUSTRATED

BRI

**27-51-02-10D**

BOEING PROPRIETARY - Copyright © - Unpublished Work - See title page for details.

27-51-02  
FIG. 10D  
PAGE 26  
JAN 20/09



757

PARTS CATALOG (MAINTENANCE)

FIG ITEM	PART NUMBER	1 2 3 4 5 6 7	NOMENCLATURE	EFFECT FROM TO	UNITS PER ASSY
10D 95	BMN5024CWD34	.	NUT SUPPLIER CODE: V97928 SPECIFICATION NUMBER: BACN10HR4CD OPTIONAL PART: H51560-4 V15653 102CH9031-4 V72962 SL7108C428 V11815 67832CD428 V56878 BMN5024CWD3-4 V97928 BH00303CM4 V27238 SL7108C4 V11815 VCU0005D4 V06710 102LH90314 V72962 67832CD4 V56878 H964CD V15653 RMLH224CD V72962 VAL280094CD V06710 678324CD V56878 CR6030-4 VF0224 RMLH224CD V72962 VAL280094CD V06710 678324CD V56878 BMN5024CWD34 V97928	002004 006106 108999	4

MISSING ITEM NUMBERS NOT APPLICABLE

- ITEM NOT ILLUSTRATED

BRI

27-51-02-10D

BOEING PROPRIETARY - Copyright © - Unpublished Work - See title page for details.

27-51-02  
FIG. 10D  
PAGE 27  
JAN 20/09





757

PARTS CATALOG (MAINTENANCE)

FIG ITEM	PART NUMBER	1 2 3 4 5 6 7	NOMENCLATURE	EFFECT FROM TO	UNITS PER ASSY
10D 100	BMN5024CWD33	.NUT-	SUPPLIER CODE: V97928 SPECIFICATION NUMBER: BACN10HR3CD OPTIONAL PART: H51560-3 V15653 67832CD1032 V56878 BMN5024CWD3-3 V97928 102LH9031-3 V72962 BH00303CM3 V27238 SL7108C1032 V11815 SL7108C3 V11815 VCU0005D3 V06710 102LH90313 V72962 67832CD3 V56878 BMN10HRCWD3-3 V97928 POST SERVICE BULLETIN: 57-0032	904949	4
105	NAS1804-3	.NUT-	PRE SERVICE BULLETIN: 57-0032	107107 904949	2
110	NAS1804-3	.NUT-	PRE SERVICE BULLETIN: 57-0032	107107 904949	3
110	H19700P4	.NUT	SUPPLIER CODE: V15653 SPECIFICATION NUMBER: BACN10MT4 OPTIONAL PART: 52LH6073-048 V72962 53488N428 V56878 TLN1020L4N V97928	002004 006106 108999	3

MISSING ITEM NUMBERS NOT APPLICABLE

- ITEM NOT ILLUSTRATED

BRI

27-51-02-10D

BOEING PROPRIETARY - Copyright © - Unpublished Work - See title page for details.

27-51-02  
FIG. 10D  
PAGE 28  
JAN 20/09

 **BOEING**  
757  
**PARTS CATALOG (MAINTENANCE)**

FIG ITEM	PART NUMBER	1 2 3 4 5 6 7	NOMENCLATURE	EFFECT FROM TO	UNITS PER ASSY
10D 115	BACN10MT3X	.NUT-	POST SERVICE BULLETIN: 57-0032	904949	7
120	H19700P4	.NUT	SUPPLIER CODE: V15653 SPECIFICATION NUMBER: BACN10MT4 OPTIONAL PART: 52LH6073-048 V72962 53488N428 V56878 TLN1020L4N V97928	002004 006106 108999	1
125	BACS40R010C018F	.SHIM-	PRE SERVICE BULLETIN: 57-0032	002004 006999	1
130	BACS40R008C012F	.SHIM-	PRE SERVICE BULLETIN: 57-0032 57-0032R1	002004 006999	1
135	BACS40R012D012F	.SHIM-	PRE SERVICE BULLETIN: 57-0032	002004 006999	1
140	BACR15BA6AD	.RIVET-	SIZE DETERMINED ON INSTL. POST SERVICE BULLETIN: 57-0032	904949	2
145	113N2363-1	.BEAM ASSY-BELLCRANK SPRT	POSITION DATA: LH QUALIFIED I/W DATA: 113N2364-1 MAY REPLACE 113N2363-1 UPON INCORPORATION OF S/B 757-57-0032 PRE SERVICE BULLETIN: 57-0032	107107 904949	1
- 150	113N2363-2	.BEAM ASSY-BELLCRANK SPRT	POSITION DATA: RH QUALIFIED I/W DATA: 113N2364-2 MAY REPLACE 113N2363-2 UPON INCORPORATION OF S/B 757-57-0032 PRE SERVICE BULLETIN: 57-0032	107107 904949	1

MISSING ITEM NUMBERS NOT APPLICABLE

- ITEM NOT ILLUSTRATED

BRI

# 27-51-02-10D

BOEING PROPRIETARY - Copyright © - Unpublished Work - See title page for details.

27-51-02  
FIG. 10D  
PAGE 29  
JAN 20/09



757

PARTS CATALOG (MAINTENANCE)

FIG ITEM	PART NUMBER	1 2 3 4 5 6 7	NOMENCLATURE	EFFECT FROM TO	UNITS PER ASSY
10D 155	113N2364-1		.BEAM ASSY-BELLCRANK SPRT POSITION DATA: LH QUALIFIED I/W DATA: 113N2364-1 MAY REPLACE 113N2363-1 UPON INCORPORATION OF S/B 757-57-0032 SERVICE BULLETIN OPT DATA: 113N2364-5 POST SERVICE BULLETIN: 57-0032 57-0032R1	002004 006999	1
155	113N2364-5		.BEAM ASSY-BELLCRANK SPRT POSITION DATA: LH SERVICE BULLETIN OPT DATA: 113N2364-1 POST SERVICE BULLETIN: 57-0032R1	002004 006999	1
- 160	113N2364-2		.BEAM ASSY-BELLCRANK SPRT POSITION DATA: RH QUALIFIED I/W DATA: 113N2364-2 MAY REPLACE 113N2363-2 UPON INCORPORATION OF S/B 757-57-0032 SERVICE BULLETIN OPT DATA: 113N2364-6 POST SERVICE BULLETIN: 57-0032 57-0032R1	002004 006999	1
- 160	113N2364-6		.BEAM ASSY-BELLCRANK SPRT POSITION DATA: RH SERVICE BULLETIN OPT DATA: 113N2364-2 POST SERVICE BULLETIN: 57-0032R1	002004 006999	1
165	BACB28AP08P073		..BUSHING- USED ON: 113N2364-1 113N2364-2 113N2364-5 113N2364-6	002004 006999	1

MISSING ITEM NUMBERS NOT APPLICABLE

- ITEM NOT ILLUSTRATED

27-51-02-10D

27-51-02  
FIG. 10D  
PAGE 30  
JAN 20/09

BRI

BOEING PROPRIETARY - Copyright © - Unpublished Work - See title page for details.

 **BOEING**  
757  
**PARTS CATALOG (MAINTENANCE)**

FIG ITEM	PART NUMBER	1 2 3 4 5 6 7	NOMENCLATURE	EFFECT FROM TO	UNITS PER ASSY
10D 170	BACB28AT11B096C	..	BUSHING- USED ON: 113N2364-1 113N2364-2 113N2364-5 113N2364-6	002004 006999	1
175	BACB28AP06P165	..	BUSHING- USED ON: 113N2363-1 113N2363-2	107107 904949	1
180	BACB28AP12P150	..	BUSHING- USED ON: 113N2363-1 113N2363-2	107107 904949	1
185	NAS6704-16	.	BOLT	002004 006999	8
190	NAS6703-15	.	BOLT	002004 006999	4
195	113N2300-7	.	SHIM	002004 006999	AR
200	113N2300-9	.	SHIM- POSITION DATA: LH SIDE	002004 006999	AR
- 205	113N2300-10	.	SHIM- POSITION DATA: RH SIDE	002004 006999	AR
210	BACB30NN3K7	.	BOLT	002004 006999	12
215	113N2320-23	.	STRAP-SEAL	002004 006999	1
220	113N2320-24	.	SEAL	002004 006999	1

MISSING ITEM NUMBERS NOT APPLICABLE

- ITEM NOT ILLUSTRATED

BRI

# 27-51-02-10D

BOEING PROPRIETARY - Copyright © - Unpublished Work - See title page for details.

27-51-02  
FIG. 10D  
PAGE 31  
JAN 20/09



757

PARTS CATALOG (MAINTENANCE)

FIG ITEM	PART NUMBER	1 2 3 4 5 6 7	NOMENCLATURE	EFFECT FROM TO	UNITS PER ASSY
10D 235	113N2307-5		.SEAL- POSITION DATA: LH SIDE MANUFACTURED FROM: EXTR RUBBER 10-60754-278 42.0 IN. USED ON: 113N2003-13 113N2003-15 113N2003-25 113N2003-29 113N2003-35 113N2003-41SP 113N2003-45SP 113N2003-47SP 113N2003-49SP 113N2003-5 113N2003-51SP 113N2003-55SP	002004 006999	1
- 240	113N2307-6		.SEAL- POSITION DATA: RH SIDE MANUFACTURED FROM: EXTR RUBBER 10-60754-278 42.0 IN. USED ON: 113N2003-14 113N2003-16 113N2003-26 113N2003-30 113N2003-36 113N2003-42SP 113N2003-46SP 113N2003-48SP 113N2003-50SP 113N2003-52SP 113N2003-56SP 113N2003-6	002004 006999	1

MISSING ITEM NUMBERS NOT APPLICABLE

- ITEM NOT ILLUSTRATED

BRI

27-51-02-10D

BOEING PROPRIETARY - Copyright © - Unpublished Work - See title page for details.

27-51-02  
FIG. 10D  
PAGE 32  
JAN 20/09



757

PARTS CATALOG (MAINTENANCE)

FIG ITEM	PART NUMBER	1 2 3 4 5 6 7	NOMENCLATURE	EFFECT FROM TO	UNITS PER ASSY
10D			ATTACHING PARTS		
245	BACB30VF3K5		.BOLT- USED ON: 113N2003-13 113N2003-14 113N2003-15 113N2003-16 113N2003-25 113N2003-26 113N2003-29 113N2003-30 113N2003-35 113N2003-36 113N2003-41SP 113N2003-42SP 113N2003-45SP 113N2003-46SP 113N2003-47SP 113N2003-48SP 113N2003-49SP 113N2003-50SP 113N2003-5 113N2003-51SP 113N2003-52SP 113N2003-55SP 113N2003-56SP 113N2003-6	002004 006999	11

MISSING ITEM NUMBERS NOT APPLICABLE

- ITEM NOT ILLUSTRATED

BRI

27-51-02-10D

BOEING PROPRIETARY - Copyright © - Unpublished Work - See title page for details.

27-51-02  
FIG. 10D  
PAGE 33  
JAN 20/09



757

PARTS CATALOG (MAINTENANCE)

FIG ITEM	PART NUMBER	1 2 3 4 5 6 7	NOMENCLATURE	EFFECT FROM TO	UNITS PER ASSY
10D 255	BACB30VF3K7		.BOLT- USED ON: 113N2003-13 113N2003-14 113N2003-15 113N2003-16 113N2003-25 113N2003-26 113N2003-29 113N2003-30 113N2003-35 113N2003-36 113N2003-41SP 113N2003-42SP 113N2003-43SP 113N2003-44SP 113N2003-45SP 113N2003-46SP 113N2003-47SP 113N2003-48SP 113N2003-49SP 113N2003-50SP 113N2003-5 113N2003-51SP 113N2003-52SP 113N2003-55SP 113N2003-56SP 113N2003-6	002004 006999	1

MISSING ITEM NUMBERS NOT APPLICABLE

- ITEM NOT ILLUSTRATED

BRI

27-51-02-10D

BOEING PROPRIETARY - Copyright © - Unpublished Work - See title page for details.

27-51-02  
FIG. 10D  
PAGE 34  
JAN 20/09



757

PARTS CATALOG (MAINTENANCE)

FIG ITEM	PART NUMBER	1 2 3 4 5 6 7	NOMENCLATURE	EFFECT FROM TO	UNITS PER ASSY
10D 300	BACR15CE6AD		.RIVET- SIZE DETERMINED ON INSTL. USED ON: 113N2003-13 113N2003-14 113N2003-15 113N2003-16 113N2003-25 113N2003-26 113N2003-29 113N2003-30 113N2003-35 113N2003-36 113N2003-41SP 113N2003-42SP 113N2003-43SP 113N2003-44SP 113N2003-45SP 113N2003-46SP 113N2003-47SP 113N2003-48SP 113N2003-49SP 113N2003-50SP 113N2003-5 113N2003-51SP 113N2003-52SP 113N2003-55SP 113N2003-56SP 113N2003-6 -----*-----	002004 006999	21

MISSING ITEM NUMBERS NOT APPLICABLE

- ITEM NOT ILLUSTRATED

BRI

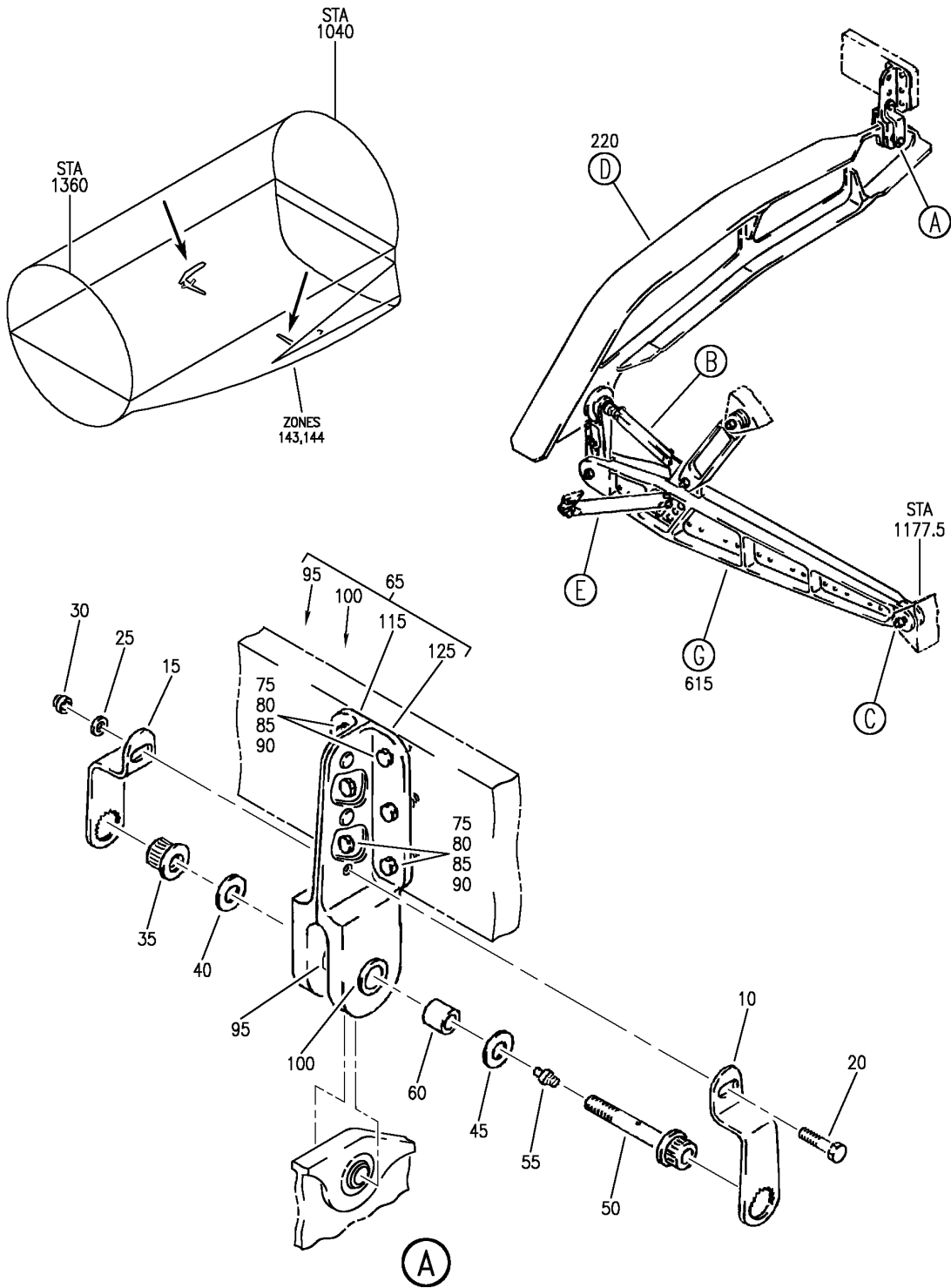
27-51-02-10D

BOEING PROPRIETARY - Copyright © - Unpublished Work - See title page for details.

27-51-02  
FIG. 10D  
PAGE 35  
JAN 20/09



**BOEING**  
757  
PARTS CATALOG (MAINTENANCE)



Y 27510301 SHT 1 REV 287

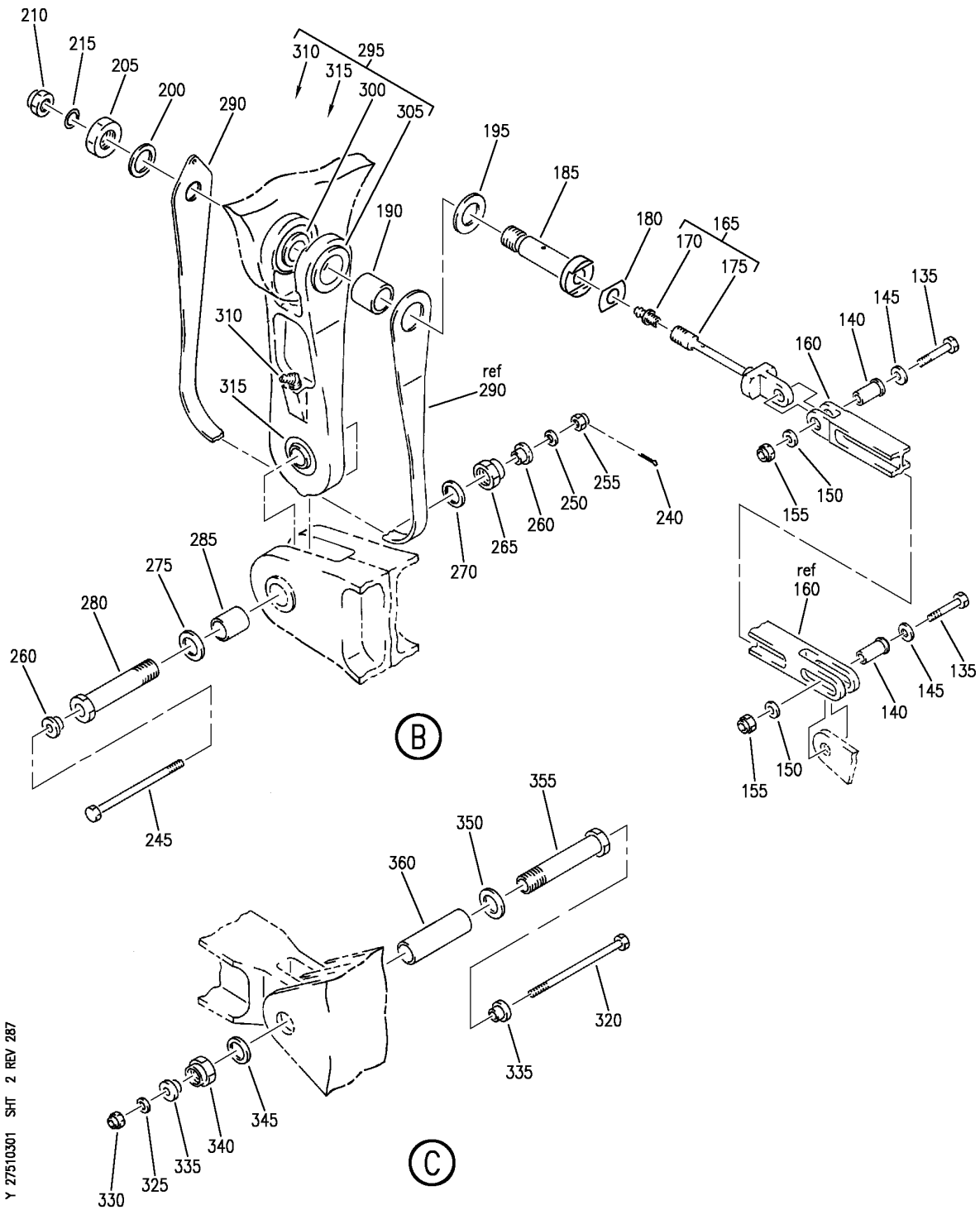
SUPPORT INSTL-INBD MAIN FLAP TRACK  
FIGURE 1 (SHEET 1)

**27-51-03-01**

BRI  
MAY 28/07

27-51-03-01  
PAGE 0


**BOEING**  
 757  
**PARTS CATALOG (MAINTENANCE)**



Y 27510301 SHT 2 REV 287

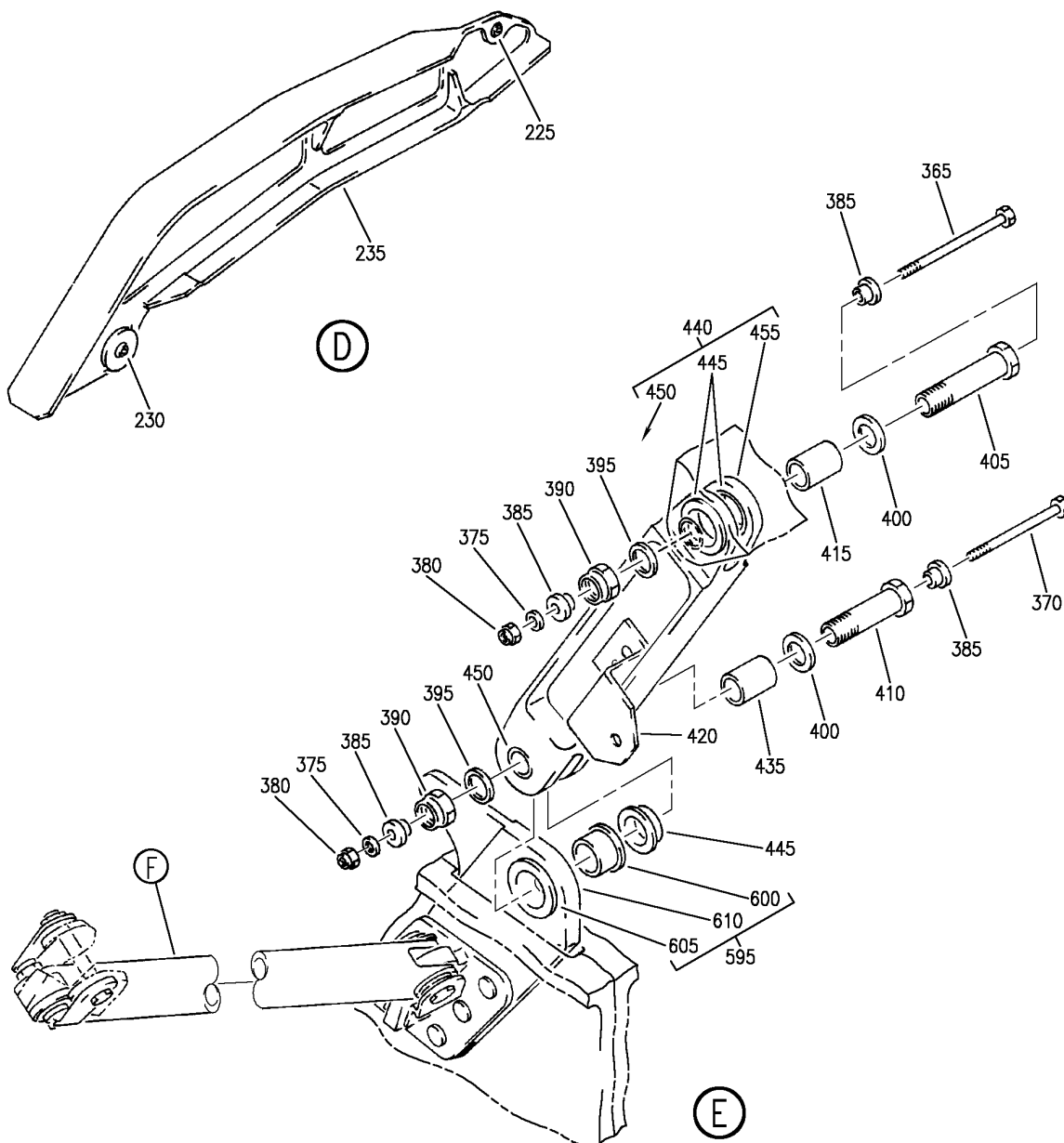
SUPPORT INSTL-INBD MAIN FLAP TRACK  
 FIGURE 1 (SHEET 2)

**27-51-03-01**

BRI  
 MAY 28/07

27-51-03-01  
 PAGE 0A

**BOEING**  
757  
PARTS CATALOG (MAINTENANCE)



Y 27510301 SH-T 3 REV 287

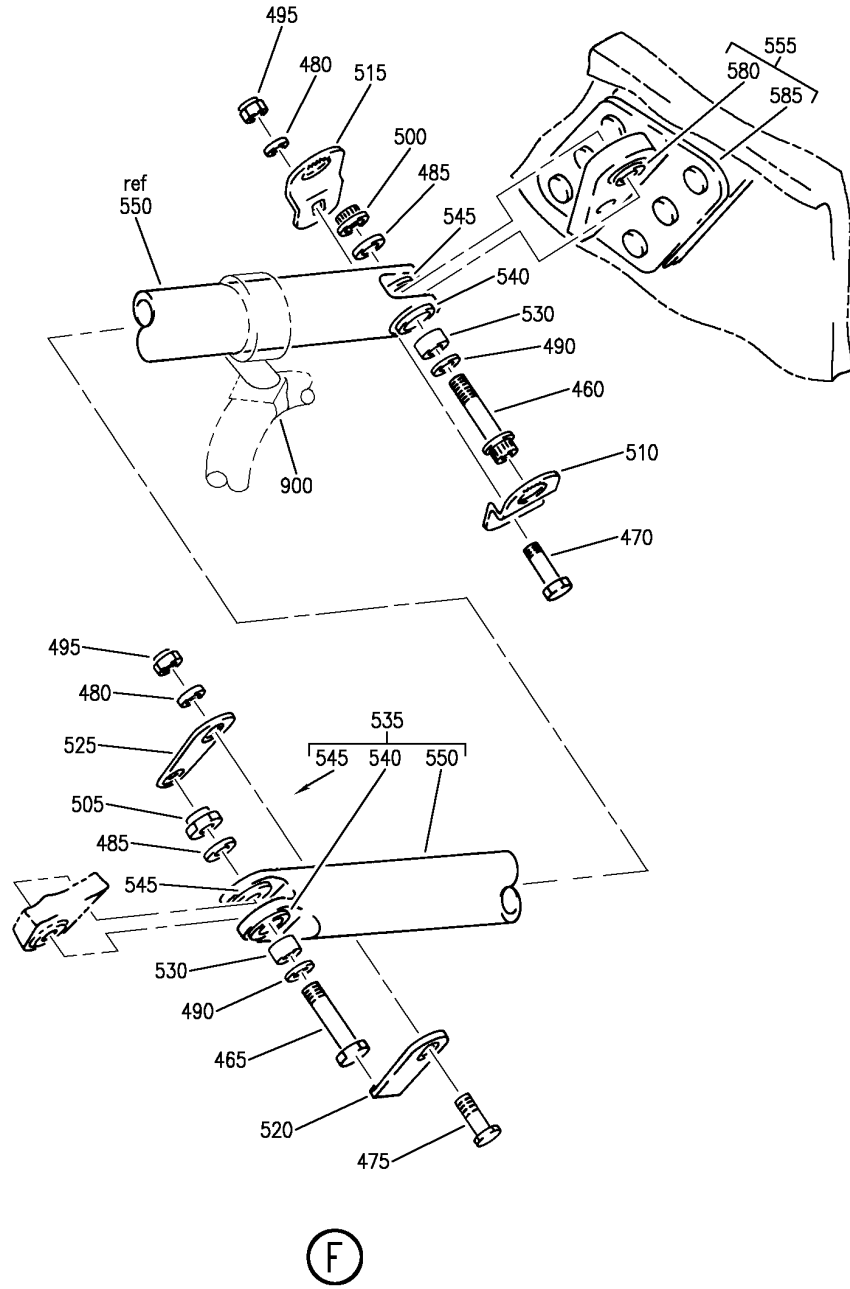
SUPPORT INSTL-INBD MAIN FLAP TRACK  
FIGURE 1 (SHEET 3)

**27-51-03-01**

BRI  
MAY 28/07

27-51-03-01  
PAGE 0B

**BOEING**  
757  
PARTS CATALOG (MAINTENANCE)



(F)

Y 27510301 SH1 4 REV 287

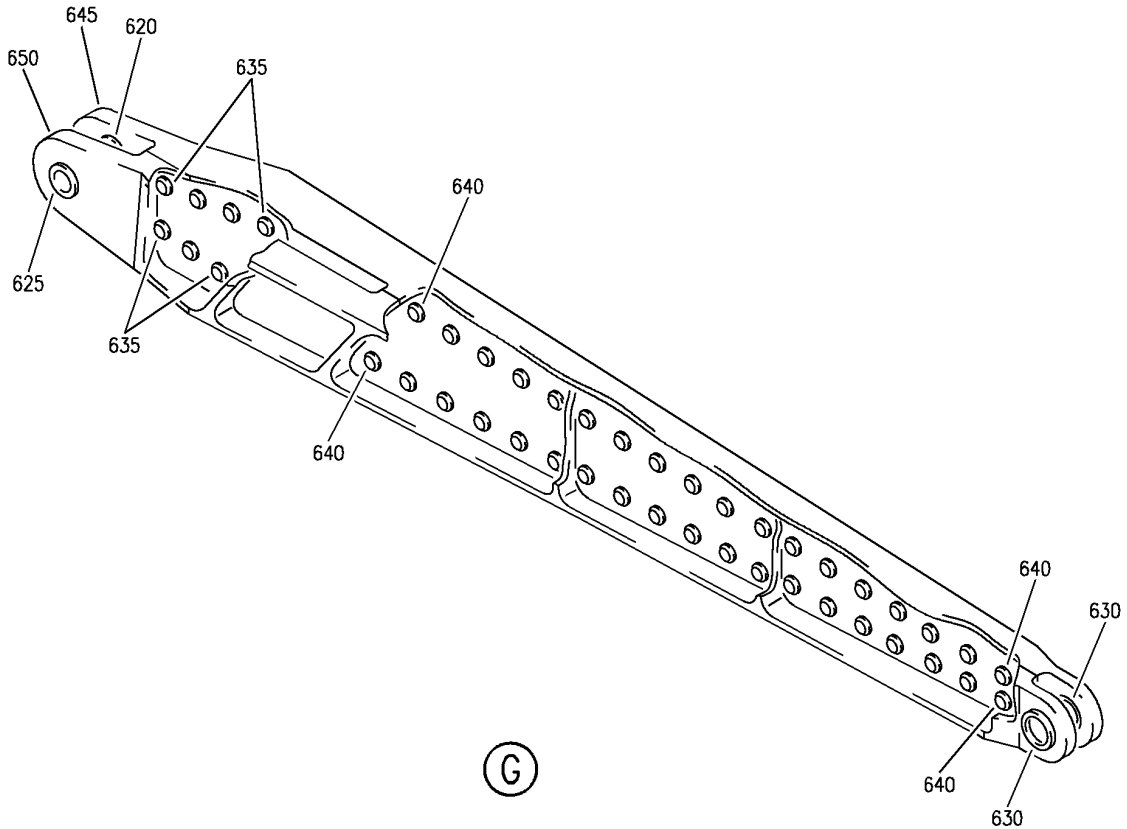
SUPPORT INSTL-INBD MAIN FLAP TRACK  
FIGURE 1 (SHEET 4)

**27-51-03-01**

BRI  
MAY 28/07

27-51-03-01  
PAGE 0C

**BOEING**  
757  
PARTS CATALOG (MAINTENANCE)



Y 27510301 SH1 5 REV 287

SUPPORT INSTL-INBD MAIN FLAP TRACK  
FIGURE 1 (SHEET 5)

BRI  
MAY 28/07

**27-51-03-01**

27-51-03-01  
PAGE 0D



757

PARTS CATALOG (MAINTENANCE)

FIG ITEM	PART NUMBER	1 2 3 4 5 6 7	NOMENCLATURE	EFFECT FROM TO	UNITS PER ASSY
1			SUPPORT INSTL-INBD MAIN FLAP TRACK	002004 006999	
- 1	113N1201-1		SUPPORT INSTL-INBD MAIN FLAP INBD TRACK POSITION DATA: LH FOR NHA SEE: 57-00-00-01	002004 006100 107107 121503 904999	RF
- 1	113N1201-401		SUPPORT INSTL-INBD MAIN FLAP INBD TRACK POSITION DATA: LH FOR NHA SEE: 57-00-00-05	101101	RF
- 1	113N1201-201		SUPPORT INSTL-INBD MAIN FLAP INBD TRACK POSITION DATA: LH FOR NHA SEE: 57-00-00-05	102102 108120 504903	RF
- 1	MODREF1153		SUPPORT INSTL-INBD MAIN FLAP INBD TRACK MODULE NUMBER: 113N1201-203 REV A POSITION DATA: LH	103103	1
- 1	MODREF26521		SUPPORT INSTL-INBD MAIN FLAP INBD TRACK MODULE NUMBER: 113N1201-203 REV B POSITION DATA: LH	104106	1
- 5	113N1201-2		SUPPORT INSTL-INBD MAIN FLAP INBD TRACK POSITION DATA: RH FOR NHA SEE: 57-00-00-01	002004 006100 107107 121503 904999	RF
- 5	113N1201-402		SUPPORT INSTL-INBD MAIN FLAP INBD TRACK POSITION DATA: RH FOR NHA SEE: 57-00-00-05	101101	RF

MISSING ITEM NUMBERS NOT APPLICABLE

- ITEM NOT ILLUSTRATED

27-51-03-01

27-51-03  
FIG. 01  
PAGE 1  
JAN 20/09

BRI

**BOEING**  
757  
**PARTS CATALOG (MAINTENANCE)**

FIG ITEM	PART NUMBER	1 2 3 4 5 6 7	NOMENCLATURE	EFFECT FROM TO	UNITS PER ASSY
1					
- 5	113N1201-202		SUPPORT INSTL-INBD MAIN FLAP INBD TRACK POSITION DATA: RH FOR NHA SEE: 57-00-00-05	102102 108120 504903	RF
- 5	MODREF1154		SUPPORT INSTL-INBD MAIN FLAP INBD TRACK MODULE NUMBER: 113N1201-204 REV A POSITION DATA: RH	103103	1
- 5	MODREF26524		SUPPORT INSTL-INBD MAIN FLAP INBD TRACK MODULE NUMBER: 113N1201-304 REV B POSITION DATA: RH	104106	1
10	113N1239-2		.RETAINER-BOLT	002004 006999	1
15	113N1239-4		.RETAINER-BOLT	002004 006999	1
20	BACB30NR4K8		ATTACHING PARTS .BOLT	002004 006999	1
25	AN960PD416		.WASHER	002004 006100 107107 121503 904999	1
25	NAS1149D0463J		.WASHER	101106 108120 504903	1
30	BRH10C4D		.NUT SUPPLIER CODE: V52828 SPECIFICATION NUMBER: BACN10JC4CD OPTIONAL PART: T6C428JCD V11815 NS202486-048 V80539 102LH9075-4W V72962 H51650-4BAC V15653 -----*-----	002004 006999	1

MISSING ITEM NUMBERS NOT APPLICABLE

- ITEM NOT ILLUSTRATED

BRI

# 27-51-03-01

BOEING PROPRIETARY - Copyright © - Unpublished Work - See title page for details.

27-51-03  
FIG. 01  
PAGE 2  
JAN 20/09



757

PARTS CATALOG (MAINTENANCE)

FIG ITEM	PART NUMBER	1 2 3 4 5 6 7	NOMENCLATURE	EFFECT FROM TO	UNITS PER ASSY
1 35	BMN10HRCWD3-8	.NUT	SUPPLIER CODE: V97928 SPECIFICATION NUMBER: BACN10HR8CD OPTIONAL PART: H51560-8 V15653 67832CD820 V56878 102LH9031-8 V72962 BH00303CM8 V27238 BMN5024CWD38 V97928 SL7108C8 V11815 VCU0005D8 V06710 102LH90318 V72962 67832CD8 V56878 CR6030-8 VF0224	002004 006999	1
40	AN960PD816	.WASHER		002004 006100 107107 121503 904999	1
40	NAS1149D0863J	.WASHER		101106 108120 504903	1
45	BACW10BN8SC	.WASHER-	POSITION DATA: UNDER HEAD	002004 006999	1
50	113N1247-1	.BOLT ASSY-SPECIAL	OPTIONAL PART: 113N1247-3	002004 006999	1
50	113N1247-3	.BOLT ASSY-SPECIAL	OPTIONAL PART: 113N1247-1	002004 006999	1
55	MS15001-1	..FITTING		002004 006999	1
60	BACB28AK08-064	.BUSHING		002004 006999	1

MISSING ITEM NUMBERS NOT APPLICABLE

- ITEM NOT ILLUSTRATED

27-51-03-01

27-51-03  
FIG. 01  
PAGE 3  
JAN 20/09

BRI





757

PARTS CATALOG (MAINTENANCE)

FIG ITEM	PART NUMBER	1 2 3 4 5 6 7	NOMENCLATURE	EFFECT FROM TO	UNITS PER ASSY
1					
65	113N1242-1		.FITTING ASSY-SPRT POSITION DATA: FWD LH SIDE	002004 006101 107107 121503 904999	1
65	113N1242-13		.FITTING ASSY-SPRT POSITION DATA: FWD LH SIDE	102106 108120 504903	1
- 70	113N1242-2		.FITTING ASSY-SPRT POSITION DATA: FWD RH SIDE	002004 006101 107107 121503 904999	1
- 70	113N1242-14		.FITTING ASSY-SPRT POSITION DATA: FWD RH SIDE ATTACHING PARTS	102106 108120 504903	1
75	BACB30NR4K18		.BOLT-	002004 121503 904949 952952	6
75	BACB30US4K19		.BOLT- MISCELLANEOUS DATA: IF HOLES ARE ROUND AND TRUE POST SERVICE BULLETIN: 53-0071	006120 504903 950951 953999	6
80	BACW10BP4APU		.WASHER- POSITION DATA: UNDER NUT	002004 006999	6
85	BACW10BP4CD		.WASHER- POSITION DATA: UNDER HEAD MISCELLANEOUS DATA: IF HOLES ARE ROUND AND TRUE POST SERVICE BULLETIN: 53-0071	006120 504903 950951 953999	6

MISSING ITEM NUMBERS NOT APPLICABLE

- ITEM NOT ILLUSTRATED

27-51-03-01

27-51-03  
FIG. 01  
PAGE 4  
JAN 20/09

BRI

BOEING PROPRIETARY - Copyright © - Unpublished Work - See title page for details.



757

PARTS CATALOG (MAINTENANCE)

FIG ITEM	PART NUMBER	1 2 3 4 5 6 7	NOMENCLATURE	EFFECT FROM TO	UNITS PER ASSY
1 90	BRH10C4D		.NUT- SUPPLIER CODE: V52828 SPECIFICATION NUMBER: BACN10JC4CD OPTIONAL PART: T6C428JCD V11815 NS202486-048 V80539 102LH9075-4W V72962 H51650-4BAC V15653	002004 121503 904949 952952	6

MISSING ITEM NUMBERS NOT APPLICABLE

- ITEM NOT ILLUSTRATED

BRI

27-51-03-01

BOEING PROPRIETARY - Copyright © - Unpublished Work - See title page for details.

27-51-03  
FIG. 01  
PAGE 5  
JAN 20/09



757

PARTS CATALOG (MAINTENANCE)

FIG ITEM	PART NUMBER	1 2 3 4 5 6 7	NOMENCLATURE	EFFECT FROM TO	UNITS PER ASSY
1 90	BMM10HRCPD3-4	.NUT-	SUPPLIER CODE: V97928 SPECIFICATION NUMBER: BACN10HR4CS OPTIONAL PART: H39953-4 V15653 109LH9031-4 V72962 67832AS428 V56878 BH00303-4 V27238 SL7059C428 V11815 BH003034 V27238 BMN5024CPD34 V97928 CR59084 V62554 109LH90314 V72962 67832AS4 V56878 BMN10HRCPD3-4 V97928 SL705094 V11815 MISCELLANEOUS DATA: IF HOLES ARE ROUND AND TRUE POST SERVICE BULLETIN: 53-0071 -----*-----	006120 504903 950951 953999	6
95	BACB28AP08P044	..BUSHING		002004 006999	1
100	BACB28AM11A044A	..BUSHING		002004 006999	1
- 105	BACB30MY8C5	..BOLT		002004 006999	2

MISSING ITEM NUMBERS NOT APPLICABLE

- ITEM NOT ILLUSTRATED

27-51-03-01

27-51-03  
FIG. 01  
PAGE 6  
JAN 20/09

BRI



757

PARTS CATALOG (MAINTENANCE)

FIG ITEM	PART NUMBER	1 2 3 4 5 6 7	NOMENCLATURE	EFFECT FROM TO	UNITS PER ASSY
1					
- 110	HL79-8	..	COLLAR SUPPLIER CODE: V5M902 SPECIFICATION NUMBER: BACC30M8 OPTIONAL PART: HL79-8 V73197 HL79-8 V92215 66014-8 V56878 HL79-8 V56878	002004 006999	2
115	113N1242-3	..	SUPPORT- POSITION DATA: FWD LH SIDE	002004 006999	1
- 120	113N1242-4	..	SUPPORT- POSITION DATA: FWD RH SIDE	002004 006999	1
125	113N1242-5	..	SUPPORT- POSITION DATA: FWD LH SIDE	002004 006999	1
- 130	113N1242-6	..	SUPPORT- POSITION DATA: FWD RH SIDE	002004 006999	1
135	BACB30NR5K13	.	BOLT-	002004 006999	2
140	BACB28AK05-075	.	BUSHING-	002004 006999	2
145	BACW10BP5CD	.	WASHER- POSITION DATA: UNDER HEAD	002004 006999	2
150	AN960PD516	.	WASHER- POSITION DATA: UNDER NUT	002004 006100 107107 121503 904999	2
150	NAS1149D0563J	.	WASHER- POSITION DATA: UNDER NUT	101106 108120 504903	2

MISSING ITEM NUMBERS NOT APPLICABLE

- ITEM NOT ILLUSTRATED

27-51-03-01

27-51-03  
FIG. 01  
PAGE 7  
JAN 20/09

BRI

BOEING PROPRIETARY - Copyright © - Unpublished Work - See title page for details.



757

PARTS CATALOG (MAINTENANCE)

FIG ITEM	PART NUMBER	1 2 3 4 5 6 7	NOMENCLATURE	EFFECT FROM TO	UNITS PER ASSY
1 155	BRH10C5D	.NUT-	SUPPLIER CODE: V52828 SPECIFICATION NUMBER: BACN10JC5CD OPTIONAL PART: T6C524JCD V11815 102LH9075-5W V72962 H51650-5BAC V15653	002004 006999	2
160	113N1238-1	.LINK-FLOATING		002004 006999	1
165	113N1241-1	.EYEBOLT ASSY-		002004 006999	1
170	1728B	..FITTING-LUBE	SUPPLIER CODE: VOFKM1	002004 006999	1
175	113N1241-2	..EYEBOLT		002004 006999	1
180	600-015-3-8	.SEAL-	SUPPLIER CODE: V83259	002004 006999	1
185	113N1243-1	.BOLT-SPECIAL		002004 006999	1
190	BACB28AK10-086	.BUSHING-		002004 006999	1
195	BACW10BN10SC	.WASHER-	POSITION DATA: UNDER HEAD	002004 006999	1
200	AN960-1016	.WASHER-		002004 006100 107107 121503 904999	1
200	NAS1149F1063P	.WASHER-		101106 108120 504903	1
205	NAS509-10	.NUT-		002004 006999	1
210	BRH10C6D	.NUT-	SUPPLIER CODE: V52828 SPECIFICATION NUMBER: BACN10JC6CD OPTIONAL PART: H51650-6BAC V15653	002004 006999	1

MISSING ITEM NUMBERS NOT APPLICABLE

- ITEM NOT ILLUSTRATED

27-51-03-01

27-51-03  
FIG. 01  
PAGE 8  
JAN 20/09

BRI



757

PARTS CATALOG (MAINTENANCE)

FIG ITEM	PART NUMBER	1 2 3 4 5 6 7	NOMENCLATURE	EFFECT FROM TO	UNITS PER ASSY
1					
215	7500-3-8	.	SEAL-	002004	1
			SUPPLIER CODE:	006999	
			V83259		
220	113N1210-1	.	TRACK ASSY	002004	1
				006102	
				107999	
220	113N1210-5	.	TRACK ASSY	103106	1
225	BACB10EP08GC	..	BEARING	002004	1
				006102	
				107999	
225	NC08G10C	..	BEARING	103106	1
			SUPPLIER CODE:		
			V56644		
			SPECIFICATION NUMBER:		
			BACB10GB08GC		
			OPTIONAL PART:		
			BNG08H118C		
			V16746		
230	BACB10EP10GC	..	BEARING	002004	1
				006102	
				107999	
230	NC10G10C	..	BEARING	103106	1
			SUPPLIER CODE:		
			V56644		
			SPECIFICATION NUMBER:		
			BACB10GB10GC		
			OPTIONAL PART:		
			BNG10H118C		
			V16746		
235	113N1210-2	..	TRACK	002004	1
				006102	
				107999	
235	113N1210-6	..	TRACK	103106	1
240	BACP18BC02A06P	.	PIN-COTTER	002004	1
				006999	
245	BACB30NR4DK55	.	BOLT-	002004	1
				006999	
250	AN960PD416	.	WASHER-	002004	1
				006100	
				107107	
				121503	
				904999	
250	NAS1149D0463J	.	WASHER-	101106	1
				108120	
				504903	
255	BACN10JD4CD	.	NUT-	002004	1
				006999	
260	113N1254-1	.	CAP-END	002004	2
				006999	

MISSING ITEM NUMBERS NOT APPLICABLE

- ITEM NOT ILLUSTRATED

27-51-03-01

27-51-03  
FIG. 01  
PAGE 9  
JAN 20/09

BRI

BOEING PROPRIETARY - Copyright © - Unpublished Work - See title page for details.



757

PARTS CATALOG (MAINTENANCE)

FIG ITEM	PART NUMBER	1 2 3 4 5 6 7	NOMENCLATURE	EFFECT FROM TO	UNITS PER ASSY
1 265	102LH9074-10	.NUT-	SUPPLIER CODE: V72962 SPECIFICATION NUMBER: BACN10JC10CD OPTIONAL PART: H51650-10BAC V15653 69235-1018CD V92215 BMN4122CPD8-10 V97928	002004 006999	1
270	AN960PD1016	.WASHER-		002004 006100 107107 121503 904999	1
270	NAS1149E1063P	.WASHER		101106 108120 504903	1
275	BACW10BN10SC	.WASHER-		002004 006999	1
280	113N1253-1	.BOLT-SPECIAL		002004 006999	1
285	BACB28AK10-090	.BUSHING-		002004 006999	1
290	113N1240-1	.STRAP-FAILSAFE		002004 006999	1
295	113N1237-1	.LINK ASSY-AFT OPTIONAL PART: 113N1265-4		103103	1
295	113N1265-1	.LINK ASSY-AFT		103103	1
295	113N1265-4	.LINK ASSY-AFT OPTIONAL PART: 113N1237-1		103103	1
300	BACB28AP10P050	..BUSHING		002004 006999	1
305	BACB28AM14B050A	..BUSHING		002004 006999	1
310	1992B	..FITTING-LUBE SUPPLIER CODE: VOFKM1		002004 006999	1
315	BACB10EP10GC	..BEARING		002004 006999	1
320	BACB30NR4K56	.BOLT		002004 006999	1

MISSING ITEM NUMBERS NOT APPLICABLE

- ITEM NOT ILLUSTRATED

27-51-03-01

27-51-03  
FIG. 01  
PAGE 10  
JAN 20/09

BRI

BOEING PROPRIETARY - Copyright © - Unpublished Work - See title page for details.



757

PARTS CATALOG (MAINTENANCE)

FIG ITEM	PART NUMBER	1 2 3 4 5 6 7	NOMENCLATURE	EFFECT FROM TO	UNITS PER ASSY
1					
325	AN960PD416	.	WASHER	002004 006100 107107 121503 904999	1
325	NAS1149D0463J	.	WASHER	101106 108120 504903	1
330	BRH10C4D	.	NUT SUPPLIER CODE: V52828 SPECIFICATION NUMBER: BACN10JC4CD OPTIONAL PART: T6C428JCD V11815 NS202486-048 V80539 102LH9075-4W V72962 H51650-4BAC V15653	002004 006999	1
335	113N1254-1	.	CAP-END	002004 006999	2
340	102LH9074-10	.	NUT SUPPLIER CODE: V72962 SPECIFICATION NUMBER: BACN10JC10CD OPTIONAL PART: H51650-10BAC V15653 69235-1018CD V92215 BMN4122CPD8-10 V97928	002004 006999	1
345	AN960PD1016	.	WASHER	002004 006100 107107 121503 904999	1
345	NAS1149D1063J	.	WASHER	101106 108120 504903	1
350	BACW10BN10SC	.	WASHER- POSITION DATA: UNDER HEAD	002004 006999	1
355	113N1253-2	.	BOLT-SPECIAL	002004 006999	1

MISSING ITEM NUMBERS NOT APPLICABLE

- ITEM NOT ILLUSTRATED

27-51-03-01

27-51-03  
FIG. 01  
PAGE 11  
JAN 20/09

BRI

BOEING PROPRIETARY - Copyright © - Unpublished Work - See title page for details.





757

PARTS CATALOG (MAINTENANCE)

FIG ITEM	PART NUMBER	1 2 3 4 5 6 7	NOMENCLATURE	EFFECT FROM TO	UNITS PER ASSY
1					
360	BACB28AK10-200	.	BUSHING	002004 006999	1
365	BACB30NR4K49	.	BOLT	002004 006999	1
370	BACB30NR4K42	.	BOLT	002004 006999	1
375	AN960PD416	.	WASHER	002004 006100 107107 121503 904999	2
375	NAS1149D0463J	.	WASHER	101106 108120 504903	2
380	BRH10C4D	.	NUT SUPPLIER CODE: V52828 SPECIFICATION NUMBER: BACN10JC4CD OPTIONAL PART: T6C428JCD V11815 NS202486-048 V80539 102LH9075-4W V72962 H51650-4BAC V15653	002004 006999	2
385	113N1254-1	.	CAP-END	002004 006999	4
390	102LH9074-10	.	NUT SUPPLIER CODE: V72962 SPECIFICATION NUMBER: BACN10JC10CD OPTIONAL PART: H51650-10BAC V15653 69235-1018CD V92215 BMN4122CPD8-10 V97928	002004 006999	2
395	AN960PD1016	.	WASHER	002004 006100 107107 121503 904999	2

MISSING ITEM NUMBERS NOT APPLICABLE

- ITEM NOT ILLUSTRATED

27-51-03-01

27-51-03  
FIG. 01  
PAGE 12  
JAN 20/09

BRI

BOEING PROPRIETARY - Copyright © - Unpublished Work - See title page for details.

**BOEING**  
757  
**PARTS CATALOG (MAINTENANCE)**

FIG ITEM	PART NUMBER	1 2 3 4 5 6 7	NOMENCLATURE	EFFECT FROM TO	UNITS PER ASSY
1					
395	NAS1149D1063J	.	WASHER	101106 108120 504903	2
400	BACW10BN10SC	.	WASHER- POSITION DATA: UNDER HEAD	002004 006999	2
405	113N1253-3	.	BOLT-SPECIAL	002004 006999	1
410	113N1253-4	.	BOLT-SPECIAL	002004 006999	1
415	BACB28AK10-163	.	BUSHING	002004 006999	1
420	287N4403-178	.	BRACKET	002004 006999	1
- 425	L8006K3	.	ATTACHING PARTS BOLT SUPPLIER CODE: V06725 SPECIFICATION NUMBER: BACB30MY6K3	002004 006999	2
- 430	HL79-6	.	COLLAR SUPPLIER CODE: V5M902 SPECIFICATION NUMBER: BACC30M6 OPTIONAL PART: HL79-6 V73197 HL79-6 V92215 66014-6 V56878 HL79-6 V56878 -----*-----	002004 006999	2
435	BACB28AK10-110	.	BUSHING	002004 006999	1
440	113N1235-1	.	STRUT ASSY-VERT. SPRT	002004 006999	1
440	113N1264-1	.	STRUT ASSY-VERT. SPRT	002004 006999	1
445	BACB28AM14B025A	..	BUSHING	002004 006999	3
450	BACB28AP10P025A	..	BUSHING- USED ON: 113N1235-1	002004 006999	1
450	BACB28AP10P025	..	BUSHING- USED ON: 113N1264-1	002004 006999	1

MISSING ITEM NUMBERS NOT APPLICABLE

- ITEM NOT ILLUSTRATED

BRI

**27-51-03-01**

27-51-03  
FIG. 01  
PAGE 13  
JAN 20/09



757

PARTS CATALOG (MAINTENANCE)

FIG ITEM	PART NUMBER	1 2 3 4 5 6 7	NOMENCLATURE	EFFECT FROM TO	UNITS PER ASSY
1					
455	113N1235-2	..	STRUT- USED ON: 113N1235-1	002004 006999	1
455	113N1264-3	..	STRUT-	002004 006999	1
460	BACB30LE6K17	.	BOLT	002004 006999	1
465	BACB30LJ6K17	.	BOLT	002004 006999	1
470	BACB30NR4K8	.	BOLT	002004 006999	1
475	BACB30NR4K6	.	BOLT	002004 006999	1
480	AN960PD416	.	WASHER	002004 006100 107107 121503 904999	2
480	NAS1149D0463J	.	WASHER- POSITION DATA: UNDER NUT	101106 108120 504903	2
485	AN960PD616	.	WASHER	002004 006100 107107 121503 904999	2
485	NAS1149D0663J	.	WASHER- POSITION DATA: UNDER NUT	101106 108120 504903	2
490	BACW10BN6SC	.	WASHER- POSITION DATA: UNDER HEAD	002004 006999	2
495	BRH10C4D	.	NUT SUPPLIER CODE: V52828 SPECIFICATION NUMBER: BACN10JC4CD OPTIONAL PART: T6C428JCD V11815 NS202486-048 V80539 102LH9075-4W V72962 H51650-4BAC V15653	002004 006999	2

MISSING ITEM NUMBERS NOT APPLICABLE

- ITEM NOT ILLUSTRATED

BRI

27-51-03-01

BOEING PROPRIETARY - Copyright © - Unpublished Work - See title page for details.

27-51-03  
FIG. 01  
PAGE 14  
JAN 20/09

 **BOEING**  
757  
**PARTS CATALOG (MAINTENANCE)**

FIG ITEM	PART NUMBER	1 2 3 4 5 6 7	NOMENCLATURE	EFFECT FROM TO	UNITS PER ASSY	
R R R R R R R R R R R R R R	1 500	BMN10HRCWD3-6	.NUT SUPPLIER CODE: V97928 SPECIFICATION NUMBER: BACN10HR6CD OPTIONAL PART: H51560-6 V15653 67832CD624 V56878 102LH9031-6 V72962 BH00303CM6 V27238 SL7108C624 V11815 BMN5024CWD36 V97928 SL7108C6 V11815 102LH90316 V72962 67832CD6 V56878 VCU0005D6 V06710 CR60306 VF0224 CR60306 VF0224	002004 006999	1	
	505	BRH10C6D	.NUT SUPPLIER CODE: V52828 SPECIFICATION NUMBER: BACN10JC6CD OPTIONAL PART: H51650-6BAC V15653	002004 006999	1	
	510	113N1258-1	.RETAINER-BOLT	002004 006999	1	
	515	113N1258-2	.RETAINER-BOLT	002004 006999	1	
	520	113N1258-3	.RETAINER-BOLT	002004 006999	1	
	525	113N1258-4	.RETAINER-BOLT	002004 006999	1	
	530	BACB28AK06-033	.BUSHING	002004 006999	2	
	MISSING ITEM NUMBERS NOT APPLICABLE					

— ITEM NOT ILLUSTRATED

BRI

# 27-51-03-01

BOEING PROPRIETARY - Copyright © - Unpublished Work - See title page for details.

27-51-03  
FIG. 01  
PAGE 15  
MAY 20/09



757

PARTS CATALOG (MAINTENANCE)

FIG ITEM	PART NUMBER	1 2 3 4 5 6 7	NOMENCLATURE	EFFECT FROM TO	UNITS PER ASSY
1					
535	113N1236-1	.	STRUT ASSY-HORIZ	002004 006999	1
540	BACB28AM09B013A	..	BUSHING	002004 006999	2
545	BACB28AP06P013	..	BUSHING	002004 006999	2
550	113N1236-2	..	STRUT	002004 006999	1
555	113N1234-1	.	FITTING ASSY-STRUT ATTACHMENT POSITION DATA: AFT LH SIDE	002004 006999	1
555	113N1263-1	.	FITTING ASSY-STRUT ATTACHMENT POSITION DATA: AFT LH SIDE	002004 006999	1
- 560	113N1234-2	.	FITTING ASSY-STRUT ATTACHMENT POSITION DATA: AFT RH SIDE	002004 006999	1
- 560	113N1263-2	.	FITTING ASSY-STRUT ATTACHMENT POSITION DATA: AFT RH SIDE	002004 006999	1
- 565	L80012K23	.	BOLT SUPPLIER CODE: V06725 SPECIFICATION NUMBER: BACB30MY12K23	002004 006999	6
- 570	HL79-12	.	COLLAR SUPPLIER CODE: V5M902 SPECIFICATION NUMBER: BACC30M12 OPTIONAL PART: HL79-12 V73197 HL79-12 V92215 66014-12 V56878 HL79-12 V56878	002004 006999	6
- 575	BACS40R30B50F	.	SHIM  -----*-----	002004 006999	AR

MISSING ITEM NUMBERS NOT APPLICABLE

- ITEM NOT ILLUSTRATED

27-51-03-01

27-51-03  
FIG. 01  
PAGE 16  
JAN 20/09

BRI

BOEING PROPRIETARY - Copyright © - Unpublished Work - See title page for details.



757

PARTS CATALOG (MAINTENANCE)

FIG ITEM	PART NUMBER	1 2 3 4 5 6 7	NOMENCLATURE	EFFECT FROM TO	UNITS PER ASSY
1					
580	BACB10EP06GC	..	BEARING- USED ON: 113N1234-1 113N1234-2	002004 006999	1
580	BNG06A111C	..	BEARING- SUPPLIER CODE: V16746 SPECIFICATION NUMBER: BACB10FJ06GC OPTIONAL PART: ASBFJ06VC VS0352 HU06-210VC V02758 JC06G3C V56644 KSB06-61 V97613 LHB06EPGC V73134 AG6V32C V15860 BLN06-2589SC V81376 USED ON: 113N1263-1 113N1263-2	002004 006999	1
585	113N1234-3	..	FITTING- USED ON: 113N1234-1	002004 006999	1
585	113N1263-3	..	FITTING- USED ON: 113N1263-1	002004 006999	1
- 590	113N1234-4	..	FITTING- USED ON: 113N1234-2	002004 006999	1
- 590	113N1263-4	..	FITTING- USED ON: 113N1263-2	002004 006999	1
595	113N1233-1	.	FITTING ASSY-LINK AND STRUT ATTACH I	107107 904949 952952	1
595	113N1233-3	.	FITTING ASSY-LINK AND STRUT ATTACH I	002004 006999	1
600	BACB28AM14B045A	..	BUSHING- USED ON: 113N1233-1 USED ON: 113M1233-1	107107 904949 952952	1

MISSING ITEM NUMBERS NOT APPLICABLE

- ITEM NOT ILLUSTRATED

27-51-03-01

27-51-03  
FIG. 01  
PAGE 17  
JAN 20/09

BRI

BOEING PROPRIETARY - Copyright © - Unpublished Work - See title page for details.



757

PARTS CATALOG (MAINTENANCE)

FIG ITEM	PART NUMBER	1 2 3 4 5 6 7	NOMENCLATURE	EFFECT FROM TO	UNITS PER ASSY
1					
600	BACB28AU14B045C	..	BUSHING- USED ON: 113N1233-3	002004 006106 108903 950951 953999	1
605	BACB28AM16B044A	..	BUSHING	002004 006999	1
610	113N1233-2	..	FITTING-ATTACH I	002004 006999	1
615	113N1230-1	.BEAM	ASSY-SPRT OPTIONAL PART: 113N1230-2	002004 006999	1
615	113N1230-2	.BEAM	ASSY-SPRT OPTIONAL PART: 113N1230-1	002004 006999	1
620	BACB28AP10P060	..	BUSHING	002004 006999	1
625	BACB28AM14B060A	..	BUSHING	002004 006999	1
630	BACB28AM14B034A	..	BUSHING	002004 006999	2
635	L8008K7	..	BOLT SUPPLIER CODE: V06725 SPECIFICATION NUMBER: BACB30MY8K7	002004 006999	7
640	L8008K4	..	BOLT SUPPLIER CODE: V06725 SPECIFICATION NUMBER: BACB30MY8K4	002004 006999	37
645	113N1231-1	..	BEAM- USED ON: 113N1230-1	002004 006999	1
650	113N1231-2	..	BEAM- USED ON: 113N1230-1	002004 006999	1
650	113N1231-6	..	BEAM- USED ON: 113N1230-2	002004 006999	1
900			ILLUSTRATION REFERENCE: PUMP INSTL-RSVR CENTRAL FILL SYS HAND 29-18-01-01	002004 006999	RF

MISSING ITEM NUMBERS NOT APPLICABLE

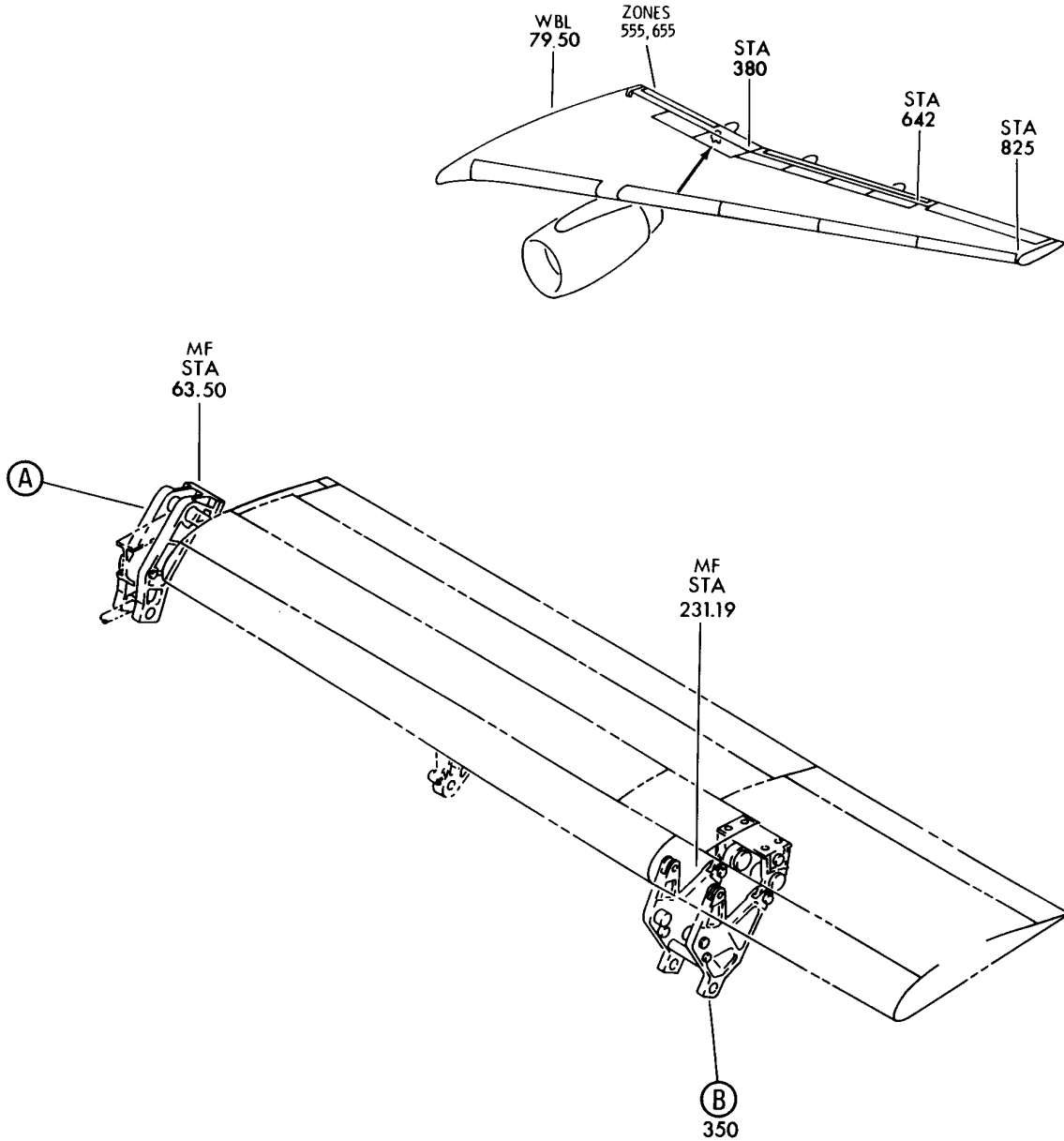
- ITEM NOT ILLUSTRATED

BRI

27-51-03-01

27-51-03  
FIG. 01  
PAGE 18  
JAN 20/09

**BOEING**  
757  
PARTS CATALOG (MAINTENANCE)



Y 27510501 SH1 1 REV 105

CARRIAGE ASSY-INBD  
FIGURE 1 (SHEET 1)

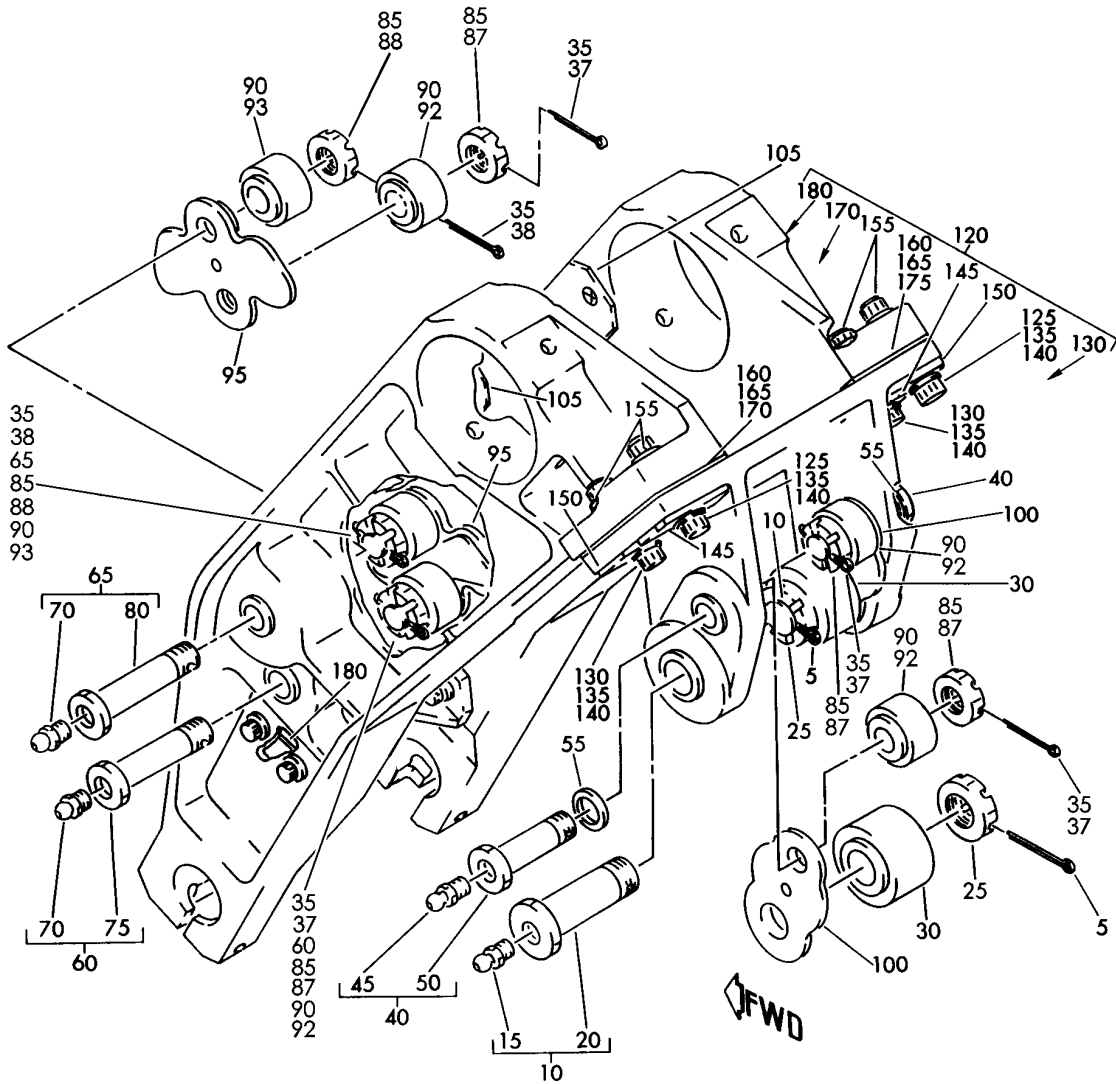
**27-51-05-01**

BRI  
MAY 28/07

27-51-05-01  
PAGE 0



**BOEING**  
757  
PARTS CATALOG (MAINTENANCE)



(A)

Y 27510501 SHT 2 REV 225

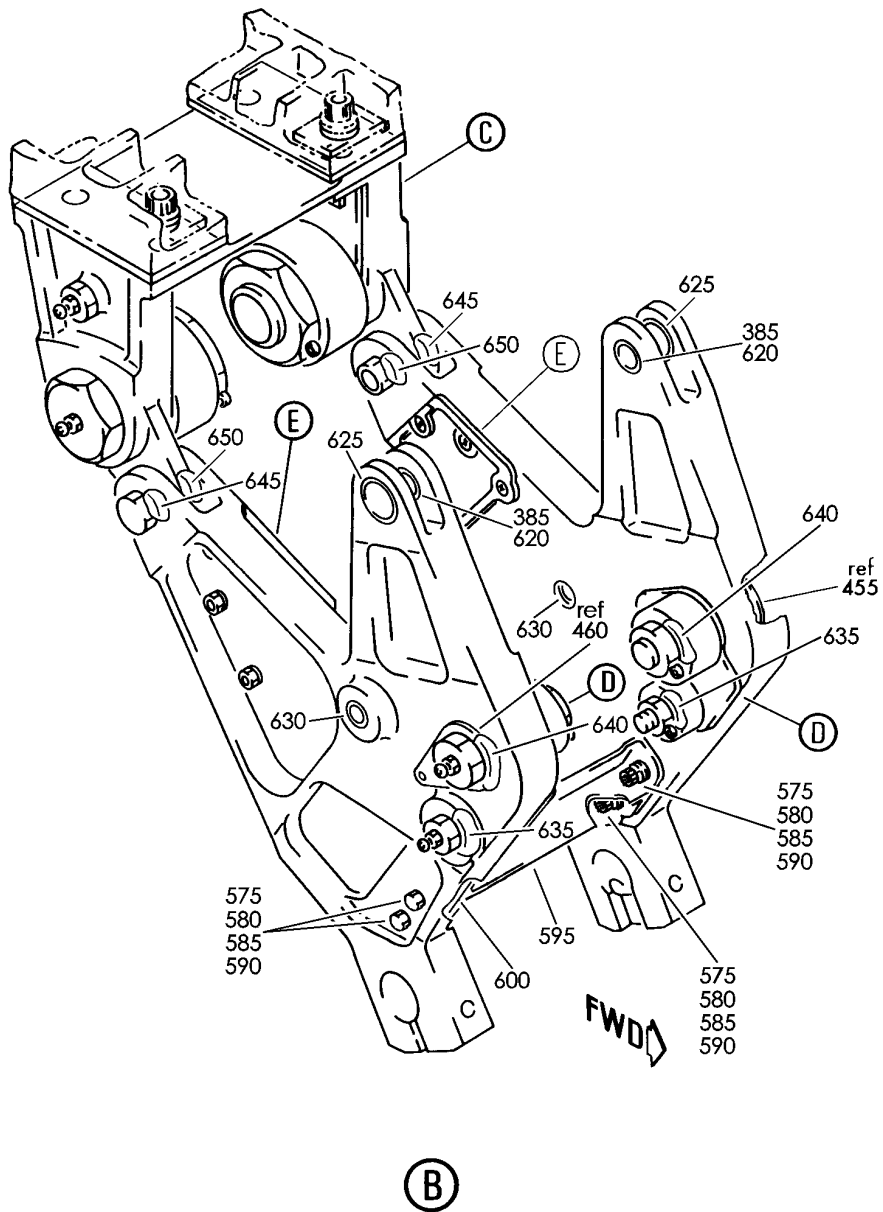
CARRIAGE ASSY-INBD  
FIGURE 1 (SHEET 2)

**27-51-05-01**

BRI  
MAY 28/07

27-51-05-01  
PAGE 0A

**BOEING**  
757  
PARTS CATALOG (MAINTENANCE)



Y 27510501 SHT 3 REV 225

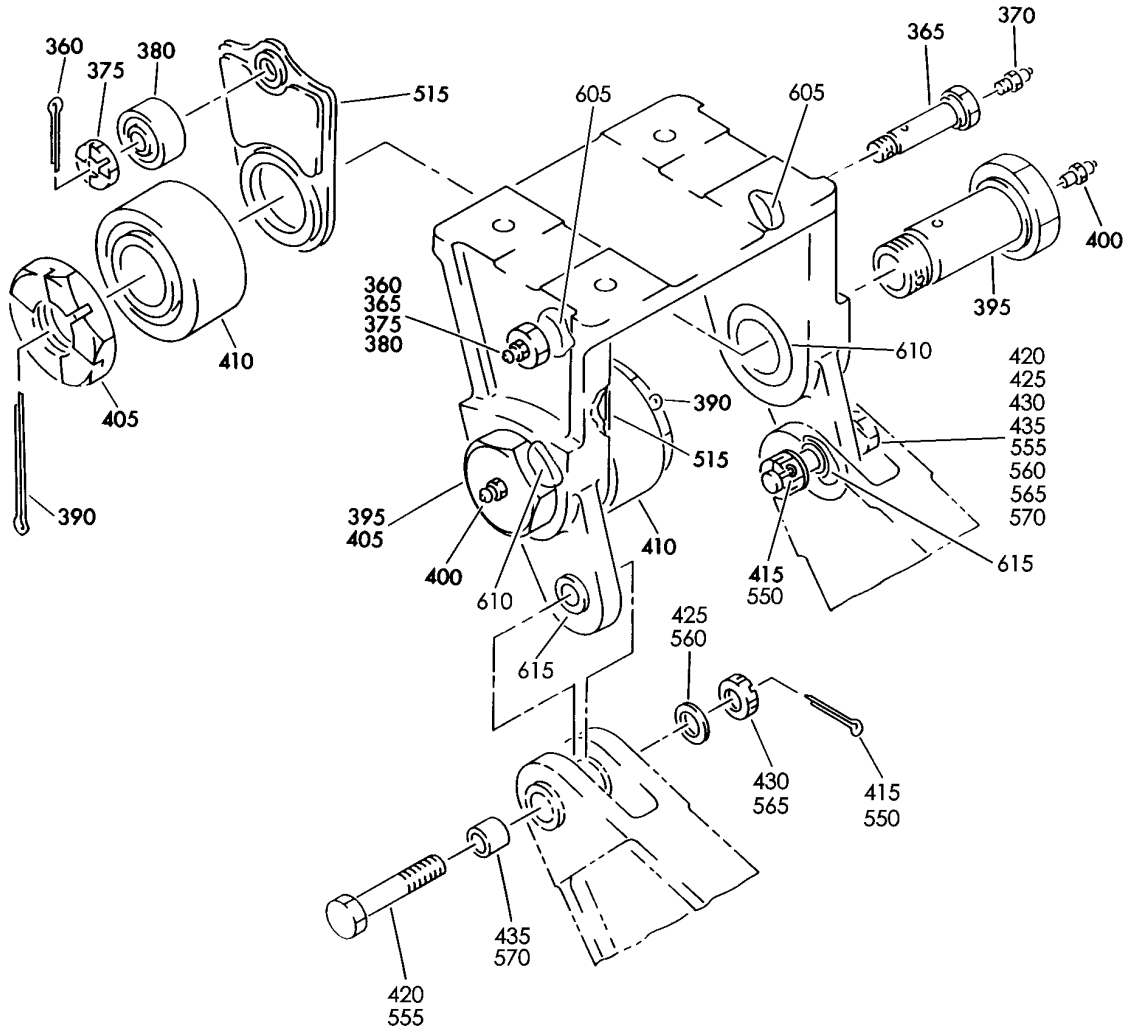
CARRIAGE ASSY-INBD  
FIGURE 1 (SHEET 3)

**27-51-05-01**

BRI  
MAY 28/07

27-51-05-01  
PAGE 0B

**BOEING**  
757  
PARTS CATALOG (MAINTENANCE)



Ⓒ

Y 27510501 SHT 4 REV 225

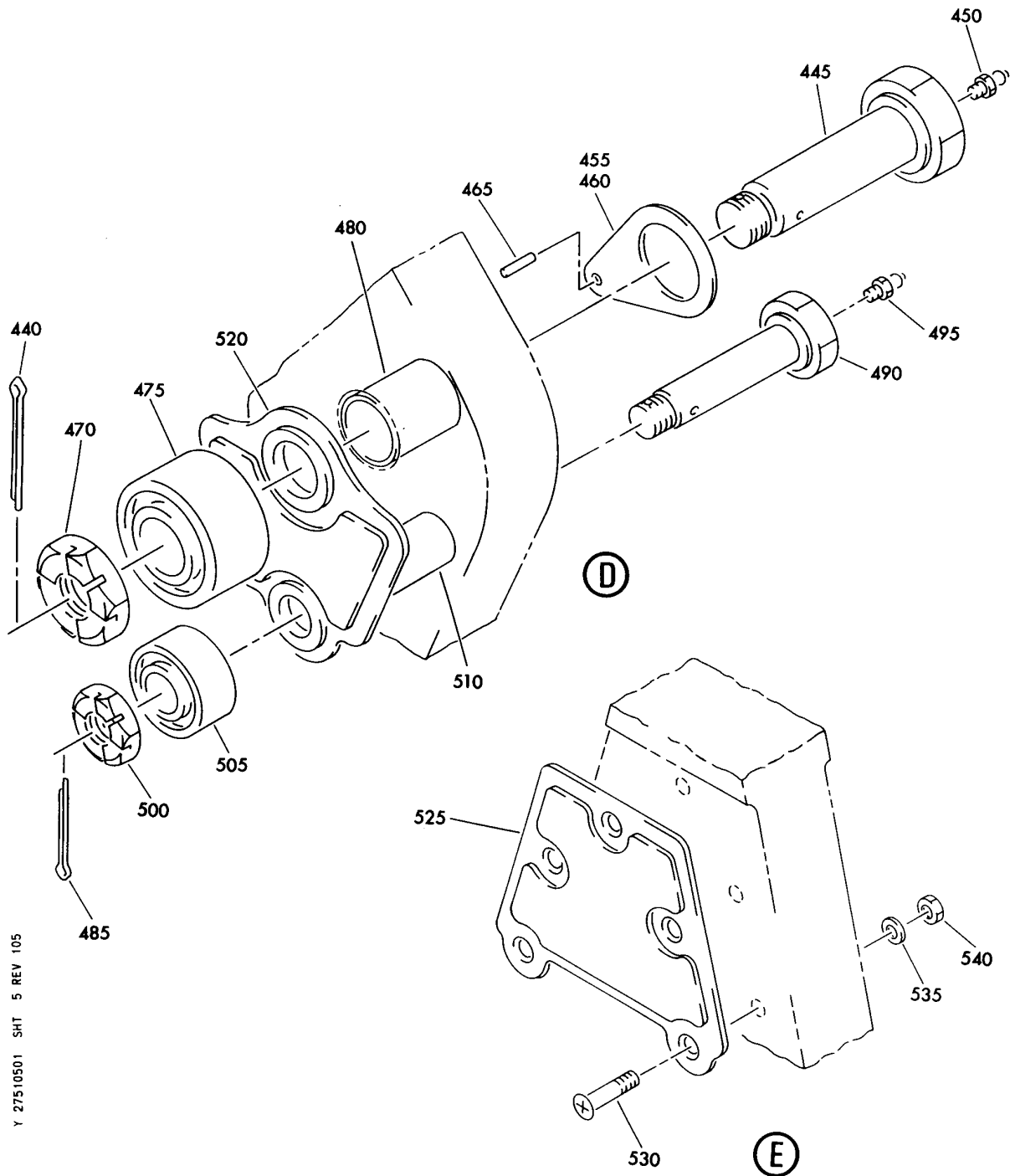
CARRIAGE ASSY-INBD  
FIGURE 1 (SHEET 4)

**27-51-05-01**

BRI  
MAY 28/07

27-51-05-01  
PAGE 0C

**BOEING**  
757  
PARTS CATALOG (MAINTENANCE)



Y 27510501 SHT 5 REV 105

CARRIAGE ASSY-INBD  
FIGURE 1 (SHEET 5)

**27-51-05-01**

BRI  
MAY 28/07

27-51-05-01  
PAGE 0D



757

PARTS CATALOG (MAINTENANCE)

FIG ITEM	PART NUMBER	1 2 3 4 5 6 7	NOMENCLATURE	EFFECT FROM TO	UNITS PER ASSY
1			CARRIAGE ASSY-INBD	002004 006999	
- 1	113N2100-1		CARRIAGE ASSY- POSITION DATA: INBD COMPONENT MAINT MANUAL REF: 27-51-09 FOR NHA SEE: 27-51-02-10 27-51-02-10A 27-51-02-10B 27-51-02-10C	002004 006999	RF
- 1	113N2100-4		CARRIAGE ASSY- POSITION DATA: INBD COMPONENT MAINT MANUAL REF: 27-51-09 FOR NHA SEE: 27-51-02-10 27-51-02-10A 27-51-02-10B 27-51-02-10C	002004 006999	RF
- 1	113N2100-6		CARRIAGE ASSY- POSITION DATA: INBD COMPONENT MAINT MANUAL REF: 27-51-09 FOR NHA SEE: 27-51-02-10 27-51-02-10A 27-51-02-10B 27-51-02-10C	002004 006999	RF
- 1	113N2100-8		CARRIAGE ASSY- POSITION DATA: INBD COMPONENT MAINT MANUAL REF: 27-51-09 FOR NHA SEE: 27-51-02-10 27-51-02-10A 27-51-02-10B 27-51-02-10C	002004 006999	RF

MISSING ITEM NUMBERS NOT APPLICABLE

- ITEM NOT ILLUSTRATED

BRI

**27-51-05-01**

27-51-05  
FIG. 01  
PAGE 1  
SEP 20/08



757

PARTS CATALOG (MAINTENANCE)

FIG ITEM	PART NUMBER	1 2 3 4 5 6 7	NOMENCLATURE	EFFECT FROM TO	UNITS PER ASSY
1					
- 1	113N2100-11		CARRIAGE ASSY- POSITION DATA: INBD COMPONENT MAINT MANUAL REF: 27-51-09 FOR NHA SEE: 27-51-02-10 27-51-02-10A 27-51-02-10B 27-51-02-10C	002004 006999	RF
- 1	113N2100-13		CARRIAGE ASSY- POSITION DATA: INBD COMPONENT MAINT MANUAL REF: 27-51-09 FOR NHA SEE: 27-51-02-10 27-51-02-10A 27-51-02-10B 27-51-02-10C	002004 006999	RF
- 1	113N2100-17		CARRIAGE ASSY- POSITION DATA: INBD COMPONENT MAINT MANUAL REF: 27-51-09 FOR NHA SEE: 27-51-02-10 27-51-02-10A 27-51-02-10B 27-51-02-10C	002004 006999	RF
5	MS24665-376		.PIN	002004 006999	2
10	113N2157-1		.BOLT ASSY	002004 006999	2
15	MS15001-1		..FITTING	002004 006999	1
20	113N2157-5		..BOLT	002004 006999	1
25	113N2158-2		.NUT-	002004 006999	2

MISSING ITEM NUMBERS NOT APPLICABLE

- ITEM NOT ILLUSTRATED

27-51-05-01

27-51-05  
FIG. 01  
PAGE 2  
SEP 20/08

BRI



757

PARTS CATALOG (MAINTENANCE)

FIG ITEM	PART NUMBER	1 2 3 4 5 6 7	NOMENCLATURE	EFFECT FROM TO	UNITS PER ASSY
1					
30	ATF14		.BEARING SUPPLIER CODE: V60380 SPECIFICATION NUMBER: BACB10ET14 OPTIONAL PART: 14AFC1832 V92563 YAF14B V07484	002004 006999	2
35	MS24665-374		.PIN	002004 006999	6
40	113N2157-2		.BOLT ASSY	002004 006999	2
45	MS15001-1		..FITTING	002004 006999	1
50	113N2157-6		..BOLT	002004 006999	1
55	BACW10BN10SC		.WASHER- POSITION DATA: UNDER HEAD	002004 006999	2
60	113N2157-3		.BOLT ASSY	002004 006999	2
65	113N2157-4		.BOLT ASSY	002004 006999	2
70	MS15001-1		..FITTING	002004 006999	1
75	113N2157-7		..BOLT- USED ON: 113N2157-3	002004 006999	1
80	113N2157-8		..BOLT- USED ON: 113N2157-4	002004 006999	1
85	SPS56287M1018		.NUT- SUPPLIER CODE: V56878	107107	6
85	BACN10JD110		.NUT-	002004 006106 108999	6
90	ATF10		.BEARING- SUPPLIER CODE: V60380 SPECIFICATION NUMBER: BACB10ET10 OPTIONAL PART: 10AFC1224 V92563 YAF10B V07484	002004 006999	6

MISSING ITEM NUMBERS NOT APPLICABLE

- ITEM NOT ILLUSTRATED

27-51-05-01

27-51-05  
FIG. 01  
PAGE 3  
JAN 20/09

BRI

BOEING PROPRIETARY - Copyright © - Unpublished Work - See title page for details.



757

PARTS CATALOG (MAINTENANCE)

FIG ITEM	PART NUMBER	1 2 3 4 5 6 7	NOMENCLATURE	EFFECT FROM TO	UNITS PER ASSY
1					
95	113N2156-1		.PLATE-RUB USED ON: 113N2100-1 113N2100-4 113N2100-6	002004 006999	2
95	113N2156-31		.PLATE-RUB USED ON: 113N2100-8	002004 006999	2
100	113N2156-2		.PLATE-RUB POSITION DATA: INBD MAIN FLAP USED ON: 113N2100-1 113N2100-4 113N2100-6	002004 006999	2
100	113N2156-32		.PLATE-RUB POSITION DATA: INBD MAIN FLAP USED ON: 113N2100-8	002004 006999	2
105	113N2156-3		.PLATE-RUB USED ON: 113N2100-1 113N2100-4 113N2100-6	002004 006999	2
105	113N2156-33		.PLATE-RUB USED ON: 113N2100-8	002004 006999	2
- 110	BACB30LH3-4		.ATTACHING PARTS .BOLT	002004 006999	4
- 113	BACW10BN3SP		.WASHER	002004 006999	4
- 115	BRH10C3D		.NUT SUPPLIER CODE: V52828 SPECIFICATION NUMBER: BACN10JC3CD OPTIONAL PART: T6C1032JCD V11815 NS202486-02 V80539 102LH9075-3W V72962 H51650-3BAC V15653 -----*-----	002004 006999	4

MISSING ITEM NUMBERS NOT APPLICABLE

- ITEM NOT ILLUSTRATED

27-51-05-01

27-51-05  
FIG. 01  
PAGE 4  
SEP 20/08

BRI

BOEING PROPRIETARY - Copyright © - Unpublished Work - See title page for details.





757

PARTS CATALOG (MAINTENANCE)

FIG ITEM	PART NUMBER	1 2 3 4 5 6 7	NOMENCLATURE	EFFECT FROM TO	UNITS PER ASSY
1					
120	113N2100-7	.	CARRIAGE ASSY- USED ON: 113N2100-6 113N2100-8	107107 904949	1
120	113N2100-9	.	CARRIAGE ASSY- USED ON: 113N2100-8	002004 006010 121503 952999	1
120	113N2100-10	.	CARRIAGE ASSY-	011011 950951	1
120	113N2100-12	.	CARRIAGE ASSY-	012100	1
120	113N2100-18	.	CARRIAGE ASSY	101106 108120 504903	1
125	BACB30US9K29	..	BOLT- OPTIONAL PART: BACB30LE9K31	002004 006999	2
125	BACB30LE9K31	..	BOLT- OPTIONAL PART: BACB30US9K29	002004 006999	2
130	BACB30US9K27	..	BOLT- OPTIONAL PART: BACB30LE9K29	002004 006999	2
130	BACB30LE9K29	..	BOLT- OPTIONAL PART: BACB30US9K27	002004 006100 103107 121503 904999	2
135	BACW10BP9DP	..	WASHER	002004 006999	4

MISSING ITEM NUMBERS NOT APPLICABLE

- ITEM NOT ILLUSTRATED

BRI

27-51-05-01

BOEING PROPRIETARY - Copyright © - Unpublished Work - See title page for details.

27-51-05  
FIG. 01  
PAGE 5  
JAN 20/09



757

PARTS CATALOG (MAINTENANCE)

FIG ITEM	PART NUMBER	1 2 3 4 5 6 7	NOMENCLATURE	EFFECT FROM TO	UNITS PER ASSY
1 140	BMN10HRCWD3-9	..	NUT SUPPLIER CODE: V97928 SPECIFICATION NUMBER: BACN10HR9CD OPTIONAL PART: H51560-9 V15653 67832CD918 V56878 102LH9031-9 V72962 BH00303CM9 V27238 BMN5024CWD39 V97928 SL7108C9 V11815 VCU0005D9 V06710 102LH90319 V72962 67832CD9 V56878 67832CD9 V56878	002004 006999	4
145	113N2112-3	..	FILLER-RADIUS OPTIONAL PART: 113N2041-1	002004 006999	2
145	113N2041-1	..	FILLER-RADIUS OPTIONAL PART: 113N2112-3	002004 006999	2
150	113N2112-4	..	FILLER-RADIUS OPTIONAL PART: 113N2044-1	002004 006999	2
150	113N2044-1	..	FILLER-RADIUS OPTIONAL PART: 113N2112-4	002004 006999	2
155	113N2112-5	..	FILLER-RADIUS MANUFACTURED FROM: FIN F-18.13 PLUS SRF- 14.9812 ALL OVER STOCK .160THKX1.40X1.40 2024- T3 ALUMINUM SH, PER QQ- A-250/4 OPTIONAL PART: 113N2114-1	002004 006999	4

MISSING ITEM NUMBERS NOT APPLICABLE

- ITEM NOT ILLUSTRATED

27-51-05-01

27-51-05  
FIG. 01  
PAGE 6  
JAN 20/09

BRI



757

PARTS CATALOG (MAINTENANCE)

FIG ITEM	PART NUMBER	1 2 3 4 5 6 7	NOMENCLATURE	EFFECT FROM TO	UNITS PER ASSY
1 155	113N2114-1	..	FILLER-RADIUS MANUFACTURED FROM: FIN F-25.01 AISI 630 (17-4PH) PER AMS 5344 HT TR 180 KSI MIN ENGRG REF OPTIONAL PART: 113N2112-5	002004 006999	4
165	113N2113-12	..	SHIM- QUALIFIED I/W DATA: -7 INTERCHANGEABLE WITH -13 TOGETHER WITH -12 OR -17 ON OUTBOARD SIDE AND INTERCHANGEABLE WITH -14 TOGETHER WITH -12 OR -17 ON INBOARD SIDE -4 MAY BE REPLACED BY -13 TOGETHER WITH -12 OR -17 ON OUTBOARD SIDE AND REPLACED BY -14 TOGETHER WITH -12 OR -17 ON INBOARD SIDE	002004 006999	2
165	113N2113-17	..	SHIM- OPTIONAL PART: 113N2113-12	002004 006999	2
170	113N2113-13	..	SHIM- QUALIFIED I/W DATA: 113N2113-7 I/W 113N2113-13 TOGETHER WITH 113N2113-12 ON OUTBOARD SIDE ONLY	002004 006999	1
175	113N2113-14	..	SHIM- QUALIFIED I/W DATA: 113N2113-7 I/W 113N2113-14 TOGETHER WITH 113N2113-12 ON INBOARD SIDE ONLY	002004 006999	1
180	113N2113-2	..	SHIM- OPTIONAL PART: 113N2113-11 USED ON: 113N2100-3 113N2100-5	002004 006999	1
180	113N2113-11	..	SHIM-	002004 006999	1
- 185	BACB30MR4K10	..	ATTACHING PARTS BOLT	002004 006999	4

MISSING ITEM NUMBERS NOT APPLICABLE

- ITEM NOT ILLUSTRATED

27-51-05-01

27-51-05  
FIG. 01  
PAGE 7  
SEP 20/08

BRI



757

PARTS CATALOG (MAINTENANCE)

FIG ITEM	PART NUMBER	1 2 3 4 5 6 7	NOMENCLATURE	EFFECT FROM TO	UNITS PER ASSY
1					
- 190	BACW10BP4CD		.. WASHER- POSITION DATA: UNDER BOLT HEAD	002004 006999	4
- 195	BACW10BP4DP		.. WASHER- POSITION DATA: UNDER NUT	002004 006999	4

MISSING ITEM NUMBERS NOT APPLICABLE

- ITEM NOT ILLUSTRATED

BRI

27-51-05-01

BOEING PROPRIETARY - Copyright © - Unpublished Work - See title page for details.

27-51-05  
FIG. 01  
PAGE 8  
SEP 20/08

 **BOEING**  
757  
**PARTS CATALOG (MAINTENANCE)**

FIG ITEM	PART NUMBER	1 2 3 4 5 6 7 NOMENCLATURE	EFFECT FROM TO	UNITS PER ASSY
1 - 200	BMN5024CWD34	. . NUT SUPPLIER CODE : V97928 SPECIFICATION NUMBER : BACN10HR4CD OPTIONAL PART : H51560-4 V15653 102CH9031-4 V72962 SL7108C428 V11815 67832CD428 V56878 BMN5024CWD3-4 V97928 BH00303CM4 V27238 SL7108C4 V11815 VCU0005D4 V06710 102LH90314 V72962 67832CD4 V56878 H964CD V15653 RMLH224CD V72962 VAL280094CD V06710 678324CD V56878 CR6030-4 VF0224 RMLH224CD V72962 VAL280094CD V06710 678324CD V56878 BMN5024CWD34 V97928 -----*-----	002004 006999	4

MISSING ITEM NUMBERS NOT APPLICABLE

- ITEM NOT ILLUSTRATED

BRI

# 27-51-05-01

BOEING PROPRIETARY - Copyright © - Unpublished Work - See title page for details.

27-51-05  
FIG. 01  
PAGE 9  
JAN 20/09



757

PARTS CATALOG (MAINTENANCE)

FIG ITEM	PART NUMBER	1 2 3 4 5 6 7	NOMENCLATURE	EFFECT FROM TO	UNITS PER ASSY
1					
- 350	113N2150-1		CARRIAGE ASSY- POSITION DATA: LH SIDE COMPONENT MAINT MANUAL REF: 27-51-06 OPTIONAL PART: 113N2150-4 FOR NHA SEE: 27-51-02-10B 27-51-02-10C	002004 006999	RF
- 350	113N2150-4		CARRIAGE ASSY- POSITION DATA: LH SIDE COMPONENT MAINT MANUAL REF: 27-51-06 OPTIONAL PART: 113N2150-7 FOR NHA SEE: 27-51-02-10B 27-51-02-10C	002004 006999	RF
- 350	113N2150-7		CARRIAGE ASSY- POSITION DATA: LH SIDE COMPONENT MAINT MANUAL REF: 27-51-06 OPTIONAL PART: 113N2150-4 FOR NHA SEE: 27-51-02-10B 27-51-02-10C	002004 006999	RF
- 350	113N2150-9		CARRIAGE ASSY- POSITION DATA: LH SIDE COMPONENT MAINT MANUAL REF: 27-51-06 FOR NHA SEE: 27-51-02-10B 27-51-02-10C	002004 006999	RF
- 355	113N2150-2		CARRIAGE ASSY- POSITION DATA: RH SIDE COMPONENT MAINT MANUAL REF: 27-51-06 OPTIONAL PART: 113N2150-5 FOR NHA SEE: 27-51-02-10 27-51-02-10A	002004 006999	RF

MISSING ITEM NUMBERS NOT APPLICABLE

- ITEM NOT ILLUSTRATED

27-51-05-01

27-51-05  
FIG. 01  
PAGE 10  
JAN 20/09

BRI

 **BOEING**  
757  
**PARTS CATALOG (MAINTENANCE)**

FIG ITEM	PART NUMBER	1 2 3 4 5 6 7	NOMENCLATURE	EFFECT FROM TO	UNITS PER ASSY
1					
- 355	113N2150-5		CARRIAGE ASSY- POSITION DATA: RH SIDE COMPONENT MAINT MANUAL REF: 27-51-06 OPTIONAL PART: 113N2150-8 FOR NHA SEE: 27-51-02-10 27-51-02-10A	002004 006999	RF
- 355	113N2150-8		CARRIAGE ASSY- POSITION DATA: RH SIDE COMPONENT MAINT MANUAL REF: 27-51-06 OPTIONAL PART: 113N2150-5 FOR NHA SEE: 27-51-02-10 27-51-02-10A	002004 006999	RF
- 355	113N2150-10		CARRIAGE ASSY- POSITION DATA: RH SIDE COMPONENT MAINT MANUAL REF: 27-51-06 FOR NHA SEE: 27-51-02-10 27-51-02-10A	002004 006999	RF
360	MS24665-374		.PIN	002004 006999	2
365	113N2157-12		.BOLT ASSY	002004 006999	2
370	1728B		..FITTING-LUBE SUPPLIER CODE: VOFKM1	002004 006999	1
375	BACN10JD110		.NUT	002004 006999	2
380	ATF10		.BEARING- SUPPLIER CODE: V60380 SPECIFICATION NUMBER: BACB10ET10 OPTIONAL PART: 10AFC1224 V92563 YAF10B V07484	002004 006999	2
385	BACB28AP10P038		.BUSHING	002004 006999	2

MISSING ITEM NUMBERS NOT APPLICABLE

- ITEM NOT ILLUSTRATED

BRI

# 27-51-05-01

BOEING PROPRIETARY - Copyright © - Unpublished Work - See title page for details.

27-51-05  
FIG. 01  
PAGE 11  
JAN 20/09



757

PARTS CATALOG (MAINTENANCE)

FIG ITEM	PART NUMBER	1 2 3 4 5 6 7	NOMENCLATURE	EFFECT FROM TO	UNITS PER ASSY
1					
390	MS24665-380	.	PIN	002004 006999	2
395	113N2157-9	.	BOLT ASSY	002004 006999	2
400	MS15001-1	..	FITTING	002004 006999	1
405	113N2158-1	.	NUT	002004 006999	2
410	ATF28	.	BEARING- SUPPLIER CODE: V60380 SPECIFICATION NUMBER: BACB10ET28 OPTIONAL PART: 28AFC2455 V92563 YAF28B V07484	002004 006999	2
415	MS24665-374	.	PIN	002004 006999	2
420	BACB30LJ10D26	.	BOLT	002004 006999	2
425	AN960PD1016L	.	WASHER	002004 006999	AR
430	BACN10JD110	.	NUT	002004 006999	2
435	BACB28AK10-062	.	BUSHING	002004 006999	2
440	MS24665-376	.	PIN	002004 006999	2
445	113N2157-10	.	BOLT ASSY	002004 006999	2
450	MS15001-1	..	FITTING	002004 006999	1
455	113N2155-1	.	WASHER	002004 006999	1
460	113N2155-2	.	WASHER	002004 006999	1
465	MS16562-236	.	PIN	002004 006999	2
470	113N2158-2	.	NUT	002004 006999	2

MISSING ITEM NUMBERS NOT APPLICABLE

- ITEM NOT ILLUSTRATED

BRI

27-51-05-01

27-51-05  
FIG. 01  
PAGE 12  
JAN 20/09





757

PARTS CATALOG (MAINTENANCE)

FIG ITEM	PART NUMBER	1 2 3 4 5 6 7	NOMENCLATURE	EFFECT FROM TO	UNITS PER ASSY
1 475	ATF14		.BEARING SUPPLIER CODE: V60380 SPECIFICATION NUMBER: BACB10ET14 OPTIONAL PART: 14AFC1832 V92563 YAF14B V07484	002004 006999	2
480	BACB28U14B120		.BUSHING	002004 006999	2
485	MS24665-374		.PIN	002004 006999	2
490	113N2157-11		.BOLT ASSY	002004 006999	2
495	1728B		..FITTING-LUBE SUPPLIER CODE: VOFKM1	002004 006999	1
500	BACN10JD110		.NUT	002004 006999	2
505	ATF10		.BEARING- SUPPLIER CODE: V60380 SPECIFICATION NUMBER: BACB10ET10 OPTIONAL PART: 10AFC1224 V92563 YAF10B V07484	002004 006999	2
510	BACB28U10B138		.BUSHING	002004 006999	2
515	113N2156-7		.PLATE ASSY-RUB POSITION DATA: INBD MAIN FLAP USED ON: 113N2150-1 113N2150-2 113N2150-4 113N2150-5 113N2150-7 113N2150-8	002004 006999	2
515	113N2156-34		.PLATE ASSY-RUB POSITION DATA: INBD MAIN FLAP	002004 006999	2

MISSING ITEM NUMBERS NOT APPLICABLE

- ITEM NOT ILLUSTRATED

27-51-05-01

27-51-05  
FIG. 01  
PAGE 13  
JAN 20/09

BRI

BOEING PROPRIETARY - Copyright © - Unpublished Work - See title page for details.

 **BOEING**  
757  
**PARTS CATALOG (MAINTENANCE)**

FIG ITEM	PART NUMBER	1 2 3 4 5 6 7	NOMENCLATURE	EFFECT FROM TO	UNITS PER ASSY
1					
520	113N2156-8		.PLATE ASSY-RUB POSITION DATA: INBD MAIN FLAP USED ON: 113N2150-1 113N2150-2 113N2150-4 113N2150-5 113N2150-7 113N2150-8	002004 006999	2
520	113N2156-35		.PLATE ASSY-RUB POSITION DATA: INBD MAIN FLAP OPTIONAL PART: 113N2156-47	002004 006999	2
520	113N2156-47		.PLATE ASSY-RUB POSITION DATA: INBD MAIN FLAP OPTIONAL PART: 113N2156-35	002004 006999	2
525	113N2156-9		.PLATE ASSY-RUB POSITION DATA: INBD MAIN FLAP USED ON: 113N2150-1 113N2150-2 113N2150-4 113N2150-5 113N2150-7 113N2150-8	002004 006999	2
525	113N2156-36		.PLATE ASSY-RUB POSITION DATA: INBD MAIN FLAP ATTACHING PARTS	002004 006999	2
530	BACB30LH3-5		.BOLT	002004 006999	10
535	AN960PD10L		.WASHER	002004 006999	10
540	PLH53CD		.NUT- SUPPLIER CODE: VF0224 SPECIFICATION NUMBER: BACN10YR3CD OPTIONAL PART: H52732-3CD V15653 -----*-----	002004 006999	10

MISSING ITEM NUMBERS NOT APPLICABLE

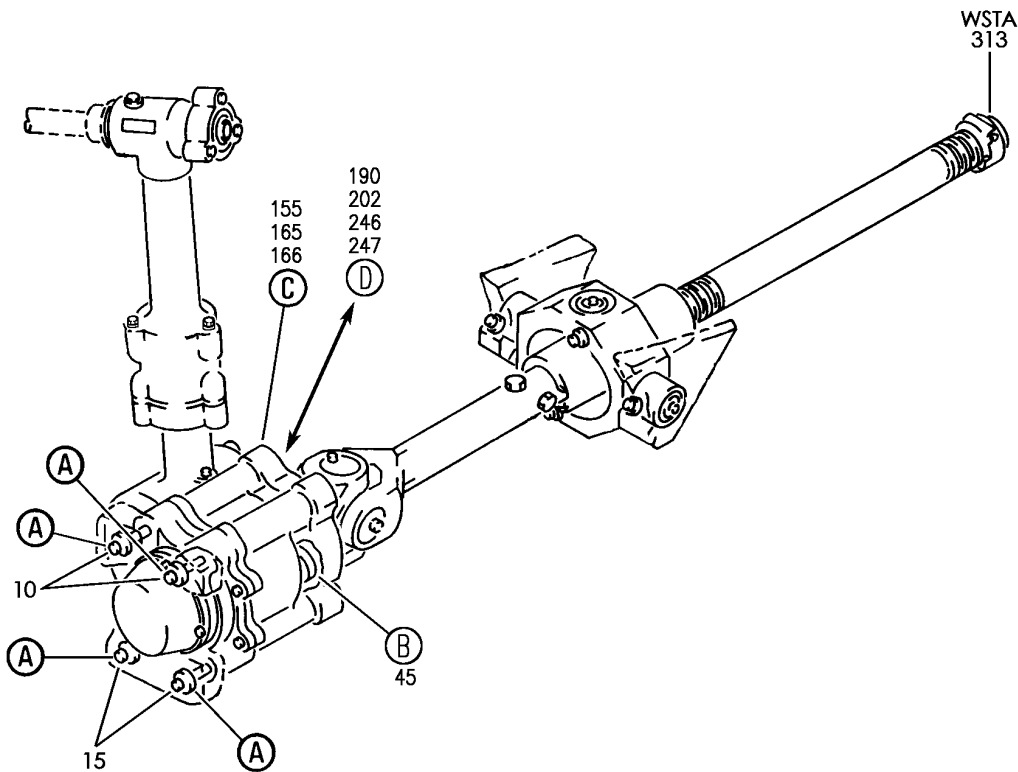
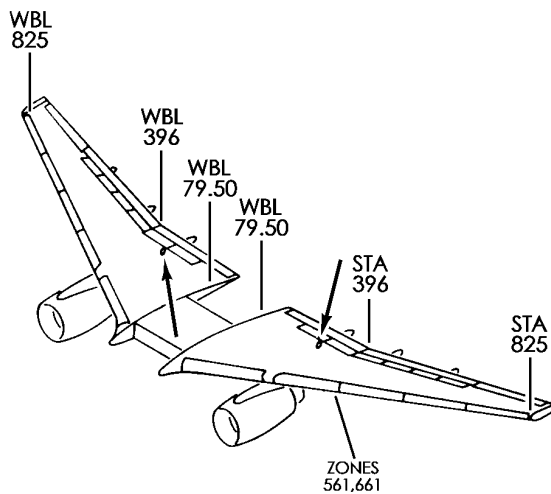
— ITEM NOT ILLUSTRATED

BRI

# 27-51-05-01

27-51-05  
FIG. 01  
PAGE 14  
JAN 20/09

**BOEING**  
757  
PARTS CATALOG (MAINTENANCE)



Y 27510601 SH1 1 REV 314

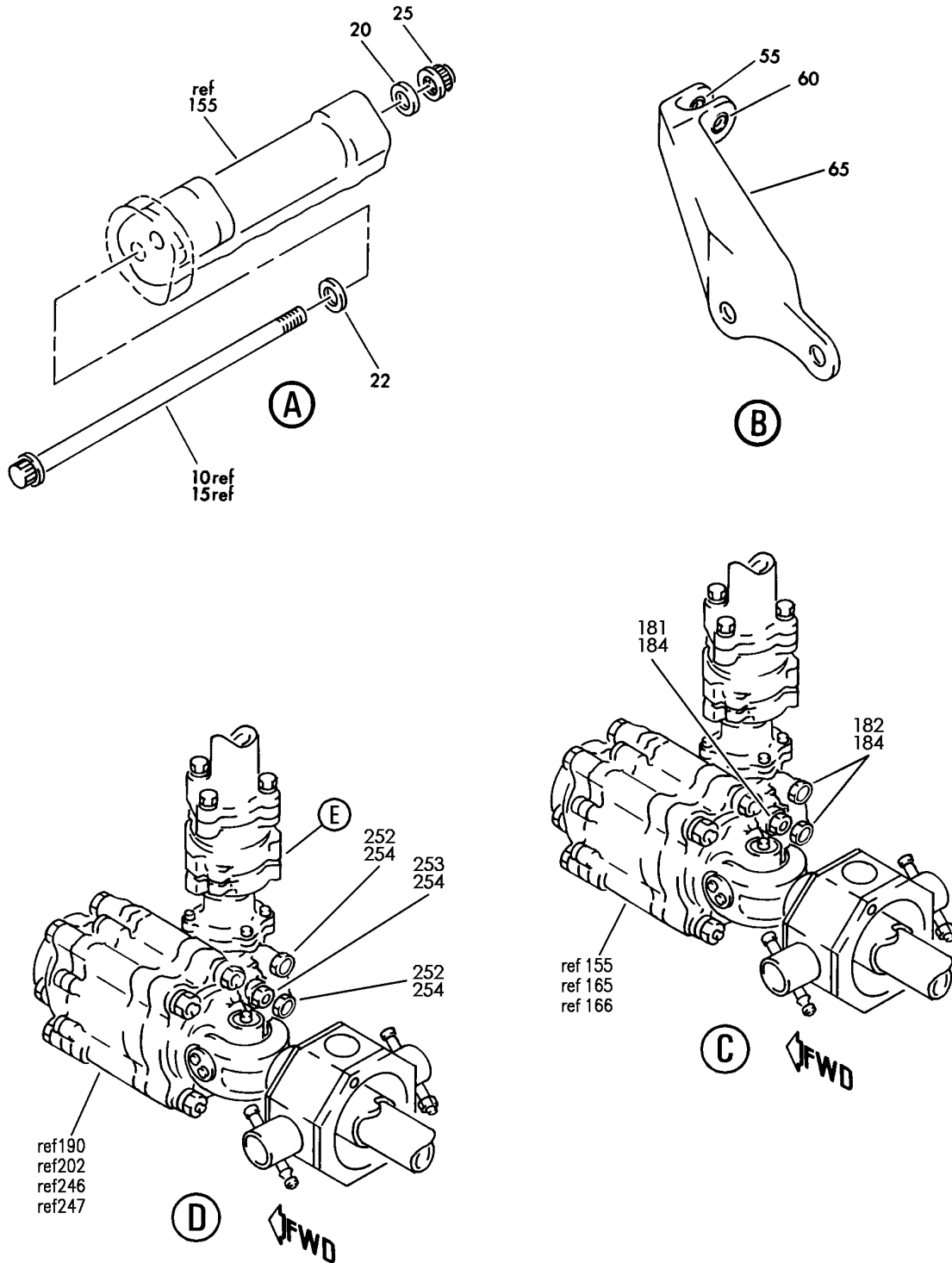
TRANSMISSION INSTL-INBD TE FLAP DRIVE OUTBD (INBOARD TE FLAP TRANSMISSIONS ONLY)  
FIGURE 1 (SHEET 1)

**27-51-06-01**

BRI  
SEP 28/07

27-51-06-01  
PAGE 0

**BOEING**  
757  
PARTS CATALOG (MAINTENANCE)



Y 27510601 SH1 2 REV 314

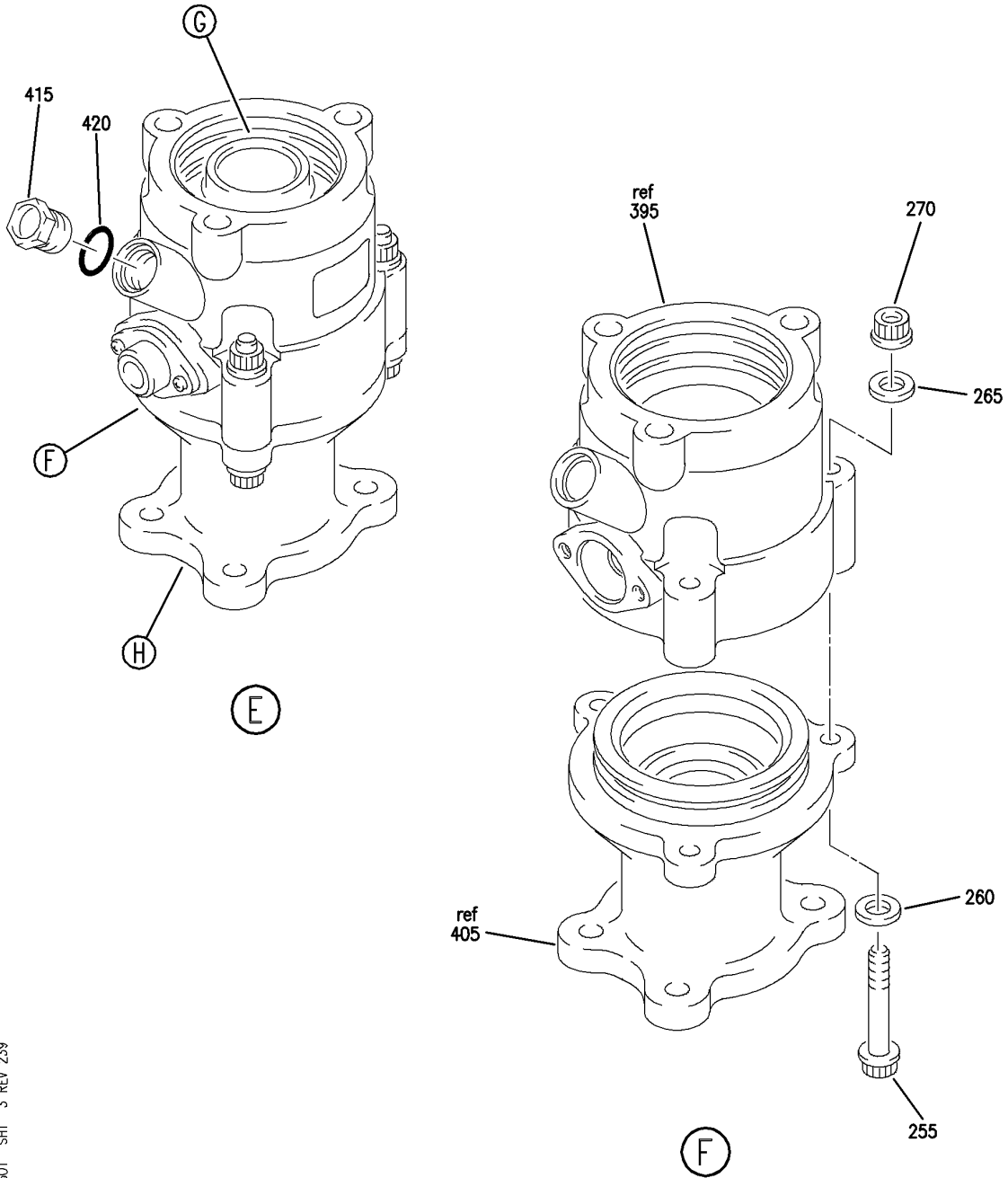
TRANSMISSION INSTL-INBD TE FLAP DRIVE OUTBD (INBOARD TE FLAP TRANSMISSIONS ONLY)  
FIGURE 1 (SHEET 2)

BRI  
SEP 28/07

**27-51-06-01**

27-51-06-01  
PAGE 0A

**BOEING**  
757  
PARTS CATALOG (MAINTENANCE)



Y 27510601 SH1 3 REV 239

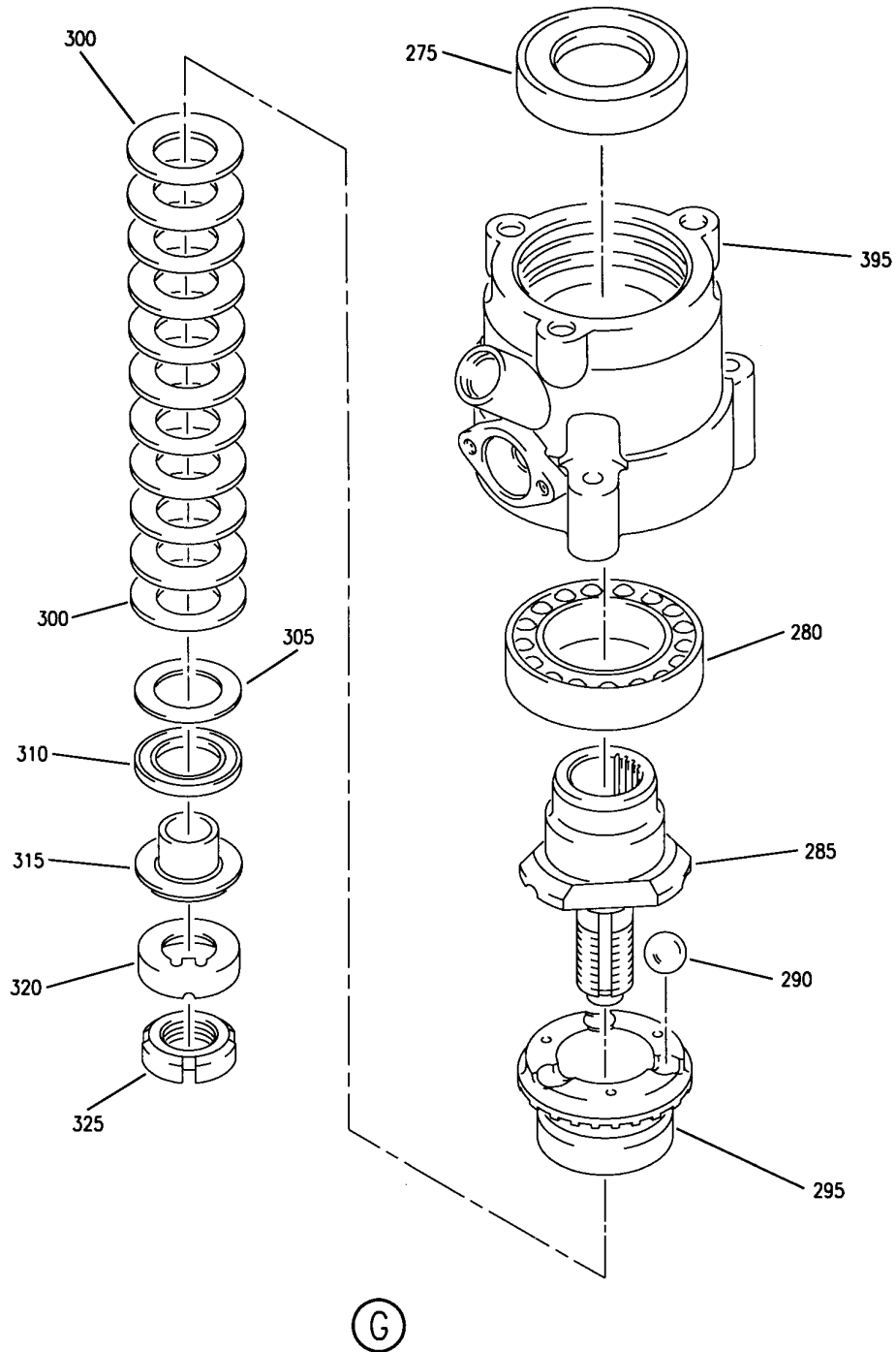
TRANSMISSION INSTL-INBD TE FLAP DRIVE OUTBD (INBOARD TE FLAP TRANSMISSIONS ONLY)  
FIGURE 1 (SHEET 3)

BRI  
MAY 28/07

**27-51-06-01**

27-51-06-01  
PAGE 0B

**BOEING**  
757  
PARTS CATALOG (MAINTENANCE)



Y 27510601 SHT 4 REV 228

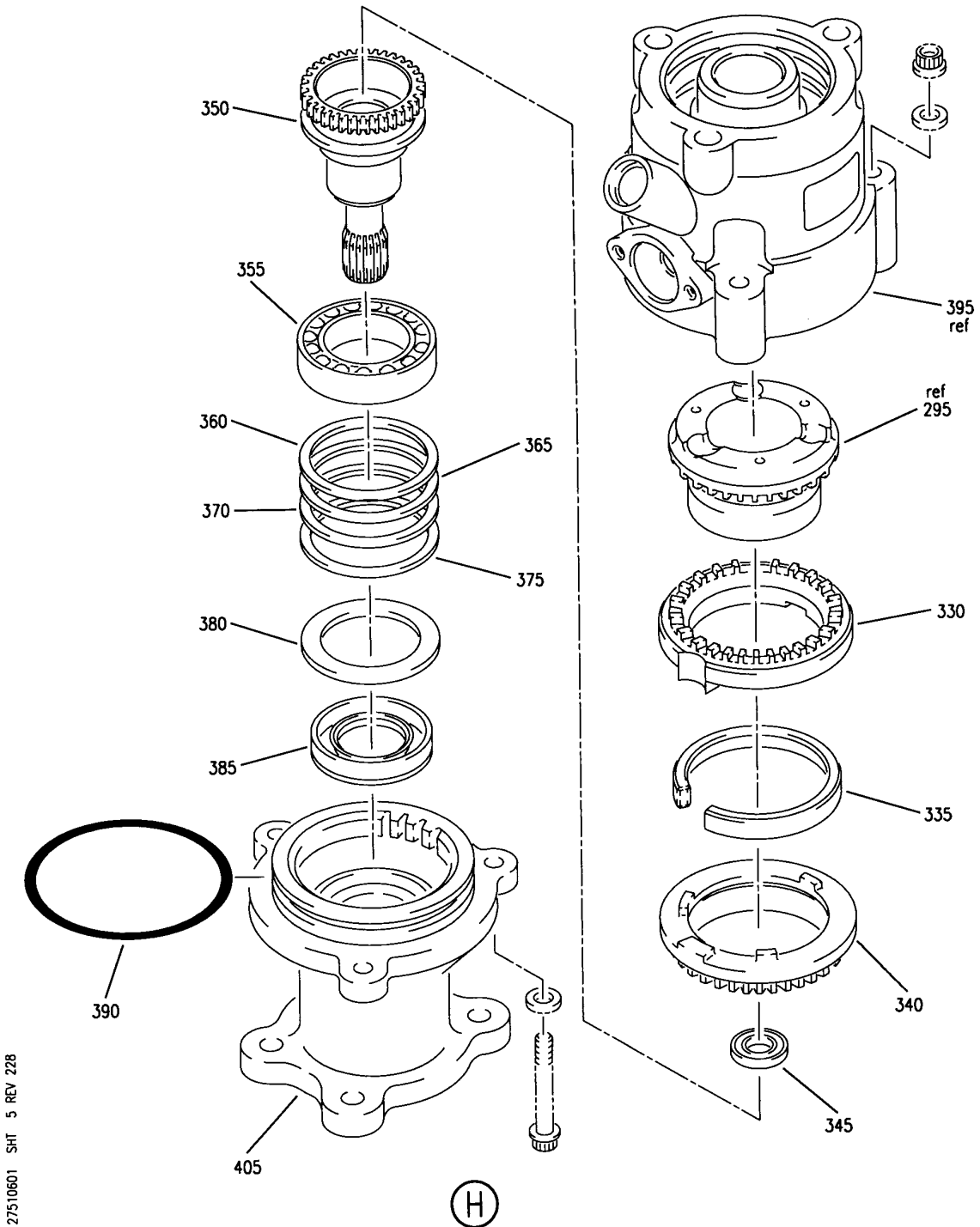
TRANSMISSION INSTL-INBD TE FLAP DRIVE OUTBD (INBOARD TE FLAP TRANSMISSIONS ONLY)  
FIGURE 1 (SHEET 4)

**27-51-06-01**

BRI  
MAY 28/07

27-51-06-01  
PAGE 0C

**BOEING**  
757  
PARTS CATALOG (MAINTENANCE)



Y 27510601 SHT 5 REV 228

TRANSMISSION INSTL-INBD TE FLAP DRIVE OUTBD (INBOARD TE FLAP TRANSMISSIONS ONLY)  
FIGURE 1 (SHEET 5)

BRI  
MAY 28/07

**27-51-06-01**

27-51-06-01  
PAGE 00



757

PARTS CATALOG (MAINTENANCE)

FIG ITEM	PART NUMBER	1 2 3 4 5 6 7	NOMENCLATURE	EFFECT FROM TO	UNITS PER ASSY
1			TRANSMISSION INSTL-INBD TE FLAP DRIVE OUTBD (INBOARD TE FLAP TRANSMISSIONS ONLY)	002004 006999	
- 1	251N4010-1		TRANSMISSION INSTL-INBD TE FLAP DRIVE (INBOARD TE FLAP TRANSMISSIONS ONLY) POSITION DATA: OUTBD LH FOR NHA/OTHER SYS DET SEE: 27-51-25-03	002004 006100 107107 121503 904999	RF
- 1	251N4010-13		TRANSMISSION INSTL-INBD TE FLAP DRIVE (INBOARD TE FLAP TRANSMISSIONS ONLY) POSITION DATA: OUTBD LH FOR NHA/OTHER SYS DET SEE: 27-50-00-02	101102 108120 504903	RF
- 1	MODREF7654		TRANSMISSION INSTL-INBD TE FLAP DRIVE (INBOARD TE FLAP TRANSMISSIONS ONLY) MODULE NUMBER: 251N4010-21 REV A POSITION DATA: OUTBD LH FOR OTHER SYS DETAILS SEE: 11-24-55-01 27-51-10-01 27-51-11-01	103103	1
- 1	MODREF27520		TRANSMISSION INSTL-INBD TE FLAP DRIVE (INBOARD TE FLAP TRANSMISSIONS ONLY) MODULE NUMBER: 251N4010-21 REV B POSITION DATA: OUTBD LH FOR OTHER SYS DETAILS SEE: 11-24-55-01 27-51-10-01 27-51-11-01	104106	1
- 5	251N4010-2		TRANSMISSION INSTL-INBD TE FLAP DRIVE (INBOARD TE FLAP TRANSMISSIONS ONLY) POSITION DATA: OUTBD RH FOR NHA/OTHER SYS DET SEE: 27-51-25-03	002004 006100 107107 121503 904999	RF

MISSING ITEM NUMBERS NOT APPLICABLE

- ITEM NOT ILLUSTRATED

**27-51-06-01**

27-51-06  
FIG. 01  
PAGE 1  
JAN 20/09

BRI





757

PARTS CATALOG (MAINTENANCE)

FIG ITEM	PART NUMBER	1 2 3 4 5 6 7	NOMENCLATURE	EFFECT FROM TO	UNITS PER ASSY
1					
- 5	251N4010-14		TRANSMISSION INSTL-INBDTE FLAP DRIVE (INBOARD TE FLAP TRANSMISSIONS ONLY) POSITION DATA: OUTBD RH FOR NHA/OTHER SYS DET SEE: 27-50-00-02	101102 108120 504903	RF
- 5	MODREF7655		TRANSMISSION INSTL-INBD TE FLAP DRIVE (INBOARD TE FLAP TRANSMISSIONS ONLY) MODULE NUMBER: 251N4010-22 REV A POSITION DATA: OUTBD RH FOR OTHER SYS DETAILS SEE: 11-24-55-01 27-51-10-01 27-51-11-01	103103	1
- 5	MODREF27521		TRANSMISSION INSTL-INBD TE FLAP DRIVE (INBOARD TE FLAP TRANSMISSIONS ONLY) MODULE NUMBER: 251N4010-22 REV B POSITION DATA: OUTBD RH FOR OTHER SYS DETAILS SEE: 11-24-55-01 27-51-10-01 27-51-11-01	104106	1
10	BACB30LE7-113		.BOLT- POSITION DATA: HEAD FWD OPTIONAL PART: 251N4314-4	002004 006999	2
10	251N4314-4		.BOLT- POSITION DATA: HEAD FWD OPTIONAL PART: BACB30LE7-113	002004 006999	2
15	251N4314-7		.BOLT- POSITION DATA: HEAD FWD OPTIONAL PART: BACB30LE7-104	002004 006102 107999	2
15	BACB30LE7-104		.BOLT- POSITION DATA: HEAD FWD OPTIONAL PART: 251N4314-7	002004 006999	2

MISSING ITEM NUMBERS NOT APPLICABLE

- ITEM NOT ILLUSTRATED

27-51-06-01

27-51-06  
FIG. 01  
PAGE 2  
JAN 20/09

BRI



757

PARTS CATALOG (MAINTENANCE)

FIG ITEM	PART NUMBER	1 2 3 4 5 6 7	NOMENCLATURE	EFFECT FROM TO	UNITS PER ASSY
1					
20	AN960KD716		.WASHER- POSITION DATA: UNDER NUT	002004 006999	4
22	BACW10BN7AC		.WASHER- POSITION DATA: UNDER HEAD	002004 006999	4
25	BMN10HRCWD3-7		.NUT- SUPPLIER CODE: V97928 SPECIFICATION NUMBER: BACN10HR7CD OPTIONAL PART: H51560-7 V15653 67832CD720 V56878 102LH9031-7 V72962 BH00303CM7 V27238 BMN5024CWD37 V97928 SL7108C7 V11815 VCU0005D7 V06710 102LH90317 V72962 67832CD7 V56878 CR6030-7 VF0224 BMN10HRCWD3-7 V97928	002004 006999	4
45	113N2042-1		.FITTING ASSY-ATTACH POSITION DATA: LH SIDE QUALIFIED I/W DATA: 113N2042-1 TOGETHER WITH 2 EA BACB30LE7-113 BOLT MAY REPLACE 113N2881-1 OPTIONAL PART: 113N2043-1	002004 006999	1

MISSING ITEM NUMBERS NOT APPLICABLE

- ITEM NOT ILLUSTRATED

BRI

27-51-06-01

BOEING PROPRIETARY - Copyright © - Unpublished Work - See title page for details.

27-51-06  
FIG. 01  
PAGE 3  
JAN 20/09



757

PARTS CATALOG (MAINTENANCE)

FIG ITEM	PART NUMBER	1 2 3 4 5 6 7	NOMENCLATURE	EFFECT FROM TO	UNITS PER ASSY
1 45	113N2043-1		. FITTING ASSY-ATTACH POSITION DATA: LH SIDE QUALIFIED I/W DATA: 113N2043-1 TOGETHER WITH 2 EA BACB30LE7-113 BOLT MAY REPLACE 113N2898-1 OPTIONAL PART: 113N2042-1	002004 006999	1
- 50	113N2042-2		. FITTING ASSY-ATTACH POSITION DATA: RH SIDE QUALIFIED I/W DATA: 113N2042-2 TOGETHER WITH 2 EA BACB30LE7-113 BOLT MAY REPLACE 113N2881-2 OPTIONAL PART: 113N2043-2	002004 006999	1
- 50	113N2043-2		. FITTING ASSY-ATTACH POSITION DATA: RH SIDE QUALIFIED I/W DATA: 113N2043-2 TOGETHER WITH 2 EA BACB30LE7-113 BOLT MAY REPLACE 113N2898-2 OPTIONAL PART: 113N2042-2	002004 006999	1
55	BACB28AM07B018A		.. BUSHING	002004 006999	1
60	BACB28AP05P018		.. BUSHING	002004 006999	1
65	113N2042-3		.. FITTING- POSITION DATA: LH SIDE USED ON: 113N2042-1	002004 006999	1
65	113N2043-3		.. FITTING- POSITION DATA: LH SIDE USED ON: 113N2043-1	002004 006999	1
- 70	113N2042-4		.. FITTING- POSITION DATA: RH SIDE USED ON: 113N2042-2	002004 006999	1

MISSING ITEM NUMBERS NOT APPLICABLE

- ITEM NOT ILLUSTRATED

27-51-06-01

27-51-06  
FIG. 01  
PAGE 4  
JAN 20/09

BRI



757

PARTS CATALOG (MAINTENANCE)

FIG ITEM	PART NUMBER	1 2 3 4 5 6 7	NOMENCLATURE	EFFECT FROM TO	UNITS PER ASSY
1 - 70	113N2043-4		.. FITTING- POSITION DATA: RH SIDE USED ON: 113N2043-2	002004 006999	1

MISSING ITEM NUMBERS NOT APPLICABLE

- ITEM NOT ILLUSTRATED

BRI

27-51-06-01

BOEING PROPRIETARY - Copyright © - Unpublished Work - See title page for details.

27-51-06  
FIG. 01  
PAGE 5  
JAN 20/09



757

PARTS CATALOG (MAINTENANCE)

FIG ITEM	PART NUMBER	1 2 3 4 5 6 7 NOMENCLATURE	EFFECT FROM TO	UNITS PER ASSY
1 155	251N4101-91	<p>.TRANSMISSION ASSY-            POSITION DATA:            LH SIDE            COMPONENT MAINT MANUAL REF:            27-51-12            QUALIFIED I/W DATA:            251N4010-19/-23 CAN            REPLACE BUT CANNOT BE            REPLACED BY            251N4101-43/-51/-59/-67/            -75/-83/-91 TOGETHER            WITH (TWO EA)            10-61899-26/HJ18DU106,            (ONE EA) 251N4077-4,            (TWO EA) BACB30NY6K39,            (TWO EA) BACC30X6, AND            (TWO EA) NAS620C10            251N4010-7/-9/-15 CAN            REPLACE OR BE REPLACED            BY            251N4101-43/-51/-59/-67/            -75/-83/-91 TOGETHER            WITH (TWO EA)            10-61899-26/HJ18DU106,            (ONE EA) 251N4077-4,            (TWO EA) BACB30NY6K39,            (TWO EA) BACC30X6, AND            (TWO EA) NAS620C10            251N4010-25 CAN REPLACE            BUT CANNOT BE REPLACED            BY 251N4101-43/-51/-59/            -67/ -75/-83/-91            TOGETHER WITH (TWO EA)            10-61899-26/HJ18DU106,            (ONE EA) 251N4077-4,            (TWO EA) BACB30NY6K39,            (TWO EA) BACC30X6, AND            (TWO EA) NAS620C10            QUALIFIED OPTIONAL DATA:            251N4010-7 IS OPTIONAL            TO 251N4101-91 PLUS TWO            10-61899-26, 251N4077-4,            TWO BACB30NY6K39, TWO            BACC30X6 AND TWO            NAS620C10            REWORKED BY ALERT SB:            27A0127</p>	107107 904949	1

MISSING ITEM NUMBERS NOT APPLICABLE

- ITEM NOT ILLUSTRATED

**27-51-06-01**

27-51-06  
 FIG. 01  
 PAGE 6  
 JAN 20/09

BRI



757

PARTS CATALOG (MAINTENANCE)

FIG ITEM	PART NUMBER	1 2 3 4 5 6 7 NOMENCLATURE	EFFECT FROM TO	UNITS PER ASSY
1 155	251N4101-51	.TRANSMISSION ASSY- POSITION DATA: LH SIDE COMPONENT MAINT MANUAL REF: 27-51-12 QUALIFIED I/W DATA: 251N4010-19/-23 CAN REPLACE BUT CANNOT BE REPLACED BY 251N4101-43/-51/-59/-67/ -75/-83/-91 TOGETHER WITH (TWO EA) 10-61899-26/HJ18DU106, (ONE EA) 251N4077-4, (TWO EA) BACB30NY6K39, (TWO EA) BACC30X6, AND (TWO EA) NAS620C10 251N4010-7/-9/-15 CAN REPLACE OR BE REPLACED BY 251N4101-43/-51/-59/-67/ -75/-83/-91 TOGETHER WITH (TWO EA) 10-61899-26/HJ18DU106, (ONE EA) 251N4077-4, (TWO EA) BACB30NY6K39, (TWO EA) BACC30X6, AND (TWO EA) NAS620C10 251N4010-25 CAN REPLACE BUT CANNOT BE REPLACED BY 251N4101-43/-51/-59/ -67/ -75/-83/-91 TOGETHER WITH (TWO EA) 10-61899-26/HJ18DU106, (ONE EA) 251N4077-4, (TWO EA) BACB30NY6K39, (TWO EA) BACC30X6, AND (TWO EA) NAS620C10 REWORKED BY ALERT SB: 27A0127R2	107107 904949	1

MISSING ITEM NUMBERS NOT APPLICABLE

- ITEM NOT ILLUSTRATED

**27-51-06-01**

27-51-06  
FIG. 01  
PAGE 7  
JAN 20/09

BRI



757

PARTS CATALOG (MAINTENANCE)

FIG ITEM	PART NUMBER	1 2 3 4 5 6 7 NOMENCLATURE	EFFECT FROM TO	UNITS PER ASSY
1 155	251N4101-59	.TRANSMISSION ASSY- POSITION DATA: LH SIDE COMPONENT MAINT MANUAL REF: 27-51-12 QUALIFIED I/W DATA: 251N4010-19/-23 CAN REPLACE BUT CANNOT BE REPLACED BY 251N4101-43/-51/-59/-67/ -75/-83/-91 TOGETHER WITH (TWO EA) 10-61899-26/HJ18DU106, (ONE EA) 251N4077-4, (TWO EA) BACB30NY6K39, (TWO EA) BACC30X6, AND (TWO EA) NAS620C10 251N4010-7/-9/-15 CAN REPLACE OR BE REPLACED BY 251N4101-43/-51/-59/-67/ -75/-83/-91 TOGETHER WITH (TWO EA) 10-61899-26/HJ18DU106, (ONE EA) 251N4077-4, (TWO EA) BACB30NY6K39, (TWO EA) BACC30X6, AND (TWO EA) NAS620C10 251N4010-25 CAN REPLACE BUT CANNOT BE REPLACED BY 251N4101-43/-51/-59/ -67/ -75/-83/-91 TOGETHER WITH (TWO EA) 10-61899-26/HJ18DU106, (ONE EA) 251N4077-4, (TWO EA) BACB30NY6K39, (TWO EA) BACC30X6, AND (TWO EA) NAS620C10 REWORKED BY ALERT SB: 27A0127R2	107107 904949	1

MISSING ITEM NUMBERS NOT APPLICABLE

- ITEM NOT ILLUSTRATED

**27-51-06-01**

27-51-06  
FIG. 01  
PAGE 8  
JAN 20/09

BRI



757

PARTS CATALOG (MAINTENANCE)

FIG ITEM	PART NUMBER	1 2 3 4 5 6 7 NOMENCLATURE	EFFECT FROM TO	UNITS PER ASSY
1 155	251N4101-67	<p>.TRANSMISSION ASSY-            POSITION DATA:            LH SIDE            COMPONENT MAINT MANUAL REF:            27-51-12            QUALIFIED I/W DATA:            251N4010-19/-23 CAN            REPLACE BUT CANNOT BE            REPLACED BY            251N4101-43/-51/-59/-67/            -75/-83/-91 TOGETHER            WITH (TWO EA)            10-61899-26/HJ18DU106,            (ONE EA) 251N4077-4,            (TWO EA) BACB30NY6K39,            (TWO EA) BACC30X6, AND            (TWO EA) NAS620C10            251N4010-7/-9/-15 CAN            REPLACE OR BE REPLACED            BY            251N4101-43/-51/-59/-67/            -75/-83/-91 TOGETHER            WITH (TWO EA)            10-61899-26/HJ18DU106,            (ONE EA) 251N4077-4,            (TWO EA) BACB30NY6K39,            (TWO EA) BACC30X6, AND            (TWO EA) NAS620C10            251N4010-25 CAN REPLACE            BUT CANNOT BE REPLACED            BY 251N4101-43/-51/-59/            -67/ -75/-83/-91            TOGETHER WITH (TWO EA)            10-61899-26/HJ18DU106,            (ONE EA) 251N4077-4,            (TWO EA) BACB30NY6K39,            (TWO EA) BACC30X6, AND            (TWO EA) NAS620C10            REWORKED BY ALERT SB:            27A0127R2</p>	107107 904949	1

MISSING ITEM NUMBERS NOT APPLICABLE

- ITEM NOT ILLUSTRATED

**27-51-06-01**

27-51-06  
 FIG. 01  
 PAGE 9  
 JAN 20/09

BRI





757

PARTS CATALOG (MAINTENANCE)

FIG ITEM	PART NUMBER	1 2 3 4 5 6 7 NOMENCLATURE	EFFECT FROM TO	UNITS PER ASSY
1 155	251N4101-75	<p>.TRANSMISSION ASSY-  POSITION DATA:  LH SIDE  COMPONENT MAINT MANUAL REF:  27-51-12  QUALIFIED I/W DATA:  251N4010-19/-23 CAN  REPLACE BUT CANNOT BE  REPLACED BY  251N4101-43/-51/-59/-67/  -75/-83/-91 TOGETHER  WITH (TWO EA)  10-61899-26/HJ18DU106,  (ONE EA) 251N4077-4,  (TWO EA) BACB30NY6K39,  (TWO EA) BACC30X6, AND  (TWO EA) NAS620C10  251N4010-7/-9/-15 CAN  REPLACE OR BE REPLACED  BY  251N4101-43/-51/-59/-67/  -75/-83/-91 TOGETHER  WITH (TWO EA)  10-61899-26/HJ18DU106,  (ONE EA) 251N4077-4,  (TWO EA) BACB30NY6K39,  (TWO EA) BACC30X6, AND  (TWO EA) NAS620C10  251N4010-25 CAN REPLACE  BUT CANNOT BE REPLACED  BY 251N4101-43/-51/-59/  -67/ -75/-83/-91  TOGETHER WITH (TWO EA)  10-61899-26/HJ18DU106,  (ONE EA) 251N4077-4,  (TWO EA) BACB30NY6K39,  (TWO EA) BACC30X6, AND  (TWO EA) NAS620C10  REWORKED BY ALERT SB:  27A0127R2</p>	107107 904949	1

MISSING ITEM NUMBERS NOT APPLICABLE

- ITEM NOT ILLUSTRATED

BRI

27-51-06-01

BOEING PROPRIETARY - Copyright © - Unpublished Work - See title page for details.

27-51-06  
FIG. 01  
PAGE 10  
JAN 20/09



757

PARTS CATALOG (MAINTENANCE)

FIG ITEM	PART NUMBER	1 2 3 4 5 6 7	NOMENCLATURE	EFFECT FROM TO	UNITS PER ASSY
1 155	251N4101-83		.TRANSMISSION ASSY- POSITION DATA: LH SIDE COMPONENT MAINT MANUAL REF: 27-51-12 QUALIFIED I/W DATA: 251N4010-19/-23 CAN REPLACE BUT CANNOT BE REPLACED BY 251N4101-43/-51/-59/-67/ -75/-83/-91 TOGETHER WITH (TWO EA) 10-61899-26/HJ18DU106, (ONE EA) 251N4077-4, (TWO EA) BACB30NY6K39, (TWO EA) BACC30X6, AND (TWO EA) NAS620C10 251N4010-7/-9/-15 CAN REPLACE OR BE REPLACED BY 251N4101-43/-51/-59/-67/ -75/-83/-91 TOGETHER WITH (TWO EA) 10-61899-26/HJ18DU106, (ONE EA) 251N4077-4, (TWO EA) BACB30NY6K39, (TWO EA) BACC30X6, AND (TWO EA) NAS620C10 251N4010-25 CAN REPLACE BUT CANNOT BE REPLACED BY 251N4101-43/-51/-59/ -67/ -75/-83/-91 TOGETHER WITH (TWO EA) 10-61899-26/HJ18DU106, (ONE EA) 251N4077-4, (TWO EA) BACB30NY6K39, (TWO EA) BACC30X6, AND (TWO EA) NAS620C10 SERVICE BULLETIN OPT DATA: 251N4101-91 REWORKED BY ALERT SB: 27A0127 27A0127R2	107107 904949	1

MISSING ITEM NUMBERS NOT APPLICABLE

- ITEM NOT ILLUSTRATED

27-51-06-01

27-51-06  
FIG. 01  
PAGE 11  
JAN 20/09

BRI



757

PARTS CATALOG (MAINTENANCE)

FIG ITEM	PART NUMBER	1 2 3 4 5 6 7 NOMENCLATURE	EFFECT FROM TO	UNITS PER ASSY
1 - 160	251N4101-94	<p>.TRANSMISSION ASSY-  POSITION DATA:  RH SIDE  COMPONENT MAINT MANUAL REF:  27-51-12  QUALIFIED I/W DATA:  251N4010-20/-24 CAN  REPLACE BUT CANNOT BE  REPLACED BY  251N4101-46/-54/-62/-70/  -78/-86/-94 TOGETHER  WITH (TWO EA)  10-61899-26/HJ18DU106,  (ONE EA) 251N4077-4,  (TWO EA) BACB30NY6K39,  (TWO EA) BACC30X6, AND  (TWO EA) NAS620C10  251N4010-8/-10/-16 CAN  REPLACE OR BE REPLACED  BY  251N4101-46/-54/-62/-70/  -78/-86/-94 TOGETHER  WITH (TWO EA)  10-61899-26/HJ18DU106,  (ONE EA) 251N4077-4,  (TWO EA) BACB30NY6K39,  (TWO EA) BACC30X6, AND  (TWO EA) NAS620C10  251N4010-26 CAN REPLACE  BUT CANNOT BE REPLACED  BY 251N4101-46/-54/  -62/-70/-78/-86/-94  TOGETHER WITH (TWO EA)  10-61899-26/HJ18DU106,  (ONE EA) 251N4077-4,  (TWO EA) BACB30NY6K39,  (TWO EA) BACC30X6, AND  (TWO EA) NAS620C10  QUALIFIED OPTIONAL DATA:  251N4010-8 OPTIONAL TO  251N4101-94 PLUS TWO  10-61899-26, 251N4077-4,  TWO BACB30NY6K39, TWO  BACC30X6, AND TWO  NAS620C10  REWORKED BY ALERT SB:  27A0127  27A0127R2</p>	107107 904949	1

MISSING ITEM NUMBERS NOT APPLICABLE

- ITEM NOT ILLUSTRATED

27-51-06-01

27-51-06  
FIG. 01  
PAGE 12  
JAN 20/09

BRI



757

PARTS CATALOG (MAINTENANCE)

FIG ITEM	PART NUMBER	1 2 3 4 5 6 7 NOMENCLATURE	EFFECT FROM TO	UNITS PER ASSY
1 - 160	251N4101-54	<p>.TRANSMISSION ASSY-  POSITION DATA:  RH SIDE  COMPONENT MAINT MANUAL REF:  27-51-12  QUALIFIED I/W DATA:  251N4010-20 OR -24 CAN  REPLACE BUT NOT BE  REPLACED BY 251N4101-46,  -54, -62, -70, -78, -86  OR -94 TOGETHER WITH TWO  EA. 10-61899-26/  HJ18DU106, ONE EA.  251N4077-4, TWO EA.  BACB30NY6K39, TWO EA.  BACC30X6, TWO EA.  NAS620C10  251N4010-8, -10 OR -16  INTERCHANGEABLE WITH  251N4101-46, -54, -62,  -70, -78, -86 OR -94  TOGETHER WITH TWO EA.  10-61899-26/HJ18DU106  ONE EA. 251N4077-4, TWO  EA. BACB30NY6K39 TWO EA.  BACC30X6, AND TWO EA.  NAS620C10  251N4010-26 CAN REPLACE  BUT CANNOT BE REPLACED  BY 251N4101-46/-54/-62/  -70/ -78/-86/-94  TOGETHER WITH (TWO EA)  10-61899-26/HJ18DU106,  (ONE EA) 251N4077-4,  (TWO EA) BACB30NY6K39,  (TWO EA) BACC30X6, AND  (TWO EA) NAS620C10  REWORKED BY ALERT SB:  27A0127R2</p>	107107 904949	1

MISSING ITEM NUMBERS NOT APPLICABLE

- ITEM NOT ILLUSTRATED

BRI

27-51-06-01

BOEING PROPRIETARY - Copyright © - Unpublished Work - See title page for details.

27-51-06  
FIG. 01  
PAGE 13  
JAN 20/09



757

PARTS CATALOG (MAINTENANCE)

FIG ITEM	PART NUMBER	1 2 3 4 5 6 7	NOMENCLATURE	EFFECT FROM TO	UNITS PER ASSY
1 - 160	251N4101-62		.TRANSMISSION ASSY- POSITION DATA: RH SIDE COMPONENT MAINT MANUAL REF: 27-51-12 QUALIFIED I/W DATA: 251N4010-20 OR -24 CAN REPLACE BUT NOT BE REPLACED BY 251N4101-46, -54, -62, -70, -78, -86 OR -94 TOGETHER WITH TWO EA. 10-61899-26/ HJ18DU106, ONE EA. 251N4077-4, TWO EA. BACB30NY6K39, TWO EA. BACC30X6, TWO EA. NAS620C10 251N4010-8/-10/-16 CAN REPLACE OR BE REPLACED BY 251N4101-46/-54/ -62/ -70/-78/-86/-94 TOGETHER WITH (TWO EA) 10-61899-26/HJ18DU106, (ONE EA) 251N4077-4, (TWO EA) BACB30NY6K39, (TWO EA) BACC30X6, AND (TWO EA) NAS620C10 251N4010-26 CAN REPLACE BUT CANNOT BE REPLACED BY 251N4101-46/-54/ -62/ -70/-78/-86/-94 TOGETHER WITH (TWO EA) 10-61899-26/HJ18DU106, (ONE EA) 251N4077-4, (TWO EA) BACB30NY6K39, (TWO EA) BACC30X6, AND (TWO EA) NAS620C10 REWORKED BY ALERT SB: 27A0127R2	107107 904949	1

MISSING ITEM NUMBERS NOT APPLICABLE

- ITEM NOT ILLUSTRATED

27-51-06-01

27-51-06  
FIG. 01  
PAGE 14  
JAN 20/09

BRI



757

PARTS CATALOG (MAINTENANCE)

FIG ITEM	PART NUMBER	1 2 3 4 5 6 7 NOMENCLATURE	EFFECT FROM TO	UNITS PER ASSY
1 - 160	251N4101-70	.TRANSMISSION ASSY- POSITION DATA: RH SIDE COMPONENT MAINT MANUAL REF: 27-51-12 QUALIFIED I/W DATA: 251N4010-20 OR -24 CAN REPLACE BUT NOT BE REPLACED BY 251N4101-46, -54, -62, -70, -78, -86 OR -94 TOGETHER WITH TWO EA. 10-61899-26/ HJ18DU106, ONE EA. 251N4077-4, TWO EA. BACB30NY6K39, TWO EA. BACC30X6, TWO EA. NAS620C10 251N4010-8, -10 OR -16 INTERCHANGEABLE WITH 251N4101-46, -54, -62, -70, -78, -86 OR -94 TOGETHER WITH TWO EA. 10-61899-26/HJ18DU106 ONE EA. 251N4077-4, TWO EA. BACB30NY6K39 TWO EA. BACC30X6, AND TWO EA. NAS620C10 251N4010-26 CAN REPLACE BUT CANNOT BE REPLACED BY 251N4101-46/-54/ -62/ -70/-78/-86/-94 TOGETHER WITH (TWO EA) 10-61899-26/HJ18DU106, (ONE EA) 251N4077-4, (TWO EA) BACB30NY6K39, (TWO EA) BACC30X6, AND (TWO EA) NAS620C10 REWORKED BY ALERT SB: 27A0127R2	107107 904949	1

MISSING ITEM NUMBERS NOT APPLICABLE

- ITEM NOT ILLUSTRATED

BRI

27-51-06-01

BOEING PROPRIETARY - Copyright © - Unpublished Work - See title page for details.

27-51-06  
FIG. 01  
PAGE 15  
JAN 20/09



757

PARTS CATALOG (MAINTENANCE)

FIG ITEM	PART NUMBER	1 2 3 4 5 6 7	NOMENCLATURE	EFFECT FROM TO	UNITS PER ASSY
1 - 160	251N4101-78		.TRANSMISSION ASSY- POSITION DATA: RH SIDE COMPONENT MAINT MANUAL REF: 27-51-12 QUALIFIED I/W DATA: 251N4010-20 OR -24 CAN REPLACE BUT NOT BE REPLACED BY 251N4101-46, -54, -62, -70, -78, -86 OR -94 TOGETHER WITH TWO EA. 10-61899-26/ HJ18DU106, ONE EA. 251N4077-4, TWO EA. BACB30NY6K39, TWO EA. BACC30X6, TWO EA. NAS620C10 251N4010-8, -10 OR -16 INTERCHANGEABLE WITH 251N4101-46, -54, -62, -70, -78, -86 OR -94 TOGETHER WITH TWO EA. 10-61899-26/HJ18DU106 ONE EA. 251N4077-4, TWO EA. BACB30NY6K39 TWO EA. BACC30X6, AND TWO EA. NAS620C10 251N4010-26 CAN REPLACE BUT CANNOT BE REPLACED BY 251N4101-46/-54/ -62/ -70/-78/-86/-94 TOGETHER WITH (TWO EA) 10-61899-26/HJ18DU106, (ONE EA) 251N4077-4, (TWO EA) BACB30NY6K39, (TWO EA) BACC30X6, AND (TWO EA) NAS620C10 REWORKED BY ALERT SB: 27A0127R2	107107 904949	1

MISSING ITEM NUMBERS NOT APPLICABLE

- ITEM NOT ILLUSTRATED

BRI

27-51-06-01

BOEING PROPRIETARY - Copyright © - Unpublished Work - See title page for details.

27-51-06  
FIG. 01  
PAGE 16  
JAN 20/09



757

PARTS CATALOG (MAINTENANCE)

FIG ITEM	PART NUMBER	1 2 3 4 5 6 7	NOMENCLATURE	EFFECT FROM TO	UNITS PER ASSY
1 - 160	251N4101-86		.TRANSMISSION ASSY- POSITION DATA: RH SIDE COMPONENT MAINT MANUAL REF: 27-51-12 QUALIFIED I/W DATA: 251N4010-20 OR -24 CAN REPLACE BUT NOT BE REPLACED BY 251N4101-46, -54, -62, -70, -78, -86 OR -94 TOGETHER WITH TWO EA. 10-61899-26/ HJ18DU106, ONE EA. 251N4077-4, TWO EA. BACB30NY6K39, TWO EA. BACC30X6, TWO EA. NAS620C10 251N4010-8, -10 OR -16 INTERCHANGEABLE WITH 251N4101-46, -54, -62, -70, -78, -86 OR -94 TOGETHER WITH TWO EA. 10-61899-26/HJ18DU106 ONE EA. 251N4077-4, TWO EA. BACB30NY6K39 TWO EA. BACC30X6, AND TWO EA. NAS620C10 251N4010-26 CAN REPLACE BUT CANNOT BE REPLACED BY 251N4101-46/-54/ -62/ -70/-78/-86/-94 TOGETHER WITH (TWO EA) 10-61899-26/HJ18DU106, (ONE EA) 251N4077-4, (TWO EA) BACB30NY6K39, (TWO EA) BACC30X6, AND (TWO EA) NAS620C10 REWORKED BY ALERT SB: 27A0127 27A0127R2	107107 904949	1

MISSING ITEM NUMBERS NOT APPLICABLE

- ITEM NOT ILLUSTRATED

BRI

27-51-06-01

27-51-06  
FIG. 01  
PAGE 17  
JAN 20/09



 **BOEING**  
757  
**PARTS CATALOG (MAINTENANCE)**

FIG ITEM	PART NUMBER	1 2 3 4 5 6 7	NOMENCLATURE	EFFECT FROM TO	UNITS PER ASSY
1 165	251N4022-24		..TRANSMISSION ASSY- POSITION DATA: LH SIDE SERVICE BULLETIN OPT DATA: 251N4050-45 251N4050-58 251N4050-62 USED ON: 251N4101-83 POST ALERT SB: 27A0127 27A0127R2	107107 904949	1
165	251N4022-28		..TRANSMISSION ASSY- POSITION DATA: LH SIDE SERVICE BULLETIN OPT DATA: 251N4022-32 251N4050-45 251N4050-58 251N4050-62 USED ON: 251N4101-91 POST ALERT SB: 27A0127 27A0127R2	107107 904949	1
165	251N4022-32		..TRANSMISSION ASSY- POSITION DATA: LH SIDE SERVICE BULLETIN OPT DATA: 251N4022-28 251N4050-45 251N4050-58 251N4050-62 USED ON: 251N4101-91 POST ALERT SB: 27A0127 27A0127R2	107107 904949	1

MISSING ITEM NUMBERS NOT APPLICABLE

— ITEM NOT ILLUSTRATED

BRI

# 27-51-06-01

BOEING PROPRIETARY - Copyright © - Unpublished Work - See title page for details.

27-51-06  
FIG. 01  
PAGE 18  
JAN 20/09

 **BOEING**  
757  
**PARTS CATALOG (MAINTENANCE)**

FIG ITEM	PART NUMBER	1 2 3 4 5 6 7	NOMENCLATURE	EFFECT FROM TO	UNITS PER ASSY
1 165	251N4050-21		..TRANSMISSION ASSY- POSITION DATA: LH SIDE COMPONENT MAINT MANUAL REF: 27-51-13 QUALIFIED I/W DATA: 251N4050-62, 251N4050-58 OR 251N4050-45 MAY REPLACE 251N4050-21 WITH THE INCORPORATION OF SERVICE BULLETIN 757-27A0127 USED ON: 251N4101-51 251N4101-59 PRE ALERT SB: 27A0127R2	904949	1
165	251N4050-25		..TRANSMISSION ASSY- POSITION DATA: LH SIDE COMPONENT MAINT MANUAL REF: 27-51-13 QUALIFIED I/W DATA: 251N4050-62, 251N4050-58 OR 251N4050-45 MAY REPLACE 251N4050-25 WITH THE INCORPORATION OF SERVICE BULLETIN 757-27A0127 USED ON: 251N4101-67 PRE ALERT SB: 27A0127R2	904949	1
165	251N4050-29		..TRANSMISSION ASSY- POSITION DATA: LH SIDE COMPONENT MAINT MANUAL REF: 27-51-13 QUALIFIED I/W DATA: 251N4050-62, 251N4050-58 OR 251N4050-45 MAY REPLACE 251N4050-29 WITH THE INCORPORATION OF SERVICE BULLETIN 757-27A0127 USED ON: 251N4101-75 PRE ALERT SB: 27A0127R2	904949	1

MISSING ITEM NUMBERS NOT APPLICABLE

— ITEM NOT ILLUSTRATED

BRI

# 27-51-06-01

BOEING PROPRIETARY - Copyright © - Unpublished Work - See title page for details.

27-51-06  
FIG. 01  
PAGE 19  
JAN 20/09



757

PARTS CATALOG (MAINTENANCE)

FIG ITEM	PART NUMBER	1 2 3 4 5 6 7	NOMENCLATURE	EFFECT FROM TO	UNITS PER ASSY
1 165	251N4050-33		..TRANSMISSION ASSY- POSITION DATA: LH SIDE COMPONENT MAINT MANUAL REF: 27-51-13 QUALIFIED I/W DATA: 251N4050-62, 251N4050-58 OR 251N4050-45 MAY REPLACE 251N4050-33 WITH THE INCORPORATION OF SERVICE BULLETIN 757-27A0127 USED ON: 251N4101-83 PRE ALERT SB: 27A0127R2	904949	1
165	251N4050-37		..TRANSMISSION ASSY- POSITION DATA: LH SIDE COMPONENT MAINT MANUAL REF: 27-51-13 QUALIFIED I/W DATA: 251N4050-62, 251N4050-58 OR 251N4050-45 MAY REPLACE 251N4050-37 WITH THE INCORPORATION OF SERVICE BULLETIN 757-27A0127 USED ON: 251N4101-91 USED ON: 251N4101-91 PRE ALERT SB: 27A0127R2	904949	1

MISSING ITEM NUMBERS NOT APPLICABLE

- ITEM NOT ILLUSTRATED

BRI

**27-51-06-01**

BOEING PROPRIETARY - Copyright © - Unpublished Work - See title page for details.

27-51-06  
FIG. 01  
PAGE 20  
JAN 20/09



757

PARTS CATALOG (MAINTENANCE)

FIG ITEM	PART NUMBER	1 2 3 4 5 6 7	NOMENCLATURE	EFFECT FROM TO	UNITS PER ASSY
1 165	251N4050-45		.. TRANSMISSION ASSY- POSITION DATA: LH SIDE COMPONENT MAINT MANUAL REF: 27-51-13 QUALIFIED I/W DATA: 251N4050-45 MAY REPLACE 251N4050-41 OR -37 OR -33 OR -29 OR -25 OR -21 OR -17 WITH THE INCORPORATION OF SERVICE BULLETIN 757-27A0127 SERVICE BULLETIN OPT DATA: 251N4022-8 251N4022-12 251N4022-16 251N4022-20 251N4022-24 251N4022-28 251N4022-32 251N4050-58 251N4050-62 POST ALERT SB: 27A0127 27A0127R2	107107 904949	1
165	251N4050-58		.. TRANSMISSION ASSY- POSITION DATA: LH SIDE COMPONENT MAINT MANUAL REF: 27-51-13 QUALIFIED I/W DATA: 251N4050-58 MAY REPLACE 251N4050-41 OR -37 OR -33 OR -29 OR -25 OR -21 OR -17 WITH THE INCORPORATION OF SERVICE BULLETIN 757-27A0127 SERVICE BULLETIN OPT DATA: 251N4022-8 251N4022-12 251N4022-16 251N4022-20 251N4022-24 251N4022-28 251N4022-32 251N4050-45 251N4050-62 POST ALERT SB: 27A0127R2	107107 904949	1

MISSING ITEM NUMBERS NOT APPLICABLE

- ITEM NOT ILLUSTRATED

27-51-06-01

27-51-06  
FIG. 01  
PAGE 21  
JAN 20/09

BRI



757

PARTS CATALOG (MAINTENANCE)

FIG ITEM	PART NUMBER	1 2 3 4 5 6 7	NOMENCLATURE	EFFECT FROM TO	UNITS PER ASSY
1 165	251N4050-62		..TRANSMISSION ASSY- POSITION DATA: LH SIDE COMPONENT MAINT MANUAL REF: 27-51-13 QUALIFIED I/W DATA: 251N4050-62 MAY REPLACE 251N4050-41 OR -37 OR -33 OR -29 OR -25 OR -21 OR -17 WITH THE INCORPORATION OF SERVICE BULLETIN 757-27A0127 SERVICE BULLETIN OPT DATA: 251N4022-8 251N4022-12 251N4022-16 251N4022-20 251N4022-24 251N4022-28 251N4022-32 251N4050-45 251N4050-58 POST ALERT SB: 27A0127R2	107107 904949	1
166	251N4022-8		..TRANSMISSION ASSY- POSITION DATA: LH SIDE SERVICE BULLETIN OPT DATA: 251N4050-45 251N4050-58 251N4050-62 USED ON: 251N4101-43 POST ALERT SB: 27A0127R2	107107 904949	1
166	251N4022-12		..TRANSMISSION ASSY- POSITION DATA: LH SIDE SERVICE BULLETIN OPT DATA: 251N4050-45 251N4050-58 251N4050-62 USED ON: 251N4101-51 251N4101-59 POST ALERT SB: 27A0127R2	107107 904949	1

MISSING ITEM NUMBERS NOT APPLICABLE

- ITEM NOT ILLUSTRATED

BRI

27-51-06-01

27-51-06  
FIG. 01  
PAGE 22  
JAN 20/09



757

PARTS CATALOG (MAINTENANCE)

FIG ITEM	PART NUMBER	1 2 3 4 5 6 7	NOMENCLATURE	EFFECT FROM TO	UNITS PER ASSY
1 166	251N4022-16		..TRANSMISSION ASSY- POSITION DATA: LH SIDE SERVICE BULLETIN OPT DATA: 251N4050-45 251N4050-58 251N4050-62 USED ON: 251N4101-67 POST ALERT SB: 27A0127R2	107107 904949	1
166	251N4022-20		..TRANSMISSION ASSY- POSITION DATA: LH SIDE SERVICE BULLETIN OPT DATA: 251N4050-45 251N4050-58 251N4050-62 USED ON: 251N4101-75 POST ALERT SB: 27A0127R2	107107 904949	1
- 170	251N4022-25		..TRANSMISSION ASSY- POSITION DATA: RH SIDE SERVICE BULLETIN OPT DATA: 251N4050-46 251N4050-59 251N4050-63 USED ON: 251N4101-86 POST ALERT SB: 27A0127 27A0127R2	107107 904949	1
- 170	251N4022-29		..TRANSMISSION ASSY- POSITION DATA: RH SIDE SERVICE BULLETIN OPT DATA: 251N4022-33 251N4050-46 251N4050-59 251N4050-63 USED ON: 251N4101-94 POST ALERT SB: 27A0127 27A0127R2	107107 904949	1

MISSING ITEM NUMBERS NOT APPLICABLE

- ITEM NOT ILLUSTRATED

27-51-06-01

27-51-06  
FIG. 01  
PAGE 23  
JAN 20/09

BRI



757

PARTS CATALOG (MAINTENANCE)

FIG ITEM	PART NUMBER	1 2 3 4 5 6 7	NOMENCLATURE	EFFECT FROM TO	UNITS PER ASSY
1 - 170	251N4022-33		..TRANSMISSION ASSY- POSITION DATA: RH SIDE SERVICE BULLETIN OPT DATA: 251N4022-29 251N4050-46 251N4050-59 251N4050-63 USED ON: 251N4101-94 POST ALERT SB: 27A0127 27A0127R2	107107 904949	1
- 170	251N4050-22		..TRANSMISSION ASSY- POSITION DATA: RH SIDE COMPONENT MAINT MANUAL REF: 27-51-13 QUALIFIED I/W DATA: 251N4050-46 MAY REPLACE 251N4050-22 WITH THE INCORPORATION OF SERVICE BULLETIN 757-27A0127 251N4050-59 MAY REPLACE 251N4050-22 WITH THE INCORPORATION OF SERVICE BULLETIN 757-27A0127 251N4050-63 MAY REPLACE 251N4050-22 WITH THE INCORPORATION OF SERVICE BULLETIN 757-27A0127 USED ON: 251N4101-54 251N4101-62 PRE ALERT SB: 27A0127R2	904949	1

MISSING ITEM NUMBERS NOT APPLICABLE

- ITEM NOT ILLUSTRATED

**27-51-06-01**

27-51-06  
FIG. 01  
PAGE 24  
JAN 20/09

BRI



757

PARTS CATALOG (MAINTENANCE)

FIG ITEM	PART NUMBER	1 2 3 4 5 6 7	NOMENCLATURE	EFFECT FROM TO	UNITS PER ASSY
1 - 170	251N4050-26		.. TRANSMISSION ASSY- POSITION DATA: RH SIDE COMPONENT MAINT MANUAL REF: 27-51-13 QUALIFIED I/W DATA: 251N4050-46 MAY REPLACE 251N4050-26 WITH THE INCORPORATION OF SERVICE BULLETIN 757-27A0127 251N4050-59 MAY REPLACE 251N4050-26 WITH THE INCORPORATION OF SERVICE BULLETIN 757-27A0127 251N4050-63 MAY REPLACE 251N4050-26 WITH THE INCORPORATION OF SERVICE BULLETIN 757-27A0127 USED ON: 251N4101-70 PRE ALERT SB: 27A0127R2	904949	1
- 170	251N4050-30		.. TRANSMISSION ASSY- POSITION DATA: RH SIDE COMPONENT MAINT MANUAL REF: 27-51-13 QUALIFIED I/W DATA: 251N4050-46 MAY REPLACE 251N4050-30 WITH THE INCORPORATION OF SERVICE BULLETIN 757-27A0127 251N4050-59 MAY REPLACE 251N4050-30 WITH THE INCORPORATION OF SERVICE BULLETIN 757-27A0127 251N4050-63 MAY REPLACE 251N4050-30 WITH THE INCORPORATION OF SERVICE BULLETIN 757-27A0127 USED ON: 251N4101-78 PRE ALERT SB: 27A0127R2	904949	1

MISSING ITEM NUMBERS NOT APPLICABLE

- ITEM NOT ILLUSTRATED

27-51-06-01

27-51-06  
 FIG. 01  
 PAGE 25  
 JAN 20/09

BRI





757

PARTS CATALOG (MAINTENANCE)

FIG ITEM	PART NUMBER	1 2 3 4 5 6 7	NOMENCLATURE	EFFECT FROM TO	UNITS PER ASSY
1 - 170	251N4050-34		..TRANSMISSION ASSY- POSITION DATA: RH SIDE COMPONENT MAINT MANUAL REF: 27-51-13 QUALIFIED I/W DATA: 251N4050-46 MAY REPLACE 251N4050-34 WITH THE INCORPORATION OF SERVICE BULLETIN 757-27A0127 251N4050-59 MAY REPLACE 251N4050-34 WITH THE INCORPORATION OF SERVICE BULLETIN 757-27A0127 251N4050-63 MAY REPLACE 251N4050-34 WITH THE INCORPORATION OF SERVICE BULLETIN 757-27A0127 USED ON: 251N4101-86 PRE ALERT SB: 27A0127R2	904949	1
- 170	251N4050-38		..TRANSMISSION ASSY- POSITION DATA: RH SIDE COMPONENT MAINT MANUAL REF: 27-51-13 QUALIFIED I/W DATA: 251N4050-46 MAY REPLACE 251N4050-38 WITH THE INCORPORATION OF SERVICE BULLETIN 757-27A0127 251N4050-59 MAY REPLACE 251N4050-38 WITH THE INCORPORATION OF SERVICE BULLETIN 757-27A0127 251N4050-63 MAY REPLACE 251N4050-38 WITH THE INCORPORATION OF SERVICE BULLETIN 757-27A0127 USED ON: 251N4101-94 PRE ALERT SB: 27A0127R2	904949	1

MISSING ITEM NUMBERS NOT APPLICABLE

- ITEM NOT ILLUSTRATED

BRI

27-51-06-01

BOEING PROPRIETARY - Copyright © - Unpublished Work - See title page for details.

27-51-06  
FIG. 01  
PAGE 26  
JAN 20/09



757

PARTS CATALOG (MAINTENANCE)

FIG ITEM	PART NUMBER	1 2 3 4 5 6 7	NOMENCLATURE	EFFECT FROM TO	UNITS PER ASSY
1 - 170	251N4050-46		.. TRANSMISSION ASSY- POSITION DATA: RH SIDE COMPONENT MAINT MANUAL REF: 27-51-13 QUALIFIED I/W DATA: 251N4050-46 MAY REPLACE 251N4050-42 OR -38 OR -34 OR -30 OR -26 OR -22 OR -18 WITH THE INCORPORATION OF SERVICE BULLETIN 757-27A0127 SERVICE BULLETIN OPT DATA: 251N4022-9 251N4022-13 251N4022-17 251N4022-21 251N4022-25 251N4022-29 251N4022-33 251N4050-59 251N4050-63 POST ALERT SB: 27A0127 27A0127R2	107107 904949	1
- 170	251N4050-59		.. TRANSMISSION ASSY- POSITION DATA: RH SIDE COMPONENT MAINT MANUAL REF: 27-51-13 QUALIFIED I/W DATA: 251N4050-59 MAY REPLACE 251N4050-42 OR -38 OR -34 OR -30 OR -26 OR -22 OR -18 WITH THE INCORPORATION OF SERVICE BULLETIN 757-27A0127 SERVICE BULLETIN OPT DATA: 251N4022-9 251N4022-13 251N4022-17 251N4022-21 251N4022-25 251N4022-29 251N4022-33 251N4050-46 251N4050-63 POST ALERT SB: 27A0127R2	107107 904949	1

MISSING ITEM NUMBERS NOT APPLICABLE

- ITEM NOT ILLUSTRATED

27-51-06-01

27-51-06  
FIG. 01  
PAGE 27  
JAN 20/09

BRI



757

PARTS CATALOG (MAINTENANCE)

FIG ITEM	PART NUMBER	1 2 3 4 5 6 7	NOMENCLATURE	EFFECT FROM TO	UNITS PER ASSY
1 - 170	251N4050-63		..TRANSMISSION ASSY- POSITION DATA: RH SIDE COMPONENT MAINT MANUAL REF: 27-51-13 QUALIFIED I/W DATA: 251N4050-63 MAY REPLACE 251N4050-42 OR -38 OR -34 OR -30 OR -26 OR -22 OR -18 WITH THE INCORPORATION OF SERVICE BULLETIN 757-27A0127 SERVICE BULLETIN OPT DATA: 251N4022-9 251N4022-13 251N4022-17 251N4022-21 251N4022-25 251N4022-29 251N4022-33 251N4050-46 251N4050-59 POST ALERT SB: 27A0127R2	107107 904949	1
- 171	251N4022-9		..TRANSMISSION ASSY- POSITION DATA: RH SIDE SERVICE BULLETIN OPT DATA: 251N4050-46 251N4050-59 251N4050-63 USED ON: 251N4101-46 POST ALERT SB: 27A0127R2	107107 904949	1
- 171	251N4022-13		..TRANSMISSION ASSY- POSITION DATA: RH SIDE SERVICE BULLETIN OPT DATA: 251N4050-46 251N4050-59 251N4050-63 USED ON: 251N4101-54 251N4101-62 POST ALERT SB: 27A0127R2	107107 904949	1

MISSING ITEM NUMBERS NOT APPLICABLE

- ITEM NOT ILLUSTRATED

**27-51-06-01**

27-51-06  
FIG. 01  
PAGE 28  
JAN 20/09

BRI



757

PARTS CATALOG (MAINTENANCE)

FIG ITEM	PART NUMBER	1 2 3 4 5 6 7	NOMENCLATURE	EFFECT FROM TO	UNITS PER ASSY
1					
- 171	251N4022-17		..TRANSMISSION ASSY- POSITION DATA: RH SIDE SERVICE BULLETIN OPT DATA: 251N4050-46 251N4050-59 251N4050-63 USED ON: 251N4101-70 POST ALERT SB: 27A0127R2	107107 904949	1
- 171	251N4022-21		..TRANSMISSION ASSY- POSITION DATA: RH SIDE SERVICE BULLETIN OPT DATA: 251N4050-46 251N4050-59 251N4050-63 USED ON: 251N4101-78 POST ALERT SB: 27A0127R2	107107 904949	1
- 171	251N4022-13		..TRANSMISSION ASSY- POSITION DATA: RH SIDE SERVICE BULLETIN OPT DATA: 251N4050-46 251N4050-59 251N4050-63 POST ALERT SB: 27A0127R2	107107 952999	1
181	S83PJ		...INDICATOR- SUPPLIER CODE: V97484	107107 904949	1
182	MS9953-07		...PLUG	107107 904949	2
184	3-907N103-70		...PACKING- SUPPLIER CODE: V83259	107107 904949	3

MISSING ITEM NUMBERS NOT APPLICABLE

- ITEM NOT ILLUSTRATED

27-51-06-01

27-51-06  
FIG. 01  
PAGE 29  
JAN 20/09

BRI



757

PARTS CATALOG (MAINTENANCE)

FIG ITEM	PART NUMBER	1 2 3 4 5 6 7	NOMENCLATURE	EFFECT FROM TO	UNITS PER ASSY
1 190	251N4010-7		.TRANSMISSION ASSY- POSITION DATA: LH SIDE MISCELLANEOUS DATA: PROCURE MAJOR COMPONENTS QUALIFIED I/W DATA: 251N4010-7/-9/-15 CAN REPLACE OR BE REPLACED BY 251N4101-43/-51/-59/-67/ -75/-83/-91 TOGETHER WITH (TWO EA) 10-61899-26/HJ18DU106, (ONE EA) 251N4077-4, (TWO EA) BACB30NY6K39, (TWO EA) BACC30X6, AND (TWO EA) NAS620C10	002004 006102 108903 950999	1
190	251N4010-9		.TRANSMISSION ASSY- POSITION DATA: LH SIDE MISCELLANEOUS DATA: PROCURE MAJOR COMPONENTS QUALIFIED I/W DATA: 251N4010-7/-9/-15 CAN REPLACE OR BE REPLACED BY 251N4101-43/-51/-59/-67/ -75/-83/-91 TOGETHER WITH (TWO EA) 10-61899-26/HJ18DU106, (ONE EA) 251N4077-4, (TWO EA) BACB30NY6K39, (TWO EA) BACC30X6, AND (TWO EA) NAS620C10	002004 006102 107999	1

MISSING ITEM NUMBERS NOT APPLICABLE

- ITEM NOT ILLUSTRATED

BRI

27-51-06-01

BOEING PROPRIETARY - Copyright © - Unpublished Work - See title page for details.

27-51-06  
FIG. 01  
PAGE 30  
JAN 20/09



757

PARTS CATALOG (MAINTENANCE)

FIG ITEM	PART NUMBER	1 2 3 4 5 6 7	NOMENCLATURE	EFFECT FROM TO	UNITS PER ASSY
1 190	251N4010-15		.TRANSMISSION ASSY- POSITION DATA: LH SIDE MISCELLANEOUS DATA: PROCURE MAJOR COMPONENTS QUALIFIED I/W DATA: 251N4010-7/-9/-15 CAN REPLACE OR BE REPLACED BY 251N4101-43/-51/-59/-67/ -75/-83/-91 TOGETHER WITH (TWO EA) 10-61899-26/HJ18DU106, (ONE EA) 251N4077-4, (TWO EA) BACB30NY6K39, (TWO EA) BACC30X6, AND (TWO EA) NAS620C10	002004 006102 107999	1
190	251N4010-19		.TRANSMISSION ASSY- POSITION DATA: LH SIDE MISCELLANEOUS DATA: PROCURE MAJOR COMPONENTS QUALIFIED I/W DATA: 251N4010-19/-23 CAN REPLACE BUT CANNOT BE REPLACED BY 251N4101-43/-51/-59/-67/ -75/-83/-91 TOGETHER WITH (TWO EA) 10-61899-26/HJ18DU106, (ONE EA) 251N4077-4, (TWO EA) BACB30NY6K39, (TWO EA) BACC30X6, AND (TWO EA) NAS620C10	002004 006102 107999	1

MISSING ITEM NUMBERS NOT APPLICABLE

- ITEM NOT ILLUSTRATED

BRI

27-51-06-01

BOEING PROPRIETARY - Copyright © - Unpublished Work - See title page for details.

27-51-06  
FIG. 01  
PAGE 31  
JAN 20/09



757

PARTS CATALOG (MAINTENANCE)

FIG ITEM	PART NUMBER	1 2 3 4 5 6 7	NOMENCLATURE	EFFECT FROM TO	UNITS PER ASSY
1 190	251N4010-23		.TRANSMISSION ASSY- POSITION DATA: LH SIDE MISCELLANEOUS DATA: PROCURE MAJOR COMPONENTS QUALIFIED I/W DATA: 251N4010-19/-23 CAN REPLACE BUT CANNOT BE REPLACED BY 251N4101-43/-51/-59/-67/ -75/-83/-91 TOGETHER WITH (TWO EA) 10-61899-26/HJ18DU106, (ONE EA) 251N4077-4, (TWO EA) BACB30NY6K39, (TWO EA) BACC30X6, AND (TWO EA) NAS620C10	002004 006999	1
190	251N4010-7		.TRANSMISSION ASSY- POSITION DATA: LH SIDE MISCELLANEOUS DATA: PROCURE MAJOR COMPONENTS QUALIFIED I/W DATA: 251N4010-7/-9/-15 CAN REPLACE OR BE REPLACED BY 251N4101-43/-51/-59/-67/ -75/-83/-91 TOGETHER WITH (TWO EA) 10-61899-26/HJ18DU106, (ONE EA) 251N4077-4, (TWO EA) BACB30NY6K39, (TWO EA) BACC30X6, AND (TWO EA) NAS620C10 QUALIFIED OPTIONAL DATA: 251N4010-7 IS OPTIONAL TO 251N4101-91 PLUS TWO 10-61899-26, 251N4077-4, TWO BACB30NY6K39, TWO BACC30X6 AND TWO NAS620C10	107107 904949	1

MISSING ITEM NUMBERS NOT APPLICABLE

- ITEM NOT ILLUSTRATED

BRI

27-51-06-01

BOEING PROPRIETARY - Copyright © - Unpublished Work - See title page for details.

27-51-06  
FIG. 01  
PAGE 32  
JAN 20/09



757

PARTS CATALOG (MAINTENANCE)

FIG ITEM	PART NUMBER	1 2 3 4 5 6 7	NOMENCLATURE	EFFECT FROM TO	UNITS PER ASSY
1 190	251N4010-25		.TRANSMISSION ASSY- POSITION DATA: LH SIDE MISCELLANEOUS DATA: PROCURE MAJOR COMPONENTS QUALIFIED I/W DATA: 251N4010-25 CAN REPLACE BUT CANNOT BE REPLACED BY 251N4101-43/-51/-59/ -67/ -75/-83/-91 TOGETHER WITH (TWO EA) 10-61899-26/HJ18DU106, (ONE EA) 251N4077-4, (TWO EA) BACB30NY6K39, (TWO EA) BACC30X6, AND (TWO EA) NAS620C10	002004 006999	1
- 195	251N4010-8		.TRANSMISSION ASSY- POSITION DATA: RH SIDE MISCELLANEOUS DATA: PROCURE MAJOR COMPONENTS QUALIFIED I/W DATA: 251N4010-8/-10/-16 CAN REPLACE OR BE REPLACED BY 251N4101-46/-54/-62/-70/ -78/-86/-94 TOGETHER WITH (TWO EA) 10-61899-26/HJ18DU106, (ONE EA) 251N4077-4, (TWO EA) BACB30NY6K39, (TWO EA) BACC30X6, AND (TWO EA) NAS620C10	002004 006102 108903 950999	1

MISSING ITEM NUMBERS NOT APPLICABLE

- ITEM NOT ILLUSTRATED

BRI

27-51-06-01

BOEING PROPRIETARY - Copyright © - Unpublished Work - See title page for details.

27-51-06  
FIG. 01  
PAGE 33  
JAN 20/09





757

PARTS CATALOG (MAINTENANCE)

FIG ITEM	PART NUMBER	1 2 3 4 5 6 7	NOMENCLATURE	EFFECT FROM TO	UNITS PER ASSY
1 - 195	251N4010-10		.TRANSMISSION ASSY- POSITION DATA: RH SIDE MISCELLANEOUS DATA: PROCURE MAJOR COMPONENTS QUALIFIED I/W DATA: 251N4010-8/-10/-16 CAN REPLACE OR BE REPLACED BY 251N4101-46/-54/-62/-70/ -78/-86/-94 TOGETHER WITH (TWO EA) 10-61899-26/HJ18DU106, (ONE EA) 251N4077-4, (TWO EA) BACB30NY6K39, (TWO EA) BACC30X6, AND (TWO EA) NAS620C10	002004 006102 107999	1
- 195	251N4010-16		.TRANSMISSION ASSY- POSITION DATA: RH SIDE MISCELLANEOUS DATA: PROCURE MAJOR COMPONENTS QUALIFIED I/W DATA: 251N4010-8/-10/-16 CAN REPLACE OR BE REPLACED BY 251N4101-46/-54/-62/-70/ -78/-86/-94 TOGETHER WITH (TWO EA) 10-61899-26/HJ18DU106, (ONE EA) 251N4077-4, (TWO EA) BACB30NY6K39, (TWO EA) BACC30X6, AND (TWO EA) NAS620C10	002004 006102 107999	1

MISSING ITEM NUMBERS NOT APPLICABLE

- ITEM NOT ILLUSTRATED

BRI

27-51-06-01

BOEING PROPRIETARY - Copyright © - Unpublished Work - See title page for details.

27-51-06  
FIG. 01  
PAGE 34  
JAN 20/09



757

PARTS CATALOG (MAINTENANCE)

FIG ITEM	PART NUMBER	1 2 3 4 5 6 7	NOMENCLATURE	EFFECT FROM TO	UNITS PER ASSY
1 - 195	251N4010-20		.TRANSMISSION ASSY- POSITION DATA: RH SIDE MISCELLANEOUS DATA: PROCURE MAJOR COMPONENTS QUALIFIED I/W DATA: 251N4010-20/-24 CAN REPLACE BUT CANNOT BE REPLACED BY 251N4101-46/-54/-62/-70/ -78/-86/-94 TOGETHER WITH (TWO EA) 10-61899-26/HJ18DU106, (ONE EA) 251N4077-4, (TWO EA) BACB30NY6K39, (TWO EA) BACC30X6, AND (TWO EA) NAS620C10	002004 006102 107999	1
- 195	251N4010-24		.TRANSMISSION ASSY- POSITION DATA: RH SIDE MISCELLANEOUS DATA: PROCURE MAJOR COMPONENTS QUALIFIED I/W DATA: 251N4010-20/-24 CAN REPLACE BUT CANNOT BE REPLACED BY 251N4101-46/-54/-62/-70/ -78/-86/-94 TOGETHER WITH (TWO EA) 10-61899-26/HJ18DU106, (ONE EA) 251N4077-4, (TWO EA) BACB30NY6K39, (TWO EA) BACC30X6, AND (TWO EA) NAS620C10	002004 006999	1

MISSING ITEM NUMBERS NOT APPLICABLE

- ITEM NOT ILLUSTRATED

BRI

27-51-06-01

BOEING PROPRIETARY - Copyright © - Unpublished Work - See title page for details.

27-51-06  
FIG. 01  
PAGE 35  
JAN 20/09



757

PARTS CATALOG (MAINTENANCE)

FIG ITEM	PART NUMBER	1 2 3 4 5 6 7	NOMENCLATURE	EFFECT FROM TO	UNITS PER ASSY
1 - 195	251N4010-8		.TRANSMISSION ASSY- POSITION DATA: RH SIDE MISCELLANEOUS DATA: PROCURE MAJOR COMPONENTS QUALIFIED I/W DATA: 251N4010-8/-10/-16 CAN REPLACE OR BE REPLACED BY 251N4101-46/-54/-62/-70/ -78/-86/-94 TOGETHER WITH (TWO EA) 10-61899-26/HJ18DU106, (ONE EA) 251N4077-4, (TWO EA) BACB30NY6K39, (TWO EA) BACC30X6, AND (TWO EA) NAS620C10 QUALIFIED OPTIONAL DATA: 251N4010-8 IS OPTIONAL TO 251N4101-94 PLUS TWO 10-61899-26, 251N4077-4, TWO BACB30NY6K39, TWO BACC30X6 AND TWO NAS620C10	107107 904949	1
- 195	251N4010-26		.TRANSMISSION ASSY- POSITION DATA: RH SIDE MISCELLANEOUS DATA: PROCURE MAJOR COMPONENTS QUALIFIED I/W DATA: 251N4010-26 CAN REPLACE BUT CANNOT BE REPLACED BY 251N4101-46/-54/-62/ -70/-78/-86/-94 TOGETHER WITH (TWO EA) 10-61899-26/HJ18DU106, (ONE EA) 251N4077-4, (TWO EA) BACB30NY6K39, (TWO EA) BACC30X6, AND (TWO EA) NAS620C10	002004 006999	1

MISSING ITEM NUMBERS NOT APPLICABLE

- ITEM NOT ILLUSTRATED

BRI

27-51-06-01

27-51-06  
FIG. 01  
PAGE 36  
JAN 20/09



757

PARTS CATALOG (MAINTENANCE)

FIG ITEM	PART NUMBER	1 2 3 4 5 6 7	NOMENCLATURE	EFFECT FROM TO	UNITS PER ASSY
1 202	251N4336-3		..TRANSMISSION AND UJOINT- ASSY-TE FLAP #3 POSITION DATA: WBL 231.5 LH SIDE USED ON: 251N4010-7 PRE SERVICE BULLETIN: 27-0115 REWORKED BY ALERT SB: 27A0127R2	002004 006999	1
202	251N4336-27		..TRANSMISSION AND UJOINT- ASSY-TE FLAP #3 POSITION DATA: WBL 231.5 LH SIDE USED ON: 251N4010-15 251N4010-23	002004 006999	1
202	251N4336-11		..TRANSMISSION AND UJOINT- ASSY-TE FLAP #3 POSITION DATA: WBL 231.5 LH SIDE USED ON: 251N4010-9 POST SERVICE BULLETIN: 27-0115 27-0115R1 PRE ALERT SB: 27A0127 27A0127R2	002004 006999	1
202	251N4336-19		..TRANSMISSION AND UJOINT- ASSY-TE FLAP #3 POSITION DATA: WBL 231.5 LH SIDE USED ON: 251N4010-15 POST ALERT SB: 27A0127 27A0127R2	002004 006999	1
- 203	251N4336-6		..TRANSMISSION AND UJOINT- ASSY-TE FLAP #6 POSITION DATA: WBL 231.5 RH SIDE PRE SERVICE BULLETIN: 27-0115 REWORKED BY ALERT SB: 27A0127R2	002004 006999	1

MISSING ITEM NUMBERS NOT APPLICABLE

- ITEM NOT ILLUSTRATED

27-51-06-01

27-51-06  
FIG. 01  
PAGE 37  
JAN 20/09

BRI



757

PARTS CATALOG (MAINTENANCE)

FIG ITEM	PART NUMBER	1 2 3 4 5 6 7	NOMENCLATURE	EFFECT FROM TO	UNITS PER ASSY
1					
- 203	251N4336-14		..TRANSMISSION AND UJOINT- ASSY-TE FLAP #6 POSITION DATA: WBL 231.5 RH SIDE POST SERVICE BULLETIN: 27-0115 27-0115R1 PRE ALERT SB: 27A0127 27A0127R2	002004 006999	1
- 203	251N4336-22		..TRANSMISSION AND UJOINT- ASSY-TE FLAP #6 POSITION DATA: WBL 231.5 RH SIDE USED ON: 251N4010-16 POST ALERT SB: 27A0127 27A0127R1	002004 006999	1
- 203	251N4336-30		..TRANSMISSION AND UJOINT- ASSY-TE FLAP #6 POSITION DATA: WBL 231.5 RH SIDE USED ON: 251N4010-16	002004 006999	1
246	251N4050-37		...TRANSMISSION ASSY- POSITION DATA: LH SIDE COMPONENT MAINT MANUAL REF: 27-51-13 QUALIFIED I/W DATA: 251N4050-62, 251N4050-58 OR 251N4050-45 MAY REPLACE 251N4050-37 WITH THE INCORPORATION OF SERVICE BULLETIN 757-27A0127 USED ON: 251N4336-3 PRE SERVICE BULLETIN: 27-0115 PRE ALERT SB: 27A0127R2	002004 006106 108120 504949	1

MISSING ITEM NUMBERS NOT APPLICABLE

- ITEM NOT ILLUSTRATED

27-51-06-01

27-51-06  
FIG. 01  
PAGE 38  
JAN 20/09

BRI



757

PARTS CATALOG (MAINTENANCE)

FIG ITEM	PART NUMBER	1 2 3 4 5 6 7	NOMENCLATURE	EFFECT FROM TO	UNITS PER ASSY
1 246	251N4050-41		... TRANSMISSION ASSY- POSITION DATA: LH SIDE COMPONENT MAINT MANUAL REF: 27-51-13 QUALIFIED I/W DATA: 251N4050-62, 251N4050-58 OR 251N4050-45 MAY REPLACE 251N4050-41 WITH THE INCORPORATION OF SERVICE BULLETIN 757-27A0127 USED ON: 251N4336-11 POST SERVICE BULLETIN: 27-0115 PRE ALERT SB: 27A0127R2	002004 006106 108120 504949	1

MISSING ITEM NUMBERS NOT APPLICABLE

- ITEM NOT ILLUSTRATED

BRI

27-51-06-01

BOEING PROPRIETARY - Copyright © - Unpublished Work - See title page for details.

27-51-06  
FIG. 01  
PAGE 39  
JAN 20/09



757

PARTS CATALOG (MAINTENANCE)

FIG ITEM	PART NUMBER	1 2 3 4 5 6 7	NOMENCLATURE	EFFECT FROM TO	UNITS PER ASSY
1 246	251N4050-45		<p>... TRANSMISSION ASSY-  POSITION DATA:  LH SIDE  COMPONENT MAINT MANUAL REF:  27-51-13  QUALIFIED I/W DATA:  -45 AND -58 ARE FULLY  INTERCHANGEABLE FOR  757-200 -45 I/W WITH -58  IF FILLED WITH BRAYCO  795 OIL FOR 757-300.  251N4050-62 IS FULLY  INTERCHANGEABLE WITH  251N4050-45 WHEN FILLED  WITH BRAYCO 795 OIL  251N4050-45 MAY REPLACE  251N4050-41 OR -37 OR  -33 OR -29 OR -25 OR -21  OR -17 WITH THE  INCORPORATION OF SERVICE  BULLETIN 757-27A0127  SERVICE BULLETIN OPT DATA:  251N4050-58  251N4022-32  251N4022-28  251N4050-62  USED ON:  251N4336-3  251N4336-19  POST ALERT SB:  27A0127  27A0127R2</p>	002004 006999	1

MISSING ITEM NUMBERS NOT APPLICABLE

- ITEM NOT ILLUSTRATED

BRI

27-51-06-01

BOEING PROPRIETARY - Copyright © - Unpublished Work - See title page for details.

27-51-06  
FIG. 01  
PAGE 40  
JAN 20/09



757

PARTS CATALOG (MAINTENANCE)

FIG ITEM	PART NUMBER	1 2 3 4 5 6 7	NOMENCLATURE	EFFECT FROM TO	UNITS PER ASSY
1 246	251N4050-58		...TRANSMISSION ASSY- POSITION DATA: LH SIDE COMPONENT MAINT MANUAL REF: 27-51-13 QUALIFIED I/W DATA: -45 AND -58 ARE FULLY INTERCHANGEABLE FOR 757-200. -45 I/W -58 IF FILLED WITH BRAYCO 795 OIL FOR 757-300. 251N4050-58 MAY REPLACE 251N4050-41 OR -37 OR -33 OR -29 OR -25 OR -21 OR -17 WITH THE INCORPORATION OF SERVICE BULLETIN 757-27A0127 OPTIONAL PART: 251N4050-62 SERVICE BULLETIN OPT DATA: 251N4022-32 251N4022-28 251N4050-62 USED ON: 251N4336-3 251N4336-19 251N4336-27 POST ALERT SB: 27A0127R2	002004 006999	1
246	251N4022-32		...TRANSMISSION ASSY- POSITION DATA: LH SIDE SERVICE BULLETIN OPT DATA: 251N4050-45 251N4050-58 251N4050-62 USED ON: 251N4336-19 POST ALERT SB: 27A0127 27A0127R2	002004 006100 107107 121503 904999	1

MISSING ITEM NUMBERS NOT APPLICABLE

- ITEM NOT ILLUSTRATED

BRI

27-51-06-01

BOEING PROPRIETARY - Copyright © - Unpublished Work - See title page for details.

27-51-06  
FIG. 01  
PAGE 41  
JAN 20/09





757

PARTS CATALOG (MAINTENANCE)

FIG ITEM	PART NUMBER	1 2 3 4 5 6 7	NOMENCLATURE	EFFECT FROM TO	UNITS PER ASSY
1 246	251N4022-28		...TRANSMISSION ASSY- POSITION DATA: LH SIDE SERVICE BULLETIN OPT DATA: 251N4022-32 251N4050-45 USED ON: 251N4336-3 POST ALERT SB: 27A0127 27A0127R2	002004 006100 107107 121503 904999	1
246	251N4050-62		...TRANSMISSION ASSY- POSITION DATA: LH SIDE COMPONENT MAINT MANUAL REF: 27-51-13 QUALIFIED I/W DATA: 251N4050-62 IS FULLY INTERCHANGEABLE WITH 251N4050-45 WHEN FILLED WITH BRAYCO 795 OIL 251N4050-62 MAY REPLACE 251N4050-41 OR -37 OR -33 OR -29 OR -25 OR -21 OR -17 WITH THE INCORPORATION OF SERVICE BULLETIN 757-27A0127 OPTIONAL PART: 251N4050-58 SERVICE BULLETIN OPT DATA: 251N4022-28 251N4022-32 251N4050-45 251N4050-58 USED ON: 251N4336-3 251N4336-19 POST ALERT SB: 27A0127R2	002004 006999	1

MISSING ITEM NUMBERS NOT APPLICABLE

- ITEM NOT ILLUSTRATED

27-51-06-01

27-51-06  
FIG. 01  
PAGE 42  
JAN 20/09

BRI



757

PARTS CATALOG (MAINTENANCE)

FIG ITEM	PART NUMBER	1 2 3 4 5 6 7	NOMENCLATURE	EFFECT FROM TO	UNITS PER ASSY
1 - 251	251N4050-38		...TRANSMISSION ASSY- POSITION DATA: RH SIDE COMPONENT MAINT MANUAL REF: 27-51-13 QUALIFIED I/W DATA: 251N4050-46 MAY REPLACE 251N4050-38 WITH THE INCORPORATION OF SERVICE BULLETIN 757-27A0127 251N4050-59 MAY REPLACE 251N4050-38 WITH THE INCORPORATION OF SERVICE BULLETIN 757-27A0127 251N4050-63 MAY REPLACE 251N4050-38 WITH THE INCORPORATION OF SERVICE BULLETIN 757-27A0127 USED ON: 251N4336-6 PRE SERVICE BULLETIN: 27-0115 PRE ALERT SB: 27A0127R2	002004 006106 108120 504949	1
- 251	251N4050-42		...TRANSMISSION ASSY- POSITION DATA: RH SIDE COMPONENT MAINT MANUAL REF: 27-51-13 QUALIFIED I/W DATA: 251N4050-46 MAY REPLACE 251N4050-42 WITH THE INCORPORATION OF SERVICE BULLETIN 757-27A0127 251N4050-59 MAY REPLACE 251N4050-42 WITH THE INCORPORATION OF SERVICE BULLETIN 757-27A0127 251N4050-63 MAY REPLACE 251N4050-42 WITH THE INCORPORATION OF SERVICE BULLETIN 757-27A0127 USED ON: 251N4336-14 POST SERVICE BULLETIN: 27-0115 PRE ALERT SB: 27A0127R2	002004 006106 108120 504949	1

MISSING ITEM NUMBERS NOT APPLICABLE

- ITEM NOT ILLUSTRATED

27-51-06-01

27-51-06  
FIG. 01  
PAGE 43  
JAN 20/09

BRI



757

PARTS CATALOG (MAINTENANCE)

FIG ITEM	PART NUMBER	1 2 3 4 5 6 7	NOMENCLATURE	EFFECT FROM TO	UNITS PER ASSY
1 - 251	251N4050-46		... TRANSMISSION ASSY- POSITION DATA: RH SIDE COMPONENT MAINT MANUAL REF: 27-51-13 QUALIFIED I/W DATA: -46 AND -59 ARE FULLY INTERCHAGEABLE FOR 757-200. -46 I/W -59 IF FILLED WITH BRAYCO OIL FOR 757-300. 251N4050-63 IS FULLY INTERCHANGEABLE WITH 251N4050-46 WHEN FILLED WITH BRAYCO 795 OIL 251N4050-46 MAY REPLACE 251N4050-42 OR -38 OR -34 OR -30 OR -26 OR -22 OR -18 WITH THE INCORPORATION OF SERVICE BULLETIN 757-27A0127 SERVICE BULLETIN OPT DATA: 251N4050-59 251N4022-33 251N4022-29 251N4050-63 USED ON: 251N4336-6 251N4336-22 POST ALERT SB: 27A0127 27A0127R2	002004 006999	1

MISSING ITEM NUMBERS NOT APPLICABLE

- ITEM NOT ILLUSTRATED

BRI

**27-51-06-01**

BOEING PROPRIETARY - Copyright © - Unpublished Work - See title page for details.

27-51-06  
FIG. 01  
PAGE 44  
JAN 20/09



**757  
PARTS CATALOG (MAINTENANCE)**

FIG ITEM	PART NUMBER	1 2 3 4 5 6 7	NOMENCLATURE	EFFECT FROM TO	UNITS PER ASSY
1 - 251	251N4050-59		...TRANSMISSION ASSY- POSITION DATA: RH SIDE COMPONENT MAINT MANUAL REF: 27-51-13 QUALIFIED I/W DATA: -46 AND -59 ARE FULLY INTERCHANGEABLE FOR 757-200. -46 I/W -59 IF FILLED WITH BRAYCO 795 OIL FOR 757-300. 251N4050-59 MAY REPLACE 251N4050-42 OR -38 OR -34 OR -30 OR -26 OR -22 OR -18 WITH THE INCORPORATION OF SERVICE BULLETIN 757-27A0127 OPTIONAL PART: 251N4050-63 SERVICE BULLETIN OPT DATA: 251N4022-33 251N4022-29 251N4050-63 USED ON: 251N4336-6 251N4336-22 251N4336-30 POST ALERT SB: 27A0127R2	002004 006999	1
- 251	251N4022-33		...TRANSMISSION ASSY- POSITION DATA: RH SIDE SERVICE BULLETIN OPT DATA: 251N4050-46 251N4050-59 251N4050-63 USED ON: 251N4336-22 POST ALERT SB: 27A0127 27A0127R2	002004 006100 107107 121503 904999	1

MISSING ITEM NUMBERS NOT APPLICABLE

- ITEM NOT ILLUSTRATED

BRI

# 27-51-06-01

BOEING PROPRIETARY - Copyright © - Unpublished Work - See title page for details.

27-51-06  
FIG. 01  
PAGE 45  
JAN 20/09



757

PARTS CATALOG (MAINTENANCE)

FIG ITEM	PART NUMBER	1 2 3 4 5 6 7	NOMENCLATURE	EFFECT FROM TO	UNITS PER ASSY
1					
- 251	251N4022-29	...	TRANSMISSION ASSY- POSITION DATA: RH SIDE SERVICE BULLETIN OPT DATA: 251N4022-33 251N4050-46 USED ON: 251N4336-6 POST ALERT SB: 27A0127 27A0127R2	002004 006100 107107 121503 904999	1
- 251	251N4050-63	...	TRANSMISSION ASSY- POSITION DATA: RH SIDE COMPONENT MAINT MANUAL REF: 27-51-13 QUALIFIED I/W DATA: 251N4050-63 IS FULLY INTERCHANGEABLE WITH 251N4050-46 WHEN FILLED WITH BRAYCO 795 OIL 251N4050-63 MAY REPLACE 251N4050-42 OR -38 OR -34 OR -30 OR -26 OR -22 OR -18 WITH THE INCORPORATION OF SERVICE BULLETIN 757-27A0127 OPTIONAL PART: 251N4050-59 SERVICE BULLETIN OPT DATA: 251N4022-29 251N4022-33 251N4050-46 251N4050-59 USED ON: 251N4336-6 251N4336-22 POST ALERT SB: 27A0127R2	002004 006999	1
252	MS9953-07	....	PLUG	002004 006999	2
253	S83PJ	....	INDICATOR- SUPPLIER CODE: V97484	002004 006999	1
254	3-907N103-70	....	PACKING- SUPPLIER CODE: V83259	002004 006999	3

MISSING ITEM NUMBERS NOT APPLICABLE

- ITEM NOT ILLUSTRATED

27-51-06-01

27-51-06  
FIG. 01  
PAGE 46  
JAN 20/09

BRI



757

PARTS CATALOG (MAINTENANCE)

FIG ITEM	PART NUMBER	1 2 3 4 5 6 7	NOMENCLATURE	EFFECT FROM TO	UNITS PER ASSY
1 255	BACB30MR4K21	....	BOLT- USED ON: 251N4050-45 251N4050-46 251N4050-58 251N4050-59	002004 006999	3
260	BACW10BP4CD	....	WASHER- POSITION DATA: UNDER HEAD USED ON: 251N4050-45 251N4050-46 251N4050-58 251N4050-59	002004 006999	3
265	BACW10BP4NDP	....	WASHER- POSITION DATA: UNDER NUT USED ON: 251N4050-45 251N4050-46 251N4050-58 251N4050-59	002004 006999	3
270	PLH54CD	....	NUT- SUPPLIER CODE: VF0224 SPECIFICATION NUMBER: BACN10YR4CD OPTIONAL PART: H52732-4CD V15653 USED ON: 251N4050-45 251N4050-46 251N4050-58 251N4050-59	002004 006999	3
275	1002423607100	....	SEAL- SUPPLIER CODE: V91251 SPECIFICATION NUMBER: S256W410-11 USED ON: 251N4050-45 251N4050-46 251N4050-58 251N4050-59	002004 006999	1

MISSING ITEM NUMBERS NOT APPLICABLE

- ITEM NOT ILLUSTRATED

27-51-06-01

27-51-06  
FIG. 01  
PAGE 47  
JAN 20/09

BRI

BOEING PROPRIETARY - Copyright © - Unpublished Work - See title page for details.



757

PARTS CATALOG (MAINTENANCE)

FIG ITEM	PART NUMBER	1 2 3 4 5 6 7	NOMENCLATURE	EFFECT FROM TO	UNITS PER ASSY
1 280	BACB10BA40C	.....	BEARING- USED ON: 251N4050-45 251N4050-46 251N4050-58 251N4050-59	002004 006999	1
285	251N4174-2	.....	CAM-INPUT USED ON: 251N4050-45 251N4050-46 251N4050-58 251N4050-59	002004 006999	1
290	BACB10T1-28A	.....	BALL- USED ON: 251N4050-45 251N4050-46 251N4050-58 251N4050-59	002004 006999	3
295	251N4175-1	.....	CAM-OUTPUT USED ON: 251N4050-45 251N4050-46 251N4050-58 251N4050-59	002004 006999	1
300	256A3162-1	.....	SPRING-BELLEVILLE USED ON: 251N4050-45 251N4050-46 251N4050-58 251N4050-59	002004 006999	11
305	FTRA2035	.....	RACE- SUPPLIER CODE: VOAJVO OPTIONAL PART: AS2035 VOAJVO USED ON: 251N4050-45 251N4050-46 251N4050-58 251N4050-59	002004 006999	1

MISSING ITEM NUMBERS NOT APPLICABLE

- ITEM NOT ILLUSTRATED

BRI

27-51-06-01

BOEING PROPRIETARY - Copyright © - Unpublished Work - See title page for details.

27-51-06  
FIG. 01  
PAGE 48  
JAN 20/09



757

PARTS CATALOG (MAINTENANCE)

FIG ITEM	PART NUMBER	1 2 3 4 5 6 7	NOMENCLATURE	EFFECT FROM TO	UNITS PER ASSY
1 305	AS2035	.....	RACE- SUPPLIER CODE: VOAJVO OPTIONAL PART: FTRA2035 VOAJVO USED ON: 251N4050-45 251N4050-46 251N4050-58 251N4050-59	002004 006999	1
310	FNTA2035	.....	BEARING- SUPPLIER CODE: V60380 USED ON: 251N4050-45 251N4050-46 251N4050-58 251N4050-59	002004 006999	1
315	256A3169-1	.....	BUSHING-THRUST USED ON: 251N4050-45 251N4050-46 251N4050-58 251N4050-59	002004 006999	1
320	256A3175-2	.....	LOCKWASHER-CUP USED ON: 251N4050-45 251N4050-46 251N4050-58 251N4050-59	002004 006999	1
325	82631-1018	.....	NUT- SUPPLIER CODE: V56878 SPECIFICATION NUMBER: BACN10RF10 OPTIONAL PART: BR9080-10 V72962 SL2822-10 V97393 POSITION DATA: UNDER HEAD USED ON: 251N4050-45 251N4050-46 251N4050-58 251N4050-59	002004 006999	1

MISSING ITEM NUMBERS NOT APPLICABLE

- ITEM NOT ILLUSTRATED

27-51-06-01

27-51-06  
FIG. 01  
PAGE 49  
JAN 20/09

BRI





757

PARTS CATALOG (MAINTENANCE)

FIG ITEM	PART NUMBER	1 2 3 4 5 6 7	NOMENCLATURE	EFFECT FROM TO	UNITS PER ASSY
1					
330	251N4185-1	....	PLATE-STATOR USED ON: 251N4050-45 251N4050-46 251N4050-58 251N4050-59	002004 006999	1
335	251N4180-1	....	SPRING-RING USED ON: 251N4050-45 251N4050-46 251N4050-58 251N4050-59	002004 006999	1
340	251N4181-1	....	PLATE-REACTION USED ON: 251N4050-45 251N4050-46 251N4050-58 251N4050-59	002004 006999	1
345	BACB10BB10C	....	BEARING- USED ON: 251N4050-45 251N4050-46 251N4050-58 251N4050-59	002004 006999	1
350	251N4182-1	....	SHAFT-OUTPUT USED ON: 251N4050-45 251N4050-46 251N4050-58 251N4050-59	002004 006999	1
355	BACB10BB30C	....	BEARING- USED ON: 251N4050-45 251N4050-46 251N4050-58 251N4050-59	002004 006999	1
360	256A3148-9	....	SHIM- USED ON: 251N4050-45 251N4050-46 251N4050-58 251N4050-59	002004 006999	1
365	256A3148-10	....	SHIM- USED ON: 251N4050-45 251N4050-46 251N4050-58 251N4050-59	002004 006999	1

MISSING ITEM NUMBERS NOT APPLICABLE

- ITEM NOT ILLUSTRATED

27-51-06-01

27-51-06  
FIG. 01  
PAGE 50  
JAN 20/09

BRI

BOEING PROPRIETARY - Copyright © - Unpublished Work - See title page for details.



757

PARTS CATALOG (MAINTENANCE)

FIG ITEM	PART NUMBER	1 2 3 4 5 6 7	NOMENCLATURE	EFFECT FROM TO	UNITS PER ASSY
1 370	256A3148-11	.....	SHIM- USED ON: 251N4050-45 251N4050-46 251N4050-58 251N4050-59	002004 006999	1
375	256A3148-12	.....	SHIM- USED ON: 251N4050-45 251N4050-46 251N4050-58 251N4050-59	002004 006999	1
380	251N4178-2	.....	SPACER- USED ON: 251N4050-45 251N4050-46 251N4050-58 251N4050-59	002004 006999	1
385	1002423606500	.....	SEAL- SUPPLIER CODE: V91251 SPECIFICATION NUMBER: S256W410-5 USED ON: 251N4050-45 251N4050-46 251N4050-58 251N4050-59	002004 006999	1
390	M259881-147	.....	PACKING- USED ON: 251N4050-45 251N4050-46 251N4050-58 251N4050-59	002004 006999	1
395	251N4172-1	.....	HOUSING ASSY-UPPER POSITION DATA: LH SIDE USED ON: 251N4050-45 251N4050-58	002004 006999	1
- 400	251N4172-2	.....	HOUSING ASSY-UPPER POSITION DATA: RH SIDE USED ON: 251N4050-46 251N4050-59	002004 006999	1

MISSING ITEM NUMBERS NOT APPLICABLE

- ITEM NOT ILLUSTRATED

BRI

27-51-06-01

27-51-06  
FIG. 01  
PAGE 51  
JAN 20/09



757

PARTS CATALOG (MAINTENANCE)

FIG ITEM	PART NUMBER	1 2 3 4 5 6 7	NOMENCLATURE	EFFECT FROM TO	UNITS PER ASSY
1 405	251N4173-1		.....HOUSING ASSY-LOWER POSITION DATA: LH SIDE USED ON: 251N4050-45 251N4050-58	002004 006999	1
- 410	251N4173-2		.....HOUSING ASSY-LOWER POSITION DATA: RH SIDE USED ON: 251N4050-46 251N4050-59	002004 006999	1
415	AN814-4D		.....PLUG- USED ON: 251N4050-45 251N4050-46 251N4050-58 251N4050-59	002004 006999	1
420	M25988-1-110		.....PACKING- USED ON: 251N4050-45 251N4050-46 251N4050-58 251N4050-59	002004 006999	1

MISSING ITEM NUMBERS NOT APPLICABLE

- ITEM NOT ILLUSTRATED

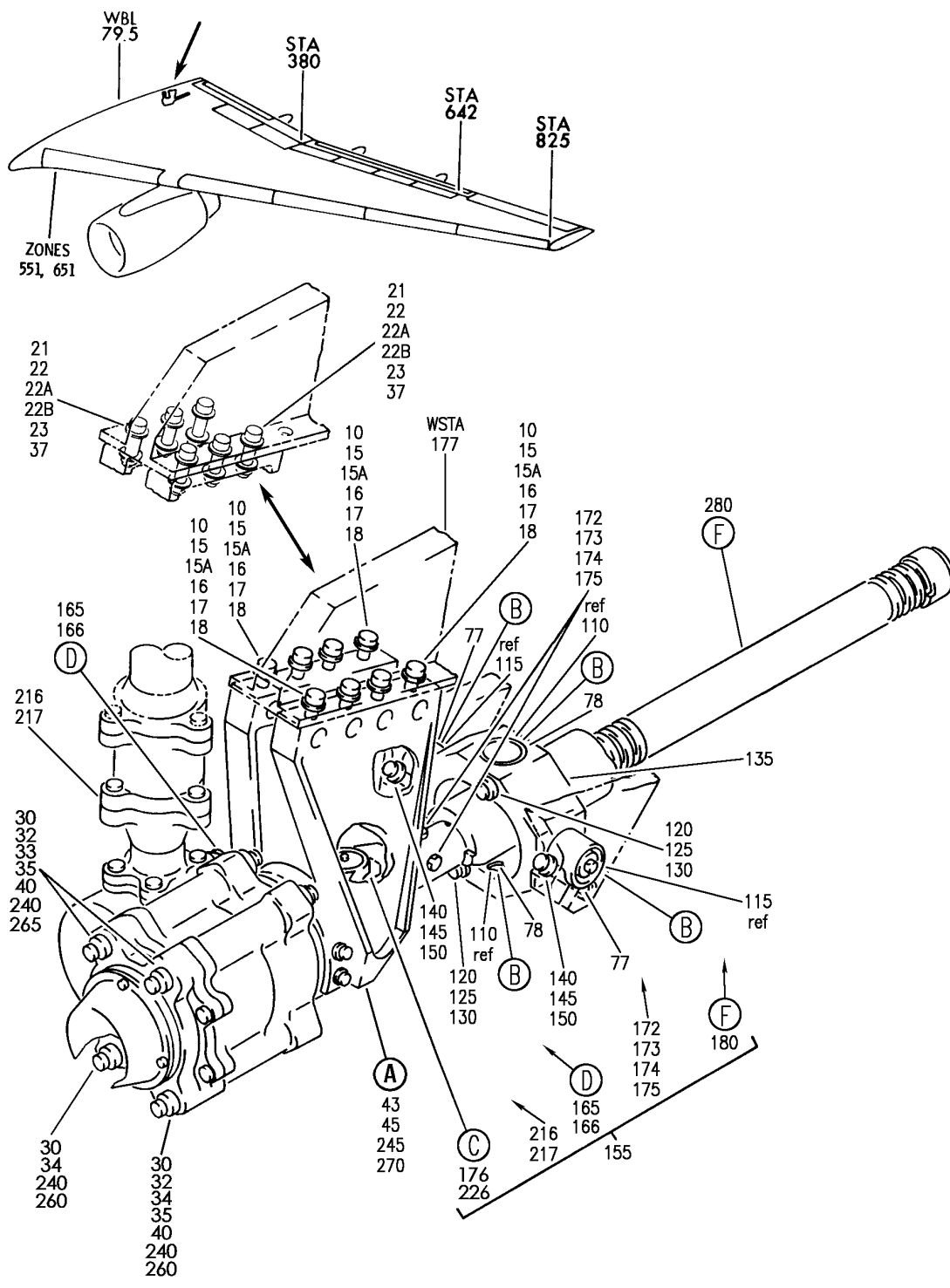
BRI

27-51-06-01

BOEING PROPRIETARY - Copyright © - Unpublished Work - See title page for details.

27-51-06  
FIG. 01  
PAGE 52  
JAN 20/09

**BOEING**  
757  
**PARTS CATALOG (MAINTENANCE)**



Y 27510602 SH1 1 REV 310

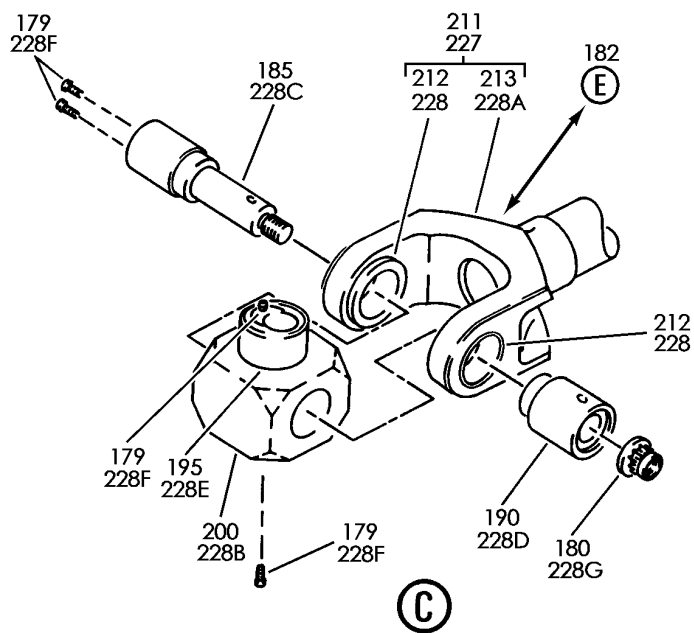
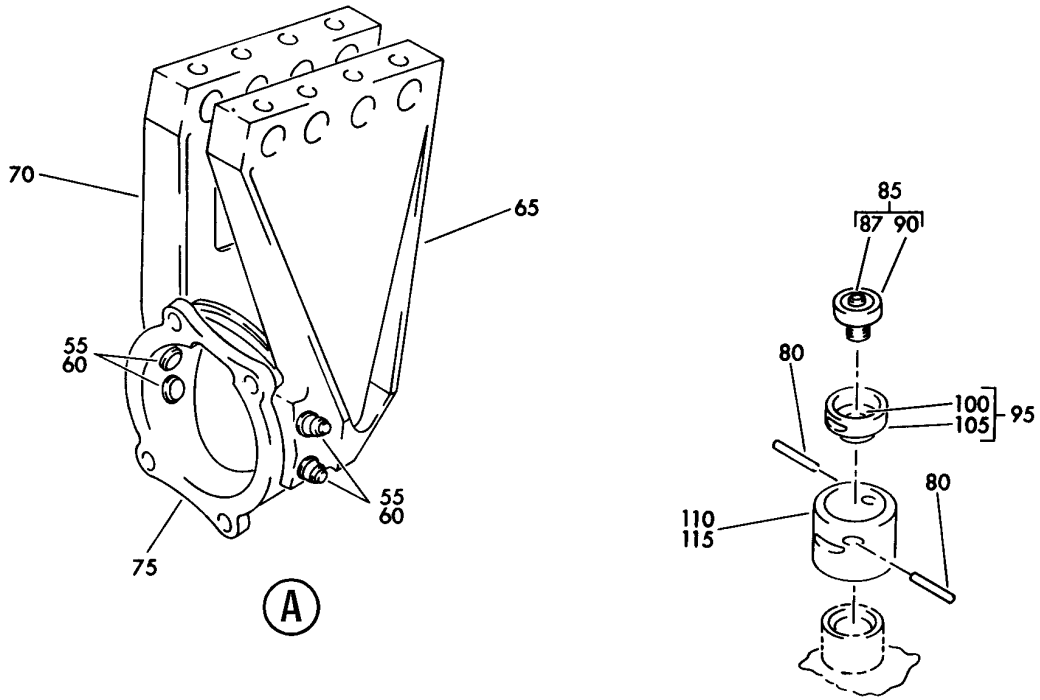
TRANSMISSION INSTL-INBD TE FLAP DRIVE INBD  
FIGURE 2 (SHEET 1)

**27-51-06-02**

BRI  
MAY 28/07

27-51-06-02  
PAGE 0


**BOEING**  
 757  
**PARTS CATALOG (MAINTENANCE)**



Y 27510602 SH1 2 REV 240

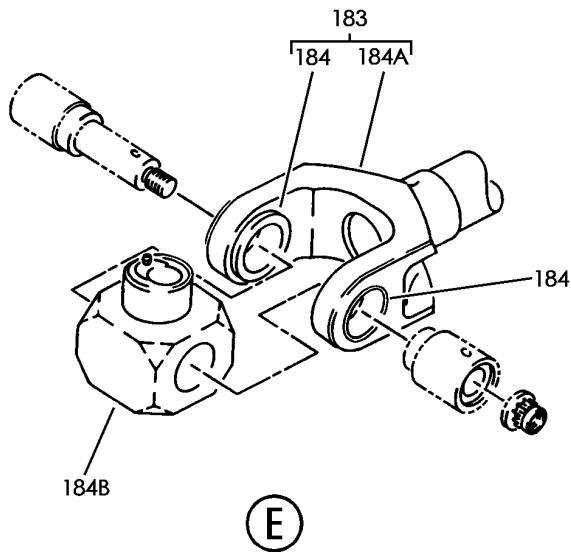
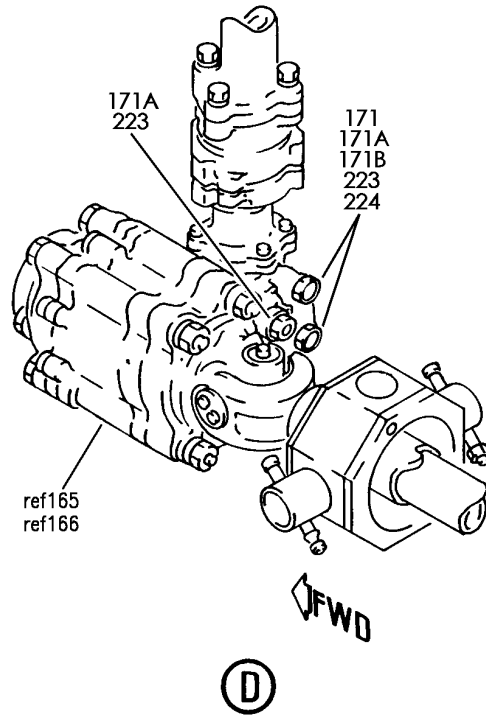
TRANSMISSION INSTL-INBD TE FLAP DRIVE INBD  
 FIGURE 2 (SHEET 2)

**27-51-06-02**

BRI  
MAY 28/07

27-51-06-02  
 PAGE 0A

**BOEING**  
757  
PARTS CATALOG (MAINTENANCE)



Y 27510602 SH1 3 REV 262

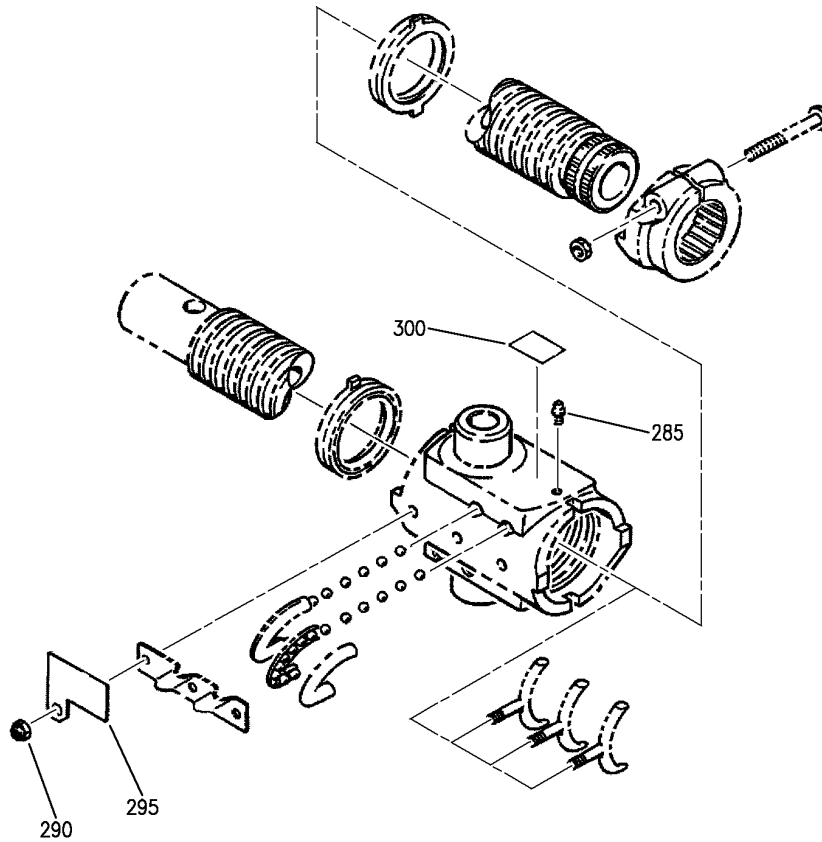
TRANSMISSION INSTL-INBD TE FLAP DRIVE INBD  
FIGURE 2 (SHEET 3)

**27-51-06-02**

BRI  
MAY 28/07

27-51-06-02  
PAGE 08

**BOEING**  
757  
PARTS CATALOG (MAINTENANCE)



FWD

F

Y 27510602 SH-T 4 REV 289

TRANSMISSION INSTL-INBD TE FLAP DRIVE INBD  
FIGURE 2 (SHEET 4)

**27-51-06-02**

BRI  
MAY 28/07

27-51-06-02  
PAGE 0C



757

PARTS CATALOG (MAINTENANCE)

FIG ITEM	PART NUMBER	1 2 3 4 5 6 7	NOMENCLATURE	EFFECT FROM TO	UNITS PER ASSY
2			TRANSMISSION INSTL-INBD TE FLAP DRIVE INBD	002004 006999	
- 1	251N4011-1		TRANSMISSION INSTL-INBD TE FLAP DRIVE POSITION DATA: INBD LH FOR NHA SEE: 27-51-25-03	002004 006100 107107 121503 904999	RF
- 1	251N4011-21		TRANSMISSION INSTL- FLAP DRIVE POSITION DATA: INBD TE INBD LH FOR NHA SEE: 27-50-00-02	101102 108120 504903	RF
- 1	MODREF7656		TRANSMISSION INSTL- FLAP DRIVE MODULE NUMBER: 251N4011-33 REV A POSITION DATA: INBD TE INBD LH	103103	1
- 1	MODREF27522		TRANSMISSION INSTL- FLAP DRIVE MODULE NUMBER: 251N4011-33 REV B POSITION DATA: INBD TE INBD LH	104106	1
- 5	251N4011-2		TRANSMISSION INSTL-INBD TE FLAP DRIVE POSITION DATA: INBD RH FOR NHA SEE: 27-51-25-03	002004 006100 107107 121503 904999	RF
- 5	251N4011-22		TRANSMISSION INSTL- FLAP DRIVE POSITION DATA: INBD TE INBD RH FOR NHA SEE: 27-50-00-02	101102 108120 504903	RF
- 5	MODREF7657		TRANSMISSION INSTL- FLAP DRIVE MODULE NUMBER: 251N4011-34 REV A POSITION DATA: INBD TE INBD RH	103103	1

MISSING ITEM NUMBERS NOT APPLICABLE

- ITEM NOT ILLUSTRATED

**27-51-06-02**

27-51-06  
FIG. 02  
PAGE 1  
JAN 20/09

BRI





757

PARTS CATALOG (MAINTENANCE)

FIG ITEM	PART NUMBER	1 2 3 4 5 6 7	NOMENCLATURE	EFFECT FROM TO	UNITS PER ASSY
2					
- 5	MODREF27523		TRANSMISSION INSTL- FLAP DRIVE MODULE NUMBER: 251N4011-34 REV B POSITION DATA: INBD TE INBD RH	104106	1
10	BACB30US7K16		.BOLT	018106 108120 504903	8
15	BACW10BP7CD		.WASHER- POSITION DATA: UNDER HEAD	101120 504903	8
15A	BACW10BP7DP		.WASHER- POSITION DATA: UNDER NUT	018106 108120 504903	8
18	BMN10HRCWD3-7		.NUT SUPPLIER CODE: V97928 SPECIFICATION NUMBER: BACN10HR7CD OPTIONAL PART: H51560-7 V15653 67832CD720 V56878 102LH9031-7 V72962 BH00303CM7 V27238 BMN5024CWD37 V97928 SL7108C7 V11815 VCU0005D7 V06710 102LH90317 V72962 67832CD7 V56878 CR6030-7 VF0224 BMN10HRCWD3-7 V97928	018106 108120 504903	8
21	BACB30MR7K15		.BOLT- PRE ALERT SB: 27A0118	002004 006017 904951	6

MISSING ITEM NUMBERS NOT APPLICABLE

- ITEM NOT ILLUSTRATED

27-51-06-02

27-51-06  
FIG. 02  
PAGE 2  
JAN 20/09

BRI



757

PARTS CATALOG (MAINTENANCE)

FIG ITEM	PART NUMBER	1 2 3 4 5 6 7	NOMENCLATURE	EFFECT FROM TO	UNITS PER ASSY
2	21 BACB30US7K16	.BOLT-	MISCELLANEOUS DATA: (POST AD 95-02-10) SERVICE BULLETIN OPT DATA: BACB30US7K15 POST ALERT SB: 27A0118	002004 006017 121503 904999	6
	21 BACB30US7K15	.BOLT-	SERVICE BULLETIN OPT DATA: BACB30US7K16 POST ALERT SB: 27A0118	002004 006017 121503 904999	6
	22 BACW10BP7CD	.WASHER-	POSITION DATA: UNDER HEAD POST ALERT SB: 27A0118	002004 006017 121503 904999	6
	22B BACW10BP7DP	.WASHER-	POSITION DATA: UNDER NUT POST ALERT SB: 27A0118	121503 950999	6
	23 BACN10GW7A	.NUT-	PRE ALERT SB: 27A0118	002004 006017 904951	6

MISSING ITEM NUMBERS NOT APPLICABLE

- ITEM NOT ILLUSTRATED

BRI

27-51-06-02

BOEING PROPRIETARY - Copyright © - Unpublished Work - See title page for details.

27-51-06  
FIG. 02  
PAGE 3  
JAN 20/09



757

PARTS CATALOG (MAINTENANCE)

FIG ITEM	PART NUMBER	1 2 3 4 5 6 7	NOMENCLATURE	EFFECT FROM TO	UNITS PER ASSY
2 23	BMN10HRCWD3-7		.NUT- SUPPLIER CODE: V97928 SPECIFICATION NUMBER: BACN10HR7CD OPTIONAL PART: H51560-7 V15653 67832CD720 V56878 102LH9031-7 V72962 BH00303CM7 V27238 BMN5024CWD37 V97928 SL7108C7 V11815 VCU0005D7 V06710 102LH90317 V72962 67832CD7 V56878 CR6030-7 VF0224 BMN10HRCWD3-7 V97928 MISCELLANEOUS DATA: (POST AD 95-02-10) POST ALERT SB: 27A0118	002004 006017 121503 904999	6
30	251N4314-7		.BOLT- QUALIFIED I/W DATA: 251N4320-1 PLUS (4) 251N4314-7 OR (4) BACB30US7-103 OPTIONAL TO 251N4333-5 OR 251N4333-7 PLUS (2) BACB30LE7-150 AND (2) BACB30LE7-113	018100 107107	4

MISSING ITEM NUMBERS NOT APPLICABLE

- ITEM NOT ILLUSTRATED

27-51-06-02

27-51-06  
FIG. 02  
PAGE 4  
JAN 20/09

BRI



757

PARTS CATALOG (MAINTENANCE)

FIG ITEM	PART NUMBER	1 2 3 4 5 6 7	NOMENCLATURE	EFFECT FROM TO	UNITS PER ASSY
2 30	BACB30US7-103		.BOLT- QUALIFIED OPTIONAL DATA: (251N4320-1 PLUS (4) 251N4314-7 OR (4) BACB30US7-103 OPTIONAL TO 251N4333-( ) PLUS (2) BACB30LE7-150 AND (2) BACB30LE7-113. 251N4333-5 OPTIONAL TO 251N4333-7)	018100	4
30	251N4314-7		.BOLT- QUALIFIED I/W DATA: 251N4320-1 PLUS (4) 251N4314-7 OR (4) BACB30US7-103 OPTIONAL TO 251N4333-5 OR 251N4333-7 PLUS (2) BACB30LE7-150 AND (2) BACB30LE7-113 QUALIFIED OPTIONAL DATA: (251N4320-1 PLUS (4) 251N4314-7 OR (4) BACB30US7-103 OPTIONAL TO 251N4333-( ) PLUS (2) BACB30LE7-150 AND (2) BACB30LE7-113. 251N4333-5 OPTIONAL TO 251N4333-7)	018100	4
33	BACB30LE7-150		.BOLT- QUALIFIED OPTIONAL DATA: (251N4320-1 PLUS (4) 251N4314-7 OR (4) BACB30US7-103 OPTIONAL TO 251N4333-( ) PLUS (2) BACB30LE7-150 AND (2) BACB30LE7-113. 251N4333-5 OPTIONAL TO 251N4333-7)	002004 006106 108999	2

MISSING ITEM NUMBERS NOT APPLICABLE

- ITEM NOT ILLUSTRATED

BRI

27-51-06-02

BOEING PROPRIETARY - Copyright © - Unpublished Work - See title page for details.

27-51-06  
FIG. 02  
PAGE 5  
JAN 20/09



757

PARTS CATALOG (MAINTENANCE)

FIG ITEM	PART NUMBER	1 2 3 4 5 6 7	NOMENCLATURE	EFFECT FROM TO	UNITS PER ASSY
2	34 BACB30LE7-113		.BOLT- QUALIFIED OPTIONAL DATA: (251N4314-4 OPTIONAL TO BACB30LE7-113. 251N4320-1 PLUS (4) 251N4314-7 OR (4) BACB30US7-103 OPTIONAL TO 251N4333-( ) PLUS (2) BACB30LE7-150 AND (2) BACB30LE7-113. 251N4333-5 OPTIONAL TO 251N4333-7) OPTIONAL PART: 251N4314-4	002004 006106 108999	2
	34 251N4314-4		.BOLT- OPTIONAL PART: BACB30LE7-113	002004 006106 108999	2
	35 BACW10BN7SP		.WASHER-	107107	4
	35 AN960JD716		.WASHER-	002004 006106 108999	4
	40 BMN10HRCWD3-7		.NUT- SUPPLIER CODE: V97928 SPECIFICATION NUMBER: BACN10HR7CD OPTIONAL PART: H51560-7 V15653 67832CD720 V56878 102LH9031-7 V72962 BH00303CM7 V27238 BMN5024CWD37 V97928 SL7108C7 V11815 VCU0005D7 V06710 102LH90317 V72962 67832CD7 V56878 CR6030-7 VF0224 BMN10HRCWD3-7 V97928	002004 006999	4

MISSING ITEM NUMBERS NOT APPLICABLE

- ITEM NOT ILLUSTRATED

BRI

27-51-06-02

27-51-06  
FIG. 02  
PAGE 6  
JAN 20/09



757

PARTS CATALOG (MAINTENANCE)

FIG ITEM	PART NUMBER	1 2 3 4 5 6 7	NOMENCLATURE	EFFECT FROM TO	UNITS PER ASSY
2	45 251N4320-1		.BRACKET- POSITION DATA: LH SIDE QUALIFIED OPTIONAL DATA: (251N4320-1 PLUS (4) 251N4314-7 OR (4) BACB30US7-103 OPTIONAL TO 251N4333-5 PLUS (2) BACB30LE7-150 AND (2) BACB30LE7-113 OPTIONAL TO 251N4333-7 PLUS (2) BACB30LE7-150 AND (2) BACB30LE7-113)	018100 107107	1
	45 251N4333-1		.BRACKET- POSITION DATA: LH SIDE	002004 006017 121503 904999	1
	45 251N4333-5		.BRACKET-HOGOUT OPTION POSITION DATA: LH SIDE QUALIFIED OPTIONAL DATA: 251N4320-1 PLUS (4) 251N4314-7 OR (4) BACB30US7-103 OPTIONAL TO 251N4333-( ) PLUS (2) BACB30LE7-150 AND (2) BACB30LE7-113 OPTIONAL PART: 251N4333-7	018100	1
	45 251N4333-7		.BRACKET-MACHINED FORGING POSITION DATA: LH SIDE QUALIFIED I/W DATA: 251N4320-1 PLUS (4) 251N4314-7 OR (4) BACB30US7-103 OPTIONAL TO 251N4333-5 OR 251N4333-7 PLUS (2) BACB30LE7-150 AND (2) BACB30LE7-113 QUALIFIED OPTIONAL DATA: 251N4320-1 PLUS (4) 251N4314-7 OR (4) BACB30US7-103 OPTIONAL TO 251N4333-( ) PLUS (2) BACB30LE7-150 AND (2) BACB30LE7-113 OPTIONAL PART: 251N4333-5	018106 108120 504903	1

MISSING ITEM NUMBERS NOT APPLICABLE

- ITEM NOT ILLUSTRATED

27-51-06-02

27-51-06  
FIG. 02  
PAGE 7  
JAN 20/09

BRI



757

PARTS CATALOG (MAINTENANCE)

FIG ITEM	PART NUMBER	1 2 3 4 5 6 7	NOMENCLATURE	EFFECT FROM TO	UNITS PER ASSY
2					
- 50	251N4320-2		.BRACKET- POSITION DATA: RH SIDE QUALIFIED OPTIONAL DATA: (251N4320-2 PLUS (4) 251N4314-7 OR (4) BACB30US7-103 OPTIONAL TO 251N4333-6 PLUS (2) BACB30LE7-150 AND (2) BACB30LE7-113 OPTIONAL TO 251N4333-8 PLUS (2) BACB30LE7-150 AND (2) BACB30LE7-113)	018100 107107	1
- 50	251N4333-2		.BRACKET- POSITION DATA: RH SIDE	002004 006017 121503 904999	1
- 50	251N4333-6		.BRACKET-HOGOUT OPTION POSITION DATA: RH SIDE QUALIFIED OPTIONAL DATA: 251N4320-2 PLUS (4) 251N4314-7 OR (4) BACB30US7-103 OPTIONAL TO 251N4333-( ) PLUS (2) BACB30LE7-150 AND (2) BACB30LE7-113. OPTIONAL PART: 251N4333-8	018100	1
- 50	251N4333-8		.BRACKET-MACHINED OPTION POSITION DATA: RH SIDE QUALIFIED OPTIONAL DATA: 251N4320-2 PLUS (4) 251N4314-7 OR (4) BACB30US7-103 OPTIONAL TO 251N4333-( ) PLUS (2) BACB30LE7-150 AND (2) BACB30LE7-113. OPTIONAL PART: 251N4333-6	018106 108120 504903	1

MISSING ITEM NUMBERS NOT APPLICABLE

- ITEM NOT ILLUSTRATED

BRI

27-51-06-02

BOEING PROPRIETARY - Copyright © - Unpublished Work - See title page for details.

27-51-06  
FIG. 02  
PAGE 8  
JAN 20/09



757

PARTS CATALOG (MAINTENANCE)

FIG ITEM	PART NUMBER	1 2 3 4 5 6 7	NOMENCLATURE	EFFECT FROM TO	UNITS PER ASSY
2	77 AJ18C105DU		.BUSHING- SUPPLIER CODE: VS0352 SPECIFICATION NUMBER: 10-61899-25 OPTIONAL PART: HJ18DU105 V02758 ADU18-7 V15860	101106 108120 504903	2
	77 ADU18-7		.BUSHING- SUPPLIER CODE: V15860 SPECIFICATION NUMBER: 10-61899-25 OPTIONAL PART: HJ18DU105 V02758 AJ18C105DU V15860	101106 108120 504903	2
	77 HJ18DU105		.BUSHING- SUPPLIER CODE: V02758 SPECIFICATION NUMBER: 10-61899-25 OPTIONAL PART: AJ18C105DU VS0352 ADU18-7 V15860 OPTIONAL PART: AJ18C105DU VS0352 ADU18-7 V15860	002004 006999	2
	78 AJ18C106DU		.BUSHING- SUPPLIER CODE: VS0352 SPECIFICATION NUMBER: 10-61899-26 OPTIONAL PART: ADU18-8 V15860 HJ18DU106 V02758	002004 006999	2

MISSING ITEM NUMBERS NOT APPLICABLE

- ITEM NOT ILLUSTRATED

BRI

27-51-06-02

BOEING PROPRIETARY - Copyright © - Unpublished Work - See title page for details.

27-51-06  
FIG. 02  
PAGE 9  
JAN 20/09





757

PARTS CATALOG (MAINTENANCE)

FIG ITEM	PART NUMBER	1 2 3 4 5 6 7	NOMENCLATURE	EFFECT FROM TO	UNITS PER ASSY
2	78 ADU18-8		.BUSHING- SUPPLIER CODE: V15860 SPECIFICATION NUMBER: 10-61899-26 OPTIONAL PART: AJ18C106DU VS0352 HJ18DU106 V02758	002004 006999	2
	78 HJ18DU106		.BUSHING- SUPPLIER CODE: V02758 SPECIFICATION NUMBER: 10-61899-26 OPTIONAL PART: AJ18C106DU VS0352 ADU18-8 V15860	002004 006999	2
	120 HL13VAZ6-39		.BOLT SUPPLIER CODE: V56878 SPECIFICATION NUMBER: BACB30NY6K39 OPTIONAL PART: HL13VAZ6-39 V73197 HL13VAZ6-39 V92215 HL13VAZ6-39 V97928 L801-6K39 V06725 HL13VAZ6-39 V60516 L801-6K39 VOPTK6 HL13VAZ6-39 V17446	002004 006999	2
	125 NAS620C10		.WASHER-	002004 006999	2

MISSING ITEM NUMBERS NOT APPLICABLE

- ITEM NOT ILLUSTRATED

27-51-06-02

27-51-06  
FIG. 02  
PAGE 10  
JAN 20/09

BRI

 **BOEING**  
757  
**PARTS CATALOG (MAINTENANCE)**

FIG ITEM	PART NUMBER	1 2 3 4 5 6 7	NOMENCLATURE	EFFECT FROM TO	UNITS PER ASSY
2 130	HL1187-6		.COLLAR SUPPLIER CODE: V5M902 SPECIFICATION NUMBER: BACC30X6 OPTIONAL PART: HL87-6 V92215 HL87-6 V73197 HL1187-6 V56878 HL1187-6 V92215 HL87-6 V56878 HL1187-6 V73197	002004 006999	2
135	251N4077-1		.GIMBAL- OPTIONAL PART: 251N4077-2	002004 006100 107107 121503 904999	1
135	251N4077-2		.GIMBAL- OPTIONAL PART: 251N4077-1	002004 006100 107107 121503 904999	1
135	251N4077-4		.GIMBAL-	002004 006999	1
140	BACB30MR6K47		.BOLT-	002004 006999	2
145	AN960KD616		.WASHER-	002004 006999	2
150	NAS1805-6N		.NUT-	002004 006999	2
155	251N4101-44		.TRANSMISSION ASSY- POSITION DATA: LH SIDE COMPONENT MAINT MANUAL REF: 27-51-12 REWORKED BY SB: 27-0115 REWORKED BY ALERT SB: 27A0127R2	002004 006102 107999	1

MISSING ITEM NUMBERS NOT APPLICABLE

— ITEM NOT ILLUSTRATED

BRI

# 27-51-06-02

BOEING PROPRIETARY - Copyright © - Unpublished Work - See title page for details.

27-51-06  
FIG. 02  
PAGE 11  
JAN 20/09



757

PARTS CATALOG (MAINTENANCE)

FIG ITEM	PART NUMBER	1 2 3 4 5 6 7	NOMENCLATURE	EFFECT FROM TO	UNITS PER ASSY
2 155	251N4101-52		.TRANSMISSION ASSY- POSITION DATA: LH SIDE COMPONENT MAINT MANUAL REF: 27-51-12 REWORKED BY SB: 27-0115 REWORKED BY ALERT SB: 27A0127R2	002004 006102 107999	1
155	251N4101-60		.TRANSMISSION ASSY- POSITION DATA: LH SIDE COMPONENT MAINT MANUAL REF: 27-51-12 REWORKED BY SB: 27-0115 REWORKED BY ALERT SB: 27A0127R2	002004 006102 107999	1
155	251N4101-68		.TRANSMISSION ASSY- POSITION DATA: LH SIDE COMPONENT MAINT MANUAL REF: 27-51-12 REWORKED BY SB: 27-0115 REWORKED BY ALERT SB: 27A0127R2	002004 006102 107999	1
155	251N4101-76		.TRANSMISSION ASSY- POSITION DATA: LH SIDE COMPONENT MAINT MANUAL REF: 27-51-12 REWORKED BY SB: 27-0115 REWORKED BY ALERT SB: 27A0127R2	002004 006102 107999	1
155	251N4101-84		.TRANSMISSION ASSY- POSITION DATA: LH SIDE COMPONENT MAINT MANUAL REF: 27-51-12 REWORKED BY SB: 27-0115 REWORKED BY ALERT SB: 27A0127	002004 006102 107999	1

MISSING ITEM NUMBERS NOT APPLICABLE

- ITEM NOT ILLUSTRATED

BRI

27-51-06-02

BOEING PROPRIETARY - Copyright © - Unpublished Work - See title page for details.

27-51-06  
FIG. 02  
PAGE 12  
JAN 20/09



757

PARTS CATALOG (MAINTENANCE)

FIG ITEM	PART NUMBER	1 2 3 4 5 6 7	NOMENCLATURE	EFFECT FROM TO	UNITS PER ASSY
2					
155	251N4101-92		.TRANSMISSION ASSY- POSITION DATA: LH SIDE COMPONENT MAINT MANUAL REF: 27-51-12 OPTIONAL PART: 251N4011-15 REWORKED BY SB: 27-0115 REWORKED BY ALERT SB: 27A0127	002004 006102 107999	1
155	251N4011-15		.TRANSMISSION ASSY- POSITION DATA: LH SIDE OPTIONAL PART: 251N4101-92	002004 006102 107999	1
155	251N4011-17		.TRANSMISSION ASSY- POSITION DATA: LH SIDE MISCELLANEOUS DATA: PROCURE MAJOR COMPONENTS	002004 006102 107999	1
155	251N4011-23		.TRANSMISSION ASSY- POSITION DATA: LH SIDE MISCELLANEOUS DATA: PROCURE MAJOR COMPONENTS	002004 006102 107999	1
155	251N4011-31		.TRANSMISSION ASSY- POSITION DATA: LH SIDE MISCELLANEOUS DATA: PROCURE MAJOR COMPONENTS	002004 006102 107999	1
155	251N4011-35		.TRANSMISSION ASSY- POSITION DATA: LH SIDE MISCELLANEOUS DATA: PROCURE MAJOR COMPONENTS	002004 006999	1
- 160	251N4011-32		.TRANSMISSION ASSY- POSITION DATA: RH SIDE MISCELLANEOUS DATA: PROCURE MAJOR COMPONENTS	002004 006102 107999	1
- 160	251N4101-45		.TRANSMISSION ASSY- POSITION DATA: RH SIDE COMPONENT MAINT MANUAL REF: 27-51-12 REWORKED BY ALERT SB: 27A0127R2	002004 006102 107999	1

MISSING ITEM NUMBERS NOT APPLICABLE

- ITEM NOT ILLUSTRATED

27-51-06-02

27-51-06  
FIG. 02  
PAGE 13  
JAN 20/09

BRI



757

PARTS CATALOG (MAINTENANCE)

FIG ITEM	PART NUMBER	1 2 3 4 5 6 7	NOMENCLATURE	EFFECT FROM TO	UNITS PER ASSY
2					
- 160	251N4101-53		.TRANSMISSION ASSY- POSITION DATA: RH SIDE COMPONENT MAINT MANUAL REF: 27-51-12 REWORKED BY ALERT SB: 27A0127R2	002004 006102 107999	1
- 160	251N4101-61		.TRANSMISSION ASSY- POSITION DATA: RH SIDE COMPONENT MAINT MANUAL REF: 27-51-12 REWORKED BY ALERT SB: 27A0127R2	002004 006102 107999	1
- 160	251N4101-69		.TRANSMISSION ASSY- POSITION DATA: RH SIDE COMPONENT MAINT MANUAL REF: 27-51-12 REWORKED BY ALERT SB: 27A0127R2	002004 006102 107999	1
- 160	251N4101-77		.TRANSMISSION ASSY- POSITION DATA: RH SIDE COMPONENT MAINT MANUAL REF: 27-51-12 REWORKED BY ALERT SB: 27A0127R2	002004 006102 107999	1
- 160	251N4101-85		.TRANSMISSION ASSY- POSITION DATA: RH SIDE COMPONENT MAINT MANUAL REF: 27-51-99 REWORKED BY SB: 27-0115 REWORKED BY ALERT SB: 27A0127	002004 006102 107999	1
- 160	251N4101-93		.TRANSMISSION ASSY- POSITION DATA: RH SIDE COMPONENT MAINT MANUAL REF: 27-51-99 OPTIONAL PART: 251N4011-16 REWORKED BY SB: 27-0115 REWORKED BY ALERT SB: 27A0127	002004 006102 107999	1

MISSING ITEM NUMBERS NOT APPLICABLE

- ITEM NOT ILLUSTRATED

27-51-06-02

27-51-06  
FIG. 02  
PAGE 14  
JAN 20/09

BRI



757

PARTS CATALOG (MAINTENANCE)

FIG ITEM	PART NUMBER	1 2 3 4 5 6 7	NOMENCLATURE	EFFECT FROM TO	UNITS PER ASSY
2					
- 160	251N4011-16		.TRANSMISSION ASSY- POSITION DATA: RH SIDE MISCELLANEOUS DATA: PROCURE MAJOR COMPONENTS OPTIONAL PART: 251N4101-93	002004 006102 107999	1
- 160	251N4011-18		.TRANSMISSION ASSY- POSITION DATA: RH SIDE MISCELLANEOUS DATA: PROCURE MAJOR COMPONENTS	002004 006102 107999	1
- 160	251N4011-24		.TRANSMISSION ASSY- POSITION DATA: RH SIDE MISCELLANEOUS DATA: PROCURE MAJOR COMPONENTS	002004 006102 107999	1
- 160	251N4011-36		.TRANSMISSION ASSY- POSITION DATA: RH SIDE MISCELLANEOUS DATA: PROCURE MAJOR COMPONENTS	002004 006999	1
165	251N4050-47		..TRANSMISSION ASSY- POSITION DATA: LH SIDE COMPONENT MAINT MANUAL REF: 27-51-13 QUALIFIED I/W DATA: 251N4050-47 MAY RELACE 251N4050-43 OR -39 OR -35 OR -31 OR -27 OR -23 OR -19 WITH THE INCORPORATION OF SERVICE BULLETIN 757-27-A0127 SERVICE BULLETIN OPT DATA: 251N4022-10 251N4022-14 251N4022-18 251N4022-22 251N4022-26 251N4022-30 251N4022-34 251N4050-60 251N4050-64 POST ALERT SB: 27A0127	107107 904949	1

MISSING ITEM NUMBERS NOT APPLICABLE

- ITEM NOT ILLUSTRATED

27-51-06-02

27-51-06  
FIG. 02  
PAGE 15  
JAN 20/09

BRI



757

PARTS CATALOG (MAINTENANCE)

FIG ITEM	PART NUMBER	1 2 3 4 5 6 7	NOMENCLATURE	EFFECT FROM TO	UNITS PER ASSY
2 165	251N4050-60		.. TRANSMISSION ASSY- POSITION DATA: LH SIDE COMPONENT MAINT MANUAL REF: 27-51-13 QUALIFIED I/W DATA: 251N4050-60 MAY RELACE 251N4050-43 OR -39 OR -35 OR -31 OR -27 OR -23 OR -19 WITH THE INCORPORATION OF SERVICE BULLETIN 757-27-A0127 SERVICE BULLETIN OPT DATA: 251N4022-10 251N4022-14 251N4022-18 251N4022-22 251N4022-26 251N4022-30 251N4022-34 251N4050-47 251N4050-64	107107 904949	1
165	251N4050-19		.. TRANSMISSION ASSY- POSITION DATA: LH SIDE COMPONENT MAINT MANUAL REF: 27-51-13 QUALIFIED I/W DATA: 251N4050-47 MAY REPLACE 251N4050-19 WITH THE INCORPORATION OF SERVIC BULLETIN 757-27A0127 251N4050-60 MAY REPLACE 251N4050-19 WITH THE INCORPORATION OF SERVIC BULLETIN 757-27A0127 251N4050-64 MAY REPLACE 251N4050-19 WITH THE INCORPORATION OF SERVIC BULLETIN 757-27A0127 USED ON: 251N4101-44 PRE ALERT SB: 27A0127R2	002004 006102 108120 504951	1

MISSING ITEM NUMBERS NOT APPLICABLE

- ITEM NOT ILLUSTRATED

BRI

27-51-06-02

BOEING PROPRIETARY - Copyright © - Unpublished Work - See title page for details.

27-51-06  
FIG. 02  
PAGE 16  
JAN 20/09



757

PARTS CATALOG (MAINTENANCE)

FIG ITEM	PART NUMBER	1 2 3 4 5 6 7	NOMENCLATURE	EFFECT FROM TO	UNITS PER ASSY
2 165	251N4050-23		.. TRANSMISSION ASSY- POSITION DATA: LH SIDE COMPONENT MAINT MANUAL REF: 27-51-13 QUALIFIED I/W DATA: 251N4050-47 MAY REPLACE 251N4050-23 WITH THE INCORPORATION OF SERVIC BULLETIN 757-27A0127 251N4050-60 MAY REPLACE 251N4050-23 WITH THE INCORPORATION OF SERVIC BULLETIN 757-27A0127 251N4050-64 MAY REPLACE 251N4050-23 WITH THE INCORPORATION OF SERVIC BULLETIN 757-27A0127 USED ON: 251N4101-52 251N4101-60 PRE ALERT SB: 27A0127R2	002004 006102 108120 504951	1
165	251N4050-27		.. TRANSMISSION ASSY- POSITION DATA: LH SIDE COMPONENT MAINT MANUAL REF: 27-51-13 QUALIFIED I/W DATA: 251N4050-47 MAY REPLACE 251N4050-27 WITH THE INCORPORATION OF SERVIC BULLETIN 757-27A0127 251N4050-60 MAY REPLACE 251N4050-27 WITH THE INCORPORATION OF SERVIC BULLETIN 757-27A0127 251N4050-64 MAY REPLACE 251N4050-27 WITH THE INCORPORATION OF SERVIC BULLETIN 757-27A0127 USED ON: 251N4101-68 PRE ALERT SB: 27A0127R2	002004 006102 108120 504951	1

MISSING ITEM NUMBERS NOT APPLICABLE

- ITEM NOT ILLUSTRATED

**27-51-06-02**

27-51-06  
FIG. 02  
PAGE 17  
JAN 20/09

BRI





757

PARTS CATALOG (MAINTENANCE)

FIG ITEM	PART NUMBER	1 2 3 4 5 6 7	NOMENCLATURE	EFFECT FROM TO	UNITS PER ASSY
2 165	251N4050-31		.. TRANSMISSION ASSY- POSITION DATA: RH SIDE COMPONENT MAINT MANUAL REF: 27-51-13 QUALIFIED I/W DATA: 251N4050-47 MAY REPLACE 251N4050-31 WITH THE INCORPORATION OF SERVIC BULLETIN 757-27A0127 251N4050-60 MAY REPLACE 251N4050-31 WITH THE INCORPORATION OF SERVIC BULLETIN 757-27A0127 251N4050-64 MAY REPLACE 251N4050-31 WITH THE INCORPORATION OF SERVIC BULLETIN 757-27A0127 USED ON: 251N4101-76 PRE SERVICE BULLETIN: 27-0068 PRE ALERT SB: 27A0127R2	002004 006102 108120 504951	1
165	251N4050-35		.. TRANSMISSION ASSY- POSITION DATA: LH SIDE COMPONENT MAINT MANUAL REF: 27-51-13 QUALIFIED I/W DATA: 251N4050-47 MAY REPLACE 251N4050-35 WITH THE INCORPORATION OF SERVIC BULLETIN 757-27A0127 251N4050-60 MAY REPLACE 251N4050-35 WITH THE INCORPORATION OF SERVIC BULLETIN 757-27A0127 251N4050-64 MAY REPLACE 251N4050-35 WITH THE INCORPORATION OF SERVIC BULLETIN 757-27A0127 USED ON: 251N4101-84 PRE ALERT SB: 27A0127	002004 006102 108120 504951	1

MISSING ITEM NUMBERS NOT APPLICABLE

- ITEM NOT ILLUSTRATED

BRI

27-51-06-02

BOEING PROPRIETARY - Copyright © - Unpublished Work - See title page for details.

27-51-06  
FIG. 02  
PAGE 18  
JAN 20/09



757

PARTS CATALOG (MAINTENANCE)

FIG ITEM	PART NUMBER	1 2 3 4 5 6 7	NOMENCLATURE	EFFECT FROM TO	UNITS PER ASSY
2 165	251N4050-39		..TRANSMISSION ASSY- POSITION DATA: LH SIDE COMPONENT MAINT MANUAL REF: 27-51-13 QUALIFIED I/W DATA: 251N4050-47 MAY REPLACE 251N4050-39 WITH THE INCORPORATION OF SERVIC BULLETIN 757-27A0127 251N4050-60 MAY REPLACE 251N4050-39 WITH THE INCORPORATION OF SERVIC BULLETIN 757-27A0127 251N4050-64 MAY REPLACE 251N4050-39 WITH THE INCORPORATION OF SERVIC BULLETIN 757-27A0127 USED ON: 251N4101-92 PRE ALERT SB: 27A0127	002004 006102 108120 504951	1
165	251N4022-30		..TRANSMISSION ASSY- POSITION DATA: LH SIDE SERVICE BULLETIN OPT DATA: 251N4022-34 251N4050-47 251N4050-60 251N4050-64 USED ON: 251N4101-92 POST ALERT SB: 27A0127	107107 904949	1
165	251N4022-34		..TRANSMISSION ASSY- POSITION DATA: LH SIDE SERVICE BULLETIN OPT DATA: 251N4022-30 251N4050-47 251N4050-60 251N4050-64 USED ON: 251N4101-92 POST ALERT SB: 27A0127	107107 904949	1

MISSING ITEM NUMBERS NOT APPLICABLE

- ITEM NOT ILLUSTRATED

BRI

27-51-06-02

27-51-06  
FIG. 02  
PAGE 19  
JAN 20/09



757

PARTS CATALOG (MAINTENANCE)

FIG ITEM	PART NUMBER	1 2 3 4 5 6 7	NOMENCLATURE	EFFECT FROM TO	UNITS PER ASSY
2 166	251N4022-14		..TRANSMISSION ASSY- POSITION DATA: LH SIDE SERVICE BULLETIN OPT DATA: 251N4050-47 251N4050-60 251N4050-64 USED ON: 251N4101-52 251N4101-60 POST ALERT SB: 27A0127R2	904949	1
166	251N4022-18		..TRANSMISSION ASSY- POSITION DATA: LH SIDE SERVICE BULLETIN OPT DATA: 251N4050-47 251N4050-60 251N4050-64 USED ON: 251N4101-68 POST ALERT SB: 27A0127R2	904949	1
166	251N4022-10		..TRANSMISSION ASSY- POSITION DATA: LH SIDE SERVICE BULLETIN OPT DATA: 251N4050-47 251N4050-60 251N4050-64 USED ON: 251N4101-44 POST ALERT SB: 27A0127R2	904949	1
166	251N4022-22		..TRANSMISSION ASSY- POSITION DATA: LH SIDE SERVICE BULLETIN OPT DATA: 251N4050-47 251N4050-60 251N4050-64 USED ON: 251N4101-76 POST ALERT SB: 27A0127R2	904949	1

MISSING ITEM NUMBERS NOT APPLICABLE

- ITEM NOT ILLUSTRATED

BRI

27-51-06-02

BOEING PROPRIETARY - Copyright © - Unpublished Work - See title page for details.

27-51-06  
FIG. 02  
PAGE 20  
JAN 20/09



757

PARTS CATALOG (MAINTENANCE)

FIG ITEM	PART NUMBER	1 2 3 4 5 6 7	NOMENCLATURE	EFFECT FROM TO	UNITS PER ASSY
2 166	251N4022-26		..TRANSMISSION ASSY- POSITION DATA: LH SIDE SERVICE BULLETIN OPT DATA: 251N4050-47 251N4050-60 251N4050-64 USED ON: 251N4101-84 POST ALERT SB: 27A0127	107107 904949	1
166	251N4050-64		..TRANSMISSION ASSY- POSITION DATA: LH SIDE COMPONENT MAINT MANUAL REF: 27-51-13 QUALIFIED I/W DATA: 251N4050-64 MAY RELACE 251N4050-43 OR -39 OR -35 OR -31 OR -27 OR -23 OR -19 WITH THE INCORPORATION OF SERVICE BULLETIN 757-27-A0127 SERVICE BULLETIN OPT DATA: 251N4022-10 251N4022-14 251N4022-18 251N4022-22 251N4022-26 251N4022-30 251N4022-34 251N4050-47 251N4050-60 POST ALERT SB: 27A0127R2	107107 904949	1
- 169	251N4022-15		..TRANSMISSION ASSY- POSITION DATA: RH SIDE SERVICE BULLETIN OPT DATA: 251N4050-48 251N4050-61 251N4050-65 USED ON: 251N4101-53 251N4101-61 POST ALERT SB: 27A0127R2	904949	1

MISSING ITEM NUMBERS NOT APPLICABLE

- ITEM NOT ILLUSTRATED

**27-51-06-02**

27-51-06  
FIG. 02  
PAGE 21  
JAN 20/09

BRI



757

PARTS CATALOG (MAINTENANCE)

FIG ITEM	PART NUMBER	1 2 3 4 5 6 7	NOMENCLATURE	EFFECT FROM TO	UNITS PER ASSY
2 - 169	251N4022-19		..TRANSMISSION ASSY- POSITION DATA: RH SIDE SERVICE BULLETIN OPT DATA: 251N4050-48 251N4050-61 251N4050-65 USED ON: 251N4101-69 POST ALERT SB: 27A0127R2	904949	1
- 169	251N4022-11		..TRANSMISSION ASSY- POSITION DATA: RH SIDE SERVICE BULLETIN OPT DATA: 251N4050-48 251N4050-61 251N4050-65 USED ON: 251N4101-45 POST ALERT SB: 27A0127R2	904949	1
- 169	251N4022-23		..TRANSMISSION ASSY- POSITION DATA: RH SIDE SERVICE BULLETIN OPT DATA: 251N4050-48 251N4050-61 251N4050-65 USED ON: 251N4101-77 POST ALERT SB: 27A0127R2	904949	1
- 169	251N4022-27		..TRANSMISSION ASSY- POSITION DATA: RH SIDE SERVICE BULLETIN OPT DATA: 251N4050-48 251N4050-61 251N4050-65 USED ON: 251N4101-85 POST ALERT SB: 27A0127	107107 904949	1

MISSING ITEM NUMBERS NOT APPLICABLE

- ITEM NOT ILLUSTRATED

27-51-06-02

27-51-06  
FIG. 02  
PAGE 22  
JAN 20/09

BRI



757

PARTS CATALOG (MAINTENANCE)

FIG ITEM	PART NUMBER	1 2 3 4 5 6 7	NOMENCLATURE	EFFECT FROM TO	UNITS PER ASSY
2 - 169	251N4050-65		.. TRANSMISSION ASSY- POSITION DATA: RH SIDE COMPONENT MAINT MANUAL REF: 27-51-13 QUALIFIED I/W DATA: 251N4050-65 MAY RELACE 251N4050-44 OR -40 OR -36 OR -32 OR -28 OR -24 OR -20 WITH THE INCORPORATION OF SERVICE BULLETIN 757-27-A0127 SERVICE BULLETIN OPT DATA: 251N4022-11 251N4022-15 251N4022-19 251N4022-23 251N4022-27 251N4022-31 251N4022-35 251N4050-48 251N4050-61 POST ALERT SB: 27A0127R2	107107 904949	1
- 170	251N4050-20		.. TRANSMISSION ASSY- POSITION DATA: RH SIDE COMPONENT MAINT MANUAL REF: 27-51-13 QUALIFIED I/W DATA: 251N4050-48 MAY REPLACE 251N4050-20 WITH THE INCORPORATION OF SERVIC BULLETIN 757-27A0127 251N4050-61 MAY REPLACE 251N4050-20 WITH THE INCORPORATION OF SERVIC BULLETIN 757-27A0127 251N4050-65 MAY REPLACE 251N4050-20 WITH THE INCORPORATION OF SERVIC BULLETIN 757-27A0127 USED ON: 251N4101-45 PRE ALERT SB: 27A0127R2	002004 006102 108120 504951	1

MISSING ITEM NUMBERS NOT APPLICABLE

- ITEM NOT ILLUSTRATED

27-51-06-02

27-51-06  
FIG. 02  
PAGE 23  
JAN 20/09

BRI



757

PARTS CATALOG (MAINTENANCE)

FIG ITEM	PART NUMBER	1 2 3 4 5 6 7	NOMENCLATURE	EFFECT FROM TO	UNITS PER ASSY
2 - 170	251N4050-24		..TRANSMISSION ASSY- POSITION DATA: RH SIDE COMPONENT MAINT MANUAL REF: 27-51-13 QUALIFIED I/W DATA: 251N4050-48 MAY REPLACE 251N4050-24 WITH THE INCORPORATION OF SERVIC BULLETIN 757-27A0127 251N4050-61 MAY REPLACE 251N4050-24 WITH THE INCORPORATION OF SERVIC BULLETIN 757-27A0127 251N4050-65 MAY REPLACE 251N4050-24 WITH THE INCORPORATION OF SERVIC BULLETIN 757-27A0127 USED ON: 251N4101-53 251N4101-61 PRE ALERT SB: 27A0127R2	002004 006102 108120 504951	1
- 170	251N4050-28		..TRANSMISSION ASSY- POSITION DATA: RH SIDE COMPONENT MAINT MANUAL REF: 27-51-13 QUALIFIED I/W DATA: 251N4050-48 MAY REPLACE 251N4050-28 WITH THE INCORPORATION OF SERVIC BULLETIN 757-27A0127 251N4050-61 MAY REPLACE 251N4050-28 WITH THE INCORPORATION OF SERVIC BULLETIN 757-27A0127 251N4050-65 MAY REPLACE 251N4050-28 WITH THE INCORPORATION OF SERVIC BULLETIN 757-27A0127 USED ON: 251N4101-69 PRE ALERT SB: 27A0127R2	002004 006102 108120 504951	1

MISSING ITEM NUMBERS NOT APPLICABLE

- ITEM NOT ILLUSTRATED

27-51-06-02

27-51-06  
FIG. 02  
PAGE 24  
JAN 20/09

BRI



**757  
PARTS CATALOG (MAINTENANCE)**

FIG ITEM	PART NUMBER	1 2 3 4 5 6 7	NOMENCLATURE	EFFECT FROM TO	UNITS PER ASSY
2 - 170	251N4050-32		.. TRANSMISSION ASSY- POSITION DATA: RH SIDE COMPONENT MAINT MANUAL REF: 27-51-13 QUALIFIED I/W DATA: 251N4050-48 MAY REPLACE 251N4050-32 WITH THE INCORPORATION OF SERVIC BULLETIN 757-27A0127 251N4050-61 MAY REPLACE 251N4050-32 WITH THE INCORPORATION OF SERVIC BULLETIN 757-27A0127 251N4050-65 MAY REPLACE 251N4050-32 WITH THE INCORPORATION OF SERVIC BULLETIN 757-27A0127 USED ON: 251N4101-77 PRE ALERT SB: 27A0127R2	002004 006102 108120 504951	1
- 170	251N4050-36		.. TRANSMISSION ASSY- POSITION DATA: RH SIDE COMPONENT MAINT MANUAL REF: 27-51-13 QUALIFIED I/W DATA: 251N4050-48 MAY REPLACE 251N4050-36 WITH THE INCORPORATION OF SERVIC BULLETIN 757-27A0127 251N4050-61 MAY REPLACE 251N4050-36 WITH THE INCORPORATION OF SERVIC BULLETIN 757-27A0127 251N4050-65 MAY REPLACE 251N4050-36 WITH THE INCORPORATION OF SERVIC BULLETIN 757-27A0127 USED ON: 251N4101-85 PRE ALERT SB: 27A0127	002004 006102 108120 504951	1

MISSING ITEM NUMBERS NOT APPLICABLE

- ITEM NOT ILLUSTRATED

BRI

# 27-51-06-02

BOEING PROPRIETARY - Copyright © - Unpublished Work - See title page for details.

27-51-06  
FIG. 02  
PAGE 25  
JAN 20/09





757

PARTS CATALOG (MAINTENANCE)

FIG ITEM	PART NUMBER	1 2 3 4 5 6 7	NOMENCLATURE	EFFECT FROM TO	UNITS PER ASSY
2 - 170	251N4050-40		.. TRANSMISSION ASSY- POSITION DATA: RH SIDE COMPONENT MAINT MANUAL REF: 27-51-13 QUALIFIED I/W DATA: 251N4050-48 MAY REPLACE 251N4050-40 WITH THE INCORPORATION OF SERVIC BULLETIN 757-27A0127 251N4050-61 MAY REPLACE 251N4050-40 WITH THE INCORPORATION OF SERVIC BULLETIN 757-27A0127 251N4050-65 MAY REPLACE 251N4050-40 WITH THE INCORPORATION OF SERVIC BULLETIN 757-27A0127 USED ON: 251N4101-93 PRE ALERT SB: 27A0127	002004 006102 108120 504951	1
- 170	251N4050-48		.. TRANSMISSION ASSY- POSITION DATA: RH SIDE COMPONENT MAINT MANUAL REF: 27-51-13 QUALIFIED I/W DATA: 251N4050-48 MAY RELACE 251N4050-44 OR -40 OR -36 OR -32 OR -28 OR -24 OR -20 WITH THE INCORPORATION OF SERVICE BULLETIN 757-27-A0127 SERVICE BULLETIN OPT DATA: 251N4022-11 251N4022-15 251N4022-19 251N4022-23 251N4022-27 251N4022-31 251N4022-35 251N4050-61 251N4050-65 POST ALERT SB: 27A0127	107107 904949	1

MISSING ITEM NUMBERS NOT APPLICABLE

- ITEM NOT ILLUSTRATED

27-51-06-02

27-51-06  
FIG. 02  
PAGE 26  
JAN 20/09

BRI



757

PARTS CATALOG (MAINTENANCE)

FIG ITEM	PART NUMBER	1 2 3 4 5 6 7	NOMENCLATURE	EFFECT FROM TO	UNITS PER ASSY
2 - 170	251N4050-61		..TRANSMISSION ASSY- POSITION DATA: RH SIDE COMPONENT MAINT MANUAL REF: 27-51-13 QUALIFIED I/W DATA: 251N4050-61 MAY RELACE 251N4050-44 OR -40 OR -36 OR -32 OR -28 OR -24 OR -20 WITH THE INCORPORATION OF SERVICE BULLETIN 757-27-A0127 SERVICE BULLETIN OPT DATA: 251N4022-11 251N4022-15 251N4022-19 251N4022-23 251N4022-27 251N4022-31 251N4022-35 251N4050-48 251N4050-65	107107 904949	1
- 170	251N4022-31		..TRANSMISSION ASSY- POSITION DATA: RH SIDE SERVICE BULLETIN OPT DATA: 251N4022-35 251N4050-48 251N4050-61 251N4050-65 USED ON: 251N4101-93 POST ALERT SB: 27A0127	107107 904949	1
- 170	251N4022-35		..TRANSMISSION ASSY- POSITION DATA: RH SIDE SERVICE BULLETIN OPT DATA: 251N4022-31 251N4050-48 251N4050-61 251N4050-65 USED ON: 251N4101-93 POST ALERT SB: 27A0127	107107 904949	1

MISSING ITEM NUMBERS NOT APPLICABLE

- ITEM NOT ILLUSTRATED

27-51-06-02

27-51-06  
FIG. 02  
PAGE 27  
JAN 20/09

BRI



757

PARTS CATALOG (MAINTENANCE)

FIG ITEM	PART NUMBER	1 2 3 4 5 6 7	NOMENCLATURE	EFFECT FROM TO	UNITS PER ASSY
2 171	3-907N103-70		...PACKING- SUPPLIER CODE: V83259 USED ON: 251N4050-19 251N4050-20 251N4050-27 251N4050-28	002004 006102 107999	2
171A	3-907N103-70		...PACKING- SUPPLIER CODE: V83259 USED ON: 251N4050-23 251N4050-24 251N4050-31 251N4050-32 251N4050-35 251N4050-36 251N4050-39 251N4050-40 251N4050-43 251N4050-44 251N4050-47 251N4050-48 251N4050-60 251N4050-61 251N4050-64 251N4050-65	107107 904949 953999	3

MISSING ITEM NUMBERS NOT APPLICABLE

- ITEM NOT ILLUSTRATED

BRI

**27-51-06-02**

BOEING PROPRIETARY - Copyright © - Unpublished Work - See title page for details.

27-51-06  
FIG. 02  
PAGE 28  
JAN 20/09



757

PARTS CATALOG (MAINTENANCE)

FIG ITEM	PART NUMBER	1 2 3 4 5 6 7	NOMENCLATURE	EFFECT FROM TO	UNITS PER ASSY
2 171B	MS9953-07		... PLUG- USED ON: 251N4050-19 251N4050-20 251N4050-23 251N4050-24 251N4050-27 251N4050-28 251N4050-31 251N4050-32 251N4050-35 251N4050-36 251N4050-39 251N4050-40 251N4050-43 251N4050-44 251N4050-47 251N4050-48 251N4050-60 251N4050-61 251N4050-64 251N4050-65	107107 904949 953999	2
172	BACB30LE7-26		.. BOLT	002004 006999	2
173	BACW10BP7CD		.. WASHER	002004 006999	2
174	BACW10BP7DP		.. WASHER	002004 006999	2

MISSING ITEM NUMBERS NOT APPLICABLE

- ITEM NOT ILLUSTRATED

27-51-06-02

27-51-06  
 FIG. 02  
 PAGE 29  
 JAN 20/09

BRI



757

PARTS CATALOG (MAINTENANCE)

FIG ITEM	PART NUMBER	1 2 3 4 5 6 7	NOMENCLATURE	EFFECT FROM TO	UNITS PER ASSY
2 175	BMN10HRCPD3-7	..	NUT SUPPLIER CODE: V97928 SPECIFICATION NUMBER: BACN10HR7CS OPTIONAL PART: H39953-7 V15653 109LH9031-7 V72962 67832AS720 V56878 BH00303-7 V27238 BMN5024CPD37 V97928 109LH90317 V72962 67832AS7 V56878 SL705097 V11815 CR5908-7 VF0224 109LH90317 V72962 67832AS7 V56878 SL705097 V11815	002004 006999	2
176	251N4336-4	..	TRANSMISSION AND UJOINT- ASSY-TE FLAP #4 POSITION DATA: LH SIDE PRE SERVICE BULLETIN: 27-0115 REWORKED BY ALERT SB: 27A0127 FUNCTIONAL REFERENCE: PLACARDS AND MARKINGS FOR DETAILS SEE 11-24-13-01	002004 006102 107999	1

MISSING ITEM NUMBERS NOT APPLICABLE

- ITEM NOT ILLUSTRATED

BRI

27-51-06-02

BOEING PROPRIETARY - Copyright © - Unpublished Work - See title page for details.

27-51-06  
 FIG. 02  
 PAGE 30  
 JAN 20/09



757

PARTS CATALOG (MAINTENANCE)

FIG ITEM	PART NUMBER	1 2 3 4 5 6 7	NOMENCLATURE	EFFECT FROM TO	UNITS PER ASSY
2 176	251N4336-12		..TRANSMISSION AND UJOINT- ASSY-TE FLAP #4 POSITION DATA: LH SIDE POST SERVICE BULLETIN: 27-0115 REWORKED BY ALERT SB: 27A0127 FUNCTIONAL REFERENCE: PLACARDS AND MARKINGS FOR DETAILS SEE 11-24-13-01	002004 006102 107999	1
176	251N4336-20		..TRANSMISSION AND UJOINT- ASSY-TE FLAP #4 POSITION DATA: LH SIDE POST ALERT SB: 27A0127 FUNCTIONAL REFERENCE: PLACARDS AND MARKINGS FOR DETAILS SEE 11-24-13-01	002004 006102 107999	1
176	251N4336-28		..TRANSMISSION AND UJOINT- ASSY-TE FLAP #4 POSITION DATA: LH SIDE FUNCTIONAL REFERENCE: PLACARDS AND MARKINGS FOR DETAILS SEE 11-24-13-01	002004 006102 107999	1
- 178	251N4336-21		..TRANSMISSION AND UJOINT- ASSY-TE FLAP #5 POSITION DATA: RH SIDE POST ALERT SB: 27A0127 FUNCTIONAL REFERENCE: PLACARDS AND MARKINGS FOR DETAILS SEE 11-24-13-01	002004 006102 107999	1

MISSING ITEM NUMBERS NOT APPLICABLE

- ITEM NOT ILLUSTRATED

27-51-06-02

27-51-06  
FIG. 02  
PAGE 31  
JAN 20/09

BRI



757

PARTS CATALOG (MAINTENANCE)

FIG ITEM	PART NUMBER	1 2 3 4 5 6 7	NOMENCLATURE	EFFECT FROM TO	UNITS PER ASSY
2 - 178	251N4336-5		..TRANSMISSION AND UJOINT- ASSY-TE FLAP #5 POSITION DATA: RH SIDE PRE SERVICE BULLETIN: 27-0115 REWORKED BY ALERT SB: 27A0127 FUNCTIONAL REFERENCE: PLACARDS AND MARKINGS FOR DETAILS SEE 11-24-13-01	002004 006102 107999	1
- 178	251N4336-13		..TRANSMISSION AND UJOINT- ASSY-TE FLAP #5 POSITION DATA: RH SIDE POST SERVICE BULLETIN: 27-0115 REWORKED BY ALERT SB: 27A0127 FUNCTIONAL REFERENCE: PLACARDS AND MARKINGS FOR DETAILS SEE 11-24-13-01	002004 006102 107999	1
- 178	251N4336-29		..TRANSMISSION AND UJOINT- ASSY-TE FLAP #5 POSITION DATA: RH SIDE FUNCTIONAL REFERENCE: PLACARDS AND MARKINGS FOR DETAILS SEE 11-24-13-01	002004 006102 107999	1
179	1728B		...FITTING- SUPPLIER CODE: VOFKM1 QUALIFIED OPTIONAL DATA: (251N4053-4 OPTIONAL TO 251N4103-1 PLUS 251N4135-1 PLUS 251N4149-1 PLUS 251N4150-1 PLUS 251N4157-3 PLUS 251N4159-2 PLUS BACN10HY8M PLUS (4) 1728B FOR SPARES ONLY)	002004 006102 107999	4

MISSING ITEM NUMBERS NOT APPLICABLE

- ITEM NOT ILLUSTRATED

27-51-06-02

27-51-06  
FIG. 02  
PAGE 32  
JAN 20/09

BRI



757

PARTS CATALOG (MAINTENANCE)

FIG ITEM	PART NUMBER	1 2 3 4 5 6 7	NOMENCLATURE	EFFECT FROM TO	UNITS PER ASSY
2 180	TLN1001W38		...NUT- SUPPLIER CODE: V97928 SPECIFICATION NUMBER: BACN10HY8M OPTIONAL PART: RMLH9073-8 V72962 TLN1001WD38 V92215 69233SB8D V56878 TLN1001WD38 V97928 TLN1001W38 V92215 HW29872-8 V15653 QUALIFIED OPTIONAL DATA: (251N4053-4 OPTIONAL TO 251N4103-1 PLUS 251N4135-1 PLUS 251N4149-1 PLUS 251N4150-1 PLUS 251N4157-3 PLUS 251N4159-2 PLUS BACN10HY8M PLUS (4) 1728B FOR SPARES ONLY)	002004 006102 107999	1
182	251N4053-4		...JOINT ASSY-U QUALIFIED OPTIONAL DATA: (251N4053-4 OPTIONAL TO 251N4103-1 PLUS 251N4135-1 PLUS 251N4149-1 PLUS 251N4150-1 PLUS 251N4157-3 PLUS 251N4159-2 PLUS BACN10HY8M PLUS (4) 1728B FOR SPARES ONLY)	002004 006102 107999	1
183	251N4053-8		....SUB KIT ASSY- OPTIONAL PART: 251N4157-3	002004 006102 107999	1
183	251N4157-3		....JOINT ASSY- OPTIONAL PART: 251N4053-8	002004 006102 107999	1
184	251N4105-1		.....BEARING	002004 006102 107999	2

MISSING ITEM NUMBERS NOT APPLICABLE

- ITEM NOT ILLUSTRATED

27-51-06-02

27-51-06  
FIG. 02  
PAGE 33  
JAN 20/09

BRI

BOEING PROPRIETARY - Copyright © - Unpublished Work - See title page for details.





757

PARTS CATALOG (MAINTENANCE)

FIG ITEM	PART NUMBER	1 2 3 4 5 6 7	NOMENCLATURE	EFFECT FROM TO	UNITS PER ASSY
2 184A	251N4157-1	.....	U JOINT	002004 006102 107999	1
184B	251N4103-1	....	SPACER-BRG	002004 006102 107999	1
185	251N4135-1	...	SHAFT-SMALL INTERNAL QUALIFIED OPTIONAL DATA: (251N4053-4 OPTIONAL TO 251N4103-1 PLUS 251N4135-1 PLUS 251N4149-1 PLUS 251N4150-1 PLUS 251N4157-3 PLUS 251N4159-2 PLUS BACN10HY8M PLUS(4) 1728B FOR SPARES ONLY)	002004 006102 107999	1
190	251N4150-1	...	ADAPTER-INTERNAL SHAFT QUALIFIED OPTIONAL DATA: (251N4053-4 OPTIONAL TO 251N4103-1 PLUS 251N4135-1 PLUS 251N4149-1 PLUS 251N4150-1 PLUS 251N4157-3 PLUS 251N4159-2 PLUS BACN10HY8M PLUS (4) 1728B FOR SPARES ONLY)	002004 006102 107999	1
195	251N4149-1	...	SHAFT-LARGE INTERNAL QUALIFIED OPTIONAL DATA: (251N4053-4 OPTIONAL TO 251N4103-1 PLUS 251N4135-1 PLUS 251N4149-1 PLUS 251N4150-1 PLUS 251N4157-3 PLUS 251N4159-2 PLUS BACN10HY8M PLUS (4) 1728B FOR SPARES ONLY)	002004 006102 107999	1

MISSING ITEM NUMBERS NOT APPLICABLE

- ITEM NOT ILLUSTRATED

BRI

27-51-06-02

BOEING PROPRIETARY - Copyright © - Unpublished Work - See title page for details.

27-51-06  
FIG. 02  
PAGE 34  
JAN 20/09



757

PARTS CATALOG (MAINTENANCE)

FIG ITEM	PART NUMBER	1 2 3 4 5 6 7	NOMENCLATURE	EFFECT FROM TO	UNITS PER ASSY
2 200	251N4103-1		... SPACER-BRG QUALIFIED OPTIONAL DATA: (251N4053-4 OPTIONAL TO 251N4103-1 PLUS 251N4135-1 PLUS 251N4149-1 PLUS 251N4150-1 PLUS 251N4157-3 PLUS 251N4159-2 PLUS BACN10HY8M PLUS (4) 1728B FOR SPARES ONLY)	002004 006102 107999	1
211	251N4157-3		... JOINT ASSY- QUALIFIED OPTIONAL DATA: (251N4053-4 OPTIONAL TO 251N4103-1 PLUS 251N4135-1 PLUS 251N4149-1 PLUS 251N4150-1 PLUS 251N4157-3 PLUS 251N4159-2 PLUS BACN10HY8M PLUS (4) 1728B FOR SPARES ONLY)	002004 006102 107999	1
212	251N4105-1		.... BEARING- USED ON: 251N4157-3	002004 006102 107999	2
213	251N4157-1		.... U JOINT- USED ON: 251N4157-3	002004 006102 107999	1

MISSING ITEM NUMBERS NOT APPLICABLE

- ITEM NOT ILLUSTRATED

BRI

27-51-06-02

BOEING PROPRIETARY - Copyright © - Unpublished Work - See title page for details.

27-51-06  
FIG. 02  
PAGE 35  
JAN 20/09



757

PARTS CATALOG (MAINTENANCE)

FIG ITEM	PART NUMBER	1 2 3 4 5 6 7	NOMENCLATURE	EFFECT FROM TO	UNITS PER ASSY
2 216	251N4050-39		...TRANSMISSION ASSY- POSITION DATA: LH SIDE COMPONENT MAINT MANUAL REF: 27-51-13 QUALIFIED I/W DATA: 251N4050-47 MAY REPLACE 251N4050-39 WITH THE INCORPORATION OF SERVIC BULLETIN 757-27A0127 251N4050-60 MAY REPLACE 251N4050-39 WITH THE INCORPORATION OF SERVIC BULLETIN 757-27A0127 251N4050-64 MAY REPLACE 251N4050-39 WITH THE INCORPORATION OF SERVIC BULLETIN 757-27A0127 USED ON: 251N4336-4 PRE SERVICE BULLETIN: 27-0115 PRE ALERT SB: 27A0127	002004 006102 108120 504951	1
216	251N4050-43		...TRANSMISSION ASSY- POSITION DATA: LH SIDE COMPONENT MAINT MANUAL REF: 27-51-13 QUALIFIED I/W DATA: 251N4050-47 MAY REPLACE 251N4050-43 WITH THE INCORPORATION OF SERVIC BULLETIN 757-27A0127 251N4050-60 MAY REPLACE 251N4050-43 WITH THE INCORPORATION OF SERVIC BULLETIN 757-27A0127 251N4050-64 MAY REPLACE 251N4050-43 WITH THE INCORPORATION OF SERVIC BULLETIN 757-27A0127 USED ON: 251N4336-12 POST SERVICE BULLETIN: 27-0115 PRE ALERT SB: 27A0127	002004 006102 108120 504951	1

MISSING ITEM NUMBERS NOT APPLICABLE

- ITEM NOT ILLUSTRATED

27-51-06-02

27-51-06  
FIG. 02  
PAGE 36  
JAN 20/09

BRI



757

PARTS CATALOG (MAINTENANCE)

FIG ITEM	PART NUMBER	1 2 3 4 5 6 7 NOMENCLATURE	EFFECT FROM TO	UNITS PER ASSY
2 216	251N4050-47	... TRANSMISSION ASSY- POSITION DATA: LH SIDE COMPONENT MAINT MANUAL REF: 27-51-13 QUALIFIED I/W DATA: -47 AND -60 ARE FULLY INTERCHANGEABLE FOR 757-200. -47 I/W -60 IF FILLED WITH BRAYCO 795 OIL FOR 757-300. 251N4050-64 IS FULLY INTERCHANGEABLE WITH 251N4050-47 WHEN FILLED WITH BRAYCO 795 OIL 251N4050-47 MAY RELACE 251N4050-43 OR -39 OR -35 OR -31 OR -27 OR -23 OR -19 WITH THE INCORPORATION OF SERVICE BULLETIN 757-27-A0127 SERVICE BULLETIN OPT DATA: 215N4050-60 251N4022-34 251N4022-30 251N4050-64 USED ON: 251N4336-4 251N4336-20	002004 006102 107999	1

MISSING ITEM NUMBERS NOT APPLICABLE

- ITEM NOT ILLUSTRATED

BRI

**27-51-06-02**

BOEING PROPRIETARY - Copyright © - Unpublished Work - See title page for details.

27-51-06  
FIG. 02  
PAGE 37  
JAN 20/09



757

PARTS CATALOG (MAINTENANCE)

FIG ITEM	PART NUMBER	1 2 3 4 5 6 7	NOMENCLATURE	EFFECT FROM TO	UNITS PER ASSY
2 216	251N4050-60		...TRANSMISSION ASSY- POSITION DATA: LH SIDE COMPONENT MAINT MANUAL REF: 27-51-13 QUALIFIED I/W DATA: -47 AND -60 ARE FULLY INTERCHAGEABLE FOR 757-200. -47 I/W -60 IF FILLED WITH BRAYCO 795 OIL FOR 757-300. 251N4050-60 MAY RELACE 251N4050-43 OR -39 OR -35 OR -31 OR -27 OR -23 OR -19 WITH THE INCORPORATION OF SERVICE BULLETIN 757-27-A0127 OPTIONAL PART: 251N4050-64 SERVICE BULLETIN OPT DATA: 251N4022-30 251N4022-34 251N4050-47 251N4050-64 USED ON: 251N4336-4 251N4336-20 251N4336-28	002004 006999	1
216	251N4022-34		...TRANSMISSION ASSY- POSITION DATA: LH SIDE SERVICE BULLETIN OPT DATA: 251N4050-47 251N4050-60 251N4050-64 USED ON: 251N4336-20 POST ALERT SB: 27A0127	002004 006100 107107 121503 904999	1

MISSING ITEM NUMBERS NOT APPLICABLE

- ITEM NOT ILLUSTRATED

BRI

27-51-06-02

BOEING PROPRIETARY - Copyright © - Unpublished Work - See title page for details.

27-51-06  
FIG. 02  
PAGE 38  
JAN 20/09



757

PARTS CATALOG (MAINTENANCE)

FIG ITEM	PART NUMBER	1 2 3 4 5 6 7	NOMENCLATURE	EFFECT FROM TO	UNITS PER ASSY
2 216	251N4022-30		...TRANSMISSION ASSY- POSITION DATA: LH SIDE SERVICE BULLETIN OPT DATA: 251N4050-47 251N4050-60 251N4050-64 USED ON: 251N4336-4 POST ALERT SB: 27A0127	002004 006100 107107 121503 904949 952999	1
216	251N4050-64		...TRANSMISSION ASSY- POSITION DATA: LH SIDE COMPONENT MAINT MANUAL REF: 27-51-13 QUALIFIED I/W DATA: 757-27-A0127 251N4050-64 IS FULLY INTERCHANGEABLE WITH 251N4050-47 WHEN FILLED WITH BRAYCO 795 OIL 251N4050-64 MAY RELACE 251N4050-43 OR -39 OR -35 OR -31 OR -27 OR -23 OR -19 WITH THE INCORPORATION OF SERVICE BULLETIN 757-27-A0127 OPTIONAL PART: 251N4050-60 SERVICE BULLETIN OPT DATA: 251N4022-30 251N4022-34 251N4050-47 251N4050-60 USED ON: 251N4336-4 251N4336-20 POST ALERT SB: 27A0127R2	002004 006999	1

MISSING ITEM NUMBERS NOT APPLICABLE

- ITEM NOT ILLUSTRATED

BRI

27-51-06-02

BOEING PROPRIETARY - Copyright © - Unpublished Work - See title page for details.

27-51-06  
 FIG. 02  
 PAGE 39  
 JAN 20/09



757

PARTS CATALOG (MAINTENANCE)

FIG ITEM	PART NUMBER	1 2 3 4 5 6 7	NOMENCLATURE	EFFECT FROM TO	UNITS PER ASSY
2 - 221	251N4050-40		...TRANSMISSION ASSY- POSITION DATA: RH SIDE COMPONENT MAINT MANUAL REF: 27-51-13 QUALIFIED I/W DATA: 251N4050-48 MAY REPLACE 251N4050-40 WITH THE INCORPORATION OF SERVIC BULLETIN 757-27A0127 251N4050-61 MAY REPLACE 251N4050-40 WITH THE INCORPORATION OF SERVIC BULLETIN 757-27A0127 251N4050-65 MAY REPLACE 251N4050-40 WITH THE INCORPORATION OF SERVIC BULLETIN 757-27A0127 USED ON: 251N4336-5 PRE SERVICE BULLETIN: 27-0115 PRE ALERT SB: 27A0127	002004 006102 108120 504951	1
- 221	251N4050-44		...TRANSMISSION ASSY- POSITION DATA: RH SIDE COMPONENT MAINT MANUAL REF: 27-51-13 QUALIFIED I/W DATA: 251N4050-48 MAY REPLACE 251N4050-44 WITH THE INCORPORATION OF SERVIC BULLETIN 757-27A0127 251N4050-61 MAY REPLACE 251N4050-44 WITH THE INCORPORATION OF SERVIC BULLETIN 757-27A0127 251N4050-65 MAY REPLACE 251N4050-44 WITH THE INCORPORATION OF SERVIC BULLETIN 757-27A0127 USED ON: 251N4336-13 POST SERVICE BULLETIN: 27-0115 PRE ALERT SB: 27A0127	002004 006102 108120 504951	1

MISSING ITEM NUMBERS NOT APPLICABLE

- ITEM NOT ILLUSTRATED

BRI

27-51-06-02

BOEING PROPRIETARY - Copyright © - Unpublished Work - See title page for details.

27-51-06  
FIG. 02  
PAGE 40  
JAN 20/09



757

PARTS CATALOG (MAINTENANCE)

FIG ITEM	PART NUMBER	1 2 3 4 5 6 7	NOMENCLATURE	EFFECT FROM TO	UNITS PER ASSY
2 - 221	251N4050-48		... TRANSMISSION ASSY- POSITION DATA: RH SIDE COMPONENT MAINT MANUAL REF: 27-51-13 QUALIFIED I/W DATA: -48 AND -61 ARE FULLY INTERCHANGEABLE FOR 757-200. -48 I/W -61 IF FILLED WITH BRAYCO 795 OIL FOR 757-300. 251N4050-65 IS FULLY INTERCHANGEABLE WITH 251N4050-48 WHEN FILLED WITH BRAYCO 795 OIL 251N4050-48 MAY RELACE 251N4050-44 OR -40 OR -36 OR -32 OR -28 OR -24 OR -20 WITH THE INCORPORATION OF SERVICE BULLETIN 757-27-A0127 SERVICE BULLETIN OPT DATA: 251N4050-61 251N4022-35 251N4022-31 251N4050-65 USED ON: 251N4336-5 251N4336-21	002004 006102 107999	1

MISSING ITEM NUMBERS NOT APPLICABLE

- ITEM NOT ILLUSTRATED

**27-51-06-02**

27-51-06  
FIG. 02  
PAGE 41  
JAN 20/09

BRI





757

PARTS CATALOG (MAINTENANCE)

FIG ITEM	PART NUMBER	1 2 3 4 5 6 7	NOMENCLATURE	EFFECT FROM TO	UNITS PER ASSY
2 - 221	251N4050-61		...TRANSMISSION ASSY- POSITION DATA: RH SIDE COMPONENT MAINT MANUAL REF: 27-51-13 QUALIFIED I/W DATA: -48 AND -61 ARE FULLY INTERCHANGEABLE FOR 757-200. -48 I/W -61 IF FILLED WITH BRAYCO 795 OIL FOR 757-300. 251N4050-61 MAY RELACE 251N4050-44 OR -40 OR -36 OR -32 OR -28 OR -24 OR -20 WITH THE INCORPORATION OF SERVICE BULLETIN 757-27-A0127 OPTIONAL PART: 251N4050-65 SERVICE BULLETIN OPT DATA: 251N4022-31 251N4022-35 251N4050-48 251N4050-65 USED ON: 251N4336-5 251N4336-21 251N4336-29	002004 006999	1
- 221	251N4022-35		...TRANSMISSION ASSY- POSITION DATA: RH SIDE SERVICE BULLETIN OPT DATA: 251N4050-48 251N4050-61 251N4050-65 USED ON: 251N4336-21 POST ALERT SB: 27A0127	002004 006100 107107 121503 904999	1

MISSING ITEM NUMBERS NOT APPLICABLE

- ITEM NOT ILLUSTRATED

BRI

27-51-06-02

BOEING PROPRIETARY - Copyright © - Unpublished Work - See title page for details.

27-51-06  
FIG. 02  
PAGE 42  
JAN 20/09



757

PARTS CATALOG (MAINTENANCE)

FIG ITEM	PART NUMBER	1 2 3 4 5 6 7	NOMENCLATURE	EFFECT FROM TO	UNITS PER ASSY
2 - 221	251N4022-31		...TRANSMISSION ASSY- POSITION DATA: RH SIDE SERVICE BULLETIN OPT DATA: 251N4050-48 251N4050-61 251B4050-64 USED ON: 251N4336-5 POST ALERT SB: 27A0127	002004 006100 107107 121503 904949 952999	1
- 221	251N4050-65		...TRANSMISSION ASSY- POSITION DATA: RH SIDE COMPONENT MAINT MANUAL REF: 27-51-13 QUALIFIED I/W DATA: 251N4050-65 IS FULLY INTERCHANGEABLE WITH 251N4050-48 WHEN FILLED WITH BRAYCO 795 OIL 251N4050-65 MAY RELACE 251N4050-44 OR -40 OR -36 OR -32 OR -28 OR -24 OR -20 WITH THE INCORPORATION OF SERVICE BULLETIN 757-27-A0127 OPTIONAL PART: 251N4050-61 SERVICE BULLETIN OPT DATA: 251N4022-31 251N4022-35 251N4050-48 251N4050-61 USED ON: 251N4336-5 251N4336-21 POST ALERT SB: 27A0127R2	002004 006999	1

MISSING ITEM NUMBERS NOT APPLICABLE

- ITEM NOT ILLUSTRATED

BRI

**27-51-06-02**

27-51-06  
FIG. 02  
PAGE 43  
JAN 20/09



757

PARTS CATALOG (MAINTENANCE)

FIG ITEM	PART NUMBER	1 2 3 4 5 6 7	NOMENCLATURE	EFFECT FROM TO	UNITS PER ASSY
2 223	3-907N103-70	.....	PACKING- SUPPLIER CODE: V83259 USED ON: 251N4050-39 251N4050-40 251N4050-43 251N4050-44 251N4050-47 251N4050-48 251N4050-60 251N4050-61 251N4050-64 251N4050-65	002004 006999	3
224	MS9953-07	.....	PLUG- USED ON: 251N4050-39 251N4050-40 251N4050-43 251N4050-44 251N4050-47 251N4050-48 251N4050-60 251N4050-61 251N4050-64 251N4050-65	002004 006999	2
226	251N4053-4	...	JOINT ASSY-U USED ON: 251N4101-44 251N4101-45 251N4101-52 251N4101-53 251N4101-60 251N4101-61 251N4101-68 251N4101-69 251N4101-76 251N4101-77 251N4101-84 251N4101-85 251N4101-92 251N4101-93	002004 006102 107999	1
227	251N4053-8	...	SUB KIT ASSY- OPTIONAL PART: 251N4157-3	002004 006102 107999	1
227	251N4157-3	...	JOINT ASSY- OPTIONAL PART: 251N4053-8	002004 006102 107999	1

MISSING ITEM NUMBERS NOT APPLICABLE

- ITEM NOT ILLUSTRATED

27-51-06-02

27-51-06  
FIG. 02  
PAGE 44  
JAN 20/09

BRI



757

PARTS CATALOG (MAINTENANCE)

FIG ITEM	PART NUMBER	1 2 3 4 5 6 7	NOMENCLATURE	EFFECT FROM TO	UNITS PER ASSY
2					
228	251N4105-1	....	BEARING	002004 006102 107999	2
228A	251N4157-1	....	U JOINT	002004 006102 107999	1
228B	251N4103-1	...	SPACER-BRG	002004 006102 107999	1
228C	251N4135-1	...	SHAFT-SMALL INTERNAL	002004 006102 107999	1
228D	251N4150-1	...	ADAPTER-INTERNAL SHAFT	002004 006102 107999	1
228E	251N4149-1	...	SHAFT-LARGE INTERNAL	002004 006102 107999	1
228F	1728B	...	FITTING- SUPPLIER CODE: VOFKM1	002004 006102 107999	4
228G	TLN1001W38	...	NUT SUPPLIER CODE: V97928 SPECIFICATION NUMBER: BACN10HY8M OPTIONAL PART: RMLH9073-8 V72962 TLN1001WD38 V92215 69233SB8D V56878 TLN1001WD38 V97928 TLN1001W38 V92215 HW29872-8 V15653	002004 006102 107999	1

MISSING ITEM NUMBERS NOT APPLICABLE

- ITEM NOT ILLUSTRATED

BRI

27-51-06-02

BOEING PROPRIETARY - Copyright © - Unpublished Work - See title page for details.

27-51-06  
FIG. 02  
PAGE 45  
JAN 20/09



757

PARTS CATALOG (MAINTENANCE)

FIG ITEM	PART NUMBER	1 2 3 4 5 6 7	NOMENCLATURE	EFFECT FROM TO	UNITS PER ASSY
2 280	7820924		.. SCREW ASSY- SUPPLIER CODE: VOA335 SPECIFICATION NUMBER: S251N401-8 COMPONENT MAINT MANUAL REF: 27-51-20 OPTIONAL PART: 7821344 VOA335 USED ON: 251N4011-23 251N4011-24 USED ON: 251N4101-44 251N4101-45 251N4101-60 251N4101-61 251N4101-68 251N4101-69 251N4101-76 251N4101-77 251N4101-85 251N4101-92 251N4101-93 251N4101-84 251N4011-15 251N4011-16	002004 006999	1
280	7821344		.. SCREW ASSY- SUPPLIER CODE: VOA335 SPECIFICATION NUMBER: S251N401-12 COMPONENT MAINT MANUAL REF: 27-51-20 OPTIONAL PART: 7820924 VOA335 USED ON: 251N4011-23 251N4011-24 USED ON: 251N4101-52 251N4101-53 251N4101-84 251N4101-85 251N4101-92 251N4101-93	002004 006999	1

MISSING ITEM NUMBERS NOT APPLICABLE

- ITEM NOT ILLUSTRATED

**27-51-06-02**

27-51-06  
FIG. 02  
PAGE 46  
JAN 20/09

BRI



757

PARTS CATALOG (MAINTENANCE)

FIG ITEM	PART NUMBER	1 2 3 4 5 6 7	NOMENCLATURE	EFFECT FROM TO	UNITS PER ASSY
2					
280	7829998	..	SCREW ASSY- SUPPLIER CODE: VOA335 SPECIFICATION NUMBER: S251N401-20 COMPONENT MAINT MANUAL REF: 27-51-20	002004 006999	1
285	1646B	...	FITTING- SUPPLIER CODE: V95879	002004 006999	2
290	NAS1291-3	...	NUT	002004 006999	1
295	5669341	...	PLATE-IDENT SUPPLIER CODE: VOA335	002004 006999	1
300	5702378	...	PLATE-INSTRUCTION SUPPLIER CODE: VOA335	002004 006999	2

MISSING ITEM NUMBERS NOT APPLICABLE

- ITEM NOT ILLUSTRATED

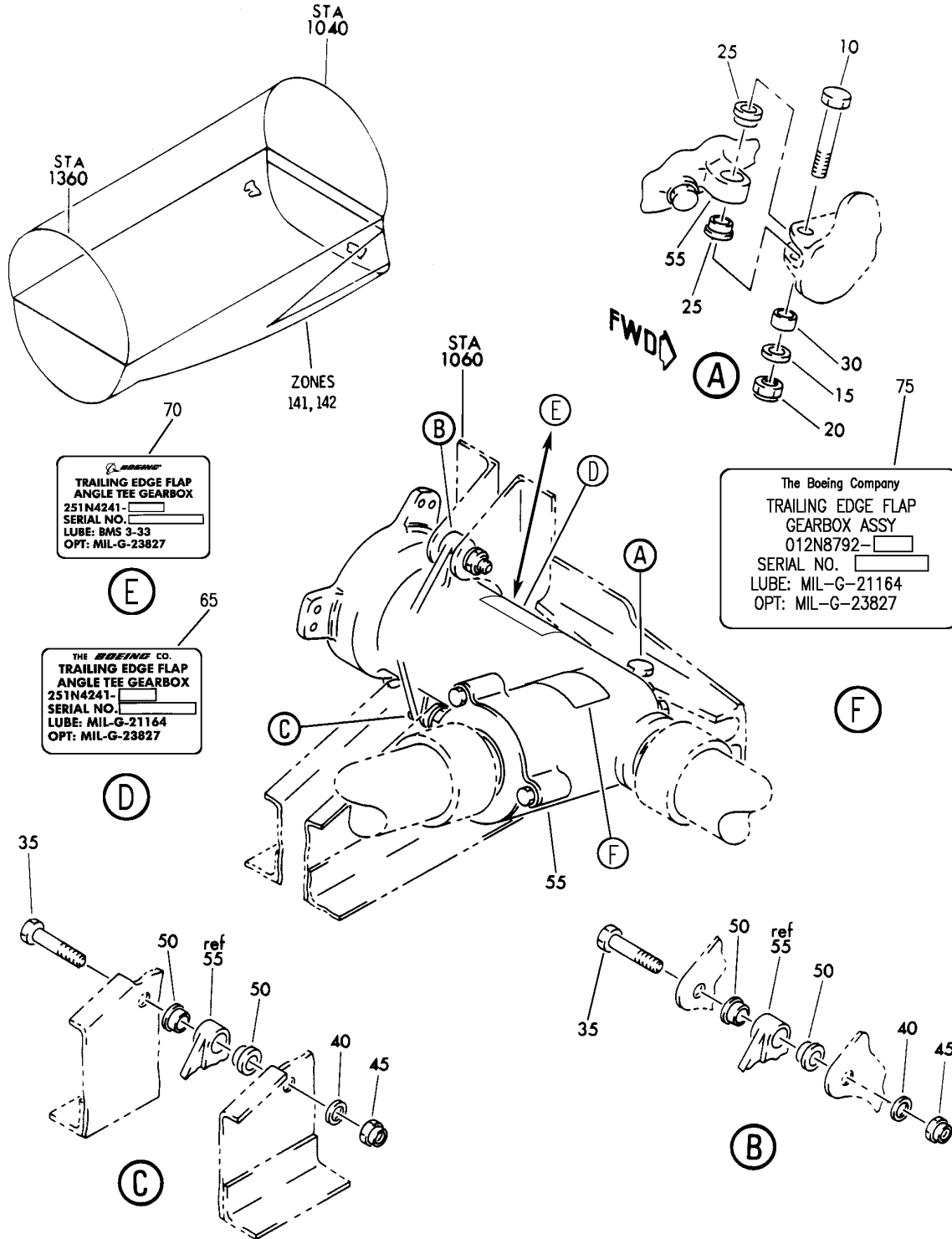
BRI

**27-51-06-02**

BOEING PROPRIETARY - Copyright © - Unpublished Work - See title page for details.

27-51-06  
FIG. 02  
PAGE 47  
JAN 20/09

**BOEING**  
757  
PARTS CATALOG (MAINTENANCE)



Y 27510701 REV 273

GEAR BOX INSTL-INBD TE FLAP DRIVE INBD TEE  
FIGURE 1

**27-51-07-01**

BRI  
MAY 28/07

27-51-07-01  
PAGE 0



757

PARTS CATALOG (MAINTENANCE)

FIG ITEM	PART NUMBER	1 2 3 4 5 6 7	NOMENCLATURE	EFFECT FROM TO	UNITS PER ASSY
1			GEAR BOX INSTL-INBD TE FLAP DRIVE INBD TEE	002004 006999	
- 1	251N4005-1		GEAR BOX INSTL-TE FLAP DRIVE INBD TEE POSITION DATA: LH FOR NHA SEE: 27-51-25-03	002004 006100 107107 121503 904999	RF
- 1	251N4005-5		GEAR BOX INSTL-INBD TE FLAP DRIVE INBD TEE POSITION DATA: LH FOR NHA SEE: 27-50-00-01	101101	RF
- 1	251N4005-13		GEAR BOX INSTL-INBD TE FLAP DRIVE INBD TEE POSITION DATA: LH FOR NHA SEE: 27-50-00-01	102102 108120 504903	RF
- 1	MODREF7562		GEAR BOX INSTL-INBD TE FLAP DRIVE INBD TEE MODULE NUMBER: 251N4005-13 REV A POSITION DATA: LH	103103	1
- 1	MODREF27510		GEAR BOX INSTL-INBD TE FLAP DRIVE INBD TEE MODULE NUMBER: 251N4005-13 REV B POSITION DATA: LH	104106	1
- 5	251N4005-2		GEAR BOX INSTL-INBD TE FLAP DRIVE INBD TEE POSITION DATA: RH FOR NHA SEE: 27-51-25-03	002004 006100 107107 121503 904999	RF
- 5	251N4005-6		GEAR BOX INSTL-INBD TE FLAP DRIVE INBD TEE POSITION DATA: RH FOR NHA SEE: 27-50-00-01	101101	RF

MISSING ITEM NUMBERS NOT APPLICABLE

- ITEM NOT ILLUSTRATED

BRI

27-51-07-01

27-51-07  
FIG. 01  
PAGE 1  
JAN 20/09





757

PARTS CATALOG (MAINTENANCE)

FIG ITEM	PART NUMBER	1 2 3 4 5 6 7	NOMENCLATURE	EFFECT FROM TO	UNITS PER ASSY
1					
- 5	251N4005-14		GEAR BOX INSTL-INBD TE FLAP DRIVE INBD TEE POSITION DATA: RH FOR NHA SEE: 27-50-00-01	102102 108120 504903	RF
- 5	MODREF7563		GEAR BOX INSTL-INBD TE FLAP DRIVE INBD TEE MODULE NUMBER: 251N4005-14 REV A POSITION DATA: RH	103103	1
- 5	MODREF27511		GEAR BOX INSTL-INBD TE FLAP DRIVE INBD TEE MODULE NUMBER: 251N4005-14 REV B POSITION DATA: RH	104106	1
10	BACB30NR4K15		.BOLT	002004 006999	1
15	AN960PD416L		.WASHER	002004 006999	1
20	BRH10C4D		.NUT SUPPLIER CODE: V52828 SPECIFICATION NUMBER: BACN10JC4CD OPTIONAL PART: T6C428JCD V11815 NS202486-048 V80539 102LH9075-4W V72962 H51650-4BAC V15653	002004 006999	1
30	NAS73-4-004		.BUSHING	002004 006999	1
35	BACB30NR4K14		.BOLT	002004 006999	2
40	AN960PD416L		.WASHER	002004 006999	2

MISSING ITEM NUMBERS NOT APPLICABLE

- ITEM NOT ILLUSTRATED

BRI

27-51-07-01

27-51-07  
FIG. 01  
PAGE 2  
JAN 20/09



757

PARTS CATALOG (MAINTENANCE)

FIG ITEM	PART NUMBER	1 2 3 4 5 6 7	NOMENCLATURE	EFFECT FROM TO	UNITS PER ASSY
1 45	BRH10C4D	.	NUT SUPPLIER CODE: V52828 SPECIFICATION NUMBER: BACN10JC4CD OPTIONAL PART: T6C428JCD V11815 NS202486-048 V80539 102LH9075-4W V72962 H51650-4BAC V15653	002004 006999	2
55	251N4241-19	.	GEAR BOX ASSY- POSITION DATA: LH SIDE COMPONENT MAINT MANUAL REF: 27-51-30 QUALIFIED I/W DATA: 251N4241-19 INTERCHANGEABLE WITH 251N4241-13, -15 OR -17 TOGETHER WITH (2EA) BACB28X4M020 AND (4EA) BACB28X4M024 251N4241-21, -23 OR -25 MAY REPLACE 251N4241-19 WITH THE INCORPORATION OF SERVICE BULLETIN 757-27-0107	002004 006010 107107 121503 904949 951999	1

MISSING ITEM NUMBERS NOT APPLICABLE

- ITEM NOT ILLUSTRATED

BRI

27-51-07-01

BOEING PROPRIETARY - Copyright © - Unpublished Work - See title page for details.

27-51-07  
FIG. 01  
PAGE 3  
JAN 20/09



757

PARTS CATALOG (MAINTENANCE)

FIG ITEM	PART NUMBER	1 2 3 4 5 6 7	NOMENCLATURE	EFFECT FROM TO	UNITS PER ASSY
1 55	251N4241-21		.GEAR BOX ASSY- POSITION DATA: LH SIDE COMPONENT MAINT MANUAL REF: 27-51-30 QUALIFIED I/W DATA: 251N4241-21 MAY REPLACE 251N4241-19 WITH THE INCORPORATION OF SERVICE BULLETIN 757-27-0107 251N4241-21 MAY REPLACE 251N4241-13, -15 OR -17 TOGETHER WITH (2EA) BACB28X4M020 AND (4EA) BACB28X4M024 AND WITH THE INCORPORATION OF SERVICE BULLETIN 757-27-0107 SERVICE BULLETIN OPT DATA: 012N8792-35 012N8792-37 012N8792-39 012N8792-41 POST SERVICE BULLETIN: 27-0107	011100 103106 950950	1
55	251N4241-23		.GEAR BOX ASSY- POSITION DATA: LH SIDE COMPONENT MAINT MANUAL REF: 27-51-30 QUALIFIED I/W DATA: 251N4241-23 MAY REPLACE 251N4241-19 WITH THE INCORPORATION OF SERVICE BULLETIN 757-27-0107 251N4241-23 MAY REPLACE 251N4241-13, -15 OR -17 TOGETHER WITH (2EA) BACB28X4M020 AND (4EA) BACB28X4M024 AND WITH THE INCORPORATION OF SERVICE BULLETIN 757-27-0107	011106 108120 504903	1

MISSING ITEM NUMBERS NOT APPLICABLE

- ITEM NOT ILLUSTRATED

BRI

27-51-07-01

27-51-07  
FIG. 01  
PAGE 4  
JAN 20/09



757

PARTS CATALOG (MAINTENANCE)

FIG ITEM	PART NUMBER	1 2 3 4 5 6 7	NOMENCLATURE	EFFECT FROM TO	UNITS PER ASSY
1					
55	012N8792-35		.GEAR BOX ASSY- POSITION DATA: LH SIDE MISCELLANEOUS DATA: REPLACES 251N4241-11 TERMINATING ACTION FOR AD 2003-07-13 SERVICE BULLETIN OPT DATA: 012N8792-37 012N8792-39 012N8792-41 251N4241-21 POST SERVICE BULLETIN: 27-0107	950950	1
55	251N4241-25		.GEAR BOX ASSY- POSITION DATA: LH SIDE COMPONENT MAINT MANUAL REF: 27-51-30 QUALIFIED I/W DATA: 251N4241-25 MAY REPLACE 251N4241-19 WITH THE INCORPORATION OF SERVICE BULLETIN 757-27-0107 251N4241-25 MAY REPLACE 251N4241-13, -15 OR -17 TOGETHER WITH (2EA) BACB28X4M020 AND (4EA) BACB28X4M024 AND WITH THE INCORPORATION OF SERVICE BULLETIN 757-27-0107	011106 108120 504903	1
55	012N8792-37		.GEAR BOX ASSY- POSITION DATA: LH SIDE MISCELLANEOUS DATA: REPLACES 251N4241-13 TERMINATING ACTION FOR AD 2003-07-13 SERVICE BULLETIN OPT DATA: 012N8792-35 012N8792-39 012N8792-41 251N4241-21 POST SERVICE BULLETIN: 27-0107	950950	1

MISSING ITEM NUMBERS NOT APPLICABLE

- ITEM NOT ILLUSTRATED

BRI

27-51-07-01

BOEING PROPRIETARY - Copyright © - Unpublished Work - See title page for details.

27-51-07  
FIG. 01  
PAGE 5  
JAN 20/09



757

PARTS CATALOG (MAINTENANCE)

FIG ITEM	PART NUMBER	1 2 3 4 5 6 7	NOMENCLATURE	EFFECT FROM TO	UNITS PER ASSY
1	55 012N8792-39		.GEAR BOX ASSY- POSITION DATA: LH SIDE MISCELLANEOUS DATA: REPLACES 251N4241-15 TERMINATING ACTION FOR AD 2003-07-13 SERVICE BULLETIN OPT DATA: 012N8792-35 012N8792-37 012N8792-41 251N4241-21 POST SERVICE BULLETIN: 27-0107	950950	1
	55 012N8792-41		.GEAR BOX ASSY- POSITION DATA: LH SIDE MISCELLANEOUS DATA: REPLACES 251N4241-17 TERMINATING ACTION FOR AD 2003-07-13 COMPONENT MAINT MANUAL REF: 27-51-30 SERVICE BULLETIN OPT DATA: 012N8792-35 012N8792-37 012N8792-39 251N4241-21 POST SERVICE BULLETIN: 27-0107	950950	1
-	60 251N4241-20		.GEAR BOX ASSY- POSITION DATA: RH SIDE COMPONENT MAINT MANUAL REF: 27-51-30 QUALIFIED I/W DATA: 251N4241-20 INTERCHANGEABLE WITH 251N4241-14, -16 OR -18 TOGETHER WITH (2EA) BACB28X4M020 AND (4EA) BACB28X4M024 251N4241-22, -24 OR -26 MAY REPLACE 251N4241-20 WITH THE INCORPORATION OF SERVICE BULLETIN 757-27-0107	002004 006010 107107 121503 904949 951999	1

MISSING ITEM NUMBERS NOT APPLICABLE

- ITEM NOT ILLUSTRATED

BRI

27-51-07-01

27-51-07  
FIG. 01  
PAGE 6  
JAN 20/09



757

PARTS CATALOG (MAINTENANCE)

FIG ITEM	PART NUMBER	1 2 3 4 5 6 7	NOMENCLATURE	EFFECT FROM TO	UNITS PER ASSY
1 - 60	251N4241-22		.GEAR BOX ASSY- POSITION DATA: RH SIDE COMPONENT MAINT MANUAL REF: 27-51-30 QUALIFIED I/W DATA: 251N4241-22 MAY REPLACE 251N4241-20 WITH THE INCORPORATION OF SERVICE BULLETIN 757-27-0107 251N4241-22 MAY REPLACE 251N4241-14, -16 OR -18 TOGETHER WITH (2EA) BACB28X4M020 AND (4EA) BACB28X4M024 AND WITH THE INCORPORATION OF SERVICE BULLETIN 757-27-0107 SERVICE BULLETIN OPT DATA: 012N8792-36 012N8792-38 012N8792-40 012N8792-42 POST SERVICE BULLETIN: 27-0107	011100 103106 950950	1
- 60	251N4241-24		.GEAR BOX ASSY- POSITION DATA: RH SIDE COMPONENT MAINT MANUAL REF: 27-51-30 QUALIFIED I/W DATA: 251N4241-24 MAY REPLACE 251N4241-20 WITH THE INCORPORATION OF SERVICE BULLETIN 757-27-0107 251N4241-24 MAY REPLACE 251N4241-14, -16 OR -18 TOGETHER WITH (2EA) BACB28X4M020 AND (4EA) BACB28X4M024 AND WITH THE INCORPORATION OF SERVICE BULLETIN 757-27-0107	011106 108120 504903	1

MISSING ITEM NUMBERS NOT APPLICABLE

- ITEM NOT ILLUSTRATED

BRI

27-51-07-01

BOEING PROPRIETARY - Copyright © - Unpublished Work - See title page for details.

27-51-07  
FIG. 01  
PAGE 7  
JAN 20/09



757

PARTS CATALOG (MAINTENANCE)

FIG ITEM	PART NUMBER	1 2 3 4 5 6 7	NOMENCLATURE	EFFECT FROM TO	UNITS PER ASSY
1 - 60	251N4241-26		.GEAR BOX ASSY- POSITION DATA: RH SIDE COMPONENT MAINT MANUAL REF: 27-51-30 QUALIFIED I/W DATA: 251N4241-26 MAY REPLACE 251N4241-20 WITH THE INCORPORATION OF SERVICE BULLETIN 757-27-0107 251N4241-26 MAY REPLACE 251N4241-14, -16 OR -18 TOGETHER WITH (2EA) BACB28X4M020 AND (4EA) BACB28X4M024 AND WITH THE INCORPORATION OF SERVICE BULLETIN 757-27-0107	011106 108120 504903	1
- 60	012N8792-36		.GEAR BOX ASSY- POSITION DATA: RH SIDE MISCELLANEOUS DATA: REPLACES 251N4241-12 TERMINATING ACTION FOR AD 2003-07-13 SERVICE BULLETIN OPT DATA: 012N8792-38 012N8792-40 012N8792-42 251N4241-22 POST SERVICE BULLETIN: 27-0107	950950	1
- 60	012N8792-38		.GEAR BOX ASSY- POSITION DATA: RH SIDE MISCELLANEOUS DATA: REPLACES 251N4241-14 TERMINATING ACTION FOR AD 2003-07-13 SERVICE BULLETIN OPT DATA: 012N8792-36 012N8792-40 012N8792-42 251N4241-22 POST SERVICE BULLETIN: 27-0107	950950	1

MISSING ITEM NUMBERS NOT APPLICABLE

- ITEM NOT ILLUSTRATED

**27-51-07-01**

27-51-07  
FIG. 01  
PAGE 8  
JAN 20/09

BRI



757

PARTS CATALOG (MAINTENANCE)

FIG ITEM	PART NUMBER	1 2 3 4 5 6 7	NOMENCLATURE	EFFECT FROM TO	UNITS PER ASSY
1					
- 60	012N8792-40		.GEAR BOX ASSY- POSITION DATA: RH SIDE MISCELLANEOUS DATA: REPLACES 251N4241-16 TERMINATING ACTION FOR AD 2003-07-13 SERVICE BULLETIN OPT DATA: 012N8792-36 012N8792-38 012N8792-42 251N4241-22 POST SERVICE BULLETIN: 27-0107	950950	1
- 60	012N8792-42		.GEAR BOX ASSY- POSITION DATA: RH SIDE MISCELLANEOUS DATA: REPLACES 251N4241-18 TERMINATING ACTION FOR AD 2003-07-13 COMPONENT MAINT MANUAL REF: 27-51-30 SERVICE BULLETIN OPT DATA: 012N8792-36 012N8792-38 012N8792-40 251N4241-22 POST SERVICE BULLETIN: 27-0107	950950	1
65	BAC27NCT0244		..NAMEPLATE- USED ON: 251N4241-19 251N4241-20 251N4241-21 251N4241-22 251N4241-23 251N4241-24	002004 006999	1
70	BAC27NCT335		..NAMEPLATE- USED ON: 251N4241-25 251N4241-26	011106 108120 504903	1

MISSING ITEM NUMBERS NOT APPLICABLE

- ITEM NOT ILLUSTRATED

BRI

27-51-07-01

BOEING PROPRIETARY - Copyright © - Unpublished Work - See title page for details.

27-51-07  
FIG. 01  
PAGE 9  
JAN 20/09





**757**  
**PARTS CATALOG (MAINTENANCE)**

FIG ITEM	PART NUMBER	1 2 3 4 5 6 7 NOMENCLATURE	EFFECT FROM TO	UNITS PER ASSY
1 75	BAC27NCT308	..NAMEPLATE- USED ON: 012N8792-35 012N8792-36 012N8792-37 012N8792-38 012N8792-39 012N8792-40 012N8792-41 012N8792-42 POST SERVICE BULLETIN: 27-0107	950950	1

MISSING ITEM NUMBERS NOT APPLICABLE

— ITEM NOT ILLUSTRATED

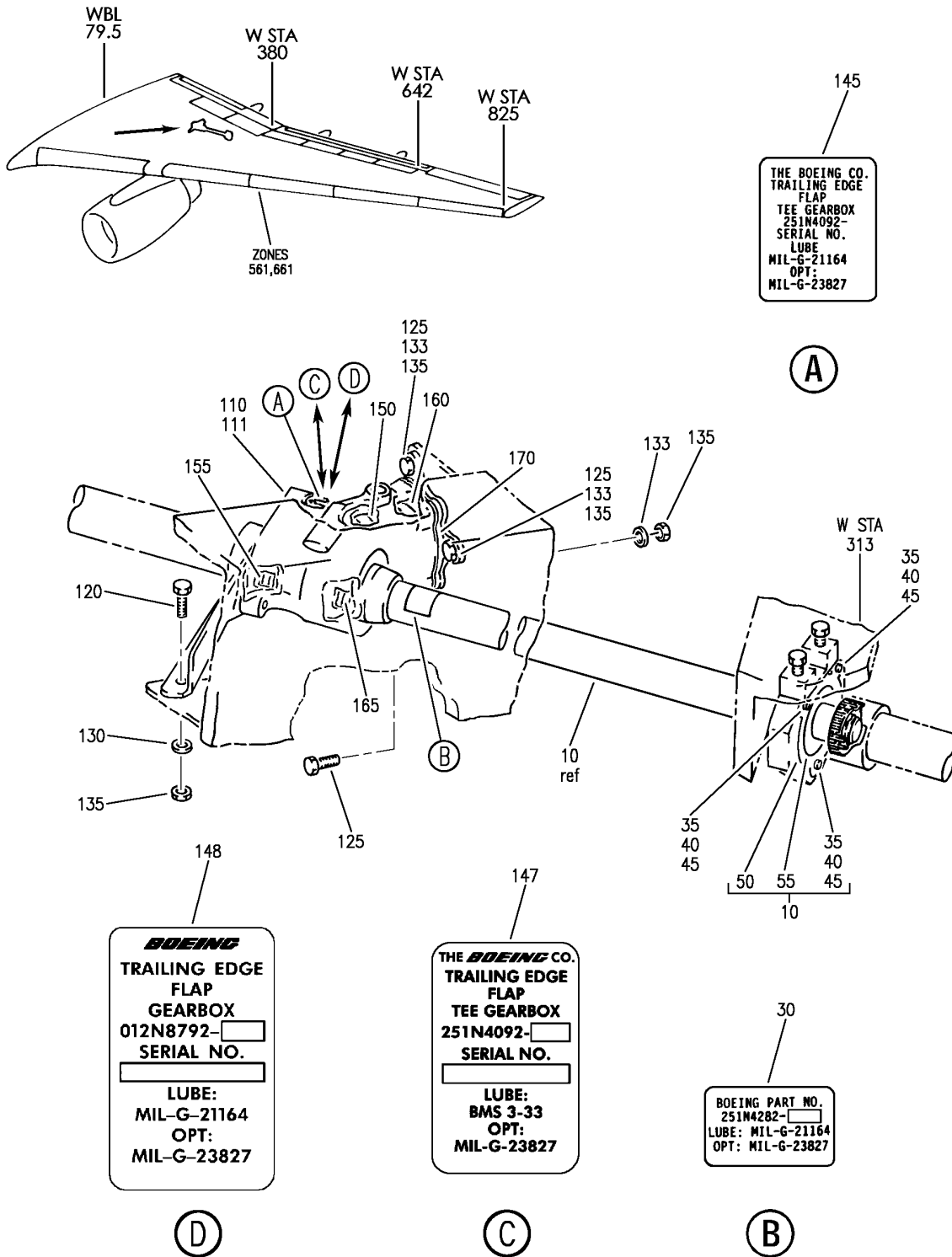
BRI

# 27-51-07-01

BOEING PROPRIETARY - Copyright © - Unpublished Work - See title page for details.

27-51-07  
FIG. 01  
PAGE 10  
JAN 20/09

**BOEING**  
757  
PARTS CATALOG (MAINTENANCE)



THE BOEING CO.  
TRAILING EDGE  
FLAP  
TEE GEARBOX  
251N4092-  
SERIAL NO.  
LUBE:  
MIL-G-21164  
OPT:  
MIL-G-23827

**BOEING**  
TRAILING EDGE  
FLAP  
GEARBOX  
012N8792-  
SERIAL NO.  
LUBE:  
MIL-G-21164  
OPT:  
MIL-G-23827

THE **BOEING** CO.  
TRAILING EDGE  
FLAP  
TEE GEARBOX  
251N4092-  
SERIAL NO.  
LUBE:  
BMS 3-33  
OPT:  
MIL-G-23827

BOEING PART NO.  
251N4282-  
LUBE: MIL-G-21164  
OPT: MIL-G-23827

Y 27510801 REV 317

GEAR BOX INSTL-OUTBD INBD TE FLAP DRIVE TEE  
FIGURE 1

**27-51-08-01**

BRI  
JAN 20/08

27-51-08-01  
PAGE 0



757

PARTS CATALOG (MAINTENANCE)

FIG ITEM	PART NUMBER	1 2 3 4 5 6 7	NOMENCLATURE	EFFECT FROM TO	UNITS PER ASSY
1			GEAR BOX INSTL-OUTBD INBD TE FLAP DRIVE TEE	002004 006999	
- 1	251N4015-1		GEAR BOX INSTL-INBD TE FLAP DRIVE TEE POSITION DATA: OUTBD LH FOR NHA SEE: 27-51-25-03	002004 006100 107107 121503 904999	RF
- 1	251N4015-7		GEAR BOX INSTL-INBD TE FLAP DRIVE TEE POSITION DATA: OUTBD LH FOR NHA SEE: 27-50-00-01	101102 504903	RF
- 1	MODREF7668		GEAR BOX INSTL-INBD TE FLAP DRIVE TEE MODULE NUMBER: 251N4015-7 REV A POSITION DATA: OUTBD LH	103103	1
- 1	MODREF27534		GEAR BOX INSTL-INBD TE FLAP DRIVE TEE MODULE NUMBER: 251N4015-7 REV B POSITION DATA: OUTBD LH	104106	1
- 5	251N4015-2		GEAR BOX INSTL-INBD TE FLAP DRIVE TEE POSITION DATA: OUTBD RH FOR NHA SEE: 27-51-25-03	002004 006100 107107 121503 904999	RF
- 5	251N4015-8		GEAR BOX INSTL-INBD TE FLAP DRIVE TEE POSITION DATA: OUTBD RH FOR NHA SEE: 27-50-00-01	101102 504903	RF
- 5	MODREF7669		GEAR BOX INSTL-INBD TE FLAP DRIVE TEE MODULE NUMBER: 251N4015-8 REV A POSITION DATA: OUTBD RH	103103	1

MISSING ITEM NUMBERS NOT APPLICABLE

- ITEM NOT ILLUSTRATED

BRI

27-51-08-01

27-51-08  
FIG. 01  
PAGE 1  
JAN 20/09



757

PARTS CATALOG (MAINTENANCE)

FIG ITEM	PART NUMBER	1 2 3 4 5 6 7	NOMENCLATURE	EFFECT FROM TO	UNITS PER ASSY
1					
- 5	MODREF27535		GEAR BOX INSTL-INBD TE FLAP DRIVE TEE MODULE NUMBER: 251N4015-8 REV B POSITION DATA: OUTBD RH	104106	1
10	251N4282-5		.TUBE ASSY-TORQUE POSITION DATA: LH SIDE COMPONENT MAINT MANUAL REF: 27-51-04 QUALIFIED I/W DATA: 251N4282-7 MAY REPLACE 251N4282-5 WITH THE INCORPORATION OF SERVICE BULLETIN 757-27-0107	002004 006010 107107 121503 904949 951999	1
10	251N4282-7		.TUBE ASSY-TORQUE POSITION DATA: LH SIDE COMPONENT MAINT MANUAL REF: 27-51-04 QUALIFIED I/W DATA: 251N4282-7 MAY REPLACE 251N4282-5 WITH THE INCORPORATION OF SERVICE BULLETIN 757-27-0107 POST SERVICE BULLETIN: 27-0107	011106 108120 504903 950950	1
- 15	251N4282-6		.TUBE ASSY-TORQUE POSITION DATA: RH SIDE COMPONENT MAINT MANUAL REF: 27-51-04 QUALIFIED I/W DATA: 251N4282-8 MAY REPLACE 251N4282-6 WITH THE INCORPORATION OF SERVICE BULLETIN 757-27-0107	002004 006010 107107 121503 904949 951999	1

MISSING ITEM NUMBERS NOT APPLICABLE

- ITEM NOT ILLUSTRATED

**27-51-08-01**

27-51-08  
FIG. 01  
PAGE 2  
JAN 20/09

BRI



757

PARTS CATALOG (MAINTENANCE)

FIG ITEM	PART NUMBER	1 2 3 4 5 6 7	NOMENCLATURE	EFFECT FROM TO	UNITS PER ASSY
1					
- 15	251N4282-8		.TUBE ASSY-TORQUE POSITION DATA: RH SIDE COMPONENT MAINT MANUAL REF: 27-51-04 QUALIFIED I/W DATA: 251N4282-8 MAY REPLACE 251N4282-6 WITH THE INCORPORATION OF SERVICE BULLETIN 757-27-0107 POST SERVICE BULLETIN: 27-0107	011106 108120 504903 950950	1
- 20	BACB30NR4K5		.BOLT	002004 006999	2
- 25	AN960KD416L		.WASHER-	002004 006999	2
			-----*-----		
30	BAC27NCT0238		..NAMEPLATE	002004 006999	1
35	NAS623-3-11		..SCREW	002004 006999	3
40	AN960PD10L		..WASHER	002004 006999	3
45	BRH10A3		..NUT SUPPLIER CODE: V52828 SPECIFICATION NUMBER: BACN10JC3 OPTIONAL PART: H10-3BAC V15653 NS202101-02 V80539 RMLH9075-3W V72962 VN303A02 V92215 96-02 V80539 T6S1032J V11815	002004 006999	3
50	251N4253-1		..RETAINER	002004 006999	1

MISSING ITEM NUMBERS NOT APPLICABLE

- ITEM NOT ILLUSTRATED

BRI

27-51-08-01

27-51-08  
FIG. 01  
PAGE 3  
JAN 20/09



757

PARTS CATALOG (MAINTENANCE)

FIG ITEM	PART NUMBER	1 2 3 4 5 6 7	NOMENCLATURE	EFFECT FROM TO	UNITS PER ASSY
1	55 MPBY147		.. BEARING- SUPPLIER CODE: V40920 OPTIONAL PART: P9105NPPS2A3102 V21335	002004 006999	1
	55 P9105NPPS2A3102		.. BEARING- SUPPLIER CODE: V21335 OPTIONAL PART: MPBY147 V40920	002004 006999	1
	110 251N4092-21		. GEAR BOX ASSY- POSITION DATA: LH SIDE COMPONENT MAINT MANUAL REF: 27-51-28 QUALIFIED I/W DATA: 251N4092-25 MAY REPLACE 251N4092-21 SUBJECT TO THE INCORPORATION OF SERVICE BULLETIN 757-27-0107 251N4092-27 MAY REPLACE 251N4092-21 SUBJECT TO THE INCORPORATION OF SERVICE BULLETIN 757-27-0107	904949	1
	110 251N4092-23		. GEAR BOX ASSY- POSITION DATA: LH SIDE COMPONENT MAINT MANUAL REF: 27-51-28 QUALIFIED I/W DATA: 251N4092-25 MAY REPLACE 251N4092-23 SUBJECT TO THE INCORPORATION OF S/B 757-27-0107 251N4092-27 MAY REPLACE 251N4092-23 SUBJECT TO THE INCORPORATION OF S/B 757-27-0107 POST SERVICE BULLETIN: 27-0099	002004 006010 107107 121503 904949 951999	1

MISSING ITEM NUMBERS NOT APPLICABLE

- ITEM NOT ILLUSTRATED

BRI

27-51-08-01

27-51-08  
FIG. 01  
PAGE 4  
JAN 20/09



757

PARTS CATALOG (MAINTENANCE)

FIG ITEM	PART NUMBER	1 2 3 4 5 6 7	NOMENCLATURE	EFFECT FROM TO	UNITS PER ASSY
1 110	251N4092-25		.GEAR BOX ASSY- POSITION DATA: LH SIDE COMPONENT MAINT MANUAL REF: 27-51-28 QUALIFIED I/W DATA: 251N4092-25 MAY REPLACE 251N4092-23, -21, -19, -17 OR -13 SUBJECT TO THE INCORPORATION OF S/B 757-27-0107 POST SERVICE BULLETIN: 27-0107	011106 108120 504903 950950	1
110	251N4092-13		.GEAR BOX ASSY- POSITION DATA: LH SIDE COMPONENT MAINT MANUAL REF: 27-51-28 QUALIFIED I/W DATA: 251N4092-25 MAY REPLACE 251N4092-13 SUBJECT TO THE INCORPORATION OF SERVICE BULLETIN 757-27-0107 251N4092-27 MAY REPLACE 251N4092-13 SUBJECT TO THE INCORPORATION OF SERVICE BULLETIN 757-27-0107 OPTIONAL PART: 251N4092-21 251N4092-19	904949	1
110	012N8706-7		.GEARBOX ASSY- POSITION DATA: LH SIDE COMPONENT MAINT MANUAL REF: 27-51-28 POST SERVICE BULLETIN: 27-0099	107107	1

MISSING ITEM NUMBERS NOT APPLICABLE

- ITEM NOT ILLUSTRATED

BRI

27-51-08-01

BOEING PROPRIETARY - Copyright © - Unpublished Work - See title page for details.

27-51-08  
FIG. 01  
PAGE 5  
JAN 20/09

 **BOEING**  
757  
**PARTS CATALOG (MAINTENANCE)**

FIG ITEM	PART NUMBER	1 2 3 4 5 6 7	NOMENCLATURE	EFFECT FROM TO	UNITS PER ASSY
1 110	251N4092-17		.GEAR BOX ASSY- POSITION DATA: LH SIDE COMPONENT MAINT MANUAL REF: 27-51-28 QUALIFIED I/W DATA: 251N4092-25 MAY REPLACE 251N4092-17 SUBJECT TO THE INCORPORATION OF SERVICE BULLETIN 757-27-0107 251N4092-27 MAY REPLACE 251N4092-17 SUBJECT TO THE INCORPORATION OF SERVICE BULLETIN 757-27-0107 OPTIONAL PART: 251N4092-21	904949	1
110	251N4092-19		.GEAR BOX ASSY- POSITION DATA: LH SIDE COMPONENT MAINT MANUAL REF: 27-51-28 QUALIFIED I/W DATA: 251N4092-25 MAY REPLACE 251N4092-19 SUBJECT TO THE INCORPORATION OF SERVICE BULLETIN 757-27-0107 251N4092-27 MAY REPLACE 251N4092-19 SUBJECT TO THE INCORPORATION OF SERVICE BULLETIN 757-27-0107 OPTIONAL PART: 251N4092-21	904949	1
110	012N8706-9		.GEARBOX ASSY- POSITION DATA: LH SIDE COMPONENT MAINT MANUAL REF: 27-51-28 POST SERVICE BULLETIN: 27-0099	107107	1

MISSING ITEM NUMBERS NOT APPLICABLE

— ITEM NOT ILLUSTRATED

BRI

# 27-51-08-01

BOEING PROPRIETARY - Copyright © - Unpublished Work - See title page for details.

27-51-08  
FIG. 01  
PAGE 6  
JAN 20/09





757

PARTS CATALOG (MAINTENANCE)

FIG ITEM	PART NUMBER	1 2 3 4 5 6 7	NOMENCLATURE	EFFECT FROM TO	UNITS PER ASSY
1 110	012N8706-11		.GEARBOX ASSY- POSITION DATA: LH SIDE COMPONENT MAINT MANUAL REF: 27-51-28 POST SERVICE BULLETIN: 27-0099	107107	1
111	251N4092-27		.GEAR BOX ASSY- POSITION DATA: LH SIDE COMPONENT MAINT MANUAL REF: 27-51-28 QUALIFIED I/W DATA: 251N4092-27 MAY REPLACE 251N4092-23, -21, -19, -17 OR -13 SUBJECT TO THE INCORPORATION OF S/B 757-27-0107	011106 108120 504903	1
- 115	251N4092-22		.GEAR BOX ASSY- POSITION DATA: RH SIDE COMPONENT MAINT MANUAL REF: 27-51-28 QUALIFIED I/W DATA: 251N4092-26 MAY REPLACE 251N4092-22 SUBJECT TO THE INCORPORATION OF SERVICE BULLETIN 757-27-0107 251N4092-28 MAY REPLACE 251N4092-22 SUBJECT TO THE INCORPORATION OF SERVICE BULLETIN 757-27-0107	904949	1

MISSING ITEM NUMBERS NOT APPLICABLE

- ITEM NOT ILLUSTRATED

BRI

27-51-08-01

27-51-08  
FIG. 01  
PAGE 7  
JAN 20/09



757

PARTS CATALOG (MAINTENANCE)

FIG ITEM	PART NUMBER	1 2 3 4 5 6 7	NOMENCLATURE	EFFECT FROM TO	UNITS PER ASSY
1 - 115	251N4092-24		.GEAR BOX ASSY- POSITION DATA: RH SIDE COMPONENT MAINT MANUAL REF: 27-51-28 QUALIFIED I/W DATA: 251N4092-26 MAY REPLACE 251N4092-24 SUBJECT TO THE INCORPORATION OF S/B 757-27-0107 251N4092-28 MAY REPLACE 251N4092-24 SUBJECT TO THE INCORPORATION OF S/B 757-27-0107 POST SERVICE BULLETIN: 27-0099	002004 006010 107107 121503 904949 951999	1
- 115	251N4092-26		.GEAR BOX ASSY- POSITION DATA: RH SIDE COMPONENT MAINT MANUAL REF: 27-51-28 QUALIFIED I/W DATA: 251N4092-26 MAY REPLACE 251N4092-24, -22, -20, -18 OR -14 SUBJECT TO THE INCORPORATION OF S/B 757-27-0107 POST SERVICE BULLETIN: 27-0107	011106 108120 504903 950950	1
- 115	251N4092-14		.GEARBOX ASSY- POSITION DATA: RH SIDE COMPONENT MAINT MANUAL REF: 27-51-28 QUALIFIED I/W DATA: 251N4092-26 MAY REPLACE 251N4092-14 SUBJECT TO THE INCORPORATION OF SERVICE BULLETIN 757-27-0107 251N4092-28 MAY REPLACE 251N4092-14 SUBJECT TO THE INCORPORATION OF SERVICE BULLETIN 757-27-0107 OPTIONAL PART: 251N4092-22 251N4092-20	904949	1

MISSING ITEM NUMBERS NOT APPLICABLE

- ITEM NOT ILLUSTRATED

**27-51-08-01**

27-51-08  
FIG. 01  
PAGE 8  
JAN 20/09

BRI



757

PARTS CATALOG (MAINTENANCE)

FIG ITEM	PART NUMBER	1 2 3 4 5 6 7	NOMENCLATURE	EFFECT FROM TO	UNITS PER ASSY
1					
- 115	012N8706-8		.GEARBOX ASSY- POSITION DATA: RH SIDE COMPONENT MAINT MANUAL REF: 27-51-28 POST SERVICE BULLETIN: 27-0099	107107	1
- 115	251N4092-18		.GEARBOX ASSY- POSITION DATA: RH SIDE COMPONENT MAINT MANUAL REF: 27-51-28 QUALIFIED I/W DATA: 251N4092-26 MAY REPLACE 251N4092-18 SUBJECT TO THE INCORPORATION OF SERVICE BULLETIN 757-27-0107 251N4092-28 MAY REPLACE 251N4092-18 SUBJECT TO THE INCORPORATION OF SERVICE BULLETIN 757-27-0107 OPTIONAL PART: 251N4092-22	904949	1
- 115	251N4092-20		.GEARBOX ASSY- POSITION DATA: RH SIDE COMPONENT MAINT MANUAL REF: 27-51-28 QUALIFIED I/W DATA: 251N4092-26 MAY REPLACE 251N4092-20 SUBJECT TO THE INCORPORATION OF SERVICE BULLETIN 757-27-0107 251N4092-28 MAY REPLACE 251N4092-20 SUBJECT TO THE INCORPORATION OF SERVICE BULLETIN 757-27-0107 OPTIONAL PART: 251N4092-22	904949	1

MISSING ITEM NUMBERS NOT APPLICABLE

- ITEM NOT ILLUSTRATED

BRI

27-51-08-01

BOEING PROPRIETARY - Copyright © - Unpublished Work - See title page for details.

27-51-08  
FIG. 01  
PAGE 9  
JAN 20/09



757

PARTS CATALOG (MAINTENANCE)

FIG ITEM	PART NUMBER	1 2 3 4 5 6 7	NOMENCLATURE	EFFECT FROM TO	UNITS PER ASSY
1					
- 115	012N8706-10		.GEARBOX ASSY- POSITION DATA: RH SIDE COMPONENT MAINT MANUAL REF: 27-51-28 POST SERVICE BULLETIN: 27-0099	107107	1
- 115	012N8706-12		.GEARBOX ASSY- POSITION DATA: RH SIDE COMPONENT MAINT MANUAL REF: 27-51-28 POST SERVICE BULLETIN: 27-0099	107107	1
- 115	251N4092-28		.GEAR BOX ASSY- POSITION DATA: RH SIDE COMPONENT MAINT MANUAL REF: 27-51-28 QUALIFIED I/W DATA: 251N4092-28 MAY REPLACE 251N4092-24, -22, -20, -18 OR -14 SUBJECT TO THE INCORPORATION OF S/B 757-27-0107 ATTACHING PARTS	101106 108120 504903	1
120	BACB30NR4K7		.BOLT	002004 006999	1
125	BACB30NR4K11		.BOLT	101106 108120 504903	3
130	AN960KD416L		.WASHER-	002004 006999	1
133	AN960KD416L		.WASHER-	002004 006999	AR

MISSING ITEM NUMBERS NOT APPLICABLE

- ITEM NOT ILLUSTRATED

27-51-08-01

27-51-08  
FIG. 01  
PAGE 10  
JAN 20/09

BRI



757

PARTS CATALOG (MAINTENANCE)

FIG ITEM	PART NUMBER	1 2 3 4 5 6 7	NOMENCLATURE	EFFECT FROM TO	UNITS PER ASSY
1 135	BRH10A4	.NUT	SUPPLIER CODE: V52828 SPECIFICATION NUMBER: BACN10JC4 OPTIONAL PART: T6S428J V11815 96-048 V80539 VN303A048 V92215 RMLH9075-4W V72962 NS202101-048 V80539 H10-4BAC V15653	002004 006999	4
145	BAC27NCT0239	-----*----- ..NAMEPLATE-	USED ON: 251N4092-21 251N4092-22 251N4092-23 251N4092-24 251N4092-25 251N4092-26	002004 006100 107107 121503 904999	1
147	BAC27NCT330	..NAMEPLATE-	USED ON: 251N4092-27 251N4092-28	101106 108120 504903	1

MISSING ITEM NUMBERS NOT APPLICABLE

- ITEM NOT ILLUSTRATED

27-51-08-01

27-51-08  
FIG. 01  
PAGE 11  
JAN 20/09

BRI



757

PARTS CATALOG (MAINTENANCE)

FIG ITEM	PART NUMBER	1 2 3 4 5 6 7	NOMENCLATURE	EFFECT FROM TO	UNITS PER ASSY
1 150	R9106PPA4298	..	BEARING SUPPLIER CODE: V21335 SPECIFICATION NUMBER: BACB10BA30PP OPTIONAL PART: LL106KSG20 V38443 LL106KS V38443 6006TT V43991 9106LLT1C1-01 V21760 9106NPPFS428 V21335 993L06 V29337 PKTLL106P1 V78118 C106RRPOZZ V40920 R9106PPA4298 V9V013 R9106PPA4298 V9V013	002004 006999	1
	155	R9304PPPRBA4298	.. BEARING SUPPLIER CODE: V21335 SPECIFICATION NUMBER: BACB10BB20PP OPTIONAL PART: 9304PPPRBFS428 V21335 PKTLL004P1 V78118 C004RRPOZZ V40920 R9304PPPRBA4298 V9V013 1904LLT1C1-01 V21760 1904LLT1C1-01 V21760	002004 006999	1

MISSING ITEM NUMBERS NOT APPLICABLE

- ITEM NOT ILLUSTRATED

BRI

27-51-08-01

BOEING PROPRIETARY - Copyright © - Unpublished Work - See title page for details.

27-51-08  
FIG. 01  
PAGE 12  
MAY 20/09



757

PARTS CATALOG (MAINTENANCE)

FIG ITEM	PART NUMBER	1 2 3 4 5 6 7	NOMENCLATURE	EFFECT FROM TO	UNITS PER ASSY
R R R R R R R R R R R R R R R	1 160	R9305PPA4298	.. BEARING SUPPLIER CODE: V21335 SPECIFICATION NUMBER: BACB10BB25PP OPTIONAL PART: 9305PPFS428 V21335 PKTLL005P1 V78118 C005RRPOZZ V40920 R9305PPA4298 V9V013 1905LLT1C1-01 V21760 1905LLT1C1-01 V21760	002004 006999	1
	165	R9307PPPRBA4298	.. BEARING SUPPLIER CODE: V21335 SPECIFICATION NUMBER: BACB10BB35PP OPTIONAL PART: 9307PPPRBFS428 V21335 PKTLL007P1 V78118 C007RRPOZZ V40920 C007RPP1P28LY19 V40920 R9307PPPRBA4298 V9V013 1907RRT1C1-01 V21760	002004 006999	1
	170	BACS40R10C10F	. SHIM-	002004 006999	AR

MISSING ITEM NUMBERS NOT APPLICABLE

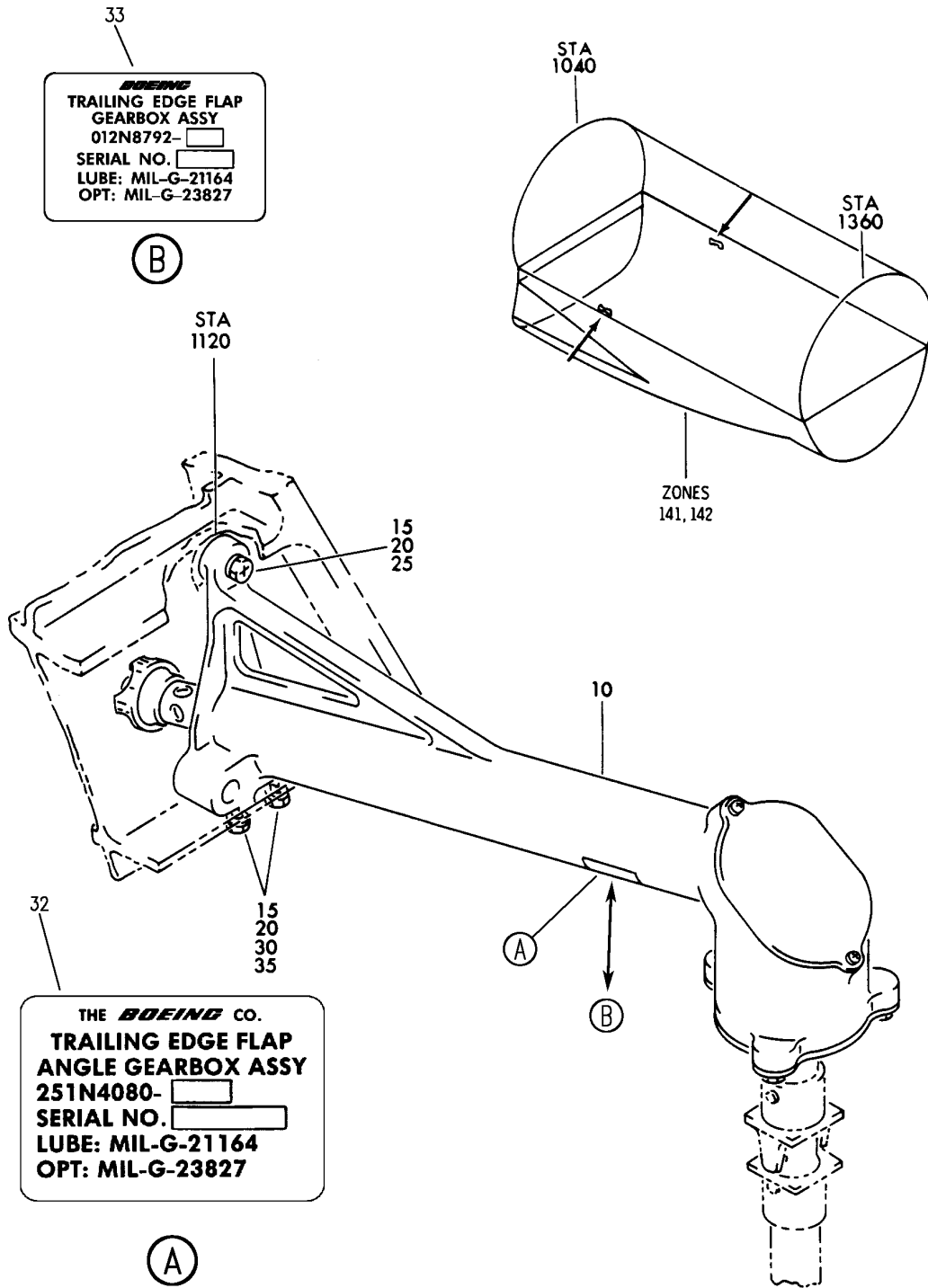
- ITEM NOT ILLUSTRATED

27-51-08-01

27-51-08  
FIG. 01  
PAGE 13  
MAY 20/09

BRI

**BOEING**  
757  
PARTS CATALOG (MAINTENANCE)



Y 27510901 REV 255

GEAR BOX INSTL-INBD TE FLAP DRIVE INBD ANGLE  
FIGURE 1

**27-51-09-01**

BRI  
MAY 28/07

27-51-09-01  
PAGE 0





757

PARTS CATALOG (MAINTENANCE)

FIG ITEM	PART NUMBER	1 2 3 4 5 6 7	NOMENCLATURE	EFFECT FROM TO	UNITS PER ASSY
1			GEAR BOX INSTL-INBD TE FLAP DRIVE INBD ANGLE	002004 006999	
- 1	251N4003-3		GEAR BOX INSTL-INBD TE FLAP DRIVE INBD ANGLE (LH) FOR NHA SEE: 27-51-25-03	002004 006100 107107 121503 904999	RF
- 1	251N4003-5		GEAR BOX INSTL-FLAP DRIVE INBD TE INBD ANGLE POSITION DATA: LH FOR NHA SEE: 27-50-00-01	101102 108120 504903	RF
- 1	MODREF7560		GEAR BOX INSTL-FLAP DRIVE INBD TE INBD ANGLE MODULE NUMBER: 251N4003-5 REV A POSITION DATA: LH	103103	1
- 1	MODREF27508		GEAR BOX INSTL-FLAP DRIVE INBD TE INBD ANGLE MODULE NUMBER: 251N4003-5 REV B POSITION DATA: LH	104106	1
- 5	251N4003-4		GEAR BOX INSTL-INBD TE FLAP DRIVE INBD ANGLE POSITION DATA: RH FOR NHA SEE: 27-51-25-03	002004 006100 107107 121503 904999	RF
- 5	251N4003-6		GEAR BOX INSTL-FLAP DRIVE INBD TE INBD ANGLE POSITION DATA: RH FOR NHA SEE: 27-50-00-01	101102 108120 504903	RF
- 5	MODREF7561		GEAR BOX INSTL-FLAP DRIVE INBD TE INBD ANGLE MODULE NUMBER: 251N4003-6 REV A POSITION DATA: RH	103103	1
- 5	MODREF27509		GEAR BOX INSTL-FLAP DRIVE INBD TE INBD ANGLE MODULE NUMBER: 251N4003-6 REV B POSITION DATA: RH	104106	1

MISSING ITEM NUMBERS NOT APPLICABLE

- ITEM NOT ILLUSTRATED

27-51-09-01

27-51-09  
FIG. 01  
PAGE 1  
JAN 20/09

BRI

 **BOEING**  
757  
**PARTS CATALOG (MAINTENANCE)**

FIG ITEM	PART NUMBER	1 2 3 4 5 6 7	NOMENCLATURE	EFFECT FROM TO	UNITS PER ASSY
1					
10	251N4080-2		.GEARBOX ASSY- COMPONENT MAINT MANUAL REF: 27-51-27 QUALIFIED I/W DATA: 251N4080-3 OR -4 MAY REPLACE 251N4080-2 WITH THE INCORPORATION OF SERVICE BULLETIN 757-27-0107	002004 006010 107107 121503 904949 951999	1
10	251N4080-3		.GEARBOX ASSY- COMPONENT MAINT MANUAL REF: 27-51-27 QUALIFIED I/W DATA: 251N4080-3 MAY REPLACE 251N4080-1 OR -2 WITH THE INCORPORATION OF SERVICE BULLETIN 757-27-0107 POST SERVICE BULLETIN: 27-0107	011017 950950	1
10	251N4080-4		.GEARBOX ASSY- COMPONENT MAINT MANUAL REF: 27-51-27 QUALIFIED I/W DATA: 251N4080-4 MAY REPLACE 251N4080-1 OR -2 WITH THE INCORPORATION OF SERVICE BULLETIN 757-27-0107	011106 108120 504903 950950	1
10	012N8792-45		.GEARBOX ASSY-ANGLE COMPONENT MAINT MANUAL REF: 27-51-27 POST SERVICE BULLETIN: 27-0107	950950	1
15	BACB30NR4K11		ATTACHING PARTS .BOLT	002004 006999	3
20	AN960PD416L		.WASHER	002004 006999	3

MISSING ITEM NUMBERS NOT APPLICABLE

— ITEM NOT ILLUSTRATED

BRI

# 27-51-09-01

BOEING PROPRIETARY - Copyright © - Unpublished Work - See title page for details.

27-51-09  
FIG. 01  
PAGE 2  
JAN 20/09



757

PARTS CATALOG (MAINTENANCE)

FIG ITEM	PART NUMBER	1 2 3 4 5 6 7	NOMENCLATURE	EFFECT FROM TO	UNITS PER ASSY
1 25	BRH10C4D	.NUT	SUPPLIER CODE: V52828 SPECIFICATION NUMBER: BACN10JC4CD OPTIONAL PART: T6C428JCD V11815 NS202486-048 V80539 102LH9075-4W V72962 H51650-4BAC V15653	002004 006999	1
30	NAS577-4A	.NUT		002004 006999	2
32	BAC27NCT0243	-----*----- ..NAMEPLATE-	USED ON: 251N4080-2 251N4080-3 251N4080-4	002004 006999	1
33	BAC27NCT308	..NAMEPLATE-	USED ON: 012N8792-45 POST SERVICE BULLETIN: 27-0107	950950	1
35	NAS578-4A	.RETAINER		002004 006999	2

MISSING ITEM NUMBERS NOT APPLICABLE

- ITEM NOT ILLUSTRATED

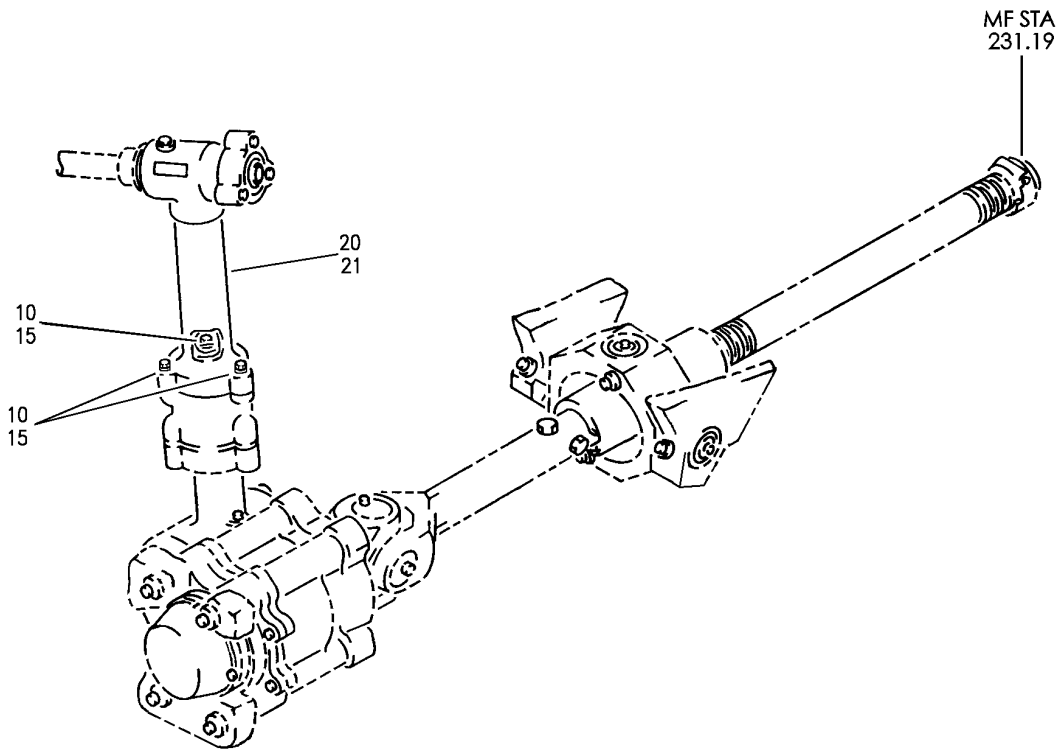
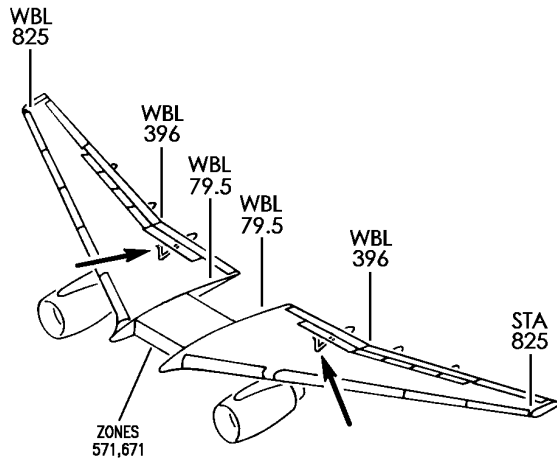
BRI

27-51-09-01

BOEING PROPRIETARY - Copyright © - Unpublished Work - See title page for details.

27-51-09  
FIG. 01  
PAGE 3  
JAN 20/09

**BOEING**  
757  
PARTS CATALOG (MAINTENANCE)



Y 27511001 REV 251

TRANSMISSION INSTL-INBD TE OUTBD FLAP DRIVE (INBOARD TE FLAP DRIVE OUTBOARD ANGLE GEARBOX ONLY)

FIGURE 1

**27-51-10-01**

BRI  
MAY 28/07

27-51-10-01  
PAGE 0



757

PARTS CATALOG (MAINTENANCE)

FIG ITEM	PART NUMBER	1 2 3 4 5 6 7	NOMENCLATURE	EFFECT FROM TO	UNITS PER ASSY
1			TRANSMISSION INSTL-INBD TE OUTBD FLAP DRIVE (INBOARD TE FLAP DRIVE OUTBOARD ANGLE GEARBOX ONLY)	002004 006999	
- 1	251N4010-1		TRANSMISSION INSTL-INBD TE FLAP DRIVE (INBOARD TE FLAP DRIVE OUTBOARD ANGLE GEARBOX ONLY) POSITION DATA: OUTBD LH FOR NHA/OTHER SYS DET SEE: 27-51-25-03	002004 006100 107107 121503 904999	RF
- 1	251N4010-13		TRANSMISSION INSTL-INBD TE FLAP DRIVE (INBOARD TE FLAP DRIVE OUTBOARD ANGLE GEARBOX ONLY) POSITION DATA: OUTBD LH FOR NHA/OTHER SYS DET SEE: 27-50-00-02	101102 108120 504903	RF
- 1	MODREF7654		TRANSMISSION INSTL-INBD TE FLAP DRIVE (INBOARD TE FLAP DRIVE OUTBOARD ANGLE GEARBOX ONLY) MODULE NUMBER: 251N4010-21 REV A POSITION DATA: OUTBD LH FOR OTHER SYS DETAILS SEE: 11-24-55-01 27-51-06-01 27-51-11-01	103103	1
- 1	MODREF27520		TRANSMISSION INSTL-INBD TE FLAP DRIVE (INBOARD TE FLAP DRIVE OUTBOARD ANGLE GEARBOX ONLY) MODULE NUMBER: 251N4010-21 REV B POSITION DATA: OUTBD LH FOR OTHER SYS DETAILS SEE: 11-24-55-01 27-51-06-01 27-51-11-01	104106	1

MISSING ITEM NUMBERS NOT APPLICABLE

- ITEM NOT ILLUSTRATED

BRI

**27-51-10-01**

27-51-10  
FIG. 01  
PAGE 1  
JAN 20/09



757

PARTS CATALOG (MAINTENANCE)

FIG ITEM	PART NUMBER	1 2 3 4 5 6 7	NOMENCLATURE	EFFECT FROM TO	UNITS PER ASSY
1					
- 5	251N4010-2		TRANSMISSION INSTL-INBD TE FLAP DRIVE (INBOARD TE FLAP DRIVE OUTBOARD ANGLE GEARBOX ONLY) POSITION DATA: OUTBD RH FOR NHA/OTHER SYS DET SEE: 27-51-25-03	002004 006100 107107 121503 904999	RF
- 5	251N4010-14		TRANSMISSION INSTL-INBD TE FLAP DRIVE (INBOARD TE FLAP DRIVE OUTBOARD ANGLE GEARBOX ONLY) POSITION DATA: OUTBD RH FOR NHA/OTHER SYS DET SEE: 27-51-25-03	101102 108120 504903	RF
- 5	MODREF7655		TRANSMISSION INSTL-INBD TE FLAP DRIVE (INBOARD TE FLAP DRIVE OUTBOARD ANGLE GEARBOX ONLY) MODULE NUMBER: 251N4010-22 REV A POSITION DATA: OUTBD RH FOR OTHER SYS DETAILS SEE: 27-50-00-02	103103	1
- 5	MODREF27521		TRANSMISSION INSTL-INBD TE FLAP DRIVE (INBOARD TE FLAP DRIVE OUTBOARD ANGLE GEARBOX ONLY) MODULE NUMBER: 251N4010-22 REV B POSITION DATA: OUTBD RH FOR OTHER SYS DETAILS SEE: 27-51-11-01	104106	1
10	BACB30NR4K11		.BOLT	002004 006999	3
15	AN960KD416		.WASHER	002004 006100 107107 121503 904999	3

MISSING ITEM NUMBERS NOT APPLICABLE

- ITEM NOT ILLUSTRATED

27-51-10-01

27-51-10  
FIG. 01  
PAGE 2  
JAN 20/09

BRI



757

PARTS CATALOG (MAINTENANCE)

FIG ITEM	PART NUMBER	1 2 3 4 5 6 7	NOMENCLATURE	EFFECT FROM TO	UNITS PER ASSY
1					
15	AN960KD416L	.	WASHER	101106 108120 504903	3
20	251N4222-3	.	GEARBOX ASSY-ANGLE COMPONENT MAINT MANUAL REF: 27-51-32	107107 904949	1
20	251N4222-4	.	GEARBOX ASSY-ANGLE COMPONENT MAINT MANUAL REF: 27-51-32 OPTIONAL PART: 251N4222-5	107107 904949	1
20	251N4222-5	.	GEARBOX ASSY-ANGLE MISCELLANEOUS DATA: 251N4222-5 IS I/W 012N8706-15 AFTER INCRP. OF S/B 757-27-0099 COMPONENT MAINT MANUAL REF: 27-51-32 OPTIONAL PART: 251N4222-4	107107 904949	1
20	251N4222-6	.	GEARBOX ASSY-ANGLE COMPONENT MAINT MANUAL REF: 27-51-32 POST SERVICE BULLETIN: 27-0099	002004 006999	1
20	012N8706-14	.	GEARBOX ASSY-ANGLE COMPONENT MAINT MANUAL REF: 27-51-32 OPTIONAL PART: 251N4222-6 POST SERVICE BULLETIN: 27-0099 QUALIFIED SB I/W DATA: (INSTALLED 610-663 PER ECO F0231 TERMINATING ACTION FOR INSPECTION REQUIRED BY AD 92-25-01)	107107	1

MISSING ITEM NUMBERS NOT APPLICABLE

- ITEM NOT ILLUSTRATED

BRI

27-51-10-01

27-51-10  
FIG. 01  
PAGE 3  
JAN 20/09



757  
PARTS CATALOG (MAINTENANCE)

FIG ITEM	PART NUMBER	1 2 3 4 5 6 7	NOMENCLATURE	EFFECT FROM TO	UNITS PER ASSY
1 20	012N8706-15		. GEARBOX ASSY-ANGLE COMPONENT MAINT MANUAL REF: 27-51-32 OPTIONAL PART: 251N4222-6 POST SERVICE BULLETIN: 27-0099 QUALIFIED SB I/W DATA: (INSTALLED 610-663 PER ECO F0231 TERMINATING ACTION FOR INSPECTION REQUIRED BY AD 92-25-01)	107107	1
20	012N8706-15		. GEARBOX ASSY-ANGLE MISCELLANEOUS DATA: REPLACES 251N4222-5 COMPONENT MAINT MANUAL REF: 27-51-32 POST SERVICE BULLETIN: 27-0099	952952	1

MISSING ITEM NUMBERS NOT APPLICABLE

- ITEM NOT ILLUSTRATED

BRI

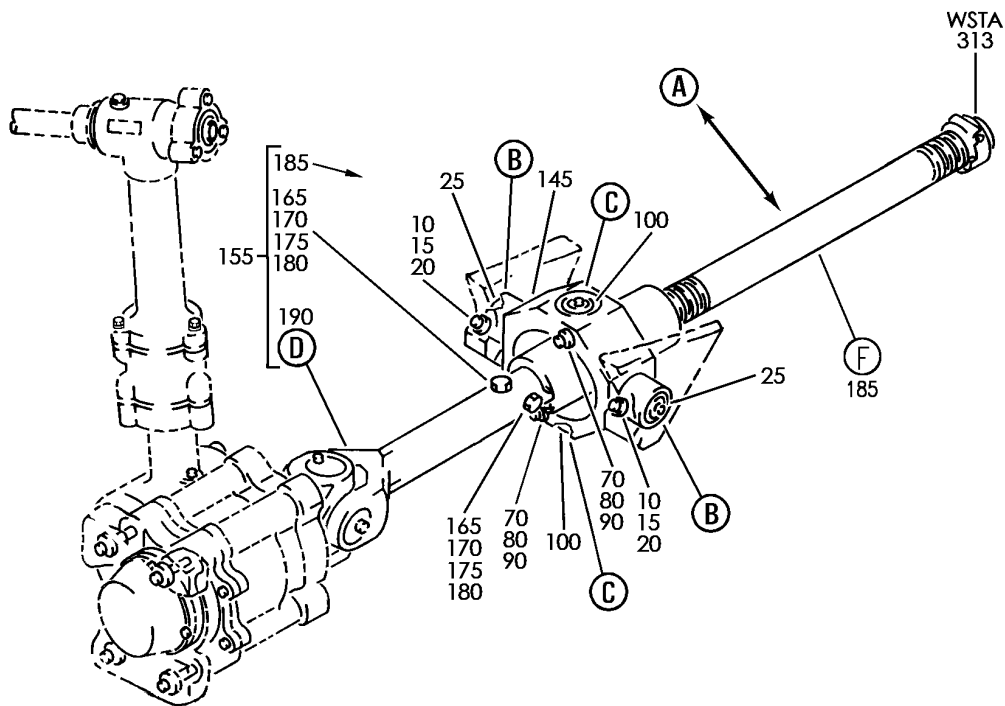
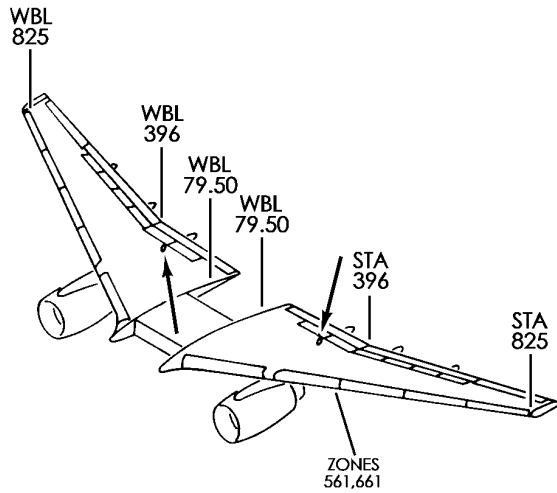
27-51-10-01

BOEING PROPRIETARY - Copyright © - Unpublished Work - See title page for details.

27-51-10  
FIG. 01  
PAGE 4  
JAN 20/09



**BOEING**  
757  
PARTS CATALOG (MAINTENANCE)



Y 27511101 SH1 1 REV 289

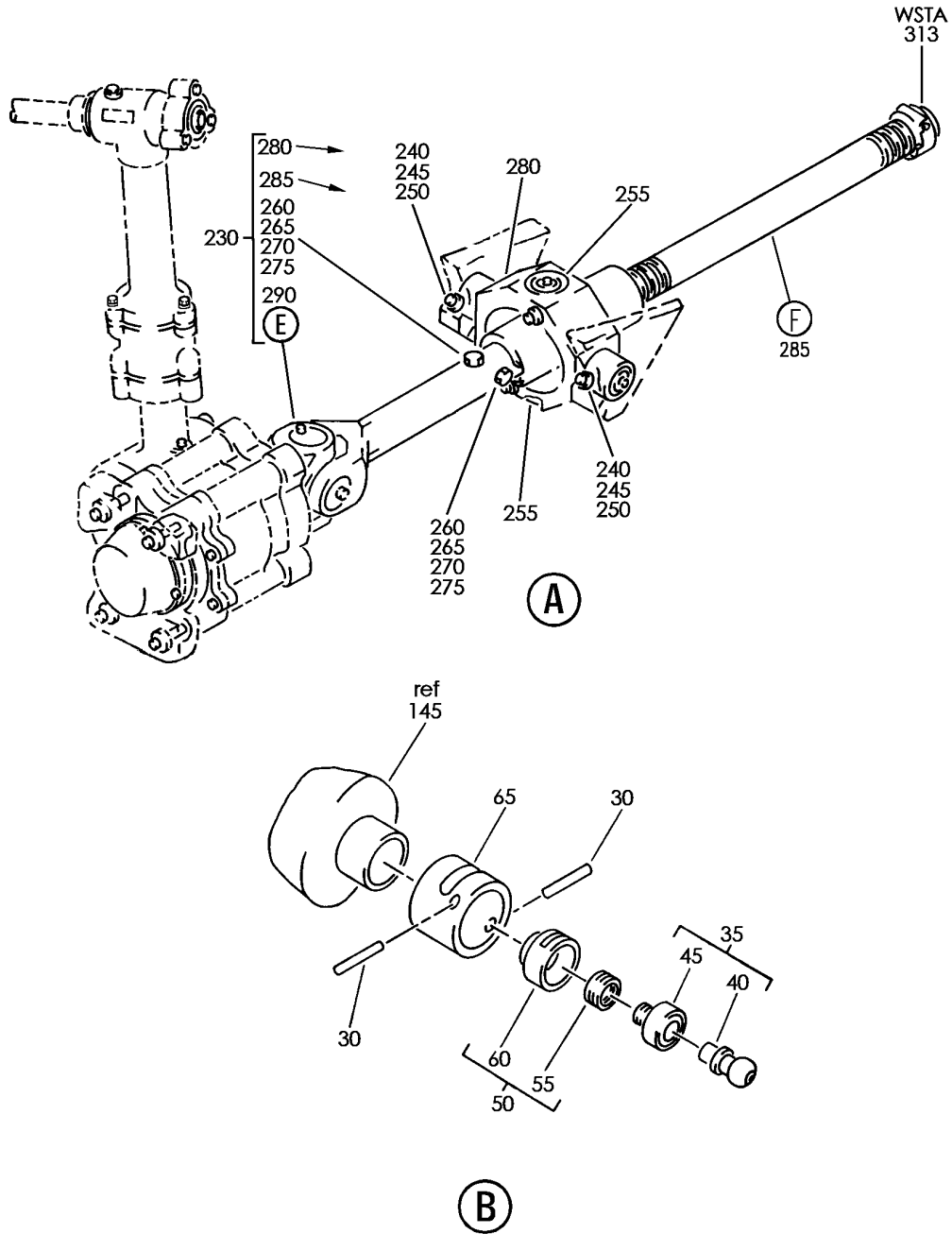
TRANSMISSION INSTL-INBD TE FLAP DRIVE OUTBD (INBD TE FLAP BALLSCREW ONLY)  
FIGURE 1 (SHEET 1)

BRI  
MAY 28/07

**27-51-11-01**

27-51-11-01  
PAGE 0

**BOEING**  
757  
PARTS CATALOG (MAINTENANCE)



Y 27511101 SH1 2 REV 289

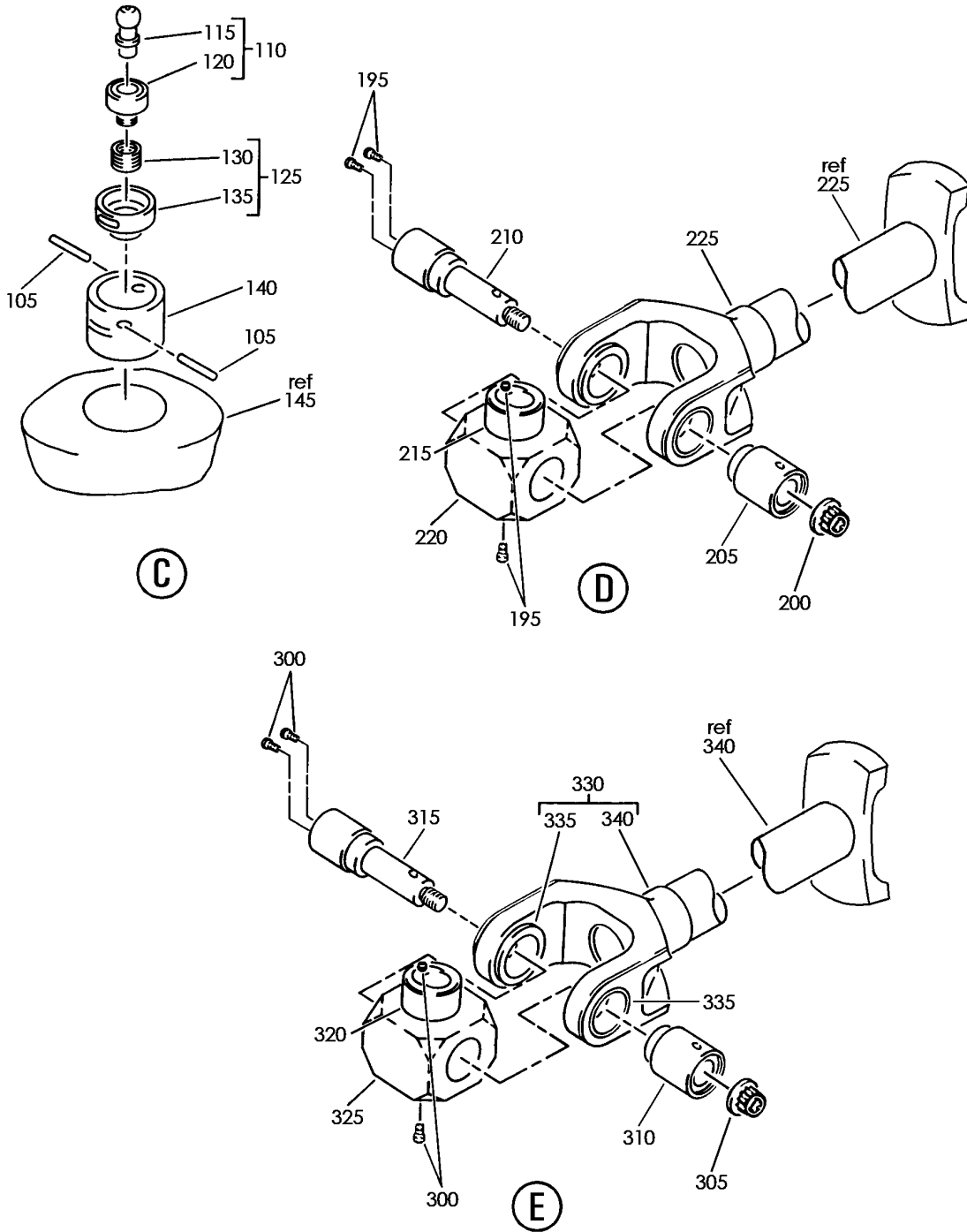
TRANSMISSION INSTL-INBD TE FLAP DRIVE OUTBD (INBD TE FLAP BALLSCREW ONLY)  
FIGURE 1 (SHEET 2)

**27-51-11-01**

BRI  
MAY 28/07

27-51-11-01  
PAGE 0A

**BOEING**  
757  
PARTS CATALOG (MAINTENANCE)



Y 27511101 SHT 3 REV 229

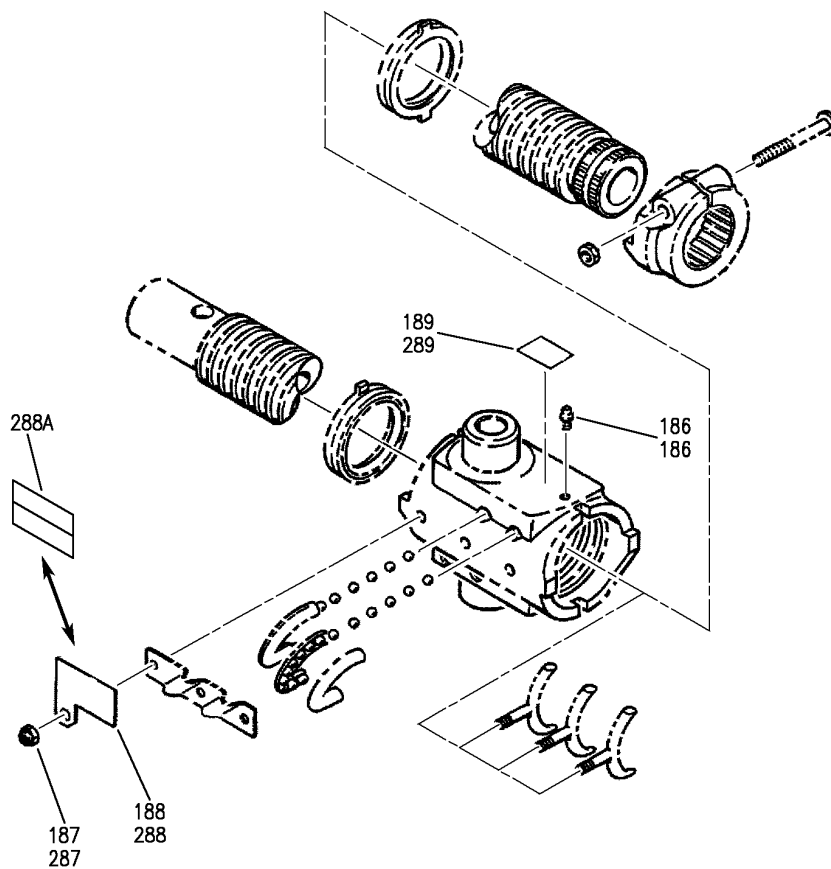
TRANSMISSION INSTL-INBD TE FLAP DRIVE OUTBD (INBD TE FLAP BALLSCREW ONLY)  
FIGURE 1 (SHEET 3)

BRI  
MAY 28/07

**27-51-11-01**

27-51-11-01  
PAGE 0B

**BOEING**  
757  
PARTS CATALOG (MAINTENANCE)



FWD

(F)

Y 27511101 SH1 4 REV 304

TRANSMISSION INSTL-INBD TE FLAP DRIVE OUTBD (INBD TE FLAP BALLSCREW ONLY)  
FIGURE 1 (SHEET 4)

**27-51-11-01**

BRI  
MAY 28/07

27-51-11-01  
PAGE 0C



757

PARTS CATALOG (MAINTENANCE)

FIG ITEM	PART NUMBER	1 2 3 4 5 6 7	NOMENCLATURE	EFFECT FROM TO	UNITS PER ASSY
1			TRANSMISSION INSTL-INBD TE FLAP DRIVE OUTBD (INBD TE FLAP BALLSCREW ONLY)	002004 006999	
- 1	251N4010-1		TRANSMISSION INSTL-INBD TE FLAP DRIVE (INBOARD TE FLAP BALLSCREWS ONLY) POSITION DATA: OUTBD LH FOR NHA/OTHER SYS DET SEE: 27-51-25-03	002004 006100 107107 121503 904999	RF
- 1	251N4010-13		TRANSMISSION INSTL-INBD TE FLAP DRIVE (INBOARD TE FLAP BALLSCREWS ONLY) POSITION DATA: OUTBD LH FOR NHA/OTHER SYS DET SEE: 27-50-00-02	101102 108120 504903	RF
- 1	MODREF7654		TRANSMISSION INSTL-INBD TE FLAP DRIVE (INBOARD TE FLAP BALLSCREWS ONLY) MODULE NUMBER: 251N4010-21 REV A POSITION DATA: OUTBD LH FOR OTHER SYS DETAILS SEE: 11-24-55-01 27-51-06-01 27-51-10-01	103103	1
- 1	MODREF27520		TRANSMISSION INSTL-INBD TE FLAP DRIVE (INBOARD TE FLAP BALLSCREWS ONLY) MODULE NUMBER: 251N4010-21 REV B POSITION DATA: OUTBD LH FOR OTHER SYS DETAILS SEE: 11-24-55-01 27-51-06-01 27-51-10-01	104106	1
- 5	251N4010-2		TRANSMISSION INSTL-INBD TE FLAP DRIVE (INBOARD TE FLAP BALLSCREWS ONLY) POSITION DATA: OUTBD RH FOR NHA/OTHER SYS DET SEE: 27-51-25-03	002004 006100 107107 121503 904999	RF

MISSING ITEM NUMBERS NOT APPLICABLE

- ITEM NOT ILLUSTRATED

BRI

27-51-11-01

27-51-11  
FIG. 01  
PAGE 1  
JAN 20/09



757

PARTS CATALOG (MAINTENANCE)

FIG ITEM	PART NUMBER	1 2 3 4 5 6 7	NOMENCLATURE	EFFECT FROM TO	UNITS PER ASSY
1					
- 5	251N4010-14		TRANSMISSION INSTL-INBD TE FLAP DRIVE (INBOARD TE FLAP BALLSCREWS ONLY) POSITION DATA: OUTBD RH FOR NHA/OTHER SYS DET SEE: 27-50-00-02	101102 108120 504903	RF
- 5	MODREF7655		TRANSMISSION INSTL-INBD TE FLAP DRIVE (INBOARD TE FLAP BALLSCREWS ONLY) MODULE NUMBER: 251N4010-22 REV A POSITION DATA: OUTBD RH FOR OTHER SYS DETAILS SEE: 11-24-55-01 27-51-06-01 27-51-10-01	103103	1
- 5	MODREF27521		TRANSMISSION INSTL-INBD TE FLAP DRIVE (INBOARD TE FLAP BALLSCREWS ONLY) MODULE NUMBER: 251N4010-22 REV B POSITION DATA: OUTBD RH FOR OTHER SYS DETAILS SEE: 11-24-55-01 27-51-06-01 27-51-10-01	104106	1
10	BACB30MR6K47		.BOLT	002004 006999	2
15	AN960KD616		.WASHER- POSITION DATA: UNDER NUT	002004 006999	2
20	NAS1805-6N		.NUT-	002004 006999	2

MISSING ITEM NUMBERS NOT APPLICABLE

- ITEM NOT ILLUSTRATED

BRI

27-51-11-01

BOEING PROPRIETARY - Copyright © - Unpublished Work - See title page for details.

27-51-11  
FIG. 01  
PAGE 2  
JAN 20/09



757

PARTS CATALOG (MAINTENANCE)

FIG ITEM	PART NUMBER	1 2 3 4 5 6 7	NOMENCLATURE	EFFECT FROM TO	UNITS PER ASSY
1 25	HJ18DU105		.BUSHING- SUPPLIER CODE: V02758 SPECIFICATION NUMBER: 10-61899-25 QUALIFIED I/W DATA: 251N4277-1 BUSHING TOGETHER WITH 251N4279-1 CAP AY AND 251N4280-1 PLUG AY AND 2 EA NAS607-2-6 PIN IS I/W 10-61899-25 251N4277-1 BUSHING TOGETHER WITH 251N4279-3 CAP AY AND 251N4280-3 PLUG AY AND 2EA NAS602-2-6 PIN IS I/W 10-61899-25 OPTIONAL PART: AJ18C105DU VS0352 ADU18-7 V15860 OPTIONAL PART: AJ18C105DU VS0352 ADU18-7 V15860	002004 006999	2
25	AJ18C105DU		.BUSHING- SUPPLIER CODE: VS0352 SPECIFICATION NUMBER: 10-61899-25 OPTIONAL PART: HJ18DU105 V02758 ADU18-7 V15860	101106 108120 504903	2
25	ADU18-7		.BUSHING- SUPPLIER CODE: V15860 SPECIFICATION NUMBER: 10-61899-25 OPTIONAL PART: HJ18DU105 V02758 AJ18C105DU VS0352	101106 108120 504903	2

MISSING ITEM NUMBERS NOT APPLICABLE

- ITEM NOT ILLUSTRATED

27-51-11-01

27-51-11  
FIG. 01  
PAGE 3  
JAN 20/09

BRI



**757  
PARTS CATALOG (MAINTENANCE)**

FIG ITEM	PART NUMBER	1 2 3 4 5 6 7	NOMENCLATURE	EFFECT FROM TO	UNITS PER ASSY
1 70	HL13VAZ6-39		.BOLT- SUPPLIER CODE: V56878 SPECIFICATION NUMBER: BACB30NY6K39 OPTIONAL PART: HL13VAZ6-39 V73197 HL13VAZ6-39 V92215 HL13VAZ6-39 V97928 L801-6K39 V06725 HL13VAZ6-39 V60516 L801-6K39 VOPTK6 HL13VAZ6-39 V17446 POSITION DATA: LH SIDE QUALIFIED OPTIONAL DATA: 251N4010-7 IS OPTIONAL TO 251N4101-91 PLUS TWO 10-61899-26, 251N4077-4, TWO BACB30NY6K39, TWO BACC30X6 AND TWO NAS620C10	107107 904949	2

MISSING ITEM NUMBERS NOT APPLICABLE

— ITEM NOT ILLUSTRATED

BRI

# 27-51-11-01

BOEING PROPRIETARY - Copyright © - Unpublished Work - See title page for details.

27-51-11  
FIG. 01  
PAGE 4  
JAN 20/09





757

PARTS CATALOG (MAINTENANCE)

FIG ITEM	PART NUMBER	1 2 3 4 5 6 7	NOMENCLATURE	EFFECT FROM TO	UNITS PER ASSY
1					
- 75	HL13VAZ6-39		.BOLT- SUPPLIER CODE: V56878 SPECIFICATION NUMBER: BACB30NY6K39 OPTIONAL PART: HL13VAZ6-39 V73197 HL13VAZ6-39 V92215 HL13VAZ6-39 V97928 L801-6K39 V06725 HL13VAZ6-39 V60516 L801-6K39 VOPTK6 HL13VAZ6-39 V17446 POSITION DATA: RH SIDE QUALIFIED OPTIONAL DATA: 251N4010-8 IS OPTIONAL TO 251N4101-94 PLUS TWO 10-61899-26, 251N4077-4, TWO BACB30NY6K39, TWO BACC30X6 AND TWO NAS620C10	107107 904949	2
80	NAS620C10		.WASHER- POSITION DATA: LH SIDE QUALIFIED OPTIONAL DATA: 251N4010-7 IS OPTIONAL TO 251N4101-91 PLUS TWO 10-61899-26, 251N4077-4, TWO BACB30NY6K39, TWO BACC30X6 AND TWO NAS620C10	107107 904949	2
- 85	NAS620C10		.WASHER- POSITION DATA: RH SIDE QUALIFIED OPTIONAL DATA: 251N4010-8 IS OPTIONAL TO 251N4101-94 PLUS TWO 10-61899-26, 251N4077-4, TWO BACB30NY6K39, TWO BACC30X6 AND TWO NAS620C10	107107 904949	2

MISSING ITEM NUMBERS NOT APPLICABLE

- ITEM NOT ILLUSTRATED

27-51-11-01

27-51-11  
FIG. 01  
PAGE 5  
JAN 20/09

BRI



757

PARTS CATALOG (MAINTENANCE)

FIG ITEM	PART NUMBER	1 2 3 4 5 6 7 NOMENCLATURE	EFFECT FROM TO	UNITS PER ASSY
1 90	HL1187-6	. COLLAR- SUPPLIER CODE: V5M902 SPECIFICATION NUMBER: BACC30X6 OPTIONAL PART: HL87-6 V92215 HL87-6 V73197 HL1187-6 V56878 HL1187-6 V92215 HL87-6 V56878 HL1187-6 V73197 POSITION DATA: LH SIDE QUALIFIED OPTIONAL DATA: 251N4010-7 IS OPTIONAL TO 251N4101-91 PLUS TWO 10-61899-26, 251N4077-4, TWO BACB30NY6K39, TWO BACC30X6 AND TWO NAS620C10	107107 904949	2

MISSING ITEM NUMBERS NOT APPLICABLE

- ITEM NOT ILLUSTRATED

BRI

27-51-11-01

BOEING PROPRIETARY - Copyright © - Unpublished Work - See title page for details.

27-51-11  
FIG. 01  
PAGE 6  
JAN 20/09



757

PARTS CATALOG (MAINTENANCE)

FIG ITEM	PART NUMBER	1 2 3 4 5 6 7 NOMENCLATURE	EFFECT FROM TO	UNITS PER ASSY
1 - 95	HL1187-6	.COLLAR- SUPPLIER CODE: V5M902 SPECIFICATION NUMBER: BACC30X6 OPTIONAL PART: HL87-6 V92215 HL87-6 V73197 HL1187-6 V56878 HL1187-6 V92215 HL87-6 V56878 HL1187-6 V73197 POSITION DATA: RH SIDE QUALIFIED OPTIONAL DATA: 251N4010-8 IS OPTIONAL TO 251N4101-94 PLUS TWO 10-61899-26, 251N4077-4, TWO BACB30NY6K39, TWO BACC30X6 AND TWO NAS620C10	107107 904949	2

MISSING ITEM NUMBERS NOT APPLICABLE

- ITEM NOT ILLUSTRATED

BRI

**27-51-11-01**

BOEING PROPRIETARY - Copyright © - Unpublished Work - See title page for details.

27-51-11  
FIG. 01  
PAGE 7  
JAN 20/09



757

PARTS CATALOG (MAINTENANCE)

FIG ITEM	PART NUMBER	1 2 3 4 5 6 7	NOMENCLATURE	EFFECT FROM TO	UNITS PER ASSY
1 100	HJ18DU106		.BUSHING- SUPPLIER CODE: V02758 POSITION DATA: LH SIDE SPECIFICATION NUMBER: 10-61899-26 QUALIFIED I/W DATA: 251N4278-1 BUSHING TOGETHER WITH 251N4279-1 CAP AY AND 251N4280-1 PLUG AY AND 2 EA NAS607-2-6 PIN IS I/W 10-61899-26 251N4278-2 BUSHING TOGETHER WITH 251N4322-1 CAP AY AND 251N4280-1 PLUG AY AND 2 EA NAS607-2-6 PIN IS I/W 10-61899-26 QUALIFIED OPTIONAL DATA: 251N4010-7 IS OPTIONAL TO 251N4101-91 PLUS TWO 10-61899-26, 251N4077-4, TWO BACB30NY6K39, TWO BACC30X6 AND TWO NAS620C10 OPTIONAL PART: AJ18C106DU VS0352 ADU18-8 V15860	107107 904949	2
100	AJ18C106DU		.BUSHING- SUPPLIER CODE: VS0352 POSITION DATA: LH SIDE SPECIFICATION NUMBER: 10-61899-26 OPTIONAL PART: ADU18-8 V15860 HJ18DU106 V02758	107107 904949	2

MISSING ITEM NUMBERS NOT APPLICABLE

- ITEM NOT ILLUSTRATED

BRI

27-51-11-01

BOEING PROPRIETARY - Copyright © - Unpublished Work - See title page for details.

27-51-11  
FIG. 01  
PAGE 8  
JAN 20/09



757

PARTS CATALOG (MAINTENANCE)

FIG ITEM	PART NUMBER	1 2 3 4 5 6 7	NOMENCLATURE	EFFECT FROM TO	UNITS PER ASSY
1 100	ADU18-8		.BUSHING- SUPPLIER CODE: V15860 POSITION DATA: LH SIDE SPECIFICATION NUMBER: 10-61899-26 OPTIONAL PART: AJ18C106DU VS0352 HJ18DU106 V02758	107107 904949	2
- 103	HJ18DU106		.BUSHING- SUPPLIER CODE: V02758 POSITION DATA: RH SIDE SPECIFICATION NUMBER: 10-61899-26 QUALIFIED I/W DATA: 251N4278-1 BUSHING TOGETHER WITH 251N4279-1 CAP AY AND 251N4280-1 PLUG AY AND 2 EA NAS607-2-6 PIN IS I/W 10-61899-26 251N4278-2 BUSHING TOGETHER WITH 251N4322-1 CAP AY AND 251N4280-1 PLUG AY AND 2 EA NAS607-2-6 PIN IS I/W 10-61899-26 QUALIFIED OPTIONAL DATA: 251N4010-8 IS OPTIONAL TO 251N4101-94 PLUS TWO 10-61899-26, 251N4077-4, TWO BACB30NY6K39, TWO BACC30X6 AND TWO NAS620C10 OPTIONAL PART: AJ18C106DU VS0352 ADU18-8 V15860	107107 904949	2

MISSING ITEM NUMBERS NOT APPLICABLE

- ITEM NOT ILLUSTRATED

BRI

27-51-11-01

27-51-11  
FIG. 01  
PAGE 9  
JAN 20/09



757

PARTS CATALOG (MAINTENANCE)

FIG ITEM	PART NUMBER	1 2 3 4 5 6 7	NOMENCLATURE	EFFECT FROM TO	UNITS PER ASSY
1 103	AJ18C106DU		.BUSHING- SUPPLIER CODE: VS0352 POSITION DATA: RH SIDE SPECIFICATION NUMBER: 10-61899-26 OPTIONAL PART: ADU18-8 V15860 HJ18DU106 V02758	107107 904949	2
103	ADU18-8		.BUSHING- SUPPLIER CODE: V15860 POSITION DATA: RH SIDE SPECIFICATION NUMBER: 10-61899-26 OPTIONAL PART: AJ18C106DU VS0352 HJ18DU106 V02758	107107 904949	2
145	251N4077-4		.GIMBAL- POSITION DATA: LH SIDE QUALIFIED OPTIONAL DATA: 251N4010-7 IS OPTIONAL TO 251N4101-91 PLUS TWO 10-61899-26, 251N4077-4, TWO BACB30NY6K39, TWO BACC30X6 AND TWO NAS620C10	107107 904949	1
145	251N4077-1		.GIMBAL- POSITION DATA: LH SIDE	107107 904949	1
145	251N4077-2		.GIMBAL- POSITION DATA: LH SIDE	107107 904949	1

MISSING ITEM NUMBERS NOT APPLICABLE

- ITEM NOT ILLUSTRATED

BRI

27-51-11-01

27-51-11  
FIG. 01  
PAGE 10  
JAN 20/09



757

PARTS CATALOG (MAINTENANCE)

FIG ITEM	PART NUMBER	1 2 3 4 5 6 7	NOMENCLATURE	EFFECT FROM TO	UNITS PER ASSY
1					
- 150	251N4077-4		.GIMBAL- POSITION DATA: RH SIDE QUALIFIED OPTIONAL DATA: 251N4010-8 IS OPTIONAL TO 251N4101-94 PLUS TWO 10-61899-26, 251N4077-4, TWO BACB30NY6K39, TWO BACC30X6 AND TWO NAS620C10	107107 904949	1
- 150	251N4077-1		.GIMBAL- POSITION DATA: RH SIDE	107107 904949	1
- 150	251N4077-2		.GIMBAL- POSITION DATA: RH SIDE	107107 904949	1

MISSING ITEM NUMBERS NOT APPLICABLE

- ITEM NOT ILLUSTRATED

BRI

27-51-11-01

BOEING PROPRIETARY - Copyright © - Unpublished Work - See title page for details.

27-51-11  
FIG. 01  
PAGE 11  
JAN 20/09



757

PARTS CATALOG (MAINTENANCE)

FIG ITEM	PART NUMBER	1 2 3 4 5 6 7	NOMENCLATURE	EFFECT FROM TO	UNITS PER ASSY
1 155	251N4101-51		.TRANSMISSION ASSY-U-JOINT AND BALLSCREW ASSY POSITION DATA: LH SIDE COMPONENT MAINT MANUAL REF: 27-51-12 QUALIFIED I/W DATA: 251N4010-19/-23 CAN REPLACE BUT CANNOT BE REPLACED BY 251N4101-43/-51/-59/-67/ -75/-83/-91 TOGETHER WITH (TWO EA) 10-61899-26/HJ18DU106, (ONE EA) 251N4077-4, (TWO EA) BACB30NY6K39, (TWO EA) BACC30X6, AND (TWO EA) NAS620C10 251N4010-7/-9/-15 CAN REPLACE OR BE REPLACED BY 251N4101-43/-51/-59/-67/ -75/-83/-91 TOGETHER WITH (TWO EA) 10-61899-26/HJ18DU106, (ONE EA) 251N4077-4, (TWO EA) BACB30NY6K39, (TWO EA) BACC30X6, AND (TWO EA) NAS620C10 251N4010-25 CAN REPLACE BUT CANNOT BE REPLACED BY 251N4101-43/-51/-59/ -67/ -75/-83/-91 TOGETHER WITH (TWO EA) 10-61899-26/HJ18DU106, (ONE EA) 251N4077-4, (TWO EA) BACB30NY6K39, (TWO EA) BACC30X6, AND (TWO EA) NAS620C10 REWORKED BY ALERT SB: 27A0127R2	107107 904949	RF

MISSING ITEM NUMBERS NOT APPLICABLE

- ITEM NOT ILLUSTRATED

BRI

27-51-11-01

27-51-11  
FIG. 01  
PAGE 12  
JAN 20/09





757

PARTS CATALOG (MAINTENANCE)

FIG ITEM	PART NUMBER	1 2 3 4 5 6 7 NOMENCLATURE	EFFECT FROM TO	UNITS PER ASSY
1 155	251N4101-43	.TRANSMISSION ASSY-U-JOINT AND BALLSCREW ASSY POSITION DATA: LH SIDE COMPONENT MAINT MANUAL REF: 27-51-12 QUALIFIED I/W DATA: 251N4010-19/-23 CAN REPLACE BUT CANNOT BE REPLACED BY 251N4101-43/-51/-59/-67/ -75/-83/-91 TOGETHER WITH (TWO EA) 10-61899-26/HJ18DU106, (ONE EA) 251N4077-4, (TWO EA) BACB30NY6K39, (TWO EA) BACC30X6, AND (TWO EA) NAS620C10 251N4010-7/-9/-15 CAN REPLACE OR BE REPLACED BY 251N4101-43/-51/-59/-67/ -75/-83/-91 TOGETHER WITH (TWO EA) 10-61899-26/HJ18DU106, (ONE EA) 251N4077-4, (TWO EA) BACB30NY6K39, (TWO EA) BACC30X6, AND (TWO EA) NAS620C10 251N4010-25 CAN REPLACE BUT CANNOT BE REPLACED BY 251N4101-43/-51/-59/ -67/-75/-83/-91 TOGETHER WITH (TWO EA) 10-61899-26/HJ18DU106, (ONE EA) 251N4077-4, (TWO EA) BACB30NY6K39, (TWO EA) BACC30X6, AND (TWO EA) NAS620C10 REWORKED BY ALERT SB: 27A0127R2	107107 904949	RF

MISSING ITEM NUMBERS NOT APPLICABLE

- ITEM NOT ILLUSTRATED

BRI

27-51-11-01

27-51-11  
FIG. 01  
PAGE 13  
JAN 20/09



757

PARTS CATALOG (MAINTENANCE)

FIG ITEM	PART NUMBER	1 2 3 4 5 6 7 NOMENCLATURE	EFFECT FROM TO	UNITS PER ASSY
1 155	251N4101-59	.TRANSMISSION ASSY-U-JOINT AND BALLSCREW ASSY POSITION DATA: LH SIDE COMPONENT MAINT MANUAL REF: 27-51-12 QUALIFIED I/W DATA: 251N4010-19/-23 CAN REPLACE BUT CANNOT BE REPLACED BY 251N4101-43/-51/-59/-67/ -75/-83/-91 TOGETHER WITH (TWO EA) 10-61899-26/HJ18DU106, (ONE EA) 251N4077-4, (TWO EA) BACB30NY6K39, (TWO EA) BACC30X6, AND (TWO EA) NAS620C10 251N4010-7/-9/-15 CAN REPLACE OR BE REPLACED BY 251N4101-43/-51/-59/-67/ -75/-83/-91 TOGETHER WITH (TWO EA) 10-61899-26/HJ18DU106, (ONE EA) 251N4077-4, (TWO EA) BACB30NY6K39, (TWO EA) BACC30X6, AND (TWO EA) NAS620C10 251N4010-25 CAN REPLACE BUT CANNOT BE REPLACED BY 251N4101-43/-51/-59/ -67/ -75/-83/-91 TOGETHER WITH (TWO EA) 10-61899-26/HJ18DU106, (ONE EA) 251N4077-4, (TWO EA) BACB30NY6K39, (TWO EA) BACC30X6, AND (TWO EA) NAS620C10 REWORKED BY ALERT SB: 27A0127R2	107107 904949	RF

MISSING ITEM NUMBERS NOT APPLICABLE

- ITEM NOT ILLUSTRATED

BRI

27-51-11-01

BOEING PROPRIETARY - Copyright © - Unpublished Work - See title page for details.

27-51-11  
FIG. 01  
PAGE 14  
JAN 20/09



757

PARTS CATALOG (MAINTENANCE)

FIG ITEM	PART NUMBER	1 2 3 4 5 6 7 NOMENCLATURE	EFFECT FROM TO	UNITS PER ASSY
1 155	251N4101-67	.TRANSMISSION ASSY-U-JOINT AND BALLSCREW ASSY POSITION DATA: LH SIDE COMPONENT MAINT MANUAL REF: 27-51-12 QUALIFIED I/W DATA: 251N4010-19/-23 CAN REPLACE BUT CANNOT BE REPLACED BY 251N4101-43/-51/-59/-67/ -75/-83/-91 TOGETHER WITH (TWO EA) 10-61899-26/HJ18DU106, (ONE EA) 251N4077-4, (TWO EA) BACB30NY6K39, (TWO EA) BACC30X6, AND (TWO EA) NAS620C10 251N4010-7/-9/-15 CAN REPLACE OR BE REPLACED BY 251N4101-43/-51/-59/-67/ -75/-83/-91 TOGETHER WITH (TWO EA) 10-61899-26/HJ18DU106, (ONE EA) 251N4077-4, (TWO EA) BACB30NY6K39, (TWO EA) BACC30X6, AND (TWO EA) NAS620C10 251N4010-25 CAN REPLACE BUT CANNOT BE REPLACED BY 251N4101-43/-51/-59/ -67/ -75/-83/-91 TOGETHER WITH (TWO EA) 10-61899-26/HJ18DU106, (ONE EA) 251N4077-4, (TWO EA) BACB30NY6K39, (TWO EA) BACC30X6, AND (TWO EA) NAS620C10 REWORKED BY ALERT SB: 27A0127R2	107107 904949	RF

MISSING ITEM NUMBERS NOT APPLICABLE

- ITEM NOT ILLUSTRATED

BRI

27-51-11-01

27-51-11  
FIG. 01  
PAGE 15  
JAN 20/09



757

PARTS CATALOG (MAINTENANCE)

FIG ITEM	PART NUMBER	1 2 3 4 5 6 7 NOMENCLATURE	EFFECT FROM TO	UNITS PER ASSY
1 155	251N4101-75	.TRANSMISSION ASSY-U-JOINT AND BALLSCREW ASSY POSITION DATA: LH SIDE COMPONENT MAINT MANUAL REF: 27-51-12 QUALIFIED I/W DATA: 251N4010-19/-23 CAN REPLACE BUT CANNOT BE REPLACED BY 251N4101-43/-51/-59/-67/ -75/-83/-91 TOGETHER WITH (TWO EA) 10-61899-26/HJ18DU106, (ONE EA) 251N4077-4, (TWO EA) BACB30NY6K39, (TWO EA) BACC30X6, AND (TWO EA) NAS620C10 251N4010-7/-9/-15 CAN REPLACE OR BE REPLACED BY 251N4101-43/-51/-59/-67/ -75/-83/-91 TOGETHER WITH (TWO EA) 10-61899-26/HJ18DU106, (ONE EA) 251N4077-4, (TWO EA) BACB30NY6K39, (TWO EA) BACC30X6, AND (TWO EA) NAS620C10 251N4010-25 CAN REPLACE BUT CANNOT BE REPLACED BY 251N4101-43/-51/-59/ -67/ -75/-83/-91 TOGETHER WITH (TWO EA) 10-61899-26/HJ18DU106, (ONE EA) 251N4077-4, (TWO EA) BACB30NY6K39, (TWO EA) BACC30X6, AND (TWO EA) NAS620C10 REWORKED BY ALERT SB: 27A0127R2	107107 904949	RF

MISSING ITEM NUMBERS NOT APPLICABLE

- ITEM NOT ILLUSTRATED

BRI

**27-51-11-01**

BOEING PROPRIETARY - Copyright © - Unpublished Work - See title page for details.

27-51-11  
FIG. 01  
PAGE 16  
JAN 20/09



757

PARTS CATALOG (MAINTENANCE)

FIG ITEM	PART NUMBER	1 2 3 4 5 6 7	NOMENCLATURE	EFFECT FROM TO	UNITS PER ASSY
1 155	251N4101-83		. TRANSMISSION ASSY-U-JOINT AND BALLSCREW ASSY POSITION DATA: LH SIDE COMPONENT MAINT MANUAL REF: 27-51-12 QUALIFIED I/W DATA: 251N4010-19/-23 CAN REPLACE BUT CANNOT BE REPLACED BY 251N4101-43/-51/-59/-67/-75/-83/-91 TOGETHER WITH (TWO EA) 10-61899-26/HJ18DU106, (ONE EA) 251N4077-4, (TWO EA) BACB30NY6K39, (TWO EA) BACC30X6, AND (TWO EA) NAS620C10 251N4010-7/-9/-15 CAN REPLACE OR BE REPLACED BY 251N4101-43/-51/-59/-67/-75/-83/-91 TOGETHER WITH (TWO EA) 10-61899-26/HJ18DU106, (ONE EA) 251N4077-4, (TWO EA) BACB30NY6K39, (TWO EA) BACC30X6, AND (TWO EA) NAS620C10 251N4010-25 CAN REPLACE BUT CANNOT BE REPLACED BY 251N4101-43/-51/-59/-67/-75/-83/-91 TOGETHER WITH (TWO EA) 10-61899-26/HJ18DU106, (ONE EA) 251N4077-4, (TWO EA) BACB30NY6K39, (TWO EA) BACC30X6, AND (TWO EA) NAS620C10 REWORKED BY ALERT SB: 27A0127	107107 904949	RF

MISSING ITEM NUMBERS NOT APPLICABLE

- ITEM NOT ILLUSTRATED

BRI

27-51-11-01

27-51-11  
FIG. 01  
PAGE 17  
JAN 20/09



757

PARTS CATALOG (MAINTENANCE)

FIG ITEM	PART NUMBER	1 2 3 4 5 6 7 NOMENCLATURE	EFFECT FROM TO	UNITS PER ASSY
1 155	251N4101-91	<p>. TRANSMISSION ASSY-U-JOINT AND BALLSCREW ASSY POSITION DATA: LH SIDE COMPONENT MAINT MANUAL REF: 27-51-12 QUALIFIED I/W DATA: 251N4010-19/-23 CAN REPLACE BUT CANNOT BE REPLACED BY 251N4101-43/-51/-59/-67/ -75/-83/-91 TOGETHER WITH (TWO EA) 10-61899-26/HJ18DU106, (ONE EA) 251N4077-4, (TWO EA) BACB30NY6K39, (TWO EA) BACC30X6, AND (TWO EA) NAS620C10 251N4010-7/-9/-15 CAN REPLACE OR BE REPLACED BY 251N4101-43/-51/-59/-67/ -75/-83/-91 TOGETHER WITH (TWO EA) 10-61899-26/HJ18DU106, (ONE EA) 251N4077-4, (TWO EA) BACB30NY6K39, (TWO EA) BACC30X6, AND (TWO EA) NAS620C10 251N4010-25 CAN REPLACE BUT CANNOT BE REPLACED BY 251N4101-43/-51/-59/ -67/ -75/-83/-91 TOGETHER WITH (TWO EA) 10-61899-26/HJ18DU106, (ONE EA) 251N4077-4, (TWO EA) BACB30NY6K39, (TWO EA) BACC30X6, AND (TWO EA) NAS620C10 QUALIFIED OPTIONAL DATA: 251N4010-7 IS OPTIONAL TO 251N4101-91 PLUS TWO 10-61899-26, 251N4077-4, TWO BACB30NY6K39, TWO BACC30X6 AND TWO NAS620C10 REWORKED BY ALERT SB: 27A0127</p>	107107 904949	RF

MISSING ITEM NUMBERS NOT APPLICABLE

- ITEM NOT ILLUSTRATED

**27-51-11-01**

27-51-11  
FIG. 01  
PAGE 18  
JAN 20/09

BRI



757

PARTS CATALOG (MAINTENANCE)

FIG ITEM	PART NUMBER	1 2 3 4 5 6 7 NOMENCLATURE	EFFECT FROM TO	UNITS PER ASSY
1 - 160	251N4101-54	.TRANSMISSION ASSY-U-JOINT AND BALLSCREW ASSY POSITION DATA: RH SIDE COMPONENT MAINT MANUAL REF: 27-51-12 QUALIFIED I/W DATA: 251N4010-20/-24 CAN REPLACE BUT CANNOT BE REPLACED BY 251N4101-46/-54/-62/-70/ -78/-86/-94 TOGETHER WITH (TWO EA) 10-61899-26/HJ18DU106, (ONE EA) 251N4077-4, (TWO EA) BACB30NY6K39, (TWO EA) BACC30X6, AND (TWO EA) NAS620C10 251N4010-8/-10/-16 CAN REPLACE OR BE REPLACED BY 251N4101-46/-54/-62/-70/ -78/-86/-94 TOGETHER WITH (TWO EA) 10-61899-26/HJ18DU106, (ONE EA) 251N4077-4, (TWO EA) BACB30NY6K39, (TWO EA) BACC30X6, AND (TWO EA) NAS620C10 251N4010-26 CAN REPLACE BUT CANNOT BE REPLACED BY 251N4101-46/-54/-62/ -70/ -78/-86/-94 TOGETHER WITH (TWO EA) 10-61899-26/HJ18DU106, (ONE EA) 251N4077-4, (TWO EA) BACB30NY6K39, (TWO EA) BACC30X6, AND (TWO EA) NAS620C10 REWORKED BY ALERT SB: 27A0127R2	107107 904949	RF

MISSING ITEM NUMBERS NOT APPLICABLE

- ITEM NOT ILLUSTRATED

BRI

27-51-11-01

27-51-11  
FIG. 01  
PAGE 19  
JAN 20/09



757

PARTS CATALOG (MAINTENANCE)

FIG ITEM	PART NUMBER	1 2 3 4 5 6 7 NOMENCLATURE	EFFECT FROM TO	UNITS PER ASSY
1 - 160	251N4101-46	<p>. TRANSMISSION ASSY-U-JOINT AND BALLSCREW ASSY POSITION DATA: RH SIDE COMPONENT MAINT MANUAL REF: 27-51-12 QUALIFIED I/W DATA: 251N4010-20/-24 CAN REPLACE BUT CANNOT BE REPLACED BY 251N4101-46/-54/-62/-70/ -78/-86/-94 TOGETHER WITH (TWO EA) 10-61899-26/HJ18DU106, (ONE EA) 251N4077-4, (TWO EA) BACB30NY6K39, (TWO EA) BACC30X6, AND (TWO EA) NAS620C10 251N4010-8/-10/-16 CAN REPLACE OR BE REPLACED BY 251N4101-46/-54/-62/-70/ -78/-86/-94 TOGETHER WITH (TWO EA) 10-61899-26/HJ18DU106, (ONE EA) 251N4077-4, (TWO EA) BACB30NY6K39, (TWO EA) BACC30X6, AND (TWO EA) NAS620C10 251N4010-26 CAN REPLACE BUT CANNOT BE REPLACED BY 251N4101-46/-54/ -62/-70/-78/-86/-94 TOGETHER WITH (TWO EA) 10-61899-26/HJ18DU106, (ONE EA) 251N4077-4, (TWO EA) BACB30NY6K39, (TWO EA) BACC30X6, AND (TWO EA) NAS620C10 REWORKED BY ALERT SB: 27A0127R2</p>	107107 904949	RF

MISSING ITEM NUMBERS NOT APPLICABLE

- ITEM NOT ILLUSTRATED

BRI

27-51-11-01

27-51-11  
FIG. 01  
PAGE 20  
JAN 20/09





757

PARTS CATALOG (MAINTENANCE)

FIG ITEM	PART NUMBER	1 2 3 4 5 6 7 NOMENCLATURE	EFFECT FROM TO	UNITS PER ASSY
1 - 160	251N4101-62	<p>. TRANSMISSION ASSY-U-JOINT AND BALLSCREW ASSY POSITION DATA: RH SIDE COMPONENT MAINT MANUAL REF: 27-51-12 QUALIFIED I/W DATA: 251N4010-20/-24 CAN REPLACE BUT CANNOT BE REPLACED BY 251N4101-46/-54/-62/-70/ -78/-86/-94 TOGETHER WITH (TWO EA) 10-61899-26/HJ18DU106, (ONE EA) 251N4077-4, (TWO EA) BACB30NY6K39, (TWO EA) BACC30X6, AND (TWO EA) NAS620C10 251N4010-8/-10/-16 CAN REPLACE OR BE REPLACED BY 251N4101-46/-54/-62/-70/ -78/-86/-94 TOGETHER WITH (TWO EA) 10-61899-26/HJ18DU106, (ONE EA) 251N4077-4, (TWO EA) BACB30NY6K39, (TWO EA) BACC30X6, AND (TWO EA) NAS620C10 251N4010-26 CAN REPLACE BUT CANNOT BE REPLACED BY 251N4101-46/-54/ -62/ -70/-78/-86/-94 TOGETHER WITH (TWO EA) 10-61899-26/HJ18DU106, (ONE EA) 251N4077-4, (TWO EA) BACB30NY6K39, (TWO EA) BACC30X6, AND (TWO EA) NAS620C10 REWORKED BY ALERT SB: 27A0127R2</p>	107107 904949	RF

MISSING ITEM NUMBERS NOT APPLICABLE

- ITEM NOT ILLUSTRATED

BRI

27-51-11-01

27-51-11  
FIG. 01  
PAGE 21  
JAN 20/09



757

PARTS CATALOG (MAINTENANCE)

FIG ITEM	PART NUMBER	1 2 3 4 5 6 7 NOMENCLATURE	EFFECT FROM TO	UNITS PER ASSY
1 - 160	251N4101-70	.TRANSMISSION ASSY-U-JOINT AND BALLSCREW ASSY POSITION DATA: RH SIDE COMPONENT MAINT MANUAL REF: 27-51-12 QUALIFIED I/W DATA: 251N4010-20/-24 CAN REPLACE BUT CANNOT BE REPLACED BY 251N4101-46/-54/-62/-70/ -78/-86/-94 TOGETHER WITH (TWO EA) 10-61899-26/HJ18DU106, (ONE EA) 251N4077-4, (TWO EA) BACB30NY6K39, (TWO EA) BACC30X6, AND (TWO EA) NAS620C10 251N4010-8/-10/-16 CAN REPLACE OR BE REPLACED BY 251N4101-46/-54/-62/-70/ -78/-86/-94 TOGETHER WITH (TWO EA) 10-61899-26/HJ18DU106, (ONE EA) 251N4077-4, (TWO EA) BACB30NY6K39, (TWO EA) BACC30X6, AND (TWO EA) NAS620C10 251N4010-26 CAN REPLACE BUT CANNOT BE REPLACED BY 251N4101-46/-54/ -62/ -70/-78/-86/-94 TOGETHER WITH (TWO EA) 10-61899-26/HJ18DU106, (ONE EA) 251N4077-4, (TWO EA) BACB30NY6K39, (TWO EA) BACC30X6, AND (TWO EA) NAS620C10 REWORKED BY ALERT SB: 27A0127R2	107107 904949	RF

MISSING ITEM NUMBERS NOT APPLICABLE

- ITEM NOT ILLUSTRATED

BRI

27-51-11-01

BOEING PROPRIETARY - Copyright © - Unpublished Work - See title page for details.

27-51-11  
FIG. 01  
PAGE 22  
JAN 20/09



757

PARTS CATALOG (MAINTENANCE)

FIG ITEM	PART NUMBER	1 2 3 4 5 6 7 NOMENCLATURE	EFFECT FROM TO	UNITS PER ASSY
1 - 160	251N4101-78	. TRANSMISSION ASSY-U-JOINT AND BALLSCREW ASSY POSITION DATA: RH SIDE COMPONENT MAINT MANUAL REF: 27-51-12 QUALIFIED I/W DATA: 251N4010-20/-24 CAN REPLACE BUT CANNOT BE REPLACED BY 251N4101-46/-54/-62/-70/ -78/-86/-94 TOGETHER WITH (TWO EA) 10-61899-26/HJ18DU106, (ONE EA) 251N4077-4, (TWO EA) BACB30NY6K39, (TWO EA) BACC30X6, AND (TWO EA) NAS620C10 251N4010-8/-10/-16 CAN REPLACE OR BE REPLACED BY 251N4101-46/-54/-62/-70/ -78/-86/-94 TOGETHER WITH (TWO EA) 10-61899-26/HJ18DU106, (ONE EA) 251N4077-4, (TWO EA) BACB30NY6K39, (TWO EA) BACC30X6, AND (TWO EA) NAS620C10 251N4010-26 CAN REPLACE BUT CANNOT BE REPLACED BY 251N4101-46/-54/ -62/ -70/-78/-86/-94 TOGETHER WITH (TWO EA) 10-61899-26/HJ18DU106, (ONE EA) 251N4077-4, (TWO EA) BACB30NY6K39, (TWO EA) BACC30X6, AND (TWO EA) NAS620C10 REWORKED BY ALERT SB: 27A0127R2	107107 904949	RF

MISSING ITEM NUMBERS NOT APPLICABLE

- ITEM NOT ILLUSTRATED

BRI

27-51-11-01

27-51-11  
FIG. 01  
PAGE 23  
JAN 20/09



757

PARTS CATALOG (MAINTENANCE)

FIG ITEM	PART NUMBER	1 2 3 4 5 6 7 NOMENCLATURE	EFFECT FROM TO	UNITS PER ASSY
1 - 160	251N4101-86	<p>. TRANSMISSION ASSY-U-JOINT AND BALLSCREW ASSY POSITION DATA: RH SIDE COMPONENT MAINT MANUAL REF: 27-51-12 QUALIFIED I/W DATA: 251N4010-20/-24 CAN REPLACE BUT CANNOT BE REPLACED BY 251N4101-46/-54/-62/-70/ -78/-86/-94 TOGETHER WITH (TWO EA) 10-61899-26/HJ18DU106, (ONE EA) 251N4077-4, (TWO EA) BACB30NY6K39, (TWO EA) BACC30X6, AND (TWO EA) NAS620C10 251N4010-8/-10/-16 CAN REPLACE OR BE REPLACED BY 251N4101-46/-54/-62/-70/ -78/-86/-94 TOGETHER WITH (TWO EA) 10-61899-26/HJ18DU106, (ONE EA) 251N4077-4, (TWO EA) BACB30NY6K39, (TWO EA) BACC30X6, AND (TWO EA) NAS620C10 251N4010-26 CAN REPLACE BUT CANNOT BE REPLACED BY 251N4101-46/-54/ -62/ -70/-78/-86/-94 TOGETHER WITH (TWO EA) 10-61899-26/HJ18DU106, (ONE EA) 251N4077-4, (TWO EA) BACB30NY6K39, (TWO EA) BACC30X6, AND (TWO EA) NAS620C10 REWORKED BY ALERT SB: 27A0127</p>	107107 904949	RF

MISSING ITEM NUMBERS NOT APPLICABLE

- ITEM NOT ILLUSTRATED

BRI

27-51-11-01

BOEING PROPRIETARY - Copyright © - Unpublished Work - See title page for details.

27-51-11  
FIG. 01  
PAGE 24  
JAN 20/09



757

PARTS CATALOG (MAINTENANCE)

FIG ITEM	PART NUMBER	1 2 3 4 5 6 7 NOMENCLATURE	EFFECT FROM TO	UNITS PER ASSY
1 - 160	251N4101-94	<p>. TRANSMISSION ASSY-U-JOINT AND BALLSCREW ASSY POSITION DATA: RH SIDE COMPONENT MAINT MANUAL REF: 27-51-12 QUALIFIED I/W DATA: 251N4010-20/-24 CAN REPLACE BUT CANNOT BE REPLACED BY 251N4101-46/-54/-62/-70/ -78/-86/-94 TOGETHER WITH (TWO EA) 10-61899-26/HJ18DU106, (ONE EA) 251N4077-4, (TWO EA) BACB30NY6K39, (TWO EA) BACC30X6, AND (TWO EA) NAS620C10 251N4010-8/-10/-16 CAN REPLACE OR BE REPLACED BY 251N4101-46/-54/-62/-70/ -78/-86/-94 TOGETHER WITH (TWO EA) 10-61899-26/HJ18DU106, (ONE EA) 251N4077-4, (TWO EA) BACB30NY6K39, (TWO EA) BACC30X6, AND (TWO EA) NAS620C10 251N4010-26 CAN REPLACE BUT CANNOT BE REPLACED BY 251N4101-46/-54/ -62/ -70/-78/-86/-94 TOGETHER WITH (TWO EA) 10-61899-26/HJ18DU106, (ONE EA) 251N4077-4, (TWO EA) BACB30NY6K39, (TWO EA) BACC30X6, AND (TWO EA) NAS620C10 QUALIFIED OPTIONAL DATA: 251N4010-8 OPTIONAL TO 251N4101-94 PLUS TWO 10-61899-26, 251N4077-4, TWO BACB30NY6K39, TWO BACC30X6, AND TWO NAS620C10 REWORKED BY ALERT SB: 27A0127</p>	107107 904949	RF

MISSING ITEM NUMBERS NOT APPLICABLE

- ITEM NOT ILLUSTRATED

BRI

27-51-11-01

27-51-11  
FIG. 01  
PAGE 25  
JAN 20/09



757

PARTS CATALOG (MAINTENANCE)

FIG ITEM	PART NUMBER	1 2 3 4 5 6 7	NOMENCLATURE	EFFECT FROM TO	UNITS PER ASSY
1					
165	BACB30LE7-26	..	BOLT	107107 904949	2
170	BACW10BP7CD	..	WASHER	107107 904949	2
175	BACW10BP7DP	..	WASHER	107107 904949	2
180	BMN10HRCPD3-7	..	NUT	107107 904949	2
			SUPPLIER CODE: V97928		
			SPECIFICATION NUMBER: BACN10HR7CS		
			OPTIONAL PART: H39953-7		
			V15653		
			109LH9031-7		
			V72962		
			67832AS720		
			V56878		
			BH00303-7		
			V27238		
			BMN5024CPD37		
			V97928		
			109LH90317		
			V72962		
			67832AS7		
			V56878		
			SL705097		
			V11815		
			CR5908-7		
			VF0224		
			109LH90317		
			V72962		
			67832AS7		
			V56878		
			SL705097		
			V11815		
185	7821343	..	BALLSCREW ASSY-TE FLAP ACTUATION NO. 3 AND 6	107107 904949	1
			SUPPLIER CODE: VOA335		
			SPECIFICATION NUMBER: S251N401-11		
			COMPONENT MAINT MANUAL REF: 27-51-20		
			USED ON: 251N4101-51		
			251N4101-54		

MISSING ITEM NUMBERS NOT APPLICABLE

- ITEM NOT ILLUSTRATED

27-51-11-01

27-51-11  
FIG. 01  
PAGE 26  
JAN 20/09

BRI



757

PARTS CATALOG (MAINTENANCE)

FIG ITEM	PART NUMBER	1 2 3 4 5 6 7	NOMENCLATURE	EFFECT FROM TO	UNITS PER ASSY
1 185	7820923		..BALLSCREW ASSY-TE FLAP ACTUATION NO. 3 AND 6 SUPPLIER CODE: VOA335 SPECIFICATION NUMBER: S251N401-7 COMPONENT MAINT MANUAL REF: 27-51-20 USED ON: 251N4101-43 251N4101-46 251N4101-59 251N4101-62 251N4101-67 251N4101-70 251N4101-75 251N4101-78 251N4101-83 251N4101-86 251N4101-91 251N4101-94	107107 904949	1
186	1646B		...FITTING- SUPPLIER CODE: V95879	107107 904949	2
187	NAS1291-3		...NUT	107107 904949	1
188	5669341		...PLATE-IDENT SUPPLIER CODE: VOA335	107107 904949	1
189	5702378		...PLATE-INSTRUCTION SUPPLIER CODE: VOA335	107107 904949	2
190	251N4053-3		..U JOINT ASSY	107107 904949	1
195	1728B		...FITTING-LUBE SUPPLIER CODE: VOFKM1	107107 904949	4

MISSING ITEM NUMBERS NOT APPLICABLE

- ITEM NOT ILLUSTRATED

BRI

27-51-11-01

BOEING PROPRIETARY - Copyright © - Unpublished Work - See title page for details.

27-51-11  
FIG. 01  
PAGE 27  
JAN 20/09



757

PARTS CATALOG (MAINTENANCE)

FIG ITEM	PART NUMBER	1 2 3 4 5 6 7	NOMENCLATURE	EFFECT FROM TO	UNITS PER ASSY
1 200	TLN1001W38	...	NUT SUPPLIER CODE: V97928 SPECIFICATION NUMBER: BACN10HY8M OPTIONAL PART: RMLH9073-8 V72962 TLN1001WD38 V92215 69233SB8D V56878 TLN1001WD38 V97928 TLN1001W38 V92215 HW29872-8 V15653	107107 904949	1
205	251N4150-1	...	ADAPTER-U-JOINT INTERNAL SHAFT	107107 904949	1
210	251N4135-1	...	SHAFT-SMALL INTERNAL	107107 904949	1
215	251N4149-1	...	SHAFT-LARGE INTERNAL	107107 904949	1
220	251N4103-1	...	SPACER-U-JOINT BRG	107107 904949	1
225	251N4156-3	...	JOINT ASSY	107107 904949	1
230	251N4010-9	.	TRANSMISSION ASSY- POSITION DATA: LH SIDE MISCELLANEOUS DATA: PROCURE MAJOR COMPONENTS QUALIFIED I/W DATA: 251N4010-7/-9/-15 CAN REPLACE OR BE REPLACED BY 251N4101-43/-51/-59/-67/ -75/-83/-91 TOGETHER WITH (TWO EA) 10-61899-26/HJ18DU106, (ONE EA) 251N4077-4, (TWO EA) BACB30NY6K39, (TWO EA) BACC30X6, AND (TWO EA) NAS620C10	002004 006102 107999	RF

MISSING ITEM NUMBERS NOT APPLICABLE

- ITEM NOT ILLUSTRATED

BRI

27-51-11-01

27-51-11  
FIG. 01  
PAGE 28  
JAN 20/09





757

PARTS CATALOG (MAINTENANCE)

FIG ITEM	PART NUMBER	1 2 3 4 5 6 7	NOMENCLATURE	EFFECT FROM TO	UNITS PER ASSY
1 230	251N4010-15		.TRANSMISSION ASSY- POSITION DATA: LH SIDE MISCELLANEOUS DATA: PROCURE MAJOR COMPONENTS QUALIFIED I/W DATA: 251N4010-7/-9/-15 CAN REPLACE OR BE REPLACED BY 251N4101-43/-51/-59/-67/ -75/-83/-91 TOGETHER WITH (TWO EA) 10-61899-26/HJ18DU106, (ONE EA) 251N4077-4, (TWO EA) BACB30NY6K39, (TWO EA) BACC30X6, AND (TWO EA) NAS620C10	002004 006102 107999	RF
230	251N4010-19		.TRANSMISSION ASSY- POSITION DATA: LH SIDE MISCELLANEOUS DATA: PROCURE MAJOR COMPONENTS QUALIFIED I/W DATA: 251N4010-19/-23 CAN REPLACE BUT CANNOT BE REPLACED BY 251N4101-43/-51/-59/-67/ -75/-83/-91 TOGETHER WITH (TWO EA) 10-61899-26/HJ18DU106, (ONE EA) 251N4077-4, (TWO EA) BACB30NY6K39, (TWO EA) BACC30X6, AND (TWO EA) NAS620C10	002004 006102 107999	RF

MISSING ITEM NUMBERS NOT APPLICABLE

- ITEM NOT ILLUSTRATED

BRI

27-51-11-01

BOEING PROPRIETARY - Copyright © - Unpublished Work - See title page for details.

27-51-11  
FIG. 01  
PAGE 29  
JAN 20/09



757

PARTS CATALOG (MAINTENANCE)

FIG ITEM	PART NUMBER	1 2 3 4 5 6 7	NOMENCLATURE	EFFECT FROM TO	UNITS PER ASSY
1 230	251N4010-23		.TRANSMISSION ASSY- POSITION DATA: LH SIDE MISCELLANEOUS DATA: PROCURE MAJOR COMPONENTS QUALIFIED I/W DATA: 251N4010-19/-23 CAN REPLACE BUT CANNOT BE REPLACED BY 251N4101-43/-51/-59/-67/ -75/-83/-91 TOGETHER WITH (TWO EA) 10-61899-26/HJ18DU106, (ONE EA) 251N4077-4, (TWO EA) BACB30NY6K39, (TWO EA) BACC30X6, AND (TWO EA) NAS620C10	002004 006999	RF
230	251N4010-7		.TRANSMISSION ASSY- POSITION DATA: LH SIDE MISCELLANEOUS DATA: PROCURE MAJOR COMPONENTS QUALIFIED I/W DATA: 251N4010-7/-9/-15 CAN REPLACE OR BE REPLACED BY 251N4101-43/-51/-59/-67/ -75/-83/-91 TOGETHER WITH (TWO EA) 10-61899-26/HJ18DU106, (ONE EA) 251N4077-4, (TWO EA) BACB30NY6K39, (TWO EA) BACC30X6, AND (TWO EA) NAS620C10 QUALIFIED OPTIONAL DATA: 251N4010-7 IS OPTIONAL TO 251N4101-91 PLUS TWO 10-61899-26, 251N4077-4, TWO BACB30NY6K39, TWO BACC30X6 AND TWO NAS620C10	002004 006102 107999	RF

MISSING ITEM NUMBERS NOT APPLICABLE

- ITEM NOT ILLUSTRATED

BRI

27-51-11-01

BOEING PROPRIETARY - Copyright © - Unpublished Work - See title page for details.

27-51-11  
FIG. 01  
PAGE 30  
JAN 20/09



757

PARTS CATALOG (MAINTENANCE)

FIG ITEM	PART NUMBER	1 2 3 4 5 6 7	NOMENCLATURE	EFFECT FROM TO	UNITS PER ASSY
1 230	251N4010-25		.TRANSMISSION ASSY- POSITION DATA: LH SIDE MISCELLANEOUS DATA: PROCURE MAJOR COMPONENTS QUALIFIED I/W DATA: 251N4010-25 CAN REPLACE BUT CANNOT BE REPLACED BY 251N4101-43/-51/-59/ -67/ -75/-83/-91 TOGETHER WITH (TWO EA) 10-61899-26/HJ18DU106, (ONE EA) 251N4077-4, (TWO EA) BACB30NY6K39, (TWO EA) BACC30X6, AND (TWO EA) NAS620C10	002004 006999	RF
- 235	251N4010-26		.TRANSMISSION ASSY- POSITION DATA: RH SIDE MISCELLANEOUS DATA: PROCURE MAJOR COMPONENTS QUALIFIED I/W DATA: 251N4010-26 CAN REPLACE BUT CANNOT BE REPLACED BY 251N4101-46/-54/-62/ -70/-78/-86/-94 TOGETHER WITH (TWO EA) 10-61899-26/HJ18DU106, (ONE EA) 251N4077-4, (TWO EA) BACB30NY6K39, (TWO EA) BACC30X6, AND (TWO EA) NAS620C10	002004 006999	RF
- 235	251N4010-10		.TRANSMISSION ASSY- POSITION DATA: RH SIDE MISCELLANEOUS DATA: PROCURE MAJOR COMPONENTS QUALIFIED I/W DATA: 251N4010-8/-10/-16 CAN REPLACE OR BE REPLACED BY 251N4101-46/-54/-62/-70/ -78/-86/-94 TOGETHER WITH (TWO EA) 10-61899-26/HJ18DU106, (ONE EA) 251N4077-4, (TWO EA) BACB30NY6K39, (TWO EA) BACC30X6, AND (TWO EA) NAS620C10	002004 006102 107999	RF

MISSING ITEM NUMBERS NOT APPLICABLE

- ITEM NOT ILLUSTRATED

27-51-11-01

27-51-11  
FIG. 01  
PAGE 31  
JAN 20/09

BRI



757

PARTS CATALOG (MAINTENANCE)

FIG ITEM	PART NUMBER	1 2 3 4 5 6 7	NOMENCLATURE	EFFECT FROM TO	UNITS PER ASSY
1 - 235	251N4010-16		.TRANSMISSION ASSY- POSITION DATA: RH SIDE MISCELLANEOUS DATA: PROCURE MAJOR COMPONENTS QUALIFIED I/W DATA: 251N4010-8/-10/-16 CAN REPLACE OR BE REPLACED BY 251N4101-46/-54/-62/-70/ -78/-86/-94 TOGETHER WITH (TWO EA) 10-61899-26/HJ18DU106, (ONE EA) 251N4077-4, (TWO EA) BACB30NY6K39, (TWO EA) BACC30X6, AND (TWO EA) NAS620C10	002004 006102 107999	RF
- 235	251N4010-20		.TRANSMISSION ASSY- POSITION DATA: RH SIDE MISCELLANEOUS DATA: PROCURE MAJOR COMPONENTS QUALIFIED I/W DATA: 251N4010-20/-24 CAN REPLACE BUT CANNOT BE REPLACED BY 251N4101-46/-54/-62/-70/ -78/-86/-94 TOGETHER WITH (TWO EA) 10-61899-26/HJ18DU106, (ONE EA) 251N4077-4, (TWO EA) BACB30NY6K39, (TWO EA) BACC30X6, AND (TWO EA) NAS620C10	002004 006102 107999	RF

MISSING ITEM NUMBERS NOT APPLICABLE

- ITEM NOT ILLUSTRATED

BRI

27-51-11-01

BOEING PROPRIETARY - Copyright © - Unpublished Work - See title page for details.

27-51-11  
FIG. 01  
PAGE 32  
JAN 20/09



757

PARTS CATALOG (MAINTENANCE)

FIG ITEM	PART NUMBER	1 2 3 4 5 6 7	NOMENCLATURE	EFFECT FROM TO	UNITS PER ASSY
1 - 235	251N4010-24		.TRANSMISSION ASSY- POSITION DATA: RH SIDE MISCELLANEOUS DATA: PROCURE MAJOR COMPONENTS QUALIFIED I/W DATA: 251N4010-20/-24 CAN REPLACE BUT CANNOT BE REPLACED BY 251N4101-46/-54/-62/-70/ -78/-86/-94 TOGETHER WITH (TWO EA) 10-61899-26/HJ18DU106, (ONE EA) 251N4077-4, (TWO EA) BACB30NY6K39, (TWO EA) BACC30X6, AND (TWO EA) NAS620C10	002004 006999	RF
- 235	251N4010-8		.TRANSMISSION ASSY- POSITION DATA: RH SIDE MISCELLANEOUS DATA: PROCURE MAJOR COMPONENTS QUALIFIED I/W DATA: 251N4010-8/-10/-16 CAN REPLACE OR BE REPLACED BY 251N4101-46/-54/-62/-70/ -78/-86/-94 TOGETHER WITH (TWO EA) 10-61899-26/HJ18DU106, (ONE EA) 251N4077-4, (TWO EA) BACB30NY6K39, (TWO EA) BACC30X6, AND (TWO EA) NAS620C10 QUALIFIED OPTIONAL DATA: 251N4010-8 IS OPTIONAL TO 251N4101-94 PLUS TWO 10-61899-26, 251N4077-4, TWO BACB30NY6K39, TWO BACC30X6 AND TWO NAS620C10	002004 006102 107999	RF

MISSING ITEM NUMBERS NOT APPLICABLE

- ITEM NOT ILLUSTRATED

BRI

27-51-11-01

27-51-11  
FIG. 01  
PAGE 33  
JAN 20/09



757

PARTS CATALOG (MAINTENANCE)

FIG ITEM	PART NUMBER	1 2 3 4 5 6 7	NOMENCLATURE	EFFECT FROM TO	UNITS PER ASSY
1 240	HL13VAZ6-39	..	BOLT SUPPLIER CODE: V56878 SPECIFICATION NUMBER: BACB30NY6K39 OPTIONAL PART: HL13VAZ6-39 V73197 HL13VAZ6-39 V92215 HL13VAZ6-39 V97928 L801-6K39 V06725 HL13VAZ6-39 V60516 L801-6K39 V0PTK6 HL13VAZ6-39 V17446	002004 006999	2
245	NAS620C10	..	WASHER	002004 006999	2
250	HL1187-6	..	COLLAR SUPPLIER CODE: V5M902 SPECIFICATION NUMBER: BACC30X6 OPTIONAL PART: HL87-6 V92215 HL87-6 V73197 HL1187-6 V56878 HL1187-6 V92215 HL87-6 V56878 HL1187-6 V73197	002004 006999	2

MISSING ITEM NUMBERS NOT APPLICABLE

- ITEM NOT ILLUSTRATED

BRI

27-51-11-01

BOEING PROPRIETARY - Copyright © - Unpublished Work - See title page for details.

27-51-11  
FIG. 01  
PAGE 34  
JAN 20/09



757

PARTS CATALOG (MAINTENANCE)

FIG ITEM	PART NUMBER	1 2 3 4 5 6 7	NOMENCLATURE	EFFECT FROM TO	UNITS PER ASSY
1 255	HJ18DU106		..BUSHING- SUPPLIER CODE: V02758 SPECIFICATION NUMBER: 10-61899-26 QUALIFIED I/W DATA: 251N4278-2 BUSHING TOGETHER WITH 251N4322-1 CAP AY AND 251N4280-1 PLUG AY AND 2 EA NAS607-2-6 PIN IS I/W 10-61899-26 OPTIONAL PART: AJ18C106DU VS0352 ADU18-8 V15860	002004 006999	2
255	AJ18C106DU		..BUSHING- SUPPLIER CODE: VS0352 SPECIFICATION NUMBER: 10-61899-26 OPTIONAL PART: ADU18-8 V15860 HJ18DU106 V02758	002004 006999	2
255	ADU18-8		..BUSHING- SUPPLIER CODE: V15860 SPECIFICATION NUMBER: 10-61899-26 OPTIONAL PART: AJ18C106DU VS0352 HJ18DU106 V02758	002004 006999	2
260	BACB30LE7-26		..BOLT	002004 006999	2
265	BACW10BP7CD		..WASHER	002004 006999	2
270	BACW10BP7DP		..WASHER	002004 006999	2

MISSING ITEM NUMBERS NOT APPLICABLE

- ITEM NOT ILLUSTRATED

27-51-11-01

27-51-11  
FIG. 01  
PAGE 35  
JAN 20/09

BRI



757

PARTS CATALOG (MAINTENANCE)

FIG ITEM	PART NUMBER	1 2 3 4 5 6 7	NOMENCLATURE	EFFECT FROM TO	UNITS PER ASSY
1 275	BMN10HRCPD3-7	..	NUT SUPPLIER CODE: V97928 SPECIFICATION NUMBER: BACN10HR7CS OPTIONAL PART: H39953-7 V15653 109LH9031-7 V72962 67832AS720 V56878 BH00303-7 V27238 BMN5024CPD37 V97928 109LH90317 V72962 67832AS7 V56878 SL705097 V11815 CR5908-7 VF0224 109LH90317 V72962 67832AS7 V56878 SL705097 V11815	002004 006999	2
280	251N4077-4	..	GIMBAL-	002004 006999	1
280	251N4077-1	..	GIMBAL-	002004 006999	1
280	251N4077-2	..	GIMBAL-	002004 006999	1
285	7821343	..	BALLSCREW ASSY-TE FLAP ACTUATION NO. 3 AND 6 SUPPLIER CODE: VOA335 SPECIFICATION NUMBER: S251N401-11 COMPONENT MAINT MANUAL REF: 27-51-20 OPTIONAL PART: 7820923 VOA335	002004 006102 107999	1

MISSING ITEM NUMBERS NOT APPLICABLE

- ITEM NOT ILLUSTRATED

BRI

27-51-11-01

27-51-11  
FIG. 01  
PAGE 36  
JAN 20/09





757

PARTS CATALOG (MAINTENANCE)

FIG ITEM	PART NUMBER	1 2 3 4 5 6 7	NOMENCLATURE	EFFECT FROM TO	UNITS PER ASSY
1 285	7820923		..BALLSCREW ASSY-TE FLAP ACTUATION NO. 3 AND 6 SUPPLIER CODE: VOA335 SPECIFICATION NUMBER: S251N401-7 COMPONENT MAINT MANUAL REF: 27-51-20 OPTIONAL PART: 7821343 VOA335 USED ON: 251N4010-7 251N4010-8 251N4010-9 251N4010-10 251N4010-15 251N4010-16	002004 006102 107999	1
285	7829997		..BALLSCREW ASSY-TE FLAP ACTUATION NO. 3 AND 6 SUPPLIER CODE: VOA335 SPECIFICATION NUMBER: S251N401-19 COMPONENT MAINT MANUAL REF: 27-51-20 USED ON: 251N4010-19 251N4010-20 251N4010-23 251N4010-24	002004 006999	1
285	FV233300000		..BALLSCREW ASSY-TE FLAP ACTUATION NO. 3 AND 6 SUPPLIER CODE: VOA335 SPECIFICATION NUMBER: S251N401-25 USED ON: 251N4010-25 251N4010-26	002004 006999	1
286	1646B		...FITTING- SUPPLIER CODE: V95879	002004 006999	2
287	NAS1291-3		...NUT	002004 006999	1
288	5669341		...PLATE-IDENT SUPPLIER CODE: VOA335	002004 006999	1

MISSING ITEM NUMBERS NOT APPLICABLE

- ITEM NOT ILLUSTRATED

**27-51-11-01**

27-51-11  
FIG. 01  
PAGE 37  
JAN 20/09

BRI



757

PARTS CATALOG (MAINTENANCE)

FIG ITEM	PART NUMBER	1 2 3 4 5 6 7	NOMENCLATURE	EFFECT FROM TO	UNITS PER ASSY
1 288A	FV233112200	...	PLATE-IDENT SUPPLIER CODE: VFO221	002004 006999	1
289	5702378	...	PLATE-INSTRUCTION SUPPLIER CODE: VOA335	002004 006999	2
290	251N4336-3	..	TRANSMISSION AND UJOINT- ASSY-TE FLAP NO. 3 PRE SERVICE BULLETIN: 27-0115 REWORKED BY ALERT SB: 27A0127	002004 006102 107999	RF
290	251N4336-11	..	TRANSMISSION AND UJOINT- ASSY-TE FLAP NO. 3 POST SERVICE BULLETIN: 27-0115 PRE ALERT SB: 27A0127R2	002004 006102 107999	RF
290	251N4336-19	..	TRANSMISSION AND UJOINT- ASSY-TE FLAP NO. 3 POST ALERT SB: 27A0127	002004 006102 107999	RF
290	251N4336-27	..	TRANSMISSION AND UJOINT- ASSY-TE FLAP NO. 3	002004 006999	RF
- 295	251N4336-6	..	TRANSMISSION AND UJOINT- ASSY-TE FLAP NO. 6 PRE SERVICE BULLETIN: 27-0115 REWORKED BY ALERT SB: 27A0127	002004 006102 107999	RF
- 295	251N4336-14	..	TRANSMISSION AND UJOINT- ASSY-TE FLAP NO. 6 POST SERVICE BULLETIN: 27-0115 PRE ALERT SB: 27A0127R2	002004 006102 107999	RF
- 295	251N4336-22	..	TRANSMISSION AND UJOINT- ASSY-TE FLAP NO. 6 POST ALERT SB: 27A0127	002004 006102 107999	RF
- 295	251N4336-30	..	TRANSMISSION AND UJOINT- ASSY-TE FLAP NO. 6	002004 006999	RF
300	1728B	...	FITTING- SUPPLIER CODE: VOFKM1	002004 006999	4

MISSING ITEM NUMBERS NOT APPLICABLE

- ITEM NOT ILLUSTRATED

27-51-11-01

27-51-11  
FIG. 01  
PAGE 38  
JAN 20/09

BRI



757

PARTS CATALOG (MAINTENANCE)

FIG ITEM	PART NUMBER	1 2 3 4 5 6 7	NOMENCLATURE	EFFECT FROM TO	UNITS PER ASSY
1 305	TLN1001W38	...	NUT SUPPLIER CODE: V97928 SPECIFICATION NUMBER: BACN10HY8M OPTIONAL PART: RMLH9073-8 V72962 TLN1001WD38 V92215 69233SB8D V56878 TLN1001WD38 V97928 TLN1001W38 V92215 HW29872-8 V15653	002004 006999	1
310	251N4150-1	...	ADAPTER-U-JOINT INTERNAL SHAFT	002004 006999	1
315	251N4135-1	...	SHAFT-SMALL INTERNAL	002004 006999	1
320	251N4149-1	...	SHAFT-LARGE INTERNAL	002004 006999	1
325	251N4103-1	...	SPACER-U-JOINT BRG	002004 006999	1
330	251N4156-3	...	JOINT ASSY	002004 006999	1
335	251N4105-1	....	BEARING	002004 006999	2
340	251N4156-1	....	U JOINT	002004 006999	1

MISSING ITEM NUMBERS NOT APPLICABLE

- ITEM NOT ILLUSTRATED

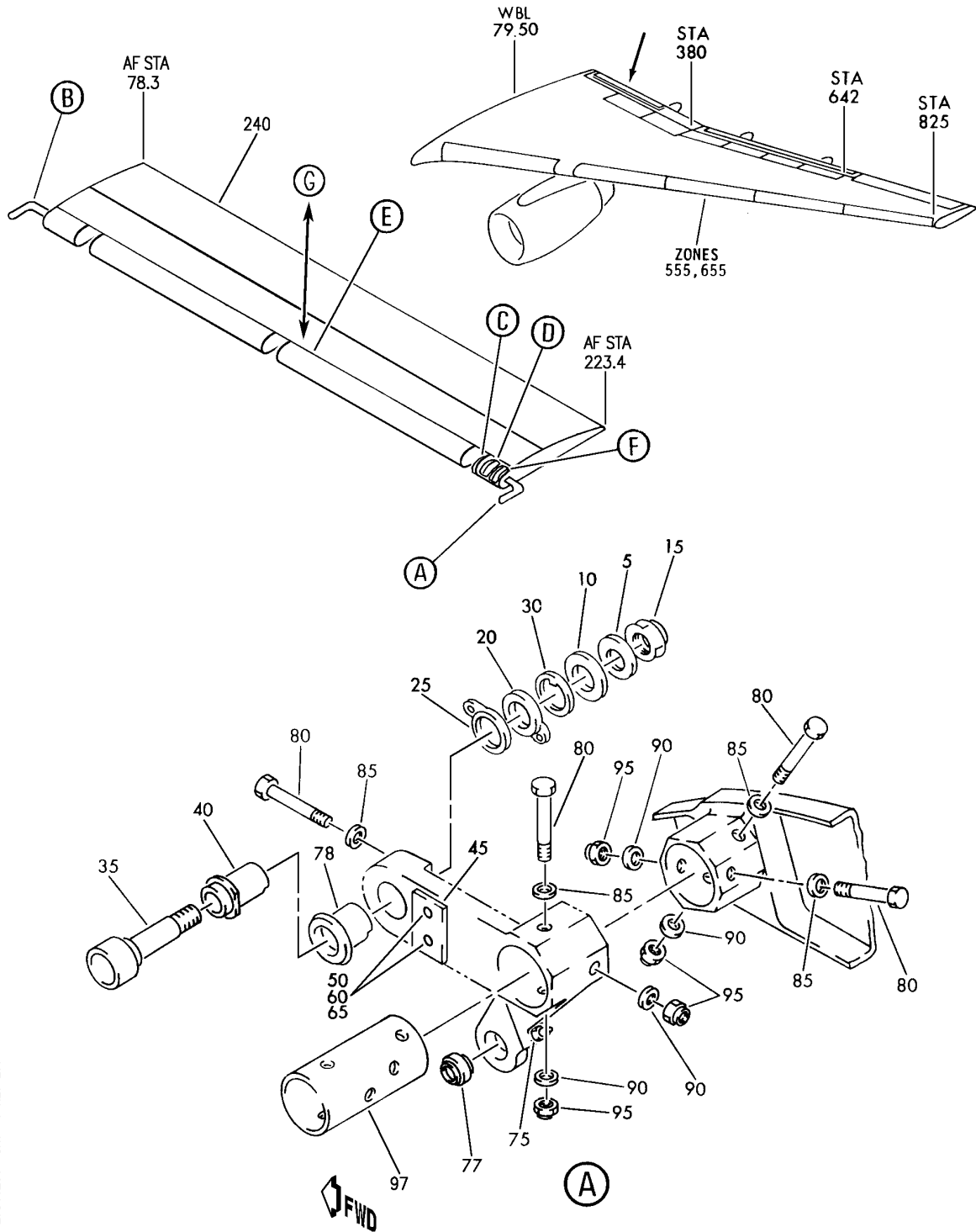
BRI

27-51-11-01

BOEING PROPRIETARY - Copyright © - Unpublished Work - See title page for details.

27-51-11  
FIG. 01  
PAGE 39  
JAN 20/09

**BOEING**  
757  
PARTS CATALOG (MAINTENANCE)



Y 27511201 SHT 1 REV 277

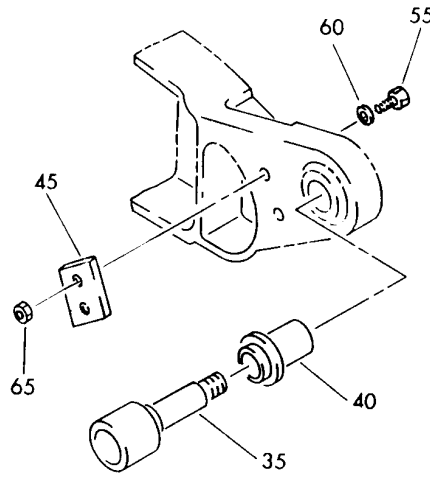
FLAP ASSY-INBD TE AFT (INBD TE FLAP ONLY)  
FIGURE 1 (SHEET 1)

**27-51-12-01**

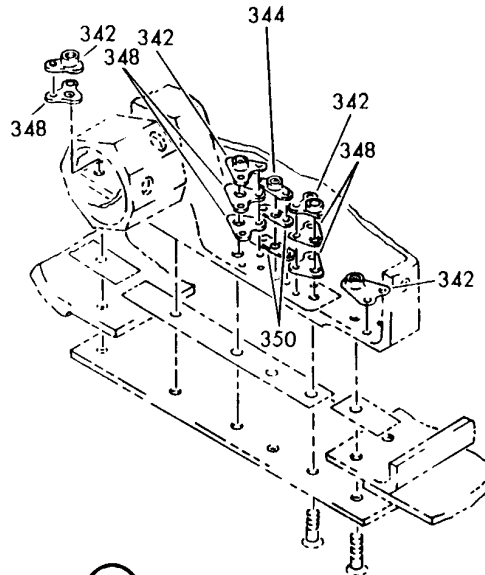
BRI  
MAY 28/07

27-51-12-01  
PAGE 0

**BOEING**  
757  
PARTS CATALOG (MAINTENANCE)



(B)



(C)

Y 27511201 SHT 2 REV 192

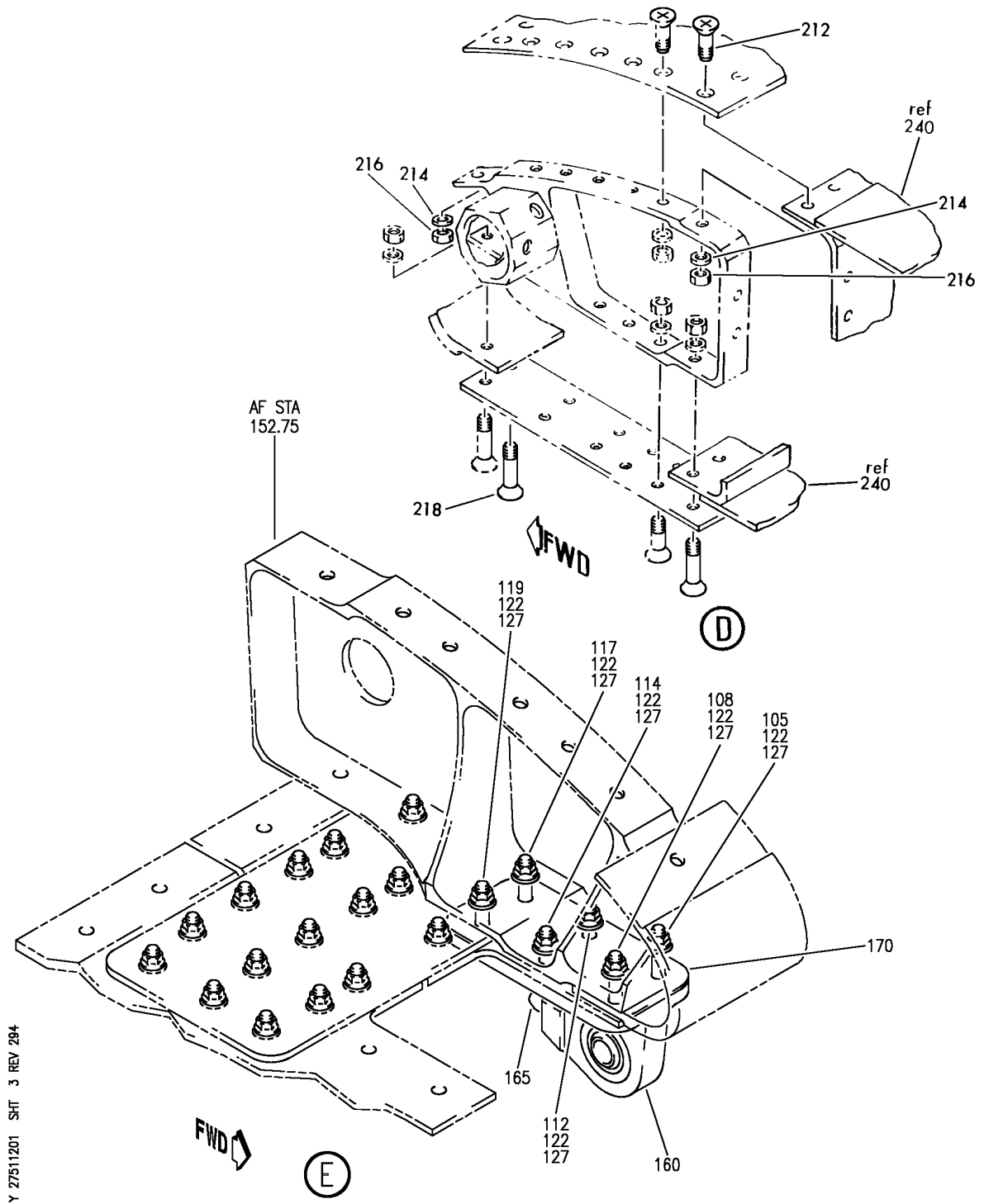
FLAP ASSY-INBD TE AFT (INBD TE FLAP ONLY)  
FIGURE 1 (SHEET 2)

**27-51-12-01**

BRI  
MAY 28/07

27-51-12-01  
PAGE 0A

**BOEING**  
**757**  
**PARTS CATALOG (MAINTENANCE)**



Y 27511201 SH1 3 REV 294

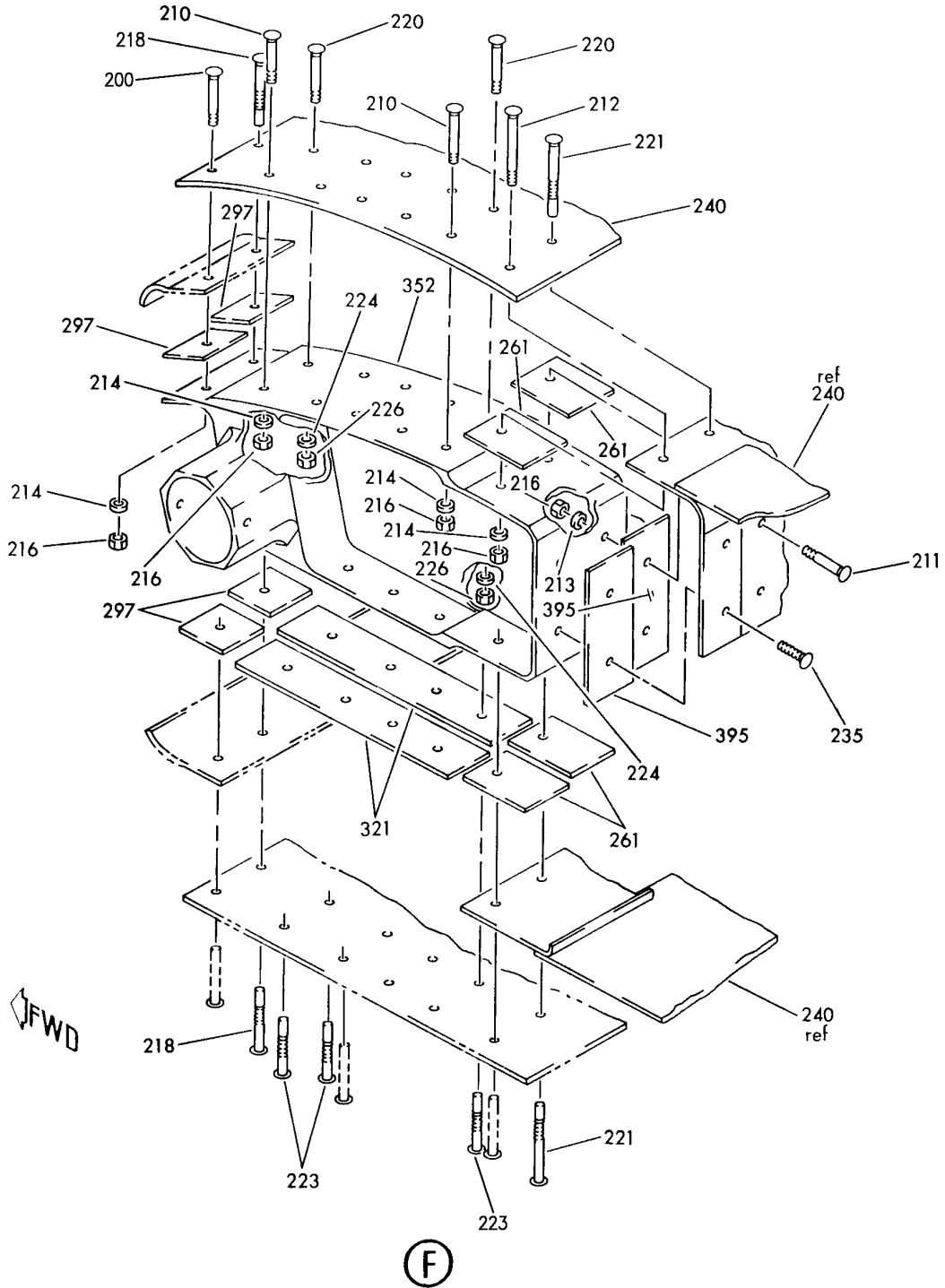
FLAP ASSY-INBD TE AFT (INBD TE FLAP ONLY)  
 FIGURE 1 (SHEET 3)

**27-51-12-01**

BRI  
 MAY 28/07

27-51-12-01  
 PAGE 0B

**BOEING**  
757  
PARTS CATALOG (MAINTENANCE)



Y 27511201 SHIT 4 REV 291

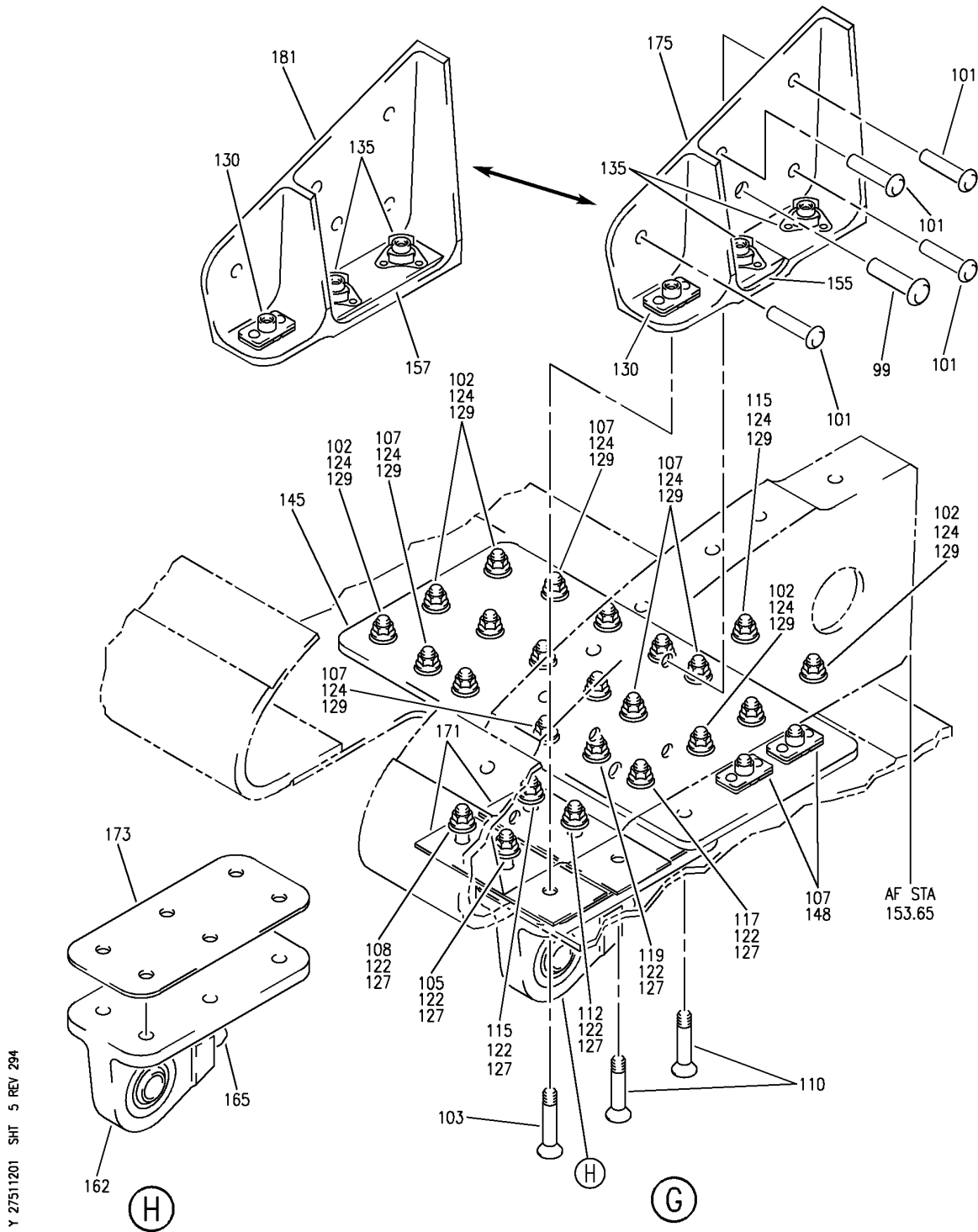
FLAP ASSY-INBD TE AFT (INBD TE FLAP ONLY)  
FIGURE 1 (SHEET 4)

**27-51-12-01**

BRI  
MAY 28/07

27-51-12-01  
PAGE 0C

**BOEING**  
757  
PARTS CATALOG (MAINTENANCE)



FLAP ASSY-INBD TE AFT (INBD TE FLAP ONLY)  
FIGURE 1 (SHEET 5)

**27-51-12-01**

BRI  
MAY 28/07

27-51-12-01  
PAGE 0D





757

PARTS CATALOG (MAINTENANCE)

FIG ITEM	PART NUMBER	1 2 3 4 5 6 7	NOMENCLATURE	EFFECT FROM TO	UNITS PER ASSY
1			FLAP ASSY-INBD TE AFT (INBD TE FLAP ONLY)	002004	
- 1	113N2800-93SP		FLAP ASSY-TE (INBD TE FLAP ONLY) POSITION DATA: INBD AFT LH COMPONENT MAINT MANUAL REF: 57-53-45 QUALIFIED I/W DATA: -55 OR -43 OR -1 TOGETHER WITH 113N2803-31 MAY REPLACE -93SP -93SP T/W 654N0010-178 ATTACHING HARDWARE KIT MAY REPLACE -87SP (SEE DWG 113N2053) -103SP OR -95SP MAY REPLACE -93SP OR -75 OR -73 UPON INCORPORATION OF SERVICE BULLETIN 757-57-0032 (SEE DWG 113N2053). -93SP I/W -77 SUBJECT TO COLOR PREFERENCE -93SP I/W -79 SUBJECT TO COLOR PREFERENCE REWORKED BY SB: 57-0032 FOR NHA/OTHER SYS DET SEE: 27-51-02-10B	006999 107107	RF

MISSING ITEM NUMBERS NOT APPLICABLE

- ITEM NOT ILLUSTRATED

BRI

27-51-12-01

BOEING PROPRIETARY - Copyright © - Unpublished Work - See title page for details.

27-51-12  
FIG. 01  
PAGE 1  
JAN 20/09

**PARTS CATALOG (MAINTENANCE)**

FIG ITEM	PART NUMBER	1 2 3 4 5 6 7	NOMENCLATURE	EFFECT FROM TO	UNITS PER ASSY
R R	1 - 1	113N2800-87SP	FLAP ASSY-TE (INBD TE FLAP ONLY) POSITION DATA: INBD AFT LH COMPONENT MAINT MANUAL REF: 57-53-45 QUALIFIED I/W DATA: -93SP OR -75 OR -73 OR -61 T/W 654N0010-178 KIT MAY REPLACE -87SP (SEE DWG 113N2053). 113N2800-95SP CAN REPLACE OR BE REPLACED BY 113N2800-87SP IF S/B 757-57-0032 HAS BEEN INCORPORATED. -103SP OR -95SP MAY REPLACE -87SP UPON INCORPORATION OF S/B 757-57-0032 (SEE DWG 113N2053). -93SP OR -75 OR -73 OR -61 T/W 654N0010-178 KIT MAY REPLACE -87SP (SEE DWG 113N2053) -55 OR -43 OR -1 T/W 654N0010-178 KIT PLUS 113N2803-31 MAY REPLACE -87SP (SEE DWG 113N2053) PRE SERVICE BULLETIN: 57-0032R1 FOR NHA/OTHER SYS DET SEE: 27-51-02-10B	904949	RF

MISSING ITEM NUMBERS NOT APPLICABLE

- ITEM NOT ILLUSTRATED

BRI

# 27-51-12-01

 27-51-12  
 FIG. 01  
 PAGE 2  
 MAY 20/09



757

PARTS CATALOG (MAINTENANCE)

FIG ITEM	PART NUMBER	1 2 3 4 5 6 7 NOMENCLATURE	EFFECT FROM TO	UNITS PER ASSY
1 - 1	113N2800-61	FLAP ASSY-TE (INBD TE FLAP ONLY) POSITION DATA: INBD AFT LH COMPONENT MAINT MANUAL REF: 57-53-45 QUALIFIED I/W DATA: A -1 OR A -43 OR A -55 TOGETHER WITH A 113N2803-31 REPLACE OR BE REPLACED BY THE -61 -61 TOGETHER WITH 654N0010-178 KIT MAY REPLACE -87SP (SEE DWG 113N2053). -61 TOGETHER WITH 654N0010-178 KIT MAY REPLACE -103SP OR -95SP AFTER INCORPORATION OF S/B 757-57-0032 (SEE DWG 113N2053) -61 TOGETHER WITH 654N0010-17 KIT MAY REPLACE -103SP OR -95SP AFTER INCORPORATION OF S/B 757-57-0032 (SEE DWG 113N2053) -63 OR -65 INTERCHANGEABLE WITH -61 SUBJECT TO COLOR PREFERENCE REWORKED BY SB: 57-0032 FOR NHA/OTHER SYS DET SEE: 27-51-02-10B	107107	RF

MISSING ITEM NUMBERS NOT APPLICABLE

- ITEM NOT ILLUSTRATED

BRI

27-51-12-01

BOEING PROPRIETARY - Copyright © - Unpublished Work - See title page for details.

27-51-12  
FIG. 01  
PAGE 3  
JAN 20/09



757

PARTS CATALOG (MAINTENANCE)

FIG ITEM	PART NUMBER	1 2 3 4 5 6 7	NOMENCLATURE	EFFECT FROM TO	UNITS PER ASSY
1 - 1	113N2800-73		FLAP ASSY-TE (INBD TE FLAP ONLY) POSITION DATA: INBD AFT LH COMPONENT MAINT MANUAL REF: 57-53-45 QUALIFIED I/W DATA: -73 TOGETHER WITH 654N0010-178 KIT MAY REPLACE -87SP (SEE DWG 113N2053). A -1 OR -43 OR -55 TOGETHER WITH A 113N2803-31 CAN REPLACE OR BE REPLACED BY A -73 -73 TOGETHER WITH KIT 654N0010-178 MAY REPLACE -103SP OR -95SP UPON INCORPORATION OF SERVICE BULLETIN 757-57-0032 (SEE DWG 113N2053). -85 INTERCHANGEABLE WITH -73 SUBJECT TO COLOR PREFERENCE REWORKED BY SB: 57-0032 FOR NHA/OTHER SYS DET SEE: 27-51-02-10B	107107	RF

MISSING ITEM NUMBERS NOT APPLICABLE

- ITEM NOT ILLUSTRATED

BRI

27-51-12-01

BOEING PROPRIETARY - Copyright © - Unpublished Work - See title page for details.

27-51-12  
FIG. 01  
PAGE 4  
JAN 20/09



757

PARTS CATALOG (MAINTENANCE)

FIG ITEM	PART NUMBER	1 2 3 4 5 6 7	NOMENCLATURE	EFFECT FROM TO	UNITS PER ASSY
1 -	1 113N2800-75		FLAP ASSY-TE (INBD TE FLAP ONLY) POSITION DATA: INBD AFT LH COMPONENT MAINT MANUAL REF: 57-53-45 QUALIFIED I/W DATA: -75 TOGETHER WITH KIT 654N0010-178 MAY REPLACE -95SP OR -103SP UPON INCORPORATION OF SERVICE BULLETIN 757-57-0032 (SEE DWG 113N2053) -75 TOGETHER WITH 654N0010-178 KIT MAY REPLACE -87SP (SEE DWG 113N2053) A -1 OR A -43 OR A -55 TOGETHER WITH A 113N2803-31 CAN REPLACE OR BE REPLACED BY THE -75 -77 OR -79 INTERCHANGEABLE WITH -75 SUBJECT TO COLOR PREFERENCE REWORKED BY SB: 57-0032 FOR NHA/OTHER SYS DET SEE: 27-51-02-10B	107107	RF
R R R R R R R R R R R R R	- 1 113N2800-95SP		FLAP ASSY-TE (INBD TE FLAP ONLY) POSITION DATA: INBD AFT LH COMPONENT MAINT MANUAL REF: 57-53-45 QUALIFIED I/W DATA: 113N2800-95SP TOGETHER WITH (1) 113N2894-1 AND 113N2894-11 AND (1) 113N2894-9 MAY BE REPLACED BY 113N2820-23SP TOGETHER WITH (1) 113N2894-1 AND 113N2894-17 AND (1) 113N2894-18 113N2820-1SP TOGETHER WITH (1) 113N2894-1 AND (1) 113N2894-17 AND (1)	002004 006106 108999	RF

MISSING ITEM NUMBERS NOT APPLICABLE

- ITEM NOT ILLUSTRATED

BRI

27-51-12-01

BOEING PROPRIETARY - Copyright © - Unpublished Work - See title page for details.



757

PARTS CATALOG (MAINTENANCE)

FIG ITEM	PART NUMBER	1 2 3 4 5 6 7	NOMENCLATURE	EFFECT FROM TO	UNITS PER ASSY
1			<p>113N2894-18 MAY REPLACE -103SP OR 113N2800-95SP TOGETHER WITH (1) 113N2894-1 AND (1) 113N2894-11 AND (1) 113N2894-9 -103SP OR -95SP T/W KIT 654N0010-178 MAY REPLACE -93SP OR -75 OR -73 OR -61 UPON INCORPORATION OF S/B 757-57-0032 (MAIN FLAP MUST BE REWORKED). 113N2800-95SP CAN REPLACE OR BE REPLACED BY 113N2800-87SP IF S/B 757-57-0032 HAS BEEN INCORPORATED. -103SP OR -95SP MAY REPLACE -87SP UPON INCOMP OF S/B 757-57-0032 (MAIN FLAP MUST BE REWORKED). -55 OR -43 OR -1 T/W 654N0010-178 KIT PLUS 113N2803-31 MAY REPLACE -87SP (SEE DWG 113N2053). -103SP OR -93SP T/W KIT 654N0010-178 MAY REPLACE -93SP OR -75 OR -73 OR -61 UPON INCORPORATION OF S/B 757-57-0032 (MAIN FLAP MUST BE REWORKED) -103SP OR -95SP MAY REPLACE -55 OR -43 OR -1 UPON INCORPORATION OF S/B 757-57-0032 (MAIN FLAP MUST BE REWORKED) QUALIFIED SB I/W DATA: (AFTER INCORPORATION OF 757-SL-57-010 MAY USE 113N2800-1, -321, -43, -55, -57, -61, -63, -65, -73, -75, -77, -79, -85, -87SP, -93SP) POST SERVICE LETTER: 57-010 FOR NHA/OTHER SYS DET SEE:</p>		

MISSING ITEM NUMBERS NOT APPLICABLE

— ITEM NOT ILLUSTRATED

BRI

# 27-51-12-01

BOEING PROPRIETARY - Copyright © - Unpublished Work - See title page for details.

27-51-12  
FIG. 01  
PAGE 6  
MAY 20/09



757

PARTS CATALOG (MAINTENANCE)

FIG ITEM	PART NUMBER	1 2 3 4 5 6 7	NOMENCLATURE	EFFECT FROM TO	UNITS PER ASSY
R 1 -	2 113N2800-94SP		27-51-02-10C FLAP ASSY-TE (INBD TE FLAP ONLY) POSITION DATA: INBD AFT RH COMPONENT MAINT MANUAL REF: 57-53-45 QUALIFIED I/W DATA: -56 OR -44 OR -2 TOGETHER WITH 113N2803-31 MAY REPLACE -94SP (SEE DWG 113N2053) -94SP T/W 654N0010-178 ATTACHING HARDWARE KIT MAY REPLACE -88SP (SEE DWG 113N2053) -104SP OR -96SP MAY REPLACE -94SP OR -76 OR -74 UPON INCORPORATION OF SERVICE BULLETIN 757-57-0032 (SEE DWG 113N2053) -94SP I/W -78 SUBJECT TO COLOR PREFERENCE -94SP I/W -80 SUBJECT TO COLOR PREFERENCE REWORKED BY SB: 57-0032 FOR NHA/OTHER SYS DET SEE: 27-51-02-10	107107	RF

MISSING ITEM NUMBERS NOT APPLICABLE

- ITEM NOT ILLUSTRATED

BRI

**27-51-12-01**

BOEING PROPRIETARY - Copyright © - Unpublished Work - See title page for details.

27-51-12  
 FIG. 01  
 PAGE 7  
 MAY 20/09



757

PARTS CATALOG (MAINTENANCE)

FIG ITEM	PART NUMBER	1 2 3 4 5 6 7	NOMENCLATURE	EFFECT FROM TO	UNITS PER ASSY
1					
- 2	113N2800-88SP		FLAP ASSY-TE (INBD TE FLAP ONLY) POSITION DATA: INBD AFT RH COMPONENT MAINT MANUAL REF: 57-53-45 QUALIFIED I/W DATA: -104SP OR -96SP MAY REPLACE -88SP UPON INCORPORATION OF S/B 757-57-0032 (SEE DWG 113N2053). -56 OR -44 OR -2 T/W 654N0010-178 PLUS 113N2803-31 MAY REPLACE -88SP (SEE DWG 113N2053) -94SP OR -76 OR -74 OR -62 T/W 654N0010-178 KIT MAY REPLACE -88SP (SEE DWG 113N2053). -104SP OR -96SP MAY REPLACE -88SP UPON INCORPORATION OF S/B 757-57-57-0032 (SEE DWG 113N2053). -94SP OR -76 OR -74 OR -62 T/W 654N0010-178 KIT MAY REPLACE -88SP (SEE DWG 113N2053) -94SP OR -76 OR -62 T/W 654N0010-178 KIT MAY REPLACE -88SP (SEE DWG 113N2053) 113N2800-96SP CAN REPLACE OR BE REPLACED BY 113N2800-88SP IF S/B 757-57-0032 HAS BEEN INCORPORATED. PRE SERVICE BULLETIN: 57-0032R1 FOR NHA/OTHER SYS DET SEE: 27-51-02-10	904949	RF

MISSING ITEM NUMBERS NOT APPLICABLE

- ITEM NOT ILLUSTRATED

BRI

27-51-12-01

BOEING PROPRIETARY - Copyright © - Unpublished Work - See title page for details.

27-51-12  
 FIG. 01  
 PAGE 8  
 MAY 20/09





757

PARTS CATALOG (MAINTENANCE)

FIG ITEM	PART NUMBER	1 2 3 4 5 6 7	NOMENCLATURE	EFFECT FROM TO	UNITS PER ASSY
1 - 2	113N2800-62		FLAP ASSY-TE (INBD TE FLAP ONLY) POSITION DATA: INBD AFT RH COMPONENT MAINT MANUAL REF: 57-53-45 QUALIFIED I/W DATA: -62 TOGETHER WITH 654N0010-178 KIT MAY REPLACE -104SP OR -96SP AFTER INCORPORATION OF S/B 757-57-0032 (SEE DWG 113N2053). -2 OR A -44 OR A -56 TOGETHER WITH A 113N2803-32 CAN REPLACE OR BE REPLACED BY THE -62 -62 TOGETHER WITH 654N0010-178 KIT MAY REPLACE -104SP OR -96SP AFTER INCORPORATION OF S/B 757-57-0032 (SEE DWG 113N2053) -62 TOGETHER WITH 654N0010-178 KIT MAY REPLACE -88SP (SEE DWG 113N2053) -64 OR -66 INTERCHANGEABLE WITH -62 SUBJECT TO COLOR PREFERENCE USED ON: 113N2002-18 REWORKED BY SB: 57-0032 FOR NHA/OTHER SYS DET SEE: 27-51-02-10	107107	RF

MISSING ITEM NUMBERS NOT APPLICABLE

- ITEM NOT ILLUSTRATED

BRI

**27-51-12-01**

BOEING PROPRIETARY - Copyright © - Unpublished Work - See title page for details.

27-51-12  
 FIG. 01  
 PAGE 9  
 JAN 20/09



757

PARTS CATALOG (MAINTENANCE)

FIG ITEM	PART NUMBER	1 2 3 4 5 6 7	NOMENCLATURE	EFFECT FROM TO	UNITS PER ASSY
1 - 2	113N2800-74		FLAP ASSY-TE (INBD TE FLAP ONLY) POSITION DATA: INBD AFT RH COMPONENT MAINT MANUAL REF: 57-53-45 QUALIFIED I/W DATA: -74 TOGETHER WITH 654N0010-178 KIT MAY REPLACE -88SP (SEE DWG 113N2053). A -2 OR A -44 OR A -56 TOGETHER WITH A 113N2803-32 CAN REPLACE OR BE REPLACED BY THE -74 -74 TOGETHER WITH KIT 654N0010-178 MAY REPLACE -96SP OR -104SP UPON INCORPORATION OF SERVICE BULLETIN 757-57-0032 (SEE DWG 113N2053). -86 INTERCHANGEABLE WITH -74 SUBJECT TO COLOR PREFERENCE REWORKED BY SB: 57-0032 FOR NHA/OTHER SYS DET SEE: 27-51-02-10	107107	RF

MISSING ITEM NUMBERS NOT APPLICABLE

- ITEM NOT ILLUSTRATED

BRI

27-51-12-01

BOEING PROPRIETARY - Copyright © - Unpublished Work - See title page for details.

27-51-12  
FIG. 01  
PAGE 10  
JAN 20/09



757

PARTS CATALOG (MAINTENANCE)

FIG ITEM	PART NUMBER	1 2 3 4 5 6 7	NOMENCLATURE	EFFECT FROM TO	UNITS PER ASSY
1					
- 2	113N2800-76		FLAP ASSY-TE (INBD TE FLAP ONLY) POSITION DATA: INBD AFT RH COMPONENT MAINT MANUAL REF: 57-53-45 QUALIFIED I/W DATA: -76 TOGETHER WITH KIT 654N0010-178 MAY REPLACE -96SP OR -104SP UPON INCORPORATION OF SERVICE BULLETIN 757-57-0032 (SEE DWG 113N2053). -76 TOGETHER WITH 654N0010-178 KIT MAY REPLACE -88SP (SEE DRAWING 113N2053). A -44 OR A -56 TOGETHER WITH A 113N2803-32 CAN REPLACE OR BE REPLACED BY THE -76 -78 OR -80 INTERCHANGEABLE WITH -76 SUBJECT TO COLOR PREFERENCE REWORKED BY SB: 57-0032 FOR NHA/OTHER SYS DET SEE: 27-51-02-10	107107	RF
R R	- 2	113N2800-96SP	FLAP ASSY-TE (INBD TE FLAP ONLY) POSITION DATA: INBD AFT RH COMPONENT MAINT MANUAL REF: 57-53-45 QUALIFIED I/W DATA: 113N2820-2SP TOGETHER WITH 113N2894-1 AND 113N2894- 17 AND 113N2894-18 MAY REPLACE 113N2800-96SP OR 113N2800-104SP TOGETHER WITH 113N2894-1 AND 113N2894 -11 AND 113N2894-9 113N2820-24SP TOGETHER WITH 113N2894-1 AND 113N2894- 17 AND 113N2894-18 MAY REPLACE	002004 006106 108999	RF

MISSING ITEM NUMBERS NOT APPLICABLE

- ITEM NOT ILLUSTRATED

BRI

27-51-12-01

27-51-12  
FIG. 01  
PAGE 11  
MAY 20/09

**BOEING**  
757  
**PARTS CATALOG (MAINTENANCE)**

FIG ITEM	PART NUMBER	1 2 3 4 5 6 7	NOMENCLATURE	EFFECT FROM TO	UNITS PER ASSY
1			<p>113N2800-96SP OR 113N2800-104SP TOGETHER WITH 113N2894-1 AND 113N2894 -11 AND 113N2894-9 -104SP OR -96SP T/W KIT 654N0010-178 MAY REPLACE -94SP OR -76 OR -74 OR -62 UPON INCORPORATION OF S/B 757-57-0032 (MAIN FLAP MUST BE REWORKED) -104SP OR -96SP MAY REPLACE -56 OR -44 OR -2 UPON INCORPORATION OF S/B 757-57-0032 (MAIN FLAP MUST BE REWORKED) -104SP OR -96SP MAY REPLACE -88SP UPON INCOMP OF S/B 757-57-0032 (MAIN FLAP MUST BE REWORKED). -104SP OR -96SP T/W KIT 654N0010-178 MAY REPLACE -94SP OR -76 OR -74 OR -62 UPON INCORPORATION OF S/B 757-57-0032 (MAIN FLAP MUST BE REWORKED). 113N2820-24SP TOGETHER WITH (1) 113N2894-1 AND (1) 113N2894-17 AND (1) 113N2894-18 MAY REPLACE 113N2800 -96SP TOGETHER WITH (1) 113N2894-1 AND (1) 113N2894- 11 AND (1) 113N2894-9 113N2800-96SP CAN REPLACE OR BE REPLACED BY 113N2800-88SP IF S/B 757-57-0032 HAS BEEN INCORPORATED. QUALIFIED SB I/W DATA: (AFTER INCORPORATION OF 757-SL-57-010 MAY USE 113N2800-2, -32, -44, -56, -58, -62, -64, -66, -74, -76, -78, -80, -86, -88SP, -94SP) POST SERVICE LETTER: 57-010</p>		

MISSING ITEM NUMBERS NOT APPLICABLE

— ITEM NOT ILLUSTRATED

BRI

# 27-51-12-01

BOEING PROPRIETARY - Copyright © - Unpublished Work - See title page for details.

27-51-12  
FIG. 01  
PAGE 12  
MAY 20/09

 **BOEING**  
757  
**PARTS CATALOG (MAINTENANCE)**

FIG ITEM	PART NUMBER	1 2 3 4 5 6 7	NOMENCLATURE	EFFECT FROM TO	UNITS PER ASSY
R R 1 - 3	113N2800-103SP		FOR NHA/OTHER SYS DET SEE: 27-51-02-10A FLAP ASSY-TE (INBD TE FLAP ONLY) POSITION DATA: INBD AFT LH COMPONENT MAINT MANUAL REF: 57-53-45 QUALIFIED I/W DATA: -103SP OR -95SP MAY REPLACE -93SP OR -75 -73 UPON INCORPORATION OF SERVICE BULLETIN 757-57-0032 (MAIN FLAP MUST BE REWORKED). -103SP OR -95SP MAY REPLACE -87SP UPON INCORPORATION OF S/B 757-57-0032 (MAIN FLAP MUST BE REWORKED). 113N2820-23SP TOGETHER WITH 113N2894-1 AND 113N2894- 17 AND 113N2894-18 MAY REPLACE 113N2800-103SP TOGETHER WITH 113N2894-1 AND 113N2894-11 AND 113N2894-9 -103SP OR -95SP MAY REPLACE -93SP OR -75 OR -73 UPON INCORPORATION OF SERVICE BULLETIN 757-57-0032. (MAIN FLAP MUST BE REWORKED). -103SP OR -95SP MAY REPLACE -93SP OR -75 OR -73 UPON INCORPORATION OF SERVICE BULLETIN 757-57-0032 (MAIN FLAP MUST BE REWORKED) -103SP OR -95SP MAY REPLACE -55 OR -43 OR -1 UPON INCORPORATION OF S/B 757-57-0032 (MAIN FLAP MUST BE REWORKED) 113N2820-1SP TOGETHER WITH 113N2894-1 AND 13N2894-17 AND	002004 006106 108903 950999	RF
MISSING ITEM NUMBERS NOT APPLICABLE					

- ITEM NOT ILLUSTRATED

BRI

# 27-51-12-01

BOEING PROPRIETARY - Copyright © - Unpublished Work - See title page for details.

27-51-12  
FIG. 01  
PAGE 13  
MAY 20/09



757

PARTS CATALOG (MAINTENANCE)

FIG ITEM	PART NUMBER	1 2 3 4 5 6 7	NOMENCLATURE	EFFECT FROM TO	UNITS PER ASSY
1			113N2894-18 MAY REPLACE 113N2800-103SP TOGETHER WITH 113N2894-1 AND 113N2894-11 AND 113N2894-9 FOR NHA/OTHER SYS DET SEE: 27-51-02-10C		
- 3	113N2820-1SP		FLAP ASSY-TE POSITION DATA: INBD AFT LH QUALIFIED I/W DATA: 113N2820-1SP TOGETHER WITH 113N2894-1 AND 113N2894- 17 AND 113N2894-18 MAY REPLACE 113N2800-95SP OR 113N2800-103SP TOGETHER WITH 113N2894-1 AND 113N2894 -11 AND 113N2894-9 OPTIONAL PART: 113N2820-23SP FOR NHA/OTHER SYS DET SEE: 27-51-02-10C	002004 006106 108903 950999	RF
- 3	113N2820-23SP		FLAP ASSY-TE POSITION DATA: INBD AFT LH QUALIFIED I/W DATA: 113N2820-23SP TOGETHER WITH 113N2894-1 AND 113N2894- 17 AND 113N2894-18 MAY REPLACE 113N2800-95SP OR 113N2800-103SP TOGETHER WITH 113N2894-1 AND 113N2894 -11 AND 113N2894-9 OPTIONAL PART: 113N2820-1SP FOR NHA/OTHER SYS DET SEE: 27-51-02-10C	002004 006106 108903 950999	RF

MISSING ITEM NUMBERS NOT APPLICABLE

- ITEM NOT ILLUSTRATED

BRI

27-51-12-01

27-51-12  
FIG. 01  
PAGE 14  
MAY 20/09



757

PARTS CATALOG (MAINTENANCE)

FIG ITEM	PART NUMBER	1 2 3 4 5 6 7	NOMENCLATURE	EFFECT FROM TO	UNITS PER ASSY
1 -	4 113N2820-2SP		FLAP ASSY-TE POSITION DATA: INBD AFT LH QUALIFIED I/W DATA: 113N2820-2SP TOGETHER WITH 113N2894-1 AND 113N2894- 17 AND 113N2894-18 MAY REPLACE 113N2800-96SP OR 113N2800-104SP TOGETHER WITH 113N2894-1 AND 113N2894 -11 AND 113N2894-9 OPTIONAL PART: 113N2820-24SP FOR NHA/OTHER SYS DET SEE: 27-51-02-10A	002004 006106 108903 950999	RF
-	4 113N2820-24SP		FLAP ASSY-TE POSITION DATA: INBD AFT RH QUALIFIED I/W DATA: 113N2820-24SP TOGETHER WITH 113N2894-1 AND 113N2894- 17 AND 113N2894-18 MAY REPLACE 113N2800-96SP OR 113N2800-104SP TOGETHER WITH 113N2894-1 AND 113N2894 -11 AND 113N2894-9 113N2820-24SP TOGETHER WITH 113N2894-2 AND 113N2894-17 AND 113N2894-18 MAY REPLACE 113N2800-104SP TOGETHER WITH 113N2894-2 AND 113N2894-12 AND 113N2894-10 OPTIONAL PART: 113N2820-2SP FOR NHA/OTHER SYS DET SEE: 27-51-02-10A	002004 006106 108903 950999	RF

MISSING ITEM NUMBERS NOT APPLICABLE

- ITEM NOT ILLUSTRATED

27-51-12-01

27-51-12  
FIG. 01  
PAGE 15  
JAN 20/09

BRI



757

PARTS CATALOG (MAINTENANCE)

FIG ITEM	PART NUMBER	1 2 3 4 5 6 7	NOMENCLATURE	EFFECT FROM TO	UNITS PER ASSY
1 - 4	113N2800-104SP		FLAP ASSY-TE (INBD TE FLAP ONLY) POSITION DATA: INBD AFT RH COMPONENT MAINT MANUAL REF: 57-53-45 QUALIFIED I/W DATA: 113N2820-2SP TOGETHER WITH 113N2894-1 AND 113N2894- 17 AND 113N2894-18 MAY REPLACE 113N2800-104SP TOGETHER WITH 113N2894-1 AND 113N2820-2SP TOGETHER WITH 113N2894-1 AND 113N2894- 17 AND 113N2894-18 MAY REPLACE 113N2800-104SP TOGETHER WITH 113N2894-1 AND 113N2894-11 AND 113N2894-9 -104SP OR -96SP MAY REPLACE -88SP UPON INCORPORATION OF S/B 757-57-0032 (MAIN FLAP MUST BE REWORKED). -104SP OR -96SP MAY REPLACE -94SP OR -76 -74 OR -62 UPON INCORPORATION OF SERVICE BULLETIN 757-57-0032 (MAIN FLAP MUST BE REWORKED). -104SP OR -96SP MAY REPLACE -56 OR -44 OR -2 UPON INCORPORATION OF S/B 757-57-0032 (MAIN FLAP MUST BE REWORKED). 113N2820-24SP TOGETHER WITH 113N2894-2 AND 113N2894-17 AND 113N2894-18 MAY REPLACE 113N2800-104SP TOGETHER WITH 113N2894-2 AND 113N2894-12 AND 113N2894-10 FOR NHA/OTHER SYS DET SEE: 27-51-02-10A	002004 006106 108903 950999	RF

MISSING ITEM NUMBERS NOT APPLICABLE

- ITEM NOT ILLUSTRATED

27-51-12-01

27-51-12  
FIG. 01  
PAGE 16  
JAN 20/09

BRI





757

PARTS CATALOG (MAINTENANCE)

FIG ITEM	PART NUMBER	1 2 3 4 5 6 7	NOMENCLATURE	EFFECT FROM TO	UNITS PER ASSY
1					
5	BACW10BN7SP	.	WASHER	002004 006999	2
10	BACW10BN10SP	.	WASHER	002004 006999	2
15	BACN10JC7CD	.	NUT	002004 006999	2
20	NAS1193K10CP	.	LOCKING DEVICE	002004 006999	2
25	NAS1193K10-1P	..	WASHER	002004 006999	1
30	NAS1193K10-2P	..	WASHER	002004 006999	1
35	CC56264	.	BEARING-ROLLER SUPPLIER CODE: V60380 SPECIFICATION NUMBER: 60B00178-657 OPTIONAL PART: CR1X147 V07484	002004 006999	2
40	113N2815-1	.	BUSHING	002004 006999	2

MISSING ITEM NUMBERS NOT APPLICABLE

- ITEM NOT ILLUSTRATED

BRI

27-51-12-01

BOEING PROPRIETARY - Copyright © - Unpublished Work - See title page for details.

27-51-12  
FIG. 01  
PAGE 17  
JAN 20/09



757

PARTS CATALOG (MAINTENANCE)

FIG ITEM	PART NUMBER	1 2 3 4 5 6 7	NOMENCLATURE	EFFECT FROM TO	UNITS PER ASSY
1 45	113N2156-6		.PLATE-RUB QUALIFIED I/W DATA: 113N2156-6 T/W 2 EACH NAS563-11 (OUTBD) OR 2 EACH NAS563-15 (INBD) PLUS 2 EACH BACW10BP3NDP AND 1 EACH MS20995C41 IS I/W 113N2180-1 T/W 2 EACH BACB30VF3K4 (OUTBD) OR 2 EACH BACB30VF3K7 (INBD) PLUS 2 EACH BACN10JC3CD AND 2 EACH AN960KD10L USED ON: 113N1282-1 113N1282-2 113N2800-31 113N2800-32 113N2800-43 113N2800-44 113N2800-55 113N2800-56 113N2800-57 113N2800-58 113N2800-61 113N2800-62 113N2800-63 113N2800-64 113N2800-65 113N2800-66 113N2800-73 113N2800-74 113N2800-85 113N2800-86	107107	2

MISSING ITEM NUMBERS NOT APPLICABLE

- ITEM NOT ILLUSTRATED

BRI

27-51-12-01

BOEING PROPRIETARY - Copyright © - Unpublished Work - See title page for details.

27-51-12  
FIG. 01  
PAGE 18  
JAN 20/09



757

PARTS CATALOG (MAINTENANCE)

FIG ITEM	PART NUMBER	1 2 3 4 5 6 7	NOMENCLATURE	EFFECT FROM TO	UNITS PER ASSY
1 45	113N2180-1		.PLATE ASSY-RUB QUALIFIED I/W DATA: 113N2156-6 T/W 2 EACH NAS563-11 (OUTBD) OR 2 EACH NAS563-15 (INBD) PLUS 2 EACH BACW10BP3NDP AND 1 EACH MS20995C41 IS I/W 113N2180-1 T/W 2 EACH BACB30VF3K4 (OUTBD) OR 2 EACH BACB30VF3K7 (INBD) PLUS 2 EACH BACN10JC3CD AND 2 EACH AN960KD10L USED ON: 113N2800-75 113N2800-76 113N2800-77 113N2800-78 113N2800-79 113N2800-80 113N2800-87SP 113N2800-88SP 113N2800-93SP 113N2800-94SP 113N2800-95SP 113N2800-96SP 113N2800-103SP 113N2800-104SP 113N2820-1SP 113N2820-2SP 113N2820-23SP 113N2820-24SP ATTACHING PARTS	002004 006999	2
50	NAS563-11		.BOLT-	107107	2
50	BACB30VF3K4		.BOLT-	002004 006999	2
55	NAS563-15		.BOLT-	107107	2
55	BACB30VF3K7		.BOLT-	002004 006999	2
60	BACW10BP3NDP		.WASHER-	107107	4
60	AN960KD10L		.WASHER-	002004 006999	4

MISSING ITEM NUMBERS NOT APPLICABLE

- ITEM NOT ILLUSTRATED

27-51-12-01

27-51-12  
FIG. 01  
PAGE 19  
JAN 20/09

BRI

BOEING PROPRIETARY - Copyright © - Unpublished Work - See title page for details.

 **BOEING**  
757  
**PARTS CATALOG (MAINTENANCE)**

FIG ITEM	PART NUMBER	1 2 3 4 5 6 7	NOMENCLATURE	EFFECT FROM TO	UNITS PER ASSY
1 65	BRH10C3D	.NUT	SUPPLIER CODE: V52828 SPECIFICATION NUMBER: BACN10JC3CD OPTIONAL PART: T6C1032JCD V11815 NS202486-02 V80539 102LH9075-3W V72962 H51650-3BAC V15653	002004 006999	4
70	113N3325-2	..BUSHING	-----*-----	002004 006999	2
75	MS15001-1	.FITTING		002004 006999	1
77	BACB10EP05GC	.BEARING		002004 006999	1
78	BACB28AP10P065	.BUSHING		002004 006999	1
80	BACB30NR4K29	.BOLT		002004 006999	4
85	BACW10BP4CD	.WASHER-	POSITION DATA: UNDER BOLT	002004 006999	4
90	BACW10BP4DP	.WASHER-		002004 006999	4
95	BRH10C4D	.NUT	SUPPLIER CODE: V52828 SPECIFICATION NUMBER: BACN10JC4CD OPTIONAL PART: T6C428JCD V11815 NS202486-048 V80539 102LH9075-4W V72962 H51650-4BAC V15653	002004 006999	4
97	113N2802-1	.TUBE-TORQUE		002004 006999	1
99	BACR15FT8D	.RIVET-	POST SERVICE BULLETIN: 57-0032	107107 904949	1

MISSING ITEM NUMBERS NOT APPLICABLE

— ITEM NOT ILLUSTRATED

BRI

# 27-51-12-01

BOEING PROPRIETARY - Copyright © - Unpublished Work - See title page for details.

27-51-12  
FIG. 01  
PAGE 20  
JAN 20/09



757

PARTS CATALOG (MAINTENANCE)

FIG ITEM	PART NUMBER	1 2 3 4 5 6 7	NOMENCLATURE	EFFECT FROM TO	UNITS PER ASSY
1					
101	BACR15FT6D		.RIVET- POST SERVICE BULLETIN: 57-0032	107107 904949	4
102	BACB30VF3K6		.BOLT- POST SERVICE BULLETIN: 57-0032	107107 904949	6
103	BACB30NN3K11		.BOLT- POST SERVICE BULLETIN: 57-0032	904949	1
105	BACB30NN3K11		.BOLT	002004 006999	1
107	BACB30VF3K4		.BOLT- POST SERVICE BULLETIN: 57-0032	107107 904949	13
108	BACB30NN3K11		.BOLT- PRE SERVICE BULLETIN: 57-0032	002004 006999	1
108	BACB30VF3K7		.BOLT- POST SERVICE BULLETIN: 57-0032	904949	1
110	BACB30NN3K10		.BOLT- POST SERVICE BULLETIN: 57-0032	904949	2
112	BACB30NN3K8		.BOLT	002004 006999	1
114	BACB30NN3K8		.BOLT- PRE SERVICE BULLETIN: 57-0032	002004 006999	1
115	BACB30VF3K5		.BOLT- POST SERVICE BULLETIN: 57-0032	904949	2
117	BACB30NN3K10		.BOLT	002004 006999	1
119	BACB30NN3K10		.BOLT- PRE SERVICE BULLETIN: 57-0032	002004 006999	1
119	BACB30VF3K8		.BOLT- POST SERVICE BULLETIN: 57-0032	904949	1
122	BACW10BP3NDP		.WASHER	002004 006999	6
124	BACW10BP3NDP		.WASHER- POST SERVICE BULLETIN: 57-0032	107107 904949	18

MISSING ITEM NUMBERS NOT APPLICABLE

- ITEM NOT ILLUSTRATED

BRI

27-51-12-01

27-51-12  
FIG. 01  
PAGE 21  
JAN 20/09



757

PARTS CATALOG (MAINTENANCE)

FIG ITEM	PART NUMBER	1 2 3 4 5 6 7	NOMENCLATURE	EFFECT FROM TO	UNITS PER ASSY
1 127	PLH53CD	.NUT	SUPPLIER CODE: VF0224 SPECIFICATION NUMBER: BACN10YR3CD OPTIONAL PART: H52732-3CD V15653	002004 006999	6
129	PLH53CD	.NUT-	SUPPLIER CODE: VF0224 SPECIFICATION NUMBER: BACN10YR3CD OPTIONAL PART: H52732-3CD V15653 POST SERVICE BULLETIN: 57-0032	107107 904949	26
130	MF53049-3	.NUTPLATE-	SUPPLIER CODE: V15653 SPECIFICATION NUMBER: BACN10JN3 OPTIONAL PART: BRFM20A3 V52828 MF1000-3BAC V15653 NS103218-02 V80539 RMF9201M3 V72962 VN252A02 V92215 T8124S3S V11815 POST SERVICE BULLETIN: 57-0032	002004 006999	1
135	F51754-3	.NUTPLATE-	SUPPLIER CODE: V15653 SPECIFICATION NUMBER: BACN10KE3D OPTIONAL PART: NS103193-02 V80539 POST SERVICE BULLETIN: 57-0032	002004 006999	2

MISSING ITEM NUMBERS NOT APPLICABLE

- ITEM NOT ILLUSTRATED

BRI

27-51-12-01

BOEING PROPRIETARY - Copyright © - Unpublished Work - See title page for details.

27-51-12  
FIG. 01  
PAGE 22  
JAN 20/09



757

PARTS CATALOG (MAINTENANCE)

FIG ITEM	PART NUMBER	1 2 3 4 5 6 7	NOMENCLATURE	EFFECT FROM TO	UNITS PER ASSY
1			ATTACHING PARTS		
- 140	BACR15BA3AD		.RIVET- SIZE DETERMINED ON INSTL. PRE SERVICE BULLETIN: 57-0032	002004 006999	6
- 140	AF5141-3C		.RIVET- SUPPLIER CODE: V53551 SPECIFICATION NUMBER: BACR15DR3AC SIZE DETERMINED ON INSTL. POST SERVICE BULLETIN: 57-0032	107107 904949	6
145	113N2812-19		-----*----- .PLATE-SPLICE POST SERVICE BULLETIN: 57-0032	107107 904949	1
145	113N2812-7		.PLATE-SPLICE PRE SERVICE BULLETIN: 57-0032	904949	1
148	MF53049-3		.NUTPLATE- SUPPLIER CODE: V15653 SPECIFICATION NUMBER: BACN10JN3 OPTIONAL PART: BRFM20A3 V52828 MF1000-3BAC V15653 NS103218-02 V80539 RMF9201M3 V72962 VN252A02 V92215 T8124S3S V11815 POST SERVICE BULLETIN: 57-0032	107107 904949	2

MISSING ITEM NUMBERS NOT APPLICABLE

- ITEM NOT ILLUSTRATED

27-51-12-01

27-51-12  
FIG. 01  
PAGE 23  
JAN 20/09

BRI



757

PARTS CATALOG (MAINTENANCE)

FIG ITEM	PART NUMBER	1 2 3 4 5 6 7	NOMENCLATURE	EFFECT FROM TO	UNITS PER ASSY
1			ATTACHING PARTS		
- 150	AF5141-3C4		.RIVET- SUPPLIER CODE: V53551 SPECIFICATION NUMBER: BACR15DR3AC4 OPTIONAL PART: CCR264CS3-4IT V11815 RV541A3C4 V98996 POST SERVICE BULLETIN: 57-0032	107107 904949	4
			-----*-----		
155	113N2201-1		.FILLER- POST SERVICE BULLETIN: 57-0032	002004 006999	1
160	113N2809-1		.BRACKET ASSY- POSITION DATA: AFT FLAP STA. 152.75 PRE SERVICE BULLETIN: 57-0032	002004 006999	1
162	113N2809-1		.BRACKET ASSY- POSITION DATA: AFT FLAP STA. 153.75 POST SERVICE BULLETIN: 57-0032	904949	1
165	MS15001-1		..FITTING	002004 006999	1
171	113N2800-98		.SHIM-PLASTIC POST SERVICE BULLETIN: 57-0032	107107 904949	2
171	113N2800-47		.SHIM-PLASTIC PRE SERVICE BULLETIN: 57-0032	904949	2
173	113N2800-26		.SHIM-PLASTIC POST SERVICE BULLETIN: 57-0032	904949	1
175	113N2048-1		.FITTING-BACKUP POSITION DATA: LH SIDE POST SERVICE BULLETIN: 57-0032	107107 904949	1
- 178	113N2048-2		.FITTING-BACKUP POSITION DATA: RH SIDE POST SERVICE BULLETIN: 57-0032	107107 904949	1

MISSING ITEM NUMBERS NOT APPLICABLE

- ITEM NOT ILLUSTRATED

27-51-12-01

27-51-12  
FIG. 01  
PAGE 24  
JAN 20/09

BRI





757

PARTS CATALOG (MAINTENANCE)

FIG ITEM	PART NUMBER	1 2 3 4 5 6 7	NOMENCLATURE	EFFECT FROM TO	UNITS PER ASSY
1 240	113N2803-25		.WEDGE ASSY- POSITION DATA: LH POST SERVICE LETTER: 57-010	950951	1

MISSING ITEM NUMBERS NOT APPLICABLE

- ITEM NOT ILLUSTRATED

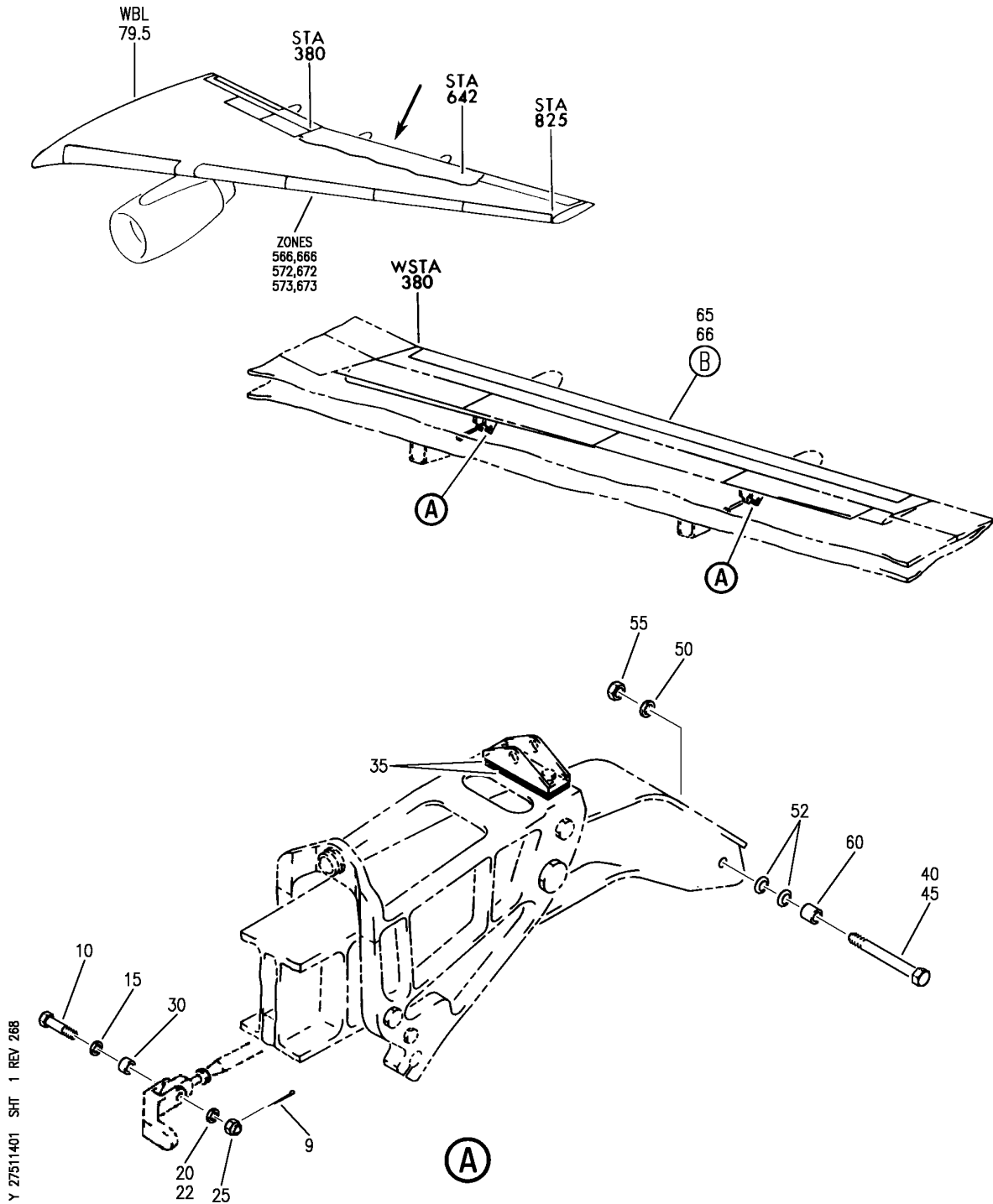
BRI

27-51-12-01

BOEING PROPRIETARY - Copyright © - Unpublished Work - See title page for details.

27-51-12  
FIG. 01  
PAGE 25  
JAN 20/09

**BOEING**  
757  
PARTS CATALOG (MAINTENANCE)



Y 27511401 SHT 1 REV 268

FLAP INSTL-TE OUTBD  
FIGURE 1 (SHEET 1)

**27-51-14-01**

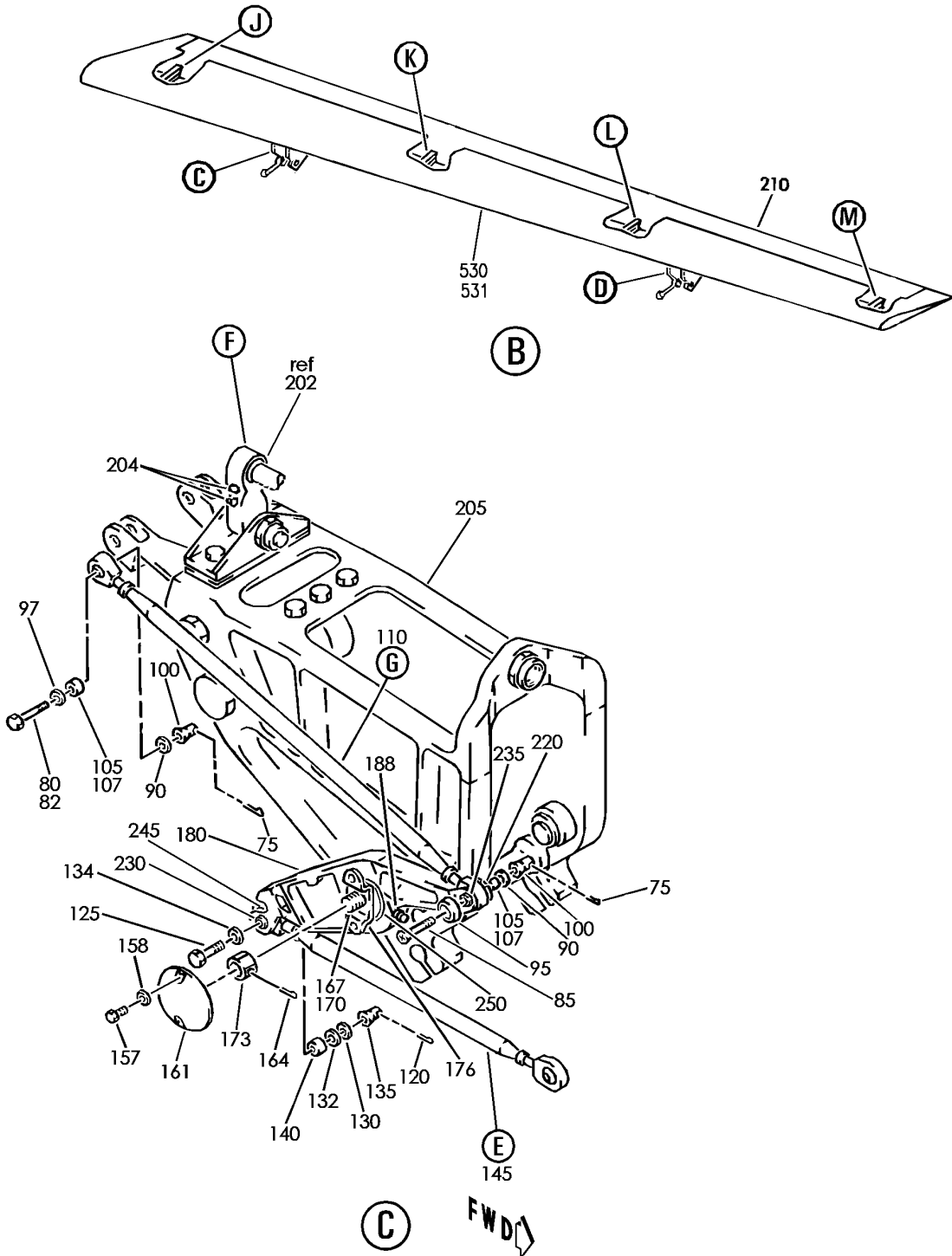
BRI  
MAY 28/07

27-51-14-01  
PAGE 0

# **BOEING**

## 757

### PARTS CATALOG (MAINTENANCE)



Y 27511401 SH1 2 REV 248

FLAP INSTL-TE OUTBD  
FIGURE 1 (SHEET 2)

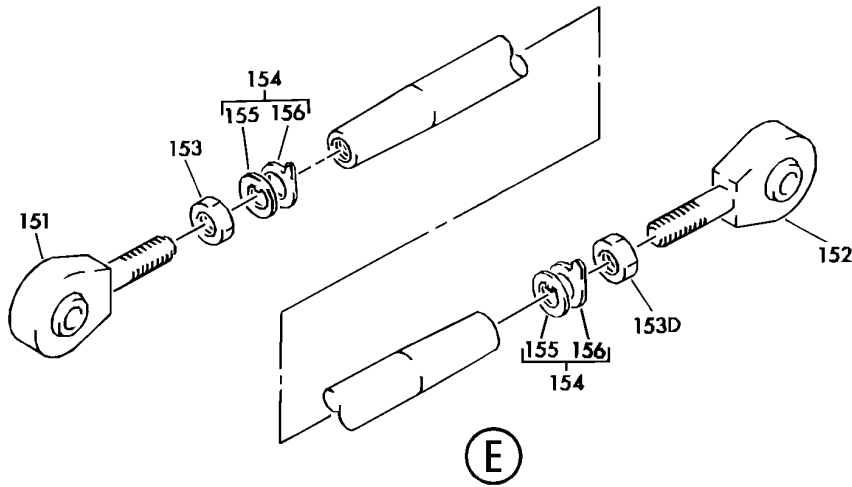
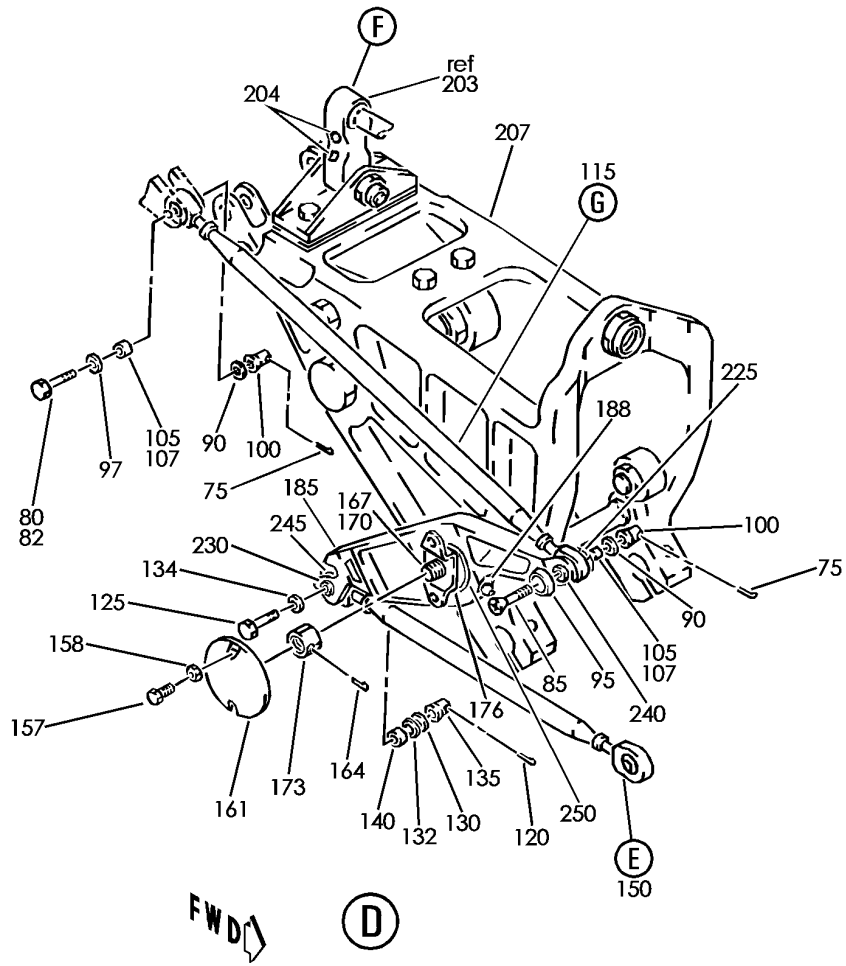
# 27-51-14-01

BRI  
MAY 28/07

27-51-14-01  
PAGE 0A

BOEING PROPRIETARY - Copyright © - Unpublished Work - See title page for details.

**BOEING**  
757  
PARTS CATALOG (MAINTENANCE)



Y 27511401 SHT 3 REV 218

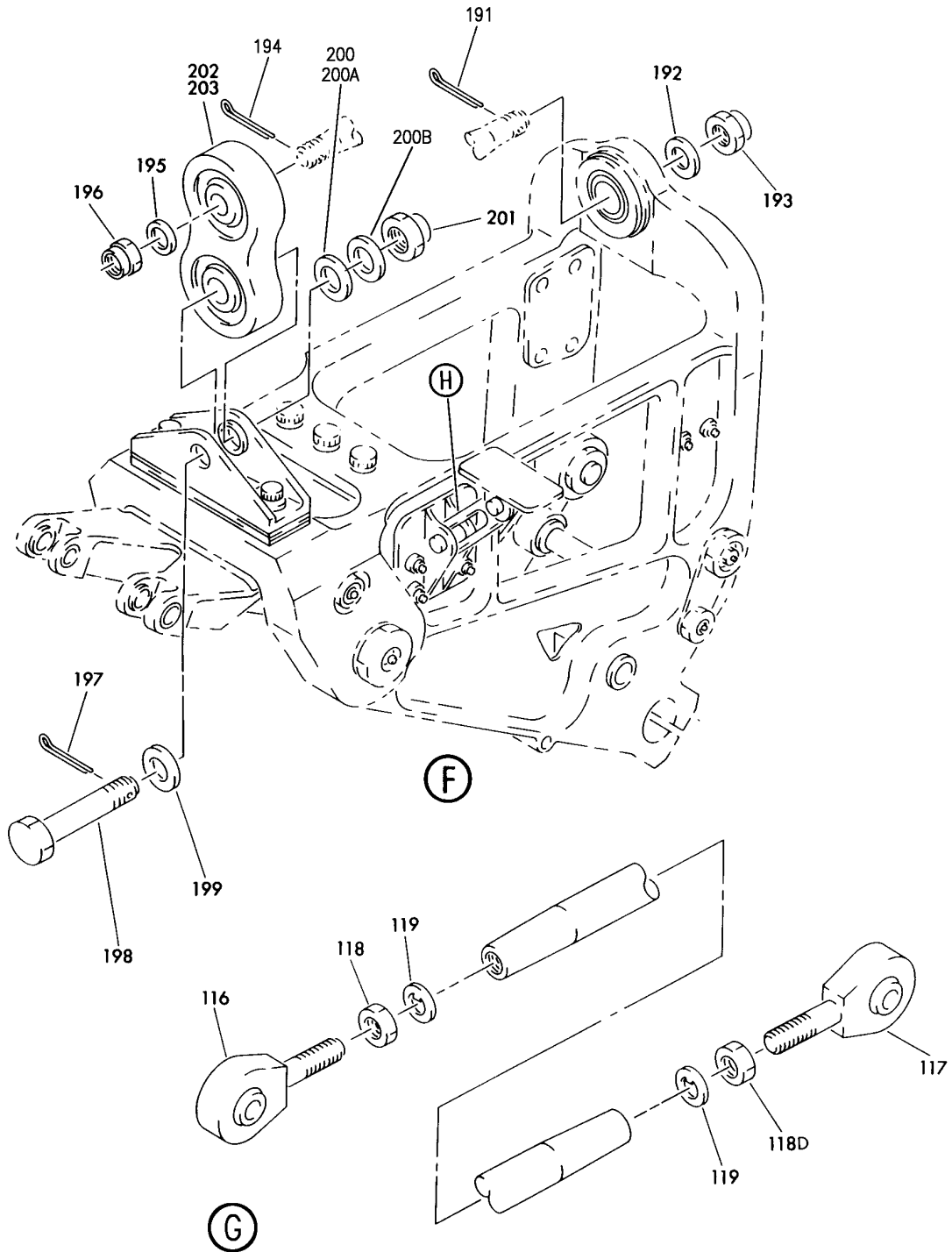
FLAP INSTL-TE OUTBD  
FIGURE 1 (SHEET 3)

**27-51-14-01**

BRI  
MAY 28/07

27-51-14-01  
PAGE 08

**BOEING**  
757  
PARTS CATALOG (MAINTENANCE)



Y 27511401 SHT 4 REV 248

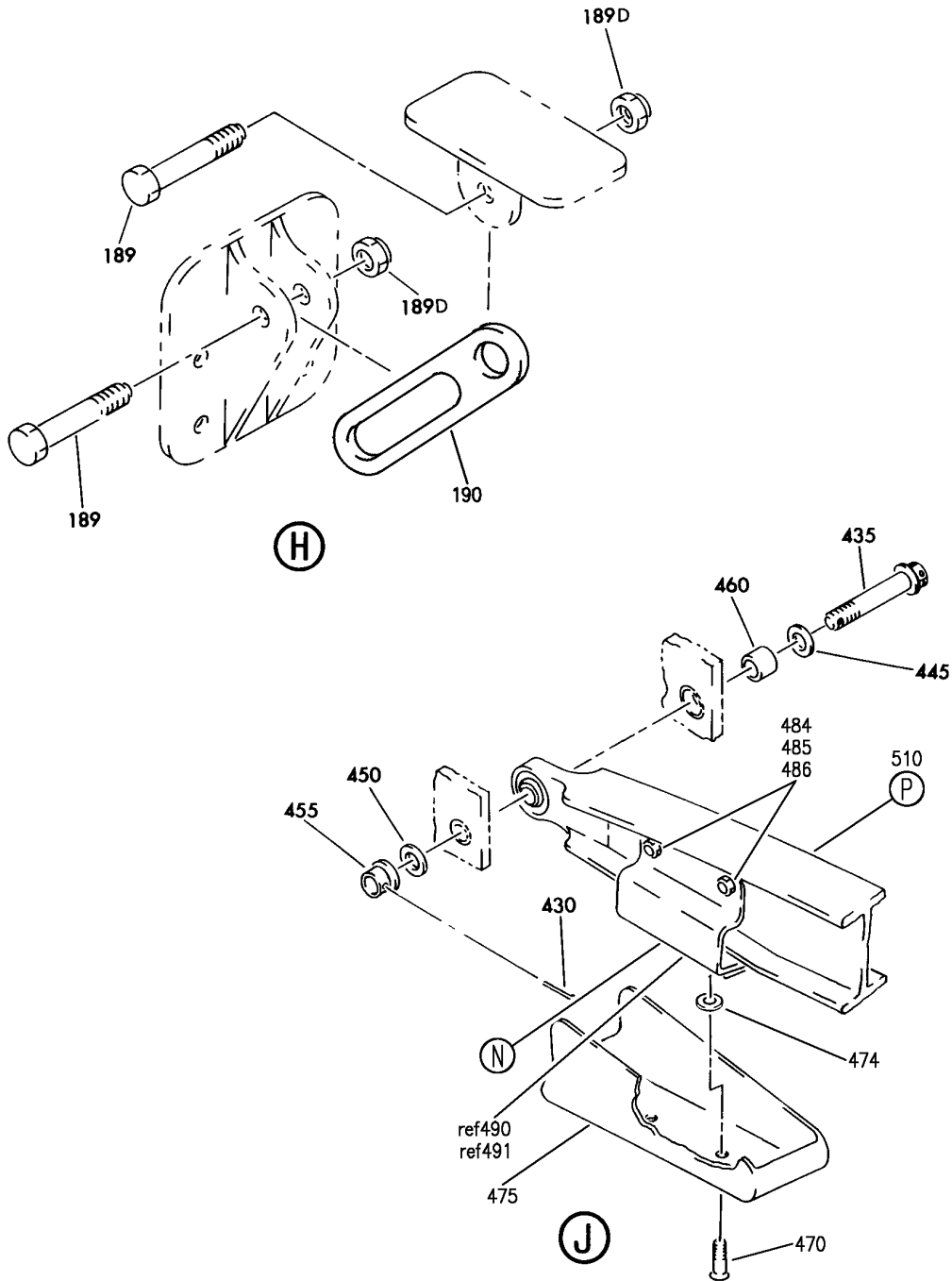
FLAP INSTL-TE OUTBD  
FIGURE 1 (SHEET 4)

**27-51-14-01**

BRI  
MAY 28/07

27-51-14-01  
PAGE 0C

**BOEING**  
757  
PARTS CATALOG (MAINTENANCE)



Y 27511401 SH1 5 REV 248

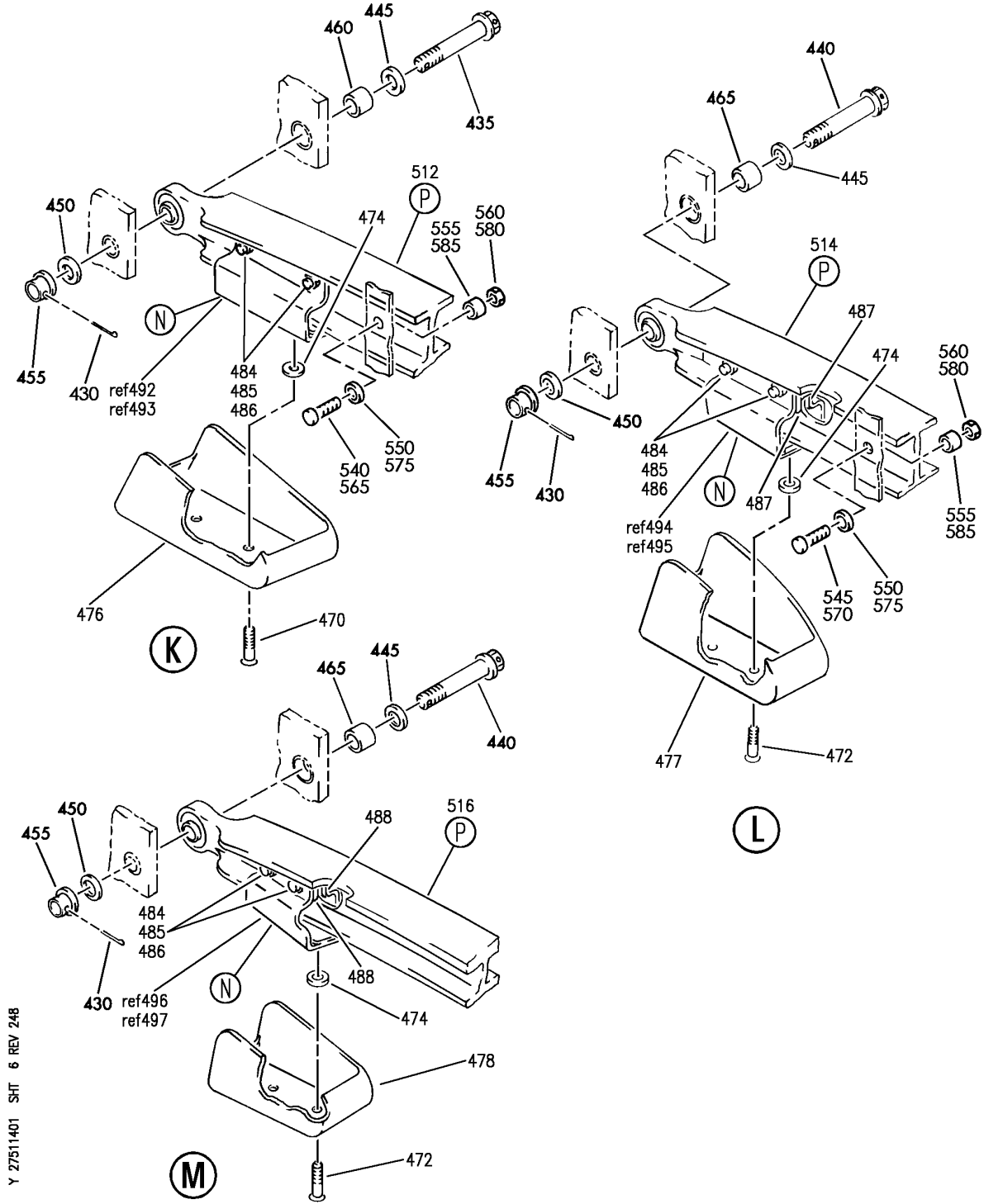
FLAP INSTL-TE OUTBD  
FIGURE 1 (SHEET 5)

**27-51-14-01**

BRI  
MAY 28/07

27-51-14-01  
PAGE 0D

**BOEING**  
757  
PARTS CATALOG (MAINTENANCE)



Y 27511401 SHT 6 REV 248

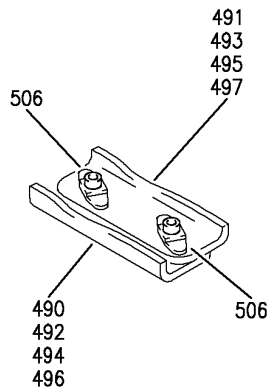
FLAP INSTL-TE OUTBD  
FIGURE 1 (SHEET 6)

**27-51-14-01**

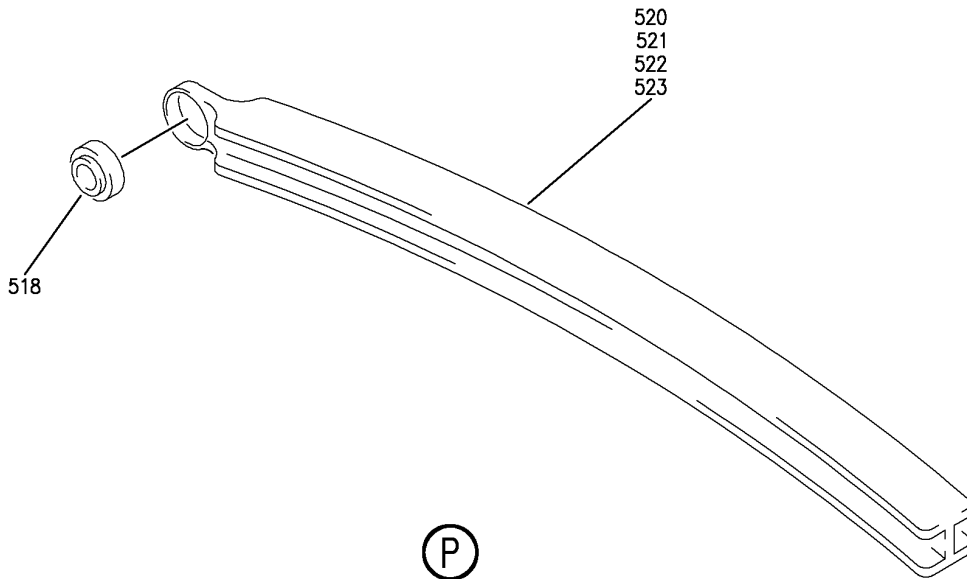
BRI  
MAY 28/07

27-51-14-01  
PAGE 0E

**BOEING**  
757  
PARTS CATALOG (MAINTENANCE)



(N)



Y 27511401 SH1 7 REV 248

FLAP INSTL-TE OUTBD  
FIGURE 1 (SHEET 7)

**27-51-14-01**

BRI  
MAY 28/07

27-51-14-01  
PAGE OF



 **BOEING**  
757  
**PARTS CATALOG (MAINTENANCE)**

FIG ITEM	PART NUMBER	1 2 3 4 5 6 7	NOMENCLATURE	EFFECT FROM TO	UNITS PER ASSY
1			FLAP INSTL-TE OUTBD	002004 006999	
- 1	113N3001-1		FLAP INSTL-TE POSITION DATA: OUTBD LH FOR NHA SEE: 57-00-00-01	002004 006100 107107 121503 904999	RF
- 1	113N3001-205SP		FLAP INSTL-TE POSITION DATA: OUTBD LH FOR NHA SEE: 57-00-00-05	108120	RF
- 1	113N3001-203SP		FLAP INSTL-TE POSITION DATA: OUTBD LH FOR NHA SEE: 57-00-00-05	101102 504903	RF
- 1	MODREF1553		FLAP INSTL-TE MODULE NUMBER: 113N3001-205 REV A POSITION DATA: OUTBD LH	103103	1
- 1	MODREF26612		FLAP INSTL-TE MODULE NUMBER: 113N3001-205 REV B POSITION DATA: OUTBD LH	104106	1
- 5	113N3001-2		FLAP INSTL-TE POSITION DATA: OUTBD RH FOR NHA SEE: 57-00-00-01	002004 006100 107107 121503 904999	RF
- 5	113N3001-206SP		FLAP INSTL-TE POSITION DATA: OUTBD RH FOR NHA SEE: 57-00-00-05	108120	RF
- 5	113N3001-204SP		FLAP INSTL-TE POSITION DATA: OUTBD RH FOR NHA SEE: 57-00-00-05	101102 504903	RF
- 5	MODREF1554		FLAP INSTL-TE MODULE NUMBER: 113N3001-206 REV A POSITION DATA: OUTBD RH	103103	1

MISSING ITEM NUMBERS NOT APPLICABLE

- ITEM NOT ILLUSTRATED

BRI

# 27-51-14-01

27-51-14  
FIG. 01  
PAGE 1  
JAN 20/09



757

PARTS CATALOG (MAINTENANCE)

FIG ITEM	PART NUMBER	1 2 3 4 5 6 7	NOMENCLATURE	EFFECT FROM TO	UNITS PER ASSY
1					
- 5	MODREF26613		FLAP INSTL-TE MODULE NUMBER: 113N3001-206 REV B POSITION DATA: OUTBD RH	104106	1
9	MS24665-304		.PIN-	002004 006100 107107 121503 904999	2
9	BACP18BC03A10P		.PIN-	101106 108120 504903	2
10	NAS6706D16		.SCREW-	002004	2
15	BACW10BP6CD		.WASHER- POSITION DATA: UNDER HEAD	006999	2
20	BACW10BP6DP		.WASHER- POSITION DATA: UNDER NUT	002004 006999	2
22	NAS1149C0632R		.WASHER- POSITION DATA: UNDER NUT	002004 006999	2
25	73781CD624		.NUT- SUPPLIER CODE: V56878 OPTIONAL PART: 102E9925-6 V72962 PHCR56CD VF0224	002004 006999	2
25	102E9925-6		.NUT- SUPPLIER CODE: V72962 OPTIONAL PART: 73781CD624 V56878 PHCR56CD VF0224	002004 006999	2
25	PHCR56CD		.NUT-CASTELLATED SUPPLIER CODE: VF0224 OPTIONAL PART: 73781CD624 V56878 102E9925-6 V72962	002004 006999	2

MISSING ITEM NUMBERS NOT APPLICABLE

- ITEM NOT ILLUSTRATED

BRI

27-51-14-01

BOEING PROPRIETARY - Copyright © - Unpublished Work - See title page for details.

27-51-14  
FIG. 01  
PAGE 2  
JAN 20/09



757

PARTS CATALOG (MAINTENANCE)

FIG ITEM	PART NUMBER	1 2 3 4 5 6 7	NOMENCLATURE	EFFECT FROM TO	UNITS PER ASSY
1					
30	113N1357-9	.	BUSHING	002004 006999	2
35	113N3107-1	.	SHIM	002004 006999	AR
40	BACB30NF4-29	.	BOLT- POSITION DATA: OUTBD	002004 006999	1
45	BACB30NF4-32	.	BOLT- POSITION DATA: INBD	002004 006999	1
50	BACW10BP4DP	.	WASHER- POSITION DATA: UNDER NUT	002004 006999	2
55	NAS1805-4N	.	NUT-	002004 006100 107107 121503 904999	2
55	NAS1805-4L	.	NUT-	101106 108120 504903	2
60	BACB28Z4-040	.	BUSHING-	002004 006999	2
65	113N3002-49	.	FLAP ASSY- POSITION DATA: LH SIDE COMPONENT MAINT MANUAL REF: 57-53-75	002004 006102 107107 121999	1
65	113N3002-55	.	FLAP ASSY- POSITION DATA: LH SIDE COMPONENT MAINT MANUAL REF: 57-53-75	002004 006102 107107 121999	1
65	113N3002-15	.	FLAP ASSY- POSITION DATA: LH SIDE COMPONENT MAINT MANUAL REF: 57-53-75	002004 006102 107107 121999	1
65	113N3002-19	.	FLAP ASSY- POSITION DATA: LH SIDE COMPONENT MAINT MANUAL REF: 57-53-75	002004 006102 107107 121999	1
65	113N3002-23	.	FLAP ASSY- POSITION DATA: LH SIDE COMPONENT MAINT MANUAL REF: 57-53-75	002004 006102 107107 121999	1

MISSING ITEM NUMBERS NOT APPLICABLE

- ITEM NOT ILLUSTRATED

27-51-14-01

27-51-14  
FIG. 01  
PAGE 3  
JAN 20/09

BRI

BOEING PROPRIETARY - Copyright © - Unpublished Work - See title page for details.



757

PARTS CATALOG (MAINTENANCE)

FIG ITEM	PART NUMBER	1 2 3 4 5 6 7	NOMENCLATURE	EFFECT FROM TO	UNITS PER ASSY
1	65 113N3002-27		. FLAP ASSY- POSITION DATA: LH SIDE COMPONENT MAINT MANUAL REF: 57-53-75	002004 006102 107107 121999	1
	65 113N3002-35		. FLAP ASSY- POSITION DATA: LH SIDE COMPONENT MAINT MANUAL REF: 57-53-75	002004 006102 107107 121999	1
	66 113N3002-71SP		. FLAP ASSY- POSITION DATA: LH SIDE QUALIFIED I/W DATA: 113N3002-81SP CAN REPLACE 113N3002-73SP OR 113N3002-71SP ONLY IF BOTH LEFT AND RIGHT FLAPS ARE REPLACED 113N3002-87SP TOGETHER WITH 113N3002-88SP CAN REPLACE 113N3002-71SP TOGETHER WITH 113N3002-72SP	002004 006102 107107 121999	1
	66 113N3002-61SP		. FLAP ASSY- POSITION DATA: LH SIDE QUALIFIED I/W DATA: 113N3002-87SP TOGETHER WITH 113N3002-88SP CAN REPLACE 113N3002-61SP TOGETHER WITH 113N3002-62SP 113N3002-81SP CAN REPLACE BUT NOT BE REPLACED BY 113N3002-61SP OR -63SP OR -65SP ONLY IF BOTH LEFT AND RIGHT FLAPS ARE REPLACED (SEE S/B 757-57-0058)	002004 006102 107107 121999	1

MISSING ITEM NUMBERS NOT APPLICABLE

- ITEM NOT ILLUSTRATED

BRI

27-51-14-01

BOEING PROPRIETARY - Copyright © - Unpublished Work - See title page for details.

27-51-14  
FIG. 01  
PAGE 4  
JAN 20/09



757

PARTS CATALOG (MAINTENANCE)

FIG ITEM	PART NUMBER	1 2 3 4 5 6 7	NOMENCLATURE	EFFECT FROM TO	UNITS PER ASSY
1					
66	113N3002-63SP		.FLAP ASSY- POSITION DATA: LH SIDE QUALIFIED I/W DATA: 113N3002-81SP CAN REPLACE BUT NOT BE REPLACED BY 113N3002-61SP OR -63SP OR -65SP ONLY IF BOTH LEFT AND RIGHT FLAPS ARE REPLACED (SEE S/B 757-57-0058)	002004 006102 107107 121999	1
66	113N3002-65SP		.FLAP ASSY- POSITION DATA: LH SIDE QUALIFIED I/W DATA: 113N3002-81SP CAN REPLACE BUT NOT BE REPLACED BY 113N3002-61SP OR -63SP OR -65SP ONLY IF BOTH LEFT AND RIGHT FLAPS ARE REPLACED (SEE S/B 757-57-0058)	002004 006102 107107 121999	1
66	113N3002-67SP		.FLAP ASSY- POSITION DATA: LH SIDE	002004 006102 107107 121999	1
66	113N3002-73SP		.FLAP ASSY- POSITION DATA: LH SIDE QUALIFIED I/W DATA: 113N3002-81SP CAN REPLACE 113N3002-73SP OR 113N3002-71SP ONLY IF BOTH LEFT AND RIGHT FLAPS ARE REPLACED 113N3002-87SP TOGETHER WITH 113N3002-88SP CAN REPLACE 113N3002-73SP TOGETHER WITH 113N3002-74SP	002004 006102 107107 121999	1

MISSING ITEM NUMBERS NOT APPLICABLE

- ITEM NOT ILLUSTRATED

BRI

27-51-14-01

BOEING PROPRIETARY - Copyright © - Unpublished Work - See title page for details.

27-51-14  
FIG. 01  
PAGE 5  
JAN 20/09



757

PARTS CATALOG (MAINTENANCE)

FIG ITEM	PART NUMBER	1 2 3 4 5 6 7	NOMENCLATURE	EFFECT FROM TO	UNITS PER ASSY
1 66	113N3002-81SP		.FLAP ASSY- POSITION DATA: LH SIDE QUALIFIED I/W DATA: 113N3002-81SP CAN REPLACE 113N3002-73SP OR 113N3002-71SP ONLY IF BOTH LEFT AND RIGHT FLAPS ARE REPLACED 113N3002-81SP CAN REPLACE BUT NOT BE REPLACED BY 113N3002-61SP OR -63SP OR -65SP ONLY IF BOTH LEFT AND RIGHT FLAPS ARE REPLACED (SEE S/B 757-57-0058)	103106 108120	1
66	113N3002-87SP		.FLAP ASSY- POSITION DATA: LH SIDE QUALIFIED I/W DATA: 113N3002-87SP TOGETHER WITH 113N3002-88SP CAN REPLACE 113N3002-71SP TOGETHER WITH 113N3002-72SP 113N3002-87SP TOGETHER WITH 113N3002-88SP CAN REPLACE 113N3002-61SP TOGETHER WITH 113N3002-62SP 113N3002-87SP TOGETHER WITH 113N3002-88SP CAN REPLACE 113N3002-73SP TOGETHER WITH 113N3002-74SP	103106 108120	1
- 70	113N3002-50		.FLAP ASSY- POSITION DATA: RH SIDE COMPONENT MAINT MANUAL REF: 57-53-75	002004 006102 107107 121999	1
- 70	113N3002-56		.FLAP ASSY- POSITION DATA: RH SIDE COMPONENT MAINT MANUAL REF: 57-53-75	002004 006102 107107 121999	1

MISSING ITEM NUMBERS NOT APPLICABLE

- ITEM NOT ILLUSTRATED

27-51-14-01

27-51-14  
FIG. 01  
PAGE 6  
JAN 20/09

BRI



757

PARTS CATALOG (MAINTENANCE)

FIG ITEM	PART NUMBER	1 2 3 4 5 6 7	NOMENCLATURE	EFFECT FROM TO	UNITS PER ASSY
1					
- 70	113N3002-16		. FLAP ASSY- POSITION DATA: RH SIDE COMPONENT MAINT MANUAL REF: 57-53-75	002004 006102 107107 121999	1
- 70	113N3002-20		. FLAP ASSY- POSITION DATA: RH SIDE COMPONENT MAINT MANUAL REF: 57-53-75	002004 006102 107107 121999	1
- 70	113N3002-24		. FLAP ASSY- POSITION DATA: RH SIDE COMPONENT MAINT MANUAL REF: 57-53-75	002004 006102 107107 121999	1
- 70	113N3002-28		. FLAP ASSY- POSITION DATA: RH SIDE COMPONENT MAINT MANUAL REF: 57-53-75	002004 006102 107107 121999	1
- 70	113N3002-36		. FLAP ASSY- POSITION DATA: RH SIDE COMPONENT MAINT MANUAL REF: 57-53-75	002004 006102 107107 121999	1
- 71	113N3002-62SP		. FLAP ASSY- POSITION DATA: RH SIDE QUALIFIED I/W DATA: 113N3002-87SP TOGETHER WITH 113N3002-88SP CAN REPLACE 113N3002-61SP TOGETHER WITH 113N3002-62SP 113N3002-82SP CAN REPLACE BUT NOT BE REPLACED BY 113N3002-62SP OR -64SP OR -66SP ONLY IF BOTH LEFT AND RIGHT FLAPS ARE REPLACED (SEE S/B 757-57-0058)	002004 006102 107107 121999	1

MISSING ITEM NUMBERS NOT APPLICABLE

- ITEM NOT ILLUSTRATED

27-51-14-01

27-51-14  
FIG. 01  
PAGE 7  
JAN 20/09

BRI

BOEING PROPRIETARY - Copyright © - Unpublished Work - See title page for details.



757

PARTS CATALOG (MAINTENANCE)

FIG ITEM	PART NUMBER	1 2 3 4 5 6 7	NOMENCLATURE	EFFECT FROM TO	UNITS PER ASSY
1					
- 71	113N3002-64SP		.FLAP ASSY- POSITION DATA: RH SIDE QUALIFIED I/W DATA: 113N3002-82SP CAN REPLACE BUT NOT BE REPLACED BY 113N3002-62SP OR -64SP OR -66SP ONLY IF BOTH LEFT AND RIGHT FLAPS ARE REPLACED (SEE S/B 757-57-0058)	002004 006102 107107 121999	1
- 71	113N3002-66SP		.FLAP ASSY- POSITION DATA: RH SIDE QUALIFIED I/W DATA: 113N3002-82SP CAN REPLACE BUT NOT BE REPLACED BY 113N3002-62SP OR -64SP OR -66SP ONLY IF BOTH LEFT AND RIGHT FLAPS ARE REPLACED (SEE S/B 757-57-0058)	002004 006102 107107 121999	1
- 71	113N3002-68SP		.FLAP ASSY- POSITION DATA: RH SIDE	002004 006102 107107 121999	1
- 71	113N3002-74SP		.FLAP ASSY- POSITION DATA: RH SIDE QUALIFIED I/W DATA: 113N3002-82SP CAN REPLACE 113N3002-74SP OR 113N3002-72SP ONLY IF BOTH LEFT AND RIGHT FLAPS ARE REPLACED 113N3002-87SP TOGETHER WITH 113N3002-88SP CAN REPLACE 113N3002-73SP TOGETHER WITH 113N3002-74SP	002004 006102 107107 121999	1

MISSING ITEM NUMBERS NOT APPLICABLE

- ITEM NOT ILLUSTRATED

BRI

27-51-14-01

BOEING PROPRIETARY - Copyright © - Unpublished Work - See title page for details.

27-51-14  
FIG. 01  
PAGE 8  
JAN 20/09





757

PARTS CATALOG (MAINTENANCE)

FIG ITEM	PART NUMBER	1 2 3 4 5 6 7	NOMENCLATURE	EFFECT FROM TO	UNITS PER ASSY
1					
- 71	113N3002-72SP		.FLAP ASSY- POSITION DATA: RH SIDE QUALIFIED I/W DATA: 113N3002-82SP CAN REPLACE 113N3002-74SP OR 113N3002-72SP ONLY IF BOTH LEFT AND RIGHT FLAPS ARE REPLACED 113N3002-87SP TOGETHER WITH 113N3002-88SP CAN REPLACE 113N3002-71SP TOGETHER WITH 113N3002-72SP	002004 006102 107107 121999	1
- 71	113N3002-82SP		.FLAP ASSY- POSITION DATA: RH SIDE QUALIFIED I/W DATA: 113N3002-82SP CAN REPLACE 113N3002-74SP OR 113N3002-72SP ONLY IF BOTH LEFT AND RIGHT FLAPS ARE REPLACED 113N3002-82SP CAN REPLACE BUT NOT BE REPLACED BY 113N3002-62SP OR -64SP OR -66SP ONLY IF BOTH LEFT AND RIGHT FLAPS ARE REPLACED (SEE S/B 757-57-0058)	103106 108120	1

MISSING ITEM NUMBERS NOT APPLICABLE

- ITEM NOT ILLUSTRATED

BRI

27-51-14-01

27-51-14  
FIG. 01  
PAGE 9  
JAN 20/09



757

PARTS CATALOG (MAINTENANCE)

FIG ITEM	PART NUMBER	1 2 3 4 5 6 7	NOMENCLATURE	EFFECT FROM TO	UNITS PER ASSY
1 - 72	113N3002-88SP		. FLAP ASSY- POSITION DATA: RH SIDE QUALIFIED I/W DATA: 113N3002-87SP TOGETHER WITH 113N3002-88SP CAN REPLACE 113N3002-73SP TOGETHER WITH 113N3002-74SP 113N3002-87SP TOGETHER WITH 113N3002-88SP CAN REPLACE 113N3002-71SP TOGETHER WITH 113N3002-72SP 113N3002-87SP TOGETHER WITH 113N3002-88SP CAN REPLACE 113N3002-61SP TOGETHER WITH 113N3002-62SP	103106 108120	1
75	MS24665-153		.. PIN	002004 006100 107107 121503 904999	4
75	BACP18BC02A06P		.. PIN	101106 108120 504903	4
80	NAS6704D16		.. SCREW-	002004 006999	2
85	BACB30LR4D17		.. BOLT-	002004 006999	2
90	BACW10BP4DP		.. WASHER- POSITION DATA: UNDER NUT	002004 006999	4
95	113N3002-3		.. WASHER	002004 006999	2
97	BACW10BP41NDP		.. WASHER- POSITION DATA: UNDER BOLT	002004 006999	2

MISSING ITEM NUMBERS NOT APPLICABLE

- ITEM NOT ILLUSTRATED

BRI

27-51-14-01

BOEING PROPRIETARY - Copyright © - Unpublished Work - See title page for details.

27-51-14  
FIG. 01  
PAGE 10  
JAN 20/09



757

PARTS CATALOG (MAINTENANCE)

FIG ITEM	PART NUMBER	1 2 3 4 5 6 7	NOMENCLATURE	EFFECT FROM TO	UNITS PER ASSY
1 100	73781CD428	..	NUT- SUPPLIER CODE: V56878 OPTIONAL PART: 102E9925-4 V72962 PHCR54CD VF0224 SERVICE BULLETIN OPT DATA: 73781CS428 V052CP REFERENCE AIRLINE MOD: IPC-P99-757-12-99 VALP	002004 006999	4
100	102E9925-4	..	NUT- SUPPLIER CODE: V72962 OPTIONAL PART: 73781CD428 V56878 PHCR54CD VF0224 SERVICE BULLETIN OPT DATA: 73781CS428 V052CP REFERENCE AIRLINE MOD: IPC-P99-757-12-99 VALP	002004 006999	4
100	PHCR54CD	..	NUT-CASTELLATED SELF LOCKING SUPPLIER CODE: VF0224 OPTIONAL PART: 73781CD428 V56878 102E9925-4 V72962 SERVICE BULLETIN OPT DATA: 73781CS428 V052CP REFERENCE AIRLINE MOD: IPC-P99-757-12-99 VALP	002004 006999	4

MISSING ITEM NUMBERS NOT APPLICABLE

- ITEM NOT ILLUSTRATED

BRI

27-51-14-01

BOEING PROPRIETARY - Copyright © - Unpublished Work - See title page for details.

27-51-14  
FIG. 01  
PAGE 11  
JAN 20/09



757

PARTS CATALOG (MAINTENANCE)

FIG ITEM	PART NUMBER	1 2 3 4 5 6 7	NOMENCLATURE	EFFECT FROM TO	UNITS PER ASSY
1 100	73781CS428		..NUT-SILVER PLATED SUPPLIER CODE: V052CP SERVICE BULLETIN OPT DATA: 73781CD428 V56878 102E9925-4 V72962 PHCR54CD VF0224 POST AIRLINE MOD: 757-12-99 VALP REFERENCE AIRLINE MOD: IPC-P99-757-12-99 VALP	950951	4
105	113N1357-2		..BUSHING-	002004 006999	4
110	113N3022-1		..ROD ASSY- OPTIONAL PART: 113N3022-12	002004 006999	1
110	113N3022-12		..ROD ASSY- OPTIONAL PART: 113N3022-1	002004 006999	1
115	113N3022-2		..ROD ASSY- OPTIONAL PART: 113N3022-13	002004 006999	1
115	113N3022-13		..ROD ASSY- OPTIONAL PART: 113N3022-2	002004 006999	1
116	MK4EPDL		...END ASSY- SUPPLIER CODE: V73134 SPECIFICATION NUMBER: S012T234-104-79 OPTIONAL PART: ARH4E115KM V50294 KBE4-225W V97613	002004 006999	1

MISSING ITEM NUMBERS NOT APPLICABLE

- ITEM NOT ILLUSTRATED

27-51-14-01

27-51-14  
FIG. 01  
PAGE 12  
JAN 20/09

BRI



757

PARTS CATALOG (MAINTENANCE)

FIG ITEM	PART NUMBER	1 2 3 4 5 6 7	NOMENCLATURE	EFFECT FROM TO	UNITS PER ASSY
1					
117	MKL4EPDL	...	END ASSY- SUPPLIER CODE: V73134 POSITION DATA: LH SPECIFICATION NUMBER: S012T234-104-789 OPTIONAL PART: ARH4E115KLM VS0352 KBEL4-225W V97613	002004 006999	1
118	NAS509-6C	...	NUT	002004 006999	1
118D	NAS509L6C	...	NUT	002004 006999	1
119	NAS1193K6C	...	LOCKING DEVICE-	002004 006999	2
120	MS24665-304	..	PIN-	002004 006100 107107 121503 904999	2
120	BACP18BC03A10P	..	PIN	101106 108120 504903	2
125	NAS6706D21	..	BOLT-	002004 006999	2
130	AN960C616L	..	WASHER-	002004 006100 107107 121503 904999	2
130	NAS1149C0632R	..	WASHER	101106 108120 504903	2
132	BACW10BP6DP	..	WASHER-	002004 006999	2
134	BACW10BP6CD	..	WASHER-	002004 006999	2
135	73781CD624	..	NUT- SUPPLIER CODE: V56878 OPTIONAL PART: 102E9925-6 V72962 PHCR56CD VF0224	002004 006999	2

MISSING ITEM NUMBERS NOT APPLICABLE

- ITEM NOT ILLUSTRATED

27-51-14-01

27-51-14  
FIG. 01  
PAGE 13  
JAN 20/09

BRI



757

PARTS CATALOG (MAINTENANCE)

FIG ITEM	PART NUMBER	1 2 3 4 5 6 7	NOMENCLATURE	EFFECT FROM TO	UNITS PER ASSY
1					
135	102E9925-6	..	NUT- SUPPLIER CODE: V72962 OPTIONAL PART: 73781CD624 V56878 PHCR56CD VD0224	002004 006999	2
135	73781CD524	..	NUT- SUPPLIER CODE: V56878	002004 006999	2
135	PHCR56CD	..	NUT-CASTELLATED SELF LOCKING SUPPLIER CODE: VF0224 OPTIONAL PART: 73781CD624 V56878 102E9925-6 V72962	002004 006999	2
140	113N1357-10	..	BUSHING	002004 006999	2
145	113N3022-3	..	ROD ASSY-	002004 006999	1
147	113N3022-20	..	ROD ASSY-	103106 108120	1
150	113N3022-4	..	ROD ASSY- OPTIONAL PART: 113N3022-15	002004 006999	1
150	113N3022-15	..	ROD ASSY- OPTIONAL PART: 113N3022-4	002004 006999	1
150	113N3022-22	..	ROD ASSY-	002004 006999	1
151	MK6EPDL	...	END- SUPPLIER CODE: V73134 SPECIFICATION NUMBER: S012T234-106-79 OPTIONAL PART: ARH6E115KM VS0352 ARB6E190W9 V15860 KBE6-225W V97613	002004 006999	1

MISSING ITEM NUMBERS NOT APPLICABLE

- ITEM NOT ILLUSTRATED

BRI

27-51-14-01

27-51-14  
FIG. 01  
PAGE 14  
JAN 20/09



757

PARTS CATALOG (MAINTENANCE)

FIG ITEM	PART NUMBER	1 2 3 4 5 6 7	NOMENCLATURE	EFFECT FROM TO	UNITS PER ASSY
1					
152	ARBL6E190W9	...	BEARING-ROD SUPPLIER CODE: V15860 POSITION DATA: LH SPECIFICATION NUMBER: BCREF106925 OPTIONAL PART: ARH6E115KLM VS0352 KBEL6-225W V97613 MKL6EPDL V73134 BCREF106925 V81205	002004 006999	1
153	NAS509-7C	...	NUT	002004 006999	1
153D	NAS509L7C	...	NUT	002004 006999	1
154	NAS1193K7C	...	LOCKING DEVICE	002004 006999	2
155	NAS1193K7-1	....	WASHER	002004 006999	1
156	NAS1193K7-2	....	WASHER	002004 006999	1
157	BACB30NM3K4	..	BOLT	002004 006999	4
158	BACW10BP3ACU	..	WASHER	002004 006999	4
161	113N3131-1	..	BLOCK-RUB	002004 006999	2
164	MS24665-374	..	PIN	002004 006100 107107 121503 904999	2
164	BACP18BC04A12P	..	PIN	101106 108120 504903	2
167	NAS6710DU31	..	BOLT-	002004 006999	2
170	BACW10BP10CD	..	WASHER	002004 006999	2
173	PHCR510CDBACN	..	NUT SUPPLIER CODE: VF0224 SPECIFICATION NUMBER: BACN11N10CD	101106 108120 504903	2

MISSING ITEM NUMBERS NOT APPLICABLE

- ITEM NOT ILLUSTRATED

BRI

27-51-14-01

BOEING PROPRIETARY - Copyright © - Unpublished Work - See title page for details.

27-51-14  
FIG. 01  
PAGE 15  
JAN 20/09



757

PARTS CATALOG (MAINTENANCE)

FIG ITEM	PART NUMBER	1 2 3 4 5 6 7	NOMENCLATURE	EFFECT FROM TO	UNITS PER ASSY
1					
173	56286-1018	..	NUT- SUPPLIER CODE: V56878	002004 006100 107107 121503 904999	2
176	113N3025-1	..	ANGLE ASSY	002004 006999	2
180	113N3021-1	..	BELLCRANK ASSY-DRIVE POSITION DATA: LH SIDE OPTIONAL PART: 113N3024-1 113N3021-9	002004 006999	1
180	113N3024-1	..	BELLCRANK ASSY-DRIVE POSITION DATA: LH SIDE	002004 006999	1
180	113N3021-9	..	BELLCRANK ASSY-DRIVE POSITION DATA: LH SIDE OPTIONAL PART: 113N3024-1 113N3021-1	002004 006999	1
180	113N3024-7	..	BELLCRANK ASSY-DRIVE POSITION DATA: LH SIDE OPTIONAL PART: 113N3021-13	002004 006999	1
180	113N3021-13	..	BELLCRANK ASSY-DRIVE POSITION DATA: LH SIDE OPTIONAL PART: 113N3024-7	002004 006999	1
180	113N3023-1	..	BELLCRANK ASSY-DRIVE POSITION DATA: LH SIDE QUALIFIED I/W DATA: -7 I/W -1 FOR C/L 0771 THRU 0800 ONLY. FOR C/L 0770 & EARLIER A/C -7 MAY REPLACE BUT NOT BE REPLACED BY -1.	002004 006999	1
180	113N3021-3	..	BELLCRANK ASSY-DRIVE POSITION DATA: LH SIDE	002004 006999	1
180	113N3021-11	..	BELLCRANK ASSY-DRIVE POSITION DATA: LH SIDE	002004 006999	1

MISSING ITEM NUMBERS NOT APPLICABLE

- ITEM NOT ILLUSTRATED

27-51-14-01

27-51-14  
FIG. 01  
PAGE 16  
JAN 20/09

BRI





757

PARTS CATALOG (MAINTENANCE)

FIG ITEM	PART NUMBER	1 2 3 4 5 6 7	NOMENCLATURE	EFFECT FROM TO	UNITS PER ASSY
1					
180	113N3021-15	..	BELLCRANK ASSY-DRIVE POSITION DATA: LH SIDE	002004 006999	1
180	113N3023-11	..	BELLCRANK ASSY-DRIVE POSITION DATA: LH SIDE	002004 006999	1
- 182	113N3021-2	..	BELLCRANK ASSY-DRIVE POSITION DATA: RH SIDE OPTIONAL PART: 113N3024-2 113N3021-10	002004 006999	1
- 182	113N3021-10	..	BELLCRANK ASSY-DRIVE POSITION DATA: RH SIDE OPTIONAL PART: 113N3024-2 113N3021-2	002004 006999	1
- 182	113N3024-2	..	BELLCRANK ASSY-DRIVE POSITION DATA: RH SIDE	002004 006999	1
- 182	113N3024-8	..	BELLCRANK ASSY-DRIVE POSITION DATA: RH SIDE OPTIONAL PART: 113N3021-14	002004 006999	1
- 182	113N3021-14	..	BELLCRANK ASSY-DRIVE POSITION DATA: RH SIDE OPTIONAL PART: 113N3024-8	002004 006999	1
185	113N3021-3	..	BELLCRANK ASSY-DRIVE POSITION DATA: LH SIDE OPTIONAL PART: 113N3023-1 113N3021-11	002004 006999	1
185	113N3023-1	..	BELLCRANK ASSY-DRIVE POSITION DATA: LH SIDE QUALIFIED I/W DATA: -7 I/W -1 FOR C/L 0771 THRU 0800 ONLY. FOR C/L 0770 & EARLIER A/C -7 MAY REPLACE BUT NOT BE REPLACED BY -1.	002004 006999	1

MISSING ITEM NUMBERS NOT APPLICABLE

- ITEM NOT ILLUSTRATED

27-51-14-01

27-51-14  
FIG. 01  
PAGE 17  
JAN 20/09

BRI



757

PARTS CATALOG (MAINTENANCE)

FIG ITEM	PART NUMBER	1 2 3 4 5 6 7	NOMENCLATURE	EFFECT FROM TO	UNITS PER ASSY
1					
185	113N3021-11	..	BELLCRANK ASSY-DRIVE POSITION DATA: LH SIDE OPTIONAL PART: 113N3023-1 113N3021-3	002004 006999	1
185	113N3023-7	..	BELLCRANK ASSY-DRIVE POSITION DATA: LH SIDE QUALIFIED I/W DATA: -7 I/W -1 FOR C/L 0771 THRU 0800 ONLY. FOR C/L 0770 & EARLIER A/C -7 MAY REPLACE BUT NOT BE REPLACED BY -1. OPTIONAL PART: 113N3021-15	002004 006999	1
185	113N3023-11	..	BELLCRANK ASSY-DRIVE POSITION DATA: LH SIDE	002004 006999	1
185	113N3021-15	..	BELLCRANK ASSY-DRIVE POSITION DATA: LH SIDE OPTIONAL PART: 113N3023-7	002004 006999	1
185	113N3021-13	..	BELLCRANK ASSY-DRIVE POSITION DATA: LH SIDE	002004 006999	1
185	113N3021-9	..	BELLCRANK ASSY-DRIVE POSITION DATA: LH SIDE	002004 006999	1
185	113N3021-1	..	BELLCRANK ASSY-DRIVE POSITION DATA: LH SIDE	002004 006999	1
185	113N3024-1	..	BELLCRANK ASSY-DRIVE POSITION DATA: LH SIDE	002004 006999	1
185	113N3024-7	..	BELLCRANK ASSY-DRIVE POSITION DATA: LH SIDE	002004 006999	1
- 187	113N3021-4	..	BELLCRANK ASSY-DRIVE POSITION DATA: RH SIDE OPTIONAL PART: 113N3023-2 113N3021-12	002004 006999	1

MISSING ITEM NUMBERS NOT APPLICABLE

- ITEM NOT ILLUSTRATED

BRI

27-51-14-01

27-51-14  
FIG. 01  
PAGE 18  
JAN 20/09



757

PARTS CATALOG (MAINTENANCE)

FIG ITEM	PART NUMBER	1 2 3 4 5 6 7	NOMENCLATURE	EFFECT FROM TO	UNITS PER ASSY
1					
- 187	113N3021-12	..	BELLCRANK ASSY-DRIVE POSITION DATA: RH SIDE OPTIONAL PART: 113N3023-2 113N3021-4	002004 006999	1
- 187	113N3021-16	..	BELLCRANK ASSY-DRIVE POSITION DATA: RH SIDE OPTIONAL PART: 113N3023-8	002004 006999	1
- 187	113N3023-2	..	BELLCRANK ASSY-DRIVE POSITION DATA: RH SIDE QUALIFIED I/W DATA: -8 I/W -2 FOR C/L 0771 THRU 0800 ONLY. FOR C/L 0770 & EARLIER A/C -7 MAY REPLACE BUT NOT BE REPLACED BY -2.	002004 006999	1
- 187	113N3023-8	..	BELLCRANK ASSY-DRIVE POSITION DATA: RH SIDE QUALIFIED I/W DATA: -2 OPTIONAL TO -8 FOR C/L 0771 THRU 0800 ONLY. -8 MAY REPLACE -2 FOR C/L 0770 AND EARLIER A/C. OPTIONAL PART: 113N3021-16	002004 006999	1
- 187	113N3023-12	..	BELLCRANK ASSY-DRIVE POSITION DATA: RH SIDE	002004 006999	1
188	MS15001-1	...	FITTING	002004 006999	1
189	BACB30UU8P18	..	BOLT	002004 006999	4

MISSING ITEM NUMBERS NOT APPLICABLE

- ITEM NOT ILLUSTRATED

BRI

27-51-14-01

27-51-14  
FIG. 01  
PAGE 19  
JAN 20/09



757

PARTS CATALOG (MAINTENANCE)

FIG ITEM	PART NUMBER	1 2 3 4 5 6 7	NOMENCLATURE	EFFECT FROM TO	UNITS PER ASSY
1 189D	69235-820CD	..	NUT SUPPLIER CODE: V92215 SPECIFICATION NUMBER: BACN10JC8CD OPTIONAL PART: 102LH9074-8 V72962 BMN4122CPD8-8 V97928 H51650-8BAC V15653	002004 006999	4
190	113N3053-1	..	LINK-FAILSAFE POSITION DATA: OUTBD FLAP	002004 006999	2
191	MS24665-304	..	PIN	002004 006100 107107 121503 904999	2
191	BACP18BC03A10P	..	PIN	101106 108120 504903	2
192	BACW10BP8APU	..	WASHER	002004 006999	2
193	69235-820CD	..	NUT SUPPLIER CODE: V92215 SPECIFICATION NUMBER: BACN10JC8CD OPTIONAL PART: 102LH9074-8 V72962 BMN4122CPD8-8 V97928 H51650-8BAC V15653	002004 006999	2
194	MS24665-374	..	PIN	002004 006999	2
195	BACW10BP10APU	..	WASHER	002004 006999	2

MISSING ITEM NUMBERS NOT APPLICABLE

- ITEM NOT ILLUSTRATED

27-51-14-01

27-51-14  
FIG. 01  
PAGE 20  
JAN 20/09

BRI

BOEING PROPRIETARY - Copyright © - Unpublished Work - See title page for details.



757

PARTS CATALOG (MAINTENANCE)

FIG ITEM	PART NUMBER	1 2 3 4 5 6 7	NOMENCLATURE	EFFECT FROM TO	UNITS PER ASSY
1 196	102LH9074-10	..	NUT SUPPLIER CODE: V72962 SPECIFICATION NUMBER: BACN10JC10CD OPTIONAL PART: H51650-10BAC V15653 69235-1018CD V92215 BMN4122CPD8-10 V97928	002004 006999	2
197	BACP18BC04A14P	..	PIN	101106 108120 504903	2
197	MS24665-376	..	PIN	002004 006100 107107 121503 904999	2
198	113N3104-5	..	BOLT-	002004 006999	2
199	BACW10BP14ACU	..	WASHER	002004 006999	2
200	AN960C1216L	..	WASHER	002004 006100 107107 121503 904999	2
200A	NAS1149C1232R	..	WASHER	101106 108120 504903	2
200B	NAS1149C1290R	..	WASHER	101106 108120 504903	2
201	THCR512CDBACN	..	NUT SUPPLIER CODE: VF0224 SPECIFICATION NUMBER: BACN11N112CD	101106 108120 504903	2
201	MS14145L12	..	NUT-	002004 006100 107107 121503 904999	2

MISSING ITEM NUMBERS NOT APPLICABLE

- ITEM NOT ILLUSTRATED

BRI

27-51-14-01

BOEING PROPRIETARY - Copyright © - Unpublished Work - See title page for details.

27-51-14  
FIG. 01  
PAGE 21  
JAN 20/09



757

PARTS CATALOG (MAINTENANCE)

FIG ITEM	PART NUMBER	1 2 3 4 5 6 7	NOMENCLATURE	EFFECT FROM TO	UNITS PER ASSY
1 202	VTA04880		..LINK ASSY- SUPPLIER CODE: V06710 SPECIFICATION NUMBER: S113N301-1 OPTIONAL PART: P32280 V06710	002004 006999	1
202	P32280		..LINK ASSY- SUPPLIER CODE: V06710 SPECIFICATION NUMBER: S113N301-1 OPTIONAL PART: VTA04880 V06710	002004 006999	1
203	VTA04890		..LINK ASSY- SUPPLIER CODE: V06710 SPECIFICATION NUMBER: S113N301-2 OPTIONAL PART: P32610 V06710 OPTIONAL PART: AMBK17-4001 V15860	002004 006999	1
203	P32610		..LINK ASSY- SUPPLIER CODE: V57606 SPECIFICATION NUMBER: S113N301-2 OPTIONAL PART: VTA04890 V06710 OPTIONAL PART: AMBK17-4001 V15860	002004 006999	1

MISSING ITEM NUMBERS NOT APPLICABLE

- ITEM NOT ILLUSTRATED

27-51-14-01

27-51-14  
FIG. 01  
PAGE 22  
JAN 20/09

BRI



757

PARTS CATALOG (MAINTENANCE)

FIG ITEM	PART NUMBER	1 2 3 4 5 6 7	NOMENCLATURE	EFFECT FROM TO	UNITS PER ASSY
1 203	AMBK17-4001		..LINK ASSY- SUPPLIER CODE: V15860 OPTIONAL PART: VTA04890 V06710 P32610 V57606 USED ON: 113N3002-81SP 113N3002-82SP 113N3002-83SP 113N3002-84SP 113N3002-85SP 113N3002-86SP 113N3002-87SP 113N3002-88SP	103106 108120	1
204	MS15004-1		... FITTING	002004 006999	1
205	113N3100-1		..CARRIAGE ASSY- POSITION DATA: LH SIDE COMPONENT MAINT MANUAL REF: 27-51-18 FOR DETAILS SEE: 27-51-16-01	002004 006999	1
205	113N3100-3		..CARRIAGE ASSY- POSITION DATA: LH SIDE COMPONENT MAINT MANUAL REF: 27-51-18 FOR DETAILS SEE: 27-51-16-01	002004 006999	1
205	113N3100-5		..CARRIAGE ASSY- POSITION DATA: LH SIDE COMPONENT MAINT MANUAL REF: 27-51-18 FOR DETAILS SEE: 27-51-16-01	002004 006999	1
205	113N3100-9		..CARRIAGE ASSY- POSITION DATA: LH SIDE COMPONENT MAINT MANUAL REF: 27-51-18 FOR DETAILS SEE: 27-51-16-01	002004 006999	1

MISSING ITEM NUMBERS NOT APPLICABLE

- ITEM NOT ILLUSTRATED

**27-51-14-01**

27-51-14  
FIG. 01  
PAGE 23  
JAN 20/09

BRI



757

PARTS CATALOG (MAINTENANCE)

FIG ITEM	PART NUMBER	1 2 3 4 5 6 7	NOMENCLATURE	EFFECT FROM TO	UNITS PER ASSY
1 205	113N3100-11		..CARRIAGE ASSY- POSITION DATA: LH SIDE COMPONENT MAINT MANUAL REF: 27-51-18 FOR DETAILS SEE: 27-51-16-01	002004 006999	1
205	113N3100-13		..CARRIAGE ASSY- POSITION DATA: LH COMPONENT MAINT MANUAL REF: 27-51-18 FOR DETAILS SEE: 27-51-16-01	002004 006999	1
- 206	113N3100-2		..CARRIAGE ASSY- POSITION DATA: RH SIDE COMPONENT MAINT MANUAL REF: 27-51-18 FOR DETAILS SEE: 27-51-16-01	002004 006999	1
- 206	113N3100-4		..CARRIAGE ASSY- POSITION DATA: RH SIDE COMPONENT MAINT MANUAL REF: 27-51-18 FOR DETAILS SEE: 27-51-16-01	002004 006999	1
- 206	113N3100-6		..CARRIAGE ASSY- POSITION DATA: RH SIDE COMPONENT MAINT MANUAL REF: 27-51-18 FOR DETAILS SEE: 27-51-16-01	002004 006999	1
- 206	113N3100-10		..CARRIAGE ASSY- POSITION DATA: RH SIDE COMPONENT MAINT MANUAL REF: 27-51-18 FOR DETAILS SEE: 27-51-16-01	002004 006999	1
- 206	113N3100-12		..CARRIAGE ASSY- POSITION DATA: RH SIDE COMPONENT MAINT MANUAL REF: 27-51-18 FOR DETAILS SEE: 27-51-16-01	002004 006999	1

MISSING ITEM NUMBERS NOT APPLICABLE

- ITEM NOT ILLUSTRATED

# 27-51-14-01

27-51-14  
FIG. 01  
PAGE 24  
JAN 20/09

BRI





757

PARTS CATALOG (MAINTENANCE)

FIG ITEM	PART NUMBER	1 2 3 4 5 6 7	NOMENCLATURE	EFFECT FROM TO	UNITS PER ASSY
1					
- 206	113N3100-14	..	CARRIAGE ASSY- POSITION DATA: RH COMPONENT MAINT MANUAL REF: 27-51-18 FOR DETAILS SEE: 27-51-16-01	002004 006999	1
207	113N3150-1	..	CARRIAGE ASSY- POSITION DATA: LH SIDE COMPONENT MAINT MANUAL REF: 27-51-19 FOR DETAILS SEE: 27-51-16-01	002004 006999	1
207	113N3150-3	..	CARRIAGE ASSY- POSITION DATA: LH SIDE COMPONENT MAINT MANUAL REF: 27-51-19 FOR DETAILS SEE: 27-51-16-01	002004 006999	1
207	113N3150-5	..	CARRIAGE ASSY- POSITION DATA: LH SIDE COMPONENT MAINT MANUAL REF: 27-51-19 FOR DETAILS SEE: 27-51-16-01	002004 006999	1
207	113N3150-9	..	CARRIAGE ASSY- POSITION DATA: LH SIDE COMPONENT MAINT MANUAL REF: 27-51-19 FOR DETAILS SEE: 27-51-16-01	002004 006999	1
207	113N3150-11	..	CARRIAGE ASSY- POSITION DATA: OUTBD TE FLAP OUTBD LH FOR DETAILS SEE: 27-51-16-01	002004 006999	1
- 208	113N3150-2	..	CARRIAGE ASSY- POSITION DATA: RH SIDE COMPONENT MAINT MANUAL REF: 27-51-19 FOR DETAILS SEE: 27-51-16-01	002004 006999	1

MISSING ITEM NUMBERS NOT APPLICABLE

- ITEM NOT ILLUSTRATED

# 27-51-14-01

27-51-14  
FIG. 01  
PAGE 25  
JAN 20/09

BRI



757

PARTS CATALOG (MAINTENANCE)

FIG ITEM	PART NUMBER	1 2 3 4 5 6 7	NOMENCLATURE	EFFECT FROM TO	UNITS PER ASSY
1					
- 208	113N3150-4		..CARRIAGE ASSY- POSITION DATA: RH SIDE COMPONENT MAINT MANUAL REF: 27-51-19 FOR DETAILS SEE: 27-51-16-01	002004 006999	1
- 208	113N3150-6		..CARRIAGE ASSY- POSITION DATA: RH SIDE COMPONENT MAINT MANUAL REF: 27-51-19 FOR DETAILS SEE: 27-51-16-01	002004 006999	1
- 208	113N3150-10		..CARRIAGE ASSY- POSITION DATA: RH SIDE COMPONENT MAINT MANUAL REF: 27-51-19 FOR DETAILS SEE: 27-51-16-01	002004 006999	1
- 208	113N3150-12		..CARRIAGE ASSY- POSITION DATA: OUTBD TE FLAP OUTBD RH FOR DETAILS SEE: 27-51-16-01	002004 006999	1
210	113N3800-1		..FLAP ASSY- POSITION DATA: AFT LH SIDE COMPONENT MAINT MANUAL REF: 57-53-61 USED ON: 113N3002-15 QUALIFIED SB I/W DATA: (AFTER INCORPORATION OF 757-SL-57-010 MAY USE 113N3800-67, -73, -75, -83, -85, -89SP) REWORKED BY SERVICE LETTER: 57-010 FOR DETAILS SEE: 27-51-22-01	002004 006999	1

MISSING ITEM NUMBERS NOT APPLICABLE

- ITEM NOT ILLUSTRATED

BRI

27-51-14-01

27-51-14  
FIG. 01  
PAGE 26  
JAN 20/09



757

PARTS CATALOG (MAINTENANCE)

FIG ITEM	PART NUMBER	1 2 3 4 5 6 7	NOMENCLATURE	EFFECT FROM TO	UNITS PER ASSY
1 210	113N3800-67		.. FLAP ASSY-VARIABLE POSITION DATA: AFT LH SIDE COMPONENT MAINT MANUAL REF: 57-53-61 USED ON: 113N3002-17 QUALIFIED SB I/W DATA: (AFTER INCORPORATION OF 757-SL-57-010 MAY USE 113N3800-1, -73, -75, -83, -85, -89SP) REWORKED BY SERVICE LETTER: 57-010 FOR DETAILS SEE: 27-51-22-01	950951	1
210	113N3800-73		.. FLAP ASSY- POSITION DATA: AFT LH SIDE COMPONENT MAINT MANUAL REF: 57-53-61 USED ON: 113N3002-19 QUALIFIED SB I/W DATA: (AFTER INCORPORATION OF 75-SL-57-010 MAY USE 113N3800-1, -67, -75, -83, -85, -89SP) REWORKED BY SERVICE LETTER: 57-010 FOR DETAILS SEE: 27-51-22-01	002004 006999	1
210	113N3800-75		.. FLAP ASSY-VARIABLE POSITION DATA: AFT LH SIDE COMPONENT MAINT MANUAL REF: 57-53-61 USED ON: 113N3002-21 QUALIFIED SB I/W DATA: (AFTER INCORPORATION OF 757-SL-57-010 MAY USE 113N3800-1, -67, -73, -83, -85, -89SP) REWORKED BY SERVICE LETTER: 57-010 FOR DETAILS SEE: 27-51-22-01	950951	1

MISSING ITEM NUMBERS NOT APPLICABLE

- ITEM NOT ILLUSTRATED

27-51-14-01

27-51-14  
FIG. 01  
PAGE 27  
JAN 20/09

BRI



757

PARTS CATALOG (MAINTENANCE)

FIG ITEM	PART NUMBER	1 2 3 4 5 6 7	NOMENCLATURE	EFFECT FROM TO	UNITS PER ASSY
1 210	113N3800-83		.. FLAP ASSY- POSITION DATA: LH SIDE COMPONENT MAINT MANUAL REF: 57-53-61 USED ON: 113N3002-23 113N3002-27 113N3002-35 113N3002-55 QUALIFIED SB I/W DATA: (AFTER INCORPORATION OF 757-SL-57-010 MAY USE 113N3800-1, -67, -73, -75, -85, -89SP) REWORKED BY SERVICE LETTER: 57-010 FOR DETAILS SEE: 27-51-22-01	002004 006999	1
210	113N3800-85		.. FLAP ASSY-VARIABLE POSITION DATA: LH SIDE COMPONENT MAINT MANUAL REF: 57-53-61 USED ON: 113N3002-25 113N3002-29 113N3002-37 113N3002-59 QUALIFIED SB I/W DATA: (AFTER INCORORATION OF 757-SL-57-010 MAY USE 113N3800-1, -67, -73, -75, -83, -89SP) REWORKED BY SERVICE LETTER: 57-010 FOR DETAILS SEE: 27-51-22-01	950951	1

MISSING ITEM NUMBERS NOT APPLICABLE

- ITEM NOT ILLUSTRATED

BRI

**27-51-14-01**

BOEING PROPRIETARY - Copyright © - Unpublished Work - See title page for details.

27-51-14  
FIG. 01  
PAGE 28  
JAN 20/09



757

PARTS CATALOG (MAINTENANCE)

FIG ITEM	PART NUMBER	1 2 3 4 5 6 7	NOMENCLATURE	EFFECT FROM TO	UNITS PER ASSY
1 210	113N3800-89SP		.. FLAP ASSY- POSITION DATA: AFT LH SIDE COMPONENT MAINT MANUAL REF: 57-53-61 QUALIFIED SB I/W DATA: (AFTER INCORPORATION OF 757-SL-57-010 MAY USE 113N3800-1, -67, -73, -75, -73, -85) POST SERVICE LETTER: 57-010 FOR DETAILS SEE: 27-51-22-01	002004 006999	1
210	113N3800-93SP		.. FLAP ASSY- POSITION DATA: AFT LH SIDE COMPONENT MAINT MANUAL REF: 57-53-61 QUALIFIED I/W DATA: THE -93SP & THE -101SP ARE 2 WAY INTERCHANGABLE ON THE 757-200 MODEL, & ONE WAY INTERCHANGABLE ON THE 757-300. THE -93SP CAN NOT BE USED ON THE 757-300. OPTIONAL PART: 113N3800-101SP FOR DETAILS SEE: 27-51-22-01	002004 006999	1
210	113N3800-101SP		.. FLAP ASSY- POSITION DATA: OUTBD AFT LH COMPONENT MAINT MANUAL REF: 57-53-61 QUALIFIED I/W DATA: THE -93SP & THE -101SP ARE 2 WAY INTERCHANGABLE ON THE 757-200 MODEL, & ONE WAY INTERCHANGABLE ON THE 757-300. THE -93SP CAN NOT BE USED ON THE 757-300. OPTIONAL PART: 113N3800-93SP FOR DETAILS SEE: 27-51-22-01	002004 006999	1

MISSING ITEM NUMBERS NOT APPLICABLE

- ITEM NOT ILLUSTRATED

27-51-14-01

27-51-14  
FIG. 01  
PAGE 29  
JAN 20/09

BRI

**BOEING**  
757  
**PARTS CATALOG (MAINTENANCE)**

FIG ITEM	PART NUMBER	1 2 3 4 5 6 7	NOMENCLATURE	EFFECT FROM TO	UNITS PER ASSY
1 - 215	113N3800-2		.. FLAP ASSY- POSITION DATA: AFT RH SIDE COMPONENT MAINT MANUAL REF: 57-53-61 USED ON: 113N3002-16 QUALIFIED SB I/W DATA: (AFTER INCORPORATION OF 75-SL-57-010 MAY USE 113N3800-68, -74, -76, -84, -86, -90SP) REWORKED BY SERVICE LETTER: 57-010 FOR DETAILS SEE: 27-51-22-01	002004 006999	1
- 215	113N3800-68		.. FLAP ASSY-VARIABLE POSITION DATA: AFT RH SIDE COMPONENT MAINT MANUAL REF: 57-53-61 USED ON: 113N3002-18 QUALIFIED SB I/W DATA: (AFTER INCORPORATION OF 75-SL-57-010 MAY USE 113N3800-2, -74, -76, -84, -86, -90SP) REWORKED BY SERVICE LETTER: 57-010 FOR DETAILS SEE: 27-51-22-01	950951	1
- 215	113N3800-74		.. FLAP ASSY- POSITION DATA: AFT RH SIDE COMPONENT MAINT MANUAL REF: 57-53-61 USED ON: 113N3002-20 QUALIFIED SB I/W DATA: (AFTER INCORPORATION OF 75-SL-57-010 MAY USE 113N3800-2, -64, -76, -84, -86, -90SP) REWORKED BY SERVICE LETTER: 57-010 FOR DETAILS SEE: 27-51-22-01	002004 006999	1

MISSING ITEM NUMBERS NOT APPLICABLE

- ITEM NOT ILLUSTRATED

BRI

# 27-51-14-01

BOEING PROPRIETARY - Copyright © - Unpublished Work - See title page for details.

27-51-14  
FIG. 01  
PAGE 30  
JAN 20/09



757

PARTS CATALOG (MAINTENANCE)

FIG ITEM	PART NUMBER	1 2 3 4 5 6 7	NOMENCLATURE	EFFECT FROM TO	UNITS PER ASSY
1 - 215	113N3800-76		.. FLAP ASSY-VARIABLE POSITION DATA: AFT RH SIDE COMPONENT MAINT MANUAL REF: 57-53-61 USED ON: 113N3002-22 QUALIFIED SB I/W DATA: (AFTER INCORPORATION OF 757-SL-57-010 MAY USE 113N3800-2, -68, -74, -84, -86, -90SP) REWORKED BY SERVICE LETTER: 57-010 FOR DETAILS SEE: 27-51-22-01	950951	1
- 215	113N3800-84		.. FLAP ASSY- POSITION DATA: RH SIDE COMPONENT MAINT MANUAL REF: 57-53-61 USED ON: 113N3002-24 113N3002-28 113N3002-36 QUALIFIED SB I/W DATA: (AFTER INCORPORATION OF 757-SL-57-010 MAY USE 113N3800-2, -68, -74, -76, -86, -90SP) REWORKED BY SERVICE LETTER: 57-010 FOR DETAILS SEE: 27-51-22-01	002004 006999	1

MISSING ITEM NUMBERS NOT APPLICABLE

- ITEM NOT ILLUSTRATED

BRI

27-51-14-01

BOEING PROPRIETARY - Copyright © - Unpublished Work - See title page for details.

27-51-14  
FIG. 01  
PAGE 31  
JAN 20/09



757

PARTS CATALOG (MAINTENANCE)

FIG ITEM	PART NUMBER	1 2 3 4 5 6 7	NOMENCLATURE	EFFECT FROM TO	UNITS PER ASSY
1 - 215	113N3800-86		.. FLAP ASSY-VARIABLE POSITION DATA: RH SIDE COMPONENT MAINT MANUAL REF: 57-53-61 USED ON: 113N3002-26 113N3002-30 113N3002-38 113N3002-60 QUALIFIED SB I/W DATA: (AFTER INCORPORATION OF 75-SL-57-010 MAY USE 113N3800-2, -68, -74, -76, -84, -90SP) REWORKED BY SERVICE LETTER: 57-010 FOR DETAILS SEE: 27-51-22-01	950951	1
- 215	113N3800-90SP		.. FLAP ASSY- POSITION DATA: RH SIDE COMPONENT MAINT MANUAL REF: 57-53-61 QUALIFIED SB I/W DATA: (AFTER INCORPORATION OF 75-SL-57-010 MAY USE 113N3800-2, -68, -74, -76, -84, -86) POST SERVICE LETTER: 57-010 FOR DETAILS SEE: 27-51-22-01	002004 006999	1

MISSING ITEM NUMBERS NOT APPLICABLE

- ITEM NOT ILLUSTRATED

**27-51-14-01**

27-51-14  
FIG. 01  
PAGE 32  
JAN 20/09

BRI





**757  
PARTS CATALOG (MAINTENANCE)**

FIG ITEM	PART NUMBER	1 2 3 4 5 6 7	NOMENCLATURE	EFFECT FROM TO	UNITS PER ASSY
1 - 215	113N3800-94SP	..	FLAP ASSY- POSITION DATA: AFT RH SIDE COMPONENT MAINT MANUAL REF: 57-53-61 QUALIFIED I/W DATA: THE -94SP & THE -102SP ARE 2 WAY INTERCHANGABLE ON THE 757-200 MODEL, & ONE WAY INTERCHANGABLE ON THE 757-300. THE -94SP CAN NOT BE USED ON THE 757-300 OPTIONAL PART: 113N3800-102SP FOR DETAILS SEE: 27-51-22-01	002004 006999	1
- 215	113N3800-102SP	..	FLAP ASSY- POSITION DATA: OUTBD AFT RH COMPONENT MAINT MANUAL REF: 57-53-61 QUALIFIED I/W DATA: THE -94SP & THE -102SP ARE 2 WAY INTERCHANGABLE ON THE 757-200 MODEL, & ONE WAY INTERCHANGABLE ON THE 757-300. THE -94SP CAN NOT BE USED ON THE 757-300. OPTIONAL PART: 113N3800-94SP FOR DETAILS SEE: 27-51-22-01	002004 006999	1
220	BACB28AP04P016	..	BUSHING	101106 108120 504903	1
225	BACB28AP04P020	..	BUSHING	101106 108120 504903	1
230	BACB28AP06P025	..	BUSHING	101106 108120 504903	1
235	BACB28AT06B017C	..	BUSHING	101106 108120 504903	1
240	BACB28AT06B021C	..	BUSHING	101106 108120 504903	1

MISSING ITEM NUMBERS NOT APPLICABLE

- ITEM NOT ILLUSTRATED

# 27-51-14-01

27-51-14  
FIG. 01  
PAGE 33  
JAN 20/09

BRI



757

PARTS CATALOG (MAINTENANCE)

FIG ITEM	PART NUMBER	1 2 3 4 5 6 7	NOMENCLATURE	EFFECT FROM TO	UNITS PER ASSY
1					
245	BACB28AT09B026C	..	BUSHING	101106 108120 504903	1
250	GDPP10WFS428	..	BEARING- SUPPLIER CODE: V21335	101106 108120 504903	1
430	BACP18BC02A06P	..	PIN	101106 108120 504903	4
430	MS24665-153	..	PIN-	002004 006100 107107 121503 904999	4
435	NAS6705D23	..	BOLT-	002004 006999	2
440	NAS6705D21	..	BOLT-	002004 006999	2
445	BACW10BP5ACU	..	WASHER	002004 006999	4
450	BACW10BP5DP	..	WASHER	002004 006999	4
455	73781CD524	..	NUT- SUPPLIER CODE: V56878 OPTIONAL PART: 102E9925-5 V72962 PHCR55CD VF0224	002004 006999	4
455	102E9925-5	..	NUT- SUPPLIER CODE: V72962 OPTIONAL PART: 73781CD524 V56878 PHCR55CD VF0224	002004 006999	4
455	PHCR55CD	..	NUT-CASTELLATED SELF LOCKING SUPPLIER CODE: VF0224 OPTIONAL PART: 73781CD524 V56878 102E9925-5 V72962	002004 006999	4
460	113N1357-7	..	BUSHING	002004 006999	2

MISSING ITEM NUMBERS NOT APPLICABLE

- ITEM NOT ILLUSTRATED

27-51-14-01

27-51-14  
FIG. 01  
PAGE 34  
JAN 20/09

BRI

BOEING PROPRIETARY - Copyright © - Unpublished Work - See title page for details.



757

PARTS CATALOG (MAINTENANCE)

FIG ITEM	PART NUMBER	1 2 3 4 5 6 7	NOMENCLATURE	EFFECT FROM TO	UNITS PER ASSY
1					
465	113N1357-8	..	BUSHING	002004 006999	2
470	BACS12ER3K11	..	SCREW	002004 006999	4
472	BACS12ER3K10	..	SCREW	002004 006999	4
474	AN960PD10L	..	WASHER- OPTIONAL PART: AN960PD10	002004 006100 107107 121503 904999	8
474	AN960PD10	..	WASHER- OPTIONAL PART: AN960PD10L	002004 006100 107107 121503 904999	8
474	NAS1149D0316J	..	WASHER- OPTIONAL PART: NAS1149D0363J	101106 108120 504903	8
474	NAS1149D0363J	..	WASHER- OPTIONAL PART: NAS1149D0316J	101106 108120 504903	8
475	113N3334-1	..	COVER- POSITION DATA: LH STA 340.065	002004 006999	1
476	113N3334-3	..	COVER- POSITION DATA: LH STA 430.065	002004 006999	1
477	113N3334-5	..	COVER- POSITION DATA: LH STA 499.065	002004 006999	1
478	113N3334-9	..	COVER- POSITION DATA: LH STA 584.065	002004 006999	1
- 479	113N3334-2	..	COVER- POSITION DATA: RH STA 340.065	002004 006999	1
- 480	113N3334-4	..	COVER- POSITION DATA: RH STA 430.065	002004 006999	1
- 481	113N3334-6	..	COVER- POSITION DATA: RH STA 499.065	002004 006999	1
- 482	113N3334-10	..	COVER- POSITION DATA: RH STA 584.065	002004 006999	1

MISSING ITEM NUMBERS NOT APPLICABLE

- ITEM NOT ILLUSTRATED

27-51-14-01

27-51-14  
FIG. 01  
PAGE 35  
JAN 20/09

BRI



757

PARTS CATALOG (MAINTENANCE)

FIG ITEM	PART NUMBER	1 2 3 4 5 6 7	NOMENCLATURE	EFFECT FROM TO	UNITS PER ASSY
1					
484	L8006K5	..	BOLT SUPPLIER CODE: V06725 SPECIFICATION NUMBER: BACB30MY6K5	002004 006999	8
485	NAS1149D0316L	..	WASHER	002004 006999	8
486	HL79-6	..	COLLAR SUPPLIER CODE: V5M902 SPECIFICATION NUMBER: BACC30M6 OPTIONAL PART: HL79-6 V73197 HL79-6 V92215 66014-6 V56878 HL79-6 V56878	002004 006999	8
487	113N3333-18	..	SPACER- POSITION DATA: STA 499.065	002004 006999	2
488	113N3333-17	..	SPACER- POSITION DATA: STA 584.065	002004 006999	2
490	113N3333-1	..	BRACKET-SUPPORT POSITION DATA: LH STA 340.065	002004 006999	1
491	113N3333-3	..	BRACKET-SUPPORT POSITION DATA: LH STA 340.065	002004 006999	1
492	113N3333-5	..	BRACKET-SUPPORT POSITION DATA: LH STA 430.065	002004 006999	1
493	113N3333-7	..	BRACKET-SUPPORT POSITION DATA: LH STA 430.065	002004 006999	1
494	113N3333-9	..	BRACKET-SUPPORT POSITION DATA: LH STA 499.065	002004 006999	1
495	113N3333-11	..	BRACKET-SUPPORT POSITION DATA: LH STA 499.065	002004 006999	1
496	113N3333-13	..	BRACKET-SUPPORT POSITION DATA: LH STA 584.065	002004 006999	1

MISSING ITEM NUMBERS NOT APPLICABLE

- ITEM NOT ILLUSTRATED

27-51-14-01

27-51-14  
FIG. 01  
PAGE 36  
JAN 20/09

BRI



757

PARTS CATALOG (MAINTENANCE)

FIG ITEM	PART NUMBER	1 2 3 4 5 6 7	NOMENCLATURE	EFFECT FROM TO	UNITS PER ASSY
1					
497	113N3333-15		..BRACKET-SUPPORT POSITION DATA: LH STA 584.065	002004 006999	1
- 498	113N3333-2		..BRACKET-SUPPORT POSITION DATA: RH STA 340.065	002004 006999	1
- 499	113N3333-4		..BRACKET-SUPPORT POSITION DATA: RH STA 340.065	002004 006999	1
- 500	113N3333-6		..BRACKET-SUPPORT POSITION DATA: RH STA 430.065	002004 006999	1
- 501	113N3333-8		..BRACKET-SUPPORT POSITION DATA: RH STA 430.065	002004 006999	1
- 502	113N3333-10		..BRACKET-SUPPORT POSITION DATA: RH STA 499.065	002004 006999	1
- 503	113N3333-12		..BRACKET-SUPPORT POSITION DATA: RH STA 499.065	002004 006999	1
- 504	113N3333-14		..BRACKET-SUPPORT POSITION DATA: RH STA 584.065	002004 006999	1
- 505	113N3333-16		..BRACKET-SUPPORT POSITION DATA: RH STA 584.065	002004 006999	1
506	BRF200C3M		..NUTPLATE SUPPLIER CODE: V52828 SPECIFICATION NUMBER: BACN10JR3CFM OPTIONAL PART: F5001-3BAC V15653 NS103203SE02 V80539 VN152D1-02 V92215 109F9201-3 V72962 T8092C1032 V11815 ATTACHING PARTS	002004 006999	8
- 508	BACR15BA3ADC		..RIVET	002004 006999	16
510	113N3058-1		-----*----- ..TRACK ASSY	002004 006999	1

MISSING ITEM NUMBERS NOT APPLICABLE

- ITEM NOT ILLUSTRATED

27-51-14-01

27-51-14  
FIG. 01  
PAGE 37  
JAN 20/09

BRI

BOEING PROPRIETARY - Copyright © - Unpublished Work - See title page for details.



757

PARTS CATALOG (MAINTENANCE)

FIG ITEM	PART NUMBER	1 2 3 4 5 6 7	NOMENCLATURE	EFFECT FROM TO	UNITS PER ASSY
1					
512	113N3058-2	..	TRACK ASSY-	002004 006999	1
512	113N3058-15	..	TRACK ASSY-	101106 108120 504903	1
514	113N3058-12	..	TRACK ASSY	002004 006999	1
516	113N3058-14	..	TRACK ASSY	002004 006999	1
518	BACB10EN05GC	...	BEARING- USED ON: 113N3058-2	002004 006999	1
518	BLR05-2588SC	...	BEARING- SUPPLIER CODE: V81376 SPECIFICATION NUMBER: BACB10FH05GC OPTIONAL PART: AG05V31C V15860 ASBFH05VC VS0352 BWG05A110C V16746 HU05-204VC V02758 KWB05-61 V97613 WC05G3C V56644 LHB05ENGC V73134 USED ON: 113N3058-15	101106 108120 504903	1
520	113N3058-5	...	TRACK- USED ON: 113N3058-1	002004 006999	1
521	113N3058-6	...	TRACK- USED ON: 113N3058-2	002004 006999	1
521	113N3058-16	...	TRACK- USED ON: 113N3058-15	101106 108120 504903	1
522	113N3058-11	...	TRACK- USED ON: 113N3058-12	002004 006999	1
523	113N3058-13	...	TRACK- USED ON: 113N3058-14	002004 006999	1

MISSING ITEM NUMBERS NOT APPLICABLE

- ITEM NOT ILLUSTRATED

27-51-14-01

27-51-14  
FIG. 01  
PAGE 38  
JAN 20/09

BRI

 **BOEING**  
757  
**PARTS CATALOG (MAINTENANCE)**

FIG ITEM	PART NUMBER	1 2 3 4 5 6 7 NOMENCLATURE	EFFECT FROM TO	UNITS PER ASSY
1 530	113N3003-1	<p>.. FLAP ASSY-MAIN  POSITION DATA:  LH SIDE  COMPONENT MAINT MANUAL REF:  57-53-76  QUALIFIED I/W DATA:  -37SP TOGETHER WITH  -38SP CAN REPLACE -13  TOGETHER WITH -14 OR -5  TOGETHER WITH -6 OR -1  TOGETHER WITHIN -2.  FLAPS ON BOTH WINGS  MUST BE REPLACED.  -9 MAY REPLACE -1 FOR  NWA NCO01-NC023 ONLY  USED ON:  113N3002-15  113N3002-19  113N3002-23  PRE SERVICE BULLETIN:  57-0058  REWORKED BY SB:  57-0024  PRE ALERT SB:  57A0058R1  QUALIFIED SB I/W DATA:  (113N3003-3, -5, -7,  -13, -15, -19SP)  REWORKED BY SERVICE LETTER:  57-010  FUNCTIONAL REFERENCE:  FLIGHT CONTROLS  FOR DETAILS SEE  27-51-14-10  WINGS  FOR DETAILS SEE  57-53-10-51</p>	002004 006102 107107 121999	1

MISSING ITEM NUMBERS NOT APPLICABLE

— ITEM NOT ILLUSTRATED

BRI

# 27-51-14-01

BOEING PROPRIETARY - Copyright © - Unpublished Work - See title page for details.

27-51-14  
FIG. 01  
PAGE 39  
JAN 20/09



757

PARTS CATALOG (MAINTENANCE)

FIG ITEM	PART NUMBER	1 2 3 4 5 6 7	NOMENCLATURE	EFFECT FROM TO	UNITS PER ASSY
1 530	113N3003-5		.. FLAP ASSY-MAIN POSITION DATA: LH SIDE COMPONENT MAINT MANUAL REF: 57-53-76 QUALIFIED I/W DATA: -37SP TOGETHER WITH -38SP CAN REPLACE -13 TOGETHER WITH -14 OR -5 TOGETHER WITH -6 OR -1 TOGETHER WITH -2. FLAPS ON BOTH WINGS MUST BE REPLACED. USED ON: 113N3002-27 113N3002-35 PRE SERVICE BULLETIN: 57-0058 REWORKED BY SB: 57-0024 PRE ALERT SB: 57A0058R1 QUALIFIED SB I/W DATA: (AFTER INCORPORATION OF 757-SL-57-010 MAY USE 113N3003-1, -3, -7, -13 -15, -19SP) REWORKED BY SERVICE LETTER: 57-010 FUNCTIONAL REFERENCE: FLIGHT CONTROLS FOR DETAILS SEE 27-51-14-10 WINGS FOR DETAILS SEE 57-53-10-51	002004 006102 107107 121999	1
530	113N3003-31SP		.. FLAP ASSY-MAIN POSITION DATA: LH SIDE FUNCTIONAL REFERENCE: FLIGHT CONTROL FOR DETAILS SEE 27-51-14-10 WINGS FOR DETAILS SEE 57-53-10-51	103106 108120	1

MISSING ITEM NUMBERS NOT APPLICABLE

- ITEM NOT ILLUSTRATED

BRI

27-51-14-01

27-51-14  
FIG. 01  
PAGE 40  
JAN 20/09





757

PARTS CATALOG (MAINTENANCE)

FIG ITEM	PART NUMBER	1 2 3 4 5 6 7 NOMENCLATURE	EFFECT FROM TO	UNITS PER ASSY
1 530	113N3003-13	<p>.. FLAP ASSY-MAIN            POSITION DATA:            LH SIDE            COMPONENT MAINT MANUAL REF:            57-53-76            QUALIFIED I/W DATA:            -37SP TOGETHER WITH            -38SP CAN REPLACE -13            TOGETHER WITH -14 OR -5            TOGETHER WITH -6 OR -1            TOGETHER WITH -2. FLAPS            ON BOTH WINGS MUST BE            REPLACED.            -43SP T/W -44SP CAN            REPLACE -13 T/W -14            FLAPS ON BOTH WINGS MUST            BE REPLACED            113N3003-19SP CAN            REPLACE OR BE REPLACED            BY 113N3003-13 SUBJECT            TO CUSTOMER COLOR            PREFERENCE            USED ON:            113N3002-49            113N3002-55            PRE SERVICE BULLETIN:            57-0058            REWORKED BY SB:            57-0024            PRE ALERT SB:            57A0058R1            QUALIFIED SB I/W DATA:            (AFTER INCORPORATION OF            757-SL-57-010 MAY USE            113N300-1, -3, -5, -7,            15, -19SP)            REWORKED BY SERVICE LETTER:            57-010            FUNCTIONAL REFERENCE:            FLIGHT CONTROLS            FOR DETAILS SEE            27-51-14-10            WINGS            FOR DETAILS SEE            57-53-10-51</p>	002004 006102 107107 121999	1

MISSING ITEM NUMBERS NOT APPLICABLE

- ITEM NOT ILLUSTRATED

**27-51-14-01**

27-51-14  
FIG. 01  
PAGE 41  
JAN 20/09

BRI



757

PARTS CATALOG (MAINTENANCE)

FIG ITEM	PART NUMBER	1 2 3 4 5 6 7	NOMENCLATURE	EFFECT FROM TO	UNITS PER ASSY
1 530	113N3003-19SP		<p>.. FLAP ASSY-MAIN  POSITION DATA:  LH SIDE  COMPONENT MAINT MANUAL REF:  57-53-76  QUALIFIED I/W DATA:  -37SP TOGETHER WITH  -38SP CAN REPLACE -21SP  TOGETHER WITH -22SP OR  -19SP TOGETHER WITH  -20SP. FLAPS ON BOTH  WINGS MUST BE REPLACED.  -43SP T/W -44SP CAN  REPLACE -19SP T/W -20SP  FLAPS ON BOTH WINGS MUST  BE REPLACED  113N3003-19SP CAN  REPLACE OR BE REPLACED  BY 113N3003-13 SUBJECT  TO CUSTOMER COLOR  PREFERENCE  USED ON:  113N3002-61SP  PRE SERVICE BULLETIN:  57-0058  REWORKED BY SB:  57-0024  PRE ALERT SB:  57A0058R1  QUALIFIED SB I/W DATA:  (AFTER INCORPORATION OF  757-SL-57-010 AMY USE  113N3003-1, -3, -5, -7,  -13, -15)  POST SERVICE LETTER:  57-010  FUNCTIONAL REFERENCE:  FLIGHT CONTROLS  FOR DETAILS SEE  27-51-14-10  WINGS  FOR DETAILS SEE  57-53-10-51</p>	002004 006102 107107 121999	1

MISSING ITEM NUMBERS NOT APPLICABLE

- ITEM NOT ILLUSTRATED

27-51-14-01

27-51-14  
FIG. 01  
PAGE 42  
JAN 20/09

BRI



757

PARTS CATALOG (MAINTENANCE)

FIG ITEM	PART NUMBER	1 2 3 4 5 6 7	NOMENCLATURE	EFFECT FROM TO	UNITS PER ASSY
1 530	113N3003-21SP		<p>.. FLAP ASSY-MAIN POSITION DATA: LH COMPONENT MAINT MANUAL REF: 57-53-76 QUALIFIED I/W DATA: -37SP TOGETHER WITH -38SP CAN REPLACE -21SP TOGETHER WITH -22SP OR -19SP TOGETHER WITH -20SP. FLAPS ON BOTH WINGS MUST BE REPLACED. -43SP T/W -44SP CAN REPLACE -21SP T/W -22SP FLAPS ON BOTH WINGS MUST BE REPLACED USED ON: 113N3002-63SP PRE SERVICE BULLETIN: 57-0058 REWORKED BY SB: 57-0024 PRE ALERT SB: 57A0058R1 FUNCTIONAL REFERENCE: FLIGHT CONTROLS FOR DETAILS SEE 27-51-14-10 WINGS FOR DETAILS SEE 57-53-10-51</p>	002004 006102 107107 121999	1

MISSING ITEM NUMBERS NOT APPLICABLE

- ITEM NOT ILLUSTRATED

BRI

# 27-51-14-01

BOEING PROPRIETARY - Copyright © - Unpublished Work - See title page for details.

27-51-14  
FIG. 01  
PAGE 43  
JAN 20/09



757

PARTS CATALOG (MAINTENANCE)

FIG ITEM	PART NUMBER	1 2 3 4 5 6 7	NOMENCLATURE	EFFECT FROM TO	UNITS PER ASSY
1 530	113N3003-23SP		.. FLAP ASSY-MAIN POSITION DATA: LH COMPONENT MAINT MANUAL REF: 57-53-76 QUALIFIED I/W DATA: -37SP TOGETHER WITH -38SP CAN REPLACE -25SP TOGETHER WITH -26SP OR -23SP TOGETHER WITH -24SP. FLAPS ON BOTH WINGS MUST BE REPLACED. -43SP T/W -44SP CAN REPLACE -23SP T/W -24SP FLAPS ON BOTH WINGS MUST BE REPLACED USED ON: 113N3002-65SP PRE SERVICE BULLETIN: 57-0058 REWORKED BY SB: 57-0024 PRE ALERT SB: 57A0058R1 FUNCTIONAL REFERENCE: FLIGHT CONTROLS FOR DETAILS SEE 27-51-14-10 WINGS FOR DETAILS SEE 57-53-10-51	002004 006102 107107 121999	1
530	113N3003-25SP		.. FLAP ASSY-MAIN POSITION DATA: LH FUNCTIONAL REFERENCE: FLIGHT CONTROL FOR DETAILS SEE 27-51-14-10 WINGS FOR DETAILS SEE 57-53-10-51	103106 108120	1

MISSING ITEM NUMBERS NOT APPLICABLE

- ITEM NOT ILLUSTRATED

BRI

27-51-14-01

BOEING PROPRIETARY - Copyright © - Unpublished Work - See title page for details.

27-51-14  
FIG. 01  
PAGE 44  
JAN 20/09



757

PARTS CATALOG (MAINTENANCE)

FIG ITEM	PART NUMBER	1 2 3 4 5 6 7	NOMENCLATURE	EFFECT FROM TO	UNITS PER ASSY
1 530	113N3003-27SP		<p>.. FLAP ASSY-MAIN POSITION DATA: LH COMPONENT MAINT MANUAL REF: 57-53-76 QUALIFIED I/W DATA: -37SP TOGETHER WITH -38SP CAN REPLACE -27SP TOGETHER WITH -28SP. FLAPS ON BOTH WINGS MUST BE REPLACED. -43SP T/W -44SP CAN REPLACE -27SP T/W -28SP FLAPS ON BOTH WINGS MUST BE REPLACED REWORKED BY SB: 57-0024 FUNCTIONAL REFERENCE: FLIGHT CONTROL FOR DETAILS SEE 27-51-14-10 WINGS FOR DETAILS SEE 57-53-10-51</p>	002004 006102 107107 121999	1

MISSING ITEM NUMBERS NOT APPLICABLE

- ITEM NOT ILLUSTRATED

BRI

# 27-51-14-01

BOEING PROPRIETARY - Copyright © - Unpublished Work - See title page for details.

27-51-14  
FIG. 01  
PAGE 45  
JAN 20/09



757

PARTS CATALOG (MAINTENANCE)

FIG ITEM	PART NUMBER	1 2 3 4 5 6 7	NOMENCLATURE	EFFECT FROM TO	UNITS PER ASSY
1 530	113N3003-29SP		.. FLAP ASSY-MAIN POSITION DATA: LH COMPONENT MAINT MANUAL REF: 57-53-76 QUALIFIED I/W DATA: -37SP TOGETHER WITH -38SP CAN REPLACE -29SP TOGETHER WITH -30SP. FLAPS ON BOTH WINGS MUST BE REPLACED. -43SP T/W -44SP CAN REPLACE -29SP T/W -30SP FLAPS ON BOTH WINGS MUST BE REPLACED PRE SERVICE BULLETIN: 57-0058 REWORKED BY SB: 57-0024 PRE ALERT SB: 57A0058R1 FUNCTIONAL REFERENCE: FLIGHT CONTROL FOR DETAILS SEE 27-51-14-10 WINGS FOR DETAILS SEE 57-53-10-51	002004 006102 107107 121999	1
531	113N3003-33SP		.. FLAP ASSY-MAIN POSITION DATA: LH FUNCTIONAL REFERENCE: FLIGHT CONTROL FOR DETAILS SEE 27-51-14-01 WINGS FOR DETAILS SEE 57-53-10-51	103106 108120	1
531	113N3003-39SP		.. FLAP ASSY-MAIN POSITION DATA: RH SIDE FUNCTIONAL REFERENCE: FLIGHT CONTROL FOR DETAILS SEE 27-51-14-10 WINGS FOR DETAILS SEE 57-53-10-51	103106 108120	1

MISSING ITEM NUMBERS NOT APPLICABLE

- ITEM NOT ILLUSTRATED

# 27-51-14-01

27-51-14  
FIG. 01  
PAGE 46  
JAN 20/09

BRI



757

PARTS CATALOG (MAINTENANCE)

FIG ITEM	PART NUMBER	1 2 3 4 5 6 7 NOMENCLATURE	EFFECT FROM TO	UNITS PER ASSY
1 531	113N3003-37SP	<p>.. FLAP ASSY-MAIN  POSITION DATA:  LH SIDE  QUALIFIED I/W DATA:  -37SP TOGETHER WITH  -38SP CAN REPLACE -29SP  TOGETHER WITH -30SP.  FLAPS ON BOTH WINGS MUST  BE REPLACED.  -37SP TOGETHER WITH  -38SP CAN REPLACE -27SP  TOGETHER WITH -28SP.  FLAPS ON BOTH WINGS MUST  BE REPLACED.  -37SP TOGETHER WITH  -38SP CAN REPLACE -25SP  TOGETHER WITH -26SP OR  -23SP TOGETHER WITH  -24SP. FLAPS ON BOTH  WINGS MUST BE REPLACED.  -37SP TOGETHER WITH  -38SP CAN REPLACE -21SP  TOGETHER WITH -22SP OR  -19SP TOGETHER WITH  -20SP. FLAPS ON BOTH  WINGS MUST BE REPLACED.  -37SP TOGETHER WITH  -38SP CAN REPLACE -13  TOGETHER WITH -14 OR  -5 TOGETHER WITH -6  OR -1 TOGETHER WITH  -2. FLAPS ON BOTH WINGS  MUST BE REPLACED  POST SERVICE BULLETIN:  57-0058  POST ALERT SB:  57A0058R1  FUNCTIONAL REFERENCE:  FLIGHT CONTROL  FOR DETAILS SEE  27-51-14-10  WINGS  FOR DETAILS SEE  57-53-10-51</p>	002004 006999	1

MISSING ITEM NUMBERS NOT APPLICABLE

- ITEM NOT ILLUSTRATED

27-51-14-01

27-51-14  
FIG. 01  
PAGE 47  
JAN 20/09

BRI



757

PARTS CATALOG (MAINTENANCE)

FIG ITEM	PART NUMBER	1 2 3 4 5 6 7	NOMENCLATURE	EFFECT FROM TO	UNITS PER ASSY
1 531	113N3003-35SP		.. FLAP ASSY-MAIN POSITION DATA: LH COMPONENT MAINT MANUAL REF: 57-53-76 FUNCTIONAL REFERENCE: FLIGHT CONTROL FOR DETAILS SEE 27-51-14-10 WINGS FOR DETAILS SEE 57-53-10-51	103106 108120	1
531	113N3003-41SP		.. FLAP ASSY-MAIN POSITION DATA: LH SIDE COMPONENT MAINT MANUAL REF: 57-53-76 FUNCTIONAL REFERENCE: FLIGHT CONTROL FOR DETAILS SEE 27-51-14-10 WINGS FOR DETAILS SEE 57-53-10-51	103106 108120	1

MISSING ITEM NUMBERS NOT APPLICABLE

- ITEM NOT ILLUSTRATED

BRI

# 27-51-14-01

BOEING PROPRIETARY - Copyright © - Unpublished Work - See title page for details.

27-51-14  
FIG. 01  
PAGE 48  
JAN 20/09







757

PARTS CATALOG (MAINTENANCE)

FIG ITEM	PART NUMBER	1 2 3 4 5 6 7 NOMENCLATURE	EFFECT FROM TO	UNITS PER ASSY
1 - 535	113N3003-2	<p>.. FLAP ASSY-MAIN            POSITION DATA:            RH SIDE            COMPONENT MAINT MANUAL REF:            57-53-76            QUALIFIED I/W DATA:            -37SP TOGETHER WITH            -38SP CAN REPLACE -13            TOGETHER WITH -14 OR -5            TOGETHER WITH -6 OR -1            TOGETHER WITH -2. FLAPS            ON BOTH WINGS MUST BE            REPLACED.            -10 MAY REPLACE -2 FOR            NWA NCO01-NC023 ONLY            USED ON:            113N3002-16            113N3002-20            113N3002-24            PRE SERVICE BULLETIN:            57-0058            REWORKED BY SB:            57-0024            PRE ALERT SB:            57A0058R1            QUALIFIED SB I/W DATA:            (AFTER INCORPORATION OF            757-SL-57-010 AMY USE            113N3003-4, -6, -8, -14,            -16, -20SP)            REWORKED BY SERVICE LETTER:            57-010            FUNCTIONAL REFERENCE:            FLIGHT CONTROLS            FOR DETAILS SEE            27-51-14-10            WINGS            FOR DETAILS SEE            57-53-10-51</p>	002004 006102 107107 121999	1

MISSING ITEM NUMBERS NOT APPLICABLE

- ITEM NOT ILLUSTRATED

**27-51-14-01**

27-51-14  
FIG. 01  
PAGE 50  
JAN 20/09

BRI



757

PARTS CATALOG (MAINTENANCE)

FIG ITEM	PART NUMBER	1 2 3 4 5 6 7	NOMENCLATURE	EFFECT FROM TO	UNITS PER ASSY
1 - 535	113N3003-6		.. FLAP ASSY-MAIN POSITION DATA: RH SIDE COMPONENT MAINT MANUAL REF: 57-53-76 QUALIFIED I/W DATA: -37SP TOGETHER WITH -38SP CAN REPLACE -13 TOGETHER WITH -14 OR -5 TOGETHER WITH -6 OR -1 TOGETHER WITH -2. FLAPS ON BOTH WINGS MUST BE REPLACED. -12 MAY REPLACE -6 FOR NWA NC021-NC050 ONLY USED ON: 113N3002-28 113N3002-36 PRE SERVICE BULLETIN: 57-0058 REWORKED BY SB: 57-0024 PRE ALERT SB: 57A0058R1 QUALIFIED SB I/W DATA: (AFTER INCORPORATION OF 757-SL-57-010 MAY USE 113N3003-2, -4, -8, -14, -16, -20SAP) REWORKED BY SERVICE LETTER: 57-010 FUNCTIONAL REFERENCE: FLIGHT CONTROLS FOR DETAILS SEE 27-51-14-10 WINGS FOR DETAILS SEE 57-53-10-51	002004 006102 107107 121999	1
- 535	113N3003-32SP		.. FLAP ASSY-MAIN POSITION DATA: RH FUNCTIONAL REFERENCE: FLIGHT CONTROL FOR DETAILS SEE 27-51-14-10 WINGS FOR DETAILS SEE 57-53-10-51	103106 108120	1

MISSING ITEM NUMBERS NOT APPLICABLE

- ITEM NOT ILLUSTRATED

BRI

27-51-14-01

27-51-14  
FIG. 01  
PAGE 51  
JAN 20/09



757

PARTS CATALOG (MAINTENANCE)

FIG ITEM	PART NUMBER	1 2 3 4 5 6 7 NOMENCLATURE	EFFECT FROM TO	UNITS PER ASSY
1 - 535	113N3003-14	<p>.. FLAP ASSY-MAIN  POSITION DATA:  RH SIDE  COMPONENT MAINT MANUAL REF:  57-53-76  QUALIFIED I/W DATA:  -37SP TOGETHER WITH  -38SP CAN REPLACE -13  TOGETHER WITH -14 OR -5  TOGETHER WITH -6 OR -1  TOGETHER WITH -2. FLAPS  ON BOTH WINGS MUST BE  REPLACED.  -44SP T/W -43SP CAN  REPLACE -13 T/W -14.  FLAPS ON BOTH WINGS MUST  BE REPLACED.  113N3003-20SP CAN  REPLACE OR BE REPLACED  BY 113N3003-14 SUBJECT  TO CUSTOMER COLOR  PREFERENCE  USED ON:  113N3002-50  113N3002-56  PRE SERVICE BULLETIN:  57-0058  REWORKED BY SB:  57-0024  PRE ALERT SB:  57A0058R1  QUALIFIED SB I/W DATA:  (AFTER INCORPORATION OF  75-SL-57-010 MAY USE  113N3003-2, -4, -6, -8,  -16, -20SP)  REWORKED BY SERVICE LETTER:  57-010  FUNCTIONAL REFERENCE:  FLIGHT CONTROLS  FOR DETAILS SEE  27-51-14-10  WINGS  FOR DETAILS SEE  57-53-10-51</p>	002004 006102 107107 121999	1

MISSING ITEM NUMBERS NOT APPLICABLE

- ITEM NOT ILLUSTRATED

# 27-51-14-01

27-51-14  
FIG. 01  
PAGE 52  
JAN 20/09

BRI



757

PARTS CATALOG (MAINTENANCE)

FIG ITEM	PART NUMBER	1 2 3 4 5 6 7 NOMENCLATURE	EFFECT FROM TO	UNITS PER ASSY
1 - 535	113N3003-20SP	.. FLAP ASSY-MAIN POSITION DATA: RH COMPONENT MAINT MANUAL REF: 57-53-76 QUALIFIED I/W DATA: -37SP TOGETHER WITH -38SP CAN REPLACE -21SP TOGETHER WITH -22SP OF -19SP TOGETHER WITH -20SP. FLAPS ON BOTH WINGS MUST BE REPLACED. -44SP T/W -43SP CAN REPLACE -19SP T/W -20SP. FLAPS ON BOTH WINGS MUST BE REPLACED. 113N3003-20SP CAN REPLACE OR BE REPLACED BY 113N3003-14 SUBJECT TO CUSTOMER COLOR PREFERENCE USED ON: 113N3002-62SP PRE SERVICE BULLETIN: 57-0058 REWORKED BY SB: 57-0024 PRE ALERT SB: 57A0058R1 QUALIFIED SB I/W DATA: (AFTER INCORPORATION OF 757-SL-57-010 MAY USE 113N3003-2, -4, -6, -8, -14, -16) POST SERVICE LETTER: 57-010 FUNCTIONAL REFERENCE: FLIGHT CONTROLS FOR DETAILS SEE 27-51-14-10 WINGS FOR DETAILS SEE 57-53-10-51	002004 006102 107107 121999	1

MISSING ITEM NUMBERS NOT APPLICABLE

- ITEM NOT ILLUSTRATED

BRI

27-51-14-01

BOEING PROPRIETARY - Copyright © - Unpublished Work - See title page for details.

27-51-14  
FIG. 01  
PAGE 53  
JAN 20/09



757

PARTS CATALOG (MAINTENANCE)

FIG ITEM	PART NUMBER	1 2 3 4 5 6 7 NOMENCLATURE	EFFECT FROM TO	UNITS PER ASSY
1 - 535	113N3003-22SP	.. FLAP ASSY-MAIN POSITION DATA: RH COMPONENT MAINT MANUAL REF: 57-53-76 QUALIFIED I/W DATA: -44SP T/W -43SP CAN REPLACE -21SP T/W -22SP. FLAPS ON BOTH WINGS MUST BE REPLACED. -37SP TOGETHER WITH -38SP CAN REPLACE -21SP TOGETHER WITH -22SP OR -19SP TOGETHER WITH -20SP. FLAPS ON BOTH WINGS MUST BE REPLACED. USED ON: 113N3002-64SP PRE SERVICE BULLETIN: 57-0058 REWORKED BY SB: 57-0024 PRE ALERT SB: 57A0058R1 FUNCTIONAL REFERENCE: FLIGHT CONTROLS FOR DETAILS SEE 27-51-14-10 WINGS FOR DETAILS SEE 57-53-10-51	002004 006102 107107 121999	1

MISSING ITEM NUMBERS NOT APPLICABLE

- ITEM NOT ILLUSTRATED

BRI

**27-51-14-01**

BOEING PROPRIETARY - Copyright © - Unpublished Work - See title page for details.

27-51-14  
FIG. 01  
PAGE 54  
JAN 20/09



757

PARTS CATALOG (MAINTENANCE)

FIG ITEM	PART NUMBER	1 2 3 4 5 6 7	NOMENCLATURE	EFFECT FROM TO	UNITS PER ASSY
1 - 535	113N3003-24SP		.. FLAP ASSY-MAIN POSITION DATA: RH COMPONENT MAINT MANUAL REF: 57-53-76 QUALIFIED I/W DATA: -37SP TOGETHER WITH -38SP CAN REPLACE -25SP TOGETHER WITH -26SP OR -23SP TOGETHER WITH -24SP. FLAPS ON BOTH WINGS MUST BE REPLACED. -44SP T/W -43SP CAN REPLACE -23SP T/W -24SP. FLAPS ON BOTH WINGS MUST BE REPLACED. USED ON: 113N3002-66SP PRE SERVICE BULLETIN: 57-0058 REWORKED BY SB: 57-0024 PRE ALERT SB: 57A0058R1 FUNCTIONAL REFERENCE: FLIGHT CONTROLS FOR DETAILS SEE 27-51-14-10 WINGS FOR DETAILS SEE 57-53-10-51	002004 006102 107107 121999	1
- 535	113N3003-26SP		.. FLAP ASSY-MAIN POSITION DATA: RH FUNCTIONAL REFERENCE: FLIGHT CONTROL FOR DETAILS SEE 27-51-14-10 WINGS FOR DETAILS SEE 57-53-10-51	103106 108120	1

MISSING ITEM NUMBERS NOT APPLICABLE

- ITEM NOT ILLUSTRATED

BRI

27-51-14-01

27-51-14  
FIG. 01  
PAGE 55  
JAN 20/09



757

PARTS CATALOG (MAINTENANCE)

FIG ITEM	PART NUMBER	1 2 3 4 5 6 7	NOMENCLATURE	EFFECT FROM TO	UNITS PER ASSY
1 - 535	113N3003-28SP		.. FLAP ASSY-MAIN POSITION DATA: RH COMPONENT MAINT MANUAL REF: 57-53-76 QUALIFIED I/W DATA: -37SP TOGETHER WITH -38SP CAN REPLACE -27SP TOGETHER WITH -28SP. FLAPS ON BOTH WINGS MUST BE REPLACED. -44SP T/W -43SP CAN REPLACE -27SP T/W -28SP. FLAPS ON BOTH WINGS MUST BE REPLACED. REWORKED BY SB: 57-0024 FUNCTIONAL REFERENCE: FLIGHT CONTROL FOR DETAILS SEE 27-51-14-10 WINGS FOR DETAILS SEE 57-53-10-51	002004 006102 107107 121999	1

MISSING ITEM NUMBERS NOT APPLICABLE

- ITEM NOT ILLUSTRATED

BRI

# 27-51-14-01

BOEING PROPRIETARY - Copyright © - Unpublished Work - See title page for details.

27-51-14  
FIG. 01  
PAGE 56  
JAN 20/09





757

PARTS CATALOG (MAINTENANCE)

FIG ITEM	PART NUMBER	1 2 3 4 5 6 7	NOMENCLATURE	EFFECT FROM TO	UNITS PER ASSY
1 - 535	113N3003-30SP		.. FLAP ASSY-MAIN POSITION DATA: RH COMPONENT MAINT MANUAL REF: 57-53-76 QUALIFIED I/W DATA: -37SP TOGETHER WITH -38SP CAN REPLACE -29SP TOGETHER WITH -30SP. FLAPS ON BOTH WINGS MUST BE REPLACED. -44SP T/W -43SP CAN REPLACE -29SP T/W -30SP. FLAPS ON BOTH WINGS MUST BE REPLACED. PRE SERVICE BULLETIN: 57-0058 REWORKED BY SB: 57-0024 PRE ALERT SB: 57A0058R1 FUNCTIONAL REFERENCE: FLIGHT CONTROL FOR DETAILS SEE 27-51-14-10 WINGS FOR DETAILS SEE 57-53-10-51	002004 006102 107107 121999	1
- 536	113N3003-34SP		.. FLAP ASSY-MAIN POSITION DATA: RH FUNCTIONAL REFERENCE: FLIGHT CONTROL FOR DETAILS SEE 27-51-14-10 WINGS FOR DETAILS SEE 57-53-10-51	103106 108120	1

MISSING ITEM NUMBERS NOT APPLICABLE

- ITEM NOT ILLUSTRATED

BRI

27-51-14-01

BOEING PROPRIETARY - Copyright © - Unpublished Work - See title page for details.

27-51-14  
FIG. 01  
PAGE 57  
JAN 20/09



757

PARTS CATALOG (MAINTENANCE)

FIG ITEM	PART NUMBER	1 2 3 4 5 6 7 NOMENCLATURE	EFFECT FROM TO	UNITS PER ASSY
1 - 536	113N3003-38SP	<p>.. FLAP ASSY-MAIN  POSITION DATA:  RH SIDE  QUALIFIED I/W DATA:  -37SP TOGETHER WITH  -38SP CAN REPLACE -29SP  TOGETHER WITH -30SP.  FLAPS ON BOTH WINGS  MUST BE REPLACED.  -37SP TOGETHER WITH  -38SP CAN REPLACE -27SP  TOGETHER WITH -28SP.  FLAPS ON BOTH WINGS  MUST BE REPLACED.  -37SP TOGETHER WITH  -38SP CAN REPLACE -21SP  TOGETHER WITH -22SP OR  -19SP TOGETHER WITH  -20SP. FLAPS ON BOTH  WINGS MUST BE REPLACED.  -37SP TOGETHER WITH  -38SP CAN REPLACE -13  TOGETHER WITH -14 OR -5  TOGETHER WITH -6 OR -1  TOGETHER WITH -2. FLAPS  ON BOTH WINGS MUST BE  REPLACED.  -37SP TOGETHER WITH  -38SP CAN REPLACE -25SP  TOGETHER WITH -26SP OR  -23SP TOGETHER WITH  -24SP. FLAPS ON BOTH  WINGS MUST BE REPLACED.  POST SERVICE BULLETIN:  57-0058  POST ALERT SB:  57A0058R1  FUNCTIONAL REFERENCE:  FLIGHT CONTROL  FOR DETAILS SEE  27-51-14-10  WINGS  FOR DETAILS SEE  57-53-10-51</p>	002004 006999	1

MISSING ITEM NUMBERS NOT APPLICABLE

- ITEM NOT ILLUSTRATED

27-51-14-01

27-51-14  
FIG. 01  
PAGE 58  
JAN 20/09

BRI



757

PARTS CATALOG (MAINTENANCE)

FIG ITEM	PART NUMBER	1 2 3 4 5 6 7	NOMENCLATURE	EFFECT FROM TO	UNITS PER ASSY
1					
- 536	113N3003-36SP		.. FLAP ASSY-MAIN POSITION DATA: RH COMPONENT MAINT MANUAL REF: 57-53-76 FUNCTIONAL REFERENCE: FLIGHT CONTROL FOR DETAILS SEE 27-51-14-10 WINGS FOR DETAILS SEE 57-53-10-51	103106 108120	1
- 536	113N3003-40SP		.. FLAP ASSY-MAIN POSITION DATA: RH SIDE COMPONENT MAINT MANUAL REF: 57-53-76 FUNCTIONAL REFERENCE: FLIGHT CONTROL FOR DETAILS SEE 27-51-14-10 WINGS FOR DETAILS SEE 57-53-10-51	103106 108120	1
- 536	113N3003-42SP		.. FLAP ASSY-MAIN POSITION DATA: RH SIDE COMPONENT MAINT MANUAL REF: 57-53-76 FUNCTIONAL REFERENCE: FLIGHT CONTROL FOR DETAILS SEE 27-51-14-10 WINGS FOR DETAILS SEE 57-53-10-51	103106 108120	1

MISSING ITEM NUMBERS NOT APPLICABLE

- ITEM NOT ILLUSTRATED

BRI

27-51-14-01

27-51-14  
FIG. 01  
PAGE 59  
JAN 20/09



757

PARTS CATALOG (MAINTENANCE)

FIG ITEM	PART NUMBER	1 2 3 4 5 6 7	NOMENCLATURE	EFFECT FROM TO	UNITS PER ASSY
1					
- 536	113N3003-44SP		.. FLAP ASSY-MAIN POSITION DATA: RH SIDE QUALIFIED I/W DATA: -44SP TOGETHER WITH -43SP CAN REPLACE -29SP TOGETHER WITH -30SP. FLAPS ON BOTH WINGS MUST BE REPLACED. -44SP TOGETHER WITH -43SP CAN REPLACE -27SP TOGETHER WITH -28SP. FLAPS ON BOTH WINGS MUST BE REPLACED. -44SP TOGETHER WITH -43SP CAN REPLACE -23SP TOGETHER WITH -24SP. FLAPS ON BOTH WINGS MUST BE REPLACED. -44SP TOGETHER WITH -43SP CAN REPLACE -21SP TOGETHER WITH -22SP. FLAPS ON BOTH WINGS MUST BE REPLACED. -44SP TOGETHER WITH -43SP CAN REPLACE -19SP TOGETHER WITH -20SP. FLAPS ON BOTH WINGS MUST BE REPLACED. -44SP TOGETHER WITH -43SP CAN REPLACE -13 TOGETHER WITH -14. FLAPS ON BOTH WINGS MUST BE REPLACED. FUNCTIONAL REFERENCE: FLIGHT CONTROL FOR DETAILS SEE 27-51-14-10 WINGS FOR DETAILS SEE 57-53-10-51	002004 006999	1
565	NAS6704-8		.. BOLT-	002004 006999	1
570	NAS6704-9		.. BOLT-	002004 006999	1
575	NAS1149D0463J		.. WASHER	002004 006999	2

MISSING ITEM NUMBERS NOT APPLICABLE

- ITEM NOT ILLUSTRATED

27-51-14-01

27-51-14  
FIG. 01  
PAGE 60  
MAY 20/09

BRI



757

PARTS CATALOG (MAINTENANCE)

FIG ITEM	PART NUMBER	1 2 3 4 5 6 7	NOMENCLATURE	EFFECT FROM TO	UNITS PER ASSY
1 580	BRH10C4D	. .	NUT SUPPLIER CODE: V52828 SPECIFICATION NUMBER: BACN10JC4CD OPTIONAL PART: T6C428JCD V11815 NS202486-048 V80539 102LH9075-4W V72962 H51650-4BAC V15653	002004 006999	2
585	BACB28Z4-025	. .	BUSHING	002004 006999	2

MISSING ITEM NUMBERS NOT APPLICABLE

- ITEM NOT ILLUSTRATED

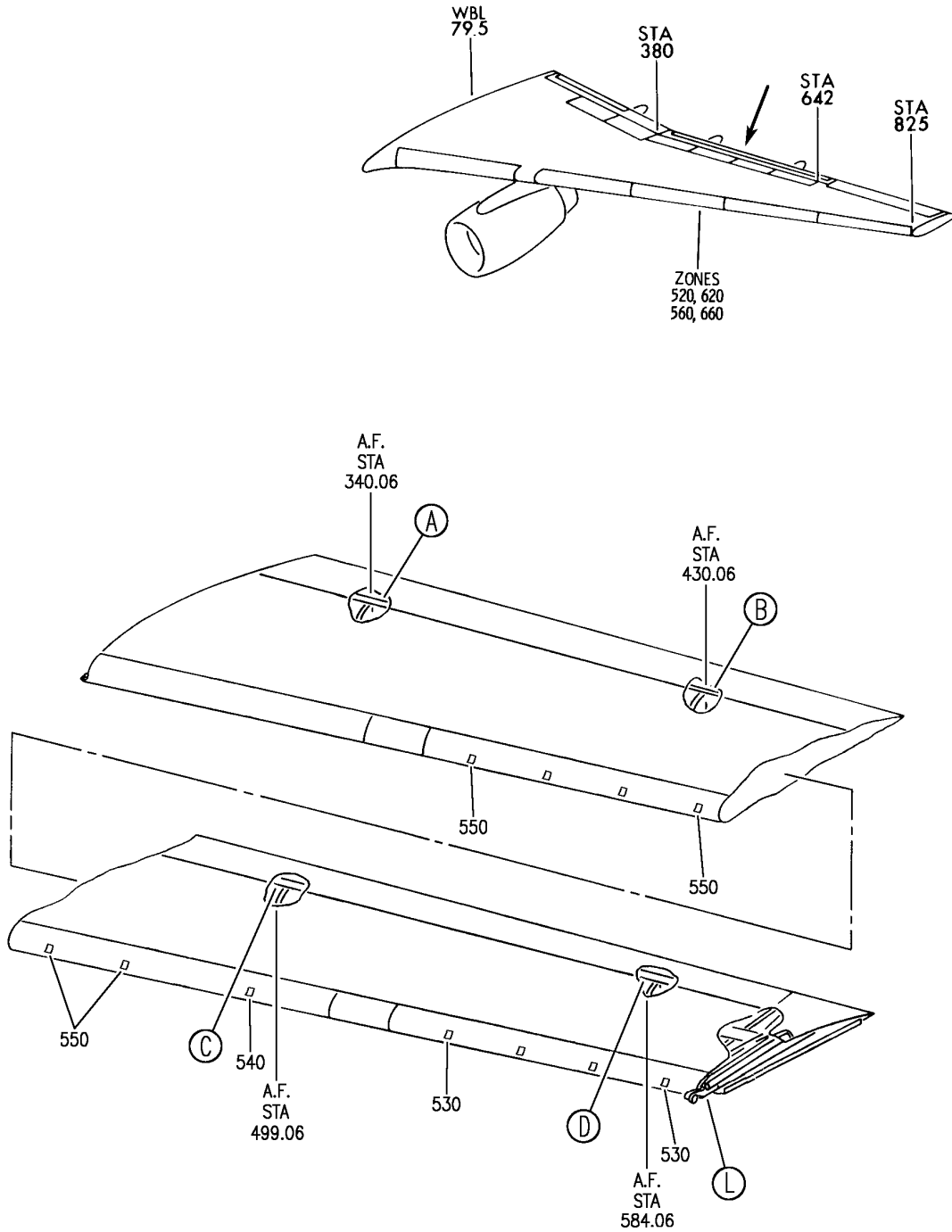
BRI

27-51-14-01

BOEING PROPRIETARY - Copyright © - Unpublished Work - See title page for details.

27-51-14  
FIG. 01  
PAGE 61  
JAN 20/09

**BOEING**  
757  
PARTS CATALOG (MAINTENANCE)



Y 27511410 SH1 1 REV 315

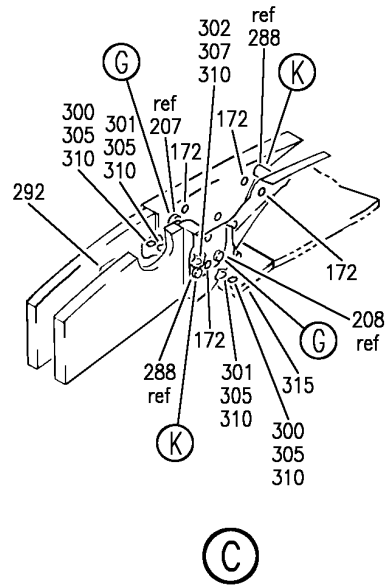
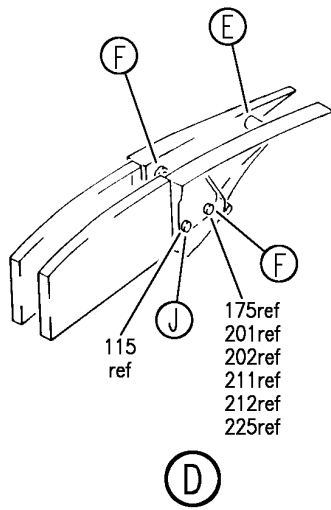
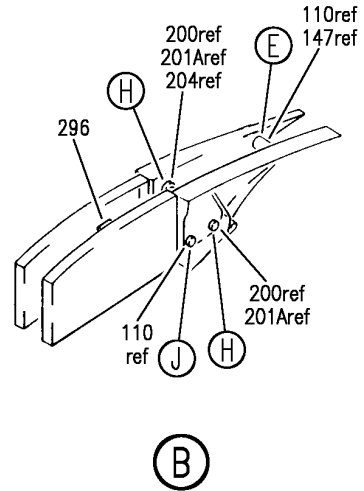
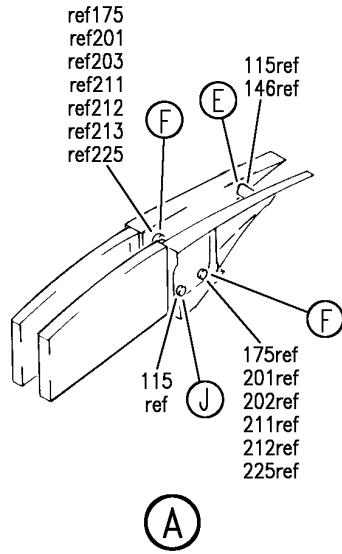
FLAP ASSY-OUTBD MAIN (OUTBD TE FLAP ONLY)  
FIGURE 10 (SHEET 1)

**27-51-14-10**

BRI  
SEP 28/07

27-51-14-10  
PAGE 0

**BOEING**  
757  
**PARTS CATALOG (MAINTENANCE)**



Y 27511410 SH1 2 REV 263

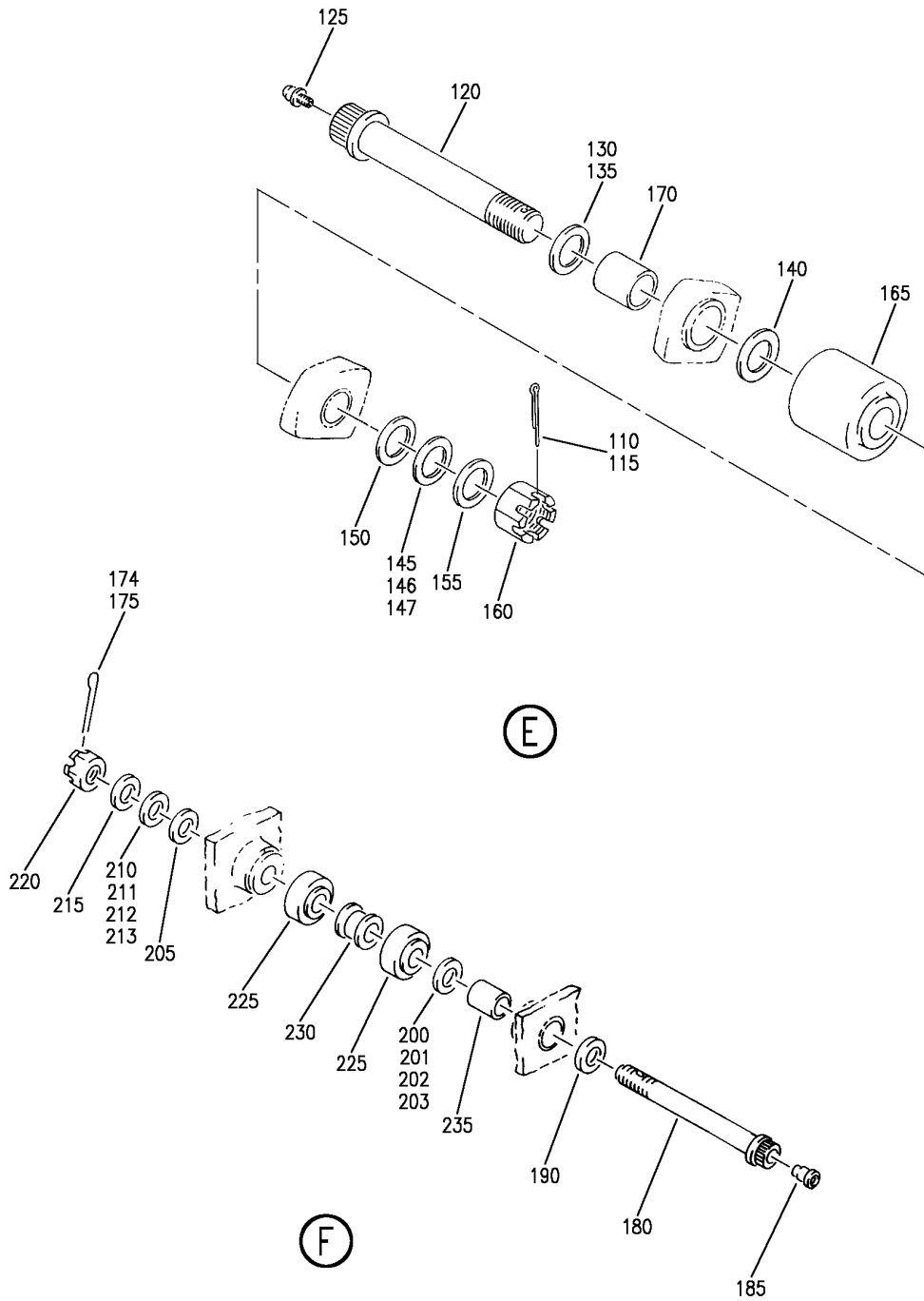
FLAP ASSY-OUTBD MAIN (OUTBD TE FLAP ONLY)  
FIGURE 10 (SHEET 2)

**27-51-14-10**

BRI  
MAY 28/07

27-51-14-10  
PAGE 0A

**BOEING**  
757  
PARTS CATALOG (MAINTENANCE)



Y 27511410 SH1 3 REV 261

FLAP ASSY-OUTBD MAIN (OUTBD TE FLAP ONLY)  
FIGURE 10 (SHEET 3)

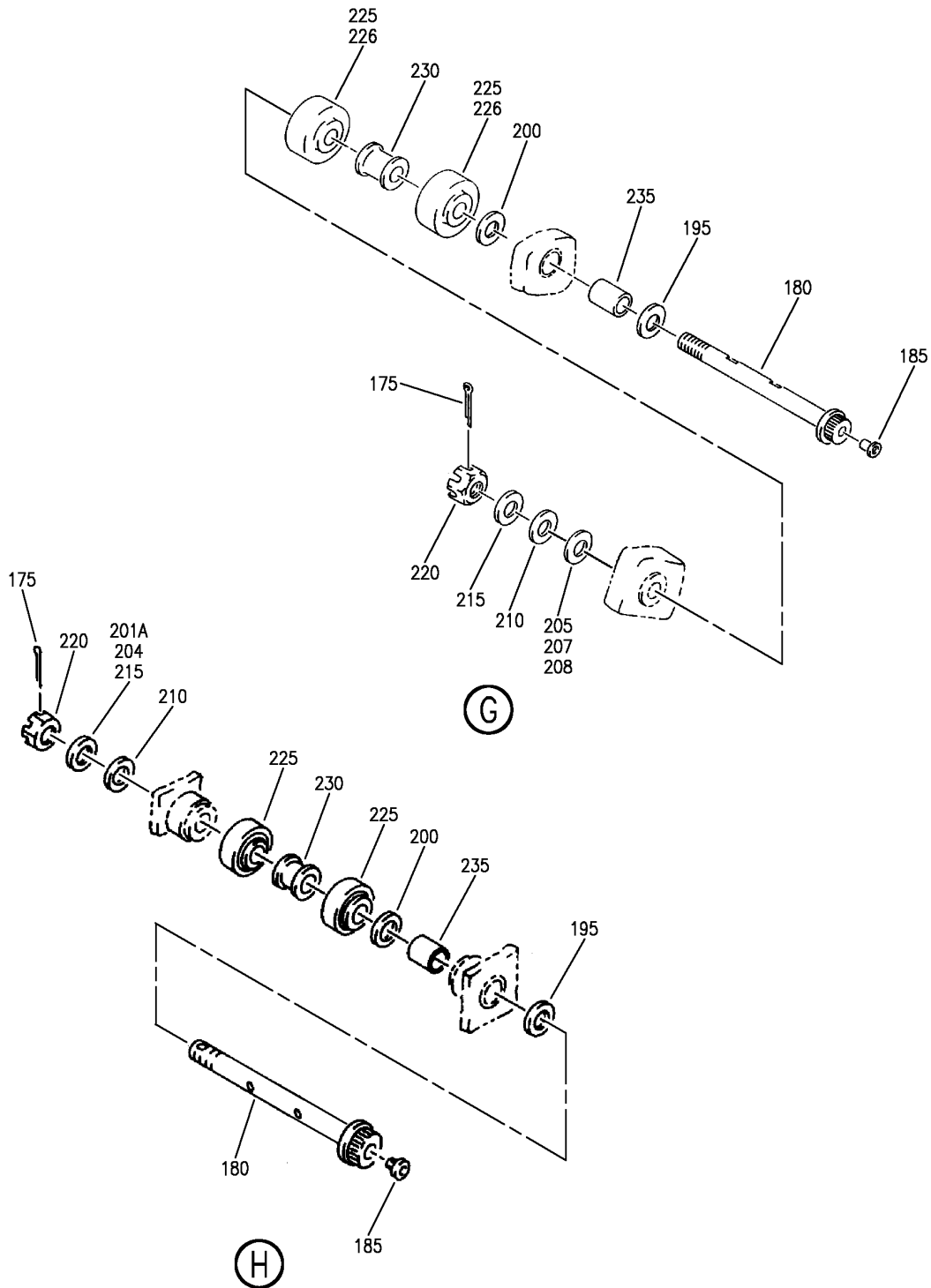
**27-51-14-10**

BRI  
MAY 28/07

27-51-14-10  
PAGE 0B



**BOEING**  
757  
PARTS CATALOG (MAINTENANCE)



Y 27511410 SHIT 4 REV 261

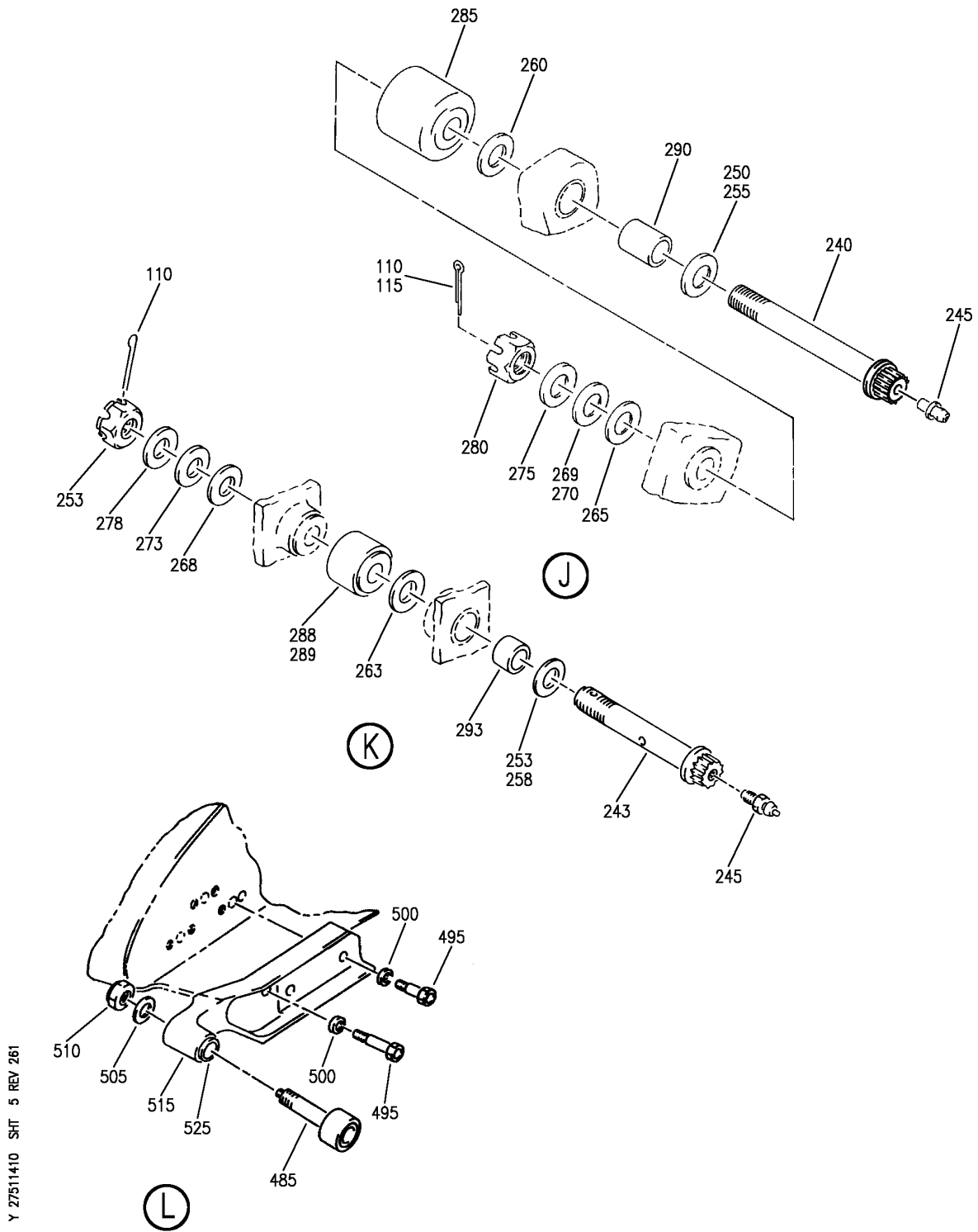
FLAP ASSY-OUTBD MAIN (OUTBD TE FLAP ONLY)  
FIGURE 10 (SHEET 4)

**27-51-14-10**

BRI  
MAY 28/07

27-51-14-10  
PAGE 0C

**BOEING**  
757  
PARTS CATALOG (MAINTENANCE)



Y 27511410 SHT 5 REV 261

FLAP ASSY-OUTBD MAIN (OUTBD TE FLAP ONLY)  
FIGURE 10 (SHEET 5)

**27-51-14-10**

BRI  
MAY 28/07

27-51-14-10  
PAGE 0D



757

PARTS CATALOG (MAINTENANCE)

FIG ITEM	PART NUMBER	1 2 3 4 5 6 7	NOMENCLATURE	EFFECT FROM TO	UNITS PER ASSY
10					
- 1	113N3003-1		FLAP ASSY-OUTBD MAIN (OUTBD TE FLAP ONLY) FLAP ASSY-MAIN (OUTBD TE FLAP ONLY) POSITION DATA: LH COMPONENT MAINT MANUAL REF: 57-53-76 QUALIFIED I/W DATA: -37SP TOGETHER WITH -38SP CAN REPLACE -13 TOGETHER WITH -14 OR -5 TOGETHER WITH -6 OR -1 TOGETHER WITHN -2. FLAPS ON BOTH WINGS MUST BE REPLACED. PRE SERVICE BULLETIN: 57-0058 PRE ALERT SB: 57A0058R1 FOR NHA/OTHER SYS DET SEE: 27-51-14-01	002004 006999 002004 006102 107107 121999	RF
- 1	113N3003-5		FLAP ASSY-MAIN (OUTBD TE FLAP ONLY) POSITION DATA: LH COMPONENT MAINT MANUAL REF: 57-53-76 QUALIFIED I/W DATA: -37SP TOGETHER WITH -38SP CAN REPLACE -13 TOGETHER WITH -14 OR -5 TOGETHER WITH -6 OR -1 TOGETHER WITH -2. FLAPS ON BOTH WINGS MUST BE REPLACED. PRE SERVICE BULLETIN: 57-0058 PRE ALERT SB: 57A0058R1 FOR NHA/OTHER SYS DET SEE: 27-51-14-01	002004 006102 107107 121999	RF

MISSING ITEM NUMBERS NOT APPLICABLE

- ITEM NOT ILLUSTRATED

**27-51-14-10**

27-51-14  
 FIG. 10  
 PAGE 1  
 JAN 20/09

BRI



757

PARTS CATALOG (MAINTENANCE)

FIG ITEM	PART NUMBER	1 2 3 4 5 6 7 NOMENCLATURE	EFFECT FROM TO	UNITS PER ASSY
10 - 1	113N3003-13	FLAP ASSY-MAIN (OUTBD TE FLAP ONLY) POSITION DATA: LH COMPONENT MAINT MANUAL REF: 57-53-76 QUALIFIED I/W DATA: -37SP TOGETHER WITH -38SP CAN REPLACE -13 TOGETHER WITH -14 OR -5 TOGETHER WITH -6 OR -1 TOGETHER WITH -2. FLAPS ON BOTH WINGS MUST BE REPLACED. -43SP T/W -44SP CAN REPLACE -13 T/W -14. FLAPS ON BOTH WINGS MUST BE REPLACED. 113N3003-19SP CAN REPLACE OR BE REPLACED BY 113N3003-13 SUBJECT TO CUSTOMER COLOR PREFERENCE PRE SERVICE BULLETIN: 57-0058 PRE ALERT SB: 57A0058R1 FOR NHA/OTHER SYS DET SEE: 27-51-14-01	002004 006102 107107 121999	RF

MISSING ITEM NUMBERS NOT APPLICABLE

- ITEM NOT ILLUSTRATED

BRI

**27-51-14-10**

BOEING PROPRIETARY - Copyright © - Unpublished Work - See title page for details.

27-51-14  
FIG. 10  
PAGE 2  
JAN 20/09



757

PARTS CATALOG (MAINTENANCE)

FIG ITEM	PART NUMBER	1 2 3 4 5 6 7 NOMENCLATURE	EFFECT FROM TO	UNITS PER ASSY
10 - 1	113N3003-19SP	FLAP ASSY-MAIN (OUTBD TE FLAP ONLY) POSITION DATA: LH COMPONENT MAINT MANUAL REF: 57-53-76 QUALIFIED I/W DATA: -37SP TOGETHER WITH -38SP CAN REPLACE -21SP TOGETHER WITH -22SP OR -19SP TOGETHER WITH -20SP. FLAPS ON BOTH WINGS MUST BE REPLACED. -43SP T/W -44SP CAN REPLACE -19SP T/W -20SP. FLAPS ON BOTH WINGS MUST BE REPLACED. 113N3003-19SP CAN REPLACE OR BE REPLACED BY 113N3003-13 SUBJECT TO CUSTOMER COLOR PREFERENCE PRE SERVICE BULLETIN: 57-0058 REWORKED BY SB: 57-0024 PRE ALERT SB: 57A0058R1 QUALIFIED SB I/W DATA: (AFTER INCORPORATION OF 757-SL-57-010 MAY USE 113N3003-1, -3, -5, -7, -13, -15) POST SERVICE LETTER: 57-010 FOR NHA/OTHER SYS DET SEE: 27-51-14-01	002004 006102 107107 121999	RF

MISSING ITEM NUMBERS NOT APPLICABLE

- ITEM NOT ILLUSTRATED

BRI

# 27-51-14-10

BOEING PROPRIETARY - Copyright © - Unpublished Work - See title page for details.

27-51-14  
FIG. 10  
PAGE 3  
JAN 20/09



757

PARTS CATALOG (MAINTENANCE)

FIG ITEM	PART NUMBER	1 2 3 4 5 6 7 NOMENCLATURE	EFFECT FROM TO	UNITS PER ASSY
10 - 1	113N3003-21SP	FLAP ASSY-MAIN (OUTBD TE FLAP ONLY) POSITION DATA: LH COMPONENT MAINT MANUAL REF: 57-53-76 QUALIFIED I/W DATA: -37SP TOGETHER WITH -38SP CAN REPLACE -21SP TOGETHER WITH -22SP OR -19SP TOGETHER WITH -20SP. FLAPS ON BOTH WINGS MUST BE REPLACED. -43SP T/W -44SP CAN REPLACE -21SP T/W -22SP. FLAPS ON BOTH WINGS MUST BE REPLACED. PRE SERVICE BULLETIN: 57-0058 REWORKED BY SB: 57-0024 PRE ALERT SB: 57A0058R1 FOR NHA/OTHER SYS DET SEE: 27-51-14-01	002004 006102 107107 121999	RF

MISSING ITEM NUMBERS NOT APPLICABLE

- ITEM NOT ILLUSTRATED

BRI

**27-51-14-10**

BOEING PROPRIETARY - Copyright © - Unpublished Work - See title page for details.

27-51-14  
FIG. 10  
PAGE 4  
JAN 20/09



757

PARTS CATALOG (MAINTENANCE)

FIG ITEM	PART NUMBER	1 2 3 4 5 6 7	NOMENCLATURE	EFFECT FROM TO	UNITS PER ASSY
10 - 1	113N3003-23SP		FLAP ASSY-MAIN (OUTBD TE FLAP ONLY) POSITION DATA: LH COMPONENT MAINT MANUAL REF: 57-53-76 QUALIFIED I/W DATA: -37SP TOGETHER WITH -38SP CAN REPLACE -25SP TOGETHER WITH -26SP OR -23SP TOGETHER WITH -24SP. FLAPS ON BOTH WINGS MUST BE REPLACED. -43SP T/W -44SP CAN REPLACE -23SP T/W -24SP. FLAPS ON BOTH WINGS MUST BE REPLACED. PRE SERVICE BULLETIN: 57-0058 REWORKED BY SB: 57-0024 PRE ALERT SB: 57A0058R1 FOR NHA/OTHER SYS DET SEE: 27-51-14-01	002004 006102 107107 121999	RF
- 1	113N3003-25SP		FLAP ASSY-MAIN (OUTBD TE FLAP ONLY) POSITION DATA: LH FOR NHA/OTHER SYS DET SEE: 27-51-14-01	103106 108120	RF

MISSING ITEM NUMBERS NOT APPLICABLE

- ITEM NOT ILLUSTRATED

BRI

**27-51-14-10**

27-51-14  
FIG. 10  
PAGE 5  
JAN 20/09



757

PARTS CATALOG (MAINTENANCE)

FIG ITEM	PART NUMBER	1 2 3 4 5 6 7	NOMENCLATURE	EFFECT FROM TO	UNITS PER ASSY
10 - 1	113N3003-27SP		FLAP ASSY-MAIN (OUTBD TE FLAP ONLY) POSITION DATA: LH COMPONENT MAINT MANUAL REF: 57-53-76 QUALIFIED I/W DATA: -37SP TOGETHER WITH -38SP CAN REPLACE -27SP TOGETHER WITH -28SP. FLAPS ON BOTH WINGS MUST BE REPLACED. -43SP T/W -44SP CAN REPLACE -27SP T/W -28SP. FLPS ON BOTH WINGS MUST BE REPLACED. REWORKED BY SB: 57-0024 FOR NHA/OTHER SYS DET SEE: 27-51-14-01	002004 006102 107107 121999	RF
- 1	113N3003-31SP		FLAP ASSY-MAIN (OUTBD TE FLAP ONLY) POSITION DATA: LH FOR NHA/OTHER SYS DET SEE: 27-51-14-01	103106 108120	RF
- 1	113N3003-33SP		FLAP ASSY-MAIN (OUTBD TE FLAP ONLY) POSITION DATA: LH FOR NHA/OTHER SYS DET SEE: 27-51-14-01	103106 108120	RF

MISSING ITEM NUMBERS NOT APPLICABLE

- ITEM NOT ILLUSTRATED

BRI

27-51-14-10

BOEING PROPRIETARY - Copyright © - Unpublished Work - See title page for details.

27-51-14  
FIG. 10  
PAGE 6  
JAN 20/09





757

PARTS CATALOG (MAINTENANCE)

FIG ITEM	PART NUMBER	1 2 3 4 5 6 7 NOMENCLATURE	EFFECT FROM TO	UNITS PER ASSY
10 - 2	113N3003-29SP	FLAP ASSY-MAIN (OUTBD TE FLAP ONLY) POSITION DATA: LH COMPONENT MAINT MANUAL REF: 57-53-76 QUALIFIED I/W DATA: -37SP TOGETHER WITH -38SP CAN REPLACE -29SP TOGETHER WITH -30SP. FLAPS ON BOTH WINGS MUST BE REPLACED. -35SP TOGETHER WITH -36SP CAN REPLACE -29SP OR -27SP TOGETHER WITH -20SP OR -28SP. FLAPS ON BOTH WINGS MUST BE REPLACED -43SP T/W -44SP CAN REPLACE -29SP T/W -30SP. FLAPS ON BOTH WINGS MUST BE REPLACED. PRE SERVICE BULLETIN: 57-0058 REWORKED BY SB: 57-0024 PRE ALERT SB: 57A0058R1 FOR NHA/OTHER SYS DET SEE: 27-51-14-01	002004 006102 107107 121999	RF

MISSING ITEM NUMBERS NOT APPLICABLE

- ITEM NOT ILLUSTRATED

BRI

27-51-14-10

BOEING PROPRIETARY - Copyright © - Unpublished Work - See title page for details.

27-51-14  
FIG. 10  
PAGE 7  
JAN 20/09



757

PARTS CATALOG (MAINTENANCE)

FIG ITEM	PART NUMBER	1 2 3 4 5 6 7	NOMENCLATURE	EFFECT FROM TO	UNITS PER ASSY
10 - 2	113N3003-37SP		FLAP ASSY-MAIN (OUTBD TE FLAP ONLY) POSITION DATA: LH QUALIFIED I/W DATA: -37SP TOGETHER WITH -38SP CAN REPLACE -29SP TOGETHER WITH -30SP. FLAPS ON BOTH WINGS MUST BE REPLACED. -37SP TOGETHER WITH -38SP CAN REPLACE -27SP TOGETHER WITH -28SP. FLAPS ON BOTH WINGS MUST BE REPLACED. -37SP TOGETHER WITH -38SP CAN REPLACE -13 TOGETHER WITH -14 OR -5 TOGETHER WITH -6 OR -1 TOGETHER WITH -2. FLAPS ON BOTH WINGS MUST BE REPLACED. -37SP TOGETHER WITH -38SP CAN REPLACE -23SP TOGETHER WITH -24SP. FLAPS ON BOTH WINGS MUST BE REPLACED. -37SP TOGETHER WITH -38SP CAN REPLACE -21SP TOGETHER WITH -22SP OR -19SP TOGETHER WITH -20SP. FLAPS ON BOTH WINGS MUST BE REPLACED. POST SERVICE BULLETIN: 57-0058 POST ALERT SB: 57A0058R1 FOR NHA/OTHER SYS DET SEE: 27-51-14-01	002004 006999	RF
- 2	113N3003-39SP		FLAP ASSY-MAIN (OUTBD TE FLAP ONLY) POSITION DATA: LH FOR NHA/OTHER SYS DET SEE: 27-51-14-01	103106 108120	RF

MISSING ITEM NUMBERS NOT APPLICABLE

- ITEM NOT ILLUSTRATED

**27-51-14-10**

27-51-14  
FIG. 10  
PAGE 8  
JAN 20/09

BRI



**757**  
**PARTS CATALOG (MAINTENANCE)**

FIG ITEM	PART NUMBER	1 2 3 4 5 6 7	NOMENCLATURE	EFFECT FROM TO	UNITS PER ASSY
10 -	2 113N3003-41SP		FLAP ASSY-MAIN (OUTBD TE FLAP ONLY) POSITION DATA: LH COMPONENT MAINT MANUAL REF: 57-53-76 FOR NHA/OTHER SYS DET SEE: 27-51-14-01	103106 108120	RF
R R	- 2 113N3003-43SP		FLAP ASSY-MAIN POSITION DATA: LH SIDE QUALIFIED I/W DATA: -43SP TOGETHER WITH -44SP CAN REPLACE -29SP TOGETHER WITH -30SP. FLAPS ON BOTH WINGS MUST BE REPLACED. -43SP TOGETHER WITH -44SP CAN REPLACE -27SP TOGETHER WITH -28SP. FLAPS ON BOTH WINGS MUST BE REPLACED. -43SP TOGETHER WITH -44SP CAN REPLACE -23SP TOGETHER WITH -24SP. FLAPS ON BOTH WINGS MUST BE REPLACED. -43SP TOGETHER WITH -44SP CAN REPLACE -21SP TOGETHER WITH -22SP. FLAPS ON BOTH WINGS MUST BE REPLACED. -43SP TOGETHER WITH -44SP CAN REPLACE -19SP TOGETHER WITH -20SP. FLAPS ON BOTH WINGS MUST BE REPLACED. -43SP TOGETHER WITH -44SP CAN REPLACE -13 TOGETHER WITH -14. FLAPS ON BOTH WINGS MUST BE REPLACED. FOR NHA/OTHER SYS DET SEE: 27-51-14-01	002004 006999	RF

MISSING ITEM NUMBERS NOT APPLICABLE

- ITEM NOT ILLUSTRATED

**27-51-14-10**

27-51-14  
FIG. 10  
PAGE 9  
MAY 20/09

BRI



757

PARTS CATALOG (MAINTENANCE)

FIG ITEM	PART NUMBER	1 2 3 4 5 6 7	NOMENCLATURE	EFFECT FROM TO	UNITS PER ASSY
10 - 5	113N3003-2		FLAP ASSY-MAIN (OUTBD TE FLAP ONLY) POSITION DATA: RH COMPONENT MAINT MANUAL REF: 57-53-76 QUALIFIED I/W DATA: -37SP TOGETHER WITH -38SP CAN REPLACE -13 TOGETHER WITH -14 OR-5 TOGETHER WITH -6 OR -1 TOGETHER WITH -2. FLAPS ON BOTH WINGS MUST BE REPLACED. PRE SERVICE BULLETIN: 57-0058 PRE ALERT SB: 57A0058R1 FOR NHA/OTHER SYS DET SEE: 27-51-14-01	002004 006102 107107 121999	RF
- 5	113N3003-6		FLAP ASSY-MAIN (OUTBD TE FLAP ONLY) POSITION DATA: RH COMPONENT MAINT MANUAL REF: 57-53-76 QUALIFIED I/W DATA: -37SP TOGETHER WITH -38SP CAN REPLACE -13 TOGETHER WITH -14 OR -5 TOGETHER WITH -6 OR -1 TOGETHER WITH -2. FLAPS ON BOTH WINGS MUST BE REPLACED. PRE SERVICE BULLETIN: 57-0058 PRE ALERT SB: 57A0058R1 FOR NHA/OTHER SYS DET SEE: 27-51-14-01	002004 006102 107107 121999	RF

MISSING ITEM NUMBERS NOT APPLICABLE

- ITEM NOT ILLUSTRATED

BRI

27-51-14-10

27-51-14  
FIG. 10  
PAGE 10  
JAN 20/09



757

PARTS CATALOG (MAINTENANCE)

FIG ITEM	PART NUMBER	1 2 3 4 5 6 7	NOMENCLATURE	EFFECT FROM TO	UNITS PER ASSY
10 - 5	113N3003-14		FLAP ASSY-MAIN (OUTBD TE FLAP ONLY) POSITION DATA: RH COMPONENT MAINT MANUAL REF: 57-53-76 QUALIFIED I/W DATA: -37SP TOGETHER WITH -38SP CAN REPLACE -13 TOGETHER WITH -14 OR -5 TOGETHER WITH -6 OR -1 TOGETHER WITH -2. FLAPS ON BOTH WINGS MUST BE REPLACED. -44SP T/W -43SP CAN REPLACE -13 T/W -14. FLAPS ON BOTH WINGS MUST BE REPLACED. 113N3003-20SP CAN REPLACE OR BE REPLACED BY 113N3003-14 SUBJECT TO CUSTOMER COLOR PREFERENCE PRE SERVICE BULLETIN: 57-0058 PRE ALERT SB: 57A0058R1 FOR NHA/OTHER SYS DET SEE: 27-51-14-01	002004 006102 107107 121999	RF

MISSING ITEM NUMBERS NOT APPLICABLE

- ITEM NOT ILLUSTRATED

BRI

27-51-14-10

BOEING PROPRIETARY - Copyright © - Unpublished Work - See title page for details.

27-51-14  
FIG. 10  
PAGE 11  
JAN 20/09



757

PARTS CATALOG (MAINTENANCE)

FIG ITEM	PART NUMBER	1 2 3 4 5 6 7 NOMENCLATURE	EFFECT FROM TO	UNITS PER ASSY
10 - 5	113N3003-20SP	FLAP ASSY-MAIN (OUTBD TE FLAP ONLY) POSITION DATA: RH COMPONENT MAINT MANUAL REF: 57-53-76 QUALIFIED I/W DATA: -37SP TOGETHER WITH -38SP CAN REPLACE -21SP TOGETHER WITH -22SP OR -19SP TOGETHER WITH -20SP. FLAPS ON BOTH WINGS MUST BE REPLACED. -44SP T/W -43SP CAN REPLACE -19SP T/W -20SP. FLAPS ON BOTH WINGS MUST BE REPLACED. 113N3003-20SP INTERCHANGEABLE WITH 113N3003-16 SUBJECT TO COLOR PREFERENCE 113N3003-20SP CAN REPLACE OR BE REPLACED BY 113N3003-14 SUBJECT TO CUSTOMER COLOR PREFERENCE PRE SERVICE BULLETIN: 57-0058 REWORKED BY SB: 57-0024 PRE ALERT SB: 57A0058R1 QUALIFIED SB I/W DATA: (AFTER INCORPORATION OF 757-SL-57-010 MAY USE 113N3003-2 , -4, -6, -8 -14, -16) POST SERVICE LETTER: 57-010 FOR NHA/OTHER SYS DET SEE: 27-51-14-01	002004 006102 107107 121999	RF

MISSING ITEM NUMBERS NOT APPLICABLE

- ITEM NOT ILLUSTRATED

BRI

**27-51-14-10**

BOEING PROPRIETARY - Copyright © - Unpublished Work - See title page for details.

27-51-14  
FIG. 10  
PAGE 12  
JAN 20/09



757

PARTS CATALOG (MAINTENANCE)

FIG ITEM	PART NUMBER	1 2 3 4 5 6 7	NOMENCLATURE	EFFECT FROM TO	UNITS PER ASSY
10 - 5	113N3003-22SP		FLAP ASSY-MAIN (OUTBD TE FLAP ONLY) POSITION DATA: RH COMPONENT MAINT MANUAL REF: 57-53-76 QUALIFIED I/W DATA: -44SP T/W -43SP CAN REPLACE -21SP T/W -22SP. FLAPS ON BOTH WINGS MUST BE REPLACED. -37SP TOGETHER WITH -38SP CAN REPLACE -21SP TOGETHER WITH -22SP OR -19SP TOGETHER WITH -20SP. FLAPS ON BOTH WINGS MUST BE REPLACED. PRE SERVICE BULLETIN: 57-0058 REWORKED BY SB: 57-0024 PRE ALERT SB: 57A0058R1 FOR NHA/OTHER SYS DET SEE: 27-51-14-01	002004 006102 107107 121999	RF

MISSING ITEM NUMBERS NOT APPLICABLE

- ITEM NOT ILLUSTRATED

BRI

27-51-14-10

BOEING PROPRIETARY - Copyright © - Unpublished Work - See title page for details.

27-51-14  
FIG. 10  
PAGE 13  
JAN 20/09



757

PARTS CATALOG (MAINTENANCE)

FIG ITEM	PART NUMBER	1 2 3 4 5 6 7	NOMENCLATURE	EFFECT FROM TO	UNITS PER ASSY
10 - 5	113N3003-24SP		FLAP ASSY-MAIN (OUTBD TE FLAP ONLY) POSITION DATA: RH COMPONENT MAINT MANUAL REF: 57-53-76 QUALIFIED I/W DATA: -37SP TOGETHER WITH -38SP CAN REPLACE -25SP TOGETHER WITH -26SP OR -23SP TOGETHER WITH -24SP. FLAPS ON BOTH WINGS MUST BE REPLACED. -35SP TOGETHER WITH -36SP CAN REPLACE -23SP OR -21SP TOGETHER WITH -24SP OR -22SP. FLAPS ON BOTH WINGS MUST BE REPLACED AT THE SAME TIME. -44SP T/W -43SP CAN REPLACE -23SP T/W -24SP. FLAPS ON BOTH WINGS MUST BE REPLACED. PRE SERVICE BULLETIN: 57-0058 REWORKED BY SB: 57-0024 PRE ALERT SB: 57A0058R1 FOR NHA/OTHER SYS DET SEE: 27-51-14-01	002004 006102 107107 121999	RF
- 5	113N3003-26SP		FLAP ASSY-MAIN (OUTBD TE FLAP ONLY) POSITION DATA: RH FOR NHA/OTHER SYS DET SEE: 27-51-14-01	103106 108120	RF

MISSING ITEM NUMBERS NOT APPLICABLE

- ITEM NOT ILLUSTRATED

BRI

**27-51-14-10**

27-51-14  
FIG. 10  
PAGE 14  
JAN 20/09





757

PARTS CATALOG (MAINTENANCE)

FIG ITEM	PART NUMBER	1 2 3 4 5 6 7	NOMENCLATURE	EFFECT FROM TO	UNITS PER ASSY
10					
- 5	113N3003-30SP		FLAP ASSY-MAIN VARIABLE (OUTBD TE FLAP ONLY) POSITION DATA: RH COMPONENT MAINT MANUAL REF: 57-53-76 QUALIFIED I/W DATA: -37SP TOGETHER WITH -38SP CAN REPALCE -29SP TOGETHER WITH -30SP. FLAPS ON BOTH WINGS MUST BE REPLACED. -44SP T/W -43SP CAN REPLACE -29SP T/W -30SP. FLAPS ON BOTH WINGS MUST BE REPLACED. PRE SERVICE BULLETIN: 57-0058 REWORKED BY SB: 57-0024 PRE ALERT SB: 57A0058R1 FOR NHA/OTHER SYS DET SEE: 27-51-14-01	002004 006102 107107 121999	RF
- 5	113N3003-32SP		FLAP ASSY-MAIN (OUTBD TE FLAP ONLY) POSITION DATA: RH FOR NHA/OTHER SYS DET SEE: 27-51-14-01	103106 108120	RF
- 5	113N3003-34SP		FLAP ASSY-MAIN (OUTBD TE FLAP ONLY) POSITION DATA: RH FOR NHA/OTHER SYS DET SEE: 27-51-14-01	103106 108120	RF

MISSING ITEM NUMBERS NOT APPLICABLE

- ITEM NOT ILLUSTRATED

BRI

27-51-14-10

27-51-14  
FIG. 10  
PAGE 15  
JAN 20/09



757

PARTS CATALOG (MAINTENANCE)

FIG ITEM	PART NUMBER	1 2 3 4 5 6 7	NOMENCLATURE	EFFECT FROM TO	UNITS PER ASSY
10 - 6	113N3003-28SP		FLAP ASSY-MAIN VARIABLE (OUTBD TE FLAP ONLY) POSITION DATA: RH COMPONENT MAINT MANUAL REF: 57-53-76 QUALIFIED I/W DATA: -37SP TOGETHER WITH -38SP CAN REPLACE -27SP TOGETHER WITH -28SP. FLAPS ON BOTH WINGS MUST BE REPLACED. -44SP T/W -43SP CAN REPLACE -27SP T/W -28SP. FLAPS ON BOTH WINGS MUST BE REPLACED. REWORKED BY SB: 57-0024 FOR NHA/OTHER SYS DET SEE: 27-51-14-01	002004 006102 107107 121999	RF

MISSING ITEM NUMBERS NOT APPLICABLE

- ITEM NOT ILLUSTRATED

BRI

# 27-51-14-10

BOEING PROPRIETARY - Copyright © - Unpublished Work - See title page for details.

27-51-14  
FIG. 10  
PAGE 16  
JAN 20/09



757

PARTS CATALOG (MAINTENANCE)

FIG ITEM	PART NUMBER	1 2 3 4 5 6 7	NOMENCLATURE	EFFECT FROM TO	UNITS PER ASSY
10 - 6	113N3003-38SP		FLAP ASSY-MAIN (OUTBD TE FLAP ONLY) POSITION DATA: RH QUALIFIED I/W DATA: -37SP TOGETHER WITH -38SP CAN REPLACE -29SP TOGETHER WITH -30SP. FLAPS ON BOTH WINGS MUST BE REPLACED. -27SP TOGETHER WITH -38SP CAN REPLACE -27SP TOGETHER WITH -28SP. FLAPS ON BOTH WINGS MUST BE REPLACED. -37SP TOGETHER WITH -38SP CAN REPLACE -21SP TOGETHER WITH -22SP OR -19SP TOGETHER WITH -20SP. FLAPS ON BOTH WINGS MUST BE REPLACED. -37SP TOGETHER WITH -28SP CAN REPLACE -13 TOGETHER WITH -14 OR -5 TOGETHER WITH -6 OR -1 TOGETHER WITH -2. FLAPS ON BOTH WINGS MUST BE REPLACED. -37SP TOGETHER WITH -38SP CAN REPLACE -25SP TOGETHER WITH -26SP OR -23SP TOGETHER WITH -24SP. FLAPS ON BOTH WINGS MUST BE REPLACED. POST SERVICE BULLETIN: 57-0058 POST ALERT SB: 57A0058R1 FOR NHA/OTHER SYS DET SEE: 27-51-14-01	002004 006999	RF
- 6	113N3003-40SP		FLAP ASSY-MAIN (OUTBD TE FLAP ONLY) POSITION DATA: RH COMPONENT MAINT MANUAL REF: 57-53-76 FOR NHA/OTHER SYS DET SEE: 27-51-14-01	103106 108120	RF

MISSING ITEM NUMBERS NOT APPLICABLE

- ITEM NOT ILLUSTRATED

**27-51-14-10**

27-51-14  
FIG. 10  
PAGE 17  
JAN 20/09

BRI

 **BOEING**  
757  
PARTS CATALOG (MAINTENANCE)

FIG ITEM	PART NUMBER	1 2 3 4 5 6 7	NOMENCLATURE	EFFECT FROM TO	UNITS PER ASSY
10 -	6 113N3003-42SP		FLAP ASSY-MAIN (OUTBD TE FLAP ONLY) POSITION DATA: RH COMPONENT MAINT MANUAL REF: 57-53-76 FOR NHA/OTHER SYS DET SEE: 27-51-14-01	103106 108120	RF
R R	- 6 113N3003-44SP		FLAP ASSY-MAIN POSITION DATA: RH SIDE QUALIFIED I/W DATA: -44SP TOGETHER WITH -43SP CAN REPLACE -29SP TOGETHER WITH -30SP. FLAPS ON BOTH WINGS MUST BE REPLACED. -44SP TOGETHER WITH -43SP CAN REPLACE -27SP TOGETHER WITH -28SP. FLAPS ON BOTH WINGS MUST BE REPLACED. -44SP TOGETHER WITH -43SP CAN REPLACE -23SP TOGETHER WITH -24SP. FLAPS ON BOTH WINGS MUST BE REPLACED. -44SP TOGETHER WITH -43SP CAN REPLACE -21SP TOGETHER WITH -22SP. FLAPS ON BOTH WINGS MUST BE REPLACED. -44SP TOGETHER WITH -43SP CAN REPLACE -19SP TOGETHER WITH -20SP. FLAPS ON BOTH WINGS MUST BE REPLACED. -44SP TOGETHER WITH -43SP CAN REPLACE -13 TOGETHER WITH -14. FLAPS ON BOTH WINGS MUST BE REPLACED. FOR NHA/OTHER SYS DET SEE: 27-51-14-01	002004 006999	RF
	110 BACP18BC03A10P		.PIN- POST ALERT SB: 57A0058R1	002004 006999	2
	120 113N3323-1		.BOLT ASSY	002004 006999	1

MISSING ITEM NUMBERS NOT APPLICABLE

- ITEM NOT ILLUSTRATED

BRI

# 27-51-14-10

BOEING PROPRIETARY - Copyright © - Unpublished Work - See title page for details.

27-51-14  
FIG. 10  
PAGE 18  
MAY 20/09



757

PARTS CATALOG (MAINTENANCE)

FIG ITEM	PART NUMBER	1 2 3 4 5 6 7	NOMENCLATURE	EFFECT FROM TO	UNITS PER ASSY
10					
125	MS15001-1	. .	FITTING	002004 006999	1
130	BACW10BP8CD	.WASHER		002004 006999	1
135	BACW10BP8CD	.WASHER- POST ALERT SB: 57A0058R1		002004 006999	1
140	113N3325-4	.WASHER		002004 006999	1
146	NAS1149C0832B	.WASHER- POST ALERT SB: 57A0058R1		002004 006999	1
147	NAS1149C0832R	.WASHER- POST ALERT SB: 57A0058R1		002004 006999	1
150	BACW10BP8DP	.WASHER		002004 006999	1
155	BACW10P195S	.WASHER-		002004 006100 103107 121503 904999	1
160	BACN10JD8ASU	.NUT-		002004 006999	1
165	BACB10EU08J	.BEARING- POST ALERT SB: 57A0058R1		002004 006999	1
170	113N1357-6	.BUSHING		002004 006999	1
172	113N3325-2	.BUSHING		002004 006999	10
174	BACP18BC02A06P	.PIN- POST ALERT SB: 57A0058R1		002004 006999	2
180	113N3323-3	.BOLT ASSY		002004 006999	2
185	NAS516-1A	. .	FITTING	002004 006999	1
190	BACW10BP4CD	.WASHER		002004 006999	2
195	BACW10BP4ACU	.WASHER- OPTIONAL PART: BACW10BP4CD		002004 006102 107107 121999	2

MISSING ITEM NUMBERS NOT APPLICABLE

- ITEM NOT ILLUSTRATED

BRI

27-51-14-10

BOEING PROPRIETARY - Copyright © - Unpublished Work - See title page for details.

27-51-14  
FIG. 10  
PAGE 19  
JAN 20/09



757

PARTS CATALOG (MAINTENANCE)

FIG ITEM	PART NUMBER	1 2 3 4 5 6 7	NOMENCLATURE	EFFECT FROM TO	UNITS PER ASSY
10					
195	BACW10BP4ASU	.WASHER-	OPTIONAL PART: BACW10BP4CD POST SERVICE BULLETIN: 57-0058 POST ALERT SB: 57A0058R1	002004 006999	2
195	BACW10BP4CD	.WASHER-	OPTIONAL PART: BACW10BP4ACU BACW10BP4ASU REFERENCE SERVICE BULLETIN: 57A0058R1	002004 006999	2
200	NAS1149C0463R	.WASHER-	POST ALERT SB: 57A0058R1	002004 006999	2
201A	NAS1149C0463R	.WASHER		103106 108120	2
202	NAS1149C0463R	.WASHER-	POST ALERT SB: 57A0058R1	002004 006999	1
203	NAS1149D0463J	.WASHER-	POST ALERT SB: 57A0058R1	002004 006999	1
204	NAS1149D0463R	.WASHER		002004 006999	1
205	BACW10BP4DP	.WASHER		002004 006999	2
207	BACW10BP4DP	.WASHER-	POST ALERT SB: 57A0058R1	002004 006999	1
208	113N3330-7	.WASHER		002004 006999	1
210	NAS1149C0432R	.WASHER-	POST ALERT SB: 57A0058R1	002004 006999	2
212	NAS1149C0432R	.WASHER-	POST ALERT SB: 57A0058R1	002004 006999	1
213	NAS1149C0832B	.WASHER-	POST ALERT SB: 57A0058R1	002004 006999	1
215	BACW10P46S	.WASHER-		002004 006999	2
220	BACN10JD4ASU	.NUT-		002004 006999	2

MISSING ITEM NUMBERS NOT APPLICABLE

- ITEM NOT ILLUSTRATED

27-51-14-10

27-51-14  
FIG. 10  
PAGE 20  
JAN 20/09

BRI

BOEING PROPRIETARY - Copyright © - Unpublished Work - See title page for details.

 **BOEING**  
757  
**PARTS CATALOG (MAINTENANCE)**

FIG ITEM	PART NUMBER	1 2 3 4 5 6 7	NOMENCLATURE	EFFECT FROM TO	UNITS PER ASSY
10 225	ATF4		.BEARING- SUPPLIER CODE: V60380 SPECIFICATION NUMBER: BACB10ET04 OPTIONAL PART: 4AFC614 V92563 YAF04B V07484 PRE SERVICE BULLETIN: 57-0058 PRE ALERT SB: 57A0058R1	002004 006100 107107 121503 904999	4
R R R R R R R R R R R R	225		.BEARING- SUPPLIER CODE: V07484 SPECIFICATION NUMBER: BACB10ET04J POST SERVICE BULLETIN: 57-0058 POST ALERT SB: 57A0058R1	002004 006999	4
	226		.BEARING- SUPPLIER CODE: V07484 SPECIFICATION NUMBER: BACB10ET04J POST SERVICE BULLETIN: 57-0058 POST ALERT SB: 57A0058R1	002004 006102 107107 121999	4
	226		.BEARING- SUPPLIER CODE: V60380 SPECIFICATION NUMBER: BACB10ET04 OPTIONAL PART: 4AFC614 V92563 YAF04B V07484 PRE SERVICE BULLETIN: 57-0058 PRE ALERT SB: 57A0058R1	002004 006100 103503 904999	4
	230	113N3325-1	.BUSHING	002004 006999	2

MISSING ITEM NUMBERS NOT APPLICABLE

— ITEM NOT ILLUSTRATED

BRI

# 27-51-14-10

BOEING PROPRIETARY - Copyright © - Unpublished Work - See title page for details.

27-51-14  
FIG. 10  
PAGE 21  
MAY 20/09



757

PARTS CATALOG (MAINTENANCE)

FIG ITEM	PART NUMBER	1 2 3 4 5 6 7	NOMENCLATURE	EFFECT FROM TO	UNITS PER ASSY
10					
235	113N1357-4	.	BUSHING	002004 006999	2
240	113N3323-2	.	BOLT ASSY	002004 006999	1
243	113N3323-2	.	BOLT ASSY	002004 006999	2
245	MS15001-1	..	FITTING	002004 006999	1
250	BACW10BP6CD	.	WASHER	002004 006999	1
253	BACW10BP6CD	.	WASHER	002004 006999	2
255	BACW10BP6ACU	.	WASHER	002004 006999	1
258	BACW10BP6ACU	.	WASHER	002004 006999	2
260	113N3325-3	.	WASHER	002004 006999	1
263	113N3325-3	.	WASHER	002004 006999	2
265	BACW10BP6DP	.	WASHER	002004 006999	1
268	BACW10BP6DP	.	WASHER	002004 006999	2
269	NAS1149C0832B	.	WASHER- POST ALERT SB: 57A0058R1	002004 006999	1
270	NAS1149C0632R	.	WASHER- POST ALERT SB: 57A0058R1	002004 006999	1
273	NAS1149C0632R	.	WASHER- POST ALERT SB: 57A0058R1	002004 006999	2
275	BACW10P221S	.	WASHER	002004 006100 103107 121503 904999	1
278	BACW10P221S	.	WASHER	002004 006100 103107 121503 904999	1
280	BACN10JD6ASU	.	NUT	002004 006999	1
283	BACN10JD6ASU	.	NUT	002004 006999	2

MISSING ITEM NUMBERS NOT APPLICABLE

- ITEM NOT ILLUSTRATED

27-51-14-10

27-51-14  
FIG. 10  
PAGE 22  
JAN 20/09

BRI

BOEING PROPRIETARY - Copyright © - Unpublished Work - See title page for details.





757

PARTS CATALOG (MAINTENANCE)

FIG ITEM	PART NUMBER	1 2 3 4 5 6 7	NOMENCLATURE	EFFECT FROM TO	UNITS PER ASSY
10 285	YAT06B		.BEARING- SUPPLIER CODE: V07484 SPECIFICATION NUMBER: BACB10EU06 OPTIONAL PART: 6AL1618 V92563 ATL6 V60380 PRE SERVICE BULLETIN: 57-0058 PRE ALERT SB: 57A0058R1	002004 006100 107107 121503 904999	1
285	BACB10EU06J		.BEARING- POST SERVICE BULLETIN: 57-0058 POST ALERT SB: 57A0058R1	002004 006999	1
288	YAT06B		.BEARING- SUPPLIER CODE: V07484 SPECIFICATION NUMBER: BACB10EU06 OPTIONAL PART: 6AL1618 V92563 ATL6 V60380 PRE SERVICE BULLETIN: 57-0058 PRE ALERT SB: 57A0058R1	002004 006100 107107 121503 904999	2
288	BACB10EU06J		.BEARING- POST SERVICE BULLETIN: 57-0058 POST ALERT SB: 57A0058R1	002004 006999	2

MISSING ITEM NUMBERS NOT APPLICABLE

- ITEM NOT ILLUSTRATED

BRI

27-51-14-10

BOEING PROPRIETARY - Copyright © - Unpublished Work - See title page for details.

27-51-14  
FIG. 10  
PAGE 23  
JAN 20/09



757

PARTS CATALOG (MAINTENANCE)

FIG ITEM	PART NUMBER	1 2 3 4 5 6 7	NOMENCLATURE	EFFECT FROM TO	UNITS PER ASSY
10 289	YAT06B		.BEARING- SUPPLIER CODE: V07484 SPECIFICATION NUMBER: BACB10EU06 OPTIONAL PART: 6AL1618 V92563 ATL6 V60380 PRE SERVICE BULLETIN: 57-0058 PRE ALERT SB: 57A0058R1	002004 006100 107107 121503 904999	2
289	BACB10EU06J		.BEARING- PRE SERVICE BULLETIN: 57-0058 PRE ALERT SB: 57A0058R1	101102 504903	2
289	ATL6T8		.BEARING- SUPPLIER CODE: V60380 SPECIFICATION NUMBER: BACB10HJ06 OPTIONAL PART: CR6HJ V92563 YAT06XD V07484 FAG594049 VD2456 POST ALERT SB: 57A0058R1	002004 006999	2
290	113N1357-5		.BUSHING	002004 006999	1
292	113N3326-1		.SPRING ASSY- POSITION DATA: LH SIDE	002004 006999	1
293	113N1357-5		.BUSHING	002004 006999	2
- 294	113N3326-2		.SPRING ASSY- POSITION DATA: RH SIDE	002004 006999	1

MISSING ITEM NUMBERS NOT APPLICABLE

- ITEM NOT ILLUSTRATED

27-51-14-10

27-51-14  
FIG. 10  
PAGE 24  
JAN 20/09

BRI



757

PARTS CATALOG (MAINTENANCE)

FIG ITEM	PART NUMBER	1 2 3 4 5 6 7	NOMENCLATURE	EFFECT FROM TO	UNITS PER ASSY
10 296	113N3326-3		.SPRING ASSY- POSITION DATA: LH SIDE OPTIONAL PART: 113N3326-15 PRE ALERT SB: 57A0058R1	002004 006999	1
296	113N3326-15		.SPRING ASSY- POSITION DATA: LH SIDE POST ALERT SB: 57A0058R1	002004 006999	1
296	113N3326-15		.SPRING ASSY- POSITION DATA: LH SIDE OPTIONAL PART: 113N3326-3 PRE ALERT SB: 57A0058R1	018100	1
- 298	113N3326-4		.SPRING ASSY- POSITION DATA: RH SIDE OPTIONAL PART: 113N3326-16 PRE ALERT SB: 57A0058R1	002004 006999	1
- 298	113N3326-16		.SPRING ASSY- POSITION DATA: RH SIDE POST ALERT SB: 57A0058R1	002004 006999	1
- 298	113N3326-16		.SPRING ASSY- POSITION DATA: RH SIDE OPTIONAL PART: 113N3326-4 PRE ALERT SB: 57A0058R1	018100	1

MISSING ITEM NUMBERS NOT APPLICABLE

- ITEM NOT ILLUSTRATED

BRI

27-51-14-10

27-51-14  
FIG. 10  
PAGE 25  
JAN 20/09



757

PARTS CATALOG (MAINTENANCE)

FIG ITEM	PART NUMBER	1 2 3 4 5 6 7	NOMENCLATURE	EFFECT FROM TO	UNITS PER ASSY
10 300	HL441UC6-7		.BOLT- SUPPLIER CODE: V97928 SPECIFICATION NUMBER: BACB30FN6A7 OPTIONAL PART: HL441UC6-7 V73197 HL441UC6-7 V92215 HL41PY6-7 V80539 HL441N6-7 V80539 HL441UC6-7 V80539 67068-6A7 V56878 HL441UC6-7 V08524 HL441UC6-7 V56878 L839-6A7 V06725 HL441UC6-7 V56878 BACB30VF3K7	002004 006999	2
300	BACB30VF3K7		.BOLT- OPTIONAL PART: BACB30FN6A7	002004 006999	2
301	BACB30VF3K6		.BOLT- POST ALERT SB: 57A0058R1	002004 006999	2
302	BACB30VF3K3		.BOLT- POST ALERT SB: 57A0058R1	002004 006999	1
305	NAS1149D0363J		.WASHER- POST ALERT SB: 57A0058R1	002004 006999	4
307	BACW10P44AL		.WASHER- POST ALERT SB: 57A0058R1	002004 006999	1

MISSING ITEM NUMBERS NOT APPLICABLE

- ITEM NOT ILLUSTRATED

BRI

27-51-14-10

BOEING PROPRIETARY - Copyright © - Unpublished Work - See title page for details.

27-51-14  
FIG. 10  
PAGE 26  
JAN 20/09



757

PARTS CATALOG (MAINTENANCE)

FIG ITEM	PART NUMBER	1 2 3 4 5 6 7	NOMENCLATURE	EFFECT FROM TO	UNITS PER ASSY
10 310	BRH10C3D		.NUT- SUPPLIER CODE: V52828 SPECIFICATION NUMBER: BACN10JC3CD OPTIONAL PART: T6C1032JCD V11815 NS202486-02 V80539 102LH9075-3W V72962 H51650-3BAC V15653 POST ALERT SB: 57A0058R1	002004 006999	5
315	113N3340-5		.SEAL- POSITION DATA: LH SIDE MANUFACTURED FROM: EXTR RUBBER F25.01 BAC1521-689 5.8 IN. POST ALERT SB: 57A0058R1	002004 006999	1
- 320	113N3340-6		.SEAL- POSITION DATA: RH SIDE MANUFACTURED FROM: EXTR RUBBER F25.01 BAC1521-689 5.8 IN. POST ALERT SB: 57A0058R1	002004 006999	1
485	CC55786		.BEARING-ROLLER SUPPLIER CODE: V60380 SPECIFICATION NUMBER: 60B00178-655 OPTIONAL PART: CF2591 V92563	002004 006999	1
490	BACB30NM4K11		.BOLT	002004 006999	1
495	BACB30NM4K4		.BOLT	002004 006999	3
500	AN960C416L		.WASHER	002004 006999	4

MISSING ITEM NUMBERS NOT APPLICABLE

- ITEM NOT ILLUSTRATED

27-51-14-10

27-51-14  
FIG. 10  
PAGE 27  
JAN 20/09

BRI



757

## PARTS CATALOG (MAINTENANCE)

FIG ITEM	PART NUMBER	1 2 3 4 5 6 7	NOMENCLATURE	EFFECT FROM TO	UNITS PER ASSY
10					
505	BACW10BP7DP	.	WASHER	002004 006999	1
510	BACN10JC7CD	.	NUT	002004 006999	1
515	113N3372-1	.	SUPPORT ASSY-ROLLER POSITION DATA: LH SIDE	002004 006999	1
515	113N3372-5	.	SUPPORT ASSY-ROLLER POSITION DATA: LH SIDE	002004 006999	1
- 520	113N3372-2	.	SUPPORT ASSY-ROLLER POSITION DATA: RH SIDE	002004 006999	1
- 520	113N3372-6	.	SUPPORT ASSY-ROLLER POSITION DATA: RH SIDE	002004 006999	1
525	BACB28AM07B090A	..	BUSHING- USED ON: 113N3372-1 113N3372-2	002004 006999	1
525	BACB28AT07B090C	..	BUSHING- USED ON: 113N3372-5 113N3372-6	002004 006999	1
530	113N3501-5	.	GENERATOR- POSITION DATA: LH SIDE POST ALERT SB: 57A0058R1	002004 006102 107107 121999	4
- 535	113N3501-6	.	GENERATOR- POSITION DATA: RH SIDE POST ALERT SB: 57A0058R1	002004 006102 107107 121999	4
540	113N3501-9	.	GENERATOR- POSITION DATA: LH SIDE POST ALERT SB: 57A0058R1	002004 006102 107107 121999	1
- 545	113N3501-10	.	GENERATOR- POSITION DATA: RH SIDE POST ALERT SB: 57A0058R1	002004 006102 107107 121999	1
550	113N3501-17	.	GENERATOR- POSITION DATA: LH SIDE POST ALERT SB: 57A0058R1	002004 006102 107107 121999	6

MISSING ITEM NUMBERS NOT APPLICABLE

- ITEM NOT ILLUSTRATED

BRI

# 27-51-14-10

BOEING PROPRIETARY - Copyright © - Unpublished Work - See title page for details.

27-51-14  
FIG. 10  
PAGE 28  
JAN 20/09



757

PARTS CATALOG (MAINTENANCE)

FIG ITEM	PART NUMBER	1 2 3 4 5 6 7	NOMENCLATURE	EFFECT FROM TO	UNITS PER ASSY
10 - 555	113N3501-18		.GENERATOR- POSITION DATA: RH SIDE POST ALERT SB: 57A0058R1 ATTACHING PARTS	002004 006102 107107 121999	6
- 560	NAS1399MW5A2		.RIVET  -----*	002004 006102 107107 121999	44

MISSING ITEM NUMBERS NOT APPLICABLE

- ITEM NOT ILLUSTRATED

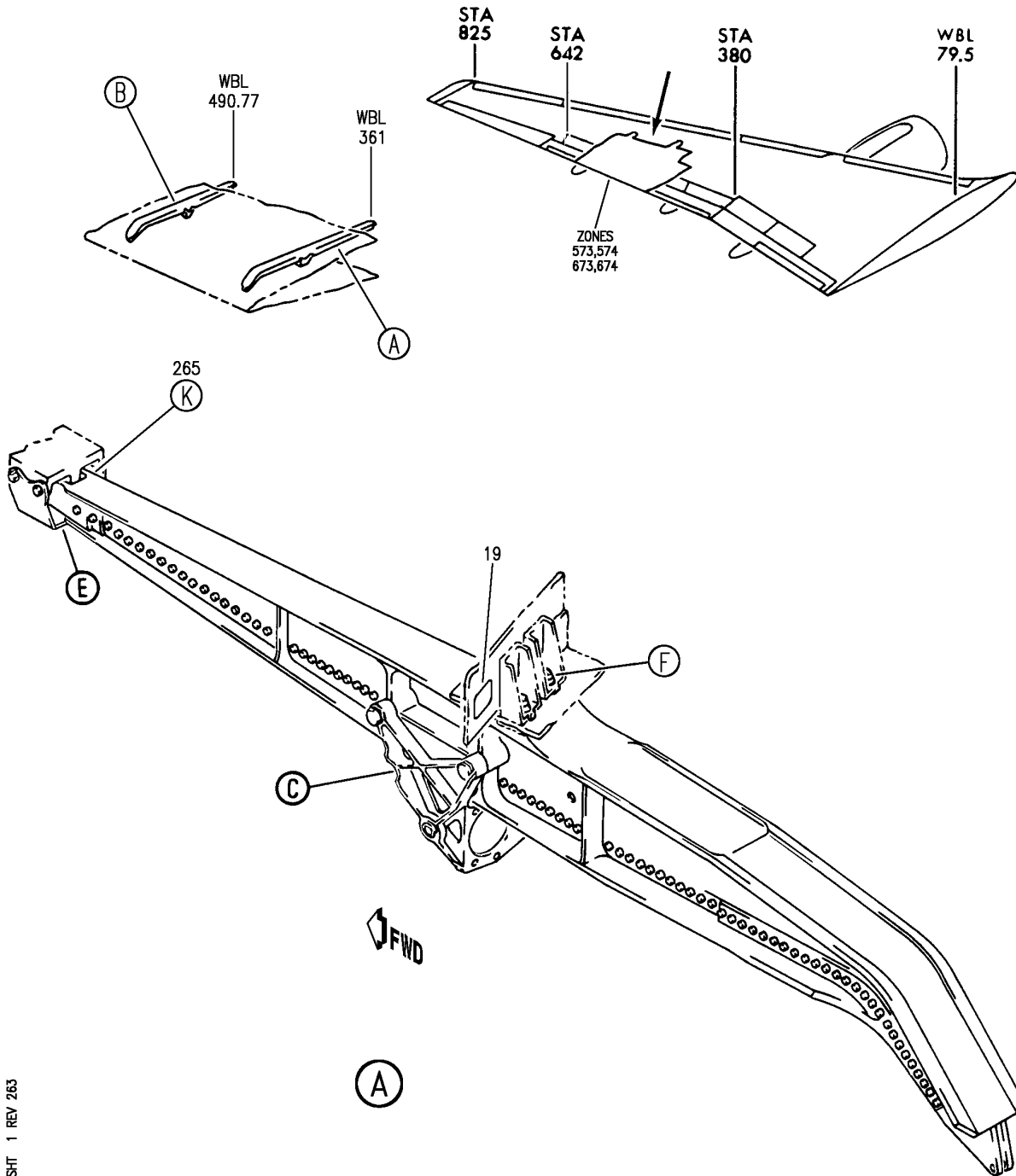
BRI

27-51-14-10

BOEING PROPRIETARY - Copyright © - Unpublished Work - See title page for details.

27-51-14  
FIG. 10  
PAGE 29  
JAN 20/09

**BOEING**  
757  
PARTS CATALOG (MAINTENANCE)



Y 27511505 SH1 1 REV 263

TRACK INSTL-FLAP  
FIGURE 5 (SHEET 1)

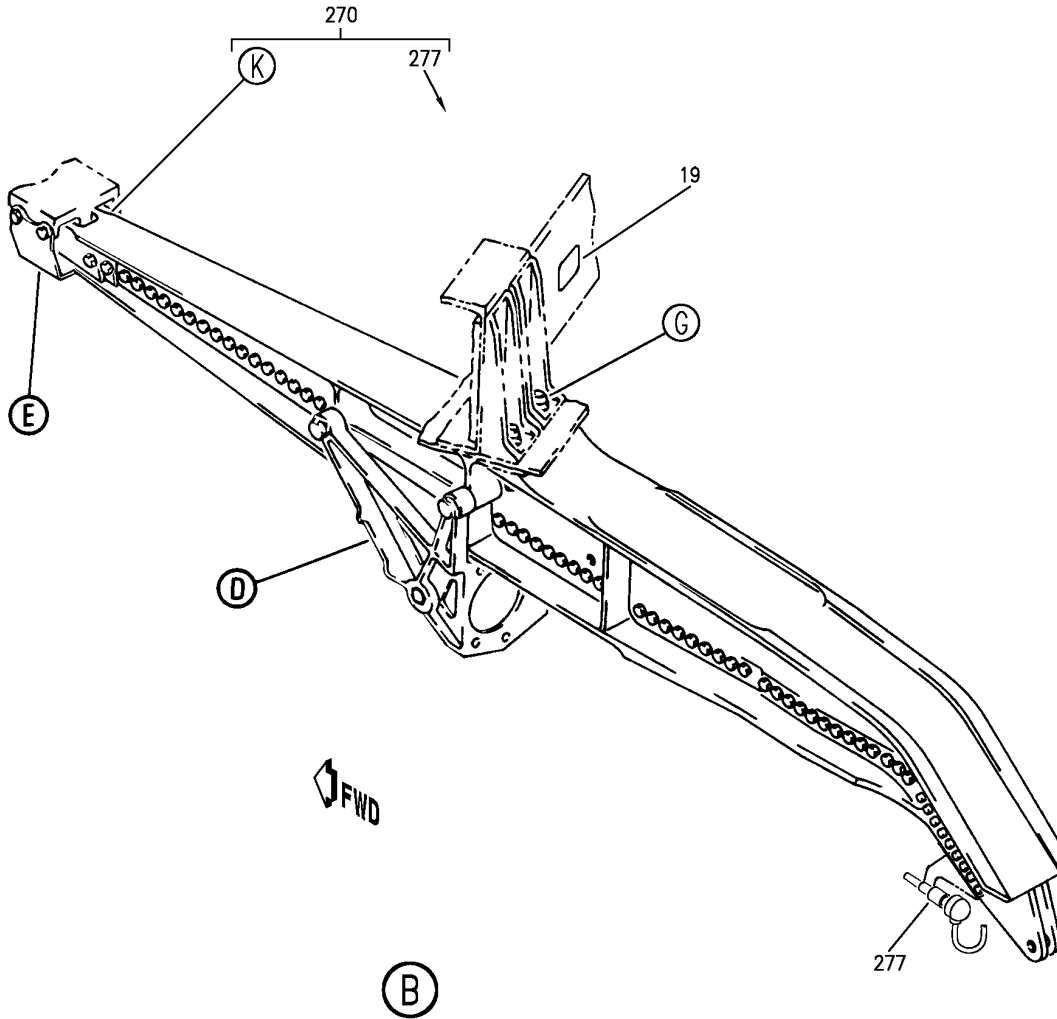
**27-51-15-05**

BRI  
MAY 28/07

27-51-15-05  
PAGE 0



**BOEING**  
757  
PARTS CATALOG (MAINTENANCE)



Y 27511505 SH1 2 REV 263

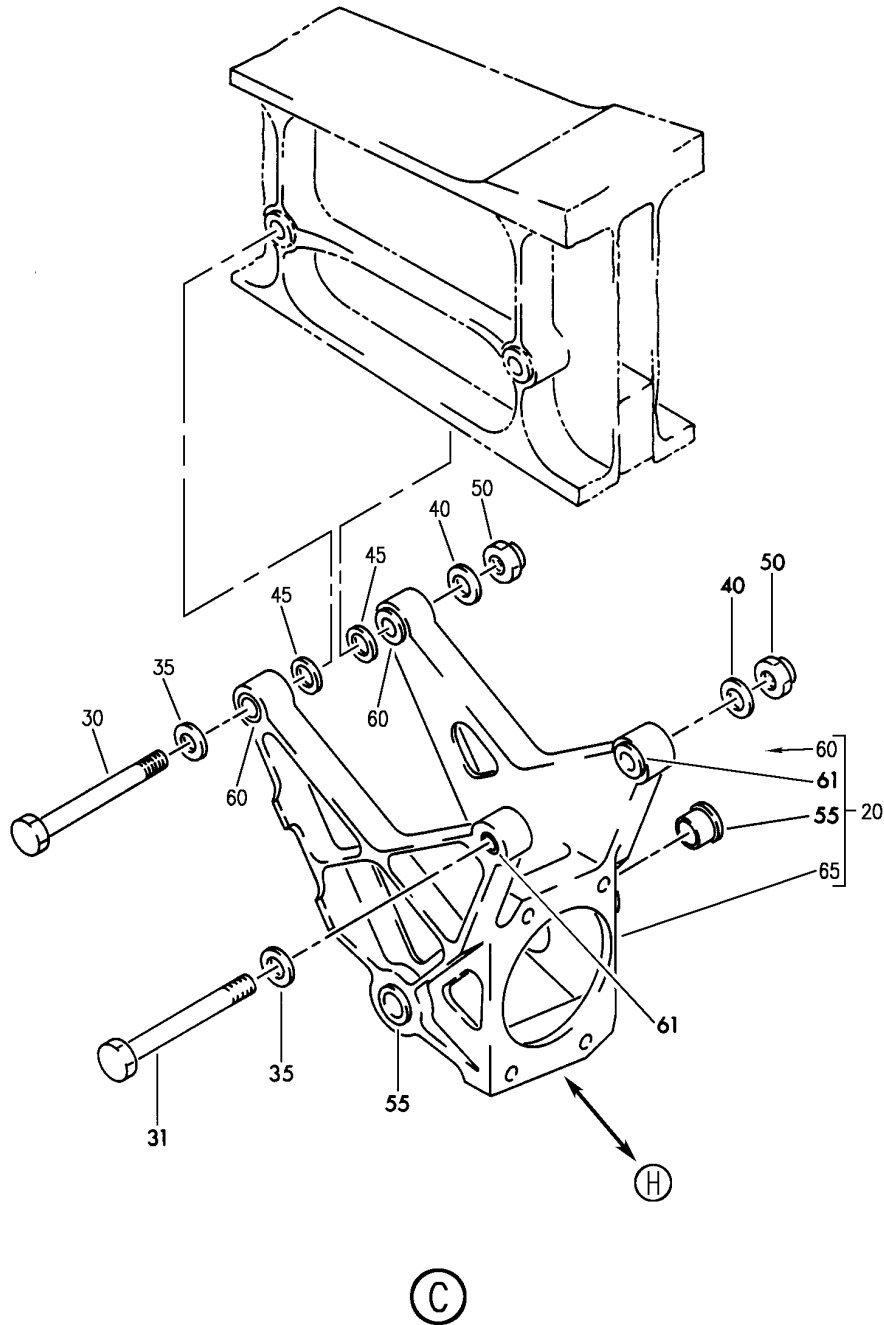
TRACK INSTL-FLAP  
FIGURE 5 (SHEET 2)

**27-51-15-05**

BRI  
MAY 28/07

27-51-15-05  
PAGE 0A

**BOEING**  
757  
PARTS CATALOG (MAINTENANCE)



Y 27511505 SH-T 3 REV 275

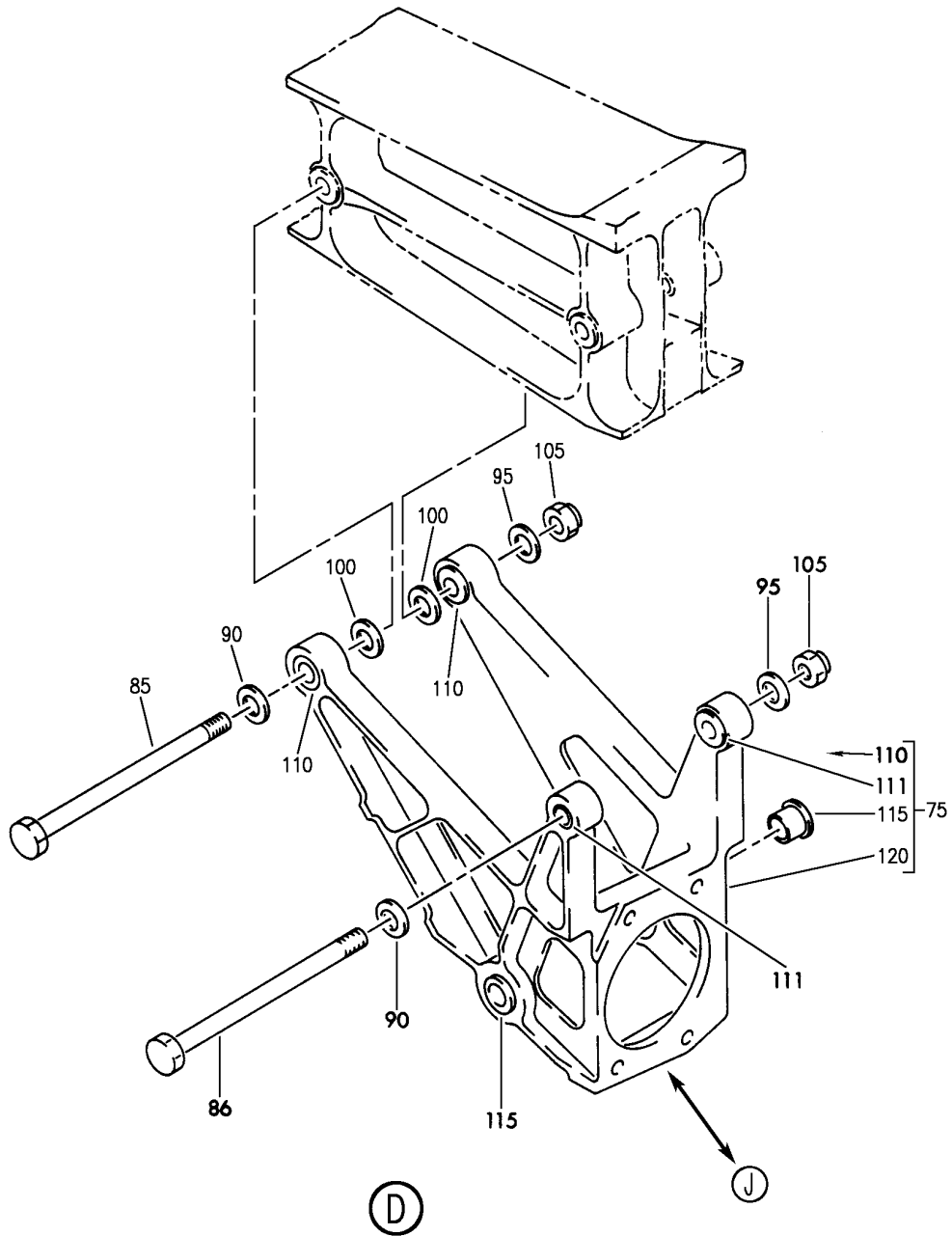
TRACK INSTL-FLAP  
FIGURE 5 (SHEET 3)

**27-51-15-05**

BRI  
MAY 28/07

27-51-15-05  
PAGE 0B

**BOEING**  
757  
PARTS CATALOG (MAINTENANCE)



Y 27511505 SHIT 4 REV 275

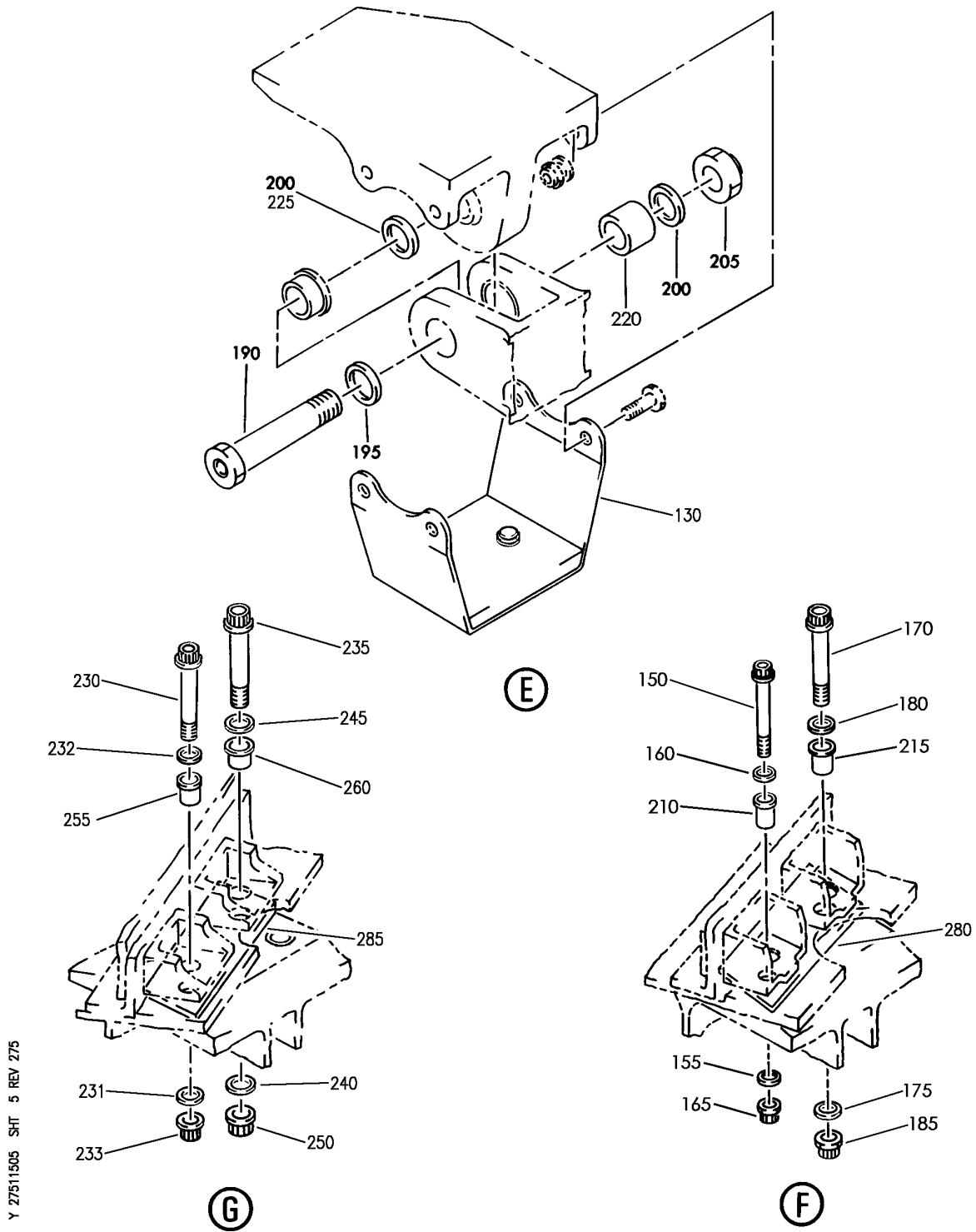
TRACK INSTL-FLAP  
FIGURE 5 (SHEET 4)

**27-51-15-05**

BRI  
MAY 28/07

27-51-15-05  
PAGE 0C

**BOEING**  
757  
PARTS CATALOG (MAINTENANCE)



Y 27511505 SHT 5 REV 275

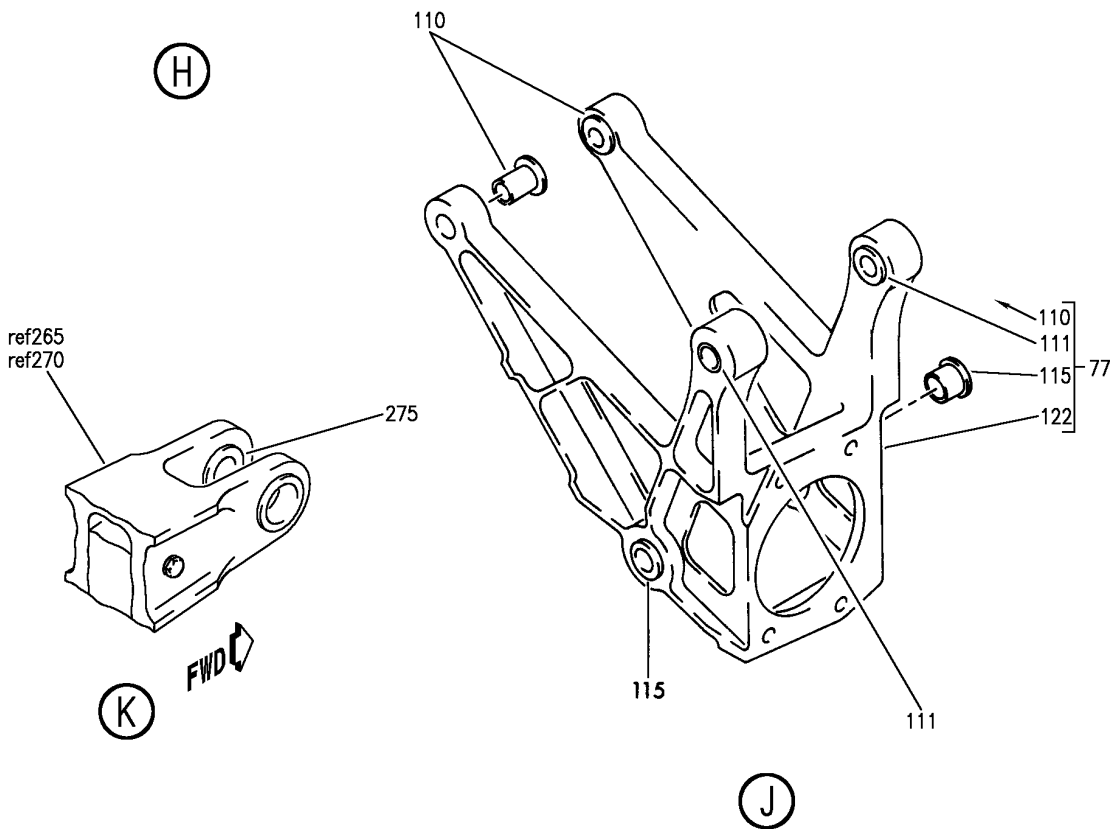
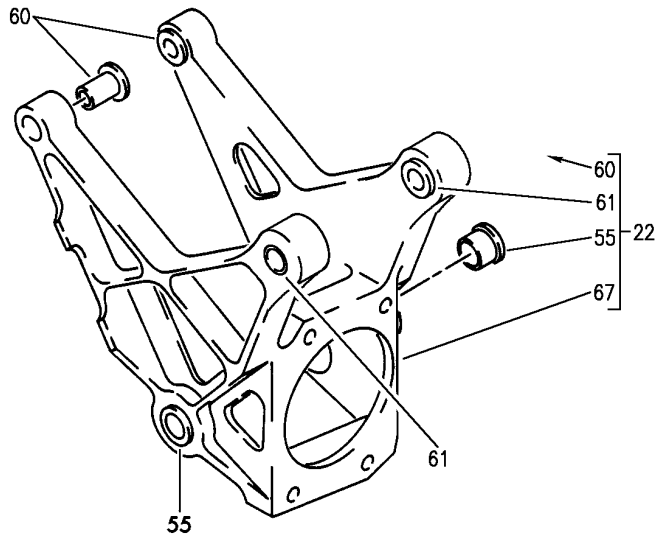
TRACK INSTL-FLAP  
FIGURE 5 (SHEET 5)

**27-51-15-05**

BRI  
MAY 28/07

27-51-15-05  
PAGE 0D

**BOEING**  
757  
PARTS CATALOG (MAINTENANCE)



Y 27511505 SHT 6 REV 263

TRACK INSTL-FLAP  
FIGURE 5 (SHEET 6)

**27-51-15-05**

BRI  
MAY 28/07

27-51-15-05  
PAGE 0E



757

PARTS CATALOG (MAINTENANCE)

FIG ITEM	PART NUMBER	1 2 3 4 5 6 7	NOMENCLATURE	EFFECT FROM TO	UNITS PER ASSY
5			TRACK INSTL-FLAP	002004 006999	
- 1	113N1300-1		TRACK INSTL-FLAP POSITION DATA: INBD LH FOR NHA SEE: 57-20-52-01	002004 006100 107107 121503 904999	RF
- 2	113N1300-209		TRACK INSTL-FLAP POSITION DATA: INBD LH FOR NHA SEE: 57-00-00-05	101102 108120 504903	RF
- 2	MODREF1163		TRACK INSTL-FLAP MODULE NUMBER: 113N1300-217 REV A POSITION DATA: INBD LH	103103	RF
- 2	MODREF26531		TRACK INSTL-FLAP MODULE NUMBER: 113N1300-217 REV B POSITION DATA: INBD LH	104105	RF
- 2	MODREF33114		TRACK INSTL-FLAP MODULE NUMBER: 113N1300-217 REV C POSITION DATA: INBD LH	106106	RF
- 5	113N1300-2		TRACK INSTL-FLAP POSITION DATA: INBD RH FOR NHA SEE: 57-20-52-01	002004 006100 107107 121503 904999	RF
- 6	113N1300-210		TRACK INSTL-FLAP POSITION DATA: INBD RH FOR NHA SEE: 57-00-00-05	101102 108120 504903	RF
- 6	MODREF33115		TRACK INSTL-FLAP MODULE NUMBER: 113N1300-218 REV C POSITION DATA: INBD RH	106106	RF
- 6	MODREF1164		TRACK INSTL-FLAP MODULE NUMBER: 113N1300-218 REV A POSITION DATA: INBD RH	103103	RF

MISSING ITEM NUMBERS NOT APPLICABLE

- ITEM NOT ILLUSTRATED

27-51-15-05

27-51-15  
FIG. 05  
PAGE 1  
JAN 20/09

BRI



757

PARTS CATALOG (MAINTENANCE)

FIG ITEM	PART NUMBER	1 2 3 4 5 6 7	NOMENCLATURE	EFFECT FROM TO	UNITS PER ASSY
5					
- 6	MODREF26532		TRACK INSTL-FLAP MODULE NUMBER: 113N1300-218 REV B POSITION DATA: INBD RH	104105	RF
- 10	113N1300-3		TRACK INSTL-FLAP POSITION DATA: OUTBD LH FOR NHA SEE: 57-20-52-01	002004 006100 107107 121503 904999	RF
- 12	113N1300-203		TRACK INSTL-FLAP POSITION DATA: OUTBD LH FOR NHA SEE: 57-00-00-05	101102 108120 504903	RF
- 12	MODREF1161		TRACK INSTL-FLAP MODULE NUMBER: 113N1300-215 REV A POSITION DATA: OUTBD LH	103103	1
- 12	MODREF26529		TRACK INSTL-FLAP MODULE NUMBER: 113N1300-215 REV B POSITION DATA: OUTBD LH	104105	RF
- 12	MODREF33112		TRACK INSTL-FLAP MODULE NUMBER: 113N1300-215 REV C POSITION DATA: OUTBD LH	106106	RF
- 15	113N1300-4		TRACK INSTL-FLAP POSITION DATA: OUTBD RH FOR NHA SEE: 57-20-52-01	002004 006100 107107 121503 904999	RF
- 17	113N1300-204		TRACK INSTL-FLAP POSITION DATA: OUTBD RH FOR NHA SEE: 57-00-00-05	101102 108120 504903	RF
- 17	MODREF1162		TRACK INSTL-FLAP MODULE NUMBER: 113N1300-216 REV A POSITION DATA: OUTBD RH	103103	1

MISSING ITEM NUMBERS NOT APPLICABLE

- ITEM NOT ILLUSTRATED

27-51-15-05

27-51-15  
FIG. 05  
PAGE 2  
JAN 20/09

BRI



757

PARTS CATALOG (MAINTENANCE)

FIG ITEM	PART NUMBER	1 2 3 4 5 6 7	NOMENCLATURE	EFFECT FROM TO	UNITS PER ASSY
5					
- 17	MODREF26530		TRACK INSTL-FLAP MODULE NUMBER: 113N1300-216 REV B POSITION DATA: OUTBD RH	104105	RF
- 17	MODREF33113		TRACK INSTL-FLAP MODULE NUMBER: 113N1300-216 REV C POSITION DATA: OUTBD RH	106106	RF
19	BAC27DWG25		.DECAL-ALUMINUM FOIL	106106	2
22	113N1304-7		.FITTING ASSY-TRACK GR BOX SPRT USED ON: 113N1300-1	107107 904949	1
22	113N1304-11		.FITTING ASSY-TRACK GR BOX SPRT USED ON: 113N1300-1 113N1300-401 113N1300-201 113N1300-209 113N1300-217 MODREF1163 MODREF26531 MODREF33114	002004 006106 108903 950999	1
- 27	113N1304-8		.FITTING ASSY-TRACK GR BOX SPRT USED ON: 113N1300-2	107107 904949	1
- 27	113N1304-12		.FITTING ASSY-TRACK GR BOX SPRT USED ON: 113N1300-2 113N1300-402 113N1300-202 113N1300-210 113N1300-218 MODREF1164 MODREF26532 MODREF33115	002004 006106 108903 950999	1
30	BACB30NR9S104		ATTACHING PARTS .BOLT	002004 006999	1
31	BACB30NR9S94		.BOLT-	002004 006999	1
35	BACW10BP9CD		.WASHER	002004 006999	2

MISSING ITEM NUMBERS NOT APPLICABLE

- ITEM NOT ILLUSTRATED

27-51-15-05

27-51-15  
FIG. 05  
PAGE 3  
JAN 20/09

BRI





**757  
PARTS CATALOG (MAINTENANCE)**

FIG ITEM	PART NUMBER	1 2 3 4 5 6 7	NOMENCLATURE	EFFECT FROM TO	UNITS PER ASSY
5					
40	AN960KD916	.	WASHER	002004 006100 107107 121503 904999	2
40	NAS1149D0963J	.	WASHER	101106 108120 504903	2
45	113N3107-6	.	SHIM	002004 006999	AR
50	69235-918CD	.	NUT SUPPLIER CODE: V92215 SPECIFICATION NUMBER: BACN10JC9CD OPTIONAL PART: 102LH9074-9 V72962 BMN4122CPD8-9 V97928 H51650-9BAC V15653 -----*-----	002004 006999	2
55	BACB28AM14B060A	..	BUSHING	002004 006999	2
60	BACB28AP09P099	..	BUSHING	002004 006999	2
61	BACB28AP09P069	..	BUSHING-	002004 006999	2
67	113N1304-9	..	FITTING- USED ON: 113N1304-7	107107 904949	1
67	113N1304-13	..	FITTING- USED ON: 113N1304-11	002004 006106 108903 950999	1
- 72	113N1304-10	..	FITTING- USED ON: 113N1304-8	107107 904949	1
- 72	113N1304-14	..	FITTING- USED ON: 113N1304-12	002004 006106 108903 950999	1

MISSING ITEM NUMBERS NOT APPLICABLE

- ITEM NOT ILLUSTRATED

# 27-51-15-05

27-51-15  
FIG. 05  
PAGE 4  
JAN 20/09

BRI



757

PARTS CATALOG (MAINTENANCE)

FIG ITEM	PART NUMBER	1 2 3 4 5 6 7	NOMENCLATURE	EFFECT FROM TO	UNITS PER ASSY
5	77 113N1324-15		.FITTING ASSY-TRACK GEARBOX SPRT POSITION DATA: OUTBD USED ON: 113N1300-3 113N1300-403 113N1300-203 113N1300-215 MODREF1161 MODREF26529 MODREF33112	002004 006999	1
-	82 113N1324-16		.FITTING ASSY-TRACK GEARBOX SPRT POSITION DATA: OUTBD USED ON: 113N1300-4 113N1300-404 113N1300-204 113N1300-216 MODREF1162 MODREF26530 MODREF33113 ATTACHING PARTS	002004 006999	1
	85 BACB30NR10S111		.BOLT	002004 006999	1
	86 BACB30NR10S101		.BOLT-	002004 006999	1
	90 BACW10BP10CD		.WASHER	002004 006999	2
	95 AN960KD1016		.WASHER-	002004 006100 107107 121503 904999	2
	95 NAS1149D1063J		.WASHER-	101106 108120 504903	2
	100 113N3107-5		.SHIM	002004 006999	AR

MISSING ITEM NUMBERS NOT APPLICABLE

- ITEM NOT ILLUSTRATED

BRI

27-51-15-05

BOEING PROPRIETARY - Copyright © - Unpublished Work - See title page for details.

27-51-15  
FIG. 05  
PAGE 5  
JAN 20/09



757

PARTS CATALOG (MAINTENANCE)

FIG ITEM	PART NUMBER	1 2 3 4 5 6 7	NOMENCLATURE	EFFECT FROM TO	UNITS PER ASSY
5 105	102LH9074-10	.NUT	SUPPLIER CODE: V72962 SPECIFICATION NUMBER: BACN10JC10CD OPTIONAL PART: H51650-10BAC V15653 69235-1018CD V92215 BMN4122CPD8-10 V97928 -----*-----	002004 006999	2
110	BACB28AP10P099	..BUSHING		002004 006999	2
111	BACB28AP10P069	..BUSHING-		002004 006999	2
115	BACB28AM14B050A	..BUSHING		002004 006999	2
122	113N1324-17	..FITTING- USED ON: 113N1324-15		002004 006999	1
- 127	113N1324-18	..FITTING- USED ON: 113N1324-16		002004 006999	1
130	113N1310-1	.STRAP ASSY-FAIL SAFE		002004 006010 107107 121503 904999	1
130	113N1310-3	.STRAP ASSY-FAIL SAFE		011106 108120 504903	1
- 135	BACB30NR4K6	ATTACHING PARTS .BOLT		002004 006999	4
- 140	AN960KD416	.WASHER-		002004 006100 107107 121503 904999	4
- 140	NAS1149D0463J	.WASHER-		101106 108120 504903	4

MISSING ITEM NUMBERS NOT APPLICABLE

- ITEM NOT ILLUSTRATED

27-51-15-05

27-51-15  
FIG. 05  
PAGE 6  
JAN 20/09

BRI

BOEING PROPRIETARY - Copyright © - Unpublished Work - See title page for details.



757

PARTS CATALOG (MAINTENANCE)

FIG ITEM	PART NUMBER	1 2 3 4 5 6 7	NOMENCLATURE	EFFECT FROM TO	UNITS PER ASSY
5 - 145	BRH10C4D	.NUT	SUPPLIER CODE: V52828 SPECIFICATION NUMBER: BACN10JC4CD OPTIONAL PART: T6C428JCD V11815 NS202486-048 V80539 102LH9075-4W V72962 H51650-4BAC V15653	002004 006999	4
150	BACB30LE7-39	.BOLT-	USED ON: 113N1300-1 113N1300-2	002004 006100 107107 121503 904999	1
150	BACB30LE7K39	.BOLT-	USED ON: 113N1300-401 113N1300-402 113N1300-201 113N1300-202 113N1300-209 113N1300-210 113N1300-217 113N1300-218 MODREF1163 MODREF1164 MODREF26531 MODREF26532 MODREF33114 MODREF33115	101106 108120 504903	1
155	BACW10BP7DP	.WASHER-	USED ON: 113N1300-1 113N1300-2	002004 006999	1
160	BACW10BP7CD	.WASHER-	USED ON: 113N1300-1 113N1300-2	002004 006999	1

MISSING ITEM NUMBERS NOT APPLICABLE

- ITEM NOT ILLUSTRATED

27-51-15-05

27-51-15  
FIG. 05  
PAGE 7  
JAN 20/09

BRI



757

PARTS CATALOG (MAINTENANCE)

FIG ITEM	PART NUMBER	1 2 3 4 5 6 7	NOMENCLATURE	EFFECT FROM TO	UNITS PER ASSY
5 165	BMN10HRCWD3-7		.NUT- SUPPLIER CODE: V97928 SPECIFICATION NUMBER: BACN10HR7CD OPTIONAL PART: H51560-7 V15653 67832CD720 V56878 102LH9031-7 V72962 BH00303CM7 V27238 BMN5024CWD37 V97928 SL7108C7 V11815 VCU0005D7 V06710 102LH90317 V72962 67832CD7 V56878 CR6030-7 VF0224 BMN10HRCWD3-7 V97928 POSITION DATA: WBL 361.0 USED ON: 113N1300-1 113N1300-2	002004 006999	1

MISSING ITEM NUMBERS NOT APPLICABLE

- ITEM NOT ILLUSTRATED

BRI

27-51-15-05

BOEING PROPRIETARY - Copyright © - Unpublished Work - See title page for details.

27-51-15  
FIG. 05  
PAGE 8  
JAN 20/09



757

PARTS CATALOG (MAINTENANCE)

FIG ITEM	PART NUMBER	1 2 3 4 5 6 7	NOMENCLATURE	EFFECT FROM TO	UNITS PER ASSY
5 170	BACB30US8P39		.BOLT- USED ON: 113N1300-1 113N1300-2 113N1300-401 113N1300-402 113N1300-201 113N1300-202 113N1300-209 113N1300-210 113N1300-217 113N1300-218 MODREF1163 MODREF1164 MODREF26531 MODREF26532 MODREF33114 MODREF33115	002004 006999	1
175	BACW10BP8DP		.WASHER	002004 006999	1
180	BACW10BP8CD		.WASHER	002004 006999	1
185	BMN10HRCWD3-8		.NUT SUPPLIER CODE: V97928 SPECIFICATION NUMBER: BACN10HR8CD OPTIONAL PART: H51560-8 V15653 67832CD820 V56878 102LH9031-8 V72962 BH00303CM8 V27238 BMN5024CWD38 V97928 SL7108C8 V11815 VCU0005D8 V06710 102LH90318 V72962 67832CD8 V56878 CR6030-8 VF0224	002004 006999	1

MISSING ITEM NUMBERS NOT APPLICABLE

- ITEM NOT ILLUSTRATED

27-51-15-05

27-51-15  
FIG. 05  
PAGE 9  
JAN 20/09

BRI



757

PARTS CATALOG (MAINTENANCE)

FIG ITEM	PART NUMBER	1 2 3 4 5 6 7	NOMENCLATURE	EFFECT FROM TO	UNITS PER ASSY
5					
190	113N1309-1	.	BOLT-FUSE	002004 006999	1
195	BACW10DB104C	.	WASHER	002004 006999	1
200	BACW10DB104P	.	WASHER	002004 006999	2
205	69B13792-4	.	NUT	002004 006999	1
210	BACB28AP07P091	.	BUSHING- USED ON: 113N1300-1 113N1300-2	107107 904949 952952	1
210	BACB28AP07P106	.	BUSHING- USED ON: 113N1300-1 113N1300-2 113N1300-401 113N1300-402 113N1300-201 113N1300-202 113N1300-209 113N1300-210 113N1300-217 113N1300-218 MODREF1163 MODREF1164 MODREF26531 MODREF26532 MODREF33114 MODREF33115	002004 006100 103106 121503 950951 953999	1
215	BACB28AP08P091	.	BUSHING- USED ON: 113N1300-1 113N1300-2	107107 904949 952952	1

MISSING ITEM NUMBERS NOT APPLICABLE

- ITEM NOT ILLUSTRATED

27-51-15-05

27-51-15  
FIG. 05  
PAGE 10  
JAN 20/09

BRI

BOEING PROPRIETARY - Copyright © - Unpublished Work - See title page for details.



757

PARTS CATALOG (MAINTENANCE)

FIG ITEM	PART NUMBER	1 2 3 4 5 6 7	NOMENCLATURE	EFFECT FROM TO	UNITS PER ASSY
5 215	BACB28AP08P106		.BUSHING- USED ON: 113N1300-1 113N1300-2 113N1300-401 113N1300-402 113N1300-201 113N1300-202 113N1300-209 113N1300-210 113N1300-217 113N1300-218 MODREF1163 MODREF1164 MODREF26531 MODREF26532 MODREF33114 MODREF33115	002004 006100 103106 121503 950951 953999	1
220	113N1314-1		.BUSHING-	002004 006999	1
220	113N1314-3		.BUSHING-	002004 006999	1
225	113N3107-7		.SHIM	002004 006999	1
230	BACB30LE8-36		.BOLT- USED ON: 113N1300-3 113N1300-4	002004 006010 107107 121503 904999	1
230	BACB30LE8-37		.BOLT- USED ON: 113N1300-3 113N1300-4	011100	1
230	BACB30LE8K37		.BOLT- USED ON: 113N1300-403 113N1300-404 113N1300-203 113N1300-204 113N1300-215 113N1300-216 MODREF1161 MODREF1162 MODREF26529 MODREF26530 MODREF33112 MODREF33113	101106 108120 504903	1
231	BACW10BP8DP		.WASHER	002004 006999	1

MISSING ITEM NUMBERS NOT APPLICABLE

- ITEM NOT ILLUSTRATED

27-51-15-05

27-51-15  
FIG. 05  
PAGE 11  
JAN 20/09

BRI

BOEING PROPRIETARY - Copyright © - Unpublished Work - See title page for details.





757

PARTS CATALOG (MAINTENANCE)

FIG ITEM	PART NUMBER	1 2 3 4 5 6 7	NOMENCLATURE	EFFECT FROM TO	UNITS PER ASSY
5					
232	BACW10BP8CD	.	WASHER	002004 006999	1
233	BMN10HRCWD3-8	.	NUT	002004 006999	1
			SUPPLIER CODE: V97928		
			SPECIFICATION NUMBER: BACN10HR8CD		
			OPTIONAL PART: H51560-8		
			V15653		
			67832CD820		
			V56878		
			102LH9031-8		
			V72962		
			BH00303CM8		
			V27238		
			BMN5024CWD38		
			V97928		
			SL7108C8		
			V11815		
			VCU0005D8		
			V06710		
			102LH90318		
			V72962		
			67832CD8		
			V56878		
			CR6030-8		
			VF0224		
235	BACB30US9P36	.	BOLT-	002004	1
			USED ON:	006010	
			113N1300-3	107107	
			113N1300-4	121503	
				904999	
235	BACB30US9P37	.	BOLT-	011106	1
			USED ON:	108120	
			113N1300-3	504903	
			113N1300-4		
			113N1300-403		
			113N1300-404		
			113N1300-203		
			113N1300-204		
			113N1300-215		
			113N1300-216		
			MODREF1161		
			MODREF1162		
			MODREF26529		
			MODREF26530		
			MODREF33112		
			MODREF33113		

MISSING ITEM NUMBERS NOT APPLICABLE

- ITEM NOT ILLUSTRATED

27-51-15-05

27-51-15  
FIG. 05  
PAGE 12  
JAN 20/09

BRI



757

PARTS CATALOG (MAINTENANCE)

FIG ITEM	PART NUMBER	1 2 3 4 5 6 7	NOMENCLATURE	EFFECT FROM TO	UNITS PER ASSY
5	240	BACW10BP9DP	.WASHER- USED ON: 113N1300-3 113N1300-4 113N1300-403 113N1300-404	002004 006999	1
	245	BACW10BP9CD	.WASHER- USED ON: 113N1300-3 113N1300-4 113N1300-403 113N1300-404	002004 006999	1
	250	BMN10HRCWD3-9	.NUT- SUPPLIER CODE: V97928 SPECIFICATION NUMBER: BACN10HR9CD OPTIONAL PART: H51560-9 V15653 67832CD918 V56878 102LH9031-9 V72962 BH00303CM9 V27238 BMN5024CWD39 V97928 SL7108C9 V11815 VCU0005D9 V06710 102LH90319 V72962 67832CD9 V56878 67832CD9 V56878 POSITION DATA: WBL 495.344 USED ON: 113N1300-3 113N1300-4 113N1300-403 113N1300-404	002004 006999	1
255	BACB28AP08P074	.BUSHING- USED ON: 113N1300-3 113N1300-4	107107 904949 952952	1	

MISSING ITEM NUMBERS NOT APPLICABLE

- ITEM NOT ILLUSTRATED

27-51-15-05

27-51-15  
FIG. 05  
PAGE 13  
JAN 20/09

BRI



757

PARTS CATALOG (MAINTENANCE)

FIG ITEM	PART NUMBER	1 2 3 4 5 6 7	NOMENCLATURE	EFFECT FROM TO	UNITS PER ASSY
5 255	BACB28AP08P089		.BUSHING- USED ON: 113N1300-3 113N1300-4 113N1300-403 113N1300-404 113N1300-203 113N1300-204 113N1300-215 113N1300-216 MODREF1161 MODREF1162 MODREF26529 MODREF26530 MODREF33112 MODREF33113	002004 006100 103106 121503 950951 953999	1
260	BACB28AP09P074		.BUSHING- USED ON: 113N1300-3 113N1300-4	107107 904949 952952	1
260	BACB28AP09P089		.BUSHING- USED ON: 113N1300-3 113N1300-4 113N1300-403 113N1300-404 113N1300-203 113N1300-204 113N1300-215 113N1300-216 MODREF1161 MODREF1162 MODREF26529 MODREF26530 MODREF33112 MODREF33113	002004 006100 103106 121503 950951 953999	1
265	113N1302-1		.TRACK ASSY- COMPONENT MAINT MANUAL REF: 27-51-82 USED ON: 113N1300-1 113N1300-2 113N1300-201 113N1300-202 113N1300-209 113N1300-210 113N1300-401 113N1300-402	002004 006102 107999	1

MISSING ITEM NUMBERS NOT APPLICABLE

- ITEM NOT ILLUSTRATED

27-51-15-05

27-51-15  
FIG. 05  
PAGE 14  
JAN 20/09

BRI



757

PARTS CATALOG (MAINTENANCE)

FIG ITEM	PART NUMBER	1 2 3 4 5 6 7	NOMENCLATURE	EFFECT FROM TO	UNITS PER ASSY
5 265	113N1302-7		.TRACK ASSY- COMPONENT MAINT MANUAL REF: 27-51-82 USED ON: 113N1300-217 113N1300-218 MODREF1163 MODREF1164 MODREF26531 MODREF26532 MODREF33114 MODREF33115	103106	1
270	113N1322-1		.TRACK ASSY- COMPONENT MAINT MANUAL REF: 27-51-82 USED ON: 113N1300-3 113N1300-4 113N1300-203 113N1300-204 113N1300-403 113N1300-404	002004 006102 107999	1
270	113N1322-9		.TRACK ASSY- COMPONENT MAINT MANUAL REF: 27-51-82 USED ON: 113N1300-215 113N1300-216 MODREF1161 MODREF1162 MODREF26529 MODREF26530 MODREF33112 MODREF33113	103106	1
275	113N1007-4		..BUSHING	002004 006999	1
277	8-788-02		..SENSOR- SUPPLIER CODE: V08748 SPECIFICATION NUMBER: S256W408-15 USED ON: 113N1322-9	103106	1

MISSING ITEM NUMBERS NOT APPLICABLE

- ITEM NOT ILLUSTRATED

BRI

27-51-15-05

BOEING PROPRIETARY - Copyright © - Unpublished Work - See title page for details.

27-51-15  
FIG. 05  
PAGE 15  
JAN 20/09



757

PARTS CATALOG (MAINTENANCE)

FIG ITEM	PART NUMBER	1 2 3 4 5 6 7	NOMENCLATURE	EFFECT FROM TO	UNITS PER ASSY
5 280	113N1300-9		.SHIM-TAPER MISCELLANEOUS DATA: (MACHINE TAPER TO FIT INSTALLATION) USED ON: 113N1300-1 113N1300-2	107107 952952	1
280	113N1300-17		.SHIM-TAPER MISCELLANEOUS DATA: (MACHINE TAPER TO FIT INSTALLATION) USED ON: 113N1300-1 113N1300-2 113N1300-401 113N1300-402 113N1300-201 113N1300-202 113N1300-209 113N1300-210 113N1300-217 113N1300-218 MODREF1163 MODREF1164 MODREF26531 MODREF26532 MODREF33114 MODREF33115	002004 006100 103106 121503 950951 953999	1
280	113N1171-1		.SHIM-TAPER MISCELLANEOUS DATA: (MACHINE TAPER TO FIT INSTALLATION) USED ON: 113N1300-1 113N1300-2	904949	1
285	113N1300-11		.SHIM-TAPER MISCELLANEOUS DATA: (MACHINE TAPER TO FIT INSTALLATION) USED ON: 113N1300-3 113N1300-4	107107 952952	1

MISSING ITEM NUMBERS NOT APPLICABLE

- ITEM NOT ILLUSTRATED

BRI

27-51-15-05

BOEING PROPRIETARY - Copyright © - Unpublished Work - See title page for details.

27-51-15  
FIG. 05  
PAGE 16  
JAN 20/09



757

PARTS CATALOG (MAINTENANCE)

FIG ITEM	PART NUMBER	1 2 3 4 5 6 7	NOMENCLATURE	EFFECT FROM TO	UNITS PER ASSY
5 285	113N1300-15		. SHIM-TAPER MISCELLANEOUS DATA: (MACHINE TAPER TO FIT INSTALLATION) USED ON: 113N1300-3 113N1300-4 113N1300-403 113N1300-404 113N1300-203 113N1300-204 113N1300-215 113N1300-216 MODREF1161 MODREF1162 MODREF26529 MODREF26530 MODREF33112 MODREF33113	002004 006100 103106 121503 950951 953999	1
285	113N1171-2		. SHIM-TAPER MISCELLANEOUS DATA: (MACHINE TAPER TO FIT INSTALLATION) USED ON: 113N1300-3 113N1300-4	904949	1

MISSING ITEM NUMBERS NOT APPLICABLE

- ITEM NOT ILLUSTRATED

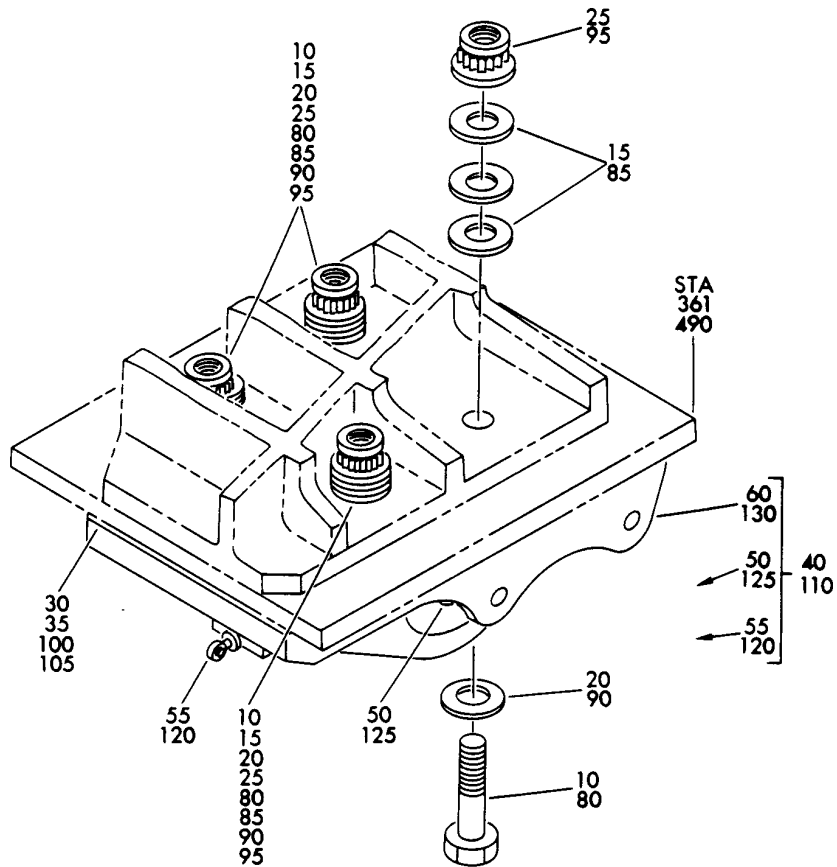
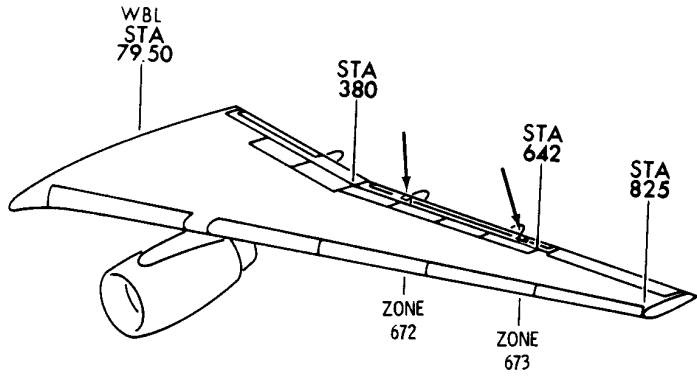
BRI

27-51-15-05

BOEING PROPRIETARY - Copyright © - Unpublished Work - See title page for details.

27-51-15  
FIG. 05  
PAGE 17  
JAN 20/09

**BOEING**  
757  
PARTS CATALOG (MAINTENANCE)



Y 27511506 SH1 1 REV 082

FITTING INSTL-WING BL 361.00 AND 490.778 OUTBD FLAP  
FIGURE 6

**27-51-15-06**

BRI  
MAY 28/07

27-51-15-06  
PAGE 0



757

PARTS CATALOG (MAINTENANCE)

FIG ITEM	PART NUMBER	1 2 3 4 5 6 7	NOMENCLATURE	EFFECT FROM TO	UNITS PER ASSY
6			FITTING INSTL-WING BL 361.00 AND 490.778 OUTBD FLAP	002004 006100 107107 121503 904999	
- 1	113N1300-5		FITTING INSTL- POSITION DATA: WING BL 361.00 OUTBD FLAP LH FOR NHA SEE: 57-20-52-01	002004 006100 107107 121503 904999	RF
- 5	113N1300-6		FITTING INSTL- POSITION DATA: WING BL 361.00 OUTBD FLAP RH FOR NHA SEE: 57-20-52-01	002004 006100 107107 121503 904999	RF
10	BACB30LE7-27		.BOLT	002004 006100 107107 121503 904999	4
15	BACW10BP7DP		.WASHER- POSITION DATA: UNDER NUT	002004 006100 107107 121503 904999	12
20	BACW10BP7CD		.WASHER- POSITION DATA: UNDER BOLT	002004 006100 107107 121503 904999	4

MISSING ITEM NUMBERS NOT APPLICABLE

- ITEM NOT ILLUSTRATED

27-51-15-06

27-51-15  
FIG. 06  
PAGE 1  
JAN 20/09

BRI





757

PARTS CATALOG (MAINTENANCE)

FIG ITEM	PART NUMBER	1 2 3 4 5 6 7	NOMENCLATURE	EFFECT FROM TO	UNITS PER ASSY
6 25	BMN10HRCWD3-7	.NUT	SUPPLIER CODE: V97928 SPECIFICATION NUMBER: BACN10HR7CD OPTIONAL PART: H51560-7 V15653 67832CD720 V56878 102LH9031-7 V72962 BH00303CM7 V27238 BMN5024CWD37 V97928 SL7108C7 V11815 VCU0005D7 V06710 102LH90317 V72962 67832CD7 V56878 CR6030-7 VF0224 BMN10HRCWD3-7 V97928	002004 006100 107107 121503 904999	4
30	113N1300-13	.SHIM		002004 006100 107107 121503 904999	1
35	113N1300-14	.SHIM		002004 006100 107107 121503 904999	1
40	113N1307-1	.FITTING ASSY-SPRT	POSITION DATA: LH SIDE OPTIONAL PART: 113N1307-5	002004 006100 107107 121503 904999	1
40	113N1307-5	.FITTING ASSY-SPRT	POSITION DATA: LH SIDE	002004 006100 107107 121503 904999	1

MISSING ITEM NUMBERS NOT APPLICABLE

- ITEM NOT ILLUSTRATED

27-51-15-06

27-51-15  
FIG. 06  
PAGE 2  
JAN 20/09

BRI

BOEING PROPRIETARY - Copyright © - Unpublished Work - See title page for details.



757

PARTS CATALOG (MAINTENANCE)

FIG ITEM	PART NUMBER	1 2 3 4 5 6 7	NOMENCLATURE	EFFECT FROM TO	UNITS PER ASSY
6	40 113N1321-1	.	FITTING ASSY-SPRT POSITION DATA: LH SIDE	002004 006100 107107 121503 904999	1
-	45 113N1307-2	.	FITTING ASSY-SPRT POSITION DATA: RH SIDE OPTIONAL PART: 113N1307-6	002004 006100 107107 121503 904999	1
-	45 113N1307-6	.	FITTING-SPRT POSITION DATA: RH SIDE	002004 006100 107107 121503 904999	1
-	45 113N1321-2	.	FITTING ASSY-SPRT POSITION DATA: RH SIDE	002004 006100 107107 121503 904999	1
	50 WC11G1	..	BEARING-SPHER SUPPLIER CODE: V56644 SPECIFICATION NUMBER: 60B00180-37 OPTIONAL PART: ASSB11-18 V15860	002004 006100 107107 121503 904999	1
	55 MS15004-3	..	FITTING-LUBRICATION	002004 006100 107107 121503 904999	1
	60 113N1307-3	..	FITTING-SPRT POSITION DATA: LH SIDE OPTIONAL PART: 113N1307-7	002004 006100 107107 121503 904999	1
	60 113N1307-7	..	FITTING-SPRT POSITION DATA: LH SIDE	002004 006100 107107 121503 904999	1
	60 113N1321-3	..	FITTING-SPRT POSITION DATA: LH SIDE	002004 006100 107107 121503 904999	1

MISSING ITEM NUMBERS NOT APPLICABLE

- ITEM NOT ILLUSTRATED

BRI

27-51-15-06

27-51-15  
FIG. 06  
PAGE 3  
JAN 20/09



757

PARTS CATALOG (MAINTENANCE)

FIG ITEM	PART NUMBER	1 2 3 4 5 6 7	NOMENCLATURE	EFFECT FROM TO	UNITS PER ASSY
6					
- 65	113N1307-4	..	FITTING-SPRT POSITION DATA: RH SIDE OPTIONAL PART: 113N1307-8	002004 006100 107107 121503 904999	1
- 65	113N1307-8	..	FITTING-SPRT POSITION DATA: RH SIDE	002004 006100 107107 121503 904999	1
- 65	113N1321-4	..	FITTING-SPRT POSITION DATA: RH SIDE	002004 006100 107107 121503 904999	1
- 70	113N1300-7		FITTING INSTL- POSITION DATA: WING BL 490.778 OUTBD FLAP LH FOR NHA SEE: 57-20-52-01	002004 006100 107107 121503 904999	RF
- 75	113N1300-8		FITTING INSTL- POSITION DATA: WING BL 490.778 OUTBD FLAP RH FOR NHA SEE: 57-20-52-01	002004 006100 107107 121503 904999	RF
80	BACB30LE7-25	.	BOLT	002004 006100 107107 121503 904999	4
85	BACW10BP7DP	.	WASHER- POSITION DATA: UNDER NUT	002004 006100 107107 121503 904999	12
90	BACW10BP7CD	.	WASHER- POSITION DATA: UNDER BOLT	002004 006100 107107 121503 904999	4

MISSING ITEM NUMBERS NOT APPLICABLE

- ITEM NOT ILLUSTRATED

27-51-15-06

27-51-15  
FIG. 06  
PAGE 4  
JAN 20/09

BRI

BOEING PROPRIETARY - Copyright © - Unpublished Work - See title page for details.



757

PARTS CATALOG (MAINTENANCE)

FIG ITEM	PART NUMBER	1 2 3 4 5 6 7	NOMENCLATURE	EFFECT FROM TO	UNITS PER ASSY
6 95	BMN10HRCWD3-7	.NUT	SUPPLIER CODE: V97928 SPECIFICATION NUMBER: BACN10HR7CD OPTIONAL PART: H51560-7 V15653 67832CD720 V56878 102LH9031-7 V72962 BH00303CM7 V27238 BMN5024CWD37 V97928 SL7108C7 V11815 VCU0005D7 V06710 102LH90317 V72962 67832CD7 V56878 CR6030-7 VF0224 BMN10HRCWD3-7 V97928	002004 006100 107107 121503 904999	4
100	113N1300-13	.SHIM		002004 006100 107107 121503 904999	1
105	113N1300-14	.SHIM		002004 006100 107107 121503 904999	1
110	113N1307-1	.FITTING ASSY-SPRT	POSITION DATA: LH SIDE OPTIONAL PART: 113N1307-5	002004 006100 107107 121503 904999	1
110	113N1307-5	.FITTING ASSY-SPRT	POSITION DATA: LH SIDE	002004 006100 107107 121503 904999	1

MISSING ITEM NUMBERS NOT APPLICABLE

- ITEM NOT ILLUSTRATED

27-51-15-06

27-51-15  
FIG. 06  
PAGE 5  
JAN 20/09

BRI

BOEING PROPRIETARY - Copyright © - Unpublished Work - See title page for details.



757

PARTS CATALOG (MAINTENANCE)

FIG ITEM	PART NUMBER	1 2 3 4 5 6 7	NOMENCLATURE	EFFECT FROM TO	UNITS PER ASSY
6					
110	113N1321-1	.	FITTING ASSY-SPRT POSITION DATA: LH SIDE	002004 006100 107107 121503 904999	1
- 115	113N1307-2	.	FITTING ASSY-SPRT POSITION DATA: RH SIDE OPTIONAL PART: 113N1307-6	002004 006100 107107 121503 904999	1
- 115	113N1307-6	.	FITTING-SPRT POSITION DATA: RH SIDE	002004 006100 107107 121503 904999	1
- 115	113N1321-2	.	FITTING ASSY-SPRT POSITION DATA: RH SIDE	002004 006100 107107 121503 904999	1
120	MS15004-3	..	FITTING-LUBRICATION	002004 006100 107107 121503 904999	1
125	WC11G1	..	BEARING-SPHER SUPPLIER CODE: V56644 SPECIFICATION NUMBER: 60B00180-37 OPTIONAL PART: ASSB11-18 V15860	002004 006100 107107 121503 904999	1
130	113N1307-3	..	FITTING-SPRT POSITION DATA: LH SIDE OPTIONAL PART: 113N1307-7	002004 006100 107107 121503 904999	1
130	113N1307-7	..	FITTING-SPRT POSITION DATA: LH SIDE	002004 006100 107107 121503 904999	1
130	113N1321-3	..	FITTING-SPRT POSITION DATA: LH SIDE	002004 006100 107107 121503 904999	1

MISSING ITEM NUMBERS NOT APPLICABLE

- ITEM NOT ILLUSTRATED

27-51-15-06

27-51-15  
FIG. 06  
PAGE 6  
JAN 20/09

BRI

BOEING PROPRIETARY - Copyright © - Unpublished Work - See title page for details.



757

PARTS CATALOG (MAINTENANCE)

FIG ITEM	PART NUMBER	1 2 3 4 5 6 7	NOMENCLATURE	EFFECT FROM TO	UNITS PER ASSY
6					
- 135	113N1307-4	..	FITTING-SPRT POSITION DATA: RH SIDE	002004 006100 107107	1
			OPTIONAL PART: 113N1307-8	121503 904999	
- 135	113N1307-8	..	FITTING-SPRT POSITION DATA: RH SIDE	002004 006100 107107	1
				121503 904999	
- 135	113N1321-4	..	FITTING-SPRT POSITION DATA: RH SIDE	002004 006100 107107	1
				121503 904999	

MISSING ITEM NUMBERS NOT APPLICABLE

- ITEM NOT ILLUSTRATED

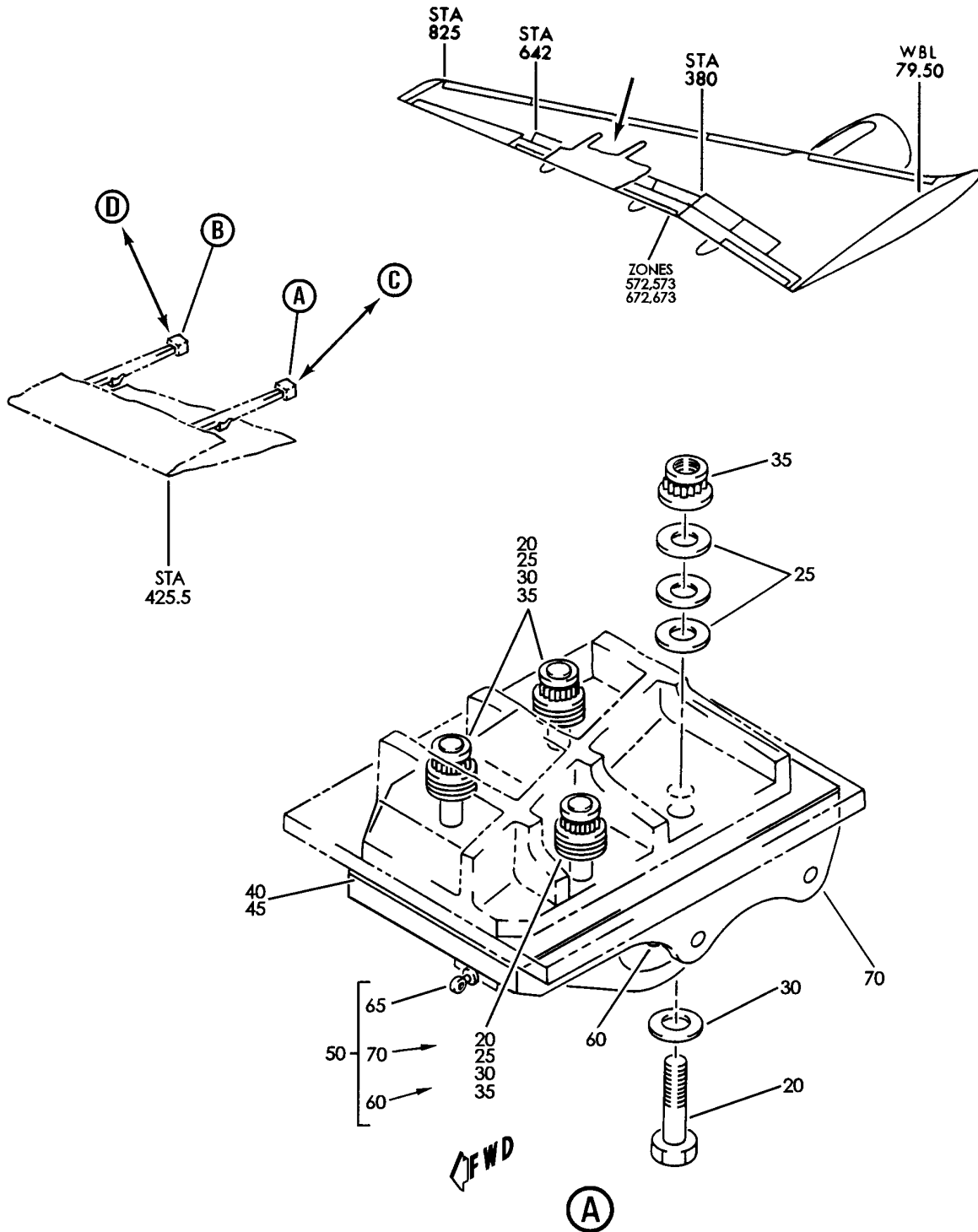
BRI

27-51-15-06

BOEING PROPRIETARY - Copyright © - Unpublished Work - See title page for details.

27-51-15  
FIG. 06  
PAGE 7  
JAN 20/09

**BOEING**  
757  
PARTS CATALOG (MAINTENANCE)



Y 27511506A SHT 1 REV 208

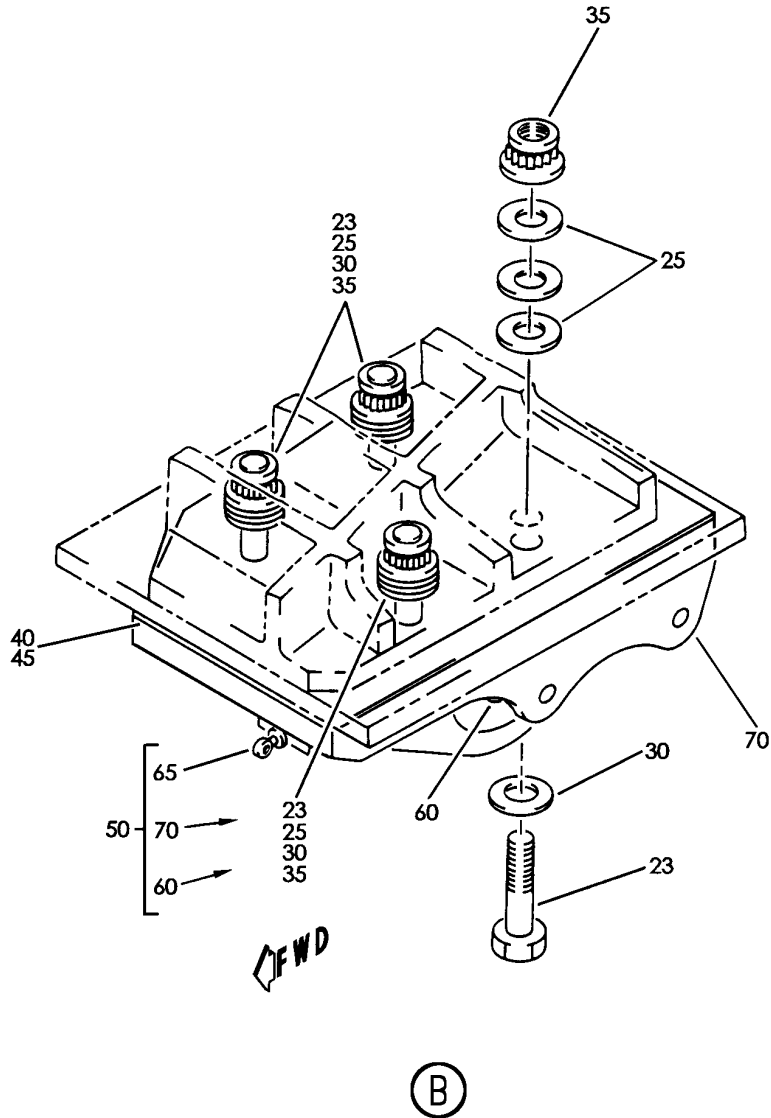
FITTING INSTL-WING BL 361,00 AND 490.778 OUTBD FLAP  
FIGURE 6A (SHEET 1)

**27-51-15-06A**

BRI  
MAY 28/07

27-51-15-06A  
PAGE 0

**BOEING**  
757  
PARTS CATALOG (MAINTENANCE)



Y 27511506A SHT 2 REV 296

FITTING INSTL-WING BL 361,00 AND 490.778 OUTBD FLAP  
FIGURE 6A (SHEET 2)

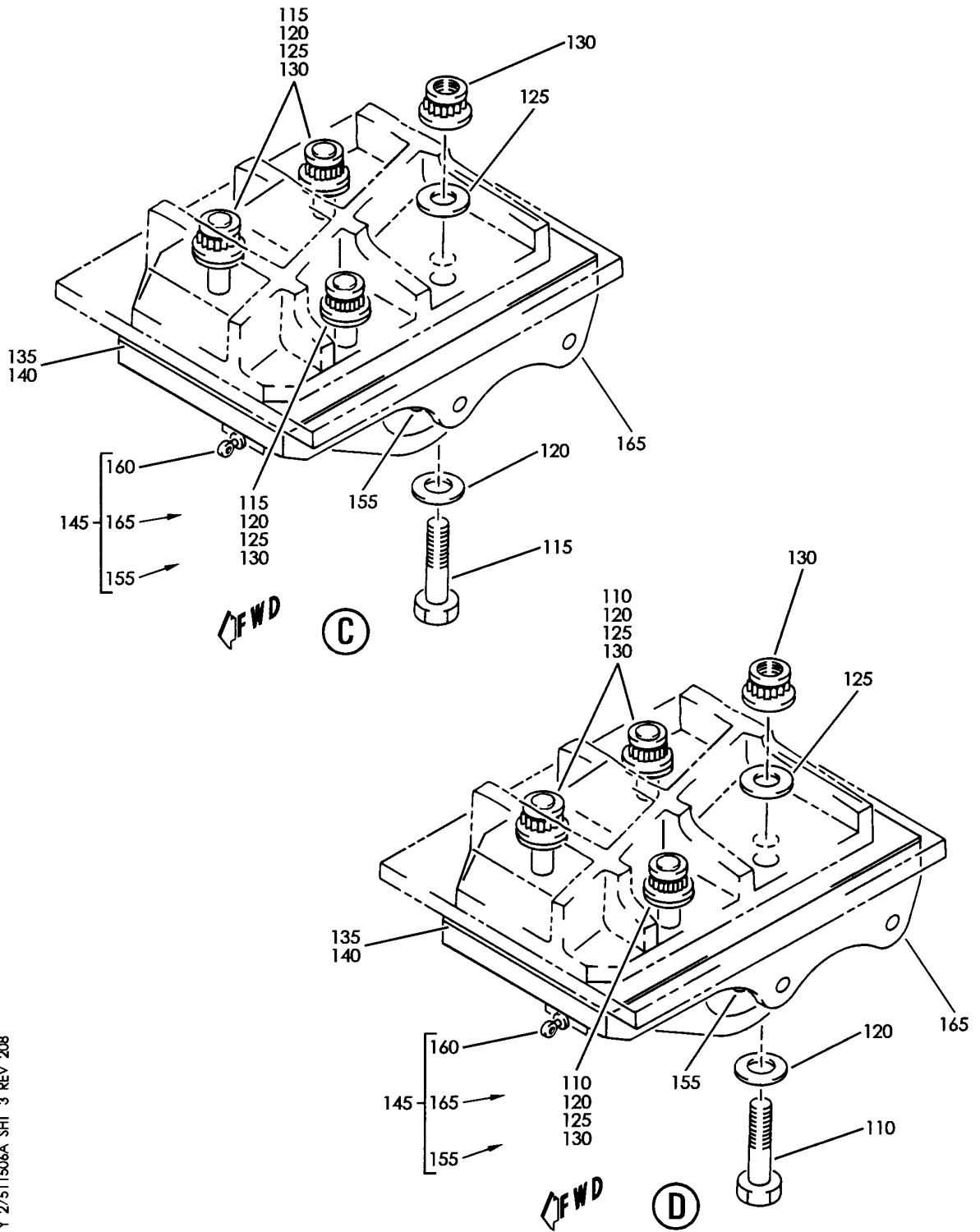
**27-51-15-06A**

BRI  
MAY 28/07

27-51-15-06A  
PAGE 0A



**BOEING**  
757  
PARTS CATALOG (MAINTENANCE)



Y 27511506A SHT 3 REV 208

FITTING INSTL-WING BL 361,00 AND 490.778 OUTBD FLAP  
FIGURE 6A (SHEET 3)

**27-51-15-06A**

BRI  
MAY 28/07

27-51-15-06A  
PAGE 0B

BOEING PROPRIETARY - Copyright © - Unpublished Work - See title page for details.



757

PARTS CATALOG (MAINTENANCE)

FIG ITEM	PART NUMBER	1 2 3 4 5 6 7	NOMENCLATURE	EFFECT FROM TO	UNITS PER ASSY
6A			FITTING INSTL-WING BL 361,00 AND 490.778 OUTBD FLAP	101106 108120 504903	
- 1	113N1300-211		FITTING INSTL- POSITION DATA: WING BL 361.00 OUTBD FLAP LH FOR NHA SEE: 57-00-00-05	101102 108120 504903	RF
- 1	MODREF1157		FITTING INSTL- MODULE NUMBER: 113N1300-211 REV A POSITION DATA: WING BL 361.00 OUTBD FLAP LH	103103	1
- 1	MODREF26525		FITTING INSTL- MODULE NUMBER: 113N1300-211 REV B POSITION DATA: WING BL 361.00 OUTBD FLAP LH	104106	1
- 5	113N1300-213		FITTING INSTL- POSITION DATA: WING BL 490.778 OUTBD FLAP LH FOR NHA SEE: 57-00-00-05	101102 108120 504903	RF
- 5	MODREF1159		FITTING INSTL- MODULE NUMBER: 113N1300-213 REV A POSITION DATA: WING BL 490.778 OUTBD FLAP LH	103103	1
- 5	MODREF26527		FITTING INSTL- MODULE NUMBER: 113N1300-213 REV B POSITION DATA: WING BL 361.00 OUTBD FLAP LH	104106	1
- 10	113N1300-212		FITTING INSTL- POSITION DATA: WING BL 361.00 OUTBD FLAP RH FOR NHA SEE: 57-00-00-05	101102 108120 504903	RF

MISSING ITEM NUMBERS NOT APPLICABLE

- ITEM NOT ILLUSTRATED

**27-51-15-06A**

27-51-15  
FIG. 06A  
PAGE 1  
JAN 20/09

BRI

BOEING PROPRIETARY - Copyright © - Unpublished Work - See title page for details.



757

PARTS CATALOG (MAINTENANCE)

FIG ITEM	PART NUMBER	1 2 3 4 5 6 7	NOMENCLATURE	EFFECT FROM TO	UNITS PER ASSY
6A					
- 10	MODREF1158		FITTING INSTL- MODULE NUMBER: 113N1300-212 REV A POSITION DATA: WING BL 361.00 OUTBD FLAP RH	103103	1
- 10	MODREF26526		FITTING INSTL- MODULE NUMBER: 113N1300-212 REV B POSITION DATA: WING BL 361.00 OUTBD FLAP RH	104106	1
- 15	113N1300-214		FITTING INSTL- POSITION DATA: WING BL 490.778 OUTBD FLAP RH FOR NHA SEE: 57-00-00-05	101102 108120 504903	RF
- 15	MODREF1160		FITTING INSTL- MODULE NUMBER: 113N1300-214 REV A POSITION DATA: WING BL 490.778 OUTBD FLAP RH	103103	1
- 15	MODREF26528		FITTING INSTL- MODULE NUMBER: 113N1300-214 REV B POSITION DATA: WING BL 490.778 OUTBD FLAP RH	104106	1
20	BACB30US7K27		.BOLT	101106 108120 504903	4
23	BACB30US7K25		.BOLT	101106 108120 504903	4
25	BACW10BP7DP		.WASHER- POSITION DATA: UNDER NUT	101106 108120 504903	12
30	BACW10BP7CD		.WASHER- POSITION DATA: UNDER BOLT	101106 108120 504903	4

MISSING ITEM NUMBERS NOT APPLICABLE

- ITEM NOT ILLUSTRATED

27-51-15-06A

27-51-15  
FIG. 06A  
PAGE 2  
JAN 20/09

BRI

BOEING PROPRIETARY - Copyright © - Unpublished Work - See title page for details.



757

PARTS CATALOG (MAINTENANCE)

FIG ITEM	PART NUMBER	1 2 3 4 5 6 7	NOMENCLATURE	EFFECT FROM TO	UNITS PER ASSY
6A 35	BMN10HRCWD3-7	.NUT	SUPPLIER CODE: V97928 SPECIFICATION NUMBER: BACN10HR7CD OPTIONAL PART: H51560-7 V15653 67832CD720 V56878 102LH9031-7 V72962 BH00303CM7 V27238 BMN5024CWD37 V97928 SL7108C7 V11815 VCU0005D7 V06710 102LH90317 V72962 67832CD7 V56878 CR6030-7 VF0224 BMN10HRCWD3-7 V97928	101106 108120 504903	4
40	113N1300-13	.SHIM		101106 108120 504903	1
45	113N1300-25	.SHIM		101106 108120 504903	1
50	113N1321-1	.FITTING ASSY- POSITION DATA: LH SIDE		101106 108120 504903	1
55	113N1321-2	.FITTING ASSY- POSITION DATA: RH SIDE		101106 108120 504903	1
60	WC11G1	..BEARING-SPHER SUPPLIER CODE: V56644 SPECIFICATION NUMBER: 60B00180-37 OPTIONAL PART: ASSB11-18 V15860		101106 108120 504903	1

MISSING ITEM NUMBERS NOT APPLICABLE

- ITEM NOT ILLUSTRATED

27-51-15-06A

27-51-15  
FIG. 06A  
PAGE 3  
JAN 20/09

BRI

BOEING PROPRIETARY - Copyright © - Unpublished Work - See title page for details.



757

PARTS CATALOG (MAINTENANCE)

FIG ITEM	PART NUMBER	1 2 3 4 5 6 7	NOMENCLATURE	EFFECT FROM TO	UNITS PER ASSY
6A					
65	MS15004-3		.. FITTING-LUBRICATION	101106 108120 504903	1
70	113N1321-3		.. FITTING- POSITION DATA: LH SIDE	101106 108120 504903	1
75	113N1321-4		.. FITTING- POSITION DATA: RH SIDE	101106 108120 504903	1

MISSING ITEM NUMBERS NOT APPLICABLE

- ITEM NOT ILLUSTRATED

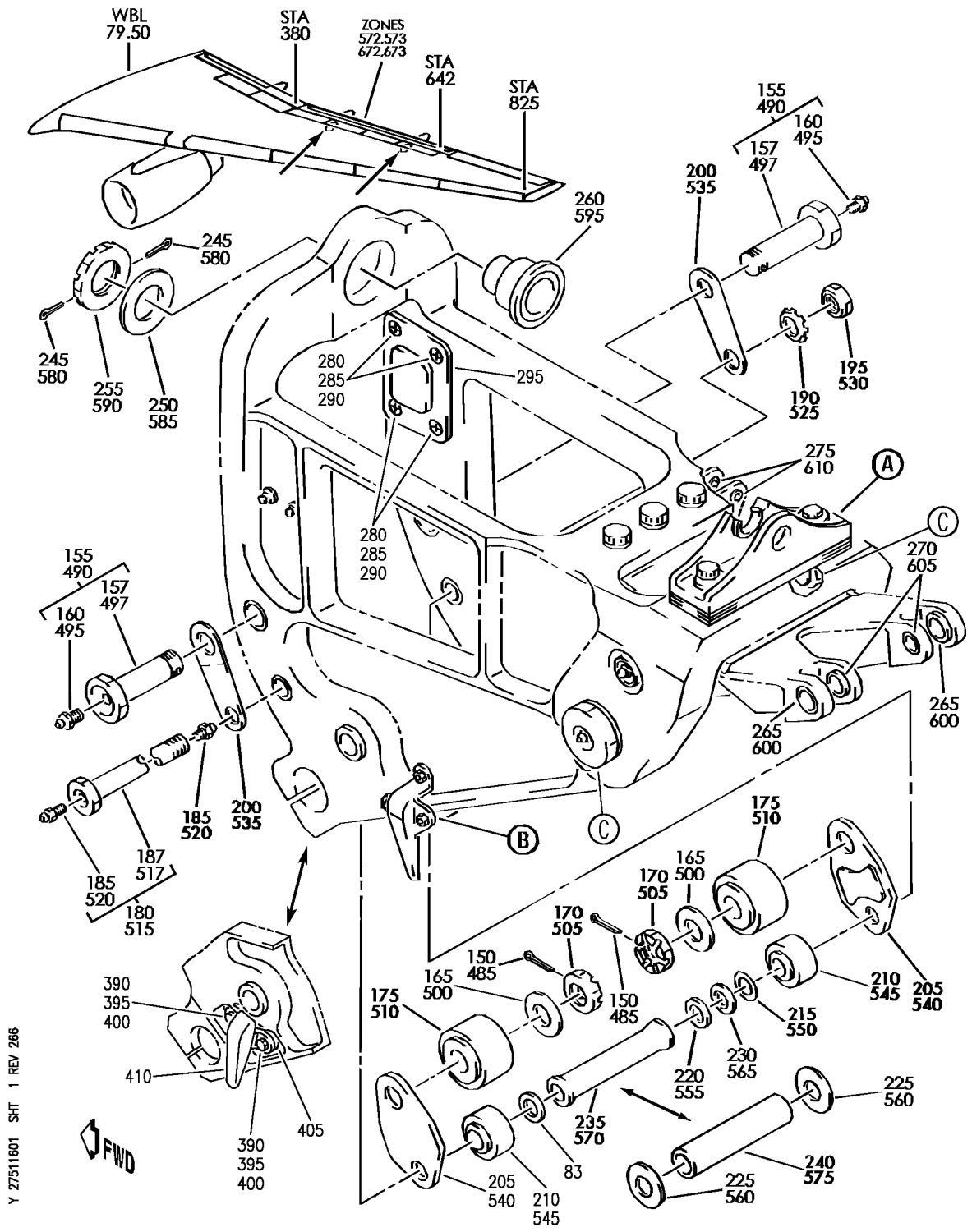
BRI

27-51-15-06A

BOEING PROPRIETARY - Copyright © - Unpublished Work - See title page for details.

27-51-15  
FIG. 06A  
PAGE 4  
JAN 20/09

**BOEING**  
757  
**PARTS CATALOG (MAINTENANCE)**



Y 27511601 SHT 1 REV 266

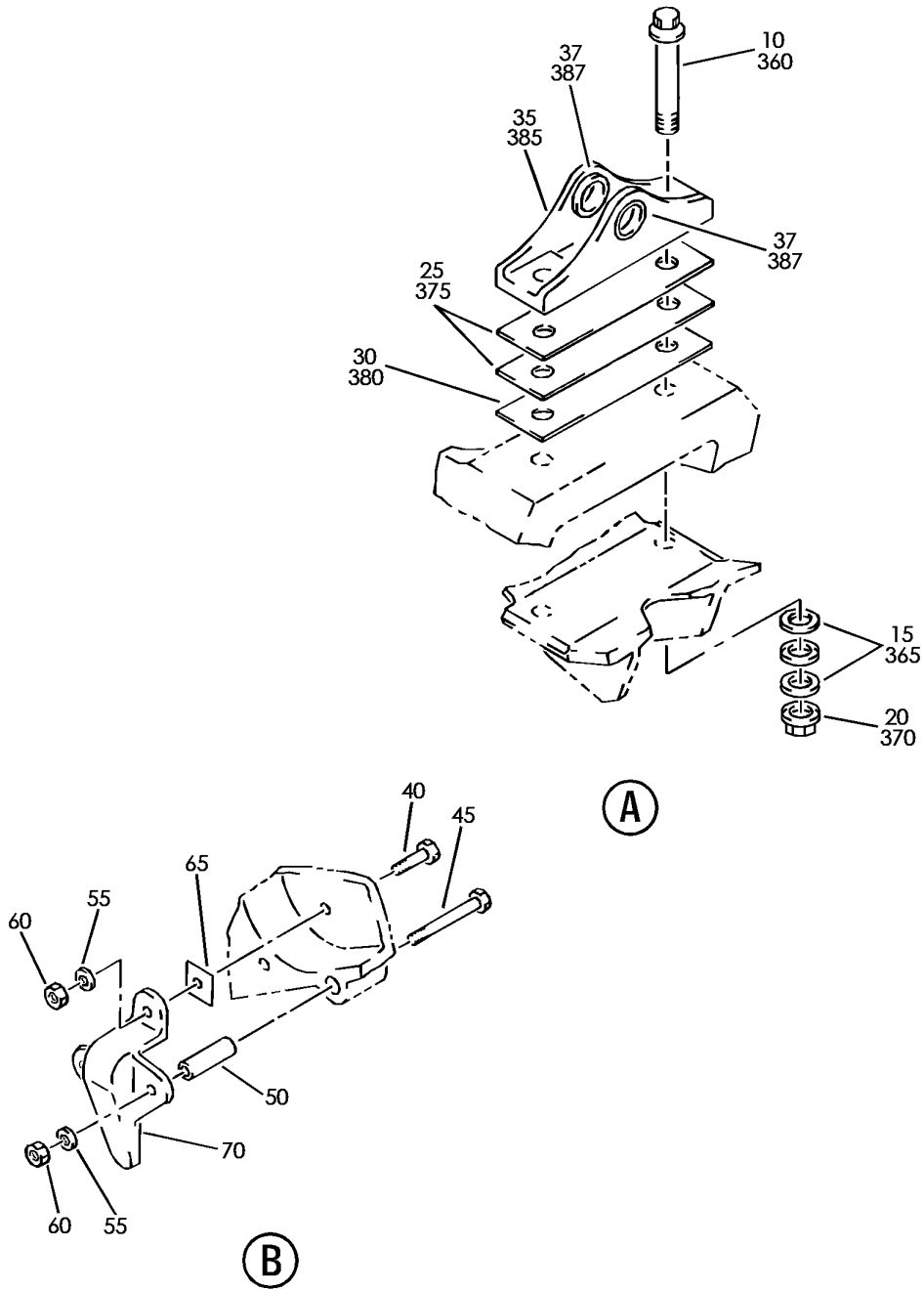
CARRIAGE ASSY-OUTBD TE FLAP  
FIGURE 1 (SHEET 1)

**27-51-16-01**

BRI  
MAY 28/07

27-51-16-01  
PAGE 0

**BOEING**  
757  
PARTS CATALOG (MAINTENANCE)



Y 27511601 SHT 2 REV 246

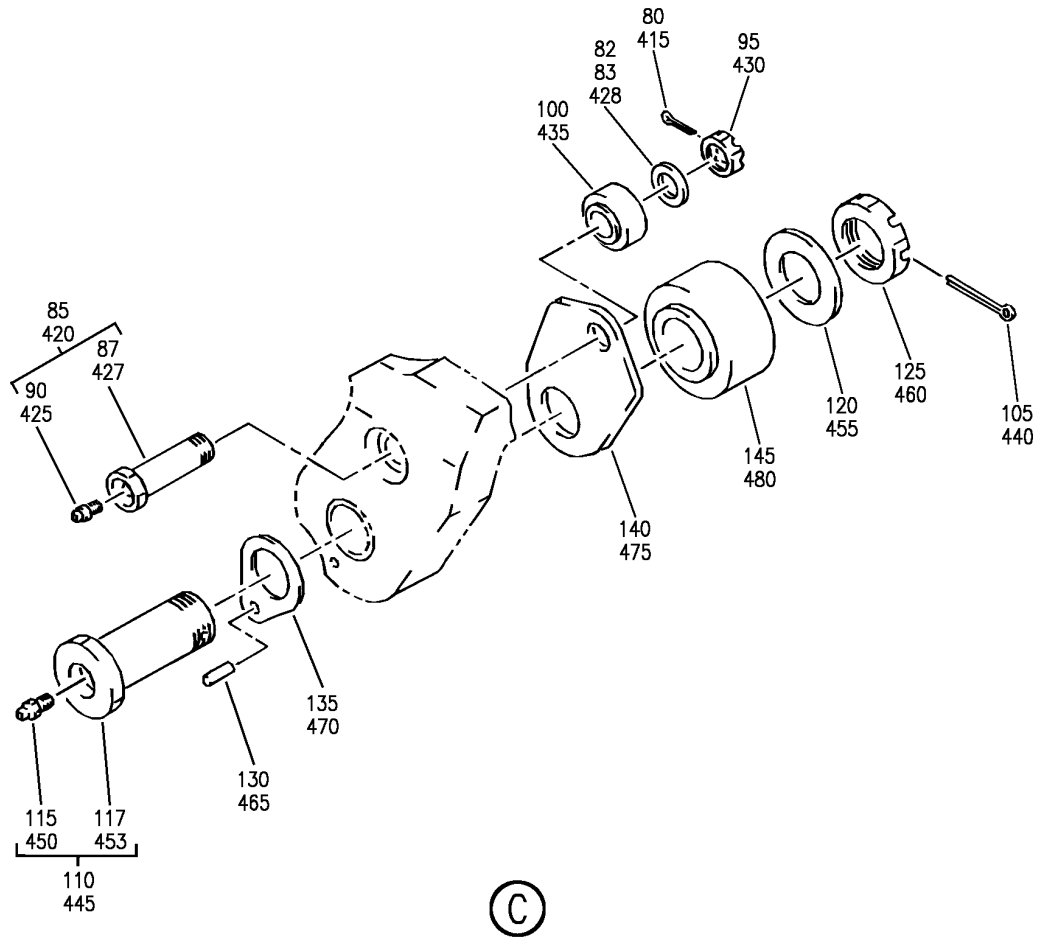
CARRIAGE ASSY-OUTBD TE FLAP  
FIGURE 1 (SHEET 2)

**27-51-16-01**

BRI  
MAY 28/07

27-51-16-01  
PAGE 0A

**BOEING**  
757  
PARTS CATALOG (MAINTENANCE)



Y 27511601 SHT 3 REV 246

CARRIAGE ASSY-OUTBD TE FLAP  
FIGURE 1 (SHEET 3)

**27-51-16-01**

BRI  
MAY 28/07

27-51-16-01  
PAGE 0B





757

PARTS CATALOG (MAINTENANCE)

FIG ITEM	PART NUMBER	1 2 3 4 5 6 7	NOMENCLATURE	EFFECT FROM TO	UNITS PER ASSY
1			CARRIAGE ASSY-OUTBD TE FLAP	002004 006999	
- 1	113N3100-1		CARRIAGE ASSY- POSITION DATA: OUTBD TE FLAP INBD LH COMPONENT MAINT MANUAL REF: 27-51-18 FOR NHA SEE: 27-51-14-01	002004 006999	RF
- 1	113N3100-3		CARRIAGE ASSY- POSITION DATA: OUTBD TE FLAP INBD LH COMPONENT MAINT MANUAL REF: 27-51-18 FOR NHA SEE: 27-51-14-01	002004 006999	RF
- 1	113N3100-5		CARRIAGE ASSY- POSITION DATA: OUTBD TE FLAP INBD LH COMPONENT MAINT MANUAL REF: 27-51-18 FOR NHA SEE: 27-51-14-01	002004 006999	RF
- 1	113N3100-9		CARRIAGE ASSY- POSITION DATA: OUTBD TE FLAP INBD LH COMPONENT MAINT MANUAL REF: 27-51-18 FOR NHA SEE: 27-51-14-01	002004 006999	RF
- 1	113N3100-11		CARRIAGE ASSY- POSITION DATA: OUTBD TE FLAP INBD LH COMPONENT MAINT MANUAL REF: 27-51-18 FOR NHA SEE: 27-51-14-01	002004 006999	RF
- 1	113N3100-13		CARRIAGE ASSY- POSITION DATA: OUTBD TE FLAP INBD LH COMPONENT MAINT MANUAL REF: 27-51-18 FOR NHA SEE: 27-51-14-01	002004 006999	RF

MISSING ITEM NUMBERS NOT APPLICABLE

- ITEM NOT ILLUSTRATED

BRI

**27-51-16-01**

27-51-16  
FIG. 01  
PAGE 1  
SEP 20/08



757

PARTS CATALOG (MAINTENANCE)

FIG ITEM	PART NUMBER	1 2 3 4 5 6 7	NOMENCLATURE	EFFECT FROM TO	UNITS PER ASSY
1					
- 5	113N3100-2		CARRIAGE ASSY- POSITION DATA: OUTBD TE FLAP INBD RH COMPONENT MAINT MANUAL REF: 27-51-18 FOR NHA SEE: 27-51-14-01	002004 006999	RF
- 5	113N3100-4		CARRIAGE ASSY- POSITION DATA: OUTBD TE FLAP INBD RH COMPONENT MAINT MANUAL REF: 27-51-18 FOR NHA SEE: 27-51-14-01	002004 006999	RF
- 5	113N3100-10		CARRIAGE ASSY- POSITION DATA: OUTBD TE FLAP INBD RH COMPONENT MAINT MANUAL REF: 27-51-18 FOR NHA SEE: 27-51-14-01	002004 006999	RF
- 5	113N3100-6		CARRIAGE ASSY- POSITION DATA: OUTBD TE FLAP INBD RH COMPONENT MAINT MANUAL REF: 27-51-18 FOR NHA SEE: 27-51-14-01	002004 006999	RF
- 5	113N3100-12		CARRIAGE ASSY- POSITION DATA: OUTBD TE FLAP INBD RH COMPONENT MAINT MANUAL REF: 27-51-18 FOR NHA SEE: 27-51-14-01	002004 006999	RF
- 5	113N3100-14		CARRIAGE ASSY- POSITION DATA: OUTBD TE FLAP INBD RH COMPONENT MAINT MANUAL REF: 27-51-18 FOR NHA SEE: 27-51-14-01	002004 006999	RF
10	BACB30LE7K38		.BOLT	002004 006999	2
15	BACW10BP7APU		.WASHER	002004 006999	AR

MISSING ITEM NUMBERS NOT APPLICABLE

- ITEM NOT ILLUSTRATED

27-51-16-01

27-51-16  
FIG. 01  
PAGE 2  
SEP 20/08

BRI



757

PARTS CATALOG (MAINTENANCE)

FIG ITEM	PART NUMBER	1 2 3 4 5 6 7	NOMENCLATURE	EFFECT FROM TO	UNITS PER ASSY
1 20	BMN10HRCPD3-7	.NUT	SUPPLIER CODE: V97928 SPECIFICATION NUMBER: BACN10HR7CS OPTIONAL PART: H39953-7 V15653 109LH9031-7 V72962 67832AS720 V56878 BH00303-7 V27238 BMN5024CPD37 V97928 109LH90317 V72962 67832AS7 V56878 SL705097 V11815 CR5908-7 VF0224 109LH90317 V72962 67832AS7 V56878 SL705097 V11815	002004 006999	2
25	113N3107-1	.SHIM		002004 006999	2
30	113N3107-2	.SHIM		002004 006999	1
35	113N3103-3	.FITTING ASSY-LINK ATTACH OPTIONAL PART: 113N3103-5 113N3103-7		002004 006999	1
35	113N3103-5	.FITTING ASSY-LINK ATTACH OPTIONAL PART: 113N3103-3		002004 006999	1
35	113N3103-7	.FITTING ASSY-LINK ATTACH OPTIONAL PART: 113N3103-3		002004 006999	1
37	BACB28AM14B019A	..BUSHING- USED ON: 113N3103-3		002004 006999	2

MISSING ITEM NUMBERS NOT APPLICABLE

- ITEM NOT ILLUSTRATED

27-51-16-01

27-51-16  
FIG. 01  
PAGE 3  
JAN 20/09

BRI

BOEING PROPRIETARY - Copyright © - Unpublished Work - See title page for details.

 **BOEING**  
757  
**PARTS CATALOG (MAINTENANCE)**

FIG ITEM	PART NUMBER	1 2 3 4 5 6 7	NOMENCLATURE	EFFECT FROM TO	UNITS PER ASSY
1					
37	BACB28AT14B019C	. .	BUSHING- USED ON: 113N3103-5 113N3103-7	002004 006999	2
40	BACB30NM3K4	.BOLT-		002004 006999	1
45	BACB30NM3K18	.BOLT-		002004 006999	2
50	NAS43DD3-63	.SPACER-		002004 006100 107107 121503 904999	1
50	NAS43DD3-63FC	.SPACER-		101106 108120 504903	1
55	NAS1149C0363R	.WASHER-		002004 006999	3
60	BRH10C3D	.NUT	SUPPLIER CODE: V52828 SPECIFICATION NUMBER: BACN10JC3CD OPTIONAL PART: T6C1032JCD V11815 NS202486-02 V80539 102LH9075-3W V72962 H51650-3BAC V15653	002004 006999	3
65	BACS40R008W008	.SHIM-		002004 006999	1
70	113N3131-3	.BLOCK-RUB	POSITION DATA: LH SIDE	002004 006999	1
- 75	113N3131-4	.BLOCK-RUB	POSITION DATA: RH SIDE	002004 006999	1
80	BACP18BC04A12P	.PIN-		002004 006999	2
83	NAS1149C1032R	.WASHER		101106 108120 504903	AR
85	113N3104-3	.BOLT ASSY-		002004 006999	2
85	113N3104-15	.BOLT ASSY-		002004 006999	2

MISSING ITEM NUMBERS NOT APPLICABLE

- ITEM NOT ILLUSTRATED

BRI

# 27-51-16-01

BOEING PROPRIETARY - Copyright © - Unpublished Work - See title page for details.

27-51-16  
FIG. 01  
PAGE 4  
JAN 20/09



757

PARTS CATALOG (MAINTENANCE)

FIG ITEM	PART NUMBER	1 2 3 4 5 6 7	NOMENCLATURE	EFFECT FROM TO	UNITS PER ASSY
1					
87	113N3104-10	..	BOLT- USED ON: 113N3104-3	002004 006999	1
87	113N3104-18	..	BOLT- USED ON: 113N3104-15	002004 006999	1
90	MS15004-1	..	FITTING	002004 006999	1
95	BACN10JD110AU	.	NUT	002004 006999	2
100	ATF10	.	BEARING SUPPLIER CODE: V60380 SPECIFICATION NUMBER: BACB10ET10 OPTIONAL PART: 10AFC1224 V92563 YAF10B V07484	002004 006999	2
105	BACP18BC04A20P	.	PIN-	002004 006999	2
110	113N3104-2	.	BOLT ASSY- OPTIONAL PART: 113N3104-14	002004 006999	2
110	113N3104-14	.	BOLT ASSY-	002004 006999	2
115	MS15004-1	..	FITTING	002004 006999	1
117	113N3104-9	..	BOLT- USED ON: 113N3104-2	002004 006999	1
117	113N3104-17	..	BOLT- USED ON: 113N3104-14	002004 006999	1
120	BACW10P167S	.	WASHER	002004 006999	AR
125	113N3105-2	.	NUT-	107107 904949 952952	2
125	113N3105-5	.	NUT-	002004 006999	2
130	MS16562-236	.	PIN	002004 006999	2
135	113N3111-2	.	WASHER-PLATE	002004 006999	2
140	113N3122-1	.	PLATE ASSY-RUB	002004 006999	2

MISSING ITEM NUMBERS NOT APPLICABLE

- ITEM NOT ILLUSTRATED

27-51-16-01

27-51-16  
FIG. 01  
PAGE 5  
JAN 20/09

BRI

BOEING PROPRIETARY - Copyright © - Unpublished Work - See title page for details.

 **BOEING**  
757  
**PARTS CATALOG (MAINTENANCE)**

FIG ITEM	PART NUMBER	1 2 3 4 5 6 7	NOMENCLATURE	EFFECT FROM TO	UNITS PER ASSY
1					
145	ATF24		.BEARING SUPPLIER CODE: V60380 SPECIFICATION NUMBER: BACB10ET24 OPTIONAL PART: 24AFC2448 V92563 YAF24B V07484	002004 006999	2
150	BACP18BC04A14P		.PIN-	002004 006999	2
155	113N3104-1		.BOLT ASSY-	002004 006999	2
155	113N3104-13		.BOLT ASSY-	002004 006999	2
157	113N3104-8		..BOLT- USED ON: 113N3104-1	002004 006999	1
157	113N3104-16		..BOLT- USED ON: 113N3104-13	002004 006999	1
160	MS15004-1		..FITTING	002004 006999	1
165	NAS1149C1432R		.WASHER-	002004 006999	2
170	113N3105-1		.NUT	002004 006999	2
175	ATF14		.BEARING SUPPLIER CODE: V60380 SPECIFICATION NUMBER: BACB10ET14 OPTIONAL PART: 14AFC1832 V92563 YAF14B V07484	002004 006999	2
180	113N3104-6		.BOLT ASSY	002004 006999	1
185	MS15004-1		..FITTING	002004 006999	2
187	113N3104-11		..BOLT	002004 006999	2
190	MS19070-023		.WASHER	002004 006999	1
195	MS19068-023		.NUT	002004 006999	1

MISSING ITEM NUMBERS NOT APPLICABLE

— ITEM NOT ILLUSTRATED

BRI

# 27-51-16-01

BOEING PROPRIETARY - Copyright © - Unpublished Work - See title page for details.

27-51-16  
FIG. 01  
PAGE 6  
JAN 20/09



757

PARTS CATALOG (MAINTENANCE)

FIG ITEM	PART NUMBER	1 2 3 4 5 6 7	NOMENCLATURE	EFFECT FROM TO	UNITS PER ASSY
1					
200	113N3111-3	.	WASHER	002004 006999	2
205	113N3122-2	.	PLATE ASSY-RUB	002004 006999	2
205	113N3122-13	.	PLATE ASSY-RUB	002004 006999	2
210	ATF10	.	BEARING SUPPLIER CODE: V60380 SPECIFICATION NUMBER: BACB10ET10 OPTIONAL PART: 10AFC1224 V92563 YAF10B V07484	002004 006999	2
215	113N3107-5	.	SHIM	002004 006999	1
220	NAS1149C1063R	.	WASHER-	002004 006999	1
225	NAS1149C1063R	.	WASHER-	002004 006999	2
230	NAS1149C1432R	.	WASHER-	002004 006999	1
235	113N3106-1	.	SPACER- OPTIONAL PART: 113N3100-7	002004 006999	1
240	113N3100-7	.	SPACER- OPTIONAL PART: 113N3106-1	002004 006999	1
245	BACP18BC04A04P	.	PIN- OPTIONAL PART: BACP18BC04A05P	002004 006999	2
245	BACP18BC04A05P	.	PIN- OPTIONAL PART: BACP18BC04A04P	002004 006999	2
250	113N3111-1	.	WASHER	002004 006999	1
255	113N3105-4	.	NUT	002004 006999	1
260	VTB08080	.	BEARING ASSY- SUPPLIER CODE: V06710 SPECIFICATION NUMBER: S113N302-1	107107 904949	1
260	VTB11040	.	BEARING ASSY- SUPPLIER CODE: V06710	107107 904949	1

MISSING ITEM NUMBERS NOT APPLICABLE

- ITEM NOT ILLUSTRATED

27-51-16-01

27-51-16  
FIG. 01  
PAGE 7  
JAN 20/09

BRI

**BOEING**  
757  
**PARTS CATALOG (MAINTENANCE)**

FIG ITEM	PART NUMBER	1 2 3 4 5 6 7	NOMENCLATURE	EFFECT FROM TO	UNITS PER ASSY
1					
260	P21940-6		.BEARING ASSY- SUPPLIER CODE: V57606 SPECIFICATION NUMBER: S113N302-6	107107 904949	1
265	012T2400-32		.BUSHING	002004 006999	2
270	BACB28AP08P017		.BUSHING	002004 006999	2
275	BACB28AP08P020		.BUSHING	002004 006999	2
280	BACB30NN3S6		.BOLT	002004 006999	8
280	BACB30NN3K6		.BOLT	002004 006999	8
285	NAS1149C0332R		.WASHER	002004 006999	8
290	NAS1805-3		.NUT	002004 006999	8
290	BACN11Z3CK		.NUT	002004 006999	8
295	113N3122-3		.PLATE ASSY-RUB	002004 006999	2
- 350	113N3150-1		CARRIAGE ASSY- POSITION DATA: OUTBD TE FLAP OUTBD LH COMPONENT MAINT MANUAL REF: 27-51-19 FOR NHA SEE: 27-51-14-01	002004 006999	RF
- 350	113N3150-3		CARRIAGE ASSY- POSITION DATA: OUTBD TE FLAP OUTBD LH COMPONENT MAINT MANUAL REF: 27-51-19 FOR NHA SEE: 27-51-14-01	002004 006999	RF
- 350	113N3150-5		CARRIAGE ASSY- POSITION DATA: OUTBD TE FLAP OUTBD LH COMPONENT MAINT MANUAL REF: 27-51-19 FOR NHA SEE: 27-51-14-01	002004 006999	RF

MISSING ITEM NUMBERS NOT APPLICABLE

- ITEM NOT ILLUSTRATED

BRI

# 27-51-16-01

BOEING PROPRIETARY - Copyright © - Unpublished Work - See title page for details.

27-51-16  
FIG. 01  
PAGE 8  
JAN 20/09





757

PARTS CATALOG (MAINTENANCE)

FIG ITEM	PART NUMBER	1 2 3 4 5 6 7	NOMENCLATURE	EFFECT FROM TO	UNITS PER ASSY
1					
- 350	113N3150-9		CARRIAGE ASSY- POSITION DATA: OUTBD TE FLAP OUTBD LH COMPONENT MAINT MANUAL REF: 27-51-19 FOR NHA SEE: 27-51-14-01	002004 006999	RF
- 350	113N3150-11		CARRIAGE ASSY- POSITION DATA: OUTBD TE FLAP OUTBD LH FOR NHA SEE: 27-51-14-01	002004 006999	RF
- 355	113N3150-2		CARRIAGE ASSY- POSITION DATA: OUTBD TE FLAP OUTBD RH COMPONENT MAINT MANUAL REF: 27-51-19 FOR NHA SEE: 27-51-14-01	002004 006999	RF
- 355	113N3150-4		CARRIAGE ASSY- POSITION DATA: OUTBD TE FLAP OUTBD RH COMPONENT MAINT MANUAL REF: 27-51-19 FOR NHA SEE: 27-51-14-01	002004 006999	RF
- 355	113N3150-10		CARRIAGE ASSY- POSITION DATA: OUTBD TE FLAP OUTBD RH COMPONENT MAINT MANUAL REF: 27-51-19 FOR NHA SEE: 27-51-14-01	002004 006999	RF
- 355	113N3150-6		CARRIAGE ASSY- POSITION DATA: OUTBD TE FLAP OUTBD RH COMPONENT MAINT MANUAL REF: 27-51-19 FOR NHA SEE: 27-51-14-01	002004 006999	RF
- 355	113N3150-12		CARRIAGE ASSY- POSITION DATA: OUTBD TE FLAP OUTBD RH FOR NHA SEE: 27-51-14-01	002004 006999	RF
360	BACB30LE7K34		.BOLT	002004 006999	2
365	BACW10BP7APU		.WASHER	002004 006999	AR

MISSING ITEM NUMBERS NOT APPLICABLE

- ITEM NOT ILLUSTRATED

27-51-16-01

27-51-16  
FIG. 01  
PAGE 9  
SEP 20/08

BRI



757

PARTS CATALOG (MAINTENANCE)

FIG ITEM	PART NUMBER	1 2 3 4 5 6 7	NOMENCLATURE	EFFECT FROM TO	UNITS PER ASSY
1 370	BMN10HRCPD3-7	.NUT	SUPPLIER CODE: V97928 SPECIFICATION NUMBER: BACN10HR7CS OPTIONAL PART: H39953-7 V15653 109LH9031-7 V72962 67832AS720 V56878 BH00303-7 V27238 BMN5024CPD37 V97928 109LH90317 V72962 67832AS7 V56878 SL705097 V11815 CR5908-7 VF0224 109LH90317 V72962 67832AS7 V56878 SL705097 V11815	002004 006999	2
375	113N3107-2	.SHIM		002004 006999	2
380	113N3107-1	.SHIM		002004 006999	1
385	113N3103-3	.FITTING ASSY-LINK ATTACH OPTIONAL PART: 113N3103-5		002004 006999	1
385	113N3103-7	.FITTING ASSY-LINK ATTACH		002004 006999	1
385	113N3103-9	.FITTING ASSY-LINK ATTACH		002004 006999	1
385	113N3103-5	.FITTING ASSY-LINK ATTACH OPTIONAL PART: 113N3103-3		002004 006999	1
387	BACB28AM14B019A	..BUSHING- USED ON: 113N3103-3		002004 006999	2

MISSING ITEM NUMBERS NOT APPLICABLE

- ITEM NOT ILLUSTRATED

27-51-16-01

27-51-16  
FIG. 01  
PAGE 10  
JAN 20/09

BRI



757

PARTS CATALOG (MAINTENANCE)

FIG ITEM	PART NUMBER	1 2 3 4 5 6 7	NOMENCLATURE	EFFECT FROM TO	UNITS PER ASSY
1 387	BACB28AT14B019C	..	BUSHING- USED ON: 113N3103-5 113N3103-7 113N3103-9	002004 006999	2
390	BACB30NM3K11	.BOLT-	SUPPLIER CODE: V06710 SPECIFICATION NUMBER: BACB30NM3K11	002004 006999	2
395	NAS1149C0363R	.WASHER-		002004 006999	2
400	BRH10C3D	.NUT	SUPPLIER CODE: V52828 SPECIFICATION NUMBER: BACN10JC3CD OPTIONAL PART: T6C1032JCD V11815 NS202486-02 V80539 102LH9075-3W V72962 H51650-3BAC V15653	002004 006999	2
405	113N3107-8	.SHIM-		002004 006999	1
405	113N3107-9	.SHIM-		002004 006999	1
410	113N3131-5	.BLOCK-RUB		002004 006999	1
415	BACP18BC04A12P	.PIN-		002004 006999	2
420	113N3104-3	.BOLT ASSY-		002004 006999	2
420	113N3104-15	.BOLT ASSY-		002004 006999	2
425	MS15004-1	..FITTING		002004 006999	1
427	113N3104-10	..BOLT-	USED ON: 113N3104-3	002004 006999	1
427	113N3104-18	..BOLT-	USED ON: 113N3104-15	002004 006999	1
428	NAS1149C1032R	.WASHER		002004 006999	2

MISSING ITEM NUMBERS NOT APPLICABLE

- ITEM NOT ILLUSTRATED

27-51-16-01

27-51-16  
FIG. 01  
PAGE 11  
JAN 20/09

BRI

BOEING PROPRIETARY - Copyright © - Unpublished Work - See title page for details.



757

PARTS CATALOG (MAINTENANCE)

FIG ITEM	PART NUMBER	1 2 3 4 5 6 7	NOMENCLATURE	EFFECT FROM TO	UNITS PER ASSY
1					
430	BACN10JD110AU	.	NUT	002004 006999	2
435	ATF10	.	BEARING SUPPLIER CODE: V60380 SPECIFICATION NUMBER: BACB10ET10 OPTIONAL PART: 10AFC1224 V92563 YAF10B V07484	002004 006999	2
440	BACP18BC04A20P	.	PIN-	002004 006999	2
445	113N3104-2	.	BOLT ASSY-	002004 006999	2
445	113N3104-14	.	BOLT ASSY-	002004 006999	2
450	MS15004-1	..	FITTING	002004 006999	1
453	113N3104-9	..	BOLT- USED ON: 113N3104-2	002004 006999	1
453	113N3104-17	..	BOLT- USED ON: 113N3104-14	002004 006999	1
455	BACW10P167S	.	WASHER	002004 006999	2
460	113N3105-2	.	NUT-	107107 904949 952952	2
460	113N3105-5	.	NUT-	002004 006999	2
465	MS16562-236	.	PIN	002004 006999	2
470	113N3111-2	.	WASHER-PLATE	002004 006999	2
475	113N3122-1	.	PLATE ASSY-RUB	002004 006999	2
480	ATF24	.	BEARING SUPPLIER CODE: V60380 SPECIFICATION NUMBER: BACB10ET24 OPTIONAL PART: 24AFC2448 V92563 YAF24B V07484	002004 006999	2

MISSING ITEM NUMBERS NOT APPLICABLE

- ITEM NOT ILLUSTRATED

27-51-16-01

27-51-16  
FIG. 01  
PAGE 12  
JAN 20/09

BRI

 **BOEING**  
757  
**PARTS CATALOG (MAINTENANCE)**

FIG ITEM	PART NUMBER	1 2 3 4 5 6 7	NOMENCLATURE	EFFECT FROM TO	UNITS PER ASSY
1					
485	BACP18BC04A14P	.PIN-		002004 006999	2
490	113N3104-1	.BOLT ASSY-		002004 006999	2
490	113N3104-13	.BOLT ASSY-		002004 006999	2
495	MS15004-1	..FITTING		002004 006999	1
497	113N3104-8	..BOLT-		002004	1
		USED ON:		006999	
		113N3104-1			
497	113N3104-16	..BOLT-		002004	1
		USED ON:		006999	
		113N3104-13			
500	NAS1149C1432R	.WASHER-		002004 006999	2
505	113N3105-1	.NUT		002004 006999	2
510	ATF14	.BEARING		002004	2
		SUPPLIER CODE:		006999	
		V60380			
		SPECIFICATION NUMBER:			
		BACB10ET14			
		OPTIONAL PART:			
		14AFC1832			
		V92563			
		YAF14B			
		V07484			
515	113N3104-7	.BOLT ASSY		002004 006999	1
517	113N3104-12	..BOLT		002004 006999	1
520	MS15004-1	..FITTING		002004 006999	2
525	MS19070-023	.WASHER		002004 006999	1
530	MS19068-023	.NUT		002004 006999	1
535	113N3111-3	.WASHER		002004 006999	2
540	113N3122-2	.PLATE ASSY-RUB		002004 006999	2
540	113N3122-13	.PLATE ASSY-RUB		002004 006999	2

MISSING ITEM NUMBERS NOT APPLICABLE

— ITEM NOT ILLUSTRATED

BRI

# 27-51-16-01

BOEING PROPRIETARY - Copyright © - Unpublished Work - See title page for details.

27-51-16  
FIG. 01  
PAGE 13  
JAN 20/09



757

PARTS CATALOG (MAINTENANCE)

FIG ITEM	PART NUMBER	1 2 3 4 5 6 7	NOMENCLATURE	EFFECT FROM TO	UNITS PER ASSY
1					
545	ATF10		.BEARING SUPPLIER CODE: V60380 SPECIFICATION NUMBER: BACB10ET10 OPTIONAL PART: 10AFC1224 V92563 YAF10B V07484	002004 006999	2
550	113N3107-5		.SHIM	002004 006999	1
555	NAS1149C1063R		.WASHER-	002004 006999	1
560	NAS1149C1063R		.WASHER-	002004 006999	2
565	NAS1149C1032R		.WASHER-	002004 006999	1
570	113N3106-2		.SPACER- OPTIONAL PART: 113N3150-7	002004 006999	1
575	113N3150-7		.SPACER- OPTIONAL PART: 113N3106-2	002004 006999	1
580	BACP18BC04A04P		.PIN	002004 006999	2
585	113N3111-1		.WASHER	002004 006999	1
590	113N3105-4		.NUT	002004 006999	1
595	S113N302-1		.BEARING	107107 904949	1
595	S113N302-6		.BEARING	002004 006106 108903 950999	1
600	012T2400-33		.BUSHING	002004 006999	2
605	BACB28AP07P013		.BUSHING	002004 006999	2
610	BACB28AP08P020		.BUSHING	002004 006999	2

MISSING ITEM NUMBERS NOT APPLICABLE

- ITEM NOT ILLUSTRATED

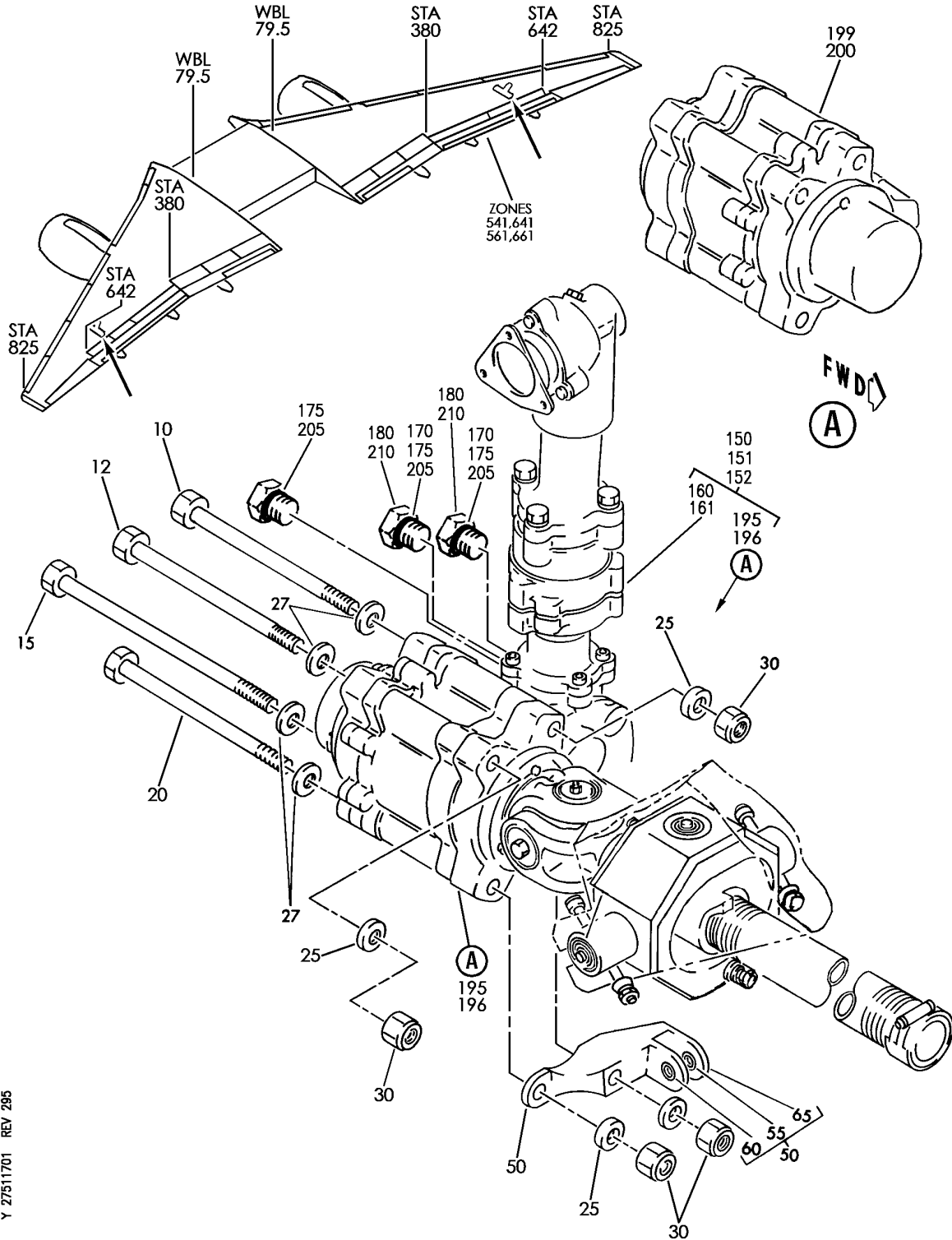
27-51-16-01

27-51-16  
FIG. 01  
PAGE 14  
JAN 20/09

BRI

BOEING PROPRIETARY - Copyright © - Unpublished Work - See title page for details.

**BOEING**  
757  
**PARTS CATALOG (MAINTENANCE)**



Y 27511701 REV 295

TRANSMISSION INSTL-OUTBD TE FLAP DRIVE OUTBD  
FIGURE 1

**27-51-17-01**

BRI  
MAY 28/07

27-51-17-01  
PAGE 0



757

PARTS CATALOG (MAINTENANCE)

FIG ITEM	PART NUMBER	1 2 3 4 5 6 7	NOMENCLATURE	EFFECT FROM TO	UNITS PER ASSY
1			TRANSMISSION INSTL-OUTBD TE FLAP DRIVE OUTBD	002004 006999	
- 1	251N4008-1		TRANSMISSION INSTL-TE FLAP DRIVE (OUTBD FLAP TRANSMISSIONS ONLY) POSITION DATA: OUTBD LH FOR NHA SEE: 27-51-25-03	002004 006100 107107 121503 904999	RF
- 3	251N4008-31		TRANSMISSION INSTL-TE FLAP DRIVE (OUTBD FLAP TRANSMISSIONS ONLY) POSITION DATA: OUTBD LH FOR NHA/OTHER SYS DET SEE: 27-50-00-02	101102	RF
- 3	251N4008-35		TRANSMISSION INSTL-TE FLAP DRIVE (OUTBD FLAP TRANSMISSIONS ONLY) POSITION DATA: OUTBD LH FOR NHA/OTHER SYS DET SEE: 27-50-00-02	108120 504903	RF
- 3	MODREF7566		TRANSMISSION INSTL-TE FLAP DRIVE (OUTBD FLAP TRANSMISSIONS ONLY) MODULE NUMBER: 251N4008-41 REV A POSITION DATA: OUTBD LH FOR OTHER SYS DETAILS SEE: 11-24-55-02 27-51-18-01 27-51-21-01	103103	1
- 3	MODREF27512		TRANSMISSION INSTL-TE FLAP DRIVE (OUTBD FLAP TRANSMISSIONS ONLY) MODULE NUMBER: 251N4008-41 REV B POSITION DATA: OUTBD LH FOR OTHER SYS DETAILS SEE: 11-24-55-02 27-51-18-01 27-51-21-01	104106	1

MISSING ITEM NUMBERS NOT APPLICABLE

- ITEM NOT ILLUSTRATED

BRI

27-51-17-01

27-51-17  
FIG. 01  
PAGE 1  
JAN 20/09





757

PARTS CATALOG (MAINTENANCE)

FIG ITEM	PART NUMBER	1 2 3 4 5 6 7	NOMENCLATURE	EFFECT FROM TO	UNITS PER ASSY
1					
- 5	251N4008-2		TRANSMISSION INSTL-TE FLAP DRIVE (OUTBD FLAP TRANSMISSIONS ONLY) POSITION DATA: OUTBD RH FOR NHA/OTHER SYS DET SEE: 27-51-25-03	002004 006100 107107 121503 904999	RF
- 7	251N4008-32		TRANSMISSION INSTL-TE FLAP DRIVE (OUTBD FLAP TRANSMISSIONS) POSITION DATA: OUTBD RH FOR NHA/OTHER SYS DET SEE: 27-50-00-02	101102	RF
- 7	251N4008-36		TRANSMISSION INSTL-TE FLAP DRIVE (OUTBD FLAP TRANSMISSIONS) POSITION DATA: OUTBD RH FOR NHA/OTHER SYS DET SEE: 27-50-00-02	108120 504903	RF
- 7	MODREF7567		TRANSMISSION INSTL-TE FLAP DRIVE (OUTBD FLAP TRANSMISSIONS) MODULE NUMBER: 251N4008-42 REV A POSITION DATA: OUTBD RH FOR OTHER SYS DETAILS SEE: 11-24-55-02 27-51-18-01 27-51-21-01	103103	1
- 7	MODREF27513		TRANSMISSION INSTL-TE FLAP DRIVE (OUTBD FLAP TRANSMISSIONS ONLY) MODULE NUMBER: 251N4008-42 REV B POSITION DATA: OUTBD RH FOR OTHER SYS DETAILS SEE: 11-24-55-02 27-51-18-01 27-51-21-01	104106	1
10	251N4314-5		.BOLT- OPTIONAL PART: BACB30LE7-113	002004 006017 107107 121503 904999	1

MISSING ITEM NUMBERS NOT APPLICABLE

- ITEM NOT ILLUSTRATED

27-51-17-01

27-51-17  
FIG. 01  
PAGE 2  
JAN 20/09

BRI



757

PARTS CATALOG (MAINTENANCE)

FIG ITEM	PART NUMBER	1 2 3 4 5 6 7	NOMENCLATURE	EFFECT FROM TO	UNITS PER ASSY
1	10	BACB30LE7-113	.BOLT- OPTIONAL PART: 251N4314-5	002004 006017 107107 121503 904999	1
	10	BACB30LE7K113	.BOLT-	018106 108120 504903	1
	12	251N4314-5	.BOLT- OPTIONAL PART: BACB30LE7-114	002004 006017 107107 121503 904999	1
	12	BACB30LE7-114	.BOLT- OPTIONAL PART: 251N4314-5	002004 006017 107107 121503 904999	1
	12	BACB30LE7K114	.BOLT-	018106 108120 504903	1
	15	251N4314-1	.BOLT- OPTIONAL PART: BACB30LE7-130	002004 006017 107107 121503 904999	1
	15	BACB30LE7-130	.BOLT- OPTIONAL PART: 251N4314-1	002004 006017 107107 121503 904999	1
	15	BACB30LE7K130	.BOLT-	018106 108120 504903	1
	20	251N4314-3	.BOLT- OPTIONAL PART: BACB30LE7-120	002004 006017 107107 121503 904999	1
	20	BACB30LE7-120	.BOLT- OPTIONAL PART: 251N4314-3	002004 006017 107107 121503 904999	1
	20	BACB30LE7K120	.BOLT-	018106 108120 504903	1

MISSING ITEM NUMBERS NOT APPLICABLE

- ITEM NOT ILLUSTRATED

BRI

27-51-17-01

27-51-17  
FIG. 01  
PAGE 3  
JAN 20/09



757

PARTS CATALOG (MAINTENANCE)

FIG ITEM	PART NUMBER	1 2 3 4 5 6 7	NOMENCLATURE	EFFECT FROM TO	UNITS PER ASSY
1	25 AN960KD716	.	WASHER-	002004 006017 107107 121503 904999	4
	25 BACW10BP7DP	.	WASHER-	018106 108120 504903	4
	27 BACW10BN7AC	.	WASHER-	002004 006017 107107 121503 904999	4
	27 BACW10BP7CD	.	WASHER-	018106 108120 504903	4
	30 BMN10HRCWD3-7	.	NUT- SUPPLIER CODE: V97928 SPECIFICATION NUMBER: BACN10HR7CD OPTIONAL PART: H51560-7 V15653 67832CD720 V56878 102LH9031-7 V72962 BH00303CM7 V27238 BMN5024CWD37 V97928 SL7108C7 V11815 VCU0005D7 V06710 102LH90317 V72962 67832CD7 V56878 CR6030-7 VF0224 BMN10HRCWD3-7 V97928	002004 006999	4
	50 113N1308-1	.	FITTING ASSY-CONT ROD	002004 006999	1
	50 113N1318-1	.	FITTING ASSY-CONT ROD	002004 006999	1

MISSING ITEM NUMBERS NOT APPLICABLE

- ITEM NOT ILLUSTRATED

27-51-17-01

27-51-17  
FIG. 01  
PAGE 4  
JAN 20/09

BRI



757

PARTS CATALOG (MAINTENANCE)

FIG ITEM	PART NUMBER	1 2 3 4 5 6 7	NOMENCLATURE	EFFECT FROM TO	UNITS PER ASSY
1					
55	BACB28AM09B011A	..	BUSHING	002004 006999	1
60	BACB28AP06P010	..	BUSHING	002004 006999	1
65	113N1308-2	..	FITTING- USED ON: 113N1308-1	002004 006999	1
65	113N1318-3	..	FITTING- OPTIONAL PART: 113N1318-9 USED ON: 113N1318-1	002004 006999	1
65	113N1318-9	..	FITTING- OPTIONAL PART: 113N1318-3 USED ON: 113N1318-1	002004 006999	1
150	251N4101-41	.	TRANSMISSION ASSY- POSITION DATA: LH SIDE COMPONENT MAINT MANUAL REF: 27-51-12 QUALIFIED I/W DATA: 251N4008-15 CAN REPLACE OR BE REPLACED BY 251N4101-41/-49/-57/-65/ -73/-81/-89 TOGETHER WITH (TWO EA) 10-61899-26/HJ18DU106, (ONE EA) 251N4077-4, (TWO EA) BACB30NY6K39, (TWO EA) BACC30X6, AND (TWO EA) NAS620C10 251N4008-17 CAN REPLACE OR BE REPLACED BY 251N4101-41/-49/-57/-65/ -73/-81/-89 TOGETHER WITH (TWO EA) 10-61899-26/HJ18DU106, (ONE EA) 251N4077-4, (TWO EA) BACB30NY6K39, (TWO EA) BACC30X6, AND (TWO EA) NAS620C10 251N4008-25 CAN REPLACE BUT CANNOT BE REPLACED BY 251N4101-41/,-49/-57/ -65/-73/-81/-89 TOGETHER WITH (TWO EA) 10-61899-26/HJ18DU106,	107107 904949	1

MISSING ITEM NUMBERS NOT APPLICABLE

- ITEM NOT ILLUSTRATED

27-51-17-01

27-51-17  
FIG. 01  
PAGE 5  
JAN 20/09

BRI



757

PARTS CATALOG (MAINTENANCE)

FIG ITEM	PART NUMBER	1 2 3 4 5 6 7 NOMENCLATURE	EFFECT FROM TO	UNITS PER ASSY
1		<p>(ONE EA) 251N4077-4,            (TWO EA) BACB30NY6K39,            (TWO EA) BACC30X6, AND            (TWO EA) NAS620C10            251N4008-37 CAN REPLACE            BUT CANNOT BE REPLACED            BY 251N4101-41/-49/-57/            -65/-73/-81/-89 TOGETHER            WITH (TWO EA)            10-61899-26/HJ18DU106,            (ONE EA) 251N4077-4,            (TWO EA) BACB30NY6K39,            (TWO EA) BACC30X6, AND            (TWO EA) NAS620C10            251N4008-43 CAN REPLACE            BUT CANNOT BE REPLACED            BY 251N4101-41/-49/-57/            -65/-73/-81/-89 TOGETHER            WITH (TWO EA)            10-61899-26/HJ18DU106,            (ONE EA) 251N4077-4,            (TWO EA) BACB30NY6K39,            (TWO EA) BACC30X6, AND            (TWO EA) NAS620C10            251N4008-47 CAN REPLACE            BUT CANNOT BE REPLACED            BY 251N4101-41/-49/            -57/-65/-73/-81/-89            TOGETHER WITH (TWO EA)            10-61899-26/HJ18DU106,            (ONE EA) 251N4077-4,            (TWO EA) BACB30NY6K39,            (TWO EA) BACC30X6, AND            (TWO EA) NAS620C10            REWORKED BY ALERT SB:            27A0127R2            .TRANSMISSION ASSY-            POSITION DATA:            LH SIDE            COMPONENT MAINT MANUAL REF:            27-51-12            QUALIFIED I/W DATA:            251N4008-15 CAN REPLACE            OR BE REPLACED BY            251N4101-41/-49/-57/-65/            -73/-81/-89 TOGETHER            WITH (TWO EA)            10-61899-26/HJ18DU106,            (ONE EA) 251N4077-4,</p>		
150	251N4101-49	<p>REWORKED BY ALERT SB:            27A0127R2            .TRANSMISSION ASSY-            POSITION DATA:            LH SIDE            COMPONENT MAINT MANUAL REF:            27-51-12            QUALIFIED I/W DATA:            251N4008-15 CAN REPLACE            OR BE REPLACED BY            251N4101-41/-49/-57/-65/            -73/-81/-89 TOGETHER            WITH (TWO EA)            10-61899-26/HJ18DU106,            (ONE EA) 251N4077-4,</p>	107107 904949	1

MISSING ITEM NUMBERS NOT APPLICABLE

- ITEM NOT ILLUSTRATED

27-51-17-01

27-51-17  
 FIG. 01  
 PAGE 6  
 JAN 20/09

BRI



757

PARTS CATALOG (MAINTENANCE)

FIG ITEM	PART NUMBER	1 2 3 4 5 6 7 NOMENCLATURE	EFFECT FROM TO	UNITS PER ASSY
1		<p>(TWO EA) BACB30NY6K39,  (TWO EA) BACC30X6, AND  (TWO EA) NAS620C10  251N4008-17 CAN REPLACE  OR BE REPLACED BY  251N4101-41/-49/-57/-65/  -73/-81/-89 TOGETHER  WITH (TWO EA)  10-61899-26/HJ18DU106,  (ONE EA) 251N4077-4,  (TWO EA) BACB30NY6K39,  (TWO EA) BACC30X6, AND  (TWO EA) NAS620C10  251N4008-25 CAN REPLACE  BUT CANNOT BE REPLACED  BY 251N4101-41/-49/-57/  -65/-73/-81/-89 TOGETHER  WITH (TWO EA)  10-61899-26/HJ18DU106,  (ONE EA) 251N4077-4,  (TWO EA) BACB30NY6K39,  (TWO EA) BACC30X6, AND  (TWO EA) NAS620C10  251N4008-37 CAN REPLACE  BUT CANNOT BE REPLACED  BY 251N4101-41/-49/-57/  -65/-73/-81/-89 TOGETHER  WITH (TWO EA)  10-61899-26/HJ18DU106,  (ONE EA) 251N4077-4,  (TWO EA) BACB30NY8K39,  (TWO EA) BACC30X6, AND  (TWO EA) NAS620C10  251N4008-43 CAN REPLACE  BUT CANNOT BE REPLACED  BY 251N4101-41/-49/-57/  -65/-73/-81/-89 TOGETHER  WITH (TWO EA)  10-61899-26/HJ18DU106,  (ONE EA) 251N4077-4,  (TWO EA) BACB30NY6K39,  (TWO EA) BACC30X6, AND  (TWO EA) NAS620C10  251N4008-47 CAN REPLACE  BUT CANNOT BE REPLACED  BY 251N4101-41/-49/  -57/-65/-73/-81/-89  TOGETHER WITH (TWO EA)  10-61899-26/HJ18DU106,</p>		

MISSING ITEM NUMBERS NOT APPLICABLE

- ITEM NOT ILLUSTRATED

27-51-17-01

27-51-17  
FIG. 01  
PAGE 7  
JAN 20/09

BRI


**BOEING**  
 757  
**PARTS CATALOG (MAINTENANCE)**

FIG ITEM	PART NUMBER	1 2 3 4 5 6 7	NOMENCLATURE	EFFECT FROM TO	UNITS PER ASSY
1	150 251N4101-57		(ONE EA) 251N4077-4, (TWO EA) BACB30NY6K39, (TWO EA) BACC30X6, AND (TWO EA) NAS620C10 REWORKED BY ALERT SB: 27A0127R2 . TRANSMISSION ASSY- POSITION DATA: LH SIDE COMPONENT MAINT MANUAL REF: 27-51-12 QUALIFIED I/W DATA: 251N4008-15 CAN REPLACE OR BE REPLACED BY 251N4101-41/-49/-57/-65/ -73/-81/-89 TOGETHER WITH (TWO EA) 10-61899-26/HJ18DU106, (ONE EA) 251N4077-4, (TWO EA) BACB30NY6K39, (TWO EA) BACC30X6, AND (TWO EA) NAS620C10 251N4008-17 CAN REPLACE OR BE REPLACED BY 251N4101-41/-49/-57/-65/ -73/-81/-89 TOGETHER WITH (TWO EA) 10-61899-26/HJ18DU106, (ONE EA) 251N4077-4, (TWO EA) BACB30NY6K39, (TWO EA) BACC30X6, AND (TWO EA) NAS620C10 251N4008-25 CAN REPLACE BUT CANNOT BE REPLACED BY 251N4101-41/-49/-57/ -65/-73/-81/-89 TOGETHER WITH (TWO EA) 10-61899-26/HJ18DU106, (ONE EA) 251N4077-4, (TWO EA) BACB30NY6K39, (TWO EA) BACC30X6, AND (TWO EA) NAS620C10 251N4008-37 CAN REPLACE BUT CANNOT BE REPLACED BY 251N4101-41/-49/-57/ -65/-73/-81/-89 TOGETHER WITH (TWO EA) 10-61899-26/HJ18DU106, (ONE EA) 251N4077-4,	107107 904949	1

MISSING ITEM NUMBERS NOT APPLICABLE

— ITEM NOT ILLUSTRATED

BRI

# 27-51-17-01

BOEING PROPRIETARY - Copyright © - Unpublished Work - See title page for details.

27-51-17  
 FIG. 01  
 PAGE 8  
 JAN 20/09



757

PARTS CATALOG (MAINTENANCE)

FIG ITEM	PART NUMBER	1 2 3 4 5 6 7 NOMENCLATURE	EFFECT FROM TO	UNITS PER ASSY
1	150 251N4101-65	<p>(TWO EA) BACB30NY6K39,            (TWO EA) BACC30X6, AND            (TWO EA) NAS620C10            251N4008-43 CAN REPLACE            BUT CANNOT BE REPLACED            BY 251N4101-41/-49/-57/            -65/-73/-81/-89 TOGETHER            WITH (TWO EA)            10-61899-26/HJ18DU106,            (ONE EA) 251N4077-4,            (TWO EA) BACB30NY6K39,            (TWO EA) BACC30X6, AND            (TWO EA) NAS620C10            251N4008-47 CAN REPLACE            BUT CANNOT BE REPLACED            BY 251N4101-41/-49/            -57/-65/-73/-81/-89            TOGETHER WITH (TWO EA)            10-61899-26/HJ18DU106,            (ONE EA) 251N4077-4,            (TWO EA) BACB30NY6K39,            (TWO EA) BACC30X6, AND            (TWO EA) NAS620C10            REWORKED BY ALERT SB:            27A0127R2            .TRANSMISSION ASSY-            POSITION DATA:            LH SIDE            COMPONENT MAINT MANUAL REF:            27-51-12            QUALIFIED I/W DATA:            251N4008-15 CAN REPLACE            OR BE REPLACE BY            251N4101-41/-49/-57/-65/            -73/-81/-89 TOGETHER            WITH (TWO EA)            10-61899-26/HJ18DU106,            (ONE EA) 251N4077-4,            (TWO EA) BACB30NY6K39,            (TWO EA) BACC30X6, AND            (TWO EA) NAS620C10            251N4008-17 CAN REPLACE            OR BE REPLACED BY            251N4101-41/-49/-57/-65/            -73/-81/-89 TOGETHER            WITH (TWO EA)            10-61899-26/HJ18DU106,            (ONE EA) 251N4077-4,            (TWO EA) BACB30NY6K39,</p>	107107 904949	1

MISSING ITEM NUMBERS NOT APPLICABLE

- ITEM NOT ILLUSTRATED

BRI

27-51-17-01

27-51-17  
 FIG. 01  
 PAGE 9  
 JAN 20/09





757

PARTS CATALOG (MAINTENANCE)

FIG ITEM	PART NUMBER	1 2 3 4 5 6 7 NOMENCLATURE	EFFECT FROM TO	UNITS PER ASSY
1		<p>(TWO EA) BACC30X6, AND            (TWO EA) NAS620C10            251N4008-25 CAN REPLACE            BUT CANNOT BE REPLACED            BY 251N4101-41/-49/-57/            -65/-73/-81/-89 TOGETHER            WITH (TWO EA)            10-61899-26/HJ18DU106,            (ONE EA) 251N4077-4,            (TWO EA) BACB30NY6K39,            (TWO EA) BACC30X6, AND            (TWO EA) NAS620C10            251N4008-37 CAN REPLACE            BUT CANNOT BE REPLACED            BY 251N4101-41/-49/-57/            -65/-73/-81/-89 TOGETHER            WITH (TWO EA)            10-61899-26/HJ18DU106,            (ONE EA) 251N4077-4,            (TWO EA) BACB30NY6K39,            (TWO EA) BACC30X6, AND            (TWO EA) NAS620C10            251N4008-43 CAN REPLACE            BUT CANNOT BE REPLACED            BY 251N4101-41/-49/-57/            -65/-73/-81/-89 TOGETHER            WITH (TWO EA)            10-61899-26/HJ18DU106,            (ONE EA) 251N4077-4,            (TWO EA) BACB30NY6K39,            (TWO EA) BACC30X6, AND            (TWO EA) NAS620C10            251N4008-47 CAN REPLACE            BUT CANNOT BE REPLACED            BY 251N4101-41/-49/            -57/-65/-73/-81/-89            TOGETHER WITH (TWO EA)            10-61899-26/HJ18DU106,            (ONE EA) 251N4077-4,            (TWO EA) BACB30NY6K39,            (TWO EA) BACC30X6, AND            (TWO EA) NAS620C10            REWORKED BY ALERT SB:            27A0127R2            .TRANSMISSION ASSY-            POSITION DATA:            LH SIDE            COMPONENT MAINT MANUAL REF:            27-51-12</p>	107107 904949	1

MISSING ITEM NUMBERS NOT APPLICABLE

- ITEM NOT ILLUSTRATED

BRI

27-51-17-01

BOEING PROPRIETARY - Copyright © - Unpublished Work - See title page for details.

27-51-17  
 FIG. 01  
 PAGE 10  
 JAN 20/09



757

PARTS CATALOG (MAINTENANCE)

FIG ITEM	PART NUMBER	1 2 3 4 5 6 7 NOMENCLATURE	EFFECT FROM TO	UNITS PER ASSY
1		<p>QUALIFIED I/W DATA:            251N4008-15 CAN REPLACE            OR BE REPLACED BY            251N4101-41/-49/-57/-65/            -73/-81/-89 TOGETHER            WITH (TWO EA)            10-61899-26/HJ18DU106,            (ONE EA) 251N4077-4,            (TWO EA) BACC30NY6K39,            (TWO EA) BACC30X6, AND            (TWO EA) NAS620C10            251N4008-17 CAN REPLACE            OR BE REPLACED BY            251N4101-41/-49/-57/-65/            -73/-81/-89 TOGETHER            WITH (TWO EA)            10-61899-26/HJ18DU106,            (ONE EA) 251N4077-4,            (TWO EA) BACB30NY6K39,            (TWO EA) BACC30X6, AND            (TWO EA) NAS620C10            251N4008-25 CAN REPLACE            BUT CANNOT BE REPLACED            BY 251N4101-41/-49/-57/            -65/-73/-81/-89 TOGETHER            WITH (TWO EA)            10-61899-26/HJ18DU106,            (ONE EA) 251N4077-4,            (TWO EA) BACB30NY6K39,            (TWO EA) BACC30X6, AND            (TWO EA) NAS620C10            251N4008-37 CAN REPLACE            OR BE REPLACED BY            251N4101-41/-49/-57/-65/            -73/-81/-89 TOGETHER            WITH (TWO EA)            10-61899-26/HJ18DU106,            (ONE EA) 251N4077-4,            (TWO EA) BACB30NY6K39,            (TWO EA) BACC30X6, AND            (TWO EA) NAS620C10            251N4008-43 CAN REPLACE            BUT CANNOT BE REPLACED            BY 251N4101-41/-49/-57/            -65/-73/-81/-89 TOGETHER            WITH (TWO EA)            10-61899-26/HJ18DU106,            (ONE EA) 251N4077-4,            (TWO EA) BACB30NY6K39,</p>		

MISSING ITEM NUMBERS NOT APPLICABLE

- ITEM NOT ILLUSTRATED

27-51-17-01

27-51-17  
 FIG. 01  
 PAGE 11  
 JAN 20/09

BRI



757

PARTS CATALOG (MAINTENANCE)

FIG ITEM	PART NUMBER	1 2 3 4 5 6 7	NOMENCLATURE	EFFECT FROM TO	UNITS PER ASSY
1			<p>(TWO EA) BACC30X6, AND            (TWO EA) NAS620C10            251N4008-47 CAN REPLACE            BUT CANNOT BE REPLACED            BY 251N4101-41/-49/            -57/-65/-73/-81/-89            TOGETHER WITH (TWO EA)            10-61899-26/HJ18DU106,            (ONE EA) 251N4077-4,            (TWO EA) BACB30NY6K39,            (TWO EA) BACC30X6, AND            (TWO EA) NAS620C10            REWORKED BY ALERT SB:            27A0127R2</p>		
150	251N4101-81	.	<p>TRANSMISSION ASSY-            POSITION DATA:            LH SIDE            COMPONENT MAINT MANUAL REF:            27-51-12            QUALIFIED I/W DATA:            251N4008-15 CAN REPLACE            OR BE REPLACED BY            251N4101-41/-49/-57/-65/            -73/-81/-89 TOGETHER            WITH (TWO EA)            10-61899-26/HJ18DU106,            (ONE EA) 251N4077-4,            (TWO EA) BACB30NY6K39,            (TWO EA) BACC30X6, AND            (TWO EA) NAS620C10            251N4008-17 CAN REPLACE            OR BE REPLACED BY            251N4101-41/-49/-57/-65/            -73/-81/-89 TOGETHER            WITH (TWO EA)            10-61899-26/HJ18DU106,            (ONE EA) 251N4077-4,            (TWO EA) BACB30NY6K39,            (TWO EA) BACC30X6, AND            (TWO EA) NAS620C10            251N4008-25 CAN REPLACE            BUT CANNOT BE REPLACED            BY 251N4101-41/-49/-57/            -65/-73/-81/-89 TOGETHER            WITH (TWO EA)            10-61899-26/HJ18DU106,            (ONE EA) 251N4077-4,            (TWO EA) BACB30NY6K39,            (TWO EA) BACC30X6, AND</p>	107107 904949	1

MISSING ITEM NUMBERS NOT APPLICABLE

- ITEM NOT ILLUSTRATED

27-51-17-01

27-51-17  
 FIG. 01  
 PAGE 12  
 JAN 20/09

BRI



757

PARTS CATALOG (MAINTENANCE)

FIG ITEM	PART NUMBER	1 2 3 4 5 6 7 NOMENCLATURE	EFFECT FROM TO	UNITS PER ASSY
1		<p>(TWO EA) NAS620C10            251N4008-37 CAN REPLACE            BUT CANNOT BE REPLACED            BY 251N4101-41/-49/-57/            -65/-73/-81/-89 TOGETHER            WITH (TWO EA)            10-61899-26/HJ18DU106,            (ONE EA) 251N4077-4,            (TWO EA) BACB30NY6K39,            (TWO EA) BACC30X6, AND            (TWO EA) NAS620C10            251N4008-43 CAN REPLACE            BUT CANNOT BE REPLACED            BY 251N4101-41/-49/-57/            -65/-73/-81/-89 TOGETHER            WITH (TWO EA)            10-61899-26/HJ18DU106,            (ONE EA) 251N4077-4,            (TWO EA) BACB30NY6K39,            (TWO EA) BACC30X6, AND            (TWO EA) NAS620C10            251N4008-47 CAN REPLACE            BUT CANNOT BE REPLACED            BY 251N4101-41/-49/            -57/-65/-73/-81/-89            TOGETHER WITH (TWO EA)            10-61899-26/HJ18DU106,            (ONE EA) 251N4077-4,            (TWO EA) BACB30NY6K39,            (TWO EA) BACC30X6, AND            (TWO EA) NAS620C10            REWORKED BY ALERT SB:            27A0127</p>		
150	251N4101-89	<p>.TRANSMISSION ASSY-            POSITION DATA:            LH SIDE            COMPONENT MAINT MANUAL REF:            27-51-12            QUALIFIED I/W DATA:            251N4008-15 CAN REPLACE            OR BE REPLACED BY            251N4101-41/-49/-57/-65/            -73/-81/-89 TOGETHER            WITH (TWO EA)            10-61899-26/HJ18DU106,            (ONE EA) 251N4077-4,            (TWO EA) BACB30NY6K39,            (TWO EA) BACC30X6, AND            (TWO EA) NAS620C10</p>	107107 904949	1

MISSING ITEM NUMBERS NOT APPLICABLE

- ITEM NOT ILLUSTRATED

BRI

27-51-17-01

BOEING PROPRIETARY - Copyright © - Unpublished Work - See title page for details.

27-51-17  
 FIG. 01  
 PAGE 13  
 JAN 20/09



757

PARTS CATALOG (MAINTENANCE)

FIG ITEM	PART NUMBER	1 2 3 4 5 6 7 NOMENCLATURE	EFFECT FROM TO	UNITS PER ASSY
1		<p>251N4008-17 CAN REPLACE OR BE REPLACED BY 251N4101-41/-49/-57/-65/ -73/-81/-89 TOGETHER WITH (TWO EA) 10-61899-26/HJ18DU106, (ONE EA) 251N4077-4, (TWO EA) BACB30NY6K39, (TWO EA) BACC30X6, AND (TWO EA) NAS620C10</p> <p>251N4008-25 CAN REPLACE BUT CANNOT BE REPLACED BY 251N4101-41/-49/-57/ -65/-73/-81/-89 TOGETHER WITH (TWO EA) 10-61899-26/HJ18DU106, (ONE EA) 251N4077-4, (TWO EA) BACB30NY6K39, (TWO EA) BACC30X6, AND (TWO EA) NAS620C10</p> <p>251N4008-37 CAN REPLACE BUT CANNOT BE REPLACED BY 251N4101-41/-49/-57/ -65/-73/-81/-89 TOGETHER WITH (TWO EA) 10-61899-26/HJ18DU106, (ONE EA) 251N4077-4, (TWO EA) BACB30NY6K39, (TWO EA) BACC30X6, AND (TWO EA) NAS620C10</p> <p>251N4008-43 CAN REPLACE BUT CANNOT BE REPLACED BY 251N4101-41/-49/-57/ -65/-73/-81/-89 TOGETHER WITH (TWO EA) 10-61899-26/HJ18DU106, (ONE EA) 251N4077-4, (TWO EA) BACB30NY6K39, (TWO EA) BACC30X6, AND (TWO EA) NAS620C10</p> <p>251N4008-47 CAN REPLACE BUT CANNOT BE REPLACED BY 251N4101-41/-49/ -57/-65/-73/-81/-89 TOGETHER WITH (TWO EA) 10-61899-26/HJ18DU106, (ONE EA) 251N4077-4, (TWO EA) BACB30NY6K39, (TWO EA) BACC30X6, AND</p>		

MISSING ITEM NUMBERS NOT APPLICABLE

- ITEM NOT ILLUSTRATED

27-51-17-01

27-51-17  
FIG. 01  
PAGE 14  
JAN 20/09

BRI



757

PARTS CATALOG (MAINTENANCE)

FIG ITEM	PART NUMBER	1 2 3 4 5 6 7	NOMENCLATURE	EFFECT FROM TO	UNITS PER ASSY
1			(TWO EA) NAS620C10 QUALIFIED OPTIONAL DATA: (-15 OPT TO 251N4101-89 PLUS TWO 10-61899-26, 251N4077-4, TWO BACB30NY6K39, TWO BACC30X6, AND TWO NAS620C10. 251N4101-96 OPT TO 251N4101-88) NAS620C10) REWORKED BY ALERT SB: 27A0127		
150	251N4008-17		.TRANSMISSION ASSY- POSITION DATA: LH SIDE QUALIFIED I/W DATA: 251N4008-17 CAN REPLACE OR BE REPLACED BY 251N4101-41/-49/-57/-65/ -73/-81/-89 TOGETHER WITH (TWO EA) 10-61899-26/HJ18DU106, (ONE EA) 251N4077-4, (TWO EA) BACB30NY6K39, (TWO EA) BACC30X6, AND (TWO EA) NAS620C10	002004 006100 107107 121503 904999	1
151	251N4008-15		.TRANSMISSION ASSY- POSITION DATA: LH SIDE QUALIFIED I/W DATA: 251N4008-15 CAN REPLACE OR BE REPLACED BY 251N4101-41/-49/-57/-65/ -73/-81/-89 TOGETHER WITH (TWO EA) 10-61899-26/HJ18DU106, (ONE EA) 251N4077-4, (TWO EA) BACB30NY6K39, (TWO EA) BACC30X6, AND (TWO EA) NAS620C10 QUALIFIED OPTIONAL DATA: (-15 OPT TO 251N4101-89 PLUS TWO 10-61899-26, 251N4077-4, TWO BACB30NY6K39, TWO BACC30X6, AND TWO NAS620C10)	002004 006100 107107 121503 904999	1

MISSING ITEM NUMBERS NOT APPLICABLE

- ITEM NOT ILLUSTRATED

BRI

27-51-17-01

BOEING PROPRIETARY - Copyright © - Unpublished Work - See title page for details.

27-51-17  
FIG. 01  
PAGE 15  
JAN 20/09



757

PARTS CATALOG (MAINTENANCE)

FIG ITEM	PART NUMBER	1 2 3 4 5 6 7	NOMENCLATURE	EFFECT FROM TO	UNITS PER ASSY
1 152	251N4008-25		.TRANSMISSION ASSY- POSITION DATA: LH SIDE QUALIFIED I/W DATA: 251N4008-25 CAN REPLACE BUT CANNOT BE REPLACED BY 251N4101-41/-49/-57/-65/ -73/-81/-89 TOGETHER WITH (TWO EA) 10-61899-26/HJ18DU106, (ONE EA) 251N4077-4, (TWO EA) BACB30NY6K39, (TWO EA) BACC30X6, AND (TWO EA) NAS620C10	002004 006102 107107 121503 904999	1
152	251N4008-37		.TRANSMISSION ASSY- POSITION DATA: LH SIDE QUALIFIED I/W DATA: 251N4008-37 CAN REPLACE BUT CANNOT BE REPLACED BY 251N4101-41/-49/-57/-65/ -73/-81/-89 TOGETHER WITH (TWO EA) 10-61899-26/HJ18DU106, (ONE EA) 251N4077-4, (TWO EA) BACB30NY6K39, (TWO EA) BACC30X6, AND (TWO EA) NAS620C10	002004 006102 107999	1
152	251N4008-43		.TRANSMISSION ASSY- POSITION DATA: LH SIDE QUALIFIED I/W DATA: 251N4008-43 CAN REPLACE BUT CANNOT BE REPLACED BY 251N4101-41/-49/-57/-65/ -73/-81/-89 TOGETHER WITH (TWO EA) 10-61899-26/HJ18DU106, (ONE EA) 251N4077-4, (TWO EA) BACB30NY6K39, (TWO EA) BACC30X6, AND (TWO EA) NAS620C10	002004 006999	1

MISSING ITEM NUMBERS NOT APPLICABLE

- ITEM NOT ILLUSTRATED

BRI

27-51-17-01

BOEING PROPRIETARY - Copyright © - Unpublished Work - See title page for details.

27-51-17  
FIG. 01  
PAGE 16  
JAN 20/09



757

PARTS CATALOG (MAINTENANCE)

FIG ITEM	PART NUMBER	1 2 3 4 5 6 7	NOMENCLATURE	EFFECT FROM TO	UNITS PER ASSY
1 152	251N4008-47		.TRANSMISSION ASSY- POSITION DATA: LH SIDE QUALIFIED I/W DATA: 251N4008-47 CAN REPLACE BUT CANNOT BE REPLACED BY 251N4101-41/-49/ -57/-65/-73/-81/-89 TOGETHER WITH (TWO EA) 10-61899-26/HJ18DU106, (ONE EA) 251N4077-4, (TWO EA) BACB30NY6K39, (TWO EA) BACC30X6, AND (TWO EA) NAS620C10	002004 006999	1
- 155	251N4008-38		.TRANSMISSION ASSY- POSITION DATA: RH SIDE QUALIFIED I/W DATA: 251N4008-38 CAN REPLACE BUT CANNOT BE REPLACED BY 251N4101-48/-56/-64/-72/ -80/-88/-96 TOGETHER WITH (TWO EA) 10-61899-26/HJ18DU106, (ONE EA) 251N4077-4, (TWO EA) BACB30NY6K39, (TWO EA) BACC30X6, AND (TWO EA) NAS620C10	002004 006102 107999	1
- 155	251N4101-48		.TRANSMISSION ASSY- POSITION DATA: RH SIDE COMPONENT MAINT MANUAL REF: 27-51-12 QUALIFIED I/W DATA: 251N4008-16 CAN REPLACE OR BE REPLACED BY 251N4101-48/-56/-64/-72/ -80/-88/-96 TOGETHER WITH (TWO EA) 10-61899-26/HJ18DU106, (ONE EA) 251N4077-4, (TWO EA) BACB30NY6K39, (TWO EA) BACC30X6, AND (TWO EA) NAS620C10 251N4008-18 CAN REPLACE OR BE REPLACED BY 251N4101-48/-56/-64/-72/ -80/-88/-96 TOGETHER	107107 904949	1

MISSING ITEM NUMBERS NOT APPLICABLE

- ITEM NOT ILLUSTRATED

27-51-17-01

27-51-17  
FIG. 01  
PAGE 17  
JAN 20/09

BRI





757

PARTS CATALOG (MAINTENANCE)

FIG ITEM	PART NUMBER	1 2 3 4 5 6 7 NOMENCLATURE	EFFECT FROM TO	UNITS PER ASSY
1		<p>WITH (TWO EA)            10-61899-26/HJ18DU106,            (ONE EA) 251N4077-4,            (TWO EA) BACB30NY6K39,            (TWO EA) BACC30X6, AND            (TWO EA) NAS620C10            251N4008-26 CAN REPLACE            BUT CANNOT BE REPLACED            BY 251N4101-48/-56/-64/            -72/-80/-88/-96 TOGETHER            WITH (TWO EA)            10-61899-26/HJ18DU106,            (ONE EA) 251N4077-4,            (TWO EA) BACB30NY6K39,            (TWO EA) BACC30X6, AND            (TWO EA) NAS620C10            251N4008-38 CAN REPLACE            BUT CANNOT BE REPLACED            BY 251N4101-48/-56/-64/            -72/-80/-88/-96 TOGETHER            WITH (TWO EA)            10-61899-26/HJ18DU106,            (ONE EA) 251N4077-4,            (TWO EA) BACB30NY6K39,            (TWO EA) BACC30X6, AND            (TWO EA) NAS620C10            251N4008-44 CAN REPLACE            BUT CANNOT BE REPLACED            BY            251N4101-48/-56/-64/-72/            -80/-88/-96 TOGETHER            WITH (TWO EA)            10-61899-26/HJ18DU106,            (ONE EA) 251N4077-4,            (TWO EA) BACB30NY6K39,            (TWO EA) BACC30X6, AND            (TWO EA) NAS620C10            251N4008-48 CAN REPLACE            BUT CANNOT BE REPLACED            BY 251N4101-48/-56/            -64/-72/-80/-88/-96            TOGETHER WITH (TWO EA)            10-61899-26/HJ18DU106,            (ONE EA) 251N4077-4,            (TWO EA) BACB30NY6K39,            (TWO EA) BACC30X6, AND            (TWO EA) NAS620C10            REWORKED BY ALERT SB:            27A0127R2</p>		

MISSING ITEM NUMBERS NOT APPLICABLE

- ITEM NOT ILLUSTRATED

27-51-17-01

27-51-17  
 FIG. 01  
 PAGE 18  
 JAN 20/09

BRI



757

PARTS CATALOG (MAINTENANCE)

FIG ITEM	PART NUMBER	1 2 3 4 5 6 7	NOMENCLATURE	EFFECT FROM TO	UNITS PER ASSY
1 - 155	251N4101-56		.TRANSMISSION ASSY- POSITION DATA: RH SIDE COMPONENT MAINT MANUAL REF: 27-51-12 QUALIFIED I/W DATA: 251N4008-16 CAN REPLACE OR BE REPLACED BY 251N4101-48/-56/-64/-72/ -80/-88/-96 TOGETHER WITH (TWO EA) 10-61899-26/HJ18DU106, (ONE EA) 251N4077-4, (TWO EA) BACB30NY6K39, (TWO EA) BACC30X6, AND (ONE EA) NAS620C10 251N4008-18 CAN REPLACE OR BE REPLACED BY 251N4101-48/-56/-64/-72/ -80/-88/-96 TOGETHER WITH (TWO EA) 10-61899-26/HJ18DU106, (ONE EA) 251N4077-4, (TWO EA) BACB30NY6K39, (TWO EA) BACC30X6, AND (TWO EA) NAS620C10 251N4008-26 CAN REPLACE BUT CANNOT BE REPLACED BY 251N4101-49/-56/-64/ -72/-80/-88/-96 TOGETHER WITH (TWO EA) 10-61899-26/HJ18DU106, (ONE EA) 251N4077-4, (TWO EA) BACB30NY6K39, (TWO EA) BACC30X6, AND (TWO EA) NAS620C10 251N4008-38 CAN REPLACE BU CANNOT BE REPLACED BY 251N4101-48/-56/-64/ -72/-80/-88/-96 TOGETHER WITH (TWO EA) 10-61899-26/HJ18DU106, (ONE EA) 251N4077-4, (TWO EA) BACB30NY6K39, (TWO EA) BACC30X6, AND (TWO EA) NAS620C10 251N4008-44 CAN REPLACE BUT CANNOT BE REPLACED BY 251N4101-48/-56/-64/	107107 904949	1

MISSING ITEM NUMBERS NOT APPLICABLE

- ITEM NOT ILLUSTRATED

27-51-17-01

27-51-17  
FIG. 01  
PAGE 19  
JAN 20/09

BRI



757

PARTS CATALOG (MAINTENANCE)

FIG ITEM	PART NUMBER	1 2 3 4 5 6 7 NOMENCLATURE	EFFECT FROM TO	UNITS PER ASSY
1		<p>-72/-80/-88/-96 TOGETHER WITH (TWO EA)            10-61899-26/HJ18DU106,            (ONE EA) 251N4077-4,            (TWO EA) BACB30NY6K39,            (TWO EA) BACC30X6, AND            (TWO EA) NAS620C10            251N4008-48 CAN REPLACE BUT CANNOT BE REPLACED BY 251N4101-48/-56/-64/-72/-80/-88/-96 TOGETHER WITH (TWO EA)            10-61899-26/HJ18DU106,            (ONE EA) 251N4077-4,            (TWO EA) BACB30NY6K39,            (TWO EA) BACC30X6, AND            (TWO EA) NAS620C10            REWORKED BY ALERT SB:            27A0127R2</p> <p>. TRANSMISSION ASSY-            POSITION DATA:            RH SIDE            COMPONENT MAINT MANUAL REF:            27-51-12            QUALIFIED I/W DATA:            251N4008-15 CAN REPLACE OR BE REPLACED BY            251N4101-48/-56/-64/-72/-80/-88/-96 TOGETHER WITH (TWO EA)            10-61899-26/HJ18DU106,            (ONE EA) 251N4077-4,            (TWO EA) BACB30NY6K39,            (TWO EA) BACC30X6, AND            (TWO EA) NAS620C10            251N4008-18 CAN REPLACE OR BE REPLACED BY            251N4101-48/-56/-64/-72/-80/-88/-96 TOGETHER WITH (TWO EA)            10-61899-26/HJ18DU106,            (ONE EA) 251N4077-4,            (TWO EA) BACB30NY6K39,            (TWO EA) BACC30X6, AND            (TWO EA) NAS620C10            251N4008-26 CAN REPLACE BUT CANNOT BE REPLACED BY 251N4101-48/-56/-64/-72/-80/-88/-96 TOGETHER</p>	107107 904949	1
- 155	251N4101-64	. TRANSMISSION ASSY-		

MISSING ITEM NUMBERS NOT APPLICABLE

- ITEM NOT ILLUSTRATED

BRI

27-51-17-01

BOEING PROPRIETARY - Copyright © - Unpublished Work - See title page for details.

27-51-17  
 FIG. 01  
 PAGE 20  
 JAN 20/09



757

PARTS CATALOG (MAINTENANCE)

FIG ITEM	PART NUMBER	1 2 3 4 5 6 7 NOMENCLATURE	EFFECT FROM TO	UNITS PER ASSY
1		<p>WITH (TWO EA)            10-61899-26/HJ18DU106,            (ONE EA) 251N4077-4,            (TWO EA) BACB30NY6K39,            (TWO EA) BACC30X6, AND            (TWO EA) NAS620C10            251N4008-38 CAN REPLACE            BUT CANNOT BE REPLACED            BY 251N4101-48/-56/-64/            -72/-80/-88/-96 TOGETHER            WITH (TWO EA)            10-61899-26/HJ18DU106,            (ONE EA) 251N4077-4,            (TWO EA) BACB30NY6K39,            (TWO EA) BACC30X6, AND            (TWO EA) NAS620C10            251N4008-44 CAN REPLACE            BUT CANNOT BE REPLACED            BY 251N4101-48/-56/-64/            -72/-80/-88/-96 TOGETHER            WITH (TWO EA)            10-61899-26/HJ18DU106,            (ONE EA) 251N4077-4.            (TWO EA) BACB30NY6K39,            (TWO EA) BACC30X6, AND            (TWO EA) NAS620C10            251N4008-48 CAN REPLACE            BUT CANNOT BE REPLACED            BY 251N4101-48/-56/            -64/-72/-80/-88/-96            TOGETHER WITH (TWO EA)            10-61899-26/HJ18DU106,            (ONE EA) 251N4077-4,            (TWO EA) BACB30NY6K39,            (TWO EA) BACC30X6, AND            (TWO EA) NAS620C10            REWORKED BY ALERT SB:            27A0127R2</p>		
- 155	251N4101-80	<p>. TRANSMISSION ASSY-            POSITION DATA:            RH SIDE            COMPONENT MAINT MANUAL REF:            27-51-12            QUALIFIED I/W DATA:            251N4008-16 CAN REPLACE            OR BE REPLACED BY            251N4101-48/-56/-64/-72/            -80/-88/-96 TOGETHER            WITH (TWO EA)</p>	107107 904949	1

MISSING ITEM NUMBERS NOT APPLICABLE

- ITEM NOT ILLUSTRATED

BRI

27-51-17-01

BOEING PROPRIETARY - Copyright © - Unpublished Work - See title page for details.

27-51-17  
 FIG. 01  
 PAGE 21  
 JAN 20/09



757

PARTS CATALOG (MAINTENANCE)

FIG ITEM	PART NUMBER	1 2 3 4 5 6 7 NOMENCLATURE	EFFECT FROM TO	UNITS PER ASSY
1		<p>10-61899-26/HJ18DU106,            (ONE EA) 251N4077-4,            (TWO EA) BACB30NY6K39,            (TWO EA) BACC30X6, AND            (TWO EA) NAS620C10            251N4008-18 CAN REPLACE            OR BE REPLACED BY            251N4101-48/-56/-64/-72/            -80/-88/-96 TOGETHER            WITH (TWO EA)            10-61899-26/HJ18DU106,            (ONE EA) 251N4077-4,            (TWO EA) BACB30NY6K39,            (TWO EA) BACC30X6, AND            (TWO EA) NAS620C10            251N4008-26 CAN REPLACE            BUT CANNOT BE REPLACED            BY 251N4101-48/-56/-64/            -72/-80/-88/-96 TOGETHER            WITH (TWO EA)            10-61899-26/HJ18DU106,            (ONE EA) 251N4077-4,            (TWO EA) BACB30NY6K39,            (TWO EA) BACC30X6, AND            (TWO EA) NAS620C10            251N4008-38 CAN REPLACE            BUT CANNOT BE REPLACED            BY 251N4101-48/-56/-64/            -72/-80/-88/-96 TOGETHER            WITH (TWO EA)            10-61899-26/HJ18DU106,            (ONE EA) 251N4077-4,            (TWO EA) BACB30NY6K39,            (TWO EA) BACC30X6, AND            (TWO EA) NAS620C10            251N4008-44 CAN REPLACE            BUT CANNOT BE REPLACED            BY 251N4101-48/-56/-64/            -72/-80/-88/-96 TOGETHER            WITH (TWO EA)            10-61899-26/HJ18DU106,            (ONE EA) 251N4077-4,            (TWO EA) BACB30NY6K39,            (TWO EA) BACC30X6, AND            (TWO EA) NAS620C10            251N4008-48 CAN REPLACE            BUT CANNOT BE REPLACED            BY 251N4101-48/-56/            -64/-72/-80/-88/-96</p>		

MISSING ITEM NUMBERS NOT APPLICABLE

- ITEM NOT ILLUSTRATED

27-51-17-01

27-51-17  
 FIG. 01  
 PAGE 22  
 JAN 20/09

BRI


**BOEING**  
**757**  
**PARTS CATALOG (MAINTENANCE)**

FIG ITEM	PART NUMBER	1 2 3 4 5 6 7 NOMENCLATURE	EFFECT FROM TO	UNITS PER ASSY
1    - 155	251N4101-88	TOGETHER WITH (TWO EA) 10-61899-26/HJ18DU106, (ONE EA) 251N4077-4, (TWO EA) BACB30NY6K39, (TWO EA) BACC30X6, AND (TWO EA) NAS620C10 REWORKED BY ALERT SB: 27A0127R2 . TRANSMISSION ASSY- POSITION DATA: RH SIDE COMPONENT MAINT MANUAL REF: 27-51-12 QUALIFIED I/W DATA: 251N4008-16 CAN REPLACE OR BE REPLACED BY 251N4101-48/-56/-64/-72/ -80/-88/-96 TOGETHER WITH (TWO EA) 10-61899-26/HJ18DU106, (ONE EA) 251N4077-4, (TWO EA) BACB30NY6K39, (TWO EA) BACC30X6, AND (TWO EA) NAS620C10 251N4008-18 CAN REPLACE OR BE REPLACED BY 251N4101-48/-56/-64/-72/ -80/-88/-96 TOGETHER WITH (TWO EA) 10-61899-26/HJ18DU106, (ONE EA) 251N4077-4, (TWO EA) BACB30NY6K39, (TWO EA) BACC30X6, AND (TWO EA) NAS620C10 251N4008-26 CAN REPLACE BUT CANNOT BE REPLACED BY 251N4101-48/-56/-64/ -72/-80/-88/-96 TOGETHER WITH (TWO EA) 10-61899-26/HJ18DU106, (ONE EA) 251N4077-4, (TWO EA) BACB30NY6K39, (TWO EA) BACC30X6, AND (TWO EA) NAS620C10 251N4008-38 CAN REPLACE BUT CANNOT BE REPLACED BY 251N4101-48/-56/-64/ -72/-80/-88/-96 TOGETHER WITH (TWO EA)	107107 904949	1
MISSING ITEM NUMBERS NOT APPLICABLE				

- ITEM NOT ILLUSTRATED

BRI

27-51-17-01

27-51-17  
 FIG. 01  
 PAGE 23  
 JAN 20/09



757

PARTS CATALOG (MAINTENANCE)

FIG ITEM	PART NUMBER	1 2 3 4 5 6 7 NOMENCLATURE	EFFECT FROM TO	UNITS PER ASSY
1		<p>10-61899-26/HJ18DU106,            (ONE EA) 251N4077-4,            (TWO EA) BACB30NY6K39,            (TWO EA) BACC30X6, AND            (TWO EA) NAS620C10            251N4008-44 CAN REPLACE            BUT CANNOT BE REPLACED            BY 251N4101-48/-56/-64/            -72/-80/-88/-96 TOGETHER            WITH (TWO EA)            10-61899-26/HJ18DU106,            (ONE EA) 251N4077-4,            (TWO EA) BACB30NY6K39,            (TWO EA) BACC30X6, AND            (TWO EA) NAS620C10            251N4008-48 CAN REPLACE            OR BE REPLACED BY            251N4101-48/-56/            -64/-72/-80/-88/-96            TOGETHER WITH (TWO EA)            10-61899-26/HJ18DU106,            (ONE EA) 251N4077-4,            (TWO EA) BACB30NY6K39,            (TWO EA) BACC30X6, AND            (TWO EA) NAS620C10            REWORKED BY ALERT SB:            27A0127</p>		
- 155	251N4101-96	<p>. TRANSMISSION ASSY-            POSITION DATA:            RH SIDE            COMPONENT MAINT MANUAL REF:            27-51-12            QUALIFIED I/W DATA:            251N4008-16 CAN REPLACE            OR BE REPLACED BY            251N4101-48/-56/-64/-72/            -80/-88/-96 TOGETHER            WITH (TWO EA)            10-61899-26/HJ18DU106,            (ONE EA) 251N4077-4,            (TWO EA) BACB30NY6K39,            (TWO EA) BACC30X6, AND            (TWO EA) NAS620C10            251N4008-18 CAN REPLACE            OR BE REPLACED BY            251N4101-48/-56/-64/-72/            -80/-88/-96 TOGETHER            WITH (TWO EA)            10-61899-26/HJ18DU106,</p>	107107 904949	1

MISSING ITEM NUMBERS NOT APPLICABLE

- ITEM NOT ILLUSTRATED

BRI

27-51-17-01

BOEING PROPRIETARY - Copyright © - Unpublished Work - See title page for details.

27-51-17  
 FIG. 01  
 PAGE 24  
 JAN 20/09



757

PARTS CATALOG (MAINTENANCE)

FIG ITEM	PART NUMBER	1 2 3 4 5 6 7 NOMENCLATURE	EFFECT FROM TO	UNITS PER ASSY
1		<p>(ONE EA) 251N4077-4,  (TWO EA) BACB30NY6K39,  (TWO EA) BACC30X6, AND  (TWO EA) NAS620C10  251N4008-26 CAN REPLACE  BUT CANNOT BE REPLACED  BY 251N4101-48/-56/-64/  -72/-80/-88/-96 TOGETHER  WITH (TWO EA)  10-61899-16/HJ18DU106,  (ONE EA) 251N4077-4,  (TWO EA) BACB30NY6K39,  (TWO EA) BACC30X6, AND  (TWO EA) NAS620C10  251N4008-38 CAN REPLACE  BUT CANNOT BE REPLACED  BY 251N4101-48/-56/-64/  -72/-80/-88/-96 TOGETHER  WITH (TWO EA)  10-61899-26/HJ18DU106,  (ONE EA) 251N4077-4,  (TWO EA) BACB30NY6K39,  (TWO EA) BACC30X6, AND  (TWO EA) NAS620C10  251N4008-44 CAN REPLACE  BUT CANNOT BE REPLACED  BY 251N4101-48/-56/-64/  -72/-80/-88/-96 TOGETHER  WITH (TWO EA)  10-61899-26/HJ18DU106,  (ONE EA) 251N4077-4,  (TWO EA) BACB30NY6K39,  (TWO EA) BACC30X6, AND  (TWO EA) NAS620C10  251N4008-48 CAN REPLACE  BUT CANNOT BE REPLACED  BY 251N4101-48/-56/  -64/-72/-80/-88/-96  TOGETHER WITH (TWO EA)  10-61899-26/HJ18DU106,  (ONE EA) 251N4077-4,  (TWO EA) BACB30NY6K39,  (TWO EA) BACC30X6, AND  (TWO EA) NAS620C10  QUALIFIED OPTIONAL DATA:  (-16 OPT TO 251N4101-96  PLUS TWO 10-61899-26,  251N4077-4, TWO  BACB30NY6K39, TWO</p>		

MISSING ITEM NUMBERS NOT APPLICABLE

- ITEM NOT ILLUSTRATED

27-51-17-01

27-51-17  
FIG. 01  
PAGE 25  
JAN 20/09

BRI



 **BOEING**  
757  
**PARTS CATALOG (MAINTENANCE)**

FIG ITEM	PART NUMBER	1 2 3 4 5 6 7	NOMENCLATURE	EFFECT FROM TO	UNITS PER ASSY
1			BACC30X6, AND TWO NAS620C10. 251N4101-96 OPT TO 251N4101-88)		
- 155	251N4008-16		.TRANSMISSION ASSY- POSITION DATA: RH SIDE MISCELLANEOUS DATA: PROCURE MAJOR COMPONENTS QUALIFIED I/W DATA: 251N4008-16 CAN REPLACE OR BE REPLACED BY 251N4101-48/-56/-64/-72/ -80/-88/-96 TOGETHER WITH (TWO EA) 10-61899-26/HJ18DU106, (ONE EA) 251N4077-4, (TWO EA) BACB30NY6K39, (TWO EA) BACC30X6, AND (TWO EA) NAS620C10 QUALIFIED OPTIONAL DATA: (-16 OPT TO 251N4101-96 PLUS TWO 10-61899-26, 251N4077-4, TWO BACB30NY6K39, TWO BACC30X6, AND TWO NAS620C10)	002004 006100 107107 121503 904999	1
- 155	251N4008-18		.TRANSMISSION ASSY- POSITION DATA: RH SIDE QUALIFIED I/W DATA: 251N4008-18 CAN REPLACE OR BE REPLACED BY 251N4101-48/-56/-64/-72/ -80/-88/-96 TOGETHER WITH (TWO EA) 10-61899-26/HJ18DU106, (ONE EA) 251N4077-4, (TWO EA) BACB30NY6K39, (TWO EA) BACC30X6, AND (TWO EA) NAS620C10	002004 006100 107107 121503 904999	1
- 156	251N4101-72		.TRANSMISSION ASSY- POSITION DATA: RH SIDE COMPONENT MAINT MANUAL REF: 27-51-12 QUALIFIED I/W DATA:	107107 904949	1

MISSING ITEM NUMBERS NOT APPLICABLE

- ITEM NOT ILLUSTRATED

BRI

# 27-51-17-01

BOEING PROPRIETARY - Copyright © - Unpublished Work - See title page for details.

27-51-17  
FIG. 01  
PAGE 26  
JAN 20/09



757

PARTS CATALOG (MAINTENANCE)

FIG ITEM	PART NUMBER	1 2 3 4 5 6 7 NOMENCLATURE	EFFECT FROM TO	UNITS PER ASSY
1		<p>251N4008-16 CAN REPLACE OR BE REPLACED BY 251N4101-48/-56/-64/-72/ -80/-88/-96 TOGETHER WITH (TWO EA) 10-61899-26/HJ18DU106, (ONE EA) 251N4077-4, (TWO EA) BACB30NY6K39, (TWO EA) BACC30X6, AND (TWO EA) NAS620C10 251N4008-18 CAN REPLACE OR BE REPLACED BY 251N4101-48/-56/-64/-72/ -80/-88/-96 TOGETHER WITH (TWO EA) 10-61899-26/HJ18DU106, (ONE EA) 251N4077-4, (TWO EA) BACB30NY6K39, (TWO EA) BACC30X6, AND (TWO EA) NAS620C10 251N4008-26 CAN REPLACE BUT CANNOT BE REPLACED BY 251N4101-48/-56/-64/ -72/-80/-88/-96 TOGETHER WITH (TWO EA) 10-61899-26/HJ18DU106, (ONE EA) 251N4077-4, (TWO EA) BACB30NY6K39, (TWO EA) BACC30X6, AND (TWO EA) NAS620C10 251N4008-38 CAN REPLACE BUT CANNOT BE REPLACED BY 251N4101-48/-56/-64/ -72/-80/-88/-96 TOGETHER WITH (TWO EA) 10-61899-26/HJ18DU106, (ONE EA) 251N4077-4, (TWO EA) BACB30NY6K39, (TWO EA) BACB30X6, AND (TWO EA) NAS620C10 251N4008-44 CAN REPLACE BUT CANNOT BE REPLACED BY 251N4101-48/-56/-64/ -72/-80/-88/-96 TOGETHER WITH (TWO EA) 10-61899-26/HJ18DU106, (ONE EA) 251N4077-4, (TWO EA) BACB30NY6K39, (TWO EA) BACB30X6, AND</p>		

MISSING ITEM NUMBERS NOT APPLICABLE

- ITEM NOT ILLUSTRATED

27-51-17-01

27-51-17  
FIG. 01  
PAGE 27  
JAN 20/09

BRI



757

PARTS CATALOG (MAINTENANCE)

FIG ITEM	PART NUMBER	1 2 3 4 5 6 7	NOMENCLATURE	EFFECT FROM TO	UNITS PER ASSY
1			(TWO EA) NAS620C10 251N4008-48 CAN REPLACE BUT CANNOT BE REPLACED BY 251N4101-48/-56/ -64/-72/-80/-88/-96 TOGETHER WITH (TWO EA) 10-61899-26/HJ18DU106, (ONE EA) 251N4077-4, (TWO EA) BACB30NY6K39, (TWO EA) BACC30X6, AND (TWO EA) NAS620C10 REWORKED BY ALERT SB: 27A0127R2		
- 157	251N4008-26		.TRANSMISSION ASSY- POSITION DATA: RH SIDE QUALIFIED I/W DATA: 251N4008-26 CAN REPLACE BUT CANNOT BE REPLACED BY 251N4101-48/-56/-64/-72/ -80/-88/-96 TOGETHER WITH (TWO EA) 10-61899-26/HJ18DU106, (ONE EA) 251N4077-4, (TWO EA) BACB30NY6K39, (TWO EA) BACC30X6, AND (TWO EA) NAS620C10	002004 006102 107107 121503 904999	1
- 157	251N4008-44		.TRANSMISSION ASSY- POSITION DATA: RH SIDE QUALIFIED I/W DATA: 251N4008-44 CAN REPLACE BUT CANNOT BE REPLACED BY 251N4101-48/-56/-64/-72/ -80/-88/-96 TOGETHER WITH (TWO EA) 10-61899-26/HJ18DU106, (ONE EA) 251N4077-4, (TWO EA) BACB30NY6K39, (TWO EA) BACC30X6, AND (TWO EA) NAS620C10	002004 006999	1
- 157	251N4008-48		.TRANSMISSION ASSY- POSITION DATA: RH SIDE	002004 006999	1

MISSING ITEM NUMBERS NOT APPLICABLE

- ITEM NOT ILLUSTRATED

27-51-17-01

27-51-17  
FIG. 01  
PAGE 28  
JAN 20/09

BRI



757

PARTS CATALOG (MAINTENANCE)

FIG ITEM	PART NUMBER	1 2 3 4 5 6 7	NOMENCLATURE	EFFECT FROM TO	UNITS PER ASSY
1 160	251N4050-47		..TRANSMISSION ASSY- POSITION DATA: LH SIDE COMPONENT MAINT MANUAL REF: 27-51-13 QUALIFIED I/W DATA: 251N4050-47 MAY RELACE 251N4050-43 OR -39 OR -35 OR -31 OR -27 OR -23 OR -19 WITH THE INCORPORATION OF SERVICE BULLETIN 757-27-A0127 SERVICE BULLETIN OPT DATA: 251N4022-10 251N4022-14 251N4022-18 251N4022-22 251N4022-26 251N4022-30 251N4022-34 251N4050-60 251N4050-64	107107 904949	1
160	251N4050-60		..TRANSMISSION ASSY- POSITION DATA: LH SIDE COMPONENT MAINT MANUAL REF: 27-51-13 QUALIFIED I/W DATA: 251N4050-60 MAY RELACE 251N4050-43 OR -39 OR -35 OR -31 OR -27 OR -23 OR -19 WITH THE INCORPORATION OF SERVICE BULLETIN 757-27-A0127 SERVICE BULLETIN OPT DATA: 251N4022-10 251N4022-14 251N4022-18 251N4022-22 251N4022-26 251N4022-30 251N4022-34 251N4050-47 251N4050-64	107107 904949	1

MISSING ITEM NUMBERS NOT APPLICABLE

- ITEM NOT ILLUSTRATED

BRI

27-51-17-01

BOEING PROPRIETARY - Copyright © - Unpublished Work - See title page for details.

27-51-17  
FIG. 01  
PAGE 29  
JAN 20/09



757

PARTS CATALOG (MAINTENANCE)

FIG ITEM	PART NUMBER	1 2 3 4 5 6 7	NOMENCLATURE	EFFECT FROM TO	UNITS PER ASSY
1 160	251N4050-19		<p>.. TRANSMISSION ASSY-  POSITION DATA:  LH SIDE  COMPONENT MAINT MANUAL REF:  27-51-13  QUALIFIED I/W DATA:  251N4050-47 MAY REPLACE  251N4050-19 WITH THE  INCORPORATION OF SERVICE  BULLETIN 757-27A0127  251N4050-60 MAY REPLACE  251N4050-19 WITH THE  INCORPORATION OF SERVICE  BULLETIN 757-27A0127  251N4050-64 MAY REPLACE  251N4050-19 WITH THE  INCORPORATION OF SERVICE  BULLETIN 757-27A0127  USED ON:  251N4101-41  PRE ALERT SB:  27A0127R2</p>	904949	1
160	251N4050-23		<p>.. TRANSMISSION ASSY-  POSITION DATA:  LH SIDE  COMPONENT MAINT MANUAL REF:  27-51-13  QUALIFIED I/W DATA:  251N4050-47 MAY REPLACE  251N4050-23 WITH THE  INCORPORATION OF SERVICE  BULLETIN 757-27A0127  251N4050-60 MAY REPLACE  251N4050-23 WITH THE  INCORPORATION OF SERVICE  BULLETIN 757-27A0127  25160640-64 MAY REPLACE  251N4050-23 WITH THE  INCORPORATION OF SERVICE  BULLETIN 757-27A0127  USED ON:  251N4101-57  USED ON:  251N4101-49  251N4101-57  PRE ALERT SB:  27A0127R2</p>	904949	1

MISSING ITEM NUMBERS NOT APPLICABLE

- ITEM NOT ILLUSTRATED

27-51-17-01

27-51-17  
FIG. 01  
PAGE 30  
JAN 20/09

BRI



757

PARTS CATALOG (MAINTENANCE)

FIG ITEM	PART NUMBER	1 2 3 4 5 6 7	NOMENCLATURE	EFFECT FROM TO	UNITS PER ASSY
1 160	251N4050-27		.. TRANSMISSION ASSY- POSITION DATA: LH SIDE COMPONENT MAINT MANUAL REF: 27-51-13 QUALIFIED I/W DATA: 251N4050-47 MAY REPLACE 251N4050-27 WITH THE INCORPORATION OF SERVICE BULLETIN 757-27A0127 251N4050-60 MAY REPLACE 251N4050-27 WITH THE INCORPORATION OF SERVICE BULLETIN 757-27A0127 251N4050-64 MAY REPLACE 251N4050-27 WITH THE INCORPORATION OF SERVICE BULLETIN 757-27A0127 USED ON: 251N4101-65 PRE ALERT SB: 27A0127R2	904949	1
160	251N4050-31		.. TRANSMISSION ASSY- POSITION DATA: LH SIDE COMPONENT MAINT MANUAL REF: 27-51-13 QUALIFIED I/W DATA: 251N4050-47 MAY REPLACE 251N4050-31 WITH THE INCORPORATION OF SERVICE BULLETIN 757-27A0127 251N4050-60 MAY REPLACE 251N4050-31 WITH THE INCORPORATION OF SERVICE BULLETIN 757-27A0127 251N4050-64 MAY REPLACE 251N4050-31 WITH THE INCORPORATION OF SERVICE BULLETIN 757-27A0127 USED ON: 251N4101-73 PRE ALERT SB: 27A0127R2	904949	1

MISSING ITEM NUMBERS NOT APPLICABLE

- ITEM NOT ILLUSTRATED

BRI

27-51-17-01

27-51-17  
 FIG. 01  
 PAGE 31  
 JAN 20/09



757

PARTS CATALOG (MAINTENANCE)

FIG ITEM	PART NUMBER	1 2 3 4 5 6 7	NOMENCLATURE	EFFECT FROM TO	UNITS PER ASSY
1 160	251N4050-35		.. TRANSMISSION ASSY- POSITION DATA: LH SIDE COMPONENT MAINT MANUAL REF: 27-51-13 QUALIFIED I/W DATA: 251N4050-47 MAY REPLACE 251N4050-35 WITH THE INCORPORATION OF SERVICE BULLETIN 757-27A0127 251N4050-60 MAY REPLACE 251N4050-35 WITH THE INCORPORATION OF SERVICE BULLETIN 757-27A0127 251N4050-64 MAY REPLACE 251N4050-35 WITH THE INCORPORATION OF SERVICE BULLETIN 757-27A0127 USED ON: 251N4101-81 PRE ALERT SB: 27A0127	904949	1
160	251N4050-39		.. TRANSMISSION ASSY- POSITION DATA: LH SIDE COMPONENT MAINT MANUAL REF: 27-51-13 QUALIFIED I/W DATA: 251N4050-47 MAY REPLACE 251N4050-39 WITH THE INCORPORATION OF SERVICE BULLETIN 757-27A0127 251N4050-60 MAY REPLACE 251N4050-39 WITH THE INCORPORATION OF SERVICE BULLETIN 757-27A0127 251N4050-64 MAY REPLACE 251N4050-39 WITH THE INCORPORATION OF SERVICE BULLETIN 757-27A0127 USED ON: 251N4101-89 PRE ALERT SB: 27A0127	904949	1

MISSING ITEM NUMBERS NOT APPLICABLE

- ITEM NOT ILLUSTRATED

BRI

27-51-17-01

27-51-17  
 FIG. 01  
 PAGE 32  
 JAN 20/09



757

PARTS CATALOG (MAINTENANCE)

FIG ITEM	PART NUMBER	1 2 3 4 5 6 7	NOMENCLATURE	EFFECT FROM TO	UNITS PER ASSY
1 160	251N4022-30		..TRANSMISSION ASSY- POSITION DATA: LH SIDE SERVICE BULLETIN OPT DATA: 251N4022-34 251N4050-47 251N4050-60 251N4050-64 USED ON: 251N4101-89 POST ALERT SB: 27A0127	107107 904949	1
160	251N4022-34		..TRANSMISSION ASSY- POSITION DATA: LH SIDE SERVICE BULLETIN OPT DATA: 251N4022-30 251N4050-47 251N4050-60 251N4050-64 USED ON: 251N4101-89	107107 904949	1
160	251N4022-26		..TRANSMISSION ASSY- POSITION DATA: LH SIDE SERVICE BULLETIN OPT DATA: 251N4050-47 251N4050-60 251N4050-64 USED ON: 251N4101-81 POST ALERT SB: 27A0127	107107 904949	1
161	251N4022-14		..TRANSMISSION ASSY- POSITION DATA: LH SIDE SERVICE BULLETIN OPT DATA: 251N4050-47 251N4050-60 251N4050-64 USED ON: 251N4101-49 251N4101-57 POST ALERT SB: 27A0127R2	904949	RF

MISSING ITEM NUMBERS NOT APPLICABLE

- ITEM NOT ILLUSTRATED

BRI

27-51-17-01

BOEING PROPRIETARY - Copyright © - Unpublished Work - See title page for details.

27-51-17  
FIG. 01  
PAGE 33  
JAN 20/09





757

PARTS CATALOG (MAINTENANCE)

FIG ITEM	PART NUMBER	1 2 3 4 5 6 7	NOMENCLATURE	EFFECT FROM TO	UNITS PER ASSY
1 161	251N4050-64		..TRANSMISSION ASSY- POSITION DATA: LH SIDE COMPONENT MAINT MANUAL REF: 27-51-13 QUALIFIED I/W DATA: 251N4050-64 MAY RELACE 251N4050-43 OR -39 OR -35 OR -31 OR -27 OR -23 OR -19 WITH THE INCORPORATION OF SERVICE BULLETIN 757-27-A0127 SERVICE BULLETIN OPT DATA: 251N4022-10 251N4022-14 251N4022-18 251N4022-22 251N4022-26 251N4022-30 251N4022-34 251N4050-47 251N4050-60 POST ALERT SB: 27A0127R2	107107 904949	1
161	251N4022-18		..TRANSMISSION ASSY- POSITION DATA: LH SIDE SERVICE BULLETIN OPT DATA: 251N4050-47 251N4050-60 251N4050-64 USED ON: 251N4101-65 POST ALERT SB: 27A0127R2	904949	RF
161	251N4022-10		..TRANSMISSION ASSY- POSITION DATA: LH SIDE SERVICE BULLETIN OPT DATA: 251N4050-47 251N4050-60 251N4050-64 USED ON: 251N4101-41 POST ALERT SB: 27A0127R2	904949	RF

MISSING ITEM NUMBERS NOT APPLICABLE

- ITEM NOT ILLUSTRATED

BRI

27-51-17-01

BOEING PROPRIETARY - Copyright © - Unpublished Work - See title page for details.

27-51-17  
FIG. 01  
PAGE 34  
JAN 20/09



757

PARTS CATALOG (MAINTENANCE)

FIG ITEM	PART NUMBER	1 2 3 4 5 6 7	NOMENCLATURE	EFFECT FROM TO	UNITS PER ASSY
1 161	251N4022-22		..TRANSMISSION ASSY- POSITION DATA: LH SIDE SERVICE BULLETIN OPT DATA: 251N4050-47 251N4050-60 251N4050-64 USED ON: 251N4101-73 POST ALERT SB: 27A0127R2	904949	RF
- 165	251N4022-31		..TRANSMISSION ASSY- POSITION DATA: RH SIDE SERVICE BULLETIN OPT DATA: 251N4022-35 251N4050-48 251N4050-61 251N4050-65 USED ON: 251N4101-96 POST ALERT SB: 27A0127	107107 904949	1
- 165	251N4022-35		..TRANSMISSION ASSY- POSITION DATA: RH SIDE SERVICE BULLETIN OPT DATA: 251N4022-31 251N4050-48 251N4050-61 251N4050-65 USED ON: 251N4101-96	107107 904949	1
- 165	251N4022-27		..TRANSMISSION ASSY- POSITION DATA: RH SIDE SERVICE BULLETIN OPT DATA: 251N4050-48 251N4050-61 251N4050-65 USED ON: 251N4101-88 POST ALERT SB: 27A0127	107107 904949	1

MISSING ITEM NUMBERS NOT APPLICABLE

- ITEM NOT ILLUSTRATED

27-51-17-01

27-51-17  
FIG. 01  
PAGE 35  
JAN 20/09

BRI



757

PARTS CATALOG (MAINTENANCE)

FIG ITEM	PART NUMBER	1 2 3 4 5 6 7	NOMENCLATURE	EFFECT FROM TO	UNITS PER ASSY
1 - 165	251N4050-20		.. TRANSMISSION ASSY- POSITION DATA: RH SIDE COMPONENT MAINT MANUAL REF: 27-51-13 QUALIFIED I/W DATA: 251N4050-48 MAY REPLACE 251N4050-20 WITH THE INCORPORATION OF SERVICE BULLETIN 757-27A0127 251N4050-61 MAY REPLACE 251N4050-20 WITH THE INCORPORATION OF SERVICE BULLETIN 757-27A0127 211N4050-65 MAY REPLACE 251N4050-20 WITH THE INCORPORATION OF SERVICE BULLETIN 757-27A0127 USED ON: 251N4101-48 PRE ALERT SB: 27A0127R2	904949	1
- 165	251N4050-24		.. TRANSMISSION ASSY- POSITION DATA: RH SIDE COMPONENT MAINT MANUAL REF: 27-51-13 QUALIFIED I/W DATA: 251N4050-48 MAY REPLACE 251N4050-24 WITH THE INCORPORATION OF SERVICE BULLETIN 757-27A0127 251N4050-61 MAY REPLACE 251N4050-24 WITH THE INCORPORATION OF SERVICE BULLETIN 757-27A0127 251N4050-65 MAY REPLACE 251N4050-24 WITH THE INCORPORATION OF SERVICE BULLETIN 757-27A0127 USED ON: 251N4101-64 USED ON: 251N4101-56 251N4050-64 PRE ALERT SB: 27A0127R2	904949	1

MISSING ITEM NUMBERS NOT APPLICABLE

- ITEM NOT ILLUSTRATED

BRI

27-51-17-01

27-51-17  
 FIG. 01  
 PAGE 36  
 JAN 20/09



757

PARTS CATALOG (MAINTENANCE)

FIG ITEM	PART NUMBER	1 2 3 4 5 6 7	NOMENCLATURE	EFFECT FROM TO	UNITS PER ASSY
1 - 165	251N4050-28		.. TRANSMISSION ASSY- POSITION DATA: RH SIDE COMPONENT MAINT MANUAL REF: 27-51-13 QUALIFIED I/W DATA: 251N4050-48 MAY REPLACE 251N4050-28 WITH THE INCORPORATION OF SERVICE BULLETIN 757-27A0127 251N4050-61 MAY REPLACE 251N4050-28 WITH THE INCORPORATION OF SERVICE BULLETIN 757-27A0127 251N4050-65 MAY REPLACE 251N4050-28 WITH THE INCORPORATION OF SERVICE BULLETIN 757-27A0127 USED ON: 251N4101-72 PRE ALERT SB: 27A0127R2	904949	1
- 165	251N4050-32		.. TRANSMISSION ASSY- POSITION DATA: RH SIDE COMPONENT MAINT MANUAL REF: 27-51-13 QUALIFIED I/W DATA: 251N4050-48 MAY REPLACE 251N4050-32 WITH THE INCORPORATION OF SERVICE BULLETIN 757-27A0127 251N4050-61 MAY REPLACE 251N4050-32 WITH THE INCORPORATION OF SERVICE BULLETIN 757-27A0127 251N4050-65 MAY REPLACE 251N4050-32 WITH THE INCORPORATION OF SERVICE BULLETIN 757-27A0127 USED ON: 251N4101-80 PRE ALERT SB: 27A0127R2	904949	1

MISSING ITEM NUMBERS NOT APPLICABLE

- ITEM NOT ILLUSTRATED

BRI

27-51-17-01

27-51-17  
 FIG. 01  
 PAGE 37  
 JAN 20/09



757

PARTS CATALOG (MAINTENANCE)

FIG ITEM	PART NUMBER	1 2 3 4 5 6 7	NOMENCLATURE	EFFECT FROM TO	UNITS PER ASSY
1 - 165	251N4050-36		..TRANSMISSION ASSY- POSITION DATA: RH SIDE COMPONENT MAINT MANUAL REF: 27-51-13 QUALIFIED I/W DATA: 251N4050-48 MAY REPLACE 251N4050-36 WITH THE INCORPORATION OF SERVICE BULLETIN 757-27A0127 251N4050-61 MAY REPLACE 251N4050-36 WITH THE INCORPORATION OF SERVICE BULLETIN 757-27A0127 251N4050-65 MAY REPLACE 251N4050-36 WITH THE INCORPORATION OF SERVICE BULLETIN 757-27A0127 USED ON: 251N4101-88 PRE ALERT SB: 27A0127	904949	1
- 165	251N4050-40		..TRANSMISSION ASSY- POSITION DATA: RH SIDE COMPONENT MAINT MANUAL REF: 27-51-13 QUALIFIED I/W DATA: 251N4050-48 MAY REPLACE 251N4050-40 WITH THE INCORPORATION OF SERVICE BULLETIN 757-27A0127 251N4050-61 MAY REPLACE 251N4050-40 WITH THE INCORPORATION OF SERVICE BULLETIN 757-27A0127 251N4050-65 MAY REPLACE 251N4050-40 WITH THE INCORPORATION OF SERVICE BULLETIN 757-27A0127 USED ON: 251N4101-96 PRE ALERT SB: 27A0127	904949	1

MISSING ITEM NUMBERS NOT APPLICABLE

- ITEM NOT ILLUSTRATED

BRI

27-51-17-01

27-51-17  
FIG. 01  
PAGE 38  
JAN 20/09



757

PARTS CATALOG (MAINTENANCE)

FIG ITEM	PART NUMBER	1 2 3 4 5 6 7	NOMENCLATURE	EFFECT FROM TO	UNITS PER ASSY
1 - 165	251N4050-48		..TRANSMISSION ASSY- POSITION DATA: RH SIDE COMPONENT MAINT MANUAL REF: 27-51-13 QUALIFIED I/W DATA: 251N4050-48 MAY RELACE 251N4050-44 OR -40 OR -36 OR -32 OR -28 OR -24 OR -20 WITH THE INCORPORATION OF SERVICE BULLETIN 757-27-A0127 SERVICE BULLETIN OPT DATA: 251N4022-11 251N4022-15 251N4022-19 251N4022-23 251N4022-27 251N4022-31 251N4022-35 251N4050-61 251N4050-65	107107 904949	1
- 165	251N4050-61		..TRANSMISSION ASSY- POSITION DATA: RH SIDE COMPONENT MAINT MANUAL REF: 27-51-13 QUALIFIED I/W DATA: 251N4050-61 MAY RELACE 251N4050-44 OR -40 OR -36 OR -32 OR -28 OR -24 OR -20 WITH THE INCORPORATION OF SERVICE BULLETIN 757-27-A0127 SERVICE BULLETIN OPT DATA: 251N4022-11 251N4022-15 251N4022-19 251N4022-23 251N4022-27 251N4022-31 251N4022-35 251N4050-48 251N4050-65	107107 904949	1

MISSING ITEM NUMBERS NOT APPLICABLE

- ITEM NOT ILLUSTRATED

BRI

27-51-17-01

BOEING PROPRIETARY - Copyright © - Unpublished Work - See title page for details.

27-51-17  
FIG. 01  
PAGE 39  
JAN 20/09



757

PARTS CATALOG (MAINTENANCE)

FIG ITEM	PART NUMBER	1 2 3 4 5 6 7	NOMENCLATURE	EFFECT FROM TO	UNITS PER ASSY
1					
- 166	251N4022-15		..TRANSMISSION ASSY- POSITION DATA: RH SIDE SERVICE BULLETIN OPT DATA: 251N4050-48 251N4050-61 251N4050-65 USED ON: 251N4101-56 251N4101-64 POST ALERT SB: 27A0127R2	904949	RF
- 166	251N4050-65		..TRANSMISSION ASSY- POSITION DATA: LH SIDE MISCELLANEOUS DATA: POST AD 2000-04-18 COMPONENT MAINT MANUAL REF: 27-51-13 QUALIFIED I/W DATA: 251N4050-65 MAY RELACE 251N4050-44 OR -40 OR -36 OR -32 OR -28 OR -24 OR -20 WITH THE INCORPORATION OF SERVICE BULLETIN 757-27-A0127 SERVICE BULLETIN OPT DATA: 251N4022-11 251N4022-15 251N4022-19 251N4022-23 251N4022-27 251N4022-31 251N4022-35 251N4050-48 251N4050-61 POST ALERT SB: 27A0127R2	107107 904949	1
- 166	251N4022-19		..TRANSMISSION ASSY- POSITION DATA: RH SIDE SERVICE BULLETIN OPT DATA: 251N4050-48 251N4050-61 251N4050-65 USED ON: 251N4101-72 POST ALERT SB: 27A0127R2	904949	RF

MISSING ITEM NUMBERS NOT APPLICABLE

- ITEM NOT ILLUSTRATED

27-51-17-01

27-51-17  
FIG. 01  
PAGE 40  
JAN 20/09

BRI



757

PARTS CATALOG (MAINTENANCE)

FIG ITEM	PART NUMBER	1 2 3 4 5 6 7	NOMENCLATURE	EFFECT FROM TO	UNITS PER ASSY
1 - 166	251N4022-11		..TRANSMISSION ASSY- POSITION DATA: RH SIDE SERVICE BULLETIN OPT DATA: 251N4050-48 251N4050-61 251N4050-65 USED ON: 251N4101-48 POST ALERT SB: 27A0127R2	904949	RF
- 166	251N4022-23		..TRANSMISSION ASSY- POSITION DATA: RH SIDE SERVICE BULLETIN OPT DATA: 251N4050-48 251N4050-61 251N4050-65 USED ON: 251N4101-80 POST ALERT SB: 27A0127R2	904949	RF
170	3-907N103-70		...PACKING- SUPPLIER CODE: V83259 USED ON: 251N4050-19 251N4050-20 251N4050-27 251N4050-28	904949	2

MISSING ITEM NUMBERS NOT APPLICABLE

- ITEM NOT ILLUSTRATED

**27-51-17-01**

27-51-17  
FIG. 01  
PAGE 41  
JAN 20/09

BRI





757

PARTS CATALOG (MAINTENANCE)

FIG ITEM	PART NUMBER	1 2 3 4 5 6 7	NOMENCLATURE	EFFECT FROM TO	UNITS PER ASSY
1 175	3-907N103-70		...PACKING- SUPPLIER CODE: V83259 USED ON: 251N4050-23 251N4050-24 251N4050-31 251N4050-32 251N4050-34 251N4050-35 251N4050-36 251N4050-39 251N4050-40 251N4050-43 251N4050-44 251N4050-47 251N4050-48 251N4050-60 251N4050-61 251N4050-64 251N4050-65	107107 904949	3
180	MS9953-07		...PLUG- USED ON: 251N4050-19 251N4050-20 251N4050-23 251N4050-24 251N4050-27 251N4050-28 251N4050-31 251N4050-32 251N4050-34 251N4050-35 251N4050-36 251N4050-39 251N4050-40 251N4050-43 251N4050-44 251N4050-47 251N4050-48 251N4050-60 251N4050-61 251N4050-64 251N4050-65	107107 904949	2

MISSING ITEM NUMBERS NOT APPLICABLE

- ITEM NOT ILLUSTRATED

BRI

27-51-17-01

BOEING PROPRIETARY - Copyright © - Unpublished Work - See title page for details.

27-51-17  
FIG. 01  
PAGE 42  
JAN 20/09



757

PARTS CATALOG (MAINTENANCE)

FIG ITEM	PART NUMBER	1 2 3 4 5 6 7	NOMENCLATURE	EFFECT FROM TO	UNITS PER ASSY
1 195	251N4336-1		..TRANSMISSION AND UJOINT- ASSY-TE FLAP #1 POSITION DATA: WBL 493.2 LH SIDE USED ON: 251N4008-15 PRE SERVICE BULLETIN: 27-0115 REWORKED BY ALERT SB: 27A0127 FUNCTIONAL REFERENCE: PLACARDS AND MARKINGS FOR DETAILS SEE 11-24-13-01	002004 006100 904949	1
195	251N4336-9		..TRANSMISSION AND UJOINT- ASSY-TE FLAP #1 POSITION DATA: WBL 493.2 LH SIDE USED ON: 251N4008-17 REWORKED BY ALERT SB: 27A0127 FUNCTIONAL REFERENCE: PLACARDS AND MARKINGS FOR DETAILS SEE 11-24-13-01	002004 006100 904951	1
196	251N4336-17		..TRANSMISSION AND UJOINT- ASSY-TE FLAP #1 POSITION DATA: WBL 493.2 LH SIDE USED ON: 251N4008-25 POST ALERT SB: 27A0127 FUNCTIONAL REFERENCE: PLACARDS AND MARKINGS FOR DETAILS SEE 11-24-13-01	002004 006102 107999	1
196	251N4336-25		..TRANSMISSION AND UJOINT- ASSY-TE FLAP #1 POSITION DATA: WBL 493.2 LH SIDE USED ON: 251N4008-25 FUNCTIONAL REFERENCE: PLACARDS AND MARKINGS FOR DETAILS SEE 11-24-13-01	002004 006999	1

MISSING ITEM NUMBERS NOT APPLICABLE

- ITEM NOT ILLUSTRATED

BRI

27-51-17-01

27-51-17  
FIG. 01  
PAGE 43  
JAN 20/09



757

PARTS CATALOG (MAINTENANCE)

FIG ITEM	PART NUMBER	1 2 3 4 5 6 7	NOMENCLATURE	EFFECT FROM TO	UNITS PER ASSY
1					
- 197	251N4336-8		..TRANSMISSION AND UJOINT- ASSY-TE FLAP #8 POSITION DATA: WBL 493.2 RH SIDE USED ON: 251N4008-16 PRE SERVICE BULLETIN: 27-0115 REWORKED BY ALERT SB: 27A0127 FUNCTIONAL REFERENCE: PLACARDS AND MARKINGS FOR DETAILS SEE 11-24-13-01	002004 006100 904949	1
- 197	251N4336-16		..TRANSMISSION AND UJOINT- ASSY-TE FLAP #8 POSITION DATA: WBL 493.2 RH SIDE USED ON: 251N4008-18 251N4008-16 REWORKED BY ALERT SB: 27A0127 FUNCTIONAL REFERENCE: PLACARDS AND MARKINGS FOR DETAILS SEE 11-24-13-01	002004 006100 904951	1
- 198	251N4336-24		..TRANSMISSION AND UJOINT- ASSY-TE FLAP #8 POSITION DATA: WBL 493.2 RH SIDE USED ON: 251N4008-26 POST ALERT SB: 27A0127 FUNCTIONAL REFERENCE: PLACARDS AND MARKINGS FOR DETAILS SEE 11-24-13-01	002004 006102 107999	1
- 198	251N4336-32		..TRANSMISSION AND UJOINT- ASSY-TE FLAP #8 POSITION DATA: WBL 493.2 RH SIDE FUNCTIONAL REFERENCE: PLACARDS AND MARKINGS FOR DETAILS SEE 11-24-13-01	002004 006999	1

MISSING ITEM NUMBERS NOT APPLICABLE

- ITEM NOT ILLUSTRATED

27-51-17-01

27-51-17  
FIG. 01  
PAGE 44  
JAN 20/09

BRI



757

PARTS CATALOG (MAINTENANCE)

FIG ITEM	PART NUMBER	1 2 3 4 5 6 7	NOMENCLATURE	EFFECT FROM TO	UNITS PER ASSY
1 199	251N4050-39		...TRANSMISSION ASSY- POSITION DATA: LH SIDE COMPONENT MAINT MANUAL REF: 27-51-13 QUALIFIED I/W DATA: 251N4050-47 MAY REPLACE 251N4050-39 WITH THE INCORPORATION OF SERVICE BULLETIN 757-27A0127 251N4050-60 MAY REPLACE 251N4050-39 WITH THE INCORPORATION OF SERVICE BULLETIN 757-27A0127 251N4050-64 MAY REPLACE 251N4050-39 WITH THE INCORPORATION OF SERVICE BULLETIN 757-27A0127 USED ON: 251N4336-1 PRE SERVICE BULLETIN: 27-0115 PRE ALERT SB: 27A0127	002004 006100 904949	1
199	251N4050-43		...TRANSMISSION ASSY- POSITION DATA: LH SIDE COMPONENT MAINT MANUAL REF: 27-51-13 QUALIFIED I/W DATA: 251N4050-47 MAY REPLACE 251N4050-43 WITH THE INCORPORATION OF SERVICE BULLETIN 757-27A0127 251N4050-60 MAY REPLACE 251N4050-43 WITH THE INCORPORATION OF SERVICE BULLETIN 757-27A0127 251N4050-64 MAY REPLACE 251N4050-43 WITH THE INCORPORATION OF SERVICE BULLETIN 757-27A0127 USED ON: 251N4336-9 POST SERVICE BULLETIN: 27-0115 PRE ALERT SB: 27A0127	002004 006100 904949	1

MISSING ITEM NUMBERS NOT APPLICABLE

- ITEM NOT ILLUSTRATED

BRI

27-51-17-01

27-51-17  
FIG. 01  
PAGE 45  
JAN 20/09



757

PARTS CATALOG (MAINTENANCE)

FIG ITEM	PART NUMBER	1 2 3 4 5 6 7 NOMENCLATURE	EFFECT FROM TO	UNITS PER ASSY
1 199	251N4050-47	... TRANSMISSION ASSY- POSITION DATA: LH SIDE COMPONENT MAINT MANUAL REF: 27-51-13 QUALIFIED I/W DATA: -47 AND -60 ARE FULLY INTERCHANGEABLE FOR 757-200. -47 I/W -60 IF FILLED WITH BRAYCO 795 OIL FOR 757-300. 251N4050-64 IS FULLY INTERCHANGEABLE WITH 251N4050-47 WHEN FILLED WITH BRAYCO 795 OIL 251N4050-47 MAY RELACE 251N4050-43 OR -39 OR -35 OR -31 OR -27 OR -23 OR -19 WITH THE INCORPORATION OF SERVICE BULLETIN 757-27-A0127 SERVICE BULLETIN OPT DATA: 251N4050-60 251N4022-34 251N4022-30 251N4050-64 USED ON: 251N4336-17 REFERENCE SERVICE BULLETIN: 27A0127R2	002004 006102 107999	1

MISSING ITEM NUMBERS NOT APPLICABLE

- ITEM NOT ILLUSTRATED

BRI

**27-51-17-01**

BOEING PROPRIETARY - Copyright © - Unpublished Work - See title page for details.

27-51-17  
FIG. 01  
PAGE 46  
JAN 20/09



**757  
PARTS CATALOG (MAINTENANCE)**

FIG ITEM	PART NUMBER	1 2 3 4 5 6 7	NOMENCLATURE	EFFECT FROM TO	UNITS PER ASSY
1 199	251N4050-60		...TRANSMISSION ASSY- POSITION DATA: LH SIDE COMPONENT MAINT MANUAL REF: 27-51-13 QUALIFIED I/W DATA: -47 AND -60 ARE FULLY INTERCHANGEABLE FOR 757-200. -47 I/W -60 IF FILLED WITH BRAYCO 795 OIL FOR 757-300. 251N4050-60 MAY RELACE 251N4050-43 OR -39 OR -35 OR -31 OR -27 OR -23 OR -19 WITH THE INCORPORATION OF SERVICE BULLETIN 757-27-A0127 OPTIONAL PART: 251N4050-64 SERVICE BULLETIN OPT DATA: 251N4050-47 251N4022-30 251N4022-34 251N4050-64 USED ON: 251N4336-25 REFERENCE SERVICE BULLETIN: 27A0127R2	002004 006999	1
199	251N4022-34		...TRANSMISSION ASSY- POSITION DATA: LH SIDE SERVICE BULLETIN OPT DATA: 251N4050-47 251N4050-60 251N4050-64 USED ON: 251N4336-17 POST ALERT SB: 27A0127	002004 006100 107107 121503 904999	1

MISSING ITEM NUMBERS NOT APPLICABLE

— ITEM NOT ILLUSTRATED

BRI

# 27-51-17-01

BOEING PROPRIETARY - Copyright © - Unpublished Work - See title page for details.

27-51-17  
FIG. 01  
PAGE 47  
JAN 20/09



757

PARTS CATALOG (MAINTENANCE)

FIG ITEM	PART NUMBER	1 2 3 4 5 6 7	NOMENCLATURE	EFFECT FROM TO	UNITS PER ASSY
1 199	251N4022-30		...TRANSMISSION ASSY- POSITION DATA: LH SIDE SERVICE BULLETIN OPT DATA: 251N4050-47 251N4050-60 251N4050-64 USED ON: 251N4336-1 POST ALERT SB: 27A0127	002004 006100 107107 121503 904999	1
199	251N4050-64		...TRANSMISSION ASSY- POSITION DATA: LH SIDE COMPONENT MAINT MANUAL REF: 27-51-13 QUALIFIED I/W DATA: 251N4050-64 MAY REPLACE 251N4050-43 OR -39 OR -35 OR -31 OR -27 OR -23 OR -19 WITH THE INCORPORATION OF SERVICE BULLETIN 757-27-A0127 251N4050-64 IS FULLY INTERCHANGEABLE WITH 251N4050-47 WHEN FILLED WITH BRAYCO 795 OIL OPTIONAL PART: 251N4050-60 SERVICE BULLETIN OPT DATA: 251N4022-30 251N4022-34 251N4050-47 251N4050-60 USED ON: 251N4336-25 POST ALERT SB: 27A0127R2	002004 006999	1

MISSING ITEM NUMBERS NOT APPLICABLE

- ITEM NOT ILLUSTRATED

BRI

27-51-17-01

27-51-17  
FIG. 01  
PAGE 48  
JAN 20/09



757

PARTS CATALOG (MAINTENANCE)

FIG ITEM	PART NUMBER	1 2 3 4 5 6 7	NOMENCLATURE	EFFECT FROM TO	UNITS PER ASSY
1 - 201	251N4050-40		... TRANSMISSION ASSY- POSITION DATA: RH SIDE COMPONENT MAINT MANUAL REF: 27-51-13 QUALIFIED I/W DATA: 251N4050-48 MAY REPLACE 251N4050-40 WITH THE INCORPORATION OF SERVICE BULLETIN 757-27A0127 251N4050-61 MAY REPLACE 251N4050-40 WITH THE INCORPORATION OF SERVICE BULLETIN 757-27A0127 251N4050-65 MAY REPLACE 251N4050-40 WITH THE INCORPORATION OF SERVICE BULLETIN 757-27A0127 USED ON: 251N4336-8 PRE SERVICE BULLETIN: 27-0115 PRE ALERT SB: 27A0127 REWORKED BY ALERT SB: 27A0127	002004 006100 904949	1

MISSING ITEM NUMBERS NOT APPLICABLE

- ITEM NOT ILLUSTRATED

BRI

27-51-17-01

BOEING PROPRIETARY - Copyright © - Unpublished Work - See title page for details.

27-51-17  
FIG. 01  
PAGE 49  
JAN 20/09





757

PARTS CATALOG (MAINTENANCE)

FIG ITEM	PART NUMBER	1 2 3 4 5 6 7	NOMENCLATURE	EFFECT FROM TO	UNITS PER ASSY
1 - 201	251N4050-44		... TRANSMISSION ASSY- POSITION DATA: RH SIDE COMPONENT MAINT MANUAL REF: 27-51-13 QUALIFIED I/W DATA: 251N4050-48 MAY REPLACE 251N4050-44 WITH THE INCORPORATION OF SERVICE BULLETIN 757-27A0127 251N4050-61 MAY REPLACE 251N4050-44 WITH THE INCORPORATION OF SERVICE BULLETIN 757-27A0127 251N4050-65 MAY REPLACE 251N4050-44 WITH THE INCORPORATION OF SERVICE BULLETIN 757-27A0127 USED ON: 251N4336-16 POST SERVICE BULLETIN: 27-0115 PRE ALERT SB: 27A0127	002004 006100 904949	1

MISSING ITEM NUMBERS NOT APPLICABLE

- ITEM NOT ILLUSTRATED

BRI

27-51-17-01

BOEING PROPRIETARY - Copyright © - Unpublished Work - See title page for details.

27-51-17  
FIG. 01  
PAGE 50  
JAN 20/09



757

PARTS CATALOG (MAINTENANCE)

FIG ITEM	PART NUMBER	1 2 3 4 5 6 7 NOMENCLATURE	EFFECT FROM TO	UNITS PER ASSY
1 - 201	251N4050-48	... TRANSMISSION ASSY- POSITION DATA: RH SIDE COMPONENT MAINT MANUAL REF: 27-51-13 QUALIFIED I/W DATA: -48 AND -61 ARE FULLY INTERCHANGEABLE FOR 757-200. -48 I/W -61 IF FILLED WITH BRAYCO 795 OIL FOR 757-300. 251N4050-65 IS FULLY INTERCHANGEABLE WITH 251N4050-48 WHEN FILLED WITH BRAYCO 795 OIL 251N4050-48 MAY RELACE 251N4050-44 OR -40 OR -36 OR -32 OR -28 OR -24 OR -20 WITH THE INCORPORATION OF SERVICE BULLETIN 757-27-A0127 SERVICE BULLETIN OPT DATA: 251N4050-61 251N4022-35 251N4022-31 251N4050-65 USED ON: 251N4336-24 REFERENCE SERVICE BULLETIN: 27A0127R2	002004 006102 107999	1

MISSING ITEM NUMBERS NOT APPLICABLE

- ITEM NOT ILLUSTRATED

BRI

27-51-17-01

BOEING PROPRIETARY - Copyright © - Unpublished Work - See title page for details.

27-51-17  
FIG. 01  
PAGE 51  
JAN 20/09



**757  
PARTS CATALOG (MAINTENANCE)**

FIG ITEM	PART NUMBER	1 2 3 4 5 6 7	NOMENCLATURE	EFFECT FROM TO	UNITS PER ASSY
1 - 201	251N4050-61		...TRANSMISSION ASSY- POSITION DATA: RH SIDE COMPONENT MAINT MANUAL REF: 27-51-13 QUALIFIED I/W DATA: -48 AND -61 ARE FULLY INTERCHANGEABLE FOR 757-200. -48 I/W -61 IF FILLED WITH BRAYCO 795 OIL FOR 757-300. 251N4050-61 MAY RELACE 251N4050-44 OR -40 OR -36 OR -32 OR -28 OR -24 OR -20 WITH THE INCORPORATION OF SERVICE BULLETIN 757-27-A0127 OPTIONAL PART: 251N4050-65 SERVICE BULLETIN OPT DATA: 251N4050-48 251N4022-31 251N4022-35 251N4050-65 USED ON: 251N4336-32 REFERENCE SERVICE BULLETIN: 27A0127R2	002004 006999	1
- 201	251N4022-35		...TRANSMISSION ASSY- POSITION DATA: RH SIDE SERVICE BULLETIN OPT DATA: 251N4050-48 251N4050-61 251N4050-65 USED ON: 251N4336-24 POST ALERT SB: 27A0127	002004 006100 107107 121503 904999	1

MISSING ITEM NUMBERS NOT APPLICABLE

- ITEM NOT ILLUSTRATED

BRI

# 27-51-17-01

BOEING PROPRIETARY - Copyright © - Unpublished Work - See title page for details.

27-51-17  
FIG. 01  
PAGE 52  
JAN 20/09



757

PARTS CATALOG (MAINTENANCE)

FIG ITEM	PART NUMBER	1 2 3 4 5 6 7	NOMENCLATURE	EFFECT FROM TO	UNITS PER ASSY
1					
- 201	251N4022-31		...TRANSMISSION ASSY- POSITION DATA: RH SIDE SERVICE BULLETIN OPT DATA: 251N4050-48 251N4050-61 251N4050-65 USED ON: 251N4336-8 POST ALERT SB: 27A0127	002004 006100 107107 121503 904999	1
- 201	251N4050-65		...TRANSMISSION ASSY- POSITION DATA: RH SIDE COMPONENT MAINT MANUAL REF: 27-51-13 QUALIFIED I/W DATA: 251N4050-65 MAY REPLACE 251N4050-44 OR -40 OR -36 OR -32 OR -28 OR -24 OR -20 WITH THE INCORPORATION OF SERVICE BULLETIN 757-27-A0127 251N4050-65 IS FULLY INTERCHANGEABLE WITH 251N4050-48 WHEN FILLED WITH BRAYCO 795 OIL OPTIONAL PART: 251N4050-61 SERVICE BULLETIN OPT DATA: 251N4022-31 251N4022-35 251N4050-48 251N4050-61 USED ON: 251N4336-32 POST ALERT SB: 27A0127R2	002004 006999	1

MISSING ITEM NUMBERS NOT APPLICABLE

- ITEM NOT ILLUSTRATED

27-51-17-01

27-51-17  
FIG. 01  
PAGE 53  
JAN 20/09

BRI



757

PARTS CATALOG (MAINTENANCE)

FIG ITEM	PART NUMBER	1 2 3 4 5 6 7	NOMENCLATURE	EFFECT FROM TO	UNITS PER ASSY
1 205	3-907N103-70		.....PACKING- SUPPLIER CODE: V83259 USED ON: 251N4050-39 251N4050-40 251N4050-43 251N4050-44 251N4050-47 251N4050-48 251N4050-60 251N4050-61 251N4050-64 251N4050-65	002004 006999	3
210	MS9953-07		.....PLUG- USED ON: 251N4050-39 251N4050-40 251N4050-43 251N4050-44 251N4050-47 251N4050-48 251N4050-60 251N4050-61 251N4050-64 251N4050-65	002004 006999	2

MISSING ITEM NUMBERS NOT APPLICABLE

- ITEM NOT ILLUSTRATED

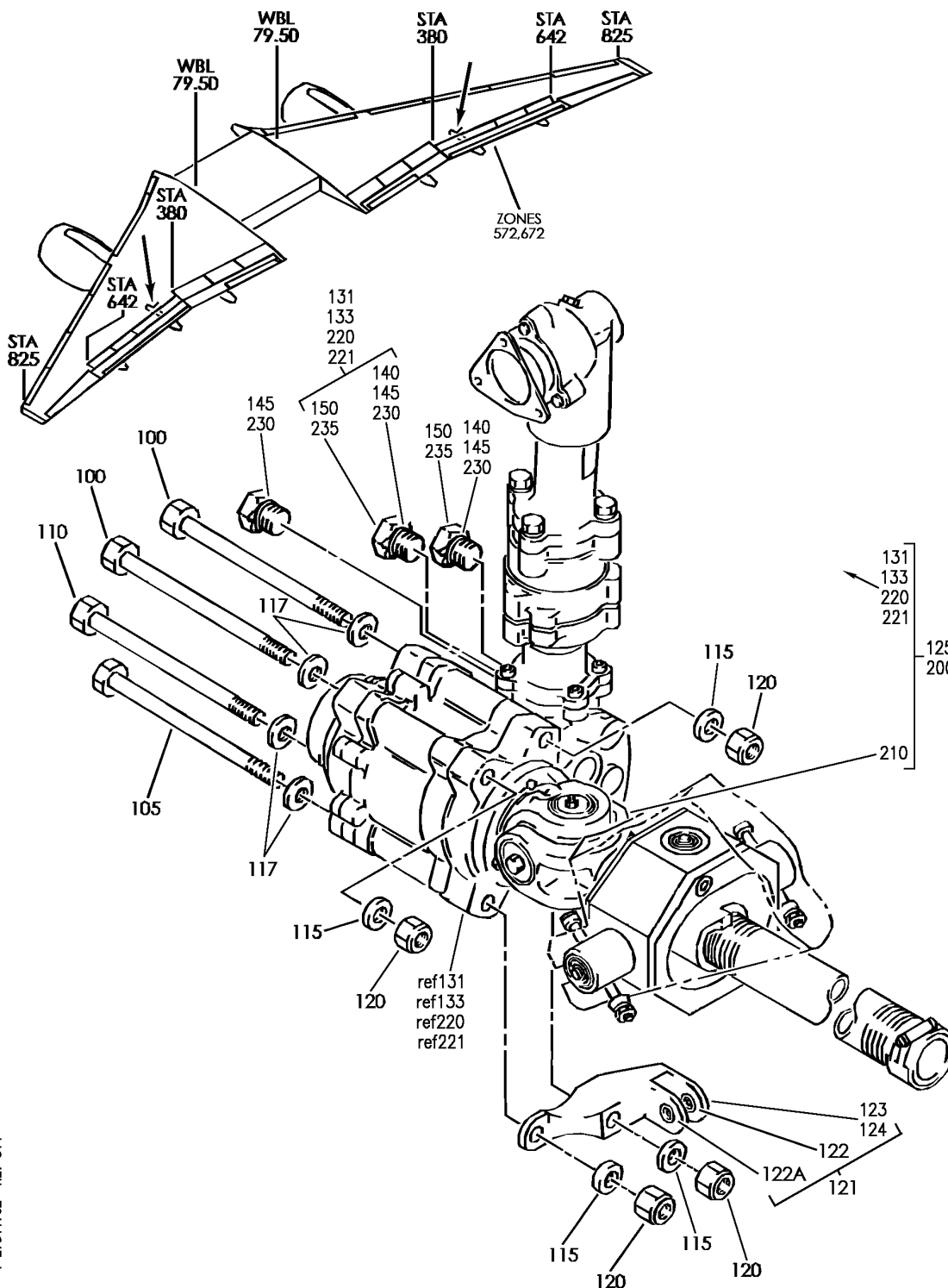
BRI

27-51-17-01

BOEING PROPRIETARY - Copyright © - Unpublished Work - See title page for details.

27-51-17  
FIG. 01  
PAGE 54  
JAN 20/09

**BOEING**  
757  
PARTS CATALOG (MAINTENANCE)



Y 27511702 REV 314

TRANSMISSION INSTL-OUTBD TE FLAP DRIVE INBD (OUTBOARD FLAP TRANSMISSIONS ONLY)

FIGURE 2

**27-51-17-02**

BRI  
SEP 28/07

27-51-17-02  
PAGE 0



757

PARTS CATALOG (MAINTENANCE)

FIG ITEM	PART NUMBER	1 2 3 4 5 6 7	NOMENCLATURE	EFFECT FROM TO	UNITS PER ASSY
2			TRANSMISSION INSTL-OUTBD TE FLAP DRIVE INBD (OUTBOARD FLAP TRANSMISSIONS ONLY)	002004 006999	
- 1	251N4009-1		TRANSMISSION INSTL-OUTBD TE FLAP DRIVE (OUTBOARD FLAP TRANSMISSIONS ONLY) POSITION DATA: INBD LH FOR NHA/OTHER SYS DET SEE: 27-51-25-03	002004 006100 107107 121503 904999	RF
- 1	251N4009-37		TRANSMISSION INSTL-OUTBD TE FLAP DRIVE (OUTBOARD FLAP TRANSMISSIONS ONLY) POSITION DATA: INBD LH FOR NHA/OTHER SYS DET SEE: 27-50-00-02	101102 108120 504903	RF
- 1	MODREF7570		TRANSMISSION INSTL-OUTBD TE FLAP DRIVE (OUTBOARD FLAP TRANSMISSIONS ONLY) MODULE NUMBER: 251N4009-43 REV A POSITION DATA: INBD LH FOR OTHER SYS DETAILS SEE: 11-24-55-03 27-51-18-02 27-51-21-02	103103	1
- 1	MODREF27516		TRANSMISSION INSTL-OUTBD TE FLAP DRIVE (OUTBOARD FLAP TRANSMISSIONS ONLY) MODULE NUMBER: 251N4009-43 REV B POSITION DATA: INBD LH FOR OTHER SYS DETAILS SEE: 11-24-55-03 27-51-18-02 27-51-21-02	104106	1
- 5	251N4009-2		TRANSMISSION INSTL-OUTBD TE FLAP DRIVE (OUTBOARD FLAP TRANSMISSIONS ONLY) POSITION DATA: INBD RH FOR NHA/OTHER SYS DET SEE: 27-51-25-03	002004 006100 107107 121503 904999	RF

MISSING ITEM NUMBERS NOT APPLICABLE

- ITEM NOT ILLUSTRATED

BRI

27-51-17-02

27-51-17  
FIG. 02  
PAGE 1  
JAN 20/09



757

PARTS CATALOG (MAINTENANCE)

FIG ITEM	PART NUMBER	1 2 3 4 5 6 7	NOMENCLATURE	EFFECT FROM TO	UNITS PER ASSY
2					
- 5	251N4009-38		TRANSMISSION INSTL-OUTBD TE FLAP DRIVE (OUTBOARD FLAP TRANSMISSIONS ONLY) POSITION DATA: INBD RH FOR NHA/OTHER SYS DET SEE: 27-50-00-02	101102 108120 504903	RF
- 5	MODREF7571		TRANSMISSION INSTL-OUTBD TE FLAP DRIVE (OUTBOARD FLAP TRANSMISSIONS ONLY) MODULE NUMBER: 251N4009-44 REV A POSITION DATA: INBD RH FOR OTHER SYS DETAILS SEE: 11-24-55-03 27-51-18-02 27-51-21-02	103103	1
- 5	MODREF27517		TRANSMISSION INSTL-OUTBD TE FLAP DRIVE (OUTBOARD FLAP TRANSMISSIONS ONLY) MODULE NUMBER: 251N4009-44 REV B POSITION DATA: INBD RH FOR OTHER SYS DETAILS SEE: 11-24-55-03 27-51-18-02 27-51-21-02	104106	1
100	251N4314-4		.BOLT- OPTIONAL PART: BACB30LE7-116	002004 006017 107107 121503 904999	2
100	BACB30LE7-116		.BOLT- OPTIONAL PART: 251N4314-4	002004 006017 107107 121503 904999	2
100	BACB30LE7K116		.BOLT-	018106 108120 504903	2
105	251N4314-3		.BOLT- OPTIONAL PART: BACB30LE7-120	002004 006017 107107 121503 904999	1

MISSING ITEM NUMBERS NOT APPLICABLE

- ITEM NOT ILLUSTRATED

27-51-17-02

27-51-17  
FIG. 02  
PAGE 2  
JAN 20/09

BRI



 **BOEING**  
757  
**PARTS CATALOG (MAINTENANCE)**

FIG ITEM	PART NUMBER	1 2 3 4 5 6 7	NOMENCLATURE	EFFECT FROM TO	UNITS PER ASSY
2					
105	BACB30LE7-120	.BOLT-	OPTIONAL PART: 251N4314-3	002004 006017 107107 121503 904999	1
105	BACB30LE7K120	.BOLT-		018106 108120 504903	1
110	251N4314-2	.BOLT-	OPTIONAL PART: BACB30LE7-128	002004 006017 107107 121503 904999	1
110	BACB30LE7-128	.BOLT-	OPTIONAL PART: 251N4314-2	002004 006017 107107 121503 904999	1
110	BACB30LE7K128	.BOLT-		018106 108120 504903	1
115	AN960KD716	.WASHER-		002004 006017 107107 121503 904999	4
115	BACW10BP7DP	.WASHER-		018106 108120 504903	4
117	BACW10BN7AC	.WASHER-		002004 006017 107107 121503 904999	4
117	BACW10BP7CD	.WASHER-		018106 108120 504903	4

MISSING ITEM NUMBERS NOT APPLICABLE

— ITEM NOT ILLUSTRATED

BRI

# 27-51-17-02

BOEING PROPRIETARY - Copyright © - Unpublished Work - See title page for details.

27-51-17  
FIG. 02  
PAGE 3  
JAN 20/09



757

PARTS CATALOG (MAINTENANCE)

FIG ITEM	PART NUMBER	1 2 3 4 5 6 7	NOMENCLATURE	EFFECT FROM TO	UNITS PER ASSY
2 120	BMN10HRCWD3-7	.NUT-	SUPPLIER CODE: V97928 SPECIFICATION NUMBER: BACN10HR7CD OPTIONAL PART: H51560-7 V15653 67832CD720 V56878 102LH9031-7 V72962 BH00303CM7 V27238 BMN5024CWD37 V97928 SL7108C7 V11815 VCU0005D7 V06710 102LH90317 V72962 67832CD7 V56878 CR6030-7 VF0224 BMN10HRCWD3-7 V97928	002004 006999	4
121	113N1308-1	.FITTING ASSY-		002004 006999	1
121	113N1318-1	.FITTING ASSY-		002004 006999	1
122	BACB28AM09B011A	..BUSHING		002004 006999	1
122A	BACB28AP06P010	..BUSHING		002004 006999	1
123	113N1318-3	..FITTING- OPTIONAL PART: 113N1318-9 USED ON: 113N1318-1		002004 006999	1
124	113N1318-9	..FITTING- OPTIONAL PART: 113N1318-3 USED ON: 113N1318-1		002004 006999	1
125	251N4101-42	.TRANSMISSION ASSY- POSITION DATA: LH SIDE		107107 904949	1

MISSING ITEM NUMBERS NOT APPLICABLE

- ITEM NOT ILLUSTRATED

27-51-17-02

27-51-17  
FIG. 02  
PAGE 4  
JAN 20/09

BRI

BOEING PROPRIETARY - Copyright © - Unpublished Work - See title page for details.



757

PARTS CATALOG (MAINTENANCE)

FIG ITEM	PART NUMBER	1 2 3 4 5 6 7 NOMENCLATURE	EFFECT FROM TO	UNITS PER ASSY
2		<p>COMPONENT MAINT MANUAL REF: 27-51-12</p> <p>QUALIFIED I/W DATA: 251N4009-15 CAN REPLACE OR BE REPLACED BY 251N4101-42/-50/-58/-66/ -74/-82/-90 TOGETHER WITH (ONE EA) 10-61899-26/HJ18DU106, (ONE EA) 251N4077-4, (TWO EA) BACB30NY6K39, (TWO EA) BACC30X6, AND (TWO EA) NAS620C10 251N4009-17 CAN REPLACE OR BE REPLACED BY 251N4101-42/-50/-58/-66/ -74/-82/-90 TOGETHER WITH (TWO EA) 10-61899-26/HJ18DU106, (ONE EA) 251N4077-4, (TWO EA) BACB30NY6K39, (TWO EA) BACC30X6, AND (TWO EA) NAS620C10 251N4009-23 CAN REPLACE BUT CANNOT BE REPLACED BY 251N4101-42/-50/-58/ -66/-74/-82/-90 TOGETHER WITH (TWO EA) 10-61899-26/HJ18DU106, (ONE EA) 251N4077-4, (TWO EA) BACB30NY6K39, (TWO EA) BACC30X6, AND (TWO EA) NAS620C10 251N4009-39 CAN REPLACE BUT CANNOT BE REPLACED BY 251N4101-42/-50/-58/ -66/-74/-82/-90 TOGETHER WITH (TWO EA) 10-61899-26/HJ18DU106, (ONE EA) 251N4077-4, (TWO EA) BACB30NY6K39, (TWO EA) BACC30X6, AND (TWO EA) NAS620C10 251N4009-45 CAN REPLACE BUT CANNOT BE REPLACED BY 251N4101-42/-50/-58/ -66/-74/-82/-90 TOGETHER WITH (TWO EA) 10-61899-26/HJ18DU106,</p>		

MISSING ITEM NUMBERS NOT APPLICABLE

- ITEM NOT ILLUSTRATED

27-51-17-02

27-51-17  
FIG. 02  
PAGE 5  
JAN 20/09

BRI



757

PARTS CATALOG (MAINTENANCE)

FIG ITEM	PART NUMBER	1 2 3 4 5 6 7 NOMENCLATURE	EFFECT FROM TO	UNITS PER ASSY
2	125 251N4101-50	<p>(ONE EA) 251N4077-4,            (TWO EA) BACB30NY6K39,            (TWO EA) BACC30X6, AND            (TWO EA) NAS620C10            251N4009-53 CAN REPLACE            OR BE REPLACED BY            251N4101-42/-50/-58/-66/            -74/-82/-90 TOGETHER            WITH (TWO EA)            10-61899-26/HJ18DU106,            (ONE EA) 251N4077-4,            (TWO EA) BACB30NY6K39,            (TWO EA) BACC30X6, AND            (TWO EA) NAS620C10            REWORKED BY ALERT SB:            27A0127R2            .TRANSMISSION ASSY-            POSITION DATA:            LH SIDE            COMPONENT MAINT MANUAL REF:            27-51-12            QUALIFIED I/W DATA:            251N4009-15 CAN REPLACE            OR BE REPLACED BY            251N4101-42/-50/-58/-66/            -74/-82/-90 TOGETHER            WITH (TWO EA)            10-61899-26/HJ18DU106,            (ONE EA) 251N4077-4,            (TWO EA) BACB30NY6K39,            (TWO EA) BACC30X6, AND            (TWO EA) NAS620C10            251N4009-17 CAN REPLACE            OR BE REPLACED BY            251N4101-42/-50/-58/-66/            -74/-82/-90 TOGETHER            WITH (TWO EA)            10-61899-26/HJ18DU106,            (ONE EA) 251N4077-4,            (TWO EA) BACB30NY6K39,            (TWO EA) BACC30X6, AND            (TWO EA) NAS620C10            251N4009-23 CAN REPLACE            BUT CANNOT BE REPLACED            251N4101-42/-50/-58/-66/            -74/-82/-90 TOGETHER            WITH (TWO EA)            10-61899-26/HJ18DU106,            (ONE EA) 251N4077-4,</p>	107107 904949	1

MISSING ITEM NUMBERS NOT APPLICABLE

- ITEM NOT ILLUSTRATED

27-51-17-02

27-51-17  
 FIG. 02  
 PAGE 6  
 JAN 20/09

BRI



757

PARTS CATALOG (MAINTENANCE)

FIG ITEM	PART NUMBER	1 2 3 4 5 6 7 NOMENCLATURE	EFFECT FROM TO	UNITS PER ASSY
2		<p>(TWO EA) BACB30NY6K39,            (TWO EA) BACC30X6, AND            (TWO EA) NAS620C10            251N4009-39 CAN REPLACE            BUT CANNOT BE REPLACED            BY 251N4101-42/-50/-58/            -66/-74/-82/-90 TOGETHER            WITH (TWO EA)            10-61899-26/HJ18DU106,            (ONE EA) 251N4077-4,            (TWO EA) BACB30NY6K39,            (TWO EA) BACC30X6, AND            (TWO EA) NAS620C10            251N4009-45 CAN REPLACE            BUT CANNOT BE REPLACED            BY 251N4101-42/-50/-58/            -66/-74/-82/-90 TOGETHER            WITH (TWO EA)            10-61899-26/HJ18DU106,            (ONE EA) 251N4077-4,            (TWO EA) BACB30NY6K39,            (TWO EA) BACC30X6, AND            (TWO EA) NAS620C10            251N4009-53 CAN REPLACE            BUT CANNOT BE REPLACED            BY 251N4101-42/-50/-58/            -66/-74/-82/-90 TOGETHER            WITH (TWO EA)            10-61899-26/HJ18DU106,            (ONE EA) 251N4077-4,            (TWO EA) BACB30NY6K39,            (TWO EA) BACC30X6, AND            (TWO EA) NAS620C10            REWORKED BY ALERT SB:            27A0127R2</p>		
125	251N4101-58	<p>. TRANSMISSION ASSY-            POSITION DATA:            LH SIDE            COMPONENT MAINT MANUAL REF:            27-51-12            QUALIFIED I/W DATA:            251N4009-15 CAN REPLACE            OR BE REPLACED BY            251N4101-42/-50/-58/-66/            -74/-82/-90 TOGETHER            WITH (TWO EA)            10-61899-26/HJ18DU106,            (ONE EA) 251N4077-4,            (TWO EA) BACB30NY6K39,</p>	107107 904949	1

MISSING ITEM NUMBERS NOT APPLICABLE

- ITEM NOT ILLUSTRATED

27-51-17-02

27-51-17  
 FIG. 02  
 PAGE 7  
 JAN 20/09

BRI



757

PARTS CATALOG (MAINTENANCE)

FIG ITEM	PART NUMBER	1 2 3 4 5 6 7 NOMENCLATURE	EFFECT FROM TO	UNITS PER ASSY
2		<p>(TWO EA) BACC30X6, AND            (TWO EA) NAS620C10            251N4009-17 CAN REPLACE            OR BE REPLACED BY            251N4101-42/-50/-58/-66/            -74/-82/-90 TOGETHER            WITH (TWO EA)            10-61899-26/HJ18DU106,            (ONE EA) 251N4077-4,            (TWO EA) BACB30NY6K39,            (TWO EA) BACC30X6, AND            (TWO EA) NAS620C10            251N4009-23 CAN REPLACE            BUT NOT BE REPLACED BY            251N4101-42/-50/-58/-66/            -74/-82/-90 TOGETHER            WITH (TWO EA)            10-61899-26/HJ18DU106,            (ONE EA) 251N4077-4,            (TWO EA) BACB30NY6K39,            (TWO EA) BACC30X6, AND            (TWO EA) NAS620C10            251N4009-39 CAN REPLACE            BUT CANNOT BE REPLACED            BY 251N4101-42/-50/-66/            -74/-82/-90 TOGETHER            WITH (TWO EA)            10-61899-26/HJ18DU106,            (ONE EA) 251N4077-4,            (TWO EA) BACB30NY6K39,            (TWO EA) BACC30X6, AND            (TWO EA) NAS620C10            251N4009-45 CAN REPLACE            BUT CANNOT BE REPLACED            BY 251N4101-42/-50/-58/            -66/-74/-82/-90 TOGETHER            WITH (TWO EA)            10-61899-26/HJ18DU106,            (ONE EA) 251N4077-4,            (TWO EA) BACB30NY6K39,            (TWO EA) BACC30X6, AND            (TWO EA) NAS620C10            251N4009-53 CAN REPLACE            BUT CANNOT BE REPLACED            BY 251N4101-42/-50/-58/            -66/-74/-82/-90 TOGETHER            WITH (TWO EA)            10-61899-26/HJ18DU106,            (ONE EA) 251N4077-4,</p>		

MISSING ITEM NUMBERS NOT APPLICABLE

- ITEM NOT ILLUSTRATED

27-51-17-02

27-51-17  
 FIG. 02  
 PAGE 8  
 JAN 20/09

BRI



757

PARTS CATALOG (MAINTENANCE)

FIG ITEM	PART NUMBER	1 2 3 4 5 6 7	NOMENCLATURE	EFFECT FROM TO	UNITS PER ASSY
2					
125	251N4101-66		<p>(TWO EA) BACB30NY6K39,            (TWO EA) BACC30X6, AND            (TWO EA) NAS620C10            REWORKED BY ALERT SB:            27A0127R2            . TRANSMISSION ASSY-            POSITION DATA:            LH SIDE            COMPONENT MAINT MANUAL REF:            27-51-99            QUALIFIED I/W DATA:            251N4009-15 CAN REPLACE            OR BE REPLACED BY            251N4101-42/-50/-58/-66/            -74/-82/-90 TOGETHER            WITH (TWO EA)            10-61899-26/HJ18DU106,            (ONE EA) 251N4077-4,            (TWO EA) BACB30NY6K39,            (TWO EA) BACC30X6, AND            (TWO EA) NAS620C10            251N4009-17 CAN REPLACE            OR BE REPLACED BY            251N4101-41/-50/-58/-66/            -74/-82/-90 TOGETHER            WITH (TWO EA)            10-61899-26/HJ18DU106,            (ONE EA) 251N4077-4,            (TWO EA) BACB30NY6K39,            (TWO EA) BACC30X6, AND            (TWO EA) NAS620C10            251N4009-23 CAN REPLACE            BUT CANNOT BE REPLACED            BY 251N4101-42/-50/-58/            -66/-74/-82/-90 TOGETHER            WITH (TWO EA)            10-61899-26/HJ18DU106,            (ONE EA) 251N4077-4,            (TWO EA) BACB30NY6K39,            (TWO EA) BACC30X6, AND            (TWO EA) NAS620C10            251N4009-39 CAN REPLACE            BUT CANNOT BE REPLACED            BY 251N4101-42/-50/-58/            -66/-74/-82/-90 TOGETHER            WITH (TWO EA)            10-61899-26/HJ18DU106,            (ONE EA) 251N4077-4,            (TWO EA) BACB30NY6K39,</p>	107107 904949	1
MISSING ITEM NUMBERS NOT APPLICABLE					

- ITEM NOT ILLUSTRATED

27-51-17-02

27-51-17  
 FIG. 02  
 PAGE 9  
 JAN 20/09

BRI



757

PARTS CATALOG (MAINTENANCE)

FIG ITEM	PART NUMBER	1 2 3 4 5 6 7 NOMENCLATURE	EFFECT FROM TO	UNITS PER ASSY
2		<p>(TWO EA) BACC30X6, AND            (TWO EA) NAS620C10            251N4009-45 CAN REPLACE            BUT CANNOT BE REPLACED            BY 251N4101-42/-50/-58/            -66/-74/-82/-90 TOGETHER            WITH (TWO EA)            10-61899-26/HJ18DU106,            (ONE EA) 251N4077-4,            (TWO EA) BACB30NY6K39,            (TWO EA) BACC30X6, AND            (TWO EA) NAS620C10            251N4009-53 CAN REPLACE            BUT CANNOT BE REPLACED            BY 251N4101-42/-50/-58/            -66/-74/-82/-90 TOGETHER            WITH (TWO EA)            10-61899-26/HJ18DU106,            (ONE EA) 251N4077-4,            (TWO EA) BACB30NY6K39,            (TWO EA) BACC30X6, AND            (TWO EA) NAS620C10            REWORKED BY ALERT SB:            27A0127R2</p>		
125	251N4101-74	<p>.TRANSMISSION ASSY-            POSITION DATA:            LH SIDE            COMPONENT MAINT MANUAL REF:            27-51-99            QUALIFIED I/W DATA:            251N4009-15 CAN REPLACE            OR BE REPLACED BY            251N4101-42/-50/-58/-66/            -74/-82/-90 TOGETHER            WITH (TWO EA)            10-61899-26/HJ18DU106,            (ONE EA) 251N4077-4,            (TWO EA) BACB30NY6K39,            (TWO EA) BACC30X6, AND            (TWO EA) NAS620C10            251N4009-17 CAN REPLACE            OR BE REPLACED BY            251N41001-42/-50/-58/-66            -74/-82/-90 TOGETHER            WITH (TWO EA)            10-61899-26/HJ18DU106,            (ONE EA) 251N4077-4,            (TWO EA) BACB30NY6K39,            (TWO EA) BACC30X6, AND</p>	107107 904949	1

MISSING ITEM NUMBERS NOT APPLICABLE

- ITEM NOT ILLUSTRATED

BRI

27-51-17-02

BOEING PROPRIETARY - Copyright © - Unpublished Work - See title page for details.

27-51-17  
 FIG. 02  
 PAGE 10  
 JAN 20/09





757

PARTS CATALOG (MAINTENANCE)

FIG ITEM	PART NUMBER	1 2 3 4 5 6 7 NOMENCLATURE	EFFECT FROM TO	UNITS PER ASSY
2		<p>(TWO EA) NAS620C10            251N4009-23 CAN REPLACE            BUT CANNOT BE REPLACED            BY 251N4101-42/-50/-58/            -66/-74/-82/-90 TOGETHER            WITH (TWO EA)            10-61899-26/HJ18DU106,            (ONE EA) 251N4077-4,            (TWO EA) BACB30NY6K39,            (TWO EA) BACC30X6, AND            NAS620C10            251N4009-39 CAN REPLACE            BUT CANNOT BE REPLACED            BY 251N4101-42/-50/-58/            -66/-74/-82/-90 TOGETHER            WITH (TWO EA)            10-61899-26/HJ18DU106,            (ONE EA) 251N4077-4,            (TWO EA) BACB30NY6K39,            (TWO EA) BACC30X6, AND            (TWO EA) NAS620C10            251N4009-45 CAN REPLACE            BUT CANNOT BE REPLACED            BY 251N4101-42/-50/-58/            -66/-74/-82/-90 TOGETHER            WITH (TWO EA)            10-61899-26/HJ18DU106,            (ONE EA) 251N4077-4,            (TWO EA) BACB30NY6K39,            (TWO EA) BACC30X6, AND            (TWO EA) NAS620C10            251N4009-53 CAN REPLACE            BUT CANNOT BE REPLACED            BY 251N4101-42/-50/-58/            -66/-74/-82/-90 TOGETHER            WITH (TWO EA)            10-61899-26/HJ18DU106,            (ONE EA) 251N4077-4,            (TWO EA) BACB30NY6K39,            (TWO EA) BACC30X6, AND            (TWO EA) NAS620C10            REWORKED BY ALERT SB:            27A0127R2            .TRANSMISSION ASSY-            POSITION DATA:            LH SIDE            COMPONENT MAINT MANUAL REF:            27-51-99            QUALIFIED I/W DATA:</p>		
125	251N4101-82	<p>REWORKED BY ALERT SB:            27A0127R2            .TRANSMISSION ASSY-            POSITION DATA:            LH SIDE            COMPONENT MAINT MANUAL REF:            27-51-99            QUALIFIED I/W DATA:</p>	107107 904949	1

MISSING ITEM NUMBERS NOT APPLICABLE

- ITEM NOT ILLUSTRATED

BRI

27-51-17-02

BOEING PROPRIETARY - Copyright © - Unpublished Work - See title page for details.

27-51-17  
 FIG. 02  
 PAGE 11  
 JAN 20/09



757

PARTS CATALOG (MAINTENANCE)

FIG ITEM	PART NUMBER	1 2 3 4 5 6 7 NOMENCLATURE	EFFECT FROM TO	UNITS PER ASSY
2		<p>251N4009-15 CAN REPLACE OR BE REPLACED BY 251N4101-42/-50/-58/-66/ -74/-82/-90 TOGETHER WITH (TWO EA) 10-61899-26/HJ18DU106, (ONE EA) 251N4077-4, (TWO EA) BACB30NY6K39, (TWO EA) BACC30X6, AND (TWO EA) NAS620C10</p> <p>251N4009-17 CAN REPLACE OR BE REPLACED BY 251N4101-42/-50/-58/-66/ -74/-82/-90 TOGETHER WITH (TWO EA) 10-61899-26/HJ18DU106, (ONE EA) 251N4077-4, (TWO EA) BACB30NY6K39, (TWO EA) BACC30X6, AND (TWO EA) NAS620C10</p> <p>251N4009-23 CAN REPLACE BUT CANNOT BE REPLACED BY 251N4101-42/-50/-58/ -66/-74/-82/-90 TOGETHER WITH (TWO EA) 10-61899-26/HJ18DU106, (ONE EA) 251N4077-4, (TWO EA) BACB30NY6K39, (TWO EA) BACC30X6, AND (TWO EA) NAS620C10</p> <p>251N4009-39 CAN REPLACE BUT CANNOT BE REPLACED BY 251N4101-42/-50/-58/ -66/-74/-82/-90 TOGETHER WITH (TWO EA) 10-61899-26/HJ18DU106, (ONE EA) 251N4077-4, (TWO EA) BACB30NY6K39, (TWO EA) BACC30X6, AND (TWO EA) NAS620C10</p> <p>251N4009-45 CAN REPLACE BUT CANNOT BE REPLACED BY 251N4101-42/-50/-58/ -66/-74/-82/-90 TOGETHER WITH (TWO EA) 10-61899-26/HJ18DU106, (ONE EA) 251N4077-4, (TWO EA) BACB30NY6K39, (TWO EA) BACC30X6, AND</p>		

MISSING ITEM NUMBERS NOT APPLICABLE

- ITEM NOT ILLUSTRATED

27-51-17-02

27-51-17  
FIG. 02  
PAGE 12  
JAN 20/09

BRI



757

PARTS CATALOG (MAINTENANCE)

FIG ITEM	PART NUMBER	1 2 3 4 5 6 7	NOMENCLATURE	EFFECT FROM TO	UNITS PER ASSY
2			(TWO EA) NAS620C10 251N4009-53 CAN REPLACE BUT CANNOT BE REPLACED BY 251N4101-42/-50/-58/ -66/-74/-82/-90 TOGETHER WITH (TWO EA) 10-61899-26/HJ18DU106, (ONE EA) 251N4077-4, (TWO EA) BACB30NY6K39, (TWO EA) BACC30X6, AND (TWO EA) NAS620C10 REWORKED BY ALERT SB: 27A0127		
125	251N4101-90	.	TRANSMISSION ASSY- POSITION DATA: LH SIDE COMPONENT MAINT MANUAL REF: 27-51-99 QUALIFIED I/W DATA: 251N4009-15 CAN REPLACE OR BE REPLACED BY 251N4101-42/-50/-58/-66/ -74/-82/-90 TOGETHER WITH (TWO EA) 10-61899-26/HJ18DU106, (ONE EA) 251N4077-4, (TWO EA) BACB30NY6K39, (TWO EA) BACC30X6, AND (TWO EA) NAS620C10 251N4009-17 CAN REPLACE OR BE REPLACED BY 251N4101-42/-50/-58/-66/ -74/-82/-90 TOGETHER WITH (TWO EA) 10-61899-26/HJ18DU106, (ONE EA) 251N4077-4, (TWO EA) BACB30NY6K39, (TWO EA) BACC30X6, AND (TWO EA) NAS620C10 251N4009-23 CAN REPLACE BUT CANNOT BE REPLACED BY 251N4101-42/-50/-58/ -66/-74/-82/-90 TOGETHER WITH (TWO EA) 10-61899-26/HJ18DU106, (ONE EA) 251N4077-4, (TWO EA) BACB30NY6K39, (TWO EA) BACC30X6, AND (TWO EA) NAS620C10	107107 904949	1

MISSING ITEM NUMBERS NOT APPLICABLE

- ITEM NOT ILLUSTRATED

27-51-17-02

27-51-17  
FIG. 02  
PAGE 13  
JAN 20/09

BRI



757

PARTS CATALOG (MAINTENANCE)

FIG ITEM	PART NUMBER	1 2 3 4 5 6 7 NOMENCLATURE	EFFECT FROM TO	UNITS PER ASSY
2		<p>251N4009-39 CAN REPLACE BUT CANNOT BE REPLACED BY 251N4101-42/-50/-58/ -66/-74/-82/-90 TOGETHER WITH (TWO EA) 10-61899-26/HJ18DU106, (ONE EA) 251N4077-4, (TWO EA) BACB30NY8K39, (TWO EA) BACC30X6, AND (ONE EA) NAS620C10 251N4009-45 CAN REPLACE BUT CANNOT BE REPLACED BY 251N4101-42/-50/-58/ -66/-74/-82/-90 TOGETHER WITH (TWO EA) 10-61899-26/HJ18DU106, (ONE EA) 251N4077-4, (TWO EA) BACB30NY6K39, (TWO EA) BACC30X6, AND (TWO EA) NAS620C10 251N4009-53 CAN REPLACE BUT CANNOT BE REPLACED BY 251N4101-42/-50/-58/ -66/-74/-82/-90 TOGETHER WITH (TWO EA) 10-61899-26/HJ18DU106, (ONE EA) 251N4077-4, (TWO EA) BACB30NY6K39, (TWO EA) BACC30X6, AND (TWO EA) NAS620C10 QUALIFIED OPTIONAL DATA: (-15 OPT TO 251N4101-90 PLUS TWO 10-61889-26, 251N4077-4, TWO BACB30NY6K39, TWO BACC30X6, AND TWO NAS620C10) REWORKED BY ALERT SB: 27A0127</p>		
- 130	251N4101-47	<p>. TRANSMISSION ASSY- POSITION DATA: RH SIDE COMPONENT MAINT MANUAL REF: 27-51-12 QUALIFIED I/W DATA: 251N4009-16 CAN REPLACE OR BE REPLACED BY 251N4101-47/-55/-63/-71/ -79/-87/-95 TOGETHER</p>	107107 904949	1

MISSING ITEM NUMBERS NOT APPLICABLE

- ITEM NOT ILLUSTRATED

27-51-17-02

27-51-17  
FIG. 02  
PAGE 14  
JAN 20/09

BRI



757

PARTS CATALOG (MAINTENANCE)

FIG ITEM	PART NUMBER	1 2 3 4 5 6 7 NOMENCLATURE	EFFECT FROM TO	UNITS PER ASSY
2		<p>WITH (TWO EA)            10-61899-26/HJ18DU106,            (ONE EA) 251N4077-4,            (TWO EA) BACB30NY6K39,            (TWO EA) BACC30X6, AND            (TWO EA) NAS620C10            251N4009-18 CAN REPLACE            OR BE REPLACED BY            251N4101-47/-55/-63/-71/            -79/-87/-95 TOGETHER            WITH (TWO EA)            10-61899-26/HJ18DU106,            (ONE EA) 251N4077-4,            (TWO EA) BACB30NY6K39,            (TWO EA) BACC30X6, AND            (TWO EA) NAS620C10            251N4009-24 CAN REPLACE            BUT CANNOT BE REPLACED            BY 251N4101-47/-55/-63/            -71/-79/-87/-95 TOGETHER            WITH (TWO EA)            10-61899-26/HJ18DU106,            (ONE EA) 251N4077-4,            (TWO EA) BACB30NY6K39,            (TWO EA) BACC30X6, AND            (TWO EA) NAS620C10            251N4009-40 CAN REPLACE            BUT CANNOT BE REPLACED            BY 251N4101-47/-55/-63/            -71/-79/-87/-95 TOGETHER            WITH (TWO EA)            10-61899-26/HJ18DU106,            (ONE EA) 251N4077-4,            (TWO EA) BACB30NY6K39,            (TWO EA) BACC30X6, AND            (TWO EA) NAS620C10            251N4009-46 CAN REPLACE            BUT CANNOT BE REPLACED            BY 251N4101-47/-55/-63/            -71/-79/-87/-95 TOGETHER            WITH (TWO EA)            10-61899-26/HJ18DU106,            (ONE EA) 251N4077-4,            (TWO EA) BACB30NY6K39,            (TWO EA) BACC30X6, AND            (TWO EA) NAS620C10            251N4009-54 CAN REPLACE            BUT CANNOT BE REPLACED            BY 251N4101-47/-55/</p>		

MISSING ITEM NUMBERS NOT APPLICABLE

- ITEM NOT ILLUSTRATED

27-51-17-02

27-51-17  
 FIG. 02  
 PAGE 15  
 JAN 20/09

BRI


**BOEING**  
 757  
**PARTS CATALOG (MAINTENANCE)**

FIG ITEM	PART NUMBER	1 2 3 4 5 6 7	NOMENCLATURE	EFFECT FROM TO	UNITS PER ASSY
2			-63/-71/-79/-87/-95 TOGETHER WITH (TWO EA) 10-61899-26/HJ18DU106, (ONE EA) 251N4077-4, (TWO EA) BACB30NY6K39, (TWO EA) BACC30X6, AND (TWO EA) NAS620C10 REWORKED BY ALERT SB: 27A0127R2		
- 130	251N4101-55	.	TRANSMISSION ASSY- POSITION DATA: RH SIDE COMPONENT MAINT MANUAL REF: 27-51-12 QUALIFIED I/W DATA: 251N4009-16 CAN REPLACE OR BE REPLACED BY 251N4101-47/-55/-63/-71/ -79/-87/-95 TOGETHER WITH (TWO EA) 10-61899-26/HJ18DU106, (ONE EA) 251N4077-4, (TWO EA) BACB30NY6K39, (TWO EA) BACC30X6, AND (TWO EA) NAS620C10 251N4009-18 CAN REPLACE OR BE REPLACED BY 251N4101-47/-55/-63/-71/ -79/-87/-95 TOGETHER WITH (TWO EA) 10-61899-26/HJ18DU106, (ONE EA) 251N4077-4, (TWO EA) BACB30NY6K39, (TWO EA) BACC30X6, AND (TWO EA) NAS620C10 251N4009-24 CAN REPLACE BUT CANNOT BE REPLACED 251N4101-47/-55/-63/-71/ -79/-87/-95 TOGETHER WITH (TWO EA) 10-61899-26/HJ18DU106, (ONE EA) 251N4077-4, (TWO EA) BACB30NY6K39, (TWO EA) BACC30X6, AND (TWO EA) NAS620C10 251N4009-40 CAN REPLACE BUT CANNOT BE REPLACED BY 251N4101-47/-55/-63/ -71/-79/-87/-95 TOGETHER	107107 904949	1

MISSING ITEM NUMBERS NOT APPLICABLE

- ITEM NOT ILLUSTRATED

BRI

**27-51-17-02**

27-51-17  
 FIG. 02  
 PAGE 16  
 JAN 20/09



757

PARTS CATALOG (MAINTENANCE)

FIG ITEM	PART NUMBER	1 2 3 4 5 6 7 NOMENCLATURE	EFFECT FROM TO	UNITS PER ASSY
2		<p>WITH (TWO EA)            10-61899-26/HJ18DU106,            (ONE EA) 251N4077-4,            (TWO EA) BACB30NY6K39,            (TWO EA) BACC30X6, AND            (TWO EA) NAS620C10            251N4009-46 CAN REPLACE            BUT CANNOT BE REPLACED            BY 251N4101-47/-55/-63/            -71/-79/-87/-95 TOGETHER            WITH (TWO EA)            10-61899-26/HJ18DU106,            (ONE EA) 251N4077-4,            (TWO EA) BACB30NY6K39,            (TWO EA) BACC30X6, AND            (TWO EA) NAS620C10            251N4009-54 CAN REPLACE            BUT CANNOT BE REPLACED            BY 251N4101-47/-55/            -63/-71/-79/-87/-95            TOGETHER WITH (TWO EA)            10-61899-26/HJ18DU106,            (ONE EA) 251N4077-4,            (TWO EA) BACB30NY6K39,            (TWO EA) BACC30X6, AND            (TWO EA) NAS620C10            REWORKED BY ALERT SB:            27A0127R2</p>		
- 130	251N4101-63	<p>. TRANSMISSION ASSY-            POSITION DATA:            RH SIDE            COMPONENT MAINT MANUAL REF:            27-51-12            QUALIFIED I/W DATA:            251N4009-16 CAN REPLACE            OR BE REPLACED BY            251N4101-47/-55/-63/            -71/-79/-87/-95 TOGETHER            WITH (TWO EA)            10-61899-26/HJ18DU106,            (ONE EA) 251N4077-4,            (TWO EA) BACB30NY6K39,            (TWO EA) BACC30X6, AND            (TWO EA) NAS620C10            251N4009-18 CAN REPLACE            OR BE REPLACED BY            251N4101-47/-55/-63/-71/            -79/-87/-95 TOGETHER            WITH (TWO EA)</p>	107107 904949	1

MISSING ITEM NUMBERS NOT APPLICABLE

- ITEM NOT ILLUSTRATED

BRI

27-51-17-02

BOEING PROPRIETARY - Copyright © - Unpublished Work - See title page for details.

27-51-17  
 FIG. 02  
 PAGE 17  
 JAN 20/09



757

PARTS CATALOG (MAINTENANCE)

FIG ITEM	PART NUMBER	1 2 3 4 5 6 7 NOMENCLATURE	EFFECT FROM TO	UNITS PER ASSY
2		<p>10-61899-26/HJ18DU106,            (ONE EA) 251N4077-4,            (TWO EA) BACB30NY6K39,            (TWO EA) BACC30X6, AND            (TWO EA) NAS620C10            251N4009-24 CAN REPLACE            BUT CANNOT BE REPLACED            BY 251N4101-47/-55/-63/            -71/-79/-87/-95 TOGETHER            WITH (TWO EA)            10-61899-26/HJ18DU106,            (ONE EA) 251N4077-4,            (TWO EA) BACB30NY6K39,            (TWO EA) BACC30X6, AND            (TWO EA) NAS620C10            251N4009-40 CAN REPLACE            BUT CANNOT BE REPLACED            BY 251N4101-47/-55/-63/            -71/-79/-87/-95 TOGETHER            WITH (TWO EA)            10-61899-26/HJ18DU106,            (ONE EA) 251N4077-4,            (TWO EA) BACB30NY6K39,            (TWO EA) BACC30X6, AND            (TWO EA) NAS620C10            251N4009-46 CAN REPLACE            BUT CANNOT BE REPLACED            BY 251N4101-47/-55/-63/            -71/-79/-87/-95 TOGETHER            WITH (TWO EA)            10-61899-26/HJ18DU106,            (ONE EA) 251N4077-4,            (TWO EA) BACB30NY6K39,            (TWO EA) BACC30X6, AND            (TWO EA) NAS620C10            251N4009-54 CAN REPLACE            BUT CANNOT BE REPLACED            BY 251N4101-47/-55/ -63/            -71/-79/-87/-95 TOGETHER            WITH (TWO EA)            10-61899-26/HJ18DU106,            (ONE EA) 251N4077-4,            (TWO EA) BACB30NY6K39,            (TWO EA) BACC30X6, AND            (TWO EA) NAS620C10            REWORKED BY ALERT SB:            27A0127R2</p>		
- 130	251N4101-71	<p>.TRANSMISSION ASSY-            POSITION DATA:</p>	107107 904949	1

MISSING ITEM NUMBERS NOT APPLICABLE

- ITEM NOT ILLUSTRATED

27-51-17-02

27-51-17  
 FIG. 02  
 PAGE 18  
 JAN 20/09

BRI





757

PARTS CATALOG (MAINTENANCE)

FIG ITEM	PART NUMBER	1 2 3 4 5 6 7 NOMENCLATURE	EFFECT FROM TO	UNITS PER ASSY
2		<p>RH SIDE            COMPONENT MAINT MANUAL REF:            27-51-99            QUALIFIED I/W DATA:            251N4009-16 CAN REPLACE            OR BE REPLACED BY            251N4101-47/-55/-63/-71/            -79/-87/-95 TOGETHER            WITH (TWO EA)            10-61899-26/HJ18DU106,            (ONE EA) 251N4077-4,            (TWO EA) BACB30NY6K39,            (TWO EA) BACC30X6, AND            (TWO EA) NAS620C10            251N4009-18 CAN REPLACE            OR BE REPLACED BY            251N4101-47/-55/-63/-71/            -79/-87/-95 TOGETHER            WITH (TWO EA)            10-61899-26/HJ18DU109,            (ONE EA) 251N4077-4,            (TWO EA) BACB30NY6K39,            (TWO EA) BACC30X6, AND            (TWO EA) NAS620C10            251N4009-24 CAN REPLACE            BUT CANNOT BE REPLACED            BY 251N4101-47/-55/-63/            -71/-79/-87/-95 TOGETHER            WITH (TWO EA)            10-61899-26/HJ18DU106,            (ONE EA) 251N4077-4,            (TWO EA) BACB30NY6K39,            (TWO EA) BACC30X6, AND            (TWO EA) NAS620C10            251N4009-40 CAN REPLACE            BUT CANNOT BE REPLACED            BY 251N4101-47/-55/-63/            -71/-79/-87/-95 TOGETHER            WITH (TWO EA)            10-61899-26/HJ18DU106,            (ONE EA) 251N4077-4,            (TWO EA) BACB30NY6K39,            (TWO EA) BACC30X6, AND            (TWO EA) NAS620C10            251N4009-46 CAN REPLACE            BUT CANNOT BE REPLACED            BY 251N4101-47/-55/-63/            -71/-79/-87/-95 TOGETHER            WITH (TWO EA)</p>		

MISSING ITEM NUMBERS NOT APPLICABLE

- ITEM NOT ILLUSTRATED

27-51-17-02

27-51-17  
FIG. 02  
PAGE 19  
JAN 20/09

BRI

**BOEING**  
757  
**PARTS CATALOG (MAINTENANCE)**

FIG ITEM	PART NUMBER	1 2 3 4 5 6 7	NOMENCLATURE	EFFECT FROM TO	UNITS PER ASSY
2			10-61899-26/HJ18DU106, (ONE EA) 251N4077-4, (TWO EA) BACB30NY6K39, (TWO EA) BACC30X6, AND (TWO EA) NAS620C10 251N4009-54 CAN REPLACE BUT CANNOT BE REPLACED BY 251N4101-47/-55/ -63/ -71/-79/-87/-95 TOGETHER WITH (TWO EA) 10-61899-26/HJ18DU106, (ONE EA) 251N4077-4, (TWO EA) BACB30NY6K39, (TWO EA) BACC30X6, AND (TWO EA) NAS620C10 REWORKED BY ALERT SB: 27A0127R2		
- 130	251N4101-79		.TRANSMISSION ASSY- POSITION DATA: RH SIDE COMPONENT MAINT MANUAL REF: 27-51-99 QUALIFIED I/W DATA: 251N4009-16 CAN REPLACE OR BE REPLACED BY 251N4101-47/-55/-63/-71/ -79/-87/-95 TOGETHER WITH (TWO EA) 10-61899-26/HJ18DU106, (ONE EA) 251N4077-4, (TWO EA) BACB30NY6K39, (TWO EA) BACC30X6, AND (TWO EA) NAS620C10 251N4009-18 CAN REPLACE OR BE REPLACED BY 251N4101-47/-55/-63/-71/ -79/-87/-95 TOGETHER WITH (TWO EA) 10-61899-26/HJ18DU106, (ONE EA) 251N4077-4, (TWO EA) BACB30NY6K39, (TWO EA) BACC30X6, AND (TWO EA) NAS620C10 251N4009-24 CAN REPLACE BUT CANNOT BE REPLACED BY 251N4101-47/-55/-63/ -71/-79/-87/-95 TOGETHER WITH (TWO EA) 10-61899-26/HJ18DU106,	107107 904949	1

MISSING ITEM NUMBERS NOT APPLICABLE

- ITEM NOT ILLUSTRATED

BRI

# 27-51-17-02

BOEING PROPRIETARY - Copyright © - Unpublished Work - See title page for details.

27-51-17  
FIG. 02  
PAGE 20  
JAN 20/09



757

PARTS CATALOG (MAINTENANCE)

FIG ITEM	PART NUMBER	1 2 3 4 5 6 7 NOMENCLATURE	EFFECT FROM TO	UNITS PER ASSY
2		<p>(ONE EA) 251N4077-4,            (TWO EA) BACB30NY6K39,            (TWO EA) BACC30X6, AND            (TWO EA) NAS620C10            251N4009-40 CAN REPLACE            BUT CANNOT BE REPLACED            BY 251N4101-47/-55/-63/            -71/-79/-87/-95 TOGETHER            WITH (TWO EA)            10-61899-26/HJ18DU106,            (ONE EA) 251N4077-4,            (TWO EA) BACB30NY6K39,            (TWO EA) BACC30X6, AND            (TWO EA) NAS620C10            251N4009-46 CAN REPLACE            BUT CANNOT BE REPLACED            BY 251N4101-47/-55/-63/            -71/-79/-87/-95 TOGETHER            WITH (TWO EA)            10-61899-26/HJ18DU106,            (ONE EA) 251N4077-4,            (TWO EA) BACB30NY6K39,            (TWO EA) BACC30X6, AND            (TWO EA) NAS620C10            251N4009-54 CAN REPLACE            BUT CANNOT BE REPLACED            BY 251N4101-47/-55/ -63/            -71/-79/-87/-95 TOGETHER            WITH (TWO EA)            10-61899-26/HJ18DU106,            (ONE EA) 251N4077-4,            (TWO EA) BACB30NY6K39,            (TWO EA) BACC30X6, AND            (TWO EA) NAS620C10            REWORKED BY ALERT SB:            27A0127R2</p>		
- 130	251N4101-87	<p>.TRANSMISSION ASSY-            POSITION DATA:            RH SIDE            COMPONENT MAINT MANUAL REF:            27-51-99            QUALIFIED I/W DATA:            251N4009-16 CAN REPLACE            OR BE REPLACED BY            251N4101-47/-55/-63/-71/            -79/-87/-95 TOGETHER            WITH (TWO EA)            10-61899-26/HJ18DU106,            (ONE EA) 251N4077-4,</p>	107107 904949	1

MISSING ITEM NUMBERS NOT APPLICABLE

- ITEM NOT ILLUSTRATED

BRI

27-51-17-02

BOEING PROPRIETARY - Copyright © - Unpublished Work - See title page for details.

27-51-17  
 FIG. 02  
 PAGE 21  
 JAN 20/09



757

PARTS CATALOG (MAINTENANCE)

FIG ITEM	PART NUMBER	1 2 3 4 5 6 7 NOMENCLATURE	EFFECT FROM TO	UNITS PER ASSY
2		<p>(TWO EA) BACB30NY6K39,  (TWO EA) BACB30X6, AND  (TWO EA) NAS620C10  251N4009-18 CAN REPLACE  OR BE REPLACE BY  251N4101-47/-55/-63/-71/  -79/-87/-95 TOGETHER  WITH (TWO EA)  10-61899-26/HJ18DU106,  (ONE EA) 251N4077-4,  (TWO EA) BACB30NY6K39,  (TWO EA) BACC30K6, AND  (TWO EA) NAS620C10  251N4009-24 CAN REPLACE  BUT CANNOT BE REPLACED  BY 251N4101-47/-55/-63/  -71/-79/-87/-95 TOGETHER  WITH (TWO EA)  10-61899-26/HJ18DU106,  (ONE EA) 251N4077-4,  (TWO EA) BACB30NY6K39,  (TWO EA) BACC30X6, AND  (TWO EA) NAS620C10  251N4009-40 CAN REPLACE  BUT CANNOT BE REPLACED  BY 251N4101-47/-55/-63/  -71/-79/-87/-95 TOGETHER  WITH (TWO EA)  10-61899-26/HJ18DU106,  (ONE EA) 251N4077-4,  (TWO EA) BACB30NY6K39,  (TWO EA) BACC30X6, AND  (TWO EA) NAS620C10  251N4009-46 CAN REPLACE  BUT CANNOT BE REPLACED  BY 251N4101-47/-55/-63/  -71/-79/-87/-95 TOGETHER  WITH (TWO EA)  10-6899-26/HJ18DU106,  (ONE EA) 251N4077-4,  (TWO EA) BACB30NY6K39,  (TWO EA) BACC30X6  (TWO EA) NAS620C10  251N4009-54 CAN REPLACE  BUT CANNOT BE REPLACED  BY 251N4101-47/-55/ -63/  -71/-79/-87/-95 TOGETHER  WITH (TWO EA)  10-61899-26/HJ18DU106,</p>		

MISSING ITEM NUMBERS NOT APPLICABLE

- ITEM NOT ILLUSTRATED

27-51-17-02

27-51-17  
FIG. 02  
PAGE 22  
JAN 20/09

BRI


**BOEING**  
 757  
**PARTS CATALOG (MAINTENANCE)**

FIG ITEM	PART NUMBER	1 2 3 4 5 6 7	NOMENCLATURE	EFFECT FROM TO	UNITS PER ASSY
2			(ONE EA) 251N4077-4, (TWO EA) BACB30NY6K39, (TWO EA) BACC30X6, AND (TWO EA) NAS620C10 REWORKED BY ALERT SB: 27A0127		
- 130	251N4101-95	.	TRANSMISSION ASSY- POSITION DATA: RH SIDE COMPONENT MAINT MANUAL REF: 27-51-99 QUALIFIED I/W DATA: 251N4009-16 CAN REPLACE OR BE REPLACED BY 251N4101-47/-55/-63/-71/ -79/-87/-95 TOGETHER WITH (TWO EA) 10-61899-26/HJ18DU106, (ONE EA) 251N4077-4, (TWO EA) BACB30NY6K39, (TWO EA) BACC30X6, AND (TWO EA) NAS620C10 251N4009-18 CAN REPLACE OR BE REPLACED BY 251N4101-47/-55/-63/-71/ -79/-87/-95 TOGETHER WITH (TWO EA) 10-61899-26/HJ18DU106, (ONE EA) 251N4077-4, (TWO EA) BACB30NY6K39, (TWO EA) BACC30X6, AND (TWO EA) NAS620C10 251N4009-24 CAN REPLACE BUT CANNOT BE REPLACED BY 251N4101-47/-55/-63/ -71/-79/-87/-95 TOGETHER WITH (TWO EA) 10-61899-26/HJ18DU106, (ONE EA) 251N4077-4, (TWO EA) BACB30NY6K39, (TWO EA) BACC30X6, AND (TWO EA) NAS620C10 251N4009-40 CAN REPLACE BUT CANNOT BE REPLACED BY 251N4101-47/-55/-63/ -71/-79/-87/-95 TOGETHER WITH (TWO EA) 10-61899-26/HJ18DU106, (ONE EA) 251N4077-4,	107107 904949	1

MISSING ITEM NUMBERS NOT APPLICABLE

- ITEM NOT ILLUSTRATED

BRI

**27-51-17-02**

BOEING PROPRIETARY - Copyright © - Unpublished Work - See title page for details.

27-51-17  
 FIG. 02  
 PAGE 23  
 JAN 20/09



757

PARTS CATALOG (MAINTENANCE)

FIG ITEM	PART NUMBER	1 2 3 4 5 6 7 NOMENCLATURE	EFFECT FROM TO	UNITS PER ASSY
2		<p>(TWO EA) BACB30NY6K39,            (TWO EA) BACC30X6, AND            (TWO EA) NAS620C10            251N4009-46 CAN REPLACE            BUT CANNOT BE REPLACED            BY 251N4101-47/-55/-63/            -71/-79/-87/-95 TOGETHER            WITH (TWO EA)            10-61899-26/HJ18DU106,            (ONE EA) 251N4077-4,            (TWO EA) BACB30NY6K39,            (TWO EA) BACC30X6, AND            (TWO EA) NAS620C10            251N4009-54 CAN REPLACE            BUT CANNOT BE REPLACED            BY 251N4101-47/-55/ -63/            -71/-79/-87/-95 TOGETHER            WITH (TWO EA)            10-61899-26/HJ18DU106,            (ONE EA) 251N4077-4,            (TWO EA) BACB30NY6K39,            (TWO EA) BACC30X6, AND            (TWO EA) NAS620C10            QUALIFIED OPTIONAL DATA:            (-16 OPT TO 251N4101-95            PLUS TWO 10-61899-26,            251N4077-4, TWO            BACB30NY6K39, TWO            BACC30X6, AND TWO            NAS620C10. 251N4101-95            OPTIONAL TO 251N4101-87            REWORKED BY ALERT SB:            27A0127</p>		
131	251N4022-28	<p>.. TRANSMISSION ASSY-            POSITION DATA:            LH SIDE            SERVICE BULLETIN OPT DATA:            251N4022-32            251N4050-45            251N4050-58            251N4050-62            USED ON:            251N4101-90            REFERENCE SERVICE BULLETIN:            27A0127R1            POST ALERT SB:            27A0127</p>	107107 904949	1

MISSING ITEM NUMBERS NOT APPLICABLE

- ITEM NOT ILLUSTRATED

BRI

27-51-17-02

BOEING PROPRIETARY - Copyright © - Unpublished Work - See title page for details.

27-51-17  
 FIG. 02  
 PAGE 24  
 JAN 20/09



757

PARTS CATALOG (MAINTENANCE)

FIG ITEM	PART NUMBER	1 2 3 4 5 6 7	NOMENCLATURE	EFFECT FROM TO	UNITS PER ASSY
2					
131	251N4022-24	..	TRANSMISSION ASSY- POSITION DATA: LH SIDE POST ALERT SB: 27A0127	107107	1
131	251N4050-17	..	TRANSMISSION ASSY- POSITION DATA: LH SIDE COMPONENT MAINT MANUAL REF: 27-51-13 QUALIFIED I/W DATA: 251N4050-62, 251N4050-58 OR 251N4050-45 MAY REPLACE 251N4050-17 WITH THE INCORPORATION OF SERVICE BULLETIN 757-27A0127 USED ON: 251N4101-42 PRE ALERT SB: 27A0127R2	904949	1
131	251N4022-32	..	TRANSMISSION ASSY- POSITION DATA: LH SIDE SERVICE BULLETIN OPT DATA: 251N4022-28 251N4050-45 251N4050-58 251N4050-62 USED ON: 251N4101-90 POST ALERT SB: 27A0127	107107 904949	1

MISSING ITEM NUMBERS NOT APPLICABLE

- ITEM NOT ILLUSTRATED

BRI

27-51-17-02

BOEING PROPRIETARY - Copyright © - Unpublished Work - See title page for details.

27-51-17  
FIG. 02  
PAGE 25  
JAN 20/09



757

PARTS CATALOG (MAINTENANCE)

FIG ITEM	PART NUMBER	1 2 3 4 5 6 7	NOMENCLATURE	EFFECT FROM TO	UNITS PER ASSY
2 131	251N4050-21		..TRANSMISSION ASSY- POSITION DATA: LH SIDE COMPONENT MAINT MANUAL REF: 27-51-13 QUALIFIED I/W DATA: 251N4050-62, 251N4050-58 OR 251N4050-45 MAY REPLACE 251N4050-21 WITH THE INCORPORATION OF SERVICE BULLETIN 757-27A0127 USED ON: 251N4101-50 251N4101-58 PRE ALERT SB: 27A0127R2	904949	1
131	251N4050-25		..TRANSMISSION ASSY- POSITION DATA: LH SIDE COMPONENT MAINT MANUAL REF: 27-51-13 QUALIFIED I/W DATA: 251N4050-62, 251N4050-58 OR 251N4050-45 MAY REPLACE 251N4050-25 WITH THE INCORPORATION OF SERVICE BULLETIN 757-27A0127 USED ON: 251N4101-66 PRE ALERT SB: 27A0127R2	904949	1
131	251N4050-29		..TRANSMISSION ASSY- POSITION DATA: LH SIDE COMPONENT MAINT MANUAL REF: 27-51-13 QUALIFIED I/W DATA: 251N4050-62, 251N4050-58 OR 251N4050-45 MAY REPLACE 251N4050-29 WITH THE INCORPORATION OF SERVICE BULLETIN 757-27A0127 USED ON: 251N4101-74 PRE ALERT SB: 27A0127R2	904949	1

MISSING ITEM NUMBERS NOT APPLICABLE

- ITEM NOT ILLUSTRATED

27-51-17-02

27-51-17  
FIG. 02  
PAGE 26  
JAN 20/09

BRI





757

PARTS CATALOG (MAINTENANCE)

FIG ITEM	PART NUMBER	1 2 3 4 5 6 7	NOMENCLATURE	EFFECT FROM TO	UNITS PER ASSY
2 131	251N4050-33		..TRANSMISSION ASSY- POSITION DATA: LH SIDE COMPONENT MAINT MANUAL REF: 27-51-13 QUALIFIED I/W DATA: 251N4050-62, 251N4050-58 OR 251N4050-45 MAY REPLACE 251N4050-33 WITH THE INCORPORATION OF SERVICE BULLETIN 757-27A0127 USED ON: 251N4101-82 PRE ALERT SB: 27A0127	904949	1
131	251N4050-37		..TRANSMISSION ASSY- POSITION DATA: LH SIDE COMPONENT MAINT MANUAL REF: 27-51-13 QUALIFIED I/W DATA: 251N4050-62, 251N4050-58 OR 251N4050-45 MAY REPLACE 251N4050-37 WITH THE INCORPORATION OF SERVICE BULLETIN 757-27A0127 USED ON: 251N4101-90 PRE ALERT SB: 27A0127	904949	1

MISSING ITEM NUMBERS NOT APPLICABLE

- ITEM NOT ILLUSTRATED

27-51-17-02

27-51-17  
FIG. 02  
PAGE 27  
JAN 20/09

BRI



757

PARTS CATALOG (MAINTENANCE)

FIG ITEM	PART NUMBER	1 2 3 4 5 6 7	NOMENCLATURE	EFFECT FROM TO	UNITS PER ASSY
2 131	251N4050-45		..TRANSMISSION ASSY- POSITION DATA: LH SIDE COMPONENT MAINT MANUAL REF: 27-51-13 QUALIFIED I/W DATA: 251N4050-45 MAY RELACE 251N4050-41 OR -37 OR -33 OR -29 OR -25 OR -21 OR -17 WITH THE INCORPORATION OF SERVICE BULLETIN 757-27-A0127 SERVICE BULLETIN OPT DATA: 251N4022-8 251N4022-12 251N4022-16 251N4022-20 251N4022-24 251N4022-28 251N4022-32 251N4050-58 251N4050-62 POST ALERT SB: 27A0127	107107 904949	1
131	251N4050-58		..TRANSMISSION ASSY- POSITION DATA: LH SIDE COMPONENT MAINT MANUAL REF: 27-51-13 QUALIFIED I/W DATA: 251N4050-58 MAY RELACE 251N4050-41 OR -37 OR -33 OR -29 OR -25 OR -21 OR -17 WITH THE INCORPORATION OF SERVICE BULLETIN 757-27-A0127 SERVICE BULLETIN OPT DATA: 251N4022-8 251N4022-12 251N4022-16 251N4022-20 251N4022-24 251N4022-28 251N4022-32 251N4050-45 251N4050-62	107107 904949	1

MISSING ITEM NUMBERS NOT APPLICABLE

- ITEM NOT ILLUSTRATED

BRI

27-51-17-02

BOEING PROPRIETARY - Copyright © - Unpublished Work - See title page for details.

27-51-17  
FIG. 02  
PAGE 28  
JAN 20/09



757

PARTS CATALOG (MAINTENANCE)

FIG ITEM	PART NUMBER	1 2 3 4 5 6 7	NOMENCLATURE	EFFECT FROM TO	UNITS PER ASSY
2 131	251N4050-62		..TRANSMISSION ASSY- POSITION DATA: LH SIDE COMPONENT MAINT MANUAL REF: 27-51-13 QUALIFIED I/W DATA: 251N4050-62 MAY RELACE 251N4050-41 OR -37 OR -33 OR -29 OR -25 OR -21 OR -17 WITH THE INCORPORATION OF SERVICE BULLETIN 757-27-A0127 SERVICE BULLETIN OPT DATA: 251N4022-8 251N4022-12 251N4022-16 251N4022-20 251N4022-24 251N4022-28 251N4022-32 251N4050-45 251N4050-58 POST ALERT SB: 27A0127R2	107107 904949	1
133	251N4022-12		..TRANSMISSION ASSY- POSITION DATA: LH SIDE SERVICE BULLETIN OPT DATA: 251N4050-45 251N4050-58 251N4050-62 USED ON: 251N4101-50 251N4101-58 POST ALERT SB: 27A0127R2	904949	1
133	251N4022-8		..TRANSMISSION ASSY- POSITION DATA: LH SIDE SERVICE BULLETIN OPT DATA: 251N4050-45 251N4050-58 251N4050-62 USED ON: 251N4101-42 POST ALERT SB: 27A0127R2	904949	1

MISSING ITEM NUMBERS NOT APPLICABLE

- ITEM NOT ILLUSTRATED

BRI

27-51-17-02

BOEING PROPRIETARY - Copyright © - Unpublished Work - See title page for details.

27-51-17  
FIG. 02  
PAGE 29  
JAN 20/09



757

PARTS CATALOG (MAINTENANCE)

FIG ITEM	PART NUMBER	1 2 3 4 5 6 7	NOMENCLATURE	EFFECT FROM TO	UNITS PER ASSY
2 133	251N4022-16		..TRANSMISSION ASSY- POSITION DATA: LH SIDE SERVICE BULLETIN OPT DATA: 251N4050-45 251N4050-58 251N4050-62 USED ON: 251N4101-66 POST ALERT SB: 27A0127R2	904949	1
133	251N4022-20		..TRANSMISSION ASSY- POSITION DATA: LH SIDE SERVICE BULLETIN OPT DATA: 251N4050-45 251N4050-58 251N4050-62 USED ON: 251N4101-74 POST ALERT SB: 27A0127R2	904949	1
133	251N4022-24		..TRANSMISSION ASSY- POSITION DATA: LH SIDE SERVICE BULLETIN OPT DATA: 251N4050-45 251N4050-58 251N4050-62 USED ON: 251N4101-82 POST ALERT SB: 27A0127	107107 904949	1

MISSING ITEM NUMBERS NOT APPLICABLE

- ITEM NOT ILLUSTRATED

BRI

27-51-17-02

BOEING PROPRIETARY - Copyright © - Unpublished Work - See title page for details.

27-51-17  
FIG. 02  
PAGE 30  
JAN 20/09



757

PARTS CATALOG (MAINTENANCE)

FIG ITEM	PART NUMBER	1 2 3 4 5 6 7	NOMENCLATURE	EFFECT FROM TO	UNITS PER ASSY
2 - 135	251N4050-46		..TRANSMISSION ASSY- POSITION DATA: RH SIDE COMPONENT MAINT MANUAL REF: 27-51-13 QUALIFIED I/W DATA: 251N4050-46 MAY RELACE 251N4050-42 OR -38 OR -34 OR -30 OR -26 OR -22 OR -18 WITH THE INCORPORATION OF SERVICE BULLETIN 757-27-A0127 SERVICE BULLETIN OPT DATA: 251N4022-9 251N4022-13 251N4022-17 251N4022-21 251N4022-25 251N4022-29 251N4022-33 251N4050-59 251N4050-63 POST ALERT SB: 27A0127	107107 904949	1
- 135	251N4050-59		..TRANSMISSION ASSY- POSITION DATA: RH SIDE COMPONENT MAINT MANUAL REF: 27-51-13 QUALIFIED I/W DATA: 251N4050-59 MAY RELACE 251N4050-42 OR -38 OR -34 OR -30 OR -26 OR -22 OR -18 WITH THE INCORPORATION OF SERVICE BULLETIN 757-27-A0127 SERVICE BULLETIN OPT DATA: 251N4022-9 251N4022-13 251N4022-17 251N4022-21 251N4022-25 251N4022-29 251N4022-33 251N4050-46 251N4050-63	107107 904949	1

MISSING ITEM NUMBERS NOT APPLICABLE

- ITEM NOT ILLUSTRATED

BRI

27-51-17-02

BOEING PROPRIETARY - Copyright © - Unpublished Work - See title page for details.

27-51-17  
FIG. 02  
PAGE 31  
JAN 20/09



757

PARTS CATALOG (MAINTENANCE)

FIG ITEM	PART NUMBER	1 2 3 4 5 6 7	NOMENCLATURE	EFFECT FROM TO	UNITS PER ASSY
2 - 135	251N4050-18		..TRANSMISSION ASSY- POSITION DATA: RH SIDE COMPONENT MAINT MANUAL REF: 27-51-13 QUALIFIED I/W DATA: 251N4050-46 MAY REPLACE 251N4050-18 WITH THE INCORPORATION OF SERVIC BULLETIN 757-27A0127 251N4050-59 MAY REPLACE 251N4050-18 WITH THE INCORPORATION OF SERVIC BULLETIN 757-27A0127 251N4050-63 MAY REPLACE 251N4050-18 WITH THE INCORPORATION OF SERVIC BULLETIN 757-27A0127 USED ON: 251N4101-47 PRE ALERT SB: 27A0127R2	904949	1
- 135	251N4022-33		..TRANSMISSION ASSY- POSITION DATA: RH SIDE SERVICE BULLETIN OPT DATA: 251N4022-29 251N4050-46 251N4050-59 251N4050-63 USED ON: 251N4101-95 POST ALERT SB: 27A0127	107107 904949	1

MISSING ITEM NUMBERS NOT APPLICABLE

- ITEM NOT ILLUSTRATED

BRI

27-51-17-02

BOEING PROPRIETARY - Copyright © - Unpublished Work - See title page for details.

27-51-17  
FIG. 02  
PAGE 32  
JAN 20/09



757

PARTS CATALOG (MAINTENANCE)

FIG ITEM	PART NUMBER	1 2 3 4 5 6 7	NOMENCLATURE	EFFECT FROM TO	UNITS PER ASSY
2 - 135	251N4050-22		..TRANSMISSION ASSY- POSITION DATA: RH SIDE COMPONENT MAINT MANUAL REF: 27-51-13 QUALIFIED I/W DATA: 251N4050-46 MAY REPLACE 251N4050-22 WITH THE INCORPORATION OF SERVIC BULLETIN 757-27A0127 251N4050-59 MAY REPLACE 251N4050-22 WITH THE INCORPORATION OF SERVIC BULLETIN 757-27A0127 251N4050-63 MAY REPLACE 251N4050-22 WITH THE INCORPORATION OF SERVIC BULLETIN 757-27A0127 USED ON: 251N4101-55 251N4101-63 PRE ALERT SB: 27A0127R2	904949	1
- 135	251N4050-26		..TRANSMISSION ASSY- POSITION DATA: RH SIDE COMPONENT MAINT MANUAL REF: 27-51-13 QUALIFIED I/W DATA: 251N4050-46 MAY REPLACE 251N4050-26 WITH THE INCORPORATION OF SERVIC BULLETIN 757-27A0127 251N4050-59 MAY REPLACE 251N4050-26 WITH THE INCORPORATION OF SERVIC BULLETIN 757-27A0127 251N4050-63 MAY REPLACE 251N4050-26 WITH THE INCORPORATION OF SERVIC BULLETIN 757-27A0127 USED ON: 251N4101-71 PRE ALERT SB: 27A0127R2	904949	1

MISSING ITEM NUMBERS NOT APPLICABLE

- ITEM NOT ILLUSTRATED

27-51-17-02

27-51-17  
FIG. 02  
PAGE 33  
JAN 20/09

BRI

 **BOEING**  
757  
**PARTS CATALOG (MAINTENANCE)**

FIG ITEM	PART NUMBER	1 2 3 4 5 6 7	NOMENCLATURE	EFFECT FROM TO	UNITS PER ASSY
2 - 135	251N4050-30		..TRANSMISSION ASSY- POSITION DATA: RH SIDE COMPONENT MAINT MANUAL REF: 27-51-13 QUALIFIED I/W DATA: 251N4050-46 MAY REPLACE 251N4050-30 WITH THE INCORPORATION OF SERVIC BULLETIN 757-27A0127 251N4050-59 MAY REPLACE 251N4050-30 WITH THE INCORPORATION OF SERVIC BULLETIN 757-27A0127 251N4050-63 MAY REPLACE 251N4050-30 WITH THE INCORPORATION OF SERVIC BULLETIN 757-27A0127 USED ON: 251N4101-79 PRE ALERT SB: 27A0127R2	904949	1
- 135	251N4050-34		..TRANSMISSION ASSY- POSITION DATA: RH SIDE COMPONENT MAINT MANUAL REF: 27-51-13 QUALIFIED I/W DATA: 251N4050-46 MAY REPLACE 251N4050-34 WITH THE INCORPORATION OF SERVIC BULLETIN 757-27A0127 251N4050-59 MAY REPLACE 251N4050-34 WITH THE INCORPORATION OF SERVIC BULLETIN 757-27A0127 251N4050-63 MAY REPLACE 251N4050-34 WITH THE INCORPORATION OF SERVIC BULLETIN 757-27A0127 USED ON: 251N4101-87 PRE ALERT SB: 27A0127	904949	1

MISSING ITEM NUMBERS NOT APPLICABLE

- ITEM NOT ILLUSTRATED

BRI

**27-51-17-02**

BOEING PROPRIETARY - Copyright © - Unpublished Work - See title page for details.

27-51-17  
FIG. 02  
PAGE 34  
JAN 20/09





757

PARTS CATALOG (MAINTENANCE)

FIG ITEM	PART NUMBER	1 2 3 4 5 6 7	NOMENCLATURE	EFFECT FROM TO	UNITS PER ASSY
2 - 135	251N4050-38		.. TRANSMISSION ASSY- POSITION DATA: RH SIDE COMPONENT MAINT MANUAL REF: 27-51-13 QUALIFIED I/W DATA: 251N4050-46 MAY REPLACE 251N4050-38 WITH THE INCORPORATION OF SERVIC BULLETIN 757-27A0127 251N4050-59 MAY REPLACE 251N4050-38 WITH THE INCORPORATION OF SERVIC BULLETIN 757-27A0127 251N4050-63 MAY REPLACE 251N4050-38 WITH THE INCORPORATION OF SERVIC BULLETIN 757-27A0127 USED ON: 251N4101-95 PRE ALERT SB: 27A0127	904949	1
- 135	251N4022-29		.. TRANSMISSION ASSY- POSITION DATA: RH SIDE SERVICE BULLETIN OPT DATA: 251N4022-33 251N4050-46 251N4050-59 251N4050-63 USED ON: 251N4101-95 REFERENCE SERVICE BULLETIN: 27A0127R1 POST ALERT SB: 27A0127	107107 904949	1
- 135	251N4022-25		.. TRANSMISSION ASSY- POSITION DATA: RH SIDE POST ALERT SB: 27A0127	107107	1

MISSING ITEM NUMBERS NOT APPLICABLE

- ITEM NOT ILLUSTRATED

BRI

27-51-17-02

BOEING PROPRIETARY - Copyright © - Unpublished Work - See title page for details.

27-51-17  
FIG. 02  
PAGE 35  
JAN 20/09



757

PARTS CATALOG (MAINTENANCE)

FIG ITEM	PART NUMBER	1 2 3 4 5 6 7	NOMENCLATURE	EFFECT FROM TO	UNITS PER ASSY
2 - 135	251N4050-63		..TRANSMISSION ASSY- POSITION DATA: RH SIDE COMPONENT MAINT MANUAL REF: 27-51-13 QUALIFIED I/W DATA: 251N4050-59 MAY RELACE 251N4050-42 OR -38 OR -34 OR -30 OR -26 OR -22 OR -18 WITH THE INCORPORATION OF SERVICE BULLETIN 757-27-A0127 SERVICE BULLETIN OPT DATA: 251N4022-9 251N4022-13 251N4022-17 251N4022-21 251N4022-25 251N4022-29 251N4022-33 251N4050-46 251N4050-59 POST ALERT SB: 27A0127R2	107107 904949	1
- 136	251N4022-25		..TRANSMISSION ASSY- POSITION DATA: RH SIDE SERVICE BULLETIN OPT DATA: 251N4050-46 251N4050-59 251N4050-63 USED ON: 251N4101-87 POST ALERT SB: 27A0127	107107 904949	1
- 136	251N4022-21		..TRANSMISSION ASSY- POSITION DATA: RH SIDE SERVICE BULLETIN OPT DATA: 251N4050-46 251N4050-59 251N4050-63 USED ON: 251N4101-79 POST ALERT SB: 27A0127R2	904949	1

MISSING ITEM NUMBERS NOT APPLICABLE

- ITEM NOT ILLUSTRATED

BRI

27-51-17-02

BOEING PROPRIETARY - Copyright © - Unpublished Work - See title page for details.

27-51-17  
FIG. 02  
PAGE 36  
JAN 20/09



757

PARTS CATALOG (MAINTENANCE)

FIG ITEM	PART NUMBER	1 2 3 4 5 6 7	NOMENCLATURE	EFFECT FROM TO	UNITS PER ASSY
2 - 136	251N4022-17		..TRANSMISSION ASSY- POSITION DATA: RH SIDE SERVICE BULLETIN OPT DATA: 251N4050-46 251N4050-59 251N4050-63 USED ON: 251N4101-71 POST ALERT SB: 27A0127R2	904949	1
- 136	251N4022-13		..TRANSMISSION ASSY- POSITION DATA: RH SIDE SERVICE BULLETIN OPT DATA: 251N4050-46 251N4050-59 251N4050-63 USED ON: 251N4101-55 251N4101-63 POST ALERT SB: 27A0127R2	904949	1
- 136	251N4022-9		..TRANSMISSION ASSY- POSITION DATA: RH SIDE SERVICE BULLETIN OPT DATA: 251N4050-46 251N4050-59 251N4050-63 USED ON: 251N4101-47 POST ALERT SB: 27A0127R2	904949	1
140	3-907N103-70		...PACKING- SUPPLIER CODE: V83259 USED ON: 251N4050-17 251N4050-18 251N4050-25 251N4050-26	904949	2

MISSING ITEM NUMBERS NOT APPLICABLE

- ITEM NOT ILLUSTRATED

BRI

27-51-17-02

BOEING PROPRIETARY - Copyright © - Unpublished Work - See title page for details.

27-51-17  
FIG. 02  
PAGE 37  
JAN 20/09



757

PARTS CATALOG (MAINTENANCE)

FIG ITEM	PART NUMBER	1 2 3 4 5 6 7	NOMENCLATURE	EFFECT FROM TO	UNITS PER ASSY
2 145	3-907N103-70		... PACKING- SUPPLIER CODE: V83259 USED ON: 251N4050-21 251N4050-22 251N4050-29 251N4050-30 251N4050-33 251N4050-34 251N4050-37 251N4050-38 251N4050-41 251N4050-42 251N4050-45 251N4050-46 251N4050-58 251N4050-59 251N4050-62 251N4050-63	107107 904949	3
150	MS9953-07		... PLUG- USED ON: 251N4050-17 251N4050-18 251N4050-21 251N4050-22 251N4050-25 251N4050-26 251N4050-29 251N4050-30 251N4050-33 251N4050-34 251N4050-37 251N4050-38 251N4050-41 251N4050-42 251N4050-45 251N4050-46 251N4050-58 251N4050-59 251N4050-62 251N4050-63	107107 904949	2

MISSING ITEM NUMBERS NOT APPLICABLE

- ITEM NOT ILLUSTRATED

BRI

27-51-17-02

BOEING PROPRIETARY - Copyright © - Unpublished Work - See title page for details.

27-51-17  
FIG. 02  
PAGE 38  
JAN 20/09



757

PARTS CATALOG (MAINTENANCE)

FIG ITEM	PART NUMBER	1 2 3 4 5 6 7	NOMENCLATURE	EFFECT FROM TO	UNITS PER ASSY
2 200	251N4009-15		.TRANSMISSION ASSY- POSITION DATA: LH SIDE QUALIFIED I/W DATA: 251N4009-15 CAN REPLACE OR BE REPLACED BY 251N4101-42/-50/-58/-66/ -74/-82/-90 TOGETHER WITH (TWO EA) 10-61899-26/HJ18DU106, (ONE EA) 251N4077-4, (TWO EA) BACB30NY6K39, (TWO EA) BACC30X6, AND (TWO EA) NAS620C10	002004 006100 121503 950999	1
200	251N4009-15		.TRANSMISSION ASSY- POSITION DATA: LH SIDE QUALIFIED I/W DATA: 251N4009-15 CAN REPLACE OR BE REPLACED BY 251N4101-42/-50/-58/-66/ -74/-82/-90 TOGETHER WITH (TWO EA) 10-61899-26/HJ18DU106, (ONE EA) 251N4077-4, (TWO EA) BACB30NY6K39, (TWO EA) BACC30X6, AND (TWO EA) NAS620C10 QUALIFIED OPTIONAL DATA: (-15 OPT TO 251N4101-90 PLUS TWO 10-61899-26 251N4077-4, TWO BACB30NY6K39, TWO BACC30X6, AND TWO NAS620C10)	107107 904949	1
200	251N4009-17		.TRANSMISSION ASSY- POSITION DATA: LH SIDE QUALIFIED I/W DATA: 251N4009-17 CAN REPLACE OR BE REPLACED BY 251N4101-42/-50/-58/-66/ -74/-82/-90 TOGETHER WITH (TWO EA) 10-61899-26/HJ18DU106, (ONE EA) 251N4077-4, (TWO EA) BACB30NY6K39, (TWO EA) BACC30X6, AND (TWO EA) NAS620C10	002004 006100 107107 121503 904999	1

MISSING ITEM NUMBERS NOT APPLICABLE

- ITEM NOT ILLUSTRATED

27-51-17-02

27-51-17  
FIG. 02  
PAGE 39  
JAN 20/09

BRI



757

PARTS CATALOG (MAINTENANCE)

FIG ITEM	PART NUMBER	1 2 3 4 5 6 7	NOMENCLATURE	EFFECT FROM TO	UNITS PER ASSY
2 200	251N4009-23		.TRANSMISSION ASSY- POSITION DATA: LH SIDE QUALIFIED I/W DATA: 251N4009-23 CAN REPLACE BUT CANNOT BE REPLACED BY 251N4101-42/-50/-58/ -66/-74/-82/-90 TOGETHER WITH (TWO EA) 10-61899-26/HJ18DU106, (ONE EA) 251N4077-4, (TWO EA) BACB30NY6K39, (TWO EA) BACC30X6, AND (TWO EA) NAS620C10	002004 006100 107107 121503 904999	1
200	251N4009-39		.TRANSMISSION ASSY- POSITION DATA: LH SIDE QUALIFIED I/W DATA: 251N4009-39 CAN REPLACE BUT CANNOT BE REPLACED BY 251N4101-42/-50/-58/ -66/-74/-82/-90 TOGETHER WITH (TWO EA) 10-61899-26/HJ18DU106, (ONE EA) 251N4077-4, (TWO EA) BACB30NY6K39, (TWO EA) BACC30X6, AND (TWO EA) NAS620C10	002004 006102 107999	1
200	251N4009-45		.TRANSMISSION ASSY- POSITION DATA: LH SIDE QUALIFIED I/W DATA: 251N4009-45 CAN REPLACE BUT CANNOT BE REPLACED BY 251N4101-42/-50/-58/ -66/-74/-82/-90 TOGETHER WITH (TWO EA) 10-61899-26/HJ18DU106, (ONE EA) 251N4077-4, (TWO EA) BACB30NY6K39, (TWO EA) BACC30X6, AND (TWO EA) NAS620C10	002004 006999	1

MISSING ITEM NUMBERS NOT APPLICABLE

- ITEM NOT ILLUSTRATED

BRI

27-51-17-02

BOEING PROPRIETARY - Copyright © - Unpublished Work - See title page for details.

27-51-17  
FIG. 02  
PAGE 40  
JAN 20/09



757

PARTS CATALOG (MAINTENANCE)

FIG ITEM	PART NUMBER	1 2 3 4 5 6 7	NOMENCLATURE	EFFECT FROM TO	UNITS PER ASSY
2 200	251N4009-53		.TRANSMISSION ASSY- POSITION DATA: LH SIDE QUALIFIED I/W DATA: 251N4009-53 CAN REPLACE BUT CANNOT BE REPLACED BY 251N4101-42/-50/-58/ -66/-74/-82/-90 TOGETHER WITH (TWO EA) 10-61899-26/HJ18DU106, (ONE EA) 251N4077-4, (TWO EA) BACB30NY6K39, (TWO EA) BACC30X6, AND (TWO EA) NAS620C10	002004 006999	1
- 205	251N4009-16		.TRANSMISSION ASSY- POSITION DATA: RH SIDE MISCELLANEOUS DATA: PROCURE MAJOR COMPONENTS QUALIFIED I/W DATA: 251N4009-16 CAN REPLACE OR BE REPLACED BY 251N4101-47/-55/-63/-71/ -79/-87/-95 TOGETHER WITH (TWO EA) 10-61899-26/HJ18DU106, (ONE EA) 251N4077-4, (TWO EA) BACB30NY6K39, (TWO EA) BACC30X6, AND (TWO EA) NAS620C10 QUALIFIED OPTIONAL DATA: -16 OPT TO 251N4101-95 PLUS TWO 10-61899-26, 251N4077-4, TWO BACB30NY6K39, TWO BACC30X6, AND TWO NAS620C10	107107 904949	1

MISSING ITEM NUMBERS NOT APPLICABLE

- ITEM NOT ILLUSTRATED

BRI

27-51-17-02

BOEING PROPRIETARY - Copyright © - Unpublished Work - See title page for details.

27-51-17  
FIG. 02  
PAGE 41  
JAN 20/09



757

PARTS CATALOG (MAINTENANCE)

FIG ITEM	PART NUMBER	1 2 3 4 5 6 7	NOMENCLATURE	EFFECT FROM TO	UNITS PER ASSY
2 - 205	251N4009-16		.TRANSMISSION ASSY- POSITION DATA: RH SIDE MISCELLANEOUS DATA: PROCURE MAJOR COMPONENTS QUALIFIED I/W DATA: 251N4009-16 CAN REPLACE OR BE REPLACED BY 251N4101-47/-55/-63/-71/ -79/-87/-95 TOGETHER WITH (TWO EA) 10-61899-26/HJ18DU106, (ONE EA) 251N4077-4, (TWO EA) BACB30NY6K39, (TWO EA) BACC30X6, AND (TWO EA) NAS620C10	002004 006100 121503 950999	1
- 205	251N4009-18		.TRANSMISSION ASSY- POSITION DATA: RH SIDE QUALIFIED I/W DATA: 251N4009-18 CAN REPLACE OR BE REPLACED BY 251N4101-47/-55/-63/-71/ -79/-87/-95 TOGETHER WITH (TWO EA) 10-61899-26/HJ18DU106, (ONE EA) 251N4077-4, (TWO EA) BACB30NY6K39, (TWO EA) BACC30X6, AND (TWO EA) NAS620C10	002004 006100 107107 121503 904999	1

MISSING ITEM NUMBERS NOT APPLICABLE

- ITEM NOT ILLUSTRATED

BRI

27-51-17-02

BOEING PROPRIETARY - Copyright © - Unpublished Work - See title page for details.

27-51-17  
FIG. 02  
PAGE 42  
JAN 20/09





757

PARTS CATALOG (MAINTENANCE)

FIG ITEM	PART NUMBER	1 2 3 4 5 6 7	NOMENCLATURE	EFFECT FROM TO	UNITS PER ASSY
2 - 205	251N4009-24		. TRANSMISSION ASSY- POSITION DATA: RH SIDE QUALIFIED I/W DATA: 251N4009-24 CAN REPLACE BUT CANNOT BE REPLACED BY 251N4101-47/-55/-63/ -71/-79/-87/-95 TOGETHER WITH (TWO EA) 10-61899-26/HJ18DU106, (ONE EA) 251N4077-4, (TWO EA) BACB30NY6K39, (TWO EA) BACC30X6, AND (TWO EA) NAS620C10 251N4009-24 CAN REPLACE BUT CANNOT BE REPLACED BY 251N4101-47/-55/-63/ -71/-79/-87/-95 TOGETHER WITH (TWO EA) 10-61899-26/HJ18DU106, (ONE EA) 251N4007-4, (TWO EA) BACB30NY6K39, (TWO EA) BACC30X6, AND (TWO EA) NAS620C10	002004 006100 107107 121503 904999	1

MISSING ITEM NUMBERS NOT APPLICABLE

- ITEM NOT ILLUSTRATED

BRI

27-51-17-02

BOEING PROPRIETARY - Copyright © - Unpublished Work - See title page for details.

27-51-17  
FIG. 02  
PAGE 43  
JAN 20/09



757

PARTS CATALOG (MAINTENANCE)

FIG ITEM	PART NUMBER	1 2 3 4 5 6 7 NOMENCLATURE	EFFECT FROM TO	UNITS PER ASSY
2 - 205	251N4009-40	.TRANSMISSION ASSY- POSITION DATA: RH SIDE QUALIFIED I/W DATA: 251N4009-40 CAN REPLACE BUT CANNOT BE REPLACED BY 251N4101-47/-55/-63/ -71/-79/-87/-95 TOGETHER WITH (TWO EA) 10-61899-26/HJ18DU106, (ONE EA) 251N4077-4, (TWO EA) BACB30NY6K39, (TWO EA) BACC30X6, AND (TWO EA) NAS620C10 251N4009-40 CAN REPLACE BUT CANNOT BE REPLACED BY 251N4101-42/-50/-58/ -66/-74/-82/-90 TOGETHER WITH (TWO EA) 10-61899-26/HJ18DU106, (ONE EA) 251N4077-4, (TWO EA) BACB30NY6K39, (TWO EA) BACC30X6, AND (TWO EA) NAS620C10 251N4009-40 CAN REPLACE BUT CANNOT BE REPLACED BY 251N4101-47/-55/-63/ -71/-79/-87/-95 TOGETHER WITH (EA) 10-61899-26/HJ18DU106, (ONE EA) 251N4077-4, (TWO EA) BACB30NY6K39, (TWO EA) BACC30X6, AND (TWO EA) NAS620C10 251N4009-40 CAN REPLACE BUT CANNOT BE REPLACED BY 251N4101-47/-55/-63/ -71/-79/-87/-95 TOGETHER WITH (TWO EA) 10-61899-26/HJ18DU106, (ONE EA) 251N4077-4, (TWO EA) BACB30NY8K39, (TWO EA) BACC30X6, AND (TWO EA) NAS620C10	002004 006102 107999	1

MISSING ITEM NUMBERS NOT APPLICABLE

- ITEM NOT ILLUSTRATED

27-51-17-02

27-51-17  
FIG. 02  
PAGE 44  
JAN 20/09

BRI



757

PARTS CATALOG (MAINTENANCE)

FIG ITEM	PART NUMBER	1 2 3 4 5 6 7	NOMENCLATURE	EFFECT FROM TO	UNITS PER ASSY
2 - 205	251N4009-46		.TRANSMISSION ASSY- POSITION DATA: RH SIDE QUALIFIED I/W DATA: 251N4009-46 CAN REPLACE BUT CANNOT BE REPLACED BY 251N4101-47/-55/-63/ -71/-79/-87-95 TOGETHER WITH (TWO EA) 10-61899-26/HJ18DU106, (ONE EA) 251N4077-4, (TWO EA) BACB30NY6K39, (TWO EA) BACC30X6, AND (TWO EA) NAS620C10	002004 006999	1
- 205	251N4009-54		.TRANSMISSION ASSY- POSITION DATA: RH SIDE QUALIFIED I/W DATA: 251N4009-54 CAN REPLACE BUT CANNOT BE REPLACED BY 251N4101-47/-55/-63/ -71/-79/-87-95 TOGETHER WITH (TWO EA) 10-61899-26/HJ18DU106, (ONE EA) 251N4077-4, (TWO EA) BACB30NY6K39, (TWO EA) BACC30X6, AND (TWO EA) NAS620C10	002004 006999	1
210	251N4336-2		..TRANSMISSION AND UJOINT- ASSY POSITION DATA: LH SIDE USED ON: 251N4009-15 PRE SERVICE BULLETIN: 27-0115 REWORKED BY ALERT SB: 27A0127 FUNCTIONAL REFERENCE: PLACARDS AND MARKINGS FOR DETAILS SEE 11-24-13-01	002004 006102 107999	1

MISSING ITEM NUMBERS NOT APPLICABLE

- ITEM NOT ILLUSTRATED

BRI

27-51-17-02

BOEING PROPRIETARY - Copyright © - Unpublished Work - See title page for details.

27-51-17  
FIG. 02  
PAGE 45  
JAN 20/09



757

PARTS CATALOG (MAINTENANCE)

FIG ITEM	PART NUMBER	1 2 3 4 5 6 7	NOMENCLATURE	EFFECT FROM TO	UNITS PER ASSY
2 210	251N4336-10		..TRANSMISSION AND UJOINT- ASSY POSITION DATA: LH SIDE USED ON: 251N4009-17 POST SERVICE BULLETIN: 27-0115 REWORKED BY ALERT SB: 27A0127 FUNCTIONAL REFERENCE: PLACARDS AND MARKINGS FOR DETAILS SEE 11-24-13-01	002004 006102 107999	1
210	251N4336-18		..TRANSMISSION AND UJOINT- ASSY POSITION DATA: LH SIDE USED ON: 251N4009-23 251N4009-39 POST ALERT SB: 27A0127 FUNCTIONAL REFERENCE: PLACARDS AND MARKINGS FOR DETAILS SEE 11-24-13-01	002004 006102 107999	1
210	251N4336-26		..TRANSMISSION AND UJOINT- ASSY POSITION DATA: LH SIDE USED ON: 251N4009-45 FUNCTIONAL REFERENCE: PLACARDS AND MARKINGS FOR DETAILS SEE 11-24-13-01	002004 006999	1

MISSING ITEM NUMBERS NOT APPLICABLE

- ITEM NOT ILLUSTRATED

BRI

**27-51-17-02**

27-51-17  
FIG. 02  
PAGE 46  
JAN 20/09



757

PARTS CATALOG (MAINTENANCE)

FIG ITEM	PART NUMBER	1 2 3 4 5 6 7	NOMENCLATURE	EFFECT FROM TO	UNITS PER ASSY
2 - 215	251N4336-7		..TRANSMISSION AND UJOINT- ASSY POSITION DATA: RH SIDE USED ON: 251N4009-16 PRE SERVICE BULLETIN: 27-0115 REWORKED BY ALERT SB: 27A0127 FUNCTIONAL REFERENCE: PLACARDS AND MARKINGS FOR DETAILS SEE 11-24-13-01	002004 006102 107999	1
- 215	251N4336-23		..TRANSMISSION AND UJOINT- ASSY POSITION DATA: RH SIDE USED ON: 251N4009-24 251N4009-40 POST ALERT SB: 27A0127 FUNCTIONAL REFERENCE: PLACARDS AND MARKINGS FOR DETAILS SEE 11-24-13-01	002004 006102 107999	1
- 215	251N4336-15		..TRANSMISSION AND UJOINT- ASSY POSITION DATA: RH SIDE USED ON: 251N4009-18 POST SERVICE BULLETIN: 27-0115 REWORKED BY ALERT SB: 27A0127 FUNCTIONAL REFERENCE: PLACARDS AND MARKINGS FOR DETAILS SEE 11-24-13-01	002004 006102 107999	1

MISSING ITEM NUMBERS NOT APPLICABLE

- ITEM NOT ILLUSTRATED

BRI

27-51-17-02

27-51-17  
FIG. 02  
PAGE 47  
JAN 20/09



757

PARTS CATALOG (MAINTENANCE)

FIG ITEM	PART NUMBER	1 2 3 4 5 6 7	NOMENCLATURE	EFFECT FROM TO	UNITS PER ASSY
2 - 215	251N4336-31		.. TRANSMISSION AND UJOINT- ASSY POSITION DATA: RH SIDE USED ON: 251N4009-46 FUNCTIONAL REFERENCE: PLACARDS AND MARKINGS FOR DETAILS SEE 11-24-13-01	002004 006999	1
220	251N4050-37		... TRANSMISSION ASSY- POSITION DATA: LH SIDE COMPONENT MAINT MANUAL REF: 27-51-13 QUALIFIED I/W DATA: 251N4050-62, 251N4050-58 OR 251N4050-45 MAY REPLACE 251N4050-37 WITH THE INCORPORATION OF SERVICE BULLETIN 757-27A0127 USED ON: 251N4336-2 PRE SERVICE BULLETIN: 27-0115 PRE ALERT SB: 27A0127	002004 006102 108120 504949	1
220	251N4050-41		... TRANSMISSION ASSY- POSITION DATA: LH SIDE COMPONENT MAINT MANUAL REF: 27-51-13 QUALIFIED I/W DATA: 251N4050-62, 251N4050-58 OR 251N4050-45 MAY REPLACE 251N4050-41 WITH THE INCORPORATION OF SERVICE BULLETIN 757-27A0127 USED ON: 251N4336-10 POST SERVICE BULLETIN: 27-0115 PRE ALERT SB: 27A0127	002004 006102 108120 504949	1

MISSING ITEM NUMBERS NOT APPLICABLE

- ITEM NOT ILLUSTRATED

BRI

27-51-17-02

27-51-17  
FIG. 02  
PAGE 48  
JAN 20/09



757

PARTS CATALOG (MAINTENANCE)

FIG ITEM	PART NUMBER	1 2 3 4 5 6 7	NOMENCLATURE	EFFECT FROM TO	UNITS PER ASSY
2 220	251N4050-45		... TRANSMISSION ASSY- POSITION DATA: LH SIDE COMPONENT MAINT MANUAL REF: 27-51-13 QUALIFIED I/W DATA: -45 AND -58 ARE FULLY INTERCHANGEABLE FOR 757-200 -45 I/W WITH -58 IF FILLED WITH BRAYCO 795 OIL FOR 757-300. 251N4050-62 IS FULLY INTERCHANGEABLE WITH 251N4050-45 WHEN FILLED WITH BRAYCO 795 OIL 251N4050-45 MAY RELACE 251N4050-41 OR -37 OR -33 OR -29 OR -25 OR -21 OR -17 WITH THE INCORPORATION OF SERVICE BULLETIN 757-27-A0127 SERVICE BULLETIN OPT DATA: 251N4050-58 251N4022-32 251N4022-28 251N4050-62 USED ON: 251N4336-2 251N4336-10 251N4336-18	002004 006102 107999	1

MISSING ITEM NUMBERS NOT APPLICABLE

- ITEM NOT ILLUSTRATED

BRI

**27-51-17-02**

BOEING PROPRIETARY - Copyright © - Unpublished Work - See title page for details.

27-51-17  
FIG. 02  
PAGE 49  
JAN 20/09



757

PARTS CATALOG (MAINTENANCE)

FIG ITEM	PART NUMBER	1 2 3 4 5 6 7	NOMENCLATURE	EFFECT FROM TO	UNITS PER ASSY
2 220	251N4050-58		...TRANSMISSION ASSY- POSITION DATA: LH SIDE COMPONENT MAINT MANUAL REF: 27-51-13 QUALIFIED I/W DATA: -45 AND -58 ARE FULLY INTERCHANGEABLE FOR 757-200. -45 I/W -58 IF FILLED WITH BRAYCO 795 OIL FOR 757-300. 251N4050-58 MAY RELACE 251N4050-41 OR -37 OR -33 OR -29 OR -25 OR -21 OR -17 WITH THE INCORPORATION OF SERVICE BULLETIN 757-27-A0127 OPTIONAL PART: 251N4050-62 SERVICE BULLETIN OPT DATA: 251N4050-45 251N4022-32 251N4022-28 251N4050-62 USED ON: 251N4336-2 251N4336-10 251N4336-18	002004 006999	1
220	251N4022-32		...TRANSMISSION ASSY- POSITION DATA: LH SIDE SERVICE BULLETIN OPT DATA: 251N4050-45 251N4050-58 251N4050-62 USED ON: 251N4336-18 POST ALERT SB: 27A0127	002004 006100 107107 121503 904999	1
220	251N4022-28		...TRANSMISSION ASSY- POSITION DATA: LH SIDE USED ON: 251N4336-2 POST ALERT SB: 27A0127	002004 006100 107107 121503 904999	1

MISSING ITEM NUMBERS NOT APPLICABLE

- ITEM NOT ILLUSTRATED

BRI

27-51-17-02

BOEING PROPRIETARY - Copyright © - Unpublished Work - See title page for details.

27-51-17  
FIG. 02  
PAGE 50  
JAN 20/09





757

PARTS CATALOG (MAINTENANCE)

FIG ITEM	PART NUMBER	1 2 3 4 5 6 7	NOMENCLATURE	EFFECT FROM TO	UNITS PER ASSY
2 220	251N4050-62		...TRANSMISSION ASSY- POSITION DATA: LH SIDE COMPONENT MAINT MANUAL REF: 27-51-13 QUALIFIED I/W DATA: 251N4050-62 IS FULLY INTERCHANGEABLE WITH 251N4050-45 WHEN FILLED WITH BRAYCO 795 OIL 251N4050-62 MAY RELACE 251N4050-41 OR -37 OR -33 OR -29 OR -25 OR -21 OR -17 WITH THE INCORPORATION OF SERVICE BULLETIN 757-27-A0127 OPTIONAL PART: 251N4050-58 USED ON: 251N4336-2 251N4336-10 251N4336-18	002004 006999	1
- 225	251N4050-38		...TRANSMISSION ASSY- POSITION DATA: RH SIDE COMPONENT MAINT MANUAL REF: 27-51-13 QUALIFIED I/W DATA: 251N4050-46 MAY REPLACE 251N4050-38 WITH THE INCORPORATION OF SERVICE BULLETIN 757-27A0127 251N4050-59 MAY REPLACE 251N4050-38 WITH THE INCORPORATION OF SERVICE BULLETIN 757-27A0127 251N4050-63 MAY REPLACE 251N4050-38 WITH THE INCORPORATION OF SERVICE BULLETIN 757-27A0127 USED ON: 251N4336-7 PRE SERVICE BULLETIN: 27-0115 PRE ALERT SB: 27A0127	002004 006102 108120 504949	1

MISSING ITEM NUMBERS NOT APPLICABLE

- ITEM NOT ILLUSTRATED

BRI

27-51-17-02

27-51-17  
FIG. 02  
PAGE 51  
JAN 20/09



757

PARTS CATALOG (MAINTENANCE)

FIG ITEM	PART NUMBER	1 2 3 4 5 6 7	NOMENCLATURE	EFFECT FROM TO	UNITS PER ASSY
2 - 225	251N4050-42		... TRANSMISSION ASSY- POSITION DATA: RH SIDE COMPONENT MAINT MANUAL REF: 27-51-13 QUALIFIED I/W DATA: 251N4050-46 MAY REPLACE 251N4050-18 WITH THE INCORPORATION OF SERVIC BULLETIN 757-27A0127 251N4050-59 MAY REPLACE 251N4050-18 WITH THE INCORPORATION OF SERVIC BULLETIN 757-27A0127 251N4050-63 MAY REPLACE 251N4050-18 WITH THE INCORPORATION OF SERVIC BULLETIN 757-27A0127 USED ON: 251N4336-15 POST SERVICE BULLETIN: 27-0115 PRE ALERT SB: 27A0127	002004 006102 108120 504951	1

MISSING ITEM NUMBERS NOT APPLICABLE

- ITEM NOT ILLUSTRATED

BRI

27-51-17-02

BOEING PROPRIETARY - Copyright © - Unpublished Work - See title page for details.

27-51-17  
FIG. 02  
PAGE 52  
JAN 20/09



757

PARTS CATALOG (MAINTENANCE)

FIG ITEM	PART NUMBER	1 2 3 4 5 6 7	NOMENCLATURE	EFFECT FROM TO	UNITS PER ASSY
2 - 225	251N4050-46		<p>... TRANSMISSION ASSY-  POSITION DATA:  RH SIDE  COMPONENT MAINT MANUAL REF:  27-51-13  QUALIFIED I/W DATA:  -46 AND -59 ARE FULLY  INTERCHANGEABLE FOR  757-200 . -46 AND -59  IF FILLED WITH BRAYCO  OIL FOR 757-300.  251N4050-63 IS FULLY  INTERCHANGEABLE WITH  251N4050-46 WHEN FILLED  WITH BRAYCO 795 OIL  251N4050-46 MAY RELACE  251N4050-42 OR -38 OR  -34 OR -30 OR -26 OR -22  OR -18 WITH THE  INCORPORATION OF SERVICE  BULLETIN 757-27-A0127  SERVICE BULLETIN OPT DATA:  251N4050-59  251N4022-33  251N4022-29  251N4050-63  USED ON:  251N4336-7  251N4336-23</p>	002004 006102 107999	1

MISSING ITEM NUMBERS NOT APPLICABLE

- ITEM NOT ILLUSTRATED

27-51-17-02

27-51-17  
FIG. 02  
PAGE 53  
JAN 20/09

BRI



757

PARTS CATALOG (MAINTENANCE)

FIG ITEM	PART NUMBER	1 2 3 4 5 6 7	NOMENCLATURE	EFFECT FROM TO	UNITS PER ASSY
2 - 225	251N4050-59		...TRANSMISSION ASSY- POSITION DATA: RH SIDE COMPONENT MAINT MANUAL REF: 27-51-13 QUALIFIED I/W DATA: -46 AND -59 ARE FULLY INTERCHANGEABLE FOR 757-200. -46 I/W -59 IF FILLED WITH BRAYCO 795 OIL FOR 757-300. 251N4050-59 MAY RELACE 251N4050-42 OR -38 OR -34 OR -30 OR -26 OR -22 OR -18 WITH THE INCORPORATION OF SERVICE BULLETIN 757-27-A0127 OPTIONAL PART: 251N4050-63 SERVICE BULLETIN OPT DATA: 251N4050-46 251N4022-33 251N4022-29 251N4050-63 USED ON: 251N4336-7 251N4336-23	002004 006999	1
- 225	251N4022-33		...TRANSMISSION ASSY- POSITION DATA: RH SIDE SERVICE BULLETIN OPT DATA: 251N4050-46 251N4050-59 251N4050-63 USED ON: 251N4336-23 POST ALERT SB: 27A0127	002004 006100 107107 121503 904999	1
- 225	251N4022-29		...TRANSMISSION ASSY- POSITION DATA: RH SIDE SERVICE BULLETIN OPT DATA: 251N4050-46 251N4050-59 251N4050-63 USED ON: 251N4336-7 POST ALERT SB: 27A0127	002004 006100 107107 121503 904999	1

MISSING ITEM NUMBERS NOT APPLICABLE

- ITEM NOT ILLUSTRATED

27-51-17-02

27-51-17  
FIG. 02  
PAGE 54  
JAN 20/09

BRI



757

PARTS CATALOG (MAINTENANCE)

FIG ITEM	PART NUMBER	1 2 3 4 5 6 7	NOMENCLATURE	EFFECT FROM TO	UNITS PER ASSY
2 - 225	251N4050-63		... TRANSMISSION ASSY- POSITION DATA: RH SIDE COMPONENT MAINT MANUAL REF: 27-51-13 QUALIFIED I/W DATA: 251N4050-63 IS FULLY INTERCHANGEABLE WITH 251N4050-46 WHEN FILLED WITH BRAYCO 795 OIL 51N4050-59 MAY RELACE 251N4050-42 OR -38 OR -34 OR 30 OR -26 OR -22 OR -18 WITH THE INCORPORATION OF ERVICE BULLETIN 757-27-A0127 OPTIONAL PART: 251N4050-59 SERVICE BULLETIN OPT DATA: 251N4022-29 251N4022-33 251N4050-46 251N4050-59 USED ON: 251N4336-7 251N4336-23	002004 006999	1
230	3-907N103-70		.... PACKING- SUPPLIER CODE: V83259 USED ON: 251N4050-37 251N4050-38 251N4050-41 251N4050-42 251N4050-45 251N4050-46 251N4050-58 251N4050-59 251N4050-62 251N4050-63	002004 006999	3

MISSING ITEM NUMBERS NOT APPLICABLE

- ITEM NOT ILLUSTRATED

BRI

27-51-17-02

BOEING PROPRIETARY - Copyright © - Unpublished Work - See title page for details.

27-51-17  
FIG. 02  
PAGE 55  
JAN 20/09



757

PARTS CATALOG (MAINTENANCE)

FIG ITEM	PART NUMBER	1 2 3 4 5 6 7	NOMENCLATURE	EFFECT FROM TO	UNITS PER ASSY
2 235	MS9953-07		.....PLUG- USED ON: 251N4050-37 251N4050-38 251N4050-41 251N4050-42 251N4050-45 251N4050-46 251N4050-58 251N4050-59 251N4050-62 251N4050-63	002004 006999	2

MISSING ITEM NUMBERS NOT APPLICABLE

- ITEM NOT ILLUSTRATED

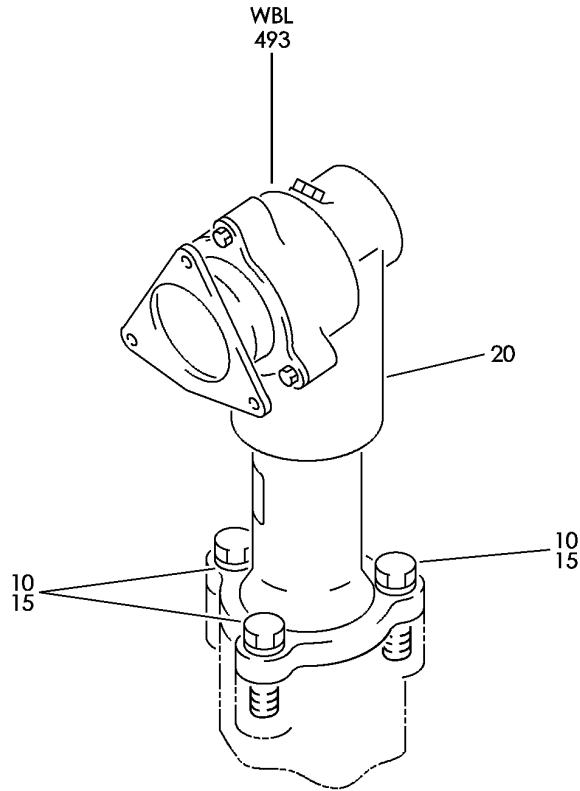
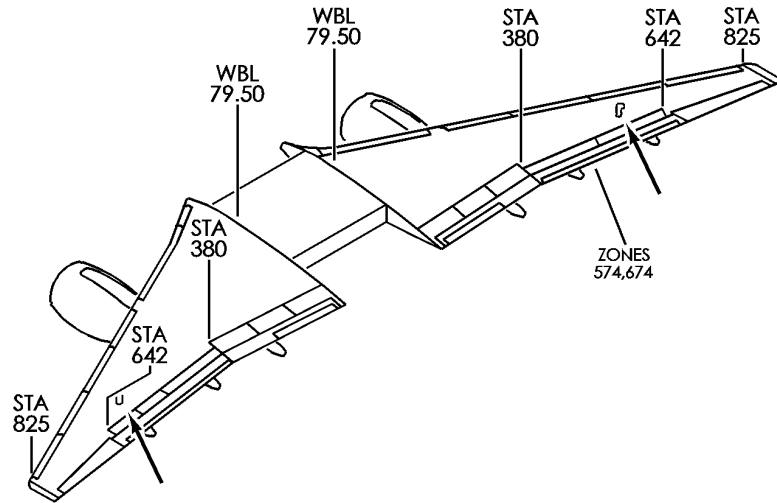
BRI

27-51-17-02

BOEING PROPRIETARY - Copyright © - Unpublished Work - See title page for details.

27-51-17  
FIG. 02  
PAGE 56  
JAN 20/09

**BOEING**  
757  
PARTS CATALOG (MAINTENANCE)



Y 27511801 REV 229

TRANSMISSION INSTL-OUTBD TE FLAP DRIVE OUTBD (OUTBD FLAP TEE GEARBOXES)

FIGURE 1

**27-51-18-01**

BRI  
MAY 28/07

27-51-18-01  
PAGE 0



757

PARTS CATALOG (MAINTENANCE)

FIG ITEM	PART NUMBER	1 2 3 4 5 6 7	NOMENCLATURE	EFFECT FROM TO	UNITS PER ASSY
1			TRANSMISSION INSTL-OUTBD TE FLAP DRIVE OUTBD (OUTBD FLAP TEE GEARBOXES)	002004 006999	
- 1	251N4008-1		TRANSMISSION INSTL-TE FLAP DRIVE (OUTBD FLAP TEE GEARBOXES ONLY) POSITION DATA: OUTBD LH FOR NHA/OTHER SYS DET SEE: 27-51-25-03	002004 006100 107107 121503 904999	RF
- 1	251N4008-31		TRANSMISSION INSTL-TE FLAP DRIVE (OUTBD FLAP TEE GEARBOXES ONLY) POSITION DATA: OUTBD LH FOR NHA/OTHER SYS DET SEE: 27-50-00-02	101102	RF
- 1	251N4008-35		TRANSMISSION INSTL-TE FLAP DRIVE (OUTBD FLAP TEE GEARBOXES ONLY) POSITION DATA: OUTBD LH FOR NHA/OTHER SYS DET SEE: 27-50-00-02	108120 504903	RF
- 1	MODREF7566		TRANSMISSION INSTL-TE FLAP DRIVE (OUTBD FLAP TEE GEARBOXES ONLY) MODULE NUMBER: 251N4008-41 REV A POSITION DATA: OUTBD LH FOR OTHER SYS DETAILS SEE: 11-24-55-02 27-51-17-01 27-51-21-01	103103	1
- 1	MODREF27512		TRANSMISSION INSTL-TE FLAP DRIVE (OUTBD FLAP TEE GEARBOXES ONLY) MODULE NUMBER: 251N4008-41 REV B POSITION DATA: OUTBD LH FOR OTHER SYS DETAILS SEE: 11-24-55-02 27-51-17-01 27-51-21-01	104106	1

MISSING ITEM NUMBERS NOT APPLICABLE

- ITEM NOT ILLUSTRATED

BRI

27-51-18-01

BOEING PROPRIETARY - Copyright © - Unpublished Work - See title page for details.

27-51-18  
FIG. 01  
PAGE 1  
JAN 20/09





757

PARTS CATALOG (MAINTENANCE)

FIG ITEM	PART NUMBER	1 2 3 4 5 6 7	NOMENCLATURE	EFFECT FROM TO	UNITS PER ASSY
1					
- 5	251N4008-2		TRANSMISSION INSTL-TE FLAP DRIVE (OUTBD FLAP TEE GEARBOXES ONLY) POSITION DATA: OUTBD RH FOR NHA/OTHER SYS DET SEE: 27-51-25-03	002004 006100 107107 121503 904999	RF
- 5	251N4008-32		TRANSMISSION INSTL-TE FLAP DRIVE (OUTBD FLAP TEE GEARBOXES ONLY) POSITION DATA: OUTBD RH FOR NHA/OTHER SYS DET SEE: 27-50-00-02	101102	RF
- 5	251N4008-36		TRANSMISSION INSTL-TE FLAP DRIVE (OUTBD FLAP TEE GEARBOXES ONLY) POSITION DATA: OUTBD RH FOR NHA/OTHER SYS DET SEE: 27-50-00-02	108120 504903	RF
- 5	MODREF7567		TRANSMISSION INSTL-TE FLAP DRIVE (OUTBD FLAP TEE GEARBOXES ONLY) MODULE NUMBER: 251N4008-42 REV A POSITION DATA: OUTBD RH FOR OTHER SYS DETAILS SEE: 11-24-55-02 27-51-17-01 27-51-21-01	103103	1
- 5	MODREF27513		TRANSMISSION INSTL-TE FLAP DRIVE (OUTBD FLAP TEE GEARBOXES ONLY) MODULE NUMBER: 251N4008-42 REV B POSITION DATA: OUTBD RH FOR OTHER SYS DETAILS SEE: 11-24-55-02 27-51-17-01 27-51-21-01	104106	1
10	BACB30NR4K8		.BOLT	002004 006999	3

MISSING ITEM NUMBERS NOT APPLICABLE

- ITEM NOT ILLUSTRATED

BRI

27-51-18-01

27-51-18  
FIG. 01  
PAGE 2  
JAN 20/09



757

PARTS CATALOG (MAINTENANCE)

FIG ITEM	PART NUMBER	1 2 3 4 5 6 7	NOMENCLATURE	EFFECT FROM TO	UNITS PER ASSY
1	15 AN960KD416L	.	WASHER	002004 006100 107107 121503 904999	3
	15 NAS1149D0416J	.	WASHER	101106 108120 504903	3
	20 251N4204-1	.	GEARBOX ASSY-TEE COMPONENT MAINT MANUAL REF: 27-51-33 QUALIFIED I/W DATA: 251N4204-6 OR -9 MAY REPLACE 251N4204-1 WITH THE INCORPORATION OF SERVICE BULLETIN 757-27-0107 OPTIONAL PART: 251N4204-2	002004 006010 107107 121503 904949 951999	1
	20 251N4204-2	.	GEARBOX ASSY-TEE COMPONENT MAINT MANUAL REF: 27-51-33 QUALIFIED I/W DATA: 251N4204-6 OR -9 MAY REPLACE 251N4204-2 WITH THE INCORPORATION OF SERVICE BULLETIN 757-27-0107	002004 006010 107107 121503 904949 951999	1
	20 251N4204-4	.	GEARBOX ASSY-TEE COMPONENT MAINT MANUAL REF: 27-51-33 QUALIFIED I/W DATA: 251N4204-6 OR -9 MAY REPLACE 251N4204-4 WITH THE INCORPORATION OF SERVICE BULLETIN 757-27-0107	002004 006010 107107 121503 904949 951999	1
	20 251N4204-5	.	GEARBOX ASSY-TEE COMPONENT MAINT MANUAL REF: 27-51-33 QUALIFIED I/W DATA: 251N4204-6 OR -9 MAY REPLACE 251N4204-5 WITH THE INCORPORATION OF SERVICE BULLETIN 757-27-0107 OPTIONAL PART: 251N4204-4	002004 006010 107107 121503 904949 951999	1

MISSING ITEM NUMBERS NOT APPLICABLE

- ITEM NOT ILLUSTRATED

27-51-18-01

27-51-18  
FIG. 01  
PAGE 3  
JAN 20/09

BRI



757

PARTS CATALOG (MAINTENANCE)

FIG ITEM	PART NUMBER	1 2 3 4 5 6 7	NOMENCLATURE	EFFECT FROM TO	UNITS PER ASSY
1					
20	251N4204-6		. GEARBOX ASSY-TEE COMPONENT MAINT MANUAL REF: 27-51-33 QUALIFIED I/W DATA: 251N4204-6 MAY REPLACE 251N4204-1, -2, -4 OR -5 WITH THE INCORPORATION OF SERVICE BULLETIN 757-27-0107 SERVICE BULLETIN OPT DATA: 012N8792-17 012N8792-18 012N8792-20 POST SERVICE BULLETIN: 27-0107	011106 108120 504903 950950	1
20	251N4204-9		. GEARBOX ASSY-TEE COMPONENT MAINT MANUAL REF: 27-51-33 QUALIFIED I/W DATA: 251N4204-9 MAY REPLACE 251N4204-1, -2, -4 OR -5 WITH THE INCORPORATION OF SERVICE BULLETIN 757-27-0107	011106 108120 504903 950950	1
20	012N8792-20		. GEARBOX ASSY-TEE SERVICE BULLETIN OPT DATA: 012N8792-17 012N8792-18 251N4204-6 POST SERVICE BULLETIN: 27-0107	950950	1
20	012N8792-17		. GEARBOX ASSY-TEE SERVICE BULLETIN OPT DATA: 012N8792-18 012N8792-20 251N4204-6 POST SERVICE BULLETIN: 27-0107	950950	1
20	012N8792-18		. GEARBOX ASSY-TEE SERVICE BULLETIN OPT DATA: 012N8792-17 012N8792-20 251N4204-6 POST SERVICE BULLETIN: 27-0107	950950	1

MISSING ITEM NUMBERS NOT APPLICABLE

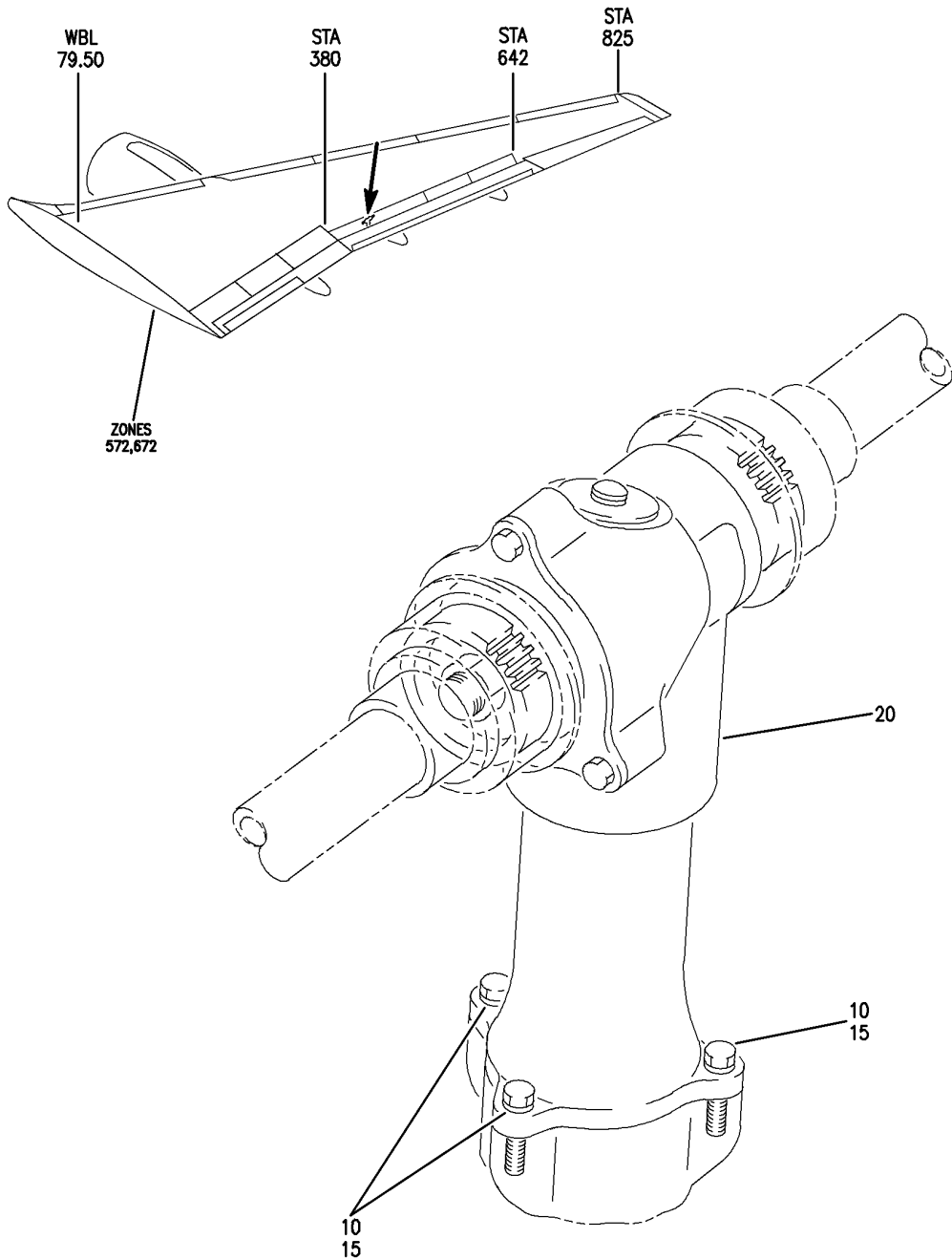
- ITEM NOT ILLUSTRATED

27-51-18-01

27-51-18  
FIG. 01  
PAGE 4  
JAN 20/09

BRI

**BOEING**  
757  
PARTS CATALOG (MAINTENANCE)



Y 27511802 REV 229

TRANSMISSION INSTL-OUTBD TE FLAP DRIVE INBD (OUTBOARD FLAP TEE GEARBOXES ONLY)  
FIGURE 2

BRI  
MAY 28/07

**27-51-18-02**

27-51-18-02  
PAGE 0



757

PARTS CATALOG (MAINTENANCE)

FIG ITEM	PART NUMBER	1 2 3 4 5 6 7	NOMENCLATURE	EFFECT FROM TO	UNITS PER ASSY
2			TRANSMISSION INSTL-OUTBD TE FLAP DRIVE INBD (OUTBOARD FLAP TEE GEARBOXES ONLY)	002004 006999	
- 1	251N4009-1		TRANSMISSION INSTL-OUTBD TE FLAP DRIVE (OUTBOARD FLAP TEE GEARBOXES ONLY) POSITION DATA: INBD LH FOR NHA/OTHER SYS DET SEE: 27-51-25-03	002004 006100 107107 121503 904999	RF
- 1	251N4009-37		TRANSMISSION INSTL-OUTBD TE FLAP DRIVE (OUTBOARD FLAP TEE GEARBOXES ONLY) POSITION DATA: INBD LH FOR NHA/OTHER SYS DET SEE: 27-50-00-02	101102 108120 504903	RF
- 1	MODREF7570		TRANSMISSION INSTL-OUTBD TE FLAP DRIVE (OUTBOARD FLAP TEE GEARBOXES ONLY) MODULE NUMBER: 251N4009-43 REV A POSITION DATA: INBD LH FOR OTHER SYS DETAILS SEE: 11-24-55-03 27-51-17-02 27-51-21-02	103103	1
- 1	MODREF27516		TRANSMISSION INSTL-OUTBD TE FLAP DRIVE (OUTBOARD FLAP TEE GEARBOXES ONLY) MODULE NUMBER: 251N4009-43 REV B POSITION DATA: INBD LH FOR OTHER SYS DETAILS SEE: 11-24-55-03 27-51-17-02 27-51-21-02	104106	1
- 5	251N4009-2		TRANSMISSION INSTL-OUTBD TE FLAP DRIVE (OUTBOARD FLAP TEE GEARBOXES ONLY) POSITION DATA: INBD RH FOR NHA/OTHER SYS DET SEE: 27-51-25-03	002004 006100 107107 121503 904999	RF

MISSING ITEM NUMBERS NOT APPLICABLE

- ITEM NOT ILLUSTRATED

BRI

27-51-18-02

27-51-18  
FIG. 02  
PAGE 1  
JAN 20/09



757

PARTS CATALOG (MAINTENANCE)

FIG ITEM	PART NUMBER	1 2 3 4 5 6 7	NOMENCLATURE	EFFECT FROM TO	UNITS PER ASSY
2					
- 5	251N4009-38		TRANSMISSION INSTL-OUTBD TE FLAP DRIVE (OUTBOARD FLAP TEE GEARBOXES ONLY) POSITION DATA: INBD RH FOR NHA/OTHER SYS DET SEE: 27-50-00-02	101102 108120 504903	RF
- 5	MODREF7571		TRANSMISSION INSTL-OUTBD TE FLAP DRIVE (OUTBOARD FLAP TEE GEARBOXES ONLY) MODULE NUMBER: 251N4009-44 REV A POSITION DATA: INBD RH FOR OTHER SYS DETAILS SEE: 11-24-55-03 27-51-17-02 27-51-21-02	103103	1
- 5	MODREF27517		TRANSMISSION INSTL-OUTBD TE FLAP DRIVE (OUTBOARD FLAP TEE GEARBOXES ONLY) MODULE NUMBER: 251N4009-44 REV B POSITION DATA: INBD RH FOR OTHER SYS DETAILS SEE: 11-24-55-03 27-51-17-02 27-51-21-02	104106	1
10	BACB30NR4K8		.BOLT	002004 006999	3
15	AN960KD416L		.WASHER	002004 006100 107107 121503 904999	3
15	NAS1149D0416J		.WASHER	101106 108120 504903	3

MISSING ITEM NUMBERS NOT APPLICABLE

- ITEM NOT ILLUSTRATED

BRI

27-51-18-02

27-51-18  
FIG. 02  
PAGE 2  
JAN 20/09



757

PARTS CATALOG (MAINTENANCE)

FIG ITEM	PART NUMBER	1 2 3 4 5 6 7	NOMENCLATURE	EFFECT FROM TO	UNITS PER ASSY
2	20 251N4218-1		. GEARBOX ASSY-TEE COMPONENT MAINT MANUAL REF: 27-51-29 QUALIFIED I/W DATA: 251N4218-5 OR -6 MAY REPLACE 251N4218-1 WITH THE INCORPORATION OF SERVICE BULLETIN 757-27-0107 OPTIONAL PART: 251N4218-2	107107 121503 951999	1
	20 251N4218-2		. GEARBOX ASSY-TEE COMPONENT MAINT MANUAL REF: 27-51-29 QUALIFIED I/W DATA: 251N4218-5 OR -6 MAY REPLACE 251N4218-2 WITH THE INCORPORATION OF SERVICE BULLETIN 757-27-0107 OPTIONAL PART: 251N4218-1	107107 121503 951999	1
	20 251N4218-3		. GEARBOX ASSY-TEE COMPONENT MAINT MANUAL REF: 27-51-29 QUALIFIED I/W DATA: 251N4218-5 OR -6 MAY REPLACE 251N4218-3 WITH THE INCORPORATION OF SERVICE BULLETIN 757-27-0107 OPTIONAL PART: 251N4218-4	107107 121503 951999	1
	20 251N4218-4		. GEARBOX ASSY-TEE COMPONENT MAINT MANUAL REF: 27-51-29 QUALIFIED I/W DATA: 251N4218-5 OR -6 MAY REPLACE 251N4218-4 WITH THE INCORPORATION OF SERVICE BULLETIN 757-27-0107 OPTIONAL PART: 251N4218-3	107107 121503 951999	1

MISSING ITEM NUMBERS NOT APPLICABLE

- ITEM NOT ILLUSTRATED

BRI

27-51-18-02

27-51-18  
FIG. 02  
PAGE 3  
JAN 20/09



757

PARTS CATALOG (MAINTENANCE)

FIG ITEM	PART NUMBER	1 2 3 4 5 6 7	NOMENCLATURE	EFFECT FROM TO	UNITS PER ASSY
2					
20	251N4218-5		. GEARBOX ASSY-TEE MISCELLANEOUS DATA: REPLS 251N4218-3 COMPONENT MAINT MANUAL REF: 27-51-29 QUALIFIED I/W DATA: 251N4218-5 MAY REPLACE 251N4218-1, -2, -3 OR -4 WITH THE INCORPORATION OF SERVICE BULLETIN 757-27-0107 SERVICE BULLETIN OPT DATA: 012N8792-21 012N8792-22 012N8792-24 POST SERVICE BULLETIN: 27-0107	103106 108120 504903 950950	1
20	251N4218-6		. GEARBOX ASSY-TEE COMPONENT MAINT MANUAL REF: 27-51-29 QUALIFIED I/W DATA: 251N4218-6 MAY REPLACE 251N4218-1, -2, -3 OR -4 WITH THE INCORPORATION OF SERVICE BULLETIN 757-27-0107 OPTIONAL PART: 251N4218-9	103106 108120 504903 950950	1
20	251N4218-9		. GEARBOX ASSY-TEE COMPONENT MAINT MANUAL REF: 27-51-29 OPTIONAL PART: 251N4218-6	103106 108120 504903 950950	1
20	012N8792-21		. GEARBOX ASSY-TEE SERVICE BULLETIN OPT DATA: 012N8792-22 012N8792-24 251N4218-5 POST SERVICE BULLETIN: 27-0107	950950	1
20	012N8792-22		. GEARBOX ASSY-TEE SERVICE BULLETIN OPT DATA: 012N8792-21 012N8792-24 251N4218-5 POST SERVICE BULLETIN: 27-0107	950950	1

MISSING ITEM NUMBERS NOT APPLICABLE

- ITEM NOT ILLUSTRATED

27-51-18-02

27-51-18  
FIG. 02  
PAGE 4  
JAN 20/09

BRI





757

PARTS CATALOG (MAINTENANCE)

FIG ITEM	PART NUMBER	1 2 3 4 5 6 7	NOMENCLATURE	EFFECT FROM TO	UNITS PER ASSY
2					
20	012N8792-24		. GEARBOX ASSY-TEE SERVICE BULLETIN OPT DATA: 251N4218-5 012N8792-21 012N8792-22 POST SERVICE BULLETIN: 27-0107	950950	1
20	251N4218-1		. GEARBOX ASSY-TEE COMPONENT MAINT MANUAL REF: 27-51-29	002004 006102 904949	1
20	251N4218-2		. GEARBOX ASSY-TEE COMPONENT MAINT MANUAL REF: 27-51-29	002004 006102 904949	1
20	251N4218-3		. GEARBOX ASSY-TEE COMPONENT MAINT MANUAL REF: 27-51-29 OPTIONAL PART: 251N4218-4	002004 006102 904949	1
20	251N4218-4		. GEARBOX ASSY-TEE COMPONENT MAINT MANUAL REF: 27-51-29 OPTIONAL PART: 251N4218-3	002004 006102 904949	1
20	251N4218-5		. GEARBOX ASSY-TEE COMPONENT MAINT MANUAL REF: 27-51-29	002004 006102 904949	1
20	251N4218-6		. GEARBOX ASSY-TEE COMPONENT MAINT MANUAL REF: 27-51-29 OPTIONAL PART: 251N4218-9	002004 006102 904949	1
20	251N4218-9		. GEARBOX ASSY-TEE COMPONENT MAINT MANUAL REF: 27-51-29 OPTIONAL PART: 251N4218-6	002004 006102 904949	1

MISSING ITEM NUMBERS NOT APPLICABLE

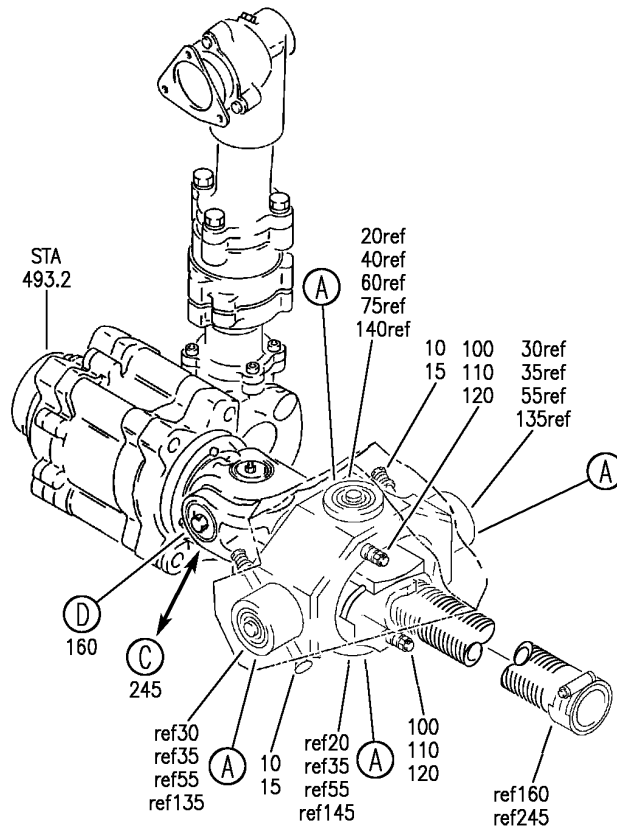
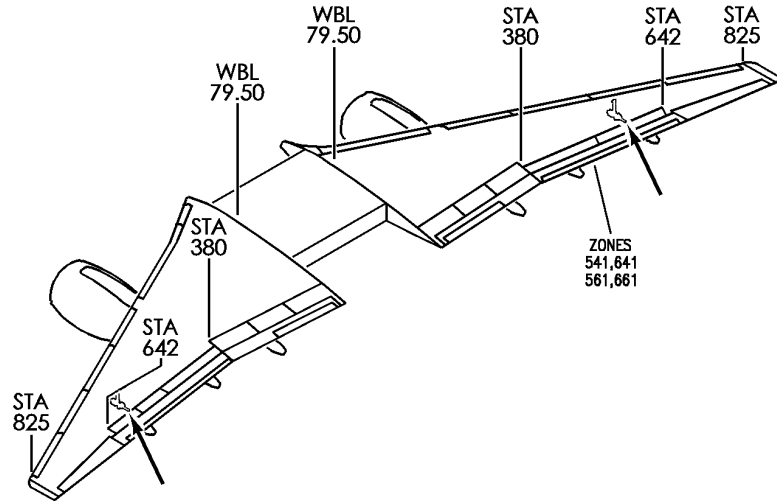
- ITEM NOT ILLUSTRATED

**27-51-18-02**

27-51-18  
FIG. 02  
PAGE 5  
JAN 20/09

BRI

**BOEING**  
757  
PARTS CATALOG (MAINTENANCE)



Y 27512101 SH1 1 REV 289

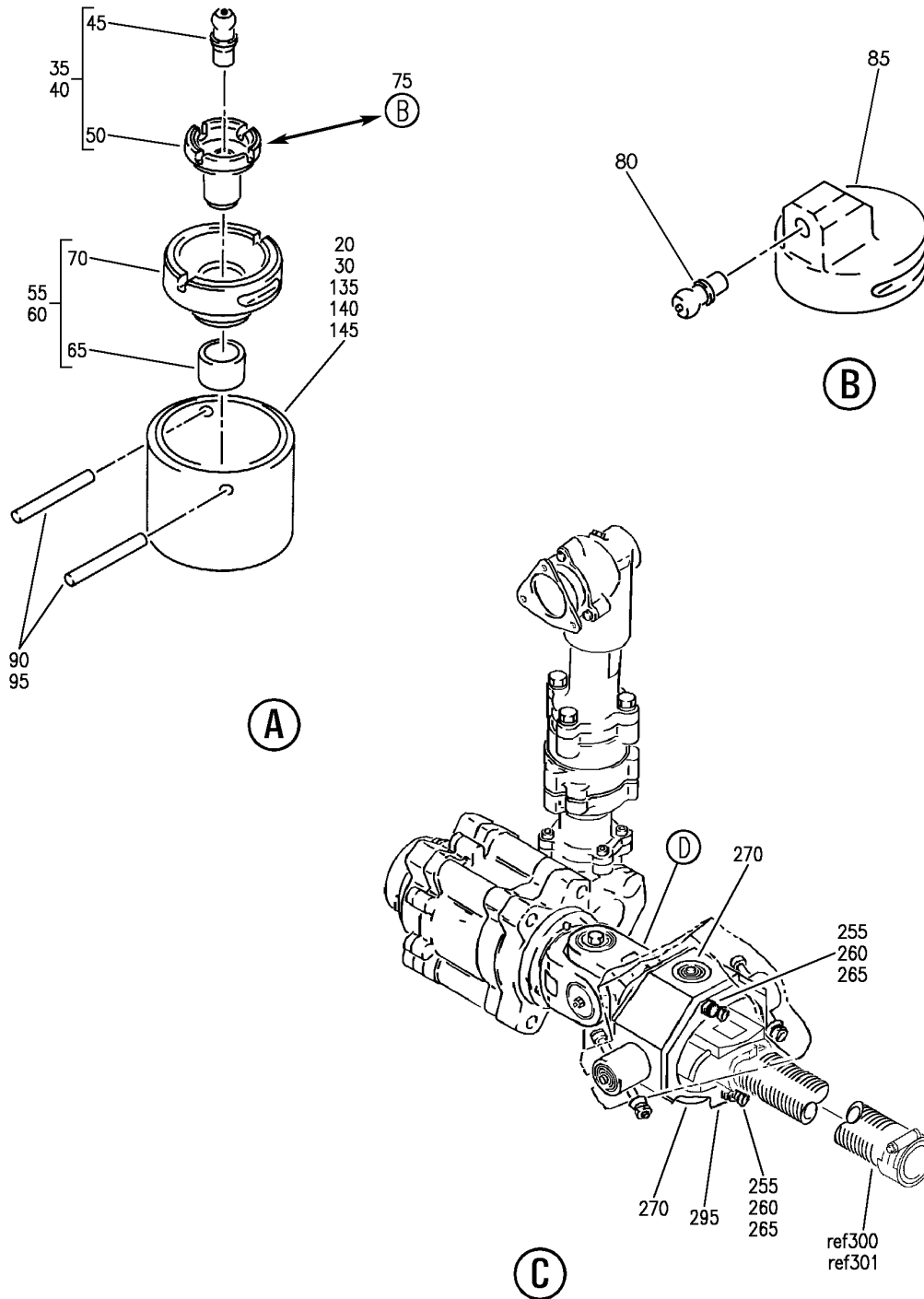
TRANSMISSION INSTL-OUTBD TE FLAP DRIVE (OUTBOARD BALLSCREWS ONLY)  
FIGURE 1 (SHEET 1)

**27-51-21-01**

BRI  
MAY 28/07

27-51-21-01  
PAGE 0

**BOEING**  
757  
PARTS CATALOG (MAINTENANCE)



Y 27512101 SH1 2 REV 289

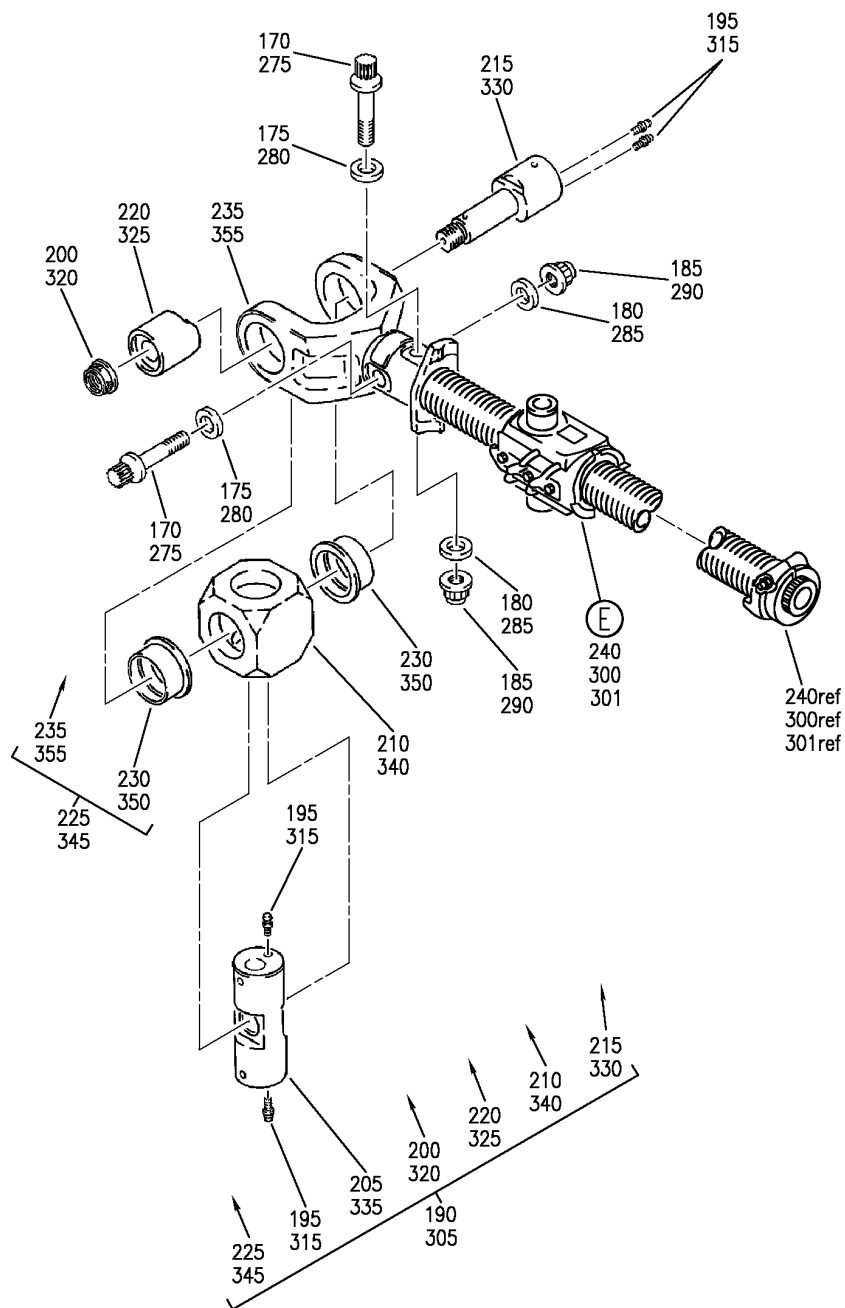
TRANSMISSION INSTL-OUTBD TE FLAP DRIVE (OUTBOARD BALLSCREWS ONLY)  
FIGURE 1 (SHEET 2)

**27-51-21-01**

BRI  
MAY 28/07

27-51-21-01  
PAGE 0A

**BOEING**  
757  
**PARTS CATALOG (MAINTENANCE)**



(D)

Y 27512101 SH-T 3 REV 289

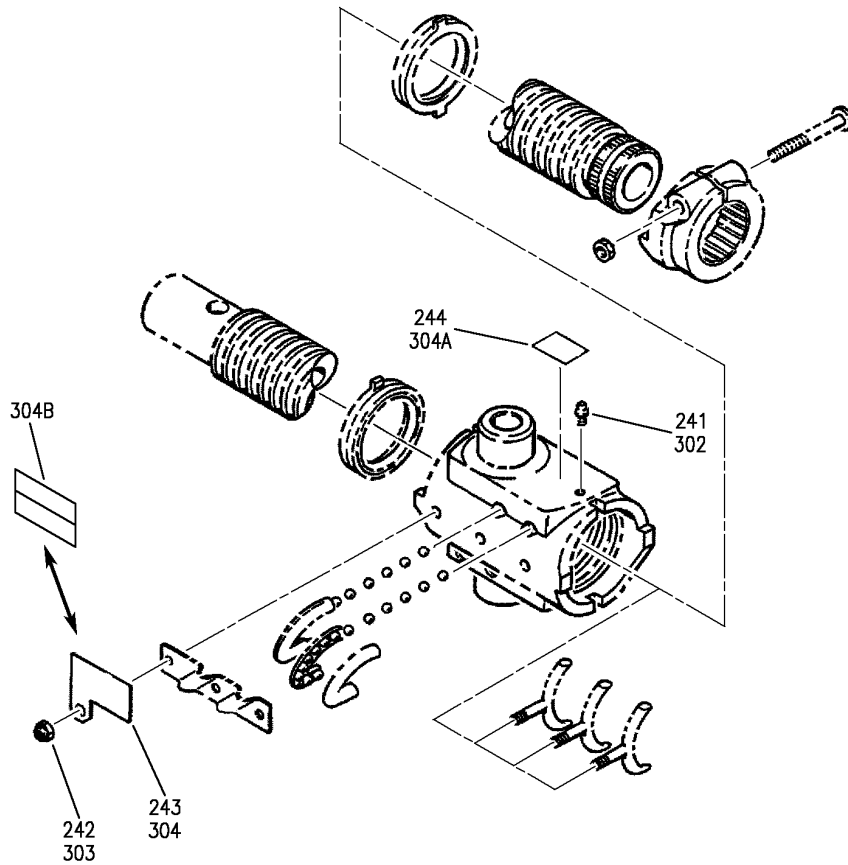
TRANSMISSION INSTL-OUTBD TE FLAP DRIVE (OUTBOARD BALLSCREWS ONLY)  
FIGURE 1 (SHEET 3)

**27-51-21-01**

BRI  
MAY 28/07

27-51-21-01  
PAGE 0B

**BOEING**  
757  
PARTS CATALOG (MAINTENANCE)



(E)

Y 27512101 SH1 4 REV 304

TRANSMISSION INSTL-OUTBD TE FLAP DRIVE (OUTBOARD BALLSCREWS ONLY)  
FIGURE 1 (SHEET 4)

**27-51-21-01**

BRI  
MAY 28/07

27-51-21-01  
PAGE 0C



757

PARTS CATALOG (MAINTENANCE)

FIG ITEM	PART NUMBER	1 2 3 4 5 6 7	NOMENCLATURE	EFFECT FROM TO	UNITS PER ASSY
1			TRANSMISSION INSTL-OUTBD TE FLAP DRIVE (OUTBOARD BALLSCREWS ONLY)	002004 006999	
- 1	251N4008-1		TRANSMISSION INSTL-TE FLAP DRIVE (OUTBD FLAP BALLSCREWS ONLY) POSITION DATA: OUTBD LH FOR NHA/OTHER SYS DET SEE: 27-51-25-03	002004 006100 107107 121503 904999	RF
- 1	251N4008-31		TRANSMISSION INSTL-TE FLAP DRIVE (OUTBD FLAP BALLSCREWS ONLY) POSITION DATA: OUTBD LH FOR NHA/OTHER SYS DET SEE: 27-50-00-02	101102	RF
- 1	251N4008-35		TRANSMISSION INSTL-TE FLAP DRIVE (OUTBD FLAP BALLSCREWS ONLY) POSITION DATA: OUTBD LH FOR NHA/OTHER SYS DET SEE: 27-50-00-02	108120 504903	RF
- 1	MODREF7566		TRANSMISSION INSTL-TE FLAP DRIVE (OUTBD FLAP BALLSCREWS ONLY) MODULE NUMBER: 251N4008-41 REV A POSITION DATA: OUTBD LH FOR OTHER SYS DETAILS SEE: 11-24-55-02 27-51-17-01 27-51-18-01	103103	1
- 1	MODREF27512		TRANSMISSION INSTL-TE FLAP DRIVE (OUTBD FLAP BALLSCREWS ONLY) MODULE NUMBER: 251N4008-41 REV B POSITION DATA: OUTBD LH FOR OTHER SYS DETAILS SEE: 11-24-55-02 27-51-17-01 27-51-18-01	104106	1

MISSING ITEM NUMBERS NOT APPLICABLE

- ITEM NOT ILLUSTRATED

BRI

27-51-21-01

27-51-21  
FIG. 01  
PAGE 1  
JAN 20/09



757

PARTS CATALOG (MAINTENANCE)

FIG ITEM	PART NUMBER	1 2 3 4 5 6 7	NOMENCLATURE	EFFECT FROM TO	UNITS PER ASSY
1					
- 5	251N4008-2		TRANSMISSION INSTL-TE FLAP DRIVE (OUTBD FLAP BALLSCREWS ONLY) POSITION DATA: OUTBD RH FOR NHA/OTHER SYS DET SEE: 27-51-25-03	002004 006100 107107 121503 904999	RF
- 5	251N4008-32		TRANSMISSION INSTL-TE FLAP DRIVE (OUTBD FLAP BALLSCREWS ONLY) POSITION DATA: OUTBD RH FOR NHA/OTHER SYS DET SEE: 27-50-00-02	101102	RF
- 5	251N4008-36		TRANSMISSION INSTL-TE FLAP DRIVE (OUTBD FLAP BALLSCREWS ONLY) POSITION DATA: OUTBD RH FOR NHA/OTHER SYS DET SEE: 27-50-00-02	108120 504903	RF
- 5	MODREF7567		TRANSMISSION INSTL-TE FLAP DRIVE (OUTBD FLAP BALLSCREWS ONLY) MODULE NUMBER: 251N4008-42 REV A POSITION DATA: OUTBD RH FOR OTHER SYS DETAILS SEE: 11-24-55-02 27-51-17-01 27-51-18-01	103103	1
- 5	MODREF27513		TRANSMISSION INSTL-TE FLAP DRIVE (OUTBD FLAP BALLSCREWS ONLY) MODULE NUMBER: 251N4008-42 REV B POSITION DATA: OUTBD RH FOR OTHER SYS DETAILS SEE: 11-24-55-02 27-51-17-01 27-51-18-01	104106	1

MISSING ITEM NUMBERS NOT APPLICABLE

- ITEM NOT ILLUSTRATED

BRI

27-51-21-01

27-51-21  
FIG. 01  
PAGE 2  
JAN 20/09



757

PARTS CATALOG (MAINTENANCE)

FIG ITEM	PART NUMBER	1 2 3 4 5 6 7 NOMENCLATURE	EFFECT FROM TO	UNITS PER ASSY
1 10	HL11VAZ12-41	.BOLT- SUPPLIER CODE: V60516 SPECIFICATION NUMBER: BACB30NW12K41 OPTIONAL PART: B30NW12K41 V97928 HL11VAZ12-41 V73197 HL11VAZ12-41 V92215 HL11VAZ12-41 V97928 L803-12K41 V06725 HL11VAZ12-41 VOPTK6 HL11VAZ12-41 V56878 MISCELLANEOUS DATA: BACB30NW12K43 TOGETHER WITH BACC30M12 OR BACB30VU12K41 TOGETHER WITH BACC30BL12 CAN REPLACE OR BE REPLACED BY BACB30NW12K41 TOGETHER WITH BACC30M12. BACB30NW12K43 BACB30VU12K41	002004 006999	2

MISSING ITEM NUMBERS NOT APPLICABLE

- ITEM NOT ILLUSTRATED

BRI

27-51-21-01

BOEING PROPRIETARY - Copyright © - Unpublished Work - See title page for details.

27-51-21  
FIG. 01  
PAGE 3  
JAN 20/09





757

PARTS CATALOG (MAINTENANCE)

FIG ITEM	PART NUMBER	1 2 3 4 5 6 7	NOMENCLATURE	EFFECT FROM TO	UNITS PER ASSY
1 10	HL11VAZ12-43		.BOLT- SUPPLIER CODE: V60516 SPECIFICATION NUMBER: BACB30NW12K43 OPTIONAL PART: B30NW12K43 V97928 HL11VAZ12-43 V73197 HL11VAZ12-43 V92215 HL11VAZ12-43 V97928 L803-12K43 V06725 HL11VAZ12-43 VOPTK6 HL11VAZ12-43 V56878 MISCELLANEOUS DATA: BACB30NW12K43 TOGETHER WITH BACC30M12 OR BACB30VU12K41 TOGETHER WITH BACC30BL12 CAN REPLACE OR BE REPLACED BY BACB30NW12K41 TOGETHER WITH BACC30M12. BACB30NW12K41 BACB30VU12K41	002004 006999	2
10	BACB30VU12K41		.BOLT- MISCELLANEOUS DATA: BACB30NW12K43 TOGETHER WITH BACC30M12 OR BACB30VU12K41 TOGETHER WITH BACC30BL12 CAN REPLACE OR BE REPLACED BY BACB30NW12K41 TOGETHER WITH BACC30M12. OPTIONAL PART: BACB30NW12K41 BACB30NW12K43	002004 006999	2

MISSING ITEM NUMBERS NOT APPLICABLE

- ITEM NOT ILLUSTRATED

BRI

27-51-21-01

27-51-21  
FIG. 01  
PAGE 4  
JAN 20/09



757

PARTS CATALOG (MAINTENANCE)

FIG ITEM	PART NUMBER	1 2 3 4 5 6 7	NOMENCLATURE	EFFECT FROM TO	UNITS PER ASSY
1	15 HL79-12		.COLLAR- SUPPLIER CODE: V5M902 SPECIFICATION NUMBER: BACC30M12 OPTIONAL PART: HL79-12 V73197 HL79-12 V92215 66014-12 V56878 HL79-12 V56878 MISCELLANEOUS DATA: BACB30NW12K43 TOGETHER WITH BACC30M12 OR BACB30VU12K41 TOGETHER WITH BACC30BL12 CAN REPLACE OR BE REPLACED BY BACB30NW12K41 TOGETHER WITH BACC30M12.	002004 006999	2
	15 HST79CY12		.COLLAR- SUPPLIER CODE: V73197 SPECIFICATION NUMBER: BACC30BL12 OPTIONAL PART: HST79CY12 V56878 HST79CY12 V5M902 HST79-12 V92215 MISCELLANEOUS DATA: BACB30NW12K43 TOGETHER WITH BACC30M12 OR BACB30VU12K41 TOGETHER WITH BACC30BL12 CAN REPLACE OR BE REPLACED BY BACB30NW12K41 TOGETHER WITH BACC30M12.	002004 006999	2

MISSING ITEM NUMBERS NOT APPLICABLE

- ITEM NOT ILLUSTRATED

BRI

27-51-21-01

BOEING PROPRIETARY - Copyright © - Unpublished Work - See title page for details.

27-51-21  
FIG. 01  
PAGE 5  
JAN 20/09



757

PARTS CATALOG (MAINTENANCE)

FIG ITEM	PART NUMBER	1 2 3 4 5 6 7	NOMENCLATURE	EFFECT FROM TO	UNITS PER ASSY
1 20	HJ18DU106		.BUSHING- SUPPLIER CODE: V02758 SPECIFICATION NUMBER: 10-61899-26 QUALIFIED I/W DATA: 251N4278-2 BUSHING TOGETHER WITH 251N4279-1 CAP AY AND 251N4280-1 PLUG AY AND 2 EA NAS607-2-6 PIN IS I/W 10-61899-26 251N4278-1 BUSHING TOGETHER WITH 251N4279-1 CAP AY AND 251N4280-1 PLUG AY AND 2 EA NAS607-2-6 PIN IS I/W 10-61899-26 251N4278-2 BUSHING TOGETHER WITH 251N4322-1 CAP AY AND 251N4280-1 PLUG AY AND 2 EA NAS607-2-6 PIN IS I/W 10-61899-26 QUALIFIED OPTIONAL DATA: 251N4008-15 IS OPTIONAL TO 251N4101-89 PLUS TWO 10-61899-26, 251N4077-4, TWO BACB30NY6K39, TWO BACC30X6, AND TWO NAS620C10 OPTIONAL PART: AJ18C106DU VS0352 ADU18-8 V15860	107107 904949	2
20	AJ18C106DU		.BUSHING- SUPPLIER CODE: VS0352 SPECIFICATION NUMBER: 10-61899-26 OPTIONAL PART: ADU18-8 V15860 HJ18DU106 V02758	107107 904949	2

MISSING ITEM NUMBERS NOT APPLICABLE

- ITEM NOT ILLUSTRATED

BRI

27-51-21-01

27-51-21  
FIG. 01  
PAGE 6  
JAN 20/09



757

PARTS CATALOG (MAINTENANCE)

FIG ITEM	PART NUMBER	1 2 3 4 5 6 7	NOMENCLATURE	EFFECT FROM TO	UNITS PER ASSY
1	20 ADU18-8		.BUSHING- SUPPLIER CODE: V15860 SPECIFICATION NUMBER: 10-61899-26 OPTIONAL PART: AJ18C106DU VS0352 HJ18DU106 V02758	107107 904949	2
	30 HJ18DU105		.BUSHING- SUPPLIER CODE: V02758 SPECIFICATION NUMBER: 10-61899-25 QUALIFIED I/W DATA: 251N4277-1 BUSHING TOGETHER WITH 251N4279-1 CAP AY AND 251N4280-1 PLUG AY AND 2 EA NAS607-2-6 PIN IS I/W 10-61899-25 251N4277-1 BUSHING TOGETHER WITH 251N4279-3 CAP AY AND 251N4280-3 PLUG AY AND 2 EA NAS602-2-6 PIN IS I/W 10-61899-25 OPTIONAL PART: AJ18C105DU VS0352 ADU18-7 V15860 OPTIONAL PART: AJ18C105DU VS0352 ADU18-7 V15860	002004 006999	2
	30 AJ18C105DU		.BUSHING- SUPPLIER CODE: VS0352 SPECIFICATION NUMBER: 10-61899-25 OPTIONAL PART: HJ18DU105 V02758 ADU18-7 V15860	101106 108120 504903	2

MISSING ITEM NUMBERS NOT APPLICABLE

- ITEM NOT ILLUSTRATED

BRI

27-51-21-01

27-51-21  
FIG. 01  
PAGE 7  
JAN 20/09



757

PARTS CATALOG (MAINTENANCE)

FIG ITEM	PART NUMBER	1 2 3 4 5 6 7	NOMENCLATURE	EFFECT FROM TO	UNITS PER ASSY
1	30 ADU18-7		.BUSHING- SUPPLIER CODE: V15860 SPECIFICATION NUMBER: 10-61899-25 OPTIONAL PART: HJ18DU105 V02758 AJ18C105DU VS0352	101106 108120 504903	2
	100 HL13VAZ6-39		.BOLT- SUPPLIER CODE: V56878 SPECIFICATION NUMBER: BACB30NY6K39 OPTIONAL PART: HL13VAZ6-39 V73197 HL13VAZ6-39 V92215 HL13VAZ6-39 V97928 L801-6K39 V06725 HL13VAZ6-39 V60516 L801-6K39 VOPTK6 HL13VAZ6-39 V17446 POSITION DATA: LH SIDE QUALIFIED OPTIONAL DATA: 251N4008-15 IS OPTIONAL TO 251N4101-89 PLUS TWO 10-61899-26, 251N4077-4, TWO BACB30NY6K39, TWO BACC30X6 AND TWO NAS620C10	107107 904949	2

MISSING ITEM NUMBERS NOT APPLICABLE

- ITEM NOT ILLUSTRATED

BRI

27-51-21-01

27-51-21  
FIG. 01  
PAGE 8  
JAN 20/09



757

PARTS CATALOG (MAINTENANCE)

FIG ITEM	PART NUMBER	1 2 3 4 5 6 7	NOMENCLATURE	EFFECT FROM TO	UNITS PER ASSY
1 - 105	HL13VAZ6-39		.BOLT- SUPPLIER CODE: V56878 SPECIFICATION NUMBER: BACB30NY6K39 OPTIONAL PART: HL13VAZ6-39 V73197 HL13VAZ6-39 V92215 HL13VAZ6-39 V97928 L801-6K39 V06725 HL13VAZ6-39 V60516 L801-6K39 VOPTK6 HL13VAZ6-39 V17446 POSITION DATA: RH SIDE QUALIFIED OPTIONAL DATA: 251N4008-16 IS OPTIONAL TO 251N4101-96 PLUS TWO 10-61899-26, 251N4077-4, TWO BACB30NY6K39, TWO BACC30X6 AND TWO NAS620C10	107107 904949	2
110	NAS620C10		.WASHER- POSITION DATA: LH SIDE QUALIFIED OPTIONAL DATA: 251N4008-15 IS OPTIONAL TO 251N4101-89 PLUS TWO 10-61899-26, 251N4077-4, TWO BACB30NY6K39, TWO BACC30X6 AND TWO NAS620C10	107107 904949	2
- 115	NAS620C10		.WASHER- POSITION DATA: RH SIDE QUALIFIED OPTIONAL DATA: 251N4008-16 IS OPTIONAL TO 251N4101-96 PLUS TWO 10-61899-26, 251N4077-4, TWO BACB30NY6K39, TWO BACC30X6 AND TWO NAS620C10	107107 904949	2

MISSING ITEM NUMBERS NOT APPLICABLE

- ITEM NOT ILLUSTRATED

BRI

27-51-21-01

BOEING PROPRIETARY - Copyright © - Unpublished Work - See title page for details.

27-51-21  
FIG. 01  
PAGE 9  
JAN 20/09



757

PARTS CATALOG (MAINTENANCE)

FIG ITEM	PART NUMBER	1 2 3 4 5 6 7 NOMENCLATURE	EFFECT FROM TO	UNITS PER ASSY
1 120	HL1187-6	. COLLAR- SUPPLIER CODE: V5M902 SPECIFICATION NUMBER: BACC30X6 OPTIONAL PART: HL87-6 V92215 HL87-6 V73197 HL1187-6 V56878 HL1187-6 V92215 HL87-6 V56878 HL1187-6 V73197 POSITION DATA: LH SIDE QUALIFIED OPTIONAL DATA: 251N4008-15 IS OPTIONAL TO 251N4101-89 PLUS TWO 10-61899-26, 251N4077-4, TWO BACB30NY6K39, TWO BACC30X6 AND TWO NAS620C10	107107 904949	2

MISSING ITEM NUMBERS NOT APPLICABLE

- ITEM NOT ILLUSTRATED

BRI

**27-51-21-01**

BOEING PROPRIETARY - Copyright © - Unpublished Work - See title page for details.

27-51-21  
FIG. 01  
PAGE 10  
JAN 20/09



757

PARTS CATALOG (MAINTENANCE)

FIG ITEM	PART NUMBER	1 2 3 4 5 6 7	NOMENCLATURE	EFFECT FROM TO	UNITS PER ASSY
1 - 125	HL1187-6		.COLLAR- SUPPLIER CODE: V5M902 SPECIFICATION NUMBER: BACC30X6 OPTIONAL PART: HL87-6 V92215 HL87-6 V73197 HL1187-6 V56878 HL1187-6 V92215 HL87-6 V56878 HL1187-6 V73197 POSITION DATA: RH SIDE QUALIFIED OPTIONAL DATA: 251N4008-16 IS OPTIONAL TO 251N4101-96 PLUS TWO 10-61899-26, 251N4077-4, TWO BACB30NY6K39, TWO BACC30X6 AND TWO NAS620C10	107107 904949	2
150	251N4077-1		.GIMBAL- POSITION DATA: LH SIDE OPTIONAL PART: 251N4077-4	107107 904949	1
150	251N4077-2		.GIMBAL- POSITION DATA: LH SIDE OPTIONAL PART: 251N4077-4	107107 904949	1
150	251N4077-4		.GIMBAL- POSITION DATA: LH SIDE QUALIFIED OPTIONAL DATA: 251N4008-15 IS OPTIONAL TO 251N4077-4 PLUS 251N4101-89, TWO 10-61899-26, TWO BACB30NY6K39, TWO BACC30X6, AND TWO NAS620C10	107107 904949	1

MISSING ITEM NUMBERS NOT APPLICABLE

- ITEM NOT ILLUSTRATED

27-51-21-01

27-51-21  
FIG. 01  
PAGE 11  
JAN 20/09

BRI





757

PARTS CATALOG (MAINTENANCE)

FIG ITEM	PART NUMBER	1 2 3 4 5 6 7	NOMENCLATURE	EFFECT FROM TO	UNITS PER ASSY
1					
- 155	251N4077-1		.GIMBAL- POSITION DATA: RH SIDE OPTIONAL PART: 251N4077-4	107107 904949	1
- 155	251N4077-2		.GIMBAL- POSITION DATA: RH SIDE OPTIONAL PART: 251N4077-4	107107 904949	1
- 155	251N4077-4		.GIMBAL- POSITION DATA: LH SIDE QUALIFIED OPTIONAL DATA: 251N4008-16 IS OPTIONAL TO 251N4077-4 PLUS 251N4101-94, TWO 10-61899-26, TWO BACB30NY6K39, TWO BACC30X6, AND TWO NAS620C10	107107 904949	1
160	251N4101-41		.TRANSMISSION ASSY- POSITION DATA: LH SIDE COMPONENT MAINT MANUAL REF: 27-51-12 QUALIFIED I/W DATA: 251N4008-15 CAN REPLACE OR BE REPLACED BY 251N4101-41/-49/-57/-65/ -73/-81/-89 TOGETHER WITH (TWO EA) 10-61899-26/HJ18DU106, (ONE EA) 251N4077-4, (TWO EA) BACB30NY6K39, (TWO EA) BACC30X6, AND (TWO EA) NAS620C10 251N4008-17 CAN REPLACE OR BE REPLACED BY 251N4101-41/-49/-57/-65/ -73/-81/-89 TOGETHER WITH (TWO EA) 10-61899-26/HJ18DU106, (ONE EA) 251N4077-4, (TWO EA) BACB30NY6K39, (TWO EA) BACC30X6, AND (TWO EA) NAS620C10 251N4008-25 CAN REPLACE BUT CANNOT BE REPLACED	107107 904949	RF

MISSING ITEM NUMBERS NOT APPLICABLE

- ITEM NOT ILLUSTRATED

27-51-21-01

27-51-21  
FIG. 01  
PAGE 12  
JAN 20/09

BRI



757

PARTS CATALOG (MAINTENANCE)

FIG ITEM	PART NUMBER	1 2 3 4 5 6 7 NOMENCLATURE	EFFECT FROM TO	UNITS PER ASSY
1		<p>BY 251N4101-41/-49/-57/ -65/-73/-81/-89 TOGETHER WITH (TWO EA) 10-61899-26/HJ18DU106, (ONE EA) 251N4077-4, (TWO EA) BACB30NY6K39, (TWO EA) BACC30X6, AND (TWO EA) NAS620C10 251N4008-37 CAN REPLACE BUT CANNOT BE REPLACED BY 251N4101-41/-49/-57/ -65/-73/-81/-89 TOGETHER WITH (TWO EA) 10-61899-26/HJ18DU106, (ONE EA) 251N4077-4, (TWO EA) BACB30NY6K39, (TWO EA) BACC30X6, AND (TWO EA) NAS620C10 251N4008-43 CAN REPLACE BUT CANNOT BE REPLACED BY 251N4101-41/-49/-57/ -65/-73/-81/-89 TOGETHER WITH (TWO EA) 10-61899-26/HJ18DU106, (ONE EA) 251N4077-4, (TWO EA) BACB30NY6K39, (TWO EA) BACC30X6, AND (TWO EA) NAS620C10 251N4008-47 CAN REPLACE BUT CANNOT BE REPLACED BY 251N4101-41/-49/-57/ -65/-73/-81/-89 TOGETHER WITH (TWO EA) 10-61899-26/HJ18DU106, (ONE EA) 251N4077-4, (TWO EA) BACB30NY6K39, (TWO EA) BACC30X6, AND (TWO EA) NAS620C10 REWORKED BY ALERT SB: 27A0127R2 .TRANSMISSION ASSY- POSITION DATA: LH SIDE COMPONENT MAINT MANUAL REF: 27-51-12 QUALIFIED I/W DATA: 251N4008-15 CAN REPLACE OR BE REPLACED BY 251N4101-41/-49/-57/-65/</p>		
160	251N4101-49	<p>REWORKED BY ALERT SB: 27A0127R2 .TRANSMISSION ASSY- POSITION DATA: LH SIDE COMPONENT MAINT MANUAL REF: 27-51-12 QUALIFIED I/W DATA: 251N4008-15 CAN REPLACE OR BE REPLACED BY 251N4101-41/-49/-57/-65/</p>	107107 904949	RF

MISSING ITEM NUMBERS NOT APPLICABLE

- ITEM NOT ILLUSTRATED

BRI

27-51-21-01

BOEING PROPRIETARY - Copyright © - Unpublished Work - See title page for details.

27-51-21  
FIG. 01  
PAGE 13  
JAN 20/09



757

PARTS CATALOG (MAINTENANCE)

FIG ITEM	PART NUMBER	1 2 3 4 5 6 7 NOMENCLATURE	EFFECT FROM TO	UNITS PER ASSY
1		<p>-73/-81/-89 TOGETHER WITH (TWO EA)  10-61899-26/HJ18DU06,  (ONE EA) 251N4077-4,  (TWO EA) BACB30NY6K39,  (TWO EA) BACC30X6, AND  (TWO EA) NAS620C10  251N4008-17 CAN REPLACE OR BE REPLACED BY  251N4101-41/-49/-57/-65/  -73/-81/-89 TOGETHER WITH (TWO EA)  10-61899-26/HJ18DU106,  (ONE EA) 251N4077-4,  (TWO EA) BACB30NY6K39,  (TWO EA) BACC30X6, AND  (TWO EA) NAS620C10  251N4008-25 CAN REPLACE BUT CANNOT BE REPLACED BY 251N4101-41/-49/-57/  -65/-73/-81/-89 TOGETHER WITH (TWO EA)  10-61899-26/HJ18DU106,  (ONE EA) 251N4077-4,  (TWO EA) BACB30NY6K39,  (TWO EA) BACC30X6, AND  (TWO EA) NAS620C10  251N4008-37 CAN REPLACE BUT CANNOT BE REPLACED BY 251N4101-41/-49/-57/  -65/-73/-81/-89 TOGETHER WITH (TWO EA)  10-61899-26/HJ18DU106,  (ONE EA) 251N4077-4,  (TWO EA) BACB30NY6K39,  (TWO EA) BACC30X6, AND  (TWO EA) NAS620C10  251N4008-43 CAN REPLACE BUT CANNOT BE REPLACED BY 251N4101-41/-49/-57/  -65/-73/-81/-89 TOGETHER WITH (TWO EA)  10-61899-26/HJ18DU106,  (ONE EA) 251N4077-4,  (TWO EA) BACB30NY6K39,  (TWO EA) BACC30X6, AND  (TWO EA) NAS620C10  251N4008-47 CAN REPLACE BUT CANNOT BE REPLACED</p>		

MISSING ITEM NUMBERS NOT APPLICABLE

- ITEM NOT ILLUSTRATED

27-51-21-01

27-51-21  
FIG. 01  
PAGE 14  
JAN 20/09

BRI



757

PARTS CATALOG (MAINTENANCE)

FIG ITEM	PART NUMBER	1 2 3 4 5 6 7	NOMENCLATURE	EFFECT FROM TO	UNITS PER ASSY
1			BY 251N4101-41/-49/-57/ -65/-73/-81/-89 TOGETHER WITH (TWO EA) 10-61899-26/HJ18DU106, (ONE EA) 251N4077-4, (TWO EA) BACB30NY6K39, (TWO EA) BACC30X6, AND (TWO EA) NAS620C10 REWORKED BY ALERT SB: 27A0127R2 .TRANSMISSION ASSY- POSITION DATA: LH SIDE COMPONENT MAINT MANUAL REF: 27-51-12 QUALIFIED I/W DATA: 251N4008-15 CAN REPLACE OR BE REPLACED BY 251N4101-41/-49/-57/-65/ -73/-81/-89 TOGETHER WITH (TWO EA) 10-61899-26/HJ18DU06, (ONE EA) 251N4077-4, (TWO EA) BACB30NY6K39, (TWO EA) BACC30X6, AND (TWO EA) NAS620C10 251N4008-17 CAN REPLACE OR BE REPLACED BY 251N4101-41/-49/-57/-65/ -73/-81/-89 TOGETHER WITH (TWO EA) 10-61899-26/HJ18DU106, (ONE EA) 251N4077-4, (TWO EA) BACB30NY6K39, (TWO EA) BACC30X6, AND (TWO EA) NAS620C10 251N4008-25 CAN REPLACE BUT CANNOT BE REPLACED BY 251N4101-41/-49/-57/ -65/-73/-81/-89 TOGETHER WITH (TWO EA) 10-61899-26/HJ18DU106, (ONE EA) 251N4077-4, (TWO EA) BACB30NY6K39, (TWO EA) BACC30X6, AND (TWO EA) NAS620C10 251N4008-37 CAN REPLACE BUT CANNOT BE REPLACED BY 251N4101-41/-49/-57/		
160	251N4101-57			107107 904949	RF

MISSING ITEM NUMBERS NOT APPLICABLE

- ITEM NOT ILLUSTRATED

27-51-21-01

27-51-21  
FIG. 01  
PAGE 15  
JAN 20/09

BRI

 **BOEING**  
757  
**PARTS CATALOG (MAINTENANCE)**

FIG ITEM	PART NUMBER	1 2 3 4 5 6 7 NOMENCLATURE	EFFECT FROM TO	UNITS PER ASSY
1		<p>-65/-73/-81/-89 TOGETHER WITH (TWO EA) 10-61899-26/HJ18DU106, (ONE EA) 251N4077-4, (TWO EA) BACB30NY6K39, (TWO EA) BACC30X6, AND (TWO EA) NAS620C10 251N4008-43 CAN REPLACE BUT CANNOT BE REPLACED BY 251N4101-41/-49/-57/-65/-73/-81/-89 TOGETHER WITH (TWO EA) 10-61899-26/HJ18DU106, (ONE EA) 251N4077-4, (TWO EA) BACB30NY6K39, (TWO EA) BACC30X6, AND (TWO EA) NAS620C10 251N4008-47 CAN REPLACE BUT CANNOT BE REPLACED BY 251N4101-41/-49/-57/-65/-73/-81/-89 TOGETHER WITH (TWO EA) 10-61899-26/HJ18DU106, (ONE EA) 251N4077-4, (TWO EA) BACB30NY6K39, (TWO EA) BACC30X6, AND (TWO EA) NAS620C10 REWORKED BY ALERT SB: 27A0127R2</p>		
160	251N4101-65	<p>. TRANSMISSION ASSY- POSITION DATA: LH SIDE COMPONENT MAINT MANUAL REF: 27-51-12 QUALIFIED I/W DATA: 251N4008-15 CAN REPLACE OR BE REPLACED BY 251N4101-41/-49/-57/-65/-73/-81/-89 TOGETHER WITH (TWO EA) 10-61899-26/HJ18DU06, (ONE EA) 251N4077-4, (TWO EA) BACB30NY6K39, (TWO EA) BACC30X6, AND (TWO EA) NAS620C10 251N4008-17 CAN REPLACE OR BE REPLACED BY 251N4101-41/-49/-57/-65/-73/-81/-89 TOGETHER</p>	107107 904949	RF

MISSING ITEM NUMBERS NOT APPLICABLE

— ITEM NOT ILLUSTRATED

BRI

# 27-51-21-01

BOEING PROPRIETARY - Copyright © - Unpublished Work - See title page for details.

27-51-21  
FIG. 01  
PAGE 16  
JAN 20/09



757

PARTS CATALOG (MAINTENANCE)

FIG ITEM	PART NUMBER	1 2 3 4 5 6 7 NOMENCLATURE	EFFECT FROM TO	UNITS PER ASSY
1		<p>WITH (TWO EA)            10-61899-26/HJ18DU106,            (ONE EA) 251N4077-4,            (TWO EA) BACB30NY6K39,            (TWO EA) BACC30X6, AND            (TWO EA) NAS620C10            251N4008-25 CAN REPLACE            BUT CANNOT BE REPLACED            BY 251N4101-41/-49/-57/            -65/-73/-81/-89 TOGETHER            WITH (TWO EA)            10-61899-26/HJ18DU106,            (ONE EA) 251N4077-4,            (TWO EA) BACB30NY6K39,            (TWO EA) BACC30X6, AND            (TWO EA) NAS620C10            251N4008-37 CAN REPLACE            BUT CANNOT BE REPLACED            BY 251N4101-41/-49/-57/            -65/-73/-81/-89 TOGETHER            WITH (TWO EA)            10-61899-26/HJ18DU106,            (ONE EA) 251N4077-4,            (TWO EA) BACB30NY6K39,            (TWO EA) BACC30X6, AND            (TWO EA) NAS620C10            251N4008-43 CAN REPLACE            BUT CANNOT BE REPLACED            BY 251N4101-41/-49/-57/            -65/-73/-81/-89 TOGETHER            WITH (TWO EA)            10-61899-26/HJ18DU106,            (ONE EA) 251N4077-4,            (TWO EA) BACB30NY6K39,            (TWO EA) BACC30X6, AND            (TWO EA) NAS620C10            251N4008-47 CAN REPLACE            BUT CANNOT BE REPLACED            BY 251N4101-41/-49/-57/            -65/-73/-81/-89 TOGETHER            WITH (TWO EA)            10-61899-26/HJ18DU106,            (ONE EA) 251N4077-4,            (TWO EA) BACB30NY6K39,            (TWO EA) BACC30X6, AND            (TWO EA) NAS620C10            REWORKED BY ALERT SB:            27A0127R2</p>		
160	251N4101-73	.TRANSMISSION ASSY-	107107	RF

MISSING ITEM NUMBERS NOT APPLICABLE

- ITEM NOT ILLUSTRATED

27-51-21-01

27-51-21  
 FIG. 01  
 PAGE 17  
 JAN 20/09

BRI



757

PARTS CATALOG (MAINTENANCE)

FIG ITEM	PART NUMBER	1 2 3 4 5 6 7	NOMENCLATURE	EFFECT FROM TO	UNITS PER ASSY
1			<p>POSITION DATA: LH SIDE COMPONENT MAINT MANUAL REF: 27-51-12 QUALIFIED I/W DATA: 251N4008-15 CAN REPLACE OR BE REPLACED BY 251N4101-41/-49/-57/-65/ -73/-81/-89 TOGETHER WITH (TWO EA) 10-61899-26/HJ18DU06, (ONE EA) 251N4077-4, (TWO EA) BACB30NY6K39, (TWO EA) BACC30X6, AND (TWO EA) NAS620C10 251N4008-17 CAN REPLACE OR BE REPLACED BY 251N4101-41/-49/-57/-65/ -73/-81/-89 TOGETHER WITH (TWO EA) 10-61899-26/HJ18DU106, (ONE EA) 251N4077-4, (TWO EA) BACB30NY6K39, (TWO EA) BACC30X6, AND (TWO EA) NAS620C10 251N4008-25 CAN REPLACE BUT CANNOT BE REPLACED BY 251N4101-41/-49/-57/ -65/-73/-81/-89 TOGETHER WITH (TWO EA) 10-61899-26/HJ18DU106, (ONE EA) 251N4077-4, (TWO EA) BACB30NY6K39, (TWO EA) BACC30X6, AND (TWO EA) NAS620C10 251N4008-37 CAN REPLACE BUT CANNOT BE REPLACED BY 251N4101-41/-49/-57/ -65/-73/-81/-89 TOGETHER WITH (TWO EA) 10-61899-26/HJ18DU106, (ONE EA) 251N4077-4, (TWO EA) BACB30NY6K39, (TWO EA) BACC30X6, AND (TWO EA) NAS620C10 251N4008-43 CAN REPLACE BUT CANNOT BE REPLACED BY 251N4101-41/-49/-57/ -65/-73/-81/-89 TOGETHER</p>	904949	

MISSING ITEM NUMBERS NOT APPLICABLE

- ITEM NOT ILLUSTRATED

27-51-21-01

27-51-21  
FIG. 01  
PAGE 18  
JAN 20/09

BRI

 **BOEING**  
757  
**PARTS CATALOG (MAINTENANCE)**

FIG ITEM	PART NUMBER	1 2 3 4 5 6 7 NOMENCLATURE	EFFECT FROM TO	UNITS PER ASSY
1	160 251N4101-81	<p>WITH (TWO EA) 10-61899-26/HJ18DU106, (ONE EA) 251N4077-4, (TWO EA) BACB30NY6K39, (TWO EA) BACC30X6, AND (TWO EA) NAS620C10 251N4008-47 CAN REPLACE BUT CANNOT BE REPLACED BY 251N4101-41/-49/-57/ -65/-73/-81/-89 TOGETHER WITH (TWO EA) 10-61899-26/HJ18DU106, (ONE EA) 251N4077-4, (TWO EA) BACB30NY6K39, (TWO EA) BACC30X6, AND (TWO EA) NAS620C10 REWORKED BY ALERT SB: 27A0127R2 .TRANSMISSION ASSY- POSITION DATA: LH SIDE COMPONENT MAINT MANUAL REF: 27-51-12 QUALIFIED I/W DATA: 251N4008-15 CAN REPLACE OR BE REPLACED BY 251N4101-41/-49/-57/-65/ -73/-81/-89 TOGETHER WITH (TWO EA) 10-61899-26/HJ18DU06, (ONE EA) 251N4077-4, (TWO EA) BACB30NY6K39, (TWO EA) BACC30X6, AND (TWO EA) NAS620C10 251N4008-17 CAN REPLACE OR BE REPLACED BY 251N4101-41/-49/-57/-65/ -73/-81/-89 TOGETHER WITH (TWO EA) 10-61899-26/HJ18DU106, (ONE EA) 251N4077-4, (TWO EA) BACB30NY6K39, (TWO EA) BACC30X6, AND (TWO EA) NAS620C10 251N4008-25 CAN REPLACE BUT CANNOT BE REPLACED BY 251N4101-41/-49/-57/ -65/-73/-81/-89 TOGETHER WITH (TWO EA)</p>	107107 904949	RF

MISSING ITEM NUMBERS NOT APPLICABLE

— ITEM NOT ILLUSTRATED

BRI

# 27-51-21-01

27-51-21  
FIG. 01  
PAGE 19  
JAN 20/09





757

PARTS CATALOG (MAINTENANCE)

FIG ITEM	PART NUMBER	1 2 3 4 5 6 7 NOMENCLATURE	EFFECT FROM TO	UNITS PER ASSY
1		<p>10-61899-26/HJ18DU106,            (ONE EA) 251N4077-4,            (TWO EA) BACB30NY6K39,            (TWO EA) BACC30X6, AND            (TWO EA) NAS620C10            251N4008-37 CAN REPLACE            BUT CANNOT BE REPLACED            BY 251N4101-41/-49/-57/            -65/-73/-81/-89 TOGETHER            WITH (TWO EA)            10-61899-26/HJ18DU106,            (ONE EA) 251N4077-4,            (TWO EA) BACB30NY6K39,            (TWO EA) BACC30X6, AND            (TWO EA) NAS620C10            251N4008-43 CAN REPLACE            BUT CANNOT BE REPLACED            BY 251N4101-41/-49/-57/            -65/-73/-81/-89 TOGETHER            WITH (TWO EA)            10-61899-26/HJ18DU106,            (ONE EA) 251N4077-4,            (TWO EA) BACB30NY6K39,            (TWO EA) BACC30X6, AND            (TWO EA) NAS620C10            251N4008-47 CAN REPLACE            BUT CANNOT BE REPLACED            BY 251N4101-41/-49/-57/            -65/-73/-81/-89 TOGETHER            WITH (TWO EA)            10-61899-26/HJ18DU106,            (ONE EA) 251N4077-4,            (TWO EA) BACB30NY6K39,            (TWO EA) BACC30X6, AND            (TWO EA) NAS620C10            REWORKED BY ALERT SB:            27A0127            .TRANSMISSION ASSY-            POSITION DATA:            LH SIDE            COMPONENT MAINT MANUAL REF:            27-51-12            QUALIFIED I/W DATA:            251N4008-15 CAN REPLACE            OR BE REPLACED BY            251N4101-41/-49/-57/-65/            -73/-81/-89 TOGETHER            WITH (TWO EA)            10-61899-26/HJ18DU06,</p>		
160	251N4101-89	<p>MISSING ITEM NUMBERS NOT APPLICABLE</p>	107107 904949	RF

- ITEM NOT ILLUSTRATED

BRI

27-51-21-01

BOEING PROPRIETARY - Copyright © - Unpublished Work - See title page for details.

27-51-21  
 FIG. 01  
 PAGE 20  
 JAN 20/09



757

PARTS CATALOG (MAINTENANCE)

FIG ITEM	PART NUMBER	1 2 3 4 5 6 7 NOMENCLATURE	EFFECT FROM TO	UNITS PER ASSY
1		<p>(ONE EA) 251N4077-4,  (TWO EA) BACB30NY6K39,  (TWO EA) BACC30X6, AND  (TWO EA) NAS620C10  251N4008-17 CAN REPLACE  OR BE REPLACED BY  251N4101-41/-49/-57/-65/  -73/-81/-89 TOGETHER  WITH (TWO EA)  10-61899-26/HJ18DU106,  (ONE EA) 251N4077-4,  (TWO EA) BACB30NY6K39,  (TWO EA) BACC30X6, AND  (TWO EA) NAS620C10  251N4008-25 CAN REPLACE  BUT CANNOT BE REPLACED  BY 251N4101-41/-49/-57/  -65/-73/-81/-89 TOGETHER  WITH (TWO EA)  10-61899-26/HJ18DU106,  (ONE EA) 251N4077-4,  (TWO EA) BACB30NY6K39,  (TWO EA) BACC30X6, AND  (TWO EA) NAS620C10  251N4008-37 CAN REPLACE  BUT CANNOT BE REPLACED  BY 251N4101-41/-49/-57/  -65/-73/-81/-89 TOGETHER  WITH (TWO EA)  10-61899-26/HJ18DU106,  (ONE EA) 251N4077-4,  (TWO EA) BACB30NY6K39,  (TWO EA) BACC30X6, AND  (TWO EA) NAS620C10  251N4008-43 CAN REPLACE  BUT CANNOT BE REPLACED  BY 251N4101-41/-49/-57/  -65/-73/-81/-89 TOGETHER  WITH (TWO EA)  10-61899-26/HJ18DU106,  (ONE EA) 251N4077-4,  (TWO EA) BACB30NY6K39,  (TWO EA) BACC30X6, AND  (TWO EA) NAS620C10  251N4008-47 CAN REPLACE  BUT CANNOT BE REPLACED  BY 251N4101-41/-49/-57/  -65/-73/-81/-89 TOGETHER  WITH (TWO EA)</p>		

MISSING ITEM NUMBERS NOT APPLICABLE

- ITEM NOT ILLUSTRATED

27-51-21-01

27-51-21  
FIG. 01  
PAGE 21  
JAN 20/09

BRI

**BOEING**  
757  
**PARTS CATALOG (MAINTENANCE)**

FIG ITEM	PART NUMBER	1 2 3 4 5 6 7	NOMENCLATURE	EFFECT FROM TO	UNITS PER ASSY
1			<p>10-61899-26/HJ18DU106, (ONE EA) 251N4077-4, (TWO EA) BACB30NY6K39, (TWO EA) BACC30X6, AND (TWO EA) NAS620C10 QUALIFIED OPTIONAL DATA: 251N4008-15 IS OPTIONAL TO 251N4101-89 PLUS TWO 10-61899-26, 251N4077-4, TWO BACB30NY6K39, TWO BACC30X6, AND TWO NAS620C10 REWORKED BY ALERT SB: 27A0127</p>		
- 165	251N4101-48	.	<p>TRANSMISSION ASSY- POSITION DATA: RH SIDE COMPONENT MAINT MANUAL REF: 27-51-12 QUALIFIED I/W DATA: 251N4008-16 CAN REPLACE OR BE REPLACED BY 251N4101-48/-56/-64/-72/ -80/-88/-96 TOGETHER WITH (TWO EA) 10-61899-26/HJ18DU106, (ONE EA) 251N4077-4, (TWO EA) BACB30NY6K39, (TWO EA) BACC30X6, AND (TWO EA) NAS620C10 251N4008-18 CAN REPLACE OR BE REPLACED BY 251N4101-48/-56/-64/-72/ -80/-88/-96 TOGETHER WITH (TWO EA) 10-61899-26, HJ18DU106, (ONE EA) 251N4077-4, (TWO EA) BACB30NY6K39, (TWO EA) BACC30X6, AND (TWO EA) NAS620C10 251N4008-26 CAN BE REPLACED BUT CANNOT BE REPLACED BY 251N4101-48/-56/-64/ -72/-80/-88/-96 TOGETHER WITH (TWO EA) 10-61899-26/HJ18DU106, (ONE EA) 251N4077-4, (TWO EA) BACB30NY6K39, (TWO EA) BACC30X6, AND</p>	107107 904949	RF

MISSING ITEM NUMBERS NOT APPLICABLE

- ITEM NOT ILLUSTRATED

BRI

**27-51-21-01**

BOEING PROPRIETARY - Copyright © - Unpublished Work - See title page for details.

27-51-21  
FIG. 01  
PAGE 22  
JAN 20/09



757

PARTS CATALOG (MAINTENANCE)

FIG ITEM	PART NUMBER	1 2 3 4 5 6 7 NOMENCLATURE	EFFECT FROM TO	UNITS PER ASSY
1		<p>(TWO EA) NAS620C10            251N4008-38 CAN REPLACE            BUT CANNOT BE REPLACED            BY 251N4101-48/-56/-64/            -72/-80/-88/-96 TOGETHER            WITH (TWO EA)            10-61899-26/HJ18DU106,            (ONE EA) 251N4077-4,            (TWO EA) BACB30NY6K39,            (TWO EA) BACC30X6, AND            (TWO EA) NAS620C10            251N4008-44 CAN REPLACE            BUT CANNOT BE REPLACED            BY 251N4101-48/-56/-64/            -72/-80/-88/-96 TOGETHER            WITH (TWO EA)            10-61899-26/HJ18DU106,            (ONE EA) 251N4077-4,            (TWO EA) BACB30NY6K39,            (TWO EA) BACC30X6, AND            (TWO EA) NAS620C10            251N4008-48 CAN REPLACE            BUT CANNOT BE REPLACED            BY 251N4101-48/-56/            -64/-72/-80/-88/-96            TOGETHER WITH (TWO EA)            10-61899-26/HJ18DU106,            (ONE EA) 251N4077-4 (TWO            EA) BACB30NY6K39, (TWO            EA) BACC30X6, AND (TWO            EA) NAS620C10            REWORKED BY ALERT SB:            27A0127R2</p>		
- 165	251N4101-56	<p>. TRANSMISSION ASSY-            POSITION DATA:            RH SIDE            COMPONENT MAINT MANUAL REF:            27-51-12            QUALIFIED I/W DATA:            251N4008-16 CAN REPLACE            OR BE REPLACED BY            251N4101-48/-56/-64/-72/            -80/-88/-96 TOGETHER            WITH (TWO EA)            10-61899-26/HJ18DU106,            (ONE EA) 251N4077-4,            (TWO EA) BACB30NY6K39,            (TWO EA) BACC30X6, AND            (TWO EA) NAS620C10</p>	107107 904949	RF

MISSING ITEM NUMBERS NOT APPLICABLE

- ITEM NOT ILLUSTRATED

BRI

27-51-21-01

BOEING PROPRIETARY - Copyright © - Unpublished Work - See title page for details.

27-51-21  
 FIG. 01  
 PAGE 23  
 JAN 20/09



757

PARTS CATALOG (MAINTENANCE)

FIG ITEM	PART NUMBER	1 2 3 4 5 6 7 NOMENCLATURE	EFFECT FROM TO	UNITS PER ASSY
1		<p>251N4008-18 CAN REPLACE OR BE REPLACED BY 251N4101-48/-56/-64/-72/ -80/-88/-96 TOGETHER WITH (TWO EA) 10-61899-26,HJ18DU106, (ONE EA) 251N4077-4, (TWO EA) BACB30NY6K39, (TWO EA) BACC30X6, AND (TWO EA) NAS620C10 251N4008-26 CAN REPLACED BUT CANNOT BE REPLACED BY 251N4101-48/-56/-64/ -72/-80/-88/-96 TOGETHER WITH (TWO EA) 10-61899-26/HJ18DU106, (ONE EA) 251N4077-4, (TWO EA) BACB30NY6K39, (TWO EA) BACC30X6, AND (TWO EA) NAS620C10 251N4008-38 CAN REPLACE BUT CANNOT BE REPLACED BY 251N4101-48/-56/-64/ -72/-80/-88/-96 TOGETHER WITH (TWO EA) 10-61899-26/HJ18DU106, (ONE EA) 251N4077-4, (TWO EA) BACB30NY6K39, (TWO EA) BACC30X6, AND (TWO EA) NAS620C10 251N4008-44 CAN REPLACE BUT CANNOT BE REPLACED BY251N4101-48/-56/-64/ -72/-80/-88/-96 TOGETHER WITH (TWO EA) 10-61899-26/HJ18DU106, (ONE EA) 251N4077-4, (TWO EA) BACB30NY6K39, (TWO EA) BACC30X6, AND (TWO EA) NAS620C10 251N4008-48 CAN REPLACE BUT CANNOT BE REPLACED BY 251N4101-48/-56/ -64/-72/-80/-88/-96 TOGETHER WITH (TWO EA) 10-61899-26/HJ18DU106, (ONE EA) 251N4077-4, (TWO EA) BACB30NY6K39, (TWO EA) BACC30X6, AND</p>		

MISSING ITEM NUMBERS NOT APPLICABLE

- ITEM NOT ILLUSTRATED

27-51-21-01

27-51-21  
FIG. 01  
PAGE 24  
JAN 20/09

BRI



757

PARTS CATALOG (MAINTENANCE)

FIG ITEM	PART NUMBER	1 2 3 4 5 6 7 NOMENCLATURE	EFFECT FROM TO	UNITS PER ASSY
1  - 165	251N4101-64	<p>(TWO EA) NAS620C10  REWORKED BY ALERT SB:  27A0127R2  .TRANSMISSION ASSY-  POSITION DATA:  RH SIDE  COMPONENT MAINT MANUAL REF:  27-51-12  QUALIFIED I/W DATA:  251N4008-16 CAN REPLACE  OR BE REPLACED BY  251N4101-48/-56/-64/-72/  -80/-88/-96 TOGETHER  WITH (TWO EA)  10-61899-26/HJ18DU106,  (ONE EA) 251N4077-4,  (TWO EA) BACB30NY6K39,  (TWO EA) BACC30X6, AND  (TWO EA) NAS620C10  251N4008-18 CAN REPLACE  OR BE REPLACED BY  251N4101-48/-56/-64/-72/  -80/-88/-96 TOGETHER  WITH (TWO EA)  10-61899-26,HJ18DU106,  (ONE EA) 251N4077-4,  (TWO EA) BACB30NY6K39,  (TWO EA) BACC30X6, AND  (TWO EA) NAS620C10  251N4008-26 CAN REPLACED  BUT CANNOT BE REPLACED  BY 251N4101-48/-56/-64/  -72/-80/-88/-96 TOGETHER  WITH (TWO EA)  10-61899-26/HJ18DU106,  (ONE EA) 251N4077-4,  (TWO EA) BACB30NY6K39,  (TWO EA) BACC30X6, AND  (TWO EA) NAS620C10  251N4008-38 CAN REPLACE  BUT CANNOT BE REPLACED  BY 251N4101-48/-56/-64/  -72/-80/-88/-96 TOGETHER  WITH (TWO EA)  10-61899-26/HJ18DU106,  (ONE EA) 251N4077-4,  (TWO EA) BACB30NY6K39,  (TWO EA) BACC30X6, AND  (TWO EA) NAS620C10</p>	107107 904949	RF

MISSING ITEM NUMBERS NOT APPLICABLE

- ITEM NOT ILLUSTRATED

**27-51-21-01**

27-51-21  
FIG. 01  
PAGE 25  
JAN 20/09

BRI



757

PARTS CATALOG (MAINTENANCE)

FIG ITEM	PART NUMBER	1 2 3 4 5 6 7 NOMENCLATURE	EFFECT FROM TO	UNITS PER ASSY
1		<p>251N4008-44 CAN REPLACE BUT CANNOT BE REPLACED BY 251N4101-48/-56/-64/ -72/-80/-88/-96 TOGETHER WITH (TWO EA) 10-61899-26/HJ18DU106, (ONE EA) 251N4077-4, (TWO EA) BACB30NY6K39, (TWO EA) BACC30X6, AND (TWO EA) NAS620C10 251N4008-48 CAN REPLACE BUT CANNOT BE REPLACED BY 251N4101-48/-56/ -64/-72/-80/-88/-96 TOGETHER WITH (TWO EA) 10-61899-26/HJ18DU106, (ONE EA) 251N4077-4, (TWO EA) BACB30NY6K39, (TWO EA) BACC30X6, AND (TWO EA) NAS620C10 REWORKED BY ALERT SB: 27A0127R2 .TRANSMISSION ASSY- POSITION DATA: RH SIDE COMPONENT MAINT MANUAL REF: 27-51-12 QUALIFIED I/W DATA: 251N4008-16 CAN REPLACE OR BE REPLACED BY 251N4101-48/-56/-64/-72/ -80/-88/-96 TOGETHER WITH (TWO EA) 10-61899-26/HJ18DU106, (ONE EA) 251N4077-4, (TWO EA) BACB30NY6K39, (TWO EA) BACC30X6, AND (TWO EA) NAS620C10 251N4008-18 CAN REPLACE OR BE REPLACED BY 251N4101-48/-56/-64/-72/ -80/-88/-96 TOGETHER WITH (TWO EA) 10-61899-26,HJ18DU106, (ONE EA) 251N4077-4, (TWO EA) BACB30NY6K39, (TWO EA) BACC30X6, AND (TWO EA) NAS620C10 251N4008-26 CAN REPLACED</p>	107107 904949	RF
- 165	251N4101-72			

MISSING ITEM NUMBERS NOT APPLICABLE

- ITEM NOT ILLUSTRATED

BRI

27-51-21-01

BOEING PROPRIETARY - Copyright © - Unpublished Work - See title page for details.

27-51-21  
FIG. 01  
PAGE 26  
JAN 20/09



757

PARTS CATALOG (MAINTENANCE)

FIG ITEM	PART NUMBER	1 2 3 4 5 6 7 NOMENCLATURE	EFFECT FROM TO	UNITS PER ASSY
1		<p>BUT CANNOT BE REPLACED BY 251N4101-48/-56/-64/ -72/-80/-88/-96 TOGETHER WITH (TWO EA) 10-61899-26/HJ18DU106, (ONE EA) 251N4077-4, (TWO EA) BACB30NY6K39, (TWO EA) BACC30X6, AND (TWO EA) NAS620C10 251N4008-38 CAN REPLACE BUT CANNOT BE REPLACED BY 251N4101-48/-56/-64/ -72/-80/-88/-96 TOGETHER WITH (TWO EA) 10-61899-26/HJ18DU106, (ONE EA) 251N4077-4, (TWO EA) BACB30NY6K39, (TWO EA) BACC30X6, AND (TWO EA) NAS620C10 251N4008-44 CAN REPLACE BUT CANNOT BE REPLACED BY 251N4101-48/-56/-64/ -72/-80/-88/-96 TOGETHER WITH (TWO EA) 10-61899-26/HJ18DU106, (ONE EA) 251N4077-4, (TWO EA) BACB30NY6K39, (TWO EA) BACC30X6, AND (TWO EA) NAS620C10 251N4008-48 CAN REPLACE BUT CANNOT BE REPLACED BY 251N4101-48/-56/ -64/-72/-80/-88/-96 TOGETHER WITH (TWO EA) 10-61899-26/HJ18DU106, (ONE EA) 251N4077-4, (TWO EA) BACB30NY6K39, (TWO EA) BACC30X6, AND (TWO EA) NAS620C10 REWORKED BY ALERT SB: 27A0127R2 .TRANSMISSION ASSY- POSITION DATA: RH SIDE COMPONENT MAINT MANUAL REF: 27-51-12 QUALIFIED I/W DATA: 251N4008-16 CAN REPLACE OR BE REPLACED BY</p>		
- 165	251N4101-80	<p>MISSING ITEM NUMBERS NOT APPLICABLE</p>	107107 904949	RF

- ITEM NOT ILLUSTRATED

BRI

27-51-21-01

BOEING PROPRIETARY - Copyright © - Unpublished Work - See title page for details.

27-51-21  
FIG. 01  
PAGE 27  
JAN 20/09





757

PARTS CATALOG (MAINTENANCE)

FIG ITEM	PART NUMBER	1 2 3 4 5 6 7 NOMENCLATURE	EFFECT FROM TO	UNITS PER ASSY
1		<p>251N4101-48/-56/-64/-72/ -80/-88/-96 TOGETHER WITH (TWO EA) 10-61899-26/HJ18DU106, (ONE EA) 251N4077-4, (TWO EA) BACB30NY6K39, (TWO EA) BACC30X6, AND (TWO EA) NAS620C10 251N4008-18 CAN REPLACE OR BE REPLACED BY 251N4101-48/-56/-64/-72/ -80/-88/-96 TOGETHER WITH (TWO EA) 10-61899-26,HJ18DU106, (ONE EA) 251N4077-4, (TWO EA) BACB30NY6K39, (TWO EA) BACC30X6, AND (TWO EA) NAS620C10 251N4008-26 CAN REPLACED BUT CANNOT BE REPLACED BY 251N4101-48/-56/-64/ -72/-80/-88/-96 TOGETHER WITH (TWO EA) 10-61899-26/HJ18DU106, (ONE EA) 251N4077-4, (TWO EA) BACB30NY6K39, (TWO EA) BACC30X6, AND (TWO EA) NAS620C10 251N4008-38 CAN REPLACE BUT CANNOT BE REPLACED BY 251N4101-48/-56/-64/ -72/-80/-88/-96 TOGETHER WITH (TWO EA) 10-61899-26/HJ18DU106, (ONE EA) 251N4077-4, (TWO EA) BACB30NY6K39, (TWO EA) BACC30X6, AND (TWO EA) NAS620C10 251N4008-44 CAN REPLACE BUT CANNOT BE REPLACED BY251N4101-48/-56/-64/ -72/-80/-88/-96 TOGETHER WITH (TWO EA) 10-61899-26/HJ18DU106, (ONE EA) 251N4077-4, (TWO EA) BACB30NY6K39, (TWO EA) BACC30X6, AND (TWO EA) NAS620C10 251N4008-48 CAN REPLACE</p>		

MISSING ITEM NUMBERS NOT APPLICABLE

- ITEM NOT ILLUSTRATED

**27-51-21-01**

27-51-21  
FIG. 01  
PAGE 28  
JAN 20/09

BRI



757

PARTS CATALOG (MAINTENANCE)

FIG ITEM	PART NUMBER	1 2 3 4 5 6 7 NOMENCLATURE	EFFECT FROM TO	UNITS PER ASSY
1		<p>BUT CANNOT BE REPLACED BY 251N4101-48/-56/ -64/-72/-80/-88/-96 TOGETHER WITH (TWO EA) 10-61899-26/HJ18DU106, (ONE EA) 251N4077-4, (TWO EA) BACB30NY6K39, (TWO EA) BACC30X6, AND (TWO EA) NAS620C10 REWORKED BY ALERT SB: 27A0127R2</p> <p>. TRANSMISSION ASSY- POSITION DATA: RH SIDE COMPONENT MAINT MANUAL REF: 27-51-12 QUALIFIED I/W DATA: 251N4008-16 CAN REPLACE OR BE REPLACED BY 251N4101-48/-56/-64/-72/ -80/-88/-96 TOGETHER WITH (TWO EA) 10-61899-26/HJ18DU106, (ONE EA) 251N4077-4, (TWO EA) BACB30NY6K39, (TWO EA) BACC30X6, AND (TWO EA) NAS620C10 251N4008-18 CAN REPLACE OR BE REPLACED BY 251N4101-48/-56/-64/-72/ -80/-88/-96 TOGETHER WITH (TWO EA) 10-61899-26, HJ18DU106, (ONE EA) 251N4077-4, (TWO EA) BACB30NY6K39, (TWO EA) BACC30X6, AND (TWO EA) NAS620C10 251N4008-26 CAN BE REPLACED BUT CANNOT BE REPLACED BY 251N4101-48/-56/-64/ -72/-80/-88/-96 TOGETHER WITH (TWO EA) 10-61899-26/HJ18DU106, (ONE EA) 251N4077-4, (TWO EA) BACB30NY6K39, (TWO EA) BACC30X6, AND (TWO EA) NAS620C10 251N4008-38 CAN REPLACE BUT CANNOT BE REPLACED</p>	107107 904949	RF

MISSING ITEM NUMBERS NOT APPLICABLE

- ITEM NOT ILLUSTRATED

**27-51-21-01**

27-51-21  
FIG. 01  
PAGE 29  
JAN 20/09

BRI



757

PARTS CATALOG (MAINTENANCE)

FIG ITEM	PART NUMBER	1 2 3 4 5 6 7 NOMENCLATURE	EFFECT FROM TO	UNITS PER ASSY
1		<p>BY 251N4101-48/-56/-64/ -72/-80/-88/-96 TOGETHER WITH (TWO EA) 10-61899-26/HJ18DU106, (ONE EA) 251N4077-4, (TWO EA) BACB30NY6K39, (TWO EA) BACC30X6, AND (TWO EA) NAS620C10 251N4008-44 CAN REPLACE BUT CANNOT BE REPLACED BY 251N4101-48/-56/-64/ -72/-80/-88/-96 TOGETHER WITH (TWO EA) 10-61899-26/HJ18DU106, (ONE EA) 251N4077-4, (TWO EA) BACB30NY6K39, (TWO EA) BACC30X6, AND (TWO EA) NAS620C10 251N4008-48 CAN REPLACE BUT CANNOT BE REPLACED BY 251N4101-48/-56/ -64/-72/-80/-88/-96 TOGETHER WITH (TWO EA) 10-61899-26/HJ18DU106, (ONE EA) 251N4077-4, (TWO EA) BACB30NY6K39, (TWO EA) BACC30X6, AND (TWO EA) NAS620C10 REWORKED BY ALERT SB: 27A0127</p>		
- 165	251N4101-96	<p>. TRANSMISSION ASSY- POSITION DATA: RH SIDE COMPONENT MAINT MANUAL REF: 27-51-12 QUALIFIED I/W DATA: 251N4008-16 CAN REPLACE OR BE REPLACED BY 251N4101-48/-56/-64/-72/ -80/-88/-96 TOGETHER WITH (TWO EA) 10-61899-26/HJ18DU106, (ONE EA) 251N4077-4, (TWO EA) BACB30NY6K39, (TWO EA) BACC30X6, AND (TWO EA) NAS620C10 251N4008-18 CAN REPLACE OR BE REPLACED BY 251N4101-48/-56/-64/-72/</p>	107107 904949	RF

MISSING ITEM NUMBERS NOT APPLICABLE

- ITEM NOT ILLUSTRATED

BRI

27-51-21-01

BOEING PROPRIETARY - Copyright © - Unpublished Work - See title page for details.

27-51-21  
FIG. 01  
PAGE 30  
JAN 20/09



757

PARTS CATALOG (MAINTENANCE)

FIG ITEM	PART NUMBER	1 2 3 4 5 6 7 NOMENCLATURE	EFFECT FROM TO	UNITS PER ASSY
1		<p>-80/-88/-96 TOGETHER WITH (TWO EA)  10-61899-26,HJ18DU106,  (ONE EA) 251N4077-4,  (TWO EA) BACB30NY6K39,  (TWO EA) BACC30X6, AND  (TWO EA) NAS620C10  251N4008-26 CAN BE REPLACED BUT CANNOT BE REPLACED BY 251N4101-48/-56/-64/-72/-80/-88/-96 TOGETHER WITH (TWO EA)  10-61899-26/HJ18DU106,  (ONE EA) 251N4077-4,  (TWO EA) BACB30NY6K39,  (TWO EA) BACC30X6, AND  (TWO EA) NAS620C10  251N4008-38 CAN REPLACE BUT CANNOT BE REPLACED BY 251N4101-48/-56/-64/-72/-80/-88/-96 TOGETHER WITH (TWO EA)  10-61899-26/HJ18DU106,  (ONE EA) 251N4077-4,  (TWO EA) BACB30NY6K39,  (TWO EA) BACC30X6, AND  (TWO EA) NAS620C10  251N4008-44 CAN REPLACE BUT CANNOT BE REPLACED BY 251N4101-48/-56/-64/-72/-80/-88/-96 TOGETHER WITH (TWO EA)  10-61899-26/HJ18DU106,  (ONE EA) 251N4077-4,  (TWO EA) BACB30NY6K39,  (TWO EA) BACC30X6, AND  (TWO EA) NAS620C10  251N4008-48 CAN REPLACE BUT CANNOT BE REPLACED BY 251N4101-48/-56/-64/-72/-80/-88/-96 TOGETHER WITH (TWO EA)  10-61899-26/HJ18DU106,  (ONE EA) 251N4077-4,  (TWO EA) BACB30NY6K39,  (TWO EA) BACC30X6, AND  (TWO EA) NAS620C10  QUALIFIED OPTIONAL DATA:  251N4008-16 IS OPTIONAL</p>		

MISSING ITEM NUMBERS NOT APPLICABLE

- ITEM NOT ILLUSTRATED

27-51-21-01

27-51-21  
FIG. 01  
PAGE 31  
JAN 20/09

BRI



757

PARTS CATALOG (MAINTENANCE)

FIG ITEM	PART NUMBER	1 2 3 4 5 6 7	NOMENCLATURE	EFFECT FROM TO	UNITS PER ASSY
1			TO 251N4101-96 PLUS TWO 10-61899-26, 251N4077-4, TWO BACB30NY6K39, TWO BACC30X6, AND TWO NAS620C10 REWORKED BY ALERT SB: 27A0127		
170	BACB30LE7-26	..	BOLT	107107 904949	2
175	BACW10BP7CD	..	WASHER	107107 904949	2
180	BACW10BP7DP	..	WASHER	107107 904949	2
185	BMN10HRCPD3-7	..	NUT SUPPLIER CODE: V97928 SPECIFICATION NUMBER: BACN10HR7CS OPTIONAL PART: H39953-7 V15653 109LH9031-7 V72962 67832AS720 V56878 BH00303-7 V27238 BMN5024CPD37 V97928 109LH90317 V72962 67832AS7 V56878 SL705097 V11815 CR5908-7 VF0224 109LH90317 V72962 67832AS7 V56878 SL705097 V11815	107107 904949	2
190	251N4053-1	..U	JOINT ASSY	107107 904949	1
195	1728B	...	FITTING- SUPPLIER CODE: VOFKM1	107107 904949	4

MISSING ITEM NUMBERS NOT APPLICABLE

- ITEM NOT ILLUSTRATED

BRI

27-51-21-01

BOEING PROPRIETARY - Copyright © - Unpublished Work - See title page for details.

27-51-21  
FIG. 01  
PAGE 32  
JAN 20/09



757

PARTS CATALOG (MAINTENANCE)

FIG ITEM	PART NUMBER	1 2 3 4 5 6 7	NOMENCLATURE	EFFECT FROM TO	UNITS PER ASSY
1 200	TLN1001W38	...	NUT SUPPLIER CODE: V97928 SPECIFICATION NUMBER: BACN10HY8M OPTIONAL PART: RMLH9073-8 V72962 TLN1001WD38 V92215 69233SB8D V56878 TLN1001WD38 V97928 TLN1001W38 V92215 HW29872-8 V15653	107107 904949	1
205	251N4149-1	...	SHAFT-LARGE INTERNAL	107107 904949	1
210	251N4103-1	...	SPACER-BRG	107107 904949	1
215	251N4135-1	...	SHAFT-SMALL INTERNAL	107107 904949	1
220	251N4150-1	...	ADAPTER-INTERNAL	107107 904949	1
225	251N4154-3	...	JOINT ASSY	107107 904949	1
230	251N4105-1	....	BEARING	107107 904949	2
235	251N4154-1	....	U JOINT	107107 904949	1

MISSING ITEM NUMBERS NOT APPLICABLE

- ITEM NOT ILLUSTRATED

BRI

27-51-21-01

BOEING PROPRIETARY - Copyright © - Unpublished Work - See title page for details.

27-51-21  
FIG. 01  
PAGE 33  
JAN 20/09



757

PARTS CATALOG (MAINTENANCE)

FIG ITEM	PART NUMBER	1 2 3 4 5 6 7	NOMENCLATURE	EFFECT FROM TO	UNITS PER ASSY
1 240	7820921		<p>.. SCREW ASSY- SUPPLIER CODE: VOA335 SPECIFICATION NUMBER: S251N401-5 MISCELLANEOUS DATA: PER AD 2005-01-12 AND S/B 757-27A0139 P/N 7280821 (S251N401-5) MUST BE REMOVED AND REPLACED COMPONENT MAINT MANUAL REF: 27-51-20 OPTIONAL PART: 7821341 VOA335 USED ON: 251N4101-41 251N4101-48 251N4101-57 251N4101-64 251N4101-65 251N4101-72 251N4101-73 251N4101-80 251N4101-81 251N4101-88 251N4101-89 251N4101-96 PRE ALERT SB: 27A0139</p>	904949	1

MISSING ITEM NUMBERS NOT APPLICABLE

- ITEM NOT ILLUSTRATED

BRI

27-51-21-01

BOEING PROPRIETARY - Copyright © - Unpublished Work - See title page for details.

27-51-21  
FIG. 01  
PAGE 34  
JAN 20/09



757

PARTS CATALOG (MAINTENANCE)

FIG ITEM	PART NUMBER	1 2 3 4 5 6 7	NOMENCLATURE	EFFECT FROM TO	UNITS PER ASSY
1 240	7821341		.. SCREW ASSY- SUPPLIER CODE: VOA335 SPECIFICATION NUMBER: S251N401-9 MISCELLANEOUS DATA: PER AD 2005-01-12 AND S/B 757-27A0139 P/N 7821341 (S251N401-9) MUST BE REMOVED AND REPLACED COMPONENT MAINT MANUAL REF: 27-51-20 OPTIONAL PART: 7820921 VOA355 USED ON: 251N4101-49 251N4101-56 251N4101-81 251N4101-88 251N4101-89 251N4101-96 PRE ALERT SB: 27A0139	904949	1
240	7829995		.. SCREW ASSY- SUPPLIER CODE: VOA335 SPECIFICATION NUMBER: S251N401-17 COMPONENT MAINT MANUAL REF: 27-51-20 SERVICE BULLETIN OPT DATA: 7900067 VOA335 POST ALERT SB: 27A0139	904949	1
240	7900067		.. SCREW ASSY- SUPPLIER CODE: VOA335 SPECIFICATION NUMBER: S251N401-21 COMPONENT MAINT MANUAL REF: 27-51-20 SERVICE BULLETIN OPT DATA: 7829995 VOA335 POST ALERT SB: 27A0139	904949	1

MISSING ITEM NUMBERS NOT APPLICABLE

- ITEM NOT ILLUSTRATED

BRI

27-51-21-01

27-51-21  
 FIG. 01  
 PAGE 35  
 JAN 20/09





757

PARTS CATALOG (MAINTENANCE)

FIG ITEM	PART NUMBER	1 2 3 4 5 6 7	NOMENCLATURE	EFFECT FROM TO	UNITS PER ASSY
1					
241	1646B		... FITTING- SUPPLIER CODE: V95879	904949	2
242	NAS1291-4		... NUT	904949	1
243	5669341		... PLATE-IDENT SUPPLIER CODE: VOA335	904949	1
244	5702378		... PLATE-INSTRUCTION SUPPLIER CODE: VOA335	904949	2
245	251N4008-15		. TRANSMISSION ASSY- POSITION DATA: LH SIDE QUALIFIED I/W DATA: 251N4008-15 CAN REPLACE OR BE REPLACED BY 251N4101-41/-49/-57/-65/ -73/-81/-89 TOGETHER WITH (TWO EA) 10-61899-26/HJ18DU106, (ONE EA) 251N4077-4, (TWO EA) BACB30NY6K39, (TWO EA) BACC30X6, AND (TWO EA) NAS620C10 QUALIFIED OPTIONAL DATA: 251N4008-15 IS OPTIONAL TO 251N4101-89 PLUS TWO 10-61899-26, 251N4077-4, TWO BACB30NY6K39, TWO BACC30X6, AND TWO NAS620C10	107107 904949	RF
245	251N4008-15		. TRANSMISSION ASSY- POSITION DATA: LH SIDE QUALIFIED I/W DATA: 251N4008-15 CAN REPLACE OR BE REPLACED BY 251N4101-41/-49/-57/-65/ -73/-81/-89 TOGETHER WITH (TWO EA) 10-61899-26/HJ18DU106, (ONE EA) 251N4077-4, (TWO EA) BACB30NY6K39, (TWO EA) BACC30X6, AND (TWO EA) NAS620C10	002004 006100 121503 950999	RF

MISSING ITEM NUMBERS NOT APPLICABLE

- ITEM NOT ILLUSTRATED

BRI

27-51-21-01

BOEING PROPRIETARY - Copyright © - Unpublished Work - See title page for details.

27-51-21  
FIG. 01  
PAGE 36  
JAN 20/09



757

PARTS CATALOG (MAINTENANCE)

FIG ITEM	PART NUMBER	1 2 3 4 5 6 7	NOMENCLATURE	EFFECT FROM TO	UNITS PER ASSY
1 245	251N4008-17		.TRANSMISSION ASSY- POSITION DATA: LH SIDE QUALIFIED I/W DATA: 251N4008-17 CAN REPLACE OR BE REPLACED BY 251N4101-41/-49/-57/-65/ -73/-81/-89 TOGETHER WITH (TWO EA) 10-61899-26/HJ18DU106, (ONE EA) 251N4077-4, (TWO EA) BACB30NY6K39, (TWO EA) BACC30X6, AND (TWO EA) NAS620C10	002004 006100 107107 121503 904999	RF
245	251N4008-25		.TRANSMISSION ASSY- POSITION DATA: LH SIDE QUALIFIED I/W DATA: 251N4008-25 CAN REPLACE BUT CANNOT BE REPLACED BY 251N4101-41/-49/-57/ -65/-73/-81/-89 TOGETHER WITH (TWO EA) 10-61899-26/HJ18DU106, (ONE EA) 251N4077-4, (TWO EA) BACB30NY6K39, (TWO EA) BACC30X6, AND (TWO EA) NAS620C10	002004 006102 107107 121503 904999	RF
245	251N4008-37		.TRANSMISSION ASSY- POSITION DATA: LH SIDE QUALIFIED I/W DATA: 251N4008-37 CAN REPLACE BUT CANNOT BE REPLACED BY 251N4101-41/-49/-57/ -65/-73/-81/-89 TOGETHER WITH (TWO EA) 10-61899-26/HJ18DU106, (ONE EA) 251N4077-4, (TWO EA) BACB30NY6K39, (TWO EA) BACC30X6, AND (TWO EA) NAS620C10	002004 006102 107999	RF

MISSING ITEM NUMBERS NOT APPLICABLE

- ITEM NOT ILLUSTRATED

BRI

27-51-21-01

27-51-21  
FIG. 01  
PAGE 37  
JAN 20/09



757

PARTS CATALOG (MAINTENANCE)

FIG ITEM	PART NUMBER	1 2 3 4 5 6 7	NOMENCLATURE	EFFECT FROM TO	UNITS PER ASSY
1 245	251N4008-43		.TRANSMISSION ASSY- POSITION DATA: LH SIDE QUALIFIED I/W DATA: 251N4008-15 CAN REPLACE OR BE REPLACED BY 251N4101-41/-49/-57/-65/ -73/-81/-89 TOGETHER WITH (TWO EA) 10-61899-26/HJ18DU106, (ONE EA) 251N4077-4, (TWO EA) BACB30NY6K39, (TWO EA) BACC30X6, AND (TWO EA) NAS620C10	002004 006999	RF
245	251N4008-47		.TRANSMISSION ASSY- POSITION DATA: LH SIDE QUALIFIED I/W DATA: 251N4008-47 CAN REPLACE OR BE REPLACED BY 251N4101-41/-49/-57/-65/ -73/-81/-89 TOGETHER WITH (TWO EA) 10-61899-26/HJ18DU106, (ONE EA) 251N4077-4, (TWO EA) BACB30NY6K39, (TWO EA) BACC30X6, AND (TWO EA) NAS620C10	002004 006999	RF
- 250	251N4008-16		.TRANSMISSION ASSY- POSITION DATA: RH SIDE QUALIFIED I/W DATA: 251N4008-16 CAN REPLACE OR BE REPLACED BY 251N4101-48/-56/-64/-72/ -80/-88/-96 TOGETHER WITH (TWO EA) 10-61899-26/HJ18DU106, (ONE EA) 251N4077-4, (TWO EA) BACB30NY6K39, (TWO EA) BACC30X6, AND (TWO EA) NAS620C10  QUALIFIED OPTIONAL DATA: 251N4008-16 IS OPTIONAL TO 251N4101-96 PLUS TWO 10-61899-26, 251N4077-4, TWO BACB30NY6K39, TWO BACC30X6, AND TWO NAS620C10	107107 904949	RF

MISSING ITEM NUMBERS NOT APPLICABLE

- ITEM NOT ILLUSTRATED

27-51-21-01

27-51-21  
FIG. 01  
PAGE 38  
JAN 20/09

BRI



757

PARTS CATALOG (MAINTENANCE)

FIG ITEM	PART NUMBER	1 2 3 4 5 6 7	NOMENCLATURE	EFFECT FROM TO	UNITS PER ASSY
1					
- 250	251N4008-16		.TRANSMISSION ASSY- POSITION DATA: RH SIDE QUALIFIED I/W DATA: 251N4008-16 CAN REPLACE OR BE REPLACED BY 251N4101-48/-56/-64/-72/ -80/-88/-96 TOGETHER WITH (TWO EA) 10-61899-26/HJ18DU106, (ONE EA) 251N4077-4, (TWO EA) BACB30NY6K39, (TWO EA) BACC30X6, AND (TWO EA) NAS620C10	002004 006100 121503 950999	RF
- 250	251N4008-18		.TRANSMISSION ASSY- POSITION DATA: RH SIDE QUALIFIED I/W DATA: 251N4008-18 CAN REPLACE OR BE REPLACED BY 251N4101-48/-56/-64/-72/ -80/-88/-96 TOGETHER WITH (TWO EA) 10-61899-26/HJ18DU106, (ONE EA) 251N4077-4, (TWO EA) BACB30NY6K39, (TWO EA) BACC30X6, AND (TWO EA) NAS620C10	002004 006100 107107 121503 904999	RF
- 250	251N4008-26		.TRANSMISSION ASSY- POSITION DATA: RH SIDE QUALIFIED I/W DATA: 251N4008-26 CAN REPLACE BUT CANNOT BE REPLACED BY 251N4101-48/-56/-64/ -72/-80/-88/-96 TOGETHER WITH (TWO EA) 10-61899-26/HJ18DU106, (ONE EA) 251N4077-4, (TWO EA) BACB30NY6K39, (TWO EA) BACC30X6, AND (TWO EA) NAS620C10 QUALIFIED OPTIONAL DATA: 251N4008-16 IS OPTIONAL	002004 006102 107107 121503 904999	RF

MISSING ITEM NUMBERS NOT APPLICABLE

- ITEM NOT ILLUSTRATED

27-51-21-01

27-51-21  
FIG. 01  
PAGE 39  
JAN 20/09

BRI



757

PARTS CATALOG (MAINTENANCE)

FIG ITEM	PART NUMBER	1 2 3 4 5 6 7	NOMENCLATURE	EFFECT FROM TO	UNITS PER ASSY
1					
- 250	251N4008-38		.TRANSMISSION ASSY- POSITION DATA: RH SIDE QUALIFIED I/W DATA: 251N4008-38 CAN REPLACE BUT CANNOT BE REPLACED BY 251N4101-48/-56/-64/ -72/-80/-88/-96 TOGETHER WITH (TWO EA) 10-61899-26/HJ18DU106, (ONE EA) 251N4077-4, (TWO EA) BACB30NY6K39, (TWO EA) BACC30X6, AND (TWO EA) NAS620C10	002004 006102 107999	RF
- 250	251N4008-44		.TRANSMISSION ASSY- POSITION DATA: RH SIDE QUALIFIED I/W DATA: 251N4008-16 CAN REPLACE OR BE REPLACED BY 251N4101-48/-56/-64/-72/ -80/-88/-96 TOGETHER WITH (TWO EA) 10-61899-26/HJ18DU106, (ONE EA) 251N4077-4, (TWO EA) BACB30NY6K39, (TWO EA) BACC30X6, AND (TWO EA) NAS620C10 QUALIFIED OPTIONAL DATA: 251N4008-16 IS OPTIONAL	002004 006999	RF
- 250	251N4008-48		.TRANSMISSION ASSY- POSITION DATA: RH SIDE QUALIFIED I/W DATA: 251N4008-48 CAN REPLACE OR BE REPLACED BY 251N4101-48/-56/-64/-72/ -80/-88/-96 TOGETHER WITH (TWO EA) 10-61899-26/HJ18DU106, (ONE EA) 251N4077-4, (TWO EA) BACB30NY6K39, (TWO EA) BACC30X6, AND (TWO EA) NAS620C10	002004 006999	RF

MISSING ITEM NUMBERS NOT APPLICABLE

- ITEM NOT ILLUSTRATED

BRI

27-51-21-01

27-51-21  
FIG. 01  
PAGE 40  
JAN 20/09



757

PARTS CATALOG (MAINTENANCE)

FIG ITEM	PART NUMBER	1 2 3 4 5 6 7	NOMENCLATURE	EFFECT FROM TO	UNITS PER ASSY
1 255	HL13VAZ6-39	..	BOLT SUPPLIER CODE: V56878 SPECIFICATION NUMBER: BACB30NY6K39 OPTIONAL PART: HL13VAZ6-39 V73197 HL13VAZ6-39 V92215 HL13VAZ6-39 V97928 L801-6K39 V06725 HL13VAZ6-39 V60516 L801-6K39 V0PTK6 HL13VAZ6-39 V17446	002004 006999	2
260	NAS620C10	..	WASHER	002004 006999	2
265	HL1187-6	..	COLLAR SUPPLIER CODE: V5M902 SPECIFICATION NUMBER: BACC30X6 OPTIONAL PART: HL87-6 V92215 HL87-6 V73197 HL1187-6 V56878 HL1187-6 V92215 HL87-6 V56878 HL1187-6 V73197	002004 006100 107107 121503 904999	2

MISSING ITEM NUMBERS NOT APPLICABLE

- ITEM NOT ILLUSTRATED

BRI

27-51-21-01

BOEING PROPRIETARY - Copyright © - Unpublished Work - See title page for details.

27-51-21  
FIG. 01  
PAGE 41  
JAN 20/09



757

PARTS CATALOG (MAINTENANCE)

FIG ITEM	PART NUMBER	1 2 3 4 5 6 7	NOMENCLATURE	EFFECT FROM TO	UNITS PER ASSY
1 265	HL1087-6	..	COLLAR SUPPLIER CODE: V73197 SPECIFICATION NUMBER: BACC30BH6 OPTIONAL PART: HL1087-6 V56878 HL1087-6 V92215 HL1087-6 V9N513	002004 006999	2
270	HJ18DU106	..	BUSHING- SUPPLIER CODE: V02758 SPECIFICATION NUMBER: 10-61899-26 QUALIFIED I/W DATA: 251N4278-2 BUSHING TOGETHER WITH 251N4322-1 CAP AY AND 251N4280-1 PLUG AY AND 2 EA NAS607-2-6 PIN IS I/W 10-61899-26 OPTIONAL PART: AJ18C106DU VS0352 ADU18-8 V15860	002004 006999	2
270	AJ18C106DU	..	BUSHING- SUPPLIER CODE: VS0352 SPECIFICATION NUMBER: 10-61899-26 OPTIONAL PART: ADU18-8 V15860 HJ18DU106 V02758	002004 006999	2
270	ADU18-8	..	BUSHING- SUPPLIER CODE: V15860 SPECIFICATION NUMBER: 10-61899-26 OPTIONAL PART: AJ18C106DU VS0352 HJ18DU106 V02758	002004 006999	2

MISSING ITEM NUMBERS NOT APPLICABLE

- ITEM NOT ILLUSTRATED

BRI

27-51-21-01

BOEING PROPRIETARY - Copyright © - Unpublished Work - See title page for details.

27-51-21  
FIG. 01  
PAGE 42  
SEP 20/08



757

PARTS CATALOG (MAINTENANCE)

FIG ITEM	PART NUMBER	1 2 3 4 5 6 7	NOMENCLATURE	EFFECT FROM TO	UNITS PER ASSY
1					
275	BACB30LE7-26	..	BOLT-	002004 006999	2
280	BACW10BP7CD	..	WASHER	002004 006999	2
285	BACW10BP7DP	..	WASHER	002004 006999	2
290	BMN10HRCPD3-7	..	NUT	002004 006999	2
			SUPPLIER CODE: V97928		
			SPECIFICATION NUMBER: BACN10HR7CS		
			OPTIONAL PART: H39953-7		
			V15653		
			109LH9031-7		
			V72962		
			67832AS720		
			V56878		
			BH00303-7		
			V27238		
			BMN5024CPD37		
			V97928		
			109LH90317		
			V72962		
			67832AS7		
			V56878		
			SL705097		
			V11815		
			CR5908-7		
			VF0224		
			109LH90317		
			V72962		
			67832AS7		
			V56878		
			SL705097		
			V11815		
295	251N4077-4	..	GIMBAL-	002004 006999	1
295	251N4077-1	..	GIMBAL-	002004 006999	1
295	251N4077-2	..	GIMBAL-	002004 006999	1

MISSING ITEM NUMBERS NOT APPLICABLE

- ITEM NOT ILLUSTRATED

27-51-21-01

27-51-21  
FIG. 01  
PAGE 43  
JAN 20/09

BRI

BOEING PROPRIETARY - Copyright © - Unpublished Work - See title page for details.





757

PARTS CATALOG (MAINTENANCE)

FIG ITEM	PART NUMBER	1 2 3 4 5 6 7	NOMENCLATURE	EFFECT FROM TO	UNITS PER ASSY
1 300	7820921		.. SCREW ASSY- SUPPLIER CODE: VOA335 SPECIFICATION NUMBER: S251N401-5 MISCELLANEOUS DATA: PER AD 2005-01-12 AND S/B 757-27A0139 P/N 7280821 (S251N401-5) MUST BE REMOVED AND REPLACED COMPONENT MAINT MANUAL REF: 27-51-20 OPTIONAL PART: 7821341 VOA335 PRE ALERT SB: 27A0139	002004 006102 108120 504999	1
300	7821341		.. SCREW ASSY- SUPPLIER CODE: VOA335 SPECIFICATION NUMBER: S251N401-9 MISCELLANEOUS DATA: PER AD 2005-01-12 AND S/B 757-27A0139 P/N 7821341 (S251N401-9) MUST BE REMOVED AND REPLACED COMPONENT MAINT MANUAL REF: 27-51-20 OPTIONAL PART: 7820921 VOA335 PRE ALERT SB: 27A0139	002004 006102 108120 504999	1

MISSING ITEM NUMBERS NOT APPLICABLE

- ITEM NOT ILLUSTRATED

**27-51-21-01**

27-51-21  
 FIG. 01  
 PAGE 44  
 JAN 20/09

BRI



757

PARTS CATALOG (MAINTENANCE)

FIG ITEM	PART NUMBER	1 2 3 4 5 6 7	NOMENCLATURE	EFFECT FROM TO	UNITS PER ASSY
1 300	7900067		.. SCREW ASSY- SUPPLIER CODE: VOA335 SPECIFICATION NUMBER: S251N401-21 COMPONENT MAINT MANUAL REF: 27-51-20 QUALIFIED I/W DATA: S251N401-21/7900067 CANNOT BE USED ON 757-300 A/C. S251N401-17/7829995 AND S251N401-21/7900067 ARE FULLY INTERCHANGEABLE FOR 757-200. S251N401-21/7900067 CANNOT BE USED ON 757-300 A/C. S251N401-23/FV233100000 AND S251N401-21/7900067 ARE FULLY INTERCHANGEABLE FOR 757-200. SERVICE BULLETIN OPT DATA: 7829995 VOA335 POST ALERT SB: 27A0139	002004 006102 107999	1
300	7829995		.. SCREW ASSY- SUPPLIER CODE: VOA335 SPECIFICATION NUMBER: S251N401-17 COMPONENT MAINT MANUAL REF: 27-51-20 QUALIFIED I/W DATA: S251N401-21/7900067 CANNOT BE USED ON 757-300 A/C. S251N401-17/7829995 AND S251N401-21/7900067 ARE FULLY INTERCHANGEABLE FOR 757-200. SERVICE BULLETIN OPT DATA: 7900067 VOA335 POST ALERT SB: 27A0139	002004 006999	1

MISSING ITEM NUMBERS NOT APPLICABLE

- ITEM NOT ILLUSTRATED

BRI

27-51-21-01

27-51-21  
FIG. 01  
PAGE 45  
JAN 20/09



757

PARTS CATALOG (MAINTENANCE)

FIG ITEM	PART NUMBER	1 2 3 4 5 6 7	NOMENCLATURE	EFFECT FROM TO	UNITS PER ASSY
1 300	FV233100000		.. SCREW ASSY- SUPPLIER CODE: VF0221 SPECIFICATION NUMBER: S251N401-23 QUALIFIED I/W DATA: S251N401-21/7900067 CANNOT BE USED ON 757-300 A/C. S251N401-23/FV233100000 AND S251N401-21/7900067 ARE FULLY INTERCHANGEABLE FOR 757-200.	002004 006999	1
302	1646B		... FITTING- SUPPLIER CODE: V95879	002004 006999	2
303	NAS1291-4		... NUT	002004 006999	1
304	5669341		... PLATE-IDENT SUPPLIER CODE: VOA335	002004 006999	1
304A	5702378		... PLATE-INSTRUCTION SUPPLIER CODE: VOA335	002004 006999	2
304B	FV233112200		... PLATE-IDENT SUPPLIER CODE: VF0221 USED ON: FV233100000	002004 006999	1
305	251N4336-1		.. TRANSMISSION AND UJOINT- ASSY-TE FLAP #1 POSITION DATA: WBL 493.2 LH SIDE PRE SERVICE BULLETIN: 27-0115 REWORKED BY ALERT SB: 27A0127	002004 006100 904949	RF
305	251N4336-9		.. TRANSMISSION AND UJOINT- ASSY-TE FLAP #1 POSITION DATA: WBL 493.2 LH SIDE POST SERVICE BULLETIN: 27-0115 REWORKED BY ALERT SB: 27A0127	002004 006100 904951	RF

MISSING ITEM NUMBERS NOT APPLICABLE

- ITEM NOT ILLUSTRATED

27-51-21-01

27-51-21  
FIG. 01  
PAGE 46  
JAN 20/09

BRI



757

PARTS CATALOG (MAINTENANCE)

FIG ITEM	PART NUMBER	1 2 3 4 5 6 7	NOMENCLATURE	EFFECT FROM TO	UNITS PER ASSY
1 305	251N4336-17		..TRANSMISSION AND UJOINT- ASSY-TE FLAP #1 POSITION DATA: WBL 493.2 LH SIDE POST ALERT SB: 27A0127	002004 006102 107999	RF
305	251N4336-25		..TRANSMISSION AND UJOINT- ASSY-TE FLAP #1 POSITION DATA: WBL 493.2 LH SIDE	002004 006999	RF
- 310	251N4336-8		..TRANSMISSION AND UJOINT- ASSY-TE FLAP #8 POSITION DATA: WBL 493.2 RH SIDE PRE SERVICE BULLETIN: 27-0115 REWORKED BY ALERT SB: 27A0127	002004 006100 904949	RF
- 310	251N4336-16		..TRANSMISSION AND UJOINT- ASSY-TE FLAP #8 POSITION DATA: WBL 493.2 RH SIDE POST SERVICE BULLETIN: 27-0115 REWORKED BY ALERT SB: 27A0127	002004 006100 904951	RF
- 310	251N4336-24		..TRANSMISSION AND UJOINT- ASSY-TE FLAP #8 POSITION DATA: WBL 493.2 RH SIDE POST ALERT SB: 27A0127	002004 006102 107999	RF
- 310	251N4336-32		..TRANSMISSION AND UJOINT- ASSY-TE FLAP #8 POSITION DATA: WBL 493.2 RH SIDE	002004 006999	RF
315	1728B		...FITTING- SUPPLIER CODE: VOFKM1	002004 006999	4

MISSING ITEM NUMBERS NOT APPLICABLE

- ITEM NOT ILLUSTRATED

27-51-21-01

27-51-21  
FIG. 01  
PAGE 47  
JAN 20/09

BRI



757

PARTS CATALOG (MAINTENANCE)

FIG ITEM	PART NUMBER	1 2 3 4 5 6 7	NOMENCLATURE	EFFECT FROM TO	UNITS PER ASSY
1 320	TLN1001W38	...	NUT SUPPLIER CODE: V97928 SPECIFICATION NUMBER: BACN10HY8M OPTIONAL PART: RMLH9073-8 V72962 TLN1001WD38 V92215 69233SB8D V56878 TLN1001WD38 V97928 TLN1001W38 V92215 HW29872-8 V15653	002004 006999	1
325	251N4150-1	...	ADAPTER	002004 006999	1
330	251N4135-1	...	SHAFT	002004 006999	1
335	251N4149-1	...	SHAFT-LARGE INTERNAL	002004 006999	1
340	251N4103-1	...	SPACER-BRG	002004 006999	1
345	251N4154-3	...	JOINT ASSY	002004 006999	1
350	251N4105-1	....	BEARING	002004 006999	2
355	251N4154-1	....	U JOINT	002004 006999	1

MISSING ITEM NUMBERS NOT APPLICABLE

- ITEM NOT ILLUSTRATED

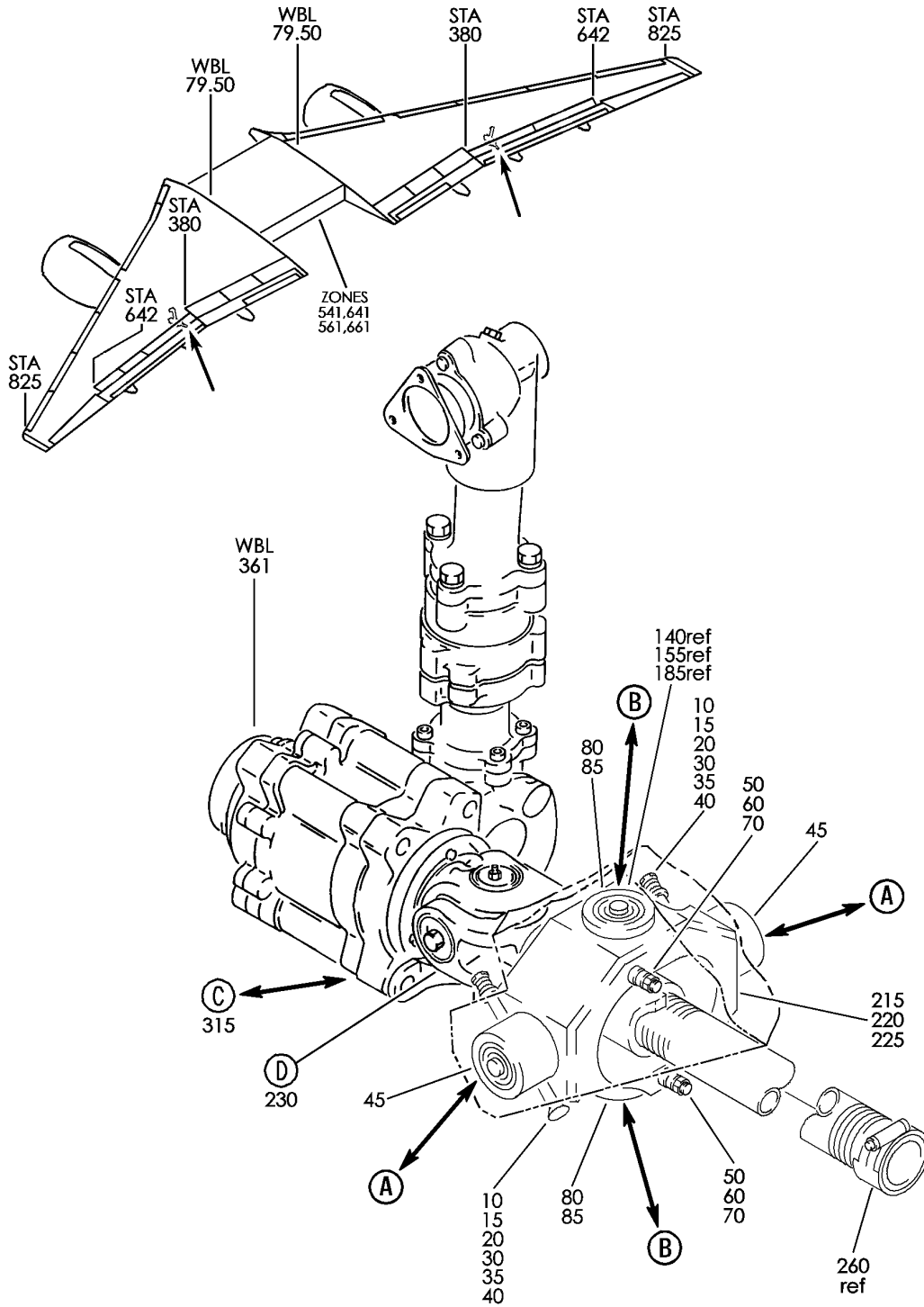
BRI

27-51-21-01

BOEING PROPRIETARY - Copyright © - Unpublished Work - See title page for details.

27-51-21  
FIG. 01  
PAGE 48  
SEP 20/08

**BOEING**  
757  
**PARTS CATALOG (MAINTENANCE)**



Y 27512102 SH1 1 REV 258

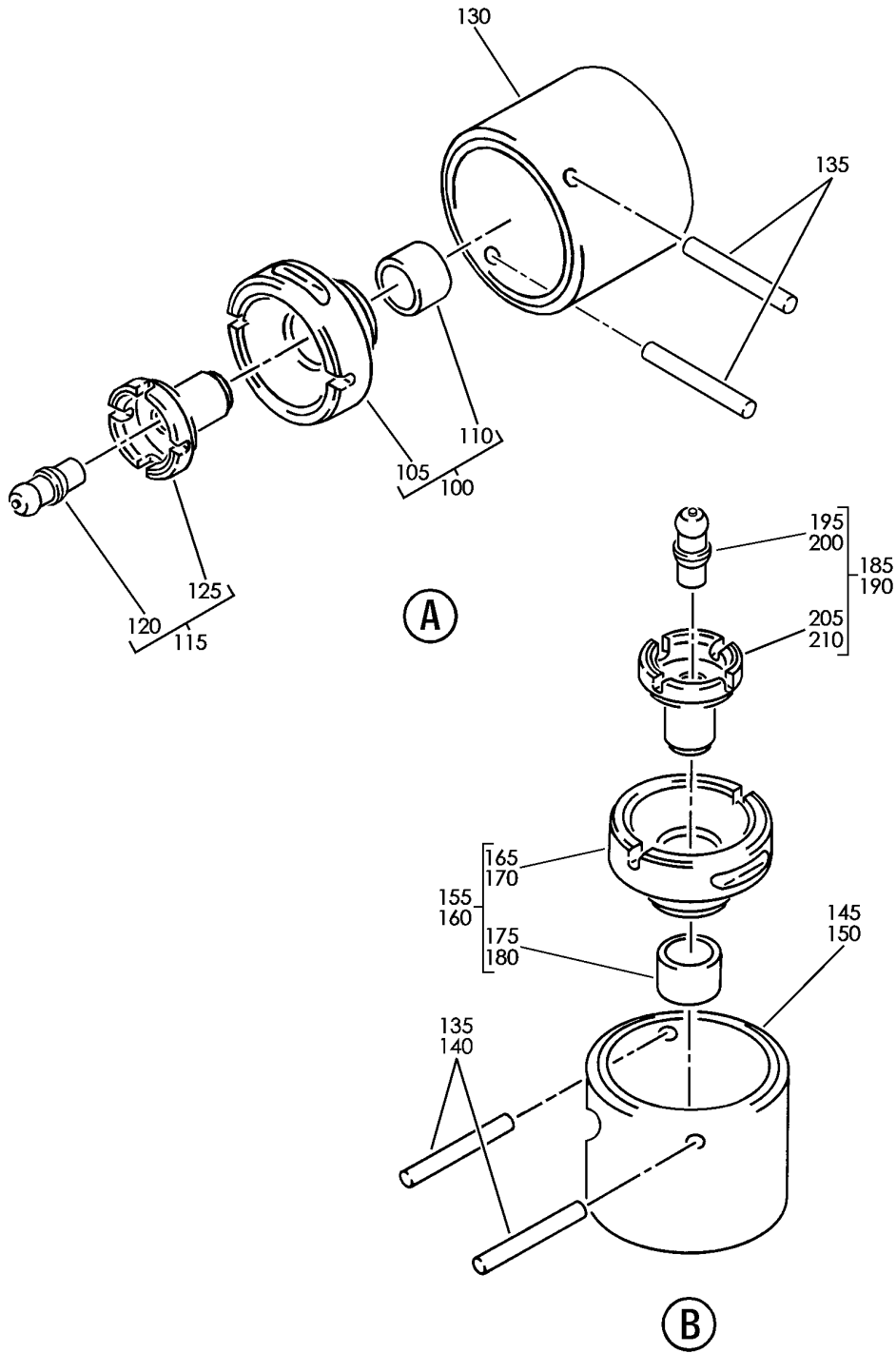
TRANSMISSION INSTL-OUTBD TE FLAP DRIVE (INBOARD BALLSCREWS ONLY)  
FIGURE 2 (SHEET 1)

**27-51-21-02**

BRI  
MAY 28/07

27-51-21-02  
PAGE 0

**BOEING**  
757  
PARTS CATALOG (MAINTENANCE)



Y 27512102 SHT 2 REV 230

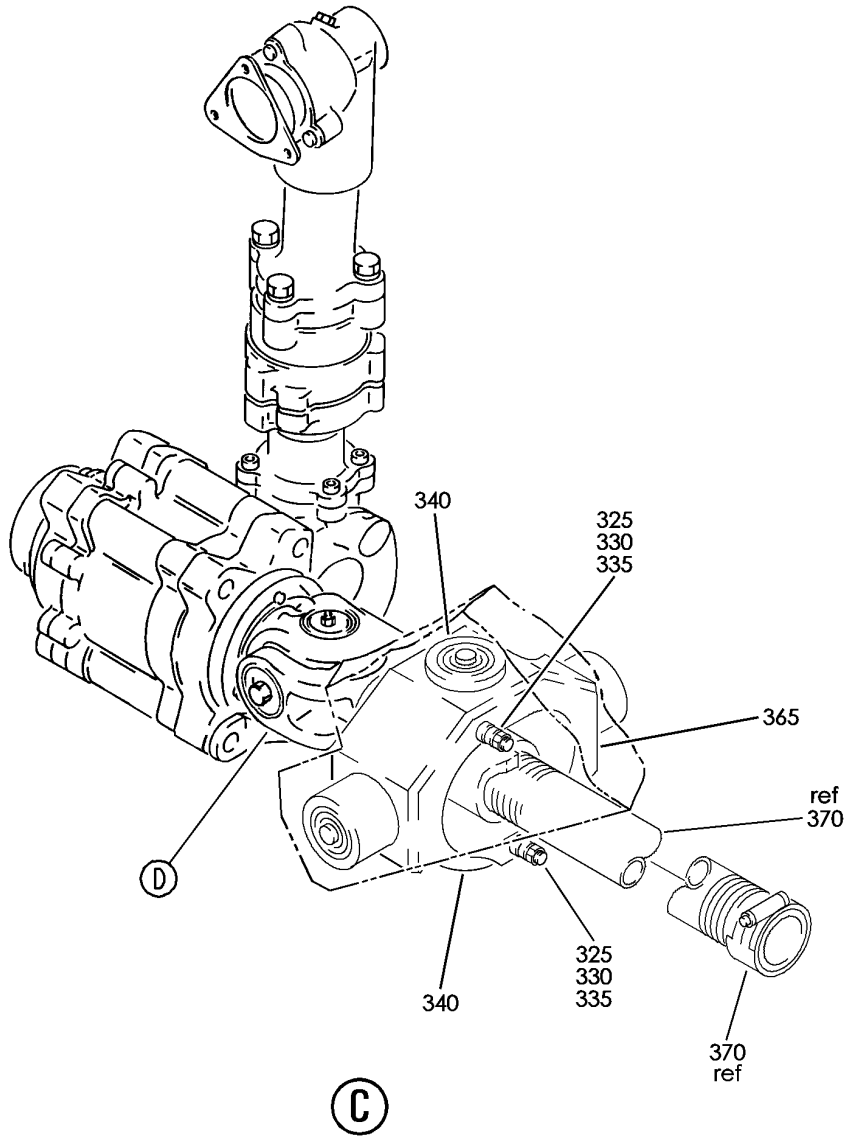
TRANSMISSION INSTL-OUTBD TE FLAP DRIVE (INBOARD BALLSCREWS ONLY)  
FIGURE 2 (SHEET 2)

**27-51-21-02**

BRI  
MAY 28/07

27-51-21-02  
PAGE 0A

**BOEING**  
757  
PARTS CATALOG (MAINTENANCE)



Y 27512102 SHT 3 REV 230

TRANSMISSION INSTL-OUTBD TE FLAP DRIVE (INBOARD BALLSCREWS ONLY)  
FIGURE 2 (SHEET 3)

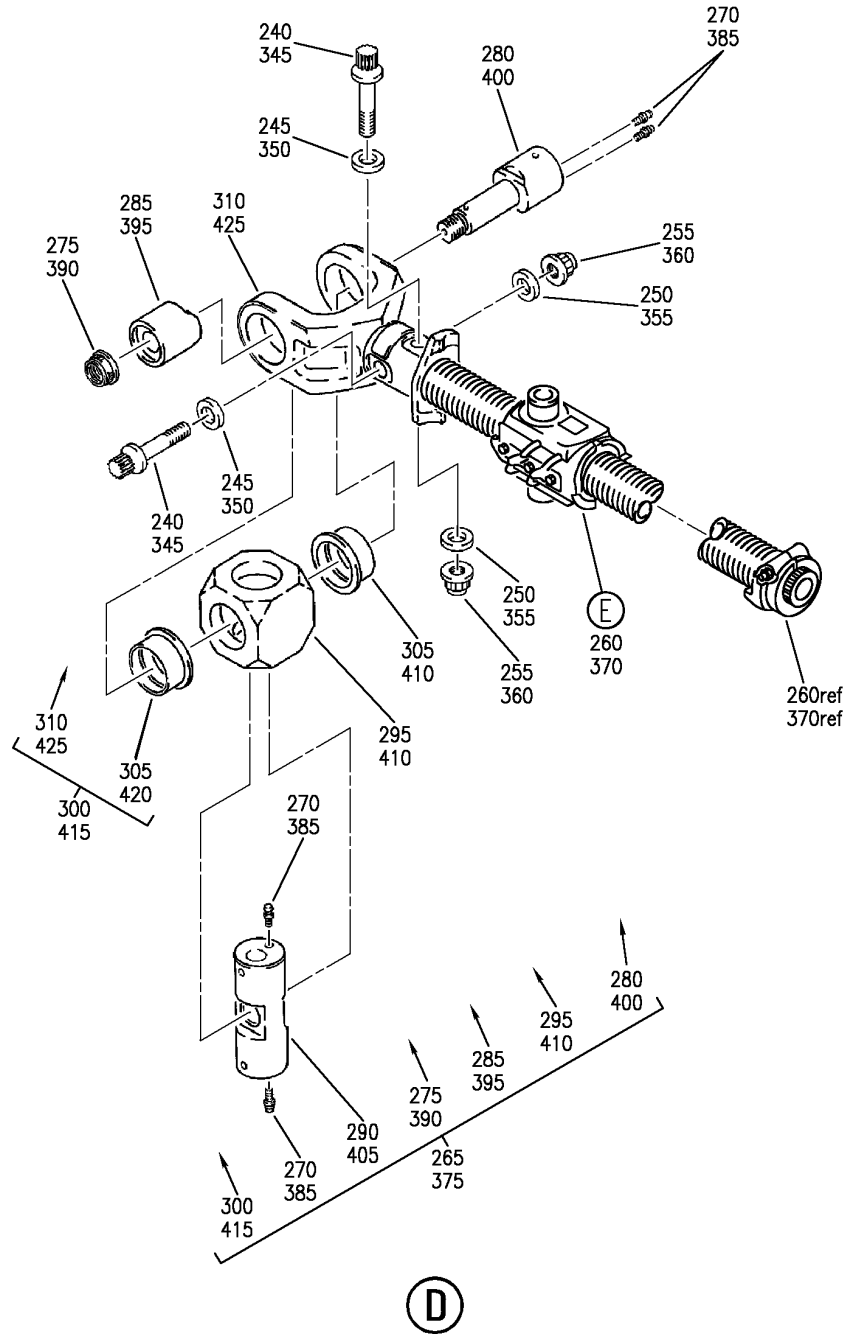
**27-51-21-02**

BRI  
MAY 28/07

27-51-21-02  
PAGE 08



**BOEING**  
757  
PARTS CATALOG (MAINTENANCE)



Y 27512102 SH1 4 REV 289

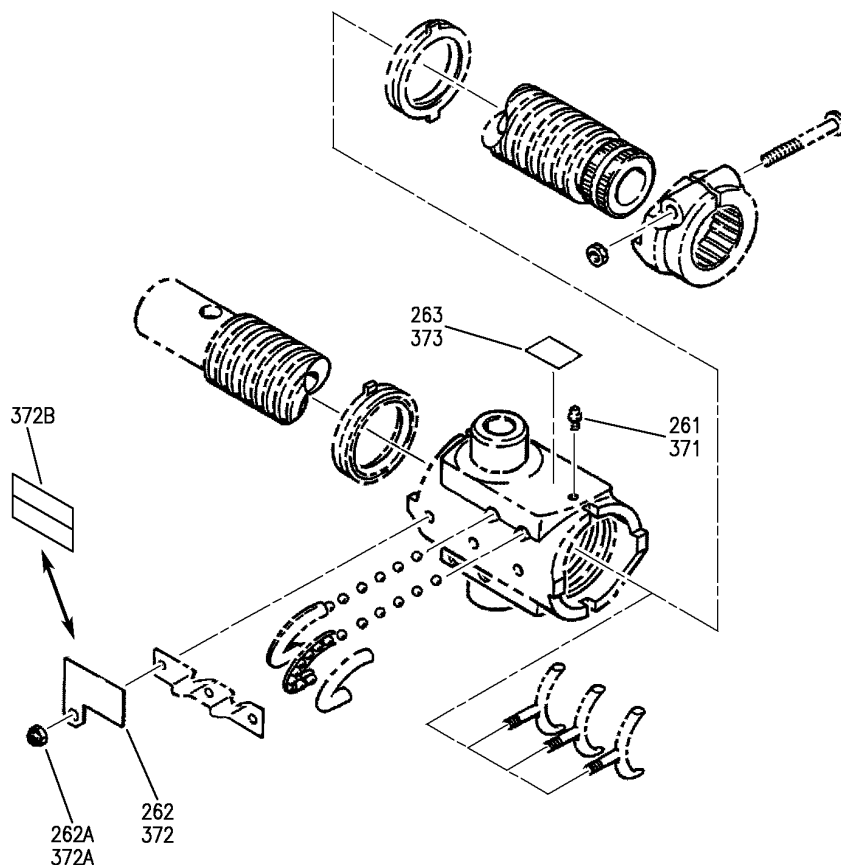
TRANSMISSION INSTL-OUTBD TE FLAP DRIVE (INBOARD BALLSCREWS ONLY)  
FIGURE 2 (SHEET 4)

**27-51-21-02**

BRI  
MAY 28/07

27-51-21-02  
PAGE 0C

**BOEING**  
757  
PARTS CATALOG (MAINTENANCE)



(E)

Y 27512102 SH1 5 REV 304

TRANSMISSION INSTL-OUTBD TE FLAP DRIVE (INBOARD BALLSCREWS ONLY)  
FIGURE 2 (SHEET 5)

**27-51-21-02**

BRI  
MAY 28/07

27-51-21-02  
PAGE 00



757

PARTS CATALOG (MAINTENANCE)

FIG ITEM	PART NUMBER	1 2 3 4 5 6 7	NOMENCLATURE	EFFECT FROM TO	UNITS PER ASSY
2			TRANSMISSION INSTL-OUTBD TE FLAP DRIVE (INBOARD BALLSCREWS ONLY)	002004 006999	
- 1	251N4009-1		TRANSMISSION INSTL-OUTBD TE FLAP DRIVE (OUTBOARD FLAP BALLSCREWS ONLY) POSITION DATA: INBD LH FOR NHA/OTHER SYS DET SEE: 27-51-25-03	002004 006100 107107 121503 904999	RF
- 1	251N4009-37		TRANSMISSION INSTL-OUTBD TE FLAP DRIVE (OUTBOARD FLAP BALLSCREWS ONLY) POSITION DATA: INBD LH FOR NHA/OTHER SYS DET SEE: 27-50-00-02	101102 108120 504903	RF
- 1	MODREF7570		TRANSMISSION INSTL-OUTBD TE FLAP DRIVE (OUTBOARD FLAP BALLSCREWS ONLY) MODULE NUMBER: 251N4009-43 REV A POSITION DATA: INBD LH FOR OTHER SYS DETAILS SEE: 11-24-55-03 27-51-17-02 27-51-18-02	103103	1
- 1	MODREF27516		TRANSMISSION INSTL-OUTBD TE FLAP DRIVE (OUTBOARD FLAP BALLSCREWS ONLY) MODULE NUMBER: 251N4009-43 REV B POSITION DATA: INBD LH FOR OTHER SYS DETAILS SEE: 11-24-55-03 27-51-17-02 27-51-18-02	104106	1
- 5	251N4009-2		TRANSMISSION INSTL-OUTBD TE FLAP DRIVE (OUTBOARD FLAP BALLSCREWS ONLY) POSITION DATA: INBD RH FOR NHA/OTHER SYS DET SEE: 27-51-25-03	002004 006100 107107 121503 904999	RF

MISSING ITEM NUMBERS NOT APPLICABLE

- ITEM NOT ILLUSTRATED

BRI

27-51-21-02

27-51-21  
FIG. 02  
PAGE 1  
JAN 20/09



757

PARTS CATALOG (MAINTENANCE)

FIG ITEM	PART NUMBER	1 2 3 4 5 6 7	NOMENCLATURE	EFFECT FROM TO	UNITS PER ASSY
2					
- 5	251N4009-38		TRANSMISSION INSTL-OUTBD TE FLAP DRIVE (OUTBOARD FLAP BALLSCREWS ONLY) POSITION DATA: INBD RH FOR NHA/OTHER SYS DET SEE: 27-50-00-02	101102 108120 504903	RF
- 5	MODREF7571		TRANSMISSION INSTL-OUTBD TE FLAP DRIVE (OUTBOARD FLAP BALLSCREWS ONLY) MODULE NUMBER: 251N4009-44 REV A POSITION DATA: INBD RH FOR OTHER SYS DETAILS SEE: 11-24-55-03 27-51-17-02 27-51-18-02	103103	1
- 5	MODREF27517		TRANSMISSION INSTL-OUTBD TE FLAP DRIVE (OUTBOARD FLAP BALLSCREWS ONLY) MODULE NUMBER: 251N4009-44 REV B POSITION DATA: INBD RH FOR OTHER SYS DETAILS SEE: 11-24-55-03 27-51-17-02 27-51-18-02	104106	1
10	BACB30MR6K45		.BOLT- MISCELLANEOUS DATA: BACB30MR6K49 AND BACW10BP6CD OR BACB30NM6K49 AND BACW10BP6CD CAN REPLACE BUT NOT BE REPLACED BY BACB30MR6K45. OPTIONAL PART: BACB30NM6K45	002004 006102 107999	2
10	BACB30NM6K45		.BOLT- MISCELLANEOUS DATA: BACB30MR6K49 AND BACW10BP6CD OR BACB30NM6K49 AND BACW10BP6CD CAN REPLACE BUT NOT BE REPLACED BY BACB30MR6K45. OPTIONAL PART: BACB30MR6K45	002004 006102 107999	2

MISSING ITEM NUMBERS NOT APPLICABLE

- ITEM NOT ILLUSTRATED

27-51-21-02

27-51-21  
FIG. 02  
PAGE 2  
JAN 20/09

BRI



757

PARTS CATALOG (MAINTENANCE)

FIG ITEM	PART NUMBER	1 2 3 4 5 6 7	NOMENCLATURE	EFFECT FROM TO	UNITS PER ASSY
2					
15	AN960KD616	.	WASHER	002004 006100 107107 121503 904999	2
15	NAS1149D0663J	.	WASHER	101102 108120 504903	2
20	NAS1805-6N	.	NUT	002004 006100 107107 121503 904999	2
20	NAS1805-6L	.	NUT	101102 108120 504903	2
- 25	251N4009-33	.	SUB KIT ASSY- OPTIONAL PART: 251N4009-34 251N4009-35	103106	1
- 25	251N4009-34	.	SUB KIT ASSY- OPTIONAL PART: 251N4009-33 251N4009-35	103106	1
- 25	251N4009-35	.	SUB KIT ASSY- OPTIONAL PART: 251N4009-33 251N4009-34	103106	1
30	BACB30MR6K45	..	BOLT- MISCELLANEOUS DATA: BACB30MR6K49 AND BACW10BP6CD OR BACB30NM6K49 AND BACW10BP6CD CAN REPLACE BUT NOT BE REPLACED BY BACB30MR6K45. USED ON: 251N4009-33	103106	2
30	BACB30NM6K45	..	BOLT- MISCELLANEOUS DATA: BACB30MR6K49 AND BACW10BP6CD OR BACB30NM6K49 AND BACW10BP6CD CAN REPLACE BUT NOT BE REPLACED BY BACB30MR6K45. USED ON: 251N4009-34	103106	2

MISSING ITEM NUMBERS NOT APPLICABLE

- ITEM NOT ILLUSTRATED

27-51-21-02

27-51-21  
FIG. 02  
PAGE 3  
JAN 20/09

BRI



757

PARTS CATALOG (MAINTENANCE)

FIG ITEM	PART NUMBER	1 2 3 4 5 6 7	NOMENCLATURE	EFFECT FROM TO	UNITS PER ASSY
2	30 BACB30MR6K47		..BOLT- USED ON: 251N4009-35	103106	2
	35 NAS1149D0663J		..WASHER- USED ON: 251N4009-33 251N4009-34 251N4009-49 251N4009-50	103106	2
	35 BACW10BX6CS		..WASHER- USED ON: 251N4009-35 251N4009-51	103106	2
	45 HJ18DU105		.BUSHING- SUPPLIER CODE: V02758 SPECIFICATION NUMBER: 10-61899-25 QUALIFIED I/W DATA: 251N4277-1 BUSHING TOGETHER WITH 251N4279-1 CAP AY AND 251N4280-1 PLUG AY AND 2 EA NAS607-2-6 PIN IS I/W 10-61899-25 251N4277-1 BUSHING TOGETHER WITH 251N4279-3 CAP AY AND 251N4280-3 PLUG AY AND 2 EA NAS607-2-6 PIN IS I/W 10-61899-25 OPTIONAL PART: AJ18C105DU VS0352 ADU18-7 V15860 OPTIONAL PART: AJ18C105DU V02758 ADU18-7 V02758	002004 006102 106999	2

MISSING ITEM NUMBERS NOT APPLICABLE

- ITEM NOT ILLUSTRATED

BRI

27-51-21-02

27-51-21  
FIG. 02  
PAGE 4  
JAN 20/09



757

PARTS CATALOG (MAINTENANCE)

FIG ITEM	PART NUMBER	1 2 3 4 5 6 7	NOMENCLATURE	EFFECT FROM TO	UNITS PER ASSY
2	45 AJ18C105DU		.BUSHING- SUPPLIER CODE: V02758 SPECIFICATION NUMBER: 10-61899-25 OPTIONAL PART: ADU18-7 V02758 HJ18DU105 V02758	101102 108120 504903	2
	45 ADU18-7		.BUSHING- SUPPLIER CODE: V02758 SPECIFICATION NUMBER: 10-61899-25 OPTIONAL PART: AJ18C105DU V02758 HJ18DU105 V02758	002004 006102 106999	2
	50 HL13VAZ6-39		.BOLT- SUPPLIER CODE: V56878 SPECIFICATION NUMBER: BACB30NY6K39 OPTIONAL PART: HL13VAZ6-39 V73197 HL13VAZ6-39 V92215 HL13VAZ6-39 V97928 L801-6K39 V06725 HL13VAZ6-39 V60516 L801-6K39 VOPTK6 HL13VAZ6-39 V17446 POSITION DATA: LH SIDE QUALIFIED OPTIONAL DATA: 251N4009-15 IS OPTIONAL TO 251N4101-90 PLUS TWO 10-61899-26, 251N4077-4, TWO BACB30NY6K39, TWO BACC30X6, AND TWO NAS620C10	107107 904949	2

MISSING ITEM NUMBERS NOT APPLICABLE

- ITEM NOT ILLUSTRATED

BRI

27-51-21-02

27-51-21  
FIG. 02  
PAGE 5  
JAN 20/09



757

PARTS CATALOG (MAINTENANCE)

FIG ITEM	PART NUMBER	1 2 3 4 5 6 7	NOMENCLATURE	EFFECT FROM TO	UNITS PER ASSY
2 - 55	HL13VAZ6-39		.BOLT- SUPPLIER CODE: V56878 SPECIFICATION NUMBER: BACB30NY6K39 OPTIONAL PART: HL13VAZ6-39 V73197 HL13VAZ6-39 V92215 HL13VAZ6-39 V97928 L801-6K39 V06725 HL13VAZ6-39 V60516 L801-6K39 VOPTK6 HL13VAZ6-39 V17446 POSITION DATA: RH SIDE QUALIFIED OPTIONAL DATA: 251N4009-16 IS OPTIONAL TO 251N4101-95 PLUS TWO 10-61899-26, 251N4077-4, TWO BACB30NY6K39, TWO BACC30X6, AND TWO NAS620C10	107107 904949	2
60	NAS620C10		.WASHER- POSITION DATA: LH SIDE QUALIFIED OPTIONAL DATA: 251N4009-15 IS OPTIONAL TO 251N4101-90 PLUS TWO 10-61899-26, 251N4077-4, TWO BACB30NY6K39, TWO BACC30X6, AND TWO NAS620C10	107107 904949	2
- 65	NAS620C10		.WASHER- POSITION DATA: RH SIDE QUALIFIED OPTIONAL DATA: 251N4009-16 IS OPTIONAL TO 251N4101-95 PLUS TWO 10-61899-26, 251N4077-4, TWO BACB30NY6K39, TWO BACC30X6, AND TWO NAS620C10	107107 904949	2

MISSING ITEM NUMBERS NOT APPLICABLE

- ITEM NOT ILLUSTRATED

27-51-21-02

27-51-21  
FIG. 02  
PAGE 6  
JAN 20/09

BRI





**757  
PARTS CATALOG (MAINTENANCE)**

FIG ITEM	PART NUMBER	1 2 3 4 5 6 7 NOMENCLATURE	EFFECT FROM TO	UNITS PER ASSY
2 70	HL1187-6	. COLLAR- SUPPLIER CODE: V5M902 SPECIFICATION NUMBER: BACC30X6 OPTIONAL PART: HL87-6 V92215 HL87-6 V73197 HL1187-6 V56878 HL1187-6 V92215 HL87-6 V56878 HL1187-6 V73197 POSITION DATA: LH SIDE QUALIFIED OPTIONAL DATA: 251N4009-15 IS OPTIONAL TO 251N4101-90 PLUS TWO 10-61899-26, 251N4077-4, TWO BACB30NY6K39, TWO BACC30X6, AND TWO NAS620C10	107107 904949	2

MISSING ITEM NUMBERS NOT APPLICABLE

— ITEM NOT ILLUSTRATED

BRI

# 27-51-21-02

BOEING PROPRIETARY - Copyright © - Unpublished Work - See title page for details.

27-51-21  
FIG. 02  
PAGE 7  
JAN 20/09



757

PARTS CATALOG (MAINTENANCE)

FIG ITEM	PART NUMBER	1 2 3 4 5 6 7	NOMENCLATURE	EFFECT FROM TO	UNITS PER ASSY
2 - 75	HL1187-6		. COLLAR- SUPPLIER CODE: V5M902 SPECIFICATION NUMBER: BACC30X6 OPTIONAL PART: HL87-6 V92215 HL87-6 V73197 HL1187-6 V56878 HL1187-6 V92215 HL87-6 V56878 HL1187-6 V73197 POSITION DATA: RH SIDE QUALIFIED OPTIONAL DATA: 251N4009-16 IS OPTIONAL TO 251N4101-95 PLUS TWO 10-61899-26, 251N4077-4, TWO BACB30NY6K39, TWO BACC30X6, AND TWO NAS620C10	107107 904949	2

MISSING ITEM NUMBERS NOT APPLICABLE

- ITEM NOT ILLUSTRATED

BRI

27-51-21-02

BOEING PROPRIETARY - Copyright © - Unpublished Work - See title page for details.

27-51-21  
FIG. 02  
PAGE 8  
JAN 20/09



757

PARTS CATALOG (MAINTENANCE)

FIG ITEM	PART NUMBER	1 2 3 4 5 6 7	NOMENCLATURE	EFFECT FROM TO	UNITS PER ASSY
2 80	HJ18DU106		.BUSHING- SUPPLIER CODE: V02758 POSITION DATA: LH SIDE SPECIFICATION NUMBER: 10-61899-26 QUALIFIED I/W DATA: 251N4278-2 BUSHING TOGETHER WITH 251N4279-1 CAP AY AND 251N4280-1 PLUG AY AND 2 EA NAS607-2-6 PIN IS I/W 10-61899-26 251N4278-2 BUSHING TOGETHER WITH 251N4322-1 CAP AY AND 251N4280-1 PLUG AY AND 2 EA NAS607-2-6 PIN IS I/W 10-61899-26 QUALIFIED OPTIONAL DATA: 251N4009-150 IS OPTIONAL TO 251N4101-90 PLUS TWO 10-61899-26, 251N4077-4 TWO BACB30NY6K39, TWO BACC30X6, AND TWO NAS620C10 OPTIONAL PART: AJ18C106DU VS0352 ADU18-8 V15860	107107 904949	1
80	AJ18C106DU		.BUSHING- SUPPLIER CODE: VS0352 POSITION DATA: LH SIDE SPECIFICATION NUMBER: 10-61899-26 OPTIONAL PART: ADU18-8 V15860 HJ18DU106 V02758	107107 904949	1

MISSING ITEM NUMBERS NOT APPLICABLE

- ITEM NOT ILLUSTRATED

BRI

27-51-21-02

BOEING PROPRIETARY - Copyright © - Unpublished Work - See title page for details.

27-51-21  
FIG. 02  
PAGE 9  
JAN 20/09



757

PARTS CATALOG (MAINTENANCE)

FIG ITEM	PART NUMBER	1 2 3 4 5 6 7	NOMENCLATURE	EFFECT FROM TO	UNITS PER ASSY
2 80	ADU18-8		.BUSHING- SUPPLIER CODE: V15860 POSITION DATA: LH SIDE SPECIFICATION NUMBER: 10-61899-26 OPTIONAL PART: AJ18C106DU VS0352 HJ18DU106 V02758	107107 904949	1

MISSING ITEM NUMBERS NOT APPLICABLE

- ITEM NOT ILLUSTRATED

BRI

27-51-21-02

BOEING PROPRIETARY - Copyright © - Unpublished Work - See title page for details.

27-51-21  
FIG. 02  
PAGE 10  
JAN 20/09



757

PARTS CATALOG (MAINTENANCE)

FIG ITEM	PART NUMBER	1 2 3 4 5 6 7	NOMENCLATURE	EFFECT FROM TO	UNITS PER ASSY
2 85	HJ18DU106		.BUSHING- SUPPLIER CODE: V02758 POSITION DATA: LH SIDE SPECIFICATION NUMBER: 10-61899-26 QUALIFIED I/W DATA: 251N4278-2 BUSHING TOGETHER WITH 251N4279-1 CAP AY AND 251N4280-1 PLUG AY AND 2 EA NAS607-2-6 PIN IS I/W 10-61899-26 251N4278-1 BUSHING TOGETHER WITH 251N4279-1 CAP AY AND 251N4280-1 PLUG AY AND 2 EA NAS607-2-6 PIN IS I/W 10-61899-26 251N4278-2 BUSHING TOGETHER WITH 251N4322-1 CAP AY AND 251N4280-1 PLUG AY AND 2 EA NAS607-2-6 PIN IS I/W 10-61899-26 QUALIFIED OPTIONAL DATA: 251N4009-15 IS OPTIONAL TO 251N4101-90 PLUS TWO 10-61899-26, 251N4077-4, TWO BACB30NY6K39, TWO BACC30X6, AND TWO NAS620C10 OPTIONAL PART: AJ18C106DU VS0352 ADU18-8 V15860	107107 904949	1

MISSING ITEM NUMBERS NOT APPLICABLE

- ITEM NOT ILLUSTRATED

27-51-21-02

27-51-21  
FIG. 02  
PAGE 11  
JAN 20/09

BRI



757

PARTS CATALOG (MAINTENANCE)

FIG ITEM	PART NUMBER	1 2 3 4 5 6 7	NOMENCLATURE	EFFECT FROM TO	UNITS PER ASSY
2 85	AJ18C106DU		.BUSHING- SUPPLIER CODE: VS0352 POSITION DATA: LH SIDE SPECIFICATION NUMBER: 10-61899-26 OPTIONAL PART: ADU18-8 V15860 HJ18DU106 V02758	107107 904949	1
85	ADU18-8		.BUSHING- SUPPLIER CODE: V15860 POSITION DATA: LH SIDE SPECIFICATION NUMBER: 10-61899-26 OPTIONAL PART: AJ18C106DU VS0352 HJ18DU106 V02758	107107 904949	1

MISSING ITEM NUMBERS NOT APPLICABLE

- ITEM NOT ILLUSTRATED

BRI

27-51-21-02

BOEING PROPRIETARY - Copyright © - Unpublished Work - See title page for details.

27-51-21  
FIG. 02  
PAGE 12  
JAN 20/09



757

PARTS CATALOG (MAINTENANCE)

FIG ITEM	PART NUMBER	1 2 3 4 5 6 7	NOMENCLATURE	EFFECT FROM TO	UNITS PER ASSY
2 90	HJ18DU106		.BUSHING- SUPPLIER CODE: V02758 POSITION DATA: RH SIDE SPECIFICATION NUMBER: 10-61899-26 QUALIFIED I/W DATA: 251N4278-2 BUSHING TOGETHER WITH 251N4279-1 CAP AY AND 251N4280-1 PLUG AY AND 2 EA NAS607-2-6 PIN IS I/W 10-61899-26 251N4278-2 BUSHING TOGETHER WITH 251N4322-1 CAP AY AND 251N4280-1 PLUG AY AND 2 EA NAS607-2-6 PIN IS I/W 10-61899-26 QUALIFIED OPTIONAL DATA: 251N4009-16 IS OPTIONAL TO 251N4101-95 PLUS TWO 10-61899-26, 251N4077-4, TWO BACB30NY6K39, TWO BACC30X6, AND TWO NAS620C10 OPTIONAL PART: AJ18C106DU VS0352 ADU18-8 V15860	107107 904949	1
90	AJ18C106DU		.BUSHING- SUPPLIER CODE: VS0352 POSITION DATA: RH SIDE SPECIFICATION NUMBER: 10-61899-26 OPTIONAL PART: ADU18-8 V15860 HJ18DU106 V02758	107107 904949	1

MISSING ITEM NUMBERS NOT APPLICABLE

- ITEM NOT ILLUSTRATED

BRI

27-51-21-02

BOEING PROPRIETARY - Copyright © - Unpublished Work - See title page for details.

27-51-21  
FIG. 02  
PAGE 13  
JAN 20/09



757

PARTS CATALOG (MAINTENANCE)

FIG ITEM	PART NUMBER	1 2 3 4 5 6 7	NOMENCLATURE	EFFECT FROM TO	UNITS PER ASSY
2 90	ADU18-8		.BUSHING- SUPPLIER CODE: V15860 POSITION DATA: RH SIDE SPECIFICATION NUMBER: 10-61899-26 OPTIONAL PART: AJ18C106DU VS0352 HJ18DU106 V02758	107107 904949	1
95	HJ18DU106		.BUSHING- SUPPLIER CODE: V02758 POSITION DATA: RH SIDE SPECIFICATION NUMBER: 10-61899-26 QUALIFIED I/W DATA: 251N4278-2 BUSHING TOGETHER WITH 251N4279-1 CAP AY AND 251N4280-1 PLUG AY AND 2 EA NAS607-2-6 PIN IS I/W 10-61899-26 251N4278-2 BUSHING TOGETHER WITH 251N4322-1 CAP AY AND 251N4280-1 PLUG AY AND 2 EA NAS607-2-6 PIN IS I/W 10-61899-26 QUALIFIED OPTIONAL DATA: 251N4009-16 IS OPTIONAL TO 251N4101-95 PLUS TWO 10-61899-26, 251N4077-4, TWO BACB30NY6K39, TWO BACC30X6, AND TWO NAS620C10 OPTIONAL PART: AJ18C106DU VS0352 ADU18-8 V15860	107107 904949	1

MISSING ITEM NUMBERS NOT APPLICABLE

- ITEM NOT ILLUSTRATED

BRI

27-51-21-02

BOEING PROPRIETARY - Copyright © - Unpublished Work - See title page for details.

27-51-21  
FIG. 02  
PAGE 14  
JAN 20/09





757

PARTS CATALOG (MAINTENANCE)

FIG ITEM	PART NUMBER	1 2 3 4 5 6 7	NOMENCLATURE	EFFECT FROM TO	UNITS PER ASSY
2	95 AJ18C106DU		.BUSHING- SUPPLIER CODE: VS0352 POSITION DATA: RH SIDE SPECIFICATION NUMBER: 10-61899-26 OPTIONAL PART: ADU18-8 V15860 HJ18DU106 V02758	107107 904949	1
	95 ADU18-8		.BUSHING- SUPPLIER CODE: V15860 POSITION DATA: RH SIDE SPECIFICATION NUMBER: 10-61899-26 OPTIONAL PART: AJ18C106DU VS0352 HJ18DU106 V02758	107107 904949	1
	215 251N4077-1		.GIMBAL- OPTIONAL PART: 251N4077-4	107107 904949	1
	220 251N4077-2		.GIMBAL- OPTIONAL PART: 251N4077-4	107107 904949	1
	225 251N4077-4		.GIMBAL- POSITION DATA: LH SIDE QUALIFIED OPTIONAL DATA: 251N4009-15 OPTIONAL TO 251N4077-4 PLUS 251N4101-90, TWO 10-61899-26, TWO BACB30NY6K39, TWO BACC30X6, AND TWO NAS620C10	107107 904949	1
	230 251N4101-42		.TRANSMISSION ASSY- POSITION DATA: LH SIDE COMPONENT MAINT MANUAL REF: 27-51-12 QUALIFIED I/W DATA: 251N4009-15 CAN REPLACE OR BE REPLACED BY	107107 904949	RF

MISSING ITEM NUMBERS NOT APPLICABLE

- ITEM NOT ILLUSTRATED

BRI

27-51-21-02

27-51-21  
FIG. 02  
PAGE 15  
JAN 20/09



757

PARTS CATALOG (MAINTENANCE)

FIG ITEM	PART NUMBER	1 2 3 4 5 6 7 NOMENCLATURE	EFFECT FROM TO	UNITS PER ASSY
2		<p>251N4101-42/-50/-58/-66/ -74/-82/-90 TOGETHER WITH (ONE EA) 10-61899-26/HJ18DU106, (ONE EA) 251N4077-4, (TWO EA) BACB30NY6K39, (TWO EA) BACC30X6, AND (TWO EA) NAS620C10 251N4009-17 CAN REPLACE OR BE REPLACED BY 251N4101-42/-50/-58/-66/ -74/-82/-90 TOGETHER WITH (TWO EA) 10-61899-26/HJ18DU106, (ONE EA) 251N4077-4, (TWO EA) BACB30NY6K39, (TWO EA) BACC30X6, AND (TWO EA) NAS620C10 251N4009-23 CAN REPLACE BUT CANNOT BE REPLACED BY 251N4101-42/-50/-58/ -66/-74/-82/-90 TOGETHER WITH (TWO EA) 10-61899-26/HJ18DU106, (ONE EA) 251N4077-4, (TWO EA) BACB30NY6K39, (TWO EA) BACC30X6, AND (TWO EA) NAS620C10 251N4009-39 CAN REPLACE BUT CANNOT BE REPLACED BY 251N4101-42/-50/-58/ -66/-74/-82/-90 TOGETHER WITH (TWO EA) 10-61899-26/HJ18DU106, (ONE EA) 251N4077-4, (TWO EA) BACB30NY6K39, (TWO EA) BACC30X6, AND (TWO EA) NAS620C10 251N4009-45 CAN REPLACE BUT CANNOT BE REPLACED BY 251N4101-42/-50/-58/ -66/-74/-82/-90 TOGETHER WITH (TWO EA) 10-61899-26/HJ18DU106, (ONE EA) 251N4077-4, (TWO EA) BACB30NY6K39, (TWO EA) BACC30X6, AND (TWO EA) NAS620C10 251N4009-53 CAN REPLACE</p>		

MISSING ITEM NUMBERS NOT APPLICABLE

- ITEM NOT ILLUSTRATED

27-51-21-02

27-51-21  
FIG. 02  
PAGE 16  
JAN 20/09

BRI



757

PARTS CATALOG (MAINTENANCE)

FIG ITEM	PART NUMBER	1 2 3 4 5 6 7 NOMENCLATURE	EFFECT FROM TO	UNITS PER ASSY
2	230 251N4101-50	<p>OR BE REPLACED BY            251N4101-42/-50/-58/-66/            -74/-82/-90 TOGETHER            WITH (TWO EA)            10-61899-26/HJ18DU106,            (ONE EA) 251N4077-4,            (TWO EA) BACB30NY6K39,            (TWO EA) BACC30X6, AND            (TWO EA) NAS620C10            REWORKED BY ALERT SB:            27A0127R2</p> <p>. TRANSMISSION ASSY-            POSITION DATA:            LH SIDE            COMPONENT MAINT MANUAL REF:            27-51-12            QUALIFIED I/W DATA:            251N4009-15 CAN REPLACE            OR BE REPLACED BY            251N4101-42/-50/-58/-66/            -74/-82/-90 TOGETHER            WITH (TWO EA)            10-61899-26/HJ18DU106,            (ONE EA) 251N4077-4,            (TWO EA) BACB30NY6K39,            (TWO EA) BACC30X6, AND            (TWO EA) NAS620C10            251N4009-17 CAN REPLACE            OR BE REPLACED BY            251N4101-42/-50/-58/-66/            -74/-82/-90 TOGETHER            WITH (TWO EA)            10-61899-26/HJ18DU106,            (ONE EA) 251N4077-4,            (TWO EA) BACB30NY6K39,            (TWO EA) BACC30X6, AND            (TWO EA) NAS620C10            251N4009-23 CAN REPLACE            BUT CANNOT BE REPLACED            251N4101-42/-50/-58/-66/            -74/-82/-90 TOGETHER            WITH (TWO EA)            10-61899-26/HJ18DU106,            (ONE EA) 251N4077-4,            (TWO EA) BACB30NY6K39,            (TWO EA) BACC30X6, AND            (TWO EA) NAS620C10            251N4009-39 CAN REPLACE            BUT CANNOT BE REPLACED</p>	107107 904949	RF

MISSING ITEM NUMBERS NOT APPLICABLE

- ITEM NOT ILLUSTRATED

27-51-21-02

27-51-21  
 FIG. 02  
 PAGE 17  
 JAN 20/09

BRI



757

PARTS CATALOG (MAINTENANCE)

FIG ITEM	PART NUMBER	1 2 3 4 5 6 7 NOMENCLATURE	EFFECT FROM TO	UNITS PER ASSY
2		<p>BY 251N4101-42/-50/-58/ -66/-74/-82/-90 TOGETHER WITH (TWO EA) 10-61899-26/HJ18DU106, (ONE EA) 251N4077-4, (TWO EA) BACB30NY6K39, (TWO EA) BACC30X6, AND (TWO EA) NAS620C10 251N4009-45 CAN REPLACE BUT CANNOT BE REPLACED BY 251N4101-42/-50/-58/ -66/-74/-82/-90 TOGETHER WITH (TWO EA) 10-61899-26/HJ18DU106, (ONE EA) 251N4077-4, (TWO EA) BACB30NY6K39, (TWO EA) BACC30X6, AND (TWO EA) NAS620C10 251N4009-53 CAN REPLACE BUT CANNOT BE REPLACED BY 251N4101-42/-50/-58/ -66/-74/-82/-90 TOGETHER WITH (TWO EA) 10-61899-26/HJ18DU106, (ONE EA) 251N4077-4, (TWO EA) BACB30NY6K39, (TWO EA) BACC30X6, AND (TWO EA) NAS620C10 REWORKED BY ALERT SB: 27A0127R2 .TRANSMISSION ASSY- POSITION DATA: LH SIDE COMPONENT MAINT MANUAL REF: 27-51-12 QUALIFIED I/W DATA: 251N4009-15 CAN REPLACE OR BE REPLACED BY 251N4101-42/-50/-58/-66/ -74/-82/-90 TOGETHER WITH (TWO EA) 10-61899-26/HJ18DU106, (ONE EA) 251N4077-4, (TWO EA) BACB30NY6K39, (TWO EA) BACC30X6, AND (TWO EA) NAS620C10 251N4009-17 CAN REPLACE OR BE REPLACED BY 251N4101-42/-50/-58/-66/</p>		
230	251N4101-58	<p>REWORKED BY ALERT SB: 27A0127R2 .TRANSMISSION ASSY- POSITION DATA: LH SIDE COMPONENT MAINT MANUAL REF: 27-51-12 QUALIFIED I/W DATA: 251N4009-15 CAN REPLACE OR BE REPLACED BY 251N4101-42/-50/-58/-66/ -74/-82/-90 TOGETHER WITH (TWO EA) 10-61899-26/HJ18DU106, (ONE EA) 251N4077-4, (TWO EA) BACB30NY6K39, (TWO EA) BACC30X6, AND (TWO EA) NAS620C10 251N4009-17 CAN REPLACE OR BE REPLACED BY 251N4101-42/-50/-58/-66/</p>	107107 904949	RF

MISSING ITEM NUMBERS NOT APPLICABLE

- ITEM NOT ILLUSTRATED

BRI

27-51-21-02

BOEING PROPRIETARY - Copyright © - Unpublished Work - See title page for details.

27-51-21  
FIG. 02  
PAGE 18  
JAN 20/09



757

PARTS CATALOG (MAINTENANCE)

FIG ITEM	PART NUMBER	1 2 3 4 5 6 7 NOMENCLATURE	EFFECT FROM TO	UNITS PER ASSY
2		<p>-74/-82/-90 TOGETHER WITH (TWO EA) 10-61899-26/HJ18DU106, (ONE EA) 251N4077-4, (TWO EA) BACB30NY6K39, (TWO EA) BACC30X6, AND (TWO EA) NAS620C10 251N4009-23 CAN REPLACE BUT NOT BE REPLACED BY 251N4101-42/-50/-58/-66/ -74/-82/-90 TOGETHER WITH (TWO EA) 10-61899-26/HJ18DU106, (ONE EA) 251N4077-4, (TWO EA) BACB30NY6K39, (TWO EA) BACC30X6, AND (TWO EA) NAS620C10 251N4009-39 CAN REPLACE BUT CANNOT BE REPLACED BY 251N4101-42/-50/-66/ -74/-82/-90 TOGETHER WITH (TWO EA) 10-61899-26/HJ18DU106, (ONE EA) 251N4077-4, (TWO EA) BACB30NY6K39, (TWO EA) BACC30X6, AND (TWO EA) NAS620C10 251N4009-45 CAN REPLACE BUT CANNOT BE REPLACED BY 251N4101-42/-50/-58/ -66/-74/-82/-90 TOGETHER WITH (TWO EA) 10-61899-26/HJ18DU106, (ONE EA) 251N4077-4, (TWO EA) BACB30NY6K39, (TWO EA) BACC30X6, AND (TWO EA) NAS620C10 251N4009-53 CAN REPLACE BUT CANNOT BE REPLACED BY 251N4101-42/-50/-58/ -66/-74/-82/-90 TOGETHER WITH (TWO EA) 10-61899-26/HJ18DU106, (ONE EA) 251N4077-4, (TWO EA) BACB30NY6K39, (TWO EA) BACC30X6, AND (TWO EA) NAS620C10 REWORKED BY ALERT SB: 27A0127R2</p>		

MISSING ITEM NUMBERS NOT APPLICABLE

- ITEM NOT ILLUSTRATED

27-51-21-02

27-51-21  
FIG. 02  
PAGE 19  
JAN 20/09

BRI



757

PARTS CATALOG (MAINTENANCE)

FIG ITEM	PART NUMBER	1 2 3 4 5 6 7	NOMENCLATURE	EFFECT FROM TO	UNITS PER ASSY
2 230	251N4101-66		.TRANSMISSION ASSY- POSITION DATA: LH SIDE COMPONENT MAINT MANUAL REF: 27-51-99 QUALIFIED I/W DATA: 251N4009-15 CAN REPLACE OR BE REPLACED BY 251N4101-42/-50/-58/-66/ -74/-82/-90 TOGETHER WITH (TWO EA) 10-61899-26/HJ18DU106, (ONE EA) 251N4077-4, (TWO EA) BACB30NY6K39, (TWO EA) BACC30X6, AND (TWO EA) NAS620C10 251N4009-17 CAN REPLACE OR BE REPLACED BY 251N4101-41/-50/-58/-66/ -74/-82/-90 TOGETHER WITH (TWO EA) 10-61899-26/HJ18DU106, (ONE EA) 251N4077-4, (TWO EA) BACB30NY6K39, (TWO EA) BACC30X6, AND (TWO EA) NAS620C10 251N4009-23 CAN REPLACE BUT CANNOT BE REPLACED BY 251N4101-42/-50/-58/ -66/-74/-82/-90 TOGETHER WITH (TWO EA) 10-61899-26/HJ18DU106, (ONE EA) 251N4077-4, (TWO EA) BACB30NY6K39, (TWO EA) BACC30X6, AND (TWO EA) NAS620C10 251N4009-39 CAN REPLACE BUT CANNOT BE REPLACED BY 251N4101-42/-50/-58/ -66/-74/-82/-90 TOGETHER WITH (TWO EA) 10-61899-26/HJ18DU106, (ONE EA) 251N4077-4, (TWO EA) BACB30NY6K39, (TWO EA) BACC30X6, AND (TWO EA) NAS620C10 251N4009-45 CAN REPLACE BUT CANNOT BE REPLACED BY 251N4101-42/-50/-58/	107107 904949	RF

MISSING ITEM NUMBERS NOT APPLICABLE

- ITEM NOT ILLUSTRATED

27-51-21-02

27-51-21  
FIG. 02  
PAGE 20  
JAN 20/09

BRI



757

PARTS CATALOG (MAINTENANCE)

FIG ITEM	PART NUMBER	1 2 3 4 5 6 7 NOMENCLATURE	EFFECT FROM TO	UNITS PER ASSY
2	230 251N4101-74	<p>-66/-74/-82/-90 TOGETHER WITH (TWO EA)            10-61899-26/HJ18DU106,            (ONE EA) 251N4077-4,            (TWO EA) BACB30NY6K39,            (TWO EA) BACC30X6, AND            (TWO EA) NAS620C10            251N4009-53 CAN REPLACE BUT CANNOT BE REPLACED BY 251N4101-42/-50/-58/-66/-74/-82/-90 TOGETHER WITH (TWO EA)            10-61899-26/HJ18DU106,            (ONE EA) 251N4077-4,            (TWO EA) BACB30NY6K39,            (TWO EA) BACC30X6, AND            (TWO EA) NAS620C10            REWORKED BY ALERT SB:            27A0127R2            .TRANSMISSION ASSY-            POSITION DATA:            LH SIDE            COMPONENT MAINT MANUAL REF:            27-51-99            QUALIFIED I/W DATA:            251N4009-15 CAN REPLACE OR BE REPLACED BY            251N4101-42/-50/-58/-66/-74/-82/-90 TOGETHER WITH (TWO EA)            10-61899-26/HJ18DU106,            (ONE EA) 251N4077-4,            (TWO EA) BACB30NY6K39,            (TWO EA) BACC30X6, AND            (TWO EA) NAS620C10            251N4009-17 CAN REPLACE OR BE REPLACED BY            251N41001-42/-50/-58/-66/-74/-82/-90 TOGETHER WITH (TWO EA)            10-61899-26/HJ18DU106,            (ONE EA) 251N4077-4,            (TWO EA) BACB30NY6K39,            (TWO EA) BACC30X6, AND            (TWO EA) NAS620C10            251N4009-23 CAN REPLACE BUT CANNOT BE REPLACED BY 251N4101-42/-50/-58/-66/-74/-82/-90 TOGETHER</p>	107107 904949	RF

MISSING ITEM NUMBERS NOT APPLICABLE

- ITEM NOT ILLUSTRATED

27-51-21-02

27-51-21  
FIG. 02  
PAGE 21  
JAN 20/09

BRI



757

PARTS CATALOG (MAINTENANCE)

FIG ITEM	PART NUMBER	1 2 3 4 5 6 7 NOMENCLATURE	EFFECT FROM TO	UNITS PER ASSY
2		<p>WITH (TWO EA)            10-61899-26/HJ18DU106,            (ONE EA) 251N4077-4,            (TWO EA) BACB30NY6K39,            (TWO EA) BACC30X6, AND            NAS620C10            251N4009-39 CAN REPLACE            BUT CANNOT BE REPLACED            BY 251N4101-42/-50/-58/            -66/-74/-82/-90 TOGETHER            WITH (TWO EA)            10-61899-26/HJ18DU106,            (ONE EA) 251N4077-4,            (TWO EA) BACB30NY6K39,            (TWO EA) BACC30X6, AND            (TWO EA) NAS620C10            251N4009-45 CAN REPLACE            BUT CANNOT BE REPLACED            BY 251N4101-42/-50/-58/            -66/-74/-82/-90 TOGETHER            WITH (TWO EA)            10-61899-26/HJ18DU106,            (ONE EA) 251N4077-4,            (TWO EA) BACB30NY6K39,            (TWO EA) BACC30X6, AND            (TWO EA) NAS620C10            251N4009-53 CAN REPLACE            BUT CANNOT BE REPLACED            BY 251N4101-42/-50/-58/            -66/-74/-82/-90 TOGETHER            WITH (TWO EA)            10-61899-26/HJ18DU106,            (ONE EA) 251N4077-4,            (TWO EA) BACB30NY6K39,            (TWO EA) BACC30X6, AND            (TWO EA) NAS620C10            REWORKED BY ALERT SB:            27A0127R2            .TRANSMISSION ASSY-            POSITION DATA:            LH SIDE            COMPONENT MAINT MANUAL REF:            27-51-99            QUALIFIED I/W DATA:            251N4009-15 CAN REPLACE            OR BE REPLACED BY            251N4101-42/-50/-58/-66/            -74/-82/-90 TOGETHER            WITH (TWO EA)</p>		
230	251N4101-82	<p>REWORKED BY ALERT SB:            27A0127R2            .TRANSMISSION ASSY-            POSITION DATA:            LH SIDE            COMPONENT MAINT MANUAL REF:            27-51-99            QUALIFIED I/W DATA:            251N4009-15 CAN REPLACE            OR BE REPLACED BY            251N4101-42/-50/-58/-66/            -74/-82/-90 TOGETHER            WITH (TWO EA)</p>	107107 904949	RF

MISSING ITEM NUMBERS NOT APPLICABLE

- ITEM NOT ILLUSTRATED

BRI

27-51-21-02

BOEING PROPRIETARY - Copyright © - Unpublished Work - See title page for details.

27-51-21  
 FIG. 02  
 PAGE 22  
 JAN 20/09





757

PARTS CATALOG (MAINTENANCE)

FIG ITEM	PART NUMBER	1 2 3 4 5 6 7 NOMENCLATURE	EFFECT FROM TO	UNITS PER ASSY
2		<p>10-61899-26/HJ18DU106,            (ONE EA) 251N4077-4,            (TWO EA) BACB30NY6K39,            (TWO EA) BACC30X6, AND            (TWO EA) NAS620C10            251N4009-17 CAN REPLACE            OR BE REPLACED BY            251N4101-42/-50/-58/-66/            -74/-82/-90 TOGETHER            WITH (TWO EA)            10-61899-26/HJ18DU106,            (ONE EA) 251N4077-4,            (TWO EA) BACB30NY6K39,            (TWO EA) BACC30X6, AND            (TWO EA) NAS620C10            251N4009-23 CAN REPLACE            BUT CANNOT BE REPLACED            BY 251N4101-42/-50/-58/            -66/-74/-82/-90 TOGETHER            WITH (TWO EA)            10-61899-26/HJ18DU106,            (ONE EA) 251N4077-4,            (TWO EA) BACB30NY6K39,            (TWO EA) BACC30X6, AND            (TWO EA) NAS620C10            251N4009-39 CAN REPLACE            BUT CANNOT BE REPLACED            BY 251N4101-42/-50/-58/            -66/-74/-82/-90 TOGETHER            WITH (TWO EA)            10-61899-26/HJ18DU106,            (ONE EA) 251N4077-4,            (TWO EA) BACB30NY6K39,            (TWO EA) BACC30X6, AND            (TWO EA) NAS620C10            251N4009-45 CAN REPLACE            BUT CANNOT BE REPLACED            BY 251N4101-42/-50/-58/            -66/-74/-82/-90 TOGETHER            WITH (TWO EA)            10-61899-26/HJ18DU106,            (ONE EA) 251N4077-4,            (TWO EA) BACB30NY6K39,            (TWO EA) BACC30X6, AND            (TWO EA) NAS620C10            251N4009-53 CAN REPLACE            BUT CANNOT BE REPLACED            BY 251N4101-42/-50/-58/            -66/-74/-82/-90 TOGETHER</p>		

MISSING ITEM NUMBERS NOT APPLICABLE

- ITEM NOT ILLUSTRATED

27-51-21-02

27-51-21  
 FIG. 02  
 PAGE 23  
 JAN 20/09

BRI



757

PARTS CATALOG (MAINTENANCE)

FIG ITEM	PART NUMBER	1 2 3 4 5 6 7 NOMENCLATURE	EFFECT FROM TO	UNITS PER ASSY
2	230 251N4101-90	<p>WITH (TWO EA)            10-61899-26/HJ18DU106,            (ONE EA) 251N4077-4,            (TWO EA) BACB30NY6K39,            (TWO EA) BACC30X6, AND            (TWO EA) NAS620C10            REWORKED BY ALERT SB:            27A0127            .TRANSMISSION ASSY-            POSITION DATA:            LH SIDE            COMPONENT MAINT MANUAL REF:            27-51-99            QUALIFIED I/W DATA:            251N4009-15 CAN REPLACE            OR BE REPLACED BY            251N4101-42/-50/-58/-66/            -74/-82/-90 TOGETHER            WITH (TWO EA)            10-61899-26/HJ18DU106,            (ONE EA) 251N4077-4,            (TWO EA) BACB30NY6K39,            (TWO EA) BACC30X6, AND            (TWO EA) NAS620C10            251N4009-17 CAN REPLACE            OR BE REPLACED BY            251N4101-42/-50/-58/-66/            -74/-82/-90 TOGETHER            WITH (TWO EA)            10-61899-26/HJ18DU106,            (ONE EA) 251N4077-4,            (TWO EA) BACB30NY6K39,            (TWO EA) BACC30X6, AND            (TWO EA) NAS620C10            251N4009-23 CAN REPLACE            BUT CANNOT BE REPLACED            BY 251N4101-42/-50/-58/            -66/-74/-82/-90 TOGETHER            WITH (TWO EA)            10-61899-26/HJ18DU106,            (ONE EA) 251N4077-4,            (TWO EA) BACB30NY6K39,            (TWO EA) BACC30X6, AND            (TWO EA) NAS620C10            251N4009-39 CAN REPLACE            BUT CANNOT BE REPLACED            BY 251N4101-42/-50/-58/            -66/-74/-82/-90 TOGETHER            WITH (TWO EA)</p>	107107 904949	RF

MISSING ITEM NUMBERS NOT APPLICABLE

- ITEM NOT ILLUSTRATED

BRI

27-51-21-02

27-51-21  
 FIG. 02  
 PAGE 24  
 JAN 20/09



757

PARTS CATALOG (MAINTENANCE)

FIG ITEM	PART NUMBER	1 2 3 4 5 6 7 NOMENCLATURE	EFFECT FROM TO	UNITS PER ASSY
2		<p>10-61899-26/HJ18DU106,            (ONE EA) 251N4077-4,            (TWO EA) BACB30NY6K39,            (TWO EA) BACC30X6, AND            (TWO EA) NAS620C10            251N4009-45 CAN REPLACE            BUT CANNOT BE REPLACED            BY 251N4101-42/-50/-58/            -66/-74/-82/-90 TOGETHER            WITH (TWO EA)            10-61899-26/HJ18DU106,            (ONE EA) 251N4077-4,            (TWO EA) BACB30NY6K39,            (TWO EA) BACC30X6, AND            (TWO EA) NAS620C10            251N4009-53 CAN REPLACE            BUT CANNOT BE REPLACED            BY 251N4101-42/-50/-58/            -66/-74/-82/-90 TOGETHER            WITH (TWO EA)            10-61899-26/HJ18DU106,            (ONE EA) 251N4077-4,            (TWO EA) BACB30NY6K39,            (TWO EA) BACC30X6, AND            (TWO EA) NAS620C10            QUALIFIED OPTIONAL DATA:            251N4009-15 IS OPTIONAL            TO 251N4101-90 PLUS TWO            10-61899-26, 251N4077-4,            TWO BACB30NY6K39, TWO            BACC30X6, AND TWO            NAS620C10            REWORKED BY ALERT SB:            27A0127</p>		
- 235	251N4101-47	<p>. TRANSMISSION ASSY-            POSITION DATA:            RH SIDE            COMPONENT MAINT MANUAL REF:            27-51-12            QUALIFIED I/W DATA:            251N4009-16 CAN REPLACE            OR BE REPLACED BY            251N4101-47/-55/-63/-71/            -79/-87/-95 TOGETHER            WITH (TWO EA)            10-61899-26/HJ18DU106,            (ONE EA) 251N4077-4,            (TWO EA) BACB30NY6K39,            (TWO EA) BACC30X6, AND</p>	107107 904949	RF

MISSING ITEM NUMBERS NOT APPLICABLE

- ITEM NOT ILLUSTRATED

BRI

27-51-21-02

BOEING PROPRIETARY - Copyright © - Unpublished Work - See title page for details.

27-51-21  
 FIG. 02  
 PAGE 25  
 JAN 20/09



757

PARTS CATALOG (MAINTENANCE)

FIG ITEM	PART NUMBER	1 2 3 4 5 6 7 NOMENCLATURE	EFFECT FROM TO	UNITS PER ASSY
2		<p>(TWO EA) NAS620C10  251N4009-18 CAN REPLACE  OR BE REPLACED BY  251N4101-47/-55/-63/-71/  -79/-87/-95 TOGETHER  WITH (TWO EA)  10-61899-26/HJ18DU106,  (ONE EA) 251N4077-4,  (TWO EA) BACB30NY6K39,  (TWO EA) BACC30X6, AND  (TWO EA) NAS620C10  251N4009-24 CAN REPLACE  BUT CANNOT BE REPLACED  BY 251N4101-47/-55/-63/  -71/-79/-87/-95 TOGETHER  WITH (TWO EA)  10-61899-26/HJ18DU106,  (ONE EA) 251N4077-4,  (TWO EA) BACB30NY6K39,  (TWO EA) BACC30X6, AND  (TWO EA) NAS620C10  251N4009-40 CAN REPLACE  BUT CANNOT BE REPLACED  BY 251N4101-47/-55/-63/  -71/-79/-87/-95 TOGETHER  WITH (TWO EA)  10-61899-26/HJ18DU106,  (ONE EA) 251N4077-4,  (TWO EA) BACB30NY6K39,  (TWO EA) BACC30X6, AND  (TWO EA) NAS620C10  251N4009-46 CAN REPLACE  BUT CANNOT BE REPLACED  BY 251N4101-47/-55/-63/  -71/-79/-87/-95 TOGETHER  WITH (TWO EA)  10-61899-26/HJ18DU106,  (ONE EA) 251N4077-4,  (TWO EA) BACB30NY6K39,  (TWO EA) BACC30X6, AND  (TWO EA) NAS620C10  251N4009-54 CAN REPLACE  BUT CANNOT BE REPLACED  BY 251N4101-47/-55/  -63/-71/-79/-87/-95  TOGETHER WITH (TWO EA)  10-61899-26/HJ18DU106,  (ONE EA) 251N4077-4,  (TWO EA) BACB30NY6K39,</p>		

MISSING ITEM NUMBERS NOT APPLICABLE

- ITEM NOT ILLUSTRATED

27-51-21-02

27-51-21  
FIG. 02  
PAGE 26  
JAN 20/09

BRI



757

PARTS CATALOG (MAINTENANCE)

FIG ITEM	PART NUMBER	1 2 3 4 5 6 7	NOMENCLATURE	EFFECT FROM TO	UNITS PER ASSY
2			(TWO EA) BACC30X6, AND (TWO EA) NAS620C10 REWORKED BY ALERT SB: 27A0127R2		
- 235	251N4101-55		. TRANSMISSION ASSY- POSITION DATA: RH SIDE COMPONENT MAINT MANUAL REF: 27-51-12 QUALIFIED I/W DATA: 251N4009-16 CAN REPLACE OR BE REPLACED BY 251N4101-47/-55/-63/-71/ -79/-87/-95 TOGETHER WITH (TWO EA) 10-61899-26/HJ18DU106, (ONE EA) 251N4077-4, (TWO EA) BACB30NY6K39, (TWO EA) BACC30X6, AND (TWO EA) NAS620C10 251N4009-18 CAN REPLACE OR BE REPLACED BY 251N4101-47/-55/-63/-71/ -79/-87/-95 TOGETHER WITH (TWO EA) 10-61899-26/HJ18DU106, (ONE EA) 251N4077-4, (TWO EA) BACB30NY6K39, (TWO EA) BACC30X6, AND (TWO EA) NAS620C10 251N4009-24 CAN REPLACE BUT CANNOT BE REPLACED 251N4101-47/-55/-63/-71/ -79/-87/-95 TOGETHER WITH (TWO EA) 10-61899-26/HJ18DU106, (ONE EA) 251N4077-4, (TWO EA) BACB30NY6K39, (TWO EA) BACC30X6, AND (TWO EA) NAS620C10 251N4009-40 CAN REPLACE BUT CANNOT BE REPLACED BY 251N4101-47/-55/-63/ -71/-79/-87/-95 TOGETHER WITH (TWO EA) 10-61899-26/HJ18DU106, (ONE EA) 251N4077-4, (TWO EA) BACB30NY6K39, (TWO EA) BACC30X6, AND	107107 904949	RF
MISSING ITEM NUMBERS NOT APPLICABLE					

- ITEM NOT ILLUSTRATED

27-51-21-02

27-51-21  
FIG. 02  
PAGE 27  
JAN 20/09

BRI

 **BOEING**  
757  
**PARTS CATALOG (MAINTENANCE)**

FIG ITEM	PART NUMBER	1 2 3 4 5 6 7	NOMENCLATURE	EFFECT FROM TO	UNITS PER ASSY
2			<p>(TWO EA) NAS620C10 251N4009-46 CAN REPLACE BUT CANNOT BE REPLACED BY 251N4101-47/-55/-63/ -71/-79/-87/-95 TOGETHER WITH (TWO EA) 10-61899-26/HJ18DU106, (ONE EA) 251N4077-4, (TWO EA) BACB30NY6K39, (TWO EA) BACC30X6, AND (TWO EA) NAS620C10 251N4009-54 CAN REPLACE BUT CANNOT BE REPLACED BY 251N4101-47/-55/ -63/-71/-79/-87/-95 TOGETHER WITH (TWO EA) 10-61899-26/HJ18DU106, (ONE EA) 251N4077-4, (TWO EA) BACB30NY6K39, (TWO EA) BACC30X6, AND (TWO EA) NAS620C10 REWORKED BY ALERT SB: 27A0127R2</p>		
- 235	251N4101-63	.	<p>TRANSMISSION ASSY- POSITION DATA: RH SIDE COMPONENT MAINT MANUAL REF: 27-51-12 QUALIFIED I/W DATA: 251N4009-16 CAN REPLACE OR BE REPLACED BY 251N4101-47/-55/-63/ -71/-79/-87/-95 TOGETHER WITH (TWO EA) 10-61899-26/HJ18DU106, (ONE EA) 251N4077-4, (TWO EA) BACB30NY6K39, (TWO EA) BACC30X6, AND (TWO EA) NAS620C10 251N4009-18 CAN REPLACE OR BE REPLACED BY 251N4101-47/-55/-63/-71/ -79/-87/-95 TOGETHER WITH (TWO EA) 10-61899-26/HJ18DU106, (ONE EA) 251N4077-4, (TWO EA) BACB30NY6K39, (TWO EA) BACC30X6, AND (TWO EA) NAS620C10</p>	107107 904949	RF
MISSING ITEM NUMBERS NOT APPLICABLE					

- ITEM NOT ILLUSTRATED

BRI

# 27-51-21-02

BOEING PROPRIETARY - Copyright © - Unpublished Work - See title page for details.

27-51-21  
FIG. 02  
PAGE 28  
JAN 20/09



757

PARTS CATALOG (MAINTENANCE)

FIG ITEM	PART NUMBER	1 2 3 4 5 6 7 NOMENCLATURE	EFFECT FROM TO	UNITS PER ASSY
2		<p>251N4009-24 CAN REPLACE BUT CANNOT BE REPLACED BY 251N4101-47/-55/-63/ -71/-79/-87/-95 TOGETHER WITH (TWO EA) 10-61899-26/HJ18DU106, (ONE EA) 251N4077-4, (TWO EA) BACB30NY6K39, (TWO EA) BACC30X6, AND (TWO EA) NAS620C10 251N4009-40 CAN REPLACE BUT CANNOT BE REPLACED BY 251N4101-47/-55/-63/ -71/-79/-87/-95 TOGETHER WITH (TWO EA) 10-61899-26/HJ18DU106, (ONE EA) 251N4077-4, (TWO EA) BACB30NY6K39, (TWO EA) BACC30X6, AND (TWO EA) NAS620C10 251N4009-46 CAN REPLACE BUT CANNOT BE REPLACED BY 251N4101-47/-55/-63/ -71/-79/-87/-95 TOGETHER WITH (TWO EA) 10-61899-26/HJ18DU106, (ONE EA) 251N4077-4, (TWO EA) BACB30NY6K39, (TWO EA) BACC30X6, AND (TWO EA) NAS620C10 251N4009-54 CAN REPLACE BUT CANNOT BE REPLACED BY 251N4101-47/-55/ -63/ -71/-79/-87/-95 TOGETHER WITH (TWO EA) 10-61899-26/HJ18DU106, (ONE EA) 251N4077-4, (TWO EA) BACB30NY6K39, (TWO EA) BACC30X6, AND (TWO EA) NAS620C10 REWORKED BY ALERT SB: 27A0127R2 .TRANSMISSION ASSY- POSITION DATA: RH SIDE COMPONENT MAINT MANUAL REF: 27-51-99 QUALIFIED I/W DATA: 251N4009-16 CAN REPLACE</p>		
- 235	251N4101-71	<p>MISSING ITEM NUMBERS NOT APPLICABLE</p>	107107 904949	RF

- ITEM NOT ILLUSTRATED

27-51-21-02

27-51-21  
FIG. 02  
PAGE 29  
JAN 20/09

BRI



757

PARTS CATALOG (MAINTENANCE)

FIG ITEM	PART NUMBER	1 2 3 4 5 6 7 NOMENCLATURE	EFFECT FROM TO	UNITS PER ASSY
2		<p>OR BE REPLACED BY  251N4101-47/-55/-63/-71/  -79/-87/-95 TOGETHER  WITH (TWO EA)  10-61899-26/HJ18DU106,  (ONE EA) 251N4077-4,  (TWO EA) BACB30NY6K39,  (TWO EA) BACC30X6, AND  (TWO EA) NAS620C10  251N4009-18 CAN REPLACE  OR BE REPLACED BY  251N4101-47/-55/-63/-71/  -79/-87/-95 TOGETHER  WITH (TWO EA)  10-61899-26/HJ18DU109,  (ONE EA) 251N4077-4,  (TWO EA) BACB30NY6K39,  (TWO EA) BACC30X6, AND  (TWO EA) NAS620C10  251N4009-24 CAN REPLACE  BUT CANNOT BE REPLACED  BY 251N4101-47/-55/-63/  -71/-79/-87/-95 TOGETHER  WITH (TWO EA)  10-61899-26/HJ18DU106,  (ONE EA) 251N4077-4,  (TWO EA) BACB30NY6K39,  (TWO EA) BACC30X6, AND  (TWO EA) NAS620C10  251N4009-40 CAN REPLACE  BUT CANNOT BE REPLACED  BY 251N4101-47/-55/-63/  -71/-79/-87/-95 TOGETHER  WITH (TWO EA)  10-61899-26/HJ18DU106,  (ONE EA) 251N4077-4,  (TWO EA) BACB30NY6K39,  (TWO EA) BACC30X6, AND  (TWO EA) NAS620C10  251N4009-46 CAN REPLACE  BUT CANNOT BE REPLACED  BY 251N4101-47/-55/-63/  -71/-79/-87/-95 TOGETHER  WITH (TWO EA)  10-61899-26/HJ18DU106,  (ONE EA) 251N4077-4,  (TWO EA) BACB30NY6K39,  (TWO EA) BACC30X6, AND  (TWO EA) NAS620C10</p>		

MISSING ITEM NUMBERS NOT APPLICABLE

- ITEM NOT ILLUSTRATED

27-51-21-02

27-51-21  
FIG. 02  
PAGE 30  
JAN 20/09

BRI



 **BOEING**  
757  
PARTS CATALOG (MAINTENANCE)

FIG ITEM	PART NUMBER	1 2 3 4 5 6 7	NOMENCLATURE	EFFECT FROM TO	UNITS PER ASSY
2			251N4009-54 CAN REPLACE BUT CANNOT BE REPLACED BY 251N4101-47/-55/ -63/ -71/-79/-87/-95 TOGETHER WITH (TWO EA) 10-61899-26/HJ18DU106, (ONE EA) 251N4077-4, (TWO EA) BACB30NY6K39, (TWO EA) BACC30X6, AND (TWO EA) NAS620C10 REWORKED BY ALERT SB: 27A0127R2 .TRANSMISSION ASSY- POSITION DATA: RH SIDE COMPONENT MAINT MANUAL REF: 27-51-99 QUALIFIED I/W DATA: 251N4009-16 CAN REPLACE OR BE REPLACED BY 251N4101-47/-55/-63/-71/ -79/-87/-95 TOGETHER WITH (TWO EA) 10-61899-26/HJ18DU106, (ONE EA) 251N4077-4, (TWO EA) BACB30NY6K39, (TWO EA) BACC30X6, AND (TWO EA) NAS620C10 251N4009-18 CAN REPLACE OR BE REPLACED BY 251N4101-47/-55/-63/-71/ -79/-87/-95 TOGETHER WITH (TWO EA) 10-61899-26/HJ18DU106, (ONE EA) 251N4077-4, (TWO EA) BACB30NY6K39, (TWO EA) BACC30X6, AND (TWO EA) NAS620C10 251N4009-24 CAN REPLACE BUT CANNOT BE REPLACED BY 251N4101-47/-55/-63/ -71/-79/-87/-95 TOGETHER WITH (TWO EA) 10-61899-26/HJ18DU106, (ONE EA) 251N4077-4, (TWO EA) BACB30NY6K39, (TWO EA) BACC30X6, AND (TWO EA) NAS620C10 251N4009-40 CAN REPLACE	107107 904949	RF
- 235	251N4101-79				

MISSING ITEM NUMBERS NOT APPLICABLE

- ITEM NOT ILLUSTRATED

BRI

# 27-51-21-02

27-51-21  
FIG. 02  
PAGE 31  
JAN 20/09



757

PARTS CATALOG (MAINTENANCE)

FIG ITEM	PART NUMBER	1 2 3 4 5 6 7 NOMENCLATURE	EFFECT FROM TO	UNITS PER ASSY
2		<p>BUT CANNOT BE REPLACED BY 251N4101-47/-55/-63/ -71/-79/-87/-95 TOGETHER WITH (TWO EA) 10-61899-26/HJ18DU106, (ONE EA) 251N4077-4, (TWO EA) BACB30NY6K39, (TWO EA) BACC30X6, AND (TWO EA) NAS620C10 251N4009-46 CAN REPLACE BUT CANNOT BE REPLACED BY 251N4101-47/-55/-63/ -71/-79/-87/-95 TOGETHER WITH (TWO EA) 10-61899-26/HJ18DU106, (ONE EA) 251N4077-4, (TWO EA) BACB30NY6K39, (TWO EA) BACC30X6, AND (TWO EA) NAS620C10 251N4009-54 CAN REPLACE BUT CANNOT BE REPLACED BY 251N4101-47/-55/ -63/ -71/-79/-87/-95 TOGETHER WITH (TWO EA) 10-61899-26/HJ18DU106, (ONE EA) 251N4077-4, (TWO EA) BACB30NY6K39, (TWO EA) BACC30X6, AND (TWO EA) NAS620C10 REWORKED BY ALERT SB: 27A0127R2 .TRANSMISSION ASSY- POSITION DATA: RH SIDE COMPONENT MAINT MANUAL REF: 27-51-99 QUALIFIED I/W DATA: 251N4009-16 CAN REPLACE OR BE REPLACED BY 251N4101-47/-55/-63/-71/ -79/-87/-95 TOGETHER WITH (TWO EA) 10-61899-26/HJ18DU106, (ONE EA) 251N4077-4, (TWO EA) BACB30NY6K39, (TWO EA) BACB30X6, AND (TWO EA) NAS620C10 251N4009-18 CAN REPLACE OR BE REPLACE BY</p>	107107 904949	RF
- 235	251N4101-87	<p>MISSING ITEM NUMBERS NOT APPLICABLE</p>		

- ITEM NOT ILLUSTRATED

27-51-21-02

27-51-21  
FIG. 02  
PAGE 32  
JAN 20/09

BRI



757

PARTS CATALOG (MAINTENANCE)

FIG ITEM	PART NUMBER	1 2 3 4 5 6 7 NOMENCLATURE	EFFECT FROM TO	UNITS PER ASSY
2		<p>251N4101-47/-55/-63/-71/ -79/-87/-95 TOGETHER WITH (TWO EA) 10-61899-26/HJ18DU106, (ONE EA) 251N4077-4, (TWO EA) BACB30NY6K39, (TWO EA) BACC30K6, AND (TWO EA) NAS620C10 251N4009-24 CAN REPLACE BUT CANNOT BE REPLACED BY 251N4101-47/-55/-63/ -71/-79/-87/-95 TOGETHER WITH (TWO EA) 10-61899-26/HJ18DU106, (ONE EA) 251N4077-4, (TWO EA) BACB30NY6K39, (TWO EA) BACC30X6, AND (TWO EA) NAS620C10 251N4009-40 CAN REPLACE BUT CANNOT BE REPLACED BY 251N4101-47/-55/-63/ -71/-79/-87/-95 TOGETHER WITH (TWO EA) 10-61899-26/HJ18DU106, (ONE EA) 251N4077-4, (TWO EA) BACB30NY6K39, (TWO EA) BACC30X6, AND (TWO EA) NAS620C10 251N4009-46 CAN REPLACE BUT CANNOT BE REPLACED BY 251N4101-47/-55/-63/ -71/-79/-87/-95 TOGETHER WITH (TWO EA) 10-6899-26/HJ18DU106, (ONE EA) 251N4077-4, (TWO EA) BACB30NY6K39, (TWO EA) BACC30X6 (TWO EA) NAS620C10 251N4009-54 CAN REPLACE BUT CANNOT BE REPLACED BY 251N4101-47/-55/ -63/ -71/-79/-87/-95 TOGETHER WITH (TWO EA) 10-61899-26/HJ18DU106, (ONE EA) 251N4077-4, (TWO EA) BACB30NY6K39, (TWO EA) BACC30X6, AND (TWO EA) NAS620C10 REWORKED BY ALERT SB:</p>		

MISSING ITEM NUMBERS NOT APPLICABLE

- ITEM NOT ILLUSTRATED

27-51-21-02

27-51-21  
FIG. 02  
PAGE 33  
JAN 20/09

BRI



757

PARTS CATALOG (MAINTENANCE)

FIG ITEM	PART NUMBER	1 2 3 4 5 6 7 NOMENCLATURE	EFFECT FROM TO	UNITS PER ASSY
2 - 235	251N4101-95	27A0127 .TRANSMISSION ASSY- POSITION DATA: RH SIDE COMPONENT MAINT MANUAL REF: 27-51-99 QUALIFIED I/W DATA: 251N4009-16 CAN REPLACE OR BE REPLACED BY 251N4101-47/-55/-63/-71/ -79/-87/-95 TOGETHER WITH (TWO EA) 10-61899-26/HJ18DU106, (ONE EA) 251N4077-4, (TWO EA) BACB30NY6K39, (TWO EA) BACB30X6, AND (TWO EA) NAS620C10 251N4009-18 CAN REPLACE OR BE REPLACE BY 251N4101-47/-55/-63/-71/ -79/-87/-95 TOGETHER WITH (TWO EA) 10-61899-26/HJ18DU106, (ONE EA) 251N4077-4, (TWO EA) BACB30NY6K39, (TWO EA) BACC30K6, AND (TWO EA) NAS620C10 251N4009-24 CAN REPLACE BUT CANNOT BE REPLACED BY 251N4101-47/-55/-63/ -71/-79/-87/-95 TOGETHER WITH (TWO EA) 10-61899-26/HJ18DU106, (ONE EA) 251N4077-4, (TWO EA) BACB30NY6K39, (TWO EA) BACC30X6, AND (TWO EA) NAS620C10 251N4009-40 CAN REPLACE BUT CANNOT BE REPLACED BY 251N4101-47/-55/-63/ -71/-79/-87/-95 TOGETHER WITH (TWO EA) 10-61899-26/HJ18DU106, (ONE EA) 251N4077-4, (TWO EA) BACB30NY6K39, (TWO EA) BACC30X6, AND (TWO EA) NAS620C10 251N4009-46 CAN REPLACE BUT CANNOT BE REPLACED	107107 904949	RF

MISSING ITEM NUMBERS NOT APPLICABLE

- ITEM NOT ILLUSTRATED

27-51-21-02

27-51-21  
FIG. 02  
PAGE 34  
JAN 20/09

BRI



757

PARTS CATALOG (MAINTENANCE)

FIG ITEM	PART NUMBER	1 2 3 4 5 6 7	NOMENCLATURE	EFFECT FROM TO	UNITS PER ASSY
2			BY 251N4101-47/-55/-63/ -71/-79/-87/-95 TOGETHER WITH (TWO EA) 10-6899-26/HJ18DU106, (ONE EA) 251N4077-4, (TWO EA) BACB30NY6K39, (TWO EA) BACC30X6 (TWO EA) NAS620C10 251N4009-54 CAN REPLACE BUT CANNOT BE REPLACED BY 251N4101-47/-55/ -63/ -71/-79/-87/-95 TOGETHER WITH (TWO EA) 10-61899-26/HJ18DU106, (ONE EA) 251N4077-4, (TWO EA) BACB30NY6K39, (TWO EA) BACC30X6, AND (TWO EA) NAS620C10 QUALIFIED OPTIONAL DATA: 251N4009-16 IS OPTIONAL TO 251N4101-95 PLUS TWO 10-61899-26, 251N4077-4, TWO BACB30NY6K39, TWO BACC30X6, AND TWO NAS620C10 REWORKED BY ALERT SB: 27A0127		
240	BACB30LE7-26	..	BOLT	107107 904949	2
245	BACW10BP7CD	..	WASHER	107107 904949	2
250	BACW10BP7DP	..	WASHER	107107 904949	2

MISSING ITEM NUMBERS NOT APPLICABLE

- ITEM NOT ILLUSTRATED

BRI

27-51-21-02

BOEING PROPRIETARY - Copyright © - Unpublished Work - See title page for details.

27-51-21  
 FIG. 02  
 PAGE 35  
 JAN 20/09



757

PARTS CATALOG (MAINTENANCE)

FIG ITEM	PART NUMBER	1 2 3 4 5 6 7	NOMENCLATURE	EFFECT FROM TO	UNITS PER ASSY
2 255	BMN10HRCPD3-7	. .	NUT SUPPLIER CODE: V97928 SPECIFICATION NUMBER: BACN10HR7CS OPTIONAL PART: H39953-7 V15653 109LH9031-7 V72962 67832AS720 V56878 BH00303-7 V27238 BMN5024CPD37 V97928 109LH90317 V72962 67832AS7 V56878 SL705097 V11815 CR5908-7 VF0224 109LH90317 V72962 67832AS7 V56878 SL705097 V11815	107107 904949	2

MISSING ITEM NUMBERS NOT APPLICABLE

- ITEM NOT ILLUSTRATED

BRI

27-51-21-02

BOEING PROPRIETARY - Copyright © - Unpublished Work - See title page for details.

27-51-21  
FIG. 02  
PAGE 36  
JAN 20/09



757

PARTS CATALOG (MAINTENANCE)

FIG ITEM	PART NUMBER	1 2 3 4 5 6 7	NOMENCLATURE	EFFECT FROM TO	UNITS PER ASSY
2 260	7820922		.. SCREW ASSY- SUPPLIER CODE: VOA335 SPECIFICATION NUMBER: S251N401-6 COMPONENT MAINT MANUAL REF: 27-51-20 OPTIONAL PART: 7821342 VOA335 USED ON: 251N4101-42 251N4101-47 251N4101-58 251N4101-63 251N4101-66 251N4101-71 251N4101-74 251N4101-79 251N4101-82 251N4101-87 251N4101-90 251N4101-95	107107 904949	1
260	7821342		.. SCREW ASSY- SUPPLIER CODE: VOA335 SPECIFICATION NUMBER: S251N401-10 COMPONENT MAINT MANUAL REF: 27-51-20 OPTIONAL PART: 7820922 VOA335 USED ON: 251N4101-50 251N4101-55 251N4101-82 251N4101-87 251N4101-90 251N4101-95	107107 904949	1
261	1646B		... FITTING- SUPPLIER CODE: V95879	107107 904949	2
262	5669341		... PLATE-IDENT SUPPLIER CODE: VOA335	107107 904949	1

MISSING ITEM NUMBERS NOT APPLICABLE

- ITEM NOT ILLUSTRATED

27-51-21-02

27-51-21  
FIG. 02  
PAGE 37  
JAN 20/09

BRI



757

PARTS CATALOG (MAINTENANCE)

FIG ITEM	PART NUMBER	1 2 3 4 5 6 7	NOMENCLATURE	EFFECT FROM TO	UNITS PER ASSY
2			ATTACHING PARTS		
262A	NAS1291-4	...	NUT	107107 904949	1
			-----*-----		
263	5702378	...	PLATE-INSTRUCTION SUPPLIER CODE: VOA335	107107 904949	2
265	251N4053-2	..	JOINT ASSY-U	107107 904949	1
270	1728B	...	FITTING- SUPPLIER CODE: VOFKM1	107107 904949	4
275	TLN1001W38	...	NUT- SUPPLIER CODE: V97928 SPECIFICATION NUMBER: BACN10HY8M OPTIONAL PART: RMLH9073-8 V72962 TLN1001WD38 V92215 69233SB8D V56878 TLN1001WD38 V97928 TLN1001W38 V92215 HW29872-8 V15653	107107 904949	1
280	251N4135-1	...	SHAFT	107107 904949	1
285	251N4150-1	...	ADAPTER	107107 904949	1
290	251N4149-1	...	SHAFT	107107 904949	1
295	251N4103-1	...	SPACER	107107 904949	1
300	251N4155-3	...	JOINT ASSY- OPTIONAL PART: 251N4053-6	107107 904949	1
300	251N4053-6	...	SUB KIT ASSY- OPTIONAL PART: 251N4155-3	107107 904949	1
305	251N4105-1	....	BEARING	107107 904949	2
310	251N4155-1	....	U JOINT	107107 904949	1

MISSING ITEM NUMBERS NOT APPLICABLE

- ITEM NOT ILLUSTRATED

27-51-21-02

27-51-21  
FIG. 02  
PAGE 38  
JAN 20/09

BRI

BOEING PROPRIETARY - Copyright © - Unpublished Work - See title page for details.





757

PARTS CATALOG (MAINTENANCE)

FIG ITEM	PART NUMBER	1 2 3 4 5 6 7	NOMENCLATURE	EFFECT FROM TO	UNITS PER ASSY
2 315	251N4009-15		.TRANSMISSION ASSY- POSITION DATA: LH SIDE QUALIFIED I/W DATA: 251N4009-15 CAN REPLACE OR BE REPLACED BY 251N4101-42/-50/-58/-66/ -74/-82/-90 TOGETHER WITH (TWO EA) 10-61899-26/HJ18DU106, (ONE EA) 251N4077-4, (TWO EA) BACB30NY6K39, (TWO EA) BACC30X6, AND (TWO EA) NAS620C10 QUALIFIED OPTIONAL DATA: 251N4009-15 IS OPTIONAL TO 251N4101-90 PLUS TWO 10-61899-26, 251N4077-4, TWO BACB30NY6K39, TWO BACC30X6, AND TWO NAS620C10	107107 904949	RF
315	251N4009-17		.TRANSMISSION ASSY- POSITION DATA: LH SIDE QUALIFIED I/W DATA: 251N4009-17 CAN REPLACE OR BE REPLACED BY 251N4101-42/-50/-58/-66/ -74/-82/-90 TOGETHER WITH (TWO EA) 10-61899-26/HJ18DU106, (ONE EA) 251N4077-4, (TWO EA) BACB30NY6K39, (TWO EA) BACC30X6, AND (TWO EA) NAS620C10	002004 006100 107107 121503 904999	RF
315	251N4009-23		.TRANSMISSION ASSY- POSITION DATA: LH SIDE QUALIFIED I/W DATA: 251N4009-23 CAN REPLACE BUT CANNOT BE REPLACED BY 251N4101-42/-50/-58/ -66/-74/-82/-90 TOGETHER WITH (TWO EA) 10-61899-26/HJ18DU106, (ONE EA) 251N4077-4, (TWO EA) BACB30NY6K39, (TWO EA) BACC30X6, AND (TWO EA) NAS620C10	002004 006100 107107 121503 904999	RF

MISSING ITEM NUMBERS NOT APPLICABLE

- ITEM NOT ILLUSTRATED

BRI

27-51-21-02

27-51-21  
FIG. 02  
PAGE 39  
JAN 20/09



757

PARTS CATALOG (MAINTENANCE)

FIG ITEM	PART NUMBER	1 2 3 4 5 6 7	NOMENCLATURE	EFFECT FROM TO	UNITS PER ASSY
2 315	251N4009-39		.TRANSMISSION ASSY- POSITION DATA: LH SIDE QUALIFIED I/W DATA: 251N4009-39 CAN REPLACE BUT CANNOT BE REPLACED BY 251N4101-42/-50/-58/ -66/-74/-82/-90 TOGETHER WITH (TWO EA) 10-61899-26/HJ18DU106, (ONE EA) 251N4077-4, (TWO EA) BACB30NY6K39, (TWO EA) BACC30X6, AND (TWO EA) NAS620C10	002004 006102 107999	RF
315	251N4009-45		.TRANSMISSION ASSY- POSITION DATA: LH SIDE QUALIFIED I/W DATA: 251N4009-45 CAN REPLACE BUT CANNOT BE REPLACED BY 251N4101-42/-50/-58/ -66/-74/-82/-90 TOGETHER WITH (TWO EA) 10-61899-26/HJ18DU106, (ONE EA) 251N4077-4, (TWO EA) BACB30NY6K39, (TWO EA) BACC30X6, AND (TWO EA) NAS620C10	002004 006999	RF
315	251N4009-15		.TRANSMISSION ASSY- POSITION DATA: LH SIDE QUALIFIED I/W DATA: 251N4009-15 CAN REPLACE OR BE REPLACED BY 251N4101-42/-50/-58/-66/ -74/-82/-90 TOGETHER WITH (TWO EA) 10-61899-26/HJ18DU106, (ONE EA) 251N4077-4, (TWO EA) BACB30NY6K39, (TWO EA) BACC30X6, AND (TWO EA) NAS620C10	002004 006100 121503 950999	RF

MISSING ITEM NUMBERS NOT APPLICABLE

- ITEM NOT ILLUSTRATED

BRI

27-51-21-02

BOEING PROPRIETARY - Copyright © - Unpublished Work - See title page for details.

27-51-21  
FIG. 02  
PAGE 40  
JAN 20/09



757

PARTS CATALOG (MAINTENANCE)

FIG ITEM	PART NUMBER	1 2 3 4 5 6 7	NOMENCLATURE	EFFECT FROM TO	UNITS PER ASSY
2 315	251N4009-53		.TRANSMISSION ASSY- POSITION DATA: LH SIDE QUALIFIED I/W DATA: 251N4009-53 CAN REPLACE BUT CANNOT BE REPLACED BY 251N4101-42/-50/-58/ -66/-74/-82/-90 TOGETHER WITH (TWO EA) 10-61899-26/HJ18DU106, (ONE EA) 251N4077-4, (TWO EA) BACB30NY6K39, (TWO EA) BACC30X6, AND (TWO EA) NAS620C10	002004 006999	RF
- 320	251N4009-16		.TRANSMISSION ASSY- POSITION DATA: RH SIDE MISCELLANEOUS DATA: PROCURE MAJOR COMPONENTS QUALIFIED I/W DATA: 251N4009-16 CAN REPLACE OR BE REPLACED BY 251N4101-47/-55/-63/-71/ -79/-87/-95 TOGETHER WITH (TWO EA) 10-61899-26/HJ18DU106, (ONE EA) 251N4077-4, (TWO EA) BACB30NY6K39, (TWO EA) BACC30X6, AND (TWO EA) NAS620C10 QUALIFIED OPTIONAL DATA: 251N4009-16 IS OPTIONAL TO 251N4101-95, PLUS TWO 10-61899-26, 251N4077-4, TWO BACB30NY6K39, TWO BACC30X6, AND TWO NAS620C10	107107 904949	RF

MISSING ITEM NUMBERS NOT APPLICABLE

- ITEM NOT ILLUSTRATED

BRI

27-51-21-02

BOEING PROPRIETARY - Copyright © - Unpublished Work - See title page for details.

27-51-21  
FIG. 02  
PAGE 41  
JAN 20/09



757

PARTS CATALOG (MAINTENANCE)

FIG ITEM	PART NUMBER	1 2 3 4 5 6 7	NOMENCLATURE	EFFECT FROM TO	UNITS PER ASSY
2 - 320	251N4009-18		.TRANSMISSION ASSY- POSITION DATA: RH SIDE QUALIFIED I/W DATA: 251N4009-18 CAN REPLACE OR BE REPLACED BY 251N4101-47/-55/-63/-71/ -79/-87/-95 TOGETHER WITH (TWO EA) 10-61899-26/HJ18DU106, (ONE EA) 251N4077-4, (TWO EA) BACB30NY6K39, (TWO EA) BACC30X6, AND (TWO EA) NAS620C10	002004 006100 107107 121503 904999	RF
- 320	251N4009-24		.TRANSMISSION ASSY- POSITION DATA: RH SIDE QUALIFIED I/W DATA: 251N4009-24 CAN REPLACE BUT CANNOT BE REPLACED BY 251N4101-47/-55/-63/ -71/-79/-87/-95 TOGETHER WITH (TWO EA) 10-61899-26/HJ18DU106, (ONE EA) 251N4077-4, (TWO EA) BACB30NY6K39, (TWO EA) BACC30X6, AND (TWO EA) NAS620C10 251N4009-24 CAN REPLACE BUT CANNOT BE REPLACED BY 251N4101-47/-55/-63/ -71/-79/-87/-95 TOGETHER WITH (TWO EA) 10-61899-26/HJ18DU106, (ONE EA) 251N4007-4, (TWO EA) BACB30NY6K39, (TWO EA) BACC30X6, AND (TWO EA) NAS620C10	002004 006100 107107 121503 904999	RF

MISSING ITEM NUMBERS NOT APPLICABLE

- ITEM NOT ILLUSTRATED

BRI

27-51-21-02

BOEING PROPRIETARY - Copyright © - Unpublished Work - See title page for details.

27-51-21  
FIG. 02  
PAGE 42  
JAN 20/09



757

PARTS CATALOG (MAINTENANCE)

FIG ITEM	PART NUMBER	1 2 3 4 5 6 7 NOMENCLATURE	EFFECT FROM TO	UNITS PER ASSY
2 - 320	251N4009-40	.TRANSMISSION ASSY- POSITION DATA: RH SIDE QUALIFIED I/W DATA: 251N4009-40 CAN REPLACE BUT CANNOT BE REPLACED BY 251N4101-47/-55/-63/ -71/-79/-87/-95 TOGETHER WITH (TWO EA) 10-61899-26/HJ18DU106, (ONE EA) 251N4077-4, (TWO EA) BACB30NY6K39, (TWO EA) BACC30X6, AND (TWO EA) NAS620C10 251N4009-40 CAN REPLACE BUT CANNOT BE REPLACED BY 251N4101-42/-50/-58/ -66/-74/-82/-90 TOGETHER WITH (TWO EA) 10-61899-26/HJ18DU106, (ONE EA) 251N4077-4, (TWO EA) BACB30NY6K39, (TWO EA) BACC30X6, AND (TWO EA) NAS620C10 251N4009-40 CAN REPLACE BUT CANNOT BE REPLACED BY 251N4101-47/-55/-63/ -71/-79/-87/-95 TOGETHER WITH (EA) 10-61899-26/HJ18DU106, (ONE EA) 251N4077-4, (TWO EA) BACB30NY6K39, (TWO EA) BACC30X6, AND (TWO EA) NAS620C10 251N4009-40 CAN REPLACE BUT CANNOT BE REPLACED BY 251N4101-47/-55/-63/ -71/-79/-87/-95 TOGETHER WITH (TWO EA) 10-61899-26/HJ18DU106, (ONE EA) 251N4077-4, (TWO EA) BACB30NY8K39, (TWO EA) BACC30X6, AND (TWO EA) NAS620C10	002004 006102 107999	RF

MISSING ITEM NUMBERS NOT APPLICABLE

- ITEM NOT ILLUSTRATED

BRI

27-51-21-02

BOEING PROPRIETARY - Copyright © - Unpublished Work - See title page for details.

27-51-21  
FIG. 02  
PAGE 43  
JAN 20/09



757

PARTS CATALOG (MAINTENANCE)

FIG ITEM	PART NUMBER	1 2 3 4 5 6 7	NOMENCLATURE	EFFECT FROM TO	UNITS PER ASSY
2 - 320	251N4009-46		.TRANSMISSION ASSY- POSITION DATA: RH SIDE QUALIFIED I/W DATA: 251N4009-46 CAN REPLACE BUT CANNOT BE REPLACED BY 251N4101-47/-55/-63/ -71/-79/-87-95 TOGETHER WITH (TWO EA) 10-61899-26/HJ18DU106, (ONE EA) 251N4077-4, (TWO EA) BACB30NY6K39, (TWO EA) BACC30X6, AND (TWO EA) NAS620C10	002004 006999	RF
- 320	251N4009-16		.TRANSMISSION ASSY- POSITION DATA: RH SIDE MISCELLANEOUS DATA: PROCURE MAJOR COMPONENTS QUALIFIED I/W DATA: 251N4009-16 CAN REPLACE OR BE REPLACED BY 251N4101-47/-55/-63/-71/ -79/-87/-95 TOGETHER WITH (TWO EA) 10-61899-26/HJ18DU106, (ONE EA) 251N4077-4, (TWO EA) BACB30NY6K39, (TWO EA) BACC30X6, AND (TWO EA) NAS620C10	002004 006100 121503 950999	RF
- 320	251N4009-54		.TRANSMISSION ASSY- POSITION DATA: RH SIDE QUALIFIED I/W DATA: 251N4009-54 CAN REPLACE BUT CANNOT BE REPLACED BY 251N4101-47/-55/-63/ -71/-79/-87-95 TOGETHER WITH (TWO EA) 10-61899-26/HJ18DU106, (ONE EA) 251N4077-4, (TWO EA) BACB30NY6K39, (TWO EA) BACC30X6, AND (TWO EA) NAS620C10	002004 006999	RF

MISSING ITEM NUMBERS NOT APPLICABLE

- ITEM NOT ILLUSTRATED

27-51-21-02

27-51-21  
FIG. 02  
PAGE 44  
JAN 20/09

BRI



757

PARTS CATALOG (MAINTENANCE)

FIG ITEM	PART NUMBER	1 2 3 4 5 6 7	NOMENCLATURE	EFFECT FROM TO	UNITS PER ASSY
2 325	HL13VAZ6-39	..	BOLT SUPPLIER CODE: V56878 SPECIFICATION NUMBER: BACB30NY6K39 OPTIONAL PART: HL13VAZ6-39 V73197 HL13VAZ6-39 V92215 HL13VAZ6-39 V97928 L801-6K39 V06725 HL13VAZ6-39 V60516 L801-6K39 V0PTK6 HL13VAZ6-39 V17446	002004 006999	2
330	NAS620C10	..	WASHER	002004 006999	2
335	HL1187-6	..	COLLAR SUPPLIER CODE: V5M902 SPECIFICATION NUMBER: BACC30X6 OPTIONAL PART: HL87-6 V92215 HL87-6 V73197 HL1187-6 V56878 HL1187-6 V92215 HL87-6 V56878 HL1187-6 V73197	002004 006100 107107 121503 904999	2

MISSING ITEM NUMBERS NOT APPLICABLE

- ITEM NOT ILLUSTRATED

BRI

27-51-21-02

BOEING PROPRIETARY - Copyright © - Unpublished Work - See title page for details.

27-51-21  
FIG. 02  
PAGE 45  
JAN 20/09



757

PARTS CATALOG (MAINTENANCE)

FIG ITEM	PART NUMBER	1 2 3 4 5 6 7	NOMENCLATURE	EFFECT FROM TO	UNITS PER ASSY
2 335	HL1087-6		.. COLLAR SUPPLIER CODE: V73197 SPECIFICATION NUMBER: BACC30BH6 OPTIONAL PART: HL1087-6 V56878 HL1087-6 V92215 HL1087-6 V9N513	101106 108120 504903	2
340	HJ18DU106		.. BUSHING- SUPPLIER CODE: V02758 SPECIFICATION NUMBER: 10-61899-26 QUALIFIED I/W DATA: 251N4278-2 BUSHING TOGETHER WITH 251N4322-1 CAP AY AND 251N4280-1 PLUG AY AND 2 EA NAS607-2-6 PIN IS I/W 10-61899-26 OPTIONAL PART: AJ18C106DU VS0352 ADU18-8 V15860	002004 006999	2
340	AJ18C106DU		.. BUSHING- SUPPLIER CODE: VS0352 SPECIFICATION NUMBER: 10-61899-26 OPTIONAL PART: ADU18-8 V15860 HJ18DU106 V02758	002004 006999	2
340	ADU18-8		.. BUSHING- SUPPLIER CODE: V15860 SPECIFICATION NUMBER: 10-61899-26 OPTIONAL PART: AJ18C106DU VS0352 HJ18DU106 V02758	002004 006999	2

MISSING ITEM NUMBERS NOT APPLICABLE

- ITEM NOT ILLUSTRATED

BRI

27-51-21-02

BOEING PROPRIETARY - Copyright © - Unpublished Work - See title page for details.

27-51-21  
FIG. 02  
PAGE 46  
JAN 20/09





757

PARTS CATALOG (MAINTENANCE)

FIG ITEM	PART NUMBER	1 2 3 4 5 6 7	NOMENCLATURE	EFFECT FROM TO	UNITS PER ASSY
2					
345	BACB30LE7K26	..	BOLT	002004 006999	2
350	BACW10BP7CD	..	WASHER	002004 006999	2
355	BACW10BP7DP	..	WASHER	002004 006999	2
360	BMN10HRCPD3-7	..	NUT	002004 006999	2
			SUPPLIER CODE: V97928		
			SPECIFICATION NUMBER: BACN10HR7CS		
			OPTIONAL PART: H39953-7		
			V15653		
			109LH9031-7		
			V72962		
			67832AS720		
			V56878		
			BH00303-7		
			V27238		
			BMN5024CPD37		
			V97928		
			109LH90317		
			V72962		
			67832AS7		
			V56878		
			SL705097		
			V11815		
			CR5908-7		
			VF0224		
			109LH90317		
			V72962		
			67832AS7		
			V56878		
			SL705097		
			V11815		
365	251N4077-4	..	GIMBAL-	002004 006999	1
365	251N4077-1	..	GIMBAL-	002004 006999	1
365	251N4077-2	..	GIMBAL-	002004 006999	1

MISSING ITEM NUMBERS NOT APPLICABLE

- ITEM NOT ILLUSTRATED

27-51-21-02

27-51-21  
FIG. 02  
PAGE 47  
JAN 20/09

BRI

BOEING PROPRIETARY - Copyright © - Unpublished Work - See title page for details.



757

PARTS CATALOG (MAINTENANCE)

FIG ITEM	PART NUMBER	1 2 3 4 5 6 7	NOMENCLATURE	EFFECT FROM TO	UNITS PER ASSY
2 370	7820922		.. SCREW ASSY- SUPPLIER CODE: VOA335 SPECIFICATION NUMBER: S251N401-6 COMPONENT MAINT MANUAL REF: 27-51-20 OPTIONAL PART: 7821342 VOA335 7900072 VOA335	002004 006102 107999	1
370	7821342		.. SCREW ASSY- SUPPLIER CODE: VOA335 SPECIFICATION NUMBER: S251N401-10 COMPONENT MAINT MANUAL REF: 27-51-20 OPTIONAL PART: 7820922 VOA335 7900072 VOA335	002004 006100 107107 121503 904999	1
370	7900072		.. SCREW ASSY- SUPPLIER CODE: VOA335 SPECIFICATION NUMBER: S251N401-22 COMPONENT MAINT MANUAL REF: 27-51-20 QUALIFIED I/W DATA: S251N401-22/7900072 CANNOT BE USED ON 757-300 A/C. S251N401-18/7829996 AND S251N401-22/7900072 ARE FULLY INTERCHANGEABLE FOR 757-200. OPTIONAL PART: 7820922 VOA335 7821342 VOA335	002004 006102 107999	1

MISSING ITEM NUMBERS NOT APPLICABLE

- ITEM NOT ILLUSTRATED

BRI

**27-51-21-02**

BOEING PROPRIETARY - Copyright © - Unpublished Work - See title page for details.

27-51-21  
FIG. 02  
PAGE 48  
JAN 20/09



**757  
PARTS CATALOG (MAINTENANCE)**

FIG ITEM	PART NUMBER	1 2 3 4 5 6 7	NOMENCLATURE	EFFECT FROM TO	UNITS PER ASSY
2 370	7829996		.. SCREW ASSY- SUPPLIER CODE: VOA335 SPECIFICATION NUMBER: S251N401-18 COMPONENT MAINT MANUAL REF: 27-51-20 QUALIFIED I/W DATA: S251N401-22/7900072 CANNOT BE USED ON 757-300 A/C. S251N401-18/7829996 AND S251N401-22/7900072 ARE FULLY INTERCHANGEABLE FOR 757-200.	002004 006999	1
370	FV233200000		.. SCREW ASSY- SUPPLIER CODE: VF0221 SPECIFICATION NUMBER: S251N401-24	002004 006999	1
371	1646B		... FITTING- SUPPLIER CODE: V95879	002004 006999	2
372	5669341		... PLATE-IDENT SUPPLIER CODE: VOA335 ATTACHING PARTS	002004 006999	1
372A	NAS1291-4		... NUT	002004 006999	1
372B	FV233112200		-----*----- ... PLATE-IDENT SUPPLIER CODE: VF0221	002004 006999	1
373	5702378		. PLATE-INSTRUCTION SUPPLIER CODE: VOA335	002004 006999	2
375	251N4336-2		.. TRANSMISSION AND UJOINT- ASSY POSITION DATA: LH SIDE USED ON: 251N4009-15 PRE SERVICE BULLETIN: 27-0115 REWORKED BY ALERT SB: 27A0127	002004 006102 107999	RF

MISSING ITEM NUMBERS NOT APPLICABLE

— ITEM NOT ILLUSTRATED

BRI

# 27-51-21-02

BOEING PROPRIETARY - Copyright © - Unpublished Work - See title page for details.

27-51-21  
FIG. 02  
PAGE 49  
JAN 20/09



757

PARTS CATALOG (MAINTENANCE)

FIG ITEM	PART NUMBER	1 2 3 4 5 6 7	NOMENCLATURE	EFFECT FROM TO	UNITS PER ASSY
2 375	251N4336-10		.. TRANSMISSION AND UJOINT- ASSY POSITION DATA: LH SIDE USED ON: 251N4009-17 POST SERVICE BULLETIN: 27-0115 REWORKED BY ALERT SB: 27A0127	002004 006102 107999	RF
375	251N4336-18		.. TRANSMISSION AND UJOINT- ASSY POSITION DATA: LH SIDE USED ON: 251N4009-23 251N4009-39 POST SERVICE BULLETIN: 27-0115 POST ALERT SB: 27A0127	002004 006102 107999	RF
375	251N4336-26		.. TRANSMISSION AND UJOINT- ASSY POSITION DATA: LH SIDE USED ON: MODREF7570 MODREF7572 MODREF27516 MODREF27518	002004 006999	RF
- 380	251N4336-7		.. TRANSMISSION AND UJOINT- ASSY POSITION DATA: RH SIDE USED ON: 251N4009-16 PRE SERVICE BULLETIN: 27-0115 REWORKED BY ALERT SB: 27A0127	002004 006102 107999	RF

MISSING ITEM NUMBERS NOT APPLICABLE

- ITEM NOT ILLUSTRATED

BRI

27-51-21-02

BOEING PROPRIETARY - Copyright © - Unpublished Work - See title page for details.

27-51-21  
FIG. 02  
PAGE 50  
JAN 20/09



757

PARTS CATALOG (MAINTENANCE)

FIG ITEM	PART NUMBER	1 2 3 4 5 6 7	NOMENCLATURE	EFFECT FROM TO	UNITS PER ASSY
2					
- 380	251N4336-15		.. TRANSMISSION AND UJOINT- ASSY POSITION DATA: RH SIDE USED ON: 251N4009-18 POST SERVICE BULLETIN: 27-0115 REWORKED BY ALERT SB: 27A0127	002004 006102 107999	RF
- 380	251N4336-23		.. TRANSMISSION AND UJOINT- ASSY POSITION DATA: RH SIDE USED ON: 251N4009-24 251N4009-40 POST SERVICE BULLETIN: 27-0115 POST ALERT SB: 27A0127	002004 006102 107999	RF
- 380	251N4336-31		.. TRANSMISSION AND UJOINT- ASSY POSITION DATA: RH SIDE	002004 006999	RF
385	1728B		... FITTING- SUPPLIER CODE: VOFKM1	002004 006999	4
390	TLN1001W38		... NUT SUPPLIER CODE: V97928 SPECIFICATION NUMBER: BACN10HY8M OPTIONAL PART: RMLH9073-8 V72962 TLN1001WD38 V92215 69233SB8D V56878 TLN1001WD38 V97928 TLN1001W38 V92215 HW29872-8 V15653	002004 006999	1
395	251N4150-1		... ADAPTER	002004 006999	1

MISSING ITEM NUMBERS NOT APPLICABLE

- ITEM NOT ILLUSTRATED

27-51-21-02

27-51-21  
FIG. 02  
PAGE 51  
JAN 20/09

BRI



757

PARTS CATALOG (MAINTENANCE)

FIG ITEM	PART NUMBER	1 2 3 4 5 6 7	NOMENCLATURE	EFFECT FROM TO	UNITS PER ASSY
2					
400	251N4135-1	. . .	SHAFT	002004 006999	1
405	251N4149-1	. . .	SHAFT-LARGE INTERNAL	002004 006999	1
410	251N4103-1	. . .	SPACER-BRG	002004 006999	1
415	251N4155-3	. . .	JOINT ASSY	002004 006999	1
420	251N4105-1	. . . .	BEARING	002004 006999	2
425	251N4155-1	. . . .	U JOINT	002004 006999	1

MISSING ITEM NUMBERS NOT APPLICABLE

- ITEM NOT ILLUSTRATED

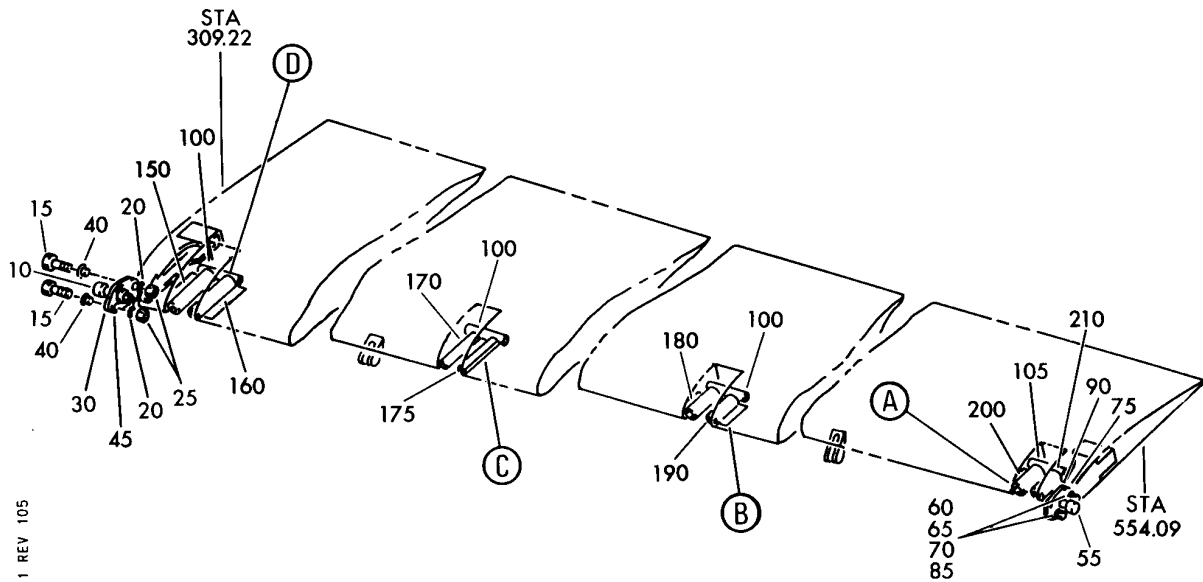
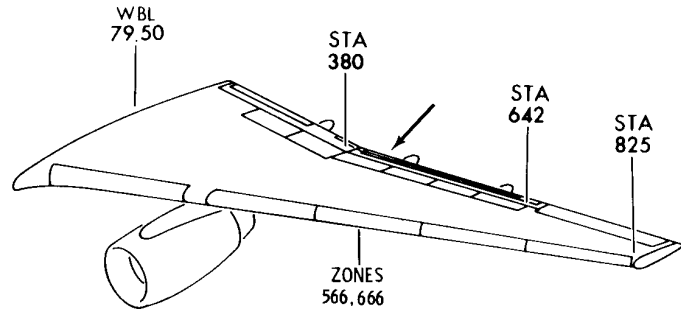
BRI

27-51-21-02

BOEING PROPRIETARY - Copyright © - Unpublished Work - See title page for details.

27-51-21  
FIG. 02  
PAGE 52  
JAN 20/09

**BOEING**  
757  
PARTS CATALOG (MAINTENANCE)



Y 27512201 SHT 1 REV 105

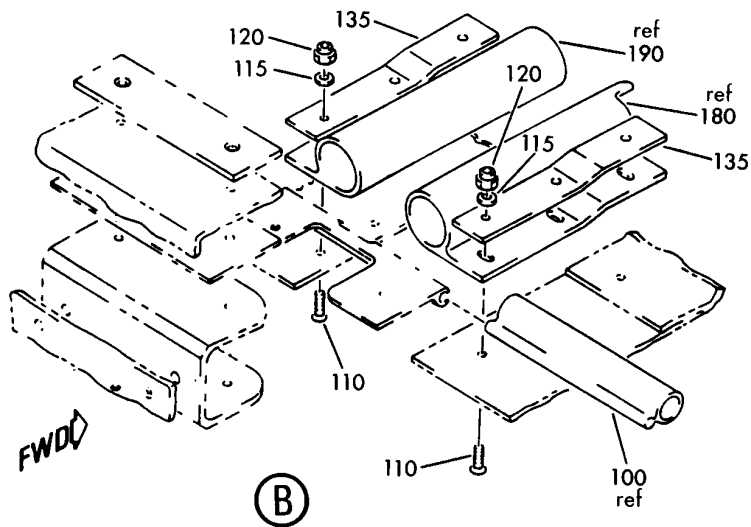
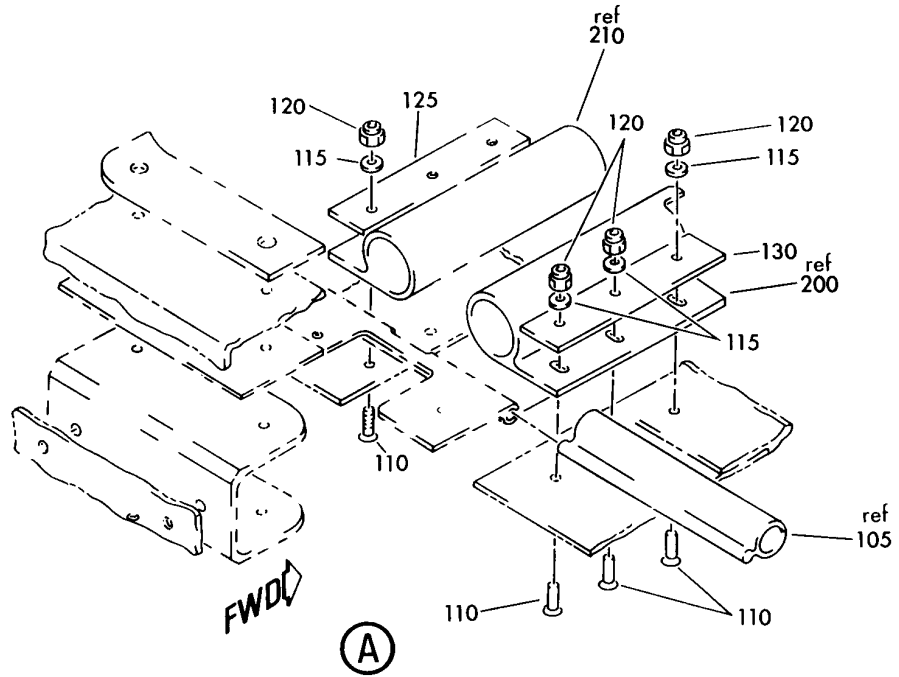
FLAP ASSY-OUTBD AFT (OUTBD AFT FLAP ONLY)  
FIGURE 1 (SHEET 1)

**27-51-22-01**

BRI  
MAY 28/07

27-51-22-01  
PAGE 0

**BOEING**  
757  
PARTS CATALOG (MAINTENANCE)



Y 27512201 SHT 2 REV 105

FLAP ASSY-OUTBD AFT (OUTBD AFT FLAP ONLY)  
FIGURE 1 (SHEET 2)

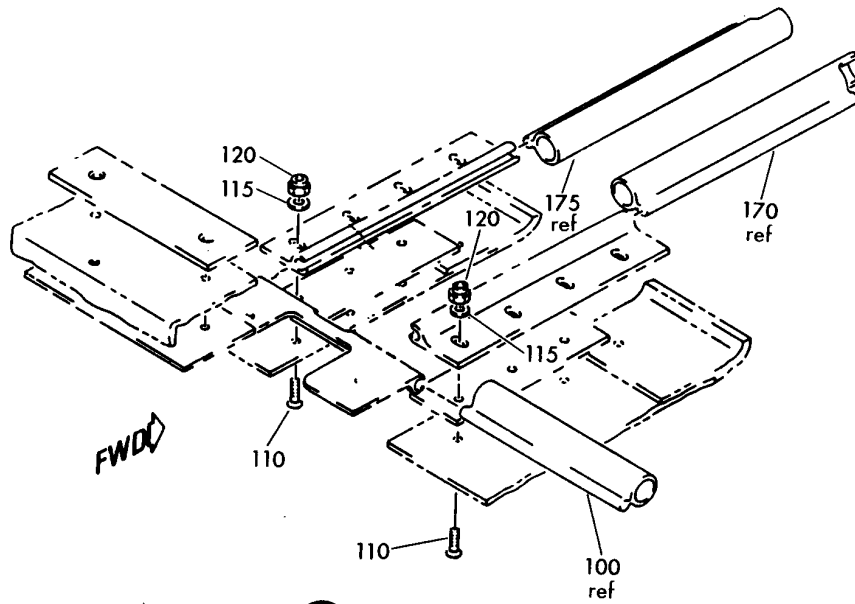
**27-51-22-01**

BRI  
MAY 28/07

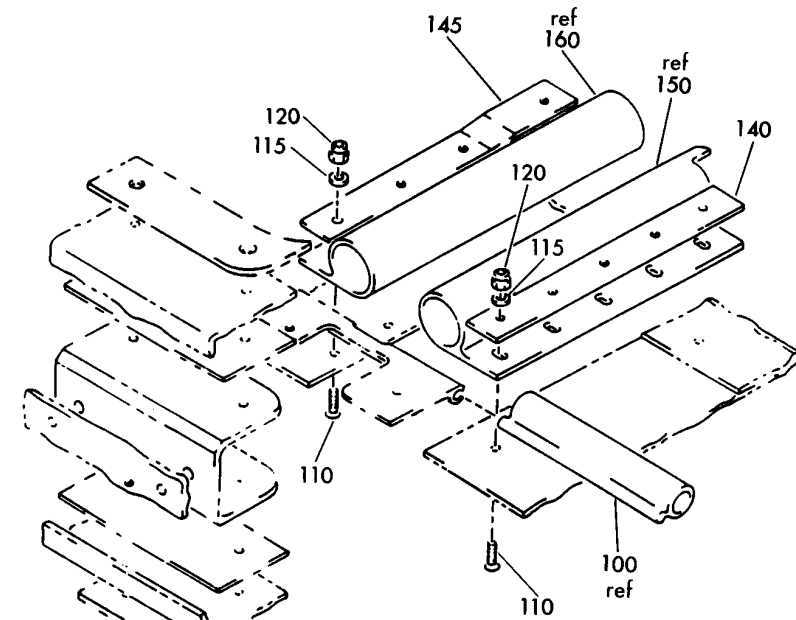
27-51-22-01  
PAGE 0A



**BOEING**  
757  
PARTS CATALOG (MAINTENANCE)



(C)



(D)

Y 27512201 SHT 3 REV 105

FLAP ASSY-OUTBD AFT (OUTBD AFT FLAP ONLY)  
FIGURE 1 (SHEET 3)

**27-51-22-01**

BRI  
MAY 28/07

27-51-22-01  
PAGE 0B



757

PARTS CATALOG (MAINTENANCE)

FIG ITEM	PART NUMBER	1 2 3 4 5 6 7	NOMENCLATURE	EFFECT FROM TO	UNITS PER ASSY
1			FLAP ASSY-OUTBD AFT (OUTBD AFT FLAP ONLY)	002004 006999	
- 1	113N3800-1		FLAP ASSY-(OUTBD AFT FLAP ONLY) POSITION DATA: OUTBD AFT LH COMPONENT MAINT MANUAL REF: 57-53-61 QUALIFIED SB I/W DATA: (AFTER INCORPORATION OF 757-SL-57-010 MAY USE 113N3800-67, -73, -75, -83, -85, -89SP) REWORKED BY SERVICE LETTER: 57-010 FOR NHA SEE: 27-51-14-01	002004 006999	RF
- 1	113N3800-67		FLAP ASSY-VARIABLE (OUTBD AFT FLAP ONLY) POSITION DATA: OUTBD AFT LH COMPONENT MAINT MANUAL REF: 57-53-61 QUALIFIED I/W DATA: -67 MAY REPLACE -1 FOR EAA NA002-NA199 ONLY QUALIFIED SB I/W DATA: (AFTER INCORPORATION OF 757-SL-57-010 MAY USE 113N3800-1, -73, -75, -83, -85, -89SP) REWORKED BY SERVICE LETTER: 57-010 FOR NHA SEE: 27-51-14-01	950951	RF

MISSING ITEM NUMBERS NOT APPLICABLE

- ITEM NOT ILLUSTRATED

BRI

**27-51-22-01**

27-51-22  
FIG. 01  
PAGE 1  
JAN 20/09



757

PARTS CATALOG (MAINTENANCE)

FIG ITEM	PART NUMBER	1 2 3 4 5 6 7	NOMENCLATURE	EFFECT FROM TO	UNITS PER ASSY
1					
- 1	113N3800-73		FLAP ASSY-(OUTBD AFT FLAP ONLY) POSITION DATA: OUTBD AFT LH COMPONENT MAINT MANUAL REF: 57-53-61 QUALIFIED SB I/W DATA: (AFTER INCORPORATION OF 757-SL-57-010 MAY USE 113N3800-1, -67, -75, -83, -85, -89SP) REWORKED BY SERVICE LETTER: 57-010 FOR NHA SEE: 27-51-14-01	002004 006999	RF
- 1	113N3800-75		FLAP ASSY-VARIABLE (OUTBD AFT FLAP ONLY) POSITION DATA: OUTBD AFT LH COMPONENT MAINT MANUAL REF: 57-53-61 QUALIFIED SB I/W DATA: (AFTER INCORPORATION OF 757-SL-57-010 MAY USE 113N3800-1, -67, -73, -83, -85, -89SP) REWORKED BY SERVICE LETTER: 57-010 FOR NHA SEE: 27-51-14-01	950951	RF
- 1	113N3800-83		FLAP ASSY-(OUTBD AFT FLAP ONLY) POSITION DATA: OUTBD AFT LH COMPONENT MAINT MANUAL REF: 57-53-61 QUALIFIED SB I/W DATA: (AFTER INCORPORATION OF 757-SL-57-010 MAY USE 113N3800-1, -67, -73, -75, -85, -89SP) REWORKED BY SERVICE LETTER: 57-010 FOR NHA SEE: 27-51-14-01	002004 006999	RF

MISSING ITEM NUMBERS NOT APPLICABLE

- ITEM NOT ILLUSTRATED

BRI

27-51-22-01

27-51-22  
FIG. 01  
PAGE 2  
JAN 20/09



757

PARTS CATALOG (MAINTENANCE)

FIG ITEM	PART NUMBER	1 2 3 4 5 6 7	NOMENCLATURE	EFFECT FROM TO	UNITS PER ASSY
1	113N3800-85		FLAP ASSY-VARIABLE (OUTBD AFT FLAP ONLY) POSITION DATA: OUTBD AFT LH COMPONENT MAINT MANUAL REF: 57-53-61 QUALIFIED I/W DATA: -85 (VARIABLE I/W -89SP SUBJECT TO COLOR PREFERENCE QUALIFIED SB I/W DATA: (AFTER INCORPORATION OF 757-SL-57-010 MAY USE 113N3800-1, -67, -73, -75, -83, -89SP) REWORKED BY SERVICE LETTER: 57-010 FOR NHA SEE: 27-51-14-01	950951	RF
- 1	113N3800-89SP		FLAP ASSY-(OUTBD AFT FLAP ONLY) POSITION DATA: OUTBD AFT LH COMPONENT MAINT MANUAL REF: 57-53-61 QUALIFIED SB I/W DATA: (AFTER INCORPORATION OF 757-SL-57-010 MAY USE 113N3800-1, -67, -73, -75, -83, -85) POST SERVICE LETTER: 57-010 FOR NHA SEE: 27-51-14-01	002004 006999	RF

MISSING ITEM NUMBERS NOT APPLICABLE

- ITEM NOT ILLUSTRATED

BRI

**27-51-22-01**

BOEING PROPRIETARY - Copyright © - Unpublished Work - See title page for details.

27-51-22  
FIG. 01  
PAGE 3  
JAN 20/09



757

PARTS CATALOG (MAINTENANCE)

FIG ITEM	PART NUMBER	1 2 3 4 5 6 7	NOMENCLATURE	EFFECT FROM TO	UNITS PER ASSY
1	113N3800-93SP		FLAP ASSY-(OUTBD AFT FLAP ONLY) POSITION DATA: OUTBD AFT LH COMPONENT MAINT MANUAL REF: 57-53-61 QUALIFIED I/W DATA: THE -93SP & THE -101SP ARE 2 WAY INTERCHANGABLE ON THE 757-200 MODEL, & ONE WAY INTERCHANGABLE ON THE 757-300. THE -93SP CAN NOT BE USED ON THE 757-300. OPTIONAL PART: 113N3800-101SP FOR NHA SEE: 27-51-14-01	002004 006999	RF
- 1	113N3800-101SP		FLAP ASSY-(OUTBD AFT FLAP ONLY) POSITION DATA: OUTBD AFT LH COMPONENT MAINT MANUAL REF: 57-53-61 QUALIFIED I/W DATA: THE -93SP & THE -101SP ARE 2 WAY INTERCHANGABLE ON THE 757-200 MODEL, & ONE WAY INTERCHANGABLE ON THE 757-300. THE -93SP CAN NOT BE USED ON THE 757-300. OPTIONAL PART: 113N3800-93SP FOR NHA SEE: 27-51-14-01	002004 006999	RF

MISSING ITEM NUMBERS NOT APPLICABLE

- ITEM NOT ILLUSTRATED

**27-51-22-01**

27-51-22  
FIG. 01  
PAGE 4  
JAN 20/09

BRI



757

PARTS CATALOG (MAINTENANCE)

FIG ITEM	PART NUMBER	1 2 3 4 5 6 7	NOMENCLATURE	EFFECT FROM TO	UNITS PER ASSY
1 - 5	113N3800-2		FLAP ASSY-(OUTBD AFT FLAP ONLY) POSITION DATA: OUTBD AFT RH COMPONENT MAINT MANUAL REF: 57-53-61 QUALIFIED SB I/W DATA: (AFTER INCORPORATION OF 757-SL-57-010 MAY USE 113N300-68, -74, -76, -84, -86, -90SP) REWORKED BY SERVICE LETTER: 57-010 FOR NHA SEE: 27-51-14-01	002004 006999	RF
- 5	113N3800-68		FLAP ASSY-VARIABLE (OUTBD AFT FLAP ONLY) POSITION DATA: OUTBD AFT RH COMPONENT MAINT MANUAL REF: 57-53-61 QUALIFIED I/W DATA: -68 MAY REPLACE -2 FOR EAA NA002-NA199 ONLY QUALIFIED SB I/W DATA: (AFTER INCORPORATION OF 757-SL-57-010 MAY USE 113N3800-2, -74, -76, -84, -86, -90SP) REWORKED BY SERVICE LETTER: 57-010 FOR NHA SEE: 27-51-14-01	950951	RF
- 5	113N3800-74		FLAP ASSY-(OUTBD AFT FLAP ONLY) POSITION DATA: OUTBD AFT RH COMPONENT MAINT MANUAL REF: 57-53-61 QUALIFIED SB I/W DATA: (AFTER INCORPORATION OF 757-SL-57-010 MAY USE 113N3800-2, -68, -76, -84, -86, -90SP) REWORKED BY SERVICE LETTER: 57-010 FOR NHA SEE: 27-51-14-01	002004 006999	RF

MISSING ITEM NUMBERS NOT APPLICABLE

- ITEM NOT ILLUSTRATED

BRI

27-51-22-01

27-51-22  
FIG. 01  
PAGE 5  
JAN 20/09



757

PARTS CATALOG (MAINTENANCE)

FIG ITEM	PART NUMBER	1 2 3 4 5 6 7	NOMENCLATURE	EFFECT FROM TO	UNITS PER ASSY
1					
- 5	113N3800-76		FLAP ASSY-VARIABLE (OUTBD AFT FLAP ONLY) POSITION DATA: OUTBD AFT RH COMPONENT MAINT MANUAL REF: 57-53-61 QUALIFIED SB I/W DATA: (AFTER INCORPORATION OF 757-SL-57-010 MAY USE 113N3800-2, -68, -74, -84, -86, -90SP) REWORKED BY SERVICE LETTER: 57-010 FOR NHA SEE: 27-51-14-01	950951	RF
- 5	113N3800-84		FLAP ASSY-(OUTBD AFT FLAP ONLY) POSITION DATA: OUTBD AFT RH COMPONENT MAINT MANUAL REF: 57-53-61 QUALIFIED I/W DATA: -84 (BASIC I/W -88 VARIABLE SUBJECT TO COLOR PREFERENCE -84 (BASIC I/W -90SP SUBJECT TO COLOR PREFERENCE QUALIFIED SB I/W DATA: (AFTER INCORPORATION OF 757-SL-57-010 MAY USE 113N3800-2, -68, -74, -76, -86, -90SP) REWORKED BY SERVICE LETTER: 57-010 FOR NHA SEE: 27-51-14-01	002004 006999	RF

MISSING ITEM NUMBERS NOT APPLICABLE

- ITEM NOT ILLUSTRATED

BRI

27-51-22-01

BOEING PROPRIETARY - Copyright © - Unpublished Work - See title page for details.

27-51-22  
FIG. 01  
PAGE 6  
JAN 20/09



757

PARTS CATALOG (MAINTENANCE)

FIG ITEM	PART NUMBER	1 2 3 4 5 6 7	NOMENCLATURE	EFFECT FROM TO	UNITS PER ASSY
1 - 5	113N3800-86		FLAP ASSY-VARIABLE (OUTBD AFT FLAP ONLY) POSITION DATA: OUTBD AFT RH COMPONENT MAINT MANUAL REF: 57-53-61 QUALIFIED I/W DATA: -86 (VARIABLE I/W -90SP SUBJECT TO COLOR PREFERENCE QUALIFIED SB I/W DATA: (AFTER INCORPORATION OF 757-SL-57-010 MAY USE 113N3800-2, -68, -74, -76, -84, -90SP) REWORKED BY SERVICE LETTER: 57-010 FOR NHA SEE: 27-51-14-01	950951	RF
- 5	113N3800-90SP		FLAP ASSY-(OUTBD AFT FLAP ONLY) POSITION DATA: OUTBD AFT RH COMPONENT MAINT MANUAL REF: 57-53-61 QUALIFIED SB I/W DATA: (AFTER INCORPORATION OF 757-SL-57-010L 113N3800-2, -68, -74, -76, 84, -86) POST SERVICE LETTER: 57-010 FOR NHA SEE: 27-51-14-01	002004 006999	RF

MISSING ITEM NUMBERS NOT APPLICABLE

- ITEM NOT ILLUSTRATED

BRI

27-51-22-01

BOEING PROPRIETARY - Copyright © - Unpublished Work - See title page for details.

27-51-22  
FIG. 01  
PAGE 7  
JAN 20/09





757

PARTS CATALOG (MAINTENANCE)

FIG ITEM	PART NUMBER	1 2 3 4 5 6 7	NOMENCLATURE	EFFECT FROM TO	UNITS PER ASSY
1 - 5	113N3800-94SP		FLAP ASSY-(OUTBD AFT FLAP ONLY) POSITION DATA: OUTBD AFT RH COMPONENT MAINT MANUAL REF: 57-53-61 QUALIFIED I/W DATA: THE -94SP & THE -102SP ARE 2 WAY INTERCHANGABLE ON THE 757-200 MODEL, & ONE WAY INTERCHANGABLE ON THE 757-300. THE -94SP CAN NOT BE USED ON THE 757-300 OPTIONAL PART: 113N3800-102SP FOR NHA SEE: 27-51-14-01	002004 006999	RF
- 5	113N3800-102SP		FLAP ASSY-(OUTBD AFT FLAP ONLY) POSITION DATA: OUTBD AFT RH COMPONENT MAINT MANUAL REF: 57-53-61 QUALIFIED I/W DATA: THE -94SP & THE -102SP ARE 2 WAY INTERCHANGABLE ON THE 757-200 MODEL, & ONE WAY INTERCHANGABLE ON THE 757-300. THE -94SP CAN NOT BE USED ON THE 757-300. OPTIONAL PART: 113N3800-94SP FOR NHA SEE: 27-51-14-01	002004 006999	RF
10	113N3810-1		. ECCENTRIC-PROGRAM HORN FLAP POSITION DATA: OUTBD AFT	002004 006999	1

MISSING ITEM NUMBERS NOT APPLICABLE

- ITEM NOT ILLUSTRATED

BRI

27-51-22-01

BOEING PROPRIETARY - Copyright © - Unpublished Work - See title page for details.

27-51-22  
FIG. 01  
PAGE 8  
JAN 20/09



757

PARTS CATALOG (MAINTENANCE)

FIG ITEM	PART NUMBER	1 2 3 4 5 6 7	NOMENCLATURE	EFFECT FROM TO	UNITS PER ASSY
1					
15	HL11VAZ6-15	.BOLT-	SUPPLIER CODE: V60516 SPECIFICATION NUMBER: BACB30NW6K15 OPTIONAL PART: B30NW6K15 V97928 HL11VAZ6-15 V73197 HL11VAZ6-15 V92215 HL11VAZ6-15 V97928 L803-6K15 V06725 HL11VAZ6-15 VOPTK6 HL11VAZ6-15 V56878 BACB30VF3K15	002004 006999	2
15	BACB30VF3K15	.BOLT-	OPTIONAL PART: BACB30NW6K15	002004 006999	2
20	BACW10BP3NDP	.WASHER		002004 006999	2
25	BRH10C3D	.NUT	SUPPLIER CODE: V52828 SPECIFICATION NUMBER: BACN10JC3CD OPTIONAL PART: T6C1032JCD V11815 NS202486-02 V80539 102LH9075-3W V72962 H51650-3BAC V15653	002004 006999	2
30	113N3811-1	.PLATE ASSY-	POSITION DATA: LH SIDE	002004 006999	1
- 35	113N3811-2	.PLATE ASSY-	POSITION DATA: RH SIDE	002004 006999	1
40	113N3325-2	.BUSHING		002004 006999	2

MISSING ITEM NUMBERS NOT APPLICABLE

- ITEM NOT ILLUSTRATED

27-51-22-01

27-51-22  
FIG. 01  
PAGE 9  
JAN 20/09

BRI



757

PARTS CATALOG (MAINTENANCE)

FIG ITEM	PART NUMBER	1 2 3 4 5 6 7	NOMENCLATURE	EFFECT FROM TO	UNITS PER ASSY
1	45 113N3802-3		.RIB ASSY- POSITION DATA: LH SIDE	002004 006999	1
-	50 113N3802-4		.RIB ASSY- POSITION DATA: RH SIDE	002004 006999	1
	55 113N3810-2		.ECCENTRIC-PROGRAM HORN FLAP POSITION DATA: OUTBD AFT	002004 006999	1
	60 HL11VAZ6-12		.BOLT- SUPPLIER CODE: V60516 SPECIFICATION NUMBER: BACB30NW6K12 OPTIONAL PART: B30NW6K12 V97928 HL11VAZ6-12 V73197 HL11VAZ6-12 V92215 HL11VAZ6-12 V97928 L803-6K12 V06725 HL11VAZ6-12 VOPTK6 HL11VAZ6-12 V56878 BACB30VF3K12	002004 006999	2
	60 BACB30VF3K12		.BOLT- OPTIONAL PART: BACB30NW6K12	002004 006999	2
	65 BACW10BP3NDP		.WASHER	002004 006999	2

MISSING ITEM NUMBERS NOT APPLICABLE

- ITEM NOT ILLUSTRATED

BRI

27-51-22-01

BOEING PROPRIETARY - Copyright © - Unpublished Work - See title page for details.

27-51-22  
FIG. 01  
PAGE 10  
JAN 20/09



757

PARTS CATALOG (MAINTENANCE)

FIG ITEM	PART NUMBER	1 2 3 4 5 6 7	NOMENCLATURE	EFFECT FROM TO	UNITS PER ASSY
1	70 BRH10C3D		.NUT SUPPLIER CODE: V52828 SPECIFICATION NUMBER: BACN10JC3CD OPTIONAL PART: T6C1032JCD V11815 NS202486-02 V80539 102LH9075-3W V72962 H51650-3BAC V15653	002004 006999	2
	75 113N3811-3		.PLATE ASSY- POSITION DATA: LH SIDE	002004 006999	1
-	80 113N3811-4		.PLATE ASSY- POSITION DATA: RH SIDE	002004 006999	1
	85 113N3325-2		.BUSHING	002004 006999	2
	90 113N3802-1		.RIB ASSY- POSITION DATA: LH SIDE	002004 006999	1
-	95 113N3802-2		.RIB ASSY- POSITION DATA: RH SIDE COMPONENT MAINT MANUAL REF: 57-53-61	002004 006999	1
	100 113N3800-24		.SEAL- MANUFACTURED FROM: EXTR RUBBER F25.01 10-60754-38 4.00 IN.	002004 006999	3
	105 113N3800-41		.SEAL- MANUFACTURED FROM: EXTR RUBBER F25.01 10-60754-38 3.50 IN.	002004 006999	1
	110 BACB30UR3K4		.BOLT	002004 006999	29
	115 BACW10BP3NDP		.WASHER	002004 006999	29

MISSING ITEM NUMBERS NOT APPLICABLE

- ITEM NOT ILLUSTRATED

27-51-22-01

27-51-22  
FIG. 01  
PAGE 11  
JAN 20/09

BRI



757

PARTS CATALOG (MAINTENANCE)

FIG ITEM	PART NUMBER	1 2 3 4 5 6 7	NOMENCLATURE	EFFECT FROM TO	UNITS PER ASSY
1 120	BRH10C3D	.	NUT SUPPLIER CODE: V52828 SPECIFICATION NUMBER: BACN10JC3CD OPTIONAL PART: T6C1032JCD V11815 NS202486-02 V80539 102LH9075-3W V72962 H51650-3BAC V15653	002004 006999	29
125	113N3800-42	.	RETAINER-SEAL	002004 006100 107107 121503 904999	1
125	113N3800-98	.	RETAINER-SEAL	101106 108120 504903	1
130	113N3800-47	.	RETAINER-SEAL	002004 006100 107107 121503 904999	1
130	113N3800-99	.	RETAINER-SEAL	101106 108120 504903	1
135	113N3800-34	.	RETAINER-SEAL	002004 006100 107107 121503 904999	2
135	113N3800-97	.	RETAINER-SEAL	101106 108120 504903	2
140	113N3800-16	.	RETAINER-SEAL	002004 006100 107107 121503 904999	1
140	113N3800-95	.	RETAINER-SEAL	101106 108120 504903	1

MISSING ITEM NUMBERS NOT APPLICABLE

- ITEM NOT ILLUSTRATED

BRI

27-51-22-01

27-51-22  
FIG. 01  
PAGE 12  
JAN 20/09



757

PARTS CATALOG (MAINTENANCE)

FIG ITEM	PART NUMBER	1 2 3 4 5 6 7 NOMENCLATURE	EFFECT FROM TO	UNITS PER ASSY
1				
145	113N3800-23	.RETAINER-SEAL	002004 006100 107107 121503 904999	1
145	113N3800-100	.RETAINER-SEAL	101106 108120 504903	1
150	113N3800-19	.SEAL- POSITION DATA: LH SIDE MANUFACTURED FROM: EXTR RUBBER F25.01 10-60754-124 6.00 IN.	002004 006999	1
- 155	113N3800-20	.SEAL- POSITION DATA: RH SIDE MANUFACTURED FROM: EXTR RUBBER F25.01 10-60754-124 6.00 IN.	002004 006999	1
160	113N3800-21	.SEAL- POSITION DATA: LH SIDE MANUFACTURED FROM: EXTR RUBBER F25.01 10-60754-124 6.00 IN.	002004 006999	1
- 165	113N3800-22	.SEAL- POSITION DATA: RH SIDE MANUFACTURED FROM: EXTR RUBBER F25.01 10-60754-124 6.00 IN.	002004 006999	1
170	113N3800-29	.SEAL- MANUFACTURED FROM: EXTR RUBBER F25.01 10-60754-38 5.50 IN.	002004 006999	1
175	113N3800-31	.SEAL- MANUFACTURED FROM: EXTR RUBBER F25.01 10-60754-38 5.50 IN.	002004 006999	1

MISSING ITEM NUMBERS NOT APPLICABLE

- ITEM NOT ILLUSTRATED

BRI

27-51-22-01

27-51-22  
FIG. 01  
PAGE 13  
JAN 20/09



757

PARTS CATALOG (MAINTENANCE)

FIG ITEM	PART NUMBER	1 2 3 4 5 6 7	NOMENCLATURE	EFFECT FROM TO	UNITS PER ASSY
1 180	113N3800-35		.SEAL- POSITION DATA: LH SIDE MANUFACTURED FROM: EXTR RUBBER F25.01 10-60754-124 4.00 IN.	002004 006999	1
- 185	113N3800-36		.SEAL- POSITION DATA: RH SIDE MANUFACTURED FROM: EXTR RUBBER F25.01 10-60754-124 4.00 IN.	002004 006999	1
190	113N3800-37		.SEAL- POSITION DATA: LH SIDE MANUFACTURED FROM: EXTR RUBBER F25.01 10-60754-124 4.00 IN.	002004 006999	1
- 195	113N3800-38		.SEAL- POSITION DATA: RH SIDE MANUFACTURED FROM: EXTR RUBBER F25.01 10-6054-124 4.00 IN.	002004 006999	1
200	113N3800-43		.SEAL- POSITION DATA: LH SIDE MANUFACTURED FROM: EXTR RUBBER F25.01 10-60754-124 3.70 IN.	002004 006999	1
- 205	113N3800-44		.SEAL- POSITION DATA: RH SIDE MANUFACTURED FROM: EXTR RUBBER F25.01 10-60754-124 3.70 IN.	002004 006999	1
210	113N3800-45		.SEAL- POSITION DATA: LH SIDE MANUFACTURED FROM: EXTR RUBBER F25.01 10-60754-124 3.70 IN.	002004 006999	1

MISSING ITEM NUMBERS NOT APPLICABLE

- ITEM NOT ILLUSTRATED

27-51-22-01

27-51-22  
FIG. 01  
PAGE 14  
JAN 20/09

BRI



757

PARTS CATALOG (MAINTENANCE)

FIG ITEM	PART NUMBER	1 2 3 4 5 6 7	NOMENCLATURE	EFFECT FROM TO	UNITS PER ASSY
1 - 215	113N3800-46		.SEAL- POSITION DATA: RH SIDE MANUFACTURED FROM: EXTR RUBBER F25.01 10-60754-124 3.70 IN.	002004 006999	1

MISSING ITEM NUMBERS NOT APPLICABLE

- ITEM NOT ILLUSTRATED

BRI

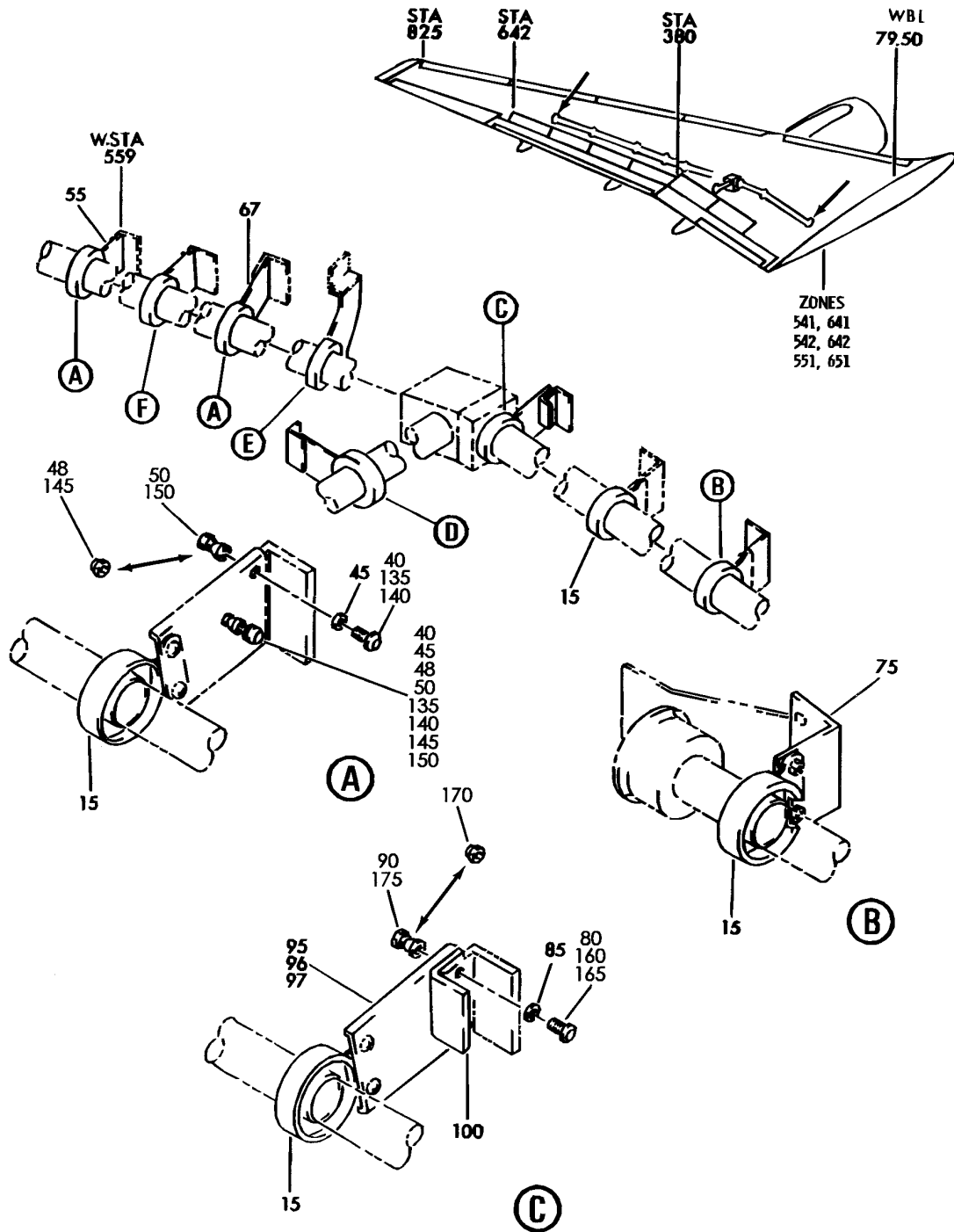
27-51-22-01

BOEING PROPRIETARY - Copyright © - Unpublished Work - See title page for details.

27-51-22  
FIG. 01  
PAGE 15  
JAN 20/09



**BOEING**  
757  
PARTS CATALOG (MAINTENANCE)



Y 27512501 SHT 1 REV 205

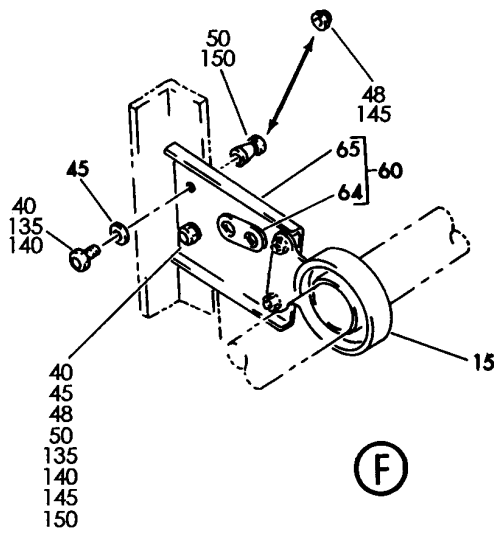
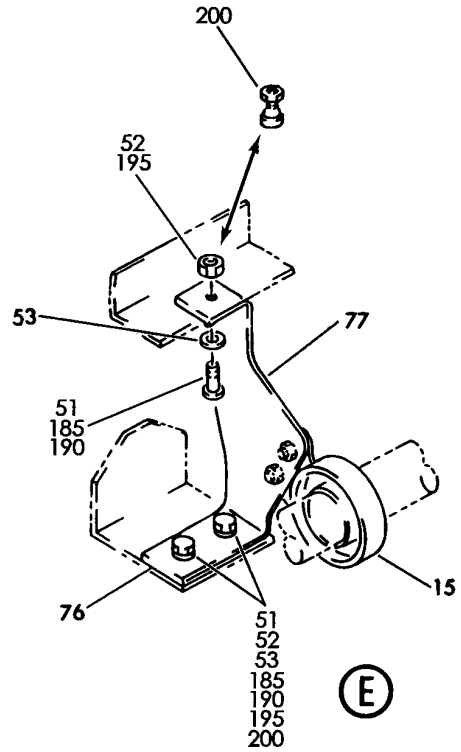
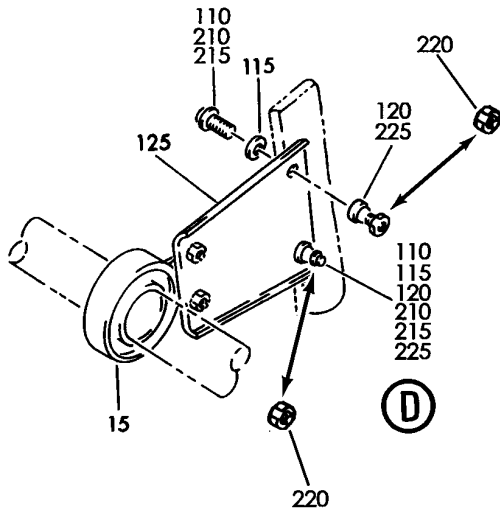
STRAP INSTL-TE FLAP DRIVE TORQUE TUBE SAFETY  
FIGURE 1 (SHEET 1)

**27-51-25-01**

BRI  
MAY 28/07

27-51-25-01  
PAGE 0

**BOEING**  
757  
PARTS CATALOG (MAINTENANCE)



Y 27512501 SHT 2 REV 205

STRAP INSTL-TE FLAP DRIVE TORQUE TUBE SAFETY  
FIGURE 1 (SHEET 2)

**27-51-25-01**

BRI  
MAY 28/07

27-51-25-01  
PAGE 0A



757

PARTS CATALOG (MAINTENANCE)

FIG ITEM	PART NUMBER	1 2 3 4 5 6 7	NOMENCLATURE	EFFECT FROM TO	UNITS PER ASSY
1			STRAP INSTL-TE FLAP DRIVE TORQUE TUBE SAFETY	002004 006999	
- 1	251N4013-1		STRAP INSTL-TE FLAP DRIVE TORQUE TUBE SAFETY POSITION DATA: LH FOR NHA SEE: 27-51-25-03	002004 006100 107107 121503 904999	RF
- 1	251N4013-3		STRAP INSTL-TE FLAP DRIVE TORQUE TUBE SAFETY POSITION DATA: LH FOR NHA SEE: 27-50-00-02	101102 504903	RF
- 1	251N4013-15		STRAP INSTL-TE FLAP DRIVE TORQUE TUBE SAFETY POSITION DATA: LH FOR NHA SEE: 27-50-00-02	108120	RF
- 1	MODREF7660		STRAP INSTL-TE FLAP DRIVE TORQUE TUBE SAFETY MODULE NUMBER: 251N4013-15 REV A POSITION DATA: LH	103103	1
- 1	MODREF27526		STRAP INSTL-TE FLAP DRIVE TORQUE TUBE SAFETY MODULE NUMBER: 251N4013-15 REV B POSITION DATA: LH	104106	1
- 5	251N4013-2		STRAP INSTL-TE FLAP DRIVE TORQUE TUBE SAFETY POSITION DATA: RH FOR NHA SEE: 27-51-25-03	002004 006100 107107 121503 904999	RF
- 5	251N4013-4		STRAP INSTL-TE FLAP DRIVE TORQUE TUBE SAFETY POSITION DATA: RH FOR NHA SEE: 27-50-00-02	101102 504903	RF

MISSING ITEM NUMBERS NOT APPLICABLE

- ITEM NOT ILLUSTRATED

BRI

27-51-25-01

27-51-25  
FIG. 01  
PAGE 1  
JAN 20/09

 **BOEING**  
757  
**PARTS CATALOG (MAINTENANCE)**

FIG ITEM	PART NUMBER	1 2 3 4 5 6 7	NOMENCLATURE	EFFECT FROM TO	UNITS PER ASSY
1					
- 5	MODREF27527		STRAP INSTL-TE FLAP DRIVE TORQUE TUBE SAFETY MODULE NUMBER: 251N4013-16 REV B POSITION DATA: RH	104106	1
- 5	251N4013-16		STRAP INSTL-TE FLAP DRIVE TORQUE TUBE SAFETY POSITION DATA: RH FOR NHA SEE: 27-50-00-02	108120	RF
- 5	MODREF7661		STRAP INSTL-TE FLAP DRIVE TORQUE TUBE SAFETY MODULE NUMBER: 251N4013-16 REV A POSITION DATA: RH	103103	1
15	251N4229-1		.STRAP-SAFETY	002004 006999	8
- 20	NAS6603-4		.ATTACHING PARTS .BOLT-	002004 006999	16
- 30	AN960KD10L		.WASHER-	002004 006999	16
- 35	BRH10C3D		.NUT- SUPPLIER CODE: V52828 SPECIFICATION NUMBER: BACN10JC3CD OPTIONAL PART: T6C1032JCD V11815 NS202486-02 V80539 102LH9075-3W V72962 H51650-3BAC V15653	002004 006999	16
40	NAS6603-3		-----*----- .BOLT-	002004 006100 107107 121503 904999	6
45	AN960KD10L		.WASHER-	002004 006999	6

MISSING ITEM NUMBERS NOT APPLICABLE

- ITEM NOT ILLUSTRATED

BRI

# 27-51-25-01

BOEING PROPRIETARY - Copyright © - Unpublished Work - See title page for details.

27-51-25  
FIG. 01  
PAGE 2  
JAN 20/09

 **BOEING**  
757  
**PARTS CATALOG (MAINTENANCE)**

FIG ITEM	PART NUMBER	1 2 3 4 5 6 7	NOMENCLATURE	EFFECT FROM TO	UNITS PER ASSY
1	48 BRH10C3D		.NUT- SUPPLIER CODE: V52828 SPECIFICATION NUMBER: BACN10JC3CD OPTIONAL PART: T6C1032JCD V11815 NS202486-02 V80539 102LH9075-3W V72962 H51650-3BAC V15653	002004 006100 107107 121503 904999	6
	51 NAS6604-4		.BOLT-	002004 006100 107107 121503 904999	3
	52 BRH10C4D		.NUT SUPPLIER CODE: V52828 SPECIFICATION NUMBER: BACN10JC4CD OPTIONAL PART: T6C428JCD V11815 NS202486-048 V80539 102LH9075-4W V72962 H51650-4BAC V15653	002004 006100 107107 121503 904999	3
	53 NAS1149D0416J		.WASHER	002004 006999	3
	55 251N4230-19		.BRACKET ASSY- POSITION DATA: LH SIDE	002004 006999	1
-	58 251N4230-20		.BRACKET ASSY- POSITION DATA: RH SIDE	002004 006999	1
	60 251N4230-17		.BRACKET ASSY- POSITION DATA: LH SIDE	002004 006999	1
-	63 251N4230-18		.BRACKET ASSY- POSITION DATA: RH SIDE	002004 006999	1
	64 251N4230-21		..PLATE	002004 006999	1

MISSING ITEM NUMBERS NOT APPLICABLE

- ITEM NOT ILLUSTRATED

BRI

# 27-51-25-01

27-51-25  
FIG. 01  
PAGE 3  
JAN 20/09

 **BOEING**  
757  
**PARTS CATALOG (MAINTENANCE)**

FIG ITEM	PART NUMBER	1 2 3 4 5 6 7	NOMENCLATURE	EFFECT FROM TO	UNITS PER ASSY
1	65	251N4230-1	..BRACKET- POSITION DATA: LH SIDE	002004 006999	1
-	66	251N4230-2	..BRACKET- POSITION DATA: RH SIDE	002004 006999	1
	67	251N4230-3	.BRACKET- POSITION DATA: LH SIDE	002004 006999	1
-	68	251N4230-4	.BRACKET- POSITION DATA: RH SIDE	002004 006999	1
	75	251N4230-9	.BRACKET- POSITION DATA: LH SIDE	002004 006999	1
-	75A	251N4230-10	.BRACKET- POSITION DATA: RH SIDE	002004 006999	1
	76	251N4315-13	.SHIM	002004 006999	1
	77	251N4315-11	.BRACKET- POSITION DATA: LH SIDE	002004 006999	1
-	78	251N4315-12	.BRACKET- POSITION DATA: RH SIDE	002004 006999	1
	80	L8006K5	.BOLT SUPPLIER CODE: V06725 SPECIFICATION NUMBER: BACB30MY6K5	002004 006100 107107 121503 904999	2
	85	AN960KD10L	.WASHER-	002004 006999	2
	90	HL79-6	.COLLAR SUPPLIER CODE: V5M902 SPECIFICATION NUMBER: BACC30M6 OPTIONAL PART: HL79-6 V73197 HL79-6 V92215 66014-6 V56878 HL79-6 V56878	002004 006100 107107 121503 904999	2
	96	251N4230-25	.BRACKET-	002004 006999	1

MISSING ITEM NUMBERS NOT APPLICABLE

- ITEM NOT ILLUSTRATED

BRI

# 27-51-25-01

BOEING PROPRIETARY - Copyright © - Unpublished Work - See title page for details.

27-51-25  
FIG. 01  
PAGE 4  
JAN 20/09



757

PARTS CATALOG (MAINTENANCE)

FIG ITEM	PART NUMBER	1 2 3 4 5 6 7	NOMENCLATURE	EFFECT FROM TO	UNITS PER ASSY
1					
97	251N4230-26	.	BRACKET-	002004 006999	1
100	287N1301-127	.	BRACKET- POSITION DATA: LH SIDE	002004 006999	1
- 105	287N1301-128	.	BRACKET- POSITION DATA: RH SIDE	002004 006999	1
110	L8008K6	.	BOLT SUPPLIER CODE: V06725 SPECIFICATION NUMBER: BACB30MY8K6	002004 006100 107107 121503 904999	2
115	AN960PD416L	.	WASHER	002004 006999	2
120	HL79-8	.	COLLAR SUPPLIER CODE: V5M902 SPECIFICATION NUMBER: BACC30M8 OPTIONAL PART: HL79-8 V73197 HL79-8 V92215 66014-8 V56878 HL79-8 V56878	002004 006100 107107 121503 904999	2
125	251N4274-1	.	BRACKET-	002004 006010 107107 121503 904999	1
125	251N4274-2	.	BRACKET-	011102 504903	1
125	251N4274-3	.	BRACKET-	103106 108120	1
- 130	251N4013-5	.	SUB KIT ASSY- OPTIONAL PART: 251N4013-6	101106 108120 504903	1
- 130	251N4013-6	.	SUB KIT ASSY- OPTIONAL PART: 251N4013-5	101106 108120 504903	1
135	L8006K3	..	BOLT SUPPLIER CODE: V06725 SPECIFICATION NUMBER: BACB30MY6K3	101106 108120 504903	6

MISSING ITEM NUMBERS NOT APPLICABLE

- ITEM NOT ILLUSTRATED

27-51-25-01

27-51-25  
FIG. 01  
PAGE 5  
JAN 20/09

BRI



757

PARTS CATALOG (MAINTENANCE)

FIG ITEM	PART NUMBER	1 2 3 4 5 6 7	NOMENCLATURE	EFFECT FROM TO	UNITS PER ASSY
1					
140	NAS6603-3	..	BOLT	101106 108120 504903	6
145	BRH10C3D	..	NUT SUPPLIER CODE: V52828 SPECIFICATION NUMBER: BACN10JC3CD OPTIONAL PART: T6C1032JCD V11815 NS202486-02 V80539 102LH9075-3W V72962 H51650-3BAC V15653	101106 108120 504903	6
150	HL79-6	..	COLLAR SUPPLIER CODE: V5M902 SPECIFICATION NUMBER: BACC30M6 OPTIONAL PART: HL79-6 V73197 HL79-6 V92215 66014-6 V56878 HL79-6 V56878	101106 108120 504903	6
- 155	251N4013-7	.SUB	KIT ASSY- OPTIONAL PART: 251N4013-8	101106 108120 504903	1
- 155	251N4013-8	.SUB	KIT ASSY- OPTIONAL PART: 251N4013-7	101106 108120 504903	1
160	L8006K5	..	BOLT SUPPLIER CODE: V06725 SPECIFICATION NUMBER: BACB30MY6K5	101106 108120 504903	2
165	NAS6603-5	..	BOLT	101106 108120 504903	2

MISSING ITEM NUMBERS NOT APPLICABLE

- ITEM NOT ILLUSTRATED

27-51-25-01

27-51-25  
FIG. 01  
PAGE 6  
JAN 20/09

BRI





757

PARTS CATALOG (MAINTENANCE)

FIG ITEM	PART NUMBER	1 2 3 4 5 6 7	NOMENCLATURE	EFFECT FROM TO	UNITS PER ASSY
1 170	BRH10C3D		..NUT SUPPLIER CODE: V52828 SPECIFICATION NUMBER: BACN10JC3CD OPTIONAL PART: T6C1032JCD V11815 NS202486-02 V80539 102LH9075-3W V72962 H51650-3BAC V15653	101106 108120 504903	2
175	HL79-6		..COLLAR SUPPLIER CODE: V5M902 SPECIFICATION NUMBER: BACC30M6 OPTIONAL PART: HL79-6 V73197 HL79-6 V92215 66014-6 V56878 HL79-6 V56878	101106 108120 504903	2
- 180	251N4013-9		.SUB KIY ASSY- OPTIONAL PART: 251N4013-10	101106 108120 504903	1
- 180	251N4013-10		.SUB KIT ASSY- OPTIONAL PART: 251N4013-9	101106 108120 504903	1
185	NAS6604-4		..BOLT	101106 108120 504903	3
190	L8008K4		..BOLT SUPPLIER CODE: V06725 SPECIFICATION NUMBER: BACB30MY8K4	101106 108120 504903	3

MISSING ITEM NUMBERS NOT APPLICABLE

- ITEM NOT ILLUSTRATED

BRI

27-51-25-01

27-51-25  
FIG. 01  
PAGE 7  
JAN 20/09



757

PARTS CATALOG (MAINTENANCE)

FIG ITEM	PART NUMBER	1 2 3 4 5 6 7	NOMENCLATURE	EFFECT FROM TO	UNITS PER ASSY
1 195	BRH10C4D	..	NUT SUPPLIER CODE: V52828 SPECIFICATION NUMBER: BACN10JC4CD OPTIONAL PART: T6C428JCD V11815 NS202486-048 V80539 102LH9075-4W V72962 H51650-4BAC V15653	101106 108120 504903	3
200	HL79-8	..	COLLAR SUPPLIER CODE: V5M902 SPECIFICATION NUMBER: BACC30M8 OPTIONAL PART: HL79-8 V73197 HL79-8 V92215 66014-8 V56878 HL79-8 V56878	101106 108120 504903	3
- 205	251N4013-11	.SUB	KIT ASSY- OPTIONAL PART: 251N4013-12	101106 108120 504903	1
- 205	251N4013-12	.SUB	KIT ASSY- OPTIONAL PART: 251N4013-11	101106 108120 504903	1
210	L8008K6	..	BOLT SUPPLIER CODE: V06725 SPECIFICATION NUMBER: BACB30MY8K6	101106 108120 504903	2
215	NAS6604-6	..	BOLT	101106 108120 504903	2

MISSING ITEM NUMBERS NOT APPLICABLE

- ITEM NOT ILLUSTRATED

27-51-25-01

27-51-25  
FIG. 01  
PAGE 8  
JAN 20/09

BRI



757

PARTS CATALOG (MAINTENANCE)

FIG ITEM	PART NUMBER	1 2 3 4 5 6 7	NOMENCLATURE	EFFECT FROM TO	UNITS PER ASSY
1 220	BRH10C4D	. .	NUT SUPPLIER CODE: V52828 SPECIFICATION NUMBER: BACN10JC4CD OPTIONAL PART: T6C428JCD V11815 NS202486-048 V80539 102LH9075-4W V72962 H51650-4BAC V15653	101106 108120 504903	2
225	HL79-8	. .	COLLAR SUPPLIER CODE: V5M902 SPECIFICATION NUMBER: BACC30M8 OPTIONAL PART: HL79-8 V73197 HL79-8 V92215 66014-8 V56878 HL79-8 V56878	101106 108120 504903	2

MISSING ITEM NUMBERS NOT APPLICABLE

- ITEM NOT ILLUSTRATED

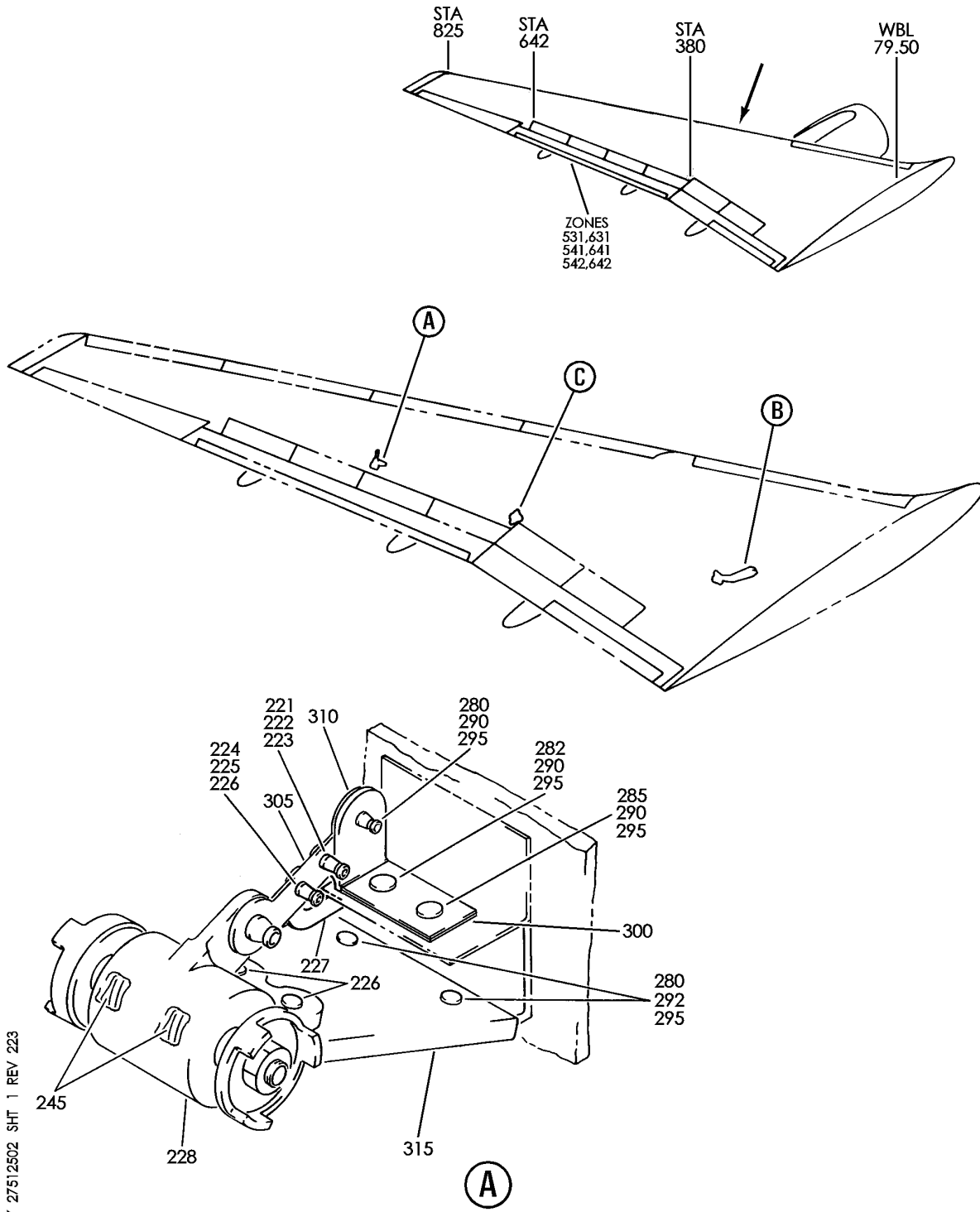
BRI

27-51-25-01

BOEING PROPRIETARY - Copyright © - Unpublished Work - See title page for details.

27-51-25  
FIG. 01  
PAGE 9  
JAN 20/09

**BOEING**  
757  
PARTS CATALOG (MAINTENANCE)



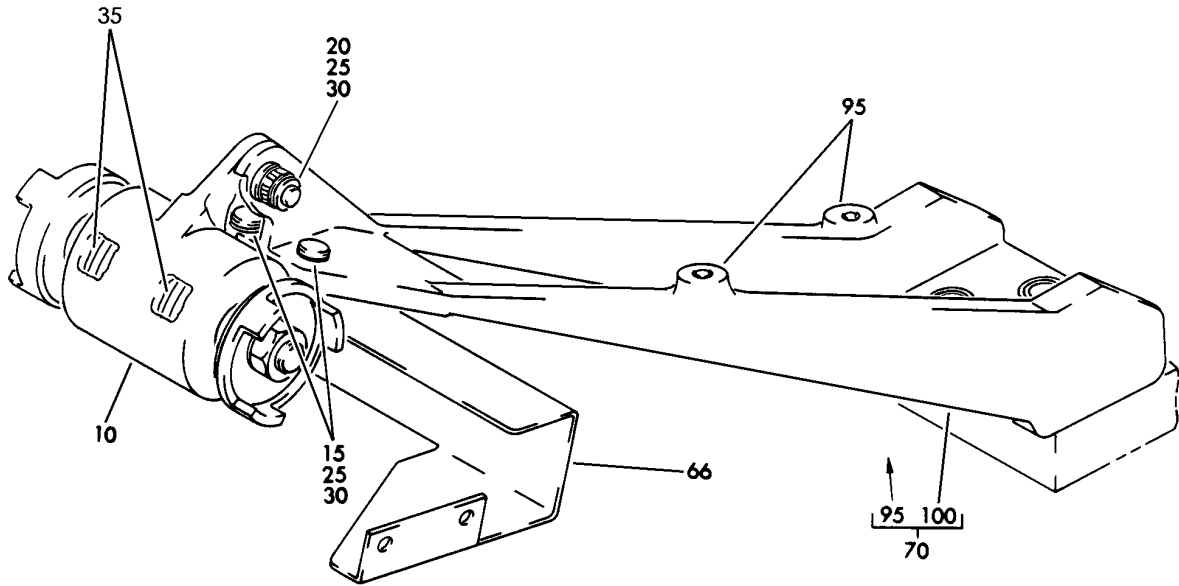
BEARING INSTL-TE FLAP DRIVE TORQUE TUBE SPRT  
FIGURE 2 (SHEET 1)

**27-51-25-02**

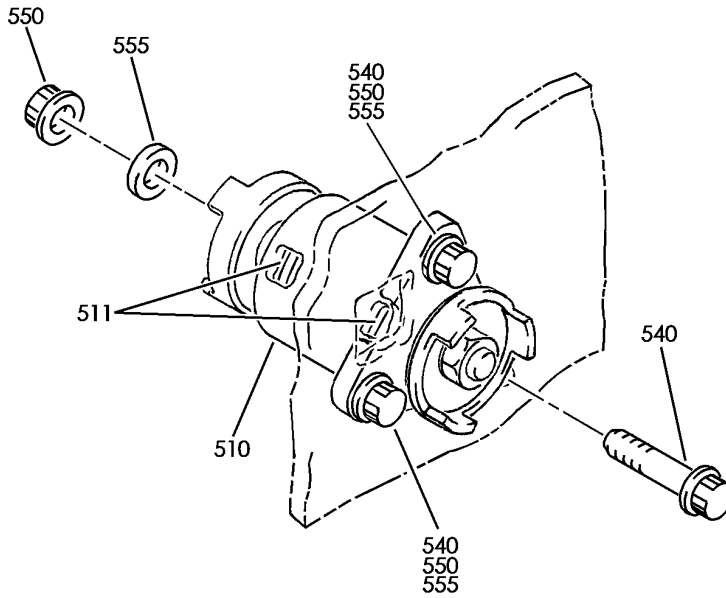
BRI  
MAY 28/07

27-51-25-02  
PAGE 0

**BOEING**  
757  
PARTS CATALOG (MAINTENANCE)



(B)



(C)

Y 27512502 SH1 2 REV 223

BEARING INSTL-TE FLAP DRIVE TORQUE TUBE SPRT  
FIGURE 2 (SHEET 2)

**27-51-25-02**

BRI  
MAY 28/07

27-51-25-02  
PAGE 0A



757

PARTS CATALOG (MAINTENANCE)

FIG ITEM	PART NUMBER	1 2 3 4 5 6 7	NOMENCLATURE	EFFECT FROM TO	UNITS PER ASSY
2			BEARING INSTL-TE FLAP DRIVE TORQUE TUBE SPRT	002004 006999	
- 1	251N4014-1		BEARING INSTL-TE FLAP DRIVE TORQUE TUBE SPRT POSITION DATA: LH FOR NHA SEE: 27-51-25-03	002004 006100 107107 121503 904999	RF
- 1	251N4014-9		BEARING INSTL-TE FLAP DRIVE TORQUE TUBE SPRT POSITION DATA: LH FOR NHA SEE: 27-50-00-01	101102 504903	RF
- 1	251N4014-23		BEARING INSTL-TE FLAP DRIVE TORQUE TUBE SPRT POSITION DATA: LH FOR NHA SEE: 27-50-00-01	108120	RF
- 1	MODREF7662		BEARING INSTL-TE FLAP DRIVE TORQUE TUBE SPRT MODULE NUMBER: 251N4014-23 REV A POSITION DATA: LH	103103	1
- 1	MODREF27528		BEARING INSTL-TE FLAP DRIVE TORQUE TUBE SPRT MODULE NUMBER: 251N4014-23 REV B POSITION DATA: LH	104106	1
- 5	251N4014-2		BEARING INSTL-TE FLAP DRIVE TORQUE TUBE SPRT POSITION DATA: RH FOR NHA SEE: 27-51-25-03	002004 006100 107107 121503 904999	RF
- 5	251N4014-10		BEARING INSTL-TE FLAP DRIVE TORQUE TUBE SPRT POSITION DATA: RH FOR NHA SEE: 27-50-00-01	101102 504903	RF

MISSING ITEM NUMBERS NOT APPLICABLE

- ITEM NOT ILLUSTRATED

BRI

**27-51-25-02**

27-51-25  
FIG. 02  
PAGE 1  
JAN 20/09

**BOEING**  
757  
**PARTS CATALOG (MAINTENANCE)**

FIG ITEM	PART NUMBER	1 2 3 4 5 6 7	NOMENCLATURE	EFFECT FROM TO	UNITS PER ASSY
2					
- 5	251N4014-24		BEARING INSTL-TE FLAP DRIVE TORQUE TUBE SPRT POSITION DATA: RH FOR NHA SEE: 27-50-00-01	108120	RF
- 5	MODREF7663		BEARING INSTL-TE FLAP DRIVE TORQUE TUBE SPRT MODULE NUMBER: 251N4014-24 REV A POSITION DATA: RH	103103	1
- 5	MODREF27529		BEARING INSTL-TE FLAP DRIVE TORQUE TUBE SPRT MODULE NUMBER: 251N4014-24 REV B POSITION DATA: RH	104106	1
10	251N4235-1		.BEARING ASSY- COMPONENT MAINT MANUAL REF: 27-51-04 QUALIFIED I/W DATA: 251N4235-1/-2/-3/-5 ARE INTERCHANGEABLE WITH THE INCORPORATION OF S/B 757-27-0107	002004 006010 107107 121503 904949 951999	1
10	251N4235-2		.BEARING ASSY- COMPONENT MAINT MANUAL REF: 27-51-04 QUALIFIED I/W DATA: 251N4235-1/-2/-3/-5 ARE INTERCHANGEABLE WITH THE INCORPORATION OF S/B 757-27-0107	002004 006010 107107 121503 904949 951999	1
10	251N4235-3		.BEARING ASSY- COMPONENT MAINT MANUAL REF: 27-51-04 QUALIFIED I/W DATA: 251N4235-1/-2/-3/-5 ARE INTERCHANGEABLE WITH THE INCORPORATION OF S/B 757-27-0107 251N4235-4 CAN BE REPLACED BY BUT NOT REPLACE 251N4235-3 POST SERVICE BULLETIN: 27-0107	011106 108120 504903 950950	1

R  
R  
R  
R  
R  
R  
R  
R

MISSING ITEM NUMBERS NOT APPLICABLE

- ITEM NOT ILLUSTRATED

BRI

27-51-25-02

27-51-25  
FIG. 02  
PAGE 2  
MAY 20/09



757

PARTS CATALOG (MAINTENANCE)

FIG ITEM	PART NUMBER	1 2 3 4 5 6 7	NOMENCLATURE	EFFECT FROM TO	UNITS PER ASSY
R R R R	2				
	10	251N4235-4	.BEARING ASSY- COMPONENT MAINT MANUAL REF: 27-51-04	011106 108120 504903 950950	1
	10	251N4235-5	.BEARING ASSY- COMPONENT MAINT MANUAL REF: 27-51-04 QUALIFIED I/W DATA: 251N4235-1/-2/-3/-5 ARE INTERCHANGEABLE WITH THE INCORPORATION OF S/B 757-27-0107	103106 108120	1
	15	L8008K12	ATTACHING PARTS .BOLT SUPPLIER CODE: V06725 SPECIFICATION NUMBER: BACB30MY8K12	002004 006999	2
	20	L8008K6	.BOLT SUPPLIER CODE: V06725 SPECIFICATION NUMBER: BACB30MY8K6	002004 006999	1
	25	AN960PD416L	.WASHER	002004 006999	3
30	HL79-8	.COLLAR SUPPLIER CODE: V5M902 SPECIFICATION NUMBER: BACC30M8 OPTIONAL PART: HL79-8 V73197 HL79-8 V92215 66014-8 V56878 HL79-8 V56878 -----*-----	002004 006999	3	

MISSING ITEM NUMBERS NOT APPLICABLE

- ITEM NOT ILLUSTRATED

BRI

27-51-25-02

BOEING PROPRIETARY - Copyright © - Unpublished Work - See title page for details.

27-51-25  
FIG. 02  
PAGE 3  
MAY 20/09





757

PARTS CATALOG (MAINTENANCE)

FIG ITEM	PART NUMBER	1 2 3 4 5 6 7	NOMENCLATURE	EFFECT FROM TO	UNITS PER ASSY
R R R R R R R R R R	2 35	R9304PPPRBA4298	. . BEARING SUPPLIER CODE: V21335 SPECIFICATION NUMBER: BACB10BB20PP OPTIONAL PART: 9304PPPRBFS428 V21335 PKTLL004P1 V78118 C004RRPOZZ V40920 R9304PPPRBA4298 V9V013 1904LLT1C1-01 V21760	002004 006999	2
	66	251N4297-3	. BRACKET- POSITION DATA: LH SIDE	002004 006999	1
	- 67	251N4297-4	. BRACKET- POSITION DATA: RH SIDE	002004 006999	1
	70	251N4234-11	. BRACKET ASSY- POSITION DATA: LH SIDE	002004 006999	1
	- 75	251N4234-12	. BRACKET ASSY- POSITION DATA: RH SIDE	002004 006999	1
	- 80	L8008K17	ATTACHING PARTS . BOLT SUPPLIER CODE: V06725 SPECIFICATION NUMBER: BACB30MY8K17	002004 006999	3
	- 85	AN960PD416L	. WASHER	002004 006999	3
	MISSING ITEM NUMBERS NOT APPLICABLE				

- ITEM NOT ILLUSTRATED

27-51-25-02

27-51-25  
FIG. 02  
PAGE 4  
MAY 20/09

BRI



757

PARTS CATALOG (MAINTENANCE)

FIG ITEM	PART NUMBER	1 2 3 4 5 6 7	NOMENCLATURE	EFFECT FROM TO	UNITS PER ASSY
2 - 90	HL79-8		. COLLAR SUPPLIER CODE: V5M902 SPECIFICATION NUMBER: BACC30M8 OPTIONAL PART: HL79-8 V73197 HL79-8 V92215 66014-8 V56878 HL79-8 V56878 -----*-----	002004 006999	3
95	MS21209F1-15P		.. INSERT	002004 006999	2
100	251N4234-13		.. BRACKET- POSITION DATA: LH SIDE	002004 006999	1
- 105	251N4234-14		.. BRACKET- POSITION DATA: RH SIDE	002004 006999	1
- 215	251N4014-5		BEARING INSTL-TE FLAP DRIVE TORQUE TUBE SPRT POSITION DATA: LH FOR NHA SEE: 27-51-25-03	002004 006100 107107 121503 904999	RF
- 215	251N4014-11		BEARING INSTL-TE FLAP DRIVE TORQUE TUBE SPRT POSITION DATA: LH FOR NHA SEE: 27-50-00-01	101102 504903	RF
- 215	251N4014-25		BEARING INSTL-TE FLAP DRIVE TORQUE TUBE SPRT POSITION DATA: LH FOR NHA SEE: 27-50-00-01	108120	RF
- 215	MODREF7664		BEARING INSTL-TE FLAP DRIVE TORQUE TUBE SPRT MODULE NUMBER: 251N4014-25 REV A POSITION DATA: LH	103103	1

MISSING ITEM NUMBERS NOT APPLICABLE

- ITEM NOT ILLUSTRATED

BRI

27-51-25-02

27-51-25  
FIG. 02  
PAGE 5  
MAY 20/09



757

PARTS CATALOG (MAINTENANCE)

FIG ITEM	PART NUMBER	1 2 3 4 5 6 7	NOMENCLATURE	EFFECT FROM TO	UNITS PER ASSY
2					
- 215	MODREF27530		BEARING INSTL-TE FLAP DRIVE TORQUE TUBE SPRT MODULE NUMBER: 251N4014-25 REV B POSITION DATA: LH	104106	1
- 220	251N4014-6		BEARING INSTL-TE FLAP DRIVE TORQUE TUBE SPRT POSITION DATA: RH FOR NHA SEE: 27-51-25-03	002004 006100 107107 121503 904999	RF
- 220	251N4014-12		BEARING INSTL-TE FLAP DRIVE TORQUE TUBE SPRT POSITION DATA: RH FOR NHA SEE: 27-50-00-01	101102 504903	RF
- 220	251N4014-26		BEARING INSTL-TE FLAP DRIVE TORQUE TUBE SPRT POSITION DATA: RH FOR NHA SEE: 27-50-00-01	108120	RF
- 220	MODREF7665		BEARING INSTL-TE FLAP DRIVE TORQUE TUBE SPRT MODULE NUMBER: 251N4014-26 REV A POSITION DATA: RH	103103	1
- 220	MODREF27531		BEARING INSTL-TE FLAP DRIVE TORQUE TUBE SPRT MODULE NUMBER: 251N4014-26 REV B POSITION DATA: RH	104106	1
221	L8006K5		.BOLT SUPPLIER CODE: V06725 SPECIFICATION NUMBER: BACB30MY6K5	002004 006999	1
222	AN960PD10L		.WASHER	002004 006999	1

MISSING ITEM NUMBERS NOT APPLICABLE

- ITEM NOT ILLUSTRATED

BRI

27-51-25-02

27-51-25  
FIG. 02  
PAGE 6  
MAY 20/09



757

PARTS CATALOG (MAINTENANCE)

FIG ITEM	PART NUMBER	1 2 3 4 5 6 7	NOMENCLATURE	EFFECT FROM TO	UNITS PER ASSY
2 223	HL79-6		.COLLAR SUPPLIER CODE: V5M902 SPECIFICATION NUMBER: BACC30M6 OPTIONAL PART: HL79-6 V73197 HL79-6 V92215 66014-6 V56878 HL79-6 V56878	002004 006999	1
224	L8008K8		.BOLT SUPPLIER CODE: V06725 SPECIFICATION NUMBER: BACB30MY8K8	002004 006999	1
225	AN960PD416L		.WASHER	002004 006999	1
226	HL79-8		.COLLAR SUPPLIER CODE: V5M902 SPECIFICATION NUMBER: BACC30M8 OPTIONAL PART: HL79-8 V73197 HL79-8 V92215 66014-8 V56878 HL79-8 V56878	002004 006999	1
227	251N4231-11		.BRACKET	002004 006999	1
228	251N4235-1		.BEARING ASSY- COMPONENT MAINT MANUAL REF: 27-51-04 QUALIFIED I/W DATA: 251N4235-1/-2/-3/-5 ARE INTERCHANGEABLE WITH THE INCORPORATION OF S/B 757-27-0107	002004 006010 107107 121503 904949 951999	1

MISSING ITEM NUMBERS NOT APPLICABLE

- ITEM NOT ILLUSTRATED

BRI

27-51-25-02

BOEING PROPRIETARY - Copyright © - Unpublished Work - See title page for details.

27-51-25  
FIG. 02  
PAGE 7  
MAY 20/09



**757  
PARTS CATALOG (MAINTENANCE)**

FIG ITEM	PART NUMBER	1 2 3 4 5 6 7	NOMENCLATURE	EFFECT FROM TO	UNITS PER ASSY
R R R R R R R R R R R R R R R R	2 228	251N4235-2	.BEARING ASSY- COMPONENT MAINT MANUAL REF: 27-51-04 QUALIFIED I/W DATA: 251N4235-1/-2/-3/-5 ARE INTERCHANGEABLE WITH THE INCORPORATION OF S/B 757-27-0107	002004 006010 107107 121503 904949 951999	1
	228	251N4235-3	.BEARING ASSY- COMPONENT MAINT MANUAL REF: 27-51-04 QUALIFIED I/W DATA: 251N4235-1/-2/-3/-5 ARE INTERCHANGEABLE WITH THE INCORPORATION OF S/B 757-27-0107 251N4235-4 CAN BE REPLACED BY BUT NOT REPLACE 251N4235-3 POST SERVICE BULLETIN: 27-0107	011106 108120 504903 950950	1
	228	251N4235-4	.BEARING ASSY- COMPONENT MAINT MANUAL REF: 27-51-04	011106 108120 504903 950950	1
	228	251N4235-5	.BEARING ASSY- COMPONENT MAINT MANUAL REF: 27-51-04 QUALIFIED I/W DATA: 251N4235-1/-2/-3/-5 ARE INTERCHANGEABLE WITH THE INCORPORATION OF S/B 757-27-0107 ATTACHING PARTS	011106 108120 504903 950950	1
	- 230	BACB30NR4K6	.BOLT	002004 006999	2
	- 235	AN960KD416L	.WASHER	002004 006999	2

MISSING ITEM NUMBERS NOT APPLICABLE

- ITEM NOT ILLUSTRATED

# 27-51-25-02

27-51-25  
FIG. 02  
PAGE 8  
MAY 20/09

BRI



757

PARTS CATALOG (MAINTENANCE)

FIG ITEM	PART NUMBER	1 2 3 4 5 6 7	NOMENCLATURE	EFFECT FROM TO	UNITS PER ASSY
2 - 240	BRH10C4D	.NUT	SUPPLIER CODE: V52828 SPECIFICATION NUMBER: BACN10JC4CD OPTIONAL PART: T6C428JCD V11815 NS202486-048 V80539 102LH9075-4W V72962 H51650-4BAC V15653	002004 006999	2
R R	245 R9304PPPRBA4298	..BEARING	SUPPLIER CODE: V21335 SPECIFICATION NUMBER: BACB10BB2OPP OPTIONAL PART: 9304PPPRBFS428 V21335 PKTLL004P1 V78118 C004RRPOZZ V40920 R9304PPPRBA4298 V9V013 1904LLT1C1-01 V21760	002004 006999	2
	280 L8008K4	.BOLT	SUPPLIER CODE: V06725 SPECIFICATION NUMBER: BACB30MY8K4	002004 006999	3
	282 L8008K5	.BOLT	SUPPLIER CODE: V06725 SPECIFICATION NUMBER: BACB30MY8K5	002004 006999	1
	285 L8008K7	.BOLT	SUPPLIER CODE: V06725 SPECIFICATION NUMBER: BACB30MY8K7	002004 006999	1
	290 AN960PD416L	.WASHER		002004 006999	3

MISSING ITEM NUMBERS NOT APPLICABLE

- ITEM NOT ILLUSTRATED

27-51-25-02

27-51-25  
FIG. 02  
PAGE 9  
MAY 20/09

BRI



757

PARTS CATALOG (MAINTENANCE)

FIG ITEM	PART NUMBER	1 2 3 4 5 6 7	NOMENCLATURE	EFFECT FROM TO	UNITS PER ASSY
2					
292	AN960KD416L	.	WASHER	002004 006999	2
295	HL79-8	.	COLLAR	002004 006999	5
			SUPPLIER CODE: V5M902		
			SPECIFICATION NUMBER: BACC30M8		
			OPTIONAL PART: HL79-8 V73197 HL79-8 V92215 66014-8 V56878 HL79-8 V56878		
300	251N4231-7	.	SHIM	002004 107107 121503 904949 952952	1
305	251N4231-1	.	BRACKET	002004 006999	1
310	251N4231-2	.	BRACKET	002004 006999	1
315	251N4232-4	.	BRACKET	002004 006999	1
- 500	251N4014-7		BEARING INSTL-TE FLAP DRIVE TORQUE TUBE SUPPORT POSITION DATA: LH FOR NHA SEE: 27-51-25-03	002004 006100 107107 121503 904999	RF
- 500	251N4014-13		BEARING INSTL-TE FLAP DRIVE TORQUE TUBE SUPPORT POSITION DATA: LH FOR NHA SEE: 27-50-00-01	101102 504903	RF
- 500	251N4014-27		BEARING INSTL-TE FLAP DRIVE TORQUE TUBE SUPPORT POSITION DATA: LH FOR NHA SEE: 27-50-00-01	108120	RF

MISSING ITEM NUMBERS NOT APPLICABLE

- ITEM NOT ILLUSTRATED

BRI

27-51-25-02

BOEING PROPRIETARY - Copyright © - Unpublished Work - See title page for details.

27-51-25  
FIG. 02  
PAGE 10  
MAY 20/09



757

PARTS CATALOG (MAINTENANCE)

FIG ITEM	PART NUMBER	1 2 3 4 5 6 7	NOMENCLATURE	EFFECT FROM TO	UNITS PER ASSY
2					
- 500	MODREF7666		BEARING INSTL-TE FLAP DRIVE TORQUE TUBE SUPPORT MODULE NUMBER: 251N4014-27 REV A POSITION DATA: LH	103103	1
- 500	MODREF27532		BEARING INSTL-TE FLAP DRIVE TORQUE TUBE SUPPORT MODULE NUMBER: 251N4014-27 REV B POSITION DATA: LH	104106	1
- 505	251N4014-8		BEARING INSTL-TE FLAP DRIVE TORQUE TUBE SUPPORT POSITION DATA: RH FOR NHA SEE: 27-51-25-03	002004 006100 107107 121503 904999	RF
- 505	251N4014-14		BEARING INSTL-TE FLAP DRIVE TORQUE TUBE SUPPORT POSITION DATA: RH FOR NHA SEE: 27-50-00-01	101102 504903	RF
- 505	251N4014-28		BEARING INSTL-TE FLAP DRIVE TORQUE TUBE SUPPORT POSITION DATA: RH FOR NHA SEE: 27-50-00-01	108120	RF
- 505	MODREF7667		BEARING INSTL-TE FLAP DRIVE TORQUE TUBE SUPPORT MODULE NUMBER: 251N4014-28 REV A POSITION DATA: RH	103103	1
- 505	MODREF27533		BEARING INSTL-TE FLAP DRIVE TORQUE TUBE SUPPORT MODULE NUMBER: 251N4014-28 REV B POSITION DATA: RH	104106	1

MISSING ITEM NUMBERS NOT APPLICABLE

- ITEM NOT ILLUSTRATED

BRI

27-51-25-02

27-51-25  
FIG. 02  
PAGE 11  
MAY 20/09



 **BOEING**  
757  
**PARTS CATALOG (MAINTENANCE)**

FIG ITEM	PART NUMBER	1 2 3 4 5 6 7	NOMENCLATURE	EFFECT FROM TO	UNITS PER ASSY
2 510	251N4318-1		.BEARING ASSY- COMPONENT MAINT MANUAL REF: 27-51-04 QUALIFIED I/W DATA: 251N4318-3, -4, -5 OR -6 CAN REPLACE OR BE REPLACED BY 251N4318-1 WITH THE INCORPORATION OF SERVICE BULLETIN 757-27-0107 OPTIONAL PART: 251N4318-2	002004 006010 107107 121503 904949 951999	1
510	251N4318-2		.BEARING ASSY- COMPONENT MAINT MANUAL REF: 27-51-04 QUALIFIED I/W DATA: 251N4318-3, -4, -5 OR -6 CAN REPLACE OR BE REPLACED BY 251N4318-2 WITH THE INCORPORATION OF SERVICE BULLETIN 757-27-0107 OPTIONAL PART: 251N4318-1	002004 006010 107107 121503 904949 951999	1
510	251N4318-3		.BEARING ASSY- COMPONENT MAINT MANUAL REF: 27-51-04 QUALIFIED I/W DATA: 251N4318-3 CAN REPLACE OR BE REPLACED BY 251N4318-1 OR -2 WITH THE INCORPORATION OF SERVICE BULLETIN 757-27-0107 OPTIONAL PART: 251N4318-4 POST SERVICE BULLETIN: 27-0107	011106 108120 504903 950950	1

MISSING ITEM NUMBERS NOT APPLICABLE

— ITEM NOT ILLUSTRATED

BRI

# 27-51-25-02

BOEING PROPRIETARY - Copyright © - Unpublished Work - See title page for details.

27-51-25  
FIG. 02  
PAGE 12  
MAY 20/09



757  
PARTS CATALOG (MAINTENANCE)

FIG ITEM	PART NUMBER	1 2 3 4 5 6 7	NOMENCLATURE	EFFECT FROM TO	UNITS PER ASSY
2 510	251N4318-4		.BEARING ASSY- COMPONENT MAINT MANUAL REF: 27-51-04 QUALIFIED I/W DATA: 251N4318-4 CAN REPLACE OR BE REPLACED BY 251N4318-1 OR -2 WITH THE INCORPORATION OF SERVICE BULLETIN 757-27-0107 OPTIONAL PART: 251N4318-3 FOR SPARES PROCURE: 251N4318-3	011106 108120 504903 950950	1
510	012N8792-16		.BEARING ASSY- POST SERVICE BULLETIN: 27-0107	950950	1
510	251N4318-5		.BEARING ASSY- COMPONENT MAINT MANUAL REF: 27-51-04	011106 108120 504903 950950	1
510	251N4318-6		.BEARING ASSY- COMPONENT MAINT MANUAL REF: 27-51-04 QUALIFIED I/W DATA: 251N4318-6 CAN REPLACE OR BE REPLACED BY 251N4318-1 OR -2 WITH THE INCORPORATION OF SERVICE BULLETIN 757-27-0107	011106 108120 504903 950950	1
R R R R R R R R R R R R R R R	511 R9304PPPRBA4298		..BEARING SUPPLIER CODE: V21335 SPECIFICATION NUMBER: BACB10BB20PP OPTIONAL PART: 9304PPPRBFS428 V21335 PKTLL004P1 V78118 C004RRPOZZ V40920 R9304PPPRBA4298 V9V013 1904LLT1C1-01 V21760	002004 006100 107107 121503 904999	2

MISSING ITEM NUMBERS NOT APPLICABLE

- ITEM NOT ILLUSTRATED

27-51-25-02

27-51-25  
FIG. 02  
PAGE 13  
MAY 20/09

BRI



**757  
PARTS CATALOG (MAINTENANCE)**

FIG ITEM	PART NUMBER	1 2 3 4 5 6 7	NOMENCLATURE	EFFECT FROM TO	UNITS PER ASSY
2					
- 530	251N4014-15		.SUB KIT ASSY- OPTIONAL PART: 251N4014-16	002004 006100 107107 121503 904999	1
- 530	251N4014-16		.SUB KIT ASSY- OPTIONAL PART: 251N4014-15	002004 006100 107107 121503 904999	1
- 535	HL1012AZ8-6		..BOLT- SUPPLIER CODE: V0PTK6 SPECIFICATION NUMBER: BACB30NX8K6 OPTIONAL PART: HL12VAZ8-6 V73197 HL12VAZ8-6 V92215 HL12VAZ8-6 V97928 L802-8K6 V06725 HL12VAZ8-6 V56878 HL1012AZ8-6 V06725 HL1012AZ8-6 V06950 HL1012AZ8-6 V17446 HL1012AZ8-6 V56878 HL1012AZ8-6 V60516 HL1012AZ8-6 V73197 HL1012AZ8-6 V97928 USED ON: 251N4014-15	002004 006100 107107 121503 904999	3
540	BACB30NR4K6		..BOLT- USED ON: 251N4014-16	002004 006100 107107 121503 904999	3

MISSING ITEM NUMBERS NOT APPLICABLE

- ITEM NOT ILLUSTRATED

BRI

# 27-51-25-02

BOEING PROPRIETARY - Copyright © - Unpublished Work - See title page for details.

27-51-25  
FIG. 02  
PAGE 14  
MAY 20/09



757

PARTS CATALOG (MAINTENANCE)

FIG ITEM	PART NUMBER	1 2 3 4 5 6 7	NOMENCLATURE	EFFECT FROM TO	UNITS PER ASSY
2 - 545	HL1187-8		.. COLLAR- SUPPLIER CODE: V5M902 SPECIFICATION NUMBER: BACC30X8 OPTIONAL PART: HL87-8 V92215 HL87-8 V73197 HL1187-8 V56878 HL1187-8 V92215 HL87-8 V56878 HL1187-8 V73197 USED ON: 251N4014-15	002004 006100 107107 121503 904999	3
550	BRH10C4D		.. NUT- SUPPLIER CODE: V52828 SPECIFICATION NUMBER: BACN10JC4CD OPTIONAL PART: T6C428JCD V11815 NS202486-048 V80539 102LH9075-4W V72962 H51650-4BAC V15653 USED ON: 251N4014-16	002004 006100 107107 121503 904999	3
555	AN960KD416L		. WASHER	002004 006100 107107 121503 904999	3

MISSING ITEM NUMBERS NOT APPLICABLE

- ITEM NOT ILLUSTRATED

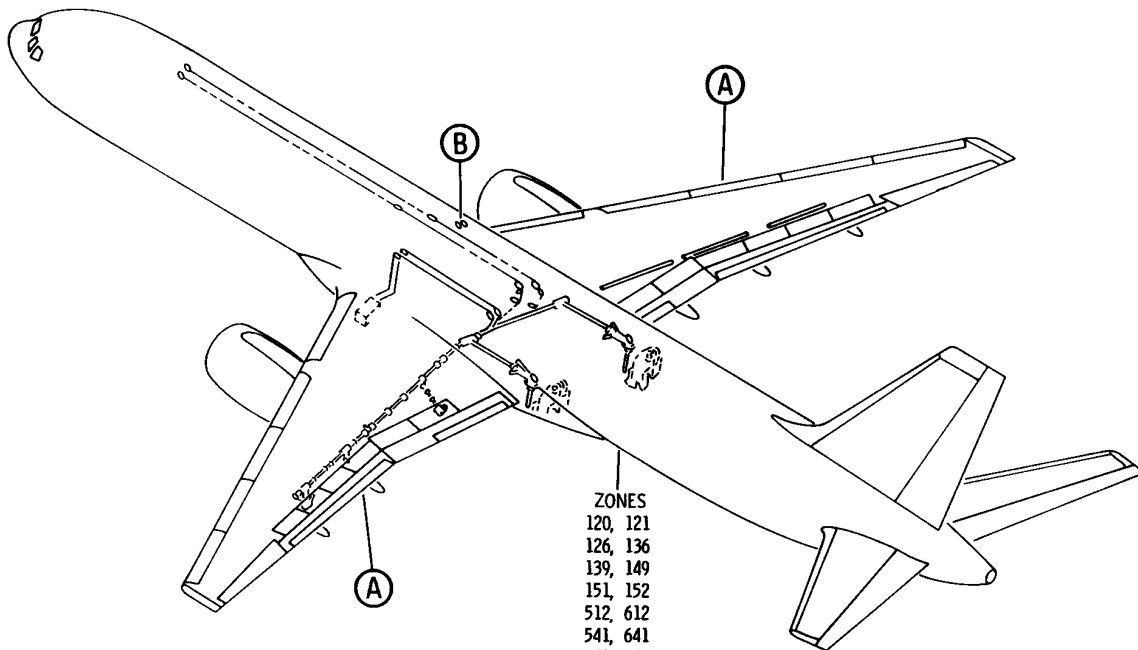
BRI

27-51-25-02

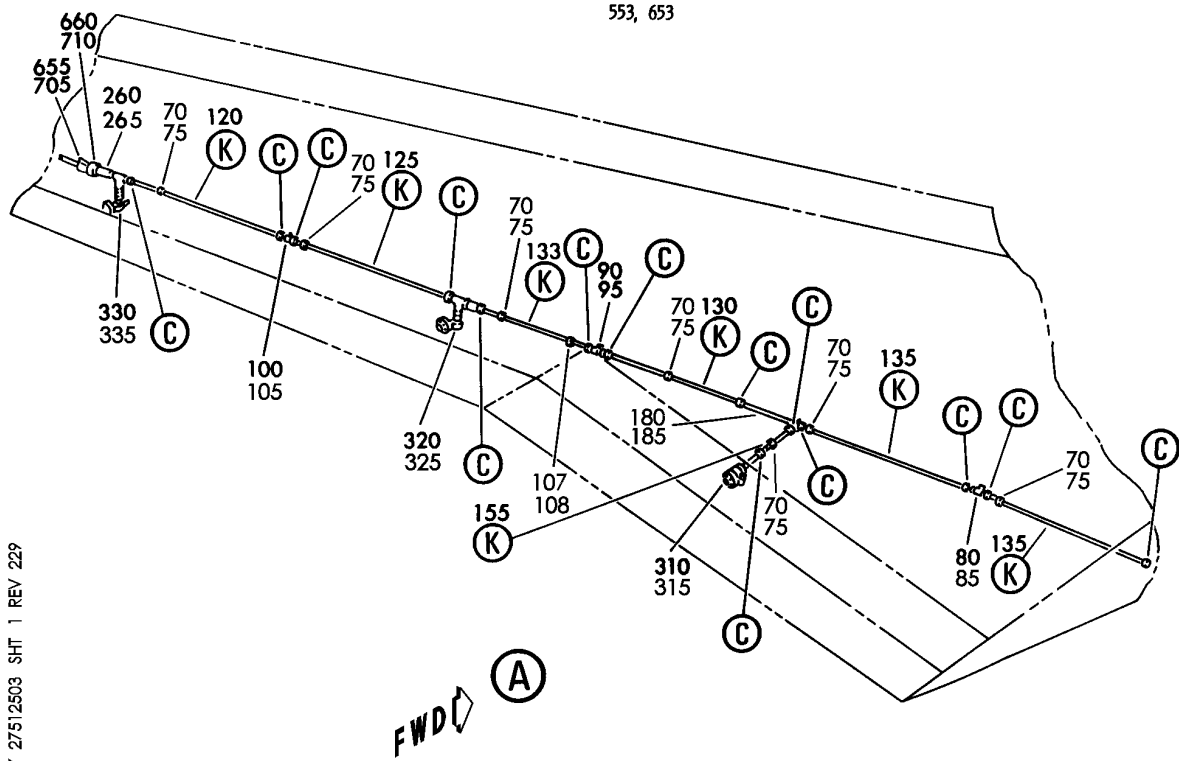
BOEING PROPRIETARY - Copyright © - Unpublished Work - See title page for details.

27-51-25  
FIG. 02  
PAGE 15  
MAY 20/09

**BOEING**  
757  
PARTS CATALOG (MAINTENANCE)



- ZONES  
120, 121  
126, 136  
139, 149  
151, 152  
512, 612  
541, 641  
542, 642  
551, 651  
553, 653



Y 27512503 SHT 1 REV 229

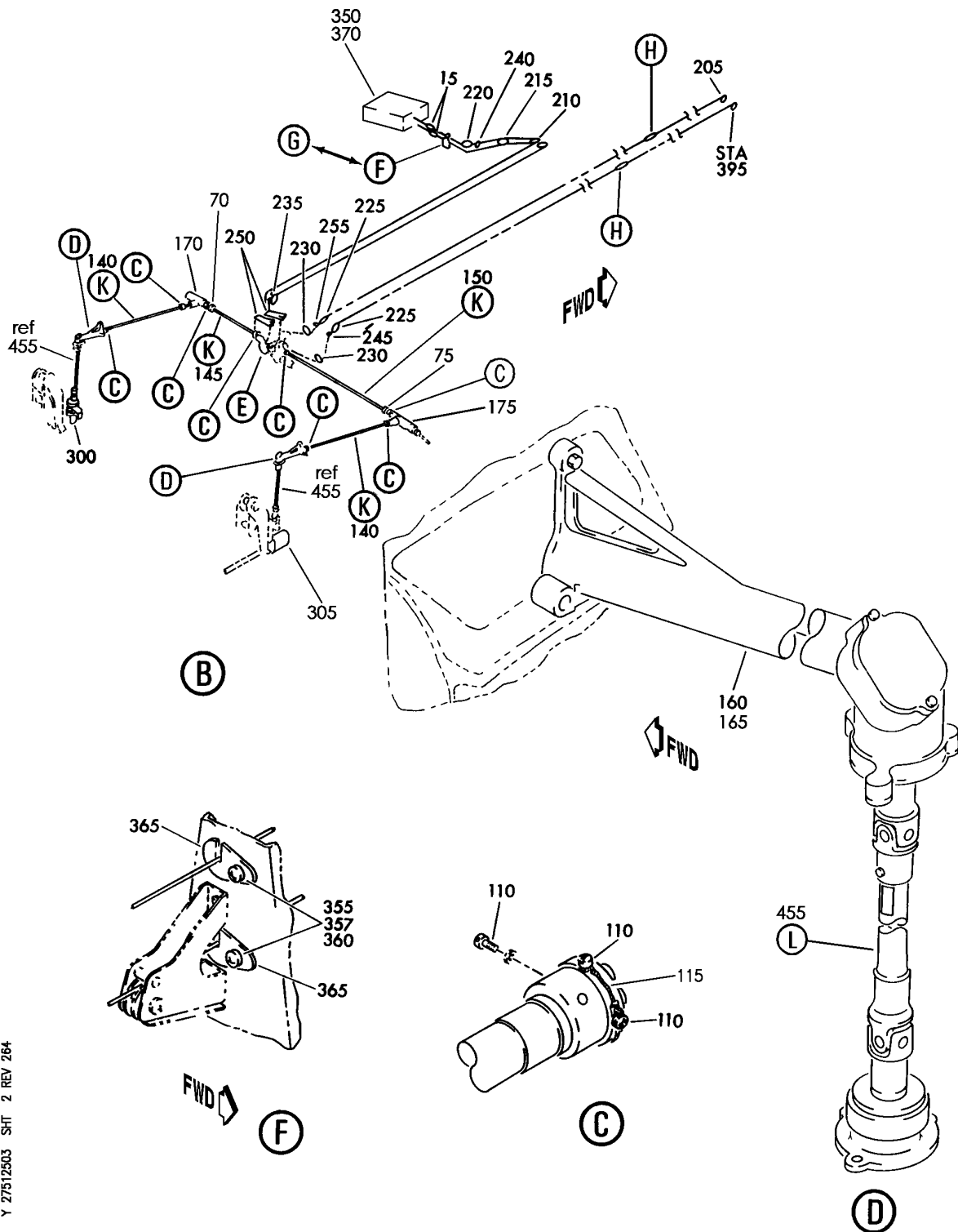
CONTROL AND DRIVE INSTL-TE FLAP  
FIGURE 3 (SHEET 1)

**27-51-25-03**

BRI  
MAY 28/07

27-51-25-03  
PAGE 0

**BOEING**  
757  
PARTS CATALOG (MAINTENANCE)



Y 27512503 SH1 2 REV 264

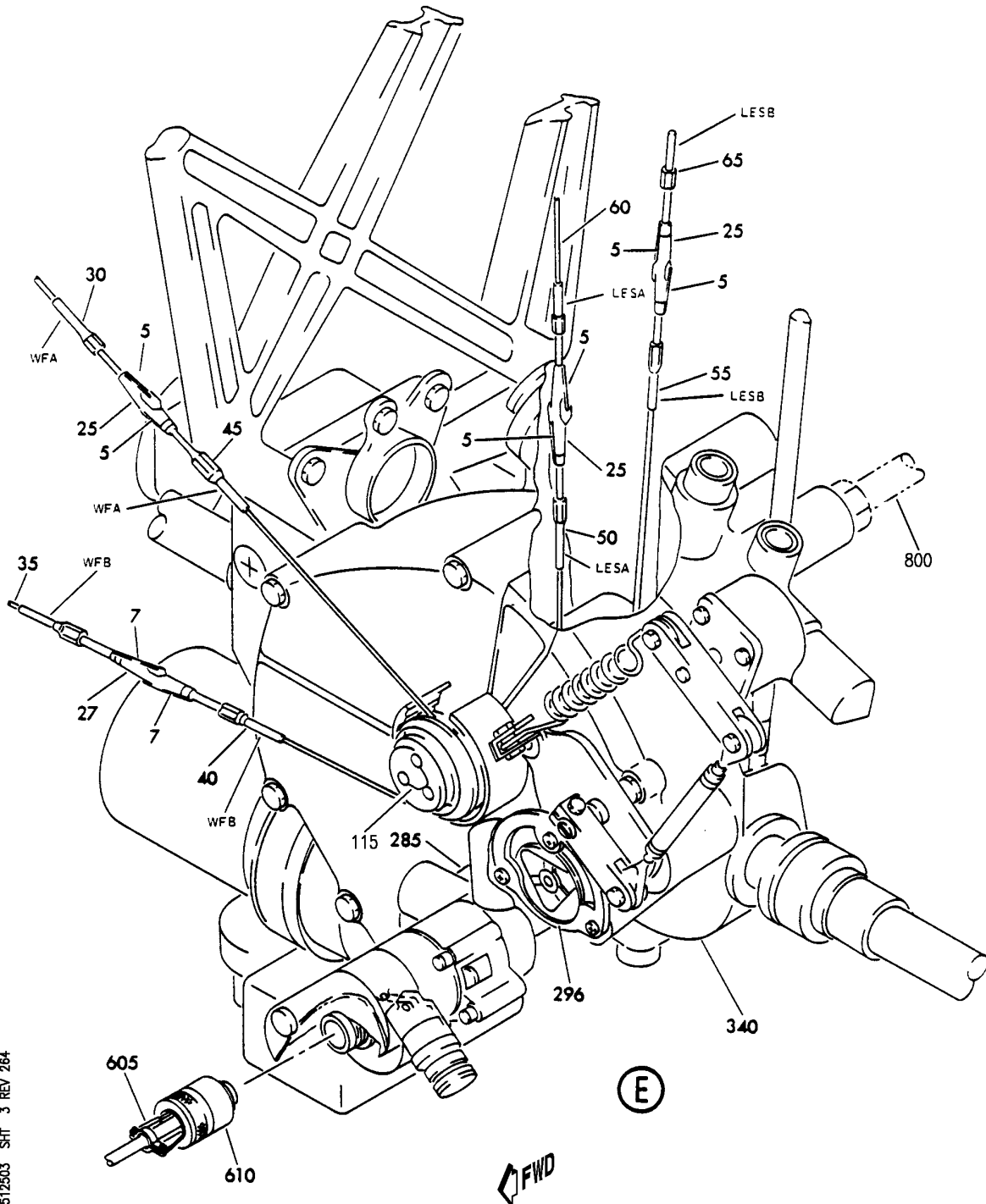
CONTROL AND DRIVE INSTL-TE FLAP  
FIGURE 3 (SHEET 2)

**27-51-25-03**

BRI  
MAY 28/07

27-51-25-03  
PAGE 0A

**BOEING**  
757  
PARTS CATALOG (MAINTENANCE)



Y 27512503 SHT 3 REV 264

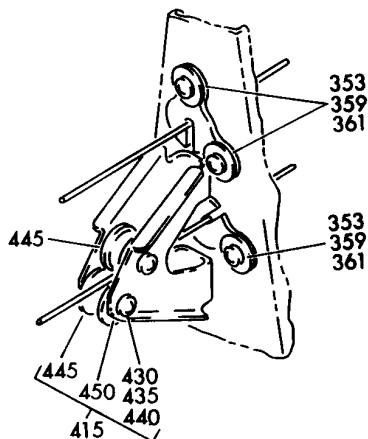
CONTROL AND DRIVE INSTL-TE FLAP  
FIGURE 3 (SHEET 3)

**27-51-25-03**

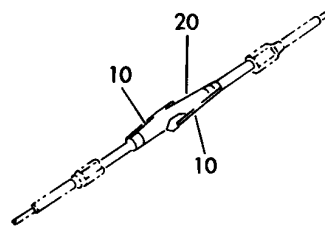
BRI  
MAY 28/07

27-51-25-03  
PAGE 0B

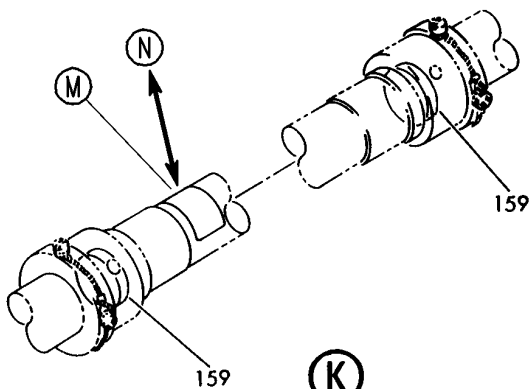
**BOEING**  
757  
PARTS CATALOG (MAINTENANCE)



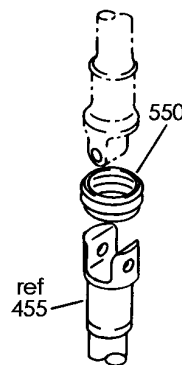
(G)



(H)



(K)



(J)

Y 27512503 SHT 4 REV 229

CONTROL AND DRIVE INSTL-TE FLAP  
FIGURE 3 (SHEET 4)

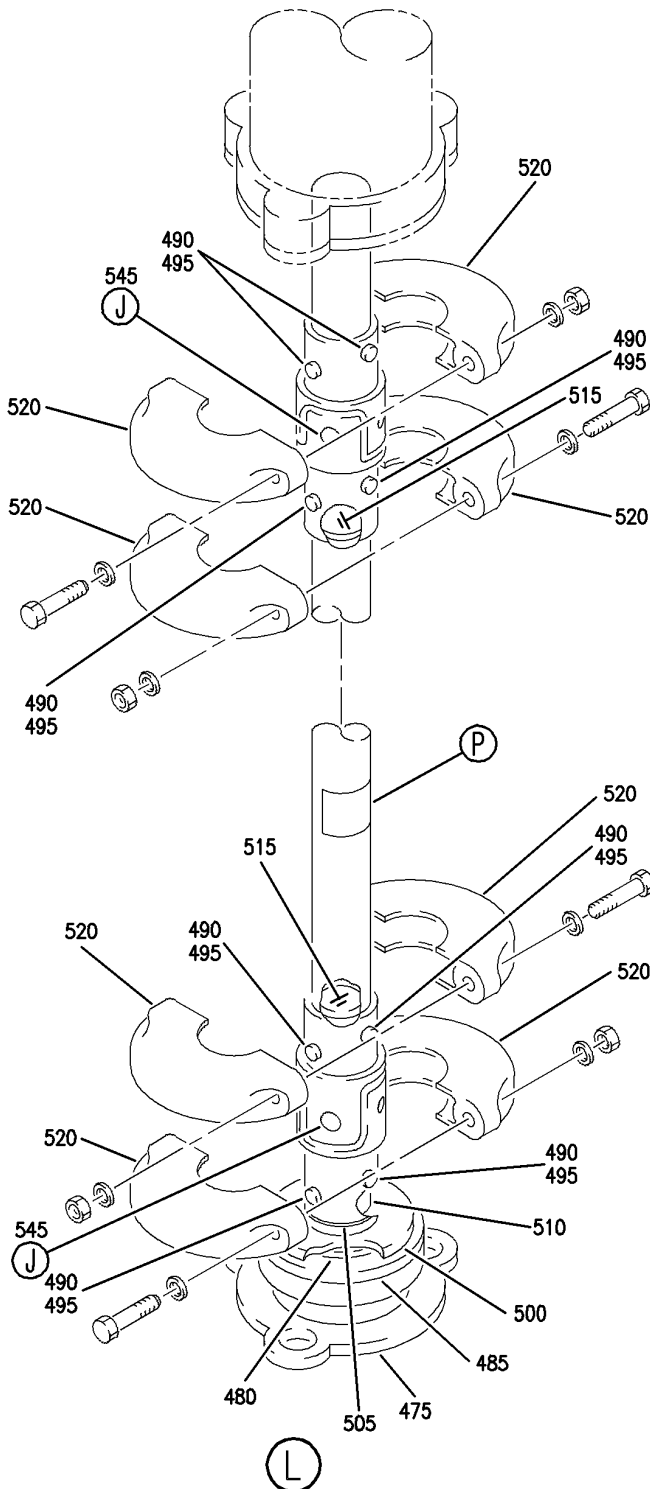
**27-51-25-03**

BRI  
MAY 28/07

27-51-25-03  
PAGE 0C



**BOEING**  
757  
**PARTS CATALOG (MAINTENANCE)**



BOEING PART NO.  
251N4281-□ 157  
LUBE: MIL-G-21164  
OPT: MIL-G-23827

(M)

BOEING PART NO.  
251N4269-□ 158  
LUBE: MIL-G-21164  
OPT: MIL-G-23827

(N)

BOEING PART NO.  
251N4098-□ 470  
LUBE: MIL-G-21164  
OPT: MIL-G-23827

(P)

Y 27512503 SHT 5 REV 229

CONTROL AND DRIVE INSTL-TE FLAP  
FIGURE 3 (SHEET 5)

**27-51-25-03**

BRI  
MAY 28/07

27-51-25-03  
PAGE 0D



757

PARTS CATALOG (MAINTENANCE)

FIG ITEM	PART NUMBER	1 2 3 4 5 6 7	NOMENCLATURE	EFFECT FROM TO	UNITS PER ASSY
3			CONTROL AND DRIVE INSTL-TE FLAP	002004 006100 107107 121503 904999	
- 1	251N4001-10		CONTROL AND DRIVE INSTL-TE FLAP	002004 006100 107107 121503 904999	1
5	BACC15AJ1		.CLIP	002004 006100 107107 121503 904999	6
7	BACC15AJ2		.CLIP	002004 006100 107107 121503 904999	2
10	BACC15AJ2		.CLIP	002004 006100 107107 121503 904999	4
15	BM2258-3		.FITTING-QUICK DISC. SUPPLIER CODE: V22277 OPTIONAL PART: RA2258-3 V22277	002004 006100 107107 121503 904999	2
15	RA2258-3		.FITTING-QUICK DISC. SUPPLIER CODE: V22277 OPTIONAL PART: BM2258-3 V22277	002004 006100 107107 121503 904999	2
20	MS21251B3L		.TURNBUCKLE BODY	002004 006100 107107 121503 904999	2
25	MS21251B3S		.TURNBUCKLE BODY	002004 006100 107107 121503 904999	3

MISSING ITEM NUMBERS NOT APPLICABLE

- ITEM NOT ILLUSTRATED

27-51-25-03

27-51-25  
FIG. 03  
PAGE 1  
JAN 20/09

BRI



757

PARTS CATALOG (MAINTENANCE)

FIG ITEM	PART NUMBER	1 2 3 4 5 6 7	NOMENCLATURE	EFFECT FROM TO	UNITS PER ASSY
3					
27	MS21251B3L	.	TURNBUCKLE BODY	002004 006100 107107 121503 904999	1
30	BACC2C3A05113DF	.	CABLE ASSY-WFA MISCELLANEOUS DATA: ZINC-ONLY AND TIN-OVER-ZINC COATED CABLES ARE INTERCHANGEABLE, AND MAY BE INTERMIXED WITHIN A SYSTEM, PROVIDING OPPOSITE CABLES WITHIN A GIVEN CABLE LOOP ARE REPLACED WITH CABLES OF THE SAME TYPE.	002004 006100 107107 121503 904999	1
30	BACC2C3D05113DF	.	CABLE ASSY-WFA	002004 006100 107107 121503 904999	1
35	BACC2C3A05059CE	.	CABLE ASSY-WFB MISCELLANEOUS DATA: ZINC-ONLY AND TIN-OVER-ZINC COATED CABLES ARE INTERCHANGEABLE, AND MAY BE INTERMIXED WITHIN A SYSTEM, PROVIDING OPPOSITE CABLES WITHIN A GIVEN CABLE LOOP ARE REPLACED WITH CABLES OF THE SAME TYPE.	002004 006100 107107 121503 904999	1
35	BACC2C3D05059CE	.	CABLE ASSY-WFB MISCELLANEOUS DATA: ZINC-ONLY AND TIN-OVER-ZINC COATED CABLES ARE INTERCHANGEABLE, AND MAY BE INTERMIXED WITHIN A SYSTEM, PROVIDING OPPOSITE CABLES WITHIN A GIVEN CABLE LOOP ARE REPLACED WITH CABLES OF THE SAME TYPE.	002004 006100 107107 121503 904999	1

MISSING ITEM NUMBERS NOT APPLICABLE

- ITEM NOT ILLUSTRATED

27-51-25-03

27-51-25  
FIG. 03  
PAGE 2  
JAN 20/09

BRI



757

PARTS CATALOG (MAINTENANCE)

FIG ITEM	PART NUMBER	1 2 3 4 5 6 7	NOMENCLATURE	EFFECT FROM TO	UNITS PER ASSY
3	40 BACC2C3A00136DG		.CABLE ASSY-WFB MISCELLANEOUS DATA: ZINC-ONLY AND TIN-OVER-ZINC COATED CABLES ARE INTERCHANGEABLE, AND MAY BE INTERMIXED WITHIN A SYSTEM, PROVIDING OPPOSITE CABLES WITHIN A GIVEN CABLE LOOP ARE REPLACED WITH CABLES OF THE SAME TYPE.	002004 006100 107107 121503 904999	1
	40 BACC2C3D00136DG		.CABLE ASSY-WFB	002004 006100 107107 121503 904999	1
	45 BACC2C3A00129CG		.CABLE ASSY-WFA MISCELLANEOUS DATA: ZINC-ONLY AND TIN-OVER-ZINC COATED CABLES ARE INTERCHANGEABLE, AND MAY BE INTERMIXED WITHIN A SYSTEM, PROVIDING OPPOSITE CABLES WITHIN A GIVEN CABLE LOOP ARE REPLACED WITH CABLES OF THE SAME TYPE.	002004 006100 107107 121503 904999	1
	45 BACC2C3D00129CG		.CABLE ASSY-WFA	002004 006100 107107 121503 904999	1
	50 BACC2C3A00119DG		.CABLE ASSY-LESA MISCELLANEOUS DATA: ZINC-ONLY AND TIN-OVER-ZINC COATED CABLES ARE INTERCHANGEABLE, AND MAY BE INTERMIXED WITHIN A SYSTEM, PROVIDING OPPOSITE CABLES WITHIN A GIVEN CABLE LOOP ARE REPLACED WITH CABLES OF THE SAME TYPE.	002004 006100 107107 121503 904999	1

MISSING ITEM NUMBERS NOT APPLICABLE

- ITEM NOT ILLUSTRATED

27-51-25-03

27-51-25  
FIG. 03  
PAGE 3  
JAN 20/09

BRI



757

PARTS CATALOG (MAINTENANCE)

FIG ITEM	PART NUMBER	1 2 3 4 5 6 7	NOMENCLATURE	EFFECT FROM TO	UNITS PER ASSY
3	50	BACC2C3D00119DG	.CABLE ASSY-LESA	002004 006100 107107 121503 904999	1
	55	BACC2C3A00113CG	.CABLE ASSY-LESB MISCELLANEOUS DATA: ZINC-ONLY AND TIN-OVER-ZINC COATED CABLES ARE INTERCHANGEABLE, AND MAY BE INTERMIXED WITHIN A SYSTEM, PROVIDING OPPOSITE CABLES WITHIN A GIVEN CABLE LOOP ARE REPLACED WITH CABLES OF THE SAME TYPE.	002004 006100 107107 121503 904999	1
	55	BACC2C3D00113CG	.CABLE ASSY-LESB	002004 006100 107107 121503 904999	1
	60	BACC2C3A02468CJ	.CABLE ASSY-LESA MISCELLANEOUS DATA: ZINC-ONLY AND TIN-OVER-ZINC COATED CABLES ARE INTERCHANGEABLE, AND MAY BE INTERMIXED WITHIN A SYSTEM, PROVIDING OPPOSITE CABLES WITHIN A GIVEN CABLE LOOP ARE REPLACED WITH CABLES OF THE SAME TYPE.	002004 006100 107107 121503 904999	1
	60	BACC2C3D02468CJ	.CABLE ASSY-LESA	002004 006100 107107 121503 904999	1

MISSING ITEM NUMBERS NOT APPLICABLE

- ITEM NOT ILLUSTRATED

27-51-25-03

27-51-25  
FIG. 03  
PAGE 4  
JAN 20/09

BRI



757

PARTS CATALOG (MAINTENANCE)

FIG ITEM	PART NUMBER	1 2 3 4 5 6 7	NOMENCLATURE	EFFECT FROM TO	UNITS PER ASSY
3					
65	BACC2C3A02455DJ	.	CABLE ASSY-LESB MISCELLANEOUS DATA: ZINC-ONLY AND TIN-OVER-ZINC COATED CABLES ARE INTERCHANGEABLE, AND MAY BE INTERMIXED WITHIN A SYSTEM, PROVIDING OPPOSITE CABLES WITHIN A GIVEN CABLE LOOP ARE REPLACED WITH CABLES OF THE SAME TYPE.	107107 904949 952952	1
65	BACC2C3D02455DJ	.	CABLE ASSY-LESB MISCELLANEOUS DATA: ZINC-ONLY AND TIN-OVER-ZINC COATED CABLES ARE INTERCHANGEABLE, AND MAY BE INTERMIXED WITHIN A SYSTEM, PROVIDING OPPOSITE CABLES WITHIN A GIVEN CABLE LOOP ARE REPLACED WITH CABLES OF THE SAME TYPE. OPTIONAL PART: BACC2C3D02458DJ POST SERVICE LETTER: 20-007	107107 904949 952952	1
65	BACC2C3D02458DJ	.	CABLE ASSY-LESB OPTIONAL PART: BACC2C3D02455DJ	002004 006100 107107 121503 904999	1
70	251N4013-1	.	STRAP INSTL-TE FLAP DRIVE TORQUE TUBE SAFETY POSITION DATA: LH FOR DETAILS SEE: 27-51-25-01	002004 006100 107107 121503 904999	8
75	251N4013-2	.	STRAP INSTL-TE FLAP DRIVE TORQUE TUBE SAFETY POSITION DATA: RH FOR DETAILS SEE: 27-51-25-01	002004 006100 107107 121503 904999	8

MISSING ITEM NUMBERS NOT APPLICABLE

- ITEM NOT ILLUSTRATED

27-51-25-03

27-51-25  
FIG. 03  
PAGE 5  
JAN 20/09

BRI



757

PARTS CATALOG (MAINTENANCE)

FIG ITEM	PART NUMBER	1 2 3 4 5 6 7	NOMENCLATURE	EFFECT FROM TO	UNITS PER ASSY
3	80	251N4014-1	.BEARING INSTL-TE FLAP DRIVE TORQUE TUBE SPRT POSITION DATA: LH FOR DETAILS SEE: 27-51-25-02	002004 006100 107107 121503 904999	1
	85	251N4014-2	.BEARING INSTL-TE FLAP DRIVE TORQUE TUBE SPRT POSITION DATA: RH FOR DETAILS SEE: 27-51-25-02	002004 006100 107107 121503 904999	1
	100	251N4014-5	.BEARING INSTL-TE FLAP DRIVE TORQUE TUBE SPRT POSITION DATA: LH FOR DETAILS SEE: 27-51-25-02	002004 006100 107107 121503 904999	1
	105	251N4014-6	.BEARING INSTL-TE FLAP DRIVE TORQUE TUBE SPRT POSITION DATA: RH FOR DETAILS SEE: 27-51-25-02	002004 006100 107107 121503 904999	1
	107	251N4014-7	.BEARING INSTL-TE FLAP DRIVE TORQUE TUBE SPRT POSITION DATA: LH FOR DETAILS SEE: 27-51-25-02	002004 006100 107107 121503 904999	1
	108	251N4014-8	.BEARING INSTL-TE FLAP DRIVE TORQUE TUBE SPRT POSITION DATA: RH FOR DETAILS SEE: 27-51-25-02	002004 006100 107107 121503 904999	1
	110	AN502-10-6	.SCREW- OPTIONAL PART: NAS1801-3D6	002004 006100 107107 121503 904999	108
	110	NAS1801-3D6	.SCREW- OPTIONAL PART: NA502-10-6	002004 006100 107107 121503 904999	108

MISSING ITEM NUMBERS NOT APPLICABLE

- ITEM NOT ILLUSTRATED

**27-51-25-03**

27-51-25  
FIG. 03  
PAGE 6  
JAN 20/09

BRI



757

PARTS CATALOG (MAINTENANCE)

FIG ITEM	PART NUMBER	1 2 3 4 5 6 7	NOMENCLATURE	EFFECT FROM TO	UNITS PER ASSY
3 115	MS20995C32	.	WIRE	002004 006100 107107 121503 904999	AR
120	251N4281-26	.	TUBE ASSY-TORQUE COMPONENT MAINT MANUAL REF: 27-51-04 QUALIFIED I/W DATA: 251N4281-26 MAY REPLACE 251N4281-8 OR -15 WITH THE INCORPORATION OF SERVICE BULLETIN 757-27-0107 POST SERVICE BULLETIN: 27-0107	011100 950950	2
120	251N4281-8	.	TUBE ASSY-TORQUE COMPONENT MAINT MANUAL REF: 27-51-04 QUALIFIED I/W DATA: 251N4281-26 MAY REPLACE 251N4281-8 WITH THE INCORPORATION OF SERVICE BULLETIN 757-27-0107	107107	2
120	251N4281-15	.	TUBE ASSY-TORQUE COMPONENT MAINT MANUAL REF: 27-51-04 QUALIFIED I/W DATA: 251N4281-26 MAY REPLACE 251N4281-15 WITH THE INCORPORATION OF SERVICE BULLETIN 757-27-0107	002004 006010 107107 121503 904949 951999	2
125	251N4281-27	.	TUBE ASSY-TORQUE COMPONENT MAINT MANUAL REF: 27-51-04 QUALIFIED I/W DATA: 251N4281-27 MAY REPLACE 251N4281-10 OR -16 WITH THE INCORPORATION OF SERVICE BULLETIN 757-27-0107 POST SERVICE BULLETIN: 27-0107	011100 950950	2

MISSING ITEM NUMBERS NOT APPLICABLE

- ITEM NOT ILLUSTRATED

27-51-25-03

27-51-25  
FIG. 03  
PAGE 7  
JAN 20/09

BRI





757

PARTS CATALOG (MAINTENANCE)

FIG ITEM	PART NUMBER	1 2 3 4 5 6 7	NOMENCLATURE	EFFECT FROM TO	UNITS PER ASSY
3 125	251N4281-10		.TUBE ASSY-TORQUE COMPONENT MAINT MANUAL REF: 27-51-04 QUALIFIED I/W DATA: 251N4281-27 MAY REPLACE 251N4281-10 WITH THE INCORPORATION OF SERVICE BULLETIN 757-27-0107	107107	2
125	251N4281-16		.TUBE ASSY-TORQUE COMPONENT MAINT MANUAL REF: 27-51-04 QUALIFIED I/W DATA: 251N4281-27 MAY REPLACE 251N4281-16 WITH THE INCORPORATION OF SERVICE BULLETIN 757-27-0107	002004 006010 107107 121503 904949 951999	2
130	251N4281-29		.TUBE ASSY-TORQUE COMPONENT MAINT MANUAL REF: 27-51-04 QUALIFIED I/W DATA: 251N4281-29 MAY REPLACE 251N4281-11 OR -17 WITH THE INCORPORATION OF SERVICE BULLETIN 757-27-0107 POST SERVICE BULLETIN: 27-0107	011100 950950	2
130	251N4281-11		.TUBE ASSY-TORQUE COMPONENT MAINT MANUAL REF: 27-51-04 QUALIFIED I/W DATA: 251N4281-29 MAY REPLACE 251N4281-11 WITH THE INCORPORATION OF SERVICE BULLETIN 757-27-0107	002004 006010 107107 121503 904949 951999	2
130	251N4281-17		.TUBE ASSY-TORQUE COMPONENT MAINT MANUAL REF: 27-51-04 QUALIFIED I/W DATA: 251N4281-29 MAY REPLACE 251N4281-17 WITH THE INCORPORATION OF SERVICE BULLETIN 757-27-0107	002004 006010 107107 121503 904949 951999	2

MISSING ITEM NUMBERS NOT APPLICABLE

- ITEM NOT ILLUSTRATED

27-51-25-03

27-51-25  
FIG. 03  
PAGE 8  
JAN 20/09

BRI



757

PARTS CATALOG (MAINTENANCE)

FIG ITEM	PART NUMBER	1 2 3 4 5 6 7	NOMENCLATURE	EFFECT FROM TO	UNITS PER ASSY
3					
133	251N4281-12		.TUBE ASSY-TORQUE COMPONENT MAINT MANUAL REF: 27-51-04 QUALIFIED I/W DATA: 251N4281-28 MAY REPLACE 251N4281-12 WITH THE INCORPORATION OF SERVICE BULLETIN 757-27-0107	107107	2
133	251N4281-13		.TUBE ASSY-TORQUE COMPONENT MAINT MANUAL REF: 27-51-04 QUALIFIED I/W DATA: 251N4281-28 MAY REPLACE 251N4281-13 WITH THE INCORPORATION OF SERVICE BULLETIN 757-27-0107	107107	2
133	251N4281-18		.TUBE ASSY-TORQUE COMPONENT MAINT MANUAL REF: 27-51-04 QUALIFIED I/W DATA: 251N4281-28 MAY REPLACE 251N4281-18 WITH THE INCORPORATION OF SERVICE BULLETIN 757-27-0107	002004 006010 107107 121503 904949 951999	2
133	251N4281-28		.TUBE ASSY-TORQUE COMPONENT MAINT MANUAL REF: 27-51-04 QUALIFIED I/W DATA: 251N4281-28 MAY REPLACE 251N4281-12, -13 OR -18 WITH THE INCORPORATION OF SERVICE BULLETIN 757-27-0107 POST SERVICE BULLETIN: 27-0107	011100 950950	2
135	251N4269-20		.TUBE ASSY-TORQUE COMPONENT MAINT MANUAL REF: 27-51-04 QUALIFIED I/W DATA: 251N4269-20 MAY REPLACE 251N4269-8 OR -12 WITH THE INCORPORATION OF SERVICE BULLETIN 757-27-0107 POST SERVICE BULLETIN: 27-0107	011100 950950	4

MISSING ITEM NUMBERS NOT APPLICABLE

- ITEM NOT ILLUSTRATED

BRI

27-51-25-03

27-51-25  
FIG. 03  
PAGE 9  
JAN 20/09



757

PARTS CATALOG (MAINTENANCE)

FIG ITEM	PART NUMBER	1 2 3 4 5 6 7	NOMENCLATURE	EFFECT FROM TO	UNITS PER ASSY
3 135	251N4269-8		.TUBE ASSY-TORQUE COMPONENT MAINT MANUAL REF: 27-51-04 QUALIFIED I/W DATA: 251N4269-20 OR -24 MAY REPLACE 251N4269-8 WITH THE INCORPORATION OF SERVICE BULLETIN 757-27-0107	107107	4
135	251N4269-12		.TUBE ASSY-TORQUE COMPONENT MAINT MANUAL REF: 27-51-04 QUALIFIED I/W DATA: 251N4269-20 OR -24 MAY REPLACE 251N4269-12 WITH THE INCORPORATION OF SERVICE BULLETIN 757-27-0107	002004 006010 107107 121503 904949 951999	4
135	251N4269-24		.TUBE ASSY-TORQUE COMPONENT MAINT MANUAL REF: 27-51-04 QUALIFIED I/W DATA: 251N4269-24 MAY REPLACE 251N4269-8 OR -12 WITH THE INCORPORATION OF SERVICE BULLETIN 757-27-0107 POST SERVICE BULLETIN: 27-0107	011100 950950	4
140	251N4269-23		.TUBE ASSY-TORQUE COMPONENT MAINT MANUAL REF: 27-51-04 QUALIFIED I/W DATA: 251N4269-23 MAY REPLACE 251N4269-11 OR -15 WITH THE INCORPORATION OF SERVICE BULLETIN 757-27-0107 POST SERVICE BULLETIN: 27-0107	011100 950950	2
140	251N4269-11		.TUBE ASSY-TORQUE COMPONENT MAINT MANUAL REF: 27-51-04 QUALIFIED I/W DATA: 251N4269-23 OR -27 MAY REPLACE 251N4269-11 WITH THE INCORPORATION OF SERVICE BULLETIN 757-27-0107	107107	2

MISSING ITEM NUMBERS NOT APPLICABLE

- ITEM NOT ILLUSTRATED

BRI

27-51-25-03

27-51-25  
FIG. 03  
PAGE 10  
JAN 20/09



757

PARTS CATALOG (MAINTENANCE)

FIG ITEM	PART NUMBER	1 2 3 4 5 6 7	NOMENCLATURE	EFFECT FROM TO	UNITS PER ASSY
3					
140	251N4269-15		.TUBE ASSY-TORQUE COMPONENT MAINT MANUAL REF: 27-51-04 QUALIFIED I/W DATA: 251N4269-23 OR -27 MAY REPLACE 251N4269-15 WITH THE INCORPORATION OF SERVICE BULLETIN 757-27-0107	002004 006010 107107 121503 904949 951999	2
140	251N4269-27		.TUBE ASSY-TORQUE COMPONENT MAINT MANUAL REF: 27-51-04 QUALIFIED I/W DATA: 251N4269-27 MAY REPLACE 251N4269-11 OR -15 WITH THE INCORPORATION OF SERVICE BULLETIN 757-27-0107 POST SERVICE BULLETIN: 27-0107	011100 950950	2
145	251N4269-21		.TUBE ASSY-HORQUE COMPONENT MAINT MANUAL REF: 27-51-04 QUALIFIED I/W DATA: 251N4269-21 MAY REPLACE 251N4269-9 OR -13 WITH THE INCORPORATION OF SERVICE BULLETIN 757-27-0107 POST SERVICE BULLETIN: 27-0107	011100 950950	1
145	251N4269-9		.TUBE ASSY-TORQUE COMPONENT MAINT MANUAL REF: 27-51-04 QUALIFIED I/W DATA: 251N4269-21 OR -25 MAY REPLACE 251N4269-9 WITH THE INCORPORATION OF SERVICE BULLETIN 757-27-0107	107107	1
145	251N4269-13		.TUBE ASSY-TORQUE COMPONENT MAINT MANUAL REF: 27-51-04 QUALIFIED I/W DATA: 251N4269-21 OR -25 MAY REPLACE 251N4269-13 WITH THE INCORPORATION OF SERVICE BULLETIN 757-27-0107	002004 006010 107107 121503 904949 951999	1

MISSING ITEM NUMBERS NOT APPLICABLE

- ITEM NOT ILLUSTRATED

**27-51-25-03**

27-51-25  
FIG. 03  
PAGE 11  
JAN 20/09

BRI



757

PARTS CATALOG (MAINTENANCE)

FIG ITEM	PART NUMBER	1 2 3 4 5 6 7	NOMENCLATURE	EFFECT FROM TO	UNITS PER ASSY
3 145	251N4269-25		.TUBE ASSY-TORQUE COMPONENT MAINT MANUAL REF: 27-51-04 QUALIFIED I/W DATA: 251N4269-25 MAY REPLACE 251N4269-9 OR -13 WITH THE INCORPORATION OF SERVICE BULLETIN 757-27-0107 POST SERVICE BULLETIN: 27-0107	011100 950950	1
150	251N4269-22		.TUBE ASSY-TORQUE COMPONENT MAINT MANUAL REF: 27-51-04 QUALIFIED I/W DATA: 251N4269-22 MAY REPLACE 251N4269-10 OR -14 WITH THE INCORPORATION OF SERVICE BULLETIN 757-27-0107 POST SERVICE BULLETIN: 27-0107	011100 950950	1
150	251N4269-10		.TUBE ASSY-TORQUE COMPONENT MAINT MANUAL REF: 27-51-04 QUALIFIED I/W DATA: 251N4269-22 OR -26 MAY REPLACE 251N4269-10 WITH THE INCORPORATION OF SERVICE BULLETIN 757-27-0107	107107	1
150	251N4269-14		.TUBE ASSY-TORQUE COMPONENT MAINT MANUAL REF: 27-51-04 QUALIFIED I/W DATA: 251N4269-22 OR -26 MAY REPLACE 251N4269-14 WITH THE INCORPORATION OF SERVICE BULLETIN 757-27-0107	002004 006010 107107 121503 904949 951999	1

MISSING ITEM NUMBERS NOT APPLICABLE

- ITEM NOT ILLUSTRATED

BRI

27-51-25-03

27-51-25  
FIG. 03  
PAGE 12  
JAN 20/09



757

PARTS CATALOG (MAINTENANCE)

FIG ITEM	PART NUMBER	1 2 3 4 5 6 7	NOMENCLATURE	EFFECT FROM TO	UNITS PER ASSY
3 150	251N4269-26		.TUBE ASSY-TORQUE COMPONENT MAINT MANUAL REF: 27-51-04 QUALIFIED I/W DATA: 251N4269-26 MAY REPLACE 251N4269-10 OR -14 WITH THE INCORPORATION OF SERVICE BULLETIN 757-27-0107 POST SERVICE BULLETIN: 27-0107	011100 950950	1
155	251N4281-14		.TUBE ASSY-TORQUE MISCELLANEOUS DATA: DO NOT USE THIS PART IF SB 27-0099 HAS BEEN INCORPORATED COMPONENT MAINT MANUAL REF: 27-51-04	107107 904949	2
155	251N4281-19		.TUBE ASSY-TORQUE MISCELLANEOUS DATA: DO NOT USE THIS PART IF SB 27-0099 HAS BEEN INCORPORATED COMPONENT MAINT MANUAL REF: 27-51-04	107107 904949	2
155	251N4281-20		.TUBE ASSY-TORQUE COMPONENT MAINT MANUAL REF: 27-51-04 POST SERVICE BULLETIN: 27-0099	002004 006100 107107 121503 904999	2
155	251N4281-21		.TUBE ASSY-TORQUE COMPONENT MAINT MANUAL REF: 27-51-04	002004 006100 107107 121503 904999	2
157	BAC27NCT0233		..NAMEPLATE- USED ON: 251N4281-15 251N4281-16 251N4281-17 251N4281-18 251N4281-19 251N4281-20 251N4281-21 251N4281-26 251N4281-27 251N4281-28 251N4281-29	002004 006100 107107 121503 904999	1

MISSING ITEM NUMBERS NOT APPLICABLE

- ITEM NOT ILLUSTRATED

27-51-25-03

27-51-25  
FIG. 03  
PAGE 13  
JAN 20/09

BRI



757

PARTS CATALOG (MAINTENANCE)

FIG ITEM	PART NUMBER	1 2 3 4 5 6 7	NOMENCLATURE	EFFECT FROM TO	UNITS PER ASSY
3					
157	BAC27NCT0233		..NAMEPLATE- USED ON: 251N4281-21	002004 006100 107107 121503 904999	1
158	BAC27NCT0234		..NAMEPLATE- USED ON: 251N4269-12 251N4269-13 251N4269-14 251N4269-15 251N4269-20 251N4269-21 251N4269-22 251N4269-23 251N4269-24 251N4269-25 251N4269-26 251N4269-27	002004 006100 107107 121503 904999	1
159	251N4700-1		..PLUG- USED ON: 251N4281-20 251N4281-21 251N4281-28 251N4281-29	002004 006100 107107 121503 904999	2
159	251N4700-2		..PLUG- USED ON: 251N4281-26 251N4281-27	002004 006100 107107 121503 904999	2
159	251N4700-3		..PLUG- USED ON: 251N4269-20 251N4269-21 251N4269-22 251N4269-23 251N4269-24 251N4269-25 251N4269-26 251N4269-27	002004 006100 107107 121503 904999	2
160	251N4003-3		.GEAR BOX INSTL-TE FLAP DRIVE ANGLE POSITION DATA: INBD LH FOR DETAILS SEE: 27-51-09-01	002004 006100 107107 121503 904999	1

MISSING ITEM NUMBERS NOT APPLICABLE

- ITEM NOT ILLUSTRATED

**27-51-25-03**

27-51-25  
FIG. 03  
PAGE 14  
JAN 20/09

BRI

BOEING PROPRIETARY - Copyright © - Unpublished Work - See title page for details.



757

PARTS CATALOG (MAINTENANCE)

FIG ITEM	PART NUMBER	1 2 3 4 5 6 7	NOMENCLATURE	EFFECT FROM TO	UNITS PER ASSY
3					
165	251N4003-4		.GEAR BOX INSTL-TE FLAP DRIVE ANGLE POSITION DATA: INBD RH FOR DETAILS SEE: 27-51-09-01	002004 006100 107107 121503 904999	1
170	251N4005-1		.GEAR BOX INSTL-TE FLAP DRIVE TEE POSITION DATA: INBD LH FOR DETAILS SEE: 27-51-07-01	002004 006100 107107 121503 904999	1
175	251N4005-2		.GEAR BOX INSTL-TE FLAP DRIVE TEE POSITION DATA: INBD RH FOR DETAILS SEE: 27-51-07-01	002004 006100 107107 121503 904999	1
180	251N4015-1		.GEAR BOX INSTL-OUTBD TE FLAP DRIVE TEE POSITION DATA: INBD LH FOR DETAILS SEE: 27-51-08-01	002004 006100 107107 121503 904999	1
185	251N4015-2		.GEAR BOX INSTL-OUTBD TE FLAP DRIVE TEE POSITION DATA: INBD RH FOR DETAILS SEE: 27-51-08-01	002004 006100 107107 121503 904999	1
205	251N6010-2		.BRACKET INSTL-E2A, E2B, WFA, WFB PULLEY POSITION DATA: STA 395 FOR DETAILS SEE: 27-51-56-01	002004 006100 107107 121503 904999	1
210	251N6041-1		.BRACKET INSTL-SPAR LE SLATS A AND B PULLEY POSITION DATA: STA 900 FRONT INBD FOR DETAILS SEE: 53-40-51-08	002004 006100 107107 121503 904999	1
215	251N6040-1		.BRACKET INSTL-SPAR LE SLATS A AND B PULLEY POSITION DATA: STA 900 FRONT FOR DETAILS SEE: 53-40-51-07	002004 006100 107107 121503 904999	1

MISSING ITEM NUMBERS NOT APPLICABLE

- ITEM NOT ILLUSTRATED

27-51-25-03

27-51-25  
FIG. 03  
PAGE 15  
JAN 20/09

BRI

BOEING PROPRIETARY - Copyright © - Unpublished Work - See title page for details.





757

PARTS CATALOG (MAINTENANCE)

FIG ITEM	PART NUMBER	1 2 3 4 5 6 7	NOMENCLATURE	EFFECT FROM TO	UNITS PER ASSY
3					
220	251N6042-1		.BRACKET INSTL-BODY LESAP5 AND LESBP5 PULLEY POSITION DATA: STA 892 FOR DETAILS SEE: 53-30-51-34	002004 006100 107107 121503 904999	1
225	251N6026-6		.BRACKET INSTL-LGV AND WF CABLES POSITION DATA: STA 1045 AND 1056 FOR DETAILS SEE: 27-51-56-02	002004 006100 107107 121503 904999	2
230	251N6054-1		.BRACKET INSTL-WFA AND WFB CABLES PULLEY POSITION DATA: STA 1056 FOR DETAILS SEE: 53-41-54-01	002004 006100 107107 121503 904999	2
235	251N6027-2		.BRACKET INSTL-LE SLATS A AND B CABLE PULLEY POSITION DATA: STA 1064 FOR DETAILS SEE: 27-81-51-01	002004 006100 107107 121503 904999	1
240	251N6022-3		.SEAL INSTL-WING ROOT BODY SKIN PRESSURE FOR DETAILS SEE: 53-36-51-01	002004 006100 107107 121503 904999	1
245	251N6028-1		.SEAL INSTL-SLOPING PRESSURE DECK PRESSURE FOR DETAILS SEE: 27-51-25-10	002004 006100 107107 121503 904999	1
250	251N6028-2		.SEAL INSTL-SLOPING PRESSURE DECK PRESSURE FOR DETAILS SEE: 27-51-25-10	002004 006100 107107 121503 904999	2
255	251N6028-5		.SEAL INSTL-SLOPING PRESSURE DECK PRESSURE FOR DETAILS SEE: 27-51-25-10	002004 006100 107107 121503 904999	1

MISSING ITEM NUMBERS NOT APPLICABLE

- ITEM NOT ILLUSTRATED

BRI

27-51-25-03

27-51-25  
FIG. 03  
PAGE 16  
JAN 20/09



757

PARTS CATALOG (MAINTENANCE)

FIG ITEM	PART NUMBER	1 2 3 4 5 6 7	NOMENCLATURE	EFFECT FROM TO	UNITS PER ASSY
3 260	18-1969-17		. TRANSMITTER- SUPPLIER CODE: V96774 POSITION DATA: LH SIDE SPECIFICATION NUMBER: S251N403-17 ELECTRICAL EQUIP NUMBER: TS5049 COMPONENT MAINT MANUAL REF: 27-58-01	002004 006100 107107 121503 904999	1
265	18-1969-18		. TRANSMITTER- SUPPLIER CODE: V96774 POSITION DATA: RH SIDE SPECIFICATION NUMBER: S251N403-18 ELECTRICAL EQUIP NUMBER: TS5051 COMPONENT MAINT MANUAL REF: 27-58-01	002004 006100 107107 121503 904999	1
- 270	NAS1802-3-10		. SCREW-	107107 904949	6
- 270	NAS1802-3-12		. SCREW-	002004 006100 121503 950999	6
- 275	AN960C10L		. WASHER	002004 006100 107107 121503 904999	6
285	18-1969-13		-----*----- . TRANSMITTER- SUPPLIER CODE: V96774 SPECIFICATION NUMBER: S251N403-13 ELECTRICAL EQUIP NUMBER: TS5050 COMPONENT MAINT MANUAL REF: 27-51-08	002004 006100 107107 121503 904999	1

MISSING ITEM NUMBERS NOT APPLICABLE

- ITEM NOT ILLUSTRATED

BRI

27-51-25-03

27-51-25  
FIG. 03  
PAGE 17  
JAN 20/09

**BOEING**  
757  
PARTS CATALOG (MAINTENANCE)

FIG ITEM	PART NUMBER	1 2 3 4 5 6 7	NOMENCLATURE	EFFECT FROM TO	UNITS PER ASSY
3			ATTACHING PARTS		
- 290	NAS623-3-2		.SCREW-	002004 006100 107107 121503 904999	3
296	251N4319-1		-----*----- .CLAMP-MTG	002004 006100 107107 121503 904999	1
- 297	NAS623-3-5		ATTACHING PARTS .SCREW	002004 006100 107107 121503 904999	3
- 298	K29646-3		.WASHER SUPPLIER CODE: V15653 SPECIFICATION NUMBER: BACW10CA3CV OPTIONAL PART: 70188-3 V56878 922007-3 V60119 942007-3 V60119	002004 006100 107107 121503 904999	3
- 299	K29913-3		.WASHER SUPPLIER CODE: V15653 SPECIFICATION NUMBER: BACW10CA3CC OPTIONAL PART: 70191-3 V56878 922008-3 V60119 942008-3 V60119	002004 006100 107107 121503 904999	3
300	251N4011-1		-----*----- .TRANSMISSION INSTL-TE FLAP DRIVE POSITION DATA: INBD LH FOR DETAILS SEE: 27-51-06-02	002004 006100 107107 121503 904999	1

MISSING ITEM NUMBERS NOT APPLICABLE

- ITEM NOT ILLUSTRATED

BRI

**27-51-25-03**

BOEING PROPRIETARY - Copyright © - Unpublished Work - See title page for details.

27-51-25  
FIG. 03  
PAGE 18  
JAN 20/09

 **BOEING**  
757  
**PARTS CATALOG (MAINTENANCE)**

FIG ITEM	PART NUMBER	1 2 3 4 5 6 7	NOMENCLATURE	EFFECT FROM TO	UNITS PER ASSY
3 305	251N4011-2		.TRANSMISSION INSTL-TE FLAP DRIVE POSITION DATA: INBD RH FOR DETAILS SEE: 27-51-06-02	002004 006100 107107 121503 904999	1
310	251N4010-1		.TRANSMISSION INSTL-INBD TE FLAP DRIVE POSITION DATA: OUTBD LH FUNCTIONAL REFERENCE: PLACARDS AND MARKINGS FOR DETAILS SEE 11-24-55-01 FLIGHT CONTROL FOR DETAILS SEE 27-51-06-01 27-51-10-01 27-51-11-01	002004 006100 107107 121503 904999	1
315	251N4010-2		.TRANSMISSION INSTL-INBD TE FLAP DRIVE POSITION DATA: OUTBD RH FUNCTIONAL REFERENCE: PLACARDS AND MARKINGS FOR DETAILS SEE 11-24-55-01 FLIGHT CONTROL FOR DETAILS SEE 27-51-06-01 27-51-10-01 27-51-11-01	002004 006100 107107 121503 904999	1
320	251N4009-1		.TRANSMISSION INSTL-OUTBD TE FLAP DRIVE POSITION DATA: INBD LH FUNCTIONAL REFERENCE: PLACARDS AND MARKINGS FOR DETAILS SEE 11-24-55-03 FLIGHT CONTROL FOR DETAILS SEE 27-51-17-02 27-51-18-02 27-51-21-02	002004 006100 107107 121503 904999	1

MISSING ITEM NUMBERS NOT APPLICABLE

— ITEM NOT ILLUSTRATED

BRI

# 27-51-25-03

BOEING PROPRIETARY - Copyright © - Unpublished Work - See title page for details.

27-51-25  
FIG. 03  
PAGE 19  
JAN 20/09



757

PARTS CATALOG (MAINTENANCE)

FIG ITEM	PART NUMBER	1 2 3 4 5 6 7	NOMENCLATURE	EFFECT FROM TO	UNITS PER ASSY
3 325	251N4009-2		.TRANSMISSION INSTL-OUTBD TE FLAP DRIVE POSITION DATA: INBD RH FUNCTIONAL REFERENCE: PLACARDS AND MARKINGS FOR DETAILS SEE 11-24-55-03 FLIGHT CONTROL FOR DETAILS SEE 27-51-17-02 27-51-18-02 27-51-21-02	002004 006100 107107 121503 904999	1
330	251N4008-1		.TRANSMISSION INSTL-TE FLAP DRIVE POSITION DATA: OUTBD LH FUNCTIONAL REFERENCE: PLACARDS AND MARKINGS FOR DETAILS SEE 11-24-55-02 FLIGHT CONTROL FOR DETAILS SEE 27-51-17-01 27-51-18-01 27-51-21-01	002004 006100 107107 121503 904999	1
335	251N4008-2		.TRANSMISSION INSTL-TE FLAP DRIVE POSITION DATA: OUTBD RH FUNCTIONAL REFERENCE: PLACARDS AND MARKINGS FOR DETAILS SEE 11-24-55-02 FLIGHT CONTROL FOR DETAILS SEE 27-51-17-01 27-51-18-01 27-51-21-01	002004 006100 107107 121503 904999	1
340	251N4002-1		.UNIT INSTL-TE FLAP PWR DR FOR DETAILS SEE: 27-51-26-01	002004 006100 107107 121503 904999	1
350	251N6057-1		.SEAL INSTL-VAPOR	002004 006100 107107 121503 904999	1

MISSING ITEM NUMBERS NOT APPLICABLE

- ITEM NOT ILLUSTRATED

**27-51-25-03**

27-51-25  
FIG. 03  
PAGE 20  
JAN 20/09

BRI



757

PARTS CATALOG (MAINTENANCE)

FIG ITEM	PART NUMBER	1 2 3 4 5 6 7	NOMENCLATURE	EFFECT FROM TO	UNITS PER ASSY
3					
353	BACS12CK3-9	..	SCREW-	002004 006100 107107 121503 904999	4
359	BACW10P68S	..	WASHER	002004 006100 107107 121503 904999	8
365	251N6302-1	..	SEAL-	002004 006100 107107 121503 904999	2
370	251N6057-5	.	BRACKET INSTL-REWORK	002004 006100 107107 121503 904999	1
415	251N6057-6	..	BRACKET ASSY-	002004 006100 107107 121503 904999	1
- 420	L8006K5	..	ATTACHING PARTS BOLT SUPPLIER CODE: V06725 SPECIFICATION NUMBER: BACB30MY6K5	002004 006100 107107 121503 904999	2
- 425	HL79-6	..	COLLAR SUPPLIER CODE: V5M902 SPECIFICATION NUMBER: BACC30M6 OPTIONAL PART: HL79-6 V73197 HL79-6 V92215 66014-6 V56878 HL79-6 V56878 -----*	002004 006100 107107 121503 904999	2

MISSING ITEM NUMBERS NOT APPLICABLE

- ITEM NOT ILLUSTRATED

BRI

27-51-25-03

27-51-25  
FIG. 03  
PAGE 21  
JAN 20/09



757

PARTS CATALOG (MAINTENANCE)

FIG ITEM	PART NUMBER	1 2 3 4 5 6 7	NOMENCLATURE	EFFECT FROM TO	UNITS PER ASSY
3	430	NAS623-3-10	... SCREW	002004 006100 107107 121503 904999	2
	435	AN960PD10	... WASHER	002004 006100 107107 121503 904999	2
	440	BRH10A3	... NUT SUPPLIER CODE: V52828 SPECIFICATION NUMBER: BACN10JC3 OPTIONAL PART: H10-3BAC V15653 NS202101-02 V80539 RMLH9075-3W V72962 VN303A02 V92215 96-02 V80539 T6S1032J V11815	002004 006100 107107 121503 904999	2
445	FL3C6-3FS428	... PULLEY SUPPLIER CODE: V21335 SPECIFICATION NUMBER: BACP30G5 OPTIONAL PART: 6801-1 V34941 300-49NPS V60380 SR300-49NPS V60380	002004 006100 107107 121503 904999	2	
450	251N6057-7	... BRACKET-	002004 006100 107107 121503 904999	1	

MISSING ITEM NUMBERS NOT APPLICABLE

- ITEM NOT ILLUSTRATED

27-51-25-03

27-51-25  
FIG. 03  
PAGE 22  
JAN 20/09

BRI



757

PARTS CATALOG (MAINTENANCE)

FIG ITEM	PART NUMBER	1 2 3 4 5 6 7	NOMENCLATURE	EFFECT FROM TO	UNITS PER ASSY
3					
455	251N4098-1		.DRIVE SHAFT ASSY- POSITION DATA: INBD COMPONENT MAINT MANUAL REF: 27-51-04 OPTIONAL PART: 251N4098-3 PRE SERVICE BULLETIN: 27-0122	002004 006100 107107 121503 904999	2
455	251N4098-3		.DRIVE SHAFT ASSY- POSITION DATA: INBD COMPONENT MAINT MANUAL REF: 27-51-04 PRE SERVICE BULLETIN: 27-0122	002004 006100 107107 121503 904999	2
455	251N4098-4		.DRIVE SHAFT ASSY- POSITION DATA: INBD COMPONENT MAINT MANUAL REF: 27-51-04 POST SERVICE BULLETIN: 27-0122	002004 006100 107107 121503 904999	2
455	251N4098-5		.DRIVE SHAFT ASSY- POSITION DATA: INBD COMPONENT MAINT MANUAL REF: 27-51-04	002004 006100 107107 121503 904999	2
455	251N4098-6		.DRIVE SHAFT ASSY- POSITION DATA: INBD COMPONENT MAINT MANUAL REF: 27-51-04	002004 006100 107107 121503 904999	2
- 460	BACB30NR4K4		ATTACHING PARTS .BOLT-	002004 006100 107107 121503 904999	6
- 465	AN960KD416L		.WASHER-	002004 006100 107107 121503 904999	6
			-----*-----		

MISSING ITEM NUMBERS NOT APPLICABLE

- ITEM NOT ILLUSTRATED

BRI

27-51-25-03

27-51-25  
FIG. 03  
PAGE 23  
JAN 20/09





757

PARTS CATALOG (MAINTENANCE)

FIG ITEM	PART NUMBER	1 2 3 4 5 6 7	NOMENCLATURE	EFFECT FROM TO	UNITS PER ASSY
3					
470	BAC27NCT0237		..NAMEPLATE- USED ON: 251N4098-3	002004 006100 107107 121503 904999	1
475	251N4099-1		..HOUSING-FITTING INPUT	002004 006100 107107 121503 904999	1
480	R9306PPPRBA4298		..BEARING SUPPLIER CODE: V21335 SPECIFICATION NUMBER: BACB10BB30PP OPTIONAL PART: PKTLL006P1 V78118 C006RRPOZZ V40920 C006RRPP1P28LY1 V40920 9306PPPRBFS428 V21335 R9306PPPRBA4298 V9V013 9306PPPRBFS428 V21335	002004 006100 107107 121503 904999	1
485	251N4224-1		..BEARING-RETAINER	002004 006100 107107 121503 904999	1
490	BACB30TZ8K20		..LOCKBOLT- QUALIFIED OPTIONAL DATA: (BACB30TZ8K20 TOGETHER WITH BACC30BE8 IS OPTIONAL TO BACB30VN8K20 TOGETHER WITH BACC30BK8)	002004 006100 107107 121503 904999	8

MISSING ITEM NUMBERS NOT APPLICABLE

- ITEM NOT ILLUSTRATED

27-51-25-03

27-51-25  
FIG. 03  
PAGE 24  
JAN 20/09

BRI

BOEING PROPRIETARY - Copyright © - Unpublished Work - See title page for details.



757

PARTS CATALOG (MAINTENANCE)

FIG ITEM	PART NUMBER	1 2 3 4 5 6 7	NOMENCLATURE	EFFECT FROM TO	UNITS PER ASSY
3 490	LGPL2SPV8-20AC		.. LOCKBOLT- SUPPLIER CODE: V17446 SPECIFICATION NUMBER: BACB30VN8K20 OPTIONAL PART: LGPL2SPV8-20AC V92215 81669V8K20 V56878 LGPL2SPV8-20AC V56878 QUALIFIED OPTIONAL DATA: (BACB30TZ8K20 TOGETHER WITH BACC30BE8 IS OPTIONAL TO BACB30VN8K20 TOGETHER WITH BACC30BK8)	002004 006100 107107 121503 904999	8
495	2SC3C08		.. COLLAR- SUPPLIER CODE: V17446 SPECIFICATION NUMBER: BACC30BE8 OPTIONAL PART: 2SC3C08 V92215 QUALIFIED OPTIONAL DATA: (BACB30TZ8K20 TOGETHER WITH BACC30BE8 IS OPTIONAL TO BACB30VN8K20 TOGETHER WITH BACC30BK8)	002004 006100 107107 121503 904999	8
495	3SLCC8		.. COLLAR- SUPPLIER CODE: V17446 SPECIFICATION NUMBER: BACC30BK8 OPTIONAL PART: 3SLCC8 V92215 QUALIFIED OPTIONAL DATA: (BACB30TZ8K20 TOGETHER WITH BACC30BE8 IS OPTIONAL TO BACB30VN8K20 TOGETHER WITH BACC30BK8)	002004 006100 107107 121503 904999	8

MISSING ITEM NUMBERS NOT APPLICABLE

- ITEM NOT ILLUSTRATED

BRI

27-51-25-03

BOEING PROPRIETARY - Copyright © - Unpublished Work - See title page for details.

27-51-25  
FIG. 03  
PAGE 25  
JAN 20/09



757

PARTS CATALOG (MAINTENANCE)

FIG ITEM	PART NUMBER	1 2 3 4 5 6 7	NOMENCLATURE	EFFECT FROM TO	UNITS PER ASSY
3					
500	251N4201-2		.. COVER-SPACER QUALIFIED I/W DATA: 251N4201-2 CAN REPLACE OR BE REPLACED BY 251N4201-1 TOGETHER WITH 251N4313-4 USED ON: 251N4098-3 251N4098-4 251N4098-5 251N4098-6	002004 006100 107107 121503 904999	1
500	251N4201-1		.. COVER-SPACER USED ON: 251N4098-1	002004 006100 107107 121503 904999	1
505	251N4313-4		.. SHIM- USED ON: 251N4098-1	002004 006100 107107 121503 904999	1
510	251N4100-2		.. SHAFT- USED ON: 251N4098-3 251N4098-4 251N4098-5 251N4098-6	002004 006100 107107 121503 904999	1
510	251N4100-2		.. SHAFT- OPTIONAL PART: 251N4100-1 USED ON: 251N4098-1	002004 006100 107107 121503 904999	1
510	251N4100-1		.. SHAFT- OPTIONAL PART: 251N4100-2 USED ON: 251N4098-1	002004 006100 107107 121503 904999	1
515	251N4098-2		.. PLUG-FILLER	002004 006100 107107 121503 904999	2

MISSING ITEM NUMBERS NOT APPLICABLE

- ITEM NOT ILLUSTRATED

27-51-25-03

27-51-25  
FIG. 03  
PAGE 26  
JAN 20/09

BRI

BOEING PROPRIETARY - Copyright © - Unpublished Work - See title page for details.



757

PARTS CATALOG (MAINTENANCE)

FIG ITEM	PART NUMBER	1 2 3 4 5 6 7	NOMENCLATURE	EFFECT FROM TO	UNITS PER ASSY
3					
545	MS24312-20	..	UNIVERSAL JOINT- OPTIONAL PART: 20A1423 V03705 A15939 VU1586 PRE SERVICE BULLETIN: 27-0122	002004 006100 107107 121503 904999	2
545	A15939	..	UNIVERSAL JOINT- SUPPLIER CODE: VU1586 MISCELLANEOUS DATA: DO NOT USE THIS PART IF SB 27-0122 HAS BEEN INCORPORATED OPTIONAL PART: MS24312-20 USED ON: 251N4098-3 PRE SERVICE BULLETIN: 27-0122	107107 904949	2
545	20A1423	..	UNIVERSAL JOINT- SUPPLIER CODE: V03705 OPTIONAL PART: MS24312-20 POST SERVICE BULLETIN: 27-0122	002004 006100 107107 121503 904999	2
550	A15941	...	COVER-SILICONE RUBBER SUPPLIER CODE: VU1586 USED ON: A15939	107107 904949	1
- 600	286N2410-004		WIRE BUNDLE ASSY	002004 006100 950999	RF
- 600	286N2410-005		WIRE BUNDLE ASSY	107107 121503 904949	RF

MISSING ITEM NUMBERS NOT APPLICABLE

- ITEM NOT ILLUSTRATED

27-51-25-03

27-51-25  
FIG. 03  
PAGE 27  
JAN 20/09

BRI

BOEING PROPRIETARY - Copyright © - Unpublished Work - See title page for details.



757

PARTS CATALOG (MAINTENANCE)

FIG ITEM	PART NUMBER	1 2 3 4 5 6 7	NOMENCLATURE	EFFECT FROM TO	UNITS PER ASSY
3 605	GS3418-14CD	.	CLAMP- SUPPLIER CODE: V06324 SPECIFICATION NUMBER: BACC10HG14 OPTIONAL PART: S2126-14-8 V07418 ELECTRICAL EQUIP NUMBER: D01806T WIRING DIAGRAM REF: 275111	002004 006100 107107 121503 904999	1
610	R071014R7SNL	.	CONNECTOR- SUPPLIER CODE: V41118 SPECIFICATION NUMBER: BACC63BP14R7SNL MISCELLANEOUS DATA: OPTIONAL PART NUMBERS: BACC63BP14R7SN (81205) BACC63BP14A7SN (81205) BACC63BP14A7SNL (81205) ELECTRICAL EQUIP NUMBER: D01806 WIRING DIAGRAM REF: 275111	002004 006100 107107 121503 904999	1
- 650	286N3340		WIRE BUNDLE ASSY	107107 121503 904949	RF
- 650	286N3306-002		WIRE BUNDLE ASSY	002004 006100 950999	RF
655	GS3418-22CD	.	CLAMP- SUPPLIER CODE: V06324 SPECIFICATION NUMBER: BACC10HG22 OPTIONAL PART: S2126-22-8 V07418 ELECTRICAL EQUIP NUMBER: D01702T WIRING DIAGRAM REF: 275811	002004 006100 107107 121503 904999	1

MISSING ITEM NUMBERS NOT APPLICABLE

- ITEM NOT ILLUSTRATED

27-51-25-03

27-51-25  
FIG. 03  
PAGE 28  
JAN 20/09

BRI



757

PARTS CATALOG (MAINTENANCE)

FIG ITEM	PART NUMBER	1 2 3 4 5 6 7	NOMENCLATURE	EFFECT FROM TO	UNITS PER ASSY
3 660	BCREF5958		.CONNECTOR- OVERLENGTH PART NUMBER: BACC63BP22R19SNL ELECTRICAL EQUIP NUMBER: D01702 WIRING DIAGRAM REF: 275811	002004 006100 107107 121503 904999	1
- 700	286N3440		WIRE BUNDLE ASSY	107107 121503 904949	RF
- 700	286N3406-002		WIRE BUNDLE ASSY	002004 006100 950999	RF
705	GS3418-22CD		.CLAMP- SUPPLIER CODE: V06324 SPECIFICATION NUMBER: BACC10HG22 OPTIONAL PART: S2126-22-8 V07418 ELECTRICAL EQUIP NUMBER: D01802T WIRING DIAGRAM REF: 275811	002004 006100 107107 121503 904999	1
710	BCREF5959		.CONNECTOR- OVERLENGTH PART NUMBER: BACC63BP22R19S6L ELECTRICAL EQUIP NUMBER: D01802 WIRING DIAGRAM REF: 275811	002004 006100 107107 121503 904999	1
800			ILLUSTRATION REFERENCE: PLUMBING INSTL-SECT. 44 MLG WHL WELL HYDR (TRAILING EDGE FLAP SYSTEM ONLY) 27-51-51-20	002004 006100 107107 121503 904999	RF

MISSING ITEM NUMBERS NOT APPLICABLE

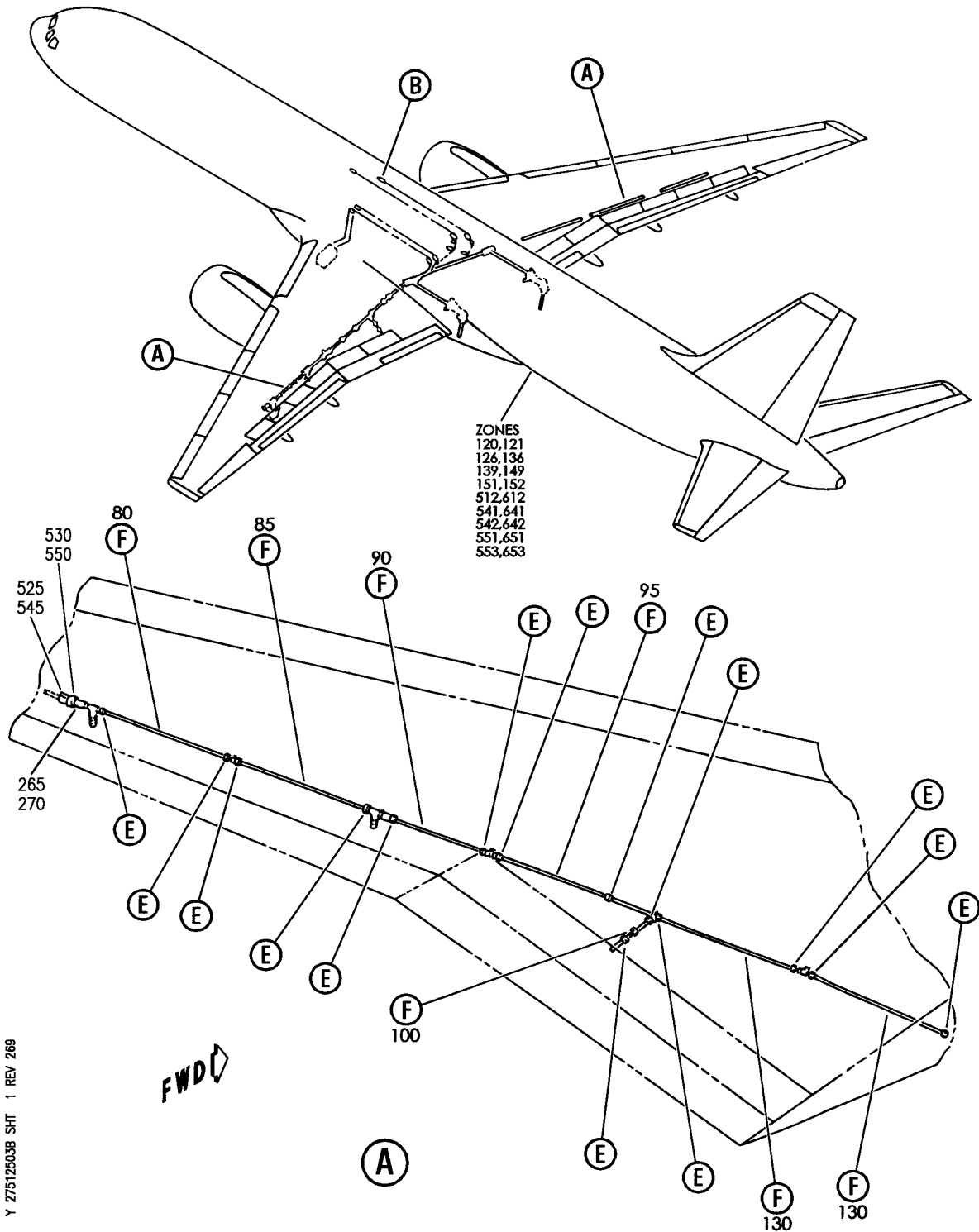
- ITEM NOT ILLUSTRATED

BRI

27-51-25-03

27-51-25  
FIG. 03  
PAGE 29  
JAN 20/09

**BOEING**  
757  
PARTS CATALOG (MAINTENANCE)



Y 27512503B SHT 1 REV 269

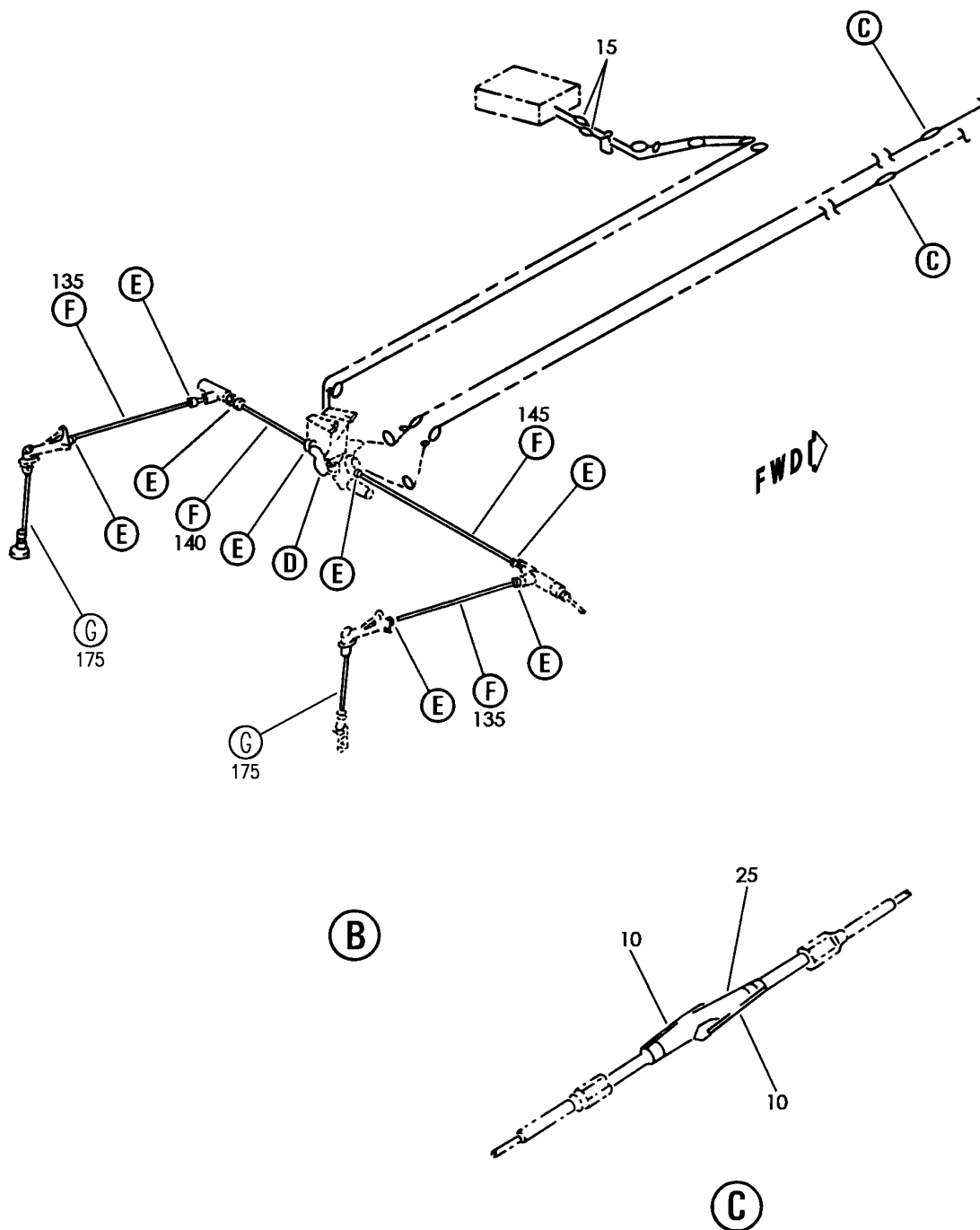
CONTROL AND DRIVE INSTL-TE FLAP  
FIGURE 3B (SHEET 1)

**27-51-25-03B**

BRI  
MAY 28/07

27-51-25-03B  
PAGE 0

**BOEING**  
757  
PARTS CATALOG (MAINTENANCE)



Y 27512503B SHT 2 REV 335

CONTROL AND DRIVE INSTL-TE FLAP  
FIGURE 3B (SHEET 2)

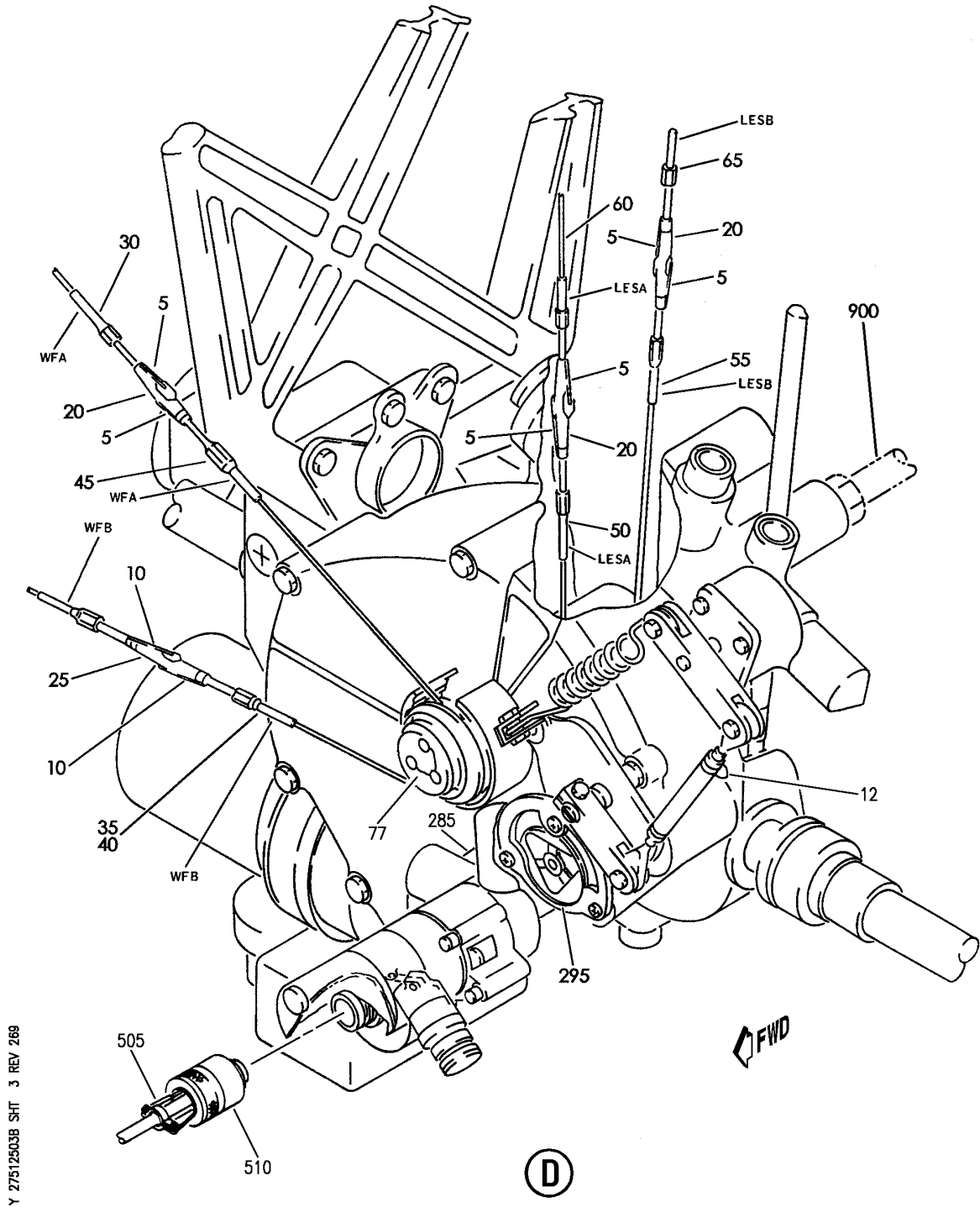
**27-51-25-03B**

BRI  
MAY 20/09

27-51-25-03B  
PAGE 0A



**BOEING**  
757  
PARTS CATALOG (MAINTENANCE)



CONTROL AND DRIVE INSTL-TE FLAP  
FIGURE 3B (SHEET 3)

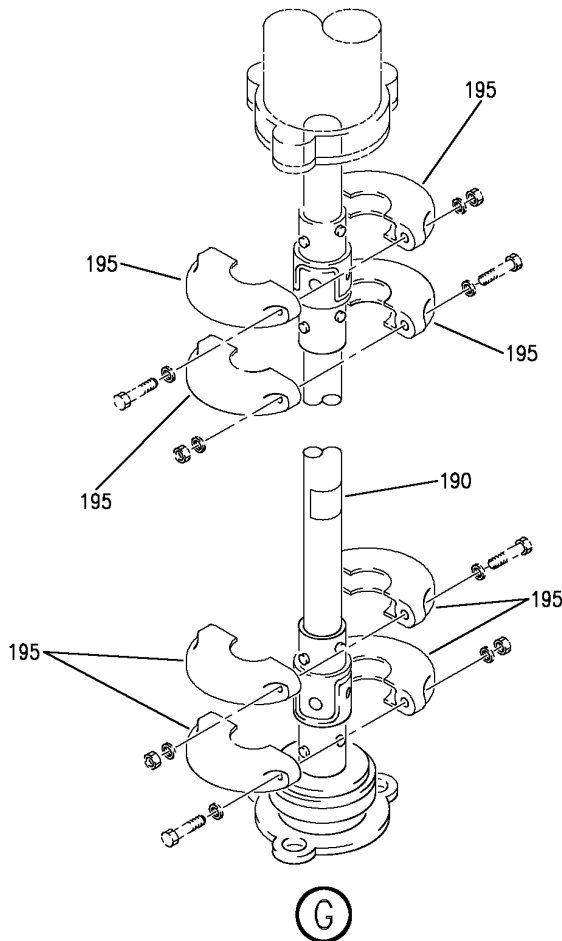
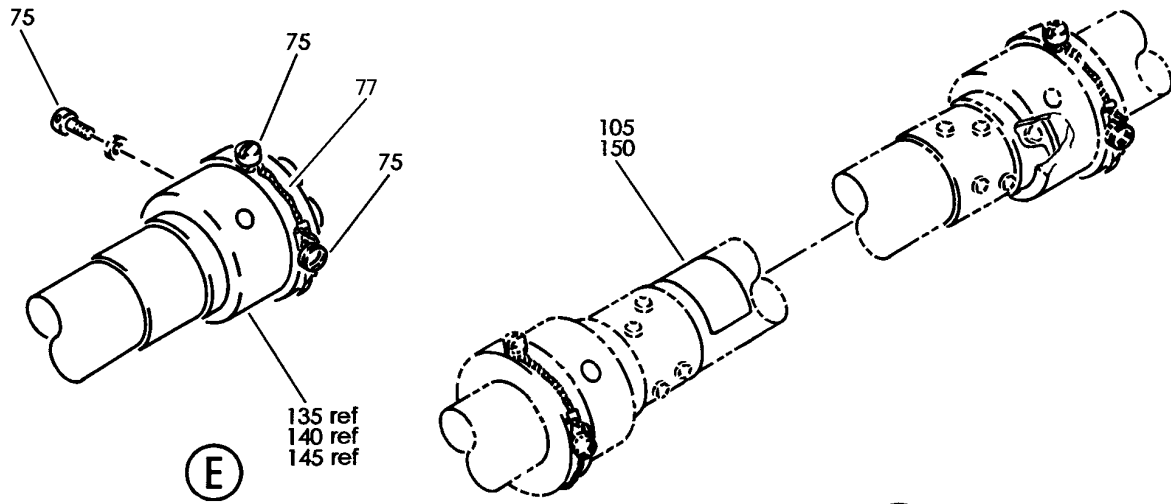
**27-51-25-03B**

BRI  
MAY 28/07

27-51-25-03B  
PAGE 0B

BOEING PROPRIETARY - Copyright © - Unpublished Work - See title page for details.

**BOEING**  
757  
PARTS CATALOG (MAINTENANCE)



Y 27512503B SHT 4 REV 335

CONTROL AND DRIVE INSTL-TE FLAP  
FIGURE 3B (SHEET 4)

**27-51-25-03B**

BRI  
MAY 20/09

27-51-25-03B  
PAGE 0C



757

PARTS CATALOG (MAINTENANCE)

FIG ITEM	PART NUMBER	1 2 3 4 5 6 7	NOMENCLATURE	EFFECT FROM TO	UNITS PER ASSY
3B			CONTROL AND DRIVE INSTL-TE FLAP	101106 108120 504903	
- 1	251N4001-13		CONTROL AND DRIVE INSTL-TE FLAP FOR NHA SEE: 27-50-00-02	101102 108120 504903	RF
- 1	MODREF7555		CONTROL AND DRIVE INSTL-TE FLAP MODULE NUMBER: 251N4001-13 REV A	103106	1
5	BACC15AJ1		.CLIP	101106 108120 504903	6
10	BACC15AJ2		.CLIP	101106 108120 504903	6
12	MS20995C32		.WIRE	101106 108120 504903	AR
15	BM2258-3		.FITTING-QUICK DISC. SUPPLIER CODE: V22277 OPTIONAL PART: RA2258-3 V22277	101106 108120 504903	2
15	RA2258-3		.FITTING-QUICK DISC. SUPPLIER CODE: V22277 OPTIONAL PART: BM2258-3 V22277	101106 108120 504903	2
20	MS21251B3S		.TURNBUCKLE BODY	101106 108120 504903	3
25	MS21251B3L		.TURNBUCKLE BODY	101106 108120 504903	3
30	BACC2C3D05113DF		.CABLE ASSY-WFA	101106 108120 504903	1
35	BACC2C3D05059CE		.CABLE ASSY-WFB	101106 108120 504903	1
40	BACC2C3D00136DG		.CABLE ASSY-WFA	101106 108120 504903	1

MISSING ITEM NUMBERS NOT APPLICABLE

- ITEM NOT ILLUSTRATED

**27-51-25-03B**

27-51-25  
FIG. 03B  
PAGE 1  
JAN 20/09

BRI

BOEING PROPRIETARY - Copyright © - Unpublished Work - See title page for details.



757

PARTS CATALOG (MAINTENANCE)

FIG ITEM	PART NUMBER	1 2 3 4 5 6 7	NOMENCLATURE	EFFECT FROM TO	UNITS PER ASSY
3B					
45	BACC2C3D00129CG	.	CABLE ASSY-LESA	101106 108120 504903	1
50	BACC2C3D00119DG	.	CABLE ASSY-LESA	101106 108120 504903	1
55	BACC2C3D00114CG	.	CABLE ASSY-LESB OPTIONAL PART: BACC2C3D00113CG	101106 108120 504903	1
55	BACC2C3D00113CG	.	CABLE ASSY-LESB OPTIONAL PART: BACC2C3D00114CG	101106 108120 504903	1
60	BACC2C3D02468CJ	.	CABLE ASSY-LESA	101106 108120 504903	1
65	BACC2C3D02458DJ	.	CABLE ASSY-LESB	101106 108120 504903	1
- 70	251N4001-12		CONTROL AND DRIVE INSTL-TE FLAP FOR NHA SEE: 27-50-00-01	101102 108120 504903	RF
- 70	MODREF7554		CONTROL AND DRIVE INSTL-TE FLAP MODULE NUMBER: 251N4001-12 REV A	103106	1
75	NAS1801-3D6	.	SCREW- OPTIONAL PART: AN502-10-8	101106 108120 504903	108
75	AN502-10-8	.	SCREW- OPTIONAL PART: NAS1801-3D6	101106 108120 504903	108
77	MS20995C32	.	WIRE	101106 108120 504903	AR
80	251N4281-26	.	TUBE ASSY-TORQUE COMPONENT MAINT MANUAL REF: 27-51-04 QUALIFIED I/W DATA: 251N4281-26 MAY REPLACE 251N4281-8 OR -15 WITH THE INCORPORATION OF SERVICE BULLETIN 757-27-0107	101106 108120 504903	2

MISSING ITEM NUMBERS NOT APPLICABLE

- ITEM NOT ILLUSTRATED

**27-51-25-03B**

27-51-25  
FIG. 03B  
PAGE 2  
JAN 20/09

BRI



757

PARTS CATALOG (MAINTENANCE)

FIG ITEM	PART NUMBER	1 2 3 4 5 6 7	NOMENCLATURE	EFFECT FROM TO	UNITS PER ASSY
3B 85	251N4281-27		.TUBE ASSY-TORQUE COMPONENT MAINT MANUAL REF: 27-51-04 QUALIFIED I/W DATA: 251N4281-27 MAY REPLACE 251N4281-10 OR -16 WITH THE INCORPORATION OF SERVICE BULLETIN 757-27-0107	101106 108120 504903	2
90	251N4281-28		.TUBE ASSY-TORQUE COMPONENT MAINT MANUAL REF: 27-51-04 QUALIFIED I/W DATA: 251N4281-28 MAY REPLACE 251N4281-12, -13 OR -18 WITH THE INCORPORATION OF SERVICE BULLETIN 757-27-0107	101106 108120 504903	2
95	251N4281-29		.TUBE ASSY-TORQUE COMPONENT MAINT MANUAL REF: 27-51-04 QUALIFIED I/W DATA: 251N4281-29 MAY REPLACE 251N4281-11 OR -17 WITH THE INCORPORATION OF SERVICE BULLETIN 757-27-0107	101106 108120 504903	2
100	251N4281-21		.TUBE ASSY-TORQUE COMPONENT MAINT MANUAL REF: 27-51-04	101106 108120 504903	2
100	251N4281-20		.TUBE ASSY-TORQUE COMPONENT MAINT MANUAL REF: 27-51-04	101106 108120 504903	2
105	BAC27NCT0233		..NAMEPLATE- PLACARD CONTENT: BOEING PART NO. 251N4281 LUBE: MIL-G-21164 OPT: MIL-G-23827 USED ON: 251N4281-20 251N4281-21 251N4281-26 251N4281-27 251N4281-28 251N4281-29	101106 108120 504903	1

MISSING ITEM NUMBERS NOT APPLICABLE

- ITEM NOT ILLUSTRATED

**27-51-25-03B**

27-51-25  
FIG. 03B  
PAGE 3  
JAN 20/09

BRI

BOEING PROPRIETARY - Copyright © - Unpublished Work - See title page for details.



757

PARTS CATALOG (MAINTENANCE)

FIG ITEM	PART NUMBER	1 2 3 4 5 6 7	NOMENCLATURE	EFFECT FROM TO	UNITS PER ASSY
3B 130	251N4269-24		.TUBE ASSY-TORQUE COMPONENT MAINT MANUAL REF: 27-51-04 QUALIFIED I/W DATA: 251N4269-24 MAY REPLACE 251N4269-8 OR -12 WITH THE INCORPORATION OF SERVICE BULLETIN 757-27-0107	101106 108120 504903	4
130	251N4269-20		.TUBE ASSY-TORQUE COMPONENT MAINT MANUAL REF: 27-51-04 QUALIFIED I/W DATA: 251N4269-20 MAY REPLACE 251N4269-8 OR -12 WITH THE INCORPORATION OF SERVICE BULLETIN 757-27-0107	101106 108120 504903	4
135	251N4269-27		.TUBE ASSY-TORQUE COMPONENT MAINT MANUAL REF: 27-51-04 QUALIFIED I/W DATA: 251N4269-27 MAY REPLACE 251N4269-11 OR -15 WITH THE INCORPORATION OF SERVICE BULLETIN 757-27-0107	101106 108120 504903	2
135	251N4269-23		.TUBE ASSY-TORQUE COMPONENT MAINT MANUAL REF: 27-51-04 QUALIFIED I/W DATA: 251N4269-23 MAY REPLACE 251N4269-11 OR -15 WITH THE INCORPORATION OF SERVICE BULLETIN 757-27-0107	101106 108120 504903	2
140	251N4269-25		.TUBE ASSY-TORQUE COMPONENT MAINT MANUAL REF: 27-51-04 QUALIFIED I/W DATA: 251N4269-25 MAY REPLACE 251N4269-9 OR -13 WITH THE INCORPORATION OF SERVICE BULLETIN 757-27-0107	101106 108120 504903	1

MISSING ITEM NUMBERS NOT APPLICABLE

- ITEM NOT ILLUSTRATED

**27-51-25-03B**

27-51-25  
FIG. 03B  
PAGE 4  
JAN 20/09

BRI



757

PARTS CATALOG (MAINTENANCE)

FIG ITEM	PART NUMBER	1 2 3 4 5 6 7	NOMENCLATURE	EFFECT FROM TO	UNITS PER ASSY
3B 140	251N4269-21	.	TUBE ASSY-TORQUE COMPONENT MAINT MANUAL REF: 27-51-04 QUALIFIED I/W DATA: 251N4269-21 MAY REPLACE 251N4269-9 OR -13 WITH THE INCORPORATION OF SERVICE BULLETIN 757-27-0107	101106 108120 504903	1
145	251N4269-26	.	TUBE ASSY-TORQUE COMPONENT MAINT MANUAL REF: 27-51-04 QUALIFIED I/W DATA: 251N4269-26 MAY REPLACE 251N4269-10 OR -14 WITH THE INCORPORATION OF SERVICE BULLETIN 757-27-0107	101106 108120 504903	1
145	251N4269-22	.	TUBE ASSY-TORQUE COMPONENT MAINT MANUAL REF: 27-51-04 QUALIFIED I/W DATA: 251N4269-22 MAY REPLACE 251N4269-10 OR -14 WITH THE INCORPORATION OF SERVICE BULLETIN 757-27-0107	101106 108120 504903	1
150	BAC27NCT0234	..	NAMEPLATE- PLACARD CONTENT: BOEING PART NO. 251N4269 LUBE: MIL-G-21164 OPT: MIL-G-23827 USED ON: 251N4269-20 251N4269-21 251N4269-22 251N4269-23 251N4269-24 251N4269-25 251N4269-26 251N4269-27	101106 108120 504903	1
175	251N4098-6	.	DRIVE SHAFT ASSY- POSITION DATA: INBD COMPONENT MAINT MANUAL REF: 27-51-04	101106 108120 504903	2

MISSING ITEM NUMBERS NOT APPLICABLE

- ITEM NOT ILLUSTRATED

**27-51-25-03B**

27-51-25  
FIG. 03B  
PAGE 5  
JAN 20/09

BRI

BOEING PROPRIETARY - Copyright © - Unpublished Work - See title page for details.



757

PARTS CATALOG (MAINTENANCE)

FIG ITEM	PART NUMBER	1 2 3 4 5 6 7	NOMENCLATURE	EFFECT FROM TO	UNITS PER ASSY
3B			ATTACHING PARTS		
- 180	BACB30NR4K4		.BOLT	101106 108120 504903	6
- 185	NAS1149D0416J		.WASHER	101106 108120 504903	3
190	BAC27NCT0237		-----*----- .NAMEPLATE- PLACARD CONTENT: BOEING PART NO. 251N4098 LUBE: MIL-G-21164 OPT: MIL-G-23827	101106 108120 504903	1
265	18-1969-17		.TRANSMITTER- SUPPLIER CODE: V96774 POSITION DATA: LH SIDE SPECIFICATION NUMBER: S251N403-17 ELECTRICAL EQUIP NUMBER: TS5049 COMPONENT MAINT MANUAL REF: 27-58-01	101106 108120 504903	1
270	18-1969-18		.TRANSMITTER- SUPPLIER CODE: V96774 POSITION DATA: RH SIDE SPECIFICATION NUMBER: S251N403-18 ELECTRICAL EQUIP NUMBER: TS5051 COMPONENT MAINT MANUAL REF: 27-58-01	101106 108120 504903	1
- 275	NAS1802-3-12		ATTACHING PARTS .SCREW-	101106 108120 504903	6
- 280	NAS1149C0332R		.WASHER  -----*-----	101106 108120 504903	6

MISSING ITEM NUMBERS NOT APPLICABLE

- ITEM NOT ILLUSTRATED

**27-51-25-03B**

27-51-25  
FIG. 03B  
PAGE 6  
JAN 20/09

BRI

BOEING PROPRIETARY - Copyright © - Unpublished Work - See title page for details.





757

PARTS CATALOG (MAINTENANCE)

FIG ITEM	PART NUMBER	1 2 3 4 5 6 7	NOMENCLATURE	EFFECT FROM TO	UNITS PER ASSY
3B 285	18-1969-13		. TRANSMITTER- SUPPLIER CODE: V96774 SPECIFICATION NUMBER: S251N403-13 ELECTRICAL EQUIP NUMBER: TS5050 COMPONENT MAINT MANUAL REF: 27-51-08 ATTACHING PARTS	101106 108120 504903	1
- 290	NAS623-3-2		. SCREW-	101106 108120 504903	3
			-----*-----		
295	251N4319-1		. CLAMP-MTG	101106 108120 504903	1
			ATTACHING PARTS		
- 300	NAS623-3-5		. SCREW	101106 108120 504903	3
- 305	K29646-3		. WASHER SUPPLIER CODE: V15653 SPECIFICATION NUMBER: BACW10CA3CV OPTIONAL PART: 70188-3 V56878 922007-3 V60119 942007-3 V60119	101106 108120 504903	3
- 310	K29913-3		. WASHER SUPPLIER CODE: V15653 SPECIFICATION NUMBER: BACW10CA3CC OPTIONAL PART: 70191-3 V56878 922008-3 V60119 942008-3 V60119	101106 108120 504903	3
			-----*-----		
- 500	286N2410-303		WIRE BUNDLE ASSY	101102	RF
- 500	286N2410-307		WIRE BUNDLE ASSY	108120	RF
- 500	286N2410-308		WIRE BUNDLE ASSY	504903	RF

MISSING ITEM NUMBERS NOT APPLICABLE

- ITEM NOT ILLUSTRATED

**27-51-25-03B**

27-51-25  
FIG. 03B  
PAGE 7  
JAN 20/09

BRI

BOEING PROPRIETARY - Copyright © - Unpublished Work - See title page for details.



757

PARTS CATALOG (MAINTENANCE)

FIG ITEM	PART NUMBER	1 2 3 4 5 6 7	NOMENCLATURE	EFFECT FROM TO	UNITS PER ASSY
3B					
- 500	286N2410-601		WIRE BUNDLE ASSY	103106	RF
505	GS3418-14CD		.CLAMP-	101102	1
			SUPPLIER CODE:	108120	
			V06324	504903	
			SPECIFICATION NUMBER:		
			BACC10HG14		
			OPTIONAL PART:		
			S2126-14-8		
			V07418		
			ELECTRICAL EQUIP NUMBER:		
			D01806T		
			WIRING DIAGRAM REF:		
			275111		
505	620AA028NF14L		.CLAMP-	103106	1
			SUPPLIER CODE:		
			V06324		
			SPECIFICATION NUMBER:		
			BACC10KE14		
			OPTIONAL PART:		
			S3820-14-65		
			V07418		
			ELECTRICAL EQUIP NUMBER:		
			D01806T		
			WIRING DIAGRAM REF:		
			275111		
510	R071014A7SNL		.CONNECTOR-	101106	1
			SUPPLIER CODE:	108120	
			V41118	504903	
			SPECIFICATION NUMBER:		
			BACC63BP14A7SNL		
			ELECTRICAL EQUIP NUMBER:		
			D01806		
			WIRING DIAGRAM REF:		
			275111		
- 520	286N3306-305		WIRE BUNDLE ASSY	504903	RF
- 520	286N3306-306		WIRE BUNDLE ASSY	108120	RF
- 520	286N3306-321		WIRE BUNDLE ASSY	101102	RF
- 520	286N3306-701		WIRE BUNDLE ASSY	103106	RF

MISSING ITEM NUMBERS NOT APPLICABLE

- ITEM NOT ILLUSTRATED

27-51-25-03B

27-51-25  
FIG. 03B  
PAGE 8  
JAN 20/09

BRI

BOEING PROPRIETARY - Copyright © - Unpublished Work - See title page for details.



757

PARTS CATALOG (MAINTENANCE)

FIG ITEM	PART NUMBER	1 2 3 4 5 6 7	NOMENCLATURE	EFFECT FROM TO	UNITS PER ASSY
3B 525	GS3418-22CD		.CLAMP- SUPPLIER CODE: V06324 SPECIFICATION NUMBER: BACC10HG22 OPTIONAL PART: S2126-22-8 V07418 ELECTRICAL EQUIP NUMBER: D01702T WIRING DIAGRAM REF: 275811	101102 108120 504903	1
525	620AA028NF22L		.CLAMP- SUPPLIER CODE: V06324 SPECIFICATION NUMBER: BACC10KE22 OPTIONAL PART: S3820-22-65 V07418 ELECTRICAL EQUIP NUMBER: D01702T WIRING DIAGRAM REF: 275811	103106	1
530	BCREFA0332		.CONNECTOR- OVERLENGTH PART NUMBER: BACC63BP22A19SNL ELECTRICAL EQUIP NUMBER: D01702 WIRING DIAGRAM REF: 275811	101106 108120 504903	1
- 540	286N3406-301		WIRE BUNDLE ASSY	101102	RF
- 540	286N3406-303		WIRE BUNDLE ASSY	108120	RF
- 540	286N3406-308		WIRE BUNDLE ASSY	504903	RF
- 540	286N3406-701		WIRE BUNDLE ASSY	103106	RF
545	GS3418-22CD		.CLAMP- SUPPLIER CODE: V06324 SPECIFICATION NUMBER: BACC10HG22 OPTIONAL PART: S2126-22-8 V07418 ELECTRICAL EQUIP NUMBER: D01802T WIRING DIAGRAM REF: 275811	101102 108120 504903	1

MISSING ITEM NUMBERS NOT APPLICABLE

- ITEM NOT ILLUSTRATED

27-51-25-03B

27-51-25  
FIG. 03B  
PAGE 9  
JAN 20/09

BRI

BOEING PROPRIETARY - Copyright © - Unpublished Work - See title page for details.



757

PARTS CATALOG (MAINTENANCE)

FIG ITEM	PART NUMBER	1 2 3 4 5 6 7	NOMENCLATURE	EFFECT FROM TO	UNITS PER ASSY
3B 545	620AA028NF22L		.CLAMP- SUPPLIER CODE: V06324 SPECIFICATION NUMBER: BACC10KE22 OPTIONAL PART: S3820-22-65 V07418 ELECTRICAL EQUIP NUMBER: D01802T WIRING DIAGRAM REF: 275811	103106	1
550	BCREFA1986		.CONNECTOR- OVERLENGTH PART NUMBER: BACC63BP22A19S6L ELECTRICAL EQUIP NUMBER: D01802 WIRING DIAGRAM REF: 275811	101106 108120 504903	1

MISSING ITEM NUMBERS NOT APPLICABLE

- ITEM NOT ILLUSTRATED

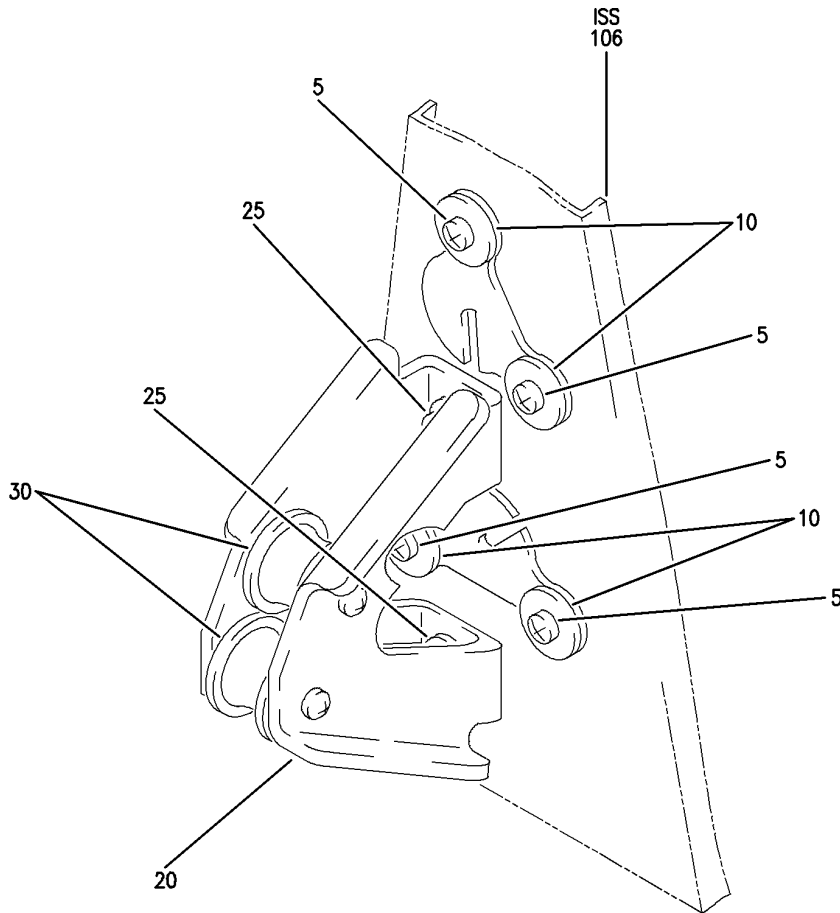
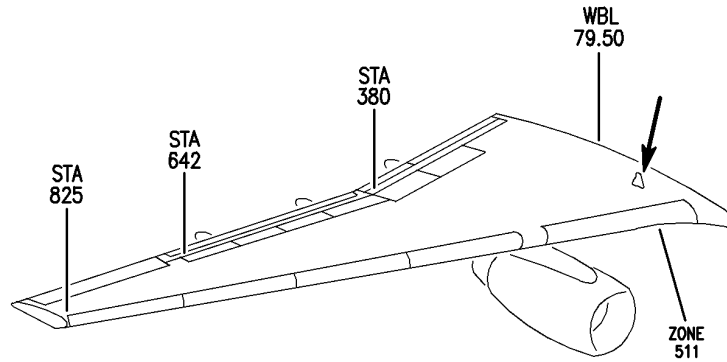
BRI

**27-51-25-03B**

BOEING PROPRIETARY - Copyright © - Unpublished Work - See title page for details.

27-51-25  
FIG. 03B  
PAGE 10  
JAN 20/09

**BOEING**  
757  
PARTS CATALOG (MAINTENANCE)



Y 27512506 REV 224

SEAL INSTL-VAPOR  
FIGURE 6

**27-51-25-06**

BRI  
MAY 28/07

27-51-25-06  
PAGE 0

 **BOEING**  
757  
**PARTS CATALOG (MAINTENANCE)**

FIG ITEM	PART NUMBER	1 2 3 4 5 6 7	NOMENCLATURE	EFFECT FROM TO	UNITS PER ASSY
6			SEAL INSTL-VAPOR	101106 108120 504903	
- 1	251N6057-9		SEAL INSTL-VAPOR FOR NHA SEE: 27-50-00-01	101102 108120 504903	RF
- 1	MODREF8582		SEAL INSTL-VAPOR MODULE NUMBER: 251N6057-9 REV A	103106	1
5	BACS12CK3-9		.SCREW- OPTIONAL PART: NAS1801-3-9	101106 108120 504903	4
5	NAS1801-3-9		.SCREW- OPTIONAL PART: BACS12CK3-9	101106 108120 504903	4
10	251N6302-1		.SEAL	101106 108120 504903	4
- 15	251N6057-10		BRACKET INSTL-IDLER FOR NHA SEE: 27-50-00-02	101102 108120 504903	RF
- 15	MODREF8580		BRACKET INSTL-IDLER MODULE NUMBER: 251N6057-10 REV A	103106	1
20	251N6057-6		.BRACKET ASSY	101106 108120 504903	1
25	L8006K5		.BOLT SUPPLIER CODE: V06725 SPECIFICATION NUMBER: BACB30MY6K5	101106 108120 504903	2
30	FL3C6-3FS428		..PULLEY SUPPLIER CODE: V21335 SPECIFICATION NUMBER: BACP30G5 OPTIONAL PART: 6801-1 V34941 300-49NPS V60380 SR300-49NPS V60380 ATTACHING PARTS	101106 108120 504903	2
- 35	NAS623-3-10		..SCREW	101106 108120 504903	2

MISSING ITEM NUMBERS NOT APPLICABLE

- ITEM NOT ILLUSTRATED

BRI

# 27-51-25-06

BOEING PROPRIETARY - Copyright © - Unpublished Work - See title page for details.

27-51-25  
FIG. 06  
PAGE 1  
JAN 20/09



757

PARTS CATALOG (MAINTENANCE)

FIG ITEM	PART NUMBER	1 2 3 4 5 6 7	NOMENCLATURE	EFFECT FROM TO	UNITS PER ASSY
6					
- 40	AN960KD10		.. WASHER	101106 108120 504903	2
- 45	BRH10A3		.. NUT SUPPLIER CODE: V52828 SPECIFICATION NUMBER: BACN10JC3 OPTIONAL PART: H10-3BAC V15653 NS202101-02 V80539 RMLH9075-3W V72962 VN303A02 V92215 96-02 V80539 T6S1032J V11815 -----*-----	101106 108120 504903	2

MISSING ITEM NUMBERS NOT APPLICABLE

- ITEM NOT ILLUSTRATED

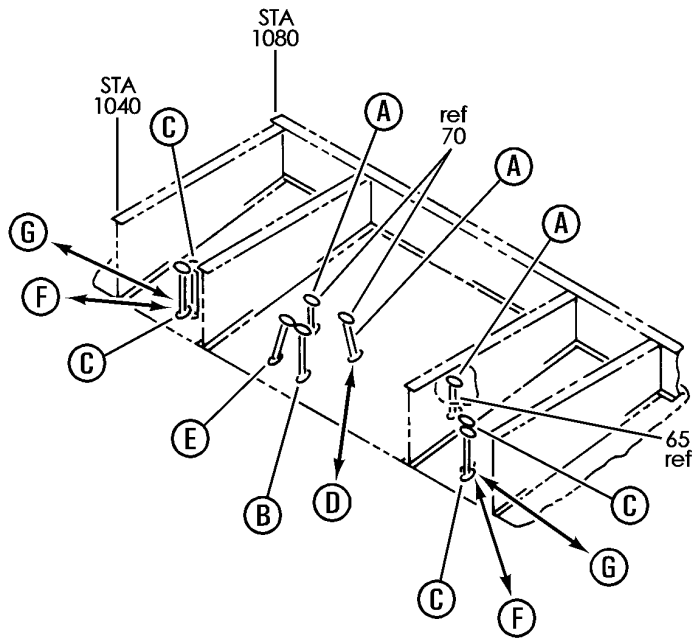
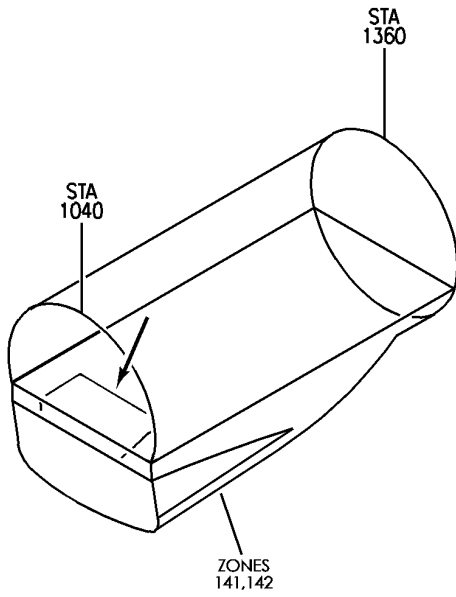
BRI

27-51-25-06

BOEING PROPRIETARY - Copyright © - Unpublished Work - See title page for details.

27-51-25  
FIG. 06  
PAGE 2  
JAN 20/09

**BOEING**  
757  
PARTS CATALOG (MAINTENANCE)



Y 27512510 SHT 1 REV 219

SEAL INSTL-STA 1040 TO 1060 SLOPING PRESSURE DECK PRESSURE  
FIGURE 10 (SHEET 1)

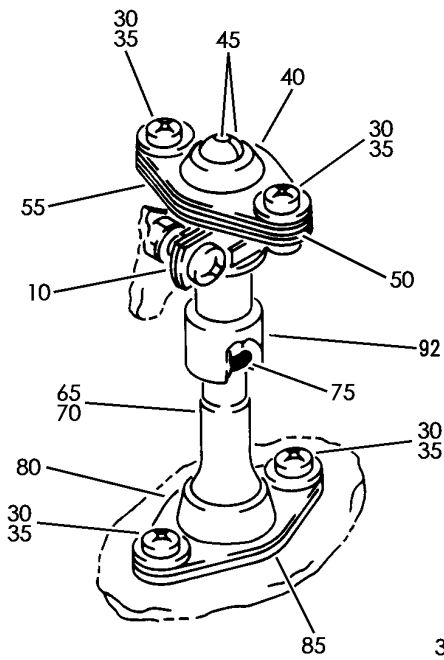
**27-51-25-10**

BRI  
MAY 28/07

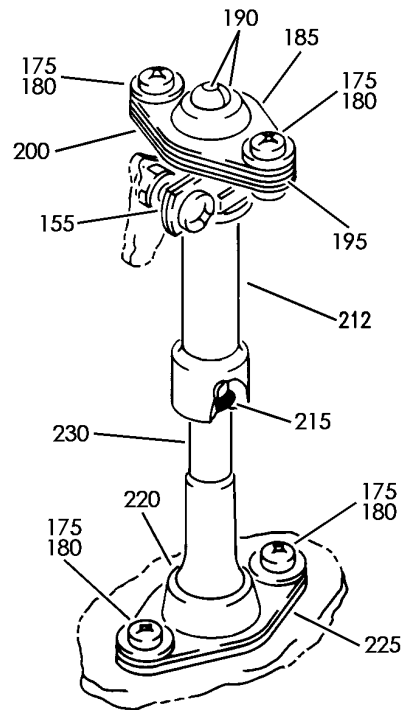
27-51-25-10  
PAGE 0



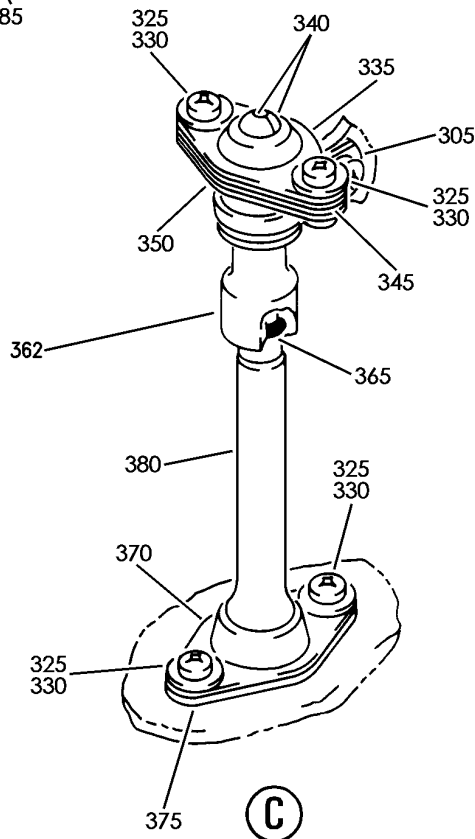
**BOEING**  
757  
PARTS CATALOG (MAINTENANCE)



(A)



(B)



(C)

Y 27512510 SHT 2 REV 243

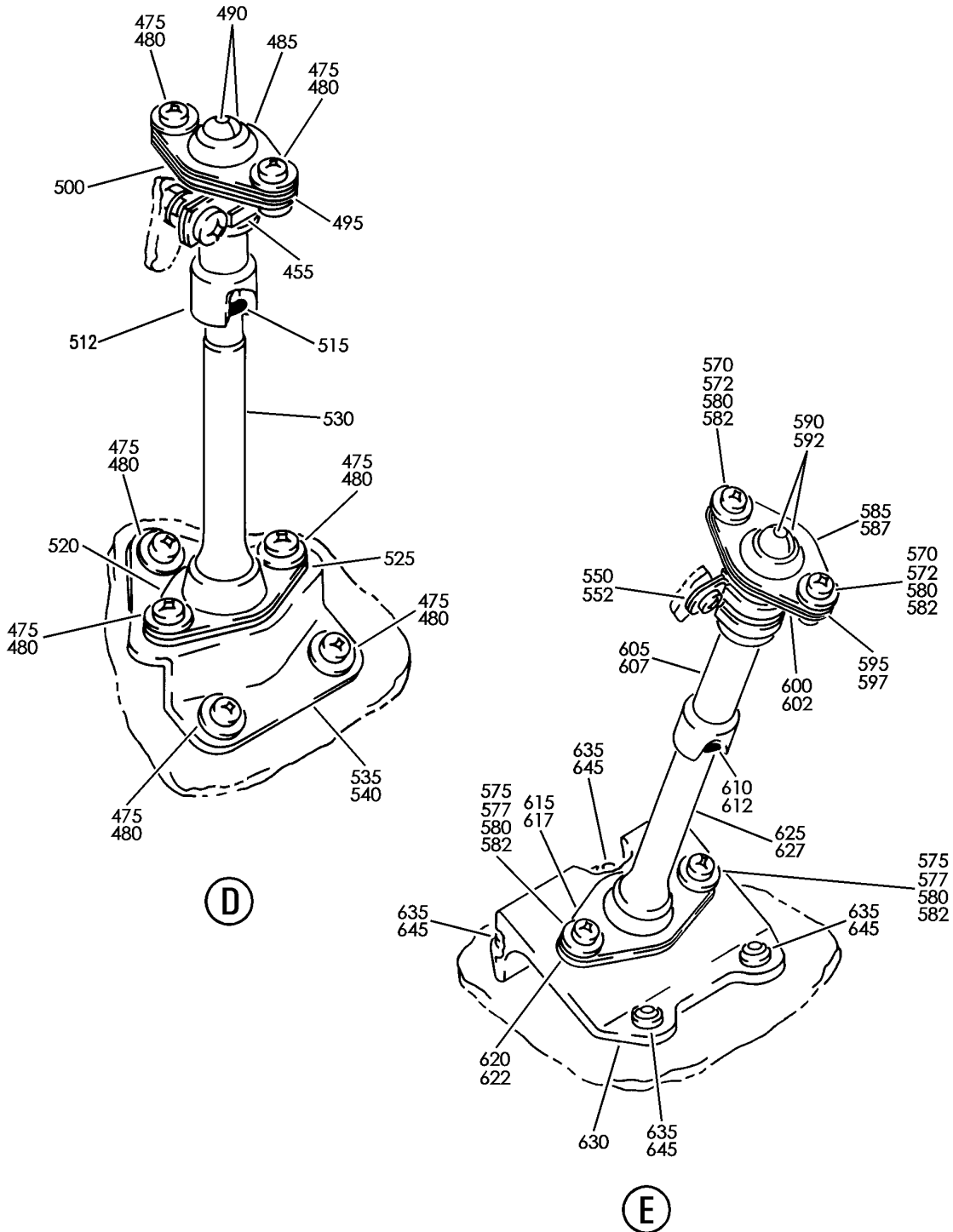
SEAL INSTL-STA 1040 TO 1060 SLOPING PRESSURE DECK PRESSURE  
FIGURE 10 (SHEET 2)

**27-51-25-10**

BRI  
MAY 28/07

27-51-25-10  
PAGE 0A

**BOEING**  
757  
PARTS CATALOG (MAINTENANCE)



Y 27512510 SHT 3 REV 243

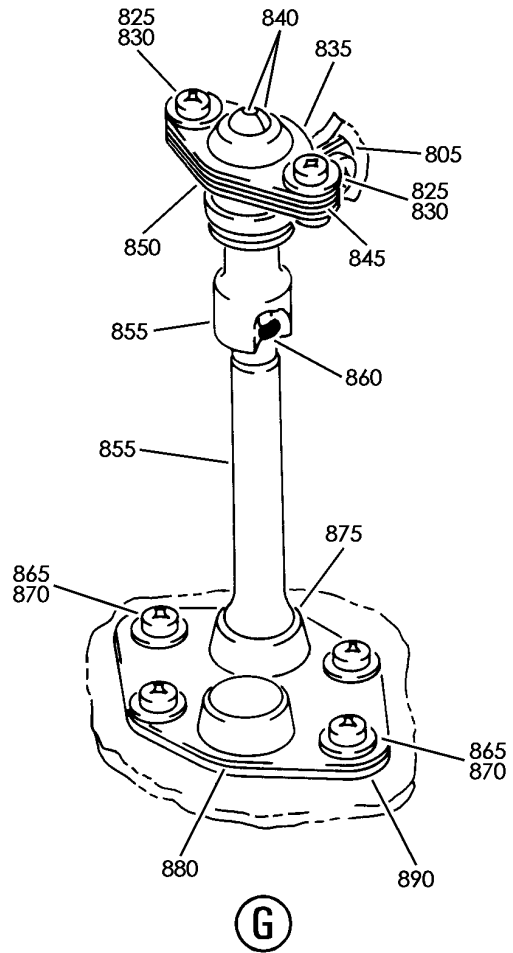
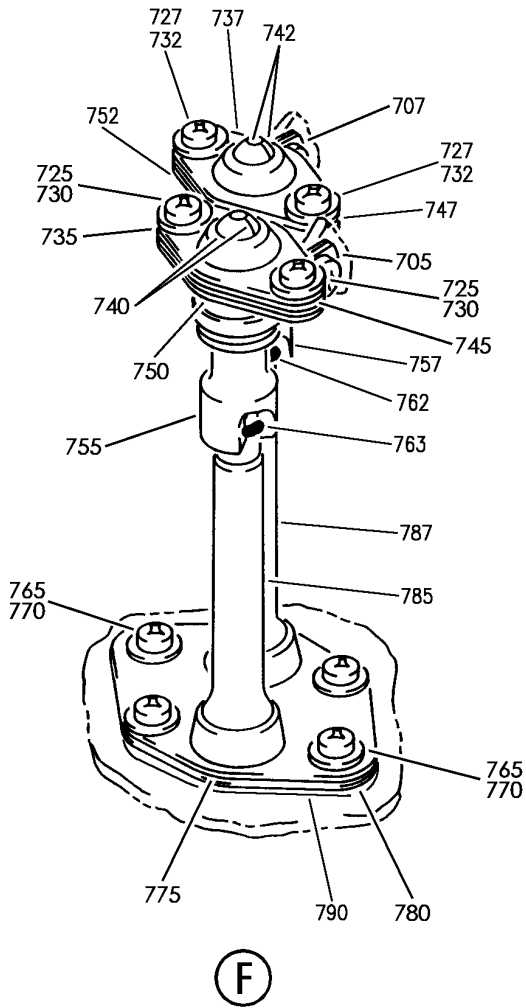
SEAL INSTL-STA 1040 TO 1060 SLOPING PRESSURE DECK PRESSURE  
FIGURE 10 (SHEET 3)

**27-51-25-10**

BRI  
MAY 28/07

27-51-25-10  
PAGE 0B

**BOEING**  
757  
PARTS CATALOG (MAINTENANCE)



Y 27512510 SH1 4 REV 330

SEAL INSTL-STA 1040 TO 1060 SLOPING PRESSURE DECK PRESSURE  
FIGURE 10 (SHEET 4)

**27-51-25-10**

BRI  
JAN 20/09

27-51-25-10  
PAGE 0C



757

PARTS CATALOG (MAINTENANCE)

FIG ITEM	PART NUMBER	1 2 3 4 5 6 7	NOMENCLATURE	EFFECT FROM TO	UNITS PER ASSY
10			SEAL INSTL-STA 1040 TO 1060 SLOPING PRESSURE DECK PRESSURE	002004 006999	
- 1	251N6028-1		SEAL INSTL-SLOPING DECK PRESSURE FOR NHA SEE: 27-51-25-03	002004 006100 107107 121503 904999	RF
- 1	251N6028-15		SEAL INSTL-SLOPING DECK PRESSURE FOR NHA SEE: 27-50-00-01	101102 108120 504903	RF
- 1	MODREF8198		SEAL INSTL-SLOPING DECK PRESSURE MODULE NUMBER: 251N6028-15 REV A	103106	1
- 5	251N6028-2		SEAL INSTL-SLOPING DECK PRESSURE FOR NHA SEE: 27-51-25-03	002004 006100 107107 121503 904999	RF
- 5	251N6028-16		SEAL INSTL-SLOPING DECK PRESSURE FOR NHA SEE: 27-50-00-01	101102 108120 504903	RF
- 5	MODREF8278		SEAL INSTL-SLOPING DECK PRESSURE MODULE NUMBER: 251N6028-16 REV A	103106	1
- 7	251N6028-20		SEAL INSTL-SLOPING DECK PRESSURE FOR NHA SEE: 27-50-00-01	101102 108120 504903	RF
- 7	MODREF8282		SEAL INSTL-SLOPING DECK PRESSURE MODULE NUMBER: 251N6028-20 REV A	103106	1
10	S3929F		.CLAMP SUPPLIER CODE: V18076 SPECIFICATION NUMBER: BACC10BU9F OPTIONAL PART: 393CS9AF V83930 JM44LC24S9YN V22175 TA04C44S9NB V84971	002004 006999	1

MISSING ITEM NUMBERS NOT APPLICABLE

- ITEM NOT ILLUSTRATED

27-51-25-10

27-51-25  
FIG. 10  
PAGE 1  
JAN 20/09

BRI

 **BOEING**  
757  
**PARTS CATALOG (MAINTENANCE)**

FIG ITEM	PART NUMBER	1 2 3 4 5 6 7	NOMENCLATURE	EFFECT FROM TO	UNITS PER ASSY
10			ATTACHING PARTS		
- 15	NAS623-3-3		.SCREW	002004 006999	1
- 20	AN960KD10L		.WASHER	002004 006999	1
- 25	BRH10A3		.NUT	002004 006999	1
			SUPPLIER CODE: V52828		
			SPECIFICATION NUMBER: BACN10JC3		
			OPTIONAL PART: H10-3BAC		
			V15653		
			NS202101-02		
			V80539		
			RMLH9075-3W		
			V72962		
			VN303A02		
			V92215		
			96-02		
			V80539		
			T6S1032J		
			V11815		
			-----*-----		
30	NAS603-9P		.SCREW-	002004 006999	4
			OPTIONAL PART: NAS1801-3-9		
30	NAS1801-3-9		.SCREW-	101106 108120	4
			OPTIONAL PART: NAS603-9P	504903	
35	BACW10P43AL		.WASHER	002004 006999	4
40	65-28173-4		.COVER	002004 006999	1
45	66-20193-1		.SEAL-HALF BALL	002004 006999	2
			QUALIFIED I/W DATA: 2 EACH 69-73455-1 I/W 2 EACH 66-20193-1		
			OPTIONAL PART: 69-73455-1		
45	69-73455-1		.SEAL-HALF BALL	002004 006999	2
			QUALIFIED I/W DATA: 2 EACH OF 69-73455-1 CAN REPLACE OR BE REPLACED BY 2 EACH OF 66-20193-1		
			OPTIONAL PART: 66-20193-1		
50	65-28173-3		.PLATE	002004 006999	1

MISSING ITEM NUMBERS NOT APPLICABLE

- ITEM NOT ILLUSTRATED

BRI

# 27-51-25-10

27-51-25  
FIG. 10  
PAGE 2  
JAN 20/09

BOEING PROPRIETARY - Copyright © - Unpublished Work - See title page for details.



757

PARTS CATALOG (MAINTENANCE)

FIG ITEM	PART NUMBER	1 2 3 4 5 6 7	NOMENCLATURE	EFFECT FROM TO	UNITS PER ASSY
10					
55	251N6225-1		.PLATE ASSY-RTNR	002004 006999	1
65	251N6225-6		.TUBE- USED ON: 251N6028-1 251N6028-15 MODREF8198	002004 006999	1
70	251N6225-5		.TUBE- USED ON: 251N6028-2 251N6028-16 251N6028-20 MODREF8278 MODREF8282	002004 006999	1
75	NAS1611-013		.PACKING-	002004 006999	1
80	65-28174-4		.COVER	002004 006999	1
85	65-28174-3		.PLATE	002004 006999	1
90	251N6225-8		.SLEEVE-	002004 006999	1
- 150	251N6028-3		SEAL INSTL-SLOPING PRESSURE DECK PRESSURE FOR NHA SEE: 32-31-02-02	002004 006100 107107 121503 904999	RF
155	S3929F		.CLAMP SUPPLIER CODE: V18076 SPECIFICATION NUMBER: BACC10BU9F OPTIONAL PART: 393CS9AF V83930 JM44LC24S9YN V22175 TA04C44S9NB V84971 ATTACHING PARTS	002004 006100 107107 121503 904999	1
- 160	NAS623-3-3		.SCREW	002004 006100 107107 121503 904999	1

MISSING ITEM NUMBERS NOT APPLICABLE

- ITEM NOT ILLUSTRATED

27-51-25-10

27-51-25  
FIG. 10  
PAGE 3  
JAN 20/09

BRI



757

PARTS CATALOG (MAINTENANCE)

FIG ITEM	PART NUMBER	1 2 3 4 5 6 7	NOMENCLATURE	EFFECT FROM TO	UNITS PER ASSY
10					
- 165	AN960KD10L		.WASHER	002004 006100 107107 121503 904999	1
- 170	BRH10A3		.NUT SUPPLIER CODE: V52828 SPECIFICATION NUMBER: BACN10JC3 OPTIONAL PART: H10-3BAC V15653 NS202101-02 V80539 RMLH9075-3W V72962 VN303A02 V92215 96-02 V80539 T6S1032J V11815 -----*-----	002004 006100 107107 121503 904999	1
175	NAS603-9P		.SCREW	002004 006100 107107 121503 904999	4
180	BACW10P43AL		.WASHER	002004 006100 107107 121503 904999	4
185	65-28173-4		.COVER	002004 006100 107107 121503 904999	1
190	66-20193-1		.SEAL-HALF BALL QUALIFIED I/W DATA: 2 EACH 69-73455-1 I/W 2 EACH 66-20193-1 OPTIONAL PART: 69-73455-1	002004 006100 107107 121503 904999	2

MISSING ITEM NUMBERS NOT APPLICABLE

- ITEM NOT ILLUSTRATED

27-51-25-10

27-51-25  
FIG. 10  
PAGE 4  
JAN 20/09

BRI

BOEING PROPRIETARY - Copyright © - Unpublished Work - See title page for details.



**757  
PARTS CATALOG (MAINTENANCE)**

FIG ITEM	PART NUMBER	1 2 3 4 5 6 7	NOMENCLATURE	EFFECT FROM TO	UNITS PER ASSY
10					
190	69-73455-1		.SEAL-HALF BALL QUALIFIED I/W DATA: 2 EACH OF 69-73455-1 CAN REPLACE OR BE REPLACED BY 2 EACH OF 66-20193-1 OPTIONAL PART: 66-20193-1	002004 006100 107107 121503 904999	2
195	65-28173-3		.PLATE	002004 006100 107107 121503 904999	1
200	251N6225-1		.PLATE ASSY-RTNR	002004 006100 107107 121503 904999	1
210	251N6225-9		.SLEEVE-	002004 006100 107107 121503 904999	1
215	NAS1611-013		.PACKING-	002004 006100 107107 121503 904999	1
220	65-28174-4		.COVER	002004 006100 107107 121503 904999	1
225	65-28174-3		.PLATE	002004 006100 107107 121503 904999	1
230	251N6225-6		.TUBE	002004 006100 107107 121503 904999	1
- 450	251N6028-5		SEAL INSTL-SLOPING PRESSURE DECK PRESSURE FOR NHA SEE: 27-51-25-03	002004 006100 107107 121503 904999	RF

MISSING ITEM NUMBERS NOT APPLICABLE

- ITEM NOT ILLUSTRATED

BRI

# 27-51-25-10

BOEING PROPRIETARY - Copyright © - Unpublished Work - See title page for details.

27-51-25  
FIG. 10  
PAGE 5  
JAN 20/09





**757  
PARTS CATALOG (MAINTENANCE)**

FIG ITEM	PART NUMBER	1 2 3 4 5 6 7	NOMENCLATURE	EFFECT FROM TO	UNITS PER ASSY
10					
- 450	251N6028-18		SEAL INSTL-SLOPING PRESSURE DECK PRESSURE FOR NHA SEE: 27-50-00-01	101102 108120 504903	RF
- 450	MODREF8280		SEAL INSTL-SLOPING PRESSURE DECK PRESSURE MODULE NUMBER: 251N6028-18 REV A	103106	1
455	S3929F		.CLAMP SUPPLIER CODE: V18076 SPECIFICATION NUMBER: BACC10BU9F OPTIONAL PART: 393CS9AF V83930 JM44LC24S9YN V22175 TA04C44S9NB V84971	002004 006999	1
- 460	NAS623-3-3		ATTACHING PARTS .SCREW	002004 006999	1
- 465	AN960KD10L		.WASHER	002004 006999	1
- 470	BRH10A3		.NUT SUPPLIER CODE: V52828 SPECIFICATION NUMBER: BACN10JC3 OPTIONAL PART: H10-3BAC V15653 NS202101-02 V80539 RMLH9075-3W V72962 VN303A02 V92215 96-02 V80539 T6S1032J V11815	002004 006999	1
475	NAS603-9P		-----*----- .SCREW- OPTIONAL PART: NAS1801-3-9	002004 006999	7

MISSING ITEM NUMBERS NOT APPLICABLE

- ITEM NOT ILLUSTRATED

BRI

# 27-51-25-10

BOEING PROPRIETARY - Copyright © - Unpublished Work - See title page for details.

27-51-25  
FIG. 10  
PAGE 6  
JAN 20/09



757

PARTS CATALOG (MAINTENANCE)

FIG ITEM	PART NUMBER	1 2 3 4 5 6 7	NOMENCLATURE	EFFECT FROM TO	UNITS PER ASSY
10					
475	NAS1801-3-9	.	SCREW- OPTIONAL PART: NAS603-9	101106 108120 504903	7
480	BACW10P43AL	.	WASHER	002004 006999	7
485	65-28173-4	.	COVER	002004 006999	1
490	66-20193-1	.	SEAL-HALF BALL QUALIFIED I/W DATA: 2 EACH 69-73455-1 I/W 2 EACH 66-20193-1 OPTIONAL PART: 69-73455-1	002004 006999	2
490	69-73455-1	.	SEAL-HALF BALL QUALIFIED I/W DATA: 2 EACH OF 69-73455-1 CAN REPLACE OR BE REPLACED BY 2 EACH OF 66-20193-1 OPTIONAL PART: 66-20193-1	002004 006999	2
495	65-28173-3	.	PLATE	002004 006999	1
500	251N6225-1	.	PLATE ASSY-RTNR	002004 006999	1
510	251N6225-8	.	SLEEVE-	002004 006999	1
515	NAS1611-013	.	PACKING-	002004 006999	1
520	65-28174-4	.	COVER	002004 006999	1
525	65-28174-3	.	PLATE	002004 006999	1
530	251N6225-7	.	TUBE	002004 006999	1
535	255T4547-3	.	SUPPORT ASSY-SEAL	002004 006999	1
540	255T4547-4	..	SUPPORT- USED ON: 255T4547-3	002004 006999	1
- 545	251N6028-7		SEAL INSTL-SLOPING PRESSURE DECK PRESSURE FOR NHA SEE: 32-31-02-02	002004 006100 107107 121503 904999	RF
- 546	251N6028-17		SEAL INSTL-SLOPING PRESSURE DECK PRESSURE FOR NHA SEE: 32-00-00-15	101102 108120 504903	RF

MISSING ITEM NUMBERS NOT APPLICABLE

- ITEM NOT ILLUSTRATED

27-51-25-10

27-51-25  
FIG. 10  
PAGE 7  
JAN 20/09

BRI



757

PARTS CATALOG (MAINTENANCE)

FIG ITEM	PART NUMBER	1 2 3 4 5 6 7	NOMENCLATURE	EFFECT FROM TO	UNITS PER ASSY
10					
- 546	MODREF8279		SEAL INSTL-SLOPING PRESSURE DECK PRESSURE MODULE NUMBER: 251N6028-17 REV A	103106	1
- 547	251N6028-19		SEAL INSTL-SLOPING PRESSURE DECK PRESSURE FOR NHA SEE: 32-00-00-15	101102 108120 504903	RF
- 547	MODREF8281		SEAL INSTL-SLOPING PRESSURE DECK PRESSURE MODULE NUMBER: 251N6028-19 REV A	103106	1
550	S3929F		.CLAMP SUPPLIER CODE: V18076 SPECIFICATION NUMBER: BACC10BU9F OPTIONAL PART: 393CS9AF V83930 JM44LC24S9YN V22175 TA04C44S9NB V84971	002004 006100 107107 121503 904999	1
552	S3929F		.CLAMP SUPPLIER CODE: V18076 SPECIFICATION NUMBER: BACC10BU9F OPTIONAL PART: 393CS9AF V83930 JM44LC24S9YN V22175 TA04C44S9NB V84971	101106 108120 504903	1
- 555	NAS623-3-3		ATTACHING PARTS .SCREW	002004 006100 107107 121503 904999	1
- 557	NAS623-3-3		.SCREW	101106 108120 504903	1

MISSING ITEM NUMBERS NOT APPLICABLE

- ITEM NOT ILLUSTRATED

BRI

27-51-25-10

BOEING PROPRIETARY - Copyright © - Unpublished Work - See title page for details.

27-51-25  
FIG. 10  
PAGE 8  
JAN 20/09



757

PARTS CATALOG (MAINTENANCE)

FIG ITEM	PART NUMBER	1 2 3 4 5 6 7	NOMENCLATURE	EFFECT FROM TO	UNITS PER ASSY
10					
- 560	AN960KD10L	.	WASHER	002004 006100 107107 121503 904999	1
- 562	AN960KD10L	.	WASHER	101106 108120 504903	1
- 565	BRH10A3	.	NUT SUPPLIER CODE: V52828 SPECIFICATION NUMBER: BACN10JC3 OPTIONAL PART: H10-3BAC V15653 NS202101-02 V80539 RMLH9075-3W V72962 VN303A02 V92215 96-02 V80539 T6S1032J V11815	002004 006100 107107 121503 904999	1
- 567	BRH10A3	.	NUT SUPPLIER CODE: V52828 SPECIFICATION NUMBER: BACN10JC3 OPTIONAL PART: H10-3BAC V15653 NS202101-02 V80539 RMLH9075-3W V72962 VN303A02 V92215 96-02 V80539 T6S1032J V11815 -----*-----	101106 108120 504903	1

MISSING ITEM NUMBERS NOT APPLICABLE

- ITEM NOT ILLUSTRATED

BRI

27-51-25-10

BOEING PROPRIETARY - Copyright © - Unpublished Work - See title page for details.

27-51-25  
FIG. 10  
PAGE 9  
JAN 20/09



757

PARTS CATALOG (MAINTENANCE)

FIG ITEM	PART NUMBER	1 2 3 4 5 6 7	NOMENCLATURE	EFFECT FROM TO	UNITS PER ASSY
10					
570	NAS603-9P	.	SCREW	002004 006100 107107 121503 904999	2
572	NAS603-9P	.	SCREW- USED ON: 251N6028-19	101106 108120 504903	2
572	NAS603-9P	.	SCREW- OPTIONAL PART: NAS1801-3-9 USED ON: 251N6028-17	101106 108120 504903	2
572	NAS1801-3-9	.	SCREW- OPTIONAL PART: NAS603-9P USED ON: 251N6028-17	101106 108120 504903	2
575	NAS603-9P	.	SCREW- USED ON: 251N6028-3 251N6028-17	002004 006999	2
575	NAS603-10P	.	SCREW- USED ON: 251N6028-7 251N6028-19	101106 108120 504903	2
577	NAS603-10P	.	SCREW	101106 108120 504903	2
580	BACW10P43AL	.	WASHER	002004 006100 107107 121503 904999	4
582	BACW10P43AL	.	WASHER	101106 108120 504903	4
585	65-28173-4	.	COVER	002004 006100 107107 121503 904999	1
587	65-28173-4	.	COVER	101106 108120 504903	1

MISSING ITEM NUMBERS NOT APPLICABLE

- ITEM NOT ILLUSTRATED

BRI

27-51-25-10

27-51-25  
FIG. 10  
PAGE 10  
JAN 20/09



757

PARTS CATALOG (MAINTENANCE)

FIG ITEM	PART NUMBER	1 2 3 4 5 6 7	NOMENCLATURE	EFFECT FROM TO	UNITS PER ASSY
10					
590	66-20193-1		.SEAL-HALF BALL QUALIFIED I/W DATA: 2 EACH 69-73455-1 I/W 2 EACH 66-20193-1 OPTIONAL PART: 69-73455-1	002004 006100 107107 121503 904999	2
590	69-73455-1		.SEAL-HALF BALL QUALIFIED I/W DATA: 2 EACH OF 69-73455-1 CAN REPLACE OR BE REPLACED BY 2 EACH OF 66-20193-1 OPTIONAL PART: 66-20193-1	002004 006100 107107 121503 904999	2
592	66-20193-1		.SEAL-HALF BALL QUALIFIED I/W DATA: 2 EACH 69-73455-1 I/W 2 EACH 66-20193-1 OPTIONAL PART: 69-73455-1	101106 108120 504903	2
592	69-73455-1		.SEAL-HALF BALL QUALIFIED I/W DATA: 2 EACH OF 69-73455-1 CAN REPLACE OR BE REPLACED BY 2 EACH OF 66-20193-1 OPTIONAL PART: 66-20193-1	101106 108120 504903	2
595	65-28173-3		.PLATE	002004 006100 107107 121503 904999	1
597	65-28173-3		.PLATE	101106 108120 504903	1
600	251N6225-1		.PLATE ASSY-RTNR	002004 006100 107107 121503 904999	1
602	251N6225-1		.PLATE ASSY-RTNR	101106 108120 504903	1
605	251N6225-9		.SLEEVE-	002004 006100 107107 121503 904999	1

MISSING ITEM NUMBERS NOT APPLICABLE

- ITEM NOT ILLUSTRATED

BRI

27-51-25-10

27-51-25  
FIG. 10  
PAGE 11  
JAN 20/09



757

PARTS CATALOG (MAINTENANCE)

FIG ITEM	PART NUMBER	1 2 3 4 5 6 7	NOMENCLATURE	EFFECT FROM TO	UNITS PER ASSY
10					
607	251N6225-9	.	SLEEVE	101106 108120 504903	1
610	NAS1611-013	.	PACKING-	002004 006100 107107 121503 904999	1
612	NAS1611-013	.	PACKING-	101106 108120 504903	1
615	65-28174-4	.	COVER	002004 006100 107107 121503 904999	1
617	65-28174-4	.	COVER	101106 108120 504903	1
620	65-28174-3	.	PLATE	002004 006100 107107 121503 904999	1
622	65-28174-3	.	PLATE	101106 108120 504903	1
625	251N6225-6	.	TUBE	002004 006100 107107 121503 904999	1
627	251N6225-6	.	TUBE	101106 108120 504903	1
630	251N6220-1	.	SUPPORT ASSY- OPTIONAL PART: 251N6400-1	002004 006999	1
630	251N6400-1	.	SUPPORT ASSY- OPTIONAL PART: 251N6220-1	002004 006999	1

MISSING ITEM NUMBERS NOT APPLICABLE

- ITEM NOT ILLUSTRATED

27-51-25-10

27-51-25  
FIG. 10  
PAGE 12  
JAN 20/09

BRI

BOEING PROPRIETARY - Copyright © - Unpublished Work - See title page for details.



**757  
PARTS CATALOG (MAINTENANCE)**

FIG ITEM	PART NUMBER	1 2 3 4 5 6 7	NOMENCLATURE	EFFECT FROM TO	UNITS PER ASSY
10  635	HL1012AZ6-5		ATTACHING PARTS .BOLT- SUPPLIER CODE: V97928 SPECIFICATION NUMBER: BACB30NX6K5 OPTIONAL PART: HL12VAZ6-5 V73197 HL12VAZ6-5 V92215 HL12VAZ6-5 V97928 L802-6K5 V06725 HL12VAZ6-5 V56878 HL1012AZ6-5 VOPTK6 HL1012AZ6-5 V06725 HL1012AZ6-5 V06950 HL1012AZ6-5 V17446 HL1012AZ6-5 V56878 HL1012AZ6-5 V60516 HL1012AZ6-5 V73197	002004 006999	4

MISSING ITEM NUMBERS NOT APPLICABLE

— ITEM NOT ILLUSTRATED

BRI

# 27-51-25-10

BOEING PROPRIETARY - Copyright © - Unpublished Work - See title page for details.

27-51-25  
FIG. 10  
PAGE 13  
JAN 20/09





757

PARTS CATALOG (MAINTENANCE)

FIG ITEM	PART NUMBER	1 2 3 4 5 6 7	NOMENCLATURE	EFFECT FROM TO	UNITS PER ASSY
10 645	HL1187-6		.COLLAR SUPPLIER CODE: V5M902 SPECIFICATION NUMBER: BACC30X6 OPTIONAL PART: HL87-6 V92215 HL87-6 V73197 HL1187-6 V56878 HL1187-6 V92215 HL87-6 V56878 HL1187-6 V73197	002004 006999	4
- 800	251N6028-8		-----*----- SEAL INSTL-SLOPING PRESSURE DECK PRESSURE POSITION DATA: STA 1040 TO 1060 FOR NHA SEE: 32-00-00-23 32-00-00-10	002004 006102 108120 504903 950999	RF
- 800	MODREF8283		SEAL INSTL-SLOPING PRESSURE DECK PRESSURE MODULE NUMBER: 251N6028-8 REV A POSITION DATA: STA 1040 TO 1060	103106	1
805	S3929F		.CLAMP SUPPLIER CODE: V18076 SPECIFICATION NUMBER: BACC10BU9F OPTIONAL PART: 393CS9AF V83930 JM44LC24S9YN V22175 TA04C44S9NB V84971	002004 006106 108120 504903 950999	2

MISSING ITEM NUMBERS NOT APPLICABLE

- ITEM NOT ILLUSTRATED

BRI

27-51-25-10

27-51-25  
FIG. 10  
PAGE 14  
JAN 20/09

 **BOEING**  
757  
**PARTS CATALOG (MAINTENANCE)**

FIG ITEM	PART NUMBER	1 2 3 4 5 6 7	NOMENCLATURE	EFFECT FROM TO	UNITS PER ASSY
10			ATTACHING PARTS		
- 810	NAS623-3-3		.SCREW	002004 006106 108120 504903 950999	2
- 815	AN960KD10		.WASHER	002004 006106 108120 504903 950999	2
- 820	BRH10A3		.NUT SUPPLIER CODE: V52828 SPECIFICATION NUMBER: BACN10JC3 OPTIONAL PART: H10-3BAC V15653 NS202101-02 V80539 RMLH9075-3W V72962 VN303A02 V92215 96-02 V80539 T6S1032J V11815 -----*-----	002004 006106 108120 504903 950999	2
825	NAS603-9P		.SCREW	002004 006106 108120 504903 950999	4
830	BACW10P43AL		ATTACHING PARTS .WASHER	002004 006106 108120 504903 950999	4
835	65-28173-4		.COVER -----*-----	002004 006106 108120 504903 950999	2

MISSING ITEM NUMBERS NOT APPLICABLE

- ITEM NOT ILLUSTRATED

BRI

**27-51-25-10**

BOEING PROPRIETARY - Copyright © - Unpublished Work - See title page for details.

27-51-25  
FIG. 10  
PAGE 15  
JAN 20/09



757

PARTS CATALOG (MAINTENANCE)

FIG ITEM	PART NUMBER	1 2 3 4 5 6 7	NOMENCLATURE	EFFECT FROM TO	UNITS PER ASSY
10					
835	65-28173-4	.	COVER	002004 006106 108120 504903 950999	2
840	69-73455-1	.	SEAL- QUALIFIED I/W DATA: 2 EACH OF 69-73455-1 CAN REPLACE OR BE REPLACED BY 2 EACH OF 66-20193-1 OPTIONAL PART: 66-20193-1	002004 006106 108120 504903 950999	4
840	66-20193-1	.	SEAL- QUALIFIED I/W DATA: 2 EACH 69-73455-1 I/W 2 EACH 66-20193-1 OPTIONAL PART: 69-73455-1	002004 006106 108120 504903 950999	4
845	65-28173-3	.	PLATE	002004 006106 108120 504903 950999	2
850	251N6225-1	.	PLATE ASSY-RTNR	002004 006106 108120 504903 950999	2
855	251N6225-8	.	SLEEVE	002004 006106 108120 504903 950999	2
860	NAS1611-013	.	PACKING-	002004 006106 108120 504903 950999	2
865	NAS603-9P	.	SCREW	002004 006106 108120 504903 950999	8
870	BACW10P43AL	.	WASHER	002004 006106 108120 504903 950999	8

MISSING ITEM NUMBERS NOT APPLICABLE

- ITEM NOT ILLUSTRATED

BRI

27-51-25-10

27-51-25  
FIG. 10  
PAGE 16  
JAN 20/09



757

PARTS CATALOG (MAINTENANCE)

FIG ITEM	PART NUMBER	1 2 3 4 5 6 7	NOMENCLATURE	EFFECT FROM TO	UNITS PER ASSY
10					
875	65-28174-9	.	COVER	002004 006106 108120 504903 950999	2
880	65-28174-10	.	PLATE	002004 006106 108120 504903 950999	2
885	251N6225-7	.	TUBE	002004 006106 108120 504903 950999	2
890	251N6364-6	.	PLATE	002004 006106 108120 504903 950999	2

MISSING ITEM NUMBERS NOT APPLICABLE

- ITEM NOT ILLUSTRATED

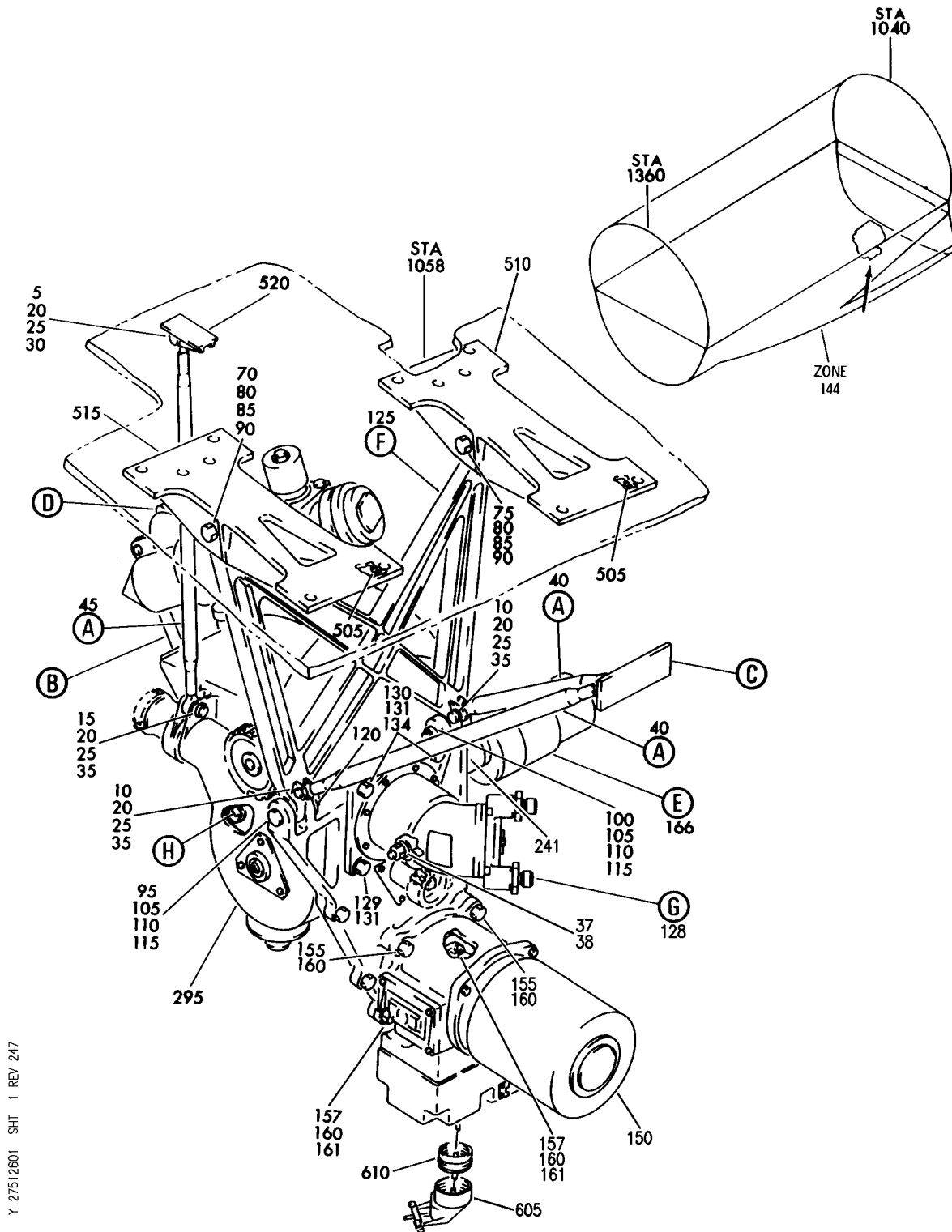
BRI

27-51-25-10

BOEING PROPRIETARY - Copyright © - Unpublished Work - See title page for details.

27-51-25  
FIG. 10  
PAGE 17  
JAN 20/09

**BOEING**  
757  
PARTS CATALOG (MAINTENANCE)



Y 27512601 SHT 1 REV 247

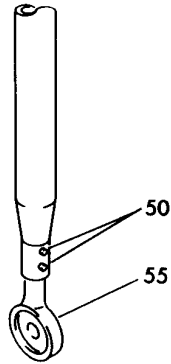
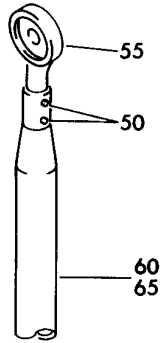
UNIT AND FITTING INSTL-TE FLAP  
FIGURE 1 (SHEET 1)

**27-51-26-01**

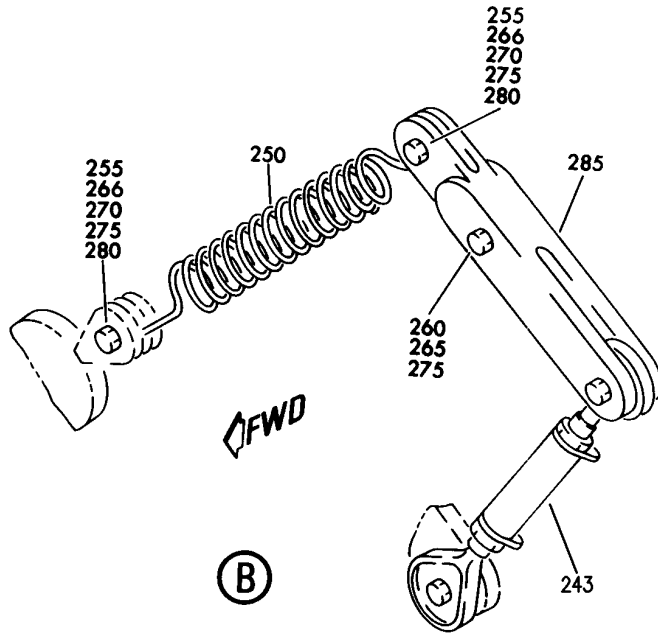
BRI  
MAY 28/07

27-51-26-01  
PAGE 0

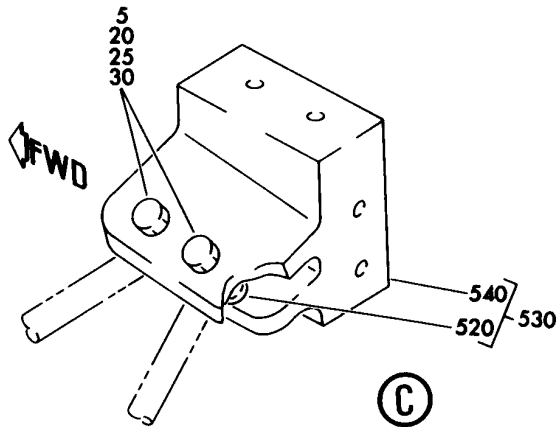
**BOEING**  
757  
PARTS CATALOG (MAINTENANCE)



(A)



(B)



(C)

Y 27512601 SH1 2 REV 247

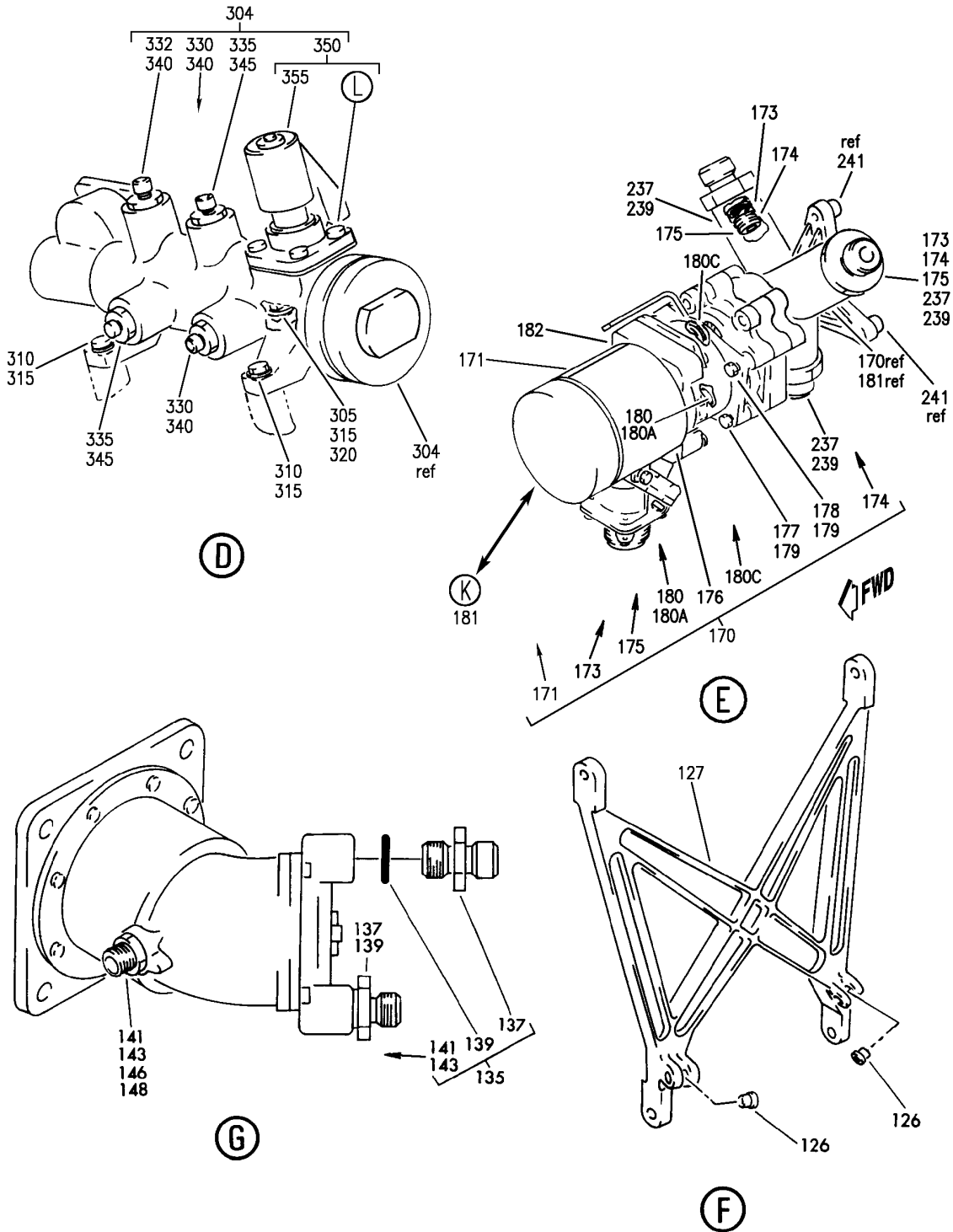
UNIT AND FITTING INSTL-TE FLAP  
FIGURE 1 (SHEET 2)

**27-51-26-01**

BRI  
MAY 28/07

27-51-26-01  
PAGE 0A

**BOEING**  
757  
PARTS CATALOG (MAINTENANCE)



Y 27512601 SHT 3 REV 290

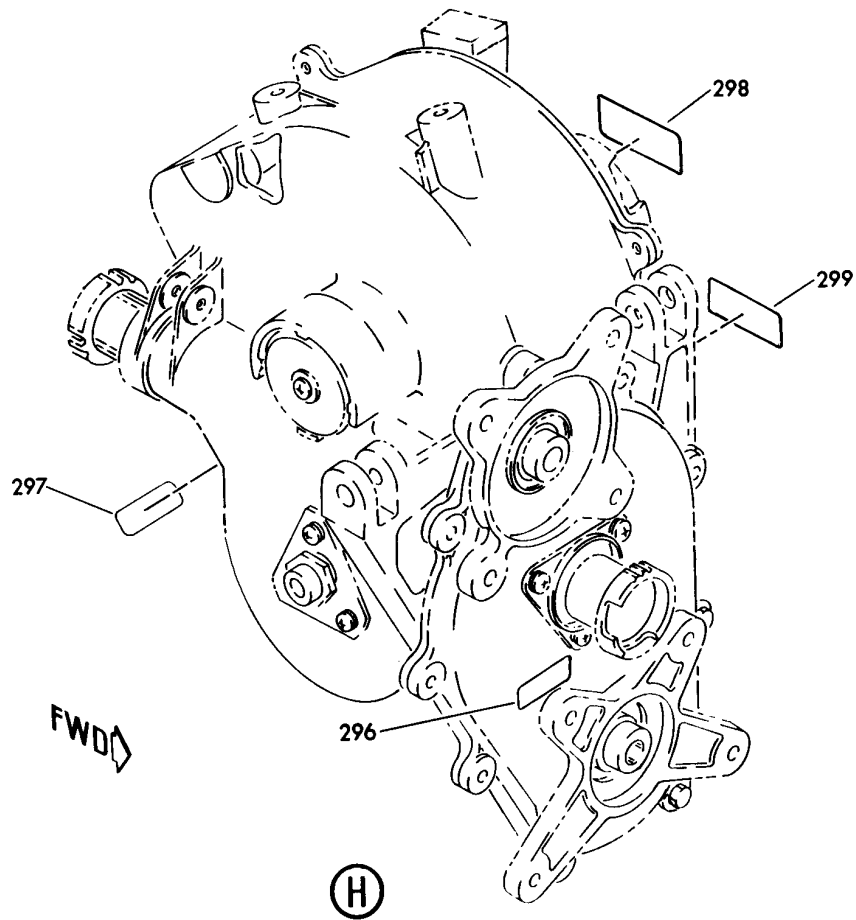
UNIT AND FITTING INSTL-TE FLAP  
FIGURE 1 (SHEET 3)

**27-51-26-01**

BRI  
MAY 28/07

27-51-26-01  
PAGE 0B

**BOEING**  
757  
PARTS CATALOG (MAINTENANCE)



Y 27512601 SH1 4 REV 255

UNIT AND FITTING INSTL-TE FLAP  
FIGURE 1 (SHEET 4)

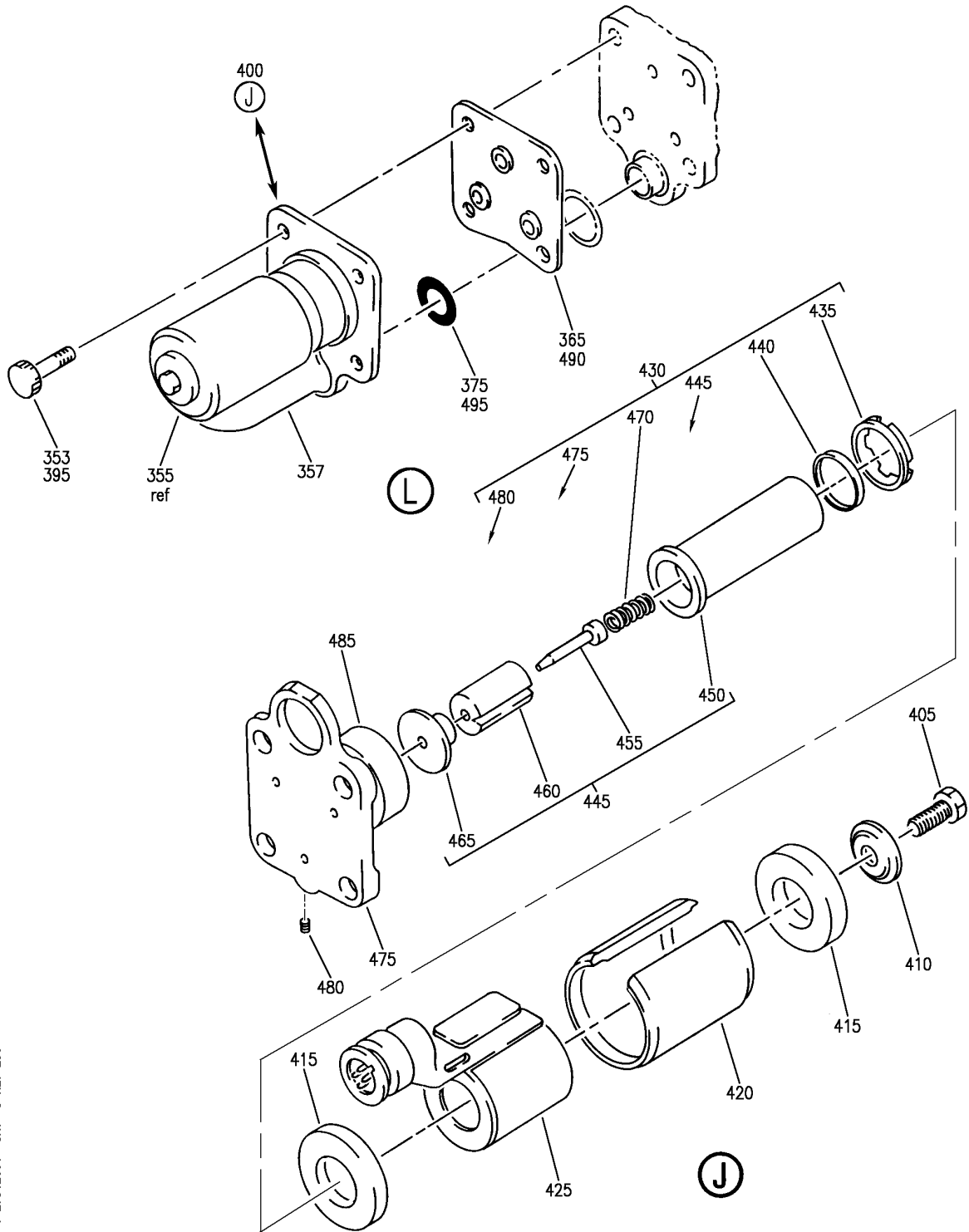
**27-51-26-01**

BRI  
MAY 28/07

27-51-26-01  
PAGE 0C



**BOEING**  
757  
PARTS CATALOG (MAINTENANCE)



Y 27512601 SHIT 5 REV 290

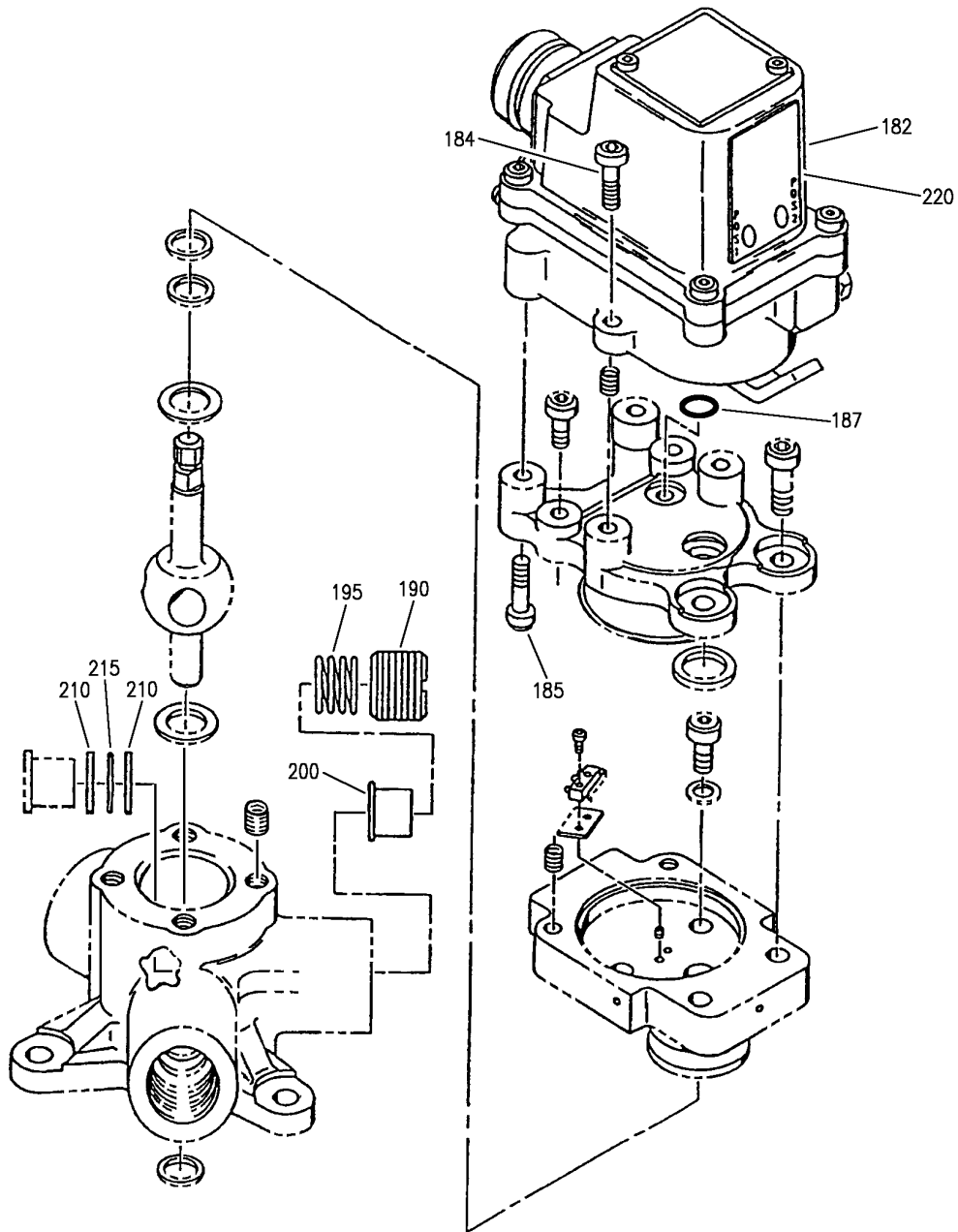
UNIT AND FITTING INSTL-TE FLAP  
FIGURE 1 (SHEET 5)

**27-51-26-01**

BRI  
MAY 28/07

27-51-26-01  
PAGE 0D

**BOEING**  
757  
PARTS CATALOG (MAINTENANCE)



Y 27512601 SH1 6 REV 259

(K)

UNIT AND FITTING INSTL-TE FLAP  
FIGURE 1 (SHEET 6)

**27-51-26-01**

BRI  
MAY 28/07

27-51-26-01  
PAGE 0E



757

PARTS CATALOG (MAINTENANCE)

FIG ITEM	PART NUMBER	1 2 3 4 5 6 7	NOMENCLATURE	EFFECT FROM TO	UNITS PER ASSY
1			UNIT AND FITTING INSTL-TE FLAP	002004 006999	
- 1	251N4002-1		UNIT INSTL-TE FLAP PWR DRIVE FOR NHA SEE: 27-51-25-03	002004 006100 107107 121503 904999	RF
- 1	251N4002-18		UNIT INSTL-TE FLAP PWR DRIVE FOR NHA SEE: 27-50-00-01	101102 504903	RF
- 1	251N4002-21		UNIT INSTL-TE FLAP PWR DRIVE FOR NHA SEE: 27-50-00-01	108120	RF
- 1	MODREF7558		UNIT INSTL-TE FLAP PWR DRIVE MODULE NUMBER: 251N4002-21 REV A	103106	1
5	BACB30NF4-14		.BOLT	002004 006999	3
10	BACB30NF4-15		.BOLT	002004 006999	2
15	BACB30NF4-16		.BOLT-	002004 006999	1
20	NAS1149D0416J		.WASHER-	002004 006999	6
25	BRH10C4D		.NUT- SUPPLIER CODE: V52828 SPECIFICATION NUMBER: BACN10JC4CD OPTIONAL PART: T6C428JCD V11815 NS202486-048 V80539 102LH9075-4W V72962 H51650-4BAC V15653	002004 006999	6
30	250N2008-18		.BUSHING	002004 006999	3
35	250N2008-19		.BUSHING-	002004 006999	3
37	BACV10CE1		.VALVE-	002004 006999	1
38	NAS1612-4A		.PACKING	002004 006999	1

MISSING ITEM NUMBERS NOT APPLICABLE

- ITEM NOT ILLUSTRATED

27-51-26-01

27-51-26  
FIG. 01  
PAGE 1  
JAN 20/09

BRI



757

PARTS CATALOG (MAINTENANCE)

FIG ITEM	PART NUMBER	1 2 3 4 5 6 7	NOMENCLATURE	EFFECT FROM TO	UNITS PER ASSY
1					
40	251N4065-3	.ROD	ASSY-CONT	002004 006999	2
45	251N4065-2	.ROD	ASSY-CONT	002004 006999	1
50	BACR15FT5D	..RIVET-	SIZE DETERMINED ON INSTL.	002004 006999	4
55	10E4-116NW	..BEARING	SUPPLIER CODE: V16746 SPECIFICATION NUMBER: BACB10Y4 OPTIONAL PART: BRES4-2236L2 V81376 HB4E212K V02758 KBE4-150AFNW V97613 51588-041 V09455 MSSK4ASFG V73134 ASMK4F1 V56644 AR4E7AFNW VS0352 10E4-116 V16746 ARB4E60FNW V15860	002004 006999	2
60	250N2005-342	..ROD-	USED ON: 251N4065-3	002004 006999	1
65	250N2005-316	..ROD-	USED ON: 251N4065-2	002004 006999	1
70	BACB30NF7-26	.BOLT		002004 006999	1
75	BACB30NF7-29	.BOLT		002004 006999	1
80	NAS1149D0716J	.WASHER-		002004 006999	2
85	BACN10JC7CD	.NUT		002004 006999	2
90	250N2008-17	.BUSHING		002004 006999	3
95	BACB30NF5-23	.BOLT-		002004 006999	1

MISSING ITEM NUMBERS NOT APPLICABLE

- ITEM NOT ILLUSTRATED

27-51-26-01

27-51-26  
FIG. 01  
PAGE 2  
JAN 20/09

BRI

BOEING PROPRIETARY - Copyright © - Unpublished Work - See title page for details.

**BOEING**  
757  
**PARTS CATALOG (MAINTENANCE)**

FIG ITEM	PART NUMBER	1 2 3 4 5 6 7	NOMENCLATURE	EFFECT FROM TO	UNITS PER ASSY
1					
100	BACB30NF5-20	.	BOLT-	002004 006999	1
105	NAS1149D0516J	.	WASHER-	002004 006999	2
110	BRH10C5D	.	NUT-	002004 006999	2
			SUPPLIER CODE: V52828		
			SPECIFICATION NUMBER: BACN10JC5CD		
			OPTIONAL PART: T6C524JCD		
			V11815		
			102LH9075-5W		
			V72962		
			H51650-5BAC		
			V15653		
115	250N2008-20	.	BUSHING-	002004 006999	3
120	251N4309-1	.	FILLER-RADIUS	002004 006999	1
125	251N4203-10	.	FRAME ASSY-SPRT	002004 006999	1
126	BACB28X4C014	..	BUSHING	002004 006999	2
127	251N4203-11	..	FRAME-	002004 006999	1
128	251N4002-5	.	MOTOR ASSY-HYDR	002004 006999	1
			ATTACHING PARTS		
129	BACB30NR5K7	.	BOLT-	002004 006999	2
130	BACB30NR5K10	.	BOLT-	002004 006999	2
131	NAS1149D0516J	.	WASHER-	002004 006999	4
134	BRH10C5D	.	NUT-	002004 006999	2
			SUPPLIER CODE: V52828		
			SPECIFICATION NUMBER: BACN10JC5CD		
			OPTIONAL PART: T6C524JCD		
			V11815		
			102LH9075-5W		
			V72962		
			H51650-5BAC		
			V15653		
			-----*-----		

MISSING ITEM NUMBERS NOT APPLICABLE

— ITEM NOT ILLUSTRATED

BRI

# 27-51-26-01

BOEING PROPRIETARY - Copyright © - Unpublished Work - See title page for details.

27-51-26  
FIG. 01  
PAGE 3  
JAN 20/09



757

PARTS CATALOG (MAINTENANCE)

FIG ITEM	PART NUMBER	1 2 3 4 5 6 7	NOMENCLATURE	EFFECT FROM TO	UNITS PER ASSY
1					
135	569670	..	MOTOR ASSY-HYDR SUPPLIER CODE: V62983 SPECIFICATION NUMBER: S250N212-1 COMPONENT MAINT MANUAL REF: 27-50-06	002004 006999	1
135	MS9-3911-30ZE	..	MOTOR ASSY-HYDR SUPPLIER CODE: V62983 POST AIRLINE MOD: PCR12 VALP	950951	1
135	MS9-3911-30ZE4C	..	MOTOR ASSY-HYDR SUPPLIER CODE: V62983 POST AIRLINE MOD: PCR12 VALP	950951	1
137	591739	...	UNION-TUBE SUPPLIER CODE: V62983	002004 006999	2
139	NAS1612-8	...	PACKING-	002004 006999	2
141	591742	...	REDUCER- SUPPLIER CODE: V62983	002004 006999	1
143	NAS1612-4	...	PACKING-	002004 006999	1
146	BACV10CE1	..	VALVE- OPTIONAL PART: 1C1356 V99240	002004 006999	1
146	1C1356	..	VALVE-CHK OPTIONAL PART: BACV10CE1	002004 006999	1
148	NAS1612-4	..	PACKING-	002004 006999	1
150	1865T100-5	.MOTOR ASSY-ELEC ALT SUPPLIER CODE: V98889 SPECIFICATION NUMBER: S256T004-7 ELECTRICAL EQUIP NUMBER: M00547 COMPONENT MAINT MANUAL REF: 27-51-02	002004 006999	1	

MISSING ITEM NUMBERS NOT APPLICABLE

- ITEM NOT ILLUSTRATED

27-51-26-01

27-51-26  
FIG. 01  
PAGE 4  
JAN 20/09

BRI

BOEING PROPRIETARY - Copyright © - Unpublished Work - See title page for details.



757

PARTS CATALOG (MAINTENANCE)

FIG ITEM	PART NUMBER	1 2 3 4 5 6 7	NOMENCLATURE	EFFECT FROM TO	UNITS PER ASSY
1 150	850-1-1		.MOTOR ASSY-ELEC ALT SUPPLIER CODE: V96467 SPECIFICATION NUMBER: S251N406-1 ELECTRICAL EQUIP NUMBER: M00547	002004 006999	1
150	2465T100-1		.MOTOR ASSY-ELEC ALTERNATE SUPPLIER CODE: V98889 SPECIFICATION NUMBER: S251N406-2 COMPONENT MAINT MANUAL REF: 27-51-02 ATTACHING PARTS	002004 006999	1
155	BACB30MR5K8		.BOLT-	002004 006999	2
157	BACB30MR5K15		.BOLT-	002004 006999	2
160	BACW10EG10J		.WASHER-	002004 006999	4
161	BRH10C5D		.NUT- SUPPLIER CODE: V52828 SPECIFICATION NUMBER: BACN10JC5CD OPTIONAL PART: T6C524JCD V11815 102LH9075-5W V72962 H51650-5BAC V15653 -----*-----	002004 006999	2
166	251N4002-16		.VALVE ASSY-	002004 006100 107107 121503 904999	1
166	251N4002-11		.VALVE ASSY- QUALIFIED SB I/W DATA: WHITTAKER CONTROLS VALVE S270T002-3 CAN BE USED TO REPLACE EXISTING CIRCLE SEAL CONTROLS VALVE S270T010-1 OR -4 OR -7. PER REVISION 2 AND 3 OF 29A0048	002004 006999	1

MISSING ITEM NUMBERS NOT APPLICABLE

- ITEM NOT ILLUSTRATED

BRI

27-51-26-01

27-51-26  
FIG. 01  
PAGE 5  
JAN 20/09



757

PARTS CATALOG (MAINTENANCE)

FIG ITEM	PART NUMBER	1 2 3 4 5 6 7	NOMENCLATURE	EFFECT FROM TO	UNITS PER ASSY
1					
166	251N4002-13	.	VALVE ASSY-	002004 006999	1
166	251N4002-17	.	VALVE ASSY- QUALIFIED SB I/W DATA: WHITTAKER CONTROLS VALVE S270T002-3 CAN BE USED TO REPLACE EXISTING CIRCLE SEAL CONTROLS VALVE S270T010-1 OR -4 OR -7. PER REVISION 2 AND 3 OF 29A0048	002004 006102 107107 121999	1
166	251N4002-20	.	VALVE ASSY-	002004 006102 107107 121999	1
166	251N4002-22	.	VALVE ASSY-	103106 108120	1
- 168	BACB30NR4K9	.	ATTACHING PARTS BOLT-	002004 006100 107107 121503 904999	3
- 169	NAS1149D0416J	.	WASHER-	002004 006100 107107 121503 904999	3
			-----*		

MISSING ITEM NUMBERS NOT APPLICABLE

- ITEM NOT ILLUSTRATED

BRI

27-51-26-01

BOEING PROPRIETARY - Copyright © - Unpublished Work - See title page for details.

27-51-26  
FIG. 01  
PAGE 6  
JAN 20/09





757

PARTS CATALOG (MAINTENANCE)

FIG ITEM	PART NUMBER	1 2 3 4 5 6 7	NOMENCLATURE	EFFECT FROM TO	UNITS PER ASSY
1 170	340545		<p>.. VALVE ASSY-MOTOR ACTUATED ROTARY SELECTOR SUPPLIER CODE: V79318 FUNCTIONAL DESCRIPTION: PROVIDES ON-OFF CONTROL OF HYDRAULIC FLUID FLOW TO AC MOTOR DRIVEN PUMP SPECIFICATION NUMBER: S270T002-3 MISCELLANEOUS DATA: FOR COMPLETE INTERCHANGEABILITY REGARDING SPECIFIC USAGE, PLEASE REFER TO DRAWING 270T2001 SHEET 1 ELECTRICAL EQUIP NUMBER: V00105 COMPONENT MAINT MANUAL REF: 27-13-03 SERVICE BULLETIN OPT DATA: EM91-80-5 V91816 340015-1 V79318 REFERENCE SERVICE BULLETIN: 29A0049 POST ALERT SB: 29A0049 QUALIFIED SB I/W DATA: WHITTAKER CONTROLS VALVE S270T002-3 CAN BE USED TO REPLACE EXISTING CIRCLE SEAL CONTROLS VALVE S270T010-1 OR -4 OR -7. PER REVISION 2 AND 3 OF 29A0048 WHITTAKER CONTROLS VALVE S270T002-2 OR -3 CAN BE USED TO REPLACE CIRCLE SEAL CONTROLS VALVE S270T010-13. PER 29A0049</p>	002004 006999	1

MISSING ITEM NUMBERS NOT APPLICABLE

- ITEM NOT ILLUSTRATED

BRI

27-51-26-01

BOEING PROPRIETARY - Copyright © - Unpublished Work - See title page for details.

27-51-26  
FIG. 01  
PAGE 7  
JAN 20/09



757

PARTS CATALOG (MAINTENANCE)

FIG ITEM	PART NUMBER	1 2 3 4 5 6 7	NOMENCLATURE	EFFECT FROM TO	UNITS PER ASSY
1 170	340015-1		.. VALVE ASSY-MOTOR ACTUATED ROTARY SELECTOR SUPPLIER CODE: V79318 FUNCTIONAL DESCRIPTION: PROVIDES ON-OFF CONTROL OF HYDRAULIC FLUID FLOW TO AC MOTOR DRIVEN PUMP SPECIFICATION NUMBER: S270T002-2 MISCELLANEOUS DATA: FOR COMPLETE INTERCHANGEABILITY REGARDING SPECIFIC USAGE, PLEASE REFER TO DRAWING 270T2001 SHEET 1 COMPONENT MAINT MANUAL REF: 27-13-01 SERVICE BULLETIN OPT DATA: 340545 V79318 EM91-80-5 V91816 POST ALERT SB: 29A0049 29A0049R1 QUALIFIED SB I/W DATA: WHITTAKER CONTROLS VALVE S270T002-2 OR -3 CAN BE USED TO REPLACE CIRCLE SEAL CONTROLS VALVE S270T010-13. PER 29A0049	002004 006999	1
171	201066		... PLATE-IDENT SUPPLIER CODE: V79318 USED ON: 340015-1	002004 006999	1
171	201073		... PLATE-IDENT SUPPLIER CODE: V79318 USED ON: 340545	002004 006999	1
173	145549		... SPRING-CPRSN SUPPLIER CODE: V79318	002004 006999	2
174	145561		... RETAINER-SPR SUPPLIER CODE: V79318	002004 006999	2

MISSING ITEM NUMBERS NOT APPLICABLE

- ITEM NOT ILLUSTRATED

27-51-26-01

27-51-26  
FIG. 01  
PAGE 8  
JAN 20/09

BRI



757

PARTS CATALOG (MAINTENANCE)

FIG ITEM	PART NUMBER	1 2 3 4 5 6 7	NOMENCLATURE	EFFECT FROM TO	UNITS PER ASSY
1					
175	145562		...RETAINER- SUPPLIER CODE: V79318	002004 006999	2
176	157720-2		...ACTUATOR ASSY- SUPPLIER CODE: V79318 COMPONENT MAINT MANUAL REF: 27-13-02 ATTACHING PARTS	002004 006999	1
177	NAS1351-3-20P		...SCREW	002004 006999	2
178	NAS1351-3-28P		...SCREW	002004 006999	2
179	100168-168		...WASHER-FLAT SUPPLIER CODE: V79318 -----*-----	002004 006999	4
180	NAS1611-009		...PACKING-	002004 006999	1
180C	145572		...RING-RETAINING SUPPLIER CODE: V79318	002004 006999	1
181	EM91-80-1		..VALVE ASSY-MOTOR ACTUATED ROTARY SELECTOR SUPPLIER CODE: V91816 FUNCTIONAL DESCRIPTION: PROVIDES ON-OFF CONTROL OF HYDRAULIC FLUID FLOW TO AC MOTOR DRIVEN PUMP SPECIFICATION NUMBER: S270T010-4 CONFIG CHG DATA FROM A CMM: SUPSDS EM91-80 SUPSD BY EM91-80-3 MISCELLANEOUS DATA: FOR COMPLETE INTERCHANGEABILITY REGARDING SPECIFIC USAGE, PLEASE REFER TO DRAWING 270T2001 SHEET 1 COMPONENT MAINT MANUAL REF: 27-13-01 PRE ALERT SB: 29A0049 PRE SERVICE BULLETIN: EM91-80-29-02 V91816	002004 006100 107107 121503 904949 952999	1

MISSING ITEM NUMBERS NOT APPLICABLE

- ITEM NOT ILLUSTRATED

27-51-26-01

27-51-26  
FIG. 01  
PAGE 9  
JAN 20/09

BRI



757

PARTS CATALOG (MAINTENANCE)

FIG ITEM	PART NUMBER	1 2 3 4 5 6 7	NOMENCLATURE	EFFECT FROM TO	UNITS PER ASSY
1 181	EM91-80		<p>.. VALVE ASSY-MOTOR ACTUATED ROTARY SELECTOR SUPPLIER CODE: V91816 FUNCTIONAL DESCRIPTION: PROVIDES ON-OFF CONTROL OF HYDRAULIC FLUID FLOW TO AC MOTOR DRIVEN PUMP SPECIFICATION NUMBER: S270T010-1 CONFIG CHG DATA FROM A CMM: SUPSD BY EM91-80-1 MISCELLANEOUS DATA: FOR COMPLETE INTERCHANGEABILITY REGARDING SPECIFIC USAGE, PLEASE REFER TO DRAWING 270T2001 SHEET 1 COMPONENT MAINT MANUAL REF: 27-13-01 PRE ALERT SB: 29A0049 PRE SERVICE BULLETIN: EM91-80-29-02 V91816</p>	018100	1

MISSING ITEM NUMBERS NOT APPLICABLE

- ITEM NOT ILLUSTRATED

BRI

27-51-26-01

BOEING PROPRIETARY - Copyright © - Unpublished Work - See title page for details.

27-51-26  
FIG. 01  
PAGE 10  
JAN 20/09



757

PARTS CATALOG (MAINTENANCE)

FIG ITEM	PART NUMBER	1 2 3 4 5 6 7 NOMENCLATURE	EFFECT FROM TO	UNITS PER ASSY
1 181	EM91-80-3	<p>.. VALVE ASSY-MOTOR ACTUATED            SUPPLIER CODE:            V91816            FUNCTIONAL DESCRIPTION:            PROVIDES ON-OFF CONTROL            OF HYDRAULIC FLUID FLOW            TO AC MOTOR DRIVEN PUMP            SPECIFICATION NUMBER:            S270T010-7            CONFIG CHG DATA FROM A CMM:            SUPSDS EM91-80-1            SUPSD BY EM91-80-4            MISCELLANEOUS DATA:            FOR COMPLETE            INTERCHANGEABILITY            REGARDING SPECIFIC            USAGE, PLEASE REFER TO            DRAWING 270T2001 SHEET 1            COMPONENT MAINT MANUAL REF:            27-13-01            PRE ALERT SB:            29A0049            QUALIFIED SB I/W DATA:            WHITTAKER CONTROLS VALVE            S270T002-3 CAN BE USED            TO REPLACE EXISTING            CIRCLE SEAL CONTROLS            VALVE S270T010-1 OR -4            OR -7. PER REVISION 2            AND 3 OF 29A0048            PRE SERVICE BULLETIN:            EM91-80-29-02            V91816</p>	002004 006102 107107 121503 505505 904949 952999	1

MISSING ITEM NUMBERS NOT APPLICABLE

- ITEM NOT ILLUSTRATED

BRI

27-51-26-01

27-51-26  
FIG. 01  
PAGE 11  
JAN 20/09



757

PARTS CATALOG (MAINTENANCE)

FIG ITEM	PART NUMBER	1 2 3 4 5 6 7	NOMENCLATURE	EFFECT FROM TO	UNITS PER ASSY
1 181	EM91-80-4		.. VALVE ASSY-MOTOR ACTUATED SUPPLIER CODE: V91816 FUNCTIONAL DESCRIPTION: PROVIDES ON-OFF CONTROL OF HYDRAULIC FLUID FLOW TO AC MOTOR DRIVEN PUMP SPECIFICATION NUMBER: S270T010-10 CONFIG CHG DATA FROM A CMM: SUPSDS EM91-80-3 SUPSD BY EM91-80-5 MISCELLANEOUS DATA: FOR COMPLETE INTERCHANGEABILITY REGARDING SPECIFIC USAGE, PLEASE REFER TO DRAWING 270T2001 SHEET 1 COMPONENT MAINT MANUAL REF: 27-13-01	002004 006102 107107 121503 505505 904949 952999	1

MISSING ITEM NUMBERS NOT APPLICABLE

- ITEM NOT ILLUSTRATED

BRI

27-51-26-01

BOEING PROPRIETARY - Copyright © - Unpublished Work - See title page for details.

27-51-26  
FIG. 01  
PAGE 12  
JAN 20/09

 **BOEING**  
757  
**PARTS CATALOG (MAINTENANCE)**

FIG ITEM	PART NUMBER	1 2 3 4 5 6 7	NOMENCLATURE	EFFECT FROM TO	UNITS PER ASSY
1 181	EM91-80-5		<p>.. VALVE ASSY-MOTOR ACTUATED            SUPPLIER CODE:            V91816            FUNCTIONAL DESCRIPTION:            PROVIDES ON-OFF CONTROL            OF HYDRAULIC FLUID FLOW            TO AC MOTOR DRIVEN PUMP            SPECIFICATION NUMBER:            S270T010-13            CONFIG CHG DATA FROM A CMM:            SUPSDS EM91-80-4            MISCELLANEOUS DATA:            FOR COMPLETE            INTERCHANGEABILITY            REGARDING SPECIFIC            USAGE, PLEASE REFER TO            DRAWING 270T2001 SHEET 1            COMPONENT MAINT MANUAL REF:            27-13-01            SERVICE BULLETIN OPT DATA:            340015-1            V79318            340545            V79318            POST ALERT SB:            29A0049            QUALIFIED SB I/W DATA:            WHITTAKER CONTROLS VALVE            S270T002-2 OR -3 CAN BE            USED TO REPLACE CIRCLE            SEAL CONTROLS VALVE            S270T010-13. PER 29A0049            POST SERVICE BULLETIN:            EM91-80-29-02            V91816</p>	002004 006999	1
182	P2350-0075		<p>...ACTUATOR-            SUPPLIER CODE:            V91816            COMPONENT MAINT MANUAL REF:            27-13-02            USED ON:            EM91-80</p>	018100	1
182	V2350-0075		<p>...ACTUATOR-            SUPPLIER CODE:            V91816            COMPONENT MAINT MANUAL REF:            27-13-02            USED ON:            EM91-80-1</p>	002004 006100 107107 121503 904949 952999	1

MISSING ITEM NUMBERS NOT APPLICABLE

— ITEM NOT ILLUSTRATED

BRI

# 27-51-26-01

BOEING PROPRIETARY - Copyright © - Unpublished Work - See title page for details.

27-51-26  
FIG. 01  
PAGE 13  
JAN 20/09



757

PARTS CATALOG (MAINTENANCE)

FIG ITEM	PART NUMBER	1 2 3 4 5 6 7	NOMENCLATURE	EFFECT FROM TO	UNITS PER ASSY
1					
182	W2350-0075	...	ACTUATOR- SUPPLIER CODE: V91816 COMPONENT MAINT MANUAL REF: 27-13-02 USED ON: EM91-80-3	002004 006102 107107 121503 505505 904949 952999	1
182	X2350-0075	...	ACTUATOR- SUPPLIER CODE: V91816 COMPONENT MAINT MANUAL REF: 27-13-02 USED ON: EM91-80-4	002004 006102 107107 121999	1
182	Y2350-0075	...	ACTUATOR- SUPPLIER CODE: V91816 COMPONENT MAINT MANUAL REF: 27-13-02 USED ON: EM91-80-5	002004 006999	1
184	NAS1352N08-8P	...	SCREW- MISCELLANEOUS DATA: (V91816 SCD 2301-0360)	002004 006999	2
185	NAS1352N08-16P	...	SCREW- MISCELLANEOUS DATA: (V91816 SCD 2301-0362)	002004 006999	2
			-----*-----		
187	NAS1601-009	...	PACKING- CONFIG CHG DATA FROM A CMM: SUPSD BY NAS1611-009A	002004 006999	1
187	NAS1611-009A	...	PACKING- CONFIG CHG DATA FROM A CMM: SUPERSEDES NAS1601-009 MISCELLANEOUS DATA: (V91816 SCD 4798)	002004 006999	1
190	G37434	...	RETAINER-SPR SUPPLIER CODE: V91816	002004 006999	2
195	A37446	...	SPRING- SUPPLIER CODE: V91816	002004 006999	2
200	D37433	...	RETAINER-SEAT SUPPLIER CODE: V91816	002004 006999	2
- 205	B18998	...	STEM ASSY- SUPPLIER CODE: V91816	002004 006999	2

MISSING ITEM NUMBERS NOT APPLICABLE

- ITEM NOT ILLUSTRATED

27-51-26-01

27-51-26  
FIG. 01  
PAGE 14  
JAN 20/09

BRI

BOEING PROPRIETARY - Copyright © - Unpublished Work - See title page for details.





757

PARTS CATALOG (MAINTENANCE)

FIG ITEM	PART NUMBER	1 2 3 4 5 6 7	NOMENCLATURE	EFFECT FROM TO	UNITS PER ASSY
1					
210	MS28774-114	...	RETAINER- MISCELLANEOUS DATA: (V91816 SCD 8114)	002004 006999	4
215	NAS1601-114	...	PACKING- CONFIG CHG DATA FROM A CMM: SUPSD BY NAS1611-114A	002004 006999	2
215	NAS1611-114A	...	PACKING- CONFIG CHG DATA FROM A CMM: SUPERSEDES NAS1601-114 MISCELLANEOUS DATA: (V91816 SCD 4814)	002004 006999	2
220	B2687	...	NAMEPLATE- SUPPLIER CODE: V91816 USED ON: EM91-80	018100	1
220	D2687	...	NAMEPLATE- SUPPLIER CODE: V91816 USED ON: EM91-80-1	002004 006100 107107 121503 904949 952999	1
220	E2687	...	NAMEPLATE- SUPPLIER CODE: V91816 USED ON: EM91-80-3	002004 006102 107107 121503 505505 904949 952999	1
220	F2687	...	NAMEPLATE- SUPPLIER CODE: V91816 USED ON: EM91-80-4	002004 006102 107107 121999	1
220	G2687	...	NAMEPLATE- SUPPLIER CODE: V91816 USED ON: EM91-80-5	002004 006999	1

MISSING ITEM NUMBERS NOT APPLICABLE

- ITEM NOT ILLUSTRATED

27-51-26-01

27-51-26  
FIG. 01  
PAGE 15  
JAN 20/09

BRI

BOEING PROPRIETARY - Copyright © - Unpublished Work - See title page for details.



757

PARTS CATALOG (MAINTENANCE)

FIG ITEM	PART NUMBER	1 2 3 4 5 6 7	NOMENCLATURE	EFFECT FROM TO	UNITS PER ASSY
1 237	AFP23210-8	. .	REDUCER SUPPLIER CODE: V30974 SPECIFICATION NUMBER: BACR17E10-8 OPTIONAL PART: AP102710-8 V01673 BC916T10-8 V50948 DBOR17E10-8 V14798 ER21916T10-8 V88334 ER31916-10-8 V88334 F23-10-8 V73197 2-01075T10-8 V11328 31778-10-8 V14397 US2114-10-8 V50808	002004 006999	3
239	NAS1612-10	. .	PACKING-	002004 006999	3
241	BACS18K25-19W	. .	SPACER	002004 006999	3
243	69-68913-1	. .	ROD ASSY-NOSE WHL STEERING VALVE CONT COMPONENT MAINT MANUAL REF: 27-51-04 ATTACHING PARTS	002004 006999	1
- 245	L8006K8	. .	BOLT SUPPLIER CODE: V06725 SPECIFICATION NUMBER: BACB30MY6K8	002004 006999	2

MISSING ITEM NUMBERS NOT APPLICABLE

- ITEM NOT ILLUSTRATED

BRI

27-51-26-01

27-51-26  
FIG. 01  
PAGE 16  
JAN 20/09



757

PARTS CATALOG (MAINTENANCE)

FIG ITEM	PART NUMBER	1 2 3 4 5 6 7	NOMENCLATURE	EFFECT FROM TO	UNITS PER ASSY
1 - 247	HL79-6		.COLLAR SUPPLIER CODE: V5M902 SPECIFICATION NUMBER: BACC30M6 OPTIONAL PART: HL79-6 V73197 HL79-6 V92215 66014-6 V56878 HL79-6 V56878 -----*-----	002004 006999	2
250	251N4071-3		.SPRING-TNSN	002004 006999	1
255	BACB30NF4-9		.BOLT-	002004 006999	2
260	BACB30NF4-13		.BOLT	002004 006999	1
265	NAS1149D0416J		.WASHER-	002004 006999	1
266	NAS1149F0432P		.WASHER-	002004 006999	2
270	69-29584-4		.SPACER	002004 006999	2
275	BRH10C4D		.NUT- SUPPLIER CODE: V52828 SPECIFICATION NUMBER: BACN10JC4CD OPTIONAL PART: T6C428JCD V11815 NS202486-048 V80539 102LH9075-4W V72962 H51650-4BAC V15653	002004 006999	3
280	250N2008-19		.BUSHING	002004 006999	2
285	251N4294-2		.ARM-VALVE LEVER	002004 006999	1

MISSING ITEM NUMBERS NOT APPLICABLE

- ITEM NOT ILLUSTRATED

BRI

27-51-26-01

BOEING PROPRIETARY - Copyright © - Unpublished Work - See title page for details.

27-51-26  
FIG. 01  
PAGE 17  
JAN 20/09



757

PARTS CATALOG (MAINTENANCE)

FIG ITEM	PART NUMBER	1 2 3 4 5 6 7	NOMENCLATURE	EFFECT FROM TO	UNITS PER ASSY
1 285	251N4294-1		.ARM-VALVE LEVER OPTIONAL PART: 251N4294-2	002004 006100 107107 121503 904999	1
294	012N8792-47		.UNIT ASSY-(FLIGHT CONTROLS ONLY) SERVICE BULLETIN OPT DATA: 012N8792-48 012N8792-49 012N8792-50 012N8792-52 012N8792-53 012N8792-54 251N4052-21 POST SERVICE BULLETIN: 27-0107 FUNCTIONAL REFERENCE: PLACARDS AND MARKINGS FOR DETAILS SEE 11-24-52-01	950950	1
294	012N8792-48		.UNIT ASSY-(FLIGHT CONTROLS ONLY) SERVICE BULLETIN OPT DATA: 012N8792-47 012N8792-49 012N8792-50 012N8792-52 012N8792-53 012N8792-54 251N4052-21 POST SERVICE BULLETIN: 27-0107 FUNCTIONAL REFERENCE: PLACARDS AND MARKINGS FOR DETAILS SEE 11-24-52-01	950950	1

MISSING ITEM NUMBERS NOT APPLICABLE

- ITEM NOT ILLUSTRATED

BRI

27-51-26-01

27-51-26  
FIG. 01  
PAGE 18  
JAN 20/09



757

PARTS CATALOG (MAINTENANCE)

FIG ITEM	PART NUMBER	1 2 3 4 5 6 7	NOMENCLATURE	EFFECT FROM TO	UNITS PER ASSY
1 294	012N8792-49		.UNIT ASSY-(FLIGHT CONTROLS ONLY) SERVICE BULLETIN OPT DATA: 012N8792-47 012N8792-48 012N8792-50 012N8792-52 012N8792-53 012N8792-54 251N4052-21 POST SERVICE BULLETIN: 27-0107 FUNCTIONAL REFERENCE: PLACARDS AND MARKINGS FOR DETAILS SEE 11-24-52-01	950950	1
294	012N8792-50		.UNIT ASSY-(FLIGHT CONTROLS ONLY) SERVICE BULLETIN OPT DATA: 012N8792-47 012N8792-48 012N8792-49 012N8792-52 012N8792-53 012N8792-54 251N4052-21 POST SERVICE BULLETIN: 27-0107 FUNCTIONAL REFERENCE: PLACARDS AND MARKINGS FOR DETAILS SEE 11-24-52-01	950950	1
295	012N8792-52		.UNIT ASSY-(FLIGHT CONTROLS ONLY) SERVICE BULLETIN OPT DATA: 012N8792-47 012N8792-48 012N8792-49 012N8792-50 012N8792-53 012N8792-54 251N4052-21 POST SERVICE BULLETIN: 27-0107 FUNCTIONAL REFERENCE: PLACARDS AND MARKINGS FOR DETAILS SEE 11-24-52-01	950950	1

MISSING ITEM NUMBERS NOT APPLICABLE

- ITEM NOT ILLUSTRATED

BRI

27-51-26-01

27-51-26  
FIG. 01  
PAGE 19  
JAN 20/09



757

PARTS CATALOG (MAINTENANCE)

FIG ITEM	PART NUMBER	1 2 3 4 5 6 7	NOMENCLATURE	EFFECT FROM TO	UNITS PER ASSY
1 295	012N8792-53		.UNIT ASSY-(FLIGHT CONTROLS ONLY) SERVICE BULLETIN OPT DATA: 012N8792-47 012N8792-48 012N8792-49 012N8792-50 012N8792-52 012N8792-54 251N4052-21 POST SERVICE BULLETIN: 27-0107 FUNCTIONAL REFERENCE: PLACARDS AND MARKINGS FOR DETAILS SEE 11-24-52-01	950950	1
295	012N8792-54		.UNIT ASSY-(FLIGHT CONTROLS ONLY) SERVICE BULLETIN OPT DATA: 012N8792-47 012N8792-48 012N8792-49 012N8792-50 012N8792-52 012N8792-53 251N4052-21 POST SERVICE BULLETIN: 27-0107 FUNCTIONAL REFERENCE: PLACARDS AND MARKINGS FOR DETAILS SEE 11-24-52-01	950950	1

MISSING ITEM NUMBERS NOT APPLICABLE

- ITEM NOT ILLUSTRATED

BRI

**27-51-26-01**

BOEING PROPRIETARY - Copyright © - Unpublished Work - See title page for details.

27-51-26  
FIG. 01  
PAGE 20  
JAN 20/09



757

PARTS CATALOG (MAINTENANCE)

FIG ITEM	PART NUMBER	1 2 3 4 5 6 7	NOMENCLATURE	EFFECT FROM TO	UNITS PER ASSY
1 295	251N4052-21		.UNIT ASSY-(FLIGHT CONTROLS ONLY) COMPONENT MAINT MANUAL REF: 27-51-17 QUALIFIED I/W DATA: 251N4052-21 MAY REPLACE -15 WITH THE INCORPORATION OF SERVICE BULLETIN 757-27-0107 SERVICE BULLETIN OPT DATA: 012N8792-47 012N8792-48 012N8792-49 012N8792-50 012N8792-52 012N8792-53 012N8792-54 POST SERVICE BULLETIN: 27-0107 FUNCTIONAL REFERENCE: PLACARDS AND MARKINGS FOR DETAILS SEE 11-24-52-01	002004 006999	1
295	251N4052-9		.UNIT ASSY-(FLIGHT CONTROLS ONLY) COMPONENT MAINT MANUAL REF: 27-51-17 FUNCTIONAL REFERENCE: PLACARDS AND MARKINGS FOR DETAILS SEE 11-24-52-01	002004 006010 107107 121503 904949 951999	1
295	251N4052-10		.UNIT ASSY-(FLIGHT CONTROLS ONLY) COMPONENT MAINT MANUAL REF: 27-51-17 OPTIONAL PART: 251N4052-11 251N4052-9 FUNCTIONAL REFERENCE: PLACARDS AND MARKINGS FOR DETAILS SEE 11-24-52-01	002004 006010 107107 121503 904949 951999	1

MISSING ITEM NUMBERS NOT APPLICABLE

- ITEM NOT ILLUSTRATED

**27-51-26-01**

27-51-26  
FIG. 01  
PAGE 21  
JAN 20/09

BRI



757

PARTS CATALOG (MAINTENANCE)

FIG ITEM	PART NUMBER	1 2 3 4 5 6 7	NOMENCLATURE	EFFECT FROM TO	UNITS PER ASSY
1 295	251N4052-11		.UNIT ASSY-(FLIGHT CONTROLS ONLY) COMPONENT MAINT MANUAL REF: 27-51-17 FUNCTIONAL REFERENCE: PLACARDS AND MARKINGS FOR DETAILS SEE 11-24-52-01	002004 006010 107107 121503 904949 951999	1
295	251N4052-5		.UNIT ASSY-(FLIGHT CONTROLS ONLY) COMPONENT MAINT MANUAL REF: 27-51-17 OPTIONAL PART: 251N4052-6 FUNCTIONAL REFERENCE: PLACARDS AND MARKINGS FOR DETAILS SEE 11-24-52-01	002004 006010 107107 121503 904949 951999	1
295	251N4052-6		.UNIT ASSY-(FLIGHT CONTROLS ONLY) COMPONENT MAINT MANUAL REF: 27-51-17 OPTIONAL PART: 251N4052-5 FUNCTIONAL REFERENCE: PLACARDS AND MARKINGS FOR DETAILS SEE 11-24-52-01	002004 006010 107107 121503 904949 951999	1
295	251N4052-13		.UNIT ASSY-(FLIGHT CONTROLS ONLY) COMPONENT MAINT MANUAL REF: 27-51-17 FUNCTIONAL REFERENCE: PLACARDS AND MARKINGS FOR DETAILS SEE 11-24-52-01	002004 006010 107107 121503 904949 951999	1
295	251N4052-14		.UNIT ASSY-(FLIGHT CONTROLS ONLY) COMPONENT MAINT MANUAL REF: 27-51-17 OPTIONAL PART: 251N4052-15 FUNCTIONAL REFERENCE: PLACARDS AND MARKINGS FOR DETAILS SEE 11-24-52-01	002004 006010 107107 121503 904949 951999	1

MISSING ITEM NUMBERS NOT APPLICABLE

- ITEM NOT ILLUSTRATED

**27-51-26-01**

27-51-26  
FIG. 01  
PAGE 22  
JAN 20/09

BRI





757

PARTS CATALOG (MAINTENANCE)

FIG ITEM	PART NUMBER	1 2 3 4 5 6 7	NOMENCLATURE	EFFECT FROM TO	UNITS PER ASSY
1 295	251N4052-15		.UNIT ASSY-(FLIGHT CONTROLS ONLY) COMPONENT MAINT MANUAL REF: 27-51-17 QUALIFIED I/W DATA: 251N4052-21 MAY REPLACE -15 WITH THE INCORPORATION OF SERVICE BULLETIN 757-27-0107 OPTIONAL PART: 251N4052-14 FUNCTIONAL REFERENCE: PLACARDS AND MARKINGS FOR DETAILS SEE 11-24-52-01	002004 006100 107107 121503 904949 951999	1
295	012N8366-5		.UNIT ASSY- FUNCTIONAL REFERENCE: PLACARDS AND MARKINGS FOR DETAILS SEE 11-24-52-01	107107 121503 904949	1
295	012N8366-3		.UNIT ASSY- FUNCTIONAL REFERENCE: PLACARDS AND MARKINGS FOR DETAILS SEE 11-24-52-01	107107 121503 904949	1
295	012N8366-4		.UNIT ASSY- FUNCTIONAL REFERENCE: PLACARDS AND MARKINGS FOR DETAILS SEE 11-24-52-01	107107 121503 904949	1
295	012N8366-6		.UNIT ASSY- FUNCTIONAL REFERENCE: PLACARDS AND MARKINGS FOR DETAILS SEE 11-24-52-01	107107 121503 904949	1
295	012N8366-7		.UNIT ASSY- FUNCTIONAL REFERENCE: PLACARDS AND MARKINGS FOR DETAILS SEE 11-24-52-01	107107 121503 904949	1

MISSING ITEM NUMBERS NOT APPLICABLE

- ITEM NOT ILLUSTRATED

27-51-26-01

27-51-26  
FIG. 01  
PAGE 23  
JAN 20/09

BRI



757

PARTS CATALOG (MAINTENANCE)

FIG ITEM	PART NUMBER	1 2 3 4 5 6 7	NOMENCLATURE	EFFECT FROM TO	UNITS PER ASSY
1 296	BAC27NCT0025		..MARKER-ALUMINUM FOIL PLACARD CONTENT: M547-ALT TE FLAP MOTOR USED ON: 251N4052-5 251N4052-6 251N4052-9 251N4052-10 251N4052-11 251N4052-13	002004 006010 107107 121503 904949 951999	1
296	BAC27NCT0230		..NAMEPLATE- PLACARD CONTENT: M547-ALT TE FLAP MOTOR USED ON: 251N4052-15 251N4052-21 USED ON: 251N4052-14	002004 006999	1
297	BAC27NCT0023		..MARKER-ALUMINUM FOIL PLACARD CONTENT: V105-TE FLAP BYPASS VALVE USED ON: 251N4052-5 251N4052-6 251N4052-9 251N4052-10 251N4052-11 251N4052-13	002004 006010 107107 121503 904949 951999	1
298	BAC27NCT0022		..MARKER-ALUMINUM FOIL PLACARD CONTENT: M10303 FLAP LOAD RELIEF SOLENOID USED ON: 251N4052-5 251N4052-6 251N4052-9 251N4052-10 251N4052-11 251N4052-13	002004 006010 107107 121503 904949 951999	1

MISSING ITEM NUMBERS NOT APPLICABLE

- ITEM NOT ILLUSTRATED

BRI

27-51-26-01

BOEING PROPRIETARY - Copyright © - Unpublished Work - See title page for details.

27-51-26  
FIG. 01  
PAGE 24  
JAN 20/09



757

PARTS CATALOG (MAINTENANCE)

FIG ITEM	PART NUMBER	1 2 3 4 5 6 7	NOMENCLATURE	EFFECT FROM TO	UNITS PER ASSY
1 299	BAC27NCT0024		..MARKER-ALUMINUM FOIL PLACARD CONTENT: TS5050-FLAP PDU POSN SNSR USED ON: 251N4052-5 251N4052-6 251N4052-9 251N4052-10 251N4052-11 251N4052-13	002004 006010 107107 121503 904949 951999	1
304	251N4002-12		.VALVE ASSY-  ATTACHING PARTS	002004 006999	1
305	BACB30NR4K13		.BOLT-	002004 006999	1
310	BACB30NR4K6		.BOLT-	002004 006999	2
315	NAS1149D0416J		.WASHER-	002004 006999	3
320	BRH10C4D		.NUT- SUPPLIER CODE: V52828 SPECIFICATION NUMBER: BACN10JC4CD OPTIONAL PART: T6C428JCD V11815 NS202486-048 V80539 102LH9075-4W V72962 H51650-4BAC V15653 -----*-----	002004 006999	1

MISSING ITEM NUMBERS NOT APPLICABLE

- ITEM NOT ILLUSTRATED

BRI

27-51-26-01

BOEING PROPRIETARY - Copyright © - Unpublished Work - See title page for details.

27-51-26  
FIG. 01  
PAGE 25  
JAN 20/09



757

PARTS CATALOG (MAINTENANCE)

FIG ITEM	PART NUMBER	1 2 3 4 5 6 7	NOMENCLATURE	EFFECT FROM TO	UNITS PER ASSY
1 330	AFP23210-8		..REDUCER SUPPLIER CODE: V30974 SPECIFICATION NUMBER: BACR17E10-8 OPTIONAL PART: AP102710-8 V01673 BC916T10-8 V50948 DBOR17E10-8 V14798 ER21916T10-8 V88334 ER31916-10-8 V88334 F23-10-8 V73197 2-01075T10-8 V11328 31778-10-8 V14397 US2114-10-8 V50808	002004 006999	1
332	1C1362		..VALVE- SUPPLIER CODE: V99240 OPTIONAL PART: BACV10CE4	002004 006999	1
332	BACV10CE4		..VALVE- OPTIONAL PART: 1C1362 V99240	002004 006999	1
335	BACU24K8		..UNION	002004 006999	2
340	NAS1612-10		..PACKING-	002004 006999	2
345	NAS1612-8		..PACKING-	002004 006999	2
350	66790-1		..VALVE ASSY-CONT SUPPLIER CODE: V99643 SPECIFICATION NUMBER: S251N404-2 COMPONENT MAINT MANUAL REF: 27-51-03	002004 006999	1

MISSING ITEM NUMBERS NOT APPLICABLE

- ITEM NOT ILLUSTRATED

27-51-26-01

27-51-26  
FIG. 01  
PAGE 26  
JAN 20/09

BRI



757

PARTS CATALOG (MAINTENANCE)

FIG ITEM	PART NUMBER	1 2 3 4 5 6 7	NOMENCLATURE	EFFECT FROM TO	UNITS PER ASSY
1					
353	MS21250H04004	...	BOLT-	002004 006101 103503 506999	4
355	66940	...	VALVE ASSY-SOL. SUPPLIER CODE: V99643 SPECIFICATION NUMBER: 10-60811-6 COMPONENT MAINT MANUAL REF: 27-51-01	002004 006101 103503 506999	1
357	31806-6	....	COIL ASSY- SUPPLIER CODE: V99643	002004 006101 103503 506999	1
365	069000197-1	...	PLATE-GSKT SUPPLIER CODE: V05939 SPECIFICATION NUMBER: 69-20184-1 OPTIONAL PART: 071261 V83259 071261-1 V83259 828108-1 V83259 BA1837 V95272 SERVICE BULLETIN OPT DATA: 071261 V83259 071261-1 V83259 828108-1 V83259	002004 006101 103503 506999	1
375	NAS1611-112	...	PACKING-	002004 006101 103503 506999	1
395	MS21250H04004	...	BOLT-	101106 108120 504903	4

MISSING ITEM NUMBERS NOT APPLICABLE

- ITEM NOT ILLUSTRATED

BRI

27-51-26-01

27-51-26  
FIG. 01  
PAGE 27  
JAN 20/09



757

PARTS CATALOG (MAINTENANCE)

FIG ITEM	PART NUMBER	1 2 3 4 5 6 7	NOMENCLATURE	EFFECT FROM TO	UNITS PER ASSY
1					
400	66940		...VALVE ASSY-SOL. 3 WAY NORMALLY CLOSED ADDED BY UAL SUPPLIER CODE: V99643 SPECIFICATION NUMBER: 10-60811-6 COMPONENT MAINT MANUAL REF: 27-51-01	101106 108120 504903	1
405	NAS1801-3D6		....SCREW	101106 108120 504903	1
410	25034		....WASHER- SUPPLIER CODE: V99643	101106 108120 504903	1
415	25033		....END- SUPPLIER CODE: V99643	101106 108120 504903	2
420	25032-2		....CASE- SUPPLIER CODE: V99643	101106 108120 504903	1
425	31806-6		....COIL ASSY- SUPPLIER CODE: V99643	101106 108120 504903	1
430	24971-4		....BODY ASSY- SUPPLIER CODE: V99643	101106 108120 504903	1
435	24972		.....NUT- SUPPLIER CODE: V99643	101106 108120 504903	1
440	24968		.....BOARD ASSY- SUPPLIER CODE: V95411	101106 108120 504903	1
445	26875		.....CORE ASSY- SUPPLIER CODE: V99643	101106 108120 504903	1
450	26122		.....SLEEVE ASSY- SUPPLIER CODE: V99643	101106 108120 504903	1
455	25161		.....PIN- SUPPLIER CODE: V99643	101106 108120 504903	1
460	27556		.....CORE- SUPPLIER CODE: V99643	101106 108120 504903	1
465	25018		.....SPACER- SUPPLIER CODE: V99643	101106 108120 504903	1

MISSING ITEM NUMBERS NOT APPLICABLE

- ITEM NOT ILLUSTRATED

27-51-26-01

27-51-26  
FIG. 01  
PAGE 28  
JAN 20/09

BRI



757

PARTS CATALOG (MAINTENANCE)

FIG ITEM	PART NUMBER	1 2 3 4 5 6 7	NOMENCLATURE	EFFECT FROM TO	UNITS PER ASSY
1					
470	29025	.....	SPRING- SUPPLIER CODE: V06144	101106 108120 504903	1
475	35274-5	.....	BODY ASSY- SUPPLIER CODE: V99643	101106 108120 504903	1
480	156101	.....	PLUG-PIN SUPPLIER CODE: V92555	101106 108120 504903	1
485	25027-2	.....	NAMEPLATE- SUPPLIER CODE: V99643	101106 108120 504903	1
490	069000197-1	...	PLATE-GSKT SUPPLIER CODE: V05939 SPECIFICATION NUMBER: 69-20184-1 OPTIONAL PART: BA1837 V95272 071261 V83259 071261-1 V83259 828108-1 V83259	101106 108120 504903	1
495	NAS1611-112	...	PACKING-	101106 108120 504903	1
- 500	251N4002-2		FITTING INSTL-TE FLAP FOR NHA SEE: 53-43-51-05	002004 006100 107107 121503 904999	RF
- 500	251N4002-15		FITTING INSTL-TE FLAP PWR DRIVE FOR NHA SEE: 27-50-00-01	101102 108120 504903	RF
- 500	MODREF7557		FITTING INSTL-TE FLAP PWR DRIVE MODULE NUMBER: 251N4002-15 REV A	103106	1
510	251N4305-4	.FITTING-	POSITION DATA: STA 1057.25	002004 006999	1
510	251N4305-7	.FITTING-	POSITION DATA: STA 1057.25	002004 006999	1

MISSING ITEM NUMBERS NOT APPLICABLE

- ITEM NOT ILLUSTRATED

BRI

27-51-26-01

27-51-26  
FIG. 01  
PAGE 29  
JAN 20/09

 **BOEING**  
757  
**PARTS CATALOG (MAINTENANCE)**

FIG ITEM	PART NUMBER	1 2 3 4 5 6 7	NOMENCLATURE	EFFECT FROM TO	UNITS PER ASSY
1					
515	251N4306-9		.FITTING- POSITION DATA: STA 1069.04	002004 006999	1
520	251N4301-1		.FITTING-SPRT	002004 006999	1
- 525	251N4002-4		FITTING INSTL-TE FLAP FOR NHA SEE: 53-41-61-01	002004 006100 107107 121503 904999	RF
530	251N4215-3		.FITTING ASSY-SPRT	002004 006100 107107 121503 904999	1
535	BACB28X4C009		..BUSHING	002004 006100 107107 121503 904999	2
540	251N4215-4		..FITTING	002004 006100 107107 121503 904999	1
- 600	286N2410-004		WIRE BUNDLE ASSY-	002004 006100 103106 950999	RF
- 600	286N2410-005		WIRE BUNDLE ASSY-	107107 121503 904949	RF
- 600	286N2410-307		WIRE BUNDLE ASSY	108120	RF
605	GS3417-18C		.CLAMP- SUPPLIER CODE: V06324 SPECIFICATION NUMBER: BACC10HF18 OPTIONAL PART: S2125-18-8 V07418 ELECTRICAL EQUIP NUMBER: D01714T WIRING DIAGRAM REF: 275111	002004 006100 107503 904999	1

MISSING ITEM NUMBERS NOT APPLICABLE

- ITEM NOT ILLUSTRATED

BRI

# 27-51-26-01

BOEING PROPRIETARY - Copyright © - Unpublished Work - See title page for details.

27-51-26  
FIG. 01  
PAGE 30  
JAN 20/09





757

PARTS CATALOG (MAINTENANCE)

FIG ITEM	PART NUMBER	1 2 3 4 5 6 7	NOMENCLATURE	EFFECT FROM TO	UNITS PER ASSY
1 605	S3819-18-65		.CLAMP- SUPPLIER CODE: V07418 SPECIFICATION NUMBER: BACC10KD18 OPTIONAL PART: 620AS028NF18L V06324 ELECTRICAL EQUIP NUMBER: D01714T WIRING DIAGRAM REF: 275111	103106	1
610	R071018A8SNL		.CONNECTOR- SUPPLIER CODE: V41118 SPECIFICATION NUMBER: BACC63BP18A8SNL ELECTRICAL EQUIP NUMBER: D01714 WIRING DIAGRAM REF: 275111	002004 006100 107503 904999	1

MISSING ITEM NUMBERS NOT APPLICABLE

- ITEM NOT ILLUSTRATED

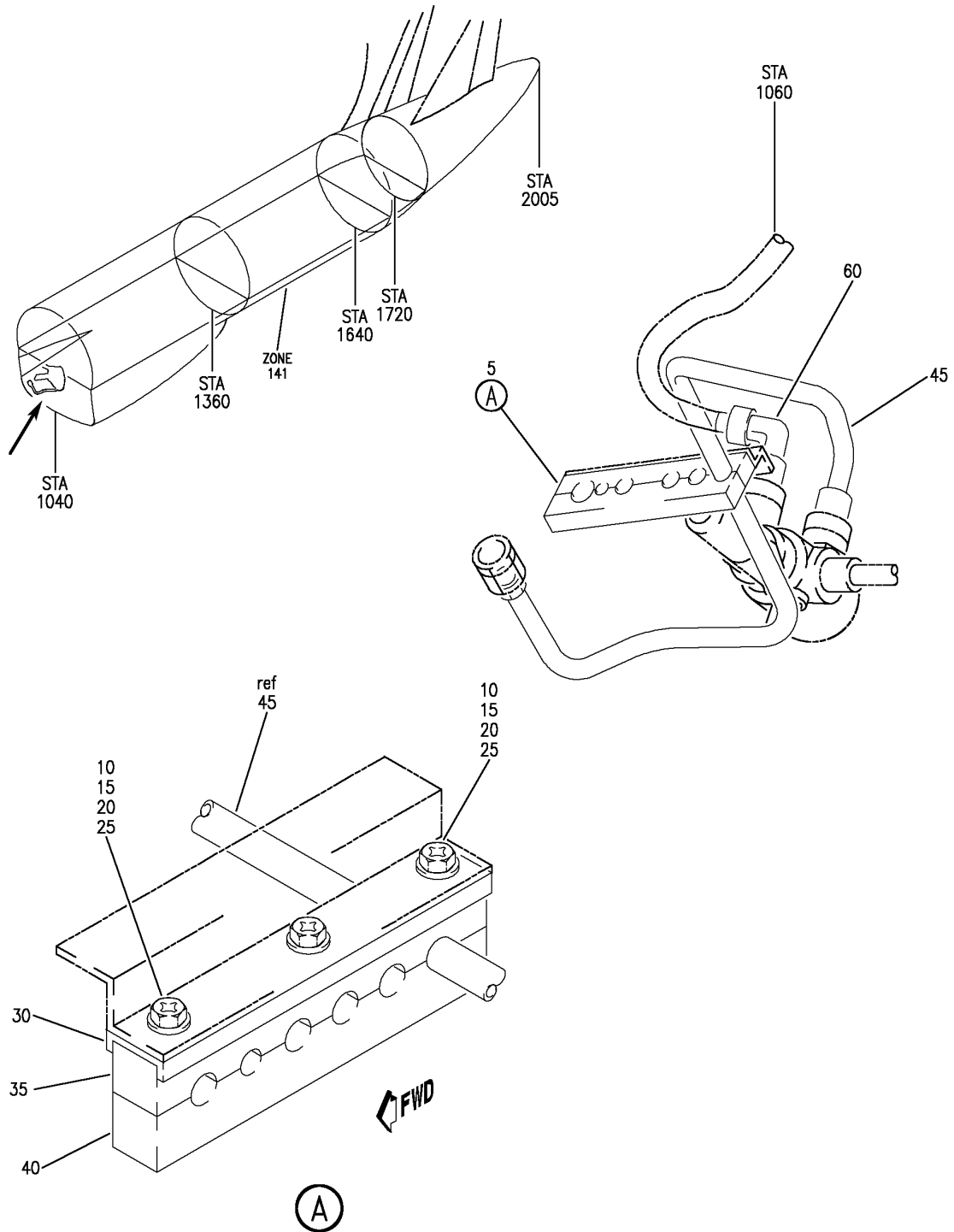
BRI

27-51-26-01

BOEING PROPRIETARY - Copyright © - Unpublished Work - See title page for details.

27-51-26  
FIG. 01  
PAGE 31  
JAN 20/09

**BOEING**  
757  
PARTS CATALOG (MAINTENANCE)



Y 27512602 REV 249

PLUMBING INSTL-MAIN WHL WELL BHD HYDR (TRAILING EDGE (TE) FLAP SYSYEM ONLY)

FIGURE 2

**27-51-26-02**

BRI  
JAN 20/09

27-51-26-02  
PAGE 0



757

PARTS CATALOG (MAINTENANCE)

FIG ITEM	PART NUMBER	1 2 3 4 5 6 7	NOMENCLATURE	EFFECT FROM TO	UNITS PER ASSY
2			PLUMBING INSTL-MAIN WHL WELL BHD HYDR (TRAILING EDGE (TE) FLAP SYSYEM ONLY)	103106	
- 1	MODREF31807		PLUMBING INSTL-MAIN WHL WELL BHD HYDR (TRAINLING EDGE (TE) FLAP SYSTEM ONLY) MODULE NUMBER: 271N6443-47 REV B FOR OTHER SYS DETAILS SEE: 11-22-06-02 29-11-18-05 29-11-29-03 29-11-51-07 32-32-05-04 32-41-02-13 32-41-04-03 32-42-02-05 32-42-07-02	103106	1
5	270N2000-247		.CLAMP ASSY	103106	1
10	NAS1801-3-30		..SCREW	103106	3
15	NAS43DD3-89		..SPACER	103106	3
20	AN960KD10L		..WASHER	103106	3
25	BRH10A3		..NUT SUPPLIER CODE: V52828 SPECIFICATION NUMBER: BACN10JC3 OPTIONAL PART: H10-3BAC V15653 NS202101-02 V80539 RMLH9075-3W V72962 VN303A02 V92215 96-02 V80539 T6S1032J V11815	103106	3
30	270N2000-842		..CHANNEL	103106	1
35	270N2000-1269		..BLOCK	103106	1
40	270N2000-1270		..BLOCK	103106	1

MISSING ITEM NUMBERS NOT APPLICABLE

- ITEM NOT ILLUSTRATED

BRI

27-51-26-02

27-51-26  
FIG. 02  
PAGE 1  
JAN 20/09



757

PARTS CATALOG (MAINTENANCE)

FIG ITEM	PART NUMBER	1 2 3 4 5 6 7	NOMENCLATURE	EFFECT FROM TO	UNITS PER ASSY
2					
45	271N6443-1042		.TUBE ASSY- TUBING MATERIAL: .500 IN. OD .026 IN. WALL 37.10 IN. LG TI BMS 7-234 TI-3AL-2.5V COLD WORKED, STRESS RELIEVED TUBING	103106	1
- 50	AS1581T08		..SLEEVE	103106	2
- 55	BACN10YA8		..NUT	103106	2
60	NAS1762W1010		.ELBOW	103106	1

MISSING ITEM NUMBERS NOT APPLICABLE

- ITEM NOT ILLUSTRATED

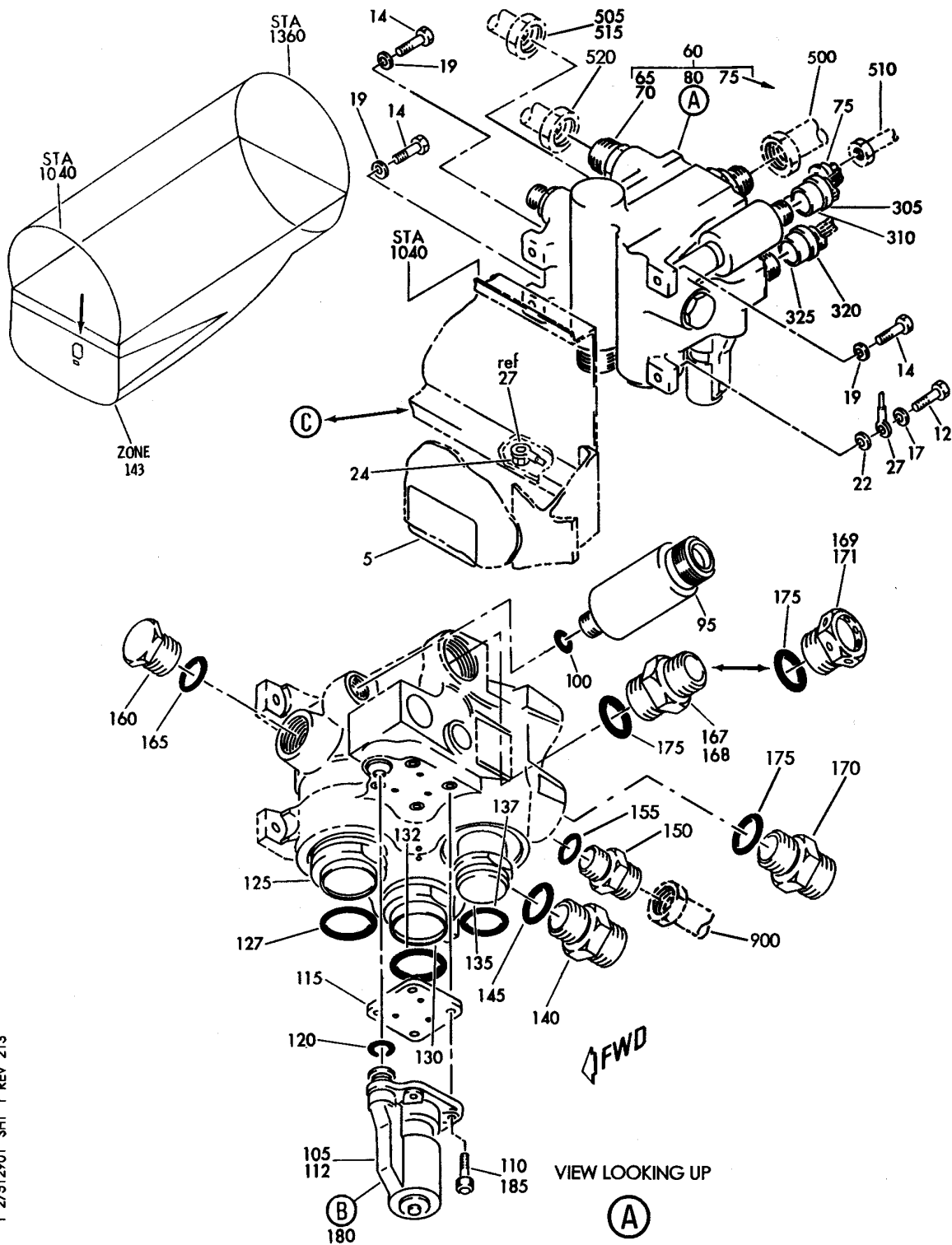
BRI

27-51-26-02

BOEING PROPRIETARY - Copyright © - Unpublished Work - See title page for details.

27-51-26  
FIG. 02  
PAGE 2  
JAN 20/09

**BOEING**  
757  
PARTS CATALOG (MAINTENANCE)



Y 27512901 SHT 1 REV 213

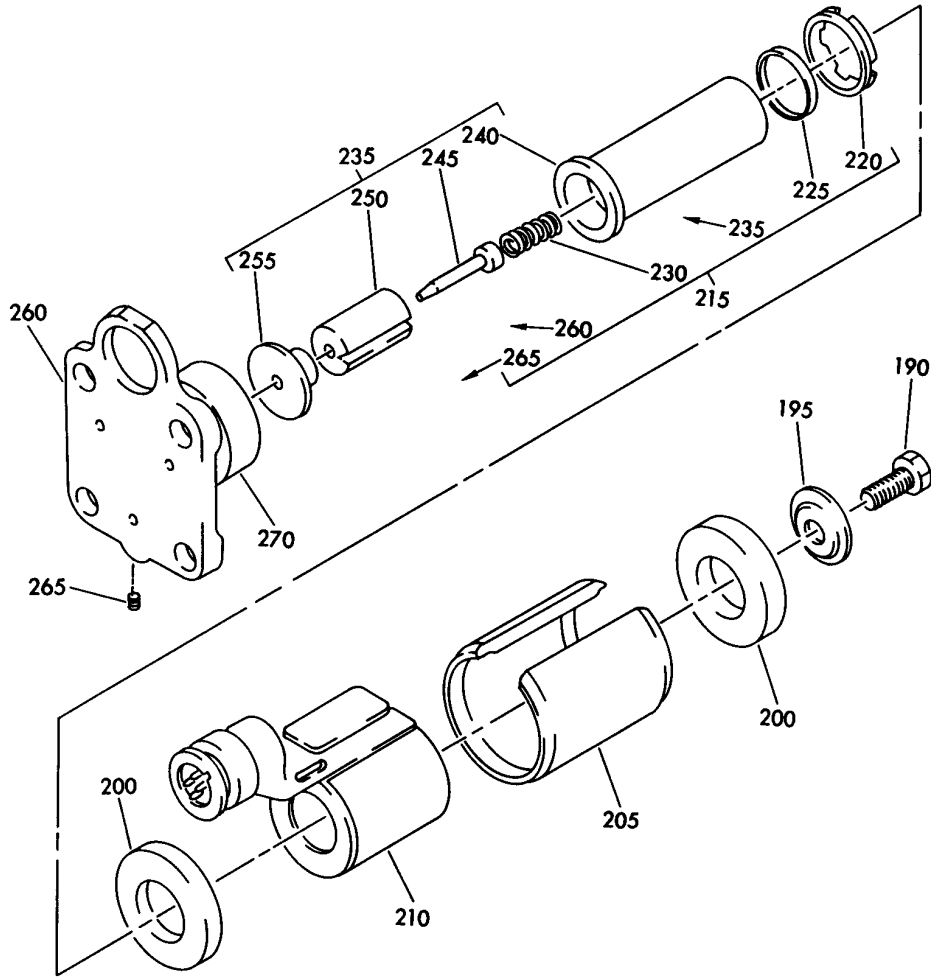
MODULE INSTL-FLAP AND SLAT DEPRESSURIZATION  
FIGURE 1 (SHEET 1)

**27-51-29-01**

BRI  
MAY 28/07

27-51-29-01  
PAGE 0

**BOEING**  
757  
PARTS CATALOG (MAINTENANCE)



(B)

Y 27512901 SHT 2 REV 152

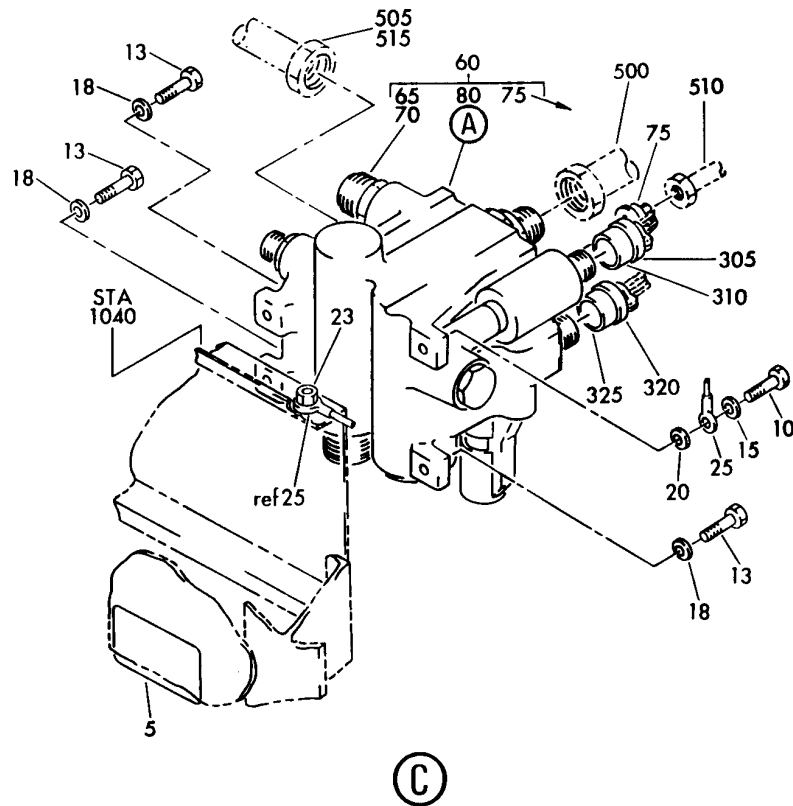
MODULE INSTL-FLAP AND SLAT DEPRESSURIZATION  
FIGURE 1 (SHEET 2)

**27-51-29-01**

BRI  
MAY 28/07

27-51-29-01  
PAGE 0A

**BOEING**  
757  
PARTS CATALOG (MAINTENANCE)



Y 27512901 SHT 3 REV 174

MODULE INSTL-FLAP AND SLAT DEPRESSURIZATION  
FIGURE 1 (SHEET 3)

**27-51-29-01**

BRI  
MAY 28/07

27-51-29-01  
PAGE 0B



757

PARTS CATALOG (MAINTENANCE)

FIG ITEM	PART NUMBER	1 2 3 4 5 6 7	NOMENCLATURE	EFFECT FROM TO	UNITS PER ASSY
1			MODULE INSTL-FLAP AND SLAT DEPRESSURIZATION	002004 006999	
- 1	251N4016-11		MODULE INSTL-FLAP AND SLAT DEPRESSURIZATION FOR NHA SEE: 29-00-51-05 27-00-00-03	002004 006102 108903 950951 953999	RF
- 1	251N4016-6		MODULE INSTL-FLAP AND SLAT DEPRESSURIZATION FOR NHA SEE: 29-00-51-05	107107	RF
- 1	251N4016-9		MODULE INSTL-FLAP AND SLAT DEPRESSURIZATION FOR NHA SEE: 29-00-51-05	904949 952952	RF
- 1	MODREF7670		MODULE INSTL-FLAP AND SLAT DEPRESSURIZATION MODULE NUMBER: 251N4016-11 REV A	103106	1
5	BAC27NHY0055		.MARKER-ALUMINUM FOIL PLACARD CONTENT: D1738 V10060 D2920 DEPRESSURIZATION MODULE FLAP & SLAT	002004 006999	1
10	BACB30NM4K10		.BOLT	107107 904949 952952	1
12	BACB30NM4K10		.BOLT	002004 006106 108903 950951 953999	1
13	BACB30NM4K8		.BOLT	107107 904949 952952	3
14	BACB30NM4K8		.BOLT	002004 006106 108903 950951 953999	3
15	BACW10BN4AC		.WASHER	107107 904949 952952	1
17	BACW10BN4AC		.WASHER	002004 006106 108903 950951 953999	1

MISSING ITEM NUMBERS NOT APPLICABLE

- ITEM NOT ILLUSTRATED

27-51-29-01

27-51-29  
FIG. 01  
PAGE 1  
JAN 20/09

BRI





757

PARTS CATALOG (MAINTENANCE)

FIG ITEM	PART NUMBER	1 2 3 4 5 6 7	NOMENCLATURE	EFFECT FROM TO	UNITS PER ASSY
1	18	BACW10BN4AC	.WASHER	107107 904949 952952	3
	19	BACW10BN4AC	.WASHER	002004 006106 108903 950951 953999	3
	20	AN960-416	.WASHER	107107 904949 952952	1
	22	AN960-416	.WASHER	002004 006106 108903 950951 953999	1
	23	MS21042L3	.NUT	107107 904949 952952	1
	24	MS21042L3	.NUT	002004 006106 108903 950951 953999	1
	25	BACJ40A21-3	.JUMPER ASSY	107107 904949 952952	1
	27	BACJ40A21-3	.JUMPER ASSY	002004 006106 108903 950951 953999	1
	60	251N4016-4	.MODULE ASSY-	002004 006999	1
	60	251N4016-5	.MODULE ASSY-	002004 006999	1
	60	251N4016-7	.MODULE ASSY-	002004 006999	1
	60	251N4016-10	.MODULE ASSY-	002004 006999	1
	65	NAS1612-12	..PACKING-	002004 006999	1

MISSING ITEM NUMBERS NOT APPLICABLE

- ITEM NOT ILLUSTRATED

BRI

27-51-29-01

27-51-29  
FIG. 01  
PAGE 2  
JAN 20/09



757

PARTS CATALOG (MAINTENANCE)

FIG ITEM	PART NUMBER	1 2 3 4 5 6 7	NOMENCLATURE	EFFECT FROM TO	UNITS PER ASSY
1	70 0121520900-5		.. VALVE- SUPPLIER CODE: V83533 SPECIFICATION NUMBER: BACV10CD5 OPTIONAL PART: 1C1352 V99240 1C1352 V99240	002004 006999	1
	70 1C1352		.. VALVE-CHK SUPPLIER CODE: V99240 OPTIONAL PART: BACV10CD5	002004 006999	1
	75 BACV10CE2		.. VALVE- OPTIONAL PART: 1C1358 V99240	002004 006999	1
	75 1C1358		.. VALVE-CHK SUPPLIER CODE: V99240	002004 006999	1
	80 66760-1		.. MODULE ASSY-FLAP AND SLAT DEPRESSURIZATION SUPPLIER CODE: V99643 SPECIFICATION NUMBER: S251N402-5 NOT APPROVED FOR ETOPS. MISCELLANEOUS DATA: (ELEC EQMT NO. V10060) ELECTRICAL EQUIP NUMBER: V10060 COMPONENT MAINT MANUAL REF: 27-51-05	002004 006100 103107 121503 904999	1

MISSING ITEM NUMBERS NOT APPLICABLE

- ITEM NOT ILLUSTRATED

BRI

27-51-29-01

BOEING PROPRIETARY - Copyright © - Unpublished Work - See title page for details.

27-51-29  
FIG. 01  
PAGE 3  
JAN 20/09



757

PARTS CATALOG (MAINTENANCE)

FIG ITEM	PART NUMBER	1 2 3 4 5 6 7	NOMENCLATURE	EFFECT FROM TO	UNITS PER ASSY
1 80	66760-2		..MODULE ASSY-FLAP AND SLAT DEPRESSURIZATION SUPPLIER CODE: V99643 SPECIFICATION NUMBER: S251N402-7 NOT APPROVED FOR ETOPS. ELECTRICAL EQUIP NUMBER: V10060 COMPONENT MAINT MANUAL REF: 27-51-05 QUALIFIED I/W DATA: 66760-2 IW 66760-3 OR 66760-4 EXCEPT FOR ETOPS WHERE 66760-3 OR 66760-4 MUST BE INSTALLED	107107	1
80	66760-3		..MODULE ASSY- DEPRESSURIZATION HYDRAULIC FLAP AND STALL SUPPLIER CODE: V99643 SPECIFICATION NUMBER: S251N402-8 ELECTRICAL EQUIP NUMBER: V10060 COMPONENT MAINT MANUAL REF: 27-51-05 QUALIFIED I/W DATA: 66760-2 IW 66760-3 OR 66760-4 EXCEPT FOR ETOPS WHERE 66760-3 OR 66760-4 MUST BE INSTALLED	002004 006106 108999	1
80	66760-4		..MODULE ASSY-HYDRAULIC FLAP AND STALL DEPRESSURIZATION SUPPLIER CODE: V99643 SPECIFICATION NUMBER: S251N402-9 MISCELLANEOUS DATA: APPROVED FOR ETOPS ELECTRICAL EQUIP NUMBER: V10060 COMPONENT MAINT MANUAL REF: 27-51-05	002004 006106 108999	1

MISSING ITEM NUMBERS NOT APPLICABLE

- ITEM NOT ILLUSTRATED

27-51-29-01

27-51-29  
FIG. 01  
PAGE 4  
JAN 20/09

BRI



757

PARTS CATALOG (MAINTENANCE)

FIG ITEM	PART NUMBER	1 2 3 4 5 6 7	NOMENCLATURE	EFFECT FROM TO	UNITS PER ASSY
1			ATTACHING PARTS		
- 85	BACB30NM4K8	..	BOLT-	002004 006999	4
- 90	BACW10BN4AC	..	WASHER-	002004 006999	4
			-----*-----		
95	211C223-212	...	SWITCH-PRESSURE SUPPLIER CODE: V02750 SPECIFICATION NUMBER: S271T452-10 COMPONENT MAINT MANUAL REF: 29-09-02 OPTIONAL PART: 211C223-322 V02750 211C223-521 V02750	002004 006999	1
95	211C223-322	...	SWITCH-PRESSURE SUPPLIER CODE: V02750 SPECIFICATION NUMBER: S271T452-10 COMPONENT MAINT MANUAL REF: 29-09-02 OPTIONAL PART: 211C223-212 V02750 211C223-521 V02750	002004 006999	1
95	211C223-521	...	SWITCH-PRESSURE SUPPLIER CODE: V02750 SPECIFICATION NUMBER: S271T452-10 ELECTRICAL EQUIP NUMBER: S10129 S10246 COMPONENT MAINT MANUAL REF: 29-09-02 OPTIONAL PART: 211C223-322 V02750 211C223-212 V02750	002004 006999	1
100	NAS1612-6	...	PACKING-	002004 006999	1

MISSING ITEM NUMBERS NOT APPLICABLE

- ITEM NOT ILLUSTRATED

27-51-29-01

27-51-29  
FIG. 01  
PAGE 5  
JAN 20/09

BRI

BOEING PROPRIETARY - Copyright © - Unpublished Work - See title page for details.



757

PARTS CATALOG (MAINTENANCE)

FIG ITEM	PART NUMBER	1 2 3 4 5 6 7	NOMENCLATURE	EFFECT FROM TO	UNITS PER ASSY
1 105	66940		...VALVE ASSY-SOL. SUPPLIER CODE: V99643 SPECIFICATION NUMBER: 10-60811-6 COMPONENT MAINT MANUAL REF: 27-51-01 ATTACHING PARTS	002004 006999	1
110	MS21250H04004		...BOLT-  -----*-----	002004 006999	4
112	31806-6		....COIL ASSY- SUPPLIER CODE: V99643	002004 006999	1
- 114	071261		...PLATE-GSKT SUPPLIER CODE: V83259 CONFIG CHG DATA FROM A CMM: SUPSD BY 069000197-1	002004 006999	1
- 114	BA1837		...PLATE-GSKT SUPPLIER CODE: V95272 SPECIFICATION NUMBER: 69-20184-1 OPTIONAL PART: 071261 V83259 071261-1 V83259 828108-1 V83259 069000197-1 V83259	002004 006999	1
115	069000197-1		...PLATE-GSKT SUPPLIER CODE: V05939 SPECIFICATION NUMBER: 69-20184-1 CONFIG CHG DATA FROM A CMM: SUPERSEDES 071261 OPTIONAL PART: 071261 V83259 071261-1 V83259 828108-1 V83259 BA1837 V95272	002004 006999	1

MISSING ITEM NUMBERS NOT APPLICABLE

- ITEM NOT ILLUSTRATED

BRI

27-51-29-01

27-51-29  
FIG. 01  
PAGE 6  
JAN 20/09



757

PARTS CATALOG (MAINTENANCE)

FIG ITEM	PART NUMBER	1 2 3 4 5 6 7	NOMENCLATURE	EFFECT FROM TO	UNITS PER ASSY
1					
120	NAS1611-112	...	PACKING-	002004 006999	1
125	66770-2	...	VALVE ASSY-SHUTOFF N.O. PILOT OPERATED SUPPLIER CODE: V99643 CONFIG CHG DATA FROM A CMM: REPLS 66770-1 USED ON: 66760-2 66760-3 66760-4	002004 006999	1
125	66770-1	...	VALVE ASSY-SHUTOFF N.O. PILOT OPERATED SUPPLIER CODE: V99643 CONFIG CHG DATA FROM A CMM: REPLD BY 66770-2 USED ON: 66760-1	107107	1
127	NAS1611-224	....	PACKING-	002004 006999	1
130	69190-1	...	VALVE ASSY-FLOW ACTIVATED AUTO. SEQ SUPPLIER CODE: V99643 SB DATA FROM A CMM: POST SB 66760-2-27-02 CONFIG CHG DATA FROM A CMM: SUPERSEDES 69190 USED ON: 66760-4	002004 006999	1
130	69190	...	VALVE ASSY-FLOW ACTIVATED AUTO. SEQ SUPPLIER CODE: V99643 SB DATA FROM A CMM: PRE SB 66760-2-27-02 CONFIG CHG DATA FROM A CMM: SUPSD BY 69190-1 USED ON: 66760-1 66760-2 66760-3	002004 006999	1
132	NAS1611-222	....	PACKING-	002004 006999	1

MISSING ITEM NUMBERS NOT APPLICABLE

- ITEM NOT ILLUSTRATED

27-51-29-01

27-51-29  
FIG. 01  
PAGE 7  
JAN 20/09

BRI

BOEING PROPRIETARY - Copyright © - Unpublished Work - See title page for details.



757

PARTS CATALOG (MAINTENANCE)

FIG ITEM	PART NUMBER	1 2 3 4 5 6 7	NOMENCLATURE	EFFECT FROM TO	UNITS PER ASSY
1					
135	67570	...	VALVE ASSY-PRIORITY SUPPLIER CODE: V99643 CONFIG CHG DATA FROM A CMM: REPLD BY 67570-1	002004 006999	1
135	67570-1	...	VALVE ASSY-PRIORITY SUPPLIER CODE: V99643 CONFIG CHG DATA FROM A CMM: REPLS 67570	002004 006999	1
137	NAS1611-223	....	PACKING-	002004 006999	1
140	AFP23212-10	...	REDUCER SUPPLIER CODE: V30974 SPECIFICATION NUMBER: BACR17E12-10 OPTIONAL PART: AP102712-10 V01673 BC916T12-10 V50948 DBOR17E12-10 V14798 ER21916T12-10 V88334 ER31916-12-10 V88334 F23-12-10 V73197 2-01075T12-10 V11328 31778-12-10 V14397 US2114-12-10 V50808	002004 006999	1
145	NAS1612-10	...	PACKING-	002004 006999	1
150	BACU24K8	...	UNION	002004 006999	1
155	NAS1612-8	...	PACKING-	002004 006999	1
160	AN814-8DL	...	PLUG	002004 006999	1
165	NAS1612-8	...	PACKING-	002004 006999	1
168	BACU24K12	...	UNION-	107107	1

MISSING ITEM NUMBERS NOT APPLICABLE

- ITEM NOT ILLUSTRATED

27-51-29-01

27-51-29  
FIG. 01  
PAGE 8  
JAN 20/09

BRI

BOEING PROPRIETARY - Copyright © - Unpublished Work - See title page for details.



757

PARTS CATALOG (MAINTENANCE)

FIG ITEM	PART NUMBER	1 2 3 4 5 6 7	NOMENCLATURE	EFFECT FROM TO	UNITS PER ASSY
1					
169	MS24391J12L	...	PLUG- POST SERVICE LETTER: 27-40	002004 006106 108999	1
170	BACU24K12	...	UNION-	002004 006999	1
171	BC902T12	...	PLUG-STEEL SUPPLIER CODE: V99643	107107	1
173	BC902T12	...	PLUG-STEEL SUPPLIER CODE: V99643 OPTIONAL PART: BACU24K12	002004 006999	1
175	NAS1612-12	...	PACKING-	002004 006999	2
- 300	286N2443-002		WIRE BUNDLE ASSY-	002004 006100 950999	RF
- 300	286N2443-003		WIRE BUNDLE ASSY-	107107	RF
- 300	286N2443-004		WIRE BUNDLE ASSY-	904949	RF
- 300	286N2412-004		WIRE BUNDLE ASSY	002004 006100 950999	RF
- 300	286N2412-005		WIRE BUNDLE ASSY	107107 121503 904949	RF
- 301	286N2412-307		WIRE BUNDLE ASSY	108120	RF
- 301	286N2443-007		WIRE BUNDLE ASSY-	121503	RF
- 302	286N2443-308		WIRE BUNDLE ASSY-	108120	RF
305	GS3418-12CD	.	CLAMP- SUPPLIER CODE: V06324 SPECIFICATION NUMBER: BACC10HG12 OPTIONAL PART: S2126-12-8 V07418 ELECTRICAL EQUIP NUMBER: D01738T WIRING DIAGRAM REF: 275131	002004 006100 107503 904999	1

MISSING ITEM NUMBERS NOT APPLICABLE

- ITEM NOT ILLUSTRATED

BRI

27-51-29-01

BOEING PROPRIETARY - Copyright © - Unpublished Work - See title page for details.

27-51-29  
FIG. 01  
PAGE 9  
JAN 20/09





757

PARTS CATALOG (MAINTENANCE)

FIG ITEM	PART NUMBER	1 2 3 4 5 6 7	NOMENCLATURE	EFFECT FROM TO	UNITS PER ASSY
1 310	R071012A3S9L		.CONNECTOR- SUPPLIER CODE: V41118 SPECIFICATION NUMBER: BACC63BP12A3S9L ELECTRICAL EQUIP NUMBER: D01738 WIRING DIAGRAM REF: 275131	002004 006100 107503 904999	1
320	GS3418-14CD		.CLAMP- SUPPLIER CODE: V06324 SPECIFICATION NUMBER: BACC10HG14 OPTIONAL PART: S2126-14-8 V07418 ELECTRICAL EQUIP NUMBER: D02920T WIRING DIAGRAM REF: 275131	002004 006100 107107 121503 904999	1
325	R071014A7SNL		.CONNECTOR- SUPPLIER CODE: V41118 SPECIFICATION NUMBER: BACC63BP14A7SNL MISCELLANEOUS DATA: OPTIONAL PART NUMBERS: BACC63BP14A7SN (81205) BACC63BP14R7SN (81205) BACC63BP14R7SNL (81205) ELECTRICAL EQUIP NUMBER: D02920 WIRING DIAGRAM REF: 275131	002004 006100 107503 904999	1
500			ILLUSTRATION REFERENCE: PLUMBING INSTL-SECT. 44 MLG WHL WELL HYDR (HYDRAULIC POWER TRANSFER UNIT SYSTEM ONLY) 29-22-51-20	002004 006100 107107 121503 904999	RF
505			ILLUSTRATION REFERENCE: PLUMBING INSTL-SECT. 44 MLG WHL WELL HYDR (TRAILING EDGE FLAP SYSTEM ONLY) 27-51-51-20	002004 006100 107107 121503 904999	RF

MISSING ITEM NUMBERS NOT APPLICABLE

- ITEM NOT ILLUSTRATED

27-51-29-01

27-51-29  
FIG. 01  
PAGE 10  
JAN 20/09

BRI



757

PARTS CATALOG (MAINTENANCE)

FIG ITEM	PART NUMBER	1 2 3 4 5 6 7	NOMENCLATURE	EFFECT FROM TO	UNITS PER ASSY
1					
510			ILLUSTRATION REFERENCE: PLUMBING INSTL-MAIN WHL WELL FWD BHD HYDR (HYDRAULIC POWER ONLY) 29-11-51-37	002004 006100 107107 121503 904999	RF
510			ILLUSTRATION REFERENCE: PLUMBING INSTL-MAIN WHL WELL FWD BHD HYDR 29-11-51-79	504903	RF
510			ILLUSTRATION REFERENCE: PLUMBING INSTL-MAIN WHL WELL FWD BHD HYDR 29-11-51-78	101102 108120 504903	RF
520			ILLUSTRATION REFERENCE: PLUMBING INSTL-MAIN WHL WELL FWD BHD HYDR 29-11-51-79	504903	RF
900			ILLUSTRATION REFERENCE: PLUMBING INSTL-MAIN WHL WELL FWD BHD HYDR 29-11-51-78	101102 108120 504903	RF

MISSING ITEM NUMBERS NOT APPLICABLE

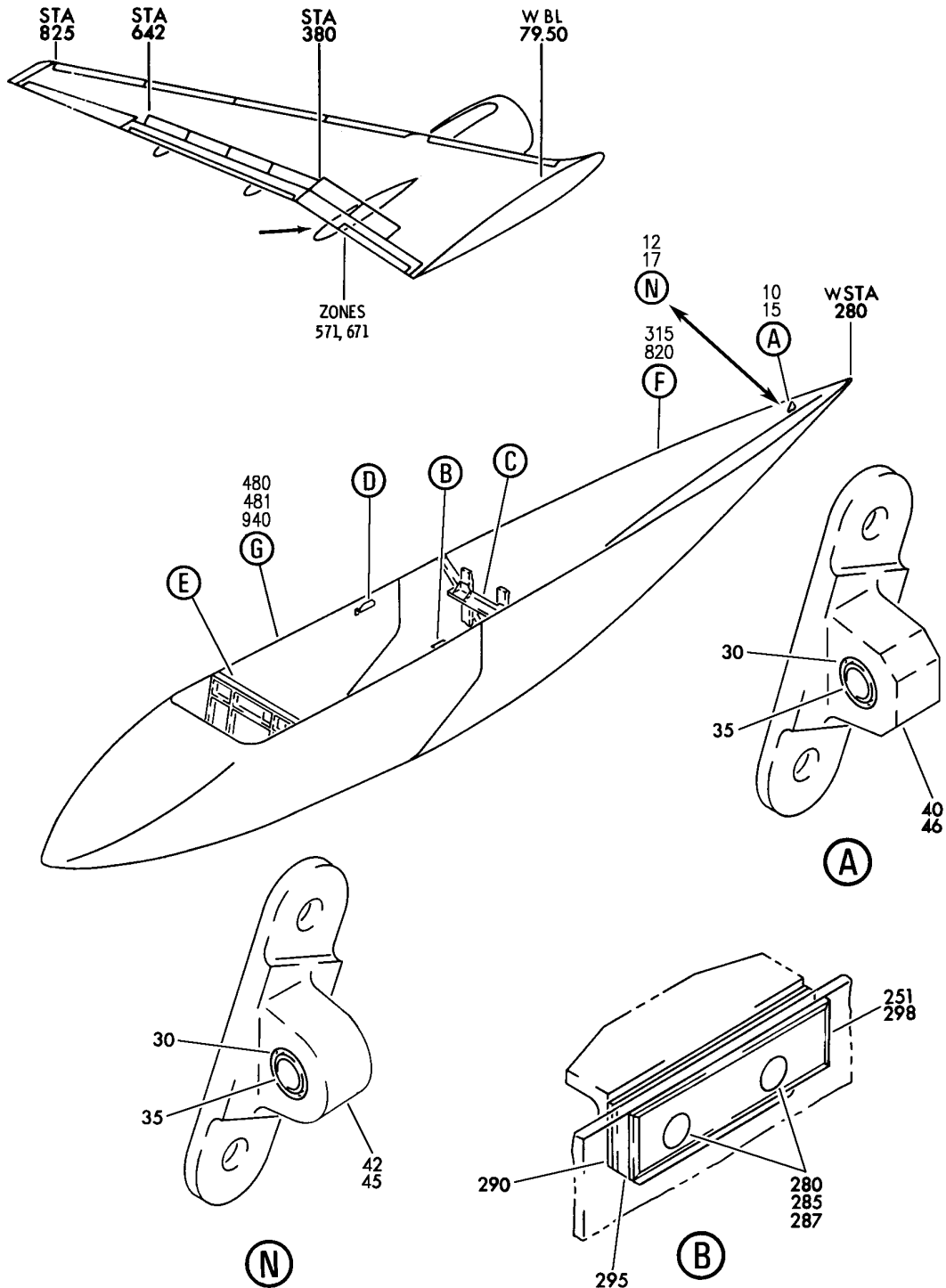
- ITEM NOT ILLUSTRATED

BRI

**27-51-29-01**

27-51-29  
FIG. 01  
PAGE 11  
JAN 20/09

**BOEING**  
757  
PARTS CATALOG (MAINTENANCE)



Y 27513001 SH1 1 REV 271

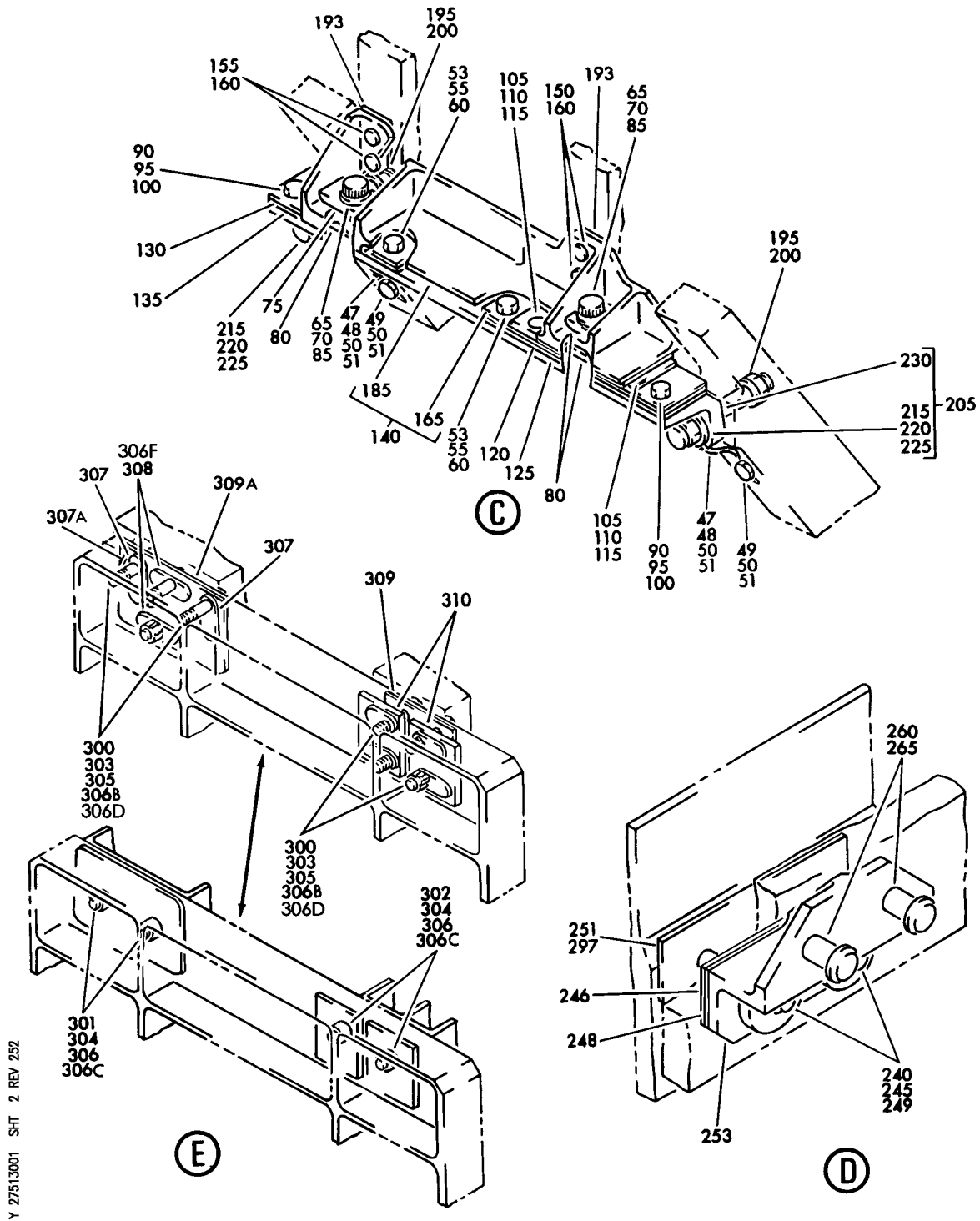
FAIRING INSTL-INBD MAIN FLAP  
FIGURE 1 (SHEET 1)

**27-51-30-01**

BRI  
MAY 28/07

27-51-30-01  
PAGE 0

**BOEING**  
757  
PARTS CATALOG (MAINTENANCE)



Y 27513001 SHT 2 REV 252

FAIRING INSTL-INBD MAIN FLAP  
FIGURE 1 (SHEET 2)

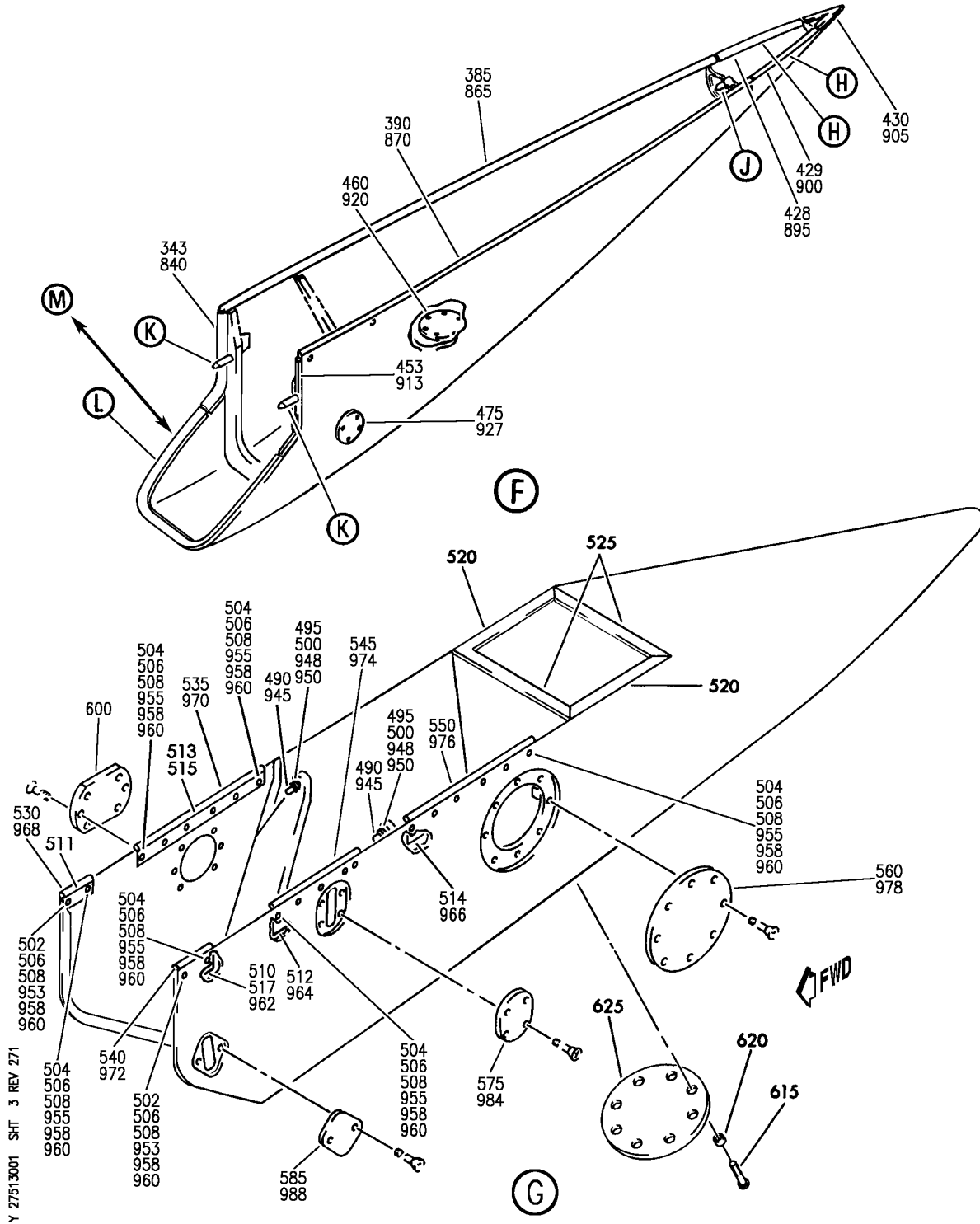
**27-51-30-01**

BRI  
MAY 28/07

27-51-30-01  
PAGE 0A

# BOEING

757  
PARTS CATALOG (MAINTENANCE)



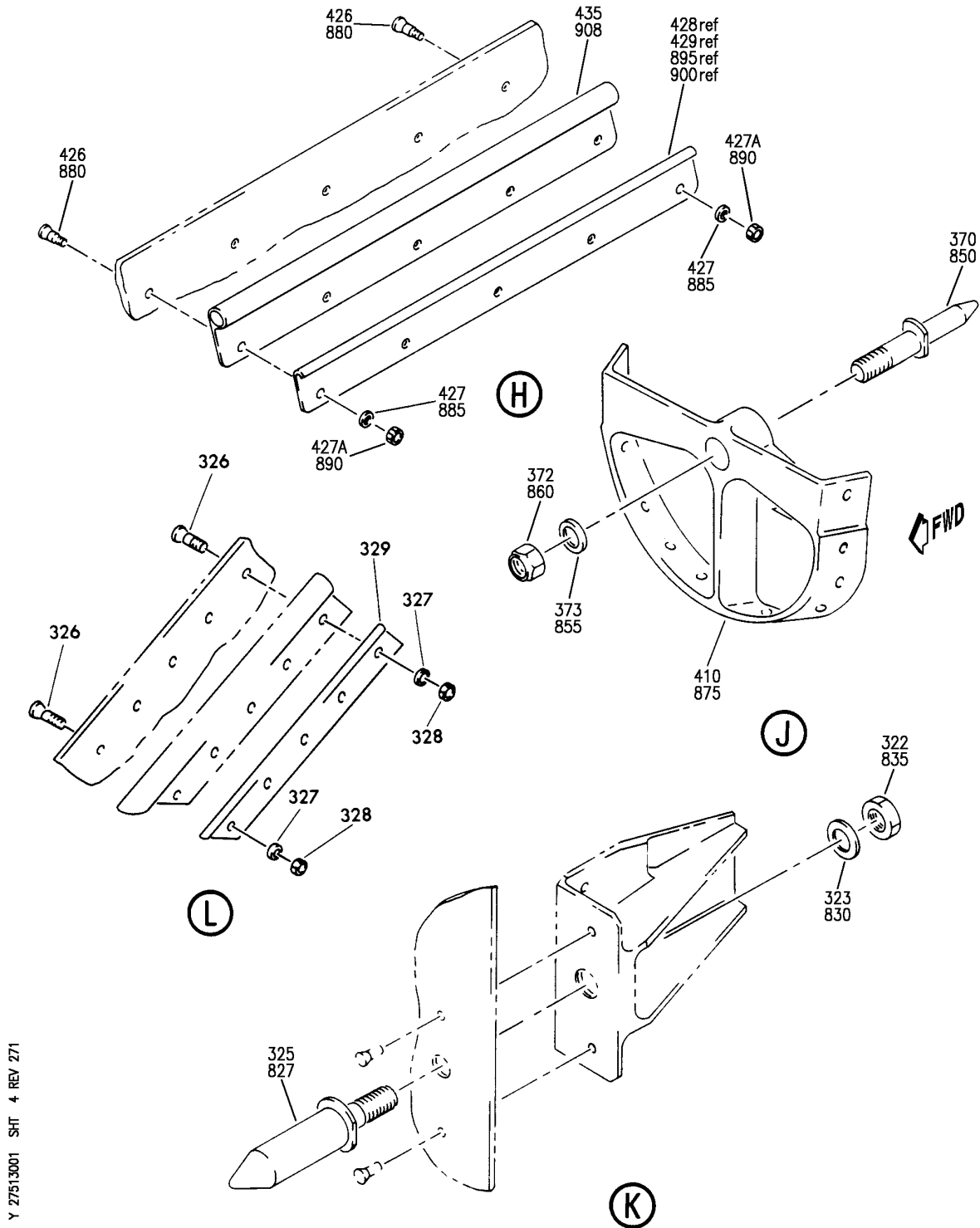
FAIRING INSTL-INBD MAIN FLAP  
FIGURE 1 (SHEET 3)

# 27-51-30-01

BRI  
MAY 28/07

27-51-30-01  
PAGE 0B

**BOEING**  
757  
PARTS CATALOG (MAINTENANCE)



Y 27513001 SH1 4 REV 271

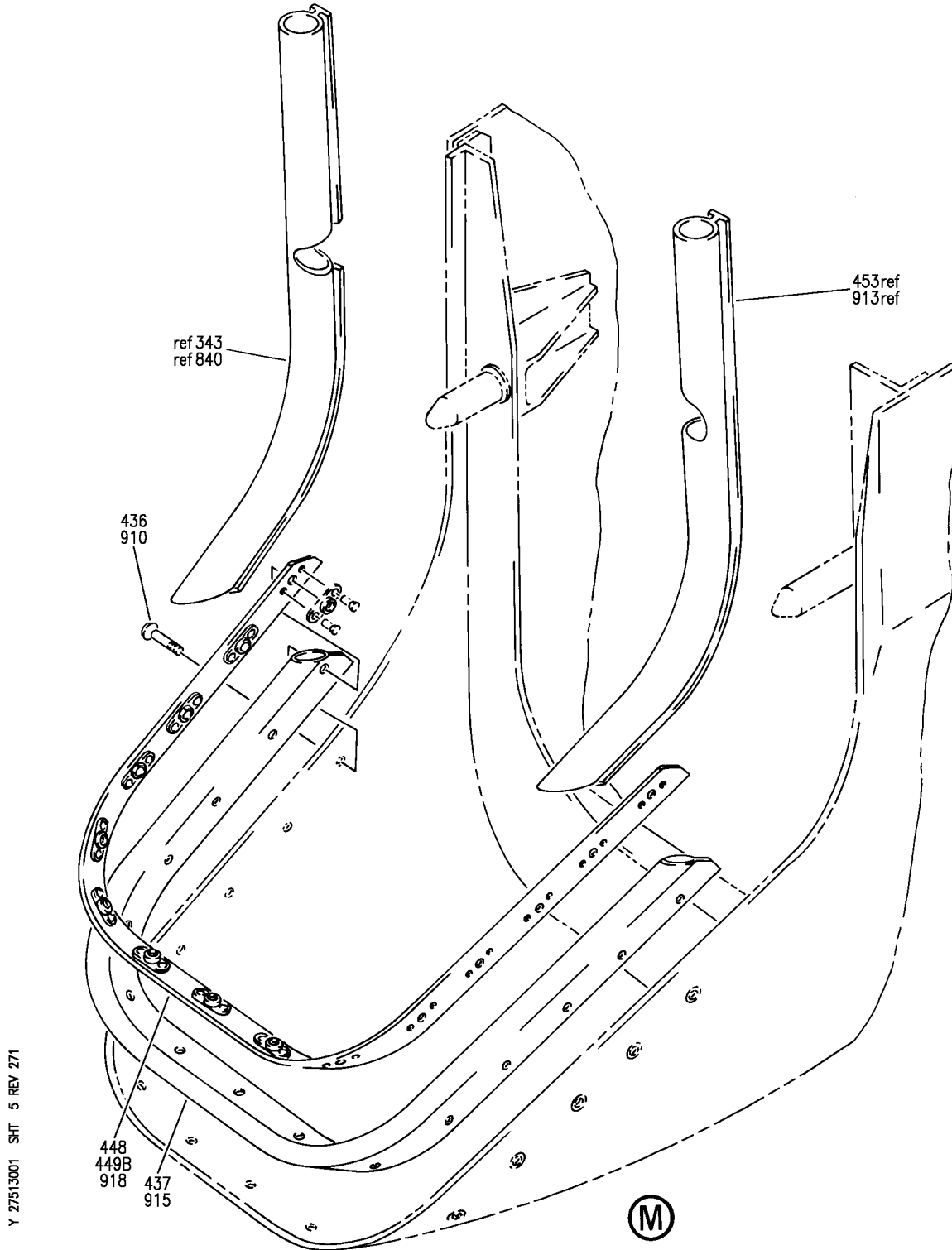
FAIRING INSTL-INBD MAIN FLAP  
FIGURE 1 (SHEET 4)

**27-51-30-01**

BRI  
MAY 28/07

27-51-30-01  
PAGE 0C

**BOEING**  
757  
PARTS CATALOG (MAINTENANCE)



Y 27513001 SH1 5 REV 271

FAIRING INSTL-INBD MAIN FLAP  
FIGURE 1 (SHEET 5)

**27-51-30-01**

BRI  
MAY 28/07

27-51-30-01  
PAGE 0D



757

PARTS CATALOG (MAINTENANCE)

FIG ITEM	PART NUMBER	1 2 3 4 5 6 7	NOMENCLATURE	EFFECT FROM TO	UNITS PER ASSY
1			FAIRING INSTL-INBD MAIN FLAP	002004 006999	
- 1	113N1750-1		FAIRING INSTL-MAIN FLAP POSITION DATA: INBD LH FOR NHA SEE: 57-00-00-01	107107	RF
- 1	113N1750-15		FAIRING INSTL-MAIN FLAP POSITION DATA: INBD LH FOR NHA SEE: 57-00-00-01	002004 121503 904949 952952	RF
- 1	113N1750-21		FAIRING INSTL-MAIN FLAP POSITION DATA: INBD LH FOR NHA SEE: 57-00-00-01	006100 950951 953999	RF
- 1	113N1750-403		FAIRING INSTL-MAIN FLAP POSITION DATA: INBD LH FOR NHA SEE: 57-00-00-05	101102 108120 504903	RF
- 1	MODREF1469		FAIRING INSTL-MAIN FLAP MODULE NUMBER: 113N1750-403 REV A POSITION DATA: INBD LH	103103	1
- 1	MODREF26587		FAIRING INSTL-MAIN FLAP MODULE NUMBER: 113N1750-403 REV B POSITION DATA: INBD LH	104106	1
- 5	113N1750-2		FAIRING INSTL-MAIN FLAP POSITION DATA: INBD RH FOR NHA SEE: 57-00-00-01	107107	RF
- 5	113N1750-16		FAIRING INSTL-MAIN FLAP POSITION DATA: INBD RH FOR NHA SEE: 57-00-00-01	002004 121503 904949 952952	RF
- 5	113N1750-22		FAIRING INSTL-MAIN FLAP POSITION DATA: INBD RH FOR NHA SEE: 57-00-00-01	006100 950951 953999	RF

MISSING ITEM NUMBERS NOT APPLICABLE

- ITEM NOT ILLUSTRATED

BRI

27-51-30-01

27-51-30  
FIG. 01  
PAGE 1  
JAN 20/09





757

PARTS CATALOG (MAINTENANCE)

FIG ITEM	PART NUMBER	1 2 3 4 5 6 7	NOMENCLATURE	EFFECT FROM TO	UNITS PER ASSY
1					
- 5	113N1750-404		FAIRING INSTL-MAIN FLAP POSITION DATA: INBD RH FOR NHA SEE: 57-00-00-05	101102 108120 504903	RF
- 5	MODREF1470		FAIRING INSTL-MAIN FLAP MODULE NUMBER: 113N1750-404 REV A POSITION DATA: INBD RH	103103	1
- 5	MODREF26588		FAIRING INSTL-MAIN FLAP MODULE NUMBER: 113N1750-404 REV B POSITION DATA: INBD RH	104106	1
10	113N1760-1		.FITTING ASSY-SPRT POSITION DATA: FWD LH SIDE OPTIONAL PART: 113N1778-8	002004 006999	1
12	113N1778-1		.FITTING ASSY-SPRT POSITION DATA: FWD RH SIDE OPTIONAL PART: 113N1778-7 113N1760-2	002004 006999	1
12	113N1778-7		.FITTING ASSY-SPRT POSITION DATA: FWD RH SIDE OPTIONAL PART: 113N1760-2	002004 006999	1
15	113N1760-2		.FITTING ASSY-SPRT POSITION DATA: FWD RH SIDE OPTIONAL PART: 113N1778-7	002004 006999	1
15	113N1778-7		.FITTING ASSY-SPRT POSITION DATA: FWD RH SIDE OPTIONAL PART: 113N1760-2	101106 108120 504903	1
17	113N1778-2		.FITTING ASSY-SPRT POSITION DATA: FWD LH SIDE OPTIONAL PART: 113N1778-8 113N1760-1	002004 006999	1

MISSING ITEM NUMBERS NOT APPLICABLE

- ITEM NOT ILLUSTRATED

27-51-30-01

27-51-30  
FIG. 01  
PAGE 2  
JAN 20/09

BRI

BOEING PROPRIETARY - Copyright © - Unpublished Work - See title page for details.



757

PARTS CATALOG (MAINTENANCE)

FIG ITEM	PART NUMBER	1 2 3 4 5 6 7	NOMENCLATURE	EFFECT FROM TO	UNITS PER ASSY
1	17 113N1778-8		.FITTING ASSY-SPRT POSITION DATA: FWD LH SIDE OPTIONAL PART: 113N1760-1	002004 006999	1
-	20 L80010K11		ATTACHING PARTS .BOLT- SUPPLIER CODE: V06725 SPECIFICATION NUMBER: BACB30MY10K11 OPTIONAL PART: BACB30VT10K11	002004 006999	2
-	20 HST10AG10-11		.BOLT- SUPPLIER CODE: VOPTK6 SPECIFICATION NUMBER: BACB30VT10K11 OPTIONAL PART: HST10AG10-11 V06725 HST10AG10-11 V56878 HST10AG10-11 V73197 WC10K10-11 V60516 BACB30MY10K11	101106 108120 504903	2
-	25 TLN12045		.NUT- SUPPLIER CODE: V97928 SPECIFICATION NUMBER: BACN10WM5 OPTIONAL PART: LH10114B5 V72962 MN155 V73197 VN18615 V92215 H49702-5S V15653 W8505 V08524 H497025 V15653 BACC30BP10	002004 006999	2

MISSING ITEM NUMBERS NOT APPLICABLE

- ITEM NOT ILLUSTRATED

BRI

27-51-30-01

27-51-30  
FIG. 01  
PAGE 3  
JAN 20/09



757

PARTS CATALOG (MAINTENANCE)

FIG ITEM	PART NUMBER	1 2 3 4 5 6 7	NOMENCLATURE	EFFECT FROM TO	UNITS PER ASSY
1 - 25	VLC771-10		.COLLAR- SUPPLIER CODE: V5M902 SPECIFICATION NUMBER: BACC30BP10 OPTIONAL PART: HST771-10 V73197 BACN10WM5 -----*-----	101106 108120 504903	2
30	MS16625-1087		..RING	002004 006999	1
35	BACB10EP06C		..BEARING	002004 006999	1
40	113N1760-3		..FITTING- POSITION DATA: LH SIDE USED ON: 113N1760-1	002004 006999	1
42	113N1778-3		..FITTING- POSITION DATA: RH SIDE USED ON: 113N1778-1 113N1778-7	002004 006999	1
45	113N1760-4		..FITTING- POSITION DATA: RH SIDE USED ON: 113N1760-2	002004 006999	1
46	113N1778-4		..FITTING- POSITION DATA: LH SIDE USED ON: 113N1778-2 113N1778-8	002004 006999	1
47	740A20-6		.JUMPER ASSY SUPPLIER CODE: V91812 SPECIFICATION NUMBER: BACJ40A20-6 OPTIONAL PART: TJEJ40A20-6 V33483 RBEJ20-6 V1GK47	002004 006999	2
48	NAS6703-3		ATTACHING PARTS .BOLT-	002004 006999	2

MISSING ITEM NUMBERS NOT APPLICABLE

- ITEM NOT ILLUSTRATED

27-51-30-01

27-51-30  
FIG. 01  
PAGE 4  
JAN 20/09

BRI

BOEING PROPRIETARY - Copyright © - Unpublished Work - See title page for details.



757

PARTS CATALOG (MAINTENANCE)

FIG ITEM	PART NUMBER	1 2 3 4 5 6 7	NOMENCLATURE	EFFECT FROM TO	UNITS PER ASSY
1					
49	NAS6703-6	.	BOLT-	002004 006999	2
50	AN960JD10L	.	WASHER	002004 006100 107107 121503 904999	12
50	NAS1149D0332J	.	WASHER	101106 108120 504903	12
51	BRH10C3D	.	NUT SUPPLIER CODE: V52828 SPECIFICATION NUMBER: BACN10JC3CD OPTIONAL PART: T6C1032JCD V11815 NS202486-02 V80539 102LH9075-3W V72962 H51650-3BAC V15653 -----*-----	002004 006999	4
53	NAS6703-6	.	BOLT-	002004 006999	2
55	BACW10BN3AP	.	WASHER- POSITION DATA: UNDER NUT	002004 006999	2
60	BRH10C3D	.	NUT SUPPLIER CODE: V52828 SPECIFICATION NUMBER: BACN10JC3CD OPTIONAL PART: T6C1032JCD V11815 NS202486-02 V80539 102LH9075-3W V72962 H51650-3BAC V15653	002004 006999	2
65	BACB30MR6K20	.	BOLT	002004 006999	2
70	BACW10BP6CD	.	WASHER	002004 006999	2
75	113N1774-2	.	WASHER-	904949	1

MISSING ITEM NUMBERS NOT APPLICABLE

- ITEM NOT ILLUSTRATED

27-51-30-01

27-51-30  
FIG. 01  
PAGE 5  
JAN 20/09

BRI



757

PARTS CATALOG (MAINTENANCE)

FIG ITEM	PART NUMBER	1 2 3 4 5 6 7	NOMENCLATURE	EFFECT FROM TO	UNITS PER ASSY
1					
75	113N1774-4	.	WASHER-	002004 006106 108903 950999	1
80	113N1774-1	.	WASHER-	904949	3
80	113N1774-3	.	WASHER-	002004 006106 108903 950999	3
85	NAS1805-6L	.	NUT-	002004 006999	2
90	BACB30LJ4-7	.	BOLT	002004 006999	2
95	BACW10BN4AP	.	WASHER	002004 006999	2
100	BRH10C4D	.	NUT SUPPLIER CODE: V52828 SPECIFICATION NUMBER: BACN10JC4CD OPTIONAL PART: T6C428JCD V11815 NS202486-048 V80539 102LH9075-4W V72962 H51650-4BAC V15653	002004 006999	2
105	BACB30VF3K7	.	BOLT-	002004 006999	2
110	BACW10BN3AP	.	WASHER	002004 006999	2
115	BRH10C3D	.	NUT SUPPLIER CODE: V52828 SPECIFICATION NUMBER: BACN10JC3CD OPTIONAL PART: T6C1032JCD V11815 NS202486-02 V80539 102LH9075-3W V72962 H51650-3BAC V15653	002004 006999	2
120	113N1772-1	.	SHIM	002004 006999	AR

MISSING ITEM NUMBERS NOT APPLICABLE

- ITEM NOT ILLUSTRATED

BRI

27-51-30-01

27-51-30  
FIG. 01  
PAGE 6  
JAN 20/09



757

PARTS CATALOG (MAINTENANCE)

FIG ITEM	PART NUMBER	1 2 3 4 5 6 7	NOMENCLATURE	EFFECT FROM TO	UNITS PER ASSY
1					
125	113N1772-2	.	SHIM	002004 006999	AR
130	113N1772-3	.	SHIM	002004 006999	AR
135	113N1772-4	.	SHIM	002004 006999	AR
140	113N1756-1	.	FITTING ASSY-SPRT POSITION DATA: LH SIDE OPTIONAL PART: 113N1795-1	002004 006999	1
140	113N1795-1	.	FITTING ASSY-SPRT POSITION DATA: LH SIDE	002004 006999	1
- 145	113N1756-2	.	FITTING ASSY-SPRT POSITION DATA: RH SIDE OPTIONAL PART: 113N1795-2	002004 006999	1
- 145	113N1795-2	.	FITTING ASSY-SPRT POSITION DATA: RH SIDE	002004 006999	1
150	L8008K13	.	BOLT- ATTACHING PARTS SUPPLIER CODE: V06725 SPECIFICATION NUMBER: BACB30MY8K13 OPTIONAL PART: BACB30VT8K13	002004 006999	2
150	HST10AG8-13	.	BOLT- SUPPLIER CODE: VOPTK6 SPECIFICATION NUMBER: BACB30VT8K13 OPTIONAL PART: HST10AG8-13 V06725 HST10AG8-13 V56878 HST10AG8-13 V73197 WC10K8-13 V60516 BACB30MY8K13	101106 108120 504903	2

MISSING ITEM NUMBERS NOT APPLICABLE

- ITEM NOT ILLUSTRATED

27-51-30-01

27-51-30  
FIG. 01  
PAGE 7  
JAN 20/09

BRI



757

PARTS CATALOG (MAINTENANCE)

FIG ITEM	PART NUMBER	1 2 3 4 5 6 7	NOMENCLATURE	EFFECT FROM TO	UNITS PER ASSY
1 155	L8008K12		.BOLT- SUPPLIER CODE: V06725 SPECIFICATION NUMBER: BACB30MY8K12 OPTIONAL PART: BACB30VT8K12	002004 006999	2
155	HST10AG8-12		.BOLT- SUPPLIER CODE: VOPTK6 SPECIFICATION NUMBER: BACB30VT8K12 OPTIONAL PART: HST10AG8-12 V06725 HST10AG8-12 V56878 HST10AG8-12 V73197 WC10K8-12 V60516 BACB30MY8K12	101106 108120 504903	2
160	HL82-8APBW		.COLLAR- SUPPLIER CODE: V5M902 SPECIFICATION NUMBER: BACC30AG8 OPTIONAL PART: HL82-8APBW V92215 HL82-8APBW V56878 HL82-8APBW V73197 -----*-----	002004 006999	4
165	113N1762-1		..PLATE-SERRATED POSITION DATA: LH SIDE	002004 006999	1
- 167	113N1762-2		..PLATE-SERRATED POSITION DATA: RH SIDE	002004 006999	1

MISSING ITEM NUMBERS NOT APPLICABLE

- ITEM NOT ILLUSTRATED

BRI

27-51-30-01

27-51-30  
FIG. 01  
PAGE 8  
JAN 20/09

 **BOEING**  
757  
**PARTS CATALOG (MAINTENANCE)**

FIG ITEM	PART NUMBER	1 2 3 4 5 6 7	NOMENCLATURE	EFFECT FROM TO	UNITS PER ASSY
1			ATTACHING PARTS		
- 175	HL11VAZ6-3	..	BOLT SUPPLIER CODE: V60516 SPECIFICATION NUMBER: BACB30NW6K3 OPTIONAL PART: B30NW6K3 V97928 HL11VAZ6-3 V73197 HL11VAZ6-3 V92215 HL11VAZ6-3 V97928 L803-6K3 V06725 HL11VAZ6-3 V0PTK6 HL11VAZ6-3 V56878	002004 006999	4
- 180	HL79-6	..	COLLAR SUPPLIER CODE: V5M902 SPECIFICATION NUMBER: BACC30M6 OPTIONAL PART: HL79-6 V73197 HL79-6 V92215 66014-6 V56878 HL79-6 V56878	002004 006999	4
185	113N1756-3	..	FITTING- POSITION DATA: LH SIDE USED ON: 113N1756-1	002004 006999	1
185	113N1795-3	..	FITTING- POSITION DATA: LH SIDE USED ON: 113N1795-1	002004 006999	1

MISSING ITEM NUMBERS NOT APPLICABLE

- ITEM NOT ILLUSTRATED

BRI

# 27-51-30-01

BOEING PROPRIETARY - Copyright © - Unpublished Work - See title page for details.

27-51-30  
FIG. 01  
PAGE 9  
JAN 20/09





757

PARTS CATALOG (MAINTENANCE)

FIG ITEM	PART NUMBER	1 2 3 4 5 6 7	NOMENCLATURE	EFFECT FROM TO	UNITS PER ASSY
1					
- 190	113N1756-4	..	FITTING- POSITION DATA: RH SIDE USED ON: 113N1756-2	002004 006999	1
- 190	113N1795-4	..	FITTING- POSITION DATA: RH SIDE USED ON: 113N1795-2	002004 006999	1
193	BACS40R011B022F	.	SHIM	002004 006100 121503 904999	1
195	BRH10C6D	.	NUT SUPPLIER CODE: V52828 SPECIFICATION NUMBER: BACN10JC6CD OPTIONAL PART: H51650-6BAC V15653	002004 006999	2
200	BACW10BP6CD	.	WASHER-	002004 006010 107107 121503 904999	2
200	BACW10BN6SP	.	WASHER-	011100	2
205	113N1773-1	.	FITTING ASSY-SPRT POSITION DATA: FWD LH SIDE	002004 006999	1
205	113N1796-1	.	FITTING ASSY-SPRT POSITION DATA: FWD LH SIDE	002004 006999	1
- 210	113N1773-2	.	FITTING ASSY-SPRT POSITION DATA: FWD RH SIDE	002004 006999	1
- 210	113N1796-2	.	FITTING ASSY-SPRT POSITION DATA: FWD RH SIDE	002004 006999	1
215	113N1759-2	..	BOLT	002004 006999	2
220	BACW10BN6SP	..	WASHER	002004 006999	2

MISSING ITEM NUMBERS NOT APPLICABLE

- ITEM NOT ILLUSTRATED

BRI

27-51-30-01

BOEING PROPRIETARY - Copyright © - Unpublished Work - See title page for details.

27-51-30  
FIG. 01  
PAGE 10  
JAN 20/09



757

PARTS CATALOG (MAINTENANCE)

FIG ITEM	PART NUMBER	1 2 3 4 5 6 7	NOMENCLATURE	EFFECT FROM TO	UNITS PER ASSY
1 225	BRH10A6		..NUT SUPPLIER CODE: V52828 SPECIFICATION NUMBER: BACN10JC6 OPTIONAL PART: 96-064 V80539 RMLH9075-6 V72962 H10-6BAC V15653	002004 006999	2
230	113N1768-1		..FITTING- POSITION DATA: LH SIDE USED ON: 113N1773-1	002004 006999	1
230	113N1796-3		..FITTING- POSITION DATA: LH SIDE USED ON: 113N1796-1	002004 006999	1
- 235	113N1768-2		..FITTING- POSITION DATA: RH SIDE USED ON: 113N1773-2	002004 006999	1
- 235	113N1796-4		..FITTING- POSITION DATA: RH SIDE USED ON: 113N1796-2	002004 006999	1
240	BACB30NN3K9		.BOLT- POST SERVICE BULLETIN: 57-0026	002004 107107 121503 904949 952952	2
240	BACB30NN4K8		.BOLT-	006106 108120 504903 950951 953999	2
245	BACW10DM6		.WASHER-	107107	2
245	BACW10BP3DP		.WASHER-	002004 006100 121503 904999	2
246	113N1750-3		.SHIM	002004 006999	1

MISSING ITEM NUMBERS NOT APPLICABLE

- ITEM NOT ILLUSTRATED

27-51-30-01

27-51-30  
FIG. 01  
PAGE 11  
JAN 20/09

BRI

BOEING PROPRIETARY - Copyright © - Unpublished Work - See title page for details.



757

PARTS CATALOG (MAINTENANCE)

FIG ITEM	PART NUMBER	1 2 3 4 5 6 7	NOMENCLATURE	EFFECT FROM TO	UNITS PER ASSY
1					
248	113N1750-5	.	SHIM	002004 006999	1
249	NAS1805-3L	.	NUT- POST SERVICE BULLETIN: 57-0026	002004 006999	2
251	113N7002-2	.	PLATE-RETENTION QUALIFIED I/W DATA: -3 IS I/W -2 AT INBOARD LOCATION ONLY	002004 121503 904949 952952	2
251	113N7002-3	.	PLATE-RETENTION QUALIFIED I/W DATA: -3 IS I/W -2 AT INBOARD LOCATION ONLY	006106 108120 504903 950951 953999	2
251	113N7002-1	.	PLATE-RETENTION POST SERVICE BULLETIN: 57-0026	107107	2
253	113N1767-3	.	FITTING- POSITION DATA: LH SIDE	002004 006999	1
- 255	113N1767-4	.	FITTING- POSITION DATA: RH SIDE ATTACHING PARTS	002004 006999	1
260	L8008K9	.	BOLT SUPPLIER CODE: V06725 SPECIFICATION NUMBER: BACB30MY8K9	002004 006999	2
265	HL79-8	.	COLLAR SUPPLIER CODE: V5M902 SPECIFICATION NUMBER: BACC30M8 OPTIONAL PART: HL79-8 V73197 HL79-8 V92215 66014-8 V56878 HL79-8 V56878	002004 006999	2
280	BACB30NN4K7	-----*	BOLT- POST SERVICE BULLETIN: 57-0026	107107	2

MISSING ITEM NUMBERS NOT APPLICABLE

- ITEM NOT ILLUSTRATED

BRI

27-51-30-01

27-51-30  
FIG. 01  
PAGE 12  
JAN 20/09



757

PARTS CATALOG (MAINTENANCE)

FIG ITEM	PART NUMBER	1 2 3 4 5 6 7	NOMENCLATURE	EFFECT FROM TO	UNITS PER ASSY
1					
280	BACB30NN4K9	.	BOLT-	002004 006100 121503 904999	2
285	BACW10BP4DP	.	WASHER- POST SERVICE BULLETIN: 57-0026	002004 006999	2
287	NAS1805-4L	.	NUT- POST SERVICE BULLETIN: 57-0026	002004 006999	2
290	113N1750-4	.	SHIM	002004 006999	1
295	113N1750-6	.	SHIM	002004 006999	1
300	BACB30LE4-9	.	BOLT- SERVICE BULLETIN OPT DATA: BACB30JQ4-10 POST SERVICE BULLETIN: 57-0026	107107	8
300	BACB30JQ4-10	.	BOLT- SERVICE BULLETIN OPT DATA: BACB30LE4-9 POST SERVICE BULLETIN: 57-0026R1	107107	8
301	BACB30LE6-9	.	BOLT	002004 006100 121503 904999	2
302	BACB30LE6-11	.	BOLT	002004 006100 121503 904999	2
303	BACW10BP4CD	.	WASHER- POSITION DATA: UNDER BOLT POST SERVICE BULLETIN: 57-0026	107107	8
304	BACW10BP6CD	.	WASHER	002004 006106 108999	4
305	BACW10BP4DP	.	WASHER- POST SERVICE BULLETIN: 57-0026	107107	8
306	BACW10BP6DP	.	WASHER	002004 006106 108999	4

MISSING ITEM NUMBERS NOT APPLICABLE

- ITEM NOT ILLUSTRATED

BRI

27-51-30-01

27-51-30  
FIG. 01  
PAGE 13  
JAN 20/09



757

PARTS CATALOG (MAINTENANCE)

FIG ITEM	PART NUMBER	1 2 3 4 5 6 7	NOMENCLATURE	EFFECT FROM TO	UNITS PER ASSY
1 306B	BMN5024CWD34	.NUT-	SUPPLIER CODE: V97928 SPECIFICATION NUMBER: BACN10HR4CD OPTIONAL PART: H51560-4 V15653 102CH9031-4 V72962 SL7108C428 V11815 67832CD428 V56878 BMN5024CWD3-4 V97928 BH00303CM4 V27238 SL7108C4 V11815 VCU0005D4 V06710 102LH90314 V72962 67832CD4 V56878 H964CD V15653 RMLH224CD V72962 VAL280094CD V06710 678324CD V56878 CR6030-4 VF0224 RMLH224CD V72962 VAL280094CD V06710 678324CD V56878 BMN5024CWD34 V97928 POST SERVICE BULLETIN: 57-0026	107107	4

MISSING ITEM NUMBERS NOT APPLICABLE

- ITEM NOT ILLUSTRATED

27-51-30-01

27-51-30  
FIG. 01  
PAGE 14  
JAN 20/09

BRI



757

PARTS CATALOG (MAINTENANCE)

FIG ITEM	PART NUMBER	1 2 3 4 5 6 7	NOMENCLATURE	EFFECT FROM TO	UNITS PER ASSY
1 306C	BMN10HRCWD3-6	.	NUT-	002004	4
			SUPPLIER CODE: V97928 SPECIFICATION NUMBER: BACN10HR6CD OPTIONAL PART: H51560-6 V15653 67832CD624 V56878 102LH9031-6 V72962 BH00303CM6 V27238 SL7108C624 V11815 BMN5024CWD36 V97928 SL7108C6 V11815 102LH90316 V72962 67832CD6 V56878 VCU0005D6 V06710 CR60306 VF0224 CR60306 VF0224	006106 108999	
306D	BRF100C4D	.	NUTPLATE	107107	6
			SUPPLIER CODE: V52828 SPECIFICATION NUMBER: BACN10KB4CFD OPTIONAL PART: NS202478-048 V80539 102F9207P4 V72962 F51604-4 V15653		

MISSING ITEM NUMBERS NOT APPLICABLE

- ITEM NOT ILLUSTRATED

BRI

27-51-30-01

BOEING PROPRIETARY - Copyright © - Unpublished Work - See title page for details.

27-51-30  
FIG. 01  
PAGE 15  
MAY 20/09



757

PARTS CATALOG (MAINTENANCE)

FIG ITEM	PART NUMBER	1 2 3 4 5 6 7	NOMENCLATURE	EFFECT FROM TO	UNITS PER ASSY
1			ATTACHING PARTS		
-306E	AF5141-3C6		.RIVET- SUPPLIER CODE: V53551 SPECIFICATION NUMBER: BACR15DR3AC6 OPTIONAL PART: CCR264CS3-6IT V11815 RV541A3C6 V98996 SIZE DETERMINED ON INSTL. -----*-----	107107	12
306F	BRF200C4D		.NUTPLATE SUPPLIER CODE: V52828 SPECIFICATION NUMBER: BACN10JR4CFD OPTIONAL PART: K51602-4BAC V15653 NS202476-048 V80539 102F9201-4 V72962 T8092C428CD V11815	107107	2
-306G	AF5141-3C6		ATTACHING PARTS .RIVET- SUPPLIER CODE: V53551 SPECIFICATION NUMBER: BACR15DR3AC6 OPTIONAL PART: CCR264CS3-6IT V11815 RV541A3C6 V98996 SIZE DETERMINED ON INSTL. -----*-----	107107	4
307A	113N1885-1		.PLATE- POST SERVICE BULLETIN: 57-0026	107107	1
309	BACS40R22F22F		.SHIM	107107	1
309A	BACS40R22F33F		.SHIM	107107	1
310	113N1750-10		.FILLER-RADIUS	107107	2
310	113N1750-13		.FILLER-RADIUS	002004 006106 108999	2

MISSING ITEM NUMBERS NOT APPLICABLE

- ITEM NOT ILLUSTRATED

27-51-30-01

27-51-30  
FIG. 01  
PAGE 16  
JAN 20/09

BRI



757

PARTS CATALOG (MAINTENANCE)

FIG ITEM	PART NUMBER	1 2 3 4 5 6 7	NOMENCLATURE	EFFECT FROM TO	UNITS PER ASSY
1 315	113N1751-1		. FAIRING ASSY- POSITION DATA: FWD LH SIDE COMPONENT MAINT MANUAL REF: 57-26-35 QUALIFIED I/W DATA: 113N1751-39 MAY REPLACE 113N1751-1 FOR EAA ONLY	107107	1
315	113N1751-41		. FAIRING ASSY- POSITION DATA: FWD LH SIDE COMPONENT MAINT MANUAL REF: 57-26-35	107107	1
315	113N1751-91SP		. FAIRING ASSY- POSITION DATA: FWD LH SIDE	002004 006100 121503 904999	1
315	113N1751-93SP		. FAIRING ASSY- POSITION DATA: FWD LH SIDE	002004 006100 121503 904999	1
315	113N1751-45		. FAIRING ASSY- POSITION DATA: FWD LH SIDE COMPONENT MAINT MANUAL REF: 57-26-35 QUALIFIED I/W DATA: -53 MAY REPLACE -45 FOR NWA NCO01C050 ONLY	107107	1
315	113N1751-49		. FAIRING ASSY- POSITION DATA: FWD LH SIDE COMPONENT MAINT MANUAL REF: 57-26-35 QUALIFIED I/W DATA: -55 MAY REPLACE -49 FOR NWA NCO04C050 ONLY	107107	1
315	113N1751-57		. FAIRING ASSY- POSITION DATA: FWD LH SIDE COMPONENT MAINT MANUAL REF: 57-26-35 QUALIFIED I/W DATA: -89SP I/W -57 SUBJECT TO COLOR PREFERENCE	107107	1

MISSING ITEM NUMBERS NOT APPLICABLE

- ITEM NOT ILLUSTRATED

**27-51-30-01**

27-51-30  
FIG. 01  
PAGE 17  
JAN 20/09

BRI





757

PARTS CATALOG (MAINTENANCE)

FIG ITEM	PART NUMBER	1 2 3 4 5 6 7	NOMENCLATURE	EFFECT FROM TO	UNITS PER ASSY
1 315	113N1751-89SP		.FAIRING ASSY- POSITION DATA: FWD LH SIDE QUALIFIED I/W DATA: -89SP I/W -57 OR -59 OR -61 SUBJECT TO COLOR PREFERENCE	002004 006100 121503 904999	1
- 320	113N1751-2		.FAIRING ASSY- POSITION DATA: FWD RH SIDE COMPONENT MAINT MANUAL REF: 57-26-35 QUALIFIED I/W DATA: 113N1751-40 MAY REPLACE 113N1751-2 FOR EAA ONLY	107107	1
- 320	113N1751-42		.FAIRING ASSY- POSITION DATA: FWD RH SIDE COMPONENT MAINT MANUAL REF: 57-26-35	107107	1
- 320	113N1751-92SP		.FAIRING ASSY- POSITION DATA: FWD RH SIDE	002004 006100 121503 904999	1
- 320	113N1751-94SP		.FAIRING ASSY- POSITION DATA: FWD RH SIDE	002004 006100 121503 904999	1
- 320	113N1751-46		.FAIRING ASSY- POSITION DATA: RH SIDE COMPONENT MAINT MANUAL REF: 57-26-35 QUALIFIED I/W DATA: -54 MAY REPLACE -46 FOR NWA NCO01C003 ONLY	107107	1
- 320	113N1751-50		.FAIRING ASSY- POSITION DATA: RH SIDE COMPONENT MAINT MANUAL REF: 57-26-35 QUALIFIED I/W DATA: -56 MAY REPLACE -50 FOR NWA NCO04C050	107107	1

MISSING ITEM NUMBERS NOT APPLICABLE

- ITEM NOT ILLUSTRATED

27-51-30-01

27-51-30  
FIG. 01  
PAGE 18  
JAN 20/09

BRI



757

PARTS CATALOG (MAINTENANCE)

FIG ITEM	PART NUMBER	1 2 3 4 5 6 7	NOMENCLATURE	EFFECT FROM TO	UNITS PER ASSY
1					
- 320	113N1751-58		. FAIRING ASSY- POSITION DATA: RH SIDE COMPONENT MAINT MANUAL REF: 57-26-35 QUALIFIED I/W DATA: -90SP I/W -58 SUBJECT TO COLOR PREFERENCE	107107	1
- 320	113N1751-90SP		. FAIRING ASSY- POSITION DATA: FWD RH SIDE QUALIFIED I/W DATA: -90SP I/W -58 OR -60 OR -62 SUBJECT TO COLOR PREFERENCE	002004 006100 121503 904999	1
322	BRH10C6D		.. NUT SUPPLIER CODE: V52828 SPECIFICATION NUMBER: BACN10JC6CD OPTIONAL PART: H51650-6BAC V15653	002004 006100 107107 121503 904999	2
323	AN960KD616		.. WASHER	002004 006100 107107 121503 904999	2
325	113N1770-1		.. PIN	002004 006100 107107 121503 904999	2
326	BACB30LR3K5		.. BOLT	107107	5
327	BACW10P5C		.. WASHER	107107	5
328	BRH10C3D		.. NUT SUPPLIER CODE: V52828 SPECIFICATION NUMBER: BACN10JC3CD OPTIONAL PART: T6C1032JCD V11815 NS202486-02 V80539 102LH9075-3W V72962 H51650-3BAC V15653	107107	5

MISSING ITEM NUMBERS NOT APPLICABLE

- ITEM NOT ILLUSTRATED

27-51-30-01

27-51-30  
FIG. 01  
PAGE 19  
JAN 20/09

BRI



757

PARTS CATALOG (MAINTENANCE)

FIG ITEM	PART NUMBER	1 2 3 4 5 6 7	NOMENCLATURE	EFFECT FROM TO	UNITS PER ASSY
1					
329	113N1751-19		..RETAINER- POSITION DATA: LH SIDE	107107	1
- 330	113N1751-20		..RETAINER- POSITION DATA: RH SIDE	107107	1
343	10-60754-663		..SEAL-	002004 006100 107107 121503 904999	1
370	113N1758-1		..PIN-	002004 006100 107107 121503 904999	1
370	113N1758-2		..PIN-	002004 006100 107107 121503 904999	1
370	113N1758-3		..PIN-	002004 006100 107107 121503 904999	1
370	113N1758-4		..PIN-	002004 006100 107107 121503 904999	1
372	BACN10JC7CD		..NUT	002004 006100 107107 121503 904999	1
373	AN960KD716		..WASHER	002004 006100 107107 121503 904999	1
385	113N1751-7		..SEAL- MANUFACTURED FROM: EXTR RUBBER BAC1521-671 X 82.0 IN.	002004 006100 107107 121503 904999	1

MISSING ITEM NUMBERS NOT APPLICABLE

- ITEM NOT ILLUSTRATED

BRI

27-51-30-01

BOEING PROPRIETARY - Copyright © - Unpublished Work - See title page for details.

27-51-30  
FIG. 01  
PAGE 20  
JAN 20/09



757

PARTS CATALOG (MAINTENANCE)

FIG ITEM	PART NUMBER	1 2 3 4 5 6 7	NOMENCLATURE	EFFECT FROM TO	UNITS PER ASSY
1					
390	113N1751-8	..	SEAL- MANUFACTURED FROM: EXTR RUBBER BAC1521-671 X 82.0 IN.	002004 006100 107107 121503 904999	1
410	113N1754-1	..	FRAME ASSY-(LH SIDE)	002004 006100 107107 121503 904999	1
426	BACB30LR3K4	..	BOLT	002004 006100 107107 121503 904999	10
427	BACW10P5C	..	WASHER	002004 006100 107107 121503 904999	10
427A	BRH10C3D	..	NUT SUPPLIER CODE: V52828 SPECIFICATION NUMBER: BACN10JC3CD OPTIONAL PART: T6C1032JCD V11815 NS202486-02 V80539 102LH9075-3W V72962 H51650-3BAC V15653	002004 006100 107107 121503 904999	10
428	113N1751-9	..	RETAINER- POSITION DATA: LH SIDE	002004 006100 107107 121503 904999	1
-428A	113N1751-10	..	RETAINER- POSITION DATA: RH SIDE	002004 006100 107107 121503 904999	1
429	113N1751-11	..	RETAINER- POSITION DATA: LH SIDE	002004 006100 107107 121503 904999	1

MISSING ITEM NUMBERS NOT APPLICABLE

- ITEM NOT ILLUSTRATED

27-51-30-01

27-51-30  
FIG. 01  
PAGE 21  
JAN 20/09

BRI

BOEING PROPRIETARY - Copyright © - Unpublished Work - See title page for details.

**BOEING**  
757  
**PARTS CATALOG (MAINTENANCE)**

FIG ITEM	PART NUMBER	1 2 3 4 5 6 7	NOMENCLATURE	EFFECT FROM TO	UNITS PER ASSY
1 -429A	113N1751-12		..RETAINER- POSITION DATA: RH SIDE	002004 006100 107107 121503 904999	1
430	113N1751-13		..SEAL	002004 006100 107107 121503 904999	1
435	113N1751-14		..SEAL- MANUFACTURED FROM: EXTR RUBBER 10-60754-32 X 13.0 IN.	002004 006100 107107 121503 904999	1
436	BACB30LR3K5		..BOLT-	107107	15
436	BACB30LR3K4		..BOLT-	002004 006100 103106 121503 904999	15
437	5673-665		..SEAL- SUPPLIER CODE: V11960 POSITION DATA: LH SIDE SPECIFICATION NUMBER: 10-60754-665 OPTIONAL PART: SF15-103-665 V50744	002004 006100 107107 121503 904999	1
437	SF15-103-665		..SEAL- SUPPLIER CODE: V50744 POSITION DATA: LH SIDE SPECIFICATION NUMBER: 10-60754-665 OPTIONAL PART: 5673-665 V11960	002004 006100 107107 121503 904999	1

MISSING ITEM NUMBERS NOT APPLICABLE

- ITEM NOT ILLUSTRATED

BRI

# 27-51-30-01

BOEING PROPRIETARY - Copyright © - Unpublished Work - See title page for details.

27-51-30  
FIG. 01  
PAGE 22  
JAN 20/09

 **BOEING**  
757  
**PARTS CATALOG (MAINTENANCE)**

FIG ITEM	PART NUMBER	1 2 3 4 5 6 7	NOMENCLATURE	EFFECT FROM TO	UNITS PER ASSY
1					
- 442	5673-666	..	SEAL- SUPPLIER CODE: V11960 POSITION DATA: RH SIDE SPECIFICATION NUMBER: 10-60754-666 OPTIONAL PART: SF15-103-666 V50744	002004 006100 107107 121503 904999	1
- 442	SF15-103-666	..	SEAL- SUPPLIER CODE: V50744 POSITION DATA: RH SIDE SPECIFICATION NUMBER: 10-60754-666 OPTIONAL PART: 5673-666 V11960	002004 006100 107107 121503 904999	1
448	113N1967-1	..	RETAINER ASSY- POSITION DATA: LH SIDE	002004 006100 107107 121503 904999	1
- 449	113N1967-2	..	RETAINER ASSY- POSITION DATA: RH SIDE	002004 006100 107107 121503 904999	1
449A	113N1967-3	...	RETAINER- POSITION DATA: LH SIDE	002004 006100 107107 121503 904999	1
-449B	113N1967-4	...	RETAINER- POSITION DATA: RH SIDE	002004 006100 107107 121503 904999	1
453	10-60754-664	..	SEAL-	002004 006100 107107 121503 904999	1

MISSING ITEM NUMBERS NOT APPLICABLE

- ITEM NOT ILLUSTRATED

BRI

# 27-51-30-01

BOEING PROPRIETARY - Copyright © - Unpublished Work - See title page for details.

27-51-30  
FIG. 01  
PAGE 23  
JAN 20/09



757

PARTS CATALOG (MAINTENANCE)

FIG ITEM	PART NUMBER	1 2 3 4 5 6 7	NOMENCLATURE	EFFECT FROM TO	UNITS PER ASSY
1 460	113N1753-11		..COVER-ACCESS POSITION DATA: LH SIDE	002004 006100 107107 121503 904999	1
- 465	113N1753-12		..COVER-ACCESS POSITION DATA: RH SIDE	002004 006100 107107 121503 904999	1
- 470	BACB30LR3U4		ATTACHING PARTS ..BOLT	002004 006100 107107 121503 904999	8
475	113N1753-13		-----*----- ..COVER-ACCESS	002004 006100 107107 121503 904999	1
- 477	BACB30LR3U4		ATTACHING PARTS ..BOLT	002004 006100 107107 121503 904999	4
480	113N1752-1		-----*----- .FAIRING ASSY- POSITION DATA: AFT LH SIDE COMPONENT MAINT MANUAL REF: 57-26-41	107107	1
480	113N1752-29		.FAIRING ASSY- POSITION DATA: AFT LH SIDE COMPONENT MAINT MANUAL REF: 57-26-41	107107	1
480	113N1752-35		.FAIRING ASSY- POSITION DATA: AFT LH SIDE COMPONENT MAINT MANUAL REF: 57-26-41 POST SERVICE BULLETIN: 57-0026	107107	1

MISSING ITEM NUMBERS NOT APPLICABLE

- ITEM NOT ILLUSTRATED

27-51-30-01

27-51-30  
FIG. 01  
PAGE 24  
JAN 20/09

BRI

BOEING PROPRIETARY - Copyright © - Unpublished Work - See title page for details.



757

PARTS CATALOG (MAINTENANCE)

FIG ITEM	PART NUMBER	1 2 3 4 5 6 7	NOMENCLATURE	EFFECT FROM TO	UNITS PER ASSY
1 480	113N1752-41		. FAIRING ASSY- POSITION DATA: AFT LH SIDE COMPONENT MAINT MANUAL REF: 57-26-41	107107	1
480	113N1752-47		. FAIRING ASSY- POSITION DATA: AFT LH SIDE COMPONENT MAINT MANUAL REF: 57-26-41	107107	1
480	113N1752-55		. FAIRING ASSY- POSITION DATA: AFT LH SIDE COMPONENT MAINT MANUAL REF: 57-26-41 QUALIFIED I/W DATA: -69 I/W -55 OR -67 IF ATTACH HOLES ON AFT BULKHEAD COMMON TO MAINFLAP (M.F. STA 227.28 & M.F. STA 235.10) ARE UNDRILLED -91SP OR -89SP MAY REPLACE -67 OR -55 IF ATTACH HOLES OF AFT BULKHEAD C/T MAIN FLAP (M.F. STA 227.28 & M.F. STA 235.10) ARE UNDRILLED -85SP OR -83SP MAY REPLACE -67 OR -55 IF ATTACH HOLES OF AFT BULKHEAD C/T MAIN FLAP (M.F. STA 227.28 & M.F. STA 235.10) ARE UNDRILLED -81SP OR -79SP MAY REPLACE -67 OR -55 IF ATTACH HOLES OF AFT BULKHEAD C/T MAIN FLAP (M.F. STA 227.28 & M.F. STA 235.10) ARE UNDRILLED	107107	1

MISSING ITEM NUMBERS NOT APPLICABLE

- ITEM NOT ILLUSTRATED

BRI

27-51-30-01

27-51-30  
FIG. 01  
PAGE 25  
JAN 20/09





757

PARTS CATALOG (MAINTENANCE)

FIG ITEM	PART NUMBER	1 2 3 4 5 6 7	NOMENCLATURE	EFFECT FROM TO	UNITS PER ASSY
1 480	113N1752-67		. FAIRING ASSY- POSITION DATA: AFT LH SIDE COMPONENT MAINT MANUAL REF: 57-26-41 QUALIFIED I/W DATA: -69 I/W -67 OR 55 IF ATTACH HOLES ON AFT BULKHEAD C/T MAINFLAP (M.F. STA 227.28 & M.F. STA 235.10) ARE UNDRILLED -91SP OR -89SP MAY REPLACE -67 OR -55 IF ATTACH HOLES OF AFT BULKHEAD C/T MAIN FLAP (M.F. STA 227.28 & M.F. STA 235.10) ARE UNDRILLED -85SP OR -83SP MAY REPLACE -67 OR -55 IF ATTACH HOLES OF AFT BULKHEAD C/T MAIN FLAP (M.F. STA 227.28 & M.F. STA 235.10) ARE UNDRILLED -69 I/W OR -67 OR -55 IF ATTACH HOLES OF AFT BULKHEAD C/T MAINFLAP (M.F. STA 227.28 & M.F. STA 235.10) ARE UNDRILLED	107107	1
480	113N1752-69		. FAIRING ASSY- POSITION DATA: AFT LH SIDE COMPONENT MAINT MANUAL REF: 57-26-41 QUALIFIED I/W DATA: -69 I/W -55 OR -67 IF ATTACH HOLES OF AFT BULKHEAD COMMON TO MAIN FLAP (M.F. STA 227.28 & M.F. 235.10) ARE UNDRILLED	107107	1

MISSING ITEM NUMBERS NOT APPLICABLE

- ITEM NOT ILLUSTRATED

BRI

27-51-30-01

BOEING PROPRIETARY - Copyright © - Unpublished Work - See title page for details.

27-51-30  
FIG. 01  
PAGE 26  
JAN 20/09



757

PARTS CATALOG (MAINTENANCE)

FIG ITEM	PART NUMBER	1 2 3 4 5 6 7	NOMENCLATURE	EFFECT FROM TO	UNITS PER ASSY
1 481	113N1752-79SP		. FAIRING ASSY- POSITION DATA: AFT LH SIDE COMPONENT MAINT MANUAL REF: 57-26-41 QUALIFIED I/W DATA: -81SP OR -79SP MAY REPLACE -67 OR -55 IF ATTACH HOLES OF AFT BULKHEAD C/T MAIN FLAP (M.F. STA 227.28 & M.F. STA 235.10) ARE UNDRILLED -79SP I/W -71 IF ATTACH HOLES ON AFT BULKHEAD COMMON TO MAINFLAP (MF STA 227.28 AND MF STA 235.10) ARE UNDRILLED SUBJECT TO COLOR PREFERENCE.	107107	1
481	113N1752-81SP		. FAIRING ASSY- POSITION DATA: AFT LH SIDE QUALIFIED I/W DATA: -81SP OR -79SP MAY REPLACE -67 OR -55 IF ATTACH HOLES OF AFT BULKHEAD C/T MAIN FLAP (M.F. STA 227.28 & M.F. 235.10) ARE UNDRILLED	107107 904949	1
481	113N1752-83SP		. FAIRING ASSY- POSITION DATA: AFT LH SIDE AFT LH SIDE QUALIFIED I/W DATA: -85SP OR -83SP MAY REPLACE -67 OR -55 IF ATTACH HOLES OF AFT BULKHEAD C/T MAIN FLAP (M.F. STA 227.28 & M.F. STA 235.10) ARE UNDRILLED	002004 006100 107107 121503 904999	1

MISSING ITEM NUMBERS NOT APPLICABLE

- ITEM NOT ILLUSTRATED

27-51-30-01

27-51-30  
FIG. 01  
PAGE 27  
JAN 20/09

BRI



757

PARTS CATALOG (MAINTENANCE)

FIG ITEM	PART NUMBER	1 2 3 4 5 6 7	NOMENCLATURE	EFFECT FROM TO	UNITS PER ASSY
1 481	113N1752-85SP		. FAIRING ASSY- POSITION DATA: AFT LH SIDE QUALIFIED I/W DATA: -85SP OR -83SP MAY REPLACE -67 OR -55 IF ATTACH HOLES OF AFT BULKHEAD C/T MAIN FLAP (M.F. STA 227.28 & M.F STA 235.10) ARE UNDRILLED	002004 006100 107107 121503 904999	1
481	113N1752-89SP		. FAIRING ASSY- POSITION DATA: AFT LH SIDE AFT LH SIDE QUALIFIED I/W DATA: -91SP OR -89SP MAY REPLACE -67 OR -55 IF ATTACH HOLES OF AFT BULKHEAD C/T MAIN FLAP (M.F. STA 227.28 & M.F. STA 235.10) ARE UNDRILLED	002004 006100 107107 121503 904999	1
481	113N1752-91SP		. FAIRING ASSY- POSITION DATA: AFT LH SIDE QUALIFIED I/W DATA: -91SP OR -89SP MAY REPLACE -67 OR -55 IF ATTACH HOLES OF AFT BULKHEAD C/T MAINFLAP (M.F. STA 227.28 & M.F. STA 235-10) ARE UNDRILLED.	002004 006100 107107 121503 904999	1
- 485	113N1752-2		. FAIRING ASSY- POSITION DATA: AFT RH SIDE COMPONENT MAINT MANUAL REF: 57-26-41 QUALIFIED I/W DATA: 113N1752-28 MAY REPLACE 113N1752-2 FOR EAA ONLY	107107	1
- 485	113N1752-30		. FAIRING ASSY- POSITION DATA: AFT RH SIDE COMPONENT MAINT MANUAL REF: 57-26-41	107107	1

MISSING ITEM NUMBERS NOT APPLICABLE

- ITEM NOT ILLUSTRATED

27-51-30-01

27-51-30  
FIG. 01  
PAGE 28  
JAN 20/09

BRI



757

PARTS CATALOG (MAINTENANCE)

FIG ITEM	PART NUMBER	1 2 3 4 5 6 7	NOMENCLATURE	EFFECT FROM TO	UNITS PER ASSY
1					
- 485	113N1752-36		. FAIRING ASSY- POSITION DATA: AFT RH SIDE COMPONENT MAINT MANUAL REF: 57-26-41 POST SERVICE BULLETIN: 57-0026	107107	1
- 485	113N1752-42		. FAIRING ASSY- POSITION DATA: AFT LH SIDE COMPONENT MAINT MANUAL REF: 57-26-41	107107	1
- 485	113N1752-48		. FAIRING ASSY- POSITION DATA: AFT RH SIDE COMPONENT MAINT MANUAL REF: 57-26-41 QUALIFIED I/W DATA: -54 MAY REPLACE -48 FOR NWA NCO01C025 ONLY.	107107	1

MISSING ITEM NUMBERS NOT APPLICABLE

- ITEM NOT ILLUSTRATED

BRI

27-51-30-01

BOEING PROPRIETARY - Copyright © - Unpublished Work - See title page for details.

27-51-30  
FIG. 01  
PAGE 29  
JAN 20/09



757

PARTS CATALOG (MAINTENANCE)

FIG ITEM	PART NUMBER	1 2 3 4 5 6 7	NOMENCLATURE	EFFECT FROM TO	UNITS PER ASSY
1 - 485	113N1752-56		. FAIRING ASSY- POSITION DATA: AFT RH SIDE COMPONENT MAINT MANUAL REF: 57-26-41 QUALIFIED I/W DATA: -70 I/W -56 OR -68 IF ATTACH HOLES ON AFT BULKHEAD COMMON TO MAINFLAP (M.F. STA 227.28 AND M.F. STA 235.10) ARE UNDRILLED -86SP OR -84SP MAY REPLACE -68 OR -56 IF ATTACH HOLES OF AFT BULKHEAD C/T MAIN FLAP (M.F. STA 227.28 & M.F. STA 235.10) ARE UNDRILLED -82SP OR 80-SP MAY REPLACE -68 OR -56 IF ATTACH HOLES OF AFT BULKHEAD C/T MAINFLAP (M.F. STA 227.28 & M.F. STA 235.10) ARE UNDRILLED -92SP OR -90SP MAY REPLACE -68 OR -56 IF ATTACH HOLES OF AFT BULKHEAD C/T MAIN FLAP (M.F. STA 227.28 & M.F. STA 235.10) ARE UNDRILLED.	107107	1

MISSING ITEM NUMBERS NOT APPLICABLE

- ITEM NOT ILLUSTRATED

BRI

27-51-30-01

BOEING PROPRIETARY - Copyright © - Unpublished Work - See title page for details.

27-51-30  
FIG. 01  
PAGE 30  
JAN 20/09



757

PARTS CATALOG (MAINTENANCE)

FIG ITEM	PART NUMBER	1 2 3 4 5 6 7	NOMENCLATURE	EFFECT FROM TO	UNITS PER ASSY
1 - 486	113N1752-68		. FAIRING ASSY- POSITION DATA: AFT RH SIDE COMPONENT MAINT MANUAL REF: 57-26-41 QUALIFIED I/W DATA: -70 I/W -68 OR -56 IF ATTACH HOLES OF AFT BULKHEAD C/T TO MAINFLAP (M.F. STA 227.28 AND M.F. STA 235.10) ARE UNDRILLED -86SP OR -84SP MAY REPLACE -68 OR -56 IF ATTACH HOLES OF AFT BULKHEAD C/T MAINFLAP (M.F. STA 227.28 & M.F. 235.10) ARE UNDRILLED -92SP OR -90SP MAY REPLACE -68 OR -56 IF ATTACH HOLES OF AFT BULKHEAD C/T MAIN FLAP (M.F. STA 227.28 & M.F. STA 235.10) ARE UNDRILLED.	107107	1
- 486	113N1752-70		. FAIRING ASSY- POSITION DATA: AFT RH SIDE COMPONENT MAINT MANUAL REF: 57-26-41 QUALIFIED I/W DATA: -70 I/W -56 OR -68 IF ATTACH HOLES ON AFT BULKHEAD COMMON TO MAINFLAP (M.F. STA227.28 & M.F. STA235.10) ARE UNDRILLED	107107	1

MISSING ITEM NUMBERS NOT APPLICABLE

- ITEM NOT ILLUSTRATED

BRI

27-51-30-01

27-51-30  
FIG. 01  
PAGE 31  
JAN 20/09



757

PARTS CATALOG (MAINTENANCE)

FIG ITEM	PART NUMBER	1 2 3 4 5 6 7	NOMENCLATURE	EFFECT FROM TO	UNITS PER ASSY
1 - 486	113N1752-80SP		. FAIRING ASSY- POSITION DATA: AFT RH SIDE COMPONENT MAINT MANUAL REF: 57-26-41 QUALIFIED I/W DATA: -81SP OR -79SP MAY REPLACE -67 OR -55 IF ATTACH HOLES OF AFT BULKHEAD C/T MAIN FLAP (M.F. STA 227.28 & M.F. STA 235.10) ARE UNDRILLED -80SP I/W -74 SUBJECT TO COLOR PREFERENCE. -80SP I/W -72 IF ATTACH HOLES ON AFT BULKHEAD COMMON TO MAINFLAP (MF STA 227.28 AND MF STA 235.10) ARE UNDRILLED SUBJECT TO COLOR PREFERENCE.	107107	1
- 486	113N1752-82SP		. FAIRING ASSY- POSITION DATA: AFT RH SIDE QUALIFIED I/W DATA: -82SP OR -80SP MAY REPLACE -68 OR -56 IF ATTACH HOLES OF AFT BULKHEAD C/T MAIN FLAP (M.F. STA 227.28 & M.F. 235.10) ARE UNDRILLED	107107 904949	1
- 486	113N1752-84SP		. FAIRING ASSY- POSITION DATA: AFT RH SIDE QUALIFIED I/W DATA: -86SP OR -84SP MAY REPLACE -68 OR -56 IF ATTACH HOLES OF AFT BULKHEAD C/T MAIL FLAP (M.F. STA 227.28 & M.F. STA 235.10) ARE UNDRILLED	002004 006100 107107 121503 904999	1

MISSING ITEM NUMBERS NOT APPLICABLE

- ITEM NOT ILLUSTRATED

BRI

27-51-30-01

27-51-30  
FIG. 01  
PAGE 32  
JAN 20/09



757

PARTS CATALOG (MAINTENANCE)

FIG ITEM	PART NUMBER	1 2 3 4 5 6 7	NOMENCLATURE	EFFECT FROM TO	UNITS PER ASSY
1					
- 486	113N1752-86SP		. FAIRING ASSY- POSITION DATA: AFT RH SIDE QUALIFIED I/W DATA: -86SP OR -84SP MAY REPLACE -68 OR -56 IF ATTACH HOLES OF AFT BULKHEAD C/T MAIN FLAP (M.F. STA 227.28 & M.F. STA 235.10) ARE UNDRILLED.	002004 006100 107107 121503 904999	1
- 486	113N1752-90SP		. FAIRING ASSY- POSITION DATA: AFT RH SIDE QUALIFIED I/W DATA: -92SP OR -90SP MAY REPLACE -68 OR -56 IF ATTACH HOLES OF AFT BULKHEAD C/T MAIN FLAP (M.F. STA 227.28 AND M.F. STA 235.10) ARE UNDRILLED.	002004 006100 107107 121503 904999	1
- 486	113N1752-92SP		. FAIRING ASSY- POSITION DATA: AFT RH SIDE QUALIFIED I/W DATA: -92SP OR -90SP MAY REPLACE -68 OR -56 IF ATTACH HOLES OF AFT BULKHEAD C/T MAIN FLAP (M.F. STA 227.28 & M.F. STA 235.10) ARE DRILLED.	002004 006100 107107 121503 904999	1
490	113N1765-1		.. PIN	002004 006100 107107 121503 904999	2
495	BACW10BP6CD		.. WASHER	002004 006100 107107 121503 904999	2

MISSING ITEM NUMBERS NOT APPLICABLE

- ITEM NOT ILLUSTRATED

27-51-30-01

27-51-30  
FIG. 01  
PAGE 33  
JAN 20/09

BRI





757

PARTS CATALOG (MAINTENANCE)

FIG ITEM	PART NUMBER	1 2 3 4 5 6 7	NOMENCLATURE	EFFECT FROM TO	UNITS PER ASSY
1 500	BRH10C6D	..	NUT SUPPLIER CODE: V52828 SPECIFICATION NUMBER: BACN10JC6CD OPTIONAL PART: H51650-6BAC V15653	002004 006100 107107 121503 904999	2
502	BACB30LH3K4	..	BOLT	002004 006100 107107 121503 904999	2
504	BACB30LH3K3	..	BOLT	002004 006100 107107 121503 904999	19
506	BACW10P5C	..	WASHER	002004 006100 107107 121503 904999	21
508	BRH10C3D	..	NUT SUPPLIER CODE: V52828 SPECIFICATION NUMBER: BACN10JC3CD OPTIONAL PART: T6C1032JCD V11815 NS202486-02 V80539 102LH9075-3W V72962 H51650-3BAC V15653	002004 006100 107107 121503 904999	21
510	113N1752-5	..	RETAINER-SEAL	002004 006100 107107 121503 904999	1
512	113N1752-3	..	RETAINER-SEAL	002004 006100 107107 121503 904999	1

MISSING ITEM NUMBERS NOT APPLICABLE

- ITEM NOT ILLUSTRATED

BRI

27-51-30-01

27-51-30  
FIG. 01  
PAGE 34  
JAN 20/09



757

PARTS CATALOG (MAINTENANCE)

FIG ITEM	PART NUMBER	1 2 3 4 5 6 7	NOMENCLATURE	EFFECT FROM TO	UNITS PER ASSY
1	514 113N1752-9		.. RETAINER-SEAL	002004 006100 107107 121503 904999	1
	520 113N1752-25		.. SEAL- MANUFACTURED FROM: EXTR RUBBER BAC1521-348 X 10.0 IN. USED ON: 113N1752-1 113N1752-2 113N1752-27 113N1752-28 113N1752-29 113N1752-30 113N1752-31 113N1752-32 113N1752-41 113N1752-42 113N1752-43 113N1752-44	107107	2
	520 113N1752-49		.. SEAL- MANUFACTURED FROM: EXTR RUBBER BAC1521-341 X 10.0 IN. USED ON: 113N1752-47 113N1752-48 113N1752-51 113N1752-52 113N1752-53 113N1752-54 113N1752-55 113N1752-56 113N1752-57 113N1752-58 113N1752-67 113N1752-68 113N1752-69 113N1752-70 113N1752-71 113N1752-72 113N1752-73 113N1752-74 113N1752-79SP 113N1752-80SP	107107	2

MISSING ITEM NUMBERS NOT APPLICABLE

- ITEM NOT ILLUSTRATED

BRI

27-51-30-01

BOEING PROPRIETARY - Copyright © - Unpublished Work - See title page for details.

27-51-30  
FIG. 01  
PAGE 35  
JAN 20/09



757

PARTS CATALOG (MAINTENANCE)

FIG ITEM	PART NUMBER	1 2 3 4 5 6 7	NOMENCLATURE	EFFECT FROM TO	UNITS PER ASSY
1 525	113N1752-26		.. SEAL- MANUFACTURED FROM: EXTR RUBBER BAC1521-348 X 12.0 IN. USED ON: 113N1752-1 113N1752-2 113N1752-27 113N1752-28 113N1752-29 113N1752-30 113N1752-31 113N1752-32 113N1752-41 113N1752-42 113N1752-43 113N1752-44	107107	2
525	113N1752-50		.. SEAL- MANUFACTURED FROM: EXTR RUBBER BAC1521-341 X 10.0 IN. USED ON: 113N1752-47 113N1752-48 113N1752-51 113N1752-52 113N1752-53 113N1752-54 113N1752-55 113N1752-56 113N1752-57 113N1752-58 113N1752-67 113N1752-68 113N1752-69 113N1752-70 113N1752-71 113N1752-72 113N1752-73 113N1752-74 113N1752-79SP 113N1752-80SP	107107	2
530	113N1752-14		.. SEAL- MANUFACTURED FROM: EXTR RUBBER BAC1521-671 X 3.8 IN.	002004 006100 107107 121503 904999	1

MISSING ITEM NUMBERS NOT APPLICABLE

- ITEM NOT ILLUSTRATED

BRI

27-51-30-01

BOEING PROPRIETARY - Copyright © - Unpublished Work - See title page for details.

27-51-30  
FIG. 01  
PAGE 36  
JAN 20/09



757

PARTS CATALOG (MAINTENANCE)

FIG ITEM	PART NUMBER	1 2 3 4 5 6 7	NOMENCLATURE	EFFECT FROM TO	UNITS PER ASSY
1					
535	113N1752-15	..	SEAL- MANUFACTURED FROM: EXTR RUBBER BAC1521-671 X 14.3 IN.	002004 006100 107107 121503 904999	1
540	113N1752-12	..	SEAL- MANUFACTURED FROM: EXTR RUBBER BAC1521-671 X 4.0 IN.	002004 006100 107107 121503 904999	1
545	113N1752-11	..	SEAL- MANUFACTURED FROM: EXTR RUBBER BAC1521-671 X 10.0 IN.	002004 006100 107107 121503 904999	1
550	113N1752-13	..	SEAL- MANUFACTURED FROM: EXTR RUBBER BAC1521-671 X 14.6 IN.	002004 006100 107107 121503 904999	1
560	113N1752-17	..	PANEL-ACCESS POSITION DATA: LH SIDE	002004 006100 107107 121503 904999	1
- 565	113N1752-18	..	PANEL-ACCESS POSITION DATA: RH SIDE	002004 006100 107107 121503 904999	1
- 570	BACB30LR3U4	..	ATTACHING PARTS BOLT	002004 006100 107107 121503 904999	8
575	113N1752-21	..	-----*----- PANEL-ACCESS	002004 006100 107107 121503 904999	1
- 580	BACB30LR3U4	..	ATTACHING PARTS BOLT  -----*-----	002004 006100 107107 121503 904999	4

MISSING ITEM NUMBERS NOT APPLICABLE

- ITEM NOT ILLUSTRATED

27-51-30-01

27-51-30  
FIG. 01  
PAGE 37  
JAN 20/09

BRI

BOEING PROPRIETARY - Copyright © - Unpublished Work - See title page for details.



757

PARTS CATALOG (MAINTENANCE)

FIG ITEM	PART NUMBER	1 2 3 4 5 6 7	NOMENCLATURE	EFFECT FROM TO	UNITS PER ASSY
1 585	113N1752-19	..	PANEL-ACCESS POSITION DATA: LH SIDE	002004 006100 107107 121503 904999	1
- 590	113N1752-20	..	PANEL-ACCESS POSITION DATA: RH SIDE	002004 006100 107107 121503 904999	1
- 595	BACB30LR3U4	..	ATTACHING PARTS BOLT	002004 006100 107107 121503 904999	2
600	113N1752-22	..	-----*----- PANEL-ACCESS USED ON: 113N1752-1 113N1752-2 113N1752-27 113N1752-28 113N1752-29 113N1752-30 113N1752-31 113N1752-32 ATTACHING PARTS	107107	1
- 605	BACB30LR3U3	..	BOLT- USED ON: 113N1752-1 113N1752-2 113N1752-27 113N1752-28 113N1752-29 113N1752-30 113N1752-31 113N1752-32	107107	6
615	BACB30NN3K8	..	BOLT- POST SERVICE BULLETIN: 57-0026R1	107107	8
620	NAS1834C3K300	..	INSERTS- POST SERVICE BULLETIN: 57-0026	107107	8

MISSING ITEM NUMBERS NOT APPLICABLE

- ITEM NOT ILLUSTRATED

27-51-30-01

27-51-30  
FIG. 01  
PAGE 38  
JAN 20/09

BRI



757

PARTS CATALOG (MAINTENANCE)

FIG ITEM	PART NUMBER	1 2 3 4 5 6 7	NOMENCLATURE	EFFECT FROM TO	UNITS PER ASSY
1 625	113N1884-2		.. PLATE-COVER ACCESS PANEL NUMBER: 572JBX 672JBX POST SERVICE BULLETIN: 57-0026	107107	1
- 630	113N7004-1		.. RING-NUTPLATE POST SERVICE BULLETIN: 57-0026	107107	1
- 800	113N1750-401		FAIRING INSTL-MAIN FLAP POSITION DATA: INBD LH FOR NHA SEE: 57-00-00-05	101102 108120 504903	RF
- 803	MODREF1467		FAIRING INSTL-MAIN FLAP MODULE NUMBER: 113N1750-401 REV A POSITION DATA: INBD LH	103103	1
- 803	MODREF26585		FAIRING INSTL-MAIN FLAP MODULE NUMBER: 113N1750-401 REV B POSITION DATA: INBD LH	104106	1
- 805	113N1750-402		FAIRING INSTL-MAIN FLAP POSITION DATA: INBD RH FOR NHA SEE: 57-00-00-05	101102 108120 504903	RF
- 808	MODREF1468		FAIRING INSTL-MAIN FLAP MODULE NUMBER: 113N1750-402 REV A POSITION DATA: INBD RH	103103	1
- 808	MODREF26586		FAIRING INSTL-MAIN FLAP MODULE NUMBER: 113N1750-402 REV B POSITION DATA: INBD RH	104106	1
820	113N1751-91SP		. FAIRING ASSY- POSITION DATA: FWD LH SIDE	101106 108120 504903	1
820	113N1751-89SP		. FAIRING ASSY- POSITION DATA: FWD LH SIDE	101106 108120 504903	1
- 825	113N1751-92SP		. FAIRING ASSY- POSITION DATA: FWD RH SIDE	101106 108120 504903	1

MISSING ITEM NUMBERS NOT APPLICABLE

- ITEM NOT ILLUSTRATED

BRI

27-51-30-01

27-51-30  
FIG. 01  
PAGE 39  
JAN 20/09



757

PARTS CATALOG (MAINTENANCE)

FIG ITEM	PART NUMBER	1 2 3 4 5 6 7	NOMENCLATURE	EFFECT FROM TO	UNITS PER ASSY
1					
- 825	113N1751-90SP		. FAIRING ASSY- POSITION DATA: FWD RH SIDE	101106 108120 504903	1
827	113N1770-1		.. PIN	101106 108120 504903	2
830	AN960KD616		.. WASHER	101106 108120 504903	2
835	BRH10C6D		.. NUT SUPPLIER CODE: V52828 SPECIFICATION NUMBER: BACN10JC6CD OPTIONAL PART: H51650-6BAC V15653	101106 108120 504903	2
840	5673-663		.. SEAL- SUPPLIER CODE: V11960	101106 108120 504903	1
850	113N1758-3		.. PIN-	101106 108120 504903	1
850	113N1758-4		.. PIN-	101106 108120 504903	1
855	AN960KD716		.. WASHER	101106 108120 504903	1
860	BACN10JC7CD		.. NUT	101106 108120 504903	1
865	113N1751-7		.. SEAL- MANUFACTURED FROM: EXTR RUBBER BAC1521-671 X 82.0 IN.	101106 108120 504903	1
870	113N1751-8		.. SEAL- MANUFACTURED FROM: EXTR RUBBER BAC1521-671 X 82.0 IN.	101106 108120 504903	1
875	113N1754-2		.. FRAME ASSY	101106 108120 504903	1
880	BACB30LR3K4		.. BOLT	101106 108120 504903	10
885	BACW10P5C		.. WASHER	002004 006999	10

MISSING ITEM NUMBERS NOT APPLICABLE

- ITEM NOT ILLUSTRATED

BRI

27-51-30-01

27-51-30  
FIG. 01  
PAGE 40  
JAN 20/09



757

PARTS CATALOG (MAINTENANCE)

FIG ITEM	PART NUMBER	1 2 3 4 5 6 7	NOMENCLATURE	EFFECT FROM TO	UNITS PER ASSY
1 890	BRH10C3D	..	NUT SUPPLIER CODE: V52828 SPECIFICATION NUMBER: BACN10JC3CD OPTIONAL PART: T6C1032JCD V11815 NS202486-02 V80539 102LH9075-3W V72962 H51650-3BAC V15653	101106 108120 504903	10
895	113N1751-9	..	RETAINER- POSITION DATA: LH SIDE USED ON: 113N1751-91SP	101106 108120 504903	1
895	113N1751-10	..	RETAINER- POSITION DATA: RH SIDE USED ON: 113N1751-92SP	101106 108120 504903	1
900	113N1751-11	..	RETAINER- POSITION DATA: LH SIDE	101106 108120 504903	1
900	113N1751-12	..	RETAINER- POSITION DATA: RH SIDE	101106 108120 504903	1
905	113N1751-13	..	SEAL	002004 006999	1
908	113N1751-14	..	SEAL- MANUFACTURED FROM: EXTR RUBBER 10-60754-32 X 13.0 IN.	101106 108120 504903	1
910	BACB30LR3K4	..	BOLT	101106 108120 504903	15
913	5673-664	..	SEAL- SUPPLIER CODE: V11960	101106 108120 504903	1

MISSING ITEM NUMBERS NOT APPLICABLE

- ITEM NOT ILLUSTRATED

27-51-30-01

27-51-30  
FIG. 01  
PAGE 41  
JAN 20/09

BRI

BOEING PROPRIETARY - Copyright © - Unpublished Work - See title page for details.





757

PARTS CATALOG (MAINTENANCE)

FIG ITEM	PART NUMBER	1 2 3 4 5 6 7	NOMENCLATURE	EFFECT FROM TO	UNITS PER ASSY
1 915	5673-665	..	SEAL- SUPPLIER CODE: V11960 POSITION DATA: LH SIDE SPECIFICATION NUMBER: 10-60754-665 OPTIONAL PART: SF15-103-665 V50744	101106 108120 504903	1
915	SF15-103-665	..	SEAL- SUPPLIER CODE: V50744 POSITION DATA: LH SIDE SPECIFICATION NUMBER: 10-60754-665 OPTIONAL PART: 5673-665 V11960	101106 108120 504903	1
- 916	5673-666	..	SEAL- SUPPLIER CODE: V11960 POSITION DATA: RH SIDE SPECIFICATION NUMBER: 10-60754-666 OPTIONAL PART: SF15-103-666 V50744	101106 108120 504903	1
- 916	SF15-103-666	..	SEAL- SUPPLIER CODE: V50744 POSITION DATA: RH SIDE SPECIFICATION NUMBER: 10-60754-666 OPTIONAL PART: 5673-666 V11960	101106 108120 504903	1
918	113N1967-1	..	RETAINER ASSY- POSITION DATA: LH SIDE	101106 108120 504903	1
- 919	113N1967-2	..	RETAINER ASSY- POSITION DATA: RH SIDE	101106 108120 504903	1

MISSING ITEM NUMBERS NOT APPLICABLE

- ITEM NOT ILLUSTRATED

27-51-30-01

27-51-30  
FIG. 01  
PAGE 42  
JAN 20/09

BRI



757

PARTS CATALOG (MAINTENANCE)

FIG ITEM	PART NUMBER	1 2 3 4 5 6 7	NOMENCLATURE	EFFECT FROM TO	UNITS PER ASSY
1					
920	113N1753-11	..	COVER-ACCESS NO. 572BB POSITION DATA: LH SIDE	101106 108120 504903	1
- 923	113N1753-12	..	COVER-ACCESS POSITION DATA: RH SIDE	101106 108120 504903	1
- 925	BACB30LR3U4	..	BOLT  -----*-----	101106 108120 504903	8
927	113N1753-13	..	COVER-ACCESS  ATTACHING PARTS	101106 108120 504903	1
- 930	BACB30LR3U4	..	BOLT  -----*-----	101106 108120 504903	4
940	113N1752-89SP	. FAIRING ASSY-FLAP TRACK INBD TRAILING EDGE POSITION DATA: AFT LH SIDE	101106 108120 504903	1	
940	113N1752-91SP	. FAIRING ASSY-FLAP TRACK INBD TRAILING EDGE POSITION DATA: AFT LH SIDE	101106 108120 504903	1	
- 943	113N1752-90SP	. FAIRING ASSY-FLAP TRACK INBD TRAILING EDGE POSITION DATA: AFT RH SIDE	101106 108120 504903	1	
- 943	113N1752-92SP	. FAIRING ASSY-FLAP TRACK INBD TRAILING EDGE POSITION DATA: AFT RH SIDE	101106 108120 504903	1	
945	113N1765-1	..	PIN	101106 108120 504903	2
948	BACW10BP6CD	..	WASHER	101106 108120 504903	2

MISSING ITEM NUMBERS NOT APPLICABLE

- ITEM NOT ILLUSTRATED

27-51-30-01

27-51-30  
FIG. 01  
PAGE 43  
JAN 20/09

BRI

BOEING PROPRIETARY - Copyright © - Unpublished Work - See title page for details.



757

PARTS CATALOG (MAINTENANCE)

FIG ITEM	PART NUMBER	1 2 3 4 5 6 7	NOMENCLATURE	EFFECT FROM TO	UNITS PER ASSY
1 950	BRH10C6D	..	NUT SUPPLIER CODE: V52828 SPECIFICATION NUMBER: BACN10JC6CD OPTIONAL PART: H51650-6BAC V15653	101106 108120 504903	2
953	BACB30LH3K4	..	BOLT	101106 108120 504903	2
955	BACB30LH3K3	..	BOLT	101106 108120 504903	19
958	BACW10P5C	..	WASHER	101106 108120 504903	21
960	BRH10C3D	..	NUT SUPPLIER CODE: V52828 SPECIFICATION NUMBER: BACN10JC3CD OPTIONAL PART: T6C1032JCD V11815 NS202486-02 V80539 102LH9075-3W V72962 H51650-3BAC V15653	101106 108120 504903	21
962	113N1752-5	..	RETAINER-SEAL	101106 108120 504903	1
964	113N1752-3	..	RETAINER-SEAL	101106 108120 504903	1
966	113N1752-9	..	RETAINER-SEAL	002004 006999	1
968	113N1752-14	..	SEAL- MANUFACTURED FROM: EXTR RUBBER BAC1521-671 X 3.8 IN.	101106 108120 504903	1
970	113N1752-15	..	SEAL- MANUFACTURED FROM: EXTR RUBBER BAC1521-671 X 14.3 IN.	101106 108120 504903	1

MISSING ITEM NUMBERS NOT APPLICABLE

- ITEM NOT ILLUSTRATED

27-51-30-01

27-51-30  
FIG. 01  
PAGE 44  
JAN 20/09

BRI

BOEING PROPRIETARY - Copyright © - Unpublished Work - See title page for details.



757

PARTS CATALOG (MAINTENANCE)

FIG ITEM	PART NUMBER	1 2 3 4 5 6 7	NOMENCLATURE	EFFECT FROM TO	UNITS PER ASSY
1					
972	113N1752-12	..	SEAL- MANUFACTURED FROM: EXTR RUBBER BAC1521-671 X 4.0 IN.	101106 108120 504903	1
974	113N1752-11	..	SEAL- MANUFACTURED FROM: EXTR RUBBER BAC1521-671 X 10.0 IN.	101106 108120 504903	1
976	113N1752-13	..	SEAL- MANUFACTURED FROM: EXTR RUBBER BAC1521-671 X 14.6 IN.	101106 108120 504903	1
978	113N1752-17	..	PANEL-ACCESS POSITION DATA: LH SIDE	101106 108120 504903	1
- 980	113N1752-18	..	PANEL-ACCESS POSITION DATA: RH SIDE ATTACHING PARTS	101106 108120 504903	1
- 982	BACB30LR3U4	..	BOLT	101106 108120 504903	8
			-----*-----		
984	113N1752-21	..	PANEL-ACCESS  ATTACHING PARTS	101106 108120 504903	1
- 986	BACB30LR3U4	..	BOLT	101106 108120 504903	4
			-----*-----		
988	113N1752-19	..	PANEL-ACCESS POSITION DATA: LH SIDE	101106 108120 504903	1
- 990	113N1752-20	..	PANEL-ACCESS POSITION DATA: RH SIDE ATTACHING PARTS	101106 108120 504903	1
- 992	BACB30LR3U4	..	BOLT	101106 108120 504903	2
			-----*-----		

MISSING ITEM NUMBERS NOT APPLICABLE

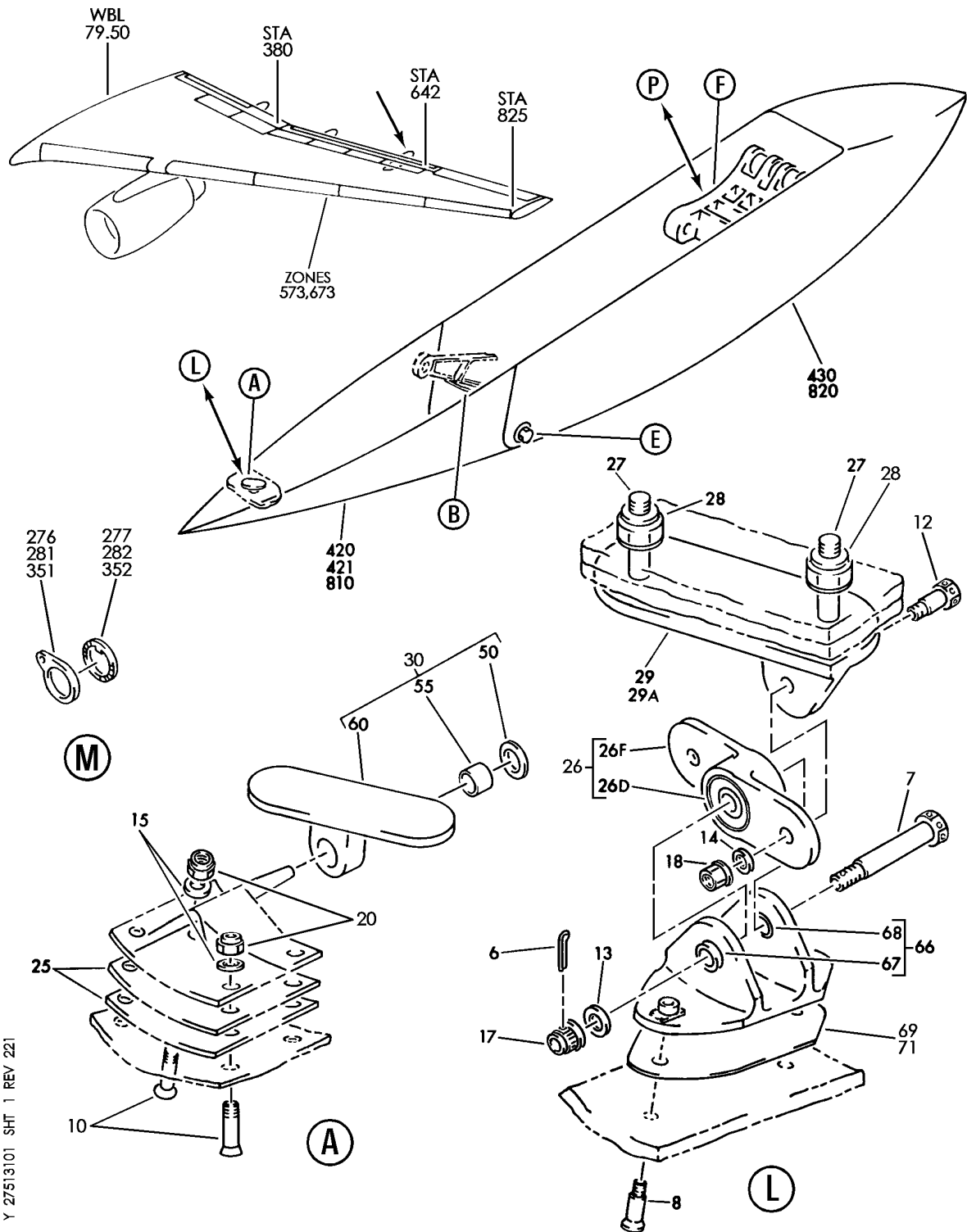
- ITEM NOT ILLUSTRATED

BRI

27-51-30-01

27-51-30  
FIG. 01  
PAGE 45  
JAN 20/09

**BOEING**  
757  
PARTS CATALOG (MAINTENANCE)



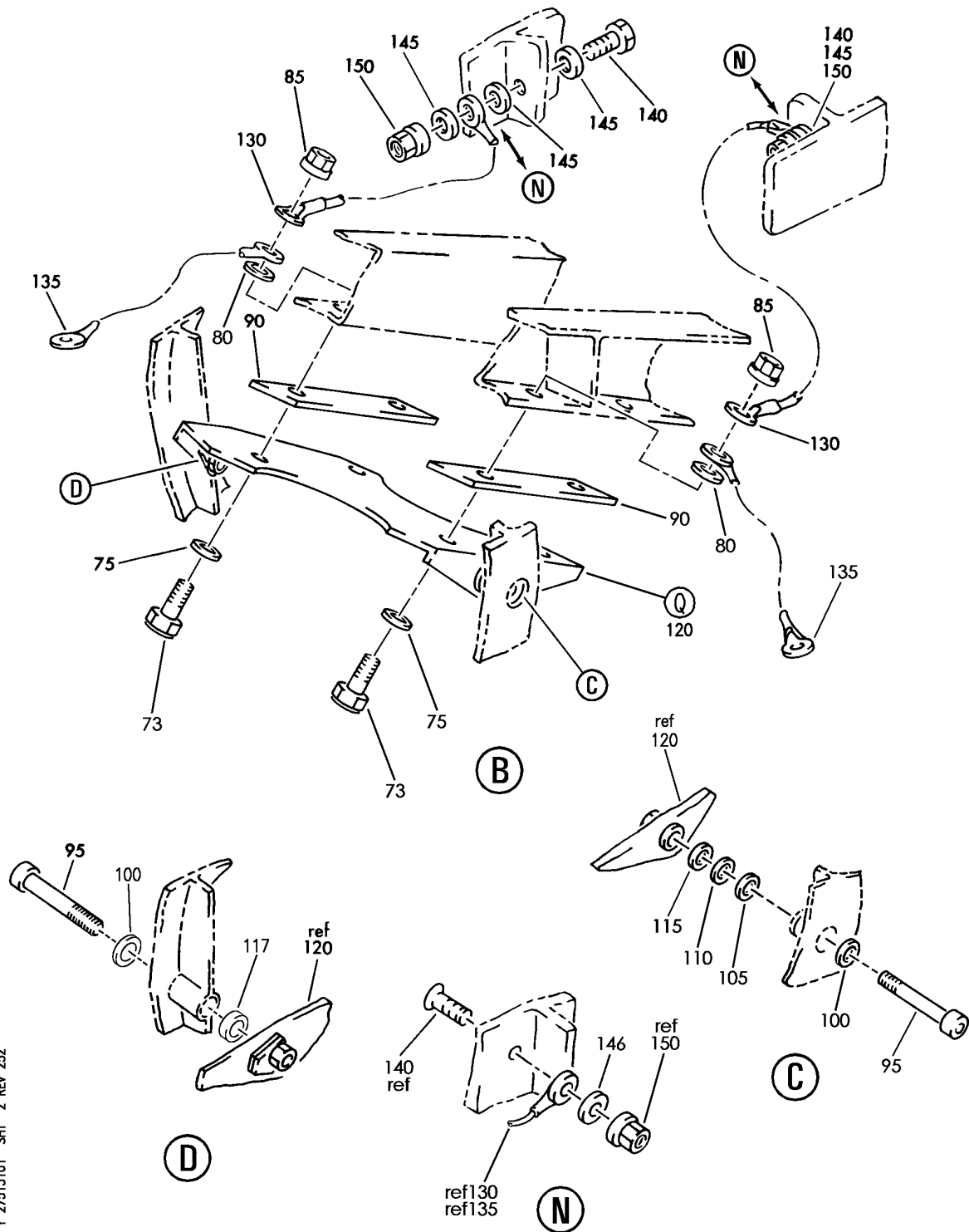
FAIRING INSTL-OUTBD TE FLAP OUTBD TRACK  
FIGURE 1 (SHEET 1)

**27-51-31-01**

BRI  
MAY 28/07

27-51-31-01  
PAGE 0

**BOEING**  
757  
PARTS CATALOG (MAINTENANCE)



Y 27513101 SH1 2 REV 252

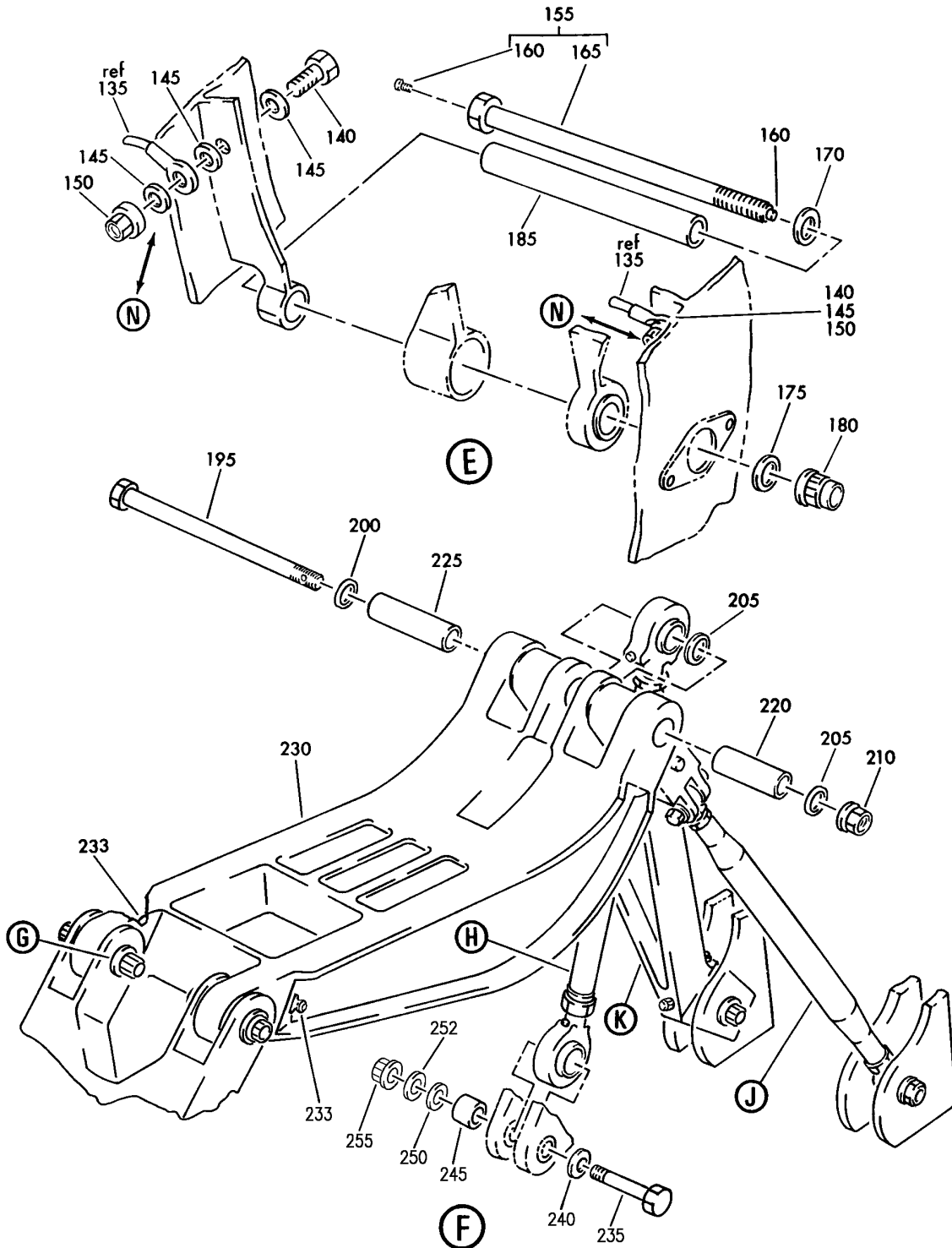
FAIRING INSTL-OUTBD TE FLAP OUTBD TRACK  
FIGURE 1 (SHEET 2)

**27-51-31-01**

BRI  
MAY 28/07

27-51-31-01  
PAGE 0A

**BOEING**  
757  
PARTS CATALOG (MAINTENANCE)



Y 27513101 SH1 3 REV 252

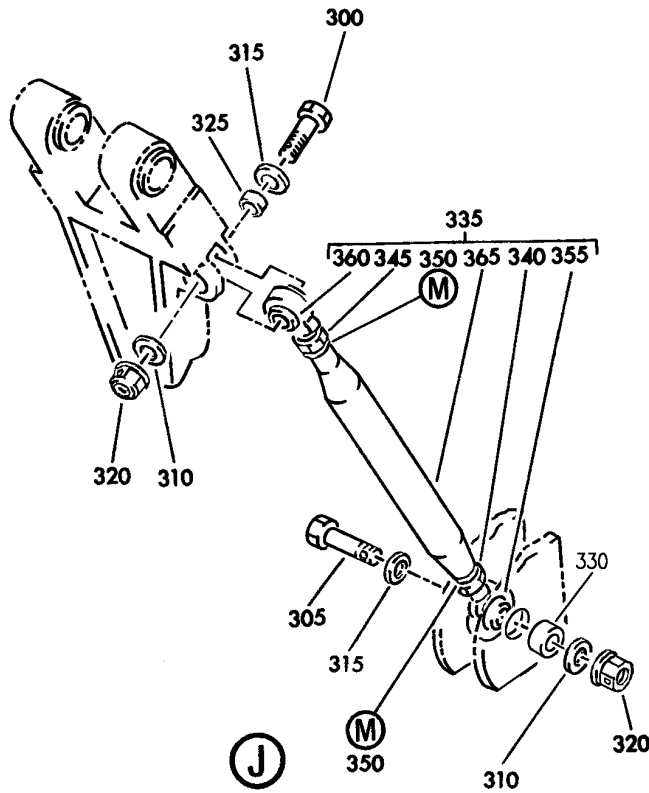
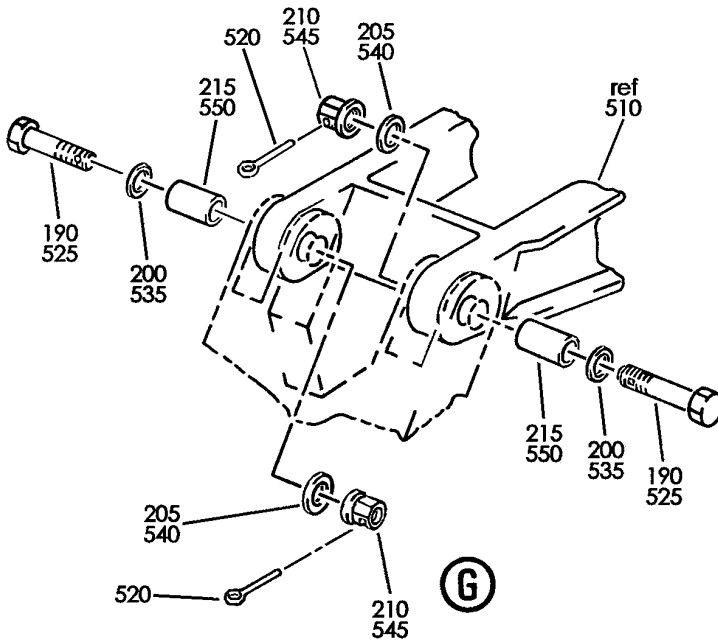
FAIRING INSTL-OUTBD TE FLAP OUTBD TRACK  
FIGURE 1 (SHEET 3)

**27-51-31-01**

BRI  
MAY 28/07

27-51-31-01  
PAGE 0B

**BOEING**  
757  
PARTS CATALOG (MAINTENANCE)



Y 27513101 SHT 4 REV 264

FAIRING INSTL-OUTBD TE FLAP OUTBD TRACK  
FIGURE 1 (SHEET 4)

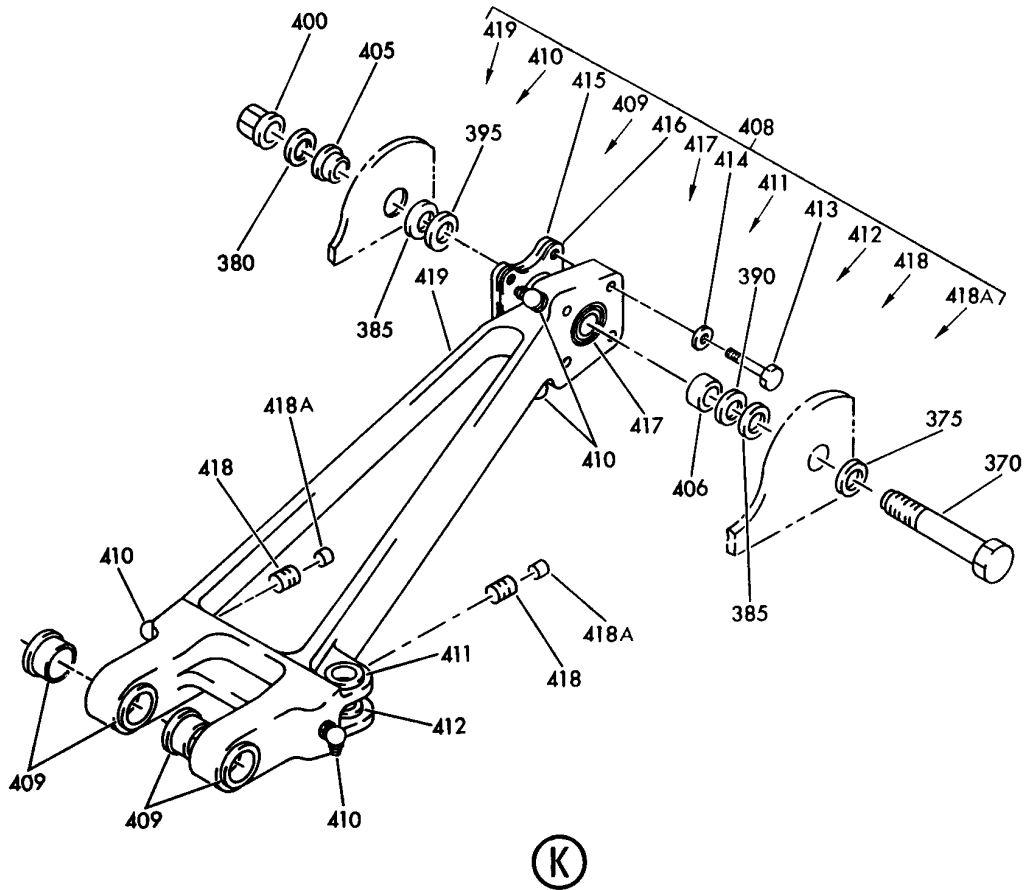
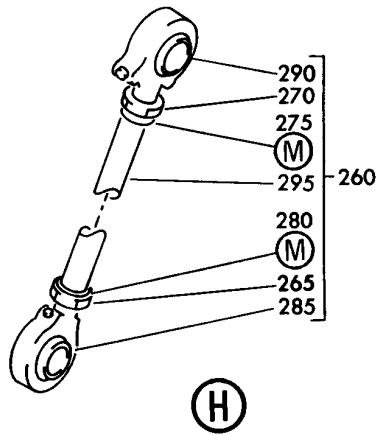
**27-51-31-01**

BRI  
MAY 28/07

27-51-31-01  
PAGE 0C



**BOEING**  
757  
PARTS CATALOG (MAINTENANCE)



Y 27513101 SH1 5 REV 148

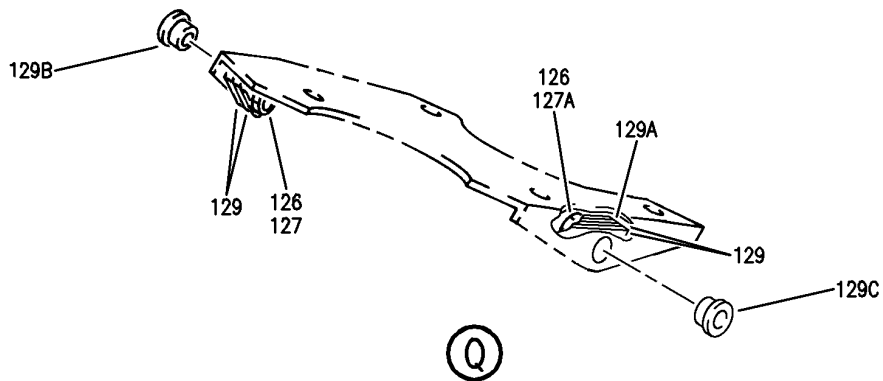
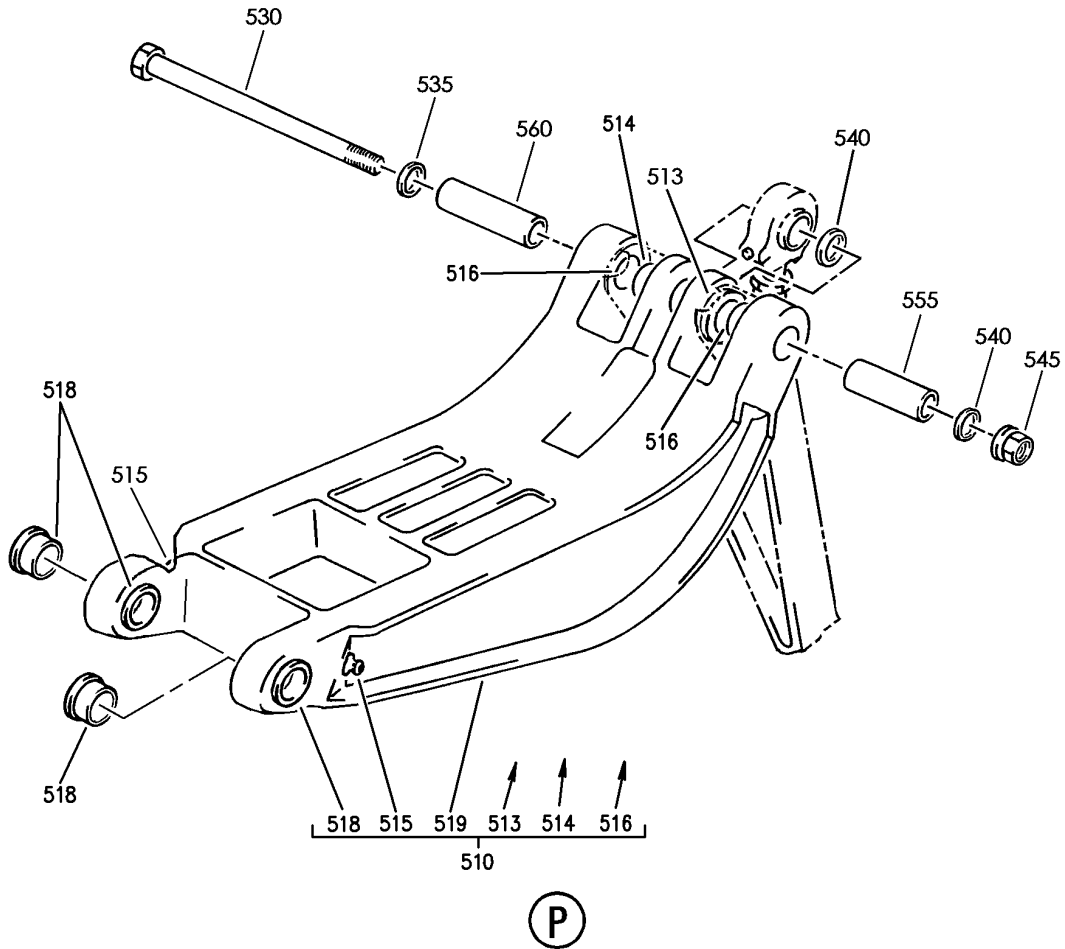
FAIRING INSTL-OUTBD TE FLAP OUTBD TRACK  
FIGURE 1 (SHEET 5)

**27-51-31-01**

BRI  
MAY 28/07

27-51-31-01  
PAGE 0D

**BOEING**  
757  
PARTS CATALOG (MAINTENANCE)



Y 27513101 SHT 6 REV 241

FAIRING INSTL-OUTBD TE FLAP OUTBD TRACK  
FIGURE 1 (SHEET 6)

**27-51-31-01**

BRI  
MAY 28/07

27-51-31-01  
PAGE 0E



757

PARTS CATALOG (MAINTENANCE)

FIG ITEM	PART NUMBER	1 2 3 4 5 6 7	NOMENCLATURE	EFFECT FROM TO	UNITS PER ASSY
1			FAIRING INSTL-OUTBD TE FLAP OUTBD TRACK	002004 006999	
- 1	113N1710-1		FAIRING INSTL-TE FLAP TRACK POSITION DATA: OUTBD LH FOR NHA SEE: 57-20-52-01	002004 006100 107107 121503 904999	RF
- 1	113N1710-405		FAIRING INSTL-TE FLAP TRACK POSITION DATA: OUTBD LH FOR NHA SEE: 57-00-00-05B	101102 108120 504903	RF
- 1	MODREF1457		FAIRING INSTL-TE FLAP TRACK MODULE NUMBER: 113N1710-405 REV A POSITION DATA: OUTBD LH	103103	1
- 1	MODREF26575		FAIRING INSTL-TE FLAP TRACK MODULE NUMBER: 113N1710-405 REV B POSITION DATA: OUTBD LH	104106	1
- 5	113N1710-2		FAIRING INSTL-TE FLAP TRACK POSITION DATA: OUTBD RH FOR NHA SEE: 57-20-52-01	002004 006100 107107 121503 904999	RF
- 5	113N1710-406		FAIRING INSTL-TE FLAP TRACK POSITION DATA: OUTBD RH FOR NHA SEE: 57-00-00-05B	101102 108120 504903	RF
- 5	MODREF1458		FAIRING INSTL-TE FLAP TRACK MODULE NUMBER: 113N1710-406 REV A POSITION DATA: OUTBD RH	103103	1
- 5	MODREF26576		FAIRING INSTL-TE FLAP TRACK MODULE NUMBER: 113N1710-406 REV B POSITION DATA: OUTBD RH	104106	1
6	MS24665-155		.PIN-	002004 006100 107107 121503 904999	1

MISSING ITEM NUMBERS NOT APPLICABLE

- ITEM NOT ILLUSTRATED

BRI

27-51-31-01

27-51-31  
FIG. 01  
PAGE 1  
JAN 20/09



757

PARTS CATALOG (MAINTENANCE)

FIG ITEM	PART NUMBER	1 2 3 4 5 6 7	NOMENCLATURE	EFFECT FROM TO	UNITS PER ASSY
1					
6	BACP18BC02A08P	.PIN		101106 108120 504903	1
7	BACB30LJ5CD24	.BOLT-		002004 006999	1
8	BACB30LR4K9	.BOLT-		002004 006999	2
12	BACB30NR4K7	.BOLT-		002004 006999	2
13	AN960KD516L	.WASHER-		002004 006100 107107 121503 904999	1
13	NAS1149D0516J	.WASHER-	POSITION DATA: UNDER NUT	101106 108120 504903	1
14	AN960KD416	.WASHER-		002004 006100 107107 121503 904999	2
14	NAS1149D0463J	.WASHER-	POSITION DATA: UNDER NUT	101106 108120 504903	2
17	73781CD524	.NUT-	SUPPLIER CODE: V56878 OPTIONAL PART: 102E9925-5 V72962 PHCR55CD VF0224	002004 006999	1
17	102E9925-5	.NUT-	SUPPLIER CODE: V72962 OPTIONAL PART: 73781CD524 V56878 PHCR55CD VF0224	002004 006999	1
17	PHCR55CD	.NUT-	SUPPLIER CODE: VF0224 OPTIONAL PART: 102E9925-5 V72962 73781CD524 V56878	002004 006999	1

MISSING ITEM NUMBERS NOT APPLICABLE

- ITEM NOT ILLUSTRATED

BRI

27-51-31-01

27-51-31  
FIG. 01  
PAGE 2  
JAN 20/09



757

PARTS CATALOG (MAINTENANCE)

FIG ITEM	PART NUMBER	1 2 3 4 5 6 7	NOMENCLATURE	EFFECT FROM TO	UNITS PER ASSY
1					
18	MS21042L4	.	NUT-	002004 006999	2
26	113N1702-1	.	FITTING ASSY-	002004 006999	1
26D	SY10670	..	BUSHING- SUPPLIER CODE: V95272 SPECIFICATION NUMBER: S113N106-1 OPTIONAL PART: DE903 DE903 V71985	002004 006999	1
26F	113N1702-2	..	FITTING	002004 006999	1
27	BACB30NM5K10	.	BOLT	002004 006999	2
28	TLN12045	.	NUT SUPPLIER CODE: V97928 SPECIFICATION NUMBER: BACN10WM5 OPTIONAL PART: LH10114B5 V72962 MN155 V73197 VN18615 V92215 H49702-5S V15653 W8505 V08524 H497025 V15653	002004 006999	2
29	113N1701-1	.	FITTING- POSITION DATA: LH SIDE OPTIONAL PART: 113N1708-1	002004 006999	1
29A	113N1708-1	.	FITTING- POSITION DATA: LH SIDE OPTIONAL PART: 113N1701-1	002004 006999	1

MISSING ITEM NUMBERS NOT APPLICABLE

- ITEM NOT ILLUSTRATED

BRI

27-51-31-01

BOEING PROPRIETARY - Copyright © - Unpublished Work - See title page for details.

27-51-31  
FIG. 01  
PAGE 3  
JAN 20/09



757

PARTS CATALOG (MAINTENANCE)

FIG ITEM	PART NUMBER	1 2 3 4 5 6 7	NOMENCLATURE	EFFECT FROM TO	UNITS PER ASSY
1					
- 29C	113N1701-2	.FITTING-	POSITION DATA: RH SIDE	002004 006999	1
- 29D	113N1708-2	.FITTING-	OPTIONAL PART: 113N1708-1	002004 006999	1
66	113N1703-1	.FITTING ASSY-		002004 006999	1
67	BACB28AM05A019	..BUSHING		002004 006999	1
68	113N1707-1	..BUSHING		002004 006999	1
69	BACS40R20W42	.SHIM-		002004 006100 107107 121503 904999	1
69	BACS40R020W042	.SHIM		101106 108120 504903	1
71	BACS40R020W042	.SHIM-	OPTIONAL PART: 113N1706-1	101106 108120 504903	AR
71	113N1706-1	.SHIM-	OPTIONAL PART: BACS40R020W042	101106 108120 504903	AR
73	BACB30LT4-10	.BOLT		002004 006999	4
75	BACW10BP4CD	.WASHER		002004 006999	4
80	BACW10BP4DP	.WASHER		002004 006999	4

MISSING ITEM NUMBERS NOT APPLICABLE

- ITEM NOT ILLUSTRATED

27-51-31-01

27-51-31  
FIG. 01  
PAGE 4  
JAN 20/09

BRI



757

PARTS CATALOG (MAINTENANCE)

FIG ITEM	PART NUMBER	1 2 3 4 5 6 7	NOMENCLATURE	EFFECT FROM TO	UNITS PER ASSY
1 85	BRH10C4D	.NUT	SUPPLIER CODE: V52828 SPECIFICATION NUMBER: BACN10JC4CD OPTIONAL PART: T6C428JCD V11815 NS202486-048 V80539 102LH9075-4W V72962 H51650-4BAC V15653	002004 006999	4
90	BACS40R13F48F	.SHIM		002004 006100 107107 121503 904999	2
90	BACS40R013F048F	.SHIM		101106 108120 504903	2
95	113N1724-1	.BOLT		002004 006999	2
100	BACW10BP5CD	.WASHER		002004 006999	2
105	BACW10BP5APU	.WASHER		002004 006100 107107 121503 904999	AR
110	AN960C516	.WASHER		002004 006100 107107 121503 904999	AR
115	AN960C516L	.WASHER		002004 006100 107107 121503 904999	AR
117	113N1357-18	.BUSHING		002004 006999	1

MISSING ITEM NUMBERS NOT APPLICABLE

- ITEM NOT ILLUSTRATED

BRI

27-51-31-01

BOEING PROPRIETARY - Copyright © - Unpublished Work - See title page for details.

27-51-31  
FIG. 01  
PAGE 5  
JAN 20/09



757

PARTS CATALOG (MAINTENANCE)

FIG ITEM	PART NUMBER	1 2 3 4 5 6 7	NOMENCLATURE	EFFECT FROM TO	UNITS PER ASSY
1					
120	113N1720-1		.FITTING ASSY-SPRT POSITION DATA: FWD LH SIDE COMPONENT MAINT MANUAL REF: 57-26-05 OPTIONAL PART: 113N1748-1	002004 006100 107107 121503 904999	1
120	113N1748-1		.FITTING ASSY-SPRT POSITION DATA: FWD LH SIDE COMPONENT MAINT MANUAL REF: 57-26-05	002004 006100 107107 121503 904999	1
120	113N1748-9		.FITTING ASSY-SPRT POSITION DATA: FWD LH SIDE COMPONENT MAINT MANUAL REF: 57-26-05	002004 006999	1
- 125	113N1720-2		.FITTING ASSY-SPRT POSITION DATA: FWD RH SIDE COMPONENT MAINT MANUAL REF: 57-26-05 OPTIONAL PART: 113N1748-2	002004 006100 107107 121503 904999	1
- 125	113N1748-2		.FITTING ASSY-SPRT POSITION DATA: FWD RH SIDE COMPONENT MAINT MANUAL REF: 57-26-05	002004 006100 107107 121503 904999	1
- 125	113N1748-10		.FITTING ASSY-SPRT POSITION DATA: FWD RH SIDE COMPONENT MAINT MANUAL REF: 57-26-05	002004 006999	1

MISSING ITEM NUMBERS NOT APPLICABLE

- ITEM NOT ILLUSTRATED

**27-51-31-01**

27-51-31  
FIG. 01  
PAGE 6  
JAN 20/09

BRI





757

PARTS CATALOG (MAINTENANCE)

FIG ITEM	PART NUMBER	1 2 3 4 5 6 7	NOMENCLATURE	EFFECT FROM TO	UNITS PER ASSY
1 126	BRF100C5D		..NUTPLATE- SUPPLIER CODE: V52828 SPECIFICATION NUMBER: BACN10KB5CFD OPTIONAL PART: NS202478-054 V80539 102F9207P5 V72962 F51604-5 V15653 USED ON: 113N1720-1 113N1748-1 113N1720-2 113N1748-2	002004 006100 107107 121503 904999	2
126	BRF100C5D		..NUTPLATE- SUPPLIER CODE: V52828 SPECIFICATION NUMBER: BACN10KB5CFD OPTIONAL PART: NS202478-054 V80539 102F9207P5 V72962 F51604-5 V15653 USED ON: 113N1720-2	002004 006100 107107 121503 904999	2
127	F120C3-5D		..NUTPLATE- SUPPLIER CODE: V52828 SPECIFICATION NUMBER: BACN10JS5B3CD OPTIONAL PART: NS202563-5-3 V80539 102F9202-3-5 V72962 BRF120C3-5D V52828 F51849-5-3BAC V15653 USED ON: 113N1748-9 113N1748-10	002004 006999	1

MISSING ITEM NUMBERS NOT APPLICABLE

- ITEM NOT ILLUSTRATED

BRI

27-51-31-01

27-51-31  
FIG. 01  
PAGE 7  
JAN 20/09



757

PARTS CATALOG (MAINTENANCE)

FIG ITEM	PART NUMBER	1 2 3 4 5 6 7	NOMENCLATURE	EFFECT FROM TO	UNITS PER ASSY
1 127A	BRF120C5-5D		..NUTPLATE- SUPPLIER CODE: V52828 SPECIFICATION NUMBER: BACN10JS5B5CD OPTIONAL PART: NS202563-5-5 V80539 102F9202-5-5 V72962 F51849-5-5BAC V15653 USED ON: 113N1748-9 113N1748-10 ATTACHING PARTS	002004 006999	1
- 128	BACR15BA4AD		..RIVET- SIZE DETERMINED ON INSTL.	002004 006999	4
-128A	BACR15BA4AD		..RIVET- SIZE DETERMINED ON INSTL.	002004 006100 107107 121503 904999	4
			-----*-----		
129	NAS463YDD516		..SPACER-NUT USED ON: 113N1720-1 113N1720-2 113N1748-1 113N1748-2	002004 006100 107107 121503 904999	4
129A	NAS463YDD516H		..SPACER-NUT USED ON: 113N1720-1 113N1720-2 113N1748-1 113N1748-2	002004 006100 107107 121503 904999	1
129B	BACB28AP05P025		..BUSHING	002004 006999	1
129C	BACB28AP05P031		..BUSHING	002004 006999	1
130	BACJ40A21-6		.JUMPER ASSY	002004 006999	2

MISSING ITEM NUMBERS NOT APPLICABLE

- ITEM NOT ILLUSTRATED

27-51-31-01

27-51-31  
FIG. 01  
PAGE 8  
JAN 20/09

BRI

BOEING PROPRIETARY - Copyright © - Unpublished Work - See title page for details.



757

PARTS CATALOG (MAINTENANCE)

FIG ITEM	PART NUMBER	1 2 3 4 5 6 7	NOMENCLATURE	EFFECT FROM TO	UNITS PER ASSY
1 135	740A21-8		.JUMPER ASSY SUPPLIER CODE: V91812 SPECIFICATION NUMBER: BACJ40A21-8 OPTIONAL PART: TJEJ40A21-8 V33483 RBEJ21-8 V1GK47 ATTACHING PARTS	002004 006999	2
140	BACB30LR3U5		.BOLT-	002004 006100 107107 121503 904999	4
140	BACB30LH3U5		.BOLT	101106 108120 504903	4
146	AN960C10L		.WASHER-	002004 006100 107107 121503 904999	8
146	NAS1149C0332R		.WASHER	101106 108120 504903	8
150	BRH10C3D		.NUT SUPPLIER CODE: V52828 SPECIFICATION NUMBER: BACN10JC3CD OPTIONAL PART: T6C1032JCD V11815 NS202486-02 V80539 102LH9075-3W V72962 H51650-3BAC V15653	002004 006999	4
155	113N1726-1		-----*----- .BOLT ASSY-PIVOT	002004 006100 107107 121503 904999	1
155	113N1726-5		.BOLT ASSY-PIVOT	002004 006999	1

MISSING ITEM NUMBERS NOT APPLICABLE

- ITEM NOT ILLUSTRATED

27-51-31-01

27-51-31  
FIG. 01  
PAGE 9  
JAN 20/09

BRI

BOEING PROPRIETARY - Copyright © - Unpublished Work - See title page for details.



757

PARTS CATALOG (MAINTENANCE)

FIG ITEM	PART NUMBER	1 2 3 4 5 6 7	NOMENCLATURE	EFFECT FROM TO	UNITS PER ASSY
1					
160	NAS516M1	..	FITTING	002004 006100 107107 121503 904999	2
165	113N1726-3	..	BOLT-	002004 006100 107107 121503 904999	1
165	113N1726-6	..	BOLT-	101106 108120 504903	1
170	BACW10BP10CD	.	WASHER	002004 006999	1
175	BACW10BP10DP	.	WASHER	002004 006999	1
180	BMN5024CWD310	.	NUT	002004 006999	1
			SUPPLIER CODE: V97928		
			SPECIFICATION NUMBER: BACN10HR10CD		
			OPTIONAL PART: H51560-10		
			V15653		
			102LH9031-10		
			V72962		
			67832CD1018		
			V56878		
			BH00303CM10		
			V27238		
			SL7108C10		
			V11815		
			VCU0005D10		
			V06710		
			BMN10HRCWD3-10		
			V97928		
			102LH903110		
			V72962		
			102LH903110		
			V72962		
185	113N1727-1	.	BUSHING-LUB	002004 006999	1
190	NAS6707D25	.	BOLT-	002004 006999	2

MISSING ITEM NUMBERS NOT APPLICABLE

- ITEM NOT ILLUSTRATED

27-51-31-01

27-51-31  
FIG. 01  
PAGE 10  
JAN 20/09

BRI

BOEING PROPRIETARY - Copyright © - Unpublished Work - See title page for details.



757

PARTS CATALOG (MAINTENANCE)

FIG ITEM	PART NUMBER	1 2 3 4 5 6 7	NOMENCLATURE	EFFECT FROM TO	UNITS PER ASSY
1					
195	NAS6707D80	.	BOLT-	002004 006100 107107 121503 904999	1
200	BACW10BP7CD	.	WASHER	002004 006999	3
205	BACW10BP7DP	.	WASHER	002004 006999	4
210	PHCR57CD	.	NUT-	002004 006999	3
			SUPPLIER CODE: VF0224		
			OPTIONAL PART: 73781CD720 V56878		
210	102E9925-7	.	NUT-	002004 006999	3
			SUPPLIER CODE: V72962		
			OPTIONAL PART: 73781CD720 V56878		
210	73781CD720	.	NUT-	002004 006999	3
			SUPPLIER CODE: V56878		
			OPTIONAL PART: 102E9925-7 V72962 PHCR57CD VF0224		
215	113N1357-13	.	BUSHING	002004 006999	2
220	113N1357-14	.	BUSHING	002004 006999	1
225	113N1357-15	.	BUSHING	002004 006999	1
230	113N1722-5	.	LINK ASSY-DRIVE	002004	1
			COMPONENT MAINT MANUAL REF: 57-26-05	006100 107107 121503 904999	
230	113N1722-7	.	LINK ASSY-DRIVE	002004	1
			COMPONENT MAINT MANUAL REF: 57-26-05	006100 107107 121503 904999	

MISSING ITEM NUMBERS NOT APPLICABLE

- ITEM NOT ILLUSTRATED

BRI

27-51-31-01

27-51-31  
FIG. 01  
PAGE 11  
JAN 20/09



757

PARTS CATALOG (MAINTENANCE)

FIG ITEM	PART NUMBER	1 2 3 4 5 6 7	NOMENCLATURE	EFFECT FROM TO	UNITS PER ASSY
1					
230	113N1722-13	.LINK ASSY-DRIVE COMPONENT MAINT MANUAL REF: 57-26-05		002004 006100 107107 121503 904999	1
230	113N1722-9	.LINK ASSY-DRIVE COMPONENT MAINT MANUAL REF: 57-26-05		002004 006100 107107 121503 904999	1
230	113N1722-11	.LINK ASSY-DRIVE		002004 006100 107107 121503 904999	1
233	MS15001-1	..FITTING		002004 006100 107107 121503 904999	2
235	NAS6706D26	.BOLT-		002004 006999	1
240	BACW10BP6CD	.WASHER		002004 006999	1
245	113N1357-5	.BUSHING		002004 006999	1
250	BACW10BP6DP	.WASHER		002004 006999	1
252	NAS1149C0632R	.WASHER		101106 108120 504903	1
255	102E9925-6	.NUT- SUPPLIER CODE: V72962 OPTIONAL PART: 73781CD624 V56878 PHCR56CD VF0224		002004 006999	1
255	73781CD624	.NUT- SUPPLIER CODE: V56878 OPTIONAL PART: 102E9925-6 V72962 PHCR56CD VF0224		002004 006999	1

MISSING ITEM NUMBERS NOT APPLICABLE

- ITEM NOT ILLUSTRATED

BRI

27-51-31-01

BOEING PROPRIETARY - Copyright © - Unpublished Work - See title page for details.

27-51-31  
FIG. 01  
PAGE 12  
JAN 20/09



757

PARTS CATALOG (MAINTENANCE)

FIG ITEM	PART NUMBER	1 2 3 4 5 6 7	NOMENCLATURE	EFFECT FROM TO	UNITS PER ASSY
1 255	PHCR56CD	.NUT-	SUPPLIER CODE: VF0224 OPTIONAL PART: 102E9925-6 V72962 73781CD624 V56878	002004 006999	1
260	113N1723-2	.LINK ASSY		002004 006999	1
265	NAS509L7C	..NUT		002004 006999	1
270	NAS509-8C	..NUT		002004 006999	1
275	NAS1193K8C	..LOCKING DEVICE		002004 006999	1
276	NAS1193K8-1	...WASHER		002004 006999	1
277	NAS1193K8-2	...WASHER		002004 006999	1
280	NAS1193K7C	..LOCKING DEVICE		002004 006999	1
281	NAS1193K7-1	...WASHER		002004 006999	1
282	NAS1193K7-2	...WASHER		002004 006999	1
285	ARBL6E190W9	..BEARING-ROD END	SUPPLIER CODE: V15860 SPECIFICATION NUMBER: BCREF106925 OPTIONAL PART: ARH6E115KLM VS0352 KBEL6-225W V97613 MKL6EPDL V73134 BCREF106925 V81205	002004 006999	1

MISSING ITEM NUMBERS NOT APPLICABLE

- ITEM NOT ILLUSTRATED

BRI

27-51-31-01

BOEING PROPRIETARY - Copyright © - Unpublished Work - See title page for details.

27-51-31  
FIG. 01  
PAGE 13  
JAN 20/09



757

PARTS CATALOG (MAINTENANCE)

FIG ITEM	PART NUMBER	1 2 3 4 5 6 7	NOMENCLATURE	EFFECT FROM TO	UNITS PER ASSY
1	290 MK7EPDL		.. BEARING-PLAIN SPHERICAL ROD END METAL RACES SUPPLIER CODE: V73134 SPECIFICATION NUMBER: S012T234-107-79 OPTIONAL PART: KBE7-225W V97613 ARH7E115KM VS0352 ARB7E190W9 V15860	002004 006999	1
	295 113N1723-6		.. TUBE	002004 006999	1
	300 NAS6706D18		. BOLT-	002004 006999	1
	305 NAS6706D23		. BOLT-	002004 006999	1
	310 BACW10BP6CD		. WASHER	002004 006999	2
	315 BACW10BP6DP		. WASHER	002004 006999	2
	320 102E9925-6		. NUT- SUPPLIER CODE: V72962 OPTIONAL PART: 73781CD624 V56878 PHCR56CD VF0224	002004 006999	2
	320 73781CD624		. NUT- SUPPLIER CODE: V56878 OPTIONAL PART: 102E9925-6 V72962 PHCR56CD VF0224	002004 006999	2
	320 PHCR56CD		. NUT- SUPPLIER CODE: VF0224 OPTIONAL PART: 102E9925-6 V72962 73781CD624 V56878	002004 006999	2
	325 113N1357-11		. BUSHING	002004 006999	1

MISSING ITEM NUMBERS NOT APPLICABLE

- ITEM NOT ILLUSTRATED

27-51-31-01

27-51-31  
FIG. 01  
PAGE 14  
JAN 20/09

BRI

BOEING PROPRIETARY - Copyright © - Unpublished Work - See title page for details.





757

PARTS CATALOG (MAINTENANCE)

FIG ITEM	PART NUMBER	1 2 3 4 5 6 7	NOMENCLATURE	EFFECT FROM TO	UNITS PER ASSY
1					
330	113N1357-17	.	BUSHING	002004 006999	1
335	113N1723-4	.	LINK ASSY	002004 006999	1
340	NAS509L7C	..	NUT	002004 006999	1
345	NAS509-7C	..	NUT	002004 006999	1
350	NAS1193K7C	..	LOCKING DEVICE	002004 006999	2
351	NAS1193K7-1	...	WASHER	002004 006999	1
352	NAS1193K7-2	...	WASHER	002004 006999	1
355	ARBL6E190W9	..	BEARING-ROD END SUPPLIER CODE: V15860 SPECIFICATION NUMBER: BCREF106925 OPTIONAL PART: ARH6E115KLM VS0352 KBEL6-225W V97613 MKL6EPDL V73134 BCREF106925 V81205	002004 006999	1
360	MK6EPDL	..	END-ROD SUPPLIER CODE: V73134 SPECIFICATION NUMBER: S012T234-106-79 OPTIONAL PART: KBE6-225W V97613 ARH6E115KM VS0352 ARB6E190W9 V15860	002004 006999	1
365	113N1723-8	..	TUBE	002004 006999	1
370	NAS6707D33	.	BOLT-	002004 006999	1
375	BACW10BP7CD	.	WASHER	002004 006999	1
380	BACW10BP7DP	.	WASHER	002004 006999	1

MISSING ITEM NUMBERS NOT APPLICABLE

- ITEM NOT ILLUSTRATED

27-51-31-01

27-51-31  
FIG. 01  
PAGE 15  
JAN 20/09

BRI

BOEING PROPRIETARY - Copyright © - Unpublished Work - See title page for details.



757

PARTS CATALOG (MAINTENANCE)

FIG ITEM	PART NUMBER	1 2 3 4 5 6 7	NOMENCLATURE	EFFECT FROM TO	UNITS PER ASSY
1					
385	BACW10BP7DP	.	WASHER	002004 006999	AR
390	AN960C716	.	WASHER	002004 006999	AR
395	AN960C716L	.	WASHER	002004 006999	AR
400	PHCR57CD	.	NUT- SUPPLIER CODE: VF0224 OPTIONAL PART: 73781CD720 V56878	002004 006999	1
400	102E9925-7	.	NUT- SUPPLIER CODE: V72962 OPTIONAL PART: 73781CD720 V56878	002004 006999	1
400	73781CD720	.	NUT- SUPPLIER CODE: V56878 OPTIONAL PART: 102E9925-7 V72962 PHCR57CD VF0224	002004 006999	1
405	113N1357-12	.	BUSHING	002004 006999	1
406	BACB28AK07-022	.	BUSHING-	002004 006999	1
408	113N1721-1	.	LINK ASSY-SPRT COMPONENT MAINT MANUAL REF: 57-26-05 OPTIONAL PART: 113N1786-1	002004 006999	1
408	113N1786-1	.	LINK ASSY-SPRT COMPONENT MAINT MANUAL REF: 57-26-25 OPTIONAL PART: 113N1721-1	002004 006999	1
409	012T2400-35	..	BUSHING	002004 006999	4
410	MS15001-1	..	FITTING- USED ON: 113N1721-1	002004 006999	4
410	MS15001-4	..	FITTING- USED ON: 113N1786-1	002004 006999	4

MISSING ITEM NUMBERS NOT APPLICABLE

- ITEM NOT ILLUSTRATED

27-51-31-01

27-51-31  
FIG. 01  
PAGE 16  
JAN 20/09

BRI

 **BOEING**  
757  
**PARTS CATALOG (MAINTENANCE)**

FIG ITEM	PART NUMBER	1 2 3 4 5 6 7	NOMENCLATURE	EFFECT FROM TO	UNITS PER ASSY
1					
411	BACB28AM09B020A	..	BUSHING	002004 006999	1
412	BACB28AP06P019	..	BUSHING	002004 006999	1
413	BACB30LM3H7	..	BOLT- USED ON: 113N1721-1	002004 006999	4
413	NAS6703H7	..	BOLT- USED ON: 113N1786-1	002004 006999	4
414	AN960-10L	..	WASHER	002004 006999	4
415	69B14136-2	..	RETAINER	002004 006999	1
416	69B14136-3	..	SHIM	002004 006999	1
417	BACB10EP07C	..	BEARING	002004 006999	1
420	113N1711-29	.	FAIRING ASSY- POSITION DATA: FWD LH SIDE COMPONENT MAINT MANUAL REF: 57-26-25 FOR DETAILS SEE: 27-51-31-03	107107	1
421	113N1711-45	.	FAIRING ASSY- POSITION DATA: FWD LH SIDE COMPONENT MAINT MANUAL REF: 57-26-25 QUALIFIED I/W DATA: -51SP I/W -45 SUBJECT TO COLOR PREFERENCE FOR DETAILS SEE: 27-51-31-03	107107	1
421	113N1711-51SP	.	FAIRING ASSY- POSITION DATA: FWD LH SIDE QUALIFIED I/W DATA: -51SP I/W -45 OR -47 OR -49 SUBJECT TO COLOR PREFERENCE FOR DETAILS SEE: 27-51-31-03	904949 952952	1
421	113N1711-53SP	.	FAIRING ASSY- POSITION DATA: FWD LH SIDE FOR DETAILS SEE: 27-51-31-03	002004 006106 108999	1

MISSING ITEM NUMBERS NOT APPLICABLE

— ITEM NOT ILLUSTRATED

BRI

# 27-51-31-01

27-51-31  
FIG. 01  
PAGE 17  
JAN 20/09



757

PARTS CATALOG (MAINTENANCE)

FIG ITEM	PART NUMBER	1 2 3 4 5 6 7	NOMENCLATURE	EFFECT FROM TO	UNITS PER ASSY
1					
- 425	113N1711-30		. FAIRING ASSY- POSITION DATA: FWD RH SIDE COMPONENT MAINT MANUAL REF: 57-26-25 FOR DETAILS SEE: 27-51-31-03	107107	1
- 426	113N1711-46		. FAIRING ASSY- POSITION DATA: FWD RH SIDE COMPONENT MAINT MANUAL REF: 57-26-25 QUALIFIED I/W DATA: -52SP I/W -46 SUBJECT TO COLOR PREFERENCE FOR DETAILS SEE: 27-51-31-03	107107	1
- 426	113N1711-52SP		. FAIRING ASSY- POSITION DATA: FWD RH SIDE QUALIFIED I/W DATA: -52SP I/W -46 OR -48 OR -50 SUBJECT TO COLOR PREFERENCE FOR DETAILS SEE: 27-51-31-03	904949 952952	1
- 426	113N1711-54SP		. FAIRING ASSY- POSITION DATA: FWD RH SIDE FOR DETAILS SEE: 27-51-31-03	002004 006106 108999	1
430	113N1712-27		. FAIRING ASSY- POSITION DATA: AFT LH SIDE COMPONENT MAINT MANUAL REF: 57-26-15 FOR DETAILS SEE: 27-51-31-03	107107	1
430	113N1712-35		. FAIRING ASSY- POSITION DATA: AFT LH SIDE COMPONENT MAINT MANUAL REF: 57-26-15 FOR DETAILS SEE: 27-51-31-03	107107	1

MISSING ITEM NUMBERS NOT APPLICABLE

- ITEM NOT ILLUSTRATED

BRI

**27-51-31-01**

27-51-31  
FIG. 01  
PAGE 18  
JAN 20/09



757

PARTS CATALOG (MAINTENANCE)

FIG ITEM	PART NUMBER	1 2 3 4 5 6 7	NOMENCLATURE	EFFECT FROM TO	UNITS PER ASSY
1 430	113N1712-39		. FAIRING ASSY- POSITION DATA: AFT LH SIDE COMPONENT MAINT MANUAL REF: 57-26-15 FOR DETAILS SEE: 27-51-31-03	107107	1
430	113N1712-59SP		. FAIRING ASSY- POSITION DATA: AFT LH SIDE FOR DETAILS SEE: 27-51-31-03	002004 006106 108999	1
430	113N1712-45		. FAIRING ASSY- POSITION DATA: AFT LH SIDE COMPONENT MAINT MANUAL REF: 57-26-15 QUALIFIED I/W DATA: -51SP I/W -45 SUBJECT TO COLOR PREFERENCE FOR DETAILS SEE: 27-51-31-03	107107	1
430	113N1712-51SP		. FAIRING ASSY- POSITION DATA: AFT LH SIDE QUALIFIED I/W DATA: -51SP I/W -45 OR -47 OR -49 SUBJECT TO COLOR PREFERENCE FOR DETAILS SEE: 27-51-31-03	002004 006106 108999	1
430	113N1712-55SP		. FAIRING ASSY- POSITION DATA: AFT LH SIDE FOR DETAILS SEE: 27-51-31-03	002004 006106 108999	1
- 435	113N1712-28		. FAIRING ASSY- POSITION DATA: AFT RH SIDE COMPONENT MAINT MANUAL REF: 57-26-15 FOR DETAILS SEE: 27-51-31-03	107107	1

MISSING ITEM NUMBERS NOT APPLICABLE

- ITEM NOT ILLUSTRATED

BRI

**27-51-31-01**

27-51-31  
FIG. 01  
PAGE 19  
JAN 20/09



757

PARTS CATALOG (MAINTENANCE)

FIG ITEM	PART NUMBER	1 2 3 4 5 6 7	NOMENCLATURE	EFFECT FROM TO	UNITS PER ASSY
1					
- 435	113N1712-36		. FAIRING ASSY- POSITION DATA: AFT RH SIDE COMPONENT MAINT MANUAL REF: 57-26-15 FOR DETAILS SEE: 27-51-31-03	107107	1
- 435	113N1712-40		. FAIRING ASSY- POSITION DATA: AFT RH SIDE COMPONENT MAINT MANUAL REF: 57-26-15 FOR DETAILS SEE: 27-51-31-03	107107	1
- 435	113N1712-60SP		. FAIRING ASSY- POSITION DATA: AFT RH SIDE FOR DETAILS SEE: 27-51-31-03	002004 006106 108999	1
- 435	113N1712-46		. FAIRING ASSY- POSITION DATA: AFT RH SIDE COMPONENT MAINT MANUAL REF: 57-26-15 QUALIFIED I/W DATA: -52SP I/W -46 SUBJECT TO COLOR PREFERENCE FOR DETAILS SEE: 27-51-31-03	107107	1
- 435	113N1712-52SP		. FAIRING ASSY- POSITION DATA: AFT RH SIDE QUALIFIED I/W DATA: -52SP I/W -46 OR -48 OR -50 SUBJECT TO COLOR PREFERENCE FOR DETAILS SEE: 27-51-31-03	002004 006106 108999	1
- 435	113N1712-56SP		. FAIRING ASSY- POSITION DATA: AFT RH SIDE FOR DETAILS SEE: 27-51-31-03	002004 006106 108999	1
- 500	113N1710-201		FAIRING INSTL-TE FLAP TRACK POSITION DATA: OUTBD LH FOR NHA SEE: 57-00-00-05	101102 108120 504903	RF

MISSING ITEM NUMBERS NOT APPLICABLE

- ITEM NOT ILLUSTRATED

27-51-31-01

27-51-31  
FIG. 01  
PAGE 20  
JAN 20/09

BRI



757

PARTS CATALOG (MAINTENANCE)

FIG ITEM	PART NUMBER	1 2 3 4 5 6 7	NOMENCLATURE	EFFECT FROM TO	UNITS PER ASSY
1					
- 500	MODREF1376		FAIRING INSTL-TE FLAP TRACK MODULE NUMBER: 113N1710-201 REV A POSITION DATA: OUTBD LH	103103	1
- 500	MODREF26571		FAIRING INSTL-TE FLAP TRACK MODULE NUMBER: 113N1710-201 REV B POSITION DATA: OUTBD LH	104106	1
- 505	113N1710-202		FAIRING INSTL-TE FLAP TRACK POSITION DATA: OUTBD RH FOR NHA SEE: 57-00-00-05	101102 108120 504903	RF
- 505	MODREF1377		FAIRING INSTL-TE FLAP TRACK MODULE NUMBER: 113N1710-202 REV A POSITION DATA: OUTBD RH	103103	1
- 505	MODREF26572		FAIRING INSTL-TE FLAP TRACK MODULE NUMBER: 113N1710-202 REV B POSITION DATA: OUTBD RH	104106	1
510	113N1722-9		.LINK ASSY-DRIVE COMPONENT MAINT MANUAL REF: 57-26-05	101106 108120 504903	1
510	113N1722-7		.LINK ASSY-DRIVE COMPONENT MAINT MANUAL REF: 57-26-05	101106 108120 504903	1
510	113N1722-11		.LINK ASSY-DRIVE	101106 108120 504903	1
510	113N1722-5		.LINK ASSY-DRIVE COMPONENT MAINT MANUAL REF: 57-26-05	101106 108120 504903	1
510	113N1722-13		.LINK ASSY-DRIVE COMPONENT MAINT MANUAL REF: 57-26-05	101106 108120 504903	1
513	BACB28AP07P039		..BUSHINGS	101102 108120 504903	1
514	BACB28AM10B043		..BUSHING-	101106 108120 504903	1
515	MS15001-1		..FITTING	101102 108120 504903	2

MISSING ITEM NUMBERS NOT APPLICABLE

- ITEM NOT ILLUSTRATED

27-51-31-01

27-51-31  
FIG. 01  
PAGE 21  
JAN 20/09

BRI

 **BOEING**  
757  
**PARTS CATALOG (MAINTENANCE)**

FIG ITEM	PART NUMBER	1 2 3 4 5 6 7	NOMENCLATURE	EFFECT FROM TO	UNITS PER ASSY
1					
516	012T2400-36	. .	BUSHING-FLANGED	101102 108120 504903	2
518	012T2400-35	. .	BUSHING-FLANGED	101102 108120 504903	4
519	113N1722-8	. .	LINK	101106 108120 504903	1
519	113N1722-6	. .	LINK	103103	1
520	BACP18BC03A10P	. .	PIN-COTTER	101106 108120 504903	2
525	NAS6707D25	. .	BOLT	101106 108120 504903	2
530	NAS6707D79	. .	BOLT	101106 108120 504903	1
535	BACW10BP7CD	. .	WASHER- POSITION DATA: UNDER HEAD	101106 108120 504903	3
540	BACW10BP7DP	. .	WASHER- POSITION DATA: UNDER NUT	101106 108120 504903	4
545	73781CD720	. .	NUT- SUPPLIER CODE: V56878 OPTIONAL PART: 102E9925-7 V72962 PHCR57CD VF0224	101106 108120 504903	2
550	113N1357-13	. .	BUSHING	101106 108120 504903	2
555	113N1357-14	. .	BUSHING	101106 108120 504903	1
560	113N1357-15	. .	BUSHING	101106 108120 504903	1

MISSING ITEM NUMBERS NOT APPLICABLE

— ITEM NOT ILLUSTRATED

BRI

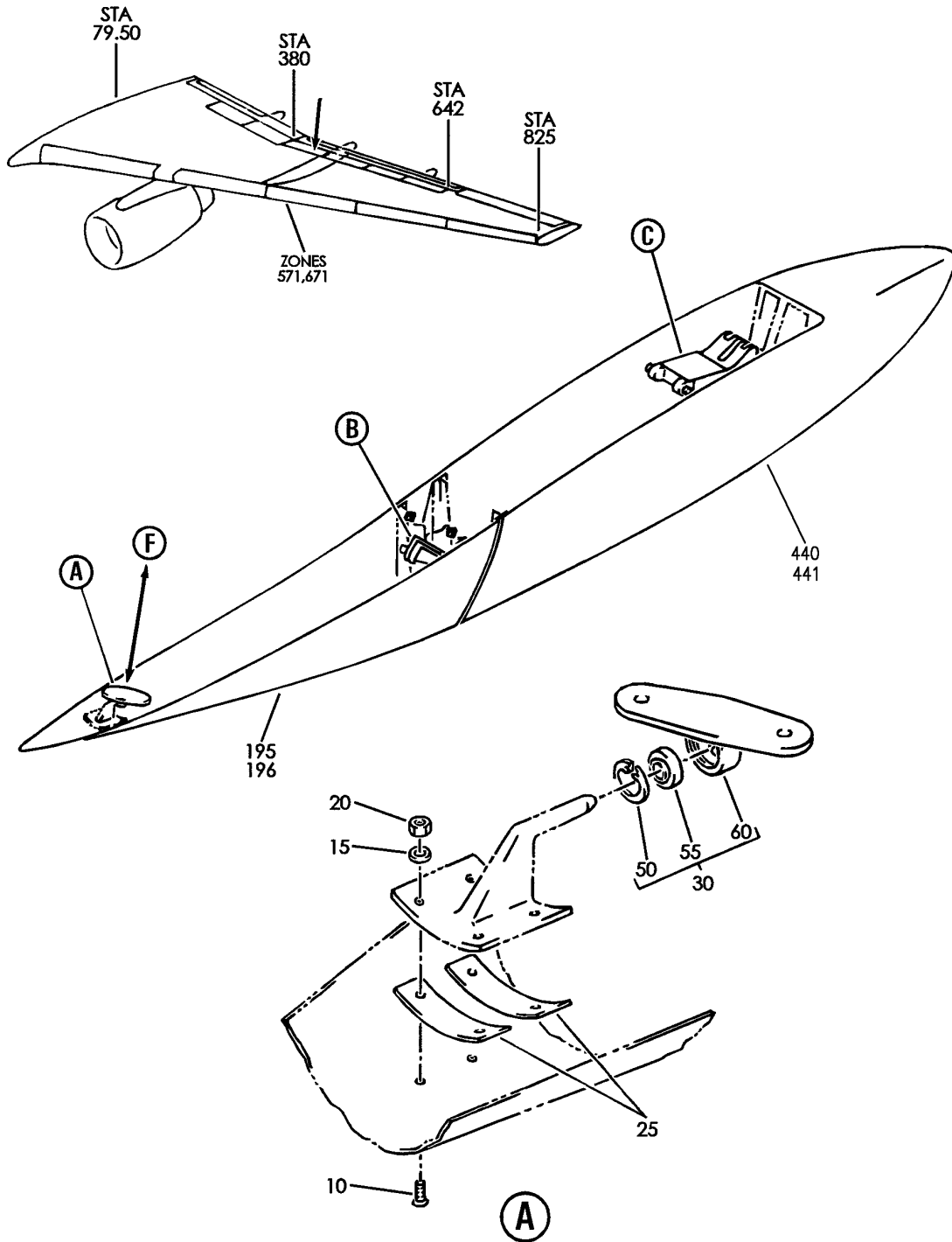
# 27-51-31-01

BOEING PROPRIETARY - Copyright © - Unpublished Work - See title page for details.

27-51-31  
FIG. 01  
PAGE 22  
JAN 20/09



**BOEING**  
757  
PARTS CATALOG (MAINTENANCE)



Y 27513102 SH1 1 REV 307

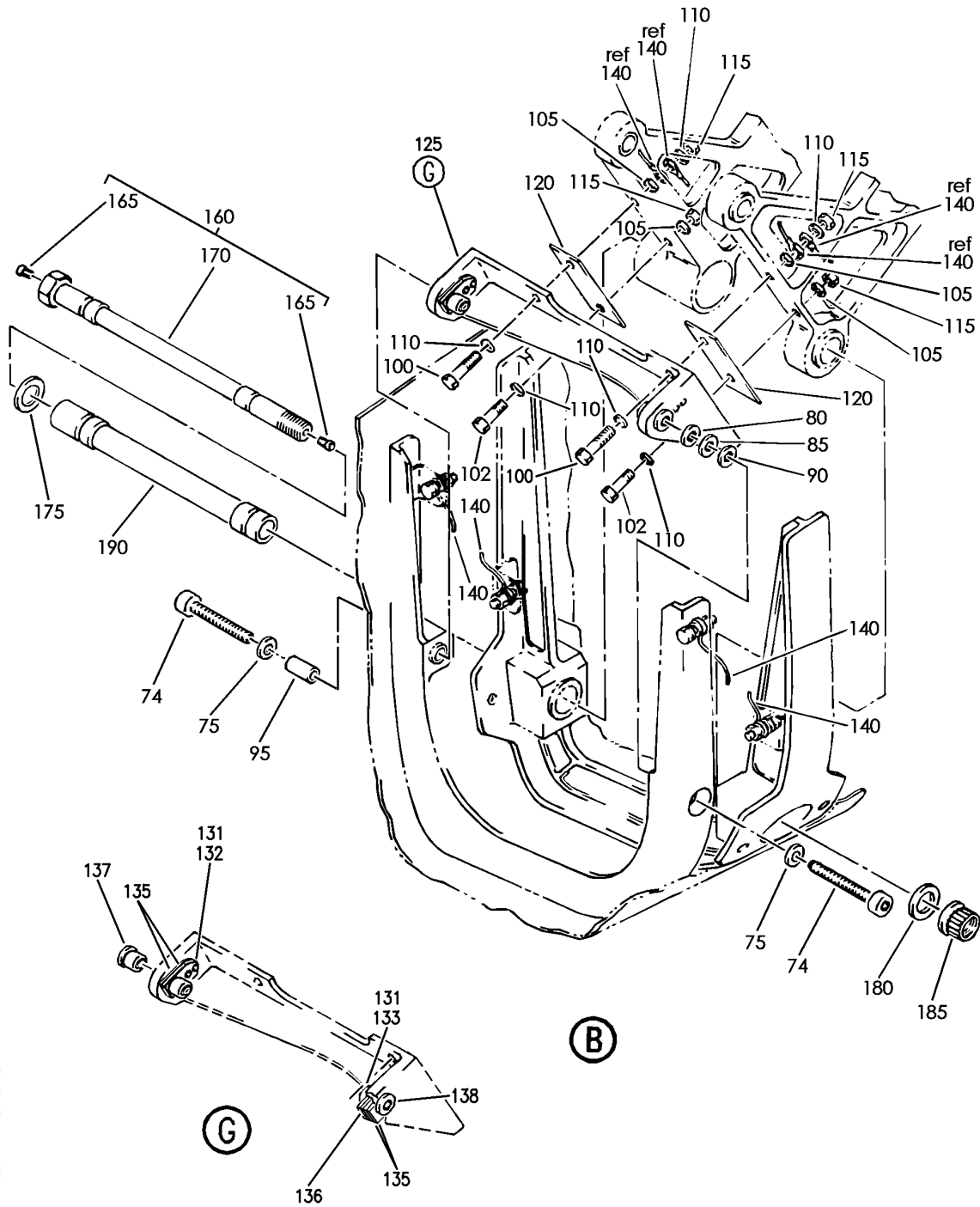
FAIRING INSTL-OUTBD TE FLAP INBD TRACK  
FIGURE 2 (SHEET 1)

**27-51-31-02**

BRI  
MAY 28/07

27-51-31-02  
PAGE 0

**BOEING**  
757  
PARTS CATALOG (MAINTENANCE)



Y 27513102 SHT 2 REV 238

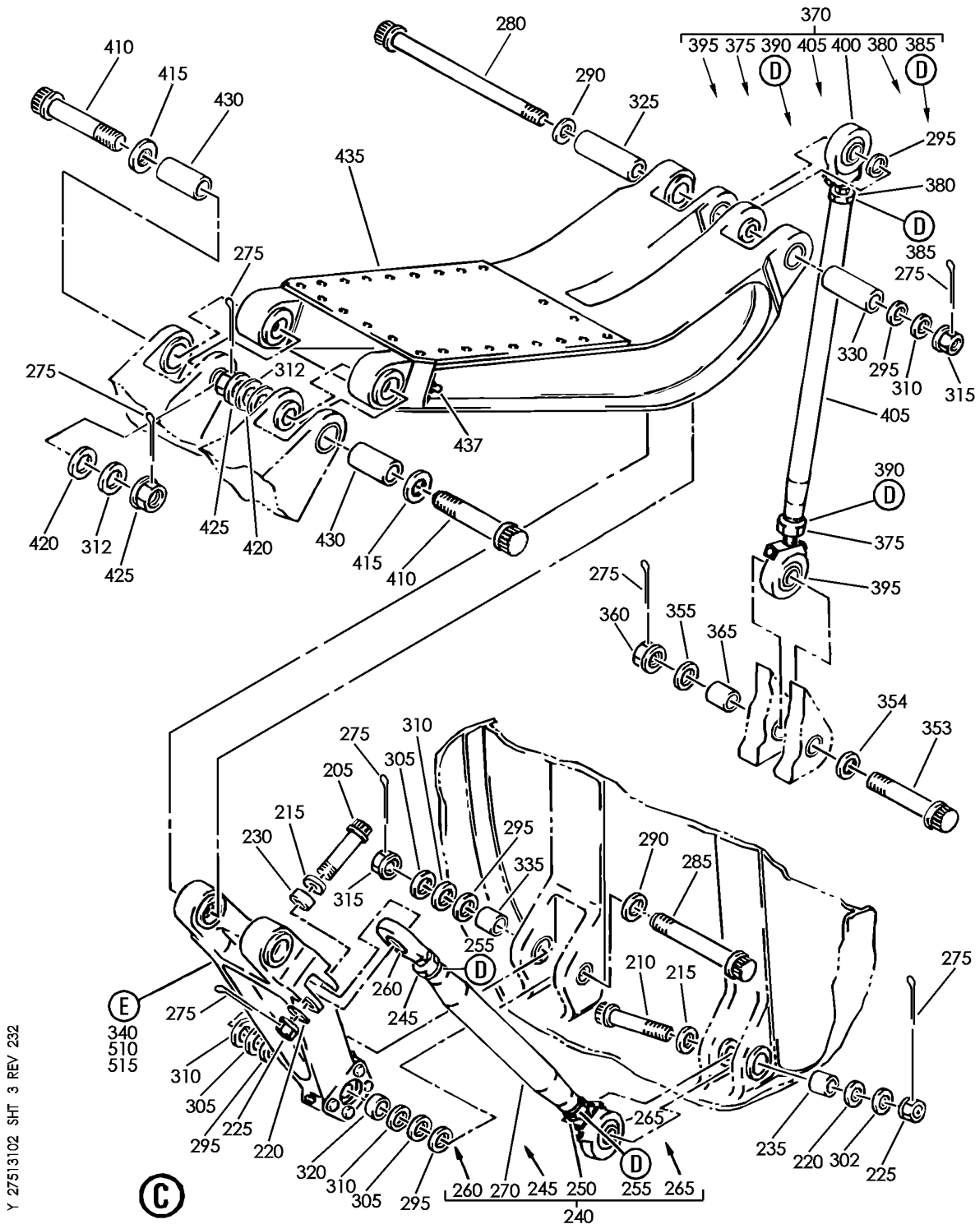
FAIRING INSTL-OUTBD TE FLAP INBD TRACK  
FIGURE 2 (SHEET 2)

**27-51-31-02**

BRI  
MAY 28/07

27-51-31-02  
PAGE 0A

**BOEING**  
757  
PARTS CATALOG (MAINTENANCE)



Y 27513102 SHT 3 REV 232

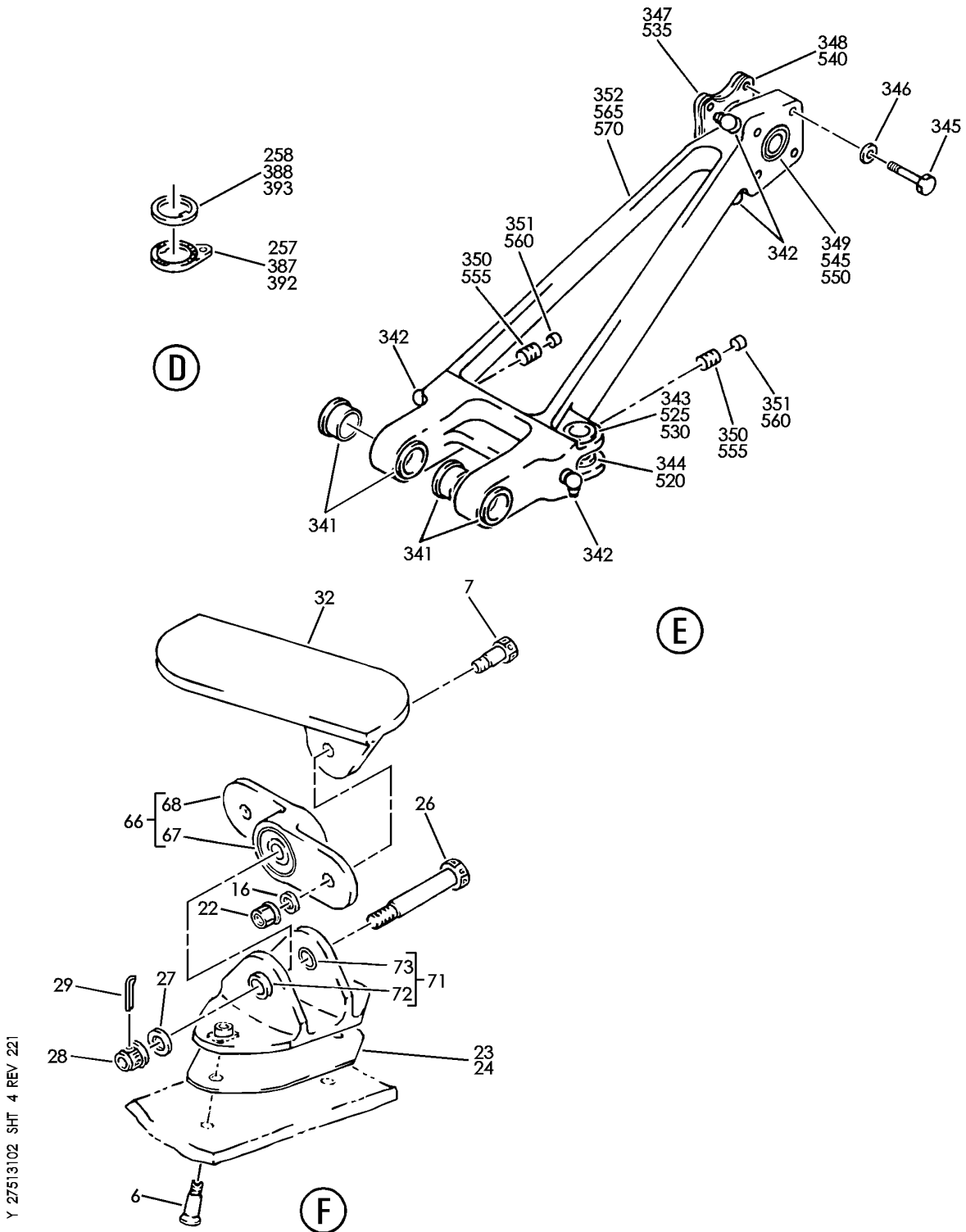
FAIRING INSTL-OUTBD TE FLAP INBD TRACK  
FIGURE 2 (SHEET 3)

**27-51-31-02**

BRI  
MAY 28/07

27-51-31-02  
PAGE 0B

**BOEING**  
757  
**PARTS CATALOG (MAINTENANCE)**



FAIRING INSTL-OUTBD TE FLAP INBD TRACK  
FIGURE 2 (SHEET 4)

**27-51-31-02**



757

PARTS CATALOG (MAINTENANCE)

FIG ITEM	PART NUMBER	1 2 3 4 5 6 7	NOMENCLATURE	EFFECT FROM TO	UNITS PER ASSY
2			FAIRING INSTL-OUTBD TE FLAP INBD TRACK	002004 006999	
- 1	113N1730-1		FAIRING INSTL-OUTBD TE FLAP POSITION DATA: INBD TRACK LH FOR NHA SEE: 57-20-52-01	002004 006100 107107 121503 904999	RF
- 1	MODREF1463		FAIRING INSTL-FLAP MODULE NUMBER: 113N1730-405 REV A POSITION DATA: INBD TRACK OUTBD TE LH	103103	1
- 1	113N1730-405		FAIRING INSTL-FLAP POSITION DATA: INBD TRACK OUTBD TE LH FOR NHA SEE: 57-00-00-05B	101102 108120 504903	RF
- 1	MODREF26581		FAIRING INSTL-FLAP MODULE NUMBER: 113N1730-405 REV B POSITION DATA: INBD TRACK OUTBD TE LH	104106	1
- 4	113N1730-406		FAIRING INSTL-FLAP POSITION DATA: INBD TRACK OUTBD TE RH FOR NHA SEE: 57-00-00-05B	101102 108120 504903	RF
- 4	MODREF1464		FAIRING INSTL-FLAP MODULE NUMBER: 113N1730-406 REV A POSITION DATA: INBD TRACK OUTBD TE RH	103103	1
- 4	MODREF26582		FAIRING INSTL-FLAP MODULE NUMBER: 113N1730-406 REV B POSITION DATA: INBD TRACK OUTBD TE RH	104106	1
- 5	113N1730-2		FAIRING INSTL-OUTBD TE FLAP POSITION DATA: INBD TRACK RH FOR NHA SEE: 57-20-52-01	002004 006100 107107 121503 904999	RF
6	BACB30LR4K9		.BOLT-	002004 006999	2
7	BACB30NR4K7		.BOLT-	002004 006999	2

MISSING ITEM NUMBERS NOT APPLICABLE

- ITEM NOT ILLUSTRATED

27-51-31-02

27-51-31  
FIG. 02  
PAGE 1  
JAN 20/09

BRI



757

PARTS CATALOG (MAINTENANCE)

FIG ITEM	PART NUMBER	1 2 3 4 5 6 7	NOMENCLATURE	EFFECT FROM TO	UNITS PER ASSY
2					
16	AN960KD416	.	WASHER-	002004 006100 107107 121503 904999	2
16	NAS1149D0463J	.	WASHER-	101106 108120 504903	2
22	MS21042L4	.	NUT-	002004 006999	2
23	BACS40R20W42	.	SHIM-	002004 006100 107107 121503 904999	1
24	BACS40R020W042	.	SHIM- OPTIONAL PART: 113N1706-1	101106 108120 504903	AR
24	113N1706-1	.	SHIM- OPTIONAL PART: BACS40R020W042	101106 108120 504903	AR
26	BACB30LJ5CD24	.	BOLT-	002004 006999	1
27	AN960KD516L	.	WASHER-	002004 006100 107107 121503 904999	1
27	NAS1149D0516J	.	WASHER-	101106 108120 504903	1
28	73781CD524	.	NUT- SUPPLIER CODE: V56878 OPTIONAL PART: 102E9925-5 V72962 PHCR55CD VF0224	002004 006999	1
28	102E9925-5	.	NUT- SUPPLIER CODE: V72962 OPTIONAL PART: 73781CD524 V56878 PHCR55CD VF0224	002004 006999	1

MISSING ITEM NUMBERS NOT APPLICABLE

- ITEM NOT ILLUSTRATED

27-51-31-02

27-51-31  
FIG. 02  
PAGE 2  
JAN 20/09

BRI

BOEING PROPRIETARY - Copyright © - Unpublished Work - See title page for details.



757

PARTS CATALOG (MAINTENANCE)

FIG ITEM	PART NUMBER	1 2 3 4 5 6 7	NOMENCLATURE	EFFECT FROM TO	UNITS PER ASSY
2	28 PHCR55CD		.NUT- SUPPLIER CODE: VF0224 OPTIONAL PART: 102E9925-5 V72962 73781CD524 V56878	002004 006999	1
	29 MS24665-155		.PIN-	002004 006100 107107 121503 904999	1
	29 BACP18BC02A08P		.PIN-	101106 108120 504903	1
	32 113N1701-3		.FITTING-UNDERWING POSITION DATA: LH SIDE OPTIONAL PART: 113N1708-3	002004 006999	1
	32 113N1708-3		.FITTING-UNDERWING POSITION DATA: LH SIDE OPTIONAL PART: 113N1701-3	002004 006999	1
-	37 113N1701-4		.FITTING-UNDERWING POSITION DATA: RH SIDE OPTIONAL PART: 113N1708-4	002004 006999	1
-	37 113N1708-4		.FITTING-UNDERWING POSITION DATA: RH SIDE OPTIONAL PART: 113N1701-4	002004 006999	1
-	40 BACB30NM5K12		ATTACHING PARTS .BOLT-	002004 006999	2

MISSING ITEM NUMBERS NOT APPLICABLE

- ITEM NOT ILLUSTRATED

27-51-31-02

27-51-31  
FIG. 02  
PAGE 3  
JAN 20/09

BRI

BOEING PROPRIETARY - Copyright © - Unpublished Work - See title page for details.



757

PARTS CATALOG (MAINTENANCE)

FIG ITEM	PART NUMBER	1 2 3 4 5 6 7	NOMENCLATURE	EFFECT FROM TO	UNITS PER ASSY
2 - 45	TLN12045	.NUT	SUPPLIER CODE: V97928 SPECIFICATION NUMBER: BACN10WM5 OPTIONAL PART: LH10114B5 V72962 MN155 V73197 VN18615 V92215 H49702-5S V15653 W8505 V08524 H497025 V15653	002004 006999	2
66	113N1702-1	.FITTING ASSY-	-----*-----	002004 006999	1
67	SY10670	..BUSHING-	SUPPLIER CODE: V95272 SPECIFICATION NUMBER: S113N106-1 OPTIONAL PART: DE903 V71985	002004 006999	1
68	113N1702-2	..FITTING-		002004 006999	1
71	113N1703-2	.FITTING ASSY-		002004 006999	1
72	BACB28AM05A019	..BUSHING		002004 006999	1
73	113N1707-1	..BUSHING		002004 006999	1
74	113N1724-1	.BOLT		002004 006999	2
75	BACW10BP5CD	.WASHER		002004 006999	2
80	BACW10BP5APU	.WASHER		002004 006999	AR
85	AN960C516	.WASHER		002004 006999	AR
90	AN960C516L	.WASHER		002004 006999	AR
95	113N1357-18	.BUSHING		002004 006999	1

MISSING ITEM NUMBERS NOT APPLICABLE

- ITEM NOT ILLUSTRATED

27-51-31-02

27-51-31  
FIG. 02  
PAGE 4  
JAN 20/09

BRI





757

PARTS CATALOG (MAINTENANCE)

FIG ITEM	PART NUMBER	1 2 3 4 5 6 7	NOMENCLATURE	EFFECT FROM TO	UNITS PER ASSY
2					
100	BACB30LT4-10	.BOLT		002004 006999	2
102	BACB30LT4-8	.BOLT		002004 006999	2
105	AN960C416L	.WASHER-		002004 006999	4
110	BACW10BP4CD	.WASHER		002004 006999	4
115	BRH10C4D	.NUT		002004 006999	4
		SUPPLIER CODE:			
		V52828			
		SPECIFICATION NUMBER:			
		BACN10JC4CD			
		OPTIONAL PART:			
		T6C428JCD			
		V11815			
		NS202486-048			
		V80539			
		102LH9075-4W			
		V72962			
		H51650-4BAC			
		V15653			
120	BACS40R13F40F	.SHIM		002004 006999	2
125	113N1749-1	.FITTING ASSY-SPRT		002004 006999	1
		POSITION DATA:			
		FWD LH SIDE			
		COMPONENT MAINT MANUAL REF:			
		57-26-05			
125	113N1749-9	.FITTING ASSY-SPRT		002004 006999	1
		POSITION DATA:			
		FWD LH SIDE			
		COMPONENT MAINT MANUAL REF:			
		57-26-05			
- 130	113N1749-2	.FITTING ASSY-SPRT		002004 006999	1
		POSITION DATA:			
		FWD RH SIDE			
		COMPONENT MAINT MANUAL REF:			
		57-26-05			
- 130	113N1749-10	.FITTING ASSY-SPRT		002004 006999	1
		POSITION DATA:			
		FWD RH SIDE			
		COMPONENT MAINT MANUAL REF:			
		57-26-05			

MISSING ITEM NUMBERS NOT APPLICABLE

- ITEM NOT ILLUSTRATED

BRI

27-51-31-02

27-51-31  
FIG. 02  
PAGE 5  
JAN 20/09



757

PARTS CATALOG (MAINTENANCE)

FIG ITEM	PART NUMBER	1 2 3 4 5 6 7	NOMENCLATURE	EFFECT FROM TO	UNITS PER ASSY
2 131	BRF100C5D		..NUTPLATE- SUPPLIER CODE: V52828 SPECIFICATION NUMBER: BACN10KB5CFD OPTIONAL PART: NS202478-054 V80539 102F9207P5 V72962 F51604-5 V15653 USED ON: 113N1749-1	002004 006999	2
132	BRF120A3-5		..NUTPLATE- SUPPLIER CODE: V52828 SPECIFICATION NUMBER: BACN10JS5B3 OPTIONAL PART: F1972-5-3BAC V15653 NS103220-054-3 V80539 RMF9202-3-5 V72962 T8263524S3 V11815 BACN10JS5B3CD	002004 006999	1
132	F120C3-5D		..NUTPLATE- SUPPLIER CODE: V52828 SPECIFICATION NUMBER: BACN10JS5B3CD OPTIONAL PART: NS202563-5-3 V80539 102F9202-3-5 V72962 BRF120C3-5D V52828 F51849-5-3BAC V15653 BACN10JS5B3	002004 006999	1

MISSING ITEM NUMBERS NOT APPLICABLE

- ITEM NOT ILLUSTRATED

BRI

27-51-31-02

BOEING PROPRIETARY - Copyright © - Unpublished Work - See title page for details.

27-51-31  
FIG. 02  
PAGE 6  
JAN 20/09



757

PARTS CATALOG (MAINTENANCE)

FIG ITEM	PART NUMBER	1 2 3 4 5 6 7	NOMENCLATURE	EFFECT FROM TO	UNITS PER ASSY
2 133	BRF120A5-5		..NUTPLATE- SUPPLIER CODE: V52828 SPECIFICATION NUMBER: BACN10JS5B5 OPTIONAL PART: F1972-5-5BAC V15653 NS103220-054-5 V80539 RMF9202-5-5 V72962 T8263S524S5 V11815 BACN10JS5B5CD	002004 006999	1
133	BRF120C5-5D		..NUTPLATE- SUPPLIER CODE: V52828 SPECIFICATION NUMBER: BACN10JS5B5CD OPTIONAL PART: NS202563-5-5 V80539 102F9202-5-5 V72962 F51849-5-5BAC V15653 BACN10JS5B5 ATTACHING PARTS	002004 006999	1
- 134	BACR15BA4AD		..RIVET- SIZE DETERMINED ON INSTL. -----*-----	002004 006999	4
135	NAS463YDD516		..SPACER-NUT USED ON: 113N1720-9 113N1720-10 113N1749-1 113N1749-2	002004 006999	4
136	NAS463YDD516H		..SPACER-NUT USED ON: 113N1720-9 113N1720-10 113N1749-1 113N1749-2	002004 006999	1

MISSING ITEM NUMBERS NOT APPLICABLE

- ITEM NOT ILLUSTRATED

27-51-31-02

27-51-31  
FIG. 02  
PAGE 7  
JAN 20/09

BRI



757

PARTS CATALOG (MAINTENANCE)

FIG ITEM	PART NUMBER	1 2 3 4 5 6 7	NOMENCLATURE	EFFECT FROM TO	UNITS PER ASSY
2 137	BACB28AP05P025		.. BUSHING- USED ON: 113N1720-9 113N1720-10 113N1749-1 113N1749-2 113N1749-9 113N1749-10	002004 006999	1
138	BACB28AP05P031		.. BUSHING- USED ON: 113N1720-9 113N1720-10 113N1749-1 113N1749-2 113N1749-9 113N1749-10	002004 006999	1
140	740A21-8		. JUMPER ASSY SUPPLIER CODE: V91812 SPECIFICATION NUMBER: BACJ40A21-8 OPTIONAL PART: TJEJ40A21-8 V33483 RBEJ21-8 V1GK47 ATTACHING PARTS	002004 006999	4
- 145	BACB30LR3U5		. BOLT-	002004 006100 107107 121503 904999	4
- 145	BACB30LH3U5		. BOLT-	101106 108120 504903	4
- 151	AN960C10L		. WASHER-	002004 006100 107107 121503 904999	8
151	NAS1149C0332R		-----*----- . WASHER-	101106 108120 504903	8

MISSING ITEM NUMBERS NOT APPLICABLE

- ITEM NOT ILLUSTRATED

27-51-31-02

27-51-31  
FIG. 02  
PAGE 8  
JAN 20/09

BRI



757

PARTS CATALOG (MAINTENANCE)

FIG ITEM	PART NUMBER	1 2 3 4 5 6 7	NOMENCLATURE	EFFECT FROM TO	UNITS PER ASSY
2			ATTACHING PARTS		
- 155	BRH10C3D		.NUT SUPPLIER CODE: V52828 SPECIFICATION NUMBER: BACN10JC3CD OPTIONAL PART: T6C1032JCD V11815 NS202486-02 V80539 102LH9075-3W V72962 H51650-3BAC V15653 -----*-----	002004 006999	4
160	113N1726-2		.BOLT ASSY-PIVOT	002004 006999	1
165	NAS516M1		..FITTING	002004 006999	2
170	113N1726-4		..BOLT	002004 006999	1
175	BACW10BP10CD		.WASHER	002004 006999	1
180	BACW10BP10DP		.WASHER	002004 006999	1

MISSING ITEM NUMBERS NOT APPLICABLE

- ITEM NOT ILLUSTRATED

27-51-31-02

27-51-31  
FIG. 02  
PAGE 9  
JAN 20/09

BRI

BOEING PROPRIETARY - Copyright © - Unpublished Work - See title page for details.



757

PARTS CATALOG (MAINTENANCE)

FIG ITEM	PART NUMBER	1 2 3 4 5 6 7	NOMENCLATURE	EFFECT FROM TO	UNITS PER ASSY
2 185	BMN5024CWD310	.NUT	SUPPLIER CODE: V97928 SPECIFICATION NUMBER: BACN10HR10CD OPTIONAL PART: H51560-10 V15653 102LH9031-10 V72962 67832CD1018 V56878 BH00303CM10 V27238 SL7108C10 V11815 VCU0005D10 V06710 BMN10HRCWD3-10 V97928 102LH903110 V72962 102LH903110 V72962	002004 006999	1
190	113N1727-2	.BUSHING		002004 006999	1
195	113N1730-15	.FAIRING ASSY-	POSITION DATA: FWD LH SIDE COMPONENT MAINT MANUAL REF: 57-26-27 REWORK DRAWING REF: 113N1730-9 FOR DETAILS SEE: 27-51-31-04	107107	1
195	113N1731-29	.FAIRING ASSY-	POSITION DATA: FWD LH SIDE COMPONENT MAINT MANUAL REF: 57-26-27 FOR DETAILS SEE: 27-51-31-04	107107	1

MISSING ITEM NUMBERS NOT APPLICABLE

- ITEM NOT ILLUSTRATED

**27-51-31-02**

27-51-31  
FIG. 02  
PAGE 10  
JAN 20/09

BRI



757

PARTS CATALOG (MAINTENANCE)

FIG ITEM	PART NUMBER	1 2 3 4 5 6 7	NOMENCLATURE	EFFECT FROM TO	UNITS PER ASSY
2 196	113N1731-39		. FAIRING ASSY- POSITION DATA: FWD LH SIDE COMPONENT MAINT MANUAL REF: 57-26-27 QUALIFIED I/W DATA: -45SP I/W 39 SUBJECT TO COLOR PREFERENCE FOR DETAILS SEE: 27-51-31-04	107107	1
196	113N1731-45SP		. FAIRING ASSY- POSITION DATA: FWD LH SIDE QUALIFIED I/W DATA: -45SP I/W -39 OR -41 OR -43 SUBJECT TO COLOR PREFERENCE USED ON: 113N1730-403 113N1730-1 FOR DETAILS SEE: 27-51-31-04	002004 006106 108999	1
- 200	113N1730-16		. FAIRING ASSY- POSITION DATA: FWD RH SIDE COMPONENT MAINT MANUAL REF: 57-26-27 REWORK DRAWING REF: 113N1730-10 FOR DETAILS SEE: 27-51-31-04	107107	1
- 200	113N1731-40		. FAIRING ASSY- POSITION DATA: FWD RH SIDE COMPONENT MAINT MANUAL REF: 57-26-27 QUALIFIED I/W DATA: -46SP I/W -40 SUBJECT TO COLOR PREFERENCE FOR DETAILS SEE: 27-51-31-04	107107	1
- 200	113N1731-30		. FAIRING ASSY- POSITION DATA: FWD RH SIDE COMPONENT MAINT MANUAL REF: 57-26-27 FOR DETAILS SEE: 27-51-31-04	107107	1

MISSING ITEM NUMBERS NOT APPLICABLE

- ITEM NOT ILLUSTRATED

**27-51-31-02**

27-51-31  
FIG. 02  
PAGE 11  
JAN 20/09

BRI



757

PARTS CATALOG (MAINTENANCE)

FIG ITEM	PART NUMBER	1 2 3 4 5 6 7	NOMENCLATURE	EFFECT FROM TO	UNITS PER ASSY
2 - 201	113N1731-46SP		.FAIRING ASSY- POSITION DATA: FWD RH SIDE QUALIFIED I/W DATA: -46SP I/W -40 OR -42 OR -44 SUBJECT TO COLOR PREF USED ON: 113N1730-404 113N1730-2 FOR DETAILS SEE: 27-51-31-04	002004 006106 108999	1
205	NAS6706D18		.BOLT-	002004 006999	1
210	NAS6706D23		.BOLT-	002004 006999	1
215	BACW10BP6CD		.WASHER	002004 006999	2
220	BACW10BP6DP		.WASHER	002004 006999	2
225	73781CD624		.NUT- SUPPLIER CODE: V56878 OPTIONAL PART: 102E9925-6 V72962 PHCR56CD VF0224	002004 006999	2
225	102E9925-6		.NUT- SUPPLIER CODE: V72962 OPTIONAL PART: 73781CD624 V56878 PHCR56CD VF0224	002004 006999	2
225	PHCR56CD		.NUT- SUPPLIER CODE: VF0224 OPTIONAL PART: 102E9925-6 V72962 73781CD624 V56878	002004 006999	2
230	113N1357-11		.BUSHING	002004 006999	1
235	113N1357-17		.BUSHING	002004 006999	1

MISSING ITEM NUMBERS NOT APPLICABLE

- ITEM NOT ILLUSTRATED

27-51-31-02

27-51-31  
FIG. 02  
PAGE 12  
JAN 20/09

BRI



 **BOEING**  
757  
**PARTS CATALOG (MAINTENANCE)**

FIG ITEM	PART NUMBER	1 2 3 4 5 6 7	NOMENCLATURE	EFFECT FROM TO	UNITS PER ASSY
2					
240	113N1723-3	.	LINK ASSY	002004 006999	1
245	NAS509L7C	..	NUT	002004 006999	1
250	NAS509-7C	..	NUT	002004 006999	1
255	NAS1193K7C	..	LOCKING DEVICE	002004 006999	2
257	NAS1193K7-1	...	WASHER	002004 006999	1
258	NAS1193K7-2	...	WASHER	002004 006999	1
260	ARBL6E190W9	..	BEARING-ROD END SUPPLIER CODE: V15860 SPECIFICATION NUMBER: BCREF106925 OPTIONAL PART: ARH6E115KLM VS0352 KBEL6-225W V97613 MKL6EPDL V73134 BCREF106925 V81205	002004 006999	1
265	MK6EPDL	..	END-PLAIN SPHER ROD END METAL RACES SUPPLIER CODE: V73134 SPECIFICATION NUMBER: S012T234-106-79 OPTIONAL PART: KBE6-225W V97613 ARH6E115KM VS0352 ARB6E190W9 V15860	002004 006999	1
270	113N1723-7	..	TUBE	002004 006999	1
275	MS24665-304	.	PIN	002004 006100 107107 121503 904999	7
275	BACP18BC03A10P	.	PIN	101106 108120 504903	7

MISSING ITEM NUMBERS NOT APPLICABLE

— ITEM NOT ILLUSTRATED

BRI

# 27-51-31-02

BOEING PROPRIETARY - Copyright © - Unpublished Work - See title page for details.

27-51-31  
FIG. 02  
PAGE 13  
JAN 20/09



757

PARTS CATALOG (MAINTENANCE)

FIG ITEM	PART NUMBER	1 2 3 4 5 6 7	NOMENCLATURE	EFFECT FROM TO	UNITS PER ASSY
2					
280	NAS6707D79	.	BOLT-	002004 006999	1
285	NAS6707D33	.	BOLT-	002004 006999	1
290	BACW10BP7CD	.	WASHER	002004 006999	2
295	BACW10BP7DP	.	WASHER	002004 006999	5
302	AN960C616L	.	WASHER	002004 006100 107107 121503 904999	1
302	NAS1149C0632R	.	WASHER	101106 108120 504903	1
305	AN960C716	.	WASHER	002004 006100 107107 121503 904999	3
305	NAS1149C0763R	.	WASHER	101106 108120 504903	3
310	AN960C716L	.	WASHER	002004 006100 107107 121503 904999	4
310	NAS1149C0732R	.	WASHER	101106 108120 504903	4
312	AN960C816L	.	WASHER	002004 006100 107107 121503 904999	2
312	NAS1149C0832R	.	WASHER	101106 108120 504903	2
315	73781CD720	.	NUT- SUPPLIER CODE: V56878 OPTIONAL PART: 102E9925-7 V72962 PHCR57CD VF0224	002004 006999	2

MISSING ITEM NUMBERS NOT APPLICABLE

- ITEM NOT ILLUSTRATED

BRI

27-51-31-02

27-51-31  
FIG. 02  
PAGE 14  
JAN 20/09



757

PARTS CATALOG (MAINTENANCE)

FIG ITEM	PART NUMBER	1 2 3 4 5 6 7	NOMENCLATURE	EFFECT FROM TO	UNITS PER ASSY
2					
315	102E9925-7	.NUT-	SUPPLIER CODE: V72962 OPTIONAL PART: 73781CD720 V56878 PHCR57CD VF0224	002004 006999	2
315	PHCR57CD	.NUT-	SUPPLIER CODE: VF0224 OPTIONAL PART: 102E9925-7 V72962 73781CD720 V56878	002004 006999	2
320	BACB28AK07-022	.BUSHING		002004 006999	1
325	113N1357-15	.BUSHING		002004 006999	1
330	113N1357-14	.BUSHING		002004 006999	1
335	113N1357-12	.BUSHING		002004 006999	1
340	113N1741-1	.LINK ASSY-SPRT	COMPONENT MAINT MANUAL REF: 57-26-05 OPTIONAL PART: 113N1787-1	002004 006100 107107 121503 904999	1
340	113N1787-1	.LINK ASSY-SPRT	COMPONENT MAINT MANUAL REF: 57-26-05 OPTIONAL PART: 113N1741-1	002004 006100 107107 121503 904999	1
341	012T2400-35	..BUSHING		002004 006100 107107 121503 904999	4
342	MS15001-1	..FITTING-	USED ON: 113N1741-1	002004 006100 107107 121503 904999	4
342	MS15001-4	..FITTING-	USED ON: 113N1787-1	002004 006100 107107 121503 904999	4

MISSING ITEM NUMBERS NOT APPLICABLE

- ITEM NOT ILLUSTRATED

27-51-31-02

27-51-31  
FIG. 02  
PAGE 15  
JAN 20/09

BRI

BOEING PROPRIETARY - Copyright © - Unpublished Work - See title page for details.



757

PARTS CATALOG (MAINTENANCE)

FIG ITEM	PART NUMBER	1 2 3 4 5 6 7	NOMENCLATURE	EFFECT FROM TO	UNITS PER ASSY
2					
343	BACB28AM09B020A	..	BUSHING	002004 006100 107107 121503 904999	1
344	BACB28AP06P019	..	BUSHING	002004 006100 107107 121503 904999	1
345	BACB30LM3H7	..	BOLT- USED ON: 113N1741-1	002004 006100 107107 121503 904999	4
345	NAS6703H7	..	BOLT- USED ON: 113N1787-1	002004 006100 107107 121503 904999	4
346	AN960-10L	..	WASHER	002004 006100 107107 121503 904999	4
347	69B14136-2	..	RETAINER	002004 006100 107107 121503 904999	1
348	69B14136-3	..	SHIM	002004 006100 107107 121503 904999	1
349	BACB10EP07C	..	BEARING	002004 006100 107107 121503 904999	1
353	NAS6706D27	.	BOLT-	002004 006999	1
354	BACW10BP6CD	.	WASHER	002004 006999	1
355	BACW10BP6DP	.	WASHER	002004 006999	1

MISSING ITEM NUMBERS NOT APPLICABLE

- ITEM NOT ILLUSTRATED

27-51-31-02

27-51-31  
FIG. 02  
PAGE 16  
JAN 20/09

BRI



757

PARTS CATALOG (MAINTENANCE)

FIG ITEM	PART NUMBER	1 2 3 4 5 6 7	NOMENCLATURE	EFFECT FROM TO	UNITS PER ASSY
2					
360	73781CD624	.NUT-	SUPPLIER CODE: V56878 OPTIONAL PART: 102E9925-6 V72962 PHCR56CD VF0224	002004 006999	1
360	102E9925-6	.NUT-	SUPPLIER CODE: V72962 OPTIONAL PART: 73781CD624 V56878 PHCR56CD VF0224	002004 006999	1
360	PHCR56CD	.NUT-	SUPPLIER CODE: VF0224 OPTIONAL PART: 102E9925-6 V72962 73781CD624 V56878	002004 006999	1
365	113N1357-5	.BUSHING		002004 006999	1
370	113N1723-1	.LINK ASSY		002004 006999	1
375	NAS509L7C	..NUT		002004 006999	1
380	NAS509-8C	..NUT		002004 006999	1
385	NAS1193K8C	..LOCKING DEVICE		002004 006999	1
387	NAS1193K8-1	...WASHER		002004 006999	1
388	NAS1193K8-2	...WASHER		002004 006999	1
390	NAS1193K7C	..LOCKING DEVICE		002004 006999	1
392	NAS1193K7-1	...WASHER		002004 006999	1
393	NAS1193K7-2	...WASHER		002004 006999	1

MISSING ITEM NUMBERS NOT APPLICABLE

- ITEM NOT ILLUSTRATED

BRI

27-51-31-02

BOEING PROPRIETARY - Copyright © - Unpublished Work - See title page for details.

27-51-31  
FIG. 02  
PAGE 17  
JAN 20/09



757

PARTS CATALOG (MAINTENANCE)

FIG ITEM	PART NUMBER	1 2 3 4 5 6 7	NOMENCLATURE	EFFECT FROM TO	UNITS PER ASSY
2	395 ARBL6E190W9		.. BEARING-ROD END SUPPLIER CODE: V15860 SPECIFICATION NUMBER: BCREF106925 OPTIONAL PART: ARH6E115KLM VS0352 KBEL6-225W V97613 MKL6EPDL V73134 BCREF106925 V81205	002004 006999	1
	400 MK7EPDL		.. BEARING-PLAIN SPHER ROD END METAL RACES SUPPLIER CODE: V73134 SPECIFICATION NUMBER: S012T234-107-79 OPTIONAL PART: KBE7-225W V97613 ARH7E115KM VS0352 ARB7E190W9 V15860	002004 006999	1
	405 113N1723-5		.. TUBE	002004 006999	1
	410 NAS6708D28		. BOLT-	002004 006999	2
	415 BACW10BP8CD		. WASHER	002004 006999	2
	420 BACW10BP8DP		. WASHER	002004 006999	2
	425 73781CD820		. NUT- SUPPLIER CODE: V56878 OPTIONAL PART: 102E9925-8 V72962 PHCR58CD VF0224	002004 006999	2

MISSING ITEM NUMBERS NOT APPLICABLE

- ITEM NOT ILLUSTRATED

BRI

27-51-31-02

BOEING PROPRIETARY - Copyright © - Unpublished Work - See title page for details.

27-51-31  
FIG. 02  
PAGE 18  
JAN 20/09



757

PARTS CATALOG (MAINTENANCE)

FIG ITEM	PART NUMBER	1 2 3 4 5 6 7	NOMENCLATURE	EFFECT FROM TO	UNITS PER ASSY
2					
425	102E9925-8	.NUT-	SUPPLIER CODE: V72962 OPTIONAL PART: 73781CD820 V56878 PHCR58CD VF0224	002004 006999	2
425	PHCR58CD	.NUT-	SUPPLIER CODE: VF0224 OPTIONAL PART: 73781CD820 V56878 102E9925-8 V72962	002004 006999	2
430	113N1357-16	.BUSHING		002004 006999	2
435	113N1742-1	.LINK ASSY-SPRT	COMPONENT MAINT MANUAL REF: 57-26-05	002004 006999	1
437	MS15001-1	..FITTING		002004 006999	2
440	113N1732-35	.FAIRING ASSY-	POSITION DATA: AFT LH SIDE COMPONENT MAINT MANUAL REF: 57-26-17 QUALIFIED I/W DATA: 113N1731-19 MAY REPLACE -13 FOR NWA NCO15C020 ONLY -39 MAY REPLACE -35 FOR NWA NCO01C014 FOR DETAILS SEE: 27-51-31-04	107107	1
440	113N1732-69SP	.FAIRING ASSY-	POSITION DATA: AFT LH SIDE COMPONENT MAINT MANUAL REF: 57-26-17 USED ON: 113N1730-403 FOR DETAILS SEE: 27-51-31-04	002004 006106 108999	1

MISSING ITEM NUMBERS NOT APPLICABLE

- ITEM NOT ILLUSTRATED

BRI

27-51-31-02

BOEING PROPRIETARY - Copyright © - Unpublished Work - See title page for details.

27-51-31  
FIG. 02  
PAGE 19  
JAN 20/09



757

PARTS CATALOG (MAINTENANCE)

FIG ITEM	PART NUMBER	1 2 3 4 5 6 7	NOMENCLATURE	EFFECT FROM TO	UNITS PER ASSY
2 440	113N1732-41		. FAIRING ASSY- POSITION DATA: AFT LH SIDE COMPONENT MAINT MANUAL REF: 57-26-17 FOR DETAILS SEE: 27-51-31-04	107107	1
440	113N1732-47		. FAIRING ASSY- POSITION DATA: AFT LH SIDE COMPONENT MAINT MANUAL REF: 57-26-17 FOR DETAILS SEE: 27-51-31-04	107107	1
440	113N1732-53		. FAIRING ASSY- POSITION DATA: AFT LH SIDE COMPONENT MAINT MANUAL REF: 57-26-17 QUALIFIED I/W DATA: -61SP I/W -53 SUBJECT TO COLOR PREFERENCE FOR DETAILS SEE: 27-51-31-04	107107	1
440	113N1732-61SP		. FAIRING ASSY- POSITION DATA: AFT LH SIDE COMPONENT MAINT MANUAL REF: 57-26-17 QUALIFIED I/W DATA: -61SP I/W -53 OR -55 OR -57 SUBJECT TO COLOR PREF FOR DETAILS SEE: 27-51-31-04	002004 006106 108999	1
440	113N1732-63SP		. FAIRING ASSY- POSITION DATA: AFT LH SIDE COMPONENT MAINT MANUAL REF: 57-26-17 FOR DETAILS SEE: 27-51-31-04	002004 006106 108999	1

MISSING ITEM NUMBERS NOT APPLICABLE

- ITEM NOT ILLUSTRATED

BRI

**27-51-31-02**

BOEING PROPRIETARY - Copyright © - Unpublished Work - See title page for details.

27-51-31  
FIG. 02  
PAGE 20  
JAN 20/09





757

PARTS CATALOG (MAINTENANCE)

FIG ITEM	PART NUMBER	1 2 3 4 5 6 7	NOMENCLATURE	EFFECT FROM TO	UNITS PER ASSY
2 - 445	113N1732-36		. FAIRING ASSY- POSITION DATA: AFT RH SIDE COMPONENT MAINT MANUAL REF: 57-26-17 QUALIFIED I/W DATA: -38 MAY REPLACE -36 FOR EAA NAO02A023 NA151A192 -40 MAY REPLACE -36 FOR NWA NCO01C014 FOR DETAILS SEE: 27-51-31-04	107107	1
- 445	113N1732-70SP		. FAIRING ASSY- POSITION DATA: AFT RH SIDE COMPONENT MAINT MANUAL REF: 57-26-17 USED ON: 113N1730-404 FOR DETAILS SEE: 27-51-31-04	002004 006106 108999	1
- 445	113N1732-42		. FAIRING ASSY- POSITION DATA: AFT RH SIDE COMPONENT MAINT MANUAL REF: 57-26-17 FOR DETAILS SEE: 27-51-31-04	107107	1
- 445	113N1732-48		. FAIRING ASSY- POSITION DATA: AFT RH SIDE COMPONENT MAINT MANUAL REF: 57-26-17 FOR DETAILS SEE: 27-51-31-04	107107	1
- 445	113N1732-54		. FAIRING ASSY- POSITION DATA: AFT RH SIDE COMPONENT MAINT MANUAL REF: 57-26-17 QUALIFIED I/W DATA: -62SP I/W -54 SUBJECT TO COLOR PREFERENCE FOR DETAILS SEE: 27-51-31-04	107107	1

MISSING ITEM NUMBERS NOT APPLICABLE

- ITEM NOT ILLUSTRATED

BRI

27-51-31-02

BOEING PROPRIETARY - Copyright © - Unpublished Work - See title page for details.

27-51-31  
FIG. 02  
PAGE 21  
JAN 20/09



757

PARTS CATALOG (MAINTENANCE)

FIG ITEM	PART NUMBER	1 2 3 4 5 6 7	NOMENCLATURE	EFFECT FROM TO	UNITS PER ASSY
2					
- 445	113N1732-62SP		. FAIRING ASSY- POSITION DATA: AFT RH SIDE COMPONENT MAINT MANUAL REF: 57-26-17 QUALIFIED I/W DATA: -62SP I/W -54 OR -56 OR -58 SUBJECT TO COLOR PREF FOR DETAILS SEE: 27-51-31-04	002004 006106 108999	1
- 445	113N1732-64SP		. FAIRING ASSY- POSITION DATA: AFT RH SIDE COMPONENT MAINT MANUAL REF: 57-26-17 FOR DETAILS SEE: 27-51-31-04	002004 006106 108999	1
- 500	113N1730-201		FAIRING INSTL-OUTBD TE FLAP POSITION DATA: INBD TRACK LH FOR NHA SEE: 57-00-00-05	101102 108120 504903	RF
- 500	MODREF1459		FAIRING INSTL-OUTBD TE FLAP MODULE NUMBER: 113N1730-201 REV A POSITION DATA: INBD TRACK LH	103103	1
- 500	MODREF26577		FAIRING INSTL-OUTBD TE FLAP MODULE NUMBER: 113N1730-201 REV B POSITION DATA: INBD TRACK LH	104106	1
- 505	113N1730-202		FAIRING INSTL-OUTBD TE FLAP POSITION DATA: INBD TRACK RH FOR NHA SEE: 57-00-00-05	101102 108120 504903	RF
- 505	MODREF1460		FAIRING INSTL-OUTBD TE FLAP MODULE NUMBER: 113N1730-202 REV A POSITION DATA: INBD TRACK RH	103103	1
- 505	MODREF26578		FAIRING INSTL-OUTBD TE FLAP MODULE NUMBER: 113N1730-202 REV B POSITION DATA: INBD TRACK RH	104106	1

MISSING ITEM NUMBERS NOT APPLICABLE

- ITEM NOT ILLUSTRATED

27-51-31-02

27-51-31  
FIG. 02  
PAGE 22  
JAN 20/09

BRI



757

PARTS CATALOG (MAINTENANCE)

FIG ITEM	PART NUMBER	1 2 3 4 5 6 7	NOMENCLATURE	EFFECT FROM TO	UNITS PER ASSY
2					
510	113N1741-1	.LINK ASSY-SUPPORT	COMPONENT MAINT MANUAL REF: 57-26-05	101106 108120 504903	1
510	113N1787-1	.LINK ASSY-SUPPORT	COMPONENT MAINT MANUAL REF: 57-26-05	101106 108120 504903	1
520	BACB28AP06P019	..BUSHING		101106 108120 504903	1
525	BCREF15559	..BUSHING-	OVERLENGTH PART NUMBER: BACB28AM090B020A	101106 108120 504903	1
535	69B14136-2	..RETAINER		101106 108120 504903	1
540	69B14136-3	..SHIM		101106 108120 504903	1
545	BACB10EP07C	..BEARING		101106 108120 504903	1
555	BACP20AX09DA	..PLUG		101106 108120 504903	2
560	BACP20AX09DAP	..PIN		101106 108120 504903	2
565	113N1741-2	..LINK		101106 108120 504903	1

MISSING ITEM NUMBERS NOT APPLICABLE

- ITEM NOT ILLUSTRATED

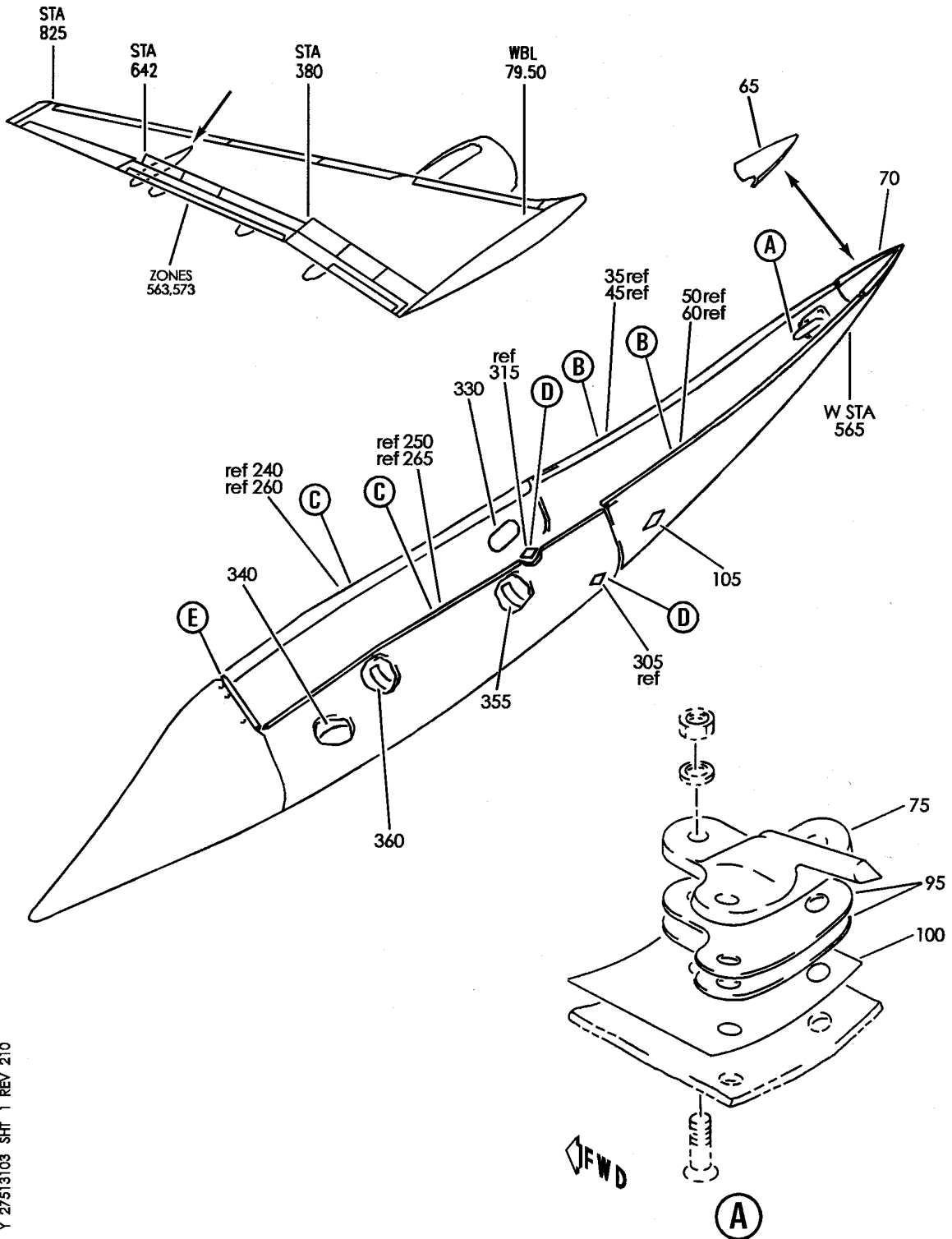
BRI

27-51-31-02

BOEING PROPRIETARY - Copyright © - Unpublished Work - See title page for details.

27-51-31  
FIG. 02  
PAGE 23  
JAN 20/09

**BOEING**  
757  
PARTS CATALOG (MAINTENANCE)



Y 27513103 SHT 1 REV 210

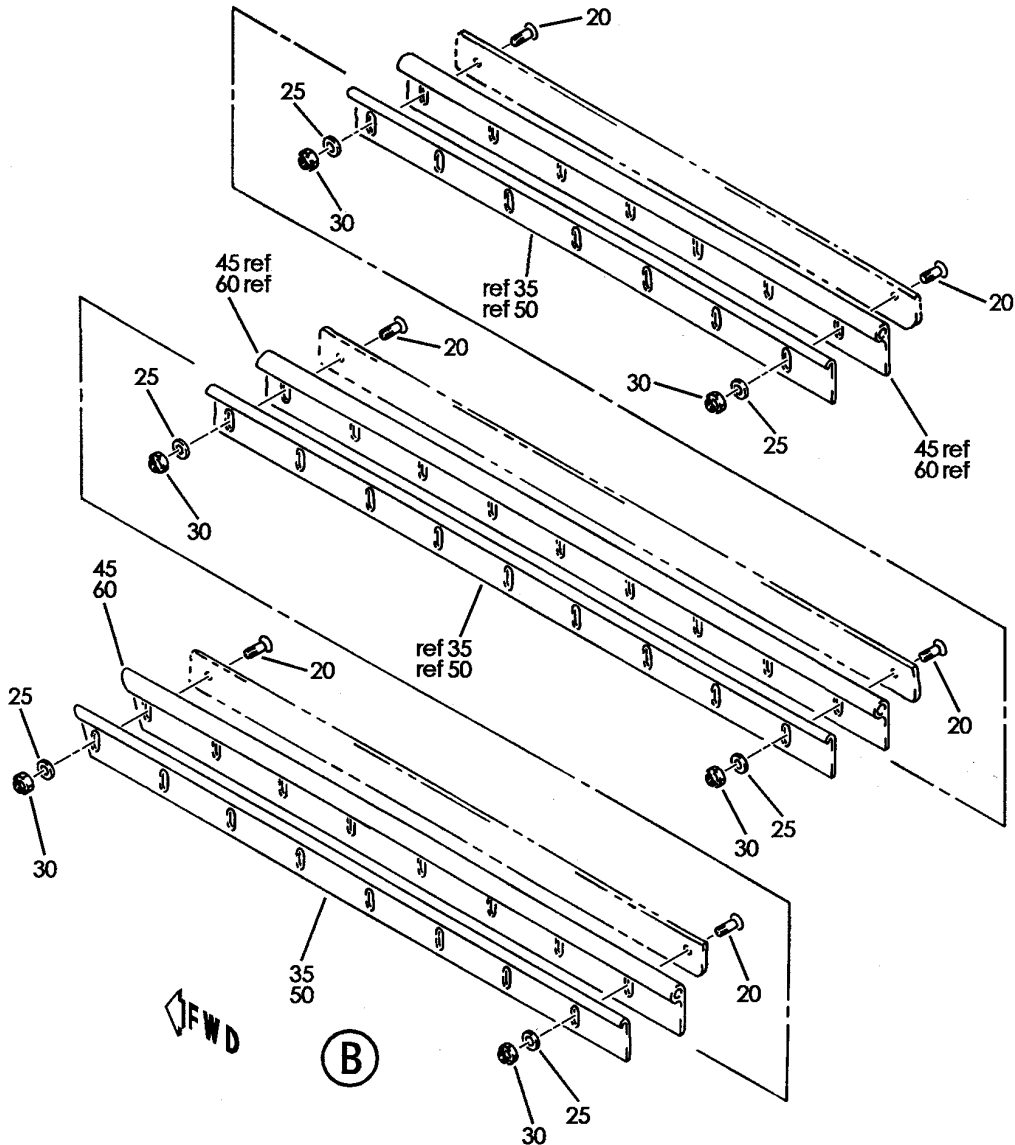
FAIRING ASSY-OUTBD TE FLAP OUTBD TRACK FWD AND AFT  
FIGURE 3 (SHEET 1)

**27-51-31-03**

BRI  
MAY 28/07

27-51-31-03  
PAGE 0

**BOEING**  
757  
PARTS CATALOG (MAINTENANCE)



Y 27513103 SHT 2 REV 210

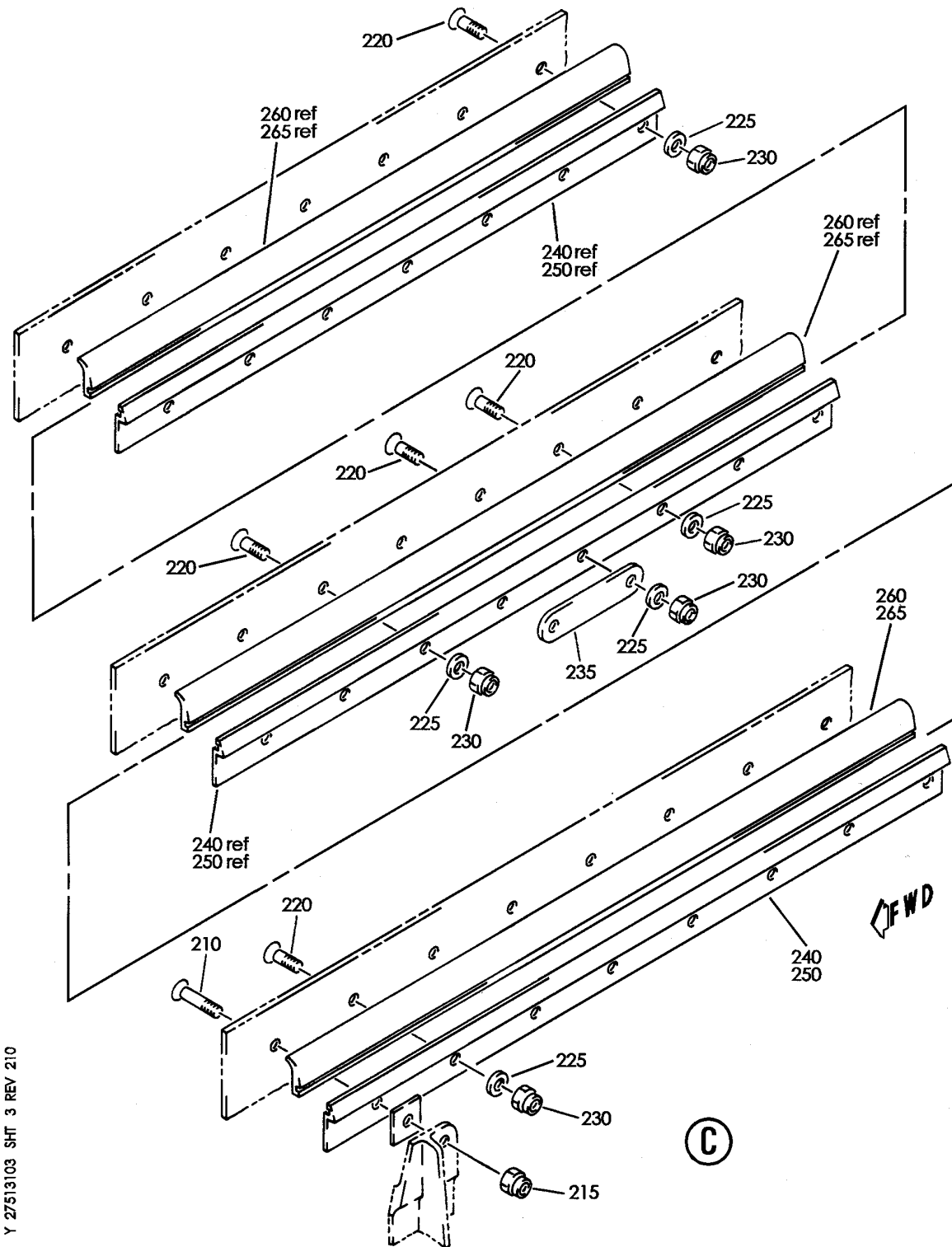
FAIRING ASSY-OUTBD TE FLAP OUTBD TRACK FWD AND AFT  
FIGURE 3 (SHEET 2)

**27-51-31-03**

BRI  
MAY 28/07

27-51-31-03  
PAGE 0A

**BOEING**  
757  
PARTS CATALOG (MAINTENANCE)



Y 27513103 SHT 3 REV 210

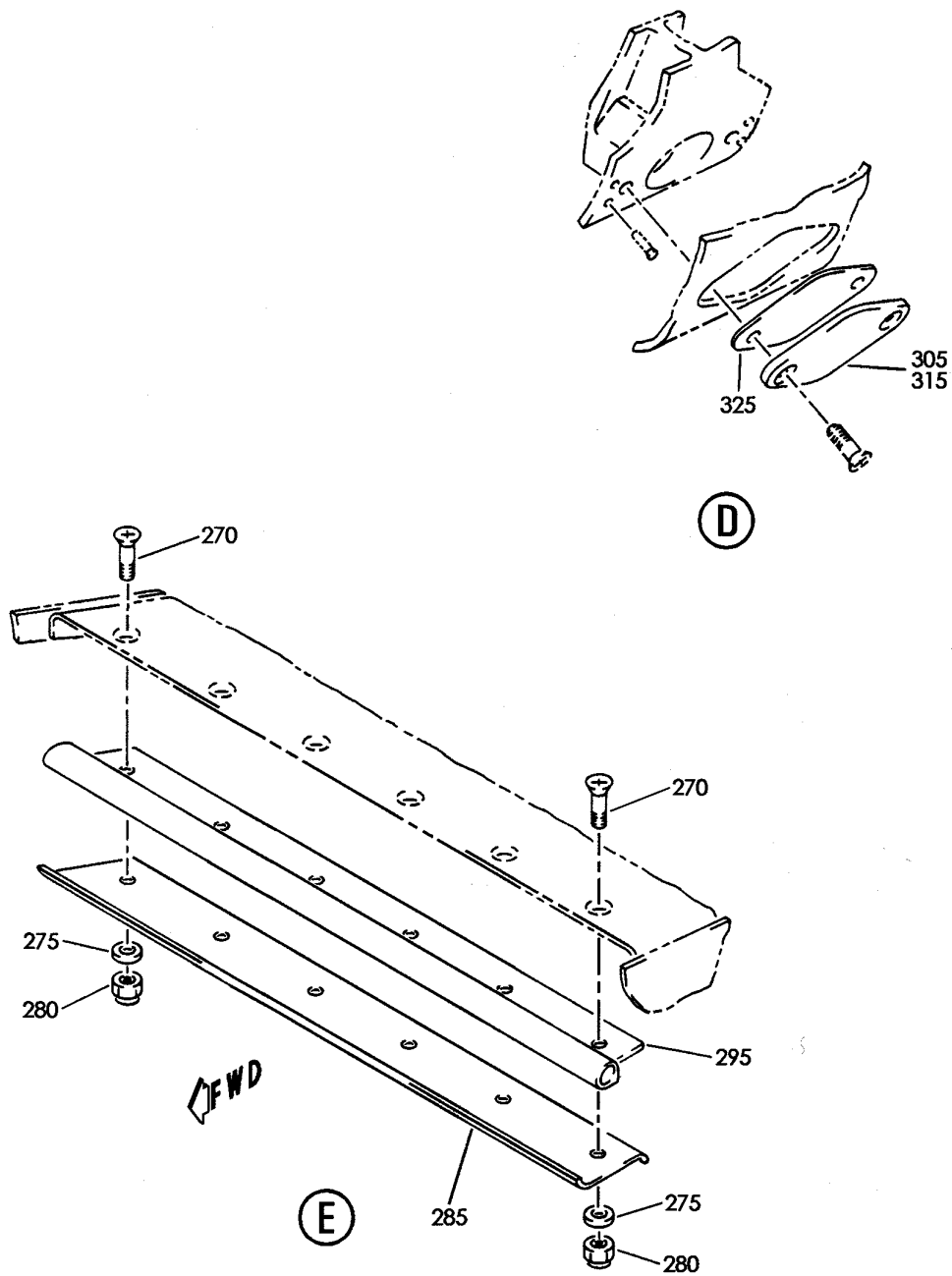
FAIRING ASSY-OUTBD TE FLAP OUTBD TRACK FWD AND AFT  
FIGURE 3 (SHEET 3)

**27-51-31-03**

BRI  
MAY 28/07

27-51-31-03  
PAGE 0B

**BOEING**  
757  
PARTS CATALOG (MAINTENANCE)



Y 27513103 SHT 4 REV 210

FAIRING ASSY-OUTBD TE FLAP OUTBD TRACK FWD AND AFT  
FIGURE 3 (SHEET 4)

**27-51-31-03**

BRI  
MAY 28/07

27-51-31-03  
PAGE 0C



757

PARTS CATALOG (MAINTENANCE)

FIG ITEM	PART NUMBER	1 2 3 4 5 6 7	NOMENCLATURE	EFFECT FROM TO	UNITS PER ASSY
3					
- 1	113N1711-29		FAIRING ASSY-OUTBD TE FLAP OUTBD TRACK FWD AND AFT FAIRING ASSY-TE FLAP TRACK POSITION DATA: OUTBD FWD LH COMPONENT MAINT MANUAL REF: 57-26-25 FOR NHA SEE: 27-51-31-01	002004 006999 107107	RF
- 5	113N1711-45		FAIRING ASSY-TE FLAP TRACK POSITION DATA: OUTBD FWD LH COMPONENT MAINT MANUAL REF: 57-26-25 QUALIFIED I/W DATA: -51SP I/W -45 SUBJECT TO COLOR PREFERENCE FOR NHA SEE: 27-51-31-01	107107	RF
- 5	113N1711-51SP		FAIRING ASSY-TE FLAP TRACK POSITION DATA: OUTBD FWD LH QUALIFIED I/W DATA: -51SP I/W -45 OR -47 OR -49 SUBJECT TO COLOR PREF FOR NHA SEE: 27-51-31-01	904949 952952	RF
- 5	113N1711-53SP		FAIRING ASSY-TE FLAP TRACK POSITION DATA: OUTBD FWD LH FOR NHA SEE: 27-51-31-01	002004 006106 108999	RF
- 10	113N1711-46		FAIRING ASSY-TE FLAP TRACK POSITION DATA: OUTBD FWD RH COMPONENT MAINT MANUAL REF: 57-26-25 QUALIFIED I/W DATA: -52SP I/W -46 SUBJECT TO COLOR PREFERENCE FOR NHA SEE: 27-51-31-01	107107	RF

MISSING ITEM NUMBERS NOT APPLICABLE

- ITEM NOT ILLUSTRATED

BRI

**27-51-31-03**

27-51-31  
FIG. 03  
PAGE 1  
JAN 20/09





757

PARTS CATALOG (MAINTENANCE)

FIG ITEM	PART NUMBER	1 2 3 4 5 6 7	NOMENCLATURE	EFFECT FROM TO	UNITS PER ASSY
3					
- 10	113N1711-52SP		FAIRING ASSY-TE FLAP TRACK POSITION DATA: OUTBD FWD RH QUALIFIED I/W DATA: -52SP I/W -46 OR -48 OR -50 SUBJECT TO COLOR PREF FOR NHA SEE: 27-51-31-01	904949 952952	RF
- 10	113N1711-54SP		FAIRING ASSY-TE FLAP TRACK POSITION DATA: OUTBD FWD RH FOR NHA SEE: 27-51-31-01	002004 006106 108999	RF
- 15	113N1711-30		FAIRING ASSY-TE FLAP TRACK POSITION DATA: OUTBD FWD RH COMPONENT MAINT MANUAL REF: 57-26-25 FOR NHA SEE: 27-51-31-01	107107	RF
20	BACB30LH3-4		.BOLT	002004 006999	48
25	BACW10P5CC		.WASHER	002004 006999	48
30	BRH10C3D		.NUT SUPPLIER CODE: V52828 SPECIFICATION NUMBER: BACN10JC3CD OPTIONAL PART: T6C1032JCD V11815 NS202486-02 V80539 102LH9075-3W V72962 H51650-3BAC V15653	002004 006999	48
35	113N1711-5		.RETAINER-SEAL POSITION DATA: LH	002004 006999	1
- 40	113N1711-6		.RETAINER-SEAL POSITION DATA: RH	002004 006999	1

MISSING ITEM NUMBERS NOT APPLICABLE

- ITEM NOT ILLUSTRATED

**27-51-31-03**

27-51-31  
FIG. 03  
PAGE 2  
JAN 20/09

BRI

**BOEING**  
757  
**PARTS CATALOG (MAINTENANCE)**

FIG ITEM	PART NUMBER	1 2 3 4 5 6 7	NOMENCLATURE	EFFECT FROM TO	UNITS PER ASSY
R R R R R	3 45	113N1711-9	.SEAL-BULB MANUFACTURED FROM: EXTRUSION RUBBER 10-60754-32 60.0 IN.	002004 006999	1
	50	113N1711-7	.RETAINER-SEAL POSITION DATA: LH	002004 006999	1
-	55	113N1711-8	.RETAINER-SEAL POSITION DATA: RH	002004 006999	1
R R R R	60	113N1711-10	.SEAL-BULB MANUFACTURED FROM: EXTRUSION RUBBER 10-60754-32 60.0 IN	002004 006999	1
	70	5673-774	.SEAL-BULB SUPPLIER CODE: V11960 SPECIFICATION NUMBER: 10-60754-774	002004 006999	1
	70	SF15-103-834	.SEAL-BULB SUPPLIER CODE: V50744 SPECIFICATION NUMBER: 10-60754-834 OPTIONAL PART: 5673-834 V11960	107107 904949 952952	1
	100	BAC1534-63	.SHIM	002004 006999	AR
	105	113N1714-7	.COVER-ACCESS POSITION DATA: LH SIDE	002004 006999	1
-	110	113N1714-8	.COVER-ACCESS POSITION DATA: RH SIDE	002004 006999	1
-	115	BACB30LR3-4	.BOLT ATTACHING PARTS	002004 006999	2
-	200	113N1712-55SP	-----*----- FAIRING ASSY- POSITION DATA: AFT LH SIDE FOR NHA SEE: 27-51-31-01	002004 006106 108999	RF

MISSING ITEM NUMBERS NOT APPLICABLE

- ITEM NOT ILLUSTRATED

BRI

# 27-51-31-03

BOEING PROPRIETARY - Copyright © - Unpublished Work - See title page for details.

27-51-31  
FIG. 03  
PAGE 3  
MAY 20/09



757

PARTS CATALOG (MAINTENANCE)

FIG ITEM	PART NUMBER	1 2 3 4 5 6 7	NOMENCLATURE	EFFECT FROM TO	UNITS PER ASSY
3					
- 200	113N1712-59SP		FAIRING ASSY- POSITION DATA: AFT LH SIDE FOR NHA SEE: 27-51-31-01	002004 006106 108999	RF
- 200	113N1712-27		FAIRING ASSY-TE FLAP TRACK POSITION DATA: OUTBD AFT LH COMPONENT MAINT MANUAL REF: 57-26-15 FOR NHA SEE: 27-51-31-01	107107	RF
- 200	113N1712-35		FAIRING ASSY- POSITION DATA: AFT LH SIDE COMPONENT MAINT MANUAL REF: 57-26-15 FOR NHA SEE: 27-51-31-01	107107	RF
- 200	113N1712-39		FAIRING ASSY- POSITION DATA: AFT LH SIDE COMPONENT MAINT MANUAL REF: 57-26-15 FOR NHA SEE: 27-51-31-01	107107	RF
- 200	113N1712-45		FAIRING ASSY- POSITION DATA: AFT LH SIDE COMPONENT MAINT MANUAL REF: 57-26-15 QUALIFIED I/W DATA: -51SP I/W -45 SUBJECT TO COLOR PREFERENCE FOR NHA SEE: 27-51-31-01	107107	RF
- 200	113N1712-51SP		FAIRING ASSY- POSITION DATA: AFT LH SIDE QUALIFIED I/W DATA: -51SP I/W -45 OR -47 OR -49 SUBJECT TO COLOR PREFERENCE FOR NHA SEE: 27-51-31-01	002004 006106 108999	RF

MISSING ITEM NUMBERS NOT APPLICABLE

- ITEM NOT ILLUSTRATED

**27-51-31-03**

27-51-31  
FIG. 03  
PAGE 4  
JAN 20/09

BRI



757

PARTS CATALOG (MAINTENANCE)

FIG ITEM	PART NUMBER	1 2 3 4 5 6 7	NOMENCLATURE	EFFECT FROM TO	UNITS PER ASSY
3					
- 205	113N1712-28		FAIRING ASSY-TE FLAP TRACK POSITION DATA: OUTBD AFT RH COMPONENT MAINT MANUAL REF: 57-26-15 FOR NHA SEE: 27-51-31-01	107107	RF
- 205	113N1712-36		FAIRING ASSY- POSITION DATA: AFT RH SIDE COMPONENT MAINT MANUAL REF: 57-26-15 FOR NHA SEE: 27-51-31-01	107107	RF
- 205	113N1712-40		FAIRING ASSY- POSITION DATA: AFT RH SIDE COMPONENT MAINT MANUAL REF: 57-26-15 FOR NHA SEE: 27-51-31-01	107107	RF
- 205	113N1712-60SP		FAIRING ASSY- POSITION DATA: AFT RH SIDE FOR NHA SEE: 27-51-31-01	002004 006106 108999	RF
- 205	113N1712-46		FAIRING ASSY- POSITION DATA: AFT RH SIDE COMPONENT MAINT MANUAL REF: 57-26-15 FOR NHA SEE: 27-51-31-01	107107	RF
- 205	113N1712-52SP		FAIRING ASSY- POSITION DATA: AFT RH SIDE FOR NHA SEE: 27-51-31-01	002004 006106 108999	RF
- 205	113N1712-56SP		FAIRING ASSY- POSITION DATA: AFT RH SIDE FOR NHA SEE: 27-51-31-01	002004 006106 108999	RF
210	BACB30NN3K6		.BOLT	002004 006999	2

MISSING ITEM NUMBERS NOT APPLICABLE

- ITEM NOT ILLUSTRATED

27-51-31-03

27-51-31  
FIG. 03  
PAGE 5  
JAN 20/09

BRI



757

PARTS CATALOG (MAINTENANCE)

FIG ITEM	PART NUMBER	1 2 3 4 5 6 7	NOMENCLATURE	EFFECT FROM TO	UNITS PER ASSY
3 215	BRH10C3D	.NUT	SUPPLIER CODE: V52828 SPECIFICATION NUMBER: BACN10JC3CD OPTIONAL PART: T6C1032JCD V11815 NS202486-02 V80539 102LH9075-3W V72962 H51650-3BAC V15653	002004 006999	2
220	BACB30LH3-2	.BOLT		002004 006999	44
225	BACW10P5C	.WASHER		002004 006999	44
230	BRH10C3D	.NUT	SUPPLIER CODE: V52828 SPECIFICATION NUMBER: BACN10JC3CD OPTIONAL PART: T6C1032JCD V11815 NS202486-02 V80539 102LH9075-3W V72962 H51650-3BAC V15653	002004 006999	44
235	113N3131-2	.BLOCK-RUB		002004 006999	2
240	113N1712-7	.RETAINER-SEAL	POSITION DATA: OUTBD LH SIDE	002004 006999	1
- 245	113N1712-8	.RETAINER-SEAL	POSITION DATA: OUTBD RH SIDE	002004 006999	1
250	113N1712-9	.RETAINER-SEAL	POSITION DATA: INBD LH SIDE	107107	1
250	113N1712-57	.RETAINER-SEAL	POSITION DATA: INBD LH SIDE USED ON: 113N1712-59SP 113N1712-55SP	002004 006106 108999	1

MISSING ITEM NUMBERS NOT APPLICABLE

- ITEM NOT ILLUSTRATED

27-51-31-03

27-51-31  
FIG. 03  
PAGE 6  
JAN 20/09

BRI

BOEING PROPRIETARY - Copyright © - Unpublished Work - See title page for details.



757

PARTS CATALOG (MAINTENANCE)

FIG ITEM	PART NUMBER	1 2 3 4 5 6 7	NOMENCLATURE	EFFECT FROM TO	UNITS PER ASSY
3					
250	113N1712-9		.RETAINER-SEAL POSITION DATA: INBD LH SIDE USED ON: 113N1712-51SP	002004 006106 108999	1
- 255	113N1712-10		.RETAINER-SEAL POSITION DATA: INBD RH SIDE	107107	1
- 255	113N1712-58		.RETAINER-SEAL POSITION DATA: INBD RH SIDE USED ON: 113N1712-60SP 113N1712-56SP	002004 006106 108999	1
- 255	113N1712-10		.RETAINER-SEAL POSITION DATA: INBD RH SIDE USED ON: 113N1712-52SP	002004 006106 108999	1
260	113N1712-13		.SEAL- POSITION DATA: OUTBD MANUFACTURED FROM: EXTRUSION RUBBER 10-60754-79 60.0 IN.	002004 006999	1
265	113N1712-15		.SEAL- POSITION DATA: INBD MANUFACTURED FROM: EXTRUSION RUBBER 10-60754-79 60.0 IN.	002004 006999	1
270	BACB30NN3K2		.BOLT	002004 006999	6
275	AN960KD10L		.WASHER	002004 006999	6

MISSING ITEM NUMBERS NOT APPLICABLE

- ITEM NOT ILLUSTRATED

27-51-31-03

27-51-31  
FIG. 03  
PAGE 7  
JAN 20/09

BRI

BOEING PROPRIETARY - Copyright © - Unpublished Work - See title page for details.



757

PARTS CATALOG (MAINTENANCE)

FIG ITEM	PART NUMBER	1 2 3 4 5 6 7	NOMENCLATURE	EFFECT FROM TO	UNITS PER ASSY
3 280	BRH10C3D	.NUT	SUPPLIER CODE: V52828 SPECIFICATION NUMBER: BACN10JC3CD OPTIONAL PART: T6C1032JCD V11815 NS202486-02 V80539 102LH9075-3W V72962 H51650-3BAC V15653	002004 006999	6
285	113N1712-11	.RETAINER-SEAL	POSITION DATA: AFT LH SIDE	107107	1
285	113N1712-53	.RETAINER-SEAL	POSITION DATA: AFT LH SIDE USED ON: 113N1712-55SP	002004 006106 108999	1
285	113N1712-11	.RETAINER-SEAL	POSITION DATA: AFT LH SIDE USED ON: 113N1712-51SP	002004 006106 108999	1
285	113N1712-61	.RETAINER-SEAL	POSITION DATA: AFT USED ON: 113N1712-59SP 113N1712-60SP	002004 006106 108999	1
- 290	113N1712-12	.RETAINER-SEAL	POSITION DATA: AFT RH SIDE	107107	1
- 290	113N1712-54	.RETAINER-SEAL	POSITION DATA: AFT RH SIDE USED ON: 113N1712-56SP	002004 006106 108999	1
- 290	113N1712-12	.RETAINER-SEAL	POSITION DATA: AFT RH SIDE USED ON: 113N1712-52SP	002004 006106 108999	1

MISSING ITEM NUMBERS NOT APPLICABLE

- ITEM NOT ILLUSTRATED

27-51-31-03

27-51-31  
FIG. 03  
PAGE 8  
JAN 20/09

BRI



757

PARTS CATALOG (MAINTENANCE)

FIG ITEM	PART NUMBER	1 2 3 4 5 6 7	NOMENCLATURE	EFFECT FROM TO	UNITS PER ASSY
3					
295	113N1712-17		.SEAL- POSITION DATA: AFT MANUFACTURED FROM: EXTRUSION RUBBER 10-60754-32 15.0 IN. ATTACHING PARTS	002004 006999	1
- 300	BACB30LR3-4		.BOLT	002004 006999	4
			-----*-----		
305	113N1712-3		.DOOR-ACCESS POSITION DATA: OUTBD LH SIDE	002004 006999	1
- 310	113N1712-4		.DOOR-ACCESS POSITION DATA: OUTBD RH SIDE	002004 006999	1
315	113N1712-5		.DOOR-ACCESS POSITION DATA: INBD LH SIDE	002004 006999	1
- 320	113N1712-6		.DOOR-ACCESS POSITION DATA: INBD RH SIDE	002004 006999	1
325	113N1712-23		.SHIM	002004 006999	2
330	113N1719-15		.DOOR-ACCESS SIDE POSITION DATA: LH SIDE	002004 006999	1
- 335	113N1719-16		.DOOR-ACCESS SIDE POSITION DATA: RH SIDE	002004 006999	1
340	113N1719-13		.DOOR-ACCESS POSITION DATA: LWR LH SIDE	002004 006999	1
- 345	113N1719-14		.DOOR-ACCESS POSITION DATA: LWR RH SIDE ATTACHING PARTS	002004 006999	1
- 350	BACB30LR3-4		.BOLT	002004 006999	18
			-----*-----		
355	113N1785-1		.STRIP-RUB POSITION DATA: LH SIDE MANUFACTURED FROM: SH TI TYPE 1 COMP B PER MILT9046 0.016 X 10.30 X 10.40 IN	002004 006999	1

MISSING ITEM NUMBERS NOT APPLICABLE

- ITEM NOT ILLUSTRATED

27-51-31-03

27-51-31  
FIG. 03  
PAGE 9  
JAN 20/09

BRI

BOEING PROPRIETARY - Copyright © - Unpublished Work - See title page for details.





757

PARTS CATALOG (MAINTENANCE)

FIG ITEM	PART NUMBER	1 2 3 4 5 6 7	NOMENCLATURE	EFFECT FROM TO	UNITS PER ASSY
3 360	113N1785-3	.	STRIP-RUB POSITION DATA: LH SIDE MANUFACTURED FROM: SH TI TYPE 1 COMP B PER MILT9046 0.016 X 8.90 X 10.60 IN	002004 006999	1
- 365	113N1785-2	.	STRIP-RUB POSITION DATA: RH SIDE MANUFACTURED FROM: SH TI TYPE 1 COMP B PER MILT9046 0.016 X 10.30 X 10.40 IN	002004 006999	1
- 370	113N1785-4	.	STRIP-RUB POSITION DATA: RH SIDE MANUFACTURED FROM: SH TI TYPE 1 COMP B PER MILT9046 0.016 X 8.90 X 10.60 IN	002004 006999	1

MISSING ITEM NUMBERS NOT APPLICABLE

- ITEM NOT ILLUSTRATED

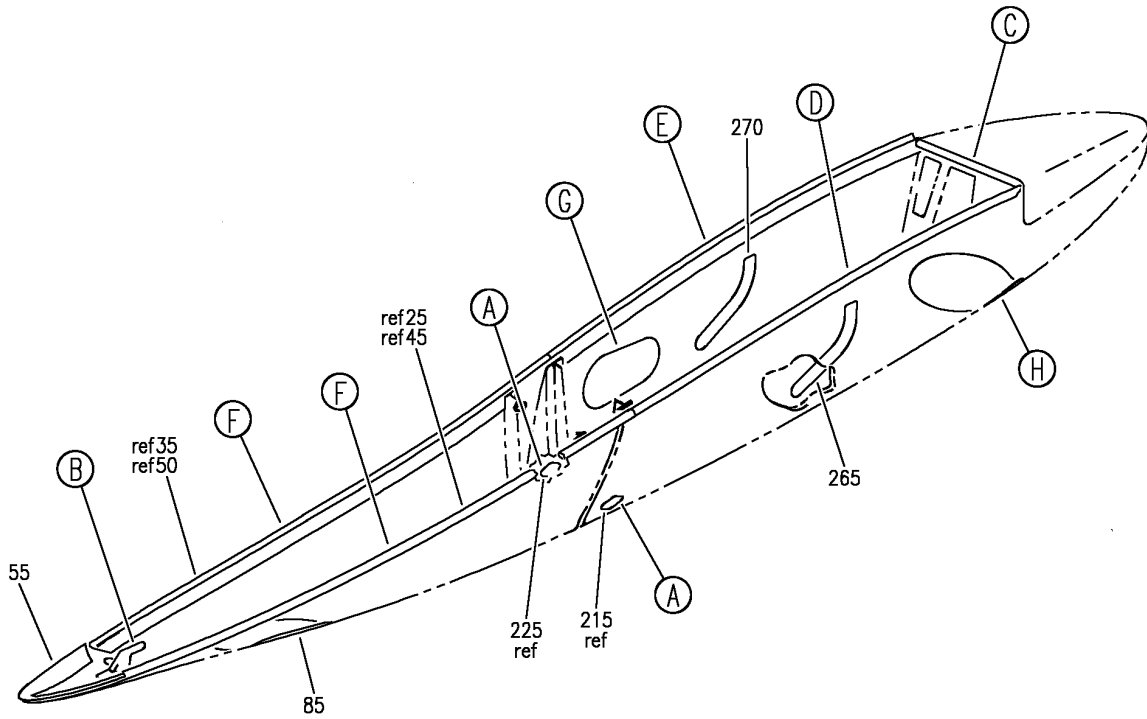
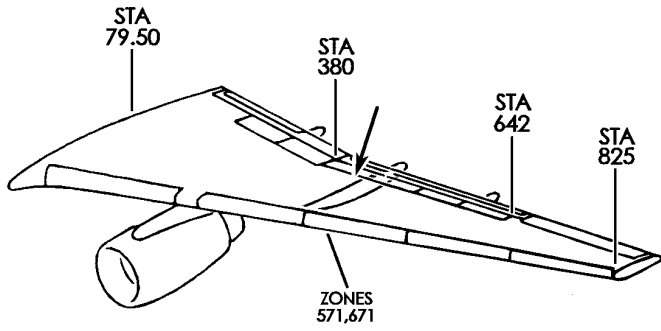
BRI

27-51-31-03

BOEING PROPRIETARY - Copyright © - Unpublished Work - See title page for details.

27-51-31  
FIG. 03  
PAGE 10  
JAN 20/09

**BOEING**  
757  
PARTS CATALOG (MAINTENANCE)



Y 27513104 SH1 1 REV 276

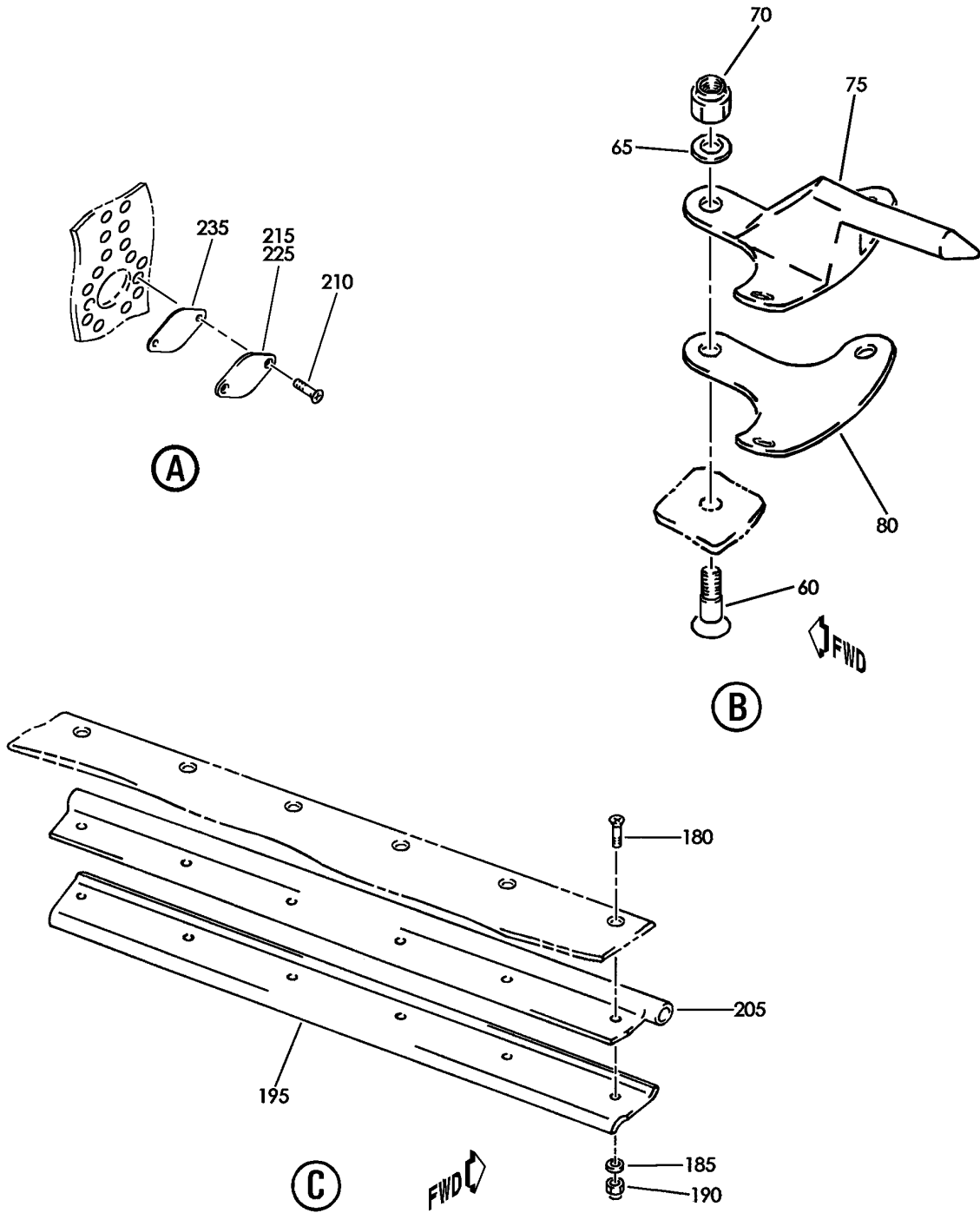
FAIRING ASSY-OUTBD TE FLAP INBD TRACK FWD AND AFT  
FIGURE 4 (SHEET 1)

**27-51-31-04**

BRI  
MAY 28/07

27-51-31-04  
PAGE 0

**BOEING**  
757  
PARTS CATALOG (MAINTENANCE)



Y 27513104 SH1 2 REV 276

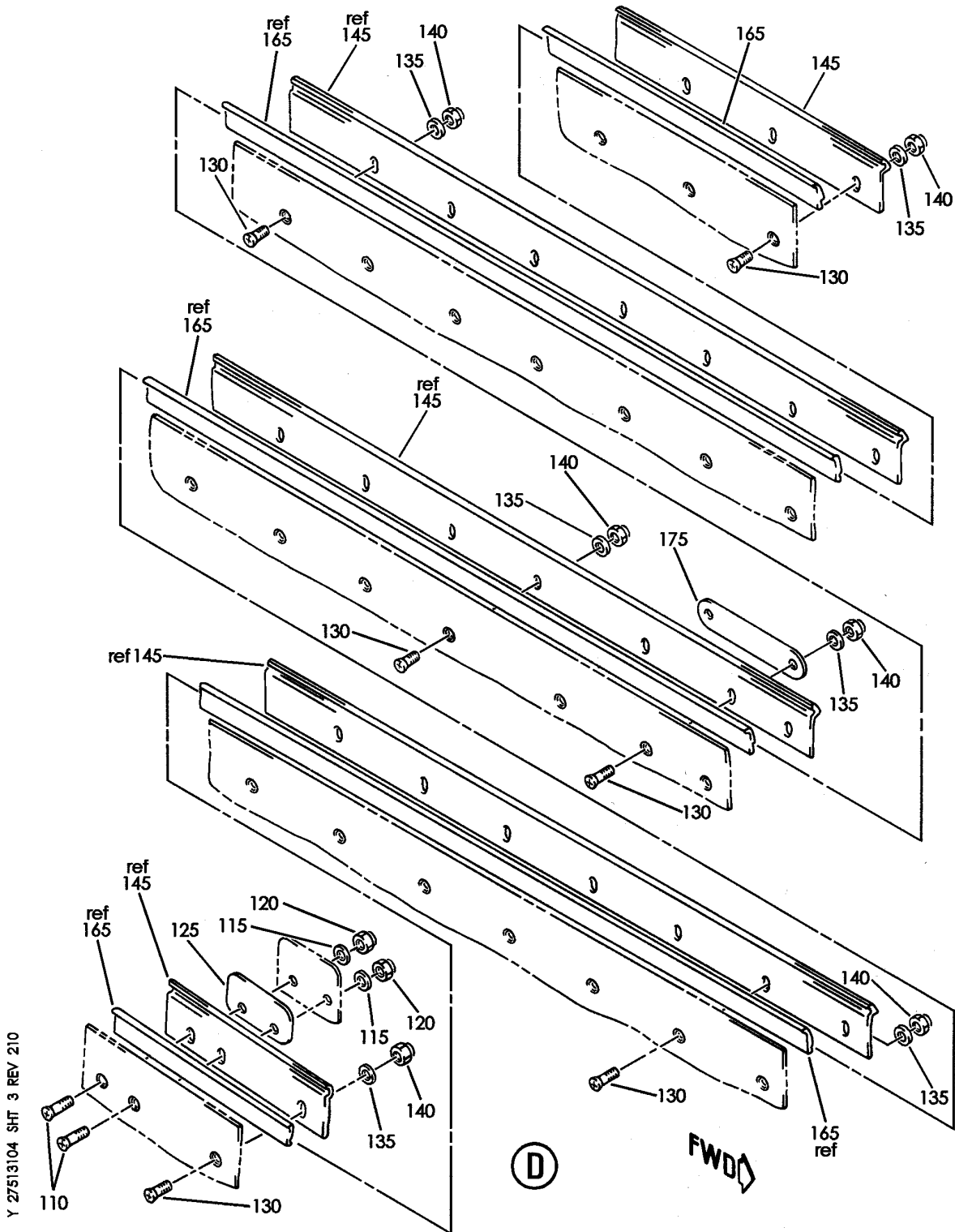
FAIRING ASSY-OUTBD TE FLAP INBD TRACK FWD AND AFT  
FIGURE 4 (SHEET 2)

**27-51-31-04**

BRI  
MAY 28/07

27-51-31-04  
PAGE 0A

**BOEING**  
757  
PARTS CATALOG (MAINTENANCE)



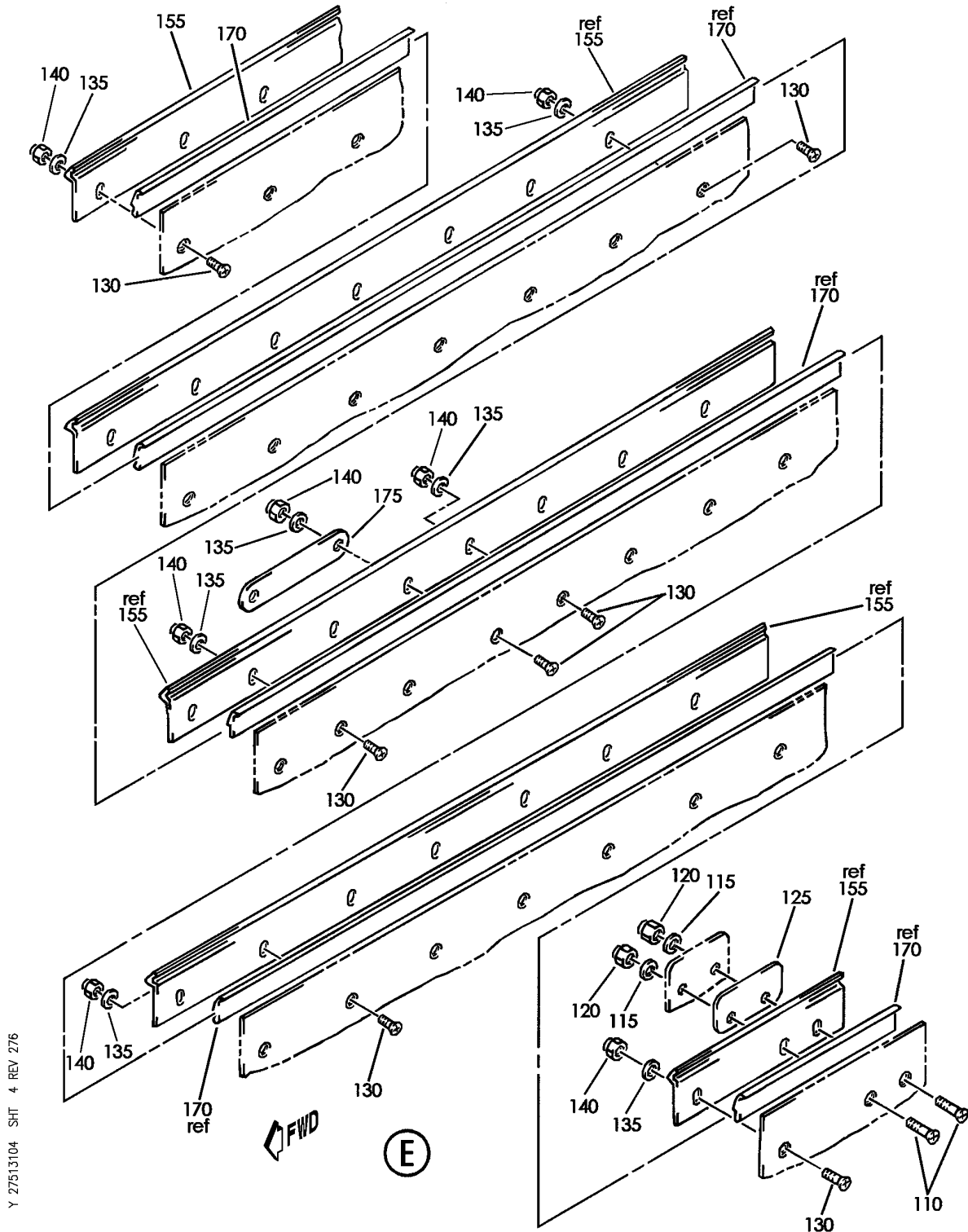
FAIRING ASSY-OUTBD TE FLAP INBD TRACK FWD AND AFT  
FIGURE 4 (SHEET 3)

**27-51-31-04**

BRI  
MAY 28/07

27-51-31-04  
PAGE 0B

**BOEING**  
757  
PARTS CATALOG (MAINTENANCE)



Y 27513104 SH1 4 REV 276

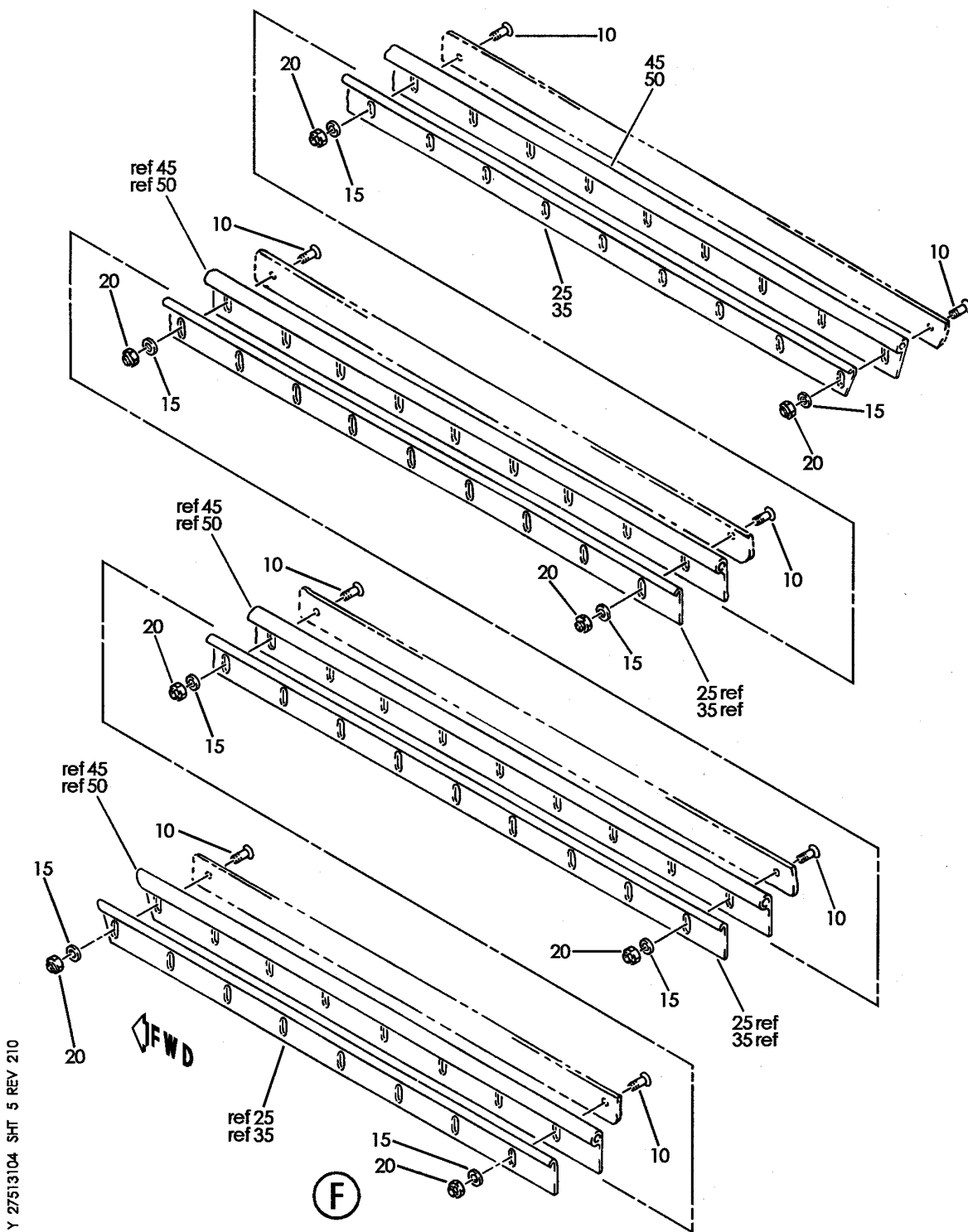
FAIRING ASSY-OUTBD TE FLAP INBD TRACK FWD AND AFT  
FIGURE 4 (SHEET 4)

**27-51-31-04**

BRI  
MAY 28/07

27-51-31-04  
PAGE 0C

**BOEING**  
757  
**PARTS CATALOG (MAINTENANCE)**



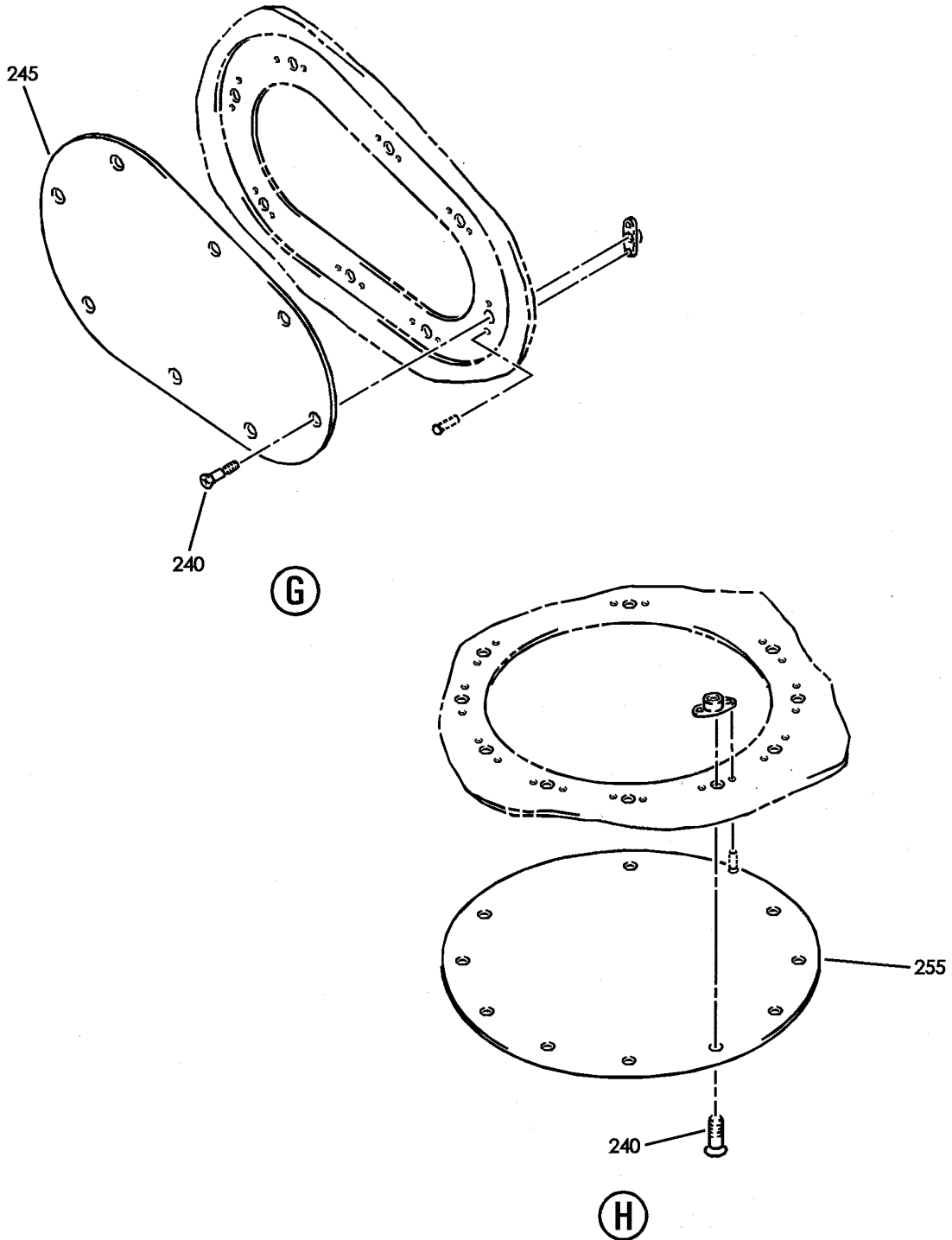
FAIRING ASSY-OUTBD TE FLAP INBD TRACK FWD AND AFT  
FIGURE 4 (SHEET 5)

**27-51-31-04**

BRI  
MAY 28/07

27-51-31-04  
PAGE 0D

**BOEING**  
757  
PARTS CATALOG (MAINTENANCE)



Y 27513104 SHT 6 REV 210

FAIRING ASSY-OUTBD TE FLAP INBD TRACK FWD AND AFT  
FIGURE 4 (SHEET 6)

**27-51-31-04**

BRI  
MAY 28/07

27-51-31-04  
PAGE 0E



757

PARTS CATALOG (MAINTENANCE)

FIG ITEM	PART NUMBER	1 2 3 4 5 6 7	NOMENCLATURE	EFFECT FROM TO	UNITS PER ASSY
4			FAIRING ASSY-OUTBD TE FLAP INBD TRACK FWD AND AFT	002004 006999	
- 1	113N1730-15		FAIRING ASSY-OUTBD TE FLAP INBD TRACK POSITION DATA: FWD LH COMPONENT MAINT MANUAL REF: 57-26-27 REWORK DRAWING REF: 113N1730-9 FOR NHA SEE: 27-51-31-02	107107	RF
- 1	113N1731-39		FAIRING ASSY-OUTBD TE FLAP INBD TRACK POSITION DATA: FWD LH COMPONENT MAINT MANUAL REF: 57-26-27 QUALIFIED I/W DATA: -45SP I/W 39 SUBJECT TO COLOR PREFERENCE FOR NHA SEE: 27-51-31-02	107107	RF
- 1	113N1731-29		FAIRING ASSY-OUTBD TE FLAP INBD TRACK POSITION DATA: FWD LH COMPONENT MAINT MANUAL REF: 57-26-27 FOR NHA SEE: 27-51-31-02	107107	RF
- 2	113N1731-45SP		FAIRING ASSY-OUTBD TE FLAP INBD TRACK POSITION DATA: FWD LH QUALIFIED I/W DATA: -45SP I/W -39 OR -41 OR -43 SUBJECT TO COLOR PREF FOR NHA SEE: 27-51-31-02	002004 006106 108999	RF

MISSING ITEM NUMBERS NOT APPLICABLE

- ITEM NOT ILLUSTRATED

BRI

**27-51-31-04**

27-51-31  
FIG. 04  
PAGE 1  
JAN 20/09





757

PARTS CATALOG (MAINTENANCE)

FIG ITEM	PART NUMBER	1 2 3 4 5 6 7	NOMENCLATURE	EFFECT FROM TO	UNITS PER ASSY
4					
- 5	113N1731-40		FAIRING ASSY-OUTBD TE FLAP INBD TRACK POSITION DATA: FWD RH COMPONENT MAINT MANUAL REF: 57-26-27 QUALIFIED I/W DATA: -46SP I/W -40 SUBJECT TO COLOR PREFERENCE FOR NHA SEE: 27-51-31-02	107107	RF
- 5	113N1730-16		FAIRING ASSY-OUTBD TE FLAP INBD TRACK POSITION DATA: FWD RH COMPONENT MAINT MANUAL REF: 57-26-27 REWORK DRAWING REF: 113N1730-10 FOR NHA SEE: 27-51-31-02	107107	RF
- 5	113N1731-30		FAIRING ASSY-OUTBD TE FLAP INBD TRACK POSITION DATA: FWD RH COMPONENT MAINT MANUAL REF: 57-26-27 POST SERVICE BULLETIN: 57-0013 FOR NHA SEE: 27-51-31-02	107107	RF
- 6	113N1731-46SP		FAIRING ASSY-OUTBD TE FLAP INBD TRACK POSITION DATA: FWD RH QUALIFIED I/W DATA: -46SP I/W -40 OR -42 OR -44 SUBJECT TO COLOR PREF FOR NHA SEE: 27-51-31-02	002004 006106 108999	RF
10	BACB30LR3-4		.BOLT	002004 006999	70
15	BACW10P5C		.WASHER	002004 006999	70

MISSING ITEM NUMBERS NOT APPLICABLE

- ITEM NOT ILLUSTRATED

**27-51-31-04**

27-51-31  
FIG. 04  
PAGE 2  
JAN 20/09

BRI



757

PARTS CATALOG (MAINTENANCE)

FIG ITEM	PART NUMBER	1 2 3 4 5 6 7	NOMENCLATURE	EFFECT FROM TO	UNITS PER ASSY
4 20	BRH10C3D	.NUT	SUPPLIER CODE: V52828 SPECIFICATION NUMBER: BACN10JC3CD OPTIONAL PART: T6C1032JCD V11815 NS202486-02 V80539 102LH9075-3W V72962 H51650-3BAC V15653	002004 006999	70
25	113N1731-5	.RETAINER-SEAL	POSITION DATA: LH SIDE	002004 006999	1
- 30	113N1731-6	.RETAINER-SEAL	POSITION DATA: RH SIDE	002004 006999	1
35	113N1731-7	.RETAINER-SEAL	POSITION DATA: LH SIDE	002004 006999	1
- 40	113N1731-8	.RETAINER-SEAL	POSITION DATA: RH SIDE	002004 006999	1
45	113N1731-9	.SEAL-BULB	POSITION DATA: OUTBD MANUFACTURED FROM: EXTRUSION RUBBER 10-60754-32 86.0 IN.	002004 006999	1
50	113N1731-10	.SEAL-BULB	POSITION DATA: INBD MANUFACTURED FROM: EXTRUSION RUBBER 10-60754-32 86.0 IN.	002004 006999	1
55	5673-775	.SEAL-BULB	SUPPLIER CODE: V11960 SPECIFICATION NUMBER: 10-60754-775	002004 006999	1
85	113N1734-7	.COVER-ACCESS	POSITION DATA: LH SIDE	107107	1

MISSING ITEM NUMBERS NOT APPLICABLE

- ITEM NOT ILLUSTRATED

27-51-31-04

27-51-31  
FIG. 04  
PAGE 3  
JAN 20/09

BRI



757

PARTS CATALOG (MAINTENANCE)

FIG ITEM	PART NUMBER	1 2 3 4 5 6 7	NOMENCLATURE	EFFECT FROM TO	UNITS PER ASSY
4	85 113N1790-1		.PLATE-BACKUP POSITION DATA: LH SIDE	002004 006106 108999	1
-	90 113N1734-8		.COVER-ACCESS POSITION DATA: RH SIDE	107107	1
-	90 113N1790-2		.PLATE-BACKUP POSITION DATA: RH SIDE	002004 006106 108999	1
-	95 BACB30LR3-4		.BOLT	107107	2
-	97 BACR15GA6-6		.RIVET	002004 006106 108999	15
-	100 113N1732-35		-----*----- FAIRING ASSY-OUTBD TE FLAP INBD TRACK POSITION DATA: AFT LH COMPONENT MAINT MANUAL REF: 57-26-17 QUALIFIED I/W DATA: -37 MAY REPLACE -35 FOR EAA NA002A023 NA151A192 -39 MAY REPLACE -35 FOR NWA NCO01C014 FOR NHA SEE: 27-51-31-02	107107	RF
-	100 113N1732-69SP		FAIRING ASSY-OUTBD TE FLAP INBD TRACK POSITION DATA: AFT LH COMPONENT MAINT MANUAL REF: 57-26-17 FOR NHA SEE: 27-51-31-02	002004 006106 108999	RF
-	100 113N1732-41		FAIRING ASSY-OUTBD TE FLAP INBD TRACK POSITION DATA: AFT LH COMPONENT MAINT MANUAL REF: 57-26-17 FOR NHA SEE: 27-51-31-02	107107	RF

MISSING ITEM NUMBERS NOT APPLICABLE

- ITEM NOT ILLUSTRATED

**27-51-31-04**

27-51-31  
FIG. 04  
PAGE 4  
JAN 20/09

BRI



757

PARTS CATALOG (MAINTENANCE)

FIG ITEM	PART NUMBER	1 2 3 4 5 6 7	NOMENCLATURE	EFFECT FROM TO	UNITS PER ASSY
4					
- 100	113N1732-47		FAIRING ASSY-OUTBD TE FLAP INBD TRACK POSITION DATA: AFT LH COMPONENT MAINT MANUAL REF: 57-26-17 FOR NHA SEE: 27-51-31-02	107107	RF
- 100	113N1732-53		FAIRING ASSY-OUTBD TE FLAP INBD TRACK POSITION DATA: AFT LH COMPONENT MAINT MANUAL REF: 57-26-17 QUALIFIED I/W DATA: -61SP I/W -53 SUBJECT TO COLOR PREFERENCE FOR NHA SEE: 27-51-31-02	107107	RF
- 100	113N1732-61SP		FAIRING ASSY-OUTBD TE FLAP INBD TRACK POSITION DATA: AFT LH COMPONENT MAINT MANUAL REF: 57-26-17 QUALIFIED I/W DATA: -61SP I/W -53 OR -55 OR -57 SUBJECT TO COLOR PREF FOR NHA SEE: 27-51-31-02	002004 006106 108999	RF
- 100	113N1732-63SP		FAIRING ASSY-OUTBD TE FLAP INBD TRACK POSITION DATA: AFT LH COMPONENT MAINT MANUAL REF: 57-26-17 FOR NHA SEE: 27-51-31-02	002004 006106 108999	RF

MISSING ITEM NUMBERS NOT APPLICABLE

- ITEM NOT ILLUSTRATED

BRI

**27-51-31-04**

27-51-31  
FIG. 04  
PAGE 5  
JAN 20/09



757

PARTS CATALOG (MAINTENANCE)

FIG ITEM	PART NUMBER	1 2 3 4 5 6 7	NOMENCLATURE	EFFECT FROM TO	UNITS PER ASSY
4 - 105	113N1732-36		FAIRING ASSY-OUTBD TE FLAP INBD TRACK POSITION DATA: AFT RH COMPONENT MAINT MANUAL REF: 57-26-17 QUALIFIED I/W DATA: -38 MAY REPLACE -36 FOR EAA NAO02A023 NA151A192 -40 MAY REPLACE -36 FOR NWA NCO01C014 FOR NHA SEE: 27-51-31-02	107107	RF
- 105	113N1732-70SP		FAIRING ASSY-OUTBD TE FLAP INBD TRACK POSITION DATA: AFT RH COMPONENT MAINT MANUAL REF: 57-26-17 FOR NHA SEE: 27-51-31-02	002004 006106 108999	RF
- 105	113N1732-42		FAIRING ASSY-OUTBD TE FLAP INBD TRACK POSITION DATA: AFT RH COMPONENT MAINT MANUAL REF: 57-26-17 FOR NHA SEE: 27-51-31-02	107107	RF
- 105	113N1732-48		FAIRING ASSY-OUTBD TE FLAP INBD TRACK POSITION DATA: AFT RH COMPONENT MAINT MANUAL REF: 57-26-17 FOR NHA SEE: 27-51-31-02	107107	RF
- 105	113N1732-54		FAIRING ASSY-OUTBD TE FLAP INBD TRACK POSITION DATA: AFT RH COMPONENT MAINT MANUAL REF: 57-26-17 QUALIFIED I/W DATA: -62SP I/W -54 SUBJECT TO COLOR PREFERENCE FOR NHA SEE: 27-51-31-02	107107	RF

MISSING ITEM NUMBERS NOT APPLICABLE

- ITEM NOT ILLUSTRATED

27-51-31-04

27-51-31  
FIG. 04  
PAGE 6  
JAN 20/09

BRI



757

PARTS CATALOG (MAINTENANCE)

FIG ITEM	PART NUMBER	1 2 3 4 5 6 7	NOMENCLATURE	EFFECT FROM TO	UNITS PER ASSY
4					
- 105	113N1732-62SP		FAIRING ASSY-OUTBD TE FLAP INBD TRACK POSITION DATA: AFT RH COMPONENT MAINT MANUAL REF: 57-26-17 QUALIFIED I/W DATA: -62SP I/W -54 OR -56 OR -58 SUBJECT TO COLOR PREF FOR NHA SEE: 27-51-31-02	002004 006106 108999	RF
- 105	113N1732-64SP		FAIRING ASSY-OUTBD TE FLAP INBD TRACK POSITION DATA: AFT RH COMPONENT MAINT MANUAL REF: 57-26-17 FOR NHA SEE: 27-51-31-02	002004 006106 108999	RF
110	BACB30NN3K6		.BOLT	002004 006999	4
115	AN960KD10L		.WASHER	002004 006999	4
120	BRH10C3D		.NUT SUPPLIER CODE: V52828 SPECIFICATION NUMBER: BACN10JC3CD OPTIONAL PART: T6C1032JCD V11815 NS202486-02 V80539 102LH9075-3W V72962 H51650-3BAC V15653	002004 006999	4
125	BACS40R8B8F		.SHIM	002004 006999	2
130	BACB30LR3-2		.BOLT	002004 006999	51
135	BACW10P5C		.WASHER	002004 006999	51

MISSING ITEM NUMBERS NOT APPLICABLE

- ITEM NOT ILLUSTRATED

27-51-31-04

27-51-31  
FIG. 04  
PAGE 7  
JAN 20/09

BRI



757

PARTS CATALOG (MAINTENANCE)

FIG ITEM	PART NUMBER	1 2 3 4 5 6 7	NOMENCLATURE	EFFECT FROM TO	UNITS PER ASSY
4 140	BRH10C3D	.	NUT SUPPLIER CODE: V52828 SPECIFICATION NUMBER: BACN10JC3CD OPTIONAL PART: T6C1032JCD V11815 NS202486-02 V80539 102LH9075-3W V72962 H51650-3BAC V15653	002004 006999	51
145	113N1732-7	.	RETAINER-SEAL POSITION DATA: OUTBD LH SIDE	002004 006999	1
- 150	113N1732-8	.	RETAINER-SEAL POSITION DATA: OUTBD RH SIDE	002004 006999	1
155	113N1732-9	.	RETAINER-SEAL POSITION DATA: INBD LH SIDE	002004 006999	1
155	113N1732-67	.	RETAINER-SEAL POSITION DATA: INBD LH SIDE	002004 006106 108999	1
- 160	113N1732-10	.	RETAINER-SEAL POSITION DATA: INBD RH SIDE	002004 006999	1
- 160	113N1732-68	.	RETAINER-SEAL POSITION DATA: INBD RH SIDE	002004 006106 108999	1
165	113N1732-13	.	SEAL- POSITION DATA: OUTBD MANUFACTURED FROM: EXTRUSION RUBBER 10-60754-79 65.0 IN.	002004 006999	1
170	113N1732-15	.	SEAL- POSITION DATA: INBD MANUFACTURED FROM: EXTRUSION RUBBER 10-60754-79 65.0 IN.	002004 006999	1
175	113N3131-2	.	BLOCK-RUB	002004 006999	2

MISSING ITEM NUMBERS NOT APPLICABLE

- ITEM NOT ILLUSTRATED

27-51-31-04

27-51-31  
FIG. 04  
PAGE 8  
JAN 20/09

BRI



757

PARTS CATALOG (MAINTENANCE)

FIG ITEM	PART NUMBER	1 2 3 4 5 6 7	NOMENCLATURE	EFFECT FROM TO	UNITS PER ASSY
4					
180	BACB30NN3K2	.	BOLT	002004 006999	6
185	AN960KD10L	.	WASHER	002004 006999	6
190	BRH10C3D	.	NUT	002004 006999	6
			SUPPLIER CODE: V52828		
			SPECIFICATION NUMBER: BACN10JC3CD		
			OPTIONAL PART: T6C1032JCD		
			V11815		
			NS202486-02		
			V80539		
			102LH9075-3W		
			V72962		
			H51650-3BAC		
			V15653		
195	113N1732-11	.	RETAINER-SEAL	002004 006999	1
			POSITION DATA: AFT LH SIDE		
195	113N1732-65	.	RETAINER-SEAL	002004 006106	1
			POSITION DATA: AFT LH SIDE	108999	
195	113N1732-71	.	RETAINER-SEAL	002004 006106	1
			POSITION DATA: AFT LH SIDE	108999	
- 200	113N1732-12	.	RETAINER-SEAL	002004 006999	1
			POSITION DATA: AFT RH SIDE		
- 200	113N1732-66	.	RETAINER-SEAL	002004 006106	1
			POSITION DATA: AFT RH SIDE	108999	
- 200	113N1732-71	.	RETAINER-SEAL	002004 006106	1
			POSITION DATA: AFT RH SIDE	108999	
205	113N1732-17	.	SEAL-	002004 006999	1
			POSITION DATA: AFT		
			MANUFACTURED FROM: EXTR RUBBER		
			10-60754-32 15.0 IN.		
210	BACB30LR3-6	.	BOLT	002004 006999	4
215	113N1732-3	.	DOOR-ACCESS	002004 006999	1
			POSITION DATA: OUTBD LH SIDE		

MISSING ITEM NUMBERS NOT APPLICABLE

- ITEM NOT ILLUSTRATED

27-51-31-04

27-51-31  
FIG. 04  
PAGE 9  
JAN 20/09

BRI

BOEING PROPRIETARY - Copyright © - Unpublished Work - See title page for details.





757

PARTS CATALOG (MAINTENANCE)

FIG ITEM	PART NUMBER	1 2 3 4 5 6 7	NOMENCLATURE	EFFECT FROM TO	UNITS PER ASSY
4					
- 220	113N1732-4		.DOOR-ACCESS POSITION DATA: OUTBD RH SIDE	002004 006999	1
225	113N1732-5		.DOOR-ACCESS POSITION DATA: INBD LH SIDE	002004 006999	1
- 230	113N1732-6		.DOOR-ACCESS POSITION DATA: INBD RH SIDE	002004 006999	1
235	113N1732-23		.SHIM	002004 006999	AR
240	BACB30LR3-4		.BOLT	002004 006999	18
245	113N1739-15		.DOOR-SIDE ACCESS POSITION DATA: LH SIDE	002004 006999	1
- 250	113N1739-16		.DOOR-SIDE ACCESS POSITION DATA: RH SIDE	002004 006999	1
255	113N1739-13		.DOOR-ACCESS POSITION DATA: LWR LH SIDE	002004 006999	1
- 260	113N1739-14		.DOOR-ACCESS POSITION DATA: LWR RH SIDE	002004 006999	1
265	113N1785-5		.STRIP-RUB POSITION DATA: LH SIDE MANUFACTURED FROM: SH TI TYPE 1 COMP B PER MILT9046 0.016 X 12.40 X 12.20 IN.	002004 006999	1
270	113N1785-7		.STRIP-RUB POSITION DATA: LH SIDE MANUFACTURED FROM: SH TI TYPE 1 COMP B PER MILT9046 0.016 X 11.00 X 12.60 IN.	002004 006999	1
- 275	113N1785-6		.STRIP-RUB POSITION DATA: RH SIDE MANUFACTURED FROM: SH TI TYPE 1 COMP B PER MILT9046 0.016 X 12.40 X 12.20 IN.	002004 006999	1

MISSING ITEM NUMBERS NOT APPLICABLE

- ITEM NOT ILLUSTRATED

27-51-31-04

27-51-31  
FIG. 04  
PAGE 10  
JAN 20/09

BRI

BOEING PROPRIETARY - Copyright © - Unpublished Work - See title page for details.



757

PARTS CATALOG (MAINTENANCE)

FIG ITEM	PART NUMBER	1 2 3 4 5 6 7	NOMENCLATURE	EFFECT FROM TO	UNITS PER ASSY
4 - 280	113N1785-8		.STRIP-RUB POSITION DATA: RH SIDE MANUFACTURED FROM: SH TI TYPE 1 COMP B PER MILT9046 0.016 X 11.00 X 12.60 IN.	002004 006999	1

MISSING ITEM NUMBERS NOT APPLICABLE

- ITEM NOT ILLUSTRATED

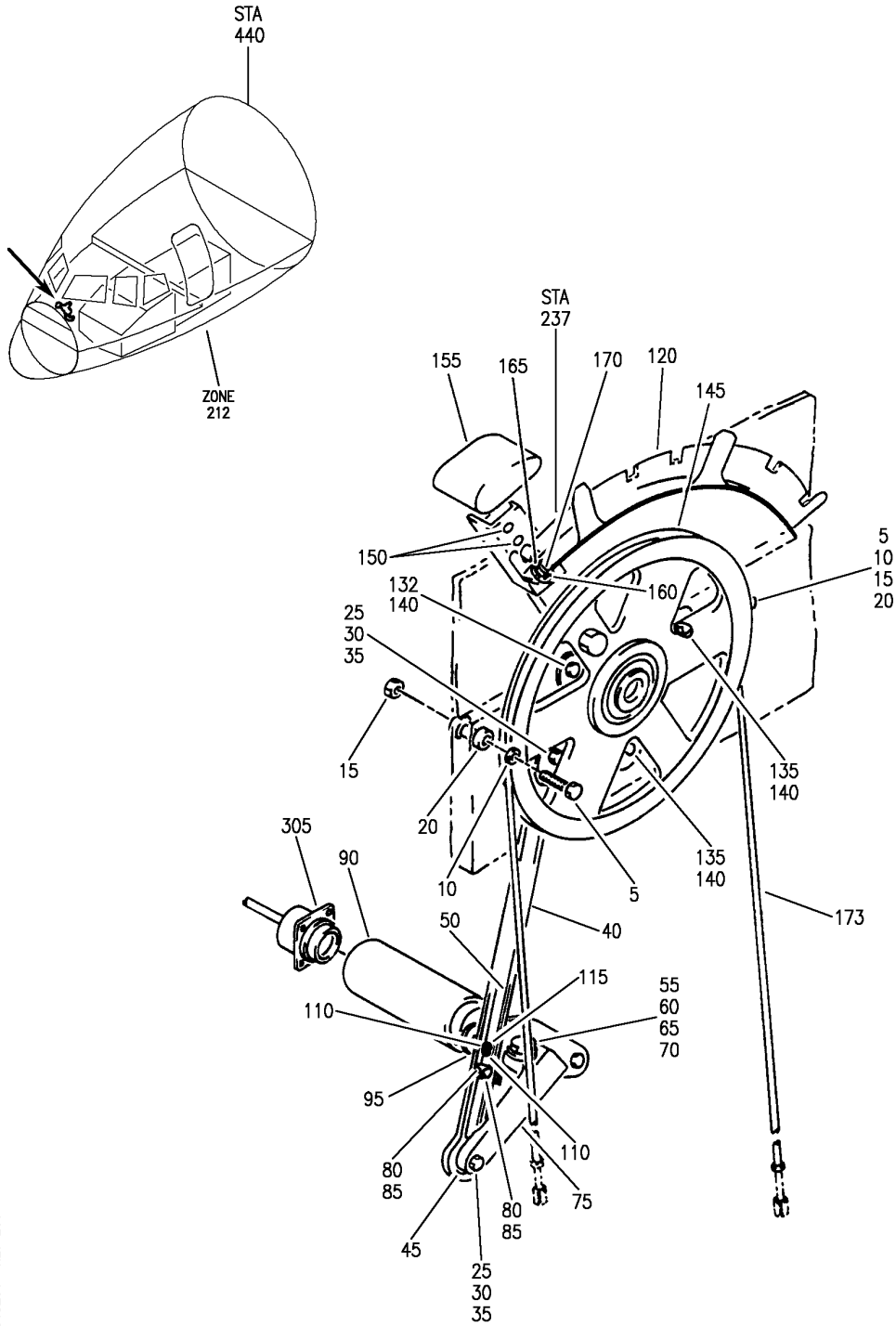
BRI

27-51-31-04

BOEING PROPRIETARY - Copyright © - Unpublished Work - See title page for details.

27-51-31  
FIG. 04  
PAGE 11  
JAN 20/09

**BOEING**  
757  
PARTS CATALOG (MAINTENANCE)



Y 27513201 REV 261

LEVER INSTL-FLAP CONT  
FIGURE 1

**27-51-32-01**

BRI  
MAY 28/07

27-51-32-01  
PAGE 0



757

PARTS CATALOG (MAINTENANCE)

FIG ITEM	PART NUMBER	1 2 3 4 5 6 7	NOMENCLATURE	EFFECT FROM TO	UNITS PER ASSY
1			LEVER INSTL-FLAP CONT	002004 006999	
- 1	254N1052-2		LEVER INSTL-FLAP CONT FOR NHA SEE: 76-11-04-02	002004 006016 107107 121503 904999	RF
- 1	254N1052-3		LEVER INSTL-FLAP CONT FOR NHA SEE: 76-11-04-02	017100	RF
- 1	254N1052-4		LEVER INSTL- FOR NHA SEE: 76-11-04-02	101106 108120 504903	RF
5	BACB30LH3-26		.BOLT	002004 006999	2
10	AN960D10L		.WASHER	002004 006999	2
15	BRH10A3		.NUT SUPPLIER CODE: V52828 SPECIFICATION NUMBER: BACN10JC3 OPTIONAL PART: H10-3BAC V15653 NS202101-02 V80539 RMLH9075-3W V72962 VN303A02 V92215 96-02 V80539 T6S1032J V11815	002004 006999	2
20	253T5735-1		.GUARD-CABLE	002004 006999	2
25	BACB30LH3-5		.BOLT	002004 006999	2
30	AN960D10L		.WASHER	002004 006999	2

MISSING ITEM NUMBERS NOT APPLICABLE

- ITEM NOT ILLUSTRATED

27-51-32-01

27-51-32  
FIG. 01  
PAGE 1  
JAN 20/09

BRI



757

PARTS CATALOG (MAINTENANCE)

FIG ITEM	PART NUMBER	1 2 3 4 5 6 7	NOMENCLATURE	EFFECT FROM TO	UNITS PER ASSY
1					
35	BRH10A3	.	NUT SUPPLIER CODE: V52828 SPECIFICATION NUMBER: BACN10JC3 OPTIONAL PART: H10-3BAC V15653 NS202101-02 V80539 RMLH9075-3W V72962 VN303A02 V92215 96-02 V80539 T6S1032J V11815	002004 006999	2
40	254N1121-1	.	LINK ASSY	002004 006999	1
45	KSP3LFS428	..	BEARING SUPPLIER CODE: V21335 SPECIFICATION NUMBER: BACB10AC3L OPTIONAL PART: HHKSP3L V38443 KSP3LE9440A V21335 KSP3L2TS V43991 KSP3LG27 V30163	002004 006999	1
50	254N1121-2	..	LINK	002004 006999	1
55	NAS6604-16	.	BOLT	002004 006999	1
60	AN960D416	.	WASHER	002004 006999	1

MISSING ITEM NUMBERS NOT APPLICABLE

- ITEM NOT ILLUSTRATED

27-51-32-01

27-51-32  
FIG. 01  
PAGE 2  
SEP 20/08

BRI

BOEING PROPRIETARY - Copyright © - Unpublished Work - See title page for details.

**BOEING**  
757  
PARTS CATALOG (MAINTENANCE)

FIG ITEM	PART NUMBER	1 2 3 4 5 6 7	NOMENCLATURE	EFFECT FROM TO	UNITS PER ASSY
1 65	BRH10A4	.NUT	SUPPLIER CODE: V52828 SPECIFICATION NUMBER: BACN10JC4 OPTIONAL PART: T6S428J V11815 96-048 V80539 VN303A048 V92215 RMLH9075-4W V72962 NS202101-048 V80539 H10-4BAC V15653	002004 006999	1
70	254N1126-1	.BUSHING-CLAMP UP		002004 006999	2
75	254N1122-1	.LEVER		002004 006999	1
80	NAS1351C3-20P	.SCREW		002004 006999	2
85	NAS620A10L	.WASHER		002004 006999	2
90	18-1969-12	.RESOLVER- SUPPLIER CODE: V96774 SPECIFICATION NUMBER: S251N403-12 ELECTRICAL EQUIP NUMBER: TS5046 COMPONENT MAINT MANUAL REF: 27-58-03		002004 006999	1
95	254N1120-1	.CLAMP ASSY		002004 006999	1
		ATTACHING PARTS			
- 100	NAS1351C3-8P	.SCREW		002004 006999	2
- 105	AN960D10	.WASHER		002004 006999	2
110	MS21209F1-15	.. INSERT	-----*-----	002004 006999	2
115	254N1120-2	.. CLAMP		002004 006999	1

MISSING ITEM NUMBERS NOT APPLICABLE

- ITEM NOT ILLUSTRATED

BRI

# 27-51-32-01

BOEING PROPRIETARY - Copyright © - Unpublished Work - See title page for details.

27-51-32  
FIG. 01  
PAGE 3  
MAY 20/09

**BOEING**  
757  
**PARTS CATALOG (MAINTENANCE)**

FIG ITEM	PART NUMBER	1 2 3 4 5 6 7	NOMENCLATURE	EFFECT FROM TO	UNITS PER ASSY
1					
	120	253T5714-3	.PLATE-DETENT OPTIONAL PART: 253T5714-6	002004 006999	1
	120	253T5714-6	.PLATE-DETENT OPTIONAL PART: 253T5714-3	002004 006999	1
R	- 125	NAS514P1032-8	.SCREW	002004 006999	2
R			-----*-----		
	130	BACB30NR4K7	.BOLT	002004 006999	1
	132	BACB30NN4K7	.BOLT	002004 006999	1
	135	BACB30NR4K2	.BOLT	002004 006999	1
	140	AN960D416L	.WASHER	002004 006999	3
R	145	253T5710-1	.LEVER ASSY- COMPONENT MAINT MANUAL REF: 27-51-80	002004 006999	1
R	145	253T5710-2	.LEVER ASSY- COMPONENT MAINT MANUAL REF: 27-51-80	002004 006999	1
R	150	MS20427M5	..RIVET- SIZE DETERMINED ON INSTL.	002004 006999	2
R	155	65C14183-45	..KNOB	002004 006999	1
R	160	MS16562-213	..PIN	002004 006999	1
R	165	66-21426-1	..SPRING	002004 006999	1
R	170	66-14222-3	..STOP	002004 006999	1
R	173	251T2050-81	.CABLE ASSY	002004 006999	1
R	- 180	MS21260L3LH	..TERMINAL	002004 006999	1
R	- 185	MS21260L3RH	..TERMINAL	002004 006999	1
R	- 300	286N1115-001	WIRE BUNDLE ASSY	002004 006100 107107 121503 904999	RF
R	- 300	286N1115-301	WIRE BUNDLE ASSY	108120	RF
R	- 300	286N1115-309	WIRE BUNDLE ASSY-	101102	RF
R	- 300	286N1115-312	WIRE BUNDLE ASSY	504903	RF
R	- 300	286N1115-315	WIRE BUNDLE ASSY	101102	RF

MISSING ITEM NUMBERS NOT APPLICABLE

- ITEM NOT ILLUSTRATED

BRI

# 27-51-32-01

27-51-32  
FIG. 01  
PAGE 4  
MAY 20/09



757

PARTS CATALOG (MAINTENANCE)

FIG ITEM	PART NUMBER	1 2 3 4 5 6 7	NOMENCLATURE	EFFECT FROM TO	UNITS PER ASSY
1 305	BACC45FN12A12S		.CONNECTOR- ELECTRICAL EQUIP NUMBER: D01810 WIRING DIAGRAM REF: 275141	002004 006102 107999	1

MISSING ITEM NUMBERS NOT APPLICABLE

- ITEM NOT ILLUSTRATED

BRI

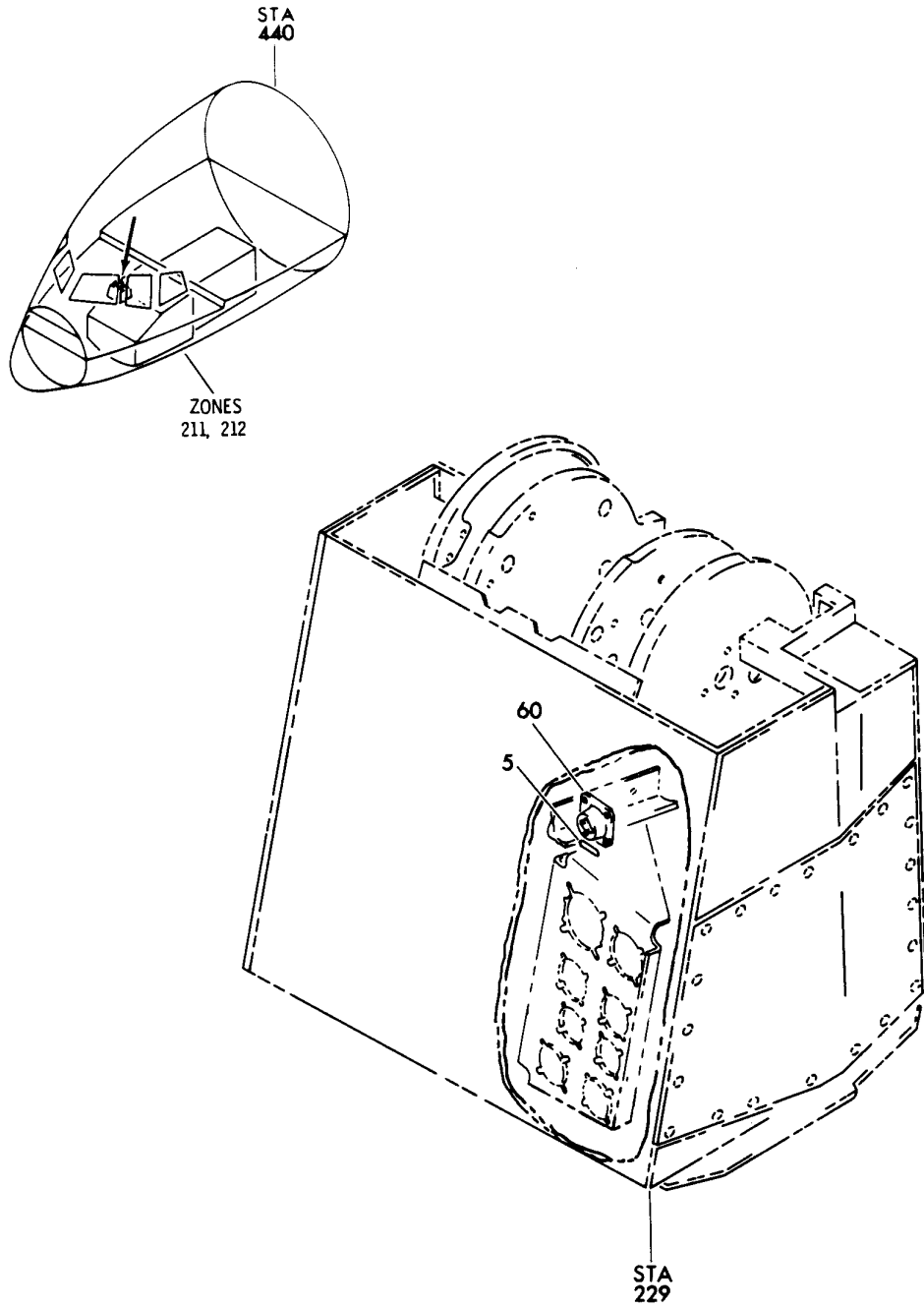
27-51-32-01

BOEING PROPRIETARY - Copyright © - Unpublished Work - See title page for details.

27-51-32  
FIG. 01  
PAGE 5  
MAY 20/09



**BOEING**  
757  
PARTS CATALOG (MAINTENANCE)



Y 27515102 SHT 1 REV 086

STRUCTURE ASSY-CONT STAND (TE FLAP SYSTEM ONLY)  
FIGURE 2

**27-51-51-02**

BRI  
MAY 28/07

27-51-51-02  
PAGE 0



757

PARTS CATALOG (MAINTENANCE)

FIG ITEM	PART NUMBER	1 2 3 4 5 6 7	NOMENCLATURE	EFFECT FROM TO	UNITS PER ASSY
2			STRUCTURE ASSY- CONT STAND (TE FLAP SYSTEM ONLY)	002004 006999	
- 1	254N1051-8		STRUCTURE ASSY-CONT STAND (TE FLAP SYSTEM ONLY) FOR NHA/OTHER SYS DET SEE: 76-11-04-02	006106 108120 504903 950951 953999	RF
- 1	254N1051-6		STRUCTURE ASSY-CONT STAND (TE FLAP SYSTEM ONLY) FOR NHA/OTHER SYS DET SEE: 76-11-04-02	107107 904949	RF
- 1	254N1051-7		STRUCTURE ASSY-CONT STAND (TE FLAP SYSTEM ONLY) FOR NHA/OTHER SYS DET SEE: 76-11-04-02	002004 121503 952952	RF
	5 BAC27NEL0146		.DECAL- PLACARD CONTENT: D1810J	002004 006999	1
- 55	254N1115-9		WIRE BUNDLE ASSY-CONT STAND (TE FLAP SYSTEM ONLY) OPTIONAL PART: 254N1115-7 FOR NHA/OTHER SYS DET SEE: 76-11-04-02	006100 950951 953999	RF
- 55	254N1115-5		WIRE BUNDLE ASSY-CONT STAND (TE FLAP SYSTEM ONLY) FOR NHA/OTHER SYS DET SEE: 76-11-04-02	107107 904949	RF
- 55	254N1115-7		WIRE BUNDLE ASSY-CONT STAND (TE FLAP SYSTEM ONLY) OPTIONAL PART: 254N1115-9 FOR NHA/OTHER SYS DET SEE: 76-11-04-02	002004 006100 121503 950999	RF
- 55	254N1115-11		WIRE BUNDLE ASSY-CONT STAND (TE FLAP SYSTEM ONLY) FOR NHA/OTHER SYS DET SEE: 76-11-04-02	101106 108120 504903	RF
	60 BACC45FN12B12S		.CONNECTOR- ELECTRICAL EQUIP NUMBER: D1810J	002004 006999	1

MISSING ITEM NUMBERS NOT APPLICABLE

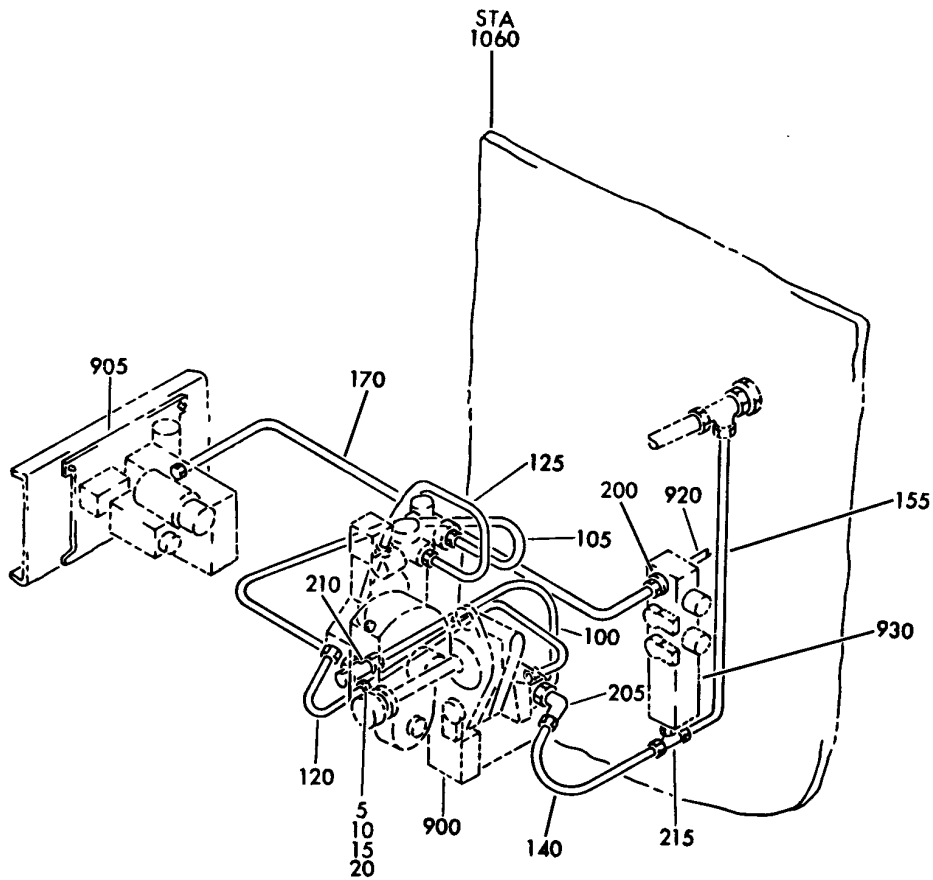
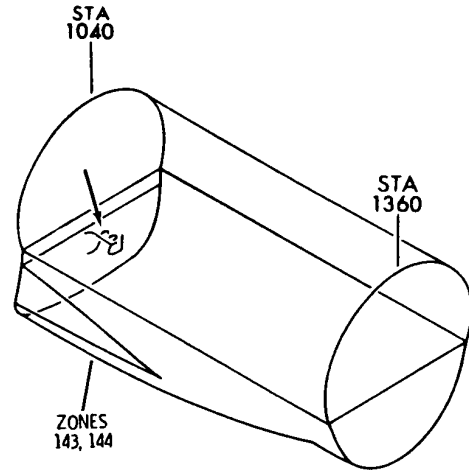
- ITEM NOT ILLUSTRATED

27-51-51-02

27-51-51  
FIG. 02  
PAGE 1  
JAN 20/09

BRI

**BOEING**  
757  
PARTS CATALOG (MAINTENANCE)



Y 27515120 REV 206

PLUMBING INSTL-SECT. 44 MLG WHL WELL HYDR (TRAILING EDGE FLAP SYSTEM ONLY)  
FIGURE 20

BRI  
MAY 28/07

**27-51-51-20**

27-51-51-20  
PAGE 0



757

PARTS CATALOG (MAINTENANCE)

FIG ITEM	PART NUMBER	1 2 3 4 5 6 7	NOMENCLATURE	EFFECT FROM TO	UNITS PER ASSY
20			PLUMBING INSTL-SECT. 44 MLG WHL WELL HYDR (TRAILING EDGE FLAP SYSTEM ONLY)	002004 006100 107107 121503 904999	
- 1	271N6445-1		PLUMBING INSTL-KEEL BEAM MLG WHL WELL HYDR (TRAILING EDGE FLAP SYSTEM ONLY) POSITION DATA: SECT. 44 VARIABLE DRAWING REF: 271N6445-3 271N6445-6 FOR NHA/OTHER SYS DET SEE: 29-00-51-05	002004 006100 107107 121503 904999	RF
5	NAS1801-3		.SCREW- SIZE DETERMINED ON INSTL.	002004 006100 107107 121503 904999	2
10	AN960PD10		.WASHER	002004 006100 107107 121503 904999	AR
15	BRH10A3		.NUT SUPPLIER CODE: V52828 SPECIFICATION NUMBER: BACN10JC3 OPTIONAL PART: H10-3BAC V15653 NS202101-02 V80539 RMLH9075-3W V72962 VN303A02 V92215 96-02 V80539 T6S1032J V11815	002004 006100 107107 121503 904999	2
20	TA0910004H18		.CLAMP SUPPLIER CODE: V84971 SPECIFICATION NUMBER: BACC10HB8C	002004 006100 107107 121503 904999	1

MISSING ITEM NUMBERS NOT APPLICABLE

- ITEM NOT ILLUSTRATED

BRI

27-51-51-20

27-51-51  
FIG. 20  
PAGE 1  
JAN 20/09



757

PARTS CATALOG (MAINTENANCE)

FIG ITEM	PART NUMBER	1 2 3 4 5 6 7	NOMENCLATURE	EFFECT FROM TO	UNITS PER ASSY
20					
100	271N6445-1081		.TUBE ASSY-FLAP UP TUBING MATERIAL: .500 IN. OD .026 IN. WALL 17.00 IN. LG TI	002004 006100 107107 121503 904999	1
105	271N6445-1082		.TUBE ASSY-FLAP UP TUBING MATERIAL: .500 IN. OD .026 IN. WALL 30.50 IN. LG TI	002004 006100 107107 121503 904999	1
- 110	AS1581T08		..SLEEVE	002004 006100 107107 121503 904999	2
- 115	BACN10YA8		..NUT	002004 006100 107107 121503 904999	2
120	271N6445-1059		.TUBE ASSY-FLAP DOWN TUBING MATERIAL: .500 IN. OD .026 IN. WALL 36.00 IN. LG TI	002004 006100 107107 121503 904999	1
125	271N6445-1060		.TUBE ASSY-FLAP DOWN TUBING MATERIAL: .500 IN. OD .026 IN. WALL 26.00 IN. LG TI	002004 006100 107107 121503 904999	1
- 130	AS1581T08		..SLEEVE	002004 006100 107107 121503 904999	2
- 135	BACN10YA8		..NUT	002004 006100 107107 121503 904999	2
140	271N6445-1154		.TUBE ASSY-RETURN SYS POSITION DATA: L TUBING MATERIAL: .375 IN. OD .035 IN. WALL 12.00 IN. LG AL F-18.14 F-20.02 6061-T6 MIL-T-7081	002004 006100 107107 121503 904999	1

MISSING ITEM NUMBERS NOT APPLICABLE

- ITEM NOT ILLUSTRATED

BRI

27-51-51-20

27-51-51  
FIG. 20  
PAGE 2  
JAN 20/09



757

PARTS CATALOG (MAINTENANCE)

FIG ITEM	PART NUMBER	1 2 3 4 5 6 7	NOMENCLATURE	EFFECT FROM TO	UNITS PER ASSY
20 - 145	AP2097HP06	..	SLEEVE- SUPPLIER CODE: V01673 SPECIFICATION NUMBER: BACS13BX06HP OPTIONAL PART: 2-02903-06HP V11328 35235VN06 V08199 AFP175V06P V30974 DBOS13BX06HP V14798	002004 006100 107107 121503 904999	2
- 150	BACN10YLO6	..	NUT- OPTIONAL PART: MS21921-6D	002004 006100 107107 121503 904999	2
- 150	MS21921-6D	..	NUT- OPTIONAL PART: BACN10YLO6	002004 006100 107107 121503 904999	2
155	271N6445-1207	.TUBE ASSY-RETURN SYS POSITION DATA: L TUBING MATERIAL: .032 IN. OD .035 IN. WALL 17.25 IN. LG AL		002004 006100 107107 121503 904999	1
- 160	AP2097HP08	..	SLEEVE SUPPLIER CODE: V01673 SPECIFICATION NUMBER: BACS13BX08HP OPTIONAL PART: 2-02903-08HP V11328 35235VN08 V08199 AFP175V08P V30974 DBOS13BX08HP V14798	002004 006100 107107 121503 904999	2
- 165	BACN10YLO8	..	NUT- OPTIONAL PART: MS21921-8D	002004 006100 107107 121503 904999	2

MISSING ITEM NUMBERS NOT APPLICABLE

- ITEM NOT ILLUSTRATED

BRI

27-51-51-20

27-51-51  
FIG. 20  
PAGE 3  
JAN 20/09

 **BOEING**  
757  
**PARTS CATALOG (MAINTENANCE)**

FIG ITEM	PART NUMBER	1 2 3 4 5 6 7	NOMENCLATURE	EFFECT FROM TO	UNITS PER ASSY
20 - 165	MS21921-8D	..	NUT- OPTIONAL PART: BACN10YL08	002004 006100 107107 121503 904999	2
170	271N6445-1147	.TUBE ASSY-PRESSURE SYS POSITION DATA: L TUBING MATERIAL: .750 IN. OD .039 IN. WALL 32.00 IN. LG TI		002004 006100 107107 121503 904999	1
- 175	AS1581T12	..	SLEEVE	002004 006100 107107 121503 904999	2
- 180	BACN10YA12	..	NUT	002004 006100 107107 121503 904999	2
200	BACU24L12	.UNION		002004 006100 107107 121503 904999	1
205	NAS1762D0406	.ELBOW-		002004 006100 107107 121503 904999	1
210	NAS1763T080808	.TEE-		002004 006100 107107 121503 904999	1
210	NAS1763J080808	.TEE-		002004 006100 107107 121503 904999	1
215	NAS1764D080610	.TEE-		002004 006100 107107 121503 904999	1

MISSING ITEM NUMBERS NOT APPLICABLE

- ITEM NOT ILLUSTRATED

BRI

# 27-51-51-20

BOEING PROPRIETARY - Copyright © - Unpublished Work - See title page for details.

27-51-51  
FIG. 20  
PAGE 4  
JAN 20/09



757

PARTS CATALOG (MAINTENANCE)

FIG ITEM	PART NUMBER	1 2 3 4 5 6 7	NOMENCLATURE	EFFECT FROM TO	UNITS PER ASSY
20 900			ILLUSTRATION REFERENCE: CONTROL AND DRIVE INSTL-TE FLAP 27-51-25-03	002004 006100 107107 121503 904999	RF
905			ILLUSTRATION REFERENCE: MODULE INSTL-FLAP AND SLAT DEPRESSURIZATION 27-51-29-01	002004 006100 107107 121503 904999	RF
920			ILLUSTRATION REFERENCE: PLUMBING INSTL-SECT.44 R PRESSURE DECK HYDR (LANDING GEAR CONTROL ONLY) 32-31-51-22	002004 006100 107107 121503 904999	RF
930			ILLUSTRATION REFERENCE: VALVE INSTL-ALTERNATE ANTISKID (LANDING GEAR ONLY) 32-42-02-02	002004 006100 107107 121503 904999	RF

MISSING ITEM NUMBERS NOT APPLICABLE

- ITEM NOT ILLUSTRATED

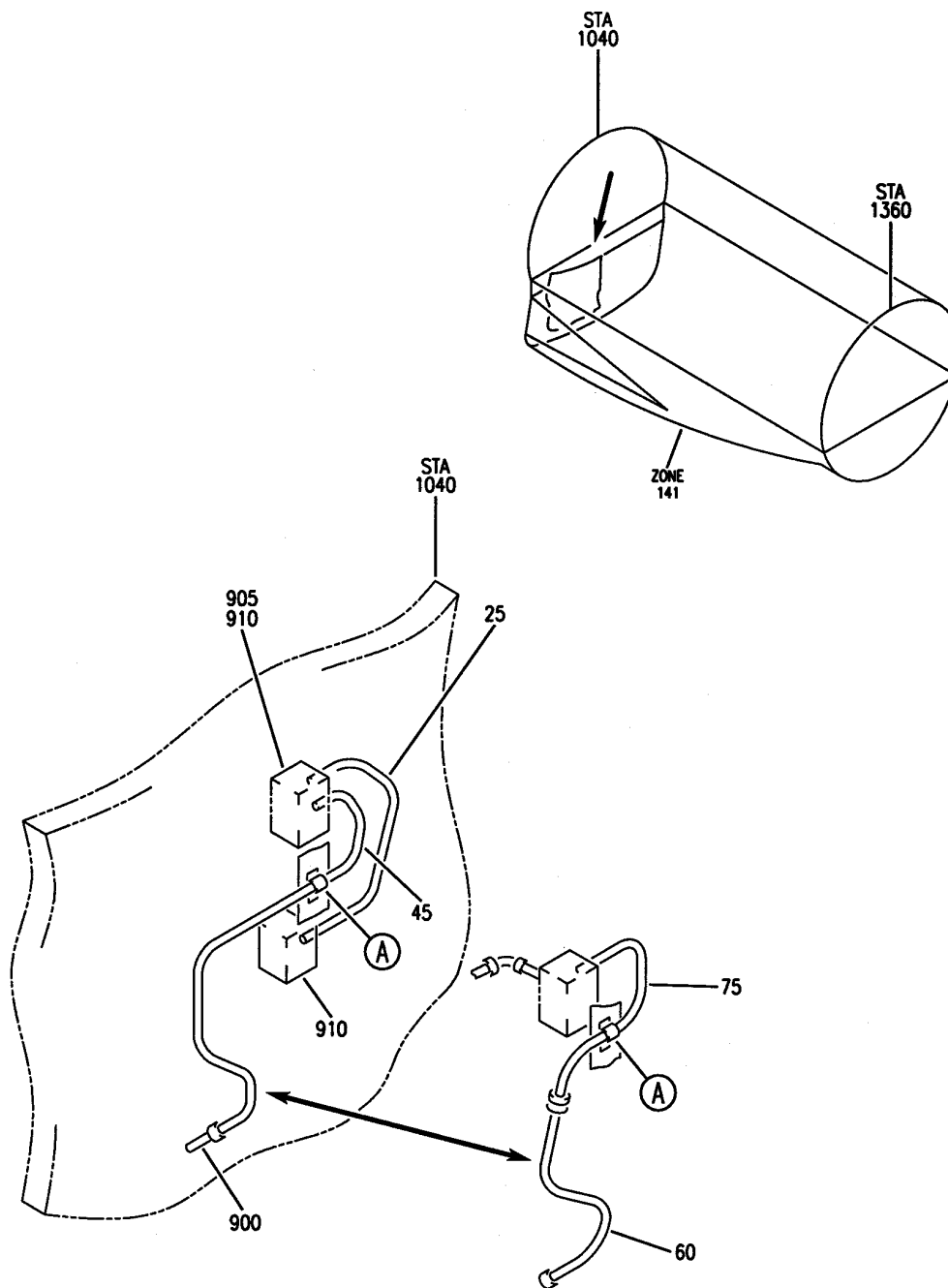
**27-51-51-20**

27-51-51  
FIG. 20  
PAGE 5  
JAN 20/09

BRI



**BOEING**  
757  
PARTS CATALOG (MAINTENANCE)



Y 27515121 SHT 1 REV 219

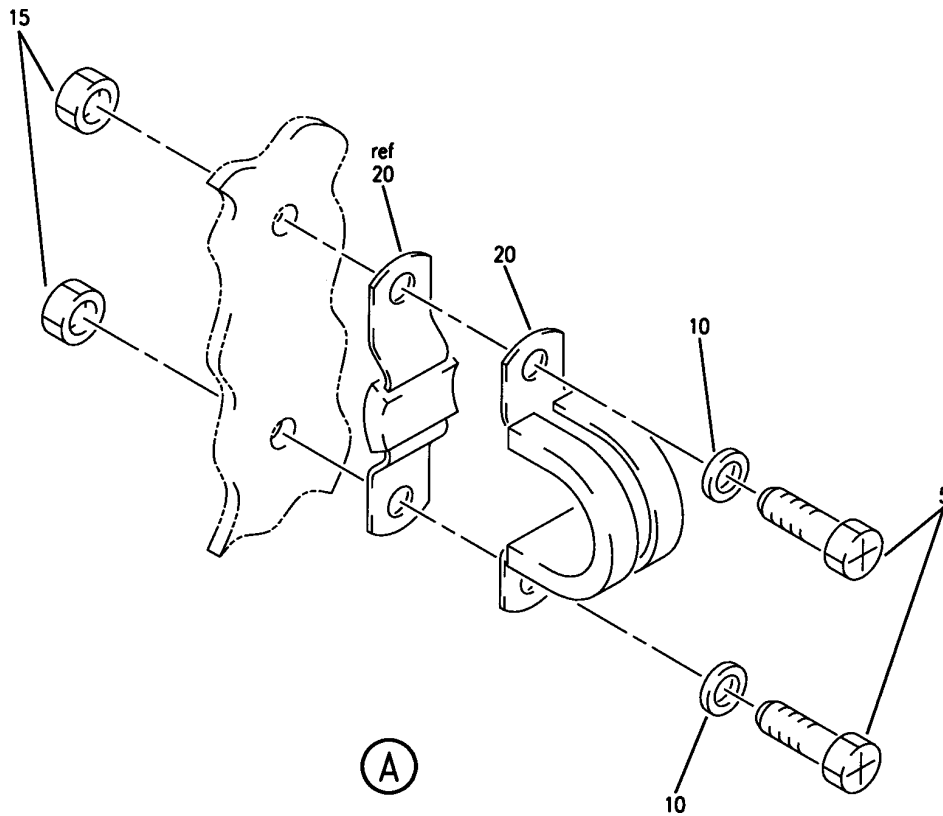
PLUMBING INSTL-MAIN WHL WELL HYDR FWD BHD (TRAILING EDGE FLAP SYS)  
FIGURE 21 (SHEET 1)

**27-51-51-21**

BRI  
MAY 28/07

27-51-51-21  
PAGE 0

**BOEING**  
757  
PARTS CATALOG (MAINTENANCE)



Y 27515121 SHT 2 REV 208

PLUMBING INSTL-MAIN WHL WELL HYDR FWD BHD (TRAILING EDGE FLAP SYS)  
FIGURE 21 (SHEET 2)

**27-51-51-21**

BRI  
MAY 28/07

27-51-51-21  
PAGE 0A



757

PARTS CATALOG (MAINTENANCE)

FIG ITEM	PART NUMBER	1 2 3 4 5 6 7	NOMENCLATURE	EFFECT FROM TO	UNITS PER ASSY
21			PLUMBING INSTL-MAIN WHL WELL HYDR FWD BHD (TRAILING EDGE FLAP SYS)	002004 006100 107107 121503 904999	
- 1	271N6441-9		PLUMBING INSTL-MAIN WHL WELL BHD HYDR (TRAILING EDGE FLAP SYSTEM ONLY) POSITION DATA: FWD VARIABLE DRAWING REF: 271N6441-11 271N6441-12 271N6441-14 FOR NHA/OTHER SYS DET SEE: 29-00-51-05	002004 006100 107107 121503 904999	RF
5	NAS1801-3		.SCREW- SIZE DETERMINED ON INSTL.	002004 006100 107107 121503 904999	2
10	AN960PD10		.WASHER	002004 006100 107107 121503 904999	AR
15	BRH10A3		.NUT SUPPLIER CODE: V52828 SPECIFICATION NUMBER: BACN10JC3 OPTIONAL PART: H10-3BAC V15653 NS202101-02 V80539 RMLH9075-3W V72962 VN303A02 V92215 96-02 V80539 T6S1032J V11815	002004 006100 107107 121503 904999	2

MISSING ITEM NUMBERS NOT APPLICABLE

- ITEM NOT ILLUSTRATED

BRI

27-51-51-21

27-51-51  
FIG. 21  
PAGE 1  
JAN 20/09



757

PARTS CATALOG (MAINTENANCE)

FIG ITEM	PART NUMBER	1 2 3 4 5 6 7	NOMENCLATURE	EFFECT FROM TO	UNITS PER ASSY
21					
20	TA0910004H112	.	CLAMP SUPPLIER CODE: V84971 SPECIFICATION NUMBER: BACC10HB12C	002004 006100 107107 121503 904999	1
25	271N6441-1374	.	TUBE ASSY-PRESSURE SYS POSITION DATA: L TUBING MATERIAL: .750 IN. OD .039 IN. WALL 25.10 IN. LG TI BMS 7-234 TI-3AL-2.5V COLD WORKED, STRESS RELIEVED TUBING PRE SERVICE BULLETIN: 24-0050	002004 006100 950951	1
- 30	AS1581T12	..	SLEEVE	002004 006100 121503 904999	1
- 35	BACN10YA12	..	NUT	002004 006100 121503 904999	1
- 40	AS1582T12	..	UNION	002004 006100 121503 904999	1
45	271N6441-1062	.	TUBE ASSY-PRESSURE SYS POSITION DATA: L TUBING MATERIAL: .750 IN. OD .039 IN. WALL 53.60 IN. LG TI BMS 7-234 TI-3AL-2.5V COLD WORKED, STRESS RELIEVED TUBING	002004 006100 107107 121503 904999	1
- 50	AS1581T12	..	SLEEVE	002004 006100 107107 121503 904999	2
- 55	BACN10YA12	..	NUT	002004 006100 107107 121503 904999	2

MISSING ITEM NUMBERS NOT APPLICABLE

- ITEM NOT ILLUSTRATED

27-51-51-21

27-51-51  
FIG. 21  
PAGE 2  
JAN 20/09

BRI



757

PARTS CATALOG (MAINTENANCE)

FIG ITEM	PART NUMBER	1 2 3 4 5 6 7	NOMENCLATURE	EFFECT FROM TO	UNITS PER ASSY
21			PLUMBING INSTL POSITION DATA: SECT. 49	002004 006100 107107 121503 904999	RF
905			ILLUSTRATION REFERENCE: PLUMBING INSTL-SECT. 44 KEEL BEAM MLG WHL WELL HYDR (ELECTRICAL POWER ONLY) 24-25-52-01	002004 006100 121503 904949 952999	RF
910			ILLUSTRATION REFERENCE: VALVE INSTL -L HYDR SYSTEM PRESSURE SENSITIVE FLOW LIMITER 29-11-59-01	950951	RF

MISSING ITEM NUMBERS NOT APPLICABLE

- ITEM NOT ILLUSTRATED

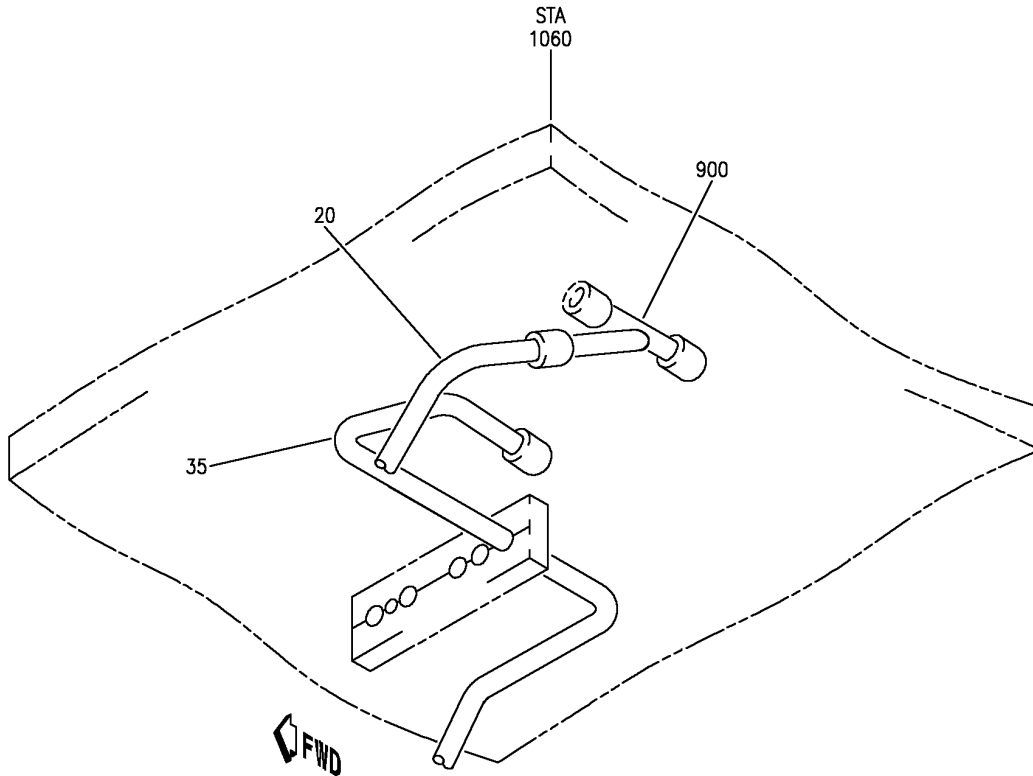
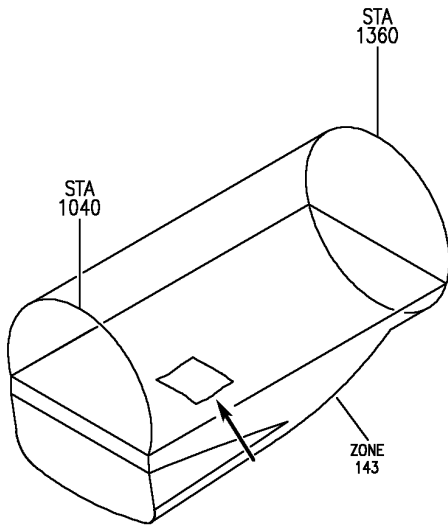
BRI

**27-51-51-21**

BOEING PROPRIETARY - Copyright © - Unpublished Work - See title page for details.

27-51-51  
FIG. 21  
PAGE 3  
JAN 20/09

**BOEING**  
757  
PARTS CATALOG (MAINTENANCE)



Y 27515122 REV 270

PLUMBING INSTL-PRESSURE DECK L HYDR SECT. 44 (TRAILING EDGE FLAP SYS)  
FIGURE 22

BRI  
MAY 28/07

**27-51-51-22**

27-51-51-22  
PAGE 0



757

PARTS CATALOG (MAINTENANCE)

FIG ITEM	PART NUMBER	1 2 3 4 5 6 7	NOMENCLATURE	EFFECT FROM TO	UNITS PER ASSY
22			PLUMBING INSTL-PRESSURE DECK L HYDR SECT. 44 (TRAILING EDGE FLAP SYS)	002004 006100 107107 121503 904999	
- 1	271N6443-1		PLUMBING INSTL-PRESSURE DECK HYDR (TRAILING EDGE FLAP SYS ONLY) POSITION DATA: SECT. 44 L VARIABLE DRAWING REF: 271N6443-4 271N6443-7 271N6443-8 271N6443-11 271N6443-18 FOR NHA/OTHER SYS DET SEE: 29-00-51-05	002004 006100 107107 121503 904999	RF
20	271N6443-1216		.TUBE ASSY-RETURN SYS POSITION DATA: L TUBING MATERIAL: .625 IN. OD .035 IN. WALL 16.20 IN. LG AL AMS 4083 6061 T6 TUBING	002004 006100 107107 121503 904999	1
- 25	AP2097HP10		.SLEEVE SUPPLIER CODE: V01673 SPECIFICATION NUMBER: BACS13BX10HP OPTIONAL PART: 2-02903-10HP V11328 35235VN10 V08199 AFP175V10P V30974 DB0S13BX10HP V14798	002004 006100 107107 121503 904999	2
- 30	BACN10YL10		..NUT	002004 006100 107107 121503 904999	2

MISSING ITEM NUMBERS NOT APPLICABLE

- ITEM NOT ILLUSTRATED

BRI

27-51-51-22

27-51-51  
FIG. 22  
PAGE 1  
JAN 20/09



757

PARTS CATALOG (MAINTENANCE)

FIG ITEM	PART NUMBER	1 2 3 4 5 6 7	NOMENCLATURE	EFFECT FROM TO	UNITS PER ASSY
22					
35	271N6443-1042		.TUBE ASSY-PRESSURE SYS POSITION DATA: L TUBING MATERIAL: .500 IN. OD .026 IN. WALL 37.10 IN. LG TI BMS 7-234 TI-3AL-2.5V COLD WORKED, STRESS RELIEVED TUBING	002004 006100 107107 121503 904999	1
- 40	AS1581T08		..SLEEVE	002004 006100 107107 121503 904999	2
- 45	BACN10YA8		..NUT	002004 006100 107107 121503 904999	2
900			ILLUSTRATION REFERENCE: PLUMBING INSTL-SECT 44 MLG WHL WELL HYDR (ANTISKID/AUTOBRAKE SYSTEM ONLY) 32-42-51-22	002004 006100 107107 121503 904999	RF

MISSING ITEM NUMBERS NOT APPLICABLE

- ITEM NOT ILLUSTRATED

BRI

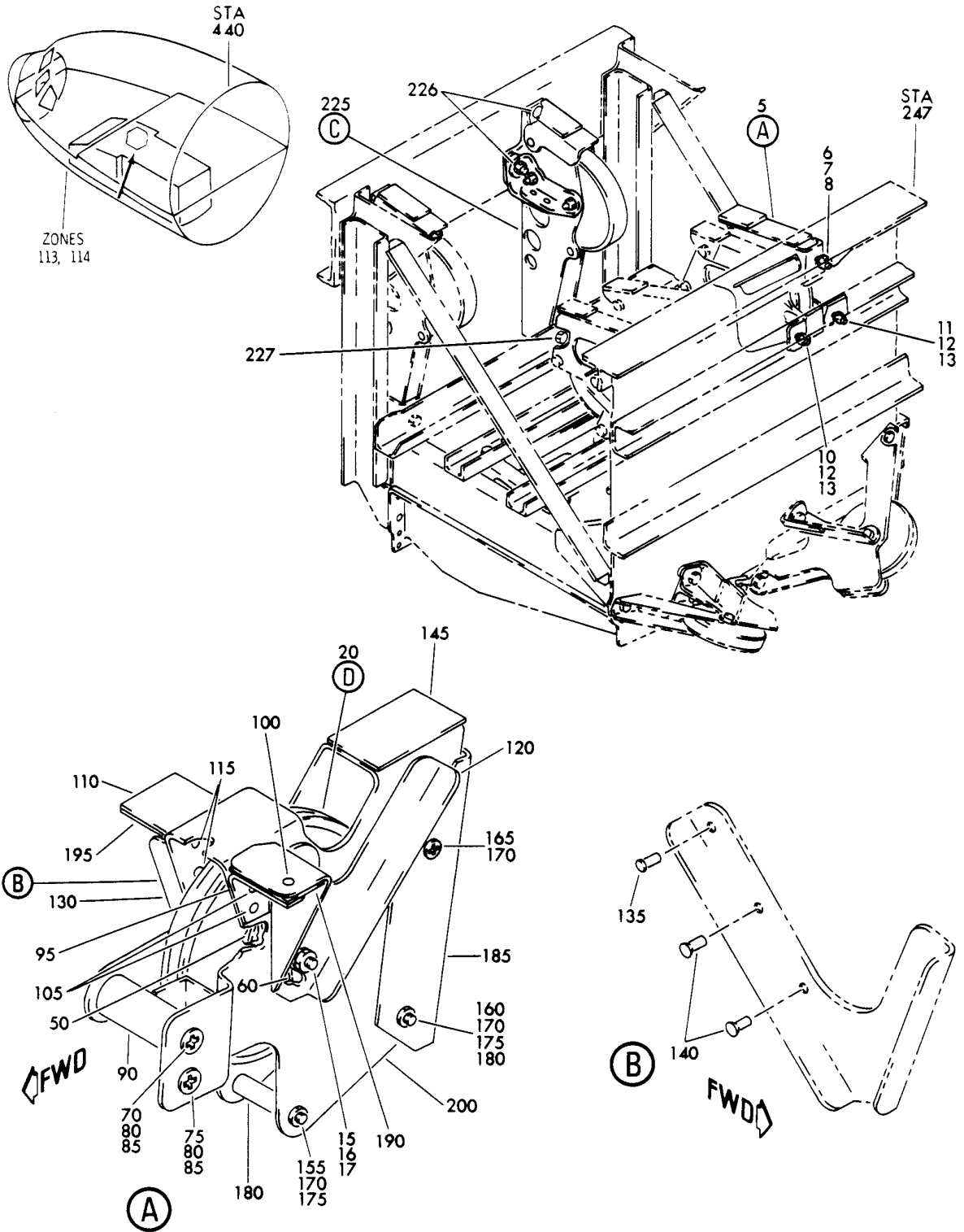
27-51-51-22

BOEING PROPRIETARY - Copyright © - Unpublished Work - See title page for details.

27-51-51  
FIG. 22  
PAGE 2  
JAN 20/09



**BOEING**  
757  
PARTS CATALOG (MAINTENANCE)



Y 27515201 SHT 1 REV 033

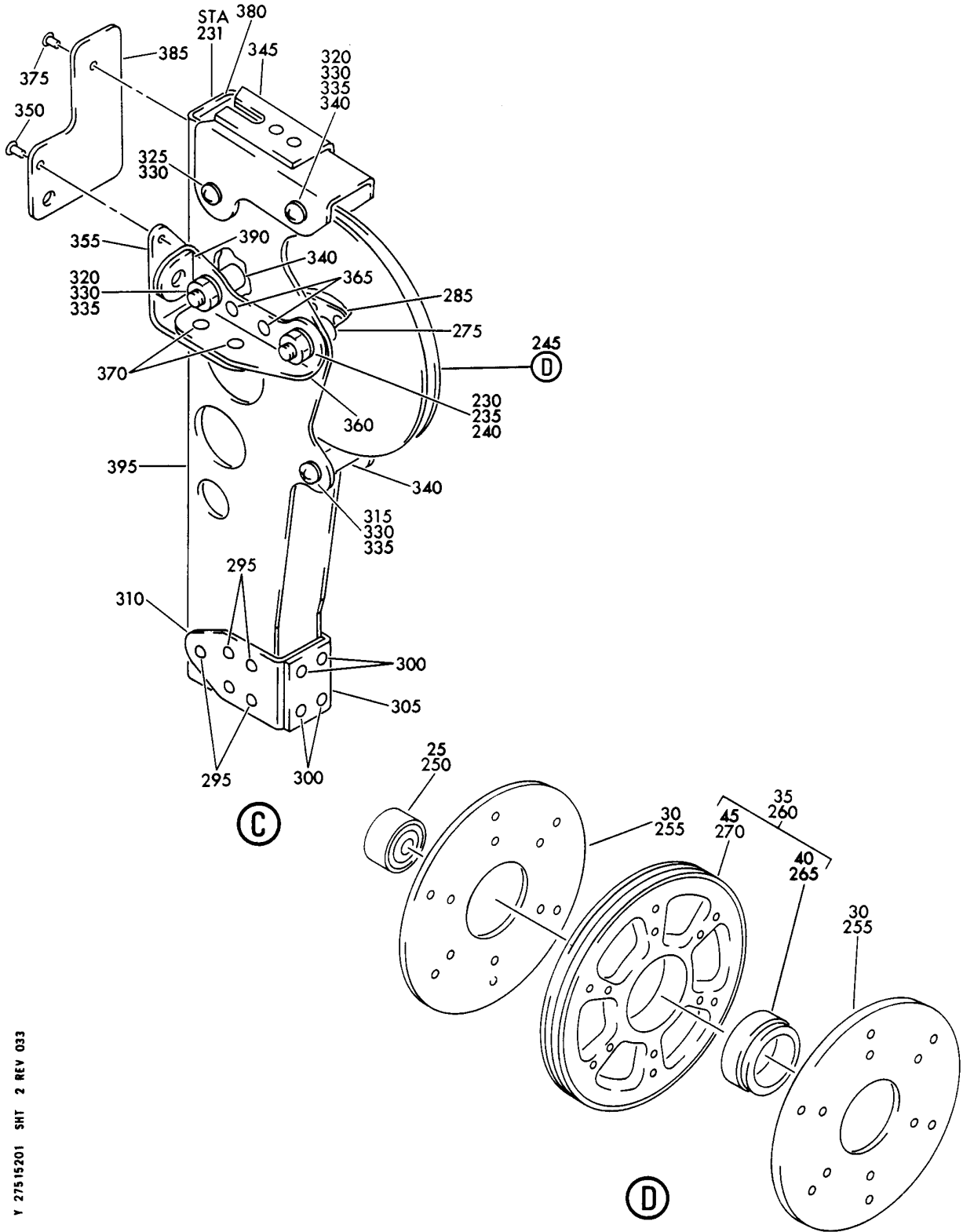
BRACKET INSTL-STA 230 THRU STA 247 PULLEY  
FIGURE 1 (SHEET 1)

**27-51-52-01**

BRI  
MAY 28/07

27-51-52-01  
PAGE 0


**BOEING**  
 757  
**PARTS CATALOG (MAINTENANCE)**



Y 27515201 SHT 2 REV 033

BRACKET INSTL-STA 230 THRU STA 247 PULLEY  
FIGURE 1 (SHEET 2)

**27-51-52-01**

BRI  
MAY 28/07

27-51-52-01  
PAGE 0A



757

PARTS CATALOG (MAINTENANCE)

FIG ITEM	PART NUMBER	1 2 3 4 5 6 7	NOMENCLATURE	EFFECT FROM TO	UNITS PER ASSY
1			BRACKET INSTL-STA 230 THRU STA 247 PULLEY	002004 006999	
- 1	MODREF7872		BRACKET INSTL-PULLEY (TRAILING EDGE FLAP SYSTEM ONLY)	103106	1
			MODULE NUMBER: 251N6001-12 REV A		
			POSITION DATA: STA 230 THRU STA 247		
- 1	251N6001-3		BRACKET INSTL-PULLEY (TRAILING EDGE FLAP SYSTEM ONLY)	107107 904949	RF
			POSITION DATA: STA 230 THRU STA 247		
			VARIABLE DRAWING REF: 251N6001-5		
			FOR NHA/OTHER SYS DET SEE: 27-31-00-02		
- 1	251N6001-8		BRACKET INSTL-PULLEY (TRAILING EDGE FLAP SYSTEM ONLY)	003004 006100 121503 950999	RF
			POSITION DATA: STA 230 THRU STA 247		
			VARIABLE DRAWING REF: 251N6001-5		
			FOR NHA/OTHER SYS DET SEE: 27-31-00-02		
- 1	251N6001-12		BRACKET INSTL-PULLEY (TRAILING EDGE FLAP SYSTEM ONLY)	101102 108120 504903	RF
			POSITION DATA: STA 230 THRU STA 247		
			FOR NHA/OTHER SYS DET SEE: 27-50-00-01		
5	251N6101-1		.BRACKET ASSY-WFA	002004 006999	1
			POSITION DATA: STA 240 TO 247		
			ATTACHING PARTS		
6	BACB30NF4-4		.BOLT	002004 006999	1
7	AN960PD416		.WASHER	002004 006999	1

MISSING ITEM NUMBERS NOT APPLICABLE

- ITEM NOT ILLUSTRATED

BRI

27-51-52-01

27-51-52  
FIG. 01  
PAGE 1  
JAN 20/09



757

PARTS CATALOG (MAINTENANCE)

FIG ITEM	PART NUMBER	1 2 3 4 5 6 7	NOMENCLATURE	EFFECT FROM TO	UNITS PER ASSY
1	8 BRH10A4	.	NUT SUPPLIER CODE: V52828 SPECIFICATION NUMBER: BACN10JC4 OPTIONAL PART: T6S428J V11815 96-048 V80539 VN303A048 V92215 RMLH9075-4W V72962 NS202101-048 V80539 H10-4BAC V15653	002004 006999	1
10	NAS623-3-4	.	SCREW	002004 006999	1
11	NAS623-3-6	.	SCREW	002004 006999	1
12	AN960PD10	.	WASHER	002004 006999	2
13	BRH10A3	.	NUT SUPPLIER CODE: V52828 SPECIFICATION NUMBER: BACN10JC3 OPTIONAL PART: H10-3BAC V15653 NS202101-02 V80539 RMLH9075-3W V72962 VN303A02 V92215 96-02 V80539 T6S1032J V11815	002004 006999	2
15	BACB30NF4-18	..	BOLT	002004 006999	1
16	AN960PD416	..	WASHER	002004 006999	1

MISSING ITEM NUMBERS NOT APPLICABLE

- ITEM NOT ILLUSTRATED

BRI

27-51-52-01

27-51-52  
FIG. 01  
PAGE 2  
SEP 20/08



757

PARTS CATALOG (MAINTENANCE)

FIG ITEM	PART NUMBER	1 2 3 4 5 6 7	NOMENCLATURE	EFFECT FROM TO	UNITS PER ASSY
1 17	BRH10A4	..	NUT SUPPLIER CODE: V52828 SPECIFICATION NUMBER: BACN10JC4 OPTIONAL PART: T6S428J V11815 96-048 V80539 VN303A048 V92215 RMLH9075-4W V72962 NS202101-048 V80539 H10-4BAC V15653	002004 006999	1
20	65B80977-1	..	PULLEY ASSY-4 IN. DIA 3/32 IN. CABLE FOR SPARES PROCURE: BACP30M4	002004 006999	1
25	JMKP4P25LY196	...	BEARING- SUPPLIER CODE: V40920 SPECIFICATION NUMBER: BACB10AN4 OPTIONAL PART: MKP4FS428 V21335 MKP4G20 V38443 LLMKP4 V38443 MKP4 V38443 MKP4-2TS V43991 MKP4E6531 V21335 MKP4TT V43991 MKP4SD610 V83086	002004 006999	1
30	69B81979-1	...	SHIELD	002004 006999	2
35	65B80978-1	...	SHEAVE ASSY	002004 006999	1

MISSING ITEM NUMBERS NOT APPLICABLE

- ITEM NOT ILLUSTRATED

27-51-52-01

27-51-52  
FIG. 01  
PAGE 3  
SEP 20/08

BRI



757

PARTS CATALOG (MAINTENANCE)

FIG ITEM	PART NUMBER	1 2 3 4 5 6 7	NOMENCLATURE	EFFECT FROM TO	UNITS PER ASSY
1	40 69B81362-2	....	INSERT	002004 006999	1
	45 65B80978-2	....	SHEAVE	002004 006999	1
	50 NAS463TKDD416H	..	SPACER	002004 006999	1
			ATTACHING PARTS		
-	55 BACR15BA3AD	..	RIVET- SIZE DETERMINED ON INSTL. -----*-----	002004 006999	2
	60 BACS18G36B	..	SPACER	002004 006999	1
			ATTACHING PARTS		
-	65 BACR15BB3AD	..	RIVET- SIZE DETERMINED ON INSTL. -----*-----	002004 006999	2
	70 NAS623-3-23	..	SCREW	002004 006999	1
	75 NAS623-3-4	..	SCREW	002004 006999	1
	80 AN960PD10	..	WASHER	002004 006999	2
	85 BRH10A3	..	NUT SUPPLIER CODE: V52828 SPECIFICATION NUMBER: BACN10JC3 OPTIONAL PART: H10-3BAC V15653 NS202101-02 V80539 RMLH9075-3W V72962 VN303A02 V92215 96-02 V80539 T6S1032J V11815	002004 006999	2
	90 251N6101-12	..	GUARD-CABLE	002004 006999	1
	95 251N6101-14	..	CLIP	002004 006999	1
			ATTACHING PARTS		
100	BACR15BA5AD	..	RIVET- SIZE DETERMINED ON INSTL.	002004 006999	1

MISSING ITEM NUMBERS NOT APPLICABLE

- ITEM NOT ILLUSTRATED

27-51-52-01

27-51-52  
FIG. 01  
PAGE 4  
SEP 20/08

BRI

BOEING PROPRIETARY - Copyright © - Unpublished Work - See title page for details.



757

PARTS CATALOG (MAINTENANCE)

FIG ITEM	PART NUMBER	1 2 3 4 5 6 7	NOMENCLATURE	EFFECT FROM TO	UNITS PER ASSY
1					
105	BACR15FT5D	..	RIVET- SIZE DETERMINED ON INSTL. -----*-----	002004 006999	2
110	251N6101-13	..	CLIP  ATTACHING PARTS	002004 006999	1
- 115	BACR15BA3AD	..	RIVET- SIZE DETERMINED ON INSTL. -----*-----	002004 006999	2
120	251N6101-4	..	BRACE  ATTACHING PARTS	002004 006999	1
- 125	BACR15FT5D	..	RIVET- SIZE DETERMINED ON INSTL. -----*-----	002004 006999	5
130	251N6101-5	..	BRACE  ATTACHING PARTS	002004 006999	1
135	BACR15FT5D	..	RIVET- SIZE DETERMINED ON INSTL.	002004 006999	1
140	BACR15BA5AD	..	RIVET- SIZE DETERMINED ON INSTL. -----*-----	002004 006999	2
145	251N6101-9	..	SHIM  ATTACHING PARTS	002004 006999	1
- 150	BACR15BA4AD	..	RIVET- SIZE DETERMINED ON INSTL. -----*-----	002004 006999	2
155	NAS623-3-16	..	SCREW	002004 006999	1
160	NAS623-3-17	..	SCREW	002004 006999	1
165	NAS623-3-2	..	SCREW	002004 006999	1
170	AN960PD10	..	WASHER	002004 006999	3

MISSING ITEM NUMBERS NOT APPLICABLE

- ITEM NOT ILLUSTRATED

27-51-52-01

27-51-52  
FIG. 01  
PAGE 5  
SEP 20/08

BRI

BOEING PROPRIETARY - Copyright © - Unpublished Work - See title page for details.



757

PARTS CATALOG (MAINTENANCE)

FIG ITEM	PART NUMBER	1 2 3 4 5 6 7	NOMENCLATURE	EFFECT FROM TO	UNITS PER ASSY
1 175	BRH10A3	..	NUT SUPPLIER CODE: V52828 SPECIFICATION NUMBER: BACN10JC3 OPTIONAL PART: H10-3BAC V15653 NS202101-02 V80539 RMLH9075-3W V72962 VN303A02 V92215 96-02 V80539 T6S1032J V11815	002004 006999	2
180	NAS42DD6-60	..	SPACER	002004 006999	2
185	251N6101-2	..	GUARD ASSY	002004 006999	1
190	50-3361-8559	..	FILLER-RADIUS	002004 006999	1
195	50-3361-8540	..	FILLER-RADIUS	002004 006999	1
200	251N6101-3	..	BRACKET	002004 006999	1
225	251N6102-11	.	BRACKET ASSY-WFB POSITION DATA: STA 240 TO 247	107107 904949 952952	1
225	251N6102-16	.	BRACKET ASSY-WFB POSITION DATA: STA 240 TO 247	002004 006007 121503	1
225	251N6102-18	.	BRACKET ASSY-WFB POSITION DATA: STA 240 TO 247	008100 950951 953999	1
225	251N6102-22	.	BRACKET ASSY-WFB POSITION DATA: STA 240 TO 247	101106 108120 504903	1

MISSING ITEM NUMBERS NOT APPLICABLE

- ITEM NOT ILLUSTRATED

BRI

27-51-52-01

27-51-52  
FIG. 01  
PAGE 6  
JAN 20/09





757

PARTS CATALOG (MAINTENANCE)

FIG ITEM	PART NUMBER	1 2 3 4 5 6 7	NOMENCLATURE	EFFECT FROM TO	UNITS PER ASSY
1 226	HL1012AZ8-5		ATTACHING PARTS .BOLT SUPPLIER CODE: VOPTK6 SPECIFICATION NUMBER: BACB30NX8K5 OPTIONAL PART: HL12VAZ8-5 V73197 HL12VAZ8-5 V92215 HL12VAZ8-5 V97928 L802-8K5 V06725 HL12VAZ8-5 V56878 HL1012AZ8-5 V06725 HL1012AZ8-5 V06950 HL1012AZ8-5 V17446 HL1012AZ8-5 V56878 HL1012AZ8-5 V60516 HL1012AZ8-5 V73197 HL1012AZ8-5 V97928	002004 006999	2

MISSING ITEM NUMBERS NOT APPLICABLE

- ITEM NOT ILLUSTRATED

BRI

27-51-52-01

BOEING PROPRIETARY - Copyright © - Unpublished Work - See title page for details.

27-51-52  
FIG. 01  
PAGE 7  
SEP 20/08



757

PARTS CATALOG (MAINTENANCE)

FIG ITEM	PART NUMBER	1 2 3 4 5 6 7	NOMENCLATURE	EFFECT FROM TO	UNITS PER ASSY
1 227	HL1012AZ8-2	. BOLT	SUPPLIER CODE: VOPTK6 SPECIFICATION NUMBER: BACB30NX8K2 OPTIONAL PART: HL12VAZ8-2 V73197 HL12VAZ8-2 V92215 HL12VAZ8-2 V97928 L802-8K2 V06725 HL12VAZ8-2 V56878 HL1012AZ8-2 V06725 HL1012AZ8-2 V06950 HL1012AZ8-2 V17446 HL1012AZ8-2 V56878 HL1012AZ8-2 V60516 HL1012AZ8-2 V73197 HL1012AZ8-2 V97928	002004 006999	1
230	BACB30NF4-19	.. BOLT	-----*	002004 006999	1
235	AN960PD416	.. WASHER		002004 006999	1

MISSING ITEM NUMBERS NOT APPLICABLE

- ITEM NOT ILLUSTRATED

BRI

27-51-52-01

BOEING PROPRIETARY - Copyright © - Unpublished Work - See title page for details.

27-51-52  
FIG. 01  
PAGE 8  
SEP 20/08



757

PARTS CATALOG (MAINTENANCE)

FIG ITEM	PART NUMBER	1 2 3 4 5 6 7	NOMENCLATURE	EFFECT FROM TO	UNITS PER ASSY
1 240	BRH10A4	..	NUT SUPPLIER CODE: V52828 SPECIFICATION NUMBER: BACN10JC4 OPTIONAL PART: T6S428J V11815 96-048 V80539 VN303A048 V92215 RMLH9075-4W V72962 NS202101-048 V80539 H10-4BAC V15653	002004 006999	1
245	65B80977-1	..	PULLEY ASSY-4 IN. DIA 3/32 IN. CABLE FOR SPARES PROCURE: BACP30M4	002004 006999	1
250	JMKP4P25LY196	...	BEARING- SUPPLIER CODE: V40920 SPECIFICATION NUMBER: BACB10AN4 OPTIONAL PART: MKP4FS428 V21335 MKP4G20 V38443 LLMKP4 V38443 MKP4 V38443 MKP4-2TS V43991 MKP4E6531 V21335 MKP4TT V43991 MKP4SD610 V83086	002004 006999	1
255	69B81979-1	...	SHIELD	002004 006999	2
260	65B80978-1	...	SHEAVE ASSY	002004 006999	1

MISSING ITEM NUMBERS NOT APPLICABLE

- ITEM NOT ILLUSTRATED

27-51-52-01

27-51-52  
FIG. 01  
PAGE 9  
SEP 20/08

BRI



757

PARTS CATALOG (MAINTENANCE)

FIG ITEM	PART NUMBER	1 2 3 4 5 6 7	NOMENCLATURE	EFFECT FROM TO	UNITS PER ASSY
1					
265	69B81362-2	....	INSERT	002004 006999	1
270	65B80978-2	....	SHEAVE	002004 006999	1
275	251N6107-1	..	SPACER	002004 006999	1
			ATTACHING PARTS		
- 280	BACR15BB3AD	..	RIVET- SIZE DETERMINED ON INSTL. -----*-----	002004 006999	2
285	NAS463TKDD416H	..	SPACER	002004 006999	1
			ATTACHING PARTS		
- 290	BACR15BA3AD	..	RIVET- SIZE DETERMINED ON INSTL. -----*-----	002004 006999	2
295	BACR15FT5D	..	RIVET- SIZE DETERMINED ON INSTL.	002004 006999	5
300	BACR15BA4AD	..	RIVET- SIZE DETERMINED ON INSTL.	002004 006999	4
305	251N6102-13	..	ANGLE-ATTACH	002004 006999	1
310	251N6102-14	..	CLIP	002004 006999	1
315	NAS623-3-18	..	SCREW	002004 006999	1
320	NAS623-3-19	..	SCREW	002004 006999	2
325	NAS623-3-2	..	SCREW	002004 006999	1
330	AN960PD10	..	WASHER	002004 006999	4

MISSING ITEM NUMBERS NOT APPLICABLE

- ITEM NOT ILLUSTRATED

BRI

27-51-52-01

BOEING PROPRIETARY - Copyright © - Unpublished Work - See title page for details.

27-51-52  
FIG. 01  
PAGE 10  
SEP 20/08

 **BOEING**  
757  
**PARTS CATALOG (MAINTENANCE)**

FIG ITEM	PART NUMBER	1 2 3 4 5 6 7	NOMENCLATURE	EFFECT FROM TO	UNITS PER ASSY
1 335	BRH10A3	..	NUT SUPPLIER CODE: V52828 SPECIFICATION NUMBER: BACN10JC3 OPTIONAL PART: H10-3BAC V15653 NS202101-02 V80539 RMLH9075-3W V72962 VN303A02 V92215 96-02 V80539 T6S1032J V11815	002004 006999	3
340	NAS42DD6-66	..	SPACER	002004 006999	3
345	251N6102-501	..	GUARD ASSY-	002004 006999	1
350	BACR15BA4AD	..	RIVET- SIZE DETERMINED ON INSTL.	002004 006999	1
355	251N6102-5	..	CLIP	002004 006999	1
360	251N6102-4	..	BRACE	002004 006999	1
365	BACR15BA5AD	..	RIVET- SIZE DETERMINED ON INSTL.	002004 006999	2
370	BACR15FT5D	..	RIVET- SIZE DETERMINED ON INSTL.	002004 006999	2
375	BACR15BA4AD	..	RIVET- SIZE DETERMINED ON INSTL.	002004 006999	1
380	50-3361-8510	..	FILLER-RADIUS	107107 904949 952952	1
380	50-3361-8698	..	FILLER-RADIUS	002004 006106 108903 950951 953999	1

MISSING ITEM NUMBERS NOT APPLICABLE

— ITEM NOT ILLUSTRATED

BRI

# 27-51-52-01

BOEING PROPRIETARY - Copyright © - Unpublished Work - See title page for details.

27-51-52  
FIG. 01  
PAGE 11  
JAN 20/09



757

PARTS CATALOG (MAINTENANCE)

FIG ITEM	PART NUMBER	1 2 3 4 5 6 7	NOMENCLATURE	EFFECT FROM TO	UNITS PER ASSY
1 385	251N6102-15		.. SHIM-	002004 006007 107107 121503 904949 952952	1
385	251N6102-19		.. SHIM-	008100 103106 950951 953999	1
390	251N6102-10		.. FILLER-RADIUS	002004 006999	1
395	251N6102-12		.. BRACKET-	002004 006007 107107 121503 904949 952952	1
395	251N6102-17		.. BRACKET-	008100 950951 953999	1
395	251N6102-23		.. BRACKET-	101106 108120 504903	1

MISSING ITEM NUMBERS NOT APPLICABLE

- ITEM NOT ILLUSTRATED

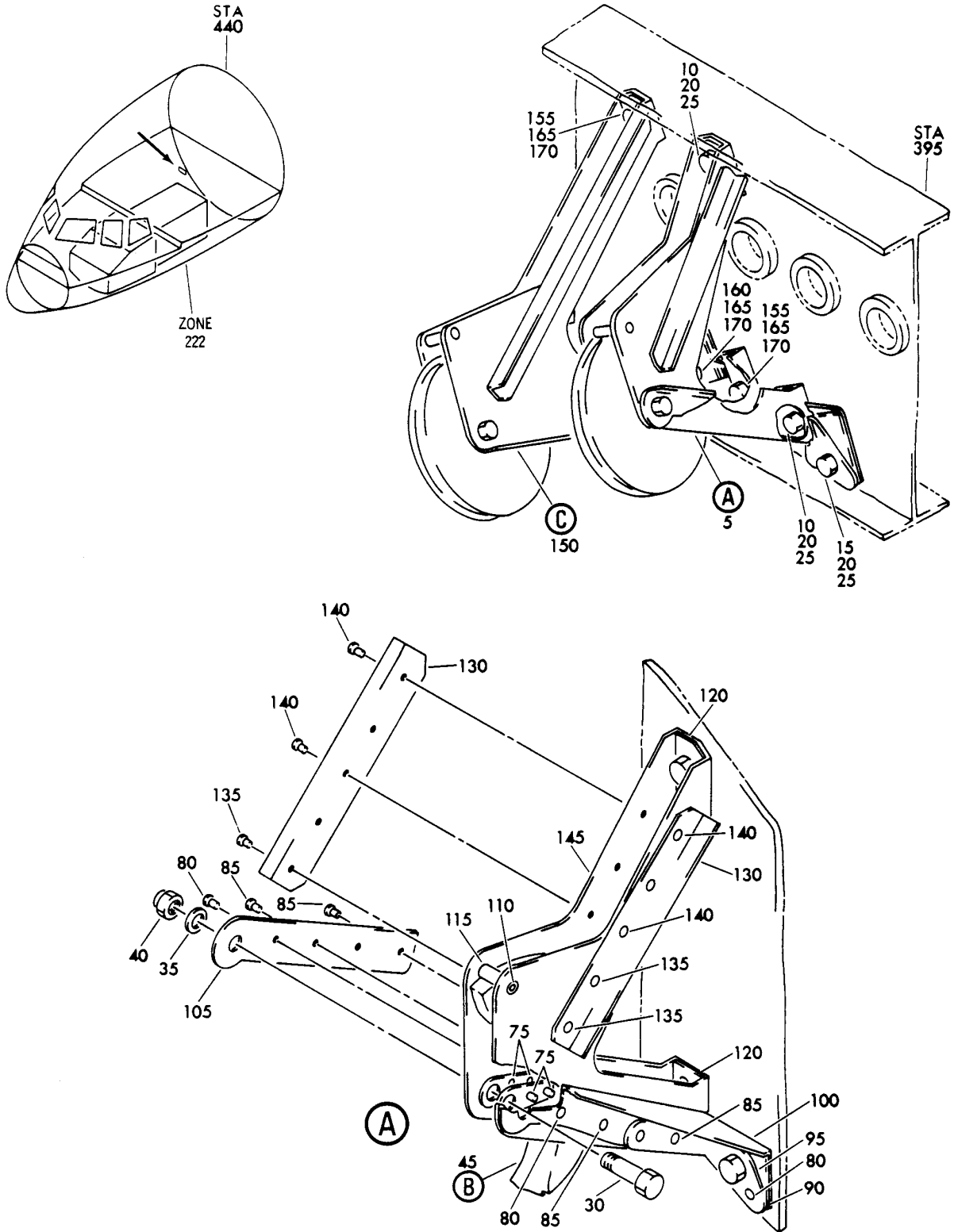
BRI

27-51-52-01

BOEING PROPRIETARY - Copyright © - Unpublished Work - See title page for details.

27-51-52  
FIG. 01  
PAGE 12  
JAN 20/09

**BOEING**  
757  
PARTS CATALOG (MAINTENANCE)



Y 27515601 SHT 1 REV 010

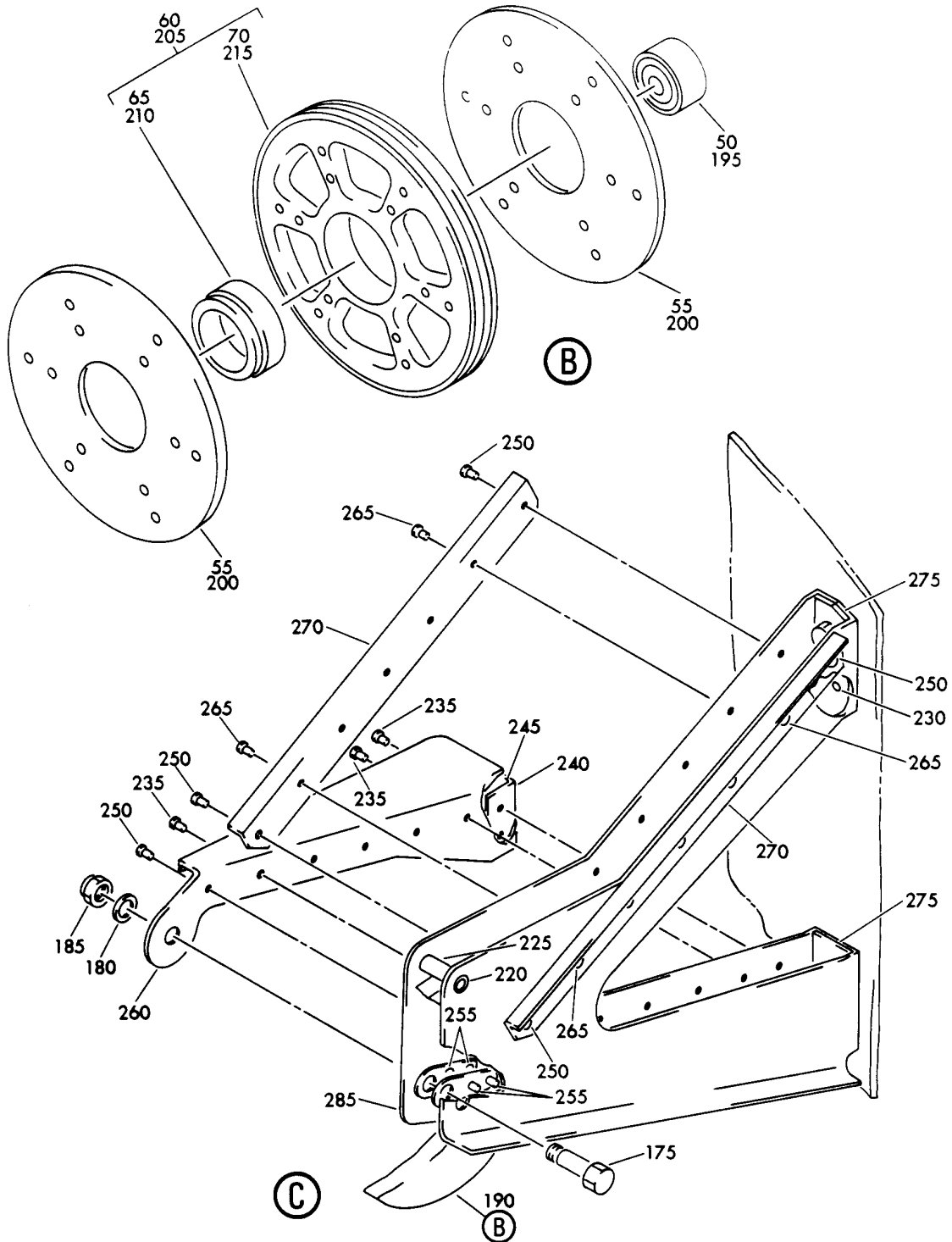
BRACKET INSTL-STA 395 WFA AND WFB PULLEY  
FIGURE 1 (SHEET 1)

**27-51-56-01**

BRI  
MAY 28/07

27-51-56-01  
PAGE 0

**BOEING**  
757  
PARTS CATALOG (MAINTENANCE)



Y 27515601 SHT 2 REV 010

BRACKET INSTL-STA 395 WFA AND WFB PULLEY  
FIGURE 1 (SHEET 2)

**27-51-56-01**

BRI  
MAY 28/07

27-51-56-01  
PAGE 0A





757

PARTS CATALOG (MAINTENANCE)

FIG ITEM	PART NUMBER	1 2 3 4 5 6 7	NOMENCLATURE	EFFECT FROM TO	UNITS PER ASSY
1			BRACKET INSTL-STA 395 WFA AND WFB PULLEY	002004 006999	
- 1	251N6010-2		BRACKET INSTL-WFA AND WFB PULLEY POSITION DATA: STA 395 FOR NHA SEE: 27-51-25-03	002004 006100 107107 121503 904999	RF
- 1	251N6010-4		BRACKET INSTL-WFA AND WFB PULLEY POSITION DATA: STA 395 FOR NHA SEE: 27-50-00-01	101102 108120 504903	RF
- 1	MODREF7971		BRACKET INSTL-WFA AND WFB PULLEY MODULE NUMBER: 251N6010-4 REV A POSITION DATA: STA 395	103106	1
5	251N6153-1		.BRACKET ASSY-WFA PULLEY POSITION DATA: STA 395	107107 904949	1
5	251N6153-9		.BRACKET ASSY-WFA PULLEY POSITION DATA: STA 395	002004 006100 121503 950999	1
5	251N6153-11		.BRACKET ASSY-WFA PULLEY POSITION DATA: STA 395	101106 108120 504903	1
10	BACB30NF4-4		ATTACHING PARTS .BOLT	002004 006999	2
15	BACB30NF4-5		.BOLT	002004 006999	1
20	AN960PD416		.WASHER	002004 006999	3

MISSING ITEM NUMBERS NOT APPLICABLE

- ITEM NOT ILLUSTRATED

27-51-56-01

27-51-56  
FIG. 01  
PAGE 1  
JAN 20/09

BRI



757

PARTS CATALOG (MAINTENANCE)

FIG ITEM	PART NUMBER	1 2 3 4 5 6 7	NOMENCLATURE	EFFECT FROM TO	UNITS PER ASSY
1 25	BRH10A4	.	NUT SUPPLIER CODE: V52828 SPECIFICATION NUMBER: BACN10JC4 OPTIONAL PART: T6S428J V11815 96-048 V80539 VN303A048 V92215 RMLH9075-4W V72962 NS202101-048 V80539 H10-4BAC V15653 -----*-----	002004 006999	3
30	BACB30NF4-12	..	BOLT	002004 006999	1
35	AN960PD416	..	WASHER	002004 006999	1
40	BRH10A4	..	NUT SUPPLIER CODE: V52828 SPECIFICATION NUMBER: BACN10JC4 OPTIONAL PART: T6S428J V11815 96-048 V80539 VN303A048 V92215 RMLH9075-4W V72962 NS202101-048 V80539 H10-4BAC V15653	002004 006999	1
45	65B80977-1	..	PULLEY ASSY-4 IN. DIA 3/32 IN. CABLE FOR SPARES PROCURE: BACP30M4	002004 006999	1

MISSING ITEM NUMBERS NOT APPLICABLE

- ITEM NOT ILLUSTRATED

BRI

27-51-56-01

BOEING PROPRIETARY - Copyright © - Unpublished Work - See title page for details.

27-51-56  
FIG. 01  
PAGE 2  
JAN 20/09



757

PARTS CATALOG (MAINTENANCE)

FIG ITEM	PART NUMBER	1 2 3 4 5 6 7	NOMENCLATURE	EFFECT FROM TO	UNITS PER ASSY
1	50	JMKP4P25LY196	... BEARING- SUPPLIER CODE: V40920 SPECIFICATION NUMBER: BACB10AN4 OPTIONAL PART: MKP4FS428 V21335 MKP4G20 V38443 LLMKP4 V38443 MKP4 V38443 MKP4-2TS V43991 MKP4E6531 V21335 MKP4TT V43991 MKP4SD610 V83086	002004 006999	1
	55	69B81979-1	... SHIELD	002004 006999	2
	60	65B80978-1	... SHEAVE ASSY	002004 006999	1
	65	69B81362-2	.... INSERT	002004 006999	1
	70	65B80978-2	.... SHEAVE	002004 006999	1
	75	BACR15BA3AD	.. RIVET- SIZE DETERMINED ON INSTL.	002004 006999	4
	80	BACR15CE5D	.. RIVET- SIZE DETERMINED ON INSTL.	002004 006999	3
	85	BACR15FT5D	.. RIVET- SIZE DETERMINED ON INSTL.	002004 006999	6
	90	251N6153-5	.. CLIP-	002004 006100 107107 121503 904999	1
	90	251N6153-12	.. CLIP-	101106 108120 504903	1
	95	251N6153-8	.. FILLER-RADIUS	002004 006999	1
	100	251N6153-3	.. BRACKE-SIDE	002004 006999	1

MISSING ITEM NUMBERS NOT APPLICABLE

- ITEM NOT ILLUSTRATED

27-51-56-01

27-51-56  
FIG. 01  
PAGE 3  
JAN 20/09

BRI

BOEING PROPRIETARY - Copyright © - Unpublished Work - See title page for details.



757

PARTS CATALOG (MAINTENANCE)

FIG ITEM	PART NUMBER	1 2 3 4 5 6 7	NOMENCLATURE	EFFECT FROM TO	UNITS PER ASSY
1					
105	251N6153-4	..	STIFFENER	002004 006999	1
110	BACR15BB4AD	..	RIVET- SIZE DETERMINED ON INSTL.	002004 006999	1
115	NAS42DD4-42	..	SPACER	002004 006999	1
120	251N6153-7	..	FILLER-RADIUS	002004 006999	2
			ATTACHING PARTS		
- 125	BACR15BA4AD	..	RIVET- SIZE DETERMINED ON INSTL. -----*-----	002004 006999	2
130	251N6153-6	..	STIFFENER	002004 006999	2
			ATTACHING PARTS		
135	BACR15CE5D	..	RIVET- SIZE DETERMINED ON INSTL.	002004 006999	4
140	BACR15FT5D	..	RIVET- SIZE DETERMINED ON INSTL. -----*-----	002004 006999	6
145	251N6153-2	..	BRACKET-	107107 904949	1
145	251N6153-10	..	BRACKET-	002004 006100 121503 950999	1
150	251N6154-8	.	BRACKET ASSY-WFB PULLEY POSITION DATA: STA 395 ATTACHING PARTS	002004 006999	1
155	BACB30NF4-4	.	BOLT	002004 006999	2
160	BACB30NF4-5	.	BOLT	002004 006999	1
165	AN960PD416	.	WASHER	002004 006999	3

MISSING ITEM NUMBERS NOT APPLICABLE

- ITEM NOT ILLUSTRATED

27-51-56-01

27-51-56  
FIG. 01  
PAGE 4  
JAN 20/09

BRI

BOEING PROPRIETARY - Copyright © - Unpublished Work - See title page for details.

 **BOEING**  
757  
**PARTS CATALOG (MAINTENANCE)**

FIG ITEM	PART NUMBER	1 2 3 4 5 6 7	NOMENCLATURE	EFFECT FROM TO	UNITS PER ASSY
1 170	BRH10A4	.	NUT SUPPLIER CODE: V52828 SPECIFICATION NUMBER: BACN10JC4 OPTIONAL PART: T6S428J V11815 96-048 V80539 VN303A048 V92215 RMLH9075-4W V72962 NS202101-048 V80539 H10-4BAC V15653 -----*-----	002004 006999	3
175	BACB30NF4-12	..	BOLT	002004 006999	1
180	AN960PD416	..	WASHER	002004 006999	1
185	BRH10A4	..	NUT SUPPLIER CODE: V52828 SPECIFICATION NUMBER: BACN10JC4 OPTIONAL PART: T6S428J V11815 96-048 V80539 VN303A048 V92215 RMLH9075-4W V72962 NS202101-048 V80539 H10-4BAC V15653	002004 006999	1
190	65B80977-1	..	PULLEY ASSY-4 IN. DIA 3/32 IN. CABLE FOR SPARES PROCURE: BACP30M4	002004 006999	1

MISSING ITEM NUMBERS NOT APPLICABLE

— ITEM NOT ILLUSTRATED

BRI

# 27-51-56-01

BOEING PROPRIETARY - Copyright © - Unpublished Work - See title page for details.

27-51-56  
FIG. 01  
PAGE 5  
JAN 20/09



757

PARTS CATALOG (MAINTENANCE)

FIG ITEM	PART NUMBER	1 2 3 4 5 6 7	NOMENCLATURE	EFFECT FROM TO	UNITS PER ASSY
1	195	JMKP4P25LY196	... BEARING- SUPPLIER CODE: V40920 SPECIFICATION NUMBER: BACB10AN4 OPTIONAL PART: MKP4FS428 V21335 MKP4G20 V38443 LLMKP4 V38443 MKP4 V38443 MKP4-2TS V43991 MKP4E6531 V21335 MKP4TT V43991 MKP4SD610 V83086	002004 006999	1
200	69B81979-1	...	SHIELD	002004 006999	2
205	65B80978-1	...	SHEAVE ASSY	002004 006999	1
210	69B81362-2	....	INSERT	002004 006999	1
215	65B80978-2	....	SHEAVE	002004 006999	1
220	BACR15BB4AD	..	RIVET- SIZE DETERMINED ON INSTL.	002004 006999	1
225	NAS42DD4-42	..	SPACER	002004 006999	1
230	BACR15BA5AD	..	RIVET- SIZE DETERMINED ON INSTL.	002004 006999	1
235	BACR15FT5D	..	RIVET- SIZE DETERMINED ON INSTL.	002004 006999	7
240	251N6154-4	..	ANGLE	002004 006999	1
245	251N6154-5	..	FILLER	002004 006999	1
250	BACR15BA5AD	..	RIVET- SIZE DETERMINED ON INSTL.	002004 006999	5
255	BACR15BA3AD	..	RIVET- SIZE DETERMINED ON INSTL.	002004 006999	4
260	251N6154-3	..	BRACKET	002004 006999	1

MISSING ITEM NUMBERS NOT APPLICABLE

- ITEM NOT ILLUSTRATED

27-51-56-01

27-51-56  
FIG. 01  
PAGE 6  
JAN 20/09

BRI

BOEING PROPRIETARY - Copyright © - Unpublished Work - See title page for details.



757

PARTS CATALOG (MAINTENANCE)

FIG ITEM	PART NUMBER	1 2 3 4 5 6 7	NOMENCLATURE	EFFECT FROM TO	UNITS PER ASSY
1					
265	BACR15FT5D	..	RIVET- SIZE DETERMINED ON INSTL.	002004 006999	10
270	251N6154-10	..	STIFFENER-	002004 006999	2
275	251N6154-11	..	FILLER-	002004 006999	2
			ATTACHING PARTS		
- 280	BACR15BA4AD	..	RIVET- SIZE DETERMINED ON INSTL.	002004 006999	2
			-----*-----		
285	251N6154-9	..	BRACKET-	002004 006999	1

MISSING ITEM NUMBERS NOT APPLICABLE

- ITEM NOT ILLUSTRATED

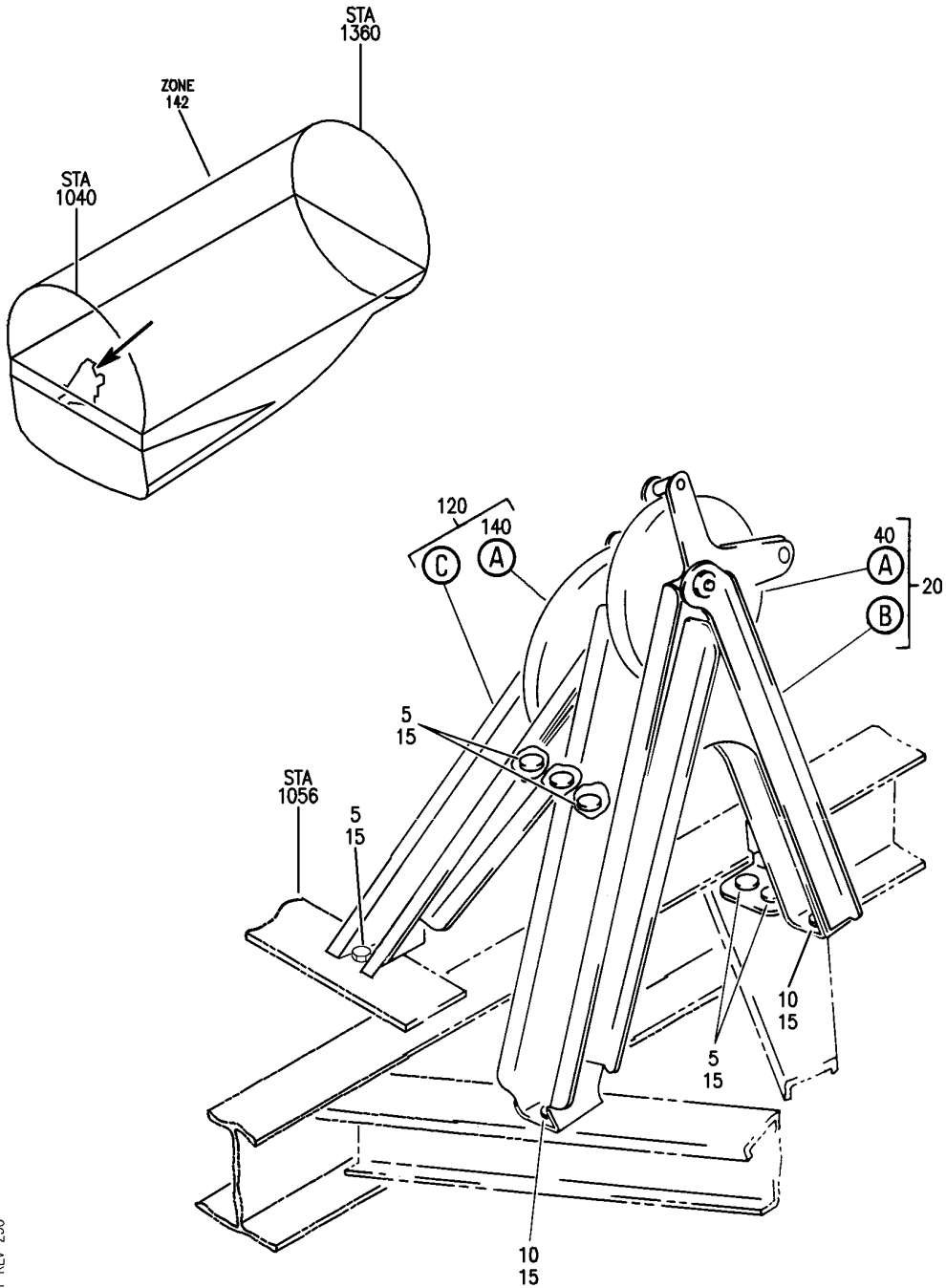
BRI

**27-51-56-01**

BOEING PROPRIETARY - Copyright © - Unpublished Work - See title page for details.

27-51-56  
FIG. 01  
PAGE 7  
JAN 20/09

**BOEING**  
757  
PARTS CATALOG (MAINTENANCE)



Y 27515602 SHT 1 REV 236

BRACKET INSTL-STA 1056 WING FLAP CABLES PULLEY  
FIGURE 2 (SHEET 1)

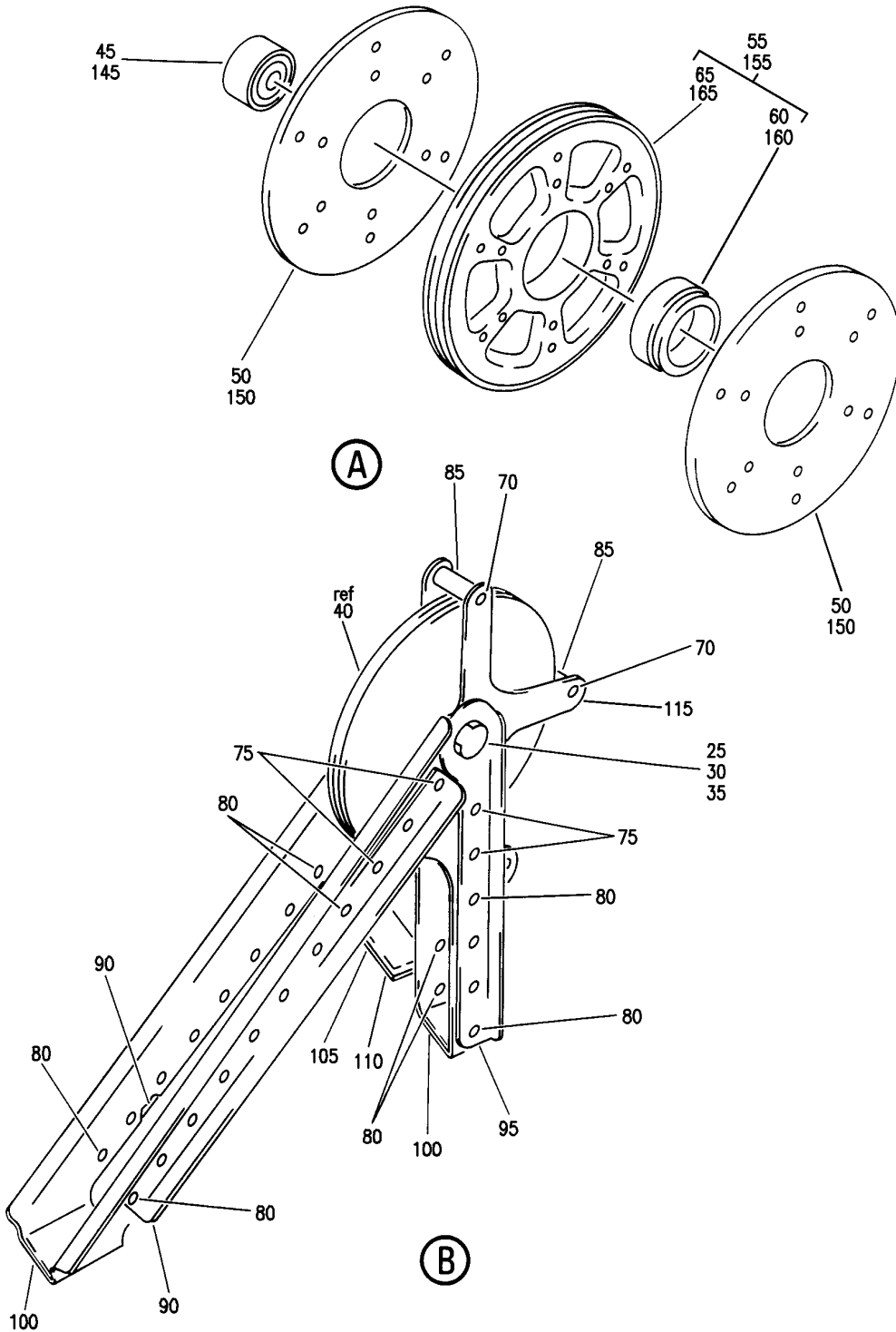
**27-51-56-02**

BRI  
MAY 28/07

27-51-56-02  
PAGE 0



**BOEING**  
757  
**PARTS CATALOG (MAINTENANCE)**



Y 27515602 SHT 2 REV 236

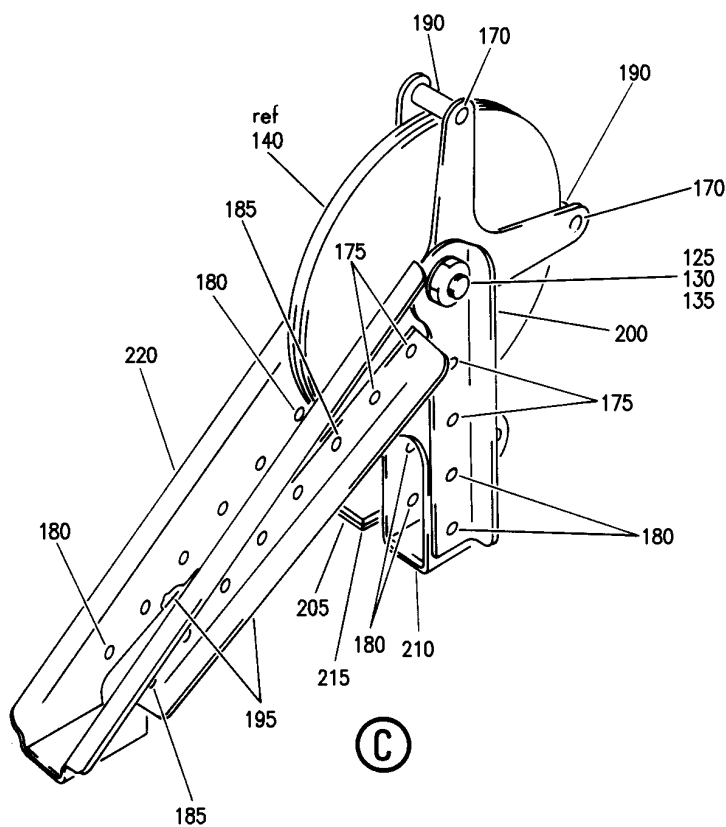
BRACKET INSTL-STA 1056 WING FLAP CABLES PULLEY  
FIGURE 2 (SHEET 2)

**27-51-56-02**

BRI  
MAY 28/07

27-51-56-02  
PAGE 0A

**BOEING**  
757  
PARTS CATALOG (MAINTENANCE)



Y 27515602 SHT 3 REV 236

BRACKET INSTL-STA 1056 WING FLAP CABLES PULLEY  
FIGURE 2 (SHEET 3)

**27-51-56-02**

BRI  
MAY 28/07

27-51-56-02  
PAGE 0B



757

PARTS CATALOG (MAINTENANCE)

FIG ITEM	PART NUMBER	1 2 3 4 5 6 7	NOMENCLATURE	EFFECT FROM TO	UNITS PER ASSY
2			BRACKET INSTL-STA 1056 WING FLAP CABLES PULLEY	002004 006999	
- 1	251N6026-6		BRACKET INSTL-WING FLAP CABLES PULLEY POSITION DATA: STA 1056 FOR NHA SEE: 27-51-25-03 27-50-00-01	002004 006102 107999	RF
- 1	MODREF8194		BRACKET INSTL-WING FLAP CABLES PULLEY MODULE NUMBER: 251N6026-6 REV A POSITION DATA: STA 1056	103106	1
5	HL1012AZ6-3		.BOLT SUPPLIER CODE: V97928 SPECIFICATION NUMBER: BACB30NX6K3 OPTIONAL PART: HL12VAZ6-3 V73197 HL12VAZ6-3 V92215 HL12VAZ6-3 V97928 L802-6K3 V06725 HL12VAZ6-3 V56878 HL1012AZ6-3 VOPTK6 HL1012AZ6-3 V06725 HL1012AZ6-3 V06950 HL1012AZ6-3 V17446 HL1012AZ6-3 V56878 HL1012AZ6-3 V60516 HL1012AZ6-3 V73197	002004 006999	6

MISSING ITEM NUMBERS NOT APPLICABLE

- ITEM NOT ILLUSTRATED

BRI

27-51-56-02

27-51-56  
FIG. 02  
PAGE 1  
JAN 20/09



757

PARTS CATALOG (MAINTENANCE)

FIG ITEM	PART NUMBER	1 2 3 4 5 6 7	NOMENCLATURE	EFFECT FROM TO	UNITS PER ASSY
2 10	HL1012AZ6-4	.BOLT	SUPPLIER CODE: V97928 SPECIFICATION NUMBER: BACB30NX6K4 OPTIONAL PART: HL12VAZ6-4 V73197 HL12VAZ6-4 V92215 HL12VAZ6-4 V97928 L802-6K4 V06725 HL12VAZ6-4 V56878 HL1012AZ6-4 VOPTK6 HL1012AZ6-4 V06725 HL1012AZ6-4 V06950 HL1012AZ6-4 V17446 HL1012AZ6-4 V56878 HL1012AZ6-4 V60516 HL1012AZ6-4 V73197	002004 006999	2
15	HL1187-6	.COLLAR	SUPPLIER CODE: V5M902 SPECIFICATION NUMBER: BACC30X6 OPTIONAL PART: HL87-6 V92215 HL87-6 V73197 HL1187-6 V56878 HL1187-6 V92215 HL87-6 V56878 HL1187-6 V73197	002004 006999	8

MISSING ITEM NUMBERS NOT APPLICABLE

- ITEM NOT ILLUSTRATED

BRI

27-51-56-02

BOEING PROPRIETARY - Copyright © - Unpublished Work - See title page for details.

27-51-56  
FIG. 02  
PAGE 2  
SEP 20/08



**757  
PARTS CATALOG (MAINTENANCE)**

FIG ITEM	PART NUMBER	1 2 3 4 5 6 7	NOMENCLATURE	EFFECT FROM TO	UNITS PER ASSY
2	20	251N6221-1	.BRACKET ASSY	002004 006999	1
	25	BACB30NF4-15	..BOLT	002004 006999	1
	30	AN960PD416L	..WASHER	002004 006999	1
	35	BRH10A4	..NUT	002004 006999	1
			SUPPLIER CODE: V52828 SPECIFICATION NUMBER: BACN10JC4 OPTIONAL PART: T6S428J V11815 96-048 V80539 VN303A048 V92215 RMLH9075-4W V72962 NS202101-048 V80539 H10-4BAC V15653		
40	65B80977-1	..PULLEY ASSY-4 IN. DIA 3/32 IN. CABLE FOR SPARES PROCURE: BACP30M4	002004 006999	1	

MISSING ITEM NUMBERS NOT APPLICABLE

— ITEM NOT ILLUSTRATED

BRI

# 27-51-56-02

BOEING PROPRIETARY - Copyright © - Unpublished Work - See title page for details.

27-51-56  
FIG. 02  
PAGE 3  
SEP 20/08



757

PARTS CATALOG (MAINTENANCE)

FIG ITEM	PART NUMBER	1 2 3 4 5 6 7	NOMENCLATURE	EFFECT FROM TO	UNITS PER ASSY
2					
45	JMKP4P25LY196	...	BEARING SUPPLIER CODE: V40920 SPECIFICATION NUMBER: BACB10AN4 OPTIONAL PART: MKP4FS428 V21335 MKP4G20 V38443 LLMKP4 V38443 MKP4 V38443 MKP4-2TS V43991 MKP4E6531 V21335 MKP4TT V43991 MKP4SD610 V83086	002004 006999	1
50	69B81979-1	...	SHIELD	002004 006999	2
55	65B80978-1	...	SHEAVE ASSY	002004 006999	1
60	69B81362-2	....	INSERT	002004 006999	1
65	65B80978-2	....	SHEAVE	002004 006999	1
70	BACR15BB4AD	..	RIVET- SIZE DETERMINED ON INSTL.	002004 006999	2
75	BACR15BA5D	..	RIVET- SIZE DETERMINED ON INSTL.	002004 006999	10
80	BACR15FT5D	..	RIVET- SIZE DETERMINED ON INSTL.	002004 006999	22
85	NAS42DD4-46	..	SPACER	002004 006999	2
90	251N6221-4	..	ANGLE	002004 006999	2
95	251N6221-5	..	ANGLE	002004 006999	1
100	50-3361-8555	..	FILLER-RADIUS	002004 006999	1
105	50-3361-8560	..	FILLER-RADIUS	002004 006999	1
110	251N6221-3	..	BRACKET	002004 006999	1

MISSING ITEM NUMBERS NOT APPLICABLE

- ITEM NOT ILLUSTRATED

27-51-56-02

27-51-56  
FIG. 02  
PAGE 4  
SEP 20/08

BRI

BOEING PROPRIETARY - Copyright © - Unpublished Work - See title page for details.



**757  
PARTS CATALOG (MAINTENANCE)**

FIG ITEM	PART NUMBER	1 2 3 4 5 6 7	NOMENCLATURE	EFFECT FROM TO	UNITS PER ASSY
2					
115	251N6221-2	..	BRACKET	002004 006999	1
120	251N6222-1	.	BRACKET ASSY	002004 006999	1
125	BACB30NF4-13	..	BOLT	002004 006999	1
130	AN960PD416L	..	WASHER	002004 006999	1
135	BRH10A4	..	NUT	002004 006999	1
			SUPPLIER CODE: V52828		
			SPECIFICATION NUMBER: BACN10JC4		
			OPTIONAL PART: T6S428J		
			V11815		
			96-048		
			V80539		
			VN303A048		
			V92215		
			RMLH9075-4W		
			V72962		
			NS202101-048		
			V80539		
			H10-4BAC		
			V15653		
140	65B80977-1	..	PULLEY ASSY-4 IN. DIA 3/32 IN. CABLE	002004 006999	1
			FOR SPARES PROCURE: BACP30M4		

MISSING ITEM NUMBERS NOT APPLICABLE

— ITEM NOT ILLUSTRATED

BRI

# 27-51-56-02

BOEING PROPRIETARY - Copyright © - Unpublished Work - See title page for details.

27-51-56  
FIG. 02  
PAGE 5  
SEP 20/08



757

PARTS CATALOG (MAINTENANCE)

FIG ITEM	PART NUMBER	1 2 3 4 5 6 7	NOMENCLATURE	EFFECT FROM TO	UNITS PER ASSY
2 145	JMKP4P25LY196	...	BEARING SUPPLIER CODE: V40920 SPECIFICATION NUMBER: BACB10AN4 OPTIONAL PART: MKP4FS428 V21335 MKP4G20 V38443 LLMKP4 V38443 MKP4 V38443 MKP4-2TS V43991 MKP4E6531 V21335 MKP4TT V43991 MKP4SD610 V83086	002004 006999	1
150	69B81979-1	...	SHIELD	002004 006999	2
155	65B80978-1	...	SHEAVE ASSY	002004 006999	1
160	69B81362-2	....	INSERT	002004 006999	1
165	65B80978-2	....	SHEAVE	002004 006999	1
170	BACR15BB4AD	..	RIVET- SIZE DETERMINED ON INSTL.	002004 006999	2
175	BACR15BA5D	..	RIVET- SIZE DETERMINED ON INSTL.	002004 006999	8
180	BACR15FT5D	..	RIVET- SIZE DETERMINED ON INSTL.	002004 006999	10
185	BACR15BB5AD	..	RIVET- SIZE DETERMINED ON INSTL.	002004 006999	6
190	NAS42DD4-39	..	SPACER	002004 006999	2
195	251N6222-5	..	ANGLE	002004 006999	2
200	251N6222-4	..	BRACKET	002004 006999	1
205	251N6222-3	..	BRACKET	002004 006999	1
210	50-3361-8565	..	FILLER-RADIUS	002004 006999	1

MISSING ITEM NUMBERS NOT APPLICABLE

- ITEM NOT ILLUSTRATED

27-51-56-02

27-51-56  
FIG. 02  
PAGE 6  
SEP 20/08

BRI

BOEING PROPRIETARY - Copyright © - Unpublished Work - See title page for details.





757

PARTS CATALOG (MAINTENANCE)

FIG ITEM	PART NUMBER	1 2 3 4 5 6 7	NOMENCLATURE	EFFECT FROM TO	UNITS PER ASSY
2					
215	50-3361-8574		.. FILLER-RADIUS	002004 006999	1
220	251N6222-2		.. BRACKET	002004 006999	1

MISSING ITEM NUMBERS NOT APPLICABLE

- ITEM NOT ILLUSTRATED

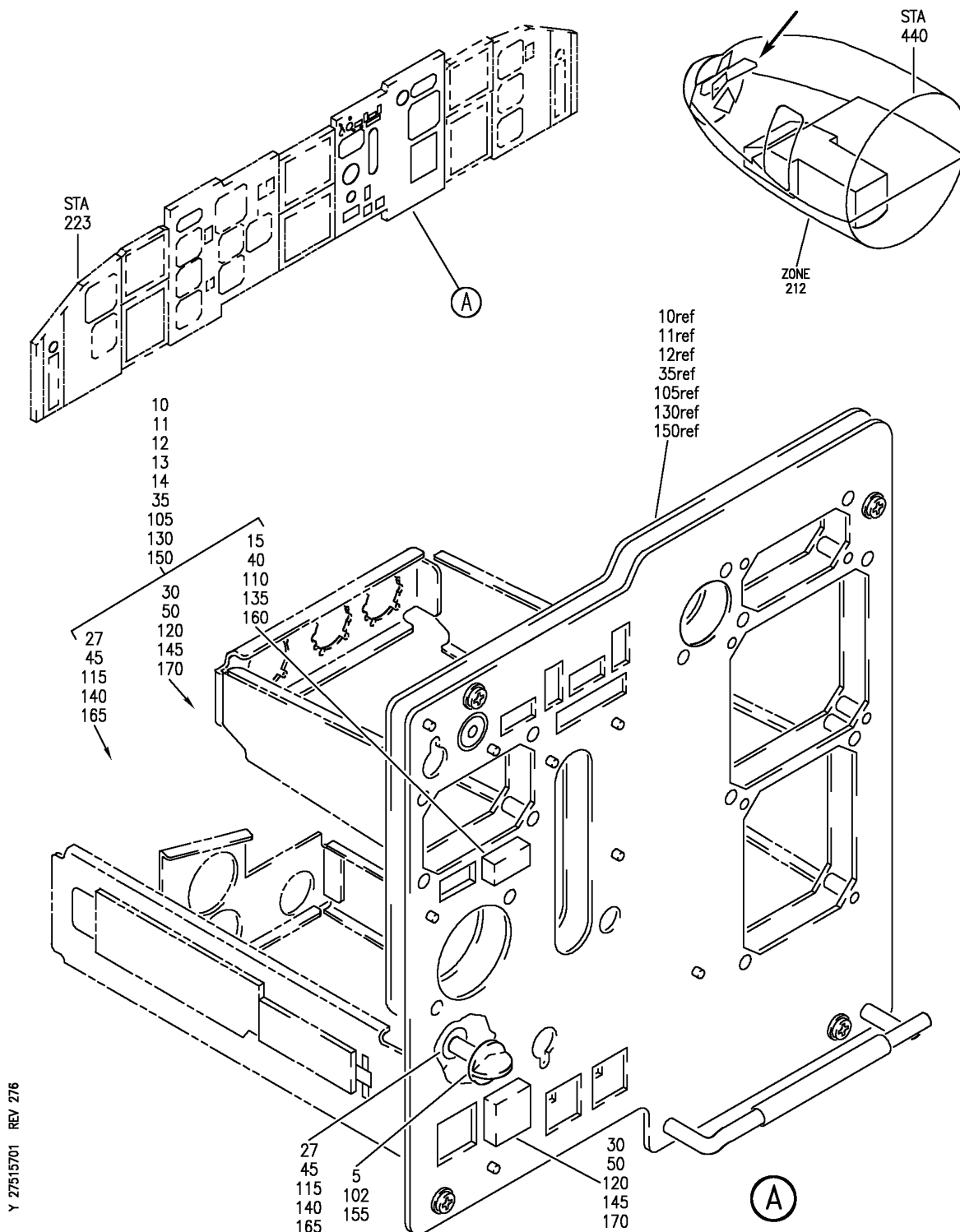
BRI

27-51-56-02

BOEING PROPRIETARY - Copyright © - Unpublished Work - See title page for details.

27-51-56  
FIG. 02  
PAGE 7  
SEP 20/08

**BOEING**  
757  
PARTS CATALOG (MAINTENANCE)



Y 27515701 REV 276

PANEL INSTL-CAPT AND FIRST OFFICER FWD (TE FLAP SYSTEM ONLY)  
FIGURE 1

**27-51-57-01**

BRI  
MAY 28/07

27-51-57-01  
PAGE 0



757

PARTS CATALOG (MAINTENANCE)

FIG ITEM	PART NUMBER	1 2 3 4 5 6 7	NOMENCLATURE	EFFECT FROM TO	UNITS PER ASSY
1			PANEL INSTL-CAPT AND FIRST OFFICER FWD (TE FLAP SYSTEM ONLY)	002010 107107 121503 904999	
- 1	233N2101-1		PANEL INSTL-CAPT AND FIRST OFFICER FWD (TE FLAP SYSTEM ONLY) VARIABLE DRAWING REF: 233N2101-5003 233N2101-5004 233N2101-5037 233N2101-5039 233N2101-5041 FOR NHA/OTHER SYS DET SEE: 25-10-00-05A	002004 006010 107107 121503 904999	RF
5	BP248-110		.KN0B- SUPPLIER CODE: V81590 SPECIFICATION NUMBER: 452-016-9001	002004 006010 107107 121503 904999	1
5	BP248-127		.KN0B- SUPPLIER CODE: V81590 PRE SERVICE BULLETIN: 34-0200	002004 006010 107107 121503 904999	1
10	233N2222-53		.MODULE ASSY-P3-1 PRE ALERT SB: 33A0044	107107	RF
11	233N2222-1077		.MODULE ASSY-P3-1 POST ALERT SB: 33A0044	002010 950951 953999	RF
12	233N2222-77		.MODULE ASSY-P3-1 PRE SERVICE BULLETIN: 34-0200 PRE ALERT SB: 33A0044	002004 006010 950999	RF
12	233N2222-85		.MODULE ASSY-P3-1 PRE ALERT SB: 33A0044R1	121503 904949	RF
13	233N2222-1053		.MODULE ASSY-P3-1 POST ALERT SB: 33A0044	107107	RF
14	233N2222-1085		.MODULE ASSY-P3-1 POST ALERT SB: 33A0044R1	121503 904949	RF

MISSING ITEM NUMBERS NOT APPLICABLE

- ITEM NOT ILLUSTRATED

27-51-57-01

27-51-57  
FIG. 01  
PAGE 1  
JAN 20/09

BRI



757

PARTS CATALOG (MAINTENANCE)

FIG ITEM	PART NUMBER	1 2 3 4 5 6 7	NOMENCLATURE	EFFECT FROM TO	UNITS PER ASSY
1 15	BCREF8570		..LIGHT ASSY-TRAILING EDGE IND SUPPLIER CODE: V81590 OVERLENGTH PART NUMBER: 434-674-1031-2237 SPECIFICATION NUMBER: S231T300-2237 ELECTRICAL EQUIP NUMBER: L00434 OPTIONAL PART: BCREF6256 V81590 PRE SERVICE BULLETIN: 34-0200 FOR DETAILS SEE: 33-14-70-03	002010 107107 121503 904999	1
15	BCREF6256		..LIGHT ASSY-TRAILING EDGE IND SUPPLIER CODE: V81590 OVERLENGTH PART NUMBER: 434-674-1005-1237 SPECIFICATION NUMBER: S231T300-1237 ELECTRICAL EQUIP NUMBER: L00434 OPTIONAL PART: BCREF8570 V81590 PRE SERVICE BULLETIN: 34-0200 FOR DETAILS SEE: 33-14-70-03	002010 107107 121503 904999	1
27	AC45-0035		..SWITCH-ROTARY SUPPLIER CODE: V91812 ELECTRICAL EQUIP NUMBER: S10256 OPTIONAL PART: AC45-0035-1 V91812 PRE SERVICE BULLETIN: 34-0200	002010 107107 121503 904999	1

MISSING ITEM NUMBERS NOT APPLICABLE

- ITEM NOT ILLUSTRATED

BRI

27-51-57-01

BOEING PROPRIETARY - Copyright © - Unpublished Work - See title page for details.

27-51-57  
FIG. 01  
PAGE 2  
JAN 20/09



757

PARTS CATALOG (MAINTENANCE)

FIG ITEM	PART NUMBER	1 2 3 4 5 6 7	NOMENCLATURE	EFFECT FROM TO	UNITS PER ASSY
1 27	AC45-0035-1		.. SWITCH-ROTARY SUPPLIER CODE: V91812 ELECTRICAL EQUIP NUMBER: S10256 OPTIONAL PART: AC45-0035 V91812 PRE SERVICE BULLETIN: 34-0200	002010 107107 121503 904999	1
30	BCREF7679		.. SWITCH ASSY-LIGHTED PUSH BUTTON IND ALTN SUPPLIER CODE: V81590 OVERLENGTH PART NUMBER: 433-673-1001-1001 SPECIFICATION NUMBER: S231T290-1001 MISCELLANEOUS DATA: WHEN REPLACING THE PUSHBUTTON SWITCH ASSY OR THE MASTER MODULE WITHIN, VERIFY THAT A CONFIG D MASTER MODULE P/N 13206-001 IS INSTALLED IN LIEU OF ANY EARLIER CONFIGURATION MASTER MODULES. ELECTRICAL EQUIP NUMBER: S10254 REFERENCE SERVICE BULLETIN: 33A0044 REWORKED BY SB: 433-33-05 V81590 FOR DETAILS SEE: 33-13-00-13	107107	1
30	4336731004-4201		.. SWITCH ASSY-LIGHTED PUSHBUTTON IND SUPPLIER CODE: V81590 SPECIFICATION NUMBER: S231T290-4201 ELECTRICAL EQUIP NUMBER: S10254 POST SERVICE LETTER: 33-027	002010 107107 121503 904999	1

MISSING ITEM NUMBERS NOT APPLICABLE

- ITEM NOT ILLUSTRATED

BRI

27-51-57-01

27-51-57  
FIG. 01  
PAGE 3  
JAN 20/09



757

PARTS CATALOG (MAINTENANCE)

FIG ITEM	PART NUMBER	1 2 3 4 5 6 7	NOMENCLATURE	EFFECT FROM TO	UNITS PER ASSY
1 30	BCREFA0501		.. SWITCH ASSY-LIGHTED PUSH BUTTON IND ALTN SUPPLIER CODE: V81590 OVERLENGTH PART NUMBER: 433-673-1004-4001 SPECIFICATION NUMBER: S231T290-4001 MISCELLANEOUS DATA: WHEN REPLACING THE PUSHBUTTON SWITCH ASSY OR THE MASTER MODULE WITHIN, VERIFY THAT A CONFIG D MASTER MODULE P/N 13206-001 IS INSTALLED IN LIEU OF ANY EARLIER CONFIGURATION MASTER MODULES. ELECTRICAL EQUIP NUMBER: S10254 OPTIONAL PART: S231T290-5001 REFERENCE SERVICE BULLETIN: 33A0044 REWORKED BY SB: 433-33-05 V81590 PRE SERVICE LETTER: 33-027 FOR DETAILS SEE: 33-13-00-43	002010 107107 121503 904999	1
30	851-30768-2001		.. SWITCH ASSY-LIGHTED PUSH BUTTON IND ALTN SUPPLIER CODE: V96182 SPECIFICATION NUMBER: S231T290-2001 ELECTRICAL EQUIP NUMBER: S10254 FOR DETAILS SEE: 33-13-00-23	002010 107107 121503 904999	1

MISSING ITEM NUMBERS NOT APPLICABLE

- ITEM NOT ILLUSTRATED

BRI

27-51-57-01

BOEING PROPRIETARY - Copyright © - Unpublished Work - See title page for details.

27-51-57  
FIG. 01  
PAGE 4  
JAN 20/09



757

PARTS CATALOG (MAINTENANCE)

FIG ITEM	PART NUMBER	1 2 3 4 5 6 7	NOMENCLATURE	EFFECT FROM TO	UNITS PER ASSY
1					
30	851-30768-3001		..SWITCH ASSY-LIGHTED PUSH BUTTON IND ALTN SUPPLIER CODE: V96182 SPECIFICATION NUMBER: S231T290-3001 OPTIONAL PART: S231T290-5001 FOR DETAILS SEE: 33-13-00-33	002010 107107 121503 904999	1
30	S231T290-5001		..SWITCH ASSY-LIGHTED PUSH BUTTON IND ELECTRICAL EQUIP NUMBER: S10254 OPTIONAL PART: BCREFA0501 V81590 851-30768-3001 V96182 PRE SERVICE BULLETIN: 34-0200	002010 107107 121503 904999	1
- 100	233N2222-329		.MODULE ASSY- COMPONENT MAINT MANUAL REF: 31-11-49 POST SERVICE BULLETIN: 34-0200 PRE ALERT SB: 33A0044	952952	RF
- 100	233N2222-1329		.MODULE ASSY- COMPONENT MAINT MANUAL REF: 31-11-49 POST ALERT SB: 33A0044	952952	RF
102	BP248-127		..KNOB- SUPPLIER CODE: V81590 PRE SERVICE BULLETIN: 34-0200	952952	1
105	233N2222-111		..MODULE ASSY- PRE ALERT SB: 33A0044	952952	RF
105	233N2222-1111		..MODULE ASSY- POST ALERT SB: 33A0044	952952	RF

MISSING ITEM NUMBERS NOT APPLICABLE

- ITEM NOT ILLUSTRATED

27-51-57-01

27-51-57  
FIG. 01  
PAGE 5  
JAN 20/09

BRI

BOEING PROPRIETARY - Copyright © - Unpublished Work - See title page for details.



757

PARTS CATALOG (MAINTENANCE)

FIG ITEM	PART NUMBER	1 2 3 4 5 6 7	NOMENCLATURE	EFFECT FROM TO	UNITS PER ASSY
1 110	BCREF8570		...LIGHT ASSY-TRAILING EDGE IND SUPPLIER CODE: V81590 OVERLENGTH PART NUMBER: 434-674-1031-2237 SPECIFICATION NUMBER: S231T300-2237 ELECTRICAL EQUIP NUMBER: L00434 POST SERVICE BULLETIN: 34-0200 FOR DETAILS SEE: 33-14-70-03	952952	1
110	BCREF6256		...LIGHT ASSY-TRAILING EDGE IND SUPPLIER CODE: V81590 OVERLENGTH PART NUMBER: 434-674-1005-1237 SPECIFICATION NUMBER: S231T300-1237 ELECTRICAL EQUIP NUMBER: L00434 FOR DETAILS SEE: 33-14-70-03	952952	1
115	AC45-0035-1		...SWITCH-ROTARY SUPPLIER CODE: V91812 ELECTRICAL EQUIP NUMBER: S10256	952952	1

MISSING ITEM NUMBERS NOT APPLICABLE

- ITEM NOT ILLUSTRATED

BRI

27-51-57-01

BOEING PROPRIETARY - Copyright © - Unpublished Work - See title page for details.

27-51-57  
FIG. 01  
PAGE 6  
JAN 20/09





757

PARTS CATALOG (MAINTENANCE)

FIG ITEM	PART NUMBER	1 2 3 4 5 6 7	NOMENCLATURE	EFFECT FROM TO	UNITS PER ASSY
1 120	BCREFA0501		...SWITCH ASSY-LIGHTED PUSH BUTTON IND ALTN SUPPLIER CODE: V81590 OVERLENGTH PART NUMBER: 433-673-1004-4001 SPECIFICATION NUMBER: S231T290-4001 MISCELLANEOUS DATA: WHEN REPLACING THE PUSHBUTTON SWITCH ASSY OR THE MASTER MODULE WITHIN, VERIFY THAT A CONFIG D MASTER MODULE P/N 13206-001 IS INSTALLED IN LIEU OF ANY EARLIER CONFIGURATION MASTER MODULES. ELECTRICAL EQUIP NUMBER: S10254 POST SERVICE BULLETIN: 34-0200 REFERENCE SERVICE BULLETIN: 33A0044 REWORKED BY SB: 433-33-05 V81590 FOR DETAILS SEE: 33-13-00-43	952952	1
120	4336731004-4201		...SWITCH ASSY-LIGHTED PUSHBUTTON IND SUPPLIER CODE: V81590 SPECIFICATION NUMBER: S231T290-4201 ELECTRICAL EQUIP NUMBER: S10567	952952	1

MISSING ITEM NUMBERS NOT APPLICABLE

- ITEM NOT ILLUSTRATED

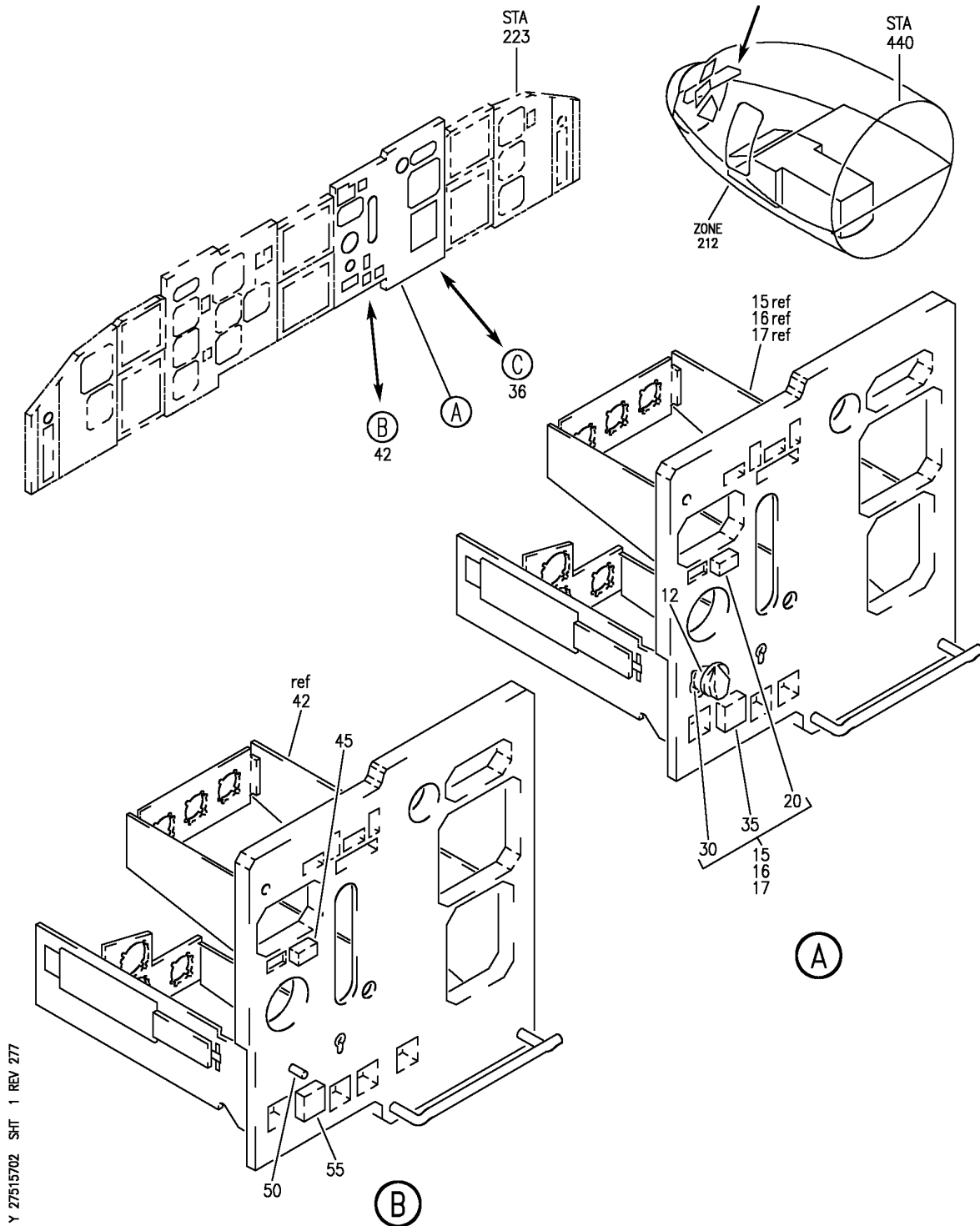
BRI

27-51-57-01

BOEING PROPRIETARY - Copyright © - Unpublished Work - See title page for details.

27-51-57  
FIG. 01  
PAGE 7  
JAN 20/09

**BOEING**  
757  
PARTS CATALOG (MAINTENANCE)



Y 27515702 SH1 1 REV 277

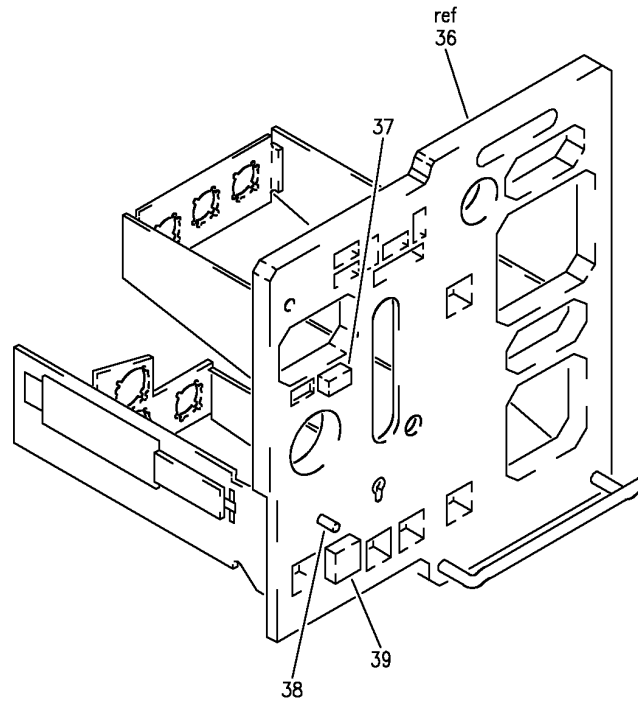
PANEL INSTL-CAPT AND FIRST OFFICER FWD (TRAILING EDGE FLAP SYSTEM ONLY)  
FIGURE 2 (SHEET 1)

**27-51-57-02**

BRI  
MAY 28/07

27-51-57-02  
PAGE 0

**BOEING**  
757  
PARTS CATALOG (MAINTENANCE)



©

Y 27515702 SH1 2 REV 268

PANEL INSTL-CAPT AND FIRST OFFICER FWD (TRAILING EDGE FLAP SYSTEM ONLY)  
FIGURE 2 (SHEET 2)

BRI  
MAY 28/07

**27-51-57-02**

27-51-57-02  
PAGE 0A



757

PARTS CATALOG (MAINTENANCE)

FIG ITEM	PART NUMBER	1 2 3 4 5 6 7	NOMENCLATURE	EFFECT FROM TO	UNITS PER ASSY
2			PANEL INSTL-CAPT AND FIRST OFFICER FWD (TRAILING EDGE FLAP SYSTEM ONLY)	011100	
- 1	233N2101-1		PANEL INSTL-CAPT AND FIRST OFFICER (TRAILING EDGE FLAP SYSTEM ONLY) POSITION DATA: FWD VARIABLE DRAWING REF: 233N2101-5039 FOR NHA/OTHER SYS DET SEE: 25-10-00-05A	011100	RF
- 10	233N2222-301		.MODULE ASSY-P3-1 COMPONENT MAINT MANUAL REF: 31-11-49 PRE ALERT SB: 33A0044	011100	RF
- 10	233N2222-1301		.MODULE ASSY-P3-1 COMPONENT MAINT MANUAL REF: 31-11-49 POST ALERT SB: 33A0044	011100	RF
12	BP248-127		..KNOB- SUPPLIER CODE: V81590	011100	1
12	BP248-110		..KNOB- SUPPLIER CODE: V81590 SPECIFICATION NUMBER: 452-016-9001	011100	1
15	233N2222-77		..MODULE ASSY- PRE ALERT SB: 33A0044	011100	RF
15	233N2222-1077		..MODULE ASSY- POST ALERT SB: 33A0044	011100	RF

MISSING ITEM NUMBERS NOT APPLICABLE

- ITEM NOT ILLUSTRATED

27-51-57-02

27-51-57  
FIG. 02  
PAGE 1  
JAN 20/09

BRI



757

PARTS CATALOG (MAINTENANCE)

FIG ITEM	PART NUMBER	1 2 3 4 5 6 7	NOMENCLATURE	EFFECT FROM TO	UNITS PER ASSY
2 20	BCREF8570		...LIGHT ASSY-TRAILING EDGE IND SUPPLIER CODE: V81590 OVERLENGTH PART NUMBER: 434-674-1031-2237 SPECIFICATION NUMBER: S231T300-2237 ELECTRICAL EQUIP NUMBER: L00434 OPTIONAL PART: BCREF6256 V81590 USED ON: 233N2222-77 233N2222-78 233N2222-80 233N2222-82 233N2222-87 233N2222-89 233N2222-90 233N2222-91 233N2222-93 233N2222-94 233N2222-114 233N2222-1077 233N2222-1078 233N2222-1080 233N2222-1082 233N2222-1089 233N2222-1090 233N2222-1091 233N2222-1093 233N2222-1094 233N2222-1103 FOR DETAILS SEE: 33-14-70-03	011100	1

MISSING ITEM NUMBERS NOT APPLICABLE

- ITEM NOT ILLUSTRATED

BRI

27-51-57-02

BOEING PROPRIETARY - Copyright © - Unpublished Work - See title page for details.

27-51-57  
FIG. 02  
PAGE 2  
JAN 20/09



757

PARTS CATALOG (MAINTENANCE)

FIG ITEM	PART NUMBER	1 2 3 4 5 6 7	NOMENCLATURE	EFFECT FROM TO	UNITS PER ASSY
2 20	BCREF6256		...LIGHT ASSY-TRAILING EDGE IND SUPPLIER CODE: V81590 OVERLENGTH PART NUMBER: 434-674-1005-1237 SPECIFICATION NUMBER: S231T300-1237 ELECTRICAL EQUIP NUMBER: L00434 OPTIONAL PART: BCREP8570 V81590 USED ON: 233N2222-77 233N2222-78 233N2222-80 233N2222-82 233N2222-87 233N2222-89 233N2222-90 233N2222-91 233N2222-93 233N2222-94 233N2222-114 233N2222-1077 233N2222-1078 233N2222-1080 233N2222-1082 233N2222-1089 233N2222-1090 233N2222-1091 233N2222-1093 233N2222-1094 233N2222-1103 FOR DETAILS SEE: 33-14-70-03	011100	1
30	AC45-0035		...SWITCH-ROTARY SUPPLIER CODE: V91812 ELECTRICAL EQUIP NUMBER: S10256 OPTIONAL PART: AC45-0035-1 V91812	011100	1

MISSING ITEM NUMBERS NOT APPLICABLE

- ITEM NOT ILLUSTRATED

BRI

27-51-57-02

BOEING PROPRIETARY - Copyright © - Unpublished Work - See title page for details.

27-51-57  
FIG. 02  
PAGE 3  
JAN 20/09



757

PARTS CATALOG (MAINTENANCE)

FIG ITEM	PART NUMBER	1 2 3 4 5 6 7	NOMENCLATURE	EFFECT FROM TO	UNITS PER ASSY
2	30 AC45-0035-1	...	SWITCH-ROTARY SUPPLIER CODE: V91812 ELECTRICAL EQUIP NUMBER: S10256 OPTIONAL PART: AC45-0035 V91812	011100	1
	35 BCREFA0501	...	SWITCH ASSY-LIGHTED PUSH BUTTON IND ALTN SUPPLIER CODE: V81590 OVERLENGTH PART NUMBER: 433-673-1004-4001 SPECIFICATION NUMBER: S231T290-4001 MISCELLANEOUS DATA: WHEN REPLACING THE PUSHBUTTON SWITCH ASSY OR THE MASTER MODULE WITHIN, VERIFY THAT A CONFIG D MASTER MODULE P/N 13206-001 IS INSTALLED IN LIEU OF ANY EARLIER CONFIGURATION MASTER MODULES. ELECTRICAL EQUIP NUMBER: S10254 OPTIONAL PART: S231T290-5001 REFERENCE SERVICE BULLETIN: 33A0044 REWORKED BY SB: 433-33-05 V81590 FOR DETAILS SEE: 33-13-00-43	011100	1
	35 851-30768-2001	...	SWITCH ASSY-LIGHTED PUSH BUTTON IND ALTN SUPPLIER CODE: V96182 SPECIFICATION NUMBER: S231T290-2001 ELECTRICAL EQUIP NUMBER: S10254 FOR DETAILS SEE: 33-13-00-23	011100	1

MISSING ITEM NUMBERS NOT APPLICABLE

- ITEM NOT ILLUSTRATED

**27-51-57-02**

27-51-57  
FIG. 02  
PAGE 4  
JAN 20/09

BRI



757

PARTS CATALOG (MAINTENANCE)

FIG ITEM	PART NUMBER	1 2 3 4 5 6 7	NOMENCLATURE	EFFECT FROM TO	UNITS PER ASSY
2					
35	851-30768-3001		...SWITCH ASSY-LIGHTED PUSH BUTTON IND ALTN SUPPLIER CODE: V96182 SPECIFICATION NUMBER: S231T290-3001 FOR DETAILS SEE: 33-13-00-33	011100	1
35	S231T290-5001		...SWITCH ASSY-LIGHTED PUSH BUTTON IND ELECTRICAL EQUIP NUMBER: S10254 OPTIONAL PART: BCREFA0501 V81590	011100	1
35	4336731004-4201		...SWITCH ASSY-LIGHTED PUSHBUTTON IND SUPPLIER CODE: V81590 SPECIFICATION NUMBER: S231T290-4201	011100	1

MISSING ITEM NUMBERS NOT APPLICABLE

- ITEM NOT ILLUSTRATED

BRI

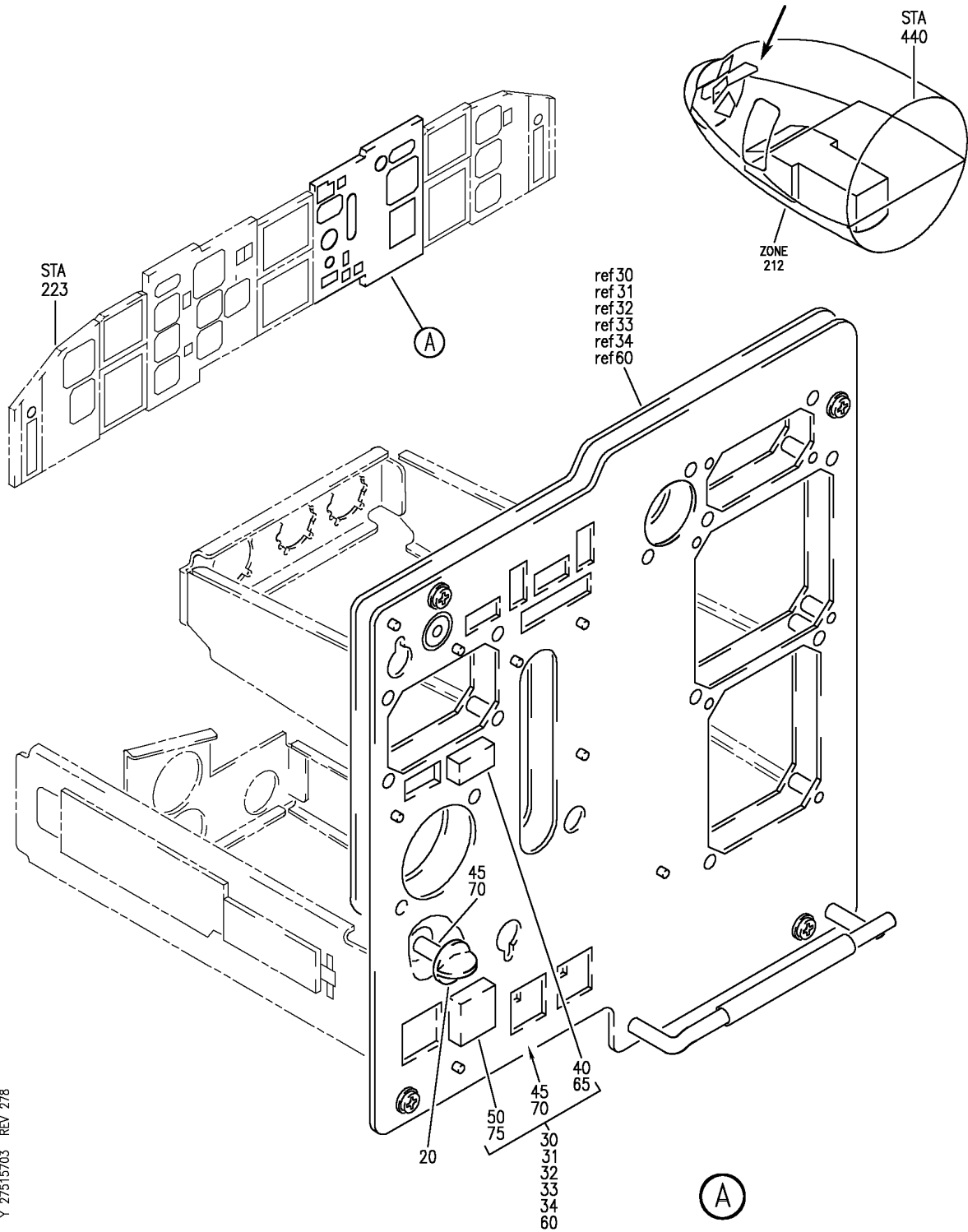
27-51-57-02

BOEING PROPRIETARY - Copyright © - Unpublished Work - See title page for details.

27-51-57  
FIG. 02  
PAGE 5  
JAN 20/09



**BOEING**  
757  
PARTS CATALOG (MAINTENANCE)



Y 27515703 REV 278

PANEL INSTL-P3-1 (TRAILING EDGE (TE) FLAP SYSTEM ONLY)  
FIGURE 3

**27-51-57-03**

BRI  
MAY 28/07

27-51-57-03  
PAGE 0



757

PARTS CATALOG (MAINTENANCE)

FIG ITEM	PART NUMBER	1 2 3 4 5 6 7	NOMENCLATURE	EFFECT FROM TO	UNITS PER ASSY
3			PANEL INSTL-P3-1 (TRAILING EDGE (TE) FLAP SYSTEM ONLY)	101106 108120 504903	
- 1	233N2103-17		PANEL INSTL-P3-1 (TRAILING EDGE (TE) FLAP SYSTEM ONLY) FOR NHA/OTHER SYS DET SEE: 25-10-00-15B	101101	RF
- 1	233N2103-217		PANEL INSTL-P3-1 (TRAILING EDGE (TE) FLAP SYSTEM ONLY) FOR NHA/OTHER SYS DET SEE: 25-10-00-15B	102102	RF
- 2	233N2103-254		PANEL INSTL-P3-1 (TRAILING EDGE (TE) FLAP SYSTEM ONLY) FOR NHA/OTHER SYS DET SEE: 25-10-00-15B	504903	RF
- 3	233N2103-371		PANEL INSTL-P3-1 (TRAILING EDGE (TE) FLAP SYSTEM ONLY) FOR NHA/OTHER SYS DET SEE: 25-10-00-15B	108120	RF

MISSING ITEM NUMBERS NOT APPLICABLE

- ITEM NOT ILLUSTRATED

BRI

27-51-57-03

BOEING PROPRIETARY - Copyright © - Unpublished Work - See title page for details.

27-51-57  
FIG. 03  
PAGE 1  
JAN 20/09



757

PARTS CATALOG (MAINTENANCE)

FIG ITEM	PART NUMBER	1 2 3 4 5 6 7	NOMENCLATURE	EFFECT FROM TO	UNITS PER ASSY
3 - 5	MODREF31741		PANEL INSTL-P3-1 (TRAILING EDGE (TE) FLAP SYSTEM ONLY) MODULE NUMBER: 233N2103-425 REV A FOR OTHER SYS DETAILS SEE: 11-31-01-38 22-11-02-03 22-14-01-03 22-31-02-01 22-34-51-02 26-17-51-05 27-58-00-02 27-81-00-01 29-21-55-02 31-11-11-19 31-11-16-01 31-11-26-38 31-25-01-03 31-41-52-02 31-51-52-02 32-35-52-03 32-41-52-02 32-42-55-03 32-46-00-01 32-61-51-03 33-13-57-01A 33-16-52-03 34-12-01-03 34-13-01-03 34-13-02-01 34-13-05-01 34-13-06-01 34-16-51-03 34-21-02-02 34-22-02-02 34-22-05-01A 34-22-06-01 34-24-01-03 34-32-00-02 34-46-51-02 34-51-02-02 34-57-00-01 34-61-01-07 34-61-02-02 77-41-01-01 79-33-51-05	103105	1

MISSING ITEM NUMBERS NOT APPLICABLE

- ITEM NOT ILLUSTRATED

BRI

**27-51-57-03**

27-51-57  
 FIG. 03  
 PAGE 2  
 JAN 20/09



757

PARTS CATALOG (MAINTENANCE)

FIG ITEM	PART NUMBER	1 2 3 4 5 6 7	NOMENCLATURE	EFFECT FROM TO	UNITS PER ASSY
3 - 5	MODREF104335		PANEL INSTL-P3-1 (TRAILING EDGE (TE) FLAP SYSTEM ONLY) MODULE NUMBER: 233N2103-425 REV B FOR OTHER SYS DETAILS SEE: 11-31-01-38 22-11-02-03 22-14-01-03 22-31-02-01 22-34-51-02 26-17-51-05 27-58-00-02 27-81-00-01 29-21-55-02 31-11-11-19 31-11-16-01 31-11-26-38 31-25-01-03 31-41-52-02 31-51-52-02 32-35-52-03 32-41-52-02 32-42-55-03 32-46-00-01 32-61-51-03 33-13-57-01A 33-16-52-03 34-12-01-03 34-13-01-03 34-13-02-01 34-13-05-01 34-13-06-01 34-16-51-03 34-21-02-02 34-22-02-02 34-22-05-01A 34-22-06-01 34-24-01-03 34-32-00-02 34-46-51-02 34-51-02-02 34-57-00-01 34-61-01-07 34-61-02-02 77-41-01-01 79-33-51-05	106106	1

MISSING ITEM NUMBERS NOT APPLICABLE

- ITEM NOT ILLUSTRATED

BRI

**27-51-57-03**

BOEING PROPRIETARY - Copyright © - Unpublished Work - See title page for details.

27-51-57  
 FIG. 03  
 PAGE 3  
 JAN 20/09



757

PARTS CATALOG (MAINTENANCE)

FIG ITEM	PART NUMBER	1 2 3 4 5 6 7	NOMENCLATURE	EFFECT FROM TO	UNITS PER ASSY
3					
- 10	233N2222-301		.MODULE ASSY- COMPONENT MAINT MANUAL REF: 31-11-49 PRE ALERT SB: 33A0044	101101	RF
- 10	233N2222-321		.MODULE ASSY- COMPONENT MAINT MANUAL REF: 31-11-49 PRE ALERT SB: 33A0044	102102	RF
- 10	233N2222-326		.MODULE ASSY- COMPONENT MAINT MANUAL REF: 31-11-49 PRE ALERT SB: 33A0044	504903	RF
- 10	233N2222-329		.MODULE ASSY- COMPONENT MAINT MANUAL REF: 31-11-49 PRE ALERT SB: 33A0044	102102	RF
- 11	233N2222-334		.MODULE ASSY- COMPONENT MAINT MANUAL REF: 31-11-49 PRE ALERT SB: 33A0044	504903	RF
- 11	233N2222-342		.MODULE ASSY- COMPONENT MAINT MANUAL REF: 31-11-49 PRE ALERT SB: 33A0044	102102 108120	RF
- 11	233N2222-1342		.MODULE ASSY- COMPONENT MAINT MANUAL REF: 31-11-49 POST ALERT SB: 33A0044	102102 108120	RF
- 11	233N2222-347		.MODULE ASSY- COMPONENT MAINT MANUAL REF: 31-11-49 PRE ALERT SB: 33A0044	504903	RF
- 13	233N2222-379		.MODULE ASSY- COMPONENT MAINT MANUAL REF: 31-11-49	103106	RF
- 13	233N2222-1301		.MODULE ASSY- COMPONENT MAINT MANUAL REF: 31-11-49 POST ALERT SB: 33A0044	101101	RF

MISSING ITEM NUMBERS NOT APPLICABLE

- ITEM NOT ILLUSTRATED

27-51-57-03

27-51-57  
FIG. 03  
PAGE 4  
JAN 20/09

BRI

BOEING PROPRIETARY - Copyright © - Unpublished Work - See title page for details.



757

PARTS CATALOG (MAINTENANCE)

FIG ITEM	PART NUMBER	1 2 3 4 5 6 7	NOMENCLATURE	EFFECT FROM TO	UNITS PER ASSY
3					
- 13	233N2222-1321		.MODULE ASSY- COMPONENT MAINT MANUAL REF: 31-11-49 POST ALERT SB: 33A0044	102102	RF
- 13	233N2222-1329		.MODULE ASSY- COMPONENT MAINT MANUAL REF: 31-11-49 POST ALERT SB: 33A0044	102102	RF
- 14	233N2222-1326		.MODULE ASSY- COMPONENT MAINT MANUAL REF: 31-11-49 POST ALERT SB: 33A0044	504903	RF
- 14	233N2222-1334		.MODULE ASSY- COMPONENT MAINT MANUAL REF: 31-11-49 POST ALERT SB: 33A0044	504903	RF
- 14	233N2222-1347		.MODULE ASSY- COMPONENT MAINT MANUAL REF: 31-11-49 POST ALERT SB: 33A0044	504903	RF
20	BP248-127		..KNOB- SUPPLIER CODE: V81590	101106 108120 504903	1
30	233N2222-77		..MODULE ASSY- PRE ALERT SB: 33A0044	101101	RF
30	233N2222-1077		..MODULE ASSY- POST ALERT SB: 33A0044	101101	RF
31	233N2222-100		..MODULE ASSY- USED ON: 233N2222-321 PRE ALERT SB: 33A0044	102102	RF
31	233N2222-1100		..MODULE ASSY- USED ON: 233N2222-1321 POST ALERT SB: 33A0044	102102	RF
31	233N2222-105		..MODULE ASSY- USED ON: 233N2222-326 PRE ALERT SB: 33A0044	504903	RF

MISSING ITEM NUMBERS NOT APPLICABLE

- ITEM NOT ILLUSTRATED

27-51-57-03

27-51-57  
FIG. 03  
PAGE 5  
JAN 20/09

BRI



757

PARTS CATALOG (MAINTENANCE)

FIG ITEM	PART NUMBER	1 2 3 4 5 6 7	NOMENCLATURE	EFFECT FROM TO	UNITS PER ASSY
3					
31	233N2222-1105		..MODULE ASSY- USED ON: 233N2222-1326 POST ALERT SB: 33A0044	504903	RF
31	233N2222-111		..MODULE ASSY- USED ON: 233N2222-329 PRE ALERT SB: 33A0044	102102	RF
31	233N2222-1111		..MODULE ASSY- USED ON: 233N2222-1329 POST ALERT SB: 33A0044	102102	RF
31	233N2222-116		..MODULE ASSY- USED ON: 233N2222-334 PRE ALERT SB: 33A0044	504903	RF
31	233N2222-1116		..MODULE ASSY- USED ON: 233N2222-1334 POST ALERT SB: 33A0044	504903	RF
32	233N2222-122		..MODULE ASSY- USED ON: 233N2222-342 PRE ALERT SB: 33A0044	102102 108120	RF
32	233N2222-1122		..MODULE ASSY- USED ON: 233N2222-1342 POST ALERT SB: 33A0044	102102 108120	RF
33	233N2222-127		..MODULE ASSY- USED ON: 233N2222-347 PRE ALERT SB: 33A0044	504903	RF
33	233N2222-1127		..MODULE ASSY- USED ON: 233N2222-1347 POST ALERT SB: 33A0044	504903	RF
34	233N2222-153		..MODULE ASSY	103106	RF

MISSING ITEM NUMBERS NOT APPLICABLE

- ITEM NOT ILLUSTRATED

27-51-57-03

27-51-57  
FIG. 03  
PAGE 6  
JAN 20/09

BRI

BOEING PROPRIETARY - Copyright © - Unpublished Work - See title page for details.



757

PARTS CATALOG (MAINTENANCE)

FIG ITEM	PART NUMBER	1 2 3 4 5 6 7	NOMENCLATURE	EFFECT FROM TO	UNITS PER ASSY
3	40 BCREF8570		...LIGHT ASSY-TE IND SUPPLIER CODE: V81590 OVERLENGTH PART NUMBER: 434-674-1031-2237 SPECIFICATION NUMBER: S231T300-2237 ELECTRICAL EQUIP NUMBER: L00434 WIRING DIAGRAM REF: 275141 OPTIONAL PART: BCREF6256 V81590 FOR DETAILS SEE: 33-14-70-03	101106 108120 504903	1
	40 BCREF6256		...LIGHT ASSY-TE IND SUPPLIER CODE: V81590 OVERLENGTH PART NUMBER: 434-674-1005-1237 SPECIFICATION NUMBER: S231T300-1237 ELECTRICAL EQUIP NUMBER: L00434 WIRING DIAGRAM REF: 275141 OPTIONAL PART: BCREF8570 V81590 FOR DETAILS SEE: 33-14-70-03	101106 108120 504903	1
	45 AC45-0035-1		...SWITCH-ROTARY SUPPLIER CODE: V91812 ELECTRICAL EQUIP NUMBER: S10256 OPTIONAL PART: AC45-0035 V91812	101106 108120 504903	1

MISSING ITEM NUMBERS NOT APPLICABLE

- ITEM NOT ILLUSTRATED

27-51-57-03

27-51-57  
FIG. 03  
PAGE 7  
JAN 20/09

BRI





757

PARTS CATALOG (MAINTENANCE)

FIG ITEM	PART NUMBER	1 2 3 4 5 6 7	NOMENCLATURE	EFFECT FROM TO	UNITS PER ASSY
3	45 AC45-0035		... SWITCH-ROTARY SUPPLIER CODE: V91812 ELECTRICAL EQUIP NUMBER: S10256 WIRING DIAGRAM REF: 275111 OPTIONAL PART: AC45-0035-1 V91812	101101	1
50	BCREFA0501		... SWITCH ASSY-LIGHTED PUSHBUTTON IND ALTN SUPPLIER CODE: V81590 OVERLENGTH PART NUMBER: 433-673-1004-4001 SPECIFICATION NUMBER: S231T290-4001 MISCELLANEOUS DATA: WHEN REPLACING THE PUSHBUTTON SWITCH ASSY OR THE MASTER MODULE WITHIN, VERIFY THAT A CONFIG D MASTER MODULE P/N 13206-001 IS INSTALLED IN LIEU OF ANY EARLIER CONFIGURATION MASTER MODULES. ELECTRICAL EQUIP NUMBER: S10254 OPTIONAL PART: S231T290-5001 851-35100-5001 V81590 REFERENCE SERVICE BULLETIN: 33A0044 REWORKED BY SB: 433-33-05 V81590 FOR DETAILS SEE: 33-13-00-43	101102 108120 504903	1

MISSING ITEM NUMBERS NOT APPLICABLE

- ITEM NOT ILLUSTRATED

BRI

27-51-57-03

BOEING PROPRIETARY - Copyright © - Unpublished Work - See title page for details.

27-51-57  
FIG. 03  
PAGE 8  
JAN 20/09



757

PARTS CATALOG (MAINTENANCE)

FIG ITEM	PART NUMBER	1 2 3 4 5 6 7	NOMENCLATURE	EFFECT FROM TO	UNITS PER ASSY
3					
50	851-30768-2001	...	SWITCH ASSY-LIGHTED PUSHBUTTON IND ALTN SUPPLIER CODE: V96182 SPECIFICATION NUMBER: S231T290-2001 ELECTRICAL EQUIP NUMBER: S10254 FOR DETAILS SEE: 33-13-00-23	101102 108120 504903	1
50	851-30768-3001	...	SWITCH ASSY-LIGHTED PUSHBUTTON IND ALTN SUPPLIER CODE: V96182 SPECIFICATION NUMBER: S231T290-3001 ELECTRICAL EQUIP NUMBER: S10254 FOR DETAILS SEE: 33-13-00-23	101102 108120 504903	1
50	S231T290-5001	...	SWITCH ASSY-LIGHTED PUSHBUTTON IND ELECTRICAL EQUIP NUMBER: S10254 OPTIONAL PART: BCREFA0501 V81590 851-35100-5001 V81590	101102 108120 504903	1
50	4336731004-4201	...	SWITCH ASSY-LIGHTED PUSHBUTTON IND SUPPLIER CODE: V81590 SPECIFICATION NUMBER: S231T290-4201	101106 108120 504903	1
50	851-35100-5001	...	SWITCH ASSY-LIGHTED PUSHBUTTON IND SUPPLIER CODE: V81590 ELECTRICAL EQUIP NUMBER: S10254 OPTIONAL PART: BCREFA0501 V81590 S231T290-5001	101101	1

MISSING ITEM NUMBERS NOT APPLICABLE

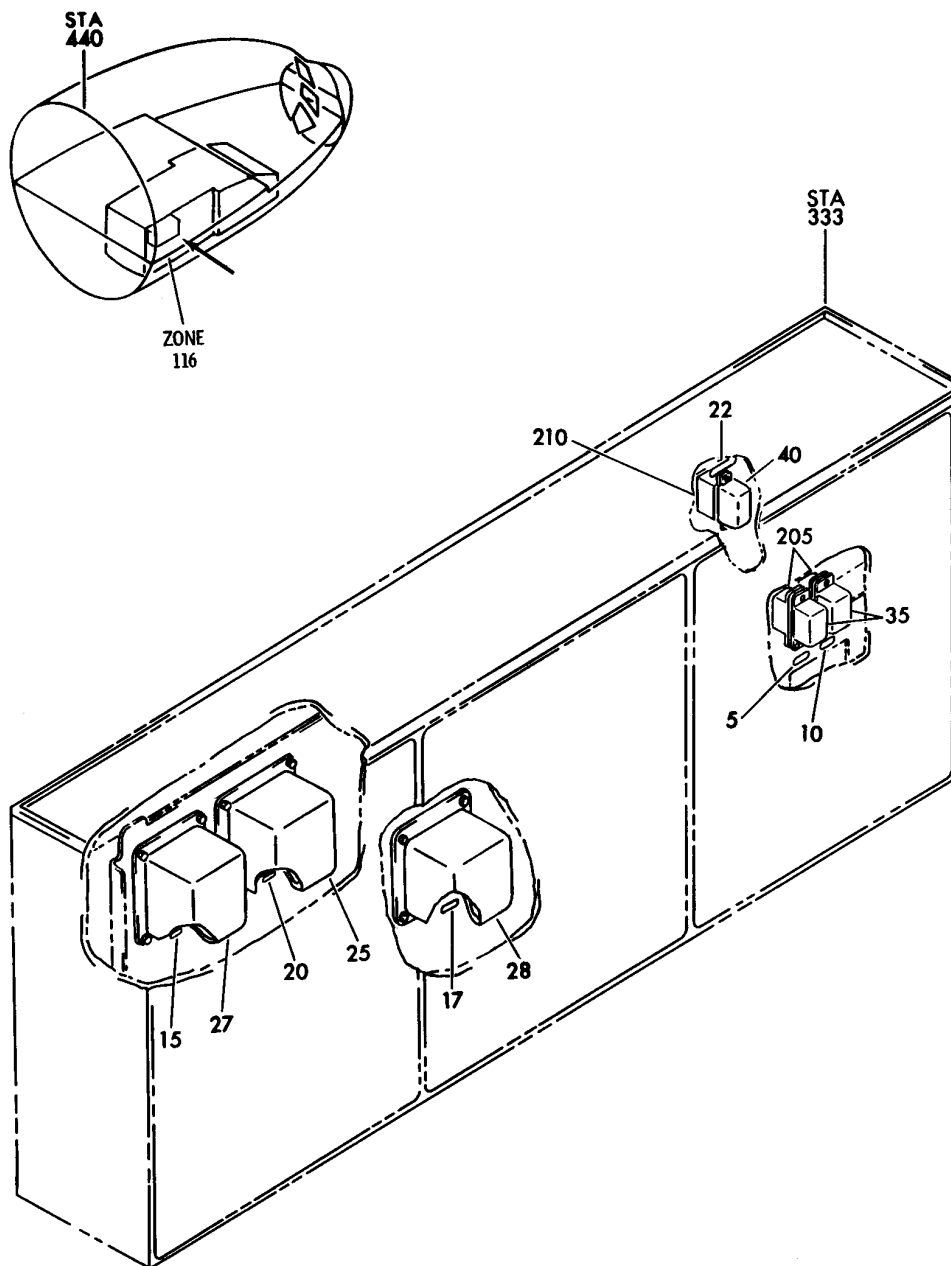
- ITEM NOT ILLUSTRATED

27-51-57-03

27-51-57  
FIG. 03  
PAGE 9  
JAN 20/09

BRI

**BOEING**  
757  
PARTS CATALOG (MAINTENANCE)



Y 27517101 REV 155

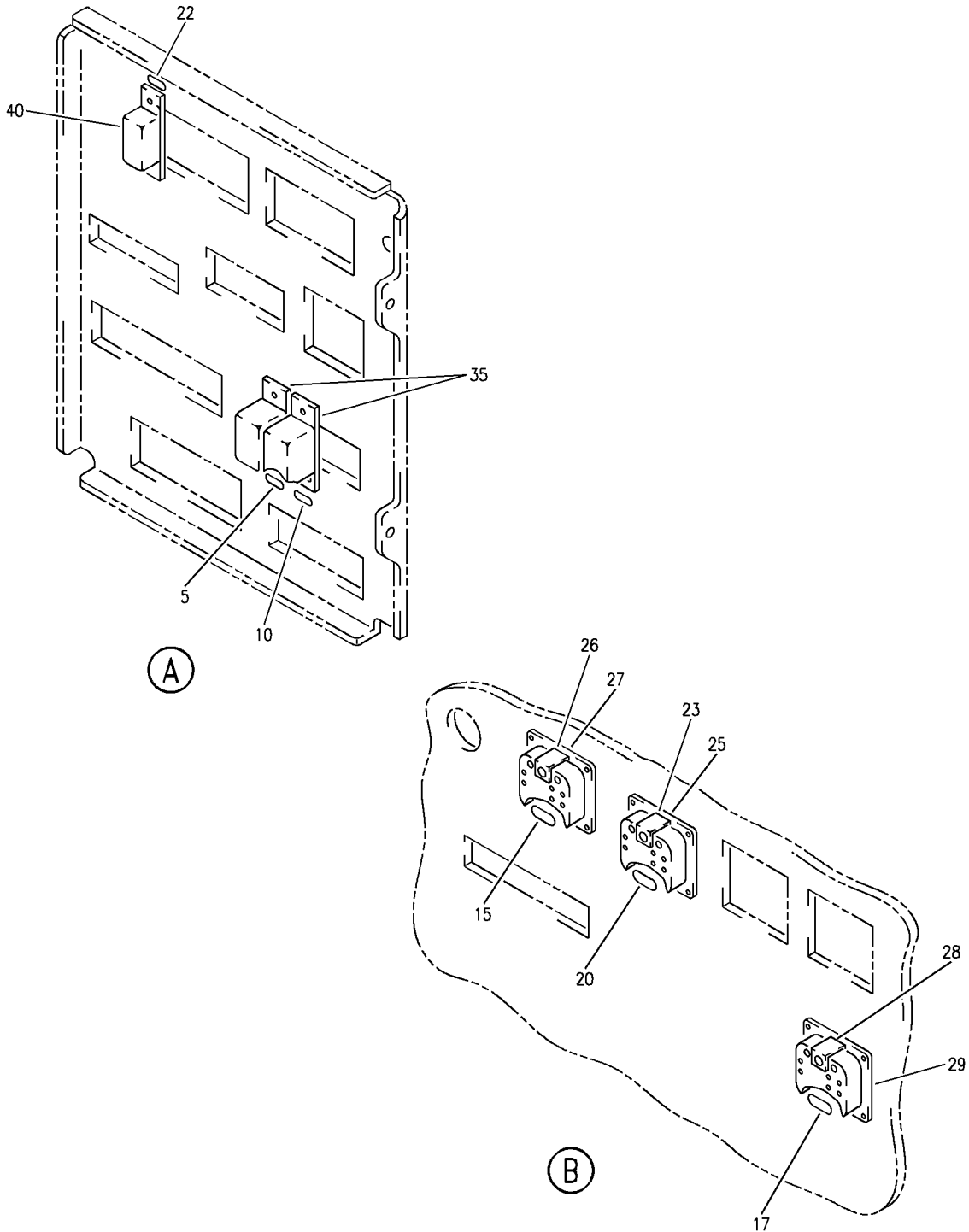
SHIELD ASSY-P33 MISC ELEC EQPT (TE FLAP SYSTEM ONLY)  
FIGURE 1 (SHEET 1)

**27-51-71-01**

BRI  
MAY 28/07

27-51-71-01  
PAGE 0

**BOEING**  
757  
PARTS CATALOG (MAINTENANCE)



Y 27517101 SHT 2 REV 300

SHIELD ASSY-P33 MISC ELEC EQPT (TE FLAP SYSTEM ONLY)  
FIGURE 1 (SHEET 2)

**27-51-71-01**

BRI  
MAY 28/07

27-51-71-01  
PAGE 0A



757

PARTS CATALOG (MAINTENANCE)

FIG ITEM	PART NUMBER	1 2 3 4 5 6 7	NOMENCLATURE	EFFECT FROM TO	UNITS PER ASSY
1			SHIELD ASSY-P33 MISC ELEC EQPT (TE FLAP SYSTEM ONLY)	002004 006100 107107 121503 904999	
- 1	284N1318-1		SHIELD ASSY-P33 MISC ELEC EQPT (TE FLAP SYSTEM ONLY) VARIABLE DRAWING REF: 284N1318-5010 284N1318-5016 284N1318-5019 284N1318-5021 284N1318-5023 FOR NHA/OTHER SYS DET SEE: 31-01-33-03	002004 006100 107107 121503 904999	RF
5	BAC27NEX0159		.DECAL- PLACARD CONTENT: K10095	002004 006100 107107 121503 904999	1
10	BAC27NEX0162		.DECAL- PLACARD CONTENT: K10104	002004 006100 107107 121503 904999	1
17	BAC27TEX0767		.DECAL- PLACARD CONTENT: K359	002004 006100 107107 121503 904999	1
20	BAC27TEX0768		.DECAL- PLACARD CONTENT: K360	002004 006100 107107 121503 904999	1
22	BAC27NEX1736		.DECAL- PLACARD CONTENT: K10494	002004 006100 107107 121503 904999	1
23	66-22661-2		.BARRIER-TERM.	002004 006100 107107 121503 904999	2

MISSING ITEM NUMBERS NOT APPLICABLE

- ITEM NOT ILLUSTRATED

BRI

27-51-71-01

27-51-71  
FIG. 01  
PAGE 1  
JAN 20/09



757

PARTS CATALOG (MAINTENANCE)

FIG ITEM	PART NUMBER	1 2 3 4 5 6 7	NOMENCLATURE	EFFECT FROM TO	UNITS PER ASSY
1	25 9131-8506		.RELAY- SUPPLIER CODE: V35344 SPECIFICATION NUMBER: 10-61445-21 ELECTRICAL EQUIP NUMBER: K00360 COMPONENT MAINT MANUAL REF: 24-09-07 OPTIONAL PART: BH316A V74063	002004 006100 107107 121503 904999	1
R R	25 BH316A		.RELAY- SUPPLIER CODE: V74063 FUNCTIONAL DESCRIPTION: A SEALED REPAIRABLE ELECTROMAGNETIC DEVICE FOR REMOTE ACTUATION OF 28V, 50 AMP ELECTRICAL CONTACT. SPECIFICATION NUMBER: 10-61445-21 ELECTRICAL EQUIP NUMBER: K00360 COMPONENT MAINT MANUAL REF: 24-09-36 OPTIONAL PART: 9131-8506 V35344	002004 006100 107107 121503 904999	1
	28 66-22661-2		.BARRIER-TERM.	002004 006100 107107 121503 904999	2
	29 9131-8506		.RELAY- SUPPLIER CODE: V35344 SPECIFICATION NUMBER: 10-61445-21 ELECTRICAL EQUIP NUMBER: K00359 COMPONENT MAINT MANUAL REF: 24-09-07 OPTIONAL PART: BH316A V74063	002004 006100 107107 121503 904999	1

MISSING ITEM NUMBERS NOT APPLICABLE

- ITEM NOT ILLUSTRATED

BRI

27-51-71-01

BOEING PROPRIETARY - Copyright © - Unpublished Work - See title page for details.

27-51-71  
FIG. 01  
PAGE 2  
MAY 20/09



757

PARTS CATALOG (MAINTENANCE)

FIG ITEM	PART NUMBER	1 2 3 4 5 6 7	NOMENCLATURE	EFFECT FROM TO	UNITS PER ASSY
R R R R R R R R R R R R	1 29	BH316A	.RELAY- SUPPLIER CODE: V74063 FUNCTIONAL DESCRIPTION: A SEALED REPAIRABLE ELECTROMAGNETIC DEVICE FOR REMOTE ACTUATION OF 28V, 50 AMP ELECTRICAL CONTACT. SPECIFICATION NUMBER: 10-61445-21 ELECTRICAL EQUIP NUMBER: K00359 COMPONENT MAINT MANUAL REF: 24-09-36 OPTIONAL PART: 9131-8506 V35344 ATTACHING PARTS	002004 006100 107107 121503 904999	1
	- 30	NAS1801-3-7	.SCREW	002004 006100 107107 121503 904999	8
	- 32	AN960PD10L	.WASHER -----*-----	107107	8
	35	E410-1537	.RELAY- SUPPLIER CODE: V99699 SPECIFICATION NUMBER: BACR13CG2A OPTIONAL PART: E415-1078 V99699 BR230S0116 V56623 KD4A017 V58687 FCA410-62 V78290 ELECTRICAL EQUIP NUMBER: K10095 K10104	002004 006100 107107 121503 904999	2

MISSING ITEM NUMBERS NOT APPLICABLE

- ITEM NOT ILLUSTRATED

27-51-71-01

27-51-71  
FIG. 01  
PAGE 3  
MAY 20/09

BRI



757

PARTS CATALOG (MAINTENANCE)

FIG ITEM	PART NUMBER	1 2 3 4 5 6 7	NOMENCLATURE	EFFECT FROM TO	UNITS PER ASSY
1 40	E210-1631		.RELAY- SUPPLIER CODE: V99699 SPECIFICATION NUMBER: BACR13CF2A OPTIONAL PART: BR246S0112 V56623 FCA210-70 V78290 E215-1050 V99699 JD4A017 V35344 BR64S104 V56623 61GB19-1A320 V98927 ELECTRICAL EQUIP NUMBER: K10494	002004 006100 107107 121503 904999	1
- 200	286N1230-002		WIRE BUNDLE ASSY	121503 904949	RF
- 200	286N1230-003		WIRE BUNDLE ASSY	107107	RF
- 200	286N1230-004		WIRE BUNDLE ASSY	002004 006100 950999	RF
205	BACS16W1		.SOCKET- ELECTRICAL EQUIP NUMBER: D02478 D02986 WIRING DIAGRAM REF: 275111 275131	002004 006100 107107 121503 904999	2
210	RSF116200		.SOCKET- SUPPLIER CODE: V58982 SPECIFICATION NUMBER: BACS16X1A OPTIONAL PART: 102-006-1 V09922 000300-1538 V05574 ELECTRICAL EQUIP NUMBER: D05608 WIRING DIAGRAM REF: 275121	002004 006100 107107 121503 904999	1

MISSING ITEM NUMBERS NOT APPLICABLE

- ITEM NOT ILLUSTRATED

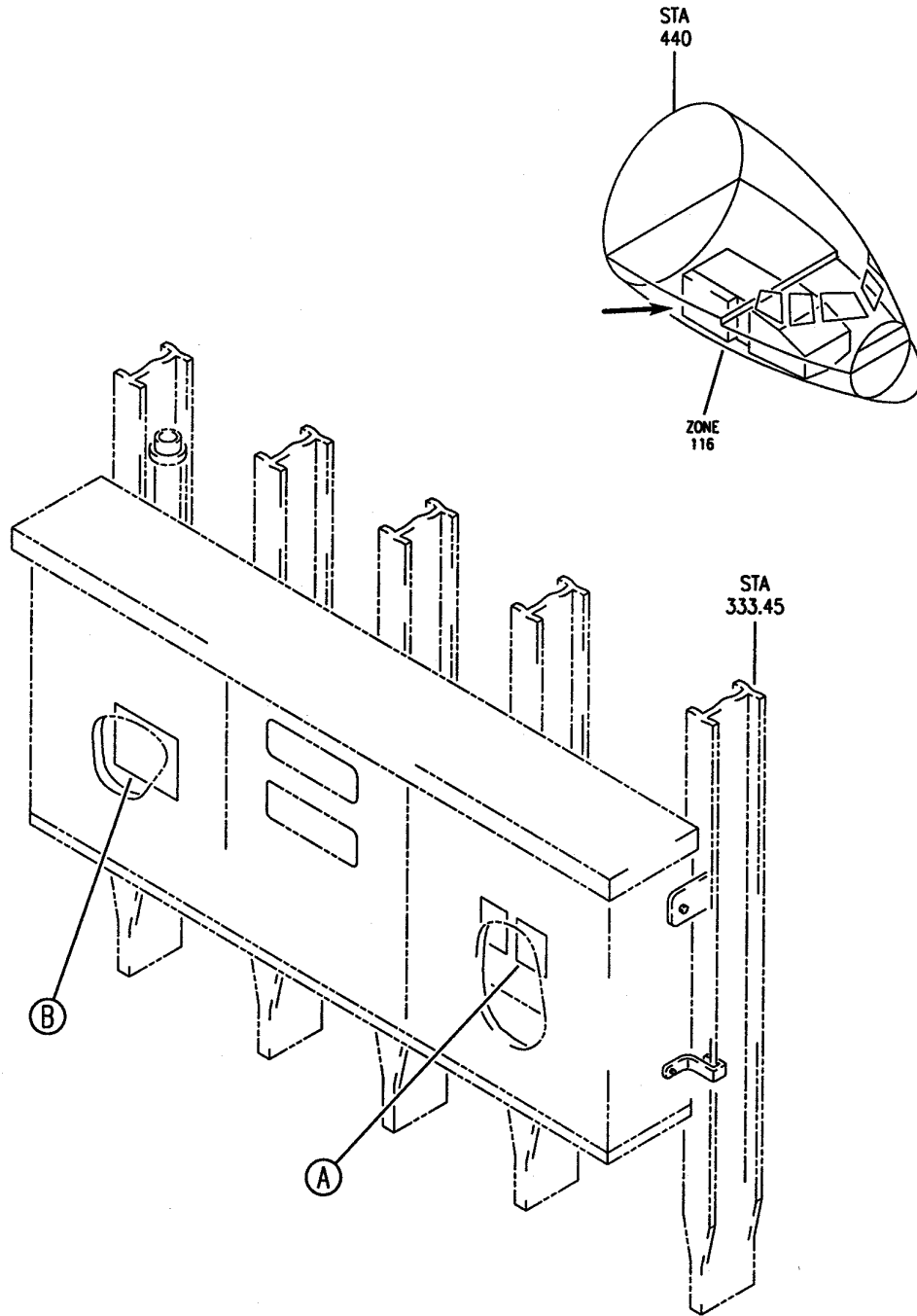
BRI

27-51-71-01

27-51-71  
FIG. 01  
PAGE 4  
JAN 20/09



**BOEING**  
757  
PARTS CATALOG (MAINTENANCE)



Y 27517101A SHT 1 REV 219

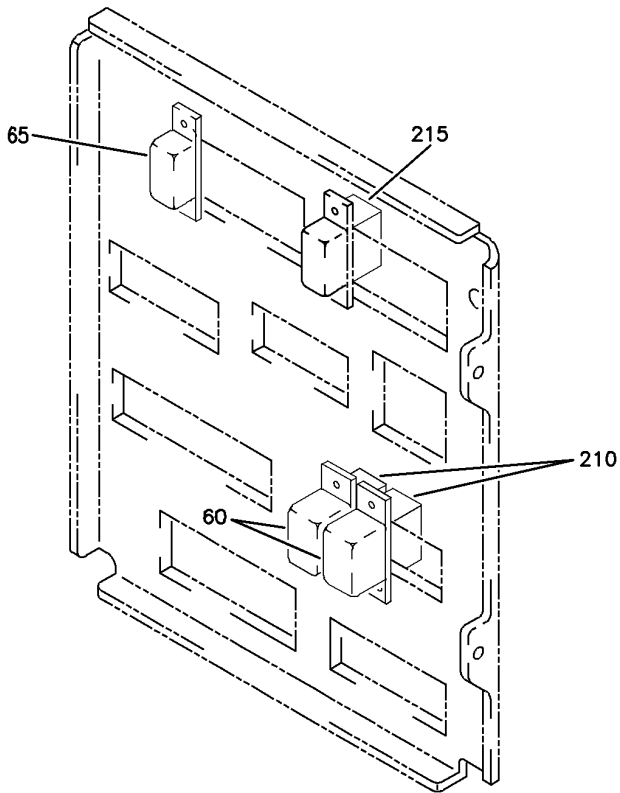
PACKAGE ASSY-OPTION P33 MISC ELEC EQPT (TE FLAP SYSTEM ONLY)  
FIGURE 1A (SHEET 1)

**27-51-71-01A**

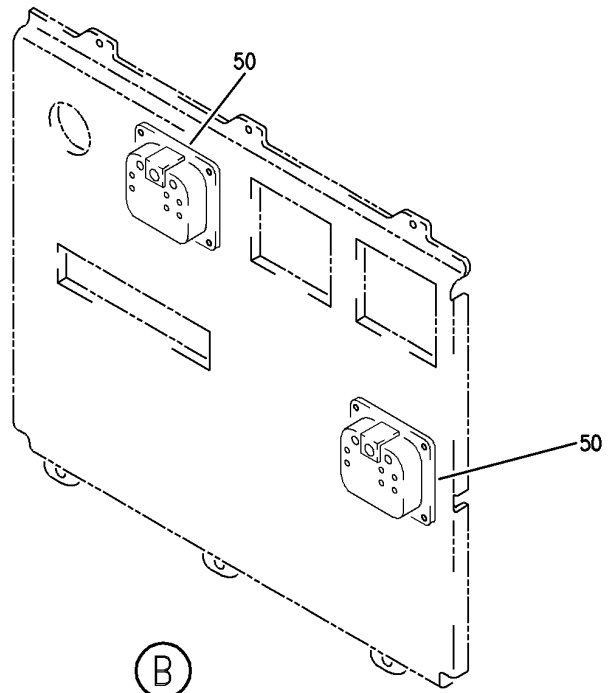
BRI  
MAY 28/07

27-51-71-01A  
PAGE 0

**BOEING**  
757  
PARTS CATALOG (MAINTENANCE)



(A)



(B)

Y 27517101A SHT 2 REV 234

PACKAGE ASSY-OPTION P33 MISC ELEC EQPT (TE FLAP SYSTEM ONLY)  
FIGURE 1A (SHEET 2)

**27-51-71-01A**

BRI  
MAY 28/07

27-51-71-01A  
PAGE 0A

BOEING PROPRIETARY - Copyright © - Unpublished Work - See title page for details.



757

PARTS CATALOG (MAINTENANCE)

FIG ITEM	PART NUMBER	1 2 3 4 5 6 7	NOMENCLATURE	EFFECT FROM TO	UNITS PER ASSY
1A			PACKAGE ASSY-OPTION P33 MISC ELEC EQPT (TE FLAP SYSTEM ONLY)	101102 108120 504903	
- 1	284N1318-1000		PACKAGE ASSY-OPTION P33 MISC ELEC EQPT (TE FLAP SYSTEM ONLY)	101102 108120 504903	RF
			FOR NHA/OTHER SYS DET SEE: 31-01-33-01		
50	9131-8506		.RELAY- SUPPLIER CODE: V35344 SPECIFICATION NUMBER: 10-61445-21 ELECTRICAL EQUIP NUMBER: K00360 K00359 WIRING DIAGRAM REF: 275111 COMPONENT MAINT MANUAL REF: 24-09-07 OPTIONAL PART: BH316A V74063	101102 108120 504903	2
50	BH316A		.RELAY- SUPPLIER CODE: V74063 FUNCTIONAL DESCRIPTION: A SEALED REPAIRABLE ELECTROMAGNETIC DEVICE FOR REMOTE ACTUATION OF 28V, 50 AMP ELECTRICAL CONTACT. SPECIFICATION NUMBER: 10-61445-21 ELECTRICAL EQUIP NUMBER: K00360 K00359 WIRING DIAGRAM REF: 275111 COMPONENT MAINT MANUAL REF: 24-09-36 OPTIONAL PART: 9131-8506 V35344	101102 108120 504903	2
- 55	NAS1801-3-7		ATTACHING PARTS .SCREW	101102 108120 504903	8
			-----*-----		

R  
R  
R  
R  
R  
R  
R  
R  
R  
R  
R  
R  
R  
R  
R  
R  
R  
R  
R  
R  
R  
R

- ITEM NOT ILLUSTRATED

MISSING ITEM NUMBERS NOT APPLICABLE

27-51-71-01A

27-51-71  
FIG. 01A  
PAGE 1  
MAY 20/09

BRI



757

PARTS CATALOG (MAINTENANCE)

FIG ITEM	PART NUMBER	1 2 3 4 5 6 7	NOMENCLATURE	EFFECT FROM TO	UNITS PER ASSY
1A 60	E410-1537		.RELAY- SUPPLIER CODE: V99699 SPECIFICATION NUMBER: BACR13CG2A OPTIONAL PART: E415-1078 V99699 BR230S0116 V56623 KD4A017 V58687 FCA410-62 V78290 ELECTRICAL EQUIP NUMBER: K10095 K10104 WIRING DIAGRAM REF: 275121	101102 108120 504903	2
65	E210-1631		.RELAY- SUPPLIER CODE: V99699 SPECIFICATION NUMBER: BACR13CF2A OPTIONAL PART: BR246S0112 V56623 FCA210-70 V78290 E215-1050 V99699 JD4A017 V35344 BR64S104 V56623 61GB19-1A320 V98927 ELECTRICAL EQUIP NUMBER: K10494	101102 108120 504903	1
- 200	286N1230-303		WIRE BUNDLE ASSY	101102	RF
- 201	286N1230-322		WIRE BUNDLE ASSY	504903	RF
- 201	286N1230-323		WIRE BUNDLE ASSY	108120	RF
210	BACS16W1		.SOCKET- ELECTRICAL EQUIP NUMBER: D02986 D02478 WIRING DIAGRAM REF: 275111 275131	101102 108120 504903	2

MISSING ITEM NUMBERS NOT APPLICABLE

- ITEM NOT ILLUSTRATED

27-51-71-01A

27-51-71  
FIG. 01A  
PAGE 2  
JAN 20/09

BRI



757

PARTS CATALOG (MAINTENANCE)

FIG ITEM	PART NUMBER	1 2 3 4 5 6 7	NOMENCLATURE	EFFECT FROM TO	UNITS PER ASSY
1 A 215	RSF116200		. SOCKET- SUPPLIER CODE: V58982 SPECIFICATION NUMBER: BACS16X1A OPTIONAL PART: 102-006-1 V09922 000300-1538 V05574 ELECTRICAL EQUIP NUMBER: D05608 WIRING DIAGRAM REF: 275121	101102 108120 504903	1

MISSING ITEM NUMBERS NOT APPLICABLE

- ITEM NOT ILLUSTRATED

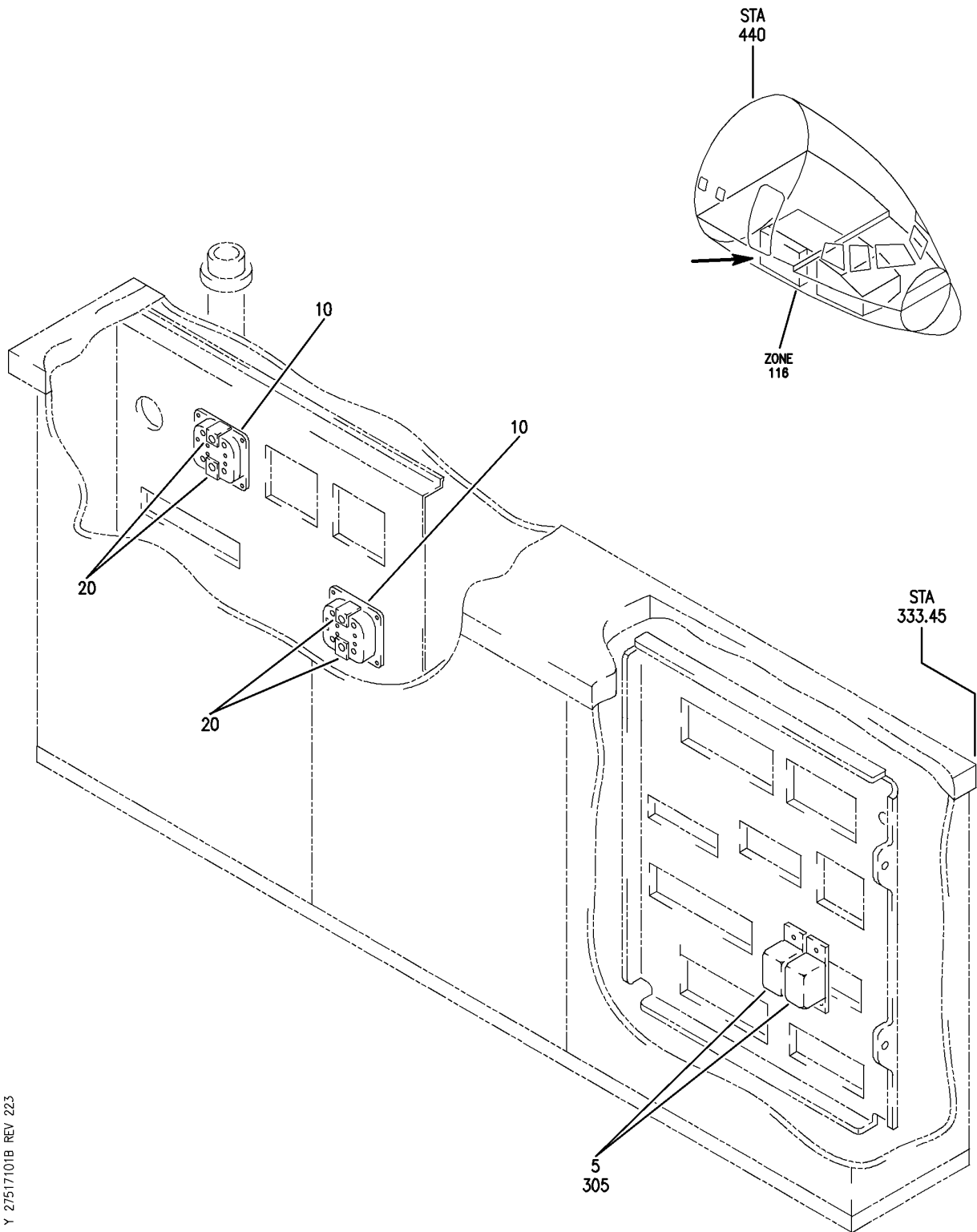
BRI

**27-51-71-01A**

BOEING PROPRIETARY - Copyright © - Unpublished Work - See title page for details.

27-51-71  
FIG. 01A  
PAGE 3  
JAN 20/09

**BOEING**  
757  
PARTS CATALOG (MAINTENANCE)



Y 27517101B REV 223

SHIELD INSTL-P33 MISC ELEC EQPT (TRAILING EDGE (TE) FLAP SYSTEM ONLY)  
FIGURE 1B

BRI  
JAN 20/09

**27-51-71-01B**

27-51-71-01B  
PAGE 0



757

PARTS CATALOG (MAINTENANCE)

FIG ITEM	PART NUMBER	1 2 3 4 5 6 7	NOMENCLATURE	EFFECT FROM TO	UNITS PER ASSY
1B			SHIELD INSTL-P33 MISC ELEC EQPT (TRAILING EDGE (TE) FLAP SYSTEM ONLY)	103106	
- 1	MODREF33173		SHIELD INSTL-P33 MISC ELEC EQPT (TRAILING EDGE (TE) FLAP SYSTEM ONLY) MODULE NUMBER: 284N1318-107 REV B FOR OTHER SYS DETAILS SEE: 11-36-06-01B 24-53-71-03B 26-15-71-01B 27-81-71-01B 28-21-71-01B 28-22-71-01B 28-26-71-01B 29-11-71-01B 29-21-71-03B 29-22-71-01B 30-31-71-03B 30-32-71-03B 31-01-33-10 33-42-71-02B	103105	1
- 1	MODREF34797		SHIELD INSTL-P33 MISC ELEC EQPT (TRAILING EDGE (TE) FLAP SYSTEM ONLY) MODULE NUMBER: 284N1318-107 REV C FOR OTHER SYS DETAILS SEE: 11-36-06-01B 24-53-71-03B 26-15-71-01B 27-81-71-01B 28-21-71-01B 28-22-71-01B 28-26-71-01B 29-11-71-01B 29-21-71-03B 29-22-71-01B 30-31-71-03B 30-32-71-03B 31-01-33-10 33-42-71-02B	106106	1

MISSING ITEM NUMBERS NOT APPLICABLE

- ITEM NOT ILLUSTRATED

**27-51-71-01B**

27-51-71  
FIG. 01B  
PAGE 1  
JAN 20/09

BRI

**BOEING**  
757  
**PARTS CATALOG (MAINTENANCE)**

FIG ITEM	PART NUMBER	1 2 3 4 5 6 7	NOMENCLATURE	EFFECT FROM TO	UNITS PER ASSY
1B 5	E410-1537		.RELAY- SUPPLIER CODE: V99699 SPECIFICATION NUMBER: BACR13CG2A OPTIONAL PART: E415-1078 V99699 BR230S0116 V56623 KD4A017 V58687 FCA410-62 V78290 ELECTRICAL EQUIP NUMBER: K10095 K10104	103106	2
10	9131-8506		.RELAY- SUPPLIER CODE: V35344 SPECIFICATION NUMBER: 10-61445-21 ELECTRICAL EQUIP NUMBER: K00359 K00360 COMPONENT MAINT MANUAL REF: 24-09-07 OPTIONAL PART: BH316A V74063	103106	2
10	BH316A		.RELAY- SUPPLIER CODE: V74063 FUNCTIONAL DESCRIPTION: A SEALED REPAIRABLE ELECTROMAGNETIC DEVICE FOR REMOTE ACTUATION OF 28V, 50 AMP ELECTRICAL CONTACT. SPECIFICATION NUMBER: 10-61445-21 ELECTRICAL EQUIP NUMBER: K00359 K00360 COMPONENT MAINT MANUAL REF: 24-09-36 OPTIONAL PART: 9131-8506 V35344	103106	2

R  
R  
R  
R  
R  
R  
R  
R  
R  
R  
R  
R  
R  
R  
R  
R  
R  
R  
R  
R  
R  
R

MISSING ITEM NUMBERS NOT APPLICABLE

- ITEM NOT ILLUSTRATED

BRI

27-51-71-01B

BOEING PROPRIETARY - Copyright © - Unpublished Work - See title page for details.

27-51-71  
FIG. 01B  
PAGE 2  
MAY 20/09



**BOEING**  
757  
**PARTS CATALOG (MAINTENANCE)**

FIG ITEM	PART NUMBER	1 2 3 4 5 6 7	NOMENCLATURE	EFFECT FROM TO	UNITS PER ASSY
1B			ATTACHING PARTS		
R - 15	NAS1801-3-7		.SCREW	103105	8
R - 15	BACS12HN3-7		.SCREW	106106	8
			-----*-----		
20	66-22661-2		.BARRIER-RELAY TERM.	103106	4
- 300	286N1230-701		WIRE BUNDLE ASSY	103106	RF
305	BACS16W1		.SOCKET-	103106	2
			ELECTRICAL EQUIP NUMBER:		
			D02478		
			D02986		
			WIRING DIAGRAM REF:		
			275111		
			275131		

MISSING ITEM NUMBERS NOT APPLICABLE

- ITEM NOT ILLUSTRATED

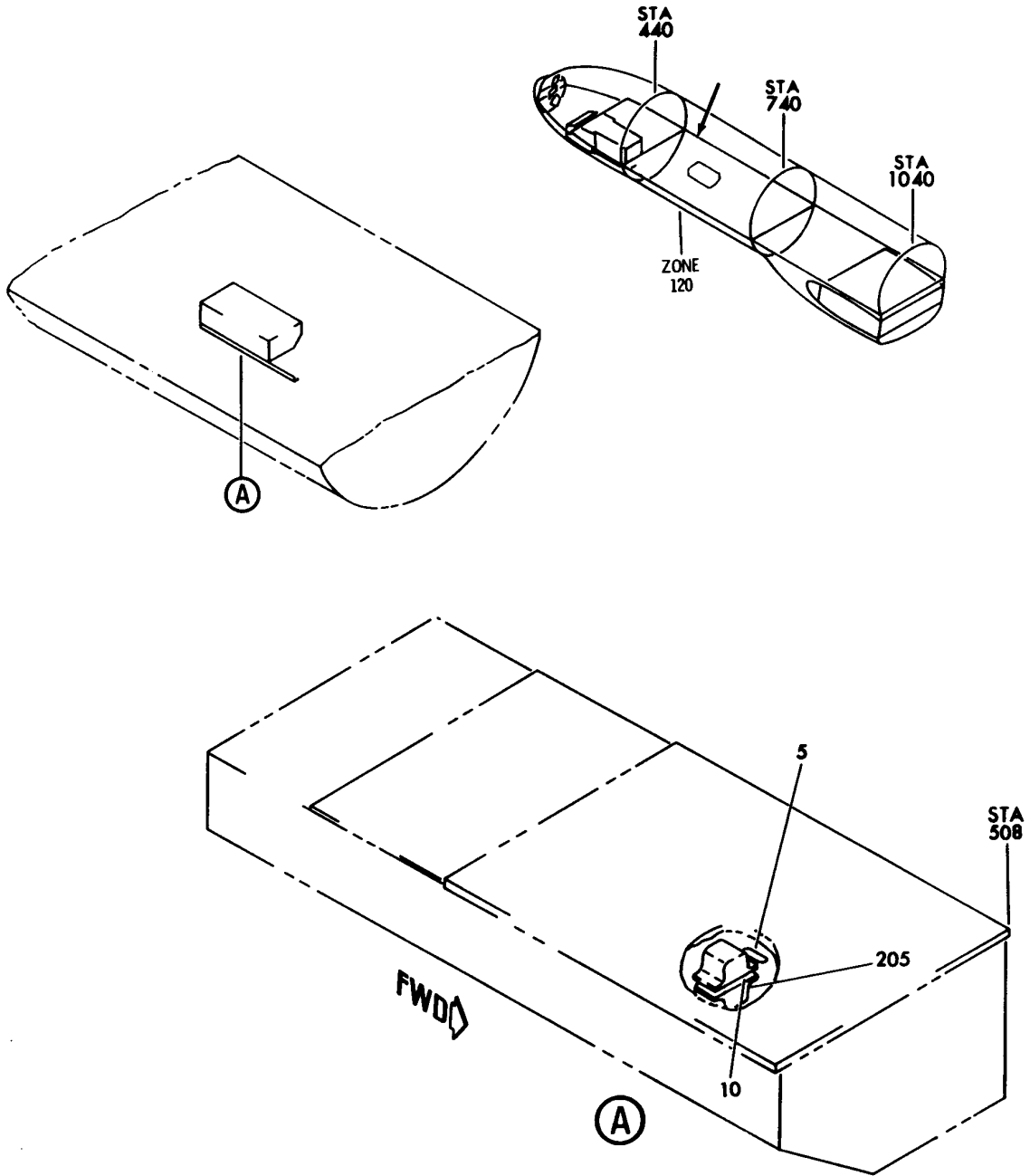
BRI

# 27-51-71-01B

BOEING PROPRIETARY - Copyright © - Unpublished Work - See title page for details.

27-51-71  
FIG. 01B  
PAGE 3  
MAY 20/09

**BOEING**  
757  
PARTS CATALOG (MAINTENANCE)



Y 27517103 REV 111

PANEL ASSY-P36 MISC RELAY L (TE FLAP SYSTEM ONLY)  
FIGURE 3

**27-51-71-03**

BRI  
MAY 28/07

27-51-71-03  
PAGE 0



757

PARTS CATALOG (MAINTENANCE)

FIG ITEM	PART NUMBER	1 2 3 4 5 6 7	NOMENCLATURE	EFFECT FROM TO	UNITS PER ASSY
3			PANEL ASSY-P36 MISC RELAY L (TE FLAP SYSTEM ONLY)	002004 006100 107107 121503 904999	
- 1	284N1125-1		PANEL ASSY-P36 MISC RELAY L (TE FLAP SYSTEM ONLY) VARIABLE DRAWING REF: 284N1125-5023 284N1125-5030 284N1125-5049 284N1125-5050 284N1125-5054 REWORKED BY SB: 34-0200 REWORKED BY ALERT SB: 27A0130 FOR NHA/OTHER SYS DET SEE: 31-01-36-01B	002004 006100 107107 121503 904999	RF
5	BAC27NEX0235		.DECAL- PLACARD CONTENT: K10245	107107 121503 904949	1
5	BAC27NEX2502		.DECAL- PLACARD CONTENT: K10245	002004 006100 950999	1
10	E410-1537		.RELAY- SUPPLIER CODE: V99699 SPECIFICATION NUMBER: BACR13CG2A OPTIONAL PART: E415-1078 V99699 BR230S0116 V56623 KD4A017 V58687 FCA410-62 V78290 ELECTRICAL EQUIP NUMBER: K10245	002004 006100 107107 121503 904999	1
- 200	286N1260-002		WIRE BUNDLE ASSY-(TE FLAP SYSTEM ONLY) REWORKED BY ALERT SB: 27A0130	121503 904949	RF
- 200	286N1260-003		WIRE BUNDLE ASSY-(TE FLAP SYSTEM ONLY)	107107	RF

MISSING ITEM NUMBERS NOT APPLICABLE

- ITEM NOT ILLUSTRATED

27-51-71-03

27-51-71  
FIG. 03  
PAGE 1  
JAN 20/09

BRI



757

PARTS CATALOG (MAINTENANCE)

FIG ITEM	PART NUMBER	1 2 3 4 5 6 7	NOMENCLATURE	EFFECT FROM TO	UNITS PER ASSY
3 - 200	286N1260-005		WIRE BUNDLE ASSY-(TE FLAP SYSTEM ONLY) REWORKED BY SB: 34-0200 REWORKED BY ALERT SB: 27A0130	002004 006100 950999	RF
205	BACS16W1		.SOCKET- ELECTRICAL EQUIP NUMBER: D03022 WIRING DIAGRAM REF: 275151	002004 006100 107107 121503 904999	1

MISSING ITEM NUMBERS NOT APPLICABLE

- ITEM NOT ILLUSTRATED

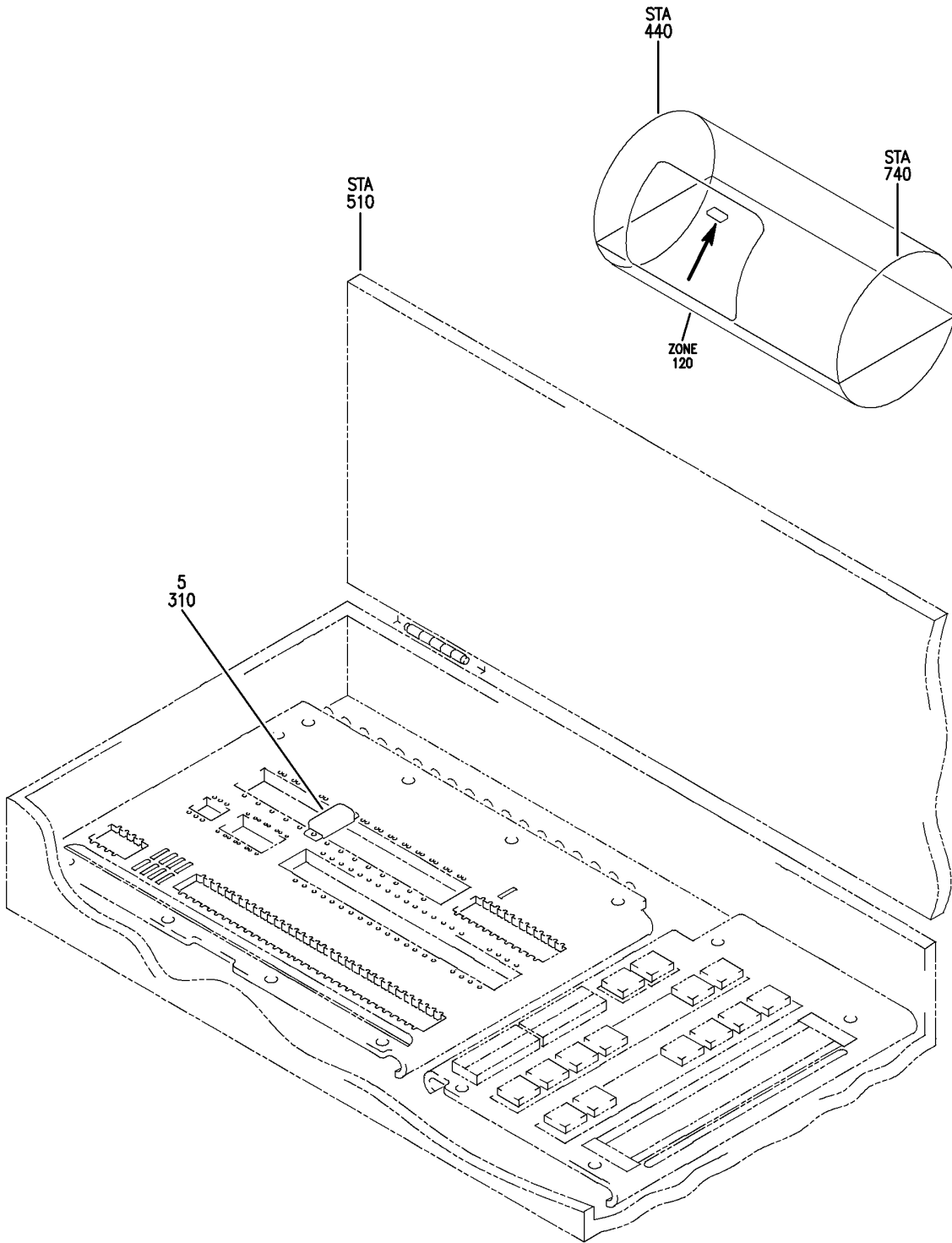
BRI

27-51-71-03

BOEING PROPRIETARY - Copyright © - Unpublished Work - See title page for details.

27-51-71  
FIG. 03  
PAGE 2  
JAN 20/09

**BOEING**  
757  
PARTS CATALOG (MAINTENANCE)



Y 27517103A REV 225

OPTION PACKAGE ASSY-P36 MISC RELAY LH (FLAP SYSTEM ONLY)  
FIGURE 3A

**27-51-71-03A**

BRI  
MAY 28/07

27-51-71-03A  
PAGE 0



757

PARTS CATALOG (MAINTENANCE)

FIG ITEM	PART NUMBER	1 2 3 4 5 6 7	NOMENCLATURE	EFFECT FROM TO	UNITS PER ASSY
3A			OPTION PACKAGE ASSY-P36 MISC RELAY LH (FLAP SYSTEM ONLY)	101102 504903	
- 1	284N1125-1018		OPTION PACKAGE ASSY-P36 MISC RELAY (FLAP SYSTEM ONLY) POSITION DATA: LH MISCELLANEOUS DATA: MAJOR MODEL 757-200 REWORKED BY ALERT SB: 27A0130 FOR NHA/OTHER SYS DET SEE: 31-01-36-05	101102 504903	RF
5	E410-1537		.RELAY- SUPPLIER CODE: V99699 SPECIFICATION NUMBER: BACR13CG2A OPTIONAL PART: E415-1078 V99699 BR230S0116 V56623 KD4A017 V58687 FCA410-62 V78290 ELECTRICAL EQUIP NUMBER: K10245	101102 504903	1
- 301	286N1260-358		WIRE BUNDLE ASSY- REWORKED BY ALERT SB: 27A0130	101102	RF
- 301	286N1260-364		WIRE BUNDLE ASSY- REWORKED BY ALERT SB: 27A0130	504903	RF
310	BACS16W1		.SOCKET- ELECTRICAL EQUIP NUMBER: D03022 WIRING DIAGRAM REF: 275151	101102 504903	1

MISSING ITEM NUMBERS NOT APPLICABLE

- ITEM NOT ILLUSTRATED

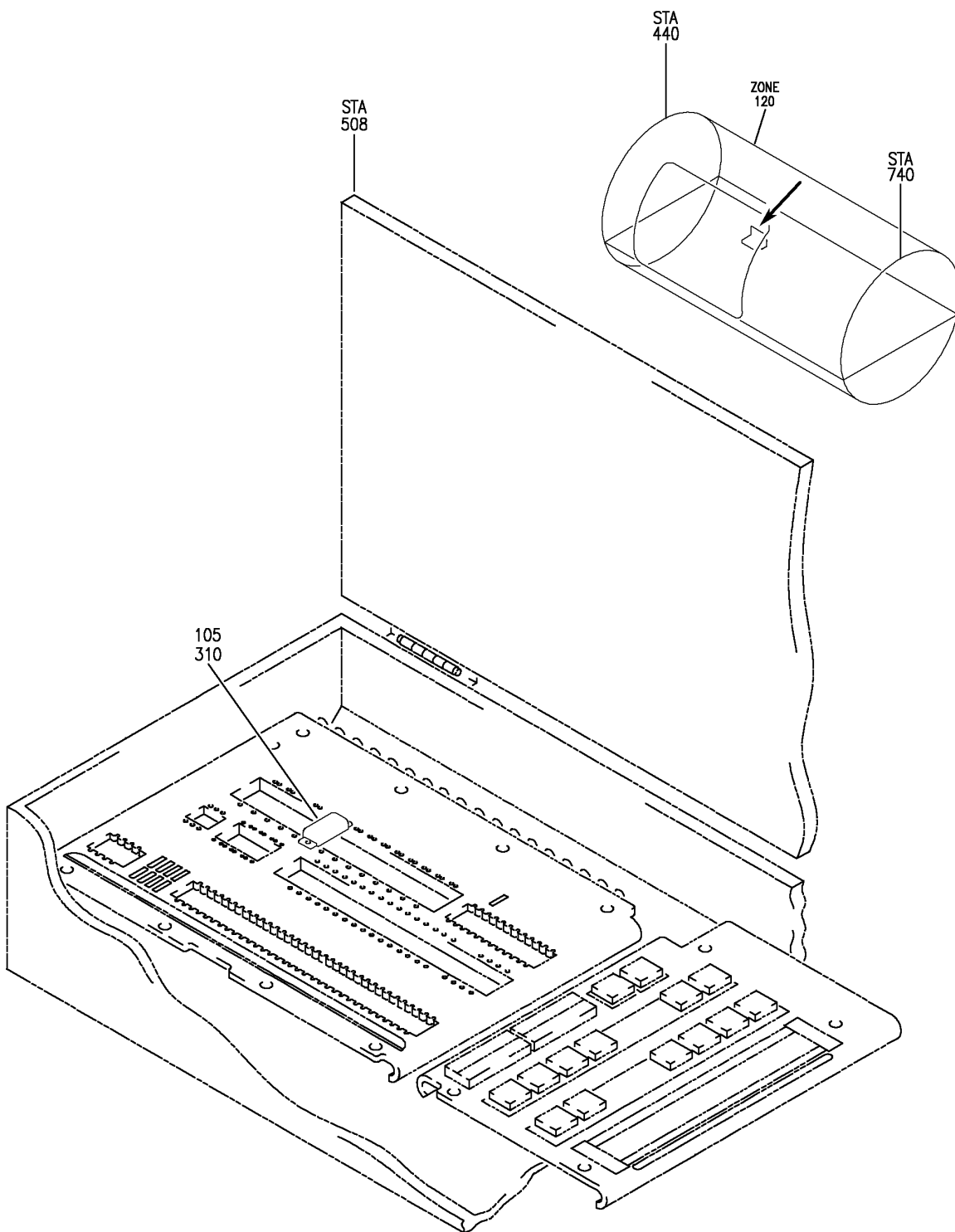
27-51-71-03A

27-51-71  
FIG. 03A  
PAGE 1  
JAN 20/09

BRI

BOEING PROPRIETARY - Copyright © - Unpublished Work - See title page for details.

**BOEING**  
757  
PARTS CATALOG (MAINTENANCE)



Y 27517103C REV 250

PANEL INSTL-P36 L MISC RELAY (TRAILING EDGE FLAP SYSTEM ONLY)  
FIGURE 3C

**27-51-71-03C**

BRI  
JAN 20/09

27-51-71-03C  
PAGE 0



757

PARTS CATALOG (MAINTENANCE)

FIG ITEM	PART NUMBER	1 2 3 4 5 6 7	NOMENCLATURE	EFFECT FROM TO	UNITS PER ASSY
3C			PANEL INSTL-P36 L MISC RELAY (TRAILING EDGE FLAP SYSTEM ONLY)	103106 108120	
- 3	284N1125-94		PANEL INSTL-P36 L MISC RELAY (TRAILING EDGE FLAP SYSTEM ONLY) FOR NHA/OTHER SYS DET SEE: 24-00-58-05C	108120	RF

MISSING ITEM NUMBERS NOT APPLICABLE

- ITEM NOT ILLUSTRATED

BRI

27-51-71-03C

BOEING PROPRIETARY - Copyright © - Unpublished Work - See title page for details.

27-51-71  
FIG. 03C  
PAGE 1  
JAN 20/09





757

PARTS CATALOG (MAINTENANCE)

FIG ITEM	PART NUMBER	1 2 3 4 5 6 7	NOMENCLATURE	EFFECT FROM TO	UNITS PER ASSY
3C - 7	MODREF31944		PANEL INSTL-P36 L MISC RELAY (TRAILING EDGE FLAP SYSTEM ONLY) MODULE NUMBER: 284N1125-123 REV A FOR OTHER SYS DETAILS SEE: 11-36-08-03C 21-25-71-02C 21-33-71-02C 21-51-56-01C 21-58-71-02C 23-12-00-05 23-31-54-01C 23-34-52-01C 24-21-51-01A 26-15-71-02C 26-16-71-01C 26-22-71-01C 27-48-52-03C 27-58-71-02C 27-62-71-03C 29-11-71-03C 29-21-71-01C 30-21-71-03C 30-34-51-01C 31-01-36-01 32-09-02-03C 32-35-71-01C 32-42-71-02C 32-44-71-02C 32-61-71-02C 34-12-71-02C 34-21-71-02C 34-22-52-01C 34-61-52-01C 36-11-71-02C 73-21-55-01C 74-31-71-02C 76-11-71-02C 77-12-71-01C 78-34-71-02C 78-36-71-02C 80-11-71-02C	103106	1

MISSING ITEM NUMBERS NOT APPLICABLE

- ITEM NOT ILLUSTRATED

27-51-71-03C

27-51-71  
FIG. 03C  
PAGE 2  
JAN 20/09

BRI



757

PARTS CATALOG (MAINTENANCE)

FIG ITEM	PART NUMBER	1 2 3 4 5 6 7	NOMENCLATURE	EFFECT FROM TO	UNITS PER ASSY
3C 105	E410-1537		.RELAY- SUPPLIER CODE: V99699 SPECIFICATION NUMBER: BACR13CG2A OPTIONAL PART: E415-1078 V99699 BR230S0116 V56623 KD4A017 V58687 FCA410-62 V78290 ELECTRICAL EQUIP NUMBER: K10245	103106 108120	1
- 300	286N1260-357		WIRE BUNDLE ASSY	108120	RF
- 302	286N1260-601		WIRE BUNDLE ASSY	103106	RF
310	BACS16W1		.SOCKET- ELECTRICAL EQUIP NUMBER: D03022 WIRING DIAGRAM REF: 275151	103106 108120	1

MISSING ITEM NUMBERS NOT APPLICABLE

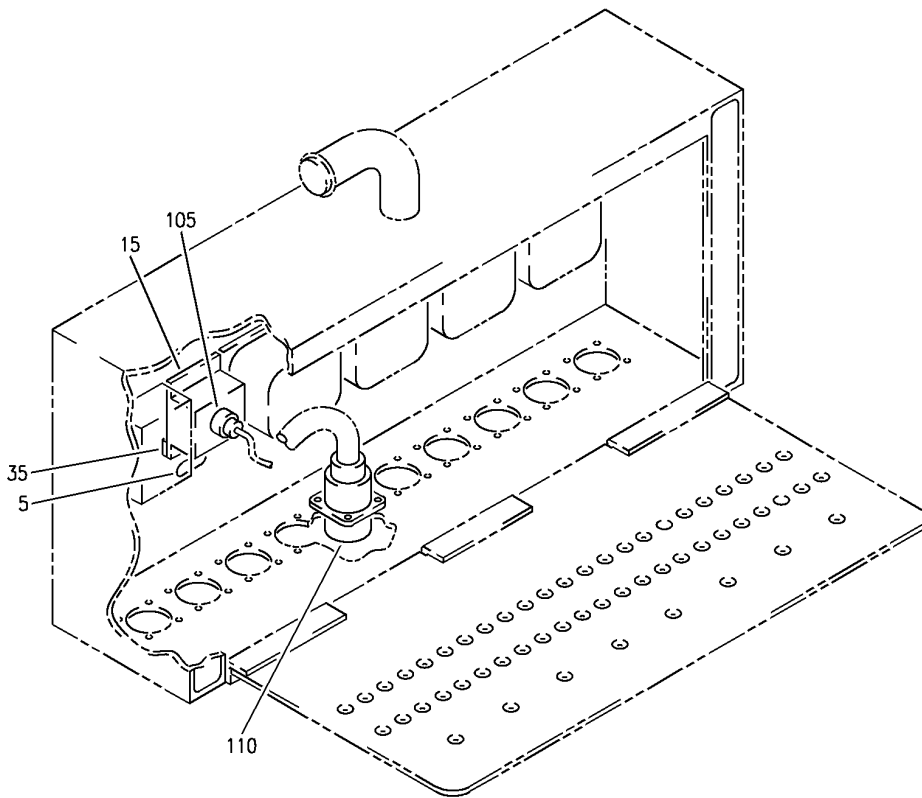
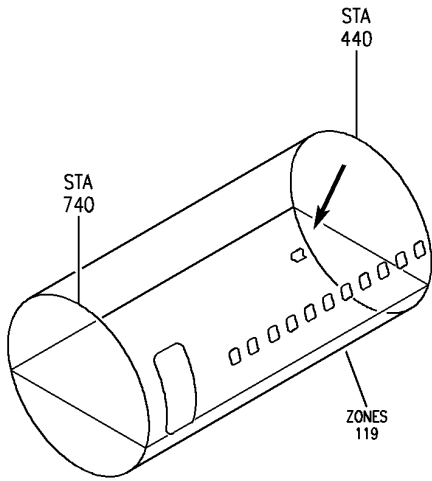
- ITEM NOT ILLUSTRATED

**27-51-71-03C**

27-51-71  
FIG. 03C  
PAGE 3  
JAN 20/09

BRI

**BOEING**  
757  
PARTS CATALOG (MAINTENANCE)



Y 27517104 REV 289

PANEL ASSY-P70 MISC RELAY (FLIGHT CONTROLS ONLY)  
FIGURE 4

**27-51-71-04**

BRI  
MAY 28/07

27-51-71-04  
PAGE 0



**757  
PARTS CATALOG (MAINTENANCE)**

FIG ITEM	PART NUMBER	1 2 3 4 5 6 7	NOMENCLATURE	EFFECT FROM TO	UNITS PER ASSY
4			PANEL ASSY-P70 MISC RELAY (FLIGHT CONTROLS ONLY)	002004 006100 103999	
- 3	284N1129-1		PANEL ASSY-P70 MISC RELAY (FLIGHT CONTROLS ONLY) VARIABLE DRAWING REF: 284N1129-5012 284N1129-5021 284N1129-5035 284N1129-5049 284N1129-5054 FOR NHA/OTHER SYS DET SEE: 53-33-00-02	002004 006100 107107 121503 904999	RF
5	BAC27TEX0156		.DECAL- PLACARD CONTENT: T153	002004 006100 103999	1
15	FT1008		.TRANSFORMER- SUPPLIER CODE: V14752 SPECIFICATION NUMBER: 60B40026-20 ELECTRICAL EQUIP NUMBER: T00153 OPTIONAL PART: FT1008-14752 V14752	002004 006100 107107 121503 904999	1
- 25	NAS603-11P		ATTACHING PARTS .SCREW-	002004 006100 107107 121503 904999	4
35	284N1128-30		-----*----- .PLATE-MTG	002004 006100 107107 121503 904999	1
- 100	286N1250-001		WIRE BUNDLE ASSY-(FLIGHT CONTROLS ONLY)	121503 904949	RF
- 100	286N1250-002		WIRE BUNDLE ASSY-(FLIGHT CONTROLS ONLY)	107107	RF
- 100	286N1250-003		WIRE BUNDLE ASSY-(FLIGHT CONTROLS ONLY)	002004 006100 107107 121503 904999	RF

MISSING ITEM NUMBERS NOT APPLICABLE

- ITEM NOT ILLUSTRATED

BRI

# 27-51-71-04

BOEING PROPRIETARY - Copyright © - Unpublished Work - See title page for details.

27-51-71  
FIG. 04  
PAGE 1  
JAN 20/09



757

PARTS CATALOG (MAINTENANCE)

FIG ITEM	PART NUMBER	1 2 3 4 5 6 7	NOMENCLATURE	EFFECT FROM TO	UNITS PER ASSY
4 105	BACC45FT14-7S		.CONNECTOR- ELECTRICAL EQUIP NUMBER: D04094 WIRING DIAGRAM REF: 275161	002004 006100 107107 121503 904999	1

MISSING ITEM NUMBERS NOT APPLICABLE

- ITEM NOT ILLUSTRATED

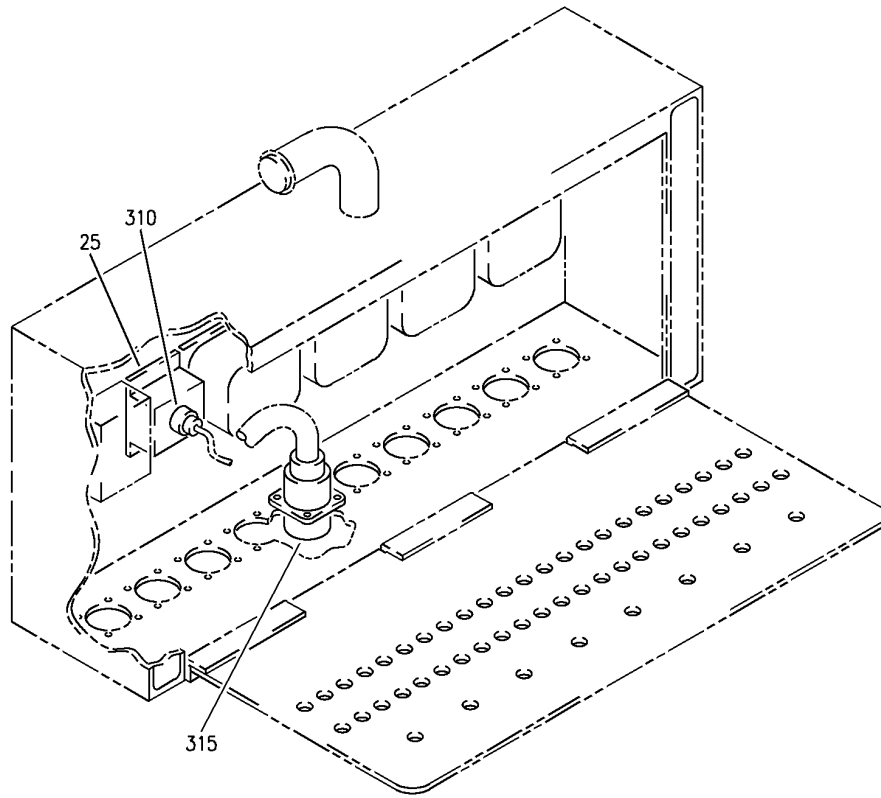
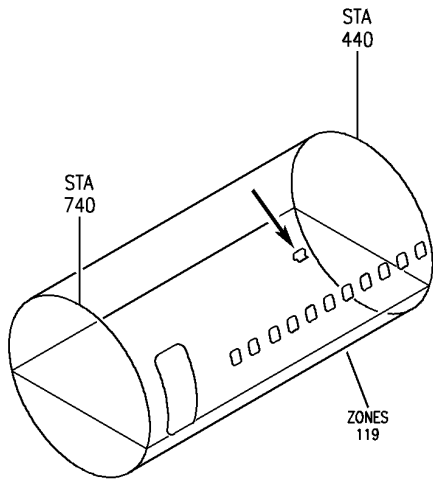
BRI

27-51-71-04

BOEING PROPRIETARY - Copyright © - Unpublished Work - See title page for details.

27-51-71  
FIG. 04  
PAGE 2  
JAN 20/09

**BOEING**  
757  
PARTS CATALOG (MAINTENANCE)



Y 27517104A REV 289

PACKAGE ASSY-OPTION P70 MISC RELAY (FLIGHT CONTROLS ONLY)  
FIGURE 4A

BRI  
MAY 28/07

**27-51-71-04A**

27-51-71-04A  
PAGE 0

BOEING PROPRIETARY - Copyright © - Unpublished Work - See title page for details.



757

PARTS CATALOG (MAINTENANCE)

FIG ITEM	PART NUMBER	1 2 3 4 5 6 7	NOMENCLATURE	EFFECT FROM TO	UNITS PER ASSY
4 A			PACKAGE ASSY-OPTION P70 MISC RELAY (FLIGHT CONTROLS ONLY)	101102 504903	
- 1	284N1129-1001		PACKAGE ASSY-OPTION P70 MISC RELAY (FLIGHT CONTROLS ONLY)	101102 504903	RF
	25 FT1008		FOR NHA/OTHER SYS DET SEE: 31-01-70-01 .TRANSFORMER- SUPPLIER CODE: V14752 SPECIFICATION NUMBER: 60B40026-20 ELECTRICAL EQUIP NUMBER: T00153 OPTIONAL PART: FT1008-14752 V14752	101102 504903	1
- 30	NAS603-11P		ATTACHING PARTS .SCREW	101102 504903	4
- 35	NAS1149D0316H		.WASHER	101102 504903	4
			-----*-----		
- 300	286N1250-319		WIRE BUNDLE ASSY	504903	RF
- 300	286N1250-328		WIRE BUNDLE ASSY	101102	RF
310	BACC45FT14-7S		.CONNECTOR- ELECTRICAL EQUIP NUMBER: D04094 WIRING DIAGRAM REF: 275161	101102 504903	1

MISSING ITEM NUMBERS NOT APPLICABLE

- ITEM NOT ILLUSTRATED

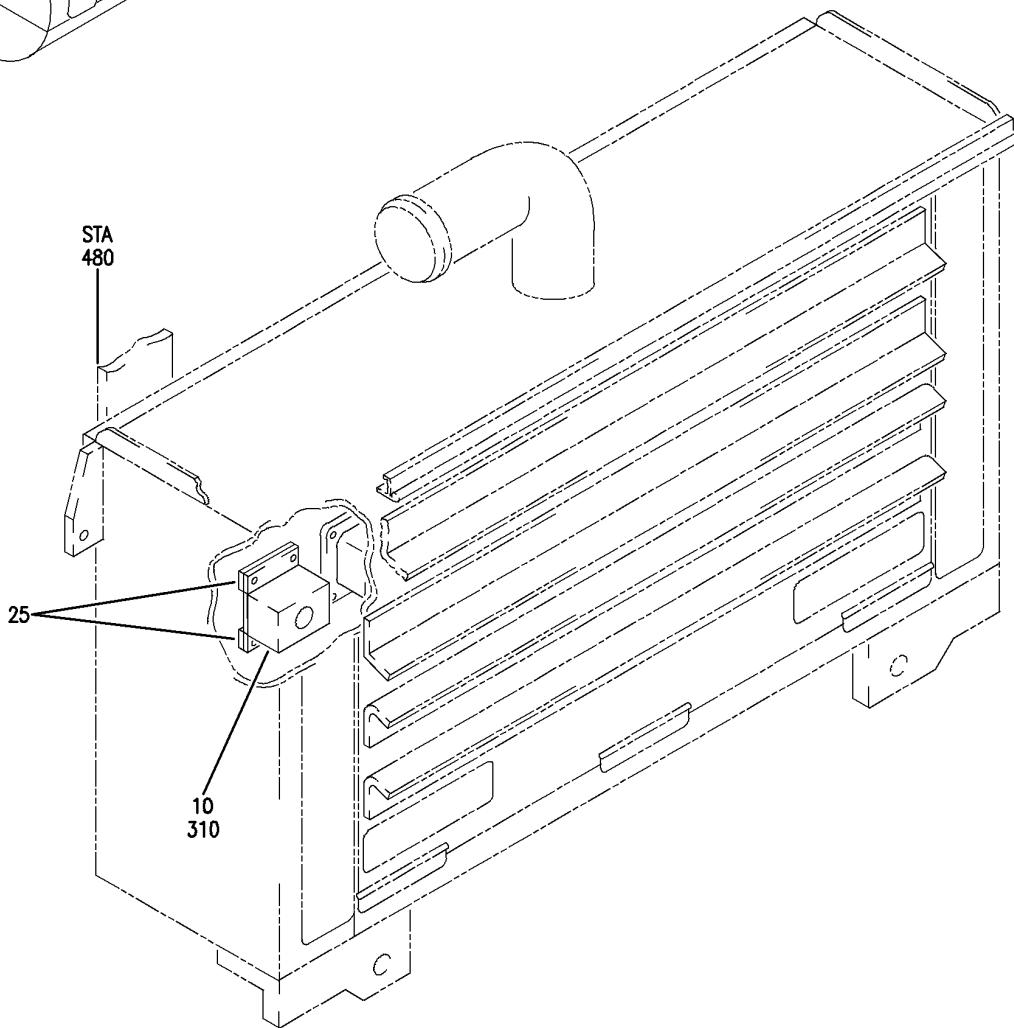
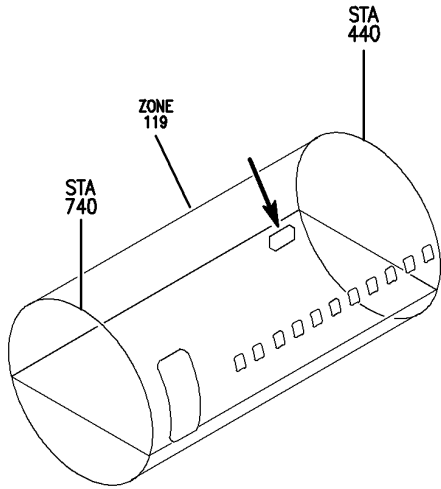
27-51-71-04A

27-51-71  
FIG. 04A  
PAGE 1  
JAN 20/09

BRI

BOEING PROPRIETARY - Copyright © - Unpublished Work - See title page for details.

**BOEING**  
757  
PARTS CATALOG (MAINTENANCE)



Y 27517104B REV 225

PANEL INSTL-P70 MISC RELAY (FLIGHT CONTROLS ONLY)  
FIGURE 4B

**27-51-71-04B**

BRI  
JAN 20/09

27-51-71-04B  
PAGE 0





757

PARTS CATALOG (MAINTENANCE)

FIG ITEM	PART NUMBER	1 2 3 4 5 6 7	NOMENCLATURE	EFFECT FROM TO	UNITS PER ASSY
4B			PANEL INSTL-P70 MISC RELAY (FLIGHT CONTROLS ONLY)	103106 108120	
- 2	284N1129-423		PANEL INSTL-P70 MISC RELAY (FLIGHT CONTROLS ONLY)	108120	RF
			FOR NHA/OTHER SYS DET SEE: 24-00-58-05C		
- 5	MODREF31428		PANEL INSTL-P70 MISC RELAY (FLIGHT CONTROLS ONLY)	103105	RF
			MODULE NUMBER: 284N1129-438 REV A		
			FOR OTHER SYS DETAILS SEE: 11-36-10-01B 21-25-71-03C 21-43-71-02B 21-44-71-03B 21-45-61-01 23-32-55-03B 24-51-02-07 24-51-04-01 24-51-60-04 24-53-71-04B 28-25-71-04B 31-01-70-05 33-45-51-02B		
- 5	MODREF170991		PANEL INSTL-P70 MISC RELAY (FLIGHT CONTROLS ONLY)	106106	RF
			MODULE NUMBER: 284N1129-438 REV C		
			FOR OTHER SYS DETAILS SEE: 11-36-10-01B 21-25-71-03C 21-43-71-02B 21-44-71-03B 21-45-61-01 23-32-55-03B 24-51-02-07 24-51-04-01 24-51-60-04 24-53-71-04B 28-25-71-04B 31-01-70-05 33-45-51-02B		

MISSING ITEM NUMBERS NOT APPLICABLE

- ITEM NOT ILLUSTRATED

BRI

**27-51-71-04B**

BOEING PROPRIETARY - Copyright © - Unpublished Work - See title page for details.

27-51-71  
FIG. 04B  
PAGE 1  
JAN 20/09



757

PARTS CATALOG (MAINTENANCE)

FIG ITEM	PART NUMBER	1 2 3 4 5 6 7	NOMENCLATURE	EFFECT FROM TO	UNITS PER ASSY
4B 10	FT1008		.TRANSFORMER- SUPPLIER CODE: V14752 SPECIFICATION NUMBER: 60B40026-20 ELECTRICAL EQUIP NUMBER: T00153 OPTIONAL PART: FT1008-14752 V14752 ATTACHING PARTS	103106 108120	1
- 15	NAS603-11P		.SCREW-	108120	4
- 15	BACS12CK3-11		.SCREW-	103106	4
- 20	NAS1149D0316H		.WASHER	103106 108120	4
			-----*-----		
25	284N1128-30		.PLATE-MTG	103106 108120	2
- 300	286N1250-335		WIRE BUNDLE ASSY-	108120	RF
- 302	286N1250-751		WIRE BUNDLE ASSY-	103106	RF
310	BACC45FT14-7S		.CONNECTOR- ELECTRICAL EQUIP NUMBER: D04094 WIRING DIAGRAM REF: 275161	103106 108120	1

MISSING ITEM NUMBERS NOT APPLICABLE

- ITEM NOT ILLUSTRATED

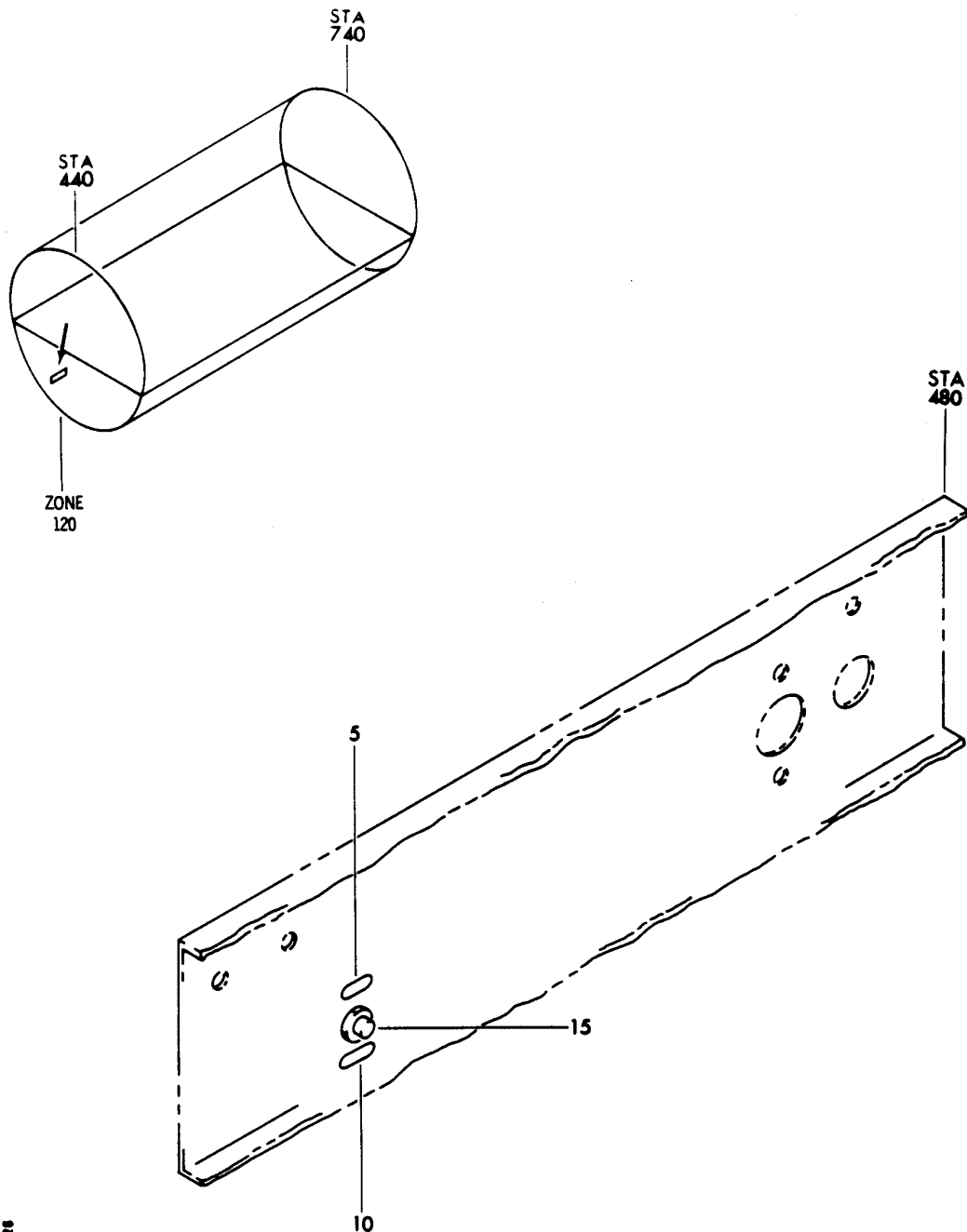
**27-51-71-04B**

27-51-71  
FIG. 04B  
PAGE 2  
JAN 20/09

BRI

BOEING PROPRIETARY - Copyright © - Unpublished Work - See title page for details.

**BOEING**  
757  
PARTS CATALOG (MAINTENANCE)



Y 27517105 SHT 1 REV 026

PANEL INSTL-EQPT CTR SVCE (FLIGHT CONTROLS ONLY)  
FIGURE 5

**27-51-71-05**

BRI  
MAY 28/07

27-51-71-05  
PAGE 0



757

PARTS CATALOG (MAINTENANCE)

FIG ITEM	PART NUMBER	1 2 3 4 5 6 7	NOMENCLATURE	EFFECT FROM TO	UNITS PER ASSY
5			PANEL INSTL-EQPT CTR SVCE (FLIGHT CONTROLS ONLY)	002004 006999	
- 1	284N1360-8		PANEL INSTL-EQPT CTR SVCE (FLIGHT CONTROLS ONLY) FOR NHA/OTHER SYS DET SEE: 24-00-58-01C	002004 006012 952999	RF
- 1	284N1360-11		PANEL INSTL-EQPT CTR SVCE (FLIGHT CONTROLS ONLY) FOR NHA/OTHER SYS DET SEE: 24-00-58-01C	107107 121503 904949	RF
- 1	284N1360-22		PANEL INSTL-EQPT CTR SVCE (FLIGHT CONTROLS ONLY) FOR NHA/OTHER SYS DET SEE: 24-00-58-01C	950951	RF
- 2	284N1360-25		PANEL INSTL-EQPT CTR SVCE (FLIGHT CONTROLS ONLY) FOR NHA/OTHER SYS DET SEE: 24-00-58-01C	013100	RF
- 2	284N1360-34		PANEL INSTL-EQPT CTR SVCE (FLIGHT CONTROLS ONLY) FOR NHA/OTHER SYS DET SEE: 24-00-58-05	101102 108120 504903	RF
- 2	MODREF10004		PANEL INSTL-EQPT CTR SVCE (FLIGHT CONTROLS ONLY) MODULE NUMBER: 284N1360-34 REV A FOR OTHER SYS DETAILS SEE: 11-36-51-01 23-41-56-01 25-29-51-01 27-58-52-01 33-31-54-01 33-37-53-01	103106	1
5	BAC27NEX1151		.DECAL- PLACARD CONTENT: S10329	002004 006999	1
10	BAC27NEX1152		.DECAL- PLACARD CONTENT: FLA TEST	002004 006999	1
15	D20011-01		.SWITCH- SUPPLIER CODE: V81640 ELECTRICAL EQUIP NUMBER: S10329	002004 006999	1

MISSING ITEM NUMBERS NOT APPLICABLE

- ITEM NOT ILLUSTRATED

27-51-71-05

27-51-71  
FIG. 05  
PAGE 1  
JAN 20/09

BRI

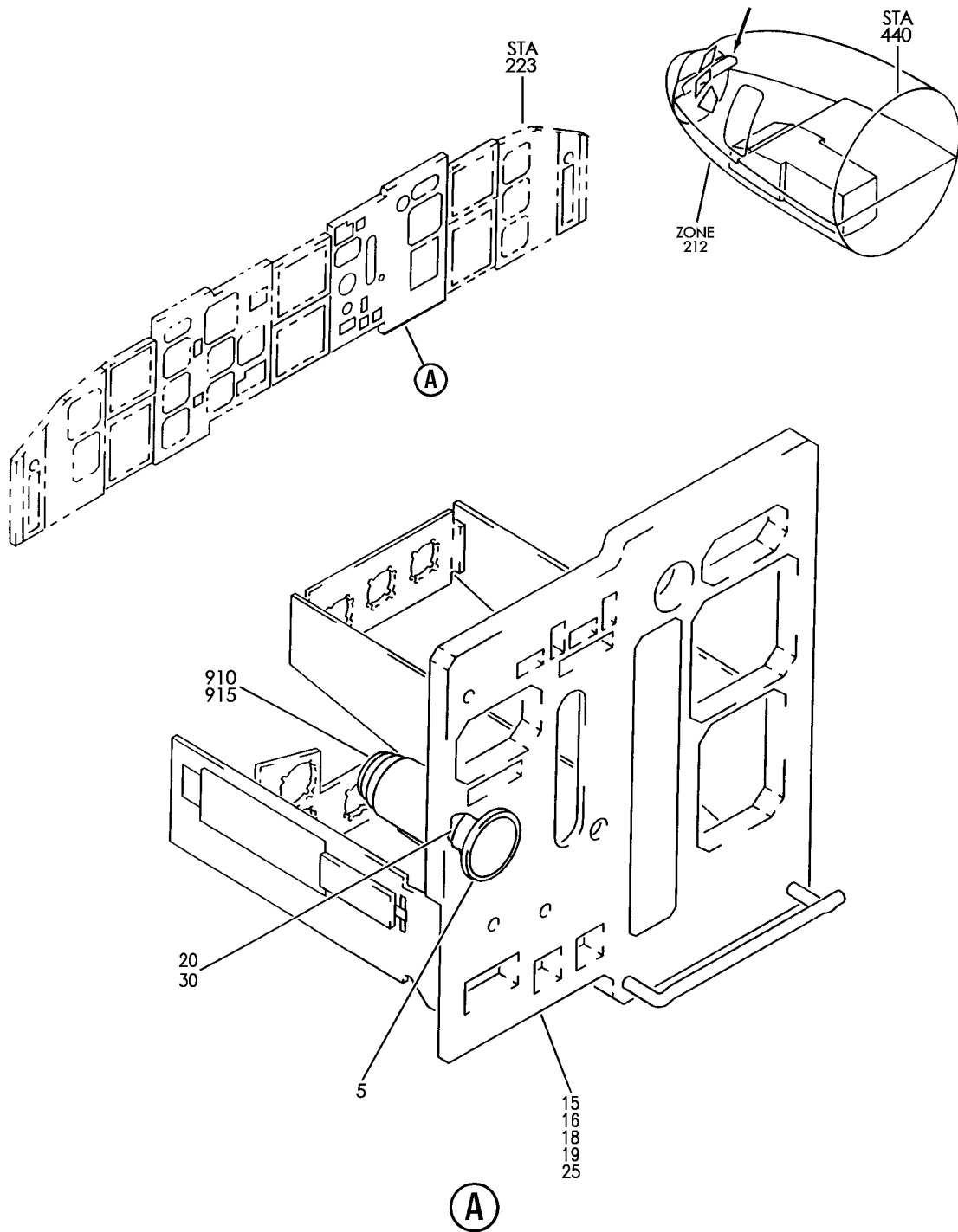
BOEING PROPRIETARY - Copyright © - Unpublished Work - See title page for details.

## TRAILING EDGE FLAP POSITION INDICATING SYSTEM

BRI  
MAY 28/07

27-58-00  
SECTION TITLE  
PAGE 1

**BOEING**  
757  
PARTS CATALOG (MAINTENANCE)



Y 27580001 REV 277

PANEL INSTL-CAPT AND FIRST OFFICER FWD (TRAILING EDGE FLAP POSITION INDICATING SYSTEM ONLY)

FIGURE 1

**27-58-00-01**

BRI  
MAY 28/07

27-58-00-01  
PAGE 0



757

PARTS CATALOG (MAINTENANCE)

FIG ITEM	PART NUMBER	1 2 3 4 5 6 7	NOMENCLATURE	EFFECT FROM TO	UNITS PER ASSY
1			PANEL INSTL-CAPT AND FIRST OFFICER FWD (TRAILING EDGE FLAP POSITION INDICATING SYSTEM ONLY)	011100	
- 1	233N2101-1		PANEL INSTL-CAPT AND FIRST OFFICER (TRAILING EDGE FLAP POSITION INDICATING SYSTEM ONLY) POSITION DATA: FWD VARIABLE DRAWING REF: 233N2101-5039 FOR NHA/OTHER SYS DET SEE: 25-10-00-05A	011100	RF
5	215-016-001		.INDICATOR- SUPPLIER CODE: V26055 SPECIFICATION NUMBER: S231T280-1 ELECTRICAL EQUIP NUMBER: N00015 COMPONENT MAINT MANUAL REF: 27-50-01	011100	1
- 10	233N2222-301		.MODULE ASSY-P3-1 COMPONENT MAINT MANUAL REF: 31-11-49 PRE ALERT SB: 33A0044	011100	RF
- 10	233N2222-1301		.MODULE ASSY-P3-1 COMPONENT MAINT MANUAL REF: 31-11-49 POST ALERT SB: 33A0044	011100	RF
15	233N2222-77		..MODULE ASSY- PRE ALERT SB: 33A0044	011100	RF
15	233N2222-1077		..MODULE ASSY- POST ALERT SB: 33A0044	011100	RF
20	123-1900D		...CLAMP- SUPPLIER CODE: V33463	011100	1
- 900	286N0003-005		WIRE BUNDLE ASSY- REWORKED BY ALERT SB: 34A0222	011100	RF

MISSING ITEM NUMBERS NOT APPLICABLE

- ITEM NOT ILLUSTRATED

BRI

27-58-00-01

27-58-00  
FIG. 01  
PAGE 1  
JAN 20/09



757

PARTS CATALOG (MAINTENANCE)

FIG ITEM	PART NUMBER	1 2 3 4 5 6 7	NOMENCLATURE	EFFECT FROM TO	UNITS PER ASSY
1 910	BACC45FT12-12S		.CONNECTOR- ELECTRICAL EQUIP NUMBER: D02960 WIRING DIAGRAM REF: 275811	011100	1
915	BACC10GH12		.CLAMP- ELECTRICAL EQUIP NUMBER: D02960T WIRING DIAGRAM REF: 275811	011100	1

MISSING ITEM NUMBERS NOT APPLICABLE

- ITEM NOT ILLUSTRATED

BRI

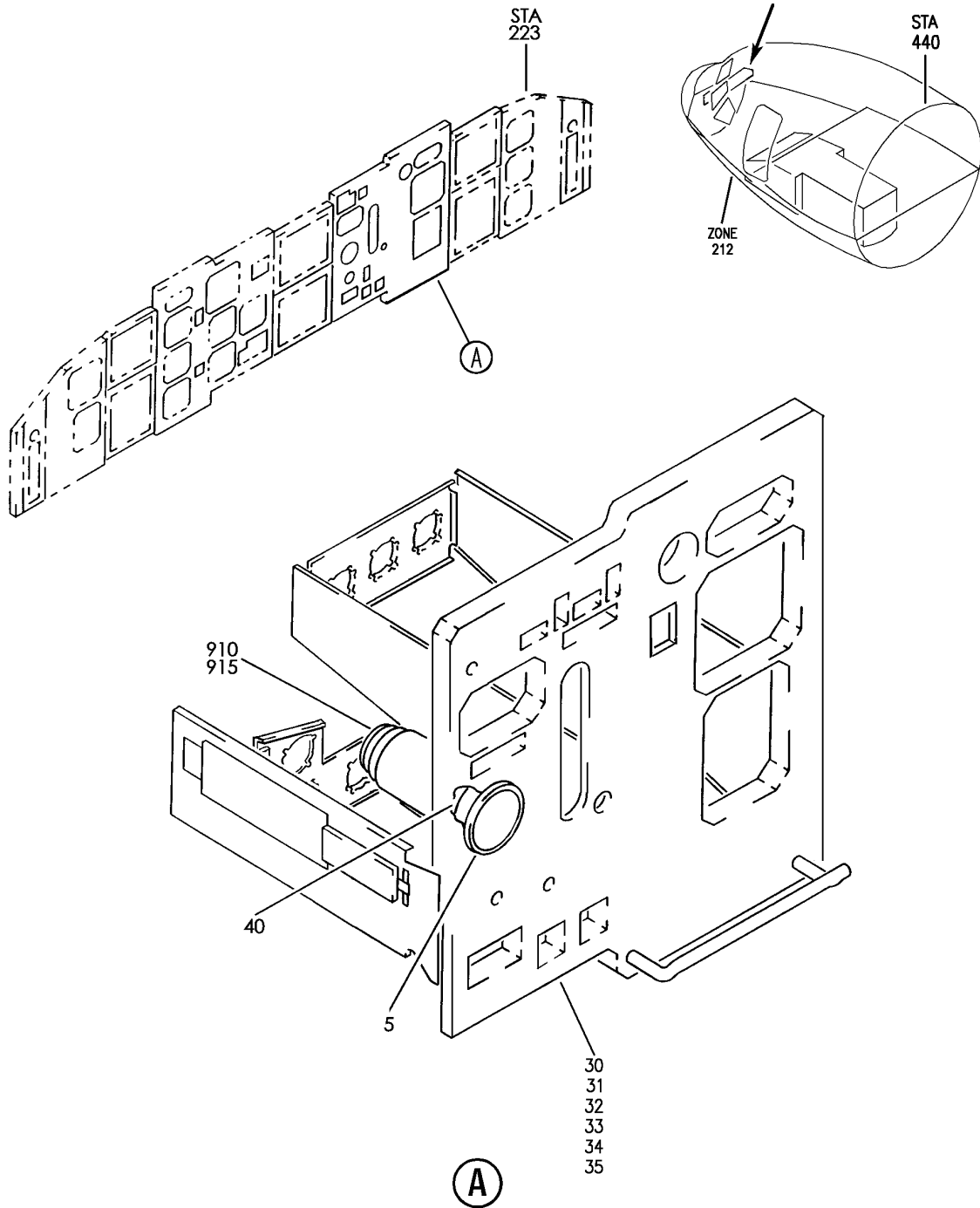
27-58-00-01

BOEING PROPRIETARY - Copyright © - Unpublished Work - See title page for details.

27-58-00  
FIG. 01  
PAGE 2  
JAN 20/09



**BOEING**  
757  
PARTS CATALOG (MAINTENANCE)



Y 27580002 REV 277

PANEL INSTL-CAPT AND FIRST OFFICER AND P3-1 (TRAILING EDGE FLAP POSITION INDICATING SYSTEM ONLY)  
FIGURE 2

**27-58-00-02**

BRI  
MAY 28/07

27-58-00-02  
PAGE 0



757

PARTS CATALOG (MAINTENANCE)

FIG ITEM	PART NUMBER	1 2 3 4 5 6 7	NOMENCLATURE	EFFECT FROM TO	UNITS PER ASSY
2			PANEL INSTL-CAPT AND FIRST OFFICER AND P3-1 (TRAILING EDGE FLAP POSITION INDICATING SYSTEM ONLY)	101106 108120 504903	
- 1	233N2103-1		PANEL INSTL-CAPT AND FIRST OFFICER (TRAILING EDGE FLAP POSITION INDICATING SYSTEM ONLY)	101102 108120 504903	RF
- 1	MODREF33340		POSITION DATA: FWD FOR NHA/OTHER SYS DET SEE: 25-10-00-15		
- 1	MODREF33340		PANEL INSTL-CAPT AND FIRST OFFICER (TRAILING EDGE FLAP POSITION INDICATING SYSTEM ONLY)	103106	1
			MODULE NUMBER: 233N2103-100 REV A		
			POSITION DATA: FWD FOR OTHER SYS DETAILS SEE: 31-11-11-01 31-11-26-01 31-41-01-01 32-41-52-02 33-11-51-13 33-13-51-01 33-14-51-01 34-13-05-01 34-22-03-01 34-22-04-01		
5	215-016-001		.INDICATOR-FLAP POSITION	101106 108120 504903	1
			SUPPLIER CODE: V26055		
			SPECIFICATION NUMBER: S231T280-1		
			ELECTRICAL EQUIP NUMBER: N00015		
			COMPONENT MAINT MANUAL REF: 27-50-01		
- 10	233N2103-17		PANEL INSTL-P3-1 (TRAILING EDGE FLAP POSITION INDICATING SYSTEM ONLY)	101101	RF
			FOR NHA/OTHER SYS DET SEE: 25-10-00-15B		

MISSING ITEM NUMBERS NOT APPLICABLE

- ITEM NOT ILLUSTRATED

BRI

27-58-00-02

BOEING PROPRIETARY - Copyright © - Unpublished Work - See title page for details.

27-58-00  
FIG. 02  
PAGE 1  
JAN 20/09



757

PARTS CATALOG (MAINTENANCE)

FIG ITEM	PART NUMBER	1 2 3 4 5 6 7	NOMENCLATURE	EFFECT FROM TO	UNITS PER ASSY
2 - 10	233N2103-217		PANEL INSTL-P3-1 (TRAILING EDGE FLAP POSITION INDICATING SYSTEM ONLY) FOR NHA/OTHER SYS DET SEE: 25-10-00-15B	102102	RF
- 10	233N2103-254		PANEL INSTL-P3-1 (TRAILING EDGE FLAP POSITION INDICATING SYSTEM ONLY) FOR NHA/OTHER SYS DET SEE: 25-10-00-15B	504903	RF
- 12	233N2103-371		PANEL INSTL-P3-1 (TRAILING EDGE FLAP POSITION INDICATING SYSTEM ONLY) FOR NHA/OTHER SYS DET SEE: 25-10-00-15B	108120	RF

MISSING ITEM NUMBERS NOT APPLICABLE

- ITEM NOT ILLUSTRATED

BRI

27-58-00-02

BOEING PROPRIETARY - Copyright © - Unpublished Work - See title page for details.

27-58-00  
FIG. 02  
PAGE 2  
JAN 20/09



757

PARTS CATALOG (MAINTENANCE)

FIG ITEM	PART NUMBER	1 2 3 4 5 6 7	NOMENCLATURE	EFFECT FROM TO	UNITS PER ASSY
2 - 16	MODREF31741		PANEL INSTL-P3-1 (TRAILING EDGE FLAP POSITION INDICATING SYSTEM ONLY) MODULE NUMBER: 233N2103-425 REV A FOR OTHER SYS DETAILS SEE: 11-31-01-38 22-11-02-03 22-14-01-03 22-31-02-01 22-34-51-02 26-17-51-05 27-51-57-03 27-81-00-01 29-21-55-02 31-11-11-19 31-11-16-01 31-11-26-38 31-25-01-03 31-41-52-02 31-51-52-02 32-35-52-03 32-41-52-02 32-42-55-03 32-46-00-01 32-61-51-03 33-13-57-01A 33-16-52-03 34-12-01-03 34-13-01-03 34-13-02-01 34-13-05-01 34-13-06-01 34-16-51-03 34-21-02-02 34-22-02-02 34-22-05-01A 34-22-06-01 34-24-01-03 34-32-00-02 34-46-51-02 34-51-02-02 34-57-00-01 34-61-01-07 34-61-02-02 77-41-01-01 79-33-51-05	103105	1

MISSING ITEM NUMBERS NOT APPLICABLE

- ITEM NOT ILLUSTRATED

BRI

27-58-00-02

BOEING PROPRIETARY - Copyright © - Unpublished Work - See title page for details.

27-58-00  
FIG. 02  
PAGE 3  
JAN 20/09



757

PARTS CATALOG (MAINTENANCE)

FIG ITEM	PART NUMBER	1 2 3 4 5 6 7	NOMENCLATURE	EFFECT FROM TO	UNITS PER ASSY
2 - 16	MODREF104335		PANEL INSTL-P3-1 (TRAILING EDGE FLAP POSITION INDICATING SYSTEM ONLY) MODULE NUMBER: 233N2103-425 REV B FOR OTHER SYS DETAILS SEE: 11-31-01-38 22-11-02-03 22-14-01-03 22-31-02-01 22-34-51-02 26-17-51-05 27-51-57-03 27-81-00-01 29-21-55-02 31-11-11-19 31-11-16-01 31-11-26-38 31-25-01-03 31-41-52-02 31-51-52-02 32-35-52-03 32-41-52-02 32-42-55-03 32-46-00-01 32-61-51-03 33-13-57-01A 33-16-52-03 34-12-01-03 34-13-01-03 34-13-02-01 34-13-05-01 34-13-06-01 34-16-51-03 34-21-02-02 34-22-02-02 34-22-05-01A 34-22-06-01 34-24-01-03 34-32-00-02 34-46-51-02 34-51-02-02 34-57-00-01 34-61-01-07 34-61-02-02 77-41-01-01 79-33-51-05	106106	1

MISSING ITEM NUMBERS NOT APPLICABLE

- ITEM NOT ILLUSTRATED

27-58-00-02

27-58-00  
FIG. 02  
PAGE 4  
JAN 20/09

BRI



757

PARTS CATALOG (MAINTENANCE)

FIG ITEM	PART NUMBER	1 2 3 4 5 6 7	NOMENCLATURE	EFFECT FROM TO	UNITS PER ASSY
2					
- 20	233N2222-301		.MODULE ASSY- COMPONENT MAINT MANUAL REF: 31-11-49 PRE ALERT SB: 33A0044	101101	RF
- 20	233N2222-321		.MODULE ASSY- COMPONENT MAINT MANUAL REF: 31-11-49 PRE ALERT SB: 33A0044	102102	RF
- 20	233N2222-326		.MODULE ASSY- COMPONENT MAINT MANUAL REF: 31-11-49 PRE ALERT SB: 33A0044	504903	RF
- 20	233N2222-329		.MODULE ASSY- COMPONENT MAINT MANUAL REF: 31-11-49 PRE ALERT SB: 33A0044	102102	RF
- 20	233N2222-334		.MODULE ASSY- COMPONENT MAINT MANUAL REF: 31-11-49 PRE ALERT SB: 33A0044	504903	RF
- 21	233N2222-342		.MODULE ASSY- COMPONENT MAINT MANUAL REF: 31-11-49 PRE ALERT SB: 33A0044	102102 108120	RF
- 21	233N2222-347		.MODULE ASSY- COMPONENT MAINT MANUAL REF: 31-11-49 PRE ALERT SB: 33A0044	504903	RF
- 22	233N2222-1342		.MODULE ASSY- COMPONENT MAINT MANUAL REF: 31-11-49 POST ALERT SB: 33A0044	102102 108120	RF
- 23	233N2222-379		.MODULE ASSY- COMPONENT MAINT MANUAL REF: 31-11-49	103106	RF
- 23	233N2222-1301		.MODULE ASSY- COMPONENT MAINT MANUAL REF: 31-11-49 POST ALERT SB: 33A0044	101101	RF

MISSING ITEM NUMBERS NOT APPLICABLE

- ITEM NOT ILLUSTRATED

BRI

27-58-00-02

BOEING PROPRIETARY - Copyright © - Unpublished Work - See title page for details.

27-58-00  
FIG. 02  
PAGE 5  
JAN 20/09



757

PARTS CATALOG (MAINTENANCE)

FIG ITEM	PART NUMBER	1 2 3 4 5 6 7	NOMENCLATURE	EFFECT FROM TO	UNITS PER ASSY
2					
- 23	233N2222-1321		.MODULE ASSY- COMPONENT MAINT MANUAL REF: 31-11-49 POST ALERT SB: 33A0044	102102	RF
- 23	233N2222-1329		.MODULE ASSY- COMPONENT MAINT MANUAL REF: 31-11-49 POST ALERT SB: 33A0044	102102	RF
- 24	233N2222-1326		.MODULE ASSY- COMPONENT MAINT MANUAL REF: 31-11-49 POST ALERT SB: 33A0044	504903	RF
- 24	233N2222-1334		.MODULE ASSY- COMPONENT MAINT MANUAL REF: 31-11-49 POST ALERT SB: 33A0044	504903	RF
- 24	233N2222-1347		.MODULE ASSY- COMPONENT MAINT MANUAL REF: 31-11-49 POST ALERT SB: 33A0044	504903	RF
30	233N2222-77		..MODULE ASSY- PRE ALERT SB: 33A0044	101101	RF
30	233N2222-100		..MODULE ASSY- USED ON: 233N2222-321 PRE ALERT SB: 33A0044	102102	RF
30	233N2222-105		..MODULE ASSY- USED ON: 233N2222-326 PRE ALERT SB: 33A0044	504903	RF
30	233N2222-111		..MODULE ASSY- USED ON: 233N2222-329 PRE ALERT SB: 33A0044	102102	RF
30	233N2222-116		..MODULE ASSY- USED ON: 233N2222-334 PRE ALERT SB: 33A0044	504903	RF

MISSING ITEM NUMBERS NOT APPLICABLE

- ITEM NOT ILLUSTRATED

27-58-00-02

27-58-00  
FIG. 02  
PAGE 6  
JAN 20/09

BRI



757

PARTS CATALOG (MAINTENANCE)

FIG ITEM	PART NUMBER	1 2 3 4 5 6 7	NOMENCLATURE	EFFECT FROM TO	UNITS PER ASSY
2					
31	233N2222-122	..	MODULE ASSY- USED ON: 233N2222-342 PRE ALERT SB: 33A0044	102102 108120	RF
31	233N2222-127	..	MODULE ASSY- USED ON: 233N2222-347 PRE ALERT SB: 33A0044	504903	RF
32	233N2222-153	..	MODULE ASSY-	103106	RF
32	233N2222-1077	..	MODULE ASSY- POST ALERT SB: 33A0044	101101	RF
33	233N2222-1100	..	MODULE ASSY- USED ON: 233N2222-1321 POST ALERT SB: 33A0044	102102	RF
33	233N2222-1111	..	MODULE ASSY- USED ON: 233N2222-1329 POST ALERT SB: 33A0044	102102	RF
33	233N2222-1122	..	MODULE ASSY- USED ON: 233N2222-1342 POST ALERT SB: 33A0044	102102 108120	RF
33	233N2222-1105	..	MODULE ASSY- USED ON: 233N2222-1326 POST ALERT SB: 33A0044	504903	RF
33	233N2222-1116	..	MODULE ASSY- USED ON: 233N2222-1334 POST ALERT SB: 33A0044	504903	RF
34	233N2222-1127	..	MODULE ASSY- USED ON: 233N2222-1347 POST ALERT SB: 33A0044	504903	RF
40	123-1900D	...	CLAMP- SUPPLIER CODE: V33463	101106 108120 504903	1

MISSING ITEM NUMBERS NOT APPLICABLE

- ITEM NOT ILLUSTRATED

BRI

27-58-00-02

27-58-00  
FIG. 02  
PAGE 7  
JAN 20/09





757

PARTS CATALOG (MAINTENANCE)

FIG ITEM	PART NUMBER	1 2 3 4 5 6 7	NOMENCLATURE	EFFECT FROM TO	UNITS PER ASSY
2					
- 901	286N0003-323		WIRE BUNDLE ASSY- REWORKED BY ALERT SB: 34A0222	101101	RF
- 902	286N0003-355		WIRE BUNDLE ASSY- REWORKED BY ALERT SB: 34A0222	504903	RF
- 902	286N0003-359		WIRE BUNDLE ASSY- REWORKED BY ALERT SB: 34A0222	102102	RF
- 904	286N0003-384		WIRE BUNDLE ASSY- REWORKED BY ALERT SB: 34A0222	108120	RF
- 906	286N0003-601		WIRE BUNDLE ASSY	103106	RF
910	BACC45FT12-12S		.CONNECTOR- ELECTRICAL EQUIP NUMBER: D02960 WIRING DIAGRAM REF: 275811	103106 108120 504903	1
910	BACC45FT12A12S		.CONNECTOR- ELECTRICAL EQUIP NUMBER: D02960 WIRING DIAGRAM REF: 275811	101102	1
915	BACC10GH12		.CLAMP- ELECTRICAL EQUIP NUMBER: D02960T WIRING DIAGRAM REF: 275811	103106 108120 504903	1

MISSING ITEM NUMBERS NOT APPLICABLE

- ITEM NOT ILLUSTRATED

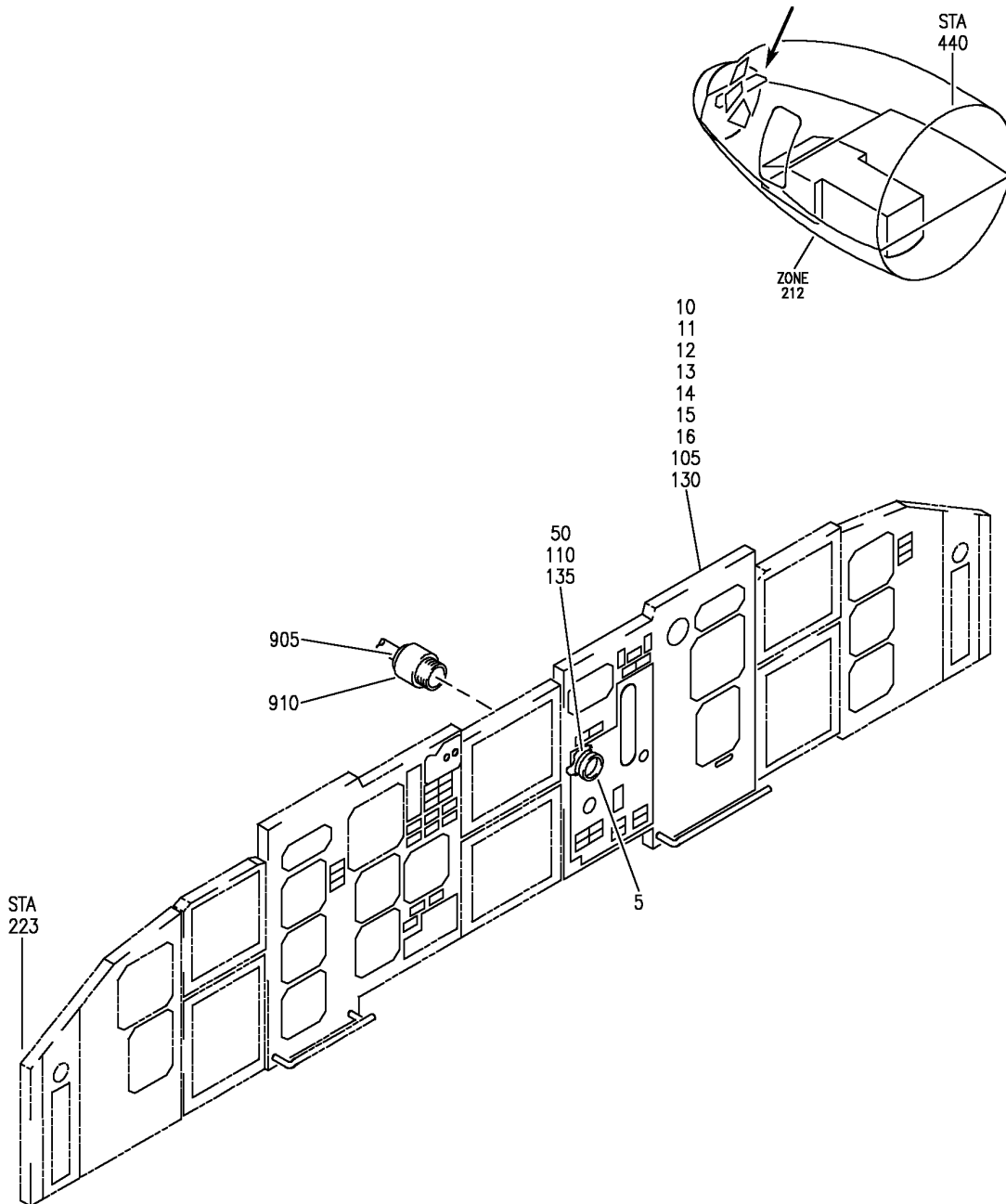
BRI

27-58-00-02

BOEING PROPRIETARY - Copyright © - Unpublished Work - See title page for details.

27-58-00  
FIG. 02  
PAGE 8  
JAN 20/09

**BOEING**  
757  
PARTS CATALOG (MAINTENANCE)



Y 27580003 REV 276

PANEL INSTL-CAPT AND FIRST OFFICER FWD (TRAILING EDGE FLAP POSITION INDICATING SYSTEM ONLY)

FIGURE 3

**27-58-00-03**

BRI  
MAY 28/07

27-58-00-03  
PAGE 0



757

PARTS CATALOG (MAINTENANCE)

FIG ITEM	PART NUMBER	1 2 3 4 5 6 7	NOMENCLATURE	EFFECT FROM TO	UNITS PER ASSY
3			PANEL INSTL-CAPT AND FIRST OFFICER FWD (TRAILING EDGE FLAP POSITION INDICATING SYSTEM ONLY)	002010 107107 121503 904999	
- 1	233N2101-1		PANEL INSTL-CAPT AND FIRST OFFICER (TRAILING EDGE FLAP POSITION INDICATING SYSTEM ONLY) POSITION DATA: FWD VARIABLE DRAWING REF: 233N2101-5003 233N2101-5004 233N2101-5037 233N2101-5039 233N2101-5041 FOR NHA/OTHER SYS DET SEE: 25-10-00-05A	002004 006010 107107 121503 904999	RF
5	215-016-001		.INDICATOR- SUPPLIER CODE: V26055 SPECIFICATION NUMBER: S231T280-1 ELECTRICAL EQUIP NUMBER: N00015 COMPONENT MAINT MANUAL REF: 27-50-01	002004 006010 107107 121503 904999	1
10	233N2222-53		.MODULE ASSY-P3-1 PRE ALERT SB: 33A0044	107107	RF
11	233N2222-77		.MODULE ASSY-P3-1 PRE SERVICE BULLETIN: 34-0200 PRE ALERT SB: 33A0044	002004 006010 950999	RF
12	233N2222-85		.MODULE ASSY-P3-1 PRE ALERT SB: 33A0044R1	121503 904949	RF
12	233N2222-1077		.MODULE ASSY-P3-1 POST ALERT SB: 33A0044	002010 950951 953999	RF
15	233N2222-1053		.MODULE ASSY-P3-1 POST ALERT SB: 33A0044	107107	RF
16	233N2222-1085		.MODULE ASSY-P3-1 POST ALERT SB: 33A0044R1	121503 904949	RF

MISSING ITEM NUMBERS NOT APPLICABLE

- ITEM NOT ILLUSTRATED

27-58-00-03

27-58-00  
FIG. 03  
PAGE 1  
JAN 20/09

BRI



757

PARTS CATALOG (MAINTENANCE)

FIG ITEM	PART NUMBER	1 2 3 4 5 6 7	NOMENCLATURE	EFFECT FROM TO	UNITS PER ASSY
3					
50	123-1900D		..CLAMP- SUPPLIER CODE: V33463	002010 107107 121503 904999	1
- 100	233N2222-329		.MODULE ASSY- COMPONENT MAINT MANUAL REF: 31-11-49 POST SERVICE BULLETIN: 34-0200 PRE ALERT SB: 33A0044	952952	RF
- 100	233N2222-1329		.MODULE ASSY- COMPONENT MAINT MANUAL REF: 31-11-49 POST ALERT SB: 33A0044	952952	RF
105	233N2222-111		..MODULE ASSY- PRE ALERT SB: 33A0044	952952	1
105	233N2222-1111		..MODULE ASSY- POST ALERT SB: 33A0044	952952	1
110	123-1900D		...CLAMP- SUPPLIER CODE: V33463	952952	1
- 900	286N0003-002		WIRE BUNDLE ASSY- REWORKED BY ALERT SB: 34A0222	121503 904949	RF
- 900	286N0003-005		WIRE BUNDLE ASSY- REWORKED BY SB: 34-0200 REWORKED BY ALERT SB: 34A0222	002004 006010 950999	RF
905	BACC10GH12		.CLAMP- ELECTRICAL EQUIP NUMBER: D02960T WIRING DIAGRAM REF: 275811	002004 006010 107107 121503 904999	1
910	BACC45FT12-12S		.CONNECTOR- ELECTRICAL EQUIP NUMBER: D02960 WIRING DIAGRAM REF: 275811	002004 006010 107107 121503 904999	1

MISSING ITEM NUMBERS NOT APPLICABLE

- ITEM NOT ILLUSTRATED

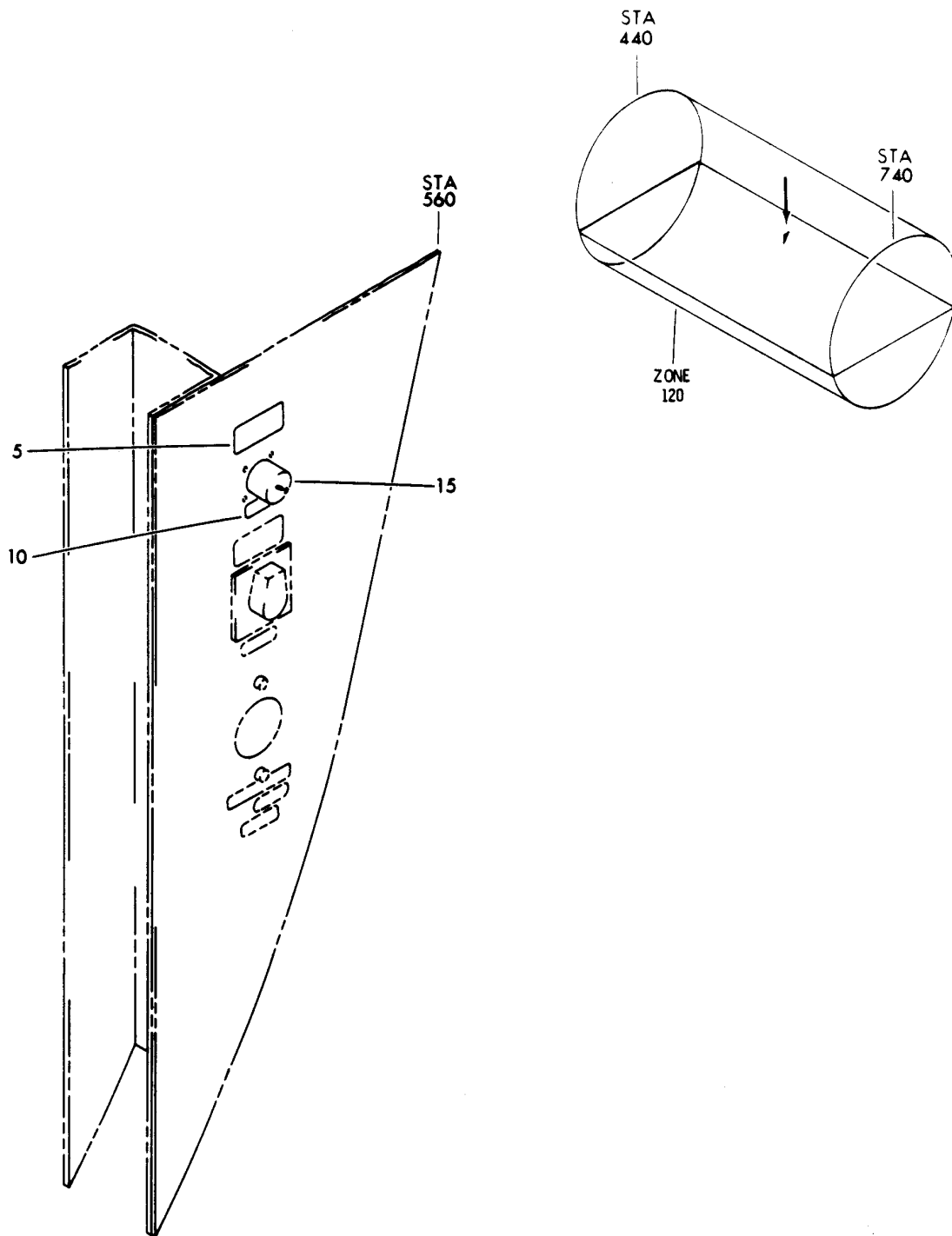
27-58-00-03

27-58-00  
FIG. 03  
PAGE 2  
JAN 20/09

BRI

BOEING PROPRIETARY - Copyright © - Unpublished Work - See title page for details.

**BOEING**  
757  
PARTS CATALOG (MAINTENANCE)



Y 27585201 SHT 1 REV 083

PANEL INSTL-EQPT CTR SVCE (TE FLAP POSITION INDICATING SYSTEM ONLY)

FIGURE 1

**27-58-52-01**

BRI  
MAY 28/07

27-58-52-01  
PAGE 0



757

PARTS CATALOG (MAINTENANCE)

FIG ITEM	PART NUMBER	1 2 3 4 5 6 7	NOMENCLATURE	EFFECT FROM TO	UNITS PER ASSY
1			PANEL INSTL-EQPT CTR SVCE (TE FLAP POSITION INDICATING SYSTEM ONLY)	002004 006999	
- 1	284N1360-8		PANEL INSTL-EQPT CTR SVCE (TE FLAP POSITION INDICATING SYSTEM ONLY) FOR NHA/OTHER SYS DET SEE: 24-00-58-01C	002004 006012 952999	RF
- 1	284N1360-11		PANEL INSTL-EQPT CTR SVCE (TE FLAP POSITION INDICATING SYSTEM ONLY) FOR NHA/OTHER SYS DET SEE: 24-00-58-01C	107107 121503 904949	RF
- 1	284N1360-22		PANEL INSTL-EQPT CTR SVCE (TE FLAP POSITION INDICATING SYSTEM ONLY) FOR NHA/OTHER SYS DET SEE: 24-00-58-01C	950951	RF
- 1	284N1360-25		PANEL INSTL-EQPT CTR SVCE (TE FLAP POSITION INDICATING SYSTEM ONLY) FOR NHA/OTHER SYS DET SEE: 24-00-58-01C	013100	RF
- 2	284N1360-34		PANEL INSTL-EQPT CTR SVCE (TE FLAP POSITION INDICATING SYSTEM ONLY) FOR NHA/OTHER SYS DET SEE: 24-00-58-05	101102 108120 504903	RF
- 2	MODREF10004		PANEL INSTL-EQPT CTR SVCE (TE FLAP POSITION INDICATING SYSTEM ONLY) MODULE NUMBER: 284N1360-34 REV A FOR OTHER SYS DETAILS SEE: 11-36-51-01 23-41-56-01 25-29-51-01 27-51-71-05 33-31-54-01 33-37-53-01	103106	1
5	BAC27NEX1992		.DECAL- PLACARD CONTENT: FSEU DATA BUS	002004 006999	1
10	BAC27NEX1991		.DECAL- PLACARD CONTENT: D1251	002004 006999	1
15	M83723-60-210AC		.CAP- OPTIONAL PART: MS27295-1	002004 006999	1

MISSING ITEM NUMBERS NOT APPLICABLE

- ITEM NOT ILLUSTRATED

27-58-52-01

27-58-52  
FIG. 01  
PAGE 1  
JAN 20/09

BRI



757

PARTS CATALOG (MAINTENANCE)

FIG ITEM	PART NUMBER	1 2 3 4 5 6 7	NOMENCLATURE	EFFECT FROM TO	UNITS PER ASSY
1 15	MS27295-1		.CAP- OPTIONAL PART: M83723-60-210AC	002004 006999	1

MISSING ITEM NUMBERS NOT APPLICABLE

- ITEM NOT ILLUSTRATED

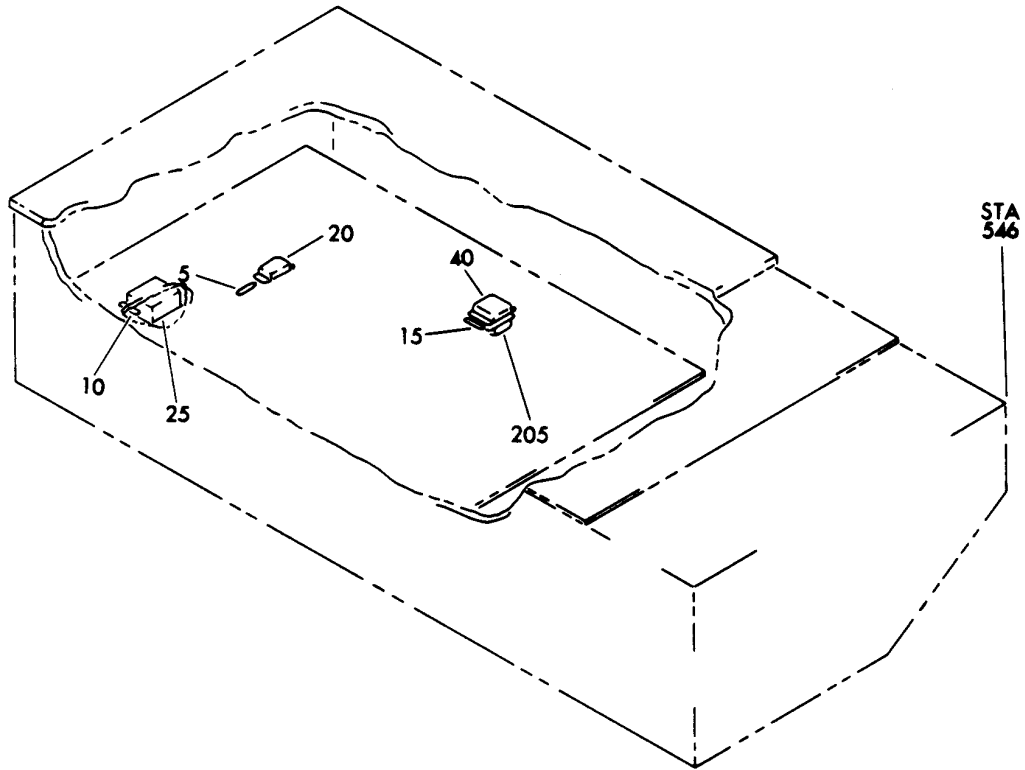
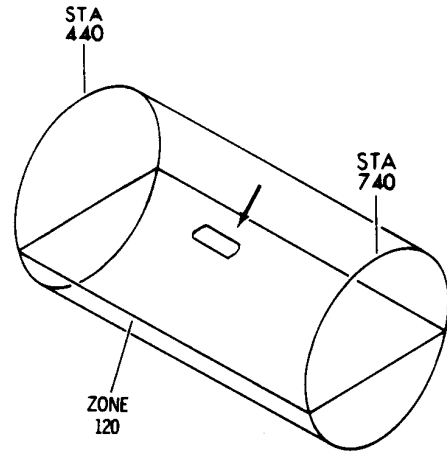
BRI

27-58-52-01

BOEING PROPRIETARY - Copyright © - Unpublished Work - See title page for details.

27-58-52  
FIG. 01  
PAGE 2  
JAN 20/09

**BOEING**  
757  
PARTS CATALOG (MAINTENANCE)



Y 27587102 SHT 1 REV 035

PANEL ASSY-P36 MISC RELAY L (TE FLAP POSITION INDICATING SYSTEM ONLY)  
FIGURE 2

**27-58-71-02**

BRI  
MAY 28/07

27-58-71-02  
PAGE 0





757

PARTS CATALOG (MAINTENANCE)

FIG ITEM	PART NUMBER	1 2 3 4 5 6 7	NOMENCLATURE	EFFECT FROM TO	UNITS PER ASSY
2			PANEL ASSY-P36 MISC RELAY L (TE FLAP POSITION INDICATING SYSTEM ONLY)	002004 006100 107107 121503 904999	
- 1	284N1125-1		PANEL ASSY-P36 MISC RELAY L (TE FLAP POSITION INDICATING SYSTEM ONLY) VARIABLE DRAWING REF: 284N1125-5023 284N1125-5030 284N1125-5049 284N1125-5050 284N1125-5054 REWORKED BY SB: 34-0200 REWORKED BY ALERT SB: 27A0130 FOR NHA/OTHER SYS DET SEE: 31-01-36-01B	002004 006100 107107 121503 904999	RF
5	BAC27NEX0234		.DECAL- PLACARD CONTENT: K10244	107107 121503 904949	1
5	BAC27NEX2501		.DECAL- PLACARD CONTENT: K10244	002004 006100 950999	1
10	BAC27NEX1401		.DECAL- PLACARD CONTENT: TS5084	002004 006100 107107 121503 904999	1
20	W460F1A		.RELAY- SUPPLIER CODE: VF0219 SPECIFICATION NUMBER: BACR13CE2 OPTIONAL PART: 3SAH5-13-4K1 V01526 3SAH1326A2 V01526 ELECTRICAL EQUIP NUMBER: K10244	002004 006100 107107 121503 904999	1

MISSING ITEM NUMBERS NOT APPLICABLE

- ITEM NOT ILLUSTRATED

27-58-71-02

27-58-71  
FIG. 02  
PAGE 1  
JAN 20/09

BRI



757

PARTS CATALOG (MAINTENANCE)

FIG ITEM	PART NUMBER	1 2 3 4 5 6 7	NOMENCLATURE	EFFECT FROM TO	UNITS PER ASSY
2 25	18-1958-8		.SENSOR- SUPPLIER CODE: V96774 SPECIFICATION NUMBER: S256T007-8 ELECTRICAL EQUIP NUMBER: TS5084 ATTACHING PARTS	002004 006100 107107 121503 904999	1
- 30	NAS601-24P		.SCREW-	002004 006100 107107 121503 904999	4
- 200	286N1260-002		-----*----- WIRE BUNDLE ASSY-(TE FLAP POSITION INDICATING SYSTEM ONLY) REWORKED BY ALERT SB: 27A0130	121503 904949	RF
- 200	286N1260-003		WIRE BUNDLE ASSY-(TE FLAP POSITION INDICATING SYSTEM ONLY) REWORKED BY ALERT SB: 27A0130	107107	RF
- 200	286N1260-005		WIRE BUNDLE ASSY-(TE FLAP POSITION INDICATING SYSTEM ONLY) REWORKED BY SB: 34-0200 REWORKED BY ALERT SB: 27A0130	002004 006100 950999	RF

MISSING ITEM NUMBERS NOT APPLICABLE

- ITEM NOT ILLUSTRATED

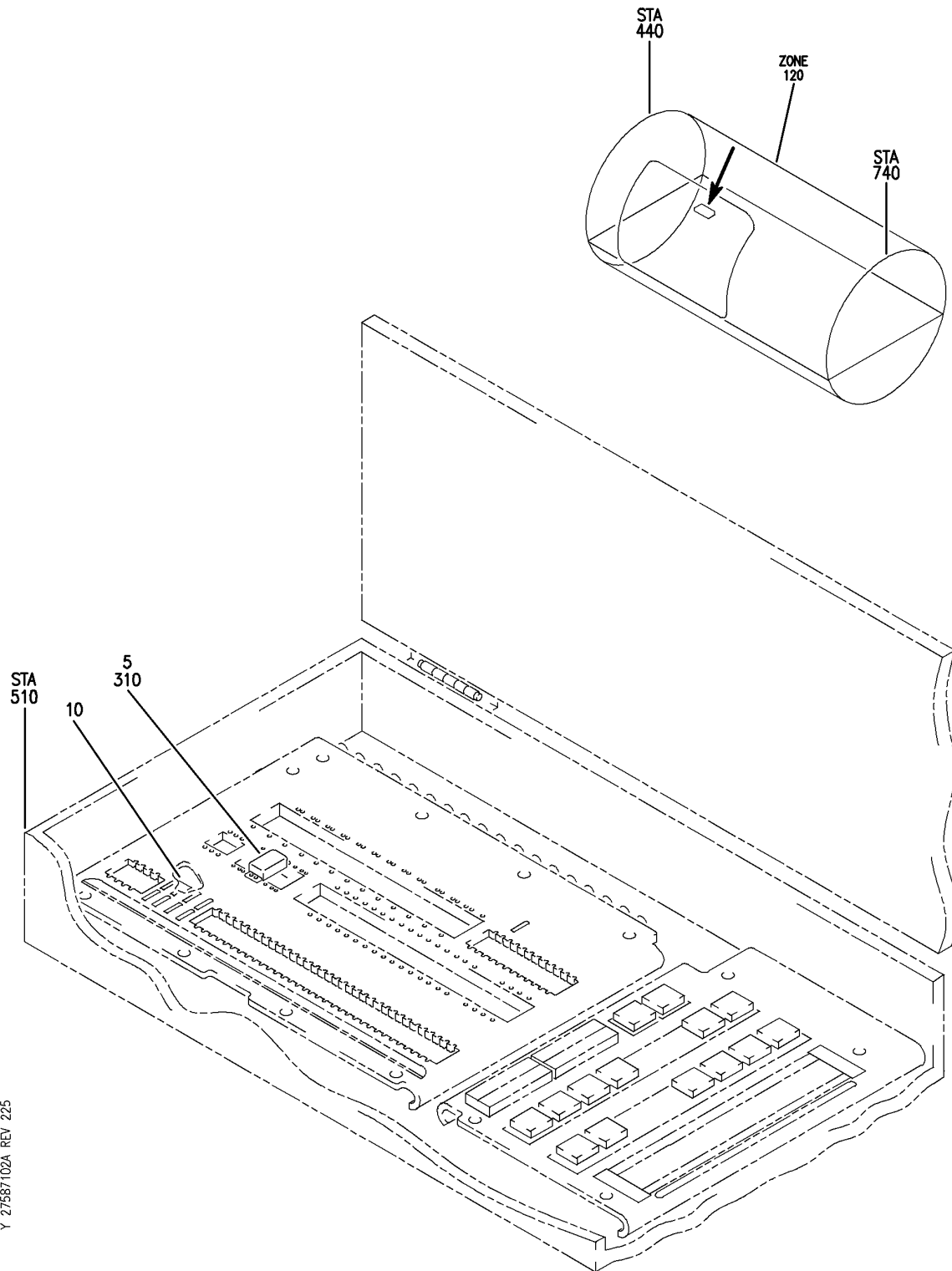
BRI

27-58-71-02

BOEING PROPRIETARY - Copyright © - Unpublished Work - See title page for details.

27-58-71  
FIG. 02  
PAGE 2  
JAN 20/09

**BOEING**  
757  
PARTS CATALOG (MAINTENANCE)



Y 27587102A REV 225

OPTION PACKAGE ASSY-P36 MISC RELAY LH (TRAILING EDGE FLAP POSITION INDICATING SYSTEM ONLY)  
FIGURE 2A

BRI  
MAY 28/07

**27-58-71-02A**

27-58-71-02A  
PAGE 0



757

PARTS CATALOG (MAINTENANCE)

FIG ITEM	PART NUMBER	1 2 3 4 5 6 7	NOMENCLATURE	EFFECT FROM TO	UNITS PER ASSY
2A			OPTION PACKAGE ASSY-P36 MISC RELAY LH (TRAILING EDGE FLAP POSITION INDICATING SYSTEM ONLY)	101102 504903	
- 1	284N1125-1018		OPTION PACKAGE ASSY-P36 MISC RELAY (TRAILING EDGE FLAP POSITION INDICATING SYSTEM ONLY) POSITION DATA: LH MISCELLANEOUS DATA: MAJOR MODEL 757 REWORKED BY ALERT SB: 27A0130 FOR NHA/OTHER SYS DET SEE: 31-01-36-05	101102 504903	RF
5	W460F1A		.RELAY- SUPPLIER CODE: VF0219 SPECIFICATION NUMBER: BACR13CE2 OPTIONAL PART: 3SAH5-13-4K1 V01526 3SAH1326A2 V01526 ELECTRICAL EQUIP NUMBER: K10244	101102 504903	1
10	18-1958-8		.SENSOR- SUPPLIER CODE: V96774 SPECIFICATION NUMBER: S256T007-8 ELECTRICAL EQUIP NUMBER: TS5084	101102 504903	1
- 15	NAS601-24P		ATTACHING PARTS .SCREW	101102 504903	4
- 301	286N1260-358		-----*----- WIRE BUNDLE ASSY- REWORKED BY ALERT SB: 27A0130	101102	RF
- 301	286N1260-364		WIRE BUNDLE ASSY- REWORKED BY ALERT SB: 27A0130	504903	RF

MISSING ITEM NUMBERS NOT APPLICABLE

- ITEM NOT ILLUSTRATED

27-58-71-02A

27-58-71  
FIG. 02A  
PAGE 1  
JAN 20/09

BRI

BOEING PROPRIETARY - Copyright © - Unpublished Work - See title page for details.



757

PARTS CATALOG (MAINTENANCE)

FIG ITEM	PART NUMBER	1 2 3 4 5 6 7	NOMENCLATURE	EFFECT FROM TO	UNITS PER ASSY
2A 310	RSE120027		. SOCKET- SUPPLIER CODE: V58982 SPECIFICATION NUMBER: BACS16AF1 OPTIONAL PART: 451120-027 V58982 ELECTRICAL EQUIP NUMBER: D02958 WIRING DIAGRAM REF: 275811	101102 504903	1

MISSING ITEM NUMBERS NOT APPLICABLE

- ITEM NOT ILLUSTRATED

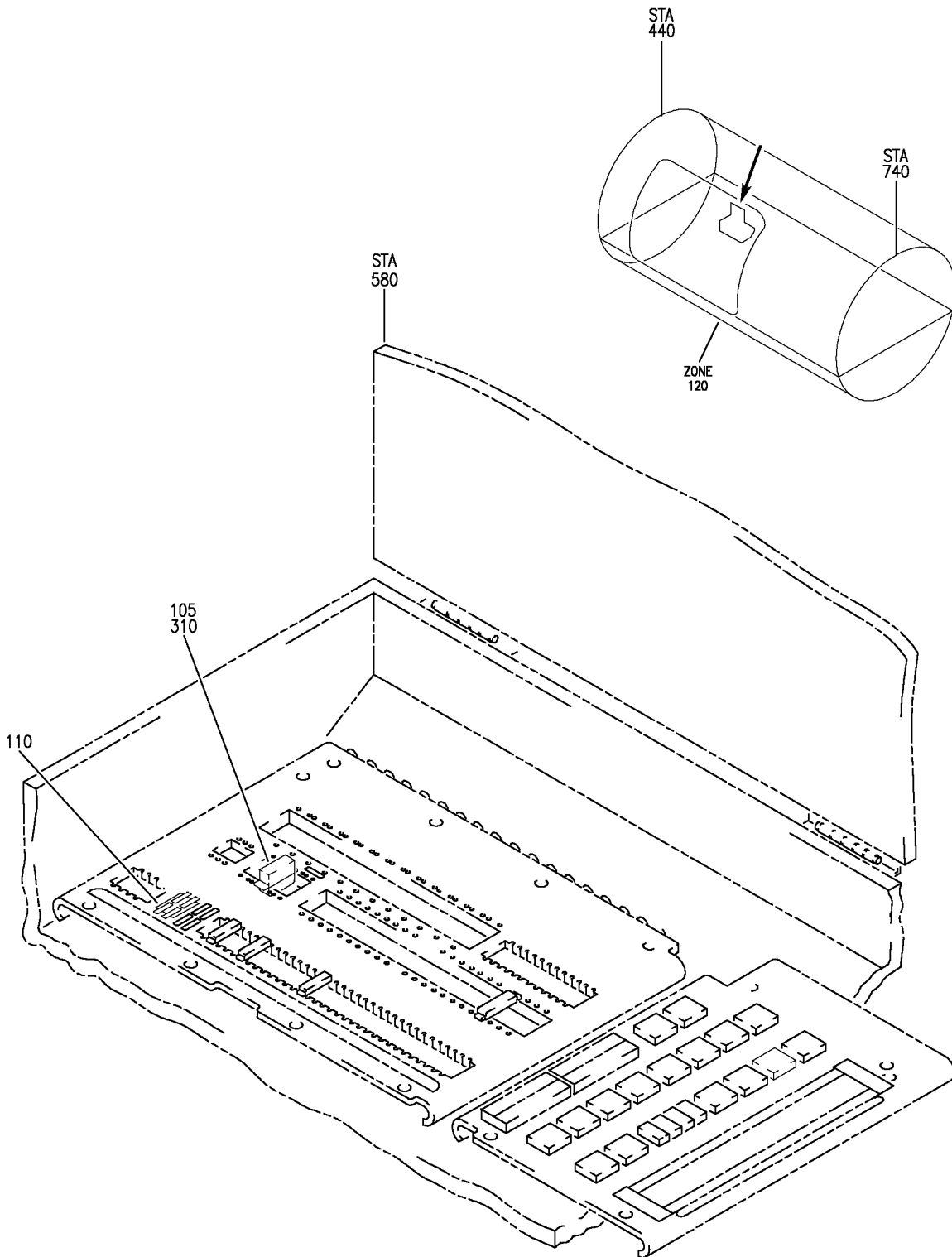
BRI

**27-58-71-02A**

BOEING PROPRIETARY - Copyright © - Unpublished Work - See title page for details.

27-58-71  
FIG. 02A  
PAGE 2  
JAN 20/09

**BOEING**  
757  
PARTS CATALOG (MAINTENANCE)



Y 27587102C REV 250

PANEL INSTL-P36 L MISC RELAY (TRAILING EDGE FLAP POSITION INDICATING SYSTEM ONLY)  
FIGURE 2C

**27-58-71-02C**

BRI  
JAN 20/09

27-58-71-02C  
PAGE 0



757

PARTS CATALOG (MAINTENANCE)

FIG ITEM	PART NUMBER	1 2 3 4 5 6 7	NOMENCLATURE	EFFECT FROM TO	UNITS PER ASSY
2C			PANEL INSTL-P36 L MISC RELAY (TRAILING EDGE FLAP POSITION INDICATING SYSTEM ONLY)	103106 108120	
- 3	284N1125-94		PANEL INSTL-P36 L MISC RELAY (TRAILING EDGE FLAP POSITION INDICATING SYSTEM ONLY) FOR NHA/OTHER SYS DET SEE: 24-00-58-05C	108120	RF

MISSING ITEM NUMBERS NOT APPLICABLE

- ITEM NOT ILLUSTRATED

BRI

**27-58-71-02C**

BOEING PROPRIETARY - Copyright © - Unpublished Work - See title page for details.

27-58-71  
FIG. 02C  
PAGE 1  
JAN 20/09



757

PARTS CATALOG (MAINTENANCE)

FIG ITEM	PART NUMBER	1 2 3 4 5 6 7	NOMENCLATURE	EFFECT FROM TO	UNITS PER ASSY
2C - 7	MODREF31944		PANEL INSTL-P36 L MISC RELAY (TRAILING EDGE FLAP POSITION INDICATING SYSTEM ONLY) MODULE NUMBER: 284N1125-123 REV A FOR OTHER SYS DETAILS SEE: 11-36-08-03C 21-25-71-02C 21-33-71-02C 21-51-56-01C 21-58-71-02C 23-12-00-05 23-31-54-01C 23-34-52-01C 24-21-51-01A 26-15-71-02C 26-16-71-01C 26-22-71-01C 27-48-52-03C 27-51-71-03C 27-62-71-03C 29-11-71-03C 29-21-71-01C 30-21-71-03C 30-34-51-01C 31-01-36-01 32-09-02-03C 32-35-71-01C 32-42-71-02C 32-44-71-02C 32-61-71-02C 34-12-71-02C 34-21-71-02C 34-22-52-01C 34-61-52-01C 36-11-71-02C 73-21-55-01C 74-31-71-02C 76-11-71-02C 77-12-71-01C 78-34-71-02C 78-36-71-02C 80-11-71-02C	103106	1

MISSING ITEM NUMBERS NOT APPLICABLE

- ITEM NOT ILLUSTRATED

BRI

# 27-58-71-02C

BOEING PROPRIETARY - Copyright © - Unpublished Work - See title page for details.

27-58-71  
FIG. 02C  
PAGE 2  
JAN 20/09





757

PARTS CATALOG (MAINTENANCE)

FIG ITEM	PART NUMBER	1 2 3 4 5 6 7	NOMENCLATURE	EFFECT FROM TO	UNITS PER ASSY
2C 105	W460F1A		.RELAY- SUPPLIER CODE: VF0219 SPECIFICATION NUMBER: BACR13CE2 OPTIONAL PART: 3SAH5-13-4K1 V01526 3SAH1326A2 V01526 ELECTRICAL EQUIP NUMBER: K10244	103106 108120	1
110	18-1958-8		.SENSOR- SUPPLIER CODE: V96774 SPECIFICATION NUMBER: S256T007-8 ELECTRICAL EQUIP NUMBER: TS5084	103106 108120	1
- 115	NAS601-24P		ATTACHING PARTS .SCREW- POSITION DATA: HEAD FAR-SIDE -----*-----	103106 108120	4
- 300	286N1260-357		WIRE BUNDLE ASSY	108120	RF
- 302	286N1260-601		WIRE BUNDLE ASSY	103106	RF
310	RSE120027		.SOCKET- SUPPLIER CODE: V58982 SPECIFICATION NUMBER: BACS16AF1 OPTIONAL PART: 451120-027 V58982 ELECTRICAL EQUIP NUMBER: D02958 WIRING DIAGRAM REF: 275811	103106 108120	1

MISSING ITEM NUMBERS NOT APPLICABLE

- ITEM NOT ILLUSTRATED

BRI

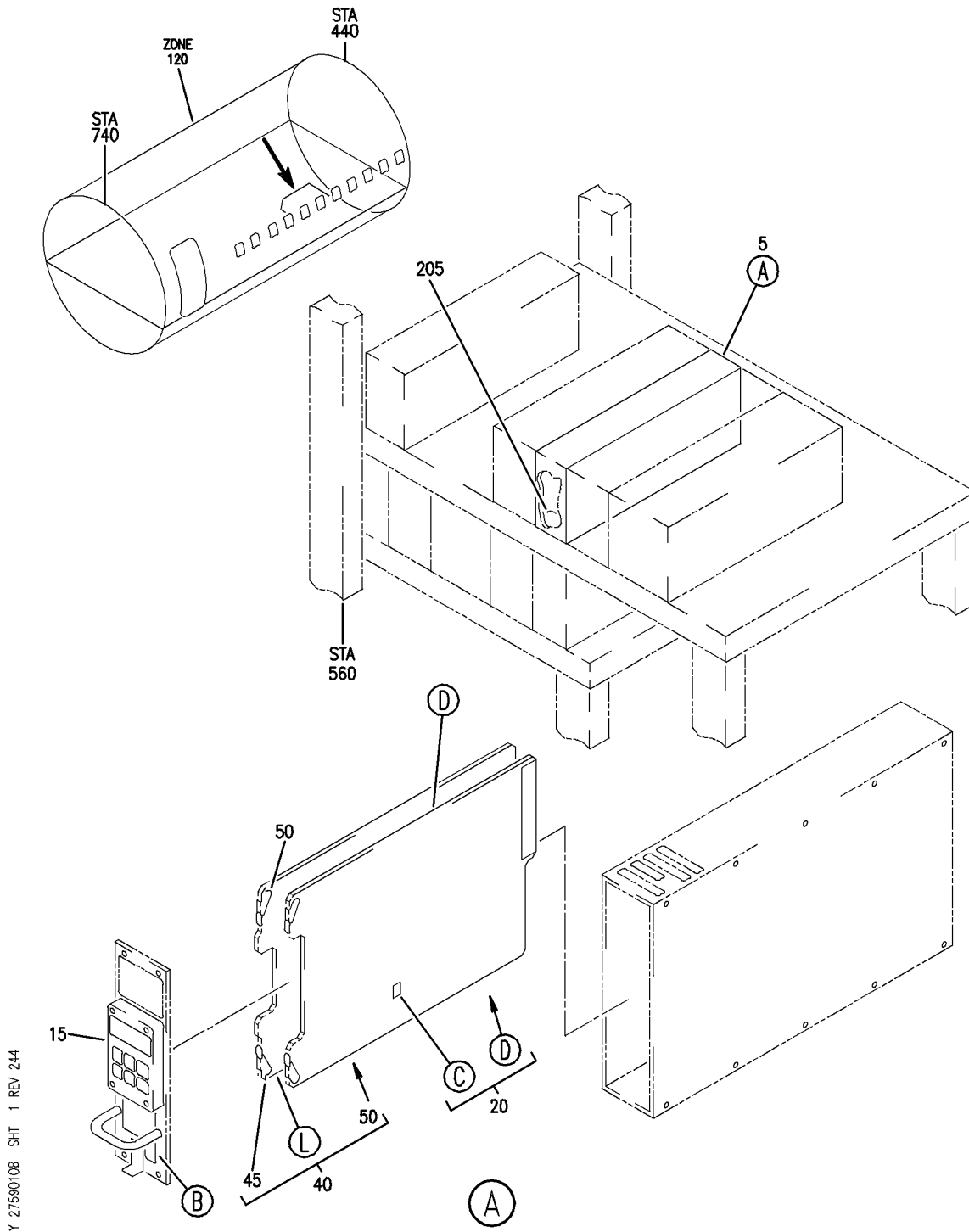
27-58-71-02C

BOEING PROPRIETARY - Copyright © - Unpublished Work - See title page for details.

27-58-71  
FIG. 02C  
PAGE 3  
JAN 20/09

## FLAP SKEW DETECTION

**BOEING**  
757  
PARTS CATALOG (MAINTENANCE)



Y 27590108 SH1 1 REV 244

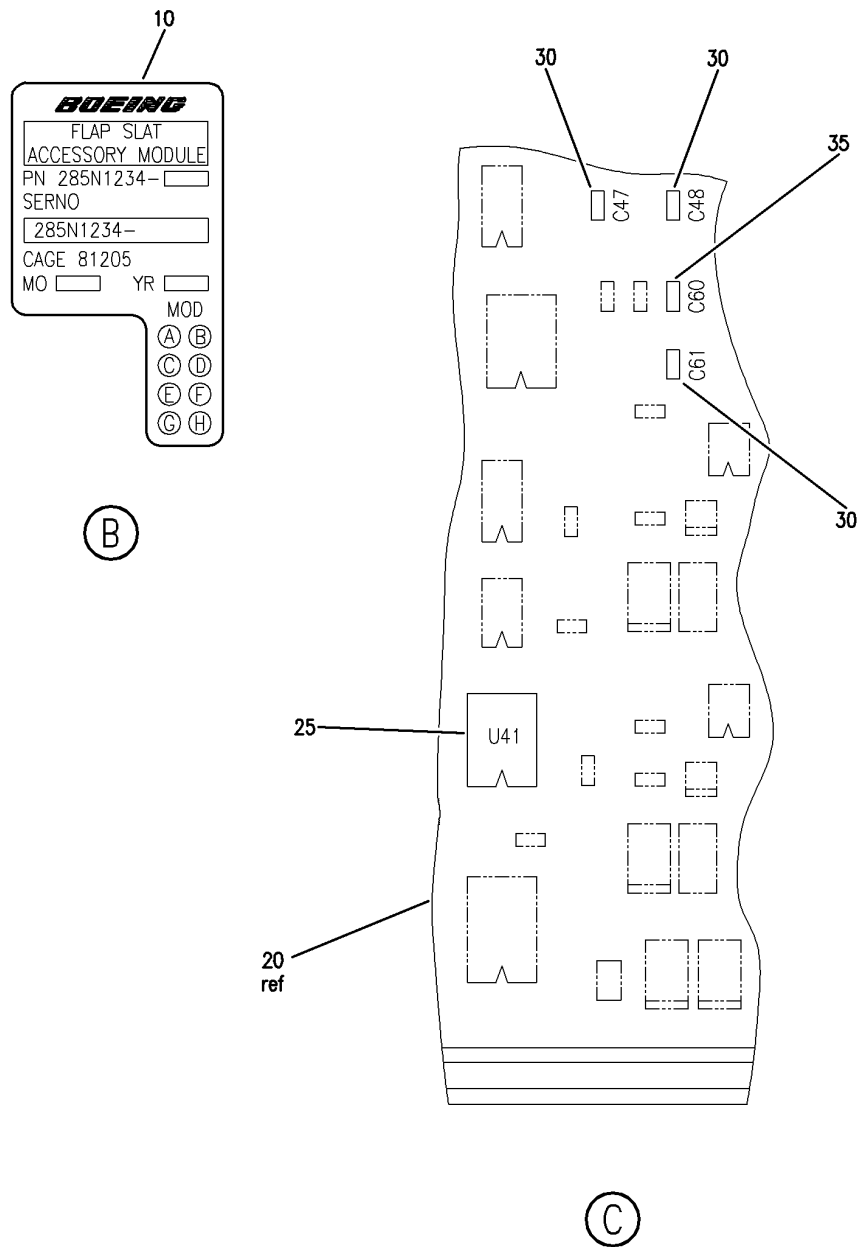
EQUIPMENT INSTL-MAIN ELECTRONICS EQPT CTR FLAP SLAT ASYMMETRY MODULE  
FIGURE 8 (SHEET 1)

**27-59-01-08**

BRI  
JAN 20/09

27-59-01-08  
PAGE 0

**BOEING**  
757  
**PARTS CATALOG (MAINTENANCE)**



Y 27590108 SHIT 2 REV 244

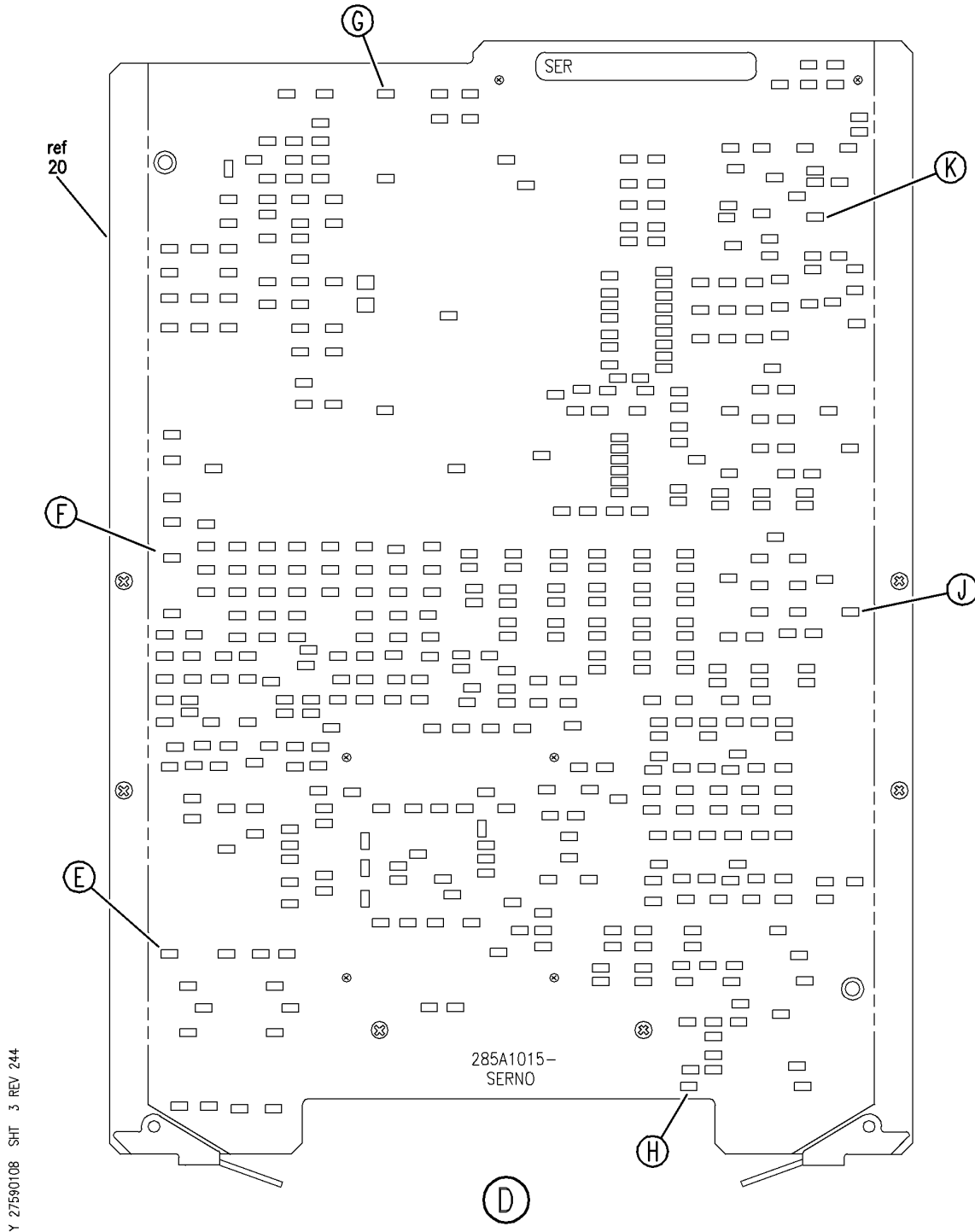
EQUIPMENT INSTL-MAIN ELECTRONICS EQPT CTR FLAP SLAT ASYMMETRY MODULE  
FIGURE 8 (SHEET 2)

**27-59-01-08**

BRI  
JAN 20/09

27-59-01-08  
PAGE 0A

**BOEING**  
757  
PARTS CATALOG (MAINTENANCE)



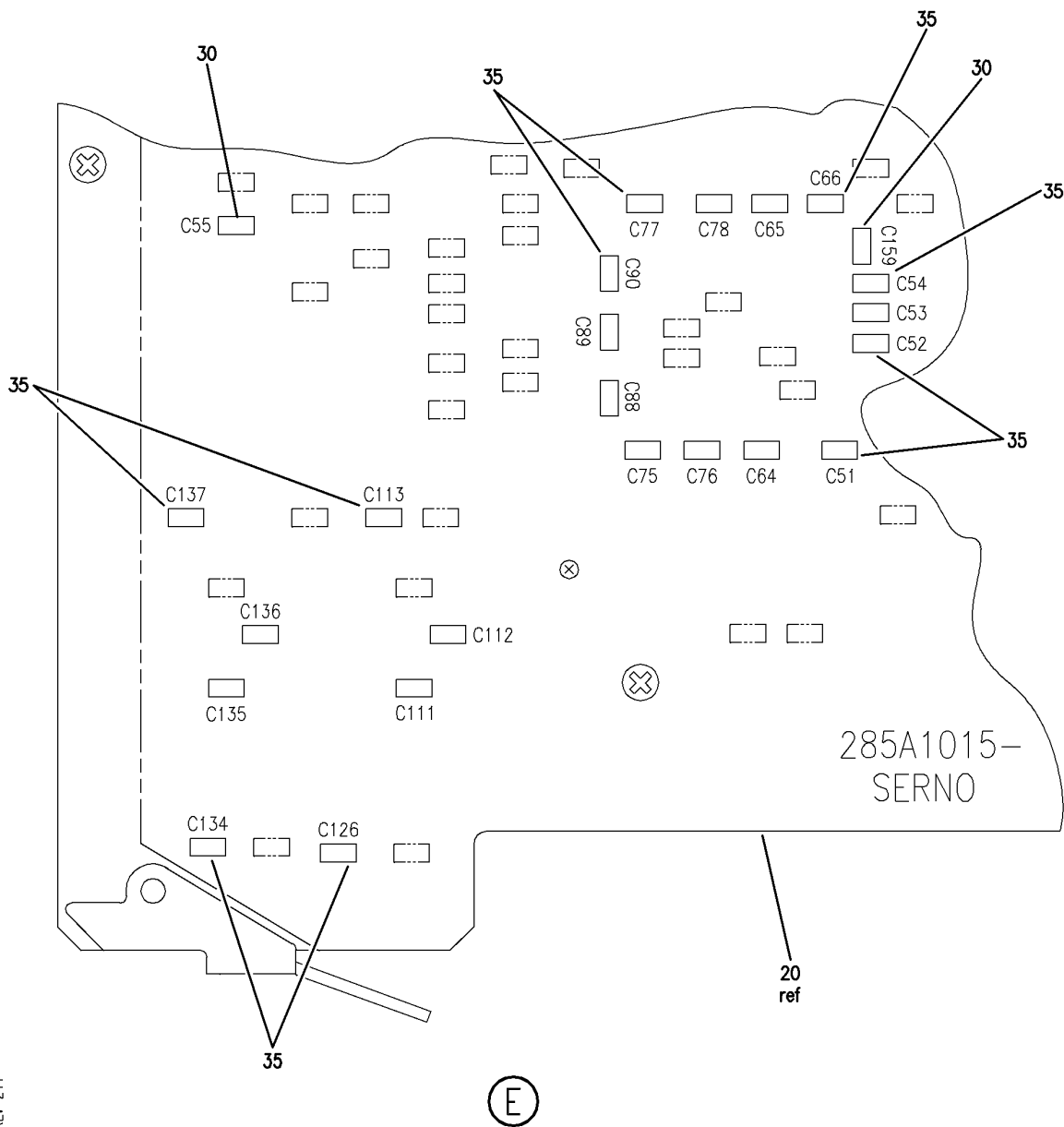
EQUIPMENT INSTL-MAIN ELECTRONICS EQPT CTR FLAP SLAT ASYMMETRY MODULE  
FIGURE 8 (SHEET 3)

**27-59-01-08**

BRI  
JAN 20/09

27-59-01-08  
PAGE 08

**BOEING**  
757  
PARTS CATALOG (MAINTENANCE)



Y 27590108 SH1 4 REV 244

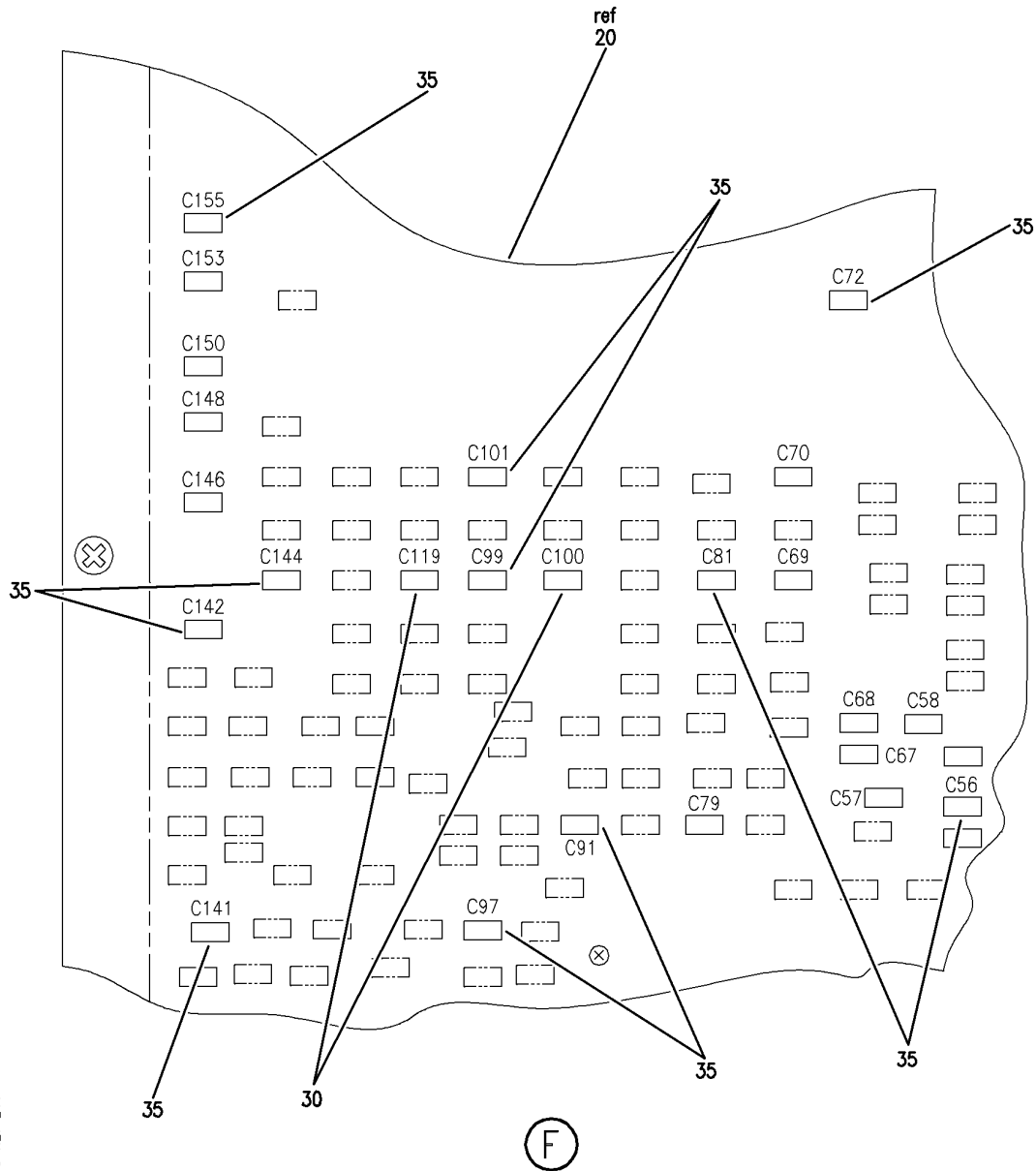
EQUIPMENT INSTL-MAIN ELECTRONICS EQPT CTR FLAP SLAT ASYMMETRY MODULE  
FIGURE 8 (SHEET 4)

**27-59-01-08**

BRI  
JAN 20/09

27-59-01-08  
PAGE 0C


**BOEING**  
 757  
**PARTS CATALOG (MAINTENANCE)**



Y 27590108 SH1 5 REV 244

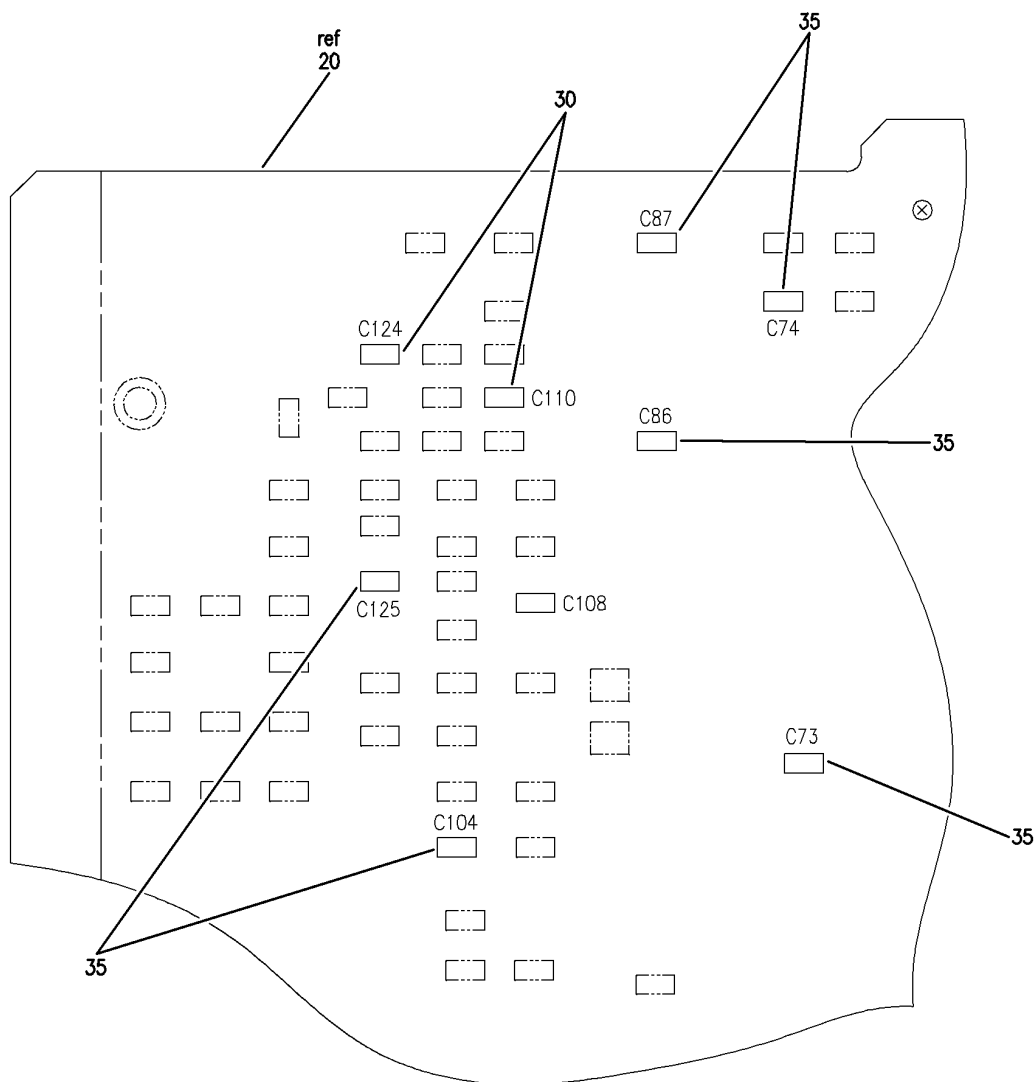
EQUIPMENT INSTL-MAIN ELECTRONICS EQPT CTR FLAP SLAT ASYMMETRY MODULE  
 FIGURE 8 (SHEET 5)

**27-59-01-08**

BRI  
 JAN 20/09

27-59-01-08  
 PAGE 0D

**BOEING**  
757  
**PARTS CATALOG (MAINTENANCE)**



Y 27590108 SH1 6 REV 244

EQUIPMENT INSTL-MAIN ELECTRONICS EQPT CTR FLAP SLAT ASYMMETRY MODULE  
FIGURE 8 (SHEET 6)

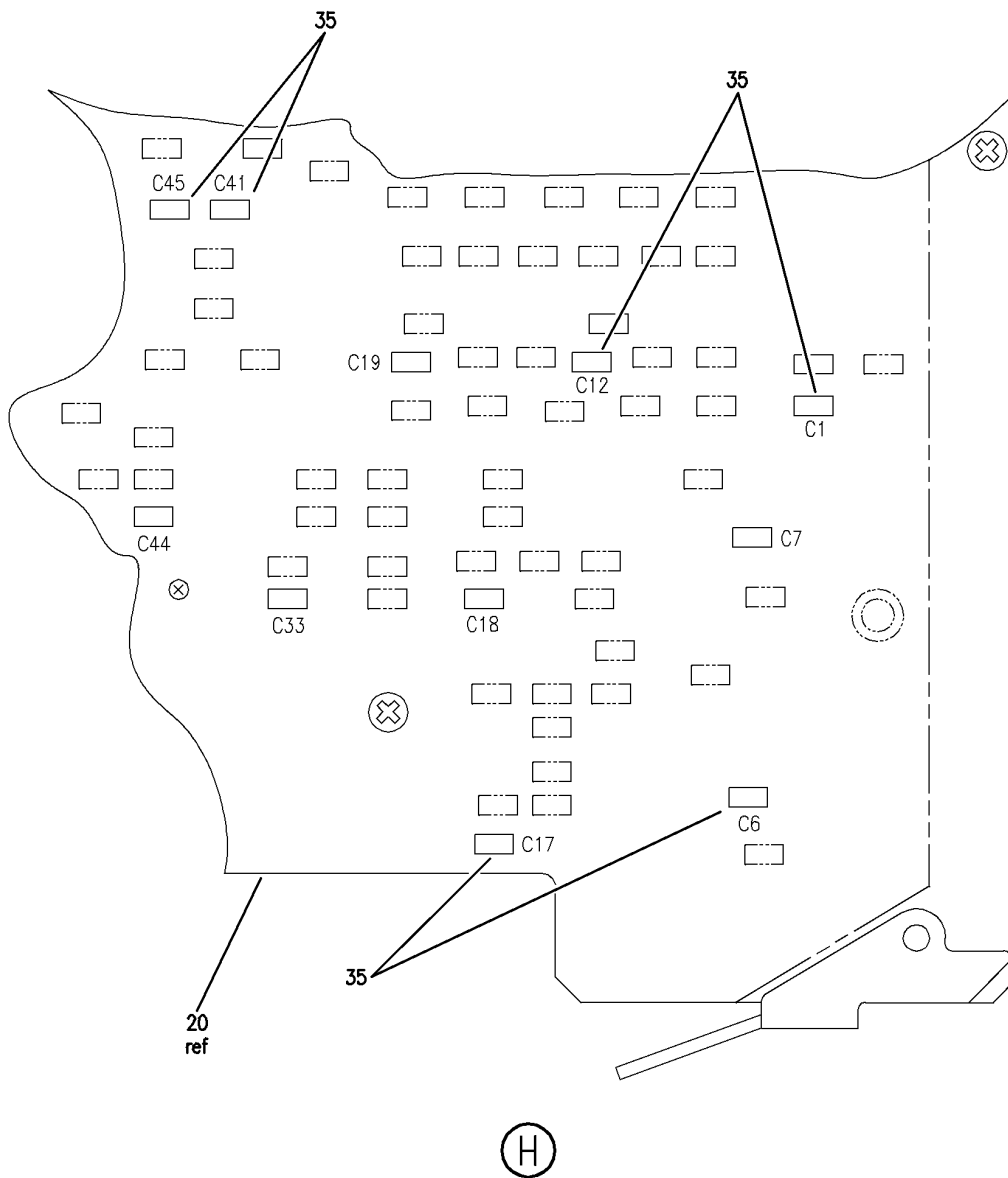
**27-59-01-08**

BRI  
JAN 20/09

27-59-01-08  
PAGE 0E



**BOEING**  
757  
PARTS CATALOG (MAINTENANCE)



Y 27590108 SH1 7 REV 244

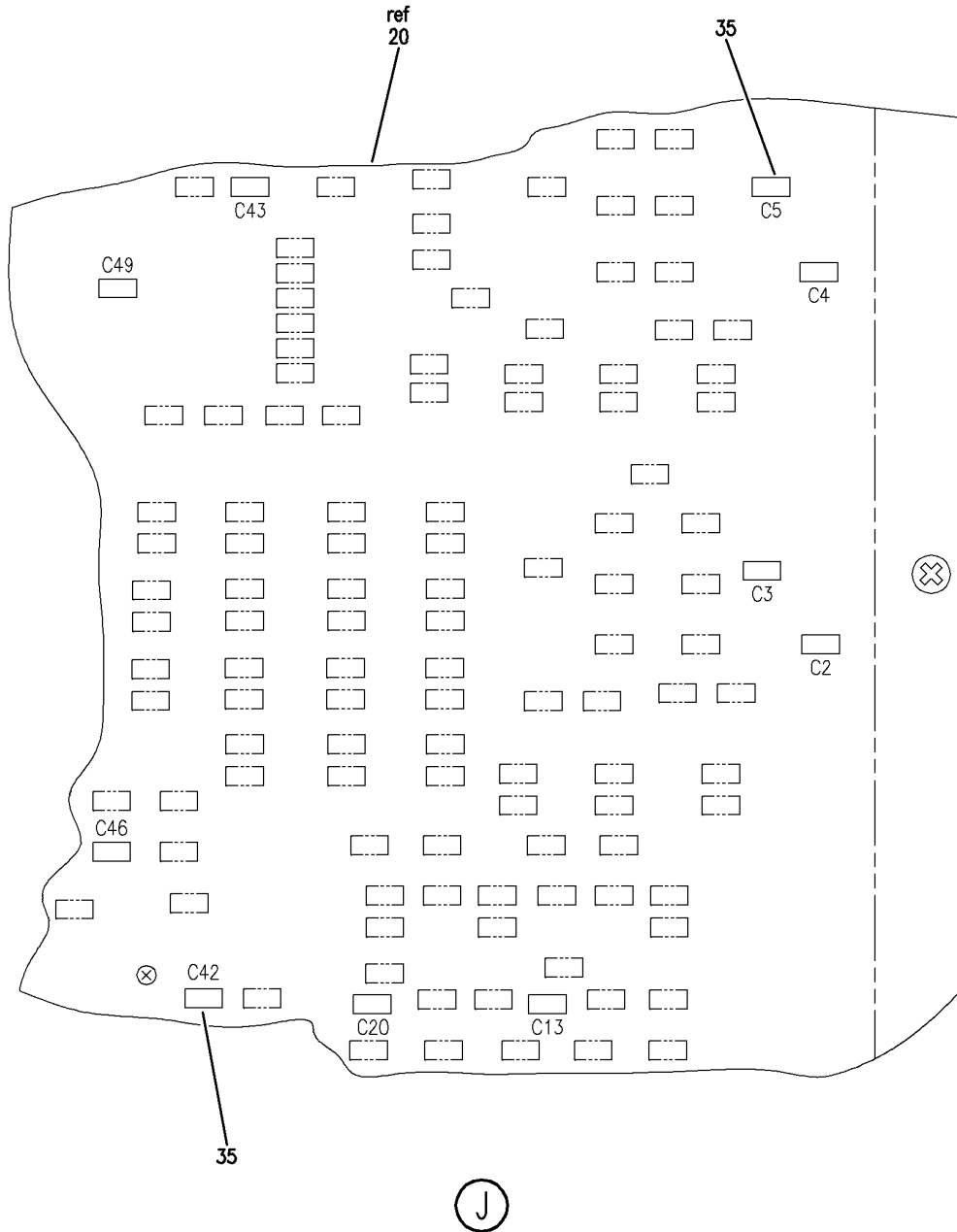
EQUIPMENT INSTL-MAIN ELECTRONICS EQPT CTR FLAP SLAT ASYMMETRY MODULE  
FIGURE 8 (SHEET 7)

**27-59-01-08**

BRI  
JAN 20/09

27-59-01-08  
PAGE OF

**BOEING**  
757  
PARTS CATALOG (MAINTENANCE)



Y 27590108 SH1 8 REV 244

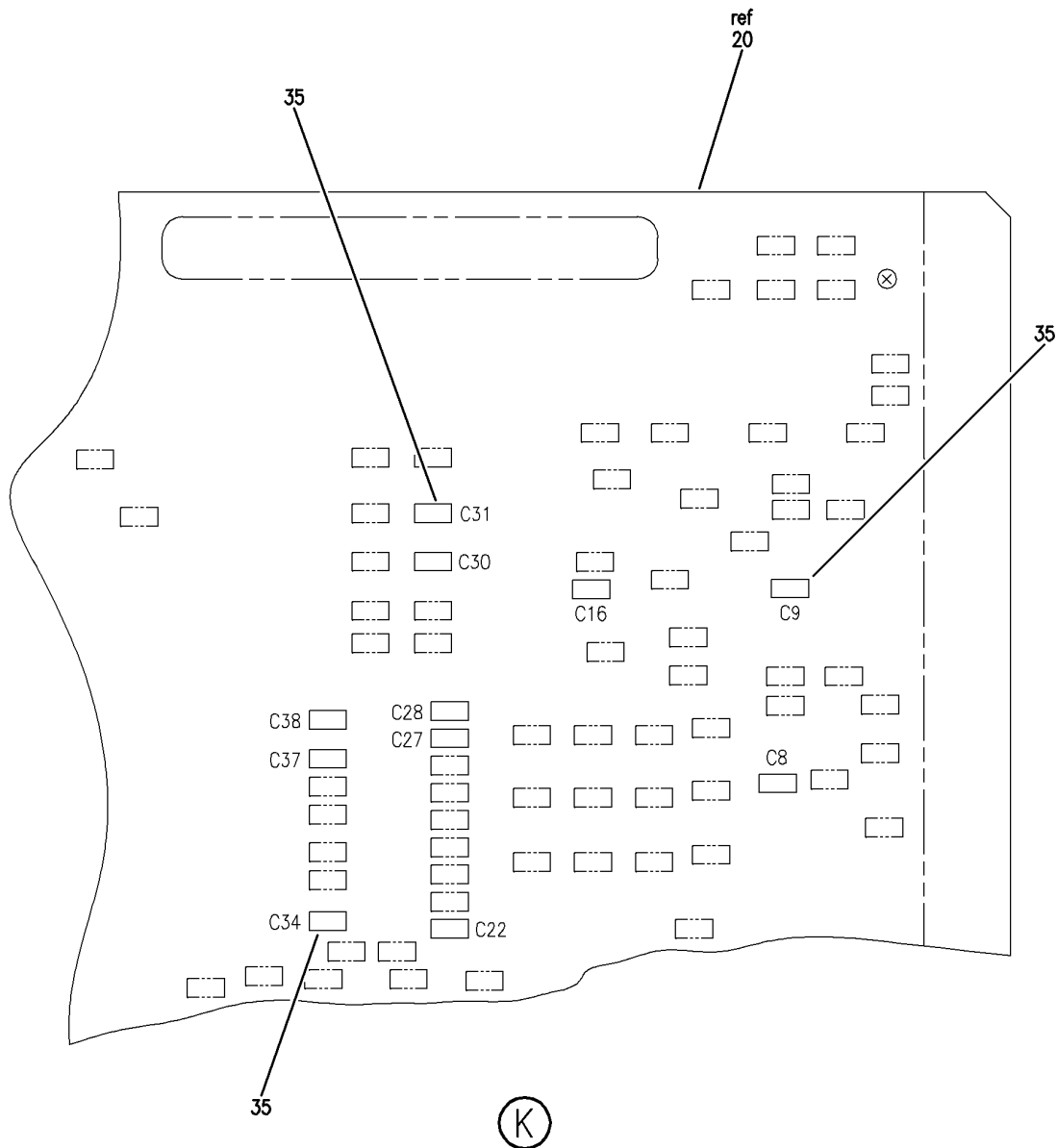
EQUIPMENT INSTL-MAIN ELECTRONICS EQPT CTR FLAP SLAT ASYMMETRY MODULE  
FIGURE 8 (SHEET 8)

**27-59-01-08**

BRI  
JAN 20/09

27-59-01-08  
PAGE 08

**BOEING**  
757  
PARTS CATALOG (MAINTENANCE)



Y 27590108 SH1 9 REV 244

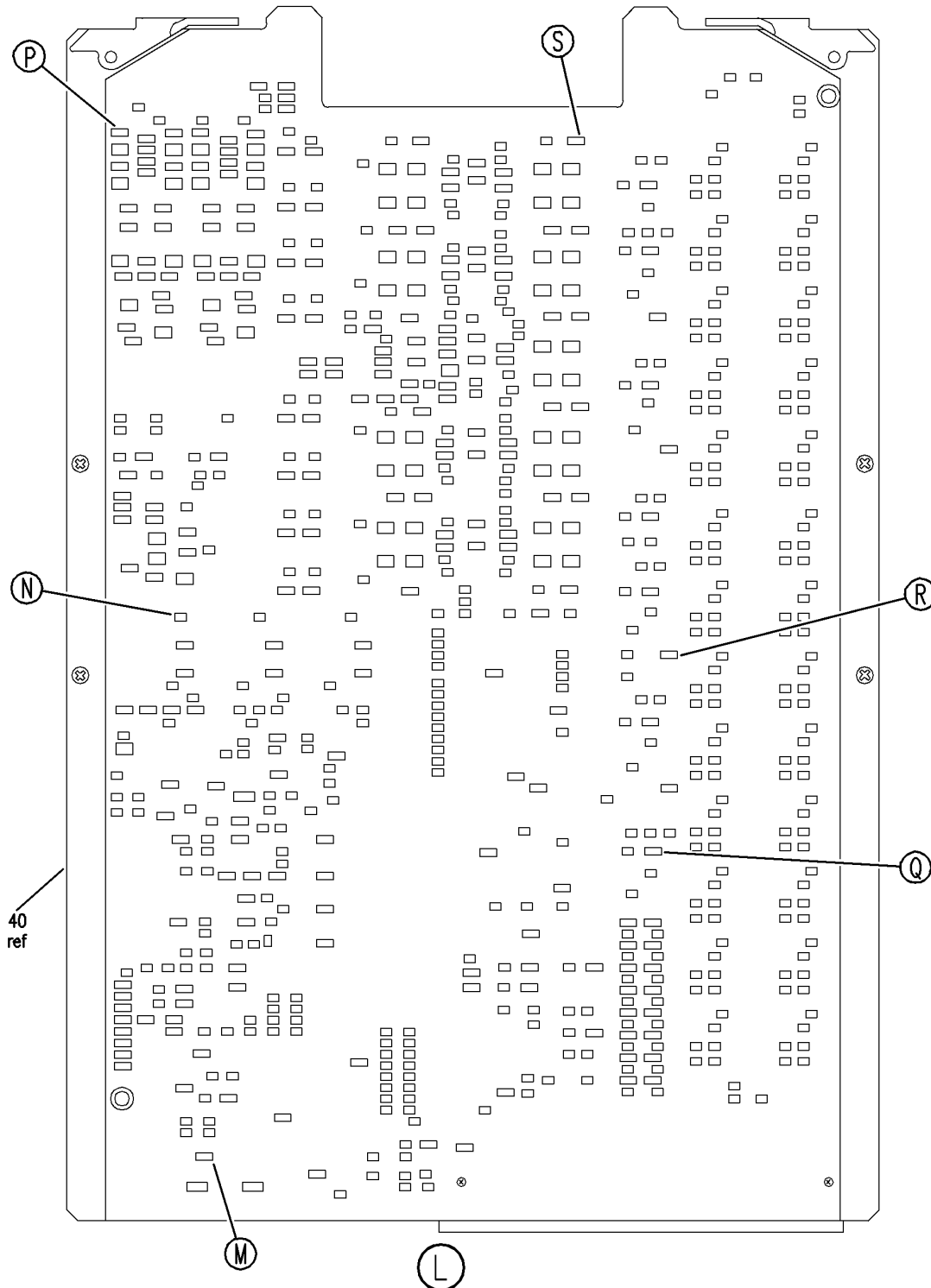
EQUIPMENT INSTL-MAIN ELECTRONICS EQPT CTR FLAP SLAT ASYMMETRY MODULE  
FIGURE 8 (SHEET 9)

**27-59-01-08**

BRI  
JAN 20/09

27-59-01-08  
PAGE 0H

**BOEING**  
757  
**PARTS CATALOG (MAINTENANCE)**



Y 27590108 SH1 10 REV 244

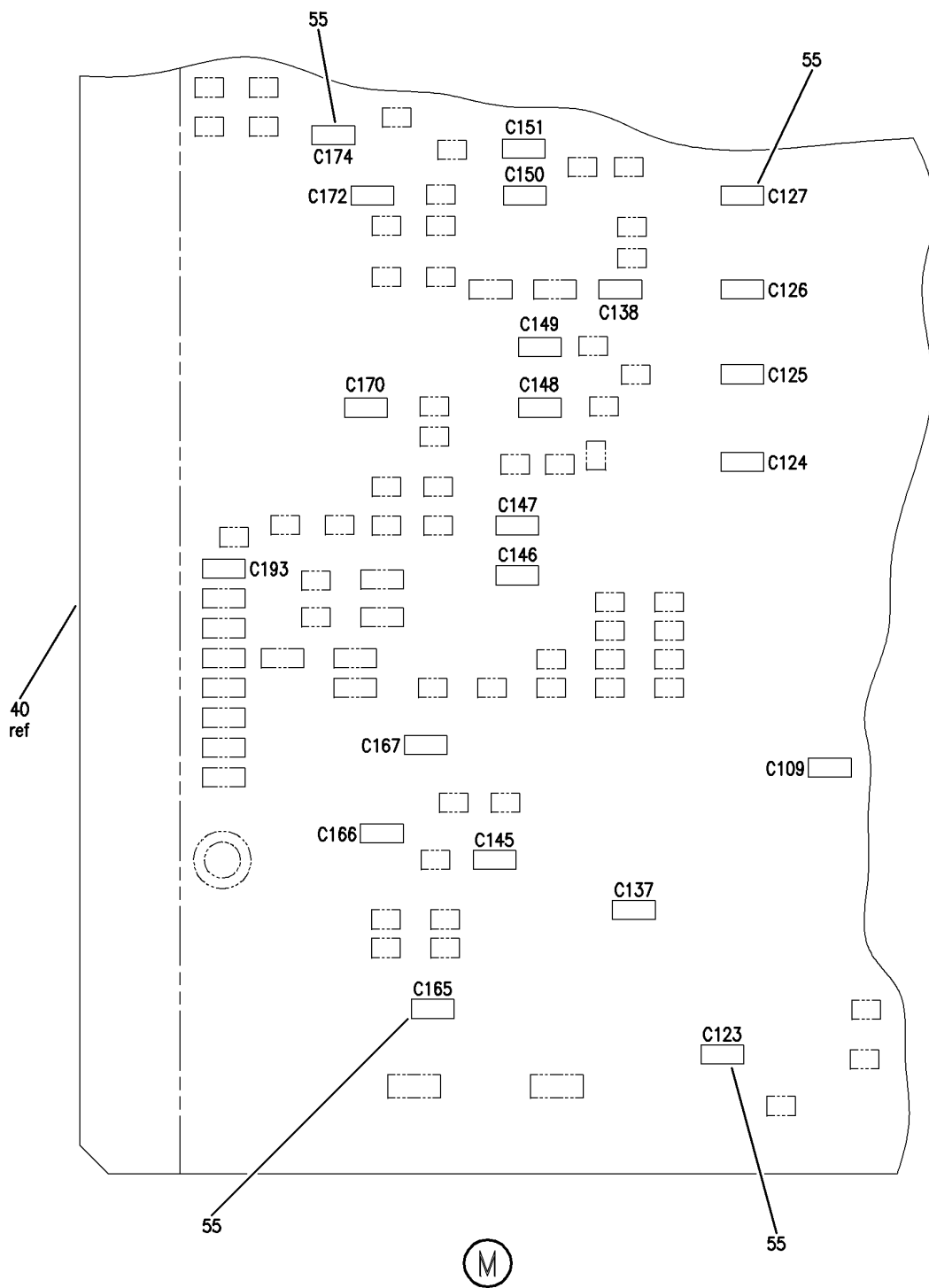
EQUIPMENT INSTL-MAIN ELECTRONICS EQPT CTR FLAP SLAT ASYMMETRY MODULE  
FIGURE 8 (SHEET 10)

**27-59-01-08**

BRI  
JAN 20/09

27-59-01-08  
PAGE 01

**BOEING**  
757  
**PARTS CATALOG (MAINTENANCE)**



Y 27590108 SH11 REV 244

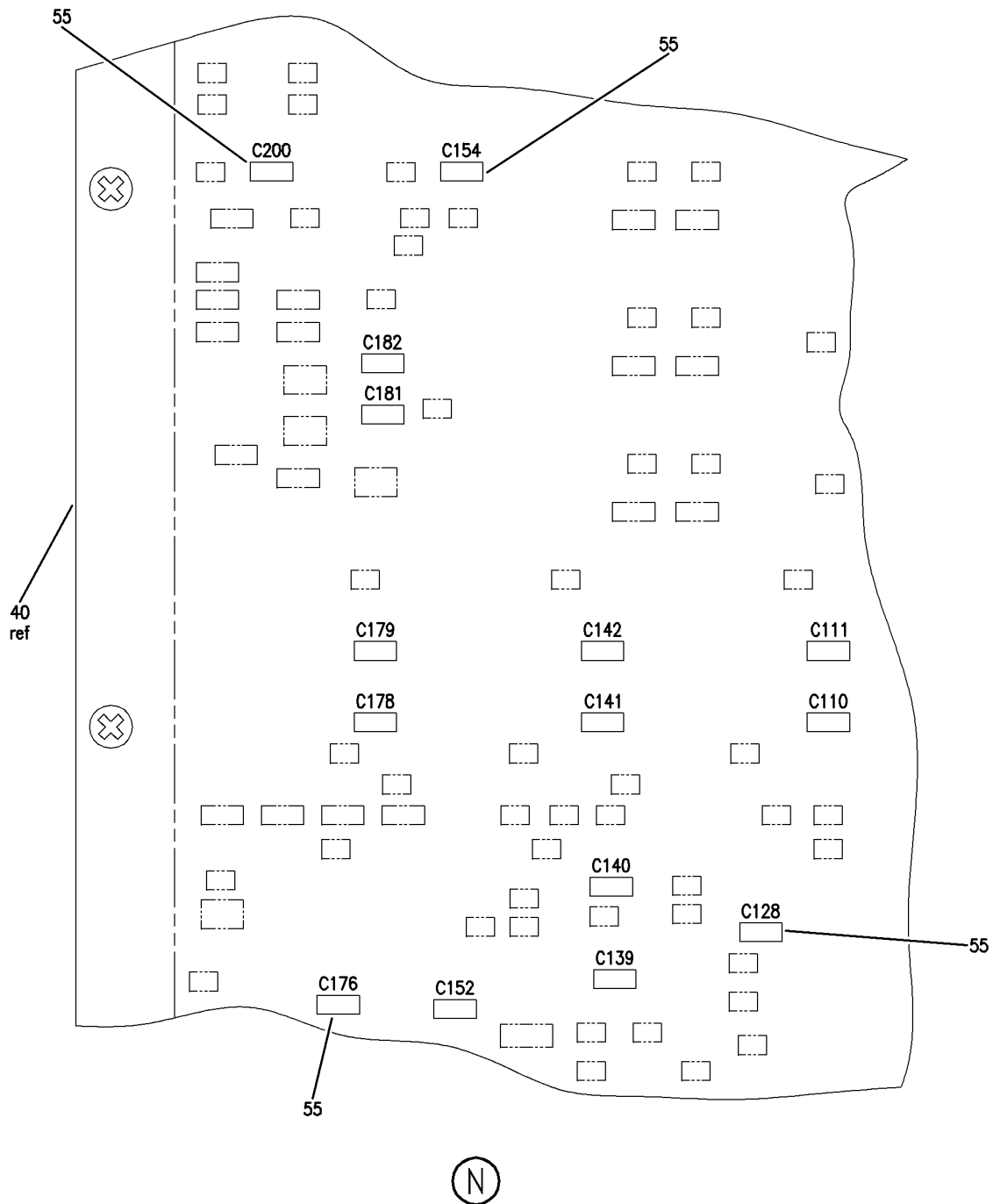
EQUIPMENT INSTL-MAIN ELECTRONICS EQPT CTR FLAP SLAT ASYMMETRY MODULE  
FIGURE 8 (SHEET 11)

**27-59-01-08**

BRI  
JAN 20/09

27-59-01-08  
PAGE 0J


**BOEING**  
 757  
**PARTS CATALOG (MAINTENANCE)**



Y 27590108 SH1 12 REV 244

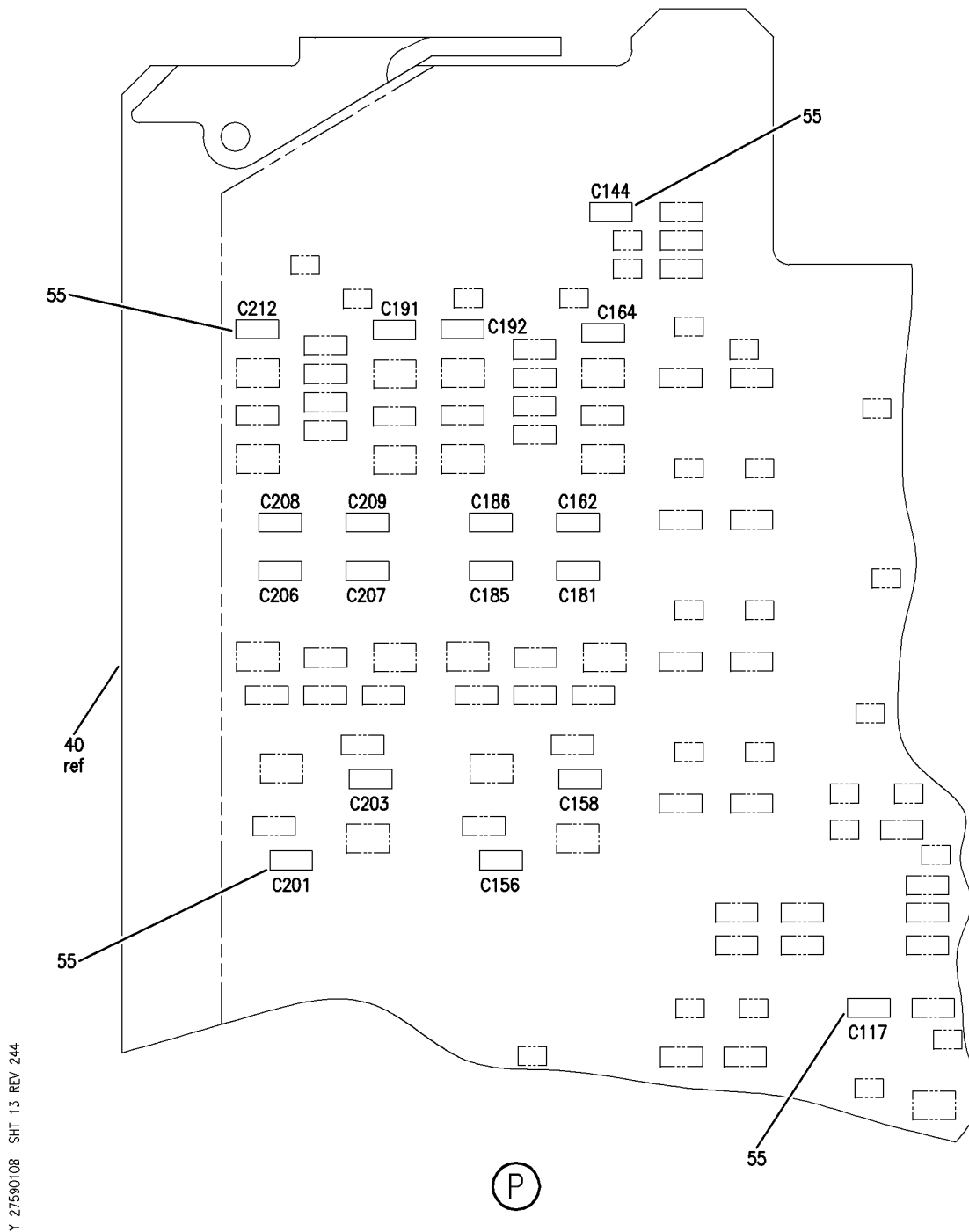
EQUIPMENT INSTL-MAIN ELECTRONICS EQPT CTR FLAP SLAT ASYMMETRY MODULE  
 FIGURE 8 (SHEET 12)

**27-59-01-08**

BRI  
 JAN 20/09

27-59-01-08  
 PAGE OK

**BOEING**  
757  
PARTS CATALOG (MAINTENANCE)



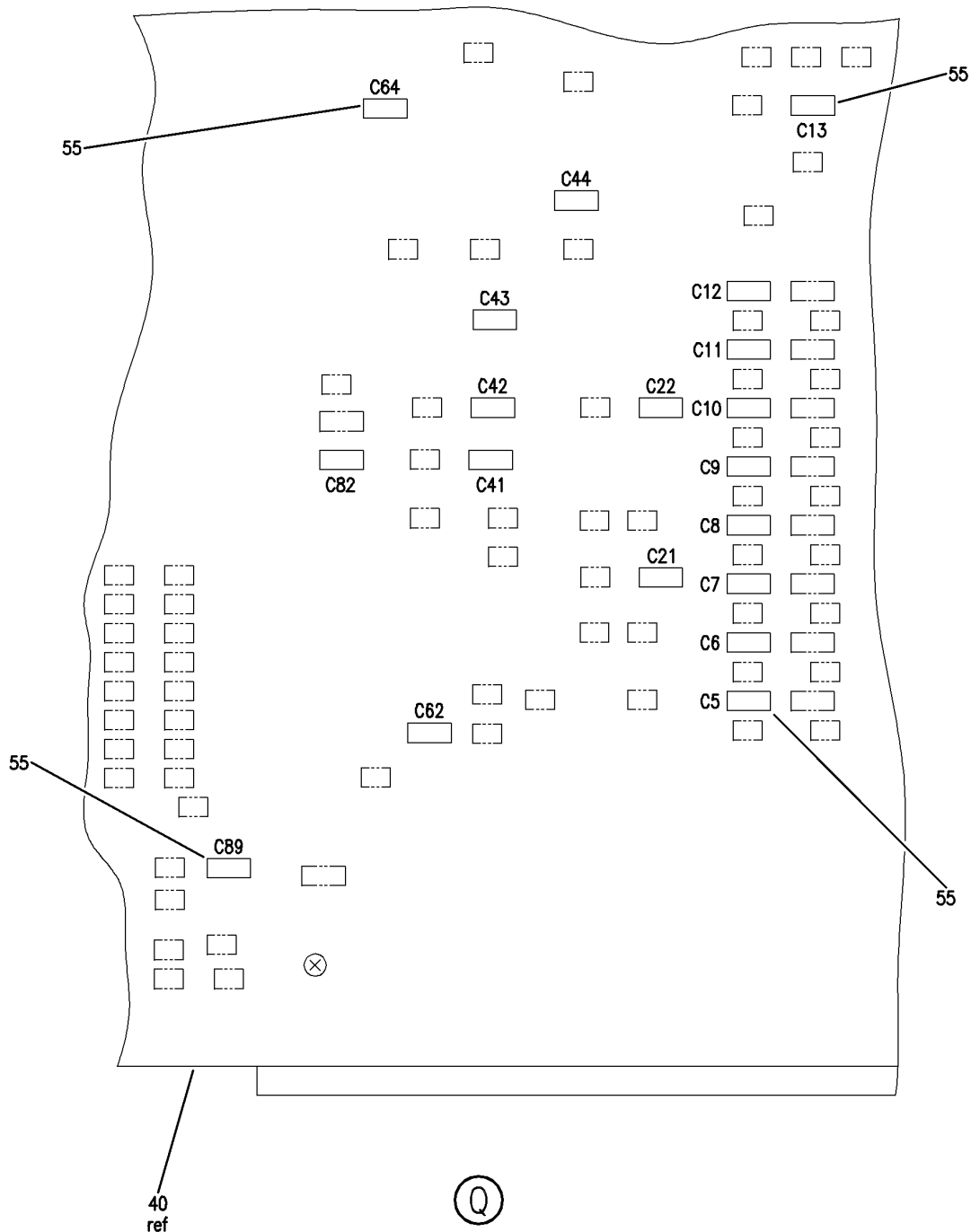
EQUIPMENT INSTL-MAIN ELECTRONICS EQPT CTR FLAP SLAT ASYMMETRY MODULE  
FIGURE 8 (SHEET 13)

**27-59-01-08**

BRI  
JAN 20/09

27-59-01-08  
PAGE 01

**BOEING**  
757  
PARTS CATALOG (MAINTENANCE)



Y 27590108 SH1 14 REV 244

EQUIPMENT INSTL-MAIN ELECTRONICS EQPT CTR FLAP SLAT ASYMMETRY MODULE  
FIGURE 8 (SHEET 14)

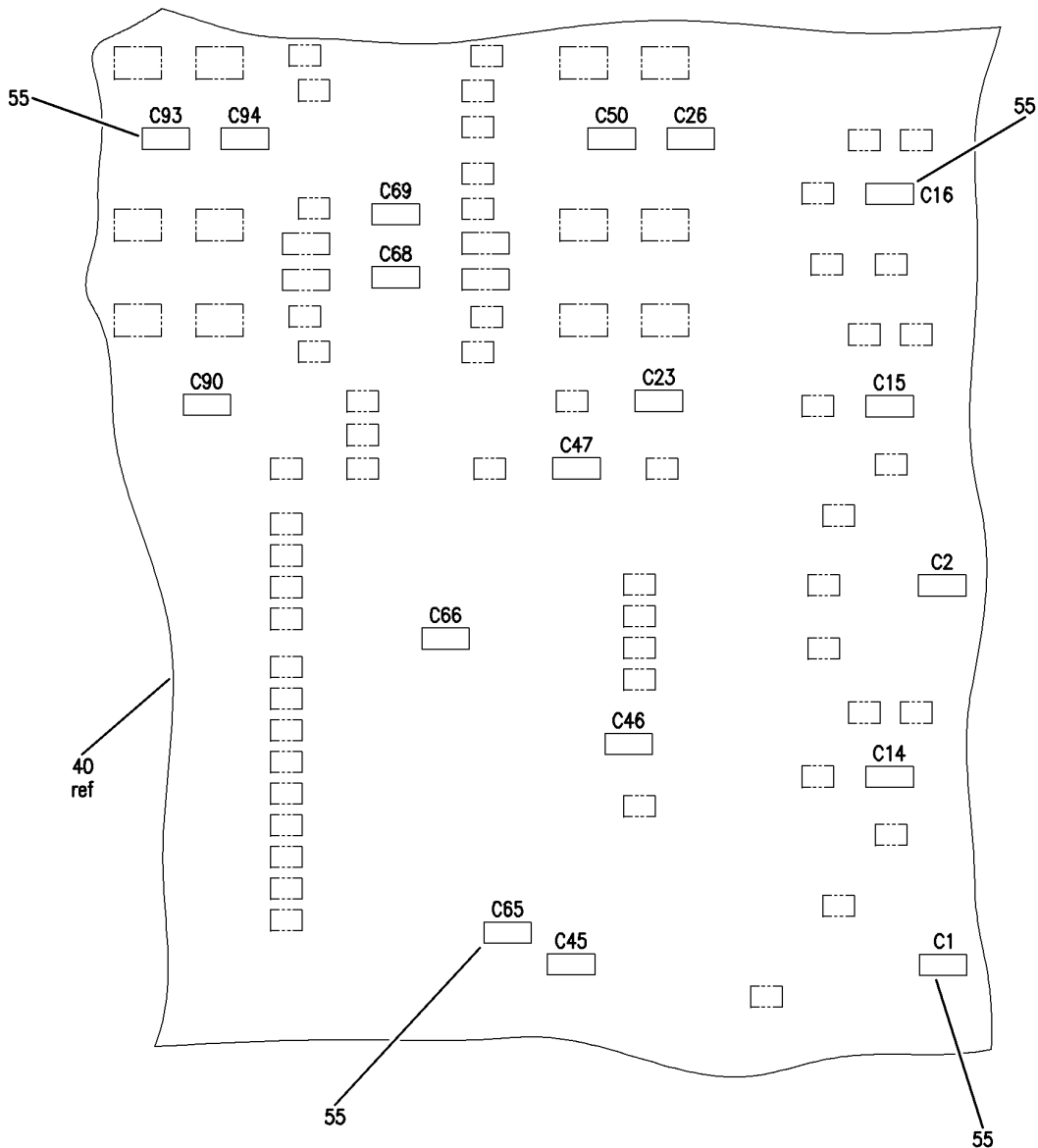
**27-59-01-08**

BRI  
JAN 20/09

27-59-01-08  
PAGE 0M



**BOEING**  
757  
PARTS CATALOG (MAINTENANCE)



Y 27590108 SH1 15 REV 244

EQUIPMENT INSTL-MAIN ELECTRONICS EQPT CTR FLAP SLAT ASYMMETRY MODULE  
FIGURE 8 (SHEET 15)

**27-59-01-08**

BRI  
JAN 20/09

27-59-01-08  
PAGE ON


**BOEING**  
 757  
**PARTS CATALOG (MAINTENANCE)**



Y 27590108 SH1 16 REV 244

EQUIPMENT INSTL-MAIN ELECTRONICS EQPT CTR FLAP SLAT ASYMMETRY MODULE  
 FIGURE 8 (SHEET 16)

**27-59-01-08**

BRI  
 JAN 20/09

27-59-01-08  
 PAGE 00



757

PARTS CATALOG (MAINTENANCE)

FIG ITEM	PART NUMBER	1 2 3 4 5 6 7	NOMENCLATURE	EFFECT FROM TO	UNITS PER ASSY
8			EQUIPMENT INSTL-MAIN ELECTRONICS EQPT CTR FLAP SLAT ASYMMETRY MODULE	103106	
- 1	MODREF10042		EQUIPMENT INSTL-MAIN ELECTRONICS EQPT CTR FLAP SLAT ASYMMETRY MODULE	103106	1
5	285N1234-1		MODULE NUMBER: 284N4000-270011 REV A .MODULE- SUPPLIER CODE: V89954 ELECTRICAL EQUIP NUMBER: M11393 COMPONENT MAINT MANUAL REF: 27-59-16 FUNCTIONAL REFERENCE: PLACARDS AND MARKINGS FOR DETAILS SEE 11-36-04-08	103106	1
10	BAC27DEX6733		..MARKER-ALUMINUM FOIL SUPPLIER CODE: V89954	103106	1
15	69-73010-2		..MODULE ASSY-BITE SUPPLIER CODE: V89954	103106	1
20	285A1015-4		..PW ASSY-CPU BOARD SUPPLIER CODE: V89954	103106	1
25	900-12471-410		...PROCESSOR-U41 SUPPLIER CODE: V89954	103106	1
30	R1206X103K2B04		...CAPACITOR-CHIP C47,C48, C55,C61,C81,C110,C119, C124,C159 SUPPLIER CODE: VOFDX0 SPECIFICATION NUMBER: 900-14050-10395	103106	9

MISSING ITEM NUMBERS NOT APPLICABLE

- ITEM NOT ILLUSTRATED

27-59-01-08

27-59-01  
FIG. 08  
PAGE 1  
JAN 20/09

BRI

 **BOEING**  
757  
**PARTS CATALOG (MAINTENANCE)**

FIG ITEM	PART NUMBER	1 2 3 4 5 6 7	NOMENCLATURE	EFFECT FROM TO	UNITS PER ASSY
8					
35	R1206X104K2B04	...	CAPACITOR-CHIP C1-C9, C12,C13,C16-C20,C22, C27,C28,C30,C31,C33, C34,C37,C38,C41-C46, C49,C51-C54,C56-C58, C60,C64-C70,C72-C79, C86-C91,C97,C99-C101, C104,C108,C111-C113, C123,C126,C134-C137, C141,C142,C144,C146 C148,C150,C153,C155 SUPPLIER CODE: VOFDX0 SPECIFICATION NUMBER: 900-14050-10495	103106	84
40	285N1237-2	..PW	ASSY-I/O, FLAP/SLAT ACCESS. MODULE SUPPLIER CODE: V89954	103106	1
45	S71-3L	...	EXTRACTOR-(LH) SUPPLIER CODE: V18915	103106	1
50	S71-3R	...	EXTRACTOR-(RH) SUPPLIER CODE: V18915	103106	1
55	R1206X104K2B04	...	CAPACITOR-CHIP C1-C19, C21-C23,C26,C29,C32, C35,C38,C41-C47,C50, C53,C56,C59,C62, C64-C66,C68,C69,C71, C72,C75,C77,C78, C80-C82,C89,C90,C93, C94 C97,C99,C100,C101, C104,C105,108-C111, C117,C118,C123-C128, C137-C142,C144-C152, C154,C156,C158,C161, C162,C164-C167,C170, C172,C174,C176,C178, C179,C181,C182,C185, C186,C191,C192,C193, C200,C201,C203,C206, C206-C209,C212 SUPPLIER CODE: VOFDX0 SPECIFICATION NUMBER: 900-14050-10495	103106	120
- 201	286N1284-601		WIRE BUNDLE ASSY-	103105	RF

MISSING ITEM NUMBERS NOT APPLICABLE

- ITEM NOT ILLUSTRATED

# 27-59-01-08

27-59-01  
FIG. 08  
PAGE 2  
JAN 20/09

BRI

BOEING PROPRIETARY - Copyright © - Unpublished Work - See title page for details.



757

PARTS CATALOG (MAINTENANCE)

FIG ITEM	PART NUMBER	1 2 3 4 5 6 7	NOMENCLATURE	EFFECT FROM TO	UNITS PER ASSY
8 - 202 205	286N1284-602 BACC66H21C4201		WIRE BUNDLE ASSY- .PLUG- ELECTRICAL EQUIP NUMBER: D08974 WIRING DIAGRAM REF: 275831	106106 103106	RF 1

MISSING ITEM NUMBERS NOT APPLICABLE

- ITEM NOT ILLUSTRATED

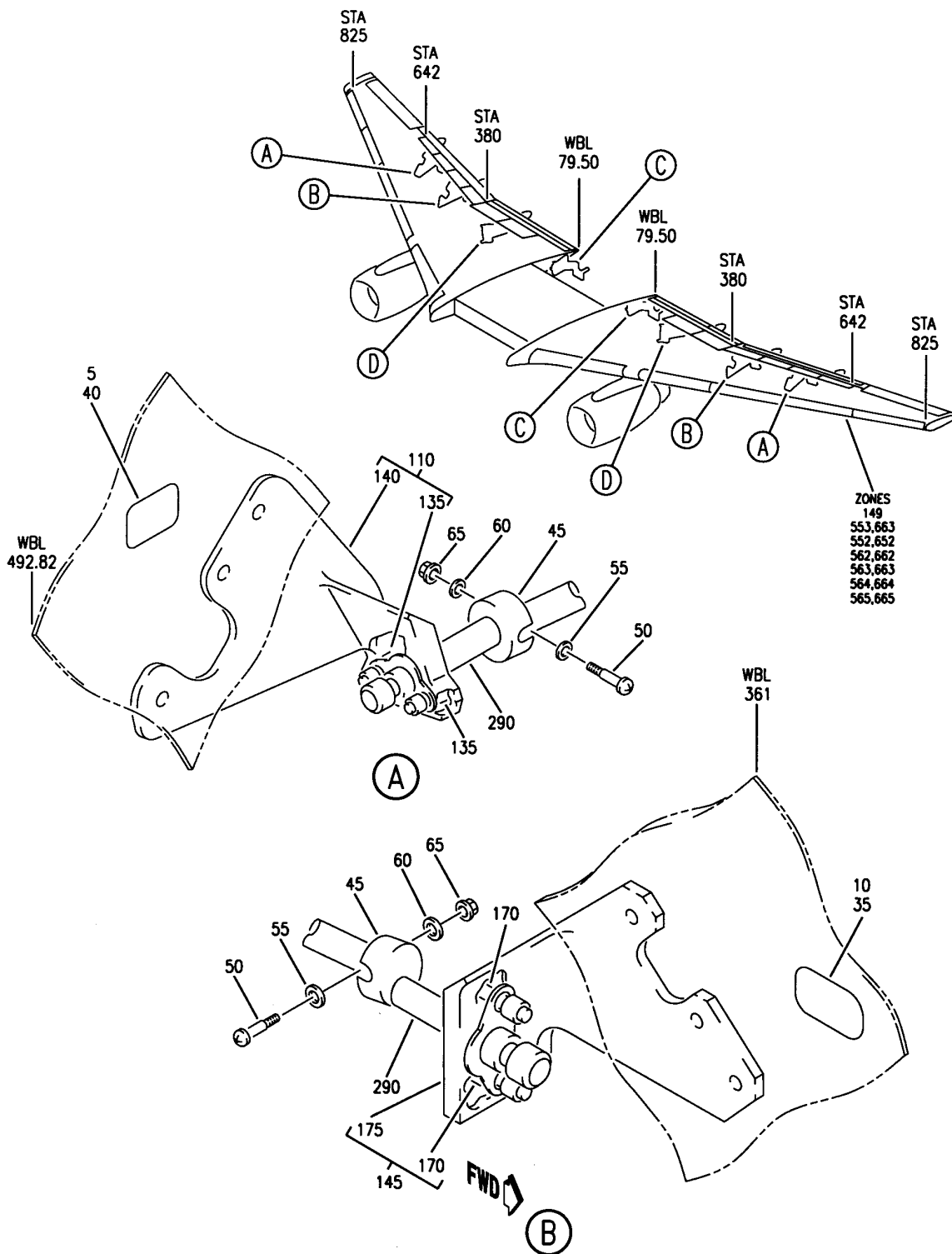
BRI

27-59-01-08

BOEING PROPRIETARY - Copyright © - Unpublished Work - See title page for details.

27-59-01  
FIG. 08  
PAGE 3  
JAN 20/09

**BOEING**  
757  
PARTS CATALOG (MAINTENANCE)



Y 27590201 SHT 1 REV 210

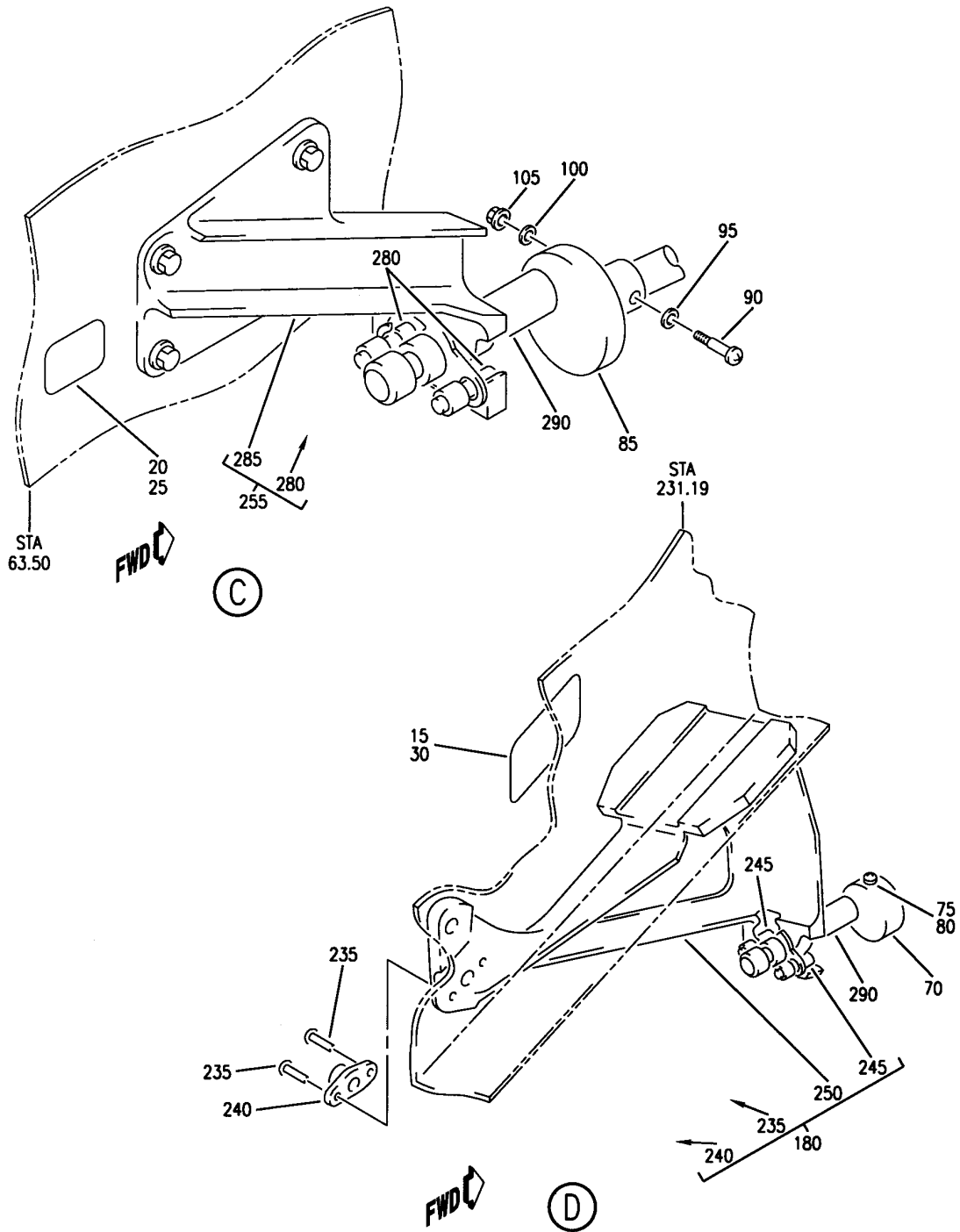
SENSOR INSTL TE FLAP SKEW DETECTION  
FIGURE 1 (SHEET 1)

**27-59-02-01**

BRI  
JAN 20/09

27-59-02-01  
PAGE 0

**BOEING**  
757  
PARTS CATALOG (MAINTENANCE)



Y 27590201 SH1 2 REV 210

SENSOR INSTL TE FLAP SKEW DETECTION  
FIGURE 1 (SHEET 2)

**27-59-02-01**

BRI  
JAN 20/09

27-59-02-01  
PAGE 0A



757

PARTS CATALOG (MAINTENANCE)

FIG ITEM	PART NUMBER	1 2 3 4 5 6 7	NOMENCLATURE	EFFECT FROM TO	UNITS PER ASSY
1			SENSOR INSTL	103106	
- 1	MODREF7762		TE FLAP SKEW DETECTION SENSOR INSTL-	103105	1
- 1	MODREF34542		TE FLAP SKEW DETECTION MODULE NUMBER: 251N4901-3 REV A	106106	1
5	BAC27NCT322		SENSOR INSTL- TE FLAP SKEW DETECTION MODULE NUMBER: 251N4901-3 REV C	103106	1
10	BAC27NCT323		.MARKER-ALUMINUM POSITION DATA: L WING PLACARD CONTENT: TS5329 FLAP SKEW SENSOR 1	103106	1
15	BAC27NCT324		.MARKER-ALUMINUM POSITION DATA: L WING PLACARD CONTENT: TS5329 FLAP SKEW SENSOR 2	103106	1
20	BAC27NCT325		.MARKER-ALUMINUM POSITION DATA: L WING PLACARD CONTENT: TS5329 FLAP SKEW SENSOR 3	103106	1
25	BAC27NCT326		.MARKER-ALUMINUM POSITION DATA: L WING PLACARD CONTENT: TS5329 FLAP SKEW SENSOR 4	103106	1
30	BAC27NCT327		.MARKER-ALUMINUM POSITION DATA: R WING PLACARD CONTENT: TS5329 FLAP SKEW SENSOR 6	103106	1

MISSING ITEM NUMBERS NOT APPLICABLE

- ITEM NOT ILLUSTRATED

27-59-02-01

27-59-02  
FIG. 01  
PAGE 1  
JAN 20/09

BRI



**BOEING**  
757  
PARTS CATALOG (MAINTENANCE)

FIG ITEM	PART NUMBER	1 2 3 4 5 6 7	NOMENCLATURE	EFFECT FROM TO	UNITS PER ASSY
1					
35	BAC27NCT328		.MARKER-ALUMINUM POSITION DATA: R WING PLACARD CONTENT: TS5329 FLAP SKEW SENSOR 7	103106	1
40	BAC27NCT329		.MARKER-ALUMINUM POSITION DATA: R WING PLACARD CONTENT: TS5329 FLAP SKEW SENSOR 8	103106	1
45	8-970-09		.TARGET- SUPPLIER CODE: V08748 SPECIFICATION NUMBER: S256W408-12 OPTIONAL PART: 8-970-06 V08748 ATTACHING PARTS	103106	4
50	BACB30NT3K32		.BOLT	103106	4
55	BACW10BN3AC		.WASHER	103106	4
60	BACW10BN3AP		.WASHER	103106	4
65	PLH53CD		.NUT SUPPLIER CODE: VF0224 SPECIFICATION NUMBER: BACN10YR3CD OPTIONAL PART: H52732-3CD V15653	103106	4
70	8-970-07		-----*----- .TARGET- SUPPLIER CODE: V08748 SPECIFICATION NUMBER: S256W408-13 OPTIONAL PART: 8-970-04 V08748 ATTACHING PARTS	103106	2
- 75	BACB30NT3K28		.BOLT	103106	2
- 80	BACW10BN3AC		.WASHER -----*-----	103106	2

MISSING ITEM NUMBERS NOT APPLICABLE

- ITEM NOT ILLUSTRATED

BRI

# 27-59-02-01

BOEING PROPRIETARY - Copyright © - Unpublished Work - See title page for details.

27-59-02  
FIG. 01  
PAGE 2  
JAN 20/09



757

PARTS CATALOG (MAINTENANCE)

FIG ITEM	PART NUMBER	1 2 3 4 5 6 7	NOMENCLATURE	EFFECT FROM TO	UNITS PER ASSY
1 85	8-970-08		.TARGET- SUPPLIER CODE: V08748 SPECIFICATION NUMBER: S256W408-14 OPTIONAL PART: 8-970-05 V08748 ATTACHING PARTS	103106	2
- 90	BACB30NT3K29		.BOLT	103106	2
- 95	BACW10BN3AC		.WASHER	103106	2
- 100	BACW10BN3AP		.WASHER	103106	2
- 105	PLH53CD		.NUT SUPPLIER CODE: VF0224 SPECIFICATION NUMBER: BACN10YR3CD OPTIONAL PART: H52732-3CD V15653	103106	2
110	251N4910-3		.BRACKET ASSY-	103105	2
110	251N4910-8		.BRACKET ASSY- ATTACHING PARTS	106106	2
115	BACB30NR4K25		.BOLT	103106	6
120	BACW10BP4CD		.WASHER	103106	6
125	BACW10BP4DP		.WASHER	103106	4
130	BRH10C4D		.NUT SUPPLIER CODE: V52828 SPECIFICATION NUMBER: BACN10JC4CD OPTIONAL PART: T6C428JCD V11815 NS202486-048 V80539 102LH9075-4W V72962 H51650-4BAC V15653	103106	6
135	MS1209F1-15P		..INSERT	103106	2
140	251N4910-2		..BRACKET-	103106	1
145	251N4920-1		.BRACKET ASSY ATTACHING PARTS	103106	2
150	BACB30NR4K28		.BOLT	103106	6
155	BACW10BP4CD		.WASHER	103106	6
160	BACW10BP4DP		.WASHER	103106	2

MISSING ITEM NUMBERS NOT APPLICABLE

- ITEM NOT ILLUSTRATED

27-59-02-01

27-59-02  
FIG. 01  
PAGE 3  
JAN 20/09

BRI



757

PARTS CATALOG (MAINTENANCE)

FIG ITEM	PART NUMBER	1 2 3 4 5 6 7	NOMENCLATURE	EFFECT FROM TO	UNITS PER ASSY
1 165	BRH10C4D	.	NUT SUPPLIER CODE: V52828 SPECIFICATION NUMBER: BACN10JC4CD OPTIONAL PART: T6C428JCD V11815 NS202486-048 V80539 102LH9075-4W V72962 H51650-4BAC V15653 -----*-----	103106	6
170	MS21209F1-15P	..	INSERT	103106	2
175	251N4920-2	..	BRACKET	103106	2
180	251N4930-5	.	BRACKET ASSY ATTACHING PARTS	103106	2
190	BACB30NM4K12	.	BOLT	103106	4
200	BACW10BP4CD	.	WASHER	103106	4
210	BACW10BP4DP	.	WASHER	103106	4
220	BRH10C4D	.	NUT SUPPLIER CODE: V52828 SPECIFICATION NUMBER: BACN10JC4CD OPTIONAL PART: T6C428JCD V11815 NS202486-048 V80539 102LH9075-4W V72962 H51650-4BAC V15653 -----*-----	103106	4
235	BACR15BA3AD6C	..	RIVET	103106	2
240	WSI4-6	..	NUTPLATE SUPPLIER CODE: V04169 SPECIFICATION NUMBER: BACN10TL3-6	103106	1
245	MS21209F1-15P	..	INSERT	103106	2
250	251N4930-2	..	BRACKET	103106	1
255	251N4940-3	.	BRACKET ASSY ATTACHING PARTS	103106	2
260	BACB30NR4K7	.	BOLT	103106	6
265	BACW10BP4CD	.	WASHER	103106	6

MISSING ITEM NUMBERS NOT APPLICABLE

- ITEM NOT ILLUSTRATED

27-59-02-01

27-59-02  
FIG. 01  
PAGE 4  
JAN 20/09

BRI



757

PARTS CATALOG (MAINTENANCE)

FIG ITEM	PART NUMBER	1 2 3 4 5 6 7	NOMENCLATURE	EFFECT FROM TO	UNITS PER ASSY
1					
270	BACW10BP4DP	.	WASHER	103106	6
275	BRH10C4D	.	NUT	103106	6
			SUPPLIER CODE: V52828		
			SPECIFICATION NUMBER: BACN10JC4CD		
			OPTIONAL PART: T6C428JCD		
			V11815		
			NS202486-048		
			V80539		
			102LH9075-4W		
			V72962		
			H51650-4BAC		
			V15653		
			-----*-----		
280	MS21209F1-15P	..	INSERT	103106	2
285	251N4940-2	..	BRACKET	103106	1
290	8-788-02	.	SENSOR-	103106	8
			SUPPLIER CODE: V08748		
			SPECIFICATION NUMBER: S256W408-15		
			ELECTRICAL EQUIP NUMBER: TS05329		
			TS05331		
			TS05335		
			TS05336		
			TS05337		
			TS05338		
			TS05339		
			TS05340		
290	8-788-01	.	SENSOR-	103106	8
			SUPPLIER CODE: V08748		
			SPECIFICATION NUMBER: S256W408-1		
			ELECTRICAL EQUIP NUMBER: TS05329		
			TS05331		
			TS05335		
			TS05336		
			TS05337		
			TS05338		
			TS05339		
			TS05340		

MISSING ITEM NUMBERS NOT APPLICABLE

- ITEM NOT ILLUSTRATED

BRI

27-59-02-01

BOEING PROPRIETARY - Copyright © - Unpublished Work - See title page for details.

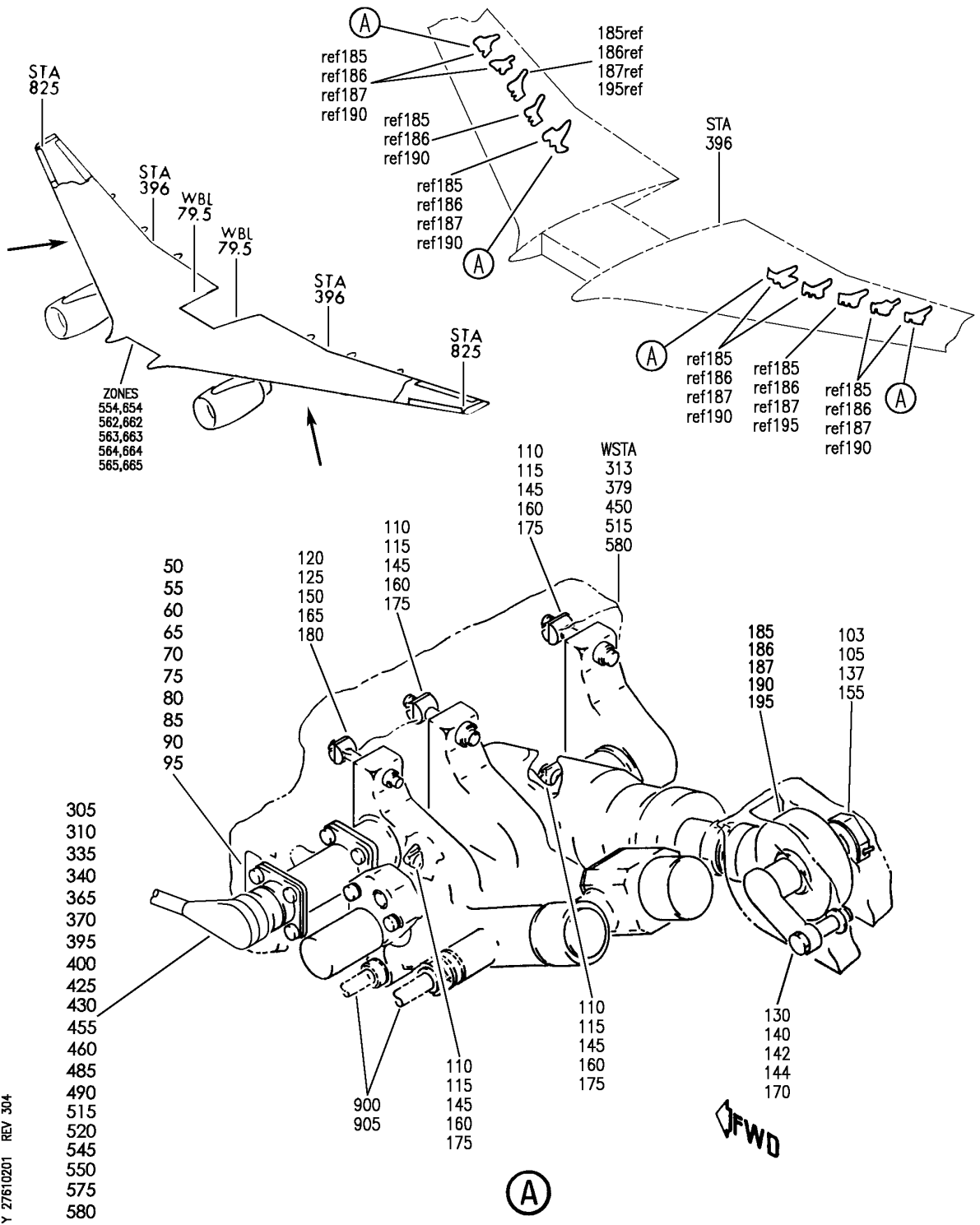
27-59-02  
FIG. 01  
PAGE 5  
JAN 20/09

## SPOILER AND SPEEDBRAKE CONTROL

BRI  
MAY 28/07

27-61-00  
SECTION TITLE  
PAGE 1

**BOEING**  
757  
**PARTS CATALOG (MAINTENANCE)**



Y 27610201 REV 304

ACTUATOR INSTL-SPOILER NO. 1 THRU 5 AND 8 THRU 12 (SPOILER POWER CONTROL ACTUATOR ONLY)  
FIGURE 1

**27-61-02-01**

BRI  
MAY 28/07

27-61-02-01  
PAGE 0

BOEING PROPRIETARY - Copyright © - Unpublished Work - See title page for details.



757

PARTS CATALOG (MAINTENANCE)

FIG ITEM	PART NUMBER	1 2 3 4 5 6 7	NOMENCLATURE	EFFECT FROM TO	UNITS PER ASSY
1			ACTUATOR INSTL-SPOILER NO. 1 THRU 5 AND 8 THRU 12 (SPOILER POWER CONTROL ACTUATOR ONLY)	002004 006999	
- 1	251N1003-1		ACTUATOR INSTL-SPOILER NO. 1 (SPOILER POWER CONTROL ACTUATOR ONLY) FOR NHA/OTHER SYS DET SEE: 27-00-00-02	107107	RF
- 1	251N1003-23		ACTUATOR INSTL-SPOILER NO. 1 (SPOILER POWER CONTROL ACTUATOR ONLY) FOR NHA/OTHER SYS DET SEE: 27-00-00-02	904949	RF
- 1	251N1003-43		ACTUATOR INSTL-SPOILER NO. 1 (SPOILER POWER CONTROL ACTUATOR ONLY) FOR NHA/OTHER SYS DET SEE: 27-00-00-02	952952	RF
- 1	251N1003-63		ACTUATOR INSTL-SPOILER NO. 1 (SPOILER POWER CONTROL ACTUATOR ONLY) FOR NHA/OTHER SYS DET SEE: 27-00-00-02	002004 006017 121503 950951 953999	RF
- 1	251N1003-83		ACTUATOR INSTL-SPOILER NO. 1 (SPOILER POWER CONTROL ACTUATOR ONLY) FOR NHA SEE: 27-00-00-01	101102 108120 504903	RF
- 1	251N1003-103		ACTUATOR INSTL-SPOILER NO. 1 (SPOILER POWER CONTROL ACTUATOR ONLY) FOR NHA SEE: 27-00-00-02	018100	RF
- 1	MODREF7036		ACTUATOR INSTL-SPOILER NO. 1 (SPOILER POWER CONTROL ACTUATOR ONLY) MODULE NUMBER: 251N1003-83 REV A	103106	1
- 5	251N1003-2		ACTUATOR INSTL-SPOILER NO. 2 (SPOILER POWER CONTROL ACTUATOR ONLY) FOR NHA/OTHER SYS DET SEE: 27-00-00-02	107107	RF
- 5	251N1003-24		ACTUATOR INSTL-SPOILER NO. 2 (SPOILER POWER CONTROL ACTUATOR ONLY) FOR NHA/OTHER SYS DET SEE: 27-00-00-02	904949	RF

MISSING ITEM NUMBERS NOT APPLICABLE

- ITEM NOT ILLUSTRATED

BRI

27-61-02-01

27-61-02  
FIG. 01  
PAGE 1  
JAN 20/09



757

PARTS CATALOG (MAINTENANCE)

FIG ITEM	PART NUMBER	1 2 3 4 5 6 7	NOMENCLATURE	EFFECT FROM TO	UNITS PER ASSY
1					
- 5	251N1003-44		ACTUATOR INSTL-SPOILER NO. 2 (SPOILER POWER CONTROL ACTUATOR ONLY) FOR NHA/OTHER SYS DET SEE: 27-00-00-02	952952	RF
- 5	251N1003-64		ACTUATOR INSTL-SPOILER NO. 2 (SPOILER POWER CONTROL ACTUATOR ONLY) FOR NHA/OTHER SYS DET SEE: 27-00-00-02	002004 006017 121503 950951 953999	RF
- 5	251N1003-84		ACTUATOR INSTL-SPOILER NO. 2 (SPOILER POWER CONTROL ACTUATOR ONLY) FOR NHA SEE: 27-00-00-01	101102 108120 504903	RF
- 5	251N1003-104		ACTUATOR INSTL-SPOILER NO. 2 (SPOILER POWER CONTROL ACTUATOR ONLY) FOR NHA SEE: 27-00-00-02	018100	RF
- 5	MODREF7037		ACTUATOR INSTL-SPOILER NO. 2 (SPOILER POWER CONTROL ACTUATOR ONLY) MODULE NUMBER: 251N1003-84 REV A	103106	1
- 10	251N1003-3		ACTUATOR INSTL-SPOILER NO. 3 (SPOILER POWER CONTROL ACTUATOR ONLY) FOR NHA/OTHER SYS DET SEE: 27-00-00-02	107107	RF
- 10	251N1003-25		ACTUATOR INSTL-SPOILER NO. 3 (SPOILER POWER CONTROL ACTUATOR ONLY) FOR NHA/OTHER SYS DET SEE: 27-00-00-02	904949	RF
- 10	251N1003-45		ACTUATOR INSTL-SPOILER NO. 3 (SPOILER POWER CONTROL ACTUATOR ONLY) FOR NHA/OTHER SYS DET SEE: 27-00-00-02	952952	RF
- 10	251N1003-65		ACTUATOR INSTL-SPOILER NO. 3 (SPOILER POWER CONTROL ACTUATOR ONLY) FOR NHA/OTHER SYS DET SEE: 27-00-00-02	002004 006017 121503 950951 953999	RF

MISSING ITEM NUMBERS NOT APPLICABLE

- ITEM NOT ILLUSTRATED

BRI

27-61-02-01

27-61-02  
FIG. 01  
PAGE 2  
JAN 20/09





757

PARTS CATALOG (MAINTENANCE)

FIG ITEM	PART NUMBER	1 2 3 4 5 6 7	NOMENCLATURE	EFFECT FROM TO	UNITS PER ASSY
1					
- 10	251N1003-85		ACTUATOR INSTL-SPOILER NO. 3 (SPOILER POWER CONTROL ACTUATOR ONLY) FOR NHA SEE: 27-00-00-01	101102 108120 504903	RF
- 10	251N1003-105		ACTUATOR INSTL-SPOILER NO. 3 (SPOILER POWER CONTROL ACTUATOR ONLY) FOR NHA SEE: 27-00-00-02	018100	RF
- 10	MODREF7038		ACTUATOR INSTL-SPOILER NO. 3 (SPOILER POWER CONTROL ACTUATOR ONLY) MODULE NUMBER: 251N1003-85 REV A	103106	1
- 15	251N1003-4		ACTUATOR INSTL-SPOILER NO. 4 (SPOILER POWER CONTROL ACTUATOR ONLY) FOR NHA/OTHER SYS DET SEE: 27-00-00-02	107107	RF
- 15	251N1003-26		ACTUATOR INSTL-SPOILER NO. 4 (SPOILER POWER CONTROL ACTUATOR ONLY) FOR NHA/OTHER SYS DET SEE: 27-00-00-02	904949	RF
- 15	251N1003-46		ACTUATOR INSTL-SPOILER NO. 4 (SPOILER POWER CONTROL ACTUATOR ONLY) FOR NHA/OTHER SYS DET SEE: 27-00-00-02	952952	RF
- 15	251N1003-66		ACTUATOR INSTL-SPOILER NO. 4 (SPOILER POWER CONTROL ACTUATOR ONLY) FOR NHA/OTHER SYS DET SEE: 27-00-00-02	002004 006017 121503 950951 953999	RF
- 15	251N1003-86		ACTUATOR INSTL-SPOILER NO. 4 (SPOILER POWER CONTROL ACTUATOR ONLY) FOR NHA SEE: 27-00-00-01	101102 108120 504903	RF
- 15	251N1003-106		ACTUATOR INSTL-SPOILER NO. 4 (SPOILER POWER CONTROL ACTUATOR ONLY) FOR NHA SEE: 27-00-00-02	018100	RF

MISSING ITEM NUMBERS NOT APPLICABLE

- ITEM NOT ILLUSTRATED

BRI

27-61-02-01

27-61-02  
FIG. 01  
PAGE 3  
JAN 20/09



757

PARTS CATALOG (MAINTENANCE)

FIG ITEM	PART NUMBER	1 2 3 4 5 6 7	NOMENCLATURE	EFFECT FROM TO	UNITS PER ASSY
1					
- 15	MODREF7039		ACTUATOR INSTL-SPOILER NO. 4 (SPOILER POWER CONTROL ACTUATOR ONLY) MODULE NUMBER: 251N1003-86 REV A	103106	1
- 20	251N1003-5		ACTUATOR INSTL-SPOILER NO. 5 (SPOILER POWER CONTROL ACTUATOR ONLY) FOR NHA/OTHER SYS DET SEE: 27-00-00-02	107107	RF
- 20	251N1003-27		ACTUATOR INSTL-SPOILER NO. 5 (SPOILER POWER CONTROL ACTUATOR ONLY) FOR NHA/OTHER SYS DET SEE: 27-00-00-02	904949	RF
- 20	251N1003-47		ACTUATOR INSTL-SPOILER NO. 5 (SPOILER POWER CONTROL ACTUATOR ONLY) FOR NHA/OTHER SYS DET SEE: 27-00-00-02	952952	RF
- 20	251N1003-67		ACTUATOR INSTL-SPOILER NO. 5 (SPOILER POWER CONTROL ACTUATOR ONLY) FOR NHA/OTHER SYS DET SEE: 27-00-00-02	002004 006017 121503 950951 953999	RF
- 20	251N1003-87		ACTUATOR INSTL-SPOILER NO. 5 (SPOILER POWER CONTROL ACTUATOR ONLY) FOR NHA SEE: 27-00-00-01	101102 108120 504903	RF
- 20	251N1003-107		ACTUATOR INSTL-SPOILER NO. 5 (SPOILER POWER CONTROL ACTUATOR ONLY) FOR NHA SEE: 27-00-00-02	018100	RF
- 20	MODREF7040		ACTUATOR INSTL-SPOILER NO. 5 (SPOILER POWER CONTROL ACTUATOR ONLY) MODULE NUMBER: 251N1003-87 REV A	103106	1
- 25	251N1003-8		ACTUATOR INSTL-SPOILER NO. 8 (SPOILER POWER CONTROL ACTUATOR ONLY) FOR NHA/OTHER SYS DET SEE: 27-00-00-02	107107	RF

MISSING ITEM NUMBERS NOT APPLICABLE

- ITEM NOT ILLUSTRATED

BRI

27-61-02-01

BOEING PROPRIETARY - Copyright © - Unpublished Work - See title page for details.

27-61-02  
FIG. 01  
PAGE 4  
JAN 20/09



757

PARTS CATALOG (MAINTENANCE)

FIG ITEM	PART NUMBER	1 2 3 4 5 6 7	NOMENCLATURE	EFFECT FROM TO	UNITS PER ASSY
1					
- 25	251N1003-28		ACTUATOR INSTL-SPOILER NO. 8 (SPOILER POWER CONTROL ACTUATOR ONLY) FOR NHA/OTHER SYS DET SEE: 27-00-00-02	904949	RF
- 25	251N1003-48		ACTUATOR INSTL-SPOILER NO. 8 (SPOILER POWER CONTROL ACTUATOR ONLY) FOR NHA/OTHER SYS DET SEE: 27-00-00-02	952952	RF
- 25	251N1003-68		ACTUATOR INSTL-SPOILER NO. 8 (SPOILER POWER CONTROL ACTUATOR ONLY) FOR NHA/OTHER SYS DET SEE: 27-00-00-02	002004 006017 121503	RF
- 25	251N1003-88		ACTUATOR INSTL-SPOILER NO. 8 (SPOILER POWER CONTROL ACTUATOR ONLY) FOR NHA SEE: 27-00-00-01	950951 953999 101102 108120 504903	RF
- 25	251N1003-108		ACTUATOR INSTL-SPOILER NO. 8 (SPOILER POWER CONTROL ACTUATOR ONLY) FOR NHA SEE: 27-00-00-02	018100	RF
- 25	MODREF7041		ACTUATOR INSTL-SPOILER NO. 8 (SPOILER POWER CONTROL ACTUATOR ONLY) MODULE NUMBER: 251N1003-88 REV A	103106	1
- 30	251N1003-9		ACTUATOR INSTL-SPOILER NO. 9 (SPOILER POWER CONTROL ACTUATOR ONLY) FOR NHA/OTHER SYS DET SEE: 27-00-00-02	107107	RF
- 30	251N1003-29		ACTUATOR INSTL-SPOILER NO. 9 (SPOILER POWER CONTROL ACTUATOR ONLY) FOR NHA/OTHER SYS DET SEE: 27-00-00-02	904949	RF
- 30	251N1003-49		ACTUATOR INSTL-SPOILER NO. 9 (SPOILER POWER CONTROL ACTUATOR ONLY) FOR NHA/OTHER SYS DET SEE: 27-00-00-02	952952	RF

MISSING ITEM NUMBERS NOT APPLICABLE

- ITEM NOT ILLUSTRATED

BRI

27-61-02-01

BOEING PROPRIETARY - Copyright © - Unpublished Work - See title page for details.

27-61-02  
FIG. 01  
PAGE 5  
JAN 20/09



757

PARTS CATALOG (MAINTENANCE)

FIG ITEM	PART NUMBER	1 2 3 4 5 6 7	NOMENCLATURE	EFFECT FROM TO	UNITS PER ASSY
1					
- 30	251N1003-69		ACTUATOR INSTL-SPOILER NO. 9 (SPOILER POWER CONTROL ACTUATOR ONLY) FOR NHA/OTHER SYS DET SEE: 27-00-00-02	002004 006017 121503 950951 953999	RF
- 30	251N1003-89		ACTUATOR INSTL-SPOILER NO. 9 (SPOILER POWER CONTROL ACTUATOR ONLY) FOR NHA SEE: 27-00-00-01	101102 108120 504903	RF
- 30	251N1003-109		ACTUATOR INSTL-SPOILER NO. 9 (SPOILER POWER CONTROL ACTUATOR ONLY) FOR NHA SEE: 27-00-00-02	018100	RF
- 30	MODREF7042		ACTUATOR INSTL-SPOILER NO. 9 (SPOILER POWER CONTROL ACTUATOR ONLY) MODULE NUMBER: 251N1003-89 REV A	103106	1
- 35	251N1003-10		ACTUATOR INSTL-SPOILER NO. 10 (SPOILER POWER CONTROL ACTUATOR ONLY) FOR NHA/OTHER SYS DET SEE: 27-00-00-02	107107	RF
- 35	251N1003-30		ACTUATOR INSTL-SPOILER NO. 10 (SPOILER POWER CONTROL ACTUATOR ONLY) FOR NHA/OTHER SYS DET SEE: 27-00-00-02	904949	RF
- 35	251N1003-50		ACTUATOR INSTL-SPOILER NO. 10 (SPOILER POWER CONTROL ACTUATOR ONLY) FOR NHA/OTHER SYS DET SEE: 27-00-00-02	952952	RF
- 35	251N1003-70		ACTUATOR INSTL-SPOILER NO. 10 (SPOILER POWER CONTROL ACTUATOR ONLY) FOR NHA/OTHER SYS DET SEE: 27-00-00-02	002004 006017 121503 950951 953999	RF
- 35	251N1003-90		ACTUATOR INSTL-SPOILER NO. 10 (SPOILER POWER CONTROL ACTUATOR ONLY) FOR NHA SEE: 27-00-00-01	101102 108120 504903	RF

MISSING ITEM NUMBERS NOT APPLICABLE

- ITEM NOT ILLUSTRATED

BRI

27-61-02-01

27-61-02  
FIG. 01  
PAGE 6  
JAN 20/09



757

PARTS CATALOG (MAINTENANCE)

FIG ITEM	PART NUMBER	1 2 3 4 5 6 7	NOMENCLATURE	EFFECT FROM TO	UNITS PER ASSY
1					
- 35	251N1003-110		ACTUATOR INSTL-SPOILER NO. 10 (SPOILER POWER CONTROL ACTUATOR ONLY) FOR NHA SEE: 27-00-00-02	018100	RF
- 35	MODREF7043		ACTUATOR INSTL-SPOILER NO. 10 (SPOILER POWER CONTROL ACTUATOR ONLY) MODULE NUMBER: 251N1003-90 REV A	103106	1
- 40	251N1003-31		ACTUATOR INSTL-SPOILER NO. 11 (SPOILER POWER CONTROL ACTUATOR ONLY) FOR NHA/OTHER SYS DET SEE: 27-00-00-02	904949	RF
- 40	251N1003-11		ACTUATOR INSTL-SPOILER NO. 11 (SPOILER POWER CONTROL ACTUATOR ONLY) FOR NHA/OTHER SYS DET SEE: 27-00-00-02	107107	RF
- 40	251N1003-51		ACTUATOR INSTL-SPOILER NO. 11 (SPOILER POWER CONTROL ACTUATOR ONLY) FOR NHA/OTHER SYS DET SEE: 27-00-00-02	952952	RF
- 40	251N1003-71		ACTUATOR INSTL-SPOILER NO. 11 (SPOILER POWER CONTROL ACTUATOR ONLY) FOR NHA/OTHER SYS DET SEE: 27-00-00-02	002004 006017 121503 950951 953999	RF
- 40	251N1003-91		ACTUATOR INSTL-SPOILER NO. 11 (SPOILER POWER CONTROL ACTUATOR ONLY) FOR NHA SEE: 27-00-00-01	101102 108120 504903	RF
- 40	251N1003-111		ACTUATOR INSTL-SPOILER NO. 11 (SPOILER POWER CONTROL ACTUATOR ONLY) FOR NHA SEE: 27-00-00-02	018100	RF
- 40	MODREF7044		ACTUATOR INSTL-SPOILER NO. 11 (SPOILER POWER CONTROL ACTUATOR ONLY) MODULE NUMBER: 251N1003-91 REV A	103106	1

MISSING ITEM NUMBERS NOT APPLICABLE

- ITEM NOT ILLUSTRATED

27-61-02-01

27-61-02  
FIG. 01  
PAGE 7  
JAN 20/09

BRI



757

PARTS CATALOG (MAINTENANCE)

FIG ITEM	PART NUMBER	1 2 3 4 5 6 7	NOMENCLATURE	EFFECT FROM TO	UNITS PER ASSY
1					
- 45	251N1003-32		ACTUATOR INSTL-SPOILER NO. 12 (SPOILER POWER CONTROL ACTUATOR ONLY) FOR NHA/OTHER SYS DET SEE: 27-00-00-02	904949	RF
- 45	251N1003-12		ACTUATOR INSTL-SPOILER NO. 12 (SPOILER POWER CONTROL ACTUATOR ONLY) FOR NHA/OTHER SYS DET SEE: 27-00-00-02	107107	RF
- 45	251N1003-52		ACTUATOR INSTL-SPOILER NO. 12 (SPOILER POWER CONTROL ACTUATOR ONLY) FOR NHA/OTHER SYS DET SEE: 27-00-00-02	952952	RF
- 45	251N1003-72		ACTUATOR INSTL-SPOILER NO. 12 (SPOILER POWER CONTROL ACTUATOR ONLY) FOR NHA/OTHER SYS DET SEE: 27-00-00-02	002004 006017 121503 950951 953999	RF
- 45	251N1003-92		ACTUATOR INSTL-SPOILER NO. 12 (SPOILER POWER CONTROL ACTUATOR ONLY) FOR NHA SEE: 27-00-00-01	101102 108120 504903	RF
- 45	251N1003-112		ACTUATOR INSTL-SPOILER NO. 12 (SPOILER POWER CONTROL ACTUATOR ONLY) FOR NHA SEE: 27-00-00-02	018100	RF
- 45	MODREF7045		ACTUATOR INSTL-SPOILER NO. 12 (SPOILER POWER CONTROL ACTUATOR ONLY) MODULE NUMBER: 251N1003-92 REV A	103106	1
50	BAC27NCT0041		.MARKER-ALUMINUM FOIL PLACARD CONTENT: M306 NO. 1 SPOILER POWER CONTROL UNIT USED ON: 251N1003-1 251N1003-23 251N1003-43 251N1003-63 251N1003-83 251N1003-103 251N1003-133 MODREF7036	002004 006999	1

MISSING ITEM NUMBERS NOT APPLICABLE

- ITEM NOT ILLUSTRATED

27-61-02-01

27-61-02  
FIG. 01  
PAGE 8  
JAN 20/09

BRI



757

PARTS CATALOG (MAINTENANCE)

FIG ITEM	PART NUMBER	1 2 3 4 5 6 7	NOMENCLATURE	EFFECT FROM TO	UNITS PER ASSY
1 55	BAC27NCT0042		.MARKER-ALUMINUM FOIL- PLACARD CONTENT: M307 NO. 2 SPOILER POWER CONTROL UNIT USED ON: 251N1003-2 251N1003-24 251N1003-44 251N1003-64 251N1003-84 251N1003-104 251N1003-134 MODREF7037	002004 006999	1
60	BAC27NCT0043		.MARKER-ALUMINUM FOIL- PLACARD CONTENT: M308 NO. 3 SPOILER POWER CONTROL UNIT USED ON: 251N1003-3 251N1003-25 251N1003-45 251N1003-65 251N1003-85 251N1003-105 251N1003-135 MODREF7038	002004 006999	1
65	BAC27NCT0044		.MARKER-ALUMINUM FOIL- PLACARD CONTENT: M309 NO. 4 SPOILER POWER CONTROL UNIT USED ON: 251N1003-4 251N1003-26 251N1003-46 251N1003-66 251N1003-86 251N1003-106 251N1003-136 MODREF7039	002004 006999	1

MISSING ITEM NUMBERS NOT APPLICABLE

- ITEM NOT ILLUSTRATED

BRI

27-61-02-01

BOEING PROPRIETARY - Copyright © - Unpublished Work - See title page for details.

27-61-02  
FIG. 01  
PAGE 9  
JAN 20/09



757

PARTS CATALOG (MAINTENANCE)

FIG ITEM	PART NUMBER	1 2 3 4 5 6 7	NOMENCLATURE	EFFECT FROM TO	UNITS PER ASSY
1 70	BAC27NCT0045		.MARKER-ALUMINUM FOIL- PLACARD CONTENT: M310 NO. 5 SPOILER POWER CONTROL UNIT USED ON: 251N1003-5 251N1003-27 251N1003-47 251N1003-67 251N1003-87 251N1003-107 251N1003-137 MODREF7040	002004 006999	1
75	BAC27NCT0048		.MARKER-ALUMINUM FOIL- PLACARD CONTENT: M313 NO. 8 SPOILER POWER CONTROL UNIT USED ON: 251N1003-8 251N1003-28 251N1003-48 251N1003-68 251N1003-88 251N1003-108 251N1003-138 MODREF7041	002004 006999	1
80	BAC27NCT0049		.MARKER-ALUMINUM FOIL PLACARD CONTENT: M314 NO. 9 SPOILER POWER CONTROL UNIT USED ON: 251N1003-9 251N1003-29 251N1003-49 251N1003-69 251N1003-89 251N1003-109 251N1003-139 MODREF7042	002004 006999	1

MISSING ITEM NUMBERS NOT APPLICABLE

- ITEM NOT ILLUSTRATED

BRI

27-61-02-01

BOEING PROPRIETARY - Copyright © - Unpublished Work - See title page for details.

27-61-02  
FIG. 01  
PAGE 10  
JAN 20/09





757

PARTS CATALOG (MAINTENANCE)

FIG ITEM	PART NUMBER	1 2 3 4 5 6 7	NOMENCLATURE	EFFECT FROM TO	UNITS PER ASSY
1 85	BAC27NCT0050		.MARKER-ALUMINUM FOIL- PLACARD CONTENT: M315 NO. 10 SPOILER POWER CONTROL UNIT USED ON: 251N1003-10 251N1003-30 251N1003-50 251N1003-70 251N1003-90 251N1003-110 251N1003-140 MODREF7043	002004 006999	1
90	BAC27NCT0051		.MARKER-ALUMINUM FOIL- PLACARD CONTENT: M316 NO. 11 SPOILER POWER CONTROL UNIT USED ON: 251N1003-11 251N1003-31 251N1003-51 251N1003-71 251N1003-91 251N1003-111 251N1003-141 MODREF7044	002004 006999	1
95	BAC27NCT0052		.MARKER-ALUMINUM FOIL- PLACARD CONTENT: M317 NO. 12 SPOILER POWER CONTROL UNIT USED ON: 251N1003-12 251N1003-32 251N1003-52 251N1003-72 251N1003-92 251N1003-112 251N1003-142 MODREF7045	002004 006999	1
103	MS24665-372		.PIN	002004 006999	1

MISSING ITEM NUMBERS NOT APPLICABLE

- ITEM NOT ILLUSTRATED

BRI

27-61-02-01

BOEING PROPRIETARY - Copyright © - Unpublished Work - See title page for details.

27-61-02  
FIG. 01  
PAGE 11  
JAN 20/09



757

PARTS CATALOG (MAINTENANCE)

FIG ITEM	PART NUMBER	1 2 3 4 5 6 7	NOMENCLATURE	EFFECT FROM TO	UNITS PER ASSY
1 105	251N1212-10		.BOLT- USED ON: 251N1003-23 251N1003-24 251N1003-25 251N1003-30 251N1003-31 251N1003-32 251N1003-43 251N1003-44 251N1003-45 251N1003-50 251N1003-51 251N1003-52 251N1003-63 251N1003-64 251N1003-65 251N1003-70 251N1003-71 251N1003-72 251N1003-103 251N1003-104 251N1003-105 251N1003-110 251N1003-111 251N1003-112 251N1003-133 251N1003-134 251N1003-135 251N1003-140 251N1003-141 251N1003-142	002004 006100 121503 904999	1

MISSING ITEM NUMBERS NOT APPLICABLE

- ITEM NOT ILLUSTRATED

BRI

27-61-02-01

BOEING PROPRIETARY - Copyright © - Unpublished Work - See title page for details.

27-61-02  
FIG. 01  
PAGE 12  
JAN 20/09



**757  
PARTS CATALOG (MAINTENANCE)**

FIG ITEM	PART NUMBER	1 2 3 4 5 6 7	NOMENCLATURE	EFFECT FROM TO	UNITS PER ASSY
1 105	251N1212-10		.BOLT- OPTIONAL PART: 251N1212-9 USED ON: 251N1003-26 251N1003-27 251N1003-28 251N1003-29 251N1003-46 251N1003-47 251N1003-48 251N1003-49 251N1003-66 251N1003-67 251N1003-68 251N1003-69 251N1003-106 251N1003-107 251N1003-108 251N1003-109 251N1003-136 251N1003-137 251N1003-138 251N1003-139	002004 006100 121503 904999	1
105	251N1212-9		.BOLT- OPTIONAL PART: 251N1212-10 USED ON: 251N1003-26 251N1003-27 251N1003-28 251N1003-29 251N1003-46 251N1003-47 251N1003-48 251N1003-49 251N1003-66 251N1003-67 251N1003-68 251N1003-69 251N1003-106 251N1003-107 251N1003-108 251N1003-109	002004 006100 121503 904999	1

MISSING ITEM NUMBERS NOT APPLICABLE

— ITEM NOT ILLUSTRATED

BRI

# 27-61-02-01

BOEING PROPRIETARY - Copyright © - Unpublished Work - See title page for details.

27-61-02  
FIG. 01  
PAGE 13  
JAN 20/09



757

PARTS CATALOG (MAINTENANCE)

FIG ITEM	PART NUMBER	1 2 3 4 5 6 7	NOMENCLATURE	EFFECT FROM TO	UNITS PER ASSY
1 105	251N1212-10		.BOLT- OPTIONAL PART: 251N1212-9 USED ON: 251N1003-4 251N1003-5 251N1003-8 251N1003-9	107107	1
105	251N1212-9		.BOLT- OPTIONAL PART: 251N1212-10 USED ON: 251N1003-4 251N1003-5 251N1003-8 251N1003-9	107107	1
105	251N1212-10		.BOLT- USED ON: 251N1003-1 251N1003-2 251N1003-3 251N1003-10 251N1003-11 251N1003-12	107107	1
105	251N1212-9		.BOLT- OPTIONAL PART: 251N1212-10 USED ON: 251N1003-83 251N1003-84 251N1003-85 251N1003-86 251N1003-87 251N1003-88 251N1003-89 251N1003-90 251N1003-91 251N1003-92 MODREF7036 MODREF7037 MODREF7038 MODREF7039 MODREF7040 MODREF7041 MODREF7042 MODREF7043 MODREF7044 MODREF7045	002004 006999	1

MISSING ITEM NUMBERS NOT APPLICABLE

- ITEM NOT ILLUSTRATED

BRI

27-61-02-01

BOEING PROPRIETARY - Copyright © - Unpublished Work - See title page for details.

27-61-02  
FIG. 01  
PAGE 14  
JAN 20/09



757

PARTS CATALOG (MAINTENANCE)

FIG ITEM	PART NUMBER	1 2 3 4 5 6 7	NOMENCLATURE	EFFECT FROM TO	UNITS PER ASSY
1 105	251N1212-10		.BOLT- OPTIONAL PART: 251N1212-9 USED ON: 251N1003-83 251N1003-84 251N1003-85 251N1003-86 251N1003-87 251N1003-88 251N1003-89 251N1003-90 251N1003-91 251N1003-92 MODREF7036 MODREF7037 MODREF7038 MODREF7039 MODREF7040 MODREF7041 MODREF7042 MODREF7043 MODREF7044 MODREF7045	002004 006999	1
110	BACB30LE6-17		.BOLT- USED ON: 251N1003-1 251N1003-12 251N1003-23 251N1003-32 251N1003-43 251N1003-52 251N1003-63 251N1003-72	002004 006017 107107 121503 904999	4
110	BACB30LE6K17		.BOLT- USED ON: 251N1003-83 251N1003-92 251N1003-103 251N1003-112 MODREF7036 MODREF7045	018106 108120 504903	4

MISSING ITEM NUMBERS NOT APPLICABLE

- ITEM NOT ILLUSTRATED

BRI

27-61-02-01

BOEING PROPRIETARY - Copyright © - Unpublished Work - See title page for details.

27-61-02  
FIG. 01  
PAGE 15  
JAN 20/09



757

PARTS CATALOG (MAINTENANCE)

FIG ITEM	PART NUMBER	1 2 3 4 5 6 7	NOMENCLATURE	EFFECT FROM TO	UNITS PER ASSY
1 115	BACB30LE6-14	.BOLT-	OPTIONAL PART: BACB30LE6K14 USED ON: 251N1003-2 251N1003-3 251N1003-4 251N1003-5 251N1003-8 251N1003-9 251N1003-10 251N1003-11 251N1003-24 251N1003-25 251N1003-26 251N1003-27 251N1003-28 251N1003-29 251N1003-30 251N1003-31 251N1003-44 251N1003-45 251N1003-46 251N1003-47 251N1003-48 251N1003-49 251N1003-50 251N1003-51 251N1003-64 251N1003-65 251N1003-66 251N1003-67 251N1003-68 251N1003-69 251N1003-70 251N1003-71	002004 006017 107107 121503 904999	4

MISSING ITEM NUMBERS NOT APPLICABLE

- ITEM NOT ILLUSTRATED

BRI

27-61-02-01

BOEING PROPRIETARY - Copyright © - Unpublished Work - See title page for details.

27-61-02  
FIG. 01  
PAGE 16  
JAN 20/09



757

PARTS CATALOG (MAINTENANCE)

FIG ITEM	PART NUMBER	1 2 3 4 5 6 7	NOMENCLATURE	EFFECT FROM TO	UNITS PER ASSY
1 115	BACB30LE6K14		.BOLT- OPTIONAL PART: BACB30LE6-14 USED ON: 251N1003-2 251N1003-3 251N1003-4 251N1003-5 251N1003-8 251N1003-9 251N1003-10 251N1003-11 251N1003-24 251N1003-25 251N1003-26 251N1003-27 251N1003-28 251N1003-29 251N1003-30 251N1003-31 251N1003-44 251N1003-45 251N1003-46 251N1003-47 251N1003-48 251N1003-49 251N1003-50 251N1003-51 251N1003-64 251N1003-65 251N1003-66 251N1003-67 251N1003-68 251N1003-69 251N1003-70 251N1003-71	002004 006017 107107 121503 904999	4

MISSING ITEM NUMBERS NOT APPLICABLE

- ITEM NOT ILLUSTRATED

BRI

27-61-02-01

BOEING PROPRIETARY - Copyright © - Unpublished Work - See title page for details.

27-61-02  
FIG. 01  
PAGE 17  
JAN 20/09



757

PARTS CATALOG (MAINTENANCE)

FIG ITEM	PART NUMBER	1 2 3 4 5 6 7	NOMENCLATURE	EFFECT FROM TO	UNITS PER ASSY
1 115	BACB30LE6K14		.BOLT- USED ON: 251N1003-84 251N1003-85 251N1003-86 251N1003-87 251N1003-88 251N1003-89 251N1003-90 251N1003-91 251N1003-104 251N1003-105 251N1003-106 251N1003-107 251N1003-108 251N1003-109 251N1003-110 251N1003-111 251N1003-134 251N1003-135 251N1003-136 251N1003-137 251N1003-138 251N1003-139 251N1003-140 251N1003-141 MODREF7037 MODREF7038 MODREF7039 MODREF7040 MODREF7041 MODREF7042 MODREF7043 MODREF7044	018106 108120 504903	4
120	BACB30LE4-18		.BOLT- USED ON: 251N1003-1 251N1003-12 251N1003-23 251N1003-32 251N1003-43 251N1003-52 251N1003-63 251N1003-72	002004 006017 107107 121503 904999	1

MISSING ITEM NUMBERS NOT APPLICABLE

- ITEM NOT ILLUSTRATED

BRI

27-61-02-01

BOEING PROPRIETARY - Copyright © - Unpublished Work - See title page for details.

27-61-02  
FIG. 01  
PAGE 18  
JAN 20/09





757

PARTS CATALOG (MAINTENANCE)

FIG ITEM	PART NUMBER	1 2 3 4 5 6 7	NOMENCLATURE	EFFECT FROM TO	UNITS PER ASSY
1 120	BACB30LE4K18		.BOLT- USED ON: 251N1003-83 251N1003-92 251N1003-103 251N1003-112 251N1003-133 251N1003-142 MODREF7036 MODREF7045	018106 108120 504903	1
125	BACB30LE4-15		.BOLT- USED ON: 251N1003-2 251N1003-3 251N1003-4 251N1003-5 251N1003-8 251N1003-9 251N1003-10 251N1003-11 251N1003-24 251N1003-25 251N1003-26 251N1003-27 251N1003-28 251N1003-29 251N1003-30 251N1003-31 251N1003-44 251N1003-45 251N1003-46 251N1003-47 251N1003-48 251N1003-49 251N1003-50 251N1003-51 251N1003-64 251N1003-65 251N1003-66 251N1003-67 251N1003-68 251N1003-69 251N1003-70 251N1003-71	002004 006017 107107 121503 904999	1

MISSING ITEM NUMBERS NOT APPLICABLE

- ITEM NOT ILLUSTRATED

BRI

27-61-02-01

BOEING PROPRIETARY - Copyright © - Unpublished Work - See title page for details.

27-61-02  
FIG. 01  
PAGE 19  
JAN 20/09



757

PARTS CATALOG (MAINTENANCE)

FIG ITEM	PART NUMBER	1 2 3 4 5 6 7	NOMENCLATURE	EFFECT FROM TO	UNITS PER ASSY
1 125	BACB30LE4K15	.BOLT-	USED ON: 251N1003-84 251N1003-85 251N1003-86 251N1003-87 251N1003-88 251N1003-89 251N1003-90 251N1003-91 251N1003-104 251N1003-105 251N1003-106 251N1003-107 251N1003-108 251N1003-109 251N1003-110 251N1003-111 251N1003-134 251N1003-135 251N1003-136 251N1003-137 251N1003-138 251N1003-139 251N1003-140 251N1003-141 MODREF7037 MODREF7038 MODREF7039 MODREF7040 MODREF7041 MODREF7042 MODREF7043 MODREF7044	018106 108120 504903	1
130	BACB30LJ4-12	.BOLT-		002004 006999	1
- 135	AN960KD1216L	.WASHER-	OPTIONAL PART: AN960PD1216L	002004 006100 103106 950999	1
- 135	AN960PD1216L	.WASHER-	OPTIONAL PART: AN960KD1216L	002004 006100 103106 950999	1
137	NAS1149D1216J	.WASHER		002004 006999	1

MISSING ITEM NUMBERS NOT APPLICABLE

- ITEM NOT ILLUSTRATED

27-61-02-01

27-61-02  
FIG. 01  
PAGE 20  
JAN 20/09

BRI

 **BOEING**  
757  
**PARTS CATALOG (MAINTENANCE)**

FIG ITEM	PART NUMBER	1 2 3 4 5 6 7	NOMENCLATURE	EFFECT FROM TO	UNITS PER ASSY
1					
140	AN960KD416L	.	WASHER-	002004 006100 103106 950999	2
142	NAS1149D0416J	.	WASHER	002004 006999	1
144	NAS1149C0432R	.	WASHER	002004 006999	1
145	251N1249-1	.	WASHER-	002004 006999	4
150	251N1249-2	.	WASHER-	002004 006999	1
155	BACN10JD112CD	.	NUT-	002004 006999	1
160	LH8065-064	.	NUT- SUPPLIER CODE: V72962 SPECIFICATION NUMBER: BACN10HC6 OPTIONAL PART: SL414-6 V97393 94263-624 V56878	002004 006999	4
165	LH8065-048	.	NUT- SUPPLIER CODE: V72962 SPECIFICATION NUMBER: BACN10HC4 OPTIONAL PART: SL414-4 V97393 94263-428 V56878	002004 006999	1
170	BRH10C4D	.	NUT- SUPPLIER CODE: V52828 SPECIFICATION NUMBER: BACN10JC4CD OPTIONAL PART: T6C428JCD V11815 NS202486-048 V80539 102LH9075-4W V72962 H51650-4BAC V15653	002004 006999	1

MISSING ITEM NUMBERS NOT APPLICABLE

- ITEM NOT ILLUSTRATED

BRI

# 27-61-02-01

BOEING PROPRIETARY - Copyright © - Unpublished Work - See title page for details.

27-61-02  
FIG. 01  
PAGE 21  
JAN 20/09



757

PARTS CATALOG (MAINTENANCE)

FIG ITEM	PART NUMBER	1 2 3 4 5 6 7	NOMENCLATURE	EFFECT FROM TO	UNITS PER ASSY
1 175	SLR4027-6		.RETAINER- SUPPLIER CODE: V97393 SPECIFICATION NUMBER: BACR10V6 OPTIONAL PART: 2452-064RET V72962 BACR10V6C	002004 006999	4
175	SLR414-6B		.RETAINER- SUPPLIER CODE: V97393 SPECIFICATION NUMBER: BACR10V6C OPTIONAL PART: BACR10V6	002004 006999	4
180	SLR4027-4		.RETAINER- SUPPLIER CODE: V97393 SPECIFICATION NUMBER: BACR10V4 OPTIONAL PART: 2452-048RET V72962 BACR10V4C	002004 006999	1
180	SLR414-4B		.RETAINER- SUPPLIER CODE: V97393 SPECIFICATION NUMBER: BACR10V4C OPTIONAL PART: BACR10V4	002004 006999	1

MISSING ITEM NUMBERS NOT APPLICABLE

- ITEM NOT ILLUSTRATED

BRI

27-61-02-01

BOEING PROPRIETARY - Copyright © - Unpublished Work - See title page for details.

27-61-02  
FIG. 01  
PAGE 22  
JAN 20/09



757

PARTS CATALOG (MAINTENANCE)

FIG ITEM	PART NUMBER	1 2 3 4 5 6 7	NOMENCLATURE	EFFECT FROM TO	UNITS PER ASSY
1 185	3321500-13		.ACTUATOR ASSY- SUPPLIER CODE: V94697 SPECIFICATION NUMBER: S251N111-13 SB DATA FROM A CMM: POST 3321500-27-07 CONFIG CHG DATA FROM A CMM: SUPERSEDES 3321500-11 MISCELLANEOUS DATA: CAUTION: DO NOT INSTALL THE ACTUATOR ASSEMBLY P/N'S 3321500-7/-9/-11/ -13 AT SPOILER POSITION NO. 3 AND 10 IF IT CONTAINS THE A71874-1 SERVO VALVE COMPONENT MAINT MANUAL REF: 27-61-21 QUALIFIED I/W DATA: 3321500-12 THROUGH -16 CAN REPLACE BUT NOT BE REPLACED BY 3321500-3 THROUGH -11. REWORK PARTS 3321500-3A THROUGH -11A ARE FULLY INTERCHANGEABLE AND FULLY INTERCHANGEABLE WITH 3321500-12 THROUGH 3321500-16. SERVICE BULLETIN OPT DATA: 3321500-12 V94697 3321500-6A VOM3K4 3321500-9A VOM3K4 3321500-11A VOM3K4 POST ALERT SB: 27A0105 POST SERVICE BULLETIN: 3321500-27-07 VOM3K4 FOR DETAILS SEE: 27-61-02-04A 27-61-04-01	002004 006017 101999	1

MISSING ITEM NUMBERS NOT APPLICABLE

- ITEM NOT ILLUSTRATED

BRI

27-61-02-01

27-61-02  
FIG. 01  
PAGE 23  
JAN 20/09



757

PARTS CATALOG (MAINTENANCE)

FIG ITEM	PART NUMBER	1 2 3 4 5 6 7	NOMENCLATURE	EFFECT FROM TO	UNITS PER ASSY
1 185	3321500-12		.ACTUATOR ASSY- SUPPLIER CODE: V94697 SPECIFICATION NUMBER: S251N111-12 SB DATA FROM A CMM: POST 3321500-27-07 CONFIG CHG DATA FROM A CMM: SUPERSEDES 3321500-10 SUPERSEDES 3321500-10A COMPONENT MAINT MANUAL REF: 27-61-21 QUALIFIED I/W DATA: 3321500-12 THROUGH -16 CAN REPLACE BUT NOT BE REPLACED BY 3321500-3 THROUGH -11. REWORK PARTS 3321500-3A THROUGH -11A ARE FULLY INTERCHANGEABLE AND FULLY INTERCHANGEABLE WITH 3321500-12 THROUGH 3321500-16. OPTIONAL PART: 3321500-15 V94697 SERVICE BULLETIN OPT DATA: 3321500-13 V94697 3321500-6A VOM3K4 3321500-9A VOM3K4 3321500-11A VOM3K4 POST ALERT SB: 27A0105 POST SERVICE BULLETIN: 3321500-27-07 VOM3K4 FOR DETAILS SEE: 27-61-02-04A 27-61-04-01	002004 006017 101999	1

MISSING ITEM NUMBERS NOT APPLICABLE

- ITEM NOT ILLUSTRATED

27-61-02-01

27-61-02  
FIG. 01  
PAGE 24  
JAN 20/09

BRI



757

PARTS CATALOG (MAINTENANCE)

FIG ITEM	PART NUMBER	1 2 3 4 5 6 7	NOMENCLATURE	EFFECT FROM TO	UNITS PER ASSY
1 185	3321500-14		.ACTUATOR ASSY-FLIGHT SPOILER PWR CONT UNIT SUPPLIER CODE: V94697 SPECIFICATION NUMBER: S251N111-14 SB DATA FROM A CMM: POST 3321500-27-07 CONFIG CHG DATA FROM A CMM: SUPERSEDES 3321500-13 COMPONENT MAINT MANUAL REF: 27-61-21 QUALIFIED I/W DATA: 3321500-12 THROUGH -16 CAN REPLACE BUT NOT BE REPLACED BY 3321500-3 THROUGH -11. REWORK PARTS 3321500-3A THROUGH -11A ARE FULLY INTERCHANGEABLE AND FULLY INTERCHANGEABLE WITH 3321500-12 THROUGH 3321500-16. OPTIONAL PART: 3321500-16 V94697 OPTIONAL PART: 3321500-16 V94697 FOR DETAILS SEE: 27-61-02-04A 27-61-04-01	002004 006017 101999	1

MISSING ITEM NUMBERS NOT APPLICABLE

- ITEM NOT ILLUSTRATED

BRI

27-61-02-01

BOEING PROPRIETARY - Copyright © - Unpublished Work - See title page for details.

27-61-02  
FIG. 01  
PAGE 25  
JAN 20/09



757

PARTS CATALOG (MAINTENANCE)

FIG ITEM	PART NUMBER	1 2 3 4 5 6 7	NOMENCLATURE	EFFECT FROM TO	UNITS PER ASSY
1 185	3321500-6A		.ACTUATOR ASSY- SUPPLIER CODE: VOM3K4 SPECIFICATION NUMBER: S251N111-6A COMPONENT MAINT MANUAL REF: 27-61-21 SERVICE BULLETIN OPT DATA: 3321500-12 V94697 3321500-13 V94697 3321500-15 V94697 POST ALERT SB: 27A0105 POST SERVICE BULLETIN: 3321500-27-07 VOM3K4 FOR DETAILS SEE: 27-61-02-04A 27-61-04-01	107107	1
186	3321500-9A		.ACTUATOR ASSY- SUPPLIER CODE: VOM3K4 SPECIFICATION NUMBER: S251N111-9A COMPONENT MAINT MANUAL REF: 27-61-21 SERVICE BULLETIN OPT DATA: 3321500-12 V94697 3321500-13 V94697 3321500-15 V94697 POST ALERT SB: 27A0105 POST SERVICE BULLETIN: 3321500-27-07 VOM3K4 FOR DETAILS SEE: 27-61-02-04A 27-61-04-01	904949	1

MISSING ITEM NUMBERS NOT APPLICABLE

- ITEM NOT ILLUSTRATED

BRI

27-61-02-01

BOEING PROPRIETARY - Copyright © - Unpublished Work - See title page for details.

27-61-02  
FIG. 01  
PAGE 26  
JAN 20/09





757

PARTS CATALOG (MAINTENANCE)

FIG ITEM	PART NUMBER	1 2 3 4 5 6 7	NOMENCLATURE	EFFECT FROM TO	UNITS PER ASSY
1 186	3321500-11A		.ACTUATOR ASSY- SUPPLIER CODE: VOM3K4 SPECIFICATION NUMBER: S251N111-11A COMPONENT MAINT MANUAL REF: 27-61-21 SERVICE BULLETIN OPT DATA: 3321500-12 V94697 3321500-13 V94697 3321500-15 V94697 POST ALERT SB: 27A0105 POST SERVICE BULLETIN: 3321500-27-07 VOM3K4 FOR DETAILS SEE: 27-61-02-04A 27-61-04-01	952952	1

MISSING ITEM NUMBERS NOT APPLICABLE

- ITEM NOT ILLUSTRATED

BRI

27-61-02-01

BOEING PROPRIETARY - Copyright © - Unpublished Work - See title page for details.

27-61-02  
FIG. 01  
PAGE 27  
JAN 20/09



757

PARTS CATALOG (MAINTENANCE)

FIG ITEM	PART NUMBER	1 2 3 4 5 6 7	NOMENCLATURE	EFFECT FROM TO	UNITS PER ASSY
1 186	3321500-16		.ACTUATOR ASSY-FLIGHT SPOILER PWR CONT UNIT SUPPLIER CODE: V94697 SPECIFICATION NUMBER: S251N111-14 COMPONENT MAINT MANUAL REF: 27-61-21 QUALIFIED I/W DATA: 3321500-12 THROUGH -16 CAN REPLACE BUT NOT BE REPLACED BY 3321500-3 THROUGH -11. REWORK PARTS 3321500-3A THROUGH -11A ARE FULLY INTERCHANGEABLE AND FULLY INTERCHANGEABLE WITH 3321500-12 THROUGH 3321500-16. OPTIONAL PART: 3321500-14 V94697 OPTIONAL PART: 3321500-14 V94697 FOR DETAILS SEE: 27-61-02-04A 27-61-04-01	002004 006017 101999	1

MISSING ITEM NUMBERS NOT APPLICABLE

- ITEM NOT ILLUSTRATED

BRI

**27-61-02-01**

BOEING PROPRIETARY - Copyright © - Unpublished Work - See title page for details.

27-61-02  
FIG. 01  
PAGE 28  
JAN 20/09



757

PARTS CATALOG (MAINTENANCE)

FIG ITEM	PART NUMBER	1 2 3 4 5 6 7	NOMENCLATURE	EFFECT FROM TO	UNITS PER ASSY
1 186	3321500-15		.ACTUATOR ASSY- SUPPLIER CODE: V94697 SPECIFICATION NUMBER: S251N111-12 COMPONENT MAINT MANUAL REF: 27-61-21 QUALIFIED I/W DATA: 3321500-12 THROUGH -16 CAN REPLACE BUT NOT BE REPLACED BY 3321500-3 THROUGH -11. REWORK PARTS 3321500-3A THROUGH -11A ARE FULLY INTERCHANGEABLE AND FULLY INTERCHANGEABLE WITH 3321500-12 THROUGH 3321500-16. OPTIONAL PART: 3321500-12 V94697 SERVICE BULLETIN OPT DATA: 3321500-6A VOM3K4 VOM3K4 3321500-9A VOM3K4 3321500-11A VOM3K4 FOR DETAILS SEE: 27-61-02-04A 27-61-04-01	002004 006017 101999	1

MISSING ITEM NUMBERS NOT APPLICABLE

- ITEM NOT ILLUSTRATED

BRI

27-61-02-01

BOEING PROPRIETARY - Copyright © - Unpublished Work - See title page for details.

27-61-02  
FIG. 01  
PAGE 29  
JAN 20/09



757

PARTS CATALOG (MAINTENANCE)

FIG ITEM	PART NUMBER	1 2 3 4 5 6 7	NOMENCLATURE	EFFECT FROM TO	UNITS PER ASSY
1 190	3321500-12		.ACTUATOR ASSY- SUPPLIER CODE: V94697 SPECIFICATION NUMBER: S251N111-12 COMPONENT MAINT MANUAL REF: 27-61-21 QUALIFIED I/W DATA: 3321500-12 THROUGH -16 CAN REPLACE BUT NOT BE REPLACED BY 3321500-3 THROUGH -11. REWORK PARTS 3321500-3A THROUGH -11A ARE FULLY INTERCHANGEABLE AND FULLY INTERCHANGEABLE WITH 3321500-12 THROUGH 3321500-16. OPTIONAL PART: 3321500-15 V94697 FOR DETAILS SEE: 27-61-02-04A 27-61-04-01	018100	1

MISSING ITEM NUMBERS NOT APPLICABLE

- ITEM NOT ILLUSTRATED

BRI

# 27-61-02-01

BOEING PROPRIETARY - Copyright © - Unpublished Work - See title page for details.

27-61-02  
FIG. 01  
PAGE 30  
JAN 20/09



757

PARTS CATALOG (MAINTENANCE)

FIG ITEM	PART NUMBER	1 2 3 4 5 6 7	NOMENCLATURE	EFFECT FROM TO	UNITS PER ASSY
1 190	3321500-13		.ACTUATOR ASSY- SUPPLIER CODE: V94697 SPECIFICATION NUMBER: S251N111-13 MISCELLANEOUS DATA: CAUTION: DO NOT INSTALL THE ACTUATOR ASSEMBLY P/N'S 3321500-7/-9/-11/ -13 AT SPOILER POSITION NO. 3 AND 10 IF IT CONTAINS THE A71874-1 SERVO VALVE COMPONENT MAINT MANUAL REF: 27-61-21 QUALIFIED I/W DATA: 3321500-12 THROUGH -16 CAN REPLACE BUT NOT BE REPLACED BY 3321500-3 THROUGH -11. REWORK PARTS 3321500-3A THROUGH -11A ARE FULLY INTERCHANGEABLE AND FULLY INTERCHANGEABLE WITH 3321500-12 THROUGH 3321500-16. FOR DETAILS SEE: 27-61-02-04A 27-61-04-01	018100	1

MISSING ITEM NUMBERS NOT APPLICABLE

- ITEM NOT ILLUSTRATED

BRI

# 27-61-02-01

BOEING PROPRIETARY - Copyright © - Unpublished Work - See title page for details.

27-61-02  
FIG. 01  
PAGE 31  
JAN 20/09



757

PARTS CATALOG (MAINTENANCE)

FIG ITEM	PART NUMBER	1 2 3 4 5 6 7	NOMENCLATURE	EFFECT FROM TO	UNITS PER ASSY
1 190	3321500-14		.ACTUATOR ASSY-FLIGHT SPOILER PWR CONT UNIT SUPPLIER CODE: V94697 SPECIFICATION NUMBER: S251N111-14 COMPONENT MAINT MANUAL REF: 27-61-21 QUALIFIED I/W DATA: 3321500-12 THROUGH -16 CAN REPLACE BUT NOT BE REPLACED BY 3321500-3 THROUGH -11. REWORK PARTS 3321500-3A THROUGH -11A ARE FULLY INTERCHANGEABLE AND FULLY INTERCHANGEABLE WITH 3321500-12 THROUGH 3321500-16. OPTIONAL PART: 3321500-16 V94697 FOR DETAILS SEE: 27-61-02-04A 27-61-04-01	018100	1
190	3321500-15		.ACTUATOR ASSY- SUPPLIER CODE: V94697 SPECIFICATION NUMBER: S251N111-12 COMPONENT MAINT MANUAL REF: 27-61-21 QUALIFIED I/W DATA: 3321500-12 THROUGH -16 CAN REPLACE BUT NOT BE REPLACED BY 3321500-3 THROUGH -11. REWORK PARTS 3321500-3A THROUGH -11A ARE FULLY INTERCHANGEABLE AND FULLY INTERCHANGEABLE WITH 3321500-12 THROUGH 3321500-16. OPTIONAL PART: 3321500-12 V94697 FOR DETAILS SEE: 27-61-02-04A 27-61-04-01	018100	1

MISSING ITEM NUMBERS NOT APPLICABLE

- ITEM NOT ILLUSTRATED

BRI

27-61-02-01

BOEING PROPRIETARY - Copyright © - Unpublished Work - See title page for details.

27-61-02  
FIG. 01  
PAGE 32  
JAN 20/09



757

PARTS CATALOG (MAINTENANCE)

FIG ITEM	PART NUMBER	1 2 3 4 5 6 7	NOMENCLATURE	EFFECT FROM TO	UNITS PER ASSY
1 190	3321500-16		.ACTUATOR ASSY-FLIGHT SPOILER PWR CONT UNIT SUPPLIER CODE: V94697 SPECIFICATION NUMBER: S251N111-14 COMPONENT MAINT MANUAL REF: 27-61-21 QUALIFIED I/W DATA: 3321500-12 THROUGH -16 CAN REPLACE BUT NOT BE REPLACED BY 3321500-3 THROUGH -11. REWORK PARTS 3321500-3A THROUGH -11A ARE FULLY INTERCHANGEABLE AND FULLY INTERCHANGEABLE WITH 3321500-12 THROUGH 3321500-16. OPTIONAL PART: 3321500-14 V94697 FOR DETAILS SEE: 27-61-02-04A 27-61-04-01	018100	1
195	3321500-12		.ACTUATOR ASSY- SUPPLIER CODE: V94697 SPECIFICATION NUMBER: S251N111-12 COMPONENT MAINT MANUAL REF: 27-61-21 QUALIFIED I/W DATA: 3321500-12 THROUGH -16 CAN REPLACE BUT NOT BE REPLACED BY 3321500-3 THROUGH -11. REWORK PARTS 3321500-3A THROUGH -11A ARE FULLY INTERCHANGEABLE AND FULLY INTERCHANGEABLE WITH 3321500-12 THROUGH 3321500-16. OPTIONAL PART: 3321500-15 V94697 FOR DETAILS SEE: 27-61-02-04A 27-61-04-01	018100	1

MISSING ITEM NUMBERS NOT APPLICABLE

- ITEM NOT ILLUSTRATED

BRI

27-61-02-01

BOEING PROPRIETARY - Copyright © - Unpublished Work - See title page for details.

27-61-02  
FIG. 01  
PAGE 33  
JAN 20/09



757

PARTS CATALOG (MAINTENANCE)

FIG ITEM	PART NUMBER	1 2 3 4 5 6 7	NOMENCLATURE	EFFECT FROM TO	UNITS PER ASSY
1 195	3321500-13		.ACTUATOR ASSY- SUPPLIER CODE: V94697 SPECIFICATION NUMBER: S251N111-13 MISCELLANEOUS DATA: CAUTION: DO NOT INSTALL THE ACTUATOR ASSEMBLY P/N'S 3321500-7/-9/-11/ -13 AT SPOILER POSITION NO. 3 AND 10 IF IT CONTAINS THE A71874-1 SERVO VALVE COMPONENT MAINT MANUAL REF: 27-61-21 QUALIFIED I/W DATA: 3321500-12 THROUGH -16 CAN REPLACE BUT NOT BE REPLACED BY 3321500-3 THROUGH -11. REWORK PARTS 3321500-3A THROUGH -11A ARE FULLY INTERCHANGEABLE AND FULLY INTERCHANGEABLE WITH 3321500-12 THROUGH 3321500-16. FOR DETAILS SEE: 27-61-02-04A 27-61-04-01	018100	1

MISSING ITEM NUMBERS NOT APPLICABLE

- ITEM NOT ILLUSTRATED

BRI

27-61-02-01

BOEING PROPRIETARY - Copyright © - Unpublished Work - See title page for details.

27-61-02  
FIG. 01  
PAGE 34  
JAN 20/09





757

PARTS CATALOG (MAINTENANCE)

FIG ITEM	PART NUMBER	1 2 3 4 5 6 7	NOMENCLATURE	EFFECT FROM TO	UNITS PER ASSY
1 195	3321500-14		.ACTUATOR ASSY-FLIGHT SPOILER PWR CONT UNIT SUPPLIER CODE: V94697 SPECIFICATION NUMBER: S251N111-14 COMPONENT MAINT MANUAL REF: 27-61-21 QUALIFIED I/W DATA: 3321500-12 THROUGH -16 CAN REPLACE BUT NOT BE REPLACED BY 3321500-3 THROUGH -11. REWORK PARTS 3321500-3A THROUGH -11A ARE FULLY INTERCHANGEABLE AND FULLY INTERCHANGEABLE WITH 3321500-12 THROUGH 3321500-16. OPTIONAL PART: 3321500-16 V94697 FOR DETAILS SEE: 27-61-02-04A 27-61-04-01	018100	1
195	3321500-15		.ACTUATOR ASSY- SUPPLIER CODE: V94697 SPECIFICATION NUMBER: S251N111-12 COMPONENT MAINT MANUAL REF: 27-61-21 QUALIFIED I/W DATA: 3321500-12 THROUGH -16 CAN REPLACE BUT NOT BE REPLACED BY 3321500-3 THROUGH -11. REWORK PARTS 3321500-3A THROUGH -11A ARE FULLY INTERCHANGEABLE AND FULLY INTERCHANGEABLE WITH 3321500-12 THROUGH 3321500-16. OPTIONAL PART: 3321500-12 V94697 FOR DETAILS SEE: 27-61-02-04A 27-61-04-01	018100	1

MISSING ITEM NUMBERS NOT APPLICABLE

- ITEM NOT ILLUSTRATED

**27-61-02-01**

27-61-02  
FIG. 01  
PAGE 35  
JAN 20/09

BRI



757

PARTS CATALOG (MAINTENANCE)

FIG ITEM	PART NUMBER	1 2 3 4 5 6 7	NOMENCLATURE	EFFECT FROM TO	UNITS PER ASSY
1 195	3321500-16		.ACTUATOR ASSY-FLIGHT SPOILER PWR CONT UNIT SUPPLIER CODE: V94697 SPECIFICATION NUMBER: S251N111-14 COMPONENT MAINT MANUAL REF: 27-61-21 QUALIFIED I/W DATA: 3321500-12 THROUGH -16 CAN REPLACE BUT NOT BE REPLACED BY 3321500-3 THROUGH -11. REWORK PARTS 3321500-3A THROUGH -11A ARE FULLY INTERCHANGEABLE AND FULLY INTERCHANGEABLE WITH 3321500-12 THROUGH 3321500-16. OPTIONAL PART: 3321500-14 V94697 FOR DETAILS SEE: 27-61-02-04A 27-61-04-01	018100	1
- 300	286N3301-007		WIRE BUNDLE ASSY-WHEEL WELL/SPOILER DISC. PNL TO SPOILER #1-CHAN L2A POSITION DATA: L	002004 952952	1
- 300	286N3301-008		WIRE BUNDLE ASSY-WHEEL WELL/SPOILER DISC. PNL TO SPOILER #1-CHAN L2A POSITION DATA: L	107107 121503 904949	1
- 300	286N3301-013		WIRE BUNDLE ASSY-WHEEL WELL/SPOILER DISC. PNL TO SPOILER #1-CHAN L2A POSITION DATA: L	006100 950951 953999	1
- 301	286N3301-019		WIRE BUNDLE ASSY-WHEEL WELL/SPOILER DISC. PNL TO SPOILER #1-CHAN L2A POSITION DATA: L	504903	1

MISSING ITEM NUMBERS NOT APPLICABLE

- ITEM NOT ILLUSTRATED

27-61-02-01

27-61-02  
FIG. 01  
PAGE 36  
JAN 20/09

BRI



757

PARTS CATALOG (MAINTENANCE)

FIG ITEM	PART NUMBER	1 2 3 4 5 6 7	NOMENCLATURE	EFFECT FROM TO	UNITS PER ASSY
1					
- 301	286N3301-301		WIRE BUNDLE ASSY-WHEEL WELL/SPOILER DISC. PNL TO SPOILER #1-CHAN L2A POSITION DATA: L	101102	1
- 301	286N3301-306		WIRE BUNDLE ASSY-WHEEL WELL/SPOILER DISC. PNL TO SPOILER #1-CHAN L2A POSITION DATA: L	108120	1
305	BCREF108918		.PLUG- SUPPLIER CODE: V13556 OVERLENGTH PART NUMBER: CN0966A16A10SN000 ELECTRICAL EQUIP NUMBER: D00641 WIRING DIAGRAM REF: 276113	002004 006102 107999	1
310	GS3417-16C		.CLAMP- SUPPLIER CODE: V06324 SPECIFICATION NUMBER: BACC10HF16 OPTIONAL PART: S2125-16-8 V07418 ELECTRICAL EQUIP NUMBER: D00641T WIRING DIAGRAM REF: 276113	002004 006102 107999	1
- 330	286N3311-007		WIRE BUNDLE ASSY-SPOILER/ SPAR DISC PNL TO SPOILER #2-CHAN R2A POSITION DATA: L	107107 904949	1
- 330	286N3311-016		WIRE BUNDLE ASSY-SPOILER/ SPAR DISC. PNL TO SPOILER #2-CHAN R2A POSITION DATA: L	002004 006100 950999	1
- 330	286N3311-017		WIRE BUNDLE ASSY-SPOILER/ SPAR DISC. PNL TO SPOILER #2-CHAN R2A POSITION DATA: L	121503	1

MISSING ITEM NUMBERS NOT APPLICABLE

- ITEM NOT ILLUSTRATED

27-61-02-01

27-61-02  
FIG. 01  
PAGE 37  
JAN 20/09

BRI



757

PARTS CATALOG (MAINTENANCE)

FIG ITEM	PART NUMBER	1 2 3 4 5 6 7	NOMENCLATURE	EFFECT FROM TO	UNITS PER ASSY
1					
- 331	286N3311-024		WIRE BUNDLE ASSY-SPOILER/ SPAR DISC. PNL TO SPOILER #2-CHAN R2A POSITION DATA: L	504903	1
- 331	286N3311-304		WIRE BUNDLE ASSY-SPOILER/ SPAR DISC. PNL TO SPOILER #2-CHAN R2A POSITION DATA: L	101102	1
- 331	286N3311-305		WIRE BUNDLE ASSY-SPOILER/ SPAR DISC. PNL TO SPOILER #2-CHAN R2A POSITION DATA: L	108120	1
335	BCREF108918		.PLUG- SUPPLIER CODE: V13556 OVERLENGTH PART NUMBER: CN0966A16A10SN000 ELECTRICAL EQUIP NUMBER: D00643 WIRING DIAGRAM REF: 276114	002004 006102 107999	1
340	GS3417-16C		.CLAMP- SUPPLIER CODE: V06324 SPECIFICATION NUMBER: BACC10HF16 OPTIONAL PART: S2125-16-8 V07418 ELECTRICAL EQUIP NUMBER: D00643T WIRING DIAGRAM REF: 276114	002004 006102 107999	1
- 360	286N3315-007		WIRE BUNDLE ASSY-SPOILER/ SPAR DSIC. PNL TO SPOILER #3-CHAN R2C POSITION DATA: L	107107 904949	1
- 360	286N3315-012		WIRE BUNDLE ASSY-SPOILER/ SPAR DISC. PNL TO SPOILER #3-CHAN R2C POSITION DATA: L	002004 006100 950999	1

MISSING ITEM NUMBERS NOT APPLICABLE

- ITEM NOT ILLUSTRATED

BRI

27-61-02-01

BOEING PROPRIETARY - Copyright © - Unpublished Work - See title page for details.

27-61-02  
FIG. 01  
PAGE 38  
JAN 20/09



757

PARTS CATALOG (MAINTENANCE)

FIG ITEM	PART NUMBER	1 2 3 4 5 6 7	NOMENCLATURE	EFFECT FROM TO	UNITS PER ASSY
1					
- 360	286N3315-016		WIRE BUNDLE ASSY-SPOILER/ SPAR DISC. PNL TO SPOILER #3-CHAN R2C POSITION DATA: L	121503	1
- 361	286N3315-020		WIRE BUNDLE ASSY-SPOILER/ SPAR DISC. PNL TO SPOILER #3-CHAN R2C POSITION DATA: L	504903	1
- 361	286N3315-304		WIRE BUNDLE ASSY-SPOILER/ SPAR DISC. PNL TO SPOILER #3-CHAN R2C POSITION DATA: L	101102	1
- 361	286N3315-305		WIRE BUNDLE ASSY-SPOILER/ SPAR DISC. PNL TO SPOILER #3-CHAN R2C POSITION DATA: L	108120	1
365	BCREF108918		.PLUG- SUPPLIER CODE: V13556 OVERLENGTH PART NUMBER: CN0966A16A10SN00 ELECTRICAL EQUIP NUMBER: D00645 WIRING DIAGRAM REF: 276115	002004 006102 107999	1
370	GS3417-16C		.CLAMP- SUPPLIER CODE: V06324 SPECIFICATION NUMBER: BACC10HF16 OPTIONAL PART: S2125-16-8 V07418 ELECTRICAL EQUIP NUMBER: D00645T WIRING DIAGRAM REF: 276115	002004 006102 107999	1
- 390	286N3319-008		WIRE BUNDLE ASSY-BODY/SPAR DISC. TO SPOILER #4-CHAN R2B POSITION DATA: L AFT	107107 904949	1

MISSING ITEM NUMBERS NOT APPLICABLE

- ITEM NOT ILLUSTRATED

BRI

27-61-02-01

BOEING PROPRIETARY - Copyright © - Unpublished Work - See title page for details.

27-61-02  
FIG. 01  
PAGE 39  
JAN 20/09



757

PARTS CATALOG (MAINTENANCE)

FIG ITEM	PART NUMBER	1 2 3 4 5 6 7	NOMENCLATURE	EFFECT FROM TO	UNITS PER ASSY
1					
- 390	286N3319-012		WIRE BUNDLE ASSY-BODY/SPAR DISC. TO SPOILER #4-CHAN R2B POSITION DATA: L AFT	002004 006100 950999	1
- 390	286N3319-013		WIRE BUNDLE ASSY-BODY/SPAR DISC. TO SPOILER #4-CHAN R2B POSITION DATA: L AFT	121503	1
- 391	286N3319-020		WIRE BUNDLE ASSY-BODY/SPAR DISC. TO SPOILER #4-CHAN R2B POSITION DATA: L AFT	504903	1
- 391	286N3319-304		WIRE BUNDLE ASSY-BODY/SPAR DISC. TO SPOILER #4-CHAN R2B POSITION DATA: L AFT	101102	1
- 391	286N3319-305		WIRE BUNDLE ASSY-BODY/SPAR DISC. TO SPOILER #4-CHAN R2B POSITION DATA: L AFT	108120	1
395	BCREF108918		.PLUG- SUPPLIER CODE: V13556 OVERLENGTH PART NUMBER: CN0966A16A10SN000 ELECTRICAL EQUIP NUMBER: D00647 WIRING DIAGRAM REF: 276116	002004 006102 107999	1
400	GS3417-16C		.CLAMP- SUPPLIER CODE: V06324 SPECIFICATION NUMBER: BACC10HF16 OPTIONAL PART: S2125-16-8 V07418 ELECTRICAL EQUIP NUMBER: D00647T WIRING DIAGRAM REF: 276116	002004 006102 107999	1

MISSING ITEM NUMBERS NOT APPLICABLE

- ITEM NOT ILLUSTRATED

BRI

27-61-02-01

BOEING PROPRIETARY - Copyright © - Unpublished Work - See title page for details.

27-61-02  
FIG. 01  
PAGE 40  
JAN 20/09



757

PARTS CATALOG (MAINTENANCE)

FIG ITEM	PART NUMBER	1 2 3 4 5 6 7	NOMENCLATURE	EFFECT FROM TO	UNITS PER ASSY
1					
- 420	286N3305-006		WIRE BUNDLE ASSY-WHEEL WELL/SPOILER DISC. PNL TO SPOILER #5-CHAN L2C POSITION DATA: L	002004 952952	1
- 420	286N3305-007		WIRE BUNDLE ASSY-WHEEL WELL/SPOILER DISC. PNL TO SPOILER #5-CHAN L2C POSITION DATA: L	107107 121503 904949	1
- 420	286N3305-012		WIRE BUNDLE ASSY-WHEEL WELL/SPOILER DISC. PNL TO SPOILER #5-CHAN L2C POSITION DATA: L	006100 950951 953999	1
- 421	286N3305-018		WIRE BUNDLE ASSY-WHEEL WE///SPOILER DISC. PNL TO SPOILER #5-CHAN L2C POSITION DATA: L	504903	1
- 421	286N3305-301		WIRE BUNDLE ASSY-WHEEL WELL/SPOILER DISC. PNL TO SPOILER #5-CHAN L2C POSITION DATA: L	101102	1
- 421	286N3305-306		WIRE BUNDLE ASSY-WHEEL WELL/SPOILER DISC. PNL TO SPOILER #5-CHAN L2C POSITION DATA: L	108120	1
425	BCREF108918		.PLUG- SUPPLIER CODE: V13556 OVERLENGTH PART NUMBER: CN0966A16A10SN000 ELECTRICAL EQUIP NUMBER: D00649 WIRING DIAGRAM REF: 276117	002004 006102 107999	1

MISSING ITEM NUMBERS NOT APPLICABLE

- ITEM NOT ILLUSTRATED

BRI

27-61-02-01

BOEING PROPRIETARY - Copyright © - Unpublished Work - See title page for details.

27-61-02  
FIG. 01  
PAGE 41  
JAN 20/09



757

PARTS CATALOG (MAINTENANCE)

FIG ITEM	PART NUMBER	1 2 3 4 5 6 7	NOMENCLATURE	EFFECT FROM TO	UNITS PER ASSY
1 430	GS3418-16CD		.CLAMP- SUPPLIER CODE: V06324 SPECIFICATION NUMBER: BACC10HG16 OPTIONAL PART: S2126-16-8 V07418 ELECTRICAL EQUIP NUMBER: D00649T WIRING DIAGRAM REF: 276117	002004 006102 107999	1
- 450	286N3405-005		WIRE BUNDLE ASSY-WHEEL WELL/SPOILER DISC. PNL TO SPOILER #8-CHAN L2C POSITION DATA: R	002004 952952	1
- 450	286N3405-006		WIRE BUNDLE ASSY-WHEEL WELL/SPOILER DISC. PNL TO SPOILER #8-CHAN L2C POSITION DATA: R	107107 121503 904949	1
- 450	286N3405-011		WIRE BUNDLE ASSY-WHEEL WELL/SPOILER DISC. PNL TO SPOILER #8-CHAN L2C POSITION DATA: R	006100 950951 953999	1
- 450	286N3405-017		WIRE BUNDLE ASSY-WHEEL WELL/SPOILER DISC. PNL TO SPOILER #8-CHAN L2C POSITION DATA: R	504903	1
- 451	286N3405-301		WIRE BUNDLE ASSY-WHEEL WELL/SPOILER DISC. PNL TO SPOILER #8-CHAN L2C POSITION DATA: R	101102	1
- 451	286N3405-306		WIRE BUNDLE ASSY-WHEEL WELL/SPOILER DISC. PNL TO SPOILER #8-CHAN L2C POSITION DATA: R	108120	1

MISSING ITEM NUMBERS NOT APPLICABLE

- ITEM NOT ILLUSTRATED

27-61-02-01

27-61-02  
FIG. 01  
PAGE 42  
JAN 20/09

BRI





757

PARTS CATALOG (MAINTENANCE)

FIG ITEM	PART NUMBER	1 2 3 4 5 6 7	NOMENCLATURE	EFFECT FROM TO	UNITS PER ASSY
1 455	BCREF108918		.PLUG- SUPPLIER CODE: V13556 OVERLENGTH PART NUMBER: CN0966A16A10SN000 ELECTRICAL EQUIP NUMBER: D00655 WIRING DIAGRAM REF: 276117	002004 006102 107999	1
460	GS3418-16CD		.CLAMP- SUPPLIER CODE: V06324 SPECIFICATION NUMBER: BACC10HG16 OPTIONAL PART: S2126-16-8 V07418 ELECTRICAL EQUIP NUMBER: D00655T WIRING DIAGRAM REF: 276117	002004 006102 107999	1
- 480	286N3419-007		WIRE BUNDLE ASSY-BODY/SPAR DISC. PNL TO SPOILER #9-CHAN R2B POSITION DATA: R AFT	107107 904949	1
- 480	286N3419-011		WIRE BUNDLE ASSY-BODY/SPAR DISC. PNL TO SPOILER #9-CHAN R2B POSITION DATA: R AFT	002004 006100 950999	1
- 480	286N3419-012		WIRE BUNDLE ASSY-BODY/SPAR DISC. PNL TO SPOILER #9-CHAN R2B POSITION DATA: R AFT	121503	1
- 481	286N3419-019		WIRE BUNDLE ASSY-BODY/SPAR DISC. PNL TO SPOILER #9-CHAN R2B POSITION DATA: R AFT	504903	1
- 481	286N3419-304		WIRE BUNDLE ASSY-BODY/SPAR DISC. PNL TO SPOILER #9-CHAN R2B POSITION DATA: R AFT	101102	1

MISSING ITEM NUMBERS NOT APPLICABLE

- ITEM NOT ILLUSTRATED

BRI

27-61-02-01

27-61-02  
FIG. 01  
PAGE 43  
JAN 20/09



757

PARTS CATALOG (MAINTENANCE)

FIG ITEM	PART NUMBER	1 2 3 4 5 6 7	NOMENCLATURE	EFFECT FROM TO	UNITS PER ASSY
1					
- 481	286N3419-305		WIRE BUNDLE ASSY-BODY/SPAR DISC. PNL TO SPOILER #9-CHAN R2B POSITION DATA: R AFT	108120	1
485	BCREF108918		.PLUG- SUPPLIER CODE: V13556 OVERLENGTH PART NUMBER: CN0966A16A10SN00 ELECTRICAL EQUIP NUMBER: D00657 WIRING DIAGRAM REF: 276116	002004 006102 107999	1
490	GS3417-16C		.CLAMP- SUPPLIER CODE: V06324 SPECIFICATION NUMBER: BACC10HF16 OPTIONAL PART: S2125-16-8 V07418 ELECTRICAL EQUIP NUMBER: D00657T WIRING DIAGRAM REF: 276116	002004 006102 107999	1
- 510	286N3415-006		WIRE BUNDLE ASSY-SPOILER/ SPAR DISC. PNL TO SPOILER #10-CHAN R2C POSITION DATA: R	107107 904949	1
- 510	286N3415-013		WIRE BUNDLE ASSY-SPOILER/ SPAR DISC. PNL TO SPOILER #10-CHAN R2C POSITION DATA: R	002004 006100 950999	1
- 510	286N3415-014		WIRE BUNDLE ASSY-SPOILER/ SPAR DISC. PNL TO SPOILER #10-CHAN R2C POSITION DATA: R	121503	1
- 511	286N3415-021		WIRE BUNDLE ASSY-SPOILER/ SPAR DISC. PNL TO SPOILER #10-CHAN R2C POSITION DATA: R	504903	1

MISSING ITEM NUMBERS NOT APPLICABLE

- ITEM NOT ILLUSTRATED

27-61-02-01

27-61-02  
FIG. 01  
PAGE 44  
JAN 20/09

BRI



757

PARTS CATALOG (MAINTENANCE)

FIG ITEM	PART NUMBER	1 2 3 4 5 6 7	NOMENCLATURE	EFFECT FROM TO	UNITS PER ASSY
1					
- 511	286N3415-304		WIRE BUNDLE ASSY-SPOILER/ SPAR DISC. PNL TO SPOILER #10-CHAN R2C POSITION DATA: R	101102	1
- 511	286N3415-305		WIRE BUNDLE ASSY-SPOILER/ SPAR DISC. PNL TO SPOILER #10-CHAN R2C POSITION DATA: R	108120	1
515	BCREF108918		.PLUG- SUPPLIER CODE: V13556 OVERLENGTH PART NUMBER: CN0966A16A10SN000 ELECTRICAL EQUIP NUMBER: D00659 WIRING DIAGRAM REF: 276115	002004 006102 107999	1
520	BACC30HG16		.CLAMP- ELECTRICAL EQUIP NUMBER: D00659T WIRING DIAGRAM REF: 276115	002004 006102 107999	1
- 540	286N3411-006		WIRE BUNDLE ASSY-SPOILER/ SPAR DISC. PNL TO SPOILER #11-CHAN R2A POSITION DATA: R	107107 904949	1
- 540	286N3411-010		WIRE BUNDLE ASSY-SPOILER/ SPAR DISC. PNL TO SPOILER #11-CHAN R2A POSITION DATA: R	002004 006100 950999	1
- 540	286N3411-011		WIRE BUNDLE ASSY-SPOILER/ SPAR DISC. PNL TO SPOILER #11-CHAN R2A POSITION DATA: R	121503	1
- 541	286N3411-018		WIRE BUNDLE ASSY-SPOILER/ SPAR DISC. PNL TO SPOILER #11-CHAN R2A POSITION DATA: R	504903	1
- 541	286N3411-304		WIRE BUNDLE ASSY-SPOILER/ SPAR DISC. PNL TO SPOILER #11-CHAN R2A POSITION DATA: R	101102	1

MISSING ITEM NUMBERS NOT APPLICABLE

- ITEM NOT ILLUSTRATED

BRI

27-61-02-01

27-61-02  
FIG. 01  
PAGE 45  
JAN 20/09



757

PARTS CATALOG (MAINTENANCE)

FIG ITEM	PART NUMBER	1 2 3 4 5 6 7	NOMENCLATURE	EFFECT FROM TO	UNITS PER ASSY
1					
- 541	286N3411-305		WIRE BUNDLE ASSY-SPOILER/ SPAR DISC. PNL TO SPOILER #11-CHAN R2A POSITION DATA: R	108120	1
545	BCREF108918		.PLUG- SUPPLIER CODE: V13556 OVERLENGTH PART NUMBER: CN0966A16A10SN00 ELECTRICAL EQUIP NUMBER: D00661 WIRING DIAGRAM REF: 276114	002004 006102 107999	1
550	GS3418-16CD		.CLAMP- SUPPLIER CODE: V06324 SPECIFICATION NUMBER: BACC10HG16 OPTIONAL PART: S2126-16-8 V07418 ELECTRICAL EQUIP NUMBER: D00661T WIRING DIAGRAM REF: 276114	002004 006102 107999	1
- 570	286N3401-005		WIRE BUNDLE ASSY-WHEEL WELL/SPOILER DISC. PNL TO SPOILER #12-CHAN L2A POSITION DATA: R	002004 952952	1
- 570	286N3401-006		WIRE BUNDLE ASSY-WHEEL WELL/SPOILER DISC. PNL TO SPOILER #12-CHAN L2A POSITION DATA: R	107107 121503 904949	1
- 570	286N3401-011		WIRE BUNDLE ASSY-WHEEL WELL/SPOILER DISC. PNL TO SPOILER #12-CHAN L2A POSITION DATA: R	006100 950951 953999	1
- 570	286N3401-017		WIRE BUNDLE ASSY-WHEEL WELL/SPOILER DISC. PNL TO SPOILER #12-CHAN L2A POSITION DATA: R	504903	1

MISSING ITEM NUMBERS NOT APPLICABLE

- ITEM NOT ILLUSTRATED

27-61-02-01

27-61-02  
FIG. 01  
PAGE 46  
JAN 20/09

BRI



757

PARTS CATALOG (MAINTENANCE)

FIG ITEM	PART NUMBER	1 2 3 4 5 6 7	NOMENCLATURE	EFFECT FROM TO	UNITS PER ASSY
1					
- 571	286N3401-301		WIRE BUNDLE ASSY-WHEEL WELL/SPOILER DISC. PNL TO SPOILER #12-CHAN L2A POSITION DATA: R	101102	1
- 571	286N3401-306		WIRE BUNDLE ASSY-WHEEL WELL/SPOILER DISC. PNL TO SPOILER #12-CHAN L2A POSITION DATA: R	108120	1
575	BCREF108918		.PLUG- SUPPLIER CODE: V13556 OVERLENGTH PART NUMBER: CN0966A16A10SN000 ELECTRICAL EQUIP NUMBER: D00663 WIRING DIAGRAM REF: 276113	002004 006102 107999	1
580	GS3418-16CD		.CLAMP- SUPPLIER CODE: V06324 SPECIFICATION NUMBER: BACC10HG16 OPTIONAL PART: S2126-16-8 V07418 ELECTRICAL EQUIP NUMBER: D00663T WIRING DIAGRAM REF: 276113	002004 006102 107999	1
900			ILLUSTRATION REFERENCE: PLUMBING INSTL-SECT. 13 L WING OUTBD HYDR (SPOILER POWER CONTROL SYSTEM ONLY) 27-61-02-09	002004 006102 107999	RF
905			ILLUSTRATION REFERENCE: PLUMBING INSTL-SECT. 12 R WING OUTBD HYDR (SPOILER CONTROL SYSTEM) 27-61-51-28	002004 006100 107107 121503 904999	RF

MISSING ITEM NUMBERS NOT APPLICABLE

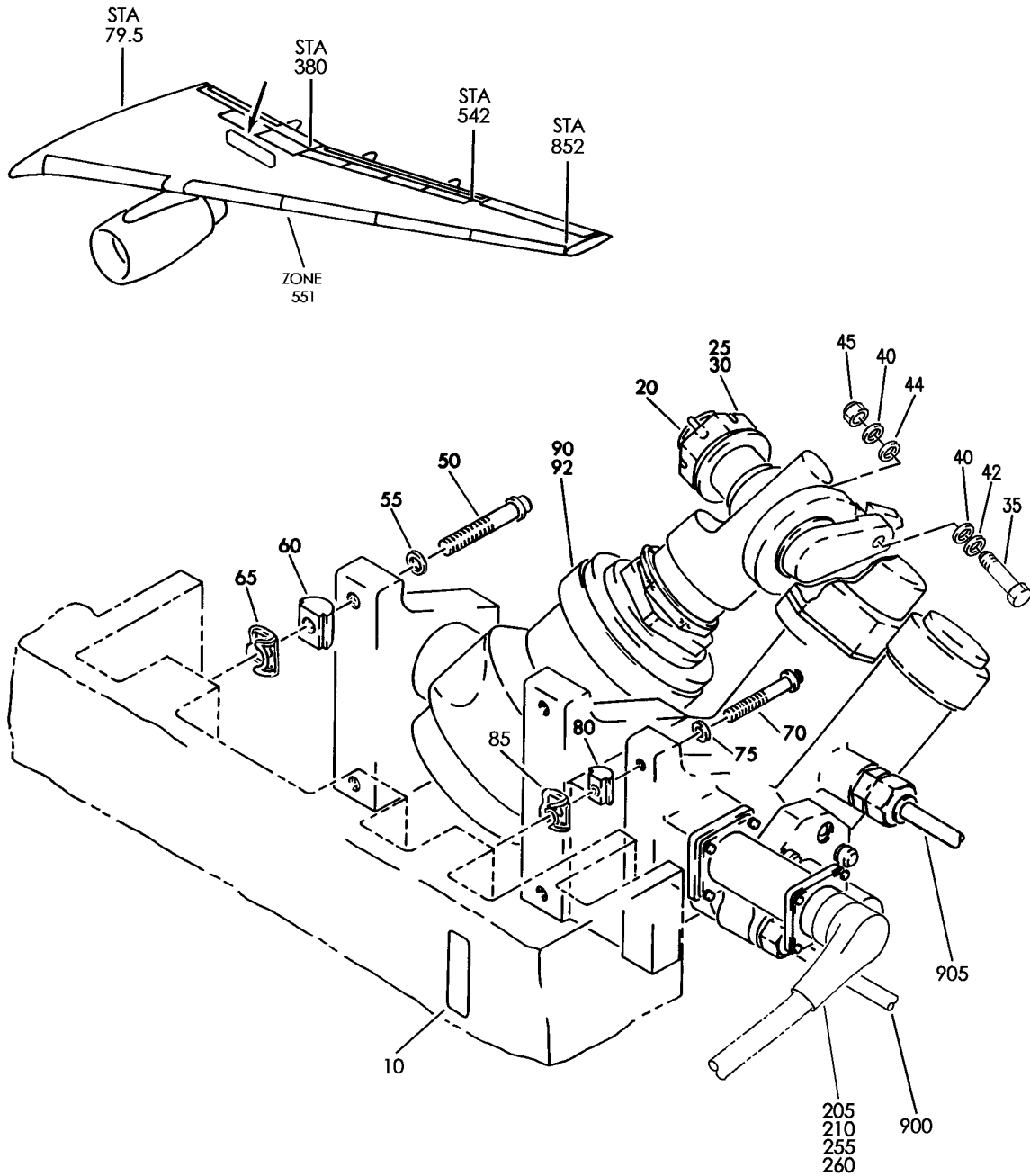
- ITEM NOT ILLUSTRATED

BRI

27-61-02-01

27-61-02  
FIG. 01  
PAGE 47  
JAN 20/09

**BOEING**  
757  
PARTS CATALOG (MAINTENANCE)



Y 27610202 REV 241

ACTUATOR INSTL-SPOILER NO. 6 AND 7 (FLIGHT CONTROLS ONLY)  
FIGURE 2

**27-61-02-02**

BRI  
MAY 28/07

27-61-02-02  
PAGE 0



757

PARTS CATALOG (MAINTENANCE)

FIG ITEM	PART NUMBER	1 2 3 4 5 6 7	NOMENCLATURE	EFFECT FROM TO	UNITS PER ASSY
2			ACTUATOR INSTL-SPOILER NO. 6 AND 7 (FLIGHT CONTROLS ONLY)	002004 006999	
- 1	251N1016-6		ACTUATOR INSTL-SPOILER NO. 6 (FLIGHT CONTROLS ONLY) FOR NHA/OTHER SYS DET SEE: 27-00-00-02	107107	RF
- 1	251N1016-10		ACTUATOR INSTL-SPOILER NO. 6 (FLIGHT CONTROLS ONLY) FOR NHA/OTHER SYS DET SEE: 27-00-00-02	904949	RF
- 1	251N1016-14		ACTUATOR INSTL-SPOILER NO. 6 (FLIGHT CONTROLS ONLY) FOR NHA/OTHER SYS DET SEE: 27-00-00-02	952952	RF
- 1	251N1016-18		ACTUATOR INSTL-SPOILER NO. 6 (FLIGHT CONTROLS ONLY) FOR NHA/OTHER SYS DET SEE: 27-00-00-02	002004 006100 121503 950951 953999	RF
- 2	251N1016-22		ACTUATOR INSTL-SPOILER NO. 6 (FLIGHT CONTROLS ONLY) FOR NHA SEE: 27-00-00-01	101102 108120 504903	RF
- 2	MODREF7140		ACTUATOR INSTL-SPOILER NO. 6 (FLIGHT CONTROLS ONLY) MODULE NUMBER: 251N1016-22 REV A	103106	1
- 5	251N1016-7		ACTUATOR INSTL-SPOILER NO. 7 (FLIGHT CONTROLS ONLY) FOR NHA/OTHER SYS DET SEE: 27-00-00-02	107107	RF
- 5	251N1016-11		ACTUATOR INSTL-SPOILER NO. 7 (FLIGHT CONTROLS ONLY) FOR NHA/OTHER SYS DET SEE: 27-00-00-02	904949	RF
- 5	251N1016-15		ACTUATOR INSTL-SPOILER NO. 7 (FLIGHT CONTROLS ONLY) FOR NHA/OTHER SYS DET SEE: 27-00-00-02	952952	RF
- 5	251N1016-19		ACTUATOR INSTL-SPOILER NO. 7 (FLIGHT CONTROLS ONLY) FOR NHA/OTHER SYS DET SEE: 27-00-00-02	002004 006100 121503 950951 953999	RF
- 6	251N1016-23		ACTUATOR INSTL-SPOILER NO. 7 (FLIGHT CONTROLS ONLY) FOR NHA SEE: 27-00-00-01	101102 108120 504903	RF

MISSING ITEM NUMBERS NOT APPLICABLE

- ITEM NOT ILLUSTRATED

27-61-02-02

27-61-02  
FIG. 02  
PAGE 1  
JAN 20/09

BRI



757

PARTS CATALOG (MAINTENANCE)

FIG ITEM	PART NUMBER	1 2 3 4 5 6 7	NOMENCLATURE	EFFECT FROM TO	UNITS PER ASSY
2					
- 6	MODREF7141		ACTUATOR INSTL-SPOILER NO. 7 (FLIGHT CONTROLS ONLY) MODULE NUMBER: 251N1016-23 REV A	103106	1
10	BAC27NCT0046		.MARKER-ALUMINUM FOIL- PLACARD CONTENT: M311 NO. 6 SPOILER POWER CONTROL UNIT USED ON: 251N1016-6 251N1016-10 251N1016-14 251N1016-18 251N1016-22 251N1016-24 MODREF7140	002004 006999	1
- 15	BAC27NCT0047		.MARKER-ALUMINUM FOIL- PLACARD CONTENT: M312 NO. 7 SPOILER POWER CONTROL UNIT USED ON: 251N1016-7 251N1016-11 251N1016-15 251N1016-19 251N1016-23 251N1016-25 MODREF7141	002004 006999	1
20	251N1212-1		.BOLT-ATTACHMENT	002004 006999	1
20	251N1212-4		.BOLT-ATTACHMENT	002004 006999	1
25	AN960KD1416L		.WASHER-	002004 006999	1
30	BACN10JD114CD		.NUT-	002004 006999	1
35	BACB30LJ4-14		.BOLT-	002004 006999	1
40	AN960KD416L		.WASHER-	002004 006100 107107 121503 904999	2
42	NAS1149C0432R		.WASHER	101106 108120 504903	1
44	NAS1149D0416J		.WASHER	101106 108120 504903	1

MISSING ITEM NUMBERS NOT APPLICABLE

- ITEM NOT ILLUSTRATED

27-61-02-02

27-61-02  
FIG. 02  
PAGE 2  
JAN 20/09

BRI

BOEING PROPRIETARY - Copyright © - Unpublished Work - See title page for details.





757

PARTS CATALOG (MAINTENANCE)

FIG ITEM	PART NUMBER	1 2 3 4 5 6 7	NOMENCLATURE	EFFECT FROM TO	UNITS PER ASSY
2	45 BRH10C4D	.NUT-	SUPPLIER CODE: V52828 SPECIFICATION NUMBER: BACN10JC4CD OPTIONAL PART: T6C428JCD V11815 NS202486-048 V80539 102LH9075-4W V72962 H51650-4BAC V15653	002004 006999	1
	50 BACB30LE6-14	.BOLT-	OPTIONAL PART: BACB30LE6K14	002004 006999	4
	50 BACB30LE6K14	.BOLT-	OPTIONAL PART: BACB30LE6-14	002004 006999	4
	55 251N1249-1	.WASHER-		002004 006999	4
	60 LH8065-064	.NUT-	SUPPLIER CODE: V72962 SPECIFICATION NUMBER: BACN10HC6 OPTIONAL PART: SL414-6 V97393 94263-624 V56878	002004 006999	4
	65 SLR4027-6	.RETAINER-	SUPPLIER CODE: V97393 SPECIFICATION NUMBER: BACR10V6 OPTIONAL PART: 2452-064RET V72962 BACR10V6C	101120 504903	4
	65 SLR414-6B	.RETAINER-	SUPPLIER CODE: V97393 SPECIFICATION NUMBER: BACR10V6C OPTIONAL PART: BACR10V6	101120 504903	4

MISSING ITEM NUMBERS NOT APPLICABLE

- ITEM NOT ILLUSTRATED

27-61-02-02

27-61-02  
FIG. 02  
PAGE 3  
JAN 20/09

BRI

BOEING PROPRIETARY - Copyright © - Unpublished Work - See title page for details.



757

PARTS CATALOG (MAINTENANCE)

FIG ITEM	PART NUMBER	1 2 3 4 5 6 7	NOMENCLATURE	EFFECT FROM TO	UNITS PER ASSY
2					
65	SLR414-6B		.RETAINER SUPPLIER CODE: V97393 SPECIFICATION NUMBER: BACR10V6C	002004 006100 121503 904999	4
70	BACB30LE4-15		.BOLT-	002004 006999	1
75	251N1249-2		.WASHER-	002004 006999	1
80	LH8065-048		.NUT- SUPPLIER CODE: V72962 SPECIFICATION NUMBER: BACN10HC4 OPTIONAL PART: SL414-4 V97393 94263-428 V56878	002004 006999	1
85	SLR4027-4		.RETAINER- SUPPLIER CODE: V97393 SPECIFICATION NUMBER: BACR10V4 OPTIONAL PART: 2452-048RET V72962 BACR10V4C	101120 504903	1
85	SLR414-4B		.RETAINER- SUPPLIER CODE: V97393 SPECIFICATION NUMBER: BACR10V4C OPTIONAL PART: BACR10V4	101120 504903	1
85	SLR414-4B		.RETAINER SUPPLIER CODE: V97393 SPECIFICATION NUMBER: BACR10V4C	002004 006100 121503 904999	1
90	3321480-14		.ACTUATOR ASSY-FLIGHT PWR CONT UNIT SUPPLIER CODE: V94697 POSITION DATA: INBD SPECIFICATION NUMBER: S251N118-14 SB DATA FROM A CMM:	002004 006999	1

MISSING ITEM NUMBERS NOT APPLICABLE

- ITEM NOT ILLUSTRATED

27-61-02-02

27-61-02  
FIG. 02  
PAGE 4  
JAN 20/09

BRI



757

PARTS CATALOG (MAINTENANCE)

FIG ITEM	PART NUMBER	1 2 3 4 5 6 7 NOMENCLATURE	EFFECT FROM TO	UNITS PER ASSY
2		POST 3321480-27-07 CONFIG CHG DATA FROM A CMM: SUPERSEDES 3321480-12 SUPSD BY 3321480-16 ELECTRICAL EQUIP NUMBER: M00311 M00312 COMPONENT MAINT MANUAL REF: 27-62-04 QUALIFIED I/W DATA: 3321480-13 THROUGH -16 CAN REPLACE BUT NOT BE REPLACED BY 3321480-4 THROUGH -12. REWORK PARTS 3321480-4A THROUGH -12A ARE FULLY INTERCHANGEABLE AND FULLY INTERCHANGEABLE WITH 3321480-13 THROUGH 3321480-16. OPTIONAL PART: 3321480-16 V94697 OPTIONAL PART: 3321480-16 V94697 SERVICE BULLETIN OPT DATA: 3321480-13 V94697 3321480-7A VOM3K4 3321480-10A VOM3K4 3321480-12A VOM3K4 POST ALERT SB: 27A0105 POST SERVICE BULLETIN: 3321480-27-07 VOM3K4 FOR DETAILS SEE: 27-61-02-04 27-61-04-01		
90	3321480-13	.ACTUATOR ASSY-FLIGHT PWR CONT UNIT SUPPLIER CODE: V94697 POSITION DATA: INBD	002004 006999	1

MISSING ITEM NUMBERS NOT APPLICABLE

- ITEM NOT ILLUSTRATED

**27-61-02-02**

27-61-02  
FIG. 02  
PAGE 5  
JAN 20/09

BRI



757

PARTS CATALOG (MAINTENANCE)

FIG ITEM	PART NUMBER	1 2 3 4 5 6 7 NOMENCLATURE	EFFECT FROM TO	UNITS PER ASSY
2		<p>SPECIFICATION NUMBER: S251N118-13</p> <p>SB DATA FROM A CMM: POST 3321480-27-07</p> <p>CONFIG CHG DATA FROM A CMM: SUPERSEDES 3321480-11 SUPSD BY 3321480-15</p> <p>ELECTRICAL EQUIP NUMBER: M00311 M00312</p> <p>COMPONENT MAINT MANUAL REF: 27-62-04</p> <p>QUALIFIED I/W DATA: 3321480-13 THROUGH -16 CAN REPLACE BUT NOT BE REPLACED BY 3321480-4 THROUGH -12. REWORK PARTS 3321480-4A THROUGH -12A ARE FULLY INTERCHANGEABLE AND FULLY INTERCHANGEABLE WITH 3321480-13 THROUGH 3321480-16.</p> <p>OPTIONAL PART: 3321480-15 V94697</p> <p>SERVICE BULLETIN OPT DATA: 3321480-14 V94697 3321480-7A VOM3K4 3321480-10A VOM3K4 3321480-12A VOM3K4</p> <p>POST ALERT SB: 27A0105</p> <p>POST SERVICE BULLETIN: 3321480-27-07 VOM3K4</p> <p>FOR DETAILS SEE: 27-61-02-04 27-61-04-01</p>		

MISSING ITEM NUMBERS NOT APPLICABLE

- ITEM NOT ILLUSTRATED

BRI

27-61-02-02

BOEING PROPRIETARY - Copyright © - Unpublished Work - See title page for details.

27-61-02  
FIG. 02  
PAGE 6  
JAN 20/09



757

PARTS CATALOG (MAINTENANCE)

FIG ITEM	PART NUMBER	1 2 3 4 5 6 7 NOMENCLATURE	EFFECT FROM TO	UNITS PER ASSY
2 90	3321480-7A	.ACTUATOR ASSY-FLIGHT PWR CONT UNIT SUPPLIER CODE: VOM3K4 POSITION DATA: INBD SPECIFICATION NUMBER: S251N118-7A SB DATA FROM A CMM: POST 3321480-27-07 CONFIG CHG DATA FROM A CMM: SUPSD BY 3321480-9A ELECTRICAL EQUIP NUMBER: M00311 M00312 COMPONENT MAINT MANUAL REF: 27-62-04 SERVICE BULLETIN OPT DATA: 3321480-13 V94697 3321480-14 V94697 3321480-15 V94697 3321480-16 V94697 POST ALERT SB: 27A0105 POST SERVICE BULLETIN: 3321480-27-07 VOM3K4 FOR DETAILS SEE: 27-61-02-04 27-61-04-01	107107	1

MISSING ITEM NUMBERS NOT APPLICABLE

- ITEM NOT ILLUSTRATED

BRI

**27-61-02-02**

BOEING PROPRIETARY - Copyright © - Unpublished Work - See title page for details.

27-61-02  
 FIG. 02  
 PAGE 7  
 JAN 20/09



757

PARTS CATALOG (MAINTENANCE)

FIG ITEM	PART NUMBER	1 2 3 4 5 6 7	NOMENCLATURE	EFFECT FROM TO	UNITS PER ASSY
2 90	3321480-10A	.	ACTUATOR ASSY-FLIGHT PWR CONT UNIT SUPPLIER CODE: VOM3K4 POSITION DATA: INBD SPECIFICATION NUMBER: S251N118-10A SB DATA FROM A CMM: POST 3321480-27-07 CONFIG CHG DATA FROM A CMM: SUPSD BY 3321480-13 ELECTRICAL EQUIP NUMBER: M00311 M00312 COMPONENT MAINT MANUAL REF: 27-62-04 SERVICE BULLETIN OPT DATA: 3321480-13 V94697 3321480-14 V94697 3321480-15 V94697 3321480-16 V94697 POST ALERT SB: 27A0105 POST SERVICE BULLETIN: 3321480-27-07 VOM3K4 FOR DETAILS SEE: 27-61-02-04 27-61-04-01	904949	1

MISSING ITEM NUMBERS NOT APPLICABLE

- ITEM NOT ILLUSTRATED

BRI

27-61-02-02

BOEING PROPRIETARY - Copyright © - Unpublished Work - See title page for details.

27-61-02  
FIG. 02  
PAGE 8  
JAN 20/09



757

PARTS CATALOG (MAINTENANCE)

FIG ITEM	PART NUMBER	1 2 3 4 5 6 7	NOMENCLATURE	EFFECT FROM TO	UNITS PER ASSY
2 92	3321480-12A		.ACTUATOR ASSY-FLIGHT PWR CONT UNIT SUPPLIER CODE: VOM3K4 POSITION DATA: INBD SPECIFICATION NUMBER: S251N118-12A ELECTRICAL EQUIP NUMBER: M00311 M00312 COMPONENT MAINT MANUAL REF: 27-62-04 SERVICE BULLETIN OPT DATA: 3321480-13 V94697 3321480-14 V94697 3321480-15 V94697 3321480-16 V94697 POST ALERT SB: 27A0105 POST SERVICE BULLETIN: 3321480-27-07 VOM3K4 FOR DETAILS SEE: 27-61-02-04 27-61-04-01	952952	1
92	3321480-16		.ACTUATOR ASSY-FLIGHT PWR CONT UNIT SUPPLIER CODE: V94697 POSITION DATA: INBD SPECIFICATION NUMBER: S251N118-14 SB DATA FROM A CMM: POST 3321480-27-07 CONFIG CHG DATA FROM A CMM: SUPERSEDES 3321480-14 ELECTRICAL EQUIP NUMBER: M00311 M00312 COMPONENT MAINT MANUAL REF: 27-62-04 QUALIFIED I/W DATA: 3321480-13 THROUGH -16	002004 006999	1

MISSING ITEM NUMBERS NOT APPLICABLE

- ITEM NOT ILLUSTRATED

BRI

**27-61-02-02**

BOEING PROPRIETARY - Copyright © - Unpublished Work - See title page for details.

27-61-02  
FIG. 02  
PAGE 9  
JAN 20/09



757

PARTS CATALOG (MAINTENANCE)

FIG ITEM	PART NUMBER	1 2 3 4 5 6 7	NOMENCLATURE	EFFECT FROM TO	UNITS PER ASSY
2			<p>CAN REPLACE BUT NOT BE REPLACED BY 3321480-4 THROUGH -12. REWORK PARTS 3321480-4A THROUGH -12A ARE FULLY INTERCHANGEABLE AND FULLY INTERCHANGEABLE WITH 3321480-13 THROUGH 3321480-16.</p> <p>OPTIONAL PART: 3321480-14 V94697</p> <p>OPTIONAL PART: 3321480-14 V94697</p> <p>SERVICE BULLETIN OPT DATA: 3321480-7A VOM3K4 3321480-10A VOM3K4 3321480-12A VOM3K4</p> <p>POST ALERT SB: 27A0105</p> <p>POST SERVICE BULLETIN: 3321480-27-07 VOM3K4</p> <p>FOR DETAILS SEE: 27-61-02-04 27-61-04-01</p>		

MISSING ITEM NUMBERS NOT APPLICABLE

- ITEM NOT ILLUSTRATED

BRI

# 27-61-02-02

BOEING PROPRIETARY - Copyright © - Unpublished Work - See title page for details.

27-61-02  
FIG. 02  
PAGE 10  
JAN 20/09





757

PARTS CATALOG (MAINTENANCE)

FIG ITEM	PART NUMBER	1 2 3 4 5 6 7	NOMENCLATURE	EFFECT FROM TO	UNITS PER ASSY
2 92	3321480-15		.ACTUATOR ASSY-FLIGHT PWR CONT UNIT SUPPLIER CODE: V94697 POSITION DATA: INBD SPECIFICATION NUMBER: S251N118-13 SB DATA FROM A CMM: POST 3321480-27-07 CONFIG CHG DATA FROM A CMM: SUPERSEDES 3321480-13 ELECTRICAL EQUIP NUMBER: M00311 M00312 COMPONENT MAINT MANUAL REF: 27-62-04 QUALIFIED I/W DATA: 3321480-13 THROUGH -16 CAN REPLACE BUT NOT BE REPLACED BY 3321480-4 THROUGH -12. REWORK PARTS 3321480-4A THROUGH -12A ARE FULLY INTERCHANGEABLE AND FULLY INTERCHANGEABLE WITH 3321480-13 THROUGH 3321480-16. OPTIONAL PART: 3321480-13 V94697 SERVICE BULLETIN OPT DATA: 3321480-7A VOM3K4 3321480-10A VOM3K4 3321480-12A VOM3K4 POST ALERT SB: 27A0105 POST SERVICE BULLETIN: 3321480-27-07 VOM3K4 FOR DETAILS SEE: 27-61-02-04 27-61-04-01	002004 006999	1

MISSING ITEM NUMBERS NOT APPLICABLE

- ITEM NOT ILLUSTRATED

BRI

27-61-02-02

BOEING PROPRIETARY - Copyright © - Unpublished Work - See title page for details.

27-61-02  
FIG. 02  
PAGE 11  
JAN 20/09



757

PARTS CATALOG (MAINTENANCE)

FIG ITEM	PART NUMBER	1 2 3 4 5 6 7	NOMENCLATURE	EFFECT FROM TO	UNITS PER ASSY
2					
- 200	286N3309-005		WIRE BUNDLE ASSY-WHEEL WELL/SPOILER DISC. PNL TO SPOILER #6-CHAN L2B POSITION DATA: L	002004 952952	RF
- 200	286N3309-006		WIRE BUNDLE ASSY-WHEEL WELL/SPOILER DISC. PNL TO SPOILER #6-CHAN L2B POSITION DATA: L	107107 121503 904949	RF
- 200	286N3309-011		WIRE BUNDLE ASSY-WHEEL WELL/SPOILER DISC. PNL TO SPOILER #6-CHAN L2B POSITION DATA: L	006100 950951 953999	RF
- 200	286N3309-017		WIRE BUNDLE ASSY-WHEEL WELL/SPOILER DISC. PNL TO SPOILER #6-CHAN L2B POSITION DATA: L	504903	RF
- 201	286N3309-301		WIRE BUNDLE ASSY-WHEEL WELL/SPOILER DISC. PNL TO SPOILER #6-CHAN L2B POSITION DATA: L	101102	RF
- 201	286N3309-306		WIRE BUNDLE ASSY-WHEEL WELL/SPOILER DISC. PNL TO SPOILER #6-CHAN L2B POSITION DATA: L	108120	RF
205	BCREF108918		.PLUG- SUPPLIER CODE: V13556 OVERLENGTH PART NUMBER: CN0966A16A10SN000 ELECTRICAL EQUIP NUMBER: D00651 WIRING DIAGRAM REF: 276118	002004 006102 107999	1

MISSING ITEM NUMBERS NOT APPLICABLE

- ITEM NOT ILLUSTRATED

BRI

27-61-02-02

BOEING PROPRIETARY - Copyright © - Unpublished Work - See title page for details.

27-61-02  
FIG. 02  
PAGE 12  
JAN 20/09



757

PARTS CATALOG (MAINTENANCE)

FIG ITEM	PART NUMBER	1 2 3 4 5 6 7	NOMENCLATURE	EFFECT FROM TO	UNITS PER ASSY
2 210	GS3418-16CD		.CLAMP- SUPPLIER CODE: V06324 SPECIFICATION NUMBER: BACC10HG16 OPTIONAL PART: S2126-16-8 V07418 ELECTRICAL EQUIP NUMBER: D00651T WIRING DIAGRAM REF: 276118	002004 006102 107999	1
- 250	286N3409-005		WIRE BUNDLE ASSY-WHEEL WELL/SPOILER DISC. PNL TO SPOILER #7-CHAN L2B POSITION DATA: R	002004 952952	RF
- 250	286N3409-006		WIRE BUNDLE ASSY-WHEEL WELL/SPOILER DISC. PNL TO SPOILER #7-CHAN L2B POSITION DATA: R	107107 121503 904949	RF
- 250	286N3409-011		WIRE BUNDLE ASSY-WHEEL WELL/SPOILER DISC. PNL TO SPOILER #7-CHAN L2B POSITION DATA: R	006100 950951 953999	RF
- 250	286N3409-017		WIRE BUNDLE ASSY-WHEEL WELL/SPOILER DISC. PNL TO SPOILER #7-CHAN L2B POSITION DATA: R	504903	RF
- 251	286N3409-301		WIRE BUNDLE ASSY-WHEEL WELL/SPOILER DISC. PNL TO SPOILER #7-CHAN L2B POSITION DATA: R	101102	RF
- 251	286N3409-303		WIRE BUNDLE ASSY-WHEEL WELL/SPOILER DISC. PNL TO SPOILER #7-CHAN L2B POSITION DATA: R	108120	RF

MISSING ITEM NUMBERS NOT APPLICABLE

- ITEM NOT ILLUSTRATED

27-61-02-02

27-61-02  
FIG. 02  
PAGE 13  
JAN 20/09

BRI



757

PARTS CATALOG (MAINTENANCE)

FIG ITEM	PART NUMBER	1 2 3 4 5 6 7	NOMENCLATURE	EFFECT FROM TO	UNITS PER ASSY
2 255	BCREF108918		.PLUG- SUPPLIER CODE: V13556 OVERLENGTH PART NUMBER: CN0966A16A10SN00 ELECTRICAL EQUIP NUMBER: D00653 WIRING DIAGRAM REF: 276118	002004 006102 107999	1
260	GS3418-16CD		.CLAMP- SUPPLIER CODE: V06324 SPECIFICATION NUMBER: BACC10HG16 OPTIONAL PART: S2126-16-8 V07418 ELECTRICAL EQUIP NUMBER: D00653T	002004 006102 107999	1
900			ILLUSTRATION REFERENCE: PLUMBING INSTL-SECT. 12 R WING INBD HYDR (SPOILER CONTROL SYSTEM ONLY) 27-61-51-17	002004 006102 107999	RF
905			ILLUSTRATION REFERENCE: PLUMBING INSTL-FILLET AND TE ROLLS ROYCE RETURN LINES 29-11-51-68	101102 108120 504903	RF

MISSING ITEM NUMBERS NOT APPLICABLE

- ITEM NOT ILLUSTRATED

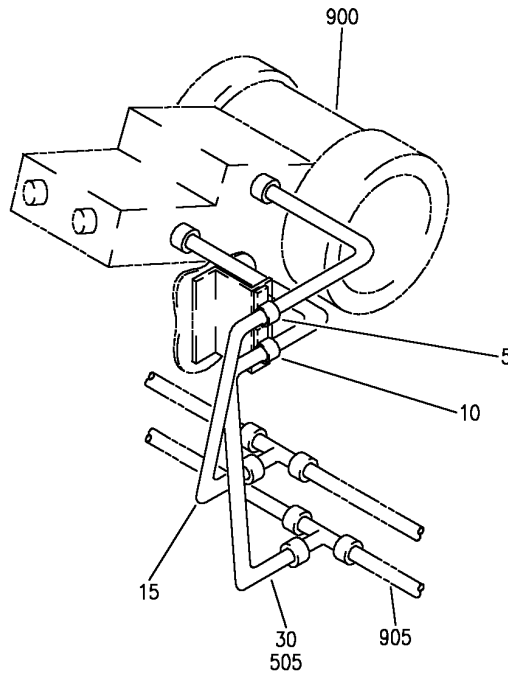
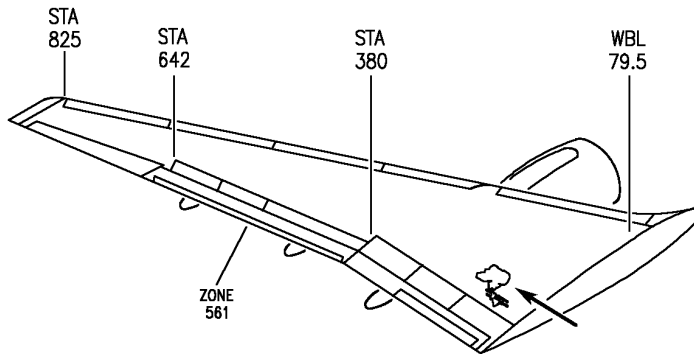
BRI

27-61-02-02

BOEING PROPRIETARY - Copyright © - Unpublished Work - See title page for details.

27-61-02  
FIG. 02  
PAGE 14  
JAN 20/09

**BOEING**  
757  
PARTS CATALOG (MAINTENANCE)



Y 27610203 REV 262

PLUMBING INSTL-SECT. 13 L TRAILING EDGE CTR SYS (SPOILER POWER CONTROL SYSTEM ONLY)

FIGURE 3

**27-61-02-03**

BRI  
MAY 28/07

27-61-02-03  
PAGE 0

 **BOEING**  
757  
**PARTS CATALOG (MAINTENANCE)**

FIG ITEM	PART NUMBER	1 2 3 4 5 6 7	NOMENCLATURE	EFFECT FROM TO	UNITS PER ASSY
3			PLUMBING INSTL-SECT. 13 L TRAILING EDGE CTR SYS (SPOILER POWER CONTROL SYSTEM ONLY)	002004 006999	
- 1	MODREF31342		PLUMBING INSTL-HYDR (SPOILER POWER CONTROL SYSTEM ONLY) MODULE NUMBER: 271N6122-34 REV B POSITION DATA: SECT. 13 L TRAILING EDGE FOR OTHER SYS DETAILS SEE: 29-11-18-03 29-11-26-06 29-11-51-27 32-32-01-04 32-32-02-03 32-32-07-02 32-32-17-02 32-32-51-01 32-41-51-06	103106	1
- 1	271N6122-1		PLUMBING INSTL-WING HYDR (SPOILER CONTROL SYSTEM ONLY) POSITION DATA: SECT. 13 L INBD VARIABLE DRAWING REF: 271N6122-4 FOR NHA/OTHER SYS DET SEE: 29-00-51-01	002004 006100 107107 121503 904999	RF
- 1	271N6122-22		PLUMBING INSTL-WING HYDR (SPOILER CONTROL SYSTEM ONLY) POSITION DATA: SECT. 13 L INBD FOR NHA/OTHER SYS DET SEE: 29-00-51-02C	101102 108120 504903	RF
5	M85052-2-4		.CLAMP	002004 006999	1
10	M85052-2-6		.CLAMP	002004 006999	1
15	271N6122-1049		.TUBE ASSY-PRESSURE SYS POSITION DATA: R TUBING MATERIAL: .250 IN. OD .016 IN. WALL 17.00 IN. LG TI	002004 006999	1

MISSING ITEM NUMBERS NOT APPLICABLE

- ITEM NOT ILLUSTRATED

BRI

# 27-61-02-03

BOEING PROPRIETARY - Copyright © - Unpublished Work - See title page for details.

27-61-02  
FIG. 03  
PAGE 1  
JAN 20/09



757

PARTS CATALOG (MAINTENANCE)

FIG ITEM	PART NUMBER	1 2 3 4 5 6 7	NOMENCLATURE	EFFECT FROM TO	UNITS PER ASSY
3					
- 20	AS1581T04	..	SLEEVE	002004 006999	2
- 25	BACN10YA4	..	NUT	002004 006999	2
30	271N6122-1300	.TUBE	ASSY-RETURN SYS POSITION DATA: LH TUBING MATERIAL: STOCK .375 OD X .035 WALL X 18.4 6061-T6 ALUMINUM TUBING PER MIL-T-7081	103106	1
- 35	AP2097HP06	..	SLEEVE SUPPLIER CODE: V01673 SPECIFICATION NUMBER: BACS13BX06HP OPTIONAL PART: 2-02903-06HP V11328 35235VN06 V08199 AFP175V06P V30974 DBOS13BX06HP V14798	103106	2
- 40	BACN10YL06	..	NUT- OPTIONAL PART: MS21921-6D	103106	2
- 40	MS21921-6D	..	NUT- OPTIONAL PART: BACN10YL06	103106	2
900			ILLUSTRATION REFERENCE: ACTUATOR INSTL-SPOILER NO. 6 AND 7 (FLIGHT CONTROLS ONLY) 27-61-02-02	002004 006999	RF
905			ILLUSTRATION REFERENCE: PLUMBING INSTL-SECT. 12 L TRAILING EDGE CTR SYS (HYDRAULIC POWER ONLY) 29-11-51-27	103106	RF

MISSING ITEM NUMBERS NOT APPLICABLE

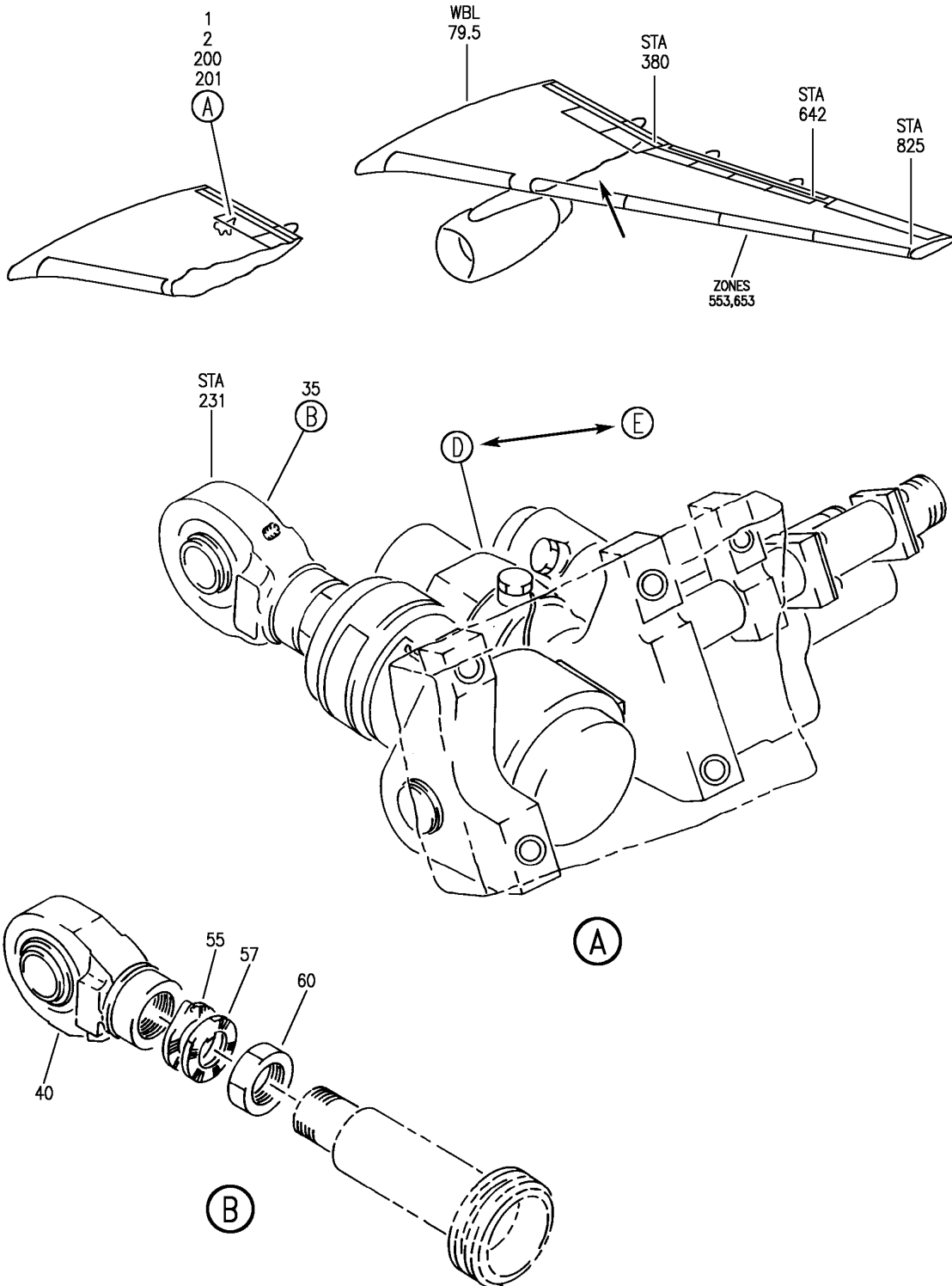
- ITEM NOT ILLUSTRATED

BRI

27-61-02-03

27-61-02  
FIG. 03  
PAGE 2  
JAN 20/09

**BOEING**  
757  
PARTS CATALOG (MAINTENANCE)



Y 27610204 SH1 1 REV 304

ACTUATOR ASSY-FLIGHT SPOILER PWR CONT UNIT (SPOILER POWER CONTROL ACTUATOR ONLY)  
FIGURE 4 (SHEET 1)

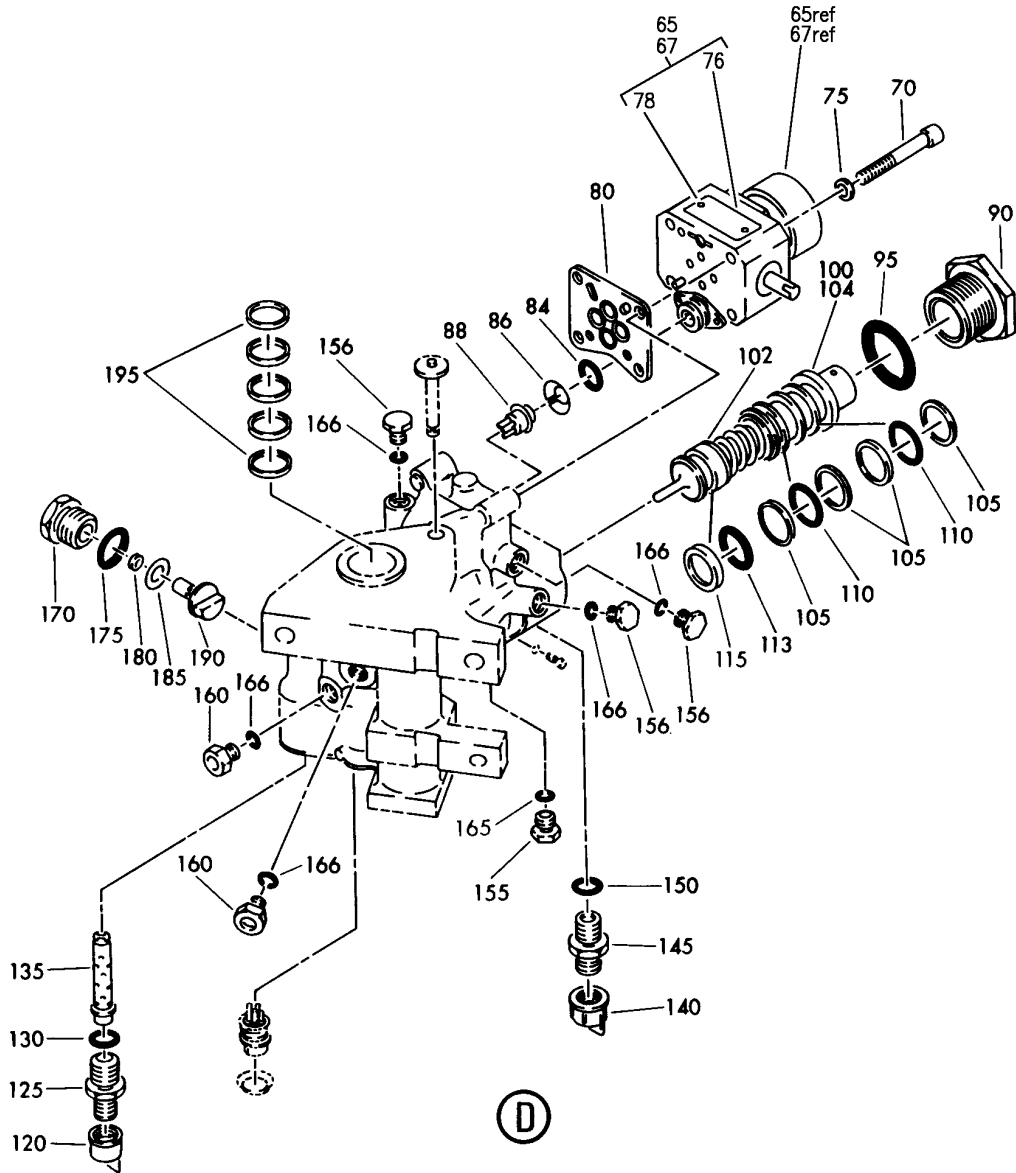
BRI  
MAY 28/07

**27-61-02-04**

27-61-02-04  
PAGE 0



**BOEING**  
757  
PARTS CATALOG (MAINTENANCE)



Y 27610204 SH1 2 REV 299

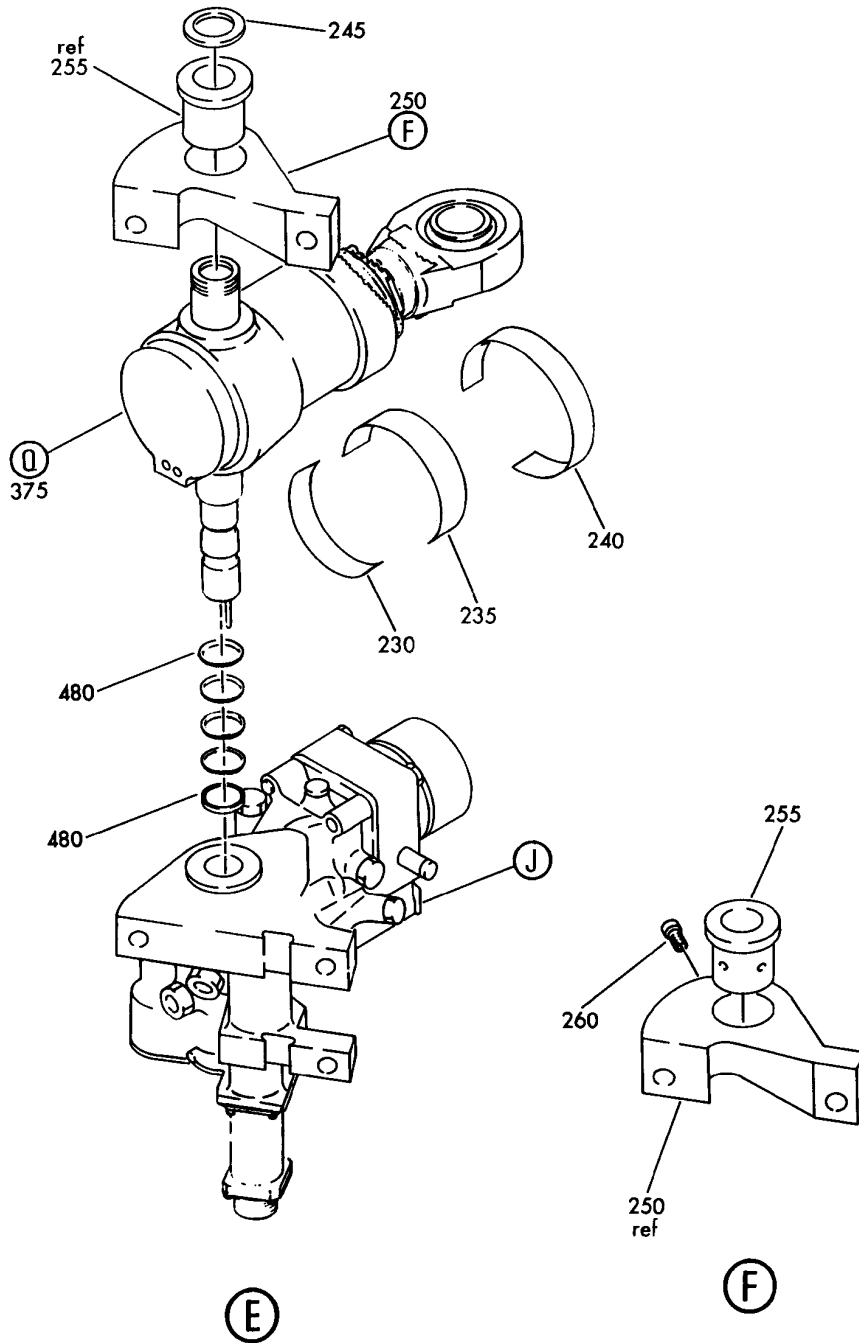
ACTUATOR ASSY-FLIGHT SPOILER PWR CONT UNIT (SPOILER POWER CONTROL ACTUATOR ONLY)  
FIGURE 4 (SHEET 2)

**27-61-02-04**

BRI  
MAY 28/07

27-61-02-04  
PAGE 0A

**BOEING**  
757  
PARTS CATALOG (MAINTENANCE)



Y 27610204 SHT 3 REV 248

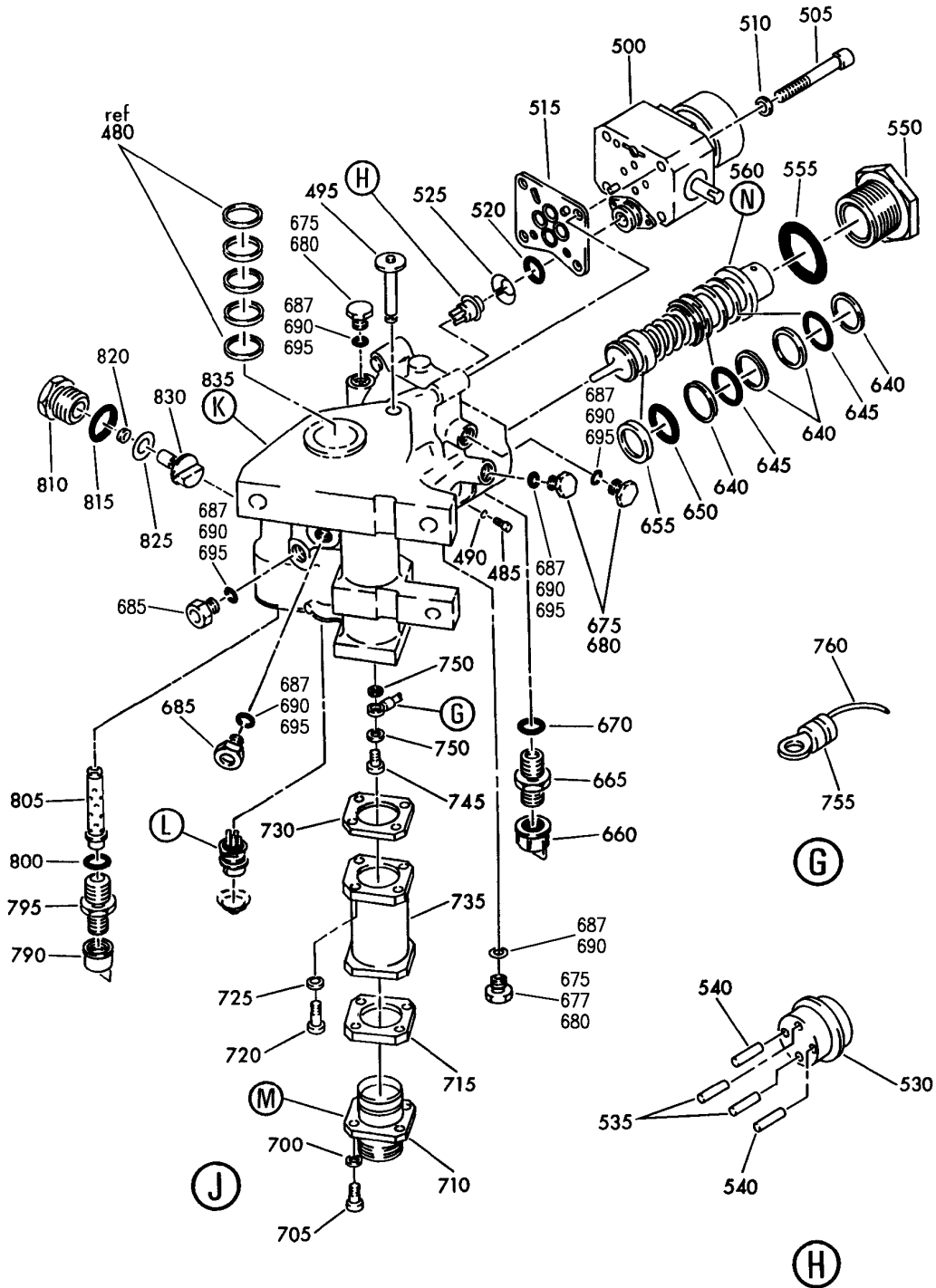
ACTUATOR ASSY-FLIGHT SPOILER PWR CONT UNIT (SPOILER POWER CONTROL ACTUATOR ONLY)  
FIGURE 4 (SHEET 3)

BRI  
MAY 28/07

**27-61-02-04**

27-61-02-04  
PAGE 0B


**BOEING**  
 757  
**PARTS CATALOG (MAINTENANCE)**



Y 27610204 SHT 4 REV 248

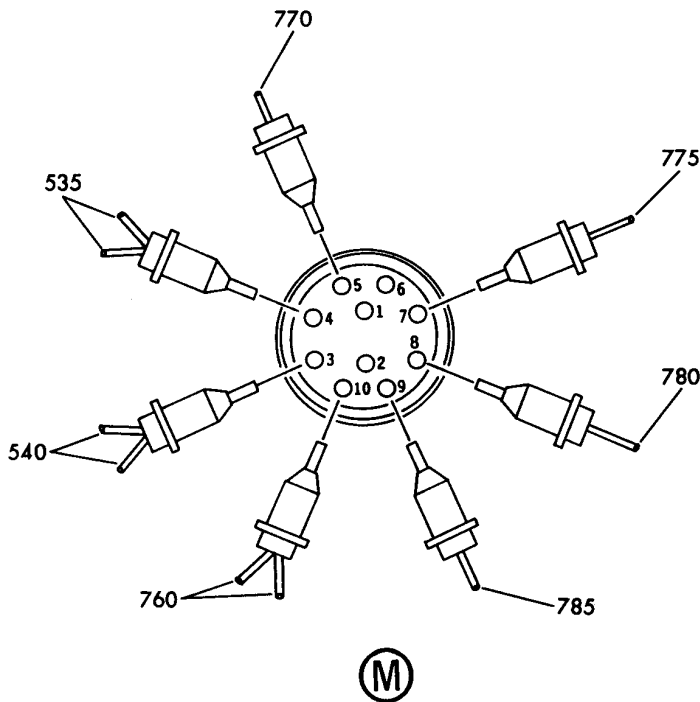
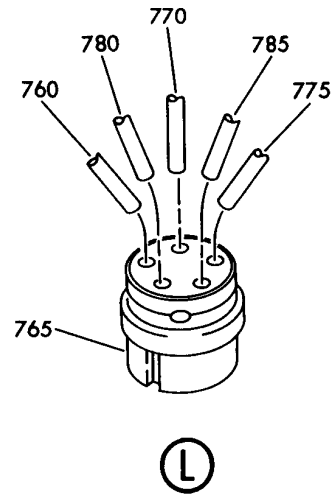
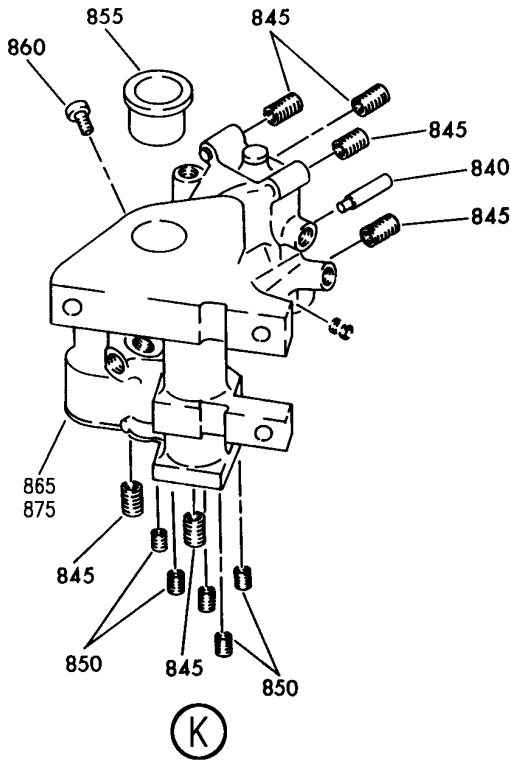
ACTUATOR ASSY-FLIGHT SPOILER PWR CONT UNIT (SPOILER POWER CONTROL ACTUATOR ONLY)  
 FIGURE 4 (SHEET 4)

**27-61-02-04**

BRI  
 MAY 28/07

27-61-02-04  
 PAGE 0C

**BOEING**  
757  
PARTS CATALOG (MAINTENANCE)



Y 27610204 SH1 5 REV 304

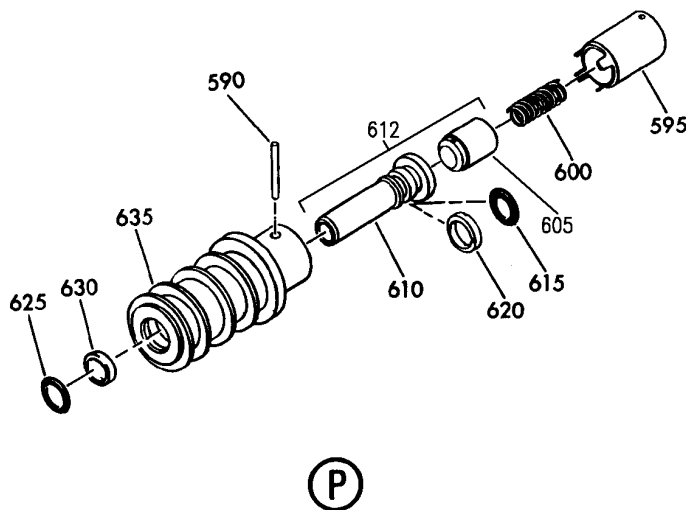
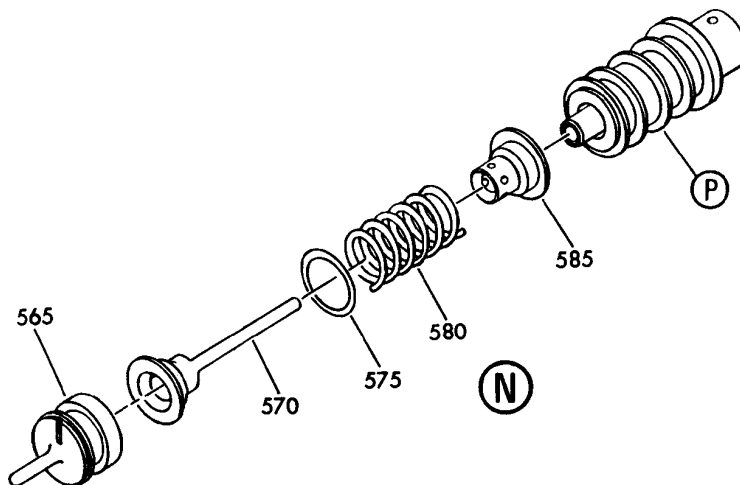
ACTUATOR ASSY-FLIGHT SPOILER PWR CONT UNIT (SPOILER POWER CONTROL ACTUATOR ONLY)  
FIGURE 4 (SHEET 5)

BRI  
MAY 28/07

**27-61-02-04**

27-61-02-04  
PAGE 0D

**BOEING**  
757  
PARTS CATALOG (MAINTENANCE)



Y 27610204 SHT 6 REV 248

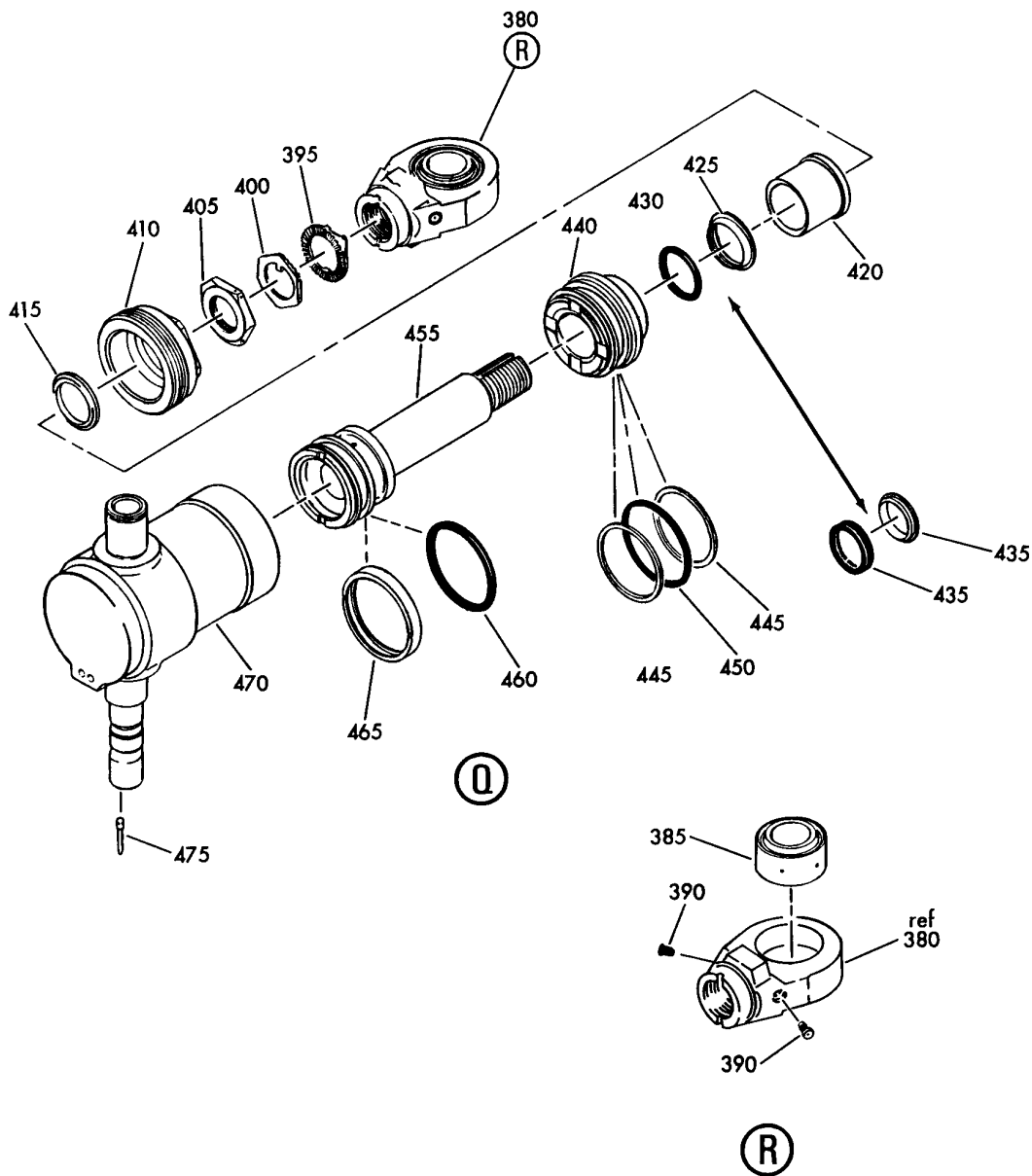
ACTUATOR ASSY-FLIGHT SPOILER PWR CONT UNIT (SPOILER POWER CONTROL ACTUATOR ONLY)  
FIGURE 4 (SHEET 6)

BRI  
MAY 28/07

**27-61-02-04**

27-61-02-04  
PAGE 0E

**BOEING**  
757  
PARTS CATALOG (MAINTENANCE)



Y 27610204 SHT 7 REV 149

ACTUATOR ASSY-FLIGHT SPOILER PWR CONT UNIT (SPOILER POWER CONTROL ACTUATOR ONLY)  
FIGURE 4 (SHEET 7)

**27-61-02-04**

BRI  
MAY 28/07

27-61-02-04  
PAGE OF



757

PARTS CATALOG (MAINTENANCE)

FIG ITEM	PART NUMBER	1 2 3 4 5 6 7	NOMENCLATURE	EFFECT FROM TO	UNITS PER ASSY
4			ACTUATOR ASSY-FLIGHT SPOILER PWR CONT UNIT (SPOILER POWER CONTROL ACTUATOR ONLY)	002004 006999	

MISSING ITEM NUMBERS NOT APPLICABLE

- ITEM NOT ILLUSTRATED

BRI

27-61-02-04

BOEING PROPRIETARY - Copyright © - Unpublished Work - See title page for details.

27-61-02  
FIG. 04  
PAGE 1  
JAN 20/09



757

PARTS CATALOG (MAINTENANCE)

FIG ITEM	PART NUMBER	1 2 3 4 5 6 7	NOMENCLATURE	EFFECT FROM TO	UNITS PER ASSY
4 1	3321480-13		ACTUATOR ASSY-FLIGHT SPOILER PWR CONT UNIT (SPOILER POWER CONTROL ACTUATOR ONLY) SUPPLIER CODE: V94697 POSITION DATA: INBD SPECIFICATION NUMBER: S251N118-13 SB DATA FROM A CMM: POST SB 3321480-27-07 CONFIG CHG DATA FROM A CMM: SUPERSEDES 3321480-11 COMPONENT MAINT MANUAL REF: 27-62-04 QUALIFIED I/W DATA: 3321480-13 THROUGH -16 CAN REPLACE BUT NOT BE REPLACED BY 3321480-4 THROUGH -12. REWORK PARTS 3321480-4A THROUGH -12A ARE FULLY INTERCHANGEABLE AND FULLY INTERCHANGEABLE WITH 3321480-13 THROUGH 3321480-16. OPTIONAL PART: 3321480-15 V94697 SERVICE BULLETIN OPT DATA: 3321480-14 V94697 3321480-7A VOM3K4 3321480-10A VOM3K4 3321480-12A VOM3K4 POST ALERT SB: 27A0105 POST SERVICE BULLETIN: 3321480-27-07 VOM3K4 FOR NHA/ADDITIONAL DET SEE: 27-61-02-02	002004 006999	RF
1	3321480-14		ACTUATOR ASSY-FLIGHT SPOILER PWR CONT UNIT (SPOILER POWER CONTROL	002004 006999	RF

MISSING ITEM NUMBERS NOT APPLICABLE

- ITEM NOT ILLUSTRATED

27-61-02-04

27-61-02  
FIG. 04  
PAGE 2  
JAN 20/09

BRI





757

PARTS CATALOG (MAINTENANCE)

FIG ITEM	PART NUMBER	1 2 3 4 5 6 7 NOMENCLATURE	EFFECT FROM TO	UNITS PER ASSY
4		<p>ACTUATOR ONLY)  SUPPLIER CODE:  V94697  POSITION DATA:  INBD  SPECIFICATION NUMBER:  S251N118-14  SB DATA FROM A CMM:  POST SB 3321480-27-07  CONFIG CHG DATA FROM A CMM:  SUPERSEDES 3321480-12  COMPONENT MAINT MANUAL REF:  27-62-04  QUALIFIED I/W DATA:  3321480-13 THROUGH -16  CAN REPLACE BUT NOT BE  REPLACED BY 3321480-4  THROUGH -12. REWORK  PARTS 3321480-4A THROUGH  -12A ARE FULLY  INTERCHANGEABLE AND  FULLY INTERCHANGEABLE  WITH 3321480-13 THROUGH  3321480-16.  OPTIONAL PART:  3321480-16  V94697  OPTIONAL PART:  3321480-16  V94697  SERVICE BULLETIN OPT DATA:  3321480-13  V94697  3321480-7A  VOM3K4  3321480-10A  VOM3K4  3321480-12A  VOM3K4  POST ALERT SB:  27A0105  POST SERVICE BULLETIN:  3321480-27-07  VOM3K4  FOR NHA/ADDITIONAL DET SEE:  27-61-02-02</p>		

MISSING ITEM NUMBERS NOT APPLICABLE

- ITEM NOT ILLUSTRATED

# 27-61-02-04

27-61-02  
FIG. 04  
PAGE 3  
JAN 20/09

BRI



757

PARTS CATALOG (MAINTENANCE)

FIG ITEM	PART NUMBER	1 2 3 4 5 6 7	NOMENCLATURE	EFFECT FROM TO	UNITS PER ASSY
4 1	3321480-7A		ACTUATOR ASSY-FLIGHT SPOILER PWR CONT UNIT (SPOILER POWER CONTROL ACTUATOR ONLY) SUPPLIER CODE: VOM3K4 POSITION DATA: INBD SPECIFICATION NUMBER: S251N118-7A COMPONENT MAINT MANUAL REF: 27-62-04 SERVICE BULLETIN OPT DATA: 3321480-13 V94697 3321480-14 V94697 3321480-15 V94697 3321480-16 V94697 POST ALERT SB: 27A0105 POST SERVICE BULLETIN: 3321480-27-07 VOM3K4 FOR NHA/ADDITIONAL DET SEE: 27-61-02-02	107107	RF

MISSING ITEM NUMBERS NOT APPLICABLE

- ITEM NOT ILLUSTRATED

BRI

27-61-02-04

BOEING PROPRIETARY - Copyright © - Unpublished Work - See title page for details.

27-61-02  
FIG. 04  
PAGE 4  
JAN 20/09



757

PARTS CATALOG (MAINTENANCE)

FIG ITEM	PART NUMBER	1 2 3 4 5 6 7	NOMENCLATURE	EFFECT FROM TO	UNITS PER ASSY
4 2	3321480-10A		ACTUATOR ASSY-FLIGHT SPOILER PWR CONT UNIT (SPOILER POWER CONTROL ACTUATOR ONLY) SUPPLIER CODE: VOM3K4 POSITION DATA: INBD SPECIFICATION NUMBER: S251N118-10A COMPONENT MAINT MANUAL REF: 27-62-04 SERVICE BULLETIN OPT DATA: 3321480-13 V94697 3321480-14 V94697 3321480-15 V94697 3321480-16 V94697 POST ALERT SB: 27A0105 POST SERVICE BULLETIN: 3321480-27-07 VOM3K4 FOR NHA/ADDITIONAL DET SEE: 27-61-02-02	904949	RF

MISSING ITEM NUMBERS NOT APPLICABLE

- ITEM NOT ILLUSTRATED

BRI

# 27-61-02-04

BOEING PROPRIETARY - Copyright © - Unpublished Work - See title page for details.

27-61-02  
FIG. 04  
PAGE 5  
JAN 20/09



757

PARTS CATALOG (MAINTENANCE)

FIG ITEM	PART NUMBER	1 2 3 4 5 6 7	NOMENCLATURE	EFFECT FROM TO	UNITS PER ASSY
4 2	3321480-12A		ACTUATOR ASSY-FLIGHT SPOILER PWR CONT UNIT (SPOILER POWER CONTROL ACTUATOR ONLY) SUPPLIER CODE: VOM3K4 POSITION DATA: INBD SPECIFICATION NUMBER: S251N118-12A COMPONENT MAINT MANUAL REF: 27-62-04 SERVICE BULLETIN OPT DATA: 3321480-13 V94697 3321480-14 V94697 3321480-15 V94697 3321480-16 V94697 POST ALERT SB: 27A0105 POST SERVICE BULLETIN: 3321480-27-07 VOM3K4 FOR NHA/ADDITIONAL DET SEE: 27-61-02-02	952952	RF

MISSING ITEM NUMBERS NOT APPLICABLE

- ITEM NOT ILLUSTRATED

BRI

27-61-02-04

BOEING PROPRIETARY - Copyright © - Unpublished Work - See title page for details.

27-61-02  
FIG. 04  
PAGE 6  
JAN 20/09



757

PARTS CATALOG (MAINTENANCE)

FIG ITEM	PART NUMBER	1 2 3 4 5 6 7	NOMENCLATURE	EFFECT FROM TO	UNITS PER ASSY
4 2	3321480-16		ACTUATOR ASSY-FLIGHT SPOILER PWR CONT UNIT (SPOILER POWER CONTROL ACTUATOR ONLY) SUPPLIER CODE: V94697 POSITION DATA: INBD SPECIFICATION NUMBER: S251N118-14 ELECTRICAL EQUIP NUMBER: M00311 M00312 COMPONENT MAINT MANUAL REF: 27-62-04 QUALIFIED I/W DATA: 3321480-13 THROUGH -16 CAN REPLACE BUT NOT BE REPLACED BY 3321480-4 THROUGH -12. REWORK PARTS 3321480-4A THROUGH -12A ARE FULLY INTERCHANGEABLE AND FULLY INTERCHANGEABLE WITH 3321480-13 THROUGH 3321480-16. OPTIONAL PART: 3321480-14 V94697 OPTIONAL PART: 3321480-14 V94697 SERVICE BULLETIN OPT DATA: 3321480-7A VOM3K4 3321480-10A VOM3K4 3321480-12A VOM3K4 POST ALERT SB: 27A0105 POST SERVICE BULLETIN: 3321480-27-07 VOM3K4 FOR NHA/ADDITIONAL DET SEE: 27-61-02-02	002004 006999	RF

MISSING ITEM NUMBERS NOT APPLICABLE

- ITEM NOT ILLUSTRATED

27-61-02-04

27-61-02  
FIG. 04  
PAGE 7  
JAN 20/09

BRI



757

PARTS CATALOG (MAINTENANCE)

FIG ITEM	PART NUMBER	1 2 3 4 5 6 7	NOMENCLATURE	EFFECT FROM TO	UNITS PER ASSY
4	2 3321480-15		ACTUATOR ASSY-FLIGHT SPOILER PWR CONT UNIT (SPOILER POWER CONTROL ACTUATOR ONLY) SUPPLIER CODE: V94697 POSITION DATA: INBD SPECIFICATION NUMBER: S251N118-13 ELECTRICAL EQUIP NUMBER: M00311 M00312 COMPONENT MAINT MANUAL REF: 27-62-04 QUALIFIED I/W DATA: 3321480-13 THROUGH -16 CAN REPLACE BUT NOT BE REPLACED BY 3321480-4 THROUGH -12. REWORK PARTS 3321480-4A THROUGH -12A ARE FULLY INTERCHANGEABLE AND FULLY INTERCHANGEABLE WITH 3321480-13 THROUGH 3321480-16. OPTIONAL PART: 3321480-13 V94697 POST ALERT SB: 27A0105 POST SERVICE BULLETIN: 3321480-27-07 VOM3K4 FOR NHA/ADDITIONAL DET SEE: 27-61-02-02	002004 006999	RF
35	3321750-2		.ACTUATOR ASSY- SUPPLIER CODE: V94697 CONFIG CHG DATA FROM A CMM: SUPSD BY 3321750-3 USED ON: 3321480-4A 3321480-5A 3321480-6A 3321480-7A 3321480-8A	107107	1

MISSING ITEM NUMBERS NOT APPLICABLE

- ITEM NOT ILLUSTRATED

**27-61-02-04**

27-61-02  
FIG. 04  
PAGE 8  
JAN 20/09

BRI



757

PARTS CATALOG (MAINTENANCE)

FIG ITEM	PART NUMBER	1 2 3 4 5 6 7	NOMENCLATURE	EFFECT FROM TO	UNITS PER ASSY
4	35 3321750-3		.ACTUATOR ASSY- SUPPLIER CODE: V94697 CONFIG CHG DATA FROM A CMM: SUPERSEDES 3321750-2	002004 006999	1
	40 3321700-1		..END ASSY-ROD SUPPLIER CODE: V94697 OPTIONAL PART: 3321942-1 V77068	002004 006999	1
	40 3321942-1		..END ASSY-ROD SUPPLIER CODE: V77068 OPTIONAL PART: 3321700-1 V94697	002004 006999	1
	55 NAS1193K16-1P		..DEVICE-LOCKING	002004 006999	1
	57 3331761		..DEVICE-LOCKING SUPPLIER CODE: V94697 ALTERED FROM PART NUMBER: NAS1193K16-2 NAS1193K16-2 MANUFACTURED FROM: MAKE NAS1193K16-2	002004 006999	1
	60 NAS1423-16		..NUT	002004 006999	1

MISSING ITEM NUMBERS NOT APPLICABLE

- ITEM NOT ILLUSTRATED

27-61-02-04

27-61-02  
FIG. 04  
PAGE 9  
JAN 20/09

BRI

BOEING PROPRIETARY - Copyright © - Unpublished Work - See title page for details.



757

PARTS CATALOG (MAINTENANCE)

FIG ITEM	PART NUMBER	1 2 3 4 5 6 7	NOMENCLATURE	EFFECT FROM TO	UNITS PER ASSY
4 65	72196		.VALVE ASSY- ELECTROHYDRAULIC SERVO SUPPLIER CODE: V93835 SPECIFICATION NUMBER: S251N116-1 COMPONENT MAINT MANUAL REF: 27-61-02 OPTIONAL PART: 71874-001 V94697 A71874-4 V94697 OPTIONAL PART: A71874-001 V94697 A71874-002 V94697 A71874-004 V94697	002004 006999	1
65	A71874-004		.VALVE ASSY-ELECTRO-HYDR SUPPLIER CODE: V94697 SPECIFICATION NUMBER: S251N116-4 CONFIG CHG DATA FROM A CMM: PREFERRED REPLACEMENT FOR ALL EHSV COMPONENT MAINT MANUAL REF: 27-60-05 OPTIONAL PART: A71874-001 V94697 A71874-002 V94697 72196 V94697 USED ON: 3321480-8A 3321480-10A 3321480-12A 3321480-14 3321480-16	002004 006999	1

MISSING ITEM NUMBERS NOT APPLICABLE

- ITEM NOT ILLUSTRATED

BRI

27-61-02-04

BOEING PROPRIETARY - Copyright © - Unpublished Work - See title page for details.

27-61-02  
FIG. 04  
PAGE 10  
JAN 20/09



**BOEING**  
757  
**PARTS CATALOG (MAINTENANCE)**

FIG ITEM	PART NUMBER	1 2 3 4 5 6 7	NOMENCLATURE	EFFECT FROM TO	UNITS PER ASSY
4 67	A71874-001		. VALVE ASSY-ELECTRO-HYDR SUPPLIER CODE: V94697 SPECIFICATION NUMBER: S251N116-3 COMPONENT MAINT MANUAL REF: 27-60-05 OPTIONAL PART: A71874-004 V94697 A71874-002 V94697 72196 V94697 USED ON: 3321480-8A 3321480-10A 3321480-12A 3321480-14 3321480-16 USED ON: 3321480-14	002004 006999	1
67	A71874-002		. VALVE ASSY-ELECTRO-HYDR SUPPLIER CODE: V94697 SPECIFICATION NUMBER: S251N116-4 COMPONENT MAINT MANUAL REF: 27-60-05 OPTIONAL PART: A71874-001 V94697 A71874-004 V94697 72196 V94697 USED ON: 3321480-8A 3321480-10A 3321480-12A 3321480-14 3321480-16 ATTACHING PARTS	002004 006999	1
70	NAS1351N4H28P		. SCREW	002004 006999	4
75	3174909-1		. WASHER- SUPPLIER CODE: V94697 -----*-----	002004 006999	4

MISSING ITEM NUMBERS NOT APPLICABLE

— ITEM NOT ILLUSTRATED

BRI

# 27-61-02-04

BOEING PROPRIETARY - Copyright © - Unpublished Work - See title page for details.

27-61-02  
FIG. 04  
PAGE 11  
JAN 20/09

 **BOEING**  
757  
**PARTS CATALOG (MAINTENANCE)**

FIG ITEM	PART NUMBER	1 2 3 4 5 6 7	NOMENCLATURE	EFFECT FROM TO	UNITS PER ASSY
4					
76	A71883-001	..	PLATE-IDENT SUPPLIER CODE: V94697 USED ON: A71874-001	002004 006999	1
76	B87195-001	..	PLATE-IDENT SUPPLIER CODE: V94697 USED ON: A71874-002 A71874-004	002004 006999	1
78	20441	..	ATTACHING PARTS SCREW- SUPPLIER CODE: V94697 -----*-----	002004 006999	2
80	069000198-3	.PLATE-GASKET SUPPLIER CODE: V05939 SPECIFICATION NUMBER: 69-20185-3 OPTIONAL PART: 828109-3 V83259		002004 006999	1
84	NAS1611-112	.PACKING-		002004 006999	1
86	3321508	.RETAINER-CONN. SUPPLIER CODE: V77068 OPTIONAL PART: 56711 V77068		002004 006999	1
86	56711	.RETAINER-CONN. SUPPLIER CODE: V77068 OPTIONAL PART: 3321508 V77068 USED ON: 3321480-15 3321480-16		002004 006999	1
88	C10215-001	.CONNECTOR-ELECTRICAL AND WIRE SUPPLIER CODE: V05574		002004 006999	1

MISSING ITEM NUMBERS NOT APPLICABLE

— ITEM NOT ILLUSTRATED

BRI

# 27-61-02-04

BOEING PROPRIETARY - Copyright © - Unpublished Work - See title page for details.

27-61-02  
FIG. 04  
PAGE 12  
JAN 20/09



757

PARTS CATALOG (MAINTENANCE)

FIG ITEM	PART NUMBER	1 2 3 4 5 6 7	NOMENCLATURE	EFFECT FROM TO	UNITS PER ASSY
4 90	3334950		.PLUG-VALVE RTNR SUPPLIER CODE: V94697 SB DATA FROM A CMM: POST SB 3321480-27-02 CONFIG CHG DATA FROM A CMM: SUPERSEDES 3321689	002004 006999	1
95	NAS1612-16		.PACKING- REWORKED BY SB: 3321480-27-07 VOM3K4	002004 006999	1
100	3321501-1		.VALVE ASSY-BLOCKING AND THRM RELIEF SUPPLIER CODE: V94697 SB DATA FROM A CMM: POST SB 3321480-27-07 CONFIG CHG DATA FROM A CMM: SUPERSEDES 3321501 USED ON: 3321480-13 3321480-14 3321480-15 3321480-16	002004 006999	1
102	3329575		..SHIM-0.010 THICK SUPPLIER CODE: V77068 POST SERVICE BULLETIN: 3321480-27-07 VOM3K4	002004 006999	AR
104	3321777-1		..HOUSING- SUPPLIER CODE: V77068 SB DATA FROM A CMM: POST SB 3321480-27-07 CONFIG CHG DATA FROM A CMM: SUPERSEDES 3321777 USED ON: 3321501-1	002004 006999	1

MISSING ITEM NUMBERS NOT APPLICABLE

- ITEM NOT ILLUSTRATED

BRI

27-61-02-04

27-61-02  
FIG. 04  
PAGE 13  
JAN 20/09



757

PARTS CATALOG (MAINTENANCE)

FIG ITEM	PART NUMBER	1 2 3 4 5 6 7	NOMENCLATURE	EFFECT FROM TO	UNITS PER ASSY
4 105	C11236-211B		.RING- SUPPLIER CODE: V26879 SPECIFICATION NUMBER: BACR12BM211 OPTIONAL PART: RMR12BM211 V94878 STF800-211 V02107 S30294-211-1 V97820 TF450-211A V07128 2100-211 V26303 REWORKED BY SB: 3321480-27-07 VOM3K4	002004 006999	4
110	NAS1611-211		.PACKING- REWORKED BY SB: 3321480-27-07 VOM3K4	002004 006999	2
113	NAS1611-210		.PACKING- REWORKED BY SB: 3321480-27-07 VOM3K4	002004 006999	1
115	S30661-211-1N		.SEAL-DBL DELTA II SUPPLIER CODE: V09257 REWORKED BY SB: 3321480-27-07 VOM3K4	002004 006999	1
120	ASC4DB		.CAP-PROTECTIVE SUPPLIER CODE: V95760	002004 006999	1

MISSING ITEM NUMBERS NOT APPLICABLE

- ITEM NOT ILLUSTRATED

BRI

27-61-02-04

BOEING PROPRIETARY - Copyright © - Unpublished Work - See title page for details.

27-61-02  
FIG. 04  
PAGE 14  
JAN 20/09



757

PARTS CATALOG (MAINTENANCE)

FIG ITEM	PART NUMBER	1 2 3 4 5 6 7	NOMENCLATURE	EFFECT FROM TO	UNITS PER ASSY
4 125	AFP2326-4	.	REDUCER- SUPPLIER CODE: V30974 SPECIFICATION NUMBER: BACR17E6-4 OPTIONAL PART: AP10276-4 V01673 BC916T6-4 V50948 DB0R17E6-4 V14798 ER21916T6-4 V88334 ER31916-6-4 V88334 F23-6-4 V73197 2-01075T6-4 V11328 31778-6-4 V14397 US2114-6-4 V50808 AP1027T6-4 V01673 US21146-4 V50808 317786-4 V14397 MS21916-6-4T	002004 006999	1
125	MS21916-6-4T	.	REDUCER- OPTIONAL PART: BACR17E6-4	002004 006999	1
130	NAS1612-6	.	PACKING-	002004 006999	1
135	FSHX0507650B	.	SCREEN-HIGH PRESSURE SUPPLIER CODE: V92555 SPECIFICATION NUMBER: S250N211-2 OPTIONAL PART: 3121-517 V21550 1745040-03 V90005	002004 006999	1
140	ASC6DB	.	CAP-PROTECTIVE SUPPLIER CODE: V95760	002004 006999	1

MISSING ITEM NUMBERS NOT APPLICABLE

- ITEM NOT ILLUSTRATED

27-61-02-04

27-61-02  
FIG. 04  
PAGE 15  
JAN 20/09

BRI



757

PARTS CATALOG (MAINTENANCE)

FIG ITEM	PART NUMBER	1 2 3 4 5 6 7	NOMENCLATURE	EFFECT FROM TO	UNITS PER ASSY
4					
145	BACU24K6		.UNION- OPTIONAL PART: MS21902-6T	002004 006999	1
145	MS21902-6T		.UNION- OPTIONAL PART: BACU24K6	002004 006999	1
150	NAS1612-6		.PACKING-	002004 006999	1
155	3119339-1		.PLUG-PORT SUPPLIER CODE: V94697 SB DATA FROM A CMM: PRE SB 3321480-27-06 OPTIONAL PART: 3119339-2 V94697	002004 006999	1
155	3119339-2		.PLUG-PORT SUPPLIER CODE: V94697 SB DATA FROM A CMM: POST SB 3321480-27-06 (FOR UNITS MODIFIED BY SB 3321480-27-06 ONLY) OPTIONAL PART: 3119339-1 V94697	002004 006999	1
156	3119339-1		.PLUG-PORT SUPPLIER CODE: V94697 SB DATA FROM A CMM: POST SB 3321480-27-06 (FOR UNITS MODIFIED BY SB 3321480-27-06 ONLY)	002004 006999	3
160	AN814-2DL		.PLUG AND BLEEDER	002004 006999	2
165	NAS1612-2		.PACKING- SB DATA FROM A CMM: PRE SB 3321480-27-06 (FOR UNITS MODIFIED BY SB 3321480-27-06 ONLY)	002004 006999	1
165	NAS1612-3		.PACKING- SB DATA FROM A CMM: POST SB 3321480-27-06 OPTIONAL PART: NAS1612-2	002004 006999	1

MISSING ITEM NUMBERS NOT APPLICABLE

- ITEM NOT ILLUSTRATED

27-61-02-04

27-61-02  
FIG. 04  
PAGE 16  
JAN 20/09

BRI

BOEING PROPRIETARY - Copyright © - Unpublished Work - See title page for details.



757

PARTS CATALOG (MAINTENANCE)

FIG ITEM	PART NUMBER	1 2 3 4 5 6 7	NOMENCLATURE	EFFECT FROM TO	UNITS PER ASSY
4 166	NAS1612-2		.PACKING- SB DATA FROM A CMM: POST SB 3321480-27-06 (FOR UNITS MODIFIED BY SB 3321480-27-06 ONLY)	002004 006999	5
170	3321686-1		.PLUG-MANUAL RELEASE SUPPLIER CODE: V94697 SB DATA FROM A CMM: POST SB 3321480-27-02 CONFIG CHG DATA FROM A CMM: SUPERSEDES 3321686 USED ON: 3321480-6A 3321480-7A 3321480-8A 3321480-9A 3321480-10A 3321480-11A 3321480-12A 3321480-13 3321480-14 3321500-15 3321500-16	002004 006999	1
175	NAS1612-8		.PACKING-	002004 006999	1
180	7009MR952T		.SEAL-PLUS II SUPPLIER CODE: V72902 CONFIG CHG DATA FROM A CMM: SUPERSEDES S30772-009H1 SUPERSEDES S34700-009H1 OPTIONAL PART: S36073 V97820 USED ON: 3321480-4A 3321480-5A 3321480-6A 3321480-7A 3321480-8A 3321480-9A 3321480-10A 3321480-11A 3321480-12A 3321480-13 3321480-14 3321480-15 3321480-16	002004 006999	1

MISSING ITEM NUMBERS NOT APPLICABLE

- ITEM NOT ILLUSTRATED

27-61-02-04

27-61-02  
FIG. 04  
PAGE 17  
JAN 20/09

BRI



757

PARTS CATALOG (MAINTENANCE)

FIG ITEM	PART NUMBER	1 2 3 4 5 6 7	NOMENCLATURE	EFFECT FROM TO	UNITS PER ASSY
4 180	S36073		.SEAL-PLUS II SUPPLIER CODE: V09257 SB DATA FROM A CMM: POST SB 3321480-27-02 CONFIG CHG DATA FROM A CMM: SUPERSEDES S30772-009H1 SUPERSEDES S34700-009H1 OPTIONAL PART: 7009MR952T V72902	002004 006999	1
185	3321688		.WASHER-BRG SUPPLIER CODE: V94697	002004 006999	1
190	3321687-1		.CAM-RELEASE SUPPLIER CODE: V94697 SB DATA FROM A CMM: POST SB 3321480-27-02 CONFIG CHG DATA FROM A CMM: SUPERSEDES 3321687	002004 006999	1
195	A52819-116H1		.SEAL-PLUS II SUPPLIER CODE: V94697 SB DATA FROM A CMM: PRE 3321480-27-04 PRE 3321480-27-05 PRE 3321480-27-07 CONFIG CHG DATA FROM A CMM: SUPSD BY A52819-116H005 USED ON: 3321480-4A 3321480-5A 3321480-6A 3321480-7A 3321480-8A	107107	5

MISSING ITEM NUMBERS NOT APPLICABLE

- ITEM NOT ILLUSTRATED

BRI

27-61-02-04

BOEING PROPRIETARY - Copyright © - Unpublished Work - See title page for details.

27-61-02  
FIG. 04  
PAGE 18  
JAN 20/09





757

PARTS CATALOG (MAINTENANCE)

FIG ITEM	PART NUMBER	1 2 3 4 5 6 7	NOMENCLATURE	EFFECT FROM TO	UNITS PER ASSY
4 195	S30775-116H5N	.	SEAL-PLUS II SUPPLIER CODE: V09257 SB DATA FROM A CMM: POST SB 3321480-27-07 CONFIG CHG DATA FROM A CMM: SUPERSEDES S30775-116H1 SUPERSEDES S30775-116H5 SUPERSEDES EDDREF001 OPTIONAL PART: B94750-116H5N V09257 USED ON: 3321480-13 3321480-14 3321480-15 3321480-16 POST SERVICE BULLETIN: 3321480-27-07 VOM3K4 3321500-27-07 VOM3K4	002004 006999	5
195	S30855-116H5N	.	SEAL-PLUS II SUPPLIER CODE: V09257 USED ON: 3321480-13 3321480-14	002004 006999	5

MISSING ITEM NUMBERS NOT APPLICABLE

- ITEM NOT ILLUSTRATED

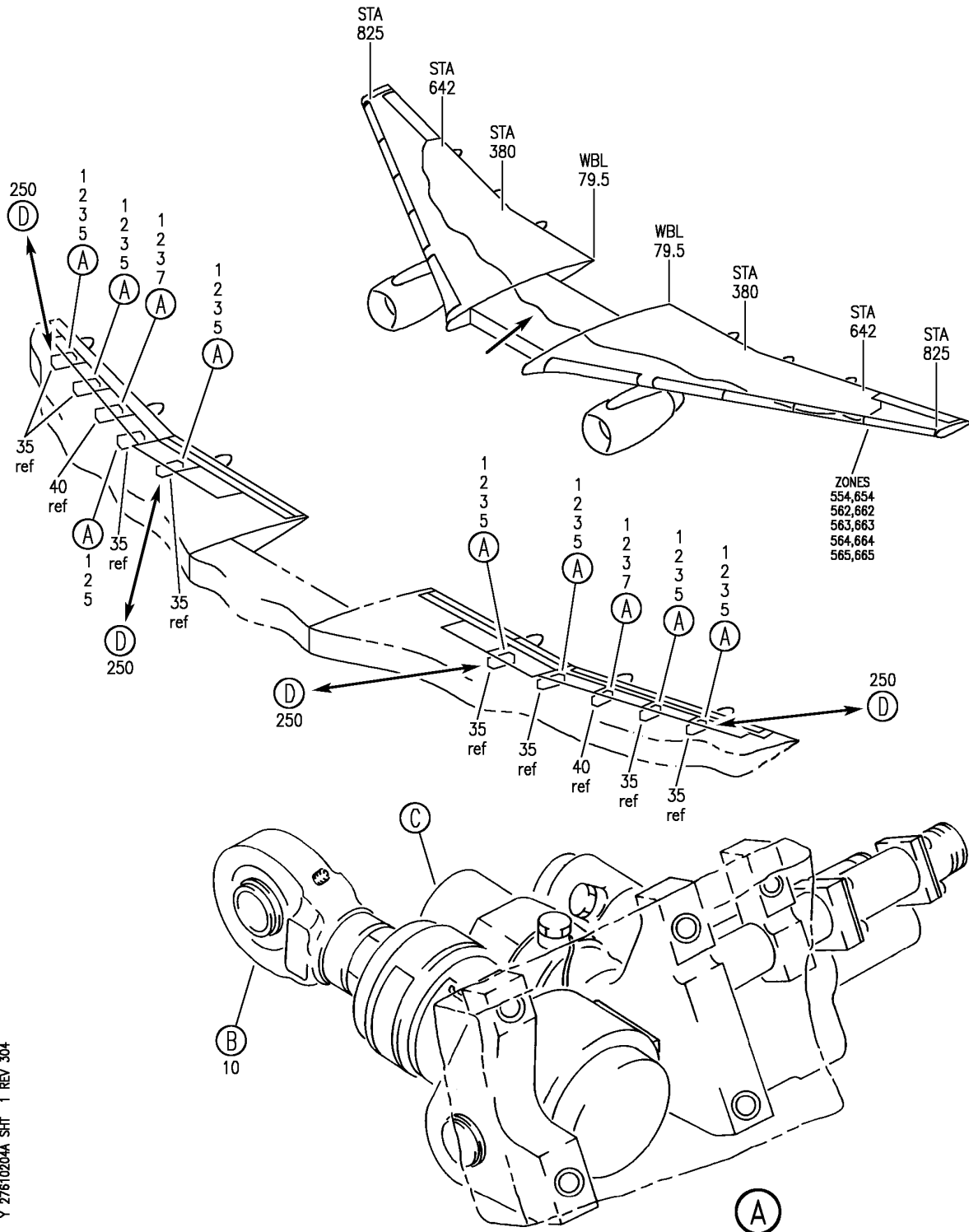
BRI

27-61-02-04

BOEING PROPRIETARY - Copyright © - Unpublished Work - See title page for details.

27-61-02  
FIG. 04  
PAGE 19  
JAN 20/09

**BOEING**  
757  
PARTS CATALOG (MAINTENANCE)



Y 27610204A SHT 1 REV 304

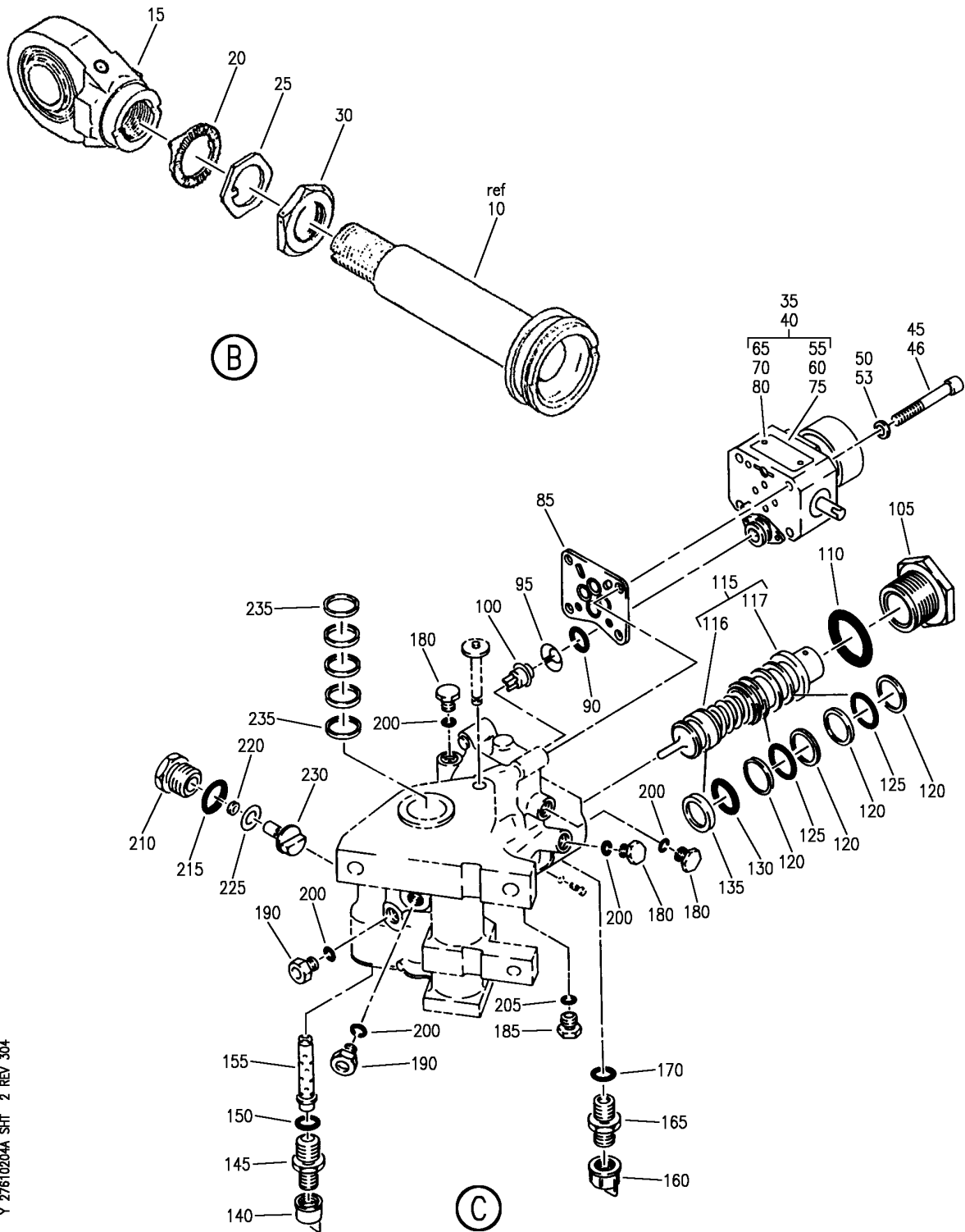
ACTUATOR ASSY-FLIGHT SPOILER PWR CONT UNIT (SPOILER POWER CONTROL ACTUATOR ONLY)  
FIGURE 4A (SHEET 1)

BRI  
MAY 28/07

**27-61-02-04A**

27-61-02-04A  
PAGE 0


**BOEING**  
 757  
**PARTS CATALOG (MAINTENANCE)**



Y 27610204A SHT 2 REV 304

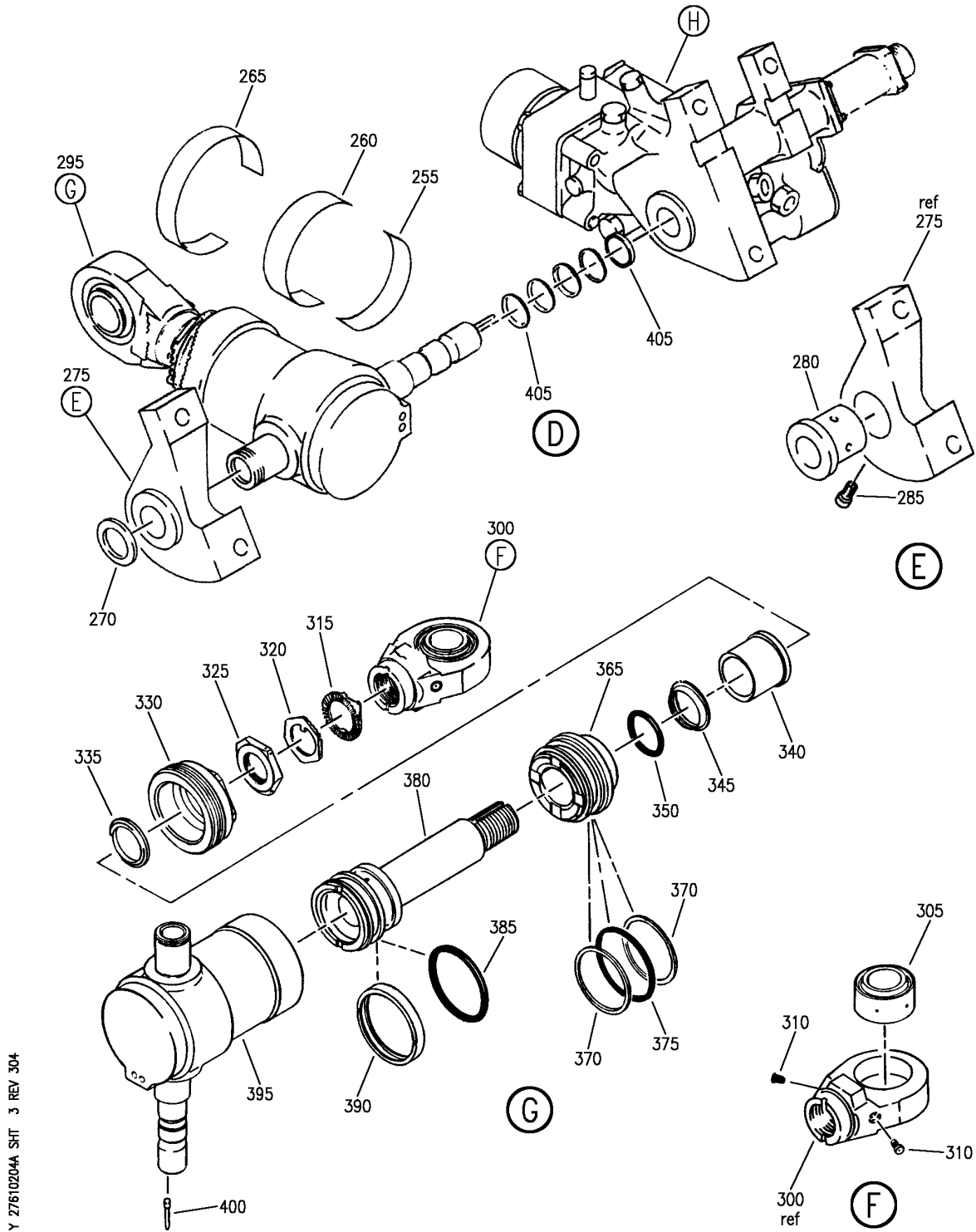
ACTUATOR ASSY-FLIGHT SPOILER PWR CONT UNIT (SPOILER POWER CONTROL ACTUATOR ONLY)  
 FIGURE 4A (SHEET 2)

**27-61-02-04A**

BRI  
MAY 28/07

27-61-02-04A  
 PAGE 0A

**BOEING**  
757  
PARTS CATALOG (MAINTENANCE)



Y 27610204A SHT 3 REV 304

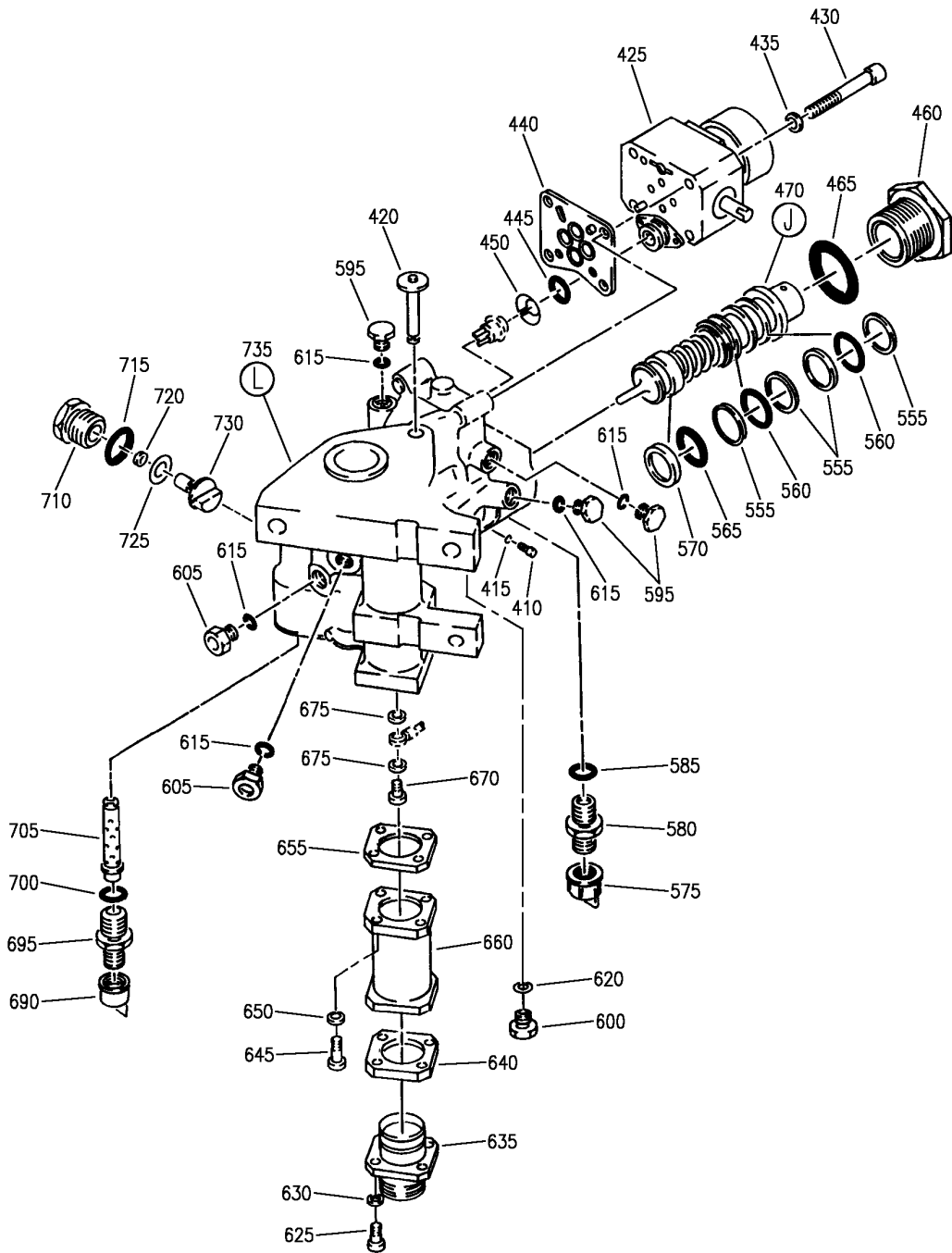
ACTUATOR ASSY-FLIGHT SPOILER PWR CONT UNIT (SPOILER POWER CONTROL ACTUATOR ONLY)  
FIGURE 4A (SHEET 3)

BRI  
MAY 28/07

**27-61-02-04A**

27-61-02-04A  
PAGE 0B

**BOEING**  
757  
PARTS CATALOG (MAINTENANCE)



(H)

Y 27610204A SHT 4 REV 304

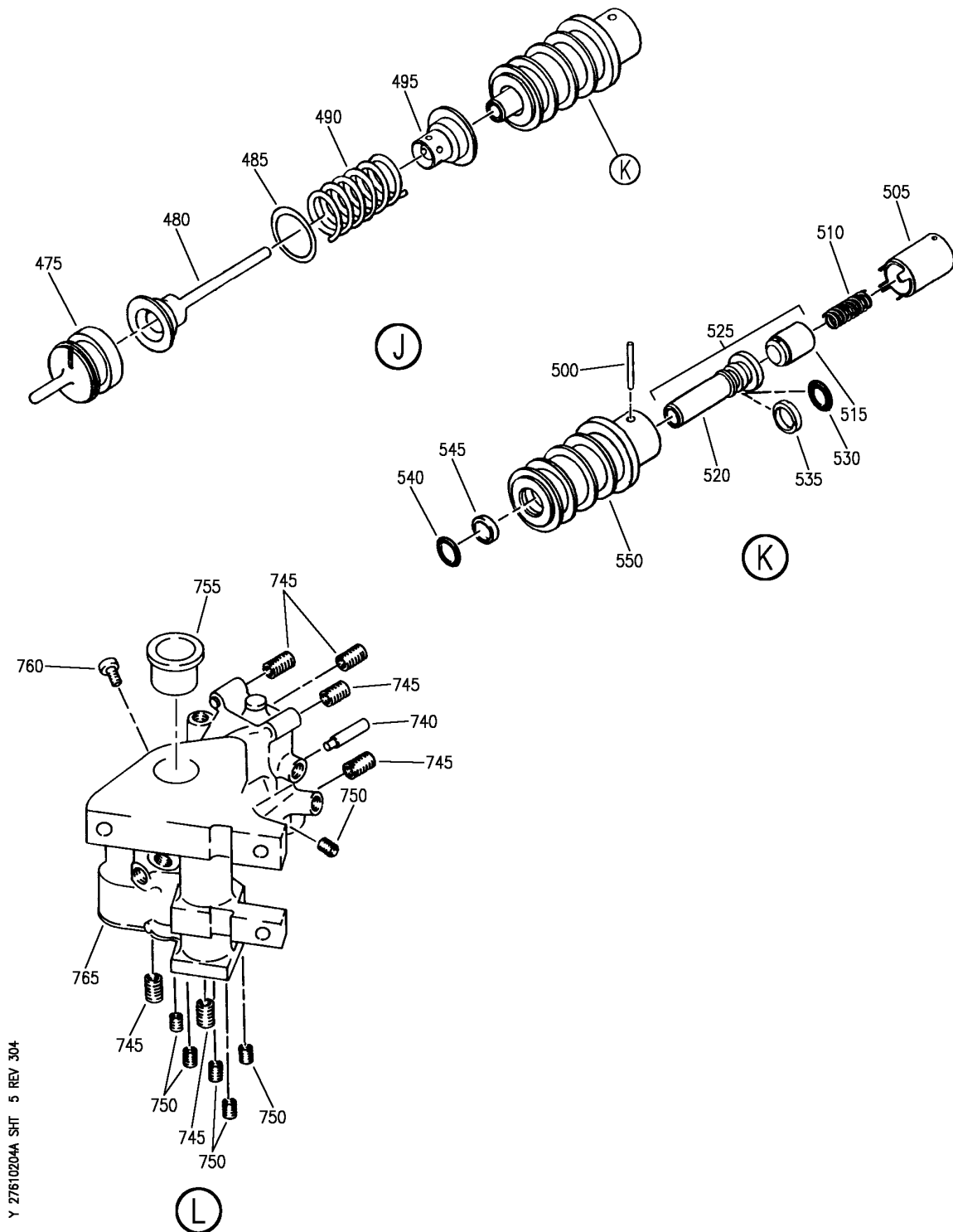
ACTUATOR ASSY-FLIGHT SPOILER PWR CONT UNIT (SPOILER POWER CONTROL ACTUATOR ONLY)  
FIGURE 4A (SHEET 4)

**27-61-02-04A**

BRI  
MAY 28/07

27-61-02-04A  
PAGE 0C

**BOEING**  
**757**  
**PARTS CATALOG (MAINTENANCE)**



Y 27610204A SHT 5 REV 304

ACTUATOR ASSY-FLIGHT SPOILER PWR CONT UNIT (SPOILER POWER CONTROL ACTUATOR ONLY)  
 FIGURE 4A (SHEET 5)

BRI  
 MAY 28/07

**27-61-02-04A**

27-61-02-04A  
 PAGE 0D



757

PARTS CATALOG (MAINTENANCE)

FIG ITEM	PART NUMBER	1 2 3 4 5 6 7	NOMENCLATURE	EFFECT FROM TO	UNITS PER ASSY
4 A			ACTUATOR ASSY-FLIGHT SPOILER PWR CONT UNIT (SPOILER POWER CONTROL ACTUATOR ONLY)	002004 006999	
1	3321500-6A		ACTUATOR ASSY-FLIGHT SPOILER PWR CONT UNIT (SPOILER POWER CONTROL ACTUATOR ONLY) SUPPLIER CODE: VOM3K4 SPECIFICATION NUMBER: S251N111-6A COMPONENT MAINT MANUAL REF: 27-61-21 SERVICE BULLETIN OPT DATA: 3321500-12 V94697 3321500-13 V94697 3321500-15 V94697 POST ALERT SB: 27A0105 POST SERVICE BULLETIN: 3321500-27-07 VOM3K4 FOR NHA/ADDITIONAL DET SEE: 27-61-02-01	107107	RF

MISSING ITEM NUMBERS NOT APPLICABLE

- ITEM NOT ILLUSTRATED

BRI

**27-61-02-04A**

BOEING PROPRIETARY - Copyright © - Unpublished Work - See title page for details.

27-61-02  
FIG. 04A  
PAGE 1  
JAN 20/09

 **BOEING**  
757  
**PARTS CATALOG (MAINTENANCE)**

FIG ITEM	PART NUMBER	1 2 3 4 5 6 7 NOMENCLATURE	EFFECT FROM TO	UNITS PER ASSY
4 A 1	3321500-9A	ACTUATOR ASSY-FLIGHT SPOILER PWR CONT UNIT (SPOILER POWER CONTROL ACTUATOR ONLY) SUPPLIER CODE: VOM3K4 SPECIFICATION NUMBER: S251N111-9A COMPONENT MAINT MANUAL REF: 27-61-21 SERVICE BULLETIN OPT DATA: 3321500-12 V94697 3321500-13 V94697 3321500-15 V94697 POST ALERT SB: 27A0105 POST SERVICE BULLETIN: 3321500-27-07 VOM3K4 FOR NHA/ADDITIONAL DET SEE: 27-61-02-01	904949	RF

MISSING ITEM NUMBERS NOT APPLICABLE

— ITEM NOT ILLUSTRATED

BRI

27-61-02-04A

BOEING PROPRIETARY - Copyright © - Unpublished Work - See title page for details.

27-61-02  
FIG. 04A  
PAGE 2  
JAN 20/09





757

**PARTS CATALOG (MAINTENANCE)**

FIG ITEM	PART NUMBER	1 2 3 4 5 6 7 NOMENCLATURE	EFFECT FROM TO	UNITS PER ASSY
4 A 2	3321500-11A	ACTUATOR ASSY-FLIGHT SPOILER PWR CONT UNIT (SPOILER POWER CONTROL ACTUATOR ONLY) SUPPLIER CODE: VOM3K4 POSITION DATA: INBD SPECIFICATION NUMBER: S251N111-11A COMPONENT MAINT MANUAL REF: 27-61-21 SERVICE BULLETIN OPT DATA: 3321500-12 V94697 3321500-13 V94697 3321500-15 V94697 POST ALERT SB: 27A0105 POST SERVICE BULLETIN: 3321500-27-07 VOM3K4 FOR NHA/ADDITIONAL DET SEE: 27-61-02-01	952952	RF

MISSING ITEM NUMBERS NOT APPLICABLE

- ITEM NOT ILLUSTRATED

BRI

**27-61-02-04A**

BOEING PROPRIETARY - Copyright © - Unpublished Work - See title page for details.

27-61-02  
 FIG. 04A  
 PAGE 3  
 JAN 20/09



757

PARTS CATALOG (MAINTENANCE)

FIG ITEM	PART NUMBER	1 2 3 4 5 6 7	NOMENCLATURE	EFFECT FROM TO	UNITS PER ASSY
4 A 2	3321500-12		ACTUATOR ASSY-FLIGHT SPOILER PWR CONT UNIT (SPOILER POWER CONTROL ACTUATOR ONLY) SUPPLIER CODE: V94697 SPECIFICATION NUMBER: S251N111-12 SB DATA FROM A CMM: POST SB 3321500-27-07 CONFIG CHG DATA FROM A CMM: SUPERSEDES 3321500-10 COMPONENT MAINT MANUAL REF: 27-61-21 QUALIFIED I/W DATA: 3321500-12 THROUGH -16 CAN REPLACE BUT NOT BE REPLACED BY 3321500-3 THROUGH -11. REWORK PARTS 3321500-3A THROUGH -11A ARE FULLY INTERCHANGEABLE AND FULLY INTERCHANGEABLE WITH 3321500-12 THROUGH 3321500-16. OPTIONAL PART: 3321500-15 V94697 SERVICE BULLETIN OPT DATA: 3321500-13 V94697 3321500-6A VOM3K4 3321500-9A VOM3K4 3321500-11A VOM3K4 POST ALERT SB: 27A0105 POST SERVICE BULLETIN: 3321500-27-07 VOM3K4 FOR NHA/ADDITIONAL DET SEE: 27-61-02-01	002004 006017 101999	RF

MISSING ITEM NUMBERS NOT APPLICABLE

- ITEM NOT ILLUSTRATED

27-61-02-04A

27-61-02  
FIG. 04A  
PAGE 4  
JAN 20/09

BRI

 **BOEING**  
757  
**PARTS CATALOG (MAINTENANCE)**

FIG ITEM	PART NUMBER	1 2 3 4 5 6 7	NOMENCLATURE	EFFECT FROM TO	UNITS PER ASSY
4 A 2	3321500-15		ACTUATOR ASSY-FLIGHT SPOILER PWR CONT UNIT (SPOILER POWER CONTROL ACTUATOR ONLY) SUPPLIER CODE: V94697 SPECIFICATION NUMBER: S251N111-12 CONFIG CHG DATA FROM A CMM: SUPERSEDES 3321500-14 COMPONENT MAINT MANUAL REF: 27-61-21 QUALIFIED I/W DATA: 3321500-12 THROUGH -16 CAN REPLACE BUT NOT BE REPLACED BY 3321500-3 THROUGH -11. REWORK PARTS 3321500-3A THROUGH -11A ARE FULLY INTERCHANGEABLE AND FULLY INTERCHANGEABLE WITH 3321500-12 THROUGH 3321500-16. OPTIONAL PART: 3321500-12 V94697 SERVICE BULLETIN OPT DATA: 3321500-6A VOM3K4 3321500-9A VOM3K4 3321500-11A VOM3K4 POST ALERT SB: 27A0105 FOR NHA/ADDITIONAL DET SEE: 27-61-02-01	002004 006017 101999	RF

MISSING ITEM NUMBERS NOT APPLICABLE

— ITEM NOT ILLUSTRATED

BRI

# 27-61-02-04A

BOEING PROPRIETARY - Copyright © - Unpublished Work - See title page for details.

27-61-02  
FIG. 04A  
PAGE 5  
JAN 20/09



757

PARTS CATALOG (MAINTENANCE)

FIG ITEM	PART NUMBER	1 2 3 4 5 6 7	NOMENCLATURE	EFFECT FROM TO	UNITS PER ASSY
4 A 2	3321500-14		ACTUATOR ASSY-FLIGHT SPOILER PWR CONT UNIT (SPOILER POWER CONTROL ACTUATOR ONLY) SUPPLIER CODE: V94697 SPECIFICATION NUMBER: S251N111-14 SB DATA FROM A CMM: POST SB 3321500-27-07 CONFIG CHG DATA FROM A CMM: SUPERSEDES 3321500-13 COMPONENT MAINT MANUAL REF: 27-61-21 QUALIFIED I/W DATA: 3321500-12 THROUGH -16 CAN REPLACE BUT NOT BE REPLACED BY 3321500-3 THROUGH -11. REWORK PARTS 3321500-3A THROUGH -11A ARE FULLY INTERCHANGEABLE AND FULLY INTERCHANGEABLE WITH 3321500-12 THROUGH 3321500-16. OPTIONAL PART: 3321500-16 V94697 OPTIONAL PART: 3321500-16 V94697 FOR NHA/ADDITIONAL DET SEE: 27-61-02-01	002004 006017 101999	RF

MISSING ITEM NUMBERS NOT APPLICABLE

- ITEM NOT ILLUSTRATED

BRI

27-61-02-04A

BOEING PROPRIETARY - Copyright © - Unpublished Work - See title page for details.

27-61-02  
FIG. 04A  
PAGE 6  
JAN 20/09



757

PARTS CATALOG (MAINTENANCE)

FIG ITEM	PART NUMBER	1 2 3 4 5 6 7	NOMENCLATURE	EFFECT FROM TO	UNITS PER ASSY
4 A	2 3321500-16		ACTUATOR ASSY-FLIGHT SPOILER PWR CONT UNIT (SPOILER POWER CONTROL ACTUATOR ONLY) SUPPLIER CODE: V94697 SPECIFICATION NUMBER: S251N111-14 SB DATA FROM A CMM: POST SB 3321500-27-07 CONFIG CHG DATA FROM A CMM: SUPERSEDES 3321500-13 COMPONENT MAINT MANUAL REF: 27-61-21 QUALIFIED I/W DATA: 3321500-12 THROUGH -16 CAN REPLACE BUT NOT BE REPLACED BY 3321500-3 THROUGH -11. REWORK PARTS 3321500-3A THROUGH -11A ARE FULLY INTERCHANGEABLE AND FULLY INTERCHANGEABLE WITH 3321500-12 THROUGH 3321500-16. OPTIONAL PART: 3321500-14 V94697 OPTIONAL PART: 3321500-14 V94697 FOR NHA/ADDITIONAL DET SEE: 27-61-02-01	002004 006017 101999	RF
	2 3321500-13		ACTUATOR ASSY-FLIGHT SPOILER PWR CONT UNIT (SPOILER POWER CONTROL ACTUATOR ONLY) SUPPLIER CODE: V94697 SPECIFICATION NUMBER: S251N111-13 SB DATA FROM A CMM: POST SB 3321500-27-07 CONFIG CHG DATA FROM A CMM: SUPERSEDES 3321500-11 MISCELLANEOUS DATA: CAUTION: DO NOT INSTALL THE ACTUATOR ASSEMBLY P/N'S 3321500-7/-9/-11/	002004 006017 101999	RF

MISSING ITEM NUMBERS NOT APPLICABLE

- ITEM NOT ILLUSTRATED

**27-61-02-04A**

27-61-02  
FIG. 04A  
PAGE 7  
JAN 20/09

BRI



757

PARTS CATALOG (MAINTENANCE)

FIG ITEM	PART NUMBER	1 2 3 4 5 6 7 NOMENCLATURE	EFFECT FROM TO	UNITS PER ASSY
4 A		<p>-13 AT SPOILER            POSITION NO. 3 AND 10            IF IT CONTAINS THE            A71874-1 SERVO VALVE            COMPONENT MAINT MANUAL REF:            27-61-21            QUALIFIED I/W DATA:            3321500-12 THROUGH -16            CAN REPLACE BUT NOT BE            REPLACED BY 3321500-3            THROUGH -11. REWORK            PARTS 3321500-3A THROUGH            -11A ARE FULLY            INTERCHANGEABLE AND            FULLY INTERCHANGEABLE            WITH 3321500-12 THROUGH            3321500-16.            SERVICE BULLETIN OPT DATA:            3321500-12            V94697            3321500-6A            VOM3K4            3321500-9A            VOM3K4            3321500-11A            VOM3K4            POST ALERT SB:            27A0105            POST SERVICE BULLETIN:            3321500-27-07            VOM3K4            FOR NHA/ADDITIONAL DET SEE:            27-61-02-01</p>		

MISSING ITEM NUMBERS NOT APPLICABLE

- ITEM NOT ILLUSTRATED

BRI

**27-61-02-04A**

BOEING PROPRIETARY - Copyright © - Unpublished Work - See title page for details.

27-61-02  
 FIG. 04A  
 PAGE 8  
 JAN 20/09



757

PARTS CATALOG (MAINTENANCE)

FIG ITEM	PART NUMBER	1 2 3 4 5 6 7	NOMENCLATURE	EFFECT FROM TO	UNITS PER ASSY
4 A 5	3321500-13		ACTUATOR ASSY-FLIGHT SPOILER PWR CONT UNIT (SPOILER POWER CONTROL ACTUATOR ONLY) SUPPLIER CODE: V94697 SPECIFICATION NUMBER: S251N111-13 MISCELLANEOUS DATA: CAUTION: DO NOT INSTALL THE ACTUATOR ASSEMBLY P/N'S 3321500-7/-9/-11/ -13 AT SPOILER POSITION NO. 3 AND 10 IF IT CONTAINS THE A71874-1 SERVO VALVE COMPONENT MAINT MANUAL REF: 27-61-21 QUALIFIED I/W DATA: 3321500-12 THROUGH -16 CAN REPLACE BUT NOT BE REPLACED BY 3321500-3 THROUGH -11. REWORK PARTS 3321500-3A THROUGH -11A ARE FULLY INTERCHANGEABLE AND FULLY INTERCHANGEABLE WITH 3321500-12 THROUGH 3321500-16. FOR NHA/ADDITIONAL DET SEE: 27-61-02-01	018100	RF

MISSING ITEM NUMBERS NOT APPLICABLE

- ITEM NOT ILLUSTRATED

BRI

27-61-02-04A

BOEING PROPRIETARY - Copyright © - Unpublished Work - See title page for details.

27-61-02  
FIG. 04A  
PAGE 9  
JAN 20/09



757

PARTS CATALOG (MAINTENANCE)

FIG ITEM	PART NUMBER	1 2 3 4 5 6 7	NOMENCLATURE	EFFECT FROM TO	UNITS PER ASSY
4 A 5	3321500-14		ACTUATOR ASSY-FLIGHT SPOILER PWR CONT UNIT (SPOILER POWER CONTROL ACTUATOR ONLY) SUPPLIER CODE: V94697 SPECIFICATION NUMBER: S251N111-14 SB DATA FROM A CMM: POST 3321500-27-07 CONFIG CHG DATA FROM A CMM: SUPERSEDES 3321500-13 COMPONENT MAINT MANUAL REF: 27-61-21 QUALIFIED I/W DATA: 3321500-12 THROUGH -16 CAN REPLACE BUT NOT BE REPLACED BY 3321500-3 THROUGH -11. REWORK PARTS 3321500-3A THROUGH -11A ARE FULLY INTERCHANGEABLE AND FULLY INTERCHANGEABLE WITH 3321500-12 THROUGH 3321500-16. OPTIONAL PART: 3321500-16 V94697 FOR NHA/ADDITIONAL DET SEE: 27-61-02-01	018100	RF

MISSING ITEM NUMBERS NOT APPLICABLE

- ITEM NOT ILLUSTRATED

BRI

27-61-02-04A

BOEING PROPRIETARY - Copyright © - Unpublished Work - See title page for details.

27-61-02  
FIG. 04A  
PAGE 10  
JAN 20/09





757

PARTS CATALOG (MAINTENANCE)

FIG ITEM	PART NUMBER	1 2 3 4 5 6 7 NOMENCLATURE	EFFECT FROM TO	UNITS PER ASSY
4 A 5	3321500-16	ACTUATOR ASSY-FLIGHT SPOILER PWR CONT UNIT (SPOILER POWER CONTROL ACTUATOR ONLY) SUPPLIER CODE: V94697 SPECIFICATION NUMBER: S251N111-14 COMPONENT MAINT MANUAL REF: 27-61-21 QUALIFIED I/W DATA: 3321500-12 THROUGH -16 CAN REPLACE BUT NOT BE REPLACED BY 3321500-3 THROUGH -11. REWORK PARTS 3321500-3A THROUGH -11A ARE FULLY INTERCHANGEABLE AND FULLY INTERCHANGEABLE WITH 3321500-12 THROUGH 3321500-16. OPTIONAL PART: 3321500-14 V94697 FOR NHA/ADDITIONAL DET SEE: 27-61-02-01	018100	RF

MISSING ITEM NUMBERS NOT APPLICABLE

- ITEM NOT ILLUSTRATED

BRI

**27-61-02-04A**

BOEING PROPRIETARY - Copyright © - Unpublished Work - See title page for details.

27-61-02  
 FIG. 04A  
 PAGE 11  
 JAN 20/09



757

PARTS CATALOG (MAINTENANCE)

FIG ITEM	PART NUMBER	1 2 3 4 5 6 7	NOMENCLATURE	EFFECT FROM TO	UNITS PER ASSY
4 A 5	3321500-15		ACTUATOR ASSY-FLIGHT SPOILER PWR CONT UNIT (SPOILER POWER CONTROL ACTUATOR ONLY) SUPPLIER CODE: V94697 SPECIFICATION NUMBER: S251N111-12 COMPONENT MAINT MANUAL REF: 27-61-21 QUALIFIED I/W DATA: 3321500-12 THROUGH -16 CAN REPLACE BUT NOT BE REPLACED BY 3321500-3 THROUGH -11. REWORK PARTS 3321500-3A THROUGH -11A ARE FULLY INTERCHANGEABLE AND FULLY INTERCHANGEABLE WITH 3321500-12 THROUGH 3321500-16. OPTIONAL PART: 3321500-12 V94697 FOR NHA/ADDITIONAL DET SEE: 27-61-02-01	018100	RF

MISSING ITEM NUMBERS NOT APPLICABLE

- ITEM NOT ILLUSTRATED

BRI

27-61-02-04A

BOEING PROPRIETARY - Copyright © - Unpublished Work - See title page for details.

27-61-02  
FIG. 04A  
PAGE 12  
JAN 20/09



757

PARTS CATALOG (MAINTENANCE)

FIG ITEM	PART NUMBER	1 2 3 4 5 6 7	NOMENCLATURE	EFFECT FROM TO	UNITS PER ASSY
4 A 5	3321500-12		ACTUATOR ASSY-FLIGHT SPOILER PWR CONT UNIT (SPOILER POWER CONTROL ACTUATOR ONLY) SUPPLIER CODE: V94697 SPECIFICATION NUMBER: S251N111-12 COMPONENT MAINT MANUAL REF: 27-61-21 QUALIFIED I/W DATA: 3321500-12 THROUGH -16 CAN REPLACE BUT NOT BE REPLACED BY 3321500-3 THROUGH -11. REWORK PARTS 3321500-3A THROUGH -11A ARE FULLY INTERCHANGEABLE AND FULLY INTERCHANGEABLE WITH 3321500-12 THROUGH 3321500-16. OPTIONAL PART: 3321500-15 V94697 FOR NHA/ADDITIONAL DET SEE: 27-61-02-01	018100	RF

MISSING ITEM NUMBERS NOT APPLICABLE

- ITEM NOT ILLUSTRATED

BRI

27-61-02-04A

BOEING PROPRIETARY - Copyright © - Unpublished Work - See title page for details.

27-61-02  
FIG. 04A  
PAGE 13  
JAN 20/09



757

PARTS CATALOG (MAINTENANCE)

FIG ITEM	PART NUMBER	1 2 3 4 5 6 7	NOMENCLATURE	EFFECT FROM TO	UNITS PER ASSY
4 A 7	3321500-12		ACTUATOR ASSY-FLIGHT SPOILER PWR CONT UNIT (SPOILER POWER CONTROL ACTUATOR ONLY) SUPPLIER CODE: V94697 SPECIFICATION NUMBER: S251N111-12 COMPONENT MAINT MANUAL REF: 27-61-21 QUALIFIED I/W DATA: 3321500-12 THROUGH -16 CAN REPLACE BUT NOT BE REPLACED BY 3321500-3 THROUGH -11. REWORK PARTS 3321500-3A THROUGH -11A ARE FULLY INTERCHANGEABLE AND FULLY INTERCHANGEABLE WITH 3321500-12 THROUGH 3321500-16. OPTIONAL PART: 3321500-15 V94697 FOR NHA/ADDITIONAL DET SEE: 27-61-02-01	018100	RF

MISSING ITEM NUMBERS NOT APPLICABLE

- ITEM NOT ILLUSTRATED

BRI

27-61-02-04A

BOEING PROPRIETARY - Copyright © - Unpublished Work - See title page for details.

27-61-02  
FIG. 04A  
PAGE 14  
JAN 20/09



757

PARTS CATALOG (MAINTENANCE)

FIG ITEM	PART NUMBER	1 2 3 4 5 6 7	NOMENCLATURE	EFFECT FROM TO	UNITS PER ASSY
4 A 7	3321500-15		ACTUATOR ASSY-FLIGHT SPOILER PWR CONT UNIT (SPOILER POWER CONTROL ACTUATOR ONLY) SUPPLIER CODE: V94697 SPECIFICATION NUMBER: S251N111-12 COMPONENT MAINT MANUAL REF: 27-61-21 QUALIFIED I/W DATA: 3321500-12 THROUGH -16 CAN REPLACE BUT NOT BE REPLACED BY 3321500-3 THROUGH -11. REWORK PARTS 3321500-3A THROUGH -11A ARE FULLY INTERCHANGEABLE AND FULLY INTERCHANGEABLE WITH 3321500-12 THROUGH 3321500-16. OPTIONAL PART: 3321500-12 V94697 FOR NHA/ADDITIONAL DET SEE: 27-61-02-01	018100	RF

MISSING ITEM NUMBERS NOT APPLICABLE

- ITEM NOT ILLUSTRATED

BRI

27-61-02-04A

BOEING PROPRIETARY - Copyright © - Unpublished Work - See title page for details.

27-61-02  
FIG. 04A  
PAGE 15  
JAN 20/09



757

PARTS CATALOG (MAINTENANCE)

FIG ITEM	PART NUMBER	1 2 3 4 5 6 7 NOMENCLATURE	EFFECT FROM TO	UNITS PER ASSY
4 A 7	3321500-14	ACTUATOR ASSY-FLIGHT SPOILER PWR CONT UNIT (SPOILER POWER CONTROL ACTUATOR ONLY) SUPPLIER CODE: V94697 SPECIFICATION NUMBER: S251N111-14 SB DATA FROM A CMM: POST 3321500-27-07 CONFIG CHG DATA FROM A CMM: SUPERSEDES 3321500-13 COMPONENT MAINT MANUAL REF: 27-61-21 QUALIFIED I/W DATA: 3321500-12 THROUGH -16 CAN REPLACE BUT NOT BE REPLACED BY 3321500-3 THROUGH -11. REWORK PARTS 3321500-3A THROUGH -11A ARE FULLY INTERCHANGEABLE AND FULLY INTERCHANGEABLE WITH 3321500-12 THROUGH 3321500-16. OPTIONAL PART: 3321500-16 V94697 FOR NHA/ADDITIONAL DET SEE: 27-61-02-01	018100	RF

MISSING ITEM NUMBERS NOT APPLICABLE

- ITEM NOT ILLUSTRATED

BRI

27-61-02-04A

BOEING PROPRIETARY - Copyright © - Unpublished Work - See title page for details.

27-61-02  
FIG. 04A  
PAGE 16  
JAN 20/09



757

PARTS CATALOG (MAINTENANCE)

FIG ITEM	PART NUMBER	1 2 3 4 5 6 7 NOMENCLATURE	EFFECT FROM TO	UNITS PER ASSY
4 A 7	3321500-16	ACTUATOR ASSY-FLIGHT SPOILER PWR CONT UNIT (SPOILER POWER CONTROL ACTUATOR ONLY) SUPPLIER CODE: V94697 SPECIFICATION NUMBER: S251N111-14 COMPONENT MAINT MANUAL REF: 27-61-21 QUALIFIED I/W DATA: 3321500-12 THROUGH -16 CAN REPLACE BUT NOT BE REPLACED BY 3321500-3 THROUGH -11. REWORK PARTS 3321500-3A THROUGH -11A ARE FULLY INTERCHANGEABLE AND FULLY INTERCHANGEABLE WITH 3321500-12 THROUGH 3321500-16. OPTIONAL PART: 3321500-14 V94697 FOR NHA/ADDITIONAL DET SEE: 27-61-02-01	018100	RF

MISSING ITEM NUMBERS NOT APPLICABLE

- ITEM NOT ILLUSTRATED

BRI

**27-61-02-04A**

BOEING PROPRIETARY - Copyright © - Unpublished Work - See title page for details.

27-61-02  
 FIG. 04A  
 PAGE 17  
 JAN 20/09



757

PARTS CATALOG (MAINTENANCE)

FIG ITEM	PART NUMBER	1 2 3 4 5 6 7	NOMENCLATURE	EFFECT FROM TO	UNITS PER ASSY
4 A					
7	3321500-13		ACTUATOR ASSY-FLIGHT SPOILER PWR CONT UNIT (SPOILER POWER CONTROL ACTUATOR ONLY) SUPPLIER CODE: V94697 SPECIFICATION NUMBER: S251N111-13 MISCELLANEOUS DATA: CAUTION: DO NOT INSTALL THE ACTUATOR ASSEMBLY P/N'S 3321500-7/-9/-11/ -13 AT SPOILER POSITION NO. 3 AND 10 IF IT CONTAINS THE A71874-1 SERVO VALVE COMPONENT MAINT MANUAL REF: 27-61-21 QUALIFIED I/W DATA: 3321500-12 THROUGH -16 CAN REPLACE BUT NOT BE REPLACED BY 3321500-3 THROUGH -11. REWORK PARTS 3321500-3A THROUGH -11A ARE FULLY INTERCHANGEABLE AND FULLY INTERCHANGEABLE WITH 3321500-12 THROUGH 3321500-16. FOR NHA/ADDITIONAL DET SEE: 27-61-02-01	018100	RF
10	3321680-2		.ACTUATOR ASSY- SUPPLIER CODE: V94697 CONFIG CHG DATA FROM A CMM: SUPERSEDES 3321680-1	002004 006999	1
10	3321680-1		.ACTUATOR ASSY- SUPPLIER CODE: V94697 CONFIG CHG DATA FROM A CMM: SUPSD BY 3321680-2 USED ON: 3321500-3A 3321500-4A 3321500-5A 3321500-6A 3321500-7A	107107	1

MISSING ITEM NUMBERS NOT APPLICABLE

- ITEM NOT ILLUSTRATED

27-61-02-04A

27-61-02  
FIG. 04A  
PAGE 18  
JAN 20/09

BRI





757

PARTS CATALOG (MAINTENANCE)

FIG ITEM	PART NUMBER	1 2 3 4 5 6 7	NOMENCLATURE	EFFECT FROM TO	UNITS PER ASSY
4 A					
15	3321640-1	..	END ASSY-ROD SUPPLIER CODE: V94697 OPTIONAL PART: 3321940-1 V94697 OPTIONAL PART: 3321940-1 V94697	002004 006999	1
15	3321940-1	..	END ASSY-ROD SUPPLIER CODE: V94697 OPTIONAL PART: 3321640-1 V94697 OPTIONAL PART: 3321640-1 V94697	002004 006999	1
20	NAS1193K16-1P	..	DEVICE-LOCKING	002004 006999	1
25	3331761	..	DEVICE-LOCKING SUPPLIER CODE: V94697 ALTERED FROM PART NUMBER: NAS1193K16-2 NAS1193K16-2 MANUFACTURED FROM: MAKE NAS1193K16-2	002004 006999	1
30	NAS1423-16	..	NUT	002004 006999	1
35	A71874-001	. VALVE ASSY-ELECTRO-HYDR SUPPLIER CODE: V94697 SPECIFICATION NUMBER: S251N116-3 CONFIG CHG DATA FROM A CMM: SUPSD BY A71874-004 COMPONENT MAINT MANUAL REF: 27-60-05 OPTIONAL PART: A71874-004 V94697 A71874-002 V94697 72196 V94697	002004 006999	1	

MISSING ITEM NUMBERS NOT APPLICABLE

- ITEM NOT ILLUSTRATED

27-61-02-04A

27-61-02  
FIG. 04A  
PAGE 19  
JAN 20/09

BRI

BOEING PROPRIETARY - Copyright © - Unpublished Work - See title page for details.



757

PARTS CATALOG (MAINTENANCE)

FIG ITEM	PART NUMBER	1 2 3 4 5 6 7	NOMENCLATURE	EFFECT FROM TO	UNITS PER ASSY
4 A 35	A71874-002		. VALVE ASSY-ELECTRO-HYDR SUPPLIER CODE: V94697 SPECIFICATION NUMBER: S251N116-4 COMPONENT MAINT MANUAL REF: 27-60-05 OPTIONAL PART: A71874-001 V94697 A71874-004 V94697 72196 V94697	002004 006999	1
35	A71874-004		. VALVE ASSY-ELECTRO-HYDR SUPPLIER CODE: V94697 SPECIFICATION NUMBER: S251N116-4 COMPONENT MAINT MANUAL REF: 27-60-05 OPTIONAL PART: A71874-001 V94697 A71874-002 V94697 72196 V94697	002004 006999	1

MISSING ITEM NUMBERS NOT APPLICABLE

- ITEM NOT ILLUSTRATED

**27-61-02-04A**

27-61-02  
FIG. 04A  
PAGE 20  
JAN 20/09

BRI



757

PARTS CATALOG (MAINTENANCE)

FIG ITEM	PART NUMBER	1 2 3 4 5 6 7	NOMENCLATURE	EFFECT FROM TO	UNITS PER ASSY
4 A 35	72196		. VALVE ASSY-ELECTRO-HYDR SUPPLIER CODE: V93835 SPECIFICATION NUMBER: S251N116-1 COMPONENT MAINT MANUAL REF: 27-61-02 OPTIONAL PART: 71874-001 V94697 A71874-4 V94697 OPTIONAL PART: A71874-002 V94697 A71874-001 V94697 A71874-004 V94697 USED ON: 3321500-14 3321500-16	002004 006999	1
40	A71874-001		. VALVE ASSY-ELECTRO-HYDR SUPPLIER CODE: V94697 SPECIFICATION NUMBER: S251N116-3 CONFIG CHG DATA FROM A CMM: SUPSD BY A71874-004 COMPONENT MAINT MANUAL REF: 27-60-05 OPTIONAL PART: A71874-004 V94697 A71874-002 V94697 72196 V94697	002004 006999	1

MISSING ITEM NUMBERS NOT APPLICABLE

- ITEM NOT ILLUSTRATED

**27-61-02-04A**

27-61-02  
FIG. 04A  
PAGE 21  
JAN 20/09

BRI



757

PARTS CATALOG (MAINTENANCE)

FIG ITEM	PART NUMBER	1 2 3 4 5 6 7	NOMENCLATURE	EFFECT FROM TO	UNITS PER ASSY
4 A 40	A71874-002		.VALVE ASSY-ELECTRO-HYDR SUPPLIER CODE: V94697 SPECIFICATION NUMBER: S251N116-4 COMPONENT MAINT MANUAL REF: 27-60-05 OPTIONAL PART: A71874-001 V94697 A71874-004 V94697 72196 V94697	002004 006999	1
40	A71874-004		.VALVE ASSY-ELECTRO-HYDR SUPPLIER CODE: V94697 SPECIFICATION NUMBER: S251N116-4 COMPONENT MAINT MANUAL REF: 27-60-05 OPTIONAL PART: A71874-001 V94697 A71874-002 V94697 72196 V94697	002004 006999	1

MISSING ITEM NUMBERS NOT APPLICABLE

- ITEM NOT ILLUSTRATED

BRI

**27-61-02-04A**

BOEING PROPRIETARY - Copyright © - Unpublished Work - See title page for details.

27-61-02  
FIG. 04A  
PAGE 22  
JAN 20/09



757

PARTS CATALOG (MAINTENANCE)

FIG ITEM	PART NUMBER	1 2 3 4 5 6 7	NOMENCLATURE	EFFECT FROM TO	UNITS PER ASSY
4 A 40	72196		. VALVE ASSY-ELECTRO-HYDR SUPPLIER CODE: V93835 SPECIFICATION NUMBER: S251N116-1 COMPONENT MAINT MANUAL REF: 27-61-02 OPTIONAL PART: 71874-001 V94697 A71874-4 V94697 OPTIONAL PART: A71874-002 V94697 A71874-001 V94697 A71874-004 V94697 USED ON: 3321500-14 3321500-16 ATTACHING PARTS	002004 006999	1
45	NAS1351N4H28P		. SCREW	002004 006999	4
46	NAS1351N4H28P		. SCREW	002004 006999	4
50	3174909-1		. WASHER- SUPPLIER CODE: V94697	002004 006999	4
53	3174909-1		. WASHER- SUPPLIER CODE: V94697	002004 006999	4
55	A71883-001		-----*----- .. PLATE-IDENT SUPPLIER CODE: V94697 USED ON: A71874-001	002004 006999	1
55	B87195-001		.. PLATE-IDENT SUPPLIER CODE: V94697 USED ON: A71874-002 A71874-004	002004 006999	1

MISSING ITEM NUMBERS NOT APPLICABLE

- ITEM NOT ILLUSTRATED

27-61-02-04A

27-61-02  
FIG. 04A  
PAGE 23  
JAN 20/09

BRI

 **BOEING**  
757  
**PARTS CATALOG (MAINTENANCE)**

FIG ITEM	PART NUMBER	1 2 3 4 5 6 7	NOMENCLATURE	EFFECT FROM TO	UNITS PER ASSY
4 A					
60	A71883-001	..	PLATE-IDENT SUPPLIER CODE: V94697 USED ON: A71874-001	002004 006999	1
60	B87195-001	..	PLATE-IDENT SUPPLIER CODE: V94697 USED ON: A71874-002 A71874-004	002004 006999	1
65	090-20441	..	ATTACHING PARTS SCREW-DRIVE SUPPLIER CODE: V94697 USED ON: A71874-001	002004 006999	2
65	20441	..	SCREW- SUPPLIER CODE: V94697 USED ON: A71874-002 A71874-004	002004 006999	2
70	090-20441	..	SCREW-DRIVE SUPPLIER CODE: V94697 USED ON: A71874-001	002004 006999	2
70	20441	..	SCREW- SUPPLIER CODE: V94697 USED ON: A71874-002 A71874-004	002004 006999	2
75	73647	..	-----*----- PLATE-IDENT SUPPLIER CODE: V75250 USED ON: 72196 ATTACHING PARTS	002004 006999	1
80	MS21318-1	..	SCREW	002004 006999	4
85	69-20185-3	.	-----*----- PLATE ASSY-GASKET	002004 006999	1
90	NAS1611-112	.	PACKING-	002004 006999	1

MISSING ITEM NUMBERS NOT APPLICABLE

— ITEM NOT ILLUSTRATED

BRI

# 27-61-02-04A

BOEING PROPRIETARY - Copyright © - Unpublished Work - See title page for details.

27-61-02  
FIG. 04A  
PAGE 24  
JAN 20/09



757

PARTS CATALOG (MAINTENANCE)

FIG ITEM	PART NUMBER	1 2 3 4 5 6 7	NOMENCLATURE	EFFECT FROM TO	UNITS PER ASSY
4 A					
95	3321508		.RETAINER-CONN. SUPPLIER CODE: V77068 USED ON: 3321500-12 3321500-14	002004 006999	1
95	56711		.RETAINER-CONN. SUPPLIER CODE: V77068 USED ON: 3321500-15 3321500-16	002004 006999	1
100	C10215-001		.CONNECTOR-ELECTRICAL AND WIRE SUPPLIER CODE: V05574	002004 006999	1
105	3334950		.PLUG-VALVE RTNR SUPPLIER CODE: V94697 SB DATA FROM A CMM: POST SB 3321500-27-02 CONFIG CHG DATA FROM A CMM: SUPERSEDES 3321689	002004 006999	1
110	NAS1612-16		.PACKING-	002004 006999	1
115	3321501-1		.VALVE ASSY-BLOCKING AND THRM RELIEF SUPPLIER CODE: V94697 SB DATA FROM A CMM: POST SB 3321500-27-07 CONFIG CHG DATA FROM A CMM: SUPERSEDES 3321501	002004 006999	1
116	3329575		..SHIM-0.010 THICK SUPPLIER CODE: V77068	002004 006999	AR
117	3321777-1		..HOUSING- SUPPLIER CODE: V77068 SB DATA FROM A CMM: POST SB 3321500-27-07 CONFIG CHG DATA FROM A CMM: SUPERSEDES 3321777 USED ON: 3321501-1 POST SERVICE BULLETIN: 3321500-27-07 VOM3K4	002004 006999	1

MISSING ITEM NUMBERS NOT APPLICABLE

- ITEM NOT ILLUSTRATED

27-61-02-04A

27-61-02  
FIG. 04A  
PAGE 25  
JAN 20/09

BRI

BOEING PROPRIETARY - Copyright © - Unpublished Work - See title page for details.



757

PARTS CATALOG (MAINTENANCE)

FIG ITEM	PART NUMBER	1 2 3 4 5 6 7	NOMENCLATURE	EFFECT FROM TO	UNITS PER ASSY
4 A 120	C11236-211B		.RING- SUPPLIER CODE: V26879 SPECIFICATION NUMBER: BACR12BM211 OPTIONAL PART: RMR12BM211 V94878 STF800-211 V02107 S30294-211-1 V97820 TF450-211A V07128 2100-211 V26303 REWORKED BY SB: 3321480-27-07 VOM3K4	002004 006999	4
125	NAS1611-211		.PACKING- REWORKED BY SB: 3321480-27-07 VOM3K4	002004 006999	2
130	NAS1611-210		.PACKING-	002004 006999	1
135	S30661-211N001		.SEAL-DBL DELTA II SUPPLIER CODE: V09527 OPTIONAL PART: 60209-211N001 V94697	002004 006999	1
140	54846-204		.CAP-PROTECTIVE SUPPLIER CODE: V94697	002004 006999	1

MISSING ITEM NUMBERS NOT APPLICABLE

- ITEM NOT ILLUSTRATED

BRI

27-61-02-04A

BOEING PROPRIETARY - Copyright © - Unpublished Work - See title page for details.

27-61-02  
FIG. 04A  
PAGE 26  
JAN 20/09





757

PARTS CATALOG (MAINTENANCE)

FIG ITEM	PART NUMBER	1 2 3 4 5 6 7	NOMENCLATURE	EFFECT FROM TO	UNITS PER ASSY
4 A 145	AFP2326-4		.REDUCER- SUPPLIER CODE: V30974 SPECIFICATION NUMBER: BACR17E6-4 OPTIONAL PART: AP10276-4 V01673 BC916T6-4 V50948 DB0R17E6-4 V14798 ER21916T6-4 V88334 ER31916-6-4 V88334 F23-6-4 V73197 2-01075T6-4 V11328 31778-6-4 V14397 US2114-6-4 V50808 AP1027T6-4 V01673 US21146-4 V50808 317786-4 V14397 CONFIG CHG DATA FROM A CMM: SUPSD BY MS21916-6-4T	002004 006999	1
145	MS21916-6-4T		.REDUCER- CONFIG CHG DATA FROM A CMM: SUPERSEDES BACR17E6-4	002004 006999	1
150	NAS1612-6		.PACKING-	002004 006999	1
155	FSHX0507650B		.SCREEN-HIGH PRESSURE SUPPLIER CODE: V92555 SPECIFICATION NUMBER: S250N211-2 OPTIONAL PART: 3121-517 V21550 1745040-03 V90005	002004 006999	1

MISSING ITEM NUMBERS NOT APPLICABLE

- ITEM NOT ILLUSTRATED

27-61-02-04A

27-61-02  
FIG. 04A  
PAGE 27  
JAN 20/09

BRI

BOEING PROPRIETARY - Copyright © - Unpublished Work - See title page for details.



757

PARTS CATALOG (MAINTENANCE)

FIG ITEM	PART NUMBER	1 2 3 4 5 6 7	NOMENCLATURE	EFFECT FROM TO	UNITS PER ASSY
4 A					
160	54846-206		.CAP-PROTECTIVE SUPPLIER CODE: V95760	002004 006999	1
160	54846-206		.CAP-PROTECTIVE SUPPLIER CODE: V95760	002004 006999	1
165	MS21902-6T		.UNION	002004 006999	1
170	NAS1612-6		.PACKING-	002004 006999	1
180	3119339-1		.PLUG-PORT SUPPLIER CODE: V94697 SB DATA FROM A CMM: POST SB 3321500-27-06 (FOR UNITS MODIFIED BY SB 3321500-27-06 ONLY)	002004 006999	3
185	3119339-2		.PLUG-PORT SUPPLIER CODE: V94697 SB DATA FROM A CMM: POST SB 3321500-27-06 (FOR UNITS MODIFIED BY SB 3321500-27-06 ONLY)	002004 006999	1
185	3119339-1		OPTIONAL PART: 3119339-1 V94697 .PLUG-PORT SUPPLIER CODE: V94697 OPTIONAL PART: 3119339-2 V94697	002004 006999	1
190	AN814-2DL		.PLUG AND BLEEDER	002004 006999	2
200	NAS1612-2		.PACKING- SB DATA FROM A CMM: POST SB 3321500-27-06 (FOR UNITS MODIFIED BY SB 3321500-27-06 ONLY)	002004 006999	5
205	NAS1612-3		.PACKING- SB DATA FROM A CMM: POST SB 3321500-27-06 (FOR UNITS MODIFIED BY SB 3321500-27-06 ONLY) OPTIONAL PART: NAS1612-2	002004 006999	1

MISSING ITEM NUMBERS NOT APPLICABLE

- ITEM NOT ILLUSTRATED

27-61-02-04A

27-61-02  
FIG. 04A  
PAGE 28  
JAN 20/09

BRI

BOEING PROPRIETARY - Copyright © - Unpublished Work - See title page for details.



757

PARTS CATALOG (MAINTENANCE)

FIG ITEM	PART NUMBER	1 2 3 4 5 6 7	NOMENCLATURE	EFFECT FROM TO	UNITS PER ASSY
4 A 205	NAS1612-2		.PACKING- SB DATA FROM A CMM: POST SB 3321500-27-06 (FOR UNITS MODIFIED BY SB 3321500-27-06 ONLY) OPTIONAL PART: NAS1612-3	002004 006999	1
210	3321686-1		.PLUG-MANUAL RELEASE SUPPLIER CODE: V94697 SB DATA FROM A CMM: POST SB 3321500-27-02 CONFIG CHG DATA FROM A CMM: SUPERSEDES 3321686	002004 006999	1
215	NAS1612-8		.PACKING-	002004 006999	1
220	7009MR952T		.SEAL-PLUS II SUPPLIER CODE: V72902 CONFIG CHG DATA FROM A CMM: SUPERSEDES S30772-009H1 SUPERSEDES S34700-009H1 OPTIONAL PART: S36073 V97820	002004 006999	1
220	S36073		.SEAL-PLUS II SUPPLIER CODE: V09257 CONFIG CHG DATA FROM A CMM: SUPERSEDES S30772-009H1 SUPERSEDES S34700-009H1 OPTIONAL PART: 7009MR952T V72902	002004 006999	1
225	3321688		.WASHER-BRG SUPPLIER CODE: V94697	002004 006999	1
230	3321687-1		.CAM-RELEASE SUPPLIER CODE: V94697 SB DATA FROM A CMM: POST SB 3321500-27-02 CONFIG CHG DATA FROM A CMM: SUPERSEDES 3321687	002004 006999	1

MISSING ITEM NUMBERS NOT APPLICABLE

- ITEM NOT ILLUSTRATED

27-61-02-04A

27-61-02  
FIG. 04A  
PAGE 29  
JAN 20/09

BRI

BOEING PROPRIETARY - Copyright © - Unpublished Work - See title page for details.



757

PARTS CATALOG (MAINTENANCE)

FIG ITEM	PART NUMBER	1 2 3 4 5 6 7	NOMENCLATURE	EFFECT FROM TO	UNITS PER ASSY
4 A 235	EDDREF001		.SEAL-PLUS II SUPPLIER CODE: V72902 SB DATA FROM A CMM: POST SB 3321500-27-04 POST SB 3321500-27-05 PRE SB 3321500-27-07 CONFIG CHG DATA FROM A CMM: SUPSD BY S30855-116H5N	002004 006999	5
235	S30775-116H5N		.SEAL-PLUS II SUPPLIER CODE: V09257 SB DATA FROM A CMM: POST SB 3321500-27-07 CONFIG CHG DATA FROM A CMM: SUPERSEDES S30775-116H1 SUPERSEDES S30775-116H5 SUPERSEDES EDDREF001 OPTIONAL PART: B94750-116H5N V09257 POST SERVICE BULLETIN: 3321480-27-07 VOM3K4 3321500-27-07 VOM3K4	002004 006999	5

MISSING ITEM NUMBERS NOT APPLICABLE

- ITEM NOT ILLUSTRATED

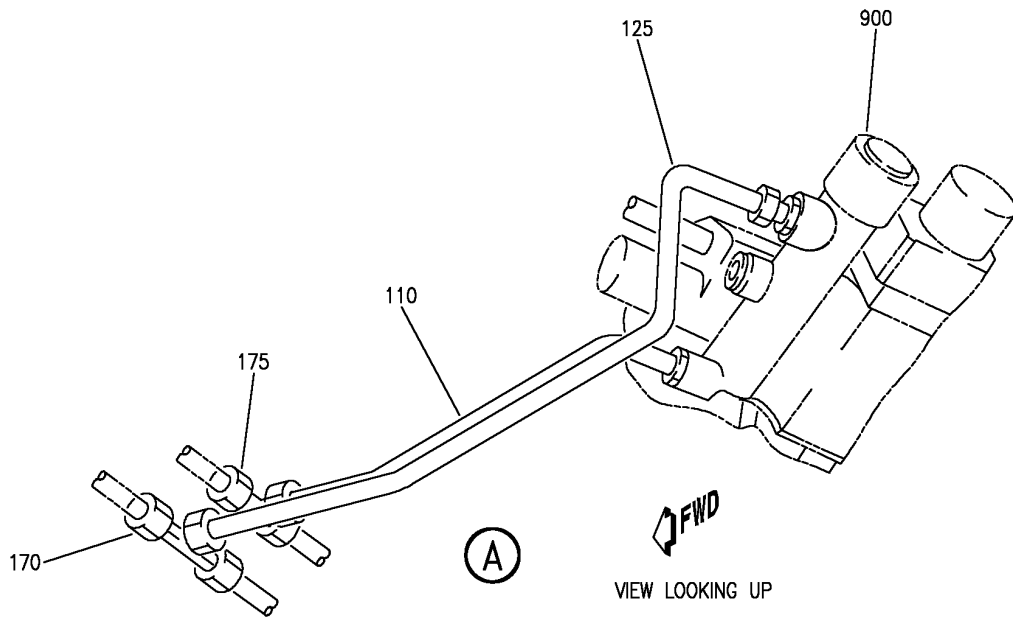
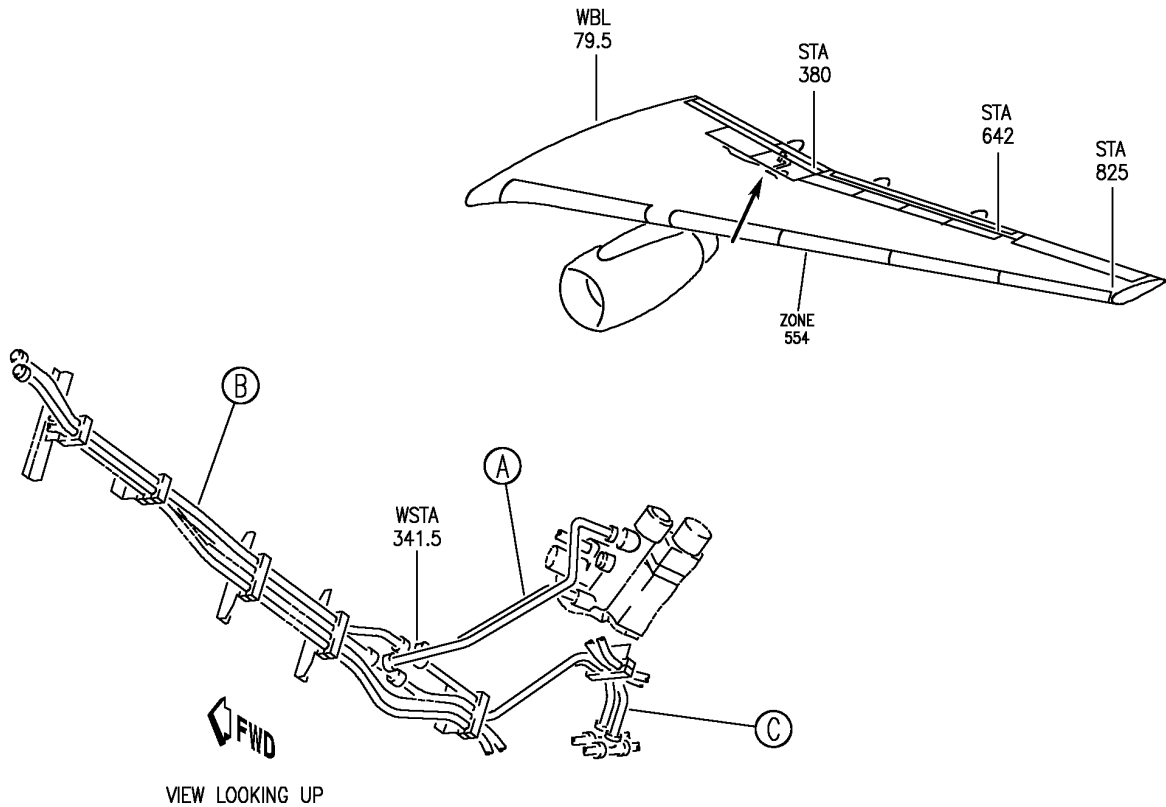
BRI

27-61-02-04A

BOEING PROPRIETARY - Copyright © - Unpublished Work - See title page for details.

27-61-02  
FIG. 04A  
PAGE 30  
JAN 20/09

**BOEING**  
757  
PARTS CATALOG (MAINTENANCE)



Y 27610205 SH1 1 REV 262

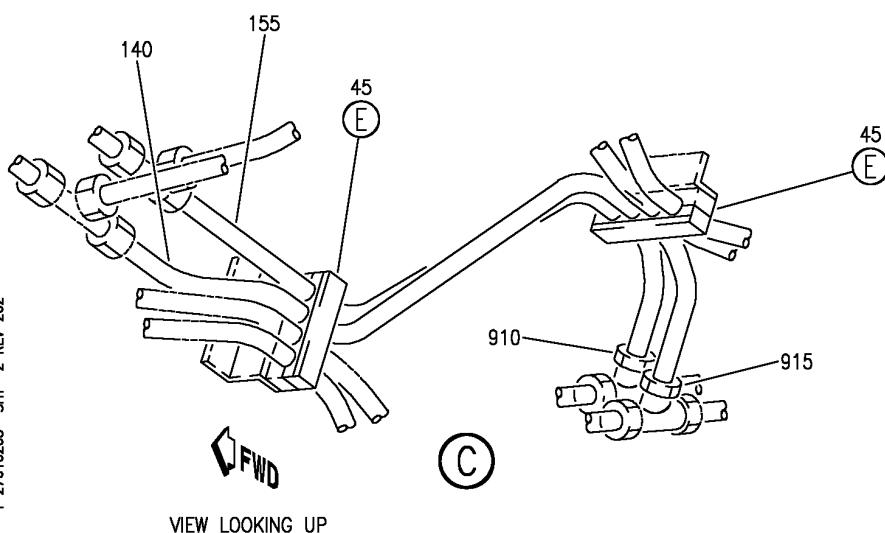
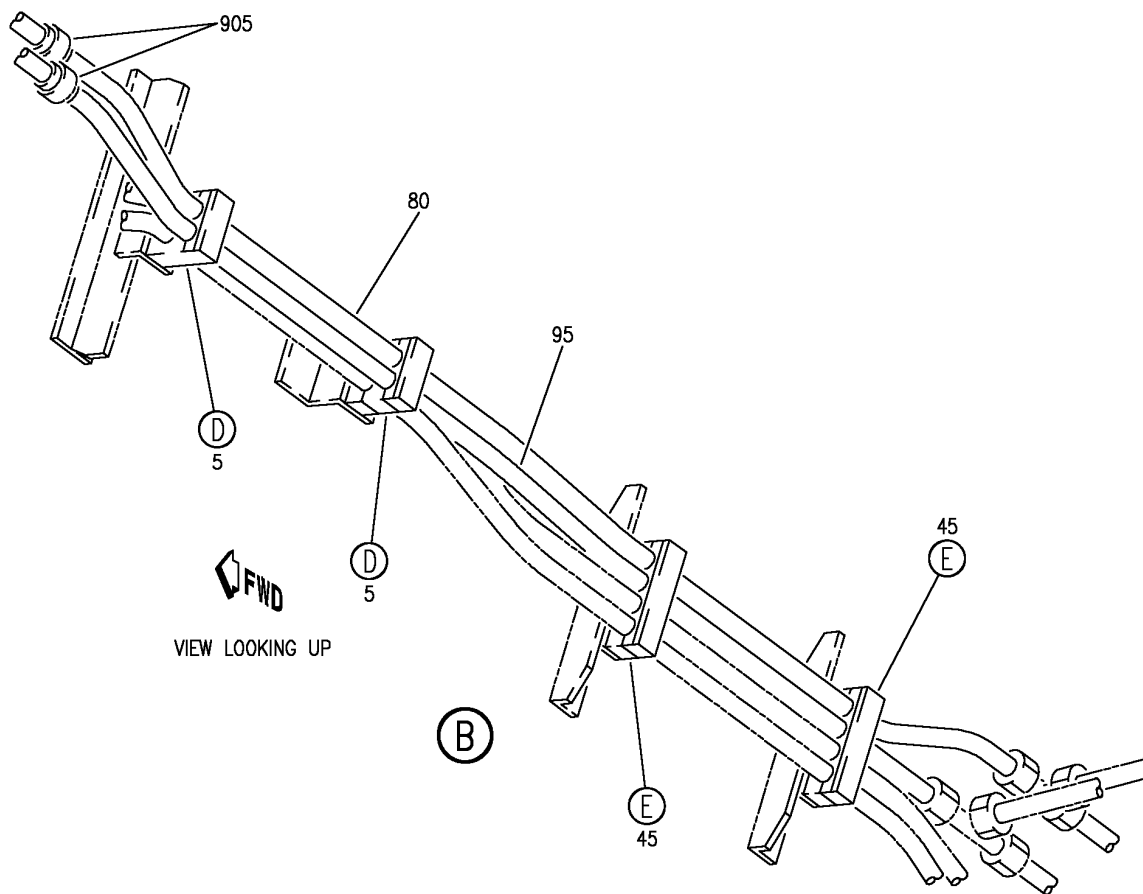
PLUMBING INSTL-SECT. 12 L TRAILING EDGE CTR SYS (SPOILER POWER CONTROL ACTUATOR ONLY)  
FIGURE 5 (SHEET 1)

BRI  
JAN 20/09

**27-61-02-05**

27-61-02-05  
PAGE 0

**BOEING**  
757  
PARTS CATALOG (MAINTENANCE)



Y 27610205 SHT 2 REV 262

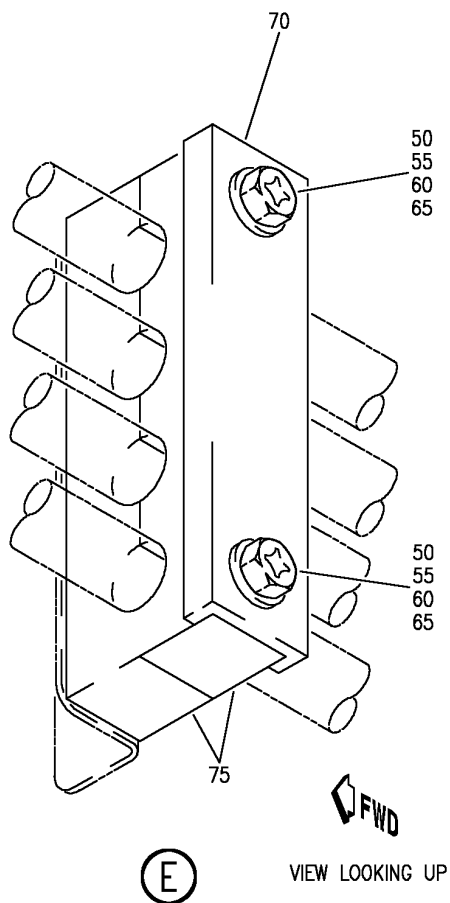
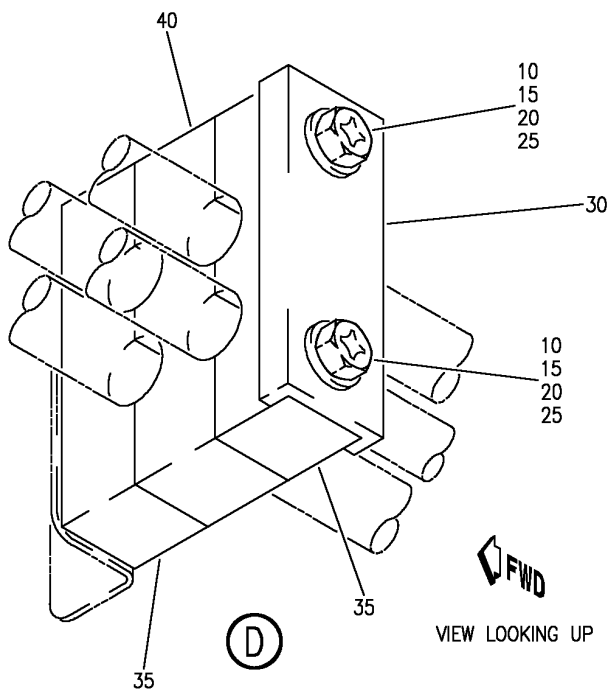
PLUMBING INSTL-SECT. 12 L TRAILING EDGE CTR SYS (SPOILER POWER CONTROL ACTUATOR ONLY)  
FIGURE 5 (SHEET 2)

BRI  
JAN 20/09

**27-61-02-05**

27-61-02-05  
PAGE 0A

**BOEING**  
757  
PARTS CATALOG (MAINTENANCE)



Y 27610205 SH1 3 REV 262

PLUMBING INSTL-SECT. 12 L TRAILING EDGE CTR SYS (SPOILER POWER CONTROL ACTUATOR ONLY)  
FIGURE 5 (SHEET 3)

BRI  
JAN 20/09

**27-61-02-05**

27-61-02-05  
PAGE 08



757

PARTS CATALOG (MAINTENANCE)

FIG ITEM	PART NUMBER	1 2 3 4 5 6 7	NOMENCLATURE	EFFECT FROM TO	UNITS PER ASSY
5			PLUMBING INSTL-SECT. 12 L TRAILING EDGE CTR SYS (SPOILER POWER CONTROL ACTUATOR ONLY)	103106	
- 1	MODREF29850		PLUMBING INSTL-HYDR CTR SYS (SPOILER POWER CONTROL ACTUATOR ONLY) MODULE NUMBER: 271N6122-36 REV B POSITION DATA: SECT. 12 L TRAILING EDGE FOR OTHER SYS DETAILS SEE: 26-21-51-21 29-11-17-04 29-11-51-29	103106	1
5	270N2000-2		.CLAMP ASSY-BLK	103106	2
10	NAS1801-3-24		..SCREW	103106	2
15	AN960PD10L		..WASHER	103106	2
20	NAS43DD3-100		..SPACER	103106	2
25	BRH10A3		..NUT SUPPLIER CODE: V52828 SPECIFICATION NUMBER: BACN10JC3 OPTIONAL PART: H10-3BAC V15653 NS202101-02 V80539 RMLH9075-3W V72962 VN303A02 V92215 96-02 V80539 T6S1032J V11815	103106	2
30	270N2000-801		..CHANNEL	103106	1
35	270N2000-401		..BLOCK	103106	2
40	270N2000-402		..BLOCK	103106	1
45	270N2000-1		.CLAMP ASSY-BLK	103106	4
50	NAS1801-3-24		..SCREW	103106	2
55	AN960PD10L		..WASHER	103106	2
60	NAS43DD3-59		..SPACER	103106	2

MISSING ITEM NUMBERS NOT APPLICABLE

- ITEM NOT ILLUSTRATED

27-61-02-05

27-61-02  
FIG. 05  
PAGE 1  
JAN 20/09

BRI





757

PARTS CATALOG (MAINTENANCE)

FIG ITEM	PART NUMBER	1 2 3 4 5 6 7	NOMENCLATURE	EFFECT FROM TO	UNITS PER ASSY
5 65	BRH10A3	..	NUT SUPPLIER CODE: V52828 SPECIFICATION NUMBER: BACN10JC3 OPTIONAL PART: H10-3BAC V15653 NS202101-02 V80539 RMLH9075-3W V72962 VN303A02 V92215 96-02 V80539 T6S1032J V11815	103106	2
70	270N2000-800	..	CHANNEL- OPTIONAL PART: 270N2000-894	103106	1
70	270N2000-894	..	CHANNEL- OPTIONAL PART: 270N2000-800	103106	1
75	270N2000-400	..	BLOCK	103106	2
80	271N6121-1115	.	TUBE ASSY-PRESSURE SYS POSITION DATA: L TUBING MATERIAL: .375 IN. OD .019 IN. WALL 46.00 IN. LG TI	103106	1
- 85	AS1581T06	..	SLEEVE	103106	2
- 90	BACN10YA6	..	NUT	103106	2
95	271N6121-1116	.	TUBE ASSY-RETURN SYS POSITION DATA: L TUBING MATERIAL: .375 IN. OD .035 IN. WALL 42.00 IN. LG AL	103106	1

MISSING ITEM NUMBERS NOT APPLICABLE

- ITEM NOT ILLUSTRATED

27-61-02-05

27-61-02  
FIG. 05  
PAGE 2  
JAN 20/09

BRI

BOEING PROPRIETARY - Copyright © - Unpublished Work - See title page for details.



757

PARTS CATALOG (MAINTENANCE)

FIG ITEM	PART NUMBER	1 2 3 4 5 6 7	NOMENCLATURE	EFFECT FROM TO	UNITS PER ASSY
5					
- 100	AP2097HP06	..	SLEEVE SUPPLIER CODE: V01673 SPECIFICATION NUMBER: BACS13BX06HP OPTIONAL PART: 2-02903-06HP V11328 35235VN06 V08199 AFP175V06P V30974 DBOS13BX06HP V14798	103106	2
- 105	BACN10YLO6	..	NUT	103106	2
110	271N6121-1046	.TUBE ASSY-PRESSURE SYS	POSITION DATA: L MANUFACTURED FROM: LG TUBING MATERIAL: .250 IN. OD .016 IN. WALL 17.00 IN. LG TITANIUM	103106	1
- 115	AS1581T04	..	SLEEVE	103106	2
- 120	BACN10YA4	..	NUT	103106	2
125	271N6121-1047	.TUBE ASSY-RETURN SYS	POSITION DATA: L TUBING MATERIAL: .375 IN. OD .035 IN. WALL 22.50 IN. LG AL	103106	1
- 130	AP2097HP06	..	SLEEVE SUPPLIER CODE: V01673 SPECIFICATION NUMBER: BACS13BX06HP OPTIONAL PART: 2-02903-06HP V11328 35235VN06 V08199 AFP175V06P V30974 DBOS13BX06HP V14798	103106	2
- 135	BACN10YLO6	..	NUT	103106	2

MISSING ITEM NUMBERS NOT APPLICABLE

- ITEM NOT ILLUSTRATED

27-61-02-05

27-61-02  
FIG. 05  
PAGE 3  
JAN 20/09

BRI



757

PARTS CATALOG (MAINTENANCE)

FIG ITEM	PART NUMBER	1 2 3 4 5 6 7	NOMENCLATURE	EFFECT FROM TO	UNITS PER ASSY
5					
140	271N6121-1110		.TUBE ASSY-PRESSURE SYS POSITION DATA: L TUBING MATERIAL: .375 IN. OD .019 IN. WALL 30.00 IN. LG TITANIUM	103106	1
- 145	AS1581T06		..SLEEVE	103106	2
- 150	BACN10YA6		..NUT	103106	2
155	271N6121-1111		.TUBE ASSY-RETURN SYS POSITION DATA: L TUBING MATERIAL: .375 IN. OD .035 IN. WALL 35.00 IN. LG AL	103106	1
- 160	AP2097HP06		..SLEEVE SUPPLIER CODE: V01673 SPECIFICATION NUMBER: BACS13BX06HP OPTIONAL PART: 2-02903-06HP V11328 35235VN06 V08199 AFP175V06P V30974 DBOS13BX06HP V14798	103106	2
- 165	BACN10YL06		..NUT	103106	2
170	MS21905W6		.TEE	103106	1
175	BACT16BL060604J		.TEE	103106	1
900			ILLUSTRATION REFERENCE: ACTUATOR INSTL-SPOILER NO. 1 THRU 5 AND 8 THRU 12 (SPOILER POWER CONTROL ACTUATOR ONLY) 27-61-02-01	103106	RF
905			ILLUSTRATION REFERENCE: PLUMBING INSTL-SECT. 13 L WING OUTBD HYDR (SPOILER POWER CONTROL SYSTEM ONLY) 27-61-02-08	103106	RF

MISSING ITEM NUMBERS NOT APPLICABLE

- ITEM NOT ILLUSTRATED

27-61-02-05

27-61-02  
FIG. 05  
PAGE 4  
JAN 20/09

BRI



757

PARTS CATALOG (MAINTENANCE)

FIG ITEM	PART NUMBER	1 2 3 4 5 6 7	NOMENCLATURE	EFFECT FROM TO	UNITS PER ASSY
5 910			ILLUSTRATION REFERENCE: PLUMBING INSTL-SECT. 12 L TRAILING EDGE CTR SYS (HYDRAULIC POWER ONLY) 29-11-51-29	103106	RF
915			ILLUSTRATION REFERENCE: PLUMBING INSTL-SECT. 12 L TRAILING EDGE CTR SYS (HYDRAULIC POWER ONLY) 29-11-51-29	103106	RF

MISSING ITEM NUMBERS NOT APPLICABLE

- ITEM NOT ILLUSTRATED

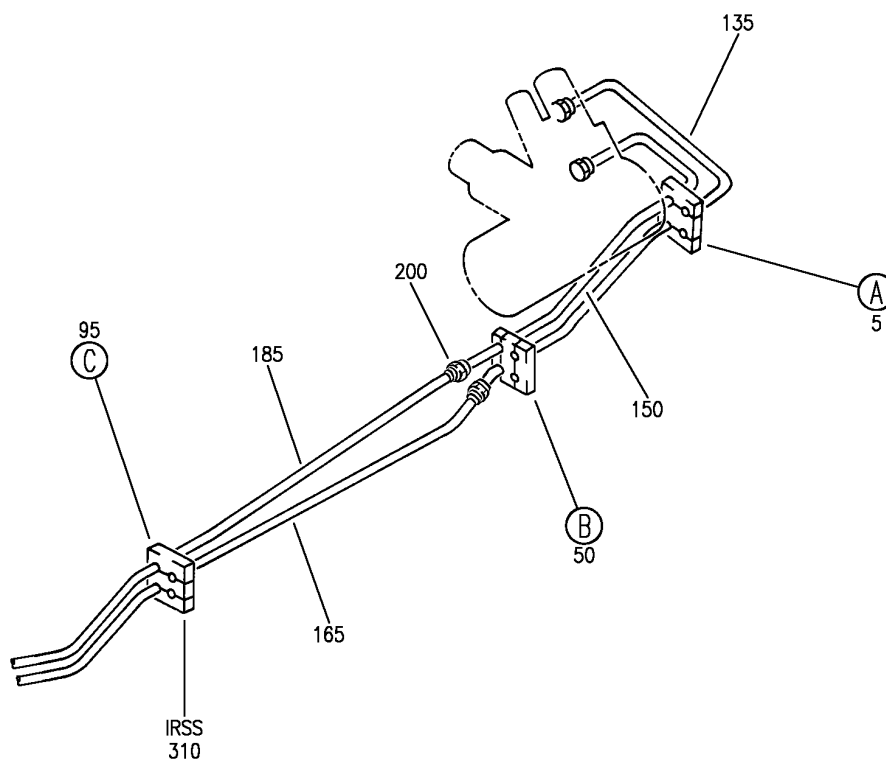
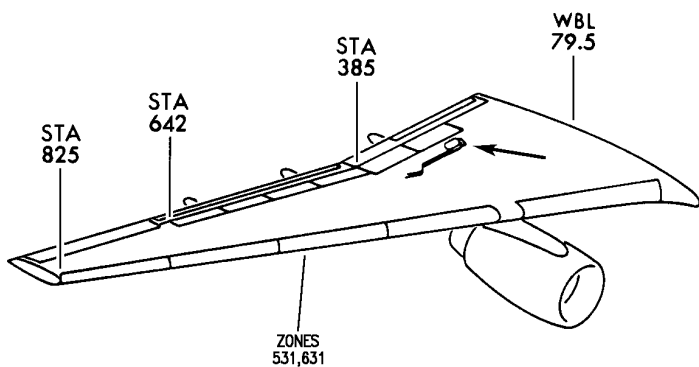
BRI

27-61-02-05

BOEING PROPRIETARY - Copyright © - Unpublished Work - See title page for details.

27-61-02  
FIG. 05  
PAGE 5  
JAN 20/09

**BOEING**  
757  
PARTS CATALOG (MAINTENANCE)



Y 27610206 SH-1 REV 248

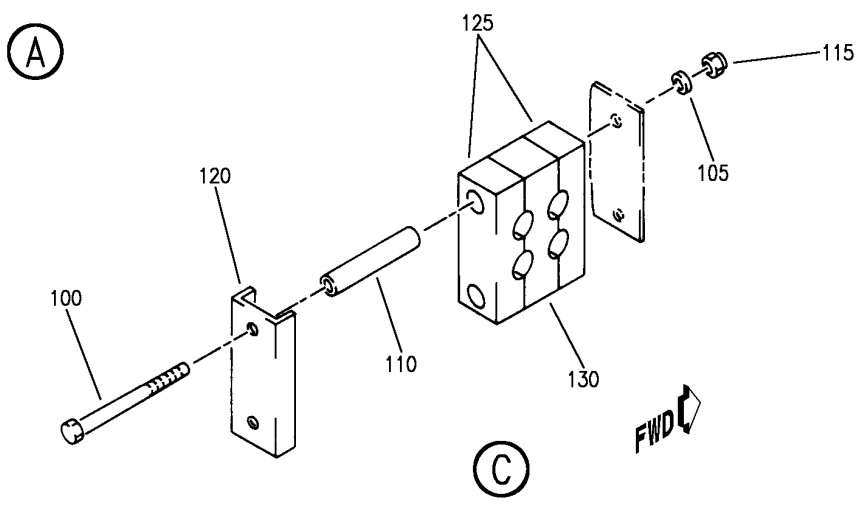
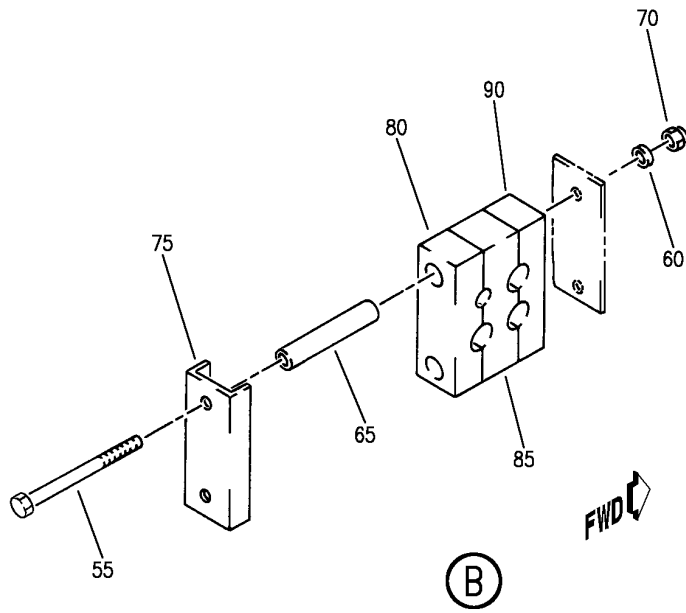
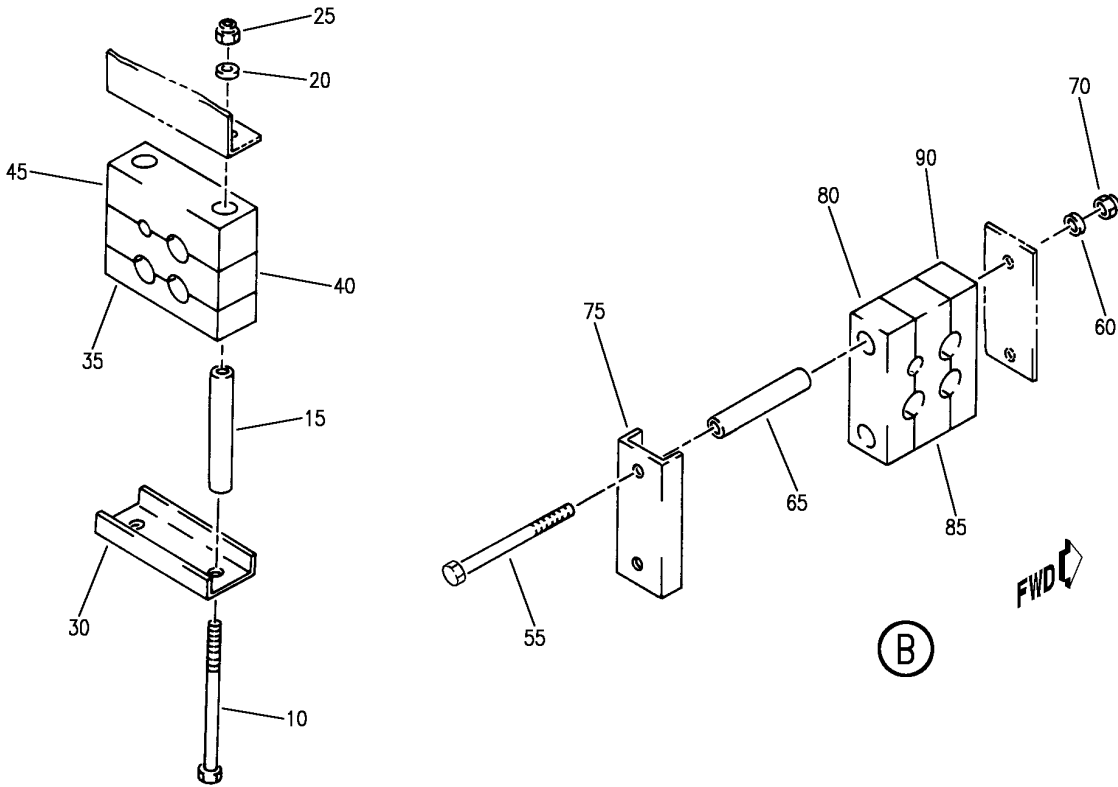
PLUMBING INSTL-SECT. 12 R TRAILING EDGE CTR SYS (SPOILER CONTROL SYSTEM ONLY)  
FIGURE 6 (SHEET 1)

BRI  
JAN 20/09

**27-61-02-06**

27-61-02-06  
PAGE 0

**BOEING**  
757  
PARTS CATALOG (MAINTENANCE)



Y 27610206 SH1 2 REV 248

PLUMBING INSTL-SECT. 12 R TRAILING EDGE CTR SYS (SPOILER CONTROL SYSTEM ONLY)  
FIGURE 6 (SHEET 2)

BRI  
JAN 20/09

# 27-61-02-06

27-61-02-06  
PAGE 0A



757

PARTS CATALOG (MAINTENANCE)

FIG ITEM	PART NUMBER	1 2 3 4 5 6 7	NOMENCLATURE	EFFECT FROM TO	UNITS PER ASSY
6			PLUMBING INSTL-SECT. 12 R TRAILING EDGE CTR SYS (SPOILER CONTROL SYSTEM ONLY)	103106	
- 1	MODREF24143		PLUMBING INSTL-HYDR CTR SYS (SPOILER CONTROL SYSTEM ONLY) MODULE NUMBER: 271N6123-21 REV B POSITION DATA: SECT. 12 R TRAILING EDGE FOR OTHER SYS DETAILS SEE: 27-61-02-06 29-11-18-04 29-11-26-07 29-11-51-29A 32-32-01-05 32-32-02-04 32-32-17-03 32-32-51-02 32-41-51-07	103105	1
- 1	MODREF34199		PLUMBING INSTL-HYDR CTR SYS (SPOILER CONTROL SYSTEM ONLY) MODULE NUMBER: 271N6123-21 REV C POSITION DATA: SECT. 12 R TRAILING EDGE FOR OTHER SYS DETAILS SEE: 27-61-02-06 29-11-18-04 29-11-26-07 29-11-51-29A 32-32-01-05 32-32-02-04 32-32-17-03 32-32-51-02 32-41-51-07	106106	1
5	270N2000-177		.CLAMP ASSY-BLK	103106	1
10	NAS1801-3-37		.. SCREW	103106	2
15	NAS43DD3-113		.. SPACER	103106	2
20	AN960PD10L		.. WASHER	103106	2

MISSING ITEM NUMBERS NOT APPLICABLE

- ITEM NOT ILLUSTRATED

27-61-02-06

27-61-02  
FIG. 06  
PAGE 1  
JAN 20/09

BRI



757

PARTS CATALOG (MAINTENANCE)

FIG ITEM	PART NUMBER	1 2 3 4 5 6 7	NOMENCLATURE	EFFECT FROM TO	UNITS PER ASSY
6 25	BRH10A3	..	NUT SUPPLIER CODE: V52828 SPECIFICATION NUMBER: BACN10JC3 OPTIONAL PART: H10-3BAC V15653 NS202101-02 V80539 RMLH9075-3W V72962 VN303A02 V92215 96-02 V80539 T6S1032J V11815	103106	2
30	270N2000-801	..	CHANNEL	103106	1
35	270N2000-401	..	BLOCK-CLAMP	103106	1
40	270N2000-648	..	BLOCK-CLAMP	103106	1
45	270N2000-649	..	BLOCK-CLAMP	103106	1
50	270N2000-179	.	CLAMP ASSY-BLK	103106	1
55	NAS1801-3-34	..	SCREW	103106	2
60	AN960PD10L	..	WASHER	103106	2
65	NAS43DD3-100	..	SPACER	103106	2
70	BRH10A3	..	NUT SUPPLIER CODE: V52828 SPECIFICATION NUMBER: BACN10JC3 OPTIONAL PART: H10-3BAC V15653 NS202101-02 V80539 RMLH9075-3W V72962 VN303A02 V92215 96-02 V80539 T6S1032J V11815	103106	2
75	270N2000-801	..	CHANNEL	103106	1
80	270N2000-650	..	BLOCK	103106	1
85	270N2000-648	..	BLOCK	103106	1
90	270N2000-401	..	BLOCK	103106	1
95	270N2000-2	.	CLAMP ASSY	103106	1

MISSING ITEM NUMBERS NOT APPLICABLE

- ITEM NOT ILLUSTRATED

27-61-02-06

27-61-02  
FIG. 06  
PAGE 2  
JAN 20/09

BRI

BOEING PROPRIETARY - Copyright © - Unpublished Work - See title page for details.





757

PARTS CATALOG (MAINTENANCE)

FIG ITEM	PART NUMBER	1 2 3 4 5 6 7	NOMENCLATURE	EFFECT FROM TO	UNITS PER ASSY
6					
100	NAS1801-3-34	..	SCREW	103106	2
105	AN960PD10L	..	WASHER	103106	2
110	NAS43DD3-100	..	SPACER	103106	2
115	BRH10A3	..	NUT	103106	2
			SUPPLIER CODE: V52828		
			SPECIFICATION NUMBER: BACN10JC3		
			OPTIONAL PART: H10-3BAC		
			V15653		
			NS202101-02		
			V80539		
			RMLH9075-3W		
			V72962		
			VN303A02		
			V92215		
			96-02		
			V80539		
			T6S1032J		
			V11815		
120	270N2000-801	..	CHANNEL	103106	1
125	270N2000-401	..	BLOCK	103106	2
130	270N2000-402	..	BLOCK	103106	1
135	271N6123-1048	.TUBE ASSY-RETURN SYS		103106	1
			POSITION DATA: R		
			TUBING MATERIAL: .375 IN. OD .035 IN. WALL 38.87 IN. LG ALUMINUM		
- 140	AP2097HP06	..	SLEEVE	103106	2
			SUPPLIER CODE: V01673		
			SPECIFICATION NUMBER: BACS13BX06HP		
			OPTIONAL PART: 2-02903-06HP		
			V11328		
			35235VN06		
			V08199		
			AFP175V06P		
			V30974		
			DBOS13BX06HP		
			V14798		
- 145	BACN10YL06	..	NUT-	103106	2
			OPTIONAL PART: MS21921-6D		

MISSING ITEM NUMBERS NOT APPLICABLE

- ITEM NOT ILLUSTRATED

BRI

27-61-02-06

27-61-02  
FIG. 06  
PAGE 3  
JAN 20/09



757

PARTS CATALOG (MAINTENANCE)

FIG ITEM	PART NUMBER	1 2 3 4 5 6 7	NOMENCLATURE	EFFECT FROM TO	UNITS PER ASSY
6					
- 145	MS21921-6D	..	NUT- OPTIONAL PART: BACN10YL06	103106	2
150	271N6123-1294	.TUBE ASSY-PRESSURE SYS POSITION DATA: R TUBING MATERIAL: .250 IN. OD X .016 IN. WALL X 24.4 IN. LG TITANIUM		103106	1
- 155	AS1581T04	..	SLEEVE	103106	2
- 160	BACN10YA4N	..	NUT	103106	2
165	271N6123-1168	.TUBE ASSY-RETURN SYS POSITION DATA: R TUBING MATERIAL: .375 IN. OD .035 IN. WALL 59.00 IN. LG ALUMINUM		103106	1
- 170	AP2097HP06	..	SLEEVE SUPPLIER CODE: V01673 SPECIFICATION NUMBER: BACS13BX06HP OPTIONAL PART: 2-02903-06HP V11328 35235VN06 V08199 AFP175V06P V30974 DBOS13BX06HP V14798	103106	1
- 175	BACN10YL06	..	NUT- OPTIONAL PART: MS21921-6D	103106	1
- 175	MS21921-6D	..	NUT- OPTIONAL PART: BACN10YL06	103106	1

MISSING ITEM NUMBERS NOT APPLICABLE

- ITEM NOT ILLUSTRATED

27-61-02-06

27-61-02  
FIG. 06  
PAGE 4  
JAN 20/09

BRI



757

PARTS CATALOG (MAINTENANCE)

FIG ITEM	PART NUMBER	1 2 3 4 5 6 7	NOMENCLATURE	EFFECT FROM TO	UNITS PER ASSY
6 - 180	35056GV06	..	UNION SUPPLIER CODE: V08199 SPECIFICATION NUMBER: BACU24AB6W OPTIONAL PART: 2-01027-6W V11328 31875-6W V14397 4671097W6 V50948 AP1004W06 V01673 AFP941W6 V30974 DBOU24AB6W V14798	103106	1
185	271N6123-1089	.TUBE ASSY-PRESSURE SYS POSITION DATA: R TUBING MATERIAL: .375 IN. OD .019 IN. WALL 56.50 IN. LG TITANIUM		103106	1
- 190	AS1581T06	..	SLEEVE	103106	2
- 195	BACN10YA6	..	NUT	103106	2
200	MS21916-6-4T	.	REDUCER	103106	1

MISSING ITEM NUMBERS NOT APPLICABLE

- ITEM NOT ILLUSTRATED

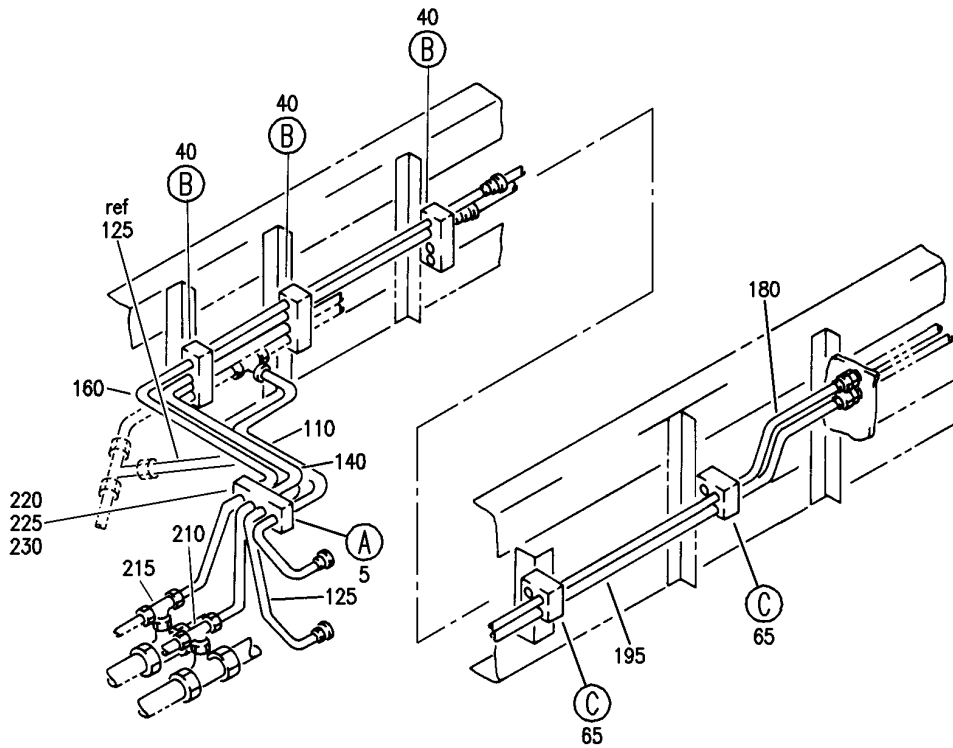
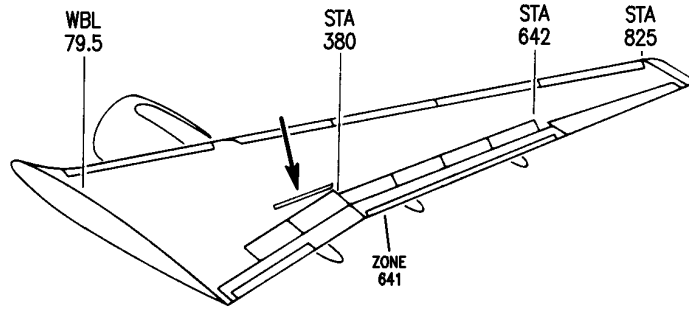
BRI

27-61-02-06

BOEING PROPRIETARY - Copyright © - Unpublished Work - See title page for details.

27-61-02  
FIG. 06  
PAGE 5  
JAN 20/09

**BOEING**  
757  
PARTS CATALOG (MAINTENANCE)



Y 27610207 SHT 1 REV 248

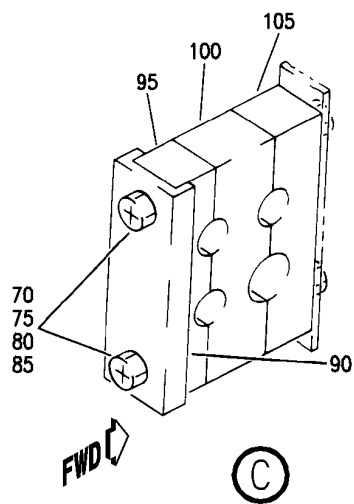
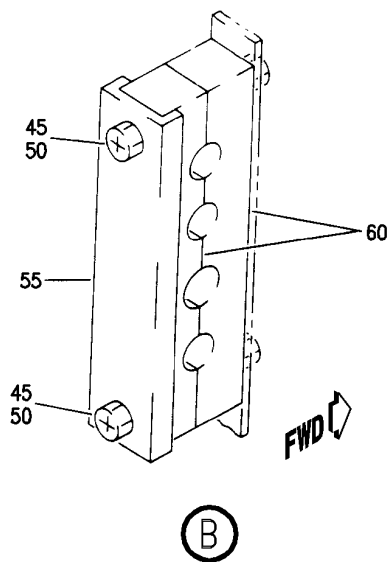
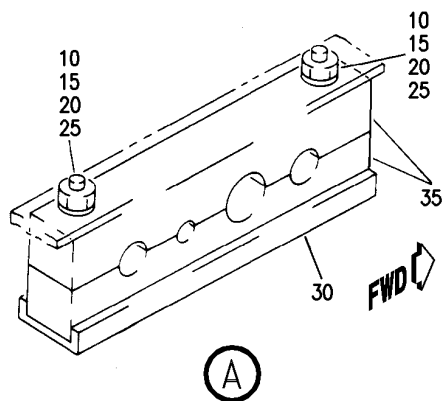
PLUMBING INSTL-SECT. 12 R TRAILING EDGE CTR SYS  
FIGURE 7 (SHEET 1)

**27-61-02-07**

BRI  
JAN 20/09

27-61-02-07  
PAGE 0

**BOEING**  
757  
PARTS CATALOG (MAINTENANCE)



Y 27610207 SHT 2 REV 248

PLUMBING INSTL-SECT. 12 R TRAILING EDGE CTR SYS  
FIGURE 7 (SHEET 2)

**27-61-02-07**

BRI  
JAN 20/09

27-61-02-07  
PAGE 0A



757

PARTS CATALOG (MAINTENANCE)

FIG ITEM	PART NUMBER	1 2 3 4 5 6 7	NOMENCLATURE	EFFECT FROM TO	UNITS PER ASSY
7			PLUMBING INSTL-SECT. 12 R TRAILING EDGE CTR SYS	103106	
- 1	MODREF31799		PLUMBING INSTL-HYDR CTR SYS (SPOILER CONTROL SYSTEM ONLY) MODULE NUMBER: 271N6123-23 REV B POSITION DATA: SECT. 12 R TRAILING EDGE FOR OTHER SYS DETAILS SEE: 26-21-51-23 29-11-17-05 29-11-51-50	103106	1
5	270N2000-135		.CLAMP ASSY-BLK	103106	1
10	NAS1801-3-26		..SCREW	103106	2
15	AN960PD10L		..WASHER	103106	2
20	NAS43DD3-67		..SPACER	103106	2
25	BRH10A3		..NUT	103106	2
			SUPPLIER CODE: V52828 SPECIFICATION NUMBER: BACN10JC3 OPTIONAL PART: H10-3BAC V15653 NS202101-02 V80539 RMLH9075-3W V72962 VN303A02 V92215 96-02 V80539 T6S1032J V11815		
30	270N2000-802		..CHANNEL	103106	1
35	270N2000-588		..BLOCK	103106	2
40	270N2000-4		.CLAMP ASSY-BLK	103106	3
45	NAS1801-3-26		..SCREW	103106	2

MISSING ITEM NUMBERS NOT APPLICABLE

- ITEM NOT ILLUSTRATED

27-61-02-07

27-61-02  
FIG. 07  
PAGE 1  
JAN 20/09

BRI



757

PARTS CATALOG (MAINTENANCE)

FIG ITEM	PART NUMBER	1 2 3 4 5 6 7	NOMENCLATURE	EFFECT FROM TO	UNITS PER ASSY
7 50	BRH10A3	..	NUT SUPPLIER CODE: V52828 SPECIFICATION NUMBER: BACN10JC3 OPTIONAL PART: H10-3BAC V15653 NS202101-02 V80539 RMLH9075-3W V72962 VN303A02 V92215 96-02 V80539 T6S1032J V11815	103106	2
55	270N2000-802	..	CHANNEL	103106	1
60	270N2000-403	..	BLOCK	103106	2
65	270N2000-7	.	CLAMP ASSY-BLK	103106	2
70	NAS1801-3-36	..	SCREW	103106	2
75	AN960PD10L	..	WASHER	103106	2
80	NAS43DD3-108	..	SPACER	103106	2
85	BRH10A3	..	NUT SUPPLIER CODE: V52828 SPECIFICATION NUMBER: BACN10JC3 OPTIONAL PART: H10-3BAC V15653 NS202101-02 V80539 RMLH9075-3W V72962 VN303A02 V92215 96-02 V80539 T6S1032J V11815	103106	2
90	270N2000-803	..	CHANNEL	103106	1
95	270N2000-408	..	BLOCK	103106	1
100	270N2000-409	..	BLOCK	103106	1
105	270N2000-404	..	BLOCK	103106	1

MISSING ITEM NUMBERS NOT APPLICABLE

- ITEM NOT ILLUSTRATED

27-61-02-07

27-61-02  
FIG. 07  
PAGE 2  
JAN 20/09

BRI

BOEING PROPRIETARY - Copyright © - Unpublished Work - See title page for details.



757

PARTS CATALOG (MAINTENANCE)

FIG ITEM	PART NUMBER	1 2 3 4 5 6 7	NOMENCLATURE	EFFECT FROM TO	UNITS PER ASSY
7 110	271N6124-1112		.TUBE ASSY-RETURN SYS POSITION DATA: L TUBING MATERIAL: .375 IN. OD .035 IN. WALL 39.00 IN. LG AL AMS 4083 6061 T6 TUBING	103106	1
- 115	AP2097HP06		..SLEEVE SUPPLIER CODE: V01673 SPECIFICATION NUMBER: BACS13BX06HP OPTIONAL PART: 2-02903-06HP V11328 35235VN06 V08199 AFP175V06P V30974 DBOS13BX06HP V14798	103106	2
- 120	BACN10YL06		..NUT	103106	2
125	271N6124-1106		.TUBE ASSY-PRESSURE SYS POSITION DATA: L TUBING MATERIAL: .250 IN. OD .016 IN. WALL 30.5 IN. LG TI BMS 7-234 TI-3AL-2.5V COLD WORKED, STRESS RELIEVED TUBING	103106	1
- 130	AS1581T04		..SLEEVE	103106	2
- 135	BACN10YA4		..NUT	103106	2
140	271N6124-1113		.TUBE ASSY-RETURN SYS POSITION DATA: R TUBING MATERIAL: .500 IN. OD .035 IN. WALL 46.00 IN. LG AL AMS 4083 6061 T6 TUBING	103106	1

MISSING ITEM NUMBERS NOT APPLICABLE

- ITEM NOT ILLUSTRATED

27-61-02-07

27-61-02  
FIG. 07  
PAGE 3  
JAN 20/09

BRI





757

PARTS CATALOG (MAINTENANCE)

FIG ITEM	PART NUMBER	1 2 3 4 5 6 7	NOMENCLATURE	EFFECT FROM TO	UNITS PER ASSY
7					
- 145	AP2097HP08	..	SLEEVE SUPPLIER CODE: V01673 SPECIFICATION NUMBER: BACS13BX08HP OPTIONAL PART: 2-02903-08HP V11328 35235VN08 V08199 AFP175V08P V30974 DBOS13BX08HP V14798	103106	1
- 150	BACN10YLO8	..	NUT	103106	1
- 155	35056GV08	..	UNION SUPPLIER CODE: V08199 SPECIFICATION NUMBER: BACU24AB8W OPTIONAL PART: 2-01027-8W V11328 31875-8W V14397 4671097W8 V50948 AP1004W08 V01673 AFP941W8 V30974 DBOU24AB8W V14798	103106	1
160	271N6124-1109	.	TUBE ASSY-PRESSURE SYS POSITION DATA: R TUBING MATERIAL: .375 IN. OD .019 IN. WALL 42.78 IN. LG TI BMS 7-234 TI-3AL-2.5V COLD WORKED, STRESS RELIEVED TUBING	103106	1
- 165	AS1581T06	..	SLEEVE	103106	1
- 170	BACN10YA6	..	NUT	103106	1
- 175	AS1582T06	..	UNION	103106	1

MISSING ITEM NUMBERS NOT APPLICABLE

- ITEM NOT ILLUSTRATED

27-61-02-07

27-61-02  
FIG. 07  
PAGE 4  
JAN 20/09

BRI

BOEING PROPRIETARY - Copyright © - Unpublished Work - See title page for details.

 **BOEING**  
757  
**PARTS CATALOG (MAINTENANCE)**

FIG ITEM	PART NUMBER	1 2 3 4 5 6 7	NOMENCLATURE	EFFECT FROM TO	UNITS PER ASSY
7					
180	271N6124-1085		.TUBE ASSY-R PRESSURE SYS TUBING MATERIAL: .375 IN. OD X .019 IN. WALL X 25.3 IN. LG TI BMS 7-234 TI-3AL-2.5V COLD WORKED, STRESS RELIEVED TUBING	103106	1
- 185	AS1581T06		..SLEEVE	103106	2
- 190	BACN10YA6		..NUT	103106	2
195	271N6124-1087		.TUBE ASSY-R RETURN SYS TUBING MATERIAL: .500 IN. O.D. X .035 IN. WALL X 26.7 IN. LG AMS 4083 6061 T6 TUBING	103106	1
- 200	AP2097HP08		..SLEEVE SUPPLIER CODE: V01673 SPECIFICATION NUMBER: BACS13BX08HP OPTIONAL PART: 2-02903-08HP V11328 35235VN08 V08199 AFP175V08P V30974 DBOS13BX08HP V14798	103106	2
- 205	BACN10YL08		..NUT	103106	2
210	NAS1764W080608		.TEE	103106	1
215	BCREF116871		.TEE- OVERLENGTH PART NUMBER: BACT16BT060606JN	103106	1
220	270N2006-7		.SHIM	103106	AR
225	270N2006-8		.SHIM	103106	AR
230	270N2006-9		.SHIM	103106	AR

MISSING ITEM NUMBERS NOT APPLICABLE

- ITEM NOT ILLUSTRATED

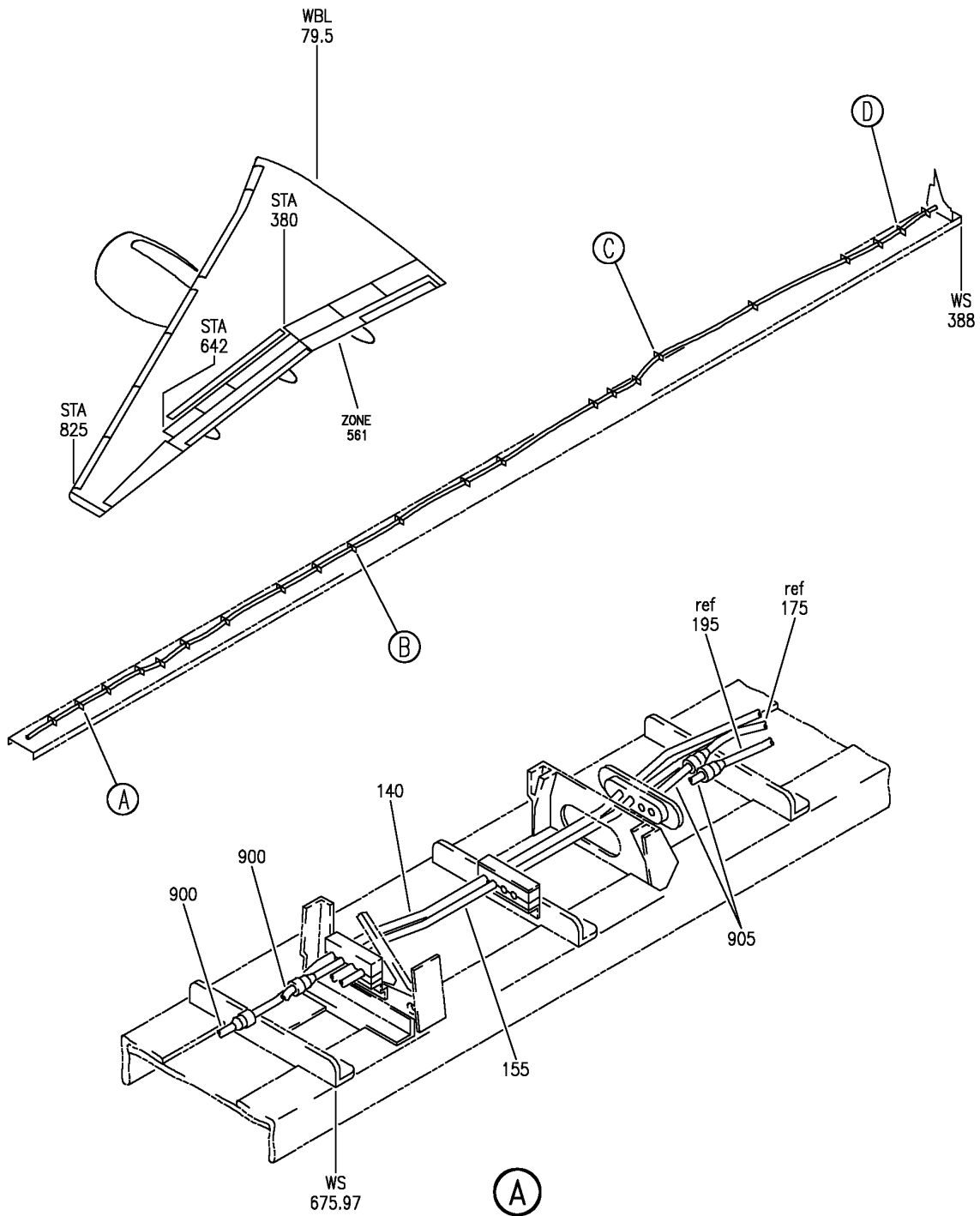
BRI

# 27-61-02-07

BOEING PROPRIETARY - Copyright © - Unpublished Work - See title page for details.

27-61-02  
FIG. 07  
PAGE 5  
JAN 20/09


**BOEING**  
 757  
**PARTS CATALOG (MAINTENANCE)**



Y 27610208 SHT 1 REV 262

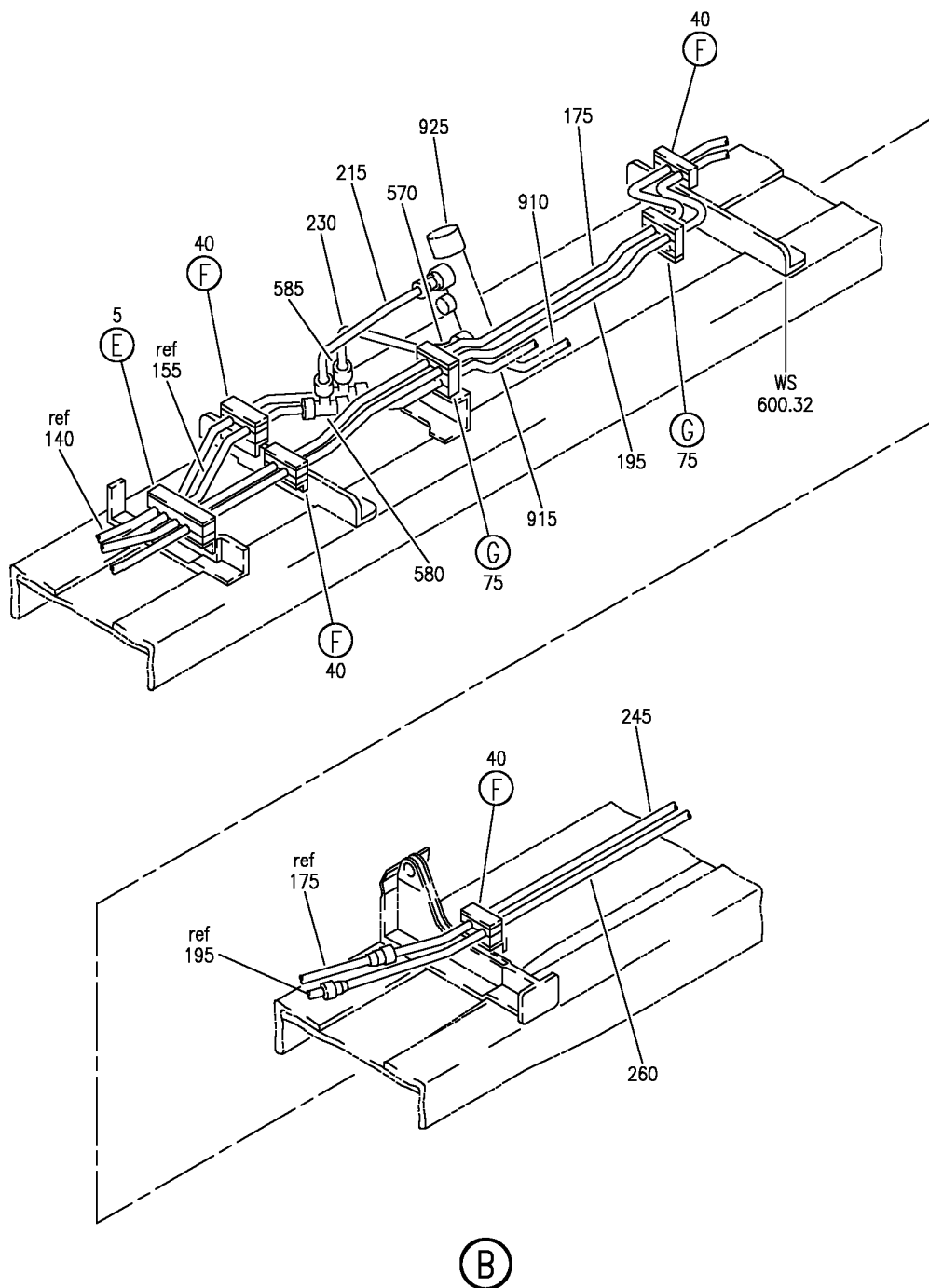
PLUMBING INSTL-SECT. 13 L WING OUTBD HYDR (SPOILER POWER CONTROL SYSTEM ONLY)  
 FIGURE 8 (SHEET 1)

BRI  
JAN 20/09

**27-61-02-08**

27-61-02-08  
 PAGE 0

**BOEING**  
757  
PARTS CATALOG (MAINTENANCE)



Y 27610208 SH1 2 REV 262

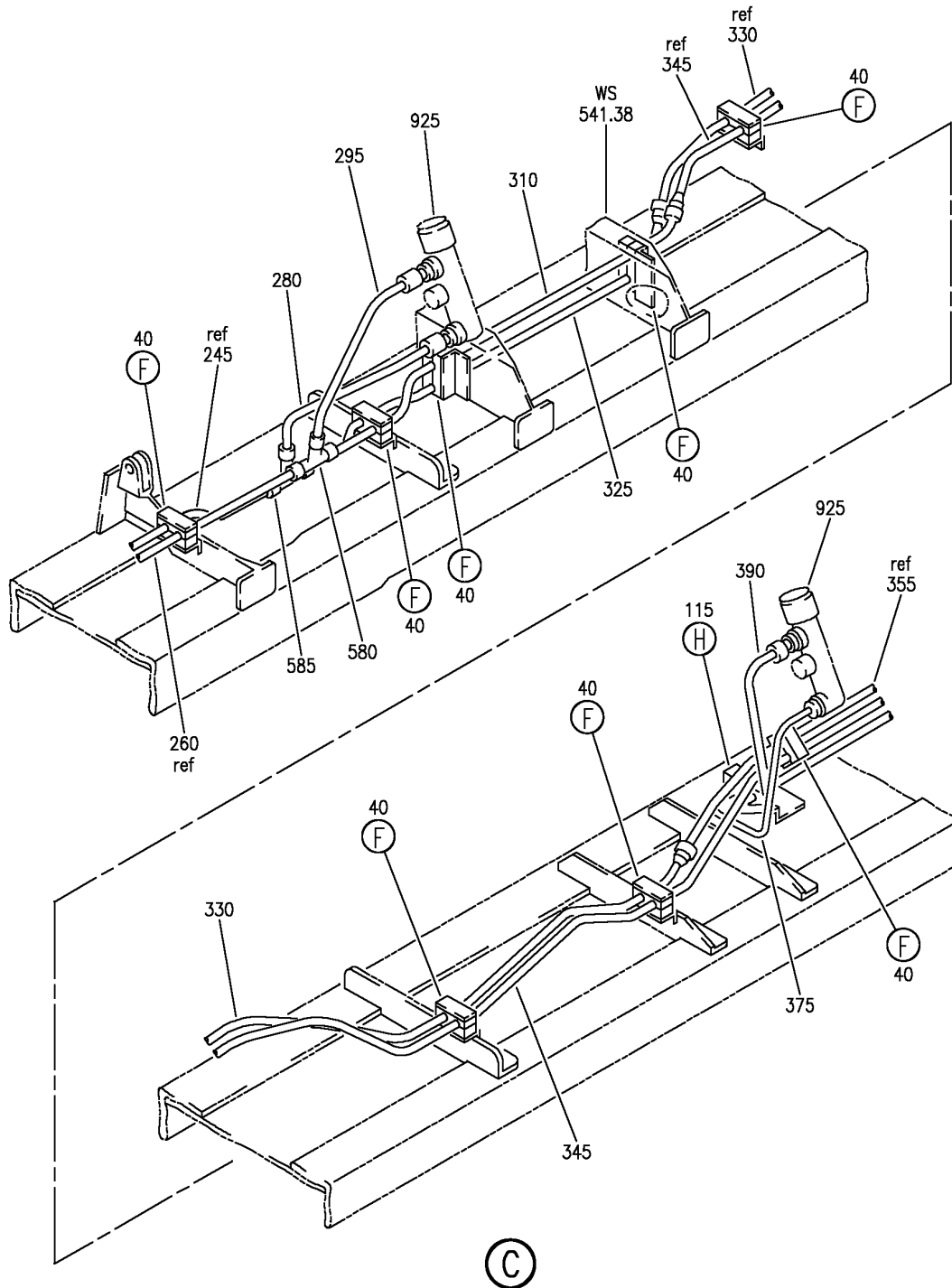
PLUMBING INSTL-SECT. 13 L WING OUTBD HYDR (SPOILER POWER CONTROL SYSTEM ONLY)  
FIGURE 8 (SHEET 2)

BRI  
JAN 20/09

**27-61-02-08**

27-61-02-08  
PAGE 0A

**BOEING**  
757  
PARTS CATALOG (MAINTENANCE)



Y 27610208 SH-T 3 REV 262

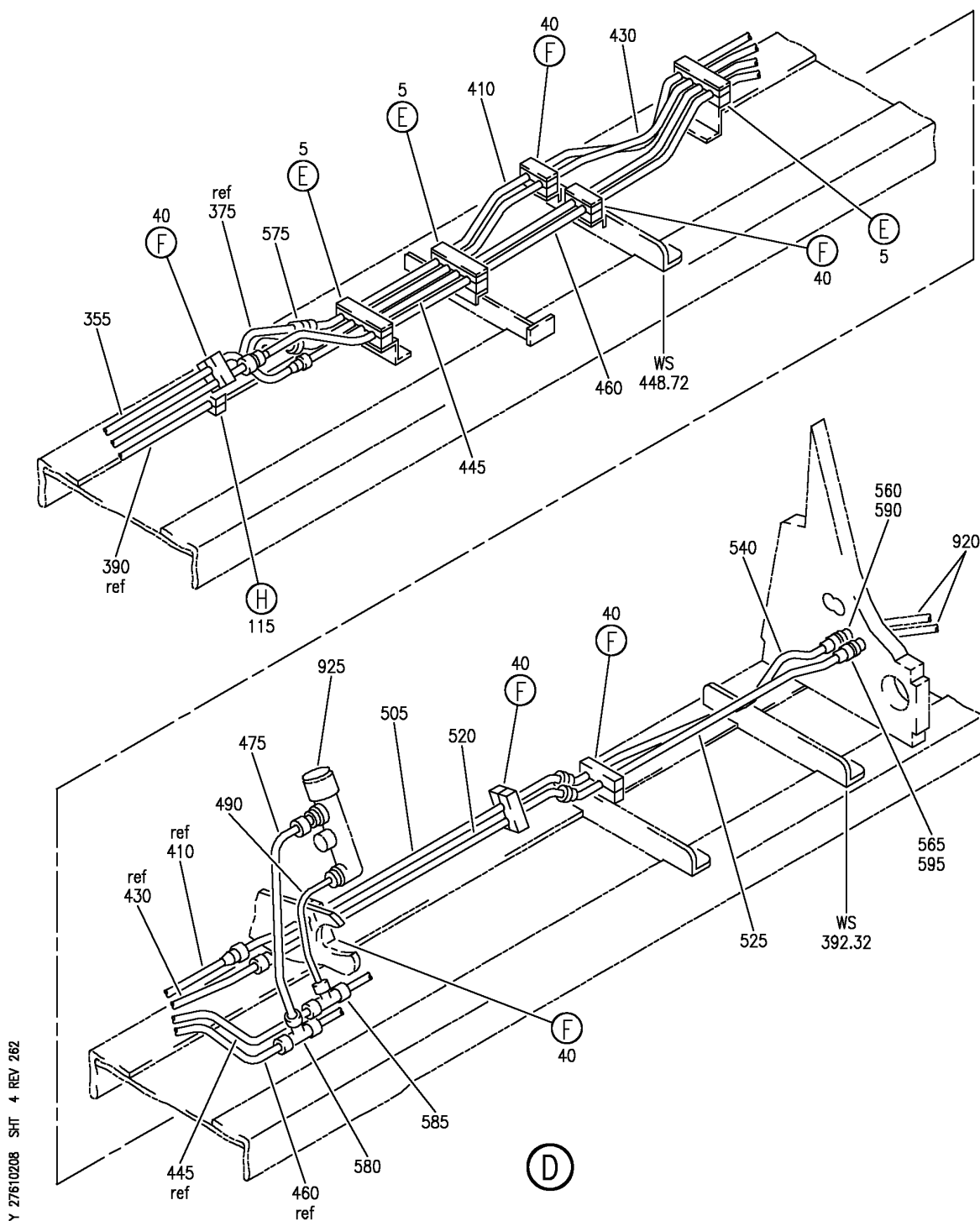
PLUMBING INSTL-SECT. 13 L WING OUTBD HYDR (SPOILER POWER CONTROL SYSTEM ONLY)  
FIGURE 8 (SHEET 3)

BRI  
JAN 20/09

**27-61-02-08**

27-61-02-08  
PAGE 08

**BOEING**  
757  
PARTS CATALOG (MAINTENANCE)



Y 27610208 SHT 4 REV 262

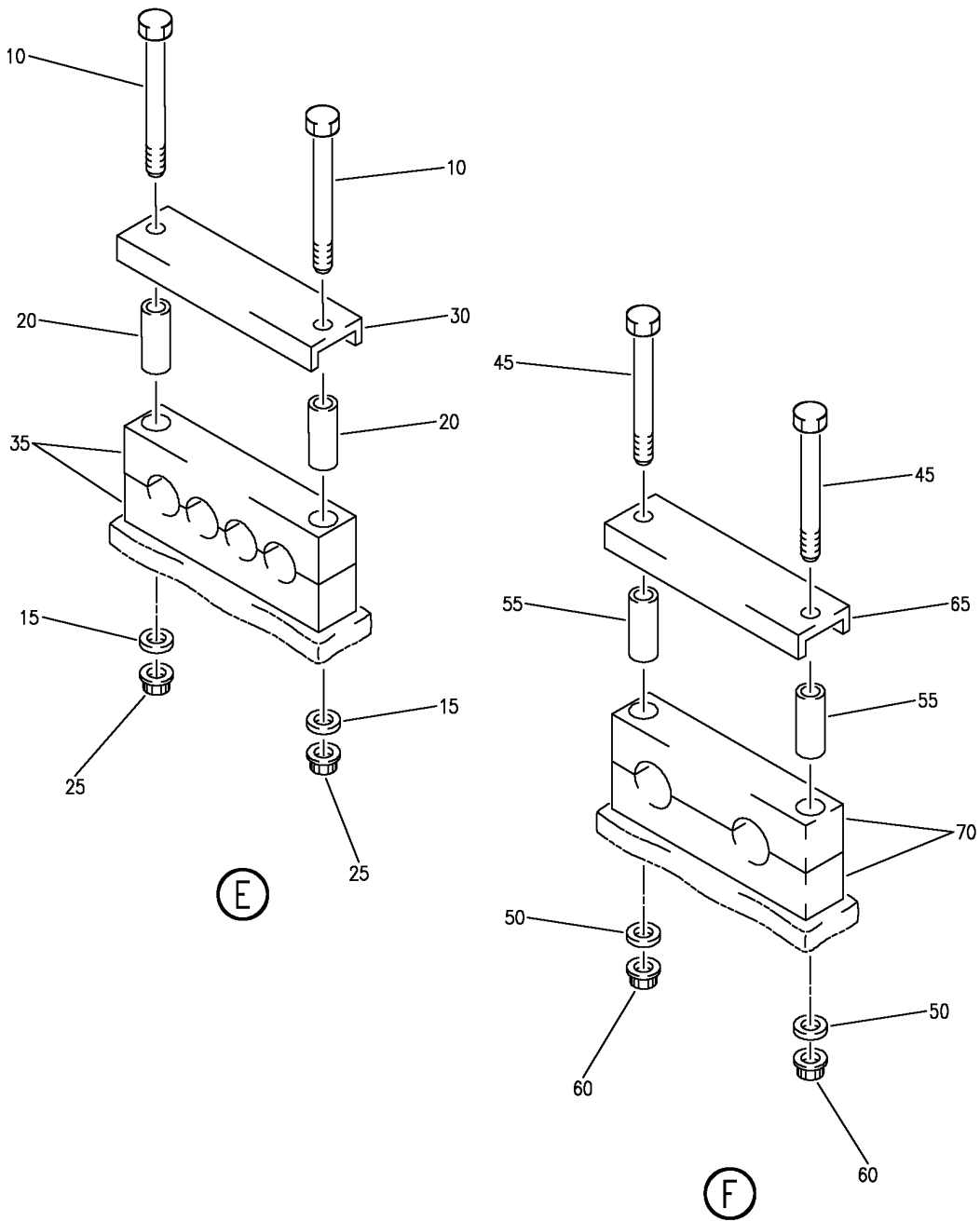
PLUMBING INSTL-SECT. 13 L WING OUTBD HYDR (SPOILER POWER CONTROL SYSTEM ONLY)  
FIGURE 8 (SHEET 4)

BRI  
JAN 20/09

**27-61-02-08**

27-61-02-08  
PAGE 0C


**BOEING**  
 757  
**PARTS CATALOG (MAINTENANCE)**



Y 27610208 SH 5 REV 262

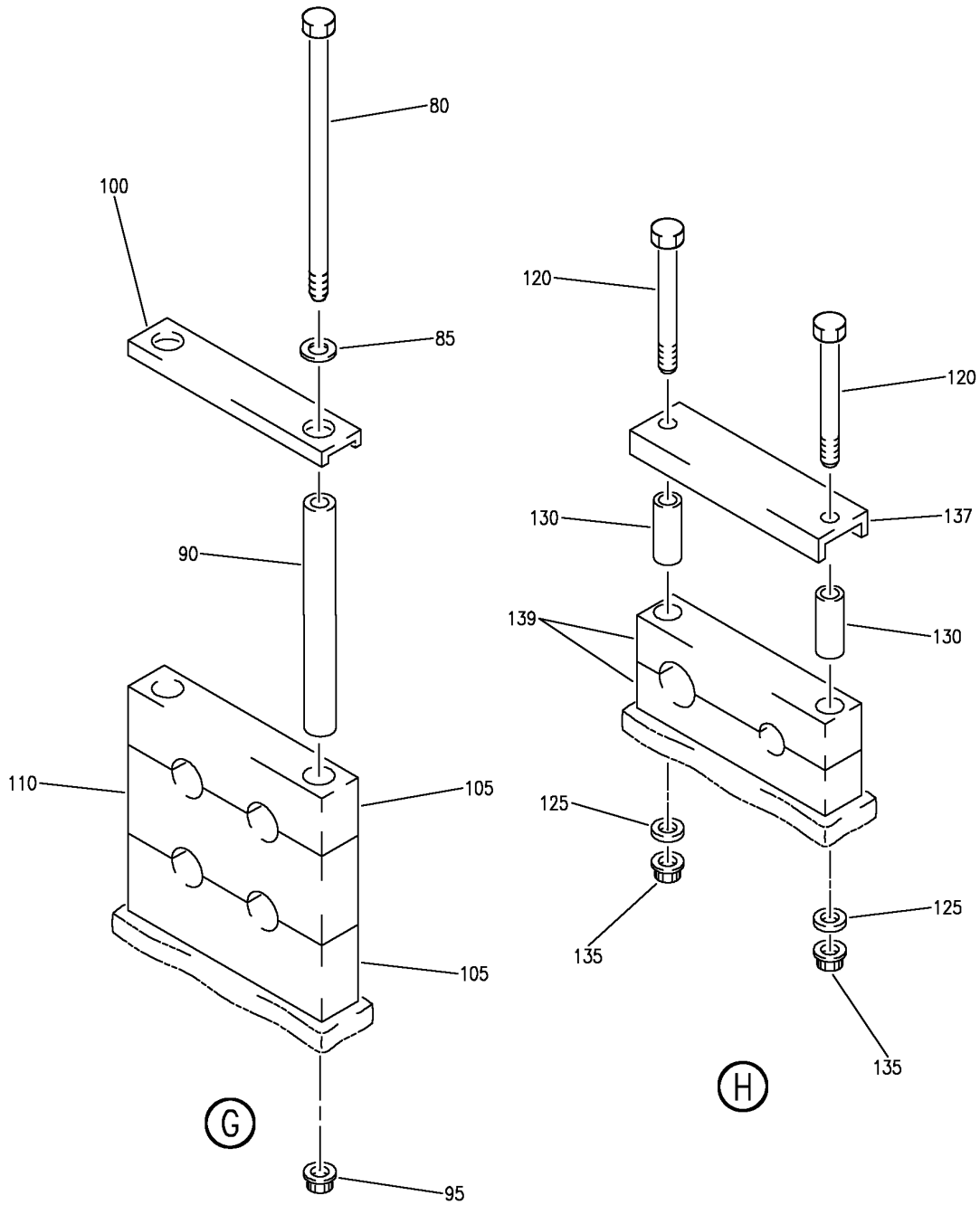
PLUMBING INSTL-SECT. 13 L WING OUTBD HYDR (SPOILER POWER CONTROL SYSTEM ONLY)  
 FIGURE 8 (SHEET 5)

BRI  
JAN 20/09

**27-61-02-08**

27-61-02-08  
 PAGE 0D


**BOEING**  
 757  
**PARTS CATALOG (MAINTENANCE)**



Y 27610208 SH- 6 REV 262

PLUMBING INSTL-SECT. 13 L WING OUTBD HYDR (SPOILER POWER CONTROL SYSTEM ONLY)  
 FIGURE 8 (SHEET 6)

BRI  
JAN 20/09

**27-61-02-08**

27-61-02-08  
 PAGE 0E





757

PARTS CATALOG (MAINTENANCE)

FIG ITEM	PART NUMBER	1 2 3 4 5 6 7	NOMENCLATURE	EFFECT FROM TO	UNITS PER ASSY
8			PLUMBING INSTL-SECT. 13 L WING OUTBD HYDR (SPOILER POWER CONTROL SYSTEM ONLY)	103106	
- 1	MODREF31338		PLUMBING INSTL-SECT 13 WING HYDR (SPOILER CONTROL SYSTEM ONLY) MODULE NUMBER: 271N6121-10 REV B POSITION DATA: L OUTBD FOR OTHER SYS DETAILS SEE: 27-11-20-03 29-11-51-26	103106	1
5	270N2000-1		.CLAMP ASSY-BLK	103106	4
10	NAS1801-3-24		..SCREW	103106	2
15	AN960PD10L		..WASHER	103106	2
20	NAS43DD3-59		..SPACER	103106	2
25	BRH10A3		..NUT	103106	2
			SUPPLIER CODE: V52828 SPECIFICATION NUMBER: BACN10JC3 OPTIONAL PART: H10-3BAC V15653 NS202101-02 V80539 RMLH9075-3W V72962 VN303A02 V92215 96-02 V80539 T6S1032J V11815		
30	270N2000-800		..CHANNEL- OPTIONAL PART: 270N2000-894	103106	1
30	270N2000-894		..CHANNEL- OPTIONAL PART: 270N2000-800	103106	1
35	270N2000-400		..BLOCK	103106	2
40	270N2000-3		.CLAMP ASSY-BLK	103106	18
45	NAS1801-3-24		..SCREW	103106	2
50	AN960PD10L		..WASHER	103106	2
55	NAS43DD3-59		..SPACER	103106	2

MISSING ITEM NUMBERS NOT APPLICABLE

- ITEM NOT ILLUSTRATED

27-61-02-08

27-61-02  
FIG. 08  
PAGE 1  
JAN 20/09

BRI



757

PARTS CATALOG (MAINTENANCE)

FIG ITEM	PART NUMBER	1 2 3 4 5 6 7	NOMENCLATURE	EFFECT FROM TO	UNITS PER ASSY
8					
60	BRH10A3	..	NUT SUPPLIER CODE: V52828 SPECIFICATION NUMBER: BACN10JC3 OPTIONAL PART: H10-3BAC V15653 NS202101-02 V80539 RMLH9075-3W V72962 VN303A02 V92215 96-02 V80539 T6S1032J V11815	103106	2
65	270N2000-801	..	CHANNEL	103106	1
70	270N2000-401	..	BLOCK	103106	2
75	270N2000-2	.	CLAMP ASSY-BLK	103106	2
80	NAS1801-3-34	..	SCREW	103106	2
85	AN960PD10L	..	WASHER	103106	2
90	NAS43DD3-100	..	SPACER	103106	2
95	BRH10A3	..	NUT SUPPLIER CODE: V52828 SPECIFICATION NUMBER: BACN10JC3 OPTIONAL PART: H10-3BAC V15653 NS202101-02 V80539 RMLH9075-3W V72962 VN303A02 V92215 96-02 V80539 T6S1032J V11815	103106	2
100	270N2000-801	..	CHANNEL	103106	1
105	270N2000-401	..	BLOCK	103106	2
110	270N2000-402	..	BLOCK	103106	1
115	270N2000-178	.	CLAMP ASSY-BLK	103106	2
120	NAS1801-3-24	..	SCREW	103106	2
125	AN960PD10L	..	WASHER	103106	2
130	NAS43DD3-59	..	SPACER	103106	2

MISSING ITEM NUMBERS NOT APPLICABLE

- ITEM NOT ILLUSTRATED

27-61-02-08

27-61-02  
FIG. 08  
PAGE 2  
JAN 20/09

BRI



757

PARTS CATALOG (MAINTENANCE)

FIG ITEM	PART NUMBER	1 2 3 4 5 6 7	NOMENCLATURE	EFFECT FROM TO	UNITS PER ASSY
8 135	BRH10A3	..	NUT SUPPLIER CODE: V52828 SPECIFICATION NUMBER: BACN10JC3 OPTIONAL PART: H10-3BAC V15653 NS202101-02 V80539 RMLH9075-3W V72962 VN303A02 V92215 96-02 V80539 T6S1032J V11815	103106	2
137	270N2000-801	..	CHANNEL	103106	1
139	270N2000-650	..	BLOCK	103106	2
140	271N6121-1013	.TUBE ASSY-PRESSURE SYS POSITION DATA: CTR TUBING MATERIAL: .375 IN. OD .019 IN. WALL 54.00 IN. LG TITANIUM	103106	1	
- 145	AS1581T06	..	SLEEVE	103106	2
- 150	BACN10YA6	..	NUT	103106	2
155	271N6121-1014	.TUBE ASSY-RETURN SYS POSITION DATA: CTR TUBING MATERIAL: .375 IN. OD .035 IN. WALL 51.00 IN. LG AL	103106	1	
- 160	AP2097HP06	..	SLEEVE SUPPLIER CODE: V01673 SPECIFICATION NUMBER: BACS13BX06HP OPTIONAL PART: 2-02903-06HP V11328 35235VN06 V08199 AFP175V06P V30974 DBOS13BX06HP V14798	103106	1

MISSING ITEM NUMBERS NOT APPLICABLE

- ITEM NOT ILLUSTRATED

27-61-02-08

27-61-02  
FIG. 08  
PAGE 3  
JAN 20/09

BRI



757

PARTS CATALOG (MAINTENANCE)

FIG ITEM	PART NUMBER	1 2 3 4 5 6 7	NOMENCLATURE	EFFECT FROM TO	UNITS PER ASSY
8					
- 165	BACN10YL06	..	NUT	103106	1
- 170	35056GV06	..	UNION	103106	1
			SUPPLIER CODE: V08199		
			SPECIFICATION NUMBER: BACU24AB6W		
			OPTIONAL PART: 2-01027-6W		
			V11328		
			31875-6W		
			V14397		
			4671097W6		
			V50948		
			AP1004W06		
			V01673		
			AFP941W6		
			V30974		
			DBOU24AB6W		
			V14798		
175	271N6121-1068	.TUBE ASSY-PRESSURE SYS		103106	1
		POSITION DATA:			
		R			
		TUBING MATERIAL:			
		.375 IN. OD .019 IN.			
		WALL 58.50 IN. LG TI			
- 180	AS1581T06	..	SLEEVE	103106	1
- 185	BACN10YA6	..	NUT	103106	1
- 190	AS1582T06	..	UNION	103106	1
195	271N6121-1130	.TUBE ASSY-RETURN SYS		103106	1
		POSITION DATA:			
		R			
		TUBING MATERIAL:			
		.375 IN. OD .035 IN.			
		WALL 54.00 IN. LG AL			
- 200	AP2097HP06	..	SLEEVE	103106	1
			SUPPLIER CODE: V01673		
			SPECIFICATION NUMBER: BACS13BX06HP		
			OPTIONAL PART: 2-02903-06HP		
			V11328		
			35235VN06		
			V08199		
			AFP175V06P		
			V30974		
			DBOS13BX06HP		
			V14798		
- 205	BACN10YL06	..	NUT	103106	1

MISSING ITEM NUMBERS NOT APPLICABLE

- ITEM NOT ILLUSTRATED

27-61-02-08

27-61-02  
FIG. 08  
PAGE 4  
JAN 20/09

BRI



757

PARTS CATALOG (MAINTENANCE)

FIG ITEM	PART NUMBER	1 2 3 4 5 6 7	NOMENCLATURE	EFFECT FROM TO	UNITS PER ASSY
8					
- 210	35056GV06		..UNION SUPPLIER CODE: V08199 SPECIFICATION NUMBER: BACU24AB6W OPTIONAL PART: 2-01027-6W V11328 31875-6W V14397 4671097W6 V50948 AP1004W06 V01673 AFP941W6 V30974 DBOU24AB6W V14798	103106	1
215	271N6121-1020		.TUBE ASSY-PRESSURE SYS POSITION DATA: CTR TUBING MATERIAL: .250 IN. OD .016 IN. WALL 12.00 IN. LG TI	103106	1
- 220	AS1581T04		..SLEEVE	103106	2
- 225	BACN10YA4		..NUT	103106	2
230	271N6121-1019		.TUBE ASSY-RETURN SYS POSITION DATA: CTR TUBING MATERIAL: .375 IN. OD .035 IN. WALL 12.00 IN. LG AL	103106	1
- 235	AP2097HP06		..SLEEVE SUPPLIER CODE: V01673 SPECIFICATION NUMBER: BACS13BX06HP OPTIONAL PART: 2-02903-06HP V11328 35235VN06 V08199 AFP175V06P V30974 DBOS13BX06HP V14798	103106	2
- 240	BACN10YL06		..NUT	103106	2

MISSING ITEM NUMBERS NOT APPLICABLE

- ITEM NOT ILLUSTRATED

27-61-02-08

27-61-02  
FIG. 08  
PAGE 5  
JAN 20/09

BRI



757

PARTS CATALOG (MAINTENANCE)

FIG ITEM	PART NUMBER	1 2 3 4 5 6 7	NOMENCLATURE	EFFECT FROM TO	UNITS PER ASSY
8					
245	271N6121-1095		.TUBE ASSY-PRESSURE SYS POSITION DATA: R TUBING MATERIAL: .375 IN. OD .019 IN. WALL 25.20 IN. LG TI	103106	1
- 250	AS1581T06		..SLEEVE	103106	2
- 255	BACN10YA6		..NUT	103106	2
260	271N6121-1071		.TUBE ASSY-RETURN SYS POSITION DATA: R TUBING MATERIAL: .375 IN. OD .035 IN. WALL 32.25 IN. LG AL	103106	1
- 265	AP2097HP06		..SLEEVE SUPPLIER CODE: V01673 SPECIFICATION NUMBER: BACS13BX06HP OPTIONAL PART: 2-02903-06HP V11328 35235VN06 V08199 AFP175V06P V30974 DBOS13BX06HP V14798	103106	1
- 270	BACN10YL06		..NUT	103106	1
- 275	35056GV06		..UNION SUPPLIER CODE: V08199 SPECIFICATION NUMBER: BACU24AB6W OPTIONAL PART: 2-01027-6W V11328 31875-6W V14397 4671097W6 V50948 AP1004W06 V01673 AFP941W6 V30974 DBOU24AB6W V14798	103106	1

MISSING ITEM NUMBERS NOT APPLICABLE

- ITEM NOT ILLUSTRATED

27-61-02-08

27-61-02  
FIG. 08  
PAGE 6  
JAN 20/09

BRI

BOEING PROPRIETARY - Copyright © - Unpublished Work - See title page for details.



757

PARTS CATALOG (MAINTENANCE)

FIG ITEM	PART NUMBER	1 2 3 4 5 6 7	NOMENCLATURE	EFFECT FROM TO	UNITS PER ASSY
8					
280	271N6121-1097		.TUBE ASSY-PRESSURE SYS POSITION DATA: R TUBING MATERIAL: .250 IN. OD .016 IN. WALL 17.00 IN. LG TI	103106	1
- 285	AS1581T04		..SLEEVE	103106	2
- 290	BACN10YA4		..NUT	103106	2
295	271N6121-1081		.TUBE ASSY-PRESSURE SYS POSITION DATA: R TUBING MATERIAL: .375 IN. OD .035 IN. WALL 14.50 IN. LG AL	103106	1
- 300	AP2097HP06		..SLEEVE SUPPLIER CODE: V01673 SPECIFICATION NUMBER: BACS13BX06HP OPTIONAL PART: 2-02903-06HP V11328 35235VN06 V08199 AFP175V06P V30974 DBOS13BX06HP V14798	103106	2
- 305	BACN10YL06		..NUT	103106	2
310	271N6121-1073		.TUBE ASSY-RETURN SYS POSITION DATA: R TUBING MATERIAL: .375 IN. OD .035 IN. WALL 27.00 IN. LG AL	103106	1
- 315	AP2097HP06		..SLEEVE SUPPLIER CODE: V01673 SPECIFICATION NUMBER: BACS13BX06HP OPTIONAL PART: 2-02903-06HP V11328 35235VN06 V08199 AFP175V06P V30974 DBOS13BX06HP V14798	103106	2

MISSING ITEM NUMBERS NOT APPLICABLE

- ITEM NOT ILLUSTRATED

27-61-02-08

27-61-02  
FIG. 08  
PAGE 7  
JAN 20/09

BRI



757

PARTS CATALOG (MAINTENANCE)

FIG ITEM	PART NUMBER	1 2 3 4 5 6 7	NOMENCLATURE	EFFECT FROM TO	UNITS PER ASSY
8					
- 320	BACN10YL06	..	NUT	103106	2
325	271N6121-1096	.TUBE ASSY-PRESSURE SYS		103106	1
			POSITION DATA:		
			R		
			TUBING MATERIAL:		
			.375 IN. OD .019 IN.		
			WALL 30.00 IN. LG TI		
330	271N6121-1112	.TUBE ASSY-PRESSURE		103106	1
			TUBING MATERIAL:		
			.375 IN. OD .019 IN.		
			WALL 40.75 IN. LG TI		
- 335	AS1581T06	..	SLEEVE	103106	1
- 340	BACN10YA6	..	NUT	103106	1
- 343	AS1582T06	..	UNION	103106	1
345	271N6121-1113	.TUBE ASSY-RETURN SYS		103106	1
			POSITION DATA:		
			R		
			TUBING MATERIAL:		
			.375 IN. OD .035 IN.		
			WALL 67.00 IN. LG AL		
- 350	35056GV06	..	UNION	103106	2
			SUPPLIER CODE:		
			V08199		
			SPECIFICATION NUMBER:		
			BACU24AB6W		
			OPTIONAL PART:		
			2-01027-6W		
			V11328		
			31875-6W		
			V14397		
			4671097W6		
			V50948		
			AP1004W06		
			V01673		
			AFP941W6		
			V30974		
			DBOU24AB6W		
			V14798		
355	271N6121-1093	.TUBE ASSY-PRESSURE SYS		103106	1
			POSITION DATA:		
			R		
			TUBING MATERIAL:		
			.375 IN. OD .019 IN		
			WALL 30.00 IN. LG		
			TITANIUM		
- 360	AS1581T06	..	SLEEVE	103106	1
- 365	BACN10YA6	..	NUT	103106	1
- 370	AS1582T06	..	UNION	103106	1

MISSING ITEM NUMBERS NOT APPLICABLE

- ITEM NOT ILLUSTRATED

27-61-02-08

27-61-02  
FIG. 08  
PAGE 8  
JAN 20/09

BRI

BOEING PROPRIETARY - Copyright © - Unpublished Work - See title page for details.





**757  
PARTS CATALOG (MAINTENANCE)**

FIG ITEM	PART NUMBER	1 2 3 4 5 6 7	NOMENCLATURE	EFFECT FROM TO	UNITS PER ASSY
8					
375	271N6121-1078		.TUBE ASSY-PRESSURE SYS POSITION DATA: L TUBING MATERIAL: .250 IN. OD .016 IN. WALL 36.00 IN. LG TITANIUM	103106	1
- 380	AS1581T04		..SLEEVE	103106	2
- 385	BACN10YA4		..NUT	103106	2
390	271N6121-1079		.TUBE ASSY-RETURN SYS POSITION DATA: L TUBING MATERIAL: .375 IN. OD .035 IN. WALL 37.25 LG AL	103106	1
- 395	AP2097HP06		..SLEEVE SUPPLIER CODE: V01673 SPECIFICATION NUMBER: BACS13BX06HP OPTIONAL PART: 2-02903-06HP V11328 35235VN06 V08199 AFP175V06P V30974 DBOS13BX06HP V14798	103106	1
- 400	BACN10YL06		..NUT	103106	1
- 405	35056GV06		..UNION SUPPLIER CODE: V08199 SPECIFICATION NUMBER: BACU24AB6W OPTIONAL PART: 2-01027-6W V11328 31875-6W V14397 4671097W6 V50948 AP1004W06 V01673 AFP941W6 V30974 DBOU24AB6W V14798	103106	1

MISSING ITEM NUMBERS NOT APPLICABLE

- ITEM NOT ILLUSTRATED

# 27-61-02-08

27-61-02  
FIG. 08  
PAGE 9  
JAN 20/09

BRI



757

PARTS CATALOG (MAINTENANCE)

FIG ITEM	PART NUMBER	1 2 3 4 5 6 7	NOMENCLATURE	EFFECT FROM TO	UNITS PER ASSY
8					
410	271N6121-1076	.	TUBE ASSY-PRESSURE L SYS MANUFACTURED FROM: TUBING TITANIUM .375 IN. OD .019 IN. WALL 40.00 IN. LG	103106	1
- 415	AS1581T06	..	SLEEVE	103106	1
- 420	BACN10YA6	..	NUT	103106	1
- 425	AS1582T06	..	UNION	103106	1
430	271N6121-1077	.	TUBE ASSY-RETURN SYS POSITION DATA: L TUBING MATERIAL: .375 IN. OD .035 IN. WALL 43.00 IN. LG AL	103106	1
- 435	AP2097HP06	..	SLEEVE SUPPLIER CODE: V01673 SPECIFICATION NUMBER: BACS13BX06HP OPTIONAL PART: 2-02903-06HP V11328 35235VN06 V08199 AFP175V06P V30974 DBOS13BX06HP V14798	103106	2
- 440	BACN10YL06	..	NUT	103106	2
445	271N6121-1129	.	TUBE ASSY-PRESSURE SYS POSITION DATA: R TUBING MATERIAL: .375 IN. OD .019 IN. WALL 45.00 IN. LG TI	103106	1
- 450	AS1581T06	..	SLEEVE	103106	2
- 455	BACN10YA6	..	NUT	103106	1
460	271N6121-1099	.	TUBE ASSY-RETURN SYS POSITION DATA: R TUBING MATERIAL: .375 IN. OD .035 IN. WALL 48.00 IN. LG AL	103106	1

MISSING ITEM NUMBERS NOT APPLICABLE

- ITEM NOT ILLUSTRATED

27-61-02-08

27-61-02  
FIG. 08  
PAGE 10  
JAN 20/09

BRI



757

PARTS CATALOG (MAINTENANCE)

FIG ITEM	PART NUMBER	1 2 3 4 5 6 7	NOMENCLATURE	EFFECT FROM TO	UNITS PER ASSY
8 - 465	AP2097HP06	..	SLEEVE SUPPLIER CODE: V01673 SPECIFICATION NUMBER: BACS13BX06HP OPTIONAL PART: 2-02903-06HP V11328 35235VN06 V08199 AFP175V06P V30974 DBOS13BX06HP V14798	103106	2
- 470	BACN10YLO6	..	NUT	103106	2
475	271N6121-1101	.TUBE ASSY-RETURN SYS	POSITION DATA: R TUBING MATERIAL: .375 IN. OD .035 IN. WALL 13.00 IN. LG AL	103106	1
- 480	AP2097HP06	..	SLEEVE SUPPLIER CODE: V01673 SPECIFICATION NUMBER: BACS13BX06HP OPTIONAL PART: 2-02903-06HP V11328 35235VN06 V08199 AFP175V06P V30974 DBOS13BX06HP V14798	103106	2
- 485	BACN10YLO6	..	NUT	103106	2
490	271N6121-1126	.TUBE ASSY-PRESSURE SYS	POSITION DATA: R TUBING MATERIAL: .250 IN. OD .016 IN. WALL 8.00 IN. LG TI	103106	1
- 495	AS1581T04	..	SLEEVE	103106	2
- 500	BACN10YA4N	..	NUT	103106	2

MISSING ITEM NUMBERS NOT APPLICABLE

- ITEM NOT ILLUSTRATED

27-61-02-08

27-61-02  
FIG. 08  
PAGE 11  
JAN 20/09

BRI

BOEING PROPRIETARY - Copyright © - Unpublished Work - See title page for details.



757

PARTS CATALOG (MAINTENANCE)

FIG ITEM	PART NUMBER	1 2 3 4 5 6 7	NOMENCLATURE	EFFECT FROM TO	UNITS PER ASSY
8					
505	271N6121-1132		.TUBE ASSY-PRESSURE SYS POSITION DATA: L TUBING MATERIAL: .375 IN. OD .019 IN. WALL 17.7 IN. LG TITANIUM	103106	1
- 510	AS1581T06		..SLEEVE	103106	2
- 515	BACN10YA6		..NUT	103106	2
520	271N6121-1092		.TUBE ASSY-RETURN SYS POSITION DATA: L TUBING MATERIAL: .375 IN. OD .035 IN. WALL 23.00 IN. LG AL	103106	1
525	271N6121-1084		.TUBE ASSY-RETURN SYS POSITION DATA: L TUBING MATERIAL: .375 IN. OD .035 IN. WALL 22.00 IN. LG AL	103106	1
- 530	AP2097HP06		..SLEEVE SUPPLIER CODE: V01673 SPECIFICATION NUMBER: BACS13BX06HP OPTIONAL PART: 2-02903-06HP V11328 35235VN06 V08199 AFP175V06P V30974 DBOS13BX06HP V14798	103106	1
- 535	BACN10YLO6		..NUT	103106	1

MISSING ITEM NUMBERS NOT APPLICABLE

- ITEM NOT ILLUSTRATED

BRI

27-61-02-08

BOEING PROPRIETARY - Copyright © - Unpublished Work - See title page for details.

27-61-02  
FIG. 08  
PAGE 12  
JAN 20/09



757

PARTS CATALOG (MAINTENANCE)

FIG ITEM	PART NUMBER	1 2 3 4 5 6 7	NOMENCLATURE	EFFECT FROM TO	UNITS PER ASSY
8					
- 537	35056GV06		..UNION SUPPLIER CODE: V08199 SPECIFICATION NUMBER: BACU24AB6W OPTIONAL PART: 2-01027-6W V11328 31875-6W V14397 4671097W6 V50948 AP1004W06 V01673 AFP941W6 V30974 DBOU24AB6W V14798	103106	1
540	271N6121-1131		.TUBE ASSY-PRESSURE SYS POSITION DATA: L TUBING MATERIAL: .375 IN. OD .019 IN. WALL 17.7 IN. LG TITANIUM	103106	1
- 545	AS1581T06		..SLEEVE	103106	1
- 550	BACN10YA6		..NUT	103106	1
- 555	AS1582T06		..UNION	103106	1
560	BACU24L6		.UNION	103106	1
565	MS21924D6		.UNION	103106	1
570	NAS1761J0404		.ELBOW	103106	1

MISSING ITEM NUMBERS NOT APPLICABLE

- ITEM NOT ILLUSTRATED

27-61-02-08

27-61-02  
FIG. 08  
PAGE 13  
JAN 20/09

BRI



757

PARTS CATALOG (MAINTENANCE)

FIG ITEM	PART NUMBER	1 2 3 4 5 6 7	NOMENCLATURE	EFFECT FROM TO	UNITS PER ASSY
8 575	AFP2326-4	.	REDUCER SUPPLIER CODE: V30974 SPECIFICATION NUMBER: BACR17E6-4 OPTIONAL PART: AP10276-4 V01673 BC916T6-4 V50948 DB0R17E6-4 V14798 ER21916T6-4 V88334 ER31916-6-4 V88334 F23-6-4 V73197 2-01075T6-4 V11328 31778-6-4 V14397 US2114-6-4 V50808 AP1027T6-4 V01673 US21146-4 V50808 317786-4 V14397	103106	1
580	MS21905W6	.	TEE	103106	3
585	BACT16BL060604J	.	TEE	103106	3
590	AS5178T06	.	NUT	103106	1
595	AS5178D06	.	NUT	103106	1
900			ILLUSTRATION REFERENCE: PLUMBING INSTL-SECT. 13 L WING OUTBD HYDR (AILERON AND AILERON TRIM CONTROL SYSTEM ONLY) 27-11-20-03	103106	RF
905			ILLUSTRATION REFERENCE: PLUMBING INSTL-SECT. 13 L WING OUTBD HYDR (AILERON AND AILERON TRIM CONTROL SYSTEM ONLY) 27-11-20-03	103106	RF

MISSING ITEM NUMBERS NOT APPLICABLE

- ITEM NOT ILLUSTRATED

27-61-02-08

27-61-02  
FIG. 08  
PAGE 14  
JAN 20/09

BRI



757

PARTS CATALOG (MAINTENANCE)

FIG ITEM	PART NUMBER	1 2 3 4 5 6 7	NOMENCLATURE	EFFECT FROM TO	UNITS PER ASSY
8					
910			ILLUSTRATION REFERENCE: PLUMBING INSTL-SECT. 12 L WING HYDR (HYDRAULIC POWER ONLY) 29-11-51-26	103106	RF
915			ILLUSTRATION REFERENCE: PLUMBING INSTL-SECT. 12 L WING HYDR (HYDRAULIC POWER ONLY) 29-11-51-26	103106	RF
920			ILLUSTRATION REFERENCE: ACTUATOR INSTL-SPOILER NO. 1 THRU 5 AND 8 THRU 12 (SPOILER POWER CONTROL ACTUATOR ONLY) 27-61-02-01	103106	RF
925			ILLUSTRATION REFERENCE: PLUMBING INSTL-SECT. 12 L TRAILING EDGE CTR SYS (SPOILER POWER CONTROL ACTUATOR ONLY) 27-61-02-05	103106	RF

MISSING ITEM NUMBERS NOT APPLICABLE

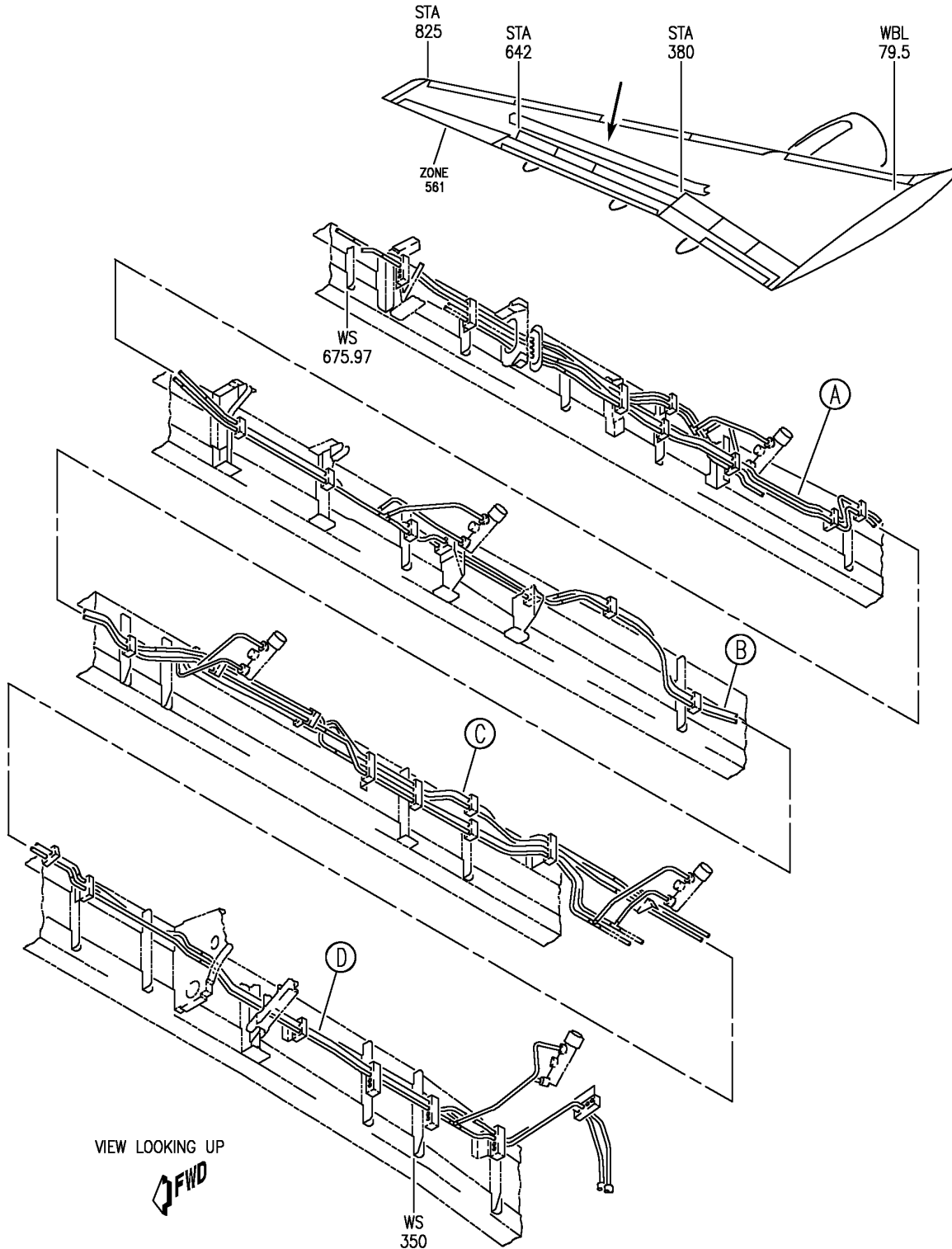
- ITEM NOT ILLUSTRATED

**27-61-02-08**

27-61-02  
FIG. 08  
PAGE 15  
JAN 20/09

BRI

**BOEING**  
757  
PARTS CATALOG (MAINTENANCE)



Y 27610209 SHT 1 REV 262

PLUMBING INSTL-SECT. 13 L WING OUTBD HYDR (SPOILER POWER CONTROL SYSTEM ONLY)  
FIGURE 9 (SHEET 1)

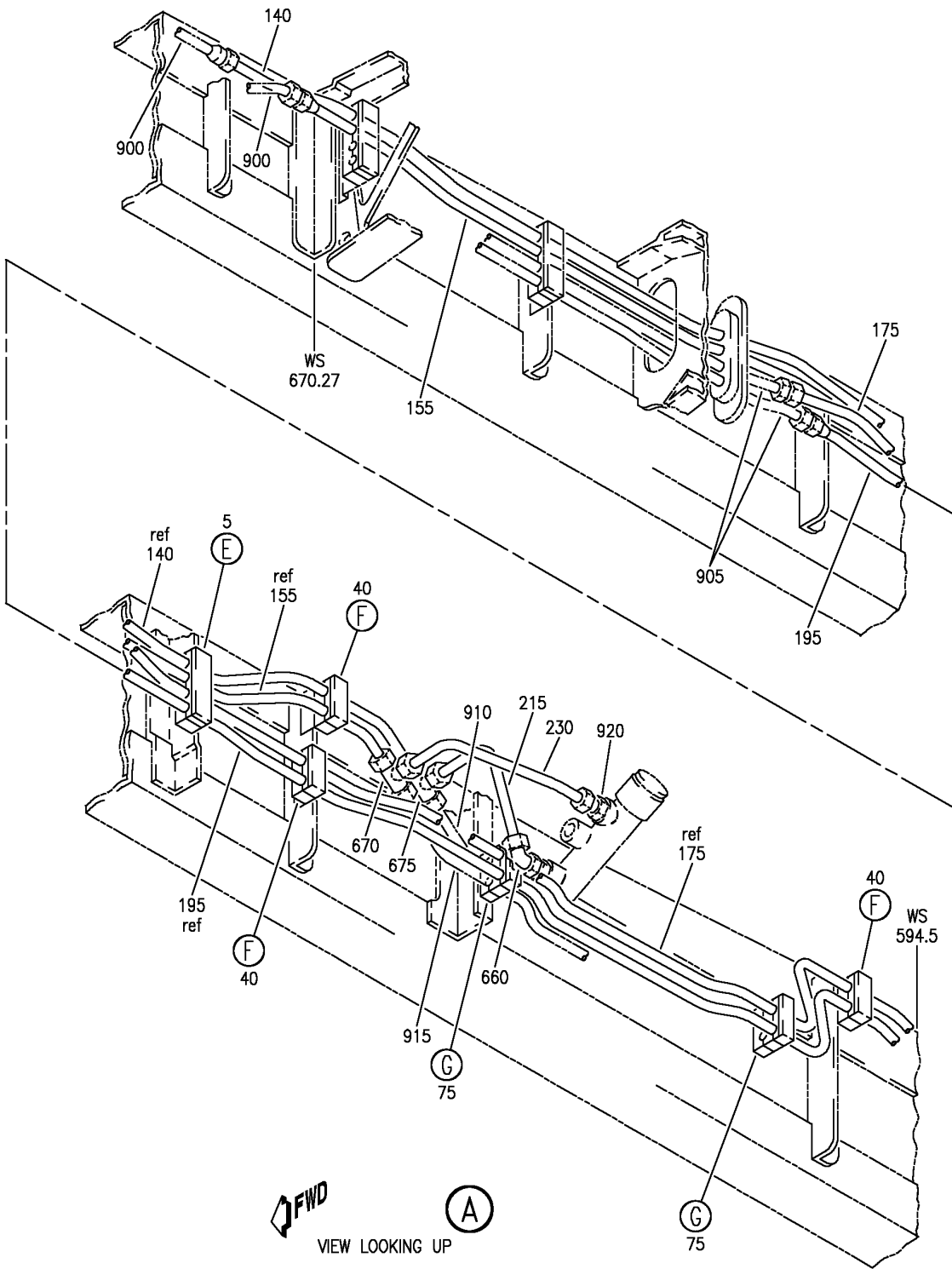
BRI  
MAY 28/07

**27-61-02-09**

27-61-02-09  
PAGE 0



**BOEING**  
757  
PARTS CATALOG (MAINTENANCE)



Y 27610209 SH1 2 REV 262

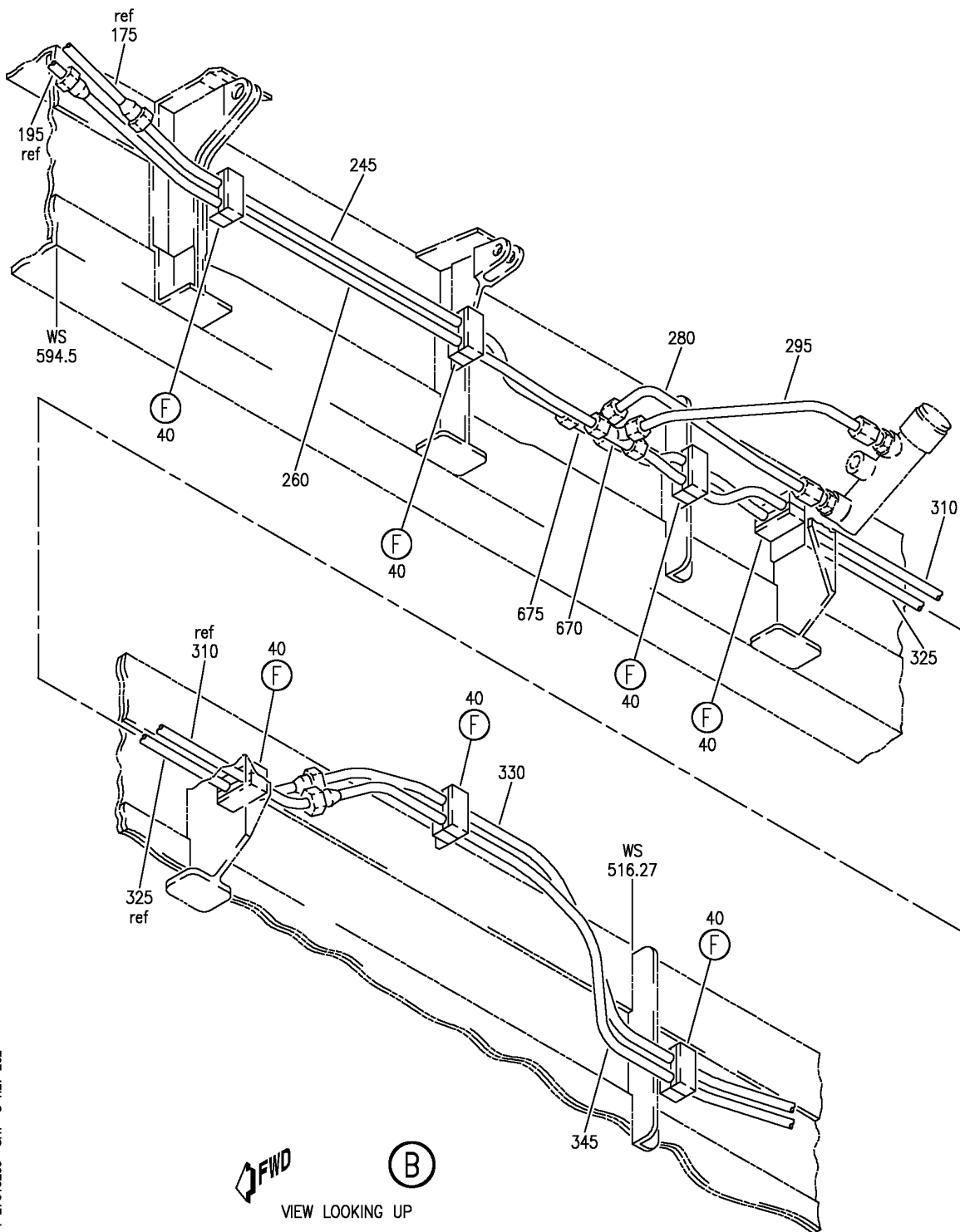
PLUMBING INSTL-SECT. 13 L WING OUTBD HYDR (SPOILER POWER CONTROL SYSTEM ONLY)  
FIGURE 9 (SHEET 2)

**27-61-02-09**

BRI  
MAY 28/07

27-61-02-09  
PAGE 0A

**BOEING**  
 757  
 PARTS CATALOG (MAINTENANCE)



Y 27610209 SH1 3 REV 262

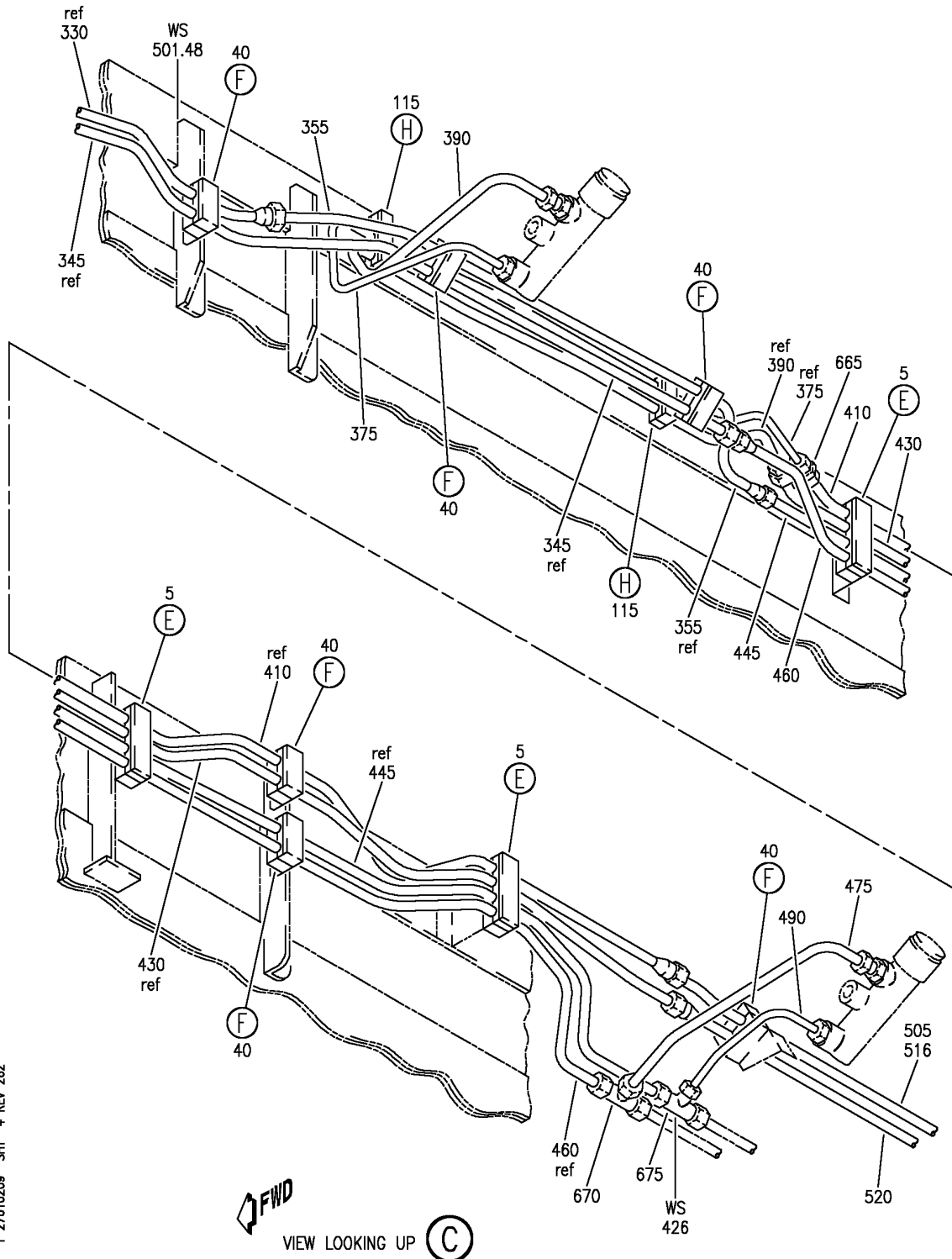
PLUMBING INSTL-SECT. 13 L WING OUTBD HYDR (SPOILER POWER CONTROL SYSTEM ONLY)  
 FIGURE 9 (SHEET 3)

**27-61-02-09**

BRI  
 MAY 28/07

27-61-02-09  
 PAGE 0B

**BOEING**  
757  
**PARTS CATALOG (MAINTENANCE)**



Y 27610208 SHT 4 REV 262

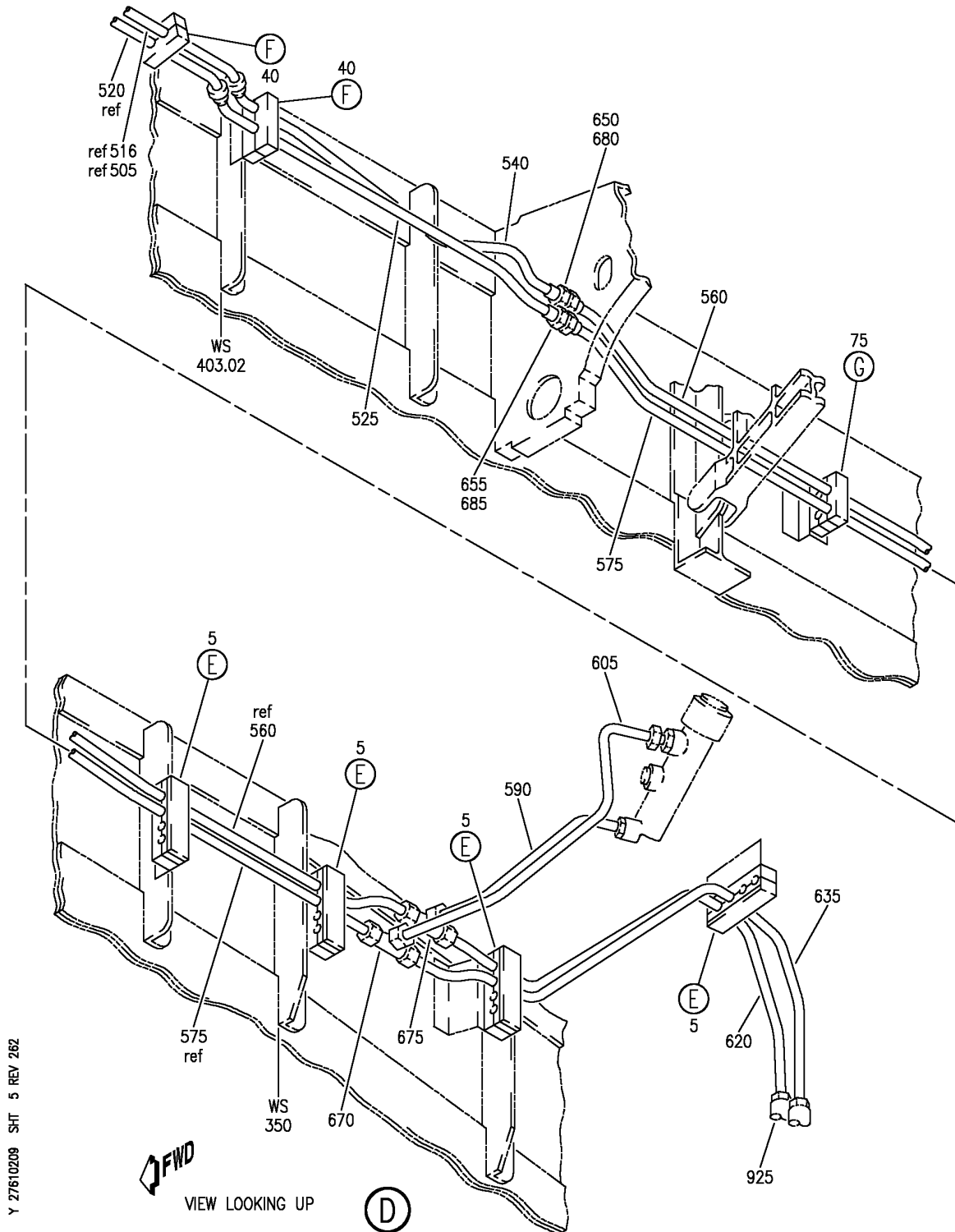
PLUMBING INSTL-SECT. 13 L WING OUTBD HYDR (SPOILER POWER CONTROL SYSTEM ONLY)  
FIGURE 9 (SHEET 4)

BRI  
MAY 28/07

**27-61-02-09**

27-61-02-09  
PAGE 0C

**BOEING**  
757  
PARTS CATALOG (MAINTENANCE)



Y 27610209 SH1 5 REV 262

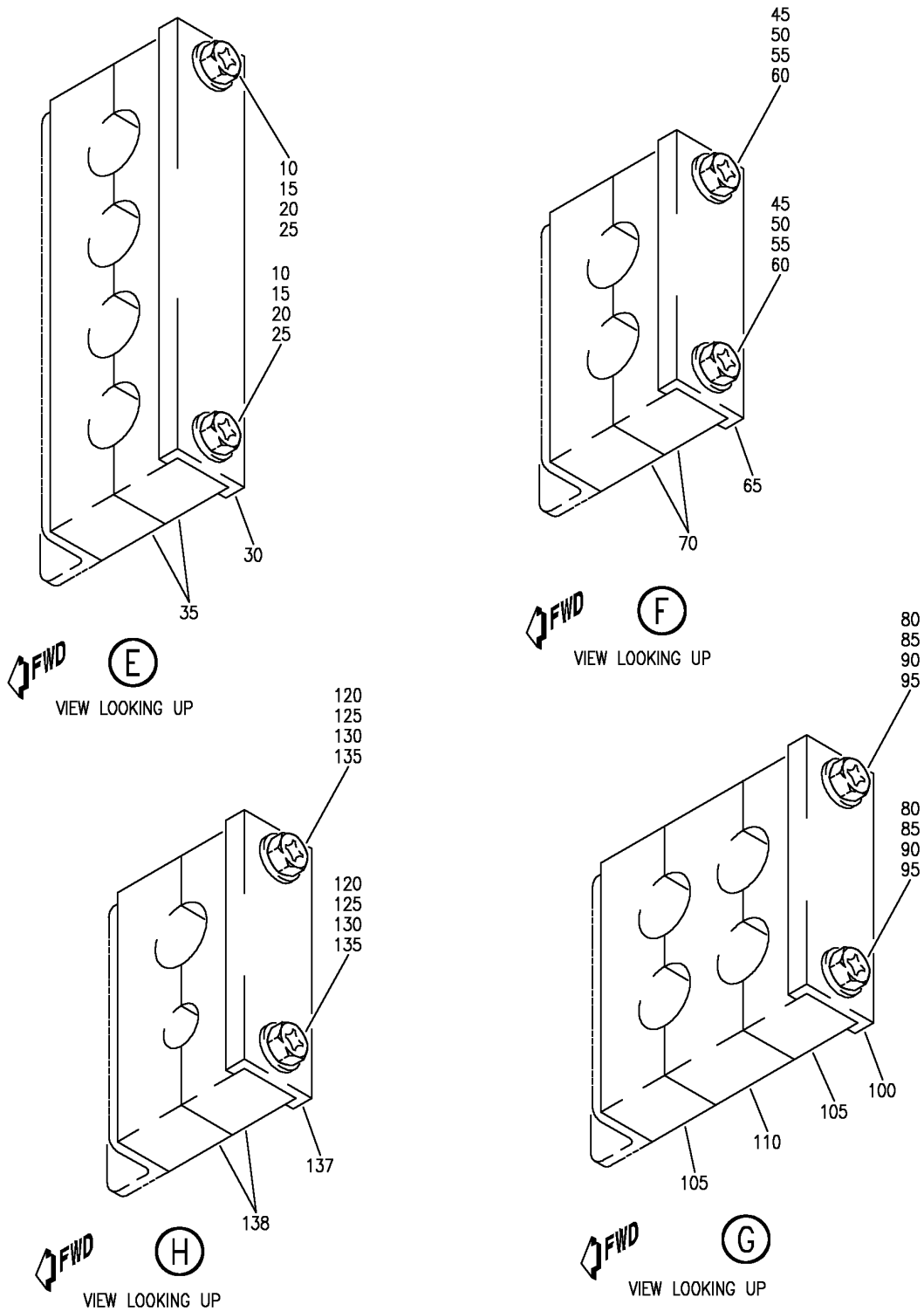
PLUMBING INSTL-SECT. 13 L WING OUTBD HYDR (SPOILER POWER CONTROL SYSTEM ONLY)  
FIGURE 9 (SHEET 5)

BRI  
MAY 28/07

**27-61-02-09**

27-61-02-09  
PAGE 0D

**BOEING**  
757  
**PARTS CATALOG (MAINTENANCE)**



Y 27610209 SH- 6 REV 262

PLUMBING INSTL-SECT. 13 L WING OUTBD HYDR (SPOILER POWER CONTROL SYSTEM ONLY)  
FIGURE 9 (SHEET 6)

BRI  
MAY 28/07

**27-61-02-09**

27-61-02-09  
PAGE 0E



757

PARTS CATALOG (MAINTENANCE)

FIG ITEM	PART NUMBER	1 2 3 4 5 6 7	NOMENCLATURE	EFFECT FROM TO	UNITS PER ASSY
9			PLUMBING INSTL-SECT. 13 L WING OUTBD HYDR (SPOILER POWER CONTROL SYSTEM ONLY)	002004 006102 107999	
- 1	271N6121-1		PLUMBING INSTL-SECT. 13 WING HYDR (SPOILER POWER CONTROL SYSTEM ONLY) POSITION DATA: L OUTBD FOR NHA/OTHER SYS DET SEE: 29-00-51-01	002004 006100 107107 121503 904999	RF
- 1	271N6121-5		PLUMBING INSTL-SECT. 13 WING HYDR (SPOILER POWER CONTROL SYSTEM ONLY) POSITION DATA: L OUTBD FOR NHA SEE: 27-00-00-03	101102 108120 504903	RF
5	270N2000-1		.CLAMP ASSY-BLK	002004 006102 107999	8
10	NAS1801-3-24		..SCREW	002004 006102 107999	2
15	AN960PD10L		..WASHER	002004 006102 107999	2
20	NAS43DD3-59		..SPACER	002004 006102 107999	2

MISSING ITEM NUMBERS NOT APPLICABLE

- ITEM NOT ILLUSTRATED

BRI

27-61-02-09

27-61-02  
FIG. 09  
PAGE 1  
JAN 20/09



757

PARTS CATALOG (MAINTENANCE)

FIG ITEM	PART NUMBER	1 2 3 4 5 6 7	NOMENCLATURE	EFFECT FROM TO	UNITS PER ASSY
9					
25	BRH10A3	..	NUT SUPPLIER CODE: V52828 SPECIFICATION NUMBER: BACN10JC3 OPTIONAL PART: H10-3BAC V15653 NS202101-02 V80539 RMLH9075-3W V72962 VN303A02 V92215 96-02 V80539 T6S1032J V11815	002004 006102 107999	2
30	270N2000-800	..	CHANNEL- OPTIONAL PART: 270N2000-894	002004 006102 107999	1
30	270N2000-894	..	CHANNEL- OPTIONAL PART: 270N2000-800	002004 006102 107999	1
35	270N2000-400	..	BLOCK	002004 006102 107999	2
40	270N2000-3	.	CLAMP ASSY-BLK	002004 006102 107999	18
45	NAS1801-3-24	..	SCREW	002004 006102 107999	2
50	AN960PD10L	..	WASHER	002004 006102 107999	2
55	NAS43DD3-59	..	SPACER	002004 006102 107999	2

MISSING ITEM NUMBERS NOT APPLICABLE

- ITEM NOT ILLUSTRATED

BRI

27-61-02-09

BOEING PROPRIETARY - Copyright © - Unpublished Work - See title page for details.

27-61-02  
FIG. 09  
PAGE 2  
JAN 20/09



757

PARTS CATALOG (MAINTENANCE)

FIG ITEM	PART NUMBER	1 2 3 4 5 6 7	NOMENCLATURE	EFFECT FROM TO	UNITS PER ASSY
9					
60	BRH10A3	. .	NUT SUPPLIER CODE: V52828 SPECIFICATION NUMBER: BACN10JC3 OPTIONAL PART: H10-3BAC V15653 NS202101-02 V80539 RMLH9075-3W V72962 VN303A02 V92215 96-02 V80539 T6S1032J V11815	002004 006102 107999	2
65	270N2000-801	. .	CHANNEL	002004 006102 107999	1
70	270N2000-401	. .	BLOCK	002004 006102 107999	2
75	270N2000-2	. .	CLAMP ASSY-BLK	002004 006102 107999	3
80	NAS1801-3-24	. .	SCREW	002004 006102 107999	2
85	AN960PD10L	. .	WASHER	002004 006102 107999	2
90	NAS43DD3-100	. .	SPACER	002004 006102 107999	2

MISSING ITEM NUMBERS NOT APPLICABLE

- ITEM NOT ILLUSTRATED

27-61-02-09

27-61-02  
FIG. 09  
PAGE 3  
JAN 20/09

BRI

BOEING PROPRIETARY - Copyright © - Unpublished Work - See title page for details.





757

PARTS CATALOG (MAINTENANCE)

FIG ITEM	PART NUMBER	1 2 3 4 5 6 7	NOMENCLATURE	EFFECT FROM TO	UNITS PER ASSY
9	95 BRH10A3	. .	NUT SUPPLIER CODE: V52828 SPECIFICATION NUMBER: BACN10JC3 OPTIONAL PART: H10-3BAC V15653 NS202101-02 V80539 RMLH9075-3W V72962 VN303A02 V92215 96-02 V80539 T6S1032J V11815	002004 006102 107999	2
100	270N2000-801	. .	CHANNEL	002004 006102 107999	1
105	270N2000-401	. .	BLOCK	002004 006102 107999	2
110	270N2000-402	. .	BLOCK	002004 006102 107999	1
115	270N2000-178	. .	CLAMP ASSY-BLK	002004 006102 107999	2
120	NAS1801-3-24	. .	SCREW	002004 006102 107999	2
125	AN960PD10L	. .	WASHER	002004 006102 107999	2
130	NAS43DD3-59	. .	SPACER	002004 006102 107999	2

MISSING ITEM NUMBERS NOT APPLICABLE

- ITEM NOT ILLUSTRATED

27-61-02-09

27-61-02  
FIG. 09  
PAGE 4  
JAN 20/09

BRI

BOEING PROPRIETARY - Copyright © - Unpublished Work - See title page for details.



757

PARTS CATALOG (MAINTENANCE)

FIG ITEM	PART NUMBER	1 2 3 4 5 6 7	NOMENCLATURE	EFFECT FROM TO	UNITS PER ASSY
9 135	BRH10A3	..	NUT SUPPLIER CODE: V52828 SPECIFICATION NUMBER: BACN10JC3 OPTIONAL PART: H10-3BAC V15653 NS202101-02 V80539 RMLH9075-3W V72962 VN303A02 V92215 96-02 V80539 T6S1032J V11815	002004 006102 107999	2
137	270N2000-801	..	CHANNEL	002004 006102 107999	1
138	270N2000-650	..	BLOCK	002004 006102 107999	2
140	271N6121-1013	.TUBE ASSY-PRESSURE SYS POSITION DATA: CTR TUBING MATERIAL: .375 IN. OD .019 IN. WALL 54.00 IN. LG TITANIUM	002004 006102 107999	1	
- 145	AS1581T06	..	SLEEVE	002004 006102 107999	2
- 150	BACN10YA6	..	NUT	002004 006102 107999	2
155	271N6121-1014	.TUBE ASSY-RETURN SYS POSITION DATA: CTR TUBING MATERIAL: .375 IN. OD .035 IN. WALL 51.00 IN. LG AL	002004 006102 107999	1	

MISSING ITEM NUMBERS NOT APPLICABLE

- ITEM NOT ILLUSTRATED

27-61-02-09

27-61-02  
FIG. 09  
PAGE 5  
JAN 20/09

BRI



757

PARTS CATALOG (MAINTENANCE)

FIG ITEM	PART NUMBER	1 2 3 4 5 6 7	NOMENCLATURE	EFFECT FROM TO	UNITS PER ASSY
9					
- 160	AP2097HP06	..	SLEEVE SUPPLIER CODE: V01673 SPECIFICATION NUMBER: BACS13BX06HP OPTIONAL PART: 2-02903-06HP V11328 35235VN06 V08199 AFP175V06P V30974 DBOS13BX06HP V14798	002004 006102 107999	1
- 165	BACN10YLO6	..	NUT	002004 006102 107999	1
- 170	35056GV06	..	UNION SUPPLIER CODE: V08199 SPECIFICATION NUMBER: BACU24AB6W OPTIONAL PART: 2-01027-6W V11328 31875-6W V14397 4671097W6 V50948 AP1004W06 V01673 AFP941W6 V30974 DBOU24AB6W V14798	002004 006102 107999	1
175	271N6121-1068	.TUBE ASSY-PRESSURE SYS POSITION DATA: R TUBING MATERIAL: .375 IN. OD .019 IN. WALL 58.50 IN. LG TI		002004 006102 107999	1
- 180	AS1581T06	..	SLEEVE	002004 006102 107999	1
- 185	BACN10YA6	..	NUT	002004 006102 107999	1

MISSING ITEM NUMBERS NOT APPLICABLE

- ITEM NOT ILLUSTRATED

BRI

27-61-02-09

BOEING PROPRIETARY - Copyright © - Unpublished Work - See title page for details.

27-61-02  
FIG. 09  
PAGE 6  
JAN 20/09



757

PARTS CATALOG (MAINTENANCE)

FIG ITEM	PART NUMBER	1 2 3 4 5 6 7	NOMENCLATURE	EFFECT FROM TO	UNITS PER ASSY
9					
- 190	AS1582T06		.. UNION	002004 006102 107999	1
195	271N6121-1130		. TUBE ASSY-RETURN SYS POSITION DATA: R TUBING MATERIAL: .375 IN. OD .035 IN. WALL 54.00 IN. LG AL	002004 006102 107999	1
- 200	AP2097HP06		.. SLEEVE SUPPLIER CODE: V01673 SPECIFICATION NUMBER: BACS13BX06HP OPTIONAL PART: 2-02903-06HP V11328 35235VN06 V08199 AFP175V06P V30974 DBOS13BX06HP V14798	002004 006102 107999	1
- 205	BACN10YL06		.. NUT	002004 006102 107999	1
- 210	35056GV06		.. UNION SUPPLIER CODE: V08199 SPECIFICATION NUMBER: BACU24AB6W OPTIONAL PART: 2-01027-6W V11328 31875-6W V14397 4671097W6 V50948 AP1004W06 V01673 AFP941W6 V30974 DBOU24AB6W V14798	002004 006102 107999	1

MISSING ITEM NUMBERS NOT APPLICABLE

- ITEM NOT ILLUSTRATED

BRI

27-61-02-09

27-61-02  
FIG. 09  
PAGE 7  
JAN 20/09



757

PARTS CATALOG (MAINTENANCE)

FIG ITEM	PART NUMBER	1 2 3 4 5 6 7	NOMENCLATURE	EFFECT FROM TO	UNITS PER ASSY
9					
215	271N6121-1020		.TUBE ASSY-PRESSURE SYS POSITION DATA: CTR TUBING MATERIAL: .250 IN. OD .016 IN. WALL 12.00 IN. LG TI	002004 006102 107999	1
- 220	AS1581T04		..SLEEVE	002004 006102 107999	2
- 225	BACN10YA4		..NUT	002004 006102 107999	2
230	271N6121-1019		.TUBE ASSY-RETURN SYS POSITION DATA: CTR TUBING MATERIAL: .375 IN. OD .035 IN. WALL 12.00 IN. LG AL	002004 006102 107999	1
- 235	AP2097HP06		..SLEEVE SUPPLIER CODE: V01673 SPECIFICATION NUMBER: BACS13BX06HP OPTIONAL PART: 2-02903-06HP V11328 35235VN06 V08199 AFP175V06P V30974 DBOS13BX06HP V14798	002004 006102 107999	2
- 240	BACN10YLO6		..NUT	002004 006102 107999	2
245	271N6121-1095		.TUBE ASSY-PRESSURE SYS POSITION DATA: R TUBING MATERIAL: .375 IN. OD .019 IN. WALL 25.20 IN. LG TI	002004 006102 107999	1
- 250	AS1581T06		..SLEEVE	002004 006102 107999	2
- 255	BACN10YA6		..NUT	002004 006102 107999	2

MISSING ITEM NUMBERS NOT APPLICABLE

- ITEM NOT ILLUSTRATED

27-61-02-09

27-61-02  
FIG. 09  
PAGE 8  
JAN 20/09

BRI



757

PARTS CATALOG (MAINTENANCE)

FIG ITEM	PART NUMBER	1 2 3 4 5 6 7	NOMENCLATURE	EFFECT FROM TO	UNITS PER ASSY
9 260	271N6121-1071		.TUBE ASSY-RETURN SYS POSITION DATA: R TUBING MATERIAL: .375 IN. OD .035 IN. WALL 32.25 IN. LG AL	002004 006102 107999	1
- 265	AP2097HP06		..SLEEVE SUPPLIER CODE: V01673 SPECIFICATION NUMBER: BACS13BX06HP OPTIONAL PART: 2-02903-06HP V11328 35235VN06 V08199 AFP175V06P V30974 DBOS13BX06HP V14798	002004 006102 107999	1
- 270	BACN10YLO6		..NUT	002004 006102 107999	1
- 275	35056GV06		..UNION SUPPLIER CODE: V08199 SPECIFICATION NUMBER: BACU24AB6W OPTIONAL PART: 2-01027-6W V11328 31875-6W V14397 4671097W6 V50948 AP1004W06 V01673 AFP941W6 V30974 DBOU24AB6W V14798	002004 006102 107999	1
280	271N6121-1097		.TUBE ASSY-PRESSURE SYS POSITION DATA: R TUBING MATERIAL: .250 IN. OD .016 IN. WALL 17.00 IN. LG TI	002004 006102 107999	1

MISSING ITEM NUMBERS NOT APPLICABLE

- ITEM NOT ILLUSTRATED

BRI

27-61-02-09

27-61-02  
FIG. 09  
PAGE 9  
JAN 20/09



757

PARTS CATALOG (MAINTENANCE)

FIG ITEM	PART NUMBER	1 2 3 4 5 6 7	NOMENCLATURE	EFFECT FROM TO	UNITS PER ASSY
9					
- 285	AS1581T04	..	SLEEVE	002004 006102 107999	2
- 290	BACN10YA4	..	NUT	002004 006102 107999	2
295	271N6121-1081	.TUBE	ASSY-PRESSURE SYS POSITION DATA: R TUBING MATERIAL: .375 IN. OD .035 IN. WALL 14.50 IN. LG AL	002004 006102 107999	1
- 300	AP2097HP06	..	SLEEVE SUPPLIER CODE: V01673 SPECIFICATION NUMBER: BACS13BX06HP OPTIONAL PART: 2-02903-06HP V11328 35235VN06 V08199 AFP175V06P V30974 DBOS13BX06HP V14798	002004 006102 107999	2
- 305	BACN10YL06	..	NUT	002004 006102 107999	2
310	271N6121-1073	.TUBE	ASSY-RETURN SYS POSITION DATA: R TUBING MATERIAL: .375 IN. OD .035 IN. WALL 27.00 IN. LG AL	002004 006102 107999	1
- 315	AP2097HP06	..	SLEEVE SUPPLIER CODE: V01673 SPECIFICATION NUMBER: BACS13BX06HP OPTIONAL PART: 2-02903-06HP V11328 35235VN06 V08199 AFP175V06P V30974 DBOS13BX06HP V14798	002004 006102 107999	2

MISSING ITEM NUMBERS NOT APPLICABLE

- ITEM NOT ILLUSTRATED

27-61-02-09

27-61-02  
FIG. 09  
PAGE 10  
JAN 20/09

BRI



757

PARTS CATALOG (MAINTENANCE)

FIG ITEM	PART NUMBER	1 2 3 4 5 6 7	NOMENCLATURE	EFFECT FROM TO	UNITS PER ASSY
9					
- 320	BACN10YL06	..	NUT	002004 006102 107999	2
325	271N6121-1096	.	TUBE ASSY-PRESSURE SYS POSITION DATA: R TUBING MATERIAL: .375 IN. OD .019 IN. WALL 30.00 IN. LG TI	002004 006102 107999	1
330	271N6121-1074	.	TUBE ASSY-PRESSURE TUBING MATERIAL: .375 IN. OD .019 IN. WALL 41.50 IN LG TITANIUM	002004 006102 107999	1
330	271N6121-1112	.	TUBE ASSY-PRESSURE TUBING MATERIAL: .375 IN. OD .019 IN. WALL 40.75 IN. LG TI	002004 006102 107999	1
- 335	AS1581T06	..	SLEEVE	002004 006102 107999	1
- 340	BACN10YA6	..	NUT	002004 006102 107999	1
- 342	AS1582T06	..	UNION	002004 006102 107999	1
345	271N6121-1075	.	TUBE ASSY-RETURN SYS POSITION DATA: R TUBING MATERIAL: .375 IN. OD .035 IN. WALL 68.00 IN. LG AL	002004 006102 107999	1
345	271N6121-1113	.	TUBE ASSY-RETURN SYS POSITION DATA: R TUBING MATERIAL: .375 IN. OD .035 IN. WALL 67.00 IN. LG AL	002004 006102 107999	1

MISSING ITEM NUMBERS NOT APPLICABLE

- ITEM NOT ILLUSTRATED

BRI

27-61-02-09

BOEING PROPRIETARY - Copyright © - Unpublished Work - See title page for details.

27-61-02  
FIG. 09  
PAGE 11  
JAN 20/09





757

PARTS CATALOG (MAINTENANCE)

FIG ITEM	PART NUMBER	1 2 3 4 5 6 7	NOMENCLATURE	EFFECT FROM TO	UNITS PER ASSY
9					
- 350	35056GV06	..	UNION SUPPLIER CODE: V08199 SPECIFICATION NUMBER: BACU24AB6W OPTIONAL PART: 2-01027-6W V11328 31875-6W V14397 4671097W6 V50948 AP1004W06 V01673 AFP941W6 V30974 DBOU24AB6W V14798	002004 006102 107999	2
355	271N6121-1093	.TUBE ASSY-PRESSURE SYS POSITION DATA: R TUBING MATERIAL: .375 IN. OD .019 IN. WALL 30.00 IN. LG TITANIUM		002004 006102 107999	1
- 360	AS1581T06	..	SLEEVE	002004 006102 107999	1
- 365	BACN10YA6	..	NUT	002004 006102 107999	1
- 370	AS1582T06	..	UNION	002004 006102 107999	1
375	271N6121-1078	.TUBE ASSY-PRESSURE SYS POSITION DATA: L TUBING MATERIAL: .250 IN. OD .016 IN. WALL 36.00 IN. LG TITANIUM		002004 006102 107999	1
- 380	AS1581T04	..	SLEEVE	002004 006102 107999	2
- 385	BACN10YA4	..	NUT	002004 006102 107999	2

MISSING ITEM NUMBERS NOT APPLICABLE

- ITEM NOT ILLUSTRATED

27-61-02-09

27-61-02  
FIG. 09  
PAGE 12  
JAN 20/09

BRI

BOEING PROPRIETARY - Copyright © - Unpublished Work - See title page for details.



757

PARTS CATALOG (MAINTENANCE)

FIG ITEM	PART NUMBER	1 2 3 4 5 6 7	NOMENCLATURE	EFFECT FROM TO	UNITS PER ASSY
9 390	271N6121-1079		.TUBE ASSY-RETURN SYS POSITION DATA: L TUBING MATERIAL: .375 IN. OD .035 IN. WALL 37.25 LG AL	002004 006102 107999	1
- 395	AP2097HP06		..SLEEVE SUPPLIER CODE: V01673 SPECIFICATION NUMBER: BACS13BX06HP OPTIONAL PART: 2-02903-06HP V11328 35235VN06 V08199 AFP175V06P V30974 DBOS13BX06HP V14798	002004 006102 107999	1
- 400	BACN10YL06		..NUT	002004 006102 107999	1
- 405	35056GV06		..UNION SUPPLIER CODE: V08199 SPECIFICATION NUMBER: BACU24AB6W OPTIONAL PART: 2-01027-6W V11328 31875-6W V14397 4671097W6 V50948 AP1004W06 V01673 AFP941W6 V30974 DBOU24AB6W V14798	002004 006102 107999	1
410	271N6121-1076		.TUBE ASSY-PRESSURE L SYS MANUFACTURED FROM: TUBING TITANIUM .375 IN. OD .019 IN. WALL 40.00 IN. LG	002004 006102 107999	1

MISSING ITEM NUMBERS NOT APPLICABLE

- ITEM NOT ILLUSTRATED

BRI

27-61-02-09

27-61-02  
FIG. 09  
PAGE 13  
JAN 20/09



757

PARTS CATALOG (MAINTENANCE)

FIG ITEM	PART NUMBER	1 2 3 4 5 6 7	NOMENCLATURE	EFFECT FROM TO	UNITS PER ASSY
9					
- 415	AS1581T06	..	SLEEVE	002004 006102 107999	1
- 420	BACN10YA6	..	NUT	002004 006102 107999	1
- 425	AS1582T06	..	UNION	002004 006102 107999	1
430	271N6121-1077	.TUBE ASSY-RETURN SYS POSITION DATA: L TUBING MATERIAL: .375 IN. OD .035 IN. WALL 43.00 IN. LG AL		002004 006102 107999	1
- 435	AP2097HP06	..SLEEVE SUPPLIER CODE: V01673 SPECIFICATION NUMBER: BACS13BX06HP OPTIONAL PART: 2-02903-06HP V11328 35235VN06 V08199 AFP175V06P V30974 DBOS13BX06HP V14798		002004 006102 107999	2
- 440	BACN10YLO6	..	NUT	002004 006102 107999	2
445	271N6121-1129	.TUBE ASSY-PRESSURE SYS POSITION DATA: R TUBING MATERIAL: .375 IN. OD .019 IN. WALL 45.00 IN. LG TI		002004 006102 107999	1
- 450	AS1581T06	..	SLEEVE	002004 006102 107999	2
- 455	BACN10YA6	..	NUT	002004 006102 107999	2

MISSING ITEM NUMBERS NOT APPLICABLE

- ITEM NOT ILLUSTRATED

27-61-02-09

27-61-02  
FIG. 09  
PAGE 14  
JAN 20/09

BRI



757

PARTS CATALOG (MAINTENANCE)

FIG ITEM	PART NUMBER	1 2 3 4 5 6 7	NOMENCLATURE	EFFECT FROM TO	UNITS PER ASSY
9 460	271N6121-1099		.TUBE ASSY-RETURN SYS POSITION DATA: R TUBING MATERIAL: .375 IN. OD .035 IN. WALL 48.00 IN. LG AL	002004 006102 107999	1
- 465	AP2097HP06		..SLEEVE SUPPLIER CODE: V01673 SPECIFICATION NUMBER: BACS13BX06HP OPTIONAL PART: 2-02903-06HP V11328 35235VN06 V08199 AFP175V06P V30974 DBOS13BX06HP V14798	002004 006102 107999	2
- 470	BACN10YL06		..NUT	002004 006102 107999	2
475	271N6121-1101		.TUBE ASSY-RETURN SYS POSITION DATA: R TUBING MATERIAL: .375 IN. OD .035 IN. WALL 13.00 IN. LG AL	002004 006102 107999	1
- 480	AP2097HP06		..SLEEVE SUPPLIER CODE: V01673 SPECIFICATION NUMBER: BACS13BX06HP OPTIONAL PART: 2-02903-06HP V11328 35235VN06 V08199 AFP175V06P V30974 DBOS13BX06HP V14798	002004 006102 107999	2
- 485	BACN10YL06		..NUT	002004 006102 107999	2

MISSING ITEM NUMBERS NOT APPLICABLE

- ITEM NOT ILLUSTRATED

BRI

27-61-02-09

27-61-02  
FIG. 09  
PAGE 15  
JAN 20/09



757

PARTS CATALOG (MAINTENANCE)

FIG ITEM	PART NUMBER	1 2 3 4 5 6 7	NOMENCLATURE	EFFECT FROM TO	UNITS PER ASSY
9					
490	271N6121-1126		.TUBE ASSY-PRESSURE SYS POSITION DATA: R TUBING MATERIAL: .250 IN. OD .016 IN. WALL 8.00 IN. LG TI	002004 006102 107999	1
- 495	AS1581T04		..SLEEVE	002004 006102 107999	2
- 500	BACN10YA4		..NUT-	002004 006102 107999	2
- 500	BACN10YA4N		..NUT-	002004 006102 107999	2
505	271N6121-1132		.TUBE ASSY-PRESSURE SYS POSITION DATA: L TUBING MATERIAL: .375 IN. OD .019 IN. WALL 17.7 IN. LG TITANIUM	002004 006102 108999	1
- 510	AS1581T06		..SLEEVE	002004 006102 108999	2
- 515	BACN10YA6		..NUT	002004 006102 108999	2
516	271N6121-1091		.TUBE ASSY-PRESSURE SYS POSITION DATA: L TUBING MATERIAL: .35 IN. OD .019 IN. WALL 27.00 IN. LG TITANIUM	107107	1
- 517	AS1581T06		..SLEEVE	107107	1
- 518	AS1582T06		..UNION	107107	1
- 519	BACN10YA6		..NUT	107107	1
520	271N6121-1092		.TUBE ASSY-RETURN SYS POSITION DATA: L TUBING MATERIAL: .375 IN. OD .035 IN. WALL 23.00 IN. LG AL	002004 006102 107999	1

MISSING ITEM NUMBERS NOT APPLICABLE

- ITEM NOT ILLUSTRATED

27-61-02-09

27-61-02  
FIG. 09  
PAGE 16  
JAN 20/09

BRI



757

PARTS CATALOG (MAINTENANCE)

FIG ITEM	PART NUMBER	1 2 3 4 5 6 7	NOMENCLATURE	EFFECT FROM TO	UNITS PER ASSY
9 525	271N6121-1084		.TUBE ASSY-RETURN SYS POSITION DATA: L TUBING MATERIAL: .375 IN. OD .035 IN. WALL 22.00 IN. LG AL	002004 006102 107999	1
- 530	AP2097HP06		..SLEEVE SUPPLIER CODE: V01673 SPECIFICATION NUMBER: BACS13BX06HP OPTIONAL PART: 2-02903-06HP V11328 35235VN06 V08199 AFP175V06P V30974 DBOS13BX06HP V14798	002004 006102 107999	1
- 535	BACN10YLO6		..NUT	002004 006102 107999	1
- 537	35056GV06		..UNION SUPPLIER CODE: V08199 SPECIFICATION NUMBER: BACU24AB6W OPTIONAL PART: 2-01027-6W V11328 31875-6W V14397 4671097W6 V50948 AP1004W06 V01673 AFP941W6 V30974 DBOU24AB6W V14798	002004 006102 107999	1
540	271N6121-1083		.TUBE ASSY-PRESSURE SYS POSITION DATA: L TUBING MATERIAL: .375 IN. OD .019 IN. WALL 20.00 IN. LG TITANIUM	107107	1

MISSING ITEM NUMBERS NOT APPLICABLE

- ITEM NOT ILLUSTRATED

BRI

27-61-02-09

27-61-02  
FIG. 09  
PAGE 17  
JAN 20/09



757

PARTS CATALOG (MAINTENANCE)

FIG ITEM	PART NUMBER	1 2 3 4 5 6 7	NOMENCLATURE	EFFECT FROM TO	UNITS PER ASSY
9					
540	271N6121-1131	.	TUBE ASSY-PRESSURE SYS POSITION DATA: L TUBING MATERIAL: .375 IN. OD .019 IN. WALL 17.7 IN. LG TITANIUM	002004 006102 108999	1
- 544	AS1581T06	..	SLEEVE	107107	2
- 545	AS1581T06	..	SLEEVE	002004 006102 108999	1
- 547	BACN10YA6	..	NUT	107107	2
- 550	BACN10YA6	..	NUT	002004 006102 108999	1
- 555	AS1582T06	..	UNION	002004 006102 108999	2
560	271N6121-1115	.	TUBE ASSY-PRESSURE SYS POSITION DATA: L TUBING MATERIAL: .375 IN. OD .019 IN. WALL 46.00 IN. LG TI	002004 006102 107999	1
- 565	AS1581T06	..	SLEEVE	002004 006102 107999	2
- 570	BACN10YA6	..	NUT	002004 006102 107999	2
575	271N6121-1116	.	TUBE ASSY-RETURN SYS POSITION DATA: L TUBING MATERIAL: .375 IN. OD .035 IN. WALL 42.00 IN. LG AL	002004 006102 107999	1

MISSING ITEM NUMBERS NOT APPLICABLE

- ITEM NOT ILLUSTRATED

BRI

27-61-02-09

BOEING PROPRIETARY - Copyright © - Unpublished Work - See title page for details.

27-61-02  
FIG. 09  
PAGE 18  
JAN 20/09



757

PARTS CATALOG (MAINTENANCE)

FIG ITEM	PART NUMBER	1 2 3 4 5 6 7	NOMENCLATURE	EFFECT FROM TO	UNITS PER ASSY
9					
- 580	AP2097HP06	..	SLEEVE SUPPLIER CODE: V01673 SPECIFICATION NUMBER: BACS13BX06HP OPTIONAL PART: 2-02903-06HP V11328 35235VN06 V08199 AFP175V06P V30974 DBOS13BX06HP V14798	002004 006102 107999	2
- 585	BACN10YL06	..	NUT	002004 006102 107999	2
590	271N6121-1046	.TUBE ASSY-PRESSURE SYS POSITION DATA: L MANUFACTURED FROM: LG TUBING MATERIAL: .250 IN. OD .016 IN. WALL 17.00 IN. LG TITANIUM	002004 006102 107999	1	
- 595	AS1581T04	..	SLEEVE	002004 006102 107999	2
- 600	BACN10YA4	..	NUT	002004 006102 107999	2
605	271N6121-1047	.TUBE ASSY-RETURN SYS POSITION DATA: L TUBING MATERIAL: .375 IN. OD .035 IN. WALL 22.50 IN. LG AL	002004 006102 107999	1	

MISSING ITEM NUMBERS NOT APPLICABLE

- ITEM NOT ILLUSTRATED

BRI

27-61-02-09

BOEING PROPRIETARY - Copyright © - Unpublished Work - See title page for details.

27-61-02  
FIG. 09  
PAGE 19  
JAN 20/09





757

PARTS CATALOG (MAINTENANCE)

FIG ITEM	PART NUMBER	1 2 3 4 5 6 7	NOMENCLATURE	EFFECT FROM TO	UNITS PER ASSY
9					
- 610	AP2097HP06	..	SLEEVE SUPPLIER CODE: V01673 SPECIFICATION NUMBER: BACS13BX06HP OPTIONAL PART: 2-02903-06HP V11328 35235VN06 V08199 AFP175V06P V30974 DBOS13BX06HP V14798	002004 006102 107999	2
- 615	BACN10YL06	..	NUT	002004 006102 107999	2
620	271N6121-1110	.TUBE ASSY-PRESSURE SYS POSITION DATA: L TUBING MATERIAL: .375 IN. OD .019 IN. WALL 30.00 IN. LG TITANIUM	002004 006102 107999	1	
- 625	AS1581T06	..	SLEEVE	002004 006102 107999	2
- 630	BACN10YA6	..	NUT	002004 006102 107999	2
635	271N6121-1111	.TUBE ASSY-RETURN SYS POSITION DATA: L TUBING MATERIAL: .375 IN. OD .035 IN. WALL 35.00 IN. LG AL	002004 006102 107999	1	

MISSING ITEM NUMBERS NOT APPLICABLE

- ITEM NOT ILLUSTRATED

BRI

27-61-02-09

BOEING PROPRIETARY - Copyright © - Unpublished Work - See title page for details.

27-61-02  
FIG. 09  
PAGE 20  
JAN 20/09



757

PARTS CATALOG (MAINTENANCE)

FIG ITEM	PART NUMBER	1 2 3 4 5 6 7	NOMENCLATURE	EFFECT FROM TO	UNITS PER ASSY
9					
- 640	AP2097HP06	..	SLEEVE SUPPLIER CODE: V01673 SPECIFICATION NUMBER: BACS13BX06HP OPTIONAL PART: 2-02903-06HP V11328 35235VN06 V08199 AFP175V06P V30974 DBOS13BX06HP V14798	002004 006102 107999	2
- 645	BACN10YL06	..	NUT	002004 006102 107999	2
650	BACU24L6	.	UNION	002004 006102 107999	1
655	MS21924D6	.	UNION	002004 006102 107999	1
660	NAS1761T0404	.	ELBOW-	002004 006102 107999	1
660	NAS1761J0404	.	ELBOW-	002004 006102 107999	1

MISSING ITEM NUMBERS NOT APPLICABLE

- ITEM NOT ILLUSTRATED

BRI

27-61-02-09

BOEING PROPRIETARY - Copyright © - Unpublished Work - See title page for details.

27-61-02  
FIG. 09  
PAGE 21  
JAN 20/09



757

PARTS CATALOG (MAINTENANCE)

FIG ITEM	PART NUMBER	1 2 3 4 5 6 7	NOMENCLATURE	EFFECT FROM TO	UNITS PER ASSY
9 665	AFP2326-4	.	REDUCER SUPPLIER CODE: V30974 SPECIFICATION NUMBER: BACR17E6-4 OPTIONAL PART: AP10276-4 V01673 BC916T6-4 V50948 DB0R17E6-4 V14798 ER21916T6-4 V88334 ER31916-6-4 V88334 F23-6-4 V73197 2-01075T6-4 V11328 31778-6-4 V14397 US2114-6-4 V50808 AP1027T6-4 V01673 US21146-4 V50808 317786-4 V14397	002004 006102 107999	1
670	MS21905D6	.	TEE-	107107	4
670	MS21905W6	.	TEE-	002004 006102 108999	4
675	BACT16BL060604T	.	TEE-	002004 006102 107999	4
675	BACT16BL060604J	.	TEE-	002004 006102 107999	4
680	AN924-6T	.	NUT	002004 006102 107999	1
685	AN924-6D	.	NUT	002004 006102 107999	1

MISSING ITEM NUMBERS NOT APPLICABLE

- ITEM NOT ILLUSTRATED

27-61-02-09

27-61-02  
FIG. 09  
PAGE 22  
JAN 20/09

BRI

BOEING PROPRIETARY - Copyright © - Unpublished Work - See title page for details.



757

PARTS CATALOG (MAINTENANCE)

FIG ITEM	PART NUMBER	1 2 3 4 5 6 7	NOMENCLATURE	EFFECT FROM TO	UNITS PER ASSY
9					
900			ILLUSTRATION REFERENCE: PLUMBING INSTL-SECT. 13 L WING OUTBD HYDR (AILERON AND AILERON TRIM CONTROL SYSTEM ONLY) 27-11-20-03	002004 006102 107999	RF
905			ILLUSTRATION REFERENCE: PLUMBING INSTL-SECT. 13 L WING OUTBD HYDR (AILERON AND AILERON TRIM CONTROL SYSTEM ONLY) 27-11-20-03	002004 006102 107999	RF
910			ILLUSTRATION REFERENCE: PLUMBING INSTL-SECT. 12 L WING HYDR (HYDRAULIC POWER ONLY) 29-11-51-26	002004 006102 107999	RF
915			ILLUSTRATION REFERENCE: PLUMBING INSTL-SECT. 12 L WING HYDR (HYDRAULIC POWER ONLY) 29-11-51-26	002004 006102 107999	RF
920			ILLUSTRATION REFERENCE: ACTUATOR INSTL-SPOILER NO. 1 THRU 5 AND 8 THRU 12 (SPOILER POWER CONTROL ACTUATOR ONLY) 27-61-02-01	002004 006102 107999	RF
925			ILLUSTRATION REFERENCE: PLUMBING INSTL-SECT. 12 L WING HYDR (HYDRAULIC POWER ONLY) 29-11-51-26	002004 006102 107999	RF

MISSING ITEM NUMBERS NOT APPLICABLE

- ITEM NOT ILLUSTRATED

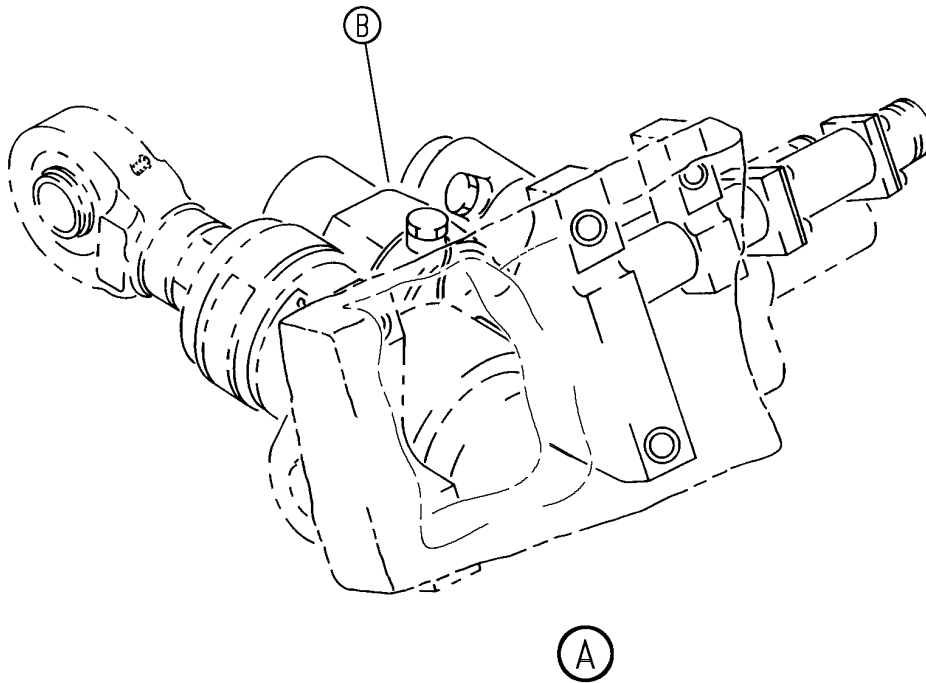
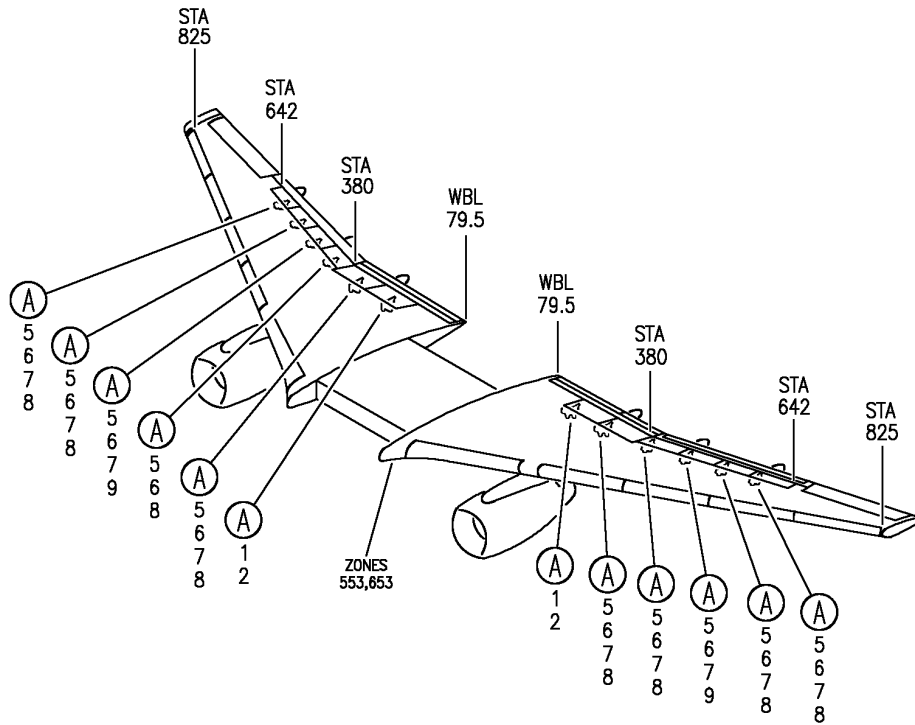
BRI

27-61-02-09

BOEING PROPRIETARY - Copyright © - Unpublished Work - See title page for details.

27-61-02  
FIG. 09  
PAGE 23  
JAN 20/09

**BOEING**  
757  
**PARTS CATALOG (MAINTENANCE)**



Y 27610401 SH1 1 REV 304

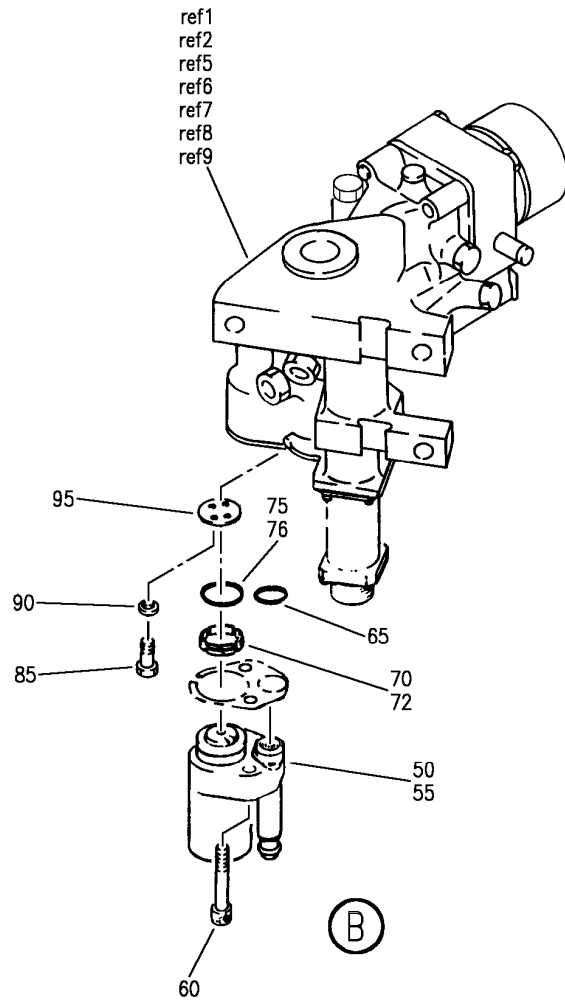
ACTUATOR ASSY-FLIGHT SPOILER PWR CONT UNIT (SPOILER RVD UNIT ONLY)  
FIGURE 1 (SHEET 1)

**27-61-04-01**

BRI  
MAY 28/07

27-61-04-01  
PAGE 0

**BOEING**  
757  
PARTS CATALOG (MAINTENANCE)



Y 27610401 SH1 2 REV 304

ACTUATOR ASSY-FLIGHT SPOILER PWR CONT UNIT (SPOILER RVDT UNIT ONLY)  
FIGURE 1 (SHEET 2)

**27-61-04-01**

BRI  
MAY 28/07

27-61-04-01  
PAGE 0A



757

PARTS CATALOG (MAINTENANCE)

FIG ITEM	PART NUMBER	1 2 3 4 5 6 7 NOMENCLATURE	EFFECT FROM TO	UNITS PER ASSY
1	1 3321480-13	ACTUATOR ASSY-FLIGHT SPOILER PWR CONT UNIT (SPOILER RVDT UNIT ONLY) ACTUATOR ASSY-FLIGHT SPOILER PWR CONT UNIT (SPOILER RVDT UNIT ONLY) SUPPLIER CODE: V94697 POSITION DATA: INBD SPECIFICATION NUMBER: S251N118-13 SB DATA FROM A CMM: POST SB 3321480-27-07 CONFIG CHG DATA FROM A CMM: SUPERSEDES 3321480-11 COMPONENT MAINT MANUAL REF: 27-62-04 QUALIFIED I/W DATA: 3321480-13 THROUGH -16 CAN REPLACE BUT NOT BE REPLACED BY 3321480-4 THROUGH -12. REWORK PARTS 3321480-4A THROUGH -12A ARE FULLY INTERCHANGEABLE AND FULLY INTERCHANGEABLE WITH 3321480-13 THROUGH 3321480-16. OPTIONAL PART: 3321480-15 V94697 SERVICE BULLETIN OPT DATA: 3321480-14 V94697 3321480-7A VOM3K4 3321480-10A VOM3K4 3321480-12A VOM3K4 POST ALERT SB: 27A0105 POST SERVICE BULLETIN: 3321480-27-07 VOM3K4 FOR NHA/ADDITIONAL DET SEE: 27-61-02-02	002004 006999  002004 006999	RF

MISSING ITEM NUMBERS NOT APPLICABLE

- ITEM NOT ILLUSTRATED

27-61-04-01

27-61-04  
FIG. 01  
PAGE 1  
JAN 20/09

BRI



757

PARTS CATALOG (MAINTENANCE)

FIG ITEM	PART NUMBER	1 2 3 4 5 6 7	NOMENCLATURE	EFFECT FROM TO	UNITS PER ASSY
1 1	3321480-14		ACTUATOR ASSY-FLIGHT SPOILER PWR CONT UNIT (SPOILER RVDT UNIT ONLY) SUPPLIER CODE: V94697 POSITION DATA: INBD SPECIFICATION NUMBER: S251N118-14 SB DATA FROM A CMM: POST SB 3321480-27-07 CONFIG CHG DATA FROM A CMM: SUPERSEDES 3321480-12 COMPONENT MAINT MANUAL REF: 27-62-04 QUALIFIED I/W DATA: 3321480-13 THROUGH -16 CAN REPLACE BUT NOT BE REPLACED BY 3321480-4 THROUGH -12. REWORK PARTS 3321480-4A THROUGH -12A ARE FULLY INTERCHANGEABLE AND FULLY INTERCHANGEABLE WITH 3321480-13 THROUGH 3321480-16. OPTIONAL PART: 3321480-16 V94697 OPTIONAL PART: 3321480-16 V94697 SERVICE BULLETIN OPT DATA: 3321480-13 V94697 3321480-7A VOM3K4 3321480-10A VOM3K4 3321480-12A VOM3K4 POST ALERT SB: 27A0105 POST SERVICE BULLETIN: 3321480-27-07 VOM3K4 FOR NHA/ADDITIONAL DET SEE: 27-61-02-02	002004 006999	RF

MISSING ITEM NUMBERS NOT APPLICABLE

- ITEM NOT ILLUSTRATED

BRI

27-61-04-01

BOEING PROPRIETARY - Copyright © - Unpublished Work - See title page for details.

27-61-04  
FIG. 01  
PAGE 2  
JAN 20/09





757

PARTS CATALOG (MAINTENANCE)

FIG ITEM	PART NUMBER	1 2 3 4 5 6 7	NOMENCLATURE	EFFECT FROM TO	UNITS PER ASSY
1 1	3321480-7A		ACTUATOR ASSY-FLIGHT SPOILER PWR CONT UNIT (SPOILER RVDT UNIT ONLY) SUPPLIER CODE: VOM3K4 POSITION DATA: INBD SPECIFICATION NUMBER: S251N118-7A COMPONENT MAINT MANUAL REF: 27-62-04 SERVICE BULLETIN OPT DATA: 3321480-13 V94697 3321480-14 V94697 3321480-15 V94697 3321480-16 V94697 POST ALERT SB: 27A0105 POST SERVICE BULLETIN: 3321480-27-07 VOM3K4 FOR NHA/ADDITIONAL DET SEE: 27-61-02-02	107107	RF

MISSING ITEM NUMBERS NOT APPLICABLE

- ITEM NOT ILLUSTRATED

BRI

27-61-04-01

BOEING PROPRIETARY - Copyright © - Unpublished Work - See title page for details.

27-61-04  
FIG. 01  
PAGE 3  
JAN 20/09



757

PARTS CATALOG (MAINTENANCE)

FIG ITEM	PART NUMBER	1 2 3 4 5 6 7	NOMENCLATURE	EFFECT FROM TO	UNITS PER ASSY
1 2	3321480-10A		ACTUATOR ASSY-FLIGHT SPOILER PWR CONT UNIT (SPOILER RVDT UNIT ONLY) SUPPLIER CODE: VOM3K4 POSITION DATA: INBD SPECIFICATION NUMBER: S251N118-10A COMPONENT MAINT MANUAL REF: 27-62-04 SERVICE BULLETIN OPT DATA: 3321480-13 V94697 3321480-14 V94697 3321480-15 V94697 3321480-16 V94697 POST ALERT SB: 27A0105 POST SERVICE BULLETIN: 3321480-27-07 VOM3K4 FOR NHA/ADDITIONAL DET SEE: 27-61-02-02	904949	RF

MISSING ITEM NUMBERS NOT APPLICABLE

- ITEM NOT ILLUSTRATED

BRI

**27-61-04-01**

BOEING PROPRIETARY - Copyright © - Unpublished Work - See title page for details.

27-61-04  
 FIG. 01  
 PAGE 4  
 JAN 20/09



757

PARTS CATALOG (MAINTENANCE)

FIG ITEM	PART NUMBER	1 2 3 4 5 6 7 NOMENCLATURE	EFFECT FROM TO	UNITS PER ASSY
1 2	3321480-12A	ACTUATOR ASSY-FLIGHT SPOILER PWR CONT UNIT (SPOILER RVDT UNIT ONLY) SUPPLIER CODE: VOM3K4 POSITION DATA: INBD SPECIFICATION NUMBER: S251N118-12A COMPONENT MAINT MANUAL REF: 27-62-04 SERVICE BULLETIN OPT DATA: 3321480-13 V94697 3321480-14 V94697 3321480-15 V94697 3321480-16 V94697 POST ALERT SB: 27A0105 POST SERVICE BULLETIN: 3321480-27-07 VOM3K4 FOR NHA/ADDITIONAL DET SEE: 27-61-02-02	952952	RF

MISSING ITEM NUMBERS NOT APPLICABLE

- ITEM NOT ILLUSTRATED

BRI

**27-61-04-01**

BOEING PROPRIETARY - Copyright © - Unpublished Work - See title page for details.

27-61-04  
 FIG. 01  
 PAGE 5  
 JAN 20/09



757

PARTS CATALOG (MAINTENANCE)

FIG ITEM	PART NUMBER	1 2 3 4 5 6 7	NOMENCLATURE	EFFECT FROM TO	UNITS PER ASSY
1 2	3321480-16		ACTUATOR ASSY-FLIGHT SPOILER PWR CONT UNIT (SPOILER RVDT UNIT ONLY) SUPPLIER CODE: V94697 POSITION DATA: INBD SPECIFICATION NUMBER: S251N118-14 ELECTRICAL EQUIP NUMBER: M00311 M00312 COMPONENT MAINT MANUAL REF: 27-62-04 QUALIFIED I/W DATA: 3321480-13 THROUGH -16 CAN REPLACE BUT NOT BE REPLACED BY 3321480-4 THROUGH -12. REWORK PARTS 3321480-4A THROUGH -12A ARE FULLY INTERCHANGEABLE AND FULLY INTERCHANGEABLE WITH 3321480-13 THROUGH 3321480-16. OPTIONAL PART: 3321480-14 V94697 OPTIONAL PART: 3321480-14 V94697 SERVICE BULLETIN OPT DATA: 3321480-7A VOM3K4 3321480-10A VOM3K4 3321480-12A VOM3K4 POST ALERT SB: 27A0105 FOR NHA/ADDITIONAL DET SEE: 27-61-02-02	002004 006999	RF

MISSING ITEM NUMBERS NOT APPLICABLE

- ITEM NOT ILLUSTRATED

BRI

**27-61-04-01**

BOEING PROPRIETARY - Copyright © - Unpublished Work - See title page for details.

27-61-04  
FIG. 01  
PAGE 6  
JAN 20/09



757

PARTS CATALOG (MAINTENANCE)

FIG ITEM	PART NUMBER	1 2 3 4 5 6 7	NOMENCLATURE	EFFECT FROM TO	UNITS PER ASSY
1 2	3321480-15		ACTUATOR ASSY-FLIGHT SPOILER PWR CONT UNIT (SPOILER RVDT UNIT ONLY) SUPPLIER CODE: V94697 POSITION DATA: INBD SPECIFICATION NUMBER: S251N118-13 ELECTRICAL EQUIP NUMBER: M00311 M00312 COMPONENT MAINT MANUAL REF: 27-62-04 QUALIFIED I/W DATA: 3321480-13 THROUGH -16 CAN REPLACE BUT NOT BE REPLACED BY 3321480-4 THROUGH -12. REWORK PARTS 3321480-4A THROUGH -12A ARE FULLY INTERCHANGEABLE AND FULLY INTERCHANGEABLE WITH 3321480-13 THROUGH 3321480-16. OPTIONAL PART: 3321480-13 V94697 SERVICE BULLETIN OPT DATA: 3321480-7A VOM3K4 3321480-10A VOM3K4 3321480-12A VOM3K4 POST ALERT SB: 27A0105 FOR NHA/ADDITIONAL DET SEE: 27-61-02-02	002004 006999	RF

MISSING ITEM NUMBERS NOT APPLICABLE

- ITEM NOT ILLUSTRATED

BRI

27-61-04-01

BOEING PROPRIETARY - Copyright © - Unpublished Work - See title page for details.

27-61-04  
FIG. 01  
PAGE 7  
JAN 20/09



757

PARTS CATALOG (MAINTENANCE)

FIG ITEM	PART NUMBER	1 2 3 4 5 6 7	NOMENCLATURE	EFFECT FROM TO	UNITS PER ASSY
1 5	3321500-12		ACTUATOR ASSY-FLIGHT SPOILER PWR CONT UNIT (SPOILER RVDT UNIT ONLY) SUPPLIER CODE: V94697 SPECIFICATION NUMBER: S251N111-12 SB DATA FROM A CMM: POST SB 3321500-27-07 CONFIG CHG DATA FROM A CMM: SUPERSEDES 3321500-10 COMPONENT MAINT MANUAL REF: 27-61-21 QUALIFIED I/W DATA: 3321500-12 THROUGH -16 CAN REPLACE BUT NOT BE REPLACED BY 3321500-3 THROUGH -11. REWORK PARTS 3321500-3A THROUGH -11A ARE FULLY INTERCHANGEABLE AND FULLY INTERCHANGEABLE WITH 3321500-12 THROUGH 3321500-16. OPTIONAL PART: 3321500-15 V94697 SERVICE BULLETIN OPT DATA: 3321500-13 V94697 3321500-6A VOM3K4 3321500-9A VOM3K4 3321500-11A VOM3K4 POST ALERT SB: 27A0105 POST SERVICE BULLETIN: 3321500-27-07 VOM3K4 FOR NHA/ADDITIONAL DET SEE: 27-61-02-01	002004 006017 101999	RF

MISSING ITEM NUMBERS NOT APPLICABLE

- ITEM NOT ILLUSTRATED

BRI

27-61-04-01

BOEING PROPRIETARY - Copyright © - Unpublished Work - See title page for details.

27-61-04  
FIG. 01  
PAGE 8  
JAN 20/09



757

PARTS CATALOG (MAINTENANCE)

FIG ITEM	PART NUMBER	1 2 3 4 5 6 7	NOMENCLATURE	EFFECT FROM TO	UNITS PER ASSY
1 5	3321500-13		ACTUATOR ASSY-FLIGHT SPOILER PWR CONT UNIT (SPOILER RVDT UNIT ONLY) SUPPLIER CODE: V94697 SPECIFICATION NUMBER: S251N111-13 SB DATA FROM A CMM: POST SB 3321500-27-07 CONFIG CHG DATA FROM A CMM: SUPERSEDES 3321500-11 MISCELLANEOUS DATA: CAUTION: DO NOT INSTALL THE ACTUATOR ASSEMBLY P/N'S 3321500-7/-9/-11/ -13 AT SPOILER POSITION NO. 3 AND 10 IF IT CONTAINS THE A71874-1 SERVO VALVE COMPONENT MAINT MANUAL REF: 27-61-21 QUALIFIED I/W DATA: F321500-12 THROUGH -16 CAN REPLACE BUT NOT BE REPLACED BY 3321500-3 THROUGH -11. REWORK PARTS 3321500-3A THROUGH -11A ARE FULLY INTERCHANGEABLE AND FULLY INTERCHANGEABLE WITH 3321500-12 THROUGH 3321500-16. SERVICE BULLETIN OPT DATA: 3321500-12 V94697 3321500-6A VOM3K4 3321500-9A VOM3K4 3321500-11A VOM3K4 POST ALERT SB: 27A0105 POST SERVICE BULLETIN: 3321500-27-07 VOM3K4 FOR NHA/ADDITIONAL DET SEE: 27-61-02-01	002004 006017 101999	RF

MISSING ITEM NUMBERS NOT APPLICABLE

- ITEM NOT ILLUSTRATED

27-61-04-01

27-61-04  
FIG. 01  
PAGE 9  
JAN 20/09

BRI



757

PARTS CATALOG (MAINTENANCE)

FIG ITEM	PART NUMBER	1 2 3 4 5 6 7	NOMENCLATURE	EFFECT FROM TO	UNITS PER ASSY
1 5	3321500-14		ACTUATOR ASSY-FLIGHT SPOILER PWR CONT UNIT (SPOILER RVDT UNIT ONLY) SUPPLIER CODE: V94697 SPECIFICATION NUMBER: S251N111-14 SB DATA FROM A CMM: POST SB 3321500-27-07 CONFIG CHG DATA FROM A CMM: SUPERSEDES 3321500-13 COMPONENT MAINT MANUAL REF: 27-61-21 QUALIFIED I/W DATA: 3321500-12 THROUGH -16 CAN REPLACE BUT NOT BE REPLACED BY 3321500-3 THROUGH -11. REWORK PARTS 3321500-3A THROUGH -11A ARE FULLY INTERCHANGEABLE AND FULLY INTERCHANGEABLE WITH 3321500-12 THROUGH 3321500-16. OPTIONAL PART: 3321500-16 V94697 OPTIONAL PART: 3321500-16 V94697 FOR NHA/ADDITIONAL DET SEE: 27-61-02-01	002004 006017 101999	RF

MISSING ITEM NUMBERS NOT APPLICABLE

- ITEM NOT ILLUSTRATED

BRI

27-61-04-01

BOEING PROPRIETARY - Copyright © - Unpublished Work - See title page for details.

27-61-04  
FIG. 01  
PAGE 10  
JAN 20/09





757

PARTS CATALOG (MAINTENANCE)

FIG ITEM	PART NUMBER	1 2 3 4 5 6 7	NOMENCLATURE	EFFECT FROM TO	UNITS PER ASSY
1 5	3321500-6A		ACTUATOR ASSY-FLIGHT SPOILER PWR CONT UNIT (SPOILER RVDT UNIT ONLY) SUPPLIER CODE: VOM3K4 POSITION DATA: INBD SPECIFICATION NUMBER: S251N111-6A COMPONENT MAINT MANUAL REF: 27-61-21 SERVICE BULLETIN OPT DATA: 3321500-12 V94697 3321500-13 V94697 POST ALERT SB: 27A0105 POST SERVICE BULLETIN: 3321500-27-07 VOM3K4 FOR NHA/ADDITIONAL DET SEE: 27-61-02-01	107107	RF
6	3321500-9A		ACTUATOR ASSY-FLIGHT SPOILER PWR CONT UNIT (SPOILER RVDT UNIT ONLY) SUPPLIER CODE: VOM3K4 POSITION DATA: INBD SPECIFICATION NUMBER: S251N111-9A COMPONENT MAINT MANUAL REF: 27-61-21 SERVICE BULLETIN OPT DATA: 3321500-12 V94697 3321500-13 V94697 POST ALERT SB: 27A0105 POST SERVICE BULLETIN: 3321500-27-07 VOM3K4 FOR NHA/ADDITIONAL DET SEE: 27-61-02-01	904949	RF

MISSING ITEM NUMBERS NOT APPLICABLE

- ITEM NOT ILLUSTRATED

**27-61-04-01**

27-61-04  
 FIG. 01  
 PAGE 11  
 JAN 20/09

BRI



757

PARTS CATALOG (MAINTENANCE)

FIG ITEM	PART NUMBER	1 2 3 4 5 6 7	NOMENCLATURE	EFFECT FROM TO	UNITS PER ASSY
1 6	3321500-11A		ACTUATOR ASSY-FLIGHT SPOILER PWR CONT UNIT (SPOILER RVDT UNIT ONLY) SUPPLIER CODE: VOM3K4 POSITION DATA: INBD SPECIFICATION NUMBER: S251N111-11A COMPONENT MAINT MANUAL REF: 27-61-21 SERVICE BULLETIN OPT DATA: 3321500-12 V94697 3321500-13 V94697 POST ALERT SB: 27A0105 POST SERVICE BULLETIN: 3321500-27-07 VOM3K4 FOR NHA/ADDITIONAL DET SEE: 27-61-02-01	952952	RF

MISSING ITEM NUMBERS NOT APPLICABLE

- ITEM NOT ILLUSTRATED

BRI

27-61-04-01

BOEING PROPRIETARY - Copyright © - Unpublished Work - See title page for details.

27-61-04  
FIG. 01  
PAGE 12  
JAN 20/09



757

PARTS CATALOG (MAINTENANCE)

FIG ITEM	PART NUMBER	1 2 3 4 5 6 7	NOMENCLATURE	EFFECT FROM TO	UNITS PER ASSY
1 6	3321500-16		ACTUATOR ASSY-FLIGHT SPOILER PWR CONT UNIT (SPOILER RVDT UNIT ONLY) SUPPLIER CODE: V94697 SPECIFICATION NUMBER: S251N111-14 COMPONENT MAINT MANUAL REF: 27-61-21 QUALIFIED I/W DATA: 3321500-12 THROUGH -16 CAN REPLACE BUT NOT BE REPLACED BY 3321500-3 THROUGH -11. REWORK PARTS 3321500-3A THROUGH -11A ARE FULLY INTERCHANGEABLE AND FULLY INTERCHANGEABLE WITH 3321500-12 THROUGH 3321500-16. OPTIONAL PART: 3321500-14 V94697 OPTIONAL PART: 3321500-14 V94697 FOR NHA/ADDITIONAL DET SEE: 27-61-02-01	002004 006017 101999	RF

MISSING ITEM NUMBERS NOT APPLICABLE

- ITEM NOT ILLUSTRATED

BRI

27-61-04-01

BOEING PROPRIETARY - Copyright © - Unpublished Work - See title page for details.

27-61-04  
FIG. 01  
PAGE 13  
JAN 20/09



757

PARTS CATALOG (MAINTENANCE)

FIG ITEM	PART NUMBER	1 2 3 4 5 6 7	NOMENCLATURE	EFFECT FROM TO	UNITS PER ASSY
1 6	3321500-15		ACTUATOR ASSY-FLIGHT SPOILER PWR CONT UNIT (SPOILER RVDT UNIT ONLY) SUPPLIER CODE: V94697 SPECIFICATION NUMBER: S251N111-12 COMPONENT MAINT MANUAL REF: 27-61-21 QUALIFIED I/W DATA: 3321500-12 THROUGH -16 CAN REPLACE BUT NOT BE REPLACED BY 3321500-3 THROUGH -11. REWORK PARTS 3321500-3A THROUGH -11A ARE FULLY INTERCHANGEABLE AND FULLY INTERCHANGEABLE WITH 3321500-12 THROUGH 3321500-16. OPTIONAL PART: 3321500-12 V94697 SERVICE BULLETIN OPT DATA: 3321500-13 V94697 3321500-6A VOM3K4 3321500-9A VOM3K4 3321500-11A VOM3K4 FOR NHA/ADDITIONAL DET SEE: 27-61-02-01	002004 006017 101999	RF

MISSING ITEM NUMBERS NOT APPLICABLE

- ITEM NOT ILLUSTRATED

BRI

**27-61-04-01**

BOEING PROPRIETARY - Copyright © - Unpublished Work - See title page for details.

27-61-04  
FIG. 01  
PAGE 14  
JAN 20/09



757

PARTS CATALOG (MAINTENANCE)

FIG ITEM	PART NUMBER	1 2 3 4 5 6 7	NOMENCLATURE	EFFECT FROM TO	UNITS PER ASSY
1 8	3321500-13		ACTUATOR ASSY-FLIGHT SPOILER PWR CONT UNIT (SPOILER RVDT UNIT ONLY) SUPPLIER CODE: V94697 SPECIFICATION NUMBER: S251N111-13 MISCELLANEOUS DATA: CAUTION: DO NOT INSTALL THE ACTUATOR ASSEMBLY P/N'S 3321500-7/-9/-11/ -13 AT SPOILER POSITION NO. 3 AND 10 IF IT CONTAINS THE A71874-1 SERVO VALVE COMPONENT MAINT MANUAL REF: 27-61-21 QUALIFIED I/W DATA: 3321500-12 THROUGH -16 CAN REPLACE BUT NOT BE REPLACED BY 3321500-3 THROUGH -11. REWORK PARTS 3321500-3A THROUGH -11A ARE FULLY INTERCHANGEABLE AND FULLY INTERCHANGEABLE WITH 3321500-12 THROUGH 3321500-16. FOR NHA/ADDITIONAL DET SEE: 27-61-02-01	018100	RF

MISSING ITEM NUMBERS NOT APPLICABLE

- ITEM NOT ILLUSTRATED

BRI

27-61-04-01

BOEING PROPRIETARY - Copyright © - Unpublished Work - See title page for details.

27-61-04  
FIG. 01  
PAGE 15  
JAN 20/09



757

PARTS CATALOG (MAINTENANCE)

FIG ITEM	PART NUMBER	1 2 3 4 5 6 7	NOMENCLATURE	EFFECT FROM TO	UNITS PER ASSY
1 8	3321500-14		ACTUATOR ASSY-FLIGHT SPOILER PWR CONT UNIT (SPOILER RVDT UNIT ONLY) SUPPLIER CODE: V94697 SPECIFICATION NUMBER: S251N111-14 COMPONENT MAINT MANUAL REF: 27-61-21 QUALIFIED I/W DATA: 3321500-12 THROUGH -16 CAN REPLACE BUT NOT BE REPLACED BY 3321500-3 THROUGH -11. REWORK PARTS 3321500-3A THROUGH -11A ARE FULLY INTERCHANGEABLE AND FULLY INTERCHANGEABLE WITH 3321500-12 THROUGH 3321500-16. OPTIONAL PART: 3321500-16 V94697 FOR NHA/ADDITIONAL DET SEE: 27-61-02-01	018100	RF

MISSING ITEM NUMBERS NOT APPLICABLE

- ITEM NOT ILLUSTRATED

BRI

27-61-04-01

BOEING PROPRIETARY - Copyright © - Unpublished Work - See title page for details.

27-61-04  
FIG. 01  
PAGE 16  
JAN 20/09



757

PARTS CATALOG (MAINTENANCE)

FIG ITEM	PART NUMBER	1 2 3 4 5 6 7	NOMENCLATURE	EFFECT FROM TO	UNITS PER ASSY
1 8	3321500-16		ACTUATOR ASSY-FLIGHT SPOILER PWR CONT UNIT (SPOILER RVDT UNIT ONLY) SUPPLIER CODE: V94697 SPECIFICATION NUMBER: S251N111-14 COMPONENT MAINT MANUAL REF: 27-61-21 QUALIFIED I/W DATA: 3321500-12 THROUGH -16 CAN REPLACE BUT NOT BE REPLACED BY 3321500-3 THROUGH -11. REWORK PARTS 3321500-3A THROUGH -11A ARE FULLY INTERCHANGEABLE AND FULLY INTERCHANGEABLE WITH 3321500-12 THROUGH 3321500-16. OPTIONAL PART: 3321500-14 V94697 FOR NHA/ADDITIONAL DET SEE: 27-61-02-01	018100	RF

MISSING ITEM NUMBERS NOT APPLICABLE

- ITEM NOT ILLUSTRATED

BRI

27-61-04-01

BOEING PROPRIETARY - Copyright © - Unpublished Work - See title page for details.

27-61-04  
FIG. 01  
PAGE 17  
JAN 20/09



757

PARTS CATALOG (MAINTENANCE)

FIG ITEM	PART NUMBER	1 2 3 4 5 6 7 NOMENCLATURE	EFFECT FROM TO	UNITS PER ASSY
1 8	3321500-15	ACTUATOR ASSY-FLIGHT SPOILER PWR CONT UNIT (SPOILER RVDT UNIT ONLY) SUPPLIER CODE: V94697 SPECIFICATION NUMBER: S251N111-12 COMPONENT MAINT MANUAL REF: 27-61-21 QUALIFIED I/W DATA: 3321500-12 THROUGH -16 CAN REPLACE BUT NOT BE REPLACED BY 3321500-3 THROUGH -11. REWORK PARTS 3321500-3A THROUGH -11A ARE FULLY INTERCHANGEABLE AND FULLY INTERCHANGEABLE WITH 3321500-12 THROUGH 3321500-16. OPTIONAL PART: 3321500-12 V94697 FOR NHA/ADDITIONAL DET SEE: 27-61-02-01	018100	RF

MISSING ITEM NUMBERS NOT APPLICABLE

- ITEM NOT ILLUSTRATED

BRI

**27-61-04-01**

BOEING PROPRIETARY - Copyright © - Unpublished Work - See title page for details.

27-61-04  
 FIG. 01  
 PAGE 18  
 JAN 20/09





757

PARTS CATALOG (MAINTENANCE)

FIG ITEM	PART NUMBER	1 2 3 4 5 6 7	NOMENCLATURE	EFFECT FROM TO	UNITS PER ASSY
1 8	3321500-12		ACTUATOR ASSY-FLIGHT SPOILER PWR CONT UNIT (SPOILER RVDT UNIT ONLY) SUPPLIER CODE: V94697 SPECIFICATION NUMBER: S251N111-12 COMPONENT MAINT MANUAL REF: 27-61-21 QUALIFIED I/W DATA: 3321500-12 THROUGH -16 CAN REPLACE BUT NOT BE REPLACED BY 3321500-3 THROUGH -11. REWORK PARTS 3321500-3A THROUGH -11A ARE FULLY INTERCHANGEABLE AND FULLY INTERCHANGEABLE WITH 3321500-12 THROUGH 3321500-16. OPTIONAL PART: 3321500-15 V94697 FOR NHA/ADDITIONAL DET SEE: 27-61-02-01	018100	RF

MISSING ITEM NUMBERS NOT APPLICABLE

- ITEM NOT ILLUSTRATED

BRI

27-61-04-01

BOEING PROPRIETARY - Copyright © - Unpublished Work - See title page for details.

27-61-04  
FIG. 01  
PAGE 19  
JAN 20/09



757

PARTS CATALOG (MAINTENANCE)

FIG ITEM	PART NUMBER	1 2 3 4 5 6 7	NOMENCLATURE	EFFECT FROM TO	UNITS PER ASSY
1 9	3321500-12		ACTUATOR ASSY-FLIGHT SPOILER PWR CONT UNIT (SPOILER RVDT UNIT ONLY) SUPPLIER CODE: V94697 SPECIFICATION NUMBER: S251N111-12 COMPONENT MAINT MANUAL REF: 27-61-21 QUALIFIED I/W DATA: 3321500-12 THROUGH -16 CAN REPLACE BUT NOT BE REPLACED BY 3321500-3 THROUGH -11. REWORK PARTS 3321500-3A THROUGH -11A ARE FULLY INTERCHANGEABLE AND FULLY INTERCHANGEABLE WITH 3321500-12 THROUGH 3321500-16. OPTIONAL PART: 3321500-15 V94697 FOR NHA/ADDITIONAL DET SEE: 27-61-02-01	018100	RF

MISSING ITEM NUMBERS NOT APPLICABLE

- ITEM NOT ILLUSTRATED

BRI

27-61-04-01

BOEING PROPRIETARY - Copyright © - Unpublished Work - See title page for details.

27-61-04  
FIG. 01  
PAGE 20  
JAN 20/09



757

PARTS CATALOG (MAINTENANCE)

FIG ITEM	PART NUMBER	1 2 3 4 5 6 7	NOMENCLATURE	EFFECT FROM TO	UNITS PER ASSY
1 9	3321500-15		ACTUATOR ASSY-FLIGHT SPOILER PWR CONT UNIT (SPOILER RVDT UNIT ONLY) SUPPLIER CODE: V94697 SPECIFICATION NUMBER: S251N111-12 COMPONENT MAINT MANUAL REF: 27-61-21 QUALIFIED I/W DATA: 3321500-12 THROUGH -16 CAN REPLACE BUT NOT BE REPLACED BY 3321500-3 THROUGH -11. REWORK PARTS 3321500-3A THROUGH -11A ARE FULLY INTERCHANGEABLE AND FULLY INTERCHANGEABLE WITH 3321500-12 THROUGH 3321500-16. OPTIONAL PART: 3321500-12 V94697 FOR NHA/ADDITIONAL DET SEE: 27-61-02-01	018100	RF

MISSING ITEM NUMBERS NOT APPLICABLE

- ITEM NOT ILLUSTRATED

BRI

27-61-04-01

BOEING PROPRIETARY - Copyright © - Unpublished Work - See title page for details.

27-61-04  
FIG. 01  
PAGE 21  
JAN 20/09



757

PARTS CATALOG (MAINTENANCE)

FIG ITEM	PART NUMBER	1 2 3 4 5 6 7	NOMENCLATURE	EFFECT FROM TO	UNITS PER ASSY
1 9	3321500-14		ACTUATOR ASSY-FLIGHT SPOILER PWR CONT UNIT (SPOILER RVDT UNIT ONLY) SUPPLIER CODE: V94697 SPECIFICATION NUMBER: S251N111-14 COMPONENT MAINT MANUAL REF: 27-61-21 QUALIFIED I/W DATA: 3321500-12 THROUGH -16 CAN REPLACE BUT NOT BE REPLACED BY 3321500-3 THROUGH -11. REWORK PARTS 3321500-3A THROUGH -11A ARE FULLY INTERCHANGEABLE AND FULLY INTERCHANGEABLE WITH 3321500-12 THROUGH 3321500-16. OPTIONAL PART: 3321500-16 V94697 FOR NHA/ADDITIONAL DET SEE: 27-61-02-01	018100	RF

MISSING ITEM NUMBERS NOT APPLICABLE

- ITEM NOT ILLUSTRATED

BRI

27-61-04-01

BOEING PROPRIETARY - Copyright © - Unpublished Work - See title page for details.

27-61-04  
FIG. 01  
PAGE 22  
JAN 20/09



757

PARTS CATALOG (MAINTENANCE)

FIG ITEM	PART NUMBER	1 2 3 4 5 6 7	NOMENCLATURE	EFFECT FROM TO	UNITS PER ASSY
1 9	3321500-16		ACTUATOR ASSY-FLIGHT SPOILER PWR CONT UNIT (SPOILER RVDT UNIT ONLY) SUPPLIER CODE: V94697 SPECIFICATION NUMBER: S251N111-14 COMPONENT MAINT MANUAL REF: 27-61-21 QUALIFIED I/W DATA: 3321500-12 THROUGH -16 CAN REPLACE BUT NOT BE REPLACED BY 3321500-3 THROUGH -11. REWORK PARTS 3321500-3A THROUGH -11A ARE FULLY INTERCHANGEABLE AND FULLY INTERCHANGEABLE WITH 3321500-12 THROUGH 3321500-16. OPTIONAL PART: 3321500-14 V94697 FOR NHA/ADDITIONAL DET SEE: 27-61-02-01	018100	RF

MISSING ITEM NUMBERS NOT APPLICABLE

- ITEM NOT ILLUSTRATED

BRI

27-61-04-01

BOEING PROPRIETARY - Copyright © - Unpublished Work - See title page for details.

27-61-04  
FIG. 01  
PAGE 23  
JAN 20/09



757

PARTS CATALOG (MAINTENANCE)

FIG ITEM	PART NUMBER	1 2 3 4 5 6 7	NOMENCLATURE	EFFECT FROM TO	UNITS PER ASSY
1 9	3321500-13		ACTUATOR ASSY-FLIGHT SPOILER PWR CONT UNIT (SPOILER RVDT UNIT ONLY) SUPPLIER CODE: V94697 SPECIFICATION NUMBER: S251N111-13 MISCELLANEOUS DATA: CAUTION: DO NOT INSTALL THE ACTUATOR ASSEMBLY P/N'S 3321500-7/-9/-11/ -13 AT SPOILER POSITION NO. 3 AND 10 IF IT CONTAINS THE A71874-1 SERVO VALVE COMPONENT MAINT MANUAL REF: 27-61-21 QUALIFIED I/W DATA: 3321500-12 THROUGH -16 CAN REPLACE BUT NOT BE REPLACED BY 3321500-3 THROUGH -11. REWORK PARTS 3321500-3A THROUGH -11A ARE FULLY INTERCHANGEABLE AND FULLY INTERCHANGEABLE WITH 3321500-12 THROUGH 3321500-16. FOR NHA/ADDITIONAL DET SEE: 27-61-02-01	018100	RF

MISSING ITEM NUMBERS NOT APPLICABLE

- ITEM NOT ILLUSTRATED

BRI

27-61-04-01

BOEING PROPRIETARY - Copyright © - Unpublished Work - See title page for details.

27-61-04  
FIG. 01  
PAGE 24  
JAN 20/09



757

PARTS CATALOG (MAINTENANCE)

FIG ITEM	PART NUMBER	1 2 3 4 5 6 7	NOMENCLATURE	EFFECT FROM TO	UNITS PER ASSY
1 55	GM6937-5		.TRANSFORMER-DIFF ROTARY VAR SUPPLIER CODE: V22863 SPECIFICATION NUMBER: S251N117-5 SB DATA FROM A CMM: POST SB 3321480-27-03 POST SB 3321500-27-03 CONFIG CHG DATA FROM A CMM: SUPERSEDES GM6937-2 SUPERSEDES GM6937-3 SUPERSEDES GM6937-4 SPARES REPLACEMENT FOR GM6937-3 SPARES REPLACEMENT FOR GM6937-4 POST SERVICE BULLETIN: 27-0050 POST SERVICE BULLETIN: 3321480-27-03 V77068 3321500-27-03 V77068	002004 006999	1
60	NAS1351N4H16P		.SCREW	002004 006999	2
65	NAS1611-015		.PACKING- REWORKED BY SB: 3321480-27-07 VOM3K4	002004 006999	1
85	NAS1352N06H5P		.SCREW	002004 006999	2
90	NAS620-6L		.WASHER	002004 006999	2
95	3321516		.RETAINER- SUPPLIER CODE: V94697	002004 006999	1

MISSING ITEM NUMBERS NOT APPLICABLE

- ITEM NOT ILLUSTRATED

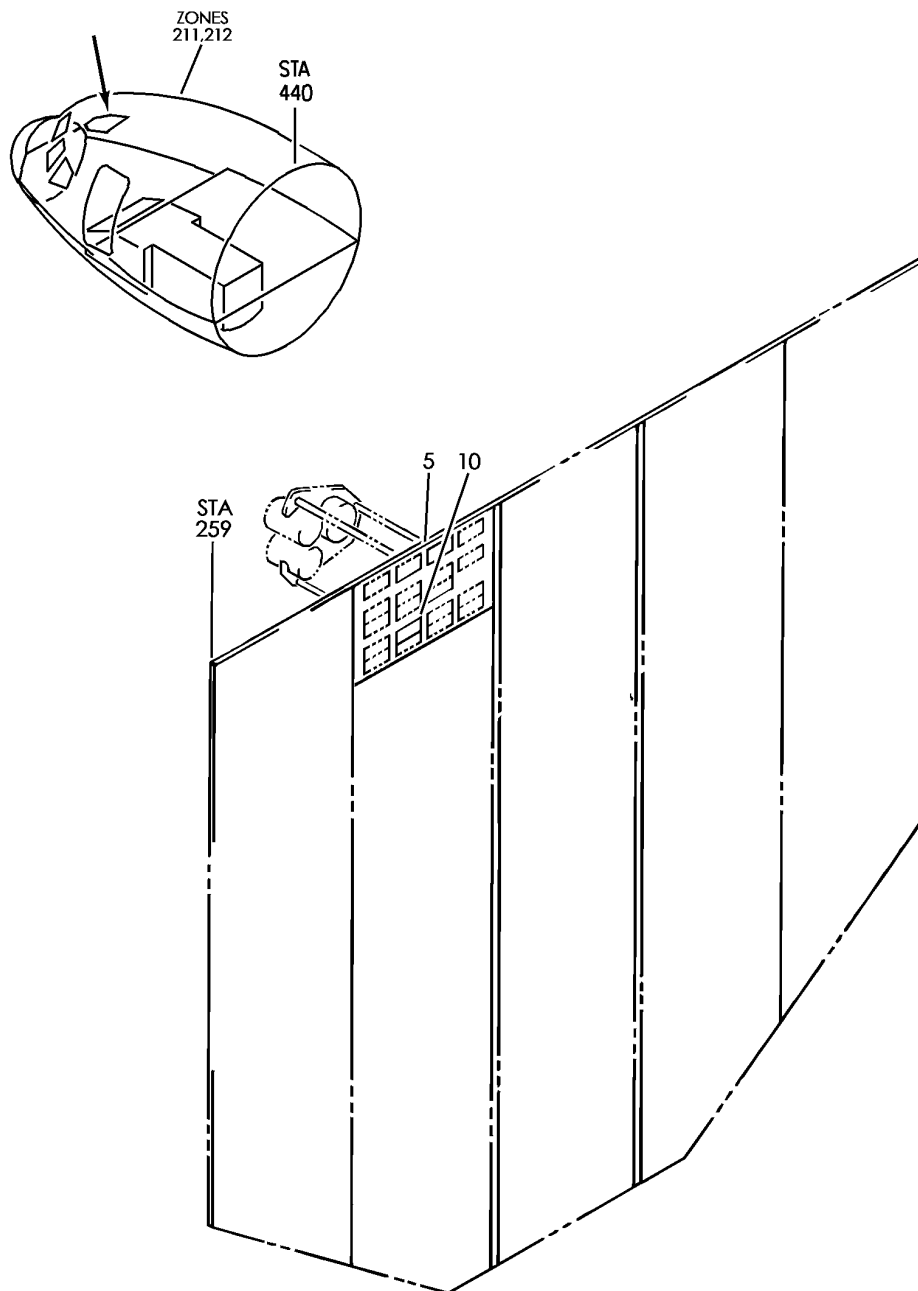
BRI

27-61-04-01

BOEING PROPRIETARY - Copyright © - Unpublished Work - See title page for details.

27-61-04  
FIG. 01  
PAGE 25  
JAN 20/09

**BOEING**  
757  
PARTS CATALOG (MAINTENANCE)



Y 27615101 REV 219

PANEL INSTL-P5 OVHD (SPOILER/SPEEDBRAKE CONTROL SYSTEM ONLY)

FIGURE 1

**27-61-51-01**

BRI  
MAY 28/07

27-61-51-01  
PAGE 0



**BOEING**  
757  
**PARTS CATALOG (MAINTENANCE)**

FIG ITEM	PART NUMBER	1 2 3 4 5 6 7	NOMENCLATURE	EFFECT FROM TO	UNITS PER ASSY
1			PANEL INSTL-P5 OVHD (SPOILER/SPEEDBRAKE CONTROL SYSTEM ONLY)	002004 006100 107107 121503 904999	
- 1	233N3101-1		PANEL INSTL-P5 OVHD (SPOILER/SPEEDBRAKE CONTROL SYSTEM ONLY) VARIABLE DRAWING REF: 233N3101-5005 233N3101-5025 233N3101-5041 233N3101-5042 233N3101-5045 233N3101-5142 FOR NHA/OTHER SYS DET SEE: 25-10-00-05A	002004 006100 107107 121503 904949 952999	RF
- 1	233N3101-1		PANEL INSTL-P5 OVHD (SPOILER/SPEEDBRAKE CONTROL SYSTEM ONLY) FOR NHA/OTHER SYS DET SEE: 25-10-00-05A	950951	RF
5	233N3202-17		.PANEL ASSY-ANN. SUPPLIER CODE: V89954 MISCELLANEOUS DATA: FOR SPARES PROCURE DETAIL PARTS ELECTRICAL EQUIP NUMBER: M10394 COMPONENT MAINT MANUAL REF: 33-16-71	002004 006100 121503 904949 952999	RF
5	233N3202-17		.PANEL ASSY-ANN. SUPPLIER CODE: V89954 MISCELLANEOUS DATA: FOR SPARES PROCURE DETAIL PARTS ELECTRICAL EQUIP NUMBER: M10394 COMPONENT MAINT MANUAL REF: 33-16-71 POST SERVICE BULLETIN: 24-0048	107107	RF

R  
R  
R  
R  
R  
R  
R  
R  
R  
R

MISSING ITEM NUMBERS NOT APPLICABLE

- ITEM NOT ILLUSTRATED

BRI

27-61-51-01

27-61-51  
FIG. 01  
PAGE 1  
MAY 20/09



757

PARTS CATALOG (MAINTENANCE)

FIG ITEM	PART NUMBER	1 2 3 4 5 6 7	NOMENCLATURE	EFFECT FROM TO	UNITS PER ASSY
1					
5	233N3202-10		.PANEL ASSY-ANN. SUPPLIER CODE: V89954 ELECTRICAL EQUIP NUMBER: M10394 COMPONENT MAINT MANUAL REF: 33-16-71	950951	RF
5	233N3202-15		.PANEL ASSY-ANN. SUPPLIER CODE: V89954 NOT APPROVED FOR ETOPS. ELECTRICAL EQUIP NUMBER: M10394 COMPONENT MAINT MANUAL REF: 33-16-71	950951	RF
5	233N3202-21		.PANEL ASSY-ANN. SUPPLIER CODE: V89954 MISCELLANEOUS DATA: FOR SPARES PROCURE DETAIL PARTS ELECTRICAL EQUIP NUMBER: M10394 COMPONENT MAINT MANUAL REF: 33-16-71	002004 006100	RF
10	BCREF8547		..LIGHT ASSY-SPOILERS IND SUPPLIER CODE: V81590 OVERLENGTH PART NUMBER: 434-674-1031-2110 SPECIFICATION NUMBER: S231T300-2110 OPTIONAL PART: BCREF6146 V81590 FOR DETAILS SEE: 33-14-70-02	002004 006100 107107 121503 904999	1
10	BCREF6146		..LIGHT ASSY-SPOILERS IND SUPPLIER CODE: V81590 OVERLENGTH PART NUMBER: 434-674-1005-1110 SPECIFICATION NUMBER: S231T300-1110 OPTIONAL PART: BCREF8547 V81590 FOR DETAILS SEE: 33-14-70-02	002004 006100 107107 121503 904999	1

MISSING ITEM NUMBERS NOT APPLICABLE

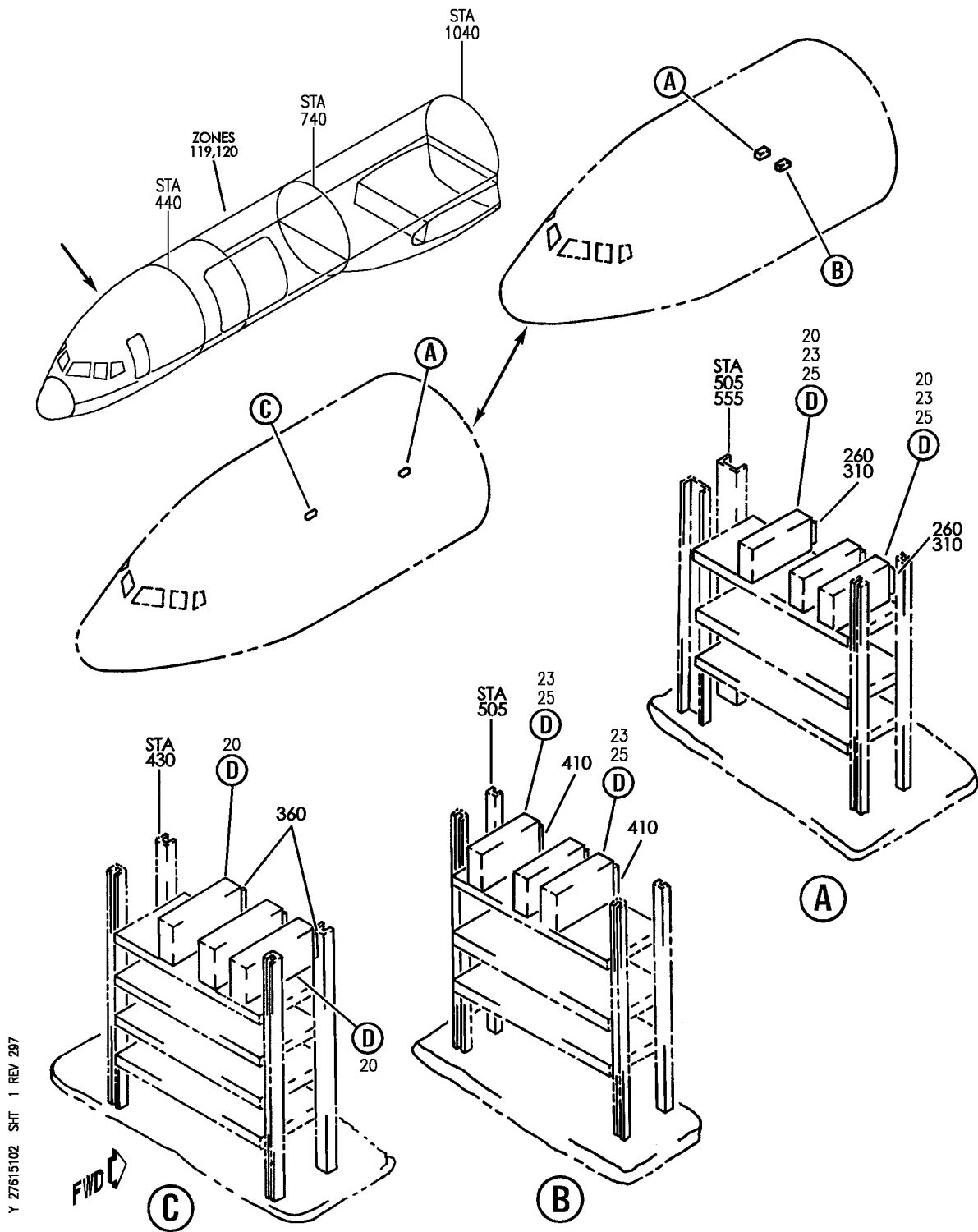
- ITEM NOT ILLUSTRATED

27-61-51-01

27-61-51  
FIG. 01  
PAGE 2  
JAN 20/09

BRI

**BOEING**  
757  
PARTS CATALOG (MAINTENANCE)



Y 27615102 SH1 1 REV 297

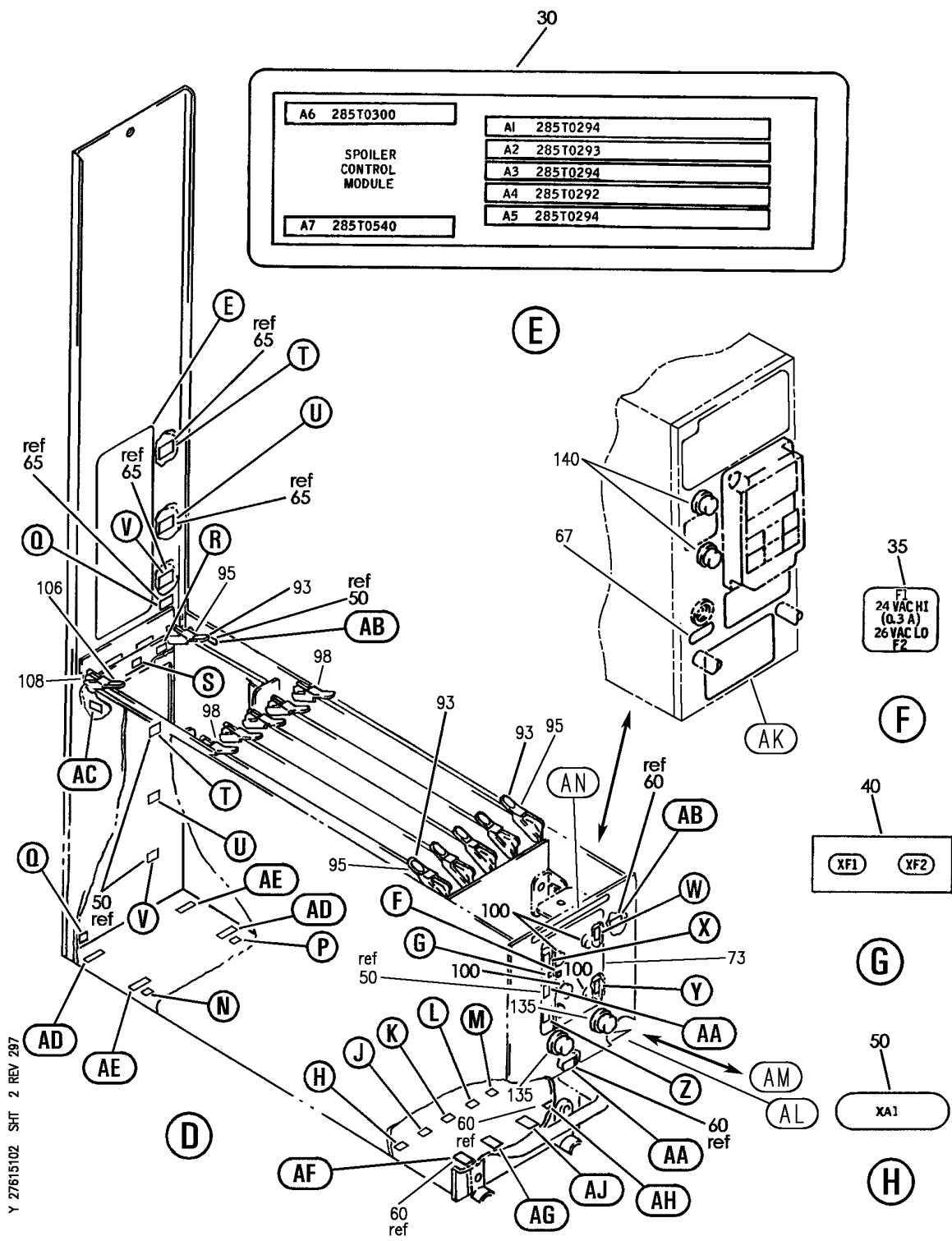
EQUIPMENT INSTL-MAIN ELECTRONICS EQPT CTR (SPOILER/SPEEDBRAKE CONTROL SYSTEM ONLY)  
FIGURE 2 (SHEET 1)

**27-61-51-02**

BRI  
MAY 28/07

27-61-51-02  
PAGE 0

**BOEING**  
757  
**PARTS CATALOG (MAINTENANCE)**



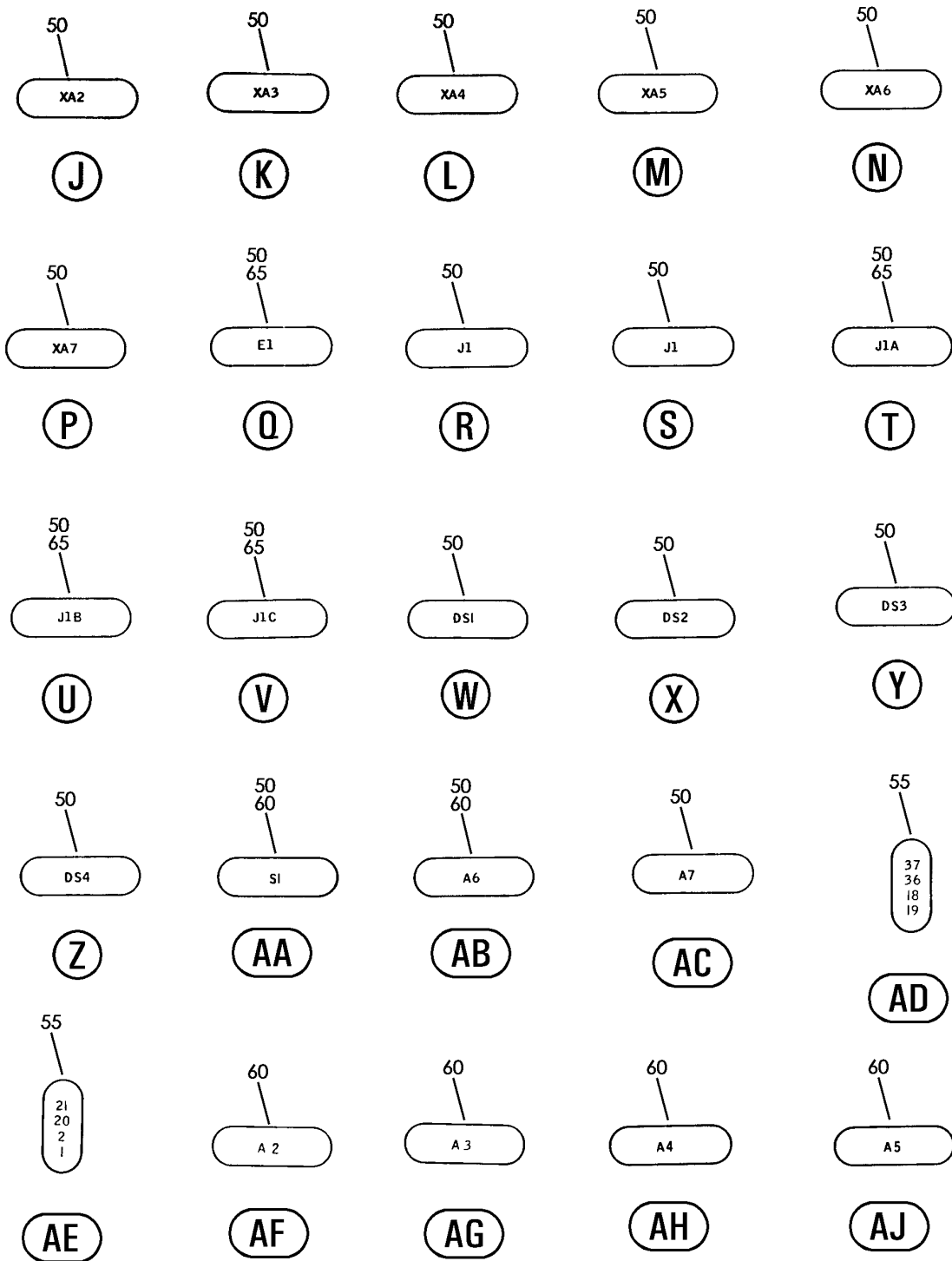
EQUIPMENT INSTL-MAIN ELECTRONICS EQPT CTR (SPOILER/SPEEDBRAKE CONTROL SYSTEM ONLY)  
FIGURE 2 (SHEET 2)

# 27-61-51-02

BRI  
MAY 28/07

27-61-51-02  
PAGE 0A

**BOEING**  
757  
PARTS CATALOG (MAINTENANCE)



Y 27615102 SH-T 3 REV 250

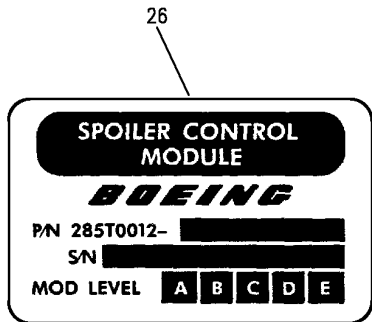
EQUIPMENT INSTL-MAIN ELECTRONICS EQPT CTR (SPOILER/SPEEDBRAKE CONTROL SYSTEM ONLY)  
FIGURE 2 (SHEET 3)

**27-61-51-02**

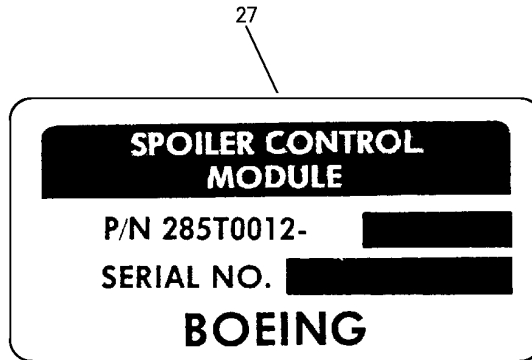
BRI  
MAY 28/07

27-61-51-02  
PAGE 0B

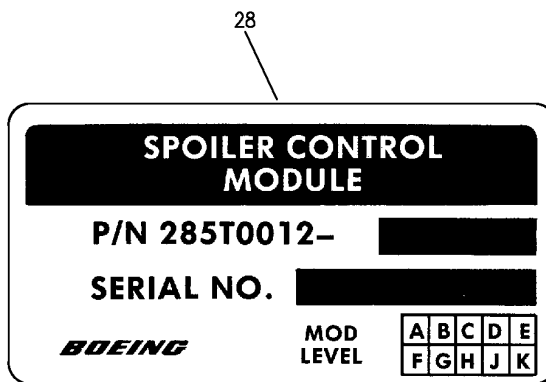

**BOEING**  
 757  
 PARTS CATALOG (MAINTENANCE)



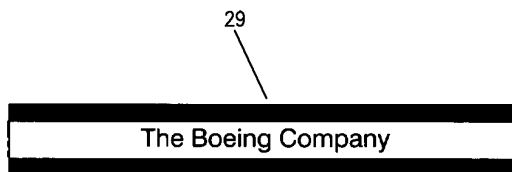
AK



AL



AM



AN

Y 27615102 SH1 4 REV 250

EQUIPMENT INSTL-MAIN ELECTRONICS EQPT CTR (SPOILER/SPEEDBRAKE CONTROL SYSTEM ONLY)  
FIGURE 2 (SHEET 4)

BRI  
MAY 28/07

**27-61-51-02**

27-61-51-02  
PAGE 0C



757

PARTS CATALOG (MAINTENANCE)

FIG ITEM	PART NUMBER	1 2 3 4 5 6 7	NOMENCLATURE	EFFECT FROM TO	UNITS PER ASSY
2			EQUIPMENT INSTL-MAIN ELECTRONICS EQPT CTR (SPOILER/SPEEDBRAKE CONTROL SYSTEM ONLY)	002004 006100 107107 121999	
- 2	284N1307-33		EQUIPMENT INSTL-MAIN ELECTRONICS EQPT CTR (SPOILER/SPEEDBRAKE CONTROL SYSTEM ONLY) FOR NHA/OTHER SYS DET SEE: 24-00-58-01	107107	RF
- 3	284N1800-16		EQUIPMENT INSTL-MAIN ELECTRONICS EQPT CTR (SPOILER/SPEEDBRAKE CONTROL SYSTEM ONLY) FOR NHA/OTHER SYS DET SEE: 24-00-58-01	121503 904949	RF
- 4	284N1800-32		EQUIPMENT INSTL-MAIN ELECTRONICS EQPT CTR (SPOILER/SPEEDBRAKE CONTROL SYSTEM ONLY) FOR NHA/OTHER SYS DET SEE: 24-00-58-01	952999	RF
- 4	284N1800-34		EQUIPMENT INSTL-MAIN ELECTRONICS EQPT CTR (SPOILER/SPEEDBRAKE CONTROL SYSTEM ONLY) FOR NHA/OTHER SYS DET SEE: 24-00-58-01	002004 006100	RF
- 5	284N1800-38		EQUIPMENT INSTL-MAIN ELECTRONICS EQPT CTR (SPOILER/SPEEDBRAKE CONTROL SYSTEM ONLY) FOR NHA/OTHER SYS DET SEE: 24-00-58-01	950951	RF
- 6	284N1800-88		EQUIPMENT INSTL-MAIN ELECTRONICS EQPT CTR (SPOILER/SPEEDBRAKE CONTROL SYSTEM ONLY) FOR NHA/OTHER SYS DET SEE: 24-00-58-05E	505505	RF
- 7	284N1800-190		EQUIPMENT INSTL-MAIN ELECTRONICS EQPT CTR (SPOILER/SPEEDBRAKE CONTROL SYSTEM ONLY) FOR NHA/OTHER SYS DET SEE: 24-00-58-05E	504504 506903	RF

MISSING ITEM NUMBERS NOT APPLICABLE

- ITEM NOT ILLUSTRATED

27-61-51-02

27-61-51  
FIG. 02  
PAGE 1  
JAN 20/09

BRI



757

PARTS CATALOG (MAINTENANCE)

FIG ITEM	PART NUMBER	1 2 3 4 5 6 7	NOMENCLATURE	EFFECT FROM TO	UNITS PER ASSY
2 23	285T0012-201		.MODULE ASSY-SPOILER CONT SUPPLIER CODE: V89954 ELECTRICAL EQUIP NUMBER: M00530 M00531 M00532 M00533 M00534 M00535 COMPONENT MAINT MANUAL REF: 27-61-02 QUALIFIED I/W DATA: P/N'S 285T0012-112,-114, -117, -118 AND -201 ARE FULLY INTERCHANGEABLE FOR 757-200 ONLY. THEN FOR THE 757-300 MODEL, 285T0012-201 MUST BE USED	002004 006100 121903 950951 953999	6
25	285T0012-112		.MODULE ASSY-SPOILER CONT SUPPLIER CODE: V89954 ELECTRICAL EQUIP NUMBER: M00530 M00531 M00532 M00533 M00534 M00535 COMPONENT MAINT MANUAL REF: 27-61-52 QUALIFIED I/W DATA: P/N'S 285T0012-112,-114, -117, -118 AND -201 ARE FULLY INTERCHANGEABLE FOR 757-200 ONLY. THEN FOR THE 757-300 MODEL, 285T0012-201 MUST BE USED OPTIONAL PART: 285T0012-114 V89954	107107	6

MISSING ITEM NUMBERS NOT APPLICABLE

- ITEM NOT ILLUSTRATED

BRI

27-61-51-02

BOEING PROPRIETARY - Copyright © - Unpublished Work - See title page for details.

27-61-51  
FIG. 02  
PAGE 2  
JAN 20/09





757

PARTS CATALOG (MAINTENANCE)

FIG ITEM	PART NUMBER	1 2 3 4 5 6 7	NOMENCLATURE	EFFECT FROM TO	UNITS PER ASSY
2 25	285T0012-114		.MODULE ASSY-SPOILER CONT SUPPLIER CODE: V89954 ELECTRICAL EQUIP NUMBER: M00530 M00531 M00532 M00533 M00534 M00535 COMPONENT MAINT MANUAL REF: 27-61-52 QUALIFIED I/W DATA: P/N'S 285T0012-112,-114, -117, -118 AND -201 ARE FULLY INTERCHANGEABLE FOR 757-200 ONLY. THEN FOR THE 757-300 MODEL, 285T0012-201 MUST BE USED OPTIONAL PART: 285T0012-112 V89954	107107	6
25	285T0012-117		.MODULE ASSY-SPOILER CONT SUPPLIER CODE: V89954 ELECTRICAL EQUIP NUMBER: M00530 M00531 M00532 M00533 M00534 M00535 COMPONENT MAINT MANUAL REF: 27-61-52 QUALIFIED I/W DATA: P/N'S 285T0012-112,-114, -117, -118 AND -201 ARE FULLY INTERCHANGEABLE FOR 757-200 ONLY. THEN FOR THE 757-300 MODEL, 285T0012-201 MUST BE USED OPTIONAL PART: 285T0012-118 V89954	904949 952952	6

MISSING ITEM NUMBERS NOT APPLICABLE

- ITEM NOT ILLUSTRATED

BRI

27-61-51-02

27-61-51  
FIG. 02  
PAGE 3  
JAN 20/09



757

PARTS CATALOG (MAINTENANCE)

FIG ITEM	PART NUMBER	1 2 3 4 5 6 7	NOMENCLATURE	EFFECT FROM TO	UNITS PER ASSY
2 25	285T0012-118		.MODULE ASSY-SPOILER CONT SUPPLIER CODE: V89954 ELECTRICAL EQUIP NUMBER: M00530 M00531 M00532 M00533 M00534 M00535 COMPONENT MAINT MANUAL REF: 27-61-52 QUALIFIED I/W DATA: P/N'S 285T0012-112,-114, -117, -118 AND -201 ARE FULLY INTERCHANGEABLE FOR 757-200 ONLY. THEN FOR THE 757-300 MODEL, 285T0012-201 MUST BE USED OPTIONAL PART: 285T0012-117 V89954	904949 952952	6
26	BAC27TEX4878		..DECAL- SUPPLIER CODE: V89954 USED ON: 285T0012-201	002004 006100 121903 950951 953999	1
27	BAC27TEX1617		..DECAL- SUPPLIER CODE: V89954 USED ON: 285T0012-112 285T0012-114 285T0012-118	107107 904949 952952	1
28	BAC27TEX4423		..DECAL- USED ON: 285T0012-114 285T0012-118	107107 904949 952952	1
29	BAC27TEX3648		..DECAL- SUPPLIER CODE: V89954 USED ON: 285T0012-112 285T0012-114 285T0012-118	107107 904949 952952	1

MISSING ITEM NUMBERS NOT APPLICABLE

- ITEM NOT ILLUSTRATED

27-61-51-02

27-61-51  
FIG. 02  
PAGE 4  
JAN 20/09

BRI



757

PARTS CATALOG (MAINTENANCE)

FIG ITEM	PART NUMBER	1 2 3 4 5 6 7	NOMENCLATURE	EFFECT FROM TO	UNITS PER ASSY
2					
30	BAC27TEX3220	..	DECAL- SUPPLIER CODE: V89954 USED ON: 285T0012-112 285T0012-114 285T0012-118	107107 904949 952952	1
35	BAC27TEX4881	..	DECAL- SUPPLIER CODE: V89954 USED ON: 285T0012-201	002004 006100 121903 950951 953999	1
40	BAC27TEX4882	..	DECAL- SUPPLIER CODE: V89954 USED ON: 285T0012-201	002004 006100 121903 950951 953999	1
50	BAC27TEX3313	..	DECALSET-INCLUDES DECALS IDENTIFIED ON THE ILLUSTRATION SUPPLIER CODE: V89954 USED ON: 285T0012-114 285T0012-118	107107 904949 952952	1
55	BAC27TEX3365	..	DECAL- SUPPLIER CODE: V89954 PLACARD CONTENT: 37, 36, 18, 19, 21, 20, 2, 1 USED ON: 285T0012-114 285T0012-118	107107 904949 952952	1
60	BAC27TEX3588	..	DECALSET- SUPPLIER CODE: V89954 USED ON: 285T0012-201	002004 006100 121903 950951 953999	1
65	BAC27TEX3327	..	DECALSET- USED ON: 285T0012-201	002004 006100 121903 950951 953999	1
67	BAC27TEX1576	..	DECAL- SUPPLIER CODE: V89954 USED ON: 285T0012-201	002004 006100 121903 950951 953999	1

MISSING ITEM NUMBERS NOT APPLICABLE

- ITEM NOT ILLUSTRATED

27-61-51-02

27-61-51  
FIG. 02  
PAGE 5  
JAN 20/09

BRI

BOEING PROPRIETARY - Copyright © - Unpublished Work - See title page for details.



**757  
PARTS CATALOG (MAINTENANCE)**

FIG ITEM	PART NUMBER	1 2 3 4 5 6 7	NOMENCLATURE	EFFECT FROM TO	UNITS PER ASSY
2	73 P90640010-3		..MODULE-BITE SUPPLIER CODE: V51896 SPECIFICATION NUMBER: 906-40010-3 OPTIONAL PART: 906-40010-2 V89954 69-73010-2 V89954 USED ON: 285T0012-201	002004 006100 121903 950951 953999	1
	73 906-40010-2		..MODULE-BITE SUPPLIER CODE: V89954 OPTIONAL PART: P90640010-3 V51896 69-73010-2 V89954 USED ON: 285T0012-201	002004 006100 121903 950951 953999	1
	73 69-73010-2		..MODULE ASSY-BITE SUPPLIER CODE: V89954 OPTIONAL PART: P90640010-3 V51896 906-40010-2 V89954 USED ON: 285T0012-201	002004 006100 121903 950951 953999	1
-	75 285T0293-34		..PRINTED CIRCUIT ASSY- MAINT MON SUPPLIER CODE: V89954 COMPONENT MAINT MANUAL REF: 27-61-54 QUALIFIED OPTIONAL DATA: (OPT 285T0293-25, -26 AND -28 USED WITH ASSOCIATED ITEMS) USED ON: 285T0012-114	107107 904949 952952	1

MISSING ITEM NUMBERS NOT APPLICABLE

- ITEM NOT ILLUSTRATED

BRI

# 27-61-51-02

BOEING PROPRIETARY - Copyright © - Unpublished Work - See title page for details.

27-61-51  
FIG. 02  
PAGE 6  
JAN 20/09



757

PARTS CATALOG (MAINTENANCE)

FIG ITEM	PART NUMBER	1 2 3 4 5 6 7	NOMENCLATURE	EFFECT FROM TO	UNITS PER ASSY
2 - 75	285T0293-25		..PRINTED CIRCUIT ASSY- MAINT MON SUPPLIER CODE: V89954 COMPONENT MAINT MANUAL REF: 27-61-54 QUALIFIED OPTIONAL DATA: (OPT 285T0293-34 USED WITH ASSOCIATED ITEMS) OPTIONAL PART: 285T0293-28 V89954 285T0293-26 V89954 USED ON: 285T0012-112 285T0012-114	107107 904949 952952	1
- 75	285T0293-26		..PRINTED CIRCUIT ASSY- MAINT MON SUPPLIER CODE: V89954 COMPONENT MAINT MANUAL REF: 27-61-54 QUALIFIED OPTIONAL DATA: (OPT 285T0293-34 USED WITH ASSOCIATED ITEMS) OPTIONAL PART: 285T0293-25 V89954 285T0293-28 V89954 USED ON: 285T0012-112 285T0012-114	107107 904949 952952	1

MISSING ITEM NUMBERS NOT APPLICABLE

- ITEM NOT ILLUSTRATED

**27-61-51-02**

27-61-51  
FIG. 02  
PAGE 7  
JAN 20/09

BRI



757

PARTS CATALOG (MAINTENANCE)

FIG ITEM	PART NUMBER	1 2 3 4 5 6 7	NOMENCLATURE	EFFECT FROM TO	UNITS PER ASSY
2 - 75	285T0293-28		..PRINTED CIRCUIT ASSY- MAINT MON SUPPLIER CODE: V89954 COMPONENT MAINT MANUAL REF: 27-61-54 QUALIFIED OPTIONAL DATA: (OPT 285T0293-34 USED WITH ASSOCIATED ITEMS) OPTIONAL PART: 285T0293-25 V89954 285T0293-26 V89954 USED ON: 285T0012-112 285T0012-114	107107 904949 952952	1
- 75	285T0293-37		..PRINTED CIRCUIT ASSY- MAINT MON SUPPLIER CODE: V89954 COMPONENT MAINT MANUAL REF: 27-61-54 QUALIFIED OPTIONAL DATA: (OPT 285T0293-44, -47 USED WITH ASSOCIATED ITEMS) OPTIONAL PART: 285T0293-40 V89954 USED ON: 285T0012-117 285T0012-118	107107 904949 952952	1
- 75	285T0293-40		..PRINTED CIRCUIT ASSY- MAINT MON SUPPLIER CODE: V89954 COMPONENT MAINT MANUAL REF: 27-61-54 QUALIFIED OPTIONAL DATA: (OPT 285T0293-44, -47 USED WITH ASSOCIATED ITEMS) OPTIONAL PART: 285T0293-37 V89954 USED ON: 285T0012-117 285T0012-118	904949 952952	1

MISSING ITEM NUMBERS NOT APPLICABLE

- ITEM NOT ILLUSTRATED

27-61-51-02

27-61-51  
FIG. 02  
PAGE 8  
JAN 20/09

BRI



757

PARTS CATALOG (MAINTENANCE)

FIG ITEM	PART NUMBER	1 2 3 4 5 6 7	NOMENCLATURE	EFFECT FROM TO	UNITS PER ASSY
2 - 75	285T0293-44		..PRINTED CIRCUIT ASSY- MAINT MON SUPPLIER CODE: V89954 COMPONENT MAINT MANUAL REF: 27-61-54 QUALIFIED OPTIONAL DATA: (OPT 285T0293-37, -40 USED WITH ASSOCIATED ITEMS) OPTIONAL PART: 285T0293-47 V89954 USED ON: 285T0012-118	107107 904949 952952	1
- 75	285T0293-47		..PRINTED CIRCUIT ASSY- MAINT MON SUPPLIER CODE: V89954 COMPONENT MAINT MANUAL REF: 27-61-54 QUALIFIED OPTIONAL DATA: (OPT 285T0293-37, -40 USED WITH ASSOCIATED ITEMS) OPTIONAL PART: 285T0293-40 V89954 USED ON: 285T0012-118	904949 952952	1
- 80	285T0300-20		..PRINTED CIRCUIT ASSY- SPOILER RELAY SUPPLIER CODE: V89954 COMPONENT MAINT MANUAL REF: 27-61-56 QUALIFIED OPTIONAL DATA: (OPT 285T0300-14, -16 USED WITH ASSOCIATED ITEMS) USED ON: 285T0012-114	107107	1

MISSING ITEM NUMBERS NOT APPLICABLE

- ITEM NOT ILLUSTRATED

27-61-51-02

27-61-51  
FIG. 02  
PAGE 9  
JAN 20/09

BRI



757

PARTS CATALOG (MAINTENANCE)

FIG ITEM	PART NUMBER	1 2 3 4 5 6 7	NOMENCLATURE	EFFECT FROM TO	UNITS PER ASSY
2 - 80	285T0300-14		..PRINTED CIRCUIT ASSY- SPOILER RELAY SUPPLIER CODE: V89954 COMPONENT MAINT MANUAL REF: 27-61-56 OPTIONAL PART: 285T0300-16 V89954 USED ON: 285T0012-112 285T0012-114	107107	1
- 80	285T0300-16		..PRINTED CIRCUIT ASSY- SPOILER RELAY SUPPLIER CODE: V89954 COMPONENT MAINT MANUAL REF: 27-61-56 OPTIONAL PART: 285T0300-14 V89954 USED ON: 285T0012-112 285T0012-114	107107	1
- 80	285T0300-22		..PRINTED CIRCUIT ASSY- SPOILER RELAY SUPPLIER CODE: V89954 COMPONENT MAINT MANUAL REF: 27-61-56 OPTIONAL PART: 285T0300-23 V89954 USED ON: 285T0012-117 285T0012-118	904949 952952	1
- 80	285T0300-23		..PRINTED CIRCUIT ASSY- SPOILER RELAY SUPPLIER CODE: V89954 COMPONENT MAINT MANUAL REF: 27-61-56 OPTIONAL PART: 285T0300-22 V89954 USED ON: 285T0012-117 285T0012-118	904949 952952	1

MISSING ITEM NUMBERS NOT APPLICABLE

- ITEM NOT ILLUSTRATED

BRI

27-61-51-02

BOEING PROPRIETARY - Copyright © - Unpublished Work - See title page for details.

27-61-51  
FIG. 02  
PAGE 10  
JAN 20/09





757

PARTS CATALOG (MAINTENANCE)

FIG ITEM	PART NUMBER	1 2 3 4 5 6 7	NOMENCLATURE	EFFECT FROM TO	UNITS PER ASSY
2 - 85	285T0294-36		..PRINTED CIRCUIT ASSY- SPOILER SUBCHANNEL SUPPLIER CODE: V89954 COMPONENT MAINT MANUAL REF: 27-61-55 QUALIFIED OPTIONAL DATA: (OPT 285T0294-26, -27 AND -30 USED WITH ASSOCIATED ITEMS) USED ON: 285T0012-114	107107	3
- 85	285T0294-26		..PRINTED CIRCUIT ASSY- SPOILER SUBCHANNEL SUPPLIER CODE: V89954 COMPONENT MAINT MANUAL REF: 27-61-55 QUALIFIED OPTIONAL DATA: (OPT 285T0294-36 USED WITH ASSOCIATED ITEMS) OPTIONAL PART: 285T0294-30 V89954 285T0294-27 V89954 USED ON: 285T0012-112 285T0012-114	107107	3
- 85	285T0294-27		..PRINTED CIRCUIT ASSY- SPOILER SUBCHANNEL SUPPLIER CODE: V89954 COMPONENT MAINT MANUAL REF: 27-61-55 QUALIFIED OPTIONAL DATA: (OPT 285T0294-36 USED WITH ASSOCIATED ITEMS) OPTIONAL PART: 285T0294-30 V89954 285T0294-26 V89954 USED ON: 285T0012-112 285T0012-114	107107	3

MISSING ITEM NUMBERS NOT APPLICABLE

- ITEM NOT ILLUSTRATED

**27-61-51-02**

27-61-51  
FIG. 02  
PAGE 11  
JAN 20/09

BRI



757

PARTS CATALOG (MAINTENANCE)

FIG ITEM	PART NUMBER	1 2 3 4 5 6 7	NOMENCLATURE	EFFECT FROM TO	UNITS PER ASSY
2 - 85	285T0294-30		..PRINTED CIRCUIT ASSY- SPOILER SUBCHANNEL SUPPLIER CODE: V89954 COMPONENT MAINT MANUAL REF: 27-61-55 QUALIFIED OPTIONAL DATA: (OPT 285T0294-36 USED WITH ASSOCIATED ITEMS) OPTIONAL PART: 285T0294-26 V89954 285T0294-27 V89954 USED ON: 285T0012-112 285T0012-114	107107	3
- 85	285T0294-44		..PRINTED CIRCUIT ASSY- SPOILER SUBCHANNEL SUPPLIER CODE: V89954 COMPONENT MAINT MANUAL REF: 27-61-55 OPTIONAL PART: 285T0294-50 V89954 USED ON: 285T0012-117 285T0012-118	904949 952952	3
- 85	285T0294-50		..PRINTED CIRCUIT ASSY- SPOILER SUBCHANNEL SUPPLIER CODE: V89954 COMPONENT MAINT MANUAL REF: 27-61-55 OPTIONAL PART: 285T0294-44 V89954 USED ON: 285T0012-117 285T0012-118	904949 952952	3

MISSING ITEM NUMBERS NOT APPLICABLE

- ITEM NOT ILLUSTRATED

27-61-51-02

27-61-51  
FIG. 02  
PAGE 12  
JAN 20/09

BRI



757

PARTS CATALOG (MAINTENANCE)

FIG ITEM	PART NUMBER	1 2 3 4 5 6 7	NOMENCLATURE	EFFECT FROM TO	UNITS PER ASSY
2 - 90	285T0292-38		..PRINTED CIRCUIT ASSY- REDUNDANCY MANAGEMENT SUPPLIER CODE: V89954 COMPONENT MAINT MANUAL REF: 27-61-53 QUALIFIED OPTIONAL DATA: (OPT 285T0292-28, -30 USED WITH ASSOCIATED ITEMS) USED ON: 285T0012-114	107107	1
- 90	285T0292-28		..PRINTED CIRCUIT ASSY- REDUNDANCY MANAGEMENT SUPPLIER CODE: V89954 COMPONENT MAINT MANUAL REF: 27-61-53 QUALIFIED OPTIONAL DATA: (OPT 285T0292-38 USED WITH ASSOCIATED ITEMS) OPTIONAL PART: 285T0292-30 V89954 USED ON: 285T0012-112 285T0012-114	107107	1
- 90	285T0292-30		..PRINTED CIRCUIT ASSY- REDUNDANCY MANAGEMENT SUPPLIER CODE: V89954 COMPONENT MAINT MANUAL REF: 27-61-53 QUALIFIED OPTIONAL DATA: (OPT 285T0292-38 USED WITH ASSOCIATED ITEMS) OPTIONAL PART: 285T0292-28 V89954 USED ON: 285T0012-112 285T0012-114	107107	1

MISSING ITEM NUMBERS NOT APPLICABLE

- ITEM NOT ILLUSTRATED

BRI

27-61-51-02

BOEING PROPRIETARY - Copyright © - Unpublished Work - See title page for details.

27-61-51  
FIG. 02  
PAGE 13  
JAN 20/09



757

PARTS CATALOG (MAINTENANCE)

FIG ITEM	PART NUMBER	1 2 3 4 5 6 7	NOMENCLATURE	EFFECT FROM TO	UNITS PER ASSY
2 - 90	285T0292-41		..PRINTED CIRCUIT ASSY- REDUNDANCY MANAGEMENT SUPPLIER CODE: V89954 COMPONENT MAINT MANUAL REF: 27-61-53 USED ON: 285T0012-117 285T0012-118	904949 952952	1
93	BAC27TEX1956		...DECAL-SPOILER SUPPLIER CODE: V89954	107107 904949 952952	1
95	71-2RA		...EXTRACTOR- SUPPLIER CODE: V18915	107107 904949 952952	1
98	71-2LA		...EXTRACTOR- SUPPLIER CODE: V18915 USED ON: 285T0292-41 USED ON: 285T0292-28 285T0292-30 285T0292-38 285T0293-25 285T0293-26 285T0293-28 285T0293-34 285T0293-37 285T0293-40 285T0293-44 285T0293-47 285T0294-26 285T0294-27 285T0294-30 285T0294-36 285T0294-44 285T0294-50	107107 904949 952952	1
100	BHGD27TS611		..INDICATOR- SUPPLIER CODE: V07479 USED ON: 285T0012-114 285T0012-118	107107 904949 952952	4
100	BHGD21T24YBLK		..INDICATOR- SUPPLIER CODE: V07479 USED ON: 285T0012-112	107107	4

MISSING ITEM NUMBERS NOT APPLICABLE

- ITEM NOT ILLUSTRATED

27-61-51-02

27-61-51  
FIG. 02  
PAGE 14  
JAN 20/09

BRI



757

PARTS CATALOG (MAINTENANCE)

FIG ITEM	PART NUMBER	1 2 3 4 5 6 7	NOMENCLATURE	EFFECT FROM TO	UNITS PER ASSY
2 - 105	285T0540-1		..PRINTED CIRCUIT ASSY-PNL POSITION MON SUPPLIER CODE: V89954 COMPONENT MAINT MANUAL REF: 27-61-57 QUALIFIED OPTIONAL DATA: (OPT 285T0540-4 USED WITH ASSOCIATED ITEMS) USED ON: 285T0012-112 285T0012-114	107107 904949 952952	1
- 105	285T0540-4		..PRINTED CIRCUIT ASSY- POSITION MON SUPPLIER CODE: V89954 COMPONENT MAINT MANUAL REF: 27-61-57 QUALIFIED OPTIONAL DATA: (OPT 285T0540-1 USED WITH ASSOCIATED ITEMS) USED ON: 285T0012-114 285T0012-117 285T0012-118	107107 904949 952952	1
106	BAC27TEX1956		...DECAL-SPOILER SUPPLIER CODE: V89954	107107 904949 952952	1
108	71-2RA		...EXTRACTOR- SUPPLIER CODE: V18915 USED ON: 285T0540-1	107107 904949 952952	1
108	71-2LA		...EXTRACTOR- SUPPLIER CODE: V18915 USED ON: 285T0540-1	107107 904949 952952	1
108	71-2RA		...EXTRACTOR- SUPPLIER CODE: V18915 USED ON: 285T0540-4	107107 904949 952952	1

MISSING ITEM NUMBERS NOT APPLICABLE

- ITEM NOT ILLUSTRATED

BRI

27-61-51-02

BOEING PROPRIETARY - Copyright © - Unpublished Work - See title page for details.

27-61-51  
FIG. 02  
PAGE 15  
JAN 20/09



757

PARTS CATALOG (MAINTENANCE)

FIG ITEM	PART NUMBER	1 2 3 4 5 6 7	NOMENCLATURE	EFFECT FROM TO	UNITS PER ASSY
2					
- 110	285T0260-36		.. ENCLOSURE ASSY- SUPPLIER CODE: V89954 COMPONENT MAINT MANUAL REF: 24-09-93 QUALIFIED OPTIONAL DATA: (OPT 285T0260-25, 285T0260-42 USED WITH ASSOCIATED ITEMS) USED ON: 285T0012-114	107107	1
- 110	285T0260-25		.. ENCLOSURE ASSY- SUPPLIER CODE: V89954 COMPONENT MAINT MANUAL REF: 24-09-93 QUALIFIED OPTIONAL DATA: (OPT 285T0260-31, -36 USED WITH ASSOCIATED ITEMS) USED ON: 285T0012-112	107107	1
- 110	285T0260-40		.. ENCLOSURE ASSY- SUPPLIER CODE: V89954 COMPONENT MAINT MANUAL REF: 24-09-93 USED ON: 285T0012-118	904949 952952	1
- 110	285T0260-42		.. ENCLOSURE ASSY- SUPPLIER CODE: V89954 COMPONENT MAINT MANUAL REF: 24-09-93 QUALIFIED OPTIONAL DATA: (OPT 285T0260-36 USED WITH ASSOCIATED ITEMS) USED ON: 285T0012-114	107107	1

MISSING ITEM NUMBERS NOT APPLICABLE

- ITEM NOT ILLUSTRATED

BRI

27-61-51-02

BOEING PROPRIETARY - Copyright © - Unpublished Work - See title page for details.

27-61-51  
FIG. 02  
PAGE 16  
JAN 20/09



757

PARTS CATALOG (MAINTENANCE)

FIG ITEM	PART NUMBER	1 2 3 4 5 6 7	NOMENCLATURE	EFFECT FROM TO	UNITS PER ASSY
2 - 115	285T0694-3		..PRINTED CIRCUIT ASSY- MANAGEMENT MON SUPPLIER CODE: V89954 COMPONENT MAINT MANUAL REF: 27-61-03 QUALIFIED OPTIONAL DATA: OPT 285T0694-7, -8, AND -9 USED WITH ASSOCIATED ITEMS USED ON: 285T0012-201	002004 006100 121903 950951 953999	1
- 115	285T0694-7		..PRINTED CIRCUIT ASSY- MANAGEMENT MON SUPPLIER CODE: V89954 COMPONENT MAINT MANUAL REF: 27-61-03 QUALIFIED OPTIONAL DATA: OPT 285T0694-3, -8, AND -9 USED WITH ASSOCIATED ITEMS USED ON: 285T0012-201	002004 006100 121903 950951 953999	1
- 115	285T0694-8		..PRINTED CIRCUIT ASSY- MANAGEMENT MON SUPPLIER CODE: V89954 COMPONENT MAINT MANUAL REF: 27-61-03 QUALIFIED OPTIONAL DATA: OPT 285T0694-3, -7, AND -9 USED WITH ASSOCIATED ITEMS USED ON: 285T0012-201	002004 006100 121903 950951 953999	1
- 115	285T0694-9		..PRINTED CIRCUIT ASSY- MANAGEMENT MON SUPPLIER CODE: V89954 COMPONENT MAINT MANUAL REF: 27-61-03 QUALIFIED OPTIONAL DATA: OPT 285T0694-3, -7, AND -8 USED WITH ASSOCIATED ITEMS USED ON: 285T0012-201	002004 006100 121903 950951 953999	1

MISSING ITEM NUMBERS NOT APPLICABLE

- ITEM NOT ILLUSTRATED

27-61-51-02

27-61-51  
FIG. 02  
PAGE 17  
JAN 20/09

BRI



757

PARTS CATALOG (MAINTENANCE)

FIG ITEM	PART NUMBER	1 2 3 4 5 6 7	NOMENCLATURE	EFFECT FROM TO	UNITS PER ASSY
2					
- 120	285T0695-3		..PRINTED CIRCUIT ASSY- SPOILER SUBCHANNEL SUPPLIER CODE: V89954 COMPONENT MAINT MANUAL REF: 27-61-04 USED ON: 285T0012-201	002004 006100 121903 950951 953999	3
- 122	BAC27TEX1956		...DECAL-SPOILER SUPPLIER CODE: V89954	002004 006100 121903 950951 953999	1
- 125	285T0696-1		..ENCLOSURE ASSY- SUPPLIER CODE: V89954 USED ON: 285T0012-201	002004 006100 121903 950951 953999	1
- 130	285T0260-31		..ENCLOSURE ASSY- SUPPLIER CODE: V89954 COMPONENT MAINT MANUAL REF: 24-09-93 QUALIFIED OPTIONAL DATA: (OPT 285T0260-25 USED WITH ASSOCIATED ITEMS) USED ON: 285T0012-114	107107	1
135	FM07A125V3-10A		.. FUSE- USED ON: 285T0012-118	904949 952952	2
140	FM07A125V3-10A		.. FUSE- USED ON: 285T0012-201	002004 006100 121903 950951 953999	2
- 300	286N1165-004		WIRE BUNDLE ASSY	107107 121503 904949	RF
- 300	286N1165-005		WIRE BUNDLE ASSY	002004 006100 950999	RF
- 301	286N1165-323		WIRE BUNDLE ASSY	504903	RF

MISSING ITEM NUMBERS NOT APPLICABLE

- ITEM NOT ILLUSTRATED

BRI

27-61-51-02

BOEING PROPRIETARY - Copyright © - Unpublished Work - See title page for details.

27-61-51  
FIG. 02  
PAGE 18  
JAN 20/09





757

PARTS CATALOG (MAINTENANCE)

FIG ITEM	PART NUMBER	1 2 3 4 5 6 7	NOMENCLATURE	EFFECT FROM TO	UNITS PER ASSY
2 310	BACC66H21C2001		.CONNECTOR- ELECTRICAL EQUIP NUMBER: D00665 D00667 D00669 WIRING DIAGRAM REF: 276114 276115 276116	002004 006100 107107 121999	3
- 400	286N1265-004		WIRE BUNDLE ASSY-	107107 121503 904949	RF
- 400	286N1265-005		WIRE BUNDLE ASSY- REWORKED BY SB: 34-0200	002004 006100 950999	RF
- 401 410	286N1265-321 BACC66H21C2001		WIRE BUNDLE ASSY .CONNECTOR- ELECTRICAL EQUIP NUMBER: D00635 D00637 D00639 WIRING DIAGRAM REF: 276113 276117 276118	504903 002004 006100 107107 121999	RF 3

MISSING ITEM NUMBERS NOT APPLICABLE

- ITEM NOT ILLUSTRATED

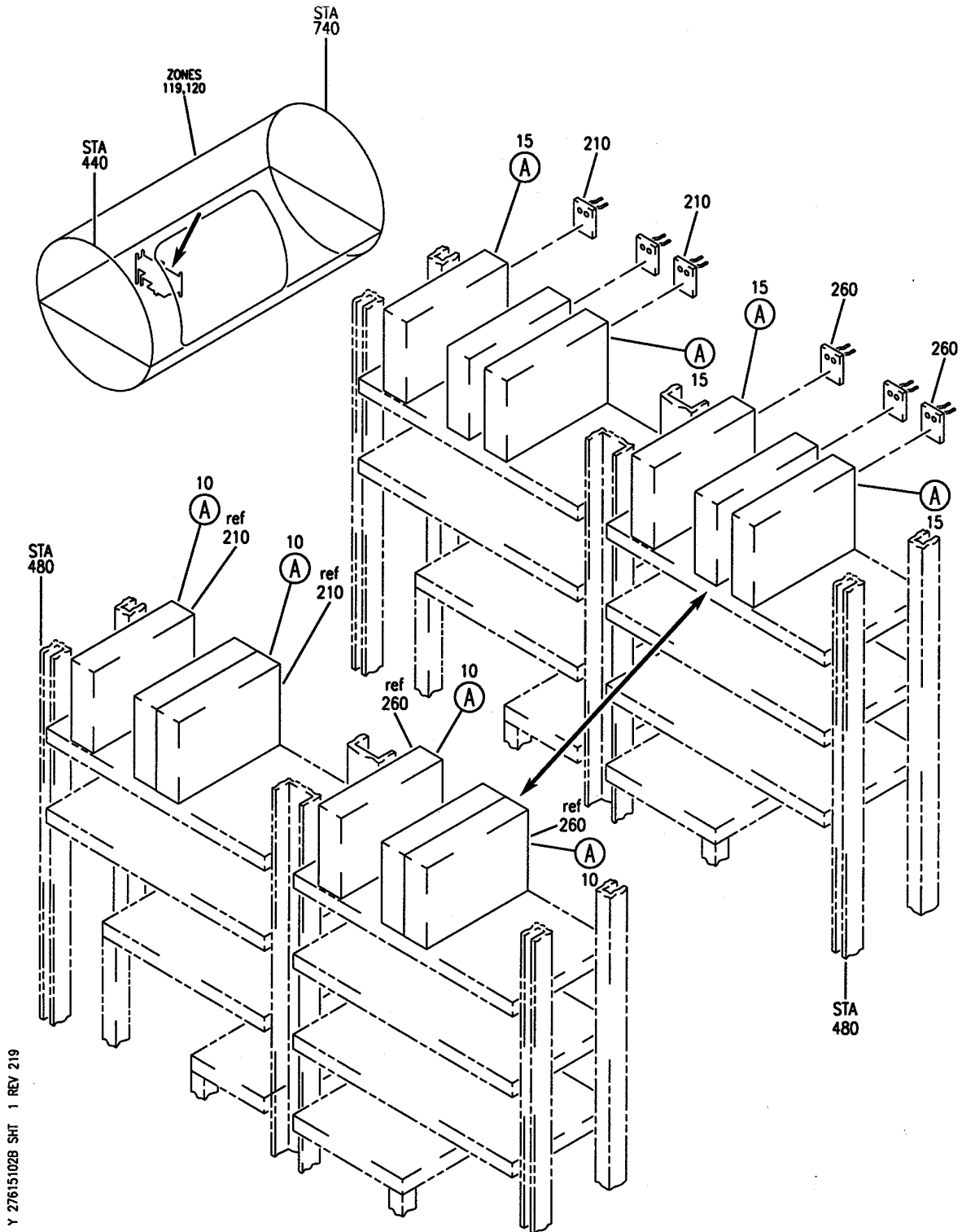
BRI

**27-61-51-02**

BOEING PROPRIETARY - Copyright © - Unpublished Work - See title page for details.

27-61-51  
FIG. 02  
PAGE 19  
JAN 20/09


**BOEING**  
 757  
**PARTS CATALOG (MAINTENANCE)**



Y 27615102B SHT 1 REV 219

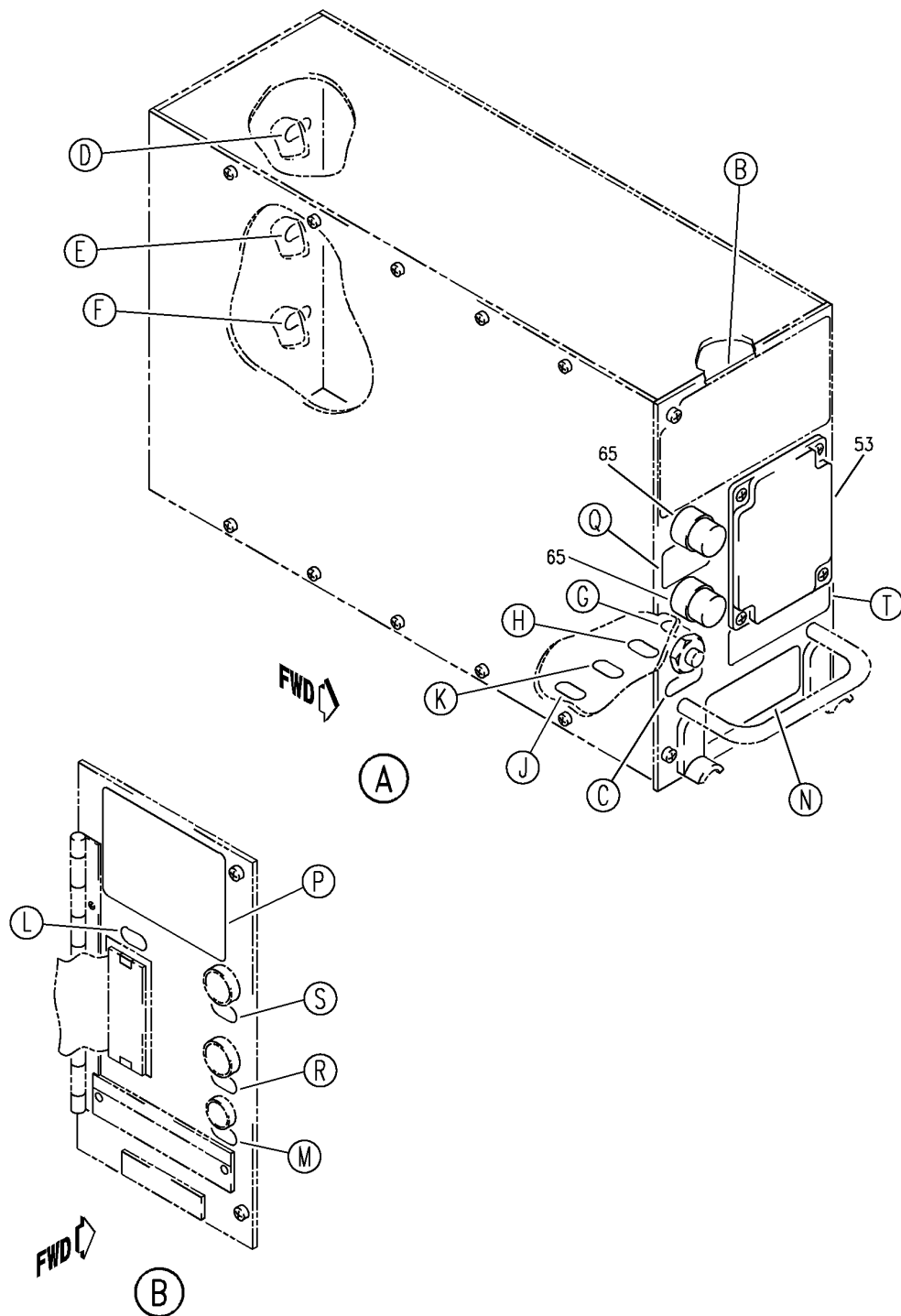
EQUIPMENT INSTL-MAIN ELECTRONICS EQPT CTR (SPOILER/SPEEDBRAKE CONTROL SYSTEM ONLY)  
 FIGURE 2B (SHEET 1)

**27-61-51-02B**

BRI  
 MAY 28/07

27-61-51-02B  
 PAGE 0

**BOEING**  
757  
PARTS CATALOG (MAINTENANCE)



Y 27615102B SHT 2 REV 287

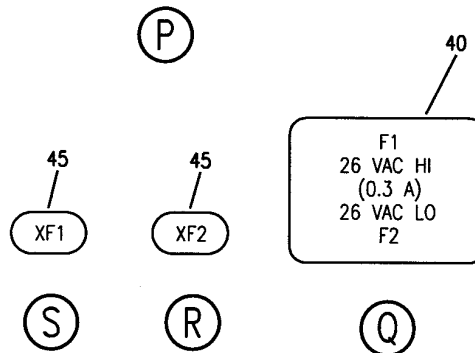
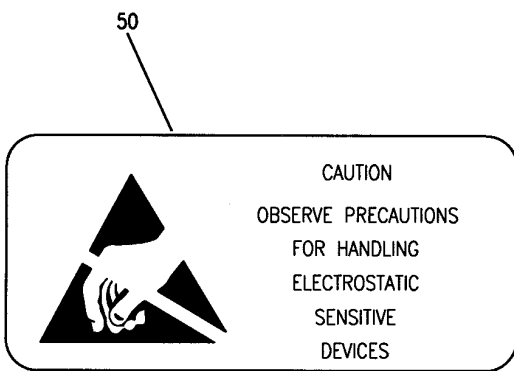
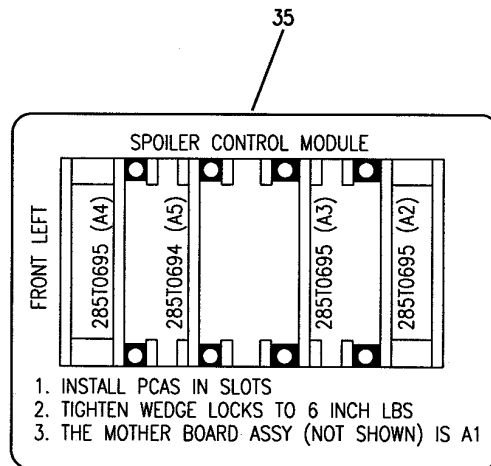
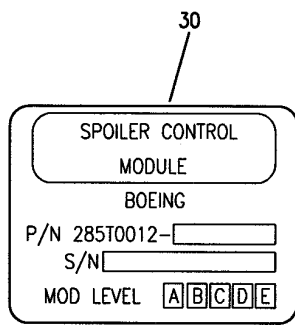
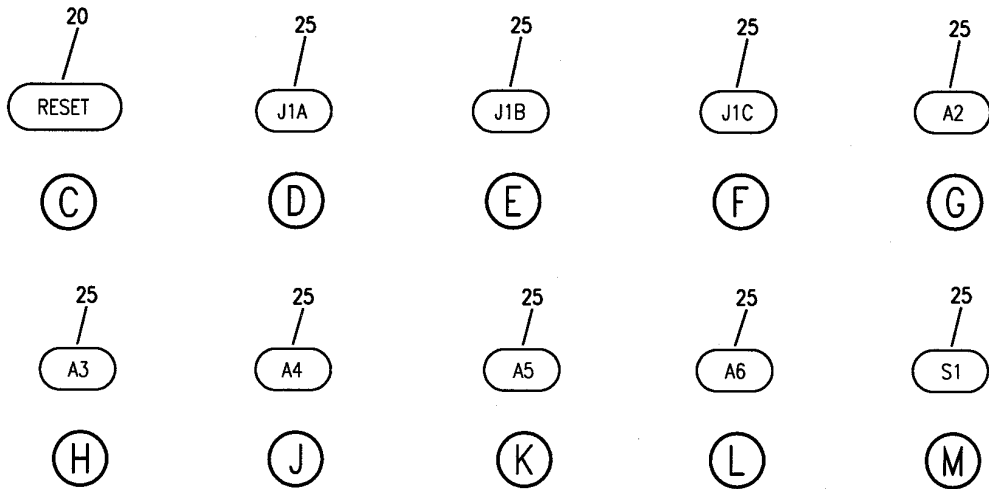
EQUIPMENT INSTL-MAIN ELECTRONICS EQPT CTR (SPOILER/SPEEDBRAKE CONTROL SYSTEM ONLY)  
FIGURE 2B (SHEET 2)

BRI  
MAY 28/07

**27-61-51-02B**

27-61-51-02B  
PAGE 0A

**BOEING**  
757  
**PARTS CATALOG (MAINTENANCE)**



Y 27615102B SHT 3 REV 212

EQUIPMENT INSTL-MAIN ELECTRONICS EQPT CTR (SPOILER/SPEEDBRAKE CONTROL SYSTEM ONLY)  
FIGURE 2B (SHEET 3)



757

PARTS CATALOG (MAINTENANCE)

FIG ITEM	PART NUMBER	1 2 3 4 5 6 7	NOMENCLATURE	EFFECT FROM TO	UNITS PER ASSY
2B			EQUIPMENT INSTL-MAIN ELECTRONICS EQPT CTR (SPOILER/SPEEDBRAKE CONTROL SYSTEM ONLY)	101102	
- 3	284N1800-140		EQUIPMENT INSTL-MAIN ELECTRONICS EQPT CTR (SPOILER/SPEEDBRAKE CONTROL SYSTEM ONLY)	101101	RF
- 3	284N1800-141		FOR NHA/OTHER SYS DET SEE: 24-00-58-05E		
			EQUIPMENT INSTL-MAIN ELECTRONICS EQPT CTR (SPOILER/SPEEDBRAKE CONTROL SYSTEM ONLY)	102102	RF
			FOR NHA/OTHER SYS DET SEE: 24-00-58-05E		
15	285T0012-201		.MODULE ASSY-SPOILER CONT SUPPLIER CODE: V89954 ELECTRICAL EQUIP NUMBER: M00530 M00531 M00532 M00533 M00534 M00535 COMPONENT MAINT MANUAL REF: 27-61-02 VARIABLE DRAWING REF: 285T0012-5020 285T0012-5021 285T0012-5022 QUALIFIED I/W DATA: P/N'S 285T0012-112,-114, -117, -118 AND -201 ARE FULLY INTERCHANGEABLE FOR 757-200 ONLY. THEN FOR THE 757-300 MODEL, 285T0012-201 MUST BE USED	101102	6
20	BAC27TEX1576		..DECAL- SUPPLIER CODE: V89954	101102	1
25	BAC27TEX3588		..DECALSET- SUPPLIER CODE: V89954	101102	1
30	BAC27TEX4878		..DECAL- SUPPLIER CODE: V89954	101102	1

MISSING ITEM NUMBERS NOT APPLICABLE

- ITEM NOT ILLUSTRATED

27-61-51-02B

27-61-51  
FIG. 02B  
PAGE 1  
JAN 20/09

BRI



757

PARTS CATALOG (MAINTENANCE)

FIG ITEM	PART NUMBER	1 2 3 4 5 6 7	NOMENCLATURE	EFFECT FROM TO	UNITS PER ASSY
2B					
35	BAC27TEX4879	..	DECAL- SUPPLIER CODE: V89954	101102	1
40	BAC27TEX4881	..	DECAL- SUPPLIER CODE: V89954	101102	1
45	BAC27TEX4882	..	DECAL-SET SUPPLIER CODE: V89954	101102	1
50	BAC27TEX1	..	DECAL	101102	1
53	P90640010-3	..	MODULE-BITE SUPPLIER CODE: V51896 SPECIFICATION NUMBER: 906-40010-3 OPTIONAL PART: 906-40010-2 V89954 69-73010-2 V89954	101102	1
53	906-40010-2	..	MODULE-BITE SUPPLIER CODE: V89954 OPTIONAL PART: P90640010-3 V51896 69-73010-2 V89954	101102	1
53	69-73010-2	..	MODULE ASSY-BITE SUPPLIER CODE: V89954 OPTIONAL PART: P90640010-3 V51896 906-40010-2 V89954	101102	1
- 55	285T0694-3	..	PRINTED CIRCUIT ASSY- MANAGEMENT MON SUPPLIER CODE: V89954 COMPONENT MAINT MANUAL REF: 27-61-03	101102	1
- 55	285T0694-7	..	PRINTED CIRCUIT ASSY- MANAGEMENT MON SUPPLIER CODE: V89954 COMPONENT MAINT MANUAL REF: 27-61-03	101102	1

MISSING ITEM NUMBERS NOT APPLICABLE

- ITEM NOT ILLUSTRATED

**27-61-51-02B**

27-61-51  
FIG. 02B  
PAGE 2  
JAN 20/09

BRI

BOEING PROPRIETARY - Copyright © - Unpublished Work - See title page for details.



757

PARTS CATALOG (MAINTENANCE)

FIG ITEM	PART NUMBER	1 2 3 4 5 6 7	NOMENCLATURE	EFFECT FROM TO	UNITS PER ASSY
2B - 55	285T0694-8		..PRINTED CIRCUIT ASSY- MANAGEMENT MON SUPPLIER CODE: V89954 COMPONENT MAINT MANUAL REF: 27-61-03 OPTIONAL PART: 285T0694-9 V89954	101102	1
- 55	285T0694-9		..PRINTED CIRCUIT ASSY- MANAGEMENT MON SUPPLIER CODE: V89954 COMPONENT MAINT MANUAL REF: 27-61-03 OPTIONAL PART: 285T0694-8 V89954	101102	1
- 60	285T0695-3		..PRINTED CIRCUIT ASSY- SPOILER SUBCHANNEL SUPPLIER CODE: V89954 COMPONENT MAINT MANUAL REF: 27-61-04	101102	3
- 61	BAC27TEX1956		...DECAL-SPOILER SUPPLIER CODE: V89954	101102	1
65 - 200	FM07A125V3-10A		..FUSE	101102	2
210	286N1165-318		WIRE BUNDLE ASSY	101102	RF
	BACC66H21C2001		.CONNECTOR- ELECTRICAL EQUIP NUMBER: D00665 D00667 D00669 WIRING DIAGRAM REF: 276114 276115 276116	101102	3
- 250	286N1265-303		WIRE BUNDLE ASSY	101102	RF
260	BACC66H21C2001		.CONNECTOR- ELECTRICAL EQUIP NUMBER: D00635 D00637 D00639 WIRING DIAGRAM REF: 276117 276113 276118	101102	3

MISSING ITEM NUMBERS NOT APPLICABLE

- ITEM NOT ILLUSTRATED

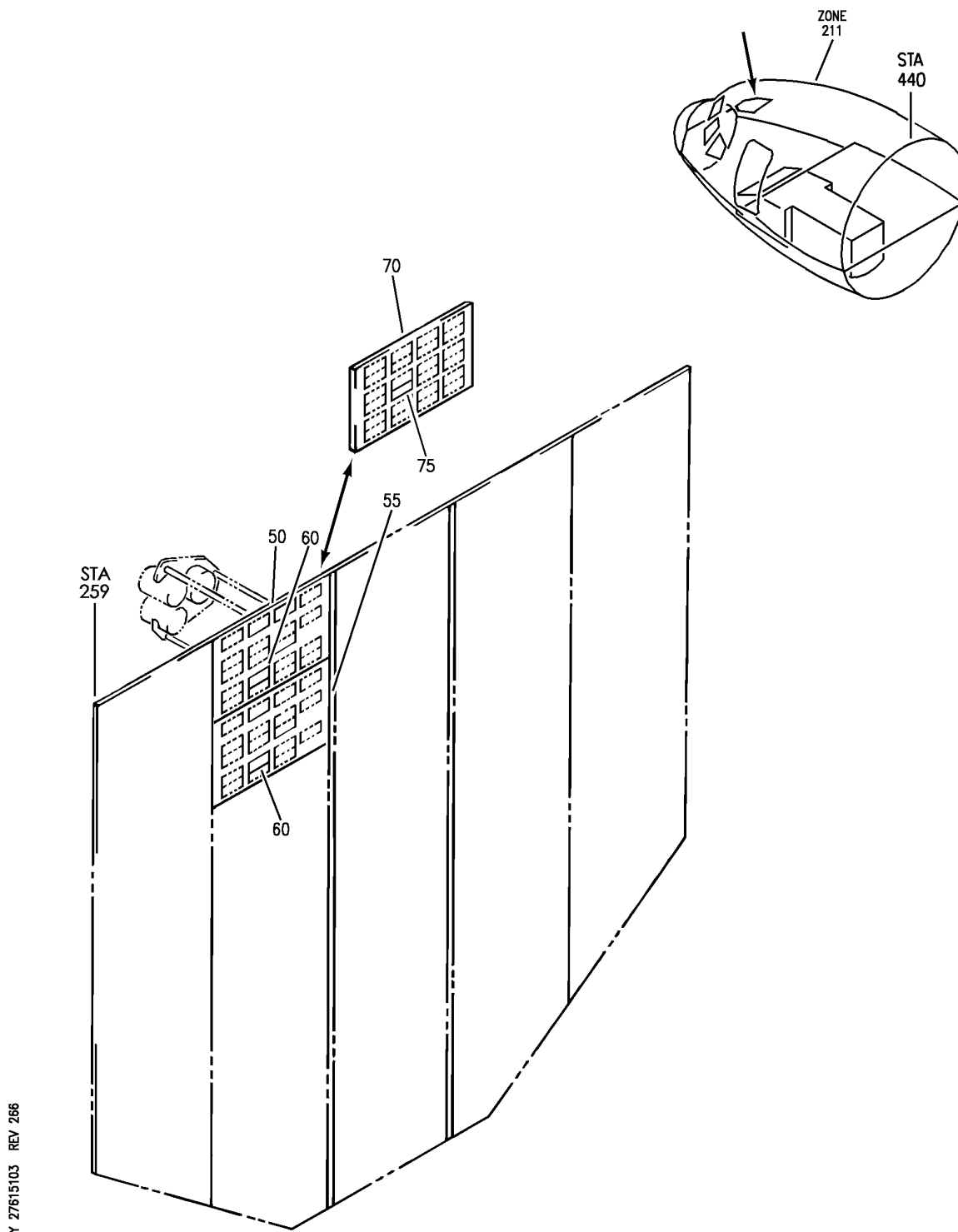
27-61-51-02B

27-61-51  
FIG. 02B  
PAGE 3  
JAN 20/09

BRI

BOEING PROPRIETARY - Copyright © - Unpublished Work - See title page for details.

**BOEING**  
757  
PARTS CATALOG (MAINTENANCE)



PANEL INSTL-P5 OVHD (SPOILER/SPEEDBRAKE CONTROL SYSTEM ONLY)  
FIGURE 3

**27-61-51-03**

BRI  
MAY 28/07

27-61-51-03  
PAGE 0





757

PARTS CATALOG (MAINTENANCE)

FIG ITEM	PART NUMBER	1 2 3 4 5 6 7	NOMENCLATURE	EFFECT FROM TO	UNITS PER ASSY
3			PANEL INSTL-P5 OVHD (SPOILER/SPEEDBRAKE CONTROL SYSTEM ONLY)	101106 108120 504903	
- 3	233N3103-132		PANEL INSTL-P5 OVHD (SPOILER/SPEEDBRAKE CONTROL SYSTEM ONLY) FOR NHA/OTHER SYS DET SEE: 25-10-00-15E	101102	RF
- 3	233N3103-136		PANEL INSTL-P5 OVHD (SPOILER/SPEEDBRAKE CONTROL SYSTEM ONLY) FOR NHA/OTHER SYS DET SEE: 25-10-00-15E	504903	RF
- 6	233N3103-59		PANEL INSTL-P5 OVHD (SPOILER/SPEEDBRAKE CONTROL SYSTEM ONLY) FOR NHA/OTHER SYS DET SEE: 25-10-00-15E	108120	RF
- 8	MODREF170180		PANEL INSTL-P5 OVHD (SPOILER/SPEEDBRAKE CONTROL SYSTEM ONLY) MODULE NUMBER: 233N3103-353 REV B FOR OTHER SYS DETAILS SEE: 11-31-10-12 21-25-55-03 21-31-01-02 21-33-51-03 21-51-54-03 21-58-19-10 21-58-51-03 21-61-04-03 21-65-51-01 22-21-01-04 22-24-51-02 23-24-01-01 23-32-00-11 23-42-02-02 23-71-05-02 24-11-52-05 24-22-01-03 24-31-01-10 24-31-03-09 24-33-04-01 24-41-51-04 24-51-62-01 26-18-51-04 27-21-53-02 27-41-55-01	106106	1

MISSING ITEM NUMBERS NOT APPLICABLE

- ITEM NOT ILLUSTRATED

BRI

**27-61-51-03**

27-61-51  
FIG. 03  
PAGE 1  
JAN 20/09



757

PARTS CATALOG (MAINTENANCE)

FIG ITEM	PART NUMBER	1 2 3 4 5 6 7	NOMENCLATURE	EFFECT FROM TO	UNITS PER ASSY
3			27-62-52-02 28-22-51-02 28-41-04-01 28-41-51-03 29-11-02-03 29-11-05-04 29-11-52-07 29-21-54-03 29-31-00-01 29-32-51-03 29-33-52-03 30-11-51-03 30-21-51-03 30-31-51-02 30-32-51-01 30-33-51-02 30-41-51-03 30-42-51-03 31-12-11-84 31-12-11-84 A 32-42-52-03 33-11-03-03 33-11-51-17 33-13-01-65 33-13-02-03 33-16-51-03 33-24-51-02 33-41-52-04 33-42-01-04 33-42-02-04 33-42-52-04 33-43-51-04 33-44-51-05 33-45-53-03 33-51-08-05 34-21-02-01 35-21-51-04 36-11-04-01 36-21-00-01 36-21-02-05 36-22-51-03 49-41-00-02 49-52-00-01 49-70-00-01 52-51-51-03 52-71-51-02 73-21-52-02 74-31-51-05 75-32-00-01		

MISSING ITEM NUMBERS NOT APPLICABLE

- ITEM NOT ILLUSTRATED

BRI

27-61-51-03

BOEING PROPRIETARY - Copyright © - Unpublished Work - See title page for details.

27-61-51  
FIG. 03  
PAGE 2  
JAN 20/09



757

PARTS CATALOG (MAINTENANCE)

FIG ITEM	PART NUMBER	1 2 3 4 5 6 7	NOMENCLATURE	EFFECT FROM TO	UNITS PER ASSY
3					
- 8	MODREF33760		80-11-09-02 PANEL INSTL-P5 OVHD (SPOILER/SPEEDBRAKE CONTROL SYSTEM ONLY) MODULE NUMBER: 233N3103-351 REV C FOR OTHER SYS DETAILS SEE: 11-31-10-12 21-25-55-03 21-31-01-02 21-33-51-03 21-51-54-03 21-58-19-10 21-58-51-03 21-61-04-03 21-65-51-01 22-21-01-04 22-24-51-02 23-24-01-01 23-32-00-11 23-42-02-02 23-71-05-02 24-11-52-05 24-22-01-03 24-31-01-10 24-31-03-09 24-33-04-01 24-41-51-04 24-51-62-01 26-18-51-04 27-21-53-02 27-41-55-01 27-62-52-02 28-22-51-02 28-41-04-01 28-41-51-03 29-11-02-03 29-11-05-04 29-11-52-07 29-21-54-03 29-31-00-01 29-32-51-03 29-33-52-03 30-11-51-03 30-21-51-03 30-31-51-02 30-32-51-01 30-33-51-02 30-41-51-03	103103	1
MISSING ITEM NUMBERS NOT APPLICABLE					

- ITEM NOT ILLUSTRATED

# 27-61-51-03

27-61-51  
FIG. 03  
PAGE 3  
JAN 20/09

BRI



757

PARTS CATALOG (MAINTENANCE)

FIG ITEM	PART NUMBER	1 2 3 4 5 6 7	NOMENCLATURE	EFFECT FROM TO	UNITS PER ASSY
3			30-42-51-03 31-12-11-91 31-12-11-91A 32-42-52-03 33-11-03-03 33-11-51-17 33-13-01-65 33-13-02-03 33-16-51-03 33-24-51-02 33-41-52-04 33-42-01-04 33-42-02-04 33-42-52-04 33-43-51-04 33-44-51-05 33-45-53-03 33-51-08-05 34-21-02-01 35-21-51-04 36-11-04-01 36-21-00-01 36-21-02-05 36-22-51-03 49-41-00-02 49-52-00-01 49-70-00-01 52-51-51-03 52-71-51-02 73-21-52-02 74-31-51-05 75-32-00-01 80-11-09-02		
- 8	MODREF34038		PANEL INSTL-P5 OVHD (SPOILER/SPEEDBRAKE CONTROL SYSTEM ONLY) MODULE NUMBER: 233N3103-351 REV D FOR OTHER SYS DETAILS SEE: 11-31-10-12 21-25-55-03 21-31-01-02 21-33-51-03 21-51-54-03 21-58-19-10 21-58-51-03 21-61-04-03 21-65-51-01 22-21-01-04	104105	1

MISSING ITEM NUMBERS NOT APPLICABLE

- ITEM NOT ILLUSTRATED

BRI

# 27-61-51-03

BOEING PROPRIETARY - Copyright © - Unpublished Work - See title page for details.

27-61-51  
FIG. 03  
PAGE 4  
JAN 20/09



757

PARTS CATALOG (MAINTENANCE)

FIG ITEM	PART NUMBER	1 2 3 4 5 6 7	NOMENCLATURE	EFFECT FROM TO	UNITS PER ASSY
3			22-24-51-02 23-24-01-01 23-32-00-11 23-42-02-02 23-71-05-02 24-11-52-05 24-22-01-03 24-31-01-10 24-31-03-09 24-33-04-01 24-41-51-04 24-51-62-01 26-18-51-04 27-21-53-02 27-41-55-01 27-62-52-02 28-22-51-02 28-41-04-01 28-41-51-03 29-11-02-03 29-11-05-04 29-11-52-07 29-21-54-03 29-31-00-01 29-32-51-03 29-33-52-03 30-11-51-03 30-21-51-03 30-31-51-02 30-32-51-01 30-33-51-02 30-41-51-03 30-42-51-03 31-12-11-91 31-12-11-91 A 32-42-52-03 33-11-03-03 33-11-51-17 33-13-01-65 33-13-02-03 33-16-51-03 33-24-51-02 33-41-52-04 33-42-01-04 33-42-02-04 33-42-52-04 33-43-51-04 33-44-51-05 33-45-53-03		

MISSING ITEM NUMBERS NOT APPLICABLE

- ITEM NOT ILLUSTRATED

BRI

**27-61-51-03**

BOEING PROPRIETARY - Copyright © - Unpublished Work - See title page for details.

27-61-51  
FIG. 03  
PAGE 5  
JAN 20/09

**BOEING**  
757  
**PARTS CATALOG (MAINTENANCE)**

FIG ITEM	PART NUMBER	1 2 3 4 5 6 7	NOMENCLATURE	EFFECT FROM TO	UNITS PER ASSY
3			33-51-08-05 34-21-02-01 35-21-51-04 36-11-04-01 36-21-00-01 36-21-02-05 36-22-51-03 49-41-00-02 49-52-00-01 49-70-00-01 52-51-51-03 52-71-51-02 73-21-52-02 74-31-51-05 75-32-00-01 80-11-09-02		
50	233N3202-17		.PANEL ASSY-ANN. LIGHTS SUPPLIER CODE: V89954 ELECTRICAL EQUIP NUMBER: M10394 COMPONENT MAINT MANUAL REF: 33-16-71	101105 108120	1
60	BCREF8547		..LIGHT ASSY-SPOILERS IND SUPPLIER CODE: V81590 OVERLENGTH PART NUMBER: 434-674-1031-2110 SPECIFICATION NUMBER: S231T300-2110 OPTIONAL PART: BCREF6146 V81590 FOR DETAILS SEE: 33-14-70-02	101105 108120	1
60	BCREF6146		..LIGHT ASSY-SPOILERS IND SUPPLIER CODE: V81590 OVERLENGTH PART NUMBER: 434-674-1005-1110 SPECIFICATION NUMBER: S231T300-1110 OPTIONAL PART: BCREF8547 V81590 FOR DETAILS SEE: 33-14-70-02	101105 108120	1

MISSING ITEM NUMBERS NOT APPLICABLE

— ITEM NOT ILLUSTRATED

BRI

# 27-61-51-03

BOEING PROPRIETARY - Copyright © - Unpublished Work - See title page for details.

27-61-51  
FIG. 03  
PAGE 6  
JAN 20/09



757

PARTS CATALOG (MAINTENANCE)

FIG ITEM	PART NUMBER	1 2 3 4 5 6 7	NOMENCLATURE	EFFECT FROM TO	UNITS PER ASSY
3					
70	233N3202-82		.PANEL ASSY-ANN. LIGHTS SUPPLIER CODE: V89954 ELECTRICAL EQUIP NUMBER: M10394 COMPONENT MAINT MANUAL REF: 33-16-71	106106	RF
75	BCREF8547		..LIGHT ASSY-SPOILERS IND SUPPLIER CODE: V81590 OVERLENGTH PART NUMBER: 434-674-1031-2110 SPECIFICATION NUMBER: S231T300-2110 FOR DETAILS SEE: 33-14-70-02	106106	1
75	BCREF6146		..LIGHT ASSY-SPOILERS IND SUPPLIER CODE: V81590 OVERLENGTH PART NUMBER: 434-674-1005-1110 SPECIFICATION NUMBER: S231T300-1110 FOR DETAILS SEE: 33-14-70-02	106106	1

MISSING ITEM NUMBERS NOT APPLICABLE

- ITEM NOT ILLUSTRATED

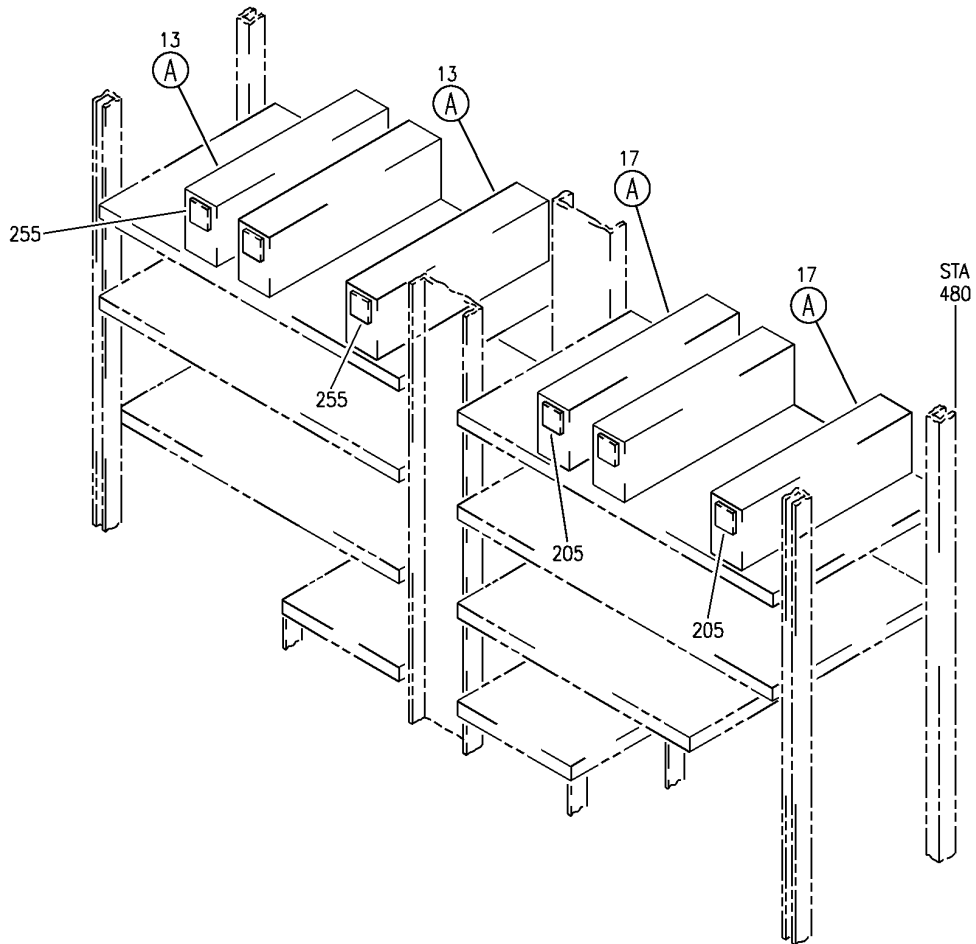
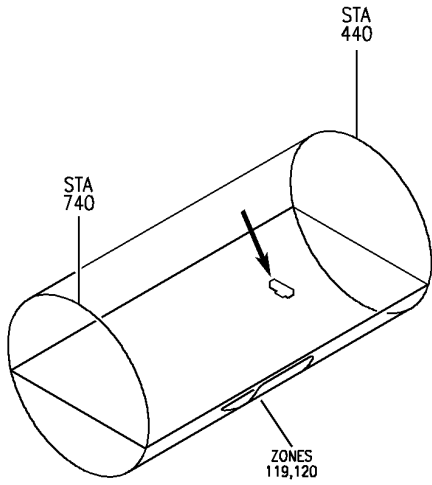
BRI

27-61-51-03

BOEING PROPRIETARY - Copyright © - Unpublished Work - See title page for details.

27-61-51  
FIG. 03  
PAGE 7  
JAN 20/09

**BOEING**  
757  
PARTS CATALOG (MAINTENANCE)



Y 27615108 SHT 1 REV 297

EQUIPMENT INSTL-MAIN ELECTRONICS EQPT CTR SPOILER CONT CSEU  
FIGURE 8 (SHEET 1)

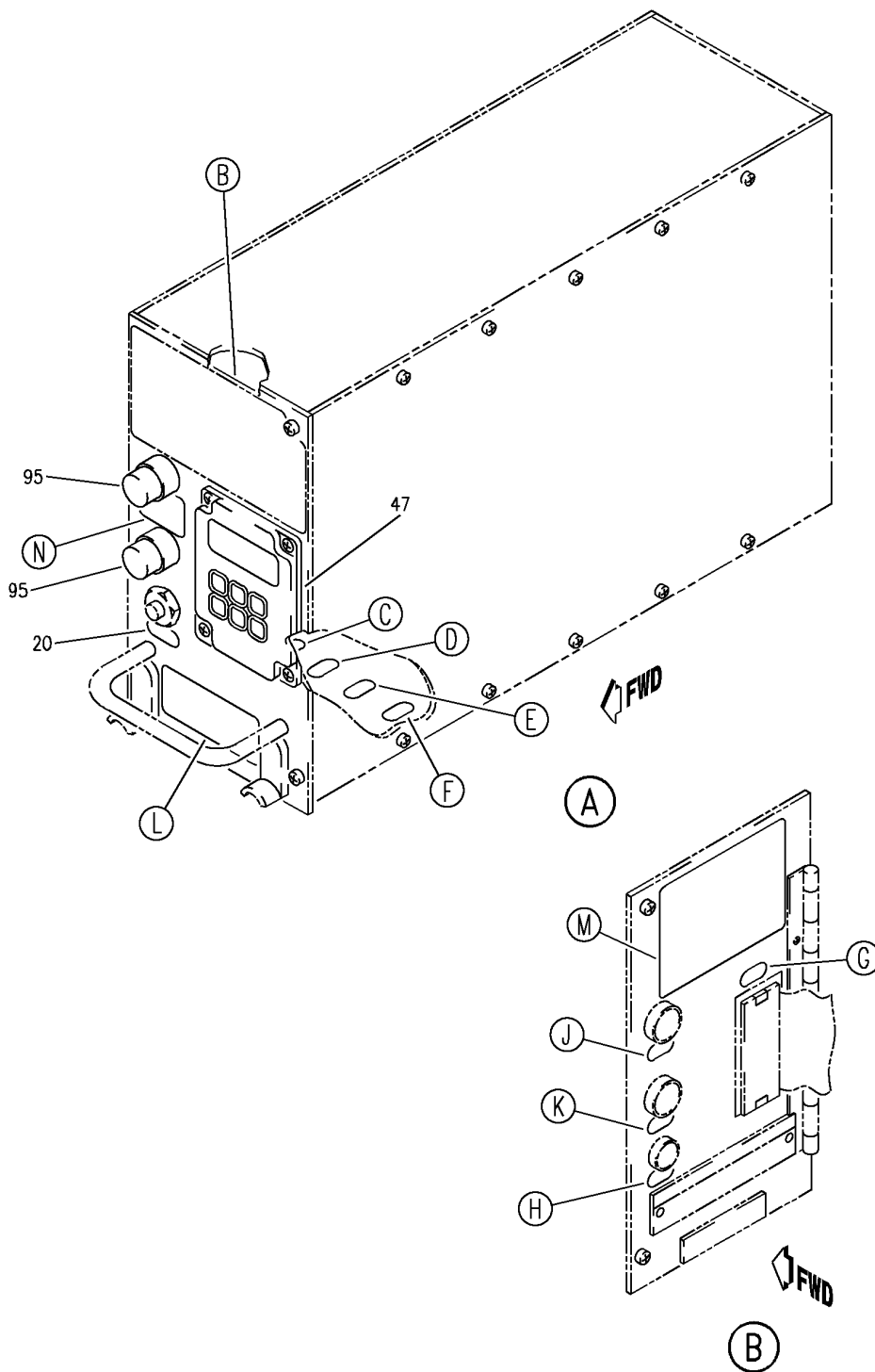
**27-61-51-08**

BRI  
JAN 20/09

27-61-51-08  
PAGE 0



**BOEING**  
757  
PARTS CATALOG (MAINTENANCE)



Y 27615108 SH1 2 REV 287

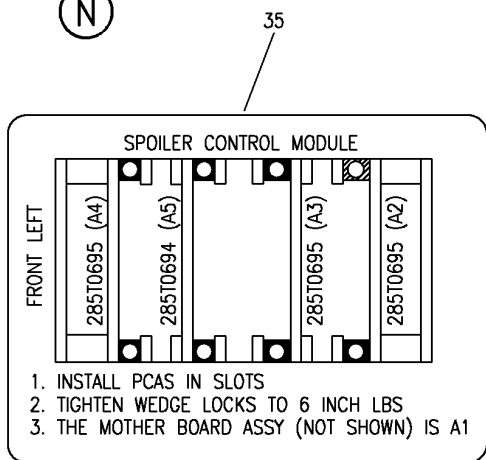
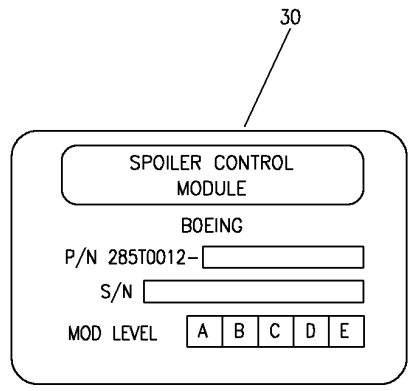
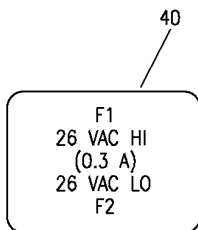
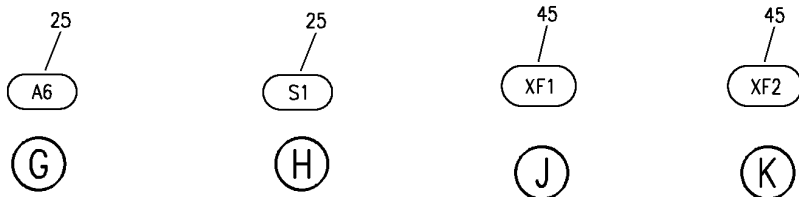
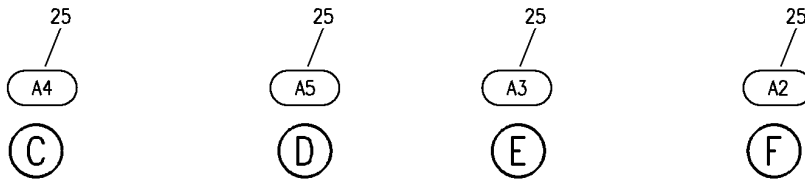
EQUIPMENT INSTL-MAIN ELECTRONICS EQPT CTR SPOILER CONT CSEU  
FIGURE 8 (SHEET 2)

**27-61-51-08**

BRI  
JAN 20/09

27-61-51-08  
PAGE 0A


**BOEING**  
 757  
**PARTS CATALOG (MAINTENANCE)**



Y 27615108 SHT 3 REV 297

EQUIPMENT INSTL-MAIN ELECTRONICS EQPT CTR SPOILER CONT CSEU  
FIGURE 8 (SHEET 3)

# 27-61-51-08

BRI  
JAN 20/09

27-61-51-08  
PAGE 0B



757

PARTS CATALOG (MAINTENANCE)

FIG ITEM	PART NUMBER	1 2 3 4 5 6 7	NOMENCLATURE	EFFECT FROM TO	UNITS PER ASSY
8			EQUIPMENT INSTL-MAIN ELECTRONICS EQPT CTR SPOILER CONT CSEU	103106 108120	
- 1	284N4000-270004		EQUIPMENT INSTL-MAIN ELECTRONICS EQPT CTR SPOILER CONT CSEU	108120	RF
- 1	MODREF10035		FOR NHA SEE: 24-00-58-05 EQUIPMENT INSTL-MAIN ELECTRONICS EQPT CTR SPOILER CONT CSEU	103106	1
- 5	284N4000-270005		MODULE NUMBER: 284N4000-270004 REV A EQUIPMENT INSTL-MAIN ELECTRONICS EQPT CTR SPOILER CONT CSEU	108120	RF
- 5	MODREF10036		FOR NHA SEE: 24-00-58-05 EQUIPMENT INSTL-MAIN ELECTRONICS EQPT CTR SPOILER CONT CSEU	103106	1
13	285T0012-201		MODULE NUMBER: 284N4000-270005 REV A .MODULE ASSY- SUPPLIER CODE: V89954 ELECTRICAL EQUIP NUMBER: M00530 M00531 M00532 COMPONENT MAINT MANUAL REF: 27-61-02 QUALIFIED I/W DATA: P/N 285T0012-112, -114, -117, -118 AND -201 ARE FULLY INTERCHANGEABLE FOR 757-200 ONLY FOR 757-300 285T0012-201 MUST BE USED USED ON: 284N4000-270004 FUNCTIONAL REFERENCE: PLACARDS AND MARKINGS FOR DETAILS SEE 11-36-03-08	103106 108120	3

MISSING ITEM NUMBERS NOT APPLICABLE

- ITEM NOT ILLUSTRATED

BRI

27-61-51-08

BOEING PROPRIETARY - Copyright © - Unpublished Work - See title page for details.

27-61-51  
FIG. 08  
PAGE 1  
JAN 20/09



757

PARTS CATALOG (MAINTENANCE)

FIG ITEM	PART NUMBER	1 2 3 4 5 6 7	NOMENCLATURE	EFFECT FROM TO	UNITS PER ASSY
8	17 285T0012-201		.MODULE ASSY- SUPPLIER CODE: V89954 ELECTRICAL EQUIP NUMBER: M00533 M00534 M00535 COMPONENT MAINT MANUAL REF: 27-61-02 QUALIFIED I/W DATA: P/N 285T0012-112, -114, -117, -118 AND -201 ARE FULLY INTERCHANGEABLE FOR 757-200 ONLY FOR 757-300 285T0012-201 MUST BE USED USED ON: 284N4000-270005 FUNCTIONAL REFERENCE: PLACARDS AND MARKINGS FOR DETAILS SEE 11-36-03-08	103106 108120	3
	20 BAC27TEX1576		..DECAL- SUPPLIER CODE: V89954 PLACARD CONTENT: RESET	103106 108120	1
	25 BAC27TEX3588		..DECALSET-INCLUDES DECALS IDENTIFIED ON THE ILLUSTRATION SUPPLIER CODE: V89954	103106 108120	1
	30 BAC27TEX4878		..DECAL- SUPPLIER CODE: V89954	103106 108120	1
	35 BAC27TEX4879		..DECAL- SUPPLIER CODE: V89954	103106 108120	1
	40 BAC27TEX4881		..DECAL- SUPPLIER CODE: V89954	103106 108120	1
	45 BAC27TEX4882		..DECAL- SUPPLIER CODE: V89954	103106 108120	1

MISSING ITEM NUMBERS NOT APPLICABLE

- ITEM NOT ILLUSTRATED

27-61-51-08

27-61-51  
FIG. 08  
PAGE 2  
JAN 20/09

BRI

BOEING PROPRIETARY - Copyright © - Unpublished Work - See title page for details.



757

PARTS CATALOG (MAINTENANCE)

FIG ITEM	PART NUMBER	1 2 3 4 5 6 7	NOMENCLATURE	EFFECT FROM TO	UNITS PER ASSY
8					
47	P90640010-3		..MODULE-BITE SUPPLIER CODE: V51896 SPECIFICATION NUMBER: 906-40010-3 OPTIONAL PART: 906-40010-2 V89954 69-73010-2 V89954	103106 108120	1
47	906-40010-2		..MODULE-BITE SUPPLIER CODE: V89954 OPTIONAL PART: P90640010-3 V51896 69-73010-2 V89954	103106 108120	1
47	69-73010-2		..MODULE ASSY-BITE SUPPLIER CODE: V89954 OPTIONAL PART: P90640010-3 V51896 906-40010-2 V89954	103106 108120	1
- 50	285T0694-3		..PRINTED CIRCUIT ASSY- MANAGEMENT MON SUPPLIER CODE: V89954 COMPONENT MAINT MANUAL REF: 27-61-03	103106 108120	1
- 50	285T0694-7		..PRINTED CIRCUIT ASSY- MANAGEMENT MON SUPPLIER CODE: V89954 COMPONENT MAINT MANUAL REF: 27-61-03	103106 108120	1
- 50	285T0694-8		..PRINTED CIRCUIT ASSY- MANAGEMENT MON SUPPLIER CODE: V89954 COMPONENT MAINT MANUAL REF: 27-61-03 OPTIONAL PART: 285T0694-9 V89954	103106 108120	1

MISSING ITEM NUMBERS NOT APPLICABLE

- ITEM NOT ILLUSTRATED

27-61-51-08

27-61-51  
FIG. 08  
PAGE 3  
JAN 20/09

BRI



757

PARTS CATALOG (MAINTENANCE)

FIG ITEM	PART NUMBER	1 2 3 4 5 6 7	NOMENCLATURE	EFFECT FROM TO	UNITS PER ASSY
8					
- 50	285T0694-9		..PRINTED CIRCUIT ASSY- MANAGEMENT MON SUPPLIER CODE: V89954 COMPONENT MAINT MANUAL REF: 27-61-03 OPTIONAL PART: 285T0694-8 V89954	103106 108120	1
- 55	285T0695-3		..PRINTED CIRCUIT ASSY- SPOILER SUBCHANNEL SUPPLIER CODE: V89954 COMPONENT MAINT MANUAL REF: 27-61-04	103106 108120	3
- 60	BAC27TEX1956		...DECAL-SPOILER SUPPLIER CODE: V89954	103106 108120	1
95	FM07A125V3-10A		.. FUSE	103106 108120	2
- 200	286N1165-320		WIRE BUNDLE ASSY	108120	RF
- 201	286N1165-601		WIRE BUNDLE ASSY	103106	RF
205	BACC66H21C2001		.CONNECTOR- ELECTRICAL EQUIP NUMBER: D00665 D00667 D00669 WIRING DIAGRAM REF: 276114 276115 276116	108120	3

MISSING ITEM NUMBERS NOT APPLICABLE

- ITEM NOT ILLUSTRATED

BRI

27-61-51-08

BOEING PROPRIETARY - Copyright © - Unpublished Work - See title page for details.

27-61-51  
FIG. 08  
PAGE 4  
JAN 20/09



757

PARTS CATALOG (MAINTENANCE)

FIG ITEM	PART NUMBER	1 2 3 4 5 6 7	NOMENCLATURE	EFFECT FROM TO	UNITS PER ASSY
8 205	BKA21C20AA01		.CONNECTOR- SUPPLIER CODE: V71468 SPECIFICATION NUMBER: BCREFA1347 OPTIONAL PART: S621C20AA01 V59610 NIC66H21C20AA01 V00779 OVERLENGTH PART NUMBER: BACC66H21C20AA01 ELECTRICAL EQUIP NUMBER: D00665 D00667 D00669 WIRING DIAGRAM REF: 276114 276115 276116	103106	3
- 250	286N1265-328		WIRE BUNDLE ASSY-	108120	RF
- 252	286N1265-601		WIRE BUNDLE ASSY	103106	RF
255	BACC66H21C2001		.CONNECTOR- ELECTRICAL EQUIP NUMBER: D00635 D00637 D00639 WIRING DIAGRAM REF: 276117 276113 276118	108120	3

MISSING ITEM NUMBERS NOT APPLICABLE

- ITEM NOT ILLUSTRATED

BRI

27-61-51-08

BOEING PROPRIETARY - Copyright © - Unpublished Work - See title page for details.

27-61-51  
FIG. 08  
PAGE 5  
JAN 20/09



757

PARTS CATALOG (MAINTENANCE)

FIG ITEM	PART NUMBER	1 2 3 4 5 6 7	NOMENCLATURE	EFFECT FROM TO	UNITS PER ASSY
8 255	BKA21C20AA01		.CONNECTOR- SUPPLIER CODE: V71468 SPECIFICATION NUMBER: BCREFA1347 OPTIONAL PART: S621C20AA01 V59610 NIC66H21C20AA01 V00779 OVERLENGTH PART NUMBER: BACC66H21C20AA01 ELECTRICAL EQUIP NUMBER: D00635 D00637 D00639 WIRING DIAGRAM REF: 276117 276113 276118	103106	3

MISSING ITEM NUMBERS NOT APPLICABLE

- ITEM NOT ILLUSTRATED

BRI

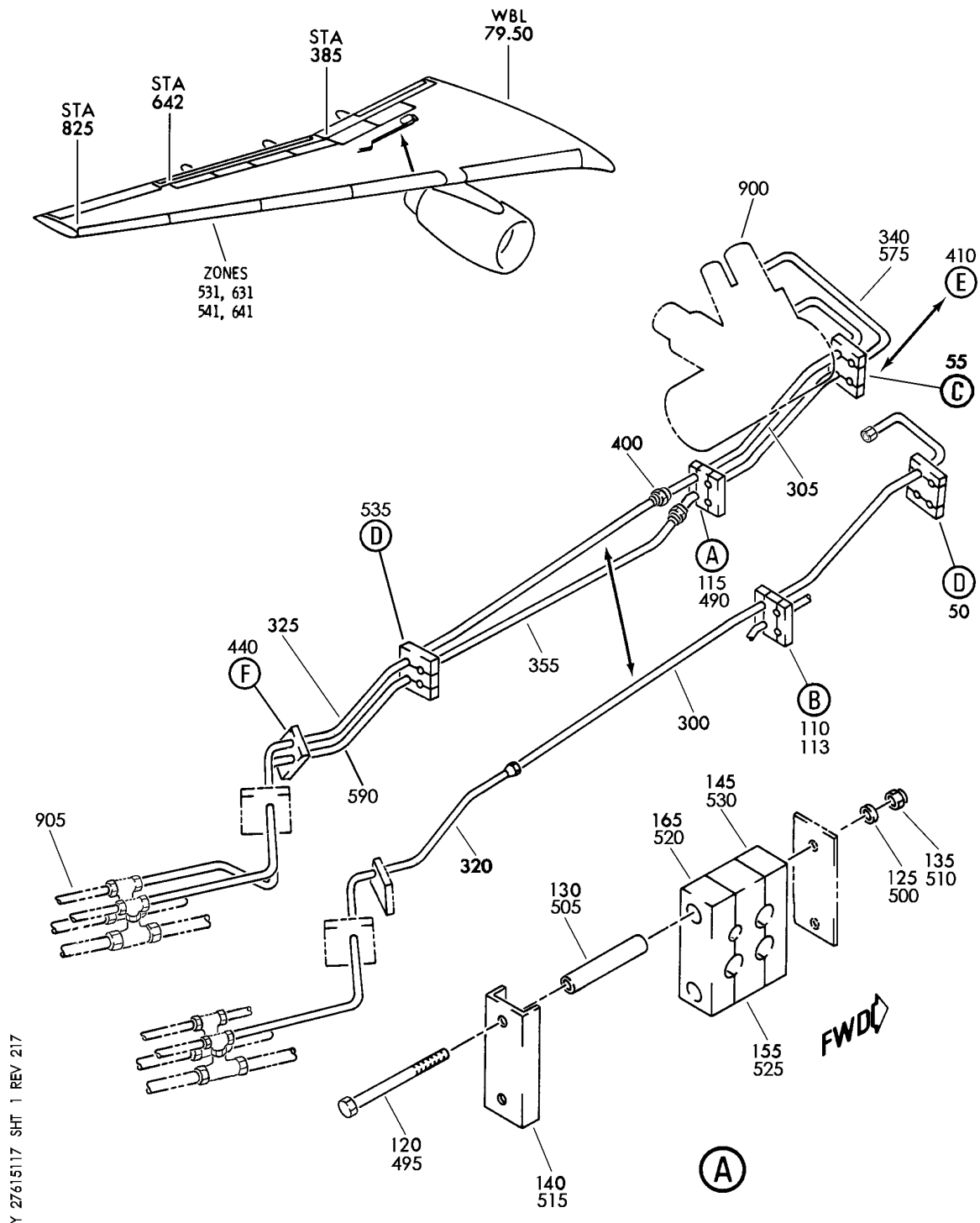
27-61-51-08

BOEING PROPRIETARY - Copyright © - Unpublished Work - See title page for details.

27-61-51  
FIG. 08  
PAGE 6  
JAN 20/09



**BOEING**  
757  
PARTS CATALOG (MAINTENANCE)



Y 27615117 SHT 1 REV 217

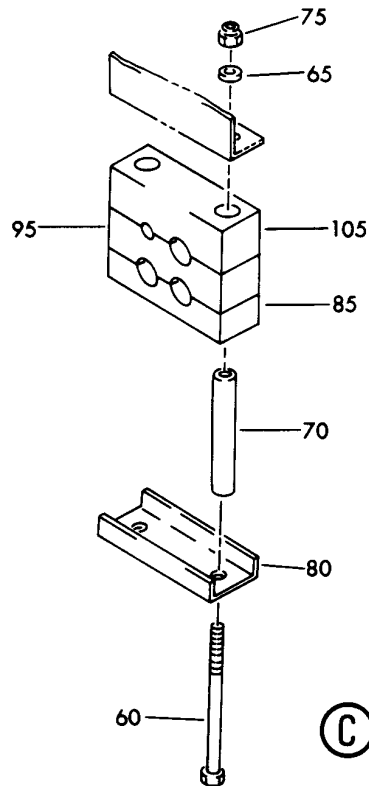
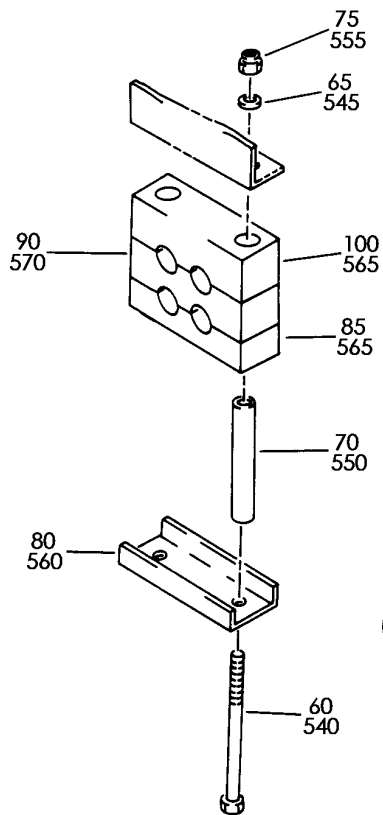
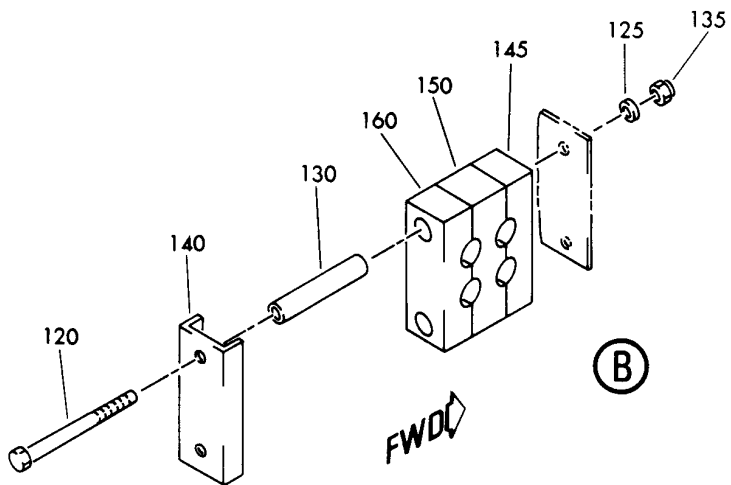
PLUMBING INSTL-SECT. 12 R WING INBD HYDR (SPOILER CONTROL SYSTEM ONLY)  
FIGURE 17 (SHEET 1)

**27-61-51-17**

BRI  
MAY 28/07

27-61-51-17  
PAGE 0


**BOEING**  
 757  
**PARTS CATALOG (MAINTENANCE)**



Y 27615117 SHT 2 REV 217

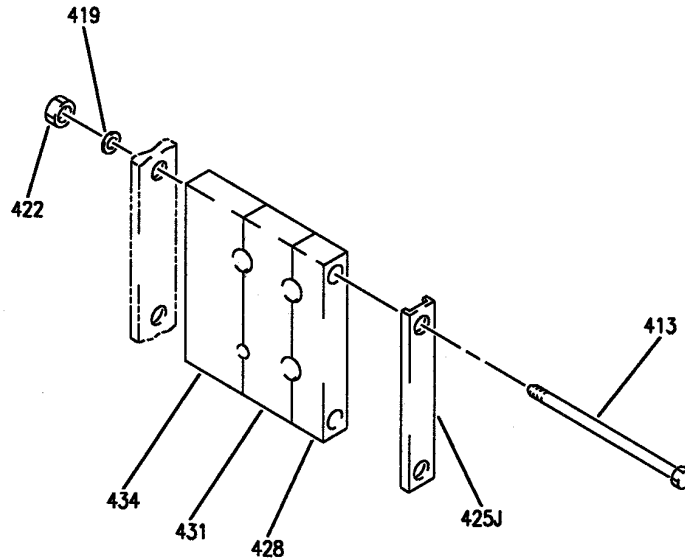
PLUMBING INSTL-SECT. 12 R WING INBD HYDR (SPOILER CONTROL SYSTEM ONLY)  
 FIGURE 17 (SHEET 2)

**27-61-51-17**

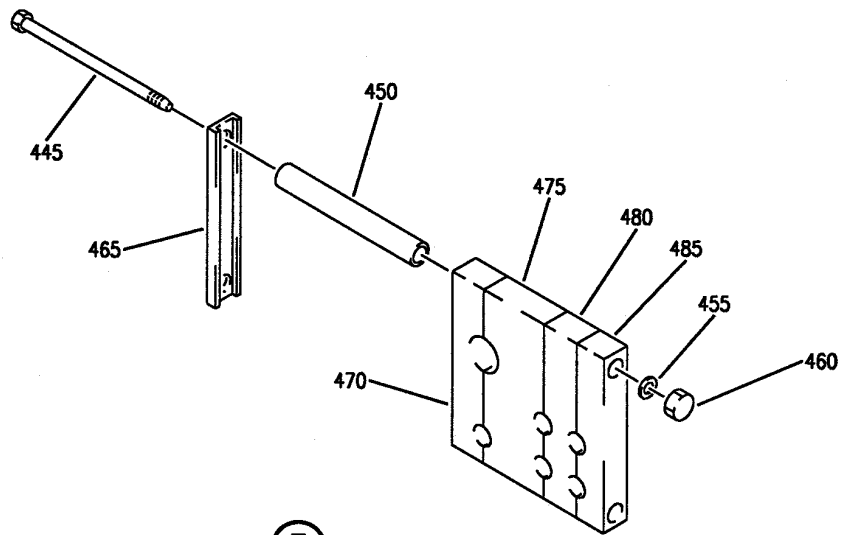
BRI  
 MAY 28/07

27-61-51-17  
 PAGE 0A

**BOEING**  
757  
PARTS CATALOG (MAINTENANCE)



(E)



(F)

Y 27615117 SH1 3 REV 217

PLUMBING INSTL-SECT. 12 R WING INBD HYDR (SPOILER CONTROL SYSTEM ONLY)  
FIGURE 17 (SHEET 3)

**27-61-51-17**

BRI  
MAY 28/07

27-61-51-17  
PAGE 0B



757

PARTS CATALOG (MAINTENANCE)

FIG ITEM	PART NUMBER	1 2 3 4 5 6 7	NOMENCLATURE	EFFECT FROM TO	UNITS PER ASSY
17			PLUMBING INSTL-SECT. 12 R WING INBD HYDR (SPOILER CONTROL SYSTEM ONLY)	002004 006102 107999	
- 1	271N6123-1		PLUMBING INSTL-HYDR (SPOILER CONTROL SYSTEM ONLY) POSITION DATA: SECT. 12 R WING INBD VARIABLE DRAWING REF: 271N6123-4 FOR NHA/OTHER SYS DET SEE: 29-00-51-01	002004 006100 107107 121503 904999	RF
- 1	271N6123-13		PLUMBING INSTL-HYDR (SPOILER CONTROL SYSTEM ONLY) POSITION DATA: SECT. 12 R WING INBD FOR NHA/OTHER SYS DET SEE: 29-00-51-02C	101102 504903	RF
- 1	271N6123-17		PLUMBING INSTL-HYDR (SPOILER CONTROL SYSTEM ONLY) POSITION DATA: SECT. 12 R WING INBD FOR NHA/OTHER SYS DET SEE: 29-00-51-02C	108120	RF
55	270N2000-177		.CLAMP ASSY-BLK	002004 006102 107999	1
60	NAS1801-3-37		..SCREW-	002004 006102 107999	2
65	AN960PD10L		..WASHER	002004 006102 107999	2
70	NAS43DD3-113		..SPACER	002004 006102 107999	2

MISSING ITEM NUMBERS NOT APPLICABLE

- ITEM NOT ILLUSTRATED

BRI

27-61-51-17

27-61-51  
FIG. 17  
PAGE 1  
JAN 20/09



**757  
PARTS CATALOG (MAINTENANCE)**

FIG ITEM	PART NUMBER	1 2 3 4 5 6 7	NOMENCLATURE	EFFECT FROM TO	UNITS PER ASSY
17 75	BRH10A3	. .	NUT SUPPLIER CODE: V52828 SPECIFICATION NUMBER: BACN10JC3 OPTIONAL PART: H10-3BAC V15653 NS202101-02 V80539 RMLH9075-3W V72962 VN303A02 V92215 96-02 V80539 T6S1032J V11815	002004 006102 107999	2
80	270N2000-801	. .	CHANNEL	002004 006102 107999	1
85	270N2000-401	. .	BLOCK	002004 006102 107999	1
95	270N2000-648	. .	BLOCK	002004 006102 107999	1
105	270N2000-649	. .	BLOCK	002004 006102 107999	1
110	270N2000-2	. .	CLAMP ASSY-BLK	002004 006102 107999	1
115	270N2000-179	. .	CLAMP ASSY-BLK	002004 006102 107999	1
120	NAS1801-3-34	. .	SCREW-	002004 006102 107999	2
125	AN960PD10L	. .	WASHER	002004 006102 107999	2
130	NAS43DD3-100	. .	SPACER	002004 006102 107999	2

MISSING ITEM NUMBERS NOT APPLICABLE

— ITEM NOT ILLUSTRATED

BRI

# 27-61-51-17

BOEING PROPRIETARY - Copyright © - Unpublished Work - See title page for details.

27-61-51  
FIG. 17  
PAGE 2  
JAN 20/09



757

PARTS CATALOG (MAINTENANCE)

FIG ITEM	PART NUMBER	1 2 3 4 5 6 7	NOMENCLATURE	EFFECT FROM TO	UNITS PER ASSY
17 135	BRH10A3	..	NUT SUPPLIER CODE: V52828 SPECIFICATION NUMBER: BACN10JC3 OPTIONAL PART: H10-3BAC V15653 NS202101-02 V80539 RMLH9075-3W V72962 VN303A02 V92215 96-02 V80539 T6S1032J V11815	002004 006102 107999	2
140	270N2000-801	..	CHANNEL	002004 006102 107999	1
145	270N2000-401	..	BLOCK	002004 006102 107999	1
150	270N2000-402	..	BLOCK	002004 006102 107999	1
155	270N2000-648	..	BLOCK	002004 006102 107999	1
160	270N2000-401	..	BLOCK	002004 006102 107999	1
165	270N2000-650	..	BLOCK	002004 006102 107999	1
305	271N6123-1088	.TUBE ASSY-PRESSURE SYS POSITION DATA: R TUBING MATERIAL: .250 IN. OD .016 IN. WALL 27.30 IN. LG TITANIUM	002004 006010 107107 121503 904999	1	

MISSING ITEM NUMBERS NOT APPLICABLE

- ITEM NOT ILLUSTRATED

BRI

27-61-51-17

27-61-51  
FIG. 17  
PAGE 3  
JAN 20/09



757

PARTS CATALOG (MAINTENANCE)

FIG ITEM	PART NUMBER	1 2 3 4 5 6 7	NOMENCLATURE	EFFECT FROM TO	UNITS PER ASSY
17 305	271N6123-1294		.TUBE ASSY-PRESSURE SYS POSITION DATA: R TUBING MATERIAL: .250 IN. OD X .016 IN. WALL X 24.4 IN. LG TITANIUM	011102 108120 504903	1
- 310	AS1581T04		..SLEEVE	002004 006102 107999	2
- 315	BACN10YA4		..NUT-	002004 006010 107107 121503 904999	2
- 315	BACN10YA4N		..NUT-	011102 108120 504903	2
325	271N6123-1089		.TUBE ASSY-PRESSURE SYS POSITION DATA: R TUBING MATERIAL: .375 IN. OD .019 IN. WALL 56.50 IN. LG TITANIUM	002004 006102 107999	1
- 330	AS1581T06		..SLEEVE	002004 006102 107999	2
- 335	BACN10YA6		..NUT	002004 006102 107999	2
340	271N6123-1048		.TUBE ASSY-RETURN SYS POSITION DATA: R TUBING MATERIAL: .375 IN. OD .035 IN. WALL 38.87 IN. LG ALUMINUM	002004 006100 107107 121503 904999	1

MISSING ITEM NUMBERS NOT APPLICABLE

- ITEM NOT ILLUSTRATED

BRI

27-61-51-17

BOEING PROPRIETARY - Copyright © - Unpublished Work - See title page for details.

27-61-51  
FIG. 17  
PAGE 4  
JAN 20/09



757

PARTS CATALOG (MAINTENANCE)

FIG ITEM	PART NUMBER	1 2 3 4 5 6 7	NOMENCLATURE	EFFECT FROM TO	UNITS PER ASSY
17 - 345	AP2097HP06	..	SLEEVE- SUPPLIER CODE: V01673 SPECIFICATION NUMBER: BACS13BX06HP OPTIONAL PART: 2-02903-06HP V11328 35235VN06 V08199 AFP175V06P V30974 DBOS13BX06HP V14798	002004 006100 107107 121503 904999	2
- 345	AS1581T06	..	SLEEVE-	002004 006100 107107 121503 904999	2
- 350	MS21921-6D	..	NUT- OPTIONAL PART: BACN10YLO6	002004 006100 107107 121503 904999	2
- 350	BACN10YLO6	..	NUT- OPTIONAL PART: MS21921-6D	002004 006100 107107 121503 904999	2
355	271N6123-1168	.	TUBE ASSY-RETURN SYS POSITION DATA: R TUBING MATERIAL: .375 IN. OD .035 IN. WALL 59.00 IN. LG ALUMINUM	002004 006100 107107 121503 904999	1

MISSING ITEM NUMBERS NOT APPLICABLE

- ITEM NOT ILLUSTRATED

BRI

27-61-51-17

27-61-51  
FIG. 17  
PAGE 5  
JAN 20/09





757

PARTS CATALOG (MAINTENANCE)

FIG ITEM	PART NUMBER	1 2 3 4 5 6 7	NOMENCLATURE	EFFECT FROM TO	UNITS PER ASSY
17 - 360	AP2097HP06	..	SLEEVE- SUPPLIER CODE: V01673 SPECIFICATION NUMBER: BACS13BX06HP OPTIONAL PART: 2-02903-06HP V11328 35235VN06 V08199 AFP175V06P V30974 DBOS13BX06HP V14798	002004 006100 107107 121503 904999	1
- 360	AS1581T06	..	SLEEVE-	002004 006100 107107 121503 904999	1
- 365	MS21921-6D	..	NUT- OPTIONAL PART: BACN10YL06	002004 006100 107107 121503 904999	1
- 365	BACN10YL06	..	NUT- OPTIONAL PART: MS21921-6D	002004 006100 107107 121503 904999	1
- 370	35056GV06	..	UNION- SUPPLIER CODE: V08199 SPECIFICATION NUMBER: BACU24AB6W OPTIONAL PART: 2-01027-6W V11328 31875-6W V14397 4671097W6 V50948 AP1004W06 V01673 AFP941W6 V30974 DBOU24AB6W V14798	002004 006100 107107 121503 904999	1

MISSING ITEM NUMBERS NOT APPLICABLE

- ITEM NOT ILLUSTRATED

27-61-51-17

27-61-51  
FIG. 17  
PAGE 6  
JAN 20/09

BRI



757

PARTS CATALOG (MAINTENANCE)

FIG ITEM	PART NUMBER	1 2 3 4 5 6 7	NOMENCLATURE	EFFECT FROM TO	UNITS PER ASSY
17 - 370	AS1582T06	. .	UNION-	002004 006100 107107 121503 904999	1
400	AFP2326-4	. .	REDUCER SUPPLIER CODE: V30974 SPECIFICATION NUMBER: BACR17E6-4 OPTIONAL PART: AP10276-4 V01673 BC916T6-4 V50948 DB0R17E6-4 V14798 ER21916T6-4 V88334 ER31916-6-4 V88334 F23-6-4 V73197 2-01075T6-4 V11328 31778-6-4 V14397 US2114-6-4 V50808 AP1027T6-4 V01673 US21146-4 V50808 317786-4 V14397	002004 006100 107107 121503 904999	1
900			ILLUSTRATION REFERENCE: ACTUATOR INSTL-SPOILER NO. 6 AND 7 (FLIGHT CONTROLS ONLY) 27-61-02-02	002004 006102 107999	RF
905			ILLUSTRATION REFERENCE: PLUMBING INSTL-SECT. 12 R WING OUTBD HYDR (SPOILER CONTROL SYSTEM) 27-61-51-28	002004 006100 107107 121503 904999	RF

MISSING ITEM NUMBERS NOT APPLICABLE

- ITEM NOT ILLUSTRATED

**27-61-51-17**

27-61-51  
FIG. 17  
PAGE 7  
JAN 20/09

BRI



757

PARTS CATALOG (MAINTENANCE)

FIG ITEM	PART NUMBER	1 2 3 4 5 6 7	NOMENCLATURE	EFFECT FROM TO	UNITS PER ASSY
17 905			ILLUSTRATION REFERENCE: PLUMBING INSTL-HYDR WING SECT. 12 R OUTBD 27-61-51-28A	101102 108120 504903	RF

MISSING ITEM NUMBERS NOT APPLICABLE

- ITEM NOT ILLUSTRATED

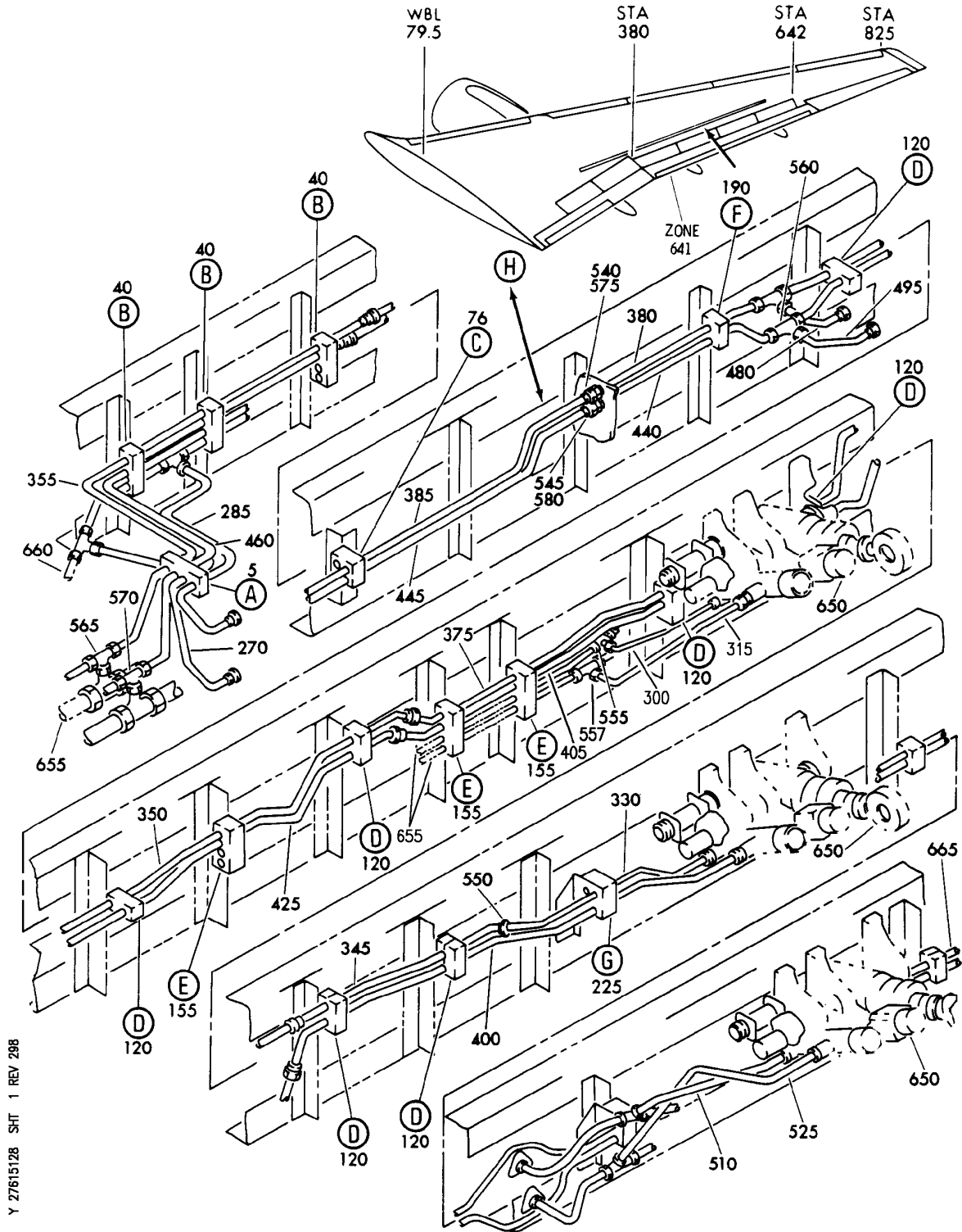
BRI

**27-61-51-17**

BOEING PROPRIETARY - Copyright © - Unpublished Work - See title page for details.

27-61-51  
FIG. 17  
PAGE 8  
JAN 20/09

**BOEING**  
757  
PARTS CATALOG (MAINTENANCE)



Y 27615128 SHT 1 REV 298

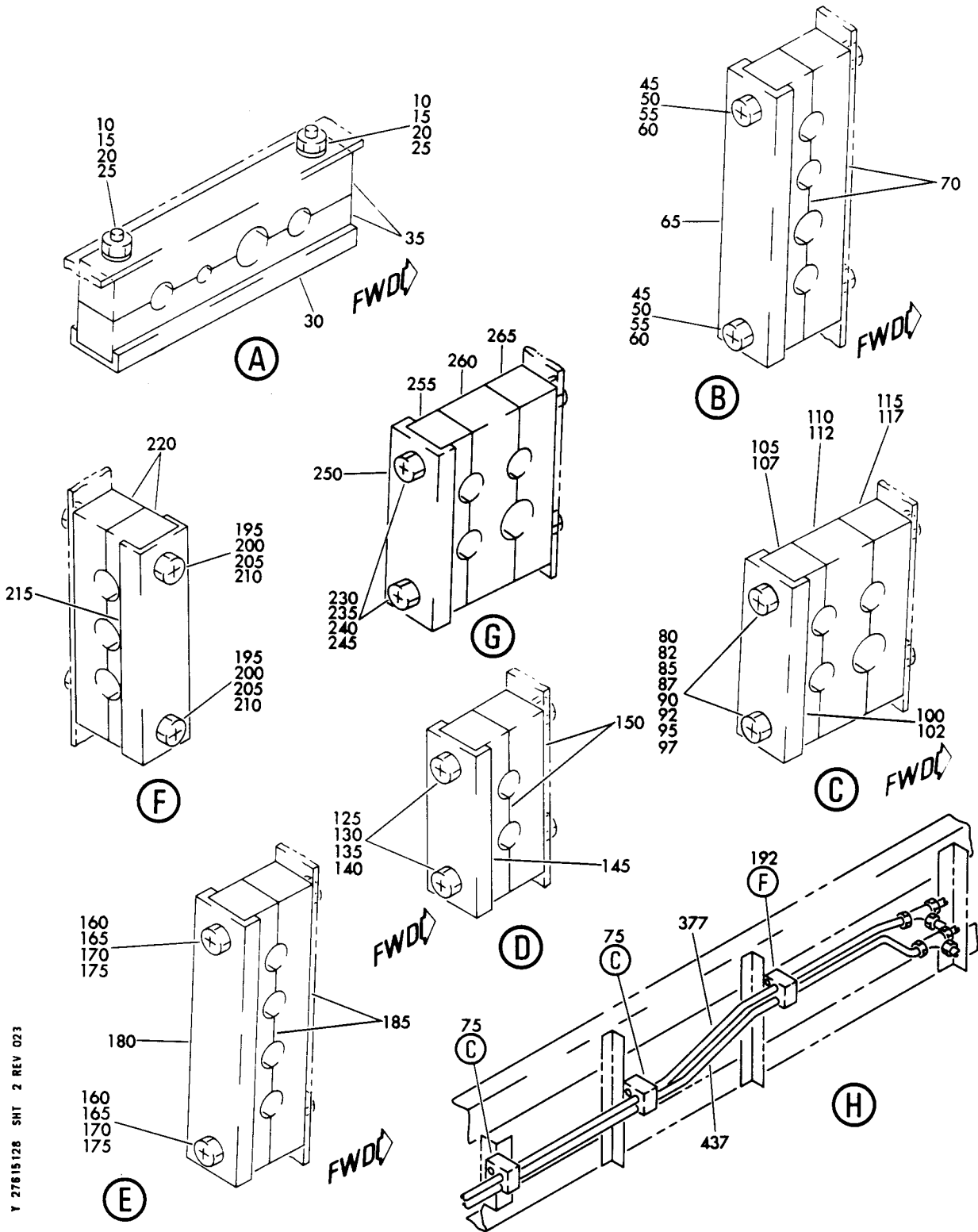
PLUMBING INSTL-SECT. 12 R WING OUTBD HYDR (SPOILER CONTROL SYSTEM)  
FIGURE 28 (SHEET 1)

**27-61-51-28**

BRI  
MAY 28/07

27-61-51-28  
PAGE 0

**BOEING**  
757  
**PARTS CATALOG (MAINTENANCE)**



Y 27615128 SMT 2 REV 023

PLUMBING INSTL-SECT. 12 R WING OUTBD HYDR (SPOILER CONTROL SYSTEM)  
FIGURE 28 (SHEET 2)

**27-61-51-28**

BRI  
MAY 28/07

27-61-51-28  
PAGE 0A



757

PARTS CATALOG (MAINTENANCE)

FIG ITEM	PART NUMBER	1 2 3 4 5 6 7	NOMENCLATURE	EFFECT FROM TO	UNITS PER ASSY
28			PLUMBING INSTL-SECT. 12 R WING OUTBD HYDR (SPOILER CONTROL SYSTEM)	002004 006100 107107 121503 904999	
- 1	271N6124-1		PLUMBING INSTL-WING HYDR (SPOILER CONTROL SYSTEM ONLY) POSITION DATA: SECT. 12 R OUTBD FOR NHA/OTHER SYS DET SEE: 29-00-51-01	002004 006100 107107 121503 904999	RF
5	270N2000-135		.CLAMP ASSY-BLK	002004 006100 107107 121503 904999	1
10	NAS1801-3-26		.. SCREW-	002004 006100 107107 121503 904999	2
15	AN960PD10L		.. WASHER	002004 006100 107107 121503 904999	2
20	NAS43DD3-67		.. SPACER	002004 006100 107107 121503 904999	2

MISSING ITEM NUMBERS NOT APPLICABLE

- ITEM NOT ILLUSTRATED

**27-61-51-28**

27-61-51  
FIG. 28  
PAGE 1  
JAN 20/09

BRI



757

PARTS CATALOG (MAINTENANCE)

FIG ITEM	PART NUMBER	1 2 3 4 5 6 7	NOMENCLATURE	EFFECT FROM TO	UNITS PER ASSY
28					
25	BRH10A3	..	NUT SUPPLIER CODE: V52828 SPECIFICATION NUMBER: BACN10JC3 OPTIONAL PART: H10-3BAC V15653 NS202101-02 V80539 RMLH9075-3W V72962 VN303A02 V92215 96-02 V80539 T6S1032J V11815	002004 006100 107107 121503 904999	2
30	270N2000-802	..	CHANNEL	002004 006100 107107 121503 904999	1
35	270N2000-588	..	BLOCK	002004 006100 107107 121503 904999	2
40	270N2000-4	.	CLAMP ASSY-BLK	002004 006100 107107 121503 904999	3
45	NAS1801-3-26	..	SCREW-	002004 006100 107107 121503 904999	2
50	AN960PD10L	..	WASHER	002004 006100 107107 121503 904999	2
55	NAS43DD3-67	..	SPACER	002004 006100 107107 121503 904999	2

MISSING ITEM NUMBERS NOT APPLICABLE

- ITEM NOT ILLUSTRATED

27-61-51-28

27-61-51  
FIG. 28  
PAGE 2  
JAN 20/09

BRI

BOEING PROPRIETARY - Copyright © - Unpublished Work - See title page for details.



757

PARTS CATALOG (MAINTENANCE)

FIG ITEM	PART NUMBER	1 2 3 4 5 6 7	NOMENCLATURE	EFFECT FROM TO	UNITS PER ASSY
28 60	BRH10A3	..	NUT SUPPLIER CODE: V52828 SPECIFICATION NUMBER: BACN10JC3 OPTIONAL PART: H10-3BAC V15653 NS202101-02 V80539 RMLH9075-3W V72962 VN303A02 V92215 96-02 V80539 T6S1032J V11815	002004 006100 107107 121503 904999	2
65	270N2000-802	..	CHANNEL	002004 006100 107107 121503 904999	1
70	270N2000-403	..	BLOCK	002004 006100 107107 121503 904999	2
76	270N2000-7	.	CLAMP ASSY-BLK	002004 006100 107107 121503 904999	1
82	NAS1801-3-36	..	SCREW-	002004 006100 107107 121503 904999	2
87	AN960PD10L	..	WASHER	002004 006100 107107 121503 904999	2
92	NAS43DD3-108	..	SPACER	002004 006100 107107 121503 904999	2

MISSING ITEM NUMBERS NOT APPLICABLE

- ITEM NOT ILLUSTRATED

BRI

27-61-51-28

27-61-51  
FIG. 28  
PAGE 3  
JAN 20/09





757

PARTS CATALOG (MAINTENANCE)

FIG ITEM	PART NUMBER	1 2 3 4 5 6 7	NOMENCLATURE	EFFECT FROM TO	UNITS PER ASSY
28 97	BRH10A3	..	NUT SUPPLIER CODE: V52828 SPECIFICATION NUMBER: BACN10JC3 OPTIONAL PART: H10-3BAC V15653 NS202101-02 V80539 RMLH9075-3W V72962 VN303A02 V92215 96-02 V80539 T6S1032J V11815	002004 006100 107107 121503 904999	2
102	270N2000-803	..	CHANNEL	002004 006100 107107 121503 904999	1
107	270N2000-408	..	BLOCK	002004 006100 107107 121503 904999	1
112	270N2000-409	..	BLOCK	002004 006100 107107 121503 904999	1
117	270N2000-404	..	BLOCK	002004 006100 107107 121503 904999	1
120	270N2000-3	.	CLAMP ASSY-BLK	002004 006100 107107 121503 904999	7
125	NAS1801-3-24	..	SCREW-	002004 006100 107107 121503 904999	2

MISSING ITEM NUMBERS NOT APPLICABLE

- ITEM NOT ILLUSTRATED

27-61-51-28

27-61-51  
FIG. 28  
PAGE 4  
JAN 20/09

BRI

BOEING PROPRIETARY - Copyright © - Unpublished Work - See title page for details.



757

PARTS CATALOG (MAINTENANCE)

FIG ITEM	PART NUMBER	1 2 3 4 5 6 7	NOMENCLATURE	EFFECT FROM TO	UNITS PER ASSY
28					
130	AN960PD10L	..	WASHER	002004 006100 107107 121503 904999	2
135	NAS43DD3-59	..	SPACER	002004 006100 107107 121503 904999	2
140	BRH10A3	..	NUT SUPPLIER CODE: V52828 SPECIFICATION NUMBER: BACN10JC3 OPTIONAL PART: H10-3BAC V15653 NS202101-02 V80539 RMLH9075-3W V72962 VN303A02 V92215 96-02 V80539 T6S1032J V11815	002004 006100 107107 121503 904999	2
145	270N2000-801	..	CHANNEL	002004 006100 107107 121503 904999	1
150	270N2000-401	..	BLOCK	002004 006100 107107 121503 904999	2
155	270N2000-1	.	CLAMP ASSY-BLK	002004 006100 107107 121503 904999	3
160	NAS1801-3-24	..	SCREW-	002004 006100 107107 121503 904999	2

MISSING ITEM NUMBERS NOT APPLICABLE

- ITEM NOT ILLUSTRATED

27-61-51-28

27-61-51  
FIG. 28  
PAGE 5  
JAN 20/09

BRI

BOEING PROPRIETARY - Copyright © - Unpublished Work - See title page for details.



757

PARTS CATALOG (MAINTENANCE)

FIG ITEM	PART NUMBER	1 2 3 4 5 6 7	NOMENCLATURE	EFFECT FROM TO	UNITS PER ASSY
28 165	AN960PD10L	..	WASHER	002004 006100 107107 121503 904999	2
170	NAS43DD3-59	..	SPACER	002004 006100 107107 121503 904999	2
175	BRH10A3	..	NUT SUPPLIER CODE: V52828 SPECIFICATION NUMBER: BACN10JC3 OPTIONAL PART: H10-3BAC V15653 NS202101-02 V80539 RMLH9075-3W V72962 VN303A02 V92215 96-02 V80539 T6S1032J V11815	002004 006100 107107 121503 904999	2
180	270N2000-800	..	CHANNEL- OPTIONAL PART: 270N2000-894	002004 006100 107107 121503 904999	1
180	270N2000-894	..	CHANNEL- OPTIONAL PART: 270N2000-800	002004 006100 107107 121503 904999	1
185	270N2000-400	..	BLOCK	002004 006100 107107 121503 904999	2
190	270N2000-5	.	CLAMP ASSY-BLK	002004 006100 107107 121503 904999	1

MISSING ITEM NUMBERS NOT APPLICABLE

- ITEM NOT ILLUSTRATED

27-61-51-28

27-61-51  
FIG. 28  
PAGE 6  
JAN 20/09

BRI

BOEING PROPRIETARY - Copyright © - Unpublished Work - See title page for details.



757

PARTS CATALOG (MAINTENANCE)

FIG ITEM	PART NUMBER	1 2 3 4 5 6 7	NOMENCLATURE	EFFECT FROM TO	UNITS PER ASSY
28 195	NAS1801-3-26	..	SCREW-	002004 006100 107107 121503 904999	2
200	AN960PD10L	..	WASHER	002004 006100 107107 121503 904999	2
205	NAS43DD3-67	..	SPACER	002004 006100 107107 121503 904999	2
210	BRH10A3	..	NUT SUPPLIER CODE: V52828 SPECIFICATION NUMBER: BACN10JC3 OPTIONAL PART: H10-3BAC V15653 NS202101-02 V80539 RMLH9075-3W V72962 VN303A02 V92215 96-02 V80539 T6S1032J V11815	002004 006100 107107 121503 904999	2
215	270N2000-803	..	CHANNEL	002004 006100 107107 121503 904999	1
220	270N2000-404	..	BLOCK	002004 006100 107107 121503 904999	2
225	270N2000-179	.	CLAMP ASSY-BLK	002004 006100 107107 121503 904999	1

MISSING ITEM NUMBERS NOT APPLICABLE

- ITEM NOT ILLUSTRATED

27-61-51-28

27-61-51  
FIG. 28  
PAGE 7  
JAN 20/09

BRI



757

PARTS CATALOG (MAINTENANCE)

FIG ITEM	PART NUMBER	1 2 3 4 5 6 7	NOMENCLATURE	EFFECT FROM TO	UNITS PER ASSY
28					
230	NAS1801-3-24	..	SCREW-	002004 006100 107107 121503 904999	2
235	AN960PD10L	..	WASHER	002004 006100 107107 121503 904999	2
240	NAS43DD3-100	..	SPACER	002004 006100 107107 121503 904999	2
245	BRH10A3	..	NUT SUPPLIER CODE: V52828 SPECIFICATION NUMBER: BACN10JC3 OPTIONAL PART: H10-3BAC V15653 NS202101-02 V80539 RMLH9075-3W V72962 VN303A02 V92215 96-02 V80539 T6S1032J V11815	002004 006100 107107 121503 904999	2
250	270N2000-801	..	CHANNEL	002004 006100 107107 121503 904999	1
255	270N2000-650	..	BLOCK	002004 006100 107107 121503 904999	1
260	270N2000-648	..	BLOCK	002004 006100 107107 121503 904999	1

MISSING ITEM NUMBERS NOT APPLICABLE

- ITEM NOT ILLUSTRATED

27-61-51-28

27-61-51  
FIG. 28  
PAGE 8  
JAN 20/09

BRI

BOEING PROPRIETARY - Copyright © - Unpublished Work - See title page for details.



757

PARTS CATALOG (MAINTENANCE)

FIG ITEM	PART NUMBER	1 2 3 4 5 6 7	NOMENCLATURE	EFFECT FROM TO	UNITS PER ASSY
28 265	270N2000-401	..	BLOCK	002004 006100 107107 121503 904999	1
270	271N6124-1106	.TUBE ASSY-PRESSURE SYS POSITION DATA: L TUBING MATERIAL: .250 IN. OD .016 IN. WALL 30.5 IN. LG TI BMS 7-234 TI-3AL-2.5V COLD WORKED, STRESS RELIEVED TUBING		002004 006100 107107 121503 904999	1
- 275	AS1581T04	..	SLEEVE	002004 006100 107107 121503 904999	2
- 280	BACN10YA4	..	NUT	002004 006100 107107 121503 904999	2
285	271N6124-1112	.TUBE ASSY-RETURN SYS POSITION DATA: L TUBING MATERIAL: .375 IN. OD .035 IN. WALL 39.00 IN. LG AL AMS 4083 6061 T6 TUBING		002004 006100 107107 121503 904999	1
- 290	AP2097HP06	..SLEEVE SUPPLIER CODE: V01673 SPECIFICATION NUMBER: BACS13BX06HP OPTIONAL PART: 2-02903-06HP V11328 35235VN06 V08199 AFP175V06P V30974 DBOS13BX06HP V14798		002004 006100 107107 121503 904999	2

MISSING ITEM NUMBERS NOT APPLICABLE

- ITEM NOT ILLUSTRATED

27-61-51-28

27-61-51  
FIG. 28  
PAGE 9  
JAN 20/09

BRI



757

PARTS CATALOG (MAINTENANCE)

FIG ITEM	PART NUMBER	1 2 3 4 5 6 7	NOMENCLATURE	EFFECT FROM TO	UNITS PER ASSY
28 - 295	BACN10YL06	..	NUT	002004 006100 107107 121503 904999	2
300	271N6124-1108	.	TUBE ASSY-PRESSURE SYS POSITION DATA: L TUBING MATERIAL: .250 IN. OD .016 IN. WALL 6.00 IN. LG TI BMS 7-234 TI-3AL-2.5V COLD WORKED, STRESS RELIEVED TUBING	002004 006100 107107 121503 904999	1
- 305	AS1581T04	..	SLEEVE	002004 006100 107107 121503 904999	2
- 310	BACN10YA4	..	NUT	002004 006100 107107 121503 904999	2
315	271N6124-1074	.	TUBE ASSY-RETURN SYS POSITION DATA: L REWORK DRAWING REF: 271N6124-3 TUBING MATERIAL: .375 IN. OD .035 IN. WALL 13.00 IN. LG AL AMS 4083 6061 T6 TUBING	002004 006100 107107 121503 904999	1
- 320	AP2097HP06	..	SLEEVE SUPPLIER CODE: V01673 SPECIFICATION NUMBER: BACS13BX06HP OPTIONAL PART: 2-02903-06HP V11328 35235VN06 V08199 AFP175V06P V30974 DBOS13BX06HP V14798	002004 006100 107107 121503 904999	2

MISSING ITEM NUMBERS NOT APPLICABLE

- ITEM NOT ILLUSTRATED

27-61-51-28

27-61-51  
FIG. 28  
PAGE 10  
JAN 20/09

BRI



757

PARTS CATALOG (MAINTENANCE)

FIG ITEM	PART NUMBER	1 2 3 4 5 6 7	NOMENCLATURE	EFFECT FROM TO	UNITS PER ASSY
28 - 325	BACN10YL06	. .	NUT	002004 006100 107107 121503 904999	2
330	271N6124-1125	. TUBE ASSY-PRESSURE SYS POSITION DATA: R TUBING MATERIAL: .250 IN. OD .016 IN. WALL 22.60 IN. LD TI BMS 7-234 TI-3AL-2.5V COLD RELIEVED TUBING		011100	1
330	271N6124-1094	. TUBE ASSY-PRESSURE SYS POSITION DATA: R TUBING MATERIAL: .250 IN. OD .016 IN. WALL 22.30 IN. LG TI BMS 7-234 TI-3AL-2.5V COLD WORKED, STRESS RELIEVED TUBING		002004 006010 107107 121503 904999	1
- 335	AS1581T04	. .	SLEEVE	002004 006100 107107 121503 904999	2
- 340	BACN10YA4	. .	NUT	002004 006100 107107 121503 904999	2
345	271N6124-1068	. TUBE ASSY-PRESSURE SYS POSITION DATA: R TUBING MATERIAL: .375 IN. OD .019 IN. WALL 20.50 IN LG TI BMS 7-234 TI-3AL-2.5V COLD WORKED, STRESS RELIEVED TUBING		002004 006100 107107 121503 904999	1

MISSING ITEM NUMBERS NOT APPLICABLE

- ITEM NOT ILLUSTRATED

BRI

27-61-51-28

27-61-51  
FIG. 28  
PAGE 11  
JAN 20/09





757

PARTS CATALOG (MAINTENANCE)

FIG ITEM	PART NUMBER	1 2 3 4 5 6 7	NOMENCLATURE	EFFECT FROM TO	UNITS PER ASSY
28 350	271N6124-1029		.TUBE ASSY-PRESSURE SYS POSITION DATA: R TUBING MATERIAL: .375 IN. OD X .019 IN. WALL X 46.6 IN. LG BMS 7-234 TI-3AL-2.5V COLD WORKED, STRESS RELIEVED TUBING	002004 006100 107107 121503 904999	1
355	271N6124-1109		.TUBE ASSY-PRESSURE SYS POSITION DATA: R TUBING MATERIAL: .375 IN. OD .019 IN. WALL 42.78 IN. LG TI BMS 7-234 TI-3AL-2.5V COLD WORKED, STRESS RELIEVED TUBING	002004 006100 107107 121503 904999	1
- 360	AS1581T06		..SLEEVE	002004 006100 107107 121503 904999	1
- 365	BACN10YA6		..NUT	002004 006100 107107 121503 904999	1
- 370	AS1582T06		..UNION	002004 006100 107107 121503 904999	1
375	271N6124-1025		.TUBE ASSY-PRESSURE SYS POSITION DATA: R TUBING MATERIAL: .375 IN. OD .019 IN. WALL 45.00 IN. LG TI BMS 7-234 TI-3AL-2.5V COLD WORKED, STRESS RELIEVED TUBING	002004 006100 107107 121503 904999	1

MISSING ITEM NUMBERS NOT APPLICABLE

- ITEM NOT ILLUSTRATED

BRI

27-61-51-28

27-61-51  
FIG. 28  
PAGE 12  
JAN 20/09



757

PARTS CATALOG (MAINTENANCE)

FIG ITEM	PART NUMBER	1 2 3 4 5 6 7	NOMENCLATURE	EFFECT FROM TO	UNITS PER ASSY
28 380	271N6124-1086		.TUBE ASSY-PRESSURE SYS POSITION DATA: R TUBING MATERIAL: .375 IN. OD .019 IN. WALL 20.70 IN. LG TI BMS 7-234 TI-3AL-2.5V COLD WORKED, STRESS RELIEVED TUBING	002004 006100 107107 121503 904999	1
385	271N6124-1085		.TUBE ASSY-PRESSURE SYS POSITION DATA: R TUBING MATERIAL: .375 IN. OD .019 IN. WALL 25.30 IN. LG TI BMS 7-234 TI-3AL-2.5V COLD WORKED, STRESS RELIEVED TUBING	002004 006100 107107 121503 904999	1
- 390	AS1581T06		..SLEEVE	002004 006100 107107 121503 904999	2
- 395	BACN10YA6		..NUT	002004 006100 107107 121503 904999	2
400	271N6124-1069		.TUBE ASSY-RETURN SYS POSITION DATA: R TUBING MATERIAL: .375 IN. OD .035 IN. WALL 46.90 IN. LG AL AMS 4083 6061 T6 TUBING	002004 006100 107107 121503 904999	1
405	271N6124-1026		.TUBE ASSY-RETURN SYS POSITION DATA: R TUBING MATERIAL: .375 IN. OD .035 IN. WALL 48.1 IN. LG AL AMS 4083 6061 T6 TUBING	002004 006100 107107 121503 904999	1

MISSING ITEM NUMBERS NOT APPLICABLE

- ITEM NOT ILLUSTRATED

BRI

27-61-51-28

27-61-51  
FIG. 28  
PAGE 13  
JAN 20/09



757

PARTS CATALOG (MAINTENANCE)

FIG ITEM	PART NUMBER	1 2 3 4 5 6 7	NOMENCLATURE	EFFECT FROM TO	UNITS PER ASSY
28 - 410	AP2097HP06	..	SLEEVE SUPPLIER CODE: V01673 SPECIFICATION NUMBER: BACS13BX06HP OPTIONAL PART: 2-02903-06HP V11328 35235VN06 V08199 AFP175V06P V30974 DBOS13BX06HP V14798	002004 006100 107107 121503 904999	1
- 415	BACN10YLO6	..	NUT	002004 006100 107107 121503 904999	1
- 420	35056GV06	..	UNION SUPPLIER CODE: V08199 SPECIFICATION NUMBER: BACU24AB6W OPTIONAL PART: 2-01027-6W V11328 31875-6W V14397 4671097W6 V50948 AP1004W06 V01673 AFP941W6 V30974 DBOU24AB6W V14798	002004 006100 107107 121503 904999	1
425	271N6124-1030	.TUBE ASSY-RETURN SYS POSITION DATA: R TUBING MATERIAL: .375 IN. OD .035 IN. WALL 44.30 IN. LG AL AMS 4083 6061 T6 TUBING	002004 006100 107107 121503 904999	1	

MISSING ITEM NUMBERS NOT APPLICABLE

- ITEM NOT ILLUSTRATED

BRI

27-61-51-28

27-61-51  
FIG. 28  
PAGE 14  
JAN 20/09



757

PARTS CATALOG (MAINTENANCE)

FIG ITEM	PART NUMBER	1 2 3 4 5 6 7	NOMENCLATURE	EFFECT FROM TO	UNITS PER ASSY
28 - 430	AP2097HP06	..	SLEEVE SUPPLIER CODE: V01673 SPECIFICATION NUMBER: BACS13BX06HP OPTIONAL PART: 2-02903-06HP V11328 35235VN06 V08199 AFP175V06P V30974 DBOS13BX06HP V14798	002004 006100 107107 121503 904999	2
- 435	BACN10YLO6	..	NUT	002004 006100 107107 121503 904999	2
440	271N6124-1088	.TUBE ASSY-RETURN SYS POSITION DATA: R TUBING MATERIAL: .500 IN. OD .035 IN. WALL 23.30 IN. LG AL AMS 4083 6061 T6 TUBING		002004 006100 107107 121503 904999	1
445	271N6124-1087	.TUBE ASSY-RETURN SYS POSITION DATA: R TUBING MATERIAL: .500 IN. OD .035 IN. WALL 26.70 IN. LG AL AMS 4083 6061 T6 TUBING		002004 006100 107107 121503 904999	1
- 450	AP2097HP08	..	SLEEVE SUPPLIER CODE: V01673 SPECIFICATION NUMBER: BACS13BX08HP OPTIONAL PART: 2-02903-08HP V11328 35235VN08 V08199 AFP175V08P V30974 DBOS13BX08HP V14798	002004 006100 107107 121503 904999	2

MISSING ITEM NUMBERS NOT APPLICABLE

- ITEM NOT ILLUSTRATED

27-61-51-28

27-61-51  
FIG. 28  
PAGE 15  
JAN 20/09

BRI



757

PARTS CATALOG (MAINTENANCE)

FIG ITEM	PART NUMBER	1 2 3 4 5 6 7	NOMENCLATURE	EFFECT FROM TO	UNITS PER ASSY
28 - 455	BACN10YL08	. .	NUT	002004 006100 107107 121503 904999	2
460	271N6124-1113	. .	TUBE ASSY-RETURN SYS POSITION DATA: R TUBING MATERIAL: .500 IN. OD .035 IN. WALL 46.00 IN. LG AL AMS 4083 6061 T6 TUBING	002004 006100 107107 121503 904999	1
- 465	AP2097HP08	. .	SLEEVE SUPPLIER CODE: V01673 SPECIFICATION NUMBER: BACS13BX08HP OPTIONAL PART: 2-02903-08HP V11328 35235VN08 V08199 AFP175V08P V30974 DBOS13BX08HP V14798	002004 006100 107107 121503 904999	1
- 470	MS21921-8D	. .	NUT- OPTIONAL PART: BACN10YL08	002004 006100 107107 121503 904999	1
- 470	BACN10YL08	. .	NUT	002004 006100 107107 121503 904999	1

MISSING ITEM NUMBERS NOT APPLICABLE

- ITEM NOT ILLUSTRATED

BRI

27-61-51-28

27-61-51  
FIG. 28  
PAGE 16  
JAN 20/09



757

PARTS CATALOG (MAINTENANCE)

FIG ITEM	PART NUMBER	1 2 3 4 5 6 7	NOMENCLATURE	EFFECT FROM TO	UNITS PER ASSY
28 - 475	35056GV08	..	UNION SUPPLIER CODE: V08199 SPECIFICATION NUMBER: BACU24AB8W OPTIONAL PART: 2-01027-8W V11328 31875-8W V14397 4671097W8 V50948 AP1004W08 V01673 AFP941W8 V30974 DBOU24AB8W V14798	002004 006100 107107 121503 904999	1
480	271N6124-1037	.TUBE ASSY-PRESSURE SYS POSITION DATA: R TUBING MATERIAL: .25 IN. OD .016 IN. WALL 8.1 IN. LG TI BMS 7-234 TI-3AL-2.5V COLD WORKED, STRESS RELIEVED TUBING	002004 006100 107107 121503 904999	1	
- 485	AS1581T04	..	SLEEVE	002004 006100 107107 121503 904999	2
- 490	BACN10YA4	..	NUT	002004 006100 107107 121503 904999	2
495	271N6124-1116	.TUBE ASSY-RETURN SYS POSITION DATA: R TUBING MATERIAL: .375 IN. OD .035 IN. WALL 9.70 IN. LG AL AMS 4083 6061 T6 TUBING	002004 006100 107107 121503 904999	1	

MISSING ITEM NUMBERS NOT APPLICABLE

- ITEM NOT ILLUSTRATED

BRI

27-61-51-28

27-61-51  
FIG. 28  
PAGE 17  
JAN 20/09



757

PARTS CATALOG (MAINTENANCE)

FIG ITEM	PART NUMBER	1 2 3 4 5 6 7	NOMENCLATURE	EFFECT FROM TO	UNITS PER ASSY
28 - 500	AP2097HP06	..	SLEEVE SUPPLIER CODE: V01673 SPECIFICATION NUMBER: BACS13BX06HP OPTIONAL PART: 2-02903-06HP V11328 35235VN06 V08199 AFP175V06P V30974 DBOS13BX06HP V14798	002004 006100 107107 121503 904999	2
- 505	BACN10YL06	..	NUT	002004 006100 107107 121503 904999	2
510	271N6124-1077	.TUBE ASSY-PRESSURE SYS POSITION DATA: CTR TUBING MATERIAL: .250 IN. OD .016 IN. WALL 13.40 IN. LG TI BMS 7-234 TI-3AL-2.5V COLD WORKED, STRESS RELIEVED TUBING		002004 006100 107107 121503 904999	1
- 515	AS1581T04	..	SLEEVE	002004 006100 107107 121503 904999	2
- 520	BACN10YA4	..	NUT	002004 006100 107107 121503 904999	2
525	271N6124-1076	.TUBE ASSY-RETURN SYS POSITION DATA: CTR TUBING MATERIAL: .375 IN. OD .035 IN. WALL 12.40 IN. LG AL AMS 4083 6061 T6 TUBING		002004 006100 107107 121503 904999	1

MISSING ITEM NUMBERS NOT APPLICABLE

- ITEM NOT ILLUSTRATED

27-61-51-28

27-61-51  
FIG. 28  
PAGE 18  
JAN 20/09

BRI



757

PARTS CATALOG (MAINTENANCE)

FIG ITEM	PART NUMBER	1 2 3 4 5 6 7	NOMENCLATURE	EFFECT FROM TO	UNITS PER ASSY
28 - 530	AP2097HP06	. .	SLEEVE SUPPLIER CODE: V01673 SPECIFICATION NUMBER: BACS13BX06HP OPTIONAL PART: 2-02903-06HP V11328 35235VN06 V08199 AFP175V06P V30974 DBOS13BX06HP V14798	002004 006100 107107 121503 904999	2
- 535	BACN10YLO6	. .	NUT	002004 006100 107107 121503 904999	2
540	BACU24L6	. .	UNION	002004 006100 107107 121503 904999	1
545	MS21924D8	. .	UNION	002004 006100 107107 121503 904999	1

MISSING ITEM NUMBERS NOT APPLICABLE

- ITEM NOT ILLUSTRATED

BRI

27-61-51-28

BOEING PROPRIETARY - Copyright © - Unpublished Work - See title page for details.

27-61-51  
FIG. 28  
PAGE 19  
JAN 20/09





757

PARTS CATALOG (MAINTENANCE)

FIG ITEM	PART NUMBER	1 2 3 4 5 6 7	NOMENCLATURE	EFFECT FROM TO	UNITS PER ASSY
28 550	AFP2326-4		.REDUCER-UNION SUPPLIER CODE: V30974 SPECIFICATION NUMBER: BACR17E6-4 OPTIONAL PART: AP10276-4 V01673 BC916T6-4 V50948 DB0R17E6-4 V14798 ER21916T6-4 V88334 ER31916-6-4 V88334 F23-6-4 V73197 2-01075T6-4 V11328 31778-6-4 V14397 US2114-6-4 V50808 AP1027T6-4 V01673 US21146-4 V50808 317786-4 V14397	002004 006100 107107 121503 904999	1
555	BACT16BL060604T		.TEE-	002004 006100 107107 121503 904999	1
555	BACT16BL060604J		.TEE-	002004 006100 107107 121503 904999	1
557	MS21905D6		.TEE	107107	1
557	MS21905W6		.TEE	002004 006100 121503 904999	1

MISSING ITEM NUMBERS NOT APPLICABLE

- ITEM NOT ILLUSTRATED

27-61-51-28

27-61-51  
FIG. 28  
PAGE 20  
JAN 20/09

BRI

BOEING PROPRIETARY - Copyright © - Unpublished Work - See title page for details.



757

PARTS CATALOG (MAINTENANCE)

FIG ITEM	PART NUMBER	1 2 3 4 5 6 7	NOMENCLATURE	EFFECT FROM TO	UNITS PER ASSY
28 560	APX824D080606	. TEE-	SUPPLIER CODE: V01673 SPECIFICATION NUMBER: BACT16AS080606D OPTIONAL PART: APX824-080606D V01673 DB0T16AS080606D V14798 ER824-080606D V50948 FER1571-080606D V14397 LER824-080606D V11328 NAF1824-080606D V52930 US1925-080606D V50808 AFP325-080606D V30974	002004 006100 107107 121503 904999	1
565	NAS1764D080608	. TEE		107107	1
565	NAS1764W080608	. TEE		002004 006100 121503 904999	1
570	NAS1764T060606	. TEE		107107	1
570	NAS1764J060606	. TEE		002004 006100 121503 904999	1
575	AN924-6T	. NUT		002004 006100 107107 121503 904999	1
580	AN924D8	. NUT-		002004 006100 107107 121503 904999	1
650			ILLUSTRATION REFERENCE: ACTUATOR INSTL-SPOILER NO. 1 THRU 5 AND 8 THRU 12 (SPOILER POWER CONTROL ACTUATOR ONLY) 27-61-02-01	002004 006100 107107 121503 904999	RF

MISSING ITEM NUMBERS NOT APPLICABLE

- ITEM NOT ILLUSTRATED

BRI

27-61-51-28

BOEING PROPRIETARY - Copyright © - Unpublished Work - See title page for details.

27-61-51  
FIG. 28  
PAGE 21  
JAN 20/09



757

PARTS CATALOG (MAINTENANCE)

FIG ITEM	PART NUMBER	1 2 3 4 5 6 7	NOMENCLATURE	EFFECT FROM TO	UNITS PER ASSY
28 655			ILLUSTRATION REFERENCE: PLUMBING INSTL- SECT. 12 R WING OUTBD HYDR (HYDRAULIC POWER ONLY) 29-11-51-28	002004 006100 107107 121503 904999	RF
660			ILLUSTRATION REFERENCE: PLUMBING INSTL-SECT. 12 R WING INBD HYDR (SPOILER CONTROL SYSTEM ONLY) 27-61-51-17	002004 006100 107107 121503 904999	RF
665			ILLUSTRATION REFERENCE: PLUMBING INSTL-SECT. 12 HYDR R WING OUTBD (AILERON AND AILERON TRIM CONTROL SYSTEM ONLY) 27-11-51-28	002004 006100 107107 121503 904999	RF

MISSING ITEM NUMBERS NOT APPLICABLE

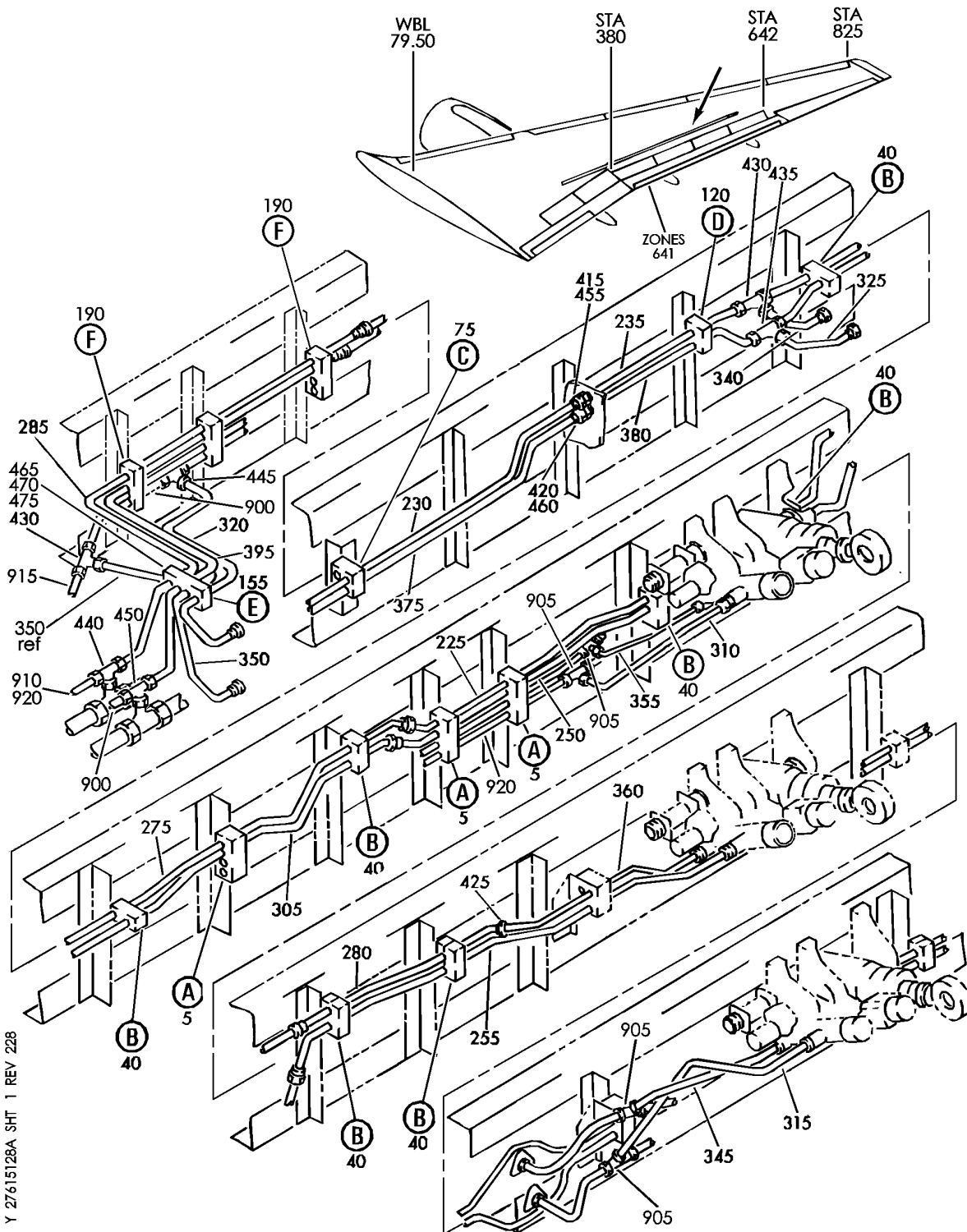
- ITEM NOT ILLUSTRATED

BRI

**27-61-51-28**

27-61-51  
FIG. 28  
PAGE 22  
JAN 20/09

**BOEING**  
757  
PARTS CATALOG (MAINTENANCE)



Y 27615128A SH1 1 REV 228

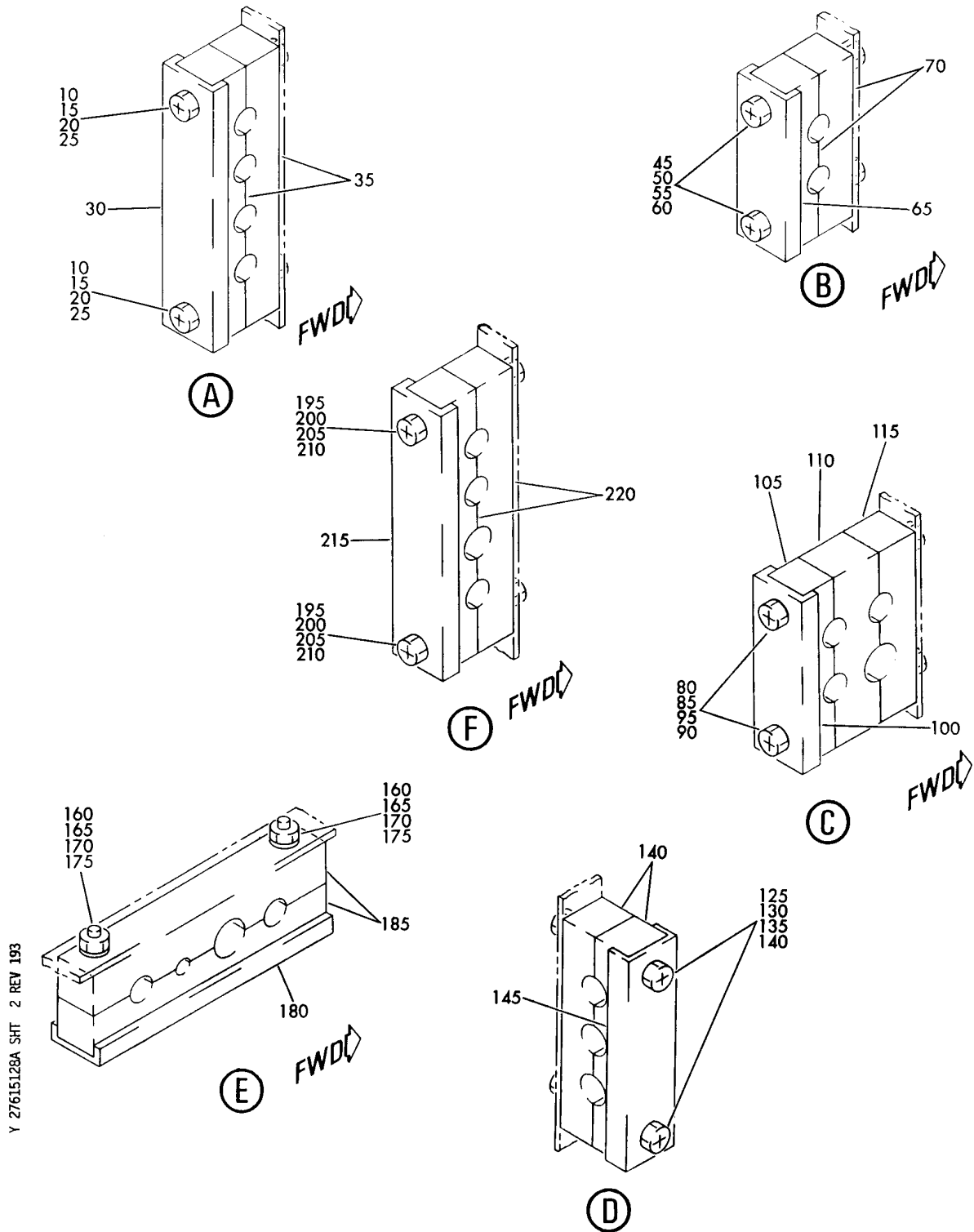
PLUMBING INSTL-HYDR WING SECT. 12 R OUTBD  
FIGURE 28A (SHEET 1)

**27-61-51-28A**

BRI  
MAY 28/07

27-61-51-28A  
PAGE 0

**BOEING**  
757  
PARTS CATALOG (MAINTENANCE)



Y 27615128A SHT 2 REV 193

PLUMBING INSTL-HYDR WING SECT. 12 R OUTBD  
FIGURE 28A (SHEET 2)

**27-61-51-28A**

BRI  
MAY 28/07

27-61-51-28A  
PAGE 0A



757

PARTS CATALOG (MAINTENANCE)

FIG ITEM	PART NUMBER	1 2 3 4 5 6 7	NOMENCLATURE	EFFECT FROM TO	UNITS PER ASSY
28A			PLUMBING INSTL-HYDR WING SECT. 12 R OUTBD	101106 108120 504903	
- 1	271N6124-4		PLUMBING INSTL-HYDR WING (SPOILER CONTROL SYSTEM ONLY) POSITION DATA: SECT. 12 R OUTBD FOR NHA SEE: 27-00-00-03	101102 108120 504903	RF
- 1	MODREF31829		PLUMBING INSTL-HYDR (SPOILER CONTROL SYSTEM ONLY) MODULE NUMBER: 271N6124-5 REV B POSITION DATA: SECT. 12 R OUTBD FOR OTHER SYS DETAILS SEE: 29-11-51-28A 27-11-51-28A	103106	1
5	270N2000-1		.CLAMP ASSY-BLK	101106 108120 504903	3
10	NAS1801-3-24		..SCREW	101106 108120 504903	2
15	AN960PD10L		..WASHER	101106 108120 504903	2
20	NAS43DD3-59		..SPACER	101106 108120 504903	2

MISSING ITEM NUMBERS NOT APPLICABLE

- ITEM NOT ILLUSTRATED

BRI

27-61-51-28A

BOEING PROPRIETARY - Copyright © - Unpublished Work - See title page for details.

27-61-51  
FIG. 28A  
PAGE 1  
JAN 20/09



757

PARTS CATALOG (MAINTENANCE)

FIG ITEM	PART NUMBER	1 2 3 4 5 6 7	NOMENCLATURE	EFFECT FROM TO	UNITS PER ASSY
28A 25	BRH10A3	..	NUT SUPPLIER CODE: V52828 SPECIFICATION NUMBER: BACN10JC3 OPTIONAL PART: H10-3BAC V15653 NS202101-02 V80539 RMLH9075-3W V72962 VN303A02 V92215 96-02 V80539 T6S1032J V11815	101106 108120 504903	2
30	270N2000-800	..	CHANNEL- OPTIONAL PART: 270N2000-894	101106 108120 504903	1
30	270N2000-894	..	CHANNEL- OPTIONAL PART: 270N2000-800	101106 108120 504903	1
35	270N2000-400	..	BLOCK	101106 108120 504903	2
40	270N2000-3	.	CLAMP ASSY-BLK	101106 108120 504903	7
45	NAS1801-3-24	..	SCREW	101106 108120 504903	2
50	AN960PD10L	..	WASHER	101106 108120 504903	2
55	NAS43DD3-59	..	SPACER	101106 108120 504903	2

MISSING ITEM NUMBERS NOT APPLICABLE

- ITEM NOT ILLUSTRATED

27-61-51-28A

27-61-51  
FIG. 28A  
PAGE 2  
JAN 20/09

BRI

BOEING PROPRIETARY - Copyright © - Unpublished Work - See title page for details.

 **BOEING**  
757  
**PARTS CATALOG (MAINTENANCE)**

FIG ITEM	PART NUMBER	1 2 3 4 5 6 7	NOMENCLATURE	EFFECT FROM TO	UNITS PER ASSY
28A 60	BRH10A3	. .	NUT SUPPLIER CODE: V52828 SPECIFICATION NUMBER: BACN10JC3 OPTIONAL PART: H10-3BAC V15653 NS202101-02 V80539 RMLH9075-3W V72962 VN303A02 V92215 96-02 V80539 T6S1032J V11815	101106 108120 504903	2
65	270N2000-801	. .	CHANNEL	101106 108120 504903	1
70	270N2000-401	. .	BLOCK	101106 108120 504903	2
75	270N2000-7	. .	CLAMP ASSY-BLK	101102 108120 504903	1
80	NAS1801-3-36	. .	SCREW	101102 108120 504903	2
85	AN960PD10L	. .	WASHER	101102 108120 504903	2
90	NAS43DD3-108	. .	SPACER	101102 108120 504903	2

MISSING ITEM NUMBERS NOT APPLICABLE

— ITEM NOT ILLUSTRATED

BRI

# 27-61-51-28A

BOEING PROPRIETARY - Copyright © - Unpublished Work - See title page for details.

27-61-51  
FIG. 28A  
PAGE 3  
JAN 20/09





757

PARTS CATALOG (MAINTENANCE)

FIG ITEM	PART NUMBER	1 2 3 4 5 6 7	NOMENCLATURE	EFFECT FROM TO	UNITS PER ASSY
28A 95	BRH10A3	..	NUT SUPPLIER CODE: V52828 SPECIFICATION NUMBER: BACN10JC3 OPTIONAL PART: H10-3BAC V15653 NS202101-02 V80539 RMLH9075-3W V72962 VN303A02 V92215 96-02 V80539 T6S1032J V11815	101102 108120 504903	2
100	270N2000-803	..	CHANNEL	101102 108120 504903	1
105	270N2000-408	..	BLOCK	101102 108120 504903	1
110	270N2000-409	..	BLOCK	101102 108120 504903	1
115	270N2000-404	..	BLOCK	101102 108120 504903	1
120	270N2000-5	.	CLAMP ASSY-BLK	101106 108120 504903	1
125	NAS1801-3-26	..	SCREW	101106 108120 504903	2
130	AN960PD10L	..	WASHER	101106 108120 504903	2
135	NAS43DD3-67	..	SPACER	101106 108120 504903	2

MISSING ITEM NUMBERS NOT APPLICABLE

- ITEM NOT ILLUSTRATED

27-61-51-28A

27-61-51  
FIG. 28A  
PAGE 4  
JAN 20/09

BRI

BOEING PROPRIETARY - Copyright © - Unpublished Work - See title page for details.



757

PARTS CATALOG (MAINTENANCE)

FIG ITEM	PART NUMBER	1 2 3 4 5 6 7	NOMENCLATURE	EFFECT FROM TO	UNITS PER ASSY
28A 140	BRH10A3	. .	NUT SUPPLIER CODE: V52828 SPECIFICATION NUMBER: BACN10JC3 OPTIONAL PART: H10-3BAC V15653 NS202101-02 V80539 RMLH9075-3W V72962 VN303A02 V92215 96-02 V80539 T6S1032J V11815	101106 108120 504903	2
145	270N2000-803	. .	CHANNEL	101106 108120 504903	1
150	270N2000-404	. .	BLOCK	101106 108120 504903	2
155	270N2000-135	. .	CLAMP ASSY-BLK	101102 108120 504903	1
160	NAS1801-3-26	. .	SCREW	101102 108120 504903	2
165	AN960PD10L	. .	WASHER	101102 108120 504903	2
170	NAS43DD3-67	. .	SPACER	101102 108120 504903	2

MISSING ITEM NUMBERS NOT APPLICABLE

- ITEM NOT ILLUSTRATED

27-61-51-28A

27-61-51  
FIG. 28A  
PAGE 5  
JAN 20/09

BRI

BOEING PROPRIETARY - Copyright © - Unpublished Work - See title page for details.



757

PARTS CATALOG (MAINTENANCE)

FIG ITEM	PART NUMBER	1 2 3 4 5 6 7	NOMENCLATURE	EFFECT FROM TO	UNITS PER ASSY
28A 175	BRH10A3	. .	NUT SUPPLIER CODE: V52828 SPECIFICATION NUMBER: BACN10JC3 OPTIONAL PART: H10-3BAC V15653 NS202101-02 V80539 RMLH9075-3W V72962 VN303A02 V92215 96-02 V80539 T6S1032J V11815	101102 108120 504903	2
180	270N2000-802	. .	CHANNEL	101102 108120 504903	1
185	270N2000-588	. .	BLOCK	101102 108120 504903	2
190	270N2000-4	. .	CLAMP ASSY-BLK	101102 108120 504903	3
195	NAS1801-3-26	. .	SCREW	101102 108120 504903	2
200	AN960PD10L	. .	WASHER	101102 108120 504903	2
205	NAS43DD3-67	. .	SPACER	101102 108120 504903	2

MISSING ITEM NUMBERS NOT APPLICABLE

- ITEM NOT ILLUSTRATED

27-61-51-28A

27-61-51  
FIG. 28A  
PAGE 6  
JAN 20/09

BRI

BOEING PROPRIETARY - Copyright © - Unpublished Work - See title page for details.



757

PARTS CATALOG (MAINTENANCE)

FIG ITEM	PART NUMBER	1 2 3 4 5 6 7	NOMENCLATURE	EFFECT FROM TO	UNITS PER ASSY
28A 210	BRH10A3	..	NUT SUPPLIER CODE: V52828 SPECIFICATION NUMBER: BACN10JC3 OPTIONAL PART: H10-3BAC V15653 NS202101-02 V80539 RMLH9075-3W V72962 VN303A02 V92215 96-02 V80539 T6S1032J V11815	101102 108120 504903	2
215	270N2000-802	..	CHANNEL	101102 108120 504903	1
220	270N2000-403	..	BLOCK	101102 108120 504903	2
225	271N6124-1025	.TUBE ASSY-R PRESSURE SYS TUBING MATERIAL: .375 IN. OD X .019 IN. WALL X 45.00 IN. LG TI BMS 7-234 TI-3AL-2.5V COLD WORKED, STRESS RELIEVED TUBING		101106 108120 504903	1
230	271N6124-1085	.TUBE ASSY-R PRESSURE SYS TUBING MATERIAL: .375 IN. OD X .019 IN. WALL X 25.3 IN. LG TI BMS 7-234 TI-3AL-2.5V COLD WORKED, STRESS RELIEVED TUBING		101102 108120 504903	1
235	271N6124-1086	.TUBE ASSY-R PRESSURE SYS TUBING MATERIAL: .375 IN. OD X .019 IN. WALL X 20.7 IN. LG BMS 7-234 TI-3AL-2.5V COLD WORKED, STRESS RELIEVED TUBING		101106 108120 504903	1
- 240	AS1581T06	..	SLEEVE	101106 108120 504903	2

MISSING ITEM NUMBERS NOT APPLICABLE

- ITEM NOT ILLUSTRATED

27-61-51-28A

27-61-51  
FIG. 28A  
PAGE 7  
JAN 20/09

BRI

BOEING PROPRIETARY - Copyright © - Unpublished Work - See title page for details.



757

PARTS CATALOG (MAINTENANCE)

FIG ITEM	PART NUMBER	1 2 3 4 5 6 7	NOMENCLATURE	EFFECT FROM TO	UNITS PER ASSY
28A - 245	BACN10YA6	. .	NUT	101106 108120 504903	2
250	271N6124-1026	. .	TUBE ASSY-R RETURN SYS TUBING MATERIAL: .375 IN. OD X .035 IN. WALL X 48.1 IN. LG AMS 4083 6061 T6 TUBING	101106 108120 504903	1
255	271N6124-1069	. .	TUBE ASSY-R RETURN SYS TUBING MATERIAL: .375 IN. OD X .035 IN. WALL X 46.9 IN. LG AMS 4083 6061 T6 TUBING	101106 108120 504903	1
- 260	AP2097HP06	. .	SLEEVE SUPPLIER CODE: V01673 SPECIFICATION NUMBER: BACS13BX06HP OPTIONAL PART: 2-02903-06HP V11328 35235VN06 V08199 AFP175V06P V30974 DBOS13BX06HP V14798	101106 108120 504903	1
- 265	BACN10YL06	. .	NUT	101106 108120 504903	1

MISSING ITEM NUMBERS NOT APPLICABLE

- ITEM NOT ILLUSTRATED

27-61-51-28A

27-61-51  
FIG. 28A  
PAGE 8  
JAN 20/09

BRI

BOEING PROPRIETARY - Copyright © - Unpublished Work - See title page for details.



757

PARTS CATALOG (MAINTENANCE)

FIG ITEM	PART NUMBER	1 2 3 4 5 6 7	NOMENCLATURE	EFFECT FROM TO	UNITS PER ASSY
28A - 270	35056GV06	..	UNION SUPPLIER CODE: V08199 SPECIFICATION NUMBER: BACU24AB6W OPTIONAL PART: 2-01027-6W V11328 31875-6W V14397 4671097W6 V50948 AP1004W06 V01673 AFP941W6 V30974 DBOU24AB6W V14798	101106 108120 504903	1
275	271N6124-1029	.TUBE ASSY-R	PRESSURE SYS TUBING MATERIAL: .375 IN. OD X .019 IN. WALL X 46.6 IN. LG BMS 7-234 TI-3AL-2.5V COLD WORKED, STRESS RELIEVED TUBING	101106 108120 504903	1
280	271N6124-1068	.TUBE ASSY-R	PRESSURE SYS TUBING MATERIAL: .375 IN. O.D. X .019 IN. WALL X 20.50 IN. LG TI BMS 7-234 TI-3AL-2.5V COLD WORKED, STRESS RELIEVED TUBING	101106 108120 504903	1
285	271N6124-1109	.TUBE ASSY-R	PRESSURE SYS TUBING MATERIAL: .375 IN. OD X .019 IN. WALL X 42.7 IN. LG BMS 7-234 TI-3AL-2.5V COLD WORKED, STRESS RELIEVED TUBING	101102 108120 504903	1
- 290	AS1581T06	..	SLEEVE	101106 108120 504903	1
- 295	BACN10YA6	..	NUT	101106 108120 504903	1
- 300	AS1582T06	..	UNION	101106 108120 504903	1

MISSING ITEM NUMBERS NOT APPLICABLE

- ITEM NOT ILLUSTRATED

27-61-51-28A

27-61-51  
FIG. 28A  
PAGE 9  
JAN 20/09

BRI

BOEING PROPRIETARY - Copyright © - Unpublished Work - See title page for details.



757

PARTS CATALOG (MAINTENANCE)

FIG ITEM	PART NUMBER	1 2 3 4 5 6 7	NOMENCLATURE	EFFECT FROM TO	UNITS PER ASSY
28A 305	271N6124-1030		.TUBE ASSY-R RETURN SYS TUBING MATERIAL: .375 IN. OD X .035 IN. WALL X 44.3 IN. LG AMS 4083 6061 T6 TUBING	101106 108120 504903	1
310	271N6124-1074		.TUBE ASSY-L RETURN SYS TUBING MATERIAL: .375 IN. OD X .035 IN. WALL X 13.00 IN. LG AMS 4083 6061 T6 TUBING	101106 108120 504903	1
315	271N6124-1076		.TUBE ASSY-CTR RETURN SYS TUBING MATERIAL: .375 IN. OD X .035 IN. WALL X 12.4 IN. LG AMS 4083 6061 T6 TUBING	101106 108120 504903	1
320	271N6124-1112		.TUBE ASSY-L RETURN SYS TUBING MATERIAL: .375 IN. OD X .035 IN. WALL X 39.0 IN. LG AMS 4083 6061 T6 TUBING	101102 108120 504903	1
325	271N6124-1116		.TUBE ASSY-R RETURN SYS TUBING MATERIAL: .375 IN. OD X .035 IN. WALL X 9.7 IN. LG AMS 4083 6061 T6 TUBING	101106 108120 504903	1
- 330	AP2097HP06		..SLEEVE SUPPLIER CODE: V01673 SPECIFICATION NUMBER: BACS13BX06HP OPTIONAL PART: 2-02903-06HP V11328 35235VN06 V08199 AFP175V06P V30974 DBOS13BX06HP V14798	101106 108120 504903	2
- 335	BACN10YL06		..NUT	101106 108120 504903	2

MISSING ITEM NUMBERS NOT APPLICABLE

- ITEM NOT ILLUSTRATED

27-61-51-28A

27-61-51  
FIG. 28A  
PAGE 10  
JAN 20/09

BRI

BOEING PROPRIETARY - Copyright © - Unpublished Work - See title page for details.



757

PARTS CATALOG (MAINTENANCE)

FIG ITEM	PART NUMBER	1 2 3 4 5 6 7	NOMENCLATURE	EFFECT FROM TO	UNITS PER ASSY
28A 340	271N6124-1037		.TUBE ASSY-R PRESSURE SYS TUBING MATERIAL: .250 IN. OD X .016 IN. WALL X 8.10 IN. LG TI BMS 7-234 TI-3AL-2.5V COLD WORKED, STRESS RELIEVED TUBING	101106 108120 504903	1
345	271N6124-1077		.TUBE ASSY-CTR PRESSURE SYS TUBING MATERIAL: .250 IN. OD X .016 IN. WALL X 13.40 IN. LG BMS 7-234 TI-3AL-2.5V COLD WORKED, STRESS RELIEVED TUBING	101106 108120 504903	1
350	271N6124-1106		.TUBE ASSY-L PRESSUSRE SYS TUBING MATERIAL: .250 IN. O.D. X .016 IN. WALL X 30.5 IN. LG TI BMC 7-234 TI-3AL-2.5V COLD WORKED, STRESS RELIEVED TUBING	101102 108120 504903	1
355	271N6124-1108		.TUBE ASSY-L PRESSUSRE SYS TUBING MATERIAL: .250 IN. O.D. X .016 IN. WALL X 6.0 IN. LG BMS 7-234 TI-3AL-2.5V COLD WORKED, STRESS RELIEVED TUBING	101106 108120 504903	1
360	271N6124-1125		.TUBE ASSY-R PRESSURE SYS TUBING MATERIAL: .250 IN. O.D. X .016 IN. WALL X 22.6 IN. LG BMS 7-234 TI-3AL-2.5V COLD WORKED, STRESS RELIEVED TUBING	101106 108120 504903	1
- 365	AS1581T04		..SLEEVE	101106 108120 504903	2
- 370	BACN10YA4		..NUT	101106 108120 504903	2
375	271N6124-1087		.TUBE ASSY-R RETURN SYS TUBING MATERIAL: .500 IN. O.D. X .035 IN. WALL X 26.7 IN. LG AMS 4083 6061 T6 TUBING	101102 108120 504903	1

MISSING ITEM NUMBERS NOT APPLICABLE

- ITEM NOT ILLUSTRATED

27-61-51-28A

27-61-51  
FIG. 28A  
PAGE 11  
JAN 20/09

BRI

BOEING PROPRIETARY - Copyright © - Unpublished Work - See title page for details.





757

PARTS CATALOG (MAINTENANCE)

FIG ITEM	PART NUMBER	1 2 3 4 5 6 7	NOMENCLATURE	EFFECT FROM TO	UNITS PER ASSY
28A 380	271N6124-1088		.TUBE ASSY-R RETURN SYS TUBING MATERIAL: .500 IN. OD X .035 IN. WALL X 23.3 IN. LG AMS 4083 6061 T6 TUBING	101106 108120 504903	1
- 385	AP2097HP08		..SLEEVE SUPPLIER CODE: V01673 SPECIFICATION NUMBER: BACS13BX08HP OPTIONAL PART: 2-02903-08HP V11328 35235VN08 V08199 AFP175V08P V30974 DBOS13BX08HP V14798	101106 108120 504903	2
- 390	BACN10YL08		..NUT	101106 108120 504903	2
395	271N6124-1113		.TUBE ASSY-R RETURN SYS TUBING MATERIAL: .500 IN. OD X .035 IN. WALL X 46.0 IN. LG AMS 4083 6061 T6 TUBING	101102 108120 504903	1
- 400	AP2097HP08		..SLEEVE SUPPLIER CODE: V01673 SPECIFICATION NUMBER: BACS13BX08HP OPTIONAL PART: 2-02903-08HP V11328 35235VN08 V08199 AFP175V08P V30974 DBOS13BX08HP V14798	101106 108120 504903	1
- 405	BACN10YL08		..NUT	101106 108120 504903	1

MISSING ITEM NUMBERS NOT APPLICABLE

- ITEM NOT ILLUSTRATED

27-61-51-28A

27-61-51  
FIG. 28A  
PAGE 12  
JAN 20/09

BRI



757

PARTS CATALOG (MAINTENANCE)

FIG ITEM	PART NUMBER	1 2 3 4 5 6 7	NOMENCLATURE	EFFECT FROM TO	UNITS PER ASSY
28A - 410	35056GV08	. .	UNION SUPPLIER CODE: V08199 SPECIFICATION NUMBER: BACU24AB8W OPTIONAL PART: 2-01027-8W V11328 31875-8W V14397 4671097W8 V50948 AP1004W08 V01673 AFP941W8 V30974 DBOU24AB8W V14798	101106 108120 504903	1
415	BACU24L6	. UNION		101102 108120 504903	1
420	MS21924D8	. UNION		101106 108120 504903	1

MISSING ITEM NUMBERS NOT APPLICABLE

- ITEM NOT ILLUSTRATED

**27-61-51-28A**

27-61-51  
FIG. 28A  
PAGE 13  
JAN 20/09

BRI

BOEING PROPRIETARY - Copyright © - Unpublished Work - See title page for details.



757

PARTS CATALOG (MAINTENANCE)

FIG ITEM	PART NUMBER	1 2 3 4 5 6 7	NOMENCLATURE	EFFECT FROM TO	UNITS PER ASSY
28A 425	AFP2326-4	.	REDUCER-UNION SUPPLIER CODE: V30974 SPECIFICATION NUMBER: BACR17E6-4 OPTIONAL PART: AP10276-4 V01673 BC916T6-4 V50948 DB0R17E6-4 V14798 ER21916T6-4 V88334 ER31916-6-4 V88334 F23-6-4 V73197 2-01075T6-4 V11328 31778-6-4 V14397 US2114-6-4 V50808 AP1027T6-4 V01673 US21146-4 V50808 317786-4 V14397	101106 108120 504903	1
430	BACT16BL060604J	.	TEE	101106 108120 504903	2
435	BACT16AS080606W	.	TEE	101106 108120 504903	1
440	NAS1764J060606	.	TEE	101106 108120 504903	1
445	MS21905W6	.	TEE	101106 108120 504903	1
450	NAS1764W080608	.	TEE	101106 108120 504903	1
455	AN924-6T	.	NUT	101102 108120 504903	1

MISSING ITEM NUMBERS NOT APPLICABLE

- ITEM NOT ILLUSTRATED

27-61-51-28A

27-61-51  
FIG. 28A  
PAGE 14  
JAN 20/09

BRI

BOEING PROPRIETARY - Copyright © - Unpublished Work - See title page for details.



757

PARTS CATALOG (MAINTENANCE)

FIG ITEM	PART NUMBER	1 2 3 4 5 6 7	NOMENCLATURE	EFFECT FROM TO	UNITS PER ASSY
28A 460	AN924D8	.	NUT	101102 108120	1
465	270N2006-7	.	SHIM	504903 101102 108120	AR
470	270N2006-8	.	SHIM	504903 101102 108120	AR
475	270N2006-9	.	SHIM	504903 101102 108120	AR
900			ILLUSTRATION REFERENCE: PLUMBING INSTL-FILLET AND TE ROLLS ROYCE RETURN LINES 29-11-51-68	101102 108120 504903	RF
910			ILLUSTRATION REFERENCE: PLUMBING INSTL-SECT. 12 R WING INBD HYDR (SPOILER CONTROL SYSTEM ONLY) 27-61-51-17	101102 108120 504903	RF
915			ILLUSTRATION REFERENCE: PLUMBING INSTL- SECT. 12 INBD WING HYDR R (HYDRAULIC POWER ONLY) 29-11-51-18A	101102 108120 504903	RF
920			ILLUSTRATION REFERENCE: PLUMBING INSTL-HYDR WING SECT. 12 R OUTBD 29-11-51-28A	101106 108120 504903	RF

MISSING ITEM NUMBERS NOT APPLICABLE

- ITEM NOT ILLUSTRATED

**27-61-51-28A**

27-61-51  
FIG. 28A  
PAGE 15  
JAN 20/09

BRI

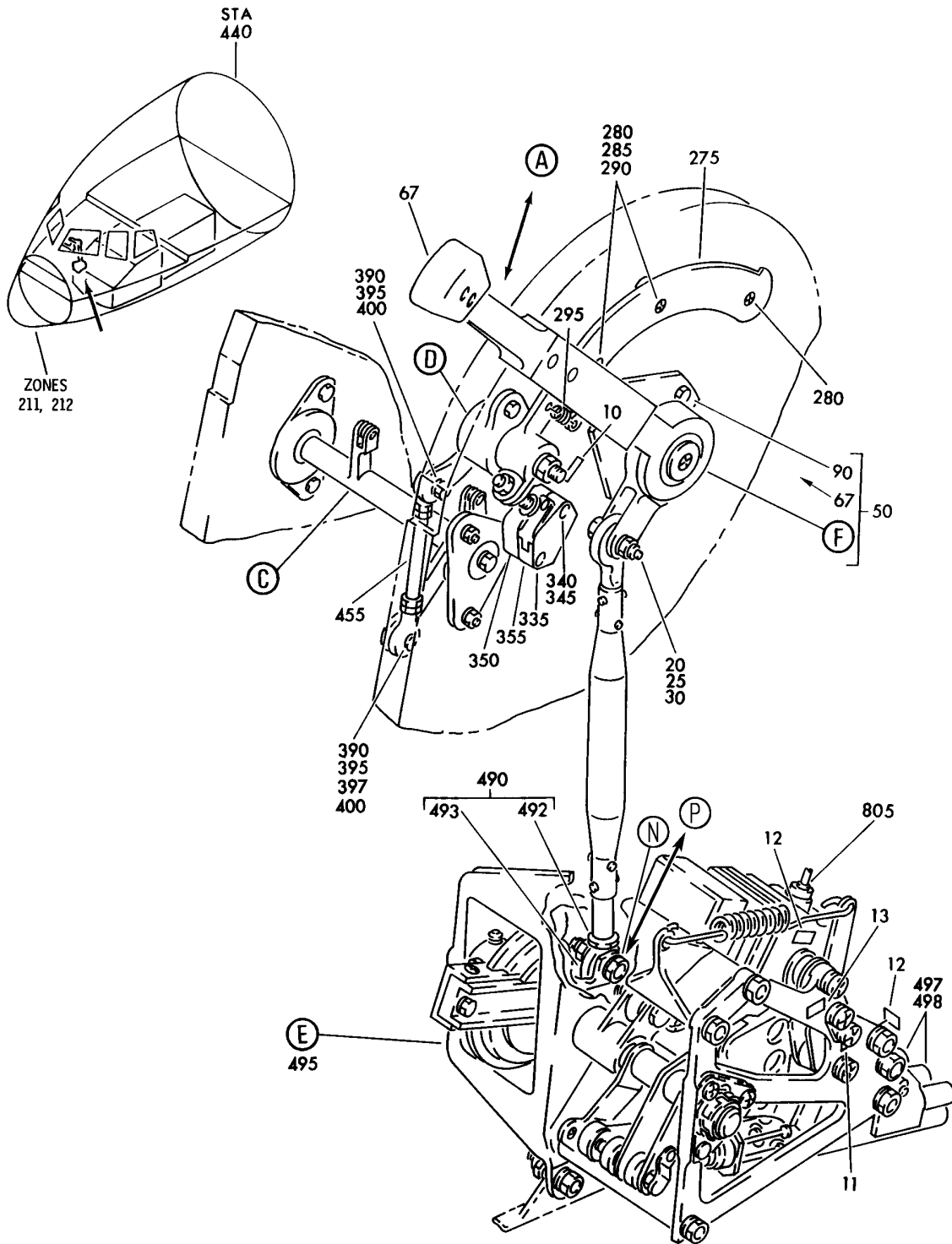
BOEING PROPRIETARY - Copyright © - Unpublished Work - See title page for details.

## AUTO SPEEDBRAKE CONTROL

BRI  
MAY 28/07

27-62-00  
SECTION TITLE  
PAGE 1

**BOEING**  
757  
PARTS CATALOG (MAINTENANCE)



Y 27625102 SH1 1 REV 315

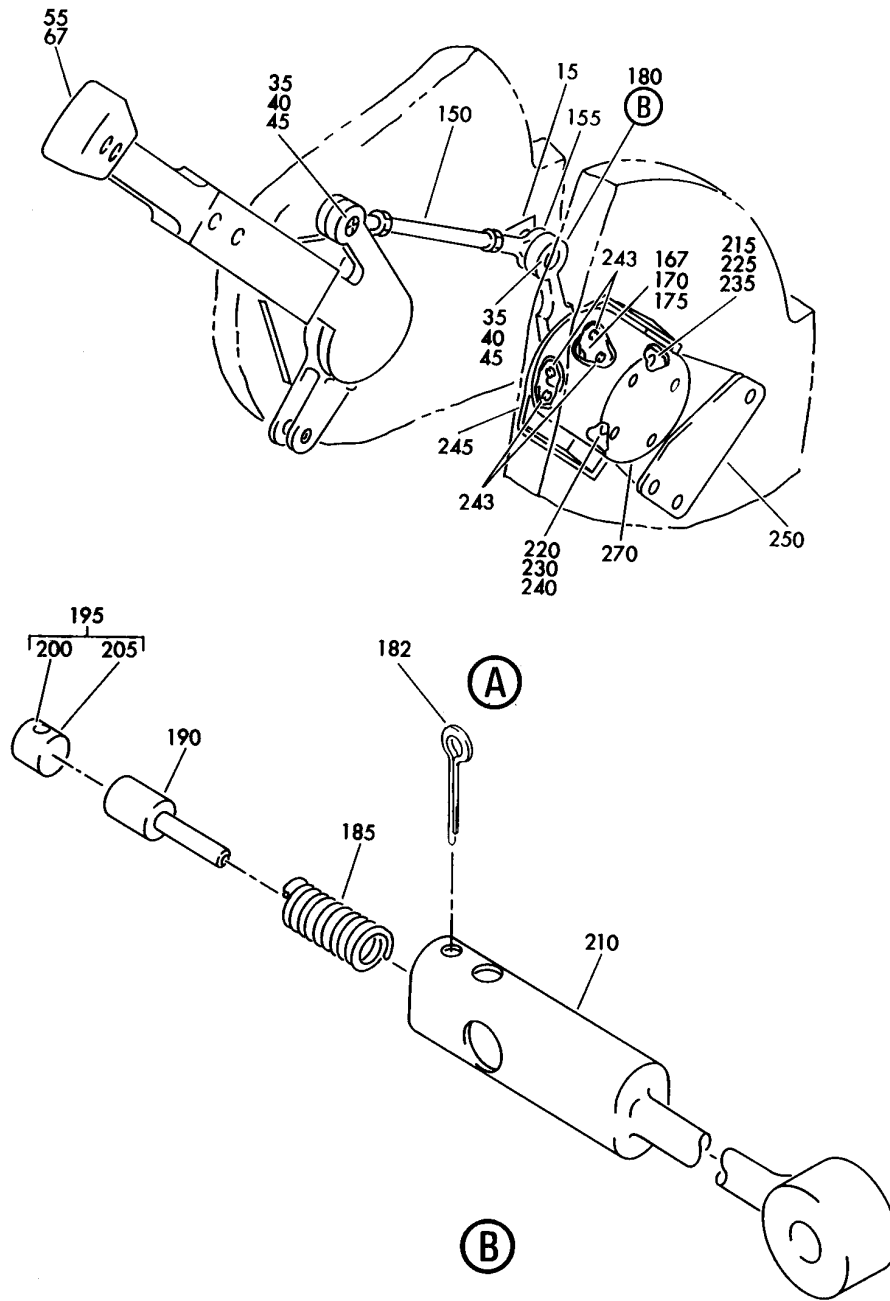
LEVER INSTL-SPEED BRAKE CONT AND ACTR  
FIGURE 2 (SHEET 1)

**27-62-51-02**

BRI  
SEP 28/07

27-62-51-02  
PAGE 0

**BOEING**  
757  
PARTS CATALOG (MAINTENANCE)



Y 27625102 SH1 2 REV 155

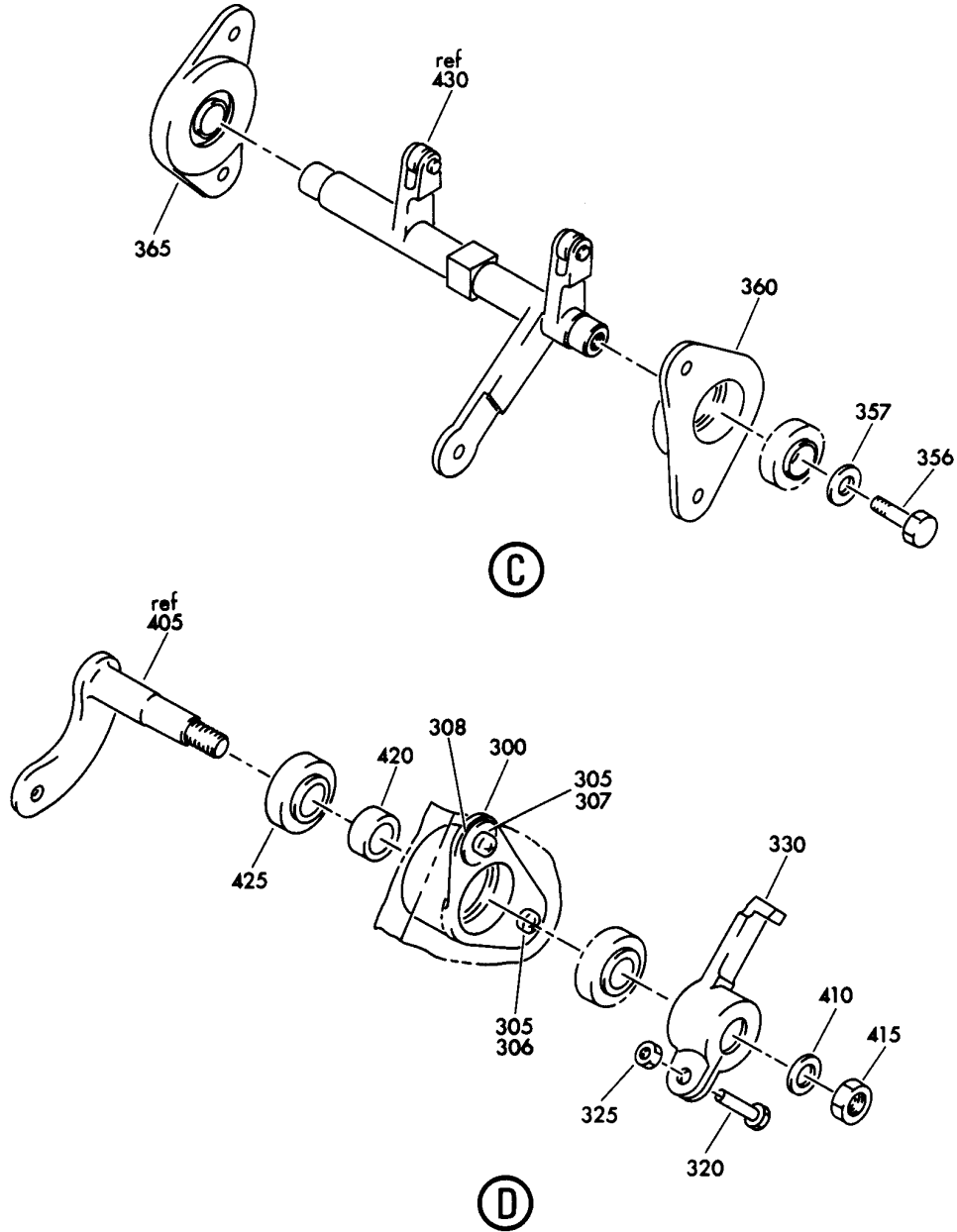
LEVER INSTL-SPEED BRAKE CONT AND ACTR  
FIGURE 2 (SHEET 2)

**27-62-51-02**

BRI  
MAY 28/07

27-62-51-02  
PAGE 0A

**BOEING**  
757  
PARTS CATALOG (MAINTENANCE)



Y 27625102 SHT 3 REV 231

LEVER INSTL-SPEED BRAKE CONT AND ACTR  
FIGURE 2 (SHEET 3)

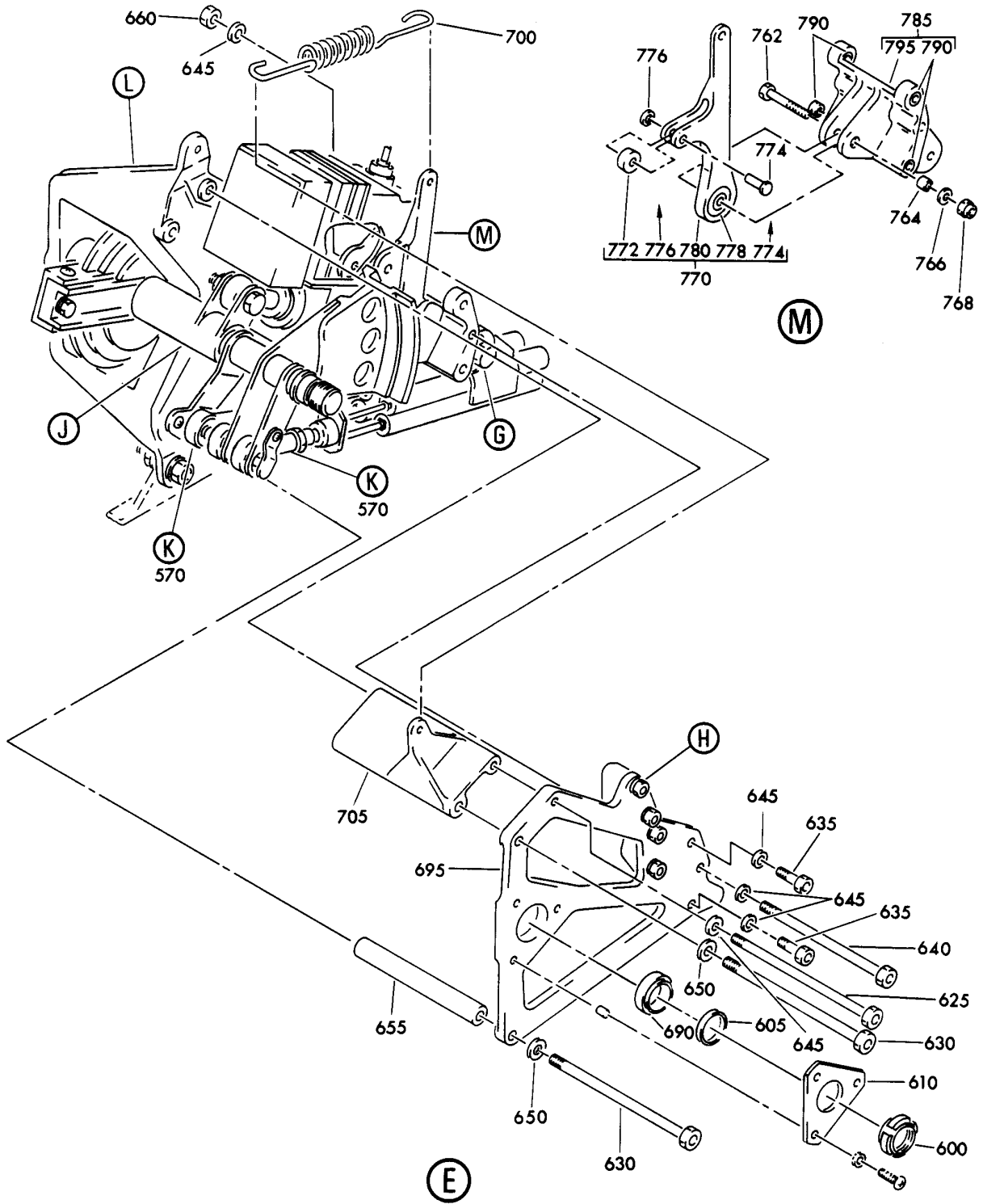
**27-62-51-02**

BRI  
MAY 28/07

27-62-51-02  
PAGE 0B



**BOEING**  
757  
PARTS CATALOG (MAINTENANCE)



Y 27825102 SHT 4 REV 064

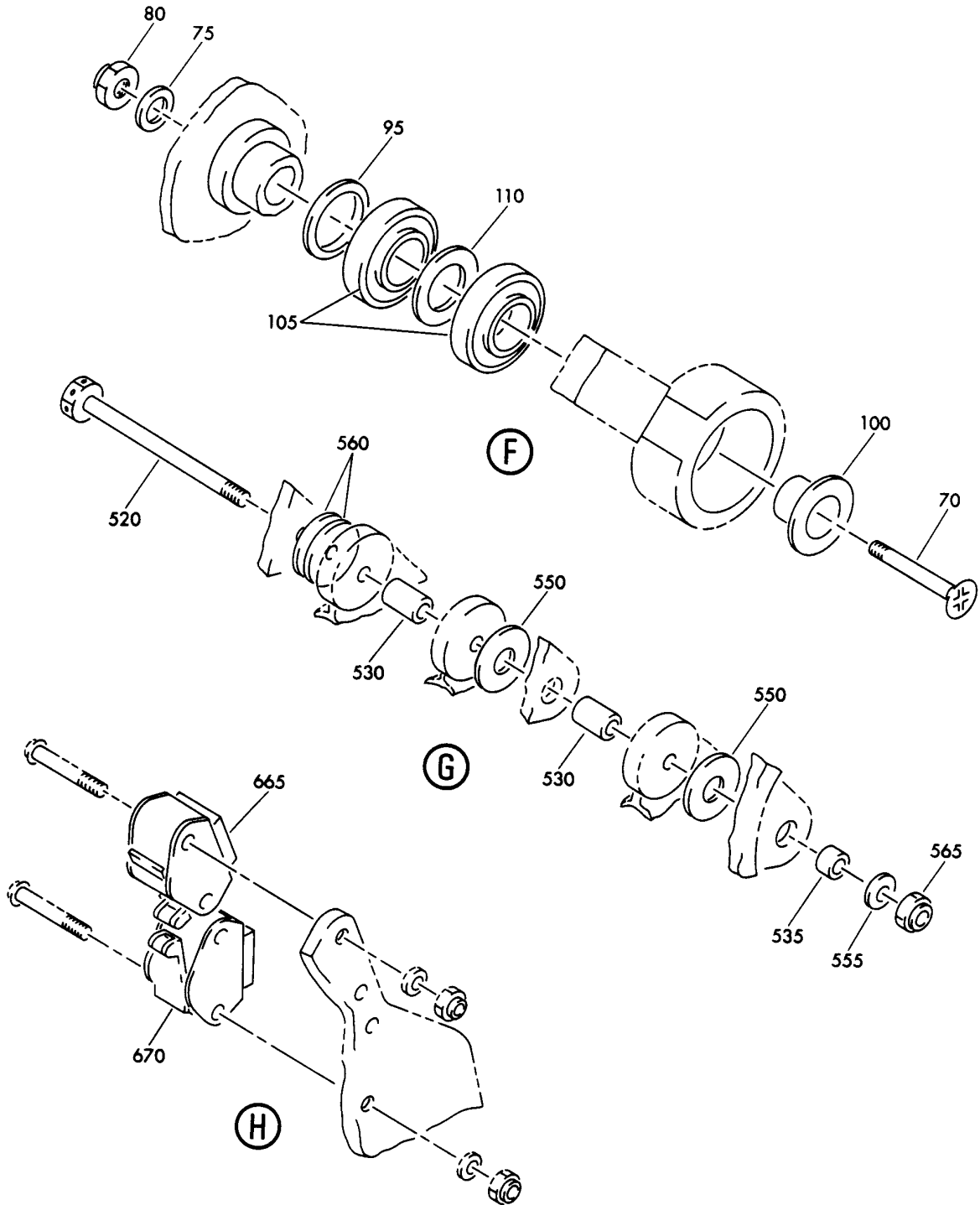
LEVER INSTL-SPEED BRAKE CONT AND ACTR  
FIGURE 2 (SHEET 4)

**27-62-51-02**

BRI  
MAY 28/07

27-62-51-02  
PAGE 0C

**BOEING**  
757  
PARTS CATALOG (MAINTENANCE)



Y 27625102 SHT 5 REV 061

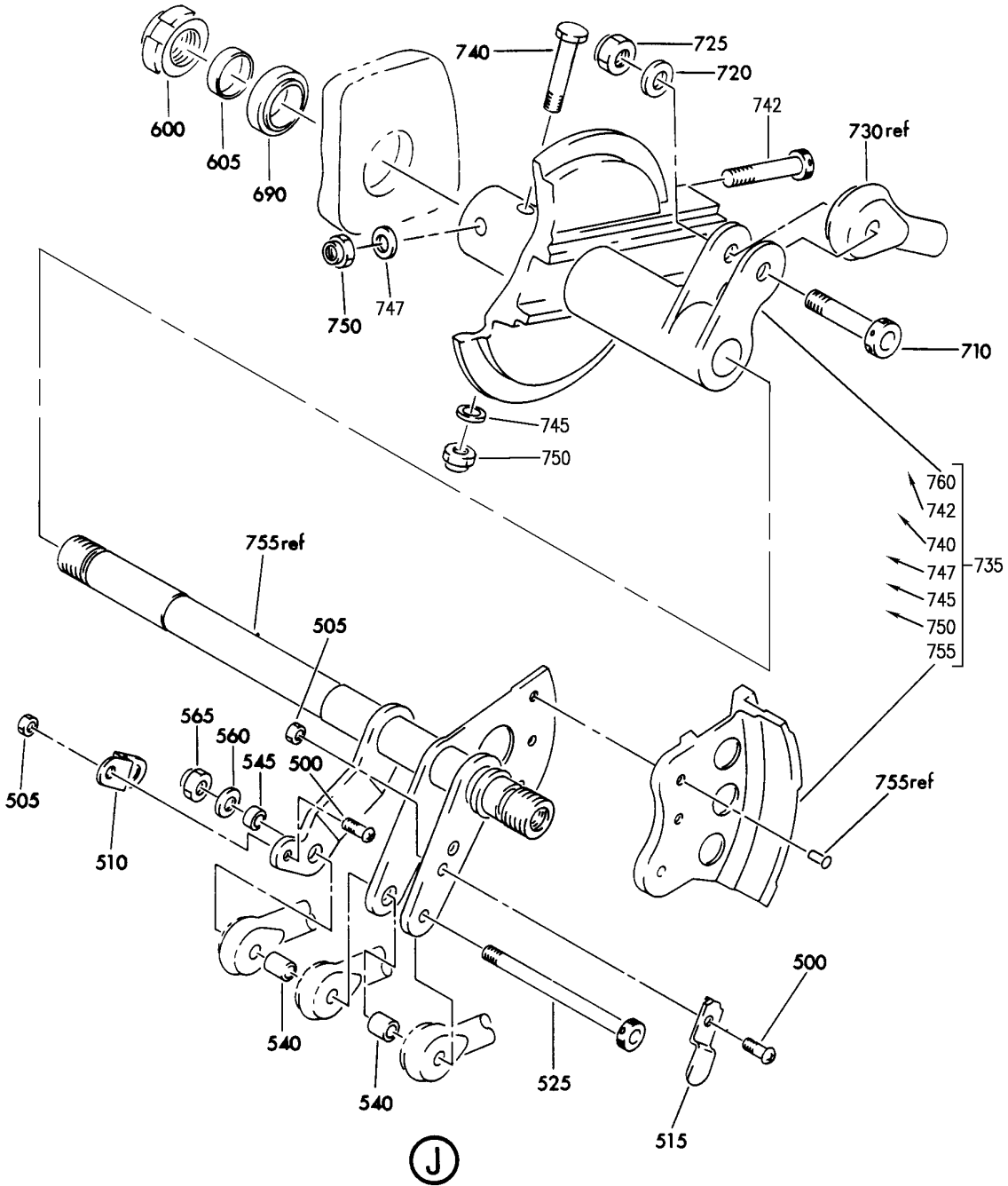
LEVER INSTL-SPEED BRAKE CONT AND ACTR  
FIGURE 2 (SHEET 5)

**27-62-51-02**

BRI  
MAY 28/07

27-62-51-02  
PAGE 0D

**BOEING**  
757  
PARTS CATALOG (MAINTENANCE)



Y 27625102 SHT 6 REV 315

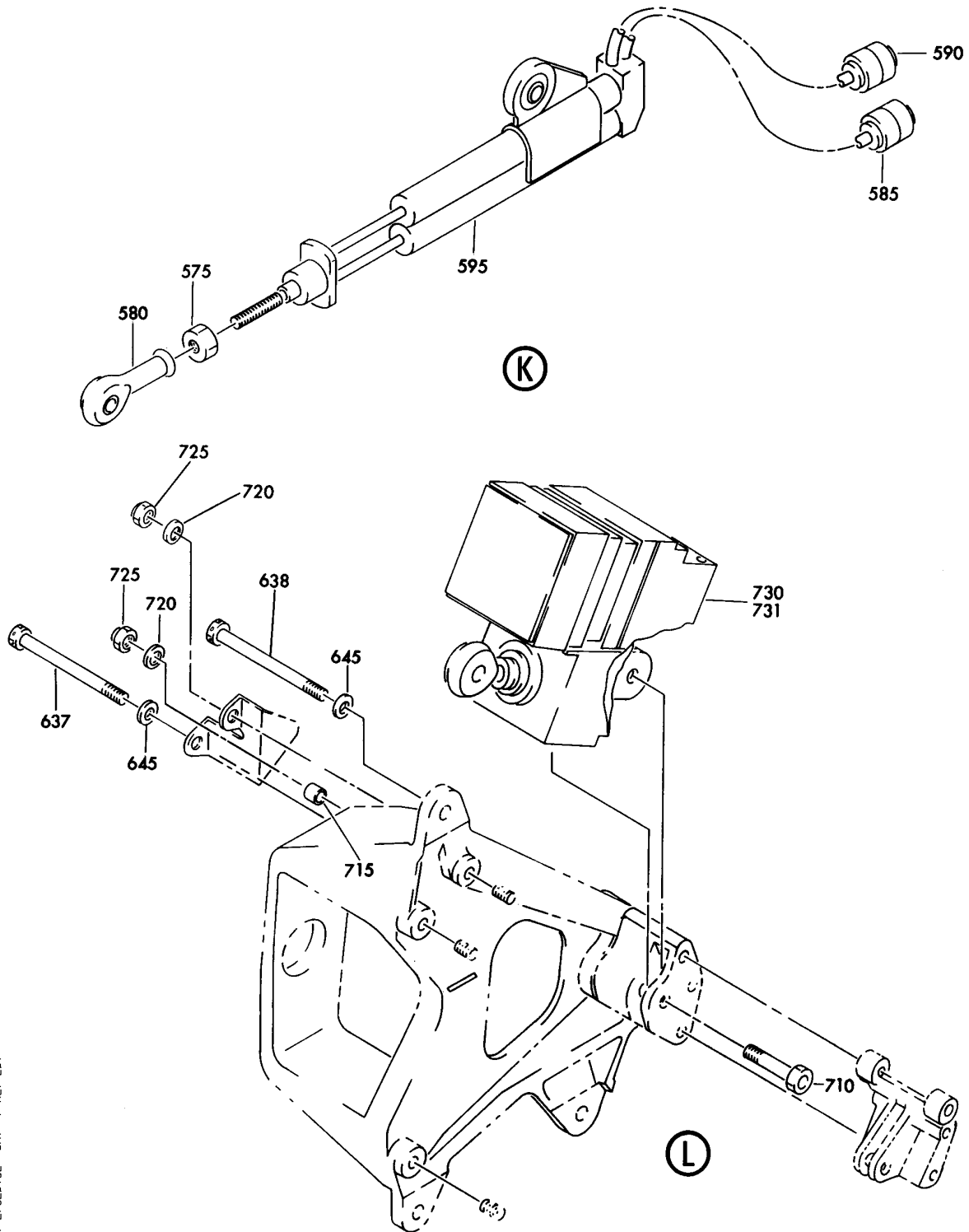
LEVER INSTL-SPEED BRAKE CONT AND ACTR  
FIGURE 2 (SHEET 6)

**27-62-51-02**

BRI  
SEP 28/07

27-62-51-02  
PAGE 0E

**BOEING**  
757  
PARTS CATALOG (MAINTENANCE)



Y 27625102 SHT 7 REV 231

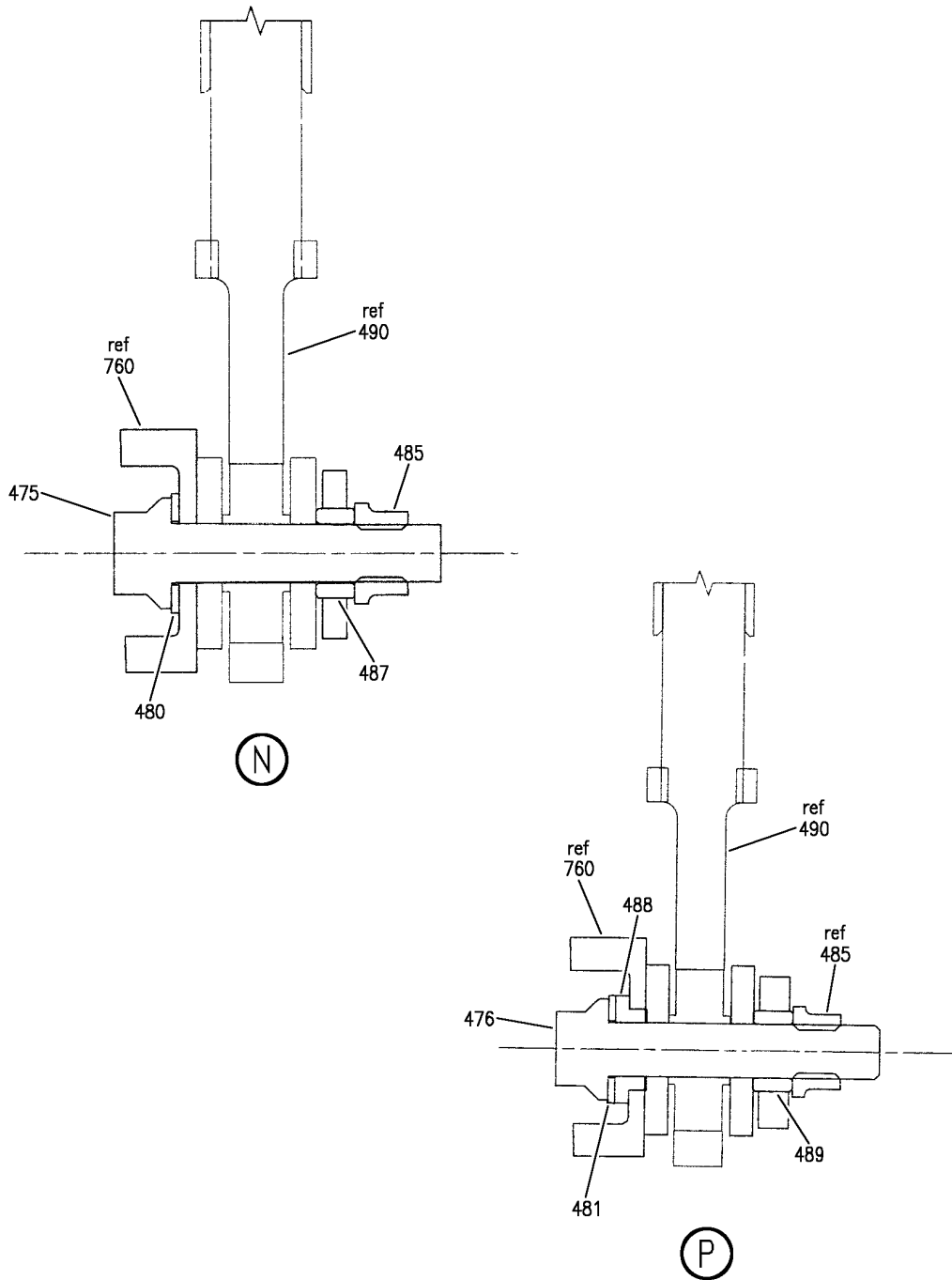
LEVER INSTL-SPEED BRAKE CONT AND ACTR  
FIGURE 2 (SHEET 7)

**27-62-51-02**

BRI  
MAY 28/07

27-62-51-02  
PAGE OF

**BOEING**  
757  
PARTS CATALOG (MAINTENANCE)



Y 27625102 SH1 8 REV 315

LEVER INSTL-SPEED BRAKE CONT AND ACTR  
FIGURE 2 (SHEET 8)

**27-62-51-02**

BRI  
SEP 28/07

27-62-51-02  
PAGE 08



757

PARTS CATALOG (MAINTENANCE)

FIG ITEM	PART NUMBER	1 2 3 4 5 6 7	NOMENCLATURE	EFFECT FROM TO	UNITS PER ASSY
2			LEVER INSTL-SPEED BRAKE CONT AND ACTR	002004 006999	
- 1	254N1053-9		LEVER INSTL-SPEED BRAKE CONT AND ACTR FOR NHA SEE: 76-11-04-02	002004 006006 015106 108120 504903 952952	RF
- 1	254N1053-10		LEVER INSTL-SPEED BRAKE CONT AND ACTR FOR NHA SEE: 76-11-04-02	107107 121503 904949	RF
- 1	254N1053-11		LEVER INSTL-SPEED BRAKE CONT AND ACTR FOR NHA SEE: 76-11-04-02	007014 950951 953999	RF
10	BAC27TCT0063		.DECAL- PLACARD CONTENT: S374	002004 006999	1
11	BAC27TCT0060		.DECAL- PLACARD CONTENT: S493	002004 006999	1
12	BAC27TCT0061		.DECAL- PLACARD CONTENT: M577	002004 006999	2
13	BAC27TCT0062		.DECAL- PLACARD CONTENT: S371	002004 006999	1
15	BAC27TCT0195		.DECAL- PLACARD CONTENT: TS0352	107107 121503 904949	1
20	BACB30NR4K7		.BOLT	002004 006999	1
25	NAS1149D0463J		.WASHER-	002004 006999	1
30	BRH10C4D		.NUT- SUPPLIER CODE: V52828 SPECIFICATION NUMBER: BACN10JC4CD OPTIONAL PART: T6C428JCD V11815 NS202486-048 V80539 102LH9075-4W V72962 H51650-4BAC V15653	002004 006999	1

MISSING ITEM NUMBERS NOT APPLICABLE

- ITEM NOT ILLUSTRATED

BRI

27-62-51-02

27-62-51  
FIG. 02  
PAGE 1  
JAN 20/09



757

PARTS CATALOG (MAINTENANCE)

FIG ITEM	PART NUMBER	1 2 3 4 5 6 7	NOMENCLATURE	EFFECT FROM TO	UNITS PER ASSY
2					
35	BACB30LU3-8	.BOLT-		107107 121503 904949	2
40	AN960PD10L	.WASHER		107107 121503 904949	2
45	BRH10A3	.NUT		107107 121503 904949	2
			SUPPLIER CODE: V52828		
			SPECIFICATION NUMBER: BACN10JC3		
			OPTIONAL PART: H10-3BAC		
			V15653		
			NS202101-02		
			V80539		
			RMLH9075-3W		
			V72962		
			VN303A02		
			V92215		
			96-02		
			V80539		
			T6S1032J		
			V11815		
50	253T5623-1	.LEVER ASSY-		002004	1
		COMPONENT MAINT MANUAL REF:		006106	
		27-62-32		108120	
				504903	
				950999	
55	253T5623-2	.LEVER ASSY-		107107	1
		COMPONENT MAINT MANUAL REF:		121503	
		27-62-32		904949	
		ATTACHING PARTS			
- 60	NAS6703-2	.BOLT		002004	3
				006999	
- 65	NAS1149D0363J	.WASHER-		002004	3
				006999	
		-----*-----			
67	65C14183-43	..KNOB		002004	1
				006999	
		ATTACHING PARTS			
- 68	BACB30LH3-2	..BOLT		002004	2
				006999	
		-----*-----			
70	BACB30LU4-13	..BOLT		002004	1
				006999	
75	AN960C416L	..WASHER		002004	1
				006999	

MISSING ITEM NUMBERS NOT APPLICABLE

- ITEM NOT ILLUSTRATED

27-62-51-02

27-62-51  
FIG. 02  
PAGE 2  
JAN 20/09

BRI



757

PARTS CATALOG (MAINTENANCE)

FIG ITEM	PART NUMBER	1 2 3 4 5 6 7	NOMENCLATURE	EFFECT FROM TO	UNITS PER ASSY
2 80	BRH10A4	..	NUT SUPPLIER CODE: V52828 SPECIFICATION NUMBER: BACN10JC4 OPTIONAL PART: T6S428J V11815 96-048 V80539 VN303A048 V92215 RMLH9075-4W V72962 NS202101-048 V80539 H10-4BAC V15653	002004 006999	1
90	253T5422-2	..	SHAFT ASSY	002004 006999	1
95	253T4006-3	..	SPACER	002004 006999	1
100	253T5423-1	..	RETAINER	002004 006999	1

MISSING ITEM NUMBERS NOT APPLICABLE

- ITEM NOT ILLUSTRATED

BRI

27-62-51-02

BOEING PROPRIETARY - Copyright © - Unpublished Work - See title page for details.

27-62-51  
FIG. 02  
PAGE 3  
MAY 20/09





757

PARTS CATALOG (MAINTENANCE)

FIG ITEM	PART NUMBER	1 2 3 4 5 6 7	NOMENCLATURE	EFFECT FROM TO	UNITS PER ASSY
R R R R R R R R R R R R R	2 105	MB539DDFS428	.. BEARING SUPPLIER CODE: V06144 SPECIFICATION NUMBER: BACB10AS12 OPTIONAL PART: LLMB539 V38443 MB539-2TS V43991 MB539DDFS428 V21335 MB539TT V43991 MB539DDG20 V38443 MT339E VK8455 MB539DDL196 V40920 MB539DD V06144 MB539DDNJC V06144 NB539DDSD610 V83086	002004 006999	2
	110	253T4006-2	.. SPACER	002004 006999	1
	150	69B82839-15	. ROD ASSY- COMPONENT MAINT MANUAL REF: 27-62-41	107107 121503 904949	1
	167	MS24665-86	. PIN	107107 121503 904949	1
	170	MS20392-1C15	. PIN	107107 121503 904949	1
	175	AN960C4	. WASHER	107107 121503 904949	1
	180	65B82813-4	. CRANK ASSY- OPTIONAL PART: 65B82813-8	107107 121503 904949	1
	180	65B82813-8	. CRANK ASSY- OPTIONAL PART: 65B82813-4	107107 121503 904949	1
	182	MS24665-300	.. PIN	107107 121503 904949	1

MISSING ITEM NUMBERS NOT APPLICABLE

- ITEM NOT ILLUSTRATED

27-62-51-02

27-62-51  
FIG. 02  
PAGE 4  
MAY 20/09

BRI



757

PARTS CATALOG (MAINTENANCE)

FIG ITEM	PART NUMBER	1 2 3 4 5 6 7	NOMENCLATURE	EFFECT FROM TO	UNITS PER ASSY
2					
185	69B82936-1	..	SPRING	107107 121503 904949	1
190	69B82835-1	..	PLUNGER	107107 121503 904949	1
195	69B82845-1	..	STOP ASSY	107107 121503 904949	1
200	69B82845-3	...	TIP	107107 121503 904949	1
205	69B82845-2	...	STOP	107107 121503 904949	1
210	69B82846-4	..	CRANK	107107 121503 904949	1
215	NAS602-7P	.	SCREW	107107 121503 904949	1
220	NAS601-6P	.	SCREW-	107107 121503 904949	1
225	AN960PD8L	.	WASHER	107107 121503 904949	1
230	AN960PD6L	.	WASHER	107107 121503 904949	1
235	BRH10A08	.	NUT	107107 121503 904949	1
			SUPPLIER CODE: V52828		
			SPECIFICATION NUMBER: BACN10JC08		
			OPTIONAL PART: H10-08BAC		
			V15653		
			NS202101-82		
			V80539		
			RMLH9075-82W		
			V72962		
			VN303A82		
			V92215		
			96-82		
			V80539		
			T6S832J		
			V11815		

MISSING ITEM NUMBERS NOT APPLICABLE

- ITEM NOT ILLUSTRATED

27-62-51-02

27-62-51  
FIG. 02  
PAGE 5  
MAY 20/09

BRI



757

PARTS CATALOG (MAINTENANCE)

FIG ITEM	PART NUMBER	1 2 3 4 5 6 7	NOMENCLATURE	EFFECT FROM TO	UNITS PER ASSY
2 240	BRH10A06	.	NUT SUPPLIER CODE: V52828 SPECIFICATION NUMBER: BACN10JC06 OPTIONAL PART: H10-06BAC V15653 RMLH9075-62W V72962 VN303A62 V92215 96-62 V80539 NS202101-62 V80539 T6S632J V11815	107107 121503 904949	1
243	NAS514P440-3	.	SCREW	107107 121503 904949	4
245	253T4011-4	.	BRACKET	107107 121503 904949	1
250	253T5625-2	.	SUPPORT-	107107 121503 904949	1
- 255	L839-6	.	ATTACHING PARTS BOLT- SUPPLIER CODE: V06725 SPECIFICATION NUMBER: BACB30FN6 OPTIONAL PART: HL19-6 V06725 SIZE DETERMINED ON INSTL.	107107 121503 904949	3

MISSING ITEM NUMBERS NOT APPLICABLE

- ITEM NOT ILLUSTRATED

BRI

27-62-51-02

BOEING PROPRIETARY - Copyright © - Unpublished Work - See title page for details.

27-62-51  
FIG. 02  
PAGE 6  
MAY 20/09



757

PARTS CATALOG (MAINTENANCE)

FIG ITEM	PART NUMBER	1 2 3 4 5 6 7	NOMENCLATURE	EFFECT FROM TO	UNITS PER ASSY
2 - 260	HL79-6		.COLLAR- SUPPLIER CODE: V5M902 SPECIFICATION NUMBER: BACC30M6 OPTIONAL PART: HL79-6 V73197 HL79-6 V92215 66014-6 V56878 HL79-6 V56878	107107 121503 904949	3
	270 U217939		-----*----- .TRANSMITTER-CONT SUPPLIER CODE: V82686 OPTIONAL PART: U221557 V82686	107107 121503 904949	1
	270 U221557		.TRANSMITTER-CONT SUPPLIER CODE: V82686 OPTIONAL PART: U217939 V82686	107107 121503 904949	1
	275 253T5615-1		.PLATE	002004 006999	1
	280 NAS514P1032-14		ATTACHING PARTS .SCREW	002004 006999	3
	285 NAS1149D0363J		.WASHER-	002004 006999	2
	290 BRH10C3D		.NUT- SUPPLIER CODE: V52828 SPECIFICATION NUMBER: BACN10JC3CD OPTIONAL PART: T6C1032JCD V11815 NS202486-02 V80539 102LH9075-3W V72962 H51650-3BAC V15653	002004 006999	2

MISSING ITEM NUMBERS NOT APPLICABLE

- ITEM NOT ILLUSTRATED

**27-62-51-02**

27-62-51  
FIG. 02  
PAGE 7  
MAY 20/09

BRI



757

PARTS CATALOG (MAINTENANCE)

FIG ITEM	PART NUMBER	1 2 3 4 5 6 7	NOMENCLATURE	EFFECT FROM TO	UNITS PER ASSY
2					
295	MS24586-96	.	SPRING	002004 006999	1
			-----*-----		
300	253T5616-1	.	HOUSING ASSY-BRG COMPONENT MAINT MANUAL REF: 27-62-41 ATTACHING PARTS	002004 006999	1
306	NAS623-3-1	.	SCREW-	002004 006999	1
307	NAS623-3-4	.	SCREW-	002004 006999	1
308	254N1700-1	.	WASHER-STOP	002004 006999	1
			-----*-----		
320	NAS428K3A7	.	BOLT-	002004 006999	1
325	BRH10C3D	.	NUT- SUPPLIER CODE: V52828 SPECIFICATION NUMBER: BACN10JC3CD OPTIONAL PART: T6C1032JCD V11815 NS202486-02 V80539 102LH9075-3W V72962 H51650-3BAC V15653	002004 006999	1
330	253T5613-1	.	LEVER	002004 006999	1
335	NAS601-20P	.	SCREW	002004 006999	1
340	NAS601-21P	.	SCREW	002004 006999	1

MISSING ITEM NUMBERS NOT APPLICABLE

- ITEM NOT ILLUSTRATED

BRI

27-62-51-02

BOEING PROPRIETARY - Copyright © - Unpublished Work - See title page for details.

27-62-51  
FIG. 02  
PAGE 8  
MAY 20/09



757

PARTS CATALOG (MAINTENANCE)

FIG ITEM	PART NUMBER	1 2 3 4 5 6 7	NOMENCLATURE	EFFECT FROM TO	UNITS PER ASSY
2 345	BRH10C06D	.NUT-	SUPPLIER CODE: V52828 SPECIFICATION NUMBER: BACN10JC06CD OPTIONAL PART: T6C632JCD V11815 NS202486-62 V80539 102LH9075-62W V72962 H51650-06BAC V15653	002004 006999	1
350	253T5732-2	.SHIM		002004 006999	1
355	10AT96-2	.SWITCH-	SUPPLIER CODE: V82647 OPTIONAL PART: 63750-1 V02005	002004 006999	1
355	63750-1	.SWITCH-	SUPPLIER CODE: V82647 OPTIONAL PART: 10AT96-2 V82647	002004 006999	1
355	63750-2	.SWITCH-	SUPPLIER CODE: V82647	002004 006999	1
356	NAS6603-2	.BOLT		002004 006999	1
357	NAS1149D0363J	.WASHER-		002004 006999	1
360	69B82756-3	.HOUSING ASSY-BRG	POSITION DATA: FAR SIDE COMPONENT MAINT MANUAL REF: 27-62-41	002004 006999	1
365	69B82756-5	.HOUSING ASSY-BRG	POSITION DATA: NEAR SIDE COMPONENT MAINT MANUAL REF: 27-62-41	002004 006999	1
- 370	BACB30LH3-3	.BOLT-	ATTACHING PARTS OPTIONAL PART: BACB30LP3K3	002004 006999	2

MISSING ITEM NUMBERS NOT APPLICABLE

- ITEM NOT ILLUSTRATED

27-62-51-02

27-62-51  
FIG. 02  
PAGE 9  
MAY 20/09

BRI



757

PARTS CATALOG (MAINTENANCE)

FIG ITEM	PART NUMBER	1 2 3 4 5 6 7	NOMENCLATURE	EFFECT FROM TO	UNITS PER ASSY
2 - 370	BACB30LP3K3		.BOLT- OPTIONAL PART: BACB30LH3-3	002004 006999	2
			-----*-----		
	390 HL441UC6-6		.BOLT- SUPPLIER CODE: V60516 SPECIFICATION NUMBER: BACB30FM6A6 OPTIONAL PART: HL440UC6-6 V73197 HL440UC6-6 V92215 HL440UC6-6 V97928 HL440UC6-6 V80539 67067-6A6 V56878 HL440UC6-6 V08524 HL440UC6-6 V56878 HL440UC6-6 V56878	002004 006999	2
	395 NAS1149D0316J		.WASHER-	002004 006999	2
	397 NAS1149D0332J		.WASHER-	002004 006999	1
	400 BRH10C3D		.NUT- SUPPLIER CODE: V52828 SPECIFICATION NUMBER: BACN10JC3CD OPTIONAL PART: T6C1032JCD V11815 NS202486-02 V80539 102LH9075-3W V72962 H51650-3BAC V15653	002004 006999	2
	405 253T5624-1		.SHAFT	002004 006999	1
	410 NAS1149D0463J		.WASHER-	002004 006999	1

MISSING ITEM NUMBERS NOT APPLICABLE

- ITEM NOT ILLUSTRATED

27-62-51-02

27-62-51  
FIG. 02  
PAGE 10  
MAY 20/09

BRI

 **BOEING**  
757  
**PARTS CATALOG (MAINTENANCE)**

FIG ITEM	PART NUMBER	1 2 3 4 5 6 7	NOMENCLATURE	EFFECT FROM TO	UNITS PER ASSY
2 415	BRH10C4D	.	NUT- SUPPLIER CODE: V52828 SPECIFICATION NUMBER: BACN10JC4CD OPTIONAL PART: T6C428JCD V11815 NS202486-048 V80539 102LH9075-4W V72962 H51650-4BAC V15653	002004 006999	1
420	253T4006-6	.	SPACER	002004 006999	1
425	KSP6AFS428	.	BEARING SUPPLIER CODE: V21335 SPECIFICATION NUMBER: BACB10AC6A OPTIONAL PART: HHKSP6A V38443 KSP6AE9440A V21335 KSP6A2TS V43991 KSP6AG27 V30163 KSP6ASD610 V83086	002004 006999	1
430	253T5611-5	.	SHAFT ASSY- COMPONENT MAINT MANUAL REF: 27-62-41 ATTACHING PARTS	002004 006999	1
- 434	NAS514P440-4	.	SCREW	002004 006999	4
455	69B82839-13	-----*-----	.ROD ASSY- COMPONENT MAINT MANUAL REF: 27-62-41	002004 006999	1
455	69B82839-19	.	ROD ASSY- COMPONENT MAINT MANUAL REF: 27-62-41 OPTIONAL PART: 69B82839-21 254N1016-1	002004 006999	1

MISSING ITEM NUMBERS NOT APPLICABLE

- ITEM NOT ILLUSTRATED

BRI

**27-62-51-02**

BOEING PROPRIETARY - Copyright © - Unpublished Work - See title page for details.

27-62-51  
FIG. 02  
PAGE 11  
MAY 20/09





757

PARTS CATALOG (MAINTENANCE)

FIG ITEM	PART NUMBER	1 2 3 4 5 6 7	NOMENCLATURE	EFFECT FROM TO	UNITS PER ASSY
2 455	69B82839-21		.ROD ASSY- COMPONENT MAINT MANUAL REF: 27-62-41 OPTIONAL PART: 69B82839-19 254N1016-1	007014 950951 953999	1
455	254N1016-1		.ROD ASSY- COMPONENT MAINT MANUAL REF: 27-62-41 OPTIONAL PART: 69B82839-19 69B82839-21	002004 006999	1
475	BACB30NR4K7		.BOLT-	002004 006999	1
480	AN960PD416		.WASHER-	002004 006999	1
485	BRH10A4		.NUT- SUPPLIER CODE: V52828 SPECIFICATION NUMBER: BACN10JC4 OPTIONAL PART: T6S428J V11815 96-048 V80539 VN303A048 V92215 RMLH9075-4W V72962 NS202101-048 V80539 H10-4BAC V15653	002004 006999	1
490	251T0100-124		.ROD ASSY- COMPONENT MAINT MANUAL REF: 27-00-11	002004 006999	1
492	AN316-5R		..NUT	002004 006999	1
493	REP4F5-8		..BEARING-ROD END SUPPLIER CODE: V21335	002004 006999	1
495	254N1053-5		.MECH ASSY- COMPONENT MAINT MANUAL REF: 27-62-22	002004 006999	1
- 496	BACB30NR4K9		ATTACHING PARTS .BOLT	002004 006999	3

MISSING ITEM NUMBERS NOT APPLICABLE

- ITEM NOT ILLUSTRATED

BRI

27-62-51-02

27-62-51  
FIG. 02  
PAGE 12  
MAY 20/09



757

PARTS CATALOG (MAINTENANCE)

FIG ITEM	PART NUMBER	1 2 3 4 5 6 7	NOMENCLATURE	EFFECT FROM TO	UNITS PER ASSY
2					
- 497	AN960PD416L	.	WASHER	002004 006999	3
- 498	BRH10A4	.	NUT	002004 006999	3
			SUPPLIER CODE: V52828		
			SPECIFICATION NUMBER: BACN10JC4		
			OPTIONAL PART: T6S428J		
			V11815		
			96-048		
			V80539		
			VN303A048		
			V92215		
			RMLH9075-4W		
			V72962		
			NS202101-048		
			V80539		
			H10-4BAC		
			V15653		
			-----*-----		
500	BACS12CK04-5	..	SCREW	002004 006999	2
505	BRH10A04	..	NUT	002004 006999	2
			SUPPLIER CODE: V52828		
			SPECIFICATION NUMBER: BACN10JC04		
			OPTIONAL PART: NS202101-40		
			V80539		
			RMLH9075-40W		
			V72962		
			VN303A40		
			V92215		
			96-40		
			V80539		
			T6S440J		
			V11815		
			H10-04BAC		
			V15653		
510	253T1215-2	..	CLIP	002004 006999	1
515	253T1215-1	..	CLIP	002004 006999	1
520	NAS6603-33	..	BOLT	002004 006999	1
525	NAS6603-35	..	BOLT	002004 006999	1

MISSING ITEM NUMBERS NOT APPLICABLE

- ITEM NOT ILLUSTRATED

27-62-51-02

27-62-51  
FIG. 02  
PAGE 13  
MAY 20/09

BRI



757

PARTS CATALOG (MAINTENANCE)

FIG ITEM	PART NUMBER	1 2 3 4 5 6 7	NOMENCLATURE	EFFECT FROM TO	UNITS PER ASSY
2					
530	BACB28Y3D049	..	BUSHING	002004 006999	2
535	BACB28Y3D020	..	BUSHING	002004 006999	1
540	BACB28Y3D032	..	BUSHING	002004 006999	2
550	BACW10P273L	..	WASHER	002004 006999	AR
555	AN960PD10	..	WASHER	002004 006999	1
560	AN960PD10L	..	WASHER	002004 006999	3
565	BRH10A3	..	NUT SUPPLIER CODE: V52828 SPECIFICATION NUMBER: BACN10JC3 OPTIONAL PART: H10-3BAC V15653 NS202101-02 V80539 RMLH9075-3W V72962 VN303A02 V92215 96-02 V80539 T6S1032J V11815	002004 006999	2
570	253T1217-1	..	TRANSDUCER ASSY- OPTIONAL PART: 253T1217-10	002004 006999	3
570	253T1217-10	..	TRANSDUCER ASSY- OPTIONAL PART: 253T1217-1	002004 006999	3
575	MS35691-5	...	NUT- OPTIONAL PART: NAS509-4	002004 006999	1
575	NAS509-4	...	NUT- OPTIONAL PART: MS35691-5	002004 006999	1

MISSING ITEM NUMBERS NOT APPLICABLE

- ITEM NOT ILLUSTRATED

27-62-51-02

27-62-51  
FIG. 02  
PAGE 14  
MAY 20/09

BRI



757

PARTS CATALOG (MAINTENANCE)

FIG ITEM	PART NUMBER	1 2 3 4 5 6 7	NOMENCLATURE	EFFECT FROM TO	UNITS PER ASSY
2 580	REPB3NFS428	...	BEARING SUPPLIER CODE: V73134 SPECIFICATION NUMBER: BACB10AE1 OPTIONAL PART: REPB3NFS428 V21335 REPB3NE9171 V21335 REPB3NE9171B V21335 REPB3N4 V38443 HHREB3N1 V38443 ABR3F1G VS0352 ABR3F107 VS0352 REB3FB4-12 V92563 DBF3-4B1-501 V73134 DBF3-4B1-501 V77896 REP3F4-1J V73134 ABR3F1B V15860	002004 006999	1
585	C0909A12C12PN	...	CONNECTOR SUPPLIER CODE: V13556 SPECIFICATION NUMBER: BACC63BN12C12P OPTIONAL PART: 48-63N12C12P V02660	002004 006999	1
590	BACC45FT14C15P	...	CONNECTOR	002004 006999	1
595	03560411-000	...	TRANSDUCER ASSY-LINEAR SUPPLIER CODE: V93190 SPECIFICATION NUMBER: S253T404-2 ELECTRICAL EQUIP NUMBER: TS0035 USED ON: 253T1217-1	002004 006999	1

MISSING ITEM NUMBERS NOT APPLICABLE

- ITEM NOT ILLUSTRATED

27-62-51-02

27-62-51  
FIG. 02  
PAGE 15  
MAY 20/09

BRI

**BOEING**  
757  
**PARTS CATALOG (MAINTENANCE)**

FIG ITEM	PART NUMBER	1 2 3 4 5 6 7	NOMENCLATURE	EFFECT FROM TO	UNITS PER ASSY
2 595	03560411-001	...	TRANSDUCER ASSY-LINEAR SUPPLIER CODE: V93190 SPECIFICATION NUMBER: S253T404-4 ELECTRICAL EQUIP NUMBER: TS0035 OPTIONAL PART: H913A V33463 USED ON: 253T1217-10	002004 006999	1
595	H913A	...	TRANSDUCER ASSY-LINEAR SUPPLIER CODE: V33463 SPECIFICATION NUMBER: S253T404-5 ELECTRICAL EQUIP NUMBER: TS0035 OPTIONAL PART: 03560411-001 V93190 USED ON: 253T1217-10	002004 006999	1
600	82631-1018	..	NUT SUPPLIER CODE: V56878 SPECIFICATION NUMBER: BACN10RF10 OPTIONAL PART: BR9080-10 V72962 SL2822-10 V97393	002004 006999	2
605	253T4006-5	..	SPACER	002004 006999	2
610	253T1214-1	..	PLATE	002004 006999	1
- 615	NAS603-6	..	ATTACHING PARTS SCREW	002004 006999	3
- 620	AN960PD10L	..	WASHER	002004 006999	3
625	NAS6603-62	..	-----*----- BOLT	002004 006999	1
630	BACB30NM4K62	..	BOLT	002004 006999	2

MISSING ITEM NUMBERS NOT APPLICABLE

- ITEM NOT ILLUSTRATED

BRI

# 27-62-51-02

BOEING PROPRIETARY - Copyright © - Unpublished Work - See title page for details.

27-62-51  
FIG. 02  
PAGE 16  
MAY 20/09



757

PARTS CATALOG (MAINTENANCE)

FIG ITEM	PART NUMBER	1 2 3 4 5 6 7	NOMENCLATURE	EFFECT FROM TO	UNITS PER ASSY
2					
635	NAS6603-5	..	BOLT	002004 006999	2
637	NAS6603-30	..	BOLT	002004 006999	1
638	NAS6603-34	..	BOLT	002004 006999	1
640	NAS6603-55	..	BOLT	002004 006999	1
645	AN960PD10L	..	WASHER	002004 006999	7
650	AN960PD416L	..	WASHER	002004 006999	2
655	NAS42DD8-232	..	SPACER	002004 006999	1
660	BRH10A3	..	NUT SUPPLIER CODE: V52828 SPECIFICATION NUMBER: BACN10JC3 OPTIONAL PART: H10-3BAC V15653 NS202101-02 V80539 RMLH9075-3W V72962 VN303A02 V92215 96-02 V80539 T6S1032J V11815	002004 006999	1
665	10AT97-3	..	SWITCH- SUPPLIER CODE: V82647 OPTIONAL PART: 63746-1 V02005	002004 006999	1
665	63746-1	..	SWITCH- SUPPLIER CODE: V02005 OPTIONAL PART: 10AT97-3 V82647	002004 006999	1

MISSING ITEM NUMBERS NOT APPLICABLE

- ITEM NOT ILLUSTRATED

BRI

27-62-51-02

BOEING PROPRIETARY - Copyright © - Unpublished Work - See title page for details.

27-62-51  
FIG. 02  
PAGE 17  
MAY 20/09



757

PARTS CATALOG (MAINTENANCE)

FIG ITEM	PART NUMBER	1 2 3 4 5 6 7	NOMENCLATURE	EFFECT FROM TO	UNITS PER ASSY
2 670	10AT304-1	..	SWITCH- SUPPLIER CODE: V82647 OPTIONAL PART: 63753-1 V02005	002004 006999	1
670	63753-1	..	SWITCH- SUPPLIER CODE: V02005 OPTIONAL PART: 10AT304-1 V82647 ATTACHING PARTS	002004 006999	1
- 675	BACS12CK06-20	..	SCREW	002004 006999	4
- 680	AN960PD6L	..	WASHER	002004 006999	4
- 685	BRH10A06	..	NUT SUPPLIER CODE: V52828 SPECIFICATION NUMBER: BACN10JCO6 OPTIONAL PART: H10-06BAC V15653 RMLH9075-62W V72962 VN303A62 V92215 96-62 V80539 NS202101-62 V80539 T6S632J V11815 -----*-----	002004 006999	4

MISSING ITEM NUMBERS NOT APPLICABLE

- ITEM NOT ILLUSTRATED

BRI

27-62-51-02

BOEING PROPRIETARY - Copyright © - Unpublished Work - See title page for details.

27-62-51  
FIG. 02  
PAGE 18  
MAY 20/09

**BOEING**  
757  
**PARTS CATALOG (MAINTENANCE)**

FIG ITEM	PART NUMBER	1 2 3 4 5 6 7	NOMENCLATURE	EFFECT FROM TO	UNITS PER ASSY	
R R R R R R R R R R R R R R	2 690	MB538DDFS428	.. BEARING SUPPLIER CODE: V06144 SPECIFICATION NUMBER: BACB10AS10 OPTIONAL PART: MB538-2TS V43991 MB538DDFS428 V21335 MB538TT V43991 MT338E VK8455 MB538DDL196 V40920 MB538DD V06144 MB538DDNJC V06144 MB538DDSD610 V83086	002004 006999	2	
	695	253T1212-7	.. PLATE ASSY	002004 006999	1	
	700	253T1226-1	.. SPRING	002004 006999	1	
	705	253T1216-3	.. BRACKET	002004 006999	1	
	710	BACB30LJ4C13	.. BOLT	002004 006999	2	
	715	BACB28AK04-035	.. BUSHING	002004 006999	1	
	720	AN960PD416	.. WASHER	002004 006999	2	
	MISSING ITEM NUMBERS NOT APPLICABLE					

— ITEM NOT ILLUSTRATED

BRI

# 27-62-51-02

BOEING PROPRIETARY - Copyright © - Unpublished Work - See title page for details.

27-62-51  
FIG. 02  
PAGE 19  
MAY 20/09





757

PARTS CATALOG (MAINTENANCE)

FIG ITEM	PART NUMBER	1 2 3 4 5 6 7	NOMENCLATURE	EFFECT FROM TO	UNITS PER ASSY
2 725	BRH10A4	. .	NUT SUPPLIER CODE: V52828 SPECIFICATION NUMBER: BACN10JC4 OPTIONAL PART: T6S428J V11815 96-048 V80539 VN303A048 V92215 RMLH9075-4W V72962 NS202101-048 V80539 H10-4BAC V15653	002004 006999	2
730	684D100-3	. .	ACTUATOR-LINEAR SUPPLIER CODE: V72121 SPECIFICATION NUMBER: S253T402-2 ELECTRICAL EQUIP NUMBER: M00577 COMPONENT MAINT MANUAL REF: 27-62-01 OPTIONAL PART: 684D100-5 V72121 684D100-9 V72121 OPTIONAL PART: 684D100-13 V72121 684D100-17 V72121 FOR DETAILS SEE: 27-62-51-10	002004 006999	1

MISSING ITEM NUMBERS NOT APPLICABLE

- ITEM NOT ILLUSTRATED

BRI

27-62-51-02

BOEING PROPRIETARY - Copyright © - Unpublished Work - See title page for details.

27-62-51  
FIG. 02  
PAGE 20  
MAY 20/09



757

PARTS CATALOG (MAINTENANCE)

FIG ITEM	PART NUMBER	1 2 3 4 5 6 7	NOMENCLATURE	EFFECT FROM TO	UNITS PER ASSY
2 730	684D100-5		.. ACTUATOR-LINEAR SUPPLIER CODE: V72121 SPECIFICATION NUMBER: S253T402-2 ELECTRICAL EQUIP NUMBER: M00577 COMPONENT MAINT MANUAL REF: 27-62-01 OPTIONAL PART: 684D100-3 V72121 684D100-9 V72121 OPTIONAL PART: 684D100-17 V72121 684D100-13 V72121 FOR DETAILS SEE: 27-62-51-10	002004 006999	1
730	684D100-9		.. ACTUATOR-LINEAR SUPPLIER CODE: V72121 SPECIFICATION NUMBER: S253T402-2 ELECTRICAL EQUIP NUMBER: M00577 COMPONENT MAINT MANUAL REF: 27-62-01 OPTIONAL PART: 684D100-3 V72121 684D100-5 V72121 OPTIONAL PART: 684D100-13 V72121 684D100-17 V72121 FOR DETAILS SEE: 27-62-51-10	002004 006999	1

MISSING ITEM NUMBERS NOT APPLICABLE

- ITEM NOT ILLUSTRATED

BRI

**27-62-51-02**

BOEING PROPRIETARY - Copyright © - Unpublished Work - See title page for details.

27-62-51  
FIG. 02  
PAGE 21  
MAY 20/09



757

PARTS CATALOG (MAINTENANCE)

FIG ITEM	PART NUMBER	1 2 3 4 5 6 7	NOMENCLATURE	EFFECT FROM TO	UNITS PER ASSY
2 730	684D100-13		.. ACTUATOR-LINEAR SUPPLIER CODE: V72121 SPECIFICATION NUMBER: S253T402-5 ELECTRICAL EQUIP NUMBER: M00577 COMPONENT MAINT MANUAL REF: 27-62-01 OPTIONAL PART: 684D100-17 V72121 OPTIONAL PART: 684D100-3 V72121 684D100-5 V72121 684D100-9 V72121 FOR DETAILS SEE: 27-62-51-10	002004 006999	1
730	684D100-17		.. ACTUATOR-LINEAR SUPPLIER CODE: V72121 SPECIFICATION NUMBER: S253T402-5 ELECTRICAL EQUIP NUMBER: M00577 COMPONENT MAINT MANUAL REF: 27-62-01 OPTIONAL PART: 684D100-13 V72121 OPTIONAL PART: 684D100-3 V72121 684D100-5 V72121 684D100-9 V72121 FOR DETAILS SEE: 27-62-51-10	002004 006999	1
735	254N1187-1		.. SHAFT AND CLUTCH ASSY	002004 006999	1
740	NAS6603-14		... BOLT-	002004 006999	1
742	NAS6603-14		... BOLT-	002004 006999	1

MISSING ITEM NUMBERS NOT APPLICABLE

- ITEM NOT ILLUSTRATED

27-62-51-02

27-62-51  
FIG. 02  
PAGE 22  
MAY 20/09

BRI



757

PARTS CATALOG (MAINTENANCE)

FIG ITEM	PART NUMBER	1 2 3 4 5 6 7	NOMENCLATURE	EFFECT FROM TO	UNITS PER ASSY
2					
745	AN960C10L	...	WASHER-	002004 006999	1
747	AN960C10L	...	WASHER	002004 006999	1
750	BRH10A3	...	NUT-	002004 006999	2
			SUPPLIER CODE: V52828		
			SPECIFICATION NUMBER: BACN10JC3		
			OPTIONAL PART: H10-3BAC		
			V15653		
			NS202101-02		
			V80539		
			RMLH9075-3W		
			V72962		
			VN303A02		
			V92215		
			96-02		
			V80539		
			T6S1032J		
			V11815		
755	254N1187-2	...	SHAFT ASSY	002004 006999	1
760	53078-3	...	BACK ASSY-NO	002004 006999	1
			SUPPLIER CODE: V80477		
			SPECIFICATION NUMBER: S253T403-2		
			COMPONENT MAINT MANUAL REF: 27-62-01		
762	NAS6603-11	..	BOLT	002004 006999	1
764	BACB28Y3D024	..	BUSHING	002004 006999	1
766	AN960PD10	..	WASHER	002004 006999	1

MISSING ITEM NUMBERS NOT APPLICABLE

- ITEM NOT ILLUSTRATED

27-62-51-02

27-62-51  
FIG. 02  
PAGE 23  
MAY 20/09

BRI

 **BOEING**  
757  
**PARTS CATALOG (MAINTENANCE)**

FIG ITEM	PART NUMBER	1 2 3 4 5 6 7	NOMENCLATURE	EFFECT FROM TO	UNITS PER ASSY
2 768	BRH10A3	..	NUT SUPPLIER CODE: V52828 SPECIFICATION NUMBER: BACN10JC3 OPTIONAL PART: H10-3BAC V15653 NS202101-02 V80539 RMLH9075-3W V72962 VN303A02 V92215 96-02 V80539 T6S1032J V11815	002004 006999	1
770	253T1218-5	..	LEVER ASSY- OPTIONAL PART: 254N1213-1	002004 006999	1
770	254N1213-1	..	LEVER ASSY- OPTIONAL PART: 253T1218-5	002004 006999	1
R R R R R R R R R R R	772 S1106LL3EEK58	...	BEARING- SUPPLIER CODE: V83086 OPTIONAL PART: BCREF66994 V83086	002004 006999	1
772	BCREF66994	...	BEARING- SUPPLIER CODE: V83086 OVERLENGTH PART NUMBER: SSR3QQEESD640FA7P58L02P OPTIONAL PART: S1106LL3EEK58 V83086	002004 006999	1
774	253T5831-2	...	RIVET	002004 006999	1
776	69B14373-3	...	WASHER	002004 006999	1

MISSING ITEM NUMBERS NOT APPLICABLE

— ITEM NOT ILLUSTRATED

BRI

# 27-62-51-02

BOEING PROPRIETARY - Copyright © - Unpublished Work - See title page for details.

27-62-51  
FIG. 02  
PAGE 24  
MAY 20/09

**BOEING**  
757  
**PARTS CATALOG (MAINTENANCE)**

FIG ITEM	PART NUMBER	1 2 3 4 5 6 7	NOMENCLATURE	EFFECT FROM TO	UNITS PER ASSY
R R R R R R R R R R R R R R	2 778	SSMKP3ASD524	...BEARING SUPPLIER CODE: V50294 SPECIFICATION NUMBER: BACB10FS03J OPTIONAL PART: PACMKP3AFS428 V21335 SSMKP3AP V21760	002004 006999	1
	780	253T1218-6	...LEVER- USED ON: 253T1218-5	002004 006999	1
	780	254N1213-2	...LEVER- USED ON: 254N1213-1	002004 006999	1
	785	253T1213-4	..BRACKET ASSY	002004 006999	1
	790	MS21209F1-15	...INSERT	002004 006999	4
	795	253T1213-5	...BRACKET	002004 006999	1
	- 800	286N1115-001	WIRE BUNDLE ASSY-P10 MODULE	002004 006100 107107 121503 904999	1
	- 800	286N1115-309	WIRE BUNDLE ASSY-P10 MODULE	101102	1
	- 800	286N1115-312	WIRE BUNDLE ASSY-P10 MODULE	504903	1
	- 800	286N1115-315	WIRE BUNDLE ASSY-P10 MODULE	101102	1
	805	BACC45FN12-12S6	.CONNECTOR- ELECTRICAL EQUIP NUMBER: D03204 WIRING DIAGRAM REF: 276211	002004 006102 107999	1

MISSING ITEM NUMBERS NOT APPLICABLE

- ITEM NOT ILLUSTRATED

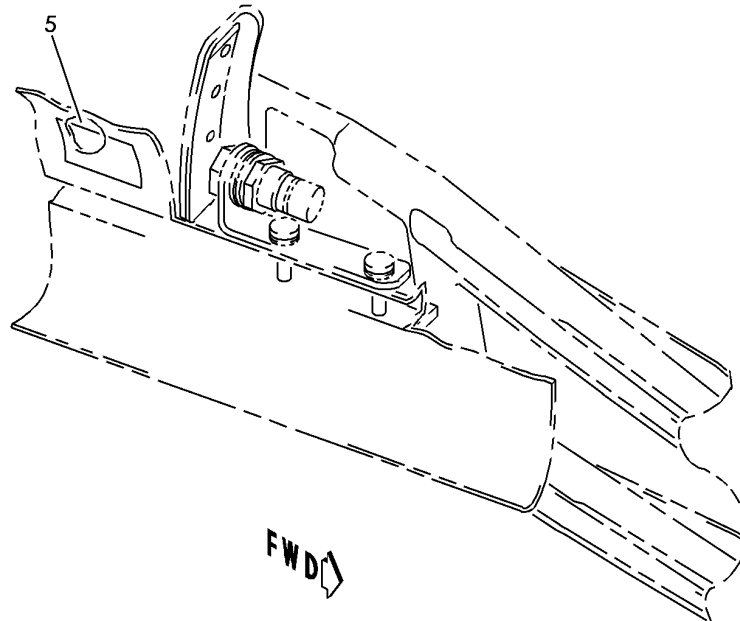
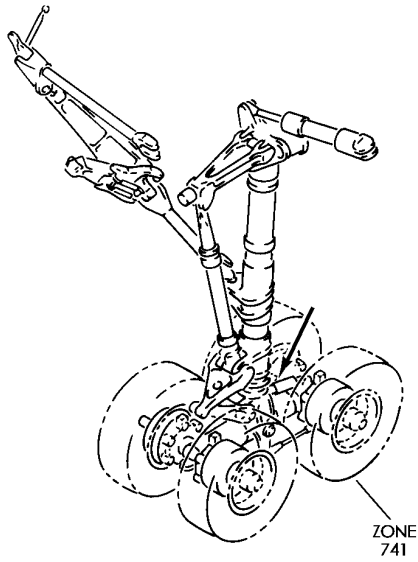
BRI

**27-62-51-02**

BOEING PROPRIETARY - Copyright © - Unpublished Work - See title page for details.

27-62-51  
FIG. 02  
PAGE 25  
MAY 20/09

**BOEING**  
757  
PARTS CATALOG (MAINTENANCE)



Y 27625103 REV 215

SENSOR INSTL-MLG TRUCK TILT  
FIGURE 3

**27-62-51-03**

BRI  
JAN 20/09

27-62-51-03  
PAGE 0



757

PARTS CATALOG (MAINTENANCE)

FIG ITEM	PART NUMBER	1 2 3 4 5 6 7	NOMENCLATURE	EFFECT FROM TO	UNITS PER ASSY
3			SENSOR INSTL-MLG TRUCK TILT	103105	
- 1	284N1613-10		SENSOR INSTL-MLG TRUCK TILT POSITION DATA: RH FOR NHA/OTHER SYS DET SEE: 24-00-58-05	108120 108120	RF
- 1	MODREF9026		SENSOR INSTL-MLG TRUCK TILT MODULE NUMBER: 284N1613-10 REV A POSITION DATA: RH	103105	1
5	BAC27NEX3158		.MARKER-ALUMINUM FOIL POSITION DATA: RH SIDE PLACARD CONTENT: S10697 AUTOSPEEDBRAKE MLG	103105 108120	1

MISSING ITEM NUMBERS NOT APPLICABLE

- ITEM NOT ILLUSTRATED

BRI

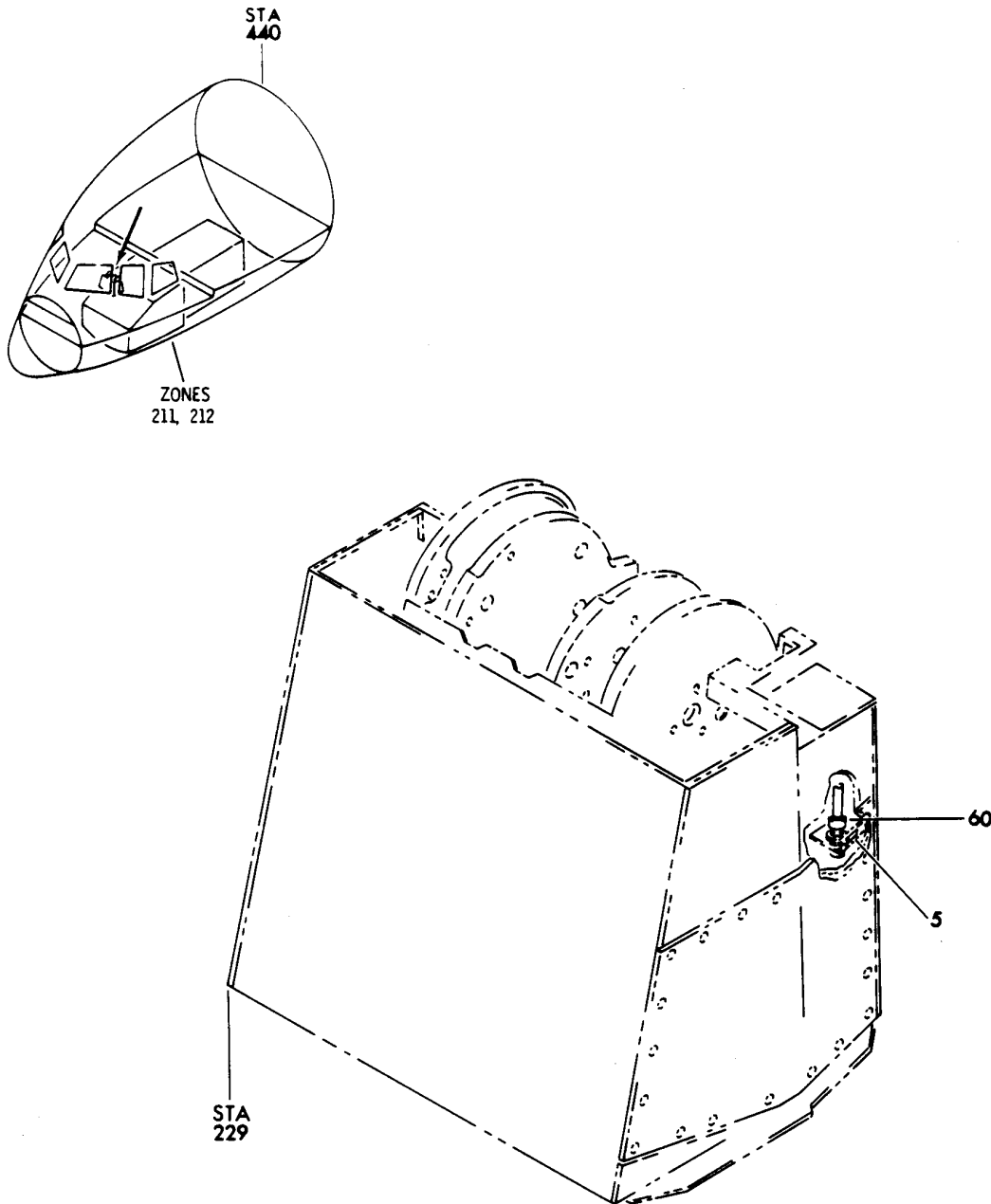
**27-62-51-03**

BOEING PROPRIETARY - Copyright © - Unpublished Work - See title page for details.

27-62-51  
FIG. 03  
PAGE 1  
JAN 20/09



**BOEING**  
757  
PARTS CATALOG (MAINTENANCE)



Y 27825105 SH1 1 REV 008

WIRE BUNDLE ASSY AND STRUCTURE ASSY-CONT STAND (SPEEDBRAKE CONTROL SYSTEM)  
FIGURE 5

**27-62-51-05**

BRI  
MAY 28/07

27-62-51-05  
PAGE 0



757

PARTS CATALOG (MAINTENANCE)

FIG ITEM	PART NUMBER	1 2 3 4 5 6 7	NOMENCLATURE	EFFECT FROM TO	UNITS PER ASSY
5			WIRE BUNDLE ASSY AND STRUCTURE ASSY-CONT STAND (SPEEDBRAKE CONTROL SYSTEM)	002004 006999	
- 1	254N1051-8		STRUCTURE ASSY-CONT STAND (SPEEDBRAKE CONTROL SYSTEM) FOR NHA/OTHER SYS DET SEE: 76-11-04-02	006106 108120 504903 950951 953999	RF
- 1	254N1051-6		STRUCTURE ASSY-CONT STAND (SPEEDBRAKE CONTROL SYSTEM) FOR NHA/OTHER SYS DET SEE: 76-11-04-02	107107 904949	RF
- 1	254N1051-7		STRUCTURE ASSY-CONT STAND (SPEEDBRAKE CONTROL SYSTEM) FOR NHA/OTHER SYS DET SEE: 76-11-04-02	002004 121503 952952	RF
5	BAC27NEL0385		.DECAL- PLACARD CONTENT: D3204J	002004 006999	1
- 55	254N1115-9		WIRE BUNDLE ASSY-CONT STAND (SPEEDBRAKE CONTROL SYSTEM) OPTIONAL PART: 254N1115-7 FOR NHA/OTHER SYS DET SEE: 76-11-04-02	006100 950951 953999	RF
- 55	254N1115-5		WIRE BUNDLE ASSY-CONT STAND (SPEEDBRAKE CONTROL SYSTEM) FOR NHA/OTHER SYS DET SEE: 76-11-04-02	107107 904949	RF
- 55	254N1115-7		WIRE BUNDLE ASSY-CONT STAND (SPEEDBRAKE CONTROL SYSTEM) OPTIONAL PART: 254N1115-9 FOR NHA/OTHER SYS DET SEE: 76-11-04-02	002004 006100 121503 950999	RF
- 55	254N1115-11		WIRE BUNDLE ASSY-CONT STAND (SPEEDBRAKE CONTROL SYSTEM) FOR NHA/OTHER SYS DET SEE: 76-11-04-02	101106 108120 504903	RF
60	BACC45FN12C12S6		.CONNECTOR- ELECTRICAL EQUIP NUMBER: D3204J	002004 006999	1

MISSING ITEM NUMBERS NOT APPLICABLE

- ITEM NOT ILLUSTRATED

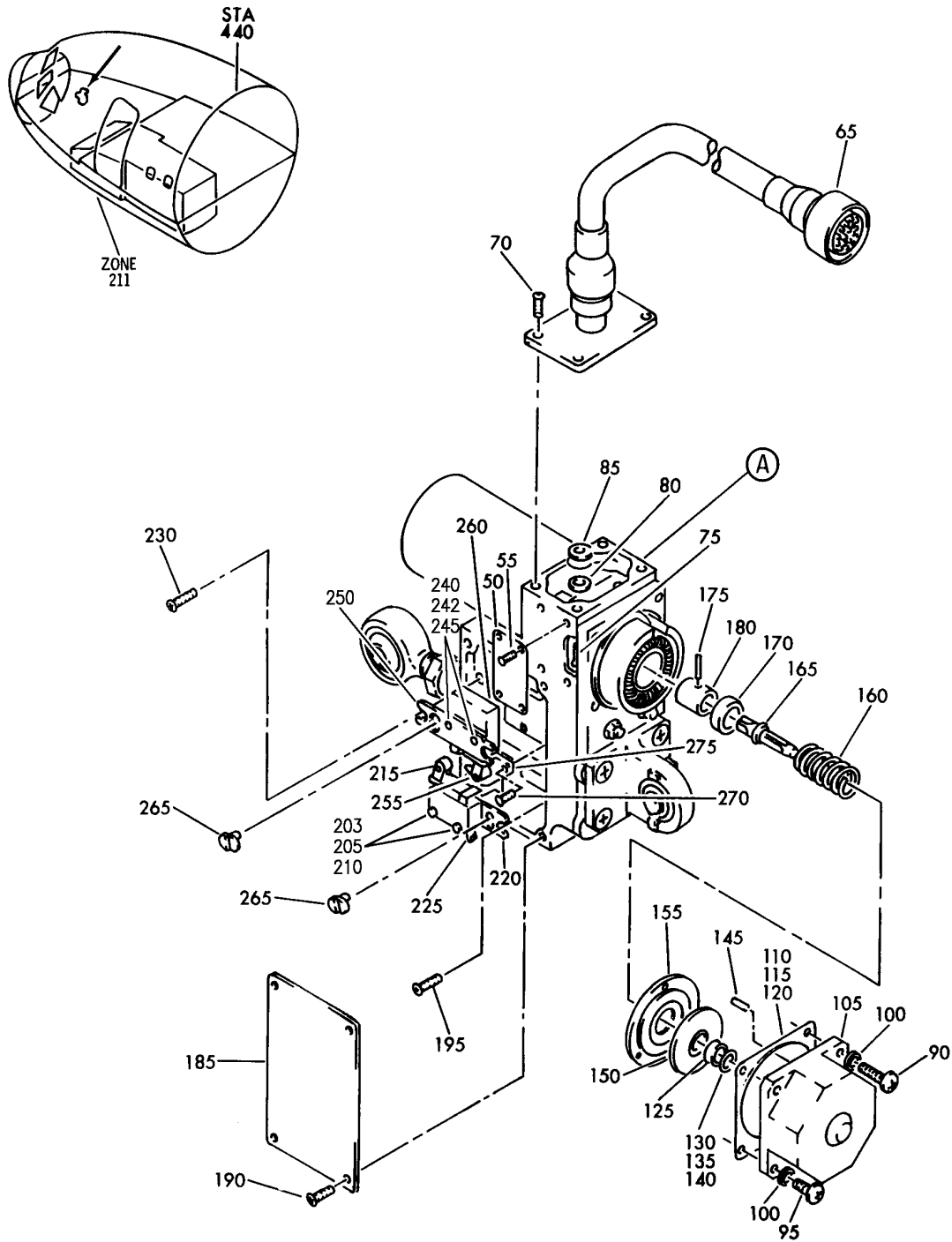
BRI

27-62-51-05

BOEING PROPRIETARY - Copyright © - Unpublished Work - See title page for details.

27-62-51  
FIG. 05  
PAGE 1  
JAN 20/09

**BOEING**  
757  
PARTS CATALOG (MAINTENANCE)



Y 27625110 SHT 1 REV 259

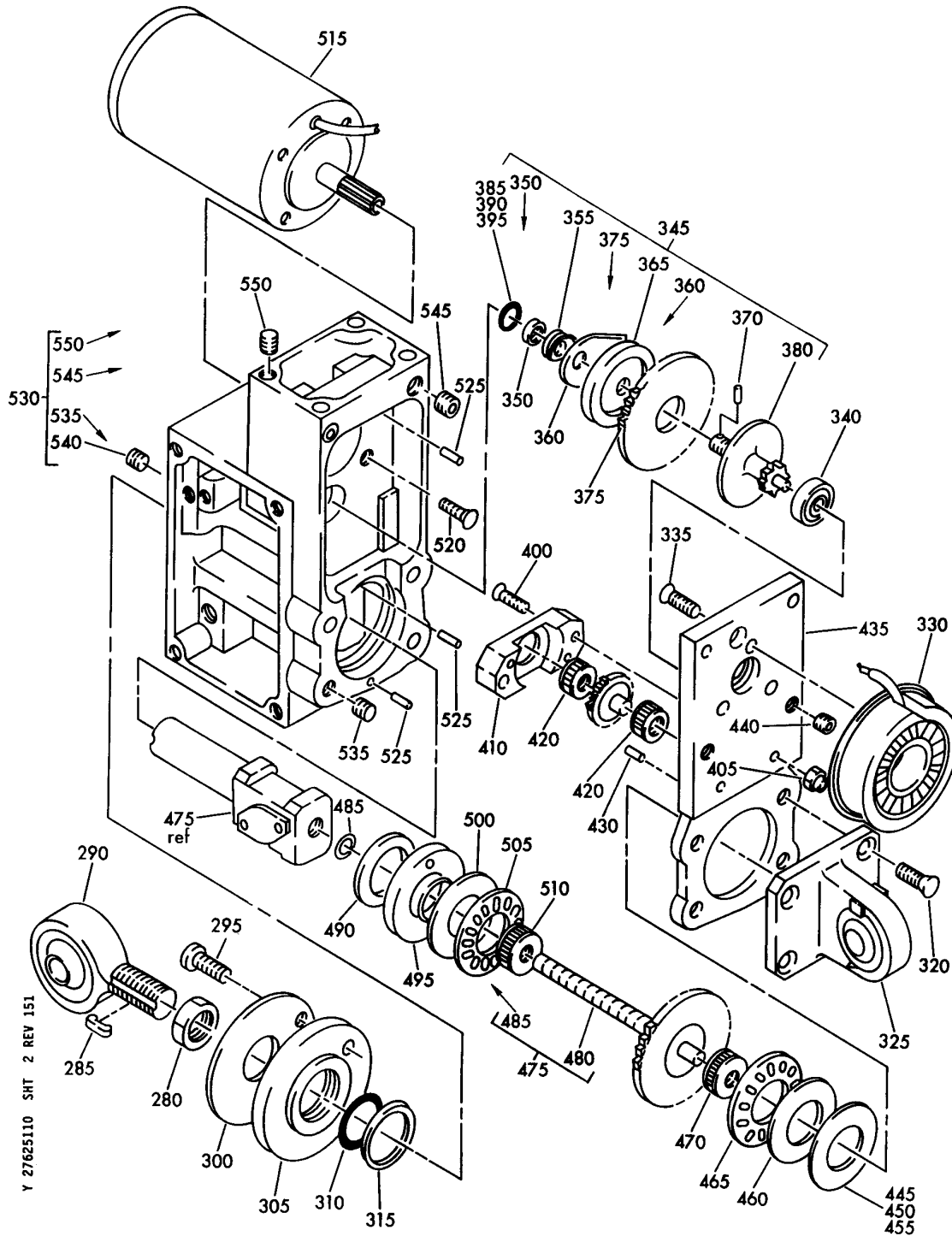
ACTUATOR ASSY-LINEAR  
FIGURE 10 (SHEET 1)

**27-62-51-10**

BRI  
MAY 28/07

27-62-51-10  
PAGE 0

**BOEING**  
757  
PARTS CATALOG (MAINTENANCE)



Y 27625110 SHT 2 REV 151

ACTUATOR ASSY-LINEAR  
FIGURE 10 (SHEET 2)

27-62-51-10

BRI  
MAY 28/07

27-62-51-10  
PAGE 0A



757

PARTS CATALOG (MAINTENANCE)

FIG ITEM	PART NUMBER	1 2 3 4 5 6 7	NOMENCLATURE	EFFECT FROM TO	UNITS PER ASSY
10			ACTUATOR ASSY-LINEAR	002004 006999	
- 3	684D100-3		ACTUATOR-LINEAR ADDED BY UAL SUPPLIER CODE: V72121 SPECIFICATION NUMBER: S253T402-2 ELECTRICAL EQUIP NUMBER: M00577 COMPONENT MAINT MANUAL REF: 27-62-01 OPTIONAL PART: 684D100-5 V72121 684D100-9 V72121 OPTIONAL PART: 684D100-13 V72121 684D100-17 V72121 FOR NHA SEE: 27-62-51-02	002004 006999	RF
- 3	684D100-5		ACTUATOR-LINEAR ADDED BY UAL SUPPLIER CODE: V72121 SPECIFICATION NUMBER: S253T402-2 ELECTRICAL EQUIP NUMBER: M00577 COMPONENT MAINT MANUAL REF: 27-62-01 OPTIONAL PART: 684D100-3 V72121 684D100-9 V72121 OPTIONAL PART: 684D100-13 V72121 684D100-17 V72121 FOR NHA SEE: 27-62-51-02	002004 006999	RF

MISSING ITEM NUMBERS NOT APPLICABLE

- ITEM NOT ILLUSTRATED

BRI

**27-62-51-10**

27-62-51  
FIG. 10  
PAGE 1  
SEP 20/08



757

PARTS CATALOG (MAINTENANCE)

FIG ITEM	PART NUMBER	1 2 3 4 5 6 7	NOMENCLATURE	EFFECT FROM TO	UNITS PER ASSY
10 - 3	684D100-9		ACTUATOR-LINEAR ADDED BY UAL SUPPLIER CODE: V72121 SPECIFICATION NUMBER: S253T402-2 ELECTRICAL EQUIP NUMBER: M00577 COMPONENT MAINT MANUAL REF: 27-62-01 OPTIONAL PART: 684D100-3 V72121 684D100-5 V72121 OPTIONAL PART: 684D100-13 V72121 684D100-17 V72121 FOR NHA SEE: 27-62-51-02	002004 006999	RF
- 3	684D100-13		ACTUATOR-LINEAR ADDED BY UAL SUPPLIER CODE: V72121 SPECIFICATION NUMBER: S253T402-5 ELECTRICAL EQUIP NUMBER: M00577 COMPONENT MAINT MANUAL REF: 27-62-01 OPTIONAL PART: 684D100-17 V72121 OPTIONAL PART: 684D100-3 V72121 684D100-5 V72121 684D100-9 V72121 FOR NHA SEE: 27-62-51-02	002004 006999	RF

MISSING ITEM NUMBERS NOT APPLICABLE

- ITEM NOT ILLUSTRATED

BRI

27-62-51-10

BOEING PROPRIETARY - Copyright © - Unpublished Work - See title page for details.

27-62-51  
FIG. 10  
PAGE 2  
SEP 20/08



757

PARTS CATALOG (MAINTENANCE)

FIG ITEM	PART NUMBER	1 2 3 4 5 6 7	NOMENCLATURE	EFFECT FROM TO	UNITS PER ASSY
10 - 3	684D100-17		ACTUATOR-LINEAR ADDED BY UAL SUPPLIER CODE: V72121 SPECIFICATION NUMBER: S253T402-5 ELECTRICAL EQUIP NUMBER: M00577 COMPONENT MAINT MANUAL REF: 27-62-01 OPTIONAL PART: 684D100-13 V72121 OPTIONAL PART: 684D100-3 V72121 684D100-5 V72121 684D100-9 V72121 FOR NHA SEE: 27-62-51-02	002004 006999	RF
50	684B155		.PLATE-IDENT ACTUATOR SUPPLIER CODE: V72121 CONFIG CHG DATA FROM A CMM: REPLD BY 684B155-1	002004 006999	1
50	684B155-1		.PLATE-IDENT ACTUATOR SUPPLIER CODE: V72121 CONFIG CHG DATA FROM A CMM: REPLACES 684B155 ATTACHING PARTS	002004 006999	1
55	MS21318-1		.SCREW	002004 006999	4
- 60	684B169-3		-----*----- .PLATE-IDENT MOTOR SUPPLIER CODE: V72121 CONFIG CHG DATA FROM A CMM: REPLACES 684B169-5	002004 006999	1
- 60	684B169-5		.PLATE-IDENT MOTOR SUPPLIER CODE: V72121 CONFIG CHG DATA FROM A CMM: REPLD BY 684B169-3	002004 006999	1
65	684C167-3		.CABLE ASSY- SUPPLIER CODE: V72121	002004 006999	1

MISSING ITEM NUMBERS NOT APPLICABLE

- ITEM NOT ILLUSTRATED

27-62-51-10

27-62-51  
FIG. 10  
PAGE 3  
SEP 20/08

BRI



757

PARTS CATALOG (MAINTENANCE)

FIG ITEM	PART NUMBER	1 2 3 4 5 6 7	NOMENCLATURE	EFFECT FROM TO	UNITS PER ASSY
10			ATTACHING PARTS		
70	NAS514P440-4		.SCREW	002004 006999	4
			-----*-----		
75	NAS601-6P		.SCREW	002004 006999	1
80	NAS620-6		.WASHER	002004 006999	1
85	NAS679A06		.NUT	002004 006999	1
90	NAS601-10P		.SCREW	002004 006999	2
95	NAS601-6P		.SCREW	002004 006999	2
100	NAS620-6		.WASHER	002004 006999	2
105	684B147-1		.COVER- SUPPLIER CODE: V72121 SB DATA FROM A CMM: PRE 684D100-27-22	002004 006999	1
105	684B147-3		.COVER- SUPPLIER CODE: V72121 SB DATA FROM A CMM: POST 684D100-27-12	002004 006999	1
110	684B160-1		.SHIM-.002 IN. THICK SUPPLIER CODE: V72121	002004 006999	AR
115	684B160-2		.SHIM-.005 IN. THICK SUPPLIER CODE: V72121	002004 006999	AR
120	684B160-3		.SHIM-.010 IN. THICK SUPPLIER CODE: V72121	002004 006999	AR
125	SA9630		.BEARING-BALL SUPPLIER CODE: V72121	002004 006999	1
130	B240-155		.SHIM-.004 IN. THICK SUPPLIER CODE: V72121	002004 006999	AR
135	B240-155A		.SHIM-.005 IN. THICK SUPPLIER CODE: V72121	002004 006999	AR
140	B240-155B		.SHIM-.007 IN. THICK SUPPLIER CODE: V72121	002004 006999	AR
145	MS16555-602		.PIN	002004 006999	3

MISSING ITEM NUMBERS NOT APPLICABLE

- ITEM NOT ILLUSTRATED

27-62-51-10

27-62-51  
FIG. 10  
PAGE 4  
SEP 20/08

BRI

BOEING PROPRIETARY - Copyright © - Unpublished Work - See title page for details.





757

## PARTS CATALOG (MAINTENANCE)

FIG ITEM	PART NUMBER	1 2 3 4 5 6 7	NOMENCLATURE	EFFECT FROM TO	UNITS PER ASSY
10 150	684B143-1		.DISK-BRAKE SUPPLIER CODE: V72121 SB DATA FROM A CMM: PRE 684D100-27-10 USED ON: 684D100-3 684D100-5	002004 006999	1
150	684B143-3		.DISK-BRAKE SUPPLIER CODE: V72121 SB DATA FROM A CMM: POST 684D100-27-10 USED ON: 684D100-9 684D100-13	002004 006999	1
155	684B144-1		.PLATE-CLAPPER SUPPLIER CODE: V72121 SB DATA FROM A CMM: PRE 684D100-27-11	002004 006999	1
155	684B144-3		.PLATE-CLAPPER SUPPLIER CODE: V72121 SB DATA FROM A CMM: POST 684D100-27-11	002004 006999	1
160	MS24585-1337		.SPRING	002004 006999	1
165	684C124-1		.GEARSHAFT-SPUR SUPPLIER CODE: V72121 USED ON: 684D100-5	002004 006999	1
165	684C124-3		.GEARSHAFT-SPUR SUPPLIER CODE: V72121 USED ON: 684D100-3 684D100-9 684D100-13	002004 006999	1
170	684SA157-1		.BEARING-BALL SUPPLIER CODE: VS5065	002004 006999	1
175	MS16555-604		.PIN	002004 006999	1

MISSING ITEM NUMBERS NOT APPLICABLE

- ITEM NOT ILLUSTRATED

BRI

# 27-62-51-10

BOEING PROPRIETARY - Copyright © - Unpublished Work - See title page for details.

27-62-51  
FIG. 10  
PAGE 5  
SEP 20/08



757

PARTS CATALOG (MAINTENANCE)

FIG ITEM	PART NUMBER	1 2 3 4 5 6 7	NOMENCLATURE	EFFECT FROM TO	UNITS PER ASSY
10 180	684B141-3		. COUPLING- SUPPLIER CODE: V72121 USED ON: 684D100-3 684D100-9 684D100-13 684D100-17 USED ON: 684D100-3 684D100-9 684D100-13 684D100-17	002004 006999	1
180	684SA170-1		. COUPLING- SUPPLIER CODE: V72121 USED ON: 684D100-5 USED ON: 684D100-5	002004 006999	1
185	684B138-1		. COVER-LIMIT SWITCH ACCESS SUPPLIER CODE: V72121 ATTACHING PARTS	002004 006999	2
190	NAS514P440-4		. SCREW	002004 006999	8
195	NAS514P440-4		-----*----- . SCREW	002004 006999	2
- 200	684C125-1		. SWITCH ASSY-EXTEND LIMIT SUPPLIER CODE: V72121	002004 006999	1
203	NAS620-2		.. WASHER	002004 006999	2
205	NAS1352-02-8P		.. SCREW	002004 006999	2
210	MS21042-02		.. NUT	002004 006999	2
215	684B154-1		.. ACTUATOR-SWITCH SUPPLIER CODE: V72121 CONFIG CHG DATA FROM A CMM: REPLD BY 684B173-1	002004 006999	1
215	684B173-1		.. ACTUATOR-SWITCH SUPPLIER CODE: V72121 CONFIG CHG DATA FROM A CMM: REPLACES 684B154-1	002004 006999	1

MISSING ITEM NUMBERS NOT APPLICABLE

- ITEM NOT ILLUSTRATED

27-62-51-10

27-62-51  
FIG. 10  
PAGE 6  
SEP 20/08

BRI

BOEING PROPRIETARY - Copyright © - Unpublished Work - See title page for details.



757

PARTS CATALOG (MAINTENANCE)

FIG ITEM	PART NUMBER	1 2 3 4 5 6 7	NOMENCLATURE	EFFECT FROM TO	UNITS PER ASSY
10					
220	684C126-1	..	PLATE-SWITCH MTG SUPPLIER CODE: V72121	002004 006999	1
225	684SB131-1	..	SWITCH- SUPPLIER CODE: V72121 CONFIG CHG DATA FROM A CMM: REPLD BY 684SB131-3	002004 006999	1
225	684SB131-3	..	SWITCH- SUPPLIER CODE: V72121 CONFIG CHG DATA FROM A CMM: REPLACES 684SB131-1	002004 006999	1
230	NAS514P440-4	.	SCREW	002004 006999	2
- 235	684C127-1	.	SWITCH ASSY-RETRACT LIMIT SUPPLIER CODE: V72121	002004 006999	1
240	MS35190-215	..	SCREW	002004 006999	2
242	NAS620-2	..	WASHER	002004 006999	2
245	MS21042-02	..	NUT	002004 006999	2
250	684C126-1	..	PLATE-SWITCH MTG SUPPLIER CODE: V72121	002004 006999	1
255	684SB162-1	..	ACTUATOR-SWITCH SUPPLIER CODE: V72121	002004 006999	1
260	684SB130-1	..	SWITCH- SUPPLIER CODE: V72121 CONFIG CHG DATA FROM A CMM: REPLD BY 684SB130-3	002004 006999	1
260	684SB130-3	..	SWITCH- SUPPLIER CODE: V72121 CONFIG CHG DATA FROM A CMM: REPLACES 684SB130-1	002004 006999	1
265	684B148-1	.	CAM-ECCENTRIC SUPPLIER CODE: V72121	002004 006999	2
270	MS21093-0201	.	SCREW	002004 006999	2

MISSING ITEM NUMBERS NOT APPLICABLE

- ITEM NOT ILLUSTRATED

27-62-51-10

27-62-51  
FIG. 10  
PAGE 7  
SEP 20/08

BRI

BOEING PROPRIETARY - Copyright © - Unpublished Work - See title page for details.



757

PARTS CATALOG (MAINTENANCE)

FIG ITEM	PART NUMBER	1 2 3 4 5 6 7	NOMENCLATURE	EFFECT FROM TO	UNITS PER ASSY
10 275	684B149-1		.CAM-LIMIT SWITCH CONT SUPPLIER CODE: V72121 SB DATA FROM A CMM: PRE 684D100-27-10 USED ON: 684D100-3 684D100-5 USED ON: 684D100-3 684D100-5	002004 006999	1
275	684B149-3		.CAM-LIMIT SWITCH CONT SUPPLIER CODE: V72121 SB DATA FROM A CMM: POST 684D100-27-10 USED ON: 684D100-9 684D100-13 684D100-17 USED ON: 684D100-9 684D100-13 684D100-17	002004 006999	1
280	NAS1423-6		.NUT	002004 006999	1
285	684B136-1		.KEY- SUPPLIER CODE: V72121	002004 006999	1
290	684B137-1		.ROD END-MODIFIED SUPPLIER CODE: V72121 OPTIONAL PART: 684159-1 V72121	002004 006999	1
290	684B159-1		.ROD END-MODIFIED SUPPLIER CODE: V72121 OPTIONAL PART: 684137-1 V72121	002004 006999	1
295	NAS602-8P		.SCREW	002004 006999	3
300	684B135-1		.RING-SCRAPER SUPPLIER CODE: V72121	002004 006999	1
305	684C119-1		.RETAINER-PACKING SUPPLIER CODE: V72121	002004 006999	1

MISSING ITEM NUMBERS NOT APPLICABLE

- ITEM NOT ILLUSTRATED

27-62-51-10

27-62-51  
FIG. 10  
PAGE 8  
SEP 20/08

BRI

BOEING PROPRIETARY - Copyright © - Unpublished Work - See title page for details.



757

PARTS CATALOG (MAINTENANCE)

FIG ITEM	PART NUMBER	1 2 3 4 5 6 7	NOMENCLATURE	EFFECT FROM TO	UNITS PER ASSY
10					
310	NAS1611-014		.PACKING-	002004 006102 107999	1
315	684B132-1		.RING-STOP SUPPLIER CODE: V72121	002004 006999	1
320	NAS517-3-4		.SCREW	002004 006999	4
325	684B133-1		.CLEVIS-MTG SUPPLIER CODE: V72121 USED ON: 684D100-3 684D100-5 684D100-9 684D100-13 USED ON: 684D100-3 684D100-5 684D100-9 684D100-13	002004 006999	1
325	684B133-3		.CLEVIS-MTG SUPPLIER CODE: V72121 USED ON: 684D100-17 USED ON: 684D100-17	002004 006999	1
330	684C121-1		.COIL-BRAKE SUPPLIER CODE: V72121 ATTACHING PARTS	002004 006999	1
335	MS21093-0410		.SCREW	002004 006999	3
340	684SA161-1		-----*----- .BEARING-BALL SUPPLIER CODE: V72121	002004 006999	1
345	684C116-3		.CLUTCH ASSY-TORQUE LIMITER SUPPLIER CODE: V72121	002004 006999	1
350	MS21042-06		..NUT	002004 006999	1
355	684SA152-1		..BEARING-BALL SUPPLIER CODE: V72121	002004 006999	1

MISSING ITEM NUMBERS NOT APPLICABLE

- ITEM NOT ILLUSTRATED

27-62-51-10

27-62-51  
FIG. 10  
PAGE 9  
JAN 20/09

BRI

BOEING PROPRIETARY - Copyright © - Unpublished Work - See title page for details.



757

PARTS CATALOG (MAINTENANCE)

FIG ITEM	PART NUMBER	1 2 3 4 5 6 7	NOMENCLATURE	EFFECT FROM TO	UNITS PER ASSY
10					
360	684SB165-1	..	SPRING-BELLEVILLE SUPPLIER CODE: V72121 CONFIG CHG DATA FROM A CMM: REPLD BY SB6727-17	002004 006999	1
360	SB6727-17	..	SPRING-BELLEVILLE SUPPLIER CODE: V72121 CONFIG CHG DATA FROM A CMM: REPLACES 684SB165-1	002004 006999	1
365	684B134-1	..	PLATE-CLUTCH SUPPLIER CODE: V72121	002004 006999	1
370	MS16555-602	..	PIN	002004 006999	1
375	684C118-3	..	GEAR-SPUR SUPPLIER CODE: V72121	002004 006999	1
380	684C117-3	..	GEARSHAFT-SPUR SUPPLIER CODE: V72121	002004 006999	1
385	B240-98	.	SHIM-.002 IN. THICK SUPPLIER CODE: V72121	002004 006999	AR
390	B240-98A	.	SHIM-.005 IN. THICK SUPPLIER CODE: V72121	002004 006999	AR
395	B240-98B	.	SHIM-.010 IN. THICK SUPPLIER CODE: V72121	002004 006999	AR
400	NAS514P440-12	.	SCREW	002004 006999	2
405	NAS679A04	.	NUT	002004 006999	2
410	684C120-1	.	RETAINER-BRG SUPPLIER CODE: V72121	002004 006999	1
420	684SA156-1	.	BEARING-ROLLER SUPPLIER CODE: V72121	002004 006999	2
- 425	684C115-3	.	GEAR-SPUR SUPPLIER CODE: V72121	002004 006999	1
430	MS16555-602	.	PIN	002004 006999	2
435	684D111-3	.	PLATE-BRG RTNR SUPPLIER CODE: V72121	002004 006999	1

MISSING ITEM NUMBERS NOT APPLICABLE

- ITEM NOT ILLUSTRATED

BRI

27-62-51-10

27-62-51  
FIG. 10  
PAGE 10  
SEP 20/08



757

PARTS CATALOG (MAINTENANCE)

FIG ITEM	PART NUMBER	1 2 3 4 5 6 7	NOMENCLATURE	EFFECT FROM TO	UNITS PER ASSY
10					
440	MS21209C0615	..	INSERT	002004 006999	2
445	B240-242	.SHIM-.002	IN. THICK SUPPLIER CODE: V72121	002004 006999	AR
450	B240-242A	.SHIM-.005	IN. THICK SUPPLIER CODE: V72121	002004 006999	AR
455	B240-242B	.SHIM-.010	IN. THICK SUPPLIER CODE: V72121	002004 006999	AR
460	SA11562	.RACE-THRUST	SUPPLIER CODE: V72121	002004 006999	1
465	SA13097	.BEARING-THRUST	ROLLER SUPPLIER CODE: V72121	002004 006999	1
470	684SA129-1	.BEARING-ROLLER	SUPPLIER CODE: V72121	002004 006999	1
475	684C113-1	.BALL SCREW AND NUT	ASSY- SUPPLIER CODE: V72121	002004 006999	1
480	684C150-1	..GEARSHAFT-	SUPPLIER CODE: V72121	002004 006999	1
485	MS19059-1005	..BALL		002004 006999	50
490	684B132-1	.RING-STOP	SUPPLIER CODE: V72121	002004 006999	1
495	684B128-1	.RETAINER-BRG	SUPPLIER CODE: V72121	002004 006999	1
500	SA11562	.RACE-THRUST	SUPPLIER CODE: V72121	002004 006999	1
505	SA13097	.BEARING-THRUST	ROLLER SUPPLIER CODE: V72121	002004 006999	1
510	684SA129-1	.BEARING-ROLLER	SUPPLIER CODE: V72121	002004 006999	1
515	684SC112-3	.MOTOR-DC	SUPPLIER CODE: V72121 CONFIG CHG DATA FROM A CMM: REPLACES 684SC112-5	002004 006999	1

MISSING ITEM NUMBERS NOT APPLICABLE

- ITEM NOT ILLUSTRATED

BRI

27-62-51-10

27-62-51  
FIG. 10  
PAGE 11  
SEP 20/08



757

PARTS CATALOG (MAINTENANCE)

FIG ITEM	PART NUMBER	1 2 3 4 5 6 7	NOMENCLATURE	EFFECT FROM TO	UNITS PER ASSY
10					
515	684SC112-5	.	MOTOR-DC SUPPLIER CODE: V72121 CONFIG CHG DATA FROM A CMM: REPLCD BY 684SC112-5 ATTACHING PARTS	002004 006999	1
520	NAS514P632-10	.	SCREW  -----*-----	002004 006999	4
525	MS16555-602	.	PIN	002004 006999	3
530	684D110-3	.	HOUSING-MAIN SUPPLIER CODE: V72121 CONFIG CHG DATA FROM A CMM: REPLACES 684D110-1	002004 006999	1
530	684D110-1	.	HOUSING-MAIN SUPPLIER CODE: V72121 CONFIG CHG DATA FROM A CMM: REPLD BY 684D110-3	002004 006999	1
535	MS21209F1-15	..	INSERT	002004 006999	4
540	MS21209C0815	..	INSERT	002004 006999	3
545	MS21209C0615	..	INSERT	002004 006999	2
550	MS21209C0415	..	INSERT	002004 006999	16

MISSING ITEM NUMBERS NOT APPLICABLE

- ITEM NOT ILLUSTRATED

BRI

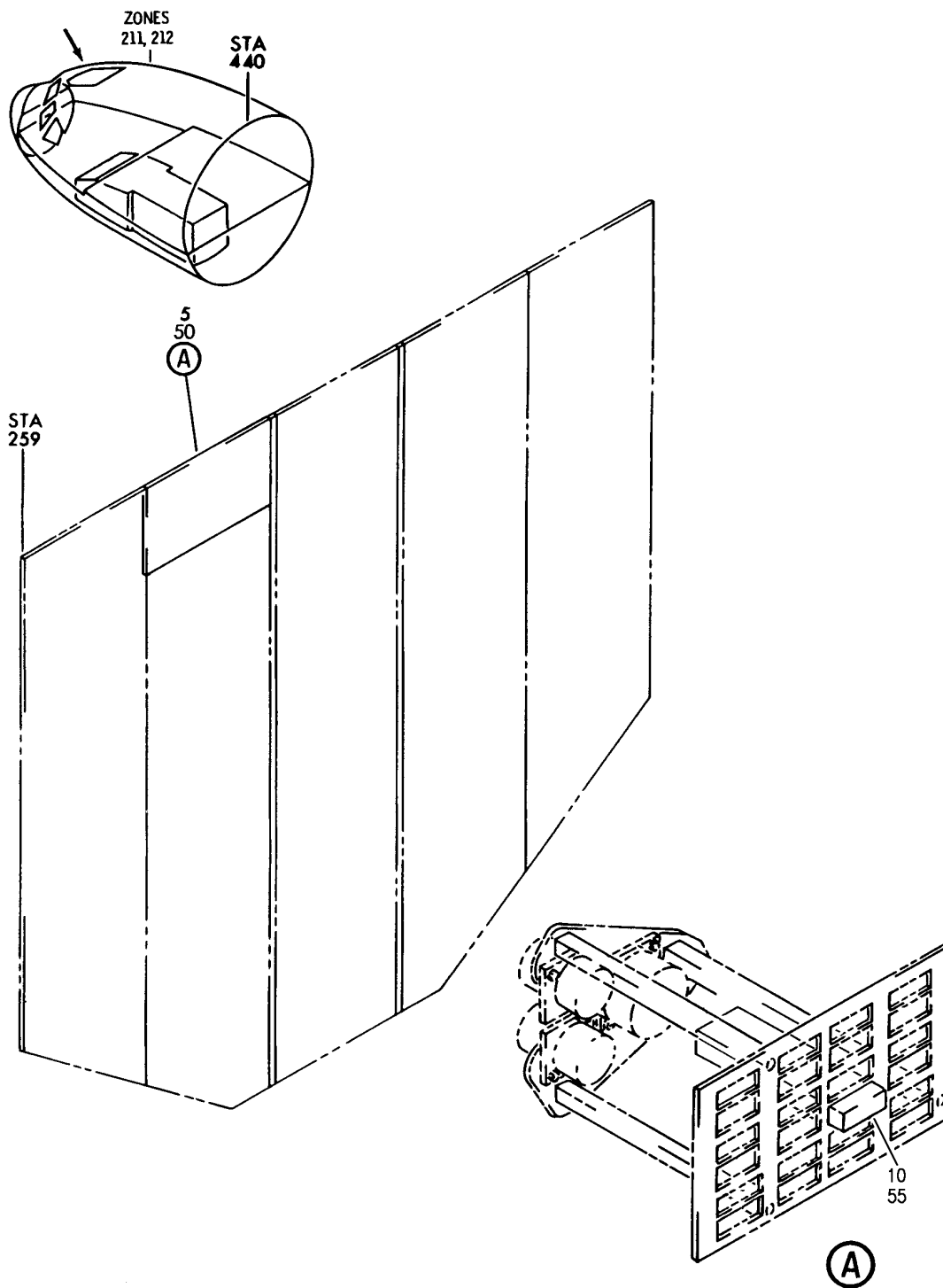
27-62-51-10

BOEING PROPRIETARY - Copyright © - Unpublished Work - See title page for details.

27-62-51  
FIG. 10  
PAGE 12  
SEP 20/08



**BOEING**  
757  
PARTS CATALOG (MAINTENANCE)



Y 27625201 REV 309

PANEL INSTL-P5 OVHD (AUTO-SPEEDBRAKE CONTROL SYSTEM ONLY)

FIGURE 1

**27-62-52-01**

BRI  
MAY 28/07

27-62-52-01  
PAGE 0



757

PARTS CATALOG (MAINTENANCE)

FIG ITEM	PART NUMBER	1 2 3 4 5 6 7	NOMENCLATURE	EFFECT FROM TO	UNITS PER ASSY
1			PANEL INSTL-P5 OVHD (AUTO-SPEEDBRAKE CONTROL SYSTEM ONLY)	002004 006100 107107 121503 904999	
- 1	233N3101-1		PANEL INSTL-P5 OVHD (AUTO-SPEEDBRAKE CONTROL SYSTEM ONLY) VARIABLE DRAWING REF: 233N3101-5005 233N3101-5025 233N3101-5041 233N3101-5042 233N3101-5045 233N3101-5142 FOR NHA/OTHER SYS DET SEE: 25-10-00-05A	002004 006100 107107 121503 904949 952999	RF
- 1	233N3101-1		PANEL INSTL-P5 OVHD (AUTO-SPEEDBRAKE CONTROL SYSTEM ONLY) FOR NHA/OTHER SYS DET SEE: 25-10-00-05A	950951	RF
5	233N3202-17		.PANEL ASSY-ANN. SUPPLIER CODE: V89954 MISCELLANEOUS DATA: FOR SPARES PROCURE DETAIL PARTS ELECTRICAL EQUIP NUMBER: M10394 COMPONENT MAINT MANUAL REF: 33-16-71	121503 904999	RF
5	233N3202-10		.PANEL ASSY-ANN. SUPPLIER CODE: V89954 ELECTRICAL EQUIP NUMBER: M10394 COMPONENT MAINT MANUAL REF: 33-16-71	950951	RF
5	233N3202-15		.PANEL ASSY-ANN. SUPPLIER CODE: V89954 NOT APPROVED FOR ETOPS. ELECTRICAL EQUIP NUMBER: M10394 COMPONENT MAINT MANUAL REF: 33-16-71	950951	RF

MISSING ITEM NUMBERS NOT APPLICABLE

- ITEM NOT ILLUSTRATED

BRI

27-62-52-01

27-62-52  
FIG. 01  
PAGE 1  
JAN 20/09

**BOEING**  
757  
**PARTS CATALOG (MAINTENANCE)**

FIG ITEM	PART NUMBER	1 2 3 4 5 6 7	NOMENCLATURE	EFFECT FROM TO	UNITS PER ASSY
1					
5	233N3202-21		.PANEL ASSY-ANN. SUPPLIER CODE: V89954 MISCELLANEOUS DATA: FOR SPARES PROCURE DETAIL PARTS ELECTRICAL EQUIP NUMBER: M10394 COMPONENT MAINT MANUAL REF: 33-16-71	002004 006100	RF
5	233N3202-17		.PANEL ASSY-ANN. SUPPLIER CODE: V89954 MISCELLANEOUS DATA: FOR SPARES PROCURE DETAIL PARTS ELECTRICAL EQUIP NUMBER: M10394 COMPONENT MAINT MANUAL REF: 33-16-71 POST SERVICE BULLETIN: 24-0048	107107	RF
10	BCREF8527		..LIGHT ASSY-AUTO SPEEDBRAKE IND SUPPLIER CODE: V81590 OVERLENGTH PART NUMBER: 434-674-1031-2012 SPECIFICATION NUMBER: S231T300-2012 OPTIONAL PART: BCREF6138 V81590 FOR DETAILS SEE: 33-14-70-02	002004 006100 107107 121503 904999	1
10	BCREF6138		..LIGHT ASSY-AUTO SPEEDBRAKE IND SUPPLIER CODE: V81590 OVERLENGTH PART NUMBER: 434-674-1005-1012 SPECIFICATION NUMBER: S231T300-1012 OPTIONAL PART: BCREF8527 V81590 FOR DETAILS SEE: 33-14-70-02	002004 006100 107107 121503 904999	1

R  
R  
R  
R  
R  
R  
R  
R  
R  
R

MISSING ITEM NUMBERS NOT APPLICABLE

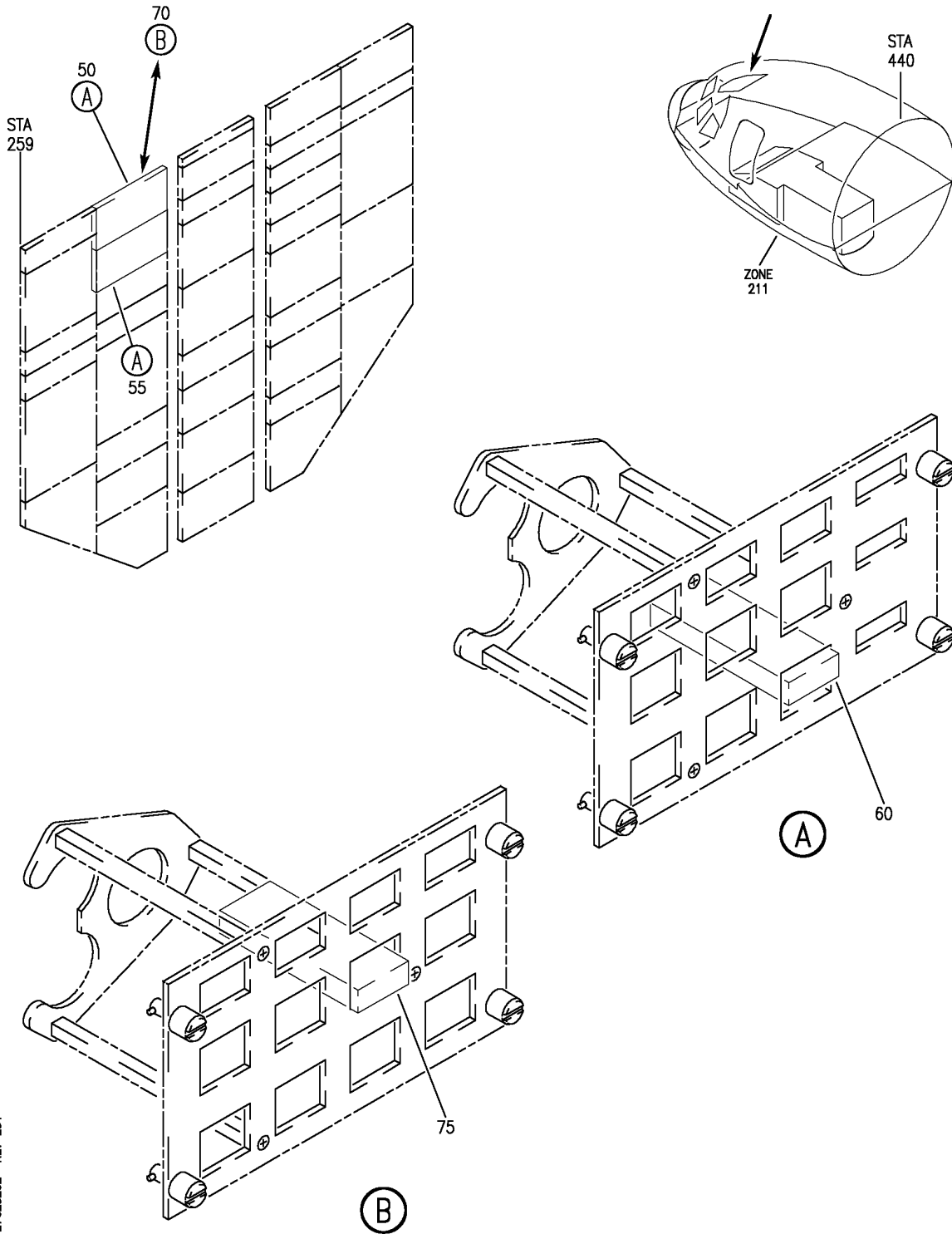
- ITEM NOT ILLUSTRATED

BRI

27-62-52-01

27-62-52  
FIG. 01  
PAGE 2  
MAY 20/09

**BOEING**  
757  
PARTS CATALOG (MAINTENANCE)



Y 27625202 REV 251

PANEL INSTL-P5 OVHD (AUTO-SPEEDBRAKE CONTROL SYSTEM ONLY)  
FIGURE 2

**27-62-52-02**

BRI  
MAY 28/07

27-62-52-02  
PAGE 0



757

PARTS CATALOG (MAINTENANCE)

FIG ITEM	PART NUMBER	1 2 3 4 5 6 7	NOMENCLATURE	EFFECT FROM TO	UNITS PER ASSY
2			PANEL INSTL-P5 OVHD (AUTO-SPEEDBRAKE CONTROL SYSTEM ONLY)	101106 108120 504903	
- 2	233N3103-132		PANEL INSTL-P5 OVHD (AUTO-SPEEDBRAKE CONTROL SYSTEM ONLY) FOR NHA/OTHER SYS DET SEE: 25-10-00-15E	101102	RF
- 2	233N3103-136		PANEL INSTL-P5 OVHD (AUTO-SPEEDBRAKE CONTROL SYSTEM ONLY) FOR NHA/OTHER SYS DET SEE: 25-10-00-15E	504903	RF
- 6	233N3103-59		PANEL INSTL-P5 OVHD (AUTO-SPEEDBRAKE CONTROL SYSTEM ONLY) FOR NHA/OTHER SYS DET SEE: 25-10-00-15E	108120	RF
- 8	MODREF33760		PANEL INSTL-P5 OVHD (AUTO-SPEEDBRAKE CONTROL SYSTEM ONLY) MODULE NUMBER: 233N3103-351 REV C FOR OTHER SYS DETAILS SEE: 11-31-10-12 21-25-55-03 21-31-01-02 21-33-51-03 21-51-54-03 21-58-19-10 21-58-51-03 21-61-04-03 21-65-51-01 22-21-01-04 22-24-51-02 23-24-01-01 23-32-00-11 23-42-02-02 23-71-05-02 24-11-52-05 24-22-01-03 24-31-01-10 24-31-03-09 24-33-04-01 24-41-51-04 24-51-62-01 26-18-51-04 27-21-53-02 27-41-55-01	103103	1

MISSING ITEM NUMBERS NOT APPLICABLE

- ITEM NOT ILLUSTRATED

**27-62-52-02**

27-62-52  
FIG. 02  
PAGE 1  
JAN 20/09

BRI



757

PARTS CATALOG (MAINTENANCE)

FIG ITEM	PART NUMBER	1 2 3 4 5 6 7	NOMENCLATURE	EFFECT FROM TO	UNITS PER ASSY
2			27-61-51-03 28-22-51-02 28-41-04-01 28-41-51-03 29-11-02-03 29-11-05-04 29-11-52-07 29-21-54-03 29-31-00-01 29-32-51-03 29-33-52-03 30-11-51-03 30-21-51-03 30-31-51-02 30-32-51-01 30-33-51-02 30-41-51-03 30-42-51-03 31-12-11-91 31-12-11-91 A 32-42-52-03 33-11-03-03 33-11-51-17 33-13-01-65 33-13-02-03 33-16-51-03 33-24-51-02 33-41-52-04 33-42-01-04 33-42-02-04 33-42-52-04 33-43-51-04 33-44-51-05 33-45-53-03 33-51-08-05 34-21-02-01 35-21-51-04 36-11-04-01 36-21-00-01 36-21-02-05 36-22-51-03 49-41-00-02 49-52-00-01 49-70-00-01 52-51-51-03 52-71-51-02 73-21-52-02 74-31-51-05 75-32-00-01		

MISSING ITEM NUMBERS NOT APPLICABLE

- ITEM NOT ILLUSTRATED

BRI

**27-62-52-02**

BOEING PROPRIETARY - Copyright © - Unpublished Work - See title page for details.

27-62-52  
FIG. 02  
PAGE 2  
JAN 20/09



757

PARTS CATALOG (MAINTENANCE)

FIG ITEM	PART NUMBER	1 2 3 4 5 6 7	NOMENCLATURE	EFFECT FROM TO	UNITS PER ASSY
2					
- 8	MODREF34038		80-11-09-02 PANEL INSTL-P5 OVHD (AUTO-SPEEDBRAKE CONTROL SYSTEM ONLY) MODULE NUMBER: 233N3103-351 REV D FOR OTHER SYS DETAILS SEE: 11-31-10-12 21-25-55-03 21-31-01-02 21-33-51-03 21-51-54-03 21-58-19-10 21-58-51-03 21-61-04-03 21-65-51-01 22-21-01-04 22-24-51-02 23-24-01-01 23-32-00-11 23-42-02-02 23-71-05-02 24-11-52-05 24-22-01-03 24-31-01-10 24-31-03-09 24-33-04-01 24-41-51-04 24-51-62-01 26-18-51-04 27-21-53-02 27-41-55-01 27-61-51-03 28-22-51-02 28-41-04-01 28-41-51-03 29-11-02-03 29-11-05-04 29-11-52-07 29-21-54-03 29-31-00-01 29-32-51-03 29-33-52-03 30-11-51-03 30-21-51-03 30-31-51-02 30-32-51-01 30-33-51-02 30-41-51-03	104105	1
MISSING ITEM NUMBERS NOT APPLICABLE					

- ITEM NOT ILLUSTRATED

27-62-52-02

27-62-52  
FIG. 02  
PAGE 3  
JAN 20/09

BRI



757

PARTS CATALOG (MAINTENANCE)

FIG ITEM	PART NUMBER	1 2 3 4 5 6 7 NOMENCLATURE	EFFECT FROM TO	UNITS PER ASSY
2		30-42-51-03 31-12-11-91 31-12-11-91A 32-42-52-03 33-11-03-03 33-11-51-17 33-13-01-65 33-13-02-03 33-16-51-03 33-24-51-02 33-41-52-04 33-42-01-04 33-42-02-04 33-42-52-04 33-43-51-04 33-44-51-05 33-45-53-03 33-51-08-05 34-21-02-01 35-21-51-04 36-11-04-01 36-21-00-01 36-21-02-05 36-22-51-03 49-41-00-02 49-52-00-01 49-70-00-01 52-51-51-03 52-71-51-02 73-21-52-02 74-31-51-05 75-32-00-01 80-11-09-02		
- 10	MODREF170180	PANEL INSTL-P5 OVHD (AUTO-SPEEDBRAKE CONTROL SYSTEM ONLY) MODULE NUMBER: 233N3103-353 REV B FOR OTHER SYS DETAILS SEE: 11-31-10-12 21-25-55-03 21-31-01-02 21-33-51-03 21-51-54-03 21-58-19-10 21-58-51-03 21-61-04-03 21-65-51-01 22-21-01-04  MISSING ITEM NUMBERS NOT APPLICABLE	106106	1

- ITEM NOT ILLUSTRATED

**27-62-52-02**

27-62-52  
 FIG. 02  
 PAGE 4  
 JAN 20/09

BRI





757

PARTS CATALOG (MAINTENANCE)

FIG ITEM	PART NUMBER	1 2 3 4 5 6 7 NOMENCLATURE	EFFECT FROM TO	UNITS PER ASSY
2		22-24-51-02 23-24-01-01 23-32-00-11 23-42-02-02 23-71-05-02 24-11-52-05 24-22-01-03 24-31-01-10 24-31-03-09 24-33-04-01 24-41-51-04 24-51-62-01 26-18-51-04 27-21-53-02 27-41-55-01 27-61-51-03 28-22-51-02 28-41-04-01 28-41-51-03 29-11-02-03 29-11-05-04 29-11-52-07 29-21-54-03 29-31-00-01 29-32-51-03 29-33-52-03 30-11-51-03 30-21-51-03 30-31-51-02 30-32-51-01 30-33-51-02 30-41-51-03 30-42-51-03 31-12-11-84 31-12-11-84 A 32-42-52-03 33-11-03-03 33-11-51-17 33-13-01-65 33-13-02-03 33-16-51-03 33-24-51-02 33-41-52-04 33-42-01-04 33-42-02-04 33-42-52-04 33-43-51-04 33-44-51-05 33-45-53-03		

MISSING ITEM NUMBERS NOT APPLICABLE

- ITEM NOT ILLUSTRATED

BRI

27-62-52-02

BOEING PROPRIETARY - Copyright © - Unpublished Work - See title page for details.

27-62-52  
FIG. 02  
PAGE 5  
JAN 20/09



757

PARTS CATALOG (MAINTENANCE)

FIG ITEM	PART NUMBER	1 2 3 4 5 6 7	NOMENCLATURE	EFFECT FROM TO	UNITS PER ASSY
2			33-51-08-05 34-21-02-01 35-21-51-04 36-11-04-01 36-21-00-01 36-21-02-05 36-22-51-03 49-41-00-02 49-52-00-01 49-70-00-01 52-51-51-03 52-71-51-02 73-21-52-02 74-31-51-05 75-32-00-01 80-11-09-02		
50	233N3202-15		.PANEL ASSY-ANN. LIGHTS SUPPLIER CODE: V89954 NOT APPROVED FOR ETOPS. ELECTRICAL EQUIP NUMBER: M10394 COMPONENT MAINT MANUAL REF: 33-16-71	504903	RF
50	233N3202-17		.PANEL ASSY-ANN. LIGHTS SUPPLIER CODE: V89954 ELECTRICAL EQUIP NUMBER: M10394 COMPONENT MAINT MANUAL REF: 33-16-71	101105 108120	RF
60	BCREF8527		..LIGHT ASSY-AUTO SPEEDBRAKE IND SUPPLIER CODE: V81590 OVERLENGTH PART NUMBER: 434-674-1031-2012 SPECIFICATION NUMBER: S231T300-2012 OPTIONAL PART: BCREf6138 V81590 FOR DETAILS SEE: 33-14-70-02	101105 108120 504903	1

MISSING ITEM NUMBERS NOT APPLICABLE

- ITEM NOT ILLUSTRATED

BRI

27-62-52-02

27-62-52  
FIG. 02  
PAGE 6  
JAN 20/09



757

PARTS CATALOG (MAINTENANCE)

FIG ITEM	PART NUMBER	1 2 3 4 5 6 7	NOMENCLATURE	EFFECT FROM TO	UNITS PER ASSY
2 60	BCREF6138		..LIGHT ASSY-AUTO SPEEDBRAKE IND SUPPLIER CODE: V81590 OVERLENGTH PART NUMBER: 434-674-1005-1012 SPECIFICATION NUMBER: S231T300-1012 OPTIONAL PART: BCREF8527 V81590 FOR DETAILS SEE: 33-14-70-02	101105 108120 504903	1
70	233N3202-82		.PANEL ASSY-ANN. LIGHTS SUPPLIER CODE: V89954 ELECTRICAL EQUIP NUMBER: M10394 COMPONENT MAINT MANUAL REF: 33-16-71	106106	RF
75	BCREF8527		..LIGHT ASSY-AUTO SPEEDBRAKE IND SUPPLIER CODE: V81590 OVERLENGTH PART NUMBER: 434-674-1031-2012 SPECIFICATION NUMBER: S231T300-2012 FOR DETAILS SEE: 33-14-70-02	106106	1
75	BCREF6138		..LIGHT ASSY-AUTO SPEEDBRAKE IND SUPPLIER CODE: V81590 OVERLENGTH PART NUMBER: 434-674-1005-1012 SPECIFICATION NUMBER: S231T300-1012 FOR DETAILS SEE: 33-14-70-02	106106	1

MISSING ITEM NUMBERS NOT APPLICABLE

- ITEM NOT ILLUSTRATED

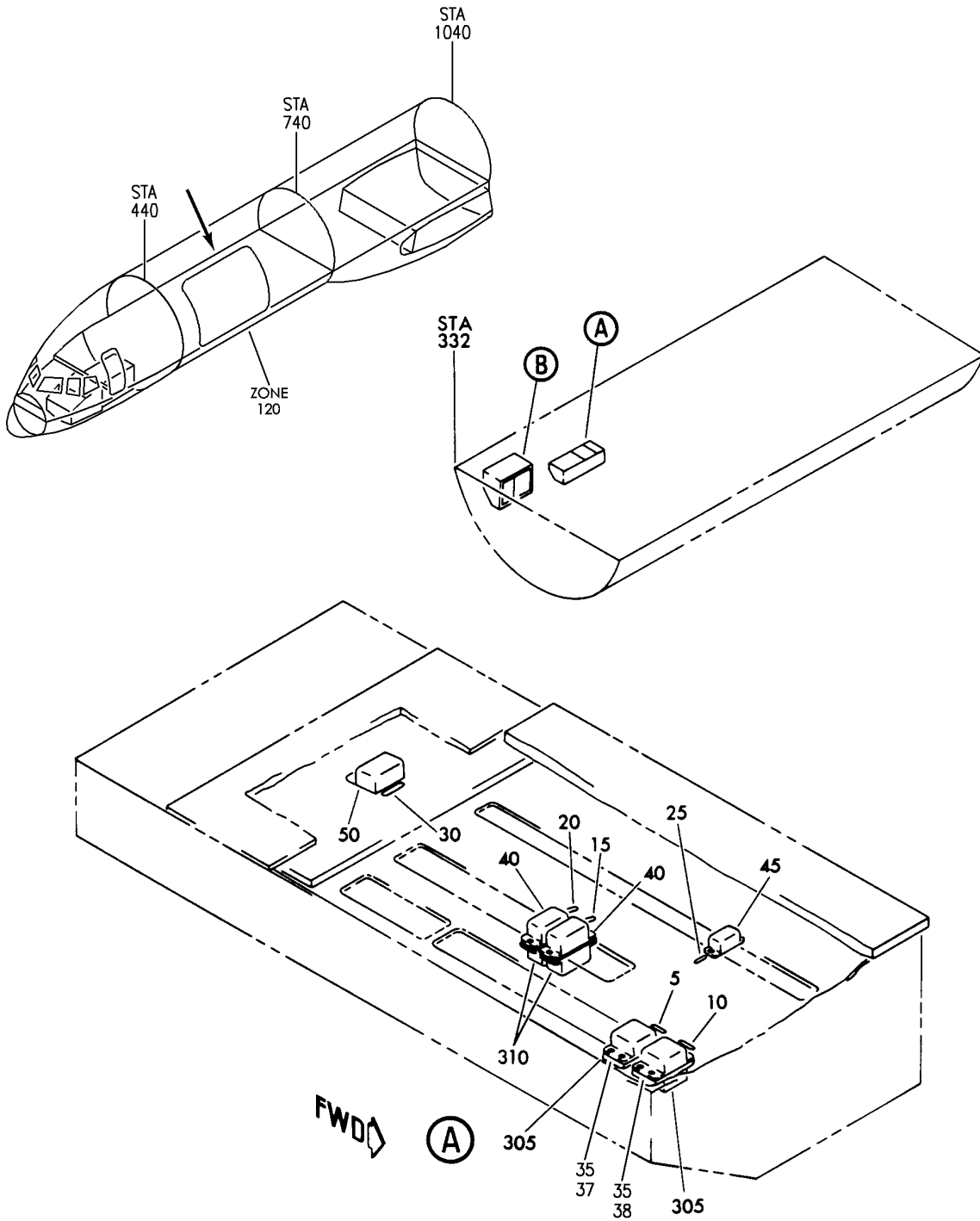
BRI

**27-62-52-02**

BOEING PROPRIETARY - Copyright © - Unpublished Work - See title page for details.

27-62-52  
FIG. 02  
PAGE 7  
JAN 20/09

**BOEING**  
757  
PARTS CATALOG (MAINTENANCE)



Y 27627103 SHT 1 REV 255

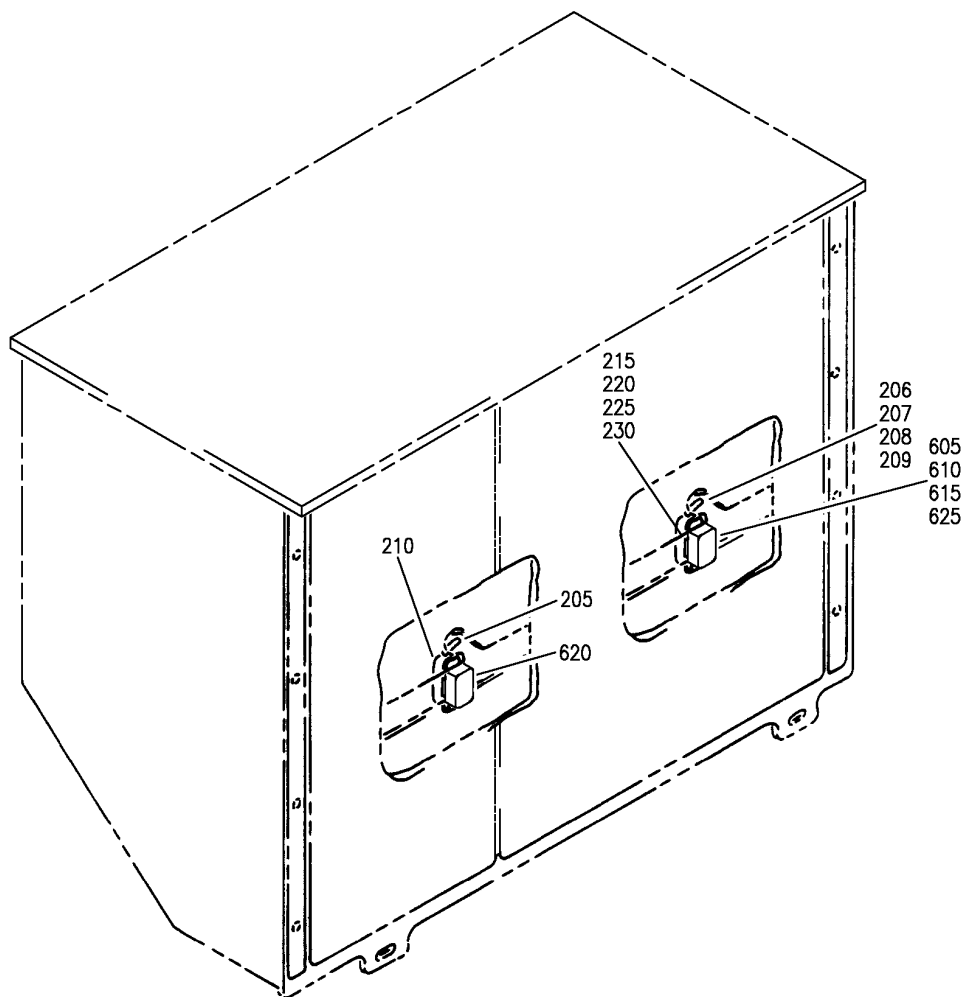
PANEL ASSY-P36 AND P37 MISC RELAY (SPEEDBRAKE CONTROL SYSTEM ONLY)  
FIGURE 3 (SHEET 1)

**27-62-71-03**

BRI  
MAY 28/07

27-62-71-03  
PAGE 0

**BOEING**  
757  
PARTS CATALOG (MAINTENANCE)



(B)

Y 27627103 SH1 2 REV 327

PANEL ASSY-P36 AND P37 MISC RELAY (SPEEDBRAKE CONTROL SYSTEM ONLY)  
FIGURE 3 (SHEET 2)

**27-62-71-03**

BRI  
SEP 20/08

27-62-71-03  
PAGE 0A



757

PARTS CATALOG (MAINTENANCE)

FIG ITEM	PART NUMBER	1 2 3 4 5 6 7	NOMENCLATURE	EFFECT FROM TO	UNITS PER ASSY
3			PANEL ASSY-P36 AND P37 MISC RELAY (SPEEDBRAKE CONTROL SYSTEM ONLY)	002004 006100 107107 121503 904999	
- 1	284N1125-1		PANEL ASSY-P36 MISC RELAY (SPEEDBRAKE CONTROL SYSTEM ONLY) POSITION DATA: L VARIABLE DRAWING REF: 284N1125-5023 284N1125-5049 284N1125-5050 284N1125-5054 REWORKED BY SB: 34-0200 REWORKED BY ALERT SB: 27A0130 FOR NHA/OTHER SYS DET SEE: 31-01-36-01B	002004 006100 107107 121503 904999	RF
5	BAC27NEX0187		.DECAL- PLACARD CONTENT: K88	107107 121503 904949	1
5	BAC27TEX0731		.DECAL- PLACARD CONTENT: K88	002004 006100 950999	1
10	BAC27NEX0186		.DECAL- PLACARD CONTENT: K87	107107 121503 904949	1
10	BAC27TEX0730		.DECAL- PLACARD CONTENT: K87	002004 006100 950999	1
15	BAC27NEX0190		.DECAL- PLACARD CONTENT: K217	107107 121503 904949	1
15	BAC27TEX0736		.DECAL- PLACARD CONTENT: K217	002004 006100 950999	1
20	BAC27NEX0191		.DECAL- PLACARD CONTENT: K218	107107 121503 904949	1
20	BAC27TEX0737		.DECAL- PLACARD CONTENT: K218	002004 006100 950999	1
25	BAC27NEX0192		.DECAL- PLACARD CONTENT: K220	107107 121503 904949	1

MISSING ITEM NUMBERS NOT APPLICABLE

- ITEM NOT ILLUSTRATED

27-62-71-03

27-62-71  
FIG. 03  
PAGE 1  
JAN 20/09

BRI



757

PARTS CATALOG (MAINTENANCE)

FIG ITEM	PART NUMBER	1 2 3 4 5 6 7	NOMENCLATURE	EFFECT FROM TO	UNITS PER ASSY
3	25 BAC27TEX0738		.DECAL- PLACARD CONTENT: K220	002004 006100 950999	1
	30 BAC27NEX0258		.DECAL- PLACARD CONTENT: M963	107107 121503 904949	1
	30 BAC27NEX2477		.DECAL- PLACARD CONTENT: M963	002004 006100 950999	1
	35 E410-1537		.RELAY- SUPPLIER CODE: V99699 SPECIFICATION NUMBER: BACR13CG2A OPTIONAL PART: E415-1078 V99699 BR230S0116 V56623 KD4A017 V58687 FCA410-62 V78290 ELECTRICAL EQUIP NUMBER: K00087 K00088	002004 006100 107107 121503 904999	2
	40 E210-1631		.RELAY- SUPPLIER CODE: V99699 SPECIFICATION NUMBER: BACR13CF2A OPTIONAL PART: BR246S0112 V56623 FCA210-70 V78290 E215-1050 V99699 JD4A017 V35344 BR64S104 V56623 61GB19-1A320 V98927 ELECTRICAL EQUIP NUMBER: K00217 K00218	002004 006100 107107 121503 904999	2

MISSING ITEM NUMBERS NOT APPLICABLE

- ITEM NOT ILLUSTRATED

BRI

27-62-71-03

BOEING PROPRIETARY - Copyright © - Unpublished Work - See title page for details.

27-62-71  
FIG. 03  
PAGE 2  
JAN 20/09



757

PARTS CATALOG (MAINTENANCE)

FIG ITEM	PART NUMBER	1 2 3 4 5 6 7	NOMENCLATURE	EFFECT FROM TO	UNITS PER ASSY
3	45 W260F4AM11		.RELAY- SUPPLIER CODE: VF0219 SPECIFICATION NUMBER: BACR13CD2 OPTIONAL PART: BR16S233 V09026 EE4AA005 V35344 3SAV1338A2 V01526 HFW1206K03 V58614 HFW1204K01 V71482 ELECTRICAL EQUIP NUMBER: K00220	002004 006100 107107 121503 904999	1
	50 10167-3BT		.RELAY-TIME DELAY SUPPLIER CODE: V08719 ELECTRICAL EQUIP NUMBER: M00963	002004 006100 107107 121503 904999	1
	50 10167-3001BT		.RELAY-TIME DELAY SUPPLIER CODE: V08719 ELECTRICAL EQUIP NUMBER: M00963 OPTIONAL PART: 530750-3001 V08719 TD1982-3001 V58657 TD1767-3001 V58657	002004 006100 107107 121503 904999	1
	50 530750-3001		.RELAY-TIME DELAY SUPPLIER CODE: V08719 ELECTRICAL EQUIP NUMBER: M00963 OPTIONAL PART: 10167-3001BT V08719 TD1982-3001 V58657 TD1767-3001 V58657	002004 006100 107107 121503 904999	1

MISSING ITEM NUMBERS NOT APPLICABLE

- ITEM NOT ILLUSTRATED

BRI

27-62-71-03

BOEING PROPRIETARY - Copyright © - Unpublished Work - See title page for details.

27-62-71  
FIG. 03  
PAGE 3  
JAN 20/09





757

PARTS CATALOG (MAINTENANCE)

FIG ITEM	PART NUMBER	1 2 3 4 5 6 7	NOMENCLATURE	EFFECT FROM TO	UNITS PER ASSY
3					
50	TD1982-3001		.RELAY-TIME DELAY SUPPLIER CODE: V58657 ELECTRICAL EQUIP NUMBER: M00963 OPTIONAL PART: 10167-3001BT V08719 530750-3001 V08719 TD1767-3001 V58657	002004 006100 107107 121503 904999	1
50	TD1767-3001		.RELAY-TIME DELAY SUPPLIER CODE: V08719 ELECTRICAL EQUIP NUMBER: M00963 OPTIONAL PART: 10167-3001BT V08719 TD1982-3001 V58657 530750-3001 V08719 ATTACHING PARTS	002004 006100 107107 121503 904999	1
- 55	NAS601-13P		.SCREW-	002004 006100 107107 121503 904999	2
- 60	AN960D6L		.WASHER-	107107 121503 904949	2
- 60	NAS1149DN616H		.WASHER-	002004 006100 950999	2
			-----*		

MISSING ITEM NUMBERS NOT APPLICABLE

- ITEM NOT ILLUSTRATED

BRI

27-62-71-03

BOEING PROPRIETARY - Copyright © - Unpublished Work - See title page for details.

27-62-71  
FIG. 03  
PAGE 4  
JAN 20/09



757

PARTS CATALOG (MAINTENANCE)

FIG ITEM	PART NUMBER	1 2 3 4 5 6 7	NOMENCLATURE	EFFECT FROM TO	UNITS PER ASSY
3 - 200	284N1127-1		PANEL ASSY-P37 MISC RELAY R (SPEEDBRAKE CONTROL SYSTEM ONLY) VARIABLE DRAWING REF: 284N1127-5028 284N1127-5039 284N1127-5063 284N1127-5064 284N1127-5068 REWORKED BY SB: 33-0039 34-0200 REWORKED BY ALERT SB: 27A0130 FOR NHA/OTHER SYS DET SEE: 31-01-37-01B	002004 006100 107107 121503 904999	RF
205	BAC27NEX0149		.DECAL- PLACARD CONTENT: K550	002004 006100 107107 121503 904999	1
206	BAC27NEX3173		.DECAL- PLACARD CONTENT: K10845 POST ALERT SB: 27A0130	002004 006100 107107 121503 904949 952999	1
207	BAC27NEX3173		.DECAL- PLACARD CONTENT: K10845 POST ALERT SB: 27A0130	950951	1

MISSING ITEM NUMBERS NOT APPLICABLE

- ITEM NOT ILLUSTRATED

BRI

27-62-71-03

BOEING PROPRIETARY - Copyright © - Unpublished Work - See title page for details.

27-62-71  
FIG. 03  
PAGE 5  
JAN 20/09



757

PARTS CATALOG (MAINTENANCE)

FIG ITEM	PART NUMBER	1 2 3 4 5 6 7	NOMENCLATURE	EFFECT FROM TO	UNITS PER ASSY
3 210	W260F4AM11		.RELAY- SUPPLIER CODE: VF0219 SPECIFICATION NUMBER: BACR13CD2 OPTIONAL PART: BR16S233 V09026 EE4AA005 V35344 3SAV1338A2 V01526 HFW1206K03 V58614 HFW1204K01 V71482 ELECTRICAL EQUIP NUMBER: K00550	002004 006100 107107 121503 904999	1
215	E410-1537		.RELAY- SUPPLIER CODE: V99699 SPECIFICATION NUMBER: BACR13CG2A OPTIONAL PART: E415-1078 V99699 BR230S0116 V56623 KD4A017 V58687 FCA410-62 V78290 ELECTRICAL EQUIP NUMBER: K10845 POST ALERT SB: 27A0130	002004 006100 107107 121503 904949 952999	1

MISSING ITEM NUMBERS NOT APPLICABLE

- ITEM NOT ILLUSTRATED

BRI

27-62-71-03

BOEING PROPRIETARY - Copyright © - Unpublished Work - See title page for details.

27-62-71  
FIG. 03  
PAGE 6  
JAN 20/09



757

PARTS CATALOG (MAINTENANCE)

FIG ITEM	PART NUMBER	1 2 3 4 5 6 7	NOMENCLATURE	EFFECT FROM TO	UNITS PER ASSY
3 220	E410-1537		.RELAY- SUPPLIER CODE: V99699 SPECIFICATION NUMBER: BACR13CG2A OPTIONAL PART: E415-1078 V99699 BR230S0116 V56623 KD4A017 V58687 FCA410-62 V78290 ELECTRICAL EQUIP NUMBER: K10845 POST ALERT SB: 27A0130	950951	1
- 300	286N1260-002		WIRE BUNDLE ASSY- REWORKED BY ALERT SB: 27A0130	121503 904949	RF
- 300	286N1260-003		WIRE BUNDLE ASSY- REWORKED BY ALERT SB: 27A0130	107107	RF
- 300	286N1260-005		WIRE BUNDLE ASSY- REWORKED BY SB: 34-0200 REWORKED BY ALERT SB: 27A0130	002004 006100 950999	RF
305	BACS16W1		.SOCKET- ELECTRICAL EQUIP NUMBER: D03194 D03196 WIRING DIAGRAM REF: 276211	002004 006100 107107 121503 904999	2

MISSING ITEM NUMBERS NOT APPLICABLE

- ITEM NOT ILLUSTRATED

BRI

27-62-71-03

BOEING PROPRIETARY - Copyright © - Unpublished Work - See title page for details.

27-62-71  
FIG. 03  
PAGE 7  
JAN 20/09



757

PARTS CATALOG (MAINTENANCE)

FIG ITEM	PART NUMBER	1 2 3 4 5 6 7	NOMENCLATURE	EFFECT FROM TO	UNITS PER ASSY
3 310	RSF116200		. SOCKET- SUPPLIER CODE: V58982 SPECIFICATION NUMBER: BACS16X1A OPTIONAL PART: 102-006-1 V09922 000300-1538 V05574 ELECTRICAL EQUIP NUMBER: D03198 D03200 WIRING DIAGRAM REF: 276211	002004 006100 107107 121503 904999	2
- 600	286N1270-003		WIRE BUNDLE ASSY- REWORKED BY ALERT SB: 27A0130 34A0222	107107	RF
- 600	286N1270-005		WIRE BUNDLE ASSY- REWORKED BY SB: 33-0039 REWORKED BY ALERT SB: 27A0130 34A0222	002004 006100 950999	RF
- 600	286N1270-002		WIRE BUNDLE ASSY- REWORKED BY SB: 34-0200 REWORKED BY ALERT SB: 27A0130 34A0222	121503 904949	RF
- 603	280N3321-10201		. ID TAPE- PLACARD CONTENT: D04199 M/W K10845 POST ALERT SB: 27A0130	002004 006100 107107 121503 904951	1

MISSING ITEM NUMBERS NOT APPLICABLE

- ITEM NOT ILLUSTRATED

BRI

27-62-71-03

BOEING PROPRIETARY - Copyright © - Unpublished Work - See title page for details.

27-62-71  
FIG. 03  
PAGE 8  
JAN 20/09



757

PARTS CATALOG (MAINTENANCE)

FIG ITEM	PART NUMBER	1 2 3 4 5 6 7	NOMENCLATURE	EFFECT FROM TO	UNITS PER ASSY
3 605	RSF116400		.SOCKET- SUPPLIER CODE: V58982 SPECIFICATION NUMBER: BACS16W1A OPTIONAL PART: 102-009-1 V09922 000300-1539 V05574 ELECTRICAL EQUIP NUMBER: D04199 WIRING DIAGRAM REF: 276111 276211 POST ALERT SB: 27A0130	002004 006100 107107 121503 904949 952999	1
610	RSF116400		.SOCKET- SUPPLIER CODE: V58982 SPECIFICATION NUMBER: BACS16W1A OPTIONAL PART: 102-009-1 V09922 000300-1539 V05574 ELECTRICAL EQUIP NUMBER: D04199 WIRING DIAGRAM REF: 276212 276111 POST ALERT SB: 27A0130	950951	1
620	RSE120026		.SOCKET-RELAY SUPPLIER CODE: V58982 SPECIFICATION NUMBER: BACS16AG1 OPTIONAL PART: 451120-026 V58982 ELECTRICAL EQUIP NUMBER: D03206 WIRING DIAGRAM REF: 276211 276212 REWORKED BY ALERT SB: 27A0130	002004 006100 107107 121503 904999	1

MISSING ITEM NUMBERS NOT APPLICABLE

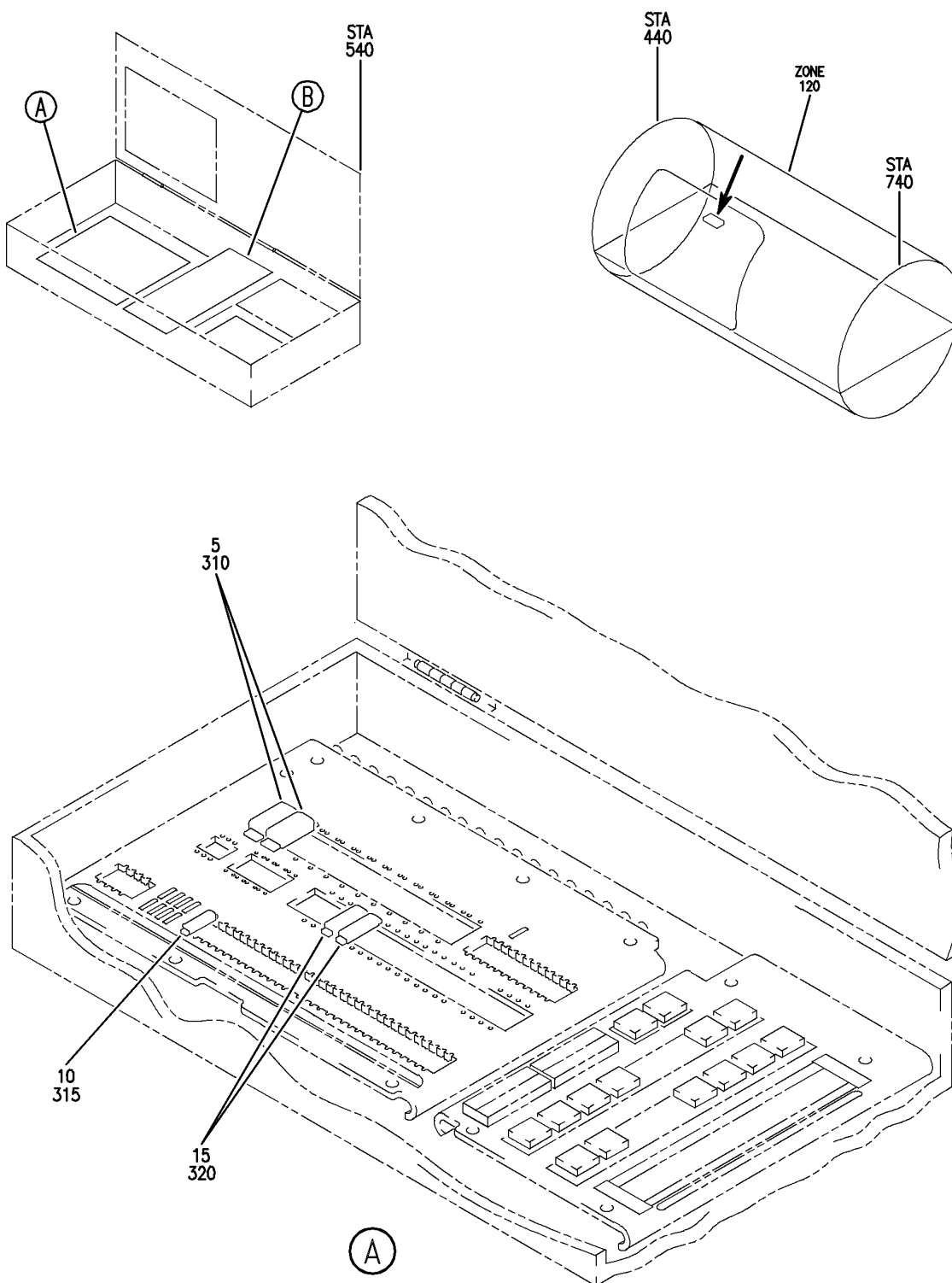
- ITEM NOT ILLUSTRATED

BRI

27-62-71-03

27-62-71  
FIG. 03  
PAGE 9  
JAN 20/09

**BOEING**  
757  
PARTS CATALOG (MAINTENANCE)



Y 27627103A SH1 1 REV 225

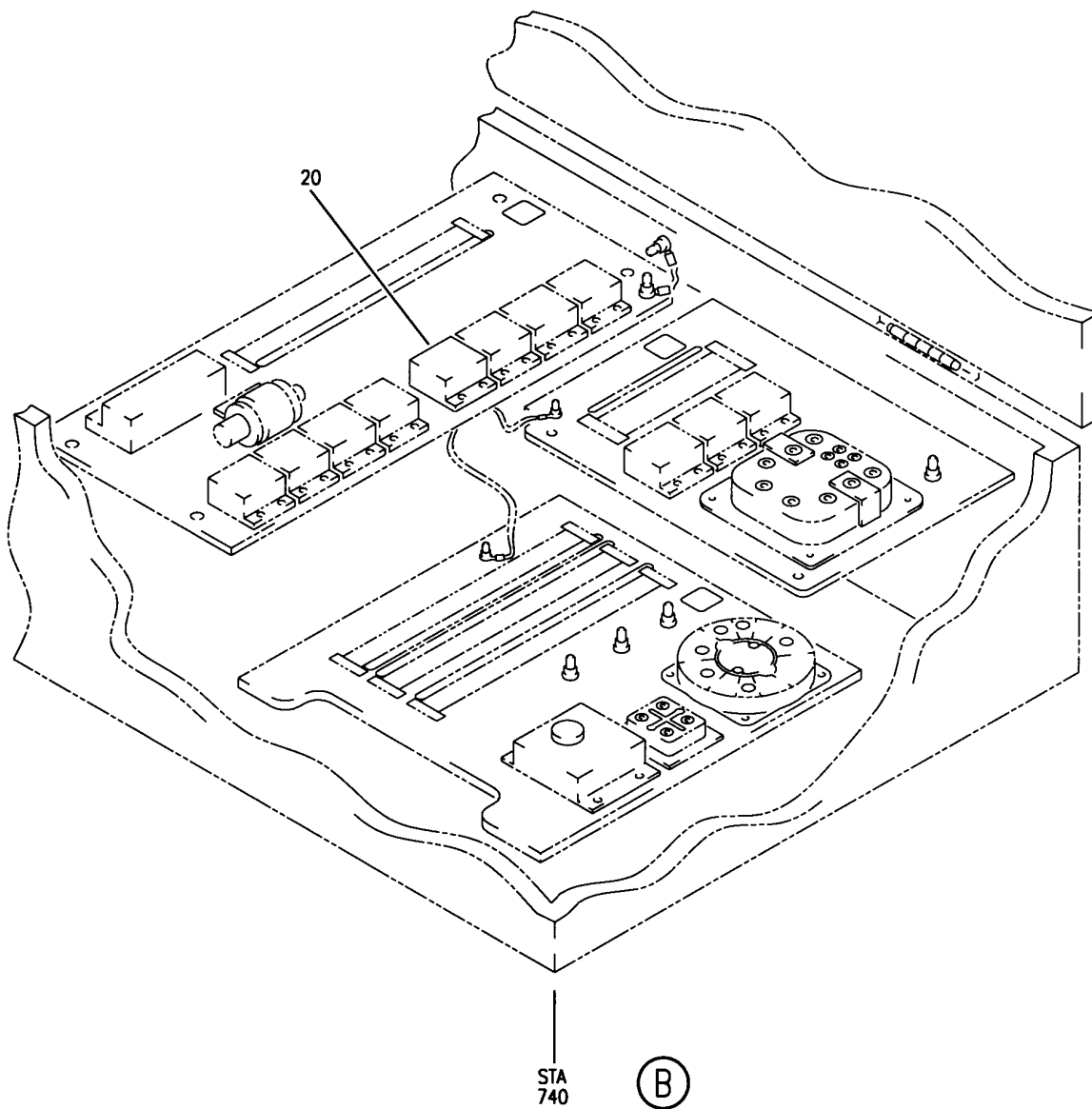
OPTION PACKAGE ASSY-P36 MISC RELAY LH (SPEEDBRAKE CONTROL SYSTEM ONLY)  
FIGURE 3A (SHEET 1)

BRI  
MAY 28/07

**27-62-71-03A**

27-62-71-03A  
PAGE 0

**BOEING**  
757  
PARTS CATALOG (MAINTENANCE)



Y 27627103A SHT 2 REV 201

OPTION PACKAGE ASSY-P36 MISC RELAY LH (SPEEDBRAKE CONTROL SYSTEM ONLY)  
FIGURE 3A (SHEET 2)

**27-62-71-03A**

BRI  
MAY 28/07

27-62-71-03A  
PAGE 0A





757

PARTS CATALOG (MAINTENANCE)

FIG ITEM	PART NUMBER	1 2 3 4 5 6 7	NOMENCLATURE	EFFECT FROM TO	UNITS PER ASSY
3A			OPTION PACKAGE ASSY-P36 MISC RELAY LH (SPEEDBRAKE CONTROL SYSTEM ONLY)	101102 504903	
- 1	284N1125-1018		OPTION PACKAGE ASSY-P36 MISC RELAY (SPEEDBRAKE CONTROL SYSTEM ONLY) REWORKED BY ALERT SB: 27A0130 FOR NHA/OTHER SYS DET SEE: 31-01-36-05	101102 504903	RF
5	E410-1537		.RELAY- SUPPLIER CODE: V99699 SPECIFICATION NUMBER: BACR13CG2A OPTIONAL PART: E415-1078 V99699 BR230S0116 V56623 KD4A017 V58687 FCA410-62 V78290 ELECTRICAL EQUIP NUMBER: K00087 K00088	101102 504903	2
10	W260F4AM11		.RELAY- SUPPLIER CODE: VF0219 SPECIFICATION NUMBER: BACR13CD2 OPTIONAL PART: BR16S233 V09026 EE4AA005 V35344 3SAV1338A2 V01526 HFW1206K03 V58614 HFW1204K01 V71482 ELECTRICAL EQUIP NUMBER: K00220	101102 504903	1

MISSING ITEM NUMBERS NOT APPLICABLE

- ITEM NOT ILLUSTRATED

BRI

27-62-71-03A

BOEING PROPRIETARY - Copyright © - Unpublished Work - See title page for details.

27-62-71  
FIG. 03A  
PAGE 1  
JAN 20/09



757

PARTS CATALOG (MAINTENANCE)

FIG ITEM	PART NUMBER	1 2 3 4 5 6 7	NOMENCLATURE	EFFECT FROM TO	UNITS PER ASSY
3A 15	E210-1631		.RELAY- SUPPLIER CODE: V99699 SPECIFICATION NUMBER: BACR13CF2A OPTIONAL PART: BR246S0112 V56623 FCA210-70 V78290 E215-1050 V99699 JD4A017 V35344 BR64S104 V56623 61GB19-1A320 V98927 ELECTRICAL EQUIP NUMBER: K00217 K00218	101102 504903	2
20	10167-3001BT		.RELAY-TIME DELAY SUPPLIER CODE: V08719 ELECTRICAL EQUIP NUMBER: M00963 OPTIONAL PART: TD1982-3001 V58657 TD1767-3001 V58657 530750-3001 V08719	101102 504903	1
20	530750-3001		.RELAY-TIME DELAY SUPPLIER CODE: V08719 ELECTRICAL EQUIP NUMBER: M00963 OPTIONAL PART: 10167-3001BT V08719 TD1982-3001 V58657 TD1767-3001 V58657	101102 504903	1

MISSING ITEM NUMBERS NOT APPLICABLE

- ITEM NOT ILLUSTRATED

**27-62-71-03A**

27-62-71  
FIG. 03A  
PAGE 2  
JAN 20/09

BRI



757

PARTS CATALOG (MAINTENANCE)

FIG ITEM	PART NUMBER	1 2 3 4 5 6 7	NOMENCLATURE	EFFECT FROM TO	UNITS PER ASSY
3A 20	TD1982-3001		.RELAY-TIME DELAY SUPPLIER CODE: V58657 ELECTRICAL EQUIP NUMBER: M00963 OPTIONAL PART: 10167-3001BT V08719 530750-3001 V08719 TD1767-3001 V58657	101102 504903	1
20	TD1767-3001		.RELAY-TIME DELAY SUPPLIER CODE: V08719 ELECTRICAL EQUIP NUMBER: M00963 OPTIONAL PART: 10167-3001BT V08719 530750-3001 V08719 TD1982-3001 V58657	101102 504903	1
20	10167-3BT		.RELAY-TIME DELAY SUPPLIER CODE: V08719 ELECTRICAL EQUIP NUMBER: M00963	101102 504903	1
- 25	NAS601-13P		ATTACHING PARTS .SCREW	101102 504903	2
- 30	NAS1149DN616H		.WASHER	101102 504903	2
- 301	286N1260-358		-----*----- WIRE BUNDLE ASSY- REWORKED BY ALERT SB: 27A0130	101102	RF
- 301	286N1260-364		WIRE BUNDLE ASSY- REWORKED BY ALERT SB: 27A0130	504903	RF
310	BACS16W1		.SOCKET- ELECTRICAL EQUIP NUMBER: D03194 D03196 WIRING DIAGRAM REF: 276211	101102 504903	2

MISSING ITEM NUMBERS NOT APPLICABLE

- ITEM NOT ILLUSTRATED

**27-62-71-03A**

27-62-71  
FIG. 03A  
PAGE 3  
JAN 20/09

BRI

BOEING PROPRIETARY - Copyright © - Unpublished Work - See title page for details.



757

PARTS CATALOG (MAINTENANCE)

FIG ITEM	PART NUMBER	1 2 3 4 5 6 7	NOMENCLATURE	EFFECT FROM TO	UNITS PER ASSY
3A 315	RSE120026	.	SOCKET- SUPPLIER CODE: V58982 SPECIFICATION NUMBER: BACS16AG1 OPTIONAL PART: 451120-026 V58982 ELECTRICAL EQUIP NUMBER: D03202 WIRING DIAGRAM REF: 276211	101102 504903	1
320	RSF116200	.	SOCKET- SUPPLIER CODE: V58982 SPECIFICATION NUMBER: BACS16X1A OPTIONAL PART: 102-006-1 V09922 000300-1538 V05574 ELECTRICAL EQUIP NUMBER: D03198 D03200 WIRING DIAGRAM REF: 276211	101102 504903	2

MISSING ITEM NUMBERS NOT APPLICABLE

- ITEM NOT ILLUSTRATED

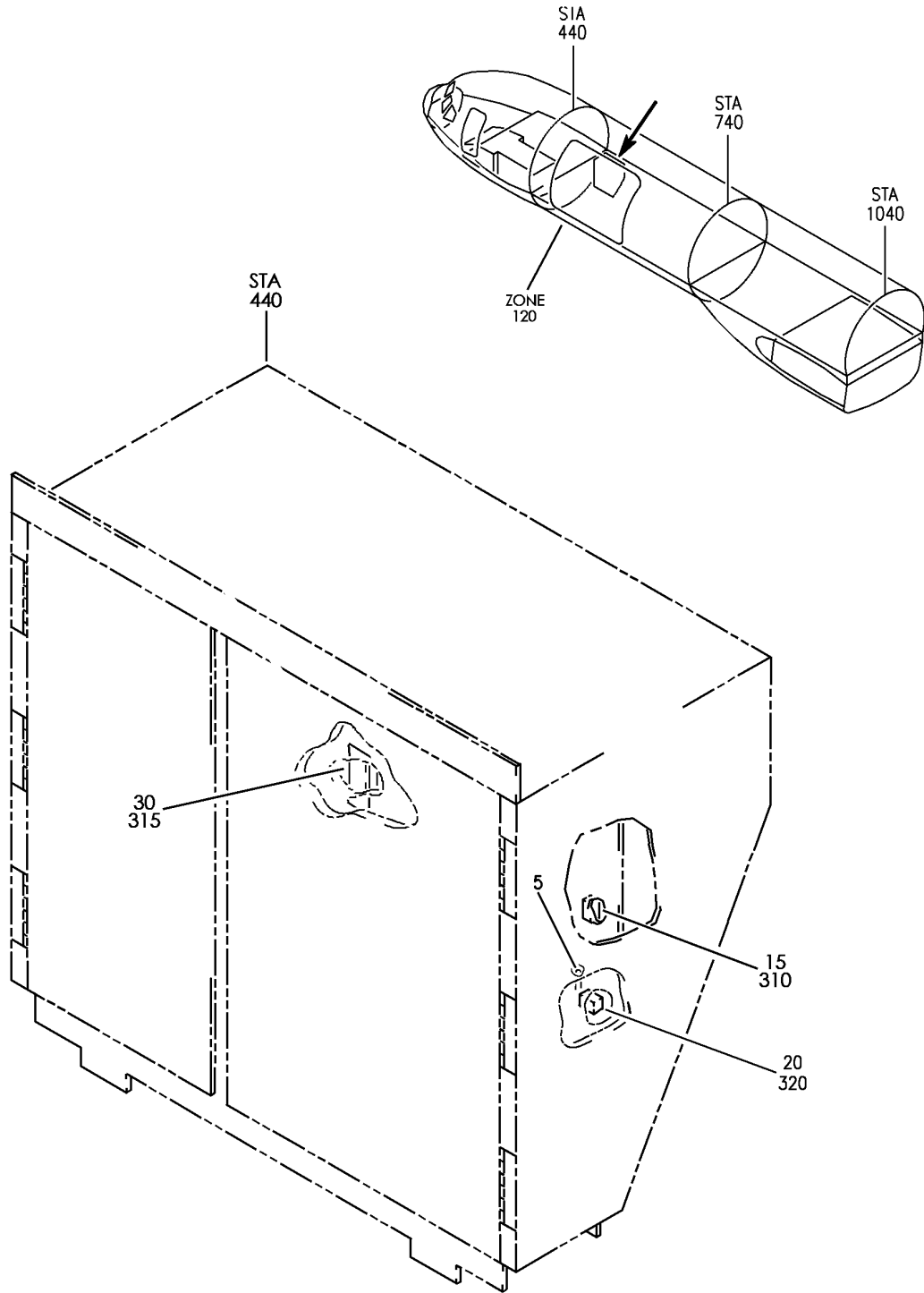
BRI

**27-62-71-03A**

BOEING PROPRIETARY - Copyright © - Unpublished Work - See title page for details.

27-62-71  
FIG. 03A  
PAGE 4  
JAN 20/09

**BOEING**  
**757**  
**PARTS CATALOG (MAINTENANCE)**



Y 27627103B REV 250

PACKAGE ASSY-OPTION P37 MISC RELAY (SPEEDBRAKE CONTROL SYSTEM ONLY)  
 FIGURE 3B

BRI  
 MAY 28/07

**27-62-71-03B**

27-62-71-03B  
 PAGE 0



757

PARTS CATALOG (MAINTENANCE)

FIG ITEM	PART NUMBER	1 2 3 4 5 6 7	NOMENCLATURE	EFFECT FROM TO	UNITS PER ASSY
3B			PACKAGE ASSY-OPTION P37 MISC RELAY (SPEEDBRAKE CONTROL SYSTEM ONLY)	101102 504903	
- 1	284N1127-1041		PACKAGE ASSY-OPTION P37 MISC RELAY (SPEEDBRAKE CONTROL SYSTEM ONLY)	101102 504903	RF
5	BAC27NEX3173		MISCELLANEOUS DATA: 757 MAJOR MODEL REWORKED BY ALERT SB: 27A0130 FOR NHA/OTHER SYS DET SEE: 31-01-37-02 .DECAL-	101102 504903	1
15	W260F4AM11		.RELAY- SUPPLIER CODE: VF0219 SPECIFICATION NUMBER: BACR13CD2 OPTIONAL PART: BR16S233 V09026 EE4AA005 V35344 3SAV1338A2 V01526 HFW1206K03 V58614 HFW1204K01 V71482 ELECTRICAL EQUIP NUMBER: K00550	101102 504903	1

MISSING ITEM NUMBERS NOT APPLICABLE

- ITEM NOT ILLUSTRATED

BRI

27-62-71-03B

BOEING PROPRIETARY - Copyright © - Unpublished Work - See title page for details.

27-62-71  
FIG. 03B  
PAGE 1  
JAN 20/09



757

PARTS CATALOG (MAINTENANCE)

FIG ITEM	PART NUMBER	1 2 3 4 5 6 7	NOMENCLATURE	EFFECT FROM TO	UNITS PER ASSY
3B 20	E410-1537		.RELAY- SUPPLIER CODE: V99699 SPECIFICATION NUMBER: BACR13CG2A OPTIONAL PART: E415-1078 V99699 BR230S0116 V56623 KD4A017 V58687 FCA410-62 V78290 ELECTRICAL EQUIP NUMBER: K10845 POST ALERT SB: 27A0130	101102 504903	1
- 300	286N1270-336		WIRE BUNDLE ASSY- REWORKED BY ALERT SB: 34A0222 27A0130	504504 506506	RF
- 301	286N1270-361		WIRE BUNDLE ASSY- REWORKED BY ALERT SB: 34A0222 27A0130	101101	RF
- 302	286N1270-399		WIRE BUNDLE ASSY- REWORKED BY ALERT SB: 34A0222 27A0130	102102	RF
- 302	286N1270-418		WIRE BUNDLE ASSY	505505 507903	RF
- 306	280N3321-10201		.ID TAPE- PLACARD CONTENT: D04199, M/W K10845 POST ALERT SB: 27A0130	101102 504903	1

MISSING ITEM NUMBERS NOT APPLICABLE

- ITEM NOT ILLUSTRATED

**27-62-71-03B**

27-62-71  
FIG. 03B  
PAGE 2  
JAN 20/09

BRI



757

PARTS CATALOG (MAINTENANCE)

FIG ITEM	PART NUMBER	1 2 3 4 5 6 7	NOMENCLATURE	EFFECT FROM TO	UNITS PER ASSY
3B 310	RSE120026	.	SOCKET- SUPPLIER CODE: V58982 SPECIFICATION NUMBER: BACS16AG1 OPTIONAL PART: 451120-026 V58982 ELECTRICAL EQUIP NUMBER: D03206 WIRING DIAGRAM REF: 276212 276211 REWORKED BY ALERT SB: 27A0130	101102 504903	1
320	RSF116400	.	SOCKET- SUPPLIER CODE: V58982 SPECIFICATION NUMBER: BACS16W1A OPTIONAL PART: 102-009-1 V09922 000300-1539 V05574 ELECTRICAL EQUIP NUMBER: D04199 WIRING DIAGRAM REF: 276212 276211 POST ALERT SB: 27A0130	101102 504903	1

MISSING ITEM NUMBERS NOT APPLICABLE

- ITEM NOT ILLUSTRATED

BRI

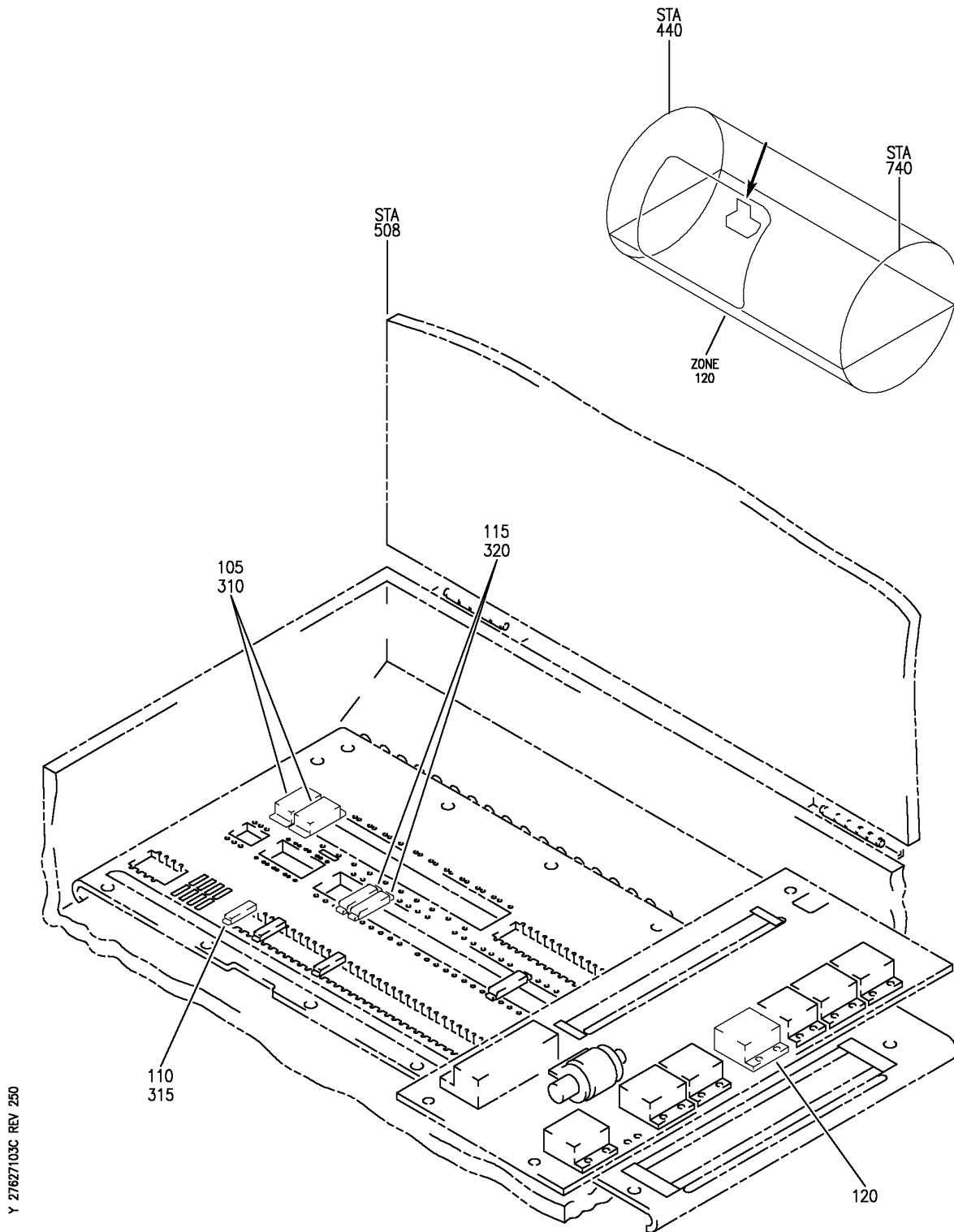
**27-62-71-03B**

BOEING PROPRIETARY - Copyright © - Unpublished Work - See title page for details.

27-62-71  
FIG. 03B  
PAGE 3  
JAN 20/09



**BOEING**  
757  
PARTS CATALOG (MAINTENANCE)



Y 27627103C REV 250

PANEL INSTL-P36 L MISC RELAY(AUTO-SPEEDBRAKE CONTROL SYSTEM ONLY)  
FIGURE 3C

**27-62-71-03C**

BRI  
JAN 20/09

27-62-71-03C  
PAGE 0



757

PARTS CATALOG (MAINTENANCE)

FIG ITEM	PART NUMBER	1 2 3 4 5 6 7	NOMENCLATURE	EFFECT FROM TO	UNITS PER ASSY
3C			PANEL INSTL-P36 L MISC RELAY(AUTO-SPEEDBRAKE CONTROL SYSTEM ONLY)	103106 108120	
- 3	284N1125-94		PANEL INSTL-P36 L MISC RELAY (AUTO-SPEEDBRAKE CONTROL SYSTEM ONLY) FOR NHA/OTHER SYS DET SEE: 24-00-58-05C	108120	RF

MISSING ITEM NUMBERS NOT APPLICABLE

- ITEM NOT ILLUSTRATED

BRI

27-62-71-03C

BOEING PROPRIETARY - Copyright © - Unpublished Work - See title page for details.

27-62-71  
FIG. 03C  
PAGE 1  
JAN 20/09



757

PARTS CATALOG (MAINTENANCE)

FIG ITEM	PART NUMBER	1 2 3 4 5 6 7	NOMENCLATURE	EFFECT FROM TO	UNITS PER ASSY
3C - 7	MODREF31944		PANEL INSTL-P36 L MISC RELAY (AUTO-SPEEDBRAKE CONTROL SYSTEM ONLY) MODULE NUMBER: 284N1125-123 REV A FOR OTHER SYS DETAILS SEE: 11-36-08-03C 21-25-71-02C 21-33-71-02C 21-51-56-01C 21-58-71-02C 23-12-00-05 23-31-54-01C 23-34-52-01C 24-21-51-01A 26-15-71-02C 26-16-71-01C 26-22-71-01C 27-48-52-03C 27-51-71-03C 27-58-71-02C 29-11-71-03C 29-21-71-01C 30-21-71-03C 30-34-51-01C 31-01-36-01 32-09-02-03C 32-35-71-01C 32-42-71-02C 32-44-71-02C 32-61-71-02C 34-12-71-02C 34-21-71-02C 34-22-52-01C 34-61-52-01C 36-11-71-02C 73-21-55-01C 74-31-71-02C 76-11-71-02C 77-12-71-01C 78-34-71-02C 78-36-71-02C 80-11-71-02C	103106	1

MISSING ITEM NUMBERS NOT APPLICABLE

- ITEM NOT ILLUSTRATED

27-62-71-03C

27-62-71  
FIG. 03C  
PAGE 2  
JAN 20/09

BRI



757

PARTS CATALOG (MAINTENANCE)

FIG ITEM	PART NUMBER	1 2 3 4 5 6 7	NOMENCLATURE	EFFECT FROM TO	UNITS PER ASSY
3C 105	E410-1537		.RELAY- SUPPLIER CODE: V99699 SPECIFICATION NUMBER: BACR13CG2A OPTIONAL PART: E415-1078 V99699 BR230S0116 V56623 KD4A017 V58687 FCA410-62 V78290 ELECTRICAL EQUIP NUMBER: K00087 K00088	103106 108120	2
110	W260F4AM11		.RELAY- SUPPLIER CODE: VF0219 SPECIFICATION NUMBER: BACR13CD2 OPTIONAL PART: BR16S233 V09026 EE4AA005 V35344 3SAV1338A2 V01526 HFW1206K03 V58614 HFW1204K01 V71482 ELECTRICAL EQUIP NUMBER: K00220	103106 108120	1

MISSING ITEM NUMBERS NOT APPLICABLE

- ITEM NOT ILLUSTRATED

**27-62-71-03C**

27-62-71  
FIG. 03C  
PAGE 3  
JAN 20/09

BRI

BOEING PROPRIETARY - Copyright © - Unpublished Work - See title page for details.



757

PARTS CATALOG (MAINTENANCE)

FIG ITEM	PART NUMBER	1 2 3 4 5 6 7	NOMENCLATURE	EFFECT FROM TO	UNITS PER ASSY
3C 115	E210-1631		.RELAY- SUPPLIER CODE: V99699 SPECIFICATION NUMBER: BACR13CF2A OPTIONAL PART: BR246S0112 V56623 FCA210-70 V78290 E215-1050 V99699 JD4A017 V35344 BR64S104 V56623 61GB19-1A320 V98927 ELECTRICAL EQUIP NUMBER: K00217 K00218	103106 108120	2
120	10167-3001BT		.RELAY-TIME DELAY SUPPLIER CODE: V08719 ELECTRICAL EQUIP NUMBER: M00963	108120	1
120	10167-3BT		.RELAY-TIME DELAY SUPPLIER CODE: V08719 ELECTRICAL EQUIP NUMBER: M00963	108120	1
120	530740-3001		.RELAY-TIME DELAY SUPPLIER CODE: V08719 ELECTRICAL EQUIP NUMBER: M00963	103106	1
120	530750-3001		.RELAY-TIME DELAY SUPPLIER CODE: V08719 ELECTRICAL EQUIP NUMBER: M00963	103106	1
- 125	NAS601-13P		.SCREW-	108120	2
- 125	BACS12CK06-13		.SCREW-	103106	2
- 130	NAS1149DN616H		.WASHER	103106 108120	2
			-----*-----		
- 300	286N1260-357		WIRE BUNDLE ASSY	108120	RF
- 301	286N1260-601		WIRE BUNDLE ASSY	103106	RF

MISSING ITEM NUMBERS NOT APPLICABLE

- ITEM NOT ILLUSTRATED

27-62-71-03C

27-62-71  
FIG. 03C  
PAGE 4  
JAN 20/09

BRI

BOEING PROPRIETARY - Copyright © - Unpublished Work - See title page for details.



757

PARTS CATALOG (MAINTENANCE)

FIG ITEM	PART NUMBER	1 2 3 4 5 6 7	NOMENCLATURE	EFFECT FROM TO	UNITS PER ASSY
3C	310 BACS16W1		.SOCKET- ELECTRICAL EQUIP NUMBER: D03194 D03196 WIRING DIAGRAM REF: 276211	103106 108120	2
	315 RSE120026		.SOCKET- SUPPLIER CODE: V58982 SPECIFICATION NUMBER: BACS16AG1 OPTIONAL PART: 451120-026 V58982 ELECTRICAL EQUIP NUMBER: D03202 WIRING DIAGRAM REF: 276211	103106 108120	1
	320 RSF116200		.SOCKET- SUPPLIER CODE: V58982 SPECIFICATION NUMBER: BACS16X1A OPTIONAL PART: 102-006-1 V09922 000300-1538 V05574 ELECTRICAL EQUIP NUMBER: D03198 D03200 WIRING DIAGRAM REF: 276211	103106 108120	2

MISSING ITEM NUMBERS NOT APPLICABLE

- ITEM NOT ILLUSTRATED

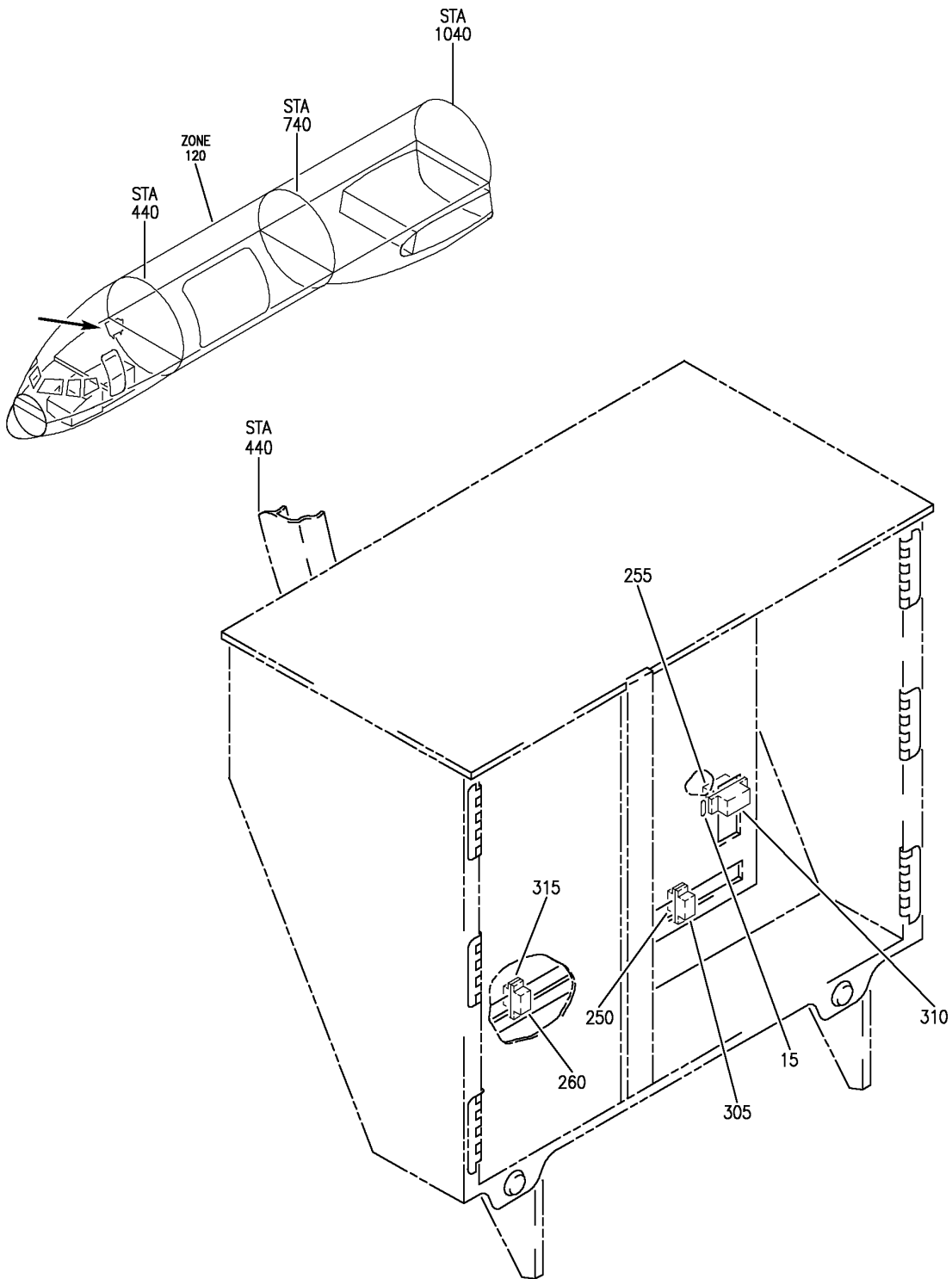
BRI

**27-62-71-03C**

BOEING PROPRIETARY - Copyright © - Unpublished Work - See title page for details.

27-62-71  
FIG. 03C  
PAGE 5  
JAN 20/09

**BOEING**  
757  
PARTS CATALOG (MAINTENANCE)



Y 27627103D REV 260

PANEL INSTL-P37 R MISC RELAY (FLIGHT CONTROLS ONLY)  
FIGURE 3D

**27-62-71-03D**

BRI  
JAN 20/09

27-62-71-03D  
PAGE 0



757

PARTS CATALOG (MAINTENANCE)

FIG ITEM	PART NUMBER	1 2 3 4 5 6 7	NOMENCLATURE	EFFECT FROM TO	UNITS PER ASSY
3D			PANEL INSTL-P37 R MISC RELAY (FLIGHT CONTROLS ONLY)	103106 108120	
- 1	MODREF185037		PANEL INSTL-P37 R MISC RELAY (FLIGHT CONTROLS ONLY) MODULE NUMBER: 284N1127-169 REV D FOR OTHER SYS DETAILS SEE: 11-36-12-02A 21-25-71-02D 21-44-71-02D 21-45-31-01D 21-51-55-01D 21-58-71-02D 21-61-71-02D 23-31-51-05 24-21-51-05 24-51-01-02 24-51-02-03 24-51-58-02D 28-22-71-03D 29-21-71-01D 30-11-71-02D 30-21-71-03D 30-31-71-02D 30-32-71-02D 30-33-71-02D 30-34-51-01D 31-01-37-10 31-31-71-02D 32-09-02-04D 32-42-71-02D 32-61-71-02D 33-43-55-01D 33-51-71-01D 34-12-71-02D 34-25-50-01D 34-61-52-01D 35-21-71-02D 36-11-71-02D 38-15-71-02D 73-21-55-01D 74-31-71-02D 76-11-71-02D 77-12-71-01D 78-34-71-02D 78-36-71-02D 80-11-71-02D	106106	1
MISSING ITEM NUMBERS NOT APPLICABLE					

- ITEM NOT ILLUSTRATED

BRI

**27-62-71-03D**

BOEING PROPRIETARY - Copyright © - Unpublished Work - See title page for details.

27-62-71  
FIG. 03D  
PAGE 1  
JAN 20/09





757

PARTS CATALOG (MAINTENANCE)

FIG ITEM	PART NUMBER	1 2 3 4 5 6 7	NOMENCLATURE	EFFECT FROM TO	UNITS PER ASSY
3D - 3	284N1127-118		PANEL INSTL-P37 R MISC RELAY (FLIGHT CONTROLS ONLY) FOR NHA/OTHER SYS DET SEE: 24-00-58-05C	108108	RF
- 4	284N1127-139		PANEL INSTL-P37 R MISC RELAY (FLIGHT CONTROLS ONLY) FOR NHA/OTHER SYS DET SEE: 24-00-58-05C	109120	RF

MISSING ITEM NUMBERS NOT APPLICABLE

- ITEM NOT ILLUSTRATED

BRI

27-62-71-03D

BOEING PROPRIETARY - Copyright © - Unpublished Work - See title page for details.

27-62-71  
FIG. 03D  
PAGE 2  
JAN 20/09



757

PARTS CATALOG (MAINTENANCE)

FIG ITEM	PART NUMBER	1 2 3 4 5 6 7	NOMENCLATURE	EFFECT FROM TO	UNITS PER ASSY
3D - 8	MODREF31945		PANEL INSTL-P37 R MISC RELAY (FLIGHT CONTROLS ONLY) MODULE NUMBER: 284N1127-169 REV B FOR OTHER SYS DETAILS SEE: 11-36-12-02A 21-25-71-02D 21-44-71-02D 21-45-31-01D 21-51-55-01D 21-58-71-02D 21-61-71-02D 23-31-51-05 24-21-51-05 24-51-01-02 24-51-02-03 24-51-58-02D 28-22-71-03D 29-21-71-01D 30-11-71-02D 30-21-71-03D 30-31-71-02D 30-32-71-02D 30-33-71-02D 30-34-51-01D 31-01-37-10 31-31-71-02D 32-09-02-04D 32-42-71-02D 32-61-71-02D 33-43-55-01D 33-51-71-01D 34-12-71-02D 34-25-50-01D 34-61-52-01D 35-21-71-02D 36-11-71-02D 38-15-71-02D 73-21-55-01D 74-31-71-02D 76-11-71-02D 77-12-71-01D 78-34-71-02D 78-36-71-02D 80-11-71-02D	103103	1

MISSING ITEM NUMBERS NOT APPLICABLE

- ITEM NOT ILLUSTRATED

BRI

27-62-71-03D

BOEING PROPRIETARY - Copyright © - Unpublished Work - See title page for details.

27-62-71  
FIG. 03D  
PAGE 3  
JAN 20/09



757

PARTS CATALOG (MAINTENANCE)

FIG ITEM	PART NUMBER	1 2 3 4 5 6 7	NOMENCLATURE	EFFECT FROM TO	UNITS PER ASSY
3D - 9	MODREF34305		PANEL INSTL-P37 R MISC RELAY (FLIGHT CONTROLS ONLY) MODULE NUMBER: 284N1127-169 REV C FOR OTHER SYS DETAILS SEE: 11-36-12-02A 21-25-71-02D 21-44-71-02D 21-45-31-01D 21-51-55-01D 21-58-71-02D 21-61-71-02D 23-31-51-05 24-21-51-05 24-51-01-02 24-51-02-03 24-51-58-02D 28-22-71-03D 29-21-71-01D 30-11-71-02D 30-21-71-03D 30-31-71-02D 30-32-71-02D 30-33-71-02D 30-34-51-01D 31-01-37-10 31-31-71-02D 32-09-02-04D 32-42-71-02D 32-61-71-02D 33-43-55-01D 33-51-71-01D 34-12-71-02D 34-25-50-01D 34-61-52-01D 35-21-71-02D 36-11-71-02D 38-15-71-02D 73-21-55-01D 74-31-71-02D 76-11-71-02D 77-12-71-01D 78-34-71-02D 78-36-71-02D 80-11-71-02D	104105	1

MISSING ITEM NUMBERS NOT APPLICABLE

- ITEM NOT ILLUSTRATED

BRI

27-62-71-03D

BOEING PROPRIETARY - Copyright © - Unpublished Work - See title page for details.

27-62-71  
FIG. 03D  
PAGE 4  
JAN 20/09



757

PARTS CATALOG (MAINTENANCE)

FIG ITEM	PART NUMBER	1 2 3 4 5 6 7	NOMENCLATURE	EFFECT FROM TO	UNITS PER ASSY
3D 250	W260F4AM11		.RELAY- SUPPLIER CODE: VF0219 SPECIFICATION NUMBER: BACR13CD2 OPTIONAL PART: BR16S233 V09026 EE4AA005 V35344 3SAV1338A2 V01526 HFW1206K03 V58614 HFW1204K01 V71482 ELECTRICAL EQUIP NUMBER: K00550	108120	1
255	E410-1537		.RELAY- SUPPLIER CODE: V99699 SPECIFICATION NUMBER: BACR13CG2A OPTIONAL PART: E415-1078 V99699 BR230S0116 V56623 KD4A017 V58687 FCA410-62 V78290 ELECTRICAL EQUIP NUMBER: K10845	108120	1
260	W460F1A		.RELAY- SUPPLIER CODE: VF0219 SPECIFICATION NUMBER: BACR13CE2 OPTIONAL PART: 3SAH5-13-4K1 V01526 3SAH1326A2 V01526 ELECTRICAL EQUIP NUMBER: K10816	103106	1
- 300	286N1270-360		WIRE BUNDLE ASSY- REWORKED BY ALERT SB: 34A0222	108120	RF

MISSING ITEM NUMBERS NOT APPLICABLE

- ITEM NOT ILLUSTRATED

27-62-71-03D

27-62-71  
FIG. 03D  
PAGE 5  
JAN 20/09

BRI



757

PARTS CATALOG (MAINTENANCE)

FIG ITEM	PART NUMBER	1 2 3 4 5 6 7	NOMENCLATURE	EFFECT FROM TO	UNITS PER ASSY
3D					
- 302	286N1270-602		WIRE BUNDLE ASSY	103106	RF
305	RSE120026		.SOCKET-	108120	1
			SUPPLIER CODE: V58982		
			SPECIFICATION NUMBER: BACS16AG1		
			OPTIONAL PART: 451120-026		
			V58982		
			ELECTRICAL EQUIP NUMBER: D03206		
			WIRING DIAGRAM REF: 276212		
310	BACS16W1		.SOCKET-	108120	1
			ELECTRICAL EQUIP NUMBER: D04199		
			WIRING DIAGRAM REF: 276111		
315	RSE120027		.SOCKET-	103106	1
			SUPPLIER CODE: V58982		
			SPECIFICATION NUMBER: BACS16AF1		
			OPTIONAL PART: 451120-027		
			V58982		
			ELECTRICAL EQUIP NUMBER: D11098		
			WIRING DIAGRAM REF: 270912		

MISSING ITEM NUMBERS NOT APPLICABLE

- ITEM NOT ILLUSTRATED

**27-62-71-03D**

27-62-71  
FIG. 03D  
PAGE 6  
JAN 20/09

BRI

BOEING PROPRIETARY - Copyright © - Unpublished Work - See title page for details.

## LIFT AUGMENTATION

BRI  
MAY 28/07

27-80-00  
SECTION TITLE  
PAGE 1

 **BOEING**  
757  
PARTS CATALOG (MAINTENANCE)

NON-ILLUSTRATED FIGURE

THE ITEMS REFLECTED IN THIS FIGURE ARE INTENTIONALLY  
NON-ILLUSTRATED. THEY ARE REFERENCED TO EITHER A  
NEXT HIGHER OR NEXT LOWER ASSEMBLY/INSTALLATION FIGURE.

MANAGEMENT COLLECTOR LEADING EDGE SLAT SYSTEMS  
FIGURE 1

**27-80-00-01**

BRI  
MAY 28/07

27-80-00-01  
PAGE 0



757

PARTS CATALOG (MAINTENANCE)

FIG ITEM	PART NUMBER	1 2 3 4 5 6 7	NOMENCLATURE	EFFECT FROM TO	UNITS PER ASSY
1			MANAGEMENT COLLECTOR LEADING EDGE SLAT SYSTEMS	101102 108120 504903	
- 1	251N0005-1000		SLAT SYSTEM-LEADING EDGE MAJOR MODEL	101102 108120 504903	1
- 1	251N0005-3000		SLAT SYSTEM-LEADING EDGE MINOR MODEL	101102 108120 504903	1
- 5	251N4006-2		.PLACARD INSTL- FOR DETAILS SEE: 11-21-23-08	101102 108120 504903	1
- 10	251N5001-11		.TUBE INSTL-TORQUE FOR DETAILS SEE: 27-81-20-02A	101102 108120 504903	1
- 15	251N5002-4		.DRIVE UNIT INSTL-LE SLAT DRIVE PWR FOR DETAILS SEE: 27-81-07-01 27-81-08-01 27-88-01-02	101102 504903	1
- 15	251N5002-5		.DRIVE UNIT INSTL-LE SLAT DRIVE PWR FOR DETAILS SEE: 27-81-07-01 27-81-08-01 27-88-01-02	108120	1
- 20	251N5005-1		.SUPPORT INSTL-LE SLAT DRIVE RIB AND INNER BODY TORQUE TUBE POSITION DATA: INBD LH FOR DETAILS SEE: 57-43-52-01	101102 108120 504903	1
- 20	251N5005-3		.SUPPORT INSTL-LE SLAT DRIVE RIB AND INNER BODY TORQUE TUBE POSITION DATA: INBD LH FOR DETAILS SEE: 57-43-52-01	101102 108120 504903	1
- 25	251N5005-2		.SUPPORT INSTL-LE SLAT DRIVE RIB AND INNER BODY TORQUE TUBE POSITION DATA: INBD RH FOR DETAILS SEE: 57-43-52-01	101102 108120 504903	1

MISSING ITEM NUMBERS NOT APPLICABLE

- ITEM NOT ILLUSTRATED

BRI

27-80-00-01

27-80-00  
FIG. 01  
PAGE 1  
JAN 20/09





757

PARTS CATALOG (MAINTENANCE)

FIG ITEM	PART NUMBER	1 2 3 4 5 6 7	NOMENCLATURE	EFFECT FROM TO	UNITS PER ASSY
1					
- 25	251N5005-4		.SUPPORT INSTL-LE SLAT DRIVE RIB AND INNER BODY TORQUE TUBE POSITION DATA: INBD RH FOR DETAILS SEE: 57-43-52-01	101102 108120 504903	1
- 30	251N5006-5		.SUPPORT INSTL-LE SLAT DRIVE ENG STRUT TORQUE TUBE POSITION DATA: L WING FOR DETAILS SEE: 27-81-20-01	101102 108120 504903	1
- 35	251N5006-6		.SUPPORT INSTL-LE SLAT DRIVE ENG STRUT TORQUE TUBE POSITION DATA: R WING FOR DETAILS SEE: 27-81-20-01	101102 108120 504903	1
- 40	251N5007-3		.GEARBOX AND SEAL INSTL- LE SLAT DRIVE ANGLE POSITION DATA: LH FOR DETAILS SEE: 27-81-15-01	101102 108120 504903	1
- 45	251N5007-4		.GEARBOX AND SEAL INSTL- LE SLAT DRIVE ANGLE POSITION DATA: RH FOR DETAILS SEE: 27-81-15-01	101102 108120 504903	1
- 50	251N5015-3		.SENSOR INSTL-LE SLAT LOSS POSITION DATA: OUTBD LH FOR DETAILS SEE: 27-81-42-01	101102 504903	1
- 50	251N5015-5		.SENSOR INSTL-LE SLAT LOSS POSITION DATA: OUTBD LH FOR DETAILS SEE: 27-81-42-01	108120	1
- 55	251N5015-4		.SENSOR INSTL-LE SLAT LOSS POSITION DATA: OUTBD RH FOR DETAILS SEE: 27-81-42-01	101102 504903	1

MISSING ITEM NUMBERS NOT APPLICABLE

- ITEM NOT ILLUSTRATED

27-80-00-01

27-80-00  
FIG. 01  
PAGE 2  
JAN 20/09

BRI



757

PARTS CATALOG (MAINTENANCE)

FIG ITEM	PART NUMBER	1 2 3 4 5 6 7	NOMENCLATURE	EFFECT FROM TO	UNITS PER ASSY
1					
- 55	251N5015-6		.SENSOR INSTL-LE SLAT LOSS POSITION DATA: OUTBD RH FOR DETAILS SEE: 27-81-42-01	108120	1
- 60	251N5017-3		.SENSOR INSTL- POSITION DATA: LH FOR DETAILS SEE: 27-81-41-01	101102 108120 504903	1
- 65	251N5017-4		.SENSOR INSTL- POSITION DATA: RH FOR DETAILS SEE: 27-81-41-01	101102 108120 504903	1
- 70	251N5014-1		.SUPPORT INSTL-SLAT DRIVE PWR UNIT POSITION DATA: LE LH FOR DETAILS SEE: 27-81-07-02	101102 108120 504903	1
-100A	251N0005-1001		SLAT SYSTEM-LEADING EDGE CUSTOM OPTIONS	101102 108120	1
-100B	251N0005-1002		SLAT SYSTEM-LEADING EDGE CUSTOM OPTIONS	504903	1
- 105	251N5003-15		.ACTUATOR INSTL-LE SLAT DRIVE ROTARY POSITION DATA: OUTBD FOR DETAILS SEE: 27-81-18-04 27-88-01-01	101102	1
- 105	251N5003-16		.ACTUATOR INSTL-LE SLAT DRIVE ROTARY POSITION DATA: OUTBD FOR DETAILS SEE: 27-81-18-04 27-88-01-01	504903	1
- 105	251N5003-21		.ACTUATOR INSTL-LE SLAT DRIVE ROTARY POSITION DATA: OUTBD FOR DETAILS SEE: 27-81-18-04 27-88-01-01	108120	1

MISSING ITEM NUMBERS NOT APPLICABLE

- ITEM NOT ILLUSTRATED

**27-80-00-01**

27-80-00  
FIG. 01  
PAGE 3  
JAN 20/09

BRI



757

PARTS CATALOG (MAINTENANCE)

FIG ITEM	PART NUMBER	1 2 3 4 5 6 7	NOMENCLATURE	EFFECT FROM TO	UNITS PER ASSY
1					
- 110	251N5004-9		.ACTUATOR INSTL-LE SLAT DRIVE ROTARY POSITION DATA: INBD FOR DETAILS SEE: 27-81-18-03	101102	1
- 110	251N5004-10		.ACTUATOR INSTL-LE SLAT DRIVE ROTARY POSITION DATA: INBD FOR DETAILS SEE: 27-81-18-03	504903	1
- 110	251N5004-15		.ACTUATOR INSTL-LE SLAT DRIVE ROTARY POSITION DATA: INBD FOR DETAILS SEE: 27-81-18-03	108120	1

MISSING ITEM NUMBERS NOT APPLICABLE

- ITEM NOT ILLUSTRATED

BRI

27-80-00-01

BOEING PROPRIETARY - Copyright © - Unpublished Work - See title page for details.

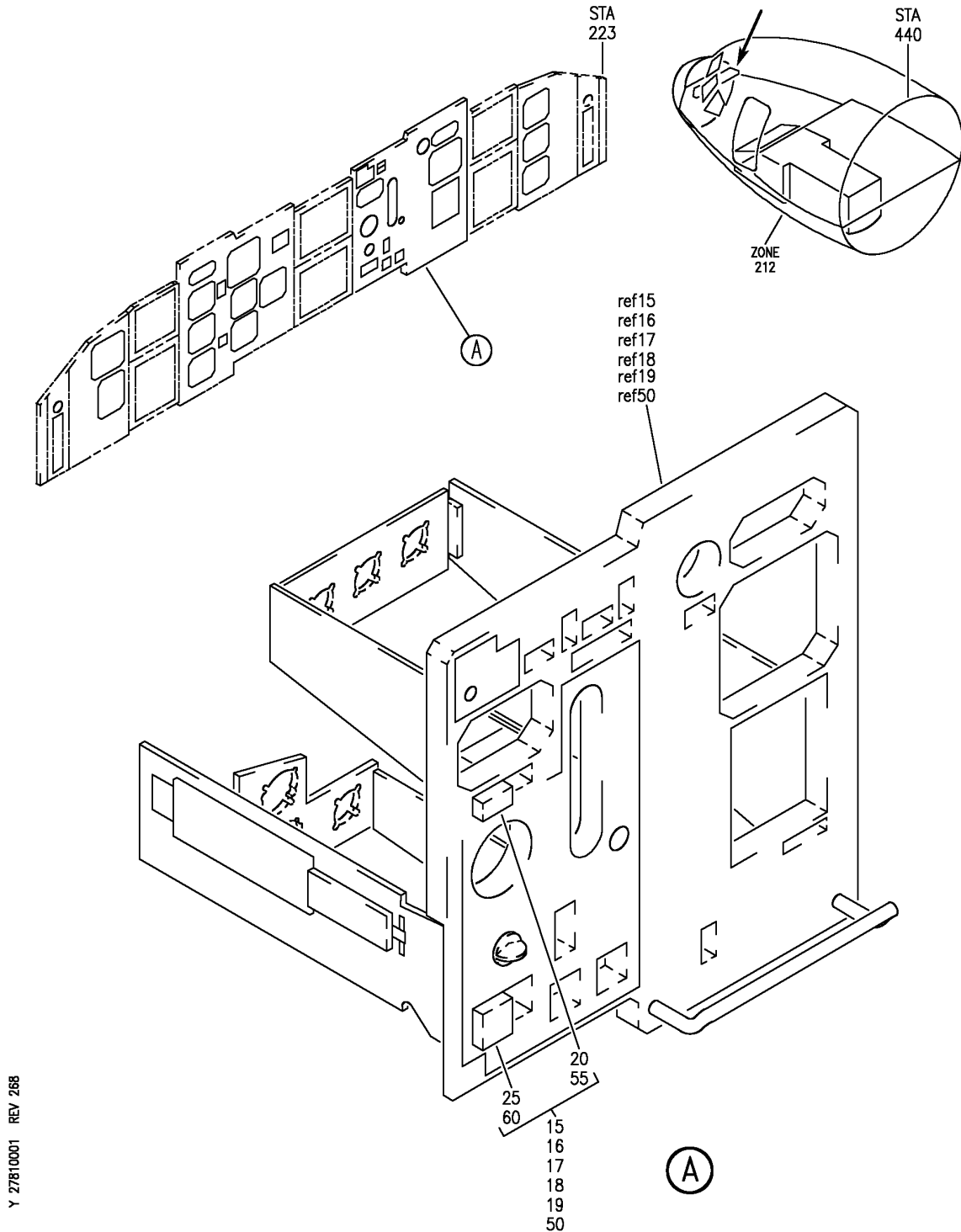
27-80-00  
FIG. 01  
PAGE 4  
JAN 20/09

## **LEADING EDGE SLATS**

**BRI**  
**MAY 28/07**

**27-81-00**  
**SECTION TITLE**  
**PAGE 1**

**BOEING**  
757  
PARTS CATALOG (MAINTENANCE)



Y 27810001 REV 268

PANEL INSTL-P3-1 (LEADING EDGE SLAT SYSTEM ONLY)  
FIGURE 1

**27-81-00-01**

BRI  
MAY 28/07

27-81-00-01  
PAGE 0



757

PARTS CATALOG (MAINTENANCE)

FIG ITEM	PART NUMBER	1 2 3 4 5 6 7	NOMENCLATURE	EFFECT FROM TO	UNITS PER ASSY
1			PANEL INSTL-P3-1 (LEADING EDGE SLAT SYSTEM ONLY)	101106 108120 504903	
- 1	233N2103-17		PANEL INSTL-P3-1 (LEADING EDGE SLAT SYSTEM ONLY) FOR NHA/OTHER SYS DET SEE: 25-10-00-15B	101101	RF
- 1	233N2103-217		PANEL INSTL-P3-1 (LEADING EDGE SLAT SYSTEM ONLY) FOR NHA/OTHER SYS DET SEE: 25-10-00-15B	102102	RF
- 1	233N2103-254		PANEL INSTL-P3-1 (LEADING EDGE SLAT SYSTEM ONLY) FOR NHA/OTHER SYS DET SEE: 25-10-00-15B	504903	RF
- 3	233N2103-371		PANEL INSTL-P3-1 (LEADING EDGE SLAT SYSTEM ONLY) FOR NHA/OTHER SYS DET SEE: 25-10-00-15B	108120	RF

MISSING ITEM NUMBERS NOT APPLICABLE

- ITEM NOT ILLUSTRATED

BRI

**27-81-00-01**

BOEING PROPRIETARY - Copyright © - Unpublished Work - See title page for details.

27-81-00  
FIG. 01  
PAGE 1  
JAN 20/09



757

PARTS CATALOG (MAINTENANCE)

FIG ITEM	PART NUMBER	1 2 3 4 5 6 7	NOMENCLATURE	EFFECT FROM TO	UNITS PER ASSY
1 - 5	MODREF31741		PANEL INSTL-P3-1 (LEADING EDGE SLAT SYSTEM ONLY) MODULE NUMBER: 233N2103-425 REV A FOR OTHER SYS DETAILS SEE: 11-31-01-38 22-11-02-03 22-14-01-03 22-31-02-01 22-34-51-02 26-17-51-05 27-51-57-03 27-58-00-02 29-21-55-02 31-11-11-19 31-11-16-01 31-11-26-38 31-25-01-03 31-41-52-02 31-51-52-02 32-35-52-03 32-41-52-02 32-42-55-03 32-46-00-01 32-61-51-03 33-13-57-01A 33-16-52-03 34-12-01-03 34-13-01-03 34-13-02-01 34-13-05-01 34-13-06-01 34-16-51-03 34-21-02-02 34-22-02-02 34-22-05-01A 34-22-06-01 34-24-01-03 34-32-00-02 34-46-51-02 34-51-02-02 34-57-00-01 34-61-01-07 34-61-02-02 77-41-01-01 79-33-51-05	103105	1

MISSING ITEM NUMBERS NOT APPLICABLE

- ITEM NOT ILLUSTRATED

BRI

# 27-81-00-01

BOEING PROPRIETARY - Copyright © - Unpublished Work - See title page for details.

27-81-00  
FIG. 01  
PAGE 2  
JAN 20/09



757

PARTS CATALOG (MAINTENANCE)

FIG ITEM	PART NUMBER	1 2 3 4 5 6 7	NOMENCLATURE	EFFECT FROM TO	UNITS PER ASSY
1 - 7	MODREF104335		PANEL INSTL-P3-1 (LEADING EDGE SLAT SYSTEM ONLY) MODULE NUMBER: 233N2103-425 REV B FOR OTHER SYS DETAILS SEE: 11-31-01-38 22-11-02-03 22-14-01-03 22-31-02-01 22-34-51-02 26-17-51-05 27-51-57-03 27-58-00-02 29-21-55-02 31-11-11-19 31-11-16-01 31-11-26-38 31-25-01-03 31-41-52-02 31-51-52-02 32-35-52-03 32-41-52-02 32-42-55-03 32-46-00-01 32-61-51-03 33-13-57-01 A 33-16-52-03 34-12-01-03 34-13-01-03 34-13-02-01 34-13-05-01 34-13-06-01 34-16-51-03 34-21-02-02 34-22-02-02 34-22-05-01 A 34-22-06-01 34-24-01-03 34-32-00-02 34-46-51-02 34-51-02-02 34-57-00-01 34-61-01-07 34-61-02-02 77-41-01-01 79-33-51-05	106106	1

MISSING ITEM NUMBERS NOT APPLICABLE

- ITEM NOT ILLUSTRATED

BRI

27-81-00-01

BOEING PROPRIETARY - Copyright © - Unpublished Work - See title page for details.

27-81-00  
FIG. 01  
PAGE 3  
JAN 20/09





757

PARTS CATALOG (MAINTENANCE)

FIG ITEM	PART NUMBER	1 2 3 4 5 6 7	NOMENCLATURE	EFFECT FROM TO	UNITS PER ASSY
1					
- 10	233N2222-301		.MODULE ASSY- COMPONENT MAINT MANUAL REF: 31-11-49 PRE ALERT SB: 33A0044	101101	RF
- 10	233N2222-321		.MODULE ASSY- COMPONENT MAINT MANUAL REF: 31-11-49 PRE ALERT SB: 33A0044	102102	RF
- 10	233N2222-326		.MODULE ASSY- COMPONENT MAINT MANUAL REF: 31-11-49 PRE ALERT SB: 33A0044	504903	RF
- 11	233N2222-329		.MODULE ASSY- COMPONENT MAINT MANUAL REF: 31-11-49 PRE ALERT SB: 33A0044	102102	RF
- 11	233N2222-334		.MODULE ASSY- COMPONENT MAINT MANUAL REF: 31-11-49 PRE ALERT SB: 33A0044	504903	RF
- 11	233N2222-342		.MODULE ASSY- COMPONENT MAINT MANUAL REF: 31-11-49 PRE ALERT SB: 33A0044	102102 108120	RF
- 11	233N2222-347		.MODULE ASSY- COMPONENT MAINT MANUAL REF: 31-11-49 PRE ALERT SB: 33A0044	504903	RF
- 12	233N2222-1342		.MODULE ASSY- COMPONENT MAINT MANUAL REF: 31-11-49 POST ALERT SB: 33A0044	102102 108120	RF
- 13	233N2222-379		.MODULE ASSY- COMPONENT MAINT MANUAL REF: 31-11-49	103106	RF
- 13	233N2222-1301		.MODULE ASSY- COMPONENT MAINT MANUAL REF: 31-11-49 POST ALERT SB: 33A0044	101101	RF

MISSING ITEM NUMBERS NOT APPLICABLE

- ITEM NOT ILLUSTRATED

27-81-00-01

27-81-00  
FIG. 01  
PAGE 4  
JAN 20/09

BRI

BOEING PROPRIETARY - Copyright © - Unpublished Work - See title page for details.



757

PARTS CATALOG (MAINTENANCE)

FIG ITEM	PART NUMBER	1 2 3 4 5 6 7	NOMENCLATURE	EFFECT FROM TO	UNITS PER ASSY
1					
- 13	233N2222-1321		.MODULE ASSY- COMPONENT MAINT MANUAL REF: 31-11-49 POST ALERT SB: 33A0044	102102	RF
- 13	233N2222-1329		.MODULE ASSY- COMPONENT MAINT MANUAL REF: 31-11-49 POST ALERT SB: 33A0044	102102	RF
- 14	233N2222-1326		.MODULE ASSY- COMPONENT MAINT MANUAL REF: 31-11-49 POST ALERT SB: 33A0044	504903	RF
- 14	233N2222-1334		.MODULE ASSY- COMPONENT MAINT MANUAL REF: 31-11-49 POST ALERT SB: 33A0044	504903	RF
- 14	233N2222-1347		.MODULE ASSY- COMPONENT MAINT MANUAL REF: 31-11-49 POST ALERT SB: 33A0044	504903	RF
15	233N2222-77		..MODULE ASSY- PRE ALERT SB: 33A0044	101101	RF
15	233N2222-100		..MODULE ASSY- USED ON: 233N2222-321 PRE ALERT SB: 33A0044	102102	RF
15	233N2222-111		..MODULE ASSY- USED ON: 233N2222-329 PRE ALERT SB: 33A0044	102102	RF
16	233N2222-105		..MODULE ASSY- USED ON: 233N2222-326 PRE ALERT SB: 33A0044	504903	RF
16	233N2222-116		..MODULE ASSY- USED ON: 233N2222-334 PRE ALERT SB: 33A0044	504903	RF

MISSING ITEM NUMBERS NOT APPLICABLE

- ITEM NOT ILLUSTRATED

27-81-00-01

27-81-00  
FIG. 01  
PAGE 5  
JAN 20/09

BRI



757

PARTS CATALOG (MAINTENANCE)

FIG ITEM	PART NUMBER	1 2 3 4 5 6 7	NOMENCLATURE	EFFECT FROM TO	UNITS PER ASSY
1					
16	233N2222-122		..MODULE ASSY- USED ON: 233N2222-342 PRE ALERT SB: 33A0044	102102 108120	RF
16	233N2222-127		..MODULE ASSY- USED ON: 233N2222-347 PRE ALERT SB: 33A0044	504903	RF
17	233N2222-1077		..MODULE ASSY- POST ALERT SB: 33A0044	101101	RF
17	233N2222-153		..MODULE ASSY-	103106	RF
18	233N2222-1100		..MODULE ASSY- USED ON: 233N2222-1321 POST ALERT SB: 33A0044	102102	RF
18	233N2222-1111		..MODULE ASSY- USED ON: 233N2222-1329 POST ALERT SB: 33A0044	102102	RF
18	233N2222-1122		..MODULE ASSY- USED ON: 233N2222-1342 POST ALERT SB: 33A0044	102102 108120	RF
18	233N2222-1105		..MODULE ASSY- USED ON: 233N2222-1326 POST ALERT SB: 33A0044	504903	RF
18	233N2222-1116		..MODULE ASSY- USED ON: 233N2222-1334 POST ALERT SB: 33A0044	504903	RF
19	233N2222-1127		..MODULE ASSY- USED ON: 233N2222-1347 POST ALERT SB: 33A0044	504903	RF

MISSING ITEM NUMBERS NOT APPLICABLE

- ITEM NOT ILLUSTRATED

27-81-00-01

27-81-00  
FIG. 01  
PAGE 6  
JAN 20/09

BRI

BOEING PROPRIETARY - Copyright © - Unpublished Work - See title page for details.



757

PARTS CATALOG (MAINTENANCE)

FIG ITEM	PART NUMBER	1 2 3 4 5 6 7	NOMENCLATURE	EFFECT FROM TO	UNITS PER ASSY
1 20	BCREF8569		...LIGHT ASSY-LE IND SUPPLIER CODE: V81590 OVERLENGTH PART NUMBER: 434-674-1031-2236 SPECIFICATION NUMBER: S231T300-2236 ELECTRICAL EQUIP NUMBER: L00433 WIRING DIAGRAM REF: 275141 OPTIONAL PART: BCREf6255 V81590 FOR DETAILS SEE: 33-14-70-03	101106 108120 504903	1
20	BCREF6255		...LIGHT ASSY-LE IND SUPPLIER CODE: V81590 OVERLENGTH PART NUMBER: 434-674-1005-1236 SPECIFICATION NUMBER: S231T300-1236 ELECTRICAL EQUIP NUMBER: L00433 WIRING DIAGRAM REF: 275141 OPTIONAL PART: BCREf8569 V81590 FOR DETAILS SEE: 33-14-70-03	101106 108120 504903	1

MISSING ITEM NUMBERS NOT APPLICABLE

- ITEM NOT ILLUSTRATED

BRI

27-81-00-01

BOEING PROPRIETARY - Copyright © - Unpublished Work - See title page for details.

27-81-00  
 FIG. 01  
 PAGE 7  
 JAN 20/09



757

PARTS CATALOG (MAINTENANCE)

FIG ITEM	PART NUMBER	1 2 3 4 5 6 7	NOMENCLATURE	EFFECT FROM TO	UNITS PER ASSY
1 25	BCREFA0501		...SWITCH ASSY-LIGHTED PUSH BUTTON ALTN SUPPLIER CODE: V81590 OVERLENGTH PART NUMBER: 433-673-1004-4001 SPECIFICATION NUMBER: S231T290-4001 MISCELLANEOUS DATA: WHEN REPLACING THE PUSHBUTTON SWITCH ASSY OR THE MASTER MODULE WITHIN, VERIFY THAT A CONFIG D MASTER MODULE P/N 13206-001 IS INSTALLED IN LIEU OF ANY EARLIER CONFIGURATION MASTER MODULES. ELECTRICAL EQUIP NUMBER: S10255 OPTIONAL PART: S231T290-5001 851-35100-5001 V81590 REFERENCE SERVICE BULLETIN: 33A0044 REWORKED BY SB: 433-33-05 V81590 FOR DETAILS SEE: 33-13-00-43	101102 108120 504903	1
25	851-30768-2001		...SWITCH ASSY-LIGHTED PUSH BUTTON ALTN SUPPLIER CODE: V96182 SPECIFICATION NUMBER: S231T290-2001 ELECTRICAL EQUIP NUMBER: S10255 FOR DETAILS SEE: 33-13-00-23	101102 108120 504903	1

MISSING ITEM NUMBERS NOT APPLICABLE

- ITEM NOT ILLUSTRATED

BRI

27-81-00-01

BOEING PROPRIETARY - Copyright © - Unpublished Work - See title page for details.

27-81-00  
FIG. 01  
PAGE 8  
JAN 20/09



757

PARTS CATALOG (MAINTENANCE)

FIG ITEM	PART NUMBER	1 2 3 4 5 6 7	NOMENCLATURE	EFFECT FROM TO	UNITS PER ASSY
1	25 851-30768-3001		...SWITCH ASSY-LIGHTED PUSH BUTTON ALTN SUPPLIER CODE: V96182 SPECIFICATION NUMBER: S231T290-3001 FOR DETAILS SEE: 33-13-00-33	101102 108120 504903	1
	25 S231T290-5001		...SWITCH ASSY-LIGHTED PUSH BUTTON IND ELECTRICAL EQUIP NUMBER: S10255 OPTIONAL PART: BCREFA0501 V81590 851-35100-5001 V81590	101102 108120 504903	1
	25 4336731004-4201		...SWITCH ASSY-LIGHTED PUSHBUTTON IND SUPPLIER CODE: V81590 SPECIFICATION NUMBER: S231T290-4201	101106 108120 504903	1
	25 851-35100-5001		...SWITCH ASSY-LIGHTED PUSHBUTTON SUPPLIER CODE: V81590 ELECTRICAL EQUIP NUMBER: S10255 OPTIONAL PART: BCREFA0501 V81590 S231T290-5001	101101	1

MISSING ITEM NUMBERS NOT APPLICABLE

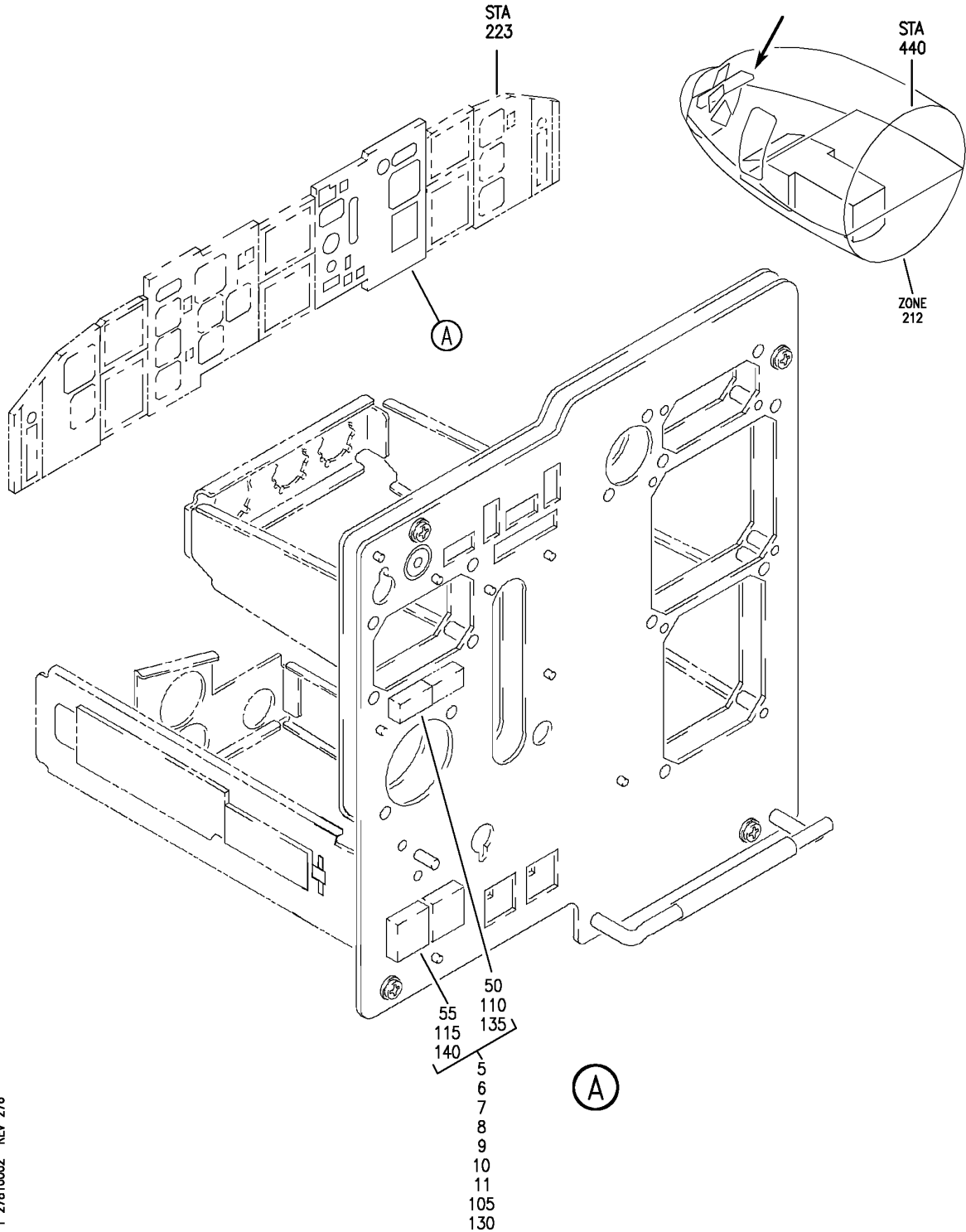
- ITEM NOT ILLUSTRATED

**27-81-00-01**

27-81-00  
FIG. 01  
PAGE 9  
JAN 20/09

BRI

**BOEING**  
757  
PARTS CATALOG (MAINTENANCE)



Y 27810002 REV 276

PANEL INSTL-CAPT AND FIRST OFFICER FWD (LE SLAT SYSTEM ONLY)  
FIGURE 2

**27-81-00-02**

BRI  
MAY 28/07

27-81-00-02  
PAGE 0



757

PARTS CATALOG (MAINTENANCE)

FIG ITEM	PART NUMBER	1 2 3 4 5 6 7	NOMENCLATURE	EFFECT FROM TO	UNITS PER ASSY
2			PANEL INSTL-CAPT AND FIRST OFFICER FWD (LE SLAT SYSTEM ONLY)	002010 107107 121503 904999	
- 1	233N2101-1		PANEL INSTL-CAPT AND FIRST OFFICER FWD (LE SLAT SYSTEM ONLY) VARIABLE DRAWING REF: 233N2101-5003 233N2101-5004 233N2101-5037 233N2101-5039 233N2101-5041 FOR NHA/OTHER SYS DET SEE: 25-10-00-05A	002004 006010 107107 121503 904999	RF
5	233N2222-53		.MODULE ASSY-P3-1 PRE ALERT SB: 33A0044	107107	RF
6	233N2222-77		.MODULE ASSY-P3-1 PRE SERVICE BULLETIN: 34-0200 PRE ALERT SB: 33A0044	002004 006010 950999	RF
7	233N2222-85		.MODULE ASSY-P3-1 PRE ALERT SB: 33A0044R1	121503 904949	RF
7	233N2222-1077		.MODULE ASSY-P3-1 POST ALERT SB: 33A0044	002010 950951 953999	RF
10	233N2222-1053		.MODULE ASSY-P3-1 POST ALERT SB: 33A0044	107107	RF
11	233N2222-1085		.MODULE ASSY-P3-1 POST ALERT SB: 33A0044R1	121503 904949	RF
50	BCREF8569		..LIGHT ASSY-LEADING EDGE IND SUPPLIER CODE: V81590 OVERLENGTH PART NUMBER: 434-674-1031-2236 SPECIFICATION NUMBER: S231T300-2236 ELECTRICAL EQUIP NUMBER: L00433 OPTIONAL PART: BCREF6255 V81590 USED ON:	002010 107107 121503 904999	1

MISSING ITEM NUMBERS NOT APPLICABLE

- ITEM NOT ILLUSTRATED

27-81-00-02

27-81-00  
FIG. 02  
PAGE 1  
JAN 20/09

BRI





757

PARTS CATALOG (MAINTENANCE)

FIG ITEM	PART NUMBER	1 2 3 4 5 6 7	NOMENCLATURE	EFFECT FROM TO	UNITS PER ASSY
2			233N2222-49 233N2222-50 233N2222-51 233N2222-52 233N2222-53 233N2222-54 233N2222-55 233N2222-56 233N2222-58 233N2222-59 233N2222-61 233N2222-68 233N2222-73 233N2222-74 233N2222-75 233N2222-76 233N2222-77 233N2222-78 233N2222-79 233N2222-80 233N2222-81 233N2222-82 233N2222-83 233N2222-85 233N2222-86 233N2222-87 233N2222-89 233N2222-90 233N2222-91 233N2222-114 233N2222-1050 233N2222-1051 233N2222-1052 233N2222-1053 233N2222-1054 233N2222-1055 233N2222-1056 233N2222-1058 233N2222-1059 233N2222-1061 233N2222-1073 233N2222-1074 233N2222-1075 233N2222-1076 233N2222-1077 233N2222-1078 233N2222-1080 233N2222-1081 233N2222-1082		

MISSING ITEM NUMBERS NOT APPLICABLE

- ITEM NOT ILLUSTRATED

BRI

27-81-00-02

BOEING PROPRIETARY - Copyright © - Unpublished Work - See title page for details.

27-81-00  
FIG. 02  
PAGE 2  
JAN 20/09

 **BOEING**  
757  
**PARTS CATALOG (MAINTENANCE)**

FIG ITEM	PART NUMBER	1 2 3 4 5 6 7	NOMENCLATURE	EFFECT FROM TO	UNITS PER ASSY
2			233N2222-1083 233N2222-1085 233N2222-1086 233N2222-1089 233N2222-1090 233N2222-1091 233N2222-1103 PRE SERVICE BULLETIN: 34-0200 FOR DETAILS SEE: 33-14-70-03 ..LIGHT ASSY-LEADING EDGE IND SUPPLIER CODE: V81590 OVERLENGTH PART NUMBER: 434-674-1005-1236 SPECIFICATION NUMBER: S231T300-1236 ELECTRICAL EQUIP NUMBER: L00433 OPTIONAL PART: BCREf8569 V81590 USED ON: 233N2222-16 233N2222-18 233N2222-19 233N2222-20 233N2222-32 233N2222-34 233N2222-36 233N2222-37 233N2222-40 233N2222-43 233N2222-44 233N2222-45 233N2222-46 233N2222-49 233N2222-50 233N2222-51 233N2222-52 233N2222-53 233N2222-54 233N2222-55 233N2222-56 233N2222-58 233N2222-59 233N2222-61		
50	BCREf6255		..LIGHT ASSY-LEADING EDGE IND SUPPLIER CODE: V81590 OVERLENGTH PART NUMBER: 434-674-1005-1236 SPECIFICATION NUMBER: S231T300-1236 ELECTRICAL EQUIP NUMBER: L00433 OPTIONAL PART: BCREf8569 V81590 USED ON: 233N2222-16 233N2222-18 233N2222-19 233N2222-20 233N2222-32 233N2222-34 233N2222-36 233N2222-37 233N2222-40 233N2222-43 233N2222-44 233N2222-45 233N2222-46 233N2222-49 233N2222-50 233N2222-51 233N2222-52 233N2222-53 233N2222-54 233N2222-55 233N2222-56 233N2222-58 233N2222-59 233N2222-61	002010 107107 121503 904999	1

MISSING ITEM NUMBERS NOT APPLICABLE

— ITEM NOT ILLUSTRATED

BRI

# 27-81-00-02

BOEING PROPRIETARY - Copyright © - Unpublished Work - See title page for details.

27-81-00  
FIG. 02  
PAGE 3  
JAN 20/09



757

PARTS CATALOG (MAINTENANCE)

FIG ITEM	PART NUMBER	1 2 3 4 5 6 7	NOMENCLATURE	EFFECT FROM TO	UNITS PER ASSY
2			233N2222-68 233N2222-73 233N2222-74 233N2222-75 233N2222-76 233N2222-77 233N2222-78 233N2222-79 233N2222-80 233N2222-81 233N2222-82 233N2222-83 233N2222-85 233N2222-86 233N2222-87 233N2222-89 233N2222-90 233N2222-91 233N2222-114 233N2222-1016 233N2222-1019 233N2222-1032 233N2222-1034 233N2222-1036 233N2222-1037 233N2222-1040 233N2222-1043 233N2222-1044 233N2222-1045 233N2222-1046 233N2222-1050 233N2222-1051 233N2222-1052 233N2222-1053 233N2222-1054 233N2222-1055 233N2222-1056 233N2222-1058 233N2222-1059 233N2222-1061 233N2222-1073 233N2222-1074 233N2222-1075 233N2222-1076 233N2222-1077 233N2222-1078 233N2222-1080 233N2222-1081 233N2222-1082		

MISSING ITEM NUMBERS NOT APPLICABLE

- ITEM NOT ILLUSTRATED

BRI

27-81-00-02

BOEING PROPRIETARY - Copyright © - Unpublished Work - See title page for details.

27-81-00  
FIG. 02  
PAGE 4  
JAN 20/09



757

PARTS CATALOG (MAINTENANCE)

FIG ITEM	PART NUMBER	1 2 3 4 5 6 7 NOMENCLATURE	EFFECT FROM TO	UNITS PER ASSY
2		233N2222-1083 233N2222-1085 233N2222-1086 233N2222-1089 233N2222-1090 233N2222-1091 233N2222-1103 PRE SERVICE BULLETIN: 34-0200 FOR DETAILS SEE: 33-14-70-03 ..SWITCH ASSY-LIGHTED PUSH BUTTON IND ALTN SUPPLIER CODE: V81590 OVERLENGTH PART NUMBER: 433-673-1001-1001 SPECIFICATION NUMBER: S231T290-1001 MISCELLANEOUS DATA: WHEN REPLACING THE PUSHBUTTON SWITCH ASSY OR THE MASTER MODULE WITHIN, VERIFY THAT A CONFIG D MASTER MODULE P/N 13206-001 IS INSTALLED IN LIEU OF ANY EARLIER CONFIGURATION MASTER MODULES. ELECTRICAL EQUIP NUMBER: S10255 REFERENCE SERVICE BULLETIN: 33A0044 REWORKED BY SB: 433-33-05 V81590 FOR DETAILS SEE: 33-13-00-13	107107	1
	55 BCRE7679			

MISSING ITEM NUMBERS NOT APPLICABLE

- ITEM NOT ILLUSTRATED

BRI

27-81-00-02

BOEING PROPRIETARY - Copyright © - Unpublished Work - See title page for details.

27-81-00  
 FIG. 02  
 PAGE 5  
 JAN 20/09



757

PARTS CATALOG (MAINTENANCE)

FIG ITEM	PART NUMBER	1 2 3 4 5 6 7	NOMENCLATURE	EFFECT FROM TO	UNITS PER ASSY
2 55	BCREFA0501		.. SWITCH ASSY-LIGHTED PUSH BUTTON IND ALTN SUPPLIER CODE: V81590 OVERLENGTH PART NUMBER: 433-673-1004-4001 SPECIFICATION NUMBER: S231T290-4001 MISCELLANEOUS DATA: WHEN REPLACING THE PUSHBUTTON SWITCH ASSY OR THE MASTER MODULE WITHIN, VERIFY THAT A CONFIG D MASTER MODULE P/N 13206-001 IS INSTALLED IN LIEU OF ANY EARLIER CONFIGURATION MASTER MODULES. ELECTRICAL EQUIP NUMBER: S10255 OPTIONAL PART: S231T290-5001 REFERENCE SERVICE BULLETIN: 33A0044 REWORKED BY SB: 433-33-05 V81590 PRE SERVICE LETTER: 33-027 FOR DETAILS SEE: 33-13-00-43	002010 107107 121503 904999	1
55	851-30768-2001		.. SWITCH ASSY-LIGHTED PUSH BUTTON IND ALTN SUPPLIER CODE: V96182 SPECIFICATION NUMBER: S231T290-2001 ELECTRICAL EQUIP NUMBER: S10255 FOR DETAILS SEE: 33-13-00-23	002010 107107 121503 904999	1

MISSING ITEM NUMBERS NOT APPLICABLE

- ITEM NOT ILLUSTRATED

BRI

27-81-00-02

BOEING PROPRIETARY - Copyright © - Unpublished Work - See title page for details.

27-81-00  
FIG. 02  
PAGE 6  
JAN 20/09



757

PARTS CATALOG (MAINTENANCE)

FIG ITEM	PART NUMBER	1 2 3 4 5 6 7	NOMENCLATURE	EFFECT FROM TO	UNITS PER ASSY
2					
55	851-30768-3001	..	SWITCH ASSY-LIGHTED PUSH BUTTON IND ALTN SUPPLIER CODE: V96182 SPECIFICATION NUMBER: S231T290-3001 OPTIONAL PART: S231T290-5001 FOR DETAILS SEE: 33-13-00-33	002010 107107 121503 904999	1
55	S231T290-5001	..	SWITCH ASSY-LIGHTED PUSH BUTTON IND ELECTRICAL EQUIP NUMBER: S10255 OPTIONAL PART: BCREFA0501 V81590 851-30768-3001 V96182 PRE SERVICE BULLETIN: 34-0200	002010 107107 121503 904999	1
55	4336731004-4201	..	SWITCH ASSY-LIGHTED PUSHBUTTON IND SUPPLIER CODE: V81590 SPECIFICATION NUMBER: S231T290-4201 ELECTRICAL EQUIP NUMBER: S10255 POST SERVICE LETTER: 33-027	002010 107107 121503 904999	1
- 100	233N2222-329	.MODULE ASSY-P3-1 COMPONENT MAINT MANUAL REF: 31-11-49 POST SERVICE BULLETIN: 34-0200 PRE ALERT SB: 33A0044		952952	RF
- 100	233N2222-1329	.MODULE ASSY-P3-1 COMPONENT MAINT MANUAL REF: 31-11-49 POST ALERT SB: 33A0044		952952	RF
105	233N2222-111	..MODULE ASSY- PRE ALERT SB: 33A0044		952952	RF
105	233N2222-1111	..MODULE ASSY- POST ALERT SB: 33A0044		952952	RF

MISSING ITEM NUMBERS NOT APPLICABLE

- ITEM NOT ILLUSTRATED

27-81-00-02

27-81-00  
FIG. 02  
PAGE 7  
JAN 20/09

BRI



757

PARTS CATALOG (MAINTENANCE)

FIG ITEM	PART NUMBER	1 2 3 4 5 6 7	NOMENCLATURE	EFFECT FROM TO	UNITS PER ASSY
2 110	BCREF8569		...LIGHT ASSY-LEADING EDGE IND SUPPLIER CODE: V81590 OVERLENGTH PART NUMBER: 434-674-1031-2236 SPECIFICATION NUMBER: S231T300-2236 ELECTRICAL EQUIP NUMBER: L00433 POST SERVICE BULLETIN: 34-0200 FOR DETAILS SEE: 33-14-70-03	952952	1
110	BCREF6255		...LIGHT ASSY-LEADING EDGE IND SUPPLIER CODE: V81590 OVERLENGTH PART NUMBER: 434-674-1005-1236 SPECIFICATION NUMBER: S231T300-1236 ELECTRICAL EQUIP NUMBER: L00433 FOR DETAILS SEE: 33-14-70-03	952952	1

MISSING ITEM NUMBERS NOT APPLICABLE

- ITEM NOT ILLUSTRATED

BRI

27-81-00-02

BOEING PROPRIETARY - Copyright © - Unpublished Work - See title page for details.

27-81-00  
FIG. 02  
PAGE 8  
JAN 20/09



757

PARTS CATALOG (MAINTENANCE)

FIG ITEM	PART NUMBER	1 2 3 4 5 6 7	NOMENCLATURE	EFFECT FROM TO	UNITS PER ASSY
2 115	BCREFA0501		...SWITCH ASSY-LIGHTED PUSH BUTTON IND ALTN SUPPLIER CODE: V81590 OVERLENGTH PART NUMBER: 433-673-1004-4001 SPECIFICATION NUMBER: S231T290-4001 MISCELLANEOUS DATA: WHEN REPLACING THE PUSHBUTTON SWITCH ASSY OR THE MASTER MODULE WITHIN, VERIFY THAT A CONFIG D MASTER MODULE P/N 13206-001 IS INSTALLED IN LIEU OF ANY EARLIER CONFIGURATION MASTER MODULES. ELECTRICAL EQUIP NUMBER: S10255 POST SERVICE BULLETIN: 34-0200 REFERENCE SERVICE BULLETIN: 33A0044 REWORKED BY SB: 433-33-05 V81590 FOR DETAILS SEE: 33-13-00-43	952952	1
115	4336731004-4201		...SWITCH ASSY-LIGHTED PUSHBUTTON IND SUPPLIER CODE: V81590 SPECIFICATION NUMBER: S231T290-4201 ELECTRICAL EQUIP NUMBER: S10567	952952	1

MISSING ITEM NUMBERS NOT APPLICABLE

- ITEM NOT ILLUSTRATED

BRI

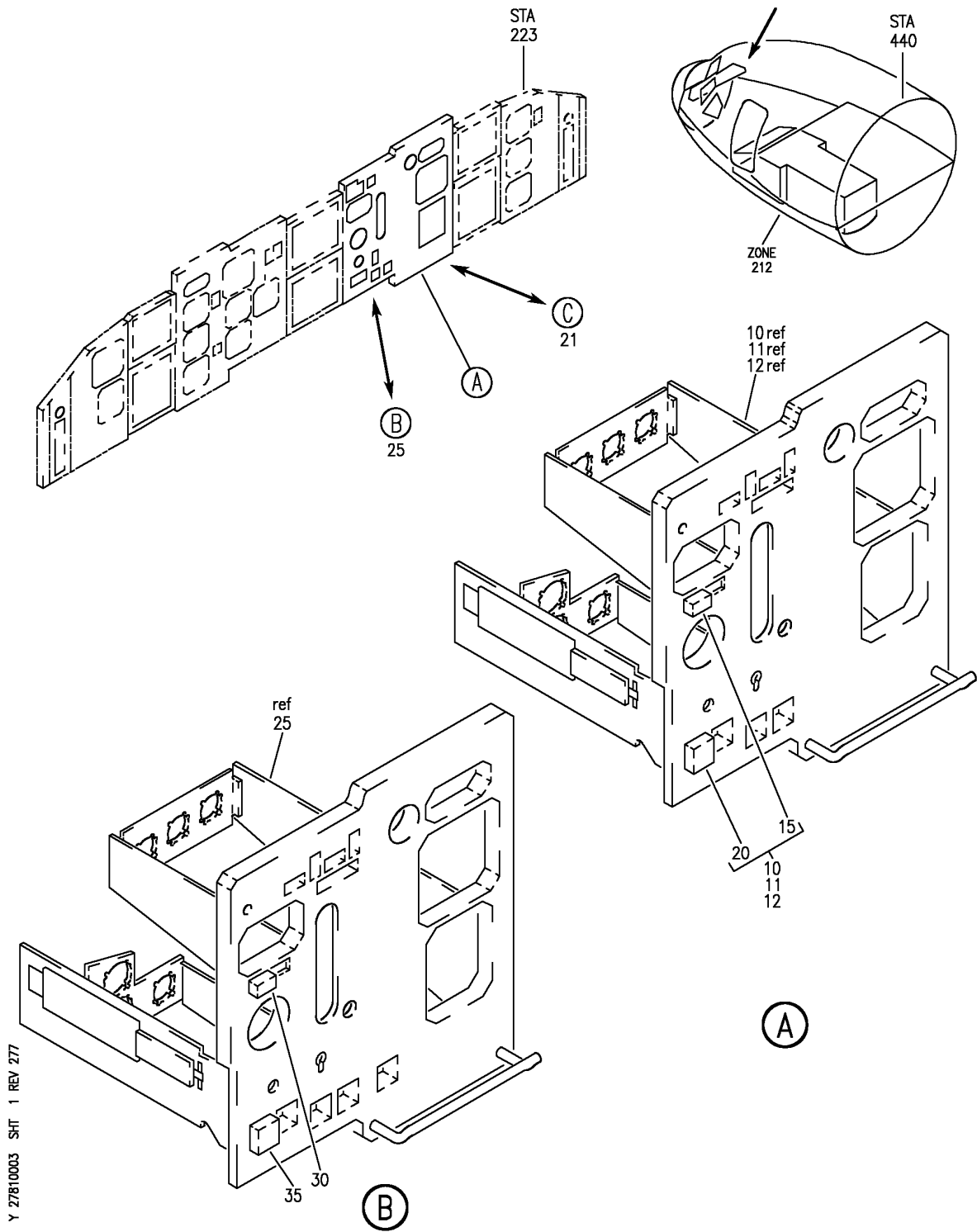
27-81-00-02

BOEING PROPRIETARY - Copyright © - Unpublished Work - See title page for details.

27-81-00  
 FIG. 02  
 PAGE 9  
 JAN 20/09



**BOEING**  
757  
PARTS CATALOG (MAINTENANCE)



Y 27810003 SH1 1 REV 277

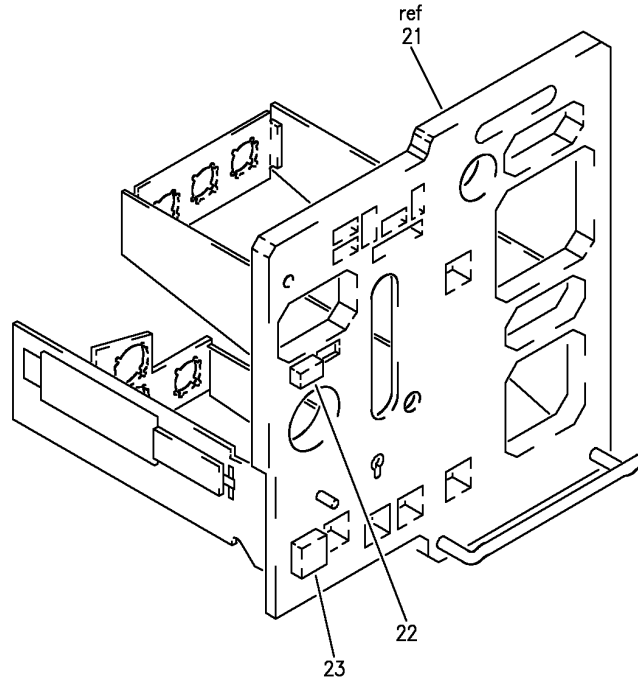
PANEL INSTL-CAPT AND FIRST OFFICER FWD (LEADING EDGE SLAT SYSTEM ONLY)  
FIGURE 3 (SHEET 1)

**27-81-00-03**

BRI  
MAY 28/07

27-81-00-03  
PAGE 0

**BOEING**  
757  
PARTS CATALOG (MAINTENANCE)



Ⓒ

Y 27810003 SH1 2 REV 268

PANEL INSTL-CAPT AND FIRST OFFICER FWD (LEADING EDGE SLAT SYSTEM ONLY)  
FIGURE 3 (SHEET 2)

BRI  
MAY 28/07

**27-81-00-03**

27-81-00-03  
PAGE 0A

BOEING PROPRIETARY - Copyright © - Unpublished Work - See title page for details.



757

PARTS CATALOG (MAINTENANCE)

FIG ITEM	PART NUMBER	1 2 3 4 5 6 7	NOMENCLATURE	EFFECT FROM TO	UNITS PER ASSY
3			PANEL INSTL-CAPT AND FIRST OFFICER FWD (LEADING EDGE SLAT SYSTEM ONLY)	011100	
- 1	233N2101-1		PANEL INSTL-CAPT AND FIRST OFFICER (LEADING EDGE SLAT SYSTEM ONLY) POSITION DATA: FWD VARIABLE DRAWING REF: 233N2101-5039 FOR NHA/OTHER SYS DET SEE: 25-10-00-05A	011100	RF
- 5	233N2222-301		.MODULE ASSY-P3-1 COMPONENT MAINT MANUAL REF: 31-11-49 PRE ALERT SB: 33A0044	011100	RF
- 5	233N2222-1301		.MODULE ASSY-P3-1 COMPONENT MAINT MANUAL REF: 31-11-49 POST ALERT SB: 33A0044	011100	RF
10	233N2222-77		..MODULE ASSY- PRE ALERT SB: 33A0044	011100	RF
10	233N2222-1077		..MODULE ASSY- POST ALERT SB: 33A0044	011100	RF

MISSING ITEM NUMBERS NOT APPLICABLE

- ITEM NOT ILLUSTRATED

BRI

27-81-00-03

BOEING PROPRIETARY - Copyright © - Unpublished Work - See title page for details.

27-81-00  
FIG. 03  
PAGE 1  
JAN 20/09



757

PARTS CATALOG (MAINTENANCE)

FIG ITEM	PART NUMBER	1 2 3 4 5 6 7 NOMENCLATURE	EFFECT FROM TO	UNITS PER ASSY
3 15	BCREF8569	...LIGHT ASSY-LEADING EDGE IND SUPPLIER CODE: V81590 OVERLENGTH PART NUMBER: 434-674-1031-2236 SPECIFICATION NUMBER: S231T300-2236 ELECTRICAL EQUIP NUMBER: L00433 OPTIONAL PART: BCREf6255 V81590 USED ON: 233N2222-77 233N2222-78 233N2222-80 233N2222-82 233N2222-87 233N2222-89 233N2222-90 233N2222-91 233N2222-93 233N2222-94 233N2222-114 233N2222-1077 233N2222-1078 233N2222-1080 233N2222-1082 233N2222-1089 233N2222-1090 233N2222-1091 233N2222-1093 233N2222-1094 233N2222-1103 FOR DETAILS SEE: 33-14-70-03	011100	1

MISSING ITEM NUMBERS NOT APPLICABLE

- ITEM NOT ILLUSTRATED

BRI

27-81-00-03

BOEING PROPRIETARY - Copyright © - Unpublished Work - See title page for details.

27-81-00  
FIG. 03  
PAGE 2  
JAN 20/09



757

PARTS CATALOG (MAINTENANCE)

FIG ITEM	PART NUMBER	1 2 3 4 5 6 7 NOMENCLATURE	EFFECT FROM TO	UNITS PER ASSY
3 15	BCREF6255	...LIGHT ASSY-LEADING EDGE IND SUPPLIER CODE: V81590 OVERLENGTH PART NUMBER: 434-674-1005-1236 SPECIFICATION NUMBER: S231T300-1236 ELECTRICAL EQUIP NUMBER: L00433 OPTIONAL PART: BCREP8569 V81590 USED ON: 233N2222-77 233N2222-78 233N2222-80 233N2222-82 233N2222-87 233N2222-89 233N2222-90 233N2222-91 233N2222-93 233N2222-94 233N2222-114 233N2222-1077 233N2222-1078 233N2222-1080 233N2222-1082 233N2222-1089 233N2222-1090 233N2222-1091 233N2222-1093 233N2222-1094 233N2222-1103 FOR DETAILS SEE: 33-14-70-03	011100	1

MISSING ITEM NUMBERS NOT APPLICABLE

- ITEM NOT ILLUSTRATED

BRI

27-81-00-03

BOEING PROPRIETARY - Copyright © - Unpublished Work - See title page for details.

27-81-00  
FIG. 03  
PAGE 3  
JAN 20/09



757

PARTS CATALOG (MAINTENANCE)

FIG ITEM	PART NUMBER	1 2 3 4 5 6 7	NOMENCLATURE	EFFECT FROM TO	UNITS PER ASSY
3 20	BCREFA0501		...SWITCH ASSY-LIGHTED PUSH BUTTON IND ALTN SUPPLIER CODE: V81590 OVERLENGTH PART NUMBER: 433-673-1004-4001 SPECIFICATION NUMBER: S231T290-4001 MISCELLANEOUS DATA: WHEN REPLACING THE PUSHBUTTON SWITCH ASSY OR THE MASTER MODULE WITHIN, VERIFY THAT A CONFIG D MASTER MODULE P/N 13206-001 IS INSTALLED IN LIEU OF ANY EARLIER CONFIGURATION MASTER MODULES. ELECTRICAL EQUIP NUMBER: S10255 OPTIONAL PART: S231T290-5001 REFERENCE SERVICE BULLETIN: 33A0044 REWORKED BY SB: 433-33-05 V81590 FOR DETAILS SEE: 33-13-00-43	011100	1
20	851-30768-2001		...SWITCH ASSY-LIGHTED PUSH BUTTON IND ALTN SUPPLIER CODE: V96182 SPECIFICATION NUMBER: S231T290-2001 ELECTRICAL EQUIP NUMBER: S10255 FOR DETAILS SEE: 33-13-00-23	011100	1
20	851-30768-3001		...SWITCH ASSY-LIGHTED PUSH BUTTON IND ALTN SUPPLIER CODE: V96182 SPECIFICATION NUMBER: S231T290-3001 FOR DETAILS SEE: 33-13-00-33	011100	1

MISSING ITEM NUMBERS NOT APPLICABLE

- ITEM NOT ILLUSTRATED

27-81-00-03

27-81-00  
FIG. 03  
PAGE 4  
JAN 20/09

BRI



757

PARTS CATALOG (MAINTENANCE)

FIG ITEM	PART NUMBER	1 2 3 4 5 6 7	NOMENCLATURE	EFFECT FROM TO	UNITS PER ASSY
3					
20	S231T290-5001		...SWITCH ASSY-LIGHTED PUSH BUTTON IND ELECTRICAL EQUIP NUMBER: S10255 OPTIONAL PART: BCREFA0501 V81590	011100	1
20	4336731004-4201		...SWITCH ASSY-LIGHTED PUSH BUTTON IND ALTN SUPPLIER CODE: V81590 SPECIFICATION NUMBER: S231T290-4201 ELECTRICAL EQUIP NUMBER: S10255	011100	1

MISSING ITEM NUMBERS NOT APPLICABLE

- ITEM NOT ILLUSTRATED

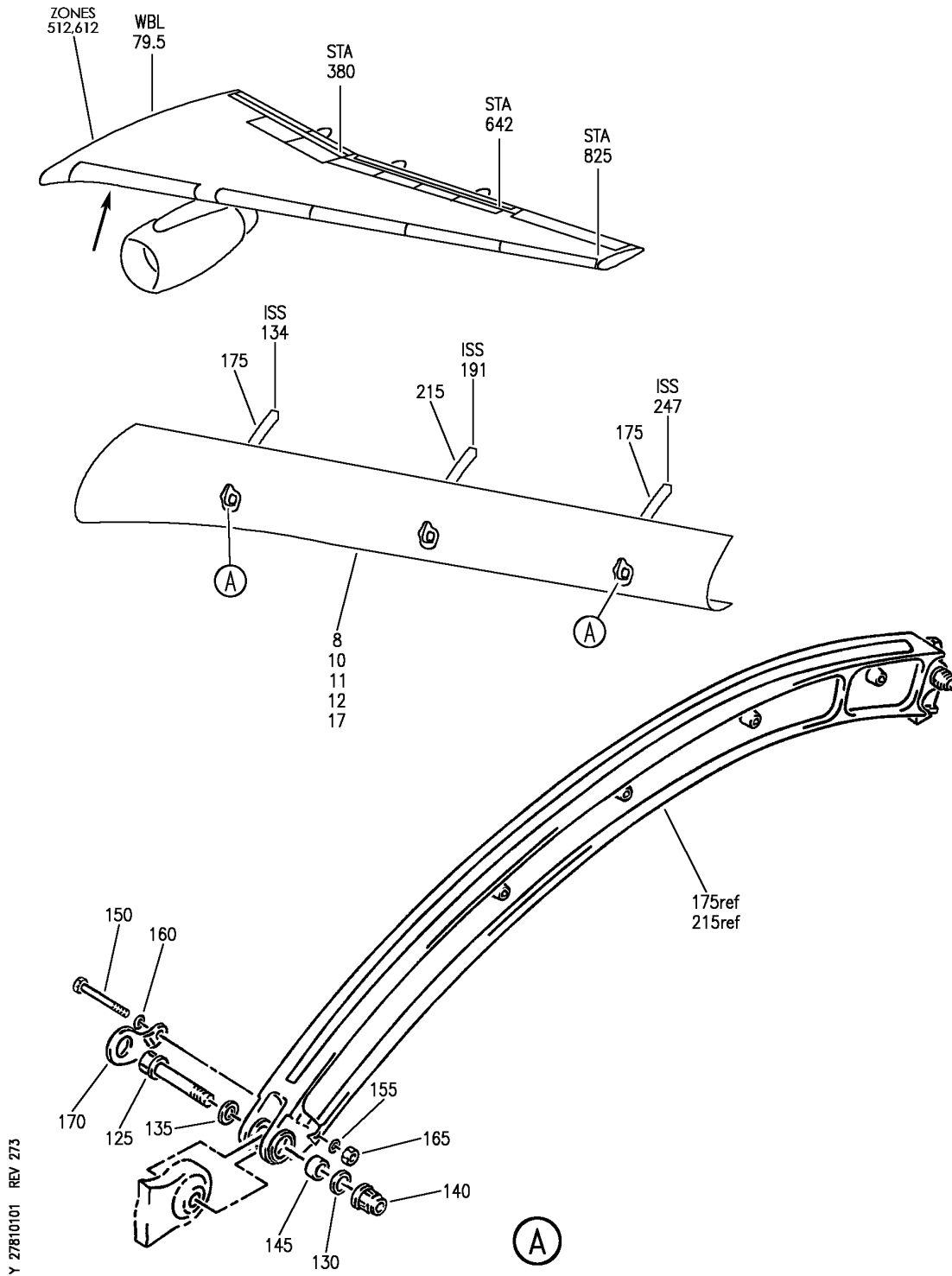
BRI

27-81-00-03

BOEING PROPRIETARY - Copyright © - Unpublished Work - See title page for details.

27-81-00  
FIG. 03  
PAGE 5  
JAN 20/09

**BOEING**  
757  
PARTS CATALOG (MAINTENANCE)



SLAT INSTL-WING LE NO. 5 AND NO. 6 INBD  
FIGURE 1

**27-81-01-01**

BRI  
MAY 28/07

27-81-01-01  
PAGE 0





757

PARTS CATALOG (MAINTENANCE)

FIG ITEM	PART NUMBER	1 2 3 4 5 6 7	NOMENCLATURE	EFFECT FROM TO	UNITS PER ASSY
1			SLAT INSTL-WING LE NO. 5 AND NO. 6 INBD	002004 006101 107107 121503 904999	
- 1	114N3001-1		SLAT INSTL-WING LE NO. 5 POSITION DATA: INBD LH FOR NHA SEE: 57-00-00-01	002004 006100 107107 121503 904999	RF
- 1	114N3001-403		SLAT INSTL-WING LE NO. 5 POSITION DATA: INBD LH FOR NHA SEE: 57-00-00-10	101101	RF
- 5	114N3001-2		SLAT INSTL-WING LE NO. 6 POSITION DATA: INBD RH FOR NHA SEE: 57-00-00-01	002004 006100 107107 121503 904999	RF
- 5	114N3001-410		SLAT INSTL-WING LE NO. 6 POSITION DATA: INBD RH FOR NHA SEE: 57-00-00-10	101101	RF
8	012N8892-119SP		.SLAT ASSY- POSITION DATA: LH SIDE POST SERVICE BULLETIN: 27-0117R1 FOR DETAILS SEE: 27-81-01-01A	950951	1
- 9	012N8892-120SP		.SLAT ASSY- POSITION DATA: RH SIDE POST SERVICE BULLETIN: 27-0117R1 FOR DETAILS SEE: 27-81-01-01A	950951	1
10	114N3002-119SP		.SLAT ASSY- POSITION DATA: LH SIDE COMPONENT MAINT MANUAL REF: 57-43-38 QUALIFIED I/W DATA: -165SP CAN REPLACE -127SP OR -123SP OR -119SP OR -103SP OR -101 IF FIXED LEADING EDGE IS	002004 006100 121503 904949 952999	1

MISSING ITEM NUMBERS NOT APPLICABLE

- ITEM NOT ILLUSTRATED

27-81-01-01

27-81-01  
FIG. 01  
PAGE 1  
JAN 20/09

BRI

 **BOEING**  
757  
**PARTS CATALOG (MAINTENANCE)**

FIG ITEM	PART NUMBER	1 2 3 4 5 6 7 NOMENCLATURE	EFFECT FROM TO	UNITS PER ASSY
1		<p>REWORKED PER S/B 757-27-0117 AND IF CUSTOMER ACCEPTS WEIGHT PENALTY -167SP CAN REPLACE -127SP OR -123SP OR -119SP OR -103SP OR -101 IF FIXED LEADING EDGE IS REWORKED PER S/B 757-27-0117 AND IF CUSTOMER ACCEPTS WEIGHT PENALTY 114N3002-119SP INTERCHANGEABLE WITH 114N3002-73 OR -63 IF SERVICE BULLETIN 757-27-0094 IS INCORPORATED ON -63 OR -73 SLAT 114N3002-119SP INTERCHANGEABLE WITH 114N3002-131SP OR -141SP OR -147SP IF SERVICE BULLETIN 757-27-0117 IS INCORPORATED ON -119SP SLAT 114N3002-119SP INTERCHANGEABLE WITH 114N3002-145SP OR -155SP IF SERVICE BULLETIN 757-27-0117 IS INCORPORATED ON -119SP SLAT 114N3002-151SP CAN REPLACE BUT NOT BE REPLACED BY 114N3002-119SP IF FIXED LEADING EDGE IS REWORKED PER S/B 757-27-0117 114N3002-157SP CAN REPLACE BUT NOT BE REPLACED BY 114N3002-119SP IF FIXED LEADING EDGE IS REWORKED PER S/B 757-27-0117 114N3002-161SP CAN REPLACE BUT NOT BE REPLACED BY</p>		

MISSING ITEM NUMBERS NOT APPLICABLE

— ITEM NOT ILLUSTRATED

BRI

# 27-81-01-01

27-81-01  
FIG. 01  
PAGE 2  
JAN 20/09

 **BOEING**  
757  
**PARTS CATALOG (MAINTENANCE)**

FIG ITEM	PART NUMBER	1 2 3 4 5 6 7	NOMENCLATURE	EFFECT FROM TO	UNITS PER ASSY
1			114N3002-119SP IF FIXED LEADING EDGE IS REWORKED PER S/B 757-27-0117 FOR SPARES PROCURE: 114N3002-121SP REWORKED BY SB: 27-0117 FOR DETAILS SEE: 27-81-01-01A		
10	114N3002-79SP	.	SLAT ASSY- POSITION DATA: LH SIDE COMPONENT MAINT MANUAL REF: 57-43-38 QUALIFIED I/W DATA: -165SP CAN REPLACE -97SP OR -79SP OR -73 OR -63 OR -51 OR -19 IF FIXED LEADING EDGE IS REWORKED PER S/B 757-27-0117 AND IF CUSTOMER ACCEPTS WEIGHT PENALTY -167SP CAN REPLACE -97SP OR -79SP OR -73 OR -63 OR -51 OR -19 IF FIXED LEADING EDGE IS REWORKED PER S/B 757-27-0117 AND IF CUSTOMER ACCEPTS WEIGHT PENALTY 114N3002-79SP INTERCHANGEABLE WITH 114N3002-73 OR -63 IF SERVICE BULLETIN 757-27-0094 IS INCORPORATED ON -63 OR -73 SLAT 114N3002-79SP INTERCHANGEABLE WITH 114N3002-131SP OR -141SP OR -147SP IF SERVICE BULLETIN 757-27-0117 IS INCORPORATED ON -79SP SLAT 114N3002-79SP INTERCHANGEABLE WITH 114N3002-145SP OR -155SP IF SERVICE BULLETIN 757-27-0117 IS	002004 006100 121503 904949 952999	1

MISSING ITEM NUMBERS NOT APPLICABLE

— ITEM NOT ILLUSTRATED

BRI

# 27-81-01-01

27-81-01  
FIG. 01  
PAGE 3  
JAN 20/09



757

PARTS CATALOG (MAINTENANCE)

FIG ITEM	PART NUMBER	1 2 3 4 5 6 7	NOMENCLATURE	EFFECT FROM TO	UNITS PER ASSY
1			INCORPORATED ON -79SP SLAT 114N3002-151SP CAN REPLACE BUT NOT BE REPLACED BY 114N3002-79SP IF FIXED LEADING EDGE IS REWORKED PER S/B 757-27-0117 114N3002-157SP CAN REPLACE BUT NOT BE REPLACED BY 114N3002-79SP IF FIXED LEADING EDGE IS REWORKED PER S/B 757-27-0117 114N3002-161SP CAN REPLACE BUT NOT BE REPLACED BY 114N3002-79SP IF FIXED LEADING EDGE IS REWORKED PER S/B 757-27-0117 REWORKED BY SB: 27-0117 REWORKED BY ALERT SB: 57A0038R5 FOR DETAILS SEE: 27-81-01-01A		

MISSING ITEM NUMBERS NOT APPLICABLE

- ITEM NOT ILLUSTRATED

BRI

**27-81-01-01**

BOEING PROPRIETARY - Copyright © - Unpublished Work - See title page for details.

27-81-01  
FIG. 01  
PAGE 4  
JAN 20/09



757

PARTS CATALOG (MAINTENANCE)

FIG ITEM	PART NUMBER	1 2 3 4 5 6 7	NOMENCLATURE	EFFECT FROM TO	UNITS PER ASSY
1 10	114N3002-97SP		.SLAT ASSY-NO. 5 POSITION DATA: LH SIDE COMPONENT MAINT MANUAL REF: 57-43-38 QUALIFIED I/W DATA: -165SP CAN REPLACE -97SP OR -79SP OR -73 OR -63 OR -51 OR -19 IF FIXED LEADING EDGE IS REWORKED PER S/B 757-27-0117 AND IF CUSTOMER ACCEPTS WEIGHT PENALTY -167SP CAN REPLACE -97SP OR -79SP OR -73 OR -63 OR -51 OR -19 IF FIXED LEADING EDGE IS REWORKED PER S/B 757-27-0117 AND IF CUSTOMER ACCEPTS WEIGHT PENALTY 114N3002-151SP CAN REPLACE BUT NOT BE REPLACED BY 114N3002-97SP IF FIXED LEADING EDGE IS REWORKED PER S/B 757-27-0117 114N3002-157SP CAN REPLACE BUT NOT BE REPLACED BY 114N3002-97SP IF FIXED LEADING EDGE IS REWORKED PER S/B 757-27-0117 114N3002-161SP CAN REPLACE BUT NOT BE REPLACED BY 114N3002-97SP IF FIXED LEADING EDGE IS REWORKED PER S/B 757-27-0117 FOR SPARES PROCURE: 114N3002-85SP REWORKED BY SB: 27-0117 REWORKED BY ALERT SB: 57A0038 FOR DETAILS SEE: 27-81-01-01A	002004 006100 121503 904949 952999	1

MISSING ITEM NUMBERS NOT APPLICABLE

- ITEM NOT ILLUSTRATED

27-81-01-01

27-81-01  
FIG. 01  
PAGE 5  
JAN 20/09

BRI



757

PARTS CATALOG (MAINTENANCE)

FIG ITEM	PART NUMBER	1 2 3 4 5 6 7	NOMENCLATURE	EFFECT FROM TO	UNITS PER ASSY
1 10	114N3002-123SP		.SLAT ASSY-REWORK DWG POSITION DATA: LH SIDE COMPONENT MAINT MANUAL REF: 57-43-38 QUALIFIED I/W DATA: -165SP CAN REPLACE 127SP OR -123SP OR -119SP OR -103SP OR -101 IF FIXED LEADING EDGE IS REWORKED PER S/B 757-27-0117 AND IF CUSTOMER ACCEPTS WEIGHT PENALTY -167SP CAN REPLACE -127SP OR -123SP OR -119SP OR -103SP OR -101 IF FIXED LEADING EDGE IS REWORKED PER S/B 757-27-0117 AND IF CUSTOMER ACCEPTS WEIGHT PENALTY 114N3002-151SP CAN REPLACE BUT NOT BE REPLACED BY 114N3002-123SP IF FIXED LEADING EDGE IS REWORKED PER S/B 757-27-0117 114N3002-157SP CAN REPLACE BUT NOT BE REPLACED BY 114N3002-123SP IF FIXED LEADING EDGE IS REWORKED PER S/B 757-27-0117 114N3002-161SP CAN REPLACE BUT NOT BE REPLACED BY 114N3002-123SP IF FIXED LEADING EDGE IS REWORKED PER S/B 757-27-0117 REWORKED BY SB: 27-0117 FOR DETAILS SEE: 27-81-01-01A	002004 006100 121503 904949 952999	1
10	114N3002-151SP		.SLAT ASSY-NO. 5 VARIABLE POSITION DATA: LH SIDE COMPONENT MAINT MANUAL REF: 57-43-38 QUALIFIED I/W DATA:	002004 006101 107107 121503 904949 952999	1

MISSING ITEM NUMBERS NOT APPLICABLE

- ITEM NOT ILLUSTRATED

**27-81-01-01**

27-81-01  
FIG. 01  
PAGE 6  
JAN 20/09

BRI



757

PARTS CATALOG (MAINTENANCE)

FIG ITEM	PART NUMBER	1 2 3 4 5 6 7 NOMENCLATURE	EFFECT FROM TO	UNITS PER ASSY
1		<p>114N3002-151SP CAN  REPLACE BUT NOT BE  REPLACED BY 114N3002-101  IF FIXED LEADING EDGE IS  REWORKED PER S/B  757-27-0117</p> <p>114N3002-151SP CAN  REPLACE BUT NOT BE  REPLACED BY  114N3002-103SP IF FIXED  LEADING EDGE IS REWORKED  PER S/B 757-27-0117</p> <p>114N3002-151SP CAN  REPLACE BUT NOT BE  REPLACED BY  114N3002-119SP IF FIXED  LEADING EDGE IS REWORKED  PER S/B 757-27-0117</p> <p>114N3002-151SP CAN  REPLACE BUT NOT BE  REPLACED BY  114N3002-123SP IF FIXED  LEADING EDGE IS REWORKED  PER SB 757-27-0117</p> <p>114N3002-151SP CAN  REPLACE BUT NOT BE  REPLACED BY  114N3002-127SP IF FIXED  LEADING EDGE IS REWORKED  PER S/B 757-27-0117</p> <p>114N3002-151SP CAN  REPLACE BUT NOT BE  REPLACED BY 114N3002-19  IF FIXED LEADING EDGE IS  REWORKED PER S/B  757-27-0117</p> <p>114N3002-151SP CAN  REPLACE BUT NOT BE  REPLACED BY 114N3002-51  IF FIXED LEADING EDGE IS  REWORKED PER S/B  757-27-0117</p> <p>114N3002-151SP CAN  REPLACE BUT NOT BE  REPLACED BY 114N3002-63  IF FIXED LEADING EDGE IS  REWORKED PER  S/B 757-27-0117</p> <p>114N3002-151SP CAN</p>		

MISSING ITEM NUMBERS NOT APPLICABLE

- ITEM NOT ILLUSTRATED

27-81-01-01

27-81-01  
FIG. 01  
PAGE 7  
JAN 20/09

BRI



757

PARTS CATALOG (MAINTENANCE)

FIG ITEM	PART NUMBER	1 2 3 4 5 6 7 NOMENCLATURE	EFFECT FROM TO	UNITS PER ASSY
1		REPLACE BUT NOT BE REPLACED BY 114N3002-73 IF FIXED LEADING EDGE IS REWORKED PER S/B 757-27-0117 114N3002-151SP CAN REPLACE BUT NOT BE REPLACED BY 114N3002-79SP IF FIXED LEADING EDGE IS REWORKED PER S/B 757-27-0117 114N3002-151SP CAN REPLACE BUT NOT BE REPLACED BY 114N3002-97SP IF FIXED LEADING EDGE IS REWORKED PER S/B 757-27-0117 FOR DETAILS SEE: 27-81-01-02A .SLAT ASSY-NO. 5 VARIABLE POSITION DATA: LH SIDE QUALIFIED I/W DATA: 114N3002-157SP CAN REPLACE BUT NOT BE REPLACED BY 114N3002-119SP IF FIXED LEADING EDGE IS REWORKED PER S/B 757-27-0117 114N3002-157SP CAN REPLACE BUT NOT BE REPLACED BY 114N3002-123SP IF FIXED LEADING EDGE IS REWORKED PER S/B 757-27-0117 114N3002-157SP CAN REPLACE BUT NOT BE REPLACED BY 114N3002-127SP IF FIXED LEADING EDGE IS REWORKED PER S/B 757-27-0117 114N3002-157SP CAN REPLACE BUT NOT BE REPLACED BY 114N3002-103SP IF FIXED LEADING EDGE IS REWORKED PER S/B 757-27-0117 114N3002-157SP CAN REPLACE BUT NOT BE	002004 006101 107107 121503 904949 952999	1
10	114N3002-157SP	.SLAT ASSY-NO. 5 VARIABLE POSITION DATA: LH SIDE QUALIFIED I/W DATA: 114N3002-157SP CAN REPLACE BUT NOT BE REPLACED BY 114N3002-119SP IF FIXED LEADING EDGE IS REWORKED PER S/B 757-27-0117 114N3002-157SP CAN REPLACE BUT NOT BE REPLACED BY 114N3002-123SP IF FIXED LEADING EDGE IS REWORKED PER S/B 757-27-0117 114N3002-157SP CAN REPLACE BUT NOT BE REPLACED BY 114N3002-127SP IF FIXED LEADING EDGE IS REWORKED PER S/B 757-27-0117 114N3002-157SP CAN REPLACE BUT NOT BE REPLACED BY 114N3002-103SP IF FIXED LEADING EDGE IS REWORKED PER S/B 757-27-0117 114N3002-157SP CAN REPLACE BUT NOT BE	002004 006101 107107 121503 904949 952999	1

MISSING ITEM NUMBERS NOT APPLICABLE

- ITEM NOT ILLUSTRATED

27-81-01-01

27-81-01  
 FIG. 01  
 PAGE 8  
 JAN 20/09

BRI





757

PARTS CATALOG (MAINTENANCE)

FIG ITEM	PART NUMBER	1 2 3 4 5 6 7	NOMENCLATURE	EFFECT FROM TO	UNITS PER ASSY
1			REPLACED BY 114N3002-101 IF FIXED LEADING EDGE IS REWORKED PER S/B 757-27-0117 114N3002-157SP CAN REPLACE BUT NOT BE REPLACED BY 114N3002-97SP IF FIXED LEADING EDGE IS REWORKED PER S/B 757-27-0117 114N3002-157SP CAN REPLACE BUT NOT BE REPLACED BY 114N3002-79SP IF FIXED LEADING EDGE IS REWORKED PER S/B 757-27-0117 114N3002-157SP CAN REPLACE BUT NOT BE REPLACED BY 114N3002-63 IF FIXED LEADING EDGE IS REWORKED PER S/B 757-27-0117 FOR DETAILS SEE: 27-81-01-02A		

MISSING ITEM NUMBERS NOT APPLICABLE

- ITEM NOT ILLUSTRATED

BRI

27-81-01-01

BOEING PROPRIETARY - Copyright © - Unpublished Work - See title page for details.

27-81-01  
FIG. 01  
PAGE 9  
JAN 20/09



757

PARTS CATALOG (MAINTENANCE)

FIG ITEM	PART NUMBER	1 2 3 4 5 6 7	NOMENCLATURE	EFFECT FROM TO	UNITS PER ASSY
1 10	114N3002-19		.SLAT ASSY-NO. 5 POSITION DATA: LH SIDE COMPONENT MAINT MANUAL REF: 57-43-38 QUALIFIED I/W DATA: -25 IS INTERCHANGEABLE WITH -19 DEPENDING ON CUSTOMER ACCEPTANCE OF COLOR -165SP CAN REPLACE -97DP OR -79SP OR -73 OR -63 OR -51 OR -19 IF FIXED LEADING EDGE IS REWORKED PER S/B 757-27-0117 AND IF CUSTOMER ACCEPTS WEIGHT PENALTY -167SP CAN REPLACE -97SP OR -79SP OR -73 OR -63 OR -51 OR -19 IF FIXED LEADING EDGE IS REWORKED PER S/B 757-27-0117 AND IF CUSTOMER ACCEPTS WEIGHT PENALTY 114N3002-151SP CAN REPLACE BUT NOT BE REPLACED BY 114N3002-19 IF FIXED LEADING EDGE IS REWORKED PER SB 757-27-0117 114N3002-157SP CAN REPLACE BUT NOT BE REPLACED BY 114N3002-19 IF FIXED LEADING EDGE IS REWORKED PER S/B 757-27-0117 114N3002-161SP CAN REPLACE BUT NOT BE REPLACED BY 114N3002-19 IF FIXED LEADING EDGE IS REWORKED PER S/B 757-27-0117 FOR SPARES PROCURE: 114N3002-23 REWORKED BY ALERT SB: 57A0038R5 FOR DETAILS SEE: 27-81-01-01A	107107	1
10	114N3002-51		.SLAT ASSY-NO. 5	107107	1

MISSING ITEM NUMBERS NOT APPLICABLE

- ITEM NOT ILLUSTRATED

27-81-01-01

27-81-01  
FIG. 01  
PAGE 10  
JAN 20/09

BRI

 **BOEING**  
757  
**PARTS CATALOG (MAINTENANCE)**

FIG ITEM	PART NUMBER	1 2 3 4 5 6 7	NOMENCLATURE	EFFECT FROM TO	UNITS PER ASSY
1			POSITION DATA: LH SIDE COMPONENT MAINT MANUAL REF: 57-43-38 QUALIFIED I/W DATA: -165SP CAN REPLACE -97SP OR -79SP OR -73 OR -63 OR -51 OR -19 IF FIXED LEADING EDGE IS REWORKED PER S/B 757-27-0117 AND IF CUSTOMER ACCEPTS WEIGHT PENALTY IF A 8500 IN-LB. TORQUE ACTUATOR IS ON THE RECEIVING AIRCRAFT, REWORK -51 PER S/B 757-27-0094 OR RETAIN MAIN SLAT TRACK FROM RECEIVING AIRCRAFT -167SP CAN REPLACE -97SP OR -79SP OR -73 OR -63 OR -51 OR -19 IF FIXED LEADING EDGE IS REWORKED PER S/B 757-27-0117 AND IF CUSTOMER ACCEPTS WEIGHT PENALTY 114N3002-151SP CAN REPLACE BUT NOT BE REPLACED BY 114N3002-51 IF FIXED LEADING EDGE IS REWORKED PER SB 757-27-0117 114N3002-157SP CAN REPLACE BUT NOT BE REPLACED BY 114N3002-51 IF FIXED LEADING EDGE IS REWORKED PER S/B 757-27-0117 114N3002-161SP CAN REPLACE BUT NOT BE REPLACED BY 114N3002-51 IF FIXED LEADING EDGE IS REWORKED PER SB 757-27-0117 REWORKED BY ALERT SB: 57A0038R5 FOR DETAILS SEE: 27-81-01-01A .SLAT ASSY-NO. 5		
10	114N3002-63		.SLAT ASSY-NO. 5	107107	1

MISSING ITEM NUMBERS NOT APPLICABLE

— ITEM NOT ILLUSTRATED

BRI

# 27-81-01-01

BOEING PROPRIETARY - Copyright © - Unpublished Work - See title page for details.

27-81-01  
FIG. 01  
PAGE 11  
JAN 20/09



757

PARTS CATALOG (MAINTENANCE)

FIG ITEM	PART NUMBER	1 2 3 4 5 6 7 NOMENCLATURE	EFFECT FROM TO	UNITS PER ASSY
1		<p>POSITION DATA:  LH SIDE  COMPONENT MAINT MANUAL REF:  57-43-38  QUALIFIED I/W DATA:  -165SP CAN REPLACE -97SP  OR -79SP OR -73 OR -63  OR -51 OR -19 IF FIXED  LEADING EDGE IS REWORKED  PER S/B 757-27-0117 AND  IF CUSTOMER ACCEPTS  WEIGHT PENALTY  -167SP CAN REPLACE -97SP  OR -79SP OR -73 OR -63  OR -51 OR -19 IF FIXED  LEADING EDGE IS REWORKED  PER S/B 757-27-0117 AND  IF CUSTOMER ACCEPTS  WEIGHT PENALTY  -63 I/W -93SP SUBJECT TO  COLOR PREFERENCE  114N3002-63  INTERCHANGEABLE WITH  114N3002-79SP OR -119SP  OR -127SP IF SERVICE  BULLETIN 757-27-0094 IS  INCORPORATED ON -63 SLAT  114N3002-63  INTERCHANGEABLE WITH  114N3002-131SP OR -141SP  OR -147SP IF SERVICE  BULLETINS 757-27-0094  AND 757-27-0117 ARE  INCORPORATED ON -63 SLAT  114N3002-63  INTERCHANGEABLE WITH  114N3002-145SP OR -155SP  IF SERVICE BULLETINS  757-27-0094 AND  757-27-0117 ARE  INCORPORATED ON -63 SLAT  114N3002-151SP CAN  REPLACE BUT NOT BE  REPLACED BY 114N3002-63  IF FIXED LEADING EDGE IS  REWORKED PER S/B  757-27-0117  114N3002-157SP CAN  REPLACE BUT NOT BE</p>		

MISSING ITEM NUMBERS NOT APPLICABLE

- ITEM NOT ILLUSTRATED

27-81-01-01

27-81-01  
FIG. 01  
PAGE 12  
JAN 20/09

BRI



757

PARTS CATALOG (MAINTENANCE)

FIG ITEM	PART NUMBER	1 2 3 4 5 6 7 NOMENCLATURE	EFFECT FROM TO	UNITS PER ASSY
1		REPLACED BY 114N3002-63 IF FIXED LEADING EDGE IS REWORKED PER S/B 757-27-0117 114N3002-161SP CAN REPLACE BUT NOT BE REPLACED BY 114N3002-63 IF FIXED LEADING EDGE IS REWORKED PER S/B 757-27-0117 FOR SPARES PROCURE: 114N3002-55 REWORKED BY SB: 27-0117 REWORKED BY ALERT SB: 57A0038R5 FOR DETAILS SEE: 27-81-01-01A .SLAT ASSY-NO. 5 POSITION DATA: LH SIDE COMPONENT MAINT MANUAL REF: 57-43-38 QUALIFIED I/W DATA: -165SP CAN REPLACE -97SP OR -79SP OR -73 OR -63 OR -51 OR -19 IF FIXED LEADING EDGE IS REWORKED PER S/B 757-27-0117 AND IF CUSTOMER ACCEPTS WEIGHT PENALTY -167SP CAN REPLACE -97SP OR -79SP OR -73 OR -63 OR -51 OR -19 IF FIXED LEADING EDGE IS REWORKED PER S/B 757-27-0117 AND IF CUSTOMER ACCEPTS WEIGHT PENALTY 114N3002-73 INTERCHANGEABLE WITH 114N3002-79SP OR -119SP OR -127SP IF SERVICE BULLETIN 757-27-0094 IS INCORPORATED ON -73 SLAT 114N3002-73 INTERCHANGEABLE WITH 114N3002-131SP OR -141SP OR -147SP IF SERVICE BULLETINS 757-27-0094  MISSING ITEM NUMBERS NOT APPLICABLE	107107	1
10	114N3002-73			

- ITEM NOT ILLUSTRATED

**27-81-01-01**

27-81-01  
FIG. 01  
PAGE 13  
JAN 20/09

BRI



757

PARTS CATALOG (MAINTENANCE)

FIG ITEM	PART NUMBER	1 2 3 4 5 6 7	NOMENCLATURE	EFFECT FROM TO	UNITS PER ASSY
1			AND 757-27-0117 ARE INCORPORATED ON -73 SLAT 114N3002-73 INTERCHANGEABLE WITH 114N3002-145SP OR -155SP IF SERVICE BULLETINS 757-27-0094 AND 757-27-0117 ARE INCORPORATED ON -73 SLAT 114N3002-151SP CAN REPLACE BUT NOT BE REPLACED BY 114N3002-73 IF FIXED LEADING EDGE IS REWORKED PER S/B 757-27-0117 114N3002-157SP CAN REPLACE BUT NOT BE REPLACED BY 114N3002-73 IF FIXED LEADING EDGE IS REWORKED PER S/B 757-27-0117 114N3002-161SP CAN REPLACE BUT NOT BE REPLACED BY 114N3002-73 IF FIXED LEADING EDGE IS REWORKED PER S/B 757-27-0117 REWORKED BY ALERT SB: 57A0038R5 FOR DETAILS SEE: 27-81-01-01A		

MISSING ITEM NUMBERS NOT APPLICABLE

- ITEM NOT ILLUSTRATED

BRI

27-81-01-01

BOEING PROPRIETARY - Copyright © - Unpublished Work - See title page for details.

27-81-01  
FIG. 01  
PAGE 14  
JAN 20/09



757

PARTS CATALOG (MAINTENANCE)

FIG ITEM	PART NUMBER	1 2 3 4 5 6 7	NOMENCLATURE	EFFECT FROM TO	UNITS PER ASSY
1 11	114N3002-101		.SLAT ASSY-NO. 5 POSITION DATA: LH SIDE COMPONENT MAINT MANUAL REF: 57-43-38 QUALIFIED I/W DATA: -165SP CAN REPLACE -127SP OR -123SP OR -119SP OR -103SP OR -101 IF FIXED LEADING EDGE IS REWORKED PER S/B 757-27-0117 AND IF CUSTOMER ACCEPTS WEIGHT PENALTY -167SP CAN REPLACE -127SP OR -123SP OR -119SP OR -103SP OR -101 IF FIXED LEADING EDGE IS REWORKED PER S/B 757-27-0117 AND IF CUSTOMER ACCEPTS WEIGHT PENALTY 114N3002-151SP CAN REPLACE BUT NOT BE REPLACED BY 114N3002-101 IF FIXED LEADING EDGE IS REWORKED PER S/B 757-27-0117 114N3002-157SP CAN REPLACE BUT NOT BE REPLACED BY 114N3002-101 IF FIXED LEADING EDGE IS REWORKED PER S/B 757-27-0117 114N3002-161SP CAN REPLACE BUT NOT BE REPLACED BY 114N3002-101 IF FIXED LEADING EDGE IS REWORKED PER S/B 757-27-0117 FOR SPARES PROCURE: 114N3002-85SP REWORKED BY ALERT SB: 57A0038R5 FOR DETAILS SEE: 27-81-01-01A	002004 006100 121503 904949 952999	1

MISSING ITEM NUMBERS NOT APPLICABLE

- ITEM NOT ILLUSTRATED

27-81-01-01

27-81-01  
FIG. 01  
PAGE 15  
MAY 20/09

BRI

**BOEING**  
757  
**PARTS CATALOG (MAINTENANCE)**

FIG ITEM	PART NUMBER	1 2 3 4 5 6 7	NOMENCLATURE	EFFECT FROM TO	UNITS PER ASSY
1	114N3002-103SP		.SLAT ASSY-NO. 5 POSITION DATA: LH SIDE COMPONENT MAINT MANUAL REF: 57-43-38 QUALIFIED I/W DATA: -167SP CAN REPLACE -127SP OR -123SP OR -119SP OR -103SP OR -101 IF FIXED LEADING EDGE IS REWORKED PER S/B 757-27-0117 AND IF CUSTOMER ACCEPTS WEIGHT PENALTY -165SP CAN REPLACE -127SP OR -123 OR -119SP OR -103SP OR -101 IF FIXED LEADING EDGE IS REWORKED PER S/B 757-27-0117 AND IF CUSTOMER ACCEPTS WEIGHT PENALTY 114N3002-151SP CAN REPLACE BUT NOT BE REPLACED BY 114N3002-103SP IF FIXED LEADING EDGE IS REWORKED PER S/B 757-27-0117 114N3002-157SP CAN REPLACE BUT NOT BE REPLACED BY 114N3002-103SP IF FIXED LEADING EDGE IS REWORKED PER S/B 757-27-0117 114N3002-161SP CAN REPLACE BUT NOT BE REPLACED BY 114N3002-103SP IF FIXED LEADING EDGE IS REWORKED PER S/B 757-27-0117 FOR SPARES PROCURE: 114N3002-85SP REWORKED BY SB: 27-0117 REWORKED BY ALERT SB: 57A0038 FOR DETAILS SEE: 27-81-01-01A	002004 006100 121503 904949 952999	1
11	114N3002-127SP		.SLAT ASSY-NO. 5	002004	1

MISSING ITEM NUMBERS NOT APPLICABLE

— ITEM NOT ILLUSTRATED

BRI

# 27-81-01-01

27-81-01  
FIG. 01  
PAGE 16  
MAY 20/09





757

PARTS CATALOG (MAINTENANCE)

FIG ITEM	PART NUMBER	1 2 3 4 5 6 7 NOMENCLATURE	EFFECT FROM TO	UNITS PER ASSY
1		POSITION DATA: LH SIDE COMPONENT MAINT MANUAL REF: 57-43-380 QUALIFIED I/W DATA: 114N3002-127SP INTERCHANGEABLE WITH 114N3002-131SP AFTER INCORPORATION OF S/B 757-27-0117 -165SP CAN REPLACE -127SP OR -123SP OR -119SP OR -103SP OR -101 IF FIXED LEADING EDGE IS REWORKED PER S/B 757-27-0117 AND IF CUSTOMER ACCEPTS WEIGHT PENALTY -167SP CAN REPLACE -127SP OR -123SP OR -119SP OR -103SP OR -101 IF FIXED LEADING EDGE IS REWORKED PER S/B 757-27-0117 AND IF CUSTOMER ACCEPTS WEIGHT PENALTY 114N3002-127SP INTERCHANGEABLE WITH 114N3002-73 OR -63 IF SERVICE BULLETIN 757-27-0094 IS INCORPORATED ON -63 OR -73 SLAT 114N3002-127SP INTERCHANGEABLE WITH 114N3002-147SP OR -141SP AFTER INCORPORATION OF S/B 757-27-0117 114N3002-127SP INTERCHANGEABLE WITH 114N3002-145SP OR -155SP AFTER INCORPORATION OF S/B 757-27-0117 114N3002-151SP CAN REPLACE BUT NOT BE REPLACED BY 114N3002-127SP IF FIXED LEADING EDGE IS REWORKED  MISSING ITEM NUMBERS NOT APPLICABLE	006100 121503 904949 952999	

- ITEM NOT ILLUSTRATED

27-81-01-01

27-81-01  
FIG. 01  
PAGE 17  
MAY 20/09

BRI



757

PARTS CATALOG (MAINTENANCE)

FIG ITEM	PART NUMBER	1 2 3 4 5 6 7	NOMENCLATURE	EFFECT FROM TO	UNITS PER ASSY
1			<p>PER S/B 757-27-0117            114N3002-157SP CAN            REPLACE BUT NOT BE            REPLACED BY            114N3002-127SP IF FIXED            LEADING EDGE IS REWORKED            PER S/B 757-27-0117            114N3002-161SP CAN            REPLACE BUT NOT BE            REPLACED BY            114N3002-127SP IF FIXED            LEADING EDGE IS REWORKED            PER S/B 757-27-0117            REWORKED BY SB:            27-0117            FOR DETAILS SEE:            27-81-01-01A</p>		
11	114N3002-121SP	.	<p>SPARES ASSY-            POSITION DATA:            LH SIDE            FOR DETAILS SEE:            27-81-01-01A</p>	002004 006100 121503 953999	1
11	114N3002-125SP	.	<p>SPARES ASSY-            POSITION DATA:            LH SIDE            QUALIFIED I/W DATA:            IF A 8500 IN-LB. TORQUE            ACTUATOR IS ON THE            RECEIVING AIRCRAFT,            REWORK -51 PER S/B            757-27-0094 OR RETAIN            MAIN SLAT TRACK FROM            RECEIVING AIRCRAFT            FOR DETAILS SEE:            27-81-01-01A</p>	002004 006100 121503 953999	1
11	114N3002-129SP	.	<p>SPARES ASSY-            POSITION DATA:            LH SIDE            FOR DETAILS SEE:            27-81-01-01A</p>	002004 006100 121503 953999	1

MISSING ITEM NUMBERS NOT APPLICABLE

- ITEM NOT ILLUSTRATED

BRI

**27-81-01-01**

27-81-01  
 FIG. 01  
 PAGE 18  
 MAY 20/09



757

PARTS CATALOG (MAINTENANCE)

FIG ITEM	PART NUMBER	1 2 3 4 5 6 7	NOMENCLATURE	EFFECT FROM TO	UNITS PER ASSY
1 11	114N3002-131SP		.SLAT ASSY-NO. 5 POSITION DATA: LH SIDE COMPONENT MAINT MANUAL REF: 57-43-38 QUALIFIED I/W DATA: 114N3002-127SP INTERCHANGEABLE WITH 114N3002-131SP AFTER INCORPORATION OF S/B 757-27-0117 -165SP CAN REPLACE -143SP OR -141SP OR -139SP OR -135SP OR -131SP SUBJECT TO CUSTOMER ACCEPTANCE OF WEIGHT PENALTY -167SP CAN REPLACE -143SP OR -141SP OR -139SP OR -135SP OR -131SP SUBJECT TO CUSTOMER ACCEPTANCE OF WEIGHT PENALTY 114N3002-131SP INTERCHANGEABLE WITH 114N3002-63 OR -73 OR -79SP IF SERVICE BULLETINS 757-27-0094 AND 757-27-0117 ARE INCORPORATED. 114N3002-119SP INTERCHANGEABLE WITH 114N3002-131SP IF SERVICE BULLETIN 757-27-0117 IS INCORPORATED FOR SPARES PROCURE: 114N3002-133SP REWORKED BY SB: 27-0117 FOR DETAILS SEE: 27-81-01-01A	002004 006101 107107 121503 904949 952999	1

MISSING ITEM NUMBERS NOT APPLICABLE

- ITEM NOT ILLUSTRATED

BRI

27-81-01-01

BOEING PROPRIETARY - Copyright © - Unpublished Work - See title page for details.

27-81-01  
FIG. 01  
PAGE 19  
JAN 20/09



757

PARTS CATALOG (MAINTENANCE)

FIG ITEM	PART NUMBER	1 2 3 4 5 6 7	NOMENCLATURE	EFFECT FROM TO	UNITS PER ASSY
1	114N3002-135SP		.SLAT ASSY-NO. 5 POSITION DATA: LH SIDE COMPONENT MAINT MANUAL REF: 57-43-38 QUALIFIED I/W DATA: -165SP CAN REPLACE -143SP OR -141SP OR -139SP OR -135SP OR -131SP SUBJECT TO CUSTOMER ACCEPTANCE OF WEIGHT PENALTY -167SP CAN REPLACE -143SP OR -141SP OR -139SP OR -135SP OR -131SP SUBJECT TO CUSTOMER ACCEPTANCE OF WEIGHT PENALTY REWORKED BY SB: 27-0117 FOR DETAILS SEE: 27-81-01-02A	002004 006101 107107 121503 904949 952999	1
11	114N3002-153SP		.SLAT ASSY-NO. 5 POSITION DATA: LH SIDE COMPONENT MAINT MANUAL REF: 57-43-38 QUALIFIED I/W DATA: -165SP CAN REPLACE -163SP OR -155SP OR -153SP OR -147SP OR -145SP SUBJECT TO CUSTOMER ACCEPTANCE OF WEIGHT PENALTY -167SP CAN REPLACE -163SP OR -155SP OR -153SP OR -147SP OR -145SP SUBJECT TO CUSTOMER ACCEPTANCE OF WEIGHT PENALTY FOR DETAILS SEE: 27-81-01-02A	002004 006101 107107 121503 904949 952999	1

MISSING ITEM NUMBERS NOT APPLICABLE

- ITEM NOT ILLUSTRATED

**27-81-01-01**

27-81-01  
FIG. 01  
PAGE 20  
JAN 20/09

BRI



757

PARTS CATALOG (MAINTENANCE)

FIG ITEM	PART NUMBER	1 2 3 4 5 6 7 NOMENCLATURE	EFFECT FROM TO	UNITS PER ASSY
1 11	114N3002-155SP	.SLAT ASSY-NO. 5 POSITION DATA: LH SIDE COMPONENT MAINT MANUAL REF: 57-43-38 QUALIFIED I/W DATA: -165SP CAN REPLACE -163SP OR -155SP OR -153SP OR -147SP OR -145SP SUBJECT TO CUSTOMER ACCEPTANCE OF WEIGHT PENALTY -167SP CAN REPLACE -163SP OR -155SP OR -153SP OR -147SP OR -145SP SUBJECT TO CUSTOMER ACCEPTANCE OF WEIGHT PENALTY 114N3002-155SP INTERCHANGEABLE WITH 114N3002-63 OR -73 IF SERVICE BULLETINS 757-27-0094 AND 757-27-0117 ARE INCORPORATED ON -63 OR -73 SLAT 114N3002-155SP INTERCHANGEABLE WITH 114N3002-79SP OR -119SP OR -127SP IF SERVICE BULLETIN 757-27-0117 IS INCORPORATED FOR DETAILS SEE: 27-81-01-02A	002004 006101 107107 121503 904949 952999	1

MISSING ITEM NUMBERS NOT APPLICABLE

- ITEM NOT ILLUSTRATED

BRI

**27-81-01-01**

BOEING PROPRIETARY - Copyright © - Unpublished Work - See title page for details.

27-81-01  
FIG. 01  
PAGE 21  
JAN 20/09



757

PARTS CATALOG (MAINTENANCE)

FIG ITEM	PART NUMBER	1 2 3 4 5 6 7	NOMENCLATURE	EFFECT FROM TO	UNITS PER ASSY
1 11	114N3002-141SP	.	SLAT ASSY-NO. 5 POSITION DATA: LH SIDE COMPONENT MAINT MANUAL REF: 57-43-38 QUALIFIED I/W DATA: -165SP CAN REPLACE -143SP OR -141SP OR -139SP OR -135SP OR -131SP SUBJECT TO CUSTOMER ACCEPTANCE OF WEIGHT PENALTY -167SP CAN REPLACE -143SP OR -141SP OR -139SP OR -135SP OR -131SP SUBJECT TO CUSTOMER ACCEPTANCE OF WEIGHT PENALTY 114N3002-141SP INTERCHANGEABLE WITH 114N3002-63 OR -73 IF SERVICE BULLETINS 757-27-0094 AND 757-27-0117 ARE INCORPORATED ON -63 OR -73 SLAT 114N3002-141SP INTERCHANGEABLE WITH 114N3002-79SP OR -119SP OR -127SP IF SERVICE BULLETIN 757-27-0117 IS INCORPORATED REWORKED BY SB: 27-0117 FOR DETAILS SEE: 27-81-01-02A	002004 006101 107107 121503 904949 952999	1

MISSING ITEM NUMBERS NOT APPLICABLE

- ITEM NOT ILLUSTRATED

BRI

27-81-01-01

BOEING PROPRIETARY - Copyright © - Unpublished Work - See title page for details.

27-81-01  
FIG. 01  
PAGE 22  
JAN 20/09



757

PARTS CATALOG (MAINTENANCE)

FIG ITEM	PART NUMBER	1 2 3 4 5 6 7	NOMENCLATURE	EFFECT FROM TO	UNITS PER ASSY
1 11	114N3002-143SP		.SLAT ASSY-NO. 5 POSITION DATA: LH SIDE COMPONENT MAINT MANUAL REF: 57-43-38 QUALIFIED I/W DATA: -165SP CAN REPLACE -143SP OR -141SP OR -139SP OR -135SP OR -131SP SUBJECT TO CUSTOMER ACCEPTANCE OF WEIGHT PENALTY -167SP CAN REPLACE -143SP OR -141SP OR -139SP OR -135SP OR -131SP SUBJECT TO CUSTOMER ACCEPTANCE OF WEIGHT PENALTY REWORKED BY SB: 27-0117 FOR DETAILS SEE: 27-81-01-02A	002004 006101 107107 121503 904949 952999	1

MISSING ITEM NUMBERS NOT APPLICABLE

- ITEM NOT ILLUSTRATED

BRI

27-81-01-01

BOEING PROPRIETARY - Copyright © - Unpublished Work - See title page for details.

27-81-01  
FIG. 01  
PAGE 23  
JAN 20/09



757

PARTS CATALOG (MAINTENANCE)

FIG ITEM	PART NUMBER	1 2 3 4 5 6 7	NOMENCLATURE	EFFECT FROM TO	UNITS PER ASSY
1 11	114N3002-145SP		.SLAT ASSY-NO. 5 POSITION DATA: LH SIDE COMPONENT MAINT MANUAL REF: 57-43-38 QUALIFIED I/W DATA: -165SP CAN REPLACE -163SP OR -155SP OR -153SP OR -147SP OR -145SP SUBJECT TO CUSTOMER ACCEPTANCE OF WEIGHT PENALTY -167SP CAN REPLACE -163SP OR -155SP OR -153SP OR -147SP OR -145SP SUBJECT TO CUSTOMER ACCEPTANCE OF WEIGHT PENALTY 114N3002-145SP INTERCHANGEABLE WITH 114N3002-63 OR -73 IF SERVICE BULLETINS 757-27-0094 AND 757-27-0117 ARE INCORPORATED ON -63 OR -73 SLAT 114N3002-145SP INTERCHANGEABLE WITH 114N3002-79SP OR -119SP OR -127SP IF SERVICE BULLETIN 757-27-0117 IS INCORPORATED. REWORKED BY SB: 27-0117 FOR DETAILS SEE: 27-81-01-02A	002004 006101 107107 121503 904949 952999	1

MISSING ITEM NUMBERS NOT APPLICABLE

- ITEM NOT ILLUSTRATED

BRI

27-81-01-01

BOEING PROPRIETARY - Copyright © - Unpublished Work - See title page for details.

27-81-01  
FIG. 01  
PAGE 24  
JAN 20/09





757

PARTS CATALOG (MAINTENANCE)

FIG ITEM	PART NUMBER	1 2 3 4 5 6 7	NOMENCLATURE	EFFECT FROM TO	UNITS PER ASSY
1 12	114N3002-147SP	.SLAT ASSY-NO. 5 POSITION DATA: LH SIDE COMPONENT MAINT MANUAL REF: 57-43-38 QUALIFIED I/W DATA: -165SP CAN REPLACE -163SP OR -155SP OR -153SP OR -147SP OR -145SP SUBJECT TO CUSTOMER ACCEPTANCE OF WEIGHT PENALTY -167SP CAN REPLACE -163SP OR -155SP OR -153SP OR -147SP OR -145SP SUBJECT TO CUSTOMER ACCEPTANCE OF WEIGHT PENALTY 114N3002-147SP INTERCHANGEABLE WITH 114N3002-63 OR -73 IF SERVICE BULLETINS 757-27-0094 AND 757-27-0117 ARE INCORPORATED ON -63 OR -73 SLAT 114N3002-147SP INTERCHANGEABLE WITH 114N3002-79SP OR -119SP OR -127SP IF SERVICE BULLETIN 757-27-0117 IS INCORPORATED REWORKED BY SB: 27-0117 FOR DETAILS SEE: 27-81-01-02A	002004 006101 107107 121503 904949 952999	1	
12	114N3002-161SP	.SLAT ASSY-NO. 5 VARIABLE POSITION DATA: LH SIDE COMPONENT MAINT MANUAL REF: 57-43-38 QUALIFIED I/W DATA: 114N3002-161SP CAN REPLACE BUT NOT BE REPLACED BY 114N3002-119SP IF FIXED LEADING EDGE IS REWORKED PER S/B 757-27-0117 114N3002-161SP CAN	002004 006101 107107 121503 904949 952999	1	

MISSING ITEM NUMBERS NOT APPLICABLE

- ITEM NOT ILLUSTRATED

27-81-01-01

27-81-01  
FIG. 01  
PAGE 25  
JAN 20/09

BRI



757

PARTS CATALOG (MAINTENANCE)

FIG ITEM	PART NUMBER	1 2 3 4 5 6 7 NOMENCLATURE	EFFECT FROM TO	UNITS PER ASSY
1		<p>REPLACE BUT NOT BE REPLACED BY 114N3002-123SP IF FIXED LEADING EDGE IS REWORKED PER S/B 757-27-0117 114N3002-161SP CAN REPLACE BUT NOT BE REPLACED BY 114N3002-127SP IF FIXED LEADING EDGE IS REWORKED PER S/B 757-27-0117 114N3002-161SP CAN REPLACE BUT NOT BE REPLACED BY 114N3002-103SP IF FIXED LEADING EDGE IS REWORKED PER S/B 757-27-0117 114N3002-161SP CAN REPLACE BUT NOT BE REPLACED BY 114N3002-101 IF FIXED LEADING EDGE IS REWORKED PER S/B 757-27-0117 114N3002-161SP CAN REPLACE BUT NOT BE REPLACED BY 114N3002-97SP IF FIXED LEADING EDGE IS REWORKED PER S/B 757-27-0117 114N3002-161SP CAN REPLACE BUT NOT BE REPLACED BY 114N3002-79SP IF FIXED LEADING EDGE IS REWORKED PER S/B 757-27-0117 114N3002-161SP CAN REPLACE BUT NOT BE REPLACED BY 114N3002-63 IF FIXED LEADING EDGE IS REWORKED PER S/B 757-27-0117 REWORKED BY SB: 27-0117 FOR DETAILS SEE: 27-81-01-02A</p>		

MISSING ITEM NUMBERS NOT APPLICABLE

- ITEM NOT ILLUSTRATED

**27-81-01-01**

27-81-01  
FIG. 01  
PAGE 26  
JAN 20/09

BRI



757

PARTS CATALOG (MAINTENANCE)

FIG ITEM	PART NUMBER	1 2 3 4 5 6 7	NOMENCLATURE	EFFECT FROM TO	UNITS PER ASSY
1 12	114N3002-163SP		.SLAT ASSY-NO. 5 POSITION DATA: LH SIDE COMPONENT MAINT MANUAL REF: 57-43-38 QUALIFIED I/W DATA: -165SP CAN REPLACE -163SP OR -155SP OR -153SP OR -147SP OR -145SP SUBJECT TO CUSTOMER ACCEPTANCE OF WEIGHT PENALTY -167SP CAN REPLACE -163SP OR -155SP OR -153SP OR -147SP OR -145SP SUBJECT TO CUSTOMER ACCEPTANCE OF WEIGHT PENALTY REWORKED BY SB: 27-0117 FOR DETAILS SEE: 27-81-01-02A	002004 006101 107107 121503 904949 952999	1

MISSING ITEM NUMBERS NOT APPLICABLE

- ITEM NOT ILLUSTRATED

BRI

**27-81-01-01**

BOEING PROPRIETARY - Copyright © - Unpublished Work - See title page for details.

27-81-01  
FIG. 01  
PAGE 27  
JAN 20/09



757

PARTS CATALOG (MAINTENANCE)

FIG ITEM	PART NUMBER	1 2 3 4 5 6 7 NOMENCLATURE	EFFECT FROM TO	UNITS PER ASSY
1 - 13	114N3002-104SP	.SLAT ASSY-NO. 6 POSITION DATA: RH SIDE COMPONENT MAINT MANUAL REF: 57-43-38 QUALIFIED I/W DATA: -102 I/W -104SP SUBJECT TO COLOR PREFERENCE -166SP CAN REPLACE -128SP OR -124SP OR -120SP OR -104SP OR -102 IF FIXED LEADING EDGE IS REWORKED PER S/B 757-27-0117 AND IF CUSTOMER ACCEPTS WEIGHT PENALTY -168SP CAN REPLACE -128SP OR -124SP OR -120SP OR -104SP OR -102 IF FIXED LEADING EDGE IS REWORKED PER S/B 757-27-0117 AND IF CUSTOMER ACCEPTS WEIGHT PENALTY 114N3002-152SP CAN REPLACE BUT NOT BE REPLACED BY 114N3002-104SP IF FIXED LEADING EDGE IS REWORKED PER S/B 757-27-0117 114N3002-158SP CAN REPLACE BUT NOT BE REPLACED BY 114N3002-104SP IF FIXED LEADING EDGE IS REWORKED PER S/B 757-27-0117 114N3002-162SP CAN REPLACE BUT NOT BE REPLACED BY 114N3002-104SP IF FIXED LEADING EDGE IS REWORKED PER S/B 757-27-0117 FOR SPARES PROCURE: 114N3002-86SP REWORKED BY ALERT SB: 57A0038 FOR DETAILS SEE: 27-81-01-01A	002004 006100 121503 904949 952999	1

MISSING ITEM NUMBERS NOT APPLICABLE

- ITEM NOT ILLUSTRATED

**27-81-01-01**

27-81-01  
FIG. 01  
PAGE 28  
JAN 20/09

BRI



757

PARTS CATALOG (MAINTENANCE)

FIG ITEM	PART NUMBER	1 2 3 4 5 6 7	NOMENCLATURE	EFFECT FROM TO	UNITS PER ASSY
R R R R R R R R R R R	1 - 13	114N3002-154SP	.SLAT ASSY-NO. 6 POSITION DATA: RH SIDE COMPONENT MAINT MANUAL REF: 57-43-38 QUALIFIED I/W DATA: -168SP CAN REPLACE -164SP OR -156SP OR -154SP OR -148SP OR -146SP SUBJECT TO CUSTOMER ACCEPTANCE OF WEIGHT PENALTY FOR DETAILS SEE: 27-81-01-02A	002004 006101 107107 121503 904949 952999	1
	- 13	114N3002-156SP	.SLAT ASSY-NO. 6 POSITION DATA: RH SIDE COMPONENT MAINT MANUAL REF: 57-43-38 QUALIFIED I/W DATA: -166SP CAN REPLACE -164SP OR -156SP OR -154SP OR -148SP OR -146SP SUBJECT TO CUSTOMER ACCEPTANCE OF WEIGHT PENALTY -168SP CAN REPLACE -164SP OR -156SP OR -154SP OR -148SP OR -146SP SUBJECT TO CUSTOMER ACCEPTANCE OF WEIGHT PENALTY 114N3002-156SP INTERCHANGEABLE WITH 114N3002-64 OR -74 IF SERVICE BULLETINS 757-27-0094 AND 757-27-0117 ARE INCORPORATED ON -64 OR -74 SLAT 114N3002-156SP INTERCHANGEABLE WITH 114N3002-80SP OR -120SP OR -128SP IF SERVICE BULLETIN 757-27-0117 IS INCORPORATED FOR DETAILS SEE: 27-81-01-02A	002004 006101 107107 121503 904949 952999	1
	- 13	114N3002-162SP	.SLAT ASSY-NO. 6 REWORK	002004	1

MISSING ITEM NUMBERS NOT APPLICABLE

- ITEM NOT ILLUSTRATED

27-81-01-01

27-81-01  
FIG. 01  
PAGE 29  
MAY 20/09

BRI



757

PARTS CATALOG (MAINTENANCE)

FIG ITEM	PART NUMBER	1 2 3 4 5 6 7	NOMENCLATURE	EFFECT FROM TO	UNITS PER ASSY
1			<p>POSITION DATA: RH SIDE COMPONENT MAINT MANUAL REF: 57-43-38 QUALIFIED I/W DATA: 114N3002-162SP CAN REPLACE BUT NOT BE REPLACED BY 114N3002-120SP IF FIXED LEADING EDGE IS REWORKED PER S/B 757-27-0117 114N3002-162SP CAN REPLACE BUT NOT BE REPLACED BY 114N3002-124SP IF FIXED LEADING EDGE IS REWORKED PER S/B 757-27-0117 114N3002-162SP CAN REPLACE BUT NOT BE REPLACED BY 114N3002-128SP IF FIXED LEADING EDGE IS REWORKED PER S/B 757-27-0117 114N3002-162SP CAN REPLACE BUT NOT BE REPLACED BY 114N3002-104SP IF FIXED LEADING EDGE IS REWORKED PER S/B 757-27-0117 114N3002-162SP CAN REPLACE BUT NOT BE REPLACED BY 114N3002-102 IF FIXED LEADING EDGE IS REWORKED PER S/B 757-27-0117 114N3002-162SP CAN REPLACE BUT NOT BE REPLACED BY 114N3002-98SP IF FIXED LEADING EDGE IS REWORKED PER S/B 757-27-0117 114N3002-162SP CAN REPLACE BUT NOT BE REPLACED BY 114N3002-80SP IF FIXED LEADING EDGE IS REWORKED PER S/B 757-27-0117 114N3002-162SP CAN REPLACE BUT NOT BE</p>	<p>006101 107107 121503 904949 952999</p>	

MISSING ITEM NUMBERS NOT APPLICABLE

- ITEM NOT ILLUSTRATED

27-81-01-01

27-81-01  
FIG. 01  
PAGE 30  
MAY 20/09

BRI



757

PARTS CATALOG (MAINTENANCE)

FIG ITEM	PART NUMBER	1 2 3 4 5 6 7	NOMENCLATURE	EFFECT FROM TO	UNITS PER ASSY
1			REPLACED BY 114N3002-64 IF FIXED LEADING EDGE IS REWORKED PER S/B 757-27-0117 REWORKED BY SB: 27-0117 FOR DETAILS SEE: 27-81-01-02A		
- 14	114N3002-128SP	.	SLAT ASSY- POSITION DATA: RH SIDE COMPONENT MAINT MANUAL REF: 57-43-38 QUALIFIED I/W DATA: 114N3002-128SP INTERCHANGEABLE WITH 114N3002-132SP INCORPORATION OF S/B 757-27-0117 -166SP CAN REPLACE -128SP OR -124SP OR -120SP OR -104SP OR -102 IF FIXED LEADING EDGE IS REWORKED PER S/B 757-27-0117 AND IF CUSTOMER ACCEPTS WEIGHT PENALTY -168SP CAN REPLACE -128SP OR -124SP OR -120SP OR -104SP OR -102 IF FIXED LEADING EDGE IS REWORKED PER S/B 757-27-0117 AND IF CUSTOMER ACCEPTS WEIGHT PENALTY 114N3002-128SP INTERCHANGEABLE WITH 114N3002-74 OR -64 IF SERVICE BULLETIN 757-27-0094 IS INCORPORATED ON -64 OR -74 SLAT 114N3002-128SP INTERCHANGEABLE WITH 114N3002-148SP OR -142SP AFTER INCORPORATION OF S/B 757-27-0117 114N3002-128SP INTERCHANGEABLE	002004 006100 121503 904949 952999	1

MISSING ITEM NUMBERS NOT APPLICABLE

- ITEM NOT ILLUSTRATED

BRI

27-81-01-01

27-81-01  
FIG. 01  
PAGE 31  
MAY 20/09



757

PARTS CATALOG (MAINTENANCE)

FIG ITEM	PART NUMBER	1 2 3 4 5 6 7	NOMENCLATURE	EFFECT FROM TO	UNITS PER ASSY
1			<p>WITH 114N3002-146SP OR -156SP AFTER INCORPORATION OF S/B 757-27-0117 114N3002-152SP CAN REPLACE BUT NOT BE REPLACED BY 114N3002-128SP IF FIXED LEADING EDGE IS REWORKED PER S/B 757-27-0117 114N3002-158SP CAN REPLACE BUT NOT BE REPLACED BY 114N3002-128SP IF FIXED LEADING EDGE IS REWORKED PER S/B 757-27-0117 114N3002-162SP CAN REPLACE BUT NOT BE REPLACED BY 114N3002-128SP IF FIXED LEADING EDGE IS REWORKED PER S/B 757-27-0117 REWORKED BY SB: 27-0117 FOR DETAILS SEE: 27-81-01-01A</p>		
- 14	114N3002-122SP	.	<p>SPARES ASSY- POSITION DATA: RH SIDE FOR DETAILS SEE: 27-81-01-01A</p>	002004 006100 121503 953999	1
- 14	114N3002-126SP	.	<p>SPARES ASSY- POSITION DATA: RH SIDE COMPONENT MAINT MANUAL REF: 57-43-38 QUALIFIED I/W DATA: IF A 8500 IN-LB. TORQUE ACTUATOR IS ON THE RECEIVING AIRCRAFT, REWORK -52 PER S/B 757-27-0094 OR RETAIN MAIN SLAT TRACK FROM RECEIVING AIRCRAFT FOR DETAILS SEE: 27-81-01-01A</p>	002004 006100 121503 953999	1

MISSING ITEM NUMBERS NOT APPLICABLE

- ITEM NOT ILLUSTRATED

**27-81-01-01**

27-81-01  
FIG. 01  
PAGE 32  
MAY 20/09

BRI





757

PARTS CATALOG (MAINTENANCE)

FIG ITEM	PART NUMBER	1 2 3 4 5 6 7	NOMENCLATURE	EFFECT FROM TO	UNITS PER ASSY
1					
- 14	114N3002-130SP		. SPARES ASSY- POSITION DATA: RH SIDE FOR DETAILS SEE: 27-81-01-01A	002004 006100 121503 953999	1
- 14	114N3002-132SP		. SLAT ASSY- POSITION DATA: RH SIDE COMPONENT MAINT MANUAL REF: 57-43-38 QUALIFIED I/W DATA: 114N3002-128SP INTERCHANGEABLE WITH 114N3002-132SP AFTER INCORPORATION OF S/B 757-27-0117 -166SP CAN REPLACE -144SP OR -142SP OR -140SP OR -136SP OR -132SP SUBJECT TO CUSTOMER ACCEPTANCE OF WEIGHT PENALTY -168SP CAN REPLACE -144SP OR -142SP OR -140SP OR -136SP OR -132SP SUBJECT TO CUSTOMER ACCEPTANCE OF WEIGHT PENALTY 114N3002-132SP INTERCHANGEABLE WITH 114N3002-64 OR -74 OR -80SP IF SERVICE BULLETINS 757-27-0094 AND 757-27-0117 ARE INCORPORATED. 114N3002-120SP INTERCHANGEABLE WITH 114N3002-132SP IF SERVICE BULLETIN 757-27-0117 IS INCORPORATED FOR SPARES PROCURE: 114N3002-134SP REWORKED BY SB: 27-0117 FOR DETAILS SEE: 27-81-01-01A	002004 006101 107107 121503 904949 952999	1

MISSING ITEM NUMBERS NOT APPLICABLE

- ITEM NOT ILLUSTRATED

27-81-01-01

27-81-01  
FIG. 01  
PAGE 33  
MAY 20/09

BRI



757

PARTS CATALOG (MAINTENANCE)

FIG ITEM	PART NUMBER	1 2 3 4 5 6 7	NOMENCLATURE	EFFECT FROM TO	UNITS PER ASSY
1					
- 14	114N3002-136SP		.SLAT ASSY- POSITION DATA: RH SIDE COMPONENT MAINT MANUAL REF: 57-43-38 QUALIFIED I/W DATA: -166SP CAN REPLACE -144SP OR -142SP OR -140SP OR -136SP OR -132SP SUBJECT TO CUSTOMER ACCEPTANCE OF WEIGHT PENALTY -168SP CAN REPLACE -144SP OR -142SP OR -140SP OR -136SP OR -132SP SUBJECT TO CUSTOMER ACCEPTANCE OF WEIGHT PENALTY REWORKED BY SB: 27-0117 FOR DETAILS SEE: 27-81-01-02A	002004 006101 107107 121503 904949 952999	1
- 14	114N3002-152SP		.SLAT ASSY-NO. 6 REWORK POSITION DATA: RH SIDE COMPONENT MAINT MANUAL REF: 57-43-38 QUALIFIED I/W DATA: 114N3002-152SP CAN REPLACE BUT NOT BE REPLACED BY 114N3002-102 IF FIXED LEADING EDGE IS REWORKED PER S/B 757-27-0117 114N3002-152SP CAN REPLACE BUT NOT BE REPLACED BY 114N3002-104SP IF FIXED LEADING EDGE IS REWORKED PER S/B 757-27-0117 114N3002-152SP CAN REPLACE BUT NOT BE REPLACED BY 114N3002-120SP IF FIXED LEADING EDGE IS REWORKED PER S/B 757-27-0117 114N3002-152SP CAN REPLACE BUT NOT BE REPLACED BY	002004 006101 107107 121503 904949 952999	1

MISSING ITEM NUMBERS NOT APPLICABLE

- ITEM NOT ILLUSTRATED

27-81-01-01

27-81-01  
FIG. 01  
PAGE 34  
MAY 20/09

BRI



757

PARTS CATALOG (MAINTENANCE)

FIG ITEM	PART NUMBER	1 2 3 4 5 6 7 NOMENCLATURE	EFFECT FROM TO	UNITS PER ASSY
1		114N3002-124SP IF FIXED LEADING EDGE IS REWORKED PER SB 757-27-0117 114N3002-152SP CAN REPLACE BUT NOT BE REPLACED BY 114N3002-128SP IF FIXED LEADING EDGE IS REWORKED PER S/B 757-27-0117 114N3002-152SP CAN REPLACE BUT NOT BE REPLACED BY 114N3002-20 IF FIXED LEADING EDGE IS REWORKED PER S/B 757-27-0117 114N3002-152SP CAN REPLACE BUT NOT BE REPLACED BY 114N3002-52 IF FIXED LEADING EDGE IS REWORKED PER S/B 757-27-0117 114N3002-152SP CAN REPLACE BUT NOT BE REPLACED BY 114N3002-64 IF FIXED LEADING EDGE IS REWORKED PER S/B 757-27-0117 114N3002-152SP CAN REPLACE BUT NOT BE REPLACED BY 114N3002-74 IF FIXED LEADING EDGE IS REWORKED PER S/B 757-27-0117 114N3002-152SP CAN REPLACE BUT NOT BE REPLACED BY 114N3002-80SP IF FIXED LEADING EDGE IS REWORKED PER S/B 757-27-0117 114N3002-152SP CAN REPLACE BUT NOT BE REPLACED BY 114N3002-98SP IF FIXED LEADING EDGE IS REWORKED PER S/B 757-27-0117 FOR DETAILS SEE: 27-81-01-02A		
- 14	114N3002-158SP	.SLAT ASSY-NO. 6 REWORK POSITION DATA:  MISSING ITEM NUMBERS NOT APPLICABLE	002004 006101	1

- ITEM NOT ILLUSTRATED

27-81-01-01

27-81-01  
FIG. 01  
PAGE 35  
MAY 20/09

BRI



757

PARTS CATALOG (MAINTENANCE)

FIG ITEM	PART NUMBER	1 2 3 4 5 6 7 NOMENCLATURE	EFFECT FROM TO	UNITS PER ASSY
1		RH SIDE QUALIFIED I/W DATA: 114N3002-158SP CAN REPLACE BUT NOT BE REPLACED BY 114N3002-120SP IF FIXED LEADING EDGE IS REWORKED PER S/B 757-27-0117 114N3002-158SP CAN REPLACE BUT NOT BE REPLACED BY 114N3002-124SP IF FIXED LEADING EDGE IS REWORKED PER S/B 757-27-0117 114N3002-158SP CAN REPLACE BUT NOT BE REPLACED BY 114N3002-128SP IF FIXED LEADING EDGE IS REWORKED PER S/B 757-27-0117 114N3002-158SP CAN REPLACE BUT NOT BE REPLACED BY 114N3002-104SP IF FIXED LEADING EDGE IS REWORKED PER S/B 757-27-0117 114N3002-158SP CAN REPLACE BUT NOT BE REPLACED BY 114N3002-102 IF FIXED LEADING EDGE IS REWORKED PER S/B 757-27-0117 114N3002-158SP CAN REPLACE BUT NOT BE REPLACED BY 114N3002-98SP IF FIXED LEADING EDGE IS REWORKED PER S/B 757-27-0117 114N3002-158SP CAN REPLACE BUT NOT BE REPLACED BY 114N3002-80SP IF FIXED LEADING EDGE IS REWORKED PER S/B 757-27-0117 114N3002-158SP CAN REPLACE BUT NOT BE REPLACED BY 114N3002-64 IF FIXED LEADING EDGE IS REWORKED PER S/B	107107 121503 904949 952999	

MISSING ITEM NUMBERS NOT APPLICABLE

- ITEM NOT ILLUSTRATED

# 27-81-01-01

27-81-01  
 FIG. 01  
 PAGE 36  
 MAY 20/09

BRI



**757  
PARTS CATALOG (MAINTENANCE)**

FIG ITEM	PART NUMBER	1 2 3 4 5 6 7	NOMENCLATURE	EFFECT FROM TO	UNITS PER ASSY
1			757-27-0117 FOR DETAILS SEE: 27-81-01-02A		
- 14	114N3002-142SP	.	SLAT ASSY-NO. 6 COMPONENT MAINT MANUAL REF: 57-43-38 QUALIFIED I/W DATA: CUSTOMER ACCEPTANCE OF WEIGHT PENALTY -168SP CAN REPLACE -144SP OR -142SP OR -140SP OR -136SP OR -132SP SUBJECT TO CUSTOMER ACCEPTANCE OF WEIGHT PENALTY 114N3002-142SP INTERCHANGEABLE WITH 114N3002-64 OR -74 IF SERVICE BULLETINS 757-27-0094 AND 757-27-0117 ARE INCORPORATED ON -64 OR -74 SLAT 114N3002-142SP INTERCHANGEABLE WITH 114N3002-80SP OR -120SP OR -128SP IF SERVICE BULLETIN 757-27-0117 IS INCORPORATED REWORKED BY SB: 27-0117 FOR DETAILS SEE: 27-81-01-02A	002004 006101 107107 121503 904949 952999	1

MISSING ITEM NUMBERS NOT APPLICABLE

- ITEM NOT ILLUSTRATED

BRI

# 27-81-01-01

BOEING PROPRIETARY - Copyright © - Unpublished Work - See title page for details.

27-81-01  
FIG. 01  
PAGE 37  
MAY 20/09



757

PARTS CATALOG (MAINTENANCE)

FIG ITEM	PART NUMBER	1 2 3 4 5 6 7 NOMENCLATURE	EFFECT FROM TO	UNITS PER ASSY
1 - 14	114N3002-144SP	.SLAT ASSY-NO. 6 POSITION DATA: RH SIDE COMPONENT MAINT MANUAL REF: 57-43-38 QUALIFIED I/W DATA: -166SP CAN REPLACE -144SP OR -142SP OR -140SP OR -136SP OR 132SP SUBJECT TO CUSTOMER ACCEPTANCE OF WEIGHT PENALTY -168SP CAN REPLACE -144SP OR -142SP OR -140SP OR -136SP OR -132SP SUBJECT TO CUSTOMER ACCEPTANCE OF WEIGHT PENALTY REWORKED BY SB: 27-0117 FOR DETAILS SEE: 27-81-01-02A	002004 006101 107107 121503 904949 952999	1

MISSING ITEM NUMBERS NOT APPLICABLE

- ITEM NOT ILLUSTRATED

BRI

**27-81-01-01**

BOEING PROPRIETARY - Copyright © - Unpublished Work - See title page for details.

27-81-01  
 FIG. 01  
 PAGE 38  
 MAY 20/09

 **BOEING**  
757  
**PARTS CATALOG (MAINTENANCE)**

FIG ITEM	PART NUMBER	1 2 3 4 5 6 7	NOMENCLATURE	EFFECT FROM TO	UNITS PER ASSY
1 - 14	114N3002-146SP	.	SLAT ASSY-NO. 6 POSITION DATA: RH SIDE COMPONENT MAINT MANUAL REF: 57-43-38 QUALIFIED I/W DATA: -168SP CAN REPLACE -164SP OR -156SP OR -154SP OR -148SP OR -146SP SUBJECT TO CUSTOMER ACCEPTANCE OF WEIGHT PENALTY 114N3002-146SP INTERCHANGEABLE WITH 114N3002-64 OR -74 IF SERVICE BULLETINS 757-27-0094 AND 757-27-0117 ARE INCORPORATED ON -64 OR -74 SLAT 114N3002-146SP INTERCHANGEABLE WITH 114N3002-80SP OR -120SP OR -128SP IF SERVICE BULLETIN 757-27-0117 IS INCORPORATED. REWORKED BY SB: 27-0117 FOR DETAILS SEE: 27-81-01-02A	002004 006101 107107 121503 904949 952999	1

MISSING ITEM NUMBERS NOT APPLICABLE

- ITEM NOT ILLUSTRATED

BRI

27-81-01-01

BOEING PROPRIETARY - Copyright © - Unpublished Work - See title page for details.

27-81-01  
FIG. 01  
PAGE 39  
MAY 20/09



757

PARTS CATALOG (MAINTENANCE)

FIG ITEM	PART NUMBER	1 2 3 4 5 6 7	NOMENCLATURE	EFFECT FROM TO	UNITS PER ASSY
1 - 14	114N3002-148SP		.SLAT ASSY- POSITION DATA: RH SIDE COMPONENT MAINT MANUAL REF: 57-43-38 QUALIFIED I/W DATA: -166SP CAN REPLACE -164SP OR -156SP OR -154SP OR -148SP OR -146SP SUBJECT TO CUSTOMER ACCEPTANCE OF WEIGHT PENALTY -168SP CAN REPLACE -164SP OR -156SP OR -154SP OR -148SP OR -146SP SUBJECT TO CUSTOMER ACCEPTANCE OF WEIGHT PENALTY 114N3002-148SP INTERCHANGEABLE WITH 114N3002-64 OR -74 IF SERVICE BULLETINS 757-27-0094 AND 757-27-0117 ARE INCORPORATED ON -64 OR -74 SLAT 114N3002-148SP INTERCHANGEABLE WITH 114N3002-80SP OR -120SP OR -128SP IF SERVICE BULLETIN 757-27-0117 IS INCORPORATED REWORKED BY SB: 27-0117 FOR DETAILS SEE: 27-81-01-02A	002004 006101 107107 121503 904949 952999	1
- 15	114N3002-120SP		.SLAT ASSY- POSITION DATA: RH SIDE COMPONENT MAINT MANUAL REF: 57-43-38 QUALIFIED I/W DATA: -166SP CAN REPLACE -128SP OR -124SP OR -120SP OR -104SP OR -102 IF FIXED LEADING EDGE IS REWORKED PER S/B 757-27-0117 AND IF CUSTOMER ACCEPTS WEIGHT	002004 006100 121503 904949 952999	1

MISSING ITEM NUMBERS NOT APPLICABLE

- ITEM NOT ILLUSTRATED

**27-81-01-01**

27-81-01  
FIG. 01  
PAGE 40  
MAY 20/09

BRI





757

PARTS CATALOG (MAINTENANCE)

FIG ITEM	PART NUMBER	1 2 3 4 5 6 7 NOMENCLATURE	EFFECT FROM TO	UNITS PER ASSY
1		PENALTY -168SP CAN REPLACE -128SP OR -124SP OR -120SP OR -104SP OR -102 IF FIXED LEADING EDGE IS REWORKED PER S/B 757-27-0117 AND IF CUSTOMER ACCEPTS WEIGHT PENALTY 114N3002-120SP INTERCHANGEABLE WITH 114N3002-74 OR -64 IF SERVICE BULLETIN 757-27-0094 IS INCORPORATED ON -64 OR -74 SLAT 114N3002-120SP INTERCHANGEABLE WITH 114N3002-132SP OR -142SP OR -148SP IF SERVICE BULLETIN 757-27-0117 IS INCORPORATED ON -120SP SLAT 114N3002-120SP INTERCHANGEABLE WITH 114N3002-146SP OR -156SP IF SERVICE BULLETIN 757-27-0117 IS INCORPORATED ON -120SP SLAT 114N3002-152SP CAN REPLACE BUT NOT BE REPLACED BY 114N3002-120SP IF FIXED LEADING EDGE IS REWORKED PER S/B 757-27-0117 114N3002-158SP CAN REPLACE BUT NOT BE REPLACED BY 114N3002-120SP IF FIXED LEADING EDGE IS REWORKED PER S/B 757-27-0117 114N3002-162SP CAN REPLACE BUT NOT BE REPLACED BY 114N3002-120SP IF FIXED LEADING EDGE IS REWORKED PER S/B 757-27-0117		

MISSING ITEM NUMBERS NOT APPLICABLE

- ITEM NOT ILLUSTRATED

27-81-01-01

27-81-01  
FIG. 01  
PAGE 41  
MAY 20/09

BRI



757

PARTS CATALOG (MAINTENANCE)

FIG ITEM	PART NUMBER	1 2 3 4 5 6 7	NOMENCLATURE	EFFECT FROM TO	UNITS PER ASSY
1			FOR SPARES PROCURE: 114N3002-122SP REWORKED BY SB: 27-0117 FOR DETAILS SEE: 27-81-01-01A		
- 15	114N3002-80SP	. 6	SLAT ASSY-NO. 6 POSITION DATA: RH SIDE COMPONENT MAINT MANUAL REF: 57-43-38 QUALIFIED I/W DATA: -166SP CAN REPLACE -98SP OR -80SP OR -74 OR -64 OR -51 OR -20 IF FIXED LEADING EDGE IS REWORKED PER S/B 757-27-0117 AND IF CUSTOMER ACCEPTS WEIGHT PENALTY -168SP CAN REPLACE -98SP OR -80SP OR -74 OR -64 OR -52 OR -20 IF FIXED LEADING EDGE IS REWORKED PER S/B 757-27-0117 AND IF CUSTOMER ACCEPTS WEIGHT PENALTY 114N3002-80SP INTERCHANGEABLE WITH 114N3002-64 OR -74 IF SERVICE BULLETIN 757-27-0094 IS INCORPORATED ON -64 OR -74 SLAT 114N3002-80SP INTERCHANGEABLE WITH 114N3002-132SP OR -142SP OR -148SP IF SERVICE BULLETIN 757-27-0117 IS INCORPORATED ON -80SP SLAT 114N3002-80SP INTERCHANGEABLE WITH 114N3002-146SP OR -156SP IF SERVICE BULLETIN 757-27-0117 IS INCORPORATED ON -80SP SLAT 114N3002-152SP CAN	002004 006100 121503 904949 952999	1
MISSING ITEM NUMBERS NOT APPLICABLE					

- ITEM NOT ILLUSTRATED

**27-81-01-01**

27-81-01  
FIG. 01  
PAGE 42  
MAY 20/09

BRI



757

PARTS CATALOG (MAINTENANCE)

FIG ITEM	PART NUMBER	1 2 3 4 5 6 7	NOMENCLATURE	EFFECT FROM TO	UNITS PER ASSY
1			REPLACE BUT NOT BE REPLACED BY 114N3002-80SP IF FIXED LEADING EDGE IS REWORKED PER S/B 757-27-0117 114N3002-158SP CAN REPLACE BUT NOT BE REPLACED BY 114N3002-80SP IF FIXED LEADING EDGE IS REWORKED PER S/B 757-27-0117 114N3002-162SP CAN REPLACE BUT NOT BE REPLACED BY 114N3002-80SP IF FIXED LEADING EDGE IS REWORKED PER S/B 757-27-0117 FOR SPARES PROCURE: 114N3002-86SP REWORKED BY SB: 27-0117 REWORKED BY ALERT SB: 57A0038R5 FOR DETAILS SEE: 27-81-01-01A		

MISSING ITEM NUMBERS NOT APPLICABLE

- ITEM NOT ILLUSTRATED

BRI

**27-81-01-01**

BOEING PROPRIETARY - Copyright © - Unpublished Work - See title page for details.

27-81-01  
FIG. 01  
PAGE 43  
MAY 20/09



757

PARTS CATALOG (MAINTENANCE)

FIG ITEM	PART NUMBER	1 2 3 4 5 6 7 NOMENCLATURE	EFFECT FROM TO	UNITS PER ASSY
1 - 15	114N3002-98SP	.SLAT ASSY-NO. 6 POSITION DATA: RH SIDE COMPONENT MAINT MANUAL REF: 57-43-38 QUALIFIED I/W DATA: -168SP CAN REPLACE -98SP OR -80SP OR -74 OR -64 OR -52 OR -20 IF FIXED LEADING EDGE IS REWORKED PER S/B 757-27-0117 AND IF CUSTOMER ACCEPTS WEIGHT PENALTY -168SP CAN REPLACE -98SP OR -80SP OR -74 OR -64 OR -52 OR -20 IF FIXED LEADING EDGE IS REWORKED PER S/B 757-27-0117 AND IF CUSTOMER ACCEPTS WEIGHT PENALTY. 114N3002-152SP CAN REPLACE BUT NOT BE REPLACED BY 114N3002-98SP IF FIXED LEADING EDGE IS REWORKED PER S/B 757-27-0117 114N3002-158SP CAN REPLACE BUT NOT BE REPLACED BY 114N3002-98SP IF FIXED LEADING EDGE IS REWORKED PER S/B 757-27-0117 114N3002-162SP CAN REPLACE BUT NOT BE REPLACED BY 114N3002-98SP IF FIXED LEADING EDGE IS REWORKED PER S/B 757-27-0117 FOR SPARES PROCURE: 114N3002-86SP REWORKED BY SB: 27-0117 REWORKED BY ALERT SB: 57A0038 FOR DETAILS SEE: 27-81-01-01A	002004 006100 121503 904949 952999	1

MISSING ITEM NUMBERS NOT APPLICABLE

- ITEM NOT ILLUSTRATED

**27-81-01-01**

27-81-01  
FIG. 01  
PAGE 44  
MAY 20/09

BRI



757

PARTS CATALOG (MAINTENANCE)

FIG ITEM	PART NUMBER	1 2 3 4 5 6 7 NOMENCLATURE	EFFECT FROM TO	UNITS PER ASSY
1 - 15	114N3002-102	.SLAT ASSY-NO. 6 POSITION DATA: RH SIDE COMPONENT MAINT MANUAL REF: 57-43-38 QUALIFIED I/W DATA: -166SP CAN REPLACE -128SP OR -124SP OR -120SP OR -104SP OR -102 IF FIXED LEADING EDGE IS REWORKED PER S/B 757-27-0117 AND IF CUSTOMER ACCEPTS WEIGHT PENALTY -168SP CAN REPLACE -128SP OR -124SP OR -120SP OR -104SP OR -102 IF FIXED LEADING EDGE IS REWORKED PER S/B 757-27-0117 AND IF CUSTOMER ACCEPTS WEIGHT PENALTY 114N3002-152SP CAN REPLACE BUT NOT BE REPLACED BY 114N3002-102 IF FIXED LEADING EDGE IS REWORKED PER S/B 757-27-0117 114N3002-158SP CAN REPLACE BUT NOT BE REPLACED BY 114N3002-102 IF FIXED LEADING EDGE IS REWORKED PER S/B 757-27-0117 114N3002-162SP CAN REPLACE BUT NOT BE REPLACED BY 114N3002-102 IF FIXED LEADING EDGE IS REWORKED PER S/B 757-27-0117 FOR SPARES PROCURE: 114N3002-86SP REWORKED BY ALERT SB: 57A0038 FOR DETAILS SEE: 27-81-01-01A	002004 006100 121503 904949 952999	1

MISSING ITEM NUMBERS NOT APPLICABLE

- ITEM NOT ILLUSTRATED

**27-81-01-01**

27-81-01  
FIG. 01  
PAGE 45  
MAY 20/09

BRI



757

PARTS CATALOG (MAINTENANCE)

FIG ITEM	PART NUMBER	1 2 3 4 5 6 7	NOMENCLATURE	EFFECT FROM TO	UNITS PER ASSY
1 - 15	114N3002-124SP	.	SLAT ASSY-REWORK DWG POSITION DATA: RH SIDE COMPONENT MAINT MANUAL REF: 57-43-38 QUALIFIED I/W DATA: -166SP CAN REPLACE -128SP OR -124SP OR -120SP OR -104SP OR -102 IF FIXED LEADING EDGE IS REWORKED PER S/B 757-27-0117 AND IF CUSTOMER ACCEPTS WEIGHT PENALTY -168SP CAN REPLACE -128SP OR -124SP OR -120SP OR -104SP OR -102 IF FIXED LEADING EDGE IS REWORKED PER S/B 757-27-0117 AND IF CUSTOMER ACCEPTS WEIGHT PENALTY 114N3002-152SP CAN REPLACE BUT NOT BE REPLACED BY 114N3002-124SP IF FIXED LEADING EDGE IS REWORKED PER S/B 757-27-0117 114N3002-158SP CAN REPLACE BUT NOT BE REPLACED BY 114N3002-124SP IF FIXED LEADING EDGE IS REWORKED PER S/B 757-27-0117 114N3002-162SP CAN REPLACE BUT NOT BE REPLACED BY 114N3002-124SP IF FIXED LEADING EDGE IS REWORKED PER S/B 757-27-0117 REWORKED BY SB: 27-0117 FOR DETAILS SEE: 27-81-01-01A	002004 006100 121503 904949 952999	1

MISSING ITEM NUMBERS NOT APPLICABLE

- ITEM NOT ILLUSTRATED

BRI

**27-81-01-01**

27-81-01  
FIG. 01  
PAGE 46  
MAY 20/09



757

PARTS CATALOG (MAINTENANCE)

FIG ITEM	PART NUMBER	1 2 3 4 5 6 7	NOMENCLATURE	EFFECT FROM TO	UNITS PER ASSY
1 - 15	114N3002-20		.SLAT ASSY-NO. 6 POSITION DATA: RH SIDE COMPONENT MAINT MANUAL REF: 57-43-38 QUALIFIED I/W DATA: -166SP CAN REPLACE -98SP OR -80SP OR -74 OR -64 OR -52 OR -20 IF FIXED LEADING EDGE IS REWORKED PER S/B 757-27-0117 AND IF CUSTOMER ACCEPTS WEIGHT PENALTY -168SP CAN REPLACE -98SP OR -80SP OR -74 OR -64 OR -52 OR -20 IF FIXED LEADING EDGE IS REWORKED PER S/B 757-27-0117 AND IF CUSTOMER ACCEPTS WEIGHT PENALTY 114N3002-152SP CAN REPLACE BUT NOT BE REPLACED BY 114N3002-20 IF FIXED LEADING EDGE IS REWORKED PER SB 757-27-0117 114N3002-158SP CAN REPLACE BUT NOT BE REPLACED BY 114N3002-20 IF FIXED LEADING EDGE IS REWORKED PER S/B 757-27-0117 114N3002-162SP CAN REPLACE BUT NOT BE REPLACED BY 114N3002-20 IF FIXED LEADING EDGE IS REWORKED PER S/B 757-27-0117 REWORKED BY ALERT SB: 57A0038R5 FOR DETAILS SEE: 27-81-01-01A	107107	1
- 15	114N3002-52		.SLAT ASSY-NO. 6 POSITION DATA: RH SIDE COMPONENT MAINT MANUAL REF: 57-43-38 QUALIFIED I/W DATA: -166SP CAN REPLACE -98SP	107107	1

MISSING ITEM NUMBERS NOT APPLICABLE

- ITEM NOT ILLUSTRATED

BRI

27-81-01-01

27-81-01  
FIG. 01  
PAGE 47  
MAY 20/09



757

PARTS CATALOG (MAINTENANCE)

FIG ITEM	PART NUMBER	1 2 3 4 5 6 7 NOMENCLATURE	EFFECT FROM TO	UNITS PER ASSY
1		OR -80SP OR -74 OR -64 OR -52 OR -20 IF FIXED LEADING EDGE IS REWORKED PER S/B 757-27-0117 AND IF CUSTOMER ACCEPTS WEIGHT PENALTY IF A 8500 IN-LB. TORQUE ACTUATOR IS ON THE RECEIVING AIRCRAFT, REWORK -52 PER S/B 757-27-0094 OR RETAIN MAIN SLAT TRACK FROM RECEIVING AIRCRAFT -168SP CAN REPLACE -98SP OR -80SP OR -74 OR -64 OR -52 OR -20 IF FIXED LEADING EDGE IS REWORKED PER S/B 757-27-0117 AND IF CUSTOMER ACCEPTS WEIGHT PENALTY 114N3002-152SP CAN REPLACE BUT NOT BE REPLACED BY 114N3002-52 IF FIXED LEADING EDGE IS REWORKED PER S/B 757-27-0117 114N3002-158SP CAN REPLACE BUT NOT BE REPLACED BY 114N3002-52 IF FIXED LEADING EDGE IS REWORKED PER S/B 757-27-0117 114N3002-162SP CAN REPLACE BUT NOT BE REPLACED BY 114N3002-52 IF FIXED LEADING EDGE IS REWORKED PER S/B 757-27-0117 REWORKED BY ALERT SB: 57A0038R5 FOR DETAILS SEE: 27-81-01-01A		
- 15	114N3002-64	.SLAT ASSY-NO. 6 POSITION DATA: RH SIDE COMPONENT MAINT MANUAL REF: 57-43-38 QUALIFIED I/W DATA: -166SP CAN REPLACE -98SP  MISSING ITEM NUMBERS NOT APPLICABLE	107107	1

- ITEM NOT ILLUSTRATED

**27-81-01-01**

27-81-01  
 FIG. 01  
 PAGE 48  
 MAY 20/09

BRI





757

PARTS CATALOG (MAINTENANCE)

FIG ITEM	PART NUMBER	1 2 3 4 5 6 7 NOMENCLATURE	EFFECT FROM TO	UNITS PER ASSY
1		<p>OR -80SP OR -74 OR -64  OR -51 OR -20 IF FIXED  LEADING EDGE IS REWORKED  PER S/B 757-27-0117 AND  IF CUSTOMER ACCEPTS  WEIGHT PENALTY  -168SP CAN REPLACE -98SP  OR -80SP OR -74 OR -64  OR -52 OR -20 IF FIXED  LEADING EDGE IS REWORKED  PER S/B 757-27-0117 AND  IF CUSTOMER ACCEPTS  WEIGHT PENALTY  114N3002-64  INTERCHANGEABLE WITH  114N3002-80SP OR -120SP  OR -128SP IF SERVICE  BULLETIN 757-27-0094 IS  INCORPORATED ON -64 SLAT  114N3002-64  INTERCHANGEABLE WITH  114N3002-132SP OR -142SP  OR -148SP IF SERVICE  BULLETINS 757-27-0094  AND 757-27-0117 ARE  INCORPORATED ON -64 SLAT  114N3002-64  INTERCHANGEABLE WITH  114N3002-146SP OR -156SP  IF SERVICE BULLETINS  757-27-0094 AND  757-27-0117 ARE  INCORPORATED ON -64 SLAT  114N3002-152SP CAN  REPLACE BUT NOT BE  REPLACED BY 114N3002-64  IF FIXED LEADING EDGE IS  REWORKED PER S/B  757-27-0117  114N3002-158SP CAN  REPLACE BUT NOT BE  REPLACED BY 114N3002-64  IF FIXED LEADING EDGE IS  REWORKED PER S/B  757-27-0117  114N3002-162SP CAN  REPLACE BUT NOT BE  REPLACED BY 114N3002-64  IF FIXED LEADING EDGE IS</p>		

MISSING ITEM NUMBERS NOT APPLICABLE

- ITEM NOT ILLUSTRATED

27-81-01-01

27-81-01  
FIG. 01  
PAGE 49  
MAY 20/09

BRI



757

PARTS CATALOG (MAINTENANCE)

FIG ITEM	PART NUMBER	1 2 3 4 5 6 7 NOMENCLATURE	EFFECT FROM TO	UNITS PER ASSY
1		REWORKED PER S/B 757-27-0117 FOR SPARES PROCURE: 114N3002-56 REWORKED BY ALERT SB: 57A0038R5 FOR DETAILS SEE: 27-81-01-01A . SLAT ASSY-NO. 6 POSITION DATA: RH SIDE COMPONENT MAINT MANUAL REF: 57-43-38 QUALIFIED I/W DATA: -166SP CAN REPLACE -98SP OR -80SP OR -74 OR -64 OR -51 OR -20 IF FIXED LEADING EDGE IS REWORKED PER S/B 757-27-0117 AND IF CUSTOMER ACCEPTS WEIGHT PENALTY -168SP CAN REPLACE -98SP OR -80SP OR -74 OR -64 OR -52 OR -20 IF FIXED LEADING EDGE IS REWORKED PER S/B 757-27-0117 AND IF CUSTOMER ACCEPTS WEIGHT PENALTY 114N3002-74 INTERCHANGEABLE WITH 114N3002-80SP OR -120SP OR -128SP IF SERVICE BULLETIN 757-27-0094 IS INCORPORATED ON -74 SLAT 114N3002-74 INTERCHANGEABLE WITH 114N3002-132SP OR -142SP OR -148SP IF SERVICE BULLETINS 757-27-0094 AND 757-27-0117 ARE INCORPORATED ON -74 SLAT 114N3002-74 INTERCHANGEABLE WITH 114N3002-146SP OR -156SP IF SERVICE BULLETINS 757-27-0094 AND 757-27-0117 ARE INCORPORATED ON -74 SLAT 114N3002-152SP CAN  MISSING ITEM NUMBERS NOT APPLICABLE	107107	1

- ITEM NOT ILLUSTRATED

**27-81-01-01**

27-81-01  
 FIG. 01  
 PAGE 50  
 MAY 20/09

BRI



757

PARTS CATALOG (MAINTENANCE)

FIG ITEM	PART NUMBER	1 2 3 4 5 6 7 NOMENCLATURE	EFFECT FROM TO	UNITS PER ASSY
1		REPLACE BUT NOT BE REPLACED BY 114N3002-74 IF FIXED LEADING EDGE IS REWORKED PER S/B 757-27-0117 114N3002-158SP CAN REPLACE BUT NOT BE REPLACED BY 114N3002-74 IF FIXED LEADING EDGE IS REWORKED PER S/B 757-27-0117 114N3002-162SP CAN REPLACE BUT NOT BE REPLACED BY 114N3002-74 IF FIXED LEADING EDGE IS REWORKED PER S/B 757-27-0117 REWORKED BY ALERT SB: 57A0038R5 FOR DETAILS SEE: 27-81-01-01A .SLAT ASSY-NO. 6 POSITION DATA: RH SIDE COMPONENT MAINT MANUAL REF: 57-43-38 QUALIFIED I/W DATA: -168SP CAN REPLACE -164SP OR -156SP OR -154SP OR -148SP OR -146SP SUBJECT TO CUSTOMER ACCEPTANCE OF WEIGHT PENALTY -166SP CAN REPLACE -164SP OR -156SP OR -154SP OR -148SP OR -146SP SUBJECT TO CUSTOMER ACCEPTANCE OF WEIGHT PENALTY REWORKED BY SB: 27-0117 FOR DETAILS SEE: 27-81-01-02A	002004 006101 107107 121503 904949 952999	1
- 16	114N3002-164SP			

MISSING ITEM NUMBERS NOT APPLICABLE

- ITEM NOT ILLUSTRATED

BRI

**27-81-01-01**

27-81-01  
FIG. 01  
PAGE 51  
MAY 20/09



757

PARTS CATALOG (MAINTENANCE)

FIG ITEM	PART NUMBER	1 2 3 4 5 6 7 NOMENCLATURE	EFFECT FROM TO	UNITS PER ASSY
1 - 16	114N3002-166SP	.SLAT ASSY-NO. 6 POSITION DATA: RH SIDE COMPONENT MAINT MANUAL REF: 57-43-38 QUALIFIED I/W DATA: -166SP CAN REPLACE -164SP OR -156SP OR -154SP OR -148SP OR -146SP SUBJECT TO CUSTOMER ACCEPTANCE OF WEIGHT PENALTY -166SP CAN REPLACE -144SP OR -142SP OR -140SP OR -136SP OR -132SP SUBJECT TO CUSTOMER ACCEPTANCE OF WEIGHT PENALTY -166SP CAN REPLACE -128SP OR -124SP OR -120SP OR -104 OR -102 IF FIXED LEADING EDGE IS REWORKED PER S/B 757-27-0117 AND IF CUSTOMER ACCEPTS WEIGHT PENALTY -166SP CAN REPLACE -98SP OR -780P OR -74 OR -64 OR -52 OR -20 IF FIXED LEADING EDGE IS REWORKED PER S/B 757-27-0117 AND IF CUSTOMER ACCEPTS WEIGHT PENALTY FOR DETAILS SEE: 27-81-01-02A	002004 006101 107107 121503 904949 952999	1

MISSING ITEM NUMBERS NOT APPLICABLE

- ITEM NOT ILLUSTRATED

BRI

**27-81-01-01**

BOEING PROPRIETARY - Copyright © - Unpublished Work - See title page for details.

27-81-01  
 FIG. 01  
 PAGE 52  
 MAY 20/09



757

PARTS CATALOG (MAINTENANCE)

FIG ITEM	PART NUMBER	1 2 3 4 5 6 7	NOMENCLATURE	EFFECT FROM TO	UNITS PER ASSY
1 - 16	114N3002-140SP		.SLAT ASSY-NO. 6 POSITION DATA: RH SIDE QUALIFIED I/W DATA: -166SP CAN REPLACE -144SP OR -142SP OR -140SP OR -136SP OR -132SP SUBJECT TO CUSTOMER ACCEPTANCE OF WEIGHT PENALTY -168SP CAN REPLACE -144SP OR -142SP OR -140SP OR -136SP OR -132SP SUBJECT TO CUSTOMER ACCEPTANCE OF WEIGHT PENALTY FOR DETAILS SEE: 27-81-01-01A	002004 006101 107107 121503 904949 952999	1

MISSING ITEM NUMBERS NOT APPLICABLE

- ITEM NOT ILLUSTRATED

BRI

# 27-81-01-01

BOEING PROPRIETARY - Copyright © - Unpublished Work - See title page for details.

27-81-01  
FIG. 01  
PAGE 53  
MAY 20/09



757

PARTS CATALOG (MAINTENANCE)

FIG ITEM	PART NUMBER	1 2 3 4 5 6 7	NOMENCLATURE	EFFECT FROM TO	UNITS PER ASSY
1					
- 16	114N3002-168SP	.	SLAT ASSY-NO. 6 POSITION DATA: RH SIDE QUALIFIED I/W DATA: -168SP CAN REPLACE -98SP OR -80SP OR -74 OR -64 OR -52 OR -20 IF FIXED LEADING EDGE IS REWORKED PER S/B 757-27-0117 AND IF CUSTOMER ACCEPTS WEIGHT PENALTY -168SP CAN REPLACE -128SP OR -124SP OR -120SP OR -104SP OR -102 IF FIXED LEADING EDGE IS REWORKED PER S/B 757-27-0117 AND IF CUSTOMER ACCEPTS WEIGHT PENALTY -168SP CAN REPLACE -144SP OR -142SP OR -140SP OR -136SP OR -132SP SUBJECT TO CUSTOMER ACCEPTANCE OF WEIGHT PENALTY -168SP CAN REPLACE -164SP OR -156SP OR -154SP OR -148SP OR -146SP SUBJECT TO CUSTOMER ACCEPTANCE OF WEIGHT PENALTY FOR DETAILS SEE: 27-81-01-02A	002004 006101 107107 121503 904949 952999	1
- 16	114N3002-166SP	.	SLAT ASSY-NO. 6 COMPONENT MAINT MANUAL REF: 57-43-38	002004 006101 107107 121503 904949 952999	1
- 16	114N3002-168SP	.	SLAT ASSY-NO. 6	002004 006101 107107 121503 904949 952999	1

MISSING ITEM NUMBERS NOT APPLICABLE

- ITEM NOT ILLUSTRATED

BRI

27-81-01-01

BOEING PROPRIETARY - Copyright © - Unpublished Work - See title page for details.

27-81-01  
FIG. 01  
PAGE 54  
MAY 20/09



757

PARTS CATALOG (MAINTENANCE)

FIG ITEM	PART NUMBER	1 2 3 4 5 6 7 NOMENCLATURE	EFFECT FROM TO	UNITS PER ASSY
1 17	114N3002-165SP	.SLAT ASSY-NO. 5 POSITION DATA: LH SIDE COMPONENT MAINT MANUAL REF: 57-43-38 QUALIFIED I/W DATA: -165SP CAN REPLACE -163SP OR -155SP OR -153SP OR -147SP OR -145SP SUBJECT TO CUSTOMER ACCEPTANCE OF WEIGHT PENALTY -165SP CAN REPLACE -143SP OR -141SP OR -139SP OR -135SP OR -131SP SUBJECT TO CUSTOMER ACCEPTANCE OF WEIGHT PENALTY -165SP CAN REPLACE -127SP OR -123SP OR -119SP OR -103SP OR -101 IF FIXED LEADING EDGE IS REWORKED PER S/B 757-27-0117 AND IF CUSTOMER ACCEPTS WEIGHT PENALTY -165SP CAN REPLACE -97SP OR -79SP OR -73 OR -63 OR -51 OR -19 IF FIXED LEADING EDGE IS REWORKED PER S/B 757-27-0117 AND IF CUSTOMER ACCEPTS WEIGHT PENALTY FOR DETAILS SEE: 27-81-01-02A	002004 006101 107107 121503 904949 952999	1

MISSING ITEM NUMBERS NOT APPLICABLE

- ITEM NOT ILLUSTRATED

BRI

**27-81-01-01**

BOEING PROPRIETARY - Copyright © - Unpublished Work - See title page for details.

27-81-01  
FIG. 01  
PAGE 55  
MAY 20/09



757

PARTS CATALOG (MAINTENANCE)

FIG ITEM	PART NUMBER	1 2 3 4 5 6 7	NOMENCLATURE	EFFECT FROM TO	UNITS PER ASSY
1 17	114N3002-139SP		.SLAT ASSY-REWORK DWG POSITION DATA: LH SIDE QUALIFIED I/W DATA: -165SP CAN REPLACE -143SP OR -141SP OR -139SP OR -135SP OR -131SP SUBJECT TO CUSTOMER ACCEPTANCE OF WEIGHT PENALTY -167SP CAN REPLACE -143SP OR -141SP OR -139SP OR -135SP OR -131SP SUBJECT TO CUSTOMER ACCEPTANCE OF WEIGHT PENALTY FOR DETAILS SEE: 27-81-01-01A	002004 006101 107107 121503 904949 952999	1

MISSING ITEM NUMBERS NOT APPLICABLE

- ITEM NOT ILLUSTRATED

BRI

# 27-81-01-01

BOEING PROPRIETARY - Copyright © - Unpublished Work - See title page for details.

27-81-01  
FIG. 01  
PAGE 56  
MAY 20/09





757

PARTS CATALOG (MAINTENANCE)

FIG ITEM	PART NUMBER	1 2 3 4 5 6 7	NOMENCLATURE	EFFECT FROM TO	UNITS PER ASSY
1 17	114N3002-167SP	. 1 2 3 4 5 6 7	.SLAT ASSY-NO. 5 POSITION DATA: LH SIDE QUALIFIED I/W DATA: -167SP CAN REPLACE -163SP OR -155SP OR -153SP OR -147SP OR -145SP SUBJECT TO CUSTOMER ACCEPTANCE OF WEIGHT PENALTY -167SP CAN REPLACE -143SP OR -141SP OR -139SP OR -135SP OR -131SP SUBJECT TO CUSTOMER ACCEPTANCE OF WEIGHT PENALTY -167SP CAN REPLACE -127SP OR -123SP OR -119SP OR -103SP OR -101 IF FIXED LEADING EDGE IS REWORKED PER S/B 757-27-0117 AND IF CUSTOMER ACCEPTS WEIGHT PENALTY -167SP CAN REPLACE -97SP OR -79SP OR -73 OR -63 OR -51 OR -19 IF FIXED LEADING EDGE IS REWORKED PER S/B 757-27-0117 AND IF CUSTOMER ACCEPTS WEIGHT PENALTY FOR DETAILS SEE: 27-81-01-02A	002004 006101 107107 121503 904949 952999	1

MISSING ITEM NUMBERS NOT APPLICABLE

- ITEM NOT ILLUSTRATED

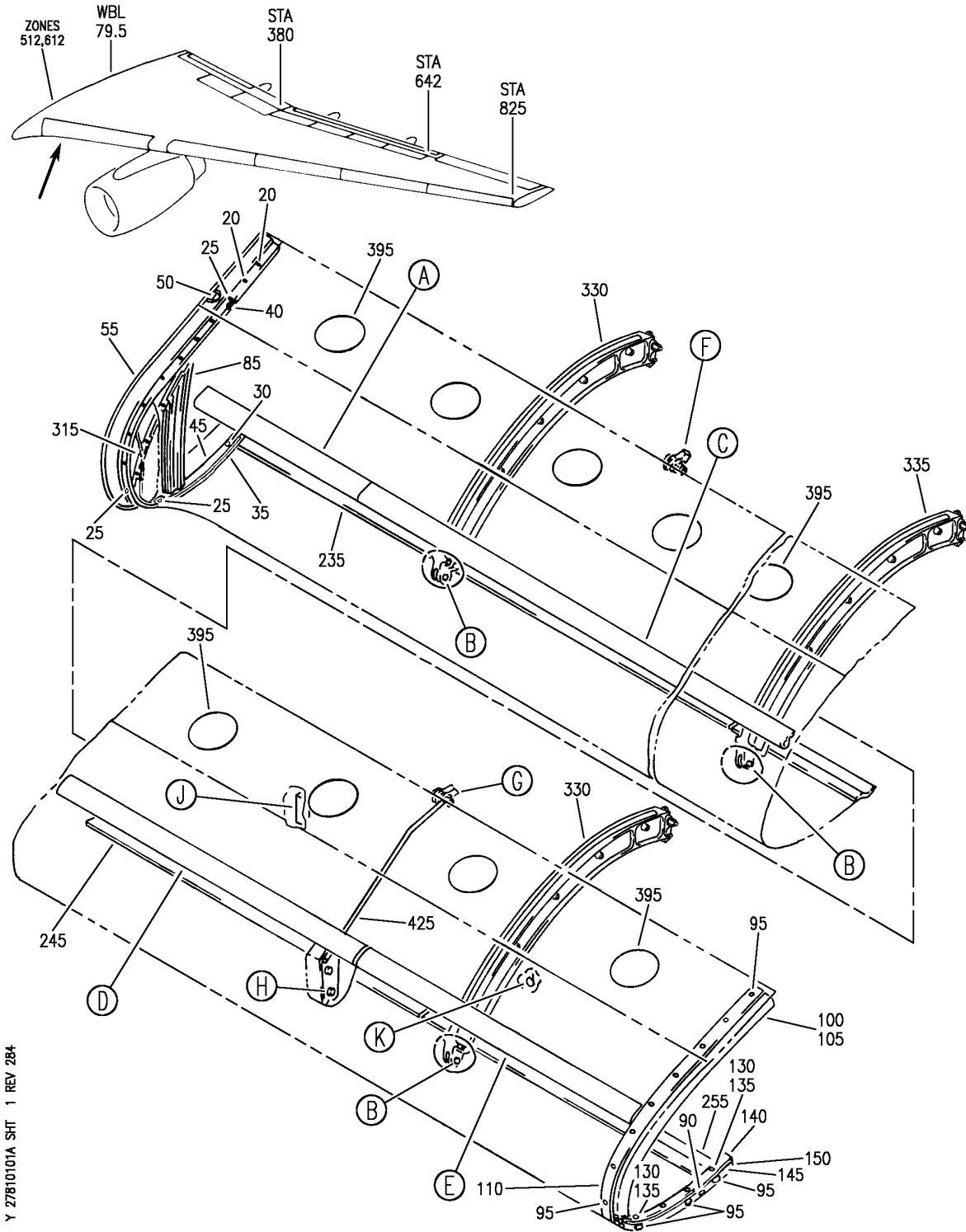
BRI

**27-81-01-01**

BOEING PROPRIETARY - Copyright © - Unpublished Work - See title page for details.

27-81-01  
 FIG. 01  
 PAGE 57  
 MAY 20/09

**BOEING**  
757  
**PARTS CATALOG (MAINTENANCE)**



Y 27810101A SHT 1 REV 284

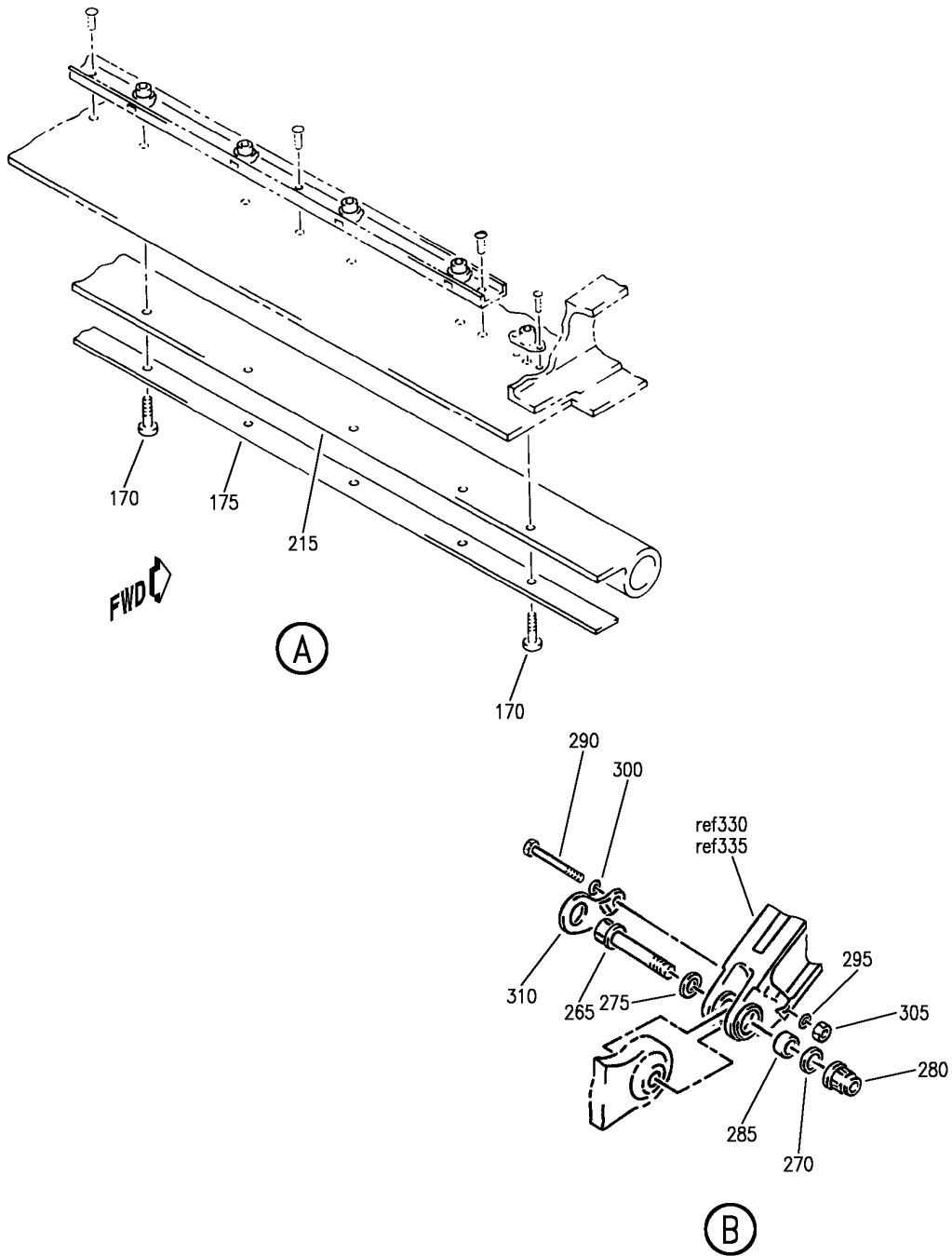
SLAT ASSY WING LE NO. 5 AND NO. 6 INBD  
FIGURE 1A (SHEET 1)

**27-81-01-01A**

BRI  
MAY 28/07

27-81-01-01A  
PAGE 0

**BOEING**  
757  
PARTS CATALOG (MAINTENANCE)



Y 27810101A SHT 2 REV 277

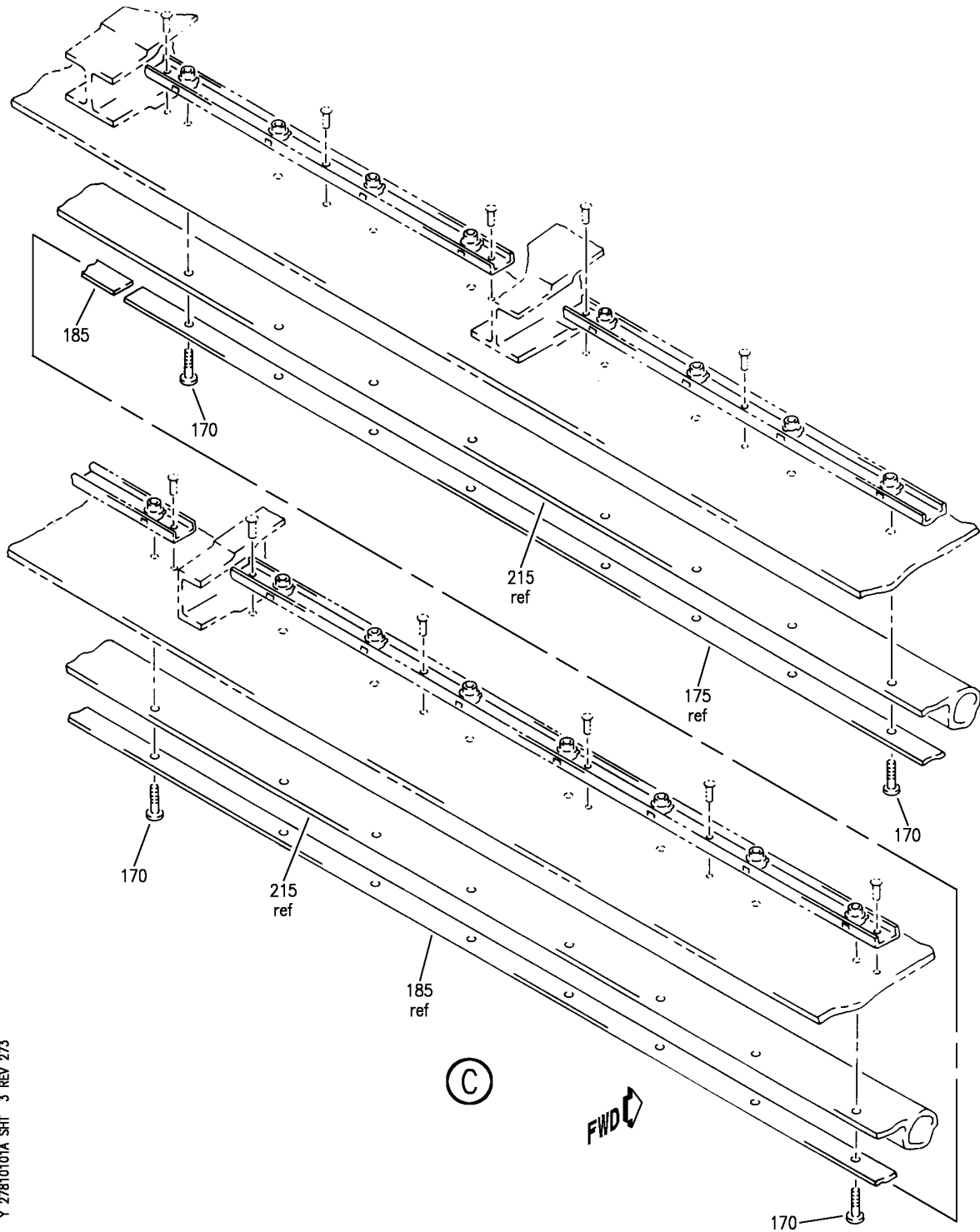
SLAT ASSY WING LE NO. 5 AND NO. 6 INBD  
FIGURE 1A (SHEET 2)

**27-81-01-01A**

BRI  
MAY 28/07

27-81-01-01A  
PAGE 0A

**BOEING**  
757  
PARTS CATALOG (MAINTENANCE)



Y 27810101A SHT 3 REV 273

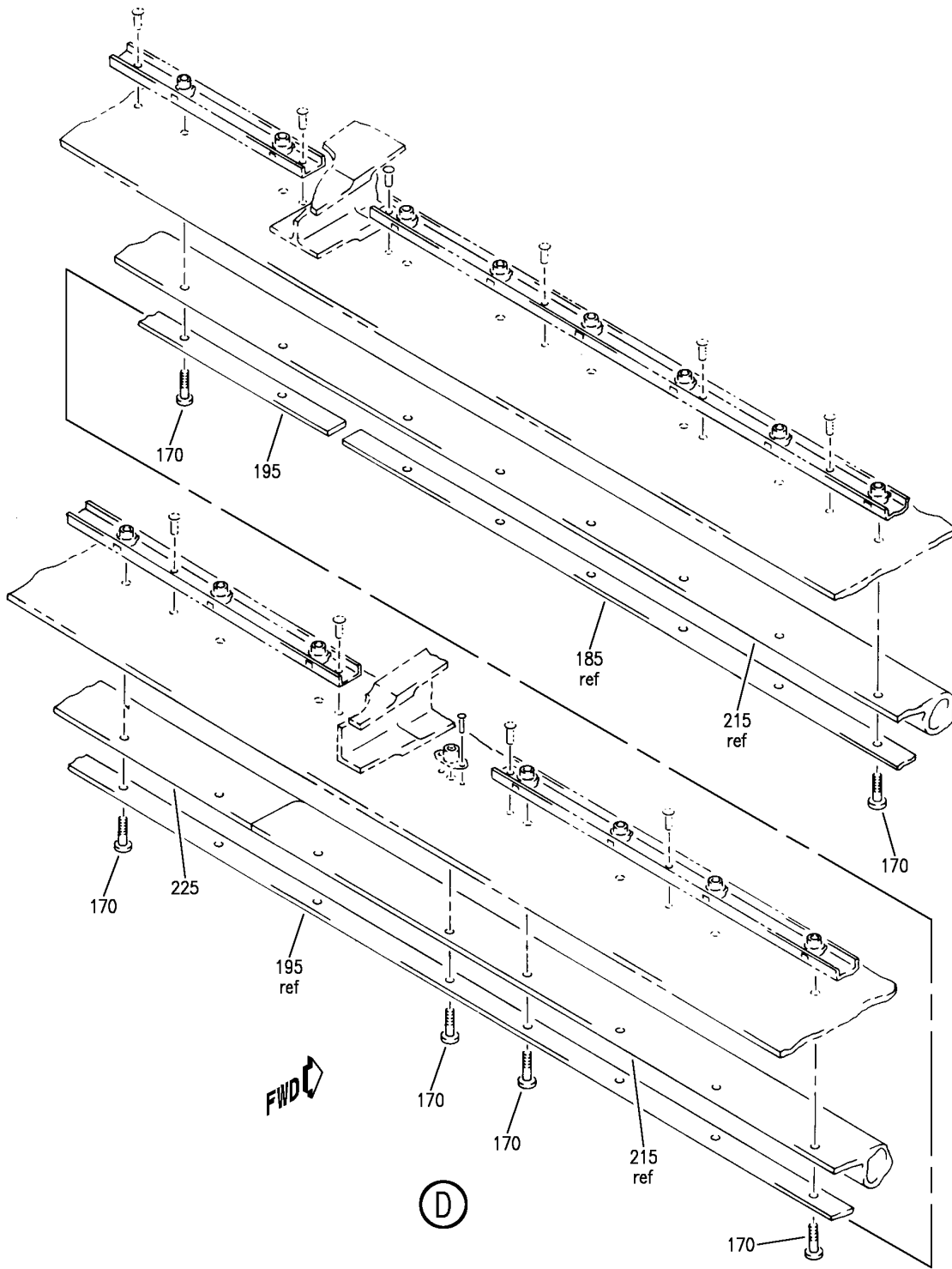
SLAT ASSY WING LE NO. 5 AND NO. 6 INBD  
FIGURE 1A (SHEET 3)

**27-81-01-01A**

BRI  
MAY 28/07

27-81-01-01A  
PAGE 0B

**BOEING**  
757  
PARTS CATALOG (MAINTENANCE)



Y 27810101A SHT 4 REV 277

FWDC

D

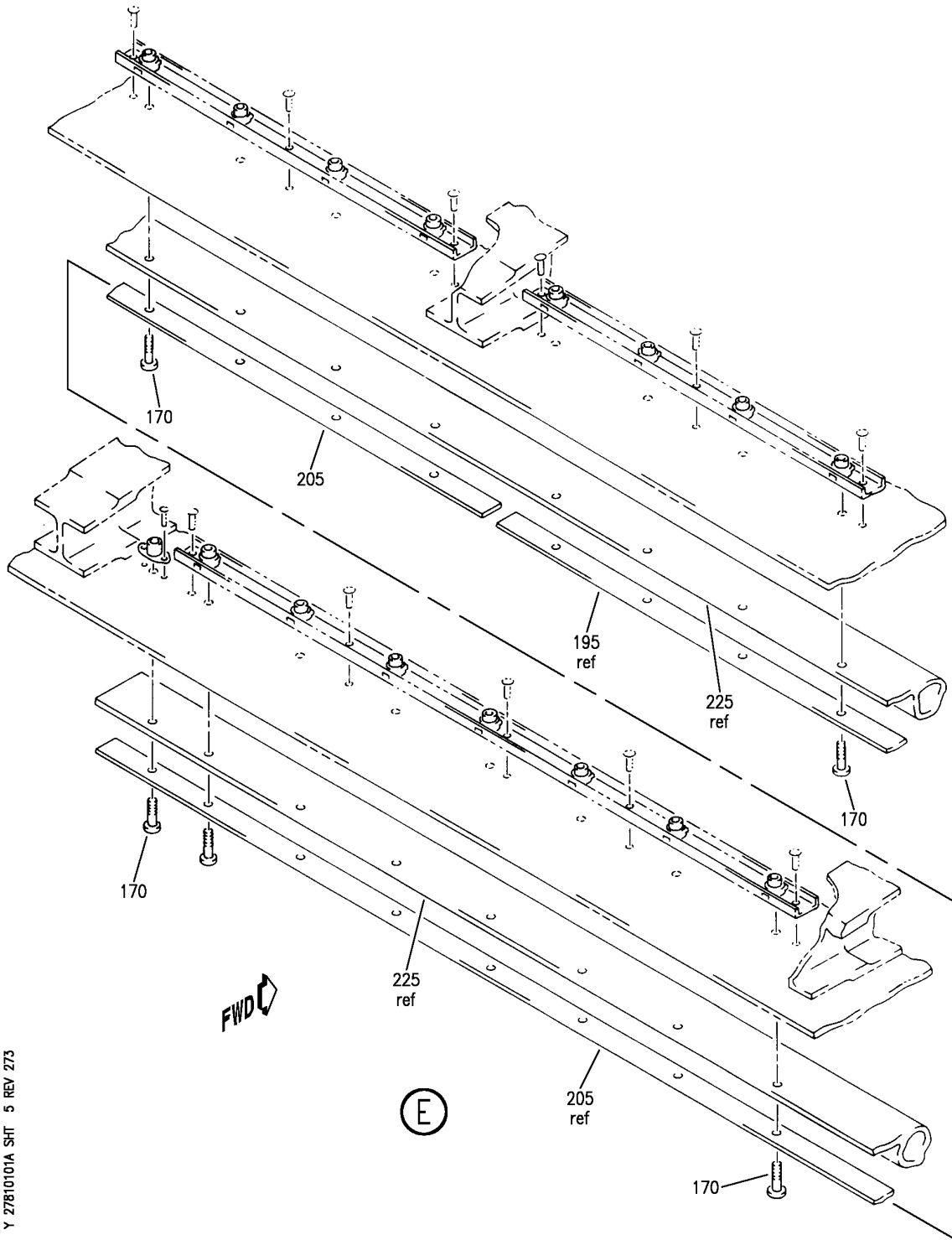
SLAT ASSY WING LE NO. 5 AND NO. 6 INBD  
FIGURE 1A (SHEET 4)

**27-81-01-01A**

BRI  
MAY 28/07

27-81-01-01A  
PAGE 0C

**BOEING**  
757  
PARTS CATALOG (MAINTENANCE)



Y 27810101A SHT 5 REV 273

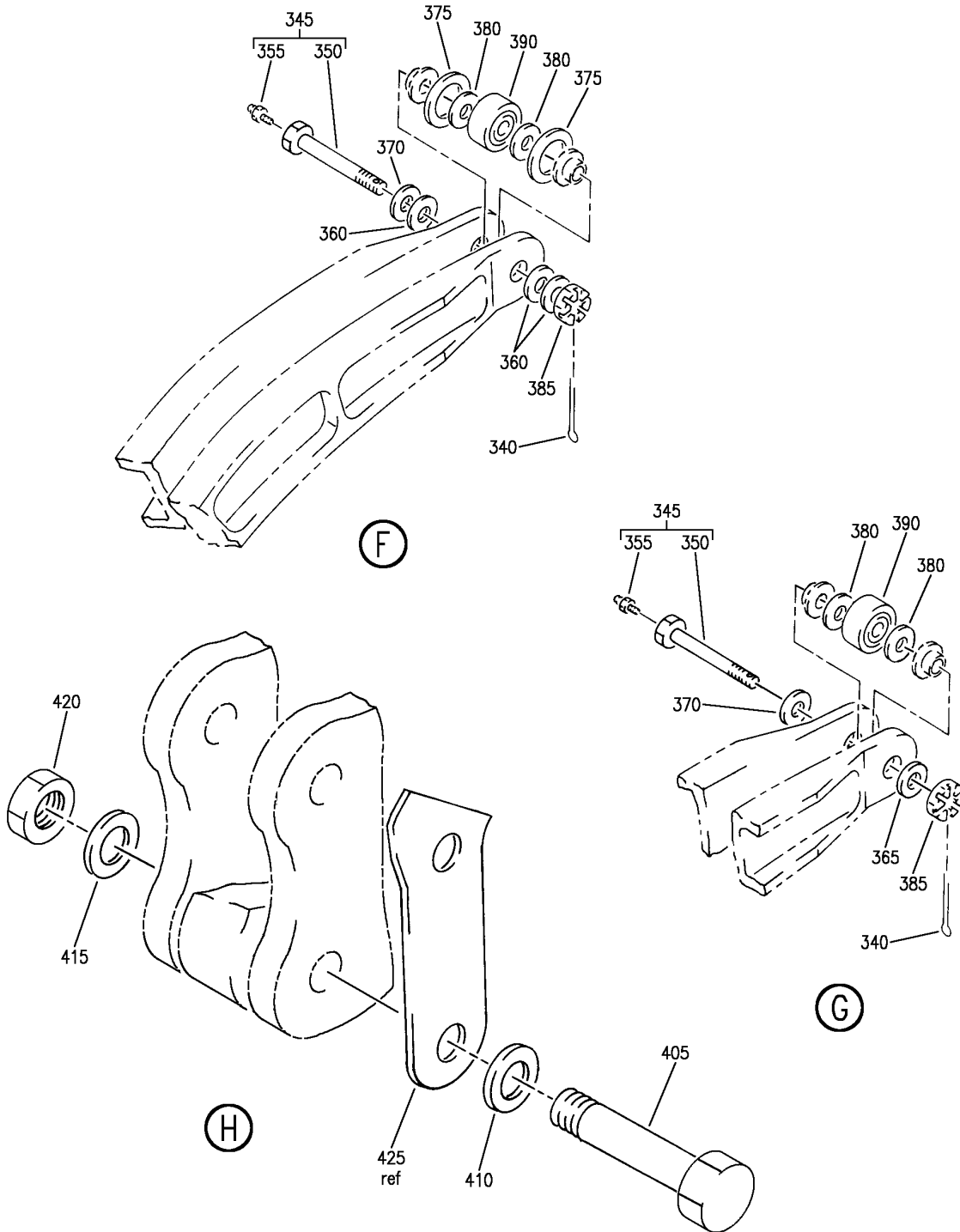
SLAT ASSY WING LE NO. 5 AND NO. 6 INBD  
FIGURE 1A (SHEET 5)

**27-81-01-01A**

BRI  
MAY 28/07

27-81-01-01A  
PAGE 0D

**BOEING**  
757  
PARTS CATALOG (MAINTENANCE)



Y 27810101A SHT 6 REV 280

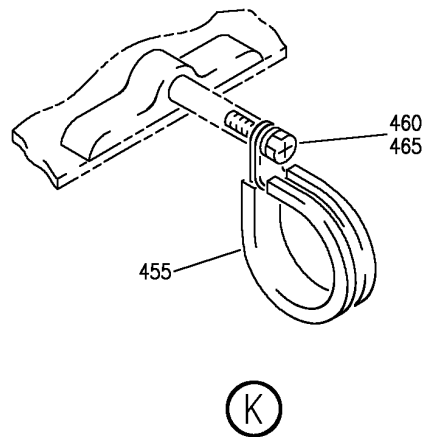
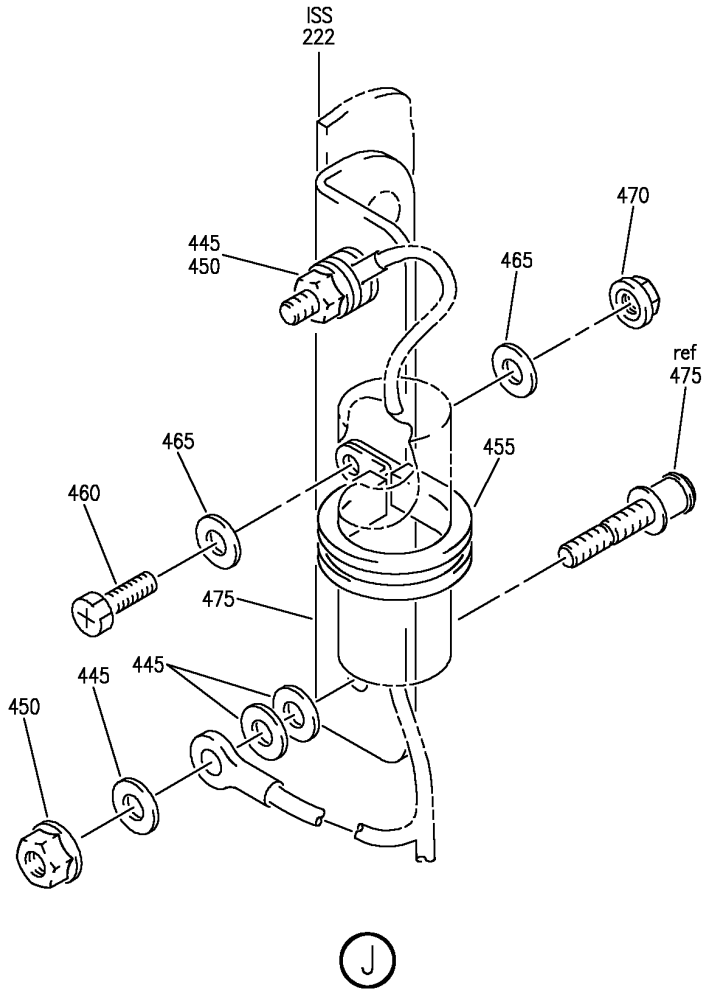
SLAT ASSY WING LE NO. 5 AND NO. 6 INBD  
FIGURE 1A (SHEET 6)

**27-81-01-01A**

BRI  
MAY 28/07

27-81-01-01A  
PAGE 0E

**BOEING**  
757  
PARTS CATALOG (MAINTENANCE)



Y 27810101A SHT 7 REV 273

SLAT ASSY WING LE NO. 5 AND NO. 6 INBD  
FIGURE 1A (SHEET 7)

**27-81-01-01A**

BRI  
MAY 28/07

27-81-01-01A  
PAGE OF





757

PARTS CATALOG (MAINTENANCE)

FIG ITEM	PART NUMBER	1 2 3 4 5 6 7	NOMENCLATURE	EFFECT FROM TO	UNITS PER ASSY
1 A			SLAT ASSY WING LE NO. 5 AND NO. 6 INBD	002004 006102 107999	
- 1	114N3002-101		SLAT ASSY-NO. 5 POSITION DATA: LH SIDE COMPONENT MAINT MANUAL REF: 57-43-38 QUALIFIED I/W DATA: -165SP CAN REPLACE -127SP OR -123SP OR -119SP OR -103SP OR -101 IF FIXED LEADING EDGE IS REWORKED PER S/B 757-27-0117 AND IF CUSTOMER ACCEPTS WEIGHT PENALTY -167SP CAN REPLACE -127SP OR -123SP OR -119SP OR -103SP OR -101 IF FIXED LEADING EDGE IS REWORKED PER S/B 757-27-0117 AND IF CUSTOMER ACCEPTS WEIGHT PENALTY 114N3002-151SP CAN REPLACE BUT NOT BE REPLACED BY 114N3002-101 IF FIXED LEADING EDGE IS REWORKED PER S/B 757-27-0117 114N3002-157SP CAN REPLACE BUT NOT BE REPLACED BY 114N3002-101 IF FIXED LEADING EDGE IS REWORKED PER S/B 757-27-0117 114N3002-161SP CAN REPLACE BUT NOT BE REPLACED BY 114N3002-101 IF FIXED LEADING EDGE IS REWORKED PER S/B 757-27-0117 FOR SPARES PROCURE: 114N3002-85SP REWORKED BY ALERT SB: 57A0038R6 FOR NHA SEE: 27-81-01-01	002004 006100 121503 904949 952999	RF
MISSING ITEM NUMBERS NOT APPLICABLE					

- ITEM NOT ILLUSTRATED

**27-81-01-01A**

27-81-01  
FIG. 01A  
PAGE 1  
JAN 20/09

BRI



757

PARTS CATALOG (MAINTENANCE)

FIG ITEM	PART NUMBER	1 2 3 4 5 6 7	NOMENCLATURE	EFFECT FROM TO	UNITS PER ASSY
1A - 1	114N3002-103SP		SLAT ASSY-NO. 5 POSITION DATA: LH SIDE COMPONENT MAINT MANUAL REF: 57-43-38 QUALIFIED I/W DATA: -165SP CAN REPLACE -127SP OR -123 OR -119SP OR -103SP OR -101 IF FIXED LEADING EDGE IS REWORKED PER S/B 757-27-0117 AND IF CUSTOMER ACCEPTS WEIGHT PENALTY -167SP CAN REPLACE -127SP OR -123SP OR -119SP OR -103SP OR -101 IF FIXED LEADING EDGE IS REWORKED PER S/B 757-27-0117 AND IF CUSTOMER ACCEPTS WEIGHT PENALTY 114N3002-151SP CAN REPLACE BUT NOT BE REPLACED BY 114N3002-103SP IF FIXED LEADING EDGE IS REWORKED PER S/B 757-27-0117 114N3002-157SP CAN REPLACE BUT NOT BE REPLACED BY 114N3002-103SP IF FIXED LEADING EDGE IS REWORKED PER S/B 757-27-0017 114N3002-161SP CAN REPLACE BUT NOT BE REPLACED BY 114N3002-103SP IF FIXED LEADING EDGE IS REWORKED PER S/B 757-27-0117 FOR SPARES PROCURE: 114N3002-85SP REWORKED BY SB: 27-0117 REWORKED BY ALERT SB: 57A0038R6 FOR NHA SEE: 27-81-01-01	002004 006100 121503 904949 952999	RF
- 1	114N3002-119SP		SLAT ASSY-	002004	RF

MISSING ITEM NUMBERS NOT APPLICABLE

- ITEM NOT ILLUSTRATED

**27-81-01-01A**

27-81-01  
FIG. 01A  
PAGE 2  
JAN 20/09

BRI



757

PARTS CATALOG (MAINTENANCE)

FIG ITEM	PART NUMBER	1 2 3 4 5 6 7 NOMENCLATURE	EFFECT FROM TO	UNITS PER ASSY
1 A		POSITION DATA: LH SIDE COMPONENT MAINT MANUAL REF: 57-43-38 QUALIFIED I/W DATA: -165SP CAN REPLACE -127SP OR -123SP OR -119SP OR -103SP OR -101 IF FIXED LEADING EDGE IS REWORKED PER S/B 757-27-0117 AND IF CUSTOMER ACCEPTS WEIGHT PENALTY -167SP CAN REPLACE -127SP OR -123SP OR -119SP OR -103SP OR -101 IF FIXED LEADING EDGE IS REWORKED PER S/B 757-27-0117 AND IF CUSTOMER ACCEPTS WEIGHT PENALTY 114N3002-119SP INTERCHANGEABLE WITH 114N3002-73 OR -63 IF SERVICE BULLETIN 757-27-0094 IS INCORPORATED ON -63 OR -73 SLAT 114N3002-119SP INTERCHANGEABLE WITH 114N3002-131SP OR -141SP OR -147SP IF SERVICE BULLETIN 757-27-0117 IS INCORPORATED ON -119SP SLAT 114N3002-119SP INTERCHANGEABLE WITH 114N3002-145SP OR -155SP IF SERVICE BULLETIN 757-27-0117 IS INCORPORATED ON -119SP SLAT 114N3002-151SP CAN REPLACE BUT NOT BE REPLACED BY 114N3002-119SP IF FIXED LEADING EDGE IS REWORKED PER S/B 757-27-0117  MISSING ITEM NUMBERS NOT APPLICABLE	006100 121503 904949 952999	

- ITEM NOT ILLUSTRATED

# 27-81-01-01A

27-81-01  
 FIG. 01A  
 PAGE 3  
 JAN 20/09

BRI



757

PARTS CATALOG (MAINTENANCE)

FIG ITEM	PART NUMBER	1 2 3 4 5 6 7 NOMENCLATURE	EFFECT FROM TO	UNITS PER ASSY
1 A		114N3002-157SP CAN REPLACE BUT NOT BE REPLACED BY 114N3002-119SP IF FIXED LEADING EDGE IS REWORKED PER S/B 757-27-0117 114N3002-161SP CAN REPLACE BUT NOT BE REPLACED BY 114N3002-119SP IF FIXED LEADING EDGE IS REWORKED PER S/B 757-27-0117 FOR SPARES PROCURE: 114N3002-121SP REWORKED BY SB: 27-0117 FOR NHA SEE: 27-81-01-01 SPARES ASSY- POSITION DATA: LH SIDE FOR NHA SEE: 27-81-01-01	002004 006100 121503 953999	RF
-	1 114N3002-121SP			

MISSING ITEM NUMBERS NOT APPLICABLE

- ITEM NOT ILLUSTRATED

BRI

**27-81-01-01A**

BOEING PROPRIETARY - Copyright © - Unpublished Work - See title page for details.

27-81-01  
 FIG. 01A  
 PAGE 4  
 JAN 20/09



757

PARTS CATALOG (MAINTENANCE)

FIG ITEM	PART NUMBER	1 2 3 4 5 6 7	NOMENCLATURE	EFFECT FROM TO	UNITS PER ASSY
1 A - 1	114N3002-123SP		SLAT ASSY-REWORK DWG POSITION DATA: LH SIDE COMPONENT MAINT MANUAL REF: 57-43-38 QUALIFIED I/W DATA: -165SP CAN REPLACE 127SP OR -123SP OR -119SP OR -103SP OR -101 IF FIXED LEADING EDGE IS REWORKED PER S/B 757-27-0117 AND IF CUSTOMER ACCEPTS WEIGHT PENALTY -167SP CAN REPLACE -127SP OR -123SP OR -119SP OR -103SP OR -101 IF FIXED LEADING EDGE IS REWORKED PER S/B 757-27-0117 AND IF CUSTOMER ACCEPTS WEIGHT PENALTY 114N3002-151SP CAN REPLACE BUT NOT BE REPLACED BY 114N3002-123SP IF FIXED LEADING EDGE IS REWORKED PER S/B 757-27-0117 114N3002-157SP CAN REPLACE BUT NOT BE REPLACED BY 114N3002-123SP IF FIXED LEADING EDGE IS REWORKED PER S/B 757-27-0117 114N3002-161SP CAN REPLACE BUT NOT BE REPLACED BY 114N3002-123SP IF FIXED LEADING EDGE IS REWORKED PER S/B 757-27-0117 REWORKED BY SB: 27-0117 FOR NHA SEE: 27-81-01-01	002004 006100 121503 904949 952999	RF

MISSING ITEM NUMBERS NOT APPLICABLE

- ITEM NOT ILLUSTRATED

27-81-01-01A

27-81-01  
FIG. 01A  
PAGE 5  
JAN 20/09

BRI



757

PARTS CATALOG (MAINTENANCE)

FIG ITEM	PART NUMBER	1 2 3 4 5 6 7	NOMENCLATURE	EFFECT FROM TO	UNITS PER ASSY
1A - 1	114N3002-125SP		SPARES ASSY- POSITION DATA: LH SIDE QUALIFIED I/W DATA: IF A 8500 IN-LB. TORQUE ACTUATOR IS ON THE RECEIVING AIRCRAFT, REWORK -51 PER S/B 757-27-0094 OR RETAIN MAIN SLAT TRACK FROM RECEIVING AIRCRAFT FOR NHA SEE: 27-81-01-01	002004 006100 121503 953999	RF
- 1	114N3002-127SP		SLAT ASSY-NO. 5 POSITION DATA: LH SIDE COMPONENT MAINT MANUAL REF: 57-43-380 QUALIFIED I/W DATA: 114N3002-127SP INTERCHANGEABLE WITH 114N3002-131SP AFTER INCORPORATION OF S/B 757-27-0117 -165SP CAN REPLACE -127SP OR -123SP OR -119SP OR -103SP OR -101 IF FIXED LEADING EDGE IS REWORKED PER S/B 757-27-0117 AND IF CUSTOMER ACCEPTS WEIGHT PENALTY -167SP CAN REPLACE -127SP OR -123SP OR -119SP OR -103SP OR -101 IF FIXED LEADING EDGE IS REWORKED PER S/B 757-27-0117 AND IF CUSTOMER ACCEPTS WEIGHT PENALTY 114N3002-127SP INTERCHANGEABLE WITH 114N3002-73 OR -63 IF SERVICE BULLETIN 757-27-0094 IS INCORPORATED ON -63 OR -73 SLAT 114N3002-127SP INTERCHANGEABLE WITH	002004 006100 121503 904949 952999	RF

MISSING ITEM NUMBERS NOT APPLICABLE

- ITEM NOT ILLUSTRATED

**27-81-01-01A**

27-81-01  
FIG. 01A  
PAGE 6  
JAN 20/09

BRI



757

PARTS CATALOG (MAINTENANCE)

FIG ITEM	PART NUMBER	1 2 3 4 5 6 7 NOMENCLATURE	EFFECT FROM TO	UNITS PER ASSY
1 A		<p>114N3002-147SP OR -141SP            AFTER INCORPORATION OF            S/B 757-27-0117            114N3002-127SP            INTERCHANGEABLE            WITH 114N3002-145SP            OR -155SP AFTER            INCORPORATION OF S/B            757-27-0117            114N3002-151SP CAN            REPLACE BUT NOT BE            REPLACED BY            114N3002-127SP IF FIXED            LEADING EDGE IS REWORKED            PER S/B 757-27-0117            114N3002-157SP CAN            REPLACE BUT NOT BE            REPLACED BY            114N3002-127SP IF FIXED            LEADING EDGE IS REWORKED            PER S/B 757-27-0117            114N3002-161SP CAN            REPLACE BUT NOT BE            REPLACED BY            114N3002-127SP IF FIXED            LEADING EDGE IS REWORKED            PER S/B 757-27-0117            REWORKED BY SB:            27-0117            FOR NHA SEE:            27-81-01-01</p>		
-	1 114N3002-129SP	<p>SPARES ASSY-            POSITION DATA:            LH SIDE            FOR NHA SEE:            27-81-01-01</p>	<p>002004            006100            121503            953999</p>	RF

MISSING ITEM NUMBERS NOT APPLICABLE

- ITEM NOT ILLUSTRATED

BRI

**27-81-01-01A**

BOEING PROPRIETARY - Copyright © - Unpublished Work - See title page for details.

27-81-01  
 FIG. 01A  
 PAGE 7  
 JAN 20/09



757

PARTS CATALOG (MAINTENANCE)

FIG ITEM	PART NUMBER	1 2 3 4 5 6 7	NOMENCLATURE	EFFECT FROM TO	UNITS PER ASSY
1 A - 1	114N3002-131SP		SLAT ASSY-NO. 5 POSITION DATA: LH SIDE COMPONENT MAINT MANUAL REF: 57-43-38 QUALIFIED I/W DATA: 114N3002-127SP INTERCHANGEABLE WITH 114N3002-131SP AFTER INCORPORATION OF S/B 757-27-0117 -165SP CAN REPLACE -143SP OR -141SP OR -139SP OR -135SP OR -131SP SUBJECT TO CUSTOMER ACCEPTANCE OF WEIGHT PENALTY -167SP CAN REPLACE -143SP OR -141SP OR -139SP OR -135SP OR -131SP SUBJECT TO CUSTOMER ACCEPTANCE OF WEIGHT PENALTY 114N3002-131SP INTERCHANGEABLE WITH 114N3002-63 OR -73 OR -79SP IF SERVICE BULLETINS 757-27-0094 AND 757-27-0117 ARE INCORPORATED. 114N3002-119SP INTERCHANGEABLE WITH 114N3002-131SP IF SERVICE BULLETIN 757-27-0117 IS INCORPORATED FOR SPARES PROCURE: 114N3002-133SP REWORKED BY SB: 27-0117 FOR NHA SEE: 27-81-01-01 27-81-01-02	002004 006102 107949 952999	RF

MISSING ITEM NUMBERS NOT APPLICABLE

- ITEM NOT ILLUSTRATED

27-81-01-01A

27-81-01  
FIG. 01A  
PAGE 8  
JAN 20/09

BRI





757

PARTS CATALOG (MAINTENANCE)

FIG ITEM	PART NUMBER	1 2 3 4 5 6 7	NOMENCLATURE	EFFECT FROM TO	UNITS PER ASSY
1 A - 2	114N3002-139SP		SLAT ASSY-NO. 5 POSITION DATA: LH SIDE QUALIFIED I/W DATA: -165SP CAN REPLACE -143SP OR -141SP OR -139SP OR -135SP OR -131SP SUBJECT TO CUSTOMER ACCEPTANCE OF WEIGHT PENALTY -167SP CAN REPLACE -143SP OR -141SP OR -139SP OR -135SP OR -131SP SUBJECT TO CUSTOMER ACCEPTANCE OF WEIGHT PENALTY FOR NHA SEE: 27-81-01-01 27-81-01-02	002004 006102 107949 952999	RF

MISSING ITEM NUMBERS NOT APPLICABLE

- ITEM NOT ILLUSTRATED

BRI

# 27-81-01-01A

BOEING PROPRIETARY - Copyright © - Unpublished Work - See title page for details.

27-81-01  
FIG. 01A  
PAGE 9  
JAN 20/09



757

PARTS CATALOG (MAINTENANCE)

FIG ITEM	PART NUMBER	1 2 3 4 5 6 7	NOMENCLATURE	EFFECT FROM TO	UNITS PER ASSY
1A - 2	114N3002-19		SLAT ASSY-NO. 5 POSITION DATA: LH SIDE COMPONENT MAINT MANUAL REF: 57-43-38 QUALIFIED I/W DATA: -25 IS INTERCHANGEABLE WITH -19 DEPENDING ON CUSTOMER ACCEPTANCE OF COLOR -165SP CAN REPLACE -97DP OR -79SP OR -73 OR -63 OR -51 OR -19 IF FIXED LEADING EDGE IS REWORKED PER S/B 757-27-0117 AND IF CUSTOMER ACCEPTS WEIGHT PENALTY -167SP CAN REPLACE -97SP OR -79SP OR -73 OR -63 OR -51 OR -19 IF FIXED LEADING EDGE IS REWORKED PER S/B 757-27-0117 AND IF CUSTOMER ACCEPTS WEIGHT PENALTY 114N3002-151SP CAN REPLACE BUT NOT BE REPLACED BY 114N3002-19 IF FIXED LEADING EDGE IS REWORKED PER SB 757-27-0117 114N3002-157SP CAN REPLACE BUT NOT BE REPLACED BY 114N3002-19 IF FIXED LEADING EDGE IS REWORKED PER S/B 757-27-0117 114N3002-161SP CAN REPLACE BUT NOT BE REPLACED BY 114N3002-19 IF FIXED LEADING EDGE IS REWORKED PER S/B 757-27-0117 FOR SPARES PROCURE: 114N3002-23 REWORKED BY ALERT SB: 57A0038R6 FOR NHA SEE: 27-81-01-01	107107	RF
- 2	114N3002-51		SLAT ASSY-NO. 5  MISSING ITEM NUMBERS NOT APPLICABLE	107107	RF

- ITEM NOT ILLUSTRATED

**27-81-01-01A**

27-81-01  
 FIG. 01A  
 PAGE 10  
 JAN 20/09

BRI



757

PARTS CATALOG (MAINTENANCE)

FIG ITEM	PART NUMBER	1 2 3 4 5 6 7 NOMENCLATURE	EFFECT FROM TO	UNITS PER ASSY
1 A		POSITION DATA: LH SIDE COMPONENT MAINT MANUAL REF: 57-43-38 QUALIFIED I/W DATA: -165SP CAN REPLACE -97SP OR -79SP OR -73 OR -63 OR -51 OR -19 IF FIXED LEADING EDGE IS REWORKED PER S/B 757-27-0117 AND IF CUSTOMER ACCEPTS WEIGHT PENALTY IF A 8500 IN-LB. TORQUE ACTUATOR IS ON THE RECEIVING AIRCRAFT, REWORK -51 PER S/B 757-27-0094 OR RETAIN MAIN SLAT TRACK FROM RECEIVING AIRCRAFT -167SP CAN REPLACE -97SP OR -79SP OR -73 OR -63 OR -51 OR -19 IF FIXED LEADING EDGE IS REWORKED PER S/B 757-27-0117 AND IF CUSTOMER ACCEPTS WEIGHT PENALTY 114N3002-151SP CAN REPLACE BUT NOT BE REPLACED BY 114N3002-51 IF FIXED LEADING EDGE IS REWORKED PER S/B 757-27-0117 114N3002-157SP CAN REPLACE BUT NOT BE REPLACED BY 114N3002-51 IF FIXED LEADING EDGE IS REWORKED PER S/B 757-27-0117 114N3002-161SP CAN REPLACE BUT NOT BE REPLACED BY 114N3002-51 IF FIXED LEADING EDGE IS REWORKED PER S/B 757-27-0117 REWORKED BY ALERT SB: 57A0038R6 FOR NHA SEE: 27-81-01-01 SLAT ASSY-NO. 5		
-	2 114N3002-63	MISSING ITEM NUMBERS NOT APPLICABLE	107107	RF

- ITEM NOT ILLUSTRATED

**27-81-01-01A**

27-81-01  
 FIG. 01A  
 PAGE 11  
 JAN 20/09

BRI



757

PARTS CATALOG (MAINTENANCE)

FIG ITEM	PART NUMBER	1 2 3 4 5 6 7 NOMENCLATURE	EFFECT FROM TO	UNITS PER ASSY
1 A		<p>POSITION DATA:  LH SIDE  COMPONENT MAINT MANUAL REF:  57-43-38  QUALIFIED I/W DATA:  -165SP CAN REPLACE -97SP  OR -79SP OR -73 OR -63  OR -51 OR -19 IF FIXED  LEADING EDGE IS REWORKED  PER S/B 757-27-0117 AND  IF CUSTOMER ACCEPTS  WEIGHT PENALTY  -167SP CAN REPLACE -97SP  OR -79SP OR -73 OR -63  OR -51 OR -19 IF FIXED  LEADING EDGE IS REWORKED  PER S/B 757-27-0117 AND  IF CUSTOMER ACCEPTS  WEIGHT PENALTY  114N3002-63  INTERCHANGEABLE WITH  114N3002-79SP OR -119SP  OR -127SP IF SERVICE  BULLETIN 757-27-0094 IS  INCORPORATED ON -63 SLAT  114N3002-63  INTERCHANGEABLE WITH  114N3002-131SP OR -141SP  OR -147SP IF SERVICE  BULLETINS 757-27-0094  AND 757-27-0117 ARE  INCORPORATED ON -63 SLAT  114N3002-63  INTERCHANGEABLE WITH  114N3002-145SP OR -155SP  IF SERVICE BULLETINS  757-27-0094 AND  757-27-0117 ARE  INCORPORATED ON -63 SLAT  114N3002-151SP CAN  REPLACE BUT NOT BE  REPLACED BY 114N3002-63  IF FIXED LEADING EDGE IS  REWORKED PER S/B  757-27-0117  114N3002-157SP CAN  REPLACE BUT NOT BE  REPLACED BY 114N3002-63  IF FIXED LEADING EDGE IS</p>		

MISSING ITEM NUMBERS NOT APPLICABLE

- ITEM NOT ILLUSTRATED

27-81-01-01A

27-81-01  
FIG. 01A  
PAGE 12  
JAN 20/09

BRI



757

PARTS CATALOG (MAINTENANCE)

FIG ITEM	PART NUMBER	1 2 3 4 5 6 7 NOMENCLATURE	EFFECT FROM TO	UNITS PER ASSY
1 A		REWORKED PER S/B 757-27-0117 114N3002-161SP CAN REPLACE BUT NOT BE REPLACED BY 114N3002-63 IF FIXED LEADING EDGE IS REWORKED PER S/B 757-27-0117 FOR SPARES PROCURE: 114N3002-55 REWORKED BY SB: 27-0117 REWORKED BY ALERT SB: 57A0038R6 FOR NHA SEE: 27-81-01-01		
- 3	114N3002-73	SLAT ASSY-NO. 5 POSITION DATA: LH SIDE COMPONENT MAINT MANUAL REF: 57-43-38 QUALIFIED I/W DATA: -165SP CAN REPLACE -97SP OR -79SP OR -73 OR -63 OR -51 OR -19 IF FIXED LEADING EDGE IS REWORKED PER S/B 757-27-0117 AND IF CUSTOMER ACCEPTS WEIGHT PENALTY -167SP CAN REPLACE -97SP OR -79SP OR -73 OR -63 OR -51 OR -19 IF FIXED LEADING EDGE IS REWORKED PER S/B 757-27-0117 AND IF CUSTOMER ACCEPTS WEIGHT PENALTY 114N3002-73 INTERCHANGEABLE WITH 114N3002-79SP OR -119SP OR -127SP IF SERVICE BULLETIN 757-27-0094 IS INCORPORATED ON -73 SLAT 114N3002-73 INTERCHANGEABLE WITH 114N3002-131SP OR -141SP OR -147SP IF SERVICE BULLETINS 757-27-0094 AND 757-27-0117 ARE INCORPORATED ON -73 SLAT  MISSING ITEM NUMBERS NOT APPLICABLE	107107	RF

- ITEM NOT ILLUSTRATED

**27-81-01-01A**

27-81-01  
 FIG. 01A  
 PAGE 13  
 JAN 20/09

BRI



757

PARTS CATALOG (MAINTENANCE)

FIG ITEM	PART NUMBER	1 2 3 4 5 6 7 NOMENCLATURE	EFFECT FROM TO	UNITS PER ASSY
1 A		114N3002-73 INTERCHANGEABLE WITH 114N3002-145SP OR -155SP IF SERVICE BULLETINS 757-27-0094 AND 757-27-0117 ARE INCORPORATED ON -73 SLAT 114N3002-151SP CAN REPLACE BUT NOT BE REPLACED BY 114N3002-73 IF FIXED LEADING EDGE IS REWORKED PER S/B 757-27-0117 114N3002-157SP CAN REPLACE BUT NOT BE REPLACED BY 114N3002-73 IF FIXED LEADING EDGE IS REWORKED PER S/B 757-27-0117 114N3002-161SP CAN REPLACE BUT NOT BE REPLACED BY 114N3002-73 IF FIXED LEADING EDGE IS REWORKED PER S/B 757-27-0117 REWORKED BY ALERT SB: 57A0038R6 FOR NHA SEE: 27-81-01-01		
- 3	114N3002-79SP	SLAT ASSY- POSITION DATA: LH SIDE COMPONENT MAINT MANUAL REF: 57-43-38 QUALIFIED I/W DATA: -165SP CAN REPLACE -97SP OR -79SP OR -73 OR -63 OR -51 OR -19 IF FIXED LEADING EDGE IS REWORKED PER S/B 757-27-0117 AND IF CUSTOMER ACCEPTS WEIGHT PENALTY -167SP CAN REPLACE -97SP OR -79SP OR -73 OR -63 OR -51 OR -19 IF FIXED LEADING EDGE IS REWORKED PER S/B 757-27-0117 AND IF CUSTOMER ACCEPTS WEIGHT PENALTY  MISSING ITEM NUMBERS NOT APPLICABLE	002004 006100 121503 904949 952999	RF

- ITEM NOT ILLUSTRATED

**27-81-01-01A**

27-81-01  
FIG. 01A  
PAGE 14  
JAN 20/09

BRI



757

PARTS CATALOG (MAINTENANCE)

FIG ITEM	PART NUMBER	1 2 3 4 5 6 7 NOMENCLATURE	EFFECT FROM TO	UNITS PER ASSY
1 A		<p>114N3002-79SP  INTERCHANGEABLE WITH  114N3002-73 OR -63 IF  SERVICE BULLETIN  757-27-0094 IS  INCORPORATED ON -63 OR  -73 SLAT  114N3002-79SP  INTERCHANGEABLE WITH  114N3002-131SP OR  -141SP OR -147SP IF  SERVICE BULLETIN  757-27-0117 IS  INCORPORATED ON -79SP  SLAT  114N3002-79SP  INTERCHANGEABLE WITH  114N3002-145SP OR -155SP  IF SERVICE BULLETIN  757-27-0117 IS  INCORPORATED ON -79SP  SLAT  114N3002-151SP CAN  REPLACE BUT NOT BE  REPLACED BY  114N3002-79SP IF FIXED  LEADING EDGE IS REWORKED  PER S/B 757-27-0117  114N3002-157SP CAN  REPLACE BUT NOT BE  REPLACED BY  114N3002-79SP IF FIXED  LEADING EDGE IS REWORKED  PER S/B 757-27-0117  114N3002-161SP CAN  REPLACE BUT NOT BE  REPLACED BY  114N3002-79SP IF FIXED  LEADING EDGE IS REWORKED  PER S/B 757-27-0117  FOR SPARES PROCURE:  114N3002-85SP  REWORKED BY SB:  27-0117  REWORKED BY ALERT SB:  57A0038R6  FOR NHA SEE:  27-81-01-01</p>		

MISSING ITEM NUMBERS NOT APPLICABLE

- ITEM NOT ILLUSTRATED

27-81-01-01A

27-81-01  
FIG. 01A  
PAGE 15  
JAN 20/09

BRI



757

PARTS CATALOG (MAINTENANCE)

FIG ITEM	PART NUMBER	1 2 3 4 5 6 7	NOMENCLATURE	EFFECT FROM TO	UNITS PER ASSY
1A - 3	114N3002-97SP		SLAT ASSY-NO. 5 POSITION DATA: LH SIDE COMPONENT MAINT MANUAL REF: 57-43-38 QUALIFIED I/W DATA: -165SP CAN REPLACE -97SP OR -79SP OR -73 OR -63 OR -51 OR -19 IF FIXED LEADING EDGE IS REWORKED PER S/B 757-27-0117 AND IF CUSTOMER ACCEPTS WEIGHT PENALTY -167SP CAN REPLACE -97SP OR -79SP OR -73 OR -63 OR -51 OR -19 IF FIXED LEADING EDGE IS REWORKED PER S/B 757-27-0117 AND IF CUSTOMER ACCEPTS WEIGHT PENALTY 114N3002-151SP CAN REPLACE BUT NOT BE REPLACED BY 114N3002-97SP IF FIXED LEADING EDGE IS REWORKED PER S/B 757-27-0117 114N3002-157SP CAN REPLACE BUT NOT BE REPLACED BY 114N3002-97SP IF FIXED LEADING EDGE IS REWORKED PER S/B 757-27-0117 114N3002-161SP CAN REPLACE BUT NOT BE REPLACED BY 114N3002-97SP IF FIXED LEADING EDGE IS REWORKED PER S/B 757-27-0117 FOR SPARES PROCURE: 114N3002-85SP REWORKED BY SB: 27-0117 REWORKED BY ALERT SB: 57A0038R6 FOR NHA SEE: 27-81-01-01	002004 006100 121503 904949 952999	RF

MISSING ITEM NUMBERS NOT APPLICABLE

- ITEM NOT ILLUSTRATED

# 27-81-01-01A

27-81-01  
FIG. 01A  
PAGE 16  
JAN 20/09

BRI





757

PARTS CATALOG (MAINTENANCE)

FIG ITEM	PART NUMBER	1 2 3 4 5 6 7	NOMENCLATURE	EFFECT FROM TO	UNITS PER ASSY
1 A - 3	012N8892-119SP		SLAT ASSY- POSITION DATA: LH SIDE POST SERVICE BULLETIN: 27-0117R1 FOR NHA SEE: 27-81-01-01	950951	RF

MISSING ITEM NUMBERS NOT APPLICABLE

- ITEM NOT ILLUSTRATED

BRI

# 27-81-01-01A

BOEING PROPRIETARY - Copyright © - Unpublished Work - See title page for details.

27-81-01  
FIG. 01A  
PAGE 17  
JAN 20/09



757

PARTS CATALOG (MAINTENANCE)

FIG ITEM	PART NUMBER	1 2 3 4 5 6 7 NOMENCLATURE	EFFECT FROM TO	UNITS PER ASSY
1 A - 10	114N3002-102	SLAT ASSY-NO. 6 POSITION DATA: RH SIDE COMPONENT MAINT MANUAL REF: 57-43-38 QUALIFIED I/W DATA: -166SP CAN REPLACE -128SP OR -124SP OR -120SP OR -104SP OR -102 IF FIXED LEADING EDGE IS REWORKED PER S/B 757-27-0117 AND IF CUSTOMER ACCEPTS WEIGHT PENALTY -168SP CAN REPLACE -128SP OR -124SP OR -120SP OR -104SP OR -102 IF FIXED LEADING EDGE IS REWORKED PER S/B 757-27-0117 AND IF CUSTOMER ACCEPTS WEIGHT PENALTY 114N3002-152SP CAN REPLACE BUT NOT BE REPLACED BY 114N3002-102 IF FIXED LEADING EDGE IS REWORKED PER S/B 757-27-0117 114N3002-158SP CAN REPLACE BUT NOT BE REPLACED BY 114N3002-102 IF FIXED LEADING EDGE IS REWORKED PER S/B 757-27-0117 114N3002-162SP CAN REPLACE BUT NOT BE REPLACED BY 114N3002-102 IF FIXED LEADING EDGE IS REWORKED PER S/B 757-27-0117 FOR SPARES PROCURE: 114N3002-86SP REWORKED BY ALERT SB: 57A0038R6 FOR NHA SEE: 27-81-01-01	002004 006100 121503 904949 952999	RF

MISSING ITEM NUMBERS NOT APPLICABLE

- ITEM NOT ILLUSTRATED

**27-81-01-01A**

27-81-01  
FIG. 01A  
PAGE 18  
JAN 20/09

BRI



757

PARTS CATALOG (MAINTENANCE)

FIG ITEM	PART NUMBER	1 2 3 4 5 6 7	NOMENCLATURE	EFFECT FROM TO	UNITS PER ASSY
1A - 10	114N3002-104SP		SLAT ASSY-NO. 6 POSITION DATA: RH SIDE COMPONENT MAINT MANUAL REF: 57-43-38 QUALIFIED I/W DATA: -166SP CAN REPLACE -128SP OR -124SP OR -120SP OR -104SP OR -102 IF FIXED LEADING EDGE IS REWORKED PER S/B 757-27-0117 AND IF CUSTOMER ACCEPTS WEIGHT PENALTY -168SP CAN REPLACE -128SP OR -124SP OR -120SP OR -104SP OR -102 IF FIXED LEADING EDGE IS REWORKED PER S/B 757-27-0117 AND IF CUSTOMER ACCEPTS WEIGHT PENALTY 114N3002-152SP CAN REPLACE BUT NOT BE REPLACED BY 114N3002-104SP IF FIXED LEADING EDGE IS REWORKED PER S/B 757-27-0117 114N3002-158SP CAN REPLACE BUT NOT BE REPLACED BY 114N3002-104SP IF FIXED LEADING EDGE IS REWORKED PER S/B 757-27-0117 114N3002-162SP CAN REPLACE BUT NOT BE REPLACED BY 114N3002-104SP IF FIXED LEADING EDGE IS REWORKED PER S/B 757-27-0117 FOR SPARES PROCURE: 114N3002-86SP REWORKED BY ALERT SB: 57A0038R6	002004 006100 121503 904949 952999	RF
- 10	114N3002-120SP		SLAT ASSY- POSITION DATA: RH SIDE COMPONENT MAINT MANUAL REF: 57-43-38	002004 006100 121503 904949 952999	RF

MISSING ITEM NUMBERS NOT APPLICABLE

- ITEM NOT ILLUSTRATED

27-81-01-01A

27-81-01  
 FIG. 01A  
 PAGE 19  
 JAN 20/09

BRI



757

PARTS CATALOG (MAINTENANCE)

FIG ITEM	PART NUMBER	1 2 3 4 5 6 7 NOMENCLATURE	EFFECT FROM TO	UNITS PER ASSY
1 A		<p>QUALIFIED I/W DATA:            -166SP CAN REPLACE            -128SP OR -124SP OR            -120SP OR -104SP OR -102            IF FIXED LEADING EDGE IS            REWORKED PER S/B            757-27-0117 AND IF            CUSTOMER ACCEPTS WEIGHT            PENALTY            -168SP CAN REPLACE            -128SP OR -124SP OR            -120SP OR -104SP OR -102            IF FIXED LEADING EDGE IS            REWORKED PER S/B            757-27-0117 AND IF            CUSTOMER ACCEPTS WEIGHT            PENALTY            114N3002-120SP            INTERCHANGEABLE WITH            114N3002-74 OR -64 IF            SERVICE BULLETIN            757-27-0094 IS            INCORPORATED ON -64 OR            -74 SLAT            114N3002-120SP            INTERCHANGEABLE WITH            114N3002-132SP OR            -142SP OR -148SP IF            SERVICE BULLETIN            757-27-0117 IS            INCORPORATED ON -120SP            SLAT            114N3002-120SP            INTERCHANGEABLE WITH            114N3002-146SP OR -156SP            IF SERVICE BULLETIN            757-27-0117 IS            INCORPORATED ON -120SP            SLAT            114N3002-152SP CAN            REPLACE BUT NOT BE            REPLACED BY            114N3002-120SP IF FIXED            LEADING EDGE IS REWORKED            PER S/B 757-27-0117            114N3002-158SP CAN            REPLACE BUT NOT BE            REPLACED BY            114N3002-120SP IF FIXED</p>		

MISSING ITEM NUMBERS NOT APPLICABLE

- ITEM NOT ILLUSTRATED

**27-81-01-01A**

27-81-01  
 FIG. 01A  
 PAGE 20  
 JAN 20/09

BRI



757

PARTS CATALOG (MAINTENANCE)

FIG ITEM	PART NUMBER	1 2 3 4 5 6 7 NOMENCLATURE	EFFECT FROM TO	UNITS PER ASSY
1 A		LEADING EDGE IS REWORKED PER S/B 757-27-0117 114N3002-162SP CAN REPLACE BUT NOT BE REPLACED BY 114N3002-120SP IF FIXED LEADING EDGE IS REWORKED PER S/B 757-27-0117 FOR SPARES PROCURE: 114N3002-122SP REWORKED BY SB: 27-0117 FOR NHA SEE: 27-81-01-01 SPARES ASSY- POSITION DATA: RH SIDE FOR NHA SEE: 27-81-01-01	002004 006100 121503 953999	RF
- 10	114N3002-122SP			

MISSING ITEM NUMBERS NOT APPLICABLE

- ITEM NOT ILLUSTRATED

BRI

**27-81-01-01A**

BOEING PROPRIETARY - Copyright © - Unpublished Work - See title page for details.

27-81-01  
 FIG. 01A  
 PAGE 21  
 JAN 20/09



757

PARTS CATALOG (MAINTENANCE)

FIG ITEM	PART NUMBER	1 2 3 4 5 6 7	NOMENCLATURE	EFFECT FROM TO	UNITS PER ASSY
1 A - 10	114N3002-124SP		SLAT ASSY-REWORK DWG POSITION DATA: RH SIDE COMPONENT MAINT MANUAL REF: 57-43-38 QUALIFIED I/W DATA: -166SP CAN REPLACE -128SP OR -124SP OR -120SP OR -104SP OR -102 IF FIXED LEADING EDGE IS REWORKED PER S/B 757-27-0117 AND IF CUSTOMER ACCEPTS WEIGHT PENALTY -168SP CAN REPLACE -128SP OR -124SP OR -120SP OR -104SP OR -102 IF FIXED LEADING EDGE IS REWORKED PER S/B 757-27-0117 AND IF CUSTOMER ACCEPTS WEIGHT PENALTY 114N3002-152SP CAN REPLACE BUT NOT BE REPLACED BY 114N3002-124SP IF FIXED LEADING EDGE IS REWORKED PER S/B 757-27-0117 114N3002-158SP CAN REPLACE BUT NOT BE REPLACED BY 114N3002-124SP IF FIXED LEADING EDGE IS REWORKED PER S/B 757-27-0117 114N3002-162SP CAN REPLACE BUT NOT BE REPLACED BY 114N3002-124SP IF FIXED LEADING EDGE IS REWORKED PER S/B 757-27-0117 REWORKED BY SB: 27-0117	002004 006100 121503 904949 952999	RF

MISSING ITEM NUMBERS NOT APPLICABLE

- ITEM NOT ILLUSTRATED

**27-81-01-01A**

27-81-01  
 FIG. 01A  
 PAGE 22  
 JAN 20/09

BRI



757

PARTS CATALOG (MAINTENANCE)

FIG ITEM	PART NUMBER	1 2 3 4 5 6 7	NOMENCLATURE	EFFECT FROM TO	UNITS PER ASSY
1 A - 10	114N3002-126SP		SPARES ASSY- POSITION DATA: RH SIDE COMPONENT MAINT MANUAL REF: 57-43-38 QUALIFIED I/W DATA: IF A 8500 IN-LB. TORQUE ACTUATOR IS ON THE RECEIVING AIRCRAFT, REWORK -52 PER S/B 757-27-0094 OR RETAIN MAIN SLAT TRACK FROM RECEIVING AIRCRAFT FOR NHA SEE: 27-81-01-01	002004 006100 121503 953999	RF
- 10	114N3002-128SP		SLAT ASSY- POSITION DATA: RH SIDE COMPONENT MAINT MANUAL REF: 57-43-38 QUALIFIED I/W DATA: 114N3002-128SP INTERCHANGEABLE WITH 114N3002-132SP INCORPORATION OF S/B 757-27-0117 -166SP CAN REPLACE -128SP OR -124SP OR -120SP OR -104SP OR -102 IF FIXED LEADING EDGE IS REWORKED PER S/B 757-27-0117 AND IF CUSTOMER ACCEPTS WEIGHT PENALTY -168SP CAN REPLACE -128SP OR -124SP OR -120SP OR -104SP OR -102 IF FIXED LEADING EDGE IS REWORKED PER S/B 757-27-0117 AND IF CUSTOMER ACCEPTS WEIGHT PENALTY 114N3002-128SP INTERCHANGEABLE WITH 114N3002-74 OR -64 IF SERVICE BULLETIN 757-27-0094 IS INCORPORATED ON -64 OR -74 SLAT	002004 006100 121503 904949 952999	RF

MISSING ITEM NUMBERS NOT APPLICABLE

- ITEM NOT ILLUSTRATED

**27-81-01-01A**

27-81-01  
FIG. 01A  
PAGE 23  
JAN 20/09

BRI



757

PARTS CATALOG (MAINTENANCE)

FIG ITEM	PART NUMBER	1 2 3 4 5 6 7 NOMENCLATURE	EFFECT FROM TO	UNITS PER ASSY
1 A		114N3002-128SP INTERCHANGEABLE WITH 114N3002-148SP OR -142SP AFTER INCORPORATION OF S/B 757-27-0117 114N3002-128SP INTERCHANGEABLE WITH 114N3002-146SP OR -156SP AFTER INCORPORATION OF S/B 757-27-0117 114N3002-152SP CAN REPLACE BUT NOT BE REPLACED BY 114N3002-128SP IF FIXED LEADING EDGE IS REWORKED PER S/B 757-27-0117 114N3002-158SP CAN REPLACE BUT NOT BE REPLACED BY 114N3002-128SP IF FIXED LEADING EDGE IS REWORKED PER S/B 757-27-0117 114N3002-162SP CAN REPLACE BUT NOT BE REPLACED BY 114N3002-128SP IF FIXED LEADING EDGE IS REWORKED PER S/B 757-27-0117 REWORKED BY SB: 27-0117 FOR NHA SEE: 27-81-01-01		
- 10	114N3002-130SP	SPARES ASSY- POSITION DATA: RH SIDE FOR NHA SEE: 27-81-01-01	002004 006100 121503 953999	RF

MISSING ITEM NUMBERS NOT APPLICABLE

- ITEM NOT ILLUSTRATED

BRI

**27-81-01-01A**

BOEING PROPRIETARY - Copyright © - Unpublished Work - See title page for details.

27-81-01  
 FIG. 01A  
 PAGE 24  
 JAN 20/09





757

PARTS CATALOG (MAINTENANCE)

FIG ITEM	PART NUMBER	1 2 3 4 5 6 7	NOMENCLATURE	EFFECT FROM TO	UNITS PER ASSY
1 A - 10	114N3002-132SP		SLAT ASSY- POSITION DATA: RH SIDE COMPONENT MAINT MANUAL REF: 57-43-38 QUALIFIED I/W DATA: 114N3002-128SP INTERCHANGEABLE WITH 114N3002-132SP AFTER INCORPORATION OF S/B 757-27-0117 -166SP CAN REPLACE -144SP OR -142SP OR -140SP OR -136SP OR -132SP SUBJECT TO CUSTOMER ACCEPTANCE OF WEIGHT PENALTY -168SP CAN REPLACE -144SP OR -142SP OR -140SP OR -136SP OR -132SP SUBJECT TO CUSTOMER ACCEPTANCE OF WEIGHT PENALTY 114N3002-132SP INTERCHANGEABLE WITH 114N3002-64 OR -74 OR -80SP IF SERVICE BULLETINS 757-27-0094 AND 757-27-0117 ARE INCORPORATED. 114N3002-120SP INTERCHANGEABLE WITH 114N3002-132SP IF SERVICE BULLETIN 57-27-0117 IS INCORPORATED FOR SPARES PROCURE: 114N3002-134SP REWORKED BY SB: 27-0117 FOR NHA SEE: 27-81-01-01 27-81-01-02	002004 006102 107949 952999	RF

MISSING ITEM NUMBERS NOT APPLICABLE

- ITEM NOT ILLUSTRATED

27-81-01-01A

27-81-01  
FIG. 01A  
PAGE 25  
JAN 20/09

BRI



757

PARTS CATALOG (MAINTENANCE)

FIG ITEM	PART NUMBER	1 2 3 4 5 6 7 NOMENCLATURE	EFFECT FROM TO	UNITS PER ASSY
1 A - 10	114N3002-140SP	SLAT ASSY-NO. 6 POSITION DATA: RH SIDE QUALIFIED I/W DATA: -166SP CAN REPLACE -144SP OR -142SP OR -140SP OR -136SP OR -132SP SUBJECT TO CUSTOMER ACCEPTANCE OF WEIGHT PENALTY -168SP CAN REPLACE -144SP OR -142SP OR -140SP OR -136SP OR -132SP SUBJECT TO CUSTOMER ACCEPTANCE OF WEIGHT PENALTY FOR NHA SEE: 27-81-01-01 27-81-01-02	002004 006102 107949 952999	RF

MISSING ITEM NUMBERS NOT APPLICABLE

- ITEM NOT ILLUSTRATED

BRI

# 27-81-01-01A

BOEING PROPRIETARY - Copyright © - Unpublished Work - See title page for details.

27-81-01  
FIG. 01A  
PAGE 26  
JAN 20/09



757

PARTS CATALOG (MAINTENANCE)

FIG ITEM	PART NUMBER	1 2 3 4 5 6 7	NOMENCLATURE	EFFECT FROM TO	UNITS PER ASSY
1 A - 11	114N3002-20		SLAT ASSY-NO. 6 POSITION DATA: RH SIDE COMPONENT MAINT MANUAL REF: 57-43-38 QUALIFIED I/W DATA: -166SP CAN REPLACE -98SP OR -80SP OR -74 OR -64 OR -52 OR -20 IF FIXED LEADING EDGE IS REWORKED PER S/B 757-27-0117 AND IF CUSTOMER ACCEPTS WEIGHT PENALTY -168SP CAN REPLACE -98SP OR -80SP OR -74 OR -64 OR -52 OR -20 IF FIXED LEADING EDGE IS REWORKED PER S/B 757-27-0117 AND IF CUSTOMER ACCEPTS WEIGHT PENALTY 114N3002-152SP CAN REPLACE BUT NOT BE REPLACED BY 114N3002-20 IF FIXED LEADING EDGE IS REWORKED PER SB 757-27-0117 114N3002-158SP CAN REPLACE BUT NOT BE REPLACED BY 114N3002-20 IF FIXED LEADING EDGE IS REWORKED PER S/B 757-27-0117 114N3002-162SP CAN REPLACE BUT NOT BE REPLACED BY 114N3002-20 IF FIXED LEADING EDGE IS REWORKED PER S/B 757-27-0117 REWORKED BY ALERT SB: 57A0038R6 FOR NHA SEE: 27-81-01-01	107107	RF
- 11	114N3002-52		SLAT ASSY-NO. 6 POSITION DATA: RH SIDE COMPONENT MAINT MANUAL REF: 57-43-38 QUALIFIED I/W DATA: -166SP CAN REPLACE -98SP	107107	RF

MISSING ITEM NUMBERS NOT APPLICABLE

- ITEM NOT ILLUSTRATED

**27-81-01-01A**

27-81-01  
 FIG. 01A  
 PAGE 27  
 JAN 20/09

BRI



757

PARTS CATALOG (MAINTENANCE)

FIG ITEM	PART NUMBER	1 2 3 4 5 6 7 NOMENCLATURE	EFFECT FROM TO	UNITS PER ASSY
1 A		<p>OR -80SP OR -74 OR -64 OR -52 OR -20 IF FIXED LEADING EDGE IS REWORKED PER S/B 757-27-0117 AND IF CUSTOMER ACCEPTS WEIGHT PENALTY IF A 8500 IN-LB. TORQUE ACTUATOR IS ON THE RECEIVING AIRCRAFT, REWORK -52 PER S/B 757-27-0094 OR RETAIN MAIN SLAT TRACK FROM RECEIVING AIRCRAFT -168SP CAN REPLACE -98SP OR -80SP OR -74 OR -64 OR -52 OR -20 IF FIXED LEADING EDGE IS REWORKED PER S/B 757-27-0117 AND IF CUSTOMER ACCEPTS WEIGHT PENALTY 114N3002-152SP CAN REPLACE BUT NOT BE REPLACED BY 114N3002-52 IF FIXED LEADING EDGE IS REWORKED PER S/B 757-27-0117 114N3002-158SP CAN REPLACE BUT NOT BE REPLACED BY 114N3002-52 IF FIXED LEADING EDGE IS REWORKED PER S/B 757-27-0117 114N3002-162SP CAN REPLACE BUT NOT BE REPLACED BY 114N3002-52 IF FIXED LEADING EDGE IS REWORKED PER S/B 757-27-0117 REWORKED BY ALERT SB: 57A0038R6 FOR NHA SEE: 27-81-01-01</p>		
- 11	114N3002-64	<p>SLAT ASSY-NO. 6 POSITION DATA: RH SIDE COMPONENT MAINT MANUAL REF: 57-43-38 QUALIFIED I/W DATA: -166SP CAN REPLACE -98SP</p>	107107	RF

MISSING ITEM NUMBERS NOT APPLICABLE

- ITEM NOT ILLUSTRATED

**27-81-01-01A**

27-81-01  
FIG. 01A  
PAGE 28  
JAN 20/09

BRI



757

PARTS CATALOG (MAINTENANCE)

FIG ITEM	PART NUMBER	1 2 3 4 5 6 7 NOMENCLATURE	EFFECT FROM TO	UNITS PER ASSY
1 A		<p>OR -80SP OR -74 OR -64  OR -51 OR -20 IF FIXED  LEADING EDGE IS REWORKED  PER S/B 757-27-0117 AND  IF CUSTOMER ACCEPTS  WEIGHT PENALTY  -168SP CAN REPLACE -98SP  OR -80SP OR -74 OR -64  OR -52 OR -20 IF FIXED  LEADING EDGE IS REWORKED  PER S/B 757-27-0117 AND  IF CUSTOMER ACCEPTS  WEIGHT PENALTY  114N3002-64  INTERCHANGEABLE WITH  114N3002-80SP OR -120SP  OR -128SP IF SERVICE  BULLETIN 757-27-0094 IS  INCORPORATED ON -64 SLAT  114N3002-64  INTERCHANGEABLE WITH  114N3002-132SP OR -142SP  OR -148SP IF SERVICE  BULLETINS 757-27-0094  AND 757-27-0117 ARE  INCORPORATED ON -64 SLAT  114N3002-64  INTERCHANGEABLE WITH  114N3002-146SP OR -156SP  IF SERVICE BULLETINS  757-27-0094 AND  757-27-0117 ARE  INCORPORATED ON -64 SLAT  114N3002-152SP CAN  REPLACE BUT NOT BE  REPLACED BY 114N3002-64  IF FIXED LEADING EDGE IS  REWORKED PER S/B  757-27-0117  114N3002-158SP CAN  REPLACE BUT NOT BE  REPLACED BY 114N3002-64  IF FIXED LEADING EDGE IS  REWORKED PER S/B  757-27-0117  114N3002-162SP CAN  REPLACE BUT NOT BE  REPLACED BY 114N3002-64  IF FIXED LEADING EDGE IS</p>		

MISSING ITEM NUMBERS NOT APPLICABLE

- ITEM NOT ILLUSTRATED

27-81-01-01A

27-81-01  
FIG. 01A  
PAGE 29  
JAN 20/09

BRI

** BOEING**  
**757**  
**PARTS CATALOG (MAINTENANCE)**

FIG ITEM	PART NUMBER	1 2 3 4 5 6 7	NOMENCLATURE	EFFECT FROM TO	UNITS PER ASSY
1 A			REWORKED PER S/B 757-27-0117 FOR SPARES PROCURE: 114N3002-56 REWORKED BY ALERT SB: 57A0038R5 57A0038R6 FOR NHA SEE: 27-81-01-01		
- 12	114N3002-74		SLAT ASSY-NO. 6 POSITION DATA: RH SIDE COMPONENT MAINT MANUAL REF: 57-43-38 QUALIFIED I/W DATA: -166SP CAN REPLACE -98SP OR -80SP OR -74 OR -64 OR -51 OR -20 IF FIXED LEADING EDGE IS REWORKED PER S/B 757-27-0117 AND IF CUSTOMER ACCEPTS WEIGHT PENALTY -168SP CAN REPLACE -98SP OR -80SP OR -74 OR -64 OR -52 OR -20 IF FIXED LEADING EDGE IS REWORKED PER S/B 757-27-0117 AND IF CUSTOMER ACCEPTS WEIGHT PENALTY 114N3002-74 INTERCHANGEABLE WITH 114N3002-80SP OR -120SP OR -128SP IF SERVICE BULLETIN 757-27-0094 IS INCORPORATED ON -74 SLAT 114N3002-74 INTERCHANGEABLE WITH 114N3002-132SP OR -142SP OR -148SP IF SERVICE BULLETINS 757-27-0094 AND 757-27-0117 ARE INCORPORATED ON -74 SLAT 114N3002-74 INTERCHANGEABLE WITH 114N3002-146SP OR -156SP IF SERVICE BULLETINS 757-27-0094 AND 757-27-0117 ARE INCORPORATED ON -74 SLAT	107107	RF
MISSING ITEM NUMBERS NOT APPLICABLE					

- ITEM NOT ILLUSTRATED

BRI

# 27-81-01-01A

BOEING PROPRIETARY - Copyright © - Unpublished Work - See title page for details.

27-81-01  
FIG. 01A  
PAGE 30  
JAN 20/09



757

PARTS CATALOG (MAINTENANCE)

FIG ITEM	PART NUMBER	1 2 3 4 5 6 7 NOMENCLATURE	EFFECT FROM TO	UNITS PER ASSY
1 A		114N3002-152SP CAN REPLACE BUT NOT BE REPLACED BY 114N3002-74 IF FIXED LEADING EDGE IS REWORKED PER S/B 757-27-0117 114N3002-158SP CAN REPLACE BUT NOT BE REPLACED BY 114N3002-74 IF FIXED LEADING EDGE IS REWORKED PER S/B 757-27-0117 114N3002-162SP CAN REPLACE BUT NOT BE REPLACED BY 114N3002-74 IF FIXED LEADING EDGE IS REWORKED PER S/B 757-27-0117 REWORKED BY ALERT SB: 57A0038R5 57A0038R6 FOR NHA SEE: 27-81-01-01		
- 12	114N3002-80SP	SLAT ASSY-NO. 6 POSITION DATA: RH SIDE COMPONENT MAINT MANUAL REF: 57-43-38 QUALIFIED I/W DATA: -166SP CAN REPLACE -98SP OR -80SP OR -74 OR -64 OR -51 OR -20 IF FIXED LEADING EDGE IS REWORKED PER S/B 757-27-0117 AND IF CUSTOMER ACCEPTS WEIGHT PENALTY -168SP CAN REPLACE -98SP OR -80SP OR -74 OR -64 OR -52 OR -20 IF FIXED LEADING EDGE IS REWORKED PER S/B 757-27-0117 AND IF CUSTOMER ACCEPTS WEIGHT PENALTY 114N3002-80SP INTERCHANGEABLE WITH 114N3002-64 OR -74 IF SERVICE BULLETIN 757-27-0094 IS INCORPORATED ON -64 OR	002004 006100 121503 904949 952999	RF

MISSING ITEM NUMBERS NOT APPLICABLE

- ITEM NOT ILLUSTRATED

**27-81-01-01A**

27-81-01  
FIG. 01A  
PAGE 31  
JAN 20/09

BRI



757

PARTS CATALOG (MAINTENANCE)

FIG ITEM	PART NUMBER	1 2 3 4 5 6 7 NOMENCLATURE	EFFECT FROM TO	UNITS PER ASSY
1 A		<p>-74 SLAT            114N3002-80SP            INTERCHANGEABLE WITH            114N3002-132SP OR            -142SP OR -148SP IF            SERVICE BULLETIN            757-27-0117 IS            INCORPORATED ON -80SP            SLAT            114N3002-80SP            INTERCHANGEABLE WITH            114N3002-146SP OR -156SP            IF SERVICE BULLETIN            757-27-0117 IS            INCORPORATED ON -80SP            SLAT            114N3002-152SP CAN            REPLACE BUT NOT BE            REPLACED BY            114N3002-80SP IF FIXED            LEADING EDGE IS REWORKED            PER S/B 757-27-0117            114N3002-158SP CAN            REPLACE BUT NOT BE            REPLACED BY            114N3002-80SP IF FIXED            LEADING EDGE IS REWORKED            PER S/B 757-27-0117            114N3002-162SP CAN            REPLACE BUT NOT BE            REPLACED BY            114N3002-80SP IF FIXED            LEADING EDGE IS REWORKED            PER S/B 757-27-0117            FOR SPARES PROCURE:            114N3002-86SP            REWORKED BY SB:            27-0117            REWORKED BY ALERT SB:            57A0038R6            FOR NHA SEE:            27-81-01-01</p>		

MISSING ITEM NUMBERS NOT APPLICABLE

- ITEM NOT ILLUSTRATED

**27-81-01-01A**

27-81-01  
 FIG. 01A  
 PAGE 32  
 JAN 20/09

BRI





757

PARTS CATALOG (MAINTENANCE)

FIG ITEM	PART NUMBER	1 2 3 4 5 6 7 NOMENCLATURE	EFFECT FROM TO	UNITS PER ASSY
1 A - 12	114N3002-98SP	SLAT ASSY-NO. 6 POSITION DATA: RH SIDE COMPONENT MAINT MANUAL REF: 57-43-38 QUALIFIED I/W DATA: -168SP CAN REPLACE -98SP OR -80SP OR -74 OR -64 OR -52 OR -20 IF FIXED LEADING EDGE IS REWORKED PER S/B 757-27-0117 AND IF CUSTOMER ACCEPTS WEIGHT PENALTY -168SP CAN REPLACE -98SP OR -80SP OR -74 OR -64 OR -52 OR -20 IF FIXED LEADING EDGE IS REWORKED PER S/B 757-27-0117 AND IF CUSTOMER ACCEPTS WEIGHT PENALTY. 114N3002-152SP CAN REPLACE BUT NOT BE REPLACED BY 114N3002-98SP IF FIXED LEADING EDGE IS REWORKED PER S/B 757-27-0117 114N3002-158SP CAN REPLACE BUT NOT BE REPLACED BY 114N3002-98SP IF FIXED LEADING EDGE IS REWORKED PER S/B 757-27-0117 114N3002-162SP CAN REPLACE BUT NOT BE REPLACED BY 114N3002-98SP IF FIXED LEADING EDGE IS REWORKED PER S/B 757-27-0117 FOR SPARES PROCURE: 114N3002-86SP REWORKED BY SB: 27-0117 REWORKED BY ALERT SB: 57A0038R6 FOR NHA SEE: 27-81-01-01	002004 006100 121503 904949 952999	RF

MISSING ITEM NUMBERS NOT APPLICABLE

- ITEM NOT ILLUSTRATED

**27-81-01-01A**

27-81-01  
FIG. 01A  
PAGE 33  
JAN 20/09

BRI



757

PARTS CATALOG (MAINTENANCE)

FIG ITEM	PART NUMBER	1 2 3 4 5 6 7	NOMENCLATURE	EFFECT FROM TO	UNITS PER ASSY
1A					
- 12	012N8892-120SP		SLAT ASSY- POSITION DATA: RH SIDE POST SERVICE BULLETIN: 27-0117R1 FOR NHA SEE: 27-81-01-01	950951	RF
20	BACB30NN3K4		.BOLT	002004 006102 107999	2
25	BACB30NN3K7		.BOLT	002004 006102 107999	10
30	BACB30NN3K9		.BOLT	002004 006102 107999	1
35	114N3013-3		.SEAL-BULB POSITION DATA: LWR LH SIDE	002004 006102 107999	1
40	114N3013-11		.RETAINER- POSITION DATA: LH SIDE	002004 006102 107999	1
45	114N3013-31		.RETAINER- POSITION DATA: LH SIDE	002004 006102 107999	1
45	114N3013-29		.RETAINER- POSITION DATA: LH SIDE	101102 108120 504903	1
50	114N3013-27		.RETAINER- POSITION DATA: LH SIDE	002004 006102 107999	1
55	114N3013-7		.SEAL-EROSION POSITION DATA: LH SIDE	002004 006102 107999	1
- 60	114N3013-4		.SEAL-BULB POSITION DATA: LWR RH SIDE	002004 006102 107999	1
- 65	114N3013-12		.RETAINER- POSITION DATA: RH SIDE	002004 006102 107999	1
- 70	114N3013-32		.RETAINER- POSITION DATA: RH SIDE	002004 006102 107999	1
- 70	114N3013-30		.RETAINER- POSITION DATA: RH SIDE	101102 108120 504903	1
- 75	114N3013-28		.RETAINER- POSITION DATA: RH SIDE	002004 006102 107999	1

MISSING ITEM NUMBERS NOT APPLICABLE

- ITEM NOT ILLUSTRATED

**27-81-01-01A**

27-81-01  
FIG. 01A  
PAGE 34  
JAN 20/09

BRI

 **BOEING**  
757  
**PARTS CATALOG (MAINTENANCE)**

FIG ITEM	PART NUMBER	1 2 3 4 5 6 7	NOMENCLATURE	EFFECT FROM TO	UNITS PER ASSY
1A					
- 80	114N3013-8	.	SEAL-EROSION POSITION DATA: RH SIDE	002004 006102 107999	1
85	114N3013-25	.	SEAL-BULB POSITION DATA: AFT MANUFACTURED FROM: EXTR RUBBER F25.01 10-60754-314 23.00 IN.	002004 006102 107999	1
90	BACB30NN3K6	.	BOLT	002004 006102 108903 950999	1
95	BACB30NN3K6	.	BOLT	002004 006102 107999	11
100	114N3044-35	.	SEAL-BULB POSITION DATA: LH SIDE ALTERED FROM PART NUMBER: 95A10420-843 V60980 FOR SPARES PROCURE: 10-60754-843	002004 006102 107999	1
100	114N3044-11	.	SEAL-BULB POSITION DATA: LH SIDE ALTERED FROM PART NUMBER: 10-60754-475 FOR SPARES PROCURE: 10-60754-843	002004 006102 107999	1
105	114N3044-13	.	RETAINER- POSITION DATA: LH SIDE ALTERED FROM PART NUMBER: 114N3038-3	107107 904949	1
105	114N3044-37	.	RETAINER- POSITION DATA: LH SIDE ALTERED FROM PART NUMBER: 114N3038-7	002004 006102 107999	1

MISSING ITEM NUMBERS NOT APPLICABLE

- ITEM NOT ILLUSTRATED

BRI

# 27-81-01-01A

BOEING PROPRIETARY - Copyright © - Unpublished Work - See title page for details.

27-81-01  
FIG. 01A  
PAGE 35  
JAN 20/09

 **BOEING**  
757  
**PARTS CATALOG (MAINTENANCE)**

FIG ITEM	PART NUMBER	1 2 3 4 5 6 7	NOMENCLATURE	EFFECT FROM TO	UNITS PER ASSY
1A 110	114N3044-41		.SEAL-EROSION ALTERED FROM PART NUMBER: 114N3042-3 QUALIFIED I/W DATA: -41 UNDRILLED I/W -42 OR -4 UNDRILLED FOR SPARES PROCURE: 114N3044-3	101102 107120 504949	1
110	114N3044-3		.SEAL-EROSION ALTERED FROM PART NUMBER: 114N3042-1 QUALIFIED I/W DATA: -3 OR -41 UNDRILLED I/W -4 UNDRILLED FOR SPARES PROCURE: 114N3042-3	101102 107120 504949	1
110	114N3044-45		.SEAL-EROSION ALTERED FROM PART NUMBER: 114N3042-3 FOR SPARES PROCURE: 114N3042-3	002004 006102 107999	1
- 115	114N3044-14		.RETAINER- POSITION DATA: RH SIDE	107107 904949	1
- 115	114N3044-38		.RETAINER- POSITION DATA: RH SIDE	002004 006102 107999	1
- 120	114N3044-36		.SEAL-BULB POSITION DATA: RH SIDE FOR SPARES PROCURE: 10-60754-844	002004 006102 107999	1
- 120	114N3044-12		.SEAL-BULB POSITION DATA: RH SIDE FOR SPARES PROCURE: 10-60754-844	002004 006102 107999	1
130	BACB30NM3K5		.BOLT	002004 006102 107999	4
135	AN960KD10L		.WASHER	002004 006102 107999	4
140	114N3044-29		.RETAINER- POSITION DATA: LH SIDE	107107 904949	1
140	114N3044-39		.RETAINER- POSITION DATA: LH SIDE	002004 006102 107999	1

MISSING ITEM NUMBERS NOT APPLICABLE

- ITEM NOT ILLUSTRATED

BRI

# 27-81-01-01A

BOEING PROPRIETARY - Copyright © - Unpublished Work - See title page for details.

27-81-01  
FIG. 01A  
PAGE 36  
JAN 20/09



757

PARTS CATALOG (MAINTENANCE)

FIG ITEM	PART NUMBER	1 2 3 4 5 6 7	NOMENCLATURE	EFFECT FROM TO	UNITS PER ASSY
1A					
145	114N3044-25	.	SEAL-BULB POSITION DATA: LH SIDE ALTERED FROM PART NUMBER: 10-60754-515	002004 006102 107999	1
145	114N3044-31	.	SEAL-BULB POSITION DATA: LH SIDE ALTERED FROM PART NUMBER: 10-60754-515	002004 006102 107999	1
150	114N3044-21	.	CHANNEL- POSITION DATA: LH SIDE	101102 107120 504949	1
150	114N3044-27	.	CHANNEL- POSITION DATA: LH SIDE	101102 107120 504949	1
150	114N3044-43	.	CHANNEL- POSITION DATA: LH SIDE	002004 006102 107999	1
- 155	114N3044-24	.	RETAINER- POSITION DATA: RH SIDE	107107 904949	1
- 155	114N3044-30	.	RETAINER- POSITION DATA: RH SIDE	107107 904949	1
- 155	114N3044-40	.	RETAINER- POSITION DATA: RH SIDE	002004 006102 107999	1
- 160	114N3044-26	.	SEAL-BULB POSITION DATA: RH SIDE ALTERED FROM PART NUMBER: 10-60754-515	002004 006102 107999	1
- 160	114N3044-32	.	SEAL-BULB POSITION DATA: RH SIDE ALTERED FROM PART NUMBER: 10-60754-515	002004 006102 107999	1
- 165	114N3044-22	.	CHANNEL- POSITION DATA: RH SIDE	101102 107120 504949	1
- 165	114N3044-28	.	CHANNEL- POSITION DATA: RH SIDE	101102 107120 504949	1
- 165	114N3044-44	.	CHANNEL- POSITION DATA: RH SIDE	002004 006102 107999	1

MISSING ITEM NUMBERS NOT APPLICABLE

- ITEM NOT ILLUSTRATED

27-81-01-01A

27-81-01  
FIG. 01A  
PAGE 37  
JAN 20/09

BRI

BOEING PROPRIETARY - Copyright © - Unpublished Work - See title page for details.

 **BOEING**  
757  
**PARTS CATALOG (MAINTENANCE)**

FIG ITEM	PART NUMBER	1 2 3 4 5 6 7	NOMENCLATURE	EFFECT FROM TO	UNITS PER ASSY
1A 170	BACB30NT3K5	.BOLT		002004 006102 107999	53
175	114N3045-21	.RETAINER-		002004	1
		POSITION DATA:		006102	
		LH SIDE		107999	
- 180	114N3045-22	.RETAINER-		002004	1
		POSITION DATA:		006102	
		RH SIDE		107999	
185	114N3045-9	.RETAINER-		002004	1
		POSITION DATA:		006102	
		LH SIDE		107999	
- 190	114N3045-10	.RETAINER-		002004	1
		POSITION DATA:		006102	
		RH SIDE		107999	
195	114N3045-11	.RETAINER-		002004	1
		POSITION DATA:		006102	
		LH SIDE		107999	
- 200	114N3045-12	.RETAINER-		002004	1
		POSITION DATA:		006102	
		RH SIDE		107999	
205	114N3045-13	.RETAINER-		002004	1
		POSITION DATA:		006102	
		LH SIDE		107999	
- 210	114N3045-14	.RETAINER-		002004	1
		POSITION DATA:		006102	
		RH SIDE		107999	
215	114N3045-19	.SEAL-		002004	1
		POSITION DATA:		006102	
		LH SIDE		107999	
		MANUFACTURED FROM:			
		EXTR RUBBER			
		10-60754-319 120.00 IN			
- 220	114N3045-20	.SEAL-		002004	1
		POSITION DATA:		006102	
		RH SIDE		107999	
		MANUFACTURED FROM:			
		EXTR RUBBER			
		10-60754-319 120.00 IN			
225	114N3045-5	.SEAL-		002004	1
		POSITION DATA:		006102	
		LH SIDE		107999	
		MANUFACTURED FROM:			
		EXTR RUBBER			
		F25.01 10-60754-319			
		50.00 IN			

MISSING ITEM NUMBERS NOT APPLICABLE

- ITEM NOT ILLUSTRATED

BRI

# 27-81-01-01A

BOEING PROPRIETARY - Copyright © - Unpublished Work - See title page for details.

27-81-01  
FIG. 01A  
PAGE 38  
JAN 20/09



757

PARTS CATALOG (MAINTENANCE)

FIG ITEM	PART NUMBER	1 2 3 4 5 6 7	NOMENCLATURE	EFFECT FROM TO	UNITS PER ASSY
1A - 230	114N3045-6		.SEAL- POSITION DATA: RH SIDE MANUFACTURED FROM: EXTR RUBBER F25.01 10-60754-319 50.00 IN	002004 006102 107999	1
235	114N3012-7		.PANEL-FLEX POSITION DATA: INBD LWR LH SIDE MISCELLANEOUS DATA: IT IS RECOMMENDED TO USE 114N3012-15/-17/-19 AS A SET	002004 006100 102102 107999	1
235	114N3012-15		.PANEL-FLEX POSITION DATA: INBD LWR LH SIDE MISCELLANEOUS DATA: IT IS RECOMMENDED TO USE 114N3012-15/-17/-19 AS A SET	002004 006102 107999	1
- 240	114N3012-8		.PANEL-FLEX POSITION DATA: INBD LWR RH SIDE MISCELLANEOUS DATA: IT IS RECOMMENDED TO USE 114N3012-16/-18/-20 AS A SET	002004 006100 102102 107999	1
- 240	114N3012-16		.PANEL-FLEX POSITION DATA: INBD LWR RH SIDE MISCELLANEOUS DATA: IT IS RECOMMENDED TO USE 114N3012-16/-18/-20 AS A SET	002004 006102 107999	1
245	114N3012-9		.PANEL-FLEX POSITION DATA: CTR LWR LH SIDE MISCELLANEOUS DATA: IT IS RECOMMENDED TO USE 114N3012-15/-17/-19 AS A SET	002004 006100 102102 107999	1
245	114N3012-17		.PANEL-FLEX POSITION DATA: CTR LWR LH SIDE MISCELLANEOUS DATA: IT IS RECOMMENDED TO USE 114N3012-15/-17/-19 AS A SET	002004 006102 107999	1

MISSING ITEM NUMBERS NOT APPLICABLE

- ITEM NOT ILLUSTRATED

**27-81-01-01A**

27-81-01  
FIG. 01A  
PAGE 39  
JAN 20/09

BRI



757

PARTS CATALOG (MAINTENANCE)

FIG ITEM	PART NUMBER	1 2 3 4 5 6 7	NOMENCLATURE	EFFECT FROM TO	UNITS PER ASSY
1A					
- 250	114N3012-10		.PANEL-FLEX POSITION DATA: CTR LWR RH SIDE MISCELLANEOUS DATA: IT IS RECOMMENDED TO USE 114N3012-16/-18/-20 AS A SET	002004 006100 102102 107999	1
- 250	114N3012-18		.PANEL-FLEX POSITION DATA: CTR LWR RH SIDE MISCELLANEOUS DATA: IT IS RECOMMENDED TO USE 114N3012-16/-18/-20 AS A SET	002004 006102 107999	1
255	114N3012-13		.PANEL-FLEX POSITION DATA: OUTBD LWR LH SIDE MISCELLANEOUS DATA: IT IS RECOMMENDED TO USE 114N3012-15/-17/-19 AS A SET	002004 006100 102102 107999	1
255	114N3012-11		.PANEL-FLEX POSITION DATA: OUTBD LWR LH SIDE MISCELLANEOUS DATA: IT IS RECOMMENDED TO USE 114N3012-15/-17/-19 AS A SET	002004 006100 102102 107999	1
255	114N3012-19		.PANEL-FLEX POSITION DATA: OUTBD LWR LH SIDE MISCELLANEOUS DATA: IT IS RECOMMENDED TO USE 114N3012-15/-17/-19 AS A SET	002004 006102 107999	1
- 260	114N3012-14		.PANEL-FLEX POSITION DATA: OUTBD LWR RH SIDE	002004 006100 102102 107999	1
- 260	114N3012-12		.PANEL-FLEX POSITION DATA: OUTBD LWR RH SIDE MISCELLANEOUS DATA: IT IS RECOMMENDED TO USE 114N3012-16/-18/-20 AS A SET	002004 006100 102102 107999	1

MISSING ITEM NUMBERS NOT APPLICABLE

- ITEM NOT ILLUSTRATED

27-81-01-01A

27-81-01  
FIG. 01A  
PAGE 40  
JAN 20/09

BRI

BOEING PROPRIETARY - Copyright © - Unpublished Work - See title page for details.





757

PARTS CATALOG (MAINTENANCE)

FIG ITEM	PART NUMBER	1 2 3 4 5 6 7	NOMENCLATURE	EFFECT FROM TO	UNITS PER ASSY
1A - 260	114N3012-20		.PANEL-FLEX POSITION DATA: OUTBD LWR RH SIDE MISCELLANEOUS DATA: IT IS RECOMMENDED TO USE 114N3012-16/-18/-20 AS A SET	002004 006102 107999	1
265	BACB30LE8U24		.BOLT-	002004 006102 107999	3
270	BACW10BP8DP		.WASHER-	002004 006102 107999	3
275	BACW10BP8CD		.WASHER-	002004 006102 107999	3
280	BMN10HRCWD3-8		.NUT- SUPPLIER CODE: V97928 SPECIFICATION NUMBER: BACN10HR8CD OPTIONAL PART: H51560-8 V15653 67832CD820 V56878 102LH9031-8 V72962 BH00303CM8 V27238 BMN5024CWD38 V97928 SL7108C8 V11815 VCU0005D8 V06710 102LH90318 V72962 67832CD8 V56878 CR6030-8 VF0224	002004 006102 107999	3
285	BACB28AK08-042		.BUSHING-	002004 006102 107999	3
290	BACB30LJ3-27		.BOLT-	002004 006102 107999	3

MISSING ITEM NUMBERS NOT APPLICABLE

- ITEM NOT ILLUSTRATED

27-81-01-01A

27-81-01  
FIG. 01A  
PAGE 41  
JAN 20/09

BRI

BOEING PROPRIETARY - Copyright © - Unpublished Work - See title page for details.

**BOEING**  
757  
**PARTS CATALOG (MAINTENANCE)**

FIG ITEM	PART NUMBER	1 2 3 4 5 6 7	NOMENCLATURE	EFFECT FROM TO	UNITS PER ASSY
1A					
290	NAS6703-27	.	BOLT	002004 006102 107999	3
295	BACW10BP3DP	.	WASHER-	002004 006102 107999	3
300	BACW10BP3CD	.	WASHER-	002004 006102 107999	3
305	BRH10C3D	.	NUT- SUPPLIER CODE: V52828 SPECIFICATION NUMBER: BACN10JC3CD OPTIONAL PART: T6C1032JCD V11815 NS202486-02 V80539 102LH9075-3W V72962 H51650-3BAC V15653	002004 006102 107999	3
310	114N4071-2	.	RETAINER-BOLT	002004 006102 107999	3
315	251N5130-9	.	TRACK ASSY-BRACKET POSITION DATA: LH SIDE	002004 006011 101102 107949 952999	1
315	251N5130-21	.	TRACK ASSY-BRACKET POSITION DATA: LH SIDE	012102 108120 504903	1
- 320	251N5130-10	.	TRACK ASSY-BRACKET POSITION DATA: RH SIDE	002004 006011 101102 107949 952999	1
- 320	251N5130-22	.	TRACK ASSY-BRACKET POSITION DATA: RH SIDE	012102 108120 504903	1
- 325	BACB30NT3K3	.	BOLT-  -----*-----	002004 006102 107949 952999	4

MISSING ITEM NUMBERS NOT APPLICABLE

- ITEM NOT ILLUSTRATED

BRI

# 27-81-01-01A

BOEING PROPRIETARY - Copyright © - Unpublished Work - See title page for details.

27-81-01  
FIG. 01A  
PAGE 42  
JAN 20/09



757

PARTS CATALOG (MAINTENANCE)

FIG ITEM	PART NUMBER	1 2 3 4 5 6 7	NOMENCLATURE	EFFECT FROM TO	UNITS PER ASSY
1 A 330	114N3004-5		.TRACK ASSY-MAIN USED ON: 114N3002-19 114N3002-20 114N3002-51 114N3002-52 114N3002-63 114N3002-64 114N3002-73 114N3002-74 114N3002-101 114N3002-102 114N3002-103SP 114N3002-104SP FOR DETAILS SEE: 27-81-10-01	002004 006100 107107 121503 904999	2
330	114N3004-7		.TRACK ASSY-MAIN OPTIONAL PART: 114N3004-9 USED ON: 114N3002-79SP 114N3002-80SP 114N3002-97SP 114N3002-98SP 114N3002-127SP 114N3002-128SP 114N3002-131SP 114N3002-132SP FOR DETAILS SEE: 27-81-10-01	002004 006102 107999	2
330	114N3002-99		.TRACK ASSY-MAIN USED ON: 114N3002-101 114N3002-102 114N3002-103SP 114N3002-104SP FOR DETAILS SEE: 27-81-10-01	002004 006102 107999	2

MISSING ITEM NUMBERS NOT APPLICABLE

- ITEM NOT ILLUSTRATED

**27-81-01-01A**

27-81-01  
FIG. 01A  
PAGE 43  
JAN 20/09

BRI



757

PARTS CATALOG (MAINTENANCE)

FIG ITEM	PART NUMBER	1 2 3 4 5 6 7	NOMENCLATURE	EFFECT FROM TO	UNITS PER ASSY
1A 330	114N3004-9		.TRACK ASSY-MAIN OPTIONAL PART: 114N3004-7 USED ON: 114N3002-79SP 114N3002-80SP 114N3002-119SP 114N3002-120SP 114N3002-127SP 114N3002-128SP 114N3002-131SP 114N3002-132SP FOR DETAILS SEE: 27-81-10-01	002004 006102 107999	2
330	114N3004-3		.TRACK ASSY-MAIN FOR DETAILS SEE: 27-81-10-01	002004 006100 107107 121503 904999	2
335	114N3004-2		.TRACK ASSY-MAIN USED ON: 114N3002-19 114N3002-20 114N3002-51 114N3002-52 114N3002-63 114N3002-64 114N3002-73 114N3002-74 114N3002-79SP 114N3002-80SP 114N3002-97SP 114N3002-98SP 114N3002-101 114N3002-102 114N3002-103SP 114N3002-104SP 114N3002-119SP 114N3002-120SP 114N3002-127SP 114N3002-128SP 114N3002-131SP 114N3002-132SP	002004 006102 107999	1
340	MS24665-304		.PIN-COTTER	002004 006102 107999	2
345	114N1115-15		.BOLT ASSY-	002004 006102 107999	2

MISSING ITEM NUMBERS NOT APPLICABLE

- ITEM NOT ILLUSTRATED

**27-81-01-01A**

27-81-01  
FIG. 01A  
PAGE 44  
JAN 20/09

BRI

 **BOEING**  
757  
**PARTS CATALOG (MAINTENANCE)**

FIG ITEM	PART NUMBER	1 2 3 4 5 6 7	NOMENCLATURE	EFFECT FROM TO	UNITS PER ASSY
1A					
350	114N1115-16	..	BOLT	002004 006102 107999	1
355	MS15000-1	..	FITTING	002004 006102 107999	1
360	BACW10BP8DP	.	WASHER-	002004 006102 107999	3
365	BACW10BP8DP	.	WASHER	002004 006102 107999	1
370	BACW10BP8CD	.	WASHER-	002004 006102 107999	2
375	114N3041-1	.	WASHER-NYLON	002004 006102 107999	2
380	AN960C816	..	WASHER-	002004 006102 107999	4
385	BACN10JD108CD	.	NUT-	002004 006102 107999	2
390	ATF8	.	BEARING- SUPPLIER CODE: V60380 SPECIFICATION NUMBER: BACB10ET08 OPTIONAL PART: 8AFC1021 V92563 YAF08B V07484 POST AIRLINE MOD: E.O.S27JK-H158-1A VEAA	002004 006102 107999	2
395	114N3034-1	.	PANEL-ACCESS	002004 006102 107999	9
- 400	BACB30NT3K3		ATTACHING PARTS .BOLT	002004 006102 107999	108
405	BACB30NR10K31	-----*	.BOLT- POST SERVICE BULLETIN: 27-0117	002004 006102 107999	2

MISSING ITEM NUMBERS NOT APPLICABLE

- ITEM NOT ILLUSTRATED

BRI

# 27-81-01-01A

BOEING PROPRIETARY - Copyright © - Unpublished Work - See title page for details.

27-81-01  
FIG. 01A  
PAGE 45  
JAN 20/09



757

PARTS CATALOG (MAINTENANCE)

FIG ITEM	PART NUMBER	1 2 3 4 5 6 7	NOMENCLATURE	EFFECT FROM TO	UNITS PER ASSY
1 A					
410	BACW10BP10CD		.WASHER- POST SERVICE BULLETIN: 27-0117	002004 006102 107999	2
415	BACW10BP10DP		.WASHER- POST SERVICE BULLETIN: 27-0117	002004 006102 107999	2
420	102LH9074-10		.NUT- SUPPLIER CODE: V72962 SPECIFICATION NUMBER: BACN10JC10CD OPTIONAL PART: H51650-10BAC V15653 69235-1018CD V92215 BMN4122CPD8-10 V97928 POST SERVICE BULLETIN: 27-0117	002004 006102 107999	2
425	251N5213-1		.GUIDE- POSITION DATA: LH SIDE POST SERVICE BULLETIN: 27-0117	002004 006102 107999	1
- 430	251N5213-2		.GUIDE- POSITION DATA: RH SIDE POST SERVICE BULLETIN: 27-0117	002004 006102 107999	1
- 435	114N3041-1		.WASHER- POST SERVICE BULLETIN: 27-0117	952952	1
- 440	114N4156-2		.BUSHING	002004 006102 107999	4
445	NAS1149D0316H		.WASHER- POST SERVICE BULLETIN: 27-0117	952952	6
450	MS21042L3		.NUT- POST SERVICE BULLETIN: 27-0117	952952	2

MISSING ITEM NUMBERS NOT APPLICABLE

- ITEM NOT ILLUSTRATED

27-81-01-01A

27-81-01  
FIG. 01A  
PAGE 46  
JAN 20/09

BRI



757

PARTS CATALOG (MAINTENANCE)

FIG ITEM	PART NUMBER	1 2 3 4 5 6 7	NOMENCLATURE	EFFECT FROM TO	UNITS PER ASSY
1 A 455	JM44LC13WS3R		.CLAMP- SUPPLIER CODE: V22175 SPECIFICATION NUMBER: BACC10GE3 OPTIONAL PART: 509S3 V83930 S714WH3 V18076 TA12C32WS3 V84971 POST SERVICE BULLETIN: 27-0117 ATTACHING PARTS	952952	2
460	NAS1801-3-8		.SCREW	952952	2
465	NAS1149D0332J		.WASHER	952952	3
470	MS21042L3		.NUT	952952	1
			-----*-----		
475	287N1401-31		.BRACKET ASSY- POST SERVICE BULLETIN: 27-0117 ATTACHING PARTS	952952	1
- 480	BACR15FT5D5		.RIVET -----*-----	952952	3

MISSING ITEM NUMBERS NOT APPLICABLE

- ITEM NOT ILLUSTRATED

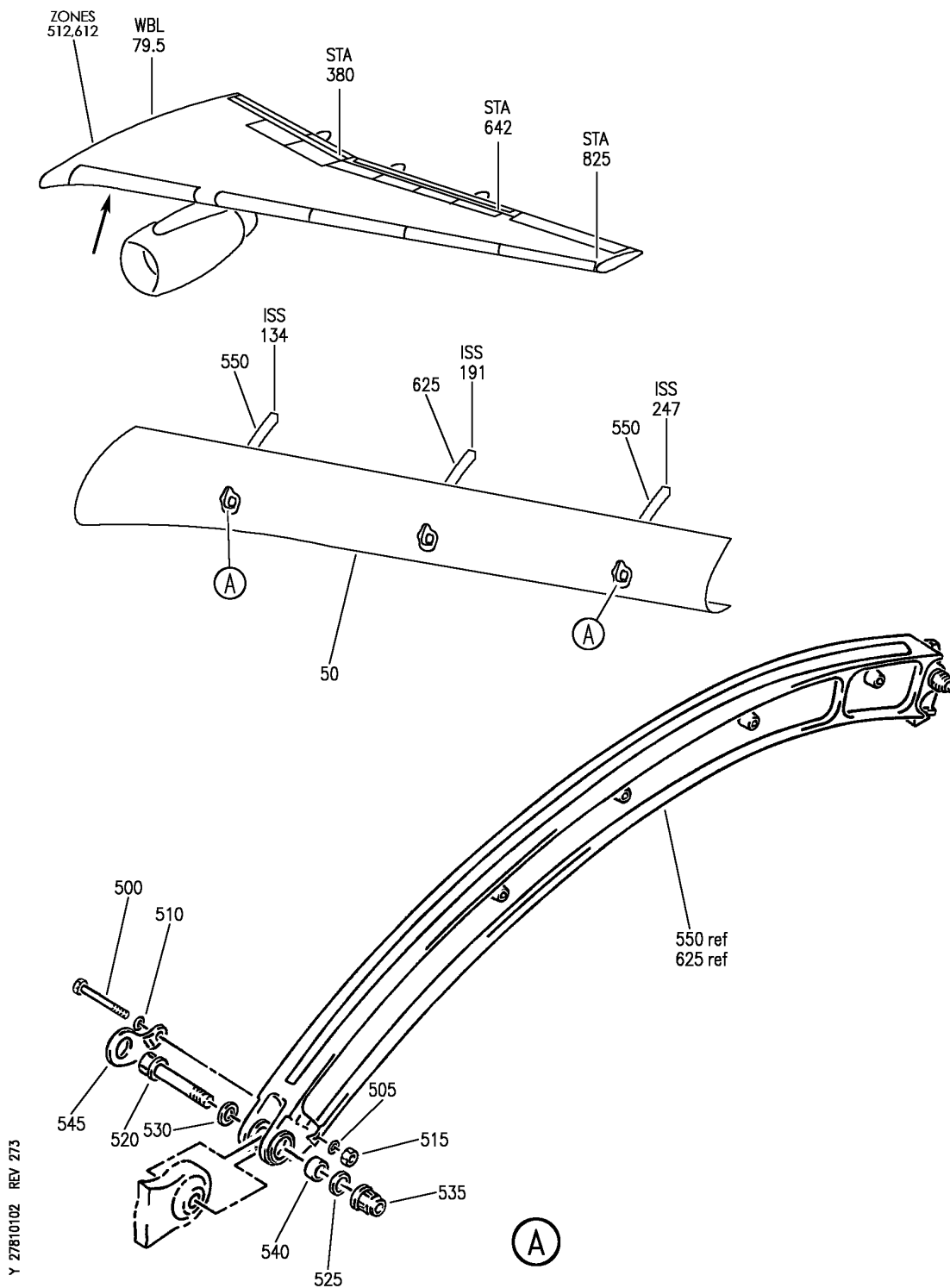
BRI

27-81-01-01A

BOEING PROPRIETARY - Copyright © - Unpublished Work - See title page for details.

27-81-01  
FIG. 01A  
PAGE 47  
JAN 20/09

**BOEING**  
757  
PARTS CATALOG (MAINTENANCE)



Y 27810102 REV 273

SLAT INSTL-INBD WING LE NO. 5 AND NO. 6  
FIGURE 2

**27-81-01-02**

BRI  
MAY 28/07

27-81-01-02  
PAGE 0



 **BOEING**  
757  
**PARTS CATALOG (MAINTENANCE)**

FIG ITEM	PART NUMBER	1 2 3 4 5 6 7	NOMENCLATURE	EFFECT FROM TO	UNITS PER ASSY
2			SLAT INSTL-INBD WING LE NO. 5 AND NO. 6	102106 108120 504903	
- 1	MODREF615		SLAT INSTL-WING LE NO. 5 MODULE NUMBER: 114N3001-305 REV A POSITION DATA: INBD LH	103105	1
- 1	MODREF31469		SLAT INSTL-WING LE NO. 5 MODULE NUMBER: 114N3001-305 REV B POSITION DATA: INBD LH	106106	1
- 1	114N3001-405		SLAT INSTL-WING LE NO. 5 POSITION DATA: INBD LH FOR NHA SEE: 57-00-00-10	102102 108120 504903	RF
- 10	MODREF616		SLAT INSTL-WING LE NO. 6 MODULE NUMBER: 114N3001-306 REV A POSITION DATA: INBD RH	103105	1
- 10	MODREF31470		SLAT INSTL-WING LE NO. 6 MODULE NUMBER: 114N3001-306 REV B POSITION DATA: INBD RH	106106	1
- 10	114N3001-406		SLAT INSTL-WING LE NO. 6 POSITION DATA: INBD RH FOR NHA SEE: 57-00-00-10	102102 108120 504903	RF
50	114N3002-161SP		.SLAT ASSY-NO. 5 POSITION DATA: LH SIDE COMPONENT MAINT MANUAL REF: 57-43-38 QUALIFIED I/W DATA: 114N3002-161SP CAN REPLACE BUT NOT BE REPLACED BY 114N3002-119SP IF FIXED LEADING EDGE IS REWORKED PER S/B 757-27-0117 114N3002-161SP CAN REPLACE BUT NOT BE REPLACED BY 114N3002-123SP IF FIXED	102106 108120 504903	1

MISSING ITEM NUMBERS NOT APPLICABLE

- ITEM NOT ILLUSTRATED

BRI

# 27-81-01-02

BOEING PROPRIETARY - Copyright © - Unpublished Work - See title page for details.

27-81-01  
FIG. 02  
PAGE 1  
JAN 20/09



757

PARTS CATALOG (MAINTENANCE)

FIG ITEM	PART NUMBER	1 2 3 4 5 6 7	NOMENCLATURE	EFFECT FROM TO	UNITS PER ASSY
2			LEADING EDGE IS REWORKED PER S/B 757-27-0117 114N3002-161SP CAN REPLACE BUT NOT BE REPLACED BY 114N3002-127SP IF FIXED LEADING EDGE IS REWORKED PER S/B 757-27-0117 114N3002-161SP CAN REPLACE BUT NOT BE REPLACED BY 114N3002-103SP IF FIXED LEADING EDGE IS REWORKED PER S/B 757-27-0117 114N3002-161SP CAN REPLACE BUT NOT BE REPLACED BY 114N3002-101 IF FIXED LEADING EDGE IS REWORKED PER S/B 757-27-0117 114N3002-161SP CAN REPLACE BUT NOT BE REPLACED BY 114N3002-97SP IF FIXED LEADING EDGE IS REWORKED PER S/B 757-27-0117 114N3002-161SP CAN REPLACE BUT NOT BE REPLACED BY 114N3002-79SP IF FIXED LEADING EDGE IS REWORKED PER S/B 757-27-0117 114N3002-161SP CAN REPLACE BUT NOT BE REPLACED BY 114N3002-63 IF FIXED LEADING EDGE IS REWORKED PER S/B 757-27-0117 FOR DETAILS SEE: 27-81-01-02A		

MISSING ITEM NUMBERS NOT APPLICABLE

- ITEM NOT ILLUSTRATED

**27-81-01-02**

27-81-01  
FIG. 02  
PAGE 2  
JAN 20/09

BRI



757

PARTS CATALOG (MAINTENANCE)

FIG ITEM	PART NUMBER	1 2 3 4 5 6 7 NOMENCLATURE	EFFECT FROM TO	UNITS PER ASSY
2 50	114N3002-165SP	.SLAT ASSY-NO. 5 POSITION DATA: LH SIDE COMPONENT MAINT MANUAL REF: 57-43-38 QUALIFIED I/W DATA: -165SP CAN REPLACE -163SP OR -155SP OR -153SP OR -147SP OR -145SP SUBJECT TO CUSTOMER ACCEPTANCE OF WEIGHT PENALTY -165SP CAN REPLACE -143SP OR -141SP OR -139SP OR -135SP OR -131SP SUBJECT TO CUSTOMER ACCEPTANCE OF WEIGHT PENALTY -165SP CAN REPLACE -127SP OR -123SP OR -119SP OR -103SP OR -101 IF FIXED LEADING EDGE IS REWORKED PER S/B 757-27-0117 AND IF CUSTOMER ACCEPTS WEIGHT PENALTY -165SP CAN REPLACE -97SP OR -79SP OR -73 OR -63 OR -51 OR -19 IF FIXED LEADING EDGE IS REWORKED PER S/B 757-27-0117 AND IF CUSTOMER ACCEPTS WEIGHT PENALTY FOR DETAILS SEE: 27-81-01-02A	102106 108120 504903	1

MISSING ITEM NUMBERS NOT APPLICABLE

- ITEM NOT ILLUSTRATED

BRI

**27-81-01-02**

BOEING PROPRIETARY - Copyright © - Unpublished Work - See title page for details.

27-81-01  
FIG. 02  
PAGE 3  
JAN 20/09



757

PARTS CATALOG (MAINTENANCE)

FIG ITEM	PART NUMBER	1 2 3 4 5 6 7	NOMENCLATURE	EFFECT FROM TO	UNITS PER ASSY
2	50 114N3002-163SP		.SLAT ASSY-NO. 5 POSITION DATA: LH SIDE COMPONENT MAINT MANUAL REF: 57-43-38 QUALIFIED I/W DATA: -165SP CAN REPLACE -163SP OR -155SP OR -153SP OR -147SP OR -145SP SUBJECT TO CUSTOMER ACCEPTANCE OF WEIGHT PENALTY -167SP CAN REPLACE -163SP OR -155SP OR -153SP OR -147SP OR -145SP SUBJECT TO CUSTOMER ACCEPTANCE OF WEIGHT PENALTY FOR DETAILS SEE: 27-81-01-02A	102102 108120 504903	1
	50 114N3002-157SP		.SLAT ASSY-NO. 5 POSITION DATA: LH SIDE QUALIFIED I/W DATA: 114N3002-157SP CAN REPLACE BUT NOT BE REPLACED BY 114N3002-119SP IF FIXED LEADING EDGE IS REWORKED PER S/B 757-27-0117 114N3002-157SP CAN REPLACE BUT NOT BE REPLACED BY 114N3002-123SP IF FIXED LEADING EDGE IS REWORKED PER S/B 757-27-0117 114N3002-157SP CAN REPLACE BUT NOT BE REPLACED BY 114N3002-127SP IF FIXED LEADING EDGE IS REWORKED PER S/B 757-27-0117 114N3002-157SP CAN REPLACE BUT NOT BE REPLACED BY 114N3002-103SP IF FIXED LEADING EDGE IS REWORKED PER S/B 757-27-0117 114N3002-157SP CAN	102106 108120 504903	1

MISSING ITEM NUMBERS NOT APPLICABLE

- ITEM NOT ILLUSTRATED

27-81-01-02

27-81-01  
FIG. 02  
PAGE 4  
JAN 20/09

BRI

**BOEING**  
757  
**PARTS CATALOG (MAINTENANCE)**

FIG ITEM	PART NUMBER	1 2 3 4 5 6 7	NOMENCLATURE	EFFECT FROM TO	UNITS PER ASSY
2			REPLACE BUT NOT BE REPLACED BY 114N3002-101 IF FIXED LEADING EDGE IS REWORKED PER S/B 757-27-0117 114N3002-157SP CAN REPLACE BUT NOT BE REPLACED BY 114N3002-97SP IF FIXED LEADING EDGE IS REWORKED PER S/B 757-27-0117 114N3002-157SP CAN REPLACE BUT NOT BE REPLACED BY 114N3002-79SP IF FIXED LEADING EDGE IS REWORKED PER S/B 757-27-0117 114N3002-157SP CAN REPLACE BUT NOT BE REPLACED BY 114N3002-63 IF FIXED LEADING EDGE IS REWORKED PER S/B 757-27-0117 FOR DETAILS SEE: 27-81-01-02A .SLAT ASSY-NO. 5 POSITION DATA: LH SIDE COMPONENT MAINT MANUAL REF: 57-43-38 QUALIFIED I/W DATA: 114N3002-151SP CAN REPLACE BUT NOT BE REPLACED BY 114N3002-101 IF FIXED LEADING EDGE IS REWORKED PER S/B 757-27-0117 114N3002-151SP CAN REPLACE BUT NOT BE REPLACED BY 114N3002-103SP IF FIXED LEADING EDGE IS REWORKED PER S/B 757-27-0117 114N3002-151SP CAN REPLACE BUT NOT BE REPLACED BY 114N3002-119SP IF FIXED LEADING EDGE IS REWORKED PER S/B 757-27-0117		
50	114N3002-151SP	.	SLAT ASSY-NO. 5 POSITION DATA: LH SIDE COMPONENT MAINT MANUAL REF: 57-43-38 QUALIFIED I/W DATA: 114N3002-151SP CAN REPLACE BUT NOT BE REPLACED BY 114N3002-101 IF FIXED LEADING EDGE IS REWORKED PER S/B 757-27-0117 114N3002-151SP CAN REPLACE BUT NOT BE REPLACED BY 114N3002-103SP IF FIXED LEADING EDGE IS REWORKED PER S/B 757-27-0117 114N3002-151SP CAN REPLACE BUT NOT BE REPLACED BY 114N3002-119SP IF FIXED LEADING EDGE IS REWORKED PER S/B 757-27-0117	102106 108120 504903	1

MISSING ITEM NUMBERS NOT APPLICABLE

— ITEM NOT ILLUSTRATED

BRI

# 27-81-01-02

27-81-01  
FIG. 02  
PAGE 5  
JAN 20/09



757

PARTS CATALOG (MAINTENANCE)

FIG ITEM	PART NUMBER	1 2 3 4 5 6 7	NOMENCLATURE	EFFECT FROM TO	UNITS PER ASSY
2			114N3002-151SP CAN REPLACE BUT NOT BE REPLACED BY 114N3002-123SP IF FIXED LEADING EDGE IS REWORKED PER SB 757-27-0117 114N3002-151SP CAN REPLACE BUT NOT BE REPLACED BY 114N3002-127SP IF FIXED LEADING EDGE IS REWORKED PER S/B 757-27-0117 114N3002-151SP CAN REPLACE BUT NOT BE REPLACED BY 114N3002-19 IF FIXED LEADING EDGE IS REWORKED PER S/B 757-27-0117 114N3002-151SP CAN REPLACE BUT NOT BE REPLACED BY 114N3002-51 IF FIXED LEADING EDGE IS REWORKED PER S/B 757-27-0117 114N3002-151SP CAN REPLACE BUT NOT BE REPLACED BY 114N3002-63 IF FIXED LEADING EDGE IS REWORKED PER S/B 757-27-0117 114N3002-151SP CAN REPLACE BUT NOT BE REPLACED BY 114N3002-73 IF FIXED LEADING EDGE IS REWORKED PER S/B 757-27-0117 114N3002-151SP CAN REPLACE BUT NOT BE REPLACED BY 114N3002-79SP IF FIXED LEADING EDGE IS REWORKED PER S/B 757-27-0117 114N3002-151SP CAN REPLACE BUT NOT BE REPLACED BY 114N3002-97SP IF FIXED LEADING EDGE IS REWORKED PER S/B 757-27-0117 FOR DETAILS SEE:		

MISSING ITEM NUMBERS NOT APPLICABLE

- ITEM NOT ILLUSTRATED

27-81-01-02

27-81-01  
FIG. 02  
PAGE 6  
JAN 20/09

BRI



757

PARTS CATALOG (MAINTENANCE)

FIG ITEM	PART NUMBER	1 2 3 4 5 6 7	NOMENCLATURE	EFFECT FROM TO	UNITS PER ASSY
2 50	114N3002-145SP		27-81-01-02A .SLAT ASSY-NO. 5 POSITION DATA: LH SIDE COMPONENT MAINT MANUAL REF: 57-43-38 QUALIFIED I/W DATA: -165SP CAN REPLACE -163SP OR -155SP OR -153SP OR -147SP OR -145SP SUBJECT TO CUSTOMER ACCEPTANCE OF WEIGHT PENALTY -167SP CAN REPLACE -143SP OR -141SP OR -139SP OR -135SP OR -131SP SUBJECT TO CUSTOMER ACCEPTANCE OF WEIGHT PENALTY 114N3002-145SP INTERCHANGEABLE WITH 114N3002-63 OR -73 IF SERVICE BULLETINS 757-27-0094 AND 757-27-0117 ARE INCORPORATED ON -63 OR -73 SLAT 114N3002-145SP INTERCHANGEABLE WITH 114N3002-79SP OR -119SP OR -127SP IF SERVICE BULLETIN 757-27-0117 IS INCORPORATED. FOR DETAILS SEE: 27-81-01-02A	102102 108120 504903	1

MISSING ITEM NUMBERS NOT APPLICABLE

- ITEM NOT ILLUSTRATED

BRI

**27-81-01-02**

27-81-01  
FIG. 02  
PAGE 7  
JAN 20/09



**757  
PARTS CATALOG (MAINTENANCE)**

FIG ITEM	PART NUMBER	1 2 3 4 5 6 7	NOMENCLATURE	EFFECT FROM TO	UNITS PER ASSY
2 50	114N3002-131SP	.	SLAT ASSY-NO. 5 POSITION DATA: LH SIDE COMPONENT MAINT MANUAL REF: 57-43-38 QUALIFIED I/W DATA: 114N3002-127SP INTERCHANGEABLE WITH 114N3002-131SP AFTER INCORPORATION OF S/B 757-27-0117 -165SP CAN REPLACE -143SP OR -141SP OR -139SP OR -135SP OR -131SP SUBJECT TO CUSTOMER ACCEPTANCE OF WEIGHT PENALTY -167SP CAN REPLACE -143SP OR -141SP OR -139SP OR -135SP OR -131SP SUBJECT TO CUSTOMER ACCEPTANCE OF WEIGHT PENALTY 114N3002-131SP INTERCHANGEABLE WITH 114N3002-63 OR -73 OR -79SP IF SERVICE BULLETINS 757-27-0094 AND 757-27-0117 ARE INCORPORATED. 114N3002-119SP INTERCHANGEABLE WITH 114N3002-131SP IF SERVICE BULLETIN 757-27-0117 IS INCORPORATED FOR DETAILS SEE: 27-81-01-01A	102102 108120 504903	1

MISSING ITEM NUMBERS NOT APPLICABLE

— ITEM NOT ILLUSTRATED

BRI

# 27-81-01-02

BOEING PROPRIETARY - Copyright © - Unpublished Work - See title page for details.

27-81-01  
FIG. 02  
PAGE 8  
JAN 20/09





757

PARTS CATALOG (MAINTENANCE)

FIG ITEM	PART NUMBER	1 2 3 4 5 6 7	NOMENCLATURE	EFFECT FROM TO	UNITS PER ASSY
2 50	114N3002-135SP		.SLAT ASSY-NO. 5 POSITION DATA: LH SIDE COMPONENT MAINT MANUAL REF: 57-43-38 QUALIFIED I/W DATA: -165SP CAN REPLACE -143SP OR -141SP OR -139SP OR -135SP OR -131SP SUBJECT TO CUSTOMER ACCEPTANCE OF WEIGHT PENALTY -167SP CAN REPLACE -143SP OR -141SP OR -139SP OR -135SP OR -131SP SUBJECT TO CUSTOMER ACCEPTANCE OF WEIGHT PENALTY FOR DETAILS SEE: 27-81-01-02A	102102 108120 504903	1

MISSING ITEM NUMBERS NOT APPLICABLE

- ITEM NOT ILLUSTRATED

BRI

27-81-01-02

BOEING PROPRIETARY - Copyright © - Unpublished Work - See title page for details.

27-81-01  
FIG. 02  
PAGE 9  
JAN 20/09



757

PARTS CATALOG (MAINTENANCE)

FIG ITEM	PART NUMBER	1 2 3 4 5 6 7 NOMENCLATURE	EFFECT FROM TO	UNITS PER ASSY
2 50	114N3002-141SP	.SLAT ASSY-NO. 5 POSITION DATA: LH SIDE COMPONENT MAINT MANUAL REF: 57-43-38 QUALIFIED I/W DATA: -165SP CAN REPLACE -143SP OR -141SP OR -139SP OR -135SP OR -131SP SUBJECT TO CUSTOMER ACCEPTANCE OF WEIGHT PENALTY -167SP CAN REPLACE -143SP OR -141SP OR -139SP OR -135SP OR -131SP SUBJECT TO CUSTOMER ACCEPTANCE OF WEIGHT PENALTY 114N3002-141SP INTERCHANGEABLE WITH 114N3002-63 OR -73 IF SERVICE BULLETINS 757-27-0094 AND 757-27-0117 ARE INCORPORATED ON -63 OR -73 SLAT 114N3002-141SP INTERCHANGEABLE WITH 114N3002-79SP OR -119SP OR -127SP IF SERVICE BULLETIN 757-27-0117 IS INCORPORATED FOR DETAILS SEE: 27-81-01-02A	102102 108120 504903	1

MISSING ITEM NUMBERS NOT APPLICABLE

- ITEM NOT ILLUSTRATED

BRI

27-81-01-02

BOEING PROPRIETARY - Copyright © - Unpublished Work - See title page for details.

27-81-01  
FIG. 02  
PAGE 10  
JAN 20/09



757

PARTS CATALOG (MAINTENANCE)

FIG ITEM	PART NUMBER	1 2 3 4 5 6 7	NOMENCLATURE	EFFECT FROM TO	UNITS PER ASSY
2 50	114N3002-143SP		.SLAT ASSY-NO. 5 POSITION DATA: LH SIDE COMPONENT MAINT MANUAL REF: 57-43-38 QUALIFIED I/W DATA: -165SP CAN REPLACE -143SP OR -141SP OR -139SP OR -135SP OR -131SP SUBJECT TO CUSTOMER ACCEPTANCE OF WEIGHT PENALTY -167SP CAN REPLACE -143SP OR -141SP OR -139SP OR -135SP OR -131SP SUBJECT TO CUSTOMER ACCEPTANCE OF WEIGHT PENALTY FOR DETAILS SEE: 27-81-01-02A	102102 108120 504903	1

MISSING ITEM NUMBERS NOT APPLICABLE

- ITEM NOT ILLUSTRATED

BRI

27-81-01-02

BOEING PROPRIETARY - Copyright © - Unpublished Work - See title page for details.

27-81-01  
FIG. 02  
PAGE 11  
JAN 20/09



757

PARTS CATALOG (MAINTENANCE)

FIG ITEM	PART NUMBER	1 2 3 4 5 6 7 NOMENCLATURE	EFFECT FROM TO	UNITS PER ASSY
2 50	114N3002-155SP	.SLAT ASSY-NO. 5 POSITION DATA: LH SIDE COMPONENT MAINT MANUAL REF: 57-43-38 QUALIFIED I/W DATA: -165SP CAN REPLACE -163SP OR -155SP OR -153SP OR -147SP OR -145SP SUBJECT TO CUSTOMER ACCEPTANCE OF WEIGHT PENALTY -167SP CAN REPLACE -163SP OR -155SP OR -153SP OR -147SP OR -145SP SUBJECT TO CUSTOMER ACCEPTANCE OF WEIGHT PENALTY 114N3002-155SP INTERCHANGEABLE WITH 114N3002-63 OR -73 IF SERVICE BULLETINS 757-27-0094 AND 757-27-0117 ARE INCORPORATED ON -63 OR -73 SLAT 114N3002-155SP INTERCHANGEABLE WITH 114N3002-79SP OR -119SP OR -127SP IF SERVICE BULLETIN 757-27-0117 IS INCORPORATED FOR DETAILS SEE: 27-81-01-02A	102102 108120 504903	1

MISSING ITEM NUMBERS NOT APPLICABLE

- ITEM NOT ILLUSTRATED

BRI

27-81-01-02

BOEING PROPRIETARY - Copyright © - Unpublished Work - See title page for details.

27-81-01  
FIG. 02  
PAGE 12  
JAN 20/09



757

PARTS CATALOG (MAINTENANCE)

FIG ITEM	PART NUMBER	1 2 3 4 5 6 7	NOMENCLATURE	EFFECT FROM TO	UNITS PER ASSY
2 50	114N3002-153SP		.SLAT ASSY-NO. 5 POSITION DATA: LH SIDE COMPONENT MAINT MANUAL REF: 57-43-38 QUALIFIED I/W DATA: -165SP CAN REPLACE -163SP OR -155SP OR -153SP OR -147SP OR -145SP SUBJECT TO CUSTOMER ACCEPTANCE OF WEIGHT PENALTY -167SP CAN REPLACE -163SP OR -155SP OR -153SP OR -147SP OR -145SP SUBJECT TO CUSTOMER ACCEPTANCE OF WEIGHT PENALTY FOR DETAILS SEE: 27-81-01-02A	102102 108120 504903	1

MISSING ITEM NUMBERS NOT APPLICABLE

- ITEM NOT ILLUSTRATED

BRI

27-81-01-02

BOEING PROPRIETARY - Copyright © - Unpublished Work - See title page for details.

27-81-01  
FIG. 02  
PAGE 13  
JAN 20/09



**757  
PARTS CATALOG (MAINTENANCE)**

FIG ITEM	PART NUMBER	1 2 3 4 5 6 7 NOMENCLATURE	EFFECT FROM TO	UNITS PER ASSY
2 50	114N3002-147SP	.SLAT ASSY-NO. 5 POSITION DATA: LH SIDE COMPONENT MAINT MANUAL REF: 57-43-38 QUALIFIED I/W DATA: -165SP CAN REPLACE -163SP OR -155SP OR -153SP OR -147SP OR -145SP SUBJECT TO CUSTOMER ACCEPTANCE OF WEIGHT PENALTY -167SP CAN REPLACE -163SP OR -155SP OR -153SP OR -147SP OR -145SP SUBJECT TO CUSTOMER ACCEPTANCE OF WEIGHT PENALTY 114N3002-147SP INTERCHANGEABLE WITH 114N3002-63 OR -73 IF SERVICE BULLETINS 757-27-0094 AND 757-27-0117 ARE INCORPORATED ON -63 OR -73 SLAT 114N3002-147SP INTERCHANGEABLE WITH 114N3002-79SP OR -119SP OR -127SP IF SERVICE BULLETIN 757-27-0117 IS INCORPORATED FOR DETAILS SEE: 27-81-01-02A	102102 108120 504903	1

MISSING ITEM NUMBERS NOT APPLICABLE

— ITEM NOT ILLUSTRATED

BRI

# 27-81-01-02

BOEING PROPRIETARY - Copyright © - Unpublished Work - See title page for details.

27-81-01  
FIG. 02  
PAGE 14  
JAN 20/09



757

PARTS CATALOG (MAINTENANCE)

FIG ITEM	PART NUMBER	1 2 3 4 5 6 7	NOMENCLATURE	EFFECT FROM TO	UNITS PER ASSY
2 50	114N3002-139SP	.SLAT ASSY-NO. 5 POSITION DATA: LH SIDE QUALIFIED I/W DATA: -165SP CAN REPLACE -143SP OR -141SP OR -139SP OR -135SP OR -131SP SUBJECT TO CUSTOMER ACCEPTANCE OF WEIGHT PENALTY -167SP CAN REPLACE -143SP OR -141SP OR -139SP OR -135SP OR -131SP SUBJECT TO CUSTOMER ACCEPTANCE OF WEIGHT PENALTY FOR DETAILS SEE: 27-81-01-01A		102102 108120 504903	1
50	114N3002-167SP	.SLAT ASSY-NO. 5 POSITION DATA: LH SIDE QUALIFIED I/W DATA: -167SP CAN REPLACE -163SP OR -155SP OR -153SP OR -147SP OR -145SP SUBJECT TO CUSTOMER ACCEPTANCE OF WEIGHT PENALTY -167SP CAN REPLACE -143SP OR -141SP OR -139SP OR -135SP OR -131SP SUBJECT TO CUSTOMER ACCEPTANCE OF WEIGHT PENALTY FOR DETAILS SEE: 27-81-01-02A		102106 108120 504903	1
- 60	114N3002-162SP	.SLAT ASSY-NO. 6 POSITION DATA: RH SIDE COMPONENT MAINT MANUAL REF: 57-43-38 QUALIFIED I/W DATA: 114N3002-162SP CAN REPLACE BUT NOT BE REPLACED BY 114N3002-120SP IF FIXED LEADING EDGE IS REWORKED PER S/B 757-27-0117 114N3002-162SP CAN		102106 108120 504903	1

MISSING ITEM NUMBERS NOT APPLICABLE

- ITEM NOT ILLUSTRATED

27-81-01-02

27-81-01  
FIG. 02  
PAGE 15  
JAN 20/09

BRI



757

PARTS CATALOG (MAINTENANCE)

FIG ITEM	PART NUMBER	1 2 3 4 5 6 7 NOMENCLATURE	EFFECT FROM TO	UNITS PER ASSY
2		REPLACE BUT NOT BE REPLACED BY 114N3002-124SP IF FIXED LEADING EDGE IS REWORKED PER S/B 757-27-0117 114N3002-162SP CAN REPLACE BUT NOT BE REPLACED BY 114N3002-128SP IF FIXED LEADING EDGE IS REWORKED PER S/B 757-27-0117 114N3002-162SP CAN REPLACE BUT NOT BE REPLACED BY 114N3002-104SP IF FIXED LEADING EDGE IS REWORKED PER S/B 757-27-0117 114N3002-162SP CAN REPLACE BUT NOT BE REPLACED BY 114N3002-102 IF FIXED LEADING EDGE IS REWORKED PER S/B 757-27-0117 114N3002-162SP CAN REPLACE BUT NOT BE REPLACED BY 114N3002-98SP IF FIXED LEADING EDGE IS REWORKED PER S/B 757-27-0117 114N3002-162SP CAN REPLACE BUT NOT BE REPLACED BY 114N3002-80SP IF FIXED LEADING EDGE IS REWORKED PER S/B 757-27-0117 114N3002-162SP CAN REPLACE BUT NOT BE REPLACED BY 114N3002-64 IF FIXED LEADING EDGE IS REWORKED PER S/B 757-27-0117 FOR DETAILS SEE: 27-81-01-02A		

MISSING ITEM NUMBERS NOT APPLICABLE

- ITEM NOT ILLUSTRATED

# 27-81-01-02

27-81-01  
FIG. 02  
PAGE 16  
JAN 20/09

BRI





757

PARTS CATALOG (MAINTENANCE)

FIG ITEM	PART NUMBER	1 2 3 4 5 6 7 NOMENCLATURE	EFFECT FROM TO	UNITS PER ASSY
2 - 60	114N3002-166SP	.SLAT ASSY-NO. 6 POSITION DATA: RH SIDE COMPONENT MAINT MANUAL REF: 57-43-38 QUALIFIED I/W DATA: -166SP CAN REPLACE -164SP OR -156SP OR -154SP OR -148SP OR -146SP SUBJECT TO CUSTOMER ACCEPTANCE OF WEIGHT PENALTY -166SP CAN REPLACE -144SP OR -142SP OR -140SP OR -136SP OR -132SP SUBJECT TO CUSTOMER ACCEPTANCE OF WEIGHT PENALTY -166SP CAN REPLACE -128SP OR -124SP OR -120SP OR -104 OR -102 IF FIXED LEADING EDGE IS REWORKED PER S/B 757-27-0117 AND IF CUSTOMER ACCEPTS WEIGHT PENALTY -166SP CAN REPLACE -98SP OR -780P OR -74 OR -64 OR -52 OR -20 IF FIXED LEADING EDGE IS REWORKED PER S/B 757-27-0117 AND IF CUSTOMER ACCEPTS WEIGHT PENALTY FOR DETAILS SEE: 27-81-01-02A	102106 108120 504903	1

MISSING ITEM NUMBERS NOT APPLICABLE

- ITEM NOT ILLUSTRATED

BRI

**27-81-01-02**

BOEING PROPRIETARY - Copyright © - Unpublished Work - See title page for details.

27-81-01  
FIG. 02  
PAGE 17  
JAN 20/09



757

PARTS CATALOG (MAINTENANCE)

FIG ITEM	PART NUMBER	1 2 3 4 5 6 7	NOMENCLATURE	EFFECT FROM TO	UNITS PER ASSY
2 - 60	114N3002-164SP		.SLAT ASSY-NO. 6 POSITION DATA: RH SIDE COMPONENT MAINT MANUAL REF: 57-43-38 QUALIFIED I/W DATA: -166SP CAN REPLACE -164SP OR -156SP OR -154SP OR -148SP OR -146SP SUBJECT TO CUSTOMER ACCEPTANCE OF WEIGHT PENALTY -168SP CAN REPLACE -164SP OR -156SP OR -154SP OR -148SP OR -146SP SUBJECT TO CUSTOMER ACCEPTANCE OF WEIGHT PENALTY FOR DETAILS SEE: 27-81-01-02A	102102 108120 504903	1
- 60	114N3002-158SP		.SLAT ASSY-NO. 6 POSITION DATA: RH SIDE QUALIFIED I/W DATA: 114N3002-158SP CAN REPLACE BUT NOT BE REPLACED BY 114N3002-120SP IF FIXED LEADING EDGE IS REWORKED PER S/B 757-27-0117 114N3002-158SP CAN REPLACE BUT NOT BE REPLACED BY 114N3002-124SP IF FIXED LEADING EDGE IS REWORKED PER S/B 757-27-0117 114N3002-158SP CAN REPLACE BUT NOT BE REPLACED BY 114N3002-128SP IF FIXED LEADING EDGE IS REWORKED PER S/B 757-27-0117 114N3002-158SP CAN REPLACE BUT NOT BE REPLACED BY 114N3002-104SP IF FIXED LEADING EDGE IS REWORKED PER S/B 757-27-0117 114N3002-158SP CAN	102106 108120 504903	1

MISSING ITEM NUMBERS NOT APPLICABLE

- ITEM NOT ILLUSTRATED

**27-81-01-02**

27-81-01  
FIG. 02  
PAGE 18  
JAN 20/09

BRI



757

PARTS CATALOG (MAINTENANCE)

FIG ITEM	PART NUMBER	1 2 3 4 5 6 7 NOMENCLATURE	EFFECT FROM TO	UNITS PER ASSY
2		<p>REPLACE BUT NOT BE REPLACED BY 114N3002-102 IF FIXED LEADING EDGE IS REWORKED PER S/B 757-27-0117 114N3002-158SP CAN REPLACE BUT NOT BE REPLACED BY 114N3002-98SP IF FIXED LEADING EDGE IS REWORKED PER S/B 757-27-0117 114N3002-158SP CAN REPLACE BUT NOT BE REPLACED BY 114N3002-80SP IF FIXED LEADING EDGE IS REWORKED PER S/B 757-27-0117 114N3002-158SP CAN REPLACE BUT NOT BE REPLACED BY 114N3002-64 IF FIXED LEADING EDGE IS REWORKED PER S/B 757-27-0117 FOR DETAILS SEE: 27-81-01-02A SLAT ASSY-NO. 6 POSITION DATA: RH SIDE COMPONENT MAINT MANUAL REF: 57-43-38 QUALIFIED I/W DATA: 114N3002-152SP CAN REPLACE BUT NOT BE REPLACED BY 114N3002-102 IF FIXED LEADING EDGE IS REWORKED PER S/B 757-27-0117 114N3002-152SP CAN REPLACE BUT NOT BE REPLACED BY 114N3002-104SP IF FIXED LEADING EDGE IS REWORKED PER S/B 757-27-0117 114N3002-152SP CAN REPLACE BUT NOT BE REPLACED BY 114N3002-120SP IF FIXED LEADING EDGE IS REWORKED PER S/B 757-27-0117</p>	102106 108120 504903	1
- 60	114N3002-152SP	<p>MISSING ITEM NUMBERS NOT APPLICABLE</p>		

- ITEM NOT ILLUSTRATED

27-81-01-02

27-81-01  
FIG. 02  
PAGE 19  
JAN 20/09

BRI



757

PARTS CATALOG (MAINTENANCE)

FIG ITEM	PART NUMBER	1 2 3 4 5 6 7 NOMENCLATURE	EFFECT FROM TO	UNITS PER ASSY
2		<p>114N3002-152SP CAN  REPLACE BUT NOT BE  REPLACED BY  114N3002-124SP IF FIXED  LEADING EDGE IS REWORKED  PER SB 757-27-0117  114N3002-152SP CAN  REPLACE BUT NOT BE  REPLACED BY  114N3002-128SP IF FIXED  LEADING EDGE IS REWORKED  PER S/B 757-27-0117  114N3002-152SP CAN  REPLACE BUT NOT BE  REPLACED BY 114N3002-20  IF FIXED LEADING EDGE IS  REWORKED PER S/B  757-27-0117  114N3002-152SP CAN  REPLACE BUT NOT BE  REPLACED BY 114N3002-52  IF FIXED LEADING EDGE IS  REWORKED PER S/B  757-27-0117  114N3002-152SP CAN  REPLACE BUT NOT BE  REPLACED BY 114N3002-64  IF FIXED LEADING EDGE IS  REWORKED PER  S/B 757-27-0117  114N3002-152SP CAN  REPLACE BUT NOT BE  REPLACED BY 114N3002-74  IF FIXED LEADING EDGE IS  REWORKED PER S/B  757-27-0117  114N3002-152SP CAN  REPLACE BUT NOT BE  REPLACED BY  114N3002-80SP IF FIXED  LEADING EDGE IS REWORKED  PER S/B 757-27-0117  114N3002-152SP CAN  REPLACE BUT NOT BE  REPLACED BY  114N3002-98SP IF FIXED  LEADING EDGE IS REWORKED  PER S/B 757-27-0117  FOR DETAILS SEE:</p>		

MISSING ITEM NUMBERS NOT APPLICABLE

- ITEM NOT ILLUSTRATED

27-81-01-02

27-81-01  
FIG. 02  
PAGE 20  
JAN 20/09

BRI



757

PARTS CATALOG (MAINTENANCE)

FIG ITEM	PART NUMBER	1 2 3 4 5 6 7	NOMENCLATURE	EFFECT FROM TO	UNITS PER ASSY
2 - 60	114N3002-146SP		27-81-01-02A .SLAT ASSY-NO. 6 POSITION DATA: RH SIDE COMPONENT MAINT MANUAL REF: 57-43-38 QUALIFIED I/W DATA: -166SP CAN REPLACE -164SP OR -156SP OR -154SP OR -148SP OR -146SP SUBJECT TO CUSTOMER ACCEPTANCE OF WEIGHT PENALTY -168SP CAN REPLACE -164SP OR -156SP OR -154SP OR -148SP OR -146SP SUBJECT TO CUSTOMER ACCEPTANCE OF WEIGHT PENALTY 114N3002-146SP INTERCHANGEABLE WITH 114N3002-64 OR -74 IF SERVICE BULLETINS 757-27-0094 AND 757-27-0117 ARE INCORPORATED ON -64 OR -74 SLAT 114N3002-146SP INTERCHANGEABLE WITH 114N3002-80SP OR -120SP OR -128SP IF SERVICE BULLETIN 757-27-0117 IS INCORPORATED. FOR DETAILS SEE: 27-81-01-02A	102102 108120 504903	1

MISSING ITEM NUMBERS NOT APPLICABLE

- ITEM NOT ILLUSTRATED

BRI

27-81-01-02

27-81-01  
FIG. 02  
PAGE 21  
JAN 20/09



757

PARTS CATALOG (MAINTENANCE)

FIG ITEM	PART NUMBER	1 2 3 4 5 6 7	NOMENCLATURE	EFFECT FROM TO	UNITS PER ASSY
2 - 60	114N3002-156SP		.SLAT ASSY-NO. 6 POSITION DATA: RH SIDE COMPONENT MAINT MANUAL REF: 57-43-38 QUALIFIED I/W DATA: -166SP CAN REPLACE -164SP OR -156SP OR -154SP OR -148SP OR -146SP SUBJECT TO CUSTOMER ACCEPTANCE OF WEIGHT PENALTY -168SP CAN REPLACE -164SP OR -156SP OR -154SP OR -148SP OR -146SP SUBJECT TO CUSTOMER ACCEPTANCE OF WEIGHT PENALTY 114N3002-156SP INTERCHANGEABLE WITH 114N3002-64 OR -74 IF SERVICE BULLETINS 757-27-0094 AND 757-27-0117 ARE INCORPORATED ON -64 OR -74 SLAT 114N3002-156SP INTERCHANGEABLE WITH 114N3002-80SP OR -120SP OR -128SP IF SERVICE BULLETIN 757-27-0117 IS INCORPORATED FOR DETAILS SEE: 27-81-01-02A	102102 108120 504903	1

MISSING ITEM NUMBERS NOT APPLICABLE

- ITEM NOT ILLUSTRATED

BRI

27-81-01-02

BOEING PROPRIETARY - Copyright © - Unpublished Work - See title page for details.

27-81-01  
FIG. 02  
PAGE 22  
JAN 20/09



757

PARTS CATALOG (MAINTENANCE)

FIG ITEM	PART NUMBER	1 2 3 4 5 6 7	NOMENCLATURE	EFFECT FROM TO	UNITS PER ASSY
2 - 60	114N3002-154SP		.SLAT ASSY-NO. 6 POSITION DATA: RH SIDE COMPONENT MAINT MANUAL REF: 57-43-38 QUALIFIED I/W DATA: -166SP CAN REPLACE -164SP OR -156SP OR -154SP OR -148SP OR -146SP SUBJECT TO CUSTOMER ACCEPTANCE OF WEIGHT PENALTY -168SP CAN REPLACE -164SP OR -156SP OR -154SP OR -148SP OR -146SP SUBJECT TO CUSTOMER ACCEPTANCE OF WEIGHT PENALTY FOR DETAILS SEE: 27-81-01-02A	102102 108120 504903	1
- 60	114N3002-144SP		.SLAT ASSY-NO. 6 POSITION DATA: RH SIDE COMPONENT MAINT MANUAL REF: 57-43-38 QUALIFIED I/W DATA: -166SP CAN REPLACE -144SP OR -142SP OR -140SP OR -136SP OR 132SP SUBJECT TO CUSTOMER ACCEPTANCE OF WEIGHT PENALTY -168SP CAN REPLACE -144SP OR -142SP OR -140SP OR -136SP OR -132SP SUBJECT TO CUSTOMER ACCEPTANCE OF WEIGHT PENALTY FOR DETAILS SEE: 27-81-01-02A	102102 108120 504903	1

MISSING ITEM NUMBERS NOT APPLICABLE

- ITEM NOT ILLUSTRATED

BRI

**27-81-01-02**

27-81-01  
FIG. 02  
PAGE 23  
JAN 20/09



757

PARTS CATALOG (MAINTENANCE)

FIG ITEM	PART NUMBER	1 2 3 4 5 6 7 NOMENCLATURE	EFFECT FROM TO	UNITS PER ASSY
2 - 60	114N3002-142SP	.SLAT ASSY-NO. 6 POSITION DATA: RH SIDE COMPONENT MAINT MANUAL REF: 57-43-38 QUALIFIED I/W DATA: -166SP CAN REPLACE -144SP OR -142SP OR -140SP OR -136SP OR -132SP SUBJECT TO CUSTOMER ACCEPTANCE OF WEIGHT PENALTY -168SP CAN REPLACE -144SP OR -142SP OR -140SP OR -136SP OR -132SP SUBJECT TO CUSTOMER ACCEPTANCE OF WEIGHT PENALTY 114N3002-142SP INTERCHANGEABLE WITH 114N3002-64 OR -74 IF SERVICE BULLETINS 757-27-0094 AND 757-27-0117 ARE INCORPORATED ON -64 OR -74 SLAT 114N3002-142SP INTERCHANGEABLE WITH 114N3002-80SP OR -120SP OR -128SP IF SERVICE BULLETIN 757-27-0117 IS INCORPORATED FOR DETAILS SEE: 27-81-01-02A	102102 108120 504903	1

MISSING ITEM NUMBERS NOT APPLICABLE

- ITEM NOT ILLUSTRATED

BRI

**27-81-01-02**

BOEING PROPRIETARY - Copyright © - Unpublished Work - See title page for details.

27-81-01  
FIG. 02  
PAGE 24  
JAN 20/09





757

PARTS CATALOG (MAINTENANCE)

FIG ITEM	PART NUMBER	1 2 3 4 5 6 7	NOMENCLATURE	EFFECT FROM TO	UNITS PER ASSY
2 - 60	114N3002-136SP		.SLAT ASSY-NO. 6 POSITION DATA: RH SIDE COMPONENT MAINT MANUAL REF: 57-43-38 QUALIFIED I/W DATA: -166SP CAN REPLACE -144SP OR -142SP OR -140SP OR -136SP OR -132SP SUBJECT TO CUSTOMER ACCEPTANCE OF WEIGHT PENALTY -168SP CAN REPLACE -144SP OR -142SP OR -140SP OR -136SP OR -132SP SUBJECT TO CUSTOMER ACCEPTANCE OF WEIGHT PENALTY FOR DETAILS SEE: 27-81-01-02A	102102 108120 504903	1

MISSING ITEM NUMBERS NOT APPLICABLE

- ITEM NOT ILLUSTRATED

BRI

27-81-01-02

BOEING PROPRIETARY - Copyright © - Unpublished Work - See title page for details.

27-81-01  
FIG. 02  
PAGE 25  
JAN 20/09



757

PARTS CATALOG (MAINTENANCE)

FIG ITEM	PART NUMBER	1 2 3 4 5 6 7 NOMENCLATURE	EFFECT FROM TO	UNITS PER ASSY
2 - 60	114N3002-132SP	.SLAT ASSY-NO. 6 POSITION DATA: RH SIDE COMPONENT MAINT MANUAL REF: 57-43-38 QUALIFIED I/W DATA: 114N3002-128SP INTERCHANGEABLE WITH 114N3002-132SP AFTER INCORPORATION OF S/B 757-27-0117 -166SP CAN REPLACE -144SP OR -142SP OR -140SP OR -136SP OR -132SP SUBJECT TO CUSTOMER ACCEPTANCE OF WEIGHT PENALTY -168SP CAN REPLACE -144SP OR -142SP OR -140SP OR -136SP OR -132SP SUBJECT TO CUSTOMER ACCEPTANCE OF WEIGHT PENALTY 114N3002-132SP INTERCHANGEABLE WITH 114N3002-64 OR -74 OR -80SP IF SERVICE BULLETINS 757-27-0094 AND 757-27-0117 ARE INCORPORATED. 114N3002-120SP INTERCHANGEABLE WITH 114N3002-132SP IF SERVICE BULLETIN 757-27-0117 IS INCORPORATED FOR DETAILS SEE: 27-81-01-01A	102102 108120 504903	1

MISSING ITEM NUMBERS NOT APPLICABLE

- ITEM NOT ILLUSTRATED

BRI

27-81-01-02

BOEING PROPRIETARY - Copyright © - Unpublished Work - See title page for details.

27-81-01  
FIG. 02  
PAGE 26  
JAN 20/09



757

PARTS CATALOG (MAINTENANCE)

FIG ITEM	PART NUMBER	1 2 3 4 5 6 7 NOMENCLATURE	EFFECT FROM TO	UNITS PER ASSY
2 - 60	114N3002-148SP	.SLAT ASSY-NO. 6 POSITION DATA: RH SIDE COMPONENT MAINT MANUAL REF: 57-43-38 QUALIFIED I/W DATA: -166SP CAN REPLACE -164SP OR -156SP OR -154SP OR -148SP OR -146SP SUBJECT TO CUSTOMER ACCEPTANCE OF WEIGHT PENALTY -168SP CAN REPLACE -164SP OR -156SP OR -154SP OR -148SP OR -146SP SUBJECT TO CUSTOMER ACCEPTANCE OF WEIGHT PENALTY 114N3002-148SP INTERCHANGEABLE WITH 114N3002-64 OR -74 IF SERVICE BULLETINS 757-27-0094 AND 757-27-0117 ARE INCORPORATED ON -64 OR -74 SLAT 114N3002-148SP INTERCHANGEABLE WITH 114N3002-80SP OR -120SP OR -128SP IF SERVICE BULLETIN 757-27-0117 IS INCORPORATED FOR DETAILS SEE: 27-81-01-02A	102102 108120 504903	1

MISSING ITEM NUMBERS NOT APPLICABLE

- ITEM NOT ILLUSTRATED

BRI

**27-81-01-02**

BOEING PROPRIETARY - Copyright © - Unpublished Work - See title page for details.

27-81-01  
FIG. 02  
PAGE 27  
JAN 20/09



757

PARTS CATALOG (MAINTENANCE)

FIG ITEM	PART NUMBER	1 2 3 4 5 6 7	NOMENCLATURE	EFFECT FROM TO	UNITS PER ASSY
2 - 60	114N3002-140SP		.SLAT ASSY-NO. 6 POSITION DATA: RH SIDE QUALIFIED I/W DATA: -166SP CAN REPLACE -144SP OR -142SP OR -140SP OR -136SP OR -132SP SUBJECT TO CUSTOMER ACCEPTANCE OF WEIGHT PENALTY -168SP CAN REPLACE -144SP OR -142SP OR -140SP OR -136SP OR -132SP SUBJECT TO CUSTOMER ACCEPTANCE OF WEIGHT PENALTY FOR DETAILS SEE: 27-81-01-01A	102102 108120 504903	1
- 60	114N3002-168SP		.SLAT ASSY-NO. 6 POSITION DATA: RH SIDE QUALIFIED I/W DATA: -168SP CAN REPLACE -144SP OR -142SP OR -140SP OR -136SP OR -132SP SUBJECT TO CUSTOMER ACCEPTANCE OF WEIGHT PENALTY -168SP CAN REPLACE -164SP OR -156SP OR -154SP OR -148SP OR -146SP SUBJECT TO CUSTOMER ACCEPTANCE OF WEIGHT PENALTY FOR DETAILS SEE: 27-81-01-02A	102106 108120 504903	1
500	NAS6703-27		.BOLT-	102105 108120 504903	3
500	BACB30LM3-27		.BOLT-	106106	3
505	BACW10BP3DP		.WASHER-	102106 108120 504903	3
510	BACW10BP3CD		.WASHER-	102106 108120 504903	3

MISSING ITEM NUMBERS NOT APPLICABLE

- ITEM NOT ILLUSTRATED

27-81-01-02

27-81-01  
FIG. 02  
PAGE 28  
JAN 20/09

BRI



757

PARTS CATALOG (MAINTENANCE)

FIG ITEM	PART NUMBER	1 2 3 4 5 6 7	NOMENCLATURE	EFFECT FROM TO	UNITS PER ASSY
2 515	BRH10C3D	.NUT-	SUPPLIER CODE: V52828 SPECIFICATION NUMBER: BACN10JC3CD OPTIONAL PART: T6C1032JCD V11815 NS202486-02 V80539 102LH9075-3W V72962 H51650-3BAC V15653	102106 108120 504903	3
520	BACB30LE8U24	.BOLT-		102106 108120 504903	3
525	BACW10BP8DP	.WASHER-		102106 108120 504903	3
530	BACW10BP8CD	.WASHER-		102106 108120 504903	3
535	BMN10HRCWD3-8	.NUT-	SUPPLIER CODE: V97928 SPECIFICATION NUMBER: BACN10HR8CD OPTIONAL PART: H51560-8 V15653 67832CD820 V56878 102LH9031-8 V72962 BH00303CM8 V27238 BMN5024CWD38 V97928 SL7108C8 V11815 VCU0005D8 V06710 102LH90318 V72962 67832CD8 V56878 CR6030-8 VF0224	102106 108120 504903	3

MISSING ITEM NUMBERS NOT APPLICABLE

- ITEM NOT ILLUSTRATED

27-81-01-02

27-81-01  
FIG. 02  
PAGE 29  
JAN 20/09

BRI



757

PARTS CATALOG (MAINTENANCE)

FIG ITEM	PART NUMBER	1 2 3 4 5 6 7	NOMENCLATURE	EFFECT FROM TO	UNITS PER ASSY
2					
540	BACB28AK08-042	.	BUSHING-	102106 108120 504903	3
545	114N4071-2	.	RETAINER-BOLT	102106 108120 504903	3
550	114N3004-7	.	TRACK ASSY-MAIN OPTIONAL PART: 114N3004-9 FOR DETAILS SEE: 27-81-10-01	102106 108120 504903	2
550	114N3004-9	.	TRACK ASSY-MAIN OPTIONAL PART: 114N3004-7 FOR DETAILS SEE: 27-81-10-01	102106 108120 504903	2
625	114N3004-2	.	TRACK ASSY-MAIN FOR DETAILS SEE: 27-81-10-01	102106 108120 504903	1

MISSING ITEM NUMBERS NOT APPLICABLE

- ITEM NOT ILLUSTRATED

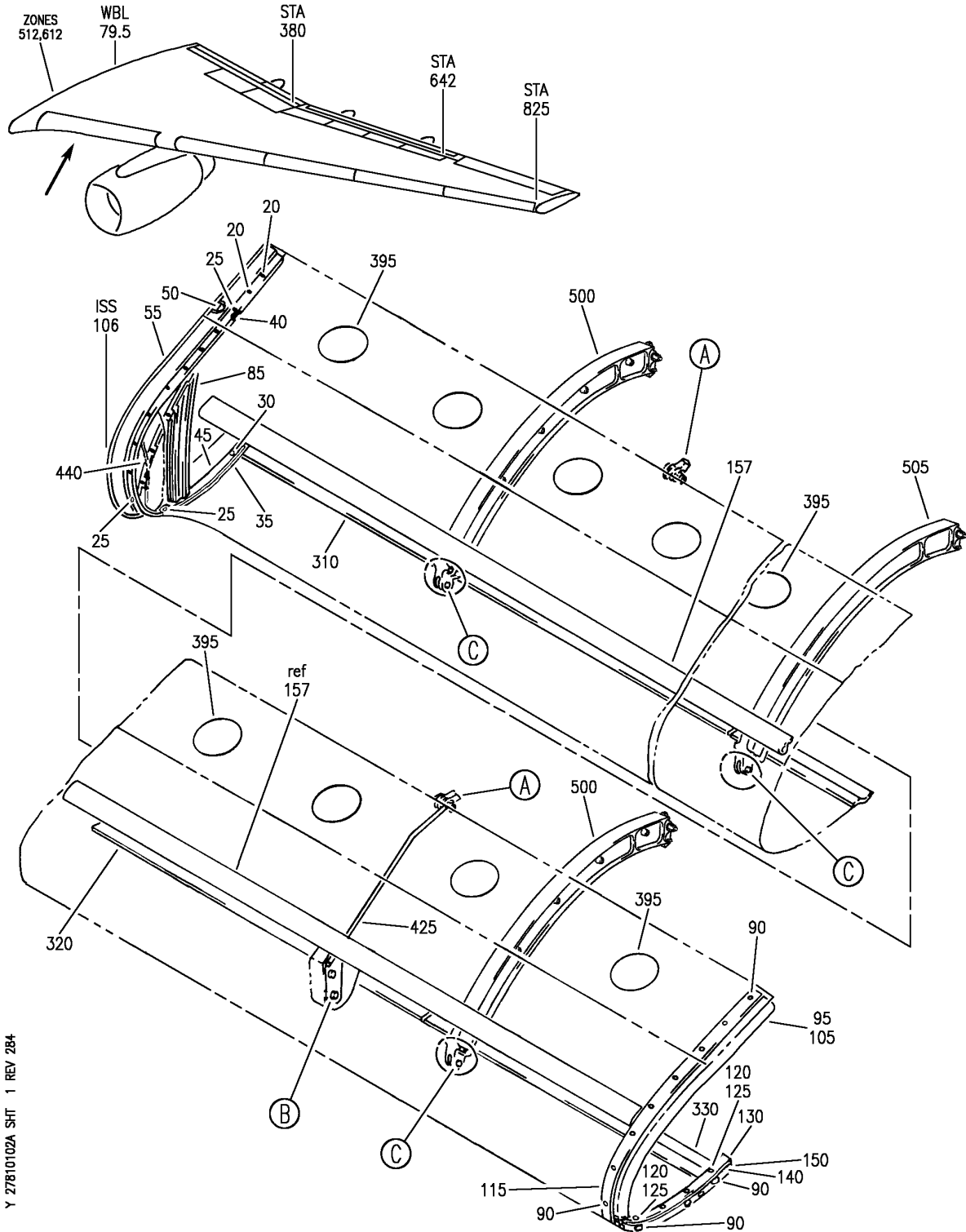
BRI

27-81-01-02

BOEING PROPRIETARY - Copyright © - Unpublished Work - See title page for details.

27-81-01  
FIG. 02  
PAGE 30  
JAN 20/09


**BOEING**  
 757  
**PARTS CATALOG (MAINTENANCE)**



Y 27810102A SHT 1 REV 284

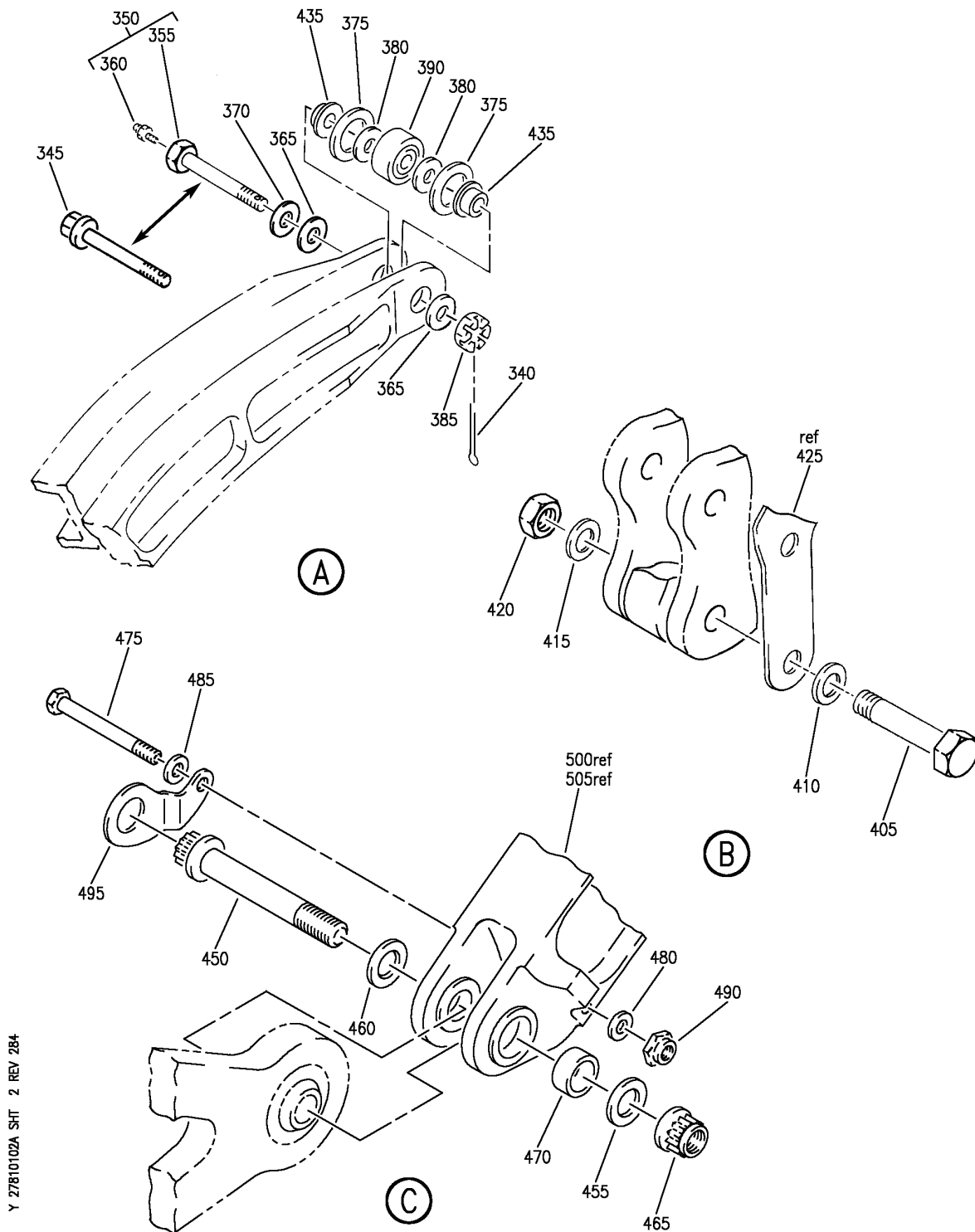
SLAT ASSY WING LE NO. 5 AND NO. 6 INBD  
 FIGURE 2A (SHEET 1)

**27-81-01-02A**

BRI  
MAY 28/07

27-81-01-02A  
 PAGE 0

**BOEING**  
757  
PARTS CATALOG (MAINTENANCE)



SLAT ASSY WING LE NO. 5 AND NO. 6 INBD  
FIGURE 2A (SHEET 2)

**27-81-01-02A**

BRI  
MAY 28/07

27-81-01-02A  
PAGE 0A





757

PARTS CATALOG (MAINTENANCE)

FIG ITEM	PART NUMBER	1 2 3 4 5 6 7	NOMENCLATURE	EFFECT FROM TO	UNITS PER ASSY
2A			SLAT ASSY WING LE NO. 5 AND NO. 6 INBD	002004 006949 952999	
- 1	114N3002-151SP		SLAT ASSY-NO. 5 VARIABLE POSITION DATA: LH SIDE COMPONENT MAINT MANUAL REF: 57-43-38 QUALIFIED I/W DATA: 114N3002-151SP CAN REPLACE BUT NOT BE REPLACED BY 114N3002-101 IF FIXED LEADING EDGE IS REWORKED PER S/B 757-27-0117 114N3002-151SP CAN REPLACE BUT NOT BE REPLACED BY 114N3002-103SP IF FIXED LEADING EDGE IS REWORKED PER S/B 757-27-0117 114N3002-151SP CAN REPLACE BUT NOT BE REPLACED BY 114N3002-119SP IF FIXED LEADING EDGE IS REWORKED PER S/B 757-27-0117 114N3002-151SP CAN REPLACE BUT NOT BE REPLACED BY 114N3002-123SP IF FIXED LEADING EDGE IS REWORKED PER SB 757-27-0117 114N3002-151SP CAN REPLACE BUT NOT BE REPLACED BY 114N3002-127SP IF FIXED LEADING EDGE IS REWORKED PER S/B 757-27-0117 114N3002-151SP CAN REPLACE BUT NOT BE REPLACED BY 114N3002-19 IF FIXED LEADING EDGE IS REWORKED PER S/B 757-27-0117 114N3002-151SP CAN REPLACE BUT NOT BE REPLACED BY 114N3002-51 IF FIXED LEADING EDGE IS	002004 006949 952999	RF
MISSING ITEM NUMBERS NOT APPLICABLE					

- ITEM NOT ILLUSTRATED

**27-81-01-02A**

27-81-01  
FIG. 02A  
PAGE 1  
JAN 20/09

BRI



757

PARTS CATALOG (MAINTENANCE)

FIG ITEM	PART NUMBER	1 2 3 4 5 6 7	NOMENCLATURE	EFFECT FROM TO	UNITS PER ASSY
2A			<p>REWORKED PER S/B 757-27-0117 114N3002-151SP CAN REPLACE BUT NOT BE REPLACED BY 114N3002-63 IF FIXED LEADING EDGE IS REWORKED PER S/B 757-27-0117 114N3002-151SP CAN REPLACE BUT NOT BE REPLACED BY 114N3002-73 IF FIXED LEADING EDGE IS REWORKED PER S/B 757-27-0117 114N3002-151SP CAN REPLACE BUT NOT BE REPLACED BY 114N3002-79SP IF FIXED LEADING EDGE IS REWORKED PER S/B 757-27-0117 114N3002-151SP CAN REPLACE BUT NOT BE REPLACED BY 114N3002-97SP IF FIXED LEADING EDGE IS REWORKED PER S/B 757-27-0117</p>		
- 1	114N3002-161SP		<p>FOR NHA SEE: 27-81-01-01 27-81-01-02 SLAT ASSY-NO. 5 VARIABLE POSITION DATA: LH SIDE COMPONENT MAINT MANUAL REF: 57-43-38 QUALIFIED I/W DATA: 114N3002-161SP CAN REPLACE BUT NOT BE REPLACED BY 114N3002-119SP IF FIXED LEADING EDGE IS REWORKED PER S/B 757-27-0117 114N3002-161SP CAN REPLACE BUT NOT BE REPLACED BY 114N3002-123SP IF FIXED LEADING EDGE IS REWORKED PER S/B 757-27-0117 114N3002-161SP CAN REPLACE BUT NOT BE</p>	002004 006949 952999	RF

MISSING ITEM NUMBERS NOT APPLICABLE

- ITEM NOT ILLUSTRATED

**27-81-01-02A**

27-81-01  
FIG. 02A  
PAGE 2  
JAN 20/09

BRI



757

PARTS CATALOG (MAINTENANCE)

FIG ITEM	PART NUMBER	1 2 3 4 5 6 7 NOMENCLATURE	EFFECT FROM TO	UNITS PER ASSY
2 A		REPLACED BY 114N3002-127SP IF FIXED LEADING EDGE IS REWORKED PER S/B 757-27-0117 114N3002-161SP CAN REPLACE BUT NOT BE REPLACED BY 114N3002-103SP IF FIXED LEADING EDGE IS REWORKED PER S/B 757-27-0117 114N3002-161SP CAN REPLACE BUT NOT BE REPLACED BY 114N3002-101 IF FIXED LEADING EDGE IS REWORKED PER S/B 757-27-0117 114N3002-161SP CAN REPLACE BUT NOT BE REPLACED BY 114N3002-97SP IF FIXED LEADING EDGE IS REWORKED PER S/B 757-27-0117 114N3002-161SP CAN REPLACE BUT NOT BE REPLACED BY 114N3002-79SP IF FIXED LEADING EDGE IS REWORKED PER S/B 757-27-0117 114N3002-161SP CAN REPLACE BUT NOT BE REPLACED BY 114N3002-63 IF FIXED LEADING EDGE IS REWORKED PER S/B 757-27-0117 REWORKED BY SB: 27-0117 FOR NHA SEE: 27-81-01-01 27-81-01-02		

MISSING ITEM NUMBERS NOT APPLICABLE

- ITEM NOT ILLUSTRATED

27-81-01-02A

27-81-01  
FIG. 02A  
PAGE 3  
JAN 20/09

BRI



757

PARTS CATALOG (MAINTENANCE)

FIG ITEM	PART NUMBER	1 2 3 4 5 6 7	NOMENCLATURE	EFFECT FROM TO	UNITS PER ASSY
2A - 1	114N3002-163SP		SLAT ASSY-NO. 5 POSITION DATA: LH SIDE COMPONENT MAINT MANUAL REF: 57-43-38 QUALIFIED I/W DATA: -165SP CAN REPLACE -163SP OR -155SP OR -153SP OR -147SP OR -145SP SUBJECT TO CUSTOMER ACCEPTANCE OF WEIGHT PENALTY -167SP CAN REPLACE -163SP OR -155SP OR -153SP OR -147SP OR -145SP SUBJECT TO CUSTOMER ACCEPTANCE OF WEIGHT PENALTY REWORKED BY SB: 27-0117 FOR NHA SEE: 27-81-01-01 27-81-01-02	002004 006102 107949 952999	RF

MISSING ITEM NUMBERS NOT APPLICABLE

- ITEM NOT ILLUSTRATED

BRI

# 27-81-01-02A

BOEING PROPRIETARY - Copyright © - Unpublished Work - See title page for details.

27-81-01  
FIG. 02A  
PAGE 4  
JAN 20/09



757

PARTS CATALOG (MAINTENANCE)

FIG ITEM	PART NUMBER	1 2 3 4 5 6 7	NOMENCLATURE	EFFECT FROM TO	UNITS PER ASSY
2A - 1	114N3002-165SP		SLAT ASSY-NO. 5 POSITION DATA: LH SIDE COMPONENT MAINT MANUAL REF: 57-43-38 QUALIFIED I/W DATA: -165SP CAN REPLACE -163SP OR -155SP OR -153SP OR -147SP OR -145SP SUBJECT TO CUSTOMER ACCEPTANCE OF WEIGHT PENALTY -165SP CAN REPLACE -143SP OR -141SP OR -139SP OR -135SP OR -131SP SUBJECT TO CUSTOMER ACCEPTANCE OF WEIGHT PENALTY -165SP CAN REPLACE -127SP OR -123SP OR -119SP OR -103SP OR -101 IF FIXED LEADING EDGE IS REWORKED PER S/B 757-27-0117 AND IF CUSTOMER ACCEPTS WEIGHT PENALTY -165SP CAN REPLACE -97SP OR -79SP OR -73 OR -63 OR -51 OR -19 IF FIXED LEADING EDGE IS REWORKED PER S/B 757-27-0117 AND IF CUSTOMER ACCEPTS WEIGHT PENALTY FOR NHA SEE: 27-81-01-01 27-81-01-02	002004 006949 952999	RF

MISSING ITEM NUMBERS NOT APPLICABLE

- ITEM NOT ILLUSTRATED

# 27-81-01-02A

27-81-01  
FIG. 02A  
PAGE 5  
JAN 20/09

BRI



757

PARTS CATALOG (MAINTENANCE)

FIG ITEM	PART NUMBER	1 2 3 4 5 6 7	NOMENCLATURE	EFFECT FROM TO	UNITS PER ASSY
2A - 1	114N3002-167SP		SLAT ASSY-NO. 5 POSITION DATA: LH SIDE QUALIFIED I/W DATA: -167SP CAN REPLACE -163SP OR -155SP OR -153SP OR -147SP OR -145SP SUBJECT TO CUSTOMER ACCEPTANCE OF WEIGHT PENALTY -167SP CAN REPLACE -143SP OR -141SP OR -139SP OR -135SP OR -131SP SUBJECT TO CUSTOMER ACCEPTANCE OF WEIGHT PENALTY -167SP CAN REPLACE -127SP OR -123SP OR -119SP OR -103SP OR -101 IF FIXED LEADING EDGE IS REWORKED PER S/B 757-27-0117 AND IF CUSTOMER ACCEPTS WEIGHT PENALTY -167SP CAN REPLACE -97SP OR -79SP OR -73 OR -63 OR -51 OR -19 IF FIXED LEADING EDGE IS REWORKED PER S/B 757-27-0117 AND IF CUSTOMER ACCEPTS WEIGHT PENALTY FOR NHA SEE: 27-81-01-01 27-81-01-02	002004 006949 952999	RF

MISSING ITEM NUMBERS NOT APPLICABLE

- ITEM NOT ILLUSTRATED

27-81-01-02A

27-81-01  
FIG. 02A  
PAGE 6  
JAN 20/09

BRI



757

PARTS CATALOG (MAINTENANCE)

FIG ITEM	PART NUMBER	1 2 3 4 5 6 7 NOMENCLATURE	EFFECT FROM TO	UNITS PER ASSY
<p>2A - 3</p>	<p>114N3002-153SP</p>	<p>SLAT ASSY-NO. 5            POSITION DATA:            LH SIDE            COMPONENT MAINT MANUAL REF:            57-43-38            QUALIFIED I/W DATA:            -165SP CAN REPLACE            -163SP OR -155SP OR            -153SP OR -147SP OR            -145SP SUBJECT TO            CUSTOMER ACCEPTANCE OF            WEIGHT PENALTY            -167SP CAN REPLACE            -163SP OR -155SP OR            -153SP OR -147SP OR            -145SP SUBJECT TO            CUSTOMER ACCEPTANCE OF            WEIGHT PENALTY            FOR NHA SEE:            27-81-01-01            27-81-01-02</p>	<p>002004            006102            107949            952999</p>	<p>RF</p>

MISSING ITEM NUMBERS NOT APPLICABLE

- ITEM NOT ILLUSTRATED

**27-81-01-02A**

27-81-01  
 FIG. 02A  
 PAGE 7  
 JAN 20/09

BRI



757

PARTS CATALOG (MAINTENANCE)

FIG ITEM	PART NUMBER	1 2 3 4 5 6 7	NOMENCLATURE	EFFECT FROM TO	UNITS PER ASSY
2A - 3	114N3002-155SP		SLAT ASSY-NO. 5 POSITION DATA: LH SIDE COMPONENT MAINT MANUAL REF: 57-43-38 QUALIFIED I/W DATA: -165SP CAN REPLACE -163SP OR -155SP OR -153SP OR -147SP OR -145SP SUBJECT TO CUSTOMER ACCEPTANCE OF WEIGHT PENALTY -167SP CAN REPLACE -163SP OR -155SP OR -153SP OR -147SP OR -145SP SUBJECT TO CUSTOMER ACCEPTANCE OF WEIGHT PENALTY 114N3002-155SP INTERCHANGEABLE WITH 114N3002-63 OR -73 IF SERVICE BULLETINS 757-27-0094 AND 757-27-0117 ARE INCORPORATED ON -63 OR -73 SLAT 114N3002-155SP INTERCHANGEABLE WITH 114N3002-79SP OR -119SP OR -127SP IF SERVICE BULLETIN 757-27-0117 IS INCORPORATED FOR NHA SEE: 27-81-01-01 27-81-01-02	002004 006102 107949 952999	RF

MISSING ITEM NUMBERS NOT APPLICABLE

- ITEM NOT ILLUSTRATED

**27-81-01-02A**

27-81-01  
FIG. 02A  
PAGE 8  
JAN 20/09

BRI





757

PARTS CATALOG (MAINTENANCE)

FIG ITEM	PART NUMBER	1 2 3 4 5 6 7	NOMENCLATURE	EFFECT FROM TO	UNITS PER ASSY
2A - 3	114N3002-141SP		SLAT ASSY-NO. 5 POSITION DATA: LH SIDE COMPONENT MAINT MANUAL REF: 57-43-38 QUALIFIED I/W DATA: -165SP CAN REPLACE -143SP OR -141SP OR -139SP OR -135SP OR -131SP SUBJECT TO CUSTOMER ACCEPTANCE OF WEIGHT PENALTY -167SP CAN REPLACE -143SP OR -141SP OR -139SP OR -135SP OR -131SP SUBJECT TO CUSTOMER ACCEPTANCE OF WEIGHT PENALTY 114N3002-141SP INTERCHANGEABLE WITH 114N3002-63 OR -73 IF SERVICE BULLETINS 757-27-0094 AND 757-27-0117 ARE INCORPORATED ON -63 OR -73 SLAT 114N3002-141SP INTERCHANGEABLE WITH 114N3002-79SP OR -119SP OR -127SP IF SERVICE BULLETIN 757-27-0117 IS INCORPORATED REWORKED BY SB: 27-0117 FOR NHA SEE: 27-81-01-01 27-81-01-02	002004 006102 107949 952999	RF

MISSING ITEM NUMBERS NOT APPLICABLE

- ITEM NOT ILLUSTRATED

BRI

**27-81-01-02A**

BOEING PROPRIETARY - Copyright © - Unpublished Work - See title page for details.

27-81-01  
FIG. 02A  
PAGE 9  
JAN 20/09



757

PARTS CATALOG (MAINTENANCE)

FIG ITEM	PART NUMBER	1 2 3 4 5 6 7 NOMENCLATURE	EFFECT FROM TO	UNITS PER ASSY
2A - 3	114N3002-143SP	SLAT ASSY-NO. 5 POSITION DATA: LH SIDE COMPONENT MAINT MANUAL REF: 57-43-38 QUALIFIED I/W DATA: -165SP CAN REPLACE -163SP OR -155SP OR -153SP OR -147SP OR -145SP SUBJECT TO CUSTOMER ACCEPTANCE OF WEIGHT PENALTY -167SP CAN REPLACE -163SP OR -155SP OR -153SP OR -147SP OR -145SP SUBJECT TO CUSTOMER ACCEPTANCE OF WEIGHT PENALTY REWORKED BY SB: 27-0117 FOR NHA SEE: 27-81-01-01 27-81-01-02	002004 006102 107949 952999	RF

MISSING ITEM NUMBERS NOT APPLICABLE

- ITEM NOT ILLUSTRATED

BRI

**27-81-01-02A**

BOEING PROPRIETARY - Copyright © - Unpublished Work - See title page for details.

27-81-01  
FIG. 02A  
PAGE 10  
JAN 20/09



757

PARTS CATALOG (MAINTENANCE)

FIG ITEM	PART NUMBER	1 2 3 4 5 6 7	NOMENCLATURE	EFFECT FROM TO	UNITS PER ASSY
2A - 3	114N3002-145SP		SLAT ASSY-NO. 5 POSITION DATA: LH SIDE COMPONENT MAINT MANUAL REF: 57-43-38 QUALIFIED I/W DATA: -165SP CAN REPLACE -163SP OR -155SP OR -153SP OR -147SP OR -145SP SUBJECT TO CUSTOMER ACCEPTANCE OF WEIGHT PENALTY -167SP CAN REPLACE -163SP OR -155SP OR -153SP OR -147SP OR -145SP SUBJECT TO CUSTOMER ACCEPTANCE OF WEIGHT PENALTY 114N3002-145SP INTERCHANGEABLE WITH 114N3002-63 OR -73 IF SERVICE BULLETINS 757-27-0094 AND 757-27-0117 ARE INCORPORATED ON -63 OR -73 SLAT 114N3002-145SP INTERCHANGEABLE WITH 114N3002-79SP OR -119SP OR -127SP IF SERVICE BULLETIN 757-27-0117 IS INCORPORATED. REWORKED BY SB: 27-0117 FOR NHA SEE: 27-81-01-01 27-81-01-02	002004 006102 107949 952999	RF

MISSING ITEM NUMBERS NOT APPLICABLE

- ITEM NOT ILLUSTRATED

27-81-01-02A

27-81-01  
FIG. 02A  
PAGE 11  
JAN 20/09

BRI



757

PARTS CATALOG (MAINTENANCE)

FIG ITEM	PART NUMBER	1 2 3 4 5 6 7	NOMENCLATURE	EFFECT FROM TO	UNITS PER ASSY
2A - 3	114N3002-147SP		SLAT ASSY-NO. 5 POSITION DATA: LH SIDE COMPONENT MAINT MANUAL REF: 57-43-38 QUALIFIED I/W DATA: -165SP CAN REPLACE -163SP OR -155SP OR -153SP OR -147SP OR -145SP SUBJECT TO CUSTOMER ACCEPTANCE OF WEIGHT PENALTY -167SP CAN REPLACE -163SP OR -155SP OR -153SP OR -147SP OR -145SP SUBJECT TO CUSTOMER ACCEPTANCE OF WEIGHT PENALTY 114N3002-147SP INTERCHANGEABLE WITH 114N3002-63 OR -73 IF SERVICE BULLETINS 757-27-0094 AND 757-27-0117 ARE INCORPORATED ON -63 OR -73 SLAT 114N3002-147SP INTERCHANGEABLE WITH 114N3002-79SP OR -119SP OR -127SP IF SERVICE BULLETIN 757-27-0117 IS INCORPORATED REWORKED BY SB: 27-0117 FOR NHA SEE: 27-81-01-01 27-81-01-02	002004 006102 107949 952999	RF

MISSING ITEM NUMBERS NOT APPLICABLE

- ITEM NOT ILLUSTRATED

# 27-81-01-02A

27-81-01  
FIG. 02A  
PAGE 12  
JAN 20/09

BRI



757

PARTS CATALOG (MAINTENANCE)

FIG ITEM	PART NUMBER	1 2 3 4 5 6 7	NOMENCLATURE	EFFECT FROM TO	UNITS PER ASSY
2A					
- 3	114N3002-135SP		ATTACHING PARTS SLAT ASSY-NO. 5 POSITION DATA: LH SIDE COMPONENT MAINT MANUAL REF: 57-43-38 QUALIFIED I/W DATA: -165SP CAN REPLACE -163SP OR -155SP OR -153SP OR -147SP OR -145SP SUBJECT TO CUSTOMER ACCEPTANCE OF WEIGHT PENALTY -167SP CAN REPLACE -163SP OR -155SP OR -153SP OR -147SP OR -145SP SUBJECT TO CUSTOMER ACCEPTANCE OF WEIGHT PENALTY REWORKED BY SB: 27-0117 FOR NHA SEE: 27-81-01-01 27-81-01-02 -----*-----	002004 006102 107949 952999	RF
- 3	114N3002-157SP		SLAT ASSY-NO. 5 POSITION DATA: LH SIDE QUALIFIED I/W DATA: 114N3002-157SP CAN REPLACE BUT NOT BE REPLACED BY 114N3002-119SP IF FIXED LEADING EDGE IS REWORKED PER S/B 757-27-0117 114N3002-157SP CAN REPLACE BUT NOT BE REPLACED BY 114N3002-123SP IF FIXED LEADING EDGE IS REWORKED PER S/B 757-27-0117 114N3002-157SP CAN REPLACE BUT NOT BE REPLACED BY 114N3002-127SP IF FIXED LEADING EDGE IS REWORKED PER S/B 757-27-0117 114N3002-157SP CAN REPLACE BUT NOT BE	002004 006949 952999	RF

MISSING ITEM NUMBERS NOT APPLICABLE

- ITEM NOT ILLUSTRATED

**27-81-01-02A**

27-81-01  
FIG. 02A  
PAGE 13  
JAN 20/09

BRI

 **BOEING**  
757  
**PARTS CATALOG (MAINTENANCE)**

FIG ITEM	PART NUMBER	1 2 3 4 5 6 7 NOMENCLATURE	EFFECT FROM TO	UNITS PER ASSY
2A		REPLACED BY 114N3002-103SP IF FIXED LEADING EDGE IS REWORKED PER S/B 757-27-0117 114N3002-157SP CAN REPLACE BUT NOT BE REPLACED BY 114N3002-101 IF FIXED LEADING EDGE IS REWORKED PER S/B 757-27-0117 114N3002-157SP CAN REPLACE BUT NOT BE REPLACED BY 114N3002-97SP IF FIXED LEADING EDGE IS REWORKED PER S/B 757-27-0117 114N3002-157SP CAN REPLACE BUT NOT BE REPLACED BY 114N3002-79SP IF FIXED LEADING EDGE IS REWORKED PER S/B 757-27-0117 114N3002-157SP CAN REPLACE BUT NOT BE REPLACED BY 114N3002-63 IF FIXED LEADING EDGE IS REWORKED PER S/B 757-27-0117 FOR NHA SEE: 27-81-01-01 27-81-01-02 SLAT ASSY-NO. 6 REWORK POSITION DATA: RH SIDE COMPONENT MAINT MANUAL REF: 57-43-38 QUALIFIED I/W DATA: 114N3002-152SP CAN REPLACE BUT NOT BE REPLACED BY 114N3002-102 IF FIXED LEADING EDGE IS REWORKED PER S/B 757-27-0117 114N3002-152SP CAN REPLACE BUT NOT BE REPLACED BY 114N3002-104SP IF FIXED LEADING EDGE IS REWORKED PER S/B 757-27-0117  MISSING ITEM NUMBERS NOT APPLICABLE	002004 006949 952999	RF
-	5 114N3002-152SP			

- ITEM NOT ILLUSTRATED

BRI

# 27-81-01-02A

BOEING PROPRIETARY - Copyright © - Unpublished Work - See title page for details.

27-81-01  
FIG. 02A  
PAGE 14  
JAN 20/09



757

PARTS CATALOG (MAINTENANCE)

FIG ITEM	PART NUMBER	1 2 3 4 5 6 7 NOMENCLATURE	EFFECT FROM TO	UNITS PER ASSY
2A		<p>114N3002-152SP CAN  REPLACE BUT NOT BE  REPLACED BY  114N3002-120SP IF FIXED  LEADING EDGE IS REWORKED  PER S/B 757-27-0117  114N3002-152SP CAN  REPLACE BUT NOT BE  REPLACED BY  114N3002-124SP IF FIXED  LEADING EDGE IS REWORKED  PER SB 757-27-0117  114N3002-152SP CAN  REPLACE BUT NOT BE  REPLACED BY  114N3002-128SP IF FIXED  LEADING EDGE IS REWORKED  PER S/B 757-27-0117  114N3002-152SP CAN  REPLACE BUT NOT BE  REPLACED BY 114N3002-20  IF FIXED LEADING EDGE IS  REWORKED PER S/B  757-27-0117  114N3002-152SP CAN  REPLACE BUT NOT BE  REPLACED BY 114N3002-52  IF FIXED LEADING EDGE IS  REWORKED PER S/B  757-27-0117  114N3002-152SP CAN  REPLACE BUT NOT BE  REPLACED BY 114N3002-64  IF FIXED LEADING EDGE IS  REWORKED PER  S/B 757-27-0117  114N3002-152SP CAN  REPLACE BUT NOT BE  REPLACED BY 114N3002-74  IF FIXED LEADING EDGE IS  REWORKED PER S/B  757-27-0117  114N3002-152SP CAN  REPLACE BUT NOT BE  REPLACED BY  114N3002-80SP IF FIXED  LEADING EDGE IS REWORKED  PER S/B 757-27-0117  114N3002-152SP CAN</p>		

MISSING ITEM NUMBERS NOT APPLICABLE

- ITEM NOT ILLUSTRATED

**27-81-01-02A**

27-81-01  
FIG. 02A  
PAGE 15  
JAN 20/09

BRI



757

## PARTS CATALOG (MAINTENANCE)

FIG ITEM	PART NUMBER	1 2 3 4 5 6 7	NOMENCLATURE	EFFECT FROM TO	UNITS PER ASSY
2A			REPLACE BUT NOT BE REPLACED BY 114N3002-98SP IF FIXED LEADING EDGE IS REWORKED PER S/B 757-27-0117 FOR NHA SEE: 27-81-01-01 27-81-01-02		
- 5	114N3002-162SP		SLAT ASSY-NO. 6 REWORK POSITION DATA: RH SIDE COMPONENT MAINT MANUAL REF: 57-43-38 QUALIFIED I/W DATA: 114N3002-162SP CAN REPLACE BUT NOT BE REPLACED BY 114N3002-120SP IF FIXED LEADING EDGE IS REWORKED PER S/B 757-27-0117 114N3002-162SP CAN REPLACE BUT NOT BE REPLACED BY 114N3002-124SP IF FIXED LEADING EDGE IS REWORKED PER S/B 757-27-0117 114N3002-162SP CAN REPLACE BUT NOT BE REPLACED BY 114N3002-128SP IF FIXED LEADING EDGE IS REWORKED PER S/B 757-27-0117 114N3002-162SP CAN REPLACE BUT NOT BE REPLACED BY 114N3002-104SP IF FIXED LEADING EDGE IS REWORKED PER S/B 757-27-0117 114N3002-162SP CAN REPLACE BUT NOT BE REPLACED BY 114N3002-102 IF FIXED LEADING EDGE IS REWORKED PER S/B 757-27-0117 114N3002-162SP CAN REPLACE BUT NOT BE REPLACED BY 114N3002-98SP IF FIXED LEADING EDGE IS REWORKED	002004 006949 952999	RF
MISSING ITEM NUMBERS NOT APPLICABLE					

- ITEM NOT ILLUSTRATED

BRI

# 27-81-01-02A

BOEING PROPRIETARY - Copyright © - Unpublished Work - See title page for details.

27-81-01  
FIG. 02A  
PAGE 16  
JAN 20/09



**BOEING**  
757  
**PARTS CATALOG (MAINTENANCE)**

FIG ITEM	PART NUMBER	1 2 3 4 5 6 7	NOMENCLATURE	EFFECT FROM TO	UNITS PER ASSY
2 A			<p>PER S/B 757-27-0117 114N3002-162SP CAN REPLACE BUT NOT BE REPLACED BY 114N3002-80SP IF FIXED LEADING EDGE IS REWORKED PER S/B 757-27-0117 114N3002-162SP CAN REPLACE BUT NOT BE REPLACED BY 114N3002-64 IF FIXED LEADING EDGE IS REWORKED PER S/B 757-27-0117 REWORKED BY SB: 27-0117 FOR NHA SEE: 27-81-01-01 27-81-01-02</p>		
- 5	114N3002-164SP	1	<p>SLAT ASSY-NO. 6 POSITION DATA: RH SIDE COMPONENT MAINT MANUAL REF: 57-43-38 QUALIFIED I/W DATA: -168SP CAN REPLACE -164SP OR -156SP OR -154SP OR -148SP OR -146SP SUBJECT TO CUSTOMER ACCEPTANCE OF WEIGHT PENALTY -166SP CAN REPLACE -164SP OR -156SP OR -154SP OR -148SP OR -146SP SUBJECT TO CUSTOMER ACCEPTANCE OF WEIGHT PENALTY REWORKED BY SB: 27-0117 FOR NHA SEE: 27-81-01-01 27-81-01-02</p>	002004 006102 107949 952999	RF

MISSING ITEM NUMBERS NOT APPLICABLE

- ITEM NOT ILLUSTRATED

BRI

# 27-81-01-02A

BOEING PROPRIETARY - Copyright © - Unpublished Work - See title page for details.

27-81-01  
FIG. 02A  
PAGE 17  
JAN 20/09



757

PARTS CATALOG (MAINTENANCE)

FIG ITEM	PART NUMBER	1 2 3 4 5 6 7	NOMENCLATURE	EFFECT FROM TO	UNITS PER ASSY
2A - 5	114N3002-166SP		SLAT ASSY-NO. 6 POSITION DATA: RH SIDE COMPONENT MAINT MANUAL REF: 57-43-38 QUALIFIED I/W DATA: -166SP CAN REPLACE -164SP OR -156SP OR -154SP OR -148SP OR -146SP SUBJECT TO CUSTOMER ACCEPTANCE OF WEIGHT PENALTY -166SP CAN REPLACE -144SP OR -142SP OR -140SP OR -136SP OR -132SP SUBJECT TO CUSTOMER ACCEPTANCE OF WEIGHT PENALTY -166SP CAN REPLACE -128SP OR -124SP OR -120SP OR -104 OR -102 IF FIXED LEADING EDGE IS REWORKED PER S/B 757-27-0117 AND IF CUSTOMER ACCEPTS WEIGHT PENALTY -166SP CAN REPLACE -98SP OR -780P OR -74 OR -64 OR -52 OR -20 IF FIXED LEADING EDGE IS REWORKED PER S/B 757-27-0117 AND IF CUSTOMER ACCEPTS WEIGHT PENALTY FOR NHA SEE: 27-81-01-01 27-81-01-02	002004 006949 952999	RF

MISSING ITEM NUMBERS NOT APPLICABLE

- ITEM NOT ILLUSTRATED

**27-81-01-02A**

27-81-01  
FIG. 02A  
PAGE 18  
JAN 20/09

BRI



757

PARTS CATALOG (MAINTENANCE)

FIG ITEM	PART NUMBER	1 2 3 4 5 6 7	NOMENCLATURE	EFFECT FROM TO	UNITS PER ASSY
2A - 5	114N3002-168SP		SLAT ASSY-NO. 6 POSITION DATA: RH SIDE QUALIFIED I/W DATA: -168SP CAN REPLACE -98SP OR -80SP OR -74 OR -64 OR -52 OR -20 IF FIXED LEADING EDGE IS REWORKED PER S/B 757-27-0117 AND IF CUSTOMER ACCEPTS WEIGHT PENALTY -168SP CAN REPLACE -128SP OR -124SP OR -120SP OR -104SP OR -102 IF FIXED LEADING EDGE IS REWORKED PER S/B 757-27-0117 AND IF CUSTOMER ACCEPTS WEIGHT PENALTY -168SP CAN REPLACE -144SP OR -142SP OR -140SP OR -136SP OR -132SP SUBJECT TO CUSTOMER ACCEPTANCE OF WEIGHT PENALTY -168SP CAN REPLACE -164SP OR -156SP OR -154SP OR -148SP OR -146SP SUBJECT TO CUSTOMER ACCEPTANCE OF WEIGHT PENALTY FOR NHA SEE: 27-81-01-01 27-81-01-02	002004 006949 952999	RF
R R R R R R R R R R R R R R	- 8 114N3002-154SP		SLAT ASSY-NO. 6 POSITION DATA: RH SIDE COMPONENT MAINT MANUAL REF: 57-43-38 QUALIFIED I/W DATA: -168SP CAN REPLACE -164SP OR -156SP OR -154SP OR -148SP OR -146SP SUBJECT TO CUSTOMER ACCEPTANCE OF WEIGHT PENALTY FOR NHA SEE: 27-81-01-01 27-81-01-02	002004 006102 107949 952999	RF

MISSING ITEM NUMBERS NOT APPLICABLE

- ITEM NOT ILLUSTRATED

**27-81-01-02A**

27-81-01  
FIG. 02A  
PAGE 19  
MAY 20/09

BRI



757

PARTS CATALOG (MAINTENANCE)

FIG ITEM	PART NUMBER	1 2 3 4 5 6 7 NOMENCLATURE	EFFECT FROM TO	UNITS PER ASSY
2A - 8	114N3002-156SP	SLAT ASSY-NO. 6 POSITION DATA: RH SIDE COMPONENT MAINT MANUAL REF: 57-43-38 QUALIFIED I/W DATA: -166SP CAN REPLACE -164SP OR -156SP OR -154SP OR -148SP OR -146SP SUBJECT TO CUSTOMER ACCEPTANCE OF WEIGHT PENALTY -168SP CAN REPLACE -164SP OR -156SP OR -154SP OR -148SP OR -146SP SUBJECT TO CUSTOMER ACCEPTANCE OF WEIGHT PENALTY 114N3002-156SP INTERCHANGEABLE WITH 114N3002-64 OR -74 IF SERVICE BULLETINS 757-27-0094 AND 757-27-0117 ARE INCORPORATED ON -64 OR -74 SLAT 114N3002-156SP INTERCHANGEABLE WITH 114N3002-80SP OR -120SP OR -128SP IF SERVICE BULLETIN 757-27-0117 IS INCORPORATED FOR NHA SEE: 27-81-01-01 27-81-01-02	002004 006102 107949 952999	RF

MISSING ITEM NUMBERS NOT APPLICABLE

- ITEM NOT ILLUSTRATED

**27-81-01-02A**

BRI

27-81-01  
FIG. 02A  
PAGE 20  
MAY 20/09



757

PARTS CATALOG (MAINTENANCE)

FIG ITEM	PART NUMBER	1 2 3 4 5 6 7	NOMENCLATURE	EFFECT FROM TO	UNITS PER ASSY
2A - 8	114N3002-142SP		SLAT ASSY-NO. 6 POSITION DATA: RH SIDE COMPONENT MAINT MANUAL REF: 57-43-38 QUALIFIED I/W DATA: -166SP CAN REPLACE -144SP OR -142SP OR -140SP OR -136SP OR -132SP SUBJECT TO CUSTOMER ACCEPTANCE OF WEIGHT PENALTY -168SP CAN REPLACE -144SP OR -142SP OR -140SP OR -136SP OR -132SP SUBJECT TO CUSTOMER ACCEPTANCE OF WEIGHT PENALTY 114N3002-142SP INTERCHANGEABLE WITH 114N3002-64 OR -74 IF SERVICE BULLETINS 757-27-0094 AND 757-27-0117 ARE INCORPORATED ON -64 OR -74 SLAT 114N3002-142SP INTERCHANGEABLE WITH 114N3002-80SP OR -120SP OR -128SP IF SERVICE BULLETIN 757-27-0117 IS INCORPORATED REWORKED BY SB: 27-0117 FOR NHA SEE: 27-81-01-01 27-81-01-02	002004 006102 107949 952999	RF

MISSING ITEM NUMBERS NOT APPLICABLE

- ITEM NOT ILLUSTRATED

BRI

**27-81-01-02A**

BOEING PROPRIETARY - Copyright © - Unpublished Work - See title page for details.

27-81-01  
FIG. 02A  
PAGE 21  
MAY 20/09



757

PARTS CATALOG (MAINTENANCE)

FIG ITEM	PART NUMBER	1 2 3 4 5 6 7 NOMENCLATURE	EFFECT FROM TO	UNITS PER ASSY
2A - 8	114N3002-144SP	SLAT ASSY-NO. 6 POSITION DATA: RH SIDE COMPONENT MAINT MANUAL REF: 57-43-38 QUALIFIED I/W DATA: -166SP CAN REPLACE -144SP OR -142SP OR -140SP OR -136SP OR 132SP SUBJECT TO CUSTOMER ACCEPTANCE OF WEIGHT PENALTY -168SP CAN REPLACE -144SP OR -142SP OR -140SP OR -136SP OR -132SP SUBJECT TO CUSTOMER ACCEPTANCE OF WEIGHT PENALTY REWORKED BY SB: 27-0117 FOR NHA SEE: 27-81-01-01 27-81-01-02	002004 006102 107949 952999	RF

MISSING ITEM NUMBERS NOT APPLICABLE

- ITEM NOT ILLUSTRATED

BRI

**27-81-01-02A**

BOEING PROPRIETARY - Copyright © - Unpublished Work - See title page for details.

27-81-01  
FIG. 02A  
PAGE 22  
MAY 20/09



**757**  
**PARTS CATALOG (MAINTENANCE)**

FIG ITEM	PART NUMBER	1 2 3 4 5 6 7	NOMENCLATURE	EFFECT FROM TO	UNITS PER ASSY
2A					
R R	8 114N3002-146SP		SLAT ASSY-NO. 6 POSITION DATA: RH SIDE COMPONENT MAINT MANUAL REF: 57-43-38 QUALIFIED I/W DATA: -168SP CAN REPLACE -164SP OR -156SP OR -154SP OR -148SP OR -146SP SUBJECT TO CUSTOMER ACCEPTANCE OF WEIGHT PENALTY 114N3002-146SP INTERCHANGEABLE WITH 114N3002-64 OR -74 IF SERVICE BULLETINS 757-27-0094 AND 757-27-0117 ARE INCORPORATED ON -64 OR -74 SLAT 114N3002-146SP INTERCHANGEABLE WITH 114N3002-80SP OR -120SP OR -128SP IF SERVICE BULLETIN 757-27-0117 IS INCORPORATED. REWORKED BY SB: 27-0117 FOR NHA SEE: 27-81-01-01 27-81-01-02	002004 006102 107949 952999	RF
MISSING ITEM NUMBERS NOT APPLICABLE					

- ITEM NOT ILLUSTRATED

BRI

**27-81-01-02A**

BOEING PROPRIETARY - Copyright © - Unpublished Work - See title page for details.

27-81-01  
FIG. 02A  
PAGE 23  
MAY 20/09



757

PARTS CATALOG (MAINTENANCE)

FIG ITEM	PART NUMBER	1 2 3 4 5 6 7	NOMENCLATURE	EFFECT FROM TO	UNITS PER ASSY
2A - 8	114N3002-148SP		SLAT ASSY-NO. 6 POSITION DATA: RH SIDE COMPONENT MAINT MANUAL REF: 57-43-38 QUALIFIED I/W DATA: -166SP CAN REPLACE -164SP OR -156SP OR -154SP OR -148SP OR -146SP SUBJECT TO CUSTOMER ACCEPTANCE OF WEIGHT PENALTY -168SP CAN REPLACE -164SP OR -156SP OR -154SP OR -148SP OR -146SP SUBJECT TO CUSTOMER ACCEPTANCE OF WEIGHT PENALTY 114N3002-148SP INTERCHANGEABLE WITH 114N3002-64 OR -74 IF SERVICE BULLETINS 757-27-0094 AND 757-27-0117 ARE INCORPORATED ON -64 OR -74 SLAT 114N3002-148SP INTERCHANGEABLE WITH 114N3002-80SP OR -120SP OR -128SP IF SERVICE BULLETIN 757-27-0117 IS INCORPORATED REWORKED BY SB: 27-0117 FOR NHA SEE: 27-81-01-01 27-81-01-02	002004 006102 107949 952999	RF

MISSING ITEM NUMBERS NOT APPLICABLE

- ITEM NOT ILLUSTRATED

**27-81-01-02A**

27-81-01  
FIG. 02A  
PAGE 24  
MAY 20/09

BRI





757

PARTS CATALOG (MAINTENANCE)

FIG ITEM	PART NUMBER	1 2 3 4 5 6 7	NOMENCLATURE	EFFECT FROM TO	UNITS PER ASSY
2A - 8	114N3002-136SP		SLAT ASSY-NO. 6 POSITION DATA: RH SIDE COMPONENT MAINT MANUAL REF: 57-43-38 QUALIFIED I/W DATA: -166SP CAN REPLACE -144SP OR -142SP OR -140SP OR -136SP OR -132SP SUBJECT TO CUSTOMER ACCEPTANCE OF WEIGHT PENALTY -168SP CAN REPLACE -144SP OR -142SP OR -140SP OR -136SP OR -132SP SUBJECT TO CUSTOMER ACCEPTANCE OF WEIGHT PENALTY REWORKED BY SB: 27-0117 FOR NHA SEE: 27-81-01-01 27-81-01-02	002004 006102 107949 952999	RF
- 8	114N3002-158SP		SLAT ASSY-NO. 6 REWORK POSITION DATA: RH SIDE QUALIFIED I/W DATA: 114N3002-158SP CAN REPLACE BUT NOT BE REPLACED BY 114N3002-120SP IF FIXED LEADING EDGE IS REWORKED PER S/B 757-27-0117 114N3002-158SP CAN REPLACE BUT NOT BE REPLACED BY 114N3002-124SP IF FIXED LEADING EDGE IS REWORKED PER S/B 757-27-0117 114N3002-158SP CAN REPLACE BUT NOT BE REPLACED BY 114N3002-128SP IF FIXED LEADING EDGE IS REWORKED PER S/B 757-27-0117 114N3002-158SP CAN REPLACE BUT NOT BE REPLACED BY 114N3002-104SP IF FIXED	002004 006949 952999	RF

MISSING ITEM NUMBERS NOT APPLICABLE

- ITEM NOT ILLUSTRATED

**27-81-01-02A**

27-81-01  
FIG. 02A  
PAGE 25  
MAY 20/09

BRI



757

PARTS CATALOG (MAINTENANCE)

FIG ITEM	PART NUMBER	1 2 3 4 5 6 7	NOMENCLATURE	EFFECT FROM TO	UNITS PER ASSY
2A			<p>LEADING EDGE IS REWORKED  PER S/B 757-27-0117  114N3002-158SP CAN  REPLACE BUT NOT BE  REPLACED BY 114N3002-102  IF FIXED LEADING EDGE IS  REWORKED PER S/B  757-27-0117  114N3002-158SP CAN  REPLACE BUT NOT BE  REPLACED BY  114N3002-98SP IF FIXED  LEADING EDGE IS REWORKED  PER S/B 757-27-0117  114N3002-158SP CAN  REPLACE BUT NOT BE  REPLACED BY  114N3002-80SP IF FIXED  LEADING EDGE IS REWORKED  PER S/B 757-27-0117  114N3002-158SP CAN  REPLACE BUT NOT BE  REPLACED BY 114N3002-64  IF FIXED LEADING EDGE IS  REWORKED PER S/B  757-27-0117  FOR NHA SEE:  27-81-01-01  27-81-01-02</p>		
20	BACB30NN3K4	.BOLT		002004 006949 952999	2
25	BACB30NN3K7	.BOLT		002004 006949 952999	10
30	BACB30NN3K9	.BOLT		002004 006949 952999	1
35	114N3013-3	.SEAL-BULB		002004 006949 952999	1
40	114N3013-11	.RETAINER-	POSITION DATA: LWR LH SIDE	002004 006949 952999	1
45	114N3013-31	.RETAINER-	POSITION DATA: LH SIDE	002004 006949 952999	1

MISSING ITEM NUMBERS NOT APPLICABLE

- ITEM NOT ILLUSTRATED

**27-81-01-02A**

27-81-01  
FIG. 02A  
PAGE 26  
MAY 20/09

BRI

 **BOEING**  
757  
**PARTS CATALOG (MAINTENANCE)**

FIG ITEM	PART NUMBER	1 2 3 4 5 6 7	NOMENCLATURE	EFFECT FROM TO	UNITS PER ASSY
2A					
50	114N3013-27		.RETAINER- POSITION DATA: LH SIDE	002004 006949 952999	1
55	114N3013-7		.SEAL-EROSION POSITION DATA: LH SIDE	002004 006949 952999	1
- 60	114N3013-4		.SEAL-BULB POSITION DATA: LWR RH SIDE	002004 006949 952999	1
- 65	114N3013-12		.RETAINER- POSITION DATA: RH SIDE	002004 006949 952999	1
- 70	114N3013-32		.RETAINER- POSITION DATA: RH SIDE	002004 006949 952999	1
- 75	114N3013-28		.RETAINER- POSITION DATA: RH SIDE	002004 006949 952999	1
- 80	114N3013-8		.SEAL-EROSION POSITION DATA: RH SIDE	002004 006949 952999	1
85	114N3013-39		.SEAL-BULB POSITION DATA: AFT MANUFACTURED FROM: EXTR RUBBER F25.01 10-60754-314 25.00 IN.	002004 006949 952999	1
90	BACB30NN3K6		.BOLT	002004 006949 952999	12
95	114N3044-35		.SEAL-BULB POSITION DATA: LH SIDE ALTERED FROM PART NUMBER: 95A10420-843 V60980 FOR SPARES PROCURE: 10-60754-843	002004 006949 952999	1
95	114N3044-11		.SEAL-BULB POSITION DATA: LH SIDE ALTERED FROM PART NUMBER: 10-60754-475 FOR SPARES PROCURE: 10-60754-843	002004 006949 952999	1

MISSING ITEM NUMBERS NOT APPLICABLE

- ITEM NOT ILLUSTRATED

BRI

# 27-81-01-02A

BOEING PROPRIETARY - Copyright © - Unpublished Work - See title page for details.

27-81-01  
FIG. 02A  
PAGE 27  
MAY 20/09

 **BOEING**  
757  
**PARTS CATALOG (MAINTENANCE)**

FIG ITEM	PART NUMBER	1 2 3 4 5 6 7	NOMENCLATURE	EFFECT FROM TO	UNITS PER ASSY
2A					
- 100	114N3044-36		.SEAL-BULB POSITION DATA: RH SIDE FOR SPARES PROCURE: 10-60754-844	002004 006949 952999	1
- 100	114N3044-12		.SEAL-BULB POSITION DATA: RH SIDE FOR SPARES PROCURE: 10-60754-844	002004 006949 952999	1
105	114N3044-37		.RETAINER- POSITION DATA: LH SIDE ALTERED FROM PART NUMBER: 114N3038-7	002004 006949 952999	1
- 110	114N3044-38		.RETAINER- POSITION DATA: RH SIDE	002004 006949 952999	1
115	114N3044-45		.SEAL-EROSION ALTERED FROM PART NUMBER: 114N3042-3 FOR SPARES PROCURE: 114N3042-3	002004 006949 952999	1
120	BACB30NM3K5		.BOLT	002004 006949 952999	4
125	AN960KD10L		.WASHER	002004 006949 952999	4
130	114N3044-39		.RETAINER- POSITION DATA: LH SIDE	002004 006949 952999	1
- 135	114N3044-40		.RETAINER- POSITION DATA: RH SIDE	002004 006949 952999	1
140	114N3044-31		.SEAL-BULB POSITION DATA: LH SIDE ALTERED FROM PART NUMBER: 10-60754-515	002004 006949 952999	1
- 145	114N3044-32		.SEAL-BULB POSITION DATA: RH SIDE ALTERED FROM PART NUMBER: 10-60754-515	002004 006949 952999	1
150	114N3044-43		.CHANNEL- POSITION DATA: LH SIDE	002004 006949 952999	1

MISSING ITEM NUMBERS NOT APPLICABLE

- ITEM NOT ILLUSTRATED

BRI

# 27-81-01-02A

BOEING PROPRIETARY - Copyright © - Unpublished Work - See title page for details.

27-81-01  
FIG. 02A  
PAGE 28  
MAY 20/09



757

PARTS CATALOG (MAINTENANCE)

FIG ITEM	PART NUMBER	1 2 3 4 5 6 7	NOMENCLATURE	EFFECT FROM TO	UNITS PER ASSY
2A					
- 155	114N3044-44		.CHANNEL- POSITION DATA: RH SIDE	002004 006949 952999	1
157	114N3045-23		.SEAL ASSY-SPANWISE	002004 006949 952999	1
157	114N3045-37		.SEAL ASSY-SPANWISE	002004 006949 952999	1
157	114N3045-39		.SEAL ASSY-SPANWISE	002004 006949 952999	1
- 158	114N3045-24		.SEAL ASSY-SPANWISE	002004 006949 952999	1
- 158	114N3045-38		.SEAL ASSY-SPANWISE	002004 006949 952999	1
- 158	114N3045-40		.SEAL ASSY-SPANWISE	002004 006949 952999	1
310	114N3012-15		.PANEL-FLEX POSITION DATA: INBD LWR LH SIDE MISCELLANEOUS DATA: IT IS RECOMMENDED TO USE 114N3012-15/-17/-19 AS A SET	002004 006949 952999	1
- 315	114N3012-16		.PANEL-FLEX POSITION DATA: INBD LWR RH SIDE MISCELLANEOUS DATA: IT IS RECOMMENDED TO USE 114N3012-16/-18/-20 AS A SET	002004 006949 952999	1
320	114N3012-17		.PANEL-FLEX POSITION DATA: CTR LWR LH SIDE MISCELLANEOUS DATA: IT IS RECOMMENDED TO USE 114N3012-15/-17/-19 AS A SET	002004 006949 952999	1
- 325	114N3012-18		.PANEL-FLEX POSITION DATA: CTR LWR RH SIDE MISCELLANEOUS DATA: IT IS RECOMMENDED TO USE 114N3012-16/-18/-20 AS A SET	002004 006949 952999	1

MISSING ITEM NUMBERS NOT APPLICABLE

- ITEM NOT ILLUSTRATED

27-81-01-02A

27-81-01  
FIG. 02A  
PAGE 29  
MAY 20/09

BRI

BOEING PROPRIETARY - Copyright © - Unpublished Work - See title page for details.



757

PARTS CATALOG (MAINTENANCE)

FIG ITEM	PART NUMBER	1 2 3 4 5 6 7	NOMENCLATURE	EFFECT FROM TO	UNITS PER ASSY
2A 330	114N3012-19		.PANEL-FLEX POSITION DATA: OUTBD LWR LH SIDE MISCELLANEOUS DATA: IT IS RECOMMENDED TO USE 114N3012-15/-17/-19 AS A SET	002004 006949 952999	1
- 335	114N3012-20		.PANEL-FLEX POSITION DATA: OUTBD LWR RH SIDE MISCELLANEOUS DATA: IT IS RECOMMENDED TO USE 114N3012-16/-18/-20 AS A SET	002004 006949 952999	1
340	BACP18BC03A10P		.PIN	002004 006949 952999	2
345	BACB30LE8DU25		.BOLT	002004 006949 952999	2
350	114N1115-15		.BOLT ASSY-	002004 006102 107949 952999	2
355	114N1115-16		..BOLT	002004 006102 107949 952999	1
360	MS15000-1		..FITTING	002004 006102 107949 952999	1
365	BACW10BP8DP		.WASHER-	002004 006949 952999	4
370	BACW10BP8CD		.WASHER-	002004 006949 952999	2
375	114N3041-1		.WASHER-NYLON	002004 006949 952999	4
380	NAS1149C0863R		.WASHER	002004 006949 952999	4
385	BACN10JD8CD		.NUT	002004 006949 952999	2

MISSING ITEM NUMBERS NOT APPLICABLE

- ITEM NOT ILLUSTRATED

27-81-01-02A

27-81-01  
FIG. 02A  
PAGE 30  
MAY 20/09

BRI

BOEING PROPRIETARY - Copyright © - Unpublished Work - See title page for details.



757

PARTS CATALOG (MAINTENANCE)

FIG ITEM	PART NUMBER	1 2 3 4 5 6 7	NOMENCLATURE	EFFECT FROM TO	UNITS PER ASSY
2A 385	BACN10JD108CD	.	NUT-	002004 006102 107949 952999	2
390	ATF8SN	.	BEARING SUPPLIER CODE: V60380 SPECIFICATION NUMBER: BACB10GH08N OPTIONAL PART: ATF08SY V21335 CR08AFC V92563	002004 006949 952999	2
390	ATF8	.	BEARING- SUPPLIER CODE: V60380 SPECIFICATION NUMBER: BACB10ET08 OPTIONAL PART: 8AFC1021 V92563 YAF08B V07484	002004 006102 107949 952999	2
390	ATF8NSY	.	BEARING SUPPLIER CODE: V21335 SPECIFICATION NUMBER: BACB10GH8N OPTIONAL PART: CR8NAFC V92563	002004 006949 952999	2
395	114N3034-1	.	PANEL-ACCESS	002004 006949 952999	9
- 400	BACB30NT3K3	.	ATTACHING PARTS BOLT	002004 006949 952999	108
405	BACB30NR10K31	.	-----*----- BOLT	002004 006949 952999	2
410	BACW10BP10CD	.	WASHER	002004 006949 952999	2
415	BACW10BP10DP	.	WASHER	002004 006949 952999	2

MISSING ITEM NUMBERS NOT APPLICABLE

- ITEM NOT ILLUSTRATED

27-81-01-02A

27-81-01  
FIG. 02A  
PAGE 31  
MAY 20/09

BRI

BOEING PROPRIETARY - Copyright © - Unpublished Work - See title page for details.



757

PARTS CATALOG (MAINTENANCE)

FIG ITEM	PART NUMBER	1 2 3 4 5 6 7	NOMENCLATURE	EFFECT FROM TO	UNITS PER ASSY
2A 420	102LH9074-10	.NUT	SUPPLIER CODE: V72962 SPECIFICATION NUMBER: BACN10JC10CD OPTIONAL PART: H51650-10BAC V15653 69235-1018CD V92215 BMN4122CPD8-10 V97928	002004 006949 952999	2
425	251N5213-1	.GUIDE-	POSITION DATA: LH SIDE	002004 006949 952999	1
- 430	251N5213-2	.GUIDE-	POSITION DATA: RH SIDE	002004 006949 952999	1
435	114N4156-2	.BUSHING		002004 006949 952999	4
450	BACB30LE8U24	.BOLT-		002004 006102 107949 952999	3
450	BACB30LE8U24	.BOLT-		002004 006100 102102 107949 952999	3
455	BACW10BP8DP	.WASHER-		002004 006102 107949 952999	3
455	BACW10BP8DP	.WASHER-		002004 006100 102102 107949 952999	3
460	BACW10BP8CD	.WASHER-		002004 006102 107949 952999	3
460	BACW10BP8CD	.WASHER-		002004 006100 102102 107949 952999	3

MISSING ITEM NUMBERS NOT APPLICABLE

- ITEM NOT ILLUSTRATED

27-81-01-02A

27-81-01  
FIG. 02A  
PAGE 32  
MAY 20/09

BRI

BOEING PROPRIETARY - Copyright © - Unpublished Work - See title page for details.





757

PARTS CATALOG (MAINTENANCE)

FIG ITEM	PART NUMBER	1 2 3 4 5 6 7 NOMENCLATURE	EFFECT FROM TO	UNITS PER ASSY
2 A 465	BMN10HRCWD3-8	.NUT- SUPPLIER CODE: V97928 SPECIFICATION NUMBER: BACN10HR8CD OPTIONAL PART: H51560-8 V15653 67832CD820 V56878 102LH9031-8 V72962 BH00303CM8 V27238 BMN5024CWD38 V97928 SL7108C8 V11815 VCU0005D8 V06710 102LH90318 V72962 67832CD8 V56878 CR6030-8 VF0224	002004 006949 952999	3

MISSING ITEM NUMBERS NOT APPLICABLE

- ITEM NOT ILLUSTRATED

BRI

**27-81-01-02A**

BOEING PROPRIETARY - Copyright © - Unpublished Work - See title page for details.

27-81-01  
FIG. 02A  
PAGE 33  
MAY 20/09



757

PARTS CATALOG (MAINTENANCE)

FIG ITEM	PART NUMBER	1 2 3 4 5 6 7	NOMENCLATURE	EFFECT FROM TO	UNITS PER ASSY
2A 465	BMN10HRCWD3-8	.NUT-	SUPPLIER CODE: V97928 SPECIFICATION NUMBER: BACN10HR8CD OPTIONAL PART: H51560-8 V15653 67832CD820 V56878 102LH9031-8 V72962 BH00303CM8 V27238 BMN5024CWD38 V97928 SL7108C8 V11815 VCU0005D8 V06710 102LH90318 V72962 67832CD8 V56878 CR6030-8 VF0224	002004 006100 102102 107949 952999	3
470	BACB28AK08-042	.BUSHING-		002004 006949 952999	3
470	BACB28AK08-042	.BUSHING-		002004 006100 102102 107949 952999	3
475	BACB30LJ3-27	.BOLT-	USED ON: 114N3002-147SP 114N3002-148SP	002004 006102 107949 952999	3
475	NAS6703-27	.BOLT-	USED ON: 114N3002-141SP 114N3002-142SP 114N3002-143SP 114N3002-144SP 114N3002-153SP 114N3002-154SP 114N3002-155SP 114N3002-156SP	002004 006102 107949 952999	3

MISSING ITEM NUMBERS NOT APPLICABLE

- ITEM NOT ILLUSTRATED

27-81-01-02A

27-81-01  
FIG. 02A  
PAGE 34  
MAY 20/09

BRI

 **BOEING**  
757  
**PARTS CATALOG (MAINTENANCE)**

FIG ITEM	PART NUMBER	1 2 3 4 5 6 7	NOMENCLATURE	EFFECT FROM TO	UNITS PER ASSY
2A 475	BACB30LJ3-27	.	BOLT-	002004 006100 102102 107949 952999	3
480	BACW10BP3DP	.	WASHER-	002004 006102 107949 952999	3
480	BACW10BP3DP	.	WASHER-	002004 006100 102102 107949 952999	3
485	BACW10BP3CD	.	WASHER-	002004 006102 107949 952999	3
485	BACW10BP3CD	.	WASHER-	002004 006100 102102 107949 952999	3
490	BRH10C3D	.	NUT- SUPPLIER CODE: V52828 SPECIFICATION NUMBER: BACN10JC3CD OPTIONAL PART: T6C1032JCD V11815 NS202486-02 V80539 102LH9075-3W V72962 H51650-3BAC V15653	002004 006102 107949 952999	3

MISSING ITEM NUMBERS NOT APPLICABLE

- ITEM NOT ILLUSTRATED

BRI

# 27-81-01-02A

BOEING PROPRIETARY - Copyright © - Unpublished Work - See title page for details.

27-81-01  
FIG. 02A  
PAGE 35  
MAY 20/09



757

PARTS CATALOG (MAINTENANCE)

FIG ITEM	PART NUMBER	1 2 3 4 5 6 7	NOMENCLATURE	EFFECT FROM TO	UNITS PER ASSY
2A 490	BRH10C3D	.NUT-	SUPPLIER CODE: V52828 SPECIFICATION NUMBER: BACN10JC3CD OPTIONAL PART: T6C1032JCD V11815 NS202486-02 V80539 102LH9075-3W V72962 H51650-3BAC V15653	002004 006100 102102 107949 952999	3
495	114N4071-2	.RETAINER-BOLT		002004 006102 107949 952999	3
495	114N4071-2	.RETAINER-BOLT		002004 006100 102102 107949 952999	3
500	114N3004-7	.TRACK ASSY-MAIN OPTIONAL PART: 114N3004-9 FOR DETAILS SEE: 27-81-10-01		002004 006102 107949 952999	2
500	114N3004-9	.TRACK ASSY-MAIN OPTIONAL PART: 114N3004-7 FOR DETAILS SEE: 27-81-10-01		002004 006102 107949 952999	2
500	114N3004-7	.TRACK ASSY-MAIN OPTIONAL PART: 114N3004-9 FOR DETAILS SEE: 27-81-10-01		002004 006100 102102 107949 952999	2
500	114N3004-9	.TRACK ASSY-MAIN OPTIONAL PART: 114N3004-7 FOR DETAILS SEE: 27-81-10-01		002004 006100 102102 107949 952999	2
500	114N3002-99	.TRACK ASSY-MAIN FOR DETAILS SEE: 27-81-10-01		002004 006102 107949 952999	2

MISSING ITEM NUMBERS NOT APPLICABLE

- ITEM NOT ILLUSTRATED

**27-81-01-02A**

27-81-01  
FIG. 02A  
PAGE 36  
MAY 20/09

BRI



757

PARTS CATALOG (MAINTENANCE)

FIG ITEM	PART NUMBER	1 2 3 4 5 6 7	NOMENCLATURE	EFFECT FROM TO	UNITS PER ASSY
2A 500	114N3002-99		.TRACK ASSY-MAIN FOR DETAILS SEE: 27-81-10-01	002004 006949 952999	2
505	114N3004-2		.TRACK ASSY-MAIN POSITION DATA: LH SIDE	002004 006102 107949 952999	1
505	114N3004-2		.TRACK ASSY-MAIN POSITION DATA: LH SIDE	002004 006100 102102 107949 952999	1

MISSING ITEM NUMBERS NOT APPLICABLE

- ITEM NOT ILLUSTRATED

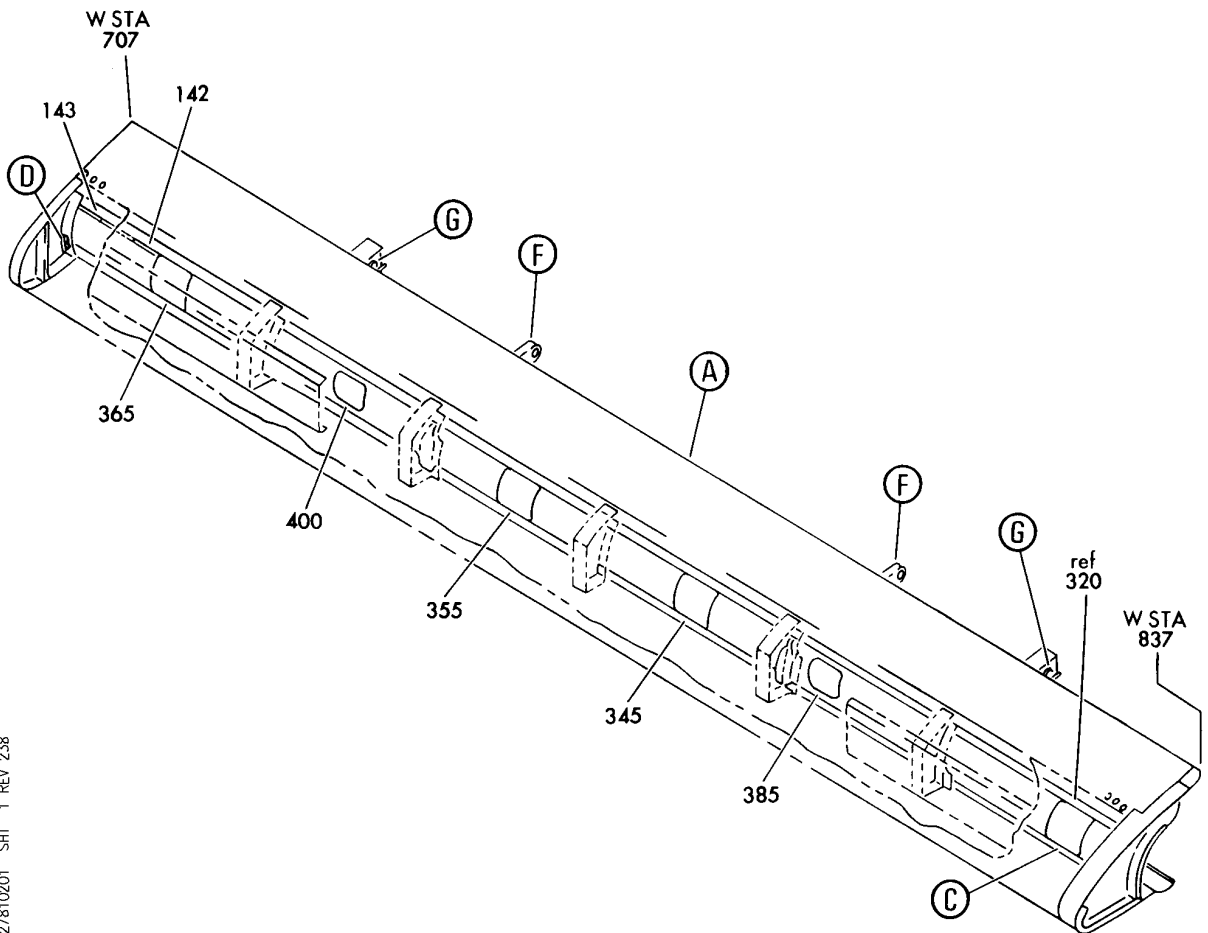
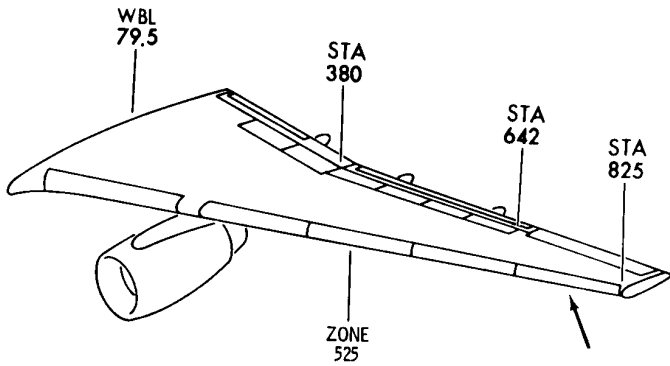
BRI

**27-81-01-02A**

BOEING PROPRIETARY - Copyright © - Unpublished Work - See title page for details.

27-81-01  
FIG. 02A  
PAGE 37  
MAY 20/09

**BOEING**  
757  
PARTS CATALOG (MAINTENANCE)



Y 27810201 SHT 1 REV 238

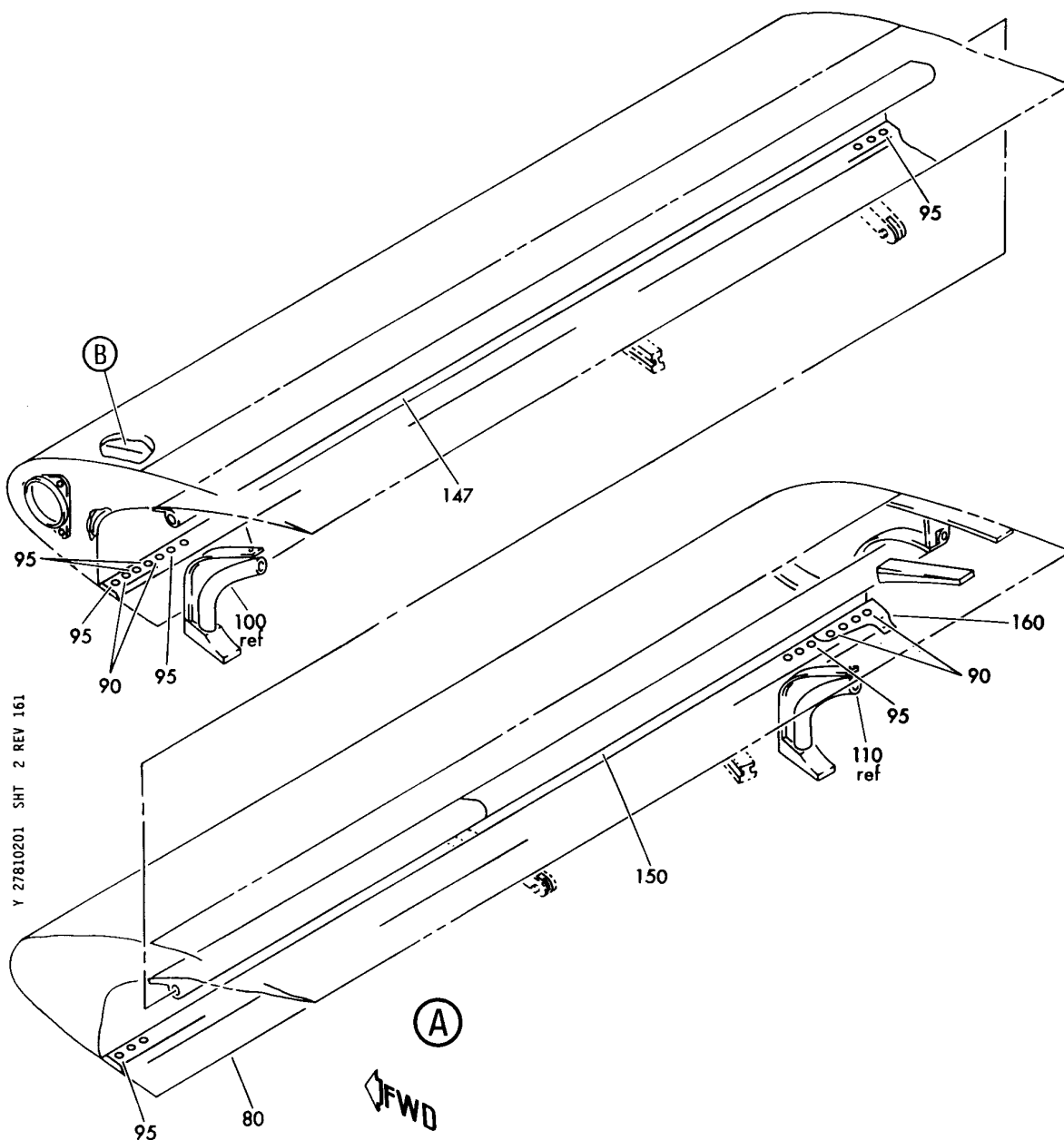
SLAT ASSY-NO. 1 OSS 707.00 TO 838.37 WING LE LH  
FIGURE 1 (SHEET 1)

**27-81-02-01**

BRI  
MAY 28/07

27-81-02-01  
PAGE 0

**BOEING**  
757  
PARTS CATALOG (MAINTENANCE)



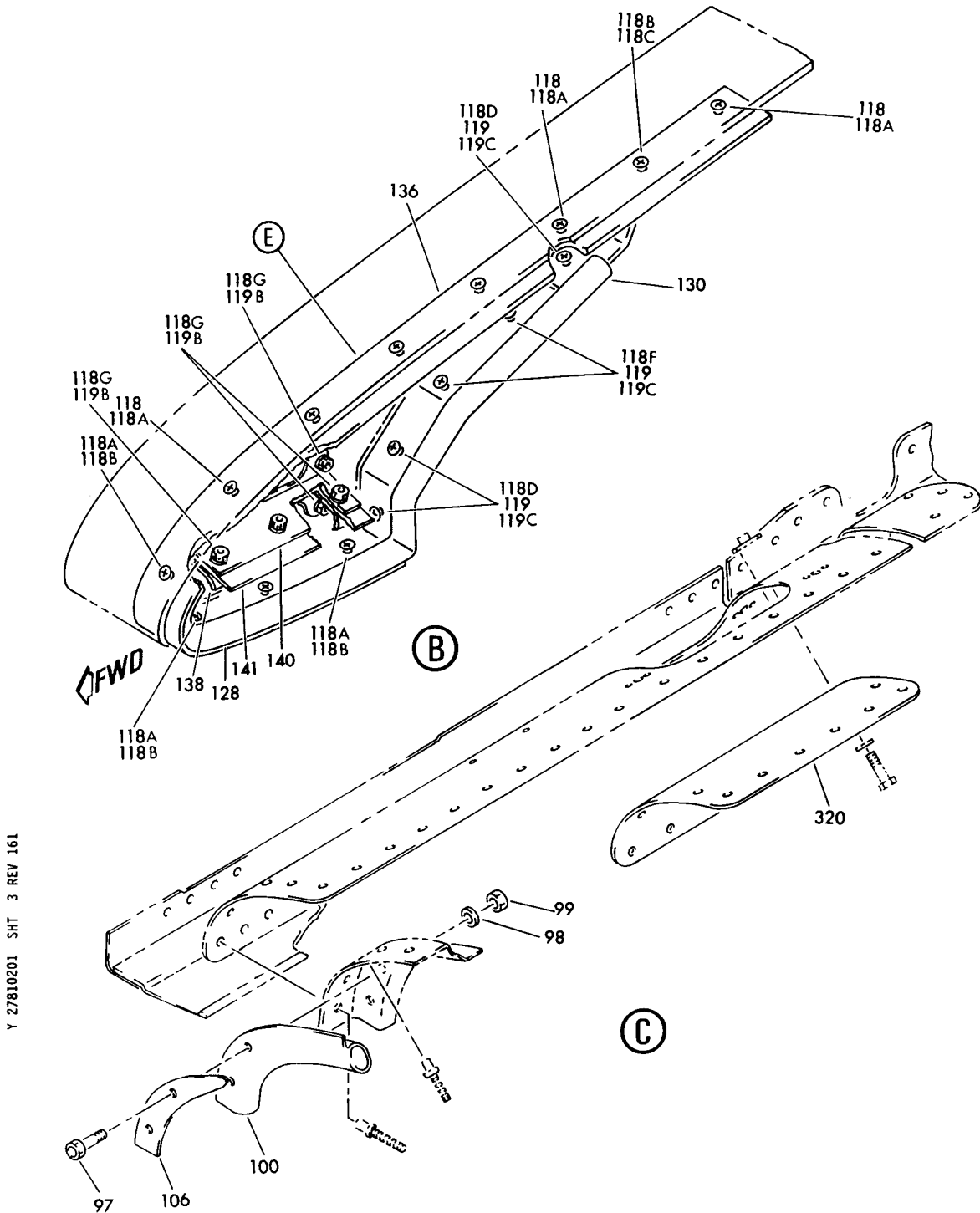
SLAT ASSY-NO. 1 OSS 707.00 TO 838.37 WING LE LH  
FIGURE 1 (SHEET 2)

**27-81-02-01**

BRI  
MAY 28/07

27-81-02-01  
PAGE 0A

**BOEING**  
757  
PARTS CATALOG (MAINTENANCE)



Y 27810201 SHT 3 REV 161

SLAT ASSY-NO. 1 OSS 707.00 TO 838.37 WING LE LH  
FIGURE 1 (SHEET 3)

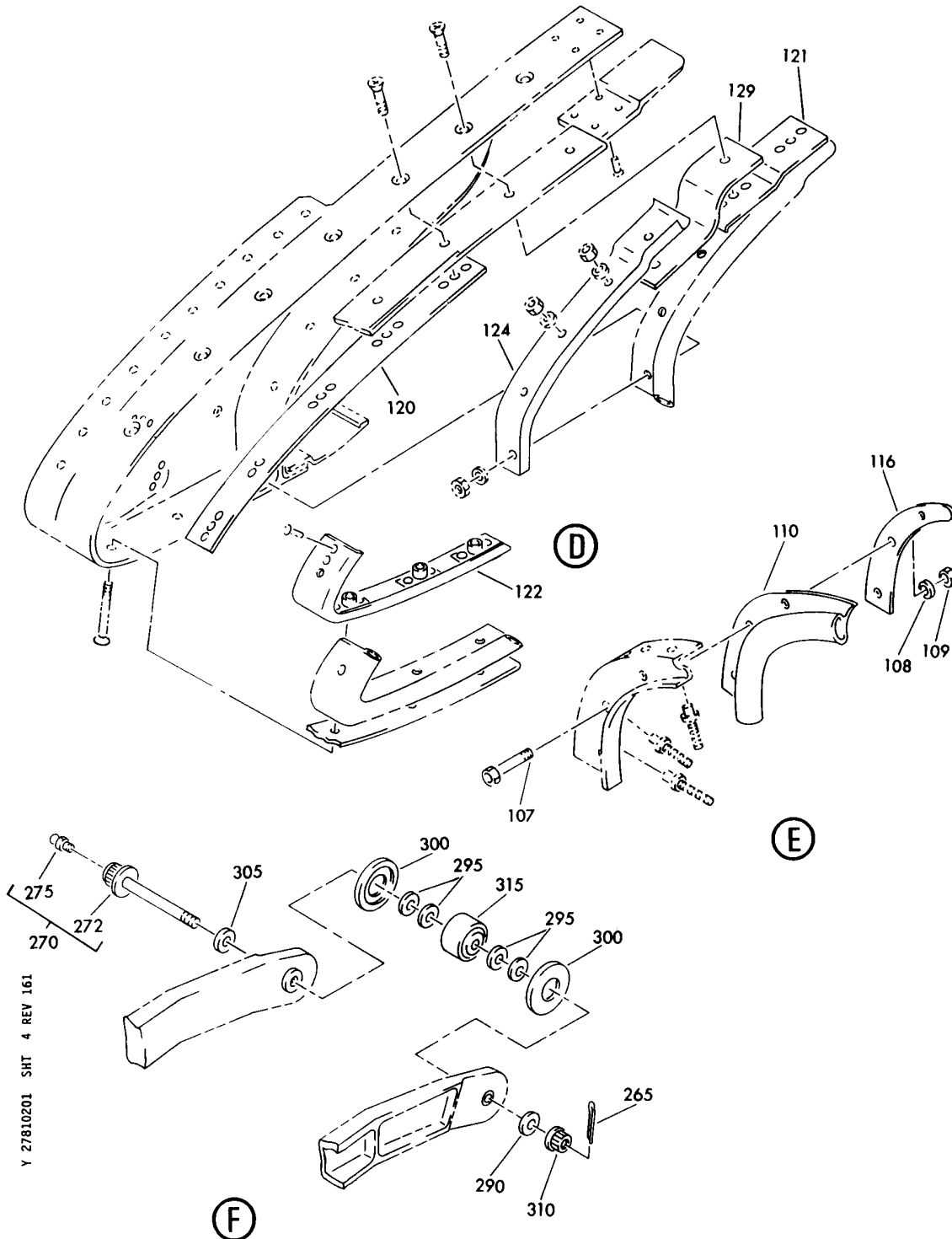
**27-81-02-01**

BRI  
MAY 28/07

27-81-02-01  
PAGE 0B



**BOEING**  
757  
PARTS CATALOG (MAINTENANCE)



Y 27810201 SHT 4 REV 161

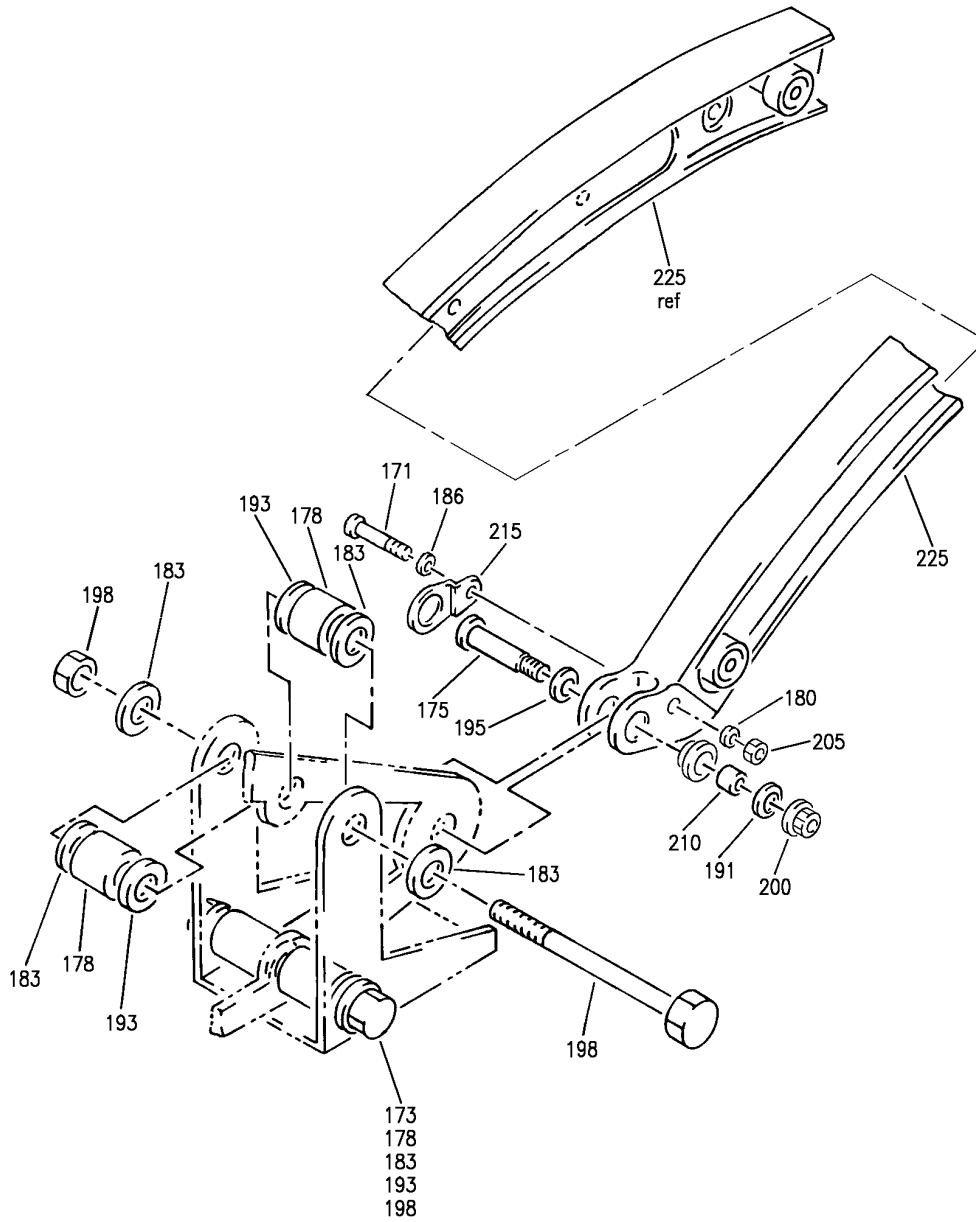
SLAT ASSY-NO. 1 OSS 707.00 TO 838.37 WING LE LH  
FIGURE 1 (SHEET 4)

**27-81-02-01**

BRI  
MAY 28/07

27-81-02-01  
PAGE 0C

**BOEING**  
 757  
 PARTS CATALOG (MAINTENANCE)



(G)

Y 27810201 SH- 5 REV 253

SLAT ASSY-NO. 1 OSS 707.00 TO 838.37 WING LE LH  
 FIGURE 1 (SHEET 5)

**27-81-02-01**

BRI  
 MAY 28/07

27-81-02-01  
 PAGE 0D



757

PARTS CATALOG (MAINTENANCE)

FIG ITEM	PART NUMBER	1 2 3 4 5 6 7	NOMENCLATURE	EFFECT FROM TO	UNITS PER ASSY
1			SLAT ASSY-NO. 1 OSS 707.00 TO 838.37 WING LE LH	002004 006100 107107 121503 904999	
- 1	114N4002-131		SLAT ASSY-NO. 1 WING LE BASIC POSITION DATA: OSS 707.00 TO 836.87 LH COMPONENT MAINT MANUAL REF: 57-43-14 QUALIFIED I/W DATA: -131 CAN REPLACE OR BE REPLACED BY -137 OR -121 OR -113 OR -109 OR -1. HOWEVER -137 OR -121 OR -113 OR -109 -1 CAN BE USED ONLY IF THE AIRPLANE IS RESTRICTED TO 241K MTGW -169SP I/W -131 IF THE -131 IS REWORKED PER S/B 757-57-0057 -131 I/W -171SP IF S/B 757-57A0038 OR S/B 757-57A0045 IS INCORPORATED ON THE -131 -131 MAY BE REPLACED BY -163SP OR -159SP OR -157SP OR -165SP OR -155SP OR -153SP OR SUBJECT TO COLOR PREFERENCE PRE ALERT SB: 57A0038R4 REWORKED BY ALERT SB: 57A0045 57A0038 FOR NHA SEE: 27-81-02-05	002004 107107 121503 904949 952952	RF

MISSING ITEM NUMBERS NOT APPLICABLE

- ITEM NOT ILLUSTRATED

BRI

27-81-02-01

27-81-02  
FIG. 01  
PAGE 1  
JAN 20/09



757

PARTS CATALOG (MAINTENANCE)

FIG ITEM	PART NUMBER	1 2 3 4 5 6 7	NOMENCLATURE	EFFECT FROM TO	UNITS PER ASSY
1 - 1	114N4002-169SP		SLAT ASSY-NO. 1 WING LE POSITION DATA: OSS 707.00 TO 836.87 LH COMPONENT MAINT MANUAL REF: 57-43-14 QUALIFIED I/W DATA: -185SP MAY REPLACE -169SP OR -163SP OR -159SP OR -157SP OR -171SP SUBJECT TO CUSTOMER ACCEPTANCE OF WEIGHT PENALTY. -169SP I/W -157SP OR -159SP OR -163SP OR -171SP IF S/B 757-57-0057 IS INCORPORATED ON -157SP OR -159SP OR -163SP OR -171SP -169SP I/W -155SP OR -153SP OR -147SP OR -131 IF S/B 757-57-0057 -169SP CAN REPLACE OR BE REPLACED BY -137 OR -121 OR -113 OR -109 OR -1. HOWEVER -137 OR -121 OR -113 OR -109 OR -1 CAN ONLY BE USED IF THE AIRPLANE IS RESTRICTED TO 241K MTGW FOR NHA SEE: 27-81-02-05	002004 006100 107107 121503 904999	RF

MISSING ITEM NUMBERS NOT APPLICABLE

- ITEM NOT ILLUSTRATED

BRI

27-81-02-01

BOEING PROPRIETARY - Copyright © - Unpublished Work - See title page for details.

27-81-02  
 FIG. 01  
 PAGE 2  
 JAN 20/09



757

PARTS CATALOG (MAINTENANCE)

FIG ITEM	PART NUMBER	1 2 3 4 5 6 7	NOMENCLATURE	EFFECT FROM TO	UNITS PER ASSY
1 - 1	114N4002-187SP		SLAT ASSY-NO. 1 WING LE POSITION DATA: OSS 707.00 TO 836.87 LH COMPONENT MAINT MANUAL REF: 57-43-14 QUALIFIED I/W DATA: -187SP MAY REPLACE THE -163SP. -163SP MAY REPLACE THE -187SP AFTER THE INCORPORATION OF S/B 757-57-0057 -187SP MAY REPLACE THE -159SP. -159SP MAY REPLACE THE -187SP AFTER INCORPORATION OF 757-57-0057 -187SP MAY REPLACE THE -157SP. -157SP MAY REPLACE THE -187SP AFTER INCORPORATION OF S/B 757-57-0057 -187SP CAN REPLACE BUT NOT BE REPLACED BY -137 OR -121 OR -113 OR-109 OR -1 SUBJECT TO CUSTOMER COLOR PREFERENCE -187SP MAY REPLACE -171SP. -171SP MAY REPLACE THE -187SP AFTER THE INCORPORATION OF S/B 757-57-0057 FOR NHA SEE: 27-81-02-05	002004 006100 107107 121503 904999	RF

MISSING ITEM NUMBERS NOT APPLICABLE

- ITEM NOT ILLUSTRATED

BRI

27-81-02-01

BOEING PROPRIETARY - Copyright © - Unpublished Work - See title page for details.

27-81-02  
FIG. 01  
PAGE 3  
JAN 20/09



757

PARTS CATALOG (MAINTENANCE)

FIG ITEM	PART NUMBER	1 2 3 4 5 6 7	NOMENCLATURE	EFFECT FROM TO	UNITS PER ASSY
1 - 11	114N4002-157SP		SLAT ASSY-NO. 1 WING LE BASIC POSITION DATA: OSS 707.00 TO 836.87 LH COMPONENT MAINT MANUAL REF: 57-43-14 QUALIFIED I/W DATA: -185SP MAY REPLACE -169SP OR -163SP OR -159SP OR -157SP OR -171SP SUBJECT TO CUSTOMER ACCEPTANCE OF WEIGHT PENALTY. -177SP MAY REPLACE -169SP OR -163SP OR -159SP OR -157SP OR -171SP OR -155SP OR -153SP DEPENDING ON CUSTOMER ACCEPTANCE OF WEIGHT PENALTY. FOR NHA SEE: 27-81-02-05	002004 006100 107107 121503 904999	RF

MISSING ITEM NUMBERS NOT APPLICABLE

- ITEM NOT ILLUSTRATED

BRI

27-81-02-01

BOEING PROPRIETARY - Copyright © - Unpublished Work - See title page for details.

27-81-02  
FIG. 01  
PAGE 4  
JAN 20/09



757

PARTS CATALOG (MAINTENANCE)

FIG ITEM	PART NUMBER	1 2 3 4 5 6 7 NOMENCLATURE	EFFECT FROM TO	UNITS PER ASSY
1 - 11	114N4002-147SP	SLAT ASSY-NO. 1 WING LE BASIC POSITION DATA: OSS 707.00 TO 836.87 LH COMPONENT MAINT MANUAL REF: 57-43-14 QUALIFIED I/W DATA: -153SP AND -155SP ARE CONDITIONALLY INTERCHANGEABLE PER THE REQUIREMENTS OF S/B757-57-0043 AND S/B757-57A0045 -147SP CAN REPLACE OR BE REPLACED BY -137 OR -121 OR -113 OR -109 OR -1. HOWEVER -137 OR -121 OR -113 OR -109 OR -1 CAN ONLY BE USED IF THE AIRPLANE IS RESTRICTED TO 241K MTGW 114N4002-147SP INTERCHANGEABLE WITH -159SP IF SERVICE BULLETIN 757-57A0045 IS INCORPORATED 114N4002-133 INTERCHANGEABLE WITH 114N4002-147SP SUBJECT TO CUSTOMER COLOR PREFERENCE 114N4002-135 INTERCHANGEABLE WITH 114N4002-147SP SUBJECT TO CUSTOMER COLOR PREFERENCE POST ALERT SB: 57A0038R4 REWORKED BY ALERT SB: 57A0045R1 FOR NHA SEE: 27-81-02-05	002004 107107 121503 904949 952952	RF

MISSING ITEM NUMBERS NOT APPLICABLE

- ITEM NOT ILLUSTRATED

BRI

**27-81-02-01**

BOEING PROPRIETARY - Copyright © - Unpublished Work - See title page for details.

27-81-02  
FIG. 01  
PAGE 5  
JAN 20/09



757

PARTS CATALOG (MAINTENANCE)

FIG ITEM	PART NUMBER	1 2 3 4 5 6 7	NOMENCLATURE	EFFECT FROM TO	UNITS PER ASSY
1 - 11	114N4002-153SP		SLAT ASSY-NO. 1 WING LE BASIC POSITION DATA: OSS 707.00 TO 836.87 LH COMPONENT MAINT MANUAL REF: 57-43-14 QUALIFIED I/W DATA: -153SP AND -147SP ARE CONDITIONALLY INTERCHANGEABLE PER THE REQUIREMENTS OF S/B757-57-0043 AND S/B757-57A0045 -175SP OR -185SP CAN REPLACE -153SP SUBJECT TO CUSTOMER ACCEPTANCE OF WEIGHT PENALTY. 177SP MAY REPLACE -169SP OR -163SP OR -159SP OR -157SP OR -171SP OR -155SP OR 153SP DEPENDING ON CUSTOMER ACCEPTANCE OF WEIGHT PENALTY. -169SP I/W -153SP IF S/B 757-57-0057 IS INCORPORATED ON THE -153SP. -167SP CAN REPLACE -153SP SUBJECT TO CUSTOMER ACCEPTANCE OF WEIGHT PENALTY. -153SP I/W -131 IF S/B 757-57A0045 IS INCORPORATED ON THE -131 -153SP CAN REPLACE OR BE REPLACED BY -137 OR -121 OR -113 OR -109 OR -1. HOWEVER -137 OR -121 OR -113 OR -109 OR -1 CAN ONLY BE USED IF THE AIRPLANE IS RESTRICTED TO 241K MTGW FOR NHA SEE: 27-81-02-05	002004 006100 107107 121503 904999	RF

MISSING ITEM NUMBERS NOT APPLICABLE

- ITEM NOT ILLUSTRATED

BRI

27-81-02-01

BOEING PROPRIETARY - Copyright © - Unpublished Work - See title page for details.

27-81-02  
 FIG. 01  
 PAGE 6  
 JAN 20/09





757

PARTS CATALOG (MAINTENANCE)

FIG ITEM	PART NUMBER	1 2 3 4 5 6 7	NOMENCLATURE	EFFECT FROM TO	UNITS PER ASSY
1 - 11	114N4002-155SP		SLAT ASSY-NO. 1 WING LE BASIC POSITION DATA: OSS 707.00 TO 836.87 LH COMPONENT MAINT MANUAL REF: 57-43-14 QUALIFIED I/W DATA: -177SP OR MAY REPLACE -169SP OR -163SP -159SP OR OR -171SP -155SP OR -153SP DEPENDING ON CUSTOMER ACCEPTANCE OF WEIGHT PENALTY. -167SP CAN REPLACE -155SP SUBJECT TO CUSTOMER ACCEPTANCE OF WEIGHT PENALTY. -155SP I/W -147SP OR -131 IF S/B 757-57A0045 IS INCORPORATED ON THE -147SP OR -131 -185SP OR -175SP CAN REPLACE -155SP SUBJECT TO CUSTOMER ACCEPTANCE OF WEIGHT PENALTY. -155SP CAN REPLACE OR BE REPLACED BY -137 OR -121 OR -113 OR -109 OR -1. HOWEVER -137 OR -121 OR -113 OR -109 OR -1 CAN ONLY BE USED IF THE AIRPLANE IS RESTRICTED TO 241K MTGW FOR NHA SEE: 27-81-02-05	002004 006100 107107 121503 904999	RF

MISSING ITEM NUMBERS NOT APPLICABLE

- ITEM NOT ILLUSTRATED

BRI

27-81-02-01

BOEING PROPRIETARY - Copyright © - Unpublished Work - See title page for details.

27-81-02  
 FIG. 01  
 PAGE 7  
 JAN 20/09



**757  
PARTS CATALOG (MAINTENANCE)**

FIG ITEM	PART NUMBER	1 2 3 4 5 6 7 NOMENCLATURE	EFFECT FROM TO	UNITS PER ASSY
1 - 11	114N4002-159SP	SLAT ASSY-NO. 1 WING LE POSITION DATA: OSS 707.00 TO 836.87 LH COMPONENT MAINT MANUAL REF: 57-43-14 QUALIFIED I/W DATA: -185SP OR -175SP MAY REPLACE -169SP OR -163SP OR -159SP OR -157SP SUBJECT TO CUSTOMER ACCEPTANCE OF WEIGHT PENALTY 114N4002-147SP INTERCHANGEABLE WITH -159SP IF SERVICE BULLETIN 757-57A0045 IS INCORPORATED -159SP I/W -169SP IF S/B 757-57-0057 IS INCORPORATED ON THE -159SP. -167SP CAN REPLACE -159SP SUBJECT TO CUSTOMER ACCEPTANCE OF WEIGHT PENALTY. -178SP MAY REPLACE -170SP OR -164SP OR -160SP OR -158SP OR -172SP OR -156SP OR -154SP DEPENDING ON CUSTOMER ACCEPTANCE OF WEIGHT PENALTY. FOR NHA SEE: 27-81-02-05	002004 006100 107107 121503 904999	RF

MISSING ITEM NUMBERS NOT APPLICABLE

- ITEM NOT ILLUSTRATED

BRI

# 27-81-02-01

BOEING PROPRIETARY - Copyright © - Unpublished Work - See title page for details.

27-81-02  
FIG. 01  
PAGE 8  
JAN 20/09



757

PARTS CATALOG (MAINTENANCE)

FIG ITEM	PART NUMBER	1 2 3 4 5 6 7	NOMENCLATURE	EFFECT FROM TO	UNITS PER ASSY
1 - 11	114N4002-163SP		SLAT ASSY-NO. 1 WING LE POSITION DATA: OSS 707.00 TO 836.87 LH COMPONENT MAINT MANUAL REF: 57-43-14 QUALIFIED I/W DATA: -185SP OR -175SP MAY REPLACE -163SP OR -159SP OR -157SP OR -171SP SUBJECT TO CUSTOMER ACCEPTANCE OF WEIGHT PENALTY -187SP MAY REPLACE -163SP. -163SP MAY REPLACE -187SP AFTER INCORPORATION OF S/B 757-57-0057 FOR NHA SEE: 27-81-02-05	002004 006100 107107 121503 904999	RF
- 13	114N4002-171SP		SLAT ASSY-NO. 1 WING LE BASIC POSITION DATA: OSS 707.00 TO 836.87 LH COMPONENT MAINT MANUAL REF: 57-43-14 QUALIFIED I/W DATA: -171SP I/W -147SP OR -131 IF S/B 757-57A0045 IS INCORPORATED ON THE -147SP OR -131 -171SP CAN REPLACE THE -137 OR -121 OR -113 OR -109 OR -1. HOWEVER -137 OR -121 OR -113 OR -109 OR -1 CAN ONLY BE USED IF THE AIRPLANE IS RESTRICTED TO 241K MTGW -171SP I/W -169SP IF S/B 757-57-0057 IS INCORPORATED ON THE -171SP -167SP CAN REPLACE -171SP SUBJECT TO CUSTOMER ACCEPTANCE OF WEIGHT PENALTY FOR NHA SEE: 27-81-02-05	002004 006100 107107 121503 904999	RF

MISSING ITEM NUMBERS NOT APPLICABLE

- ITEM NOT ILLUSTRATED

**27-81-02-01**

27-81-02  
FIG. 01  
PAGE 9  
JAN 20/09

BRI



757

PARTS CATALOG (MAINTENANCE)

FIG ITEM	PART NUMBER	1 2 3 4 5 6 7	NOMENCLATURE	EFFECT FROM TO	UNITS PER ASSY
1					
80	114N4058-13		.SKIN-FLEXIBLE POSITION DATA: LWR LH SIDE	002004 006100 107107 121503 904999	1
80	114N4058-1		.SKIN-FLEXIBLE POSITION DATA: LWR LH SIDE OPTIONAL PART: 114N4058-13 USED ON: 114N4002-103 USED ON: 114N4002-1 ATTACHING PARTS	002004 006100 107107 121503 904999	1
90	BACB30NN3K8		.BOLT	002004 006100 107107 121503 904999	6
95	BACR15CE6AD		.RIVET- SIZE DETERMINED ON INSTL.	002004 006100 107107 121503 904999	123
97	BACB30NM3K3		-----*----- .BOLT	002004 006100 107107 121503 904999	2
98	AN960KD10		.WASHER	002004 006100 107107 121503 904999	2

MISSING ITEM NUMBERS NOT APPLICABLE

- ITEM NOT ILLUSTRATED

BRI

27-81-02-01

BOEING PROPRIETARY - Copyright © - Unpublished Work - See title page for details.

27-81-02  
FIG. 01  
PAGE 10  
JAN 20/09



757

PARTS CATALOG (MAINTENANCE)

FIG ITEM	PART NUMBER	1 2 3 4 5 6 7	NOMENCLATURE	EFFECT FROM TO	UNITS PER ASSY
1 99	BRH10C3D	.NUT	SUPPLIER CODE: V52828 SPECIFICATION NUMBER: BACN10JC3CD OPTIONAL PART: T6C1032JCD V11815 NS202486-02 V80539 102LH9075-3W V72962 H51650-3BAC V15653	002004 006100 107107 121503 904999	2
100	114N4044-55	.SEAL-	POSITION DATA: LH SIDE ALTERED FROM PART NUMBER: 10-60754-492	002004 006100 107107 121503 904999	1
106	114N4044-37	.RETAINER		002004 006100 107107 121503 904999	1
107	BACB30NM3K3	.BOLT		002004 006100 107107 121503 904999	3
108	AN960KD10	.WASHER		002004 006100 107107 121503 904999	3
109	BRH10C3D	.NUT	SUPPLIER CODE: V52828 SPECIFICATION NUMBER: BACN10JC3CD OPTIONAL PART: T6C1032JCD V11815 NS202486-02 V80539 102LH9075-3W V72962 H51650-3BAC V15653	002004 006100 107107 121503 904999	3

MISSING ITEM NUMBERS NOT APPLICABLE

- ITEM NOT ILLUSTRATED

27-81-02-01

27-81-02  
FIG. 01  
PAGE 11  
JAN 20/09

BRI



757

PARTS CATALOG (MAINTENANCE)

FIG ITEM	PART NUMBER	1 2 3 4 5 6 7	NOMENCLATURE	EFFECT FROM TO	UNITS PER ASSY
1					
110	114N4044-57		.SEAL- POSITION DATA: LH SIDE ALTERED FROM PART NUMBER: 10-60754-491	002004 006100 107107 121503 904999	1
116	114N4044-39		.RETAINER	002004 006100 107107 121503 904999	1
118	BACB30NN3K4		.BOLT	002004 006100 107107 121503 904999	6
118A	BACB30NN3K4		.BOLT	002004 006100 107107 121503 904999	10
118B	BACB30NN3K6		.BOLT	002004 006100 107107 121503 904999	5
118C	BACB30NN3K6		.BOLT	002004 006100 107107 121503 904999	1
118D	BACB30NM3K5		.BOLT	002004 006100 107107 121503 904999	3
118F	BACB30NM3K3		.BOLT	002004 006100 107107 121503 904999	2
118G	BACB30NR3K5		.BOLT	002004 006100 107107 121503 904999	5

MISSING ITEM NUMBERS NOT APPLICABLE

- ITEM NOT ILLUSTRATED

BRI

27-81-02-01

BOEING PROPRIETARY - Copyright © - Unpublished Work - See title page for details.

27-81-02  
FIG. 01  
PAGE 12  
JAN 20/09

**BOEING**  
757  
PARTS CATALOG (MAINTENANCE)

FIG ITEM	PART NUMBER	1 2 3 4 5 6 7	NOMENCLATURE	EFFECT FROM TO	UNITS PER ASSY
1 119	AN960KD10	.	WASHER	002004 006100 107107 121503 904999	5
119B	AN960KD10	.	WASHER	002004 006100 107107 121503 904999	10
119C	BRH10C3D	.	NUT SUPPLIER CODE: V52828 SPECIFICATION NUMBER: BACN10JC3CD OPTIONAL PART: T6C1032JCD V11815 NS202486-02 V80539 102LH9075-3W V72962 H51650-3BAC V15653	002004 006100 107107 121503 904999	5
120	114N4045-83	.	RETAINER	002004 006100 107107 121503 904999	1
121	114N4045-61	.	RETAINER	002004 006100 107107 121503 904999	1
122	114N4045-113	.	RETAINER- POSITION DATA: LH SIDE	002004 006100 107107 121503 904999	1
- 123	114N4045-114	.	RETAINER- POSITION DATA: RH SIDE	002004 006100 107107 121503 904999	1
124	114N4045-87	.	RETAINER- POSITION DATA: LH SIDE	002004 006100 107107 121503 904999	1

MISSING ITEM NUMBERS NOT APPLICABLE

- ITEM NOT ILLUSTRATED

BRI

# 27-81-02-01

BOEING PROPRIETARY - Copyright © - Unpublished Work - See title page for details.

27-81-02  
FIG. 01  
PAGE 13  
JAN 20/09



757

PARTS CATALOG (MAINTENANCE)

FIG ITEM	PART NUMBER	1 2 3 4 5 6 7	NOMENCLATURE	EFFECT FROM TO	UNITS PER ASSY
1					
124	114N4045-117		.RETAINER- POSITION DATA: LH SIDE	002004 006100 107107 121503 904999	1
128	114N4045-69		.SEAL- POSITION DATA: LH SIDE	002004 006100 107107 121503 904999	1
129	114N4045-63		.SHIELD-EROSION ALTERED FROM PART NUMBER: 114N4081-4 MANUFACTURED FROM: 114N4081-4 FOR SPARES PROCURE: 114N4081-4	002004 006100 107107 121503 904999	1
129	114N4045-135		.SHIELD-EROSION ALTERED FROM PART NUMBER: 114N4081-4 FOR SPARES PROCURE: 114N4081-4	002004 006100 107107 121503 904999	1
130	114N4045-71		.SEAL- POSITION DATA: LH SIDE ALTERED FROM PART NUMBER: 10-60754-483	002004 006100 107107 121503 904999	1
130	114N4045-119		.SEAL- POSITION DATA: LH SIDE ALTERED FROM PART NUMBER: 10-60754-483 MANUFACTURED FROM: 10-60754-483	002004 006100 107107 121503 904999	1
136	114N4045-111		.SHIELD-EROSION POSITION DATA: LH SIDE ALTERED FROM PART NUMBER: 114N4081-9 MANUFACTURED FROM: 114N4081-9 FOR SPARES PROCURE: 114N4081-9	002004 006100 107107 121503 904999	1
138	114N4152-5		.RETAINER ASSY-	002004 006100 107107 121503 904999	1

MISSING ITEM NUMBERS NOT APPLICABLE

- ITEM NOT ILLUSTRATED

27-81-02-01

27-81-02  
FIG. 01  
PAGE 14  
JAN 20/09

BRI

BOEING PROPRIETARY - Copyright © - Unpublished Work - See title page for details.





757

PARTS CATALOG (MAINTENANCE)

FIG ITEM	PART NUMBER	1 2 3 4 5 6 7	NOMENCLATURE	EFFECT FROM TO	UNITS PER ASSY
1					
140	114N4153-3		.TEE-ATTACH POSITION DATA: LH SIDE	002004 006100 107107 121503 904999	1
141	114N4045-125		.SEAL-BLADE ALTERED FROM PART NUMBER: 10-60754-76	002004 006100 107107 121503 904999	1
142	114N4046-45		.RETAINER	002004 006100 107107 121503 904999	1
143	114N4046-29		.RETAINER	002004 006100 107107 121503 904999	1
147	114N4046-9		.SEAL- POSITION DATA: LH SIDE ALTERED FROM PART NUMBER: 10-60754-319 MANUFACTURED FROM: EXTR RUBBER 10-60754-319 117.0 IN.	002004 006100 107107 121503 904999	1
150	114N4046-11		.SEAL- POSITION DATA: LH SIDE ALTERED FROM PART NUMBER: 10-60754-319 MANUFACTURED FROM: EXTR RUBBER 10-60754-319 15.0 IN.	002004 006100 107107 121503 904999	1
160	114N4066-1		.SEAL- POSITION DATA: LH SIDE	002004 006100 107107 121503 904999	1
160	114N4066-3		.SEAL- POSITION DATA: LH SIDE	002004 006100 107107 121503 904999	1

MISSING ITEM NUMBERS NOT APPLICABLE

- ITEM NOT ILLUSTRATED

BRI

27-81-02-01

BOEING PROPRIETARY - Copyright © - Unpublished Work - See title page for details.

27-81-02  
FIG. 01  
PAGE 15  
JAN 20/09



757

PARTS CATALOG (MAINTENANCE)

FIG ITEM	PART NUMBER	1 2 3 4 5 6 7	NOMENCLATURE	EFFECT FROM TO	UNITS PER ASSY
1					
173	BACB30NR4K30	.	BOLT	002004 006100 107107 121503 904999	4
178	NAS43DD4-21	.	SPACER	002004 006100 107107 121503 904999	8
183	BACW10P186C	.	WASHER	002004 006100 107107 121503 904999	16
193	AN960KD416	.	WASHER	002004 006100 107107 121503 904999	8
198	BRH10C4D	.	NUT SUPPLIER CODE: V52828 SPECIFICATION NUMBER: BACN10JC4CD OPTIONAL PART: T6C428JCD V11815 NS202486-048 V80539 102LH9075-4W V72962 H51650-4BAC V15653	002004 006100 107107 121503 904999	4
265	BACP18BC02A06P	.	PIN-COTTER POST SERVICE BULLETIN: 57-0057	002004 006100 107107 904949 953999	2
265	MS24665-153	.	PIN-COTTER PRE SERVICE BULLETIN: 57-0057	002004 006100 904952	2
270	BACB30LE4DU19	.	BOLT- POST SERVICE BULLETIN: 57-0057	002004 006100 107107 904949 953999	2

MISSING ITEM NUMBERS NOT APPLICABLE

- ITEM NOT ILLUSTRATED

27-81-02-01

27-81-02  
FIG. 01  
PAGE 16  
JAN 20/09

BRI

BOEING PROPRIETARY - Copyright © - Unpublished Work - See title page for details.



757

PARTS CATALOG (MAINTENANCE)

FIG ITEM	PART NUMBER	1 2 3 4 5 6 7	NOMENCLATURE	EFFECT FROM TO	UNITS PER ASSY
1					
270	114N4052-1	.	BOLT ASSY- PRE SERVICE BULLETIN: 57-0057	002004 006100 904952	2
272	114N4052-2	..	BOLT	002004 006100 904952	1
275	MS15001-1	..	FITTING-LUBE	002004 006100 904952	1
290	BACW10BP4DP	.	WASHER-	002004 006100 107107 121503 904999	2
295	BACW10P250C	.	WASHER-	002004 006100 107107 121503 904999	8
300	114N4056-1	.	WASHER-	002004 006100 107107 121503 904999	4
305	BACW10BP4CD	.	WASHER-	002004 006100 107107 121503 904999	2
310	NAS1805-4N	.	NUT-	002004 006100 107107 121503 904999	2
315	ATF4SN	.	BEARING- SUPPLIER CODE: V21335 SPECIFICATION NUMBER: BACB10GH04N OPTIONAL PART: CRO4NAFC V92563 ATF04NSY V21335 POST SERVICE BULLETIN: 57-0057	002004 006100 107107 904949 953999	2

MISSING ITEM NUMBERS NOT APPLICABLE

- ITEM NOT ILLUSTRATED

BRI

27-81-02-01

BOEING PROPRIETARY - Copyright © - Unpublished Work - See title page for details.

27-81-02  
FIG. 01  
PAGE 17  
JAN 20/09



757

PARTS CATALOG (MAINTENANCE)

FIG ITEM	PART NUMBER	1 2 3 4 5 6 7	NOMENCLATURE	EFFECT FROM TO	UNITS PER ASSY
1 315	ATF4		.BEARING- SUPPLIER CODE: V60380 SPECIFICATION NUMBER: BACB10ET04 OPTIONAL PART: 4AFC614 V92563 YAFO4B V07484 PRE SERVICE BULLETIN: 57-0057	002004 006100 904952	2
320	114N4075-21		.DOOR-ACCESS POSITION DATA: LH SIDE  ATTACHING PARTS .BOLT	002004 006100 107107 121503 904999	1
- 330	BACB30NM3K6		.WASHER	002004 006100 107107 121503 904999	18
- 335	AN960KD10L		.DOOR-ACCESS POSITION DATA: LH SIDE	002004 006100 107107 121503 904999	18
345	114N4075-23		-----*----- .DOOR-ACCESS POSITION DATA: LH SIDE	002004 006100 107107 121503 904999	1
355	114N4075-25		.DOOR-ACCESS POSITION DATA: LH SIDE	002004 006100 107107 121503 904999	1
365	114N4075-27		.DOOR-ACCESS POSITION DATA: LH SIDE	002004 006100 107107 121503 904999	1

MISSING ITEM NUMBERS NOT APPLICABLE

- ITEM NOT ILLUSTRATED

BRI

27-81-02-01

BOEING PROPRIETARY - Copyright © - Unpublished Work - See title page for details.

27-81-02  
FIG. 01  
PAGE 18  
JAN 20/09



757

PARTS CATALOG (MAINTENANCE)

FIG ITEM	PART NUMBER	1 2 3 4 5 6 7	NOMENCLATURE	EFFECT FROM TO	UNITS PER ASSY
1			ATTACHING PARTS		
- 375	BACB30NM3K6		.BOLT	002004 006100 107107 121503 904999	20
- 380	AN960KD10L		.WASHER	002004 006100 107107 121503 904999	20
385	114N4075-29	-----*	.DOOR-ACCESS	002004 006100 107107 121503 904999	1
- 390	BACB30NM3K3		ATTACHING PARTS .BOLT	002004 006100 107107 121503 904999	14
- 395	AN960KD10L		.WASHER	002004 006100 107107 121503 904999	14
400	114N4075-31	-----*	.DOOR-ACCESS	002004 006100 107107 121503 904999	1
- 405	BACB30NM3K3		ATTACHING PARTS .BOLT	002004 006100 107107 121503 904999	15
- 410	AN960KD10L		.WASHER	002004 006100 107107 121503 904999	15
			-----*		

MISSING ITEM NUMBERS NOT APPLICABLE

- ITEM NOT ILLUSTRATED

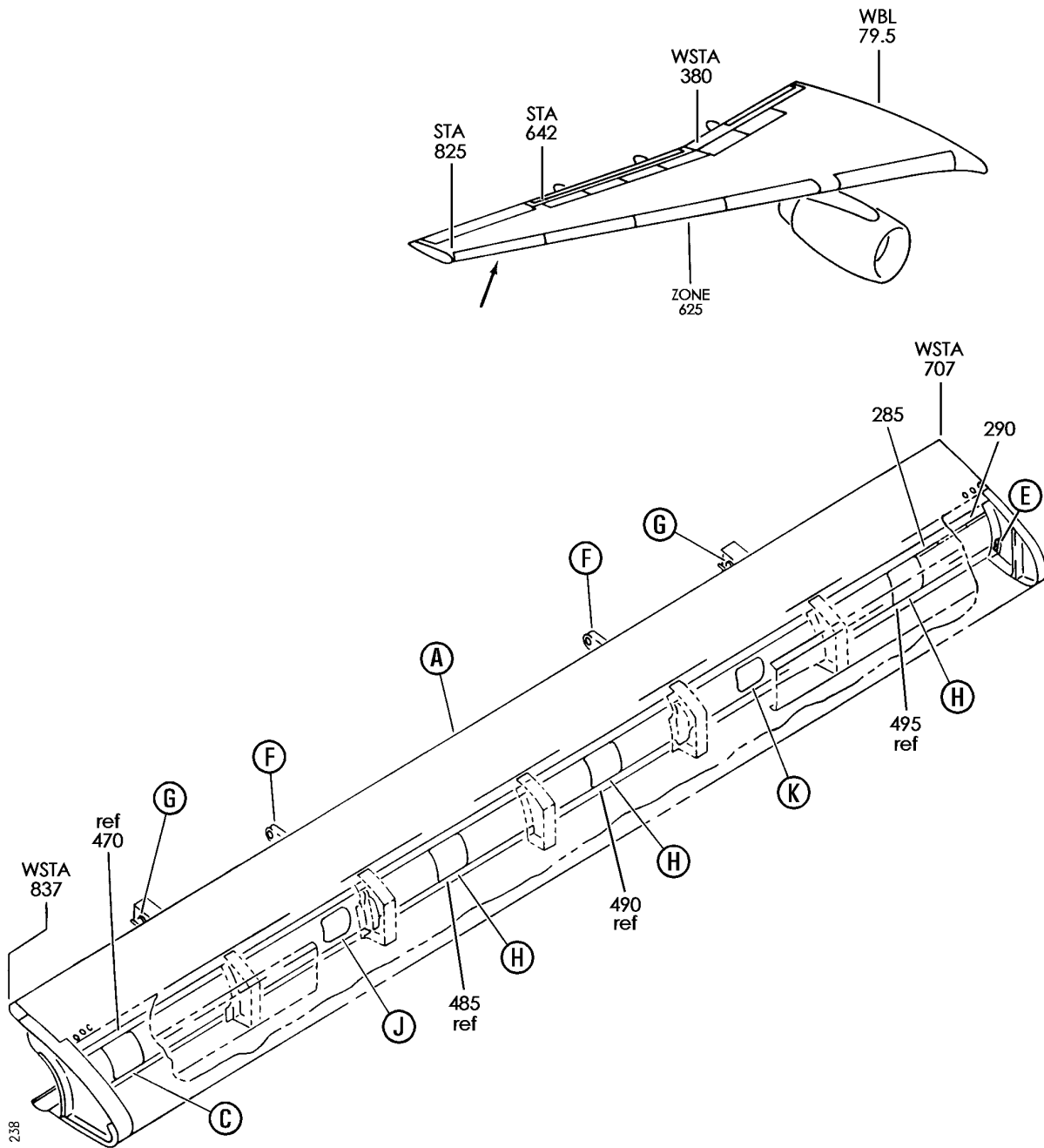
BRI

27-81-02-01

BOEING PROPRIETARY - Copyright © - Unpublished Work - See title page for details.

27-81-02  
FIG. 01  
PAGE 19  
JAN 20/09

**BOEING**  
757  
PARTS CATALOG (MAINTENANCE)



Y 27810201A SH1 1 REV 238

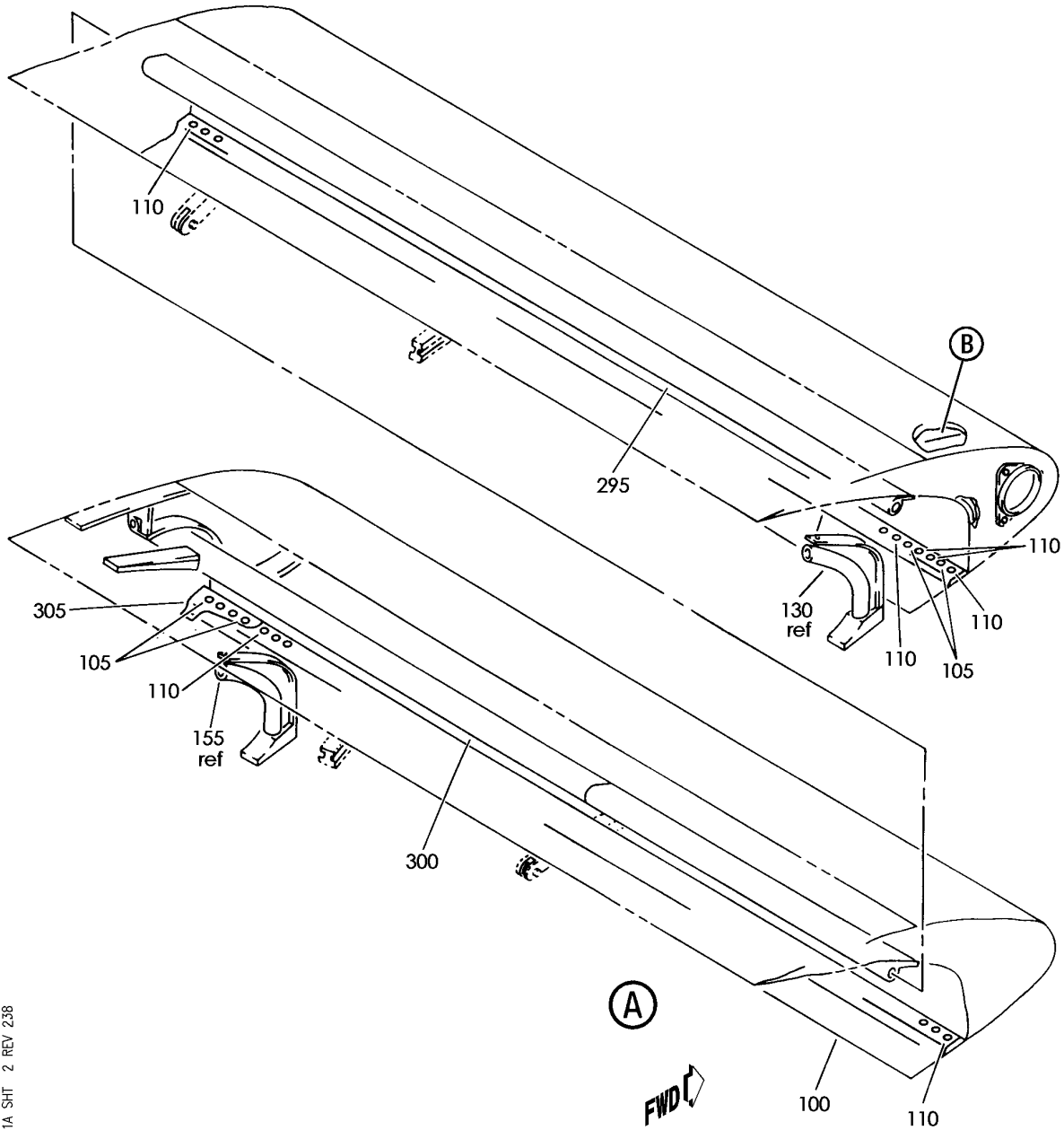
SLAT ASSY-NO. 10 OSS 707.00 TO 836.87 WING LE RH  
FIGURE 1A (SHEET 1)

**27-81-02-01A**

BRI  
MAY 28/07

27-81-02-01A  
PAGE 0

**BOEING**  
757  
PARTS CATALOG (MAINTENANCE)



Y 27810201A SHT 2 REV 238

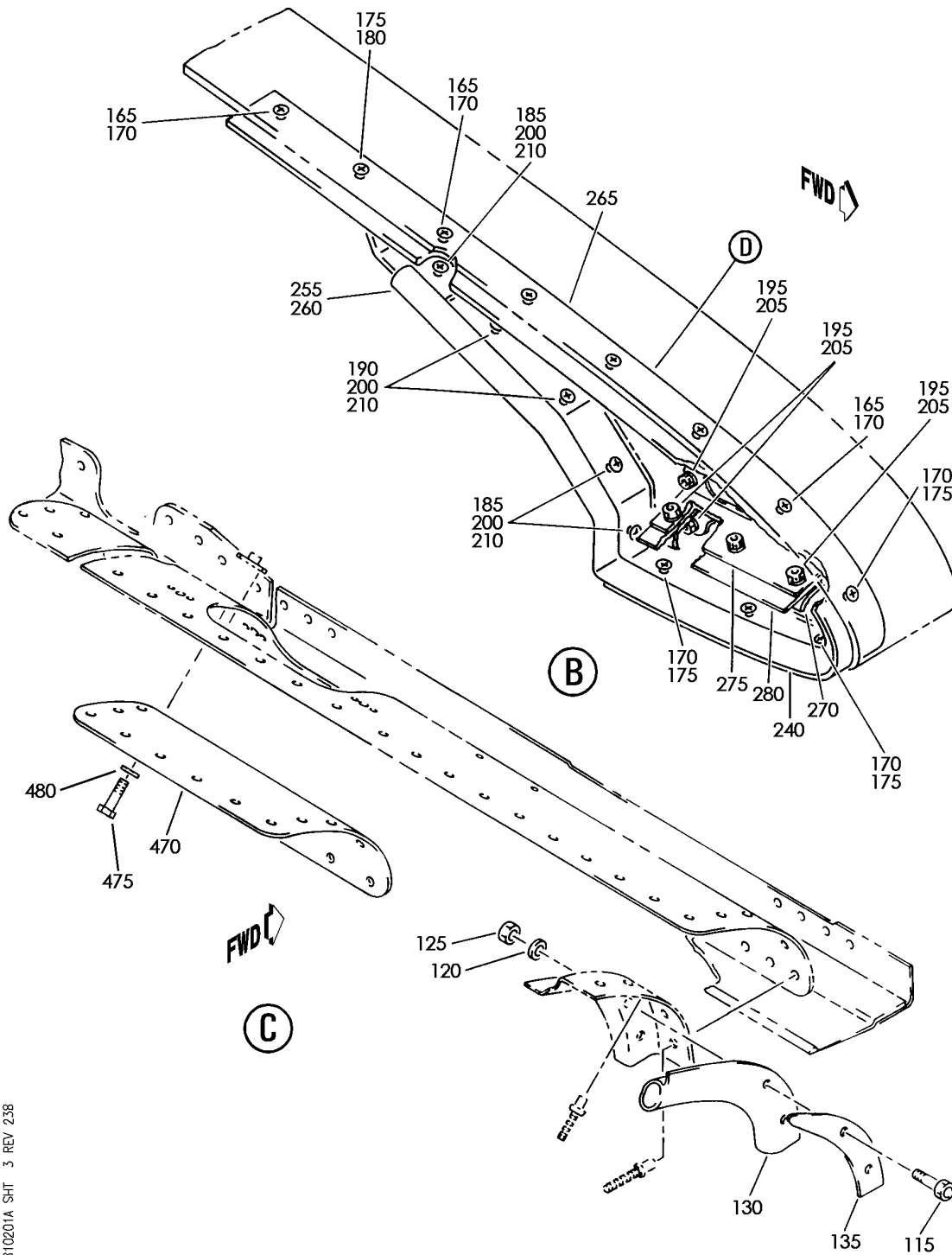
SLAT ASSY-NO. 10 OSS 707.00 TO 836.87 WING LE RH  
FIGURE 1A (SHEET 2)

**27-81-02-01A**

BRI  
MAY 28/07

27-81-02-01A  
PAGE 0A

**BOEING**  
757  
PARTS CATALOG (MAINTENANCE)



Y 27810201A SHT 3 REV 238

SLAT ASSY-NO. 10 OSS 707.00 TO 836.87 WING LE RH  
FIGURE 1A (SHEET 3)

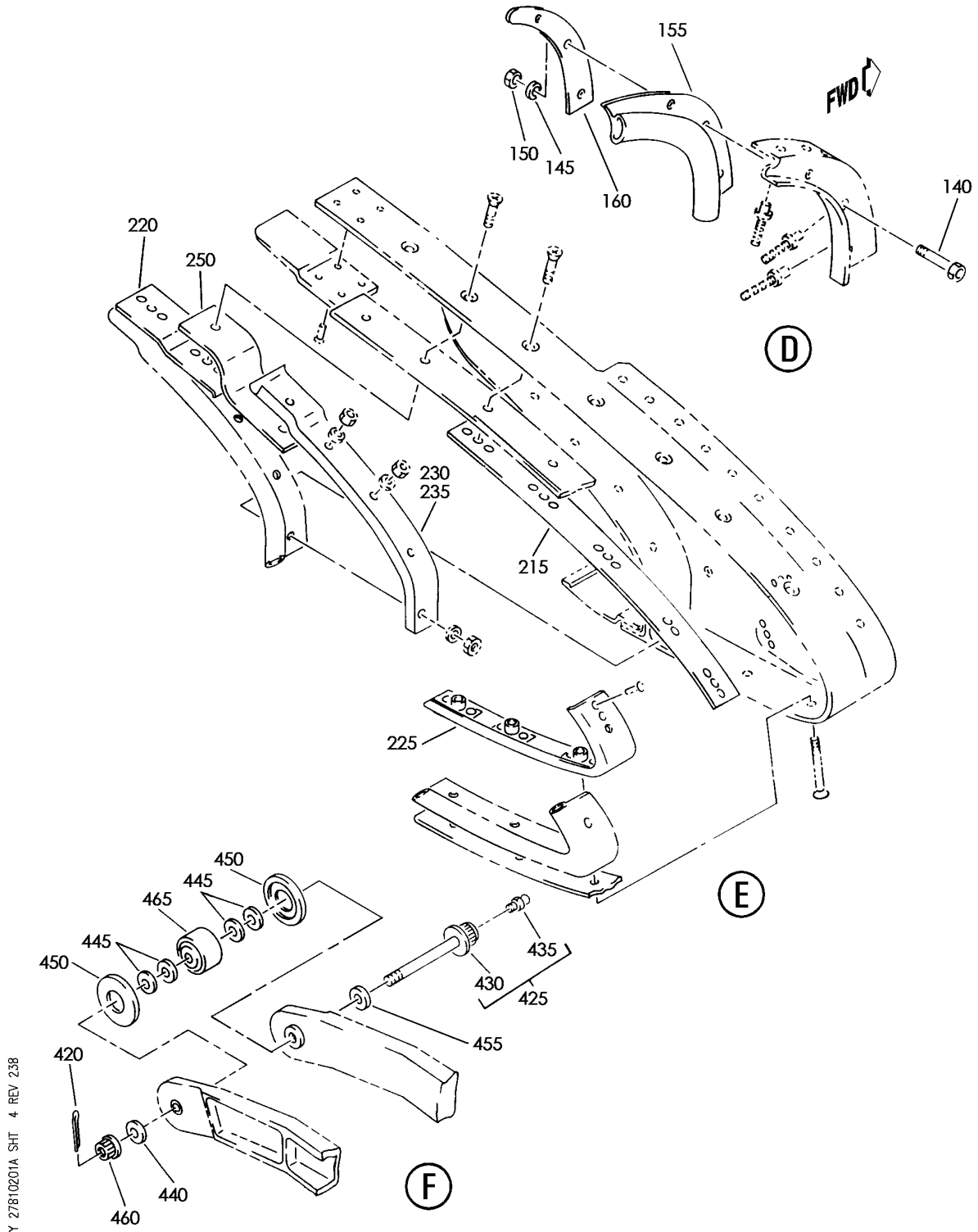
**27-81-02-01A**

BRI  
MAY 28/07

27-81-02-01A  
PAGE 0B



**BOEING**  
757  
PARTS CATALOG (MAINTENANCE)



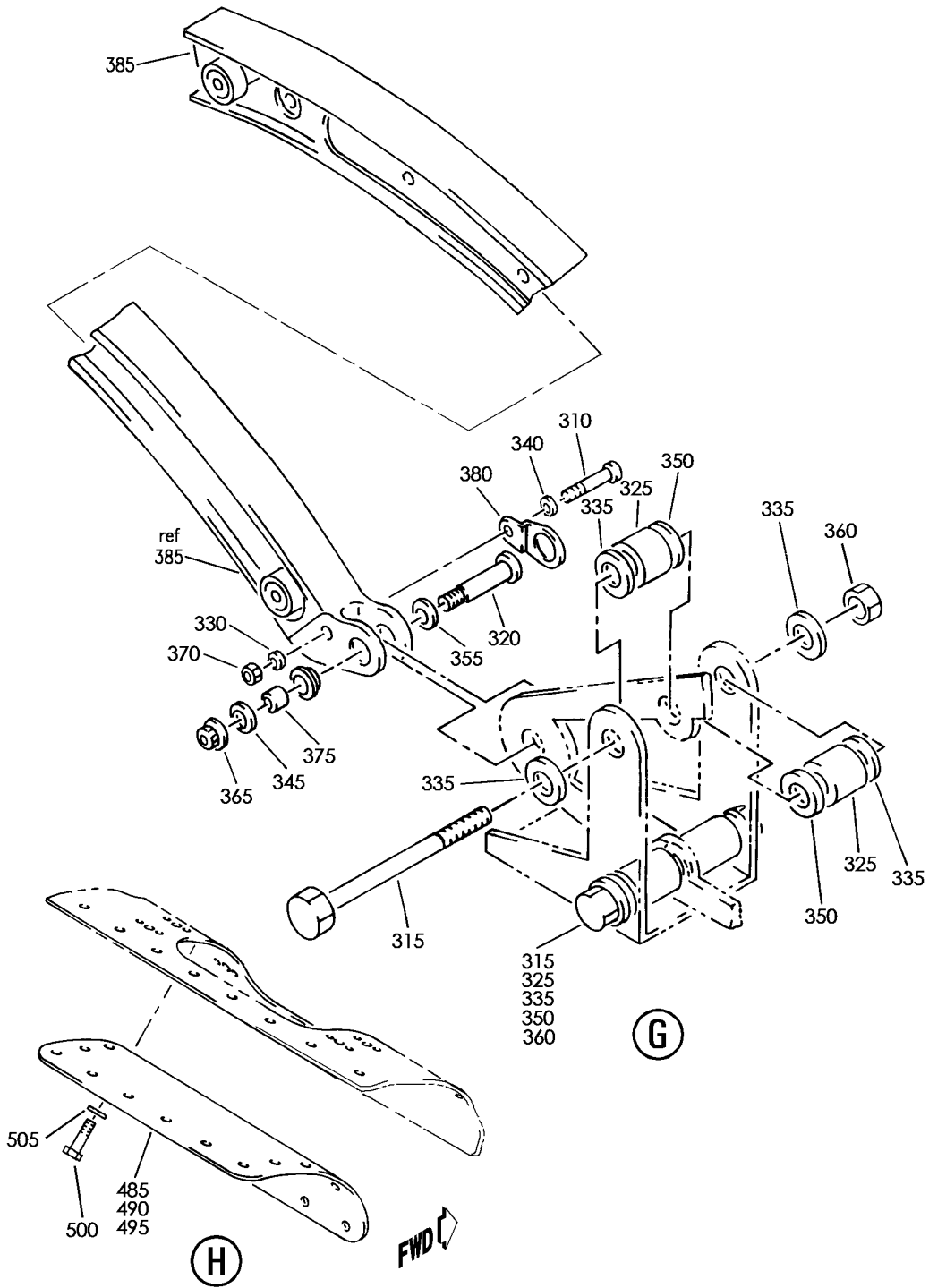
SLAT ASSY-NO. 10 OSS 707.00 TO 836.87 WING LE RH  
FIGURE 1A (SHEET 4)

**27-81-02-01A**

BRI  
MAY 28/07

27-81-02-01A  
PAGE 0C

**BOEING**  
757  
PARTS CATALOG (MAINTENANCE)



Y 27810201A SHT 5 REV 248

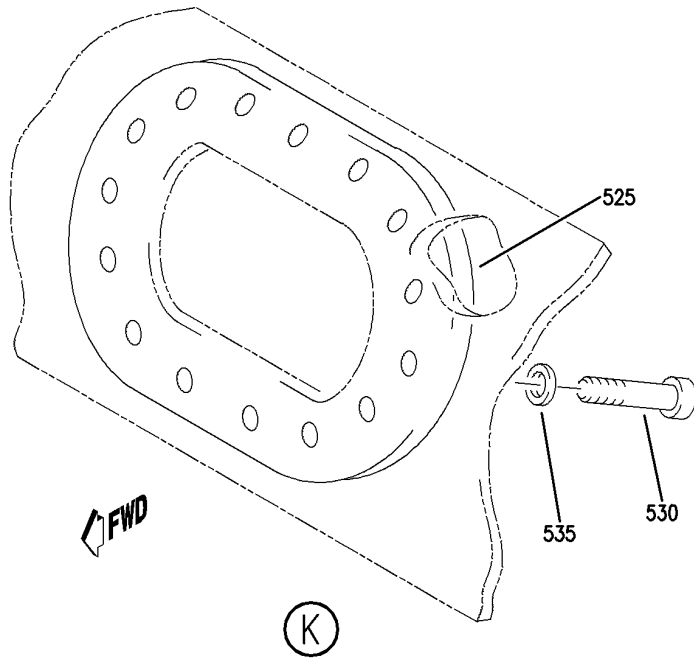
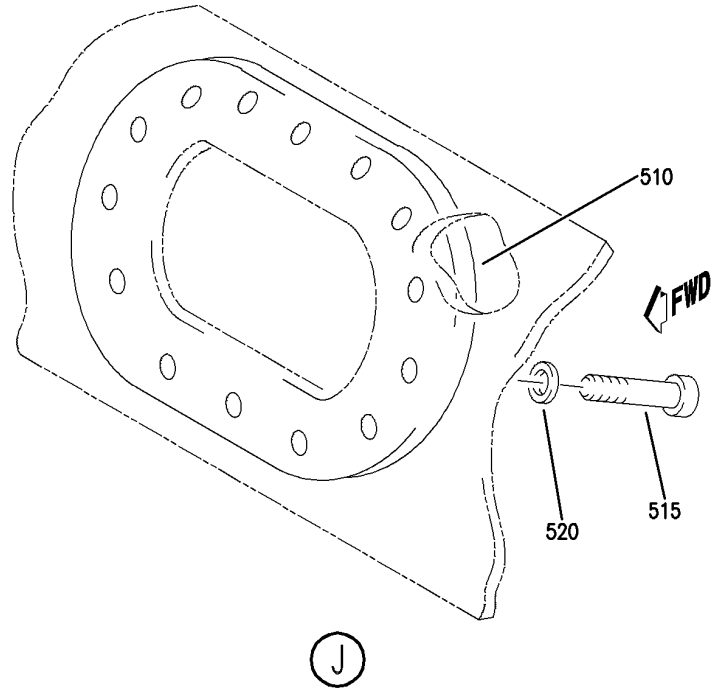
SLAT ASSY-NO. 10 OSS 707.00 TO 836.87 WING LE RH  
FIGURE 1A (SHEET 5)

**27-81-02-01A**

BRI  
MAY 28/07

27-81-02-01A  
PAGE 0D

**BOEING**  
757  
PARTS CATALOG (MAINTENANCE)



Y 27810201A SHT 6 REV 238

SLAT ASSY-NO. 10 OSS 707.00 TO 836.87 WING LE RH  
FIGURE 1A (SHEET 6)

**27-81-02-01A**

BRI  
MAY 28/07

27-81-02-01A  
PAGE 0E



757

PARTS CATALOG (MAINTENANCE)

FIG ITEM	PART NUMBER	1 2 3 4 5 6 7	NOMENCLATURE	EFFECT FROM TO	UNITS PER ASSY
1 A			SLAT ASSY-NO. 10 OSS 707.00 TO 836.87 WING LE RH	002004 006100 107107 121503 904999	
- 10	114N4002-170SP		SLAT ASSY-NO. 10 WING LE POSITION DATA: OSS 707.00 TO 836.37 RH COMPONENT MAINT MANUAL REF: 57-43-14 QUALIFIED I/W DATA: -170SP I/W -158SP OR -164SP OR -160SP OR -172SP IF S/B 757 -57-0057 IS INCORPORATED ON -158SP OR -164SP OR -160SP OR -172SP. -170SP I/W -156SP OR -154SP OR -148SP OR -132 IF S/B 757-57-0057 IS INCORPORATED ON -156SP OR -154SP OR -148SP OR -132 -170SP CAN REPLACE BUT NOT BE REPLACED BY -138 OR -122 OR -114 OR -110 OR -2 SUBJECT TO CUSTOMER COLOR PREFERENCE -170SP MAY REPLACE -160SP. -160SP MAY REPLACE -170SP AFTER INCORPORATION OF S/B 757-57-0057 FOR NHA SEE: 27-81-02-05A	002004 006100 107107 121503 904999	RF

MISSING ITEM NUMBERS NOT APPLICABLE

- ITEM NOT ILLUSTRATED

**27-81-02-01A**

27-81-02  
FIG. 01A  
PAGE 1  
JAN 20/09

BRI



757

PARTS CATALOG (MAINTENANCE)

FIG ITEM	PART NUMBER	1 2 3 4 5 6 7	NOMENCLATURE	EFFECT FROM TO	UNITS PER ASSY
1 A - 12	114N4002-132		SLAT ASSY-NO. 10 WING LE POSITION DATA: OSS 707-00 TO 836.37 COMPONENT MAINT MANUAL REF: 57-43-14 QUALIFIED I/W DATA: -132 I/W -172SP IF S/B 757-57A0038 OR S/B 757 -57A0045 IS INCORPORATED -170SP I/W -132 IF -132 IS REWORKED PER S/B 757-57-0057. -132 MAY BE REPLACED BY -164A OR -160A OR -158A OR -166SP OR -156SP OR -154SP SUBJECT TO COLOR PREFERENCE FOR NHA SEE: 27-81-02-05A	002004 107107 121503 904949 952952	RF
- 12	114N4002-172SP		SLAT ASSY-NO. 10 WING LE POSITION DATA: OSS 707.00 TO 836.37 RH COMPONENT MAINT MANUAL REF: 57-43-14 QUALIFIED I/W DATA: -172SP CAN REPLACE OR BE REPLACED BY -138 OR -122 OR -114 OR -110 OR -2. HOWEVER -138 OR -122 OR -114 OR -110 OR -2 CAN BE USED ONLY IF THE AIRPLANE IS RESTRICTED TO 241K MTGW. -172SP I/W -148SP OR -132 IF S/B 757-57A0045 IS INCORPORATED ON -148SP OR -132 FOR NHA SEE: 27-81-02-05A	002004 006100 107107 121503 904999	RF

MISSING ITEM NUMBERS NOT APPLICABLE

- ITEM NOT ILLUSTRATED

BRI

**27-81-02-01A**

BOEING PROPRIETARY - Copyright © - Unpublished Work - See title page for details.

27-81-02  
FIG. 01A  
PAGE 2  
JAN 20/09



757

PARTS CATALOG (MAINTENANCE)

FIG ITEM	PART NUMBER	1 2 3 4 5 6 7	NOMENCLATURE	EFFECT FROM TO	UNITS PER ASSY
1A - 12	114N4002-132		SLAT ASSY-NO. 10 WING LE POSITION DATA: OSS 707.00 TO 836.37 RH COMPONENT MAINT MANUAL REF: 57-43-14 QUALIFIED I/W DATA: -132 CAN REPLACE OR BE REPLACED BY -138 OR -122 OR -114 OR -110 OR -2. HOWEVER -138 OR -122 OR -114 OR -110 OR -2 CAN BE USED ONLY IF THE AIRPLANE IS RESTRICTED TO 241K MTGW. -132 MAY BE REPLACED BY -164A OR -160A OR -158A OR -166SP OR -156SP OR -154SP OR -148SP SUBJECT TO COLOR PREFERENCE. PRE ALERT SB: 57A0038R4 REWORKED BY ALERT SB: 57A0045R1 FOR NHA SEE: 27-81-02-05A	002004 107107 121503 904949 952952	RF
- 15	114N4002-164SP		SLAT ASSY-NO. 10 WING LE POSITION DATA: OSS 707.00 TO 836.37 RH COMPONENT MAINT MANUAL REF: 57-43-14 QUALIFIED I/W DATA: -170SP I/W -158SP OR -164SP OR -160SP OR -172SP IF S/B 757-57 -0057 IS INCORPORATED ON -158SP OR -164SP OR -160SP OR -172SP. FOR NHA SEE: 27-81-02-05A	002004 006100 107107 121503 904999	RF

MISSING ITEM NUMBERS NOT APPLICABLE

- ITEM NOT ILLUSTRATED

BRI

**27-81-02-01A**

BOEING PROPRIETARY - Copyright © - Unpublished Work - See title page for details.

27-81-02  
FIG. 01A  
PAGE 3  
JAN 20/09



757

PARTS CATALOG (MAINTENANCE)

FIG ITEM	PART NUMBER	1 2 3 4 5 6 7	NOMENCLATURE	EFFECT FROM TO	UNITS PER ASSY
1 A - 15	114N4002-158SP		SLAT ASSY-NO. 10 WING LE POSITION DATA: OSS 707.00 TO 836.37 RH COMPONENT MAINT MANUAL REF: 57-43-14 QUALIFIED I/W DATA: -170SP I/W -158SP OR -164SP OR -160SP OR -172SP IF S/B 757-57-0057 IS INCORPORATED ON -158SP OR -164SP OR -160SP OR -172SP FOR NHA SEE: 27-81-02-05A	002004 006100 107107 121503 904999	RF

MISSING ITEM NUMBERS NOT APPLICABLE

- ITEM NOT ILLUSTRATED

BRI

# 27-81-02-01A

BOEING PROPRIETARY - Copyright © - Unpublished Work - See title page for details.

27-81-02  
FIG. 01A  
PAGE 4  
JAN 20/09



757

PARTS CATALOG (MAINTENANCE)

FIG ITEM	PART NUMBER	1 2 3 4 5 6 7 NOMENCLATURE	EFFECT FROM TO	UNITS PER ASSY
1 A - 15	114N4002-148SP	SLAT ASSY-NO. 10 WING LE POSITION DATA: OSS 707.00 TO 836.37 RH COMPONENT MAINT MANUAL REF: 57-43-14 QUALIFIED I/W DATA: -154SP AND -148SP ARE CONDITIONALLY INTERCHANGEABLE PER THE REQUIREMENTS OF S/B757-57-0043 AND S/B757-57A0045 -170SP I/W -156SP OR -154SP OR -148SP OR -132 IF S/B 757-57-0057 IS INCORPORATED ON -156SP OR -154SP OR -148SP OR -132. -148SP I/W -172SP OR -160SP IF S/B757-57-0043 OR S/B 757-57A0045 IS INCORPORATED ON -148SP -148SP CAN REPLACE OR BE REPLACED BY -138 OR -122 OR -114 OR -110 OR -2. HOWEVER -138 OR -122 OR -114 OR -110 OR -2 CAN BE USED ONLY IF THE AIRPLANE IS RESTRICTED TO 241K MTGW 114N4002-134 INTERCHANGEABLE WITH 114N4002-148SP SUBJECT TO CUSTOMER COLOR PREFERENCE 114N4002-136 INTERCHANGEABLE WITH 114N4002-148SP SUBJECT TO CUSTOMER COLOR PREFERENCE POST ALERT SB: 57A0038R4 REWORKED BY ALERT SB: 57A0045R1 FOR NHA SEE: 27-81-02-05A	002004 107107 121503 904949 952952	RF

MISSING ITEM NUMBERS NOT APPLICABLE

- ITEM NOT ILLUSTRATED

**27-81-02-01A**

27-81-02  
FIG. 01A  
PAGE 5  
JAN 20/09

BRI





757

PARTS CATALOG (MAINTENANCE)

FIG ITEM	PART NUMBER	1 2 3 4 5 6 7 NOMENCLATURE	EFFECT FROM TO	UNITS PER ASSY
1 A - 15	114N4002-154SP	SLAT ASSY-NO. 10 WING LE POSITION DATA: OSS 707.00 TO 836.37 RH COMPONENT MAINT MANUAL REF: 57-43-14 QUALIFIED I/W DATA: -154SP CAN REPLACE OR BE REPLACED BY -138 OR -122 OR -114 OR -110 OR -2. HOWEVER -138 OR -122 OR -114 OR -110 OR -2 CAN BE USED ONLY IF THE AIRPLANE IS RESTRICTED TO 241K MTGW -154SP AND -148SP ARE CONDITIONALLY INTERCHANGEABLE PER THE REQUIREMENTS OF S/B 757-57-0043 AND S/B 757-57A0045 -170SP I/W -156SP OR -154SP OR -148SP OR -132 IF S/B 757-57-0057 IS INCORPORATED ON -156SP OR -154SP OR -148SP OR -132 FOR NHA SEE: 27-81-02-05A	002004 006100 107107 121503 904999	RF

MISSING ITEM NUMBERS NOT APPLICABLE

- ITEM NOT ILLUSTRATED

BRI

27-81-02-01A

BOEING PROPRIETARY - Copyright © - Unpublished Work - See title page for details.

27-81-02  
FIG. 01A  
PAGE 6  
JAN 20/09



757

PARTS CATALOG (MAINTENANCE)

FIG ITEM	PART NUMBER	1 2 3 4 5 6 7	NOMENCLATURE	EFFECT FROM TO	UNITS PER ASSY
1 A - 15	114N4002-156SP		SLAT ASSY-NO. 10 WING LE POSITION DATA: OSS 707.00 TO 836.37 RH COMPONENT MAINT MANUAL REF: 57-43-14 QUALIFIED I/W DATA: -170SP I/W -156SP IF S/B 757-57-0057 IS INCORPORATED ON THE -156SP. -156SP I/W -148SP OR -132 IF S/B 757-57A0045 IS INCORPORATED ON THE -148SP OR -132 -156SP CAN REPLACE OR BE REPLACED BY -138 OR -122 OR -114 OR -110 OR -2. HOWEVER -138 OR -122 OR -114 OR -110 OR -2 CAN BE USED ONLY IF THE AIRPLANE IS RESTRICTED TO 241K MTGW. FOR NHA SEE: 27-81-02-05A	002004 006100 107107 121503 904999	RF
- 15	114N4002-160SP		SLAT ASSY-NO. 10 WING LE POSITION DATA: OSS 707.00 TO 838.37 RH COMPONENT MAINT MANUAL REF: 57-43-14 QUALIFIED I/W DATA: -170SP MAY REPLACE -160SP. -160SP MAY REPLACE -170SP AFTER INCORPORATION OF S/B 757-57-0057 -148SP I/W -172SP OR -160SP IF S/B757-57-0043 OR S/B 757-57A0045 IS INCORPORATED ON -148SP FOR NHA SEE: 27-81-02-05A	002004 006100 107107 121503 904999	RF

MISSING ITEM NUMBERS NOT APPLICABLE

- ITEM NOT ILLUSTRATED

BRI

27-81-02-01A

BOEING PROPRIETARY - Copyright © - Unpublished Work - See title page for details.

27-81-02  
FIG. 01A  
PAGE 7  
JAN 20/09



757

PARTS CATALOG (MAINTENANCE)

FIG ITEM	PART NUMBER	1 2 3 4 5 6 7	NOMENCLATURE	EFFECT FROM TO	UNITS PER ASSY
1 A - 25	114N4002-172SP		SLAT ASSY-NO. 10 WING LE POSITION DATA: OSS 707.00 TO 836.37 RH COMPONENT MAINT MANUAL REF: 57-43-14 QUALIFIED I/W DATA: -172SP I/W -170SP IF 757-57-0057 IS INCORPORATED ON THE -172SP. -172SP I/W -148SP OR -132 IF S/B 757-57A0045 IS INCORPORATED ON -148SP OR -132 -172SP CAN REPLACE OR BE REPLACED BY -138 OR -122 OR -114 OR -110 OR -2. HOWEVER -138 OR -122 OR -114 OR -110 OR -2 CAN BE USED ONLY IF THE AIRPLANE IS RESTRICTED TO 241K MTGW. -188SP MAY REPLACE -172SP. -172SP MAY REPLACE -188SP AFTER INCORPORATION OF S/B 757-57-0057. FOR NHA SEE: 27-81-02-05A	002004 006100 107107 121503 904999	RF
- 25	114N4002-188SP		SLAT ASSY-NO. 10 WING LE POSITION DATA: OSS 707.00 TO 836.37 RH COMPONENT MAINT MANUAL REF: 57-43-14 QUALIFIED I/W DATA: -188SP CAN REPLACE BUT NOT BE REPLACED BY -138 OR -122 OR -114 OR -110 OR -2 SUBJECT OT CUSTOMER COLOR PREFERENCE -188SP MAY REPLACE -172SP. -172SP MAY REPLACE -188SP AFTER INCORPORATION OF S/B 757-57-0057 FOR NHA SEE: 27-81-02-05A	002004 006100 107107 121503 904999	RF

MISSING ITEM NUMBERS NOT APPLICABLE

- ITEM NOT ILLUSTRATED

BRI

**27-81-02-01A**

BOEING PROPRIETARY - Copyright © - Unpublished Work - See title page for details.

27-81-02  
FIG. 01A  
PAGE 8  
JAN 20/09



757

PARTS CATALOG (MAINTENANCE)

FIG ITEM	PART NUMBER	1 2 3 4 5 6 7	NOMENCLATURE	EFFECT FROM TO	UNITS PER ASSY
1A					
100	114N4058-14	.	SKIN-FLEXIBLE POSITION DATA: LWR RH SIDE OPTIONAL PART: 114N4058-2	002004 006100 107107 121503 904999	1
100	114N4058-2	.	SKIN-FLEXIBLE POSITION DATA: LWR RH SIDE OPTIONAL PART: 114N4058-14 USED ON: 114N4002-104 USED ON: 114N4002-2 ATTACHING PARTS	002004 006100 107107 121503 904999	1
105	BACB30NN3K8	.	BOLT	002004 006100 107107 121503 904999	6
110	BACR15CE6AD	.	RIVET- SIZE DETERMINED ON INSTL.	002004 006100 107107 121503 904999	123
115	BACB30NM3K3	-----*	BOLT	002004 006100 107107 121503 904999	2
120	AN960KD10	.	WASHER	002004 006100 107107 121503 904999	2

MISSING ITEM NUMBERS NOT APPLICABLE

- ITEM NOT ILLUSTRATED

27-81-02-01A

27-81-02  
FIG. 01A  
PAGE 9  
JAN 20/09

BRI

BOEING PROPRIETARY - Copyright © - Unpublished Work - See title page for details.



757

PARTS CATALOG (MAINTENANCE)

FIG ITEM	PART NUMBER	1 2 3 4 5 6 7	NOMENCLATURE	EFFECT FROM TO	UNITS PER ASSY
1A 125	BRH10C3D	.	NUT SUPPLIER CODE: V52828 SPECIFICATION NUMBER: BACN10JC3CD OPTIONAL PART: T6C1032JCD V11815 NS202486-02 V80539 102LH9075-3W V72962 H51650-3BAC V15653	002004 006100 107107 121503 904999	2
130	114N4044-56	.	SEAL- POSITION DATA: RH SIDE ALTERED FROM PART NUMBER: 10-60754-491	002004 006100 107107 121503 904999	1
135	114N4044-37	.	RETAINER	002004 006100 107107 121503 904999	1
140	BACB30NM3K3	.	BOLT	002004 006100 107107 121503 904999	3
145	AN960KD10	.	WASHER	002004 006100 107107 121503 904999	3
150	BRH10C3D	.	NUT SUPPLIER CODE: V52828 SPECIFICATION NUMBER: BACN10JC3CD OPTIONAL PART: T6C1032JCD V11815 NS202486-02 V80539 102LH9075-3W V72962 H51650-3BAC V15653	002004 006100 107107 121503 904999	3

MISSING ITEM NUMBERS NOT APPLICABLE

- ITEM NOT ILLUSTRATED

27-81-02-01A

27-81-02  
FIG. 01A  
PAGE 10  
JAN 20/09

BRI

BOEING PROPRIETARY - Copyright © - Unpublished Work - See title page for details.



757

PARTS CATALOG (MAINTENANCE)

FIG ITEM	PART NUMBER	1 2 3 4 5 6 7	NOMENCLATURE	EFFECT FROM TO	UNITS PER ASSY
1A					
155	114N4044-58	.	SEAL- POSITION DATA: RH SIDE ALTERED FROM PART NUMBER: 10-60754-492	002004 006100 107107 121503 904999	1
160	114N4044-39	.	RETAINER	002004 006100 107107 121503 904999	1
170	BACB30NN3K4	.	BOLT	002004 006100 107107 121503 904999	10
180	BACB30NN3K6	.	BOLT	002004 006100 107107 121503 904999	1
185	BACB30NM3K5	.	BOLT	002004 006100 107107 121503 904999	3
190	BACB30NM3K3	.	BOLT	002004 006100 107107 121503 904999	2
195	BACB30NR3K5	.	BOLT	002004 006100 107107 121503 904999	5
205	AN960KD10	.	WASHER	002004 006100 107107 121503 904999	10

MISSING ITEM NUMBERS NOT APPLICABLE

- ITEM NOT ILLUSTRATED

BRI

27-81-02-01A

BOEING PROPRIETARY - Copyright © - Unpublished Work - See title page for details.

27-81-02  
FIG. 01A  
PAGE 11  
JAN 20/09

 **BOEING**  
757  
**PARTS CATALOG (MAINTENANCE)**

FIG ITEM	PART NUMBER	1 2 3 4 5 6 7	NOMENCLATURE	EFFECT FROM TO	UNITS PER ASSY
1A 210	BRH10C3D	.	NUT SUPPLIER CODE: V52828 SPECIFICATION NUMBER: BACN10JC3CD OPTIONAL PART: T6C1032JCD V11815 NS202486-02 V80539 102LH9075-3W V72962 H51650-3BAC V15653	002004 006100 107107 121503 904999	5
215	114N4045-83	.	RETAINER	002004 006100 107107 121503 904999	1
220	114N4045-61	.	RETAINER	002004 006100 107107 121503 904999	1
225	114N4045-114	.	RETAINER- POSITION DATA: RH SIDE	002004 006100 107107 121503 904999	1
235	114N4045-118	.	RETAINER- POSITION DATA: RH SIDE	002004 006100 107107 121503 904999	1
250	114N4045-63	.	SHIELD-EROSION ALTERED FROM PART NUMBER: 114N4081-4 MANUFACTURED FROM: 114N4081-4 FOR SPARES PROCURE: 114N4081-4	002004 006100 107107 121503 904999	1
250	114N4045-135	.	SHIELD-EROSION ALTERED FROM PART NUMBER: 114N4081-4 FOR SPARES PROCURE: 114N4081-4	002004 006100 107107 121503 904999	1

MISSING ITEM NUMBERS NOT APPLICABLE

— ITEM NOT ILLUSTRATED

BRI

# 27-81-02-01A

BOEING PROPRIETARY - Copyright © - Unpublished Work - See title page for details.

27-81-02  
FIG. 01A  
PAGE 12  
JAN 20/09



757

PARTS CATALOG (MAINTENANCE)

FIG ITEM	PART NUMBER	1 2 3 4 5 6 7	NOMENCLATURE	EFFECT FROM TO	UNITS PER ASSY
1A 255	114N4045-72	.	SEAL- POSITION DATA: RH SIDE ALTERED FROM PART NUMBER: 10-60754-484	002004 006100 107107 121503 904999	1
260	114N4045-120	.	SEAL- POSITION DATA: RH SIDE ALTERED FROM PART NUMBER: 10-60754-484	002004 006100 107107 121503 904999	1
265	114N4045-112	.	SHIELD-EROSION POSITION DATA: RH SIDE ALTERED FROM PART NUMBER: 114N4081-9 FOR SPARES PROCURE: 114N4081-9	002004 006100 107107 121503 904999	1
270	114N4152-5	.	RETAINER ASSY-	002004 006100 107107 121503 904999	1
275	114N4153-4	.	TEE-ATTACH POSITION DATA: RH SIDE	002004 006100 107107 121503 904999	1
280	114N4045-125	.	SEAL-BLADE ALTERED FROM PART NUMBER: 10-60754-76	002004 006100 107107 121503 904999	1
285	114N4046-45	.	RETAINER	002004 006100 107107 121503 904999	1
290	114N4046-29	.	RETAINER	002004 006100 107107 121503 904999	1

MISSING ITEM NUMBERS NOT APPLICABLE

- ITEM NOT ILLUSTRATED

27-81-02-01A

27-81-02  
FIG. 01A  
PAGE 13  
JAN 20/09

BRI

BOEING PROPRIETARY - Copyright © - Unpublished Work - See title page for details.





757

PARTS CATALOG (MAINTENANCE)

FIG ITEM	PART NUMBER	1 2 3 4 5 6 7	NOMENCLATURE	EFFECT FROM TO	UNITS PER ASSY
1A 295	114N4046-10		.SEAL- POSITION DATA: RH SIDE ALTERED FROM PART NUMBER: 10-60754-319 MANUFACTURED FROM: EXTR RUBBER 10-60754-319 117.0 IN.	002004 006100 107107 121503 904999	1
300	114N4046-12		.SEAL- POSITION DATA: RH SIDE ALTERED FROM PART NUMBER: 10-60754-319 MANUFACTURED FROM: EXTR RUBBER 10-60754-319 15.0 IN.	002004 006100 107107 121503 904999	1
305	114N4066-2		.SEAL- POSITION DATA: RH SIDE	002004 006100 107107 121503 904999	1
305	114N4066-4		.SEAL- POSITION DATA: RH SIDE	002004 006100 107107 121503 904999	1
315	BACB30NR4K30		.BOLT	002004 006100 107107 121503 904999	4
325	NAS43DD4-21		.SPACER	002004 006100 107107 121503 904999	8
335	BACW10P186C		.WASHER	002004 006100 107107 121503 904999	16
350	AN960KD416		.WASHER	002004 006100 107107 121503 904999	8

MISSING ITEM NUMBERS NOT APPLICABLE

- ITEM NOT ILLUSTRATED

BRI

27-81-02-01A

BOEING PROPRIETARY - Copyright © - Unpublished Work - See title page for details.

27-81-02  
FIG. 01A  
PAGE 14  
JAN 20/09



757

PARTS CATALOG (MAINTENANCE)

FIG ITEM	PART NUMBER	1 2 3 4 5 6 7	NOMENCLATURE	EFFECT FROM TO	UNITS PER ASSY
1 A 360	BRH10C4D	.	NUT SUPPLIER CODE: V52828 SPECIFICATION NUMBER: BACN10JC4CD OPTIONAL PART: T6C428JCD V11815 NS202486-048 V80539 102LH9075-4W V72962 H51650-4BAC V15653	002004 006100 107107 121503 904999	4
420	BACP18BC02A06P	.	PIN-COTTER POST SERVICE BULLETIN: 57-0057	002004 006100 107107 904949 953999	2
420	MS24665-153	.	PIN-COTTER PRE SERVICE BULLETIN: 57-0057	002004 006100 121503 904952	2
425	BACB30LE4DU19	.	BOLT- POST SERVICE BULLETIN: 57-0057	002004 006100 107107 904949 953999	2
425	114N4052-1	.	BOLT ASSY- PRE SERVICE BULLETIN: 57-0057	002004 006100 121503 904952	2
430	114N4052-2	..	BOLT	002004 006100 121503 904952	1
435	MS15001-1	..	FITTING-LUBE	002004 006100 121503 904952	1
440	BACW10BP4DP	.	WASHER-	002004 006100 107107 121503 904999	2

MISSING ITEM NUMBERS NOT APPLICABLE

- ITEM NOT ILLUSTRATED

27-81-02-01A

27-81-02  
FIG. 01A  
PAGE 15  
JAN 20/09

BRI

BOEING PROPRIETARY - Copyright © - Unpublished Work - See title page for details.

**BOEING**  
757  
PARTS CATALOG (MAINTENANCE)

FIG ITEM	PART NUMBER	1 2 3 4 5 6 7	NOMENCLATURE	EFFECT FROM TO	UNITS PER ASSY
1 A 445	BACW10P250C	.	WASHER-	002004 006100 107107 121503 904999	8
450	114N4056-1	.	WASHER-	002004 006100 107107 121503 904999	4
455	BACW10BP4CD	.	WASHER-	002004 006100 107107 121503 904999	2
460	NAS1805-4N	.	NUT-	002004 006100 107107 121503 904999	2
465	ATF4SN	.	BEARING- SUPPLIER CODE: V21335 SPECIFICATION NUMBER: BACB10GH04N OPTIONAL PART: CRO4NAFC V92563 ATF04NSY V21335 POST SERVICE BULLETIN: 57-0057	002004 006100 107107 904949 953999	2
465	ATF4	.	BEARING- SUPPLIER CODE: V60380 SPECIFICATION NUMBER: BACB10ET04 OPTIONAL PART: 4AFC614 V92563 YAF04B V07484 PRE SERVICE BULLETIN: 57-0057	002004 006100 121503 904952	2
470	114N4075-8501	.	DOOR-ACCESS POSITION DATA: RH SIDE	002004 006100 107107 121503 904999	1

MISSING ITEM NUMBERS NOT APPLICABLE

— ITEM NOT ILLUSTRATED

BRI

# 27-81-02-01A

BOEING PROPRIETARY - Copyright © - Unpublished Work - See title page for details.

27-81-02  
FIG. 01A  
PAGE 16  
JAN 20/09



757

PARTS CATALOG (MAINTENANCE)

FIG ITEM	PART NUMBER	1 2 3 4 5 6 7	NOMENCLATURE	EFFECT FROM TO	UNITS PER ASSY
1 A			ATTACHING PARTS		
- 475	BACB30NM3K6		.BOLT	002004 006100 107107 121503 904999	18
- 480	AN960KD10L		.WASHER	002004 006100 107107 121503 904999	18
485	114N4075-8503	-----*	.DOOR-ACCESS POSITION DATA: RH SIDE	002004 006100 107107 121503 904999	1
490	114N4075-8502		.DOOR-ACCESS POSITION DATA: RH SIDE	002004 006100 107107 121503 904999	1
495	114N4075-8504		.DOOR-ACCESS POSITION DATA: RH SIDE	002004 006100 107107 121503 904999	1
- 500	BACB30NM3K6		ATTACHING PARTS .BOLT	002004 006100 107107 121503 904999	60
- 505	AN960KD10L		.WASHER	002004 006100 107107 121503 904999	60
510	114N4075-29	-----*	.DOOR-ACCESS	002004 006100 107107 121503 904999	1

MISSING ITEM NUMBERS NOT APPLICABLE

- ITEM NOT ILLUSTRATED

BRI

27-81-02-01A

BOEING PROPRIETARY - Copyright © - Unpublished Work - See title page for details.

27-81-02  
FIG. 01A  
PAGE 17  
JAN 20/09



757

PARTS CATALOG (MAINTENANCE)

FIG ITEM	PART NUMBER	1 2 3 4 5 6 7	NOMENCLATURE	EFFECT FROM TO	UNITS PER ASSY
1 A			ATTACHING PARTS		
- 515	BACB30NM3K3		.BOLT	002004 006100 107107 121503 904999	14
- 520	AN960KD10L		.WASHER	002004 006100 107107 121503 904999	14
525	114N4075-31		-----*----- .DOOR-ACCESS	002004 006100 107107 121503 904999	1
- 530	BACB30NM3K3		ATTACHING PARTS .BOLT	002004 006100 107107 121503 904999	15
- 535	AN960KD10L		.WASHER	002004 006100 107107 121503 904999	15
			-----*-----		

MISSING ITEM NUMBERS NOT APPLICABLE

- ITEM NOT ILLUSTRATED

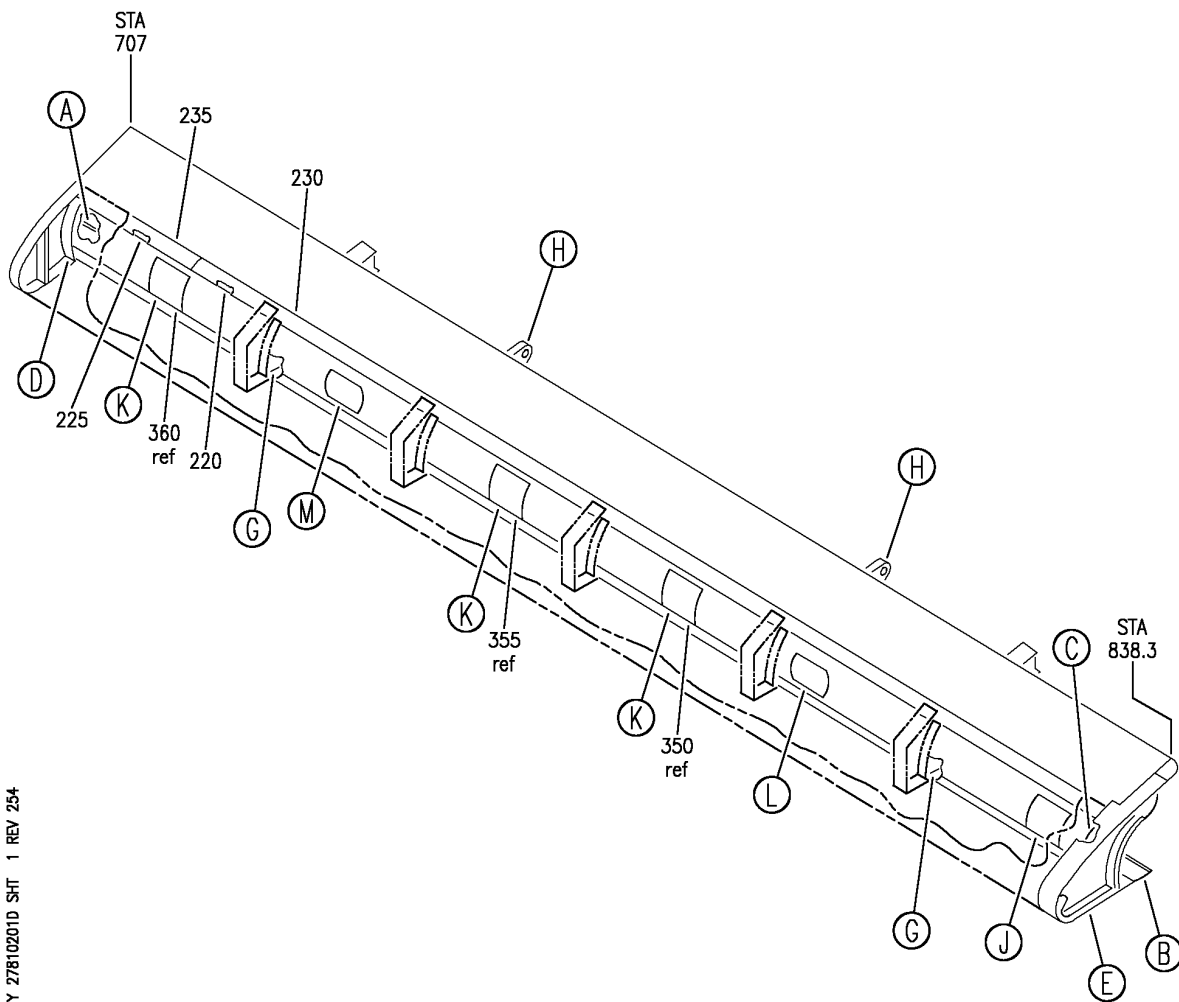
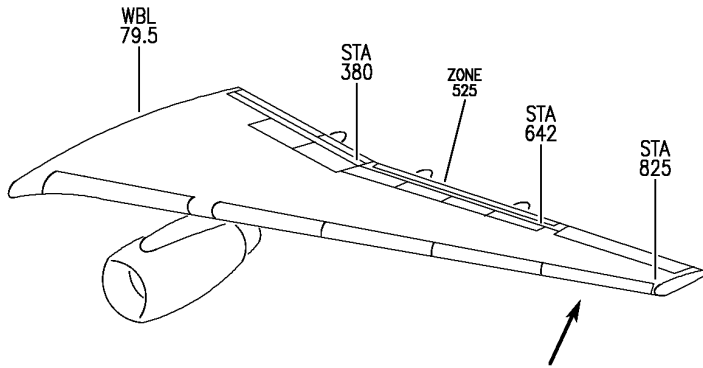
BRI

27-81-02-01A

BOEING PROPRIETARY - Copyright © - Unpublished Work - See title page for details.

27-81-02  
FIG. 01A  
PAGE 18  
JAN 20/09

**BOEING**  
757  
PARTS CATALOG (MAINTENANCE)



Y 27810201D SHT 1 REV 254

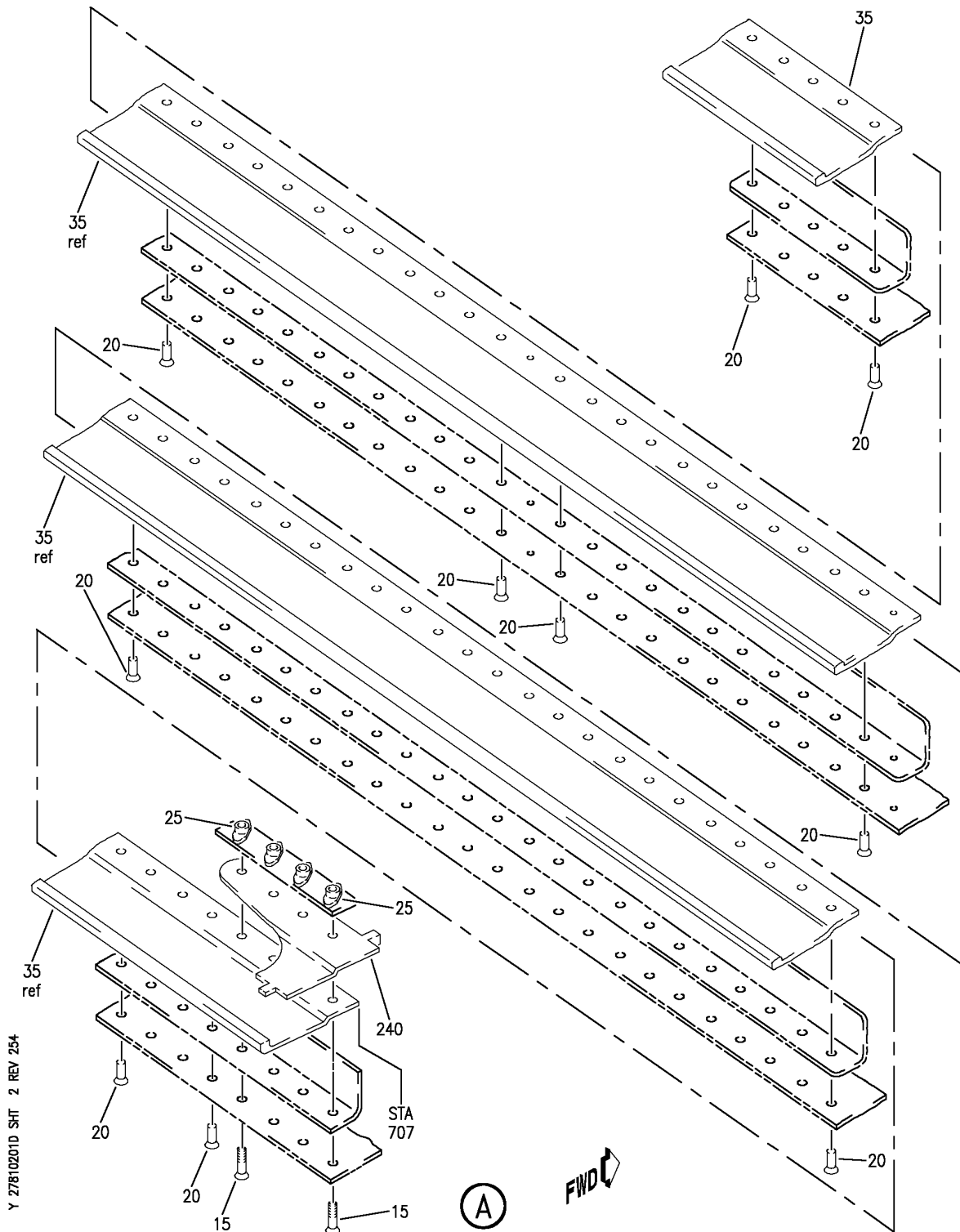
SLAT ASSY-NO. 1 OSS 707.00 TO 838.37 WING LE (LH)  
FIGURE 1D (SHEET 1)

**27-81-02-01D**

BRI  
MAY 28/07

27-81-02-01D  
PAGE 0

**BOEING**  
757  
PARTS CATALOG (MAINTENANCE)



Y 27810201D SHT 2 REV 254

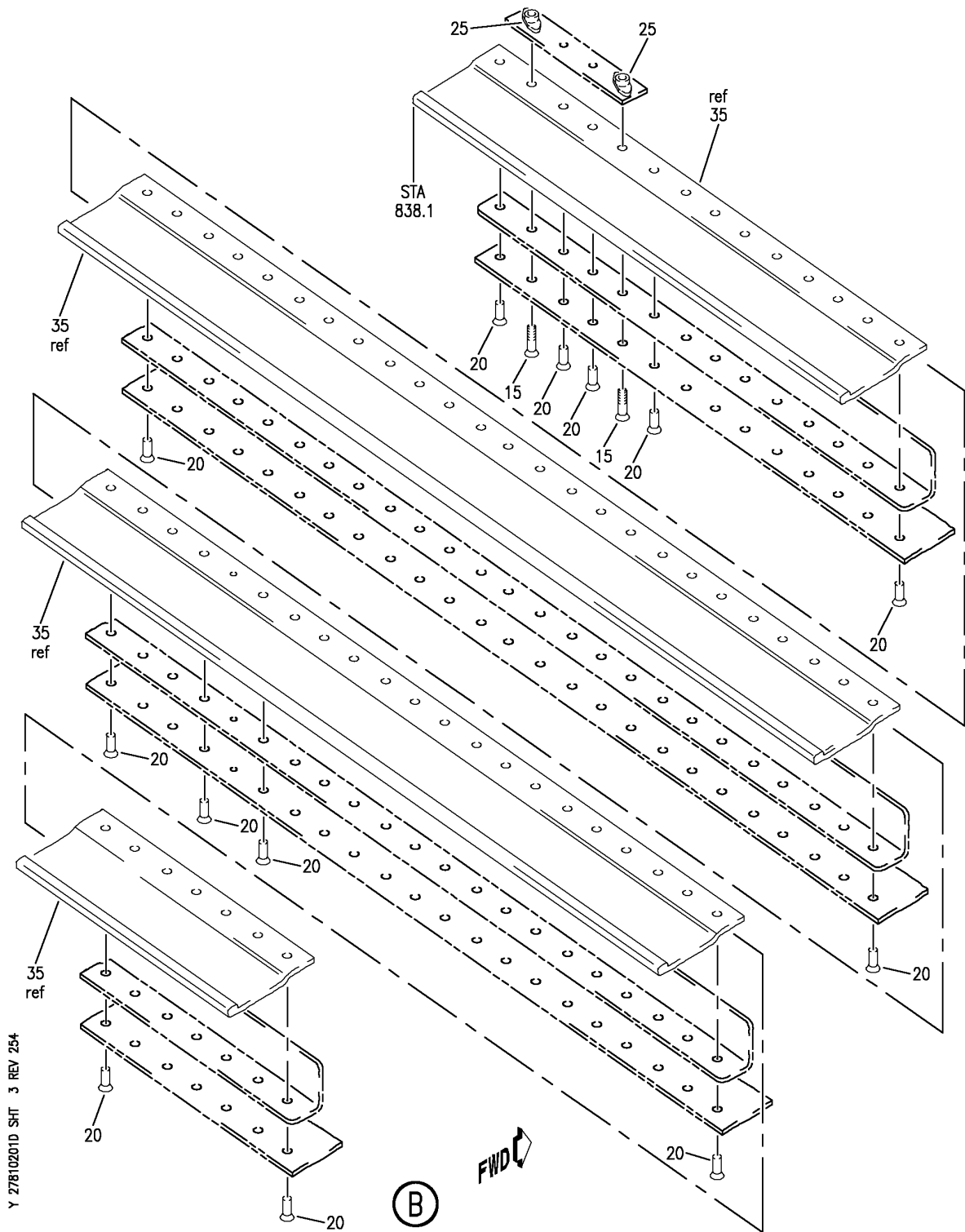
SLAT ASSY-NO. 1 OSS 707.00 TO 838.37 WING LE (LH)  
FIGURE 1D (SHEET 2)

**27-81-02-01D**

BRI  
MAY 28/07

27-81-02-01D  
PAGE 0A

**BOEING**  
**757**  
**PARTS CATALOG (MAINTENANCE)**



Y 27810201D SHT 3 REV 254

SLAT ASSY-NO. 1 OSS 707.00 TO 838.37 WING LE (LH)  
 FIGURE 1D (SHEET 3)

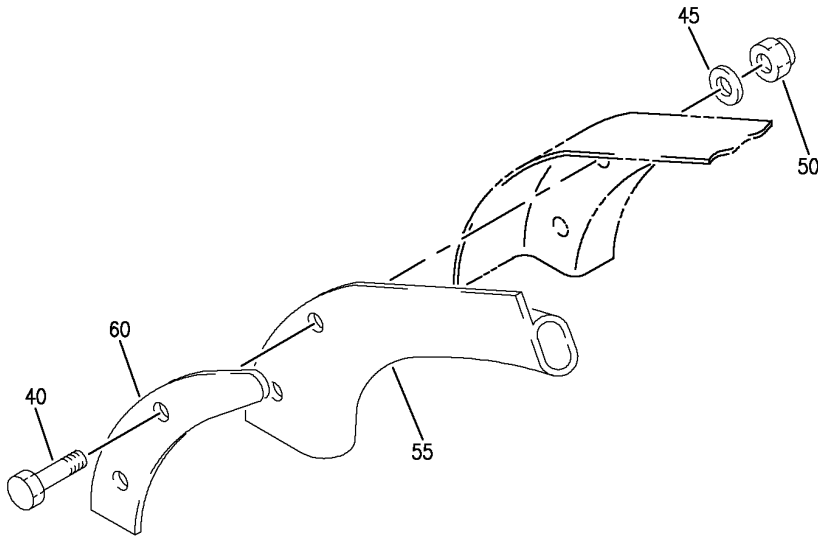
**27-81-02-01D**

BRI  
 MAY 28/07

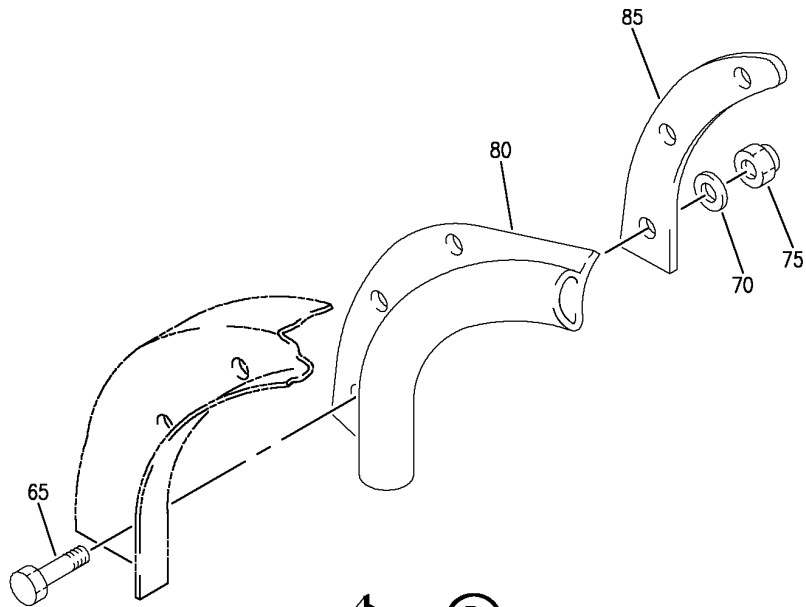
27-81-02-01D  
 PAGE 0B



**BOEING**  
757  
PARTS CATALOG (MAINTENANCE)



FWD (C)



FWD (D)

Y 27810201D SHT 4 REV 254

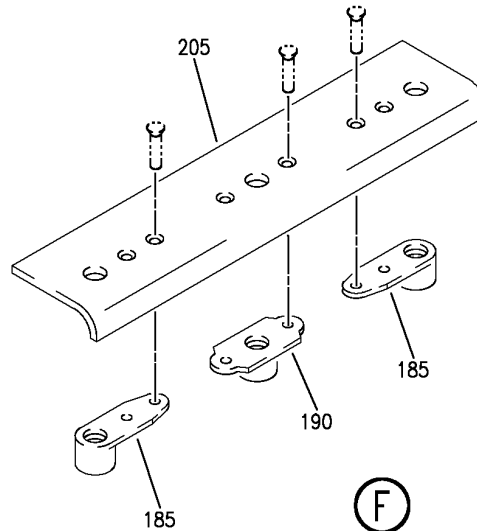
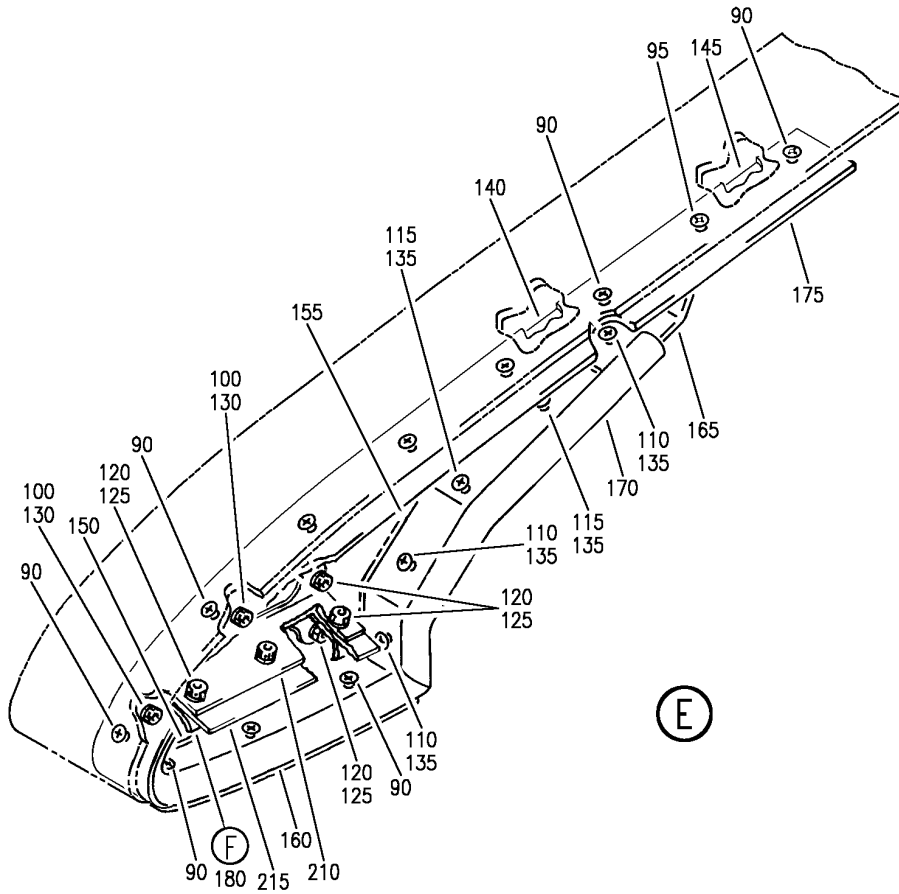
SLAT ASSY-NO. 1 OSS 707.00 TO 838.37 WING LE (LH)  
FIGURE 1D (SHEET 4)

**27-81-02-01D**

BRI  
MAY 28/07

27-81-02-01D  
PAGE 0C

**BOEING**  
757  
PARTS CATALOG (MAINTENANCE)



Y 27810201D SHT 5 REV 254

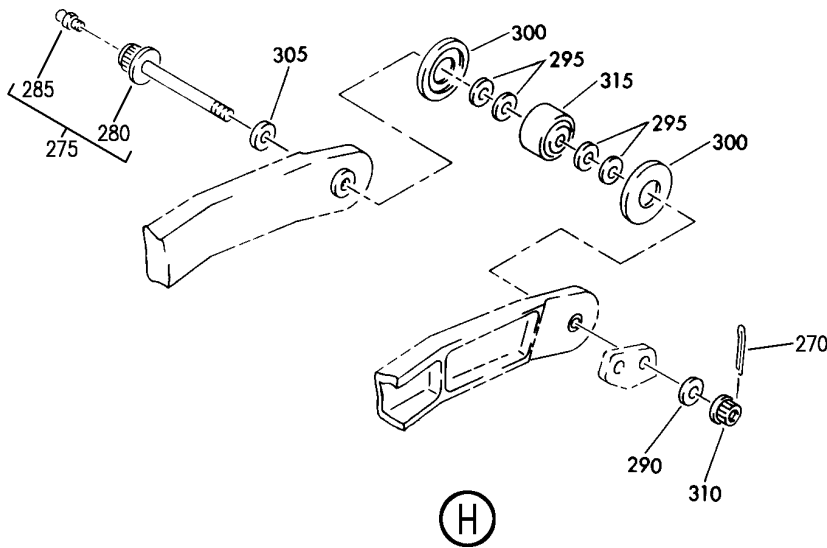
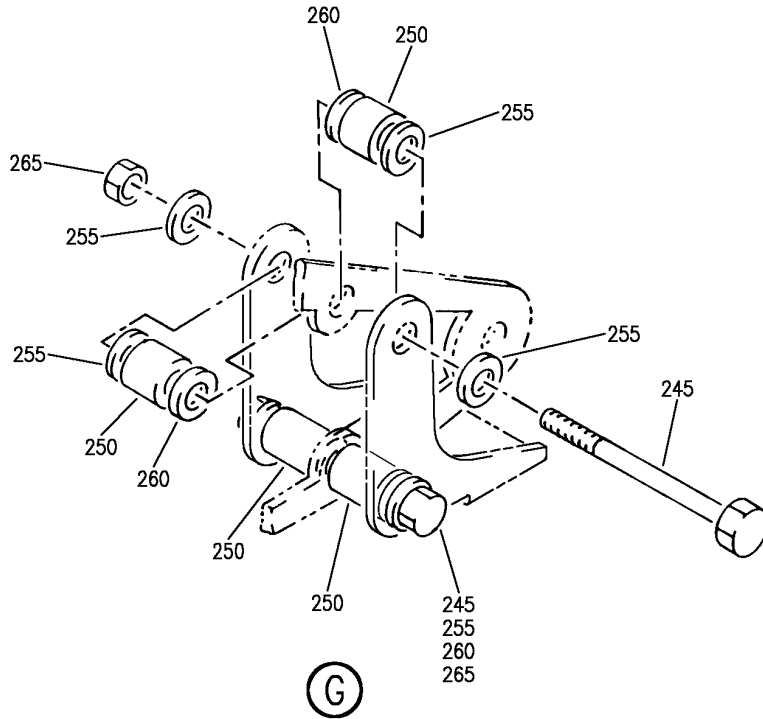
SLAT ASSY-NO. 1 OSS 707.00 TO 838.37 WING LE (LH)  
FIGURE 1D (SHEET 5)

**27-81-02-01D**

BRI  
MAY 28/07

27-81-02-01D  
PAGE 0D

**BOEING**  
757  
**PARTS CATALOG (MAINTENANCE)**



Y 27810201D SHT 6 REV 254

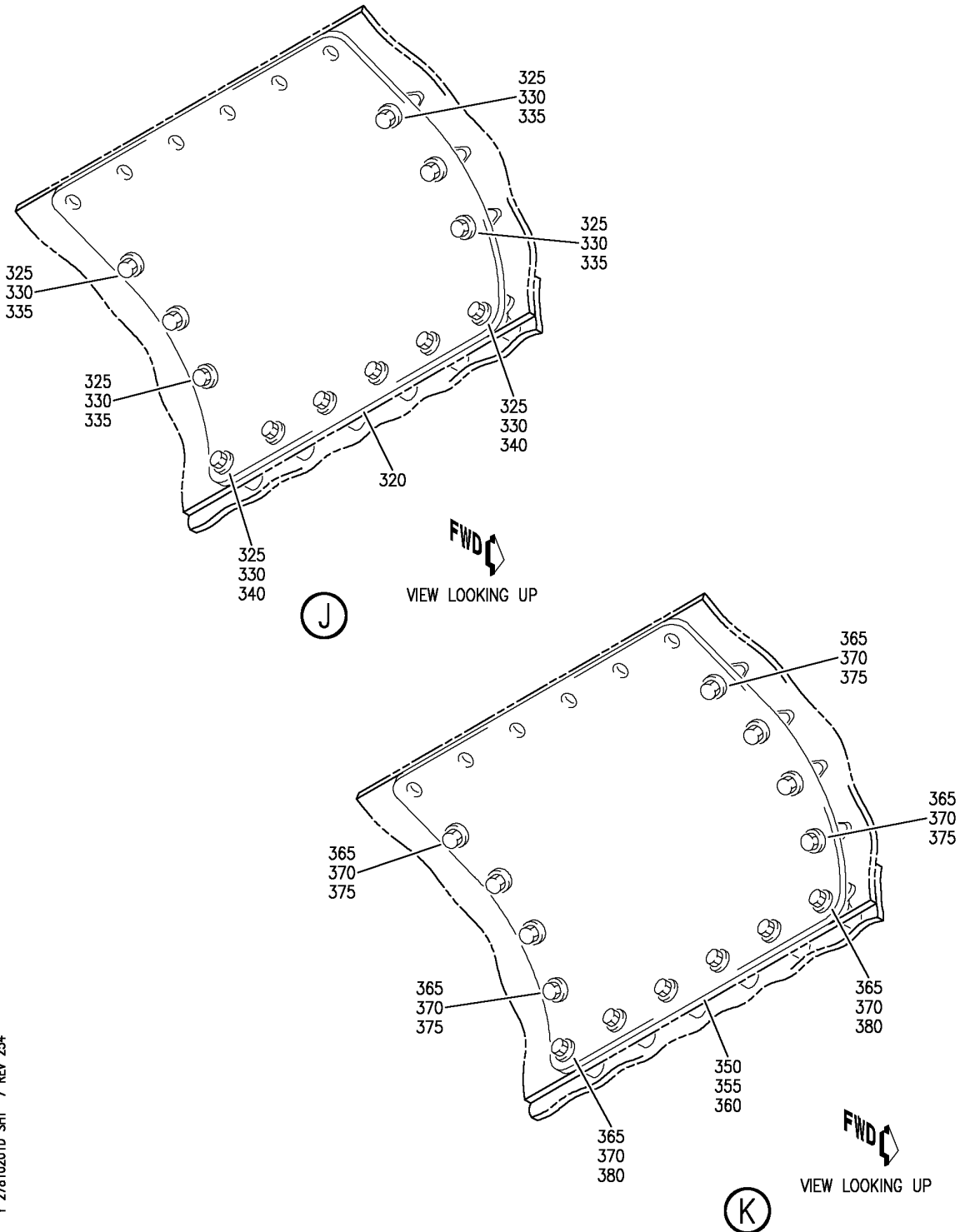
SLAT ASSY-NO. 1 OSS 707.00 TO 838.37 WING LE (LH)  
FIGURE 1D (SHEET 6)

**27-81-02-01D**

BRI  
MAY 28/07

27-81-02-01D  
PAGE 0E

**BOEING**  
757  
**PARTS CATALOG (MAINTENANCE)**



Y 27810201D SHT 7 REV 254

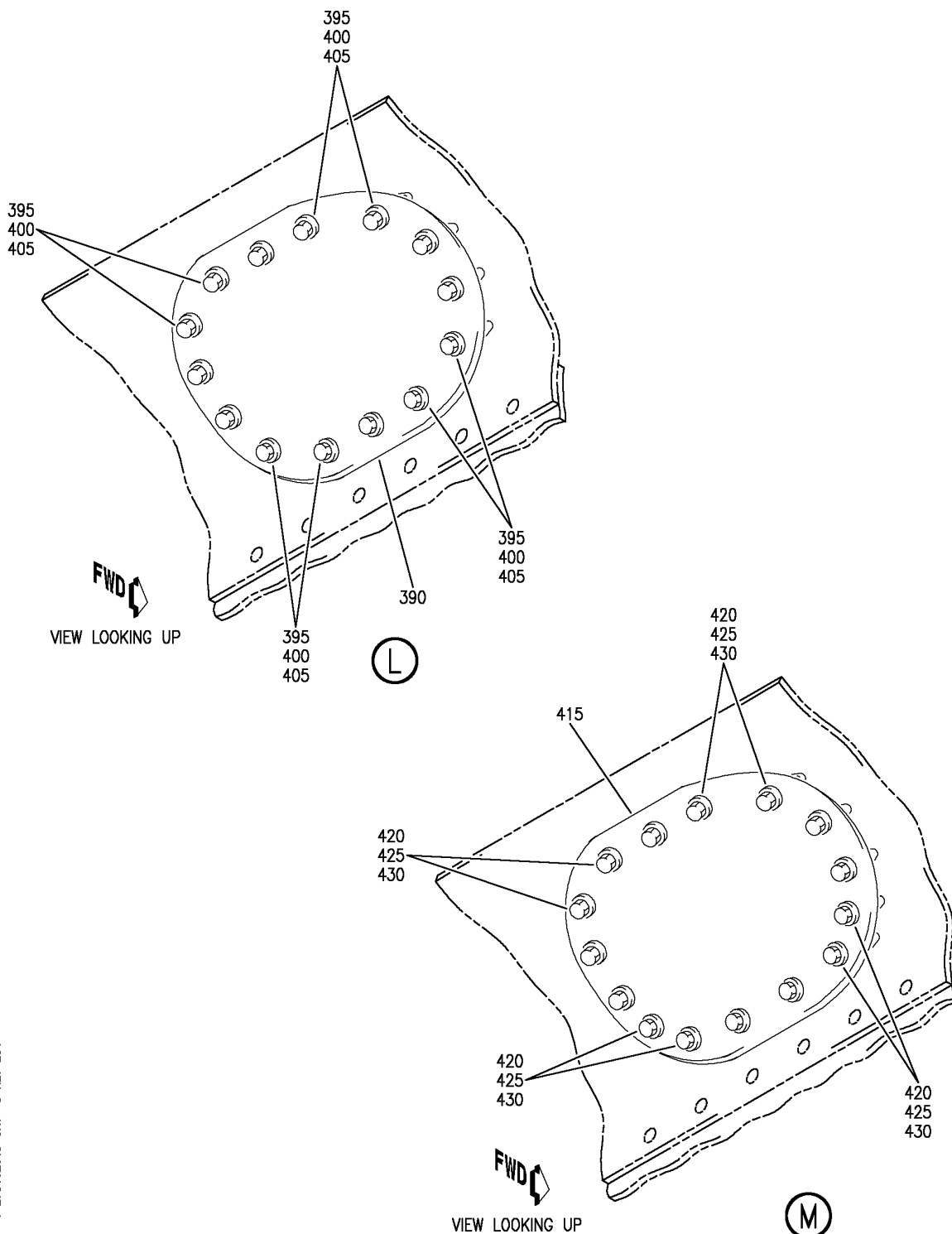
SLAT ASSY-NO. 1 OSS 707.00 TO 838.37 WING LE (LH)  
FIGURE 1D (SHEET 7)

**27-81-02-01D**

BRI  
MAY 28/07

27-81-02-01D  
PAGE OF

**BOEING**  
757  
PARTS CATALOG (MAINTENANCE)



Y 27810201D SHT 8 REV 254

SLAT ASSY-NO. 1 OSS 707.00 TO 838.37 WING LE (LH)  
FIGURE 1D (SHEET 8)

**27-81-02-01D**

BRI  
MAY 28/07

27-81-02-01D  
PAGE 08



757

PARTS CATALOG (MAINTENANCE)

FIG ITEM	PART NUMBER	1 2 3 4 5 6 7	NOMENCLATURE	EFFECT FROM TO	UNITS PER ASSY
1 D			SLAT ASSY-NO. 1 OSS 707.00 TO 838.37 WING LE (LH)	101106 108120 504903	
- 1	114N4002-163SP		SLAT ASSY-NO. 1 WING LE POSITION DATA: OSS 707.00 TO 836.87 LH COMPONENT MAINT MANUAL REF: 57-43-14 QUALIFIED I/W DATA: -169SP MAY REPLACE -163SP. -163SP MAY REPLACE -169SP AFTER INCORPORATION OF S/B 757-57-0057 PENALTY. -187SP MAY REPLACE -163SP. -163SP MAY REPLACE -187SP AFTER INCORPORATION OF S/B 757-57-0057 FOR NHA SEE: 27-81-02-07	101106 108120 504903	RF
- 1	114N4002-157SP		SLAT ASSY-NO. 1 WING LE BASIC POSITION DATA: OSS 707.00 TO 836.87 LH COMPONENT MAINT MANUAL REF: 57-43-14 QUALIFIED I/W DATA: -185SP MAY REPLACE -169SP OR -163SP OR -159SP OR -157SP OR -171SP SUBJECT TO CUSTOMER ACCEPTANCE OF WEIGHT PENALTY. -177SP MAY REPLACE -169SP OR -163SP OR -159SP OR -157SP OR -171SP OR -155SP OR -153SP DEPENDING ON CUSTOMER ACCEPTANCE OF WEIGHT PENALTY. FOR NHA SEE: 27-81-02-07	101106 108120 504903	RF

MISSING ITEM NUMBERS NOT APPLICABLE

- ITEM NOT ILLUSTRATED

BRI

**27-81-02-01D**

BOEING PROPRIETARY - Copyright © - Unpublished Work - See title page for details.

27-81-02  
FIG. 01D  
PAGE 1  
JAN 20/09



757  
PARTS CATALOG (MAINTENANCE)

FIG ITEM	PART NUMBER	1 2 3 4 5 6 7	NOMENCLATURE	EFFECT FROM TO	UNITS PER ASSY
1D - 1	114N4002-169SP		SLAT ASSY-NO. 1 WING LE POSITION DATA: OSS 707.00 TO 836.87 LH COMPONENT MAINT MANUAL REF: 57-43-14 QUALIFIED I/W DATA: -169SP I/W -155SP OR -153SP OR -147SP OR -131 IF S/B 757-57-0057 IS INCORPORATED ON -155SP OR -153SP OR -147SP OR -131 THE -187SP OR -171SP OR -169SP CAN REPLACE THE -137 SUBJECT TO CUSTOMER PREFERENCE -169SP CAN REPLACE BUT NOT BE REPLACED BY -137 OR -121 OR 113 OR -109 OR -1 SUBJECT TO CUSTOMER COLOR PREFERENCE FOR NHA SEE: 27-81-02-07	101106 108120 504903	RF
R R	- 1 114N4002-187SP		SLAT ASSY-NO. 1 WING LE POSITION DATA: OSS 707.00 TO 836.87 LH COMPONENT MAINT MANUAL REF: 57-43-14 QUALIFIED I/W DATA: -187SP CAN REPLACE BUT NOT BE REPLACED BY -137 OR -121 OR -113 OR -109 OR -1 SUBJECT TO CUSTOMER COLOR PREFERENCE -187SP MAY REPLACE -159SP. -159SP MAY REPLACE -187SP AFTER INCORPORATION OF S/B 757-57-0057 -187SP MAY REPLACE -163SP. -163SP MAY REPLACE -187SP AFTER INCORPORATION OF S/B 757-57-0057 FOR NHA SEE: 27-81-02-07	101106 108120 504903	RF

MISSING ITEM NUMBERS NOT APPLICABLE

- ITEM NOT ILLUSTRATED

BRI

**27-81-02-01D**

BOEING PROPRIETARY - Copyright © - Unpublished Work - See title page for details.

27-81-02  
FIG. 01D  
PAGE 2  
MAY 20/09



757

PARTS CATALOG (MAINTENANCE)

FIG ITEM	PART NUMBER	1 2 3 4 5 6 7 NOMENCLATURE	EFFECT FROM TO	UNITS PER ASSY
1D - 1	114N4002-171SP	SLAT ASSY-NO. 1 WING LE BASIC POSITION DATA: OSS 707.00 TO 836.87 LH COMPONENT MAINT MANUAL REF: 57-43-14 QUALIFIED I/W DATA: -171SP I/W -147SP OR -131 IF S/B 757-57A0045 IS INCORPORATED ON THE -147SP OR -131 -171SP I/W -169SP IF S/B 757-57-0057 IS INCORPORATED ON THE -171SP -167SP CAN REPLACE -171SP SUBJECT TO CUSTOMER ACCEPTANCE OF WEIGHT PENALTY -187SP MAY REPLACE -171SP. -171SP MAY REPLACE -187SP AFTER INCORPORATION OF S/B 757-57-0057 06 -171SP CAN REPLACE OR BE REPLACED BY -137 OR -121 OR -113 OR -109 OR -1. HOWEVER -137 OR -121 OR -113 OR -109 OR -1 CAN BE USED ONLY IF THE AIRPLANE IS RESTRICTED TO 241K MTGW FOR NHA SEE: 27-81-02-07	101106 108120 504903	RF

MISSING ITEM NUMBERS NOT APPLICABLE

- ITEM NOT ILLUSTRATED

BRI

**27-81-02-01D**

BOEING PROPRIETARY - Copyright © - Unpublished Work - See title page for details.

27-81-02  
FIG. 01D  
PAGE 3  
MAY 20/09





757

PARTS CATALOG (MAINTENANCE)

FIG ITEM	PART NUMBER	1 2 3 4 5 6 7 NOMENCLATURE	EFFECT FROM TO	UNITS PER ASSY
1D - 1	114N4002-159SP	SLAT ASSY-NO. 1 WING LE POSITION DATA: OSS 707.00 TO 836.87 LH COMPONENT MAINT MANUAL REF: 57-43-14 QUALIFIED I/W DATA: -159SP I/W -169SP IF S/B 757-57-0057 IS INCORPORATED ON THE -159SP -187SP MAY REPLACE -159SP. -159SP MAY REPLACE -187SP AFTER INCORPORATION OF S/B 757-57-0057. 114N4002-147SP INTERCHANGEABLE WITH -159SP IF SERVICE BULLETIN 757-57A0045 IS INCORPORATED FOR NHA SEE: 27-81-02-07	101106 108120 504903	RF

MISSING ITEM NUMBERS NOT APPLICABLE

- ITEM NOT ILLUSTRATED

BRI

**27-81-02-01D**

BOEING PROPRIETARY - Copyright © - Unpublished Work - See title page for details.

27-81-02  
FIG. 01D  
PAGE 4  
MAY 20/09



757

PARTS CATALOG (MAINTENANCE)

FIG ITEM	PART NUMBER	1 2 3 4 5 6 7	NOMENCLATURE	EFFECT FROM TO	UNITS PER ASSY
1D - 1	114N4002-153SP		SLAT ASSY-NO. 1 WING LE BASIC POSITION DATA: OSS 707.00 TO 836.87 LH COMPONENT MAINT MANUAL REF: 57-43-14 QUALIFIED I/W DATA: -153SP AND -147SP ARE CONDITIONALLY INTERCHANGEABLE PER THE REQUIREMENTS OF S/B757-57-0043 AND S/B757-57A0045 -169SP I/W -153SP IF S/B 757-57-0057 IS INCORPORATED ON THE -153SP -167SP CAN REPLACE -153SP SUBJECT TO CUSTOMER ACCEPTANCE OF WEIGHT PENALTY -153SP I/W -131 IF S/B 757-57A0045 IS INCORPORATED ON THE -131 -153SP CAN REPLACE OR BE REPLACED BY -137 OR -121 OR -113 OR -109 OR -1. HOWEVER -137 OR -121 OR -113 OR -109 OR -1 CAN BE USED ONLY IF THE AIRPLANE IS RESTRICTED TO 241K MTGW FOR NHA SEE: 27-81-02-07	101106 108120 504903	RF

MISSING ITEM NUMBERS NOT APPLICABLE

- ITEM NOT ILLUSTRATED

BRI

**27-81-02-01D**

BOEING PROPRIETARY - Copyright © - Unpublished Work - See title page for details.

27-81-02  
FIG. 01D  
PAGE 5  
MAY 20/09



**757  
PARTS CATALOG (MAINTENANCE)**

FIG ITEM	PART NUMBER	1 2 3 4 5 6 7	NOMENCLATURE	EFFECT FROM TO	UNITS PER ASSY
1D - 1	114N4002-155SP		SLAT ASSY-NO. 1 WING LE BASIC POSITION DATA: OSS 707.00 TO 836.87 LH COMPONENT MAINT MANUAL REF: 57-43-14 QUALIFIED I/W DATA: -169SP I/W -155SP IF S/B 757-57-0057 IS INCORPORATED ON THE -155SP -155SP I/W -147SP OR -131 IF S/B 757-57A0045 IS INCORPORATED ON THE -147SP OR -131 -155SP CAN REPLACE OR BE REPLACED BY -137 OR -121 OR -113 OR -109 OR -1. HOWEVER -137 OR -121 OR -113 OR -109 OR -1 CAN BE USED ONLY IF THE AIRPLANE IS RESTRICTED TO 241K MTGW FOR NHA SEE: 27-81-02-07	101106 108120 504903	RF
15	BACB30NN3K8		.BOLT	101106 108120 504903	6
20	BACR15CE6AD		.RIVET- SIZE DETERMINED ON INSTL.	101106 108120 504903	120
25	BRFR220C3-2D		.NUTPLATE SUPPLIER CODE: V52828 SPECIFICATION NUMBER: BACN10KE3B2CD OPTIONAL PART: F51747-3-2CD V15653 102A9213-2-3 V72962 NS202493-02-2 V80539	101106 108120 504903	6
- 30	BACR15BA3AD		ATTACHING PARTS .RIVET- SIZE DETERMINED ON INSTL.  -----*-----	101106 108120 504903	12

MISSING ITEM NUMBERS NOT APPLICABLE

- ITEM NOT ILLUSTRATED

BRI

# 27-81-02-01D

BOEING PROPRIETARY - Copyright © - Unpublished Work - See title page for details.

27-81-02  
FIG. 01D  
PAGE 6  
MAY 20/09



757

PARTS CATALOG (MAINTENANCE)

FIG ITEM	PART NUMBER	1 2 3 4 5 6 7	NOMENCLATURE	EFFECT FROM TO	UNITS PER ASSY
1D					
35	114N4058-13	.	SKIN-FLEXIBLE	101106 108120 504903	1
35	114N4058-1	.	SKIN-FLEXIBLE	101106 108120 504903	1
40	BACB30NM3K3	.	BOLT	101106 108120 504903	2
45	AN960KD10	.	WASHER	101106 108120 504903	2
50	BRH10C3D	.	NUT SUPPLIER CODE: V52828 SPECIFICATION NUMBER: BACN10JC3CD OPTIONAL PART: T6C1032JCD V11815 NS202486-02 V80539 102LH9075-3W V72962 H51650-3BAC V15653	101106 108120 504903	2
55	114N4044-55	.	SEAL- ALTERED FROM PART NUMBER: 10-60754-492	101106 108120 504903	1
60	114N4044-37	.	RETAINER	101106 108120 504903	1
65	BACB30NM3K3	.	BOLT	101106 108120 504903	3
70	AN960KD10	.	WASHER	101106 108120 504903	3

MISSING ITEM NUMBERS NOT APPLICABLE

- ITEM NOT ILLUSTRATED

BRI

27-81-02-01D

BOEING PROPRIETARY - Copyright © - Unpublished Work - See title page for details.

27-81-02  
FIG. 01D  
PAGE 7  
MAY 20/09



757

PARTS CATALOG (MAINTENANCE)

FIG ITEM	PART NUMBER	1 2 3 4 5 6 7	NOMENCLATURE	EFFECT FROM TO	UNITS PER ASSY
1D 75	BRH10C3D	.NUT	SUPPLIER CODE: V52828 SPECIFICATION NUMBER: BACN10JC3CD OPTIONAL PART: T6C1032JCD V11815 NS202486-02 V80539 102LH9075-3W V72962 H51650-3BAC V15653	101106 108120 504903	3
80	114N4044-57	.SEAL-	ALTERED FROM PART NUMBER: 10-60754-491	101106 108120 504903	1
85	114N4044-39	.RETAINER		101106 108120 504903	1
90	BACB30NN3K4	.BOLT		101106 108120 504903	10
95	BACB30NN3K6	.BOLT		101106 108120 504903	1
100	BACB30NM3K4	.BOLT		101106 108120 504903	2
110	BACB30NM3K5	.BOLT		101106 108120 504903	3
115	BACB30NM3K3	.BOLT		101106 108120 504903	2
120	BACB30NR3K5	.BOLT		101106 108120 504903	5
125	AN960KD10	.WASHER		101106 108120 504903	10
130	AN960PD10L	.WASHER		101106 108120 504903	2

MISSING ITEM NUMBERS NOT APPLICABLE

- ITEM NOT ILLUSTRATED

BRI

27-81-02-01D

BOEING PROPRIETARY - Copyright © - Unpublished Work - See title page for details.

27-81-02  
FIG. 01D  
PAGE 8  
MAY 20/09



757

PARTS CATALOG (MAINTENANCE)

FIG ITEM	PART NUMBER	1 2 3 4 5 6 7	NOMENCLATURE	EFFECT FROM TO	UNITS PER ASSY
1D 135	BRH10C3D	.	NUT SUPPLIER CODE: V52828 SPECIFICATION NUMBER: BACN10JC3CD OPTIONAL PART: T6C1032JCD V11815 NS202486-02 V80539 102LH9075-3W V72962 H51650-3BAC V15653	101106 108120 504903	5
140	114N4045-83	.	RETAINER	101106 108120 504903	1
145	114N4045-61	.	RETAINER	101106 108120 504903	1
150	114N4045-113	.	RETAINER	101106 108120 504903	1
155	114N4045-87	.	RETAINER	101106 108120 504903	1
160	114N4045-69	.	SEAL	101106 108120 504903	1
165	114N4045-63	.	SHIELD-EROSION ALTERED FROM PART NUMBER: 114N4081-4 MANUFACTURED FROM: 114N4081-4 FOR SPARES PROCURE: 114N4084-4	101106 108120 504903	1
165	114N4045-135	.	SHIELD-EROSION ALTERED FROM PART NUMBER: 114N4081-4 FOR SPARES PROCURE: 114N4081-4	101106 108120 504903	1
170	114N4045-71	.	SEAL- ALTERED FROM PART NUMBER: 10-60754-483	101106 108120 504903	1
170	114N4045-119	.	SEAL- ALTERED FROM PART NUMBER: 10-60754-483 MANUFACTURED FROM: 10-60754-483	101106 108120 504903	1

MISSING ITEM NUMBERS NOT APPLICABLE

- ITEM NOT ILLUSTRATED

27-81-02-01D

27-81-02  
FIG. 01D  
PAGE 9  
MAY 20/09

BRI

BOEING PROPRIETARY - Copyright © - Unpublished Work - See title page for details.



757

PARTS CATALOG (MAINTENANCE)

FIG ITEM	PART NUMBER	1 2 3 4 5 6 7	NOMENCLATURE	EFFECT FROM TO	UNITS PER ASSY
1D 175	114N4045-111		.SHIELD-EROSION ALTERED FROM PART NUMBER: 114N4081-9 MANUFACTURED FROM: 114N4081-9 FOR SPARES PROCURE: 114N4084-9	101106 108120 504903	1
180	114N4152-5		.RETAINER ASSY	101106 108120 504903	1
185	BR1000C3D		..NUTPLATE SUPPLIER CODE: V52828 SPECIFICATION NUMBER: BACN10KB3CD OPTIONAL PART: NS202440-02 V80539 102A9207P3 V72962 K51595-3 V15653	101106 108120 504903	2
190	BR2000C3D		..NUT SUPPLIER CODE: V52828 SPECIFICATION NUMBER: BACN10JR3CD OPTIONAL PART: K51601-3BAC V15653 NS202439-02 V80539 102A9201-3 V72962	101106 108120 504903	1
- 200	BACR15BA3AD		ATTACHING PARTS ..RIVET- SIZE DETERMINED ON INSTL.  -----*-----	101106 108120 504903	6
205	114N4152-6		..RETAINER	101106 108120 504903	1
210	114N4153-3		.TEE-ATTACH	101106 108120 504903	1
215	114N4045-125		.SEAL-BLADE ALTERED FROM PART NUMBER: 10-60754-76	101106 108120 504903	1

MISSING ITEM NUMBERS NOT APPLICABLE

- ITEM NOT ILLUSTRATED

BRI

27-81-02-01D

BOEING PROPRIETARY - Copyright © - Unpublished Work - See title page for details.

27-81-02  
FIG. 01D  
PAGE 10  
MAY 20/09



757

PARTS CATALOG (MAINTENANCE)

FIG ITEM	PART NUMBER	1 2 3 4 5 6 7	NOMENCLATURE	EFFECT FROM TO	UNITS PER ASSY
1D					
220	114N4046-45	.	RETAINER	101106 108120 504903	1
225	114N4046-29	.	RETAINER	101106 108120 504903	1
230	114N4046-9	.	SEAL- ALTERED FROM PART NUMBER: 10-60754-319 MANUFACTURED FROM: EXTR RUBBER 10-60754-319 117.0 IN.	101106 108120 504903	1
235	114N4046-11	.	SEAL- ALTERED FROM PART NUMBER: 10-60754-319 MANUFACTURED FROM: EXTR RUBBER 10-60754-319 15.0 IN.	101106 108120 504903	1
240	114N4066-3	.	SEAL-	101106 108120 504903	1
240	114N4066-1	.	SEAL-	101106 108120 504903	1
245	BACB30NR4K30	.	BOLT	101106 108120 504903	4
250	NAS43DD4-21	.	SPACER	101106 108120 504903	8
255	BACW10P186C	.	WASHER	101106 108120 504903	16
260	AN960KD416	.	WASHER	101106 108120 504903	8

MISSING ITEM NUMBERS NOT APPLICABLE

- ITEM NOT ILLUSTRATED

BRI

27-81-02-01D

BOEING PROPRIETARY - Copyright © - Unpublished Work - See title page for details.

27-81-02  
FIG. 01D  
PAGE 11  
MAY 20/09





757

PARTS CATALOG (MAINTENANCE)

FIG ITEM	PART NUMBER	1 2 3 4 5 6 7	NOMENCLATURE	EFFECT FROM TO	UNITS PER ASSY
1D 265	BRH10C4D	.NUT	SUPPLIER CODE: V52828 SPECIFICATION NUMBER: BACN10JC4CD OPTIONAL PART: T6C428JCD V11815 NS202486-048 V80539 102LH9075-4W V72962 H51650-4BAC V15653	101106 108120 504903	4
270	MS24665-153	.PIN-COTTER		101106 108120 504903	2
270	BACP18BC02A06P	.PIN-COTTER		101106 108120 504903	2
275	114N4052-1	.BOLT ASSY-		101106 108120 504903	2
275	BACB30LE4DU19	.BOLT-		101106 108120 504903	2
280	114N4052-2	..BOLT		101106 108120 504903	1
285	MS15001-1	..FITTING-LUBE		101106 108120 504903	1
290	BACW10BP4DP	.WASHER		101106 108120 504903	2
295	BACW10P250C	.WASHER		101106 108120 504903	8
295	BACW10P42S	.WASHER		101106 108120 504903	8
300	114N4056-1	.WASHER		101106 108120 504903	4
305	BACW10BP4CD	.WASHER		101106 108120 504903	2

MISSING ITEM NUMBERS NOT APPLICABLE

- ITEM NOT ILLUSTRATED

BRI

27-81-02-01D

BOEING PROPRIETARY - Copyright © - Unpublished Work - See title page for details.

27-81-02  
FIG. 01D  
PAGE 12  
MAY 20/09

**BOEING**  
757  
PARTS CATALOG (MAINTENANCE)

FIG ITEM	PART NUMBER	1 2 3 4 5 6 7	NOMENCLATURE	EFFECT FROM TO	UNITS PER ASSY
1D					
310	NAS1805-4N	.	NUT	101106 108120 504903	2
310	NAS1805-4L	.	NUT	101106 108120 504903	2
315	ATF4	.	BEARING- SUPPLIER CODE: V60380 SPECIFICATION NUMBER: BACB10ET04 OPTIONAL PART: 4AFC614 V92563 YAFO4B V07484	101106 108120 504903	2
315	ATF4SN	.	BEARING- SUPPLIER CODE: V21335 SPECIFICATION NUMBER: BACB10GH04N OPTIONAL PART: CRO4NAFC V92563 ATFO4NSY V21335	101106 108120 504903	2
320	114N4075-21	.	DOOR-ACCESS	101106 108120 504903	1
325	BACB30NM3K6	.	ATTACHING PARTS BOLT	101106 108120 504903	12
330	NAS1149D0332J	.	WASHER	101106 108120 504903	12
335	BRFR220C3-5D	-----*	NUTPLATE SUPPLIER CODE: V52828 SPECIFICATION NUMBER: BACN10KE3B5CD OPTIONAL PART: F51747-3-5CD V15653 102A9213-5-3 V72962 NS202493-02-5 V80539	101106 108120 504903	6

MISSING ITEM NUMBERS NOT APPLICABLE

— ITEM NOT ILLUSTRATED

BRI

# 27-81-02-01D

BOEING PROPRIETARY - Copyright © - Unpublished Work - See title page for details.

27-81-02  
FIG. 01D  
PAGE 13  
MAY 20/09



757

PARTS CATALOG (MAINTENANCE)

FIG ITEM	PART NUMBER	1 2 3 4 5 6 7	NOMENCLATURE	EFFECT FROM TO	UNITS PER ASSY
1D 340	BRFR220C3-4D		.NUTPLATE SUPPLIER CODE: V52828 SPECIFICATION NUMBER: BACN10KE3B4CD OPTIONAL PART: F51747-3-4CD V15653 102A9213-4-3 V72962 NS202493-02-4 V80539 ATTACHING PARTS	101106 108120 504903	6
- 345	BACR15BA3AD		.RIVET- SIZE DETERMINED ON INSTL.  -----*-----	101106 108120 504903	24
350	114N4075-23		.DOOR-ACCESS	101106 108120 504903	1
355	114N4075-25		.DOOR-ACCESS	101106 108120 504903	1
360	114N4075-27		.DOOR-ACCESS  ATTACHING PARTS	101106 108120 504903	1
365	BACB30NM3K6		.BOLT	101106 108120 504903	42
370	NAS1149D0332J		.WASHER	101106 108120 504903	42
375	BRFR220C3-5D		.NUTPLATE SUPPLIER CODE: V52828 SPECIFICATION NUMBER: BACN10KE3B5CD OPTIONAL PART: F51747-3-5CD V15653 102A9213-5-3 V72962 NS202493-02-5 V80539	101106 108120 504903	24

MISSING ITEM NUMBERS NOT APPLICABLE

- ITEM NOT ILLUSTRATED

BRI

27-81-02-01D

BOEING PROPRIETARY - Copyright © - Unpublished Work - See title page for details.

27-81-02  
FIG. 01D  
PAGE 14  
MAY 20/09



757

PARTS CATALOG (MAINTENANCE)

FIG ITEM	PART NUMBER	1 2 3 4 5 6 7	NOMENCLATURE	EFFECT FROM TO	UNITS PER ASSY
1D 380	BRFR220C3-4D		.NUTPLATE SUPPLIER CODE: V52828 SPECIFICATION NUMBER: BACN10KE3B4CD OPTIONAL PART: F51747-3-4CD V15653 102A9213-4-3 V72962 NS202493-02-4 V80539 ATTACHING PARTS	101106 108120 504903	18
- 385	BACR15BA3AD		.RIVET- SIZE DETERMINED ON INSTL.  -----*-----	101106 108120 504903	84
390	114N4075-29		.DOOR-ACCESS  ATTACHING PARTS	101106 108120 504903	1
395	BACB30NM3K3		.BOLT	101106 108120 504903	14
400	NAS1149D0332J		.WASHER	101106 108120 504903	14
405	BRFR220C3-4D		.NUTPLATE SUPPLIER CODE: V52828 SPECIFICATION NUMBER: BACN10KE3B4CD OPTIONAL PART: F51747-3-4CD V15653 102A9213-4-3 V72962 NS202493-02-4 V80539 ATTACHING PARTS	101106 108120 504903	14
- 410	BACR15BA3AD		.RIVET- SIZE DETERMINED ON INSTL.  -----*-----	101106 108120 504903	28
415	114N4075-31		.DOOR-ACCESS	101106 108120 504903	1

MISSING ITEM NUMBERS NOT APPLICABLE

- ITEM NOT ILLUSTRATED

27-81-02-01D

27-81-02  
FIG. 01D  
PAGE 15  
MAY 20/09

BRI

BOEING PROPRIETARY - Copyright © - Unpublished Work - See title page for details.



757

PARTS CATALOG (MAINTENANCE)

FIG ITEM	PART NUMBER	1 2 3 4 5 6 7	NOMENCLATURE	EFFECT FROM TO	UNITS PER ASSY
1 D			ATTACHING PARTS		
420	BACB30NM3K3		.BOLT	101106 108120 504903	15
425	NAS1149D0332J		.WASHER	101106 108120 504903	15
430	BRFR220C3-2D		-----*----- .NUTPLATE SUPPLIER CODE: V52828 SPECIFICATION NUMBER: BACN10KE3B2CD OPTIONAL PART: F51747-3-2CD V15653 102A9213-2-3 V72962 NS202493-02-2 V80539	101106 108120 504903	15
- 435	BACR15BA3AD		ATTACHING PARTS .RIVET- SIZE DETERMINED ON INSTL. -----*-----	101106 108120 504903	30

MISSING ITEM NUMBERS NOT APPLICABLE

- ITEM NOT ILLUSTRATED

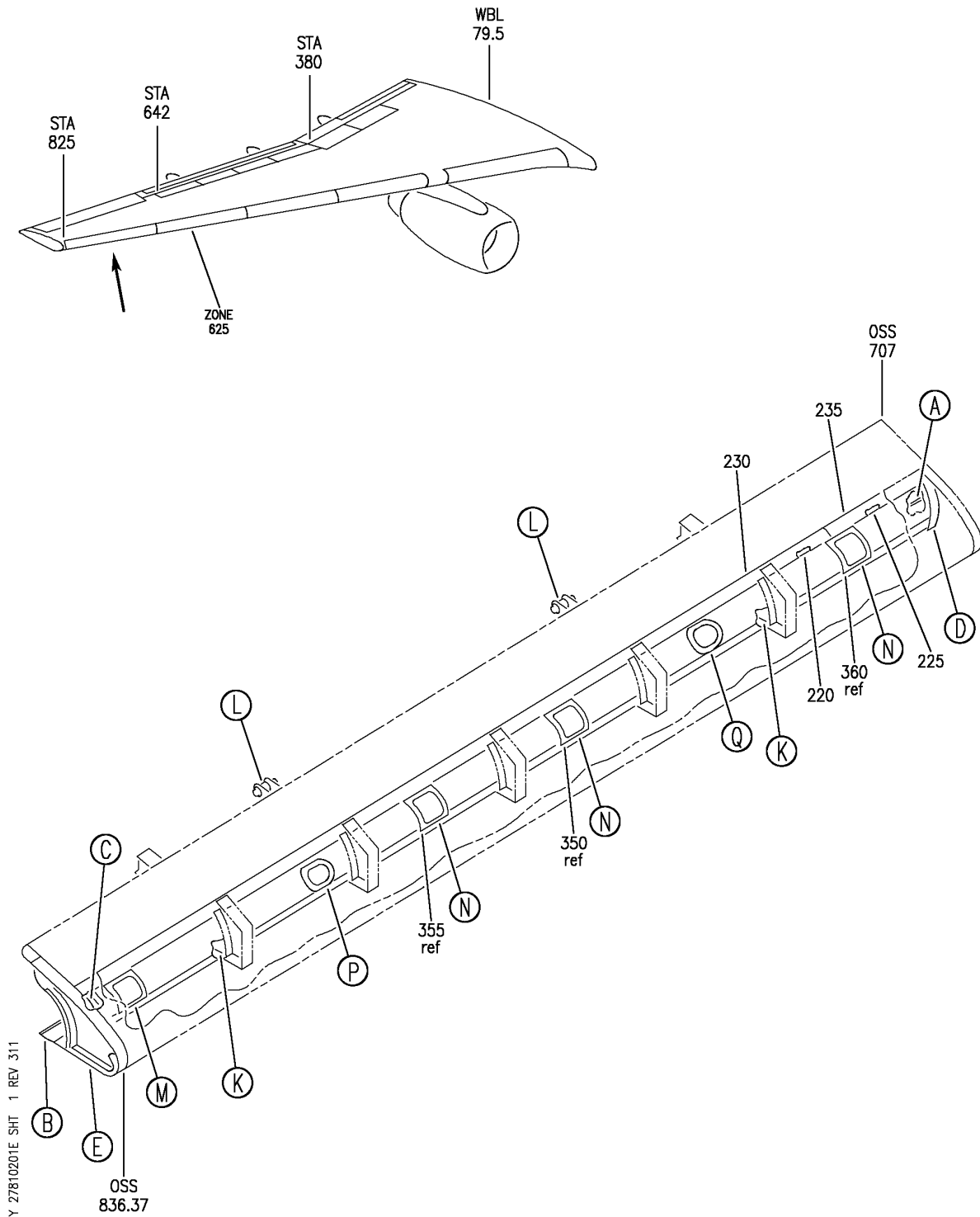
BRI

27-81-02-01D

BOEING PROPRIETARY - Copyright © - Unpublished Work - See title page for details.

27-81-02  
FIG. 01D  
PAGE 16  
MAY 20/09

**BOEING**  
757  
PARTS CATALOG (MAINTENANCE)



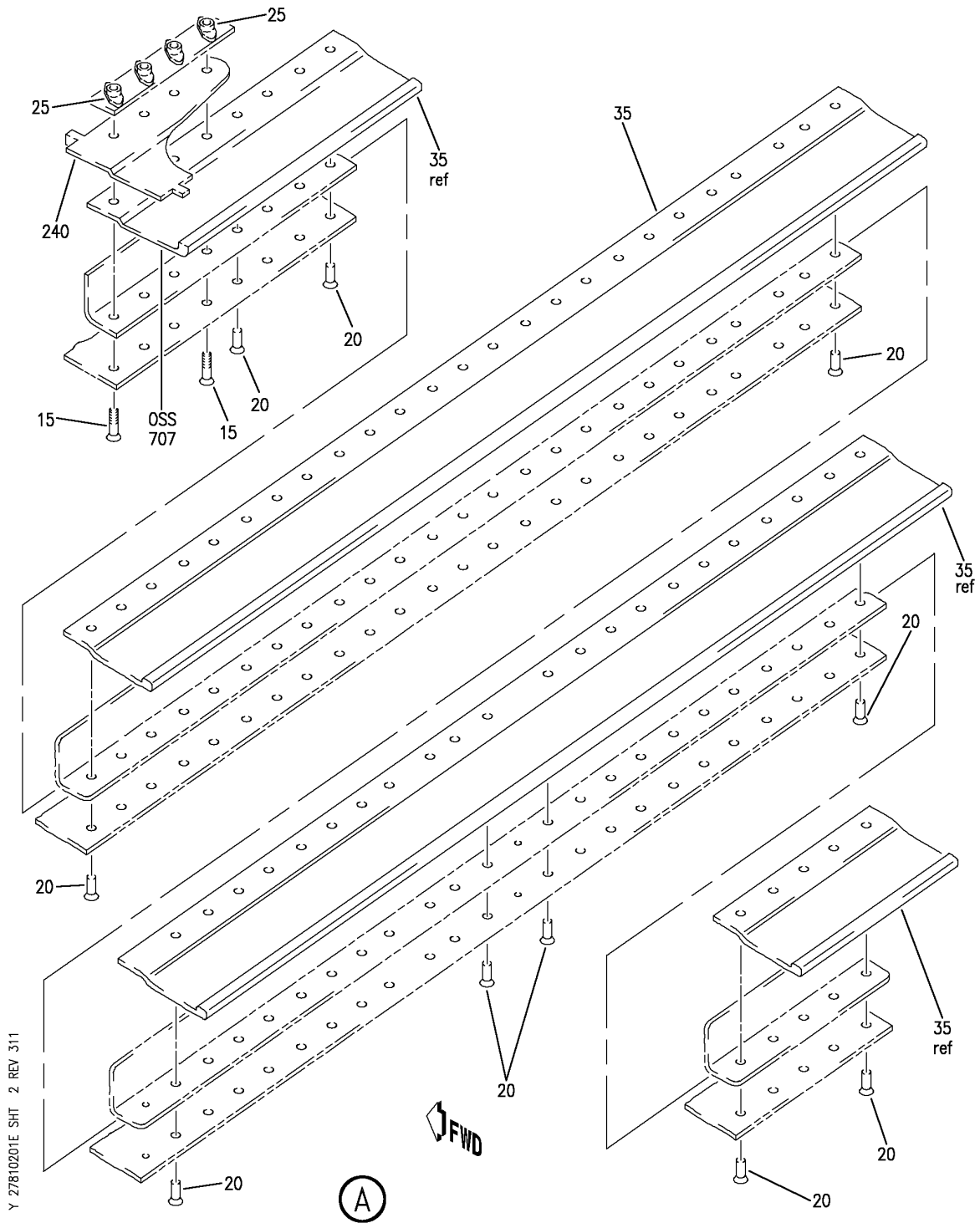
SLAT ASSY-NO. 10 OSS 707.00 TO 838.37 WING LE (RH)  
FIGURE 1E (SHEET 1)

**27-81-02-01E**

BRI  
MAY 28/07

27-81-02-01E  
PAGE 0

**BOEING**  
757  
PARTS CATALOG (MAINTENANCE)



Y 27810201E SHT 2 REV 311

SLAT ASSY-NO. 10 OSS 707.00 TO 838.37 WING LE (RH)  
FIGURE 1E (SHEET 2)

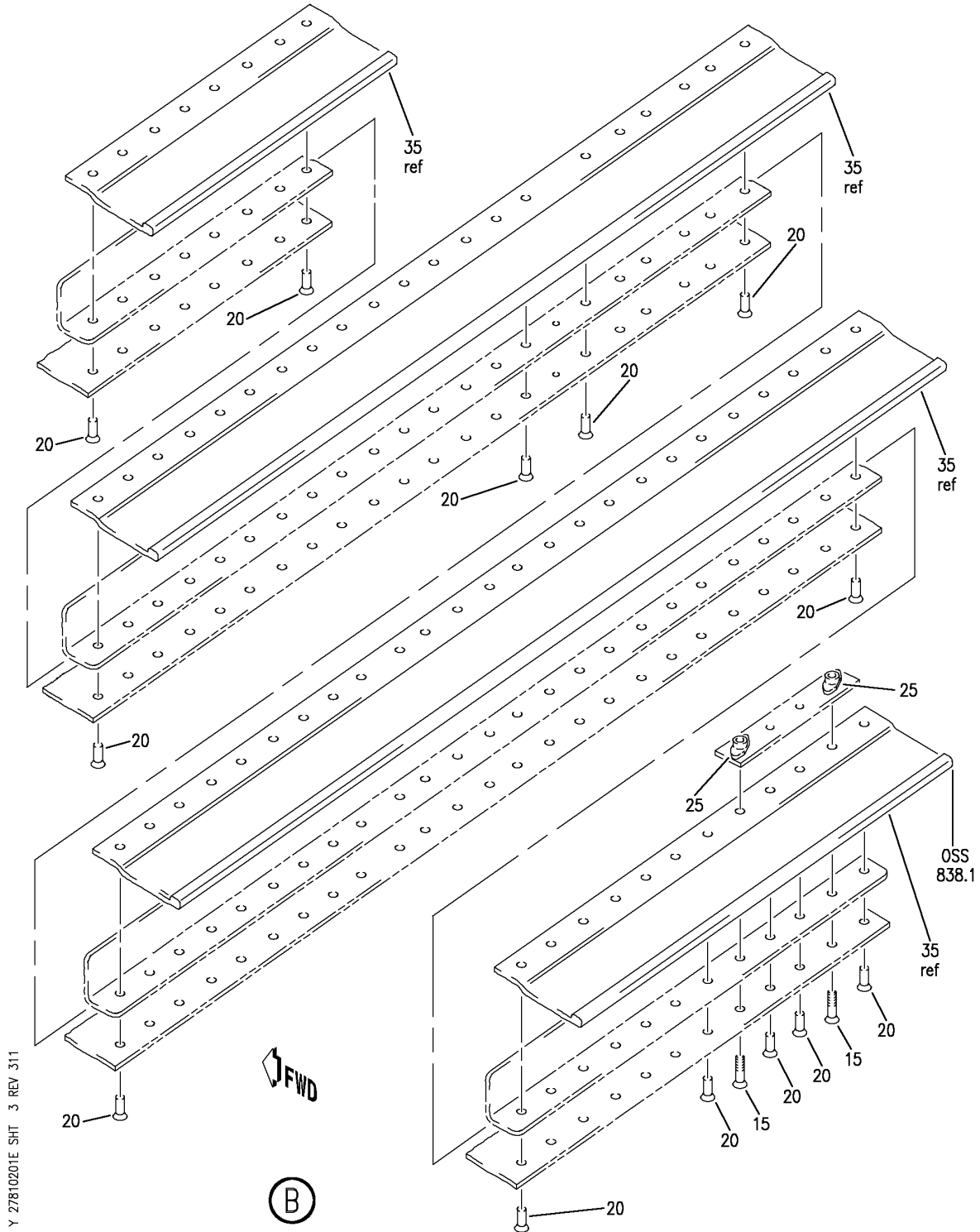
**27-81-02-01E**

BRI  
MAY 28/07

27-81-02-01E  
PAGE 0A

BOEING PROPRIETARY - Copyright © - Unpublished Work - See title page for details.

**BOEING**  
757  
PARTS CATALOG (MAINTENANCE)



SLAT ASSY-NO. 10 OSS 707.00 TO 838.37 WING LE (RH)  
FIGURE 1E (SHEET 3)

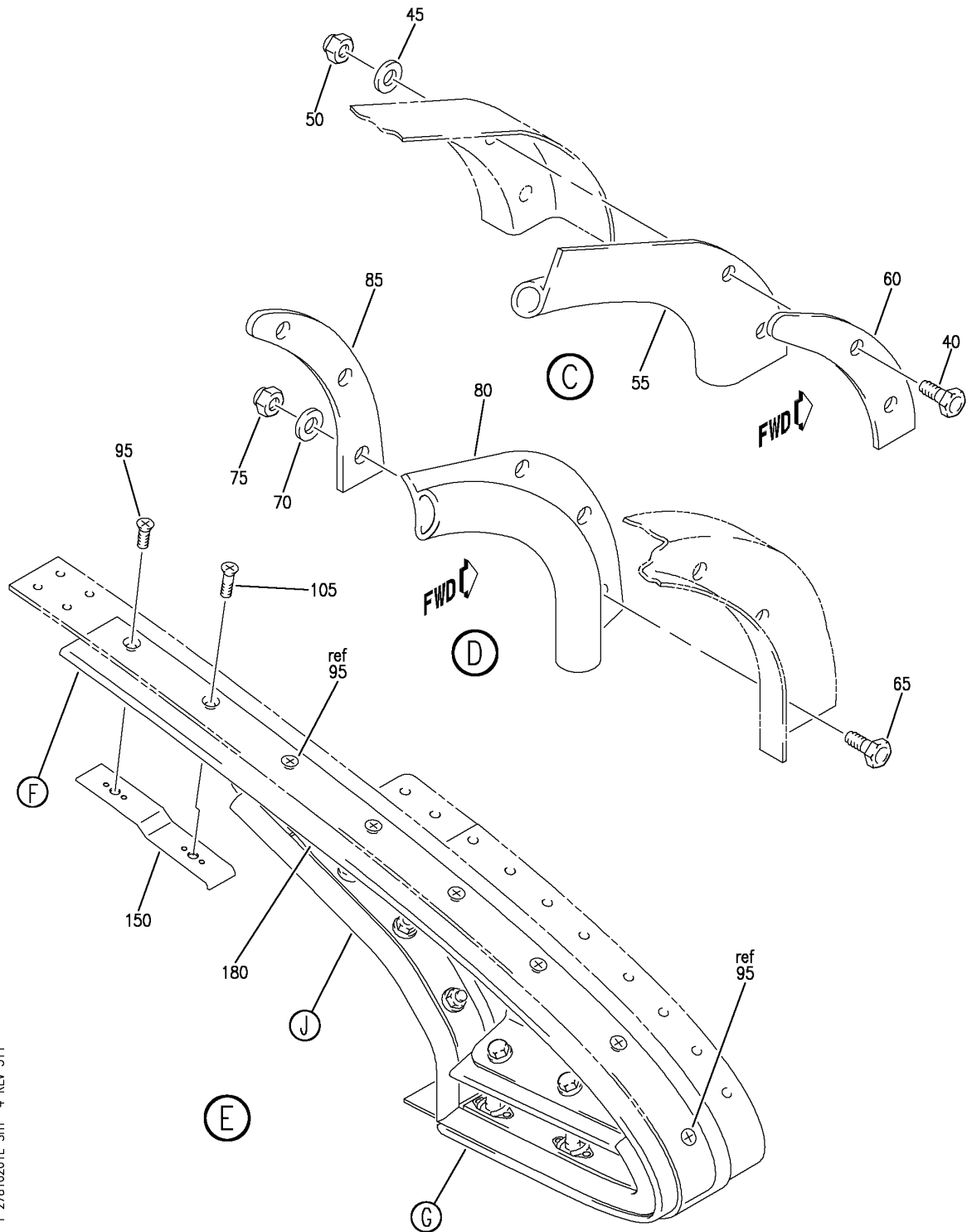
**27-81-02-01E**

BRI  
MAY 28/07

27-81-02-01E  
PAGE 0B



**BOEING**  
757  
PARTS CATALOG (MAINTENANCE)



Y 27810201E SHIT 4 REV 311

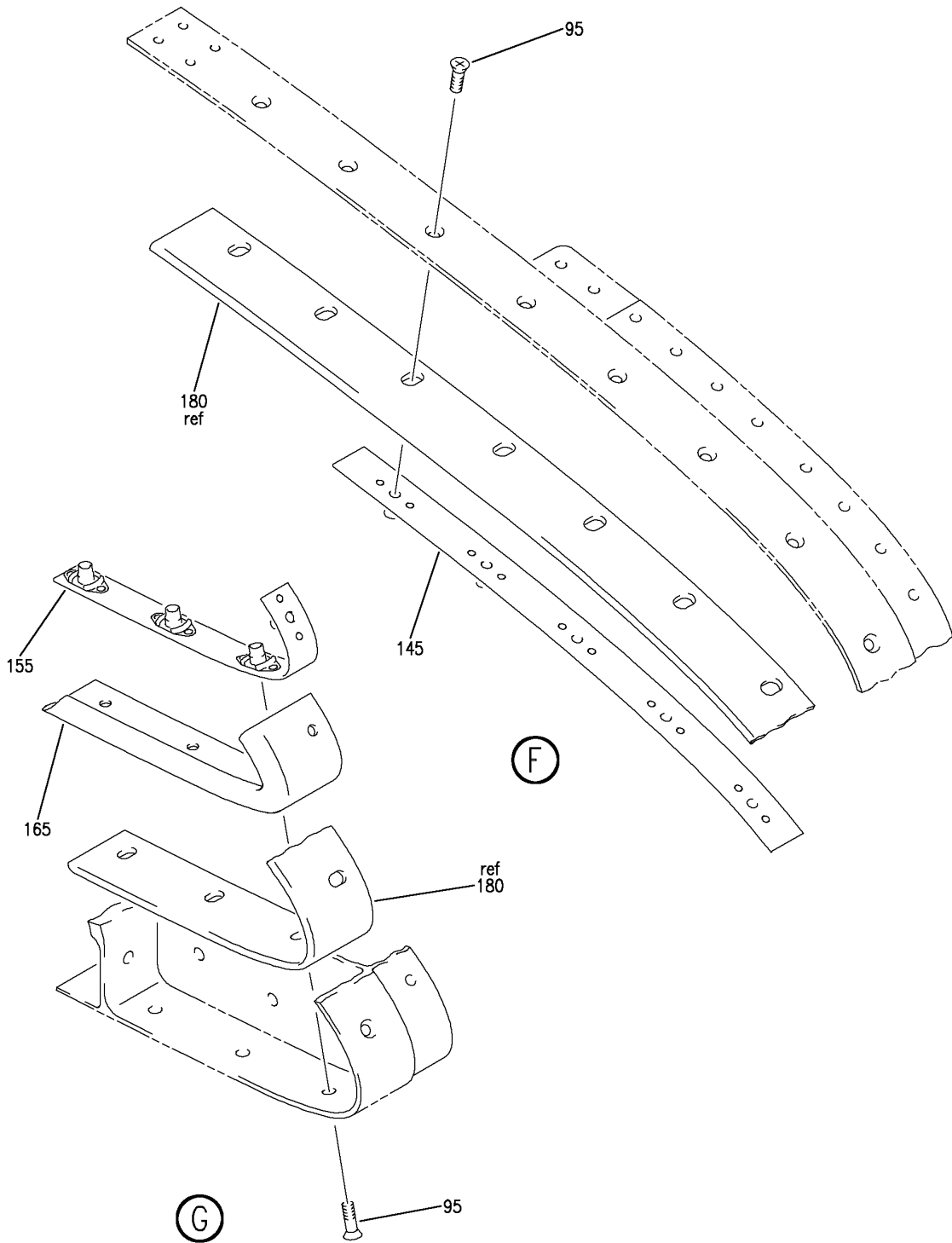
SLAT ASSY-NO. 10 OSS 707.00 TO 838.37 WING LE (RH)  
FIGURE 1E (SHEET 4)

**27-81-02-01E**

BRI  
MAY 28/07

27-81-02-01E  
PAGE 0C

**BOEING**  
757  
PARTS CATALOG (MAINTENANCE)



Y 27810201E SHIT 5 REV 311

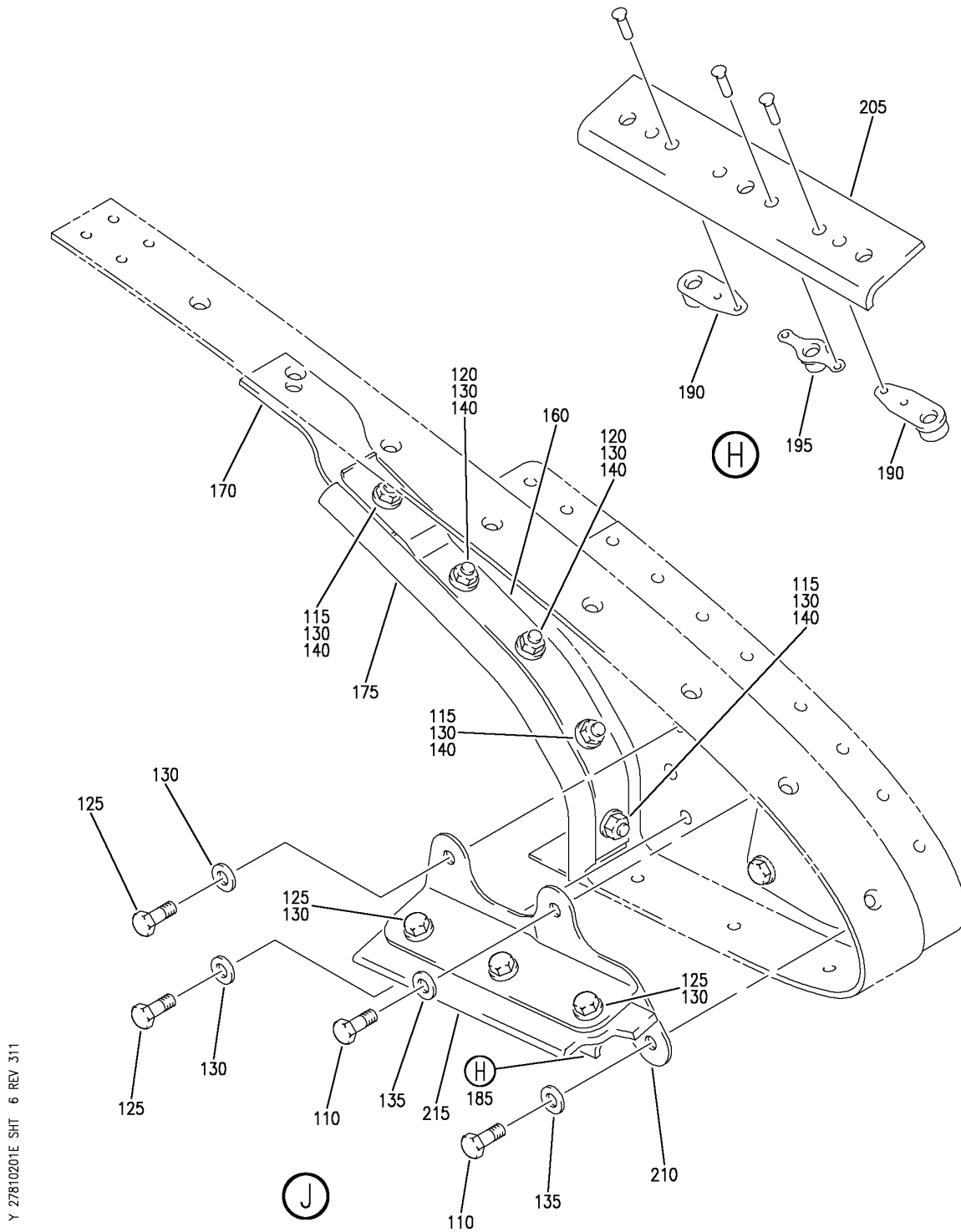
SLAT ASSY-NO. 10 OSS 707.00 TO 838.37 WING LE (RH)  
FIGURE 1E (SHEET 5)

**27-81-02-01E**

BRI  
MAY 28/07

27-81-02-01E  
PAGE 0D

**BOEING**  
 757  
 PARTS CATALOG (MAINTENANCE)



Y 27810201E SHIT 6 REV 311

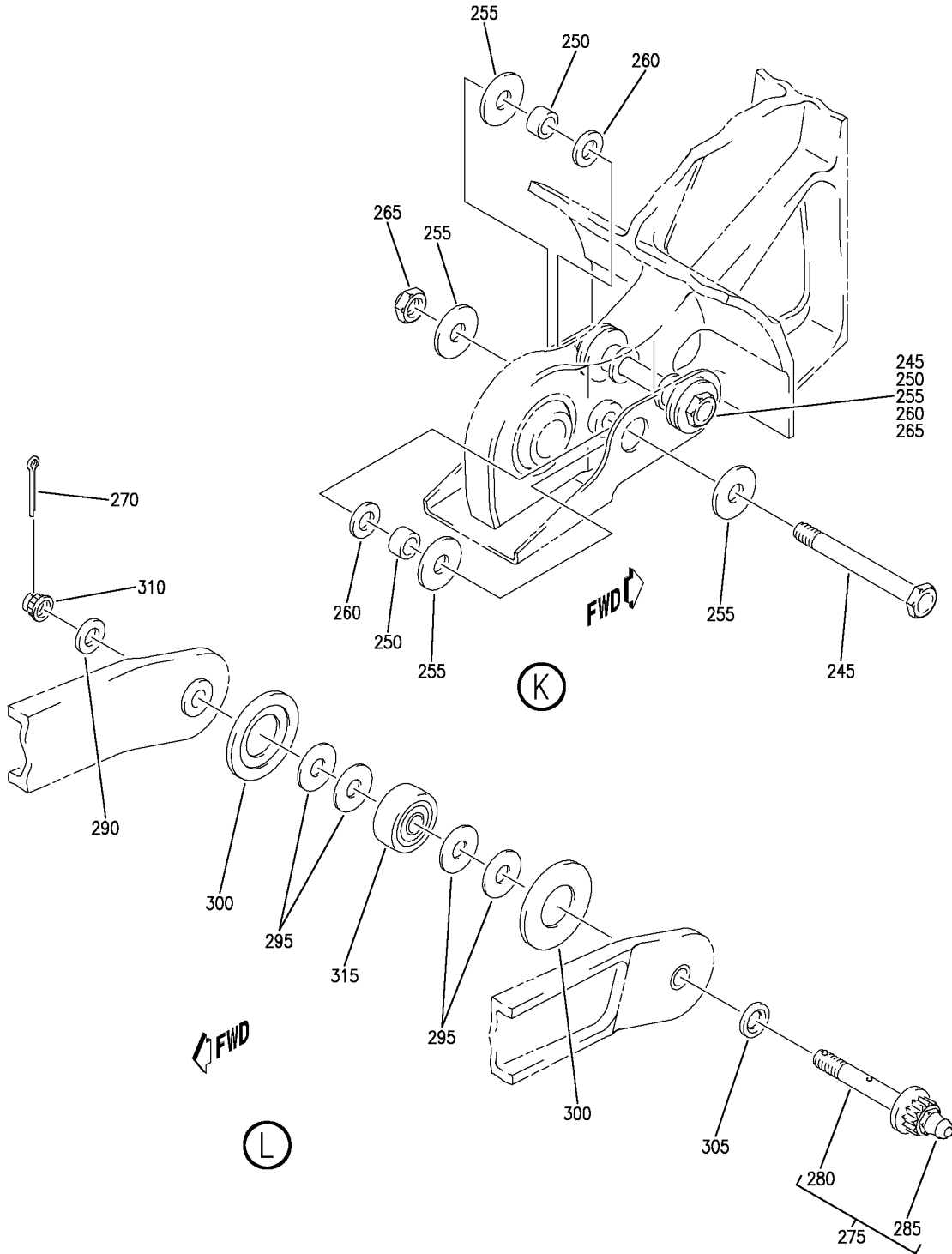
SLAT ASSY-NO. 10 OSS 707.00 TO 838.37 WING LE (RH)  
 FIGURE 1E (SHEET 6)

**27-81-02-01E**

BRI  
 MAY 28/07

27-81-02-01E  
 PAGE 0E

**BOEING**  
 757  
 PARTS CATALOG (MAINTENANCE)



Y 27810201E SH1 7 REV 311

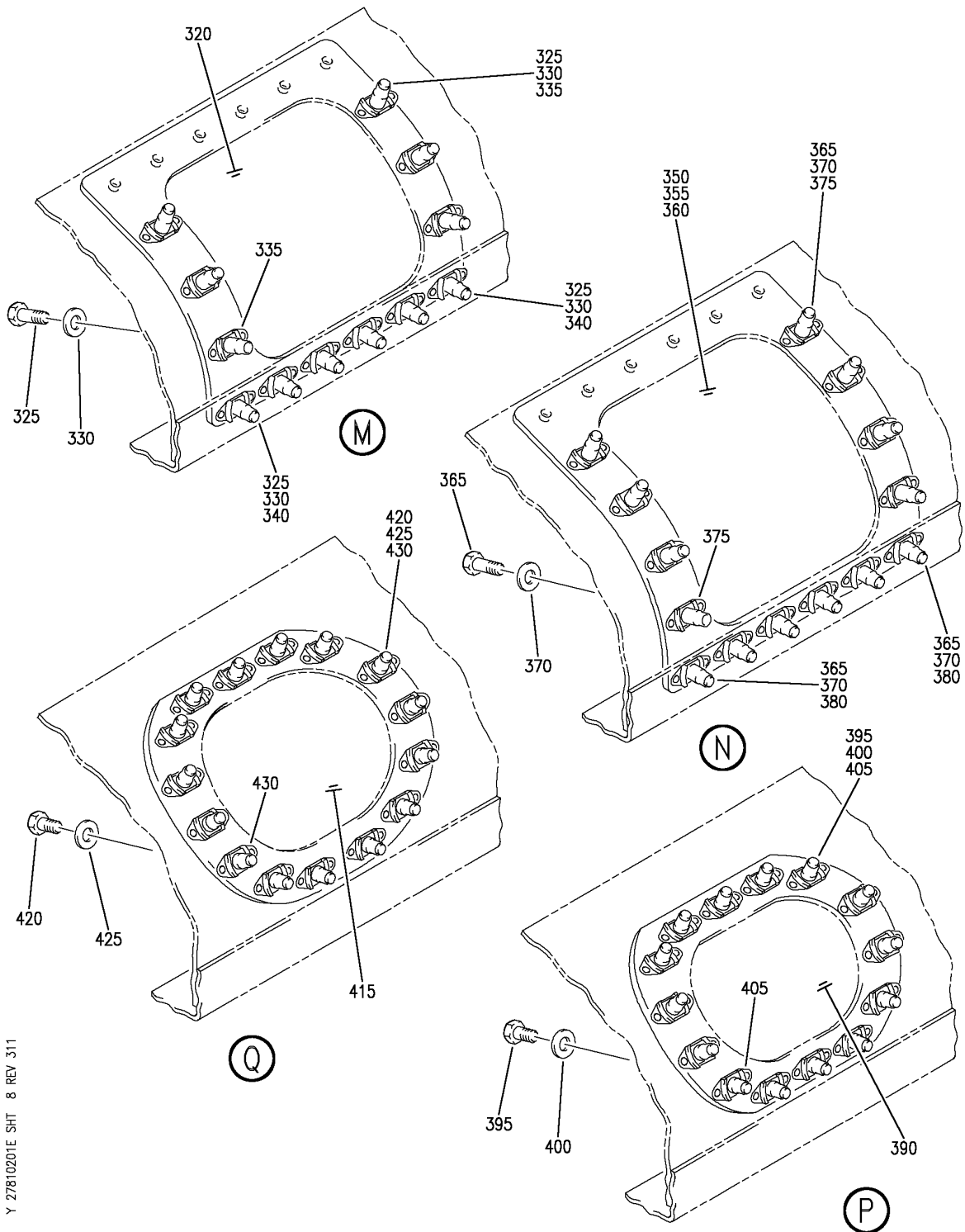
SLAT ASSY-NO. 10 OSS 707.00 TO 838.37 WING LE (RH)  
 FIGURE 1E (SHEET 7)

**27-81-02-01E**

BRI  
 MAY 28/07

27-81-02-01E  
 PAGE OF

**BOEING**  
757  
PARTS CATALOG (MAINTENANCE)



Y 27810201E SHIT 8 REV 311

SLAT ASSY-NO. 10 OSS 707.00 TO 838.37 WING LE (RH)  
FIGURE 1E (SHEET 8)

**27-81-02-01E**

BRI  
MAY 28/07

27-81-02-01E  
PAGE 0G



757

PARTS CATALOG (MAINTENANCE)

FIG ITEM	PART NUMBER	1 2 3 4 5 6 7	NOMENCLATURE	EFFECT FROM TO	UNITS PER ASSY
1 E			SLAT ASSY-NO. 10 OSS 707.00 TO 838.37 WING LE (RH)	101106 108120 504903	
- 1	114N4002-160SP		SLAT ASSY-NO. 10 WING LE POSITION DATA: OSS 707.00 TO 836.37 RH COMPONENT MAINT MANUAL REF: 57-43-14 QUALIFIED I/W DATA: -148SP I/W -172SP OR -160SP IF S/B757-57-0043 OR S/B 757-57A0045 IS INCORPORATED ON -148SP -170SP MAY REPLACE -160SP. -160SP MAY REPLACE -170SP AFTER INCORPORATION OF S/B 757-57-0057 FOR NHA SEE: 27-81-02-07A	101106 108120 504903	RF
- 1	114N4002-164SP		SLAT ASSY-NO. 10 WING LE POSITION DATA: OSS 707.00 TO 836.37 RH COMPONENT MAINT MANUAL REF: 57-43-14 QUALIFIED I/W DATA: -170SP I/W -158SP OR -164SP OR -160SP OR -172SP IF S/B 757-57 -0057 IS INCORPORATED ON -158SP OR -164SP OR -160SP OR -172SP. FOR NHA SEE: 27-81-02-07A	101106 108120 504903	RF

MISSING ITEM NUMBERS NOT APPLICABLE

- ITEM NOT ILLUSTRATED

BRI

**27-81-02-01E**

BOEING PROPRIETARY - Copyright © - Unpublished Work - See title page for details.

27-81-02  
FIG. 01E  
PAGE 1  
JAN 20/09



757

PARTS CATALOG (MAINTENANCE)

FIG ITEM	PART NUMBER	1 2 3 4 5 6 7	NOMENCLATURE	EFFECT FROM TO	UNITS PER ASSY
1E - 1	114N4002-170SP		SLAT ASSY-NO. 10 WING LE POSITION DATA: OSS 707.00 TO 836.37 RH COMPONENT MAINT MANUAL REF: 57-43-14 QUALIFIED I/W DATA: -170SP I/W -158SP OR -164SP OR -160SP OR -172SP IF S/B 757 -57-0057 IS INCORPORATED ON -158SP OR -164SP OR -160SP OR -172SP. -170SP I/W -156SP OR -154SP OR -148SP OR -132 IF S/B 757-57-0057 IS INCORPORATED ON -156SP OR -154SP OR -148SP OR -132. -170SP CAN REPLACE BUT NOT BE REPLACED BY -138 OR -122 OR -114 OR -110 OR -2 SUBJECT TO CUSTOMER COLOR PREFERENCE FOR NHA SEE: 27-81-02-07A	101106 108120 504903	RF
- 1	114N4002-170SP		SLAT ASSY-NO. 10 WING LE POSITION DATA: OSS 707.00 TO 836.37 RH COMPONENT MAINT MANUAL REF: 57-43-14 QUALIFIED I/W DATA: -170SP CAN REPLACE BUT NOT BE REPLACED BY -138 OR -122 OR -114 OR -110 OR -2 SUBJECT TO CUSTOMER COLOR PREFERENCE -170SP MAY REPLACE -160SP. -160SP MAY REPLACE -170SP AFTER INCORPORATION OF S/B 757-57-0057	101106 108120 504903	RF

MISSING ITEM NUMBERS NOT APPLICABLE

- ITEM NOT ILLUSTRATED

BRI

**27-81-02-01E**

BOEING PROPRIETARY - Copyright © - Unpublished Work - See title page for details.

27-81-02  
FIG. 01E  
PAGE 2  
JAN 20/09



757

PARTS CATALOG (MAINTENANCE)

FIG ITEM	PART NUMBER	1 2 3 4 5 6 7 NOMENCLATURE	EFFECT FROM TO	UNITS PER ASSY
1 E - 1	114N4002-188SP	SLAT ASSY-NO. 10 WING LE POSITION DATA: OSS 707.00 TO 836.37 RH COMPONENT MAINT MANUAL REF: 57-43-14 QUALIFIED I/W DATA: -188SP CAN REPLACE BUT NOT BE REPLACED BY -138 OR -122 OR -114 OR -110 OR -2 SUBJECT OT CUSTOMER COLOR PREFERENCE. -188SP MAY REPLACE -172SP. -172SP MAY REPLACE -188SP AFTER INCORPORATION OF S/B 757-57-0057 FOR NHA SEE: 27-81-02-07A	101106 108120 504903	RF

MISSING ITEM NUMBERS NOT APPLICABLE

- ITEM NOT ILLUSTRATED

BRI

**27-81-02-01E**

BOEING PROPRIETARY - Copyright © - Unpublished Work - See title page for details.

27-81-02  
FIG. 01E  
PAGE 3  
JAN 20/09





757

PARTS CATALOG (MAINTENANCE)

FIG ITEM	PART NUMBER	1 2 3 4 5 6 7	NOMENCLATURE	EFFECT FROM TO	UNITS PER ASSY
1E - 1	114N4002-154SP		SLAT ASSY-NO. 10 WING LE POSITION DATA: OSS 707.00 TO 836.37 RH COMPONENT MAINT MANUAL REF: 57-43-14 QUALIFIED I/W DATA: -154SP AND -148SP ARE CONDITIONALLY INTERCHABGEABLE PER THE REQUIREMENTS OF S/B 757-57-0043 AND S/B 757-57A0045 -154SP CAN REPLACE OR BE REPLACED BY -138 OR -122 OR -114 OR -110 OR -2. HOWEVER -138 OR -122 OR -114 OR -110 OR -2 CAN BE USED ONLY IF THE AIRPLANE IS RESTRICTED TO 241K MTGW -154SP I/W -132 IF S/B 757-57A0045 IS INCORPORATED ON THE -132 -170SP I/W -156SP OR -154SP OR -148SP OR -132 IF S/B 757-57-0057 IS INCORPORATED ON -156SP OR -154SP OR -148SP OR -132. FOR NHA SEE: 27-81-02-07A	101106 108120 504903	RF
- 1	114N4002-156SP		SLAT ASSY-NO. 10 WING LE POSITION DATA: OSS 707.00 TO 836.37 RH COMPONENT MAINT MANUAL REF: 57-43-14 QUALIFIED I/W DATA: -170SP I/W -156SP IF S/B 757-57-0057 IS INCORPORATED ON THE -156SP. FOR NHA SEE: 27-81-02-07A	101106 108120 504903	RF

MISSING ITEM NUMBERS NOT APPLICABLE

- ITEM NOT ILLUSTRATED

BRI

**27-81-02-01E**

BOEING PROPRIETARY - Copyright © - Unpublished Work - See title page for details.

27-81-02  
FIG. 01E  
PAGE 4  
JAN 20/09



757

PARTS CATALOG (MAINTENANCE)

FIG ITEM	PART NUMBER	1 2 3 4 5 6 7	NOMENCLATURE	EFFECT FROM TO	UNITS PER ASSY
1E					
- 1	114N4002-158SP		SLAT ASSY-NO. 10 WING LE POSITION DATA: OSS 707.00 TO 836.37 RH COMPONENT MAINT MANUAL REF: 57-43-14 QUALIFIED I/W DATA: -170SP I/W -158SP OR -164SP OR -160SP OR -172SP IF S/B 757-57 -0057 IS INCORPORATED ON -158SP OR -164SP OR -160SP OR -172SP. FOR NHA SEE: 27-81-02-07A	101106 108120 504903	RF
- 1	114N4002-172SP		SLAT ASSY-NO. 10 WING LE POSITION DATA: OSS 707.00 TO 836.37 RH COMPONENT MAINT MANUAL REF: 57-43-14 QUALIFIED I/W DATA: -172SP I/W -170SP IF 757-57-0057 IS INCORPORATED ON THE -172SP -172SP I/W -148SP OR -132 IF S/B 757-57A0045 IS INCORPORATED ON -148SP OR -132. -172SP CAN REPLACE OR BE REPLACED BY -138 OR -122 OR -114 OR -110 OR -2. HOWEVER -138 OR -122 OR -114 OR -110 OR -2 CAN BE USED ONLY IF THE AIRPLANE IS RESTRICTED TO 241K MTGW. -188SP MAY REPLACE -172SP. -172SP MAY REPLACE -188SP AFTER INCORPORATION OF S/B 757-57-0057. FOR NHA SEE: 27-81-02-07A	101106 108120 504903	RF
15	BACB30NN3K8		.BOLT	101106 108120 504903	6
20	BACR15CE6AD		.RIVET- SIZE DETERMINED ON INSTL.	101106 108120 504903	120

MISSING ITEM NUMBERS NOT APPLICABLE

- ITEM NOT ILLUSTRATED

BRI

**27-81-02-01E**

BOEING PROPRIETARY - Copyright © - Unpublished Work - See title page for details.

27-81-02  
FIG. 01E  
PAGE 5  
JAN 20/09

**BOEING**  
757  
**PARTS CATALOG (MAINTENANCE)**

FIG ITEM	PART NUMBER	1 2 3 4 5 6 7	NOMENCLATURE	EFFECT FROM TO	UNITS PER ASSY
1E 25	BRFR220C3-2D		.NUTPLATE SUPPLIER CODE: V52828 SPECIFICATION NUMBER: BACN10KE3B2CD OPTIONAL PART: F51747-3-2CD V15653 102A9213-2-3 V72962 NS202493-02-2 V80539 ATTACHING PARTS	101106 108120 504903	6
- 30	BACR15BA3AD		.RIVET- SIZE DETERMINED ON INSTL.  -----*-----	101106 108120 504903	12
35	114N4058-14		.SKIN-FLEXIBLE	101106 108120 504903	1
35	114N4058-2		.SKIN-FLEXIBLE	101106 108120 504903	1
40	BACB30NM3K3		.BOLT	101106 108120 504903	2
45	AN960KD10		.WASHER	101106 108120 504903	2
50	BRH10C3D		.NUT SUPPLIER CODE: V52828 SPECIFICATION NUMBER: BACN10JC3CD OPTIONAL PART: T6C1032JCD V11815 NS202486-02 V80539 102LH9075-3W V72962 H51650-3BAC V15653	101106 108120 504903	2
55	114N4044-56		.SEAL- POSITION DATA: RH SIDE ALTERED FROM PART NUMBER: 10-60754-491	101106 108120 504903	1

MISSING ITEM NUMBERS NOT APPLICABLE

- ITEM NOT ILLUSTRATED

BRI

# 27-81-02-01E

BOEING PROPRIETARY - Copyright © - Unpublished Work - See title page for details.

27-81-02  
FIG. 01E  
PAGE 6  
JAN 20/09



757

PARTS CATALOG (MAINTENANCE)

FIG ITEM	PART NUMBER	1 2 3 4 5 6 7	NOMENCLATURE	EFFECT FROM TO	UNITS PER ASSY
1E					
60	114N4044-37	.	RETAINER	101106 108120 504903	1
65	BACB30NM3K3	.	BOLT	101106 108120 504903	3
70	AN960KD10	.	WASHER	101106 108120 504903	3
75	BRH10C3D	.	NUT SUPPLIER CODE: V52828 SPECIFICATION NUMBER: BACN10JC3CD OPTIONAL PART: T6C1032JCD V11815 NS202486-02 V80539 102LH9075-3W V72962 H51650-3BAC V15653	101106 108120 504903	3
80	114N4044-58	.	SEAL- ALTERED FROM PART NUMBER: 10-60754-492	101106 108120 504903	1
85	114N4044-39	.	RETAINER	101106 108120 504903	1
95	BACB30NN3K4	.	BOLT	101106 108120 504903	10
105	BACB30NN3K6	.	BOLT	101106 108120 504903	1
110	BACB30NM3K4	.	BOLT	101106 108120 504903	2
115	BACB30NM3K5	.	BOLT	101106 108120 504903	3
120	BACB30NM3K3	.	BOLT	101106 108120 504903	2
125	BACB30NR3K5	.	BOLT	101106 108120 504903	5

MISSING ITEM NUMBERS NOT APPLICABLE

- ITEM NOT ILLUSTRATED

27-81-02-01E

27-81-02  
FIG. 01E  
PAGE 7  
JAN 20/09

BRI

BOEING PROPRIETARY - Copyright © - Unpublished Work - See title page for details.



757

PARTS CATALOG (MAINTENANCE)

FIG ITEM	PART NUMBER	1 2 3 4 5 6 7	NOMENCLATURE	EFFECT FROM TO	UNITS PER ASSY
1E					
130	AN960KD10	.	WASHER	101106 108120 504903	10
135	AN960PD10L	.	WASHER	101106 108120 504903	2
140	BRH10C3D	.	NUT SUPPLIER CODE: V52828 SPECIFICATION NUMBER: BACN10JC3CD OPTIONAL PART: T6C1032JCD V11815 NS202486-02 V80539 102LH9075-3W V72962 H51650-3BAC V15653	101106 108120 504903	5
145	114N4045-83	.	RETAINER	101106 108120 504903	1
150	114N4045-61	.	RETAINER	101106 108120 504903	1
155	114N4045-114	.	RETAINER	101106 108120 504903	1
160	114N4045-88	.	RETAINER	101106 108120 504903	1
165	114N4045-70	.	SEAL	101106 108120 504903	1
170	114N4045-63	.	SHIELD-EROSION ALTERED FROM PART NUMBER: 114N4081-4 MANUFACTURED FROM: 114N4081-4	101106 108120 504903	1
170	114N4045-135	.	SHIELD-EROSION ALTERED FROM PART NUMBER: 114N4081-4 FOR SPARES PROCURE: 114N4081-4	101106 108120 504903	1
175	114N4045-72	.	SEAL- ALTERED FROM PART NUMBER: 10-60754-484	101106 108120 504903	1

MISSING ITEM NUMBERS NOT APPLICABLE

- ITEM NOT ILLUSTRATED

BRI

27-81-02-01E

BOEING PROPRIETARY - Copyright © - Unpublished Work - See title page for details.

27-81-02  
FIG. 01E  
PAGE 8  
JAN 20/09



757

PARTS CATALOG (MAINTENANCE)

FIG ITEM	PART NUMBER	1 2 3 4 5 6 7	NOMENCLATURE	EFFECT FROM TO	UNITS PER ASSY
1E					
175	114N4045-120	.	SEAL- ALTERED FROM PART NUMBER: 10-60754-484	101106 108120 504903	1
180	114N4045-112	.	SHIELD-EROSION ALTERED FROM PART NUMBER: 114N4081-9 FOR SPARES PROCURE: 114N4081-9	101106 108120 504903	1
185	114N4152-5	.	RETAINER ASSY	101106 108120 504903	1
190	BR1000C3D	..	NUTPLATE SUPPLIER CODE: V52828 SPECIFICATION NUMBER: BACN10KB3CD OPTIONAL PART: NS202440-02 V80539 102A9207P3 V72962 K51595-3 V15653	101106 108120 504903	2
195	BR2000C3D	..	NUT SUPPLIER CODE: V52828 SPECIFICATION NUMBER: BACN10JR3CD OPTIONAL PART: K51601-3BAC V15653 NS202439-02 V80539 102A9201-3 V72962	101106 108120 504903	1
- 200	BACR15BA3AD	..	ATTACHING PARTS RIVET- SIZE DETERMINED ON INSTL.  -----*-----	101106 108120 504903	6
205	114N4152-6	..	RETAINER	101106 108120 504903	1
210	114N4153-4	.	TEE-ATTACH	101106 108120 504903	1
215	114N4045-125	.	SEAL-BLADE ALTERED FROM PART NUMBER: 10-60754-76	101106 108120 504903	1

MISSING ITEM NUMBERS NOT APPLICABLE

- ITEM NOT ILLUSTRATED

BRI

27-81-02-01E

BOEING PROPRIETARY - Copyright © - Unpublished Work - See title page for details.

27-81-02  
FIG. 01E  
PAGE 9  
JAN 20/09

 **BOEING**  
757  
**PARTS CATALOG (MAINTENANCE)**

FIG ITEM	PART NUMBER	1 2 3 4 5 6 7	NOMENCLATURE	EFFECT FROM TO	UNITS PER ASSY
1E					
220	114N4046-45	.	RETAINER	101106 108120 504903	1
225	114N4046-29	.	RETAINER	101106 108120 504903	1
230	114N4046-10	.	SEAL- ALTERED FROM PART NUMBER: 10-60754-319 MANUFACTURED FROM: EXTR RUBBER 10-60754-319 117.0 IN.	101106 108120 504903	1
235	114N4046-12	.	SEAL- ALTERED FROM PART NUMBER: 10-60754-319 MANUFACTURED FROM: EXTR RUBBER 10-60754-319 15.0 IN.	101106 108120 504903	1
240	114N4066-4	.	SEAL-	101106 108120 504903	1
240	114N4066-2	.	SEAL-	101106 108120 504903	1
245	BACB30NR4K30	.	BOLT	101106 108120 504903	4
250	NAS43DD4-21	.	SPACER	101106 108120 504903	8
255	BACW10P186C	.	WASHER	101106 108120 504903	16
260	AN960KD416	.	WASHER	101106 108120 504903	8

MISSING ITEM NUMBERS NOT APPLICABLE

— ITEM NOT ILLUSTRATED

BRI

**27-81-02-01E**

BOEING PROPRIETARY - Copyright © - Unpublished Work - See title page for details.

27-81-02  
FIG. 01E  
PAGE 10  
JAN 20/09



757

PARTS CATALOG (MAINTENANCE)

FIG ITEM	PART NUMBER	1 2 3 4 5 6 7	NOMENCLATURE	EFFECT FROM TO	UNITS PER ASSY
1E 265	BRH10C4D	.NUT	SUPPLIER CODE: V52828 SPECIFICATION NUMBER: BACN10JC4CD OPTIONAL PART: T6C428JCD V11815 NS202486-048 V80539 102LH9075-4W V72962 H51650-4BAC V15653	101106 108120 504903	4
270	MS24665-153	.PIN-COTTER		101106 108120 504903	2
270	BACP18BC02A06P	.PIN-COTTER		101106 108120 504903	2
275	114N4052-1	.BOLT ASSY-		101106 108120 504903	2
275	BACB30LE4DU19	.BOLT-		101106 108120 504903	2
280	114N4052-2	..BOLT		101106 108120 504903	1
285	MS15001-1	..FITTING-LUBE		101106 108120 504903	1
290	BACW10BP4DP	.WASHER		101106 108120 504903	2
295	BACW10P250C	.WASHER		101106 108120 504903	8
295	BACW10P42S	.WASHER		101106 108120 504903	8
300	114N4056-1	.WASHER		101106 108120 504903	4
305	BACW10BP4CD	.WASHER		101106 108120 504903	2

MISSING ITEM NUMBERS NOT APPLICABLE

- ITEM NOT ILLUSTRATED

BRI

27-81-02-01E

BOEING PROPRIETARY - Copyright © - Unpublished Work - See title page for details.

27-81-02  
FIG. 01E  
PAGE 11  
JAN 20/09





757

PARTS CATALOG (MAINTENANCE)

FIG ITEM	PART NUMBER	1 2 3 4 5 6 7	NOMENCLATURE	EFFECT FROM TO	UNITS PER ASSY
1E					
310	NAS1805-4N	.	NUT	101106 108120 504903	2
310	NAS1805-4L	.	NUT	101106 108120 504903	2
315	ATF4	.	BEARING- SUPPLIER CODE: V60380 SPECIFICATION NUMBER: BACB10ET04 OPTIONAL PART: 4AFC614 V92563 YAF04B V07484	101106 108120 504903	2
315	ATF4SN	.	BEARING- SUPPLIER CODE: V21335 SPECIFICATION NUMBER: BACB10GH04N OPTIONAL PART: CRO4NAFC V92563 ATF04NSY V21335	101106 108120 504903	2
320	114N4075-8501	.	DOOR-ACCESS	101106 108120 504903	1
325	BACB30NM3K6	.	ATTACHING PARTS BOLT	101106 108120 504903	12
330	NAS1149D0332J	.	WASHER	101106 108120 504903	12
335	BRFR220C3-5D	-----*	NUTPLATE SUPPLIER CODE: V52828 SPECIFICATION NUMBER: BACN10KE3B5CD OPTIONAL PART: F51747-3-5CD V15653 102A9213-5-3 V72962 NS202493-02-5 V80539	101106 108120 504903	6

MISSING ITEM NUMBERS NOT APPLICABLE

- ITEM NOT ILLUSTRATED

BRI

27-81-02-01E

BOEING PROPRIETARY - Copyright © - Unpublished Work - See title page for details.

27-81-02  
FIG. 01E  
PAGE 12  
JAN 20/09



757

PARTS CATALOG (MAINTENANCE)

FIG ITEM	PART NUMBER	1 2 3 4 5 6 7	NOMENCLATURE	EFFECT FROM TO	UNITS PER ASSY
1 E 340	BRFR220C3-4D		.NUTPLATE SUPPLIER CODE: V52828 SPECIFICATION NUMBER: BACN10KE3B4CD OPTIONAL PART: F51747-3-4CD V15653 102A9213-4-3 V72962 NS202493-02-4 V80539 ATTACHING PARTS	101106 108120 504903	6
- 345	BACR15BA3AD		.RIVET- SIZE DETERMINED ON INSTL.  -----*-----	101106 108120 504903	24
350	114N4075-8502		.DOOR-ACCESS	101106 108120 504903	1
355	114N4075-8503		.DOOR-ACCESS	101106 108120 504903	1
360	114N4075-8504		.DOOR-ACCESS  ATTACHING PARTS	101106 108120 504903	1
365	BACB30NM3K6		.BOLT	101106 108120 504903	42
370	NAS1149D0332J		.WASHER	101106 108120 504903	42
375	BRFR220C3-5D		.NUTPLATE SUPPLIER CODE: V52828 SPECIFICATION NUMBER: BACN10KE3B5CD OPTIONAL PART: F51747-3-5CD V15653 102A9213-5-3 V72962 NS202493-02-5 V80539	101106 108120 504903	24

MISSING ITEM NUMBERS NOT APPLICABLE

- ITEM NOT ILLUSTRATED

BRI

27-81-02-01E

BOEING PROPRIETARY - Copyright © - Unpublished Work - See title page for details.

27-81-02  
FIG. 01E  
PAGE 13  
JAN 20/09



757

PARTS CATALOG (MAINTENANCE)

FIG ITEM	PART NUMBER	1 2 3 4 5 6 7	NOMENCLATURE	EFFECT FROM TO	UNITS PER ASSY
1E 380	BRFR220C3-4D		.NUTPLATE SUPPLIER CODE: V52828 SPECIFICATION NUMBER: BACN10KE3B4CD OPTIONAL PART: F51747-3-4CD V15653 102A9213-4-3 V72962 NS202493-02-4 V80539 ATTACHING PARTS	101106 108120 504903	18
- 385	BACR15BA3AD		.RIVET- SIZE DETERMINED ON INSTL.  -----*-----	101106 108120 504903	84
390	114N4075-29		.DOOR-ACCESS  ATTACHING PARTS	101106 108120 504903	1
395	BACB30NM3K3		.BOLT	101106 108120 504903	14
400	NAS1149D0332J		.WASHER	101106 108120 504903	14
405	BRFR220C3-2D		.NUTPLATE SUPPLIER CODE: V52828 SPECIFICATION NUMBER: BACN10KE3B2CD OPTIONAL PART: F51747-3-2CD V15653 102A9213-2-3 V72962 NS202493-02-2 V80539 ATTACHING PARTS	101106 108120 504903	14
- 410	BACR15BA3AD		.RIVET- SIZE DETERMINED ON INSTL.  -----*-----	101106 108120 504903	28
415	114N4075-31		.DOOR-ACCESS	101106 108120 504903	1

MISSING ITEM NUMBERS NOT APPLICABLE

- ITEM NOT ILLUSTRATED

27-81-02-01E

27-81-02  
FIG. 01E  
PAGE 14  
JAN 20/09

BRI

BOEING PROPRIETARY - Copyright © - Unpublished Work - See title page for details.



757

PARTS CATALOG (MAINTENANCE)

FIG ITEM	PART NUMBER	1 2 3 4 5 6 7	NOMENCLATURE	EFFECT FROM TO	UNITS PER ASSY
1 E			ATTACHING PARTS		
420	BACB30NM3K3		.BOLT	101106 108120 504903	15
425	NAS1149D0332J		.WASHER	101106 108120 504903	15
430	BRFR220C3-2D		-----*----- .NUTPLATE SUPPLIER CODE: V52828 SPECIFICATION NUMBER: BACN10KE3B2CD OPTIONAL PART: F51747-3-2CD V15653 102A9213-2-3 V72962 NS202493-02-2 V80539	101106 108120 504903	15
- 435	BACR15BA3AD		ATTACHING PARTS .RIVET- SIZE DETERMINED ON INSTL. -----*-----	101106 108120 504903	30

MISSING ITEM NUMBERS NOT APPLICABLE

- ITEM NOT ILLUSTRATED

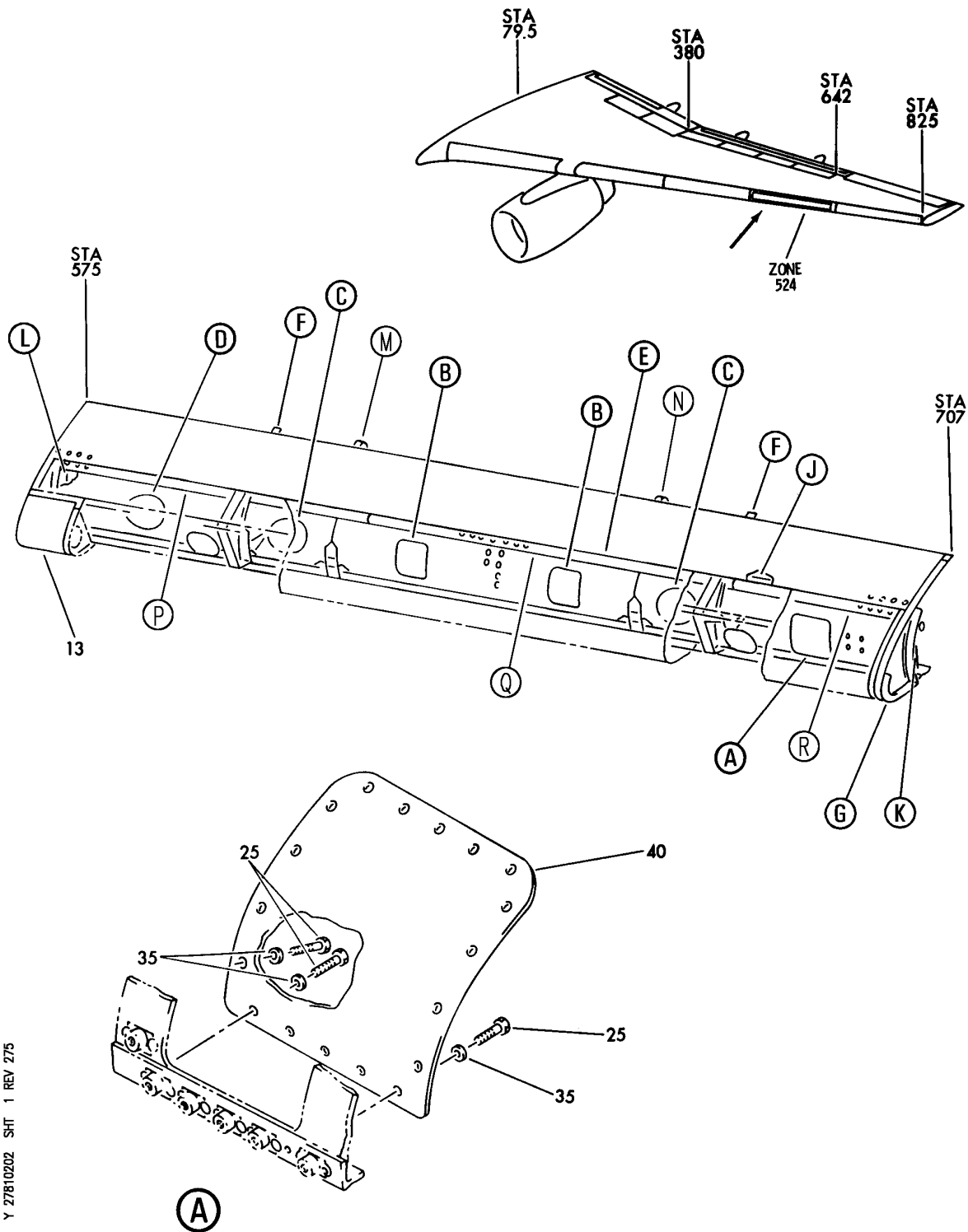
BRI

**27-81-02-01E**

BOEING PROPRIETARY - Copyright © - Unpublished Work - See title page for details.

27-81-02  
FIG. 01E  
PAGE 15  
JAN 20/09

**BOEING**  
757  
PARTS CATALOG (MAINTENANCE)



Y 27810202 SHT 1 REV 275

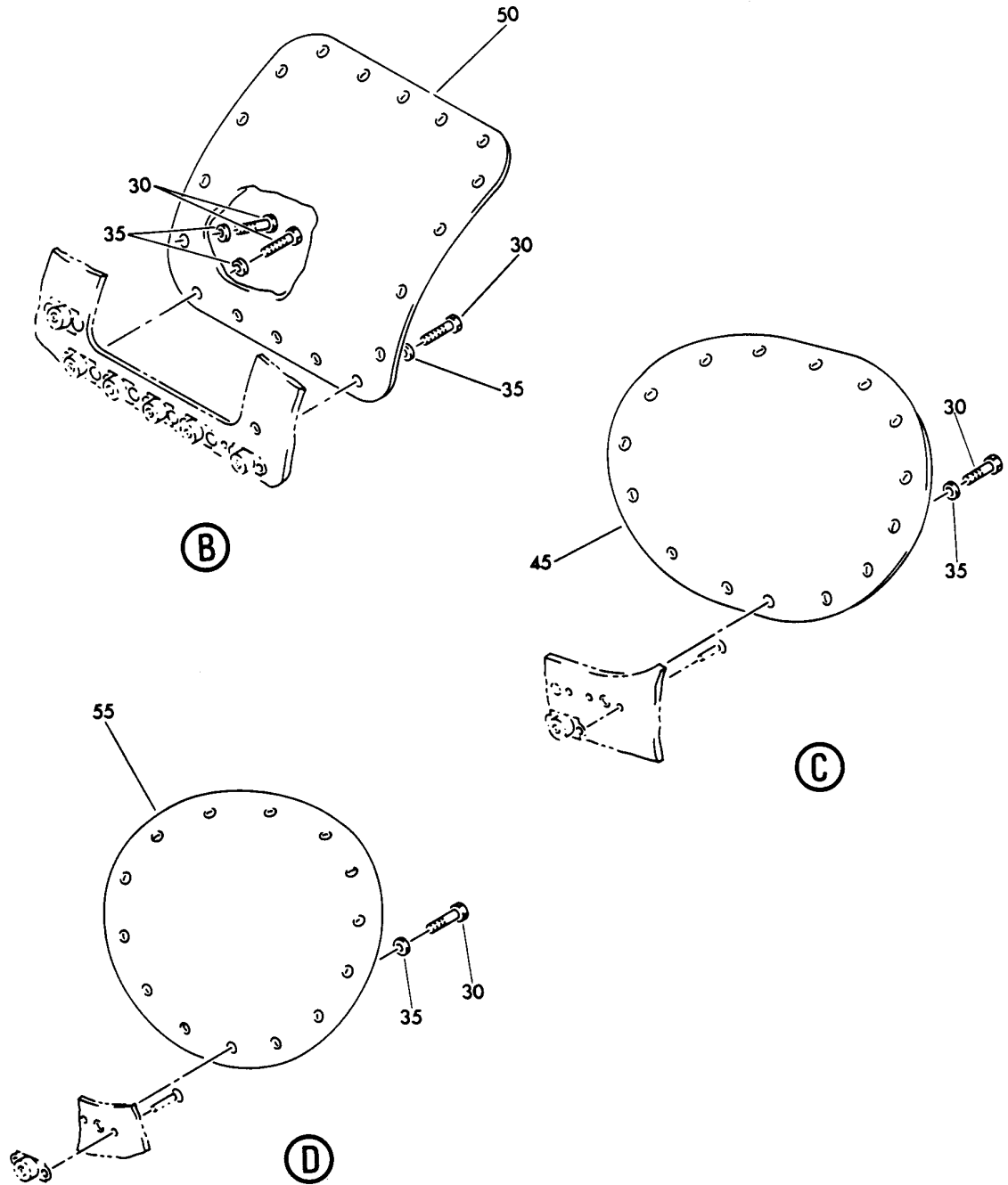
SLAT ASSY-NO. 2 WING LE OSS 574.80 TO 707.00 WING LE  
FIGURE 2 (SHEET 1)

**27-81-02-02**

BRI  
MAY 28/07

27-81-02-02  
PAGE 0

**BOEING**  
757  
PARTS CATALOG (MAINTENANCE)



Y 27810202 SMT 2 REV 027

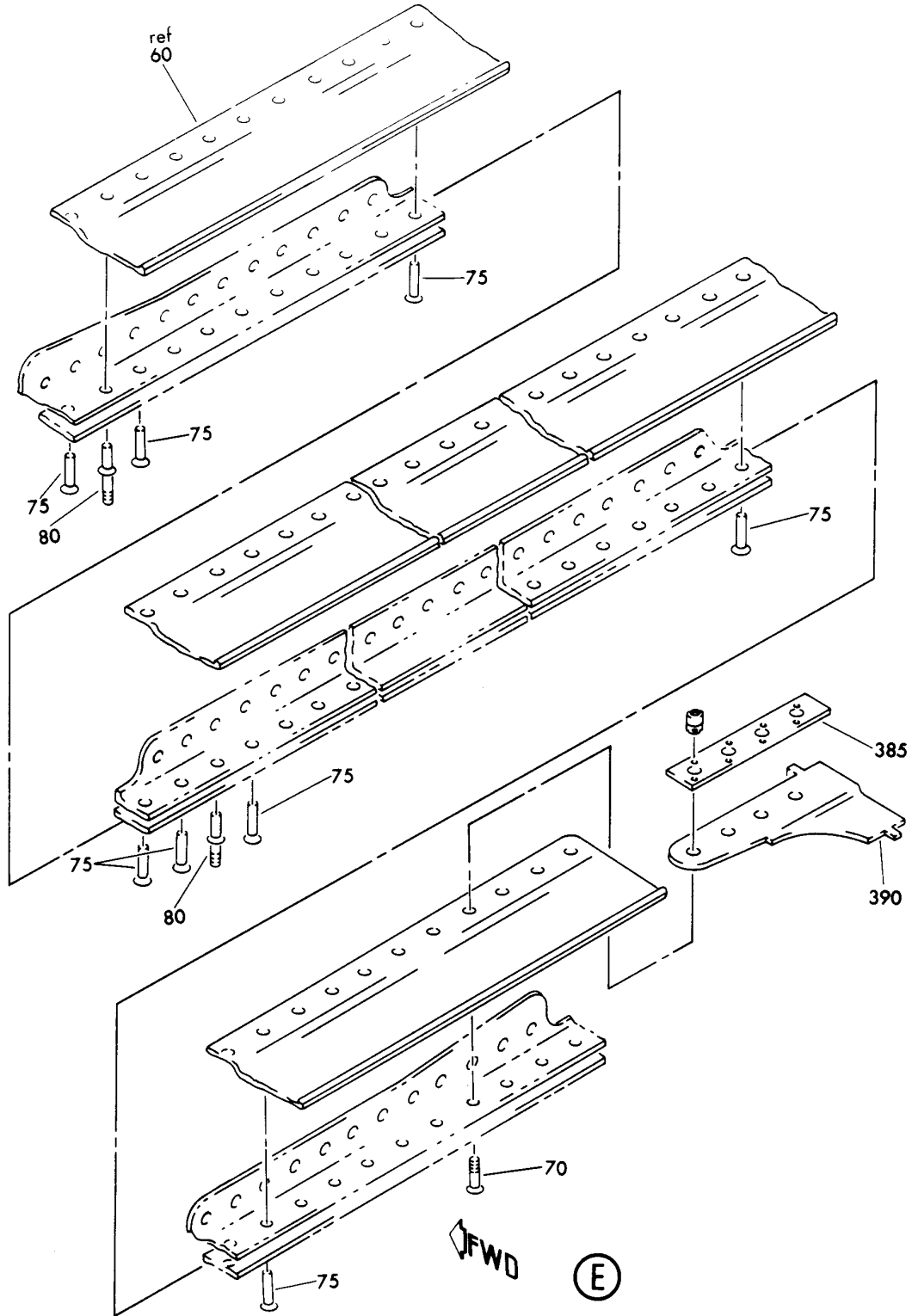
SLAT ASSY-NO. 2 WING LE OSS 574.80 TO 707.00 WING LE  
FIGURE 2 (SHEET 2)

**27-81-02-02**

BRI  
MAY 28/07

27-81-02-02  
PAGE 0A

**BOEING**  
757  
PARTS CATALOG (MAINTENANCE)



Y 27810202 SH1 3 REV 027

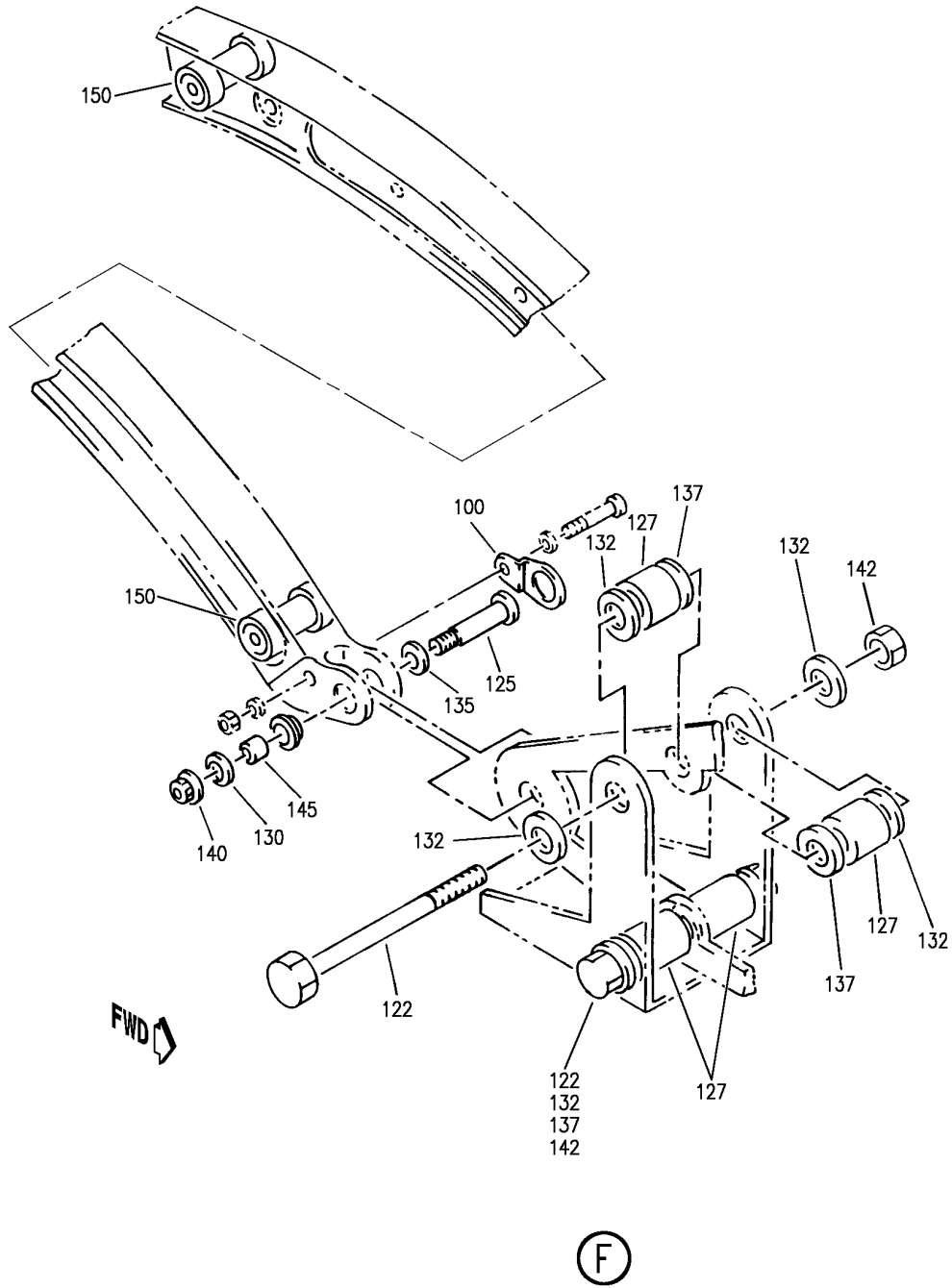
SLAT ASSY-NO. 2 WING LE OSS 574.80 TO 707.00 WING LE  
FIGURE 2 (SHEET 3)

**27-81-02-02**

BRI  
MAY 28/07

27-81-02-02  
PAGE 0B

**BOEING**  
757  
PARTS CATALOG (MAINTENANCE)



Y 27810202 SH1 4 REV 248

SLAT ASSY-NO. 2 WING LE OSS 574.80 TO 707.00 WING LE  
FIGURE 2 (SHEET 4)

**27-81-02-02**

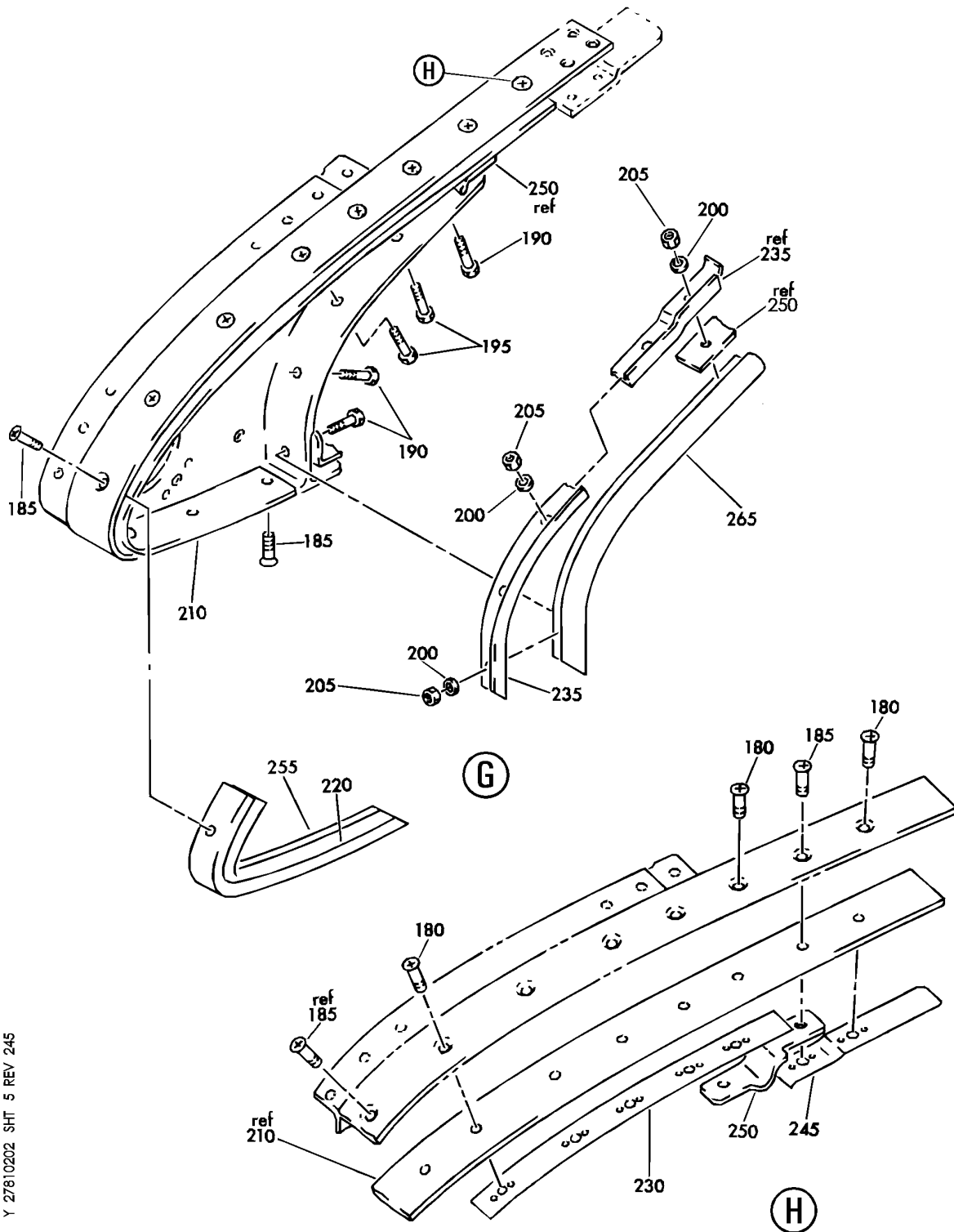
BRI  
MAY 28/07

27-81-02-02  
PAGE 0C

BOEING PROPRIETARY - Copyright © - Unpublished Work - See title page for details.



**BOEING**  
757  
PARTS CATALOG (MAINTENANCE)



Y 27810202 SHT 5 REV 245

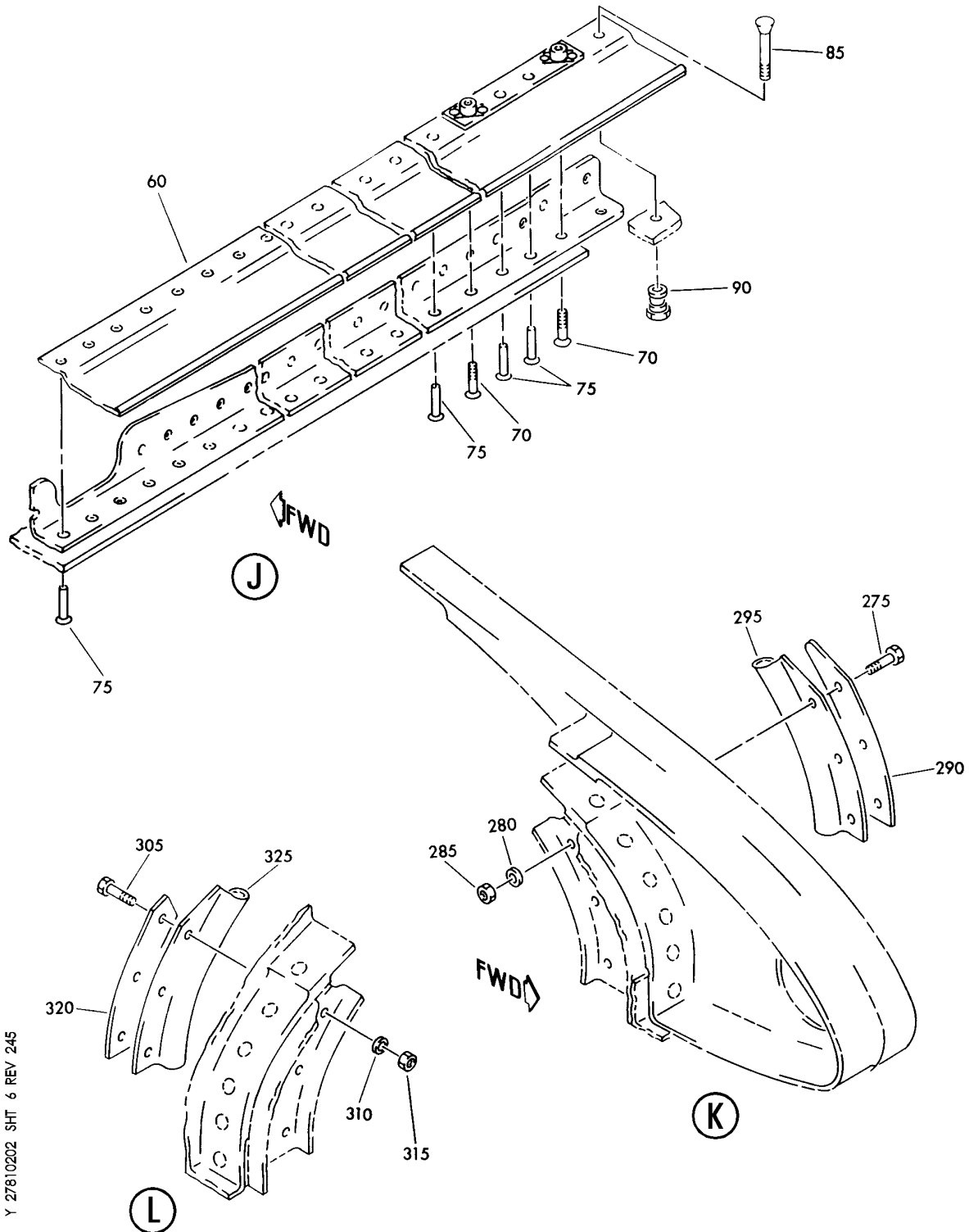
SLAT ASSY-NO. 2 WING LE OSS 574.80 TO 707.00 WING LE  
FIGURE 2 (SHEET 5)

**27-81-02-02**

BRI  
MAY 28/07

27-81-02-02  
PAGE 0D

**BOEING**  
757  
PARTS CATALOG (MAINTENANCE)



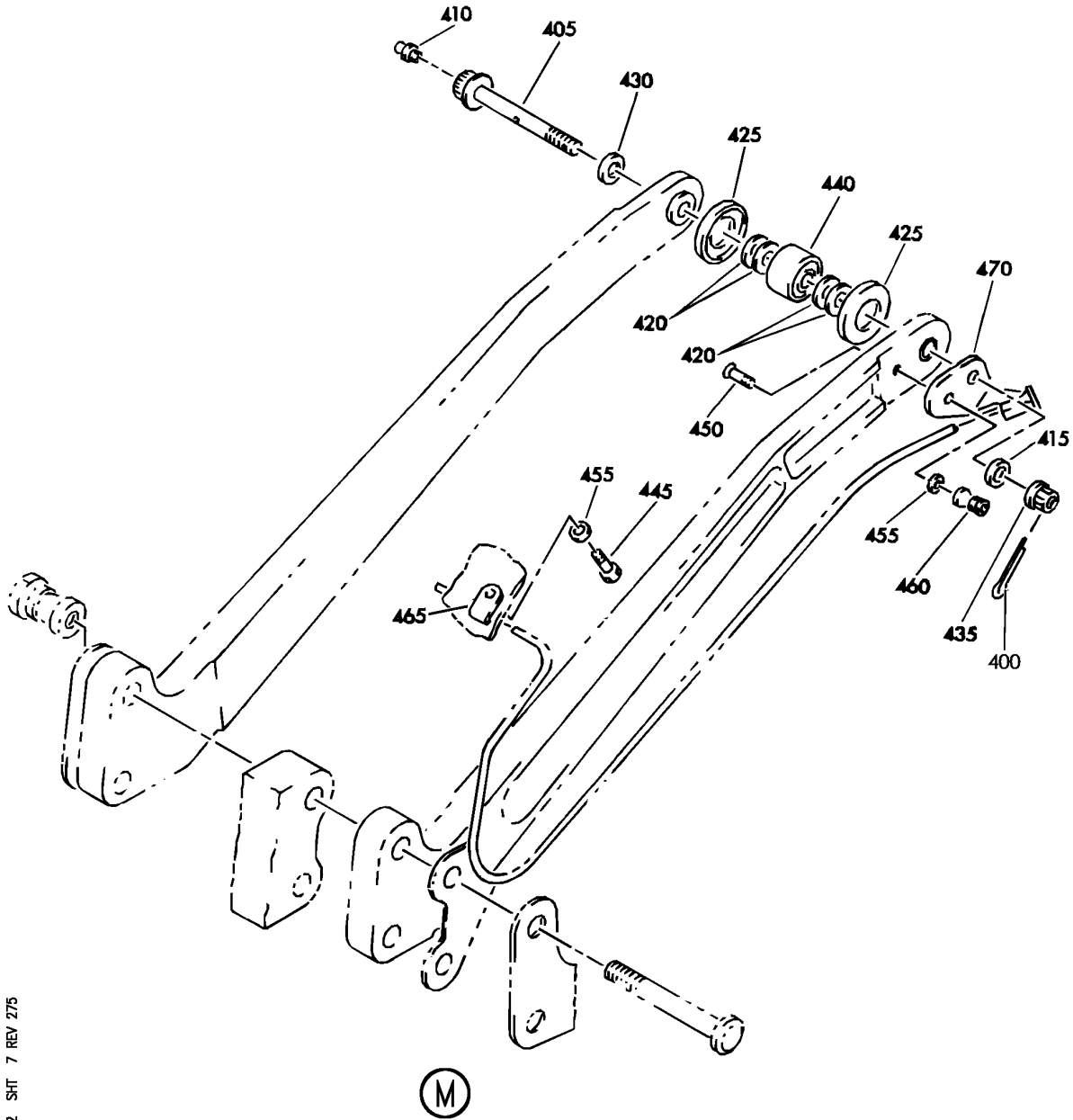
SLAT ASSY-NO. 2 WING LE OSS 574.80 TO 707.00 WING LE  
FIGURE 2 (SHEET 6)

**27-81-02-02**

BRI  
MAY 28/07

27-81-02-02  
PAGE 0E

**BOEING**  
757  
PARTS CATALOG (MAINTENANCE)



Y 27810202 SH 7 REV 275

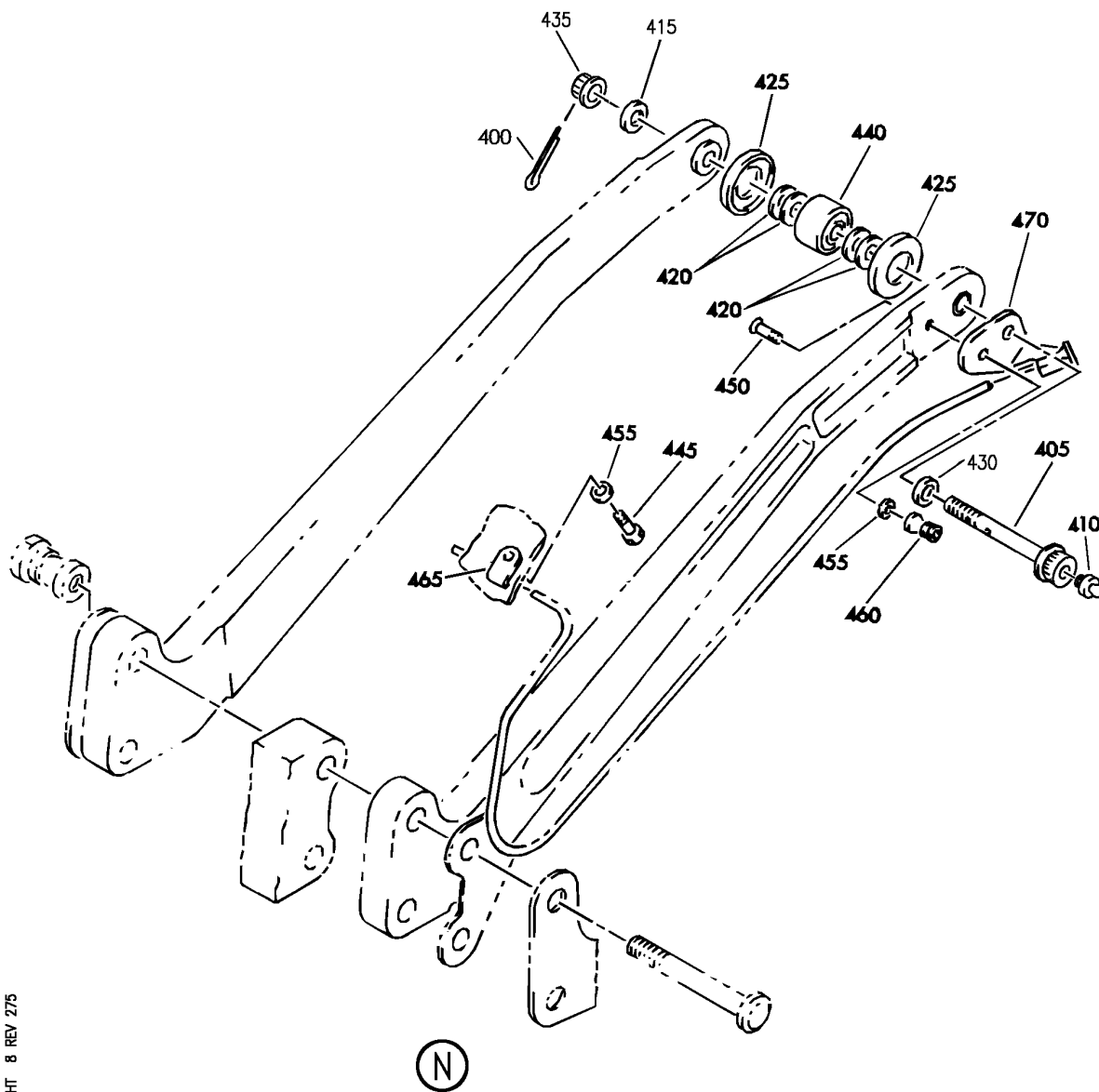
SLAT ASSY-NO. 2 WING LE OSS 574.80 TO 707.00 WING LE  
FIGURE 2 (SHEET 7)

**27-81-02-02**

BRI  
MAY 28/07

27-81-02-02  
PAGE OF

**BOEING**  
757  
PARTS CATALOG (MAINTENANCE)



Y 27810202 SH1 8 REV 275

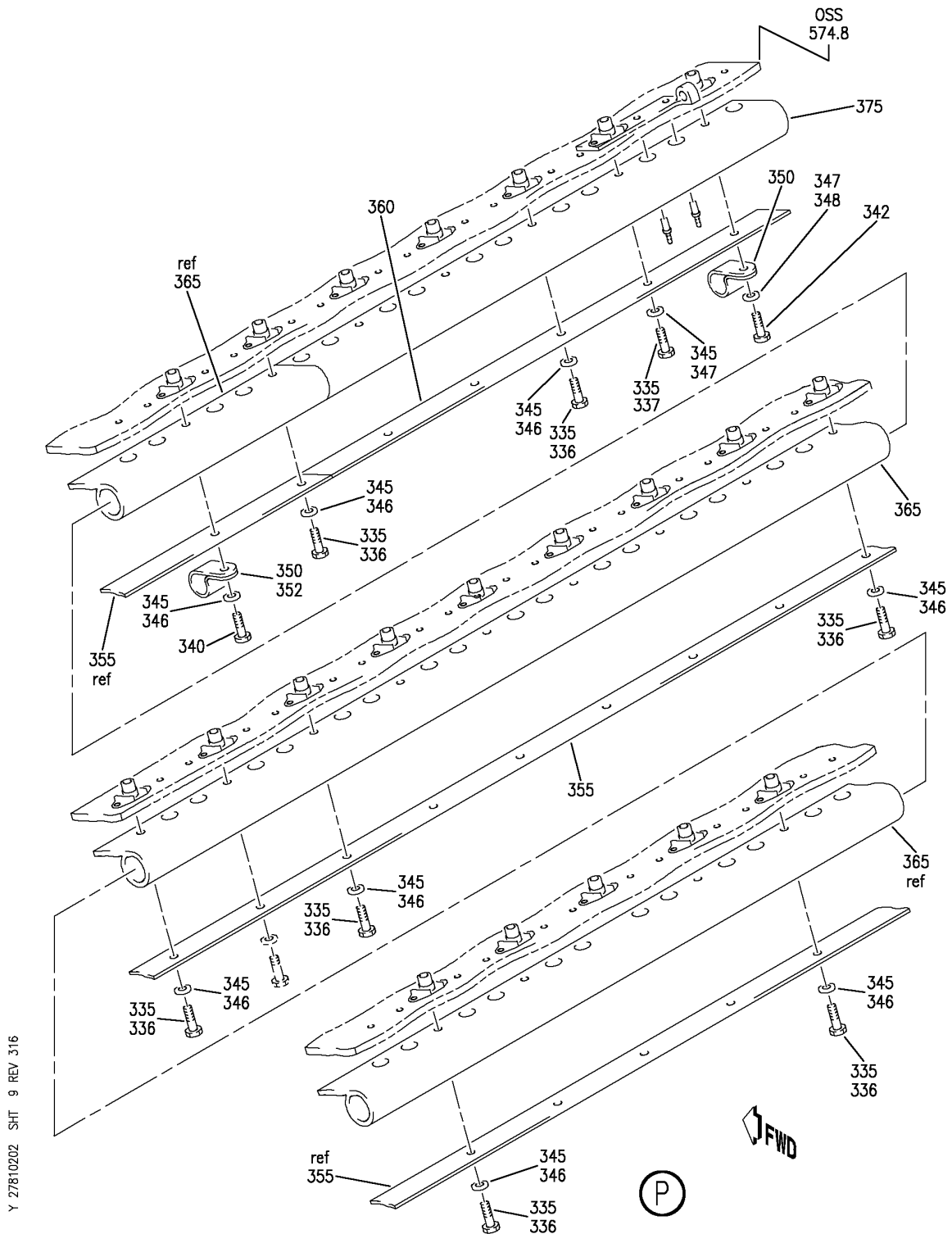
SLAT ASSY-NO. 2 WING LE OSS 574.80 TO 707.00 WING LE  
FIGURE 2 (SHEET 8)

**27-81-02-02**

BRI  
MAY 28/07

27-81-02-02  
PAGE 08

**BOEING**  
757  
PARTS CATALOG (MAINTENANCE)



Y 27810202 SHT 9 REV 316

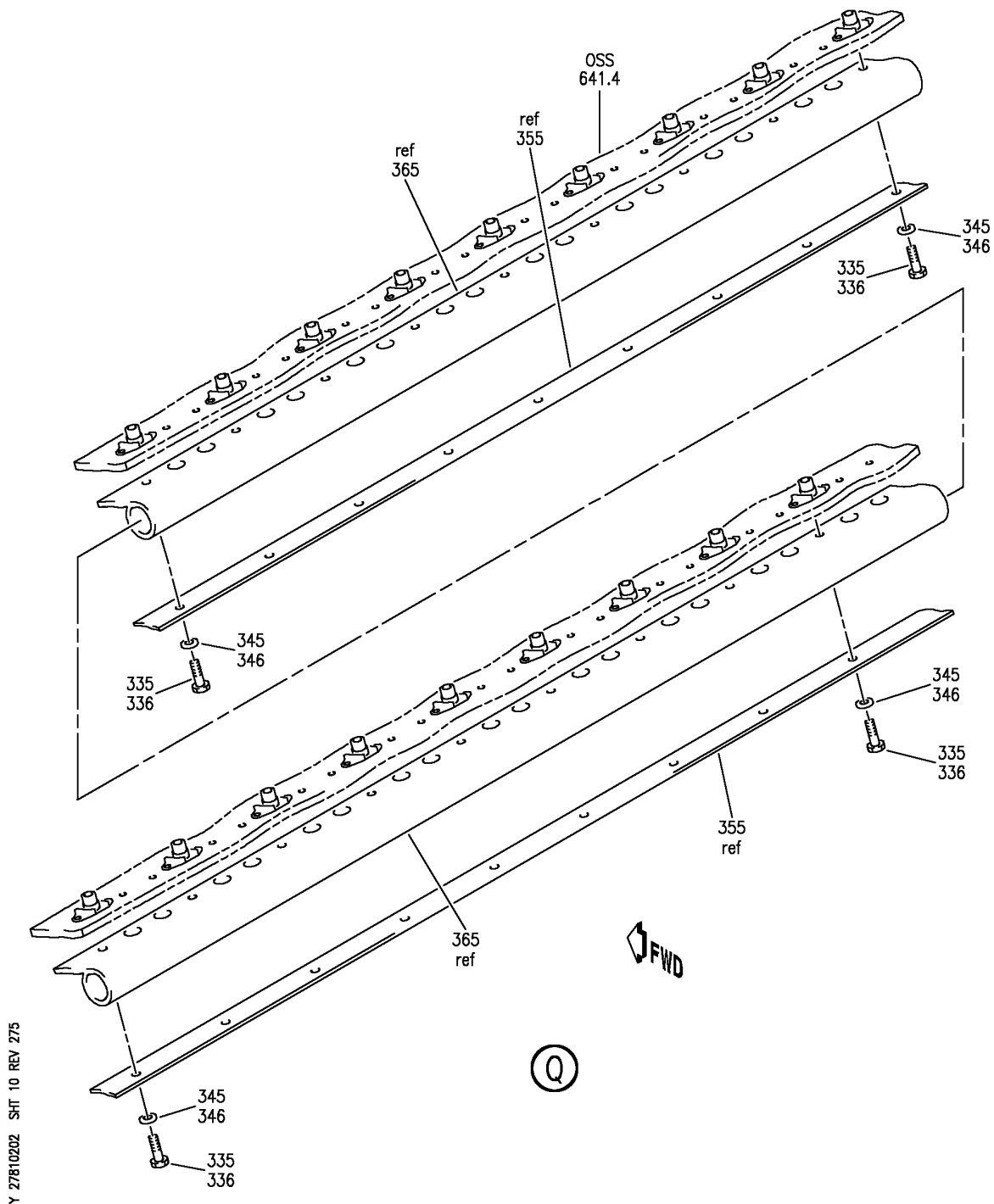
SLAT ASSY-NO. 2 WING LE OSS 574.80 TO 707.00 WING LE  
FIGURE 2 (SHEET 9)

**27-81-02-02**

BRI  
JAN 20/08

27-81-02-02  
PAGE 0H

**BOEING**  
757  
PARTS CATALOG (MAINTENANCE)



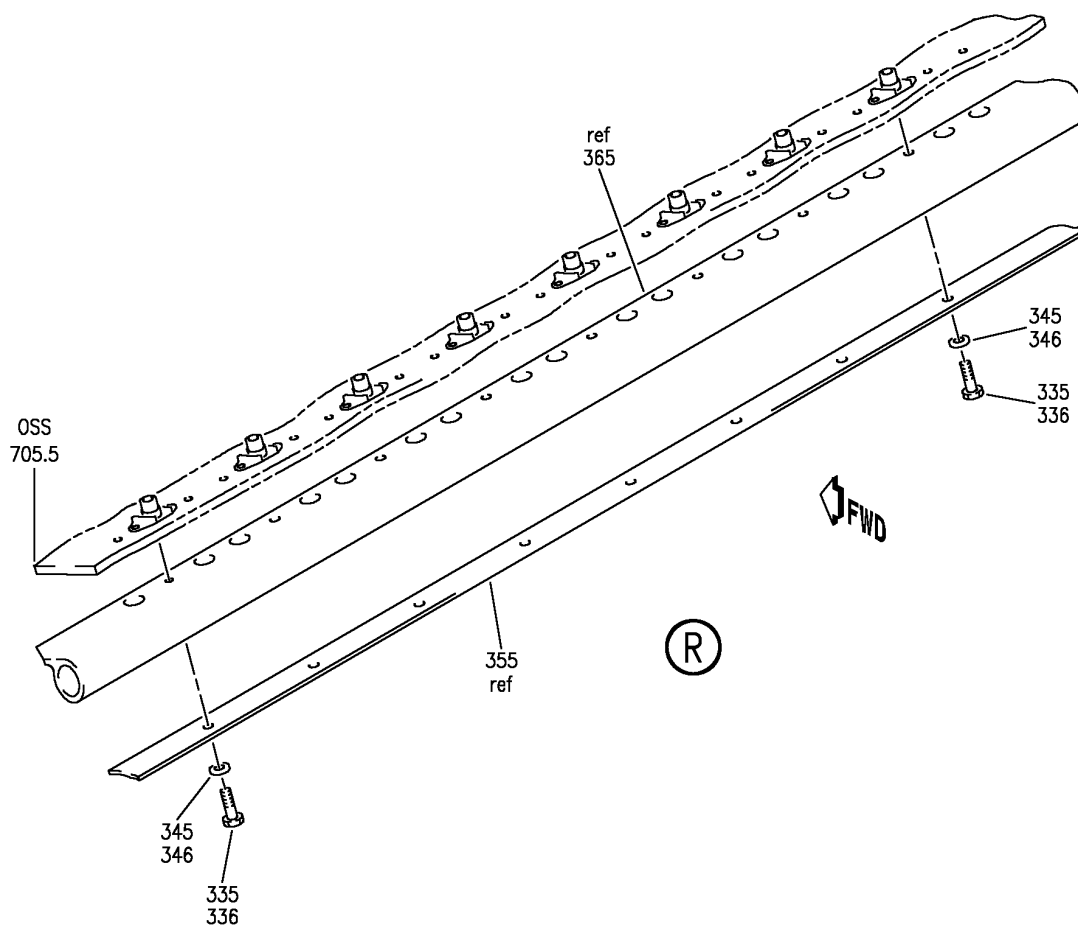
SLAT ASSY-NO. 2 WING LE OSS 574.80 TO 707.00 WING LE  
FIGURE 2 (SHEET 10)

**27-81-02-02**

BRI  
MAY 28/07

27-81-02-02  
PAGE 01

**BOEING**  
757  
PARTS CATALOG (MAINTENANCE)



Y 27810202 SH1 11 REV 277

SLAT ASSY-NO. 2 WING LE OSS 574.80 TO 707.00 WING LE  
FIGURE 2 (SHEET 11)

**27-81-02-02**

BRI  
MAY 28/07

27-81-02-02  
PAGE 0J



**757  
PARTS CATALOG (MAINTENANCE)**

FIG ITEM	PART NUMBER	1 2 3 4 5 6 7	NOMENCLATURE	EFFECT FROM TO	UNITS PER ASSY
2			SLAT ASSY-NO. 2 WING LE OSS 574.80 TO 707.00 WING LE	002004 006100 107107 121503 904999	
- 1	114N4003-171		SLAT ASSY-NO. 2 WING LE POSITION DATA: OSS 574.80 TO 707.00 COMPONENT MAINT MANUAL REF: 57-43-18 QUALIFIED I/W DATA: 114N4003-171 INTERCHANGEABLE WITH -201SP OR -221SP IF SERVICE BULLETINS 757-27-0126 AND 757-57-0057 ARE INCORPORATED ON OLDER SLATS REWORKED BY ALERT SB: 57A0038R6 57A0045R1 FOR NHA SEE: 27-81-02-05	002004 006100 107107 121503 904999	RF
- 1	114N4003-147		SLAT ASSY-NO. 2 WING LE POSITION DATA: OSS 574.80 TO 707.00 COMPONENT MAINT MANUAL REF: 57-43-18 QUALIFIED I/W DATA: -147 IS I/W -141, HOWEVER, -141 CAN BE USED ONLY IF THE AIRPLANE IS RESTRICTED TO 241K MTGW -223SP MAY REPLACE 114N4003-147 IS I/W 114N4003-153 IF S/B 757-57-0043 IS INCORPORATED REWORKED BY ALERT SB: 57A0038R6 FOR NHA SEE: 27-81-02-05	002004 006100 107107 121503 904999	RF

MISSING ITEM NUMBERS NOT APPLICABLE

- ITEM NOT ILLUSTRATED

BRI

# 27-81-02-02

BOEING PROPRIETARY - Copyright © - Unpublished Work - See title page for details.

27-81-02  
FIG. 02  
PAGE 1  
JAN 20/09





757

PARTS CATALOG (MAINTENANCE)

FIG ITEM	PART NUMBER	1 2 3 4 5 6 7	NOMENCLATURE	EFFECT FROM TO	UNITS PER ASSY
2 - 2	114N4003-177SP		SLAT ASSY-NO. 2 WING LE POSITION DATA: OSS 574.80 TO 707.00 COMPONENT MAINT MANUAL REF: 57-43-18 QUALIFIED I/W DATA: -177SP CAN REPLACE -111 IF BOTH -177SP AND THE RECIEVING ARICRAFT HAVE THE SAME SLAT LOSS SENSING SYSTEM. -177SP CAN REPLACE -115 IF BOTH -177SP AND THE RECIEVING ARICRAFT HAVE THE SAME SLAT LOSS SENSING SYSTEM. REWORKED BY SB: 27-0126 REWORKED BY ALERT SB: 57A0045R1 FOR NHA SEE: 27-81-02-05	002004 006100 107107 121503 904999	RF

MISSING ITEM NUMBERS NOT APPLICABLE

- ITEM NOT ILLUSTRATED

BRI

27-81-02-02

BOEING PROPRIETARY - Copyright © - Unpublished Work - See title page for details.

27-81-02  
FIG. 02  
PAGE 2  
JAN 20/09



757

PARTS CATALOG (MAINTENANCE)

FIG ITEM	PART NUMBER	1 2 3 4 5 6 7	NOMENCLATURE	EFFECT FROM TO	UNITS PER ASSY
2					
- 2	114N4003-183SP		SLAT ASSY-NO. 2 WING LE REWORK DWG POSITION DATA: OSS 574.80 TO 707.00 COMPONENT MAINT MANUAL REF: 57-43-18 QUALIFIED I/W DATA: THE -183SP OR -191SP OR -193SP CAN REPLACE THE -111 IF BOTH THE -183SP OR -191SP OR -193SP AND THE RECEIVING AIRCRAFT HAVE THE SAME SLAT SENSING SYSTEM -183SP CAN REPLACE -115 IF BOTH -183SP AND THE RECEIVING AIRCRAFT HAVE THE SAME SLOT LOSS SENSING SYSTEM. 114N4003-183SP IS INTERCHANGABLE WITH 114N4003-193SP IF RECIEIVING AIRCRAFT AND NEW SLAT HAVE BEEN REWORKED PER S/B 757-27-0126. REWORKED BY SB: 27-0126 FOR NHA SEE: 27-81-02-05	002004 006100 107107 121503 904999	RF
- 2	114N4003-185SP		SLAT ASSY-NO. 2 WING LE POSITION DATA: OSS 574.80 TO 707.00 COMPONENT MAINT MANUAL REF: 57-43-18 QUALIFIED I/W DATA: THE -185SP CAN REPLACE THE -111 OR -115 IF BOTH -185SP AND RECEIVING AIRCRAFT HAVE THE SAME SLAT SENSING SYSTEM REWORKED BY SB: 27-0126 FOR NHA SEE: 27-81-02-05	002004 006100 107107 121503 904999	RF

MISSING ITEM NUMBERS NOT APPLICABLE

- ITEM NOT ILLUSTRATED

BRI

**27-81-02-02**

BOEING PROPRIETARY - Copyright © - Unpublished Work - See title page for details.

27-81-02  
 FIG. 02  
 PAGE 3  
 JAN 20/09



757

PARTS CATALOG (MAINTENANCE)

FIG ITEM	PART NUMBER	1 2 3 4 5 6 7	NOMENCLATURE	EFFECT FROM TO	UNITS PER ASSY
2					
- 2	114N4003-187SP		SLAT ASSY-NO. 2 WING LE POSITION DATA: OSS 574.80 TO 707.00 COMPONENT MAINT MANUAL REF: 57-43-18 QUALIFIED I/W DATA: THE -187SP CAN REPLACE THE -111 OR -115 IF BOTH -187SP AND RECEIVING AIRCRAFT HAVE THE SAME SLAT SENSING SYSTEM REWORKED BY SB: 27-0126 FOR NHA SEE: 27-81-02-05	002004 006100 107107 121503 904999	RF
- 5	114N4003-147		SLAT ASSY-NO. 2 WING LE POSITION DATA: OSS 574.80 TO 705.50 LH COMPONENT MAINT MANUAL REF: 57-43-18 QUALIFIED I/W DATA: THE -147 CAN REPLACE THE -111 IF BOTH THE -147 AND THE RECEIVING AIRCRAFT HAVE THE SAME SLAT LOSS SENSING SYSTEM FOR NHA SEE: 27-81-02-05	002004 006100 107107 121503 904999	RF
- 5	114N4003-195SP		SLAT ASSY-NO. 2 WING LE POSITION DATA: OSS 574.80 TO 705.50 LH COMPONENT MAINT MANUAL REF: 57-43-18 QUALIFIED I/W DATA: THE -195SP CAN REPLACE -111 OR -115 IF BOTH -195SP AND RECEIVING AIRCRAFT HAVE THE SAME SLAT SENSING SYSTEM. FOR NHA SEE: 27-81-02-05	002004 006100 107107 121503 904999	RF

MISSING ITEM NUMBERS NOT APPLICABLE

- ITEM NOT ILLUSTRATED

BRI

27-81-02-02

27-81-02  
FIG. 02  
PAGE 4  
JAN 20/09



757

PARTS CATALOG (MAINTENANCE)

FIG ITEM	PART NUMBER	1 2 3 4 5 6 7	NOMENCLATURE	EFFECT FROM TO	UNITS PER ASSY
2 - 10	114N4003-189SP		SLAT ASSY-NO. 2 WING LE POSITION DATA: OSS 574.80 TO 707.00 COMPONENT MAINT MANUAL REF: 57-43-18 QUALIFIED I/W DATA: THE -189SP CAN REPLACE THE -111 OR -115 IF BOTH -189SP AND RECEIVING AIRCRAFT HAVE THE SAME SLAT SENSING SYSTEM 114N4003-189SP IS INTERCHANGEABLE WITH -201SP IF SERVICE BULLETINS 757-27-0126 AND 757-57-0057 ARE INCORPORATED ON OLDER SLATS FOR NHA SEE: 27-81-02-05	002004 006100 107107 121503 904999	RF

MISSING ITEM NUMBERS NOT APPLICABLE

- ITEM NOT ILLUSTRATED

BRI

27-81-02-02

BOEING PROPRIETARY - Copyright © - Unpublished Work - See title page for details.

27-81-02  
FIG. 02  
PAGE 5  
JAN 20/09



757

PARTS CATALOG (MAINTENANCE)

FIG ITEM	PART NUMBER	1 2 3 4 5 6 7 NOMENCLATURE	EFFECT FROM TO	UNITS PER ASSY
2 - 10	114N4003-191SP	SLAT ASSY-NO. 2 WING LE POSITION DATA: OSS 574.80 TO 707.00 COMPONENT MAINT MANUAL REF: 57-43-18 QUALIFIED I/W DATA: -191SP CAN BE REPLACED BY -197SP OR -207SP SUBJECT TO CUSTOMER ACCEPTANCE OF WEIGHT PENALTY THE -191SP CAN REPLACE THE -111 OR -115 IF BOTH -191SP AND RECEIVING AIRCRAFT HAVE THE SAME SLAT SENSING SYSTEM. 114N4003-191SP IS INTERCHANGEABLE WITH -221SP IF SERVICE BULLETINS 757-27-0126 AND 757-57-0057 ARE INCORPORATED ON OLDER SLATS 114N4003-191SP IS INTERCHANGEABLE WITH -201SP IF SERVICE BULLETINS 757-27-0126 AND 757-57-0057 ARE INCORPORATED ON OLDER SLATS FOR NHA SEE: 27-81-02-05	002004 006100 107107 121503 904999	RF

MISSING ITEM NUMBERS NOT APPLICABLE

- ITEM NOT ILLUSTRATED

BRI

27-81-02-02

BOEING PROPRIETARY - Copyright © - Unpublished Work - See title page for details.

27-81-02  
FIG. 02  
PAGE 6  
JAN 20/09



757

PARTS CATALOG (MAINTENANCE)

FIG ITEM	PART NUMBER	1 2 3 4 5 6 7	NOMENCLATURE	EFFECT FROM TO	UNITS PER ASSY
2 - 10	114N4003-193SP		SLAT ASSY-NO. 2 WING LE POSITION DATA: OSS 574.80 TO 707.00 COMPONENT MAINT MANUAL REF: 57-43-18 QUALIFIED I/W DATA: 114N4003-193SP IS INTERCHANGEABLE WITH -201SP IF SERVICE BULLETINS 757-27-0126 AND 757-57-0057 ARE INCORPORATED ON OLDER SLATS THE -193SP CAN REPLACE THE -111 OR -115 IF BOTH -193SP AND RECEIVING AIRCRAFT HAVE THE SAME SLAT SENSING SYSTEM FOR NHA SEE: 27-81-02-05	002004 006100 107107 121503 904999	RF

MISSING ITEM NUMBERS NOT APPLICABLE

- ITEM NOT ILLUSTRATED

BRI

27-81-02-02

BOEING PROPRIETARY - Copyright © - Unpublished Work - See title page for details.

27-81-02  
FIG. 02  
PAGE 7  
JAN 20/09



757

PARTS CATALOG (MAINTENANCE)

FIG ITEM	PART NUMBER	1 2 3 4 5 6 7	NOMENCLATURE	EFFECT FROM TO	UNITS PER ASSY
2 - 10	114N4003-201SP		SLAT ASSY-NO. 2 WING LE POSITION DATA: OSS 574.80 TO 707.00 COMPONENT MAINT MANUAL REF: 57-43-18 QUALIFIED I/W DATA: 114N4003-189SP OR -191SP OR -193SP OR -203SP IS INTERCHANGEABLE WITH 114N4003-201SP IF SERVICE BULLETINS 757-27-0126 AND 757-57-0057 ARE INCORPORATED ON OLDER SLATS 114N4003-171 INTERCHANGEABLE WITH -201SP OR -221SP IF SERVICE BULLETINS 757-27-0126 AND 757-57-0057 ARE INCORPORATED ON OLDER SLATS 114N4003-191SP IS INTERCHANGEABLE WITH -201SP IF SERVICE BULLETINS 757-27-0126 AND 757-57-0057 ARE INCORPORATED ON OLDER SLATS FOR NHA/OTHER SYS DET SEE: 27-81-02-05	002004 006100 107107 121503 904999	RF

MISSING ITEM NUMBERS NOT APPLICABLE

- ITEM NOT ILLUSTRATED

BRI

27-81-02-02

BOEING PROPRIETARY - Copyright © - Unpublished Work - See title page for details.

27-81-02  
FIG. 02  
PAGE 8  
JAN 20/09



757

PARTS CATALOG (MAINTENANCE)

FIG ITEM	PART NUMBER	1 2 3 4 5 6 7	NOMENCLATURE	EFFECT FROM TO	UNITS PER ASSY
2 - 10	114N4003-203SP		SLAT ASSY-NO. 2 WING LE POSITION DATA: OSS 574.80 TO 707.00 COMPONENT MAINT MANUAL REF: 57-43-18 QUALIFIED I/W DATA: THE -203SP CAN REPLACE THE -111 IF BOTH -203SP AND RECEIVING AIRCRAFT HAVE THE SAME SLAT SENSING SYSTEM. 114N4003-203SP IS INTERCHANGEABLE WITH -201SP IF SERVICE BULLETINS 757-27-0126 AND 757-57-0057 ARE INCORPORATED ON OLDER SLATS THE -203SP CAN REPLACE -111 IF BOTH -203SP AND RECEIVING AIRCRAFT HAVE THE SAME SLAT SENSING SYSTEM. FOR NHA SEE: 27-81-02-05	002004 006100 107107 121503 904999	RF
- 10	114N4003-221SP		SLAT ASSY-NO. 2 WING LE POSITION DATA: OSS 574.80 TO 707.00 COMPONENT MAINT MANUAL REF: 57-43-18 POST SERVICE BULLETIN: 27-0126 FOR NHA/OTHER SYS DET SEE: 27-81-02-05	002004 006100 107107 121503 904999	RF

MISSING ITEM NUMBERS NOT APPLICABLE

- ITEM NOT ILLUSTRATED

BRI

**27-81-02-02**

BOEING PROPRIETARY - Copyright © - Unpublished Work - See title page for details.

27-81-02  
FIG. 02  
PAGE 9  
JAN 20/09





757

PARTS CATALOG (MAINTENANCE)

FIG ITEM	PART NUMBER	1 2 3 4 5 6 7	NOMENCLATURE	EFFECT FROM TO	UNITS PER ASSY
2 - 11	218N1001-29		.DUCT INSTL-WING LE ANTI-ICING USED ON: 114N4003-147 114N4003-147BAB 114N4003-171 114N4003-171BAB 114N4003-177 114N4003-177A 114N4003-177BAB 114N4003-177SP 114N4003-185 114N4003-185A 114N4003-185BAB 114N4003-185SP 114N4003-187 114N4003-187A 114N4003-187BAB 114N4003-187SP 114N4003-189A 114N4003-189SP 114N4003-191A 114N4003-191SP 114N4003-193A 114N4003-193SP 114N4003-195A 114N4003-195SP 114N4003-201SP 114N4003-203SP 114N4003-221SP FOR DETAILS SEE: 30-11-01-01	002004 006100 107107 121503 904999	1
13	114N4064-1		.COVER ASSY-ACCESS	002004 006100 107107 121503 904999	1
- 20	BACB30NN3K5		ATTACHING PARTS .BOLT	002004 006100 107107 121503 904999	18
25	BACB30NM3K4		-----*----- .BOLT	002004 006100 107107 121503 904999	18

MISSING ITEM NUMBERS NOT APPLICABLE

- ITEM NOT ILLUSTRATED

27-81-02-02

27-81-02  
FIG. 02  
PAGE 10  
JAN 20/09

BRI



757

PARTS CATALOG (MAINTENANCE)

FIG ITEM	PART NUMBER	1 2 3 4 5 6 7	NOMENCLATURE	EFFECT FROM TO	UNITS PER ASSY
2	30 BACB30NM3K3		.BOLT	002004 006100 107107 121503 904999	80
	35 AN960KD10L		.WASHER- USED ON: 114N4003-111 114N4003-119 114N4003-123 114N4003-131 114N4003-147 114N4003-153 114N4003-161 114N4003-171 114N4003-177SP 114N4003-185SP 114N4003-187SP 114N4003-189SP 114N4003-191SP 114N4003-193SP 114N4003-201SP 114N4003-203SP	002004 006100 107107 121503 904999	98
	40 114N4076-21		.DOOR-ACCESS USED ON: 114N4003-111 114N4003-119 114N4003-123 114N4003-129 114N4003-131 114N4003-135 114N4003-147 114N4003-153 114N4003-161 114N4003-171 114N4003-177SP 114N4003-185SP 114N4003-187SP 114N4003-189SP 114N4003-191SP 114N4003-193SP 114N4003-201SP 114N4003-221SP	002004 006100 107107 121503 904999	1
	45 114N4076-29		.DOOR-ACCESS	002004 006100 107107 121503 904999	2

MISSING ITEM NUMBERS NOT APPLICABLE

- ITEM NOT ILLUSTRATED

BRI

27-81-02-02

BOEING PROPRIETARY - Copyright © - Unpublished Work - See title page for details.

27-81-02  
FIG. 02  
PAGE 11  
JAN 20/09

 **BOEING**  
757  
**PARTS CATALOG (MAINTENANCE)**

FIG ITEM	PART NUMBER	1 2 3 4 5 6 7	NOMENCLATURE	EFFECT FROM TO	UNITS PER ASSY
2					
50	114N4076-23	.	DOOR-ACCESS	002004 006100 107107 121503 904999	2
55	114N4076-27	.	DOOR-ACCESS	002004 006100 107107 121503 904999	1
60	114N4058-15	.	SKIN-FLEXIBLE POSITION DATA: LWR	002004 006100 107107 121503 904999	1
60	114N4058-3	.	SKIN-FLEXIBLE POSITION DATA: LWR USED ON: 114N4003-115 ATTACHING PARTS	002004 006100 107107 121503 904999	1
70	BACB30NN3K6	.	BOLT	002004 006100 107107 121503 904999	6
75	BACR15CE6AD	.	RIVET- SIZE DETERMINED ON INSTL.	002004 006100 107107 121503 904999	120
80	NAS1399MW5-4	.	RIVET	002004 006100 107107 121503 904999	2
85	BACB30NW6K	.	BOLT- SIZE DETERMINED ON INSTL.	002004 006100 107107 121503 904999	1

MISSING ITEM NUMBERS NOT APPLICABLE

— ITEM NOT ILLUSTRATED

BRI

# 27-81-02-02

BOEING PROPRIETARY - Copyright © - Unpublished Work - See title page for details.

27-81-02  
FIG. 02  
PAGE 12  
JAN 20/09



757

PARTS CATALOG (MAINTENANCE)

FIG ITEM	PART NUMBER	1 2 3 4 5 6 7	NOMENCLATURE	EFFECT FROM TO	UNITS PER ASSY
2 90	HL79-6		.COLLAR SUPPLIER CODE: V5M902 SPECIFICATION NUMBER: BACC30M6 OPTIONAL PART: HL79-6 V73197 HL79-6 V92215 66014-6 V56878 HL79-6 V56878	002004 006100 107107 121503 904999	1
122	BACB30NR4K30		-----*----- .BOLT	002004 006100 107107 121503 904999	4
127	NAS43DD4-21		.SPACER	002004 006100 107107 121503 904999	8
132	BACW10P186C		.WASHER	002004 006100 107107 121503 904999	16
137	AN960KD416		.WASHER	002004 006100 107107 121503 904999	8
142	BRH10C4D		.NUT SUPPLIER CODE: V52828 SPECIFICATION NUMBER: BACN10JC4CD OPTIONAL PART: T6C428JCD V11815 NS202486-048 V80539 102LH9075-4W V72962 H51650-4BAC V15653	002004 006100 107107 121503 904999	4

MISSING ITEM NUMBERS NOT APPLICABLE

- ITEM NOT ILLUSTRATED

27-81-02-02

27-81-02  
FIG. 02  
PAGE 13  
JAN 20/09

BRI



757

PARTS CATALOG (MAINTENANCE)

FIG ITEM	PART NUMBER	1 2 3 4 5 6 7	NOMENCLATURE	EFFECT FROM TO	UNITS PER ASSY
2					
180	BACB30NN3K4	.	BOLT	002004 006100 107107 121503 904999	6
185	BACB30NN3K6	.	BOLT	002004 006100 107107 121503 904999	5
190	BACB30NM3K5	.	BOLT	002004 006100 107107 121503 904999	3
195	BACB30NM3K3	.	BOLT	002004 006100 107107 121503 904999	2
200	AN960KD10	.	WASHER	002004 006100 107107 121503 904999	5
205	BRH10C3D	.	NUT SUPPLIER CODE: V52828 SPECIFICATION NUMBER: BACN10JC3CD OPTIONAL PART: T6C1032JCD V11815 NS202486-02 V80539 102LH9075-3W V72962 H51650-3BAC V15653	002004 006100 107107 121503 904999	5
210	114N4045-109	.	SHIELD-EROSION ALTERED FROM PART NUMBER: 114N4081-9 FOR SPARES PROCURE: 114N4081-9	002004 006100 107107 121503 904999	1
220	114N4045-79	.	RETAINER	002004 006100 107107 121503 904999	1

MISSING ITEM NUMBERS NOT APPLICABLE

- ITEM NOT ILLUSTRATED

27-81-02-02

27-81-02  
FIG. 02  
PAGE 14  
JAN 20/09

BRI



757

PARTS CATALOG (MAINTENANCE)

FIG ITEM	PART NUMBER	1 2 3 4 5 6 7	NOMENCLATURE	EFFECT FROM TO	UNITS PER ASSY
2					
230	114N4045-77	.	RETAINER	002004 006100 107107 121503 904999	1
235	114N4045-81	.	RETAINER	002004 006100 107107 121503 904999	1
245	114N4045-61	.	RETAINER	002004 006100 107107 121503 904999	1
250	114N4045-63	.	SHIELD-EROSION ALTERED FROM PART NUMBER: 114N4081-4 MANUFACTURED FROM: 114N4081-4 FOR SPARES PROCURE: 114N4081-4	002004 006100 107107 121503 904999	1
250	114N4045-135	.	SHIELD-EROSION ALTERED FROM PART NUMBER: 114N4081-4 FOR SPARES PROCURE: 114N4081-4	002004 006100 107107 121503 904999	1
255	114N4045-65	.	SEAL- ALTERED FROM PART NUMBER: 10-60754-485	002004 006100 107107 121503 904999	1
265	114N4045-67	.	SEAL- ALTERED FROM PART NUMBER: 10-60754-483	002004 006100 107107 121503 904999	1
275	BACB30NM3K3	.	BOLT	002004 006100 107107 121503 904999	3
280	AN960KD10	.	WASHER	002004 006100 107107 121503 904999	3

MISSING ITEM NUMBERS NOT APPLICABLE

- ITEM NOT ILLUSTRATED

BRI

27-81-02-02

27-81-02  
FIG. 02  
PAGE 15  
JAN 20/09



757

PARTS CATALOG (MAINTENANCE)

FIG ITEM	PART NUMBER	1 2 3 4 5 6 7	NOMENCLATURE	EFFECT FROM TO	UNITS PER ASSY
2 285	BRH10C3D	.NUT	SUPPLIER CODE: V52828 SPECIFICATION NUMBER: BACN10JC3CD OPTIONAL PART: T6C1032JCD V11815 NS202486-02 V80539 102LH9075-3W V72962 H51650-3BAC V15653	002004 006100 107107 121503 904999	3
290	114N4044-41	.RETAINER		002004 006100 107107 121503 904999	1
295	114N4044-59	.SEAL-	ALTERED FROM PART NUMBER: 10-60754-492	002004 006100 107107 121503 904999	1
305	BACB30NM3K3	.BOLT		002004 006100 107107 121503 904999	3
310	AN960KD10	.WASHER		002004 006100 107107 121503 904999	3
315	BRH10C3D	.NUT	SUPPLIER CODE: V52828 SPECIFICATION NUMBER: BACN10JC3CD OPTIONAL PART: T6C1032JCD V11815 NS202486-02 V80539 102LH9075-3W V72962 H51650-3BAC V15653	002004 006100 107107 121503 904999	3

MISSING ITEM NUMBERS NOT APPLICABLE

- ITEM NOT ILLUSTRATED

BRI

27-81-02-02

27-81-02  
FIG. 02  
PAGE 16  
JAN 20/09



757

PARTS CATALOG (MAINTENANCE)

FIG ITEM	PART NUMBER	1 2 3 4 5 6 7	NOMENCLATURE	EFFECT FROM TO	UNITS PER ASSY
2					
320	114N4044-78	.	RETAINER	002004 006100 107107 121503 904999	1
325	114N4044-89	.	SEAL- ALTERED FROM PART NUMBER: 10-60754-491	002004 006100 107107 121503 904999	1
335	BACB30NM3K5	.	BOLT	107107 121503 950999	44
336	BACB30NM3K5	.	BOLT	002004 006100 904949	43
337	BACB30NM3K5	.	BOLT- PRE SERVICE BULLETIN: 27-0126	002004 006100 904949	1
340	BACB30NM3K7	.	BOLT	002004 006100 107107 121503 904999	1
342	BACB30NM3K7	.	BOLT- PRE SERVICE BULLETIN: 27-0126	002004 006100 107107 121503 904999	1
345	AN960KD10L	.	WASHER	107107 121503 950999	45
346	AN960KD10L	.	WASHER	002004 006100 904949	44
347	AN960KD10L	.	WASHER- PRE SERVICE BULLETIN: 27-0126	002004 006100 904949	2
348	AN960KD10L	.	WASHER-	107107 121503 950999	1
350	BACC10DK3	.	CLAMP- PRE SERVICE BULLETIN: 27-0126	002004 006100 107107 121503 904999	2
352	BACC10DK4	.	CLAMP- POST SERVICE BULLETIN: 27-0126	002004 006100 904949	1

MISSING ITEM NUMBERS NOT APPLICABLE

- ITEM NOT ILLUSTRATED

27-81-02-02

27-81-02  
FIG. 02  
PAGE 17  
JAN 20/09

BRI





757

PARTS CATALOG (MAINTENANCE)

FIG ITEM	PART NUMBER	1 2 3 4 5 6 7	NOMENCLATURE	EFFECT FROM TO	UNITS PER ASSY
2					
355	114N4046-47	.	RETAINER	002004 006100 107107 121503 904999	1
360	114N4046-33	.	RETAINER	002004 006100 107107 121503 904999	1
365	114N4046-13	.	SEAL- ALTERED FROM PART NUMBER: 10-60754-319 MANUFACTURED FROM: EXTR RUBBER 10-60754-319 116.0 IN.	002004 006100 107107 121503 904999	1
375	114N4046-15	.	SEAL- ALTERED FROM PART NUMBER: 10-60754-319 MANUFACTURED FROM: EXTR RUBBER 10-60754-319 17.0 IN.	002004 006100 107107 121503 904999	1
385	114N4065-3	.	RETAINER	002004 006100 107107 121503 904999	1
390	114N4066-1	.	SEAL-	002004 006100 107107 121503 904999	1
390	114N4066-3	.	SEAL-	002004 006100 107107 121503 904999	1
400	MS24665-153	.	PIN- PRE SERVICE BULLETIN: 57-0057	002004 006100 121503 904952	2
400	BACP18BC02A06P	.	PIN-COTTER POST SERVICE BULLETIN: 57-0057	002004 006100 107107 904949 953999	2

MISSING ITEM NUMBERS NOT APPLICABLE

- ITEM NOT ILLUSTRATED

BRI

27-81-02-02

27-81-02  
FIG. 02  
PAGE 18  
JAN 20/09



757

PARTS CATALOG (MAINTENANCE)

FIG ITEM	PART NUMBER	1 2 3 4 5 6 7	NOMENCLATURE	EFFECT FROM TO	UNITS PER ASSY
2					
405	114N4052-1		.BOLT ASSY- PRE SERVICE BULLETIN: 57-0057	002004 006100 121503 904952	2
405	114N4052-8400		.BOLT ASSY- PRE SERVICE BULLETIN: 57-0057	002004 006100 121503 904952	2
405	BACB30LE4DU19		.BOLT- POST SERVICE BULLETIN: 57-0057	002004 006100 107107 904949 953999	2
405	BACB30LE4DU21		.BOLT- POST SERVICE BULLETIN: 57-0057	002004 006100 107107 904949 953999	2
410	MS15001-1		.. FITTING- USED ON: 114N4052-1 114N4052-8400	002004 006100 121503 904952	2
415	BACW10BP4DP		.WASHER-	002004 006100 107107 121503 904999	2
420	BACW10P250C		.WASHER-	002004 006100 107107 121503 904999	8
425	114N4056-1		.WASHER-	002004 006100 107107 121503 904999	4
430	BACW10BP4CD		.WASHER-	002004 006100 107107 121503 904999	2
435	NAS1805-4N		.NUT-	002004 006100 107107 121503 904999	2

MISSING ITEM NUMBERS NOT APPLICABLE

- ITEM NOT ILLUSTRATED

BRI

27-81-02-02

27-81-02  
FIG. 02  
PAGE 19  
JAN 20/09



757

PARTS CATALOG (MAINTENANCE)

FIG ITEM	PART NUMBER	1 2 3 4 5 6 7	NOMENCLATURE	EFFECT FROM TO	UNITS PER ASSY
2 440	ATF4		.BEARING- SUPPLIER CODE: V60380 SPECIFICATION NUMBER: BACB10ET04 OPTIONAL PART: 4AFC614 V92563 YAF04B V07484 PRE SERVICE BULLETIN: 57-0057	002004 006100 121503 904952	2
440	ATF4SN		.BEARING- SUPPLIER CODE: V21335 SPECIFICATION NUMBER: BACB10GH04N OPTIONAL PART: CRO4NAFC V92563 ATF04NSY V21335 POST SERVICE BULLETIN: 57-0057	002004 006100 107107 904949 953999	2
445	BACB30NM3K9		.BOLT-	002004 006100 107107 121503 904999	2
450	HL11VAZ6-6		.BOLT- SUPPLIER CODE: V60516 SPECIFICATION NUMBER: BACB30NW6K6 OPTIONAL PART: B30NW6K6 V97928 HL11VAZ6-6 V73197 HL11VAZ6-6 V92215 HL11VAZ6-6 V97928 L803-6K6 V06725 HL11VAZ6-6 VOPTK6 HL11VAZ6-6 V56878	002004 006100 107107 121503 904999	2

MISSING ITEM NUMBERS NOT APPLICABLE

- ITEM NOT ILLUSTRATED

27-81-02-02

27-81-02  
FIG. 02  
PAGE 20  
JAN 20/09

BRI



757

PARTS CATALOG (MAINTENANCE)

FIG ITEM	PART NUMBER	1 2 3 4 5 6 7	NOMENCLATURE	EFFECT FROM TO	UNITS PER ASSY
2 455	AN960KD10L	.	WASHER-	002004 006100 107107 121503 904999	4
460	HL79-6	.	COLLAR- SUPPLIER CODE: V5M902 SPECIFICATION NUMBER: BACC30M6 OPTIONAL PART: HL79-6 V73197 HL79-6 V92215 66014-6 V56878 HL79-6 V56878	002004 006100 107107 121503 904999	2
465	251N5135-5	.	CLIP-SPRT	002004 006100 107107 121503 904999	2
470	251N5132-3	.	FITTING-	002004 006100 107107 121503 904999	2

MISSING ITEM NUMBERS NOT APPLICABLE

- ITEM NOT ILLUSTRATED

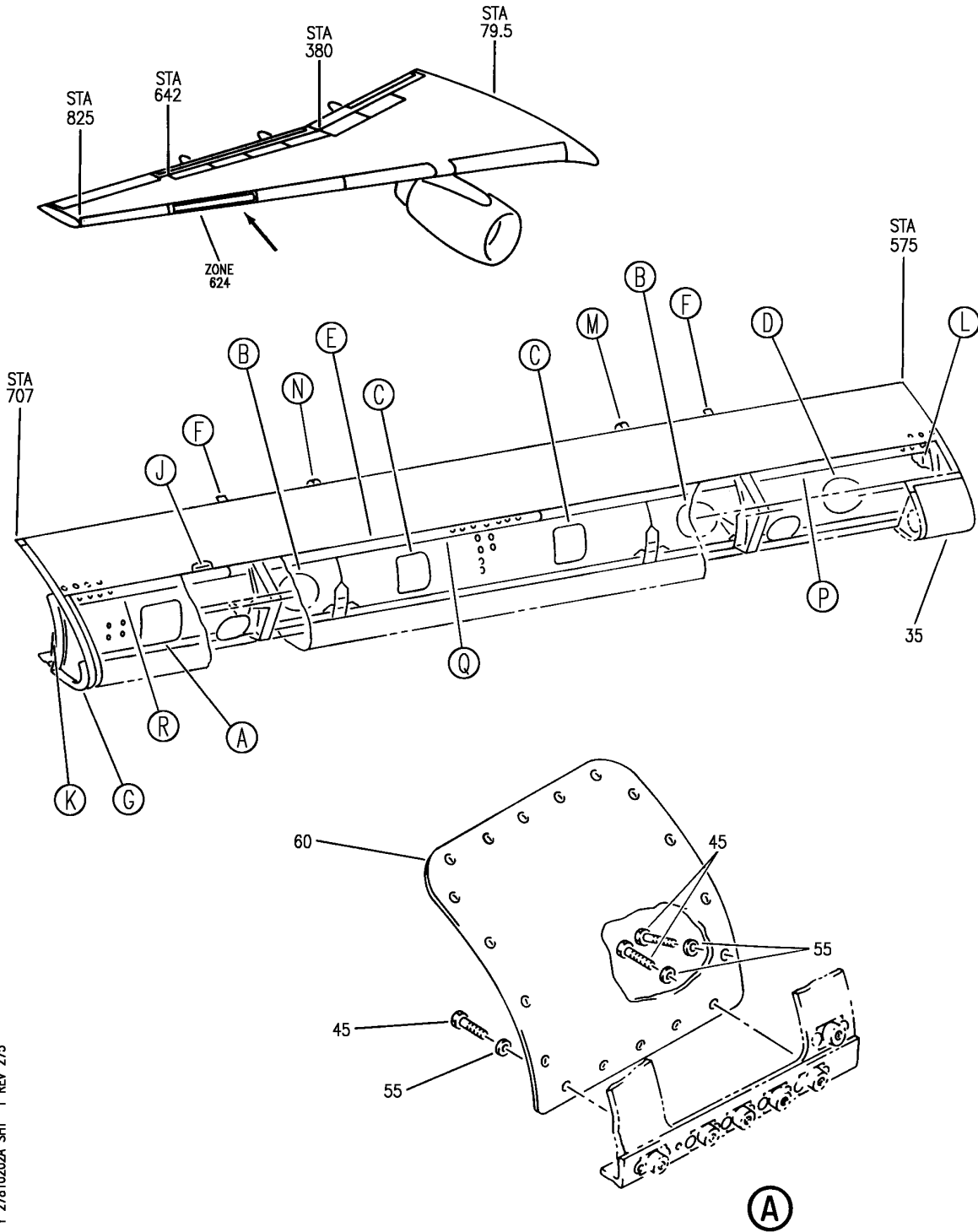
BRI

27-81-02-02

BOEING PROPRIETARY - Copyright © - Unpublished Work - See title page for details.

27-81-02  
FIG. 02  
PAGE 21  
JAN 20/09

**BOEING**  
757  
PARTS CATALOG (MAINTENANCE)



Y 27810202A SHT 1 REV 275

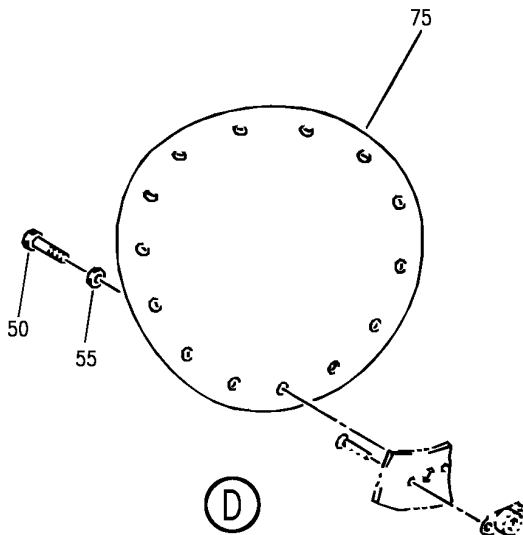
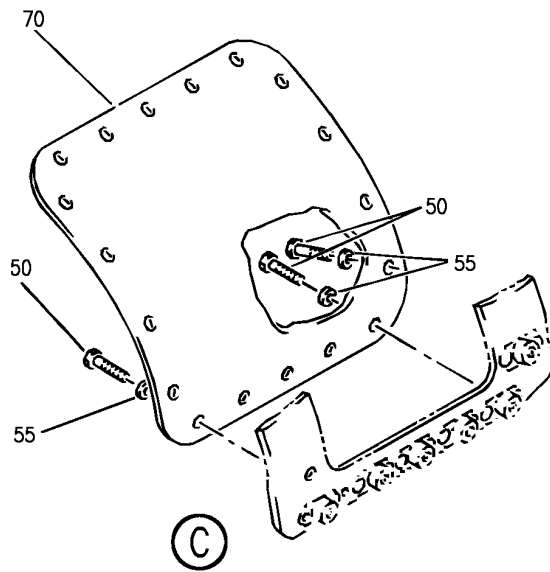
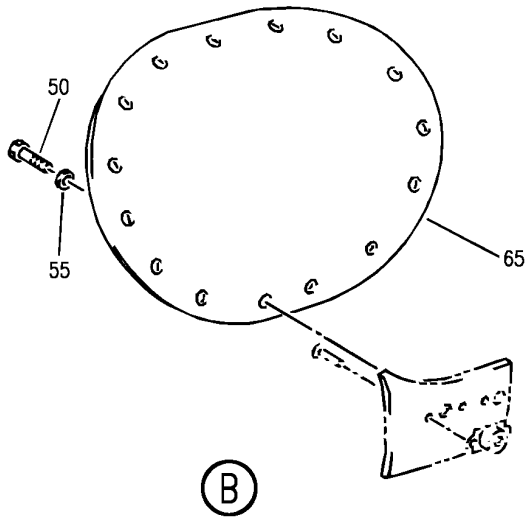
SLAT ASSY-NO. 9 WING LE OSS 574.80 TO 707.00 RH  
FIGURE 2A (SHEET 1)

**27-81-02-02A**

BRI  
MAY 28/07

27-81-02-02A  
PAGE 0

**BOEING**  
757  
PARTS CATALOG (MAINTENANCE)



Y 27810202A SHT 2 REV 245

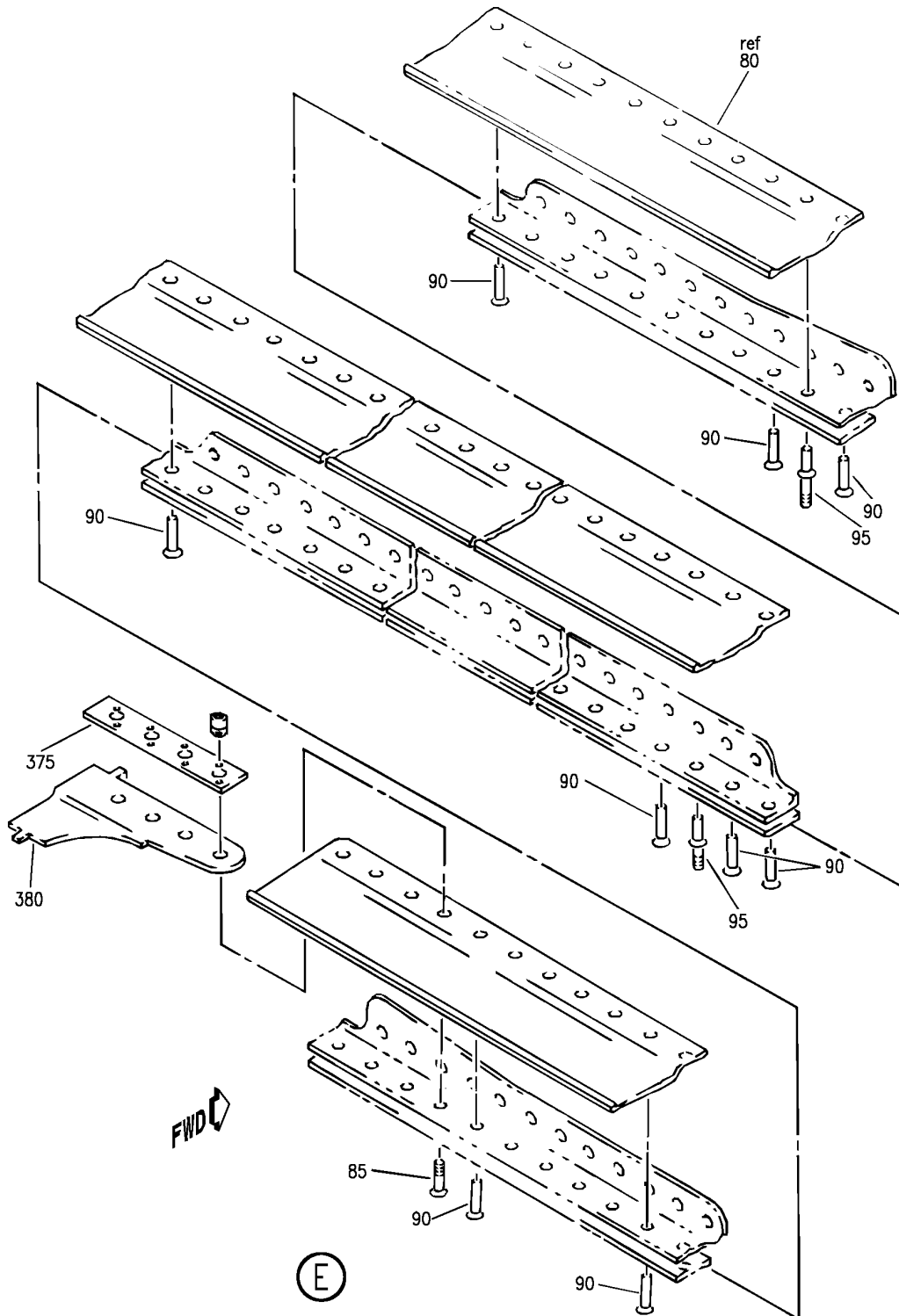
SLAT ASSY-NO. 9 WING LE OSS 574.80 TO 707.00 RH  
FIGURE 2A (SHEET 2)

**27-81-02-02A**

BRI  
MAY 28/07

27-81-02-02A  
PAGE 0A

**BOEING**  
757  
PARTS CATALOG (MAINTENANCE)



Y 27810202A SHT 3 REV 245

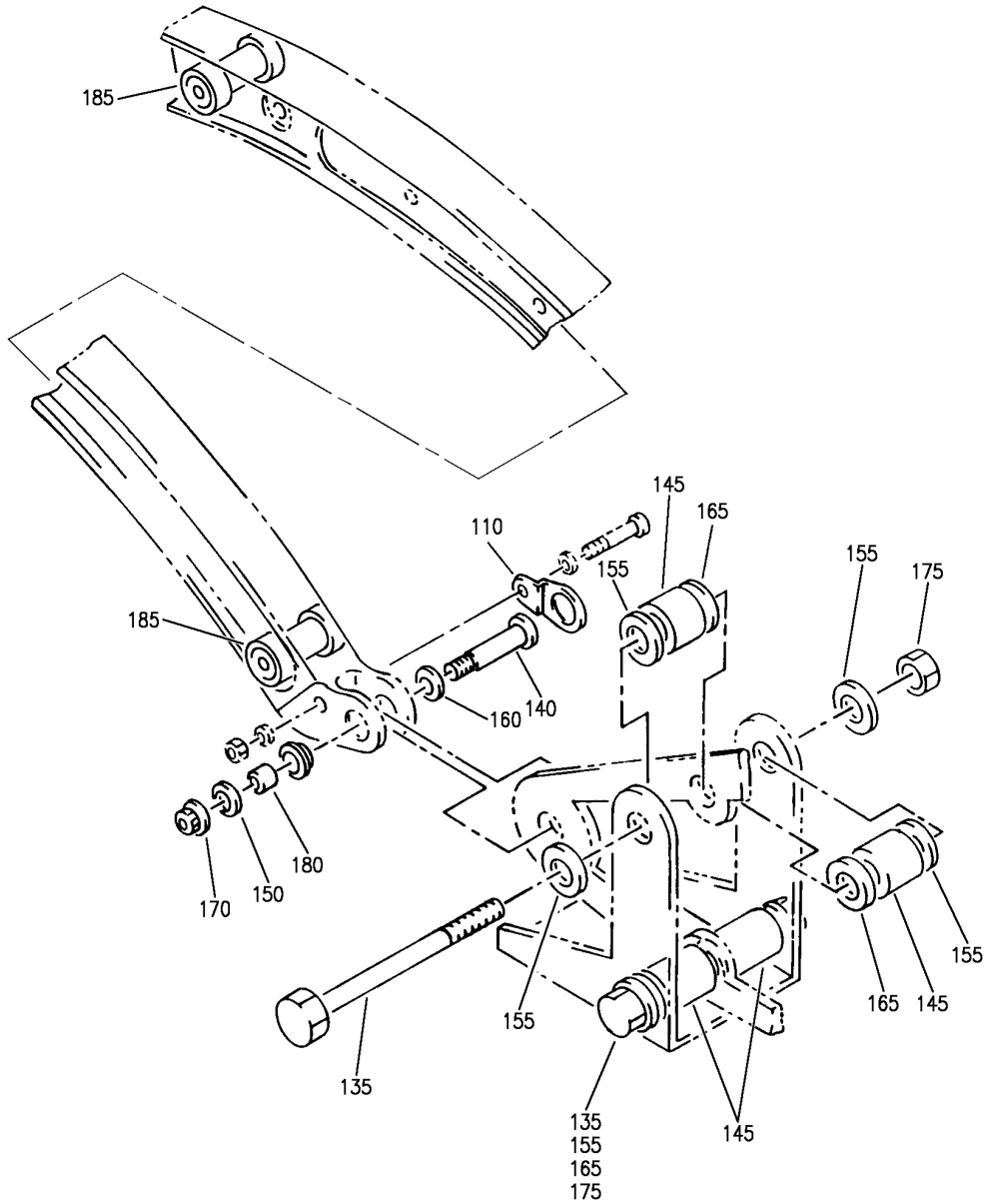
SLAT ASSY-NO. 9 WING LE OSS 574.80 TO 707.00 RH  
FIGURE 2A (SHEET 3)

**27-81-02-02A**

BRI  
MAY 28/07

27-81-02-02A  
PAGE 0B

**BOEING**  
757  
PARTS CATALOG (MAINTENANCE)



(F)

Y 27810202A SHT 4 REV 248

SLAT ASSY-NO. 9 WING LE OSS 574.80 TO 707.00 RH  
FIGURE 2A (SHEET 4)

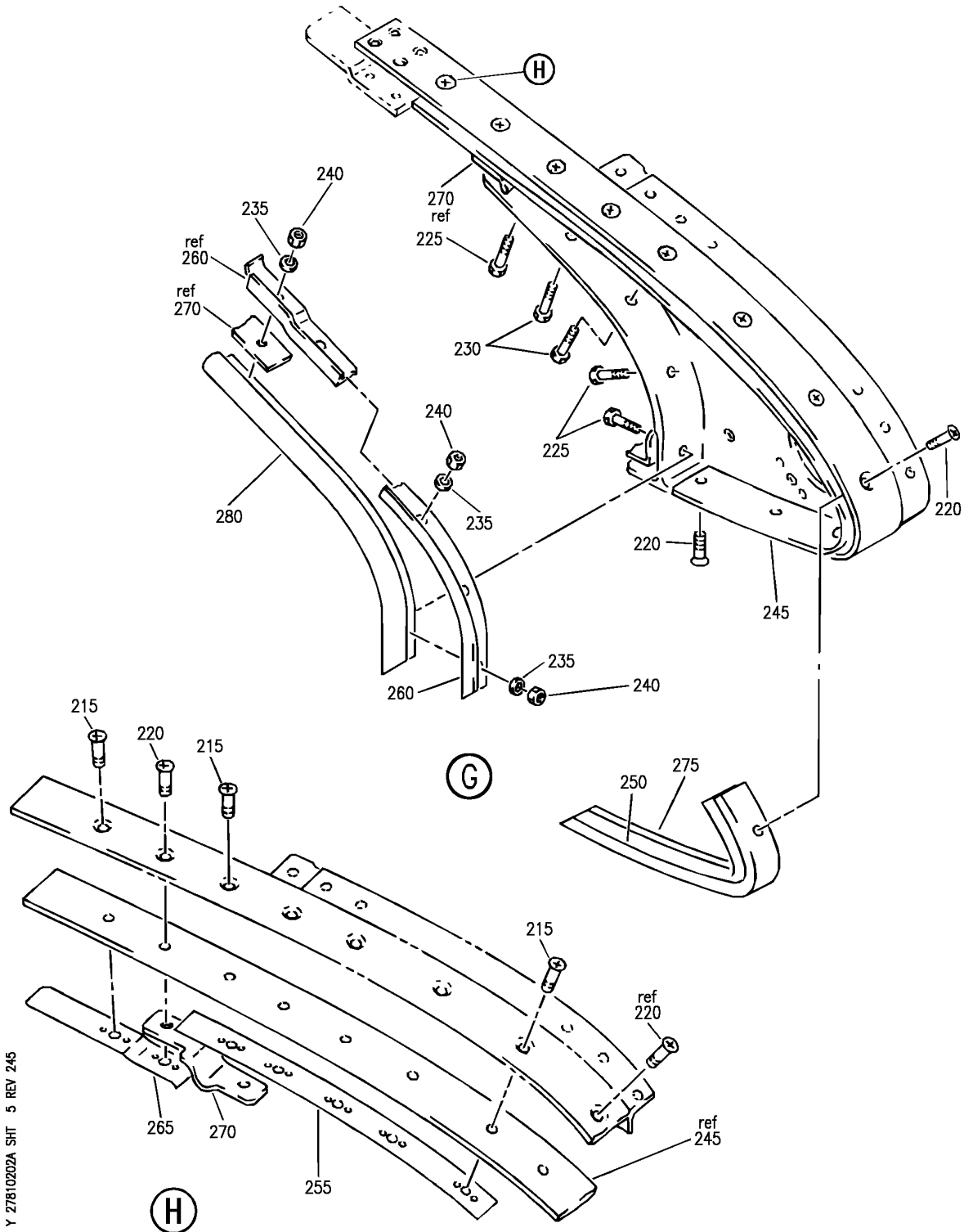
**27-81-02-02A**

BRI  
MAY 28/07

27-81-02-02A  
PAGE 0C



**BOEING**  
757  
PARTS CATALOG (MAINTENANCE)



Y 27810202A SH1 5 REV 245

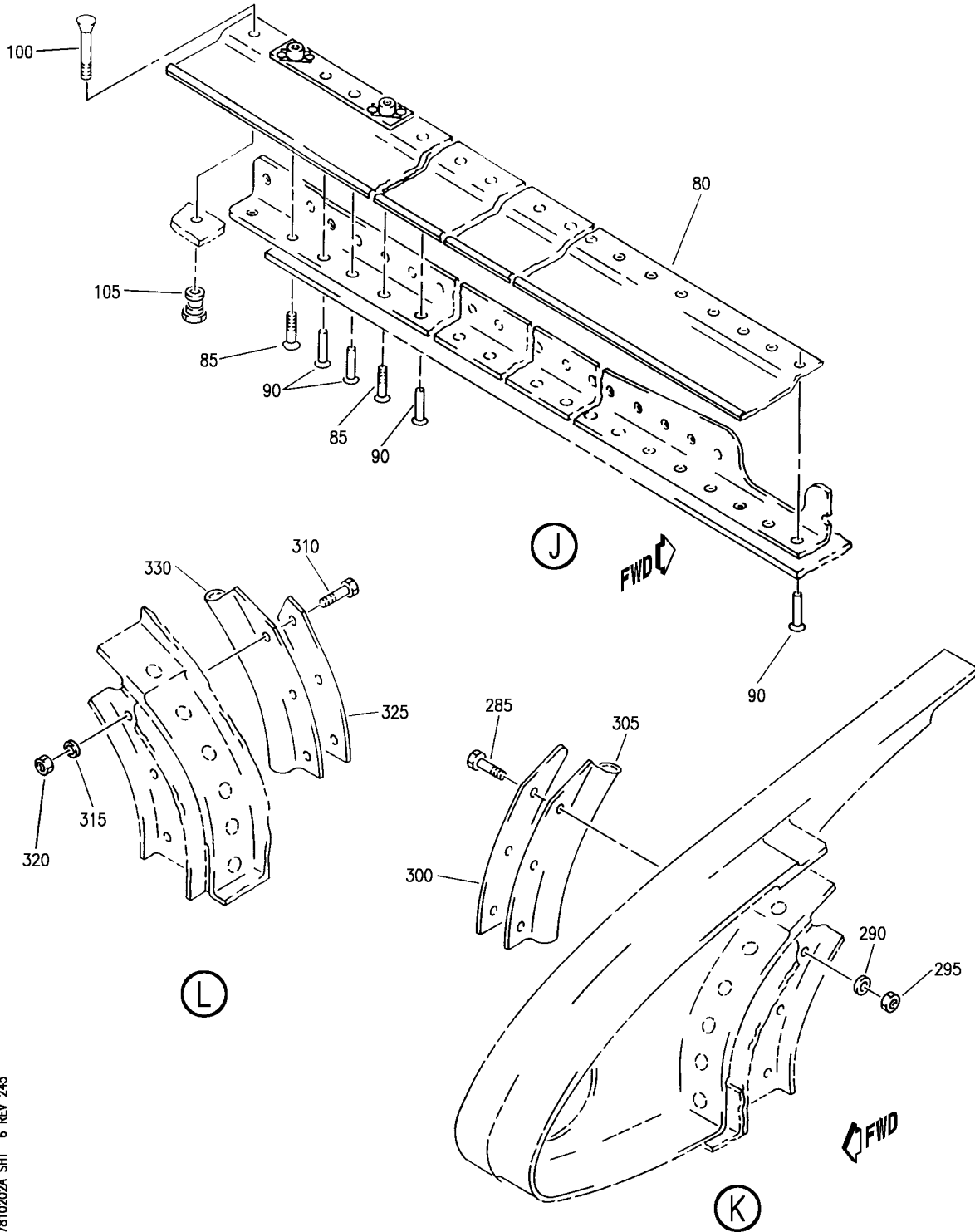
SLAT ASSY-NO. 9 WING LE OSS 574.80 TO 707.00 RH  
FIGURE 2A (SHEET 5)

**27-81-02-02A**

BRI  
MAY 28/07

27-81-02-02A  
PAGE 0D

**BOEING**  
757  
PARTS CATALOG (MAINTENANCE)



Y 27810202A SHT 6 REV 245

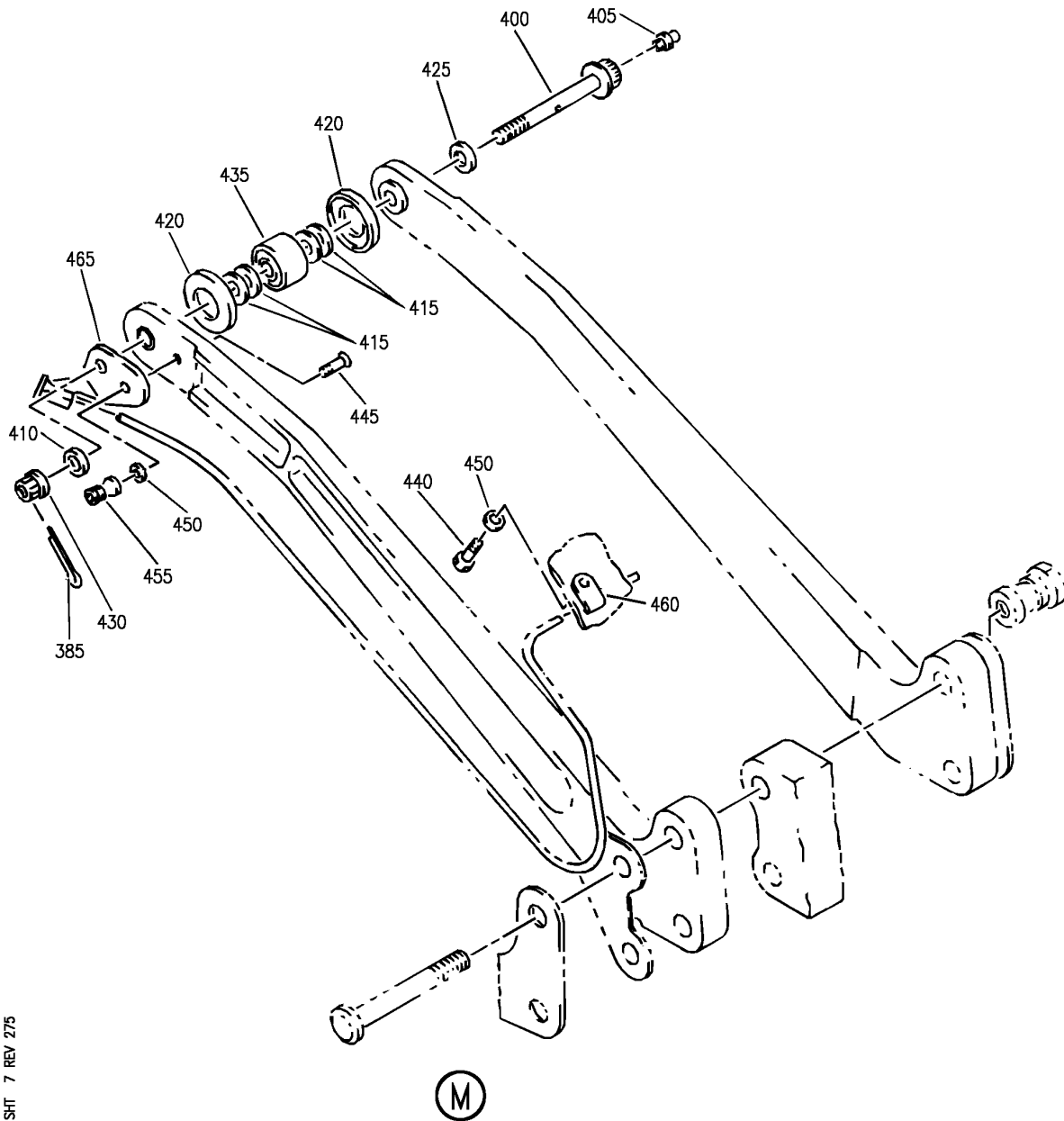
SLAT ASSY-NO. 9 WING LE OSS 574.80 TO 707.00 RH  
FIGURE 2A (SHEET 6)

**27-81-02-02A**

BRI  
MAY 28/07

27-81-02-02A  
PAGE 0E

**BOEING**  
757  
PARTS CATALOG (MAINTENANCE)



Y 27810202A SHT 7 REV 275

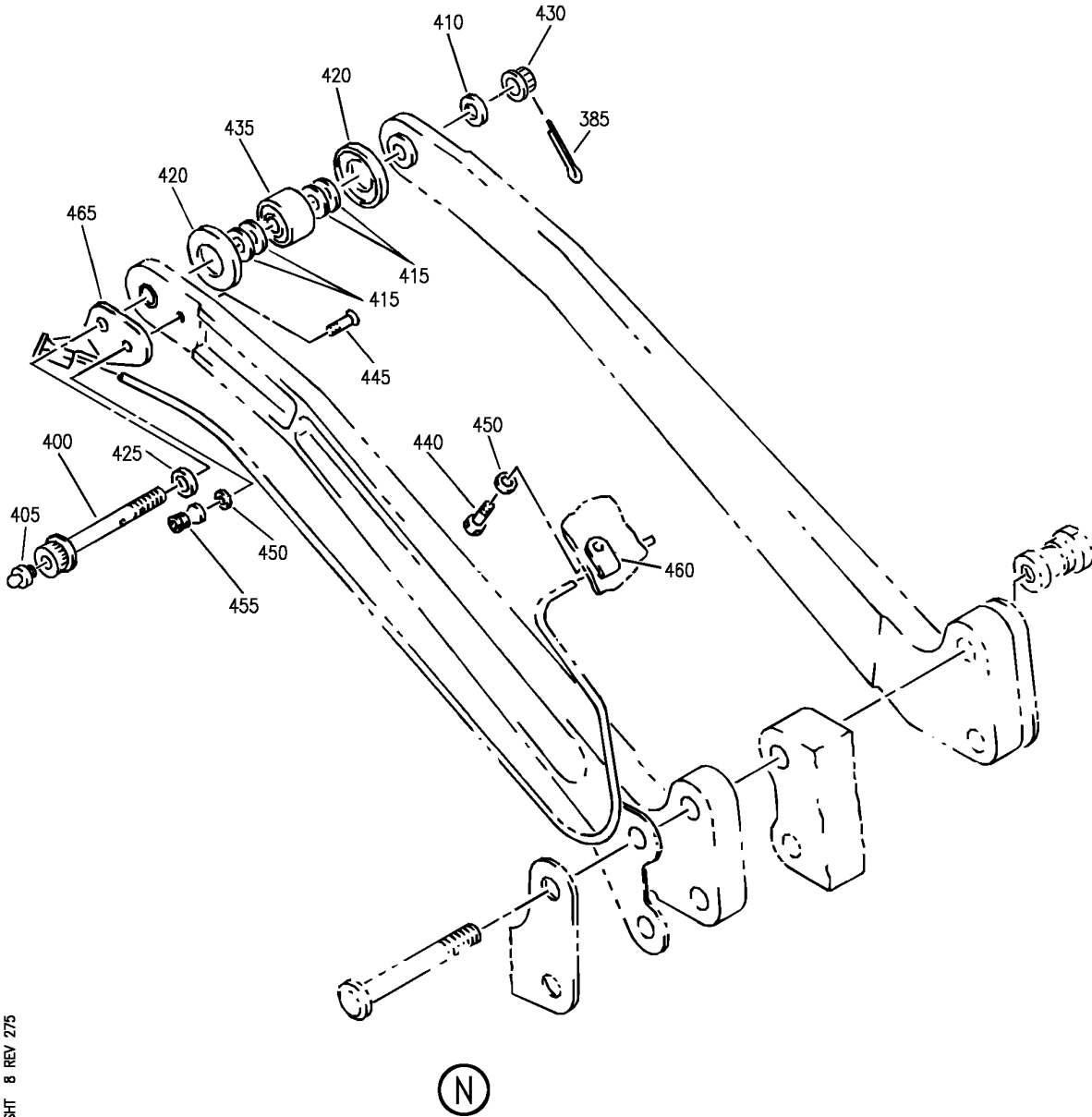
SLAT ASSY-NO. 9 WING LE OSS 574.80 TO 707.00 RH  
FIGURE 2A (SHEET 7)

**27-81-02-02A**

BRI  
MAY 28/07

27-81-02-02A  
PAGE OF

**BOEING**  
757  
PARTS CATALOG (MAINTENANCE)



Y 27810202A SHT 8 REV 275

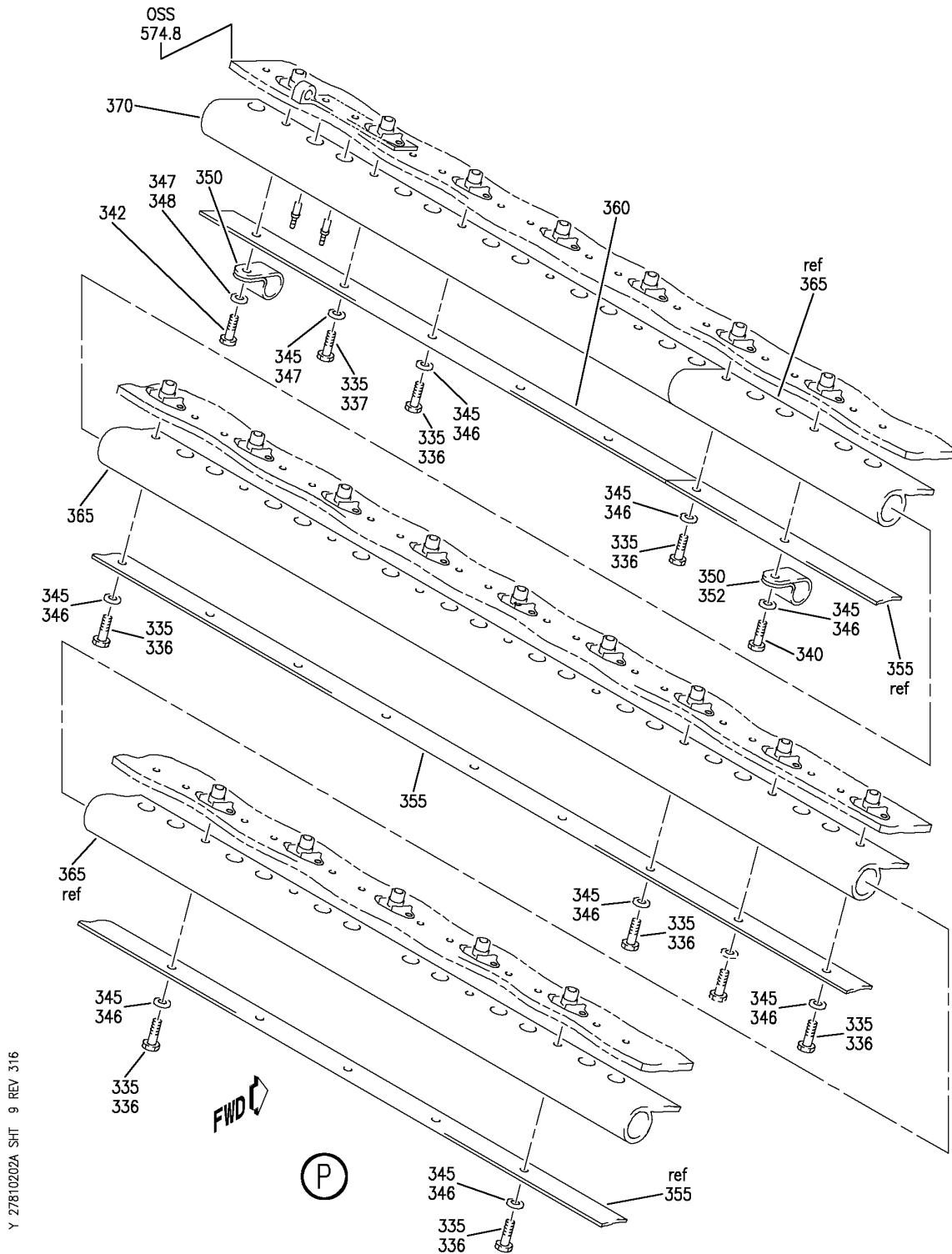
SLAT ASSY-NO. 9 WING LE OSS 574.80 TO 707.00 RH  
FIGURE 2A (SHEET 8)

**27-81-02-02A**

BRI  
MAY 28/07

27-81-02-02A  
PAGE 06


**BOEING**  
 757  
**PARTS CATALOG (MAINTENANCE)**



Y 27810202A SHT 9 REV 316

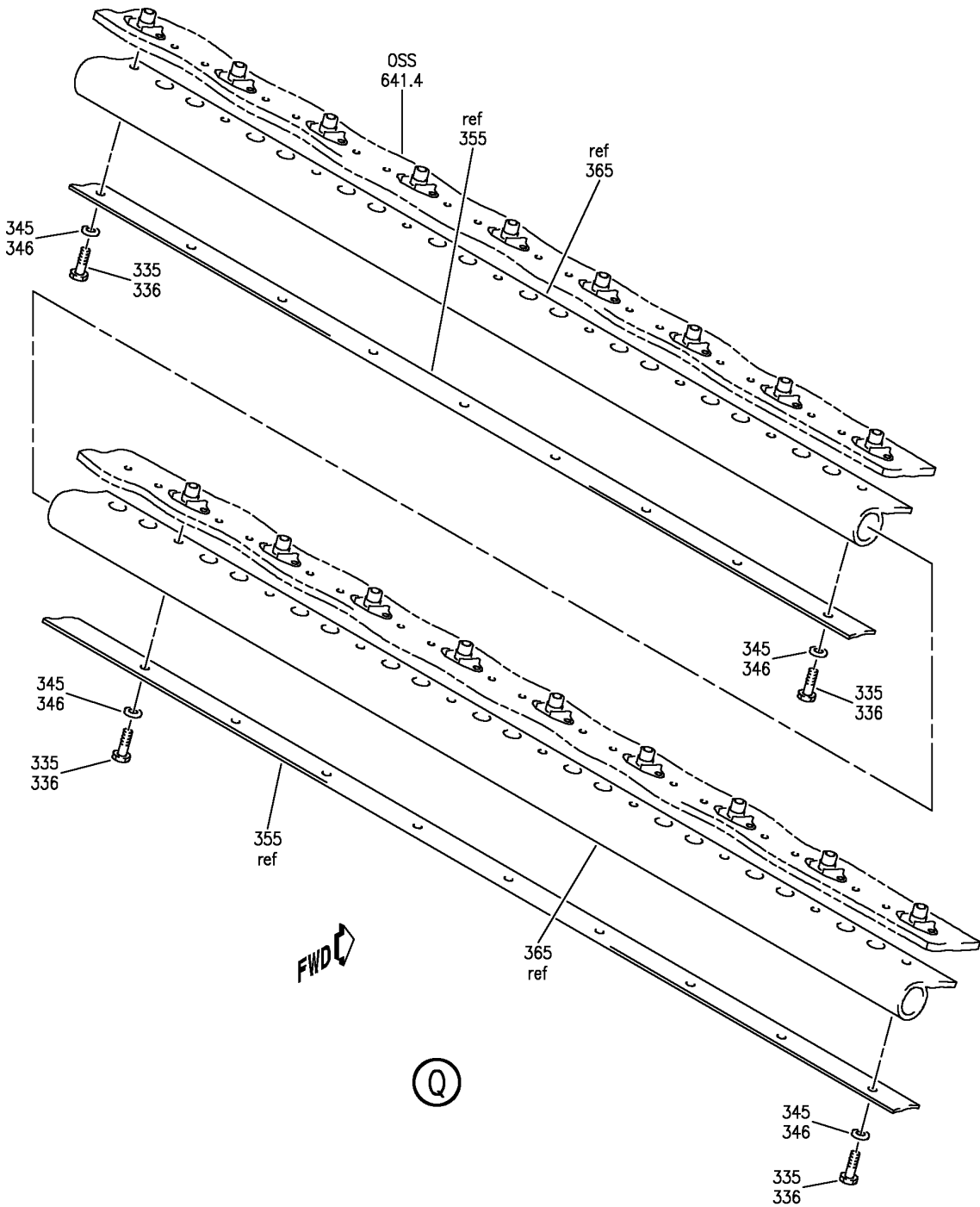
SLAT ASSY-NO. 9 WING LE OSS 574.80 TO 707.00 RH  
 FIGURE 2A (SHEET 9)

**27-81-02-02A**

BRI  
JAN 20/08

27-81-02-02A  
 PAGE 0H

**BOEING**  
757  
PARTS CATALOG (MAINTENANCE)



Y 27810202A SHT 10 REV 275

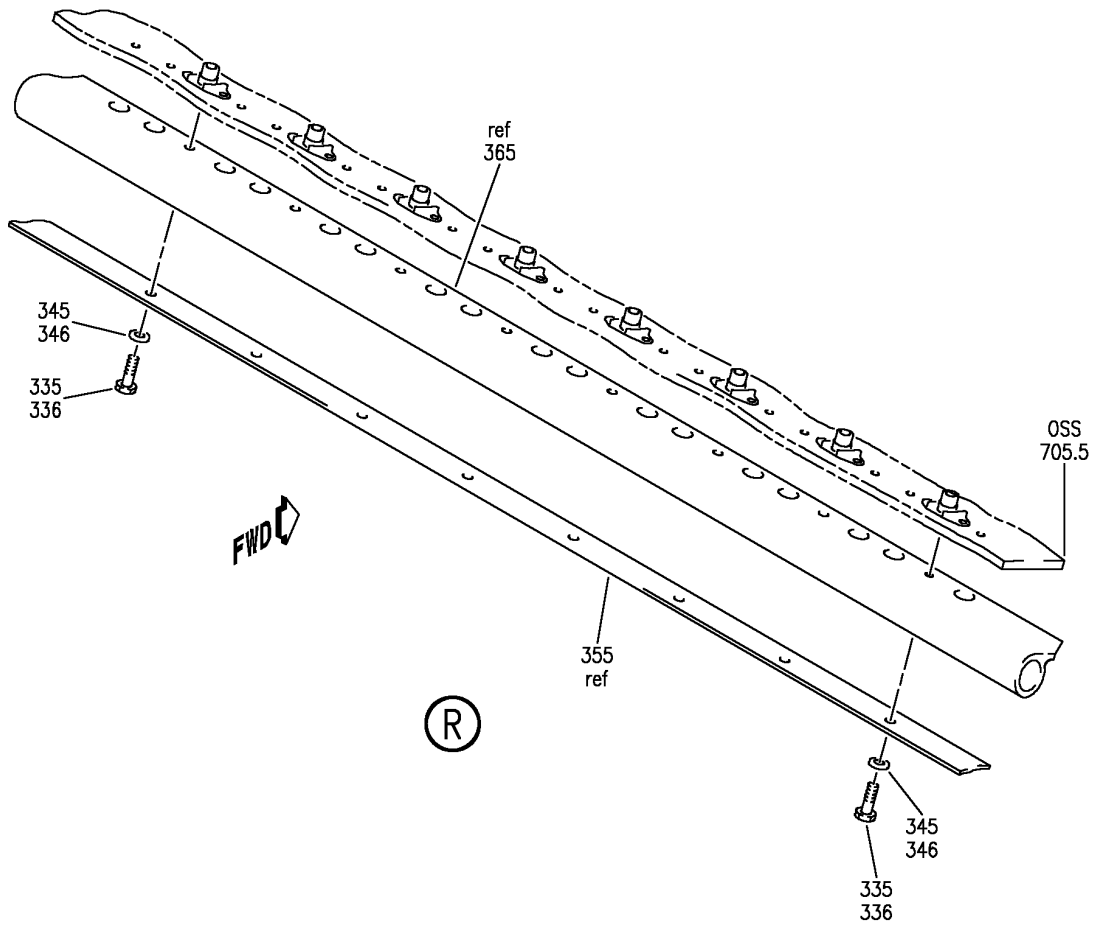
SLAT ASSY-NO. 9 WING LE OSS 574.80 TO 707.00 RH  
FIGURE 2A (SHEET 10)

**27-81-02-02A**

BRI  
MAY 28/07

27-81-02-02A  
PAGE 01

**BOEING**  
757  
PARTS CATALOG (MAINTENANCE)



Y 27810202A SHT 11 REV 277

SLAT ASSY-NO. 9 WING LE OSS 574.80 TO 707.00 RH  
FIGURE 2A (SHEET 11)

**27-81-02-02A**

BRI  
MAY 28/07

27-81-02-02A  
PAGE 0J



757

PARTS CATALOG (MAINTENANCE)

FIG ITEM	PART NUMBER	1 2 3 4 5 6 7	NOMENCLATURE	EFFECT FROM TO	UNITS PER ASSY
2A			SLAT ASSY-NO. 9 WING LE OSS 574.80 TO 707.00 RH	002004 006100 107107 121503 904999	
- 1	114N4003-148		SLAT ASSY-NO. 9 WING LE POSITION DATA: OSS 574.8 TO 705.5 RH COMPONENT MAINT MANUAL REF: 57-43-18 QUALIFIED I/W DATA: -148 IS I/W -142, HOWEVER, -142 CAN BE USED ONLY IF THE AIRPLANE IS RESTRICTED TO 241K MTGW 114N4003-148 IS I/W -154 IF S/B 757-57-0043 IS INCORPORATED FOR SPARES PROCURE: 114N4003-152 REWORKED BY ALERT SB: 57A0038R6 FOR NHA SEE: 27-81-02-05A	002004 006100 107107 121503 904999	RF
- 2	114N4003-148		SLAT ASSY-NO. 9 WING LE POSITION DATA: OSS 574.8 TO 705.5 RH COMPONENT MAINT MANUAL REF: 57-43-18 QUALIFIED I/W DATA: THE -148 CAN REPLACE THE -112 IF BOTH THE -148 AND THE RECEIVING AIRCRAFT HAVE THE SAME SLAT LOSS SENSING SYSTEM. FOR NHA SEE: 27-81-02-05A	002004 006100 107107 121503 904999	RF

MISSING ITEM NUMBERS NOT APPLICABLE

- ITEM NOT ILLUSTRATED

**27-81-02-02A**

27-81-02  
FIG. 02A  
PAGE 1  
JAN 20/09

BRI





757

PARTS CATALOG (MAINTENANCE)

FIG ITEM	PART NUMBER	1 2 3 4 5 6 7	NOMENCLATURE	EFFECT FROM TO	UNITS PER ASSY
2A - 2	114N4003-196SP		SLAT ASSY-NO. 9 WING LE POSITION DATA: OSS 574.80 TO 705.50 RH QUALIFIED I/W DATA: THE -196SP CAN REPLACE -112 OR -116 IF BOTH -196SP AND RECEIVING AIRCRAFT HAVE THE SAME SLAT SENSING SYSTEM. FOR NHA SEE: 27-81-02-05A	002004 006100 107107 121503 904999	RF
- 3	114N4003-172		SLAT ASSY-NO. 9 WING LE POSITION DATA: OSS 574.8 TO 705.5 RH COMPONENT MAINT MANUAL REF: 57-43-18 QUALIFIED I/W DATA: 114N4003-172 INTERCHANGEABLE WITH -202SP OR -222SP IF SERVICE BULLETINS 757-27-0126 AND 757-57-0057 ARE INCORPORATED ON OLDER SLATS REWORKED BY ALERT SB: 57A0045R1 57A0038R6 FOR NHA SEE: 27-81-02-05A	002004 006100 107107 121503 904999	RF

MISSING ITEM NUMBERS NOT APPLICABLE

- ITEM NOT ILLUSTRATED

BRI

27-81-02-02A

BOEING PROPRIETARY - Copyright © - Unpublished Work - See title page for details.

27-81-02  
FIG. 02A  
PAGE 2  
JAN 20/09



757

PARTS CATALOG (MAINTENANCE)

FIG ITEM	PART NUMBER	1 2 3 4 5 6 7	NOMENCLATURE	EFFECT FROM TO	UNITS PER ASSY
2A - 3	114N4003-178SP		SLAT ASSY-NO. 9 WING LE POSITION DATA: OSS 574.8 TO 705.5 RH COMPONENT MAINT MANUAL REF: 57-43-18 REWORK DRAWING REF: 114N4003-184SP QUALIFIED I/W DATA: -178SP CAN REPLACE -112 IF BOTH -178SP AND THE RECIEVING ARICRAFT HAVE THE SAME SLAT LOSS SENSING SYSTEM. -178SP CAN REPLACE -116 IF BOTH -178SP AND THE RECIEVING ARICRAFT HAVE THE SAME SLAT LOSS SENSING SYSTEM. REWORKED BY SB: 27-0126 REWORKED BY ALERT SB: 57A0045R1 FOR NHA SEE: 27-81-02-05A	002004 006100 107107 121503 904999	RF
- 3	114N4003-184SP		SLAT ASSY-NO. 9 WING LE POSITION DATA: OSS 574.8 TO 705.5 RH COMPONENT MAINT MANUAL REF: 57-43-18 REWORKED BY SB: 27-0126 FOR NHA SEE: 27-81-02-05A	002004 006100 107107 121503 904999	RF
- 3	114N4003-186SP		SLAT ASSY-NO. 9 WING LE POSITION DATA: OSS 574.8 TO 705.5 RH COMPONENT MAINT MANUAL REF: 57-43-18 REWORKED BY SB: 27-0126 FOR NHA SEE: 27-81-02-05A	002004 006100 107107 121503 904999	RF

MISSING ITEM NUMBERS NOT APPLICABLE

- ITEM NOT ILLUSTRATED

27-81-02-02A

27-81-02  
FIG. 02A  
PAGE 3  
JAN 20/09

BRI



757

PARTS CATALOG (MAINTENANCE)

FIG ITEM	PART NUMBER	1 2 3 4 5 6 7	NOMENCLATURE	EFFECT FROM TO	UNITS PER ASSY
2A - 3	114N4003-188SP		SLAT ASSY-NO. 9 WING LE POSITION DATA: OSS 574.8 TO 705.5 RH COMPONENT MAINT MANUAL REF: 57-43-18 QUALIFIED I/W DATA: THE -188SP CAN REPLACE THE -112 OR -116 IF BOTH -188SP AND RECEIVING AIRCRAFT HAVE THE SAME SLAT SENSING SYSTEM REWORKED BY SB: 27-0126 FOR NHA SEE: 27-81-02-05A	002004 006100 107107 121503 904999	RF
- 3	114N4003-190SP		SLAT ASSY-NO. 9 WING LE POSITION DATA: OSS 574.8 TO 705.5 RH COMPONENT MAINT MANUAL REF: 57-43-18 QUALIFIED I/W DATA: -202SP IF SERVICE BULLETINS 757-27-0126 AND 757-57-0057 ARE INCORPORATED ON OLDER SLATS FOR NHA SEE: 27-81-02-05A	002004 006100 107107 121503 904999	RF

MISSING ITEM NUMBERS NOT APPLICABLE

- ITEM NOT ILLUSTRATED

BRI

27-81-02-02A

BOEING PROPRIETARY - Copyright © - Unpublished Work - See title page for details.

27-81-02  
FIG. 02A  
PAGE 4  
JAN 20/09



757

PARTS CATALOG (MAINTENANCE)

FIG ITEM	PART NUMBER	1 2 3 4 5 6 7 NOMENCLATURE	EFFECT FROM TO	UNITS PER ASSY
2A - 3	114N4003-192SP	SLAT ASSY-NO. 9 WING LE POSITION DATA: OSS 574.8 TO 705.5 RH COMPONENT MAINT MANUAL REF: 57-43-18 QUALIFIED I/W DATA: THE -192SP CAN REPLACE THE -112 OR -116 IF BOTH -192SP AND RECEIVING AIRCRAFT HAVE THE SAME SLAT SENSING SYSTEM 114N4003-192SP IS INTERCHANGEABLE WITH -222SP IF SERVICE BULLETINS 757-27-0126 AND 757-57-0057 ARE INCORPORATED ON OLDER SLATS 114N4003-192SP IS INTERCHANGEABLE WITH -202SP IF SERVICE BULLETINS 757-27-0126 AND 757-57-0057 ARE INCORPORATED ON OLDER SLATS FOR NHA SEE: 27-81-02-05A	002004 006100 107107 121503 904999	RF

MISSING ITEM NUMBERS NOT APPLICABLE

- ITEM NOT ILLUSTRATED

BRI

# 27-81-02-02A

BOEING PROPRIETARY - Copyright © - Unpublished Work - See title page for details.

27-81-02  
FIG. 02A  
PAGE 5  
JAN 20/09



757

PARTS CATALOG (MAINTENANCE)

FIG ITEM	PART NUMBER	1 2 3 4 5 6 7 NOMENCLATURE	EFFECT FROM TO	UNITS PER ASSY
2A - 4	114N4003-194SP	SLAT ASSY-NO. 9 WING LE POSITION DATA: OSS 574.8 TO 705.5 RH COMPONENT MAINT MANUAL REF: 57-43-18 QUALIFIED I/W DATA: THE -194SP CAN REPLACE THE -112 OR -116 IF BOTH -194SP AND RECEIVING AIRCRAFT HAVE THE SAME SLAT SENSING SYSTEM 114N4003-184SP INTERCHANGEABLE WITH 114N4003-194SP IF BOTH RECEIVING AIRCRAFT AND NEW SLAT HAVE BEEN REWORKED BY S/B 757-27-0126. 114N4003-194SP IS INTERCHANGEABLE WITH -202SP IF SERVICE BULLETINS 757-27-0126 AND 757-57-0057 ARE INCORPORATED ON OLDER SLATS FOR NHA SEE: 27-81-02-05A	002004 006100 107107 121503 904999	RF

MISSING ITEM NUMBERS NOT APPLICABLE

- ITEM NOT ILLUSTRATED

BRI

**27-81-02-02A**

BOEING PROPRIETARY - Copyright © - Unpublished Work - See title page for details.

27-81-02  
FIG. 02A  
PAGE 6  
JAN 20/09



757

PARTS CATALOG (MAINTENANCE)

FIG ITEM	PART NUMBER	1 2 3 4 5 6 7	NOMENCLATURE	EFFECT FROM TO	UNITS PER ASSY
2A - 4	114N4003-202SP		SLAT ASSY-NO. 9 WING LE POSITION DATA: OSS 574.8 TO 705.5 RH COMPONENT MAINT MANUAL REF: 57-43-18 QUALIFIED I/W DATA: 114N4003-172 INTERCHANGEABLE WITH -202SP OR -222SP IF SERVICE BULLETINS 757-27-0126 AND 757-57-0057 ARE INCORPORATED ON OLDER SLATS 114N4003-192SP IS INTERCHANGEABLE WITH -202SP IF SERVICE BULLETINS 757-27-0126 AND 757-57-0057 ARE INCORPORATED ON OLDER SLATS FOR NHA/OTHER SYS DET SEE: 27-81-02-05A	002004 006100 107107 121503 904999	RF
- 4	114N4003-204SP		SLAT ASSY-NO. 9 WING LE POSITION DATA: OSS 574.8 TO 705.5 RH COMPONENT MAINT MANUAL REF: 57-43-18 QUALIFIED I/W DATA: 114N4003-204SP IS INTERCHANGEABLE WITH -202SP IF SERVICE BULLETINS 757-27-0126 AND 757-57-0057 ARE INCORPORATED ON OLDER SLATS FOR NHA SEE: 27-81-02-05A	002004 006100 107107 121503 904999	RF

MISSING ITEM NUMBERS NOT APPLICABLE

- ITEM NOT ILLUSTRATED

BRI

27-81-02-02A

BOEING PROPRIETARY - Copyright © - Unpublished Work - See title page for details.

27-81-02  
FIG. 02A  
PAGE 7  
JAN 20/09



757

PARTS CATALOG (MAINTENANCE)

FIG ITEM	PART NUMBER	1 2 3 4 5 6 7	NOMENCLATURE	EFFECT FROM TO	UNITS PER ASSY
2A - 4	114N4003-222SP		SLAT ASSY-NO. 9 WING LE POSITION DATA: OSS 574.8 TO 705.5 RH COMPONENT MAINT MANUAL REF: 57-43-18 QUALIFIED I/W DATA: 114N4003-172 INTERCHANGEABLE WITH -202SP OR -222SP IF SERVICE BULLETINS 757-27-0126 AND 757-57-0057 AR INCORPORATED ON OLDER SLATS 114N4003-192SP IS INTERCHANGEABLE WITH -222SP IF SERVICE BULLETINS 757-27-1026 AND 757-57-0057 ARE INCORPORATED ON OLDER SLATS POST SERVICE BULLETIN: 27-0126 FOR NHA/OTHER SYS DET SEE: 27-81-02-05A	002004 006100 107107 121503 904999	RF
- 4	114N4003-172		SLAT ASSY-NO. 9 WING LE POSITION DATA: OSS 574.8 TO 705.5 RH COMPONENT MAINT MANUAL REF: 57-43-18 REWORKED BY ALERT SB: 57A0045R1 FOR NHA SEE: 27-81-02-05A	002004 006100 107107 121503 904999	RF

MISSING ITEM NUMBERS NOT APPLICABLE

- ITEM NOT ILLUSTRATED

BRI

**27-81-02-02A**

BOEING PROPRIETARY - Copyright © - Unpublished Work - See title page for details.

27-81-02  
FIG. 02A  
PAGE 8  
JAN 20/09



757

PARTS CATALOG (MAINTENANCE)

FIG ITEM	PART NUMBER	1 2 3 4 5 6 7	NOMENCLATURE	EFFECT FROM TO	UNITS PER ASSY
2A - 4	114N4003-184SP		SLAT ASSY-NO. 9 WING LE POSITION DATA: OSS 574.8 TO 705.5 RH COMPONENT MAINT MANUAL REF: 57-43-18 QUALIFIED I/W DATA: 114N4003-184SP INTERCHANGEABLE WITH 114N4003-194SP IF BOTH RECEIVING AIRCRAFT AND NEW SLAT HAVE BEEN REWORKED BY S/B 757-27-0126. -184SP CAN REPLACE -116 IF BOTH -184SP AND THE RECEIVING AIRCRAFT HAVE THE SAME SLOT LOSS SENSING SYSTEM. THE -184SP OR -192SP OR -194SP CAN REPLACE -112 IF BOTH THE -184SP OR -192SP OR -194SP AND THE RECEIVING AIRCRAFT HAVE THE SAME SLAT SENSING SYSTEM REWORKED BY SB: 27-0126 FOR NHA SEE: 27-81-02-05A	002004 006100 107107 121503 904999	RF
- 4	114N4003-186SP		SLAT ASSY-NO. 9 WING LE POSITION DATA: OSS 574.8 TO 705.5 RH COMPONENT MAINT MANUAL REF: 57-43-18 QUALIFIED I/W DATA: THE -186SP CAN REPLACE THE -112 OR -116 IF BOTH -186SP AND RECEIVING AIRCRAFT HAVE THE SAME SLAT SENSING SYSTEM REWORKED BY SB: 27-0126 FOR NHA SEE: 27-81-02-05A	002004 006100 107107 121503 904999	RF

MISSING ITEM NUMBERS NOT APPLICABLE

- ITEM NOT ILLUSTRATED

**27-81-02-02A**

27-81-02  
FIG. 02A  
PAGE 9  
JAN 20/09

BRI





757

PARTS CATALOG (MAINTENANCE)

FIG ITEM	PART NUMBER	1 2 3 4 5 6 7	NOMENCLATURE	EFFECT FROM TO	UNITS PER ASSY
2A - 4	114N4003-190SP		SLAT ASSY-NO. 9 WING LE POSITION DATA: OSS 574.8 TO 705.5 RH COMPONENT MAINT MANUAL REF: 57-43-18 QUALIFIED I/W DATA: THE -190SP CAN REPLACE THE -112 OR -116 IF BOTH THE -190SP AND RECEIVING AIRCRAFT HAVE THE SAME SLAT SENSING SYSTEM. FOR NHA SEE: 27-81-02-05A	002004 006100 107107 121503 904999	RF
- 30	218N1001-30		.DUCT INSTL-WING LE ANTI ICING USED ON: 114N4003-148 114N4003-172 114N4003-178SP 114N4003-186SP 114N4003-188SP 114N4003-190SP 114N4003-192SP 114N4003-194SP 114N4003-202SP 114N4003-204SP 114N4003-222SP FOR DETAILS SEE: 30-11-01-01	002004 006100 107107 121503 904999	1
35	114N4064-2		.COVER ASSY-ACCESS OPTIONAL PART: 114N4064-10	002004 006100 107107 121503 904999	1
35	114N4064-10		.COVER ASSY-ACCESS OPTIONAL PART: 114N4064-2	002004 006100 107107 121503 904999	1
- 40	BACB30NN3K5		ATTACHING PARTS .BOLT  -----*-----	002004 006100 107107 121503 904999	18

MISSING ITEM NUMBERS NOT APPLICABLE

- ITEM NOT ILLUSTRATED

27-81-02-02A

27-81-02  
FIG. 02A  
PAGE 10  
JAN 20/09

BRI

BOEING PROPRIETARY - Copyright © - Unpublished Work - See title page for details.



757

PARTS CATALOG (MAINTENANCE)

FIG ITEM	PART NUMBER	1 2 3 4 5 6 7	NOMENCLATURE	EFFECT FROM TO	UNITS PER ASSY
2A					
45	BACB30NM3K4	.	BOLT	002004 006100 107107 121503 904999	18
50	BACB30NM3K3	.	BOLT	002004 006100 107107 121503 904999	80
55	AN960KD10L	.	WASHER	002004 006100 107107 121503 904999	98
60	114N4076-21	.	DOOR-ACCESS	002004 006100 107107 121503 904999	1
65	114N4076-29	.	DOOR-ACCESS	002004 006100 107107 121503 904999	2
70	114N4076-23	.	DOOR-ACCESS	002004 006100 107107 121503 904999	2
75	114N4076-27	.	DOOR-ACCESS	002004 006100 107107 121503 904999	1
80	114N4058-16	.	SKIN-FLEXIBLE POSITION DATA: LWR	002004 006100 107107 121503 904999	1
80	114N4058-4	.	SKIN-FLEXIBLE POSITION DATA: LWR RH SIDE USED ON: 114N4003-116	002004 006100 107107 121503 904999	1

MISSING ITEM NUMBERS NOT APPLICABLE

- ITEM NOT ILLUSTRATED

27-81-02-02A

27-81-02  
FIG. 02A  
PAGE 11  
JAN 20/09

BRI

 **BOEING**  
757  
**PARTS CATALOG (MAINTENANCE)**

FIG ITEM	PART NUMBER	1 2 3 4 5 6 7	NOMENCLATURE	EFFECT FROM TO	UNITS PER ASSY
2A			ATTACHING PARTS		
85	BACB30NN3K6		.BOLT	002004 006100 107107 121503 904999	6
90	BACR15CE6AD		.RIVET- SIZE DETERMINED ON INSTL.	002004 006100 107107 121503 904999	120
95	NAS1399MW5-4		.RIVET	002004 006100 107107 121503 904999	2
100	BACB30NW6K		.BOLT- SIZE DETERMINED ON INSTL.	002004 006100 107107 121503 904999	1
105	HL79-6		.COLLAR SUPPLIER CODE: V5M902 SPECIFICATION NUMBER: BACC30M6 OPTIONAL PART: HL79-6 V73197 HL79-6 V92215 66014-6 V56878 HL79-6 V56878 -----*-----	002004 006100 107107 121503 904999	1
135	BACB30NR4K30		.BOLT	002004 006100 107107 121503 904999	4
145	NAS43DD4-21		.SPACER	002004 006100 107107 121503 904999	8

MISSING ITEM NUMBERS NOT APPLICABLE

— ITEM NOT ILLUSTRATED

BRI

# 27-81-02-02A

BOEING PROPRIETARY - Copyright © - Unpublished Work - See title page for details.

27-81-02  
FIG. 02A  
PAGE 12  
JAN 20/09

 **BOEING**  
757  
**PARTS CATALOG (MAINTENANCE)**

FIG ITEM	PART NUMBER	1 2 3 4 5 6 7	NOMENCLATURE	EFFECT FROM TO	UNITS PER ASSY
2A 155	BACW10P186C	.	WASHER	002004 006100 107107 121503 904999	16
165	AN960KD416	.	WASHER	002004 006100 107107 121503 904999	8
175	BRH10C4D	.	NUT SUPPLIER CODE: V52828 SPECIFICATION NUMBER: BACN10JC4CD OPTIONAL PART: T6C428JCD V11815 NS202486-048 V80539 102LH9075-4W V72962 H51650-4BAC V15653	002004 006100 107107 121503 904999	4
215	BACB30NN3K4	.	BOLT	002004 006100 107107 121503 904999	6
220	BACB30NN3K6	.	BOLT	002004 006100 107107 121503 904999	5
225	BACB30NM3K5	.	BOLT	002004 006100 107107 121503 904999	3
230	BACB30NM3K3	.	BOLT	002004 006100 107107 121503 904999	2
235	AN960KD10	.	WASHER	002004 006100 107107 121503 904999	5

MISSING ITEM NUMBERS NOT APPLICABLE

— ITEM NOT ILLUSTRATED

BRI

# 27-81-02-02A

BOEING PROPRIETARY - Copyright © - Unpublished Work - See title page for details.

27-81-02  
FIG. 02A  
PAGE 13  
JAN 20/09

 **BOEING**  
757  
**PARTS CATALOG (MAINTENANCE)**

FIG ITEM	PART NUMBER	1 2 3 4 5 6 7	NOMENCLATURE	EFFECT FROM TO	UNITS PER ASSY
2A 240	BRH10C3D	.	NUT SUPPLIER CODE: V52828 SPECIFICATION NUMBER: BACN10JC3D OPTIONAL PART: T6C1032JCD V11815 NS202486-02 V80539 102LH9075-3W V72962 H51650-3BAC V15653	002004 006100 107107 121503 904999	5
245	114N4045-110	.	SHIELD-EROSION ALTERED FROM PART NUMBER: 114N4081-9 FOR SPARES PROCURE: 114N4081-9	002004 006100 107107 121503 904999	1
250	114N4045-80	.	RETAINER	002004 006100 107107 121503 904999	1
255	114N4045-77	.	RETAINER	002004 006100 107107 121503 904999	1
260	114N4045-82	.	RETAINER	002004 006100 107107 121503 904999	1
265	114N4045-61	.	RETAINER	002004 006100 107107 121503 904999	1
270	114N4045-63	.	SHIELD-EROSION ALTERED FROM PART NUMBER: 114N4081-4 MANUFACTURED FROM: 114N4081-4 FOR SPARES PROCURE: 114N4081-4	002004 006100 107107 121503 904999	1

MISSING ITEM NUMBERS NOT APPLICABLE

— ITEM NOT ILLUSTRATED

BRI

# 27-81-02-02A

BOEING PROPRIETARY - Copyright © - Unpublished Work - See title page for details.

27-81-02  
FIG. 02A  
PAGE 14  
JAN 20/09



757

PARTS CATALOG (MAINTENANCE)

FIG ITEM	PART NUMBER	1 2 3 4 5 6 7	NOMENCLATURE	EFFECT FROM TO	UNITS PER ASSY
2A					
270	114N4045-135	.	SHIELD-EROSION ALTERED FROM PART NUMBER: 114N4081-4 FOR SPARES PROCURE: 114N4081-4	002004 006100 107107 121503 904999	1
275	114N4045-66	.	SEAL- ALTERED FROM PART NUMBER: 10-60754-486	002004 006100 107107 121503 904999	1
280	114N4045-68	.	SEAL- ALTERED FROM PART NUMBER: 10-60754-484	002004 006100 107107 121503 904999	1
285	BACB30NM3K3	.	BOLT	002004 006100 107107 121503 904999	3
290	AN960KD10	.	WASHER	002004 006100 107107 121503 904999	3
295	BRH10C3D	.	NUT SUPPLIER CODE: V52828 SPECIFICATION NUMBER: BACN10JC3CD OPTIONAL PART: T6C1032JCD V11815 NS202486-02 V80539 102LH9075-3W V72962 H51650-3BAC V15653	002004 006100 107107 121503 904999	3
300	114N4044-41	.	RETAINER	002004 006100 107107 121503 904999	1
305	114N4044-60	.	SEAL- ALTERED FROM PART NUMBER: 10-60754-491	002004 006100 107107 121503 904999	1

MISSING ITEM NUMBERS NOT APPLICABLE

- ITEM NOT ILLUSTRATED

27-81-02-02A

27-81-02  
FIG. 02A  
PAGE 15  
JAN 20/09

BRI

BOEING PROPRIETARY - Copyright © - Unpublished Work - See title page for details.



757

PARTS CATALOG (MAINTENANCE)

FIG ITEM	PART NUMBER	1 2 3 4 5 6 7	NOMENCLATURE	EFFECT FROM TO	UNITS PER ASSY
2A 310	BACB30NM3K3	.	BOLT	002004 006100 107107 121503 904999	3
315	AN960KD10	.	WASHER	002004 006100 107107 121503 904999	3
320	BRH10C3D	.	NUT SUPPLIER CODE: V52828 SPECIFICATION NUMBER: BACN10JC3CD OPTIONAL PART: T6C1032JCD V11815 NS202486-02 V80539 102LH9075-3W V72962 H51650-3BAC V15653	002004 006100 107107 121503 904999	3
325	114N4044-78	.	RETAINER	002004 006100 107107 121503 904999	1
330	114N4044-90	.	SEAL- ALTERED FROM PART NUMBER: 10-60754-492	002004 006100 107107 121503 904999	1
335	BACB30NM3K5	.	BOLT	107107 121503 950999	44
336	BACB30NM3K5	.	BOLT	002004 006100 904949	43
337	BACB30NM3K5	.	BOLT- PRE SERVICE BULLETIN: 27-0126	002004 006100 904949	1
340	BACB30NM3K7	.	BOLT	002004 006100 107107 121503 904999	1

MISSING ITEM NUMBERS NOT APPLICABLE

- ITEM NOT ILLUSTRATED

BRI

27-81-02-02A

BOEING PROPRIETARY - Copyright © - Unpublished Work - See title page for details.

27-81-02  
FIG. 02A  
PAGE 16  
JAN 20/09



757

PARTS CATALOG (MAINTENANCE)

FIG ITEM	PART NUMBER	1 2 3 4 5 6 7	NOMENCLATURE	EFFECT FROM TO	UNITS PER ASSY
2A					
342	BACB30NM3K7	.BOLT-	PRE SERVICE BULLETIN: 27-0126	002004 006100 107107 121503 904999	1
345	AN960KD10L	.WASHER		107107 121503 950999	45
346	AN960KD10L	.WASHER		002004 006100 904949	44
347	AN960KD10L	.WASHER-	PRE SERVICE BULLETIN: 27-0126	002004 006100 904949	2
348	AN960KD10L	.WASHER-		107107 121503 950999	1
350	BACC10DK3	.CLAMP-	PRE SERVICE BULLETIN: 27-0126	002004 006100 107107 121503 904999	2
352	BACC10DK4	.CLAMP-	POST SERVICE BULLETIN: 27-0126	002004 006100 904949	1
355	114N4046-47	.RETAINER		002004 006100 107107 121503 904999	1
360	114N4046-33	.RETAINER		002004 006100 107107 121503 904999	1
365	114N4046-14	.SEAL-	ALTERED FROM PART NUMBER: 10-60754-319 MANUFACTURED FROM: EXTR RUBBER 10-60754-319 116.0 IN.	002004 006100 107107 121503 904999	1
370	114N4046-16	.SEAL-	ALTERED FROM PART NUMBER: 10-60754-319 MANUFACTURED FROM: EXTR RUBBER 10-60754-319 17.0 IN.	002004 006100 107107 121503 904999	1

MISSING ITEM NUMBERS NOT APPLICABLE

- ITEM NOT ILLUSTRATED

**27-81-02-02A**

27-81-02  
FIG. 02A  
PAGE 17  
JAN 20/09

BRI

BOEING PROPRIETARY - Copyright © - Unpublished Work - See title page for details.



 **BOEING**  
757  
**PARTS CATALOG (MAINTENANCE)**

FIG ITEM	PART NUMBER	1 2 3 4 5 6 7	NOMENCLATURE	EFFECT FROM TO	UNITS PER ASSY
2A 375	114N4065-3	.	RETAINER	002004 006100 107107 121503 904999	1
380	114N4066-2	.	SEAL-	002004 006100 107107 121503 904999	1
380	114N4066-4	.	SEAL-	002004 006100 107107 121503 904999	1
385	MS24665-153	.	PIN- PRE SERVICE BULLETIN: 57-0057	002004 006100 121503 904952	2
395	BACP18BC02A06P	.	PIN-COTTER POST SERVICE BULLETIN: 57-0057	002004 006100 107107 904949 953999	2
400	114N4052-1	.	BOLT ASSY- PRE SERVICE BULLETIN: 57-0057	002004 006100 121503 904952	2
400	114N4052-8400	.	BOLT ASSY- PRE SERVICE BULLETIN: 57-0057	002004 006100 121503 904952	2
400	BACB30LE4DU19	.	BOLT- POST SERVICE BULLETIN: 57-0057	002004 006100 107107 904949 953999	2
400	BACB30LE4DU21	.	BOLT- POST SERVICE BULLETIN: 57-0057	002004 006100 107107 904949 953999	2
405	MS15001-1	..	FITTING- USED ON: 114N4052-1 114N4052-8400	002004 006100 121503 904952	2

MISSING ITEM NUMBERS NOT APPLICABLE

- ITEM NOT ILLUSTRATED

BRI

# 27-81-02-02A

BOEING PROPRIETARY - Copyright © - Unpublished Work - See title page for details.

27-81-02  
FIG. 02A  
PAGE 18  
JAN 20/09



757

PARTS CATALOG (MAINTENANCE)

FIG ITEM	PART NUMBER	1 2 3 4 5 6 7	NOMENCLATURE	EFFECT FROM TO	UNITS PER ASSY
2A 410	BACW10BP4DP	.	WASHER-	002004 006100 107107 121503 904999	2
415	BACW10P250C	.	WASHER	002004 006100 107107 121503 904999	8
420	114N4056-1	.	WASHER-	002004 006100 107107 121503 904999	4
425	BACW10BP4CD	.	WASHER-	002004 006100 107107 121503 904999	2
430	NAS1805-4N	.	NUT-	002004 006100 107107 121503 904999	2
435	ATF4	.	BEARING- SUPPLIER CODE: V60380 SPECIFICATION NUMBER: BACB10ET04 OPTIONAL PART: 4AFC614 V92563 YAF04B V07484 PRE SERVICE BULLETIN: 57-0057	002004 006100 121503 904952	2
435	ATF4SN	.	BEARING- SUPPLIER CODE: V21335 SPECIFICATION NUMBER: BACB10GH04N OPTIONAL PART: CRO4NAFC V92563 ATF04NSY V21335 POST SERVICE BULLETIN: 57-0057	002004 006100 107107 904949 953999	2

MISSING ITEM NUMBERS NOT APPLICABLE

- ITEM NOT ILLUSTRATED

27-81-02-02A

27-81-02  
FIG. 02A  
PAGE 19  
JAN 20/09

BRI

BOEING PROPRIETARY - Copyright © - Unpublished Work - See title page for details.



757

PARTS CATALOG (MAINTENANCE)

FIG ITEM	PART NUMBER	1 2 3 4 5 6 7	NOMENCLATURE	EFFECT FROM TO	UNITS PER ASSY
2A 440	BACB30NM3K9	.	BOLT-	002004 006100 107107 121503 904999	2
445	HL11VAZ6-6	.	BOLT- SUPPLIER CODE: V60516 SPECIFICATION NUMBER: BACB30NW6K6 OPTIONAL PART: B30NW6K6 V97928 HL11VAZ6-6 V73197 HL11VAZ6-6 V92215 HL11VAZ6-6 V97928 L803-6K6 V06725 HL11VAZ6-6 VOPTK6 HL11VAZ6-6 V56878	002004 006100 107107 121503 904999	2
450	AN960KD10L	.	WASHER-	002004 006100 107107 121503 904999	4
455	HL79-6	.	COLLAR- SUPPLIER CODE: V5M902 SPECIFICATION NUMBER: BACC30M6 OPTIONAL PART: HL79-6 V73197 HL79-6 V92215 66014-6 V56878 HL79-6 V56878	002004 006100 107107 121503 904999	2
460	251N5135-5	.	CLIP-SPRT	002004 006100 107107 121503 904999	2

MISSING ITEM NUMBERS NOT APPLICABLE

- ITEM NOT ILLUSTRATED

27-81-02-02A

27-81-02  
FIG. 02A  
PAGE 20  
JAN 20/09

BRI

BOEING PROPRIETARY - Copyright © - Unpublished Work - See title page for details.



757

PARTS CATALOG (MAINTENANCE)

FIG ITEM	PART NUMBER	1 2 3 4 5 6 7	NOMENCLATURE	EFFECT FROM TO	UNITS PER ASSY
2 A - 465	251N5132-4	.	FITTING-	002004 006100 107107 121503 904999	2

MISSING ITEM NUMBERS NOT APPLICABLE

- ITEM NOT ILLUSTRATED

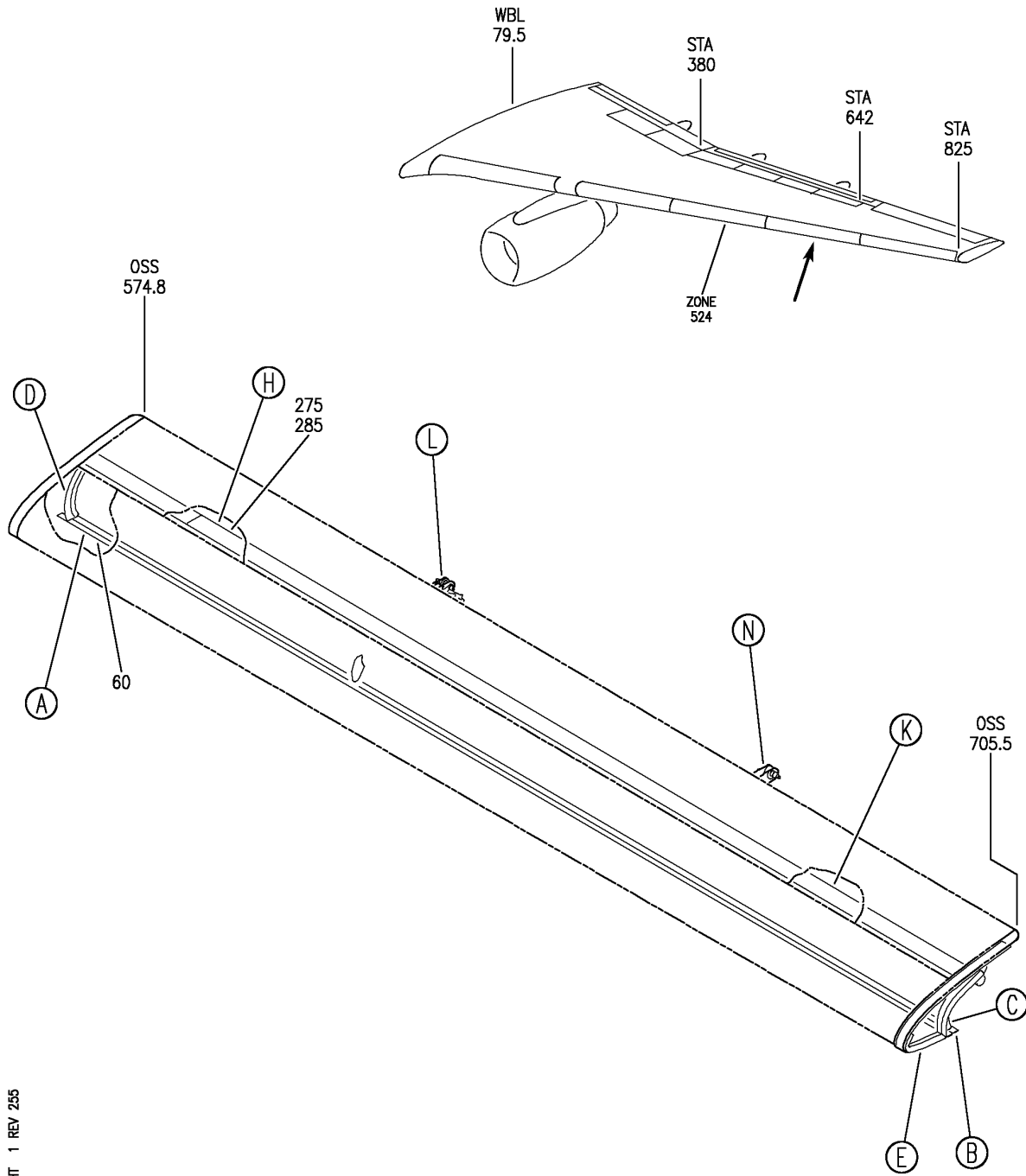
BRI

27-81-02-02A

BOEING PROPRIETARY - Copyright © - Unpublished Work - See title page for details.

27-81-02  
FIG. 02A  
PAGE 21  
JAN 20/09

**BOEING**  
757  
PARTS CATALOG (MAINTENANCE)



Y 27810202D SHT 1 REV 255

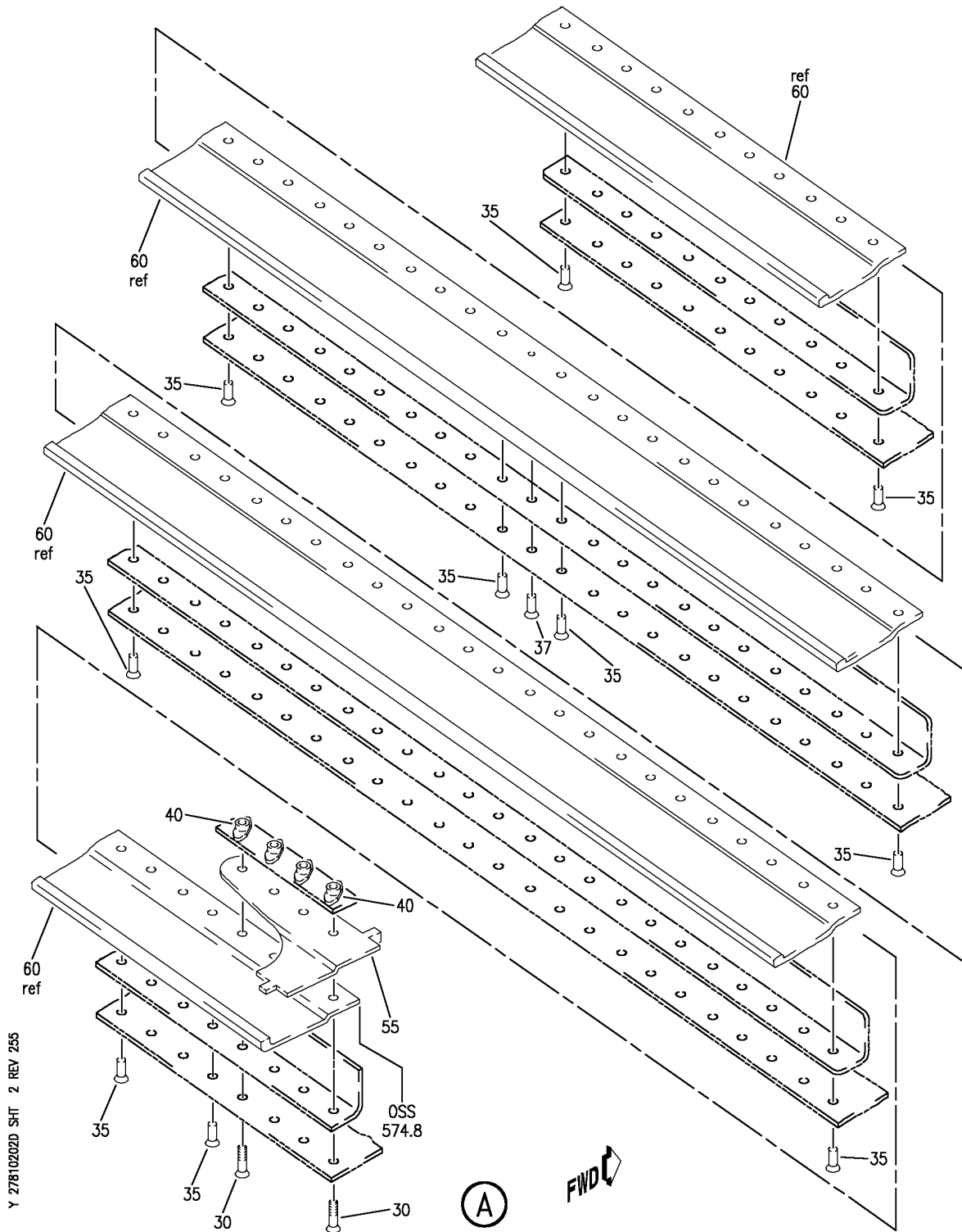
SLAT ASSY-NO. 2 WING LE OSS 574.80 TO 705.50, LH  
FIGURE 2D (SHEET 1)

**27-81-02-02D**

BRI  
MAY 28/07

27-81-02-02D  
PAGE 0

**BOEING**  
757  
PARTS CATALOG (MAINTENANCE)



Y 27810202D SHT 2 REV 255

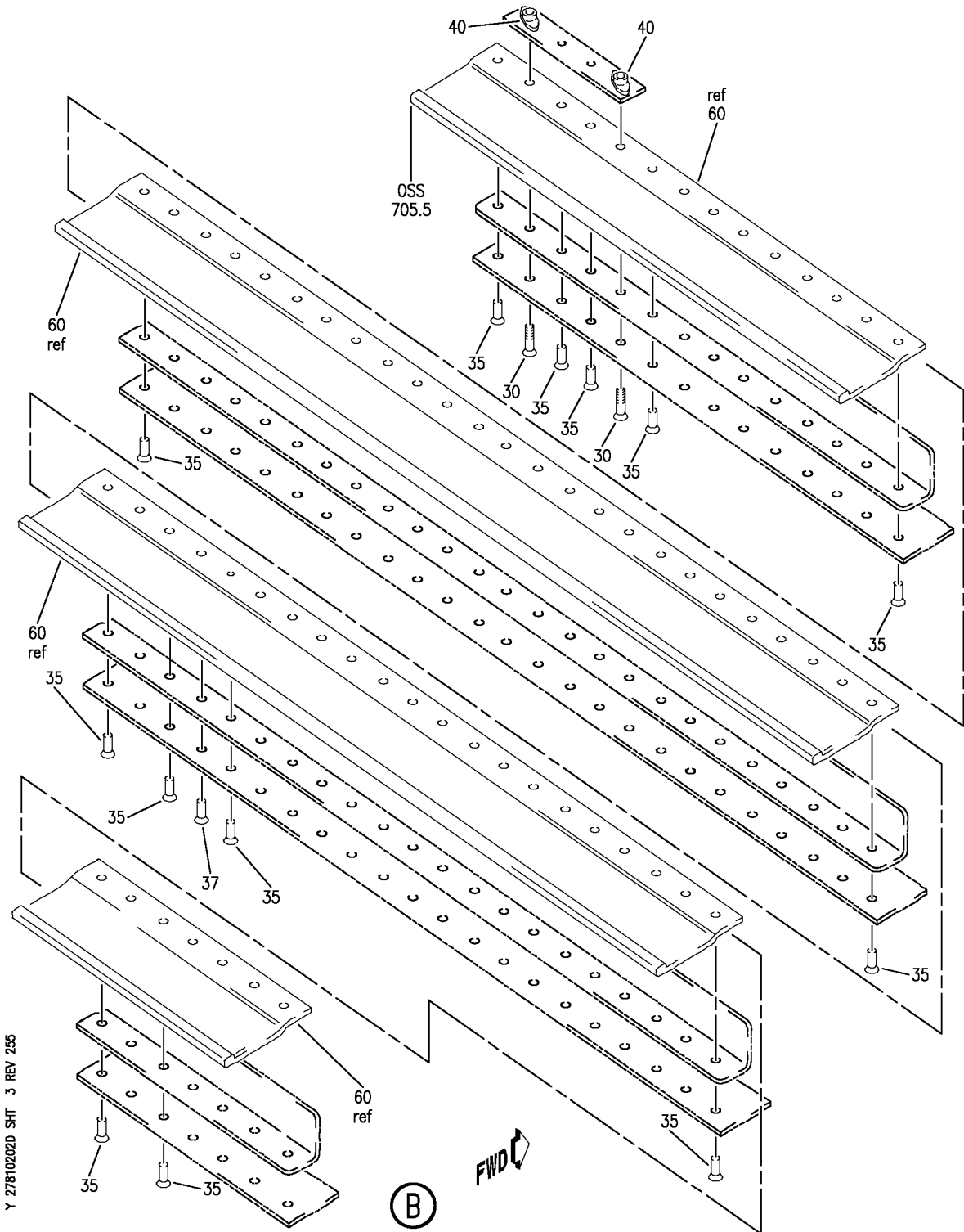
SLAT ASSY-NO. 2 WING LE OSS 574.80 TO 705.50, LH  
FIGURE 2D (SHEET 2)

**27-81-02-02D**

BRI  
MAY 28/07

27-81-02-02D  
PAGE 0A

**BOEING**  
**757**  
**PARTS CATALOG (MAINTENANCE)**



Y 27810202D SHT 3 REV 255

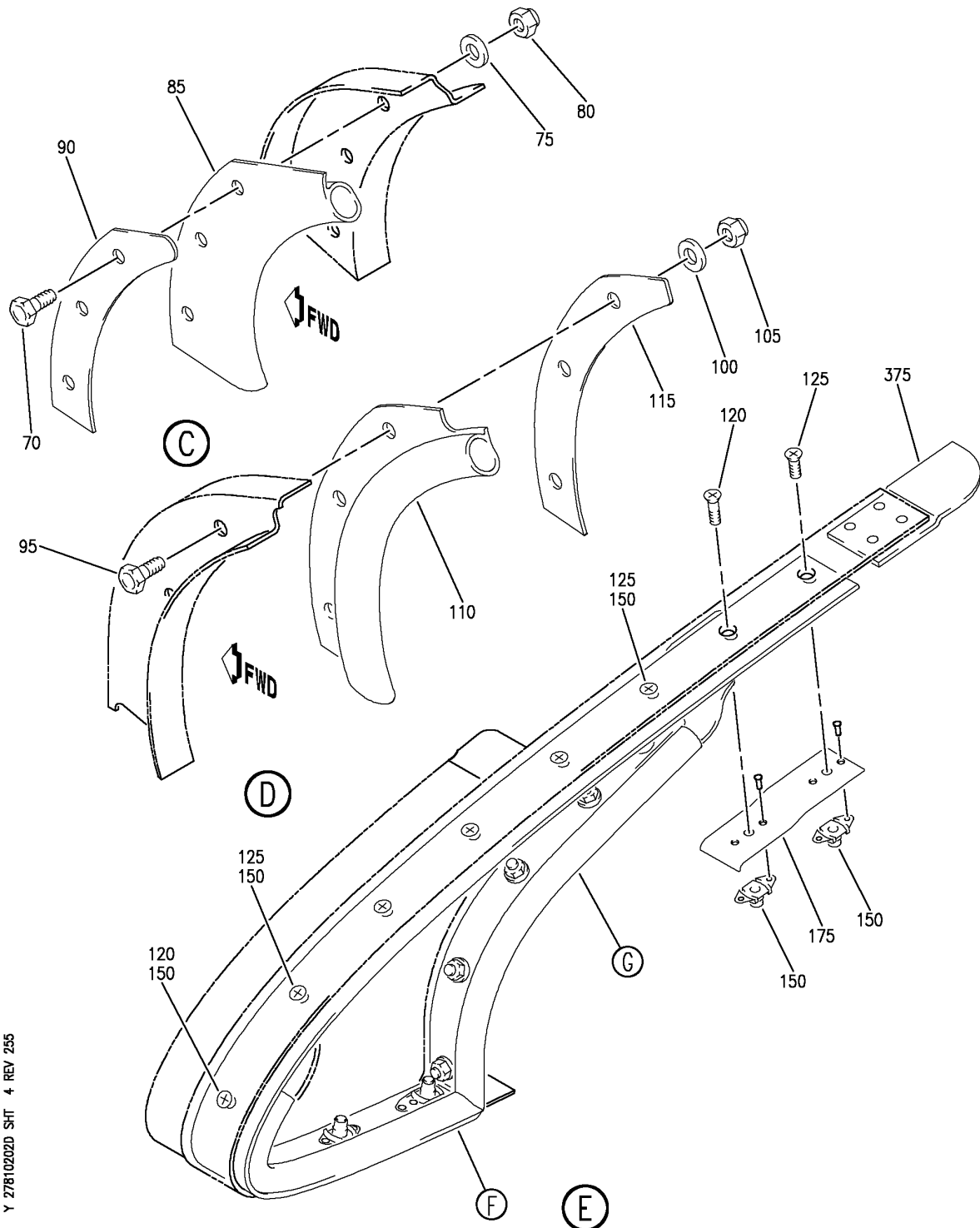
SLAT ASSY-NO. 2 WING LE OSS 574.80 TO 705.50, LH  
 FIGURE 2D (SHEET 3)

**27-81-02-02D**

BRI  
 MAY 28/07

27-81-02-02D  
 PAGE 0B

**BOEING**  
757  
PARTS CATALOG (MAINTENANCE)



Y 27810202D SHT 4 REV 255

SLAT ASSY-NO. 2 WING LE OSS 574.80 TO 705.50, LH  
FIGURE 2D (SHEET 4)

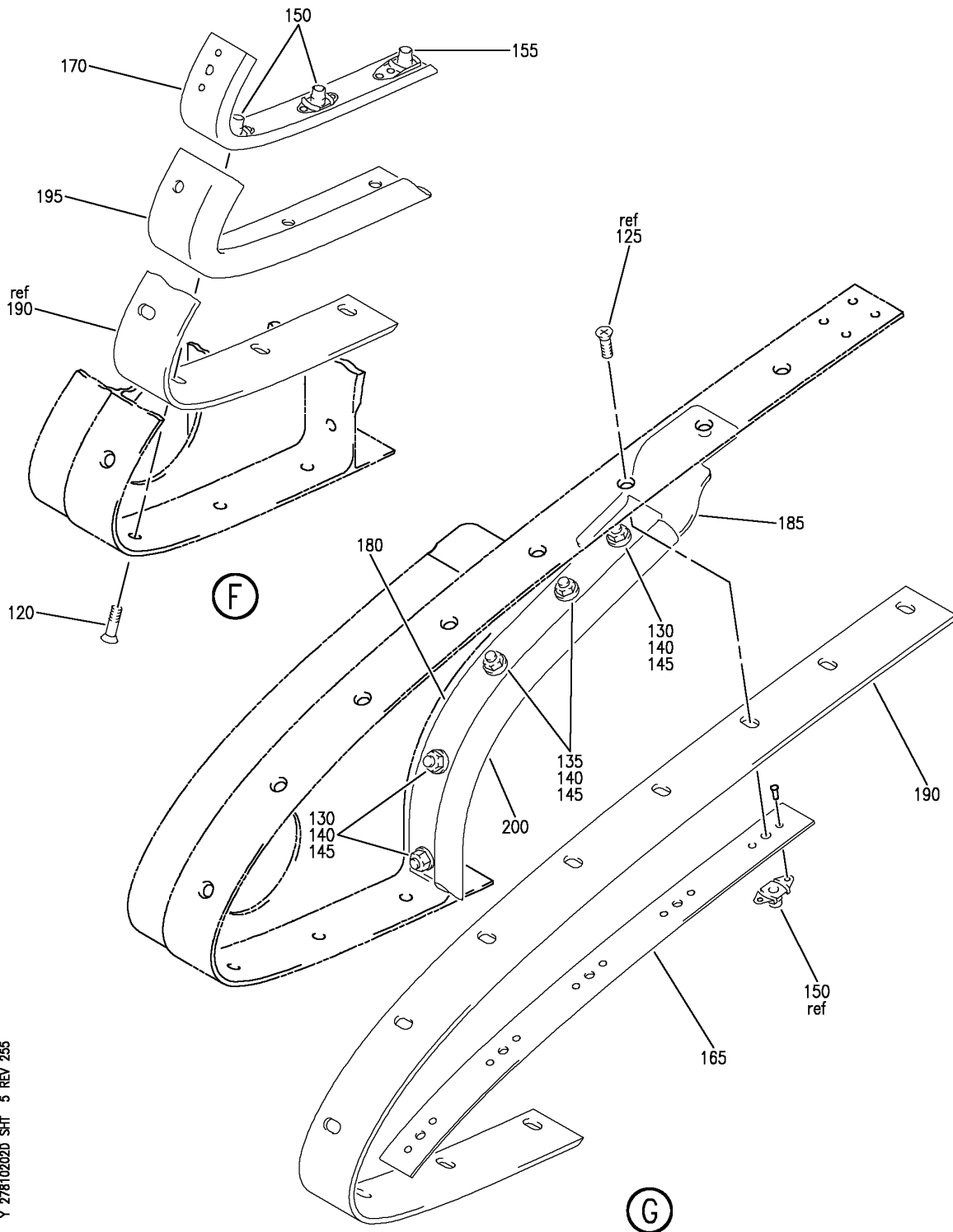
**27-81-02-02D**

BRI  
MAY 28/07

27-81-02-02D  
PAGE 0C



**BOEING**  
757  
PARTS CATALOG (MAINTENANCE)



Y 27810202D SHT 5 REV 255

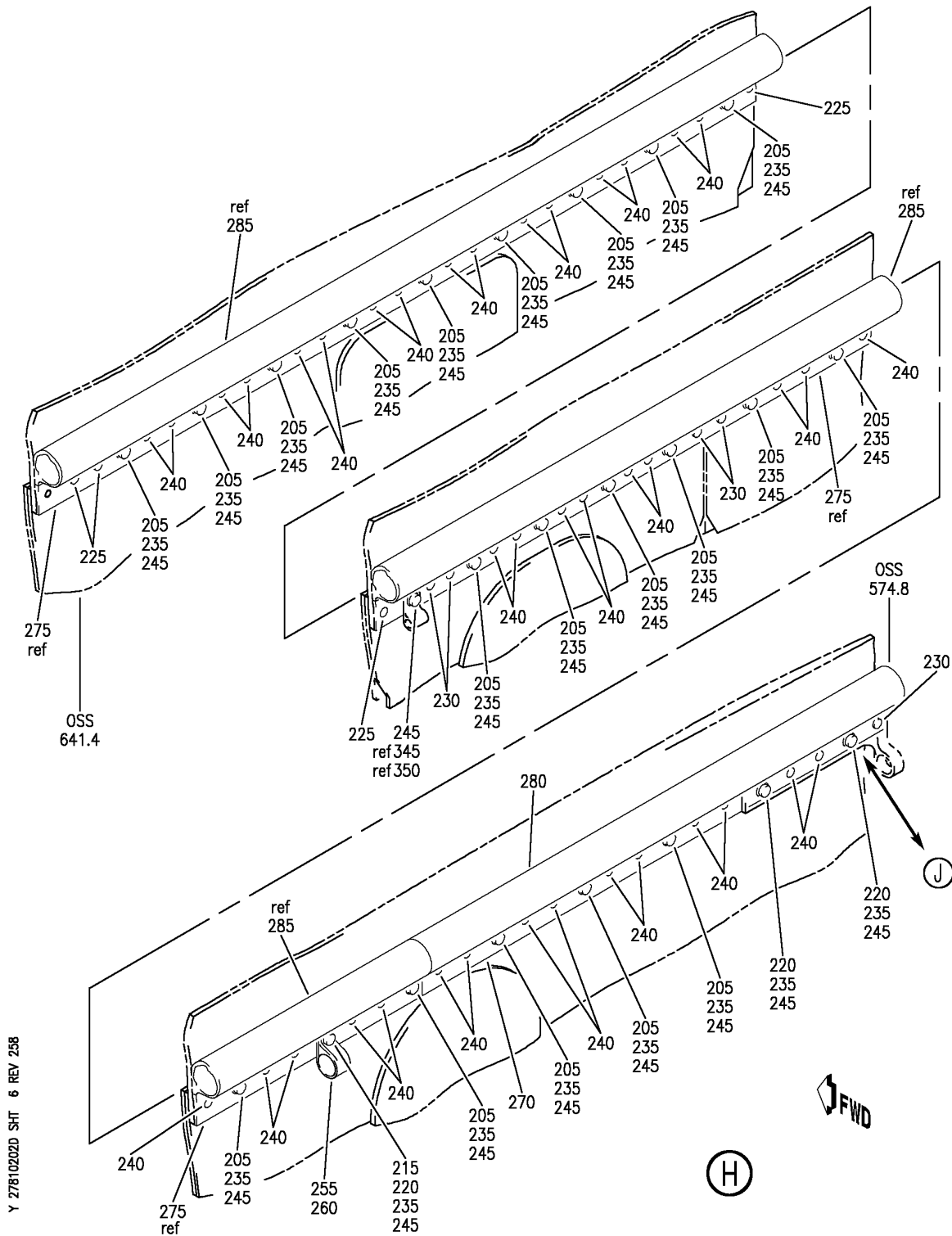
SLAT ASSY-NO. 2 WING LE OSS 574.80 TO 705.50, LH  
FIGURE 2D (SHEET 5)

**27-81-02-02D**

BRI  
MAY 28/07

27-81-02-02D  
PAGE 0D

**BOEING**  
757  
**PARTS CATALOG (MAINTENANCE)**



Y 27810202D SHT 6 REV 258

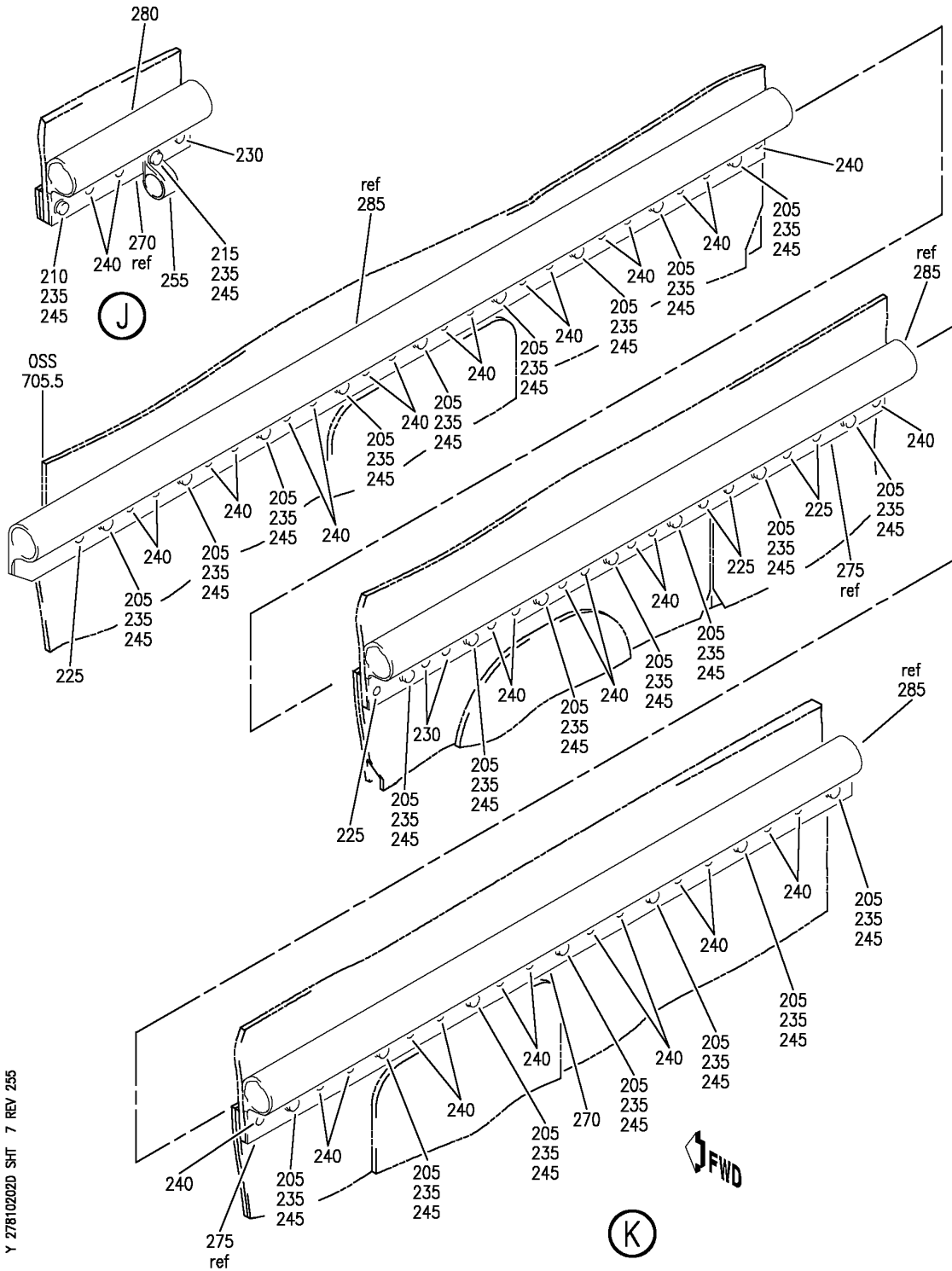
SLAT ASSY-NO. 2 WING LE OSS 574.80 TO 705.50, LH  
FIGURE 2D (SHEET 6)

**27-81-02-02D**

BRI  
MAY 28/07

27-81-02-02D  
PAGE 0E

**BOEING**  
757  
**PARTS CATALOG (MAINTENANCE)**



Y 27810202D SHT 7 REV 255

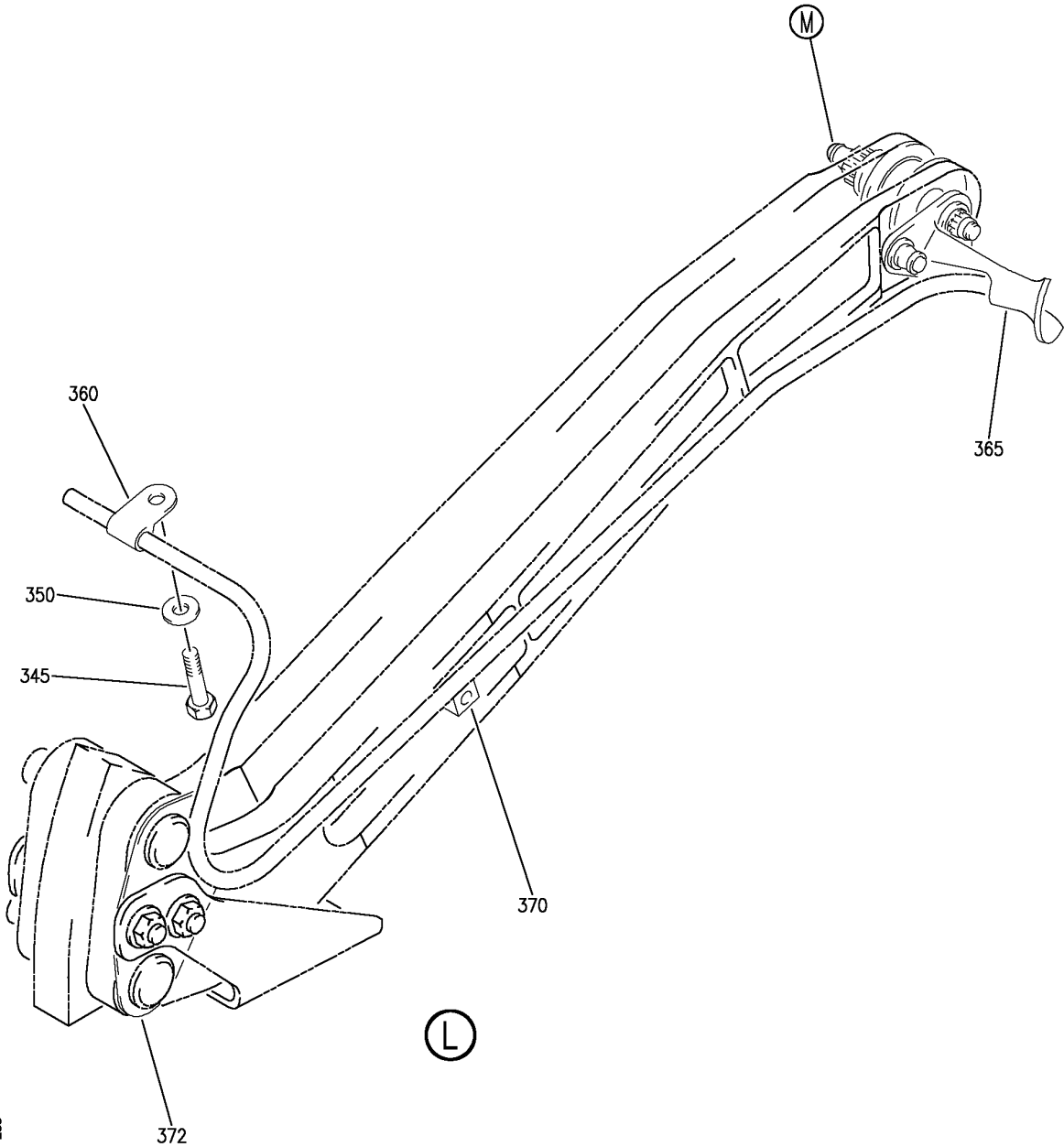
SLAT ASSY-NO. 2 WING LE OSS 574.80 TO 705.50, LH  
FIGURE 2D (SHEET 7)

**27-81-02-02D**

BRI  
MAY 28/07

27-81-02-02D  
PAGE OF

**BOEING**  
757  
PARTS CATALOG (MAINTENANCE)



Y 27810202D SHT 8 REV 255

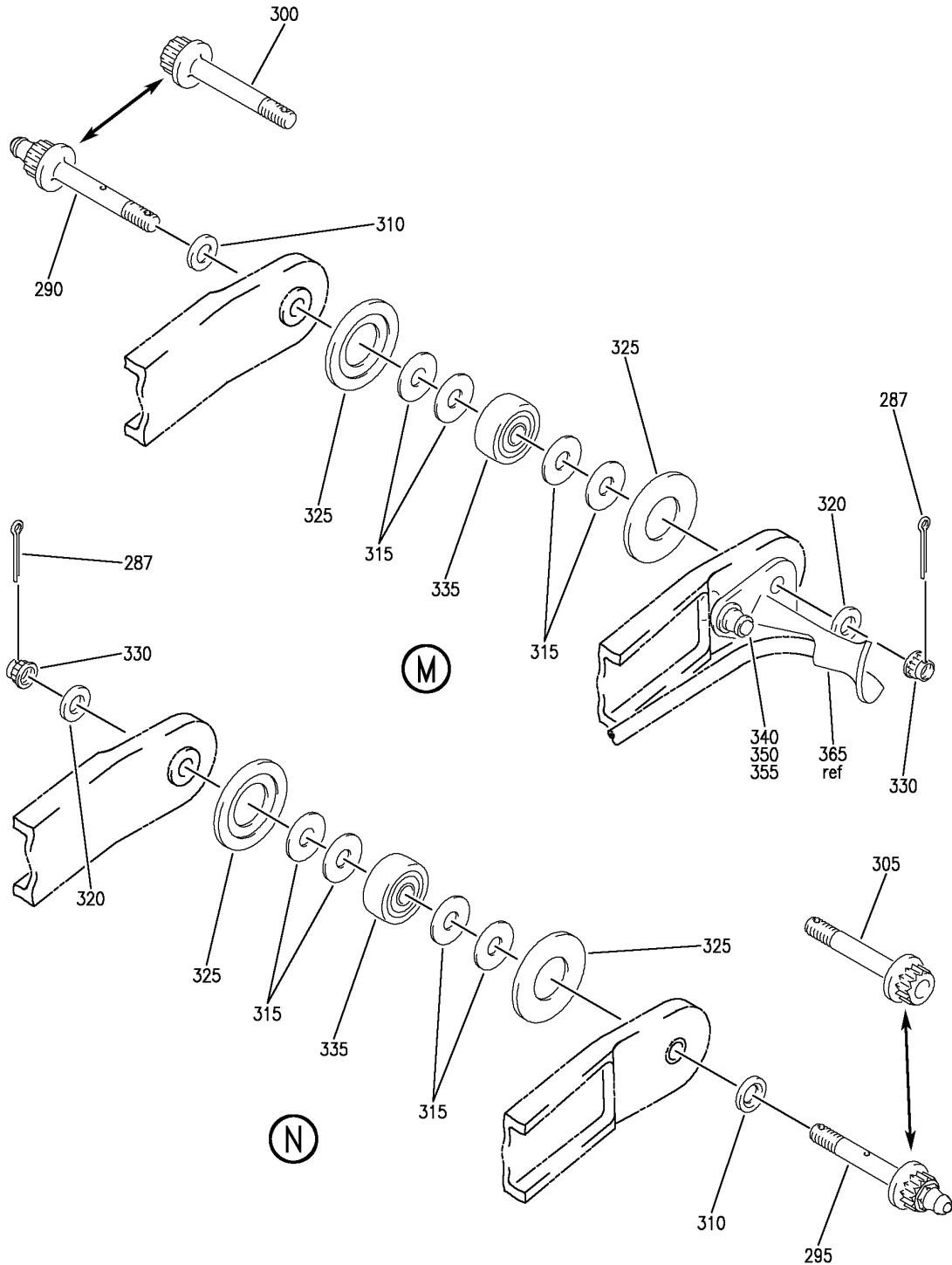
SLAT ASSY-NO. 2 WING LE OSS 574.80 TO 705.50, LH  
FIGURE 2D (SHEET 8)

**27-81-02-02D**

BRI  
MAY 28/07

27-81-02-02D  
PAGE 06

**BOEING**  
757  
PARTS CATALOG (MAINTENANCE)



Y 27810202D SHT 9 REV 255

SLAT ASSY-NO. 2 WING LE OSS 574.80 TO 705.50, LH  
FIGURE 2D (SHEET 9)

**27-81-02-02D**

BRI  
MAY 28/07

27-81-02-02D  
PAGE 0H



757

PARTS CATALOG (MAINTENANCE)

FIG ITEM	PART NUMBER	1 2 3 4 5 6 7	NOMENCLATURE	EFFECT FROM TO	UNITS PER ASSY
2D			SLAT ASSY-NO. 2 WING LE OSS 574.80 TO 705.50, LH	101106 108120 504903	
- 1	114N4003-201SP		SLAT ASSY-NO. 2 WING LE POSITION DATA: OSS 574.80 TO 705.50, LH COMPONENT MAINT MANUAL REF: 57-43-18 QUALIFIED I/W DATA: 114N4003-171 INTERCHANGEABLE WITH -201SP OR -221SP IF SERVICE BULLETINS 757-27-0126 AND 757-57-0057 ARE INCORPORATED ON OLDER SLATS 114N4003-189SP OR -191SP OR -193SP OR -203SP IS INTERCHANGEABLE WITH 114N4003-201SP IF SERVICE BULLETINS 757-27-0126 AND 757-57-0057 ARE INCORPORATED ON OLDER SLATS 114N4003-191SP IS INTERCHANGEABLE WITH -201SP IF SERVICE BULLETINS 757-27-0126 AND 757-57-0057 ARE INCORPORATED ON OLDER SLATS FOR NHA/OTHER SYS DET SEE: 27-81-02-07	101106 108120 504903	RF

MISSING ITEM NUMBERS NOT APPLICABLE

- ITEM NOT ILLUSTRATED

BRI

**27-81-02-02D**

BOEING PROPRIETARY - Copyright © - Unpublished Work - See title page for details.

27-81-02  
FIG. 02D  
PAGE 1  
JAN 20/09



757

PARTS CATALOG (MAINTENANCE)

FIG ITEM	PART NUMBER	1 2 3 4 5 6 7	NOMENCLATURE	EFFECT FROM TO	UNITS PER ASSY
2D - 1	114N4003-221SP		SLAT ASSY-NO. 2 WING LE POSITION DATA: OSS 574.80 TO 705.50, LH COMPONENT MAINT MANUAL REF: 57-43-18 QUALIFIED I/W DATA: 114N4003-171 INTERCHANGEABLE WITH -201SP OR -221SP IF SERVICE BULLETINS 757-27-0126 AND 757-57-0057 ARE INCORPORATED ON OLDER SLATS 114N4003-191SP IS INTERCHANGEABLE WITH -221SP IF SERVICE BULLETINS 757-27-0126 AND 757-57-0057 ARE INCORPORATED ON OLDER SLATS FOR NHA/OTHER SYS DET SEE: 27-81-02-07	101106 108120 504903	RF
- 25	218N1001-29		.DUCT INSTL-WING LE ANTI-ICING FOR DETAILS SEE: 30-11-01-01	101106 108120 504903	1
30	BACB30NN3K6		.BOLT	101106 108120 504903	6
35	BACR15CE6AD		.RIVET- SIZE DETERMINED ON INSTL.	101106 108120 504903	120
37	NAS1399MW5-4		.RIVET	101106 108120 504903	2
40	BRFR220C3-2D		.NUTPLATE SUPPLIER CODE: V52828 SPECIFICATION NUMBER: BACN10KE3B2CD OPTIONAL PART: F51747-3-2CD V15653 102A9213-2-3 V72962 NS202493-02-2 V80539	101106 108120 504903	6

MISSING ITEM NUMBERS NOT APPLICABLE

- ITEM NOT ILLUSTRATED

BRI

27-81-02-02D

BOEING PROPRIETARY - Copyright © - Unpublished Work - See title page for details.

27-81-02  
FIG. 02D  
PAGE 2  
JAN 20/09



757

PARTS CATALOG (MAINTENANCE)

FIG ITEM	PART NUMBER	1 2 3 4 5 6 7	NOMENCLATURE	EFFECT FROM TO	UNITS PER ASSY
2D			ATTACHING PARTS		
- 45	BACR15BA3AD		.RIVET- SIZE DETERMINED ON INSTL.	101106 108120 504903	12
			-----*-----		
50	114N4065-3		.RETAINER	101106 108120 504903	2
55	114N4066-1		.SEAL-	101106 108120 504903	1
55	114N4066-3		.SEAL-	101106 108120 504903	1
60	114N4058-15		.SKIN-FLEXIBLE POSITION DATA: LWR	101106 108120 504903	1
60	114N4058-3		.SKIN-FLEXIBLE POSITION DATA: LWR	101106 108120 504903	1
70	BACB30NM3K3		.BOLT	101106 108120 504903	3
75	AN960KD10		.WASHER	101106 108120 504903	3
80	BRH10C3D		.NUT SUPPLIER CODE: V52828 SPECIFICATION NUMBER: BACN10JC3CD OPTIONAL PART: T6C1032JCD V11815 NS202486-02 V80539 102LH9075-3W V72962 H51650-3BAC V15653	101106 108120 504903	3
85	114N4044-59		.SEAL- ALTERED FROM PART NUMBER: 10-60754-492	101106 108120 504903	1
90	114N4044-41		.RETAINER	101106 108120 504903	1
95	BACB30NM3K3		.BOLT	101106 108120 504903	3

MISSING ITEM NUMBERS NOT APPLICABLE

- ITEM NOT ILLUSTRATED

27-81-02-02D

27-81-02  
FIG. 02D  
PAGE 3  
JAN 20/09

BRI

BOEING PROPRIETARY - Copyright © - Unpublished Work - See title page for details.





757

PARTS CATALOG (MAINTENANCE)

FIG ITEM	PART NUMBER	1 2 3 4 5 6 7	NOMENCLATURE	EFFECT FROM TO	UNITS PER ASSY
2D 100	AN960KD10	.	WASHER	101106 108120 504903	3
105	BRH10C3D	.	NUT SUPPLIER CODE: V52828 SPECIFICATION NUMBER: BACN10JC3CD OPTIONAL PART: T6C1032JCD V11815 NS202486-02 V80539 102LH9075-3W V72962 H51650-3BAC V15653	101106 108120 504903	3
110	114N4044-89	.	SEAL- ALTERED FROM PART NUMBER: 10-60754-491	101106 108120 504903	1
115	114N4044-78	.	RETAINER	101106 108120 504903	1
120	BACB30NN3K6	.	BOLT	101106 108120 504903	5
125	BACB30NN3K4	.	BOLT	101106 108120 504903	6
130	BACB30NM3K5	.	BOLT	101106 108120 504903	3
135	BACB30NM3K3	.	BOLT	101106 108120 504903	2
140	AN960KD10	.	WASHER	101106 108120 504903	5

MISSING ITEM NUMBERS NOT APPLICABLE

- ITEM NOT ILLUSTRATED

27-81-02-02D

27-81-02  
FIG. 02D  
PAGE 4  
JAN 20/09

BRI

BOEING PROPRIETARY - Copyright © - Unpublished Work - See title page for details.



757

PARTS CATALOG (MAINTENANCE)

FIG ITEM	PART NUMBER	1 2 3 4 5 6 7	NOMENCLATURE	EFFECT FROM TO	UNITS PER ASSY
2D 145	BRH10C3D	.NUT	SUPPLIER CODE: V52828 SPECIFICATION NUMBER: BACN10JC3CD OPTIONAL PART: T6C1032JCD V11815 NS202486-02 V80539 102LH9075-3W V72962 H51650-3BAC V15653	101106 108120 504903	5
150	BRFR220C3-2D	.NUTPLATE	SUPPLIER CODE: V52828 SPECIFICATION NUMBER: BACN10KE3B2CD OPTIONAL PART: F51747-3-2CD V15653 102A9213-2-3 V72962 NS202493-02-2 V80539	101106 108120 504903	10
155	BRFR120C3-2D	.NUTPLATE	SUPPLIER CODE: V52828 SPECIFICATION NUMBER: BACN10KE3E2CD OPTIONAL PART: 102F9216-2-3 V72962 F51751-3-2CD V15653 NS202494-02-2 V80539	101106 108120 504903	1
- 160	BACR15BA3AD	ATTACHING PARTS .RIVET-	SIZE DETERMINED ON INSTL.	101106 108120 504903	22
165	114N4045-77	-----*----- .RETAINER		101106 108120 504903	1
170	114N4045-79	.RETAINER		101106 108120 504903	1

MISSING ITEM NUMBERS NOT APPLICABLE

- ITEM NOT ILLUSTRATED

**27-81-02-02D**

27-81-02  
FIG. 02D  
PAGE 5  
JAN 20/09

BRI

BOEING PROPRIETARY - Copyright © - Unpublished Work - See title page for details.



757

PARTS CATALOG (MAINTENANCE)

FIG ITEM	PART NUMBER	1 2 3 4 5 6 7	NOMENCLATURE	EFFECT FROM TO	UNITS PER ASSY
2D					
175	114N4045-61	.	RETAINER	101106 108120 504903	1
180	114N4045-81	.	RETAINER	101106 108120 504903	1
185	114N4045-63	.	SHIELD-EROSION ALTERED FROM PART NUMBER: 114N4081-4 114N4081-4 MANUFACTURED FROM: 114N4081-4 FOR SPARES PROCURE: 114N4081-4	101106 108120 504903	1
185	114N4045-135	.	SHIELD-EROSION ALTERED FROM PART NUMBER: 114N4081-4 FOR SPARES PROCURE: 114N4081-4	101106 108120 504903	1
190	114N4045-109	.	SHIELD-EROSION ALTERED FROM PART NUMBER: 114N4081-9 FOR SPARES PROCURE: 114N4081-9	101106 108120 504903	1
195	114N4045-65	.	SEAL- ALTERED FROM PART NUMBER: 10-60754-485	101106 108120 504903	1
200	114N4045-67	.	SEAL- ALTERED FROM PART NUMBER: 10-60754-483	101106 108120 504903	1
205	BACB30NM3K5	.	BOLT	101106 108120 504903	43
220	BACB30NM3K7	.	BOLT- USED ON: 114N4003-147 114N4003-171 114N4003-177SP 114N4003-183SP 114N4003-185SP 114N4003-187SP 114N4003-189SP 114N4003-203SP 114N4003-201SP 114N4003-221SP	101106 108120 504903	3

MISSING ITEM NUMBERS NOT APPLICABLE

- ITEM NOT ILLUSTRATED

27-81-02-02D

27-81-02  
FIG. 02D  
PAGE 6  
JAN 20/09

BRI

BOEING PROPRIETARY - Copyright © - Unpublished Work - See title page for details.



757

PARTS CATALOG (MAINTENANCE)

FIG ITEM	PART NUMBER	1 2 3 4 5 6 7	NOMENCLATURE	EFFECT FROM TO	UNITS PER ASSY
2D 225	MS21141-0604P		. FASTENER- USED ON: 114N4003-191SP 114N4003-193SP 114N4003-147 114N4003-171 114N4003-177SP 114N4003-185SP 114N4003-187SP 114N4003-189SP 114N4003-203SP 114N4003-201SP	101106 108120 504903	7
225	MS21141U0604P		. FASTENER- USED ON: 114N4003-221SP	101106 108120 504903	7
230	MS21141-0605P		. FASTENER- USED ON: 114N4003-191SP 114N4003-193SP 114N4003-147 114N4003-171 114N4003-177SP 114N4003-185SP 114N4003-187SP 114N4003-189SP 114N4003-203SP 114N4003-201SP	101106 108120 504903	5
230	MS21141U0605P		. FASTENER- USED ON: 114N4003-221SP	101106 108120 504903	5
235	AN960KD10L		. WASHER- USED ON: 114N4003-191SP 114N4003-193SP 114N4003-147 114N4003-171 114N4003-177SP 114N4003-185SP 114N4003-187SP 114N4003-189SP 114N4003-201SP	101106 108120 504903	46
235	NAS1149D0332J		. WASHER- USED ON: 114N4003-221SP	101106 108120 504903	46
240	NAS1398D6A		. RIVET- SIZE DETERMINED ON INSTL.	101106 108120 504903	81

MISSING ITEM NUMBERS NOT APPLICABLE

- ITEM NOT ILLUSTRATED

27-81-02-02D

27-81-02  
FIG. 02D  
PAGE 7  
JAN 20/09

BRI

BOEING PROPRIETARY - Copyright © - Unpublished Work - See title page for details.



757

PARTS CATALOG (MAINTENANCE)

FIG ITEM	PART NUMBER	1 2 3 4 5 6 7	NOMENCLATURE	EFFECT FROM TO	UNITS PER ASSY
2D 245	BRFR220C3-2D	.NUTPLATE	SUPPLIER CODE: V52828 SPECIFICATION NUMBER: BACN10KE3B2CD OPTIONAL PART: F51747-3-2CD V15653 102A9213-2-3 V72962 NS202493-02-2 V80539	101106 108120 504903	47
- 250	BACR15BA3AD	.RIVET	ATTACHING PARTS	101106 108120 504903	94
260	BACC10DK4	-----*----- .CLAMP-	USED ON: 114N4003-147 114N4003-171 114N4003-177SP 114N4003-183SP 114N4003-185SP 114N4003-187SP 114N4003-189SP 114N4003-203SP 114N4003-201SP 114N4003-221SP	101106 108120 504903	1
270	114N4046-33	.RETAINER		101106 108120 504903	1
275	114N4046-47	.RETAINER		101106 108120 504903	1
280	114N4046-15	.SEAL-	ALTERED FROM PART NUMBER: 10-60754-319 10-60754-319 MANUFACTURED FROM: EXTR RUBBER 10-60754-319 17.0 IN.	101106 108120 504903	1
285	114N4046-13	.SEAL-	ALTERED FROM PART NUMBER: 10-60754-319 10-60754-319 MANUFACTURED FROM: EXTR RUBBER 10-60754-319 116.0 IN.	101106 108120 504903	1

MISSING ITEM NUMBERS NOT APPLICABLE

- ITEM NOT ILLUSTRATED

27-81-02-02D

27-81-02  
FIG. 02D  
PAGE 8  
JAN 20/09

BRI

BOEING PROPRIETARY - Copyright © - Unpublished Work - See title page for details.



757

PARTS CATALOG (MAINTENANCE)

FIG ITEM	PART NUMBER	1 2 3 4 5 6 7	NOMENCLATURE	EFFECT FROM TO	UNITS PER ASSY
2D 287	BACP18BC02A06P	.PIN-		101106 108120 504903	2
300	BACB30LE4DU21	.BOLT-	POSITION DATA: O.S.S. 617.30 USED ON: 114N4003-201SP 114N4003-221SP	101106 108120 504903	1
305	BACB30LE4DU19	.BOLT-	POSITION DATA: O.S.S. 665.70 USED ON: 114N4003-201SP 114N4003-221SP	101106 108120 504903	1
310	BACW10BP4CD	.WASHER		101106 108120 504903	2
315	BACW10B42S	.WASHER		101106 108120 504903	8
320	BACW10BP4DP	.WASHER		101106 108120 504903	2
325	114N4056-1	.WASHER		101106 108120 504903	4
330	NAS1805-4L	.NUT-	USED ON: 114N4003-191SP 114N4003-193SP 114N4003-201SP 114N4003-221SP	101106 108120 504903	2
335	ATF4SN	.BEARING-	SUPPLIER CODE: V21335 SPECIFICATION NUMBER: BACB10GH04N OPTIONAL PART: CRO4NAFC V92563 ATF04NSY V21335 USED ON: 114N4003-201SP 114N4003-221SP	101106 108120 504903	2

MISSING ITEM NUMBERS NOT APPLICABLE

- ITEM NOT ILLUSTRATED

**27-81-02-02D**

27-81-02  
FIG. 02D  
PAGE 9  
JAN 20/09

BRI

BOEING PROPRIETARY - Copyright © - Unpublished Work - See title page for details.



757

PARTS CATALOG (MAINTENANCE)

FIG ITEM	PART NUMBER	1 2 3 4 5 6 7	NOMENCLATURE	EFFECT FROM TO	UNITS PER ASSY
2D 340	HL11VAZ6-6	.BOLT	SUPPLIER CODE: V60516 SPECIFICATION NUMBER: BACB30NW6K6 OPTIONAL PART: B30NW6K6 V97928 HL11VAZ6-6 V73197 HL11VAZ6-6 V92215 HL11VAZ6-6 V97928 L803-6K6 V06725 HL11VAZ6-6 VOPTK6 HL11VAZ6-6 V56878	101106 108120 504903	1
345	BACB30NM3K9	.BOLT		101106 108120 504903	1
350	NAS1149D0332J	.WASHER-	USED ON: 114N4003-191SP 114N4003-193SP 114N4003-201SP 114N4003-221SP	101106 108120 504903	2
355	HL82-6A	.COLLAR	SUPPLIER CODE: V5M902 SPECIFICATION NUMBER: BACC30BM6 OPTIONAL PART: HL82-6A V73197 HL82-6A V92215 HL82-6A V56878	101106 108120 504903	1
360	251N5135-5	.CLIP-SPRT	POSITION DATA: O.S.S. 617.30	101106 108120 504903	1

MISSING ITEM NUMBERS NOT APPLICABLE

- ITEM NOT ILLUSTRATED

BRI

27-81-02-02D

BOEING PROPRIETARY - Copyright © - Unpublished Work - See title page for details.

27-81-02  
FIG. 02D  
PAGE 10  
JAN 20/09



757

PARTS CATALOG (MAINTENANCE)

FIG ITEM	PART NUMBER	1 2 3 4 5 6 7	NOMENCLATURE	EFFECT FROM TO	UNITS PER ASSY
2D 365	251N5157-1		.FITTING- POSITION DATA: O.S.S 617.30 ALTERED FROM PART NUMBER: 251N5157-3 OPTIONAL PART: 251N5132-3	101106 108120 504903	1
365	251N5132-3		.FITTING-SPRT POSITION DATA: O.S.S. 617.30 OPTIONAL PART: 251N5157-1	101106 108120 504903	1
370	251N5158-1		.CLIP-SPRT POSITION DATA: O.S.S. 617.30	101106 108120 504903	1
375	114N4048-5		.TIP-	101106 108120 504903	1
375	114N4048-9		.TIP-	101106 108120 504903	1
- 380	BACR15BA5AD		ATTACHING PARTS .RIVET- SIZE DETERMINED ON INSTL.  -----*-----	101106 108120 504903	4

MISSING ITEM NUMBERS NOT APPLICABLE

- ITEM NOT ILLUSTRATED

BRI

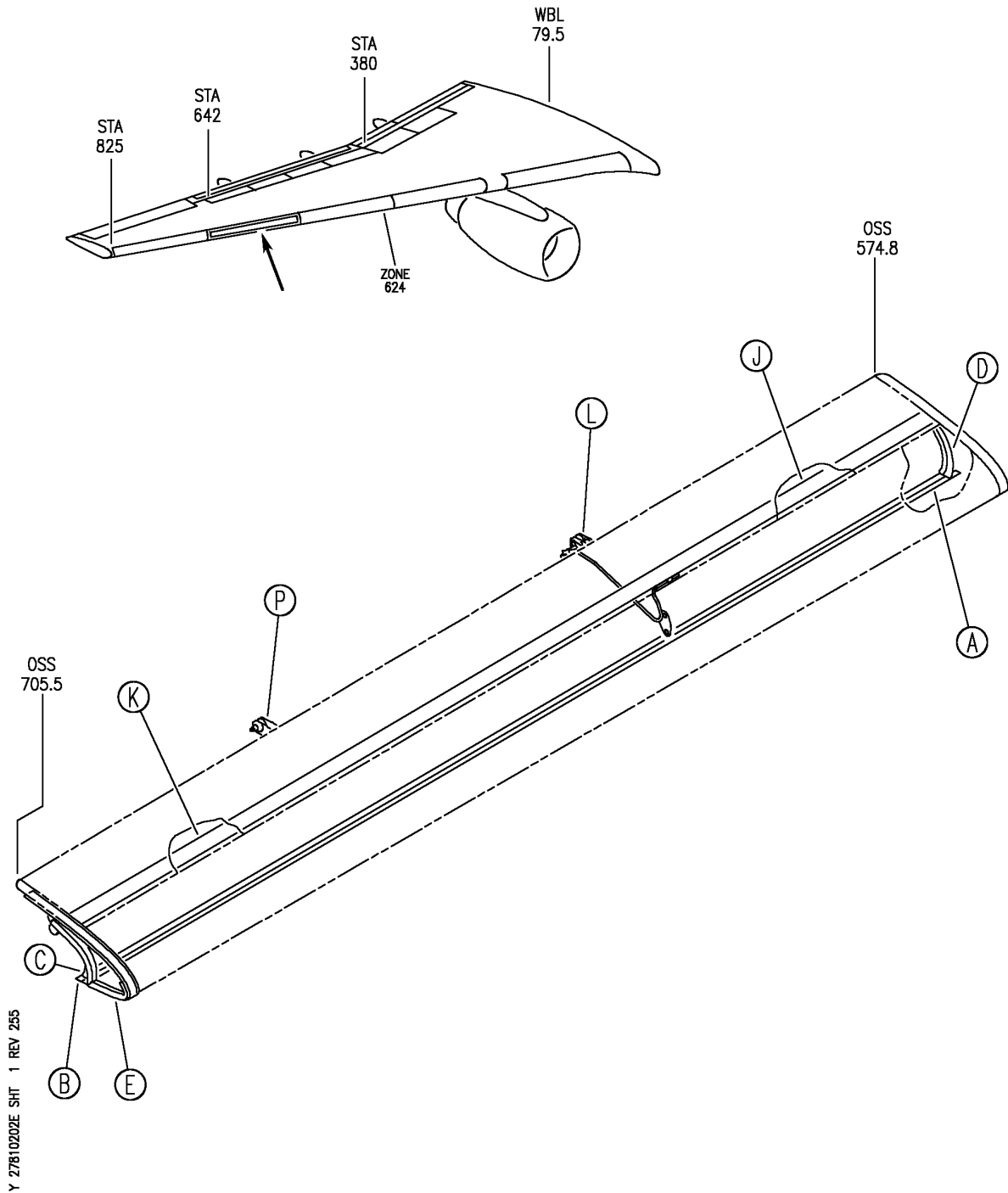
27-81-02-02D

BOEING PROPRIETARY - Copyright © - Unpublished Work - See title page for details.

27-81-02  
FIG. 02D  
PAGE 11  
JAN 20/09



**BOEING**  
757  
PARTS CATALOG (MAINTENANCE)



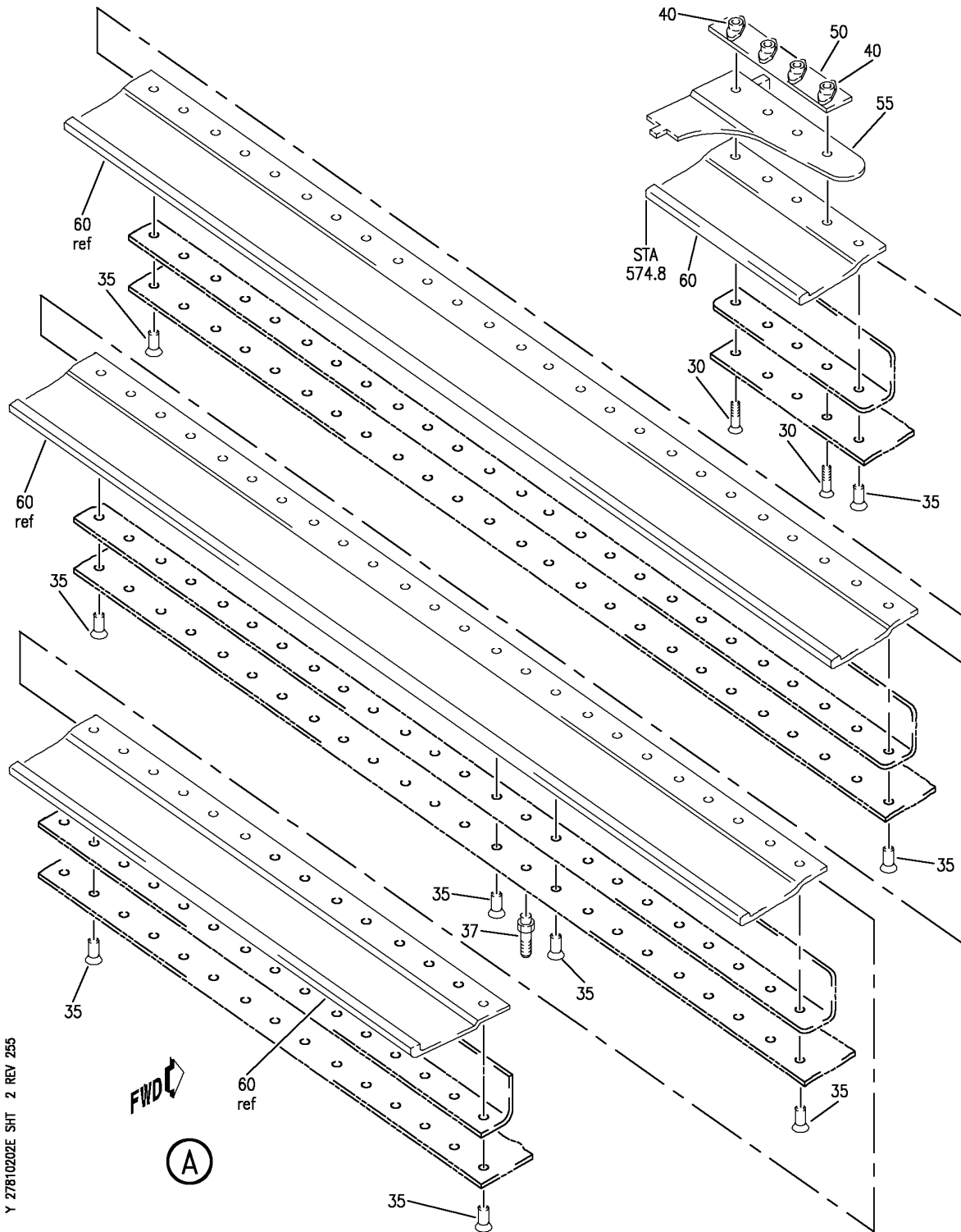
SLAT ASSY-NO. 9 WING LE OSS 574.80 TO 705.50, RH  
FIGURE 2E (SHEET 1)

**27-81-02-02E**

BRI  
MAY 28/07

27-81-02-02E  
PAGE 0

**BOEING**  
757  
PARTS CATALOG (MAINTENANCE)



Y 27810202E SHT 2 REV 255

**FWD**

**A**

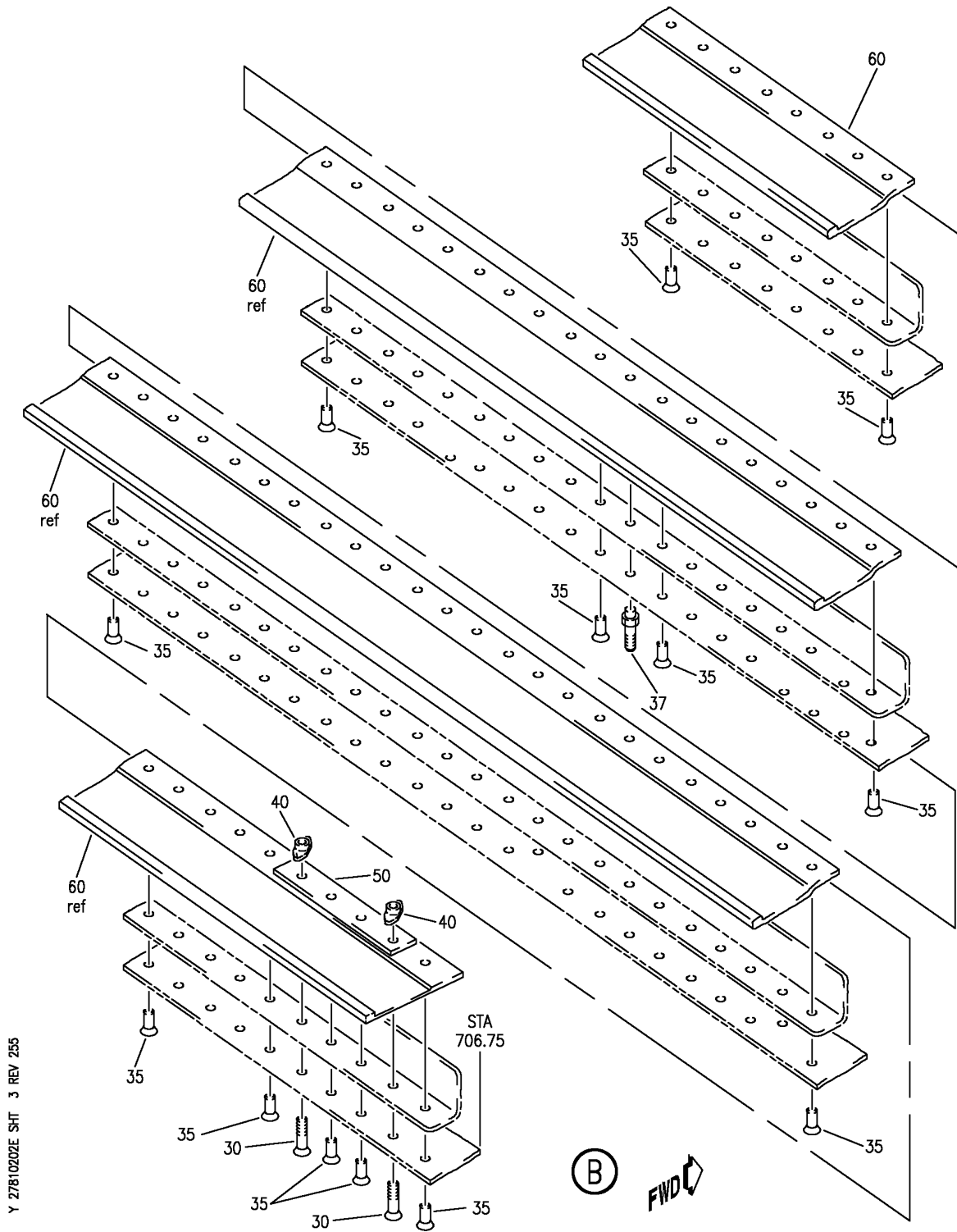
SLAT ASSY-NO. 9 WING LE OSS 574.80 TO 705.50, RH  
FIGURE 2E (SHEET 2)

**27-81-02-02E**

BRI  
MAY 28/07

27-81-02-02E  
PAGE 0A

**BOEING**  
757  
PARTS CATALOG (MAINTENANCE)



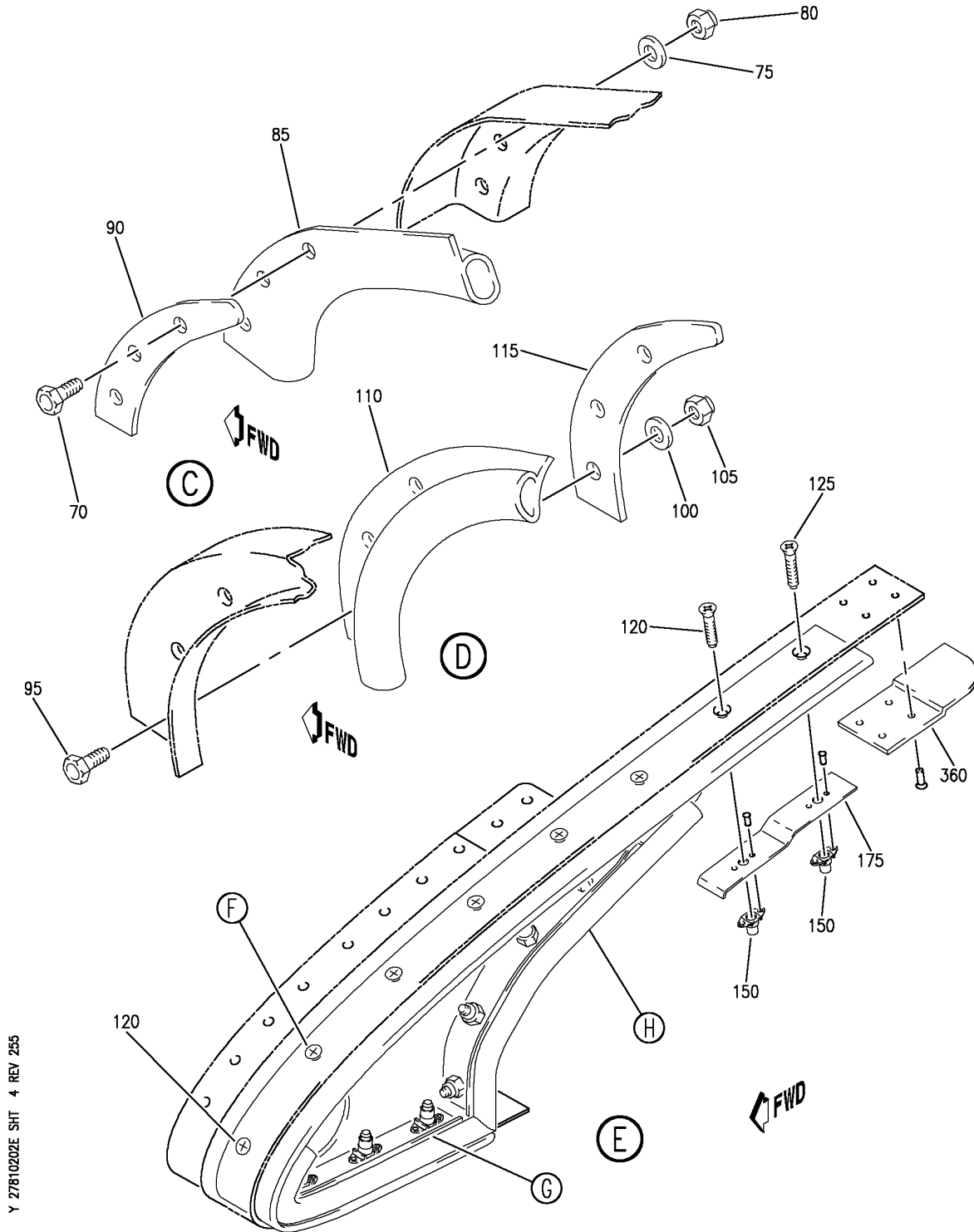
SLAT ASSY-NO. 9 WING LE OSS 574.80 TO 705.50, RH  
FIGURE 2E (SHEET 3)

**27-81-02-02E**

BRI  
MAY 28/07

27-81-02-02E  
PAGE 0B

**BOEING**  
757  
PARTS CATALOG (MAINTENANCE)



Y 27810202E SHT 4 REV 255

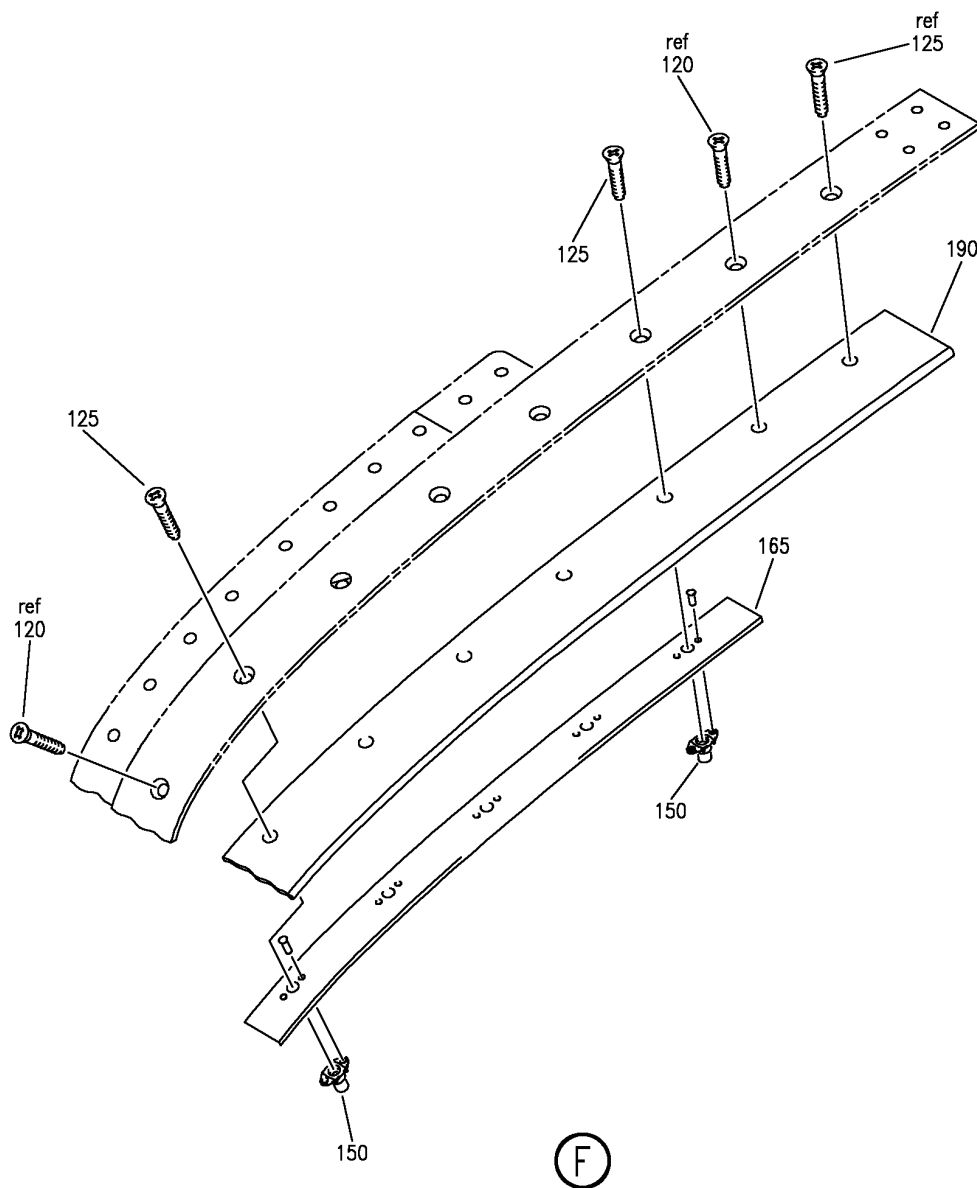
SLAT ASSY-NO. 9 WING LE OSS 574.80 TO 705.50, RH  
FIGURE 2E (SHEET 4)

**27-81-02-02E**

BRI  
MAY 28/07

27-81-02-02E  
PAGE 0C

**BOEING**  
757  
PARTS CATALOG (MAINTENANCE)



Y 27810202E SHT 5 REV 255

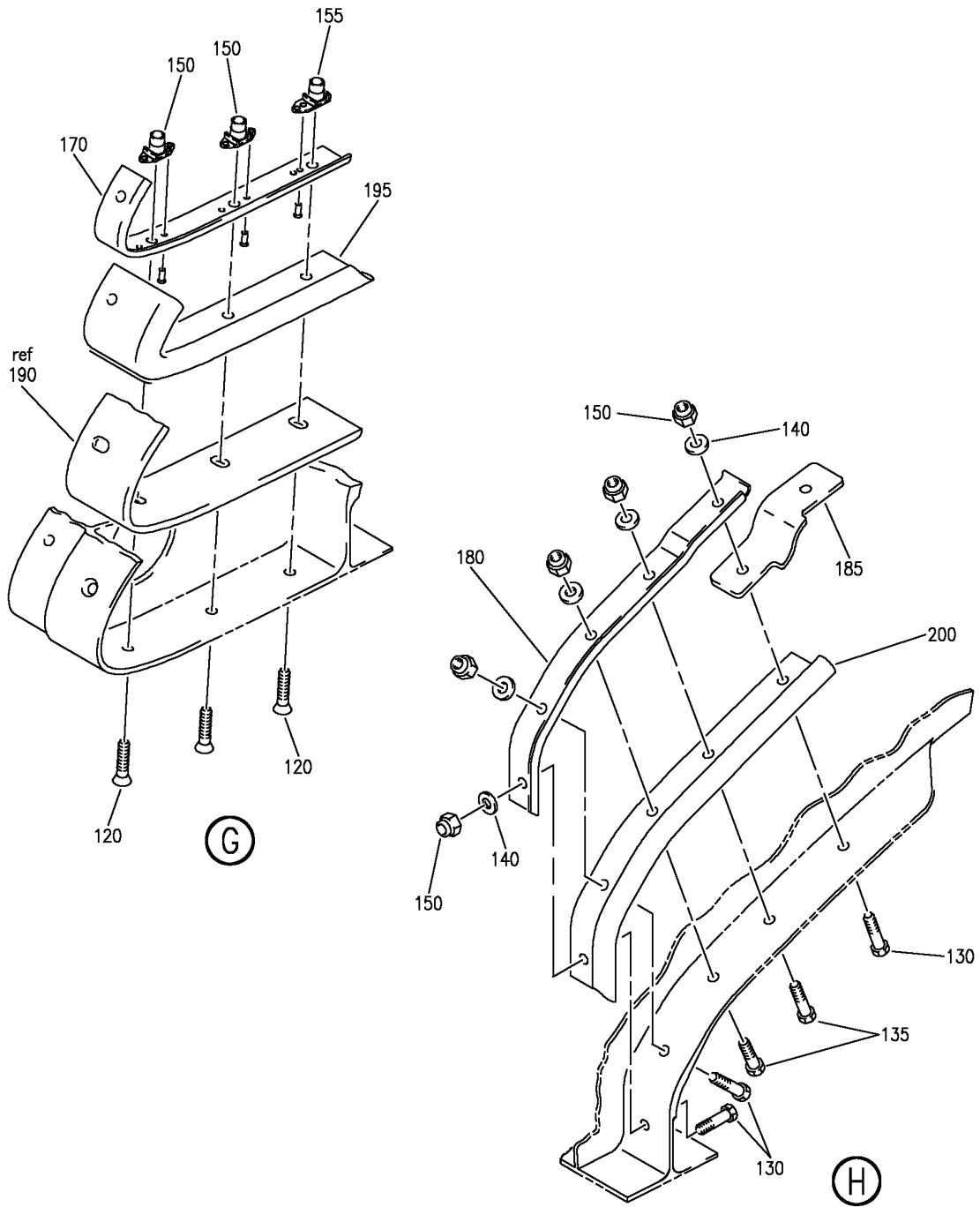
SLAT ASSY-NO. 9 WING LE OSS 574.80 TO 705.50, RH  
FIGURE 2E (SHEET 5)

**27-81-02-02E**

BRI  
MAY 28/07

27-81-02-02E  
PAGE 0D

**BOEING**  
757  
PARTS CATALOG (MAINTENANCE)



Y 27810202E SHT 6 REV 255

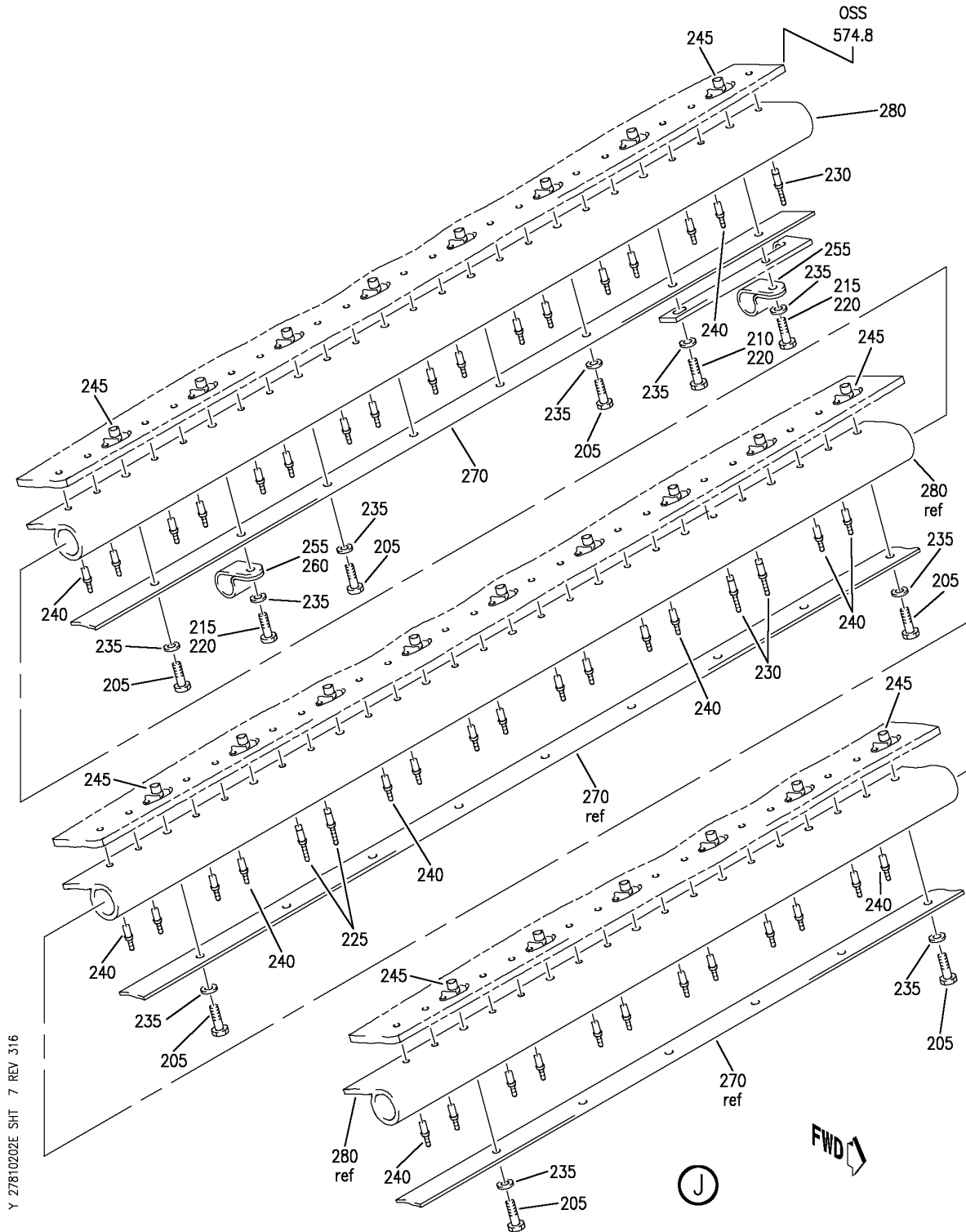
SLAT ASSY-NO. 9 WING LE OSS 574.80 TO 705.50, RH  
FIGURE 2E (SHEET 6)

**27-81-02-02E**

BRI  
MAY 28/07

27-81-02-02E  
PAGE 0E

**BOEING**  
757  
PARTS CATALOG (MAINTENANCE)



Y 27810202E SHIT 7 REV 316

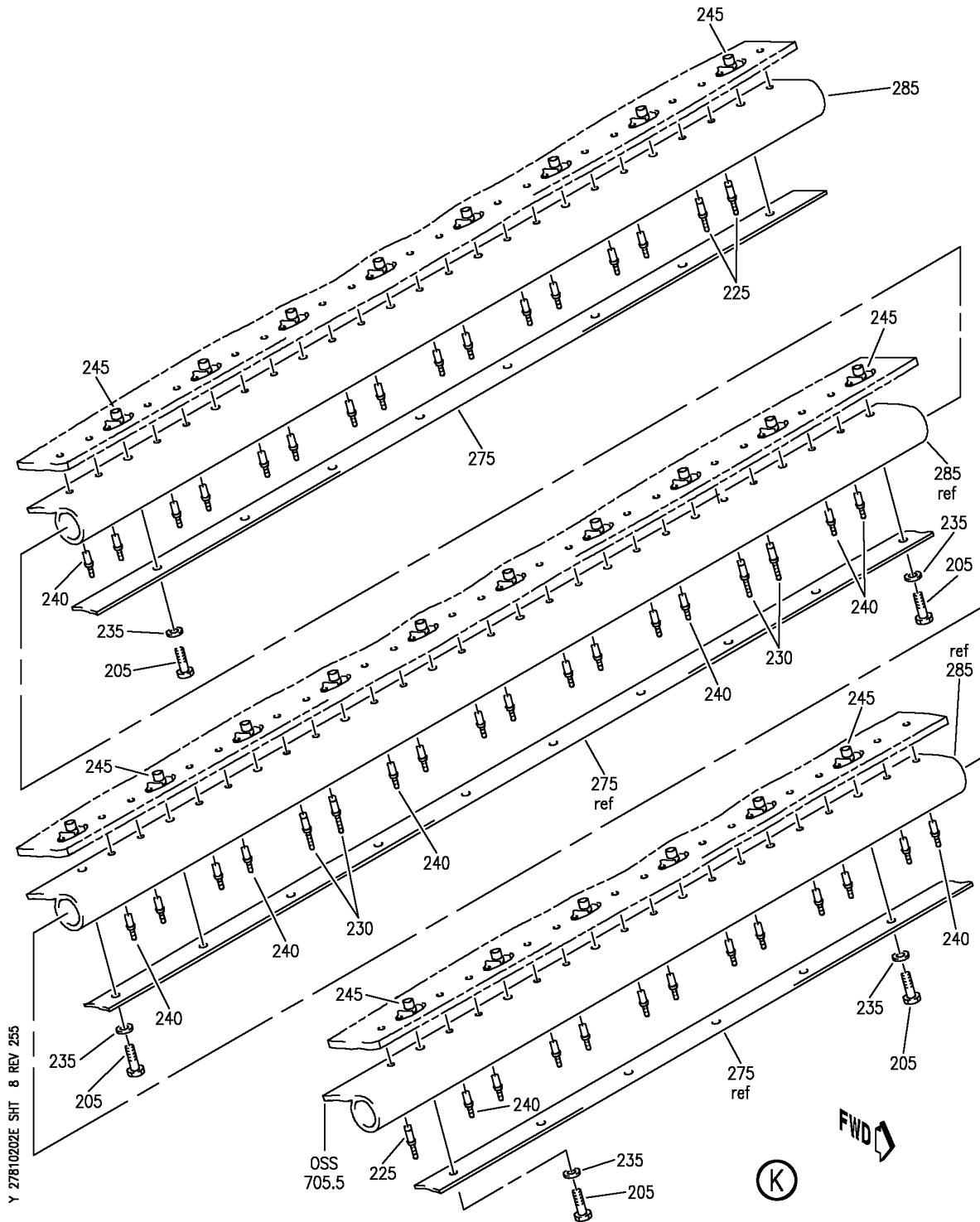
SLAT ASSY-NO. 9 WING LE OSS 574.80 TO 705.50, RH  
FIGURE 2E (SHEET 7)

**27-81-02-02E**

BRI  
JAN 20/08

27-81-02-02E  
PAGE OF

**BOEING**  
757  
PARTS CATALOG (MAINTENANCE)



SLAT ASSY-NO. 9 WING LE OSS 574.80 TO 705.50, RH  
FIGURE 2E (SHEET 8)

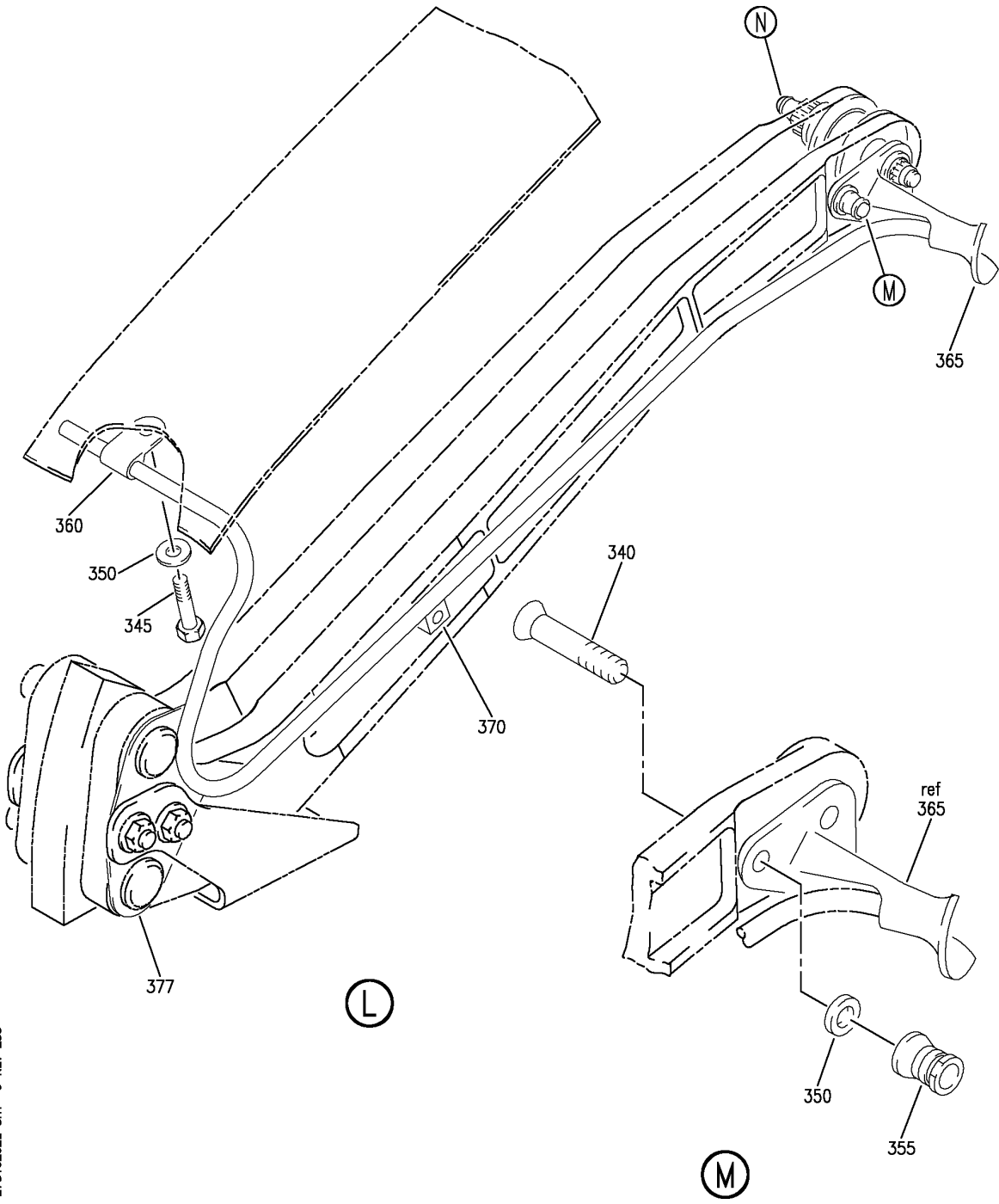
**27-81-02-02E**

BRI  
MAY 28/07

27-81-02-02E  
PAGE 0G



**BOEING**  
757  
PARTS CATALOG (MAINTENANCE)



Y 27810202E SHT 9 REV 255

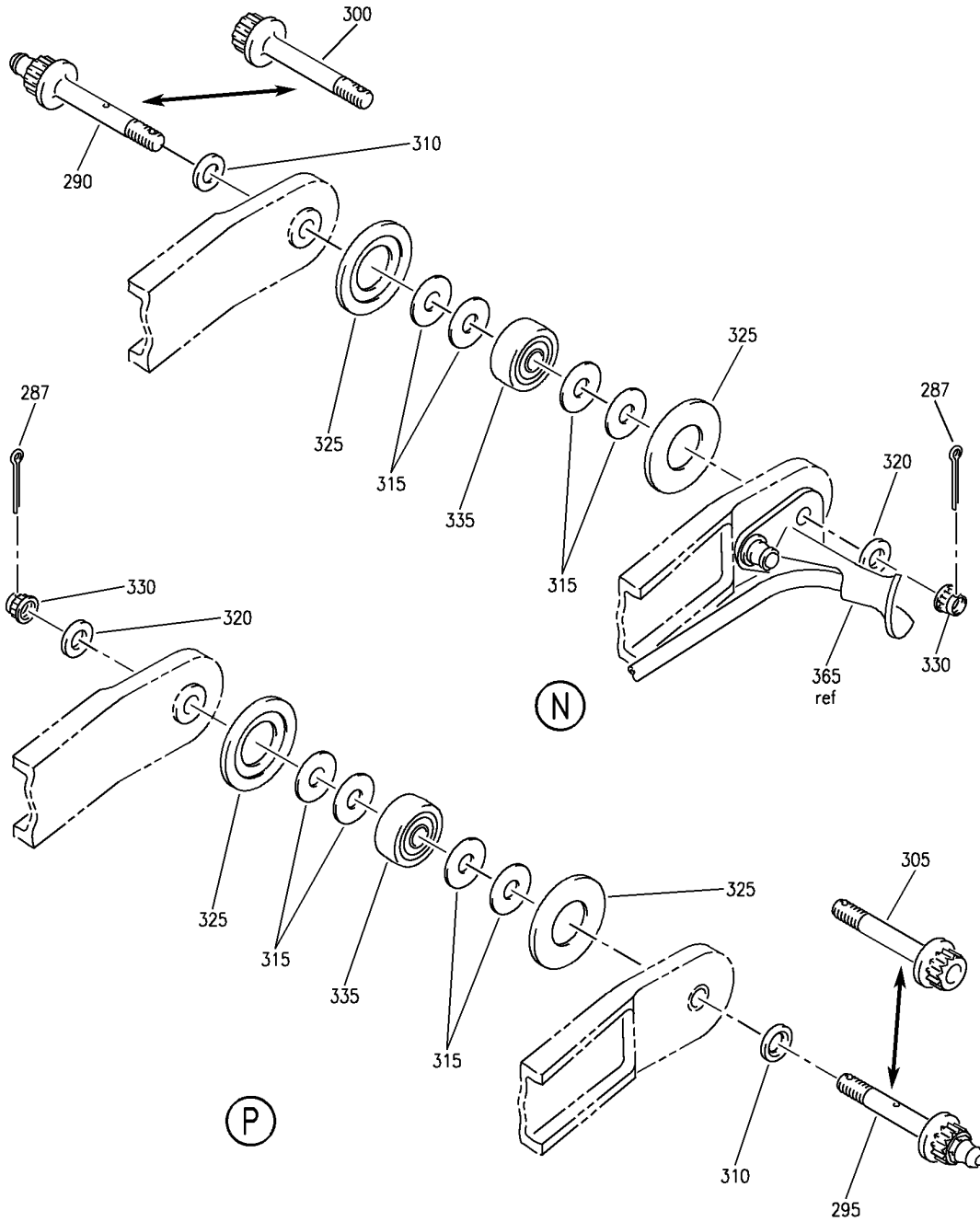
SLAT ASSY-NO. 9 WING LE OSS 574.80 TO 705.50, RH  
FIGURE 2E (SHEET 9)

**27-81-02-02E**

BRI  
MAY 28/07

27-81-02-02E  
PAGE 0H

**BOEING**  
757  
PARTS CATALOG (MAINTENANCE)



Y 27B10202E SHT 10 REV 297

SLAT ASSY-NO. 9 WING LE OSS 574.80 TO 705.50, RH  
FIGURE 2E (SHEET 10)

**27-81-02-02E**

BRI  
MAY 28/07

27-81-02-02E  
PAGE 01



757

PARTS CATALOG (MAINTENANCE)

FIG ITEM	PART NUMBER	1 2 3 4 5 6 7	NOMENCLATURE	EFFECT FROM TO	UNITS PER ASSY
2E			SLAT ASSY-NO. 9 WING LE OSS 574.80 TO 705.50, RH	101106 108120 504903	
- 1	114N4003-202SP		SLAT ASSY-NO. 9 WING LE POSITION DATA: OSS 574.8 TO 705.5 RH COMPONENT MAINT MANUAL REF: 57-43-18 QUALIFIED I/W DATA: 114N4003-172 INTERCHANGEABLE WITH -202SP OR -222SP IF SERVICE BULLETINS 757-27-0126 AND 757-57-0057 ARE INCORPORATED ON OLDER SLATS 114N4003-190SP OR -192SP OR -194SP OR -204SP IS INTERCHANGEABLE WITH 114N4003-202SP IF SERVICE BULLETINS -27-0126 AND 757-57-0057 ARE INCORPORATED ON OLDER SLATS FOR NHA/OTHER SYS DET SEE: 27-81-02-07A	101106 108120 504903	RF

MISSING ITEM NUMBERS NOT APPLICABLE

- ITEM NOT ILLUSTRATED

BRI

**27-81-02-02E**

BOEING PROPRIETARY - Copyright © - Unpublished Work - See title page for details.

27-81-02  
FIG. 02E  
PAGE 1  
JAN 20/09



757

PARTS CATALOG (MAINTENANCE)

FIG ITEM	PART NUMBER	1 2 3 4 5 6 7	NOMENCLATURE	EFFECT FROM TO	UNITS PER ASSY
2E - 1	114N4003-222SP		SLAT ASSY-NO. 9 WING LE POSITION DATA: OSS 574.8 TO 705.5 RH COMPONENT MAINT MANUAL REF: 57-43-18 QUALIFIED I/W DATA: 114N4003-172 INTERCHANGEABLE WITH -202SP OR -222SP IF SERVICE BULLETINS 757-27-0126 AND 757-57-0057 ARE INCORPORATED ON OLDER SLATS 114N4003-192SP IS INTERCHANGEABLE WITH -222SP IF SERVICE BULLETINS 757-27-1026 AND 757-57-0057 ARE INCORPORATED ON OLDER SLATS FOR NHA/OTHER SYS DET SEE: 27-81-02-07A	101106 108120 504903	RF
- 25	218N1001-30		.DUCT INSTL-WING LE ANTI-ICING FOR DETAILS SEE: 30-11-01-01	101106 108120 504903	1
30	BACB30NN3K6		.BOLT	101106 108120 504903	6
35	BACR15CE6AD		.RIVET- SIZE DETERMINED ON INSTL.	101106 108120 504903	120
37	NAS1399MW5-4		.RIVET	101106 108120 504903	2
40	BRFR220C3-2D		.NUTPLATE SUPPLIER CODE: V52828 SPECIFICATION NUMBER: BACN10KE3B2CD OPTIONAL PART: F51747-3-2CD V15653 102A9213-2-3 V72962 NS202493-02-2 V80539	101106 108120 504903	6

MISSING ITEM NUMBERS NOT APPLICABLE

- ITEM NOT ILLUSTRATED

BRI

**27-81-02-02E**

BOEING PROPRIETARY - Copyright © - Unpublished Work - See title page for details.

27-81-02  
FIG. 02E  
PAGE 2  
JAN 20/09

 **BOEING**  
757  
**PARTS CATALOG (MAINTENANCE)**

FIG ITEM	PART NUMBER	1 2 3 4 5 6 7	NOMENCLATURE	EFFECT FROM TO	UNITS PER ASSY
2E			ATTACHING PARTS		
- 45	BACR15BA3AD		.RIVET- SIZE DETERMINED ON INSTL.	101106 108120 504903	12
			-----*-----		
50	114N4065-3		.RETAINER	101106 108120 504903	2
55	114N4066-2		.SEAL-	101106 108120 504903	1
55	114N4066-4		.SEAL-	101106 108120 504903	1
60	114N4058-16		.SKIN-FLEXIBLE POSITION DATA: LWR	101106 108120 504903	1
60	114N4058-4		.SKIN-FLEXIBLE POSITION DATA: LWR	101106 108120 504903	1
70	BACB30NM3K3		.BOLT	101106 108120 504903	3
75	AN960KD10		.WASHER	101106 108120 504903	3
80	BRH10C3D		.NUT SUPPLIER CODE: V52828 SPECIFICATION NUMBER: BACN10JC3CD OPTIONAL PART: T6C1032JCD V11815 NS202486-02 V80539 102LH9075-3W V72962 H51650-3BAC V15653	101106 108120 504903	3
85	114N4044-60		.SEAL- ALTERED FROM PART NUMBER: 10-60754-491	101106 108120 504903	1
90	114N4044-41		.RETAINER	101106 108120 504903	1
95	BACB30NM3K3		.BOLT	101106 108120 504903	3

MISSING ITEM NUMBERS NOT APPLICABLE

- ITEM NOT ILLUSTRATED

BRI

# 27-81-02-02E

BOEING PROPRIETARY - Copyright © - Unpublished Work - See title page for details.

27-81-02  
FIG. 02E  
PAGE 3  
JAN 20/09



757

PARTS CATALOG (MAINTENANCE)

FIG ITEM	PART NUMBER	1 2 3 4 5 6 7	NOMENCLATURE	EFFECT FROM TO	UNITS PER ASSY
2E 100	AN960KD10	.	WASHER	101106 108120	3
105	BRH10C3D	.	NUT SUPPLIER CODE: V52828 SPECIFICATION NUMBER: BACN10JC3CD OPTIONAL PART: T6C1032JCD V11815 NS202486-02 V80539 102LH9075-3W V72962 H51650-3BAC V15653	504903 101106 108120 504903	3
110	114N4044-90	.	SEAL- ALTERED FROM PART NUMBER: 10-60754-492	101106 108120	1
115	114N4044-78	.	RETAINER	504903 101106 108120	1
120	BACB30NN3K6	.	BOLT	504903 101106 108120	5
125	BACB30NN3K4	.	BOLT	504903 101106 108120	6
130	BACB30NM3K5	.	BOLT	504903 101106 108120	3
135	BACB30NM3K3	.	BOLT	504903 101106 108120	2
140	AN960KD10	.	WASHER	504903 101106 108120 504903	5

MISSING ITEM NUMBERS NOT APPLICABLE

- ITEM NOT ILLUSTRATED

27-81-02-02E

27-81-02  
FIG. 02E  
PAGE 4  
JAN 20/09

BRI

BOEING PROPRIETARY - Copyright © - Unpublished Work - See title page for details.

**BOEING**  
757  
PARTS CATALOG (MAINTENANCE)

FIG ITEM	PART NUMBER	1 2 3 4 5 6 7	NOMENCLATURE	EFFECT FROM TO	UNITS PER ASSY
2E 150	BRFR220C3-2D		.NUTPLATE SUPPLIER CODE: V52828 SPECIFICATION NUMBER: BACN10KE3B2CD OPTIONAL PART: F51747-3-2CD V15653 102A9213-2-3 V72962 NS202493-02-2 V80539	101106 108120 504903	10
155	BRFR120C3-2D		.NUTPLATE SUPPLIER CODE: V52828 SPECIFICATION NUMBER: BACN10KE3E2CD OPTIONAL PART: 102F9216-2-3 V72962 F51751-3-2CD V15653 NS202494-02-2 V80539	101106 108120 504903	1
- 160	BACR15BA3AD		ATTACHING PARTS .RIVET- SIZE DETERMINED ON INSTL.  -----*-----	101106 108120 504903	22
165	114N4045-77		.RETAINER	101106 108120 504903	1
170	114N4045-80		.RETAINER	101106 108120 504903	1
175	114N4045-61		.RETAINER	101106 108120 504903	1
180	114N4045-82		.RETAINER	101106 108120 504903	1
185	114N4045-63		.SHIELD-EROSION ALTERED FROM PART NUMBER: 114N4081-4 114N4081-4 MANUFACTURED FROM: 114N4081-4 FOR SPARES PROCURE: 114N4081-4	101106 108120 504903	1

MISSING ITEM NUMBERS NOT APPLICABLE

- ITEM NOT ILLUSTRATED

BRI

# 27-81-02-02E

BOEING PROPRIETARY - Copyright © - Unpublished Work - See title page for details.

27-81-02  
FIG. 02E  
PAGE 5  
JAN 20/09



757

PARTS CATALOG (MAINTENANCE)

FIG ITEM	PART NUMBER	1 2 3 4 5 6 7	NOMENCLATURE	EFFECT FROM TO	UNITS PER ASSY
2E 185	114N4045-135		.SHIELD-EROSION ALTERED FROM PART NUMBER: 114N4081-4 FOR SPARES PROCURE: 114N4081-4	101106 108120 504903	1
190	114N4045-110		.SHIELD-EROSION ALTERED FROM PART NUMBER: 114N4081-9 FOR SPARES PROCURE: 114N4081-9	101106 108120 504903	1
195	114N4045-66		.SEAL- ALTERED FROM PART NUMBER: 10-60754-486	101106 108120 504903	1
200	114N4045-68		.SEAL- ALTERED FROM PART NUMBER: 10-60754-484	101106 108120 504903	1
205	BACB30NM3K5		.BOLT	101106 108120 504903	43
220	BACB30NM3K7		.BOLT- USED ON: 114N4003-148 114N4003-172 114N4003-178SP 114N4003-184SP 114N4003-186SP 114N4003-188SP 114N4003-190SP 114N4003-204SP 114N4003-202SP 114N4003-222SP	101106 108120 504903	3
225	MS21141-0604P		.FASTENER- USED ON: 114N4003-192SP 114N4003-194SP 114N4003-148 114N4003-172 114N4003-178SP 114N4003-186SP 114N4003-188SP 114N4003-190SP 114N4003-204SP 114N4003-202SP	101106 108120 504903	7
225	MS21141U0604P		.FASTENER- USED ON: 114N4003-222SP	101106 108120 504903	7

MISSING ITEM NUMBERS NOT APPLICABLE

- ITEM NOT ILLUSTRATED

27-81-02-02E

27-81-02  
FIG. 02E  
PAGE 6  
JAN 20/09

BRI

BOEING PROPRIETARY - Copyright © - Unpublished Work - See title page for details.





757

PARTS CATALOG (MAINTENANCE)

FIG ITEM	PART NUMBER	1 2 3 4 5 6 7	NOMENCLATURE	EFFECT FROM TO	UNITS PER ASSY
2E 230	MS21141-0605P	.	FASTENER- USED ON: 114N4003-192SP 114N4003-194SP 114N4003-148 114N4003-172 114N4003-178SP 114N4003-186SP 114N4003-188SP 114N4003-190SP 114N4003-204SP 114N4003-202SP	101106 108120 504903	5
230	MS21141U0605P	.	FASTENER- USED ON: 114N4003-222SP	101106 108120 504903	5
235	AN960KD10L	.	WASHER- USED ON: 114N4003-192SP 114N4003-194SP 114N4003-148 114N4003-172 114N4003-178SP 114N4003-186SP 114N4003-188SP 114N4003-190SP 114N4003-202SP	101106 108120 504903	46
235	NAS1149D0332J	.	WASHER- USED ON: 114N4003-222SP	101106 108120 504903	46
240	NAS1398D6A	.	RIVET- SIZE DETERMINED ON INSTL.	101106 108120 504903	81
245	BRFR220C3-2D	.	NUTPLATE SUPPLIER CODE: V52828 SPECIFICATION NUMBER: BACN10KE3B2CD OPTIONAL PART: F51747-3-2CD V15653 102A9213-2-3 V72962 NS202493-02-2 V80539	101106 108120 504903	47
- 250	BACR15BA3AD	.	ATTACHING PARTS RIVET  -----*-----	101106 108120 504903	94

MISSING ITEM NUMBERS NOT APPLICABLE

- ITEM NOT ILLUSTRATED

27-81-02-02E

27-81-02  
FIG. 02E  
PAGE 7  
JAN 20/09

BRI

BOEING PROPRIETARY - Copyright © - Unpublished Work - See title page for details.



757

PARTS CATALOG (MAINTENANCE)

FIG ITEM	PART NUMBER	1 2 3 4 5 6 7	NOMENCLATURE	EFFECT FROM TO	UNITS PER ASSY
2E 260	BACC10DK4		.CLAMP- USED ON: 114N4003-148 114N4003-172 114N4003-178SP 114N4003-184SP 114N4003-186SP 114N4003-188SP 114N4003-190SP 114N4003-204SP 114N4003-202SP 114N4003-222SP	101106 108120 504903	1
270	114N4046-33		.RETAINER	101106 108120 504903	1
275	114N4046-47		.RETAINER	101106 108120 504903	1
280	114N4046-16		.SEAL- ALTERED FROM PART NUMBER: 10-60754-319 10-60754-319 MANUFACTURED FROM: EXTR RUBBER 10-60754-319 17.0 IN.	101106 108120 504903	1
285	114N4046-14		.SEAL- ALTERED FROM PART NUMBER: 10-60754-319 10-60754-319 MANUFACTURED FROM: EXTR RUBBER 10-60754-319 116.0 IN.	101106 108120 504903	1
300	BACB30LE4DU21		.BOLT- POSITION DATA: O.S.S. 617.30 USED ON: 114N4003-202SP 114N4003-222SP	101106 108120 504903	1
305	BACB30LE4DU19		.BOLT- POSITION DATA: O.S.S. 530.70 USED ON: 114N4003-202SP 114N4003-222SP	101106 108120 504903	1
310	BACW10BP4CD		.WASHER	101106 108120 504903	2

MISSING ITEM NUMBERS NOT APPLICABLE

- ITEM NOT ILLUSTRATED

BRI

27-81-02-02E

BOEING PROPRIETARY - Copyright © - Unpublished Work - See title page for details.

27-81-02  
FIG. 02E  
PAGE 8  
JAN 20/09



757

PARTS CATALOG (MAINTENANCE)

FIG ITEM	PART NUMBER	1 2 3 4 5 6 7	NOMENCLATURE	EFFECT FROM TO	UNITS PER ASSY
2E					
315	BACW10P42S	.	WASHER	101106 108120 504903	8
320	BACW10BP4DP	.	WASHER	101106 108120 504903	2
325	114N4056-1	.	WASHER	101106 108120 504903	4
330	NAS1805-4L	.	NUT- USED ON: 114N4003-192SP 114N4003-194SP 114N4003-202SP 114N4003-222SP	101106 108120 504903	2
335	ATF4SN	.	BEARING- SUPPLIER CODE: V21335 SPECIFICATION NUMBER: BACB10GH04N OPTIONAL PART: CRO4NAFC V92563 ATF04NSY V21335 USED ON: 114N4003-202SP 114N4003-222SP	101106 108120 504903	2
340	HL11VAZ6-6	.	BOLT SUPPLIER CODE: V60516 SPECIFICATION NUMBER: BACB30NW6K6 OPTIONAL PART: B30NW6K6 V97928 HL11VAZ6-6 V73197 HL11VAZ6-6 V92215 HL11VAZ6-6 V97928 L803-6K6 V06725 HL11VAZ6-6 VOPTK6 HL11VAZ6-6 V56878	101106 108120 504903	1

MISSING ITEM NUMBERS NOT APPLICABLE

- ITEM NOT ILLUSTRATED

27-81-02-02E

27-81-02  
FIG. 02E  
PAGE 9  
JAN 20/09

BRI



757

PARTS CATALOG (MAINTENANCE)

FIG ITEM	PART NUMBER	1 2 3 4 5 6 7	NOMENCLATURE	EFFECT FROM TO	UNITS PER ASSY
2E 345	BACB30NM3K9	.	BOLT	101106 108120 504903	1
350	NAS1149D0332J	.	WASHER- USED ON: 114N4003-192SP 114N4003-194SP 114N4003-202SP 114N4003-222SP	101106 108120 504903	2
355	HL82-6A	.	COLLAR SUPPLIER CODE: V5M902 SPECIFICATION NUMBER: BACC30BM6 OPTIONAL PART: HL82-6A V73197 HL82-6A V92215 HL82-6A V56878	101106 108120 504903	1
- 360	251N5135-5	.	CLIP-SPRT POSITION DATA: O.S.S. 617.30	101106 108120 504903	1
365	251N5157-2	.	FITTING- POSITION DATA: O.S.S. 617.30 ALTERED FROM PART NUMBER: 251N5157-4 OPTIONAL PART: 251N5132-4	101106 108120 504903	1
365	251N5132-4	.	FITTING- POSITION DATA: O.S.S. 617.30 OPTIONAL PART: 251N5157-2	101106 108120 504903	2
370	251N5158-1	.	CLIP-SPRT POSITION DATA: O.S.S. 617.30	101106 108120 504903	1
375	114N4048-6	.	TIP-	101106 108120 504903	1
375	114N4048-10	.	TIP-	101106 108120 504903	1

MISSING ITEM NUMBERS NOT APPLICABLE

- ITEM NOT ILLUSTRATED

27-81-02-02E

27-81-02  
FIG. 02E  
PAGE 10  
JAN 20/09

BRI

BOEING PROPRIETARY - Copyright © - Unpublished Work - See title page for details.



**757  
PARTS CATALOG (MAINTENANCE)**

FIG ITEM	PART NUMBER	1 2 3 4 5 6 7 NOMENCLATURE	EFFECT FROM TO	UNITS PER ASSY
2 E - 380	BACR15BA5AD	ATTACHING PARTS .RIVET- SIZE DETERMINED ON INSTL. -----*-----	101106 108120 504903	4

MISSING ITEM NUMBERS NOT APPLICABLE

- ITEM NOT ILLUSTRATED

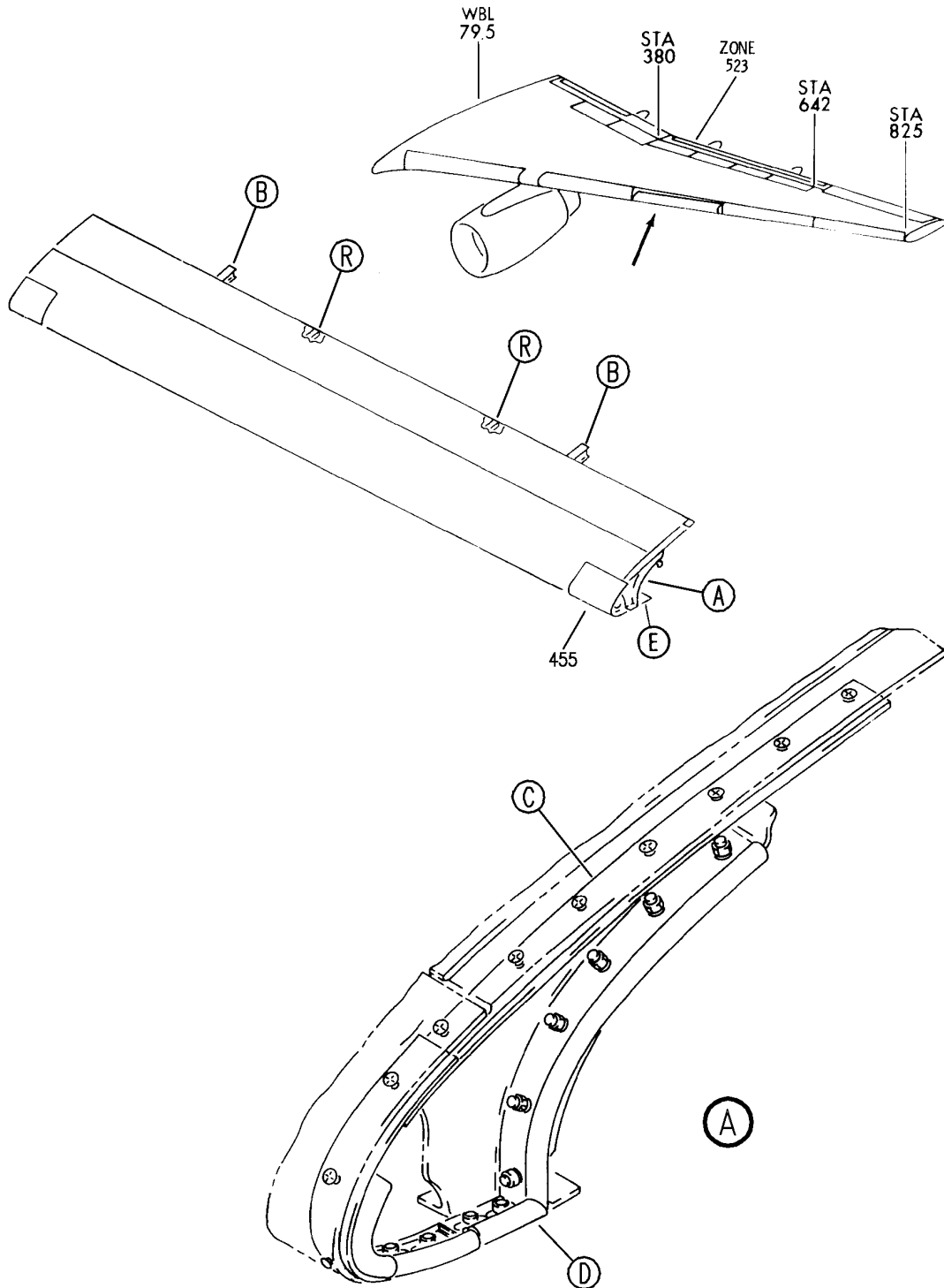
BRI

# 27-81-02-02E

BOEING PROPRIETARY - Copyright © - Unpublished Work - See title page for details.

27-81-02  
FIG. 02E  
PAGE 11  
JAN 20/09

**BOEING**  
757  
PARTS CATALOG (MAINTENANCE)



Y 27810203 SH-1 REV 270

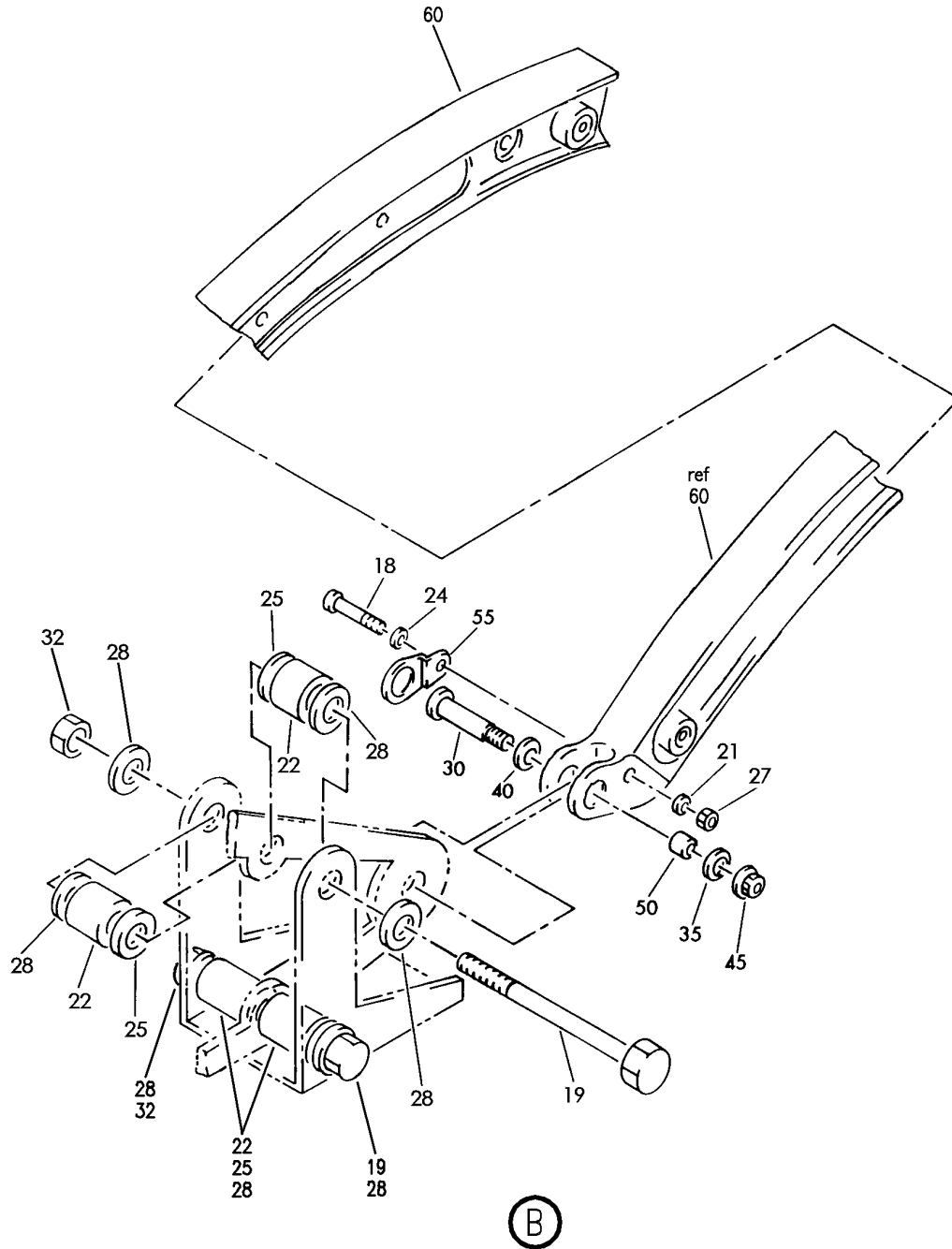
SLAT ASSY-NO. 3 OSS 438.10 TO 573.30 WING LE LH  
FIGURE 3 (SHEET 1)

**27-81-02-03**

BRI  
MAY 28/07

27-81-02-03  
PAGE 0

**BOEING**  
757  
PARTS CATALOG (MAINTENANCE)



Y 27810203 SH1 2 REV 248

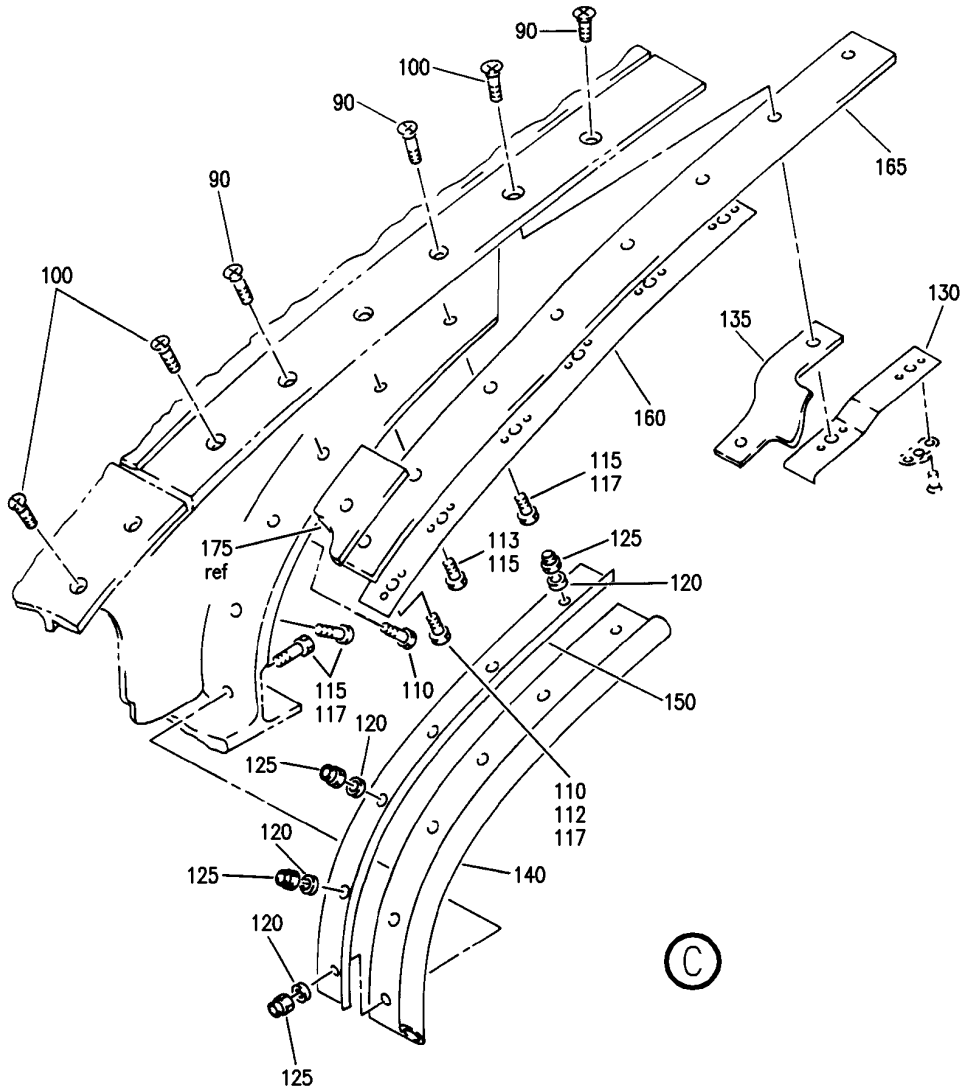
SLAT ASSY-NO. 3 OSS 438.10 TO 573.30 WING LE LH  
FIGURE 3 (SHEET 2)

**27-81-02-03**

BRI  
MAY 28/07

27-81-02-03  
PAGE 0A

**BOEING**  
 757  
 PARTS CATALOG (MAINTENANCE)



Y 27810203 SH1 3 REV 241

SLAT ASSY-NO. 3 OSS 438.10 TO 573.30 WING LE LH  
 FIGURE 3 (SHEET 3)

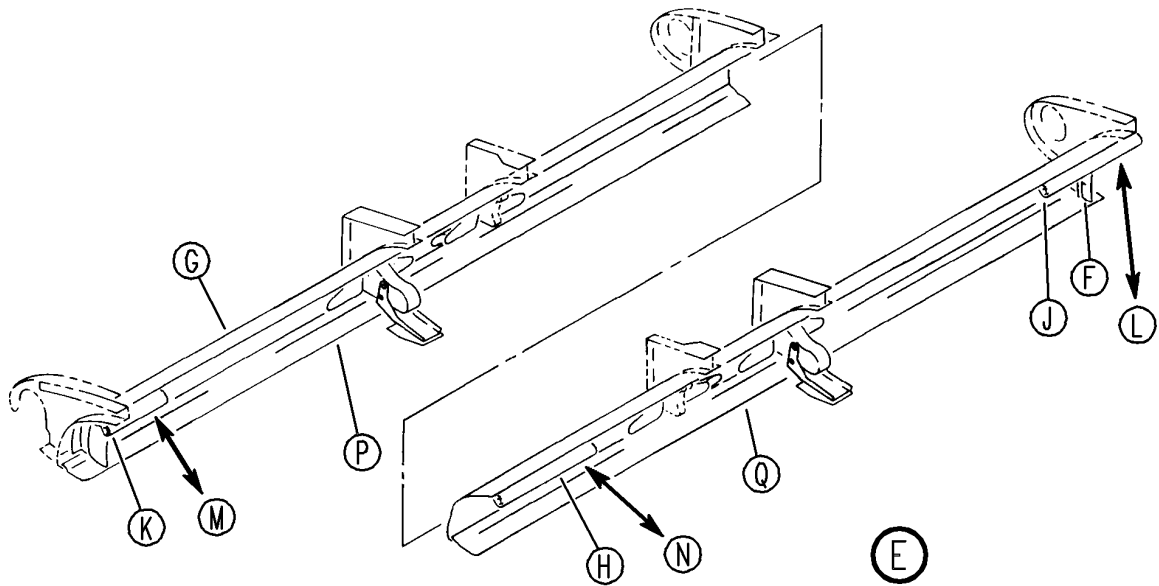
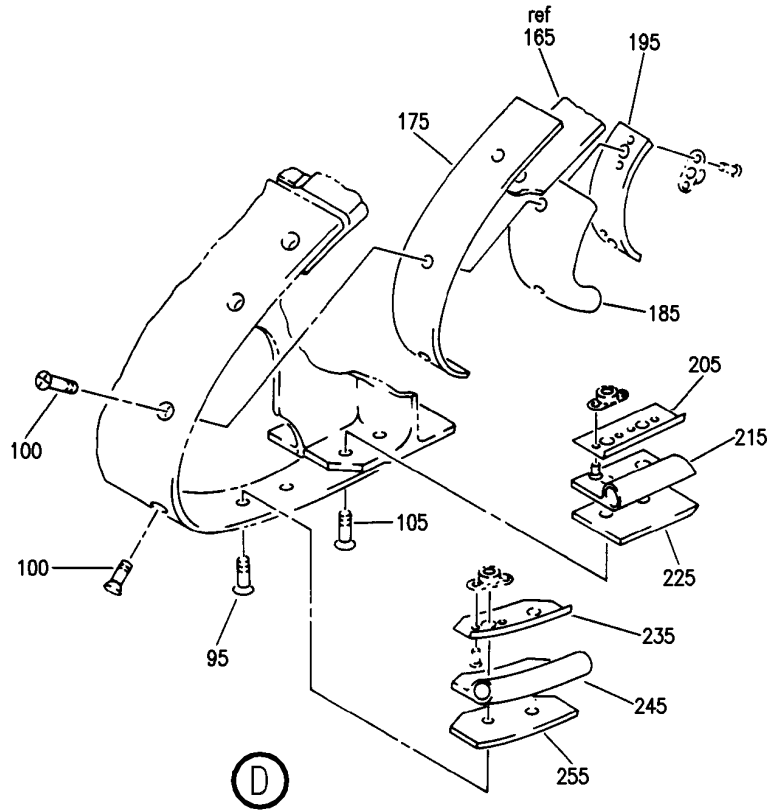
**27-81-02-03**

BRI  
 MAY 28/07

27-81-02-03  
 PAGE 0B




**BOEING**  
 757  
**PARTS CATALOG (MAINTENANCE)**



Y 27810203 SHT 4 REV 241

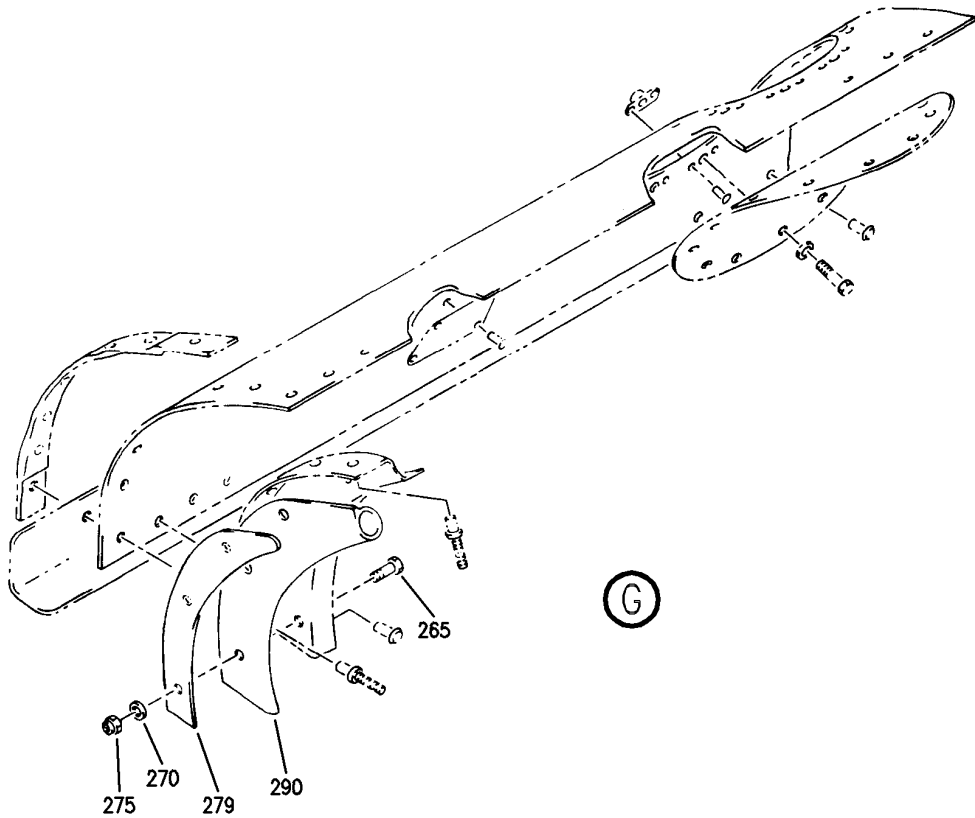
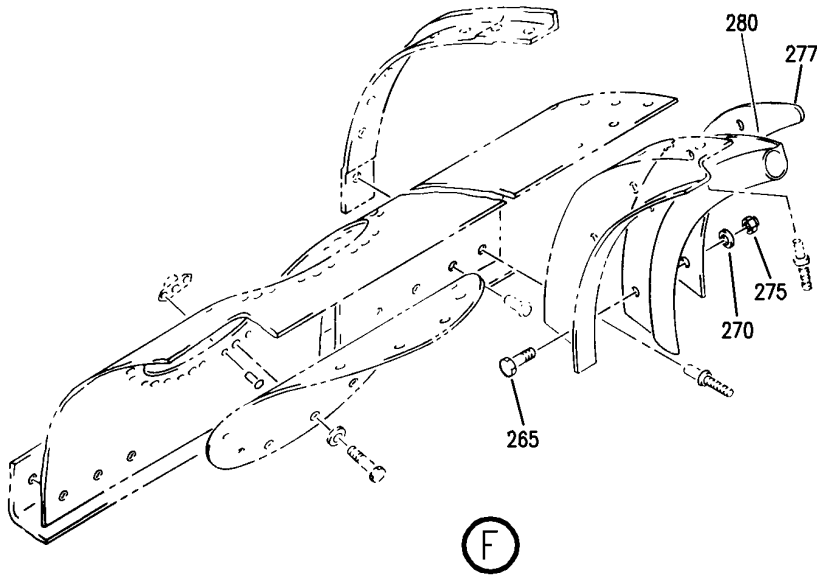
SLAT ASSY-NO. 3 OSS 438.10 TO 573.30 WING LE LH  
 FIGURE 3 (SHEET 4)

**27-81-02-03**

BRI  
 MAY 28/07

27-81-02-03  
 PAGE 0C

**BOEING**  
757  
PARTS CATALOG (MAINTENANCE)



Y 27810203 SHT 5 REV 241

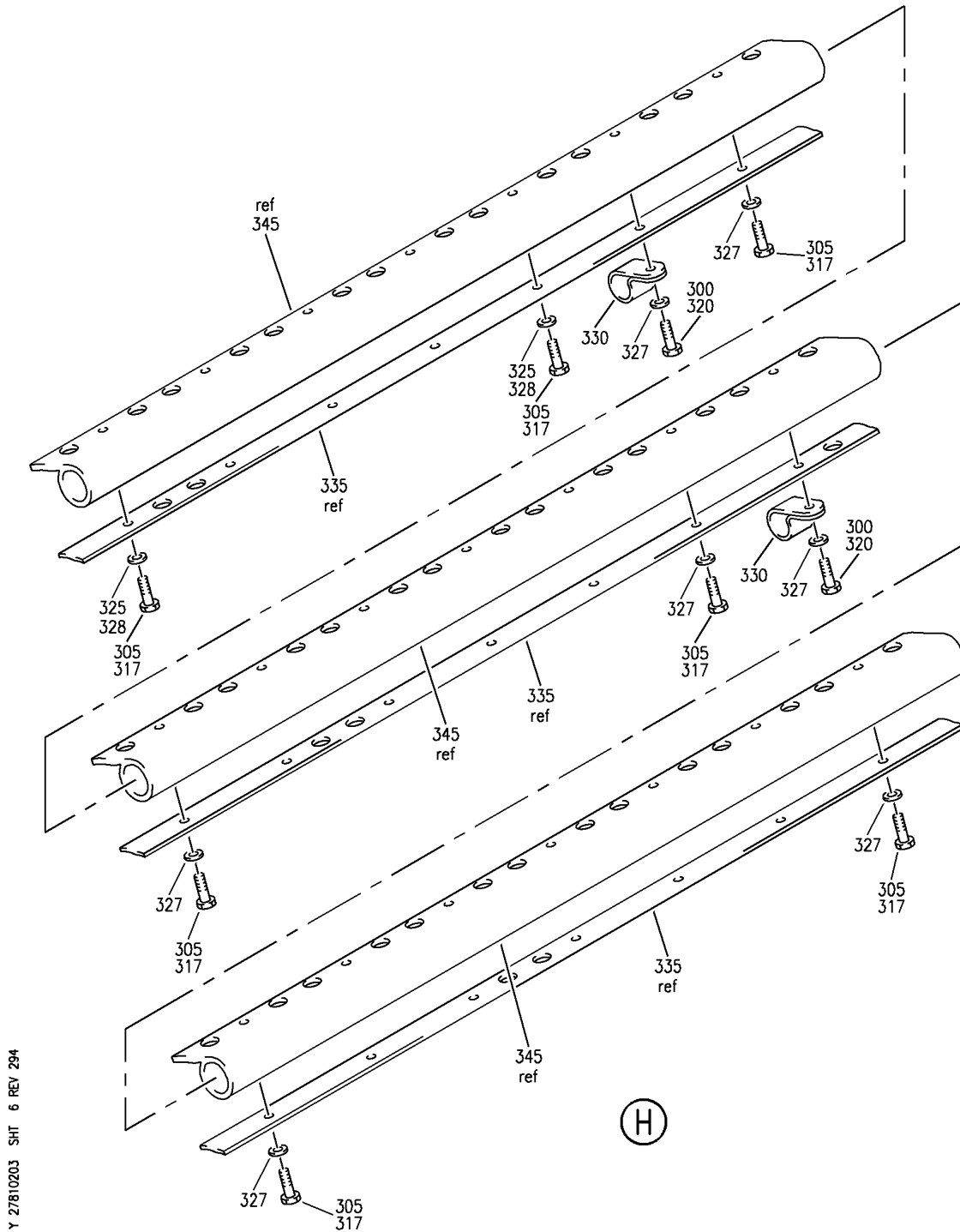
SLAT ASSY-NO. 3 OSS 438.10 TO 573.30 WING LE LH  
FIGURE 3 (SHEET 5)

**27-81-02-03**

BRI  
MAY 28/07

27-81-02-03  
PAGE 0D

**BOEING**  
757  
PARTS CATALOG (MAINTENANCE)



Y 27810203 SHT 6 REV 294

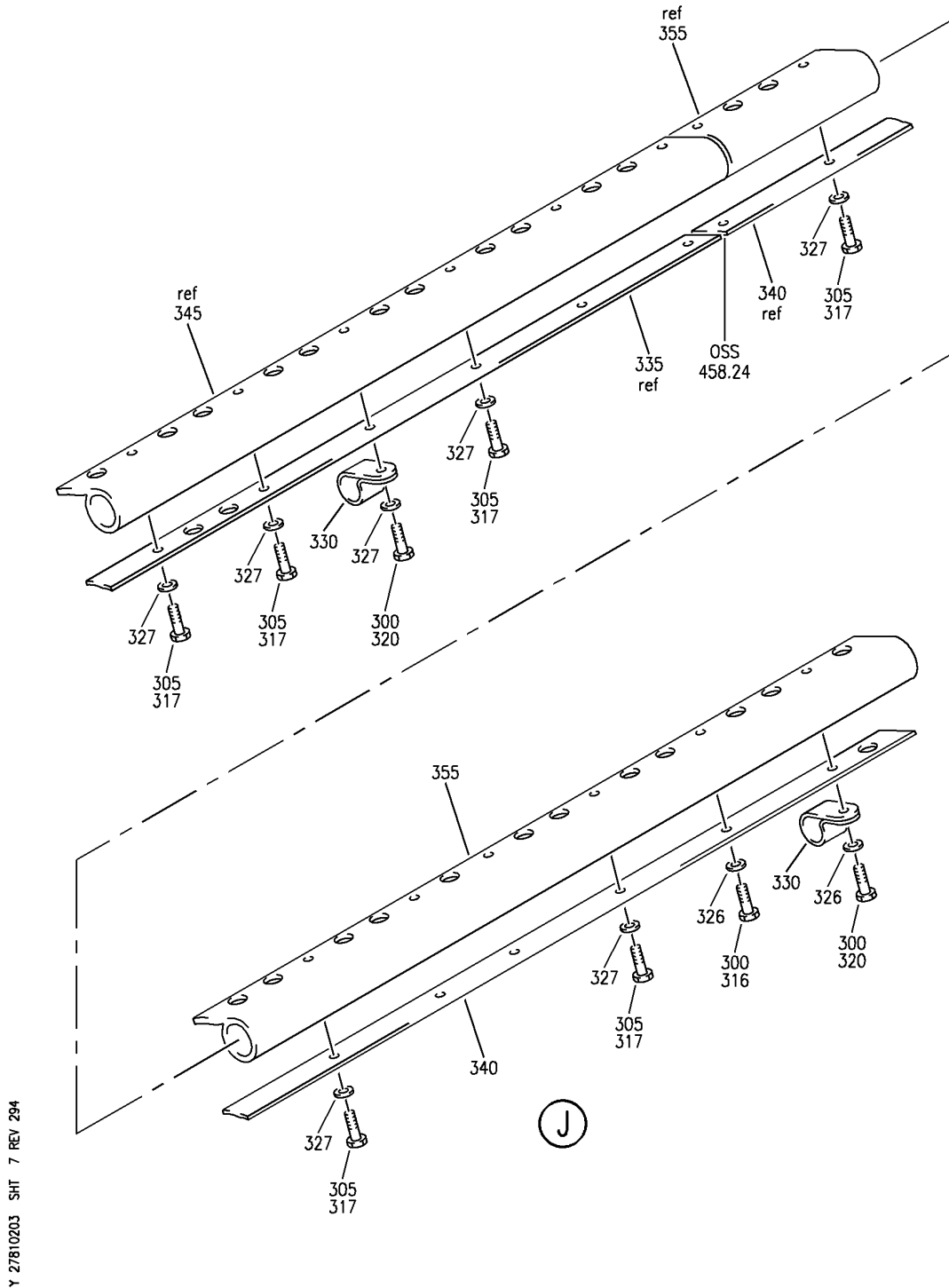
SLAT ASSY-NO. 3 OSS 438.10 TO 573.30 WING LE LH  
FIGURE 3 (SHEET 6)

**27-81-02-03**

BRI  
MAY 28/07

27-81-02-03  
PAGE 0E

**BOEING**  
757  
PARTS CATALOG (MAINTENANCE)



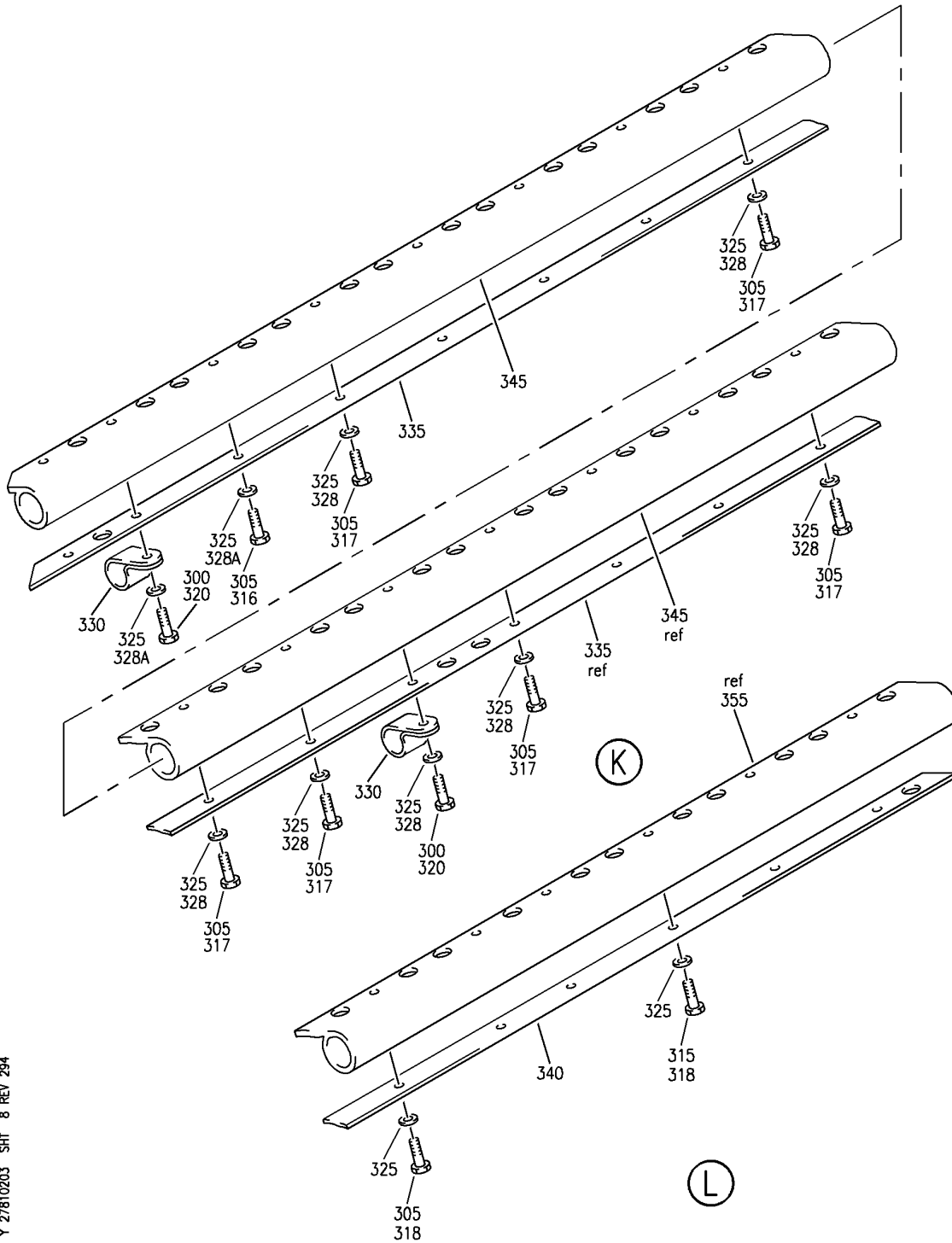
SLAT ASSY-NO. 3 OSS 438.10 TO 573.30 WING LE LH  
FIGURE 3 (SHEET 7)

**27-81-02-03**

BRI  
MAY 28/07

27-81-02-03  
PAGE OF

**BOEING**  
757  
PARTS CATALOG (MAINTENANCE)



Y 27810203 SHT 8 REV 294

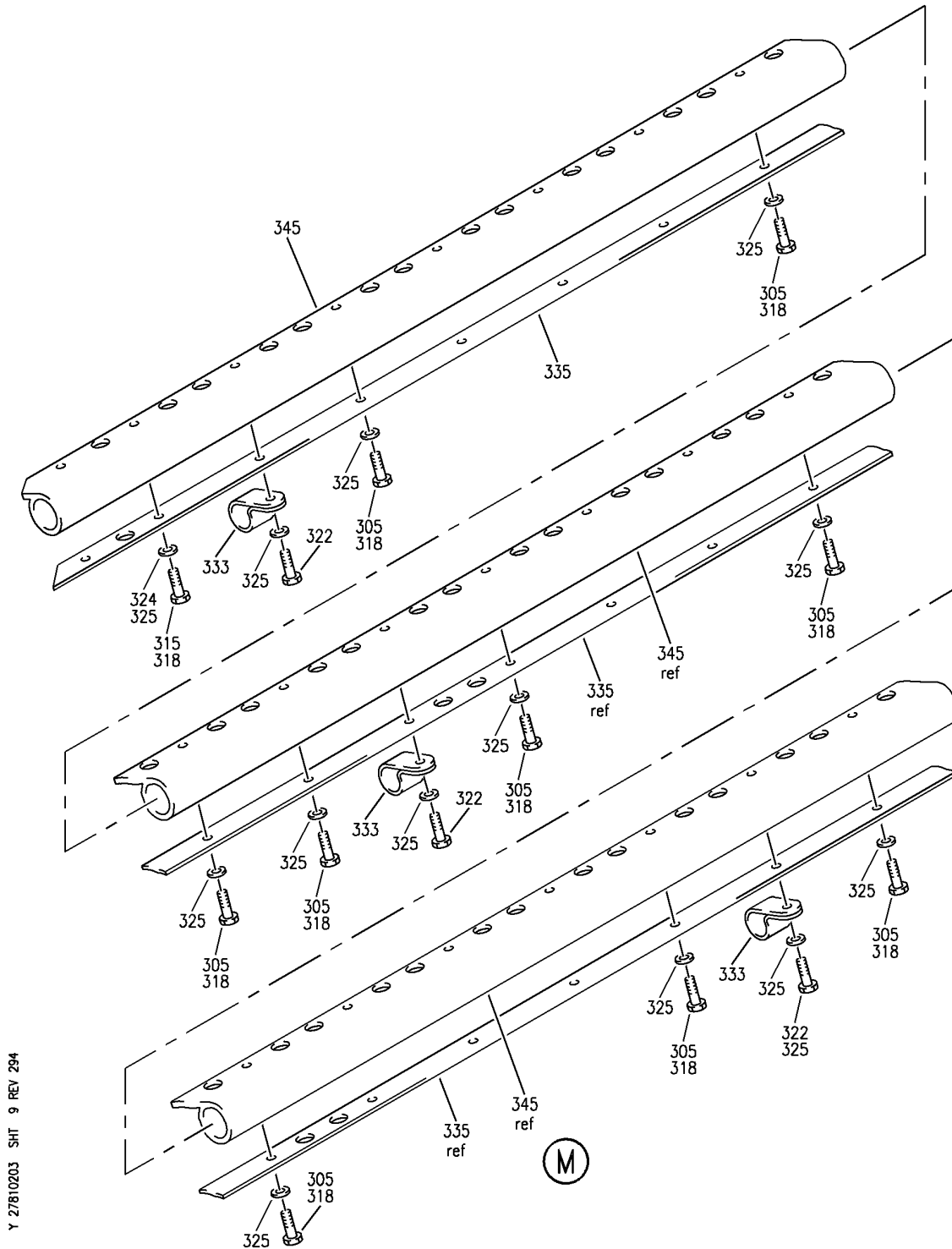
SLAT ASSY-NO. 3 OSS 438.10 TO 573.30 WING LE LH  
FIGURE 3 (SHEET 8)

**27-81-02-03**

BRI  
MAY 28/07

27-81-02-03  
PAGE 0G

**BOEING**  
757  
PARTS CATALOG (MAINTENANCE)



Y 27810203 SH1 9 REV 294

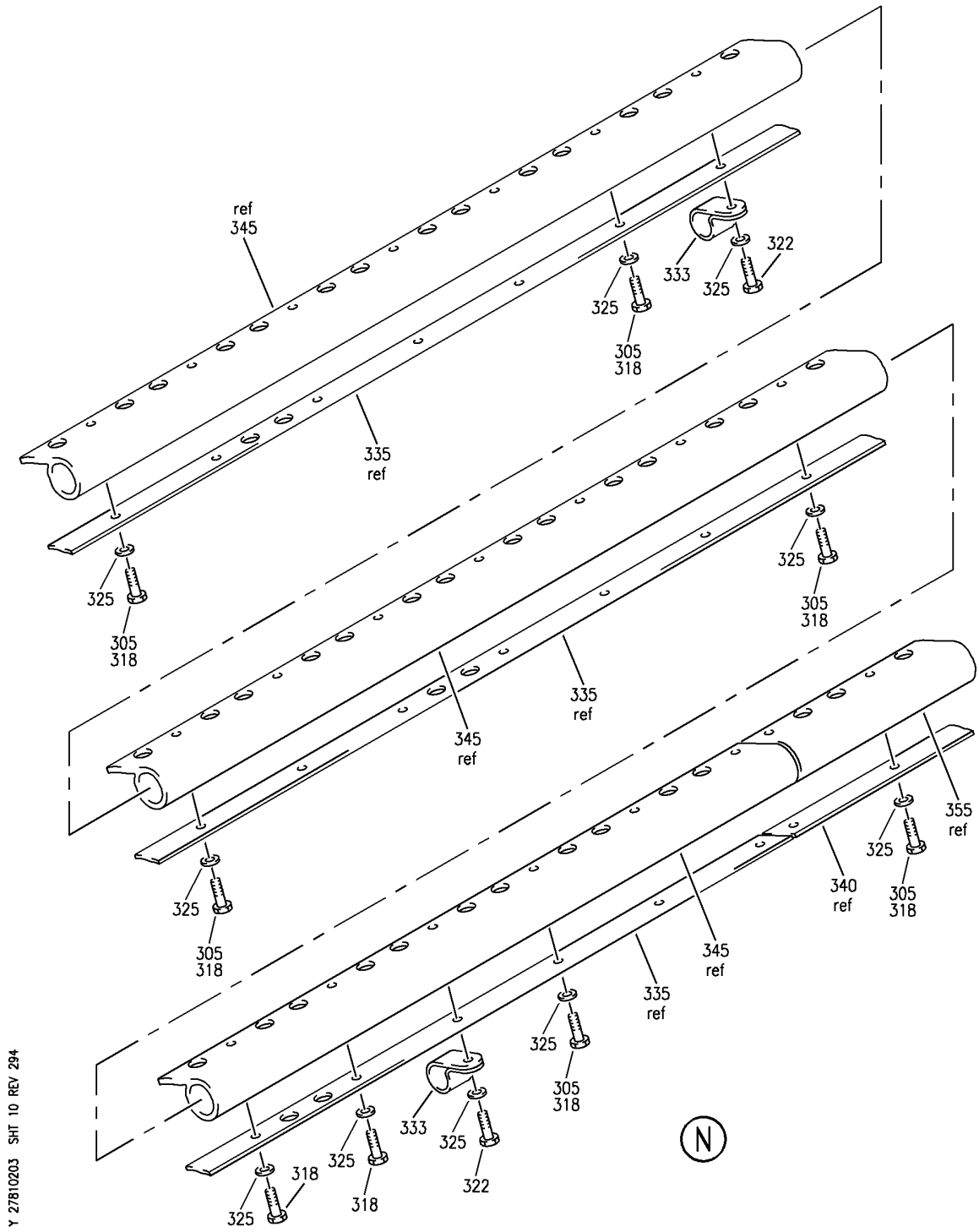
SLAT ASSY-NO. 3 OSS 438.10 TO 573.30 WING LE LH  
FIGURE 3 (SHEET 9)

**27-81-02-03**

BRI  
MAY 28/07

27-81-02-03  
PAGE 0H

**BOEING**  
757  
PARTS CATALOG (MAINTENANCE)



Y 27810203 SHT 10 REV 294

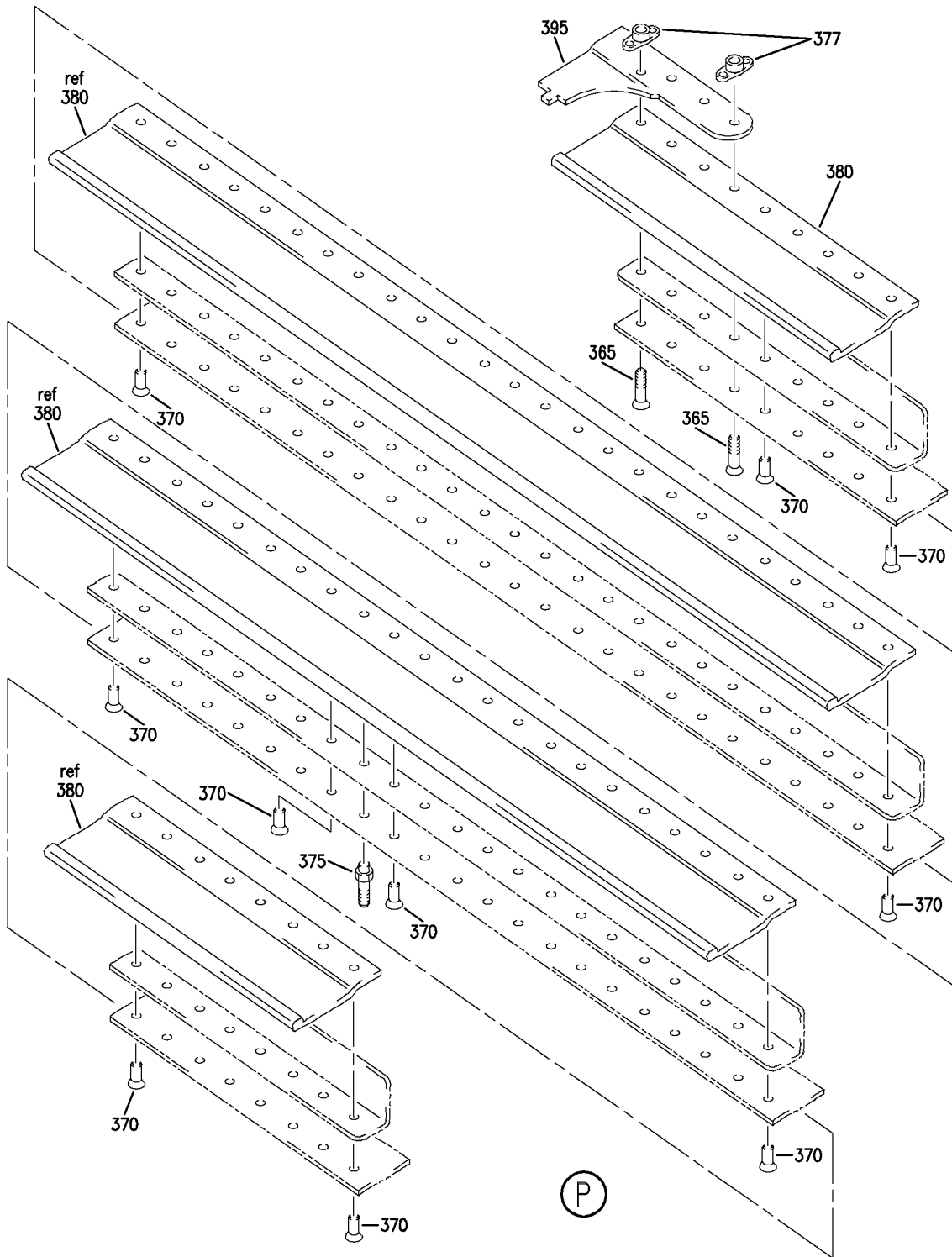
SLAT ASSY-NO. 3 OSS 438.10 TO 573.30 WING LE LH  
FIGURE 3 (SHEET 10)

**27-81-02-03**

BRI  
MAY 28/07

27-81-02-03  
PAGE 01

**BOEING**  
757  
PARTS CATALOG (MAINTENANCE)



Y 27810203 SHT 11 REV 241

SLAT ASSY-NO. 3 OSS 438.10 TO 573.30 WING LE LH  
FIGURE 3 (SHEET 11)

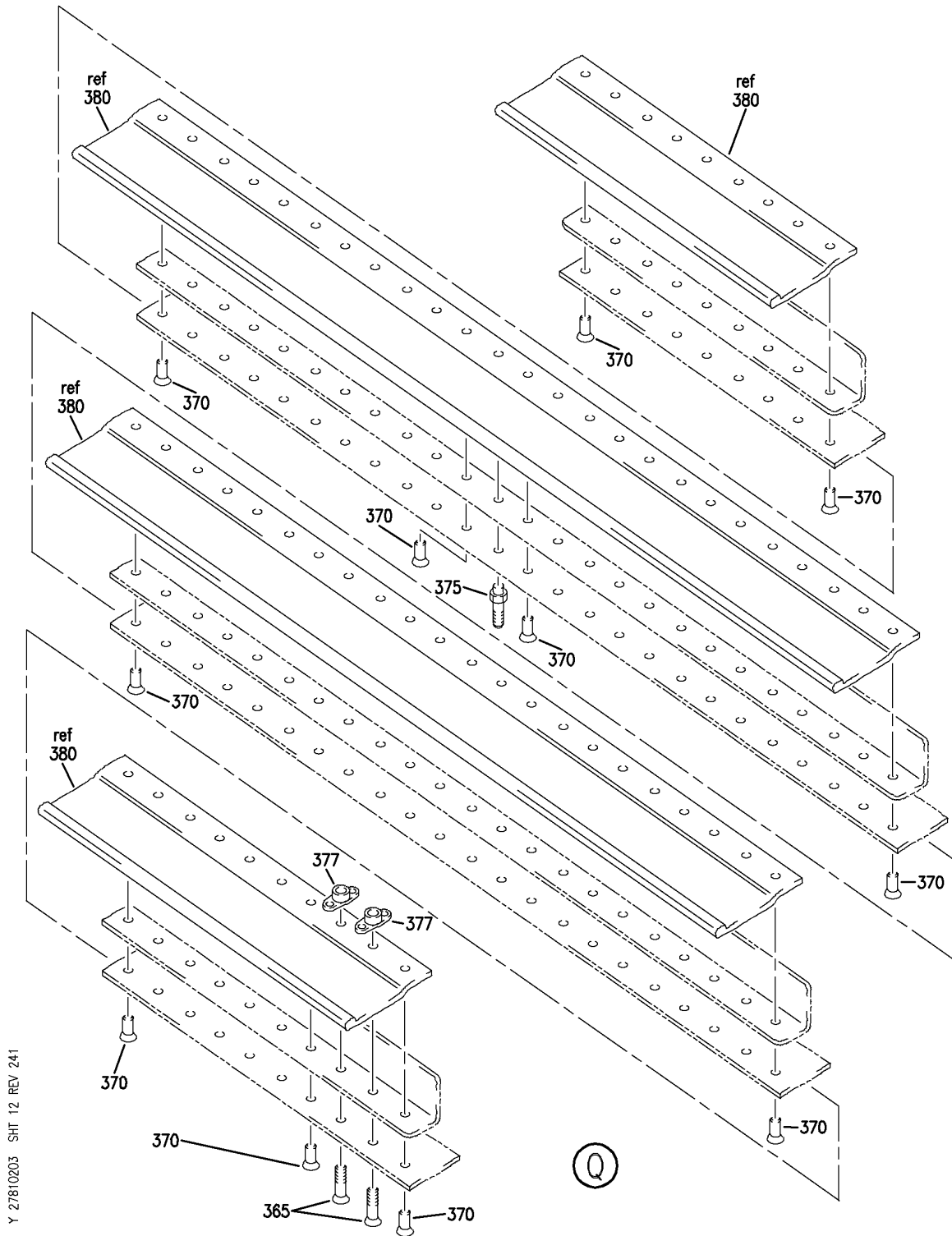
**27-81-02-03**

BRI  
MAY 28/07

27-81-02-03  
PAGE 0J



**BOEING**  
757  
PARTS CATALOG (MAINTENANCE)



Y 27810203 SHT 12 REV 241

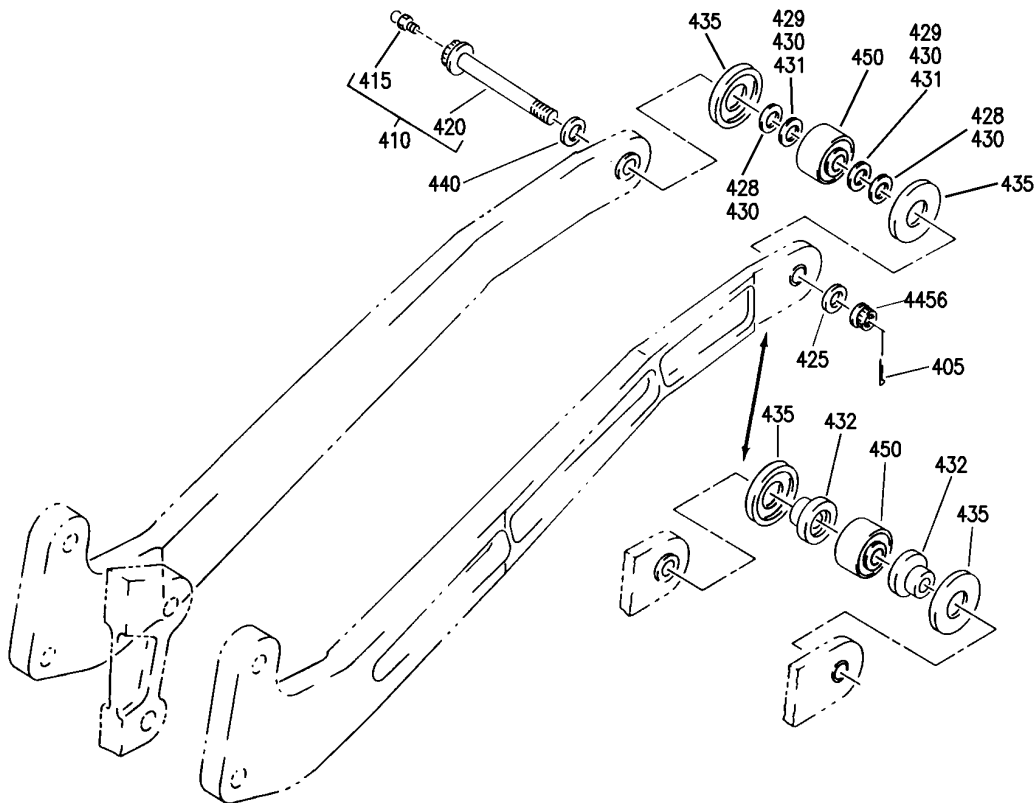
SLAT ASSY-NO. 3 OSS 438.10 TO 573.30 WING LE LH  
FIGURE 3 (SHEET 12)

**27-81-02-03**

BRI  
MAY 28/07

27-81-02-03  
PAGE OK

**BOEING**  
757  
PARTS CATALOG (MAINTENANCE)



Ⓡ

Y 27810203 SHT 13 REV 241

SLAT ASSY-NO. 3 OSS 438.10 TO 573.30 WING LE LH  
FIGURE 3 (SHEET 13)

**27-81-02-03**

BRI  
MAY 28/07

27-81-02-03  
PAGE 01



757

PARTS CATALOG (MAINTENANCE)

FIG ITEM	PART NUMBER	1 2 3 4 5 6 7	NOMENCLATURE	EFFECT FROM TO	UNITS PER ASSY
3			SLAT ASSY-NO. 3 OSS 438.10 TO 573.30 WING LE LH	002004 006100 107107 121503 904999	
- 1	114N4004-145		SLAT ASSY-NO. 3 WING LE BASIC POSITION DATA: OSS 438.10-573.30 LH COMPONENT MAINT MANUAL REF: 57-43-24 QUALIFIED I/W DATA: -145 IS I/W -139, HOWEVER, -139 CAN BE USED ONLY IF THE AIRPLANE IS RESTRICTED TO 241K MTGW 114N4004-145 INTERCHANGEABLE WITH 114N4004-165SP IF SERVICE BULLETIN 757-57A0045 IS INCORPORATED REWORKED BY SB: 27-0126 REWORKED BY ALERT SB: 57A0045R1 57A0038R6 FOR NHA SEE: 27-81-02-05	002004 006100 107107 121503 950999	RF
- 1	114N4004-183SP		SLAT ASSY-NO. 3 WING LE POSITION DATA: OSS 438.10 TO 573.30 LH LH COMPONENT MAINT MANUAL REF: 57-43-24 QUALIFIED I/W DATA: 114N4004-183SP INTERCHANGEABLE WITH 114N4004-165SP IF SERVICE BULLETIN 757-57A0045 IS INCORPORATED REWORKED BY SB: 27-0126 FOR NHA SEE: 27-81-02-05	002004 006100 107107 121503 904999	RF

MISSING ITEM NUMBERS NOT APPLICABLE

- ITEM NOT ILLUSTRATED

**27-81-02-03**

27-81-02  
FIG. 03  
PAGE 1  
JAN 20/09

BRI



757

PARTS CATALOG (MAINTENANCE)

FIG ITEM	PART NUMBER	1 2 3 4 5 6 7	NOMENCLATURE	EFFECT FROM TO	UNITS PER ASSY
3 - 2	114N4004-179SP		SLAT ASSY-NO. 3 WING LE POSITION DATA: OSS 438.10 TO 573.30 LH COMPONENT MAINT MANUAL REF: 57-43-24 QUALIFIED I/W DATA: 114N4004-179SP INTERCHANGEABLE WITH 114N4004-165SP IF SERVICE BULLETIN 757-57A0045 IS INCORPORATED REWORKED BY SB: 27-0126 FOR NHA SEE: 27-81-02-05	002004 006100 107107 121503 904999	RF
- 2	114N4004-165SP		SLAT ASSY-NO. 3 WING LE POSITION DATA: OSS 438.10 TO 573.30 LH COMPONENT MAINT MANUAL REF: 57-43-24 QUALIFIED I/W DATA: -175SP OR -177SP ARE I/W -171SP OR -165SP PER THE REQUIREMENTS OF S/B 757-57-0043 & S/B 757-57A0045 -175SP OR -177SP ARE I/W -171SP OR -165SP PER THE REQUIREMENTS OF S/BB 757-57-0043 & S/B 757-57A0045 -175SP OR -177SP ARE I/W -171SP OR -165SP PER THE REQUIREMENTS OF S/B 757-57-0043 & S/B 757-57A0045. THE -187SP OR -201SP CAN REPLACE THE -165SP SUBJECT TO CUSTOMER ACCEPTANCE OF WEIGHT PENALTY -149 I/W -165SP SUBJECT TO COLOR PREFERENCE REWORKED BY SB: 27-0126 FOR NHA SEE: 27-81-02-05	107107 904949	RF

MISSING ITEM NUMBERS NOT APPLICABLE

- ITEM NOT ILLUSTRATED

BRI

27-81-02-03

27-81-02  
FIG. 03  
PAGE 2  
JAN 20/09



757

PARTS CATALOG (MAINTENANCE)

FIG ITEM	PART NUMBER	1 2 3 4 5 6 7	NOMENCLATURE	EFFECT FROM TO	UNITS PER ASSY
3 - 2	114N4004-171SP		SLAT ASSY-NO. 3 WING LE REWORK DWG POSITION DATA: OSS 438.10 TO 573.30 LH COMPONENT MAINT MANUAL REF: 57-43-24 QUALIFIED I/W DATA: -171SP IS CONDITIONALLY INTERCHANGEABLE WITH -165SP PER THE REQUIREMENTS OF S/B 757-57-0043 AND S/B 757-57A0045 OPTIONAL PART: 114N4004-165SP REWORKED BY SB: 27-0126 FOR NHA SEE: 27-81-02-05	002004 006100 107107 121503 950999	RF
- 2	114N4004-175SP		SLAT ASSY-NO. 3 WING LE POSITION DATA: OSS 438.10 TO 573.30 LH COMPONENT MAINT MANUAL REF: 57-43-24 QUALIFIED I/W DATA: -175SP IS CONDITIONALLY INTERCHANGEABLE WITH -165SP PER THE REQUIREMENTS OF S/B 757-57-0043 AND S/B 757-57A0045 REWORKED BY SB: 27-0126 FOR NHA SEE: 27-81-02-05	002004 006100 107107 121503 950999	RF

MISSING ITEM NUMBERS NOT APPLICABLE

- ITEM NOT ILLUSTRATED

BRI

27-81-02-03

BOEING PROPRIETARY - Copyright © - Unpublished Work - See title page for details.

27-81-02  
FIG. 03  
PAGE 3  
JAN 20/09



757

PARTS CATALOG (MAINTENANCE)

FIG ITEM	PART NUMBER	1 2 3 4 5 6 7	NOMENCLATURE	EFFECT FROM TO	UNITS PER ASSY
3 - 2	114N4004-177SP		SLAT ASSY-NO. 3 WING LE POSITION DATA: OSS 438.10 TO 573.30 LH COMPONENT MAINT MANUAL REF: 57-43-24 QUALIFIED I/W DATA: -177SP IS CONDITIONALLY INTERCHANGEABLE WITH -165SP PER THE REQUIREMENTS OF S/B 757-57-0043 AND S/B 757-57A0045 REWORKED BY SB: 27-0126 FOR NHA SEE: 27-81-02-05	002004 006100 107107 121503 950999	RF
- 2	114N4004-181SP		SLAT ASSY-NO. 3 WING LE POSITION DATA: OSS 438.10 TO 573.30 LH COMPONENT MAINT MANUAL REF: 57-43-24 QUALIFIED I/W DATA: 114N4004-181SP INTERCHANGEABLE WITH 114N4004-191SP OR -215SP IF SERVICE BULLETINS 757-27-0126 AND 757- 57-0057 ARE INCORPORATED. 114N4004-181SP INTERCHANGEABLE WITH 114N4004-165SP IF SERVICE BULLETIN 757-57A0045 IS INCORPORATED REWORKED BY SB: 27-0126	002004 006100 107107 121503 950999	RF

MISSING ITEM NUMBERS NOT APPLICABLE

- ITEM NOT ILLUSTRATED

BRI

**27-81-02-03**

BOEING PROPRIETARY - Copyright © - Unpublished Work - See title page for details.

27-81-02  
FIG. 03  
PAGE 4  
JAN 20/09



757

PARTS CATALOG (MAINTENANCE)

FIG ITEM	PART NUMBER	1 2 3 4 5 6 7	NOMENCLATURE	EFFECT FROM TO	UNITS PER ASSY
3					
- 2	114N4004-185SP		SLAT ASSY-NO. 3 WING LE POSITION DATA: OSS 438.10 TO 573.30 LH COMPONENT MAINT MANUAL REF: 57-43-24 QUALIFIED I/W DATA: 114N4004-185SP INTERCHANGEABLE WITH 114N4004-165SP IF SERVICE BULLETIN 757-57A0045 IS INCORPORATED REWORKED BY SB: 27-0126 FOR NHA SEE: 27-81-02-05	002004 006100 107107 121503 904999	RF
- 9	114N4004-191SP		SLAT ASSY-NO. 3 WING LE POSITION DATA: LH SIDE COMPONENT MAINT MANUAL REF: 57-43-24 QUALIFIED I/W DATA: -191SP INTERCHANGEABLE WITH -165SP IF S/B 757-27-0126 AND 757-57-0057 ARE INCORPORATED 114N4004-181SP INTERCHANGEABLE WITH 114N4004-191SP IF SERVICE BULLETINS 757-27-0126 AND 757-57-0057 ARE INCORPORATED. FOR NHA/OTHER SYS DET SEE: 27-81-02-05	002004 006100 107107 121503 904999	RF

MISSING ITEM NUMBERS NOT APPLICABLE

- ITEM NOT ILLUSTRATED

BRI

27-81-02-03

BOEING PROPRIETARY - Copyright © - Unpublished Work - See title page for details.

27-81-02  
FIG. 03  
PAGE 5  
JAN 20/09



757

PARTS CATALOG (MAINTENANCE)

FIG ITEM	PART NUMBER	1 2 3 4 5 6 7	NOMENCLATURE	EFFECT FROM TO	UNITS PER ASSY
3					
- 9	114N4004-195SP		SLAT ASSY-NO. 3 WING LE POSITION DATA: LH SIDE COMPONENT MAINT MANUAL REF: 57-43-24 QUALIFIED I/W DATA: 114N4004-195SP INTERCHANGEABLE WITH 114N4004-165SP IF SERVICE BULLETIN 757-57A0045 IS INCORPORATED FOR NHA SEE: 27-81-02-05	002004 006100 107107 121503 950999	RF
- 9	114N4004-165SP		SLAT ASSY-NO. 3 POSITION DATA: OSS 438.10 TO 573.30 LH COMPONENT MAINT MANUAL REF: 57-43-24 QUALIFIED I/W DATA: 114N4004-165SP INTERCHANGEABLE WITH -185SP OR -183SP OR -181SP OR -179SP OR -195SP IF SERVICE BULLETIN 757-57A0045 HAS BEEN INCORPORATED -165SP INTERCHANGEABLE WITH -191SP OR -215SP IF S/B 757-27-0126 AND 757-57-0057 ARE INCORPORATED 114N4004-165SP IS INTERCHANGEABLE WITH 114N4004-145 UPON INCORPORATION OF SERVICE BULLETIN 757-57A0045 FOR NHA SEE: 27-81-02-05	107107 904949	RF
- 10	114N4004-189SP		SLAT ASSY-NO. 3 WING LE POSITION DATA: OSS 438.10 TO 573.30 LH COMPONENT MAINT MANUAL REF: 57-43-24 FOR NHA SEE: 27-81-02-05	002004 006100 107107 121503 904999	RF

MISSING ITEM NUMBERS NOT APPLICABLE

- ITEM NOT ILLUSTRATED

27-81-02-03

27-81-02  
FIG. 03  
PAGE 6  
JAN 20/09

BRI





757

PARTS CATALOG (MAINTENANCE)

FIG ITEM	PART NUMBER	1 2 3 4 5 6 7	NOMENCLATURE	EFFECT FROM TO	UNITS PER ASSY
3					
- 11	114N4004-215SP		SLAT ASSY-NO. 3 WING LE POSITION DATA: LH SIDE COMPONENT MAINT MANUAL REF: 57-43-24 QUALIFIED I/W DATA: -215SP INTERCHANGEABLE WITH -165SP IF S/B 757-27-0126 AND 757-57-0057 ARE INCORPORATED 114N4004-181SP INTERCHANGEABLE WITH 114N4004-215SP IF SERVICE BULLETINS 757-27-0126 AND 757-57-0057 ARE INCORPORATED. POST SERVICE BULLETIN: 27-0126 FOR NHA/OTHER SYS DET SEE: 27-81-02-05	002004 006100 107107 121503 904999	RF
- 15	218N1001-27		. DUCT INSTL-WING LE ANTI-ICING POSITION DATA: LH USED ON: 114N4004-145 114N4004-165SP 114N4004-175SP 114N4004-177SP 114N4004-179SP 114N4004-181SP 114N4004-183SP 114N4004-191SP 114N4004-195SP 114N4004-215SP FOR DETAILS SEE: 30-11-01-01	002004 006100 107107 121503 904999	1
19	BACB30NR4K30		.BOLT	002004 006100 107107 121503 904999	4
22	NAS43DD4-21		. SPACER	002004 006100 107107 121503 904999	8

MISSING ITEM NUMBERS NOT APPLICABLE

- ITEM NOT ILLUSTRATED

27-81-02-03

27-81-02  
FIG. 03  
PAGE 7  
JAN 20/09

BRI



757

PARTS CATALOG (MAINTENANCE)

FIG ITEM	PART NUMBER	1 2 3 4 5 6 7	NOMENCLATURE	EFFECT FROM TO	UNITS PER ASSY
3	25	AN960KD416	.WASHER	002004 006100 107107 121503 904999	8
	28	BACW10P186C	.WASHER	002004 006100 107107 121503 904999	16
32	BRH10C4D	.NUT	SUPPLIER CODE: V52828 SPECIFICATION NUMBER: BACN10JC4CD OPTIONAL PART: T6C428JCD V11815 NS202486-048 V80539 102LH9075-4W V72962 H51650-4BAC V15653	002004 006100 107107 121503 904999	4
				002004 006100 107107 121503 904999	
90	BACB30NN3K4	.BOLT		002004 006100 107107 121503 904999	4
95	BACB30NN3K5	.BOLT		002004 006100 107107 121503 904999	2
100	BACB30NN3K6	.BOLT		002004 006100 107107 121503 904999	6
105	BACB30NN3K7	.BOLT		002004 006100 107107 121503 904999	2
110	BACB30NM3K3	.BOLT		002004 006100 107107 121503 904999	2

MISSING ITEM NUMBERS NOT APPLICABLE

- ITEM NOT ILLUSTRATED

27-81-02-03

27-81-02  
FIG. 03  
PAGE 8  
JAN 20/09

BRI



757

PARTS CATALOG (MAINTENANCE)

FIG ITEM	PART NUMBER	1 2 3 4 5 6 7	NOMENCLATURE	EFFECT FROM TO	UNITS PER ASSY
3					
112	BACB30NM3K3	.BOLT-	USED ON: 114N4004-191SP 114N4004-215SP	002004 006100 107107 121503 904999	1
113	BACB30NM3K7	.BOLT-	USED ON: 114N4004-191SP 114N4004-215SP	002004 006100 107107 121503 904999	1
115	BACB30NM3K5	.BOLT		002004 006100 107107 121503 904999	4
117	BACB30NM3K5	.BOLT-	USED ON: 114N4004-191SP 114N4004-215SP	002004 006100 107107 121503 904999	4
120	AN960KD10	.WASHER		002004 006100 107107 121503 904999	6
120	NAS1149D0363K	.WASHER-	USED ON: 114N4004-191SP 114N4004-215SP	002004 006100 107107 121503 904999	6
125	BRH10C3D	.NUT	SUPPLIER CODE: V52828 SPECIFICATION NUMBER: BACN10JC3CD OPTIONAL PART: T6C1032JCD V11815 NS202486-02 V80539 102LH9075-3W V72962 H51650-3BAC V15653	002004 006100 107107 121503 904999	6
130	114N4045-61	.RETAINER		002004 006100 107107 121503 904999	1

MISSING ITEM NUMBERS NOT APPLICABLE

- ITEM NOT ILLUSTRATED

27-81-02-03

27-81-02  
FIG. 03  
PAGE 9  
JAN 20/09

BRI

BOEING PROPRIETARY - Copyright © - Unpublished Work - See title page for details.



757

PARTS CATALOG (MAINTENANCE)

FIG ITEM	PART NUMBER	1 2 3 4 5 6 7	NOMENCLATURE	EFFECT FROM TO	UNITS PER ASSY
3					
140	114N4045-23	.	SEAL- ALTERED FROM PART NUMBER: 10-60754-483	002004 006100 107107 121503 904999	1
150	114N4045-59	.	RETAINER	002004 006100 107107 121503 904999	1
160	114N4045-51	.	RETAINER	002004 006100 107107 121503 904999	1
165	114N4045-101	.	SHIELD-EROSION ALTERED FROM PART NUMBER: 114N4081-9 FOR SPARES PROCURE: 114N4081-9	002004 006100 107107 121503 904999	1
175	114N4045-103	.	SHIELD-EROSION ALTERED FROM PART NUMBER: 114N4081-9 FOR SPARES PROCURE: 114N4081-9	002004 006100 107107 121503 904999	1
185	114N4045-17	.	SEAL- ALTERED FROM PART NUMBER: 10-60754-485	002004 006100 107107 121503 904999	1
195	114N4045-53	.	RETAINER	002004 006100 107107 121503 904999	1
205	114N4045-57	.	RETAINER	002004 006100 107107 121503 904999	1
215	114N4045-21	.	SEAL- ALTERED FROM PART NUMBER: 10-60754-485	002004 006100 107107 121503 904999	1

MISSING ITEM NUMBERS NOT APPLICABLE

- ITEM NOT ILLUSTRATED

27-81-02-03

27-81-02  
FIG. 03  
PAGE 10  
JAN 20/09

BRI

BOEING PROPRIETARY - Copyright © - Unpublished Work - See title page for details.



757

PARTS CATALOG (MAINTENANCE)

FIG ITEM	PART NUMBER	1 2 3 4 5 6 7	NOMENCLATURE	EFFECT FROM TO	UNITS PER ASSY
3					
225	114N4045-107		.SHIELD-EROSION ALTERED FROM PART NUMBER: 114N4081-9 FOR SPARES PROCURE: 114N4081-9	002004 006100 107107 121503 904999	1
235	114N4045-55		.RETAINER	002004 006100 107107 121503 904999	1
245	114N4045-19		.SEAL- POSITION DATA: LH SIDE ALTERED FROM PART NUMBER: 10-60754-485	002004 006100 107107 121503 904999	1
255	114N4045-105		.SHIELD-EROSION ALTERED FROM PART NUMBER: 114N4081-9 FOR SPARES PROCURE: 114N4081-9	002004 006100 107107 121503 904999	1
265	BACB30NM3K3		.BOLT	002004 006100 107107 121503 904999	6
270	AN960KD10		.WASHER	002004 006100 107107 121503 904999	6
275	BRH10C3D		.NUT SUPPLIER CODE: V52828 SPECIFICATION NUMBER: BACN10JC3CD OPTIONAL PART: T6C1032JCD V11815 NS202486-02 V80539 102LH9075-3W V72962 H51650-3BAC V15653	002004 006100 107107 121503 904999	6
277	114N4044-79		.RETAINER	002004 006100 107107 121503 904999	1

MISSING ITEM NUMBERS NOT APPLICABLE

- ITEM NOT ILLUSTRATED

BRI

27-81-02-03

27-81-02  
FIG. 03  
PAGE 11  
JAN 20/09



757

PARTS CATALOG (MAINTENANCE)

FIG ITEM	PART NUMBER	1 2 3 4 5 6 7	NOMENCLATURE	EFFECT FROM TO	UNITS PER ASSY
3					
279	114N4044-101	.	RETAINER	002004 006100 107107 121503 904999	1
280	114N4044-91	.	SEAL- ALTERED FROM PART NUMBER: 10-60754-491	002004 006100 107107 121503 904999	1
290	114N4044-95	.	SEAL- ALTERED FROM PART NUMBER: 10-60754-492	002004 006100 107107 121503 904999	1
300	BACB30NM3K5	.	BOLT- USED ON: 114N4004-195SP PRE SERVICE BULLETIN: 27-0126	002004 006100 107107 121503 904999	7
305	BACB30NM3K5	.	BOLT- USED ON: 114N4004-165SP 114N4004-195SP	002004 006100 107107 121503 904999	42
315	BACB30NM3K5	.	BOLT- USED ON: 114N4004-195SP 114N4004-181SP 114N4004-183SP USED ON: 114N4004-181SP POST SERVICE BULLETIN: 27-0126	002004 006100 904949	1
316	BACB30NM3K5	.	BOLT- USED ON: 114N4004-181SP 114N4004-183SP USED ON: 114N4004-181SP PRE SERVICE BULLETIN: 27-0126	002004 006100 107107 121503 904999	2
317	BACB30NM3K5	.	BOLT- USED ON: 114N4004-181SP 114N4004-183SP USED ON: 114N4004-181SP	002004 006100 107107 121503 904999	41

MISSING ITEM NUMBERS NOT APPLICABLE

- ITEM NOT ILLUSTRATED

27-81-02-03

27-81-02  
FIG. 03  
PAGE 12  
JAN 20/09

BRI

BOEING PROPRIETARY - Copyright © - Unpublished Work - See title page for details.



757

PARTS CATALOG (MAINTENANCE)

FIG ITEM	PART NUMBER	1 2 3 4 5 6 7	NOMENCLATURE	EFFECT FROM TO	UNITS PER ASSY
3 318	BACB30NM3K5		.BOLT- USED ON: 114N4004-191SP 114N4004-215SP	002004 006100 107107 121503 904999	42
- 320	BACB30NM3K7		.BOLT- USED ON: 114N4004-181SP 114N4004-183SP USED ON: 114N4004-181SP PRE SERVICE BULLETIN: 27-0126	002004 006100 107107 121503 904999	6
322	BACB30NM3K7		.BOLT- USED ON: 114N4004-191SP 114N4004-215SP POST SERVICE BULLETIN: 27-0126	002004 006100 107107 121503 904999	5
324	AN960KD10L		.WASHER- USED ON: 114N4004-181SP 114N4004-183SP USED ON: 114N4004-181SP POST SERVICE BULLETIN: 27-0126	002004 006100 904949	1
325	AN960KD10L		.WASHER- USED ON: 114N4004-195SP 114N4004-165 114N4004-165SP 114N4004-165BAB	002004 006100 107107 121503 904999	47
326	AN960KD10L		.WASHER- USED ON: 114N4004-195SP 114N4004-165 114N4004-165SP 114N4004-165BAB PRE SERVICE BULLETIN: 27-0126	002004 006100 107107 121503 904999	2
327	AN960KD10L		.WASHER- USED ON: 114N4004-181SP 114N4004-183SP USED ON: 114N4004-181SP	002004 006100 107107 121503 904999	28

MISSING ITEM NUMBERS NOT APPLICABLE

- ITEM NOT ILLUSTRATED

27-81-02-03

27-81-02  
FIG. 03  
PAGE 13  
JAN 20/09

BRI



757

PARTS CATALOG (MAINTENANCE)

FIG ITEM	PART NUMBER	1 2 3 4 5 6 7	NOMENCLATURE	EFFECT FROM TO	UNITS PER ASSY
3 328	NAS1149D0332J		.WASHER- USED ON: 114N4004-181SP 114N4004-183SP 114N4004-191SP 114N4004-215SP	002004 006100 107107 121503 904999	18
328A	NAS1149D0332J		.WASHER- USED ON: 114N4004-181SP 114N4004-183SP 114N4004-191SP 114N4004-215SP USED ON: 114N4004-181SP	002004 006100 107107 121503 904999	2
329	NAS1149D0332K		.WASHER- USED ON: 114N4004-191SP 114N4004-215SP	002004 006100 107107 121503 904999	29
330	BACC10DK3		.CLAMP- USED ON: 114N4004-195SP 114N4004-165 114N4004-165SP 114N4004-165BAB PRE SERVICE BULLETIN: 27-0126	002004 006100 107107 121503 904999	6
333	BACC10DK4		.CLAMP- USED ON: 114N4004-195SP 114N4004-165 114N4004-165SP 114N4004-165BAB 114N4004-215SP POST SERVICE BULLETIN: 27-0126	002004 006100 107107 121503 904999	5
335	114N4046-49		.RETAINER	002004 006100 107107 121503 904999	1

MISSING ITEM NUMBERS NOT APPLICABLE

- ITEM NOT ILLUSTRATED

27-81-02-03

27-81-02  
FIG. 03  
PAGE 14  
JAN 20/09

BRI

BOEING PROPRIETARY - Copyright © - Unpublished Work - See title page for details.





757

PARTS CATALOG (MAINTENANCE)

FIG ITEM	PART NUMBER	1 2 3 4 5 6 7	NOMENCLATURE	EFFECT FROM TO	UNITS PER ASSY
3					
340	114N4046-37	.	RETAINER	002004 006100 107107 121503 904999	1
345	114N4046-17	.	SEAL- ALTERED FROM PART NUMBER: 10-60754-319 MANUFACTURED FROM: EXTRUSION RUBBER 10-60754-319 117.0 IN.	002004 006100 107107 121503 904999	1
355	114N4046-19	.	SEAL- ALTERED FROM PART NUMBER: 10-60754-319 MANUFACTURED FROM: EXTRUSION RUBBER 10-60754-319 21.0 IN.	002004 006100 107107 121503 904999	1
365	BACB30NN3K6	.	BOLT	002004 006100 107107 121503 904999	6
370	BACR15CE6AD	.	RIVET- SIZE DETERMINED ON INSTL.	002004 006100 107107 121503 904999	126
375	NAS1399MW6-4	.	RIVET	002004 006100 107107 121503 904999	2
377	BRFR220C3-2D	.	NUTPLATE SUPPLIER CODE: V52828 SPECIFICATION NUMBER: BACN10KE3B2CD OPTIONAL PART: F51747-3-2CD V15653 102A9213-2-3 V72962 NS202493-02-2 V80539	002004 006100 107107 121503 904999	6

MISSING ITEM NUMBERS NOT APPLICABLE

- ITEM NOT ILLUSTRATED

27-81-02-03

27-81-02  
FIG. 03  
PAGE 15  
JAN 20/09

BRI



757

PARTS CATALOG (MAINTENANCE)

FIG ITEM	PART NUMBER	1 2 3 4 5 6 7	NOMENCLATURE	EFFECT FROM TO	UNITS PER ASSY
3			ATTACHING PARTS		
- 378	BACR15BA3AD		.RIVET- SIZE DETERMINED ON INSTL.	002004 006100 107107 121503 904999	12
380	114N4058-17		-----*----- .SKIN-FLEXIBLE	002004 006100 107107 121503 904999	1
395	114N4066-1		.SEAL-	002004 006100 107107 121503 904999	1
395	114N4066-3		.SEAL-	002004 006100 107107 121503 904999	1
405	MS24665-153		.PIN- PRE SERVICE BULLETIN: 57-0057	002004 006100 121503 904952	2
405	BACP18BC02A06P		.PIN- POST SERVICE BULLETIN: 57-0057	002004 006100 107107 121503 904999	2
410	114N4052-1		.BOLT ASSY- PRE SERVICE BULLETIN: 57-0057	002004 006100 121503 904952	2
410	BACB30LE4DU19		.BOLT- POST SERVICE BULLETIN: 57-0057	002004 006100 107107 121503 904999	2
415	MS15001-1		..FITTING- USED ON: 114N4052-1	002004 006100 121503 904952	1
420	114N4052-2		..BOLT-	002004 006100 121503 904952	1

MISSING ITEM NUMBERS NOT APPLICABLE

- ITEM NOT ILLUSTRATED

27-81-02-03

27-81-02  
FIG. 03  
PAGE 16  
JAN 20/09

BRI

BOEING PROPRIETARY - Copyright © - Unpublished Work - See title page for details.



757

PARTS CATALOG (MAINTENANCE)

FIG ITEM	PART NUMBER	1 2 3 4 5 6 7	NOMENCLATURE	EFFECT FROM TO	UNITS PER ASSY
3					
425	BACW10BP4DP	.	WASHER-	002004 006100 107107 121503 904999	2
430	BACW10P250C	.	WASHER-	002004 006100 107107 121503 904999	8
432	114N4156-1	.	BUSHING-	002004 006100 121503 950951 953999	4
435	114N4056-1	.	WASHER-	002004 006100 107107 121503 904999	4
440	BACW10BP4CD	.	WASHER-	002004 006100 107107 121503 904999	2
445	NAS1805-4N	.	NUT-	002004 006100 107107 121503 904999	2
450	ATF4	.	BEARING- SUPPLIER CODE: V60380 SPECIFICATION NUMBER: BACB10ET04 OPTIONAL PART: 4AFC614 V92563 YAF04B V07484 PRE SERVICE BULLETIN: 57-0057	002004 006100 121503 904952	2

MISSING ITEM NUMBERS NOT APPLICABLE

- ITEM NOT ILLUSTRATED

BRI

27-81-02-03

BOEING PROPRIETARY - Copyright © - Unpublished Work - See title page for details.

27-81-02  
FIG. 03  
PAGE 17  
JAN 20/09



757

PARTS CATALOG (MAINTENANCE)

FIG ITEM	PART NUMBER	1 2 3 4 5 6 7	NOMENCLATURE	EFFECT FROM TO	UNITS PER ASSY
3 450	ATF4SN		.BEARING- SUPPLIER CODE: V21335 SPECIFICATION NUMBER: BACB10GH04N OPTIONAL PART: CR04NAFC V92563 ATF04NSY V21335 POST SERVICE BULLETIN: 57-0057	002004 006100 107107 121503 904999	2

MISSING ITEM NUMBERS NOT APPLICABLE

- ITEM NOT ILLUSTRATED

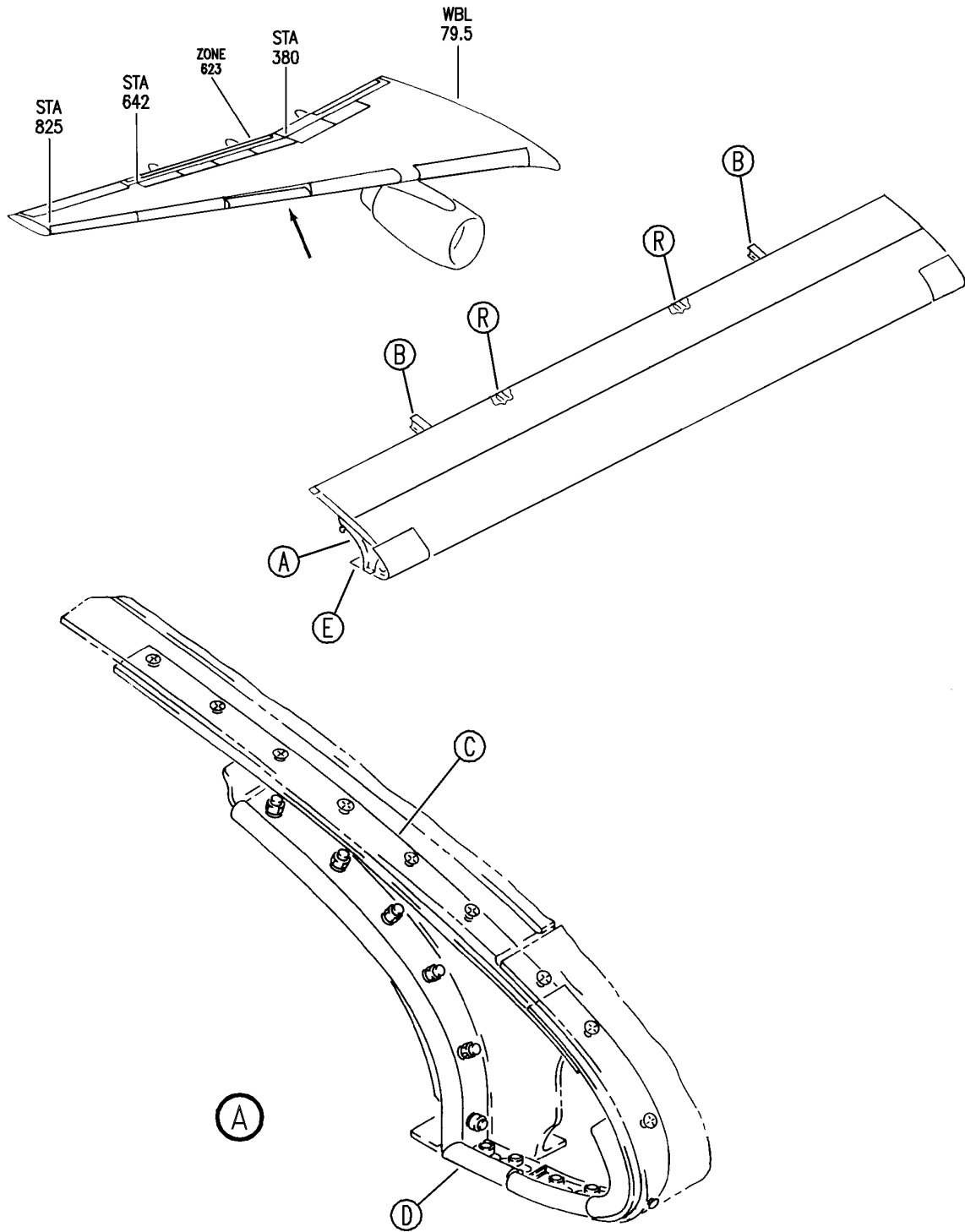
BRI

27-81-02-03

BOEING PROPRIETARY - Copyright © - Unpublished Work - See title page for details.

27-81-02  
FIG. 03  
PAGE 18  
JAN 20/09

**BOEING**  
757  
PARTS CATALOG (MAINTENANCE)



Y 27810203A SHT 1 REV 241

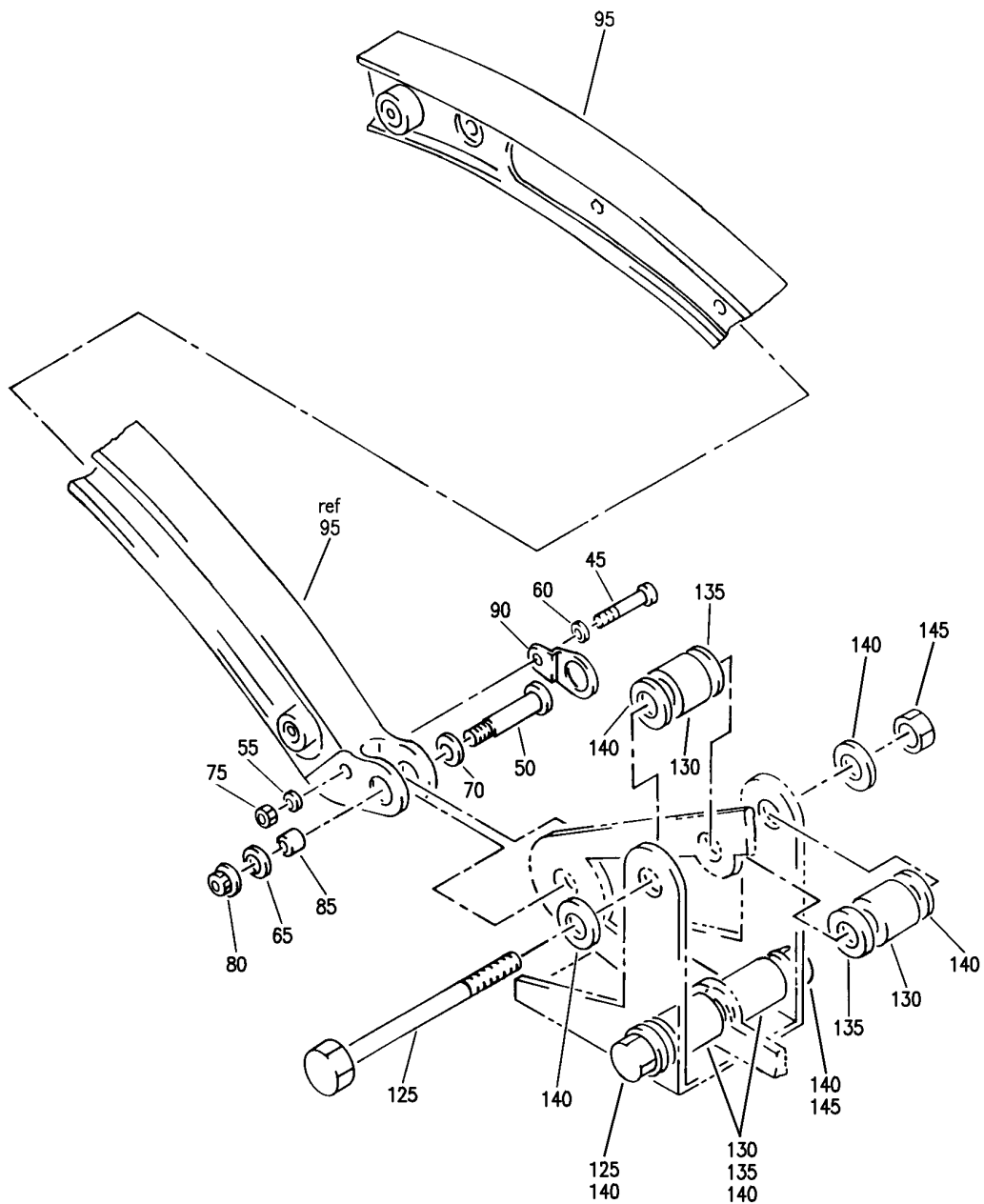
SLAT ASSY-NO. 8 OSS 438.10 TO 573.30 WING LE RH  
FIGURE 3A (SHEET 1)

**27-81-02-03A**

BRI  
MAY 28/07

27-81-02-03A  
PAGE 0

**BOEING**  
757  
PARTS CATALOG (MAINTENANCE)



(B)

Y 27810203A SHT 2 REV 248

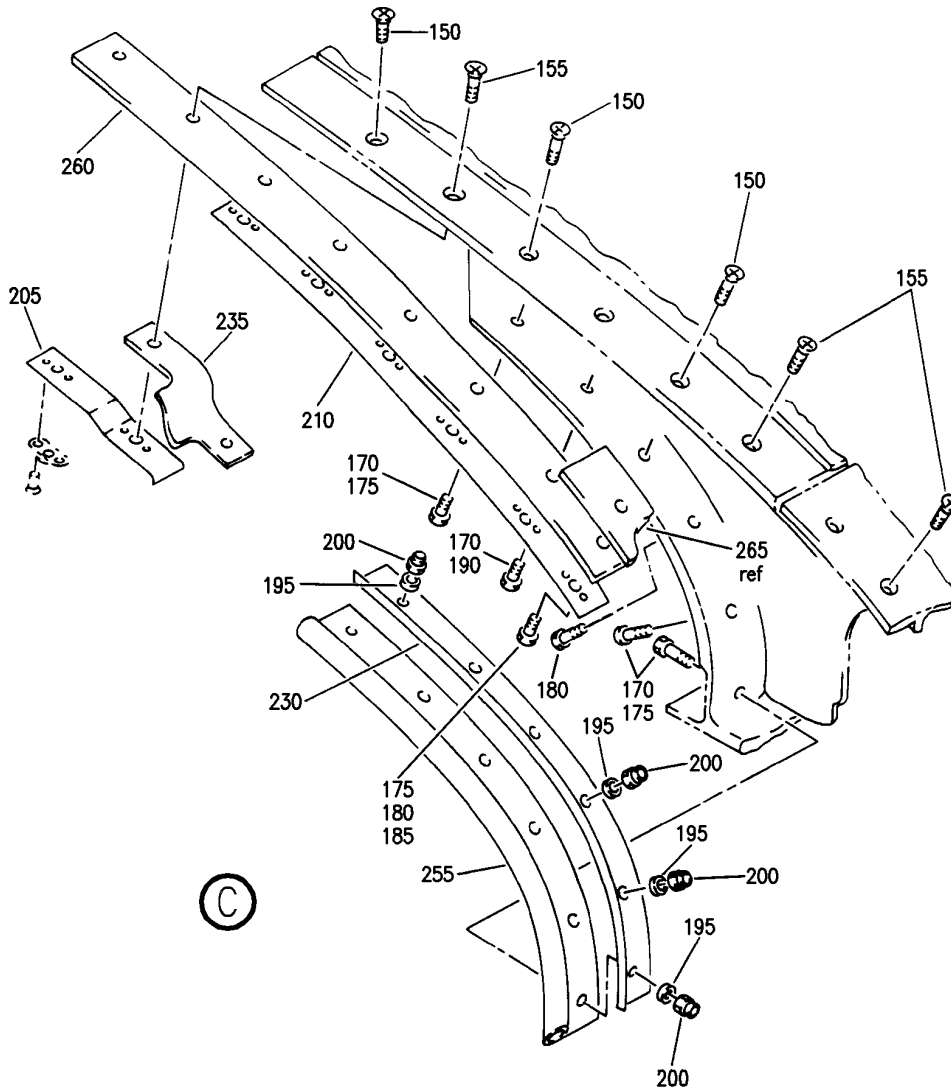
SLAT ASSY-NO. 8 OSS 438.10 TO 573.30 WING LE RH  
FIGURE 3A (SHEET 2)

**27-81-02-03A**

BRI  
MAY 28/07

27-81-02-03A  
PAGE 0A

**BOEING**  
757  
PARTS CATALOG (MAINTENANCE)



Y 27810203A SH1 3 REV 241

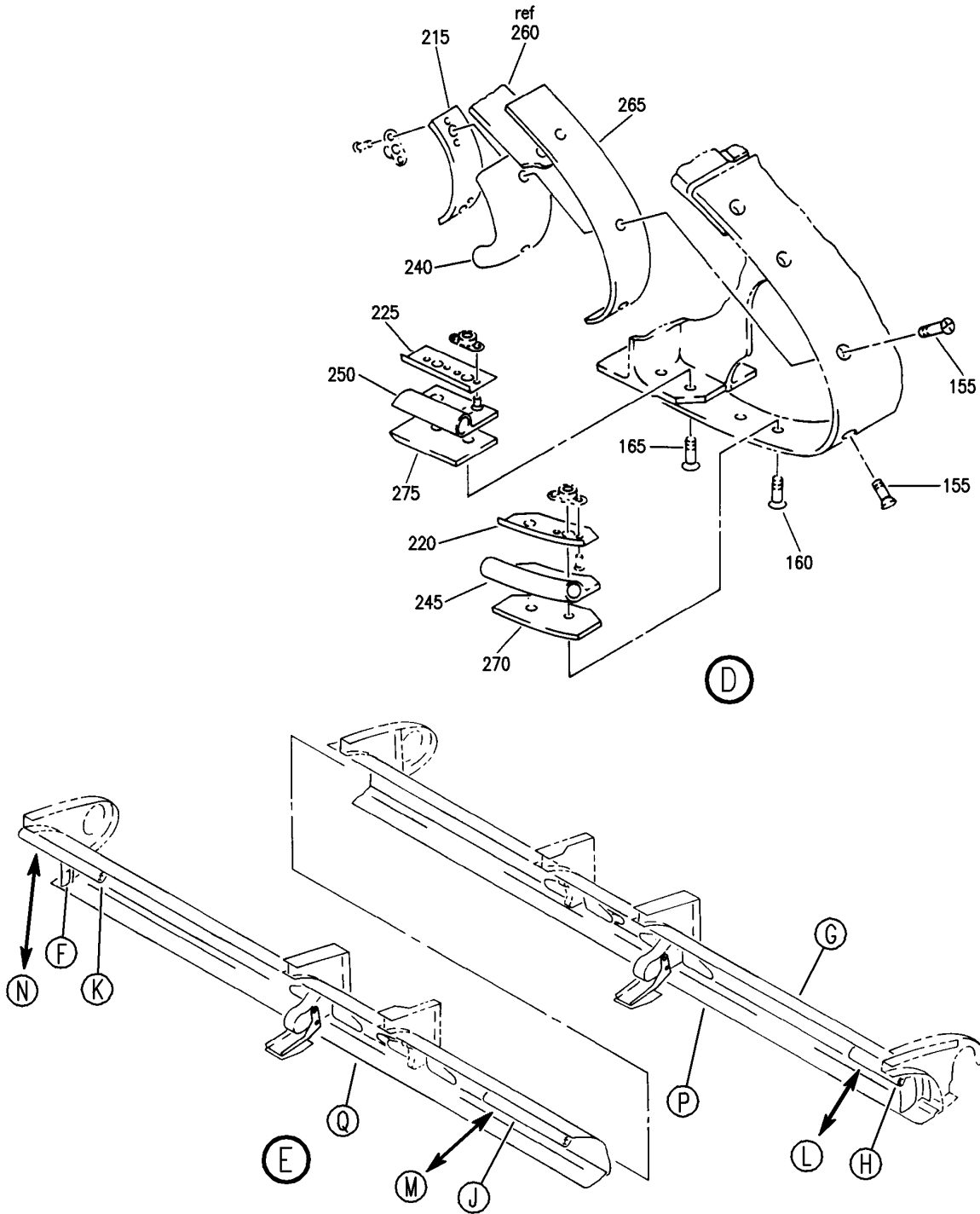
SLAT ASSY-NO. 8 OSS 438.10 TO 573.30 WING LE RH  
FIGURE 3A (SHEET 3)

**27-81-02-03A**

BRI  
MAY 28/07

27-81-02-03A  
PAGE 0B

**BOEING**  
757  
PARTS CATALOG (MAINTENANCE)



Y 27810203A SHT 4 REV 241

SLAT ASSY-NO. 8 OSS 438.10 TO 573.30 WING LE RH  
FIGURE 3A (SHEET 4)

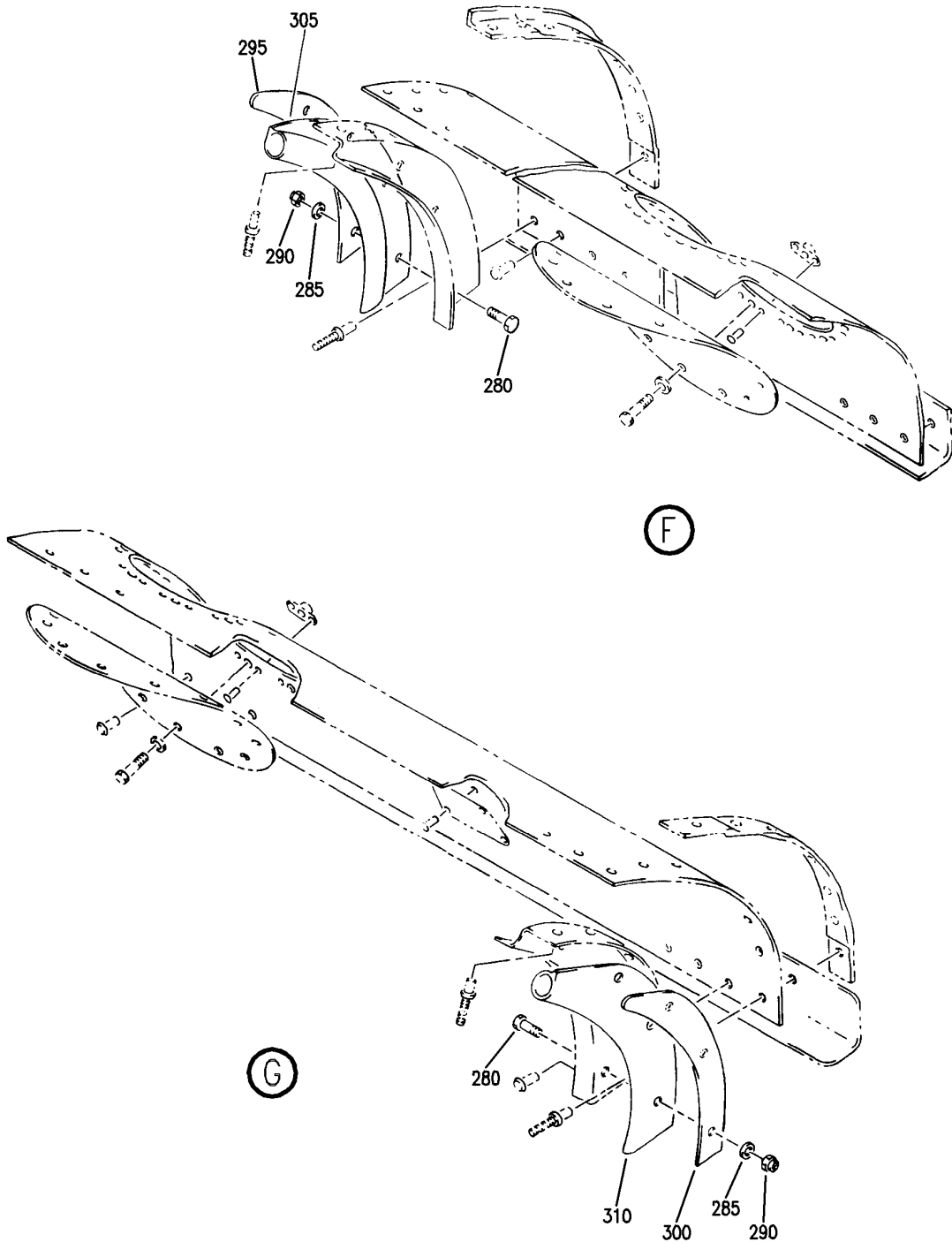
**27-81-02-03A**

BRI  
MAY 28/07

27-81-02-03A  
PAGE 0C



**BOEING**  
757  
PARTS CATALOG (MAINTENANCE)



Y 27810203A SH1 5 REV 241

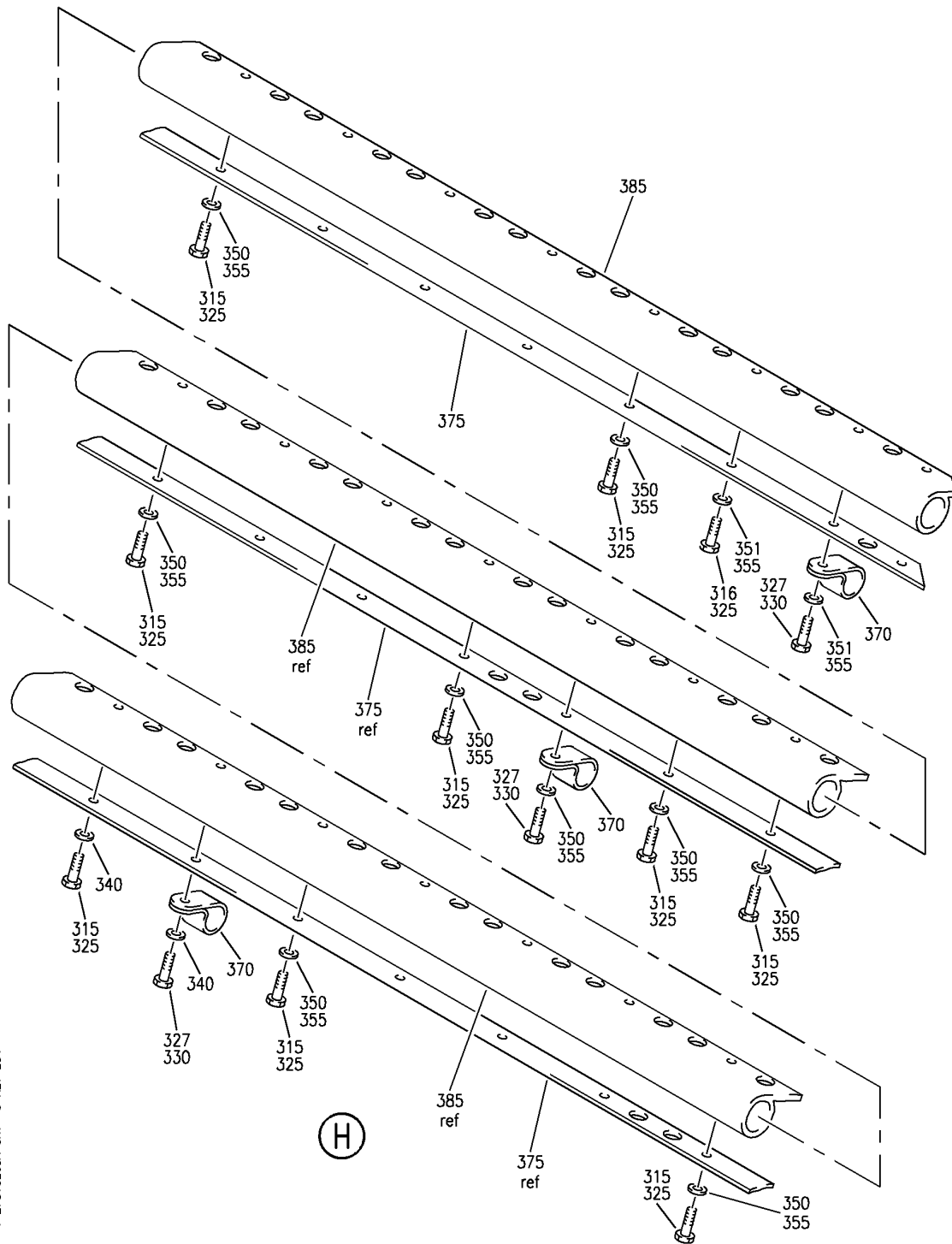
SLAT ASSY-NO. 8 OSS 438.10 TO 573.30 WING LE RH  
FIGURE 3A (SHEET 5)

**27-81-02-03A**

BRI  
MAY 28/07

27-81-02-03A  
PAGE 0D

**BOEING**  
757  
PARTS CATALOG (MAINTENANCE)



Y 27810203A SH1 6 REV 294

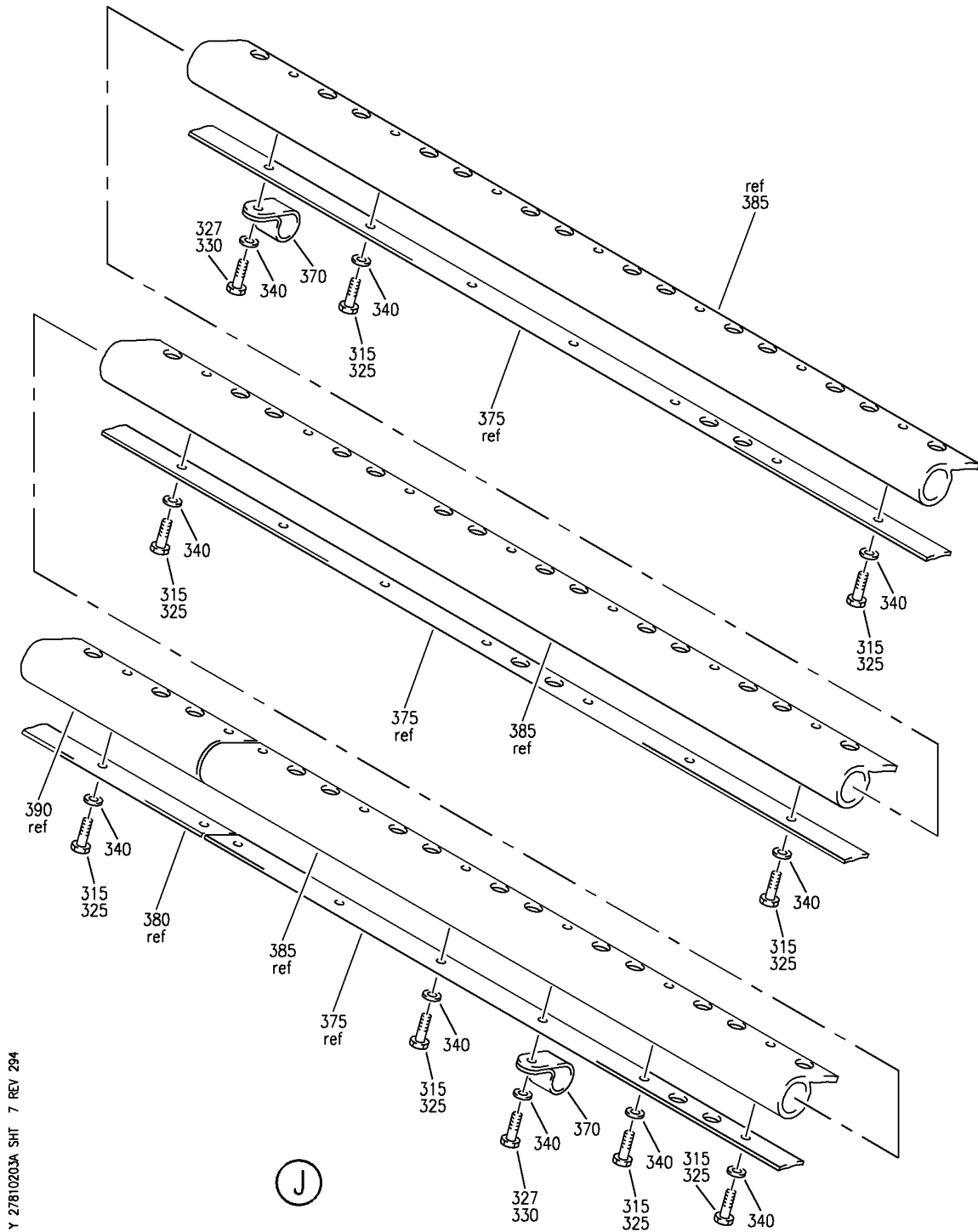
SLAT ASSY-NO. 8 OSS 438.10 TO 573.30 WING LE RH  
FIGURE 3A (SHEET 6)

**27-81-02-03A**

BRI  
MAY 28/07

27-81-02-03A  
PAGE 0E

**BOEING**  
757  
PARTS CATALOG (MAINTENANCE)



Y 27B10203A SH1 7 REV 294

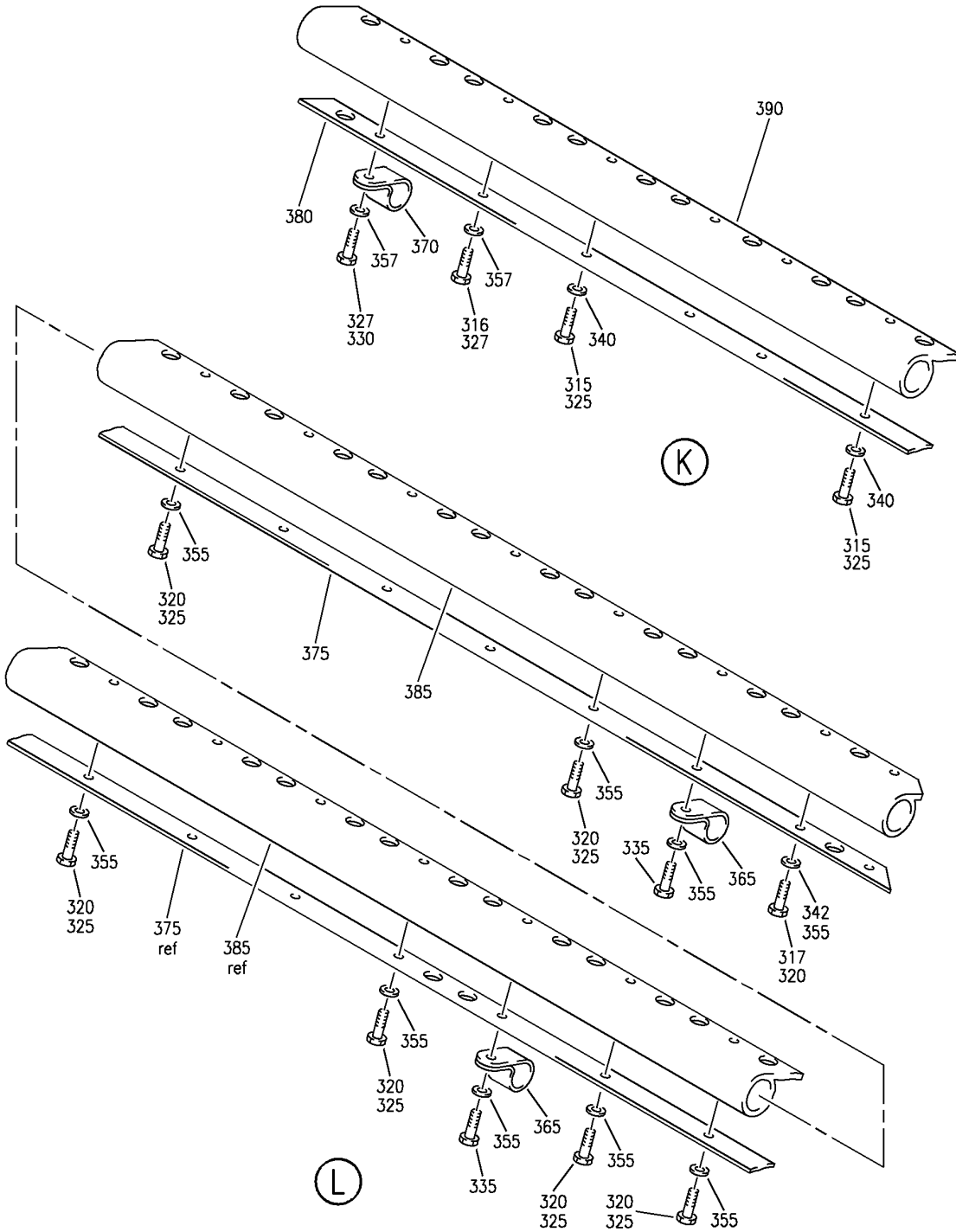
SLAT ASSY-NO. 8 OSS 438.10 TO 573.30 WING LE RH  
FIGURE 3A (SHEET 7)

**27-81-02-03A**

BRI  
MAY 28/07

27-81-02-03A  
PAGE OF

**BOEING**  
757  
PARTS CATALOG (MAINTENANCE)



Y 27B10203A SH1 8 REV 294

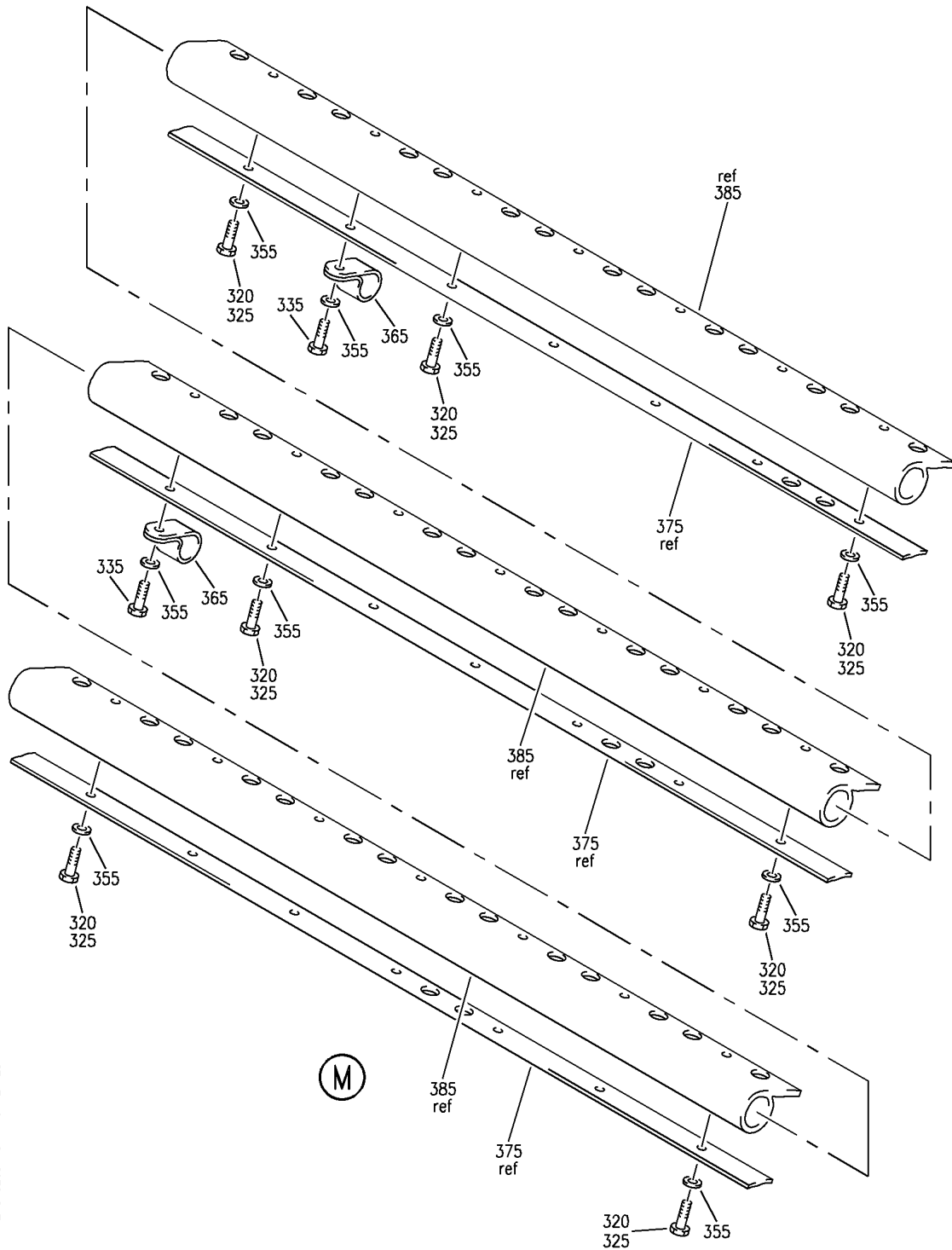
SLAT ASSY-NO. 8 OSS 438.10 TO 573.30 WING LE RH  
FIGURE 3A (SHEET 8)

**27-81-02-03A**

BRI  
MAY 28/07

27-81-02-03A  
PAGE 0G

**BOEING**  
757  
PARTS CATALOG (MAINTENANCE)



Y 27810203A SH1 9 REV 294

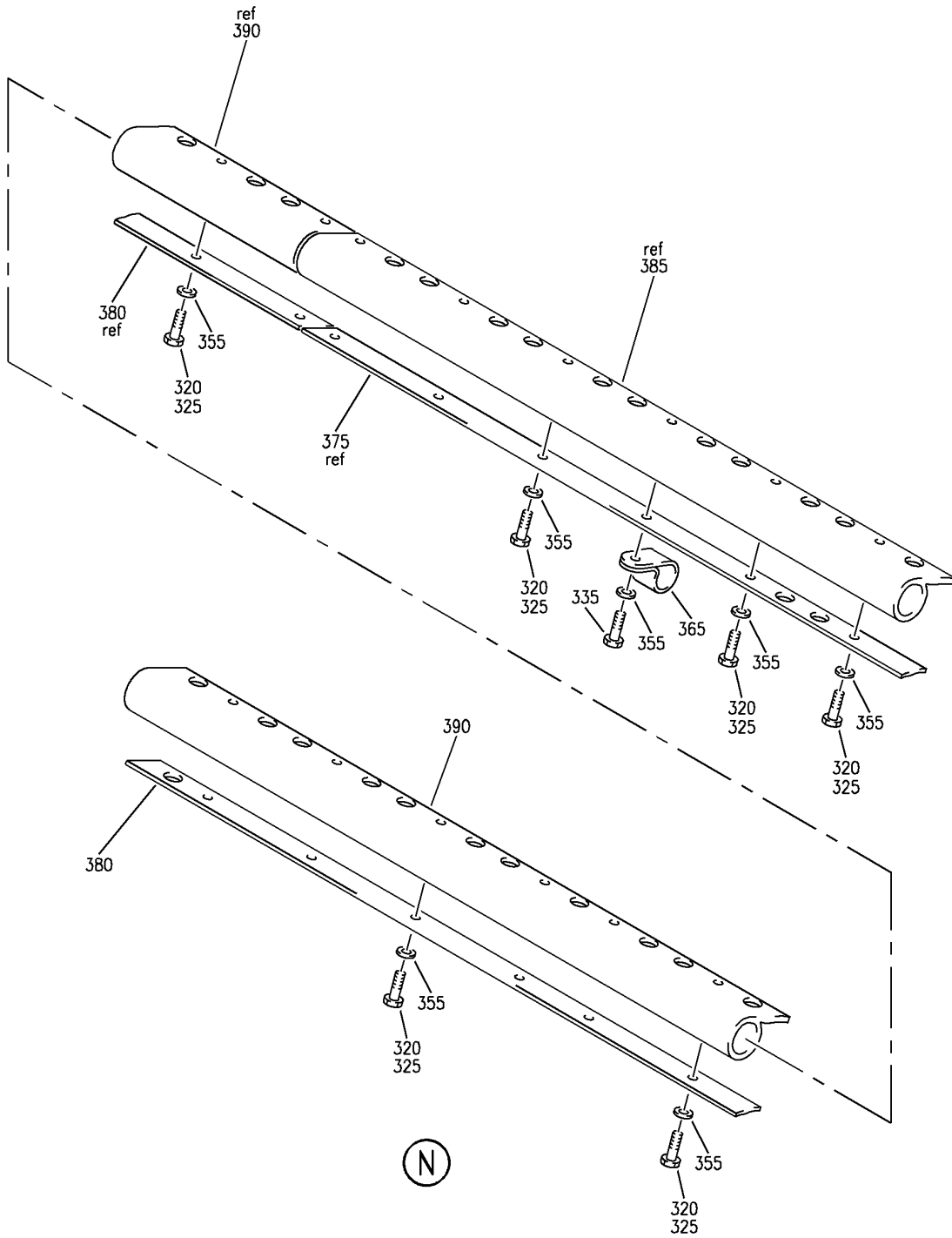
SLAT ASSY-NO. 8 OSS 438.10 TO 573.30 WING LE RH  
FIGURE 3A (SHEET 9)

BRI  
MAY 28/07

**27-81-02-03A**

27-81-02-03A  
PAGE 0H

**BOEING**  
757  
PARTS CATALOG (MAINTENANCE)



Y 27810203A SHT 10 REV 294

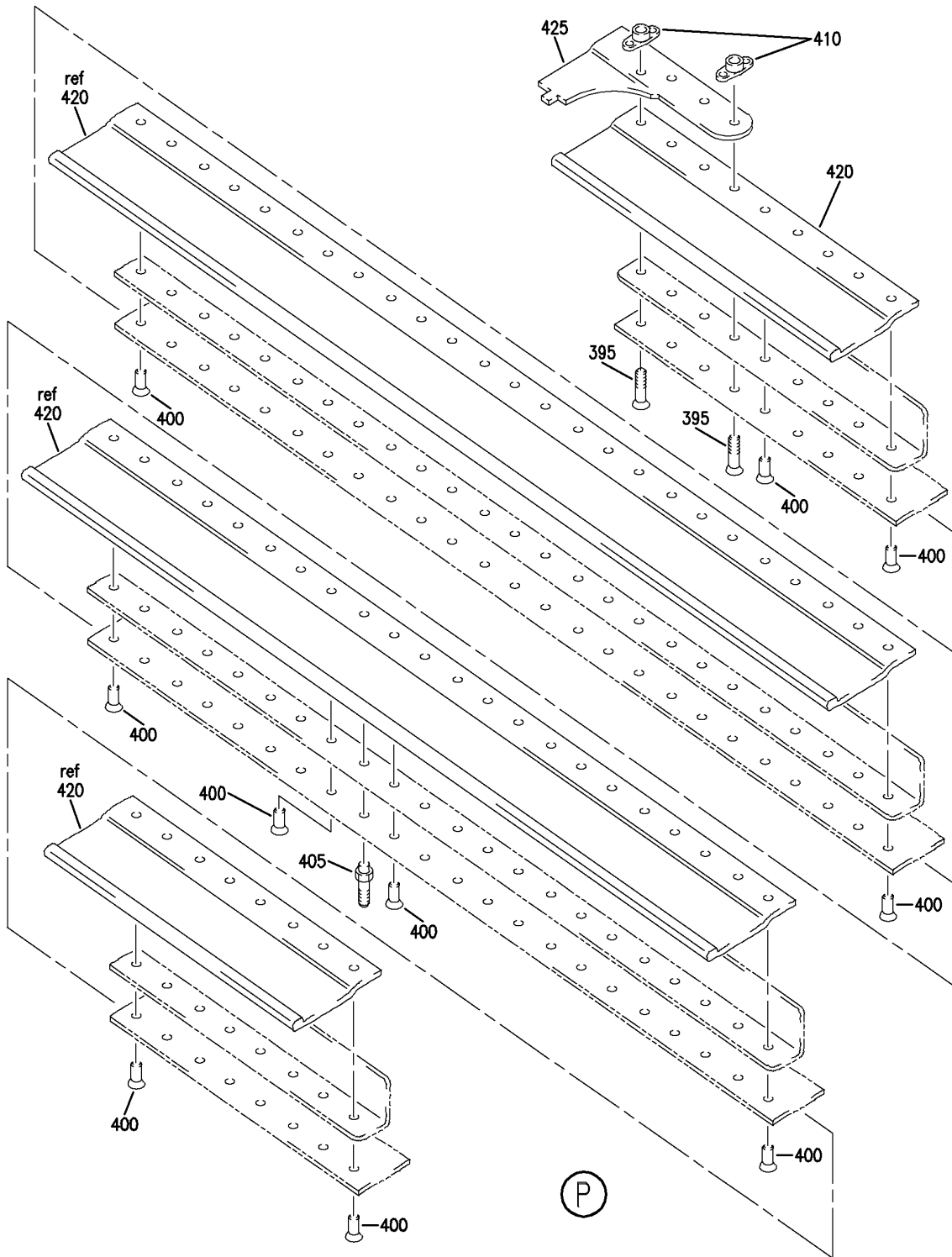
SLAT ASSY-NO. 8 OSS 438.10 TO 573.30 WING LE RH  
FIGURE 3A (SHEET 10)

**27-81-02-03A**

BRI  
MAY 28/07

27-81-02-03A  
PAGE 01

**BOEING**  
757  
PARTS CATALOG (MAINTENANCE)



Y 27810203A SH1 11 REV 241

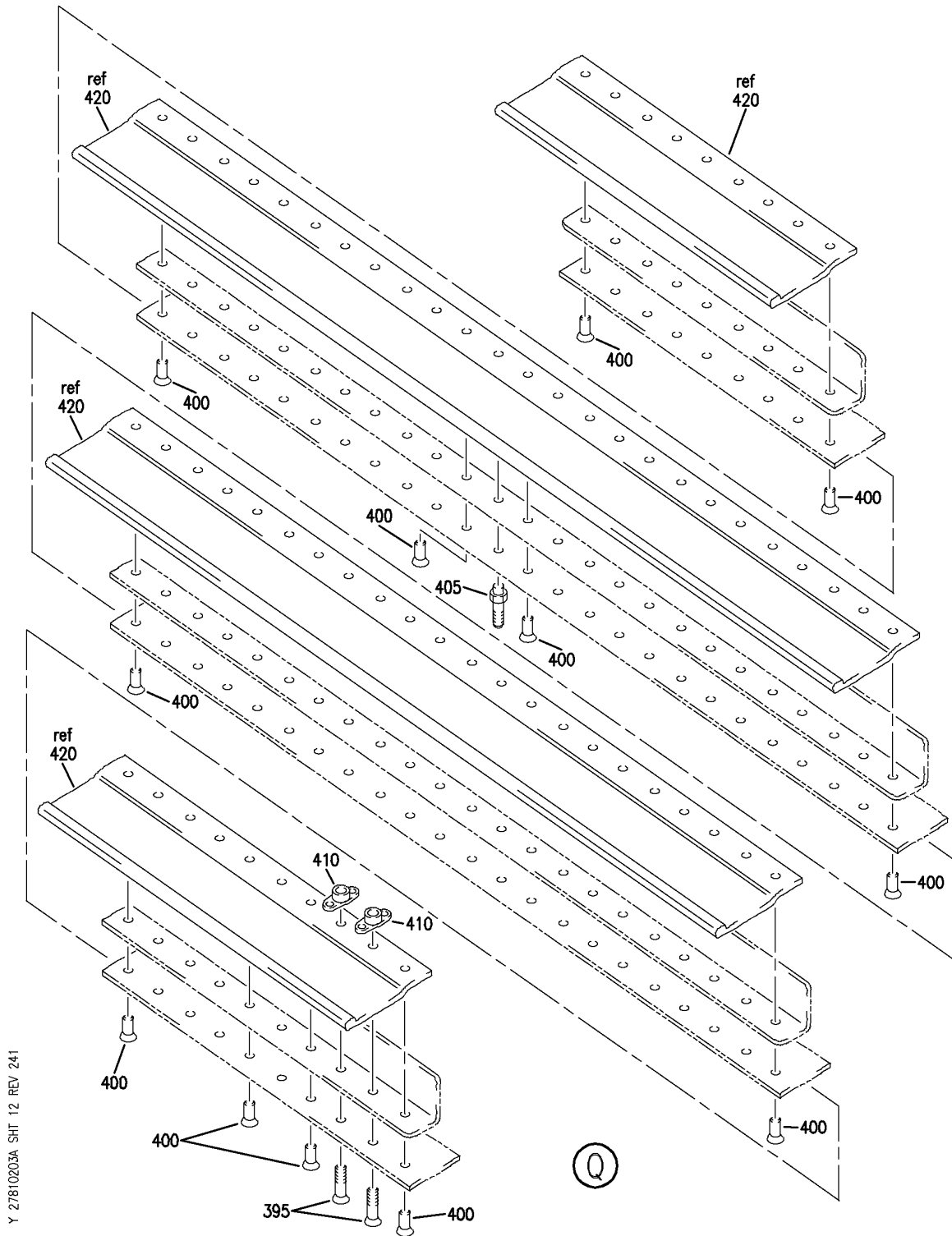
SLAT ASSY-NO. 8 OSS 438.10 TO 573.30 WING LE RH  
FIGURE 3A (SHEET 11)

**27-81-02-03A**

BRI  
MAY 28/07

27-81-02-03A  
PAGE 0J

**BOEING**  
757  
PARTS CATALOG (MAINTENANCE)



Y 27810203A SHT 12 REV 241

SLAT ASSY-NO. 8 OSS 438.10 TO 573.30 WING LE RH  
FIGURE 3A (SHEET 12)

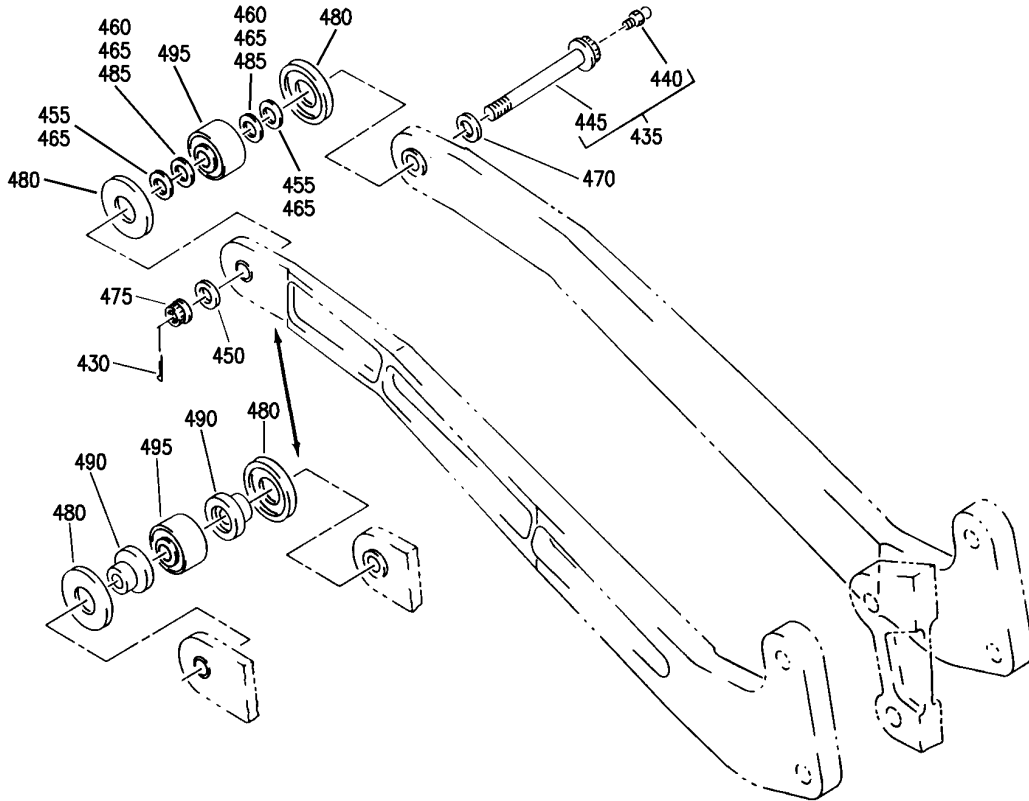
**27-81-02-03A**

BRI  
MAY 28/07

27-81-02-03A  
PAGE OK



**BOEING**  
757  
PARTS CATALOG (MAINTENANCE)



Ⓜ

Y 27810203A SHT 13 REV 241

SLAT ASSY-NO. 8 OSS 438.10 TO 573.30 WING LE RH  
FIGURE 3A (SHEET 13)

**27-81-02-03A**

BRI  
MAY 28/07

27-81-02-03A  
PAGE 01

BOEING PROPRIETARY - Copyright © - Unpublished Work - See title page for details.



757

PARTS CATALOG (MAINTENANCE)

FIG ITEM	PART NUMBER	1 2 3 4 5 6 7	NOMENCLATURE	EFFECT FROM TO	UNITS PER ASSY
3A			SLAT ASSY-NO. 8 OSS 438.10 TO 573.30 WING LE RH	002004 006100 107107 121503 904999	
- 1	114N4004-146		SLAT ASSY-NO. 8 WING LE BASIC POSITION DATA: OSS 438.10 TO 573.30 RH COMPONENT MAINT MANUAL REF: 57-43-24 QUALIFIED I/W DATA: -146 IS I/W -140, HOWEVER, -140 CAN BE USED ONLY IF THE AIRPLANE IS RESTRICTED TO 241K MTGW 114N4004-146 INTERCHANGEABLE WITH 114N4004-166SP IF SERVICE BULLETIN 757-57A0045 IS INCORPORATED REWORKED BY SB: 27-0126 REWORKED BY ALERT SB: 57A0045R1 57A0038R6 FOR NHA SEE: 27-81-02-05A	002004 006100 107107 121503 950999	RF
- 3	114N4004-166SP		SLAT ASSY-NO. 8 WING LE BASIC POSITION DATA: OSS 438.10 TO 573.30 RH COMPONENT MAINT MANUAL REF: 57-43-24 QUALIFIED I/W DATA: -148 I/W -166SP SUBJECT TO COLOR PREFERENCE REWORKED BY SB: 27-0126 FOR NHA SEE: 27-81-02-05A	107107 904949	RF

MISSING ITEM NUMBERS NOT APPLICABLE

- ITEM NOT ILLUSTRATED

**27-81-02-03A**

27-81-02  
FIG. 03A  
PAGE 1  
JAN 20/09

BRI



757

PARTS CATALOG (MAINTENANCE)

FIG ITEM	PART NUMBER	1 2 3 4 5 6 7	NOMENCLATURE	EFFECT FROM TO	UNITS PER ASSY
3A - 3	114N4004-172SP		SLAT ASSY-NO. 8 WING LE POSITION DATA: OSS 438.10 TO 573.30 RH COMPONENT MAINT MANUAL REF: 57-43-24 QUALIFIED I/W DATA: -172SP IS CONDITIONALLY INTERCHANGEABLE WITH -166SP PER THE REQUIREMENTS OF S/B 757-57-0043 AND S/B 757-57A0045 REWORKED BY SB: 27-0126 FOR NHA SEE: 27-81-02-05A	002004 006100 107107 121503 950999	RF
- 3	114N4004-166SP		SLAT ASSY-NO. 8 WING LE COMPONENT MAINT MANUAL REF: 57-43-24 QUALIFIED I/W DATA: -178SP OR -176SP OR -172SP ARE CONDITIONALLY INTERCHANGEABLE WITH -166SP PER THE REQUIREMENTS OF S/B 757-57-0043 ABD S/B 757-57A0045 114N4004-166SP INTERCHANGEABLE WITH -180SP OR -182SP OR -184SP OR 186SP OR -196SP IF SERVICE BULLETIN 757-57A0045 IS INCORPORATED. -166SP INTERCHANGEABLE WITH -192SP OR -216SP IF S/B 757-27-0126 AND 757-57-0057 ARE INCORPORATED. 114N4004-166SP INTERCHANGEABLE WITH 114N4004-146 IF SERVICE BULLETIN 757-57A0045 IS INCORPORATED FOR NHA SEE: 27-81-02-05A	107107 904949	RF

MISSING ITEM NUMBERS NOT APPLICABLE

- ITEM NOT ILLUSTRATED

**27-81-02-03A**

27-81-02  
FIG. 03A  
PAGE 2  
JAN 20/09

BRI



757

PARTS CATALOG (MAINTENANCE)

FIG ITEM	PART NUMBER	1 2 3 4 5 6 7	NOMENCLATURE	EFFECT FROM TO	UNITS PER ASSY
3A - 3	114N4004-176SP		SLAT ASSY-NO. 8 WING LE POSITION DATA: OSS 438.10 TO 573.30 RH COMPONENT MAINT MANUAL REF: 57-43-24 QUALIFIED I/W DATA: -176SP CONDITIONALLY INTERCHANGEABLE WITH -166SP PER THE REQUIREMENTS OF S/B 757-57-0043 AND S/B 757-57A0045 REWORKED BY SB: 27-0126 FOR NHA SEE: 27-81-02-05A	002004 006100 107107 121503 950999	RF
- 3	114N4004-178SP		SLAT ASSY-NO. 8 WING LE POSITION DATA: OSS 438.10 TO 573.30 RH COMPONENT MAINT MANUAL REF: 57-43-24 QUALIFIED I/W DATA: -178SP IS CONDITIONALLY INTERCHANGEABLE WITH -166SP PER THE REQUIREMENTS OF S/B 757-57-0043 AND S/B 757-57A0045 REWORKED BY SB: 27-0126 FOR NHA SEE: 27-81-02-05A	002004 006100 107107 121503 950999	RF
- 3	114N4004-180SP		SLAT ASSY-NO. 8 WING LE POSITION DATA: OSS 438.10 TO 573.30 RH COMPONENT MAINT MANUAL REF: 57-43-24 QUALIFIED I/W DATA: 114N4004-180SP INTERCHANGEABLE WITH 114N4004-166SP IF SERVICE BULLETIN 757-57A0045 IS INCORPORATED REWORKED BY SB: 27-0126 FOR NHA SEE: 27-81-02-05A	002004 006100 107107 121503 904999	RF

MISSING ITEM NUMBERS NOT APPLICABLE

- ITEM NOT ILLUSTRATED

**27-81-02-03A**

27-81-02  
FIG. 03A  
PAGE 3  
JAN 20/09

BRI



757

PARTS CATALOG (MAINTENANCE)

FIG ITEM	PART NUMBER	1 2 3 4 5 6 7	NOMENCLATURE	EFFECT FROM TO	UNITS PER ASSY
3A - 3	114N4004-182SP		SLAT ASSY-NO. 8 WING LE POSITION DATA: OSS 438.10 TO 573.30 RH COMPONENT MAINT MANUAL REF: 57-43-24 QUALIFIED I/W DATA: 114N4004-182SP INTERCHANGEABLE WITH 114N4004-166SP IF SERVICE BULLETIN 757-57A0045 IS INCORPORATED 114N4004-182SP INTERCHANGEABLE WITH 114N4004-192SP OR -216SP IF SERVICE BULLETINS 757-27-0126 AND 757- 57-0057 ARE INCORPORATED. REWORKED BY SB: 27-0126 FOR NHA SEE: 27-81-02-05A	002004 006100 107107 121503 950999	RF
- 3	114N4004-184SP		SLAT ASSY-NO. 8 WING LE POSITION DATA: OSS 438.10 TO 573.30 RH COMPONENT MAINT MANUAL REF: 57-43-24 QUALIFIED I/W DATA: 114N4004-184SP INTERCHANGEABLE WITH 114N4004-166SP IF SERVICE BULLETIN 757-57A0045 IS INCORPORATED REWORKED BY SB: 27-0126 FOR NHA SEE: 27-81-02-05A	002004 006100 107107 121503 904999	RF

MISSING ITEM NUMBERS NOT APPLICABLE

- ITEM NOT ILLUSTRATED

**27-81-02-03A**

27-81-02  
FIG. 03A  
PAGE 4  
JAN 20/09

BRI



757

PARTS CATALOG (MAINTENANCE)

FIG ITEM	PART NUMBER	1 2 3 4 5 6 7	NOMENCLATURE	EFFECT FROM TO	UNITS PER ASSY
3A - 3	114N4004-186SP		SLAT ASSY-NO. 8 WING LE POSITION DATA: OSS 438.10 TO 573.30 RH COMPONENT MAINT MANUAL REF: 57-43-24 QUALIFIED I/W DATA: 114N4004-186SP INTERCHANGEABLE WITH 114N4004-166SP IF SERVICE BULLETIN 757-57A0045 IS INCORPORATED REWORKED BY SB: 27-0126 FOR NHA SEE: 27-81-02-07A	002004 006100 107107 121503 904999	RF
- 3	114N4004-192SP		SLAT ASSY-NO. 8 WING LE POSITION DATA: OSS 438.10 TO 573.30 RH COMPONENT MAINT MANUAL REF: 57-43-24 QUALIFIED I/W DATA: -192SP INTERCHANGEABLE WITH -166SP IF S/B 757-27-0126 AND 757-57-0057 ARE INCORPORATED 114N4004-182SP INTERCHANGEABLE WITH 114N4004-192SP IF SERVICE BULLETINS 757-27-0126 AND 757-57-0057 ARE INCORPORATED. FOR NHA/OTHER SYS DET SEE: 27-81-02-05A	002004 006100 107107 121503 904999	RF

MISSING ITEM NUMBERS NOT APPLICABLE

- ITEM NOT ILLUSTRATED

BRI

27-81-02-03A

BOEING PROPRIETARY - Copyright © - Unpublished Work - See title page for details.

27-81-02  
FIG. 03A  
PAGE 5  
JAN 20/09



757

PARTS CATALOG (MAINTENANCE)

FIG ITEM	PART NUMBER	1 2 3 4 5 6 7	NOMENCLATURE	EFFECT FROM TO	UNITS PER ASSY
3A - 3	114N4004-196SP		SLAT ASSY-NO. 8 WING LE POSITION DATA: OSS 438.10 TO 573.30 RH COMPONENT MAINT MANUAL REF: 57-43-24 QUALIFIED I/W DATA: 114N4004-196SP INTERCHANGEABLE WITH 114N4004-166SP IF SERVICE BULLETIN 757-57A0045 IS INCORPORATED REWORKED BY SB: 27-0126 FOR NHA SEE: 27-81-02-05A	002004 006100 107107 121503 950999	RF
- 5	114N4004-216SP		SLAT ASSY-NO. 8 WING LE POSITION DATA: OSS 438.10 TO 573.30 RH COMPONENT MAINT MANUAL REF: 57-43-24 QUALIFIED I/W DATA: -216SP INTERCHANGEABLE WITH -166SP IF S/B 757-27-0126 AND 757-57-0057 ARE INCORPORATED 114N4004-182SP INTERCHANGEABLE WITH 114N4004-216SP IF SERVICE BULLETINS 757-27-0126 AND 757-57-0057 ARE INCORPORATED. POST SERVICE BULLETIN: 27-0126 FOR NHA/OTHER SYS DET SEE: 27-81-02-05A	002004 006100 107107 121503 904999	RF

MISSING ITEM NUMBERS NOT APPLICABLE

- ITEM NOT ILLUSTRATED

BRI

27-81-02-03A

BOEING PROPRIETARY - Copyright © - Unpublished Work - See title page for details.

27-81-02  
FIG. 03A  
PAGE 6  
JAN 20/09



757

PARTS CATALOG (MAINTENANCE)

FIG ITEM	PART NUMBER	1 2 3 4 5 6 7	NOMENCLATURE	EFFECT FROM TO	UNITS PER ASSY
3A - 7	114N4004-190SP		SLAT ASSY-NO. 8 WING LE POSITION DATA: OSS 438.10 TO 573.30 RH COMPONENT MAINT MANUAL REF: 57-43-24 QUALIFIED I/W DATA: -188SP MAY REPLACE -192SP OR -190SP OR -184SP OR -196SP OR -182SP OR -178SP OR -176SP SUBJECT TO CUSTOMER ACCEPTANCE OF WEIGHT PENALTY. -202SP MAY REPLACE -192SP OR -190SP OR -184SP OR -196SP OR -182SP OR -178SP OR -176SP SUBJECT TO CUSTOMER ACCEPTANCE OF WEIGHT PENALTY -218SP MAY REPLACE -172SP OR -190SP OR -184SP OR -196SP OR -182SP OR -178SP OR -176SP SUBJECT TO CUSTOMER ACCEPTANCE OF WEIGHT PENALTY FOR NHA SEE: 27-81-02-05A	002004 006100 107107 121503 904999	RF

MISSING ITEM NUMBERS NOT APPLICABLE

- ITEM NOT ILLUSTRATED

**27-81-02-03A**

27-81-02  
 FIG. 03A  
 PAGE 7  
 JAN 20/09

BRI





757

PARTS CATALOG (MAINTENANCE)

FIG ITEM	PART NUMBER	1 2 3 4 5 6 7	NOMENCLATURE	EFFECT FROM TO	UNITS PER ASSY
3A - 40	218N1001-28		.DUCT INSTL-WING LE ANTI-ICING USED ON: 114N4004-146 114N4004-146BAB 114N4004-166 114N4004-166SP 114N4004-166BAB 114N4004-166A 114N4004-166B 114N4004-176 114N4004-176SP 114N4004-176BAB 114N4004-176A 114N4004-178 114N4004-178SP 114N4004-178BAB 114N4004-178A 114N4004-178C 114N4004-180SP 114N4004-180A 114N4004-182SP 114N4004-182A 114N4004-182C 114N4004-184SP 114N4004-184C 114N4004-192SP 114N4004-196SP 114N4004-216SP FOR DETAILS SEE: 30-11-01-01	002004 006100 107107 121503 904999	1
125	BACB30NR4K30		.BOLT	002004 006100 107107 121503 904999	4
130	NAS43DD4-21		.SPACER	002004 006100 107107 121503 904999	8
135	AN960KD416		.WASHER	002004 006100 107107 121503 904999	8

MISSING ITEM NUMBERS NOT APPLICABLE

- ITEM NOT ILLUSTRATED

27-81-02-03A

27-81-02  
FIG. 03A  
PAGE 8  
JAN 20/09

BRI

BOEING PROPRIETARY - Copyright © - Unpublished Work - See title page for details.



757

PARTS CATALOG (MAINTENANCE)

FIG ITEM	PART NUMBER	1 2 3 4 5 6 7	NOMENCLATURE	EFFECT FROM TO	UNITS PER ASSY
3A					
140	BACW10P186C	.	WASHER	002004 006100 107107 121503 904999	16
145	BRH10C4D	.	NUT SUPPLIER CODE: V52828 SPECIFICATION NUMBER: BACN10JC4CD OPTIONAL PART: T6C428JCD V11815 NS202486-048 V80539 102LH9075-4W V72962 H51650-4BAC V15653	002004 006100 107107 121503 904999	4
150	BACB30NN3K4	.	BOLT	002004 006100 107107 121503 904999	4
155	BACB30NN3K6	.	BOLT	002004 006100 107107 121503 904999	6
160	BACB30NN3K5	.	BOLT	002004 006100 107107 121503 904999	2
165	BACB30NN3K7	.	BOLT	002004 006100 107107 121503 904999	2
170	BACB30NM3K5	.	BOLT	002004 006100 107107 121503 904999	4
175	BACB30NM3K5	.	BOLT- USED ON: 114N4004-192SP 114N4004-216SP	002004 006100 107107 121503 904999	4

MISSING ITEM NUMBERS NOT APPLICABLE

- ITEM NOT ILLUSTRATED

27-81-02-03A

27-81-02  
FIG. 03A  
PAGE 9  
JAN 20/09

BRI

BOEING PROPRIETARY - Copyright © - Unpublished Work - See title page for details.



757

PARTS CATALOG (MAINTENANCE)

FIG ITEM	PART NUMBER	1 2 3 4 5 6 7	NOMENCLATURE	EFFECT FROM TO	UNITS PER ASSY
3A 180	BACB30NM3K3	.	BOLT	002004 006100 107107 121503 904999	2
185	BACB30NM3K3	.	BOLT- USED ON: 114N4004-192SP 114N4004-216SP	002004 006100 107107 121503 904999	1
190	BACB30NM3K7	.	BOLT- USED ON: 114N4004-192SP 114N4004-216SP	002004 006100 107107 121503 904999	1
195	AN960KD10	.	WASHER	002004 006100 107107 121503 904999	6
195	NAS1149D0363J	.	WASHER- USED ON: 114N4004-192SP 114N4004-216SP	002004 006100 107107 121503 904999	6
200	BRH10C3D	.	NUT SUPPLIER CODE: V52828 SPECIFICATION NUMBER: BACN10JC3CD OPTIONAL PART: T6C1032JCD V11815 NS202486-02 V80539 102LH9075-3W V72962 H51650-3BAC V15653	002004 006100 107107 121503 904999	6
205	114N4045-61	.	RETAINER	002004 006100 107107 121503 904999	1
210	114N4045-51	.	RETAINER	002004 006100 107107 121503 904999	1

MISSING ITEM NUMBERS NOT APPLICABLE

- ITEM NOT ILLUSTRATED

27-81-02-03A

27-81-02  
FIG. 03A  
PAGE 10  
JAN 20/09

BRI

BOEING PROPRIETARY - Copyright © - Unpublished Work - See title page for details.

 **BOEING**  
757  
**PARTS CATALOG (MAINTENANCE)**

FIG ITEM	PART NUMBER	1 2 3 4 5 6 7	NOMENCLATURE	EFFECT FROM TO	UNITS PER ASSY
3A 215	114N4045-54	.	RETAINER	002004 006100 107107 121503 904999	1
220	114N4045-56	.	RETAINER	002004 006100 107107 121503 904999	1
225	114N4045-58	.	RETAINER	002004 006100 107107 121503 904999	1
230	114N4045-60	.	RETAINER	002004 006100 107107 121503 904999	1
235	114N4045-63	.	SHIELD- ALTERED FROM PART NUMBER: 114N4081-4 MANUFACTURED FROM: 114N4081-4 FOR SPARES PROCURE: 114N4081-4	002004 006100 107107 121503 904999	1
235	114N4045-135	.	SHIELD- ALTERED FROM PART NUMBER: 114N4081-4 FOR SPARES PROCURE: 114N4081-4	002004 006100 107107 121503 904999	1
240	114N4045-18	.	SEAL- ALTERED FROM PART NUMBER: 10-60754-486	002004 006100 107107 121503 904999	1
245	114N4045-20	.	SEAL- ALTERED FROM PART NUMBER: 10-60754-486	002004 006100 107107 121503 904999	1
250	114N4045-22	.	SEAL- ALTERED FROM PART NUMBER: 10-60754-486	002004 006100 107107 121503 904999	1

MISSING ITEM NUMBERS NOT APPLICABLE

— ITEM NOT ILLUSTRATED

BRI

# 27-81-02-03A

BOEING PROPRIETARY - Copyright © - Unpublished Work - See title page for details.

27-81-02  
FIG. 03A  
PAGE 11  
JAN 20/09



757

PARTS CATALOG (MAINTENANCE)

FIG ITEM	PART NUMBER	1 2 3 4 5 6 7	NOMENCLATURE	EFFECT FROM TO	UNITS PER ASSY
3A 255	114N4045-24	.	SEAL- ALTERED FROM PART NUMBER: 10-60754-484	002004 006100 107107 121503 904999	1
260	114N4045-102	.	SHIELD- ALTERED FROM PART NUMBER: 114N4081-9 FOR SPARES PROCURE: 114N4081-9	002004 006100 107107 121503 904999	1
265	114N4045-104	.	SHIELD- ALTERED FROM PART NUMBER: 114N4081-9 FOR SPARES PROCURE: 114N4081-9	002004 006100 107107 121503 904999	1
270	114N4045-106	.	SHIELD- ALTERED FROM PART NUMBER: 114N4081-9 FOR SPARES PROCURE: 114N4081-9	002004 006100 107107 121503 904999	1
275	114N4045-108	.	SHIELD- ALTERED FROM PART NUMBER: 114N4081-9 FOR SPARES PROCURE: 114N4081-9	002004 006100 107107 121503 904999	1
280	BACB30NM3K3	.	BOLT	002004 006100 107107 121503 904999	6
285	AN960KD10	.	WASHER	002004 006100 107107 121503 904999	6
290	BRH10C3D	.	NUT SUPPLIER CODE: V52828 SPECIFICATION NUMBER: BACN10JC3CD OPTIONAL PART: T6C1032JCD V11815 NS202486-02 V80539 102LH9075-3W V72962 H51650-3BAC V15653	002004 006100 107107 121503 904999	6

MISSING ITEM NUMBERS NOT APPLICABLE

- ITEM NOT ILLUSTRATED

BRI

27-81-02-03A

BOEING PROPRIETARY - Copyright © - Unpublished Work - See title page for details.

27-81-02  
FIG. 03A  
PAGE 12  
JAN 20/09



757

PARTS CATALOG (MAINTENANCE)

FIG ITEM	PART NUMBER	1 2 3 4 5 6 7	NOMENCLATURE	EFFECT FROM TO	UNITS PER ASSY
3A 295	114N4044-79	.	RETAINER	002004 006100 107107 121503 904999	1
300	114N4044-101	.	RETAINER	002004 006100 107107 121503 904999	1
305	114N4044-92	.	SEAL- ALTERED FROM PART NUMBER: 10-60754-492	002004 006100 107107 121503 904999	1
310	114N4044-96	.	SEAL- ALTERED FROM PART NUMBER: 10-60754-491	002004 006100 107107 121503 904999	1
315	BACB30NM3K5	.	BOLT- USED ON: 114N4004-182SP 114N4004-182A 114N4004-182C 114N4004-184SP 114N4004-184C USED ON: 114N4004-182SP	002004 006100 107107 121503 904999	41
316	BACB30NM3K5	.	BOLT- USED ON: 114N4004-182SP 114N4004-182A 114N4004-182C 114N4004-184SP 114N4004-184C USED ON: 114N4004-182SP PRE SERVICE BULLETIN: 27-0126	002004 006100 107107 121503 904999	2

MISSING ITEM NUMBERS NOT APPLICABLE

- ITEM NOT ILLUSTRATED

27-81-02-03A

27-81-02  
FIG. 03A  
PAGE 13  
JAN 20/09

BRI



757

PARTS CATALOG (MAINTENANCE)

FIG ITEM	PART NUMBER	1 2 3 4 5 6 7	NOMENCLATURE	EFFECT FROM TO	UNITS PER ASSY
3A 317	BACB30NM3K5		.BOLT- USED ON: 114N4004-182SP 114N4004-182A 114N4004-182C 114N4004-184SP 114N4004-184C USED ON: 114N4004-182SP POST SERVICE BULLETIN: 27-0126	002004 006100 904949	1
320	BACB30NM3K5		.BOLT- USED ON: 114N4004-192SP 114N4004-216SP	002004 006100 107107 121503 904999	42
325	BACB30NM3K5		.BOLT- USED ON: 114N4004-196SP	002004 006100 107107 121503 904999	42
327	BACB30NM3K5		.BOLT- USED ON: 114N4004-196SP PRE SERVICE BULLETIN: 27-0126	002004 006100 107107 121503 904999	7
330	BACB30NM3K7		.BOLT- USED ON: 114N4004-182SP 114N4004-182A 114N4004-182C 114N4004-184SP 114N4004-184C USED ON: 114N4004-182SP PRE SERVICE BULLETIN: 27-0126	002004 006100 107107 121503 904999	6
335	BACB30NM3K7		.BOLT- USED ON: 114N4004-192SP 114N4004-216SP POST SERVICE BULLETIN: 27-0126	002004 006100 107107 121503 904999	5

MISSING ITEM NUMBERS NOT APPLICABLE

- ITEM NOT ILLUSTRATED

27-81-02-03A

27-81-02  
FIG. 03A  
PAGE 14  
JAN 20/09

BRI

BOEING PROPRIETARY - Copyright © - Unpublished Work - See title page for details.



757

PARTS CATALOG (MAINTENANCE)

FIG ITEM	PART NUMBER	1 2 3 4 5 6 7	NOMENCLATURE	EFFECT FROM TO	UNITS PER ASSY
3A 340	AN960KD10L		.WASHER- USED ON: 114N4004-182SP 114N4004-182A 114N4004-182C 114N4004-184SP 114N4004-184C USED ON: 114N4004-182SP	002004 006100 107107 121503 904999	28
342	AN960KD10L		.WASHER- USED ON: 114N4004-182SP 114N4004-182A 114N4004-182C 114N4004-184SP 114N4004-184C USED ON: 114N4004-182SP POST SERVICE BULLETIN: 27-0126	002004 006100 107107 121503 904999	1
345	NAS1149D0332K		.WASHER- USED ON: 114N4004-192SP 114N4004-216SP	002004 006100 107107 121503 904999	29
350	NAS1149D0332J		.WASHER- USED ON: 114N4004-182SP 114N4004-184SP 114N4004-192SP 114N4004-216SP USED ON: 114N4004-182SP	002004 006100 107107 121503 904999	17
351	NAS1149D0332J		.WASHER- USED ON: 114N4004-182SP 114N4004-184SP 114N4004-192SP 114N4004-216SP USED ON: 114N4004-182SP PRE SERVICE BULLETIN: 27-0126	002004 006100 107107 121503 904999	2
355	AN960KD10L		.WASHER- USED ON: 114N4004-196SP	002004 006100 107107 121503 904999	47

MISSING ITEM NUMBERS NOT APPLICABLE

- ITEM NOT ILLUSTRATED

27-81-02-03A

27-81-02  
FIG. 03A  
PAGE 15  
JAN 20/09

BRI

BOEING PROPRIETARY - Copyright © - Unpublished Work - See title page for details.





757

PARTS CATALOG (MAINTENANCE)

FIG ITEM	PART NUMBER	1 2 3 4 5 6 7	NOMENCLATURE	EFFECT FROM TO	UNITS PER ASSY
3A 357	AN960KD10L		.WASHER- USED ON: 114N4004-182SP 114N4004-184SP USED ON: 114N4004-196SP 114N4004-182SP PRE SERVICE BULLETIN: 27-0126	002004 006100 107107 121503 904999	2
365	BACC10DK4		.CLAMP- USED ON: 114N4004-192SP 114N4004-216SP POST SERVICE BULLETIN: 27-0126	002004 006100 107107 121503 904999	5
370	BACC10DK3		.CLAMP- USED ON: 114N4004-196SP PRE SERVICE BULLETIN: 27-0126	002004 006100 107107 121503 904999	6
375	114N4046-49		.RETAINER	002004 006100 107107 121503 904999	1
380	114N4046-37		.RETAINER	002004 006100 107107 121503 904999	1
385	114N4046-18		.SEAL- ALTERED FROM PART NUMBER: 10-60754-319 MANUFACTURED FROM: EXTRUSION RUBBER 10-60754-319 117.0 IN.	002004 006100 107107 121503 904999	1
390	114N4046-20		.SEAL- ALTERED FROM PART NUMBER: 10-60754-319 MANUFACTURED FROM: EXTRUSION RUBBER 10-60754-319 21.0 IN.	002004 006100 107107 121503 904999	1
395	BACB30NN3K6		.BOLT	002004 006100 107107 121503 904999	6

MISSING ITEM NUMBERS NOT APPLICABLE

- ITEM NOT ILLUSTRATED

27-81-02-03A

27-81-02  
FIG. 03A  
PAGE 16  
JAN 20/09

BRI

BOEING PROPRIETARY - Copyright © - Unpublished Work - See title page for details.



757

PARTS CATALOG (MAINTENANCE)

FIG ITEM	PART NUMBER	1 2 3 4 5 6 7	NOMENCLATURE	EFFECT FROM TO	UNITS PER ASSY
3A 400	BACR15CE6AD	.RIVET-	SIZE DETERMINED ON INSTL.	002004 006100 107107 121503 904999	126
405	NAS1399MW5-4	.RIVET		002004 006100 107107 121503 904999	2
410	BRFR220C3-2D	.NUTPLATE	SUPPLIER CODE: V52828 SPECIFICATION NUMBER: BACN10KE3B2CD OPTIONAL PART: F51747-3-2CD V15653 102A9213-2-3 V72962 NS202493-02-2 V80539	002004 006100 107107 121503 904999	6
- 415	BACR15BA3AD	.RIVET-	ATTACHING PARTS SIZE DETERMINED ON INSTL.	002004 006100 107107 121503 904999	12
420	114N4058-18	.SKIN-FLEXIBLE	-----*----- POSITION DATA: LWR	002004 006100 107107 121503 904999	1
425	114N4066-2	.SEAL-		002004 006100 107107 121503 904999	1
425	114N4066-4	.SEAL-		002004 006100 107107 121503 904999	1
430	MS24665-153	.PIN-	PRE SERVICE BULLETIN: 57-0057	002004 006100 121503 904952	2

MISSING ITEM NUMBERS NOT APPLICABLE

- ITEM NOT ILLUSTRATED

27-81-02-03A

27-81-02  
FIG. 03A  
PAGE 17  
JAN 20/09

BRI

BOEING PROPRIETARY - Copyright © - Unpublished Work - See title page for details.



757

PARTS CATALOG (MAINTENANCE)

FIG ITEM	PART NUMBER	1 2 3 4 5 6 7	NOMENCLATURE	EFFECT FROM TO	UNITS PER ASSY
3A 430	BACP18BC02A06P	.PIN-	POST SERVICE BULLETIN: 57-0057	002004 006100 107107 121503 904999	2
435	114N4052-1	.BOLT ASSY-	PRE SERVICE BULLETIN: 57-0057	002004 006100 121503 904952	2
435	BACB30LE4DU19	.BOLT-	POST SERVICE BULLETIN: 57-0057	002004 006100 107107 121503 904999	2
440	MS15001-1	..FITTING-	USED ON: 114N4052-1	002004 006100 121503 904952	2
445	114N4052-2	..BOLT-	USED ON: 114N4052-1	002004 006100 121503 904952	2
450	BACW10BP4DP	.WASHER-		002004 006100 107107 121503 904999	2
465	BACW10P250C	.WASHER-		002004 006100 107107 121503 904999	8
470	BACW10BP4CD	.WASHER-		002004 006100 107107 121503 904999	2
475	NAS1805-4N	.NUT-		002004 006100 107107 121503 904999	2
480	114N4056-1	.WASHER-		002004 006100 107107 121503 904999	4

MISSING ITEM NUMBERS NOT APPLICABLE

- ITEM NOT ILLUSTRATED

**27-81-02-03A**

27-81-02  
FIG. 03A  
PAGE 18  
JAN 20/09

BRI

BOEING PROPRIETARY - Copyright © - Unpublished Work - See title page for details.



757

PARTS CATALOG (MAINTENANCE)

FIG ITEM	PART NUMBER	1 2 3 4 5 6 7	NOMENCLATURE	EFFECT FROM TO	UNITS PER ASSY
3A 495	ATF4		.BEARING- SUPPLIER CODE: V60380 SPECIFICATION NUMBER: BACB10ET04 OPTIONAL PART: 4AFC614 V92563 YAFO4B V07484 PRE SERVICE BULLETIN: 57-0057	002004 006100 121503 904952	2
495	ATF4SN		.BEARING- SUPPLIER CODE: V21335 SPECIFICATION NUMBER: BACB10GH04N OPTIONAL PART: CRO4NAFC V92563 ATFO4NSY V21335 POST SERVICE BULLETIN: 57-0057	002004 006100 107107 121503 904999	2

MISSING ITEM NUMBERS NOT APPLICABLE

- ITEM NOT ILLUSTRATED

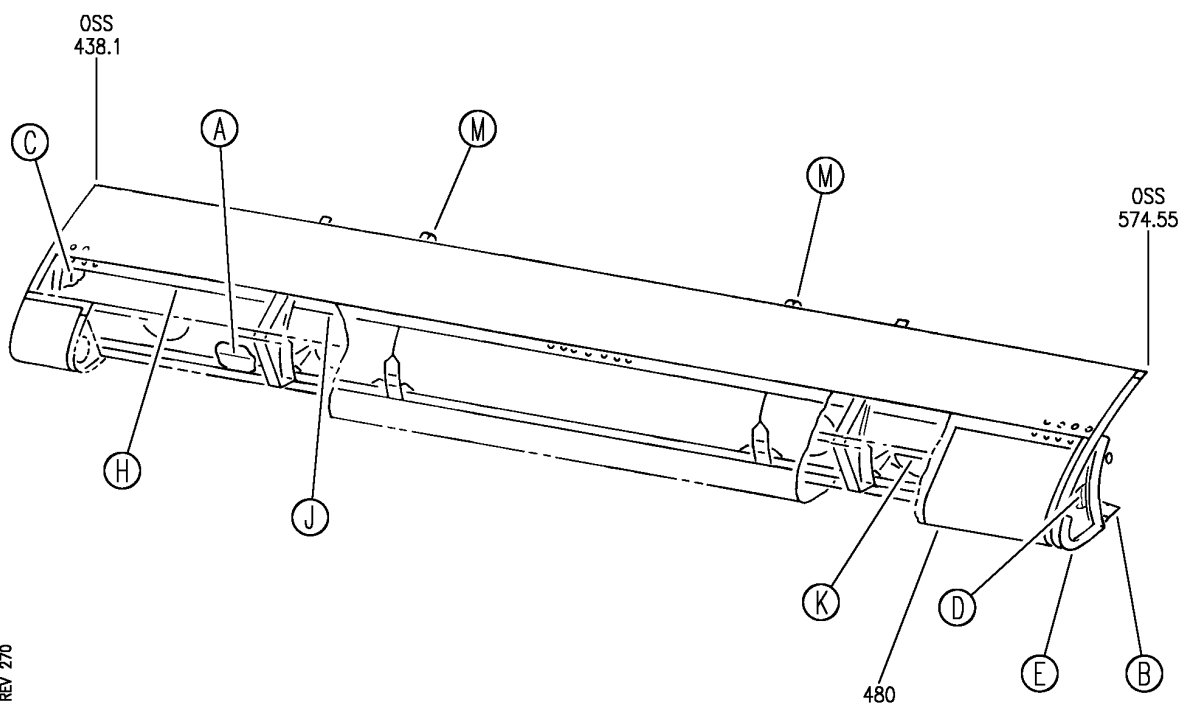
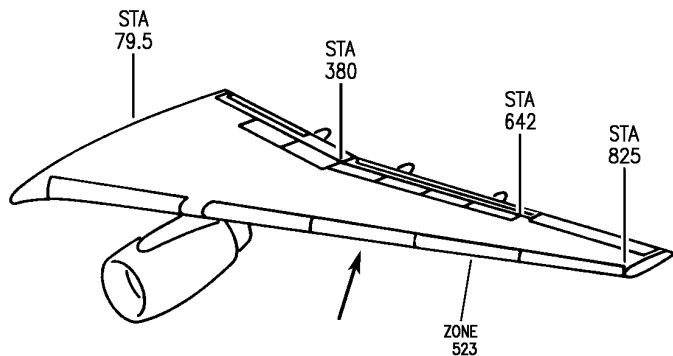
BRI

**27-81-02-03A**

BOEING PROPRIETARY - Copyright © - Unpublished Work - See title page for details.

27-81-02  
FIG. 03A  
PAGE 19  
JAN 20/09

**BOEING**  
757  
PARTS CATALOG (MAINTENANCE)



Y 27810203D SHT 1 REV 270

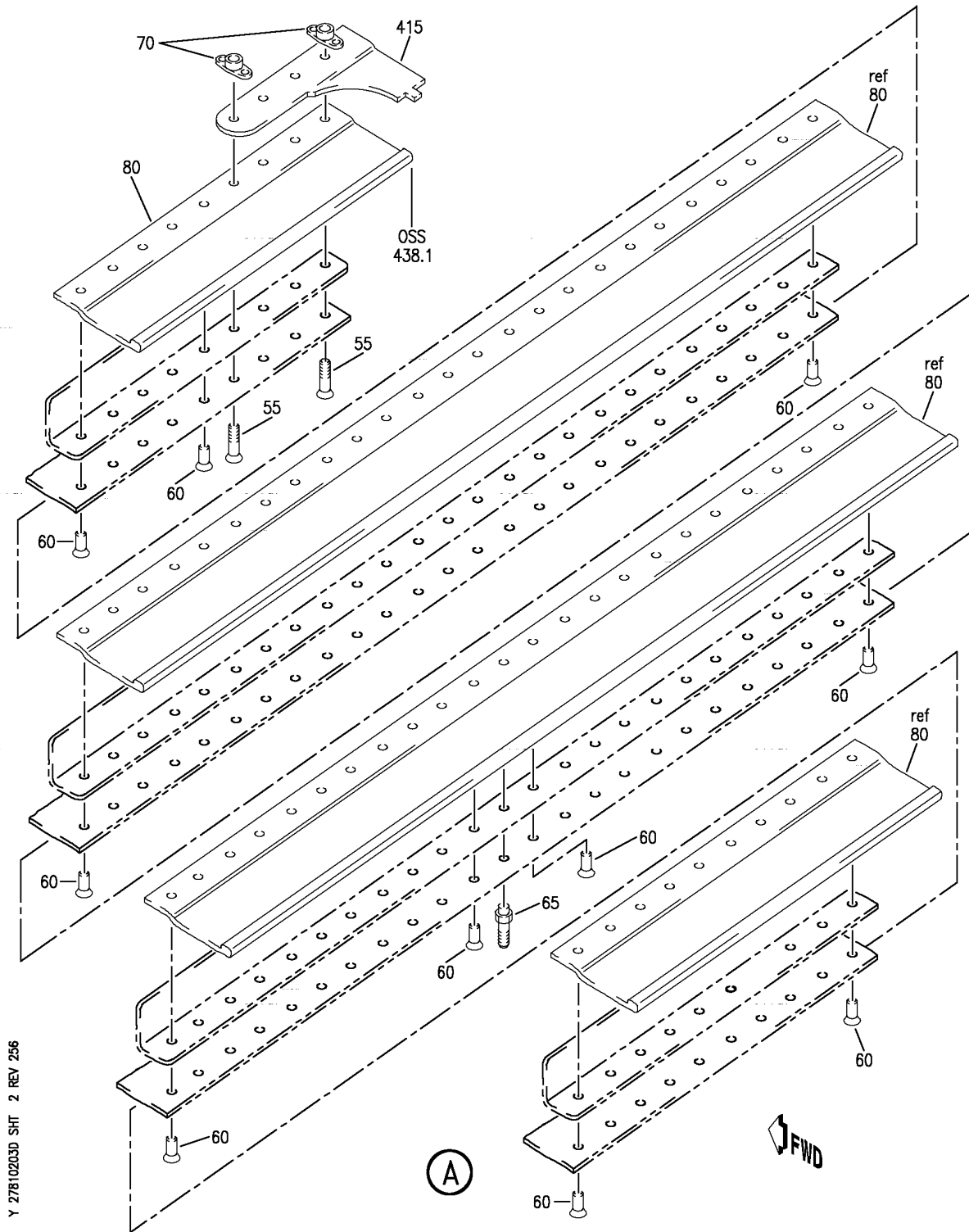
SLAT ASSY-NO.3 WING LE OSS 438.10 TO 573.30, LH  
FIGURE 3D (SHEET 1)

**27-81-02-03D**

BRI  
MAY 28/07

27-81-02-03D  
PAGE 0

**BOEING**  
757  
PARTS CATALOG (MAINTENANCE)



Y 27810203D SHT 2 REV 256

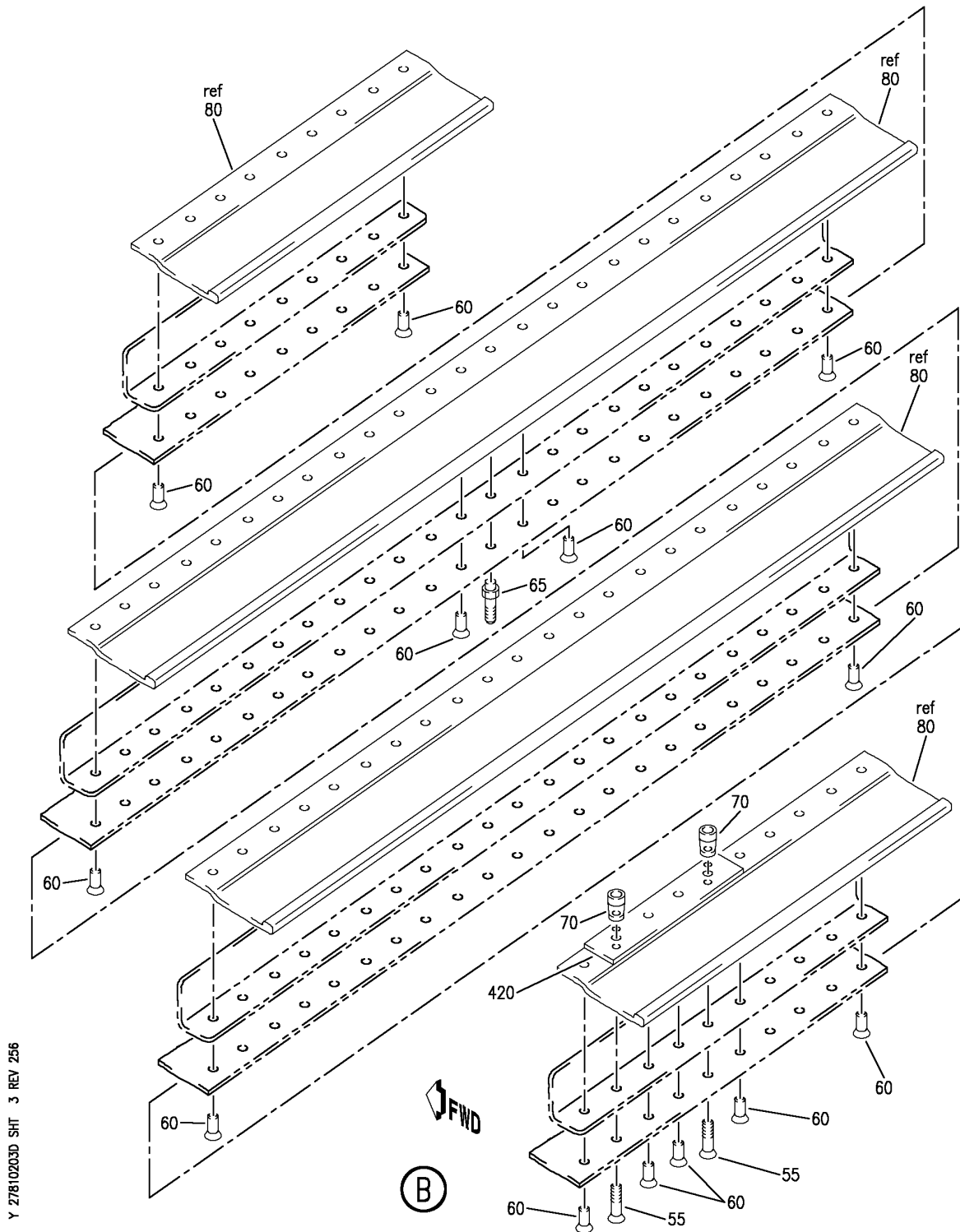
SLAT ASSY-NO.3 WING LE OSS 438.10 TO 573.30, LH  
FIGURE 3D (SHEET 2)

**27-81-02-03D**

BRI  
MAY 28/07

27-81-02-03D  
PAGE 0A

**BOEING**  
757  
PARTS CATALOG (MAINTENANCE)



Y 27810203D SHT 3 REV 256

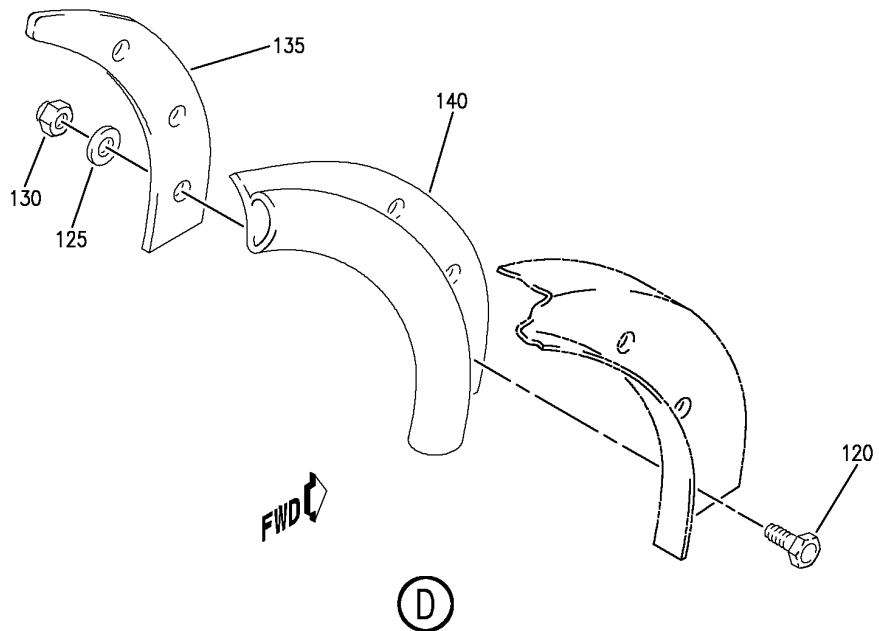
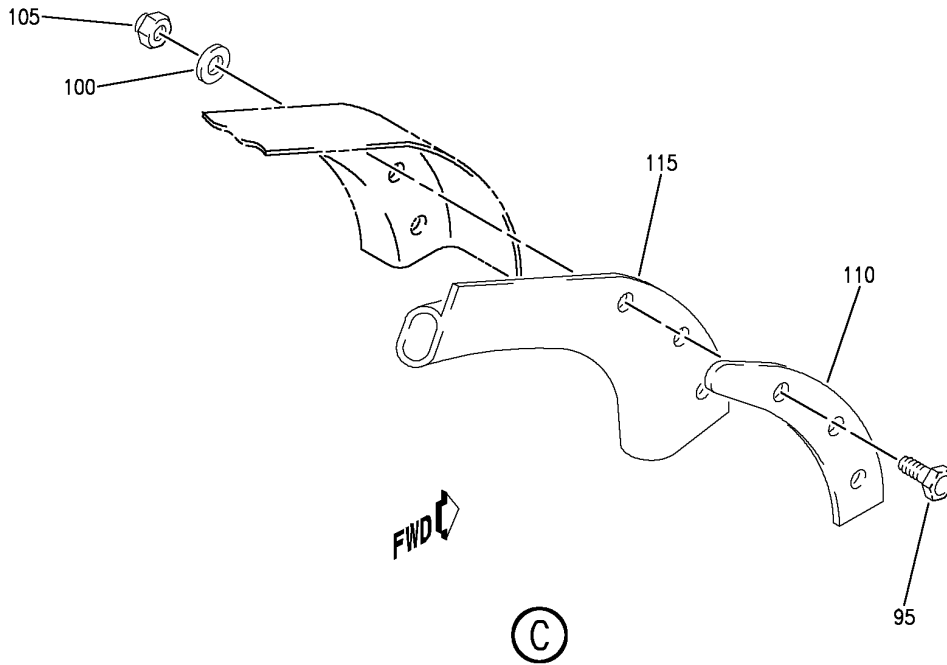
SLAT ASSY-NO.3 WING LE OSS 438.10 TO 573.30, LH  
FIGURE 3D (SHEET 3)

**27-81-02-03D**

BRI  
MAY 28/07

27-81-02-03D  
PAGE 0B

**BOEING**  
757  
PARTS CATALOG (MAINTENANCE)



Y 27810203D SH1 4 REV 256

SLAT ASSY-NO.3 WING LE OSS 438.10 TO 573.30, LH  
FIGURE 3D (SHEET 4)

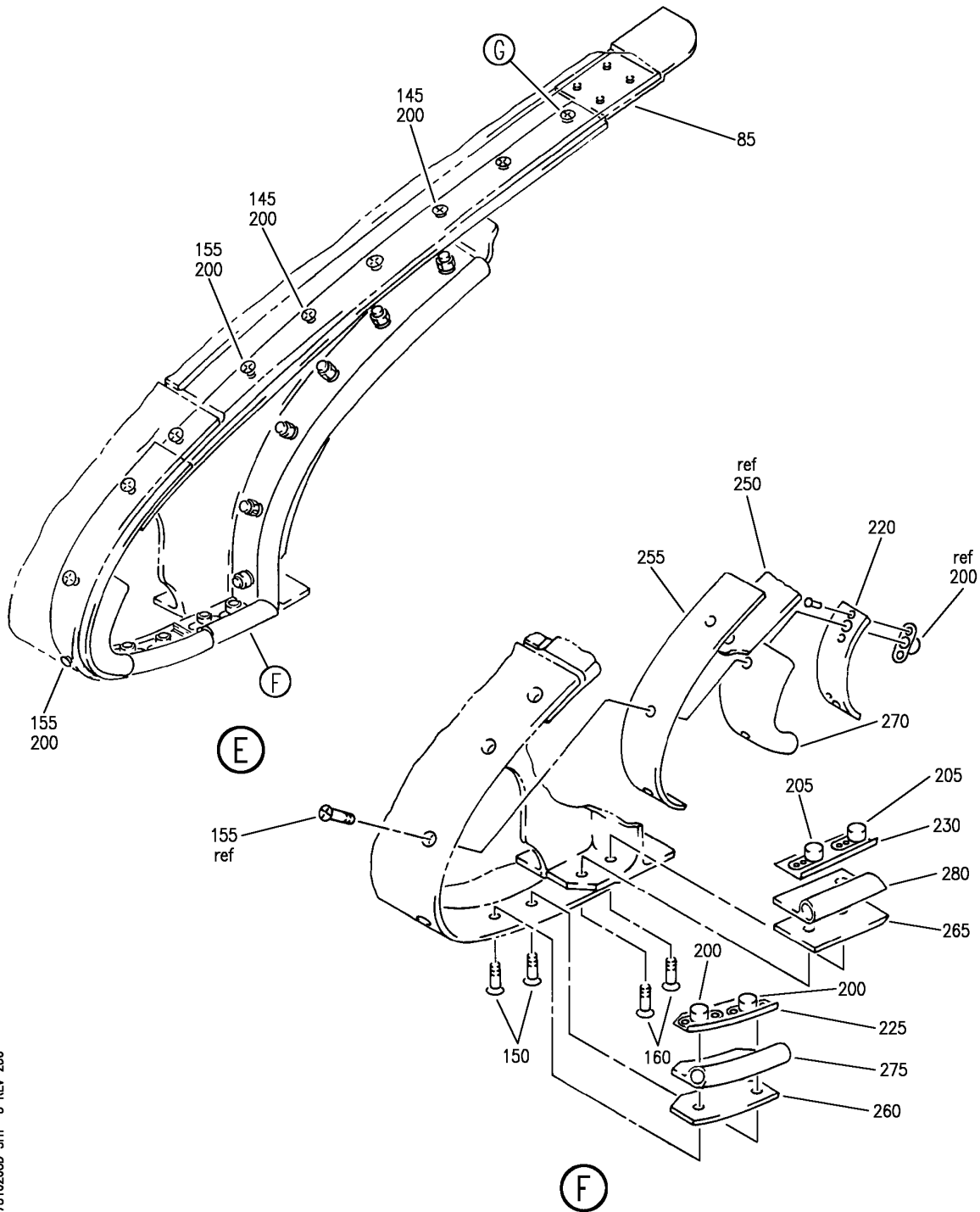
**27-81-02-03D**

BRI  
MAY 28/07

27-81-02-03D  
PAGE 0C



**BOEING**  
757  
PARTS CATALOG (MAINTENANCE)



Y 27810203D SHT 5 REV 256

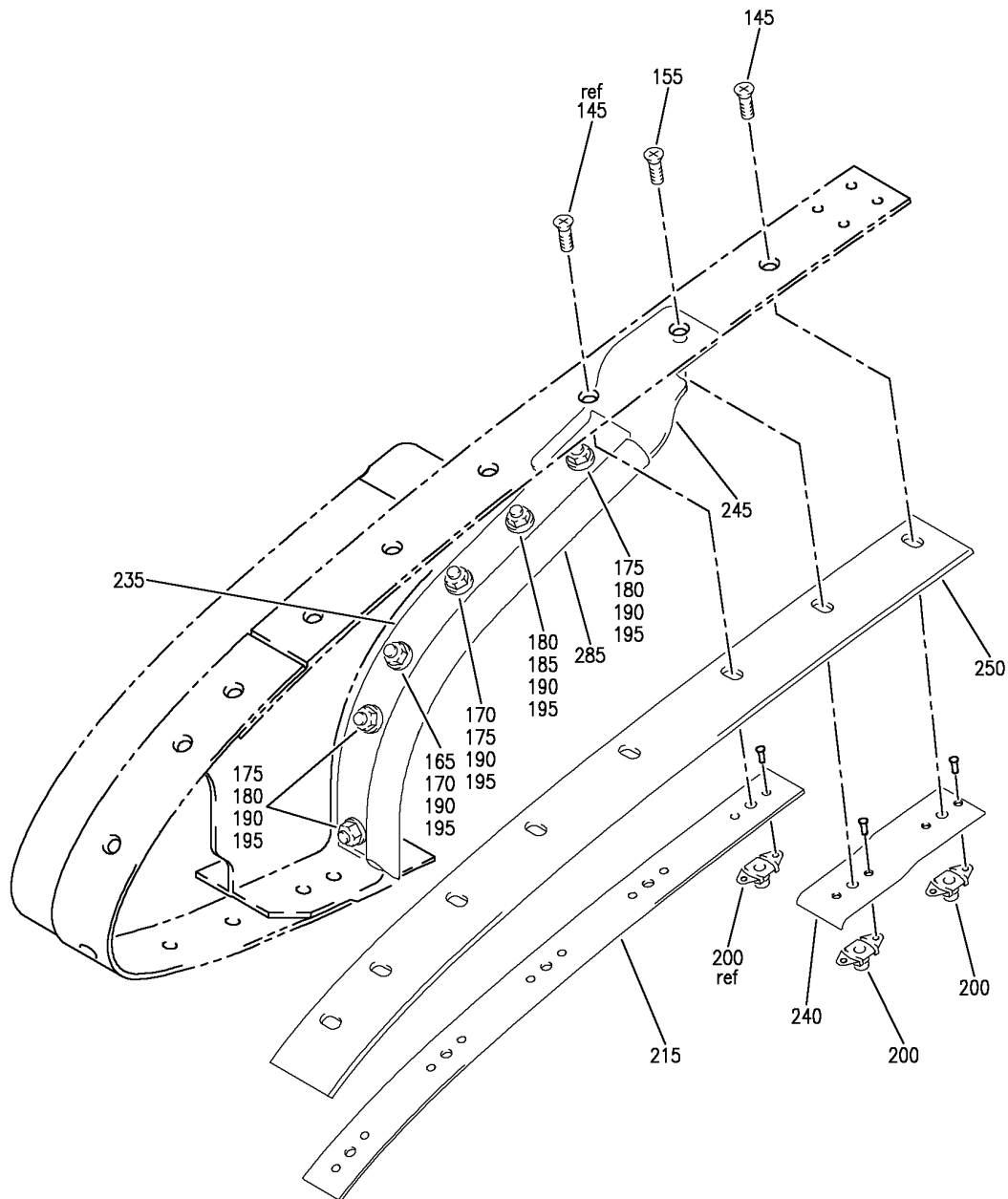
SLAT ASSY-NO.3 WING LE OSS 438.10 TO 573.30, LH  
FIGURE 3D (SHEET 5)

**27-81-02-03D**

BRI  
MAY 28/07

27-81-02-03D  
PAGE 0D

**BOEING**  
757  
PARTS CATALOG (MAINTENANCE)



(G)

Y 27810203D SHT 6 REV 256

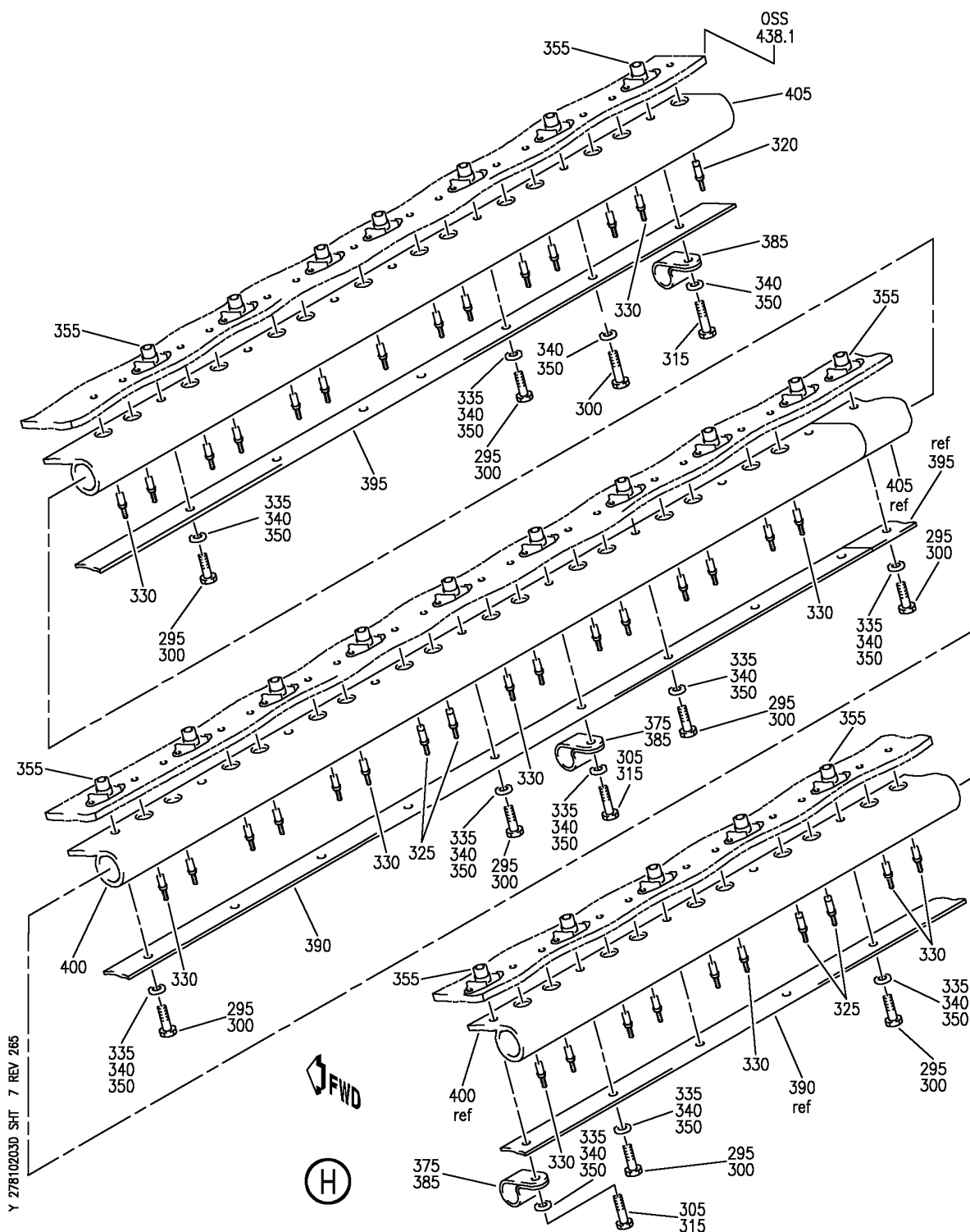
SLAT ASSY-NO.3 WING LE OSS 438.10 TO 573.30, LH  
FIGURE 3D (SHEET 6)

**27-81-02-03D**

BRI  
MAY 28/07

27-81-02-03D  
PAGE 0E

**BOEING**  
757  
PARTS CATALOG (MAINTENANCE)



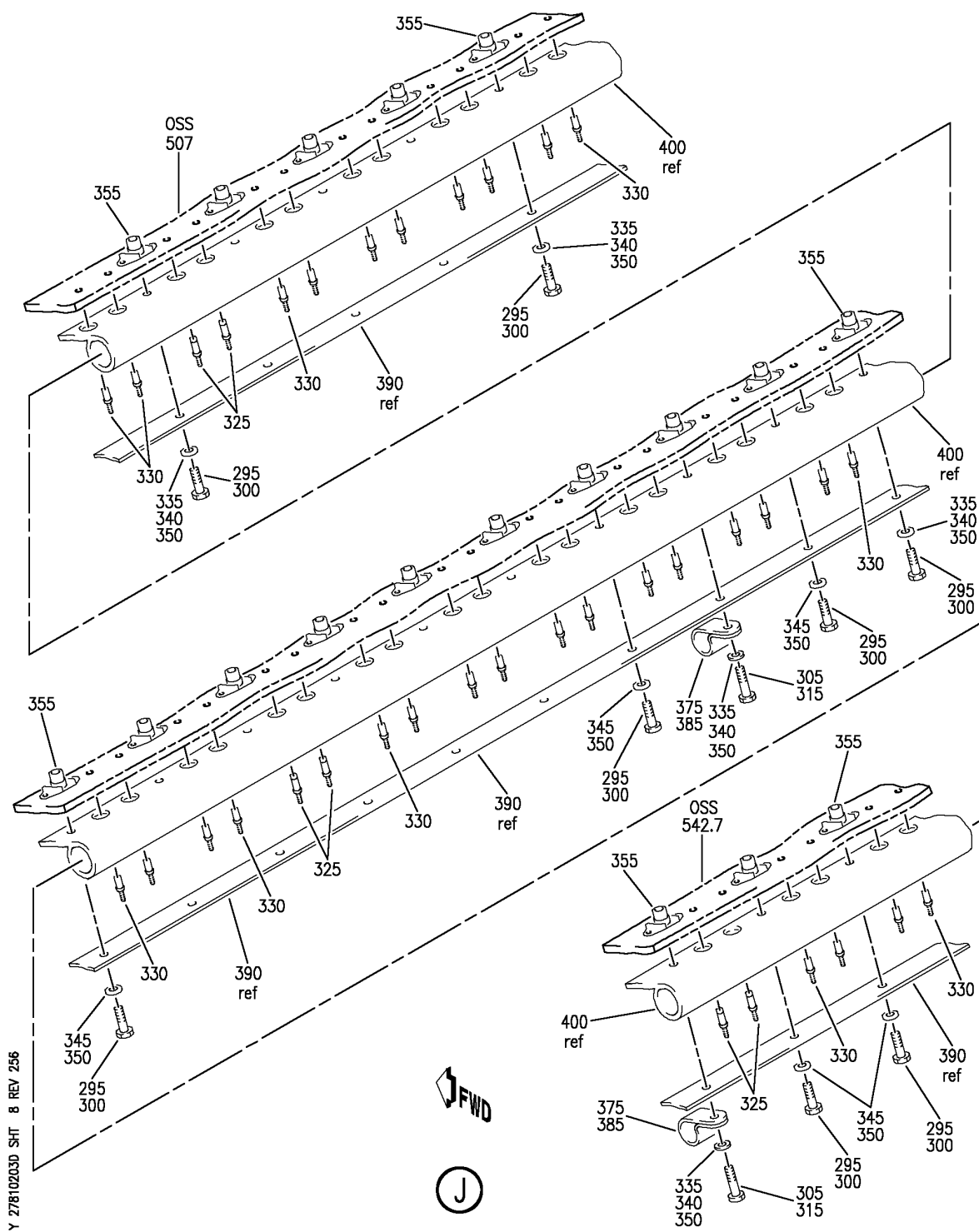
SLAT ASSY-NO.3 WING LE OSS 438.10 TO 573.30, LH  
FIGURE 3D (SHEET 7)

**27-81-02-03D**

BRI  
MAY 28/07

27-81-02-03D  
PAGE OF

**BOEING**  
757  
PARTS CATALOG (MAINTENANCE)



Y 27810203D SHT 8 REV 256

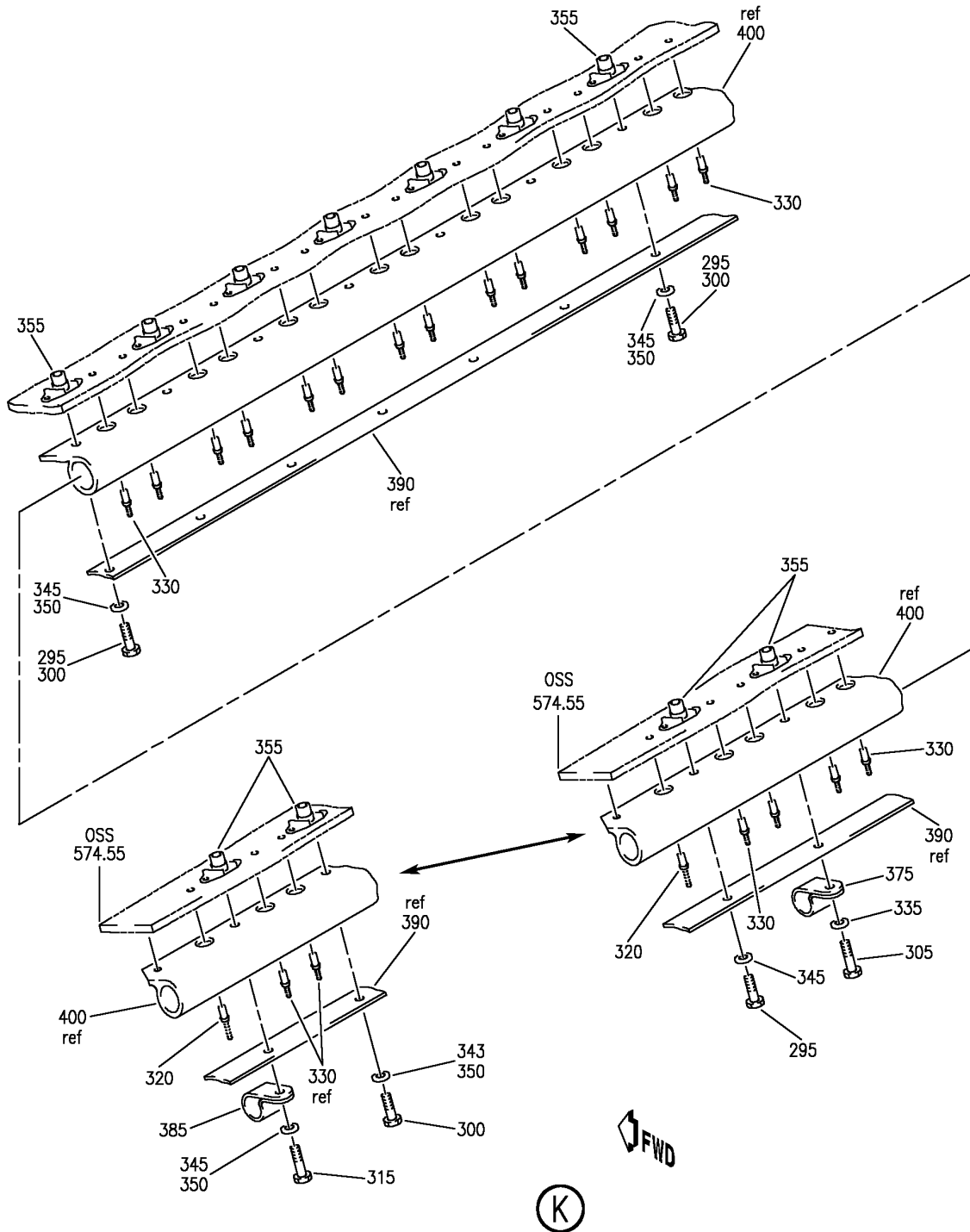
SLAT ASSY-NO.3 WING LE OSS 438.10 TO 573.30, LH  
FIGURE 3D (SHEET 8)

**27-81-02-03D**

BRI  
MAY 28/07

27-81-02-03D  
PAGE 0G

**BOEING**  
757  
PARTS CATALOG (MAINTENANCE)



Y 27810203D SHT 9 REV 265

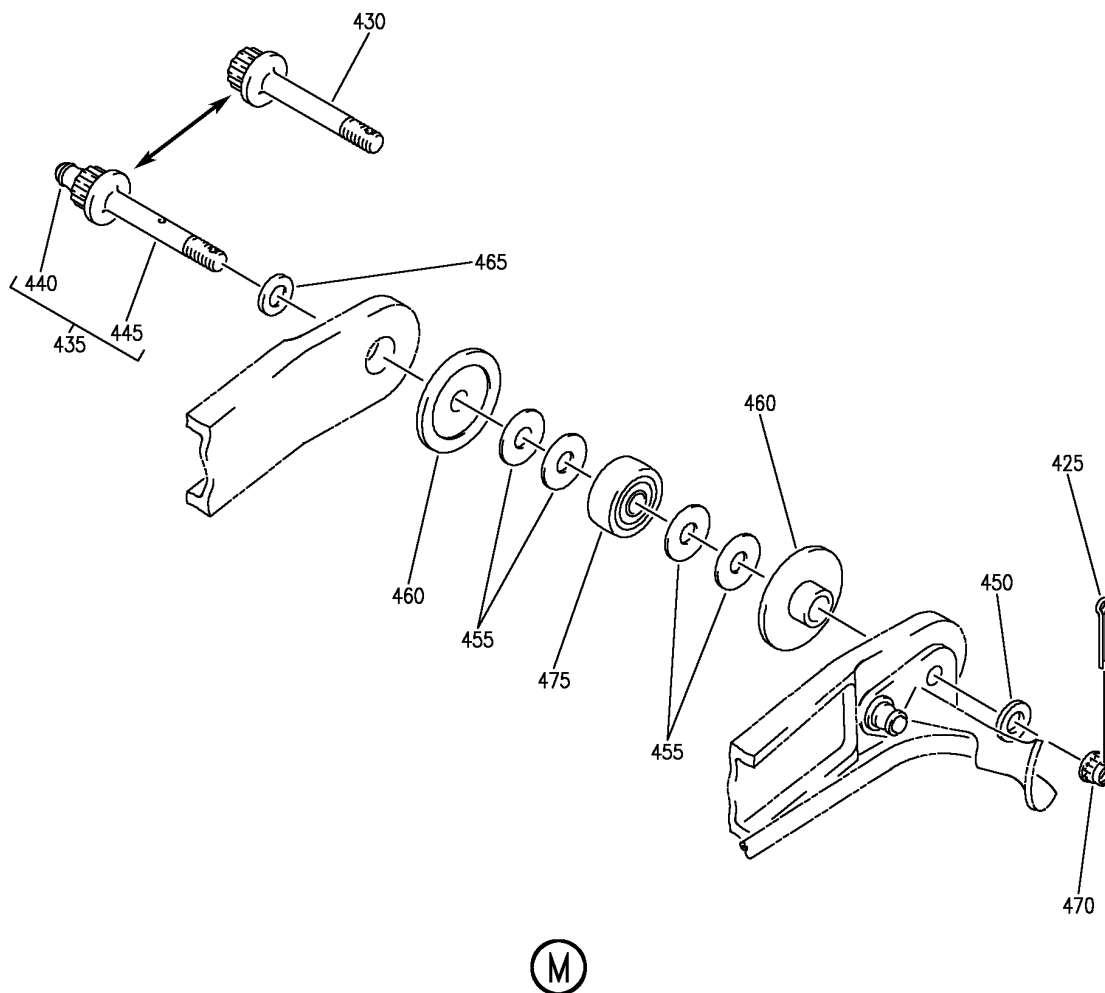
SLAT ASSY-NO.3 WING LE OSS 438.10 TO 573.30, LH  
FIGURE 3D (SHEET 9)

**27-81-02-03D**

BRI  
MAY 28/07

27-81-02-03D  
PAGE 0H

**BOEING**  
757  
PARTS CATALOG (MAINTENANCE)



(M)

Y 27810203D SHT 10 REV 265

SLAT ASSY-NO.3 WING LE OSS 438.10 TO 573.30, LH  
FIGURE 3D (SHEET 10)

**27-81-02-03D**

BRI  
MAY 28/07

27-81-02-03D  
PAGE 01



757

PARTS CATALOG (MAINTENANCE)

FIG ITEM	PART NUMBER	1 2 3 4 5 6 7	NOMENCLATURE	EFFECT FROM TO	UNITS PER ASSY
3D			SLAT ASSY-NO.3 WING LE OSS 438.10 TO 573.30, LH	101106 108120 504903	
- 1	114N4004-181SP		SLAT ASSY-NO. 3 WING LE POSITION DATA: OSS 438.10 TO 573.30 LH COMPONENT MAINT MANUAL REF: 57-43-24 QUALIFIED I/W DATA: 114N4004-181SP INTERCHANGEABLE WITH 114N4004-165SP IF SERVICE BULLETIN 757-57A0045 IS INCORPORATED 114N4004-181SP INTERCHANGEABLE WITH 114N4004-191SP OR -215SP IF SERVICE BULLETINS 757-27-0126 AND 757- 57-0057 ARE INCORPORATED. FOR NHA SEE: 27-81-02-07	101106 108120 504903	RF
- 1	114N4004-183SP		SLAT ASSY-NO. 3 WING LE POSITION DATA: OSS 438.10 TO 573.30 LH COMPONENT MAINT MANUAL REF: 57-43-24 QUALIFIED I/W DATA: 114N4004-183SP INTERCHANGEABLE WITH 114N4004-165SP IF SERVICE BULLETIN 757-57A0045 IS INCORPORATED FOR NHA SEE: 27-81-02-07	101106 108120 504903	RF

MISSING ITEM NUMBERS NOT APPLICABLE

- ITEM NOT ILLUSTRATED

BRI

**27-81-02-03D**

BOEING PROPRIETARY - Copyright © - Unpublished Work - See title page for details.

27-81-02  
FIG. 03D  
PAGE 1  
JAN 20/09



757

PARTS CATALOG (MAINTENANCE)

FIG ITEM	PART NUMBER	1 2 3 4 5 6 7	NOMENCLATURE	EFFECT FROM TO	UNITS PER ASSY
3D - 1	114N4004-191SP		SLAT ASSY-NO. 3 WING LE POSITION DATA: OSS 438.10 TO 573.30 LH COMPONENT MAINT MANUAL REF: 57-43-24 QUALIFIED I/W DATA: -191SP INTERCHANGEABLE WITH -165SP IF S/B 757-27-0126 AND 757-57-0057 ARE INCORPORATED 114N4004-181SP INTERCHANGEABLE WITH 114N4004-191SP IF SERVICE BULLETINS 757-27-0126 AND 757-57-0057 ARE INCORPORATED. FOR NHA/OTHER SYS DET SEE: 27-81-02-07	101106 108120 504903	RF
- 1	114N4004-215SP		SLAT ASSY-NO. 3 WING LE POSITION DATA: OSS 438.10 TO 573.30 LH COMPONENT MAINT MANUAL REF: 57-43-24 QUALIFIED I/W DATA: -215SP INTERCHANGEABLE WITH -165SP IF S/B 757-27-0126 AND 757-57-0057 ARE INCORPORATED 114N4004-181SP INTERCHANGEABLE WITH 114N4004-215SP IF SERVICE BULLETINS 757-27-0126 AND 757-57-0057 ARE INCORPORATED. FOR NHA/OTHER SYS DET SEE: 27-81-02-07	101106 108120 504903	RF

MISSING ITEM NUMBERS NOT APPLICABLE

- ITEM NOT ILLUSTRATED

BRI

**27-81-02-03D**

BOEING PROPRIETARY - Copyright © - Unpublished Work - See title page for details.

27-81-02  
FIG. 03D  
PAGE 2  
JAN 20/09





757

PARTS CATALOG (MAINTENANCE)

FIG ITEM	PART NUMBER	1 2 3 4 5 6 7	NOMENCLATURE	EFFECT FROM TO	UNITS PER ASSY
3D - 1	114N4004-179SP		SLAT ASSY-NO. 3 WING LE POSITION DATA: OSS 438.10 TO 573.30 LH COMPONENT MAINT MANUAL REF: 57-43-24 QUALIFIED I/W DATA: 114N4004-179SP INTERCHANGEABLE WITH 114N4004-165SP IF SERVICE BULLETIN 757-57A0045 IS INCORPORATED FOR NHA SEE: 27-81-02-07	101106 108120 504903	RF
- 1	114N4004-177SP		SLAT ASSY-NO. 3 WING LE POSITION DATA: OSS 438.10 TO 573.30 LH COMPONENT MAINT MANUAL REF: 57-43-24 QUALIFIED I/W DATA: -177SP IS CONDITIONALLY INTERCHANGEABLE WITH -165SP PER THE REQUIREMENTS OF S/B 757-57-0043 AND S/B 757-57A0045 FOR NHA SEE: 27-81-02-07	101106 108120 504903	RF
- 1	114N4004-175SP		SLAT ASSY-NO. 3 WING LE POSITION DATA: OSS 438.10 TO 573.30 LH COMPONENT MAINT MANUAL REF: 57-43-24 QUALIFIED I/W DATA: -175SP IS CONDITIONALLY INTERCHANGEABLE WITH -165SP PER THE REQUIREMENTS OF S/B 757-57-0043 AND S/B 757-57A0045 FOR NHA SEE: 27-81-02-07	101106 108120 504903	RF

MISSING ITEM NUMBERS NOT APPLICABLE

- ITEM NOT ILLUSTRATED

BRI

27-81-02-03D

BOEING PROPRIETARY - Copyright © - Unpublished Work - See title page for details.

27-81-02  
FIG. 03D  
PAGE 3  
JAN 20/09



757

PARTS CATALOG (MAINTENANCE)

FIG ITEM	PART NUMBER	1 2 3 4 5 6 7	NOMENCLATURE	EFFECT FROM TO	UNITS PER ASSY
3D - 1	114N4004-171SP		SLAT ASSY-NO. 3 WING LE POSITION DATA: OSS 438.10 TO 573.30 LH COMPONENT MAINT MANUAL REF: 57-43-24 QUALIFIED I/W DATA: -171SP IS CONDITIONALLY INTERCHANGEABLE WITH -165SP PER THE REQUIREMENTS OF S/B 757-57-0043 AND S/B 757-57A0045 FOR NHA SEE: 27-81-02-07	101106 108120 504903	RF
- 1	114N4004-195SP		SLAT ASSY-NO. 3 WING LE POSITION DATA: OSS 438.10 TO 573.30 LH COMPONENT MAINT MANUAL REF: 57-43-24 QUALIFIED I/W DATA: 114N4004-195SP INTERCHANGEABLE WITH 114N4004-165SP IF SERVICE BULLETIN 757-57A0045 IS INCORPORATED FOR NHA SEE: 27-81-02-07	101106 108120 504903	RF
- 1	114N4004-189SP		SLAT ASSY-NO. 3 WING LE POSITION DATA: OSS 438.10 TO 573.30 LH COMPONENT MAINT MANUAL REF: 57-43-24 FOR NHA SEE: 27-81-02-07	101106 108120 504903	RF

MISSING ITEM NUMBERS NOT APPLICABLE

- ITEM NOT ILLUSTRATED

BRI

27-81-02-03D

BOEING PROPRIETARY - Copyright © - Unpublished Work - See title page for details.

27-81-02  
FIG. 03D  
PAGE 4  
JAN 20/09



757

PARTS CATALOG (MAINTENANCE)

FIG ITEM	PART NUMBER	1 2 3 4 5 6 7	NOMENCLATURE	EFFECT FROM TO	UNITS PER ASSY
3D - 1	114N4004-145		SLAT ASSY-NO. 3 WING LE POSITION DATA: OSS 438.10 TO 573.30 LH COMPONENT MAINT MANUAL REF: 57-43-24 QUALIFIED I/W DATA: -145 IS I/W -139, HOWEVER, -139 CAN BE USED ONLY IF THE AIRPLANE IS RESTRICTED TO 241K MTGW. 114N4004-145 INTERCHANGEABLE WITH 114N4004-165SP IF SERVICE BULLETIN 757-57A0045 IS INCORPORATED FOR NHA SEE: 27-81-02-07	101106 108120 504903	RF
- 1	114N4004-185SP		SLAT ASSY-NO. 3 WING LE POSITION DATA: OSS 438.10 TO 573.30 LH COMPONENT MAINT MANUAL REF: 57-43-24 QUALIFIED I/W DATA: 114N4004-185SP INTERCHANGEABLE WITH 114N4004-165SP IF SERVICE BULLETIN 757-57A0045 IS INCORPORATED FOR NHA SEE: 27-81-02-07	101106 108120 504903	RF
- 50	218N1001-27		.DUCT INSTL-WING LE ANTI-ICING FOR DETAILS SEE: 30-11-01-01	101106 108120 504903	1
55	BACB30NN3K6		.BOLT	101106 108120 504903	6
60	BACR15CE6AD		.RIVET- SIZE DETERMINED ON INSTL.	101106 108120 504903	126
65	NAS1399MW5-4		.RIVET	101106 108120 504903	2

MISSING ITEM NUMBERS NOT APPLICABLE

- ITEM NOT ILLUSTRATED

**27-81-02-03D**

27-81-02  
FIG. 03D  
PAGE 5  
JAN 20/09

BRI



757

PARTS CATALOG (MAINTENANCE)

FIG ITEM	PART NUMBER	1 2 3 4 5 6 7	NOMENCLATURE	EFFECT FROM TO	UNITS PER ASSY
3D					
70	BRFR220C3-2D		.NUTPLATE SUPPLIER CODE: V52828 SPECIFICATION NUMBER: BACN10KE3B2CD OPTIONAL PART: F51747-3-2CD V15653 102A9213-2-3 V72962 NS202493-02-2 V80539 ATTACHING PARTS	101106 108120 504903	6
- 75	BACR15BA3AD		.RIVET- SIZE DETERMINED ON INSTL.  -----*-----	101106 108120 504903	12
80	114N4058-17		.SKIN-FLEXIBLE	101106 108120 504903	1
80	114N4058-5		.SKIN-FLEXIBLE	101106 108120 504903	1
85	114N4048-1		.TIP- USED ON: 114N4004-181SP 114N4004-177SP 114N4004-175SP 114N4004-195SP	101106 108120 504903	1
85	114N4048-5		.TIP- USED ON: 114N4004-181SP 114N4004-183SP 114N4004-191SP 114N4004-215SP 114N4004-177SP 114N4004-179SP 114N4004-185SP	101106 108120 504903	1
85	114N4048-9		.TIP-  ATTACHING PARTS	101106 108120 504903	1
- 90	BACR15BA5AD		.RIVET- SIZE DETERMINED ON INSTL.  -----*-----	101106 108120 504903	4
95	BACB30NM3K3		.BOLT	101106 108120 504903	3

MISSING ITEM NUMBERS NOT APPLICABLE

- ITEM NOT ILLUSTRATED

BRI

27-81-02-03D

BOEING PROPRIETARY - Copyright © - Unpublished Work - See title page for details.

27-81-02  
FIG. 03D  
PAGE 6  
JAN 20/09



757

PARTS CATALOG (MAINTENANCE)

FIG ITEM	PART NUMBER	1 2 3 4 5 6 7	NOMENCLATURE	EFFECT FROM TO	UNITS PER ASSY
3D 100	AN960KD10	.	WASHER	101106 108120	3
105	BRH10C3D	.	NUT SUPPLIER CODE: V52828 SPECIFICATION NUMBER: BACN10JC3CD OPTIONAL PART: T6C1032JCD V11815 NS202486-02 V80539 102LH9075-3W V72962 H51650-3BAC V15653	101106 108120 504903	3
110	114N4044-79	.	RETAINER	101106 108120	1
115	114N4044-91	.	SEAL- ALTERED FROM PART NUMBER: 10-60754-491	504903 101106 108120	1
120	BACB30NM3K3	.	BOLT	504903 101106 108120	3
125	AN960KD10	.	WASHER	504903 101106 108120	3
130	BRH10C3D	.	NUT SUPPLIER CODE: V52828 SPECIFICATION NUMBER: BACN10JC3CD OPTIONAL PART: T6C1032JCD V11815 NS202486-02 V80539 102LH9075-3W V72962 H51650-3BAC V15653	101106 108120 504903	3
135	114N4044-101	.	RETAINER	101106 108120	1
140	114N4044-95	.	SEAL- ALTERED FROM PART NUMBER: 10-60754-492	504903 101106 108120	1

MISSING ITEM NUMBERS NOT APPLICABLE

- ITEM NOT ILLUSTRATED

27-81-02-03D

27-81-02  
FIG. 03D  
PAGE 7  
JAN 20/09

BRI

BOEING PROPRIETARY - Copyright © - Unpublished Work - See title page for details.



757

PARTS CATALOG (MAINTENANCE)

FIG ITEM	PART NUMBER	1 2 3 4 5 6 7	NOMENCLATURE	EFFECT FROM TO	UNITS PER ASSY
3D					
145	BACB30NN3K4	.	BOLT	101106 108120 504903	4
150	BACB30NN3K5	.	BOLT	101106 108120 504903	2
155	BACB30NN3K6	.	BOLT	101106 108120 504903	6
160	BACB30NN3K7	.	BOLT	101106 108120 504903	2
165	BACB30NM3K3	.	BOLT- USED ON: 114N4004-191SP 114N4004-215SP	101106 108120 504903	1
170	BACB30NM3K3	.	BOLT- USED ON: 114N4004-181SP 114N4004-183SP 114N4004-179SP 114N4004-177SP 114N4004-175SP 114N4004-195SP 114N4004-145 114N4004-165SP 114N4004-185SP	101106 108120 504903	2
175	BACB30NM3K5	.	BOLT- USED ON: 114N4004-191SP 114N4004-215SP	101106 108120 504903	4
180	BACB30NM3K5	.	BOLT- USED ON: 114N4004-181SP 114N4004-183SP 114N4004-179SP 114N4004-177SP 114N4004-175SP 114N4004-195SP 114N4004-145 114N4004-165SP 114N4004-185SP	101106 108120 504903	4
185	BACB30NM3K7	.	BOLT- USED ON: 114N4004-191SP 114N4004-215SP	101106 108120 504903	1

MISSING ITEM NUMBERS NOT APPLICABLE

- ITEM NOT ILLUSTRATED

27-81-02-03D

27-81-02  
FIG. 03D  
PAGE 8  
JAN 20/09

BRI

BOEING PROPRIETARY - Copyright © - Unpublished Work - See title page for details.



757

PARTS CATALOG (MAINTENANCE)

FIG ITEM	PART NUMBER	1 2 3 4 5 6 7	NOMENCLATURE	EFFECT FROM TO	UNITS PER ASSY
3D 190	NAS1149D0363J		.WASHER- USED ON: 114N4004-191SP 114N4004-215SP	101106 108120 504903	6
190	AN960KD10		.WASHER- USED ON: 114N4004-181SP 114N4004-183SP 114N4004-179SP 114N4004-177SP 114N4004-175SP 114N4004-195SP 114N4004-145 114N4004-165SP 114N4004-185SP	101106 108120 504903	6
195	BRH10C3D		.NUT SUPPLIER CODE: V52828 SPECIFICATION NUMBER: BACN10JC3CD OPTIONAL PART: T6C1032JCD V11815 NS202486-02 V80539 102LH9075-3W V72962 H51650-3BAC V15653	101106 108120 504903	6
200	BRFR220C3-2D		.NUTPLATE SUPPLIER CODE: V52828 SPECIFICATION NUMBER: BACN10KE3B2CD OPTIONAL PART: F51747-3-2CD V15653 102A9213-2-3 V72962 NS202493-02-2 V80539	101106 108120 504903	12

MISSING ITEM NUMBERS NOT APPLICABLE

- ITEM NOT ILLUSTRATED

BRI

27-81-02-03D

BOEING PROPRIETARY - Copyright © - Unpublished Work - See title page for details.

27-81-02  
FIG. 03D  
PAGE 9  
JAN 20/09



757

PARTS CATALOG (MAINTENANCE)

FIG ITEM	PART NUMBER	1 2 3 4 5 6 7	NOMENCLATURE	EFFECT FROM TO	UNITS PER ASSY
3D 205	BRFR120C3-2D		.NUTPLATE- SUPPLIER CODE: V52828 SPECIFICATION NUMBER: BACN10KE3E2CD OPTIONAL PART: 102F9216-2-3 V72962 F51751-3-2CD V15653 NS202494-02-2 V80539 BACN10KH3CD	101106 108120 504903	2
205	FS1651-3		.NUTPLATE- SUPPLIER CODE: V15653 SPECIFICATION NUMBER: BACN10KH3CD OPTIONAL PART: 102F9209M3 V72962 NS202496-02 V80539 BACN10KE3E2CD	101106 108120 504903	2
- 210	BACR15BA3AD		ATTACHING PARTS .RIVET- SIZE DETERMINED ON INSTL.	101106 108120 504903	28
215	114N4045-51		-----*----- .RETAINER	101106 108120 504903	1
220	114N4045-53		.RETAINER	101106 108120 504903	1
225	114N4045-55		.RETAINER	101106 108120 504903	1
230	114N4045-57		.RETAINER	101106 108120 504903	1
235	114N4045-59		.RETAINER	101106 108120 504903	1
240	114N4045-61		.RETAINER	101106 108120 504903	1

MISSING ITEM NUMBERS NOT APPLICABLE

- ITEM NOT ILLUSTRATED

27-81-02-03D

27-81-02  
FIG. 03D  
PAGE 10  
JAN 20/09

BRI

BOEING PROPRIETARY - Copyright © - Unpublished Work - See title page for details.



 **BOEING**  
757  
**PARTS CATALOG (MAINTENANCE)**

FIG ITEM	PART NUMBER	1 2 3 4 5 6 7	NOMENCLATURE	EFFECT FROM TO	UNITS PER ASSY
3D 245	114N4045-63	.	SHIELD-EROSION ALTERED FROM PART NUMBER: 114N4081-4 MANUFACTURED FROM: 114N4081-4 FOR SPARES PROCURE: 114N4081-4	101106 108120 504903	1
245	114N4045-135	.	SHIELD-EROSION ALTERED FROM PART NUMBER: 114N4081-4 FOR SPARES PROCURE: 114N4081-4	101106 108120 504903	1
250	114N4045-101	.	SHIELD-EROSION ALTERED FROM PART NUMBER: 114N4081-9 FOR SPARES PROCURE: 114N4081-9	101106 108120 504903	1
255	114N4045-103	.	SHIELD-EROSION ALTERED FROM PART NUMBER: 114N4081-9 FOR SPARES PROCURE: 114N4081-9	101106 108120 504903	1
260	114N4045-105	.	SHIELD-EROSION ALTERED FROM PART NUMBER: 114N4081-9 FOR SPARES PROCURE: 114N4081-9	101106 108120 504903	1
265	114N4045-107	.	SHIELD-EROSION ALTERED FROM PART NUMBER: 114N4081-9 FOR SPARES PROCURE: 114N4081-9	101106 108120 504903	1
270	114N4045-17	.	SEAL- ALTERED FROM PART NUMBER: 10-60754-485	101106 108120 504903	1
275	114N4045-19	.	SEAL- ALTERED FROM PART NUMBER: 10-60754-485	101106 108120 504903	1
280	114N4045-21	.	SEAL- ALTERED FROM PART NUMBER: 10-60754-485	101106 108120 504903	1
285	114N4045-23	.	SEAL- ALTERED FROM PART NUMBER: 10-60754-483	101106 108120 504903	1
295	BACB30NM3K5	.	BOLT- USED ON: 114N4004-191SP 114N4004-215SP	101106 108120 504903	42

MISSING ITEM NUMBERS NOT APPLICABLE

— ITEM NOT ILLUSTRATED

BRI

**27-81-02-03D**

BOEING PROPRIETARY - Copyright © - Unpublished Work - See title page for details.

27-81-02  
FIG. 03D  
PAGE 11  
JAN 20/09



757

PARTS CATALOG (MAINTENANCE)

FIG ITEM	PART NUMBER	1 2 3 4 5 6 7	NOMENCLATURE	EFFECT FROM TO	UNITS PER ASSY
3D 300	BACB30NM3K5	.BOLT-	USED ON: 114N4004-181SP 114N4004-183SP 114N4004-179SP 114N4004-177SP 114N4004-175SP 114N4004-195SP 114N4004-145 114N4004-165SP 114N4004-185SP	101106 108120 504903	43
305	BACB30NM3K7	.BOLT-	USED ON: 114N4004-191SP 114N4004-215SP	101106 108120 504903	5
315	BACB30NM3K7	.BOLT-	USED ON: 114N4004-179SP 114N4004-177SP 114N4004-175SP 114N4004-195SP 114N4004-145 114N4004-165SP 114N4004-181SP 114N4004-183SP	101106 108120 504903	6
320	MS21141-0605P	.FASTENER-	USED ON: 114N4004-181SP 114N4004-183SP 114N4004-191SP 114N4004-179SP 114N4004-177SP 114N4004-175SP 114N4004-195SP 114N4004-145 114N4004-165SP 114N4004-185SP	101106 108120 504903	2
320	MS21141U0605P	.FASTENER-	USED ON: 114N4004-215SP	101106 108120 504903	2

MISSING ITEM NUMBERS NOT APPLICABLE

- ITEM NOT ILLUSTRATED

BRI

27-81-02-03D

BOEING PROPRIETARY - Copyright © - Unpublished Work - See title page for details.

27-81-02  
FIG. 03D  
PAGE 12  
JAN 20/09



757

PARTS CATALOG (MAINTENANCE)

FIG ITEM	PART NUMBER	1 2 3 4 5 6 7	NOMENCLATURE	EFFECT FROM TO	UNITS PER ASSY
3D 325	MS21141-0604P	.	FASTENER- USED ON: 114N4004-181SP 114N4004-183SP 114N4004-191SP 114N4004-179SP 114N4004-177SP 114N4004-175SP 114N4004-195SP 114N4004-145 114N4004-165SP 114N4004-185SP	101106 108120 504903	10
325	MS21141U0604P	.	FASTENER- USED ON: 114N4004-215SP	101106 108120 504903	10
330	NAS1398D6	.	RIVET	101106 108120 504903	83
335	NAS1149D0332K	.	WASHER- USED ON: 114N4004-191SP 114N4004-215SP	101106 108120 504903	29
340	AN960KD10L	.	WASHER- USED ON: 114N4004-181SP 114N4004-183SP	101106 108120 504903	30
343	NAS1149D0332J	.	WASHER- USED ON: 114N4004-181SP 114N4004-183SP	101106 108120 504903	1
345	NAS1149D0332J	.	WASHER- USED ON: 114N4004-181SP 114N4004-183SP 114N4004-191SP 114N4004-215SP	101106 108120 504903	18
350	AN960KD10L	.	WASHER- USED ON: 114N4004-179SP 114N4004-177SP 114N4004-175SP 114N4004-195SP 114N4004-145 114N4004-165SP 114N4004-185SP	101106 108120 504903	49

MISSING ITEM NUMBERS NOT APPLICABLE

- ITEM NOT ILLUSTRATED

27-81-02-03D

27-81-02  
FIG. 03D  
PAGE 13  
JAN 20/09

BRI

BOEING PROPRIETARY - Copyright © - Unpublished Work - See title page for details.



757

PARTS CATALOG (MAINTENANCE)

FIG ITEM	PART NUMBER	1 2 3 4 5 6 7	NOMENCLATURE	EFFECT FROM TO	UNITS PER ASSY
3D 355	BRFR220C3-2D	.NUTPLATE	SUPPLIER CODE: V52828 SPECIFICATION NUMBER: BACN10KE3B2CD OPTIONAL PART: F51747-3-2CD V15653 102A9213-2-3 V72962 NS202493-02-2 V80539	101106 108120 504903	49
- 365	BACR15BA3AD	.RIVET-	ATTACHING PARTS SIZE DETERMINED ON INSTL.	101106 108120 504903	98
		-----*-----			
375	BACC10DK4	.CLAMP-	USED ON: 114N4004-191SP 114N4004-215SP	101106 108120 504903	5
385	BACC10DK3	.CLAMP-	USED ON: 114N4004-179SP 114N4004-177SP 114N4004-175SP 114N4004-195SP 114N4004-145 114N4004-165SP 114N4004-181SP 114N4004-183SP	101106 108120 504903	6
385	BACC10DK3	.CLAMP-	USED ON: 114N4004-185SP	101106 108120 504903	6
390	114N4046-49	.RETAINER		101106 108120 504903	1
395	114N4046-37	.RETAINER		101106 108120 504903	1
400	114N4046-17	.SEAL-	ALTERED FROM PART NUMBER: 10-60754-319 10-60754-319 MANUFACTURED FROM: EXTRUSION RUBBER 10-60754-319 117.0 IN.	101106 108120 504903	1

MISSING ITEM NUMBERS NOT APPLICABLE

- ITEM NOT ILLUSTRATED

27-81-02-03D

27-81-02  
FIG. 03D  
PAGE 14  
JAN 20/09

BRI

BOEING PROPRIETARY - Copyright © - Unpublished Work - See title page for details.



757

PARTS CATALOG (MAINTENANCE)

FIG ITEM	PART NUMBER	1 2 3 4 5 6 7	NOMENCLATURE	EFFECT FROM TO	UNITS PER ASSY
3D 405	114N4046-19		.SEAL- ALTERED FROM PART NUMBER: 10-60754-319 10-60754-319 MANUFACTURED FROM: EXTRUSION RUBBER 10-60754-319 21.0 IN.	101106 108120 504903	1
415	114N4065-3		.RETAINER	101106 108120 504903	1
420	114N4066-3		.SEAL-	101106 108120 504903	1
420	114N4066-1		.SEAL-	101106 108120 504903	1
425	BACP18BC02A06P		.PIN- USED ON: 114N4004-181SP 114N4004-183SP 114N4004-191SP 114N4004-215SP	101106 108120 504903	2
425	MS24665-153		.PIN- USED ON: 114N4004-179SP 114N4004-177SP 114N4004-175SP 114N4004-195SP 114N4004-145 114N4004-165SP 114N4004-185SP	101106 108120 504903	2
430	BACB30LE4DU19		.BOLT- USED ON: 114N4004-191SP 114N4004-215SP	101106 108120 504903	2
435	114N4052-1		.BOLT ASSY- USED ON: 114N4004-181SP 114N4004-183SP 114N4004-179SP 114N4004-177SP 114N4004-175SP 114N4004-195SP 114N4004-145 114N4004-165SP 114N4004-185SP	101106 108120 504903	2

MISSING ITEM NUMBERS NOT APPLICABLE

- ITEM NOT ILLUSTRATED

27-81-02-03D

27-81-02  
FIG. 03D  
PAGE 15  
JAN 20/09

BRI

BOEING PROPRIETARY - Copyright © - Unpublished Work - See title page for details.



757

PARTS CATALOG (MAINTENANCE)

FIG ITEM	PART NUMBER	1 2 3 4 5 6 7	NOMENCLATURE	EFFECT FROM TO	UNITS PER ASSY
3D 440	MS15001-1	..	FITTING-	101106 108120 504903	1
445	114N4052-2	..	BOLT-	101106 108120 504903	1
450	BACW10BP4DP	.	WASHER-	101106 108120 504903	2
455	BACW10P42S	.	WASHER- USED ON: 114N4004-181SP 114N4004-183SP 114N4004-191SP 114N4004-215SP	101106 108120 504903	8
455	BACW10P250C	.	WASHER- USED ON: 114N4004-179SP 114N4004-177SP 114N4004-175SP 114N4004-195SP 114N4004-145 114N4004-165SP 114N4004-185SP	101106 108120 504903	8
460	114N4056-1	.	WASHER-	101106 108120 504903	4
465	BACW10BP4CD	.	WASHER-	101106 108120 504903	2
470	NAS1805-4L	.	NUT- USED ON: 114N4004-181SP 114N4004-183SP 114N4004-191SP 114N4004-215SP	101106 108120 504903	2
470	NAS1805-4N	.	NUT- USED ON: 114N4004-179SP 114N4004-177SP 114N4004-175SP 114N4004-195SP 114N4004-145 114N4004-165SP 114N4004-185SP	101106 108120 504903	2

MISSING ITEM NUMBERS NOT APPLICABLE

- ITEM NOT ILLUSTRATED

BRI

27-81-02-03D

BOEING PROPRIETARY - Copyright © - Unpublished Work - See title page for details.

27-81-02  
FIG. 03D  
PAGE 16  
JAN 20/09



757

PARTS CATALOG (MAINTENANCE)

FIG ITEM	PART NUMBER	1 2 3 4 5 6 7	NOMENCLATURE	EFFECT FROM TO	UNITS PER ASSY
3D 475	ATF4SN		.BEARING- SUPPLIER CODE: V21335 SPECIFICATION NUMBER: BACB10GH04N OPTIONAL PART: CRO4NAFC V92563 ATF04NSY V21335 USED ON: 114N4004-191SP 114N4004-215SP	101106 108120 504903	2
475	ATF4		.BEARING- SUPPLIER CODE: V60380 SPECIFICATION NUMBER: BACB10ET04 OPTIONAL PART: 4AFC614 V92563 YAFO4B V07484 USED ON: 114N4004-181SP 114N4004-183SP 114N4004-179SP 114N4004-177SP 114N4004-175SP 114N4004-195SP 114N4004-145 114N4004-165SP 114N4004-185SP	101106 108120 504903	2

MISSING ITEM NUMBERS NOT APPLICABLE

- ITEM NOT ILLUSTRATED

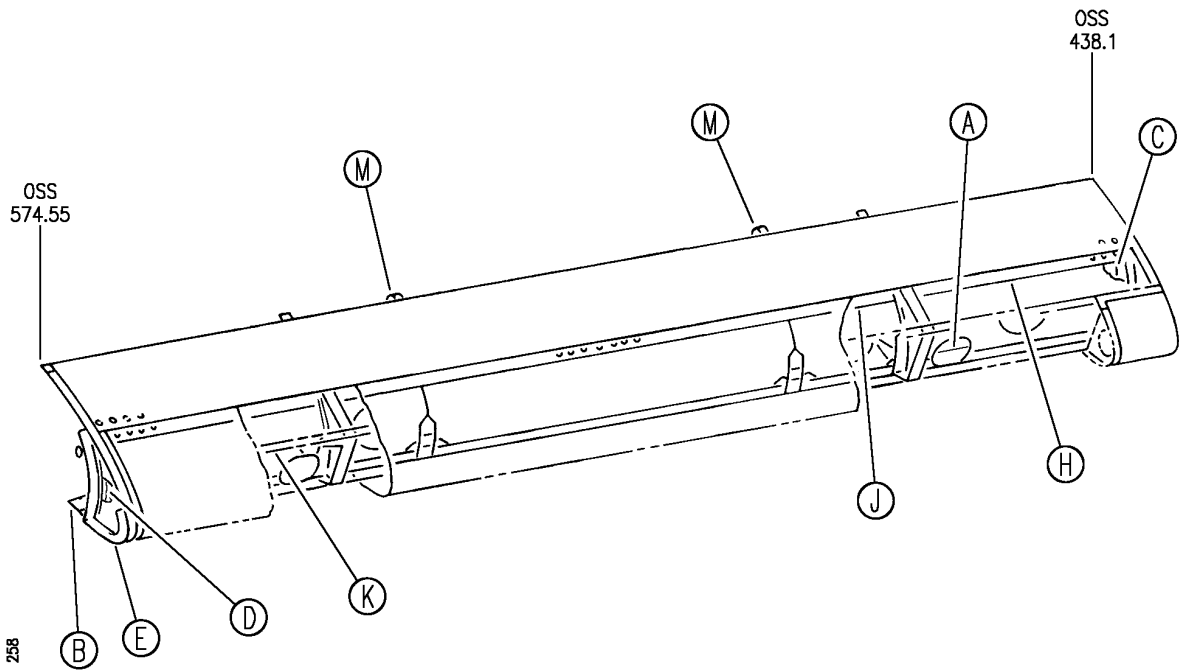
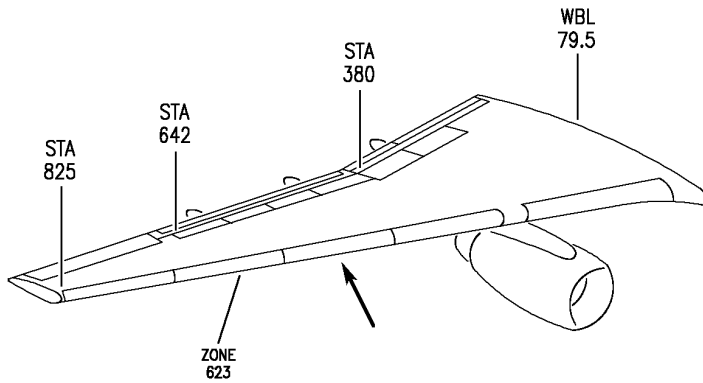
BRI

**27-81-02-03D**

BOEING PROPRIETARY - Copyright © - Unpublished Work - See title page for details.

27-81-02  
FIG. 03D  
PAGE 17  
JAN 20/09


**BOEING**  
 757  
**PARTS CATALOG (MAINTENANCE)**



Y 27810203E SHT 1 REV 258

SLAT ASSY-NO. 8 WING LE OSS 438.10 TO 573.30, RH  
 FIGURE 3E (SHEET 1)

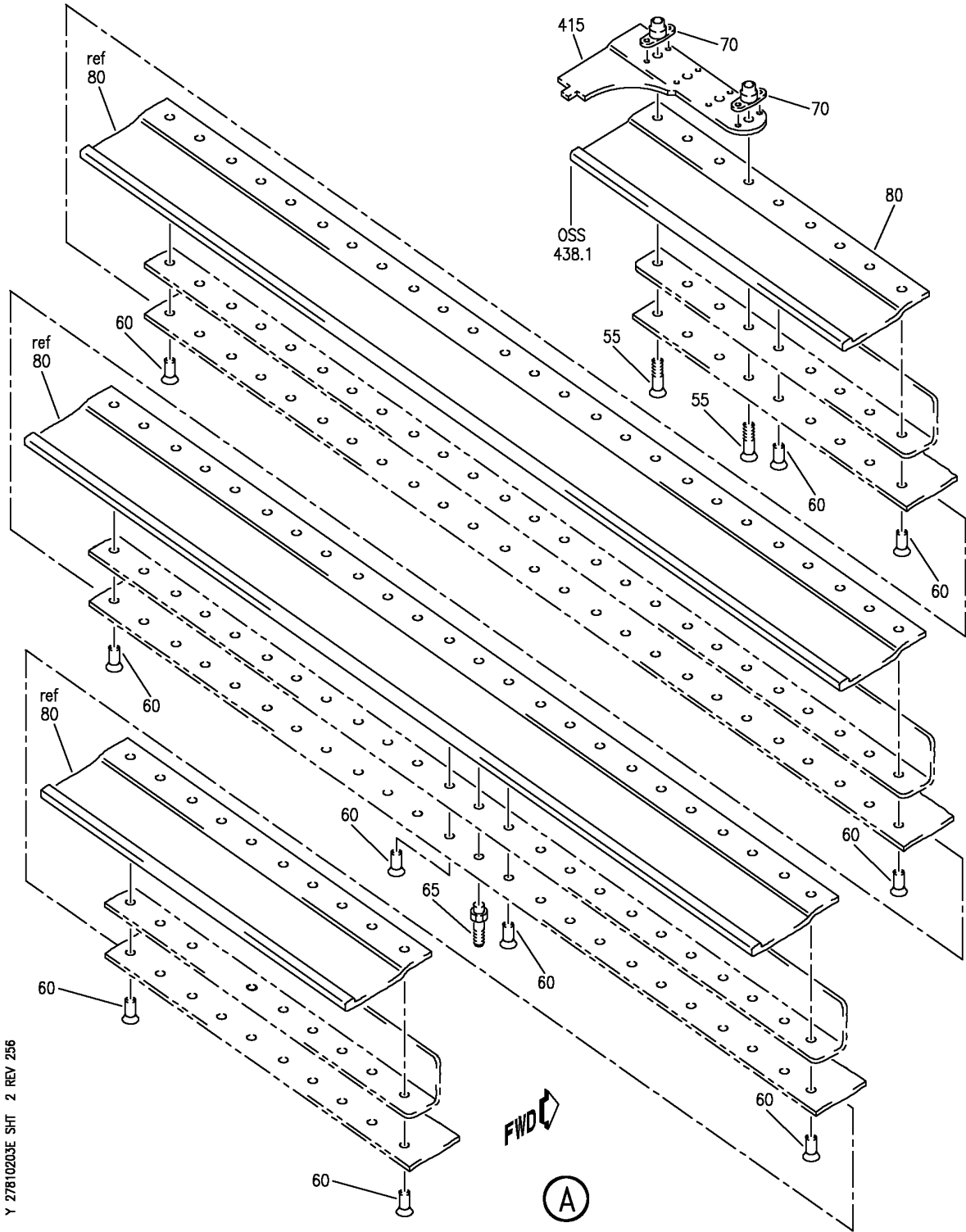
**27-81-02-03E**

BRI  
 MAY 28/07

27-81-02-03E  
 PAGE 0



**BOEING**  
757  
PARTS CATALOG (MAINTENANCE)



Y 27810203E SHT 2 REV 256

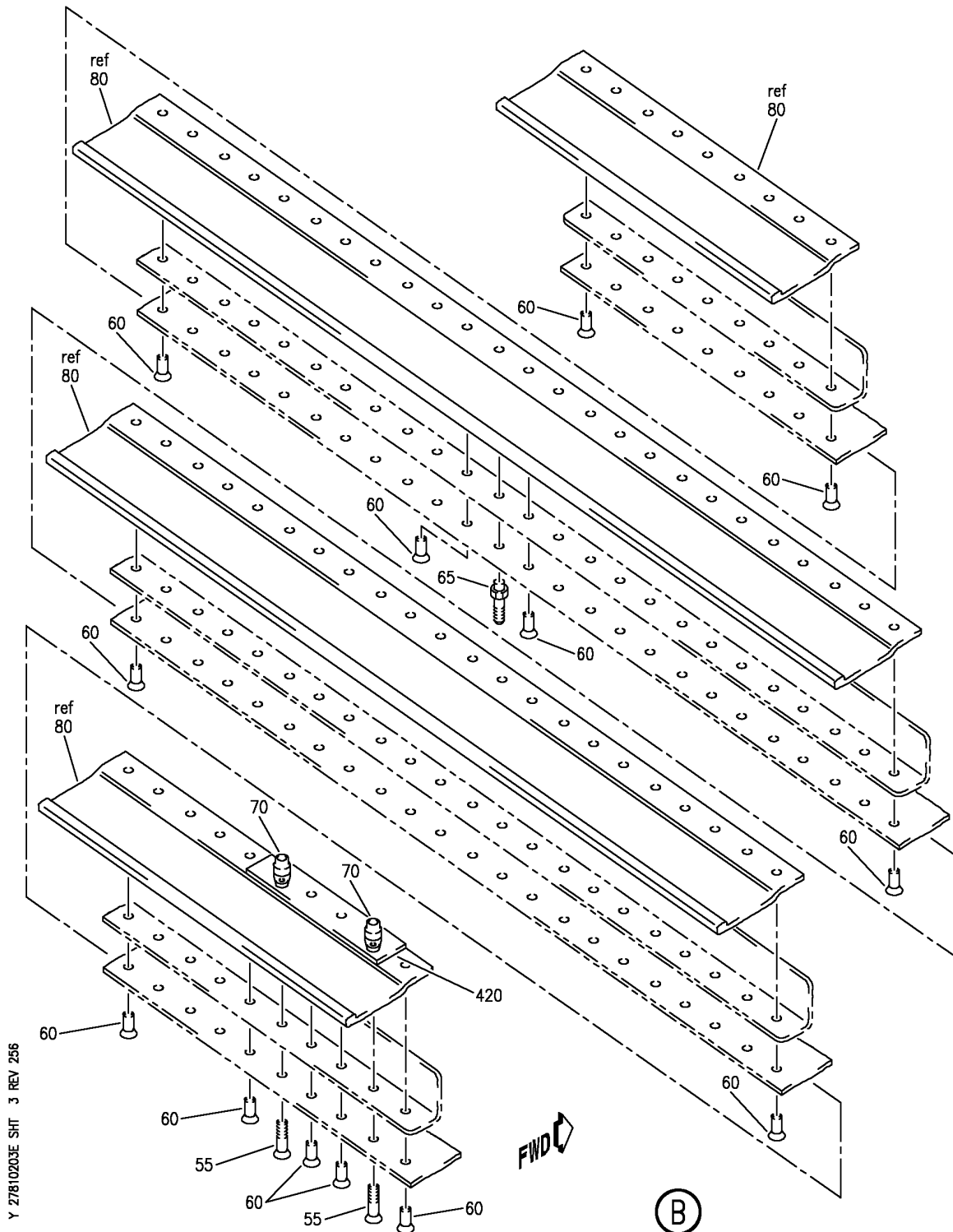
SLAT ASSY-NO. 8 WING LE OSS 438.10 TO 573.30, RH  
FIGURE 3E (SHEET 2)

**27-81-02-03E**

BRI  
MAY 28/07

27-81-02-03E  
PAGE 0A

**BOEING**  
757  
PARTS CATALOG (MAINTENANCE)



Y 27810203E SHT 3 REV 256

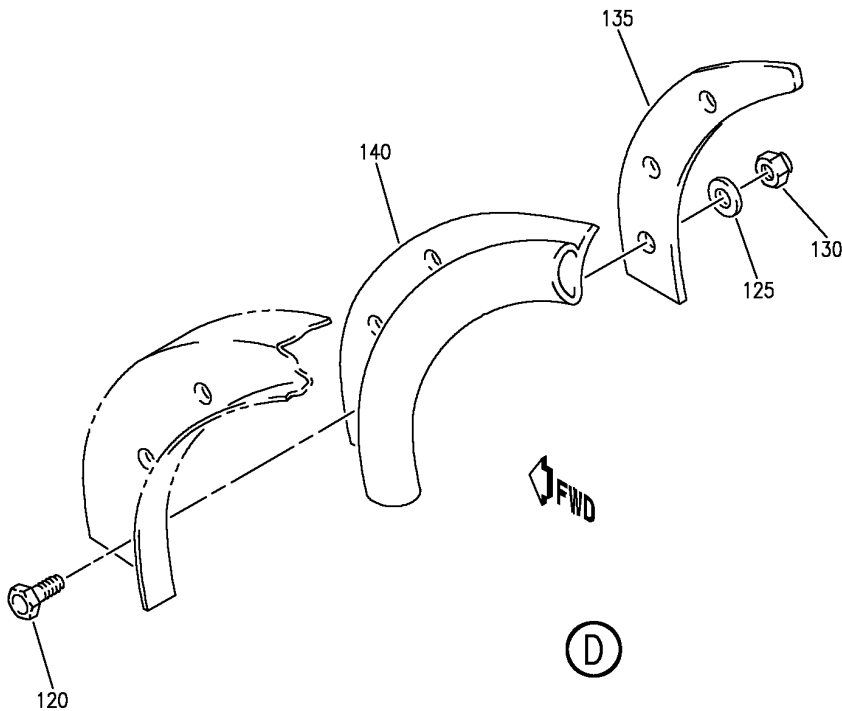
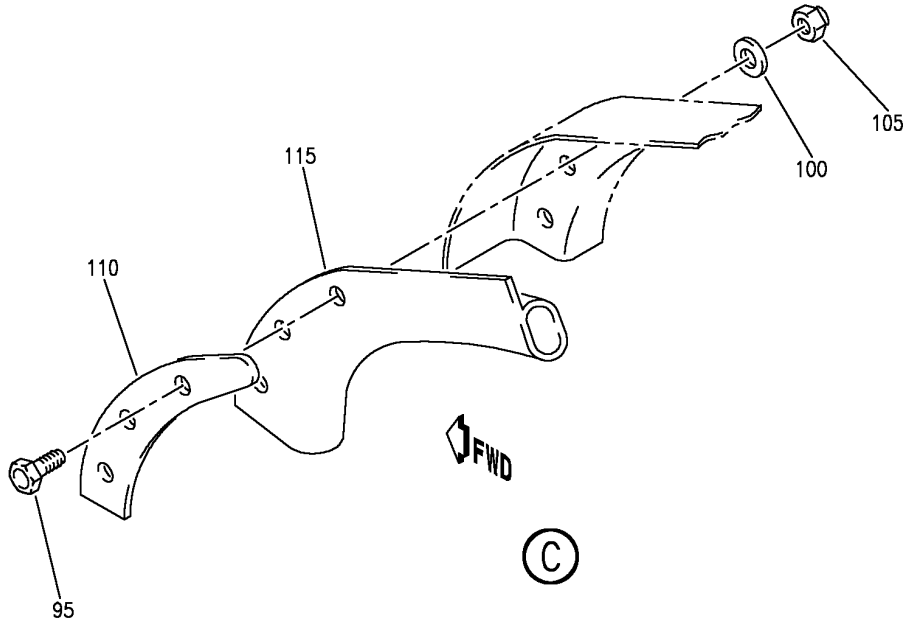
SLAT ASSY-NO. 8 WING LE OSS 438.10 TO 573.30, RH  
FIGURE 3E (SHEET 3)

**27-81-02-03E**

BRI  
MAY 28/07

27-81-02-03E  
PAGE 0B

**BOEING**  
757  
PARTS CATALOG (MAINTENANCE)



Y 27810203E SHT 4 REV 256

SLAT ASSY-NO. 8 WING LE OSS 438.10 TO 573.30, RH  
FIGURE 3E (SHEET 4)

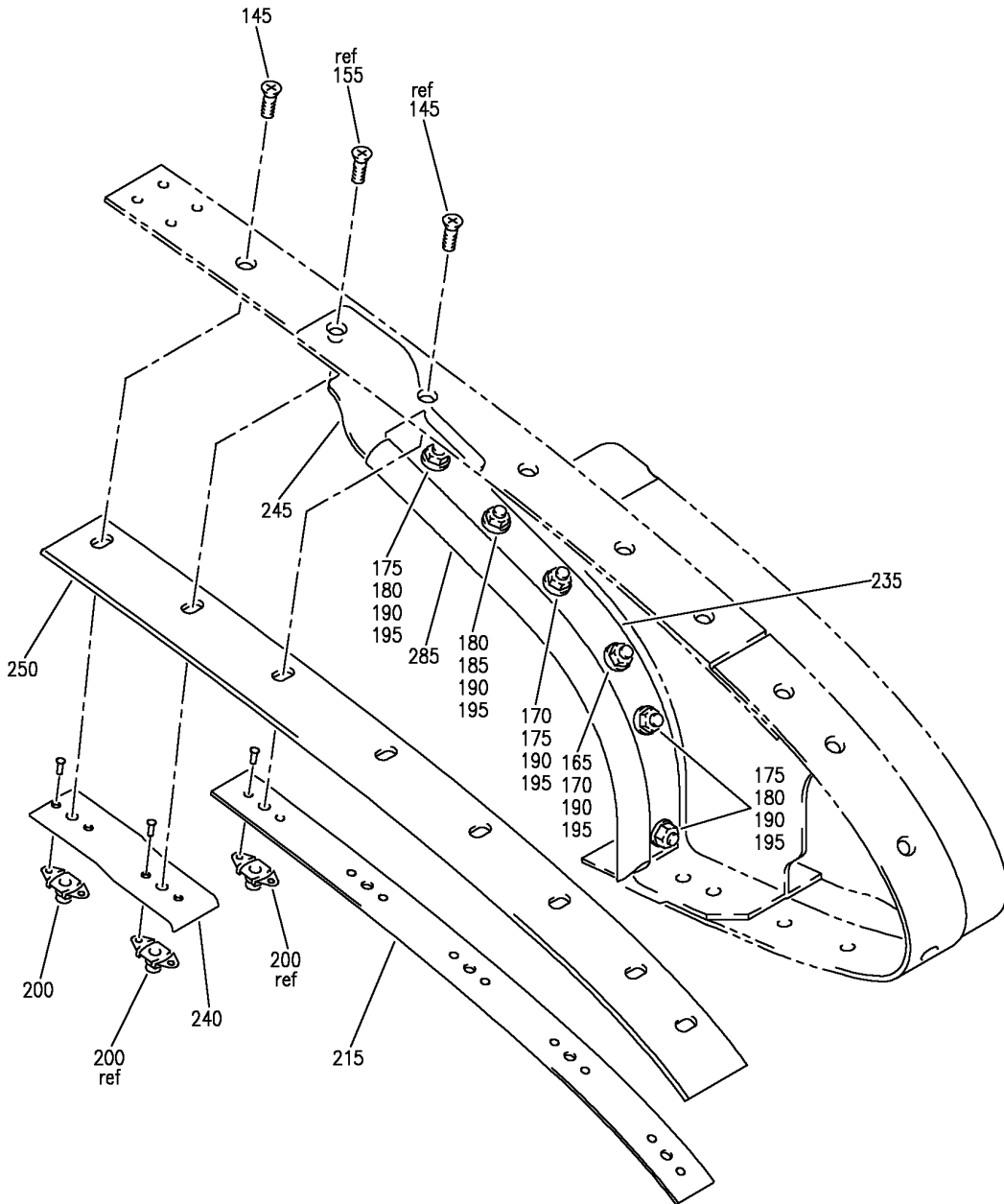
**27-81-02-03E**

BRI  
MAY 28/07

27-81-02-03E  
PAGE 0C



**BOEING**  
757  
PARTS CATALOG (MAINTENANCE)



Y 27810203E SHT 6 REV 256

G

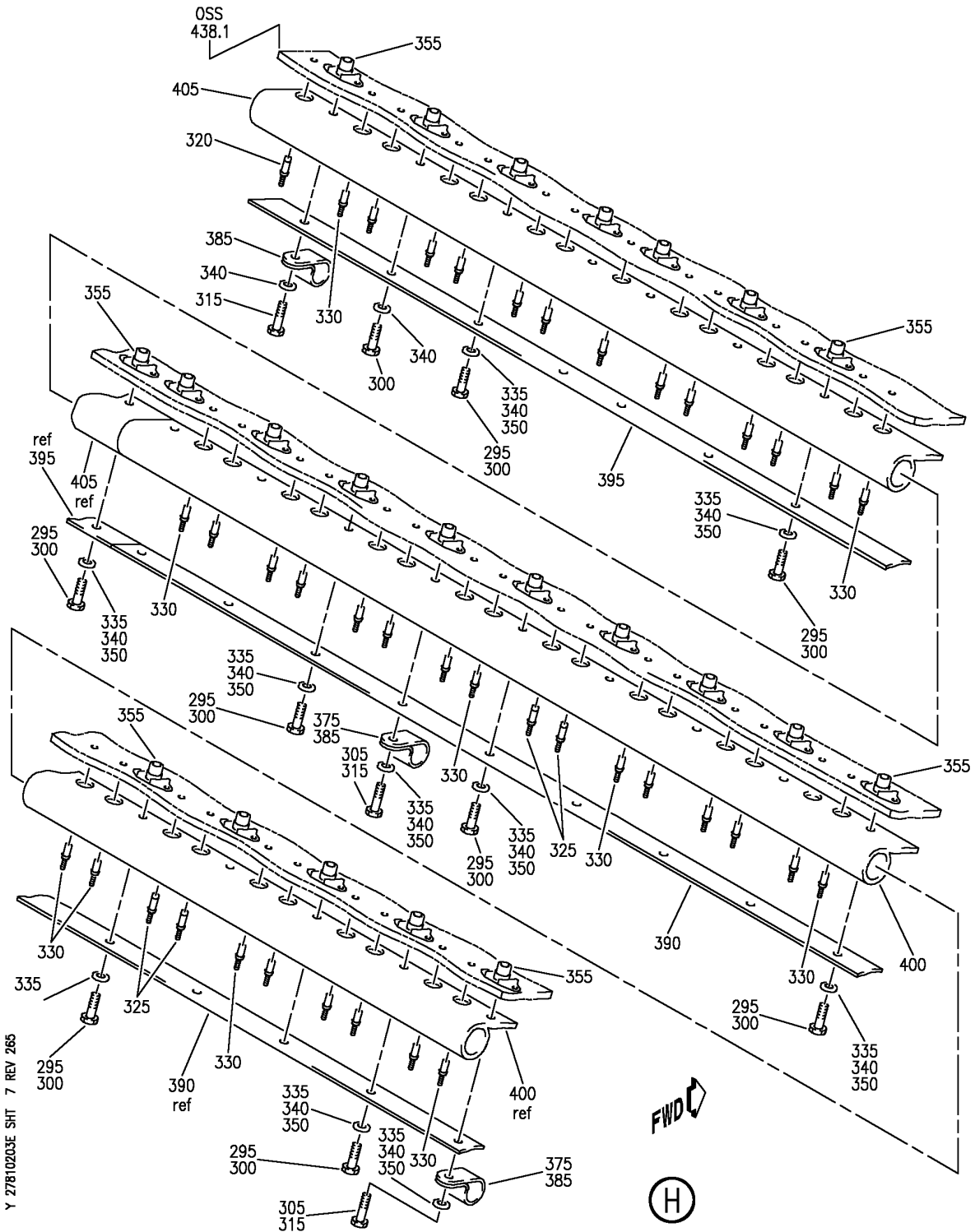
SLAT ASSY-NO. 8 WING LE OSS 438.10 TO 573.30, RH  
FIGURE 3E (SHEET 6)

**27-81-02-03E**

BRI  
MAY 28/07

27-81-02-03E  
PAGE 0E

**BOEING**  
757  
**PARTS CATALOG (MAINTENANCE)**



Y 27810203E SHT 7 REV 265

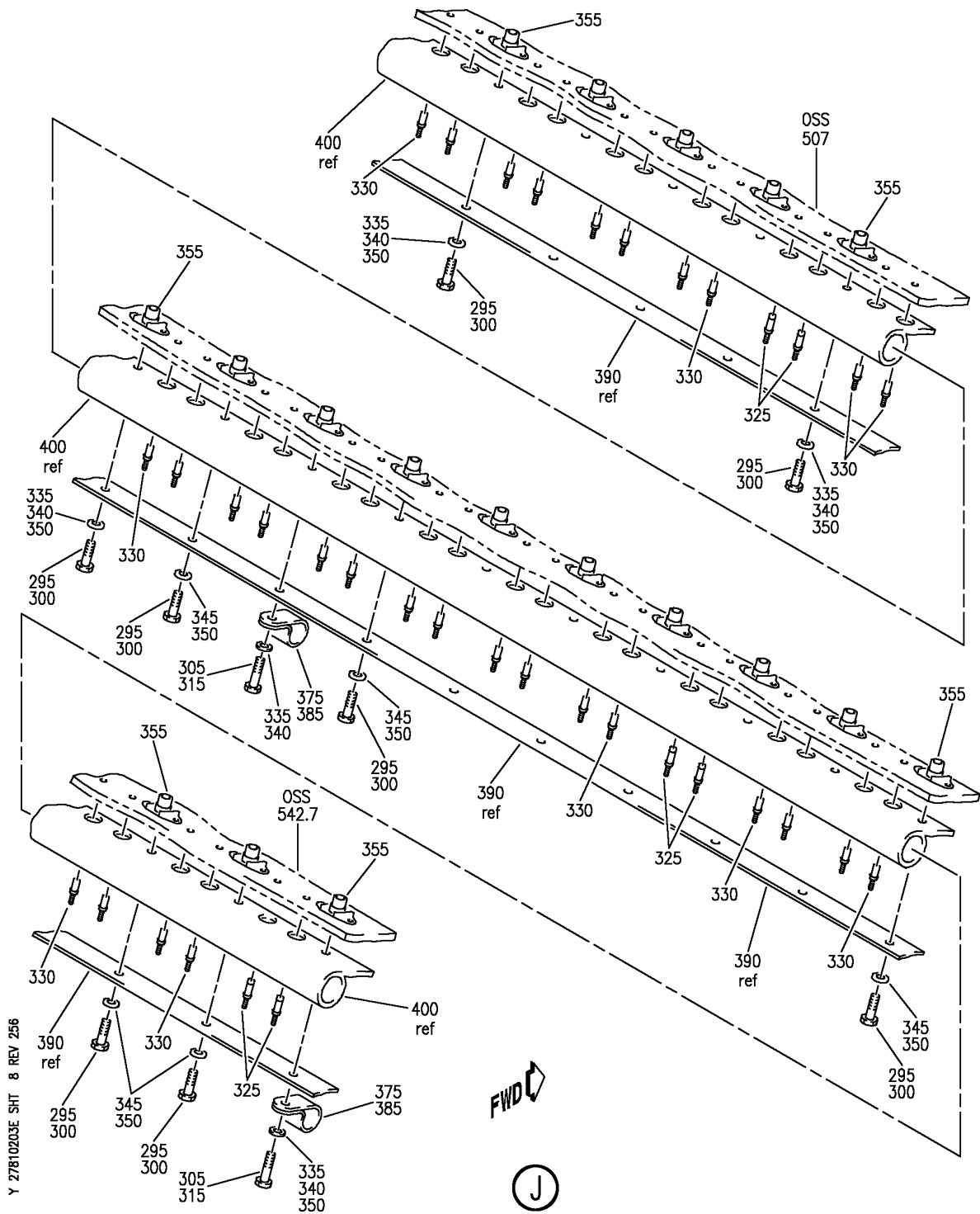
SLAT ASSY-NO. 8 WING LE OSS 438.10 TO 573.30, RH  
FIGURE 3E (SHEET 7)

**27-81-02-03E**

BRI  
MAY 28/07

27-81-02-03E  
PAGE OF

**BOEING**  
757  
PARTS CATALOG (MAINTENANCE)



Y 27810203E SHT 8 REV 256

FWD

J

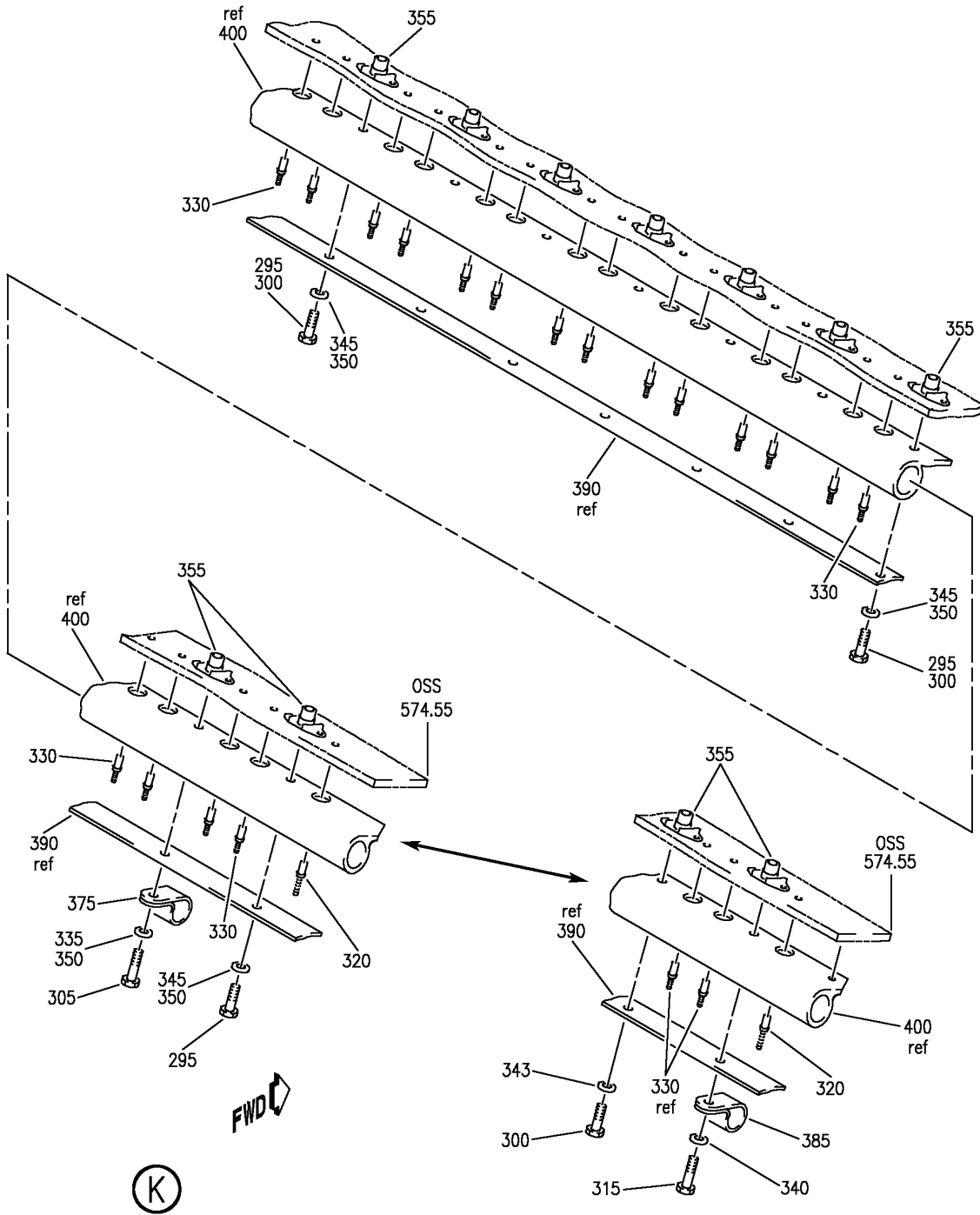
SLAT ASSY-NO. 8 WING LE OSS 438.10 TO 573.30, RH  
FIGURE 3E (SHEET 8)

**27-81-02-03E**

BRI  
MAY 28/07

27-81-02-03E  
PAGE 0G


**BOEING**  
 757  
**PARTS CATALOG (MAINTENANCE)**



Y 27810203E SHT 9 REV 265

SLAT ASSY-NO. 8 WING LE OSS 438.10 TO 573.30, RH  
 FIGURE 3E (SHEET 9)

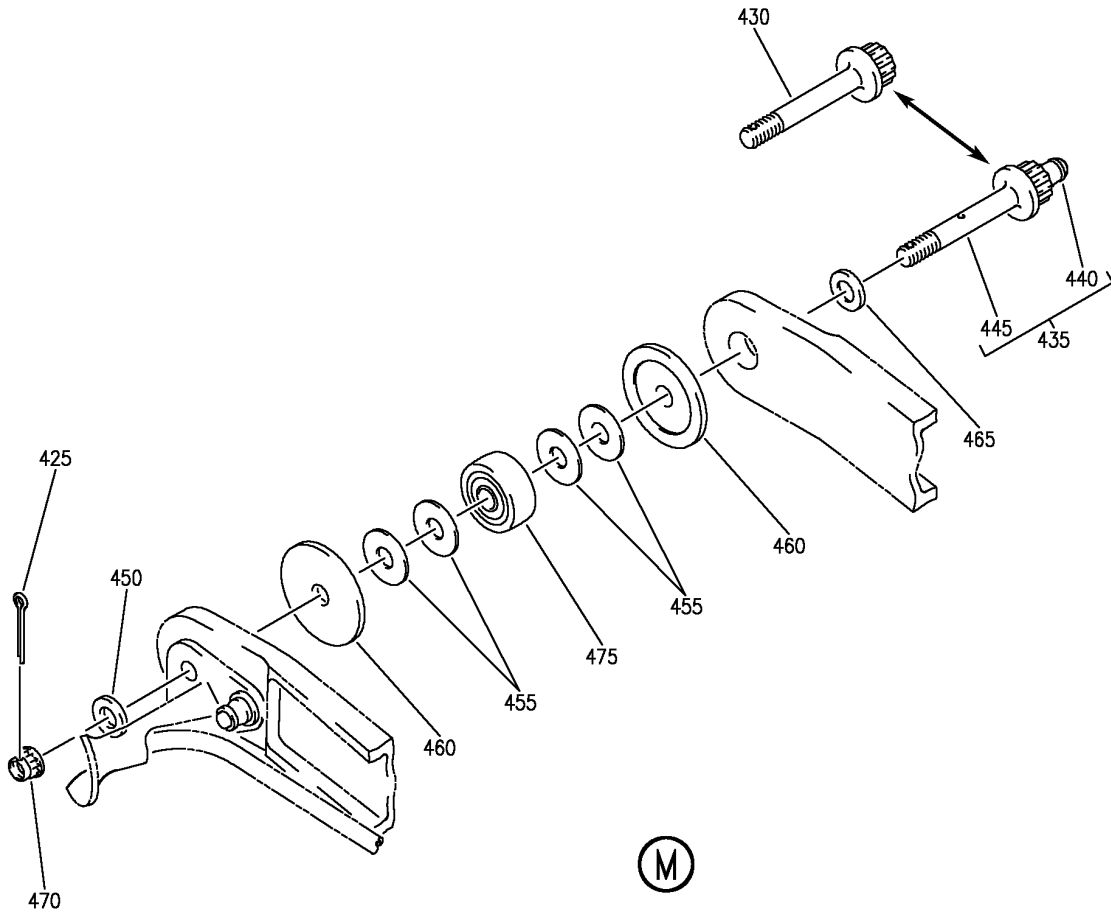
**27-81-02-03E**

BRI  
MAY 28/07

27-81-02-03E  
 PAGE 0H



**BOEING**  
757  
PARTS CATALOG (MAINTENANCE)



Y 27810203E SHT 10 REV 265

SLAT ASSY-NO. 8 WING LE OSS 438.10 TO 573.30, RH  
FIGURE 3E (SHEET 10)

**27-81-02-03E**

BRI  
MAY 28/07

27-81-02-03E  
PAGE 01



757

PARTS CATALOG (MAINTENANCE)

FIG ITEM	PART NUMBER	1 2 3 4 5 6 7	NOMENCLATURE	EFFECT FROM TO	UNITS PER ASSY
3E			SLAT ASSY-NO. 8 WING LE OSS 438.10 TO 573.30, RH	101106 108120 504903	
- 1	114N4004-192SP		SLAT ASSY-NO. 8 WING LE POSITION DATA: OSS 438.10 TO 573.30 RH COMPONENT MAINT MANUAL REF: 57-43-24 QUALIFIED I/W DATA: -192SP INTERCHANGEABLE WITH -166SP IF S/B 757-27-0126 AND 757-57-0057 ARE INCORPORATED 114N4004-182SP INTERCHANGEABLE WITH 114N4004-192SP IF SERVICE BULLETINS 757-27-0126 AND 757-57-0057 ARE INCORPORATED. FOR NHA/OTHER SYS DET SEE: 27-81-02-07A	101106 108120 504903	RF
- 1	114N4004-216SP		SLAT ASSY-NO. 8 WING LE POSITION DATA: OSS 438.10 TO 573.30 RH COMPONENT MAINT MANUAL REF: 57-43-24 QUALIFIED I/W DATA: -216SP INTERCHANGEABLE WITH -166SP IF S/B 757-27-0126 AND 757-57-0057 ARE INCORPORATED 114N4004-182SP INTERCHANGEABLE WITH 114N4004-216SP IF SERVICE BULLETINS 757-27-0126 AND 757-57-0057 ARE INCORPORATED. FOR NHA/OTHER SYS DET SEE: 27-81-02-07A	101106 108120 504903	RF
- 50	218N1001-28		.DUCT INSTL-WING LE ANTI-ICING FOR DETAILS SEE: 30-11-01-01	101106 108120 504903	1

MISSING ITEM NUMBERS NOT APPLICABLE

- ITEM NOT ILLUSTRATED

**27-81-02-03E**

27-81-02  
FIG. 03E  
PAGE 1  
JAN 20/09

BRI



**757  
PARTS CATALOG (MAINTENANCE)**

FIG ITEM	PART NUMBER	1 2 3 4 5 6 7	NOMENCLATURE	EFFECT FROM TO	UNITS PER ASSY
3E					
55	BACB30NN3K6	.	BOLT	101106 108120 504903	6
60	BACR15CE6AD	.	RIVET- SIZE DETERMINED ON INSTL.	101106 108120 504903	126
65	NAS1399MW5-4	.	RIVET	101106 108120 504903	2
70	BRFR220C3-2D	.	NUTPLATE SUPPLIER CODE: V52828 SPECIFICATION NUMBER: BACN10KE3B2CD OPTIONAL PART: F51747-3-2CD V15653 102A9213-2-3 V72962 NS202493-02-2 V80539 ATTACHING PARTS	101106 108120 504903	6
- 75	BACR15BA3AD	.	RIVET- SIZE DETERMINED ON INSTL.	101106 108120 504903	12
80	114N4058-18	.	SKIN-FLEXIBLE	101106 108120 504903	1
80	114N4058-6	.	SKIN-FLEXIBLE	101106 108120 504903	1
85	114N4048-6	.	TIP- USED ON: 114N4004-182SP 114N4004-184SP 114N4004-192SP 114N4004-216SP 114N4004-178SP 114N4004-180SP 114N4004-186SP	101106 108120 504903	1
85	114N4048-10	.	TIP-  ATTACHING PARTS	101106 108120 504903	1
- 90	BACR15BA5AD	.	RIVET- SIZE DETERMINED ON INSTL.	101106 108120 504903	4

MISSING ITEM NUMBERS NOT APPLICABLE

- ITEM NOT ILLUSTRATED

# 27-81-02-03E

27-81-02  
FIG. 03E  
PAGE 2  
JAN 20/09

BRI

BOEING PROPRIETARY - Copyright © - Unpublished Work - See title page for details.



757

PARTS CATALOG (MAINTENANCE)

FIG ITEM	PART NUMBER	1 2 3 4 5 6 7	NOMENCLATURE	EFFECT FROM TO	UNITS PER ASSY
3E					
95	BACB30NM3K3	.BOLT		101106 108120 504903	3
100	AN960KD10	.WASHER		101106 108120 504903	3
105	BRH10C3D	.NUT		101106 108120 504903	3
			SUPPLIER CODE: V52828 SPECIFICATION NUMBER: BACN10JC3CD OPTIONAL PART: T6C1032JCD V11815 NS202486-02 V80539 102LH9075-3W V72962 H51650-3BAC V15653		
110	114N4044-79	.RETAINER		101106 108120 504903	1
115	114N4044-92	.SEAL-		101106 108120 504903	1
			ALTERED FROM PART NUMBER: 10-60754-492		
120	BACB30NM3K3	.BOLT		101106 108120 504903	3
125	AN960KD10	.WASHER		101106 108120 504903	3
130	BRH10C3D	.NUT		101106 108120 504903	3
			SUPPLIER CODE: V52828 SPECIFICATION NUMBER: BACN10JC3CD OPTIONAL PART: T6C1032JCD V11815 NS202486-02 V80539 102LH9075-3W V72962 H51650-3BAC V15653		
135	114N4044-101	.RETAINER		101106 108120 504903	1

MISSING ITEM NUMBERS NOT APPLICABLE

- ITEM NOT ILLUSTRATED

27-81-02-03E

27-81-02  
FIG. 03E  
PAGE 3  
JAN 20/09

BRI

BOEING PROPRIETARY - Copyright © - Unpublished Work - See title page for details.



757

PARTS CATALOG (MAINTENANCE)

FIG ITEM	PART NUMBER	1 2 3 4 5 6 7	NOMENCLATURE	EFFECT FROM TO	UNITS PER ASSY
3E					
140	114N4044-96	.SEAL-	ALTERED FROM PART NUMBER: 10-60754-491	101106 108120 504903	1
145	BACB30NN3K4	.BOLT		101106 108120 504903	4
150	BACB30NN3K5	.BOLT		101106 108120 504903	2
155	BACB30NN3K6	.BOLT		101106 108120 504903	6
160	BACB30NN3K7	.BOLT		101106 108120 504903	2
165	BACB30NM3K3	.BOLT-	USED ON: 114N4004-192SP 114N4004-216SP	101106 108120 504903	1
175	BACB30NM3K5	.BOLT-	USED ON: 114N4004-192SP 114N4004-216SP	101106 108120 504903	4
185	BACB30NM3K7	.BOLT-	USED ON: 114N4004-192SP 114N4004-216SP	101106 108120 504903	1
190	NAS1149D0363J	.WASHER-	USED ON: 114N4004-192SP 114N4004-216SP	101106 108120 504903	6
195	BRH10C3D	.NUT	SUPPLIER CODE: V52828 SPECIFICATION NUMBER: BACN10JC3CD OPTIONAL PART: T6C1032JCD V11815 NS202486-02 V80539 102LH9075-3W V72962 H51650-3BAC V15653	101106 108120 504903	6

MISSING ITEM NUMBERS NOT APPLICABLE

- ITEM NOT ILLUSTRATED

27-81-02-03E

27-81-02  
FIG. 03E  
PAGE 4  
JAN 20/09

BRI

BOEING PROPRIETARY - Copyright © - Unpublished Work - See title page for details.



757

PARTS CATALOG (MAINTENANCE)

FIG ITEM	PART NUMBER	1 2 3 4 5 6 7	NOMENCLATURE	EFFECT FROM TO	UNITS PER ASSY
3E 200	BRFR220C3-2D	.NUTPLATE	SUPPLIER CODE: V52828 SPECIFICATION NUMBER: BACN10KE3B2CD OPTIONAL PART: F51747-3-2CD V15653 102A9213-2-3 V72962 NS202493-02-2 V80539	101106 108120 504903	12
205	BRFR120C3-2D	.NUTPLATE-	SUPPLIER CODE: V52828 SPECIFICATION NUMBER: BACN10KE3E2CD OPTIONAL PART: 102F9216-2-3 V72962 F51751-3-2CD V15653 NS202494-02-2 V80539 BACN10KH3CD	101106 108120 504903	2
205	FS1651-3	.NUTPLATE-	SUPPLIER CODE: V15653 SPECIFICATION NUMBER: BACN10KH3CD OPTIONAL PART: 102F9209M3 V72962 NS202496-02 V80539 BACN10KE3E2CD	101106 108120 504903	2
- 210	BACR15BA3AD	.RIVET-	ATTACHING PARTS SIZE DETERMINED ON INSTL.	101106 108120 504903	28
215	114N4045-51	-----*----- .RETAINER		101106 108120 504903	1
220	114N4045-54	.RETAINER		101106 108120 504903	1

MISSING ITEM NUMBERS NOT APPLICABLE

- ITEM NOT ILLUSTRATED

27-81-02-03E

27-81-02  
FIG. 03E  
PAGE 5  
JAN 20/09

BRI

BOEING PROPRIETARY - Copyright © - Unpublished Work - See title page for details.



757

PARTS CATALOG (MAINTENANCE)

FIG ITEM	PART NUMBER	1 2 3 4 5 6 7	NOMENCLATURE	EFFECT FROM TO	UNITS PER ASSY
3E					
225	114N4045-56	.	RETAINER	101106 108120 504903	1
230	114N4045-58	.	RETAINER	101106 108120 504903	1
235	114N4045-60	.	RETAINER	101106 108120 504903	1
240	114N4045-61	.	RETAINER	101106 108120 504903	1
245	114N4045-63	.	SHIELD-EROSION ALTERED FROM PART NUMBER: 114N4081-4 MANUFACTURED FROM: 114N4081-4 FOR SPARES PROCURE: 114N4081-4	101106 108120 504903	1
245	114N4045-135	.	SHIELD-EROSION ALTERED FROM PART NUMBER: 114N4081-4 FOR SPARES PROCURE: 114N4081-4	101106 108120 504903	1
250	114N4045-102	.	SHIELD-EROSION ALTERED FROM PART NUMBER: 114N4081-9 FOR SPARES PROCURE: 114N4081-9	101106 108120 504903	1
255	114N4045-104	.	SHIELD-EROSION ALTERED FROM PART NUMBER: 114N4081-9 FOR SPARES PROCURE: 114N4081-9	101106 108120 504903	1
260	114N4045-106	.	SHIELD-EROSION ALTERED FROM PART NUMBER: 114N4081-9 FOR SPARES PROCURE: 114N4081-9	101106 108120 504903	1
265	114N4045-108	.	SHIELD-EROSION ALTERED FROM PART NUMBER: 114N4081-9 FOR SPARES PROCURE: 114N4081-9	101106 108120 504903	1
270	114N4045-18	.	SEAL- ALTERED FROM PART NUMBER: 10-60754-486	101106 108120 504903	1

MISSING ITEM NUMBERS NOT APPLICABLE

- ITEM NOT ILLUSTRATED

27-81-02-03E

27-81-02  
FIG. 03E  
PAGE 6  
JAN 20/09

BRI

BOEING PROPRIETARY - Copyright © - Unpublished Work - See title page for details.



757

PARTS CATALOG (MAINTENANCE)

FIG ITEM	PART NUMBER	1 2 3 4 5 6 7	NOMENCLATURE	EFFECT FROM TO	UNITS PER ASSY
3E					
275	114N4045-20	.	SEAL- ALTERED FROM PART NUMBER: 10-60754-486	101106 108120 504903	1
280	114N4045-22	.	SEAL- ALTERED FROM PART NUMBER: 10-60754-486	101106 108120 504903	1
285	114N4045-24	.	SEAL- ALTERED FROM PART NUMBER: 10-60754-484	101106 108120 504903	1
295	BACB30NM3K5	.	BOLT- USED ON: 114N4004-192SP 114N4004-216SP	101106 108120 504903	42
305	BACB30NM3K7	.	BOLT- USED ON: 114N4004-192SP 114N4004-216SP	101106 108120 504903	5
320	MS21141U0605P	.	FASTENER- USED ON: 114N4004-216SP	101106 108120 504903	2
325	MS21141U0604P	.	FASTENER- USED ON: 114N4004-216SP	101106 108120 504903	10
330	NAS1398D6	.	RIVET	101106 108120 504903	83
335	NAS1149D0332K	.	WASHER- USED ON: 114N4004-192SP 114N4004-216SP	101106 108120 504903	29
345	NAS1149D0332J	.	WASHER- USED ON: 114N4004-182SP 114N4004-184SP 114N4004-192SP 114N4004-216SP	101106 108120 504903	18
355	BRFR220C3-2D	.	NUTPLATE SUPPLIER CODE: V52828 SPECIFICATION NUMBER: BACN10KE3B2CD OPTIONAL PART: F51747-3-2CD V15653 102A9213-2-3 V72962 NS202493-02-2 V80539	101106 108120 504903	49

MISSING ITEM NUMBERS NOT APPLICABLE

- ITEM NOT ILLUSTRATED

BRI

27-81-02-03E

BOEING PROPRIETARY - Copyright © - Unpublished Work - See title page for details.

27-81-02  
FIG. 03E  
PAGE 7  
JAN 20/09



 **BOEING**  
757  
**PARTS CATALOG (MAINTENANCE)**

FIG ITEM	PART NUMBER	1 2 3 4 5 6 7	NOMENCLATURE	EFFECT FROM TO	UNITS PER ASSY
3E			ATTACHING PARTS		
- 365	BACR15BA3AD		.RIVET- SIZE DETERMINED ON INSTL.	101106 108120 504903	98
			-----*-----		
375	BACC10DK4		.CLAMP- USED ON: 114N4004-192SP 114N4004-216SP	101106 108120 504903	5
390	114N4046-49		.RETAINER	101106 108120 504903	1
395	114N4046-37		.RETAINER	101106 108120 504903	1
400	114N4046-18		.SEAL- ALTERED FROM PART NUMBER: 10-60754-319 10-60754-319 MANUFACTURED FROM: EXTRUSION RUBBER 10-60754-319 117.0 IN.	101106 108120 504903	1
405	114N4046-20		.SEAL- ALTERED FROM PART NUMBER: 10-60754-319 10-60754-319 MANUFACTURED FROM: EXTRUSION RUBBER 10-60754-319 21.0 IN.	101106 108120 504903	1
415	114N4065-3		.RETAINER	101106 108120 504903	1
420	114N4066-4		.SEAL-	101106 108120 504903	1
420	114N4066-2		.SEAL-	101106 108120 504903	1
425	BACP18BC02A06P		.PIN- USED ON: 114N4004-182SP 114N4004-184SP 114N4004-192SP 114N4004-216SP	101106 108120 504903	2

MISSING ITEM NUMBERS NOT APPLICABLE

- ITEM NOT ILLUSTRATED

BRI

**27-81-02-03E**

BOEING PROPRIETARY - Copyright © - Unpublished Work - See title page for details.

27-81-02  
FIG. 03E  
PAGE 8  
JAN 20/09



757

PARTS CATALOG (MAINTENANCE)

FIG ITEM	PART NUMBER	1 2 3 4 5 6 7	NOMENCLATURE	EFFECT FROM TO	UNITS PER ASSY
3E					
430	BACB30LE4DU19	.BOLT-	USED ON: 114N4004-192SP 114N4004-216SP	101106 108120 504903	2
450	BACW10BP4DP	.WASHER-		101106 108120 504903	2
455	BACW10P42S	.WASHER-	USED ON: 114N4004-182SP 114N4004-184SP 114N4004-192SP 114N4004-216SP	101106 108120 504903	8
460	114N4056-1	.WASHER-		101106 108120 504903	4
465	BACW10BP4CD	.WASHER-		101106 108120 504903	2
470	NAS1805-4L	.NUT-	USED ON: 114N4004-182SP 114N4004-184SP 114N4004-192SP 114N4004-216SP	101106 108120 504903	2
475	ATF4SN	.BEARING-	SUPPLIER CODE: V21335 SPECIFICATION NUMBER: BACB10GH04N OPTIONAL PART: CRO4NAFC V92563 ATFO4NSY V21335 USED ON: 114N4004-192SP 114N4004-216SP	101106 108120 504903	2

MISSING ITEM NUMBERS NOT APPLICABLE

- ITEM NOT ILLUSTRATED

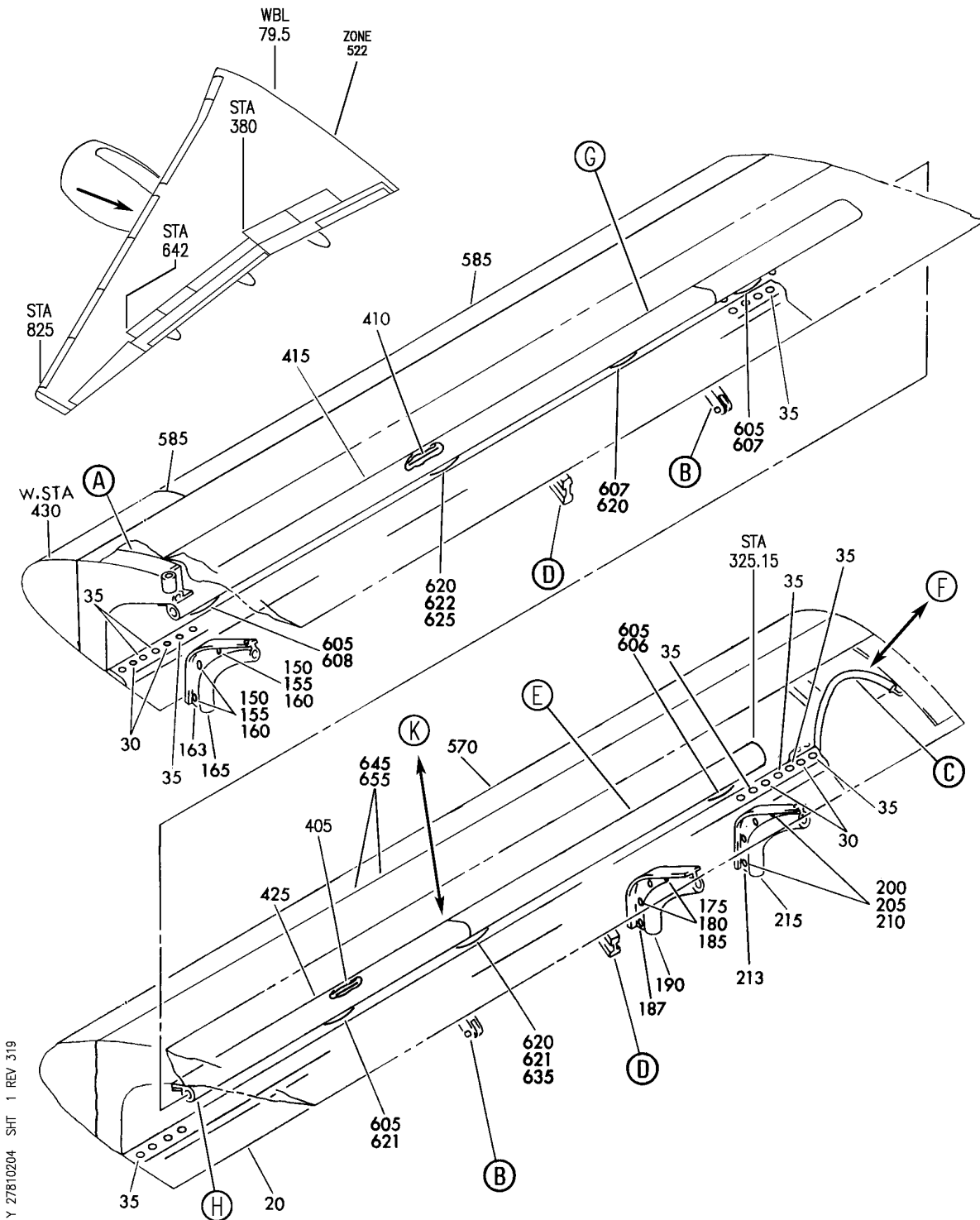
27-81-02-03E

27-81-02  
FIG. 03E  
PAGE 9  
JAN 20/09

BRI

BOEING PROPRIETARY - Copyright © - Unpublished Work - See title page for details.

**BOEING**  
757  
**PARTS CATALOG (MAINTENANCE)**



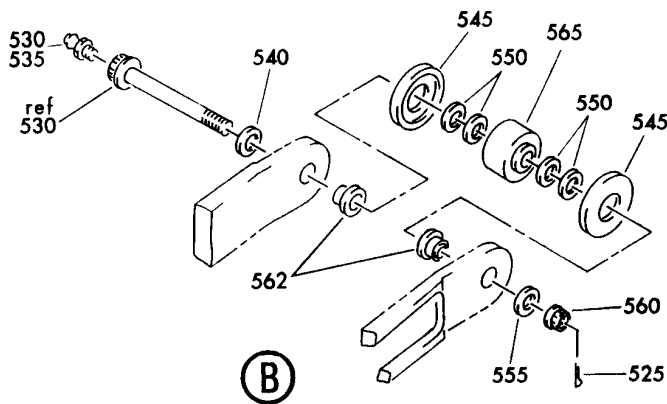
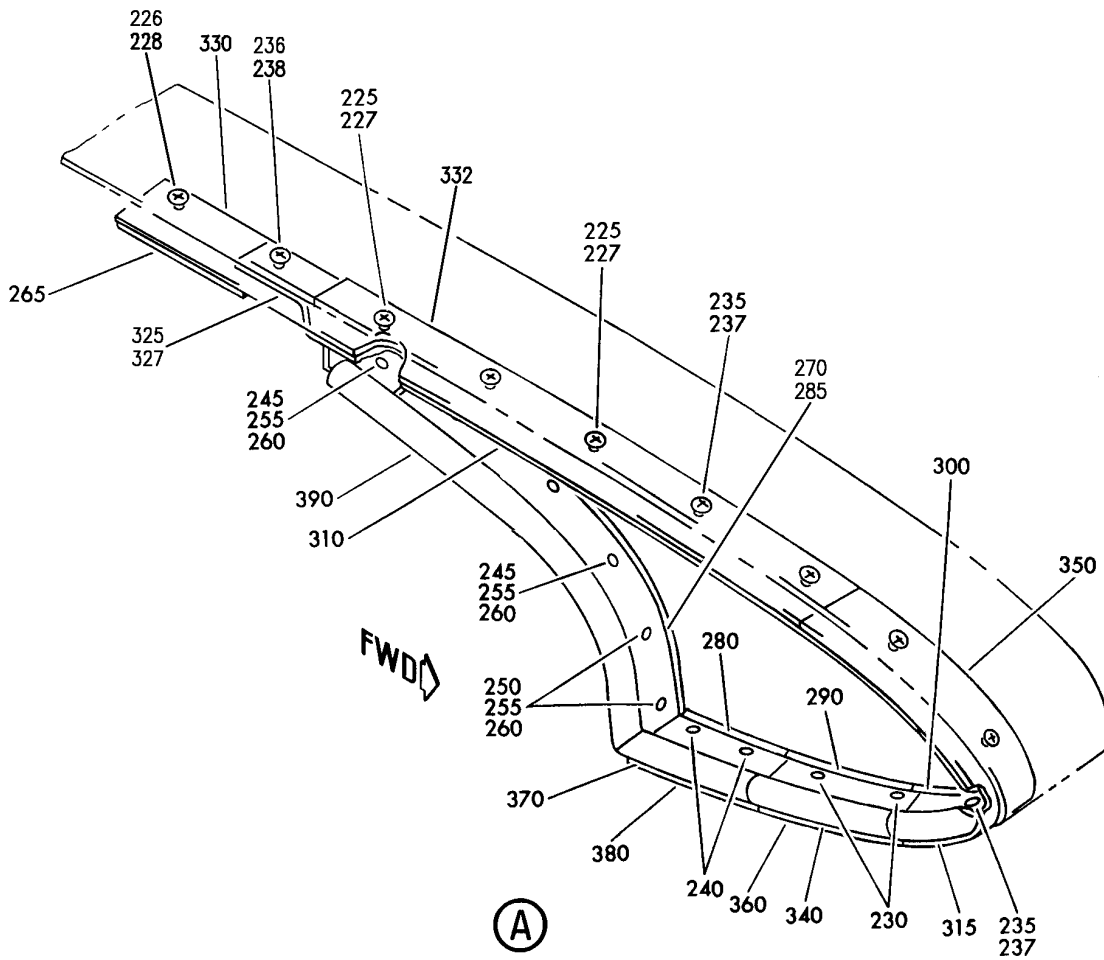
SLAT ASSY-NO. 4 OSS 438.10 TO 305.47 WING LE LH  
FIGURE 4 (SHEET 1)

**27-81-02-04**

BRI  
JAN 20/08

27-81-02-04  
PAGE 0

**BOEING**  
757  
PARTS CATALOG (MAINTENANCE)



Y 27810204 SH1 2 REV 319

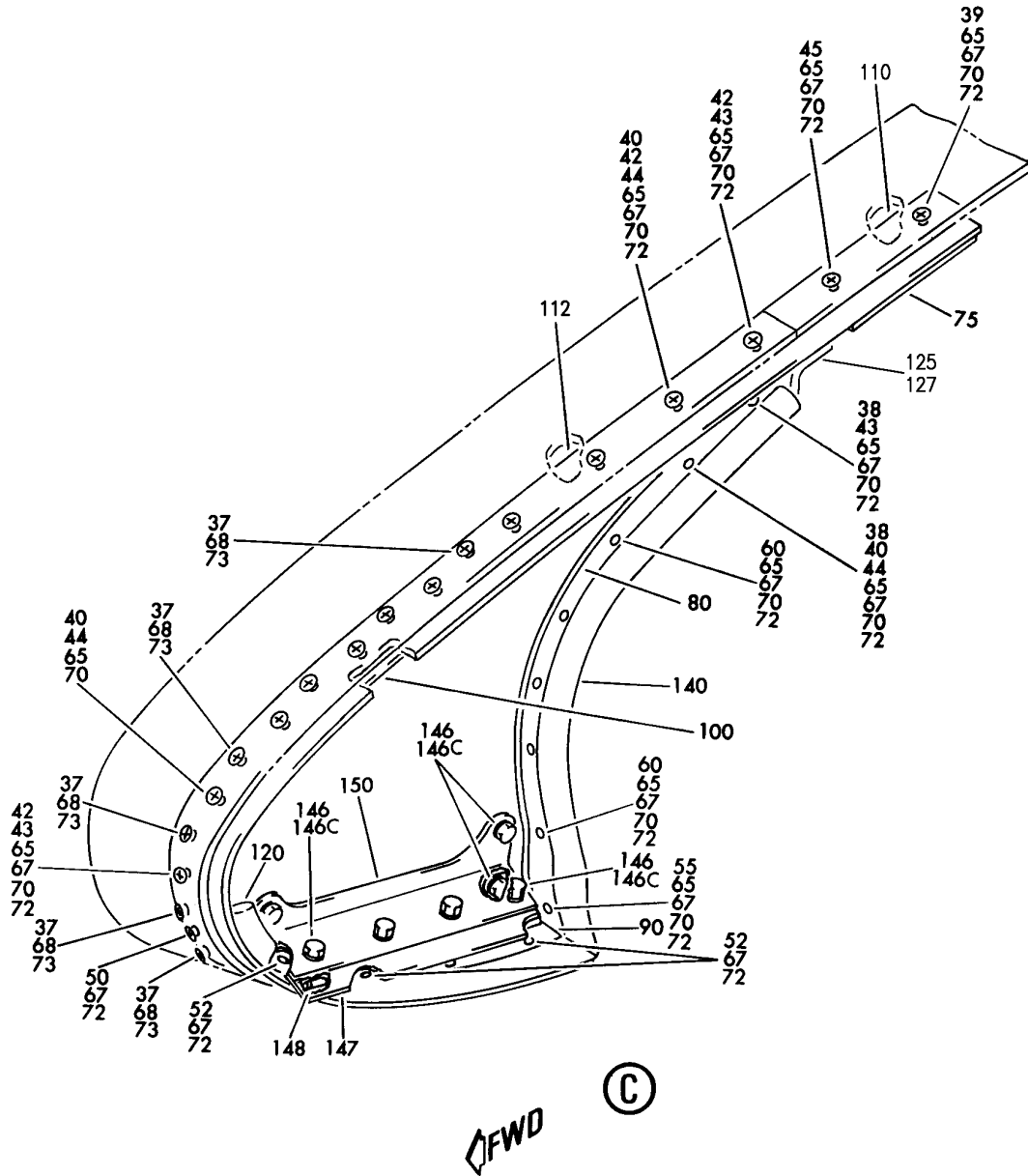
SLAT ASSY-NO. 4 OSS 438.10 TO 305.47 WING LE LH  
FIGURE 4 (SHEET 2)

**27-81-02-04**

BRI  
JAN 20/08

27-81-02-04  
PAGE 0A

**BOEING**  
757  
PARTS CATALOG (MAINTENANCE)



Y 27810204 SHT 3 REV 319

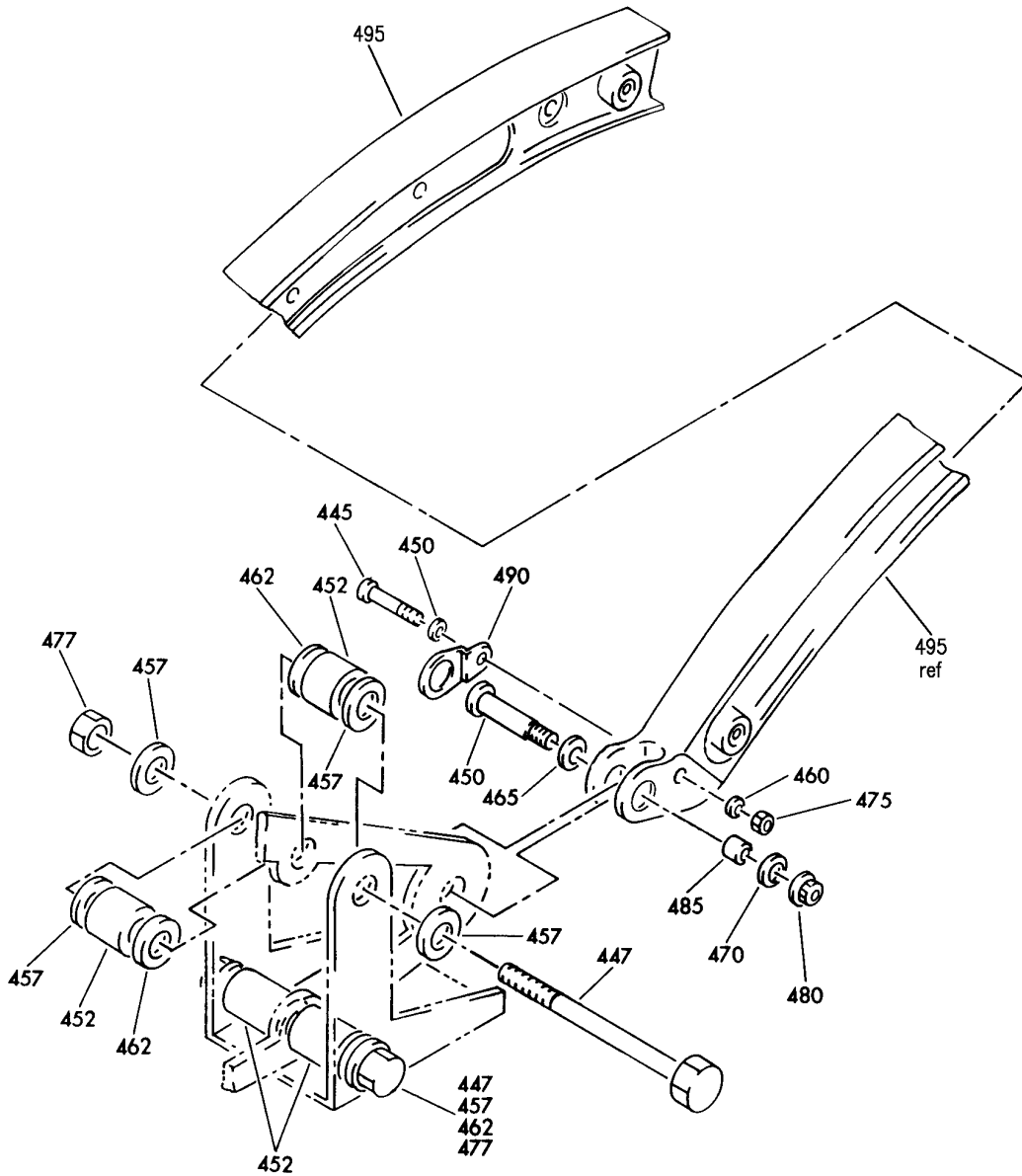
SLAT ASSY-NO. 4 OSS 438.10 TO 305.47 WING LE LH  
FIGURE 4 (SHEET 3)

**27-81-02-04**

BRI  
JAN 20/08

27-81-02-04  
PAGE 0B

**BOEING**  
757  
PARTS CATALOG (MAINTENANCE)



(D)

Y 27810204 SHT 4 REV 248

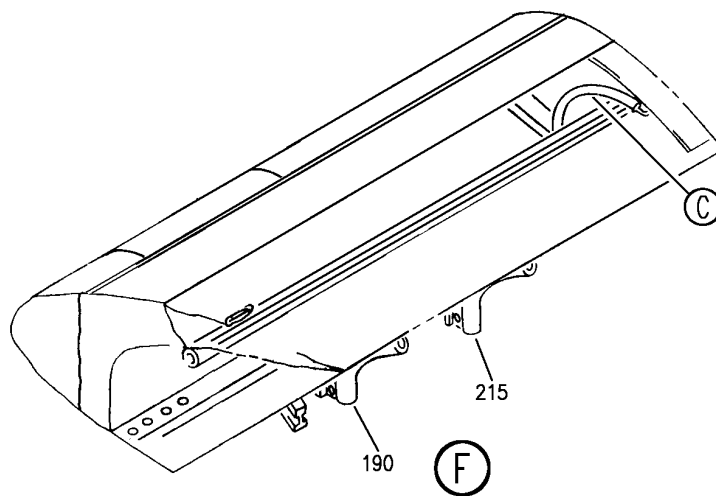
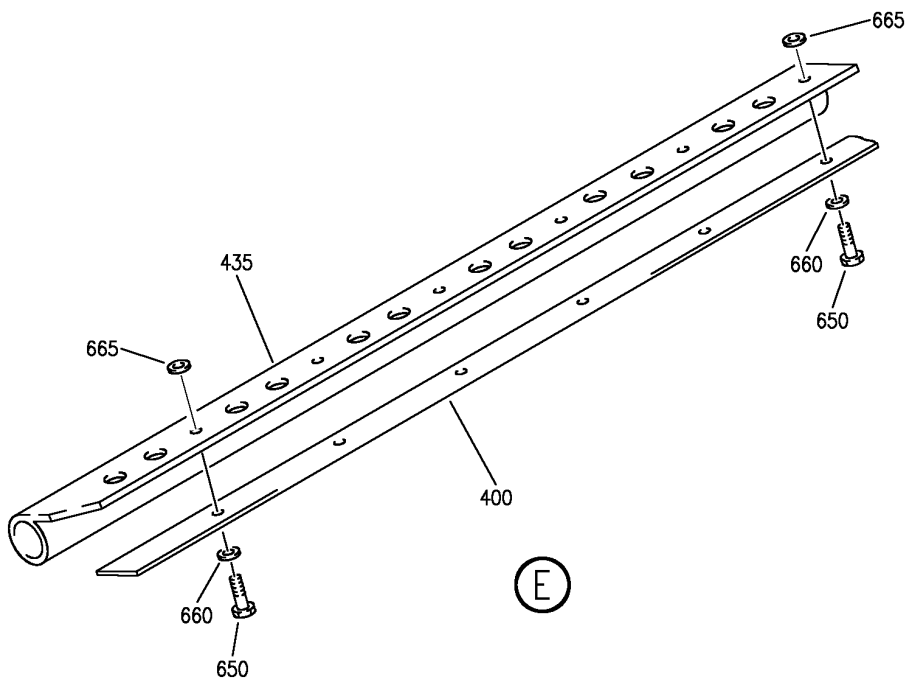
SLAT ASSY-NO. 4 OSS 438.10 TO 305.47 WING LE LH  
FIGURE 4 (SHEET 4)

**27-81-02-04**

BRI  
MAY 28/07

27-81-02-04  
PAGE 0C

**BOEING**  
757  
PARTS CATALOG (MAINTENANCE)



Y 27810204 SH-T 5 REV 319

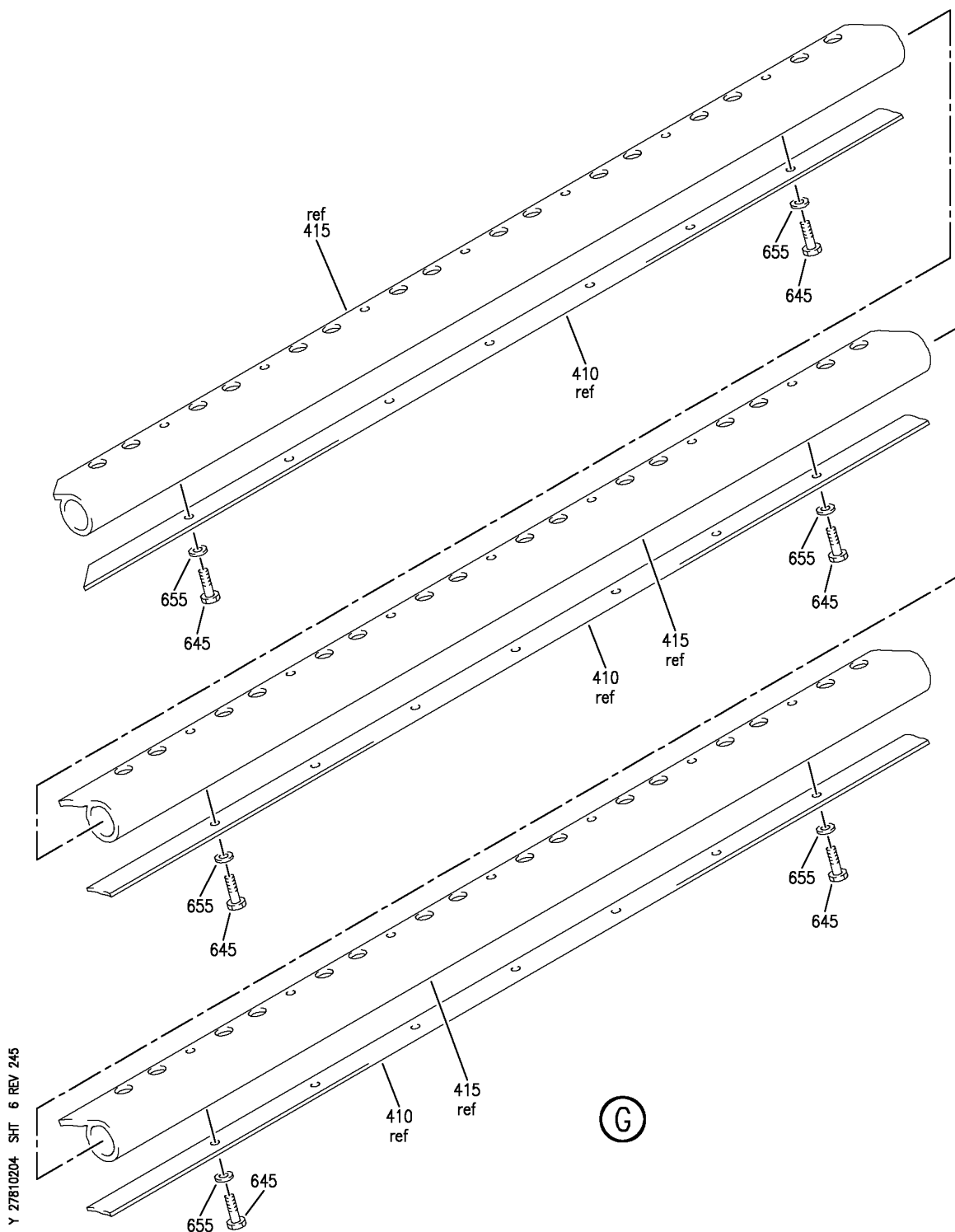
SLAT ASSY-NO. 4 OSS 438.10 TO 305.47 WING LE LH  
FIGURE 4 (SHEET 5)

**27-81-02-04**

BRI  
JAN 20/08

27-81-02-04  
PAGE 0D

**BOEING**  
757  
PARTS CATALOG (MAINTENANCE)



SLAT ASSY-NO. 4 OSS 438.10 TO 305.47 WING LE LH  
FIGURE 4 (SHEET 6)

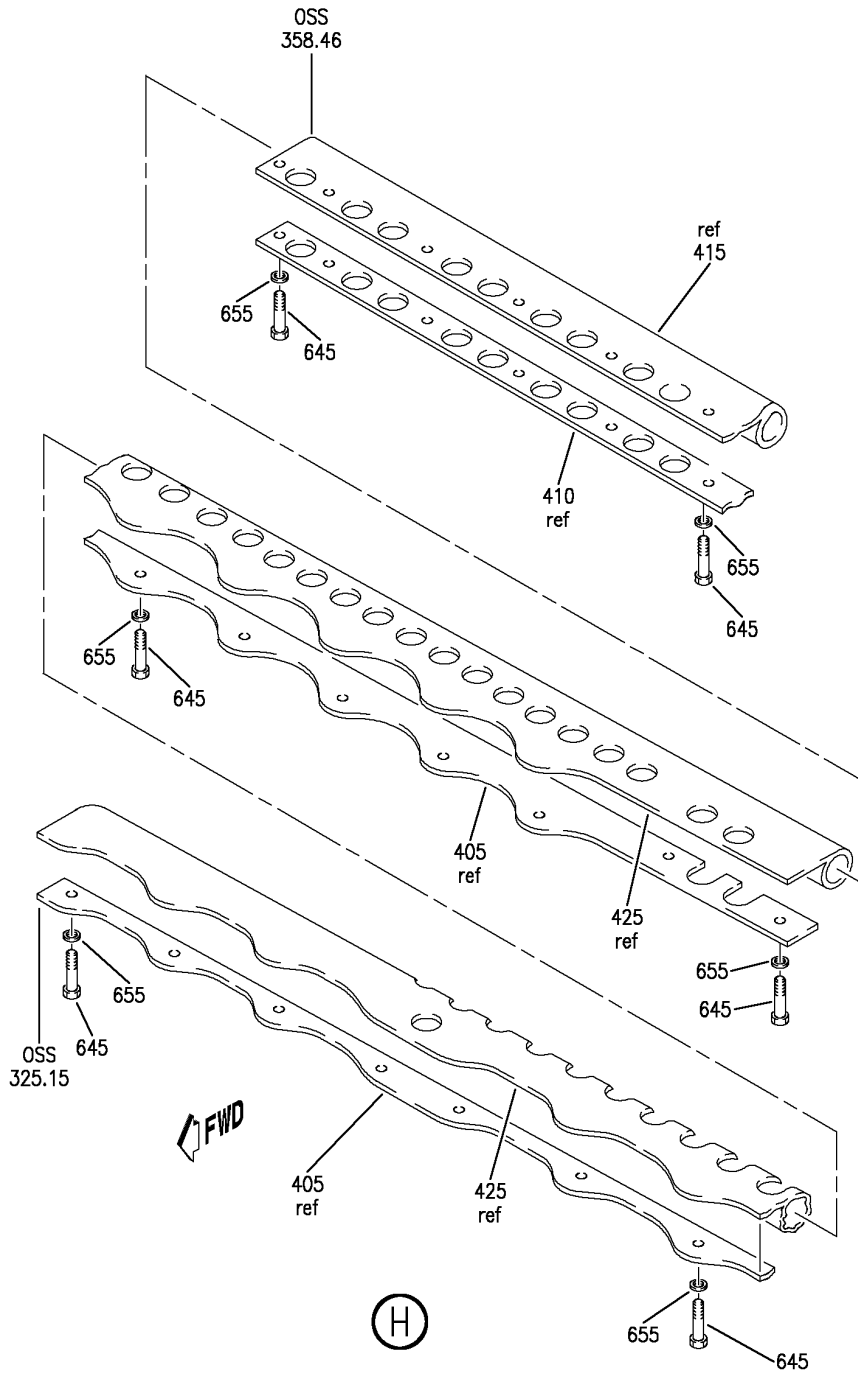
BRI  
MAY 28/07

**27-81-02-04**

27-81-02-04  
PAGE 0E



**BOEING**  
757  
PARTS CATALOG (MAINTENANCE)



Y 27810204 SH7 7 REV 319

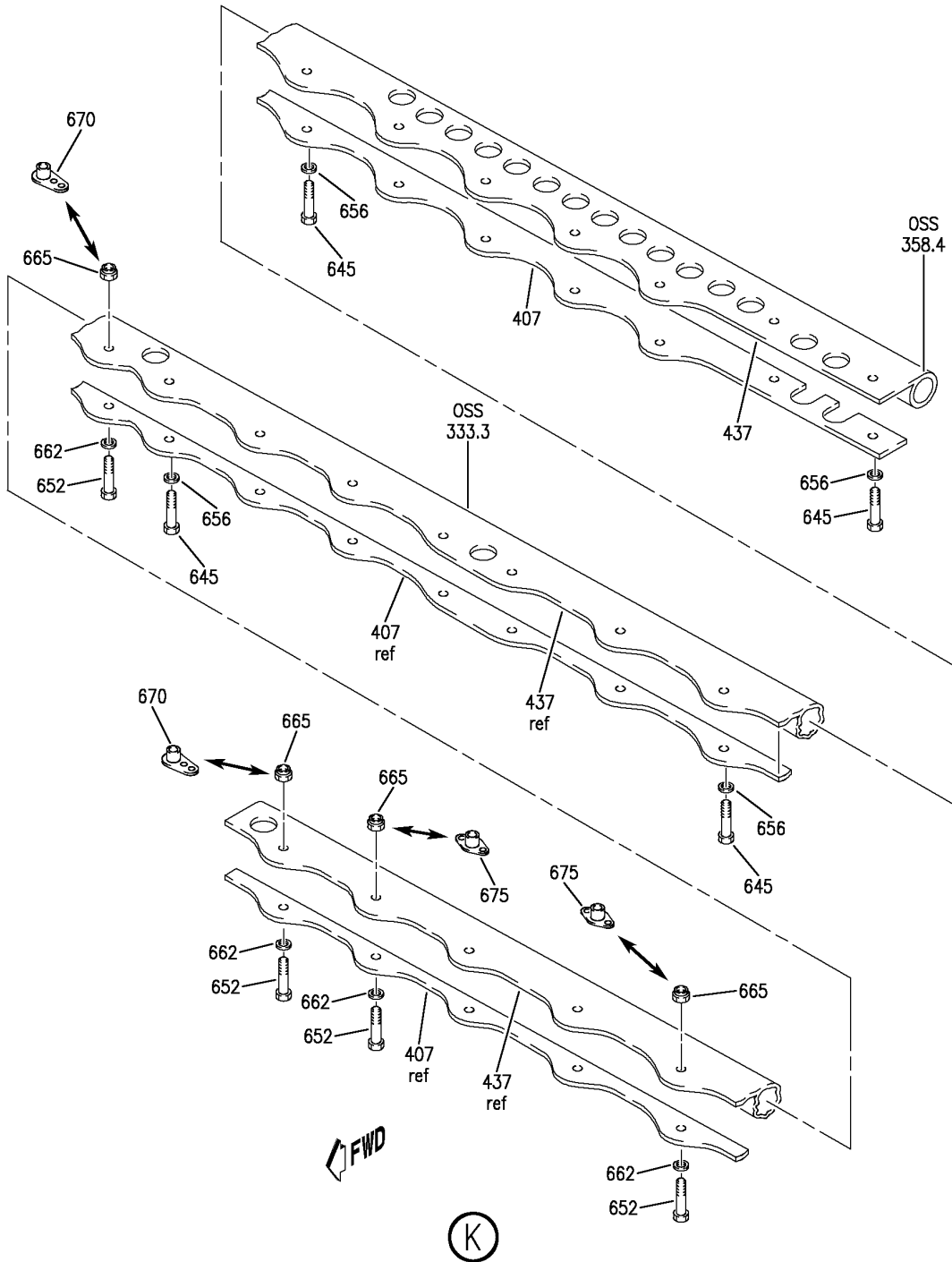
SLAT ASSY-NO. 4 OSS 438.10 TO 305.47 WING LE LH  
FIGURE 4 (SHEET 7)

**27-81-02-04**

BRI  
JAN 20/08

27-81-02-04  
PAGE OF

**BOEING**  
757  
PARTS CATALOG (MAINTENANCE)



Y 27810204 SHT 8 REV 319

SLAT ASSY-NO. 4 OSS 438.10 TO 305.47 WING LE LH  
FIGURE 4 (SHEET 8)

**27-81-02-04**

BRI  
JAN 20/08

27-81-02-04  
PAGE 08



757

PARTS CATALOG (MAINTENANCE)

FIG ITEM	PART NUMBER	1 2 3 4 5 6 7 NOMENCLATURE	EFFECT FROM TO	UNITS PER ASSY
4		SLAT ASSY-NO. 4 OSS 438.10 TO 305.47 WING LE LH	002004 006100 107107 121503 904999	
-	1 114N4005-157	SLAT ASSY-NO. 4 WING LE POSITION DATA: OSS 438.10 TO 305.47 LH COMPONENT MAINT MANUAL REF: 57-43-28 QUALIFIED I/W DATA: -157 IS I/W -151, HOWEVER, -151 CAN BE USED ONLY IF THE AIRPLANE IS RESTRICTED TO 241K MTGW 114N4005-157 INTERCHANGEABLE WITH 114N4005-177SP IF 218N1017-1 ON SLAT IS USED WITH 218N1011-1, -2, -3 OR -4 IS ON FIXED LEADING EDGE. IF 218N1017-4 IS ON SLAT, 218N1011-4 MUST BE USED ON FIXED LEADING EDGE 114N4005-157 INTERCHANGEABLE WITH 114N4005-183SP IF 218N1017-1 ON SLAT IS USED WITH 218N1011-1, -2, -3 OR -4 IS ON FIXED LEADING EDGE. IF 218N1017-4 IS ON SLAT, 218N1011-4 MUST BE USED ON FIXED LEADING EDGE REWORKED BY ALERT SB: 57A0045R1 57A0038R6 FOR NHA SEE: 27-81-02-05	107107	RF

MISSING ITEM NUMBERS NOT APPLICABLE

- ITEM NOT ILLUSTRATED

**27-81-02-04**

27-81-02  
 FIG. 04  
 PAGE 1  
 JAN 20/09

BRI



757

PARTS CATALOG (MAINTENANCE)

FIG ITEM	PART NUMBER	1 2 3 4 5 6 7	NOMENCLATURE	EFFECT FROM TO	UNITS PER ASSY
4 - 1	114N4005-199SP		SLAT ASSY-NO. 4 WING LE POSITION DATA: OSS 438.10 TO 305.47 LH COMPONENT MAINT MANUAL REF: 57-43-28 REWORKED BY SB: 27-0126 57-0049 FOR NHA SEE: 27-81-02-05	002004 006100 107107 121503 904999	RF
- 2	114N4005-161		SLAT ASSY-NO. 4 WING LE VAR POSITION DATA: OSS 438.10 TO 305.47 LH COMPONENT MAINT MANUAL REF: 57-43-28 QUALIFIED I/W DATA: -161 IS I/W -155, HOWEVER -155 CAN BE USED ONLY IF THE AIRPLANE IS RESTRICTED TO 241K MTGW 114N4004-177SP CAN REPLACE 114N4004-161 IF -177SP HAS 218N1017-1 AND FORWARD LEADING EDGE HAS 218N1011 -1, -2, -3, OR -4. IF 114N4004-177SP HAS 218N1017-4 THE FORWARD LEADING EDGE MUST HAVE 218N1011-4. SEE DRAWING 114N0001 SHEET 1 NOTE 14 FOR MORE DETAILS REWORKED BY SB: 27-0126 REWORKED BY ALERT SB: 57A0038R6 FOR NHA SEE: 27-81-02-05	002004 006100 107107 121503 904999	RF
- 2	114N4005-191SP		SLAT ASSY-NO. 4 WING LE POSITION DATA: OSS 438.10 TO 305.47 LH COMPONENT MAINT MANUAL REF: 57-43-28 REWORKED BY SB: 27-0126 57-0049 FOR NHA SEE: 27-81-02-05	002004 006100 107107 121503 904999	RF

MISSING ITEM NUMBERS NOT APPLICABLE

- ITEM NOT ILLUSTRATED

27-81-02-04

27-81-02  
FIG. 04  
PAGE 2  
JAN 20/09

BRI



757

PARTS CATALOG (MAINTENANCE)

FIG ITEM	PART NUMBER	1 2 3 4 5 6 7	NOMENCLATURE	EFFECT FROM TO	UNITS PER ASSY
4 - 2	114N4005-193SP		SLAT ASSY-NO. 4 WING LE POSITION DATA: OSS 438.10 TO 305.47 LH COMPONENT MAINT MANUAL REF: 57-43-28 QUALIFIED I/W DATA: 114N4005-193SP INTERCHANGEABLE WITH 114N4005-177SP IF 218N1071-1 ON SLAT IS USED WITH 218N1011-1, -2, -3 OR -4 ON FIXED LEADING EDGE. IF 218N1071-4 IS ON SLAT, 218N1011-4 MUST BE USED ON FIXED LEADING EDGE 114N4005-183SP INTERCHANGEABLE WITH 114N4005-193SP IF 218N1071-1 ON SLAT IS IS USED WITH 218N1011-1, -2, -3 OR -4 ON FIXED LEADING EDGE. IF 218N1071-4 IS ON SLAT, 218N1011-4 MUST BE USED ON FIXED LEADING EDGE 114N4005-185SP INTERCHANGEABLE WITH 114N4005-193SP IF 218N1071-1 ON SLAT IS USED WITH 218N1011-1, -2, -3 OR -4 ON FIXED LEADING EDGE. IF IF 218N1071-4 IS ON SLAT, 218N1011-4 MUST BE USED ON FIXED LEADING EDGE 114N4005-187SP INTERCHANGEABLE WITH 114N4005-193SP IF 218N1071-1 ON SLAT IS USED WITH 218N1011-1, -2, -3 OR -4 ON FIXED LEADING EDGE. IF 218N1071-4 IS ON SLAT, 218N1011-4 MUST BE USED ON FIXED LEADING EDGE 114N4005-193SP INTERCHANGEABLE WITH	002004 006100 107107 121503 904999	RF

MISSING ITEM NUMBERS NOT APPLICABLE

- ITEM NOT ILLUSTRATED

27-81-02-04

27-81-02  
 FIG. 04  
 PAGE 3  
 JAN 20/09

BRI



757

PARTS CATALOG (MAINTENANCE)

FIG ITEM	PART NUMBER	1 2 3 4 5 6 7 NOMENCLATURE	EFFECT FROM TO	UNITS PER ASSY
4		114N4005-203SP IF SERVICE BULLETINS 757-27-0126 AND 757-57-0056 AND 757-57-0057 ARE INCORPORATED. 114N4005-193SP INTERCHANGEABLE WITH 114N4005-213SP IF SERVICE BULLETINS 757-27-0126 AND 757-57-0056 AND 757-57-0057 ARE INCORPORATED. OPTIONAL PART: 114N4005-191SP REWORKED BY SB: 27-0126 57-0049 FOR NHA SEE: 27-81-02-05		

MISSING ITEM NUMBERS NOT APPLICABLE

- ITEM NOT ILLUSTRATED

BRI

**27-81-02-04**

BOEING PROPRIETARY - Copyright © - Unpublished Work - See title page for details.

27-81-02  
FIG. 04  
PAGE 4  
JAN 20/09



757

PARTS CATALOG (MAINTENANCE)

FIG ITEM	PART NUMBER	1 2 3 4 5 6 7	NOMENCLATURE	EFFECT FROM TO	UNITS PER ASSY
4 - 2	114N4005-203SP		SLAT ASSY-NO. 4 WING LE (FLIGHT CONTROL ONLY) POSITION DATA: OSS 438.10 TO 305.47 LH COMPONENT MAINT MANUAL REF: 57-43-28 QUALIFIED I/W DATA: 114N4005-157 CAN BE REPLACED BY 114N4005-203SP IF 218N1071-1 ON SLAT IS USED WITH 218N1011-1, -2, -3, OR -4 ON FIXED LEADING EDGE. IF 218N1071-4 IS ON SLAT, 218N1011-4 MUST BE USED ON FIXED LEADING EDGE 114N4005-191SP INTERCHANGEABLE WITH 114N4005-203SP IF SERVICE BULLETINS 757-27-0126 AND 757-57-0056 AND 757-57-0057 ARE INCORPORATED. 114N4005-193SP INTERCHANGEABLE WITH 114N4005-203SP IF SERVICE BULLETINS 757-27-0126 AND 757-57-0056 AND 757-57-0057 ARE INCORPORATED. REWORKED BY SB: 57-0049 FOR NHA/OTHER SYS DET SEE: 27-81-02-05	002004 006100 107107 121503 904999	RF
- 2	114N4005-177SP		SLAT ASSY-NO. 4 WING LE POSITION DATA: OSS 438.10 TO 305.47 LH COMPONENT MAINT MANUAL REF: 57-43-28 QUALIFIED I/W DATA: 114N4005-157 INTERCHANGEABLE WITH 114N4005-177SP IF 218N1017-1 ON SLAT IS USED WITH 218N1011-1, -2, -3 OR -4 IS ON	002004 107107 121503 904949 952952	RF

MISSING ITEM NUMBERS NOT APPLICABLE

- ITEM NOT ILLUSTRATED

27-81-02-04

27-81-02  
FIG. 04  
PAGE 5  
JAN 20/09

BRI



757

PARTS CATALOG (MAINTENANCE)

FIG ITEM	PART NUMBER	1 2 3 4 5 6 7 NOMENCLATURE	EFFECT FROM TO	UNITS PER ASSY
4		<p>FIXED LEADING EDGE. IF 218N1017-4 IS ON SLAT, 218N1011-4 MUST BE USED ON FIXED LEADING EDGE 114N4005-177SP INTERCHANGEABLE WITH 114N4005-183SP IF 218N1017-1 ON SLAT IS USED WITH 218N1011-1, -2, -3 OR -4 ON FIXED LEADING EDGE. IF 218N1017-4 IS ON SLAT 218N1011-4 MUST BE USED ON FIXED LEADING EDGE 114N4005-177SP INTERCHANGEABLE WITH 114N4005-185SP IF 218N1017-1 ON SLAT IS USED WITH 218N1011-1, -2, -3 OR -4 ON FIXED LEADING EDGE. IF 218N1017-4 IS ON SLAT, 218N1011-4 MUST BE USED ON FIXED LEADING EDGE 114N4005-157 INTERCHANGEABLE WITH 114N4005-177SP IF 218N1071-1 ON SLAT IS USED WITH 218N1011-1, -2, -3 OR -4 ON FIXED LEADING EDGE. IF 218N1071-4 IS ON SLAT, 218N1011-4 MUST BE USED ON FIXED LEADING EDGE 114N4004-177SP CAN REPLACE 114N4004-159 IF -177SP HAS 218N1017-1 AND FORWARD LEADING EDGE HAS 218N1011-1, -2, -3, OR -4. IF 114N4004-177SP HAS 218N1017-4 THE FORWARD LEADING EDGE MUST HAVE 218N1011-4. SEE DRAWING 114N0001 SHEET 1 NOTE 14 FOR MORE DETAILS. 114N4004-177SP CAN REPLACE 114N4004-161 IF -177SP HAS 218N1017-1</p>		

MISSING ITEM NUMBERS NOT APPLICABLE

- ITEM NOT ILLUSTRATED

27-81-02-04

27-81-02  
FIG. 04  
PAGE 6  
JAN 20/09

BRI





757  
PARTS CATALOG (MAINTENANCE)

FIG ITEM	PART NUMBER	1 2 3 4 5 6 7	NOMENCLATURE	EFFECT FROM TO	UNITS PER ASSY
4			AND FORWARD LEADING EDGE HAS 218N1011-1, -2, -3, OR -4. IF 114N4004-177SP HAS 218N1017-4 THE FORWARD LEADING EDGE MUST HAVE 218N1011-4. SEE DRAWING 114N0001 SHEET 1 NOTE 14 FOR MORE DETAILS. REWORKED BY SB: 27-0126 57-0049 POST ALERT SB: 57A0038R4 FOR NHA SEE: 27-81-02-05		

MISSING ITEM NUMBERS NOT APPLICABLE

- ITEM NOT ILLUSTRATED

BRI

27-81-02-04

BOEING PROPRIETARY - Copyright © - Unpublished Work - See title page for details.

27-81-02  
FIG. 04  
PAGE 7  
JAN 20/09



757

PARTS CATALOG (MAINTENANCE)

FIG ITEM	PART NUMBER	1 2 3 4 5 6 7	NOMENCLATURE	EFFECT FROM TO	UNITS PER ASSY
4 - 2	114N4005-213SP		SLAT ASSY-NO. 4 WING LE (FLIGHT CONTROL ONLY) POSITION DATA: OSS 438.10 TO 305.47 LH COMPONENT MAINT MANUAL REF: 57-43-28 QUALIFIED I/W DATA: THE -231SP OR -209SP OR -197SP CAN REPLACE -213SP SUBJECT TO CUSTOMER ACCEPTANCE OF WEIGHT PENALTY 114N4005-157 CAN BE REPLACED BY 114N4005-213SP IF 218N1071-1 ON SLAT IS USED WITH 218N1011-1, -2, -3, OR -4 ON FIXED LEADING EDGE. IF 218N1071-4 IS ON SLAT, 218N1011-4 MUST BE USED ON FIXED LEADING EDGE 114N4005-191SP INTERCHANGEABLE WITH 114N4005-213SP IF SERVICE BULLETINS 757-27-0126 AND 757-57-0056 AND 757-57-0057 ARE INCORPORATED. 114N4005-193SP INTERCHANGEABLE WITH 114N4005-213SP IF SERVICE BULLETINS 757-27-0126 AND 757-57-0056 AND 757-57-0057 ARE INCORPORATED. REWORKED BY SB: 57-0049 FOR NHA/OTHER SYS DET SEE: 27-81-02-05	002004 006100 107107 121503 904999	RF

MISSING ITEM NUMBERS NOT APPLICABLE

- ITEM NOT ILLUSTRATED

BRI

27-81-02-04

BOEING PROPRIETARY - Copyright © - Unpublished Work - See title page for details.

27-81-02  
FIG. 04  
PAGE 8  
JAN 20/09



757

PARTS CATALOG (MAINTENANCE)

FIG ITEM	PART NUMBER	1 2 3 4 5 6 7	NOMENCLATURE	EFFECT FROM TO	UNITS PER ASSY
4 - 2	114N4005-185SP		SLAT ASSY-NO. 4 WING LE POSITION DATA: OSS 438.10 TO 305.47 LH COMPONENT MAINT MANUAL REF: 57-43-28 QUALIFIED I/W DATA: 114N4005-177SP INTERCHANGEABLE WITH 114N4005-185SP IF 218N1017-1 ON SLAT IS USED WITH 218N1011-1, -2, -3 OR -4 ON FIXED LEADING EDGE. IF 218N1017-4 IS ON SLAT, 218N1011-4 MUST BE USED ON FIXED LEADING EDGE 114N4005-177SP INTERCHANGEABLE WITH 114N4005-185SP IF 218N1071-1 ON SLAT IS USED WITH 218N1011-1, -2, -3 OR -4 ON FIXED LEADING EDGE. IF 218N1071-4 IS ON SLAT, 218N1071-4 MUST BE USED ON FIXED LEADING EDGE REWORKED BY SB: 27-0126 57-0049 FOR NHA SEE: 27-81-02-05	002004 006100 107107 121503 904999	RF
- 2	114N4005-195SP		SLAT ASSY-NO. 4 WING LE POSITION DATA: OSS 305.47 TO 438.10 LH FOR NHA SEE: 27-81-02-05	002004 006100 107107 121503 904999	RF

MISSING ITEM NUMBERS NOT APPLICABLE

- ITEM NOT ILLUSTRATED

BRI

27-81-02-04

BOEING PROPRIETARY - Copyright © - Unpublished Work - See title page for details.

27-81-02  
FIG. 04  
PAGE 9  
JAN 20/09



757

PARTS CATALOG (MAINTENANCE)

FIG ITEM	PART NUMBER	1 2 3 4 5 6 7	NOMENCLATURE	EFFECT FROM TO	UNITS PER ASSY
4 - 2	114N4005-229SP		SLAT ASSY-NO. 4 WING LE (FLIGHT CONTROL ONLY) POSITION DATA: OSS 438.10 TO 305.47 LH COMPONENT MAINT MANUAL REF: 57-43-28 QUALIFIED I/W DATA: THE -231SP OR -209SP OR -197SP CAN REPLACE -229SP SUBJECT TO CUSTOMER ACCEPTANCE OF WEIGHT PENALTY 114N4005-191SP CAN REPLACE OR BE REPLACED BY 114N4005-229SP IF SERVICE BULLETINS 757-27-0126, 757-57-0056 AND 757-57-0057 ARE INCORPORATED ON 114N4005-191SP. POST SERVICE BULLETIN: 27-0126 REWORKED BY SB: 57-0049 FOR NHA/OTHER SYS DET SEE: 27-81-02-05	002004 006100 107107 121503 904999	RF
- 2	114N4005-205SP		SLAT ASSY-NO. 4 WING LE POSITION DATA: OSS 438.10 TO 305.47 LH COMPONENT MAINT MANUAL REF: 57-43-28 REWORKED BY SB: 27-0126 57-0049 FOR NHA SEE: 27-81-02-05	002004 006100 107107 121503 904999	RF
- 4	114N4005-191SP		SLAT ASSY-NO. 4 WING LE POSITION DATA: OSS 438.10 TO 305.47 LH COMPONENT MAINT MANUAL REF: 57-43-28 QUALIFIED I/W DATA: 114N4005-157 INTERCHANGEABLE WITH 114N4005-191SP IF 218N1071-1 ON SLAT IS USED WITH 218N1011-1, -2, -3, OR -4 ON FIXED LEADING EDGE. IF	002004 006100 107107 121503 904999	RF

MISSING ITEM NUMBERS NOT APPLICABLE

- ITEM NOT ILLUSTRATED

27-81-02-04

27-81-02  
FIG. 04  
PAGE 10  
JAN 20/09

BRI



757

PARTS CATALOG (MAINTENANCE)

FIG ITEM	PART NUMBER	1 2 3 4 5 6 7	NOMENCLATURE	EFFECT FROM TO	UNITS PER ASSY
4			<p>218N1071-4 IS ON SLAT, 218N1011-4 MUST BE USED ON FIXED LEADING EDGE 114N4005-177SP INTERCHANGEABLE WITH 114N4005-191SP IF 218N1071-1 ON SLAT IS USED WITH 218N1011-1, -2, -3 OR -4 ON FIXED LEADING EDGE. IF 218N1071-4 IS ON SLAT, 218N1011-4 MUST BE USED ON FIXED LEADING EDGE 114N4005-191SP INTERCHANGEABLE WITH 114N4005-183SP IF 218N1071-1 ON SLAT IS USED WITH 218N1011-1, -2, -3 OR -4 ON FIXED LEADING EDGE. IF 218N1071-4 IS ON SLAT, 218N1011-4 MUST BE USED ON FIXED LEADING EDGE 114N4005-185SP INTERCHANGEABLE WITH 114N4005-191SP IF 218N1071-1 ON SLAT IS USED WITH 218N1011-1, -2, -3 OR -4 ON FIXED LEADING EDGE. IF 218N1071-4 IS ON SLAT, 218N1011-4 MUST BE USED ON FIXED LEADING EDGE 114N4005-187SP INTERCHANGEABLE WITH 114N4005-191SP IF 218N1071-1 ON SLAT IS USED WITH 218N1011-1, -2, -3 OR -4 ON FIXED LEADING EDGE. IF 218N1071-4 IS ON SLAT, 218N1011-4 MUST BE USED ON FIXED LEADING EDGE 114N4005-191SP INTERCHANGEABLE WITH 114N4005-203SP IF SERVICE BULLETINS 757-27-0126 AND 757-57-0056 AND</p>		

MISSING ITEM NUMBERS NOT APPLICABLE

- ITEM NOT ILLUSTRATED

27-81-02-04

27-81-02  
FIG. 04  
PAGE 11  
JAN 20/09

BRI



757

PARTS CATALOG (MAINTENANCE)

FIG ITEM	PART NUMBER	1 2 3 4 5 6 7	NOMENCLATURE	EFFECT FROM TO	UNITS PER ASSY
4			757-57-0057 ARE INCORPORATED. 114N4005-191SP INTERCHANGEABLE WITH 114N4005-213SP IF SERVICE BULLETINS 757-27-0126 AND 757-57-0056 AND 757-57-0057 ARE INCORPORATED. FOR NHA SEE: 27-81-02-05		
- 5	114N4005-183SP		SLAT ASSY-NO. 4 WING LE POSITION DATA: OSS 305.47 TO 438.10 LH COMPONENT MAINT MANUAL REF: 57-43-28 QUALIFIED I/W DATA: 114N4005-177SP INTERCHANGEABLE WITH 114N4005-183SP IF 218N1071-1 ON SLAT IS USED WITH 218N1011-1, -2, -3 OR -4 ON FIXED LEADING EDGE. IF 218N1071-4 IS ON SLAT, 218N1011-4 MUST BE USED ON FIXED LEADING EDGE 114N4005-157 INTERCHANGEABLE WITH 114N4005-183SP IF 218N1071-1 ON SLAT IS USED WITH 218N1011-1, -2, -3 OR -4 ON FIXED LEADING EDGE. IF 218N1071-4 IS ON SLAT, 218N1011-4 MUST BE USED ON FIXED LEADING EDGE 114N4005-177SP INTERCHANGEABLE WITH 114N4005-183SP IF 218N1017-1 ON SLAT IS USED WITH 218N1011-1, -2, -3 OR -4 ON FIXED LEADING EDGE. IF 218N1017-4 IS ON SLAT, 218N1011-4 MUST BE USED ON FIXED LEADING EDGE	002004 006100 107107 121503 904999	RF

MISSING ITEM NUMBERS NOT APPLICABLE

- ITEM NOT ILLUSTRATED

**27-81-02-04**

27-81-02  
FIG. 04  
PAGE 12  
JAN 20/09

BRI



757

PARTS CATALOG (MAINTENANCE)

FIG ITEM	PART NUMBER	1 2 3 4 5 6 7 NOMENCLATURE	EFFECT FROM TO	UNITS PER ASSY
4		114N4005-157 INTERCHANGEABLE WITH 114N4005-183SP IF 218N1017-1 ON SLAT IS USED WITH 218N1011-1, -2, -3 OR -4 ON FIXED LEADING EDGE. IF 218N1017-4 IS ON SLAT, 218N1011-4 MUST BE USED ON FIXED LEADING EDGE FOR NHA SEE: 27-81-02-05		
- 5	114N4005-187SP	SLAT ASSY-NO. 4 WING LE POSITION DATA: OSS 305.47 TO 438.10 LH COMPONENT MAINT MANUAL REF: 57-43-28 QUALIFIED I/W DATA: 114N4005-187SP INTERCHANGEABLE WITH 114N4005-157 IF 218N1071-1 ON SLAT IS USED WITH 218N1011-1, -2, -3 OR -4 ON FIXED LEADING EDGE. IF 218N1071-4 IS ON SLAT, 218N1011-4 MUST BE USED ON FIXED LEADING EDGE 114N4005-187SP INTERCHANGEABLE WITH 114N4005-177SP IF 218N1071-1 ON SLAT IS USED WITH 218N1011-1, -2, -3 OR -4 ON FIXED LEADING EDGE. IF 218N1071-4 IS ON SLAT, 218N1011-4 MUST BE USED ON FIXED LEADING EDGE 114N4005-187SP INTERCHANGEABLE WITH 114N4005-191SP IF 218N1071-1 ON SLAT IS USED WITH 218N1011-1, -2, -3 OR -4 ON FIXED LEADING EDGE. IF 218N1071-4 IS ON SLAT, 218N1011-4 MUST BE USED ON FIXED LEADING	002004 006100 107107 121503 904999	RF

MISSING ITEM NUMBERS NOT APPLICABLE

- ITEM NOT ILLUSTRATED

**27-81-02-04**

27-81-02  
 FIG. 04  
 PAGE 13  
 JAN 20/09

BRI


**BOEING**  
 757  
**PARTS CATALOG (MAINTENANCE)**

FIG ITEM	PART NUMBER	1 2 3 4 5 6 7	NOMENCLATURE	EFFECT FROM TO	UNITS PER ASSY
4			EDGE 114N4005-187SP INTERCHANGEABLE WITH 114N4005-193SP IF 218N1071-1 ON SLAT IS USED WITH 218N1011-1, -2, -3 OR -4 ON FIXED LEADING EDGE. IF 218N1071-4 IS ON SLAT, 218N1011-4 MUST BE USED ON FIXED LEADING EDGE FOR NHA SEE: 27-81-02-05		
- 10	114N4005-187SP		SLAT ASSY-NO. 4 WING LE POSITION DATA: OSS 438.10 TO 305.47 LH COMPONENT MAINT MANUAL REF: 57-43-28 REWORKED BY SB: 57-0049 27-0126 FOR NHA SEE: 27-81-02-05	002004 006100 107107 121503 904999	RF

MISSING ITEM NUMBERS NOT APPLICABLE

- ITEM NOT ILLUSTRATED

BRI

**27-81-02-04**

BOEING PROPRIETARY - Copyright © - Unpublished Work - See title page for details.

27-81-02  
 FIG. 04  
 PAGE 14  
 JAN 20/09





757

PARTS CATALOG (MAINTENANCE)

FIG ITEM	PART NUMBER	1 2 3 4 5 6 7	NOMENCLATURE	EFFECT FROM TO	UNITS PER ASSY
4 - 10	114N4005-189SP		SLAT ASSY-NO. 4 WING LE POSITION DATA: OSS 438.10 TO 305.47 LH COMPONENT MAINT MANUAL REF: 57-43-28 QUALIFIED I/W DATA: 114N4005-189SP INTERCHANGEABLE WITH 114N4005-157 IF 218N1071-1 ON SLAT IS USED WITH 218N1011-1, -2, -3 OR -4 ON FIXED LEADING EDGE. IF 218N1071-4 IS ON SLAT, 218N1011-4 MUST BE USED ON FIXED LEADING EDGE 114N4005-189SP INTERCHANGEABLE WITH 114N4005-177SP IF 18N1071-1 ON SLAT IS USED WITH 218N1011-1, -2, -3 OR -4 ON FIXED LEADING EDGE. IF 218N1071-4 IS ON SLAT, 218N1011-4 MUST BE USED ON FIXED LEADING EDGE REWORKED BY SB: 57-0049 27-0126 FOR NHA SEE: 27-81-02-05	002004 006100 107107 121503 904999	RF

MISSING ITEM NUMBERS NOT APPLICABLE

- ITEM NOT ILLUSTRATED

BRI

**27-81-02-04**

BOEING PROPRIETARY - Copyright © - Unpublished Work - See title page for details.

27-81-02  
FIG. 04  
PAGE 15  
JAN 20/09



757

PARTS CATALOG (MAINTENANCE)

FIG ITEM	PART NUMBER	1 2 3 4 5 6 7	NOMENCLATURE	EFFECT FROM TO	UNITS PER ASSY
4 - 13	218N1001-25		.DUCT INSTL-WING LE ANTI ICING USED ON: 114N4005-157 114N4005-157BAB 114N4005-177 114N4005-177SP 114N4005-177BAB 114N4005-183 114N4005-183SP 114N4005-183BAB 114N4005-185 114N4005-185SP 114N4005-185BAB 114N4005-185A 114N4005-187SP 114N4005-189SP 114N4005-191SP 114N4005-193SP 114N4005-199SP 114N4005-203SP 114N4005-205SP FOR DETAILS SEE: 30-11-01-01	002004 006100 107107 121503 904999	1
20	114N4058-19		.SKIN-FLEXIBLE POSITION DATA: LWR	002004 006100 107107 121503 904999	1
20	114N4058-7		.SKIN-FLEXIBLE POSITION DATA: LWR OPTIONAL PART: 114N4058-19 ATTACHING PARTS	002004 006100 107107 121503 904999	1
30	BACB30NN3K6		.BOLT-	002004 006100 107107 121503 904999	4
35	BACR15CE6AD		.RIVET- SIZE DETERMINED ON INSTL.  -----*-----	002004 006100 107107 121503 904999	122

MISSING ITEM NUMBERS NOT APPLICABLE

- ITEM NOT ILLUSTRATED

27-81-02-04

27-81-02  
FIG. 04  
PAGE 16  
JAN 20/09

BRI

BOEING PROPRIETARY - Copyright © - Unpublished Work - See title page for details.



757

PARTS CATALOG (MAINTENANCE)

FIG ITEM	PART NUMBER	1 2 3 4 5 6 7	NOMENCLATURE	EFFECT FROM TO	UNITS PER ASSY
4	39	BACB30NN3K4	.BOLT-	002004 006100 107107 121503 904999	1
	43	BACB30NN3K5	.BOLT	002004 006100 107107 121503 904999	3
	44	BACB30NN3K7	.BOLT	002004 006100 107107 121503 904999	8
	45	BACB30NN3K7	.BOLT-	002004 006100 107107 121503 904999	1
	50	BACB30NN3K4	.BOLT-	002004 006100 107107 121503 904999	1
	52	BACB30NN3K6	.BOLT-	002004 006100 107107 121503 904999	4
	55	BACB30NM3K8	.BOLT-	002004 006100 107107 121503 904999	1
	60	BACB30NM3K6	.BOLT-	002004 006100 107107 121503 904999	5
	75	114N4043-37	.RETAINER- PRE SERVICE BULLETIN: 57-0049	002004 006017 121503 904949 952952	1

MISSING ITEM NUMBERS NOT APPLICABLE

- ITEM NOT ILLUSTRATED

BRI

27-81-02-04

27-81-02  
FIG. 04  
PAGE 17  
JAN 20/09



757

PARTS CATALOG (MAINTENANCE)

FIG ITEM	PART NUMBER	1 2 3 4 5 6 7	NOMENCLATURE	EFFECT FROM TO	UNITS PER ASSY
4					
80	114N4043-35	.	RETAINER-	002004 006100 107107 121503 904949 952999	1
90	114N4043-39	.	RETAINER- ALTERED FROM PART NUMBER: 114N4080-13	002004 006100 107107 121503 904999	1
100	114N4043-31	.	RETAINER- ALTERED FROM PART NUMBER: 114N4080-11	002004 006100 107107 121503 904999	1
110	114N4043-23	.	SHIELD-EROSION FOR SPARES PROCURE: 114N4081-7 PRE SERVICE BULLETIN: 57-0049	003004 006017 121503 904949 952952	1
112	114N4043-47	.	SHIELD-EROSION POSITION DATA: LH SIDE ALTERED FROM PART NUMBER: 114N4081-7 POST SERVICE BULLETIN: 57-0049	002004 006100 107107 121503 904999	1
112	114N4043-57	.	SHIELD-EROSION POSITION DATA: LH SIDE	002004 006100 107107 121503 904999	1
112	114N4081-7	.	SHIELD-EROSION POSITION DATA: LH SIDE	002004 006100 107107 121503 904999	1
125	114N4043-7	.	SHIELD-EROSION FOR SPARES PROCURE: 114N4081-3	018100 121503 904949 952952	1
127	114N4043-7	.	SHIELD-EROSION REWORKED BY SB: 57-0049	002004 006017 107107 950951 953999	1

MISSING ITEM NUMBERS NOT APPLICABLE

- ITEM NOT ILLUSTRATED

27-81-02-04

27-81-02  
FIG. 04  
PAGE 18  
JAN 20/09

BRI



757

PARTS CATALOG (MAINTENANCE)

FIG ITEM	PART NUMBER	1 2 3 4 5 6 7	NOMENCLATURE	EFFECT FROM TO	UNITS PER ASSY
4					
140	114N4043-11		.SEAL-BULB ALTERED FROM PART NUMBER: 10-60754-489	002004 006100 107107 121503 904999	1
146	BACB30NR3K5		.BOLT	002004 006100 107107 121503 904999	6
146C	AN960KD10		.WASHER	002004 006100 107107 121503 904999	6
147	114N4043-43		.SEAL-BLADE USED ON: 114N4005-163 114N4005-167 114N4005-171 114N4005-173	002004 006100 107107 121503 904999	1
148	114N4152-7		.RETAINER ASSY-	002004 006100 107107 121503 904999	1
150	114N4151-3		.RETAINER ASSY- USED ON: 114N4005-161	002004 006100 107107 121503 904999	1
153	BACB30NM3K3		.BOLT	002004 006100 107107 121503 904999	3
155	AN960KD10		.WASHER	002004 006100 107107 121503 904999	3

MISSING ITEM NUMBERS NOT APPLICABLE

- ITEM NOT ILLUSTRATED

27-81-02-04

27-81-02  
FIG. 04  
PAGE 19  
JAN 20/09

BRI

BOEING PROPRIETARY - Copyright © - Unpublished Work - See title page for details.



757

PARTS CATALOG (MAINTENANCE)

FIG ITEM	PART NUMBER	1 2 3 4 5 6 7	NOMENCLATURE	EFFECT FROM TO	UNITS PER ASSY
4 160	BRH10C3D	.NUT	SUPPLIER CODE: V52828 SPECIFICATION NUMBER: BACN10JC3CD OPTIONAL PART: T6C1032JCD V11815 NS202486-02 V80539 102LH9075-3W V72962 H51650-3BAC V15653	002004 006100 107107 121503 904999	3
163	114N4044-102	.RETAINER-		002004 006100 107107 121503 904999	1
- 165	114N4044-99	.SEAL-	ALTERED FROM PART NUMBER: 10-60754-492	002004 006100 107107 121503 904999	1
175	BACB30NM3K3	.BOLT		002004 006100 107107 121503 904999	4
180	AN960KD10	.WASHER		002004 006100 107107 121503 904999	4
185	BRH10C3D	.NUT	SUPPLIER CODE: V52828 SPECIFICATION NUMBER: BACN10JC3CD OPTIONAL PART: T6C1032JCD V11815 NS202486-02 V80539 102LH9075-3W V72962 H51650-3BAC V15653	002004 006100 107107 121503 904999	4

MISSING ITEM NUMBERS NOT APPLICABLE

- ITEM NOT ILLUSTRATED

27-81-02-04

27-81-02  
FIG. 04  
PAGE 20  
JAN 20/09

BRI



757

PARTS CATALOG (MAINTENANCE)

FIG ITEM	PART NUMBER	1 2 3 4 5 6 7	NOMENCLATURE	EFFECT FROM TO	UNITS PER ASSY
4 187	114N4044-51	.	RETAINER	002004 006100 107107 121503 904999	1
190	114N4044-69	.	SEAL- ALTERED FROM PART NUMBER: 10-60754-491	002004 016100 107107 121503 904949 952952	1
190	114N4044-113	.	SEAL- ALTERED FROM PART NUMBER: 10-60754-491	011100	1
200	BACB30NM3K3	.	BOLT	002004 006100 107107 121503 904999	4
205	AN960KD10	.	WASHER	002004 006100 107107 121503 904999	4
210	BRH10C3D	.	NUT SUPPLIER CODE: V52828 SPECIFICATION NUMBER: BACN10JC3CD OPTIONAL PART: T6C1032JCD V11815 NS202486-02 V80539 102LH9075-3W V72962 H51650-3BAC V15653	002004 006100 107107 121503 904999	4
213	114N4044-53	.	RETAINER	002004 006100 107107 121503 904999	1
215	114N4044-71	.	SEAL- ALTERED FROM PART NUMBER: 10-60754-492	002004 016100 107107 121503 904949 952952	1

MISSING ITEM NUMBERS NOT APPLICABLE

- ITEM NOT ILLUSTRATED

BRI

27-81-02-04

27-81-02  
FIG. 04  
PAGE 21  
JAN 20/09



757

PARTS CATALOG (MAINTENANCE)

FIG ITEM	PART NUMBER	1 2 3 4 5 6 7	NOMENCLATURE	EFFECT FROM TO	UNITS PER ASSY
4					
215	114N4044-115	.	SEAL-	011100	1
			ALTERED FROM PART NUMBER:		
			10-60754-492		
225	BACB30NN3K4	.	BOLT	002004	3
				006100	
				107107	
				121503	
				904999	
226	BACB30NN3K4	.	BOLT-	002004	1
				006100	
				107107	
				121503	
				904999	
230	BACB30NN3K5	.	BOLT	002004	2
				006100	
				107107	
				121503	
				904999	
235	BACB30NN3K6	.	BOLT	002004	5
				006100	
				107107	
				121503	
				904999	
236	BACB30NN3K6	.	BOLT-	002004	1
				006100	
				107107	
				121503	
				904999	
240	BACB30NN3K7	.	BOLT	002004	2
				006100	
				107107	
				121503	
				904999	
245	BACB30NM3K3	.	BOLT	002004	4
				006100	
				107107	
				121503	
				904999	
250	BACB30NM3K5	.	BOLT	002004	2
				006100	
				107107	
				121503	
				904999	
255	AN960KD10	.	WASHER	002004	6
				006100	
				107107	
				121503	
				904999	

MISSING ITEM NUMBERS NOT APPLICABLE

- ITEM NOT ILLUSTRATED

27-81-02-04

27-81-02  
FIG. 04  
PAGE 22  
JAN 20/09

BRI

BOEING PROPRIETARY - Copyright © - Unpublished Work - See title page for details.





757

PARTS CATALOG (MAINTENANCE)

FIG ITEM	PART NUMBER	1 2 3 4 5 6 7	NOMENCLATURE	EFFECT FROM TO	UNITS PER ASSY
4 260	BRH10C3D	.NUT	SUPPLIER CODE: V52828 SPECIFICATION NUMBER: BACN10JC3CD OPTIONAL PART: T6C1032JCD V11815 NS202486-02 V80539 102LH9075-3W V72962 H51650-3BAC V15653	002004 006100 107107 121503 904999	6
265	114N4045-61	.RETAINER-	PRE SERVICE BULLETIN: 57-0049	002004 006100 121503 904949	1
270	114N4045-49	.RETAINER		002004 006017 107107 121503 904999	1
280	114N4045-47	.RETAINER		002004 006100 107107 121503 904999	1
285	114N4045-127	.RETAINER-	ALTERED FROM PART NUMBER: 114N4080-17	002004 006100 107107 121503 904999	1
290	114N4045-45	.RETAINER		002004 006100 107107 121503 904999	1
300	114N4045-43	.RETAINER		002004 006100 107107 121503 904999	1
310	114N4045-41	.RETAINER		002004 006100 107107 121503 904999	1

MISSING ITEM NUMBERS NOT APPLICABLE

- ITEM NOT ILLUSTRATED

27-81-02-04

27-81-02  
FIG. 04  
PAGE 23  
JAN 20/09

BRI

BOEING PROPRIETARY - Copyright © - Unpublished Work - See title page for details.



757

PARTS CATALOG (MAINTENANCE)

FIG ITEM	PART NUMBER	1 2 3 4 5 6 7	NOMENCLATURE	EFFECT FROM TO	UNITS PER ASSY
4 315	114N4045-9		.SEAL- ALTERED FROM PART NUMBER: 10-60754-485	002004 006100 107107 121503 904999	1
325	114N4045-63		.SHIELD-EROSION ALTERED FROM PART NUMBER: 114N4081-4 MANUFACTURED FROM: 114N4081-4	002004 006017 121503 904949 952952	1
325	114N4045-135		.SHIELD-EROSION REWORK ALTERED FROM PART NUMBER: 114N4081-4 FOR SPARES PROCURE: 114N4081-4	002004 006017 121503 904949 952952	1
327	114N4045-63		.SHIELD-EROSION ALTERED FROM PART NUMBER: 114N4081-4 MANUFACTURED FROM: 114N4081-4 REWORKED BY SB: 57-0049	002004 006017 107107 950951 953999	1
330	114N4045-93		.SHIELD-EROSION ALTERED FROM PART NUMBER: 114N4081-9 FOR SPARES PROCURE: 114N4081-9 PRE SERVICE BULLETIN: 57-0049	002004 006017 121503 904949 952952	1
332	114N4045-129		.SHIELD-EROSION POSITION DATA: LH SIDE ALTERED FROM PART NUMBER: 114N4081-9 POST SERVICE BULLETIN: 57-0049	018100 107107 950951 953999	1
332	114N4045-137		.SHIELD-EROSION ALTERED FROM PART NUMBER: 114N4081-9	018100 107107 950951 953999	1
340	114N4045-11		.SEAL- ALTERED FROM PART NUMBER: 10-60754-485	002004 006100 107107 121503 904999	1

MISSING ITEM NUMBERS NOT APPLICABLE

- ITEM NOT ILLUSTRATED

BRI

27-81-02-04

27-81-02  
FIG. 04  
PAGE 24  
JAN 20/09



757

PARTS CATALOG (MAINTENANCE)

FIG ITEM	PART NUMBER	1 2 3 4 5 6 7	NOMENCLATURE	EFFECT FROM TO	UNITS PER ASSY
4					
350	114N4045-95	.	SHIELD-EROSION ALTERED FROM PART NUMBER: 114N4081-9 FOR SPARES PROCURE: 114N4081-9	002004 006100 107107 121503 904999	1
360	114N4045-97	.	SHIELD-EROSION ALTERED FROM PART NUMBER: 114N4081-9 FOR SPARES PROCURE: 114N4081-9	002004 006100 107107 121503 904999	1
370	114N4045-13	.	SEAL- ALTERED FROM PART NUMBER: 10-60754-485	002004 006100 107107 121503 904999	1
380	114N4045-99	.	SHIELD-EROSION ALTERED FROM PART NUMBER: 114N4081-9 FOR SPARES PROCURE: 114N4081-9	002004 006100 107107 121503 904999	1
390	114N4045-15	.	SEAL- ALTERED FROM PART NUMBER: 10-60754-483	002004 006100 107107 121503 904999	1
400	114N4046-43	.	RETAINER- PRE SERVICE BULLETIN: 57-0049	002004 006100 121503 904949	1
405	114N4046-41	.	RETAINER- QUALIFIED SB I/W DATA: SEAL MODIFICATION- OPTIONAL CHANGE A	002004 006017 107107 121503 904999	1
407	114N4046-61	.	RETAINER- MISCELLANEOUS DATA: SEE 57-0049 FIG 4 FOR SEAL MODIFICATION OPTIONAL CHANGE A, SEE 57-0049 FIG 5 FOR SEAL MODIFICATION OPTIONAL CHANGE B. POST SERVICE BULLETIN: 57-0049 QUALIFIED SB I/W DATA: SEAL MODIFICATION- SPANWISE	002004 006017 107107 950951 953999	1

MISSING ITEM NUMBERS NOT APPLICABLE

- ITEM NOT ILLUSTRATED

BRI

27-81-02-04

27-81-02  
FIG. 04  
PAGE 25  
JAN 20/09



757

PARTS CATALOG (MAINTENANCE)

FIG ITEM	PART NUMBER	1 2 3 4 5 6 7	NOMENCLATURE	EFFECT FROM TO	UNITS PER ASSY
4 410	114N4046-51	.	RETAINER	002004 006100 107107 121503 904999	1
415	114N4046-21	.	SEAL- ALTERED FROM PART NUMBER: 10-60754-482 MANUFACTURED FROM: EXTR RUBBER F25.01 10-60754-482 80.00 IN.	002004 006100 107107 121503 904999	1
425	114N4046-23	.	SEAL- ALTERED FROM PART NUMBER: 10-60754-481 MANUFACTURED FROM: EXTR RUBBER F25.01 10-60754-481 34.00 IN.	018100 121503 904949 952952	1
425	114N4046-23	.	SEAL- ALTERED FROM PART NUMBER: 10-60754-481 MANUFACTURED FROM: EXTR RUBBER F25.01 10-60754-481 34.00 IN. REFERENCE SERVICE BULLETIN: 57-0049 QUALIFIED SB I/W DATA: SEAL MODIFICATION- OPTIONAL CHANGE A	002004 006017 107107 950951 953999	1
435	114N4046-25	.	SEAL- ALTERED FROM PART NUMBER: 10-60754-482 MANUFACTURED FROM: EXTR RUBBER F25.01 10-60754-482 16.00 IN. PRE SERVICE BULLETIN: 57-0049	002004 006100 121503 904949	1
437	114N4046-59	.	SEAL- ALTERED FROM PART NUMBER: 10-60754-481 MANUFACTURED FROM: EXTR RUBBER F25.01 10-60754-481	018100	1

MISSING ITEM NUMBERS NOT APPLICABLE

- ITEM NOT ILLUSTRATED

27-81-02-04

27-81-02  
FIG. 04  
PAGE 26  
JAN 20/09

BRI



757

PARTS CATALOG (MAINTENANCE)

FIG ITEM	PART NUMBER	1 2 3 4 5 6 7	NOMENCLATURE	EFFECT FROM TO	UNITS PER ASSY
4 437	114N4046-59		.SEAL-SPANWISE MISCELLANEOUS DATA: SEE 57-0049 FIG 4 FOR SEAL MODIFICATION CHANGE A, SEE 57-0049 FIG 5 FOR SEAL CHANGE B. ALTERED FROM PART NUMBER: 10-60754-481 MANUFACTURED FROM: EXTR RUBBER F25.01 10-60754-481 POST SERVICE BULLETIN: 57-0049 QUALIFIED SB I/W DATA: SEAL MODIFICATION- SPANWISE	002004 006017 107107 950951 953999	1
447	BACB30NR4K30		.BOLT	002004 006100 107107 121503 904999	4
452	NAS43DD4-21		.SPACER	002004 006100 107107 121503 904999	8
457	BACW10P186C		.WASHER	002004 006100 107107 121503 904999	16
462	AN960KD416		.WASHER	002004 006100 107107 121503 904999	8

MISSING ITEM NUMBERS NOT APPLICABLE

- ITEM NOT ILLUSTRATED

27-81-02-04

27-81-02  
FIG. 04  
PAGE 27  
JAN 20/09

BRI



757

PARTS CATALOG (MAINTENANCE)

FIG ITEM	PART NUMBER	1 2 3 4 5 6 7	NOMENCLATURE	EFFECT FROM TO	UNITS PER ASSY
4 477	BRH10C4D	.NUT	SUPPLIER CODE: V52828 SPECIFICATION NUMBER: BACN10JC4CD OPTIONAL PART: T6C428JCD V11815 NS202486-048 V80539 102LH9075-4W V72962 H51650-4BAC V15653	002004 006100 107107 121503 904999	4
495	114N4061-2	.TRACK ASSY-MAIN	POSITION DATA: OUTBD LE SLATS OPTIONAL PART: 114N4061-4 USED ON: 114N4005-115 114N4005-115BAB FOR DETAILS SEE: 27-81-12-10	002004 006100 107107 121503 904999	2
495	114N4061-4	.TRACK ASSY-MAIN	POSITION DATA: OUTBD LE SLATS FOR DETAILS SEE: 27-81-12-10	002004 006100 107107 121503 904999	2
525	MS24665-153	.PIN-	PRE SERVICE BULLETIN: 57-0057	002004 006100 121503 904952	2
525	BACP18BC02A06P	.PIN-	POST SERVICE BULLETIN: 57-0057	002004 006100 107107 904949 953999	2
530	114N4052-1	.BOLT ASSY-	PRE SERVICE BULLETIN: 57-0057	002004 006100 121503 904952	2
530	BACB30LE4DU19	.BOLT-	POST SERVICE BULLETIN: 57-0057	002004 006100 107107 904949 953999	2

MISSING ITEM NUMBERS NOT APPLICABLE

- ITEM NOT ILLUSTRATED

27-81-02-04

27-81-02  
FIG. 04  
PAGE 28  
JAN 20/09

BRI

 **BOEING**  
757  
**PARTS CATALOG (MAINTENANCE)**

FIG ITEM	PART NUMBER	1 2 3 4 5 6 7	NOMENCLATURE	EFFECT FROM TO	UNITS PER ASSY
4					
535	MS15001-1	. .	FITTING- USED ON: 114N4052-1	002004 006100 121503 904952	2
540	BACW10BP4CD	. W	WASHER-	002004 006100 107107 121503 904999	2
545	114N4056-1	. W	WASHER-	002004 006100 107107 121503 904999	4
550	BACW10P250C	. W	WASHER-	002004 006100 107107 121503 904999	8
555	BACW10BP4DP	. W	WASHER-	002004 006100 107107 121503 904999	2
560	NAS1805-4N	. N	NUT-	002004 006100 107107 121503 904999	2
562	114N4156-1	. B	BUSHING-	002004 006100 107107 121503 904999	2
565	ATF4	. B	BEARING- SUPPLIER CODE: V60380 SPECIFICATION NUMBER: BACB10ET04 OPTIONAL PART: 4AFC614 V92563 YAF04B V07484 PRE SERVICE BULLETIN: 57-0057	002004 006100 121503 904952	2

MISSING ITEM NUMBERS NOT APPLICABLE

- ITEM NOT ILLUSTRATED

BRI

# 27-81-02-04

BOEING PROPRIETARY - Copyright © - Unpublished Work - See title page for details.

27-81-02  
FIG. 04  
PAGE 29  
JAN 20/09



757

PARTS CATALOG (MAINTENANCE)

FIG ITEM	PART NUMBER	1 2 3 4 5 6 7	NOMENCLATURE	EFFECT FROM TO	UNITS PER ASSY
4 565	ATF4SN		.BEARING- SUPPLIER CODE: V21335 SPECIFICATION NUMBER: BACB10GH04N OPTIONAL PART: CRO4NAFC V92563 ATFO4NSY V21335 POST SERVICE BULLETIN: 57-0057	002004 006100 107107 904949 953999	2
570	114N4059-9		.COVER ASSY-ACCESS OPTIONAL PART: 113N4059-43	002004 006100 107107 121503 904999	1
570	114N4059-43		.COVER ASSY-ACCESS OPTIONAL PART: 113N4059-9 ATTACHING PARTS	006100 950951 953999	1
- 580	BACB30NN3K4		.BOLT	002004 006100 107107 121503 904999	28
585	114N4064-7		-----*----- .COVER ASSY-ACCESS	002004 006100 107107 121503 904999	1
- 595	BACB30NN3K5		ATTACHING PARTS .BOLT	002004 006100 107107 121503 904999	19
605	114N4076-27		-----*----- .DOOR-ACCESS ROUND	002004 006100 121503 904999	4
606	114N4078-23		.DOOR-ACCESS ROUND	002004 006100 121503 950951 953999	1

MISSING ITEM NUMBERS NOT APPLICABLE

- ITEM NOT ILLUSTRATED

27-81-02-04

27-81-02  
FIG. 04  
PAGE 30  
JAN 20/09

BRI

BOEING PROPRIETARY - Copyright © - Unpublished Work - See title page for details.





757

PARTS CATALOG (MAINTENANCE)

FIG ITEM	PART NUMBER	1 2 3 4 5 6 7	NOMENCLATURE	EFFECT FROM TO	UNITS PER ASSY
4 607	114N4078-25	.	DOOR-ACCESS ROUND	002004 006100 121503 950951 953999	2
608	114N4078-27	.	DOOR-ACCESS ROUND	002004 006100 121503 950951 953999	1
- 610	BACB30NM3K3	.	ATTACHING PARTS BOLT	002004 006100 107107 121503 904999	56
- 615	AN960KD10L	.	WASHER-	002004 016100 107107 121503 904952	56
- 615	NAS1149D0332J	.	WASHER-	018100	56
620	114N4076-29	.	DOOR-ACCESS OVAL -----*-----	002004 006100 121503 904999	3
621	114N4078-24	.	DOOR-ACCESS OVAL	002004 006100 121503 950951 953999	2
622	114N4078-26	.	DOOR-ACCESS OVAL	002004 006100 121503 950951 953999	1
- 625	BACB30NM3K3	.	ATTACHING PARTS BOLT	002004 006100 107107 121503 904999	45
- 630	AN960KD10L	.	WASHER-	002004 016100 107107 121503 904952	45

MISSING ITEM NUMBERS NOT APPLICABLE

- ITEM NOT ILLUSTRATED

27-81-02-04

27-81-02  
FIG. 04  
PAGE 31  
JAN 20/09

BRI

 **BOEING**  
757  
PARTS CATALOG (MAINTENANCE)

FIG ITEM	PART NUMBER	1 2 3 4 5 6 7	NOMENCLATURE	EFFECT FROM TO	UNITS PER ASSY
4					
- 630	NAS1149D0332J	.	WASHER-	018100	45
		-----*			
635	114N4036-5	..	COVER	002004 006100 107107 121503 904999	2
			ATTACHING PARTS		
- 640	BACB30NM3K3	..	BOLT	002004 006100 107107 121503 904999	24
		-----*			
645	BACB30NM3K7	.	BOLT	002004 006100 107107 121503 904999	41
650	BACB30NM3K7	.	BOLT-	018100 904949 952952	6
650	BACB30VF3K7	.	BOLT-	002004 006017 121503	6
			PRE SERVICE BULLETIN: 57-0049		
652	BACB30NM3K4	.	BOLT-	002004 006017 107107	6
			SERVICE BULLETIN OPT DATA: BACB30NM3K		
			POST SERVICE BULLETIN: 57-0049	950951 953999	
652	BACB30NM3K	.	BOLT-	002004 006017 107107	6
			SERVICE BULLETIN OPT DATA: BACB30NM3K4		
			POST SERVICE BULLETIN: 57-0049	950951 953999	
655	AN960KD10L	.	WASHER-	002004 006100 107107 121503 904951 953999	41
			PRE SERVICE BULLETIN: 57-0049		
656	AN960KD10L	.	WASHER-	002004 006100 121503 904949	14
			PRE SERVICE BULLETIN: 57-0049		

MISSING ITEM NUMBERS NOT APPLICABLE

- ITEM NOT ILLUSTRATED

BRI

**27-81-02-04**

27-81-02  
FIG. 04  
PAGE 32  
JAN 20/09

BOEING PROPRIETARY - Copyright © - Unpublished Work - See title page for details.



757

PARTS CATALOG (MAINTENANCE)

FIG ITEM	PART NUMBER	1 2 3 4 5 6 7	NOMENCLATURE	EFFECT FROM TO	UNITS PER ASSY
4 656	NAS1149D0332J		.WASHER- POST SERVICE BULLETIN: 57-0049	002004 006100 107107 950951 953999	14
660	AN960KD10L		.WASHER- PRE SERVICE BULLETIN: 57-0049	002004 006100 121503 904949	6
660	NAS1149D0332J		.WASHER-	018100	6
662	NAS1149D0332J		.WASHER- POST SERVICE BULLETIN: 57-0049	002004 006017 107107 950951 953999	6
665	BRH10C3D		.NUT- SUPPLIER CODE: V52828 SPECIFICATION NUMBER: BACN10JC3CD OPTIONAL PART: T6C1032JCD V11815 NS202486-02 V80539 102LH9075-3W V72962 H51650-3BAC V15653 MISCELLANEOUS DATA: USE AS AN ALTERNATIVE TO INSTALLATION OF NUTPLATES USED WITH: BACB30NM3K4 POST SERVICE BULLETIN: 57-0049 QUALIFIED SB I/W DATA: SEAL MODIFICATION- OPTIONAL CHANGE A	002004 006017 107107 950951 953999	6

MISSING ITEM NUMBERS NOT APPLICABLE

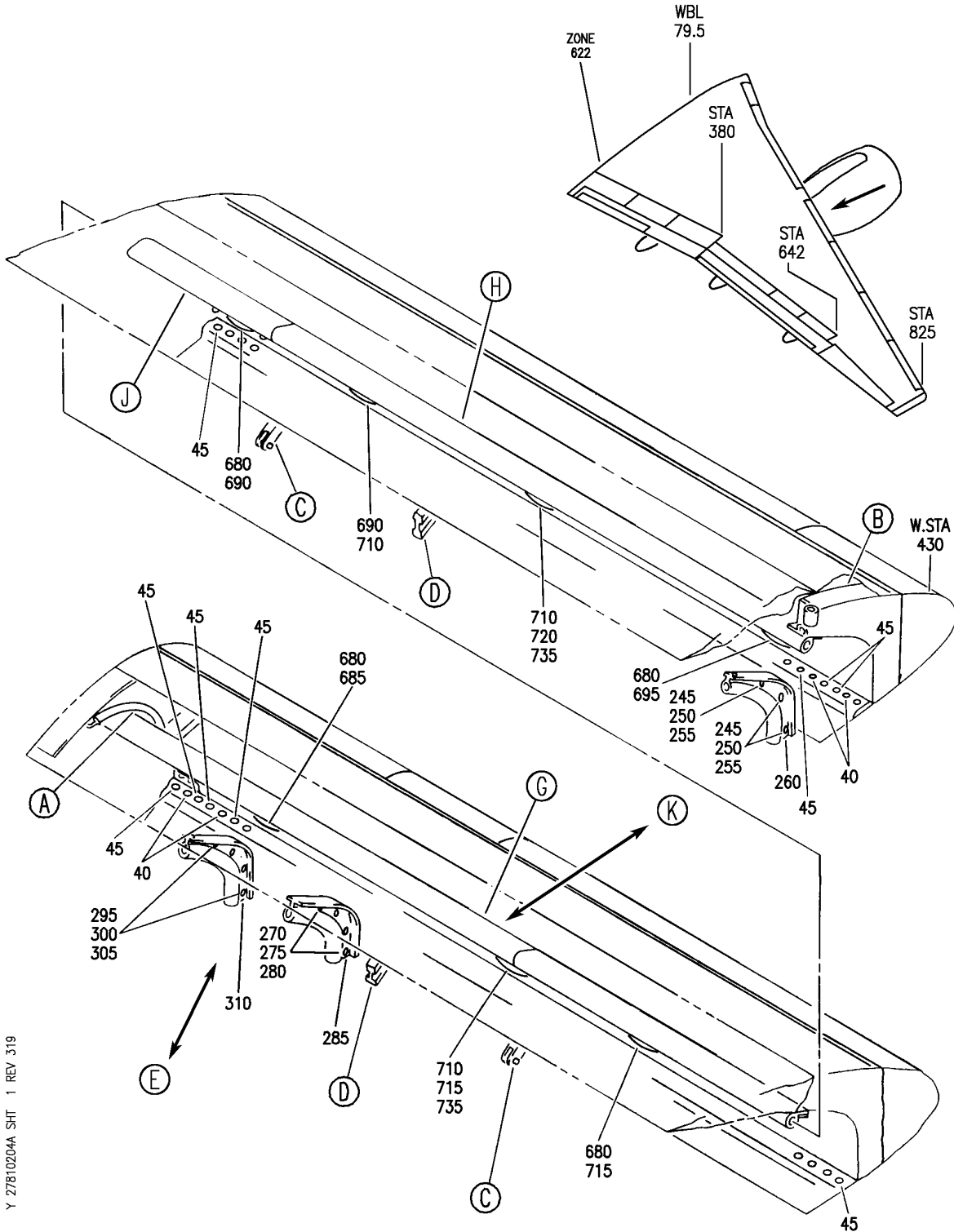
- ITEM NOT ILLUSTRATED

BRI

27-81-02-04

27-81-02  
FIG. 04  
PAGE 33  
JAN 20/09


**BOEING**  
 757  
**PARTS CATALOG (MAINTENANCE)**



Y 27810204A SHT 1 REV 319

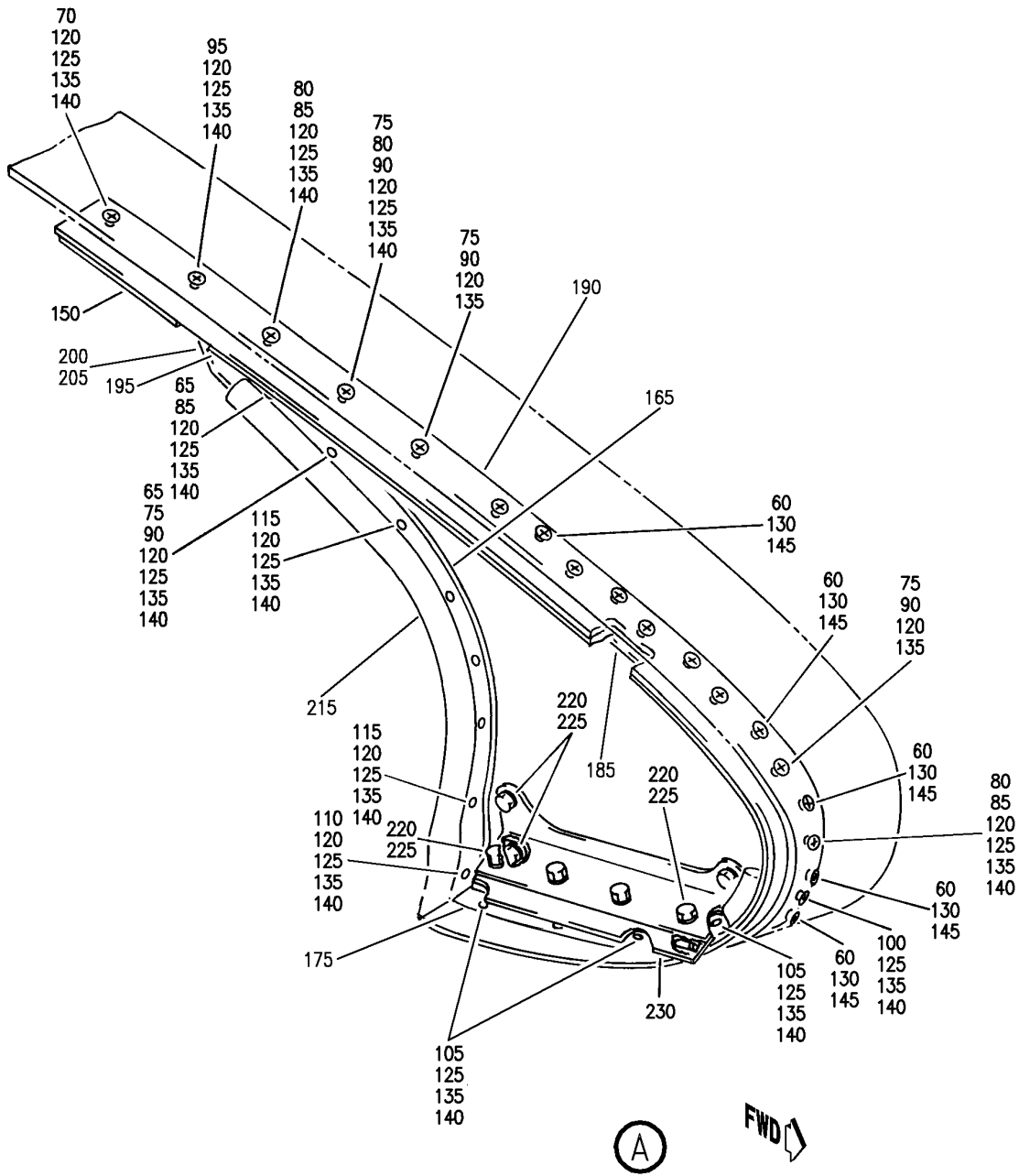
SLAT ASSY-NO. 7 WING LE OSS 305.47 TO OSS 438.10 RH  
 FIGURE 4A (SHEET 1)

**27-81-02-04A**

BRI  
JAN 20/08

27-81-02-04A  
 PAGE 0

**BOEING**  
757  
PARTS CATALOG (MAINTENANCE)



Y 27810204A SHT 2 REV 274

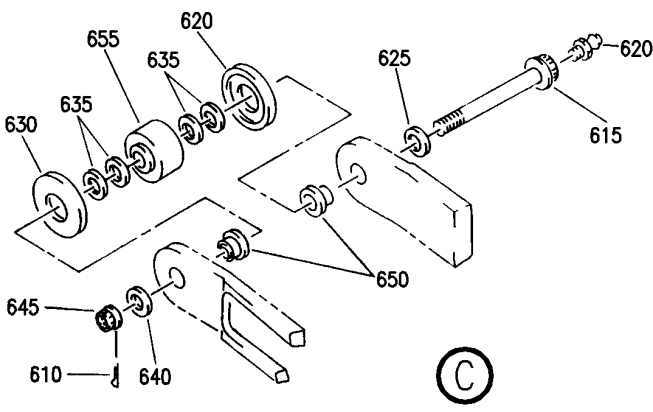
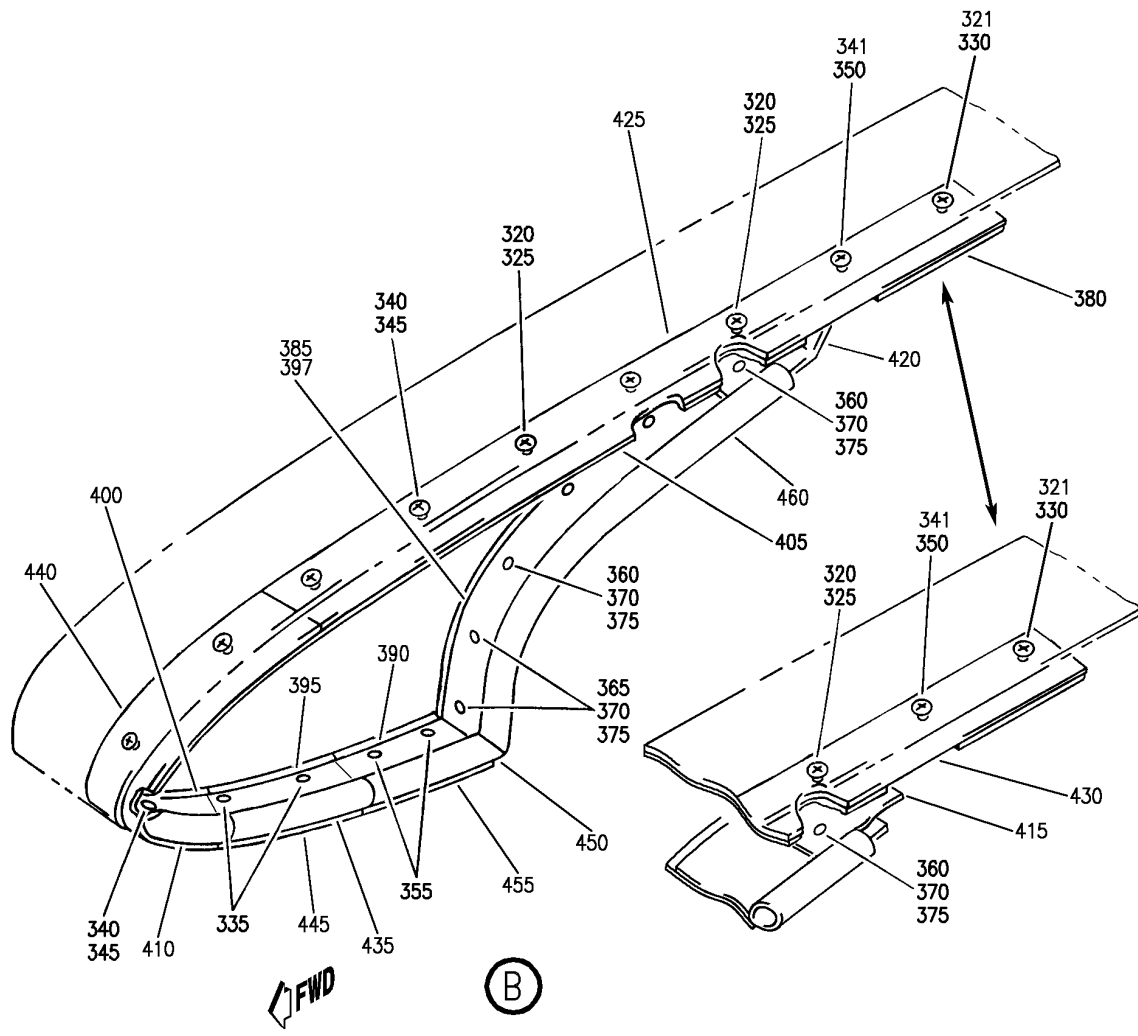
SLAT ASSY-NO. 7 WING LE OSS 305.47 TO OSS 438.10 RH  
FIGURE 4A (SHEET 2)

**27-81-02-04A**

BRI  
MAY 28/07

27-81-02-04A  
PAGE 0A

**BOEING**  
757  
PARTS CATALOG (MAINTENANCE)



Y 27810204A SHT. 3 REV. 319

SLAT ASSY-NO. 7 WING LE OSS 305.47 TO OSS 438.10 RH  
FIGURE 4A (SHEET 3)

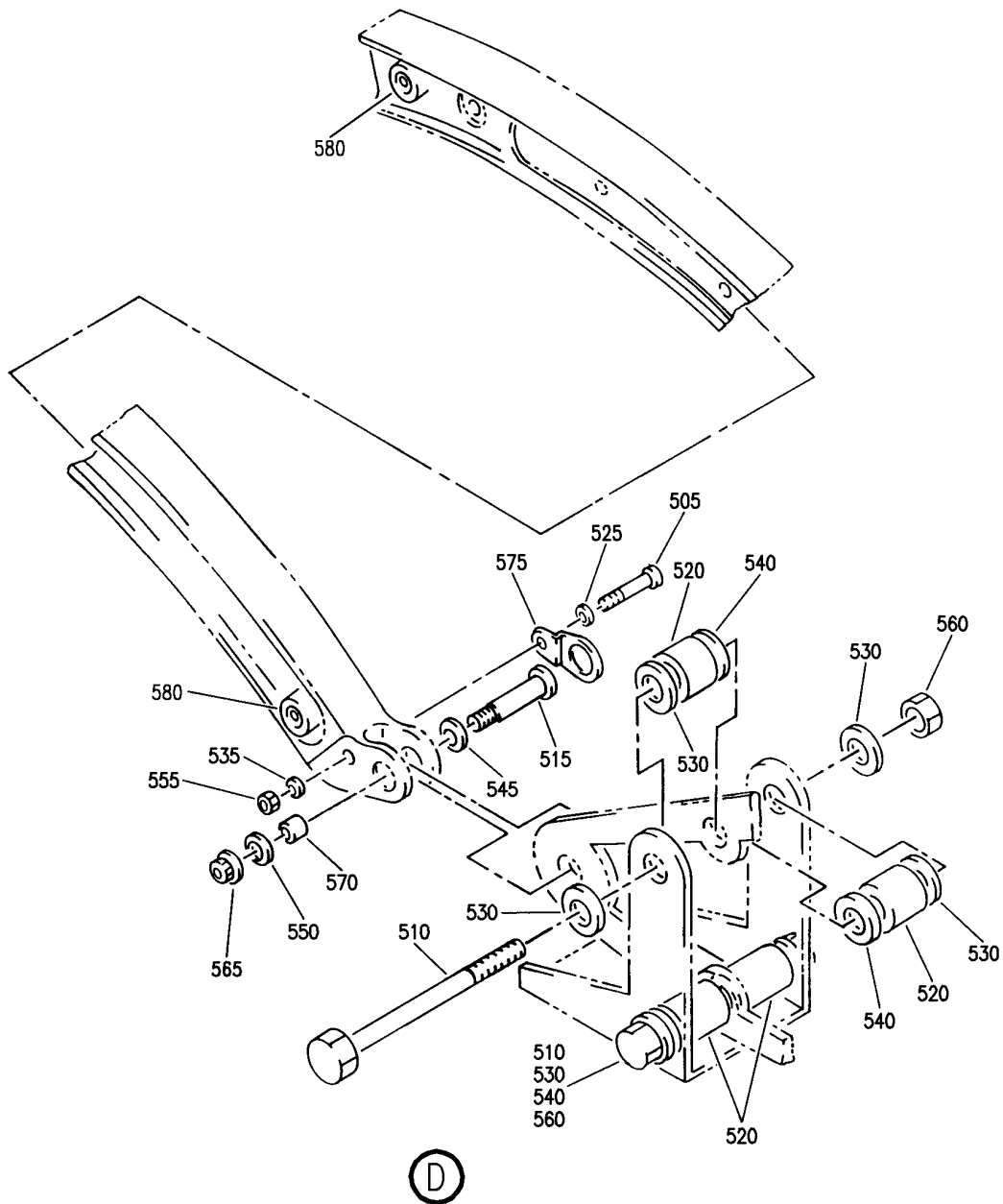
**27-81-02-04A**

BRI  
JAN 20/08

27-81-02-04A  
PAGE 0B

BOEING PROPRIETARY - Copyright © - Unpublished Work - See title page for details.

**BOEING**  
757  
PARTS CATALOG (MAINTENANCE)



Y 27810204A SHIT 4 REV 248

SLAT ASSY-NO. 7 WING LE OSS 305.47 TO OSS 438.10 RH  
FIGURE 4A (SHEET 4)

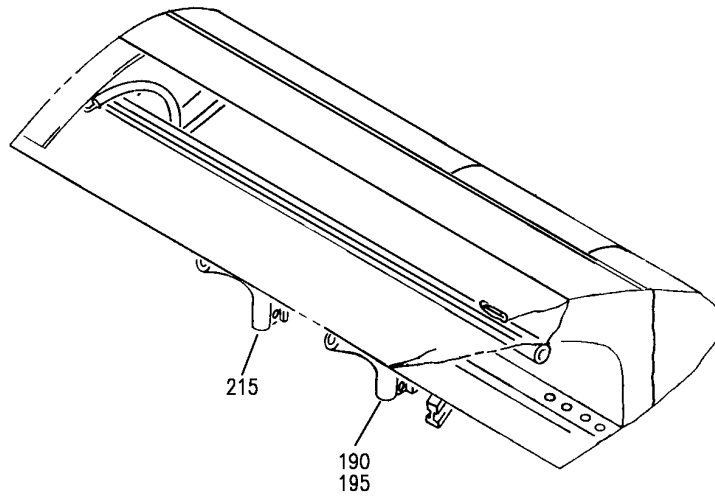
**27-81-02-04A**

BRI  
MAY 28/07

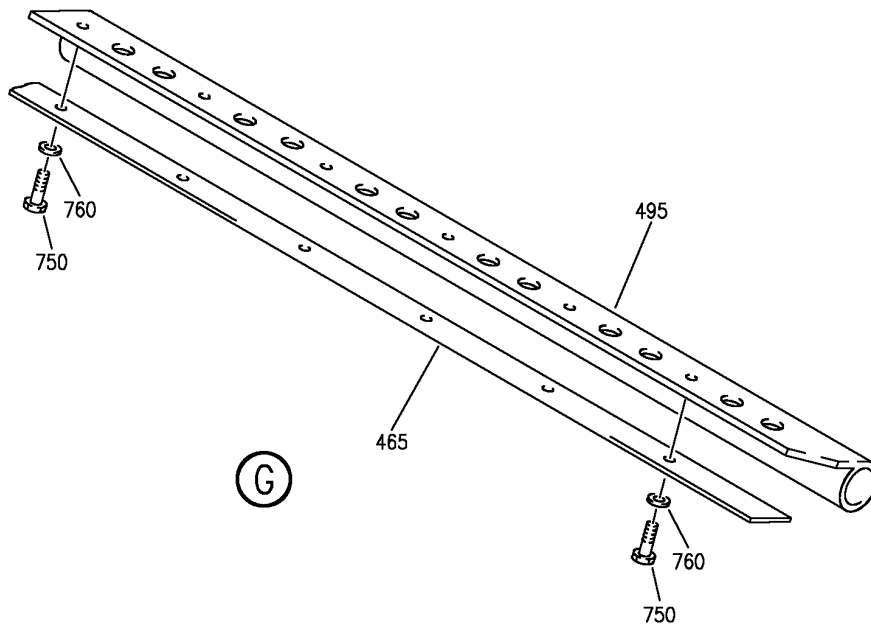
27-81-02-04A  
PAGE 0C

BOEING PROPRIETARY - Copyright © - Unpublished Work - See title page for details.

**BOEING**  
757  
PARTS CATALOG (MAINTENANCE)



(E)



(G)

Y 27810204A SHT 5 REV 319

SLAT ASSY-NO. 7 WING LE OSS 305.47 TO OSS 438.10 RH  
FIGURE 4A (SHEET 5)

**27-81-02-04A**

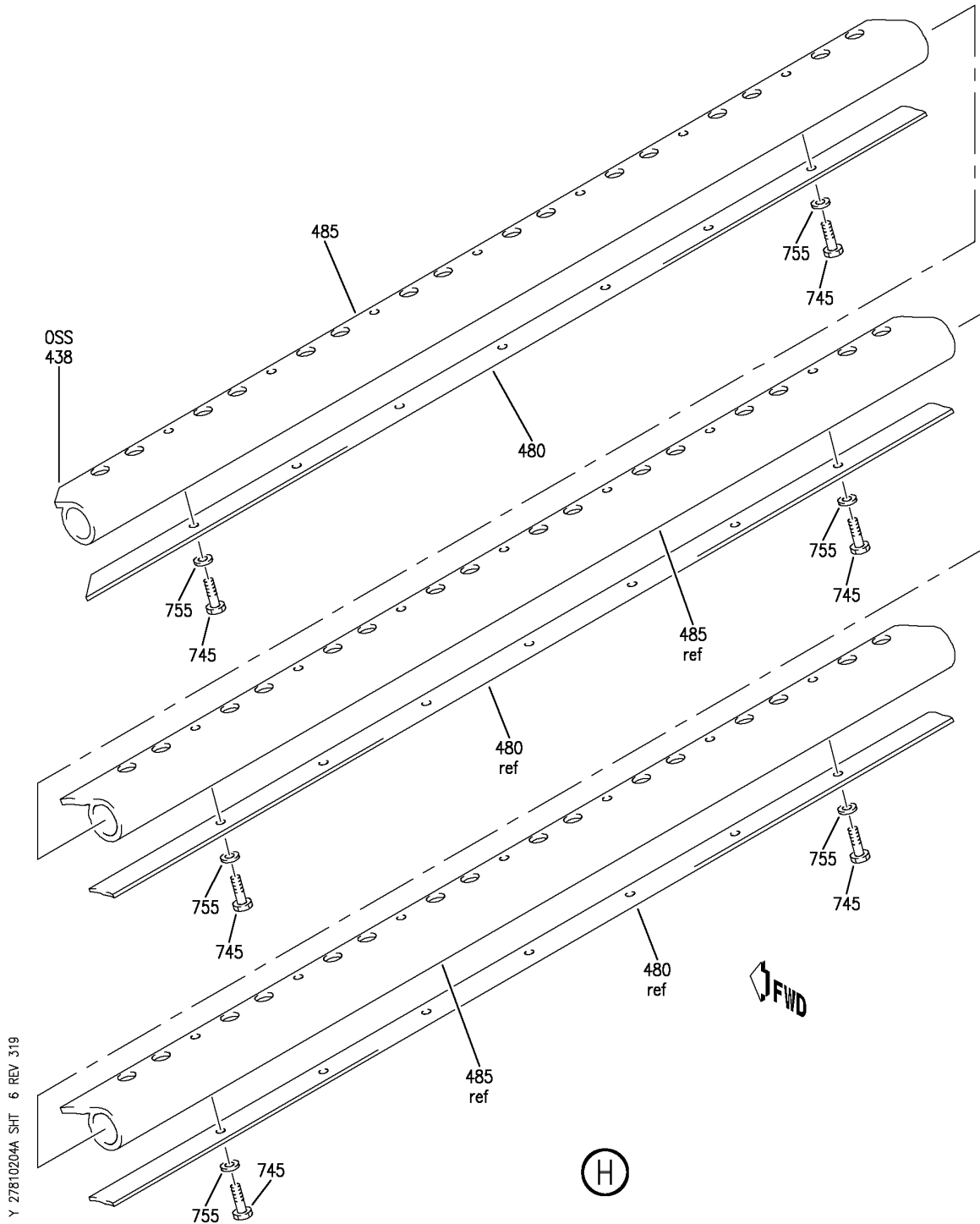
BRI  
JAN 20/08

27-81-02-04A  
PAGE 0D

BOEING PROPRIETARY - Copyright © - Unpublished Work - See title page for details.



**BOEING**  
757  
PARTS CATALOG (MAINTENANCE)



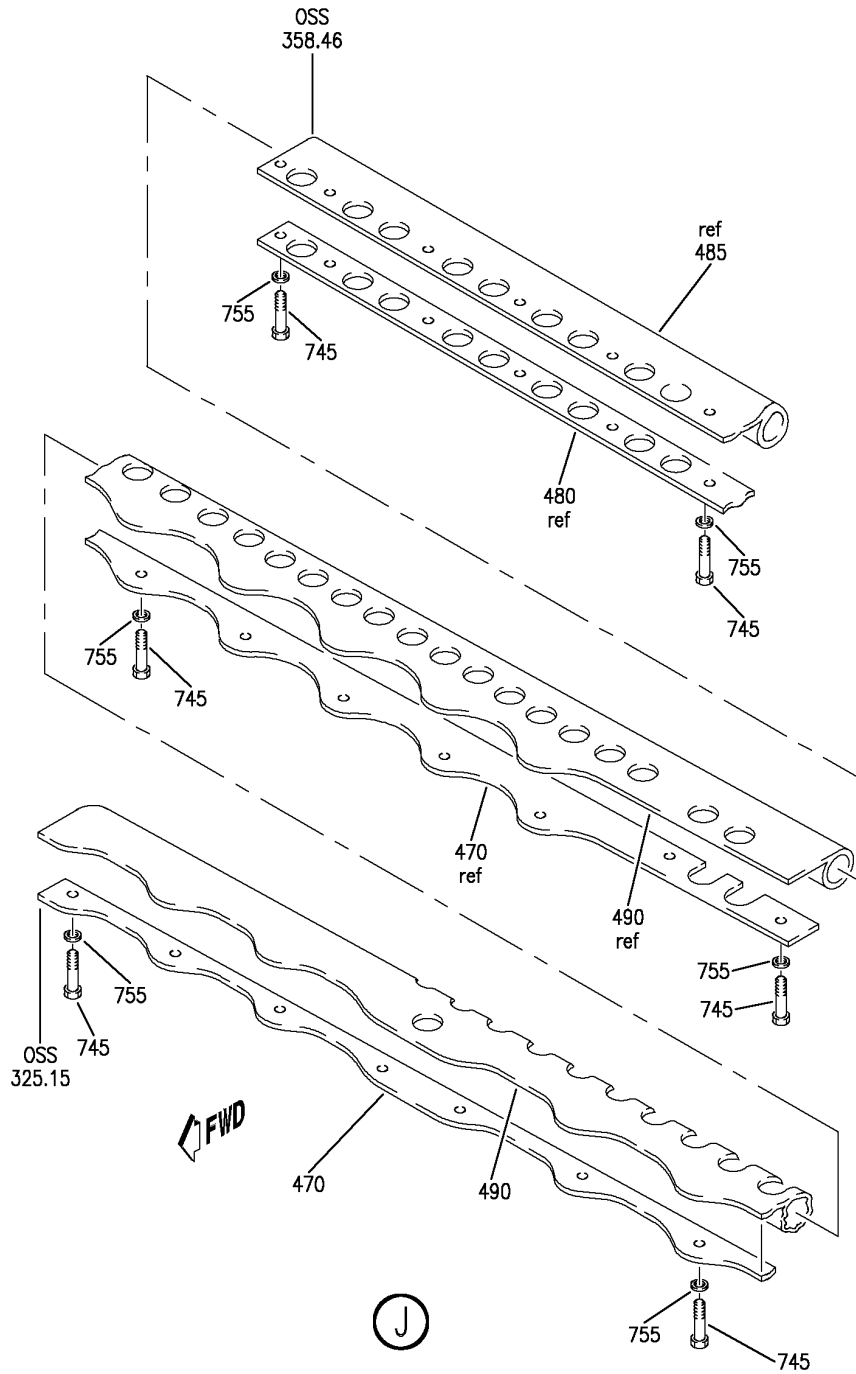
SLAT ASSY-NO. 7 WING LE OSS 305.47 TO OSS 438.10 RH  
FIGURE 4A (SHEET 6)

**27-81-02-04A**

BRI  
JAN 20/08

27-81-02-04A  
PAGE 0E

**BOEING**  
757  
PARTS CATALOG (MAINTENANCE)



Y 27810204A SHT 7 REV 319

SLAT ASSY-NO. 7 WING LE OSS 305.47 TO OSS 438.10 RH  
FIGURE 4A (SHEET 7)

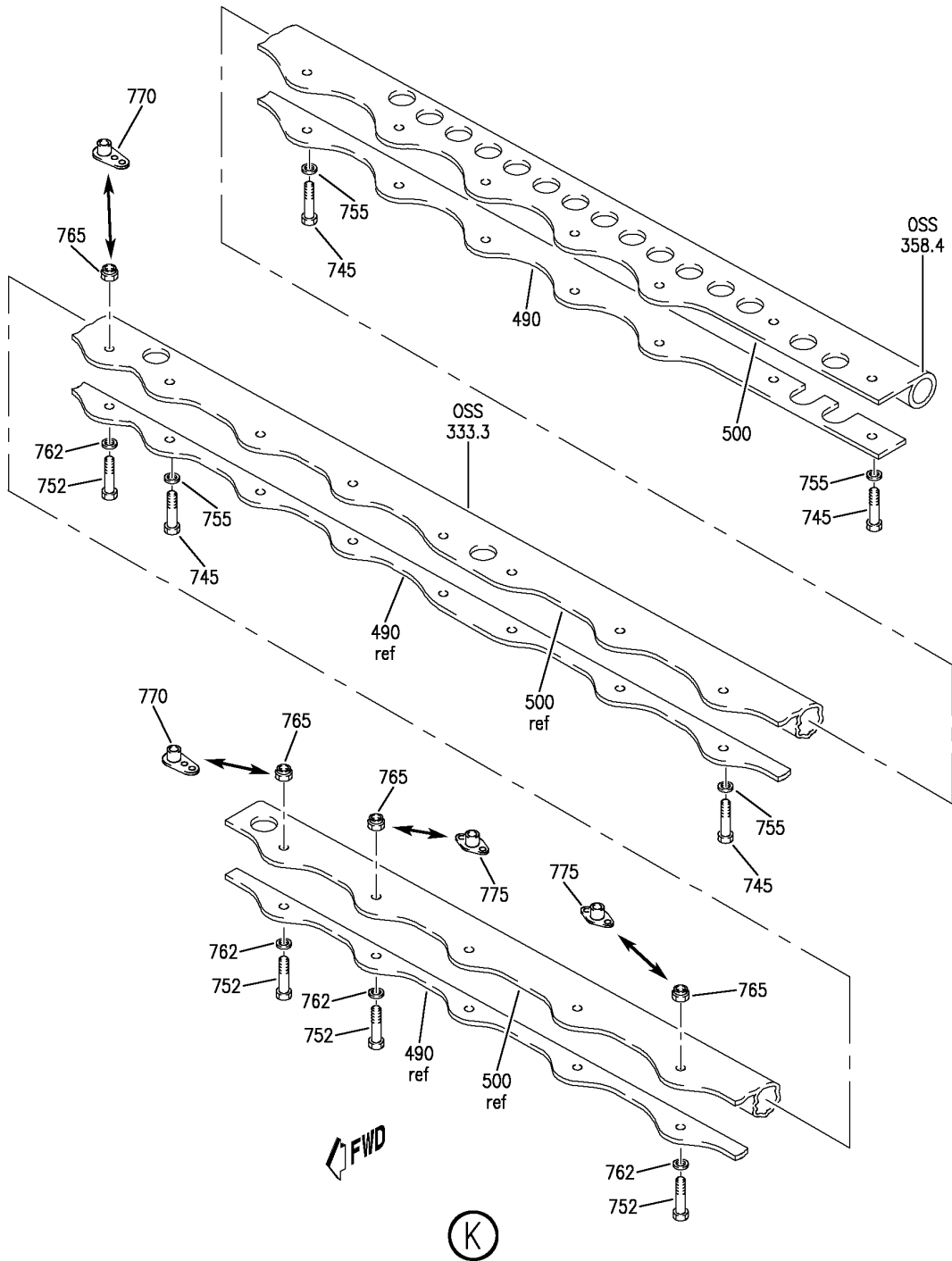
**27-81-02-04A**

BRI  
JAN 20/08

27-81-02-04A  
PAGE OF

BOEING PROPRIETARY - Copyright © - Unpublished Work - See title page for details.

**BOEING**  
757  
PARTS CATALOG (MAINTENANCE)



Y 27810204A SHT 8 REV 319

SLAT ASSY-NO. 7 WING LE OSS 305.47 TO OSS 438.10 RH  
FIGURE 4A (SHEET 8)

**27-81-02-04A**

BRI  
JAN 20/08

27-81-02-04A  
PAGE 08



757

PARTS CATALOG (MAINTENANCE)

FIG ITEM	PART NUMBER	1 2 3 4 5 6 7	NOMENCLATURE	EFFECT FROM TO	UNITS PER ASSY
4 A			SLAT ASSY-NO. 7 WING LE OSS 305.47 TO OSS 438.10 RH	002004 006100 107107 121503 904999 107107	
- 3	114N4005-158		SLAT ASSY-NO. 7 WING LE POSITION DATA: OSS 305.47 TO 438.10 RH COMPONENT MAINT MANUAL REF: 57-43-28 QUALIFIED I/W DATA: -158 IS I/W -152, HOWEVER, -152 CAN BE USED ONLY IF THE AIRPLANE IS RESTRICTED TO 241K MTGW REWORKED BY ALERT SB: 57A0045R1 57A0038R6 FOR NHA SEE: 27-81-02-05A	107107	RF
- 3	114N4005-158		SLAT ASSY-NO. 7 WING LE COMPONENT MAINT MANUAL REF: 57-43-28 QUALIFIED I/W DATA: 114N4005-158 INTERCHANGEABLE WITH 114N4005-178SP IF 218N1071-1 ON SLAT IS USED WITH 218N1011-1, -2, -3, OR -4 ON FIXED LEADING EDGE. IF 218N1071-4 IS ON SLAT, 218N1011-4 MUST BE USED ON FIXED LEADING EDGE 114N4005-158 INTERCHANGEABLE WITH 114N4005-184SP IF 218N1071-1 ON SLAT IS USED WITH 218N1011-1, -2, -3, OR -4 ON FIXED LEADING EDGE. IF 218N1071-4 IS ON SLAT, 218N1011-4 MUST BE USED ON FIXED LEADING EDGE 114N4005-158 INTERCHANGEABLE WITH 114N4005-186SP IF 218N1071-1 ON SLAT IS	107107	RF

MISSING ITEM NUMBERS NOT APPLICABLE

- ITEM NOT ILLUSTRATED

**27-81-02-04A**

27-81-02  
FIG. 04A  
PAGE 1  
JAN 20/09

BRI



757

PARTS CATALOG (MAINTENANCE)

FIG ITEM	PART NUMBER	1 2 3 4 5 6 7 NOMENCLATURE	EFFECT FROM TO	UNITS PER ASSY
4 A		<p>USED WITH 218N1011-1, -2, -3, OR -4 ON FIXED LEADING EDGE. IF 218N1071-4 IS ON SLAT, 218N1011-4 MUST BE USED ON FIXED LEADING EDGE 114N4005-158 INTERCHANGEABLE WITH 114N4005-188SP IF 218N1071-1 ON SLAT IS USED WITH 218N1011-1, -2, -3, OR -4 ON FIXED LEADING EDGE. IF 218N1071-4 IS ON SLAT, 218N1011-4 MUST BE USED ON FIXED LEADING EDGE 114N4005-158 INTERCHANGEABLE WITH 114N4005-204SP IF 218N1071-1 ON SLAT IS USED WITH 218N1011-1, -2, -3, OR -4 ON FIXED LEADING EDGE. IF 218N1071-4 IS ON SLAT, 218N1011-4 MUST BE USED ON FIXED LEADING EDGE 114N4005-158 INTERCHANGEABLE WITH 114N4005-214SP IF 218N1071-1 ON SLAT IS USED WITH 218N1011-1, -2, -3, OR -4 ON FIXED LEADING EDGE. IF 218N1071-4 IS ON SLAT, 218N1011-4 MUST BE USED ON FIXED LEADING EDGE 114N4005-190SP INTERCHANGEABLE WITH 114N4005-158 IF 218N1071-1 ON SLAT IS USED WITH 218N1011-1, -2, -3 OR -4 ON FIXED LEADING EDGE. IF 218N1071-4 IS ON SLAT, 218N1011-4 MUST BE USED ON FIXED LEADING EDGE 114N4005-192SP INTERCHANGEABLE WITH 114N4005-158 IF</p>		

MISSING ITEM NUMBERS NOT APPLICABLE

- ITEM NOT ILLUSTRATED

27-81-02-04A

27-81-02  
FIG. 04A  
PAGE 2  
JAN 20/09

BRI



757

PARTS CATALOG (MAINTENANCE)

FIG ITEM	PART NUMBER	1 2 3 4 5 6 7 NOMENCLATURE	EFFECT FROM TO	UNITS PER ASSY
4 A		<p>218N1071-1 ON SLAT IS USED WITH 218N1011-1, -2, -3 OR -4 ON FIXED LEADING EDGE. IF 218N1071-4 IS ON SLAT, 218N1011-4 MUST BE USED ON FIXED LEADING EDGE</p> <p>FOR NHA SEE: 27-81-02-05A</p>		
- 5	114N4005-162	<p>SLAT ASSY-NO. 7 WING LE VAR</p> <p>POSITION DATA: OSS 305.47 TO OSS 438.10 RH</p> <p>COMPONENT MAINT MANUAL REF: 57-43-28</p> <p>QUALIFIED I/W DATA: -162 IS I/W -156, HOWEVER, -156 CAN BE USED ONLY IF THE AIRPLANE IS RESTRICTED TO 241K MTGW</p> <p>114N4004-178SP CAN REPLACE 114N4004-162 IF -178SP HAS 218N1017-1 AND FORWARD LEADING EDGE HAS 218N1011 -1, -2, -3, OR -4. IF 114N4004-178SP HAS 218N1017-4 THE FORWARD LEADING EDGE MUST HAVE 218N1011-4. SEE DRAWING 114N0001 SHEET 1 NOTE 14 FOR MORE DETAILS</p> <p>FOR NHA SEE: 27-81-02-05A</p>	002004 006100 107107 121503 904999	RF

MISSING ITEM NUMBERS NOT APPLICABLE

- ITEM NOT ILLUSTRATED

BRI

**27-81-02-04A**

BOEING PROPRIETARY - Copyright © - Unpublished Work - See title page for details.

27-81-02  
FIG. 04A  
PAGE 3  
JAN 20/09



757

PARTS CATALOG (MAINTENANCE)

FIG ITEM	PART NUMBER	1 2 3 4 5 6 7	NOMENCLATURE	EFFECT FROM TO	UNITS PER ASSY
4 A - 5	114N4005-178SP		SLAT ASSY-NO. 7 WING LE POSITION DATA: OSS 305.47 TO OSS 438.10 RH COMPONENT MAINT MANUAL REF: 57-43-28 QUALIFIED I/W DATA: 114N4005-178SP INTERCHANGEABLE WITH 114N4005-186SP IF 218N1017-1 ON SLAT IS USED WITH 218N1011-1, -2, -3 OR -4 ON FIXED LEADING EDGE. IF 218N1017-4 IS ON SLAT, 218N1011-4 MUST BE USED ON FIXED LEADING EDGE 114N4005-178SP INTERCHANGEABLE WITH 114N4005-184SP IF 218N1017-1 ON SLAT IS USED WITH 218N1011-1, -2, -3 OR -4 ON FIXED LEADING EDGE. IF 218N1017-4 IS ON SLAT, 218N1011-4 MUST BE USED ON FIXED LEADING EDGE REWORKED BY SB: 57-0043 57-0049 27-0126 FOR NHA SEE: 27-81-02-05A	002004 107107 121503 904949 952952	RF
- 10	114N4005-184SP		SLAT ASSY-NO. 7 WING LE POSITION DATA: OSS 305.47 TO OSS 438.10 RH COMPONENT MAINT MANUAL REF: 57-43-28 QUALIFIED I/W DATA: 114N4005-178SP INTERCHANGEABLE WITH 114N4005-184SP IF 218N1071-1 ON SLAT IS USED WITH 218N1011-1, -2, -3 OR -4 ON FIXED LEADING EDGE. IF 218N1071-4 IS ON SLAT, 218N1011-4 MUST BE USED	002004 006100 107107 121503 904999	RF

MISSING ITEM NUMBERS NOT APPLICABLE

- ITEM NOT ILLUSTRATED

**27-81-02-04A**

27-81-02  
FIG. 04A  
PAGE 4  
JAN 20/09

BRI



757

PARTS CATALOG (MAINTENANCE)

FIG ITEM	PART NUMBER	1 2 3 4 5 6 7 NOMENCLATURE	EFFECT FROM TO	UNITS PER ASSY
4 A		<p>ON FIXED LEADING EDGE            114N4005-192SP            INTERCHANGEABLE WITH            114N4005-184SP IF            218N1071-1 ON SLAT IS            USED WITH 218N1011-1,            -2, -3 OR -4 ON FIXED            LEADING EDGE. IF            218N1071-4 IS ON SLAT,            218N1011-4 MUST BE USED            ON FIXED LEADING EDGE            114N4005-158            INTERCHANGEABLE WITH            114N4005-184SP IF            218N1071-1 ON SLAT IS            USED WITH 218N1011-1,            -2, -3, OR -4 ON FIXED            LEADING EDGE. IF            218N1071-4 IS ON SLAT,            218N1011-4 MUST BE USED            ON FIXED LEADING EDGE            114N4005-184SP            INTERCHANGEABLE WITH            114N4005-194SP IF            218N1071-1 ON SLAT IS            USED WITH 218N1011-1,-2            -3 OR -4 ON FIXED            LEADING EDGE. IF            218N1071-4 IS ON SLAT,            218N1011-4 MUST BE USED            ON FIXED LEADING EDGE.            114N4005-178SP            INTERCHANGEABLE WITH            114N4005-184SP IF            218N1017-1 ON SLAT IS            USED WITH 218N1011-1,            -2,-3 OR-4ON FIXED            LEADING EDGE. IF            218N1017-4 IS ON SLAT            218N1011-4 MUST BE USED            ON FIXED LEADING EDGE            REWORKED BY SB:            57-0049            27-0126            FOR NHA SEE:            27-81-02-05A</p>		
- 10	114N4005-186SP	<p>SLAT ASSY-NO. 7 WING LE            POSITION DATA:            OSS 305.47 TO OSS 438.10</p>	002004 006100 107107	RF

MISSING ITEM NUMBERS NOT APPLICABLE

- ITEM NOT ILLUSTRATED

**27-81-02-04A**

27-81-02  
 FIG. 04A  
 PAGE 5  
 JAN 20/09

BRI





757

PARTS CATALOG (MAINTENANCE)

FIG ITEM	PART NUMBER	1 2 3 4 5 6 7 NOMENCLATURE	EFFECT FROM TO	UNITS PER ASSY
4 A		RH COMPONENT MAINT MANUAL REF: 57-43-28 QUALIFIED I/W DATA: 114N4005-186SP INTERCHANGEABLE WITH 114N4005-192SP IF 218N1071-1 ON SLAT IS USED WITH 218N1011-1, -2, -3 OR -4 ON FIXED LEADING EDGE. IF 218N1071-4 IS ON SLAT, 218N1011-4 MUST BE USED ON FIXED LEADING EDGE 114N4005-186SP INTERCHANGEABLE WITH 114N4005-194SP IF 218N1071-1 ON SLAT IS USED WITH 218N1011-1, -2, -3 OR -4 ON FIXED LEADING EDGE. IF 218N1071-4 IS ON SLAT, 218N1011-4 MUST BE USED ON FIXED LEADING EDGE 114N4005-178SP INTERCHANGEABLE WITH 114N4005-186SP IF 218N1071-1 ON SLAT IS USED WITH 218N1011-1, -2, -3 OR -4 ON FIXED LEADING EDGE. IF 218N1071-4 IS ON SLAT, 218N1011-4 MUST BE USED ON FIXED LEADING EDGE 114N4005-158 INTERCHANGEABLE WITH 114N4005-186SP IF 218N1071-1 ON SLAT IS USED WITH 218N1011-1, -2, -3 OR -4 ON FIXED LEADING EDGE. IF 218N1071-4 IS ON SLAT, 218N1011-4 MUST BE USED ON FIXED LEADING EDGE 114N4005-186SP INTERCHANGEABLE WITH 114N4005-178SP IF 218N1017-1 ON SLAT IS USED WITH 218N1011-1	121503 904999	

MISSING ITEM NUMBERS NOT APPLICABLE

- ITEM NOT ILLUSTRATED

27-81-02-04A

27-81-02  
FIG. 04A  
PAGE 6  
JAN 20/09

BRI


**BOEING**  
 757  
**PARTS CATALOG (MAINTENANCE)**

FIG ITEM	PART NUMBER	1 2 3 4 5 6 7	NOMENCLATURE	EFFECT FROM TO	UNITS PER ASSY
4 A			-2,-3 OR -4 ON FIXED LEADING EDGE. IF 218N1017-4 IS ON SLAT, 218N1011-4 MUST BE USED ON FIXED LEADING EDGE REWORKED BY SB: 57-0049 27-0126 FOR NHA SEE: 27-81-02-05A		
- 10	114N4005-188SP		SLAT ASSY-NO. 7 WING LE POSITION DATA: OSS 305.47 TO OSS 438.10 RH COMPONENT MAINT MANUAL REF: 57-43-28 REWORKED BY SB: 57-0049 27-0126 FOR NHA SEE: 27-81-02-05A	002004 006100 107107 121503 904999	RF

MISSING ITEM NUMBERS NOT APPLICABLE

- ITEM NOT ILLUSTRATED

BRI

# 27-81-02-04A

BOEING PROPRIETARY - Copyright © - Unpublished Work - See title page for details.

27-81-02  
 FIG. 04A  
 PAGE 7  
 JAN 20/09



757

PARTS CATALOG (MAINTENANCE)

FIG ITEM	PART NUMBER	1 2 3 4 5 6 7	NOMENCLATURE	EFFECT FROM TO	UNITS PER ASSY
4 A - 10	114N4005-190SP		SLAT ASSY-NO. 7 WING LE POSITION DATA: OSS 305.47 TO OSS 438.10 RH COMPONENT MAINT MANUAL REF: 57-43-28 QUALIFIED I/W DATA: 114N4005-190SP INTERCHANGEABLE WITH 114N4005-158 IF 218N1071-1 ON SLAT IS USED WITH 218N1011-1, -2, -3 OR -4 ON FIXED LEADING EDGE. IF 218N1071-4 IS ON SLAT, 218N1011-4 MUST BE USED ON FIXED LEADING EDGE 114N4005-190SP INTERCHANGEABLE WITH 114N4005-178SP IF 218N1071-1 ON SLAT IS USED WITH 218N1011-1, -2, -3 OR -4 ON FIXED LEADING EDGE. IF 218N1071-4 IS ON SLAT, 218N1011-4 MUST BE USED ON FIXED LEADING EDGE REWORKED BY SB: 57-0049 57-0043 27-0126 FOR NHA SEE: 27-81-02-05A	002004 006100 107107 121503 904999	RF

MISSING ITEM NUMBERS NOT APPLICABLE

- ITEM NOT ILLUSTRATED

BRI

27-81-02-04A

BOEING PROPRIETARY - Copyright © - Unpublished Work - See title page for details.

27-81-02  
FIG. 04A  
PAGE 8  
JAN 20/09



757

PARTS CATALOG (MAINTENANCE)

FIG ITEM	PART NUMBER	1 2 3 4 5 6 7	NOMENCLATURE	EFFECT FROM TO	UNITS PER ASSY
4 A - 10	114N4005-188SP		SLAT ASSY-NO. 7 WING LE COMPONENT MAINT MANUAL REF: 57-43-28 QUALIFIED I/W DATA: 114N4005-188SP INTERCHANGEABLE WITH 114N4005-158 IF 218N1071-1 ON SLAT IS USED WITH 218N1011-1, -2, -3 OR -4 ON FIXED LEADING EDGE. IF 218N1071-4 IS ON SLAT, 218N1011-4 MUST BE USED ON FIXED LEADING EDGE 114N4005-188SP INTERCHANGEABLE WITH 114N4005-178SP IF 218N1071-1 ON SLAT IS USED WITH 218N1011-1, -2, -3 OR -4 ON FIXED LEADING EDGE. IF 218N1071-4 IS ON SLAT, 218N1011-4 MUST BE USED ON FIXED LEADING EDGE 114N4005-188SP INTERCHANGEABLE WITH 114N4005-192SP IF 218N1071-1 ON SLAT IS USED WITH 218N1011-1, -2, -3 OR -4 ON FIXED LEADING EDGE. IF 218N1071-4 IS ON SLAT, 218N1011-4 MUST BE USED ON FIXED LEADING EDGE 114N4005-188SP INTERCHANGEABLE WITH 114N4005-194SP IF 218N1071-1 ON SLAT IS USED WITH 218N1011-1, -2, -3 OR -4 ON FIXED LEADING EDGE. IF 218N1071-4 IS ON SLAT, 218N1011-4 MUST BE USED ON FIXED LEADING EDGE FOR NHA SEE: 27-81-02-05A	002004 006100 107107 121503 904999	RF

MISSING ITEM NUMBERS NOT APPLICABLE

- ITEM NOT ILLUSTRATED

**27-81-02-04A**

27-81-02  
 FIG. 04A  
 PAGE 9  
 JAN 20/09

BRI



757

PARTS CATALOG (MAINTENANCE)

FIG ITEM	PART NUMBER	1 2 3 4 5 6 7	NOMENCLATURE	EFFECT FROM TO	UNITS PER ASSY
4 A - 15	114N4005-192SP		SLAT ASSY-NO. 7 WING LE POSITION DATA: OSS 305.47 TO OSS 438.10 RH COMPONENT MAINT MANUAL REF: 57-43-28 REWORKED BY SB: 57-0049 27-0126 FOR NHA SEE: 27-81-02-05A	002004 006100 107107 121503 904999	RF
- 15	114N4005-194SP		SLAT ASSY-NO. 7 WING LE POSITION DATA: OSS 305.47 TO OSS 438.10 RH COMPONENT MAINT MANUAL REF: 57-43-28 QUALIFIED I/W DATA: 114N4005-194SP INTERCHANGEABLE WITH 114N4005-204SP IF SERVICE BULLETINS 757-27-0126 AND 757-57-0056 AN 757-57-0057 ARE INCORPORATED. 114N4005-194SP INTERCHANGEABLE WITH 114N4005-178SP IF 218N1071-1 ON SLAT IS USED WITH 218N1011-1, -2, -3 OR -4 ON FIXED LEADING EDGE. IF 218N1071-4 IS ON SLAT, 218N1011-4 MUST BE USED ON FIXED LEADING EDGE 114N4005-194SP INTERCHANGEABLE WITH 114N4005-214SP IF SERVICE BULLETINS 757-27-0126 AND 757-57-0056 AND 757-57-0057 ARE INCORPORATED. 114N4005-184SP INTERCHANGEABLE WITH 114N4005-194SP IF 218N1071-1 ON SLAT IS USED WITH 218N1011-1,	002004 006100 107107 121503 904999	RF

MISSING ITEM NUMBERS NOT APPLICABLE

- ITEM NOT ILLUSTRATED

27-81-02-04A

27-81-02  
FIG. 04A  
PAGE 10  
JAN 20/09

BRI



757

PARTS CATALOG (MAINTENANCE)

FIG ITEM	PART NUMBER	1 2 3 4 5 6 7 NOMENCLATURE	EFFECT FROM TO	UNITS PER ASSY
4 A		<p>-2, -3 OR -4 ON FIXED LEADING EDGE. IF 218N1071-4 IS ON SLAT, 218N1011-4 MUST BE USED ON FIXED LEADING EDGE 114N4005-186SP INTERCHANGEABLE WITH 114N4005-194SP IF 218N1071-1 ON SLAT IS USED WITH 218N1011-1, -2, -3 OR -4 ON FIXED LEADING EDGE. IF 218N1071-4 IS ON SLAT, 218N1011-4 MUST BE USED ON FIXED LEADING EDGE 114N4005-188SP INTERCHANGEABLE WITH 114N4005-194SP IF 218N1071-1 ON SLAT IS USED WITH 218N1011-1, -2, -3 OR -4 ON FIXED LEADING EDGE. IF 218N1071-4 IS ON SLAT, 218N1011-4 MUST BE USED ON FIXED LEADING EDGE</p> <p>REWORKED BY SB: 57-0049 27-0126</p> <p>FOR NHA SEE: 27-81-02-05A</p>		
- 15	114N4005-200SP	<p>SLAT ASSY-NO. 7 WING LE POSITION DATA: OSS 305.47 TO OSS 438.10 RH</p> <p>COMPONENT MAINT MANUAL REF: 57-43-28</p> <p>REWORKED BY SB: 57-0049 27-0126</p> <p>FOR NHA SEE: 27-81-02-05A</p>	002004 006100 107107 121503 904999	RF

MISSING ITEM NUMBERS NOT APPLICABLE

- ITEM NOT ILLUSTRATED

BRI

**27-81-02-04A**

BOEING PROPRIETARY - Copyright © - Unpublished Work - See title page for details.

27-81-02  
FIG. 04A  
PAGE 11  
JAN 20/09



757

PARTS CATALOG (MAINTENANCE)

FIG ITEM	PART NUMBER	1 2 3 4 5 6 7	NOMENCLATURE	EFFECT FROM TO	UNITS PER ASSY
4 A - 15	114N4005-204SP		SLAT ASSY-NO. 7 WING LE POSITION DATA: OSS 305.47 TO OSS 438.10 RH COMPONENT MAINT MANUAL REF: 57-43-28 QUALIFIED I/W DATA: 114N4005-158 CAN BE REPLACED BY 114N4005-204SP IF 218N1071-1 ON SLAT IS USED WITH 218N1011-1, -2, -3, OR -4 ON FIXED LEADING EDGE. IF 218N1071-4 IS ON SLAT, 218N1011-4 MUST BE USED ON FIXED LEADING EDGE 114N4005-192SP INTERCHANGEABLE WITH 114N4005-204SP IF SERVICE BULLETINS 757-27-0126 AND 757-57-0056 AND 757-57-0057 ARE INCORPORATED. 114N4005-194SP INTERCHANGEABLE WITH 114N4005-204SP IF SERVICE BULLETINS 757-27-0126 AND 757-57-0056 AND 757-57-0057 ARE INCORPORATED. REWORKED BY SB: 57-0049 FOR NHA/OTHER SYS DET SEE: 27-81-02-05A	002004 006100 107107 121503 904999	RF
- 15	114N4005-206SP		SLAT ASSY-NO. 7 WING LE POSITION DATA: OSS 305.47 TO OSS 438.10 RH COMPONENT MAINT MANUAL REF: 57-43-28 REWORKED BY SB: 57-0049 27-0126 FOR NHA SEE: 27-81-02-05A	002004 006100 107107 121503 904999	RF

MISSING ITEM NUMBERS NOT APPLICABLE

- ITEM NOT ILLUSTRATED

**27-81-02-04A**

27-81-02  
FIG. 04A  
PAGE 12  
JAN 20/09

BRI



**757  
PARTS CATALOG (MAINTENANCE)**

FIG ITEM	PART NUMBER	1 2 3 4 5 6 7 NOMENCLATURE	EFFECT FROM TO	UNITS PER ASSY
4 A - 15	114N4005-214SP	SLAT ASSY-NO. 7 WING LE POSITION DATA: OSS 305.47 TO OSS 438.10 RH COMPONENT MAINT MANUAL REF: 57-43-28 QUALIFIED I/W DATA: 114N4005-158 CAN BE REPLACED BY 114N4005-214SP IF 218N1071-1 ON SLAT IS USED WITH 218N1011-1, -2, -3, OR -4 ON FIXED LEADING EDGE. IF 218N1071-4 IS ON SLAT, 218N1011-4 MUST BE USED ON FIXED LEADING EDGE 114N4005-192SP INTERCHANGEABLE WITH 114N4005-214SP IF SERVICE BULLETINS 757-27-0126 AND 757-57-0056 AND 757-57-0057 ARE INCORPORATED. 114N4005-194SP INTERCHANGEABLE WITH 114N4005-214SP IF SERVICE BULLETINS 757-27-0126 AND 757-57-0056 AND 757-57-0057 ARE INCORPORATED. REWORKED BY SB: 57-0049 FOR NHA/OTHER SYS DET SEE: 27-81-02-05A	002004 006100 107107 121503 904999	RF

MISSING ITEM NUMBERS NOT APPLICABLE

- ITEM NOT ILLUSTRATED

BRI

# 27-81-02-04A

BOEING PROPRIETARY - Copyright © - Unpublished Work - See title page for details.

27-81-02  
FIG. 04A  
PAGE 13  
JAN 20/09





757

PARTS CATALOG (MAINTENANCE)

FIG ITEM	PART NUMBER	1 2 3 4 5 6 7	NOMENCLATURE	EFFECT FROM TO	UNITS PER ASSY
4 A - 15	114N4005-230SP		SLAT ASSY-NO. 7 WING LE POSITION DATA: OSS 305.47 TO OSS 438.10 RH COMPONENT MAINT MANUAL REF: 57-43-28 QUALIFIED I/W DATA: THE -232SP OR -210SP OR -198SP CAN REPLACE -230SP SUBJECT TO CUSTOMER ACCEPTANCE OF WEIGHT PENALTY POST SERVICE BULLETIN: 27-0126 REWORKED BY SB: 57-0049 FOR NHA/OTHER SYS DET SEE: 27-81-02-05A	002004 006100 107107 121503 904999	RF
- 15	114N4005-196SP		SLAT ASSY-NO. 7 WING LE POSITION DATA: OSS 305.47 TO OSS 438.10 RH REWORKED BY SB: 27-0126 FOR NHA SEE: 27-81-02-05A	002004 006100 107107 121503 904999	RF
- 15	114N4005-192SP		SLAT ASSY-NO. 7 WING LE COMPONENT MAINT MANUAL REF: 57-43-28 QUALIFIED I/W DATA: 114N4005-192SP INTERCHANGEABLE WITH 114N4005-158 IF 218N1071-1 ON SLAT IS USED WITH 218N1011-1, -2, -3 OR -4 ON FIXED LEADING EDGE. IF 218N1071-4 IS ON SLAT, 218N1011-4 MUST BE USED ON FIXED LEADING EDGE 114N4005-192SP INTERCHANGEABLE WITH 114N4005-178SP IF 218N1071-1 ON SLAT IS USED WITH 218N1011-1, -2, -3 OR -4 ON FIXED LEADING EDGE. IF 218N1071-4 IS ON SLAT, 218N1011-4 MUST BE USED	002004 006100 107107 121503 904999	RF

MISSING ITEM NUMBERS NOT APPLICABLE

- ITEM NOT ILLUSTRATED

**27-81-02-04A**

27-81-02  
FIG. 04A  
PAGE 14  
JAN 20/09

BRI



757

PARTS CATALOG (MAINTENANCE)

FIG ITEM	PART NUMBER	1 2 3 4 5 6 7 NOMENCLATURE	EFFECT FROM TO	UNITS PER ASSY
4 A		<p>ON FIXED LEADING EDGE  114N4005-184SP  INTERCHANGEABLE WITH  114N4005-192SP IF  218N1071-1 ON SLAT IS  USED WITH 218N1011-1,  -2, -3 OR -4 ON FIXED  LEADING EDGE. IF  218N1071-4 IS ON SLAT,  218N1011-4 MUST BE USED  ON FIXED LEADING EDGE  114N4005-186SP  INTERCHANGEABLE WITH  114N4005-192SP IF  218N1071-1 ON SLAT IS  USED WITH 218N1011-1,  -2, -3 OR -4 ON FIXED  LEADING EDGE. IF  218N1071-4 IS ON SLAT,  218N1011-4 MUST BE USED  ON FIXED LEADING EDGE  114N4005-188SP  INTERCHANGEABLE WITH  114N4005-192SP IF  218N1071-1 ON SLAT IS  USED WITH 218N1011-1,  -2, -3 OR -4 ON FIXED  LEADING EDGE. IF  218N1071-4 IS ON SLAT,  218N1011-4 MUST BE USED  ON FIXED LEADING EDGE  114N4005-192SP  INTERCHANGEABLE WITH  114N4005-204SP IF  SERVICE BULLETINS  757-27-0126 AND  757-57-0056 AND  757-57-0057 ARE  INCORPORATED.  114N4005-192SP  INTERCHANGEABLE WITH  114N4005-214SP IF  SERVICE BULLETINS  757-27-0126 AND  757-57-0056 AND  757-57-0057 ARE  INCORPORATED.  FOR NHA SEE:  27-81-02-05A</p>		

MISSING ITEM NUMBERS NOT APPLICABLE

- ITEM NOT ILLUSTRATED

# 27-81-02-04A

27-81-02  
FIG. 04A  
PAGE 15  
JAN 20/09

BRI



757

PARTS CATALOG (MAINTENANCE)

FIG ITEM	PART NUMBER	1 2 3 4 5 6 7	NOMENCLATURE	EFFECT FROM TO	UNITS PER ASSY
4 A					
- 30	218N1001-26		.DUCT INSTL-WING LE ANTI ICING USED ON: 114N4005-158 114N4005-158BAB 114N4005-178 114N4005-178BAB 114N4005-178SP 114N4005-184 114N4005-184BAB 114N4005-184SP 114N4005-186 114N4005-186SP 114N4005-188SP 114N4005-190SP 114N4005-192SP 114N4005-194SP 114N4005-196SP 114N4005-198SP 114N4005-200SP 114N4005-204SP 114N4005-206SP 114N4005-210SP 114N4005-214SP 114N4005-230SP 114N4005-232SP FOR DETAILS SEE: 30-11-01-01	002004 006100 107107 121503 904999	1
- 35	114N4058-20		.SKIN-FLEXIBLE POSITION DATA: LWR	002004 006100 107107 121503 904999	1
- 35	114N4058-8		.SKIN-FLEXIBLE POSITION DATA: LWR OPTIONAL PART: 114N4058-20	002004 006100 107107 121503 904999	1
70	BACB30NN3K4		.BOLT-	002004 006100 107107 121503 904999	1
95	BACB30NN3K7		.BOLT-	002004 006100 107107 121503 904999	1

MISSING ITEM NUMBERS NOT APPLICABLE

- ITEM NOT ILLUSTRATED

27-81-02-04A

27-81-02  
FIG. 04A  
PAGE 16  
JAN 20/09

BRI

BOEING PROPRIETARY - Copyright © - Unpublished Work - See title page for details.



757

PARTS CATALOG (MAINTENANCE)

FIG ITEM	PART NUMBER	1 2 3 4 5 6 7	NOMENCLATURE	EFFECT FROM TO	UNITS PER ASSY
4 A 150	114N4043-38		.RETAINER- USED ON: 114N4005-128 114N4005-130 114N4005-150 114N4005-158 114N4005-160 114N4005-162 114N4005-164 114N4005-168 114N4005-172 114N4005-174 PRE SERVICE BULLETIN: 57-0049	002004 006017 121503 904949 952952	1
165	114N4043-36		.RETAINER- USED ON: 114N4005-128 114N4005-130 114N4005-150 114N4005-158 114N4005-160 114N4005-162 114N4005-164 114N4005-168 114N4005-172 114N4005-174	002004 006017 107107 121503 904999	1
190	114N4043-24		.SHIELD-EROSION USED ON: 114N4005-116 114N4005-120 114N4005-128 114N4005-130 114N4005-132 114N4005-134 114N4005-140 114N4005-142 114N4005-148 114N4005-150 114N4005-158 114N4005-160 114N4005-162 114N4005-164 114N4005-168 114N4005-172 114N4005-174 FOR SPARES PROCURE: 114N4081-8 PRE SERVICE BULLETIN: 57-0049	002004 006017 121503 904949 952952	1

MISSING ITEM NUMBERS NOT APPLICABLE

- ITEM NOT ILLUSTRATED

BRI

27-81-02-04A

BOEING PROPRIETARY - Copyright © - Unpublished Work - See title page for details.

27-81-02  
FIG. 04A  
PAGE 17  
JAN 20/09



757

PARTS CATALOG (MAINTENANCE)

FIG ITEM	PART NUMBER	1 2 3 4 5 6 7	NOMENCLATURE	EFFECT FROM TO	UNITS PER ASSY
4 A 195	114N4043-48	.	SHIELD-EROSION ALTERED FROM PART NUMBER: 114N4081-8 USED ON: 114N4005-188A POST SERVICE BULLETIN: 57-0049	002004 006100 107107 950951 953999	1
195	114N4043-58	.	SHIELD-EROSION USED ON: 114N4005-186 114N4005-186A 114N4005-186B 114N4005-186SP USED ON: 114N4005-188A 114N4005-188C 114N4005-188SP	002004 006100 107107 950951 953999	1
195	114N4081-8	.	SHIELD-EROSION	002004 006100 107107 121503 904999	1
200	114N4043-8	.	SHIELD-EROSION FOR SPARES PROCURE: 114N4081-4	018100 121503 904949 952952	1
205	114N4043-8	.	SHIELD-EROSION REWORKED BY SB: 57-0049	002004 006017 107107 950951 953999	1
285	114N4044-51	.	RETAINER	002004 006017 107107 121503 904999	1
- 290	114N4044-70	.	SEAL- ALTERED FROM PART NUMBER: 10-60754-492	002004 006010 107107 121503 904999	1
- 290	114N4044-114	.	SEAL- ALTERED FROM PART NUMBER: 10-60754-492	011100	1
- 315	114N4044-72	.	SEAL- ALTERED FROM PART NUMBER: 10-60754-491	002004 006010 107107 121503 904999	1

MISSING ITEM NUMBERS NOT APPLICABLE

- ITEM NOT ILLUSTRATED

27-81-02-04A

27-81-02  
FIG. 04A  
PAGE 18  
JAN 20/09

BRI

BOEING PROPRIETARY - Copyright © - Unpublished Work - See title page for details.



757

PARTS CATALOG (MAINTENANCE)

FIG ITEM	PART NUMBER	1 2 3 4 5 6 7	NOMENCLATURE	EFFECT FROM TO	UNITS PER ASSY
4 A					
- 315	114N4044-116		.SEAL- ALTERED FROM PART NUMBER: 10-60754-491	011100	1
320	BACB30NN3K4		.BOLT	002004 006100 107107 121503 904999	3
321	BACB30NN3K4		.BOLT-	002004 006100 107107 121503 904999	1
340	BACB30NN3K6		.BOLT	002004 006100 107107 121503 904999	5
341	BACB30NN3K6		.BOLT-	002004 006100 107107 121503 904999	1
380	114N4045-61		.RETAINER- PRE SERVICE BULLETIN: 57-0049	002004 006100 121503 904949	1
385	114N4045-50		.RETAINER	952952 002004 006017 107107 121503 904999	1
415	114N4045-63		.SHIELD-EROSION ALTERED FROM PART NUMBER: 114N4081-4 MANUFACTURED FROM: 114N4081-4 REWORKED BY SB: 57-0049	107107 950951 953999	1
420	114N4045-63		.SHIELD-EROSION ALTERED FROM PART NUMBER: 114N4081-4 MANUFACTURED FROM: 114N4081-4	002004 006017 121503 904949 952952	1

MISSING ITEM NUMBERS NOT APPLICABLE

- ITEM NOT ILLUSTRATED

BRI

27-81-02-04A

BOEING PROPRIETARY - Copyright © - Unpublished Work - See title page for details.

27-81-02  
FIG. 04A  
PAGE 19  
JAN 20/09



757

PARTS CATALOG (MAINTENANCE)

FIG ITEM	PART NUMBER	1 2 3 4 5 6 7	NOMENCLATURE	EFFECT FROM TO	UNITS PER ASSY
4 A					
420	114N4045-135	.	SHIELD-EROSION ALTERED FROM PART NUMBER: 114N4081-4 FOR SPARES PROCURE: 114N4081-4	002004 006017 121503 904949 952952	1
425	114N4045-94	.	SHIELD-EROSION ALTERED FROM PART NUMBER: 114N4081-9 FOR SPARES PROCURE: 114N4081-9 PRE SERVICE BULLETIN: 57-0049	002004 006017 121503 904949 952952	1
430	114N4045-130	.	SHIELD-EROSION ALTERED FROM PART NUMBER: 114N4081-9 POST SERVICE BULLETIN: 57-0049	018100 107107 950951 953999	1
430	114N4045-138	.	SHIELD-EROSION ALTERED FROM PART NUMBER: 114N4081-9	018100 107107 950951 953999	1
465	114N4046-43	.	RETAINER- PRE SERVICE BULLETIN: 57-0049	002004 006100 121503 904949 952952	1
470	114N4046-41	.	RETAINER-	121503 904949 952952	1
470	114N4046-41	.	RETAINER- REFERENCE SERVICE BULLETIN: 57-0049 QUALIFIED SB I/W DATA: SEAL MODIFICATION- OPTIONAL CHANGE A	002004 006017 107107 950951 953999	1
475	114N4046-61	.	RETAINER- MISCELLANEOUS DATA: SEE 57-0049 FIG 4 FOR SEAL MODIFICATION OPTIONAL CHANGE A, SEE 57-0049 FIG 5 FOR SEAL MODIFICATION OPTIONAL CHANGE B. POST SERVICE BULLETIN: 57-0049 QUALIFIED SB I/W DATA: SEAL MODIFICATION- SPANWISE	002004 006017 107107 950951 953999	1

MISSING ITEM NUMBERS NOT APPLICABLE

- ITEM NOT ILLUSTRATED

27-81-02-04A

27-81-02  
FIG. 04A  
PAGE 20  
JAN 20/09

BRI

BOEING PROPRIETARY - Copyright © - Unpublished Work - See title page for details.

 **BOEING**  
757  
**PARTS CATALOG (MAINTENANCE)**

FIG ITEM	PART NUMBER	1 2 3 4 5 6 7	NOMENCLATURE	EFFECT FROM TO	UNITS PER ASSY
4 A 480	114N4046-51	.	RETAINER	002004 006100 107107 121503 904999	1
485	114N4046-22	.	SEAL- ALTERED FROM PART NUMBER: 10-60754-482 MANUFACTURED FROM: EXTR RUBBER F25.01 10-60754-482 80.00 IN.	002004 006100 107107 121503 904999	1
490	114N4046-24	.	SEAL- ALTERED FROM PART NUMBER: 10-60754-481 MANUFACTURED FROM: EXTR RUBBER F25.01 10-60754-481 34.00 IN.	121503 904949 952952	1
490	114N4046-24	.	SEAL- ALTERED FROM PART NUMBER: 10-60754-481 MANUFACTURED FROM: EXTR RUBBER F25.01 10-60754-481 34.00 IN. REFERENCE SERVICE BULLETIN: 57-0049 QUALIFIED SB I/W DATA: SEAL MODIFICATION- OPTIONAL CHANGE A	002004 006017 107107 950951 953999	1
495	114N4046-26	.	SEAL- ALTERED FROM PART NUMBER: 10-60754-482 MANUFACTURED FROM: EXTR RUBBER F25.01 10-60754-482 16.00 IN. PRE SERVICE BULLETIN: 57-0049	002004 006100 121503 904949 952952	1

MISSING ITEM NUMBERS NOT APPLICABLE

— ITEM NOT ILLUSTRATED

BRI

# 27-81-02-04A

BOEING PROPRIETARY - Copyright © - Unpublished Work - See title page for details.

27-81-02  
FIG. 04A  
PAGE 21  
JAN 20/09





757

PARTS CATALOG (MAINTENANCE)

FIG ITEM	PART NUMBER	1 2 3 4 5 6 7	NOMENCLATURE	EFFECT FROM TO	UNITS PER ASSY
4 A 500	114N4046-60		.SEAL- MISCELLANEOUS DATA: SEAL MODIFICATION - SPANWISE, SEE 57-0049 FIG 4 FOR SEAL MODIFICATION OPTIONAL CHANGE A, SEE 57-0049 FIG 5 FOR SEAL MODIFICATION OPTIONAL CHANGE B. ALTERED FROM PART NUMBER: 10-60754-481 MANUFACTURED FROM: EXTR RUBBER F25.01 10-60754-482 POST SERVICE BULLETIN: 57-0049	002004 006100 107107 950951 953999	1
510	BACB30NR4K30		.BOLT	002004 006100 107107 121503 904999	4
520	NAS43DD4-21		.SPACER	002004 006100 107107 121503 904999	8
530	BACW10P186C		.WASHER	002004 006100 107107 121503 904999	16
540	AN960KD416		.WASHER	002004 006100 107107 121503 904999	8

MISSING ITEM NUMBERS NOT APPLICABLE

- ITEM NOT ILLUSTRATED

BRI

27-81-02-04A

BOEING PROPRIETARY - Copyright © - Unpublished Work - See title page for details.

27-81-02  
FIG. 04A  
PAGE 22  
JAN 20/09



757

PARTS CATALOG (MAINTENANCE)

FIG ITEM	PART NUMBER	1 2 3 4 5 6 7	NOMENCLATURE	EFFECT FROM TO	UNITS PER ASSY
4 A 560	BRH10C4D	.NUT	SUPPLIER CODE: V52828 SPECIFICATION NUMBER: BACN10JC4CD OPTIONAL PART: T6C428JCD V11815 NS202486-048 V80539 102LH9075-4W V72962 H51650-4BAC V15653	002004 006100 107107 121503 904999	4
580	114N4061-2	.TRACK ASSY-MAIN	POSITION DATA: OUTBD LE SLATS OPTIONAL PART: 114N4061-4 USED ON: 114N4005-116 FOR DETAILS SEE: 27-81-12-10	002004 006100 107107 121503 904999	2
580	114N4061-4	.TRACK ASSY-MAIN	POSITION DATA: OUTBD LE SLATS USED ON: 114N4005-116 114N4005-128 114N4005-132 114N4005-140 114N4005-164 114N4005-172 FOR DETAILS SEE: 27-81-12-10	002004 006100 107107 121503 904999	2
610	MS24665-153	.PIN-	PRE SERVICE BULLETIN: 57-0057	002004 006100 121503 904952	2
610	BACP18BC02A06P	.PIN-	POST SERVICE BULLETIN: 57-0057	002004 006100 107107 904949 953999	2
615	114N4052-1	.BOLT ASSY-	PRE SERVICE BULLETIN: 57-0057	002004 006100 121503 904952	2

MISSING ITEM NUMBERS NOT APPLICABLE

- ITEM NOT ILLUSTRATED

27-81-02-04A

27-81-02  
FIG. 04A  
PAGE 23  
JAN 20/09

BRI

BOEING PROPRIETARY - Copyright © - Unpublished Work - See title page for details.



757

PARTS CATALOG (MAINTENANCE)

FIG ITEM	PART NUMBER	1 2 3 4 5 6 7	NOMENCLATURE	EFFECT FROM TO	UNITS PER ASSY
4 A					
615	BACB30LE4DU19	.	BOLT- POST SERVICE BULLETIN: 57-0057	002004 006100 107107 904949 953999	2
620	MS15001-1	..	FITTING- USED ON: 114N4052-1	002004 006100 121503 904952	2
625	BACW10BP4CD	.	WASHER-	002004 006100 107107 121503 904999	2
630	114N4056-1	.	WASHER	002004 006100 107107 121503 904999	4
635	BACW10P250C	.	WASHER-	002004 006100 107107 121503 904999	8
640	BACW10BP4DP	.	WASHER-	002004 006100 107107 121503 904999	2
645	NAS1805-4N	.	NUT	002004 006100 107107 121503 904999	2
650	114N4156-1	.	BUSHING-	002004 006100 107107 121503 904999	4

MISSING ITEM NUMBERS NOT APPLICABLE

- ITEM NOT ILLUSTRATED

BRI

27-81-02-04A

BOEING PROPRIETARY - Copyright © - Unpublished Work - See title page for details.

27-81-02  
FIG. 04A  
PAGE 24  
JAN 20/09



757

PARTS CATALOG (MAINTENANCE)

FIG ITEM	PART NUMBER	1 2 3 4 5 6 7	NOMENCLATURE	EFFECT FROM TO	UNITS PER ASSY
4 A 655	ATF4		.BEARING- SUPPLIER CODE: V60380 SPECIFICATION NUMBER: BACB10ET04 OPTIONAL PART: 4AFC614 V92563 YAFO4B V07484 PRE SERVICE BULLETIN: 57-0057	002004 006100 121503 904952	2
655	ATF4SN		.BEARING- SUPPLIER CODE: V21335 SPECIFICATION NUMBER: BACB10GH04N OPTIONAL PART: CRO4NAFC V92563 ATFO4NSY V21335 POST SERVICE BULLETIN: 57-0057	002004 006100 107107 904949 953999	2
- 660	114N4059-44		.COVER ASSY-ACCESS OPTIONAL PART: 114N4059-10	006100 950951 953999	1
680	114N4076-27		.DOOR-ACCESS ROUND	003004 006100 121503 904999	4
685	114N4078-23		.DOOR-ACCESS ROUND	002004 006100 121503 950951 953999	1
690	114N4078-25		.DOOR-ACCESS ROUND	002004 006100 121503 950951 953999	2
695	114N4078-27		.DOOR-ACCESS ROUND	002004 006100 121503 950951 953999	1

MISSING ITEM NUMBERS NOT APPLICABLE

- ITEM NOT ILLUSTRATED

BRI

27-81-02-04A

BOEING PROPRIETARY - Copyright © - Unpublished Work - See title page for details.

27-81-02  
FIG. 04A  
PAGE 25  
JAN 20/09



757

PARTS CATALOG (MAINTENANCE)

FIG ITEM	PART NUMBER	1 2 3 4 5 6 7	NOMENCLATURE	EFFECT FROM TO	UNITS PER ASSY
4 A			ATTACHING PARTS		
- 705	AN960KD10L		.WASHER	002004 006017 107107 121503 904999	56
- 705	NAS1149D0332J		.WASHER	018100	56
			-----*-----		
710	114N4076-29		.DOOR-ACCESS OVAL	003004 006100 121503 904999	3
715	114N4078-24		.DOOR-ACCESS OVAL	002004 006100 121503 950951 953999	2
720	114N4078-26		.DOOR-ACCESS OVAL	002004 006100 121503 950951 953999	1
			ATTACHING PARTS		
- 730	AN960KD10L		.WASHER	002004 006017 107107 121503 904999	45
- 730	NAS1149D0332J		.WASHER	018100	45
			-----*-----		
750	BACB30NM3K7		.BOLT-	018100 904949 952952	6
750	BACB30VF3K7		.BOLT-	002004	6
			PRE SERVICE BULLETIN: 57-0049	006017 121503	
752	BACB30NM3K4		.BOLT-	002004	6
			SERVICE BULLETIN OPT DATA: BACB30MN3K	006017 107107	
			USED WITH: BACN10JC3CD	950951 953999	
			POST SERVICE BULLETIN: 57-0049		
752	BACB30NM3K		.BOLT-	002004	6
			SERVICE BULLETIN OPT DATA: BACB30NM3K4	006017 107107	
			POST SERVICE BULLETIN: 57-0049	950951 953999	

MISSING ITEM NUMBERS NOT APPLICABLE

- ITEM NOT ILLUSTRATED

27-81-02-04A

27-81-02  
FIG. 04A  
PAGE 26  
JAN 20/09

BRI

BOEING PROPRIETARY - Copyright © - Unpublished Work - See title page for details.



757

PARTS CATALOG (MAINTENANCE)

FIG ITEM	PART NUMBER	1 2 3 4 5 6 7	NOMENCLATURE	EFFECT FROM TO	UNITS PER ASSY
4 A 755	AN960KD10L	.	WASHER- PRE SERVICE BULLETIN: 57-0049	002004 006017 121503 904949 952952	41
755	NAS1149D0332J	.	WASHER- POST SERVICE BULLETIN: 57-0049	002004 006100 950951	41
760	AN960KD10L	.	WASHER- PRE SERVICE BULLETIN: 57-0049	002004 006017 121503 904949 952952	6
760	NAS1149D0332J	.	WASHER	018100	6
762	NAS1149D0332J	.	WASHER- POST SERVICE BULLETIN: 57-0049	002004 006017 107107 950951 953999	6
765	BRH10C3D	.	NUT- SUPPLIER CODE: V52828 SPECIFICATION NUMBER: BACN10JC3CD OPTIONAL PART: T6C1032JCD V11815 NS202486-02 V80539 102LH9075-3W V72962 H51650-3BAC V15653 MISCELLANEOUS DATA: USE AS AN ALTERNATIVE TO INSTALLATION OF NUTPLATES USED WITH: BACB30NM3K4 POST SERVICE BULLETIN: 57-0049 QUALIFIED SB I/W DATA: SEAL MODIFICATION- OPTIONAL CHANGE A	002004 006017 107107 950951 953999	6

MISSING ITEM NUMBERS NOT APPLICABLE

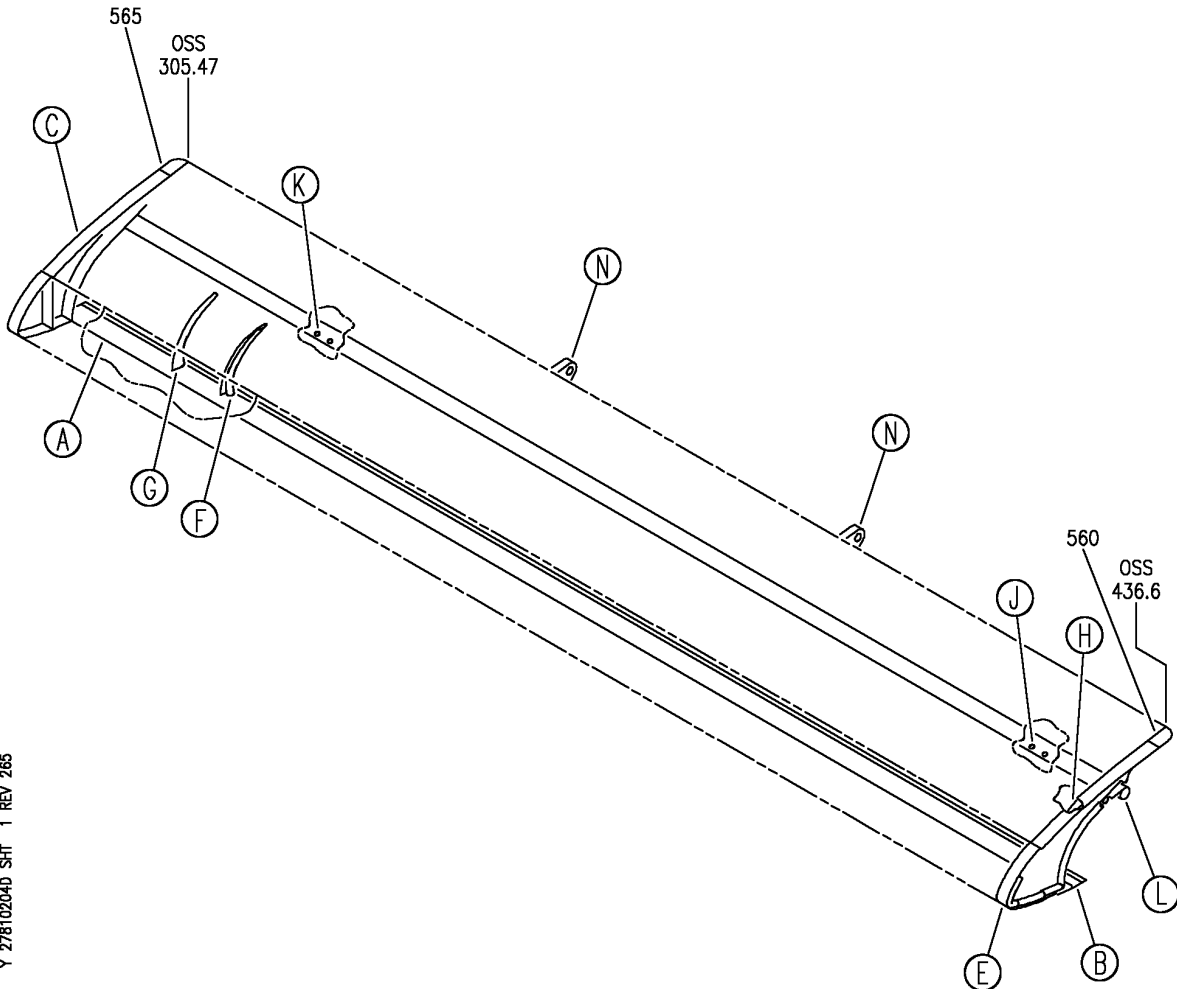
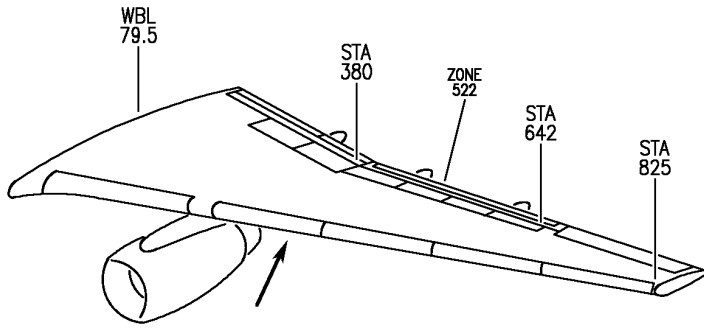
- ITEM NOT ILLUSTRATED

27-81-02-04A

27-81-02  
FIG. 04A  
PAGE 27  
JAN 20/09

BRI

**BOEING**  
757  
PARTS CATALOG (MAINTENANCE)



Y 27810204D SHT 1 REV 265

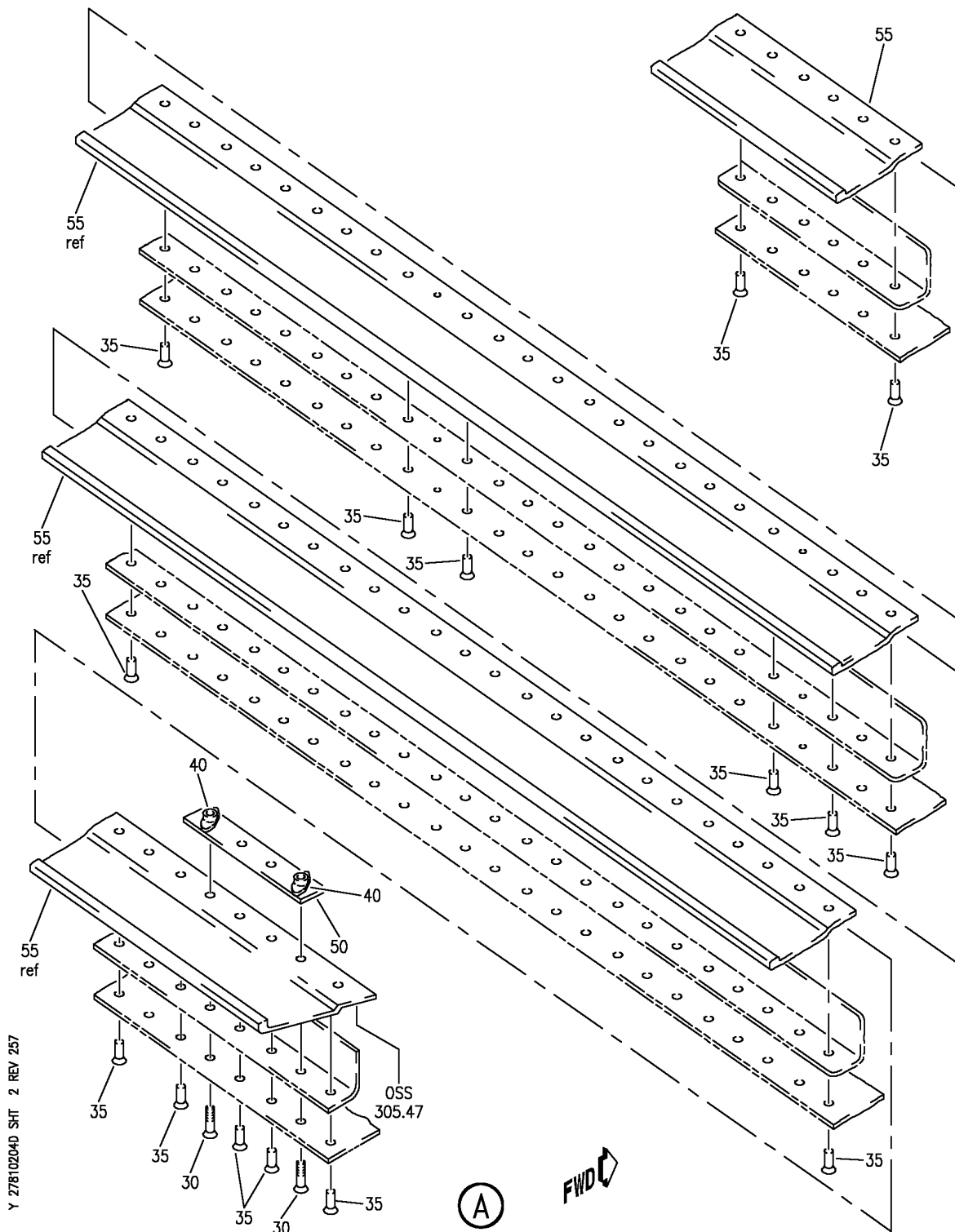
SLAT ASSY-NO. 4 WING LE OSS 305.47 TO 438.10  
FIGURE 4D (SHEET 1)

**27-81-02-04D**

BRI  
MAY 28/07

27-81-02-04D  
PAGE 0

**BOEING**  
757  
PARTS CATALOG (MAINTENANCE)



Y 27810204D SHT 2 REV 257

SLAT ASSY-NO. 4 WING LE OSS 305.47 TO 438.10  
FIGURE 4D (SHEET 2)

**27-81-02-04D**

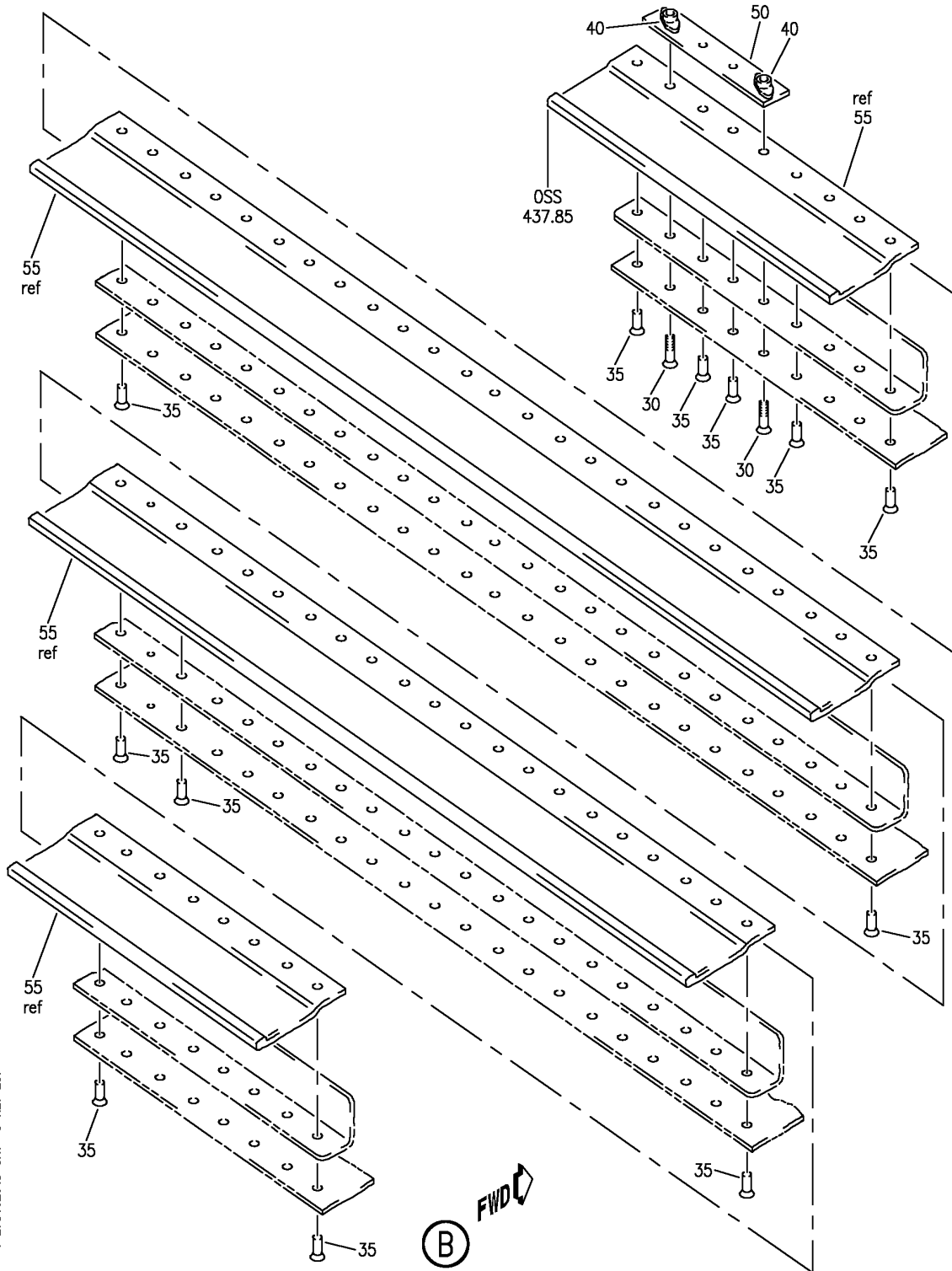
BRI  
MAY 28/07

27-81-02-04D  
PAGE 0A

BOEING PROPRIETARY - Copyright © - Unpublished Work - See title page for details.



**BOEING**  
757  
**PARTS CATALOG (MAINTENANCE)**



Y 27810204D SHT. 3 REV 257

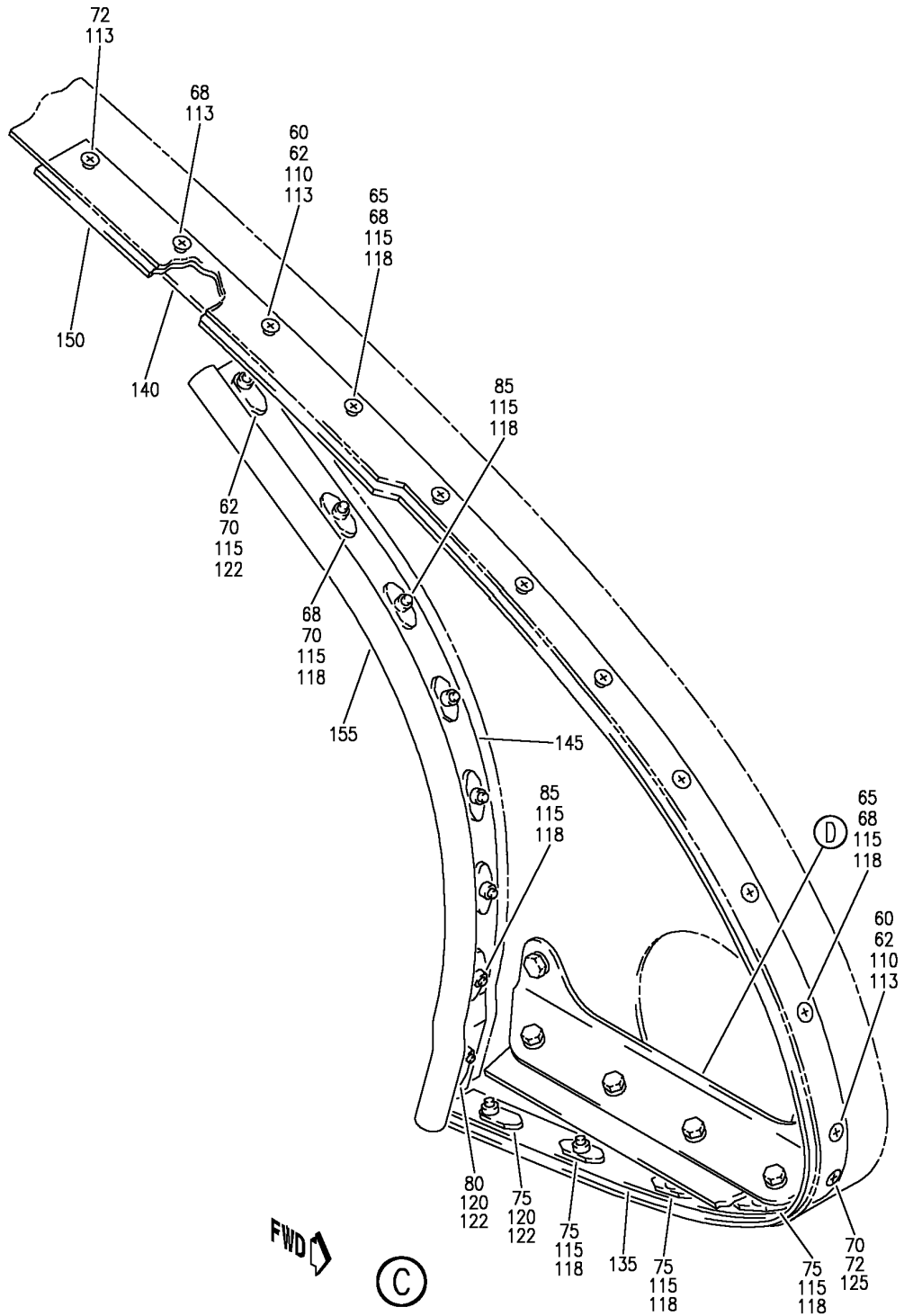
SLAT ASSY-NO. 4 WING LE OSS 305.47 TO 438.10  
FIGURE 4D (SHEET 3)

**27-81-02-04D**

BRI  
MAY 28/07

27-81-02-04D  
PAGE 0B

**BOEING**  
757  
PARTS CATALOG (MAINTENANCE)



Y 27810204D SHT 4 REV 257

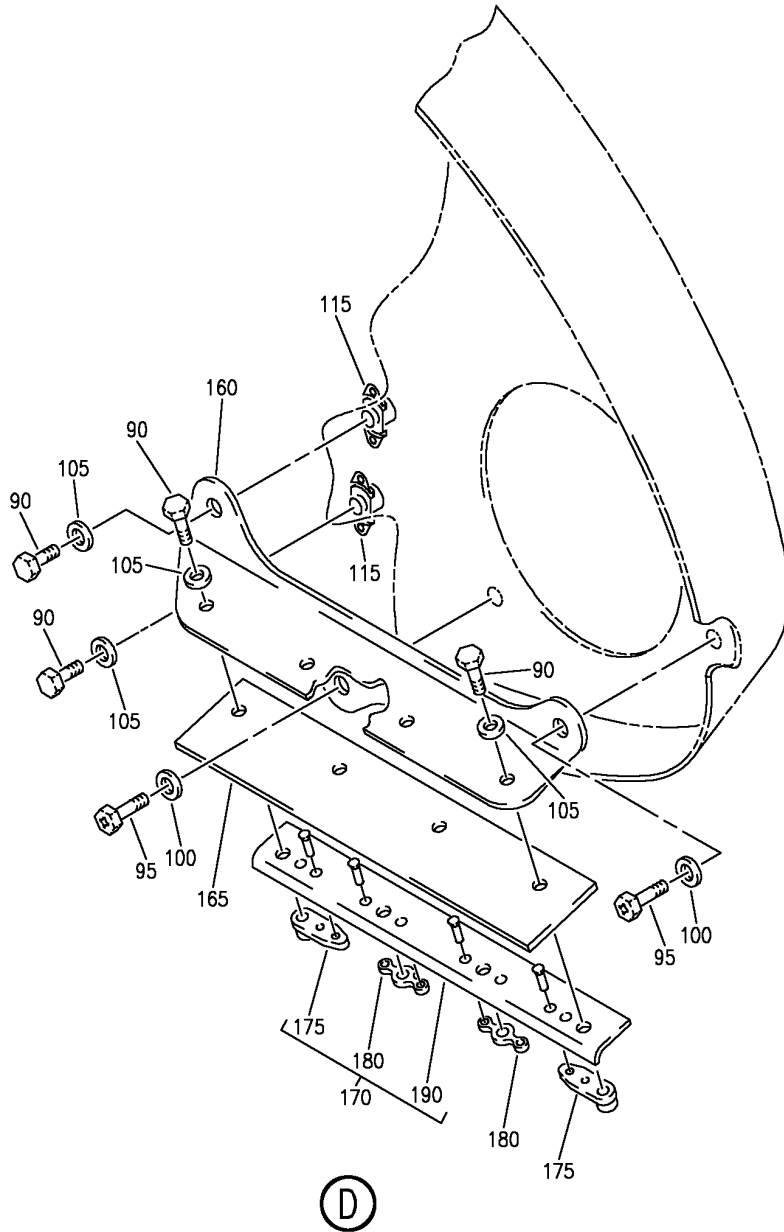
SLAT ASSY-NO. 4 WING LE OSS 305.47 TO 438.10  
FIGURE 4D (SHEET 4)

**27-81-02-04D**

BRI  
MAY 28/07

27-81-02-04D  
PAGE 0C

**BOEING**  
757  
PARTS CATALOG (MAINTENANCE)



Y 27810204D SHT 5 REV 257

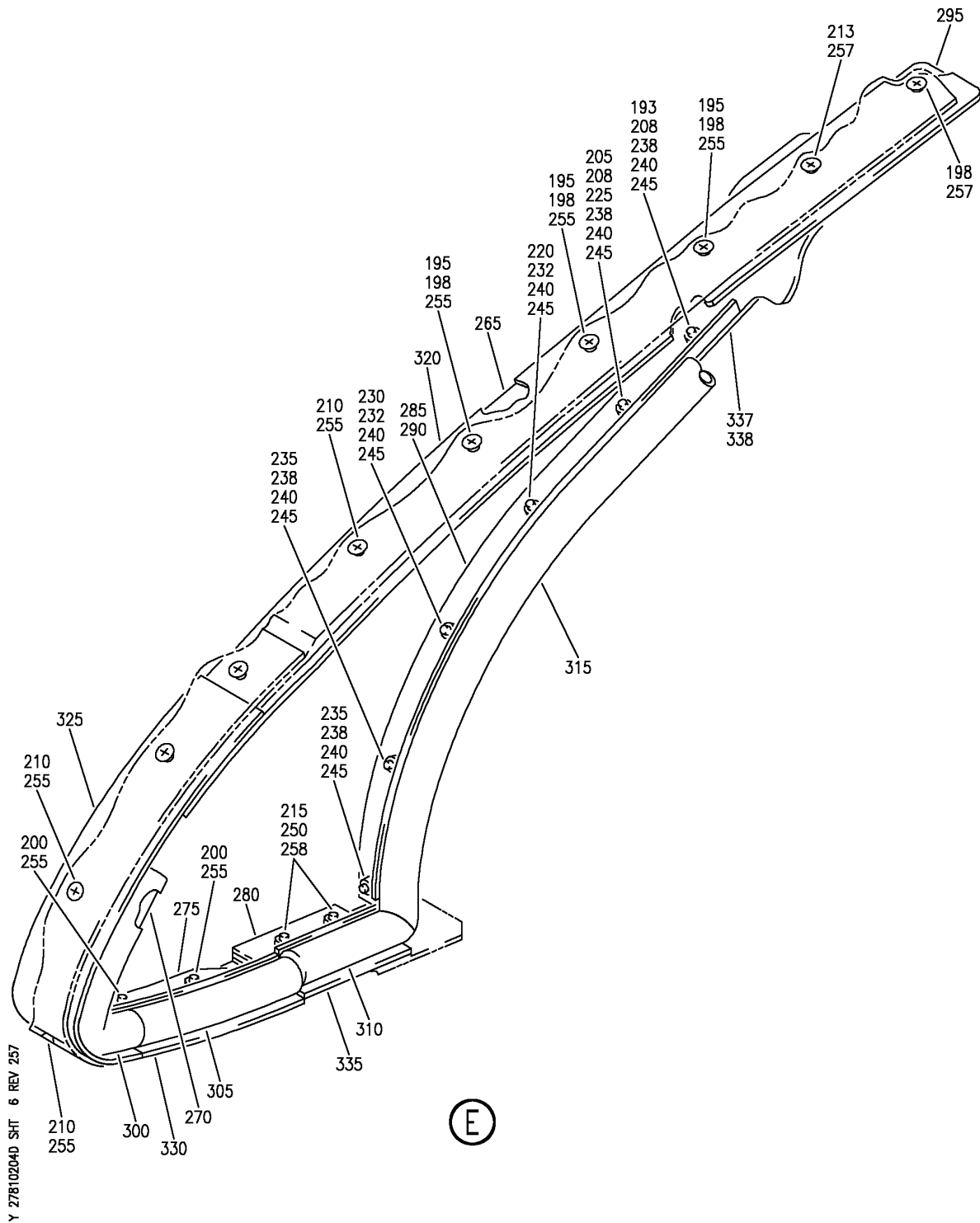
SLAT ASSY-NO. 4 WING LE OSS 305.47 TO 438.10  
FIGURE 4D (SHEET 5)

**27-81-02-04D**

BRI  
MAY 28/07

27-81-02-04D  
PAGE 0D

**BOEING**  
757  
**PARTS CATALOG (MAINTENANCE)**



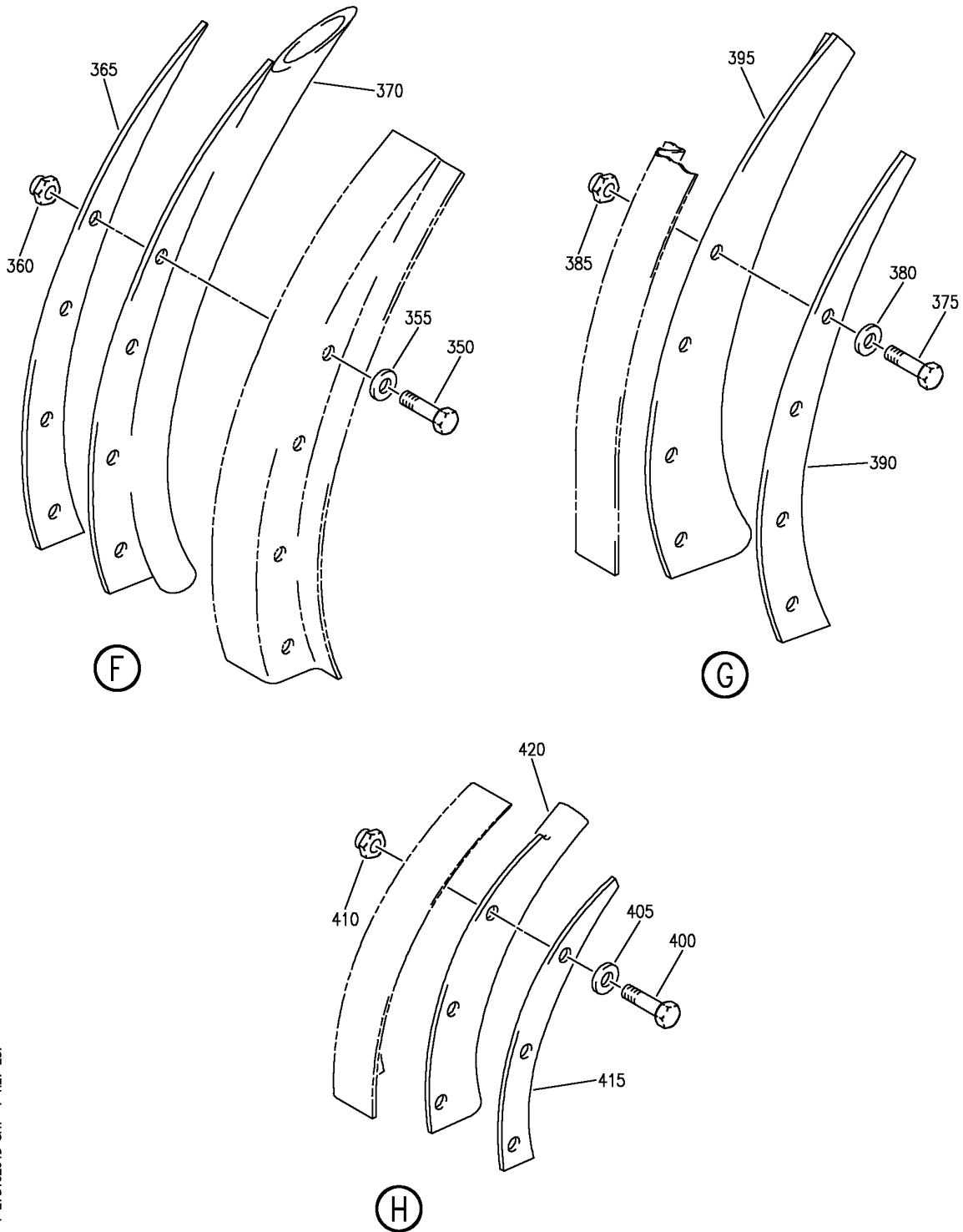
SLAT ASSY-NO. 4 WING LE OSS 305.47 TO 438.10  
FIGURE 4D (SHEET 6)

**27-81-02-04D**

BRI  
MAY 28/07

27-81-02-04D  
PAGE 0E

**BOEING**  
757  
PARTS CATALOG (MAINTENANCE)



Y 27810204D SHT 7 REV 257

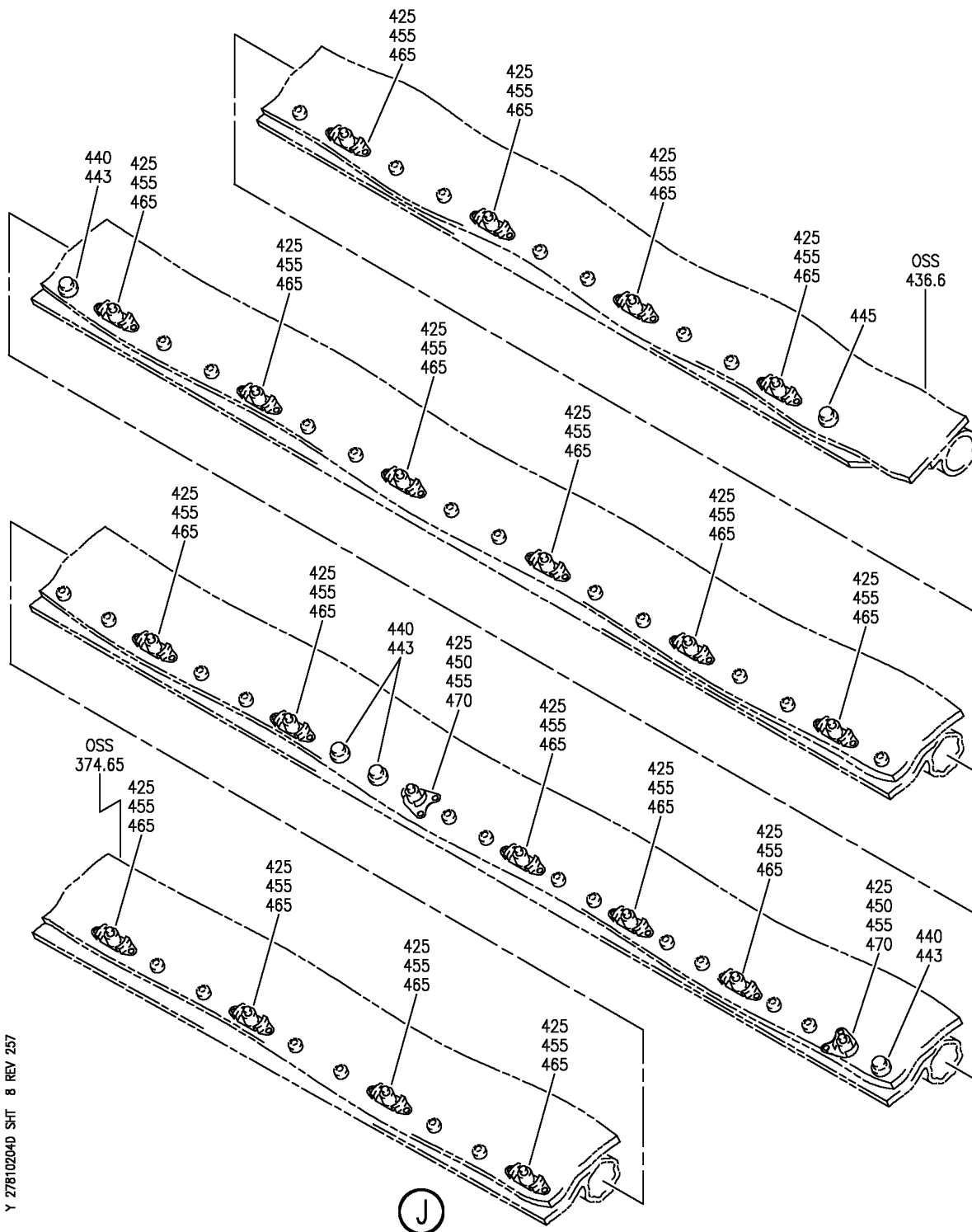
SLAT ASSY-NO. 4 WING LE OSS 305.47 TO 438.10  
FIGURE 4D (SHEET 7)

**27-81-02-04D**

BRI  
MAY 28/07

27-81-02-04D  
PAGE OF

**BOEING**  
757  
PARTS CATALOG (MAINTENANCE)



Y 27810204D SHT 8 REV 257

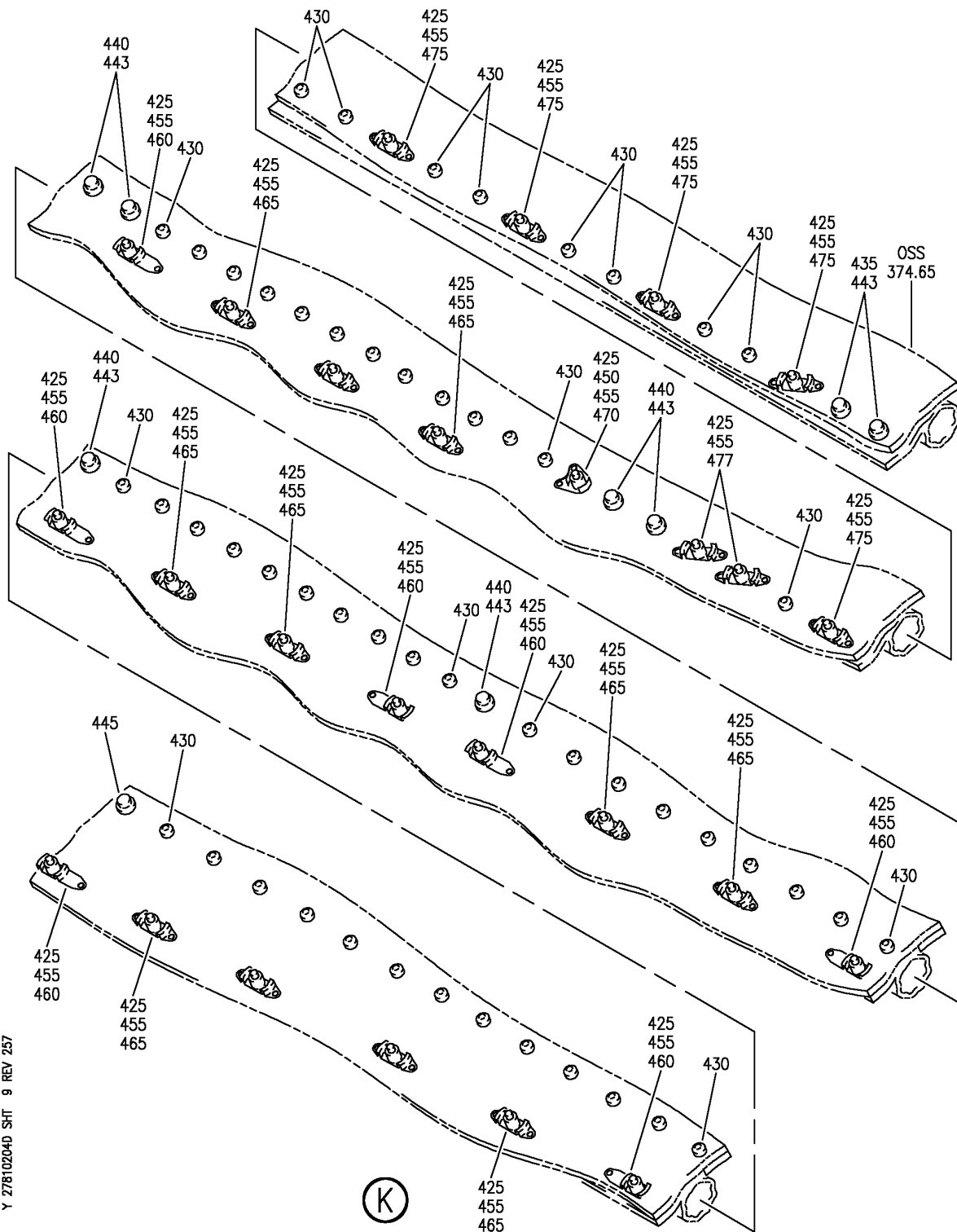
SLAT ASSY-NO. 4 WING LE OSS 305.47 TO 438.10  
FIGURE 4D (SHEET 8)

**27-81-02-04D**

BRI  
MAY 28/07

27-81-02-04D  
PAGE 0G

**BOEING**  
757  
**PARTS CATALOG (MAINTENANCE)**



Y 27810204D SHT 9 REV 257

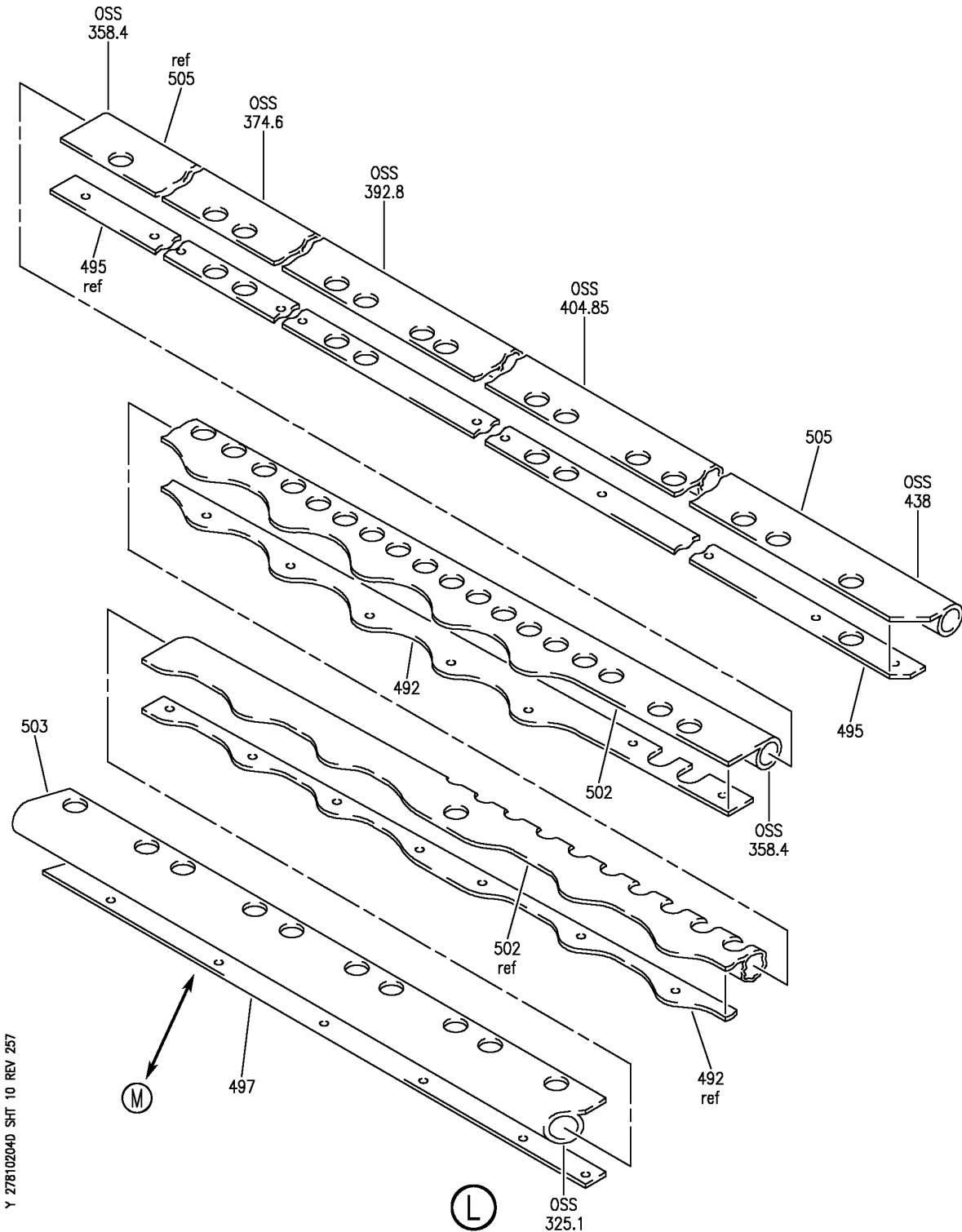
SLAT ASSY-NO. 4 WING LE OSS 305.47 TO 438.10  
FIGURE 4D (SHEET 9)

**27-81-02-04D**

BRI  
MAY 28/07

27-81-02-04D  
PAGE 0H


**BOEING**  
 757  
**PARTS CATALOG (MAINTENANCE)**



Y 27810204D SHT 10 REV 257

SLAT ASSY-NO. 4 WING LE OSS 305.47 TO 438.10  
 FIGURE 4D (SHEET 10)

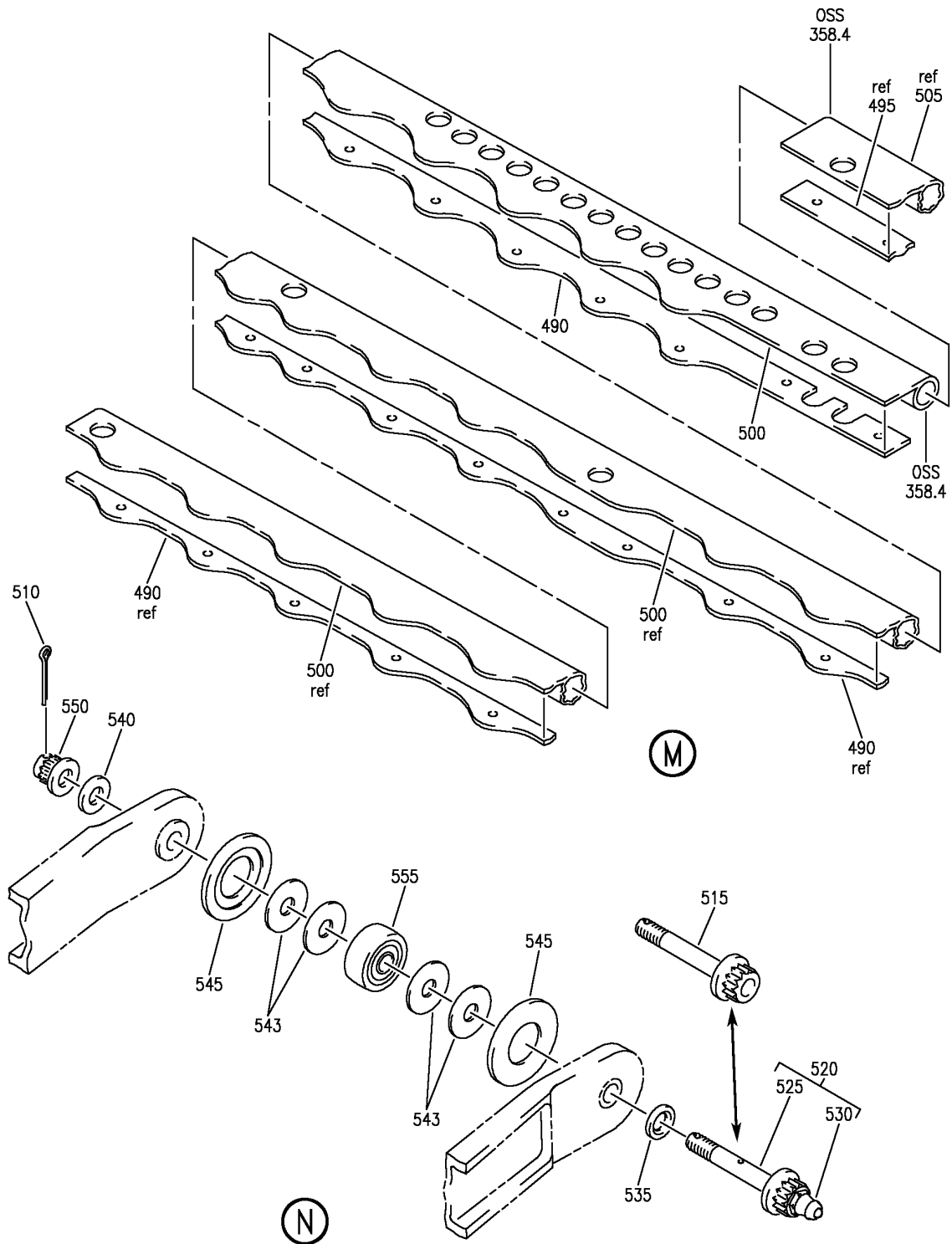
**27-81-02-04D**

BRI  
 MAY 28/07

27-81-02-04D  
 PAGE 01



**BOEING**  
757  
PARTS CATALOG (MAINTENANCE)



Y 27810204D SHT 11 REV 257

SLAT ASSY-NO. 4 WING LE OSS 305.47 TO 438.10  
FIGURE 4D (SHEET 11)

**27-81-02-04D**

BRI  
MAY 28/07

27-81-02-04D  
PAGE 0J



757

PARTS CATALOG (MAINTENANCE)

FIG ITEM	PART NUMBER	1 2 3 4 5 6 7	NOMENCLATURE	EFFECT FROM TO	UNITS PER ASSY
4 D			SLAT ASSY-NO. 4 WING LE OSS 305.47 TO 438.10	101106 108120 504903	
- 1	114N4005-203SP		SLAT ASSY-NO. 4 WING LE POSITION DATA: OSS305.47 TO 438.10 LH COMPONENT MAINT MANUAL REF: 57-43-28 QUALIFIED I/W DATA: 114N4005-157 CAN BE REPLACED BY 114N4005-203SP IF 218N1071-1 ON SLAT IS USED WITH 218N1011-1, -2, -3, OR -4 ON FIXED LEADING EDGE. IF 218N1071-4 IS ON SLAT, 218N1011-4 MUST BE USED ON FIXED LEADING EDGE 114N4005-191SP INTERCHANGEABLE WITH 114N4005-203SP IF SERVICE BULLETINS BULLETINS 757-27-0126 AND 757-57-0056 AND 757-57-0057 ARE INCORPORATED. 114N4005-193SP INTERCHANGEABLE WITH 114N4005-203SP IF SERVICE BULLETINS 757-27-0126 AND 757-57-0056 AND 757-57-0057 ARE INCORPORATED. FOR NHA/OTHER SYS DET SEE: 27-81-02-07	101106 108120 504903	RF

MISSING ITEM NUMBERS NOT APPLICABLE

- ITEM NOT ILLUSTRATED

BRI

**27-81-02-04D**

BOEING PROPRIETARY - Copyright © - Unpublished Work - See title page for details.

27-81-02  
FIG. 04D  
PAGE 1  
JAN 20/09



757

PARTS CATALOG (MAINTENANCE)

FIG ITEM	PART NUMBER	1 2 3 4 5 6 7	NOMENCLATURE	EFFECT FROM TO	UNITS PER ASSY
4D - 1	114N4005-213SP		SLAT ASSY-NO. 4 WING LE POSITION DATA: OSS305.47 TO 438.10 LH COMPONENT MAINT MANUAL REF: 57-43-28 QUALIFIED I/W DATA: 114N4005-157 CAN BE REPLACED BY 114N4005-213SP IF 218N1071-1 ON SLAT IS USED WITH 218N1011-1, -2, -3, OR -4 ON FIXED LEADING EDGE. IF 218N1071-4 IS ON SLAT, 218N1011-4 MUST BE USED ON FIXED LEADING EDGE 114N4005-191SP INTERCHANGEABLE WITH 114N4005-213SP IF SERVICE BULLETINS 757-27-0126 AND 757-57-0056 AND 757-57-0057 ARE INCORPORATED. 114N4005-193SP INTERCHANGEABLE WITH 114N4005-213SP IF SERVICE BULLETINS 757-27-0126 AND 757-57-0056 AND 757-57-0057 ARE INCORPORATED. FOR NHA/OTHER SYS DET SEE: 27-81-02-07	101106 108120 504903	RF

MISSING ITEM NUMBERS NOT APPLICABLE

- ITEM NOT ILLUSTRATED

BRI

27-81-02-04D

BOEING PROPRIETARY - Copyright © - Unpublished Work - See title page for details.

27-81-02  
FIG. 04D  
PAGE 2  
JAN 20/09



757

PARTS CATALOG (MAINTENANCE)

FIG ITEM	PART NUMBER	1 2 3 4 5 6 7	NOMENCLATURE	EFFECT FROM TO	UNITS PER ASSY
4 D					
- 1	114N4005-229SP		SLAT ASSY-NO. 4 WING LE POSITION DATA: OSS305.47 TO 438.10 LH COMPONENT MAINT MANUAL REF: 57-43-28 QUALIFIED I/W DATA: THE -231SP OR -209SP OR -197SP CAN REPLACE -229SP SUBJECT TO CUSTOMER ACCEPTANCE OF WEIGHT PENALTY 114N4005-191SP CAN REPLACE OR BE REPLACED BY 114N4005-229SP IF SERVICE BULLETINS 757-27-0126, 757-57-0056 AND 757-57-0057 ARE INCORPORATED ON 114N4005-191SP. FOR NHA/OTHER SYS DET SEE: 27-81-02-07	101106 108120 504903	RF
- 25	218N1001-25		.DUCT INSTL-WING LE ANTI ICING FOR DETAILS SEE: 30-11-01-01	101106 108120 504903	1
30	BACB30NN3K6		.BOLT	101106 108120 504903	4
35	BACR15CE6AD		.RIVET- SIZE DETERMINED ON INSTL.	101106 108120 504903	119
40	BRFR220C3-2D		.NUTPLATE SUPPLIER CODE: V52828 SPECIFICATION NUMBER: BACN10KE3B2CD OPTIONAL PART: F51747-3-2CD V15653 102A9213-2-3 V72962 NS202493-02-2 V80539	101106 108120 504903	4
- 45	BACR15BA3AD		ATTACHING PARTS .RIVET- SIZE DETERMINED ON INSTL.  -----*-----	101106 108120 504903	8

MISSING ITEM NUMBERS NOT APPLICABLE

- ITEM NOT ILLUSTRATED

27-81-02-04D

27-81-02  
FIG. 04D  
PAGE 3  
JAN 20/09

BRI

BOEING PROPRIETARY - Copyright © - Unpublished Work - See title page for details.



757

PARTS CATALOG (MAINTENANCE)

FIG ITEM	PART NUMBER	1 2 3 4 5 6 7	NOMENCLATURE	EFFECT FROM TO	UNITS PER ASSY
4D					
50	114N4065-3	.	RETAINER	101106 108120 504903	2
55	114N4058-19	.	SKIN-FLEXIBLE POSITION DATA: LWR OPTIONAL PART: 114N4058-7	101106 108120 504903	1
55	114N4058-7	.	SKIN-FLEXIBLE POSITION DATA: LWR OPTIONAL PART: 114N4058-19	101106 108120 504903	1
60	BACB30NN3K5	.	BOLT	101106 108120 504903	2
65	BACB30NN3K7	.	BOLT	101106 108120 504903	7
70	BACB30NN3K4	.	BOLT	101106 108120 504903	3
75	BACB30NN3K6	.	BOLT	101106 108120 504903	4
80	BACB30NM3K8	.	BOLT	101106 108120 504903	1
85	BACB30NM3K6	.	BOLT	101106 108120 504903	5
90	BACB30NR3K5	.	BOLT	101106 108120 504903	6
95	NAS1801-3-7	.	SCREW	101106 108120 504903	2
100	AN960PD10L	.	WASHER	101106 108120 504903	2
105	NAS1149D0363J	.	WASHER	101106 108120 504903	6

MISSING ITEM NUMBERS NOT APPLICABLE

- ITEM NOT ILLUSTRATED

27-81-02-04D

27-81-02  
FIG. 04D  
PAGE 4  
JAN 20/09

BRI

BOEING PROPRIETARY - Copyright © - Unpublished Work - See title page for details.



**757  
PARTS CATALOG (MAINTENANCE)**

FIG ITEM	PART NUMBER	1 2 3 4 5 6 7	NOMENCLATURE	EFFECT FROM TO	UNITS PER ASSY
4D 110	F51753-3CD	.NUTPLATE	SUPPLIER CODE: V15653 SPECIFICATION NUMBER: BACN10KE3DCD OPTIONAL PART: NS202495-02 V80539	101106 108120 504903	2
115	BRFR220C3-2D	.NUTPLATE	SUPPLIER CODE: V52828 SPECIFICATION NUMBER: BACN10KE3B2CD OPTIONAL PART: F51747-3-2CD V15653 102A9213-2-3 V72962 NS202493-02-2 V80539	101106 108120 504903	19
120	BRFR120C3-2D	.NUTPLATE	SUPPLIER CODE: V52828 SPECIFICATION NUMBER: BACN10KE3E2CD OPTIONAL PART: 102F9216-2-3 V72962 F51751-3-2CD V15653 NS202494-02-2 V80539	101106 108120 504903	2
125	T8079S1032	.NUTPLATE	SUPPLIER CODE: V11815 SPECIFICATION NUMBER: BACN10JP3D OPTIONAL PART: NS103200-02 V80539 RMA9209M3 V72962 VN204A1-02 V92215 MK4000-3BAC V15653	101106 108120 504903	1

MISSING ITEM NUMBERS NOT APPLICABLE

— ITEM NOT ILLUSTRATED

BRI

# 27-81-02-04D

BOEING PROPRIETARY - Copyright © - Unpublished Work - See title page for details.

27-81-02  
FIG. 04D  
PAGE 5  
JAN 20/09



757

PARTS CATALOG (MAINTENANCE)

FIG ITEM	PART NUMBER	1 2 3 4 5 6 7	NOMENCLATURE	EFFECT FROM TO	UNITS PER ASSY
4D			ATTACHING PARTS		
- 130	BACR15BA3AD		.RIVET- SIZE DETERMINED ON INSTL.	101106 108120 504903	46
			-----*-----		
135	114N4043-39		.RETAINER- ALTERED FROM PART NUMBER: 114N4080-13	101106 108120 504903	1
140	114N4043-31		.RETAINER- ALTERED FROM PART NUMBER: 114N4080-11	101106 108120 504903	1
145	114N4043-49		.RETAINER- ALTERED FROM PART NUMBER: 114N4080-15	101106 108120 504903	1
150	114N4043-47		.SHIELD-EROSION ALTERED FROM PART NUMBER: 114N4081-7	101106 108120 504903	1
150	114N4043-57		.SHIELD-EROSION	101106 108120 504903	1
150	114N4081-7		.SHIELD-EROSION	102102 504903	1
155	114N4043-11		.SEAL-BULB ALTERED FROM PART NUMBER: 10-60754-489	101106 108120 504903	1
160	114N4151-3		.RETAINER ASSY	101106 108120 504903	1
165	114N4043-43		.SEAL-BLADE	101106 108120 504903	1
170	114N4152-7		.RETAINER ASSY	101106 108120 504903	1
175	BR1000C3D		..NUTPLATE SUPPLIER CODE: V52828 SPECIFICATION NUMBER: BACN10KB3CD OPTIONAL PART: NS202440-02 V80539 102A9207P3 V72962 K51595-3 V15653	101106 108120 504903	2

MISSING ITEM NUMBERS NOT APPLICABLE

- ITEM NOT ILLUSTRATED

27-81-02-04D

27-81-02  
FIG. 04D  
PAGE 6  
JAN 20/09

BRI

BOEING PROPRIETARY - Copyright © - Unpublished Work - See title page for details.



757

PARTS CATALOG (MAINTENANCE)

FIG ITEM	PART NUMBER	1 2 3 4 5 6 7	NOMENCLATURE	EFFECT FROM TO	UNITS PER ASSY
4D 180	BR2000C3D	..	NUT SUPPLIER CODE: V52828 SPECIFICATION NUMBER: BACN10JR3CD OPTIONAL PART: K51601-3BAC V15653 NS202439-02 V80539 102A9201-3 V72962 ATTACHING PARTS	101106 108120 504903	2
- 185	BACR15BA3AD	..	RIVET- SIZE DETERMINED ON INSTL.  -----*-----	101106 108120 504903	8
190	114N4152-9	..	RETAINER	101106 108120 504903	1
193	BACB30NN3K3	.BOLT-	USED ON: 114N4005-187SP 114N4005-189SP 114N4005-191SP 114N4005-193SP 114N4005-195SP 114N4005-199SP 114N4005-203SP 114N4005-205SP 114N4005-213SP 114N4005-229SP	101106 108120 504903	1
195	BACB30NN3K4	.BOLT-	USED ON: 114N4005-191SP 114N4005-193SP 114N4005-189SP 114N4005-187SP 114N4005-199SP 114N4005-205SP 114N4005-195SP 114N4005-203SP 114N4005-229SP	101106 108120 504903	3
200	BACB30NN3K5	.BOLT		101106 108120 504903	2
210	BACB30NN3K6	.BOLT		101106 108120 504903	5

MISSING ITEM NUMBERS NOT APPLICABLE

- ITEM NOT ILLUSTRATED

27-81-02-04D

27-81-02  
FIG. 04D  
PAGE 7  
JAN 20/09

BRI

BOEING PROPRIETARY - Copyright © - Unpublished Work - See title page for details.





757

PARTS CATALOG (MAINTENANCE)

FIG ITEM	PART NUMBER	1 2 3 4 5 6 7	NOMENCLATURE	EFFECT FROM TO	UNITS PER ASSY
4D					
215	BACB30NN3K7	.	BOLT	101106 108120 504903	2
220	BACB30NM3K5	.	BOLT	101106 108120 504903	1
225	BACB30NN3K7	.	BOLT- USED ON: 114N4005-203SP 114N4005-213SP 114N4005-229SP	101106 108120 504903	1
230	BACB30NM3K3	.	BOLT- USED ON: 114N4005-187SP 114N4005-189SP 114N4005-191SP 114N4005-193SP 114N4005-195SP 114N4005-199SP 114N4005-203SP 114N4005-205SP 114N4005-213SP 114N4005-229SP	101106 108120 504903	1
235	BACB30NM3K5	.	BOLT- USED ON: 114N4005-187SP 114N4005-189SP 114N4005-191SP 114N4005-193SP 114N4005-195SP 114N4005-199SP 114N4005-203SP 114N4005-205SP 114N4005-213SP 114N4005-229SP	101106 108120 504903	2
240	NAS1149D0363J	.	WASHER- USED ON: 114N4005-187SP 114N4005-189SP 114N4005-191SP 114N4005-193SP 114N4005-195SP 114N4005-199SP 114N4005-203SP 114N4005-205SP 114N4005-229SP	101106 108120 504903	6

MISSING ITEM NUMBERS NOT APPLICABLE

- ITEM NOT ILLUSTRATED

27-81-02-04D

27-81-02  
FIG. 04D  
PAGE 8  
JAN 20/09

BRI

BOEING PROPRIETARY - Copyright © - Unpublished Work - See title page for details.



757

PARTS CATALOG (MAINTENANCE)

FIG ITEM	PART NUMBER	1 2 3 4 5 6 7	NOMENCLATURE	EFFECT FROM TO	UNITS PER ASSY
4 D 245	BRH10C3D	.NUT	SUPPLIER CODE: V52828 SPECIFICATION NUMBER: BACN10JC3CD OPTIONAL PART: T6C1032JCD V11815 NS202486-02 V80539 102LH9075-3W V72962 H51650-3BAC V15653	101106 108120 504903	6
250	BRFR120C3-2D	.NUTPLATE-	SUPPLIER CODE: V52828 SPECIFICATION NUMBER: BACN10KE3E2CD OPTIONAL PART: 102F9216-2-3 V72962 F51751-3-2CD V15653 NS202494-02-2 V80539 BACN10KH3CD	101106 108120 504903	2
250	FS1651-3	.NUTPLATE-	SUPPLIER CODE: V15653 SPECIFICATION NUMBER: BACN10KH3CD OPTIONAL PART: 102F9209M3 V72962 NS202496-02 V80539 BACN10KE3E2CD	101106 108120 504903	2

MISSING ITEM NUMBERS NOT APPLICABLE

- ITEM NOT ILLUSTRATED

BRI

**27-81-02-04D**

BOEING PROPRIETARY - Copyright © - Unpublished Work - See title page for details.

27-81-02  
FIG. 04D  
PAGE 9  
JAN 20/09



757

PARTS CATALOG (MAINTENANCE)

FIG ITEM	PART NUMBER	1 2 3 4 5 6 7	NOMENCLATURE	EFFECT FROM TO	UNITS PER ASSY
4D 255	BRFR220C3-2D	.NUTPLATE	SUPPLIER CODE: V52828 SPECIFICATION NUMBER: BACN10KE3B2CD OPTIONAL PART: F51747-3-2CD V15653 102A9213-2-3 V72962 NS202493-02-2 V80539	101106 108120 504903	10
258	BRFR220C3-2D	.NUTPLATE	SUPPLIER CODE: V52828 SPECIFICATION NUMBER: BACN10KE3B2CD OPTIONAL PART: F51747-3-2CD V15653 102A9213-2-3 V72962 NS202493-02-2 V80539	101106 108120 504903	2
- 260	BACR15BA3AD	ATTACHING PARTS .RIVET-	SIZE DETERMINED ON INSTL.	101106 108120 504903	28
265	114N4045-41	-----*----- .RETAINER		101106 108120 504903	1
270	114N4045-43	.RETAINER		101106 108120 504903	1
275	114N4045-45	.RETAINER		101106 108120 504903	1
280	114N4045-47	.RETAINER		101106 108120 504903	1

MISSING ITEM NUMBERS NOT APPLICABLE

- ITEM NOT ILLUSTRATED

BRI

27-81-02-04D

BOEING PROPRIETARY - Copyright © - Unpublished Work - See title page for details.

27-81-02  
FIG. 04D  
PAGE 10  
JAN 20/09



757

PARTS CATALOG (MAINTENANCE)

FIG ITEM	PART NUMBER	1 2 3 4 5 6 7	NOMENCLATURE	EFFECT FROM TO	UNITS PER ASSY
4D 290	114N4045-127		.RETAINER- ALTERED FROM PART NUMBER: 114N4080-17 USED ON: 114N4005-187SP 114N4005-189SP 114N4005-191SP 114N4005-193SP 114N4005-195SP 114N4005-199SP 114N4005-203SP 114N4005-205SP 114N4005-213SP	101106 108120 504903	1
300	114N4045-9		.SEAL- ALTERED FROM PART NUMBER: 10-60754-485	101106 108120 504903	1
305	114N4045-11		.SEAL- ALTERED FROM PART NUMBER: 10-60754-485	101106 108120 504903	1
310	114N4045-13		.SEAL- ALTERED FROM PART NUMBER: 10-60754-485	101106 108120 504903	1
315	114N4045-15		.SEAL- ALTERED FROM PART NUMBER: 10-60754-483	101106 108120 504903	1
320	114N4045-129		.SHIELD-EROSION ALTERED FROM PART NUMBER: 114N4081-9 USED ON: 114N4005-191SP 114N4005-193SP 114N4005-189SP 114N4005-187SP 114N4005-199SP 114N4005-205SP 114N4005-195SP 114N4005-203SP 114N4005-213SP 114N4005-229SP	101106 108120 504903	1

MISSING ITEM NUMBERS NOT APPLICABLE

- ITEM NOT ILLUSTRATED

BRI

27-81-02-04D

BOEING PROPRIETARY - Copyright © - Unpublished Work - See title page for details.

27-81-02  
FIG. 04D  
PAGE 11  
JAN 20/09



757

PARTS CATALOG (MAINTENANCE)

FIG ITEM	PART NUMBER	1 2 3 4 5 6 7	NOMENCLATURE	EFFECT FROM TO	UNITS PER ASSY
4D 320	114N4045-137	.	SHIELD-EROSION ALTERED FROM PART NUMBER: 114N4081-9 USED ON: 114N4005-189SP 114N4005-187SP 114N4005-199SP 114N4005-205SP 114N4005-195SP 114N4005-185SP 114N4005-183SP 114N4005-177SP 114N4005-157	101106 108120 504903	1
325	114N4045-95	.	SHIELD-EROSION ALTERED FROM PART NUMBER: 114N4081-9	101106 108120 504903	1
330	114N4045-97	.	SHIELD-EROSION ALTERED FROM PART NUMBER: 114N4081-9	101106 108120 504903	1
335	114N4045-99	.	SHIELD-EROSION ALTERED FROM PART NUMBER: 114N4081-9	101106 108120 504903	1
350	BACB30NM3K3	.	BOLT	101106 108120 504903	4
355	AN960KD10	.	WASHER	101106 108120 504903	4
360	BRH10C3D	.	NUT SUPPLIER CODE: V52828 SPECIFICATION NUMBER: BACN10JC3CD OPTIONAL PART: T6C1032JCD V11815 NS202486-02 V80539 102LH9075-3W V72962 H51650-3BAC V15653	101106 108120 504903	4
365	114N4044-111	.	RETAINER	101106 108120 504903	1
370	114N4044-113	.	SEAL- ALTERED FROM PART NUMBER: 10-60754-491	101106 108120 504903	1

MISSING ITEM NUMBERS NOT APPLICABLE

- ITEM NOT ILLUSTRATED

BRI

27-81-02-04D

BOEING PROPRIETARY - Copyright © - Unpublished Work - See title page for details.

27-81-02  
FIG. 04D  
PAGE 12  
JAN 20/09



757

PARTS CATALOG (MAINTENANCE)

FIG ITEM	PART NUMBER	1 2 3 4 5 6 7	NOMENCLATURE	EFFECT FROM TO	UNITS PER ASSY
4D					
375	BACB30NM3K3	.	BOLT	101106 108120 504903	4
380	AN960KD10	.	WASHER	101106 108120 504903	4
385	BRH10C3D	.	NUT SUPPLIER CODE: V52828 SPECIFICATION NUMBER: BACN10JC3CD OPTIONAL PART: T6C1032JCD V11815 NS202486-02 V80539 102LH9075-3W V72962 H51650-3BAC V15653	101106 108120 504903	4
390	114N4044-112	.	RETAINER	101106 108120 504903	1
395	114N4044-115	.	SEAL- ALTERED FROM PART NUMBER: 10-60754-492	101106 108120 504903	1
400	BACB30NM3K3	.	BOLT	101106 108120 504903	3
405	AN960KD10	.	WASHER	101106 108120 504903	3
410	BRH10C3D	.	NUT SUPPLIER CODE: V52828 SPECIFICATION NUMBER: BACN10JC3CD OPTIONAL PART: T6C1032JCD V11815 NS202486-02 V80539 102LH9075-3W V72962 H51650-3BAC V15653	101106 108120 504903	3
415	114N4044-102	.	RETAINER	101106 108120 504903	1

MISSING ITEM NUMBERS NOT APPLICABLE

- ITEM NOT ILLUSTRATED

27-81-02-04D

27-81-02  
FIG. 04D  
PAGE 13  
JAN 20/09

BRI

BOEING PROPRIETARY - Copyright © - Unpublished Work - See title page for details.

**BOEING**  
757  
PARTS CATALOG (MAINTENANCE)

FIG ITEM	PART NUMBER	1 2 3 4 5 6 7	NOMENCLATURE	EFFECT FROM TO	UNITS PER ASSY
4D					
420	114N4044-99	.SEAL-	ALTERED FROM PART NUMBER: 10-60754-492	101106 108120 504903	1
425	BACB30NM3K7	.BOLT		101106 108120 504903	47
430	NAS1398D6A	.RIVET		101106 108120 504903	53
435	MS21141U0603P	.FASTENER		101106 108120 504903	2
440	MS21141U0604P	.FASTENER		101106 108120 504903	10
445	MS21141U0605P	.FASTENER		101106 108120 504903	2
450	NAS463FDD10H	.SPACER		101106 108120 504903	3
455	NAS1149D0332J	.WASHER		101106 108120 504903	47
460	BRFR120C3-4D	.NUTPLATE	SUPPLIER CODE: V52828 SPECIFICATION NUMBER: BACN10KE3E4CD OPTIONAL PART: 102F9216-4-3 V72962 F51751-3-4CD V15653 NS202494-02-4 V80539	101106 108120 504903	7
465	BRFR220C3-4D	.NUTPLATE	SUPPLIER CODE: V52828 SPECIFICATION NUMBER: BACN10KE3B4CD OPTIONAL PART: F51747-3-4CD V15653 102A9213-4-3 V72962 NS202493-02-4 V80539	101106 108120 504903	30

MISSING ITEM NUMBERS NOT APPLICABLE

— ITEM NOT ILLUSTRATED

BRI

# 27-81-02-04D

BOEING PROPRIETARY - Copyright © - Unpublished Work - See title page for details.

27-81-02  
FIG. 04D  
PAGE 14  
JAN 20/09



757

PARTS CATALOG (MAINTENANCE)

FIG ITEM	PART NUMBER	1 2 3 4 5 6 7	NOMENCLATURE	EFFECT FROM TO	UNITS PER ASSY
4 D 470	F51753-3CD	.NUTPLATE	SUPPLIER CODE: V15653 SPECIFICATION NUMBER: BACN10KE3DCD OPTIONAL PART: NS202495-02 V80539	101106 108120 504903	3
475	BRFR220C3-3D	.NUTPLATE	SUPPLIER CODE: V52828 SPECIFICATION NUMBER: BACN10KE3B3CD OPTIONAL PART: F51747-3-3CD V15653 102A9213-3-3 V72962 NS202493-02-3 V80539	101106 108120 504903	5
477	BRFR220C3-2D	.NUTPLATE	SUPPLIER CODE: V52828 SPECIFICATION NUMBER: BACN10KE3B2CD OPTIONAL PART: F51747-3-2CD V15653 102A9213-2-3 V72962 NS202493-02-2 V80539	101106 108120 504903	2
- 480	BACR15BA3AD	ATTACHING PARTS .RIVET-	SIZE DETERMINED ON INSTL.	101106 108120 504903	86
- 485	BACR15BA3AB	.RIVET-	POSITION DATA: OSS 392.8 AND OSS 404.8 SIZE DETERMINED ON INSTL.	101106 108120 504903	4
490	114N4046-61	-----*----- .RETAINER		101106 108120 504903	1
490	114N4046-62	.RETAINER		101106 108120 504903	1

MISSING ITEM NUMBERS NOT APPLICABLE

- ITEM NOT ILLUSTRATED

27-81-02-04D

27-81-02  
FIG. 04D  
PAGE 15  
JAN 20/09

BRI

BOEING PROPRIETARY - Copyright © - Unpublished Work - See title page for details.





757

PARTS CATALOG (MAINTENANCE)

FIG ITEM	PART NUMBER	1 2 3 4 5 6 7	NOMENCLATURE	EFFECT FROM TO	UNITS PER ASSY
4D 495	114N4046-51	.	RETAINER	101106 108120 504903	1
500	114N4046-59	.	SEAL- ALTERED FROM PART NUMBER: 10-60754-481 10-60754-481 MANUFACTURED FROM: EXTR RUBBER F25.01 10-60754-481	101106 108120 504903	1
500	114N4046-65	.	SEAL- ALTERED FROM PART NUMBER: 10-60754-481 10-60754-481 MANUFACTURED FROM: EXTR RUBBER F25.01 10-60754-481	101106 108120 504903	1
505	114N4046-21	.	SEAL- ALTERED FROM PART NUMBER: 10-60754-482 10-60754-482 MANUFACTURED FROM: EXTR RUBBER F25.01 10-60754-482 80.00 IN.	101106 108120 504903	1
510	BACP18BC02A06P	.	PIN- USED ON: 114N4005-191SP 114N4005-193SP 114N4005-203SP 114N4005-213SP 114N4005-229SP	101106 108120 504903	2
515	BACB30LE4DU19	.	BOLT- USED ON: 114N4005-203SP 114N4005-213SP 114N4005-229SP	101106 108120 504903	2
535	BACW10BP4CD	.	WASHER	101106 108120 504903	2
540	BACW10BP4DP	.	WASHER	101106 108120 504903	2

MISSING ITEM NUMBERS NOT APPLICABLE

- ITEM NOT ILLUSTRATED

BRI

27-81-02-04D

BOEING PROPRIETARY - Copyright © - Unpublished Work - See title page for details.

27-81-02  
FIG. 04D  
PAGE 16  
JAN 20/09

**BOEING**  
757  
**PARTS CATALOG (MAINTENANCE)**

FIG ITEM	PART NUMBER	1 2 3 4 5 6 7	NOMENCLATURE	EFFECT FROM TO	UNITS PER ASSY
4D 543	BACW10P42S		.WASHER- USED ON: 114N4005-191SP 114N4005-193SP 114N4005-203SP 114N4005-213SP 114N4005-229SP	101106 108120 504903	8
545	114N4056-1		.WASHER	101106 108120 504903	4
550	NAS1805-4L		.NUT- USED ON: 114N4005-191SP 114N4005-193SP 114N4005-203SP 114N4005-213SP 114N4005-229SP	101106 108120 504903	2
555	ATF4SN		.BEARING- SUPPLIER CODE: V21335 SPECIFICATION NUMBER: BACB10GH04N OPTIONAL PART: CRO4NAFC V92563 ATF04NSY V21335 USED ON: 114N4005-203SP 114N4005-213SP 114N4005-229SP	101106 108120 504903	2
560	114N4048-5		.TIP-	101106 108120 504903	1
560	114N4048-9		.TIP-	101106 108120 504903	1
565	114N4048-7		.TIP-	101106 108120 504903	1
565	114N4048-3		.TIP-	101106 108120 504903	1
- 570	BACR15BA5AD		ATTACHING PARTS .RIVET- SIZE DETERMINED ON INSTL.  -----*-----	101106 108120 504903	8

MISSING ITEM NUMBERS NOT APPLICABLE

- ITEM NOT ILLUSTRATED

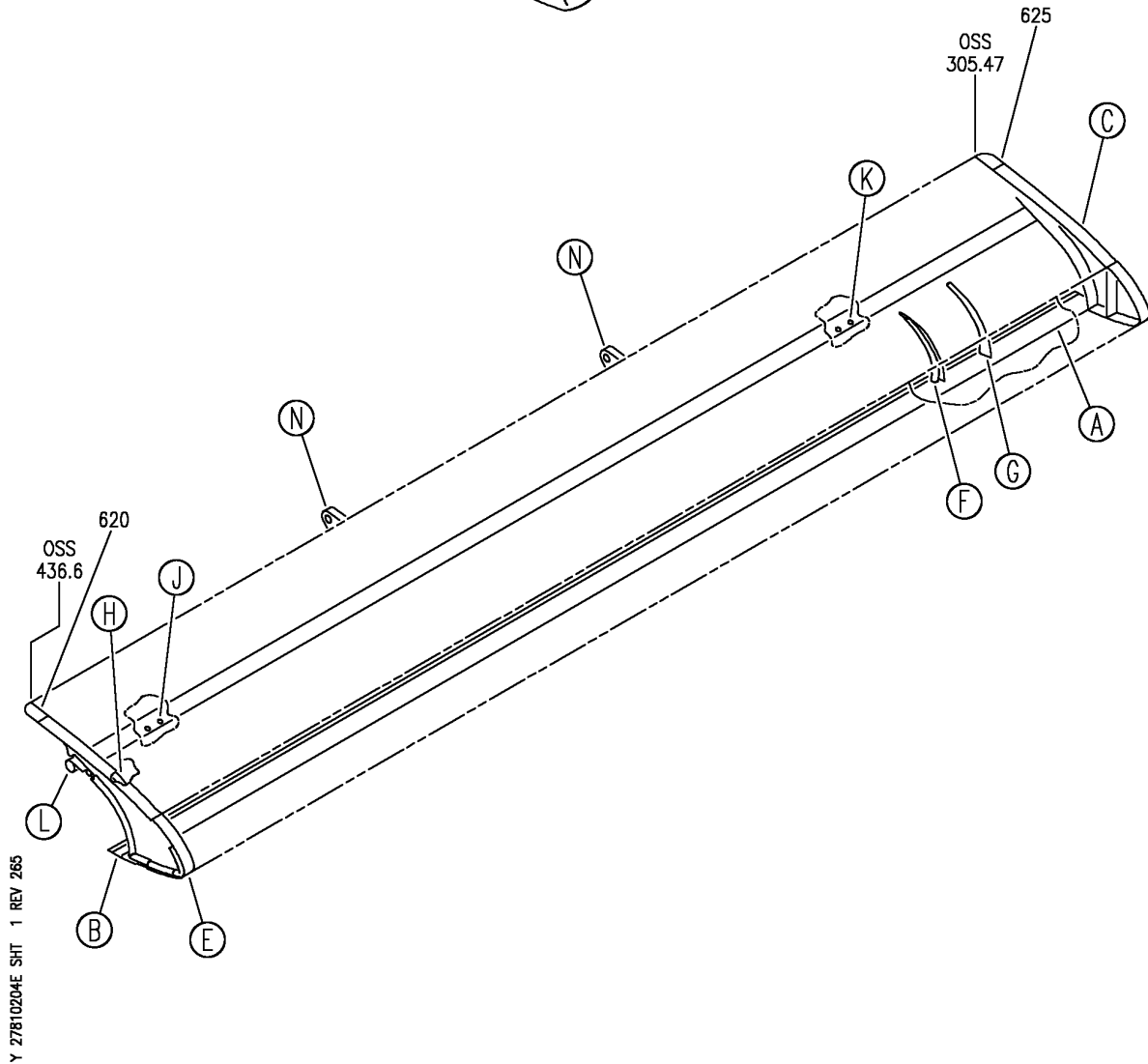
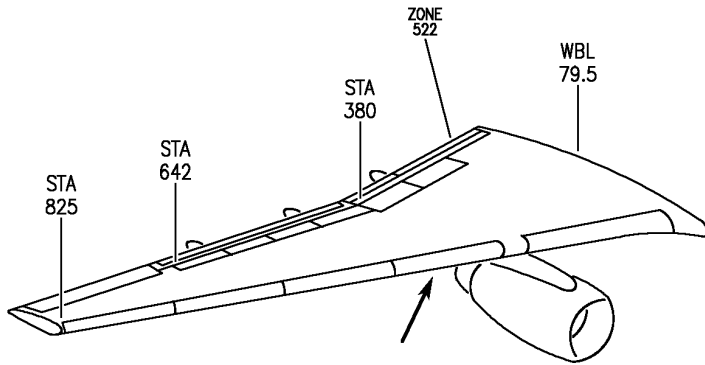
BRI

**27-81-02-04D**

BOEING PROPRIETARY - Copyright © - Unpublished Work - See title page for details.

27-81-02  
FIG. 04D  
PAGE 17  
JAN 20/09

**BOEING**  
757  
PARTS CATALOG (MAINTENANCE)



Y 27810204E SHT 1 REV 265

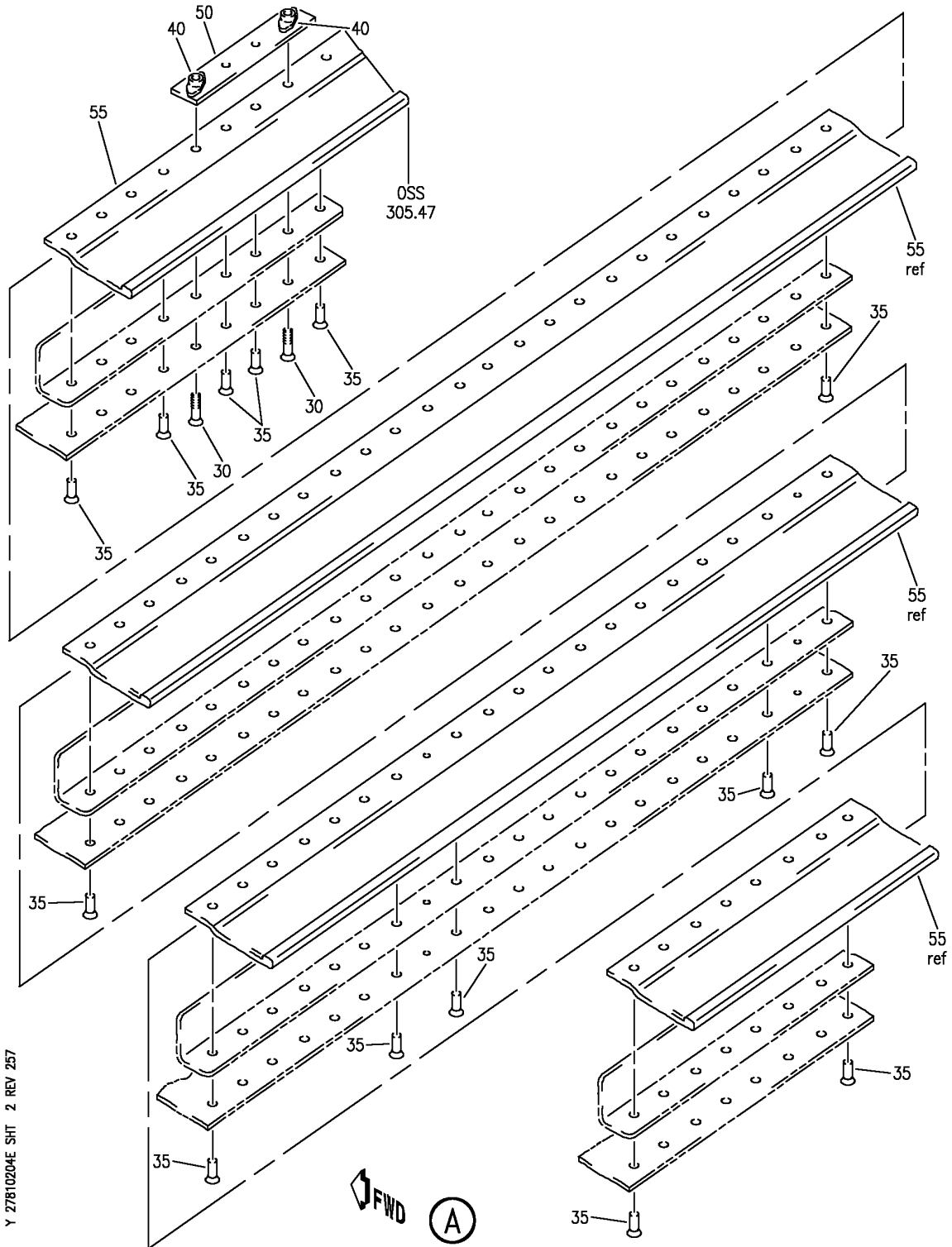
SLAT ASSY-NO. 7 WING LE OSS 305.47 TO OSS 438.10  
FIGURE 4E (SHEET 1)

**27-81-02-04E**

BRI  
MAY 28/07

27-81-02-04E  
PAGE 0

**BOEING**  
757  
PARTS CATALOG (MAINTENANCE)



Y 27810204E SHT 2 REV 257

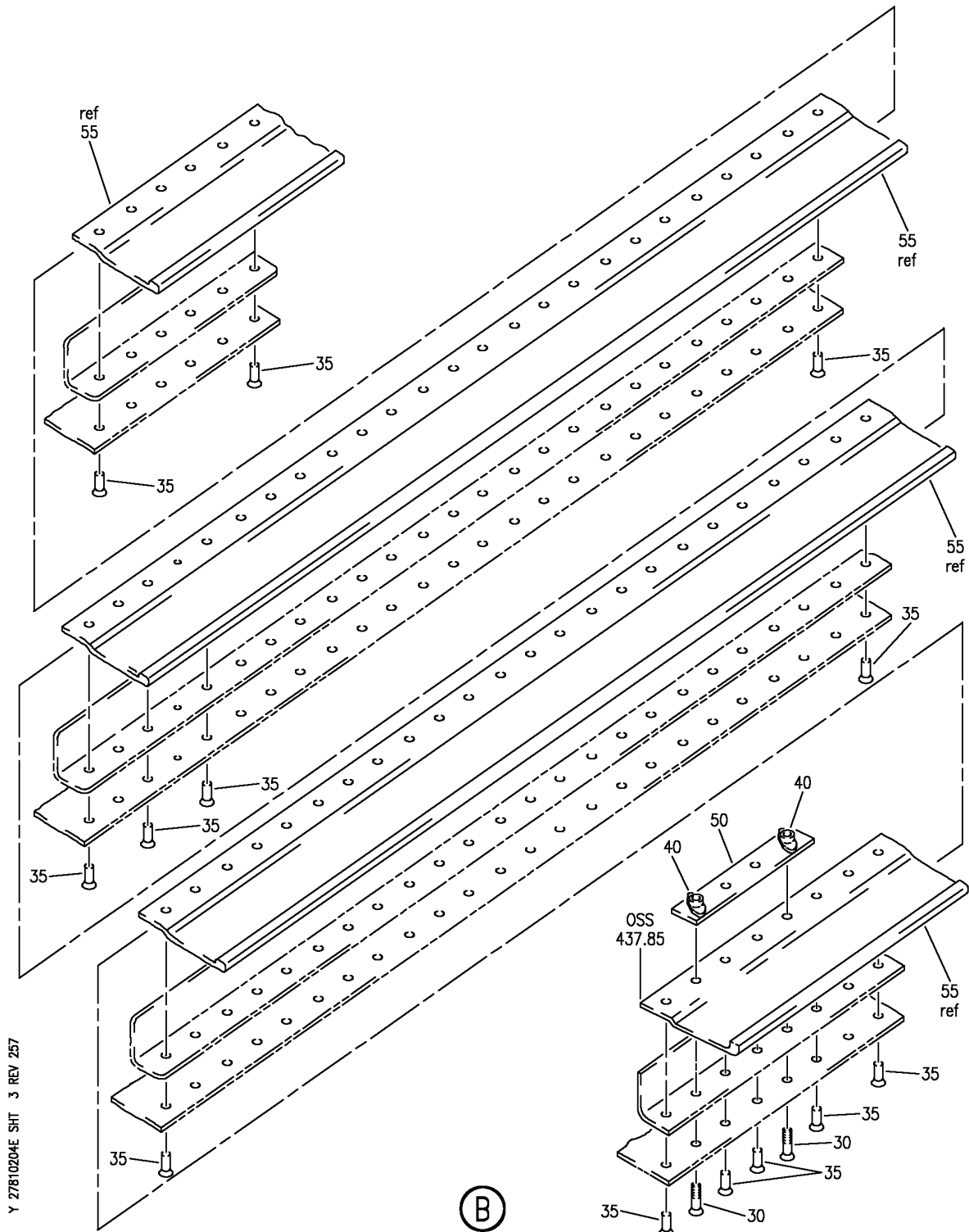
SLAT ASSY-NO. 7 WING LE OSS 305.47 TO OSS 438.10  
FIGURE 4E (SHEET 2)

**27-81-02-04E**

BRI  
MAY 28/07

27-81-02-04E  
PAGE 0A

**BOEING**  
757  
PARTS CATALOG (MAINTENANCE)



SLAT ASSY-NO. 7 WING LE OSS 305.47 TO OSS 438.10  
FIGURE 4E (SHEET 3)

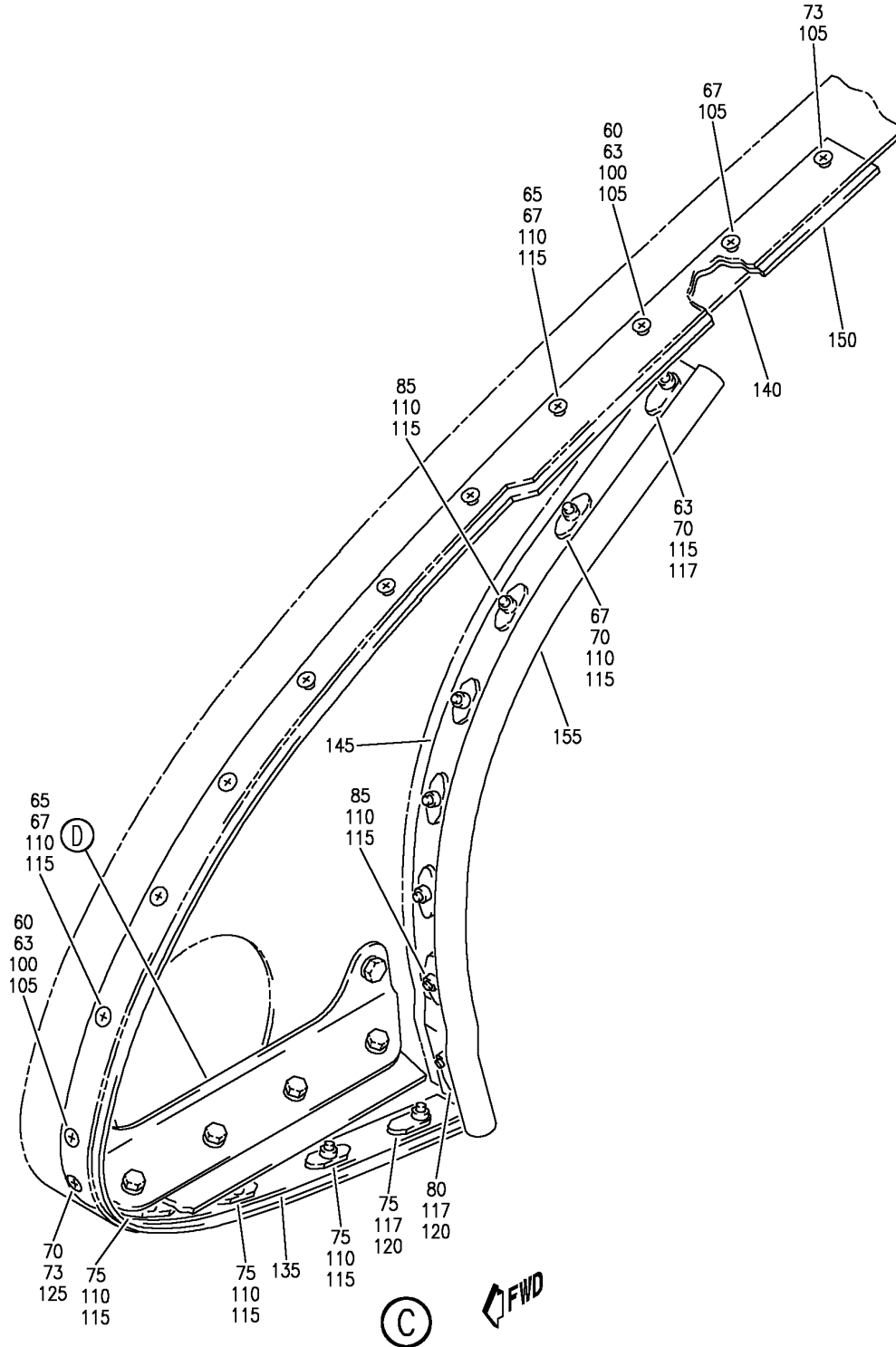
**27-81-02-04E**

BRI  
MAY 28/07

27-81-02-04E  
PAGE 0B

**BOEING**  
757  
PARTS CATALOG (MAINTENANCE)

Y 27810204E SHT 4 REV 257



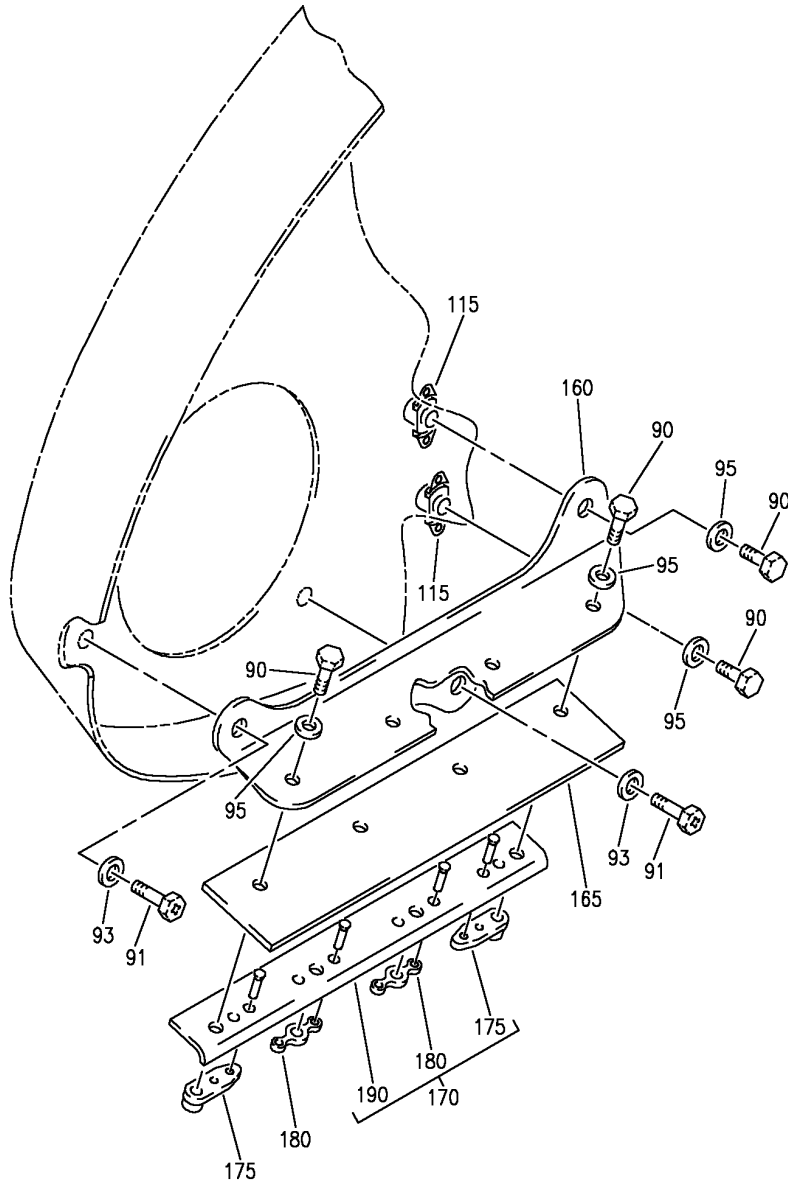
SLAT ASSY-NO. 7 WING LE OSS 305.47 TO OSS 438.10  
FIGURE 4E (SHEET 4)

**27-81-02-04E**

BRI  
MAY 28/07

27-81-02-04E  
PAGE 0C

**BOEING**  
757  
PARTS CATALOG (MAINTENANCE)



(D)

Y 27810204E SHT 5 REV 257

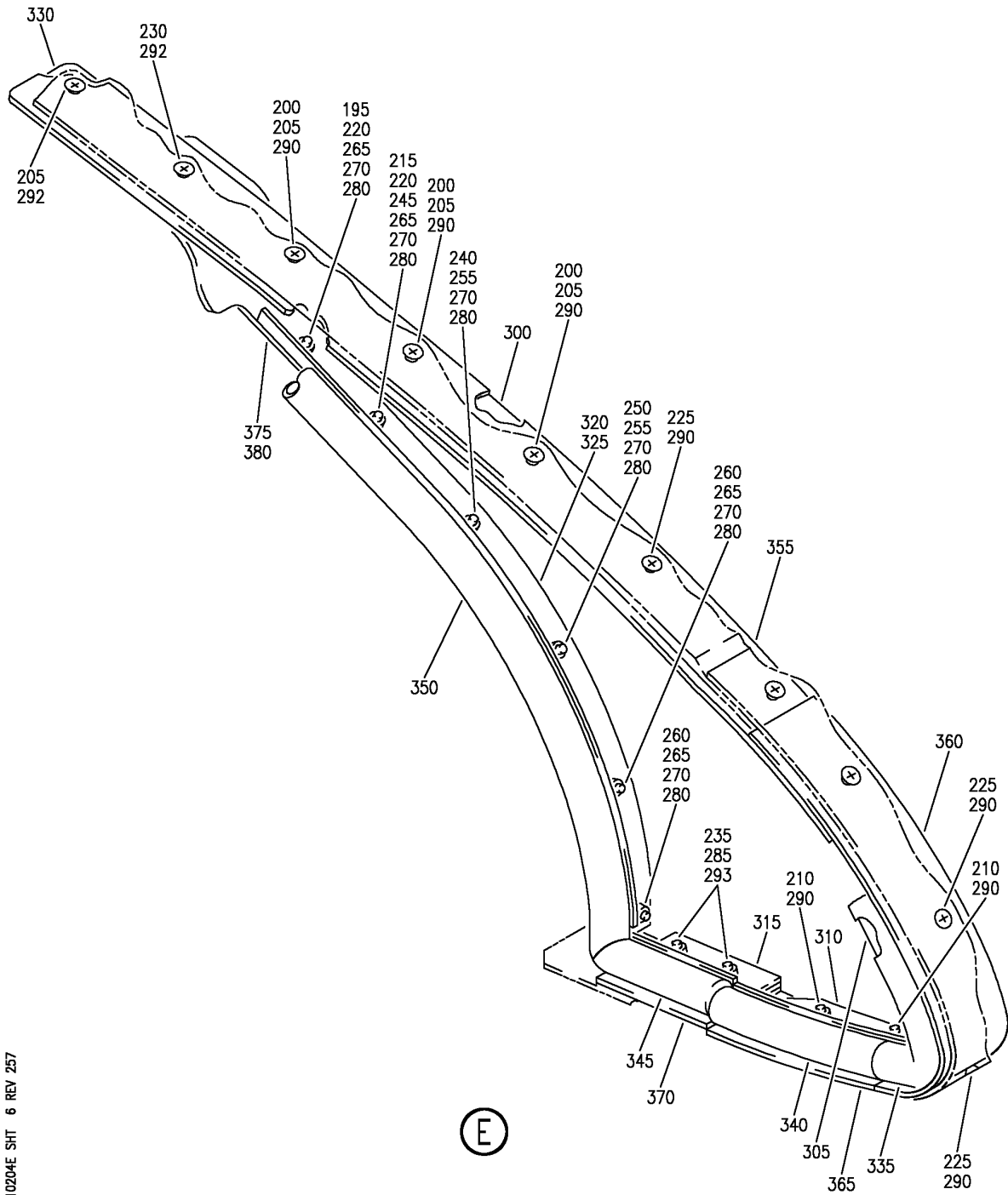
SLAT ASSY-NO. 7 WING LE OSS 305.47 TO OSS 438.10  
FIGURE 4E (SHEET 5)

**27-81-02-04E**

BRI  
MAY 28/07

27-81-02-04E  
PAGE 0D

**BOEING**  
757  
PARTS CATALOG (MAINTENANCE)



Y 27810204E SHT 6 REV 257

SLAT ASSY-NO. 7 WING LE OSS 305.47 TO OSS 438.10  
FIGURE 4E (SHEET 6)

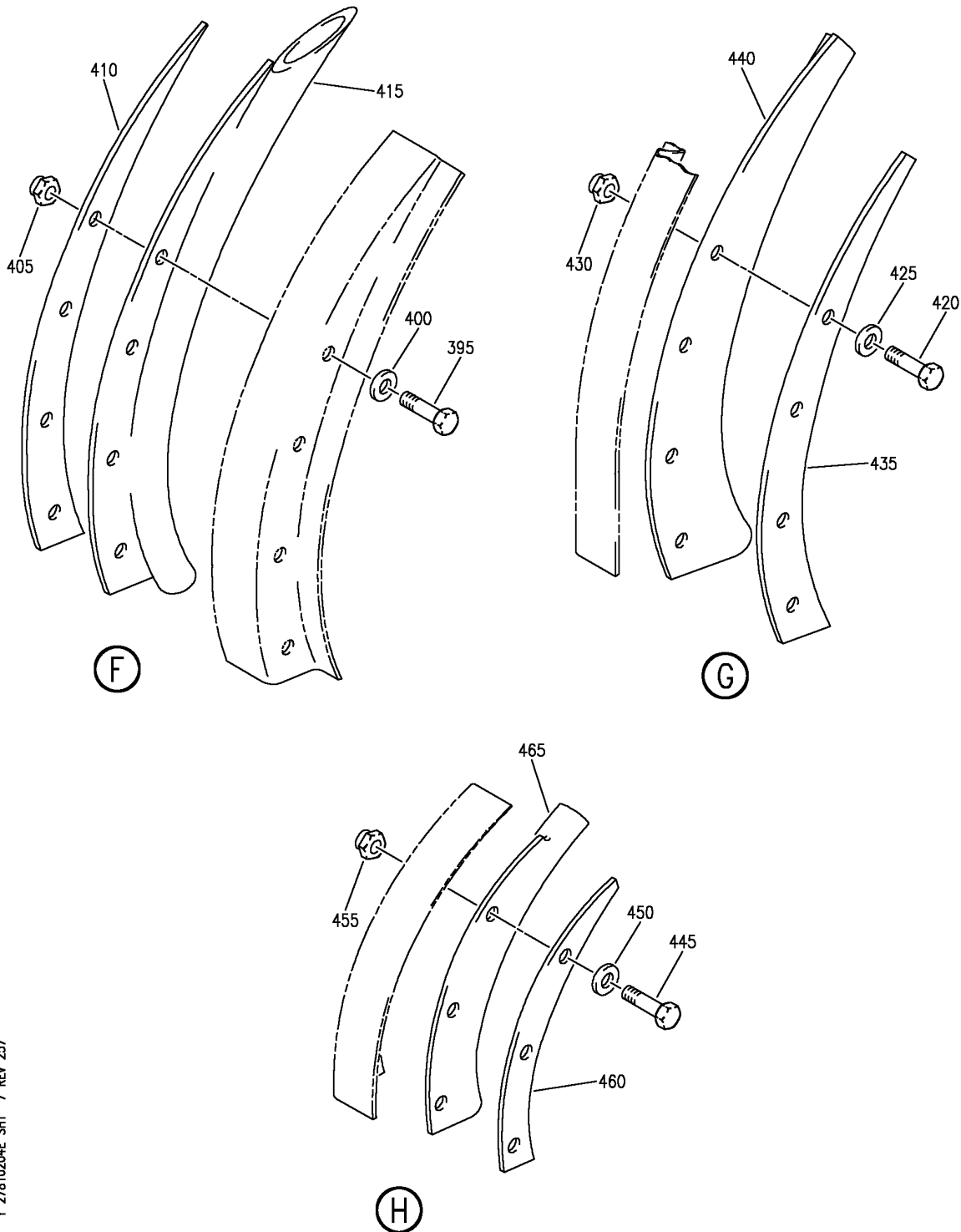
**27-81-02-04E**

BRI  
MAY 28/07

27-81-02-04E  
PAGE 0E



**BOEING**  
757  
PARTS CATALOG (MAINTENANCE)



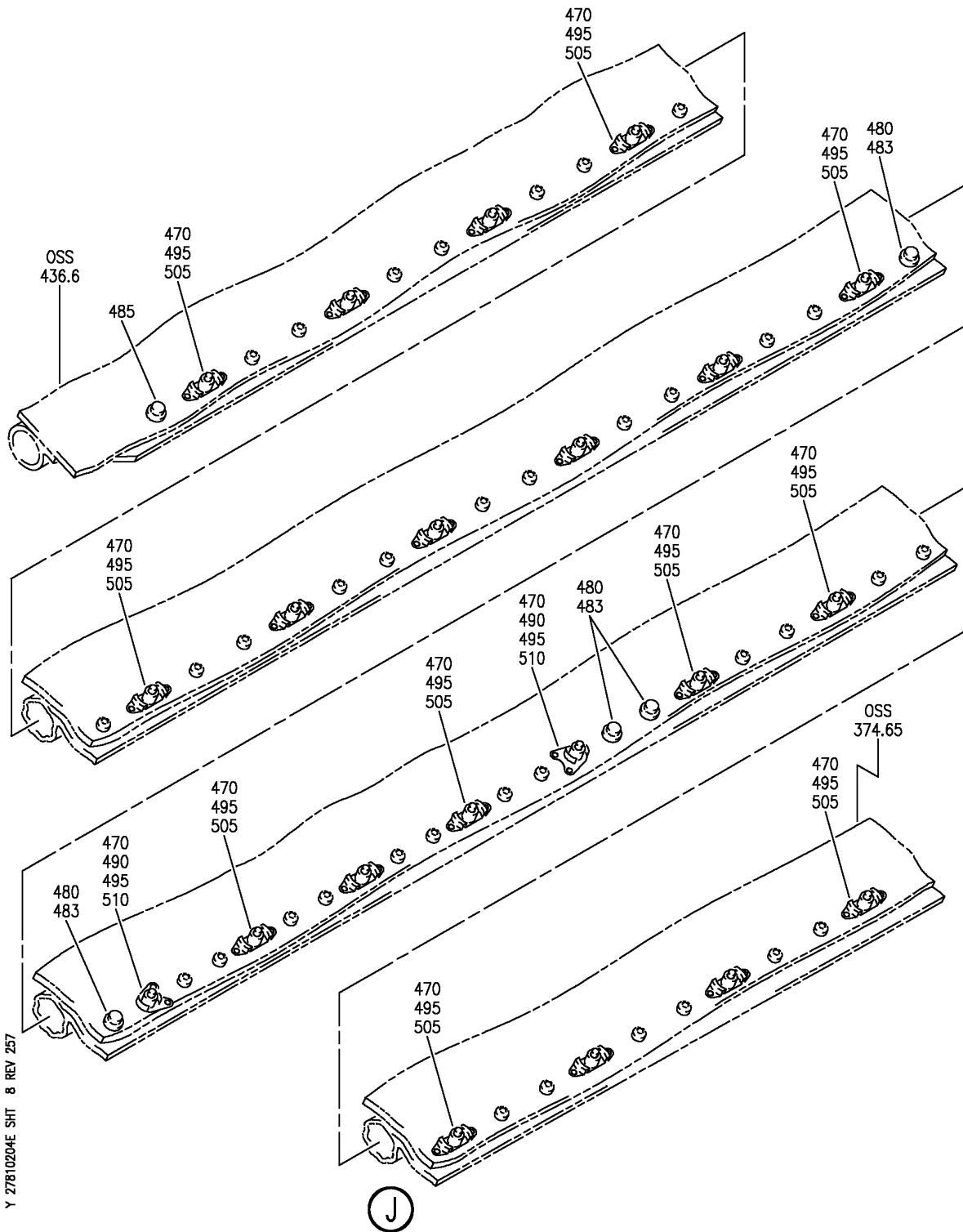
Y 27810204E SHT 7 REV 257

SLAT ASSY-NO. 7 WING LE OSS 305.47 TO OSS 438.10  
FIGURE 4E (SHEET 7)

**27-81-02-04E**

BRI  
MAY 28/07

27-81-02-04E  
PAGE OF



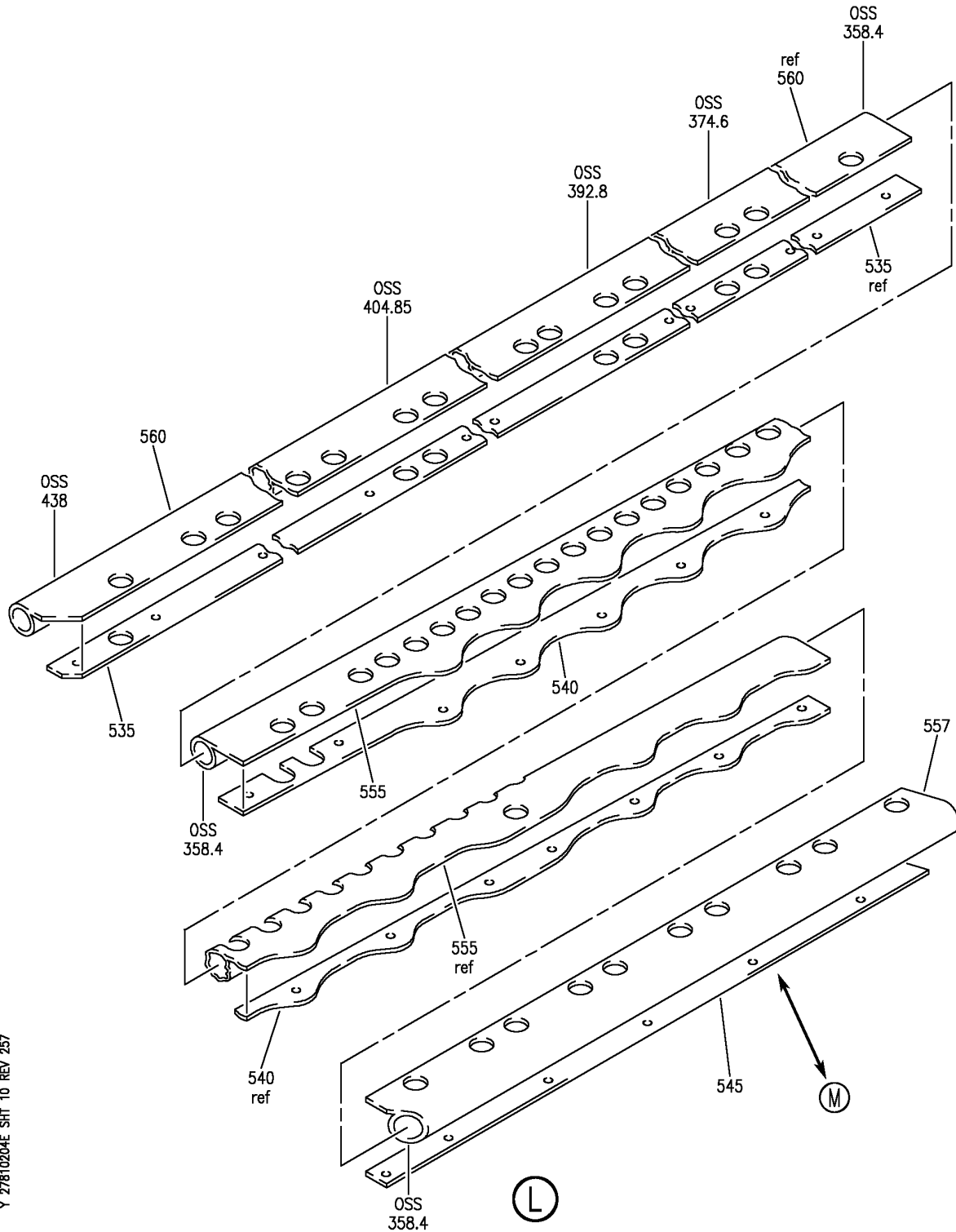
Y 27810204E SHT 8 REV 257

SLAT ASSY-NO. 7 WING LE OSS 305.47 TO OSS 438.10  
FIGURE 4E (SHEET 8)

27-81-02-04E



**BOEING**  
757  
PARTS CATALOG (MAINTENANCE)



Y 27810204E SHT 10 REV 257

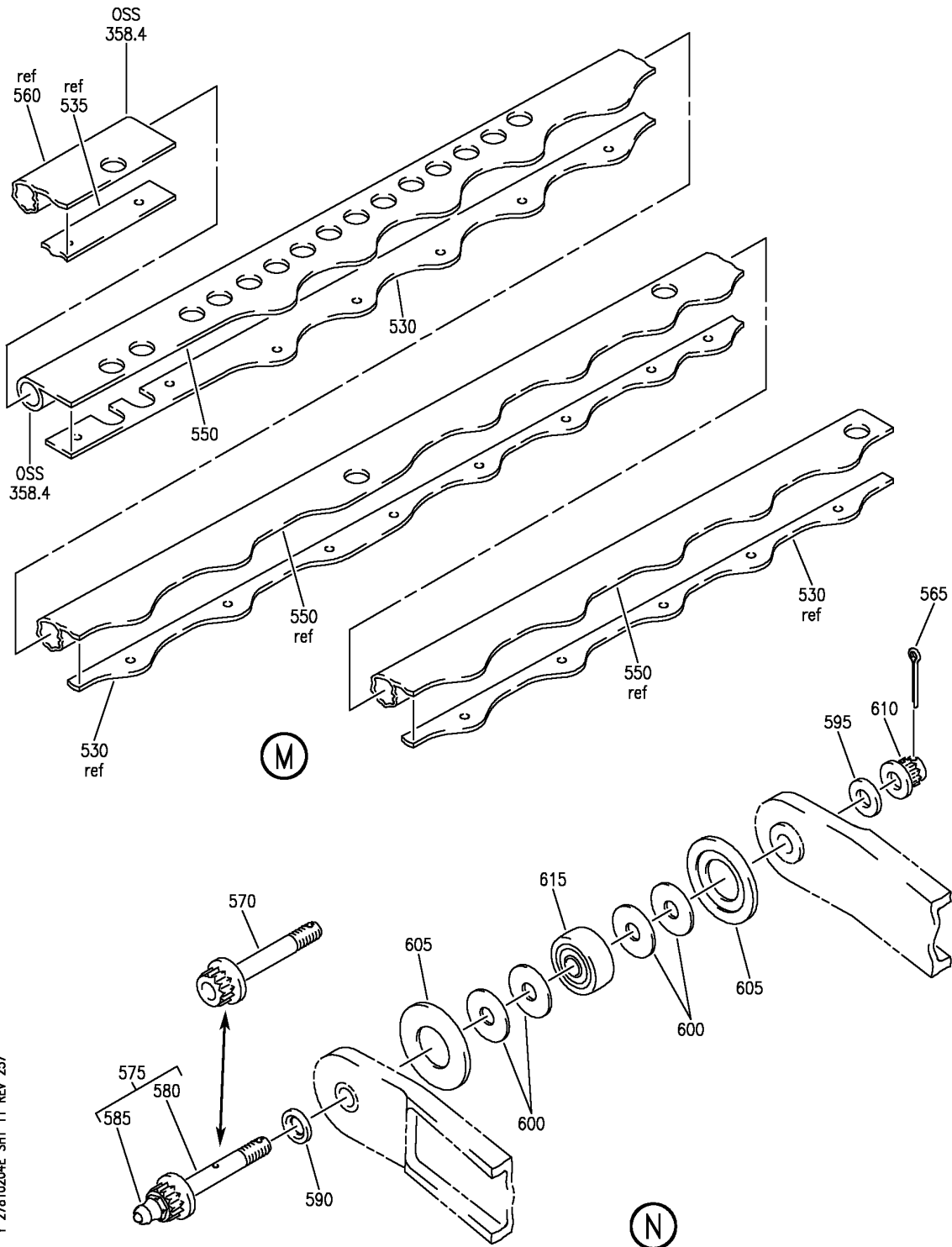
SLAT ASSY-NO. 7 WING LE OSS 305.47 TO OSS 438.10  
FIGURE 4E (SHEET 10)

**27-81-02-04E**

BRI  
MAY 28/07

27-81-02-04E  
PAGE 01

**BOEING**  
757  
PARTS CATALOG (MAINTENANCE)



Y 27810204E SHT 11 REV 257

SLAT ASSY-NO. 7 WING LE OSS 305.47 TO OSS 438.10  
FIGURE 4E (SHEET 11)

**27-81-02-04E**

BRI  
MAY 28/07

27-81-02-04E  
PAGE 0J



757

PARTS CATALOG (MAINTENANCE)

FIG ITEM	PART NUMBER	1 2 3 4 5 6 7	NOMENCLATURE	EFFECT FROM TO	UNITS PER ASSY
4 E			SLAT ASSY-NO. 7 WING LE OSS 305.47 TO OSS 438.10	101106 108120 504903	
- 1	114N4005-204SP		SLAT ASSY-NO. 7 WING LE POSITION DATA: OSS 305.47 TO 438.10 RH COMPONENT MAINT MANUAL REF: 57-43-28 QUALIFIED I/W DATA: 114N4005-158 CAN BE REPLACED BY 114N4005-204SP IF 218N1071-1 ON SLAT IS USED WITH 218N1011-1, -2, -3, OR -4 ON FIXED LEADING EDGE. IF 218N1071-4 IS ON SLAT, 218N1011-4 MUST BE USED ON FIXED LEADING EDGE 114N4005-192SP INTERCHANGEABLE WITH 114N4005-204SP IF SERVICE BULLETINS 757-27-0126 AND 757-57-0056 AND 757-57-0057 ARE INCORPORATED. 114N4005-194SP INTERCHANGEABLE WITH 114N4005-204SP IF SERVICE BULLETINS 757-27-0126 AND 757-57-0056 AND 757-57-0057 ARE INCORPORATED. FOR NHA/OTHER SYS DET SEE: 27-81-02-07A	101106 108120 504903	RF

MISSING ITEM NUMBERS NOT APPLICABLE

- ITEM NOT ILLUSTRATED

BRI

**27-81-02-04E**

BOEING PROPRIETARY - Copyright © - Unpublished Work - See title page for details.

27-81-02  
FIG. 04E  
PAGE 1  
JAN 20/09



757

PARTS CATALOG (MAINTENANCE)

FIG ITEM	PART NUMBER	1 2 3 4 5 6 7	NOMENCLATURE	EFFECT FROM TO	UNITS PER ASSY
4E - 1	114N4005-214SP		SLAT ASSY-NO. 7 WING LE POSITION DATA: OSS 305.47 TO 438.10 RH COMPONENT MAINT MANUAL REF: 57-43-28 QUALIFIED I/W DATA: 114N4005-158 CAN BE REPLACED BY 114N4005-214SP IF 218N1071-1 ON SLAT IS USED WITH 218N1011-1, -2, -3, OR -4 ON FIXED LEADING EDGE. IF 218N1071-4 IS ON SLAT, 218N1011-4 MUST BE USED ON FIXED LEADING EDGE 114N4005-192SP INTERCHANGEABLE WITH 114N4005-214SP IF SERVICE BULLETINS 757-27-0126 AND 757-57-0056 AND 757-57-0057 ARE INCORPORATED. 114N4005-194SP INTERCHANGEABLE WITH 114N4005-214SP IF SERVICE BULLETINS 757-27-0126 AND 757-57-0056 AND 757-57-0057 ARE INCORPORATED. FOR NHA/OTHER SYS DET SEE: 27-81-02-07A	101106 108120 504903	RF
- 1	114N4005-230SP		SLAT ASSY-NO. 7 WING LE POSITION DATA: OSS 305.47 TO 438.10 RH COMPONENT MAINT MANUAL REF: 57-43-28 QUALIFIED I/W DATA: THE -232SP OR -210SP OR -198SP CAN REPLACE -230SP SUBJECT TO CUSTOMER ACCEPTANCE OF WEIGHT PENALTY FOR NHA SEE: 27-81-02-07A	101106 108120 504903	RF

MISSING ITEM NUMBERS NOT APPLICABLE

- ITEM NOT ILLUSTRATED

BRI

**27-81-02-04E**

BOEING PROPRIETARY - Copyright © - Unpublished Work - See title page for details.

27-81-02  
FIG. 04E  
PAGE 2  
JAN 20/09



757

PARTS CATALOG (MAINTENANCE)

FIG ITEM	PART NUMBER	1 2 3 4 5 6 7	NOMENCLATURE	EFFECT FROM TO	UNITS PER ASSY
4E					
- 25	218N1001-26		.DUCT INSTL-WING LE ANTI ICING FOR DETAILS SEE: 30-11-01-01	101106 108120 504903	1
30	BACB30NN3K6		.BOLT	101106 108120 504903	4
35	BACR15CE6AD		.RIVET- SIZE DETERMINED ON INSTL.	101106 108120 504903	119
40	BRFR220C3-2D		.NUTPLATE SUPPLIER CODE: V52828 SPECIFICATION NUMBER: BACN10KE3B2CD OPTIONAL PART: F51747-3-2CD V15653 102A9213-2-3 V72962 NS202493-02-2 V80539	101106 108120 504903	4
- 45	BACR15BA3AD		ATTACHING PARTS .RIVET- SIZE DETERMINED ON INSTL.	101106 108120 504903	8
50	114N4065-3		-----*----- .RETAINER	101106 108120 504903	2
55	114N4058-20		.SKIN-FLEXIBLE POSITION DATA: LWR OPTIONAL PART: 114N4058-8	101106 108120 504903	1
55	114N4058-8		.SKIN-FLEXIBLE POSITION DATA: LWR OPTIONAL PART: 114N4058-20	101106 108120 504903	1
60	BACB30NN3K5		.BOLT	101106 108120 504903	2
65	BACB30NN3K7		.BOLT	101106 108120 504903	7
70	BACB30NN3K4		.BOLT	101106 108120 504903	3

MISSING ITEM NUMBERS NOT APPLICABLE

- ITEM NOT ILLUSTRATED

27-81-02-04E

27-81-02  
FIG. 04E  
PAGE 3  
JAN 20/09

BRI

BOEING PROPRIETARY - Copyright © - Unpublished Work - See title page for details.





757

PARTS CATALOG (MAINTENANCE)

FIG ITEM	PART NUMBER	1 2 3 4 5 6 7	NOMENCLATURE	EFFECT FROM TO	UNITS PER ASSY
4 E					
75	BACB30NN3K6	.	BOLT	101106 108120 504903	4
80	BACB30NM3K8	.	BOLT	101106 108120 504903	1
85	BACB30NM3K6	.	BOLT	101106 108120 504903	5
90	BACB30NR3K5	.	BOLT	101106 108120 504903	6
91	NAS1801-3-7	.	SCREW	101106 108120 504903	2
93	AN960PD10L	.	WASHER	101106 108120 504903	2
95	NAS1149D0363J	.	WASHER	101106 108120 504903	6
100	F51753-3CD	.	NUTPLATE SUPPLIER CODE: V15653 SPECIFICATION NUMBER: BACN10KE3DCD OPTIONAL PART: NS202495-02 V80539	101106 108120 504903	2
115	BRFR220C3-2D	.	NUTPLATE SUPPLIER CODE: V52828 SPECIFICATION NUMBER: BACN10KE3B2CD OPTIONAL PART: F51747-3-2CD V15653 102A9213-2-3 V72962 NS202493-02-2 V80539	101106 108120 504903	19

MISSING ITEM NUMBERS NOT APPLICABLE

- ITEM NOT ILLUSTRATED

BRI

27-81-02-04E

BOEING PROPRIETARY - Copyright © - Unpublished Work - See title page for details.

27-81-02  
FIG. 04E  
PAGE 4  
JAN 20/09



757

PARTS CATALOG (MAINTENANCE)

FIG ITEM	PART NUMBER	1 2 3 4 5 6 7	NOMENCLATURE	EFFECT FROM TO	UNITS PER ASSY
4E 120	BRFR120C3-2D	.NUTPLATE	SUPPLIER CODE: V52828 SPECIFICATION NUMBER: BACN10KE3E2CD OPTIONAL PART: 102F9216-2-3 V72962 F51751-3-2CD V15653 NS202494-02-2 V80539	101106 108120 504903	2
125	T8079S1032	.NUTPLATE	SUPPLIER CODE: V11815 SPECIFICATION NUMBER: BACN10JP3D OPTIONAL PART: NS103200-02 V80539 RMA9209M3 V72962 VN204A1-02 V92215 MK4000-3BAC V15653	101106 108120 504903	1
- 130	BACR15BA3AD	.RIVET-	ATTACHING PARTS SIZE DETERMINED ON INSTL.	101106 108120 504903	46
135	114N4043-40	.RETAINER-	-----*----- ALTERED FROM PART NUMBER: 114N4080-14	101106 108120 504903	1
140	114N4043-32	.RETAINER-	ALTERED FROM PART NUMBER: 114N4080-12	101106 108120 504903	1
145	114N4043-50	.RETAINER-	ALTERED FROM PART NUMBER: 114N4080-16	101106 108120 504903	1
150	114N4043-48	.SHIELD-EROSION	ALTERED FROM PART NUMBER: 114N4081-8	101106 108120 504903	1
150	114N4043-58	.SHIELD-EROSION		101106 108120 504903	1
150	114N4081-8	.SHIELD-EROSION		101106 108120 504903	1

MISSING ITEM NUMBERS NOT APPLICABLE

- ITEM NOT ILLUSTRATED

BRI

27-81-02-04E

BOEING PROPRIETARY - Copyright © - Unpublished Work - See title page for details.

27-81-02  
FIG. 04E  
PAGE 5  
JAN 20/09

 **BOEING**  
757  
**PARTS CATALOG (MAINTENANCE)**

FIG ITEM	PART NUMBER	1 2 3 4 5 6 7	NOMENCLATURE	EFFECT FROM TO	UNITS PER ASSY
4E					
155	114N4043-12	.	SEAL-BULB ALTERED FROM PART NUMBER: 10-60754-490	101106 108120 504903	1
160	114N4151-4	.	RETAINER ASSY	101106 108120 504903	1
165	114N4043-43	.	SEAL-BLADE	101106 108120 504903	1
170	114N4152-8	.	RETAINER ASSY	101106 108120 504903	1
175	BR1000C3D	..	NUTPLATE SUPPLIER CODE: V52828 SPECIFICATION NUMBER: BACN10KB3CD OPTIONAL PART: NS202440-02 V80539 102A9207P3 V72962 K51595-3 V15653	101106 108120 504903	2
180	BR2000C3D	..	NUT SUPPLIER CODE: V52828 SPECIFICATION NUMBER: BACN10JR3CD OPTIONAL PART: K51601-3BAC V15653 NS202439-02 V80539 102A9201-3 V72962 ATTACHING PARTS	101106 108120 504903	2
- 185	BACR15BA3AD	..	RIVET- SIZE DETERMINED ON INSTL.	101106 108120 504903	8
190	114N4152-10	..	-----*----- RETAINER	101106 108120 504903	1

MISSING ITEM NUMBERS NOT APPLICABLE

- ITEM NOT ILLUSTRATED

BRI

# 27-81-02-04E

BOEING PROPRIETARY - Copyright © - Unpublished Work - See title page for details.

27-81-02  
FIG. 04E  
PAGE 6  
JAN 20/09



757

PARTS CATALOG (MAINTENANCE)

FIG ITEM	PART NUMBER	1 2 3 4 5 6 7	NOMENCLATURE	EFFECT FROM TO	UNITS PER ASSY
4 E 195	BACB30NN3K3	.BOLT-	USED ON: 114N4005-188SP 114N4005-190SP 114N4005-192SP 114N4005-194SP 114N4005-196SP 114N4005-200SP 114N4005-204SP 114N4005-206SP 114N4005-214SP 114N4005-230SP	101106 108120 504903	1
200	BACB30NN3K4	.BOLT-	USED ON: 114N4005-188SP 114N4005-190SP 114N4005-192SP 114N4005-194SP 114N4005-196SP 114N4005-200SP 114N4005-204SP 114N4005-206SP 114N4005-214SP 114N4005-230SP	101106 108120 504903	3
210	BACB30NN3K5	.BOLT		101106 108120 504903	2
225	BACB30NN3K6	.BOLT		101106 108120 504903	5
235	BACB30NN3K7	.BOLT		101106 108120 504903	2
240	BACB30NM3K5	.BOLT-	USED ON: 114N4005-204SP 114N4005-214SP 114N4005-230SP	101106 108120 504903	1
245	BACB30NN3K7	.BOLT-	USED ON: 114N4005-204SP 114N4005-214SP 114N4005-230SP	101106 108120 504903	1

MISSING ITEM NUMBERS NOT APPLICABLE

- ITEM NOT ILLUSTRATED

27-81-02-04E

27-81-02  
FIG. 04E  
PAGE 7  
JAN 20/09

BRI

BOEING PROPRIETARY - Copyright © - Unpublished Work - See title page for details.

 **BOEING**  
757  
**PARTS CATALOG (MAINTENANCE)**

FIG ITEM	PART NUMBER	1 2 3 4 5 6 7	NOMENCLATURE	EFFECT FROM TO	UNITS PER ASSY
4 E 250	BACB30NM3K3	.BOLT-	USED ON: 114N4005-188SP 114N4005-190SP 114N4005-192SP 114N4005-194SP 114N4005-196SP 114N4005-200SP 114N4005-204SP 114N4005-206SP 114N4005-214SP 114N4005-230SP	101106 108120 504903	1
260	BACB30NM3K5	.BOLT-	USED ON: 114N4005-188SP 114N4005-190SP 114N4005-192SP 114N4005-194SP 114N4005-196SP 114N4005-200SP 114N4005-204SP 114N4005-206SP 114N4005-214SP 114N4005-230SP	101106 108120 504903	2
270	NAS1149D0363J	.WASHER-	USED ON: 114N4005-188SP 114N4005-190SP 114N4005-192SP 114N4005-194SP 114N4005-196SP 114N4005-200SP 114N4005-204SP 114N4005-206SP 114N4005-230SP	101106 108120 504903	6
280	BRH10C3D	.NUT	SUPPLIER CODE: V52828 SPECIFICATION NUMBER: BACN10JC3CD OPTIONAL PART: T6C1032JCD V11815 NS202486-02 V80539 102LH9075-3W V72962 H51650-3BAC V15653	101106 108120 504903	6

MISSING ITEM NUMBERS NOT APPLICABLE

— ITEM NOT ILLUSTRATED

BRI

# 27-81-02-04E

BOEING PROPRIETARY - Copyright © - Unpublished Work - See title page for details.

27-81-02  
FIG. 04E  
PAGE 8  
JAN 20/09



757

PARTS CATALOG (MAINTENANCE)

FIG ITEM	PART NUMBER	1 2 3 4 5 6 7	NOMENCLATURE	EFFECT FROM TO	UNITS PER ASSY
4E 285	BRFR120C3-2D		.NUTPLATE- SUPPLIER CODE: V52828 SPECIFICATION NUMBER: BACN10KE3E2CD OPTIONAL PART: 102F9216-2-3 V72962 F51751-3-2CD V15653 NS202494-02-2 V80539 BACN10KH3CD	101106 108120 504903	2
285	FS1651-3		.NUTPLATE- SUPPLIER CODE: V15653 SPECIFICATION NUMBER: BACN10KH3CD OPTIONAL PART: 102F9209M3 V72962 NS202496-02 V80539 BACN10KE3E2CD	101106 108120 504903	2
290	BRFR220C3-2D		.NUTPLATE SUPPLIER CODE: V52828 SPECIFICATION NUMBER: BACN10KE3B2CD OPTIONAL PART: F51747-3-2CD V15653 102A9213-2-3 V72962 NS202493-02-2 V80539	101106 108120 504903	10
293	BRFR220C3-2D		.NUTPLATE SUPPLIER CODE: V52828 SPECIFICATION NUMBER: BACN10KE3B2CD OPTIONAL PART: F51747-3-2CD V15653 102A9213-2-3 V72962 NS202493-02-2 V80539	101106 108120 504903	2

MISSING ITEM NUMBERS NOT APPLICABLE

- ITEM NOT ILLUSTRATED

BRI

27-81-02-04E

BOEING PROPRIETARY - Copyright © - Unpublished Work - See title page for details.

27-81-02  
FIG. 04E  
PAGE 9  
JAN 20/09



757

PARTS CATALOG (MAINTENANCE)

FIG ITEM	PART NUMBER	1 2 3 4 5 6 7	NOMENCLATURE	EFFECT FROM TO	UNITS PER ASSY
4 E			ATTACHING PARTS		
- 295	BACR15BA3AD		.RIVET- SIZE DETERMINED ON INSTL.	101106 108120 504903	28
			-----*-----		
300	114N4045-41		.RETAINER	101106 108120 504903	1
305	114N4045-44		.RETAINER	101106 108120 504903	1
310	114N4045-46		.RETAINER	101106 108120 504903	1
315	114N4045-48		.RETAINER	101106 108120 504903	1
325	114N4045-128		.RETAINER- ALTERED FROM PART NUMBER: 114N4080-18 USED ON: 114N4005-188SP 114N4005-190SP 114N4005-192SP 114N4005-194SP 114N4005-196SP 114N4005-200SP 114N4005-204SP 114N4005-206SP 114N4005-214SP	101106 108120 504903	1
335	114N4045-10		.SEAL- ALTERED FROM PART NUMBER: 10-60754-486	101106 108120 504903	1
340	114N4045-12		.SEAL- ALTERED FROM PART NUMBER: 10-60754-486	101106 108120 504903	1
345	114N4045-14		.SEAL- ALTERED FROM PART NUMBER: 10-60754-486	101106 108120 504903	1
350	114N4045-16		.SEAL- ALTERED FROM PART NUMBER: 10-60754-484	101106 108120 504903	1

MISSING ITEM NUMBERS NOT APPLICABLE

- ITEM NOT ILLUSTRATED

BRI

27-81-02-04E

BOEING PROPRIETARY - Copyright © - Unpublished Work - See title page for details.

27-81-02  
FIG. 04E  
PAGE 10  
JAN 20/09



757

PARTS CATALOG (MAINTENANCE)

FIG ITEM	PART NUMBER	1 2 3 4 5 6 7	NOMENCLATURE	EFFECT FROM TO	UNITS PER ASSY
4 E 355	114N4045-130	.	SHIELD-EROSION ALTERED FROM PART NUMBER: 114N4081-9 USED ON: 114N4005-188SP 114N4005-190SP 114N4005-192SP 114N4005-194SP 114N4005-196SP 114N4005-200SP 114N4005-206SP 114N4005-204SP 114N4005-214SP 114N4005-230SP	101106 108120 504903	1
355	114N4045-138	.	SHIELD-EROSION ALTERED FROM PART NUMBER: 114N4081-9 USED ON: 114N4005-178SP 114N4005-184SP 114N4005-186SP 114N4005-188SP 114N4005-190SP 114N4005-192SP 114N4005-194SP 114N4005-196SP 114N4005-200SP 114N4005-206SP	101106 108120 504903	1
360	114N4045-96	.	SHIELD-EROSION ALTERED FROM PART NUMBER: 114N4081-9	101106 108120 504903	1
365	114N4045-98	.	SHIELD-EROSION ALTERED FROM PART NUMBER: 114N4081-9	101106 108120 504903	1
370	114N4045-100	.	SHIELD-EROSION ALTERED FROM PART NUMBER: 114N4081-9	101106 108120 504903	1
395	BACB30NM3K3	.	BOLT	101106 108120 504903	4
400	AN960KD10	.	WASHER	101106 108120 504903	4

MISSING ITEM NUMBERS NOT APPLICABLE

- ITEM NOT ILLUSTRATED

27-81-02-04E

27-81-02  
FIG. 04E  
PAGE 11  
JAN 20/09

BRI

BOEING PROPRIETARY - Copyright © - Unpublished Work - See title page for details.





757

PARTS CATALOG (MAINTENANCE)

FIG ITEM	PART NUMBER	1 2 3 4 5 6 7	NOMENCLATURE	EFFECT FROM TO	UNITS PER ASSY
4 E 405	BRH10C3D	.NUT	SUPPLIER CODE: V52828 SPECIFICATION NUMBER: BACN10JC3CD OPTIONAL PART: T6C1032JCD V11815 NS202486-02 V80539 102LH9075-3W V72962 H51650-3BAC V15653	101106 108120 504903	4
410	114N4044-111	.RETAINER		101106 108120 504903	1
415	114N4044-114	.SEAL-	ALTERED FROM PART NUMBER: 10-60754-492	101106 108120 504903	1
420	BACB30NM3K3	.BOLT		101106 108120 504903	4
425	AN960KD10	.WASHER		101106 108120 504903	4
430	BRH10C3D	.NUT	SUPPLIER CODE: V52828 SPECIFICATION NUMBER: BACN10JC3CD OPTIONAL PART: T6C1032JCD V11815 NS202486-02 V80539 102LH9075-3W V72962 H51650-3BAC V15653	101106 108120 504903	4
435	114N4044-112	.RETAINER		101106 108120 504903	1
440	114N4044-116	.SEAL-	ALTERED FROM PART NUMBER: 10-60754-491	101106 108120 504903	1
445	BACB30NM3K3	.BOLT		101106 108120 504903	3

MISSING ITEM NUMBERS NOT APPLICABLE

- ITEM NOT ILLUSTRATED

**27-81-02-04E**

27-81-02  
FIG. 04E  
PAGE 12  
JAN 20/09

BRI

BOEING PROPRIETARY - Copyright © - Unpublished Work - See title page for details.



757

PARTS CATALOG (MAINTENANCE)

FIG ITEM	PART NUMBER	1 2 3 4 5 6 7	NOMENCLATURE	EFFECT FROM TO	UNITS PER ASSY
4 E					
450	AN960KD10	.	WASHER	101106 108120 504903	3
455	BRH10C3D	.	NUT SUPPLIER CODE: V52828 SPECIFICATION NUMBER: BACN10JC3CD OPTIONAL PART: T6C1032JCD V11815 NS202486-02 V80539 102LH9075-3W V72962 H51650-3BAC V15653	101106 108120 504903	3
460	114N4044-102	.	RETAINER	101106 108120 504903	1
465	114N4044-100	.	SEAL- ALTERED FROM PART NUMBER: 10-60754-491	101106 108120 504903	1
470	BACB30NM3K7	.	BOLT	101106 108120 504903	47
475	NAS1398D6A	.	RIVET	101106 108120 504903	53
477	MS21141U0603P	.	FASTENER	101106 108120 504903	2
480	MS21141U0604P	.	FASTENER	101106 108120 504903	10
485	MS21141U0605P	.	FASTENER	101106 108120 504903	2
490	NAS463FDD10H	.	SPACER	101106 108120 504903	3
495	NAS1149D0332J	.	WASHER	101106 108120 504903	47

MISSING ITEM NUMBERS NOT APPLICABLE

- ITEM NOT ILLUSTRATED

BRI

27-81-02-04E

BOEING PROPRIETARY - Copyright © - Unpublished Work - See title page for details.

27-81-02  
FIG. 04E  
PAGE 13  
JAN 20/09



757

PARTS CATALOG (MAINTENANCE)

FIG ITEM	PART NUMBER	1 2 3 4 5 6 7	NOMENCLATURE	EFFECT FROM TO	UNITS PER ASSY
4 E 500	BRFR120C3-4D	.NUTPLATE	SUPPLIER CODE: V52828 SPECIFICATION NUMBER: BACN10KE3E4CD OPTIONAL PART: 102F9216-4-3 V72962 F51751-3-4CD V15653 NS202494-02-4 V80539	101106 108120 504903	7
505	BRFR220C3-4D	.NUTPLATE	SUPPLIER CODE: V52828 SPECIFICATION NUMBER: BACN10KE3B4CD OPTIONAL PART: F51747-3-4CD V15653 102A9213-4-3 V72962 NS202493-02-4 V80539	101106 108120 504903	30
510	F51753-3CD	.NUTPLATE	SUPPLIER CODE: V15653 SPECIFICATION NUMBER: BACN10KE3DCD OPTIONAL PART: NS202495-02 V80539	101106 108120 504903	3
515	BRFR220C3-3D	.NUTPLATE	SUPPLIER CODE: V52828 SPECIFICATION NUMBER: BACN10KE3B3CD OPTIONAL PART: F51747-3-3CD V15653 102A9213-3-3 V72962 NS202493-02-3 V80539	101106 108120 504903	5

MISSING ITEM NUMBERS NOT APPLICABLE

- ITEM NOT ILLUSTRATED

BRI

**27-81-02-04E**

BOEING PROPRIETARY - Copyright © - Unpublished Work - See title page for details.

27-81-02  
FIG. 04E  
PAGE 14  
JAN 20/09

**BOEING**  
757  
PARTS CATALOG (MAINTENANCE)

FIG ITEM	PART NUMBER	1 2 3 4 5 6 7	NOMENCLATURE	EFFECT FROM TO	UNITS PER ASSY
4E 518	BRFR220C3-2D		.NUTPLATE SUPPLIER CODE: V52828 SPECIFICATION NUMBER: BACN10KE3B2CD OPTIONAL PART: F51747-3-2CD V15653 102A9213-2-3 V72962 NS202493-02-2 V80539 ATTACHING PARTS	101106 108120 504903	2
- 520	BACR15BA3AD		.RIVET- SIZE DETERMINED ON INSTL.	101106 108120 504903	86
- 525	BACR15BA3AB		.RIVET- POSITION DATA: OSS 392.8 AND OSS 404.8 SIZE DETERMINED ON INSTL. -----*-----	101106 108120 504903	4
530	114N4046-61		.RETAINER	101106 108120 504903	1
530	114N4046-62		.RETAINER	101106 108120 504903	1
535	114N4046-51		.RETAINER	101106 108120 504903	1
550	114N4046-60		.SEAL- ALTERED FROM PART NUMBER: 10-60754-481 10-60754-481 MANUFACTURED FROM: EXTR RUBBER F25.01 10-60754-482	101106 108120 504903	1
550	114N4046-66		.SEAL- ALTERED FROM PART NUMBER: 10-60754-481 10-60754-481 MANUFACTURED FROM: EXTR RUBBER F25.01 10-60754-482	101106 108120 504903	1

MISSING ITEM NUMBERS NOT APPLICABLE

- ITEM NOT ILLUSTRATED

BRI

# 27-81-02-04E

BOEING PROPRIETARY - Copyright © - Unpublished Work - See title page for details.

27-81-02  
FIG. 04E  
PAGE 15  
JAN 20/09



757

PARTS CATALOG (MAINTENANCE)

FIG ITEM	PART NUMBER	1 2 3 4 5 6 7	NOMENCLATURE	EFFECT FROM TO	UNITS PER ASSY
4E 560	114N4046-22		.SEAL- ALTERED FROM PART NUMBER: 10-60754-482 10-60754-482 MANUFACTURED FROM: EXTR RUBBER F25.01 10-60754-482 80.00 IN.	101106 108120 504903	1
565	BACP18BC02A06P		.PIN- USED ON: 114N4005-192SP 114N4005-194SP 114N4005-204SP 114N4005-214SP 114N4005-230SP	101106 108120 504903	2
570	BACB30LE4DU19		.BOLT- USED ON: 114N4005-204SP 114N4005-214SP 114N4005-230SP	101106 108120 504903	2
590	BACW10BP4CD		.WASHER	101106 108120 504903	2
595	BACW10BP4DP		.WASHER	101106 108120 504903	2
600	BACW10P42S		.WASHER- USED ON: 114N4005-192SP 114N4005-194SP 114N4005-204SP 114N4005-214SP 114N4005-230SP	101106 108120 504903	8
605	114N4056-1		.WASHER	101106 108120 504903	4
610	NAS1805-4L		.NUT- USED ON: 114N4005-192SP 114N4005-194SP 114N4005-204SP 114N4005-214SP 114N4005-230SP	101106 108120 504903	2

MISSING ITEM NUMBERS NOT APPLICABLE

- ITEM NOT ILLUSTRATED

27-81-02-04E

27-81-02  
FIG. 04E  
PAGE 16  
JAN 20/09

BRI

BOEING PROPRIETARY - Copyright © - Unpublished Work - See title page for details.



757

PARTS CATALOG (MAINTENANCE)

FIG ITEM	PART NUMBER	1 2 3 4 5 6 7	NOMENCLATURE	EFFECT FROM TO	UNITS PER ASSY
4 E 615	ATF4SN		.BEARING- SUPPLIER CODE: V21335 SPECIFICATION NUMBER: BACB10GH04N OPTIONAL PART: CRO4NAFC V92563 ATFO4NSY V21335 USED ON: 114N4005-204SP 114N4005-214SP 114N4005-230SP	101106 108120 504903	2
620	114N4048-6		.TIP-	101106 108120 504903	1
620	114N4048-10		.TIP-	101106 108120 504903	1
625	114N4048-8		.TIP-	101106 108120 504903	1
625	114N4048-4		.TIP-	101106 108120 504903	1
- 630	BACR15BA5AD		ATTACHING PARTS .RIVET- SIZE DETERMINED ON INSTL.  -----*-----	101106 108120 504903	8

MISSING ITEM NUMBERS NOT APPLICABLE

- ITEM NOT ILLUSTRATED

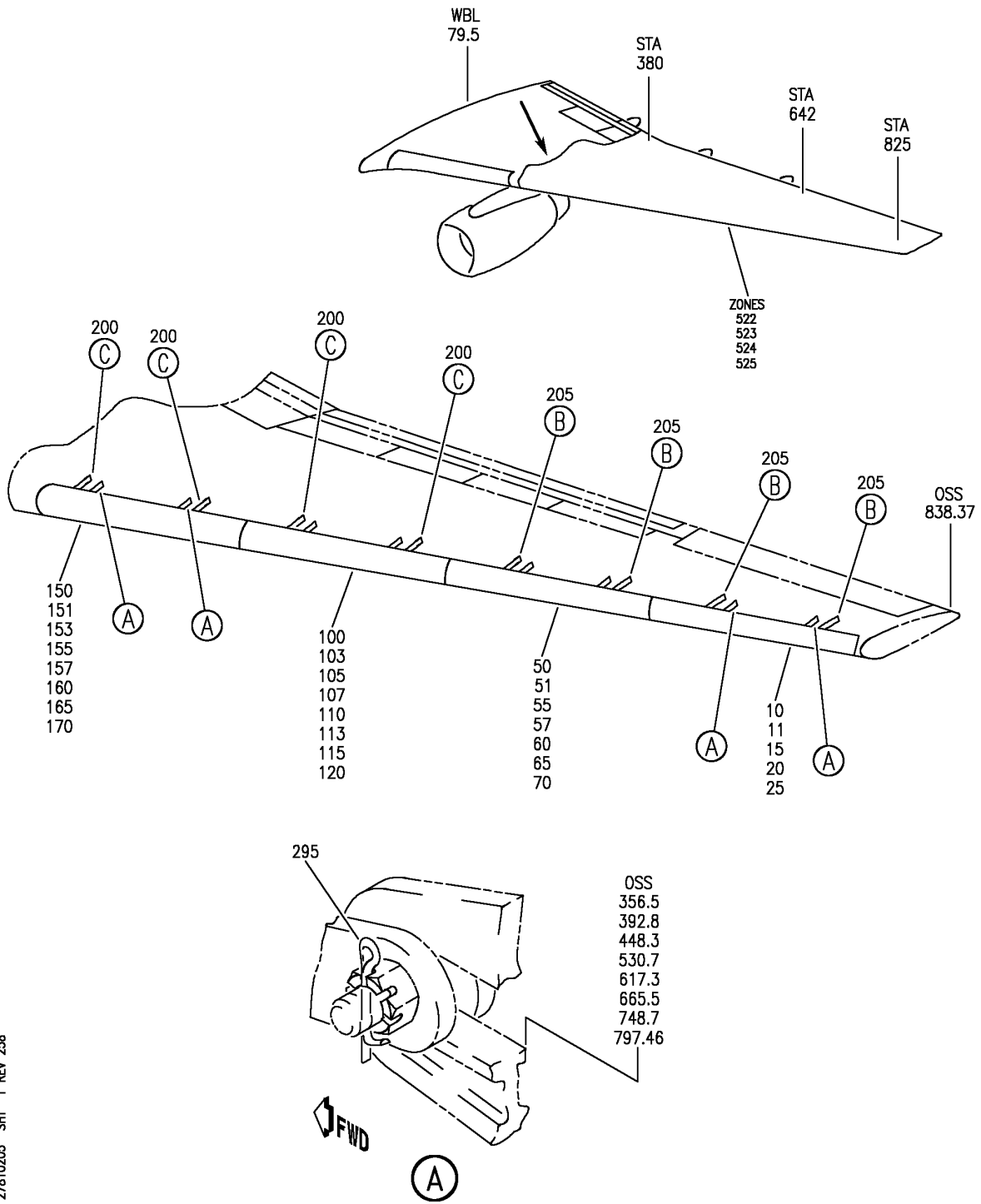
BRI

27-81-02-04E

BOEING PROPRIETARY - Copyright © - Unpublished Work - See title page for details.

27-81-02  
FIG. 04E  
PAGE 17  
JAN 20/09

**BOEING**  
757  
PARTS CATALOG (MAINTENANCE)



Y 27810205 SH1 1 REV 258

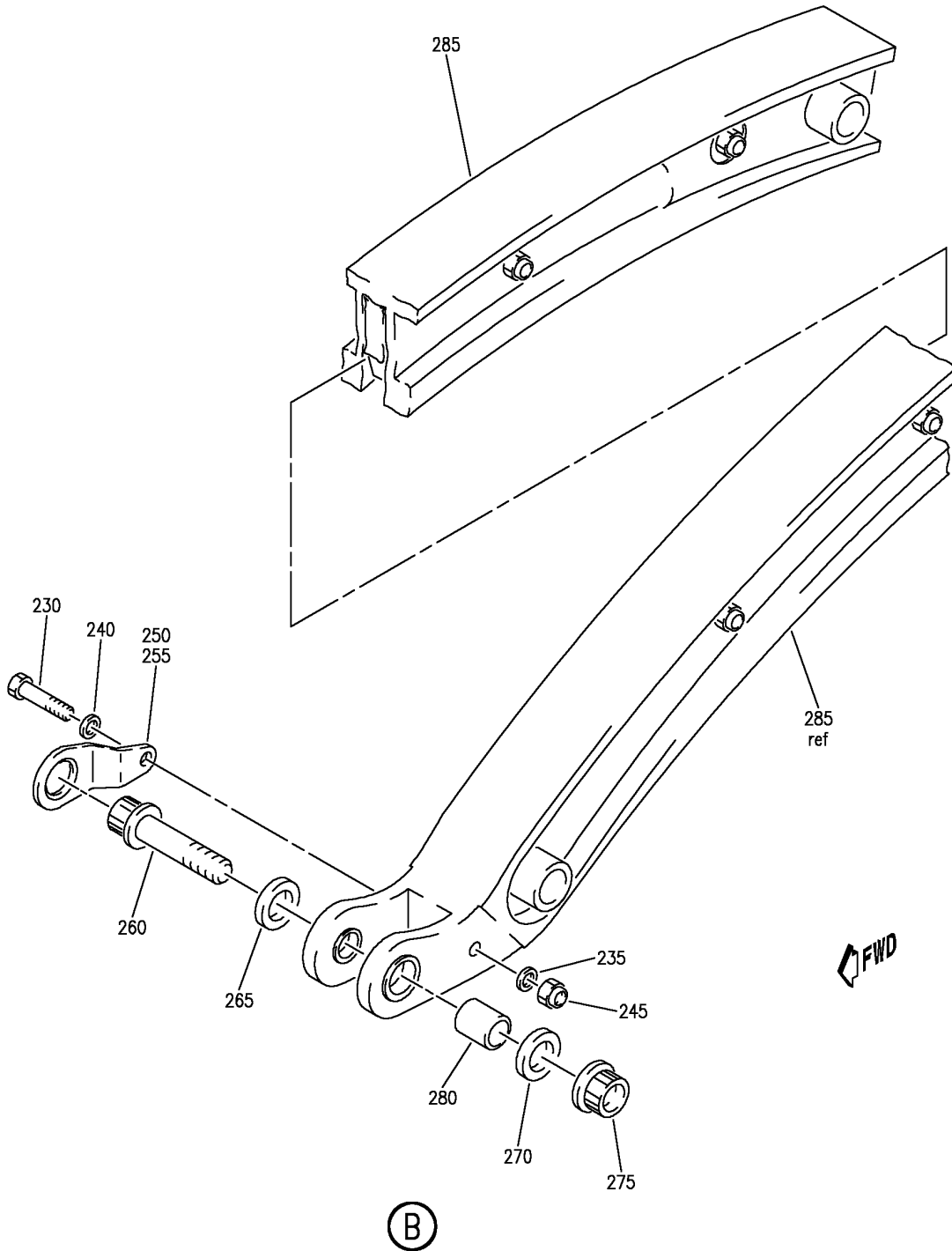
SLAT INSTL-WING LE OUTBD LH  
FIGURE 5 (SHEET 1)

**27-81-02-05**

BRI  
MAY 28/07

27-81-02-05  
PAGE 0

**BOEING**  
757  
PARTS CATALOG (MAINTENANCE)



Y 27810205 SHT 2 REV 258

SLAT INSTL-WING LE OUTBD LH  
FIGURE 5 (SHEET 2)

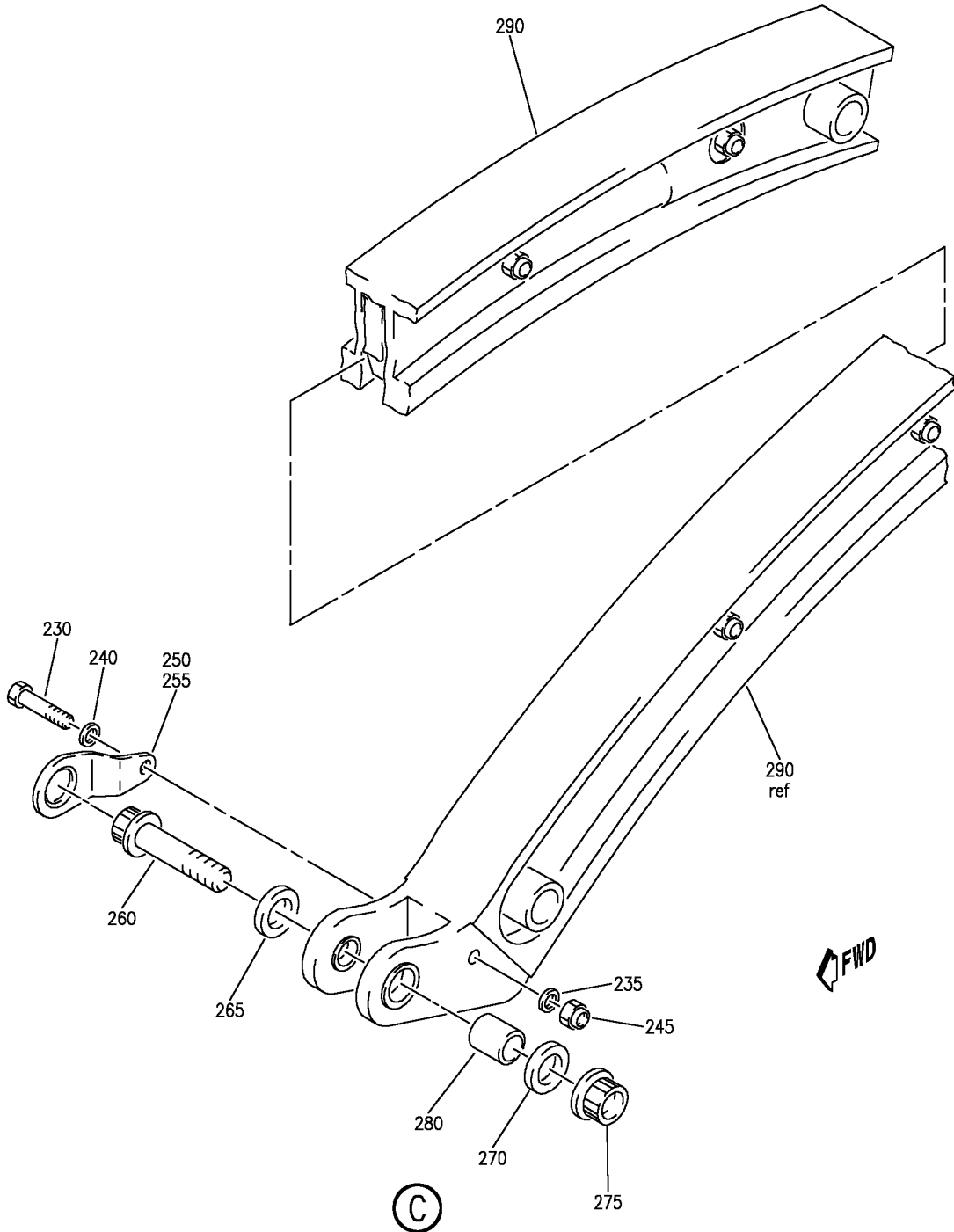
**27-81-02-05**

BRI  
MAY 28/07

27-81-02-05  
PAGE 0A



**BOEING**  
757  
PARTS CATALOG (MAINTENANCE)



Y 27810205 SHT 3 REV 258

SLAT INSTL-WING LE OUTBD LH  
FIGURE 5 (SHEET 3)

**27-81-02-05**

BRI  
MAY 28/07

27-81-02-05  
PAGE 08



**757  
PARTS CATALOG (MAINTENANCE)**

FIG ITEM	PART NUMBER	1 2 3 4 5 6 7	NOMENCLATURE	EFFECT FROM TO	UNITS PER ASSY
5			SLAT INSTL-WING LE OUTBD LH	002004 006100 107107 121503 904999	
- 1	114N4001-1		SLAT INSTL-WING LE POSITION DATA: OUTBD LH FOR NHA SEE: 57-00-00-01	002004 006100 107107 121503 904999	RF

MISSING ITEM NUMBERS NOT APPLICABLE

- ITEM NOT ILLUSTRATED

BRI

# 27-81-02-05

BOEING PROPRIETARY - Copyright © - Unpublished Work - See title page for details.

27-81-02  
FIG. 05  
PAGE 1  
JAN 20/09



757

PARTS CATALOG (MAINTENANCE)

FIG ITEM	PART NUMBER	1 2 3 4 5 6 7	NOMENCLATURE	EFFECT FROM TO	UNITS PER ASSY
5 10	114N4002-147SP	. 1 2 3 4 5 6 7	.SLAT ASSY-NO. 1 WING LE BASIC POSITION DATA: OSS 707.00 TO 836.87 LH COMPONENT MAINT MANUAL REF: 57-43-14 QUALIFIED I/W DATA: -153SP AND -155SP ARE CONDITIONALLY INTERCHANGEABLE WITH -147SP PER THE REQUIREMENTS OF S/B757-57-0043 AND S/B757-57A0045 -147SP CAN REPLACE OR BE REPLACED BY -137 OR -121 OR -113 OR -109 OR -1. HOWEVER -137 OR -121 OR -113 OR -109 OR -1 CAN ONLY BE USED IF THE AIRPLANE IS RESTRICTED TO 241K MTGW 114N4002-147SP INTERCHANGEABLE WITH -159SP IF SERVICE BULLETIN 757-57A0045 IS INCORPORATED 114N4002-133 INTERCHANGEABLE WITH 114N4002-147SP SUBJECT TO CUSTOMER COLOR PREFERENCE 114N4002-135 INTERCHANGEABLE WITH 114N4002-147SP SUBJECT TO CUSTOMER COLOR PREFERENCE POST ALERT SB: 57A0038R4 REWORKED BY ALERT SB: 57A0045R1 FOR DETAILS SEE: 27-81-02-01	002004 107107 121503 904949 952952	1

MISSING ITEM NUMBERS NOT APPLICABLE

- ITEM NOT ILLUSTRATED

27-81-02-05

27-81-02  
FIG. 05  
PAGE 2  
JAN 20/09

BRI



757

PARTS CATALOG (MAINTENANCE)

FIG ITEM	PART NUMBER	1 2 3 4 5 6 7 NOMENCLATURE	EFFECT FROM TO	UNITS PER ASSY
5 11	114N4002-131	.SLAT ASSY-NO. 1 WING LE BASIC POSITION DATA: OSS 707.00 TO 836.87 LH COMPONENT MAINT MANUAL REF: 57-43-14 QUALIFIED I/W DATA: -131 CAN REPLACE OR BE REPLACED BY -137 OR -121 OR -113 OR -109 OR -1. HOWEVER -137 OR -121 OR -113 OR -109 -1 CAN BE USED ONLY IF THE AIRPLANE IS RESTRICTED TO 241K MTGW -169SP I/W -131 IF THE -131 IS REWORKED PER S/B 757-57-0057 -131 I/W -171SP IF S/B 757-57A0038 OR S/B 757-57A0045 IS INCORPORATED ON THE -131 -131 MAY BE REPLACED BY -163SP OR -159SP OR -157SP OR -165SP OR -155SP OR -153SP OR SUBJECT TO COLOR PREFERENCE REWORKED BY ALERT SB: 57A0045R1 FOR DETAILS SEE: 27-81-02-01	002004 107107 121503 904949 952952	1

MISSING ITEM NUMBERS NOT APPLICABLE

- ITEM NOT ILLUSTRATED

BRI

27-81-02-05

BOEING PROPRIETARY - Copyright © - Unpublished Work - See title page for details.

27-81-02  
FIG. 05  
PAGE 3  
JAN 20/09



757

PARTS CATALOG (MAINTENANCE)

FIG ITEM	PART NUMBER	1 2 3 4 5 6 7	NOMENCLATURE	EFFECT FROM TO	UNITS PER ASSY
5	11 114N4002-169SP		.SLAT ASSY-NO. 1 WING LE POSITION DATA: OSS 707.00 TO 836.87 LH COMPONENT MAINT MANUAL REF: 57-43-14 QUALIFIED I/W DATA: -185SP MAY REPLACE -169SP OR -163SP OR -159SP OR -157SP OR -171SP SUBJECT TO CUSTOMER ACCEPTANCE OF WEIGHT PENALTY. -169SP I/W -157SP OR -159SP OR -163SP OR -171SP IF S/B 757-57-0057 IS INCORPORATED ON -157SP OR -159SP OR -163SP OR -171SP -169SP I/W -155SP OR -153SP OR -147SP OR -131 IF S/B 757-57-0057 -169SP CAN REPLACE OR BE REPLACED BY -137 OR -121 OR -113 OR -109 OR -1. HOWEVER -137 OR -121 OR -113 OR -109 OR -1 CAN ONLY BE USED IF THE AIRPLANE IS RESTRICTED TO 241K MTGW FOR DETAILS SEE: 27-81-02-01	002004 006100 107107 121503 904999	1
	11 114N4002-169SP		.SLAT ASSY-NO. 1 WING LE POSITION DATA: OSS 707.00 TO 836.87 LH COMPONENT MAINT MANUAL REF: 57-43-14 QUALIFIED I/W DATA: -165SP CAN REPLACE BUT NOT BE REPLACED BY -137 OR -121 OR -113 OR -109 OR -1 SUBJECT TO CUSTOMER COLOR PREFERENCE FOR DETAILS SEE: 27-81-02-01	002004 006100 107107 121503 904999	RF

MISSING ITEM NUMBERS NOT APPLICABLE

- ITEM NOT ILLUSTRATED

27-81-02-05

27-81-02  
FIG. 05  
PAGE 4  
JAN 20/09

BRI



757

PARTS CATALOG (MAINTENANCE)

FIG ITEM	PART NUMBER	1 2 3 4 5 6 7	NOMENCLATURE	EFFECT FROM TO	UNITS PER ASSY
5 15	114N4002-153SP		.SLAT ASSY-NO. 1 WING LE BASIC POSITION DATA: OSS 707.00 TO 836.87 LH COMPONENT MAINT MANUAL REF: 57-43-14 QUALIFIED I/W DATA: -153SP AND -147SP ARE CONDITIONALLY INTERCHANGEABLE PER THE REQUIREMENTS OF S/B757-57-0043 AND S/B757-57A0045 -175SP OR -185SP CAN REPLACE -153SP SUBJECT TO CUSTOMER ACCEPTANCE OF WEIGHT PENALTY -177SP MAY REPLACE -169SP OR -163SP OR -159SP OR -157SP OR -171SP OR -155SP OR 153SP DEPENDING ON CUSTOMER ACCEPTANCE OF WEIGHT PENALTY. -169SP I/W -153SP IF S/B 757-57-0057 IS INCORPORATED ON THE -153SP -167SP CAN REPLACE -153SP SUBJECT TO CUSTOMER ACCEPTANCE OF WEIGHT PENALTY -153SP I/W -131 IF S/B 757-57A0045 IS INCORPORATED ON THE -131 -153SP CAN REPLACE OR BE REPLACED BY -137 OR -121 OR -113 OR -109 OR -1. HOWEVER -137 OR -121 OR -113 OR -109 OR -1 CAN ONLY BE USED IF THE AIRPLANE IS RESTRICTED TO 241K MTGW FOR DETAILS SEE: 27-81-02-01	002004 006100 107107 121503 904999	1

MISSING ITEM NUMBERS NOT APPLICABLE

- ITEM NOT ILLUSTRATED

**27-81-02-05**

27-81-02  
FIG. 05  
PAGE 5  
JAN 20/09

BRI



757

PARTS CATALOG (MAINTENANCE)

FIG ITEM	PART NUMBER	1 2 3 4 5 6 7	NOMENCLATURE	EFFECT FROM TO	UNITS PER ASSY
5 15	114N4002-155SP	.SLAT ASSY-NO. 1 WING LE BASIC POSITION DATA: OSS 707.00 TO 836.87 LH COMPONENT MAINT MANUAL REF: 57-43-14 QUALIFIED I/W DATA: -155SP I/W -147SP OR -131 IF S/B 757-57A0045 IS INCORPORATED ON THE -147SP OR -131 -155SP CAN REPLACE OR BE REPLACED BY -137 OR -121 OR -113 OR -109 OR -1. HOWEVER -137 OR -121 OR -113 OR -109 OR -1 CAN ONLY BE USED IF THE AIRPLANE IS RESTRICTED TO 241K MTGW FOR DETAILS SEE: 27-81-02-01		002004 006100 107107 121503 904999	1
15	114N4002-157SP	.SLAT ASSY-NO. 1 WING LE BASIC POSITION DATA: OSS 707.00 TO 836.87 LH COMPONENT MAINT MANUAL REF: 57-43-14 QUALIFIED I/W DATA: -185SP MAY REPLACE -169SP OR -163SP OR -159SP OR -157SP OR -171SP SUBJECT TO CUSTOMER ACCEPTANCE OF WEIGHT PENALTY. -177SP MAY REPLACE -169SP OR -163SP OR -159SP OR -157SP OR -171SP OR -155SP OR -153SP DEPENDING ON CUSTOMER ACCEPTANCE OF WEIGHT PENALTY. FOR DETAILS SEE: 27-81-02-01		002004 006100 107107 121503 904999	1

MISSING ITEM NUMBERS NOT APPLICABLE

- ITEM NOT ILLUSTRATED

27-81-02-05

27-81-02  
FIG. 05  
PAGE 6  
JAN 20/09

BRI



757

PARTS CATALOG (MAINTENANCE)

FIG ITEM	PART NUMBER	1 2 3 4 5 6 7 NOMENCLATURE	EFFECT FROM TO	UNITS PER ASSY
5 15	114N4002-159SP	.SLAT ASSY-NO. 1 WING LE POSITION DATA: OSS 707.00 TO 836.87 LH COMPONENT MAINT MANUAL REF: 57-43-14 QUALIFIED I/W DATA: -185SP OR -175SP MAY REPLACE -169SP OR -163SP OR -159SP OR -157SP SUBJECT TO CUSTOMER ACCEPTANCE OF WEIGHT PENALTY 114N4002-147SP INTERCHANGEABLE WITH -159SP IF SERVICE BULLETIN 757-57A0045 IS INCORPORATED -159SP I/W -169SP IF S/B 757-57-0057 IS INCORPORATED ON THE -159SP -167SP CAN REPLACE -159SP SUBJECT TO CUSTOMER ACCEPTANCE OF WEIGHT PENALTY -178SP MAY REPLACE -170SP OR -164SP OR -160SP OR -158SP OR -172SP OR -156SP OR -154SP DEPENDING ON CUSTOMER ACCEPTANCE OF WEIGHT PENALTY. FOR DETAILS SEE: 27-81-02-01	002004 006100 107107 121503 904999	1

MISSING ITEM NUMBERS NOT APPLICABLE

- ITEM NOT ILLUSTRATED

BRI

# 27-81-02-05

BOEING PROPRIETARY - Copyright © - Unpublished Work - See title page for details.

27-81-02  
FIG. 05  
PAGE 7  
JAN 20/09





757

PARTS CATALOG (MAINTENANCE)

FIG ITEM	PART NUMBER	1 2 3 4 5 6 7	NOMENCLATURE	EFFECT FROM TO	UNITS PER ASSY
5 15	114N4002-163SP		.SLAT ASSY-NO. 1 WING LE POSITION DATA: OSS 707.00 TO 836.87 LH COMPONENT MAINT MANUAL REF: 57-43-14 QUALIFIED I/W DATA: -185SP OR -175SP MAY REPLACE -163SP OR -159SP OR -157SP OR -171SP SUBJECT TO CUSTOMER ACCEPTANCE OF WEIGHT PENALTY. -187SP MAY REPLACE -163SP. -163SP MAY REPLACE -187SP AFTER INCORPORATION OF S/B 757-57-0057 FOR DETAILS SEE: 27-81-02-01	002004 006100 107107 121503 904999	1
15	114N4002-171SP		.SLAT ASSY-NO. 1 WING LE BASIC POSITION DATA: OSS 707.00 TO 836.87 LH COMPONENT MAINT MANUAL REF: 57-43-14 QUALIFIED I/W DATA: -171SP I/W -147SP OR -131 IF S/B 757-57A0045 IS INCORPORATED ON THE -147SP OR -131 -171SP CAN REPLACE THE -137 OR -121 OR -113 OR -109 OR -1. HOWEVER -137 OR -121 OR -113 OR -109 OR -1 CAN ONLY BE USED IF THE AIRPLANE IS RESTRICTED TO 241K MTGW -171SP I/W -169SP IF S/B 757-57-0057 IS INCORPORATED ON THE -171SP -167SP CAN REPLACE -171SP SUBJECT TO CUSTOMER ACCEPTANCE OF WEIGHT PENALTY FOR DETAILS SEE: 27-81-02-01	002004 006100 107107 121503 904999	1

MISSING ITEM NUMBERS NOT APPLICABLE

- ITEM NOT ILLUSTRATED

27-81-02-05

27-81-02  
FIG. 05  
PAGE 8  
JAN 20/09

BRI



757

PARTS CATALOG (MAINTENANCE)

FIG ITEM	PART NUMBER	1 2 3 4 5 6 7 NOMENCLATURE	EFFECT FROM TO	UNITS PER ASSY
5 15	114N4002-187SP	.SLAT ASSY-NO. 1 WING LE POSITION DATA: OSS 707.00 TO 836.87 LH COMPONENT MAINT MANUAL REF: 57-43-14 QUALIFIED I/W DATA: -187SP MAY REPLACE THE -163SP. -163SP MAY REPLACE THE -187SP AFTER THE INCORPORATION OF S/B 757-57-0057 -187SP MAY REPLACE THE -159SP. -159SP MAY REPLACE THE -187SP AFTER INCORPORATION OF 757-57-0057 -187SP MAY REPLACE THE -157SP. -157SP MAY REPLACE THE -187SP AFTER INCORPORATION OF S/B 757-57-0057 -187SP CAN REPLACE BUT NOT BE REPLACED BY -137 OR -121 OR -113 OR-109 OR -1 SUBJECT TO CUSTOMER COLOR PREFERENCE -187SP MAY REPLACE -171SP. -171SP MAY REPLACE THE -187SP AFTER THE INCORPORATION OF S/B 757-57-0057 FOR DETAILS SEE: 27-81-02-01	002004 006100 107107 121503 904999	1

MISSING ITEM NUMBERS NOT APPLICABLE

- ITEM NOT ILLUSTRATED

BRI

**27-81-02-05**

BOEING PROPRIETARY - Copyright © - Unpublished Work - See title page for details.

27-81-02  
FIG. 05  
PAGE 9  
JAN 20/09



757

PARTS CATALOG (MAINTENANCE)

FIG ITEM	PART NUMBER	1 2 3 4 5 6 7	NOMENCLATURE	EFFECT FROM TO	UNITS PER ASSY
5 50	114N4003-147		.SLAT ASSY-NO. 2 WING LE POSITION DATA: OSS 574.80 TO 705.50 LH COMPONENT MAINT MANUAL REF: 57-43-18 QUALIFIED I/W DATA: -147 IS I/W -153 IF S/B 757-57-0043 IS INCORPORATED -147 IS I/W -141, HOWEVER, -141 CAN BE USED ONLY IF THE AIRPLANE IS RESTRICTED TO 241K MTGW REWORKED BY SB: 27-0126 REWORKED BY ALERT SB: 57A0038R6 FOR DETAILS SEE: 27-81-02-02	002004 006100 107107 121503 904999	1
55	114N4003-171		.SLAT ASSY-NO. 2 WING LE POSITION DATA: OSS 574.80 TO 705.50 LH COMPONENT MAINT MANUAL REF: 57-43-18 QUALIFIED I/W DATA: 114N4003-171 INTERCHANGEABLE WITH -201SP OR -221SP IF SERVICE BULLETINS 757-27-0126 AND 757-57-0057 ARE INCORPORATED ON OLDER SLATS REWORKED BY SB: 27-0126 REWORKED BY ALERT SB: 57A0045R1 57A0038R6 FOR DETAILS SEE: 27-81-02-02	002004 006100 107107 121503 904999	1

MISSING ITEM NUMBERS NOT APPLICABLE

- ITEM NOT ILLUSTRATED

BRI

27-81-02-05

BOEING PROPRIETARY - Copyright © - Unpublished Work - See title page for details.

27-81-02  
FIG. 05  
PAGE 10  
JAN 20/09



757

PARTS CATALOG (MAINTENANCE)

FIG ITEM	PART NUMBER	1 2 3 4 5 6 7	NOMENCLATURE	EFFECT FROM TO	UNITS PER ASSY
5 55	114N4003-177SP		.SLAT ASSY-NO. 2 WING LE POSITION DATA: OSS 574.80 TO 705.50 LH COMPONENT MAINT MANUAL REF: 57-43-18 QUALIFIED I/W DATA: -177SP CAN REPLACE -111 IF BOTH -177SP AND THE RECIEVING ARICRAFT HAVE THE SAME SLAT LOSS SENSING SYSTEM. -177SP CAN REPLACE -115 IF BOTH -177SP AND THE RECIEVING ARICRAFT HAVE THE SAME SLAT LOSS SENSING SYSTEM. REWORKED BY SB: 27-0126 POST ALERT SB: 57A0038R4 REWORKED BY ALERT SB: 57A0045R1 FOR DETAILS SEE: 27-81-02-02	002004 006100 107107 121503 904999	1

MISSING ITEM NUMBERS NOT APPLICABLE

- ITEM NOT ILLUSTRATED

BRI

27-81-02-05

BOEING PROPRIETARY - Copyright © - Unpublished Work - See title page for details.

27-81-02  
FIG. 05  
PAGE 11  
JAN 20/09



757

PARTS CATALOG (MAINTENANCE)

FIG ITEM	PART NUMBER	1 2 3 4 5 6 7	NOMENCLATURE	EFFECT FROM TO	UNITS PER ASSY
5 55	114N4003-183SP		.SLAT ASSY-NO. 2 WING LE POSITION DATA: OSS 574.80 TO 705.50 LH COMPONENT MAINT MANUAL REF: 57-43-18 QUALIFIED I/W DATA: THE -183SP OR -191SP OR -193SP CAN REPLACE THE -111 IF BOTH THE -183SP OR -191SP OR -193SP AND THE RECEIVING AIRCRAFT HAVE THE SAME SLAT SENSING SYSTEM -183SP CAN REPLACE -115 IF BOTH -183SP AND THE RECEIVING AIRCRAFT HAVE THE SAME SLOT LOSS SENSING SYSTEM. 114N4003-183SP IS INTERCHANGABLE WITH 114N4003-193SP IF RECEIVING AIRCRAFT AND NEW SLAT HAVE BEEN REWORKED PER S/B 757-27-0126. REWORKED BY SB: 27-0126 FOR DETAILS SEE: 27-81-02-02	002004 006100 107107 121503 904999	1
55	114N4003-185SP		.SLAT ASSY-NO. 2 WING LE POSITION DATA: OSS 574.80 TO 705.50 LH COMPONENT MAINT MANUAL REF: 57-43-18 QUALIFIED I/W DATA: THE -185SP CAN REPLACE THE -111 OR -115 IF BOTH -185SP AND RECEIVING AIRCRAFT HAVE THE SAME SLAT SENSING SYSTEM REWORKED BY SB: 27-0126 FOR DETAILS SEE: 27-81-02-02	002004 006100 107107 121503 904999	1

MISSING ITEM NUMBERS NOT APPLICABLE

- ITEM NOT ILLUSTRATED

27-81-02-05

27-81-02  
FIG. 05  
PAGE 12  
JAN 20/09

BRI



757

PARTS CATALOG (MAINTENANCE)

FIG ITEM	PART NUMBER	1 2 3 4 5 6 7	NOMENCLATURE	EFFECT FROM TO	UNITS PER ASSY
5	114N4003-187SP		.SLAT ASSY-NO. 2 WING LE POSITION DATA: OSS 574.80 TO 705.50 LH COMPONENT MAINT MANUAL REF: 57-43-18 QUALIFIED I/W DATA: THE -187SP CAN REPLACE THE -111 OR -115 IF BOTH -187SP AND RECEIVING AIRCRAFT HAVE THE SAME SLAT SENSING SYSTEM REWORKED BY SB: 27-0126 FOR DETAILS SEE: 27-81-02-02	002004 006100 107107 121503 904999	1
55	114N4003-189SP		.SLAT ASSY-NO. 2 WING LE POSITION DATA: OSS 574.80 TO 705.50 LH COMPONENT MAINT MANUAL REF: 57-43-18 QUALIFIED I/W DATA: THE -189SP CAN REPLACE THE -111 OR -115 IF BOTH -189SP AND RECEIVING AIRCRAFT HAVE THE SAME SLAT SENSING SYSTEM 114N4003-189SP IS INTERCHANGEABLE WITH -201SP IF SERVICE BULLETINS 757-27-0126 AND 757-57-0057 ARE INCORPORATED ON OLDER SLATS REWORKED BY SB: 27-0126 FOR DETAILS SEE: 27-81-02-02	002004 006100 107107 121503 904999	1

MISSING ITEM NUMBERS NOT APPLICABLE

- ITEM NOT ILLUSTRATED

BRI

**27-81-02-05**

BOEING PROPRIETARY - Copyright © - Unpublished Work - See title page for details.

27-81-02  
FIG. 05  
PAGE 13  
JAN 20/09



757

PARTS CATALOG (MAINTENANCE)

FIG ITEM	PART NUMBER	1 2 3 4 5 6 7 NOMENCLATURE	EFFECT FROM TO	UNITS PER ASSY
5 55	114N4003-191SP	.SLAT ASSY-NO. 2 WING LE POSITION DATA: OSS 574.80 TO 705.50 LH COMPONENT MAINT MANUAL REF: 57-43-18 QUALIFIED I/W DATA: THE -191SP CAN REPLACE THE -111 OR -115 IF BOTH -191SP AND RECEIVING AIRCRAFT HAVE THE SAME SLAT SENSING SYSTEM. 114N4003-191SP IS INTERCHANGEABLE WITH -221SP IF SERVICE BULLETINS 757-27-0126 AND 757-57-0057 ARE INCORPORATED ON OLDER SLATS 114N4003-191SP IS INTERCHANGEABLE WITH -201SP IF SERVICE BULLETINS 757-27-0126 AND 757-57-0057 ARE INCORPORATED ON OLDER SLATS REWORKED BY SB: 27-0126 FOR DETAILS SEE: 27-81-02-02	002004 006100 107107 121503 904999	1

MISSING ITEM NUMBERS NOT APPLICABLE

- ITEM NOT ILLUSTRATED

BRI

**27-81-02-05**

BOEING PROPRIETARY - Copyright © - Unpublished Work - See title page for details.

27-81-02  
FIG. 05  
PAGE 14  
JAN 20/09



757

PARTS CATALOG (MAINTENANCE)

FIG ITEM	PART NUMBER	1 2 3 4 5 6 7	NOMENCLATURE	EFFECT FROM TO	UNITS PER ASSY
5 55	114N4003-193SP		.SLAT ASSY-NO. 2 WING LE POSITION DATA: OSS 574.80 TO 705.50 LH COMPONENT MAINT MANUAL REF: 57-43-18 QUALIFIED I/W DATA: 114N4003-193SP IS INTERCHANGEABLE WITH -201SP IF SERVICE BULLETINS 757-27-0126 AND 757-57-0057 ARE INCORPORATED ON OLDER SLATS THE -191SP CAN REPLACE THE -111 OR -115 IF BOTH -191SP AND RECEIVING AIRCRAFT HAVE THE SAME SLAT SENSING SYSTEM. REWORKED BY SB: 27-0126 FOR DETAILS SEE: 27-81-02-02	002004 006100 107107 121503 904999	1

MISSING ITEM NUMBERS NOT APPLICABLE

- ITEM NOT ILLUSTRATED

BRI

27-81-02-05

BOEING PROPRIETARY - Copyright © - Unpublished Work - See title page for details.

27-81-02  
FIG. 05  
PAGE 15  
JAN 20/09





757

PARTS CATALOG (MAINTENANCE)

FIG ITEM	PART NUMBER	1 2 3 4 5 6 7	NOMENCLATURE	EFFECT FROM TO	UNITS PER ASSY
5 55	114N4003-201SP		.SLAT ASSY-NO. 2 WING LE POSITION DATA: OSS 574.80 TO 705.50 LH COMPONENT MAINT MANUAL REF: 57-43-18 QUALIFIED I/W DATA: 114N4003-189SP OR -191SP OR -193SP OR -203SP IS INTERCHANGEABLE WITH 114N4003-201SP IF SERVICE BULLETINS 757-27-0126 AND 757-57-0057 ARE INCORPORATED ON OLDER SLATS 114N4003-171 INTERCHANGEABLE WITH -201SP OR -221SP IF SERVICE BULLETINS 757-27-0126 AND 757-57-0057 ARE INCORPORATED ON OLDER SLATS 114N4003-191SP IS INTERCHANGEABLE WITH -201SP IF SERVICE BULLETINS 757-27-0126 AND 757-57-0057 ARE INCORPORATED ON OLDER SLATS FUNCTIONAL REFERENCE: FLIGHT CONTROL FOR DETAILS SEE 27-81-02-02 WINGS FOR DETAILS SEE 57-41-51-11	002004 006100 107107 121503 904999	1

MISSING ITEM NUMBERS NOT APPLICABLE

- ITEM NOT ILLUSTRATED

BRI

27-81-02-05

BOEING PROPRIETARY - Copyright © - Unpublished Work - See title page for details.

27-81-02  
FIG. 05  
PAGE 16  
JAN 20/09



757

PARTS CATALOG (MAINTENANCE)

FIG ITEM	PART NUMBER	1 2 3 4 5 6 7	NOMENCLATURE	EFFECT FROM TO	UNITS PER ASSY
5 55	114N4003-203SP		.SLAT ASSY-NO. 2 WING LE POSITION DATA: OSS 574.80 TO 705.50 LH COMPONENT MAINT MANUAL REF: 57-43-18 QUALIFIED I/W DATA: THE -203SP CAN REPLACE THE -111 IF BOTH -203SP AND RECEIVING AIRCRAFT HAVE THE SAME SLAT SENSING SYSTEM. 114N4003-203SP IS INTERCHANGEABLE WITH -201SP IF SERVICE BULLETINS 757-27-0126 AND 757-57-0057 ARE INCORPORATED ON OLDER SLATS THE -203SP CAN REPLACE -111 IF BOTH -203SP AND RECEIVING AIRCRAFT HAVE THE SAME SLAT SENSING SYSTEM. REWORKED BY SB: 27-0126 FOR DETAILS SEE: 27-81-02-02	002004 006100 107107 121503 904999	1

MISSING ITEM NUMBERS NOT APPLICABLE

- ITEM NOT ILLUSTRATED

BRI

27-81-02-05

BOEING PROPRIETARY - Copyright © - Unpublished Work - See title page for details.

27-81-02  
FIG. 05  
PAGE 17  
JAN 20/09



757

PARTS CATALOG (MAINTENANCE)

FIG ITEM	PART NUMBER	1 2 3 4 5 6 7	NOMENCLATURE	EFFECT FROM TO	UNITS PER ASSY
5 57	114N4003-221SP		.SLAT ASSY-NO. 2 WING LE POSITION DATA: OSS 574.80 TO 705.50 LH COMPONENT MAINT MANUAL REF: 57-43-18 QUALIFIED I/W DATA: 114N4003-171 INTERCHANGEABLE WITH -201SP OR -221SP IF SERVICE BULLETINS 757-27-0126 AND 757-57-0057 ARE INCORPORATED ON OLDER SLATS 114N4003-191SP IS INTERCHANGEABLE WITH -221SP IF SERVICE BULLETINS 757-27-0126 AND 757-57-0057 ARE INCORPORATED ON OLDER SLATS POST SERVICE BULLETIN: 27-0126 FUNCTIONAL REFERENCE: FLIGHT CONTROL FOR DETAILS SEE 27-81-02-02 WINGS FOR DETAILS SEE 57-41-51-11	002004 006100 107107 121503 904999	1
57	114N4003-177SP		.SLAT ASSY-NO. 2 WING LE POSITION DATA: OSS 574.80 TO 707.00 COMPONENT MAINT MANUAL REF: 57-43-18 FOR DETAILS SEE: 27-81-02-02	002004 006100 107107 121503 904999	RF

MISSING ITEM NUMBERS NOT APPLICABLE

- ITEM NOT ILLUSTRATED

BRI

27-81-02-05

BOEING PROPRIETARY - Copyright © - Unpublished Work - See title page for details.

27-81-02  
FIG. 05  
PAGE 18  
JAN 20/09



757

PARTS CATALOG (MAINTENANCE)

FIG ITEM	PART NUMBER	1 2 3 4 5 6 7	NOMENCLATURE	EFFECT FROM TO	UNITS PER ASSY
5 57	114N4003-195SP		.SLAT ASSY-NO. 2 LE WING POSITION DATA: OSS 574.80 TO 705.50 LH COMPONENT MAINT MANUAL REF: 57-43-18 QUALIFIED I/W DATA: THE -195SP CAN REPLACE -111 OR -115 IF BOTH -195SP AND RECEIVING AIRCRAFT HAVE THE SAME SLAT SENSING SYSTEM. REWORKED BY SB: 27-0126 FOR DETAILS SEE: 27-81-02-02	002004 006100 107107 121503 904999	1
57	114N4003-147		.SLAT ASSY-NO. 2 WING LE COMPONENT MAINT MANUAL REF: 57-43-18 QUALIFIED I/W DATA: THE -147 CAN REPLACE THE -111 IF BOTH THE -147 AND THE RECEIVING AIRCRAFT HAVE THE SAME SLAT LOSS SENSING SYSTEM REWORKED BY SB: 27-0126 FOR DETAILS SEE: 27-81-02-02	002004 006100 107107 121503 904999	RF

MISSING ITEM NUMBERS NOT APPLICABLE

- ITEM NOT ILLUSTRATED

BRI

**27-81-02-05**

BOEING PROPRIETARY - Copyright © - Unpublished Work - See title page for details.

27-81-02  
FIG. 05  
PAGE 19  
JAN 20/09



757

PARTS CATALOG (MAINTENANCE)

FIG ITEM	PART NUMBER	1 2 3 4 5 6 7	NOMENCLATURE	EFFECT FROM TO	UNITS PER ASSY
5 100	114N4004-145		.SLAT ASSY-NO. 3 WING LE POSITION DATA: OSS 438.10 TO 573.30 LH COMPONENT MAINT MANUAL REF: 57-43-24 QUALIFIED I/W DATA: -145 IS I/W -139, HOWEVER, -139 CAN BE USED ONLY IF THE AIRPLANE IS RESTRICTED TO 241K MTGW. 114N4004-145 INTERCHANGEABLE WITH 114N4004-165SP IF SERVICE BULLETIN 757-57A0045 IS INCORPORATED REWORKED BY SB: 27-0126 REWORKED BY ALERT SB: 57A0045R1 57A0038R6 FOR DETAILS SEE: 27-81-02-03	002004 006100 107107 121503 950999	1
103	114N4004-185SP		.SLAT ASSY-NO. 3 POSITION DATA: OSS 438.10 TO 573.30 LH COMPONENT MAINT MANUAL REF: 57-43-24 QUALIFIED I/W DATA: 114N4004-185SP INTERCHANGEABLE WITH 114N4004-165SP IF SERVICE BULLETIN 757-57A0045 IS INCORPORATED FOR DETAILS SEE: 27-81-02-03	002004 006100 107107 121503 904999	1

MISSING ITEM NUMBERS NOT APPLICABLE

- ITEM NOT ILLUSTRATED

BRI

27-81-02-05

BOEING PROPRIETARY - Copyright © - Unpublished Work - See title page for details.

27-81-02  
FIG. 05  
PAGE 20  
JAN 20/09



757

PARTS CATALOG (MAINTENANCE)

FIG ITEM	PART NUMBER	1 2 3 4 5 6 7	NOMENCLATURE	EFFECT FROM TO	UNITS PER ASSY
5 105	114N4004-165SP	.	SLAT ASSY-NO. 3 POSITION DATA: OSS 438.10 TO 573.30 LH COMPONENT MAINT MANUAL REF: 57-43-24 QUALIFIED I/W DATA: -175SP OR -171SP ARE CONDITIONALLY INTERCHANGEABLE WITH -165SP PER THE REQUIREMENTS OF S/B 757-57A0045 -149 I/W -165SP SUBJECT TO COLOR PREFERENCE REWORKED BY SB: 27-0126 POST ALERT SB: 57A0038R4 REWORKED BY ALERT SB: 57A0045R1 FOR DETAILS SEE: 27-81-02-03	107107 904949	1
105	114N4004-171SP	.	SLAT ASSY-NO. 3 POSITION DATA: OSS 438.10 TO 573.30 LH COMPONENT MAINT MANUAL REF: 57-43-24 QUALIFIED I/W DATA: -171SP IS CONDITIONALLY INTERCHANGEABLE WITH -165SP PER THE REQUIREMENTS OF S/B 757-57-0043 AND S/B 757-57A0045 REWORKED BY SB: 27-0126 FOR DETAILS SEE: 27-81-02-03	002004 006100 107107 121503 950999	1

MISSING ITEM NUMBERS NOT APPLICABLE

- ITEM NOT ILLUSTRATED

BRI

27-81-02-05

BOEING PROPRIETARY - Copyright © - Unpublished Work - See title page for details.

27-81-02  
FIG. 05  
PAGE 21  
JAN 20/09



757

PARTS CATALOG (MAINTENANCE)

FIG ITEM	PART NUMBER	1 2 3 4 5 6 7	NOMENCLATURE	EFFECT FROM TO	UNITS PER ASSY
5 105	114N4004-175SP	.	SLAT ASSY-NO. 3 POSITION DATA: OSS 438.10 TO 573.30 LH COMPONENT MAINT MANUAL REF: 57-43-24 QUALIFIED I/W DATA: -175SP IS CONDITIONALLY INTERCHANGEABLE WITH -165SP PER THE REQUIREMENTS OF S/B 757-57-0043 AND S/B 757-57A0045 REWORKED BY SB: 27-0126 FOR DETAILS SEE: 27-81-02-03	002004 006100 107107 121503 950999	1
105	114N4004-177SP	.	SLAT ASSY-NO. 3 POSITION DATA: OSS 438.10 TO 573.30 LH COMPONENT MAINT MANUAL REF: 57-43-24 QUALIFIED I/W DATA: -177SP IS CONDITIONALLY INTERCHANGEABLE WITH -165SP PER THE REQUIREMENTS OF S/B 757-57-0043 AND S/B 757-57A0045 REWORKED BY SB: 27-0126 FOR DETAILS SEE: 27-81-02-03	002004 006100 107107 121503 950999	1
105	114N4004-179SP	.	SLAT ASSY-NO. 3 POSITION DATA: OSS 438.10 TO 573.30 LH COMPONENT MAINT MANUAL REF: 57-43-24 QUALIFIED I/W DATA: 114N4004-179SP INTERCHANGEABLE WITH 114N4004-165SP IF SERVICE BULLETIN 757-57A0045 IS INCORPORATED REWORKED BY SB: 27-0126 FOR DETAILS SEE: 27-81-02-03	002004 006100 107107 121503 904999	1

MISSING ITEM NUMBERS NOT APPLICABLE

- ITEM NOT ILLUSTRATED

**27-81-02-05**

27-81-02  
FIG. 05  
PAGE 22  
JAN 20/09

BRI



757

PARTS CATALOG (MAINTENANCE)

FIG ITEM	PART NUMBER	1 2 3 4 5 6 7	NOMENCLATURE	EFFECT FROM TO	UNITS PER ASSY
5 105	114N4004-181SP	.SLAT ASSY-NO. 3 POSITION DATA: OSS 438.10 TO 573.30 LH COMPONENT MAINT MANUAL REF: 57-43-24 QUALIFIED I/W DATA: 114N4004-181SP INTERCHANGEABLE WITH 114N4004-165SP IF SERVICE BULLETIN 757-57A0045 IS INCORPORATED 114N4004-181SP INTERCHANGEABLE WITH 114N4004-191SP OR -215SP IF SERVICE BULLETINS 757-27-0126 AND 757- 57-0057 ARE INCORPORATED. OPTIONAL PART: 114N4004-195SP REWORKED BY SB: 27-0126 FOR DETAILS SEE: 27-81-02-03		002004 006100 107107 121503 950999	1
105	114N4004-183SP	.SLAT ASSY-NO. 3 POSITION DATA: OSS 438.10 TO 573.30 LH COMPONENT MAINT MANUAL REF: 57-43-24 QUALIFIED I/W DATA: 114N4004-183SP INTERCHANGEABLE WITH 114N4004-165SP IF SERVICE BULLETIN 757-57A0045 IS INCORPORATED REWORKED BY SB: 27-0126 FOR DETAILS SEE: 27-81-02-03		002004 006100 107107 121503 904999	1

MISSING ITEM NUMBERS NOT APPLICABLE

- ITEM NOT ILLUSTRATED

27-81-02-05

27-81-02  
FIG. 05  
PAGE 23  
JAN 20/09

BRI





757

PARTS CATALOG (MAINTENANCE)

FIG ITEM	PART NUMBER	1 2 3 4 5 6 7	NOMENCLATURE	EFFECT FROM TO	UNITS PER ASSY
5 105	114N4004-191SP		.SLAT ASSY-NO. 3 POSITION DATA: OSS 438.10 TO 573.30 LH COMPONENT MAINT MANUAL REF: 57-43-24 QUALIFIED I/W DATA: -191SP INTERCHANGEABLE WITH -165SP IF S/B 757-27-0126 AND 757-57-0057 ARE INCORPORATED 114N4004-181SP INTERCHANGEABLE WITH 114N4004-191SP IF SERVICE BULLETINS 757-27-0126 AND 757-57-0057 ARE INCORPORATED. FUNCTIONAL REFERENCE: FLIGHT CONTROL FOR DETAILS SEE 27-81-02-03 WINGS FOR DETAILS SEE 57-41-51-11	002004 006100 107107 121503 904999	1
105	114N4004-195SP		.SLAT ASSY-NO. 3 POSITION DATA: OSS 438.10 TO 573.30 LH COMPONENT MAINT MANUAL REF: 57-43-24 QUALIFIED I/W DATA: 114N4004-195SP INTERCHANGEABLE WITH 114N4004-165SP IF SERVICE BULLETIN 757-57A0045 IS INCORPORATED REWORKED BY SB: 27-0126 FOR DETAILS SEE: 27-81-02-03	002004 006100 107107 121503 950999	1
105	114N4004-189SP		.SLAT ASSY-NO. 3 WING LE POSITION DATA: OSS 438.10 TO 573.30 LH COMPONENT MAINT MANUAL REF: 57-43-24 FOR DETAILS SEE: 27-81-02-03	002004 006100 107107 121503 904999	1

MISSING ITEM NUMBERS NOT APPLICABLE

- ITEM NOT ILLUSTRATED

27-81-02-05

27-81-02  
FIG. 05  
PAGE 24  
JAN 20/09

BRI



757

PARTS CATALOG (MAINTENANCE)

FIG ITEM	PART NUMBER	1 2 3 4 5 6 7 NOMENCLATURE	EFFECT FROM TO	UNITS PER ASSY
5 105	114N4004-215SP	.SLAT ASSY-NO. 3 POSITION DATA: OSS 438.10 TO 573.30 LH COMPONENT MAINT MANUAL REF: 57-43-24 QUALIFIED I/W DATA: -215SP INTERCHANGEABLE WITH -165SP IF S/B 757-27-0126 AND 757-57-0057 ARE INCORPORATED 114N4004-181SP INTERCHANGEABLE WITH 114N4004-215SP IF SERVICE BULLETINS 757-27-0126 AND 757-57-0057 ARE INCORPORATED. POST SERVICE BULLETIN: 27-0126 FUNCTIONAL REFERENCE: FLIGHT CONTROL FOR DETAILS SEE 27-81-02-03 WINGS FOR DETAILS SEE 57-41-51-11	002004 006100 107107 121503 904999	1

MISSING ITEM NUMBERS NOT APPLICABLE

- ITEM NOT ILLUSTRATED

BRI

# 27-81-02-05

BOEING PROPRIETARY - Copyright © - Unpublished Work - See title page for details.

27-81-02  
FIG. 05  
PAGE 25  
JAN 20/09



757

PARTS CATALOG (MAINTENANCE)

FIG ITEM	PART NUMBER	1 2 3 4 5 6 7 NOMENCLATURE	EFFECT FROM TO	UNITS PER ASSY
5 105	114N4004-165SP	.SLAT ASSY-NO. 3 POSITION DATA: OSS 438.10 TO 573.30 LH COMPONENT MAINT MANUAL REF: 57-43-24 QUALIFIED I/W DATA: 114N4004-165SP INTERCHANGEABLE WITH -185SP OR -183SP OR -181SP OR -179SP OR -195SP IF SERVICE BULLETIN 757-57A0045 HAS BEEN INCORPORATED -165SP INTERCHANGEABLE WITH -191SP OR -215SP IF S/B 757-27-0126 AND 757-57-0057 ARE INCORPORATED 114N4004-165SP IS INTERCHANGEABLE WITH 114N4004-145 UPON INCORPORATION OF SERVICE BULLETIN 757-57A0045 FOR DETAILS SEE: 27-81-02-03	107107 904949	RF

MISSING ITEM NUMBERS NOT APPLICABLE

- ITEM NOT ILLUSTRATED

BRI

**27-81-02-05**

BOEING PROPRIETARY - Copyright © - Unpublished Work - See title page for details.

27-81-02  
FIG. 05  
PAGE 26  
JAN 20/09



757

PARTS CATALOG (MAINTENANCE)

FIG ITEM	PART NUMBER	1 2 3 4 5 6 7	NOMENCLATURE	EFFECT FROM TO	UNITS PER ASSY
5 150	114N4005-157		.SLAT ASSY-NO. 4 POSITION DATA: OSS 305.47 TO 438.10 LH COMPONENT MAINT MANUAL REF: 57-43-28 QUALIFIED I/W DATA: -157 IS I/W -151, HOWEVER, -151 CAN BE USED ONLY IF THE AIRPLANE IS RESTRICTED TO 241K MTGW 114N4005-157 INTERCHANGEABLE WITH 114N4005-177SP IF 218N1017-1 ON SLAT IS USED WITH 218N1011-1, -2, -3 OR -4 IS ON FIXED LEADING EDGE. IF 218N1017-4 IS ON SLAT, 218N1011-4 MUST BE USED ON FIXED LEADING EDGE 114N4005-157 INTERCHANGEABLE WITH 114N4005-183SP IF 218N1017-1 ON SLAT IS USED WITH 218N1011-1, -2, -3 OR -4 IS ON FIXED LEADING EDGE. IF 218N1017-4 IS ON SLAT, 218N1011-4 MUST BE USED ON FIXED LEADING EDGE REWORKED BY ALERT SB: 57A0045R1 57A0038R6 FOR DETAILS SEE: 27-81-02-04	107107	1

MISSING ITEM NUMBERS NOT APPLICABLE

- ITEM NOT ILLUSTRATED

27-81-02-05

27-81-02  
FIG. 05  
PAGE 27  
JAN 20/09

BRI



757

PARTS CATALOG (MAINTENANCE)

FIG ITEM	PART NUMBER	1 2 3 4 5 6 7	NOMENCLATURE	EFFECT FROM TO	UNITS PER ASSY
5 150	114N4005-161		.SLAT ASSY-NO. 4 VAR POSITION DATA: OSS 305.47 TO 438.10 LH COMPONENT MAINT MANUAL REF: 57-43-28 QUALIFIED I/W DATA: -161 IS I/W -155, HOWEVER -155 CAN BE USED ONLY IF THE AIRPLANE IS RESTRICTED TO 241K MTGW -157 OR -159 OR -161 I/W -177SP SUBJECT TO COLOR PREFERENCE 114N4004-177SP CAN REPLACE 114N4004-161 IF -177SP HAS 218N1017-1 AND FORWARD LEADING EDGE HAS 218N1011 -1, -2, -3, OR -4. IF 114N4004-177SP HAS 218N1017-4 THE FORWARD LEADING EDGE MUST HAVE 218N1011-4. SEE DRAWING 114N0001 SHEET 1 NOTE 14 FOR MORE DETAILS REWORKED BY SB: 27-0126 REWORKED BY ALERT SB: 57A0045R1 57A0038R6 FOR DETAILS SEE: 27-81-02-04	002004 006100 107107 121503 904999	1
151	114N4005-195SP		.SLAT ASSY-NO. 4 POSITION DATA: OSS 305.47 TO 438.10 LH REWORKED BY SB: 27-0126 FOR DETAILS SEE: 27-81-02-04	002004 006100 107107 121503 904999	1
155	114N4005-177SP		.SLAT ASSY-NO. 4 POSITION DATA: OSS 305.47 TO 438.10 LH COMPONENT MAINT MANUAL REF: 57-43-28 QUALIFIED I/W DATA: 114N4005-157 INTERCHANGEABLE WITH 114N4005-177SP IF 218N1017-1 ON SLAT IS	002004 107107 121503 904949 952952	1

MISSING ITEM NUMBERS NOT APPLICABLE

- ITEM NOT ILLUSTRATED

27-81-02-05

27-81-02  
FIG. 05  
PAGE 28  
JAN 20/09

BRI



757

PARTS CATALOG (MAINTENANCE)

FIG ITEM	PART NUMBER	1 2 3 4 5 6 7 NOMENCLATURE	EFFECT FROM TO	UNITS PER ASSY
5		<p>USED WITH 218N1011-1, -2, -3 OR -4 ON FIXED LEADING EDGE. IF 218N1017-4 IS ON SLAT, 218N1011-4 MUST BE USED ON FIXED LEADING EDGE 114N4005-177SP INTERCHANGEABLE WITH 114N4005-183SP IF 218N1017-1 ON SLAT IS USED WITH 218N1011-1, -2, -3 OR -4 ON FIXED LEADING EDGE. IF 218N1017-4 IS ON SLAT, 218N1011-4 MUST BE USED ON FIXED LEADING EDGE 114N4005-177SP INTERCHANGEABLE WITH 114N4005-185SP IF 218N1017-1 ON SLAT IS USED WITH 218N1011-1, -2, -3 OR -4 ON FIXED LEADING EDGE. IF 218N1017-4 IS ON SLAT, 218N1011-4 MUST BE USED ON FIXED LEADING EDGE 114N4005-157 INTERCHANGEABLE WITH 114N4005-177SP IF 218N1071-1 ON SLAT IS USED WITH 218N1011-1, -2, -3 OR -4 ON FIXED LEADING EDGE. IF 218N1071-4 IS ON SLAT, 218N1011-4 MUST BE USED ON FIXED LEADING EDGE 114N4004-177SP CAN REPLACE 114N4004-159 IF -177SP HAS 218N1017-1 AND FORWARD LEADING EDGE HAS 218N1011-1, -2, -3, OR -4. IF 114N4004-177SP HAS 218N1017-4 THE FORWARD LEADING EDGE MUST HAVE 218N1011-4. SEE DRAWING 114N0001 SHEET 1 NOTE 14 FOR MORE DETAILS. 114N4004-177SP</p>		

MISSING ITEM NUMBERS NOT APPLICABLE

- ITEM NOT ILLUSTRATED

27-81-02-05

27-81-02  
FIG. 05  
PAGE 29  
JAN 20/09

BRI



**757  
PARTS CATALOG (MAINTENANCE)**

FIG ITEM	PART NUMBER	1 2 3 4 5 6 7 NOMENCLATURE	EFFECT FROM TO	UNITS PER ASSY
5	155 114N4005-183SP	<p>CAN REPLACE 114N4004-161 IF -177SP HAS 218N1017-1 AND FORWARD LEADING EDGE HAS 218N1011-1, -2, -3, OR -4. IF 114N4004-177SP HAS 218N1017-4 THE FORWARD LEADING EDGE MUST HAVE 218N1011-4. SEE DRAWING 114N0001 SHEET 1 NOTE 14 FOR MORE DETAILS. REWORKED BY SB: 57-0049 27-0126 POST ALERT SB: 57A0038R4 REWORKED BY ALERT SB: 57A0045R1 FOR DETAILS SEE: 27-81-02-04</p> <p>.SLAT ASSY-NO. 4 POSITION DATA: OSS 305.47 TO 438.10 LH COMPONENT MAINT MANUAL REF: 57-43-28 QUALIFIED I/W DATA: 114N4005-177SP INTERCHANGEABLE WITH 114N4005-183SP IF 218N1071-1 ON SLAT IS USED WITH 218N1011-1, -2, -3 OR -4 ON FIXED LEADING EDGE. IF 218N1071-4 IS ON SLAT, 218N1011-4 MUST BE USED ON FIXED LEADING EDGE 114N4005-157 INTERCHANGEABLE WITH 114N4005-183SP IF 218N1071-1 ON SLAT IS USED WITH 218N1011-1, -2, -3 OR -4 ON FIXED LEADING EDGE. IF 218N1071-4 IS ON SLAT, 218N1011-4 MUST BE USED ON FIXED LEADING EDGE 114N4005-177SP INTERCHANGEABLE WITH 114N4005-183SP IF</p>	002004 006100 107107 121503 904999	1

MISSING ITEM NUMBERS NOT APPLICABLE

— ITEM NOT ILLUSTRATED

# 27-81-02-05

27-81-02  
FIG. 05  
PAGE 30  
JAN 20/09

BRI



757

PARTS CATALOG (MAINTENANCE)

FIG ITEM	PART NUMBER	1 2 3 4 5 6 7 NOMENCLATURE	EFFECT FROM TO	UNITS PER ASSY
5		218N1017-1 ON SLAT IS USED WITH 218N1011-1, -2, -3 OR -4 ON FIXED LEADING EDGE. IF 218N1017-4 IS ON SLAT, 218N1011-4 MUST BE USED ON FIXED LEADING EDGE 114N4005-157 INTERCHANGEABLE WITH 114N4005-183SP IF 218N1017-1 ON SLAT IS USED WITH 218N1011-1, -2, -3 OR -4 ON FIXED LEADING EDGE. IF 218N1017-4 IS ON SLAT, 218N1011-4 MUST BE USED ON FIXED LEADING EDGE REWORKED BY SB: 27-0126 57-0049 FOR DETAILS SEE: 27-81-02-04		

MISSING ITEM NUMBERS NOT APPLICABLE

- ITEM NOT ILLUSTRATED

BRI

27-81-02-05

BOEING PROPRIETARY - Copyright © - Unpublished Work - See title page for details.

27-81-02  
FIG. 05  
PAGE 31  
JAN 20/09





757

PARTS CATALOG (MAINTENANCE)

FIG ITEM	PART NUMBER	1 2 3 4 5 6 7	NOMENCLATURE	EFFECT FROM TO	UNITS PER ASSY
5 155	114N4005-185SP		.SLAT ASSY-NO. 4 POSITION DATA: OSS 305.47 TO 438.10 LH COMPONENT MAINT MANUAL REF: 57-43-28 QUALIFIED I/W DATA: 114N4005-185SP INTERCHANGEABLE WITH 114N4005-177SP IF 218N1071-1 ON SLAT IS USED WITH 218N1011-1, -2, -3 OR -4 ON FIXED LEADING EDGE. IF 218N1071-4 IS ON SLAT 218N1011-4 MUST BE USED ON FIXED LEADING EDGE 114N4005-177SP INTERCHANGEABLE WITH 114N4005-185SP IF 218N1017-1 ON SLAT IS USED WITH 218N1011-1, -2, -3 OR -4 ON FIXED LEADING EDGE. IF 218N1017-4 IS ON SLAT 218N1011-4 MUST BE USED ON FIXED LEADING EDGE REWORKED BY SB: 27-0126 57-0049 FOR DETAILS SEE: 27-81-02-04	002004 006100 107107 121503 904999	1
155	114N4005-187SP		.SLAT ASSY-NO. 4 POSITION DATA: OSS 305.47 TO 438.10 LH COMPONENT MAINT MANUAL REF: 57-43-28 QUALIFIED I/W DATA: 114N4005-187SP INTERCHANGEABLE WITH 114N4005-157 IF 218N1071-1 ON SLAT IS USED WITH 218N1011-1, -2, -3 OR -4 ON FIXED LEADING EDGE. IF 218N1071-4 IS ON SLAT, 218N1011-4 MUST BE USED ON FIXED LEADING EDGE 114N4005-187SP INTERCHANGEABLE WITH	002004 006100 107107 121503 904999	1

MISSING ITEM NUMBERS NOT APPLICABLE

- ITEM NOT ILLUSTRATED

27-81-02-05

27-81-02  
FIG. 05  
PAGE 32  
JAN 20/09

BRI



757

PARTS CATALOG (MAINTENANCE)

FIG ITEM	PART NUMBER	1 2 3 4 5 6 7 NOMENCLATURE	EFFECT FROM TO	UNITS PER ASSY
5		<p>114N4005-177SP  IF 218N1071-1 ON  SLAT IS USED WITH  218N1011-1, -2,  -3 OR -4 ON FIXED  LEADING EDGE. IF  218N1071-4 IS ON SLAT,  218N1011-4 MUST BE USED  ON FIXED LEADING EDGE  114N4005-187SP  INTERCHANGEABLE WITH  114N4005-191SP IF  218N1071-1 ON SLAT IS  USED WITH 218N1011-1,  -2, -3 OR -4 ON FIXED  LEADING EDGE. IF  218N1071-4 IS ON  SLAT, 218N1011-4 MUST BE  USED ON FIXED LEADING  EDGE  114N4005-187SP  INTERCHANGEABLE WITH  114N4005-193SP IF  218N1071-1 ON SLAT IS  USED WITH 218N1011-1,  -2, -3 OR -4 ON FIXED  LEADING EDGE. IF  218N1071-4 IS ON SLAT,  218N1011-4 MUST BE USED  ON FIXED LEADING EDGE  REWORKED BY SB:  27-0126  57-0049  FOR DETAILS SEE:  27-81-02-04</p>		

MISSING ITEM NUMBERS NOT APPLICABLE

- ITEM NOT ILLUSTRATED

BRI

**27-81-02-05**

BOEING PROPRIETARY - Copyright © - Unpublished Work - See title page for details.

27-81-02  
FIG. 05  
PAGE 33  
JAN 20/09



757

PARTS CATALOG (MAINTENANCE)

FIG ITEM	PART NUMBER	1 2 3 4 5 6 7	NOMENCLATURE	EFFECT FROM TO	UNITS PER ASSY
5 155	114N4005-189SP		.SLAT ASSY-NO. 4 POSITION DATA: OSS 305.47 TO 438.10 LH COMPONENT MAINT MANUAL REF: 57-43-28 QUALIFIED I/W DATA: 114N4005-189SP INTERCHANGEABLE WITH 114N4005-157 IF 218N1071-1 ON SLAT IS USED WITH 218N1011-1, -2, -3 OR -4 ON FIXED LEADING EDGE. IF 218N1071-4 IS ON SLAT, 218N1011-4 MUST BE USED ON FIXED LEADING EDGE 114N4005-189SP INTERCHANGEABLE WITH 114N4005-177SP IF 18N1071-1 ON SLAT IS USED WITH 218N1011-1, -2, -3 OR -4 ON FIXED LEADING EDGE. IF 218N1071-4 IS ON SLAT, 218N1011-4 MUST BE USED ON FIXED LEADING EDGE REWORKED BY SB: 27-0126 57-0049 FOR DETAILS SEE: 27-81-02-04	002004 006100 107107 121503 904999	1
155	114N4005-191SP		.SLAT ASSY-NO. 4 POSITION DATA: OSS 305.47 TO 438.10 LH COMPONENT MAINT MANUAL REF: 57-43-28 REWORKED BY SB: 27-0126 57-0049 FOR DETAILS SEE: 27-81-02-04	002004 006100 107107 121503 904999	1
155	114N4005-193SP		.SLAT ASSY-NO. 4 POSITION DATA: OSS 305.47 TO 438.10 LH COMPONENT MAINT MANUAL REF: 57-43-28 QUALIFIED I/W DATA: 114N4005-193SP	002004 006100 107107 121503 904999	1

MISSING ITEM NUMBERS NOT APPLICABLE

- ITEM NOT ILLUSTRATED

27-81-02-05

27-81-02  
FIG. 05  
PAGE 34  
JAN 20/09

BRI



757

PARTS CATALOG (MAINTENANCE)

FIG ITEM	PART NUMBER	1 2 3 4 5 6 7 NOMENCLATURE	EFFECT FROM TO	UNITS PER ASSY
5		<p>INTERCHANGEABLE WITH 114N4005-177SP IF 218N1071-1 ON SLAT IS USED WITH 218N1011-1, -2, -3 OR -4 ON FIXED LEADING EDGE. IF 218N1071-4 IS ON SLAT, 218N1011-4 MUST BE USED ON FIXED LEADING EDGE 114N4005-183SP INTERCHANGEABLE WITH 114N4005-193SP IF 218N1071-1 ON SLAT IS IS USED WITH 218N1011-1, -2, -3 OR -4 ON FIXED LEADING EDGE. IF 218N1071-4 IS ON SLAT, 218N1011-4 MUST BE USED ON FIXED LEADING EDGE 114N4005-185SP INTERCHANGEABLE WITH 114N4005-193SP IF 218N1071-1 ON SLAT IS USED WITH 218N1011-1, -2, -3 OR -4 ON FIXED LEADING EDGE. IF IF 218N1071-4 IS ON SLAT, 218N1011-4 MUST BE USED ON FIXED LEADING EDGE 114N4005-187SP INTERCHANGEABLE WITH 114N4005-193SP IF 218N1071-1 ON SLAT IS USED WITH 218N1011-1, -2, -3 OR -4 ON FIXED LEADING EDGE. IF 218N1071-4 IS ON SLAT, 218N1011-4 MUST BE USED ON FIXED LEADING EDGE 114N4005-193SP INTERCHANGEABLE WITH 114N4005-203SP IF SERVICE BULLETINS 757-27-0126 AND 757-57-0056 AND 757-57-0057 ARE INCORPORATED. 114N4005-193SP</p>		

MISSING ITEM NUMBERS NOT APPLICABLE

- ITEM NOT ILLUSTRATED

**27-81-02-05**

27-81-02  
FIG. 05  
PAGE 35  
JAN 20/09

BRI



757

PARTS CATALOG (MAINTENANCE)

FIG ITEM	PART NUMBER	1 2 3 4 5 6 7	NOMENCLATURE	EFFECT FROM TO	UNITS PER ASSY
5			INTERCHANGEABLE WITH 114N4005-213SP IF SERVICE BULLETINS 757-27-0126 AND 757-57-0056 AND 757-57-0057 ARE INCORPORATED. REWORKED BY SB: 27-0126 57-0049 FOR DETAILS SEE: 27-81-02-04		
155	114N4005-199SP	.	SLAT ASSY-NO. 4 POSITION DATA: OSS 305.47 TO 438.10 LH COMPONENT MAINT MANUAL REF: 57-43-28 OPTIONAL PART: 114N4005-187SP REWORKED BY SB: 27-0126 57-0049 FOR DETAILS SEE: 27-81-02-04	002004 006100 107107 121503 904999	1
155	114N4005-205SP	.	SLAT ASSY-NO. 4 POSITION DATA: OSS 305.47 TO 438.10 LH COMPONENT MAINT MANUAL REF: 57-43-28 REWORKED BY SB: 27-0126 57-0049 FOR DETAILS SEE: 27-81-02-04	002004 006100 107107 121503 904999	1
155	114N4005-191SP	.	SLAT ASSY-NO. 4 POSITION DATA: OSS 305.47 TO 438.10 LH COMPONENT MAINT MANUAL REF: 57-43-28 QUALIFIED I/W DATA: 114N4005-157 INTERCHANGEABLE WITH 114N4005-191SP IF 218N1071-1 ON SLAT IS USED WITH 218N1011-1, -2, -3, OR -4 ON FIXED LEADING EDGE. IF 218N1071-4 IS ON SLAT, 218N1011-4 MUST BE USED	002004 006100 107107 121503 904999	RF

MISSING ITEM NUMBERS NOT APPLICABLE

- ITEM NOT ILLUSTRATED

27-81-02-05

27-81-02  
FIG. 05  
PAGE 36  
JAN 20/09

BRI



757

PARTS CATALOG (MAINTENANCE)

FIG ITEM	PART NUMBER	1 2 3 4 5 6 7 NOMENCLATURE	EFFECT FROM TO	UNITS PER ASSY
5		<p>ON FIXED LEADING EDGE  114N4005-177SP  INTERCHANGEABLE WITH  114N4005-191SP IF  218N1071-1 ON SLAT IS  USED WITH 218N1011-1,  -2, -3 OR -4 ON FIXED  LEADING EDGE. IF  218N1071-4 IS ON SLAT,  218N1011-4 MUST BE USED  ON FIXED LEADING EDGE  114N4005-191SP  INTERCHANGEABLE WITH  114N4005-183SP IF  218N1071-1 ON SLAT IS  USED WITH 218N1011-1,  -2, -3 OR -4 ON FIXED  LEADING EDGE. IF  218N1071-4 IS ON SLAT,  218N1011-4 MUST BE USED  ON FIXED LEADING EDGE  114N4005-185SP  INTERCHANGEABLE WITH  114N4005-191SP IF  218N1071-1 ON SLAT IS  USED WITH 218N1011-1,  -2, -3 OR -4 ON FIXED  LEADING EDGE. IF  218N1071-4 IS ON SLAT,  218N1011-4 MUST BE USED  ON FIXED LEADING EDGE  114N4005-187SP  INTERCHANGEABLE WITH  114N4005-191SP IF  218N1071-1 ON SLAT IS  USED WITH 218N1011-1,  -2, -3 OR -4 ON FIXED  LEADING EDGE. IF  218N1071-4 IS ON SLAT,  218N1011-4 MUST BE USED  ON FIXED LEADING EDGE  114N4005-191SP  INTERCHANGEABLE WITH  114N4005-203SP IF  SERVICE BULLETINS  757-27-0126 AND  757-57-0056 AND  757-57-0057 ARE  INCORPORATED.</p>		

MISSING ITEM NUMBERS NOT APPLICABLE

- ITEM NOT ILLUSTRATED

27-81-02-05

27-81-02  
FIG. 05  
PAGE 37  
JAN 20/09

BRI



757

PARTS CATALOG (MAINTENANCE)

FIG ITEM	PART NUMBER	1 2 3 4 5 6 7 NOMENCLATURE	EFFECT FROM TO	UNITS PER ASSY
5	157 114N4005-229SP	<p>114N4005-191SP  INTERCHANGEABLE WITH  114N4005-213SP IF  SERVICE BULLETINS  757-27-0126 AND  757-57-0056 AND  757-57-0057 ARE  INCORPORATED.  FOR DETAILS SEE:  27-81-02-04</p> <p>.SLAT ASSY-NO. 4 WING LE  POSITION DATA:  OSS 438.10 TO 305.47 LH  COMPONENT MAINT MANUAL REF:  57-43-28</p> <p>QUALIFIED I/W DATA:  THE -231SP OR -209SP OR  -197SP CAN REPLACE  -229SP SUBJECT TO  CUSTOMER ACCEPTANCE OF  WEIGHT PENALTY  114N4005-191SP CAN  REPLACE OR BE REPLACED  BY 114N4005-229SP IF  SERVICE BULLETINS  757-27-0126, 757-57-0056  AND 757-57-0057 ARE  INCORPORATED ON  114N4005-191SP.  POST SERVICE BULLETIN:  27-0126</p> <p>FUNCTIONAL REFERENCE:  FLIGHT CONTROL  FOR DETAILS SEE  27-81-02-04</p> <p>WINGS  FOR DETAILS SEE  57-41-51-11</p>	002004 006100 107107 121503 904999	1

MISSING ITEM NUMBERS NOT APPLICABLE

- ITEM NOT ILLUSTRATED

BRI

**27-81-02-05**

BOEING PROPRIETARY - Copyright © - Unpublished Work - See title page for details.

27-81-02  
FIG. 05  
PAGE 38  
JAN 20/09



757

PARTS CATALOG (MAINTENANCE)

FIG ITEM	PART NUMBER	1 2 3 4 5 6 7	NOMENCLATURE	EFFECT FROM TO	UNITS PER ASSY
5 170	114N4005-203SP		.SLAT ASSY-NO. 4 WING LE (FLIGHT CONTROL ONLY) POSITION DATA: OSS 438.10 TO 305.47 LH COMPONENT MAINT MANUAL REF: 57-43-28 QUALIFIED I/W DATA: 114N4005-157 CAN BE REPLACED BY 114N4005-203SP IF 218N1071-1 ON SLAT IS USED WITH 218N1011-1, -2, -3, OR -4 ON FIXED LEADING EDGE. IF 218N1071-4 IS ON SLAT, 218N1011-4 MUST BE USED ON FIXED LEADING EDGE 114N4005-191SP INTERCHANGEABLE WITH 114N4005-203SP IF SERVICE BULLETINS 757-27-0126 AND 757-57-0056 AND 757-57-0057 ARE INCORPORATED. 114N4005-193SP INTERCHANGEABLE WITH 114N4005-203SP IF SERVICE BULLETINS 757-27-0126 AND 757-57-0056 AND 757-57-0057 ARE INCORPORATED. REWORKED BY SB: 57-0049 FUNCTIONAL REFERENCE: FLIGHT CONTROL FOR DETAILS SEE 27-81-02-04 WINGS FOR DETAILS SEE 57-41-51-11	002004 006100 107107 121503 904999	1

MISSING ITEM NUMBERS NOT APPLICABLE

- ITEM NOT ILLUSTRATED

BRI

27-81-02-05

BOEING PROPRIETARY - Copyright © - Unpublished Work - See title page for details.

27-81-02  
FIG. 05  
PAGE 39  
JAN 20/09





757

PARTS CATALOG (MAINTENANCE)

FIG ITEM	PART NUMBER	1 2 3 4 5 6 7	NOMENCLATURE	EFFECT FROM TO	UNITS PER ASSY
5 170	114N4005-213SP		.SLAT ASSY-NO. 4 WING LE (FLIGHT CONTROL ONLY) POSITION DATA: OSS 438.10 TO 305.47 LH COMPONENT MAINT MANUAL REF: 57-43-28 QUALIFIED I/W DATA: 114N4005-157 CAN BE REPLACED BY 114N4005-213SP IF 218N1071-1 ON SLAT IS USED WITH 218N1011-1, -2, -3, OR -4 ON FIXED LEADING EDGE. IF 218N1071-4 IS ON SLAT, 218N1011-4 MUST BE USED ON FIXED LEADING EDGE 114N4005-191SP INTERCHANGEABLE WITH 114N4005-213SP IF SERVICE BULLETINS 757-27-0126 AND 757-57-0056 AND 757-57-0057 ARE INCORPORATED. 114N4005-193SP INTERCHANGEABLE WITH 114N4005-213SP IF SERVICE BULLETINS 757-27-0126 AND 757-57-0056 AND 757-57-0057 ARE INCORPORATED. REWORKED BY SB: 57-0049 FUNCTIONAL REFERENCE: FLIGHT CONTROL FOR DETAILS SEE 27-81-02-04 WINGS FOR DETAILS SEE 57-41-51-11	002004 006100 107107 121503 904999	1
200	114N4148-11		.TRACK INSTL-LE SLAT MAIN POSITION DATA: OUTBD LH SIDE	002004 006100 107107 121503 904999	4

MISSING ITEM NUMBERS NOT APPLICABLE

- ITEM NOT ILLUSTRATED

BRI

27-81-02-05

BOEING PROPRIETARY - Copyright © - Unpublished Work - See title page for details.

27-81-02  
FIG. 05  
PAGE 40  
JAN 20/09



757

PARTS CATALOG (MAINTENANCE)

FIG ITEM	PART NUMBER	1 2 3 4 5 6 7	NOMENCLATURE	EFFECT FROM TO	UNITS PER ASSY
5					
205	114N4148-12	.	TRACK INSTL-LE SLAT MAIN POSITION DATA: OUTBD LH SIDE	002004 006100 107107 121503 904999	4
230	BACB30LJ3-21	..	BOLT	002004 006100 107107 121503 904999	8
235	BACW10BP3DP	..	WASHER- POSITION DATA: UNDER NUT	002004 006100 107107 121503 904999	8
240	BACW10BP3CD	..	WASHER- POSITION DATA: UNDER HEAD	002004 006100 107107 121503 904999	8
245	BRH10C3D	..	NUT SUPPLIER CODE: V52828 SPECIFICATION NUMBER: BACN10JC3CD OPTIONAL PART: T6C1032JCD V11815 NS202486-02 V80539 102LH9075-3W V72962 H51650-3BAC V15653	002004 006100 107107 121503 904999	8
250	114N4071-1	..	RETAINER-BOLT USED ON: 114N4148-11 114N4148-12	002004 006100 107107 121503 904999	8
255	114N4071-3	..	RETAINER-BOLT USED ON: 114N4148-13 114N4148-14	002004 006100 107107 121503 904999	8
260	BACB30LE8U24	..	BOLT	002004 006100 107107 121503 904999	8

MISSING ITEM NUMBERS NOT APPLICABLE

- ITEM NOT ILLUSTRATED

27-81-02-05

27-81-02  
FIG. 05  
PAGE 41  
JAN 20/09

BRI

BOEING PROPRIETARY - Copyright © - Unpublished Work - See title page for details.



757

PARTS CATALOG (MAINTENANCE)

FIG ITEM	PART NUMBER	1 2 3 4 5 6 7	NOMENCLATURE	EFFECT FROM TO	UNITS PER ASSY
5	265 BACW10BP8CD	..	WASHER	002004	8
				006100	
				107107	
				121503	
				904999	
270 BACW10BP8DP	..	WASHER	002004	8	
			006100		
			107107		
			121503		
			904999		
275 BMN10HRCWD3-8	..	NUT	002004	8	
			SUPPLIER CODE:		
			V97928		
			SPECIFICATION NUMBER:		
			BACN10HR8CD		
			OPTIONAL PART:		
			H51560-8		
			V15653		
			67832CD820		
			V56878		
			102LH9031-8		
			V72962		
			BH00303CM8		
			V27238		
			BMN5024CWD38		
			V97928		
			SL7108C8		
			V11815		
			VCU0005D8		
			V06710		
			102LH90318		
			V72962		
			67832CD8		
			V56878		
			CR6030-8		
VF0224					
280 BACB28AK08-042	..	BUSHING	002004	8	
			006100		
			107107		
			121503		
			904999		
285 114N4061-3	..	TRACK ASSY-	002004	1	
			USED ON:		
			114N4148-12		
			114N4148-14		
			FOR DETAILS SEE:		
27-81-12-10					

MISSING ITEM NUMBERS NOT APPLICABLE

- ITEM NOT ILLUSTRATED

27-81-02-05

27-81-02  
FIG. 05  
PAGE 42  
JAN 20/09

BRI

BOEING PROPRIETARY - Copyright © - Unpublished Work - See title page for details.



757

PARTS CATALOG (MAINTENANCE)

FIG ITEM	PART NUMBER	1 2 3 4 5 6 7	NOMENCLATURE	EFFECT FROM TO	UNITS PER ASSY
5 290	114N4061-4		. . TRACK ASSY- USED ON: 114N4148-11 114N4148-13 FOR DETAILS SEE: 27-81-12-10	002004 006100 107107 121503 904999	1
295	BACP18BC02A06P		. PIN	002004 006100 107107 121503 904999	8

MISSING ITEM NUMBERS NOT APPLICABLE

- ITEM NOT ILLUSTRATED

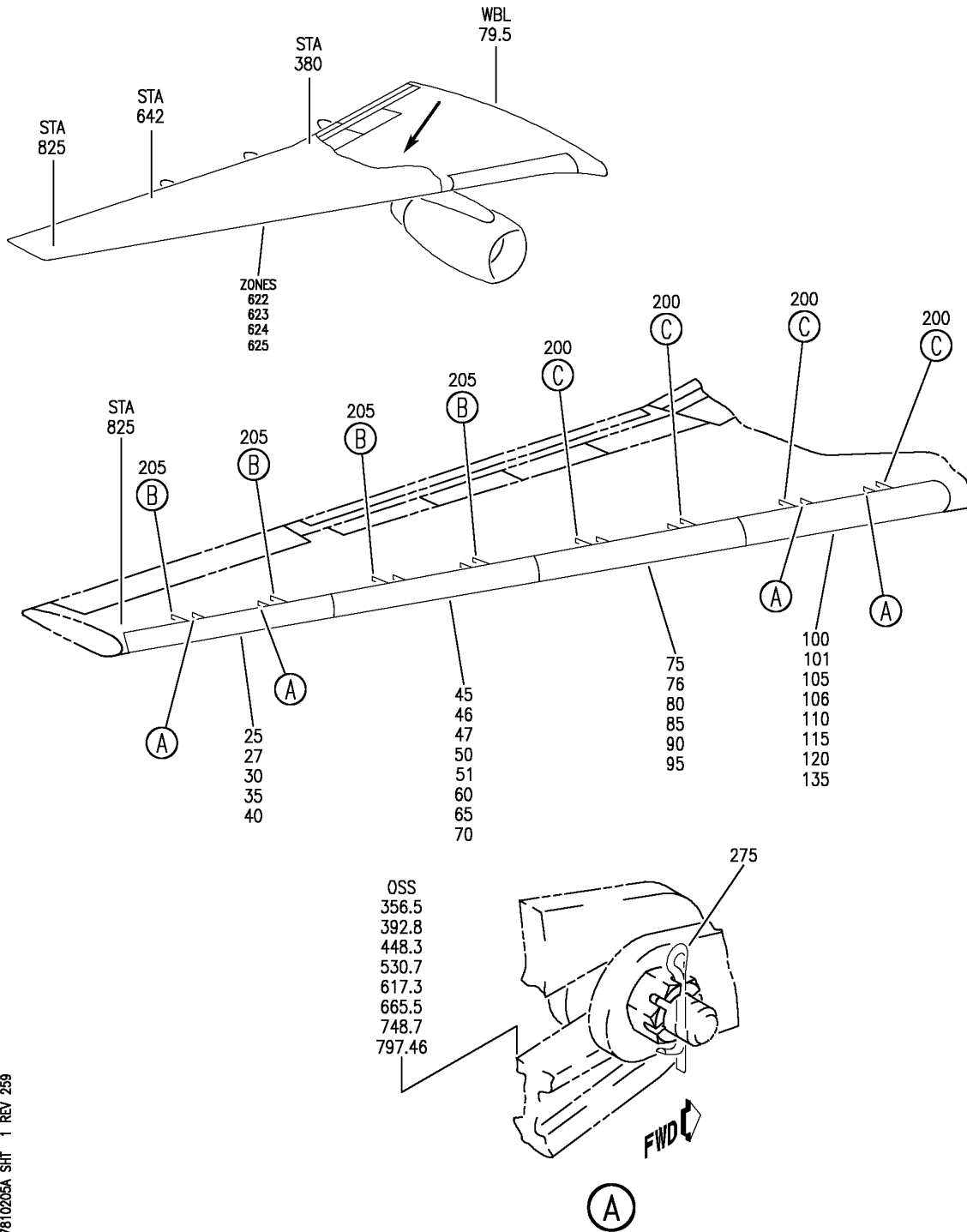
BRI

27-81-02-05

BOEING PROPRIETARY - Copyright © - Unpublished Work - See title page for details.

27-81-02  
FIG. 05  
PAGE 43  
JAN 20/09

**BOEING**  
757  
**PARTS CATALOG (MAINTENANCE)**



Y 27810205A SH1 1 REV 259

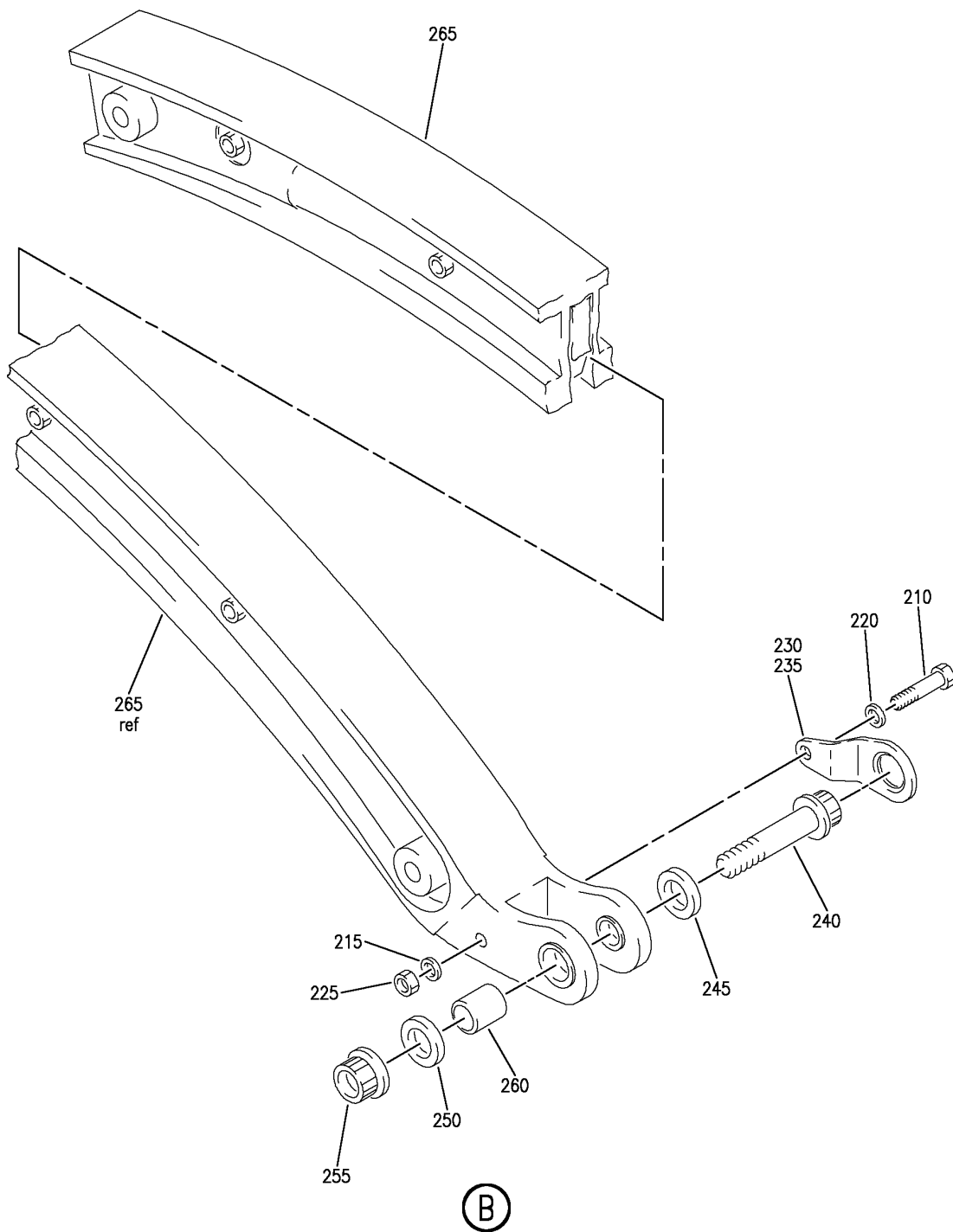
SLAT INSTL-WING LE OUTBD RH  
FIGURE 5A (SHEET 1)

**27-81-02-05A**

BRI  
MAY 28/07

27-81-02-05A  
PAGE 0

**BOEING**  
757  
PARTS CATALOG (MAINTENANCE)



Y 27810205A SHT 2 REV 259

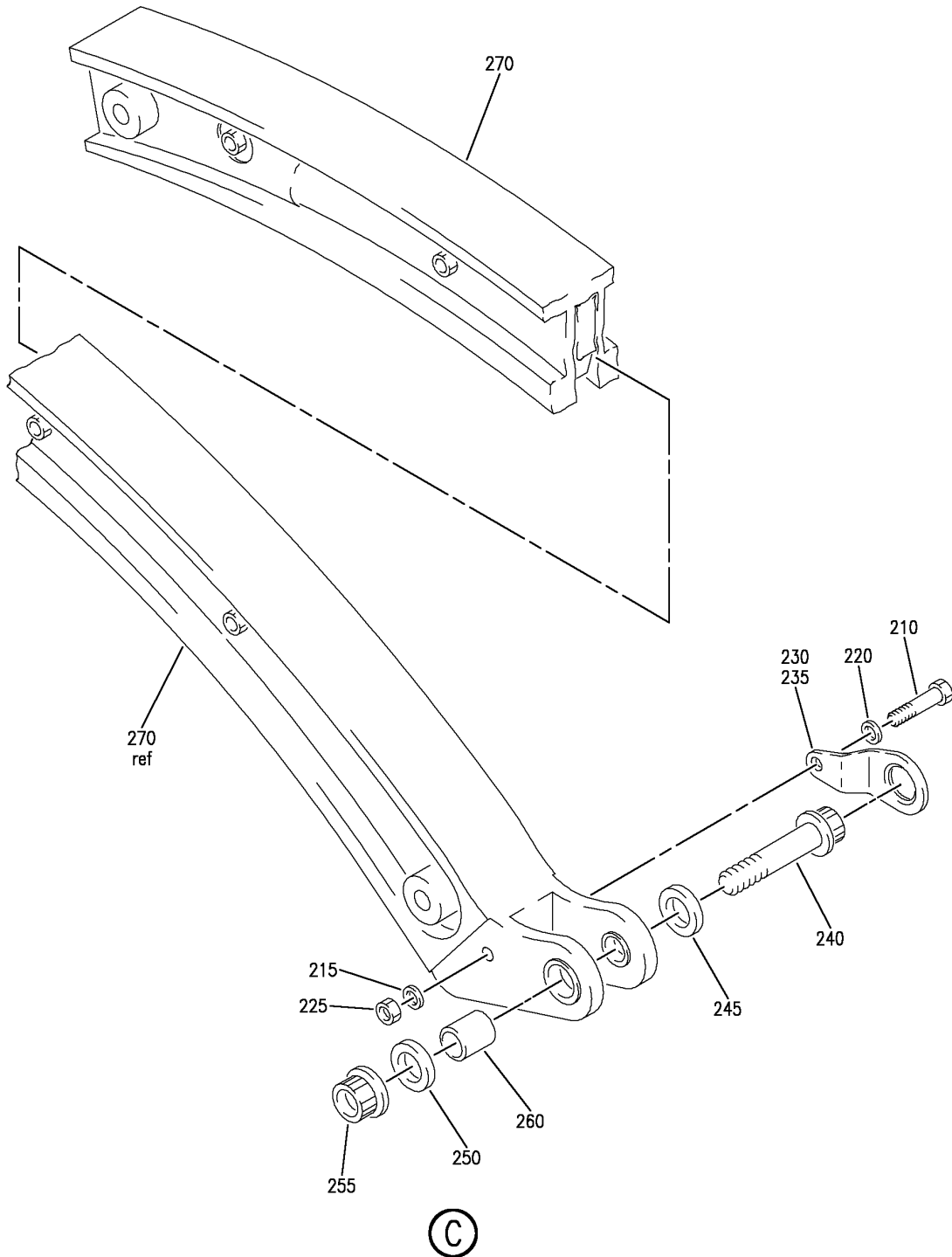
SLAT INSTL-WING LE OUTBD RH  
FIGURE 5A (SHEET 2)

BRI  
MAY 28/07

**27-81-02-05A**

27-81-02-05A  
PAGE 0A

**BOEING**  
757  
PARTS CATALOG (MAINTENANCE)



Y 27810205A SHT 3 REV 259

SLAT INSTL-WING LE OUTBD RH  
FIGURE 5A (SHEET 3)

**27-81-02-05A**

BRI  
MAY 28/07

27-81-02-05A  
PAGE 0B



757

PARTS CATALOG (MAINTENANCE)

FIG ITEM	PART NUMBER	1 2 3 4 5 6 7	NOMENCLATURE	EFFECT FROM TO	UNITS PER ASSY
5A			SLAT INSTL-WING LE OUTBD RH	002004 006100 107107 121503 904999	
- 1	114N4001-2		SLAT INSTL-WING LE POSITION DATA: OUTBD RH FOR NHA SEE: 57-00-00-01	002004 006100 107107 121503 904999	RF
25	114N4002-132		SLAT ASSY-NO. 10 WING LE POSITION DATA: OSS 707.00 TO 836.87 RH COMPONENT MAINT MANUAL REF: 57-43-14 QUALIFIED I/W DATA: -132 CAN REPLACE OR BE REPLACED BY -138 OR -122 OR -114 OR -110 OR -2. HOWEVER -138 OR -122 OR -114 OR -110 OR -2 CAN BE USED ONLY IF THE AIRPLANE IS RESTRICTED TO 241K MTGW. -132 MAY BE REPLACED BY -164A OR -160A OR -158A OR -166SP OR -156SP OR -154SP OR -148SP SUBJECT TO COLOR PREFERENCE. REWORKED BY ALERT SB: 57A0045R1 FOR DETAILS SEE: 27-81-02-01A	002004 107107 121503 904949 952952	1

MISSING ITEM NUMBERS NOT APPLICABLE

- ITEM NOT ILLUSTRATED

BRI

**27-81-02-05A**

BOEING PROPRIETARY - Copyright © - Unpublished Work - See title page for details.

27-81-02  
FIG. 05A  
PAGE 1  
JAN 20/09





757

PARTS CATALOG (MAINTENANCE)

FIG ITEM	PART NUMBER	1 2 3 4 5 6 7	NOMENCLATURE	EFFECT FROM TO	UNITS PER ASSY
5A 25	114N4002-148SP		.SLAT ASSY-NO. 10 WING LE POSITION DATA: OSS 707.00 TO 836.87 RH COMPONENT MAINT MANUAL REF: 57-43-14 QUALIFIED I/W DATA: -154SP AND -148SP ARE CONDITIONALLY INTERCHANGEABLE PER THE REQUIREMENTS OF S/B757-57-0043 AND S/B757-57A0045 -170SP I/W -156SP OR -154SP OR -148SP OR -132 IF S/B 757-57-0057 IS INCORPORATED ON -156SP OR -154SP OR -148SP OR -132. -148SP I/W -172SP OR -160SP IF S/B757-57-0043 OR S/B 757-57A0045 IS INCORPORATED ON -148SP -148SP CAN REPLACE OR BE REPLACED BY -138 OR -122 OR -114 OR -110 OR -2. HOWEVER -138 OR -122 OR -114 OR -110 OR -2 CAN BE USED ONLY IF THE AIRPLANE IS RESTRICTED TO 241K MTGW 114N4002-134 INTERCHANGEABLE WITH 114N4002-148SP SUBJECT TO CUSTOMER COLOR PREFERENCE 114N4002-136 INTERCHANGEABLE WITH 114N4002-148SP SUBJECT TO CUSTOMER COLOR PREFERENCE REWORKED BY ALERT SB: 57A0045R1 FOR DETAILS SEE: 27-81-02-01A	002004 107107 121503 904949 952952	1

MISSING ITEM NUMBERS NOT APPLICABLE

- ITEM NOT ILLUSTRATED

27-81-02-05A

27-81-02  
FIG. 05A  
PAGE 2  
JAN 20/09

BRI



757

PARTS CATALOG (MAINTENANCE)

FIG ITEM	PART NUMBER	1 2 3 4 5 6 7	NOMENCLATURE	EFFECT FROM TO	UNITS PER ASSY
5A 27	114N4002-132		.SLAT ASSY-NO. 10 WING LE COMPONENT MAINT MANUAL REF: 57-43-14 QUALIFIED I/W DATA: -132 I/W -172SP IF S/B 757-57A0038 OR S/B 757 -57A0045 IS INCORPORATED -170SP I/W -132 IF -132 IS REWORKED PER S/B 757-57-0057. -132 MAY BE REPLACED BY -164A OR -160A OR -158A OR -166SP OR -156SP OR -154SP SUBJECT TO COLOR PREFERENCE FOR DETAILS SEE: 27-81-02-01A	002004 107107 121503 904949 952952	RF
30	114N4002-158SP		.SLAT ASSY-NO. 10 WING LE POSITION DATA: OSS 707.00 TO 836.37 RH COMPONENT MAINT MANUAL REF: 57-43-14 QUALIFIED I/W DATA: -170SP I/W -158SP OR -164SP OR -160SP OR -172SP IF S/B 757-57 -0057 IS INCORPORATED ON -158SP OR -164SP OR -160SP OR -172SP. FOR DETAILS SEE: 27-81-02-01A	002004 006100 107107 121503 904999	1
30	114N4002-160SP		.SLAT ASSY-NO. 10 WING LE POSITION DATA: OSS 707.00 TO 836.37 RH COMPONENT MAINT MANUAL REF: 57-43-14 QUALIFIED I/W DATA: -148SP I/W -172SP OR -160SP IF S/B757-57-0043 OR S/B 757-57A0045 IS INCORPORATED ON -148SP -170SP MAY REPLACE -160SP. -160SP MAY REPLACE -170SP AFTER INCORPORATION OF S/B 757-57-0057 FOR DETAILS SEE: 27-81-02-01A	002004 006100 107107 121503 904999	1

MISSING ITEM NUMBERS NOT APPLICABLE

- ITEM NOT ILLUSTRATED

BRI

**27-81-02-05A**

BOEING PROPRIETARY - Copyright © - Unpublished Work - See title page for details.

27-81-02  
FIG. 05A  
PAGE 3  
JAN 20/09



757

PARTS CATALOG (MAINTENANCE)

FIG ITEM	PART NUMBER	1 2 3 4 5 6 7	NOMENCLATURE	EFFECT FROM TO	UNITS PER ASSY
5A 30	114N4002-164SP		.SLAT ASSY-NO. 10 WING LE POSITION DATA: OSS 707.00 TO 836.37 RH COMPONENT MAINT MANUAL REF: 57-43-14 QUALIFIED I/W DATA: -170SP I/W -158SP OR -164SP OR -160SP OR -172SP IF S/B 757-57 -0057 IS INCORPORATED ON -158SP OR -164SP OR -160SP OR -172SP. FOR DETAILS SEE: 27-81-02-01A	002004 006100 107107 121503 904999	1
30	114N4002-170SP		.SLAT ASSY-NO. 10 WING LE POSITION DATA: OSS 707.00 TO 836.87 RH COMPONENT MAINT MANUAL REF: 57-43-14 QUALIFIED I/W DATA: -170SP I/W -158SP OR -164SP OR -160SP OR -172SP IF S/B 757 -57-0057 IS INCORPORATED ON -158SP OR -164SP OR -160SP OR -172SP. -170SP I/W -156SP OR -154SP OR -148SP OR -132 IF S/B 757-57-0057 IS INCORPORATED ON -156SP OR -154SP OR -148SP OR -132 -170SP CAN REPLACE BUT NOT BE REPLACED BY -138 OR -122 OR -114 OR -110 OR -2 SUBJECT TO CUSTOMER COLOR PREFERENCE -170SP MAY REPLACE -160SP. -160SP MAY REPLACE -170SP AFTER INCORPORATION OF S/B 757-57-0057 FOR DETAILS SEE: 27-81-02-01A	002004 006100 107107 121503 904999	1

MISSING ITEM NUMBERS NOT APPLICABLE

- ITEM NOT ILLUSTRATED

**27-81-02-05A**

27-81-02  
FIG. 05A  
PAGE 4  
JAN 20/09

BRI



757

PARTS CATALOG (MAINTENANCE)

FIG ITEM	PART NUMBER	1 2 3 4 5 6 7	NOMENCLATURE	EFFECT FROM TO	UNITS PER ASSY
5A 30	114N4002-172SP		.SLAT ASSY-NO. 10 WING LE POSITION DATA: OSS 707.00 TO 836.87 RH COMPONENT MAINT MANUAL REF: 57-43-14 QUALIFIED I/W DATA: -172SP I/W -170SP IF 757-57-0057 IS INCORPORATED ON THE -172SP -172SP I/W -148SP OR -132 IF S/B 757-57A0045 IS INCORPORATED ON -148SP OR -132 -172SP CAN REPLACE OR BE REPLACED BY -138 OR -122 OR -114 OR -110 OR -2. HOWEVER -138 OR -122 OR -114 OR -110 OR -2 CAN BE USED ONLY IF THE AIRPLANE IS RESTRICTED TO 241K MTGW. -188SP MAY REPLACE -172SP. -172SP MAY REPLACE -188SP AFTER INCORPORATION OF S/B 757-57-0057. FOR DETAILS SEE: 27-81-02-01A	002004 006100 107107 121503 904999	1
30	114N4002-188SP		.SLAT ASSY-NO. 10 WING LE POSITION DATA: OSS 707.00 TO 836.87 RH COMPONENT MAINT MANUAL REF: 57-43-14 QUALIFIED I/W DATA: -188SP CAN REPLACE BUT NOT BE REPLACED BY -138 OR -122 OR -114 OR -110 OR -2 SUBJECT OT CUSTOMER COLOR PREFERENCE -188SP MAY REPLACE -172SP. -172SP MAY REPLACE -188SP AFTER INCORPORATION OF S/B 757-57-0057 FOR DETAILS SEE: 27-81-02-01A	002004 006100 107107 121503 904999	1

MISSING ITEM NUMBERS NOT APPLICABLE

- ITEM NOT ILLUSTRATED

**27-81-02-05A**

27-81-02  
FIG. 05A  
PAGE 5  
JAN 20/09

BRI

 **BOEING**  
757  
**PARTS CATALOG (MAINTENANCE)**

FIG ITEM	PART NUMBER	1 2 3 4 5 6 7	NOMENCLATURE	EFFECT FROM TO	UNITS PER ASSY
5A 30	114N4002-172SP		.SLAT ASSY-NO. 10 WING LE COMPONENT MAINT MANUAL REF: 57-43-14 QUALIFIED I/W DATA: -172SP CAN REPLACE OR BE REPLACED BY -138 OR -122 OR -114 OR -110 OR -2. HOWEVER -138 OR -122 OR -114 OR -110 OR -2 CAN BE USED ONLY IF THE AIRPLANE IS RESTRICTED TO 241K MTGW. -172SP I/W -148SP OR -132 IF S/B 757-57A0045 IS INCORPORATED ON -148SP OR -132 FOR DETAILS SEE: 27-81-02-01A	002004 006100 107107 121503 904999	RF
30	114N4002-154SP		.SLAT ASSY-NO. 10 WING LE POSITION DATA: OSS 707.00 TO 836.87 RH COMPONENT MAINT MANUAL REF: 57-43-14 QUALIFIED I/W DATA: -154SP CAN REPLACE OR BE REPLACED BY -138 OR -122 OR -114 OR -110 OR -2. HOWEVER -138 OR -122 OR -114 OR -110 OR -2 CAN BE USED ONLY IF THE AIRPLANE IS RESTRICTED TO 241K MTGW -154SP AND -148SP ARE CONDITIONALLY INTERCHABGEABLE PER THE REQUIREMENTS OF S/B 757-57-0043 AND S/B 757-57A0045 -170SP I/W -156SP OR -154SP OR -148SP OR -132 IF S/B 757-57-0057 IS INCORPORATED ON -156SP OR -154SP OR -148SP OR -132 -154SP I/W -132 IF S/B 757-57A0045 IS INCORPORATED ON THE -132 FOR DETAILS SEE: 27-81-02-01A	002004 006100 107107 121503 904999	1

MISSING ITEM NUMBERS NOT APPLICABLE

— ITEM NOT ILLUSTRATED

BRI

# 27-81-02-05A

BOEING PROPRIETARY - Copyright © - Unpublished Work - See title page for details.

27-81-02  
FIG. 05A  
PAGE 6  
JAN 20/09

 **BOEING**  
757  
**PARTS CATALOG (MAINTENANCE)**

FIG ITEM	PART NUMBER	1 2 3 4 5 6 7	NOMENCLATURE	EFFECT FROM TO	UNITS PER ASSY
5A 30	114N4002-156SP		.SLAT ASSY-NO. 10 WING LE POSITION DATA: OSS 707.00 TO 836.87 RH COMPONENT MAINT MANUAL REF: 57-43-14 QUALIFIED I/W DATA: -170SP I/W -156SP IF S/B 757-57-0057 IS INCORPORATED ON THE -156SP. -156SP I/W -148SP OR -132 IF S/B 757-57A0045 IS INCORPORATED ON THE -148SP OR -132 -156SP CAN REPLACE OR BE REPLACED BY -138 OR -122 OR -114 OR -110 OR -2. HOWEVER -138 OR -122 OR -114 OR -110 OR -2 CAN BE USED ONLY IF THE AIRPLANE IS RESTRICTED TO 241K MTGW. FOR DETAILS SEE: 27-81-02-01A	002004 006100 107107 121503 904999	1
45	114N4003-148		.SLAT ASSY-NO. 9 WING LE POSITION DATA: OSS 574.8 TO 705.5 RH COMPONENT MAINT MANUAL REF: 57-43-18 QUALIFIED I/W DATA: -148 IS I/W -142, HOWEVER, -142 CAN BE USED ONLY IF THE AIRPLANE IS RESTRICTED TO 241K MTGW 114N4003-148 IS I/W -154 IF S/B 757-57-0043 IS INCORPORATED REWORKED BY SB: 27-0126 REWORKED BY ALERT SB: 57A0038R6 FOR DETAILS SEE: 27-81-02-02A	002004 006100 107107 121503 904999	1

MISSING ITEM NUMBERS NOT APPLICABLE

— ITEM NOT ILLUSTRATED

BRI

# 27-81-02-05A

BOEING PROPRIETARY - Copyright © - Unpublished Work - See title page for details.

27-81-02  
FIG. 05A  
PAGE 7  
JAN 20/09



757

PARTS CATALOG (MAINTENANCE)

FIG ITEM	PART NUMBER	1 2 3 4 5 6 7	NOMENCLATURE	EFFECT FROM TO	UNITS PER ASSY
5A 46	114N4003-148		.SLAT ASSY-NO. 9 WING LE COMPONENT MAINT MANUAL REF: 57-43-18 QUALIFIED I/W DATA: THE -148 CAN REPLACE THE -112 IF BOTH THE -148 AND THE RECEIVING AIRCRAFT HAVE THE SAME SLAT LOSS SENSING SYSTEM. REWORKED BY SB: 27-0126 FOR DETAILS SEE: 27-81-02-02A	002004 006100 107107 121503 904999	RF
50	114N4003-172		.SLAT ASSY-NO. 9 WING LE POSITION DATA: OSS 574.8 TO 705.5 RH COMPONENT MAINT MANUAL REF: 57-43-18 QUALIFIED I/W DATA: 114N4003-172 INTERCHANGEABLE WITH -202SP OR -222SP IF SERVICE BULLETINS 757-27-0126 AND 757-57-0057 ARE INCORPORATED ON OLDER SLATS REWORKED BY SB: 27-0126 REWORKED BY ALERT SB: 57A0045R1 57A0038R6 FOR DETAILS SEE: 27-81-02-02A	002004 006100 107107 121503 904999	1

MISSING ITEM NUMBERS NOT APPLICABLE

- ITEM NOT ILLUSTRATED

BRI

**27-81-02-05A**

BOEING PROPRIETARY - Copyright © - Unpublished Work - See title page for details.

27-81-02  
FIG. 05A  
PAGE 8  
JAN 20/09



757

PARTS CATALOG (MAINTENANCE)

FIG ITEM	PART NUMBER	1 2 3 4 5 6 7	NOMENCLATURE	EFFECT FROM TO	UNITS PER ASSY
5A 50	114N4003-178SP		.SLAT ASSY-NO. 9 WING LE POSITION DATA: OSS 574.8 TO 705.5 RH COMPONENT MAINT MANUAL REF: 57-43-18 QUALIFIED I/W DATA: -178SP CAN REPLACE -112 IF BOTH -178SP AND THE RECIEVING ARICRAFT HAVE THE SAME SLAT LOSS SENSING SYSTEM. -178SP CAN REPLACE -116 IF BOTH -178SP AND THE RECIEVING ARICRAFT HAVE THE SAME SLAT LOSS SENSING SYSTEM. REWORKED BY SB: 27-0126 REWORKED BY ALERT SB: 57A0045R1 FOR DETAILS SEE: 27-81-02-02A	002004 006100 107107 121503 904999	1
50	114N4003-184SP		.SLAT ASSY-NO. 9 WING LE POSITION DATA: OSS 574.8 TO 705.5 RH COMPONENT MAINT MANUAL REF: 57-43-18 REWORKED BY SB: 27-0126 FOR DETAILS SEE: 27-81-02-02A	002004 006100 107107 121503 904999	1
50	114N4003-186SP		.SLAT ASSY-NO. 9 WING LE POSITION DATA: OSS 574.8 TO 705.5 RH COMPONENT MAINT MANUAL REF: 57-43-18 REWORKED BY SB: 27-0126 FOR DETAILS SEE: 27-81-02-02A	002004 006100 107107 121503 904999	1

MISSING ITEM NUMBERS NOT APPLICABLE

- ITEM NOT ILLUSTRATED

BRI

**27-81-02-05A**

BOEING PROPRIETARY - Copyright © - Unpublished Work - See title page for details.

27-81-02  
FIG. 05A  
PAGE 9  
JAN 20/09





757

PARTS CATALOG (MAINTENANCE)

FIG ITEM	PART NUMBER	1 2 3 4 5 6 7	NOMENCLATURE	EFFECT FROM TO	UNITS PER ASSY
5A 50	114N4003-188SP	.	SLAT ASSY-NO. 9 WING LE POSITION DATA: OSS 574.8 TO 705.5 RH COMPONENT MAINT MANUAL REF: 57-43-18 QUALIFIED I/W DATA: THE -188SP CAN REPLACE THE -112 OR -116 IF BOTH -188SP AND RECEIVING AIRCRAFT HAVE THE SAME SLAT SENSING SYSTEM REWORKED BY SB: 27-0126 FOR DETAILS SEE: 27-81-02-02A	002004 006100 107107 121503 904999	1
50	114N4003-190SP	.	SLAT ASSY-NO. 9 WING LE POSITION DATA: OSS 574.8 TO 705.5 RH COMPONENT MAINT MANUAL REF: 57-43-18 QUALIFIED I/W DATA: 114N4003-190SP IS INTERCHANGEABLE WITH -202SP IF SERVICE BULLETINS 757-27-0126 AND 757-57-0057 ARE INCORPORATED ON OLDER SLATS REWORKED BY SB: 27-0126 FOR DETAILS SEE: 27-81-02-02A	002004 006100 107107 121503 904999	1

MISSING ITEM NUMBERS NOT APPLICABLE

- ITEM NOT ILLUSTRATED

BRI

**27-81-02-05A**

BOEING PROPRIETARY - Copyright © - Unpublished Work - See title page for details.

27-81-02  
FIG. 05A  
PAGE 10  
JAN 20/09

 **BOEING**  
757  
**PARTS CATALOG (MAINTENANCE)**

FIG ITEM	PART NUMBER	1 2 3 4 5 6 7 NOMENCLATURE	EFFECT FROM TO	UNITS PER ASSY
5A 50	114N4003-202SP	.SLAT ASSY-NO. 9 (WINGS ONLY) POSITION DATA: RH SIDE COMPONENT MAINT MANUAL REF: 57-43-18 QUALIFIED I/W DATA: 114N4003-192SP IS INTERCHANGEABLE WITH -202SP IF SERVICE BULLETINS 757-27-0126 AND 757-57-0057 ARE INCORPORATED ON OLDER SLATS 114N4003-172 INTERCHANGEABLE WITH -202SP OR -222SP IF SERVICE BULLETINS 757-27-0126 AND 757-57-0057 ARE INCORPORATED ON OLDER SLATS FUNCTIONAL REFERENCE: FLIGHT CONTROL FOR DETAILS SEE 27-81-02-02A WINGS FOR DETAILS SEE 57-41-51-11	002004 006100 107107 121503 904999	1

MISSING ITEM NUMBERS NOT APPLICABLE

— ITEM NOT ILLUSTRATED

BRI

# 27-81-02-05A

BOEING PROPRIETARY - Copyright © - Unpublished Work - See title page for details.

27-81-02  
FIG. 05A  
PAGE 11  
JAN 20/09



757

PARTS CATALOG (MAINTENANCE)

FIG ITEM	PART NUMBER	1 2 3 4 5 6 7	NOMENCLATURE	EFFECT FROM TO	UNITS PER ASSY
5A 50	114N4003-194SP		.SLAT ASSY-NO. 9 WING LE POSITION DATA: OSS 574.8 TO 705.5 RH COMPONENT MAINT MANUAL REF: 57-43-18 QUALIFIED I/W DATA: THE -194SP CAN REPLACE THE -112 OR -116 IF BOTH -194SP AND RECEIVING AIRCRAFT HAVE THE SAME SLAT SENSING SYSTEM 114N4003-184SP INTERCHANGEABLE WITH 114N4003-194SP IF BOTH RECEIVING AIRCRAFT AND NEW SLAT HAVE BEEN REWORKED BY S/B 757-27-0126. 114N4003-194SP IS INTERCHANGEABLE WITH -202SP IF SERVICE BULLETINS 757-27-0126 AND 757-57-0057 ARE INCORPORATED ON OLDER SLATS REWORKED BY SB: 27-0126 FOR DETAILS SEE: 27-81-02-02A	002004 006100 107107 121503 904999	1
50	114N4003-204SP		.SLAT ASSY-NO. 9 WING LE POSITION DATA: OSS 574.8 TO 705.5 RH COMPONENT MAINT MANUAL REF: 57-43-18 QUALIFIED I/W DATA: 114N4003-204SP IS INTERCHANGEABLE WITH -202SP IF SERVICE BULLETINS 757-27-0126 AND 757-57-0057 ARE INCORPORATED ON OLDER SLATS REWORKED BY SB: 27-0126 FOR DETAILS SEE: 27-81-02-02A	002004 006100 107107 121503 904999	1

MISSING ITEM NUMBERS NOT APPLICABLE

- ITEM NOT ILLUSTRATED

**27-81-02-05A**

27-81-02  
FIG. 05A  
PAGE 12  
JAN 20/09

BRI



757

PARTS CATALOG (MAINTENANCE)

FIG ITEM	PART NUMBER	1 2 3 4 5 6 7	NOMENCLATURE	EFFECT FROM TO	UNITS PER ASSY
5A 50	114N4003-222SP		.SLAT ASSY-NO. 9 WING LE POSITION DATA: OSS 574.8 TO 705.5 RH COMPONENT MAINT MANUAL REF: 57-43-18 QUALIFIED I/W DATA: 114N4003-172 INTERCHANGEABLE WITH -202SP OR -222SP IF SERVICE BULLETINS 757-27-0126 AND 757-57-0057 AR INCORPORATED ON OLDER SLATS 114N4003-192SP IS INTERCHANGEABLE WITH -222SP IF SERVICE BULLETINS 757-27-1026 AND 757-57-0057 ARE INCORPORATED ON OLDER SLATS POST SERVICE BULLETIN: 27-0126 FUNCTIONAL REFERENCE: FLIGHT CONTROL FOR DETAILS SEE 27-81-02-02A WINGS FOR DETAILS SEE 57-41-51-11	002004 006100 107107 121503 904999	1
51	114N4003-172		.SLAT ASSY-NO. 9 WING LE COMPONENT MAINT MANUAL REF: 57-43-18 REWORKED BY ALERT SB: 57A0045R1 FOR DETAILS SEE: 27-81-02-02A	002004 006100 107107 121503 904999	RF

MISSING ITEM NUMBERS NOT APPLICABLE

- ITEM NOT ILLUSTRATED

BRI

**27-81-02-05A**

BOEING PROPRIETARY - Copyright © - Unpublished Work - See title page for details.

27-81-02  
FIG. 05A  
PAGE 13  
JAN 20/09



757

PARTS CATALOG (MAINTENANCE)

FIG ITEM	PART NUMBER	1 2 3 4 5 6 7	NOMENCLATURE	EFFECT FROM TO	UNITS PER ASSY
5A 51	114N4003-184SP		.SLAT ASSY-NO. 9 WING LE COMPONENT MAINT MANUAL REF: 57-43-18 QUALIFIED I/W DATA: 114N4003-184SP INTERCHANGEABLE WITH 114N4003-194SP IF BOTH RECEIVING AIRCRAFT AND NEW SLAT HAVE BEEN REWORKED BY S/B 757-27-0126. -184SP CAN REPLACE -116 IF BOTH -184SP AND THE RECEIVING AIRCRAFT HAVE THE SAME SLOT LOSS SENSING SYSTEM. THE -184SP OR -192SP OR -194SP CAN REPLACE -112 IF BOTH THE -184SP OR -192SP OR -194SP AND THE RECEIVING AIRCRAFT HAVE THE SAME SLAT SENSING SYSTEM FOR DETAILS SEE: 27-81-02-02A	002004 006100 107107 121503 904999	RF
51	114N4003-190SP		.SLAT ASSY-NO. 9 WING LE COMPONENT MAINT MANUAL REF: 57-43-18 QUALIFIED I/W DATA: THE -190SP CAN REPLACE THE -112 OR -116 IF BOTH THE -190SP AND RECEIVING AIRCRAFT HAVE THE SAME SLAT SENSING SYSTEM. FOR DETAILS SEE: 27-81-02-02A	002004 006100 107107 121503 904999	RF
51	114N4003-186SP		.SLAT ASSY-NO. 9 WING LE COMPONENT MAINT MANUAL REF: 57-43-18 QUALIFIED I/W DATA: THE -186SP CAN REPLACE THE -112 OR -116 IF BOTH -186SP AND RECEIVING AIRCRAFT HAVE THE SAME SLAT SENSING SYSTEM FOR DETAILS SEE: 27-81-02-02A	002004 006100 107107 121503 904999	RF

MISSING ITEM NUMBERS NOT APPLICABLE

- ITEM NOT ILLUSTRATED

**27-81-02-05A**

27-81-02  
FIG. 05A  
PAGE 14  
JAN 20/09

BRI



757

PARTS CATALOG (MAINTENANCE)

FIG ITEM	PART NUMBER	1 2 3 4 5 6 7	NOMENCLATURE	EFFECT FROM TO	UNITS PER ASSY
5A 51	114N4003-192SP	.	SLAT ASSY-NO. 9 WING LE POSITION DATA: OSS 574.8 TO 705.5 RH COMPONENT MAINT MANUAL REF: 57-43-18 QUALIFIED I/W DATA: THE -112 OR -116 IF BOTH -192SP AND RECEIVING AIRCRAFT HAVE THE SAME SLAT SENSING SYSTEM 114N4003-192SP IS INTERCHANGEABLE WITH -222SP IF SERVICE BULLETINS 757-27-0126 AND 757-57-0057 ARE INCORPORATED ON OLDER SLATS 114N4003-192SP IS INTERCHANGEABLE WITH -202SP IF SERVICE BULLETINS 757-27-0126 AND 757-57-0057 ARE INCORPORATED ON OLDER SLATS REWORKED BY SB: 27-0126 FOR DETAILS SEE: 27-81-02-02A	002004 006100 107107 121503 904999	1
51	114N4003-196SP	.	SLAT ASSY-NO. 9 WING LE POSITION DATA: OSS 574.80 TO 705.50 RH QUALIFIED I/W DATA: THE -196SP CAN REPLACE -112 OR -116 IF BOTH -196SP AND RECEIVING AIRCRAFT HAVE THE SAME SLAT SENSING SYSTEM. FOR DETAILS SEE: 27-81-02-02A	002004 006100 107107 121503 904999	1

MISSING ITEM NUMBERS NOT APPLICABLE

- ITEM NOT ILLUSTRATED

BRI

**27-81-02-05A**

BOEING PROPRIETARY - Copyright © - Unpublished Work - See title page for details.

27-81-02  
FIG. 05A  
PAGE 15  
JAN 20/09

 **BOEING**  
757  
**PARTS CATALOG (MAINTENANCE)**

FIG ITEM	PART NUMBER	1 2 3 4 5 6 7	NOMENCLATURE	EFFECT FROM TO	UNITS PER ASSY
5A 75	114N4004-146		.SLAT ASSY-NO. 8 WING LE POSITION DATA: OSS 438.10 TO 573.30 RH COMPONENT MAINT MANUAL REF: 57-43-24 QUALIFIED I/W DATA: -146 IS I/W -140, HOWEVER, -140 CAN BE USED ONLY IF THE AIRPLANE IS RESTRICTED TO 241K MTGW 114N4004-146 INTERCHANGEABLE WITH 114N4004-166SP IF SERVICE BULLETIN 757-57A0045 IS INCORPORATED REWORKED BY SB: 27-0126 REWORKED BY ALERT SB: 57A0045R1 57A0038R6 FOR DETAILS SEE: 27-81-02-03A	002004 006100 107107 121503 950999	1
76	114N4004-166SP		.SLAT ASSY-NO. 8 WING LE POSITION DATA: OSS 438.10 TO 573.30 RH COMPONENT MAINT MANUAL REF: 57-43-24 QUALIFIED I/W DATA: -148 I/W -166SP SUBJECT TO COLOR PREFERENCE REWORKED BY SB: 27-0126 REWORKED BY ALERT SB: 57A0045R1 FOR DETAILS SEE: 27-81-02-03A	107107 904949	1

MISSING ITEM NUMBERS NOT APPLICABLE

— ITEM NOT ILLUSTRATED

BRI

# 27-81-02-05A

BOEING PROPRIETARY - Copyright © - Unpublished Work - See title page for details.

27-81-02  
FIG. 05A  
PAGE 16  
JAN 20/09

 **BOEING**  
757  
**PARTS CATALOG (MAINTENANCE)**

FIG ITEM	PART NUMBER	1 2 3 4 5 6 7	NOMENCLATURE	EFFECT FROM TO	UNITS PER ASSY
5A 76	114N4004-166SP		.SLAT ASSY-NO. 8 WING LE COMPONENT MAINT MANUAL REF: 57-43-24 QUALIFIED I/W DATA: -178SP OR -176SP OR -172SP ARE CONDITIONALLY INTERCHANGEABLE WITH -166SP PER THE REQUIREMENTS OF S/B 757-57-0043 ABD S/B 757-57A0045 114N4004-166SP INTERCHANGEABLE WITH -180SP OR -182SP OR -184SP OR 186SP OR -196SP IF SERVICE BULLETIN 757-57A0045 IS INCORPORATED. -166SP INTERCHANGEABLE WITH -192SP OR -216SP IF S/B 757-27-0126 AND 757-57-0057 ARE INCORPORATED. 114N4004-166SP INTERCHANGEABLE WITH 114N4004-146 IF SERVICE BULLETIN 757-57A0045 IS INCORPORATED FOR DETAILS SEE: 27-81-02-03A	107107 904949	RF
80	114N4004-176SP		.SLAT ASSY-NO. 8 WING LE POSITION DATA: OSS 438.10 TO 573.30 RH COMPONENT MAINT MANUAL REF: 57-43-24 QUALIFIED I/W DATA: -176SP CONDITIONALLY INTERCHANGEABLE WITH -166SP PER THE REQUIREMENTS OF S/B 757-57-0043 AND S/B 757-57A0045 REWORKED BY SB: 27-0126 FOR DETAILS SEE: 27-81-02-03A	002004 006100 107107 121503 950999	1

MISSING ITEM NUMBERS NOT APPLICABLE

— ITEM NOT ILLUSTRATED

BRI

# 27-81-02-05A

BOEING PROPRIETARY - Copyright © - Unpublished Work - See title page for details.

27-81-02  
FIG. 05A  
PAGE 17  
JAN 20/09





757

PARTS CATALOG (MAINTENANCE)

FIG ITEM	PART NUMBER	1 2 3 4 5 6 7	NOMENCLATURE	EFFECT FROM TO	UNITS PER ASSY
5A 80	114N4004-178SP		.SLAT ASSY-NO. 8 WING LE POSITION DATA: OSS 438.10 TO 573.30 RH COMPONENT MAINT MANUAL REF: 57-43-24 QUALIFIED I/W DATA: -178SP IS CONDITIONALLY INTERCHANGEABLE WITH -166SP PER THE REQUIREMENTS OF S/B 757-57-0043 AND S/B 757-57A0045 REWORKED BY SB: 27-0126 FOR DETAILS SEE: 27-81-02-03A	002004 006100 107107 121503 950999	1
80	114N4004-180SP		.SLAT ASSY-NO. 8 WING LE POSITION DATA: OSS 438.10 TO 573.30 RH COMPONENT MAINT MANUAL REF: 57-43-24 QUALIFIED I/W DATA: 114N4004-180SP INTERCHANGEABLE WITH 114N4004-166SP IF SERVICE BULLETIN 757-57A0045 IS INCORPORATED 114N4004-180SP CAN REPLACE BUT NOT BE REPLACED BY 114N4404-112 IF SERVICE BULLETIN 757-27-0126 IS INCORPORATED ON 114N4004-180SP AND RECEIVING AIRCRAFT. 114N4004-180SP CAN REPLACE BUT NOT BE REPLACED BY 114N4004-110 IF SERVICE BULOLETIN 757-27-0126 IS INCORPORATED ON 114N4004-180SP AND RECEIVING AIRCRAFT. REWORKED BY SB: 27-0126 FOR DETAILS SEE: 27-81-02-03A	002004 006100 107107 121503 904999	1

MISSING ITEM NUMBERS NOT APPLICABLE

- ITEM NOT ILLUSTRATED

**27-81-02-05A**

27-81-02  
FIG. 05A  
PAGE 18  
JAN 20/09

BRI



757

PARTS CATALOG (MAINTENANCE)

FIG ITEM	PART NUMBER	1 2 3 4 5 6 7	NOMENCLATURE	EFFECT FROM TO	UNITS PER ASSY
5A 80	114N4004-182SP		.SLAT ASSY-NO. 8 WING LE POSITION DATA: OSS 438.10 TO 573.30 RH COMPONENT MAINT MANUAL REF: 57-43-24 QUALIFIED I/W DATA: 114N4004-182SP INTERCHANGEABLE WITH 114N4004-166SP IF SERVICE BULLETIN 757-57A0045 IS INCORPORATED 114N4004-182SP INTERCHANGEABLE WITH 114N4004-192SP OR -216SP IF SERVICE BULLETINS 757-27-0126 AND 757- 57-0057 ARE INCORPORATED. REWORKED BY SB: 27-0126 FOR DETAILS SEE: 27-81-02-03A	002004 006100 107107 121503 950999	1
80	114N4004-172SP		.SLAT ASSY-NO. 8 WING LE POSITION DATA: OSS 438.10 TO 573.30 RH COMPONENT MAINT MANUAL REF: 57-43-24 QUALIFIED I/W DATA: -172SP IS CONDITIONALLY INTERCHANGEABLE WITH -166SP PER THE REQUIREMENTS OF S/B 757-57-0043 AND S/B 757-57A0045 REWORKED BY SB: 27-0126 FOR DETAILS SEE: 27-81-02-03A	002004 006100 107107 121503 950999	1

MISSING ITEM NUMBERS NOT APPLICABLE

- ITEM NOT ILLUSTRATED

**27-81-02-05A**

27-81-02  
FIG. 05A  
PAGE 19  
JAN 20/09

BRI



757

PARTS CATALOG (MAINTENANCE)

FIG ITEM	PART NUMBER	1 2 3 4 5 6 7	NOMENCLATURE	EFFECT FROM TO	UNITS PER ASSY
5A 80	114N4004-192SP	.	SLAT ASSY-NO. 8 WING LE POSITION DATA: OSS 438.10 TO 573.30 RH COMPONENT MAINT MANUAL REF: 57-43-24 QUALIFIED I/W DATA: -192SP INTERCHANGEABLE WITH -166SP IF S/B 757-27-0126 AND 757-57-0057 ARE INCORPORATED 114N4004-182SP INTERCHANGEABLE WITH 114N4004-192SP IF SERVICE BULLETINS 757-27-0126 AND 757-57-0057 ARE INCORPORATED. FUNCTIONAL REFERENCE: FLIGHT CONTROL FOR DETAILS SEE 27-81-02-03A WINGS FOR DETAILS SEE 57-41-51-11	002004 006100 107107 121503 904999	1
80	114N4004-196SP	.	SLAT ASSY-NO. 8 WING LE POSITION DATA: OSS 438.10 TO 573.30 RH COMPONENT MAINT MANUAL REF: 57-43-24 QUALIFIED I/W DATA: 114N4004-196SP INTERCHANGEABLE WITH 114N4004-166SP IF SERVICE BULLETIN 757-57A0045 IS INCORPORATED REWORKED BY SB: 27-0126 FOR DETAILS SEE: 27-81-02-03A	002004 006100 107107 121503 950999	1

MISSING ITEM NUMBERS NOT APPLICABLE

- ITEM NOT ILLUSTRATED

BRI

**27-81-02-05A**

BOEING PROPRIETARY - Copyright © - Unpublished Work - See title page for details.

27-81-02  
FIG. 05A  
PAGE 20  
JAN 20/09



757

PARTS CATALOG (MAINTENANCE)

FIG ITEM	PART NUMBER	1 2 3 4 5 6 7	NOMENCLATURE	EFFECT FROM TO	UNITS PER ASSY
5A 80	114N4004-184SP		.SLAT ASSY-NO. 8 WING LE POSITION DATA: OSS 438.10 TO 573.30 RH COMPONENT MAINT MANUAL REF: 57-43-24 QUALIFIED I/W DATA: 114N4004-184SP INTERCHANGEABLE WITH 114N4004-166SP IF SERVICE BULLETIN 757-57A0045 IS INCORPORATED REWORKED BY SB: 27-0126 FOR DETAILS SEE: 27-81-02-03A	002004 006100 107107 121503 904999	1
80	114N4004-216SP		.SLAT ASSY-NO. 8 WING LE POSITION DATA: OSS 438.10 TO 573.30 RH COMPONENT MAINT MANUAL REF: 57-43-24 QUALIFIED I/W DATA: -216SP INTERCHANGEABLE WITH -166SP IF S/B 757-27-0126 AND 757-57-0057 ARE INCORPORATED 114N4004-182SP INTERCHANGEABLE WITH 114N4004-216SP IF SERVICE BULLETINS 757-27-0126 AND 757-57-0057 ARE INCORPORATED. POST SERVICE BULLETIN: 27-0126 FUNCTIONAL REFERENCE: FLIGHT CONTROL FOR DETAILS SEE 27-81-02-03A WINGS FOR DETAILS SEE 57-41-51-11	002004 006100 107107 121503 904999	1

MISSING ITEM NUMBERS NOT APPLICABLE

- ITEM NOT ILLUSTRATED

**27-81-02-05A**

27-81-02  
FIG. 05A  
PAGE 21  
JAN 20/09

BRI



757

PARTS CATALOG (MAINTENANCE)

FIG ITEM	PART NUMBER	1 2 3 4 5 6 7	NOMENCLATURE	EFFECT FROM TO	UNITS PER ASSY
5A 80	114N4004-186SP	.	SLAT ASSY-NO. 8 WING LE POSITION DATA: OSS 438.10 TO 573.30 RH COMPONENT MAINT MANUAL REF: 57-43-24 QUALIFIED I/W DATA: 114N4004-186SP INTERCHANGEABLE WITH 114N4004-166SP IF SERVICE BULLETIN 757-57A0045 IS INCORPORATED FOR DETAILS SEE: 27-81-02-03A	002004 006100 107107 121503 904999	1
80	114N4004-190SP	.	SLAT ASSY-NO. 8 WING LE POSITION DATA: OSS 438.10 TO 573.30 RH COMPONENT MAINT MANUAL REF: 57-43-24 FOR DETAILS SEE: 27-81-02-03A	002004 006100 107107 121503 904999	1
100	114N4005-158	.	SLAT ASSY-NO. 7 WING LE POSITION DATA: OSS 305.47 TO 438.10 RH COMPONENT MAINT MANUAL REF: 57-43-28 QUALIFIED I/W DATA: -158 IS I/W -152, HOWEVER, -152 CAN BE USED ONLY IF THE AIRPLANE IS RESTRICTED TO 241K MTGW REWORKED BY ALERT SB: 57A0045R1 57A0038R6 FOR DETAILS SEE: 27-81-02-04A	107107	1

MISSING ITEM NUMBERS NOT APPLICABLE

- ITEM NOT ILLUSTRATED

27-81-02-05A

27-81-02  
FIG. 05A  
PAGE 22  
JAN 20/09

BRI



757

PARTS CATALOG (MAINTENANCE)

FIG ITEM	PART NUMBER	1 2 3 4 5 6 7	NOMENCLATURE	EFFECT FROM TO	UNITS PER ASSY
5A 100	114N4005-162	.	SLAT ASSY-NO. 7 WING LE VAR POSITION DATA: OSS 305.47 TO 438.10 RH COMPONENT MAINT MANUAL REF: 57-43-28 QUALIFIED I/W DATA: -162 IS I/W -156, HOWEVER, -156 CAN BE USED ONLY IF THE AIRPLANE IS RESTRICTED TO 241K MTGW 114N4004-178SP CAN REPLACE 114N4004-162 IF -178SP HAS 218N1017-1 AND FORWARD LEADING EDGE HAS 218N1011 -1, -2, -3, OR -4. IF 114N4004-178SP HAS 218N1017-4 THE FORWARD LEADING EDGE MUST HAVE 218N1011-4. SEE DRAWING 114N0001 SHEET 1 NOTE 14 FOR MORE FOR DETAILS SEE: 27-81-02-04A	002004 006100 107107 121503 904999	1
101	114N4005-158	.	SLAT ASSY-NO. 7 WING LE COMPONENT MAINT MANUAL REF: 57-43-28 QUALIFIED I/W DATA: 114N4005-158 INTERCHANGEABLE WITH 114N4005-178SP IF 218N1071-1 ON SLAT IS USED WITH 218N1011-1, -2, -3, OR -4 ON FIXED LEADING EDGE. IF 218N1071-4 IS ON SLAT, 218N1011-4 MUST BE USED ON FIXED LEADING EDGE 114N4005-158 INTERCHANGEABLE WITH 114N4005-184SP IF 218N1071-1 ON SLAT IS USED WITH 218N1011-1, -2, -3, OR -4 ON FIXED LEADING EDGE. IF 218N1071-4 IS ON SLAT, 218N1011-4 MUST BE USED ON FIXED LEADING EDGE	107107	RF

MISSING ITEM NUMBERS NOT APPLICABLE

- ITEM NOT ILLUSTRATED

**27-81-02-05A**

27-81-02  
FIG. 05A  
PAGE 23  
JAN 20/09

BRI



757

PARTS CATALOG (MAINTENANCE)

FIG ITEM	PART NUMBER	1 2 3 4 5 6 7 NOMENCLATURE	EFFECT FROM TO	UNITS PER ASSY
5A		<p>114N4005-158  INTERCHANGEABLE WITH  114N4005-186SP IF  218N1071-1 ON SLAT IS  USED WITH 218N1011-1,  -2, -3, OR -4 ON FIXED  LEADING EDGE. IF  218N1071-4 IS ON SLAT,  218N1011-4 MUST BE USED  ON FIXED LEADING EDGE</p> <p>114N4005-158  INTERCHANGEABLE WITH  114N4005-188SP IF  218N1071-1 ON SLAT IS  USED WITH 218N1011-1,  -2, -3, OR -4 ON FIXED  LEADING EDGE. IF  218N1071-4 IS ON SLAT,  218N1011-4 MUST BE USED  ON FIXED LEADING EDGE</p> <p>114N4005-158  INTERCHANGEABLE WITH  114N4005-204SP IF  218N1071-1 ON SLAT IS  USED WITH 218N1011-1,  -2, -3, OR -4 ON FIXED  LEADING EDGE. IF  218N1071-4 IS ON SLAT,  218N1011-4 MUST BE USED  ON FIXED LEADING EDGE</p> <p>114N4005-158  INTERCHANGEABLE WITH  114N4005-214SP IF  218N1071-1 ON SLAT IS  USED WITH 218N1011-1,  -2, -3, OR -4 ON FIXED  LEADING EDGE. IF  218N1071-4 IS ON SLAT,  218N1011-4 MUST BE USED  ON FIXED LEADING EDGE</p> <p>114N4005-190SP  INTERCHANGEABLE WITH  114N4005-158 IF  218N1071-1 ON SLAT IS  USED WITH 218N1011-1,  -2, -3 OR -4 ON FIXED  LEADING EDGE. IF  218N1071-4 IS ON SLAT,  218N1011-4 MUST BE USED</p>		

MISSING ITEM NUMBERS NOT APPLICABLE

- ITEM NOT ILLUSTRATED

27-81-02-05A

27-81-02  
FIG. 05A  
PAGE 24  
JAN 20/09

BRI



757

PARTS CATALOG (MAINTENANCE)

FIG ITEM	PART NUMBER	1 2 3 4 5 6 7 NOMENCLATURE	EFFECT FROM TO	UNITS PER ASSY
5 A		ON FIXED LEADING EDGE 114N4005-192SP INTERCHANGEABLE WITH 114N4005-158 IF 218N1071-1 ON SLAT IS USED WITH 218N1011-1, -2, -3 OR -4 ON FIXED LEADING EDGE. IF 218N1071-4 IS ON SLAT, 218N1011-4 MUST BE USED ON FIXED LEADING EDGE FOR DETAILS SEE: 27-81-02-04A		

MISSING ITEM NUMBERS NOT APPLICABLE

- ITEM NOT ILLUSTRATED

BRI

# 27-81-02-05A

BOEING PROPRIETARY - Copyright © - Unpublished Work - See title page for details.

27-81-02  
FIG. 05A  
PAGE 25  
JAN 20/09





757

PARTS CATALOG (MAINTENANCE)

FIG ITEM	PART NUMBER	1 2 3 4 5 6 7	NOMENCLATURE	EFFECT FROM TO	UNITS PER ASSY
5A 101	114N4005-188SP		.SLAT ASSY-NO. 7 WING LE COMPONENT MAINT MANUAL REF: 57-43-28 QUALIFIED I/W DATA: 114N4005-188SP INTERCHANGEABLE WITH 114N4005-158 IF 218N1071-1 ON SLAT IS USED WITH 218N1011-1, -2, -3 OR -4 ON FIXED LEADING EDGE. IF 218N1071-4 IS ON SLAT, 218N1011-4 MUST BE USED ON FIXED LEADING EDGE 114N4005-188SP INTERCHANGEABLE WITH 114N4005-178SP IF 218N1071-1 ON SLAT IS USED WITH 218N1011-1, -2, -3 OR -4 ON FIXED LEADING EDGE. IF 218N1071-4 IS ON SLAT, 218N1011-4 MUST BE USED ON FIXED LEADING EDGE 114N4005-188SP INTERCHANGEABLE WITH 114N4005-192SP IF 218N1071-1 ON SLAT IS USED WITH 218N1011-1, -2, -3 OR -4 ON FIXED LEADING EDGE. IF 218N1071-4 IS ON SLAT, 218N1011-4 MUST BE USED ON FIXED LEADING EDGE 114N4005-188SP INTERCHANGEABLE WITH 114N4005-194SP IF 218N1071-1 ON SLAT IS USED WITH 218N1011-1, -2, -3 OR -4 ON FIXED LEADING EDGE. IF 218N1071-4 IS ON SLAT, 218N1011-4 MUST BE USED ON FIXED LEADING EDGE FOR DETAILS SEE: 27-81-02-04A	002004 006100 107107 121503 904999	RF
101	114N4005-192SP		.SLAT ASSY-NO. 7 WING LE COMPONENT MAINT MANUAL REF: 57-43-28	002004 006100 107107	RF

MISSING ITEM NUMBERS NOT APPLICABLE

- ITEM NOT ILLUSTRATED

27-81-02-05A

27-81-02  
FIG. 05A  
PAGE 26  
JAN 20/09

BRI



757

PARTS CATALOG (MAINTENANCE)

FIG ITEM	PART NUMBER	1 2 3 4 5 6 7 NOMENCLATURE	EFFECT FROM TO	UNITS PER ASSY
5A		<p>QUALIFIED I/W DATA:  114N4005-192SP  INTERCHANGEABLE WITH  114N4005-158 IF  218N1071-1 ON SLAT IS  USED WITH 218N1011-1,  -2, -3 OR -4 ON FIXED  LEADING EDGE. IF  218N1071-4 IS ON SLAT,  218N1011-4 MUST BE USED  ON FIXED LEADING EDGE  114N4005-192SP  INTERCHANGEABLE WITH  114N4005-178SP IF  218N1071-1 ON SLAT IS  USED WITH 218N1011-1,  -2, -3 OR -4 ON FIXED  LEADING EDGE. IF  218N1071-4 IS ON SLAT,  218N1011-4 MUST BE USED  ON FIXED LEADING EDGE  114N4005-184SP  INTERCHANGEABLE WITH  114N4005-192SP IF  218N1071-1 ON SLAT IS  USED WITH 218N1011-1,  -2, -3 OR -4 ON FIXED  LEADING EDGE. IF  218N1071-4 IS ON SLAT,  218N1011-4 MUST BE USED  ON FIXED LEADING EDGE  114N4005-186SP  INTERCHANGEABLE WITH  114N4005-192SP IF  218N1071-1 ON SLAT IS  USED WITH 218N1011-1,  -2, -3 OR -4 ON FIXED  LEADING EDGE. IF  218N1071-4 IS ON SLAT,  218N1011-4 MUST BE USED  ON FIXED LEADING EDGE  114N4005-188SP  INTERCHANGEABLE WITH  114N4005-192SP IF  218N1071-1 ON SLAT IS  USED WITH 218N1011-1,  -2, -3 OR -4 ON FIXED  LEADING EDGE. IF  218N1071-4 IS ON SLAT,</p>	121503 904999	

MISSING ITEM NUMBERS NOT APPLICABLE

- ITEM NOT ILLUSTRATED

27-81-02-05A

27-81-02  
FIG. 05A  
PAGE 27  
JAN 20/09

BRI



757

PARTS CATALOG (MAINTENANCE)

FIG ITEM	PART NUMBER	1 2 3 4 5 6 7 NOMENCLATURE	EFFECT FROM TO	UNITS PER ASSY
5A		218N1011-4 MUST BE USED ON FIXED LEADING EDGE 114N4005-192SP INTERCHANGEABLE WITH 114N4005-204SP IF SERVICE BULLETINS 757-27-0126 AND 757-57-0056 AND 757-57-0057 ARE INCORPORATED. 114N4005-192SP INTERCHANGEABLE WITH 114N4005-214SP IF SERVICE BULLETINS 757-27-0126 AND 757-57-0056 AND 757-57-0057 ARE INCORPORATED. FOR DETAILS SEE: 27-81-02-04A		

MISSING ITEM NUMBERS NOT APPLICABLE

- ITEM NOT ILLUSTRATED

BRI

**27-81-02-05A**

BOEING PROPRIETARY - Copyright © - Unpublished Work - See title page for details.

27-81-02  
FIG. 05A  
PAGE 28  
JAN 20/09



757

PARTS CATALOG (MAINTENANCE)

FIG ITEM	PART NUMBER	1 2 3 4 5 6 7	NOMENCLATURE	EFFECT FROM TO	UNITS PER ASSY
5A 105	114N4005-178SP		.SLAT ASSY-NO. 7 WING LE POSITION DATA: OSS 305.47 TO 438.10 RH COMPONENT MAINT MANUAL REF: 57-43-28 QUALIFIED I/W DATA: 114N4005-178SP INTERCHANGEABLE WITH 114N4005-184SP IF 218N1017-1 ON SLAT IS USED WITH 218N1011-1, -2, -3 OR -4 ON FIXED LEADING EDGE. IF 218N1017-4 IS ON SLAT, 218N1011-4 MUST BE USED ON FIXED LEADING EDGE 114N4005-178SP INTERCHANGEABLE WITH 114N4005-186SP IF 218N1017-1 ON SLAT IS USED WITH 218N1011-1, -2, -3 OR -4 ON FIXED LEADING EDGE. IF 218N1017-4 IS ON SLAT, 218N1011-4 MUST BE USED ON FIXED LEADING EDGE REWORKED BY SB: 57-0049 27-0126 POST ALERT SB: 57A0038R4 REWORKED BY ALERT SB: 57A0045R1 FOR DETAILS SEE: 27-81-02-04A	002004 107107 121503 904949 952952	1
105	114N4005-184SP		.SLAT ASSY-NO. 7 WING LE POSITION DATA: OSS 305.47 TO 438.10 RH COMPONENT MAINT MANUAL REF: 57-43-28 QUALIFIED I/W DATA: 114N4005-178SP INTERCHANGEABLE WITH 114N4005-184SP IF 218N1071-1 ON SLAT IS USED WITH 218N1011-1, -2, -3 OR -4 ON FIXED LEADING EDGE. IF 218N1071-4 IS ON SLAT,	002004 006100 107107 121503 904999	1

MISSING ITEM NUMBERS NOT APPLICABLE

- ITEM NOT ILLUSTRATED

**27-81-02-05A**

27-81-02  
FIG. 05A  
PAGE 29  
JAN 20/09

BRI



757

PARTS CATALOG (MAINTENANCE)

FIG ITEM	PART NUMBER	1 2 3 4 5 6 7 NOMENCLATURE	EFFECT FROM TO	UNITS PER ASSY
5A		<p>218N1011-4 MUST BE USED ON FIXED LEADING EDGE 114N4005-192SP INTERCHANGEABLE WITH 114N4005-184SP IF 218N1071-1 ON SLAT IS USED WITH 218N1011-1, -2, -3 OR -4 ON FIXED LEADING EDGE. IF 218N1071-4 IS ON SLAT, 218N1011-4 MUST BE USED ON FIXED LEADING EDGE 114N4005-158 INTERCHANGEABLE WITH 114N4005-184SP IF 218N1071-1 ON SLAT IS USED WITH 218N1011-1, -2, -3, OR -4 ON FIXED LEADING EDGE. IF 218N1071-4 IS ON SLAT, 218N1011-4 MUST BE USED ON FIXED LEADING EDGE 114N4005-184SP INTERCHANGEABLE WITH 114N4005-194SP IF 218N1071-1 ON SLAT IS USED WITH 218N1011-1,-2 -3 OR -4 ON FIXED LEADING EDGE. IF 218N1071-4 IS ON SLAT, 218N1011-4 MUST BE USED ON FIXED LEADING EDGE. 114N4005-178SP INTERCHANGEABLE WITH 114N4005-184SP IF 218N1017-1 ON SLAT IS USED WITH 218N1011-1, -2, -3 OR -4 ON FIXED LEADING EDGE. IF 218N1017-4 IS ON SLAT, 218N1011-4 MUST BE USED ON FIXED LEADING EDGE REWORKED BY SB: 57-0049 27-0126 FOR DETAILS SEE: 27-81-02-04A</p>		
105	114N4005-186SP	<p>.SLAT ASSY-NO. 7 WING LE POSITION DATA:</p>	002004 006100	1

MISSING ITEM NUMBERS NOT APPLICABLE

- ITEM NOT ILLUSTRATED

**27-81-02-05A**

BRI

BOEING PROPRIETARY - Copyright © - Unpublished Work - See title page for details.

27-81-02  
FIG. 05A  
PAGE 30  
JAN 20/09



757

PARTS CATALOG (MAINTENANCE)

FIG ITEM	PART NUMBER	1 2 3 4 5 6 7 NOMENCLATURE	EFFECT FROM TO	UNITS PER ASSY
5A		<p>OSS 305.47 TO 438.10 RH            COMPONENT MAINT MANUAL REF:            57-43-28            QUALIFIED I/W DATA:            114N4005-186SP            INTERCHANGEABLE WITH            114N4005-192SP IF            218N1071-1 ON SLAT IS            USED WITH 218N1011-1,            -2, -3 OR -4 ON FIXED            LEADING EDGE. IF            218N1071-4 IS ON SLAT,            218N1011-4 MUST BE USED            ON FIXED LEADING EDGE            114N4005-186SP            INTERCHANGEABLE WITH            114N4005-194SP IF            218N1071-1 ON SLAT IS            USED WITH 218N1011-1,            -2, -3 OR -4 ON FIXED            LEADING EDGE. IF            218N1071-4 IS ON SLAT,            218N1011-4 MUST BE USED            ON FIXED LEADING EDGE            114N4005-178SP            INTERCHANGEABLE WITH            114N4005-186SP IF            218N1071-1 ON SLAT IS            USED WITH 218N1011-1,            -2, -3 OR -4 ON FIXED            LEADING EDGE. IF            218N1071-4 IS ON SLAT,            218N1011-4 MUST BE USED            ON FIXED LEADING EDGE            114N4005-158            INTERCHANGEABLE WITH            114N4005-186SP IF            218N1071-1 ON SLAT IS            USED WITH 218N1011-1,            -2, -3 OR -4 ON FIXED            LEADING EDGE. IF            218N1071-4 IS ON SLAT,            218N1011-4 MUST BE USED            ON FIXED LEADING EDGE            114N4005-186SP            INTERCHANGEABLE WITH            114N4005-178SP IF            218N1017-1 ON SLAT IS            USED WITH 218N1011-1,</p>	<p>107107            121503            904999</p>	

MISSING ITEM NUMBERS NOT APPLICABLE

- ITEM NOT ILLUSTRATED

27-81-02-05A

27-81-02  
FIG. 05A  
PAGE 31  
JAN 20/09

BRI

**BOEING**  
757  
**PARTS CATALOG (MAINTENANCE)**

FIG ITEM	PART NUMBER	1 2 3 4 5 6 7 NOMENCLATURE	EFFECT FROM TO	UNITS PER ASSY
5A	105 114N4005-188SP	-2, -3 OR -4 ON FIXED LEADING EDGE. IF 218N1017-4 IS ON SLAT, 218N1011-4 MUST BE USED ON FIXED LEADING EDGE REWORKED BY SB: 57-0049 27-0126 FOR DETAILS SEE: 27-81-02-04A .SLAT ASSY-NO. 7 WING LE POSITION DATA: OSS 305.47 TO 438.10 RH COMPONENT MAINT MANUAL REF: 57-43-28 OPTIONAL PART: 114N4005-190SP REWORKED BY SB: 57-0049 27-0126 FOR DETAILS SEE: 27-81-02-04A	002004 006100 107107 121503 904999	1

MISSING ITEM NUMBERS NOT APPLICABLE

— ITEM NOT ILLUSTRATED

BRI

# 27-81-02-05A

BOEING PROPRIETARY - Copyright © - Unpublished Work - See title page for details.

27-81-02  
FIG. 05A  
PAGE 32  
JAN 20/09



757

PARTS CATALOG (MAINTENANCE)

FIG ITEM	PART NUMBER	1 2 3 4 5 6 7	NOMENCLATURE	EFFECT FROM TO	UNITS PER ASSY
5A 105	114N4005-190SP		.SLAT ASSY-NO. 7 WING LE POSITION DATA: OSS 305.47 TO 438.10 RH COMPONENT MAINT MANUAL REF: 57-43-28 QUALIFIED I/W DATA: 114N4005-190SP INTERCHANGEABLE WITH 114N4005-158 IF 218N1071-1 ON SLAT IS USED WITH 218N1011-1, -2, -3 OR -4 ON FIXED LEADING EDGE. IF 218N1071-4 IS ON SLAT, 218N1011-4 MUST BE USED ON FIXED LEADING EDGE 114N4005-190SP INTERCHANGEABLE WITH 114N4005-178SP IF 218N1071-1 ON SLAT IS USED WITH 218N1011-1, -2, -3 OR -4 ON FIXED LEADING EDGE. IF 218N1071-4 IS ON SLAT, 218N1011-4 MUST BE USED ON FIXED LEADING EDGE OPTIONAL PART: 114N4005-188SP REWORKED BY SB: 57-0049 27-0126 FOR DETAILS SEE: 27-81-02-04A	002004 006100 107107 121503 904999	1
105	114N4005-192SP		.SLAT ASSY-NO. 7 WING LE POSITION DATA: OSS 305.47 TO 438.10 RH COMPONENT MAINT MANUAL REF: 57-43-28 OPTIONAL PART: 114N4005-200SP REWORKED BY SB: 57-0049 27-0126 FOR DETAILS SEE: 27-81-02-04A	002004 006100 107107 121503 904999	1
105	114N4005-194SP		.SLAT ASSY-NO. 7 WING LE POSITION DATA: OSS 305.47 TO 438.10 RH COMPONENT MAINT MANUAL REF:	002004 006100 107107 121503	1

MISSING ITEM NUMBERS NOT APPLICABLE

- ITEM NOT ILLUSTRATED

**27-81-02-05A**

27-81-02  
FIG. 05A  
PAGE 33  
JAN 20/09

BRI





757

PARTS CATALOG (MAINTENANCE)

FIG ITEM	PART NUMBER	1 2 3 4 5 6 7 NOMENCLATURE	EFFECT FROM TO	UNITS PER ASSY
5A		<p>57-43-28</p> <p>QUALIFIED I/W DATA:  114N4005-194SP  INTERCHANGEABLE WITH  114N4005-204SP IF  SERVICE BULLETINS  757-27-0126 AND  757-57-0056 AN  757-57-0057 ARE  INCORPORATED.  114N4005-194SP  INTERCHANGEABLE WITH  114N4005-178SP IF  218N1071-1 ON SLAT IS  USED WITH 218N1011-1,  -2, -3 OR -4 ON FIXED  LEADING EDGE. IF  218N1071-4 IS ON SLAT,  218N1011-4 MUST BE USED  ON FIXED LEADING EDGE  114N4005-194SP  INTERCHANGEABLE WITH  114N4005-214SP IF  SERVICE BULLETINS  757-27-0126 AND  757-57-0056 AND  757-57-0057 ARE  INCORPORATED.  114N4005-184SP  INTERCHANGEABLE WITH  114N4005-194SP IF  218N1071-1 ON SLAT IS  USED WITH 218N1011-1,  -2, -3 OR -4 ON FIXED  LEADING EDGE. IF  218N1071-4 IS ON SLAT,  218N1011-4 MUST BE USED  ON FIXED LEADING EDGE  114N4005-186SP  INTERCHANGEABLE WITH  114N4005-194SP IF  218N1071-1 ON SLAT IS  USED WITH 218N1011-1,  -2, -3 OR -4 ON FIXED  LEADING EDGE. IF  218N1071-4 IS ON SLAT,  218N1011-4 MUST BE USED  ON FIXED LEADING EDGE  114N4005-188SP</p>	904999	

MISSING ITEM NUMBERS NOT APPLICABLE

- ITEM NOT ILLUSTRATED

27-81-02-05A

27-81-02  
FIG. 05A  
PAGE 34  
JAN 20/09

BRI

**BOEING**  
757  
PARTS CATALOG (MAINTENANCE)

FIG ITEM	PART NUMBER	1 2 3 4 5 6 7	NOMENCLATURE	EFFECT FROM TO	UNITS PER ASSY
5A			<p>INTERCHANGEABLE WITH 114N4005-194SP IF 218N1071-1 ON SLAT IS USED WITH 218N1011-1, -2, -3 OR -4 ON FIXED LEADING EDGE. IF 218N1071-4 IS ON SLAT, 218N1011-4 MUST BE USED ON FIXED LEADING EDGE REWORKED BY SB: 57-0049 27-0126 FOR DETAILS SEE: 27-81-02-04A</p>		
105	114N4005-230SP		<p>.SLAT ASSY-NO. 7 WING LE POSITION DATA: OSS 305.47 TO OSS 438.10 RH COMPONENT MAINT MANUAL REF: 57-43-28 QUALIFIED I/W DATA: THE -232SP OR -210SP OR -198SP CAN REPLACE -230SP SUBJECT TO CUSTOMER ACCEPTANCE OF WEIGHT PENALTY POST SERVICE BULLETIN: 27-0126 REWORKED BY SB: 57-0049 FUNCTIONAL REFERENCE: FLIGHT CONTROL FOR DETAILS SEE 27-81-02-04A WINGS FOR DETAILS SEE 57-41-51-11</p>	002004 006100 107107 121503 904999	1
105	114N4005-200SP		<p>.SLAT ASSY-NO. 7 WING LE POSITION DATA: OSS 305.47 TO 438.10 RH COMPONENT MAINT MANUAL REF: 57-43-28 REWORKED BY SB: 57-0049 27-0126 FOR DETAILS SEE: 27-81-02-04A</p>	002004 006100 107107 121503 904999	1

MISSING ITEM NUMBERS NOT APPLICABLE

— ITEM NOT ILLUSTRATED

BRI

# 27-81-02-05A

BOEING PROPRIETARY - Copyright © - Unpublished Work - See title page for details.

27-81-02  
FIG. 05A  
PAGE 35  
JAN 20/09



757

PARTS CATALOG (MAINTENANCE)

FIG ITEM	PART NUMBER	1 2 3 4 5 6 7	NOMENCLATURE	EFFECT FROM TO	UNITS PER ASSY
5A 105	114N4005-206SP		.SLAT ASSY-NO. 7 WING LE POSITION DATA: OSS 305.47 TO 438.10 RH COMPONENT MAINT MANUAL REF: 57-43-28 REWORKED BY SB: 57-0049 27-0126 FOR DETAILS SEE: 27-81-02-04A	002004 006100 107107 121503 904999	1
106	114N4005-196SP		.SLAT ASSY-NO. 7 WING LE POSITION DATA: OSS 305.47 TO OSS 438.10 RH FOR DETAILS SEE: 27-81-02-04A	002004 006100 107107 121503 904999	1

MISSING ITEM NUMBERS NOT APPLICABLE

- ITEM NOT ILLUSTRATED

BRI

# 27-81-02-05A

BOEING PROPRIETARY - Copyright © - Unpublished Work - See title page for details.

27-81-02  
FIG. 05A  
PAGE 36  
JAN 20/09



757

PARTS CATALOG (MAINTENANCE)

FIG ITEM	PART NUMBER	1 2 3 4 5 6 7 NOMENCLATURE	EFFECT FROM TO	UNITS PER ASSY
5A 106	114N4005-204SP	.SLAT ASSY-NO. 7 WING LE (FLIGHT CONTROL ONLY) POSITION DATA: OSS 305.47 TO OSS 438.10 RH COMPONENT MAINT MANUAL REF: 57-43-28 QUALIFIED I/W DATA: 114N4005-158 CAN BE REPLACED BY 114N4005-204SP IF 218N1071-1 ON SLAT IS USED WITH 218N1011-1, -2, -3, OR -4 ON FIXED LEADING EDGE. IF 218N1071-4 IS ON SLAT, 218N1011-4 MUST BE USED ON FIXED LEADING EDGE 114N4005-192SP INTERCHANGEABLE WITH 114N4005-204SP IF SERVICE BULLETINS 757-27-0126 AND 757-57-0056 AND 757-57-0057 ARE INCORPORATED. 114N4005-194SP INTERCHANGEABLE WITH 114N4005-204SP IF SERVICE BULLETINS 757-27-0126 AND 757-57-0056 AND 757-57-0057 ARE INCORPORATED. REWORKED BY SB: 57-0049 FUNCTIONAL REFERENCE: FLIGHT CONTROL FOR DETAILS SEE 27-81-02-04A WINGS FOR DETAILS SEE 57-41-51-11	002004 006100 107107 121503 904999	1

MISSING ITEM NUMBERS NOT APPLICABLE

- ITEM NOT ILLUSTRATED

**27-81-02-05A**

27-81-02  
FIG. 05A  
PAGE 37  
JAN 20/09

BRI



757

PARTS CATALOG (MAINTENANCE)

FIG ITEM	PART NUMBER	1 2 3 4 5 6 7	NOMENCLATURE	EFFECT FROM TO	UNITS PER ASSY
5A 106	114N4005-214SP		.SLAT ASSY-NO. 7 WING LE (FLIGHT CONTROL ONLY) POSITION DATA: OSS 305.47 TO OSS 438.10 RH COMPONENT MAINT MANUAL REF: 57-43-28 QUALIFIED I/W DATA: 114N4005-158 CAN BE REPLACED BY 114N4005-214SP IF 218N1071-1 ON SLAT IS USED WITH 218N1011-1, -2, -3, OR -4 ON FIXED LEADING EDGE. IF 218N1071-4 IS ON SLAT, 218N1011-4 MUST BE USED ON FIXED LEADING EDGE 114N4005-192SP INTERCHANGEABLE WITH 114N4005-214SP IF SERVICE BULLETINS 757-27-0126 AND 757-57-0056 AND 757-57-0057 ARE INCORPORATED. 114N4005-194SP INTERCHANGEABLE WITH 114N4005-214SP IF SERVICE BULLETINS 757-27-0126 AND 757-57-0056 AND 757-57-0057 ARE INCORPORATED. REWORKED BY SB: 57-0049 FUNCTIONAL REFERENCE: FLIGHT CONTROL FOR DETAILS SEE 27-81-02-04A WINGS FOR DETAILS SEE 57-41-51-11	002004 006100 107107 121503 904999	1
200	114N4148-11		.TRACK INSTL-LE SLAT MAIN POSITION DATA: OUTBD RH SIDE	002004 006100 107107 121503 904999	4

MISSING ITEM NUMBERS NOT APPLICABLE

- ITEM NOT ILLUSTRATED

**27-81-02-05A**

27-81-02  
FIG. 05A  
PAGE 38  
JAN 20/09

BRI



757

PARTS CATALOG (MAINTENANCE)

FIG ITEM	PART NUMBER	1 2 3 4 5 6 7	NOMENCLATURE	EFFECT FROM TO	UNITS PER ASSY
5A 205	114N4148-12	.	TRACK INSTL-LE SLAT MAIN POSITION DATA: OUTBD RH SIDE	002004 006100 107107 121503 904999	4
210	BACB30LJ3-21	..	BOLT-	002004 006100 107107 121503 904999	8
215	BACW10BP3DP	..	WASHER- POSITION DATA: UNDER NUT	002004 006100 107107 121503 904999	8
220	BACW10BP3CD	..	WASHER- POSITION DATA: UNDER HEAD	002004 006100 107107 121503 904999	8
225	BRH10C3D	..	NUT SUPPLIER CODE: V52828 SPECIFICATION NUMBER: BACN10JC3CD OPTIONAL PART: T6C1032JCD V11815 NS202486-02 V80539 102LH9075-3W V72962 H51650-3BAC V15653	002004 006100 107107 121503 904999	8
230	114N4071-1	..	RETAINER-BOLT USED ON: 114N4148-11 114N4148-12	002004 006100 107107 121503 904999	8
235	114N4071-3	..	RETAINER-BOLT USED ON: 114N4148-13 114N4148-14	002004 006100 107107 121503 904999	8
240	BACB30LE8U24	..	BOLT	002004 006100 107107 121503 904999	8

MISSING ITEM NUMBERS NOT APPLICABLE

- ITEM NOT ILLUSTRATED

27-81-02-05A

27-81-02  
FIG. 05A  
PAGE 39  
JAN 20/09

BRI

BOEING PROPRIETARY - Copyright © - Unpublished Work - See title page for details.



757

PARTS CATALOG (MAINTENANCE)

FIG ITEM	PART NUMBER	1 2 3 4 5 6 7	NOMENCLATURE	EFFECT FROM TO	UNITS PER ASSY
5A 245	BACW10BP8CD	..	WASHER	002004 006100 107107 121503 904999	8
250	BACW10BP8DP	..	WASHER	002004 006100 107107 121503 904999	8
255	BMN10HRCWD3-8	..	NUT SUPPLIER CODE: V97928 SPECIFICATION NUMBER: BACN10HR8CD OPTIONAL PART: H51560-8 V15653 67832CD820 V56878 102LH9031-8 V72962 BH00303CM8 V27238 BMN5024CWD38 V97928 SL7108C8 V11815 VCU0005D8 V06710 102LH90318 V72962 67832CD8 V56878 CR6030-8 VF0224	002004 006100 107107 121503 904999	8
260	BACB28AK08-042	..	BUSHING	002004 006100 107107 121503 904999	8
265	114N4061-3	..	TRACK ASSY- USED ON: 114N4148-12 114N4148-14 FOR DETAILS SEE: 27-81-12-10	002004 006100 107107 121503 904999	1

MISSING ITEM NUMBERS NOT APPLICABLE

- ITEM NOT ILLUSTRATED

27-81-02-05A

27-81-02  
FIG. 05A  
PAGE 40  
JAN 20/09

BRI

BOEING PROPRIETARY - Copyright © - Unpublished Work - See title page for details.



757

PARTS CATALOG (MAINTENANCE)

FIG ITEM	PART NUMBER	1 2 3 4 5 6 7	NOMENCLATURE	EFFECT FROM TO	UNITS PER ASSY
5A 270	114N4061-4		. . TRACK ASSY- USED ON: 114N4148-11 114N4148-13 FOR DETAILS SEE: 27-81-12-10	002004 006100 107107 121503 904999	1
275	BACP18BC02A06P		. PIN	002004 006100 107107 121503 904999	8

MISSING ITEM NUMBERS NOT APPLICABLE

- ITEM NOT ILLUSTRATED

BRI

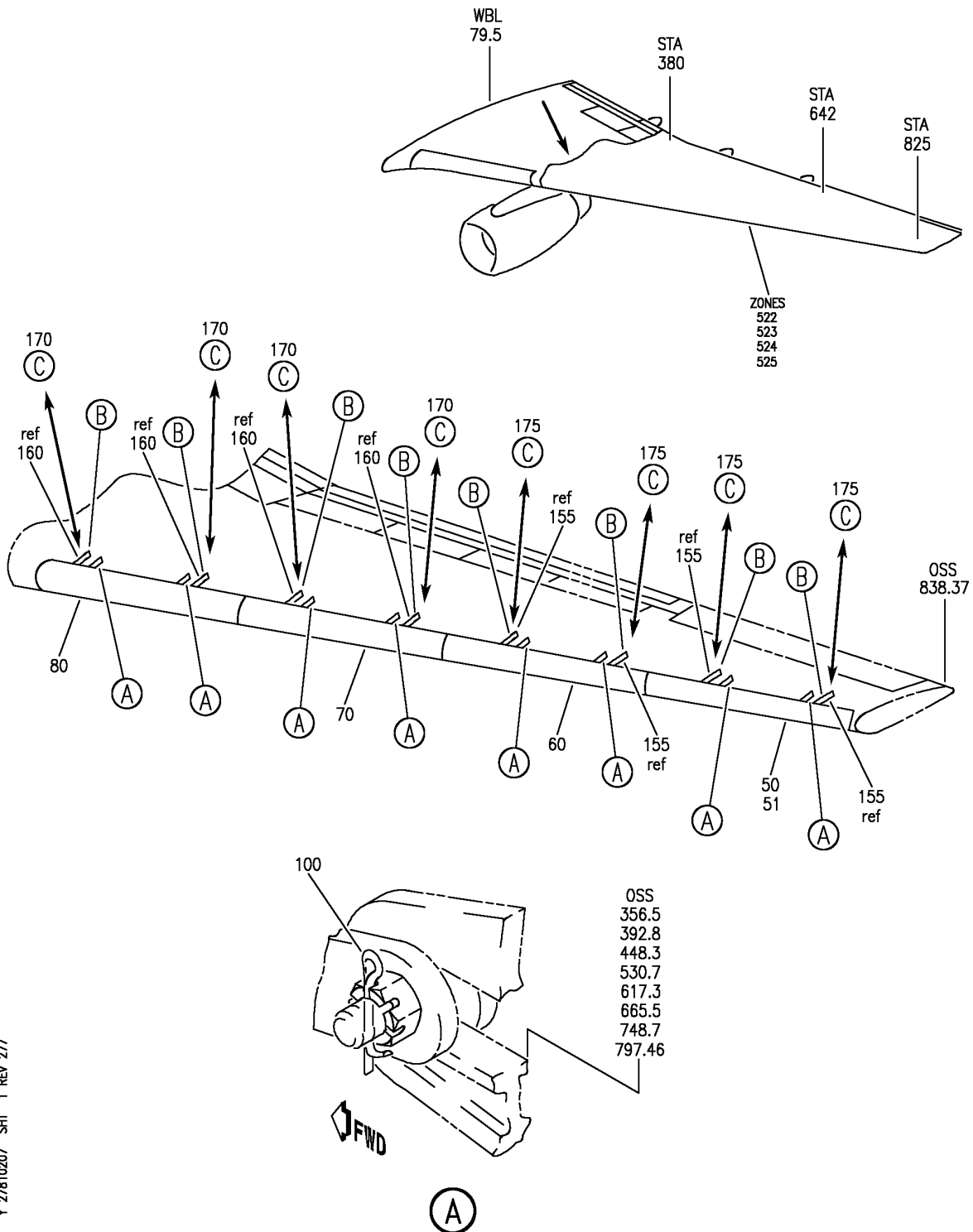
27-81-02-05A

BOEING PROPRIETARY - Copyright © - Unpublished Work - See title page for details.

27-81-02  
FIG. 05A  
PAGE 41  
JAN 20/09



**BOEING**  
757  
PARTS CATALOG (MAINTENANCE)



Y 27810207 SH1 1 REV 277

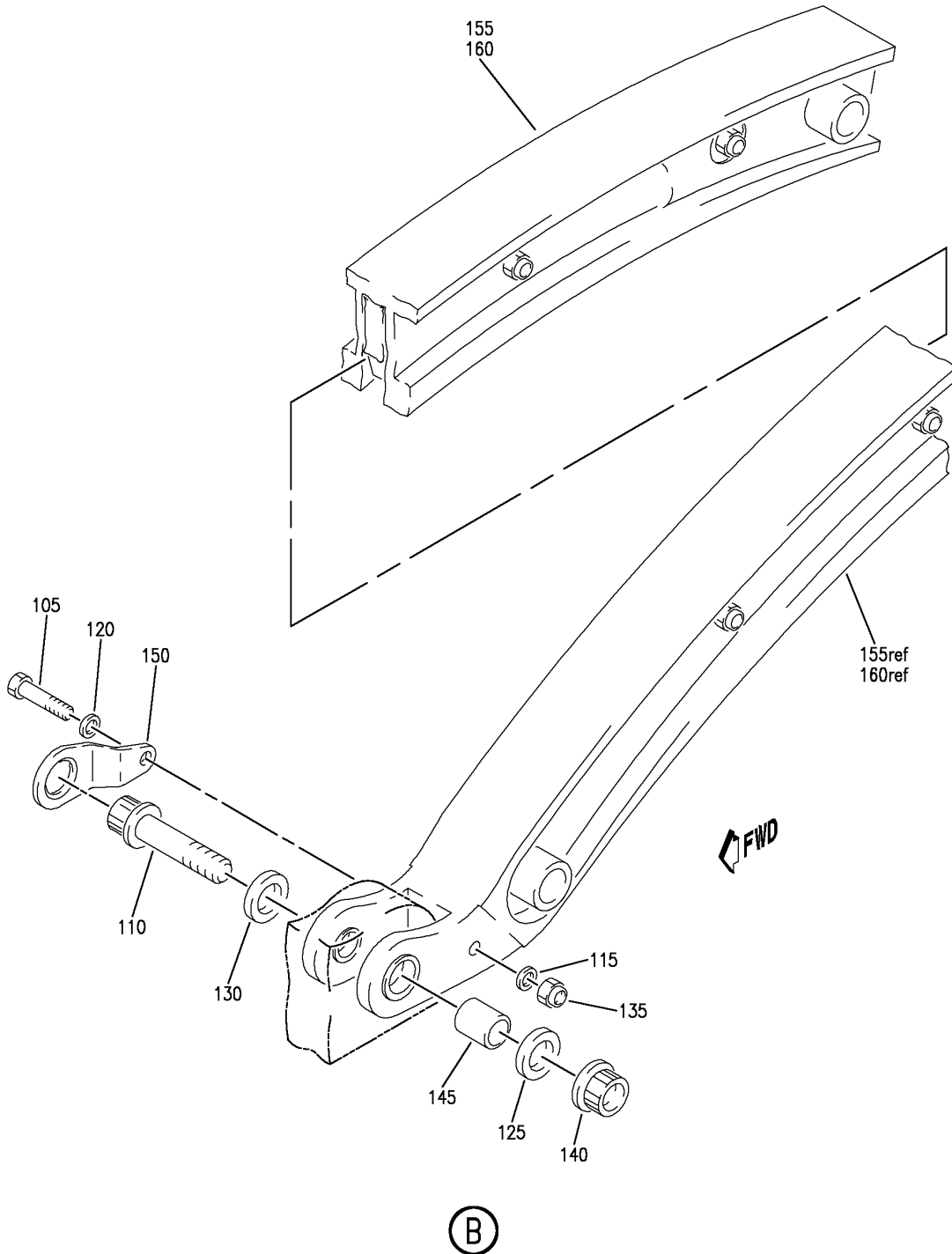
SLAT INSTL-WING LE OUTBD LH  
FIGURE 7 (SHEET 1)

**27-81-02-07**

BRI  
MAY 28/07

27-81-02-07  
PAGE 0

**BOEING**  
757  
PARTS CATALOG (MAINTENANCE)



Y 27B10207 SHT 2 REV 255

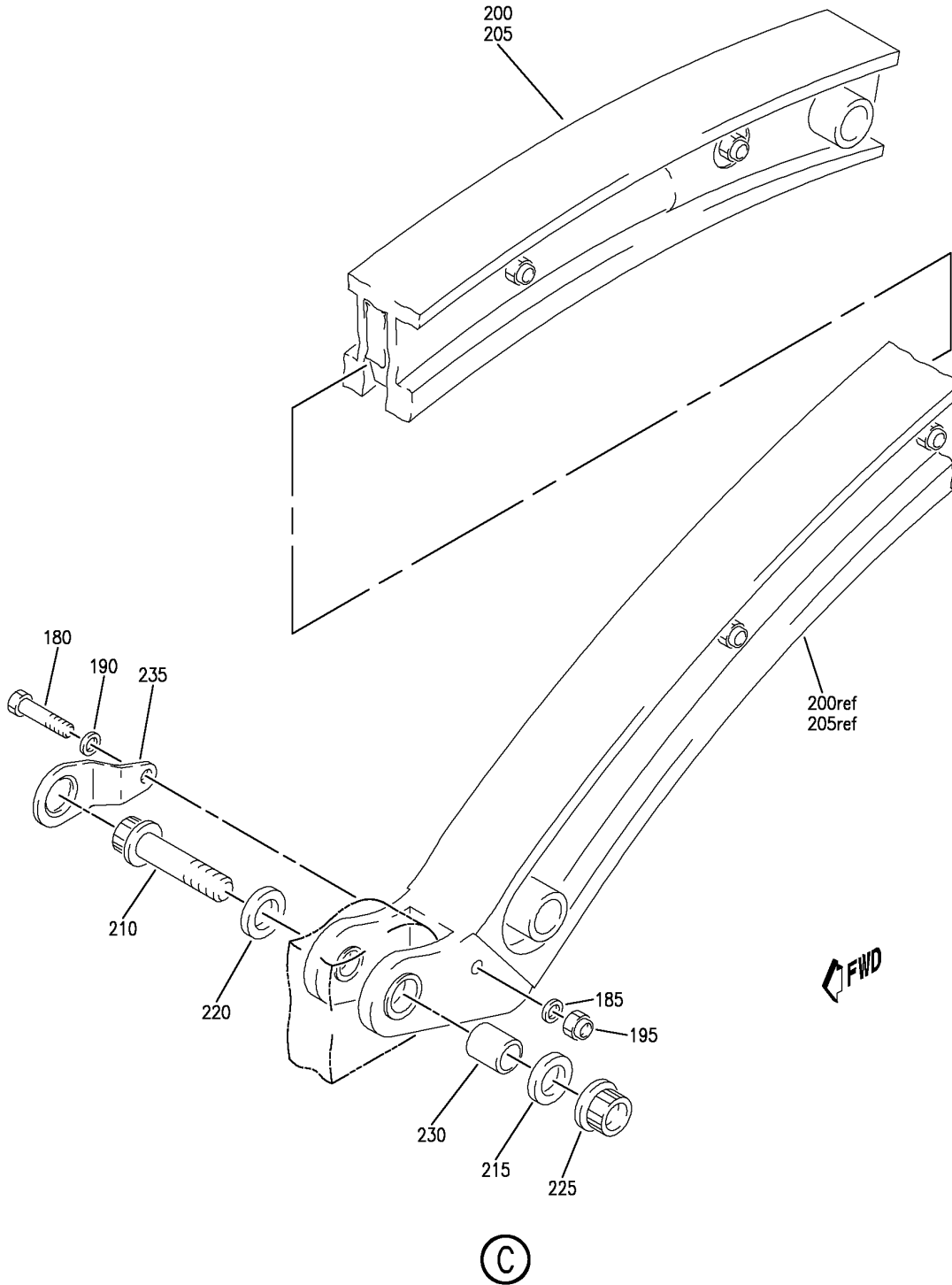
SLAT INSTL-WING LE OUTBD LH  
FIGURE 7 (SHEET 2)

BRI  
MAY 28/07

**27-81-02-07**

27-81-02-07  
PAGE 0A

**BOEING**  
757  
PARTS CATALOG (MAINTENANCE)



Y 27810207 SH1 3 REV 255

SLAT INSTL-WING LE OUTBD LH  
FIGURE 7 (SHEET 3)

**27-81-02-07**

BRI  
MAY 28/07

27-81-02-07  
PAGE 0B



757

PARTS CATALOG (MAINTENANCE)

FIG ITEM	PART NUMBER	1 2 3 4 5 6 7	NOMENCLATURE	EFFECT FROM TO	UNITS PER ASSY
7			SLAT INSTL-WING LE OUTBD LH	101106 108120 504903	
- 1	114N4001-407		SLAT INSTL-WING LE POSITION DATA: OUTBD LH FOR NHA SEE: 57-00-00-10	101101	RF
- 1	114N4001-409		SLAT INSTL-WING LE POSITION DATA: OUTBD LH FOR NHA SEE: 57-00-00-10	102102 504903	RF
- 1	114N4001-411		SLAT INSTL-WING LE POSITION DATA: OUTBD LH FOR NHA SEE: 57-00-00-10	108120	RF
- 5	MODREF621		SLAT INSTL-WING LE MODULE NUMBER: 114N4001-413 REV A POSITION DATA: OUTBD LH	103103	1
- 5	MODREF30027		SLAT INSTL-WING LE MODULE NUMBER: 114N4001-413 REV B POSITION DATA: OUTBD LH	104106	1

MISSING ITEM NUMBERS NOT APPLICABLE

- ITEM NOT ILLUSTRATED

**27-81-02-07**

27-81-02  
FIG. 07  
PAGE 1  
JAN 20/09

BRI



757

PARTS CATALOG (MAINTENANCE)

FIG ITEM	PART NUMBER	1 2 3 4 5 6 7	NOMENCLATURE	EFFECT FROM TO	UNITS PER ASSY
R R	7 50	114N4002-187SP	.SLAT ASSY-NO. 1 WING LE POSITION DATA: OSS 707.00 TO 836.87 LH COMPONENT MAINT MANUAL REF: 57-43-14 QUALIFIED I/W DATA: -187SP CAN REPLACE BUT NOT BE REPLACED BY -137 OR -121 OR -113 OR -109 OR -1 SUBJECT TO CUSTOMER COLOR PREFERENCE -187SP MAY REPLACE -159SP. -159SP MAY REPLACE -187SP AFTER INCORPORATION OF S/B 757-57-0057 -187SP MAY REPLACE -163SP. -163SP MAY REPLACE -187SP AFTER INCORPORATION OF S/B 757-57-0057 FOR DETAILS SEE: 27-81-02-01D	101106 108120 504903	1
	50	114N4002-169SP	.SLAT ASSY-NO. 1 WING LE POSITION DATA: OSS 707.00 TO 836.87 LH COMPONENT MAINT MANUAL REF: 57-43-14 QUALIFIED I/W DATA: -169SP I/W -155SP OR -153SP OR -147SP OR -131 IF S/B 757-57-0057 IS INCORPORATED ON -155SP OR -153SP OR -147SP OR -131 THE -187SP OR -171SP OR -169SP CAN REPLACE THE -137 SUBJECT TO CUSTOMER PREFERENCE -169SP CAN REPLACE BUT NOT BE REPLACED BY -137 OR -121 OR 113 OR -109 OR -1 SUBJECT TO CUSTOMER COLOR PREFERENCE FOR DETAILS SEE: 27-81-02-01D	101106 108120 504903	1

MISSING ITEM NUMBERS NOT APPLICABLE

- ITEM NOT ILLUSTRATED

27-81-02-07

27-81-02  
FIG. 07  
PAGE 2  
MAY 20/09

BRI



757

PARTS CATALOG (MAINTENANCE)

FIG ITEM	PART NUMBER	1 2 3 4 5 6 7 NOMENCLATURE	EFFECT FROM TO	UNITS PER ASSY
7 50	114N4002-153SP	.SLAT ASSY-NO. 1 WING LE BASIC POSITION DATA: OSS 707.00 TO 836.87 LH COMPONENT MAINT MANUAL REF: 57-43-14 QUALIFIED I/W DATA: -153SP AND -147SP ARE CONDITIONALLY INTERCHANGEABLE PER THE REQUIREMENTS OF S/B757-57-0043 AND S/B757-57A0045 -169SP I/W -153SP IF S/B 757-57-0057 IS INCORPORATED ON THE -153SP -167SP CAN REPLACE -153SP SUBJECT TO CUSTOMER ACCEPTANCE OF WEIGHT PENALTY -153SP I/W -131 IF S/B 757-57A0045 IS INCORPORATED ON THE -131 -153SP CAN REPLACE OR BE REPLACED BY -137 OR -121 OR -113 OR -109 OR -1. HOWEVER -137 OR -121 OR -113 OR -109 OR -1 CAN BE USED ONLY IF THE AIRPLANE IS RESTRICTED TO 241K MTGW FOR DETAILS SEE: 27-81-02-01D	101106 108120 504903	1

MISSING ITEM NUMBERS NOT APPLICABLE

- ITEM NOT ILLUSTRATED

BRI

**27-81-02-07**

BOEING PROPRIETARY - Copyright © - Unpublished Work - See title page for details.

27-81-02  
FIG. 07  
PAGE 3  
MAY 20/09



757

PARTS CATALOG (MAINTENANCE)

FIG ITEM	PART NUMBER	1 2 3 4 5 6 7	NOMENCLATURE	EFFECT FROM TO	UNITS PER ASSY
7 50	114N4002-155SP	.SLAT ASSY-NO. 1 WING LE BASIC POSITION DATA: OSS 707.00 TO 836.87 LH COMPONENT MAINT MANUAL REF: 57-43-14 QUALIFIED I/W DATA: -169SP I/W -155SP IF S/B 757-57-0057 IS INCORPORATED ON THE -155SP -155SP I/W -147SP OR -131 IF S/B 757-57A0045 IS INCORPORATED ON THE -147SP OR -131 -155SP CAN REPLACE OR BE REPLACED BY -137 OR -121 OR -113 OR -109 OR -1. HOWEVER -137 OR -121 OR -113 OR -109 OR -1 CAN BE USED ONLY IF THE AIRPLANE IS RESTRICTED TO 241K MTGW FOR DETAILS SEE: 27-81-02-01D		101106 108120 504903	1
50	114N4002-157SP	.SLAT ASSY-NO. 1 WING LE BASIC POSITION DATA: OSS 707.00 TO 836.87 LH COMPONENT MAINT MANUAL REF: 57-43-14 QUALIFIED I/W DATA: -169SP MAY REPLACE -157SP. -157SP MAY REPLACE -169SP AFTER INCORPORATION OF S/B 757-57-0057 -187SP MAY REPLACE -157SP. -157SP MAY REPLACE -187SP AFTER INCORPORATION OF S/B 757-57-0057. FOR DETAILS SEE: 27-81-02-01D		101106 108120 504903	1

MISSING ITEM NUMBERS NOT APPLICABLE

- ITEM NOT ILLUSTRATED

BRI

27-81-02-07

BOEING PROPRIETARY - Copyright © - Unpublished Work - See title page for details.

27-81-02  
FIG. 07  
PAGE 4  
MAY 20/09



757

PARTS CATALOG (MAINTENANCE)

FIG ITEM	PART NUMBER	1 2 3 4 5 6 7	NOMENCLATURE	EFFECT FROM TO	UNITS PER ASSY
7 50	114N4002-171SP		.SLAT ASSY-NO. 1 WING LE BASIC POSITION DATA: OSS 707.00 TO 836.87 LH COMPONENT MAINT MANUAL REF: 57-43-14 QUALIFIED I/W DATA: -171SP I/W -147SP OR -131 IF S/B 757-57A0045 IS INCORPORATED ON THE -147SP OR -131 -171SP I/W -169SP IF S/B 757-57-0057 IS INCORPORATED ON THE -171SP -167SP CAN REPLACE -171SP SUBJECT TO CUSTOMER ACCEPTANCE OF WEIGHT PENALTY -187SP MAY REPLACE -171SP. -171SP MAY REPLACE -187SP AFTER INCORPORATION OF S/B 757-57-0057 06 -171SP CAN REPLACE OR BE REPLACED BY -137 OR -121 OR -113 OR -109 OR -1. HOWEVER -137 OR -121 OR -113 OR -109 OR -1 CAN BE USED ONLY IF THE AIRPLANE IS RESTRICTED TO 241K MTGW FOR DETAILS SEE: 27-81-02-01D	101106 108120 504903	1

MISSING ITEM NUMBERS NOT APPLICABLE

- ITEM NOT ILLUSTRATED

BRI

27-81-02-07

BOEING PROPRIETARY - Copyright © - Unpublished Work - See title page for details.

27-81-02  
FIG. 07  
PAGE 5  
MAY 20/09



 **BOEING**  
757  
**PARTS CATALOG (MAINTENANCE)**

FIG ITEM	PART NUMBER	1 2 3 4 5 6 7	NOMENCLATURE	EFFECT FROM TO	UNITS PER ASSY
7 50	114N4002-159SP		.SLAT ASSY-NO. 1 WING LE POSITION DATA: OSS 707.00 TO 836.87 LH COMPONENT MAINT MANUAL REF: 57-43-14 QUALIFIED I/W DATA: -159SP I/W -169SP IF S/B 757-57-0057 IS INCORPORATED ON THE -159SP -187SP MAY REPLACE -159SP. -159SP MAY REPLACE -187SP AFTER INCORPORATION OF S/B 757-57-0057. 159SP I/W -147SP OR -131 IS S/B 757-57A0045 IS INCORPORATED ON THE -147SP OR -131 FOR DETAILS SEE: 27-81-02-01D	101106 108120 504903	1
51	114N4002-163SP		.SLAT ASSY-NO. 1 WING LE POSITION DATA: OSS 707.00 TO 836.87 LH COMPONENT MAINT MANUAL REF: 57-43-14 QUALIFIED I/W DATA: -169SP MAY REPLACE -163SP. -163SP MAY REPLACE -169SP AFTER INCORPORATION OF S/B 757-57-0057 PENALTY. -187SP MAY REPLACE -163SP. -163SP MAY REPLACE -187SP AFTER INCORPORATION OF S/B 757-57-0057 FOR DETAILS SEE: 27-81-02-01D	101106 108120 504903	1

MISSING ITEM NUMBERS NOT APPLICABLE

— ITEM NOT ILLUSTRATED

BRI

# 27-81-02-07

BOEING PROPRIETARY - Copyright © - Unpublished Work - See title page for details.

27-81-02  
FIG. 07  
PAGE 6  
MAY 20/09

 **BOEING**  
757  
**PARTS CATALOG (MAINTENANCE)**

FIG ITEM	PART NUMBER	1 2 3 4 5 6 7	NOMENCLATURE	EFFECT FROM TO	UNITS PER ASSY
7 60	114N4003-201SP		.SLAT ASSY-NO. 2 WING LE POSITION DATA: OSS 574.80 TO 705.50 COMPONENT MAINT MANUAL REF: 57-43-18 QUALIFIED I/W DATA: 114N4003-171 INTERCHANGEABLE WITH -201SP OR -221SP IF SERVICE BULLETINS 757-27-0126 AND 757-57-0057 ARE INCORPORATED ON OLDER SLATS 114N4003-189SP OR -191SP OR -193SP OR -203SP IS INTERCHANGEABLE WITH 114N4003-201SP IF SERVICE BULLETINS 757-27-0126 AND 757-57-0057 ARE INCORPORATED ON OLDER SLATS 114N4003-191SP IS INTERCHANGEABLE WITH -201SP IF SERVICE BULLETINS 757-27-0126 AND 757-57-0057 ARE INCORPORATED ON OLDER SLATS FUNCTIONAL REFERENCE: FLIGHT CONTROL FOR DETAILS SEE 27-81-02-02D WINGS FOR DETAILS SEE 57-41-51-11	101106 108120 504903	1
60	114N4003-221SP		.SLAT ASSY-NO. 2 WING LE POSITION DATA: OSS 574.80 TO 705.50 LH COMPONENT MAINT MANUAL REF: 57-43-18 FUNCTIONAL REFERENCE: FLIGHT CONTROL FOR DETAILS SEE 27-81-02-02D WINGS FOR DETAILS SEE 57-41-51-11	101106 108120 504903	1

MISSING ITEM NUMBERS NOT APPLICABLE

— ITEM NOT ILLUSTRATED

BRI

**27-81-02-07**

BOEING PROPRIETARY - Copyright © - Unpublished Work - See title page for details.

27-81-02  
FIG. 07  
PAGE 7  
MAY 20/09



757

PARTS CATALOG (MAINTENANCE)

FIG ITEM	PART NUMBER	1 2 3 4 5 6 7	NOMENCLATURE	EFFECT FROM TO	UNITS PER ASSY
7 70	114N4004-181SP		.SLAT ASSY-NO. 3 WING LE POSITION DATA: OSS 438.10 TO 573.30 LH COMPONENT MAINT MANUAL REF: 57-43-24 QUALIFIED I/W DATA: 114N4004-181SP INTERCHANGEABLE WITH 114N4004-165SP IF SERVICE BULLETIN 757-57A0045 IS INCORPORATED 114N4004-181SP INTERCHANGEABLE WITH 114N4004-191SP OR -215SP IF SERVICE BULLETINS 757-27-0126 AND 757- 57-0057 ARE INCORPORATED. FOR DETAILS SEE: 27-81-02-03D	101106 108120 504903	1
70	114N4004-183SP		.SLAT ASSY-NO. 3 WING LE POSITION DATA: OSS 438.10 TO 573.30 LH COMPONENT MAINT MANUAL REF: 57-43-24 QUALIFIED I/W DATA: 114N4004-183SP INTERCHANGEABLE WITH 114N4004-165SP IF SERVICE BULLETIN 757-57A0045 IS INCORPORATED FOR DETAILS SEE: 27-81-02-03D	101106 108120 504903	1

MISSING ITEM NUMBERS NOT APPLICABLE

- ITEM NOT ILLUSTRATED

**27-81-02-07**

27-81-02  
FIG. 07  
PAGE 8  
MAY 20/09

BRI



757

PARTS CATALOG (MAINTENANCE)

FIG ITEM	PART NUMBER	1 2 3 4 5 6 7 NOMENCLATURE	EFFECT FROM TO	UNITS PER ASSY
7 70	114N4004-191SP	.SLAT ASSY-NO. 3 WING LE POSITION DATA: OSS 438.10 TO 573.30 LH COMPONENT MAINT MANUAL REF: 57-43-24 QUALIFIED I/W DATA: -191SP INTERCHANGEABLE WITH -165SP IF S/B 757-27-0126 AND 757-57-0057 ARE INCORPORATED 114N4004-181SP INTERCHANGEABLE WITH 114N4004-191SP IF SERVICE BULLETINS 757-27-0126 AND 757-57-0057 ARE INCORPORATED. FUNCTIONAL REFERENCE: FLIGHT CONTROL FOR DETAILS SEE 27-81-02-03D WINGS FOR DETAILS SEE 57-41-51-11	101106 108120 504903	1

MISSING ITEM NUMBERS NOT APPLICABLE

- ITEM NOT ILLUSTRATED

BRI

**27-81-02-07**

BOEING PROPRIETARY - Copyright © - Unpublished Work - See title page for details.

27-81-02  
FIG. 07  
PAGE 9  
MAY 20/09



757

PARTS CATALOG (MAINTENANCE)

FIG ITEM	PART NUMBER	1 2 3 4 5 6 7	NOMENCLATURE	EFFECT FROM TO	UNITS PER ASSY
7 70	114N4004-215SP	.	SLAT ASSY-NO. 3 WING LE POSITION DATA: OSS 438.10 TO 573.30 LH COMPONENT MAINT MANUAL REF: 57-43-24 QUALIFIED I/W DATA: -215SP INTERCHANGEABLE WITH -165SP IF S/B 757-27-0126 AND 757-57-0057 ARE INCORPORATED 114N4004-181SP INTERCHANGEABLE WITH 114N4004-215SP IF SERVICE BULLETINS 757-27-0126 AND 757-57-0057 ARE INCORPORATED. FUNCTIONAL REFERENCE: FLIGHT CONTROL FOR DETAILS SEE 27-81-02-03D WINGS FOR DETAILS SEE 57-41-51-11	101106 108120 504903	1
70	114N4004-179SP	.	SLAT ASSY-NO. 3 WING LE POSITION DATA: OSS 438.10 TO 573.30 LH COMPONENT MAINT MANUAL REF: 57-43-24 QUALIFIED I/W DATA: 114N4004-179SP INTERCHANGEABLE WITH 114N4004-165SP IF SERVICE BULLETIN 757-57A0045 IS INCORPORATED FOR DETAILS SEE: 27-81-02-03D	101106 108120 504903	1

MISSING ITEM NUMBERS NOT APPLICABLE

- ITEM NOT ILLUSTRATED

BRI

27-81-02-07

BOEING PROPRIETARY - Copyright © - Unpublished Work - See title page for details.

27-81-02  
FIG. 07  
PAGE 10  
MAY 20/09



757

PARTS CATALOG (MAINTENANCE)

FIG ITEM	PART NUMBER	1 2 3 4 5 6 7	NOMENCLATURE	EFFECT FROM TO	UNITS PER ASSY
7 70	114N4004-177SP	.	SLAT ASSY-NO. 3 WING LE POSITION DATA: OSS 438.10 TO 573.30 LH COMPONENT MAINT MANUAL REF: 57-43-24 QUALIFIED I/W DATA: -177SP IS CONDITIONALLY INTERCHANGEABLE WITH -165SP PER THE REQUIREMENTS OF S/B 757-57-0043 AND S/B 757-57A0045 FOR DETAILS SEE: 27-81-02-03D	101106 108120 504903	1
70	114N4004-175SP	.	SLAT ASSY-NO. 3 WING LE POSITION DATA: OSS 438.10 TO 573.30 LH COMPONENT MAINT MANUAL REF: 57-43-24 QUALIFIED I/W DATA: -175SP IS CONDITIONALLY INTERCHANGEABLE WITH -165SP PER THE REQUIREMENTS OF S/B 757-57-0043 AND S/B 757-57A0045 FOR DETAILS SEE: 27-81-02-03D	101106 108120 504903	1
70	114N4004-171SP	.	SLAT ASSY-NO. 3 WING LE POSITION DATA: OSS 438.10 TO 573.30 LH COMPONENT MAINT MANUAL REF: 57-43-24 QUALIFIED I/W DATA: -171SP IS CONDITIONALLY INTERCHANGEABLE WITH -165SP PER THE REQUIREMENTS OF S/B 757-57-0043 AND S/B 757-57A0045 FOR DETAILS SEE: 27-81-02-03D	101106 108120 504903	1

MISSING ITEM NUMBERS NOT APPLICABLE

- ITEM NOT ILLUSTRATED

**27-81-02-07**

27-81-02  
FIG. 07  
PAGE 11  
MAY 20/09

BRI



757

PARTS CATALOG (MAINTENANCE)

FIG ITEM	PART NUMBER	1 2 3 4 5 6 7	NOMENCLATURE	EFFECT FROM TO	UNITS PER ASSY
7					
70	114N4004-195SP		.SLAT ASSY-NO. 3 WING LE POSITION DATA: OSS 438.10 TO 573.30 LH COMPONENT MAINT MANUAL REF: 57-43-24 QUALIFIED I/W DATA: 114N4004-195SP INTERCHANGEABLE WITH 114N4004-165SP IF SERVICE BULLETIN 757-57A0045 IS INCORPORATED FOR DETAILS SEE: 27-81-02-03D	101106 108120 504903	1
70	114N4004-189SP		.SLAT ASSY-NO. 3 WING LE POSITION DATA: OSS 438.10 TO 573.30 LH COMPONENT MAINT MANUAL REF: 57-43-24 FOR DETAILS SEE: 27-81-02-03D	101106 108120 504903	1
70	114N4004-145		.SLAT ASSY-NO. 3 WING LE POSITION DATA: OSS 438.10 TO 573.30 LH COMPONENT MAINT MANUAL REF: 57-43-24 QUALIFIED I/W DATA: -145 IS I/W -139, HOWEVER, -139 CAN BE USED ONLY IF THE AIRPLANE IS RESTRICTED TO 241K MTGW. 114N4004-145 INTERCHANGEABLE WITH 114N4004-165SP IF SERVICE BULLETIN 757-57A0045 IS INCORPORATED FOR DETAILS SEE: 27-81-02-03D	101106 108120 504903	1

MISSING ITEM NUMBERS NOT APPLICABLE

- ITEM NOT ILLUSTRATED

27-81-02-07

27-81-02  
FIG. 07  
PAGE 12  
MAY 20/09

BRI



757  
PARTS CATALOG (MAINTENANCE)

FIG ITEM	PART NUMBER	1 2 3 4 5 6 7	NOMENCLATURE	EFFECT FROM TO	UNITS PER ASSY
7 70	114N4004-185SP		.SLAT ASSY-NO. 3 WING LE POSITION DATA: OSS 438.10 TO 573.30 LH COMPONENT MAINT MANUAL REF: 57-43-24 QUALIFIED I/W DATA: 114N4004-185SP INTERCHANGEABLE WITH 114N4004-165SP IF SERVICE BULLETIN 757-57A0045 IS INCORPORATED FOR DETAILS SEE: 27-81-02-03D	101106 108120 504903	1

MISSING ITEM NUMBERS NOT APPLICABLE

- ITEM NOT ILLUSTRATED

BRI

27-81-02-07

BOEING PROPRIETARY - Copyright © - Unpublished Work - See title page for details.

27-81-02  
FIG. 07  
PAGE 13  
MAY 20/09





757

PARTS CATALOG (MAINTENANCE)

FIG ITEM	PART NUMBER	1 2 3 4 5 6 7	NOMENCLATURE	EFFECT FROM TO	UNITS PER ASSY
7 80	114N4005-203SP		.SLAT ASSY-NO. 4 WING LE POSITION DATA: OSS305.47 TO 438.10 LH COMPONENT MAINT MANUAL REF: 57-43-28 QUALIFIED I/W DATA: 114N4005-157 CAN BE REPLACED BY 114N4005-203SP IF 218N1071-1 ON SLAT IS USED WITH 218N1011-1, -2, -3, OR -4 ON FIXED LEADING EDGE. IF 218N1071-4 IS ON SLAT, 218N1011-4 MUST BE USED ON FIXED LEADING EDGE 114N4005-191SP INTERCHANGEABLE WITH 114N4005-203SP IF SERVICE BULLETINS BULLETINS 757-27-0126 AND 757-57-0056 AND 757-57-0057 ARE INCORPORATED. 114N4005-193SP INTERCHANGEABLE WITH 114N4005-203SP IF SERVICE BULLETINS 757-27-0126 AND 757-57-0056 AND 757-57-0057 ARE INCORPORATED. FUNCTIONAL REFERENCE: FLIGHT CONTROL FOR DETAILS SEE 27-81-02-04D WINGS FOR DETAILS SEE 57-41-51-11	101106 108120 504903	1

MISSING ITEM NUMBERS NOT APPLICABLE

- ITEM NOT ILLUSTRATED

BRI

**27-81-02-07**

BOEING PROPRIETARY - Copyright © - Unpublished Work - See title page for details.

27-81-02  
FIG. 07  
PAGE 14  
MAY 20/09



757

PARTS CATALOG (MAINTENANCE)

FIG ITEM	PART NUMBER	1 2 3 4 5 6 7	NOMENCLATURE	EFFECT FROM TO	UNITS PER ASSY
7 80	114N4005-213SP		.SLAT ASSY-NO. 4 WING LE POSITION DATA: OSS305.47 TO 438.10 LH COMPONENT MAINT MANUAL REF: 57-43-28 QUALIFIED I/W DATA: 114N4005-157 CAN BE REPLACED BY 114N4005-213SP IF 218N1071-1 ON SLAT IS USED WITH 218N1011-1, -2, -3, OR -4 ON FIXED LEADING EDGE. IF 218N1071-4 IS ON SLAT, 218N1011-4 MUST BE USED ON FIXED LEADING EDGE 114N4005-191SP INTERCHANGEABLE WITH 114N4005-213SP IF SERVICE BULLETINS 757-27-0126 AND 757-57-0056 AND 757-57-0057 ARE INCORPORATED. 114N4005-193SP INTERCHANGEABLE WITH 114N4005-213SP IF SERVICE BULLETINS 757-27-0126 AND 757-57-0056 AND 757-57-0057 ARE INCORPORATED. FUNCTIONAL REFERENCE: FLIGHT CONTROL FOR DETAILS SEE 27-81-02-04D WINGS FOR DETAILS SEE 57-41-51-11	101106 108120 504903	1

MISSING ITEM NUMBERS NOT APPLICABLE

- ITEM NOT ILLUSTRATED

BRI

**27-81-02-07**

BOEING PROPRIETARY - Copyright © - Unpublished Work - See title page for details.

27-81-02  
FIG. 07  
PAGE 15  
MAY 20/09



757

PARTS CATALOG (MAINTENANCE)

FIG ITEM	PART NUMBER	1 2 3 4 5 6 7	NOMENCLATURE	EFFECT FROM TO	UNITS PER ASSY
7 80	114N4005-229SP		.SLAT ASSY-NO. 4 WING LE POSITION DATA: OSS305.47 TO 438.10 LH COMPONENT MAINT MANUAL REF: 57-43-28 QUALIFIED I/W DATA: THE -231SP OR -209SP OR -197SP CAN REPLACE -229SP SUBJECT TO CUSTOMER ACCEPTANCE OF WEIGHT PENALTY 114N4005-191SP CAN REPLACE OR BE REPLACED BY 114N4005-229SP IF SERVICE BULLETINS 757-27-0126, 757-57-0056 AND 757-57-0057 ARE INCORPORATED ON 114N4005-191SP. FUNCTIONAL REFERENCE: FLIGHT CONTROL FOR DETAILS SEE 27-81-02-04D WINGS FOR DETAILS SEE 57-41-51-11	101106 108120 504903	1
100	BACP18BC02A06P		.PIN	101106 108120 504903	8
105	BACB30LJ3-21		.BOLT	101106 108120 504903	8
110	BACB30LE8U24		.BOLT	101106 108120 504903	8
115	BACW10BP3DP		.WASHER- POSITION DATA: UNDER NUT	101106 108120 504903	8
120	BACW10BP3CD		.WASHER- POSITION DATA: UNDER HEAD	101106 108120 504903	8
125	BACW10BP8DP		.WASHER	101106 108120 504903	8
130	BACW10BP8CD		.WASHER	101106 108120 504903	8

MISSING ITEM NUMBERS NOT APPLICABLE

- ITEM NOT ILLUSTRATED

27-81-02-07

27-81-02  
FIG. 07  
PAGE 16  
MAY 20/09

BRI



757

PARTS CATALOG (MAINTENANCE)

FIG ITEM	PART NUMBER	1 2 3 4 5 6 7	NOMENCLATURE	EFFECT FROM TO	UNITS PER ASSY
7 135	BRH10C3D	.NUT	SUPPLIER CODE: V52828 SPECIFICATION NUMBER: BACN10JC3CD OPTIONAL PART: T6C1032JCD V11815 NS202486-02 V80539 102LH9075-3W V72962 H51650-3BAC V15653	101106 108120 504903	8
140	BMN10HRCWD3-8	.NUT	SUPPLIER CODE: V97928 SPECIFICATION NUMBER: BACN10HR8CD OPTIONAL PART: H51560-8 V15653 67832CD820 V56878 102LH9031-8 V72962 BH00303CM8 V27238 BMN5024CWD38 V97928 SL7108C8 V11815 VCU0005D8 V06710 102LH90318 V72962 67832CD8 V56878 CR6030-8 VF0224	101106 108120 504903	8
145	BACB28AK08-042	.BUSHING		101106 108120 504903	8
150	114N4071-3	.RETAINER-BOLT		101106 108120 504903	8
155	114N4061-3	.TRACK ASSY- FOR DETAILS SEE: 27-81-12-10B		101106 108120 504903	4

MISSING ITEM NUMBERS NOT APPLICABLE

- ITEM NOT ILLUSTRATED

27-81-02-07

27-81-02  
FIG. 07  
PAGE 17  
MAY 20/09

BRI



757

PARTS CATALOG (MAINTENANCE)

FIG ITEM	PART NUMBER	1 2 3 4 5 6 7	NOMENCLATURE	EFFECT FROM TO	UNITS PER ASSY
7 160	114N4061-4		.TRACK ASSY- FOR DETAILS SEE: 27-81-12-10B	101106 108120 504903	4

MISSING ITEM NUMBERS NOT APPLICABLE

- ITEM NOT ILLUSTRATED

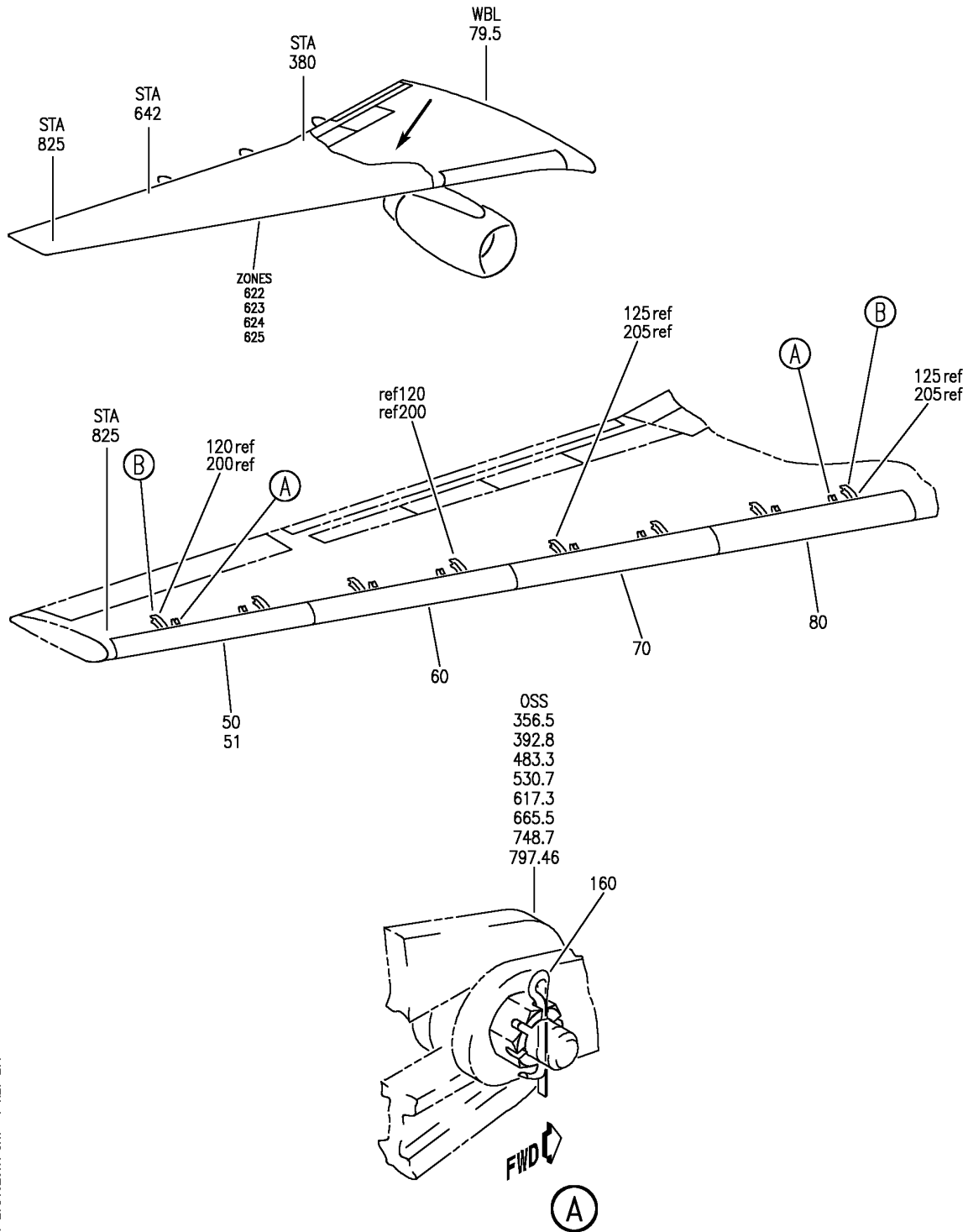
BRI

**27-81-02-07**

BOEING PROPRIETARY - Copyright © - Unpublished Work - See title page for details.

27-81-02  
FIG. 07  
PAGE 18  
MAY 20/09

**BOEING**  
757  
PARTS CATALOG (MAINTENANCE)



Y 27810207A SHT 1 REV 277

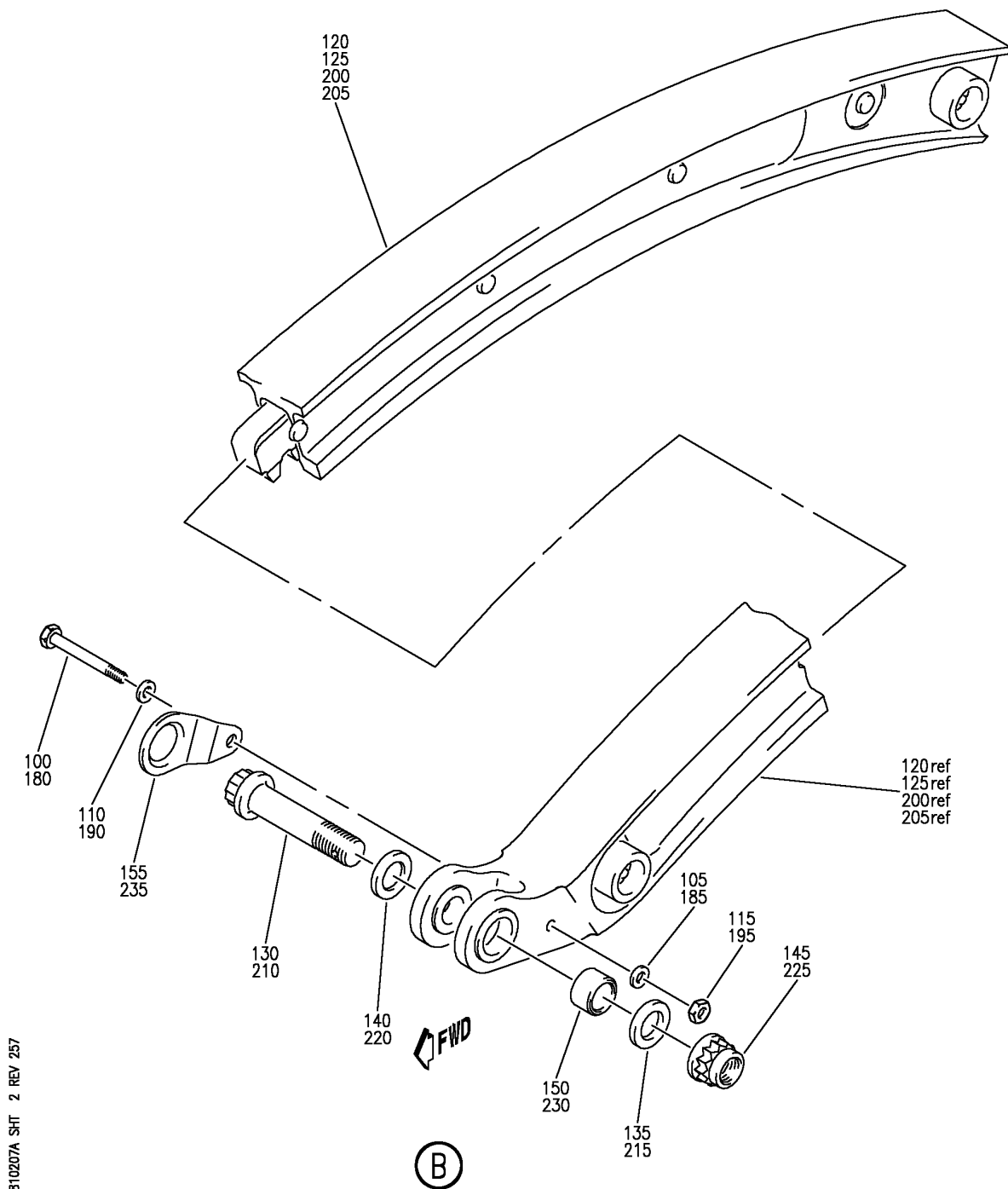
SLAT INSTL-WING LE OUTBD RH  
FIGURE 7A (SHEET 1)

**27-81-02-07A**

BRI  
MAY 28/07

27-81-02-07A  
PAGE 0

**BOEING**  
757  
PARTS CATALOG (MAINTENANCE)



Y 27810207A SHT 2 REV 257

SLAT INSTL-WING LE OUTBD RH  
FIGURE 7A (SHEET 2)

**27-81-02-07A**

BRI  
MAY 28/07

27-81-02-07A  
PAGE 0A



757

PARTS CATALOG (MAINTENANCE)

FIG ITEM	PART NUMBER	1 2 3 4 5 6 7	NOMENCLATURE	EFFECT FROM TO	UNITS PER ASSY
7A			SLAT INSTL-WING LE OUTBD RH	101106 108120 504903	
- 1	114N4001-410		SLAT INSTL-WING LE POSITION DATA: OUTBD LH FOR NHA SEE: 57-00-00-10	101102 504903	RF
- 1	114N4001-412		SLAT INSTL-WING LE POSITION DATA: OUTBD LH FOR NHA SEE: 57-00-00-10	108120	RF
- 5	MODREF622		SLAT INSTL-WING LE MODULE NUMBER: 114N4001-414 REV A POSITION DATA: OUTBD LH	103103	1
- 5	MODREF30028		SLAT INSTL-WING LE MODULE NUMBER: 114N4001-414 REV B POSITION DATA: OUTBD LH	104106	1

MISSING ITEM NUMBERS NOT APPLICABLE

- ITEM NOT ILLUSTRATED

BRI

**27-81-02-07A**

BOEING PROPRIETARY - Copyright © - Unpublished Work - See title page for details.

27-81-02  
FIG. 07A  
PAGE 1  
JAN 20/09



 **BOEING**  
757  
**PARTS CATALOG (MAINTENANCE)**

FIG ITEM	PART NUMBER	1 2 3 4 5 6 7 NOMENCLATURE	EFFECT FROM TO	UNITS PER ASSY
7A 50	114N4002-160SP	.SLAT ASSY-NO. 10 WING LE POSITION DATA: OSS 707.00 TO 836.37 RH COMPONENT MAINT MANUAL REF: 57-43-14 QUALIFIED I/W DATA: -186SP OR -176SP MAY REPLACE -170SP OR -164SP OR -160SP OR -158SP OR -172SP SUBJECT TO CUSTOMER ACCEPTANCE OF WEIGHT PENALTY -178SP MAY REPLACE -170SP OR -164SP OR -160SP OR -158SP OR 172SP OR -156SP OR -154SP DEPENDING ON CUTOER ACCEPTANCE OF WEIGHT PENALTY 114N4002-168SP CAN REPLACE 114N4002-160SP SUBJECT TO CUSTOMER ACCEPTANCE OF WEIGHT PENALTY. -148SP I/W -172SP OR -160SP IF S/B757-57-0043 OR S/B 757-57A0045 IS INCORPORATED ON -148SP -170SP I/W -158SP OR -164SP OR -160SP OR -172SP IF S/B 757-57 -0057 IS INCORPORATED ON -158SP OR -164SP OR -160SP OR -172SP. FOR DETAILS SEE: 27-81-02-01E	101106 108120 504903	1

MISSING ITEM NUMBERS NOT APPLICABLE

— ITEM NOT ILLUSTRATED

BRI

# 27-81-02-07A

BOEING PROPRIETARY - Copyright © - Unpublished Work - See title page for details.

27-81-02  
FIG. 07A  
PAGE 2  
JAN 20/09



757

PARTS CATALOG (MAINTENANCE)

FIG ITEM	PART NUMBER	1 2 3 4 5 6 7	NOMENCLATURE	EFFECT FROM TO	UNITS PER ASSY
7A 50	114N4002-164SP	.	SLAT ASSY-NO. 10 WING LE POSITION DATA: OSS 707.00 TO 836.37 RH COMPONENT MAINT MANUAL REF: 57-43-14 QUALIFIED I/W DATA: -170SP I/W -158SP OR -164SP OR -160SP OR -172SP IF S/B 757-57 -0057 IS INCORPORATED ON -158SP OR -164SP OR -160SP OR -172SP. FOR DETAILS SEE: 27-81-02-01E	101106 108120 504903	1
50	114N4002-170SP	.	SLAT ASSY-NO. 10 WING LE POSITION DATA: OSS 707.00 TO 836.37 RH COMPONENT MAINT MANUAL REF: 57-43-14 QUALIFIED I/W DATA: -170SP I/W -158SP OR -164SP OR -160SP OR -172SP IF S/B 757 -57-0057 IS INCORPORATED ON -158SP OR -164SP OR -160SP OR -172SP. -170SP I/W -156SP OR -154SP OR -148SP OR -132 IF S/B 757-57-0057 IS INCORPORATED ON -156SP OR -154SP OR -148SP OR -132. -170SP CAN REPLACE BUT NOT BE REPLACED BY -138 OR -122 OR -114 OR -110 OR -2 SUBJECT TO CUSTOMER COLOR PREFERENCE FOR DETAILS SEE: 27-81-02-01E	101106 108120 504903	1

MISSING ITEM NUMBERS NOT APPLICABLE

- ITEM NOT ILLUSTRATED

BRI

**27-81-02-07A**

BOEING PROPRIETARY - Copyright © - Unpublished Work - See title page for details.

27-81-02  
FIG. 07A  
PAGE 3  
JAN 20/09



757

PARTS CATALOG (MAINTENANCE)

FIG ITEM	PART NUMBER	1 2 3 4 5 6 7	NOMENCLATURE	EFFECT FROM TO	UNITS PER ASSY
7A 50	114N4002-188SP	.	SLAT ASSY-NO. 10 WING LE POSITION DATA: OSS 707.00 TO 836.37 RH COMPONENT MAINT MANUAL REF: 57-43-14 QUALIFIED I/W DATA: -188SP MAY REPLACE -172SP. -172SP MAY REPLACE -188SP AFTER INCORPORATION OF S/B 757-057-5700 -188SP CAN REPLACE BUT BE REPLACED BY -138 OR -122 OR -114 OR -110 OR -2 SUBJECT TO CUSTOMER COLOR PREFERENCE FOR DETAILS SEE: 27-81-02-01E	101106 108120 504903	1
50	114N4002-154SP	.	SLAT ASSY-NO. 10 WING LE POSITION DATA: OSS 707.00 TO 836.37 RH COMPONENT MAINT MANUAL REF: 57-43-14 QUALIFIED I/W DATA: -154SP AND -148SP ARE CONDITIONALLY INTERCHABGEABLE PER THE REQUIREMENTS OF S/B 757-57-0043 AND S/B 757-57A0045 -154SP I/W -132 IF S/B 757-57A0045 IS INCORPORATED ON THE -132 -154SP CAN REPLACE OR BE REPLACED BY -138 OR -122 OR -114 OR -110 OR -2. HOWEVER -138 OR -122 OR -114 OR -110 OR -2 CAN BE USED ONLY IF THE AIRPLANE IS RESTRICKED TO 241K MTGW FOR DETAILS SEE: 27-81-02-01E	101106 108120 504903	1

MISSING ITEM NUMBERS NOT APPLICABLE

- ITEM NOT ILLUSTRATED

**27-81-02-07A**

27-81-02  
FIG. 07A  
PAGE 4  
JAN 20/09

BRI



757

PARTS CATALOG (MAINTENANCE)

FIG ITEM	PART NUMBER	1 2 3 4 5 6 7	NOMENCLATURE	EFFECT FROM TO	UNITS PER ASSY
7A 50	114N4002-156SP		.SLAT ASSY-NO. 10 WING LE POSITION DATA: OSS 707.00 TO 836.37 RH COMPONENT MAINT MANUAL REF: 57-43-14 QUALIFIED I/W DATA: -170SP I/W -156SP IF S/B 757-57-0057 IS INCORPORATED ON THE -156SP. -156SP I/W -148SP OR -132 IF S/B 757-57A0045 IS INCORPORATED ON THE -148SP OR -132. -156SP CAN REPLACE OR BE REPLACED BY -138 OR -122 OR -114 OR -110 OR -2. HOWEVER -138 OR -122 OR -114 OR -110 OR -2 CAN BE USED ONLY IF THE AIRPLANE IS RESTRICTED TO 241K MTGW FOR DETAILS SEE: 27-81-02-01E	101106 108120 504903	1
50	114N4002-158SP		.SLAT ASSY-NO. 10 WING LE POSITION DATA: OSS 707.00 TO 836.37 RH COMPONENT MAINT MANUAL REF: 57-43-14 QUALIFIED I/W DATA: -170SP I/W -158SP OR -164SP OR -160SP OR -172SP IF S/B 757-57 -0057 IS INCORPORATED ON -158SP OR -164SP OR -160SP OR -172SP. FOR DETAILS SEE: 27-81-02-01E	101106 108120 504903	1

MISSING ITEM NUMBERS NOT APPLICABLE

- ITEM NOT ILLUSTRATED

**27-81-02-07A**

27-81-02  
FIG. 07A  
PAGE 5  
JAN 20/09

BRI

 **BOEING**  
757  
**PARTS CATALOG (MAINTENANCE)**

FIG ITEM	PART NUMBER	1 2 3 4 5 6 7 NOMENCLATURE	EFFECT FROM TO	UNITS PER ASSY
7A 51	114N4002-172SP	.SLAT ASSY-NO. 10 WING LE POSITION DATA: OSS 707.00 TO 836.37 RH COMPONENT MAINT MANUAL REF: 57-43-14 QUALIFIED I/W DATA: -172SP I/W -148SP OR -132 IF S/B 757-57A0045 IS INCORPORATED ON -148SP OR -132. -172SP CAN REPLACE OR BE REPLACED BY -138 OR -122 OR -114 OR -110 OR -2. HOWEVER -138 OR -122 OR -114 OR -110 OR -2 CAN BE USED ONLY IF THE AIRPLANE IS RESTRICTED TO 241K MTGW -188SP MAY REPLACE -172SP.-172SP MAY REPLACE -188SP AFTER INCORPORATION OF S/B 757-57-0057 FOR DETAILS SEE: 27-81-02-01E	101106 108120 504903	1

MISSING ITEM NUMBERS NOT APPLICABLE

— ITEM NOT ILLUSTRATED

BRI

# 27-81-02-07A

BOEING PROPRIETARY - Copyright © - Unpublished Work - See title page for details.

27-81-02  
FIG. 07A  
PAGE 6  
JAN 20/09



757

PARTS CATALOG (MAINTENANCE)

FIG ITEM	PART NUMBER	1 2 3 4 5 6 7	NOMENCLATURE	EFFECT FROM TO	UNITS PER ASSY
7A 60	114N4003-202SP		.SLAT ASSY-NO. 9 WING LE POSITION DATA: OSS 574.8 TO 705.5 RH COMPONENT MAINT MANUAL REF: 57-43-18 QUALIFIED I/W DATA: 114N4003-172 INTERCHANGEABLE WITH -202SP OR -222SP IF SERVICE BULLETINS 757-27-0126 AND 757-57-0057 ARE INCORPORATED ON OLDER SLATS 114N4003-190SP OR -192SP OR -194SP OR -204SP IS INTERCHANGEABLE WITH 114N4003-202SP IF SERVICE BULLETINS -27-0126 AND 757-57-0057 ARE INCORPORATED ON OLDER SLATS FUNCTIONAL REFERENCE: FLIGHT CONTROL FOR DETAILS SEE 27-81-02-02E WINGS FOR DETAILS SEE 57-41-51-11	101106 108120 504903	1

MISSING ITEM NUMBERS NOT APPLICABLE

- ITEM NOT ILLUSTRATED

BRI

# 27-81-02-07A

BOEING PROPRIETARY - Copyright © - Unpublished Work - See title page for details.

27-81-02  
FIG. 07A  
PAGE 7  
JAN 20/09



757

PARTS CATALOG (MAINTENANCE)

FIG ITEM	PART NUMBER	1 2 3 4 5 6 7	NOMENCLATURE	EFFECT FROM TO	UNITS PER ASSY
7A 60	114N4003-222SP		.SLAT ASSY-NO. 9 WING LE POSITION DATA: OSS 574.8 TO 705.5 RH COMPONENT MAINT MANUAL REF: 57-43-18 QUALIFIED I/W DATA: 114N4003-172 INTERCHANGEABLE WITH -202SP OR -222SP IF SERVICE BULLETINS 757-27-0126 AND 757-57-0057 ARE INCORPORATED ON OLDER SLATS 114N4003-192SP IS INTERCHANGEABLE WITH -222SP IF SERVICE BULLETINS 757-27-1026 AND 757-57-0057 ARE INCORPORATED ON OLDER SLATS FUNCTIONAL REFERENCE: FLIGHT CONTROL FOR DETAILS SEE 27-81-02-02E WINGS FOR DETAILS SEE 57-41-51-11	101106 108120 504903	1

MISSING ITEM NUMBERS NOT APPLICABLE

- ITEM NOT ILLUSTRATED

BRI

27-81-02-07A

BOEING PROPRIETARY - Copyright © - Unpublished Work - See title page for details.

27-81-02  
FIG. 07A  
PAGE 8  
JAN 20/09



757

PARTS CATALOG (MAINTENANCE)

FIG ITEM	PART NUMBER	1 2 3 4 5 6 7	NOMENCLATURE	EFFECT FROM TO	UNITS PER ASSY
7A 70	114N4004-192SP		.SLAT ASSY-NO. 8 WING LE POSITION DATA: OSS 438.10 TO 573.30 RH COMPONENT MAINT MANUAL REF: 57-43-24 QUALIFIED I/W DATA: -192SP INTERCHANGEABLE WITH -166SP IF S/B 757-27-0126 AND 757-57-0057 ARE INCORPORATED 114N4004-182SP INTERCHANGEABLE WITH 114N4004-192SP IF SERVICE BULLETINS 757-27-0126 AND 757-57-0057 ARE INCORPORATED. FUNCTIONAL REFERENCE: FLIGHT CONTROL FOR DETAILS SEE 27-81-02-03E WINGS FOR DETAILS SEE 57-41-51-11	101106 108120 504903	1

MISSING ITEM NUMBERS NOT APPLICABLE

- ITEM NOT ILLUSTRATED

BRI

27-81-02-07A

BOEING PROPRIETARY - Copyright © - Unpublished Work - See title page for details.

27-81-02  
FIG. 07A  
PAGE 9  
JAN 20/09





757

PARTS CATALOG (MAINTENANCE)

FIG ITEM	PART NUMBER	1 2 3 4 5 6 7 NOMENCLATURE	EFFECT FROM TO	UNITS PER ASSY
7A 70	114N4004-216SP	.SLAT ASSY-NO. 8 WING LE POSITION DATA: OSS 438.10 TO 573.30 RH COMPONENT MAINT MANUAL REF: 57-43-24 QUALIFIED I/W DATA: -216SP INTERCHANGEABLE WITH -166SP IF S/B 757-27-0126 AND 757-57-0057 ARE INCORPORATED 114N4004-182SP INTERCHANGEABLE WITH 114N4004-216SP IF SERVICE BULLETINS 757-27-0126 AND 757-57-0057 ARE INCORPORATED. FUNCTIONAL REFERENCE: FLIGHT CONTROL FOR DETAILS SEE 27-81-02-03E WINGS FOR DETAILS SEE 57-41-51-11	101106 108120 504903	1

MISSING ITEM NUMBERS NOT APPLICABLE

- ITEM NOT ILLUSTRATED

BRI

**27-81-02-07A**

BOEING PROPRIETARY - Copyright © - Unpublished Work - See title page for details.

27-81-02  
FIG. 07A  
PAGE 10  
JAN 20/09



757

PARTS CATALOG (MAINTENANCE)

FIG ITEM	PART NUMBER	1 2 3 4 5 6 7 NOMENCLATURE	EFFECT FROM TO	UNITS PER ASSY
7A 80	114N4005-204SP	.SLAT ASSY-NO. 7 WING LE POSITION DATA: OSS 305.47 TO 438.10 RH COMPONENT MAINT MANUAL REF: 57-43-28 QUALIFIED I/W DATA: 114N4005-158 CAN BE REPLACED BY 114N4005-204SP IF 218N1071-1 ON SLAT IS USED WITH 218N1011-1, -2, -3, OR -4 ON FIXED LEADING EDGE. IF 218N1071-4 IS ON SLAT, 218N1011-4 MUST BE USED ON FIXED LEADING EDGE 114N4005-192SP INTERCHANGEABLE WITH 114N4005-204SP IF SERVICE BULLETINS 757-27-0126 AND 757-57-0056 AND 757-57-0057 ARE INCORPORATED. 114N4005-194SP INTERCHANGEABLE WITH 114N4005-204SP IF SERVICE BULLETINS 757-27-0126 AND 757-57-0056 AND 757-57-0057 ARE INCORPORATED. FUNCTIONAL REFERENCE: FLIGHT CONTROL FOR DETAILS SEE 27-81-02-04E WINGS FOR DETAILS SEE 57-41-51-11	101106 108120 504903	1

MISSING ITEM NUMBERS NOT APPLICABLE

- ITEM NOT ILLUSTRATED

**27-81-02-07A**

27-81-02  
FIG. 07A  
PAGE 11  
JAN 20/09

BRI



**757  
PARTS CATALOG (MAINTENANCE)**

FIG ITEM	PART NUMBER	1 2 3 4 5 6 7	NOMENCLATURE	EFFECT FROM TO	UNITS PER ASSY
7A 80	114N4005-214SP		.SLAT ASSY-NO. 7 WING LE POSITION DATA: OSS 305.47 TO 438.10 RH COMPONENT MAINT MANUAL REF: 57-43-28 QUALIFIED I/W DATA: 114N4005-158 CAN BE REPLACED BY 114N4005-214SP IF 218N1071-1 ON SLAT IS USED WITH 218N1011-1, -2, -3, OR -4 ON FIXED LEADING EDGE. IF 218N1071-4 IS ON SLAT, 218N1011-4 MUST BE USED ON FIXED LEADING EDGE 114N4005-192SP INTERCHANGEABLE WITH 114N4005-214SP IF SERVICE BULLETINS 757-27-0126 AND 757-57-0056 AND 757-57-0057 ARE INCORPORATED. 114N4005-194SP INTERCHANGEABLE WITH 114N4005-214SP IF SERVICE BULLETINS 757-27-0126 AND 757-57-0056 AND 757-57-0057 ARE INCORPORATED. FOR DETAILS SEE: 27-81-02-04E	101106 108120 504903	1

MISSING ITEM NUMBERS NOT APPLICABLE

— ITEM NOT ILLUSTRATED

# 27-81-02-07A

27-81-02  
FIG. 07A  
PAGE 12  
JAN 20/09

BRI



757

PARTS CATALOG (MAINTENANCE)

FIG ITEM	PART NUMBER	1 2 3 4 5 6 7	NOMENCLATURE	EFFECT FROM TO	UNITS PER ASSY
7A 80	114N4005-230SP		.SLAT ASSY-NO. 7 WING LE POSITION DATA: OSS 305.47 TO 438.10 RH COMPONENT MAINT MANUAL REF: 57-43-28 QUALIFIED I/W DATA: THE -232SP OR -210SP OR -198SP CAN REPLACE -230SP SUBJECT TO CUSTOMER ACCEPTANCE OF WEIGHT PENALTY FUNCTIONAL REFERENCE: FLIGHT CONTROL FOR DETAILS SEE 27-81-02-04E WINGS FOR DETAILS SEE 57-41-51-11	101106 108120 504903	1
100	BACB30LJ3-21		.BOLT	101106 108120 504903	8
105	BACW10BP3DP		.WASHER- POSITION DATA: UNDER NUT	101106 108120 504903	8
110	BACW10BP3CD		.WASHER- POSITION DATA: UNDER HEAD	101106 108120 504903	8
115	BRH10C3D		.NUT SUPPLIER CODE: V52828 SPECIFICATION NUMBER: BACN10JC3CD OPTIONAL PART: T6C1032JCD V11815 NS202486-02 V80539 102LH9075-3W V72962 H51650-3BAC V15653	101106 108120 504903	8
120	114N4061-3		.TRACK ASSY- FOR DETAILS SEE: 27-81-12-10B	101106 108120 504903	4
125	114N4061-4		.TRACK ASSY- FOR DETAILS SEE: 27-81-12-10B	101106 108120 504903	4

MISSING ITEM NUMBERS NOT APPLICABLE

- ITEM NOT ILLUSTRATED

**27-81-02-07A**

27-81-02  
FIG. 07A  
PAGE 13  
JAN 20/09

BRI



757

PARTS CATALOG (MAINTENANCE)

FIG ITEM	PART NUMBER	1 2 3 4 5 6 7	NOMENCLATURE	EFFECT FROM TO	UNITS PER ASSY
7A					
130	BACB30LE8U24	.	BOLT	101106 108120 504903	8
135	BACW10BP8DP	.	WASHER	101106 108120 504903	8
140	BACW10BP8CD	.	WASHER	101106 108120 504903	8
145	BMN10HRCWD3-8	.	NUT SUPPLIER CODE: V97928 SPECIFICATION NUMBER: BACN10HR8CD OPTIONAL PART: H51560-8 V15653 67832CD820 V56878 102LH9031-8 V72962 BH00303CM8 V27238 BMN5024CWD38 V97928 SL7108C8 V11815 VCU0005D8 V06710 102LH90318 V72962 67832CD8 V56878 CR6030-8 VF0224	101106 108120 504903	8
150	BACB28AK08-042	.	BUSHING	101106 108120 504903	8
155	114N4071-3	.	RETAINER-BOLT	101106 108120 504903	8
160	BACP18BC02A06P	.	PIN	101106 108120 504903	8

MISSING ITEM NUMBERS NOT APPLICABLE

- ITEM NOT ILLUSTRATED

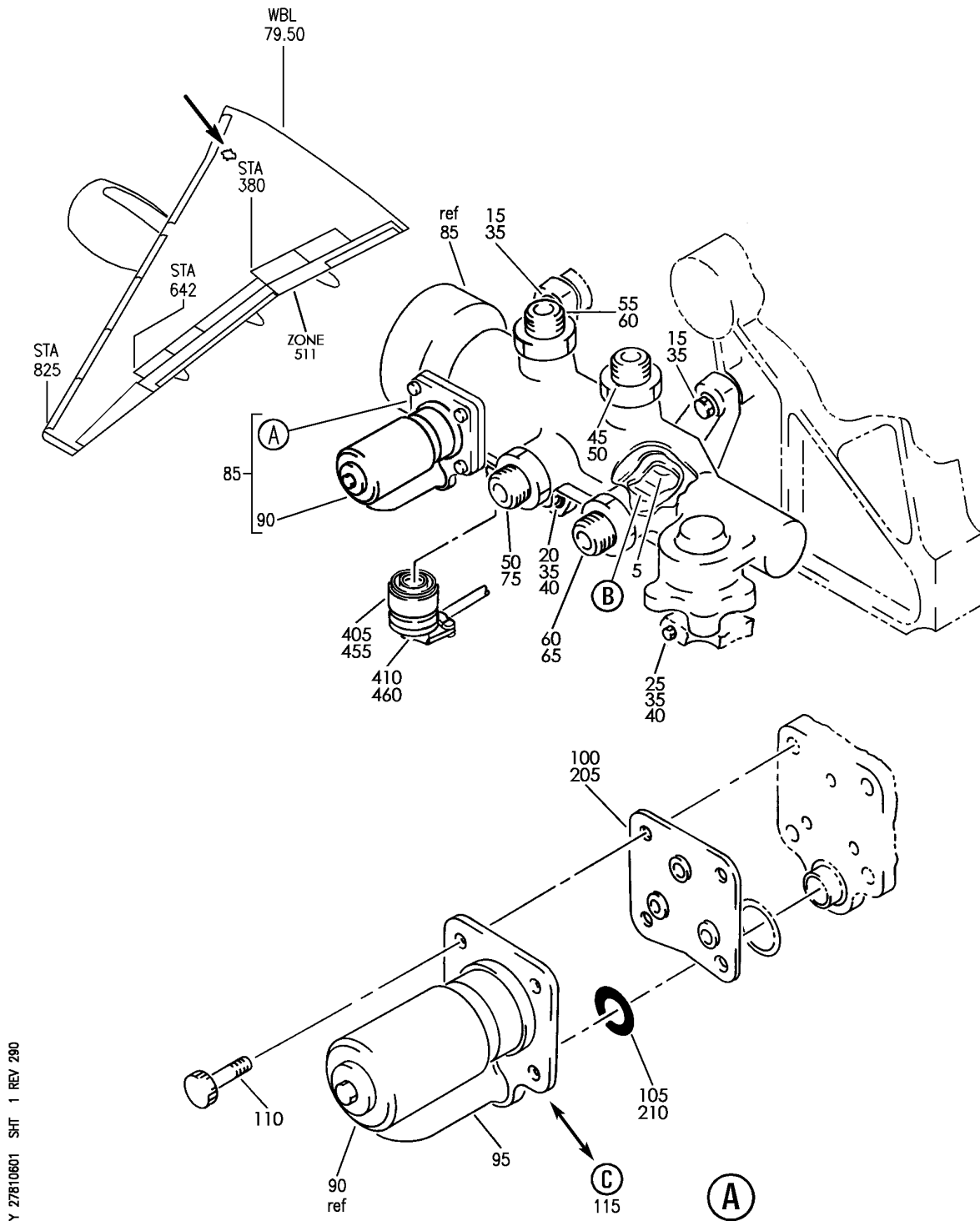
27-81-02-07A

27-81-02  
FIG. 07A  
PAGE 14  
JAN 20/09

BRI

BOEING PROPRIETARY - Copyright © - Unpublished Work - See title page for details.

**BOEING**  
757  
PARTS CATALOG (MAINTENANCE)



Y 27810601 SHT 1 REV 290

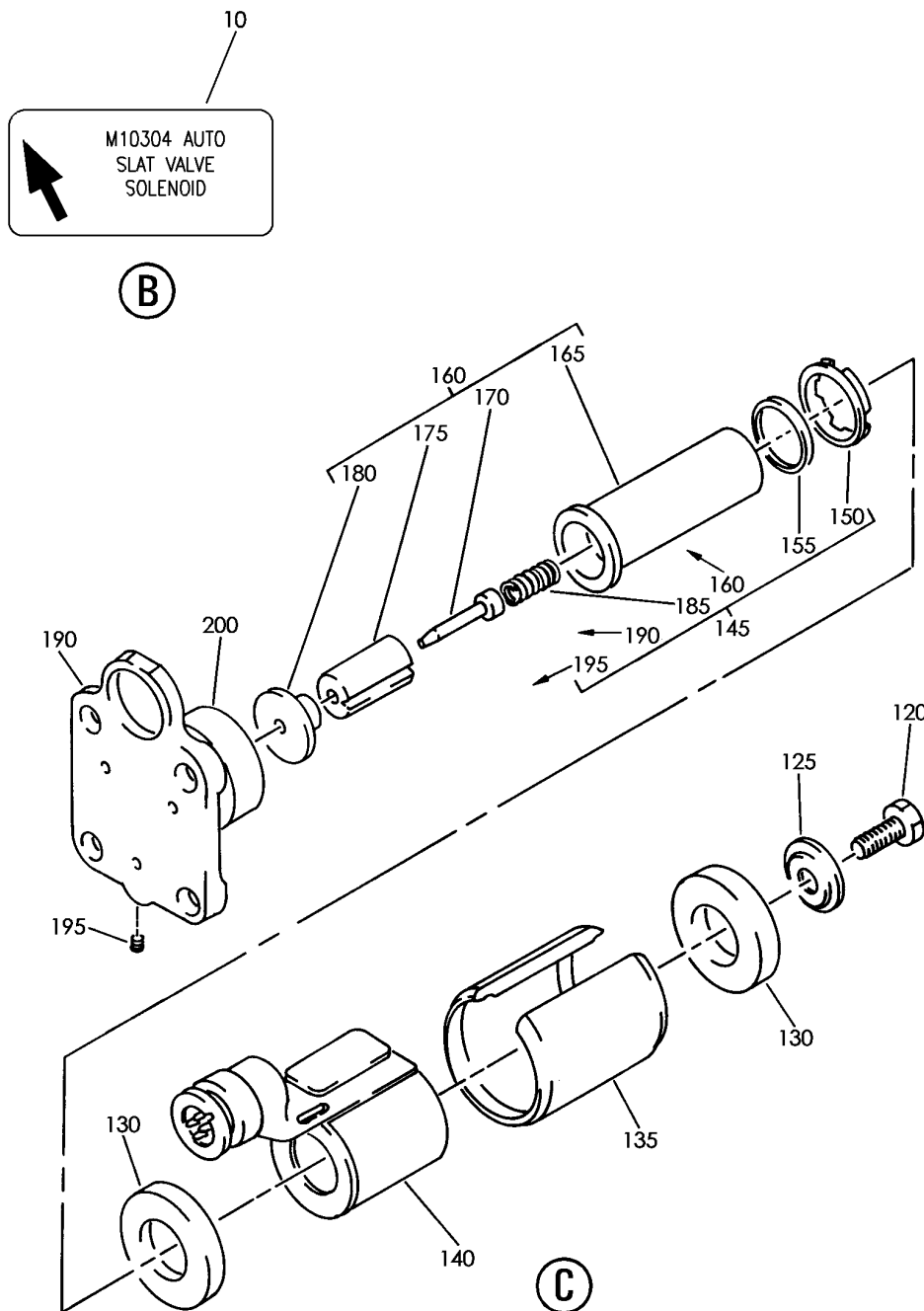
DRIVE UNIT ASSY-PWR LE SLAT DRIVE (LE SLAT PDU CONT VALVE MODULE AND COMPONENTS ONLY)  
FIGURE 1 (SHEET 1)

BRI  
MAY 28/07

**27-81-06-01**

27-81-06-01  
PAGE 0

**BOEING**  
757  
PARTS CATALOG (MAINTENANCE)



Y 27810601 SHT 2 REV 229

DRIVE UNIT ASSY-PWR LE SLAT DRIVE (LE SLAT PDU CONT VALVE MODULE AND COMPONENTS ONLY)  
FIGURE 1 (SHEET 2)

BRI  
MAY 28/07

**27-81-06-01**

27-81-06-01  
PAGE 0A



757

PARTS CATALOG (MAINTENANCE)

FIG ITEM	PART NUMBER	1 2 3 4 5 6 7	NOMENCLATURE	EFFECT FROM TO	UNITS PER ASSY
1			DRIVE UNIT ASSY-PWR LE SLAT DRIVE (LE SLAT PDU CONT VALVE MODULE AND COMPONENTS ONLY)	002004 006999	
- 1	251N5091-10		DRIVE UNIT ASSY-PWR LE SLAT DRIVE (LEADING EDGE POWER DRIVE UNIT CONTROL VALVE MODULE AND COMPONENTS ONLY) COMPONENT MAINT MANUAL REF: 27-81-45 FOR NHA/OTHER SYS DET SEE: 27-81-07-01	002004 006999	RF
- 1	251N5091-12		DRIVE UNIT ASSY-PWR LE SLAT DRIVE (LEADING EDGE POWER DRIVE UNIT CONTROL VALVE MODULE AND COMPONENTS ONLY) COMPONENT MAINT MANUAL REF: 27-81-45 FOR NHA/OTHER SYS DET SEE: 27-81-07-01	002004 006999	RF
- 1	251N5091-13		DRIVE UNIT ASSY-PWR LE SLAT DRIVE (LEADING EDGE POWER DRIVE UNIT CONTROL VALVE MODULE AND COMPONENTS ONLY) COMPONENT MAINT MANUAL REF: 27-81-45 FOR NHA/OTHER SYS DET SEE: 27-81-07-01	002004 006999	RF
- 1	251N5091-14		DRIVE UNIT ASSY-PWR LE SLAT DRIVE (LEADING EDGE POWER DRIVE UNIT CONTROL VALVE MODULE AND COMPONENTS ONLY) COMPONENT MAINT MANUAL REF: 27-81-45 OPTIONAL PART: 251N5091-15 251N5091-22 FOR NHA/OTHER SYS DET SEE: 27-81-07-01	002004 006999	RF

MISSING ITEM NUMBERS NOT APPLICABLE

- ITEM NOT ILLUSTRATED

**27-81-06-01**

27-81-06  
FIG. 01  
PAGE 1  
JAN 20/09

BRI





757

PARTS CATALOG (MAINTENANCE)

FIG ITEM	PART NUMBER	1 2 3 4 5 6 7	NOMENCLATURE	EFFECT FROM TO	UNITS PER ASSY
1					
- 1	251N5091-15		DRIVE UNIT ASSY-PWR LE SLAT DRIVE (LEADING EDGE POWER DRIVE UNIT CONTROL VALVE MODULE AND COMPONENTS ONLY) COMPONENT MAINT MANUAL REF: 27-81-45 OPTIONAL PART: 251N5091-14 FOR NHA/OTHER SYS DET SEE: 27-81-07-01	002004 006107 121999	RF
- 1	251N5091-22		DRIVE UNIT ASSY-PWR LE SLAT DRIVE (LEADING EDGE POWER DRIVE UNIT CONTROL VALVE MODULE AND COMPONENTS ONLY) COMPONENT MAINT MANUAL REF: 27-81-45 OPTIONAL PART: 251N5091-14 FOR NHA/OTHER SYS DET SEE: 27-81-07-01	002004 006999	RF
5	BAC27NCT0154		.MARKER-ALUMINUM FOIL PLACARD CONTENT: M10304 AUTO SLAT VALVE SOLENOID	002004 006999	1
10	BAC27NCT0228		.MARKER-ALUMINUM FOIL	002004 006999	1
15	BACB30NR4HK5		.BOLT- OPTIONAL PART: BACB30NR4K5	002004 006999	2
15	BACB30NR4K5		.BOLT- OPTIONAL PART: BACB30NR4HK5	002004 006999	2
20	BACB30NR4K11		.BOLT	002004 006999	1
25	BACB30NR4K13		.BOLT	002004 006999	1
35	AN960KD416L		.WASHER	002004 006999	6

MISSING ITEM NUMBERS NOT APPLICABLE

- ITEM NOT ILLUSTRATED

BRI

27-81-06-01

27-81-06  
FIG. 01  
PAGE 2  
JAN 20/09



757

PARTS CATALOG (MAINTENANCE)

FIG ITEM	PART NUMBER	1 2 3 4 5 6 7	NOMENCLATURE	EFFECT FROM TO	UNITS PER ASSY
1	40 BRH10C4D	.	NUT SUPPLIER CODE: V52828 SPECIFICATION NUMBER: BACN10JC4CD OPTIONAL PART: T6C428JCD V11815 NS202486-048 V80539 102LH9075-4W V72962 H51650-4BAC V15653	002004 006999	2
	45 AFP23210-8	.	REDUCER SUPPLIER CODE: V30974 SPECIFICATION NUMBER: BACR17E10-8 OPTIONAL PART: AP102710-8 V01673 BC916T10-8 V50948 DBOR17E10-8 V14798 ER21916T10-8 V88334 ER31916-10-8 V88334 F23-10-8 V73197 2-01075T10-8 V11328 31778-10-8 V14397 US2114-10-8 V50808	002004 006999	1
	50 NAS1612-8	.	PACKING-	002004 006999	2
	55 BACU24K10	.	UNION	002004 006999	1
	60 NAS1612-10	.	PACKING-	002004 006999	2

MISSING ITEM NUMBERS NOT APPLICABLE

- ITEM NOT ILLUSTRATED

BRI

27-81-06-01

BOEING PROPRIETARY - Copyright © - Unpublished Work - See title page for details.

27-81-06  
FIG. 01  
PAGE 3  
SEP 20/08



757

PARTS CATALOG (MAINTENANCE)

FIG ITEM	PART NUMBER	1 2 3 4 5 6 7	NOMENCLATURE	EFFECT FROM TO	UNITS PER ASSY
1 65	AFP23212-10	.REDUCER S U P P L I E R C O D E : V 3 0 9 7 4 S P E C I F I C A T I O N N U M B E R : B A C R 1 7 E 1 2 - 1 0 O P T I O N A L P A R T : A P 1 0 2 7 1 2 - 1 0 V 0 1 6 7 3 B C 9 1 6 T 1 2 - 1 0 V 5 0 9 4 8 D B 0 R 1 7 E 1 2 - 1 0 V 1 4 7 9 8 E R 2 1 9 1 6 T 1 2 - 1 0 V 8 8 3 3 4 E R 3 1 9 1 6 - 1 2 - 1 0 V 8 8 3 3 4 F 2 3 - 1 2 - 1 0 V 7 3 1 9 7 2 - 0 1 0 7 5 T 1 2 - 1 0 V 1 1 3 2 8 3 1 7 7 8 - 1 2 - 1 0 V 1 4 3 9 7 U S 2 1 1 4 - 1 2 - 1 0 V 5 0 8 0 8	002004 006999	1	
75	AFP23212-8	.REDUCER S U P P L I E R C O D E : V 3 0 9 7 4 S P E C I F I C A T I O N N U M B E R : B A C R 1 7 E 1 2 - 8 O P T I O N A L P A R T : A P 1 0 2 7 1 2 - 8 V 0 1 6 7 3 B C 9 1 6 T 1 2 - 8 V 5 0 9 4 8 D B 0 R 1 7 E 1 2 - 8 V 1 4 7 9 8 E R 2 1 9 1 6 T 1 2 - 8 V 8 8 3 3 4 E R 3 1 9 1 6 - 1 2 - 8 V 8 8 3 3 4 F 2 3 - 1 2 - 8 V 7 3 1 9 7 2 - 0 1 0 7 5 T 1 2 - 8 V 1 1 3 2 8 3 1 7 7 8 - 1 2 - 8 V 1 4 3 9 7 U S 2 1 1 4 - 1 2 - 8 V 5 0 8 0 8	002004 006999	1	

MISSING ITEM NUMBERS NOT APPLICABLE

- ITEM NOT ILLUSTRATED

BRI

27-81-06-01

BOEING PROPRIETARY - Copyright © - Unpublished Work - See title page for details.

27-81-06  
FIG. 01  
PAGE 4  
SEP 20/08



757

PARTS CATALOG (MAINTENANCE)

FIG ITEM	PART NUMBER	1 2 3 4 5 6 7	NOMENCLATURE	EFFECT FROM TO	UNITS PER ASSY
1					
85	66790-1	.	VALVE ASSY-CONT SUPPLIER CODE: V99643 SPECIFICATION NUMBER: S251N404-2 ELECTRICAL EQUIP NUMBER: M10304 COMPONENT MAINT MANUAL REF: 27-51-03	002004 006999	1
90	66940	..	VALVE ASSY-SOL SUPPLIER CODE: V99643 SPECIFICATION NUMBER: 10-60811-6 COMPONENT MAINT MANUAL REF: 27-51-01	002004 006999	1
95	31806-6	...	COIL ASSY- SUPPLIER CODE: V99643	002004 006999	1
100	069000197-1	..	PLATE-GSKT SUPPLIER CODE: V05939 SPECIFICATION NUMBER: 69-20184-1 OPTIONAL PART: 071261 V83259 071261-1 V83259 828108-1 V83259 BA1837 V95272	002004 006999	1
105	NAS1611-112	..	PACKING-	002004 006999	1
110	MS21250H04004	..	BOLT	002004 006999	4
- 400	286N3342-005		WIRE BUNDLE ASSY	002004 006100 107107 121503 904999	RF
- 400	286N3342-310		WIRE BUNDLE ASSY	108120	RF
- 400	286N3342-311		WIRE BUNDLE ASSY	101102	RF
- 400	286N3342-317		WIRE BUNDLE ASSY	504903	RF

MISSING ITEM NUMBERS NOT APPLICABLE

- ITEM NOT ILLUSTRATED

27-81-06-01

27-81-06  
FIG. 01  
PAGE 5  
JAN 20/09

BRI



757

PARTS CATALOG (MAINTENANCE)

FIG ITEM	PART NUMBER	1 2 3 4 5 6 7	NOMENCLATURE	EFFECT FROM TO	UNITS PER ASSY
1 405	R071014A7SNL		.CONNECTOR- SUPPLIER CODE: V41118 SPECIFICATION NUMBER: BACC63BP14A7SNL MISCELLANEOUS DATA: OPTIONAL PART NUMBERS: BACC63BP14A7SN (81205) BACC63BP14R7SN (81205) BACC63BP14R7SNL (81205) ELECTRICAL EQUIP NUMBER: D03050 WIRING DIAGRAM REF: 278121	002004 006102 107999	1
410	GS3417-14C		.CLAMP- SUPPLIER CODE: V06324 SPECIFICATION NUMBER: BACC10HF14 OPTIONAL PART: S2125-14-8 V07418 ELECTRICAL EQUIP NUMBER: D03050T WIRING DIAGRAM REF: 278121	002004 006102 107999	1

MISSING ITEM NUMBERS NOT APPLICABLE

- ITEM NOT ILLUSTRATED

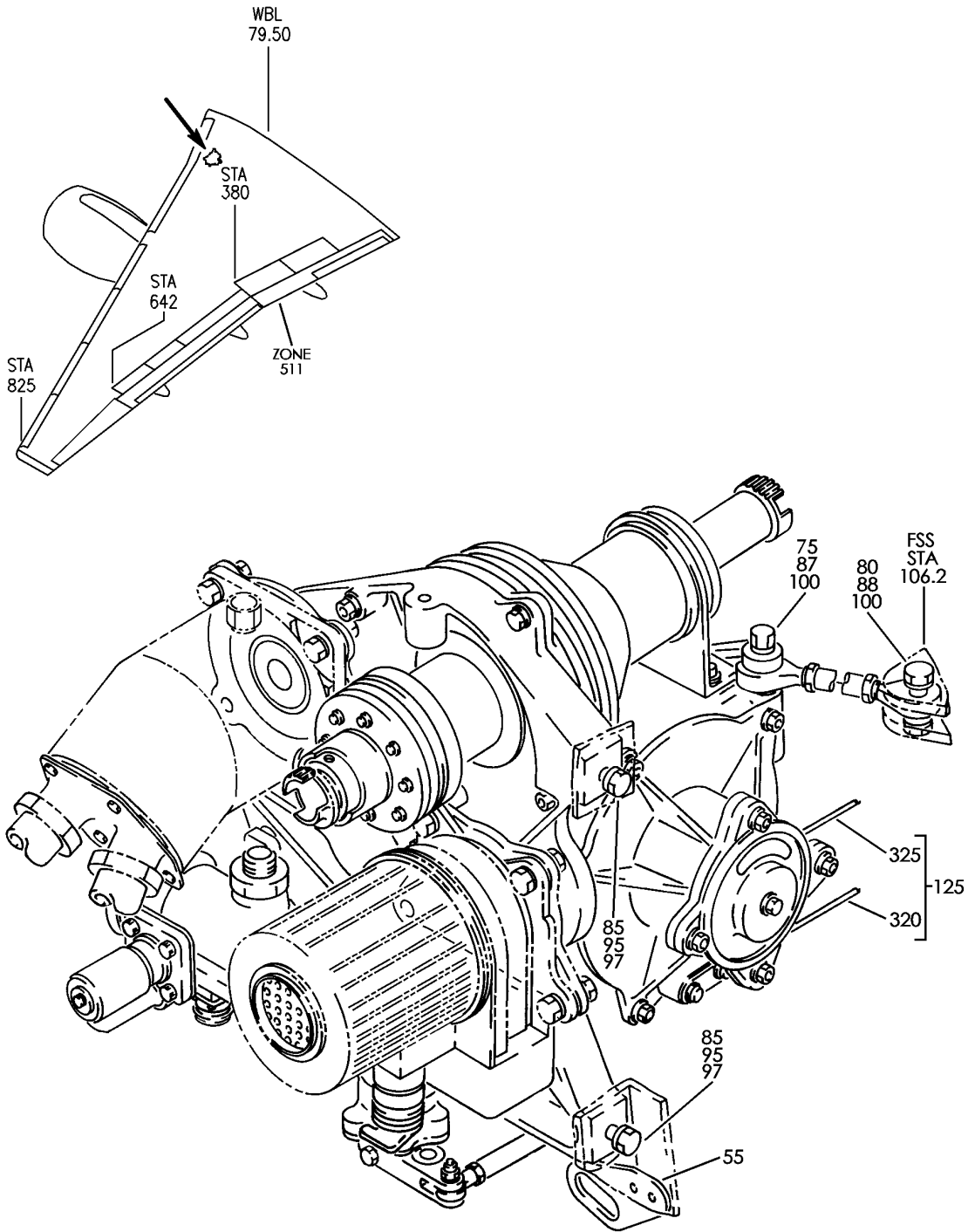
BRI

27-81-06-01

BOEING PROPRIETARY - Copyright © - Unpublished Work - See title page for details.

27-81-06  
FIG. 01  
PAGE 6  
JAN 20/09

**BOEING**  
757  
PARTS CATALOG (MAINTENANCE)



Y 27810701 REV 229

DRIVE UNIT INSTL-LE SLAT DRIVE PWR (LEADING EDGE SLAT POWER DRIVE UNIT ONLY)

FIGURE 1

**27-81-07-01**

BRI  
MAY 28/07

27-81-07-01  
PAGE 0



757

PARTS CATALOG (MAINTENANCE)

FIG ITEM	PART NUMBER	1 2 3 4 5 6 7	NOMENCLATURE	EFFECT FROM TO	UNITS PER ASSY
1			DRIVE UNIT INSTL-LE SLAT DRIVE PWR (LEADING EDGE SLAT POWER DRIVE UNIT ONLY)	002004 006999	
- 1	251N5002-1		DRIVE UNIT INSTL-LE SLAT DRIVE PWR (LEADING EDGE SLAT POWER DRIVE UNIT ONLY) FOR NHA/OTHER SYS DET SEE: 27-81-20-02	002004 006100 107107 121503 904999	RF
- 1	251N5002-4		DRIVE UNIT INSTL-LE SLAT DRIVE PWR (LEADING EDGE SLAT POWER DRIVE UNIT ONLY) FOR NHA/OTHER SYS DET SEE: 27-80-00-01	101102 504903	RF
- 1	251N5002-5		DRIVE UNIT INSTL-LE SLAT DRIVE PWR (LEADING EDGE SLAT POWER DRIVE UNIT ONLY) FOR NHA/OTHER SYS DET SEE: 27-80-00-01	108120	RF
- 1	MODREF7765		DRIVE UNIT INSTL-LE SLAT DRIVE PWR (LEADING EDGE SLAT POWER DRIVE UNIT ONLY) MODULE NUMBER: 251N5002-5 REV A	103106	1
55	251N6122-4		. FAIRLEAD	002004 006008 107107 121503 904949 952999	1
- 60	NAS623-3-5		ATTACHING PARTS . SCREW	002004 006008 107107 121503 904949 952999	2
- 65	AN960PD10		. WASHER	002004 006008 107107 121503 904949 952999	4

MISSING ITEM NUMBERS NOT APPLICABLE

- ITEM NOT ILLUSTRATED

27-81-07-01

27-81-07  
FIG. 01  
PAGE 1  
JAN 20/09

BRI



757

PARTS CATALOG (MAINTENANCE)

FIG ITEM	PART NUMBER	1 2 3 4 5 6 7	NOMENCLATURE	EFFECT FROM TO	UNITS PER ASSY
1 - 70	BRH10A3		.NUT SUPPLIER CODE: V52828 SPECIFICATION NUMBER: BACN10JC3 OPTIONAL PART: H10-3BAC V15653 NS202101-02 V80539 RMLH9075-3W V72962 VN303A02 V92215 96-02 V80539 T6S1032J V11815 -----*-----	002004 006008 107107 121503 904949 952999	2
75	BACB30NR5K25		.BOLT-	002004 006999	1
80	BACB30NR5K17		.BOLT	002004 006999	1
85	BACB30NR5K11		.BOLT-	002004 006999	2
87	NAS1149D563K		.WASHER-	108120	2
88	NAS1149D563J		.WASHER-	108120	2
90	AN960KD516		.WASHER-	002004 006107 121999	4
95	AN960DK516L		.WASHER-	002004 006107 121999	4
95	NAS1149D0516J		.WASHER-	108120	4
97	BRH10C5D		.NUT- SUPPLIER CODE: V52828 SPECIFICATION NUMBER: BACN10JC5CD OPTIONAL PART: T6C524JCD V11815 102LH9075-5W V72962 H51650-5BAC V15653	002004 006999	2

MISSING ITEM NUMBERS NOT APPLICABLE

- ITEM NOT ILLUSTRATED

BRI

27-81-07-01

27-81-07  
FIG. 01  
PAGE 2  
JAN 20/09





757

PARTS CATALOG (MAINTENANCE)

FIG ITEM	PART NUMBER	1 2 3 4 5 6 7	NOMENCLATURE	EFFECT FROM TO	UNITS PER ASSY
1 100	BRH10C5D	.	NUT- SUPPLIER CODE: V52828 SPECIFICATION NUMBER: BACN10JC5CD OPTIONAL PART: T6C524JCD V11815 102LH9075-5W V72962 H51650-5BAC V15653	002004 006999	2
105	69-60420-17	.	ROD ASSY-SPRT	002004 006999	1
125	251N5091-10	.	DRIVE UNIT ASSY- COMPONENT MAINT MANUAL REF: 27-81-45 FUNCTIONAL REFERENCE: PLACARDS AND MARKINGS FOR DETAILS SEE 11-24-10-05 FLIGHT CONTROL FOR DETAILS SEE 27-81-06-01 27-81-08-02	002004 006999	1
125	251N5091-12	.	DRIVE UNIT ASSY- COMPONENT MAINT MANUAL REF: 27-81-45 FUNCTIONAL REFERENCE: PLACARDS AND MARKINGS FOR DETAILS SEE 11-24-10-05 FLIGHT CONTROL FOR DETAILS SEE 27-81-06-01 27-81-08-02	002004 006999	1
125	251N5091-13	.	DRIVE UNIT ASSY- COMPONENT MAINT MANUAL REF: 27-81-45 FUNCTIONAL REFERENCE: PLACARDS AND MARKINGS FOR DETAILS SEE 11-24-10-05 FLIGHT CONTROL FOR DETAILS SEE 27-81-06-01 27-81-08-02	002004 006999	1

MISSING ITEM NUMBERS NOT APPLICABLE

- ITEM NOT ILLUSTRATED

BRI

27-81-07-01

27-81-07  
FIG. 01  
PAGE 3  
JAN 20/09



757

PARTS CATALOG (MAINTENANCE)

FIG ITEM	PART NUMBER	1 2 3 4 5 6 7	NOMENCLATURE	EFFECT FROM TO	UNITS PER ASSY
1 125	251N5091-14		.DRIVE UNIT ASSY- COMPONENT MAINT MANUAL REF: 27-81-45 OPTIONAL PART: 251N5091-22 251N5091-15 FUNCTIONAL REFERENCE: PLACARDS AND MARKINGS FOR DETAILS SEE 11-24-10-05 FLIGHT CONTROL FOR DETAILS SEE 27-81-06-01 27-81-08-02	002004 006999	1
125	251N5091-15		.DRIVE UNIT ASSY- COMPONENT MAINT MANUAL REF: 27-81-45 OPTIONAL PART: 251N5091-14 FUNCTIONAL REFERENCE: PLACARDS AND MARKINGS FOR DETAILS SEE 11-24-10-05 FLIGHT CONTROL FOR DETAILS SEE 27-81-06-01 27-81-08-02	002004 006107 121999	1
125	251N5091-22		.DRIVE UNIT ASSY- COMPONENT MAINT MANUAL REF: 27-81-45 OPTIONAL PART: 251N5091-14 FUNCTIONAL REFERENCE: PLACARDS AND MARKINGS FOR DETAILS SEE 11-24-10-05 FLIGHT CONTROL FOR DETAILS SEE 27-81-06-01 27-81-08-02	002004 006999	1

MISSING ITEM NUMBERS NOT APPLICABLE

- ITEM NOT ILLUSTRATED

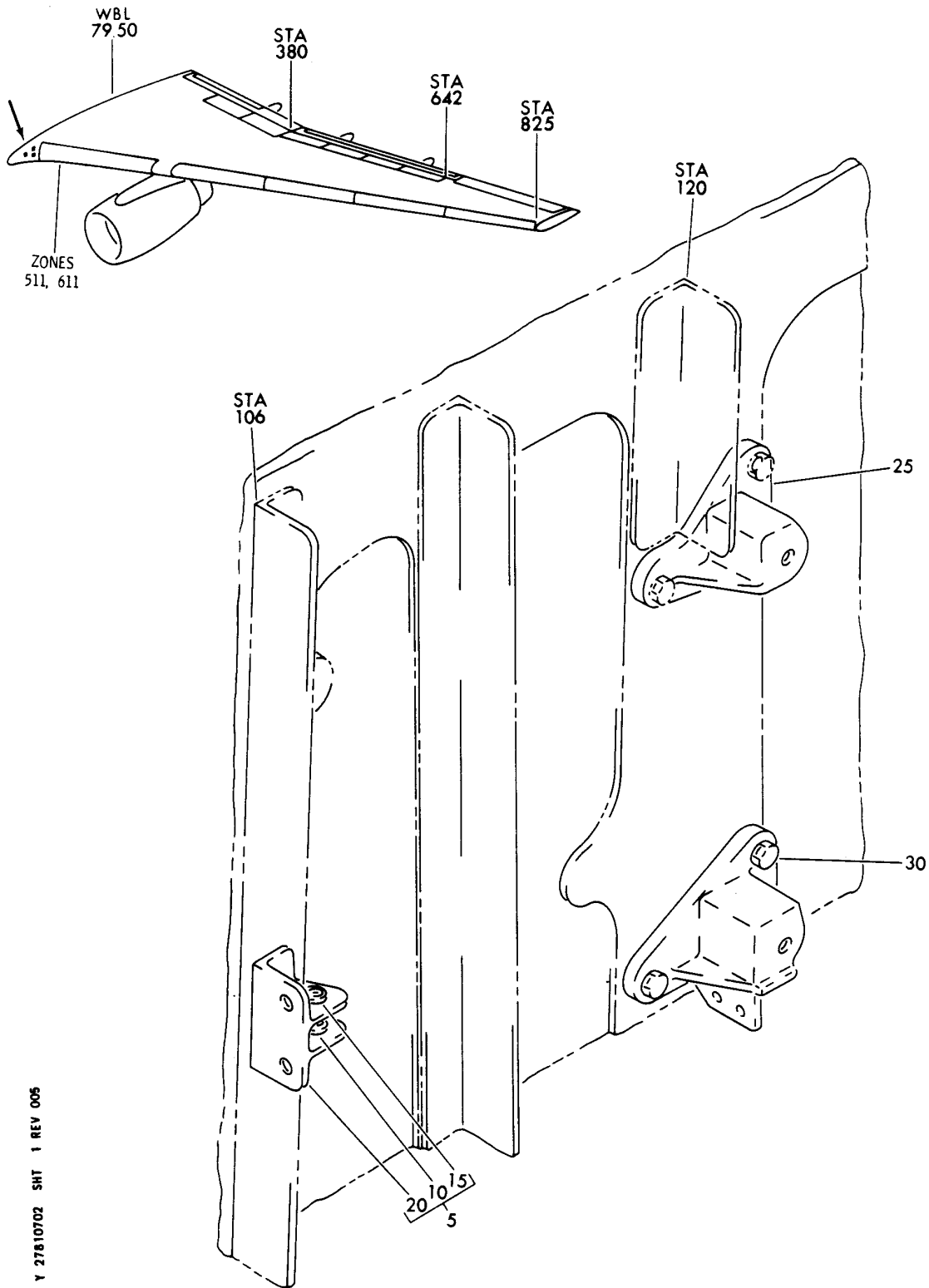
BRI

**27-81-07-01**

BOEING PROPRIETARY - Copyright © - Unpublished Work - See title page for details.

27-81-07  
FIG. 01  
PAGE 4  
JAN 20/09

**BOEING**  
757  
PARTS CATALOG (MAINTENANCE)



Y 27810702 SHT 1 REV 005

SUPPORT INSTL-LE SLAT DRIVE PWR DRIVE UNIT  
FIGURE 2

**27-81-07-02**

BRI  
MAY 28/07

27-81-07-02  
PAGE 0



757

PARTS CATALOG (MAINTENANCE)

FIG ITEM	PART NUMBER	1 2 3 4 5 6 7	NOMENCLATURE	EFFECT FROM TO	UNITS PER ASSY
2			SUPPORT INSTL-LE SLAT DRIVE PWR DRIVE UNIT	002004 006102 107999	
- 1	251N5014-1		SUPPORT INSTL-LE SLAT DRIVE PWR DRIVE UNIT POSITION DATA: LH FOR NHA SEE: 27-80-00-01 57-21-51-01	002004 006102 107999	RF
	5 251N5080-1		.FITTING ASSY-MTG	002004 006102 107999	1
	10 BACB28X5C016		..BUSHING	002004 006102 107999	1
	15 BACB28Y5C030		..BUSHING	002004 006102 107999	1
	20 251N5080-2		..FITTING- OPTIONAL PART: 251N5080-3	002004 006102 107999	1
	20 251N5080-3		..FITTING- OPTIONAL PART: 251N5080-2	002004 006102 107999	1
	25 251N5078-4		.SUPPORT- POSITION DATA: UPR OPTIONAL PART: 251N5078-5	002004 006102 107999	1
	25 251N5078-5		.SUPPORT- POSITION DATA: UPR OPTIONAL PART: 251N5078-4	002004 006102 107999	1
	30 251N5079-4		.SUPPORT- POSITION DATA: LWR OPTIONAL PART: 251N5079-5	002004 006102 107999	1
	30 251N5079-5		.SUPPORT- POSITION DATA: LWR OPTIONAL PART: 251N5079-4	002004 006102 107999	1

MISSING ITEM NUMBERS NOT APPLICABLE

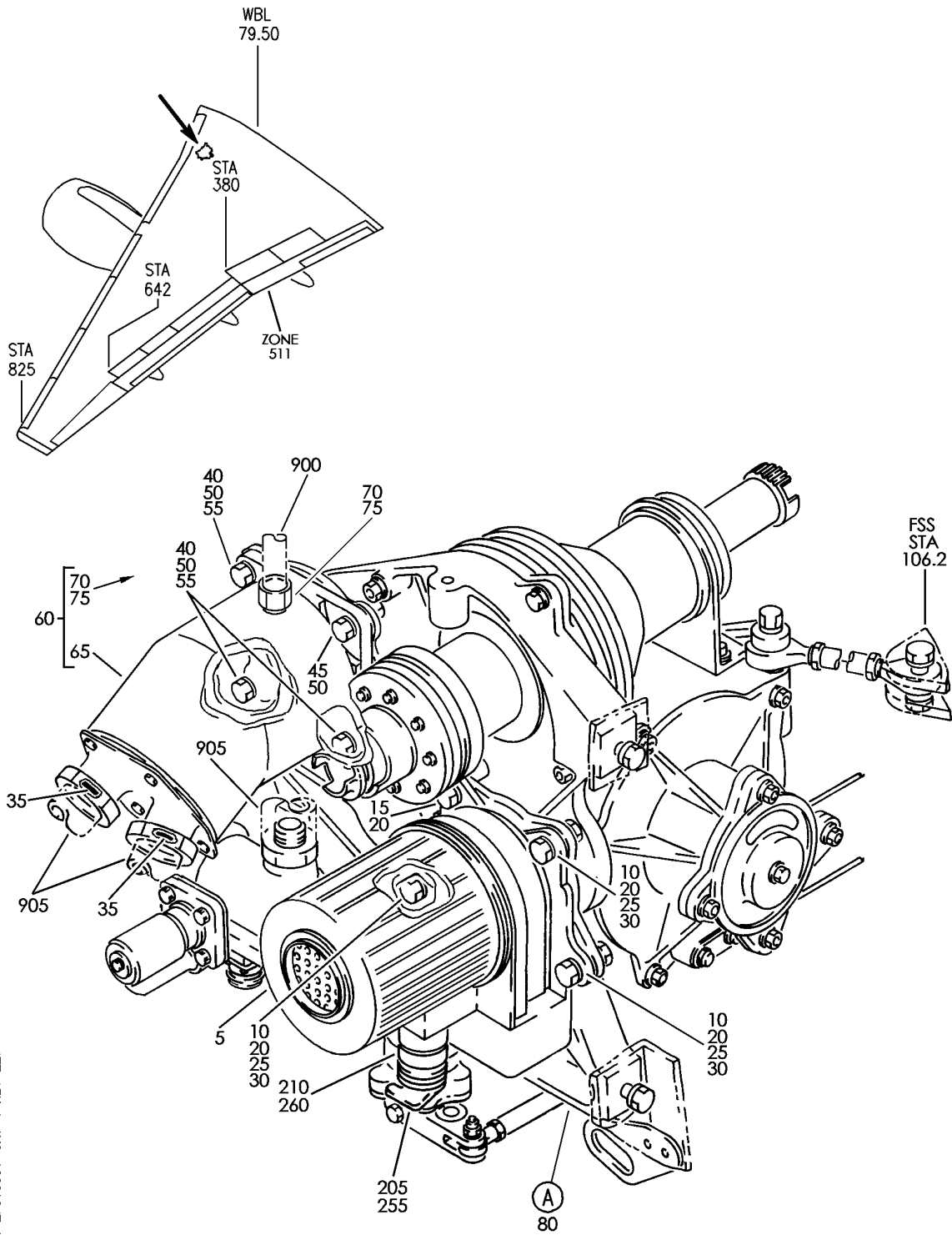
- ITEM NOT ILLUSTRATED

27-81-07-02

27-81-07  
FIG. 02  
PAGE 1  
JAN 20/09

BRI


**BOEING**  
 757  
**PARTS CATALOG (MAINTENANCE)**



Y 27810801 SHT 1 REV 229

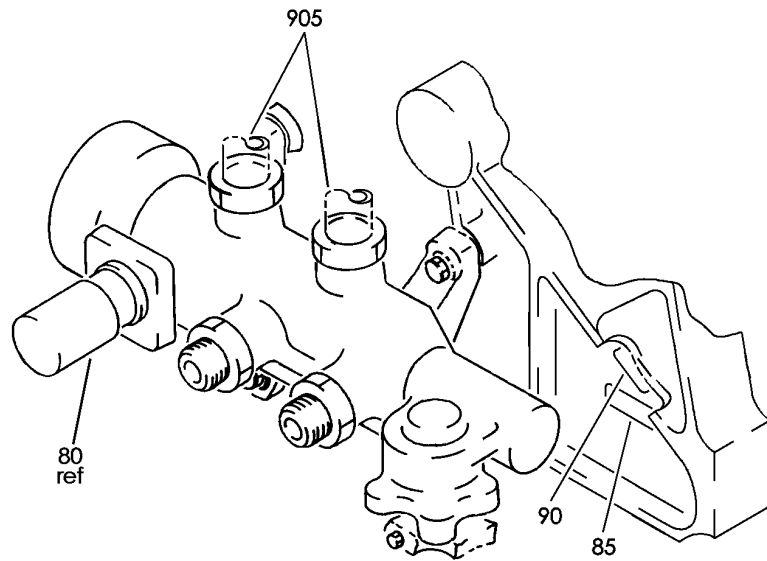
DRIVE UNIT INSTL-LE SLAT DRIVE PWR (LEADING EDGE SLAT POWER DRIVE UNIT COMPONENTS ONLY)  
 FIGURE 1 (SHEET 1)

**27-81-08-01**

BRI  
MAY 28/07

27-81-08-01  
 PAGE 0

**BOEING**  
757  
PARTS CATALOG (MAINTENANCE)



A

Y 27810801 SHT 2 REV 229

DRIVE UNIT INSTL-LE SLAT DRIVE PWR (LEADING EDGE SLAT POWER DRIVE UNIT COMPONENTS ONLY)  
FIGURE 1 (SHEET 2)

BRI  
MAY 28/07

**27-81-08-01**

27-81-08-01  
PAGE 0A

BOEING PROPRIETARY - Copyright © - Unpublished Work - See title page for details.



757

PARTS CATALOG (MAINTENANCE)

FIG ITEM	PART NUMBER	1 2 3 4 5 6 7	NOMENCLATURE	EFFECT FROM TO	UNITS PER ASSY
1			DRIVE UNIT INSTL-LE SLAT DRIVE PWR (LEADING EDGE SLAT POWER DRIVE UNIT COMPONENTS ONLY)	002004 006999	
- 1	251N5002-1		DRIVE UNIT INSTL-LE SLAT DRIVE PWR (LEADING EDGE SLAT POWER DRIVE UNIT COMPONENTS ONLY)	002004 006100 107107 121503 904999	RF
- 1	251N5002-4		DRIVE UNIT INSTL-LE SLAT DRIVE PWR (LEADING EDGE SLAT POWER DRIVE UNIT COMPONENTS ONLY) FOR NHA/OTHER SYS DET SEE: 27-81-20-02	101102 504903	RF
- 1	251N5002-5		DRIVE UNIT INSTL-LE SLAT DRIVE PWR (LEADING EDGE SLAT POWER DRIVE UNIT COMPONENTS ONLY) FOR NHA/OTHER SYS DET SEE: 27-80-00-01	108120	RF
- 1	MODREF7765		DRIVE UNIT INSTL-LE SLAT DRIVE PWR (LEADING EDGE SLAT POWER DRIVE UNIT COMPONENTS ONLY) MODULE NUMBER: 251N5002-5 REV A FOR OTHER SYS DETAILS SEE: 27-81-07-01 27-88-01-02	103106	1
5	1865T100-5		.MOTOR ASSY-ELEC ALTERNATE SUPPLIER CODE: V98889 SPECIFICATION NUMBER: S256T004-7 ELECTRICAL EQUIP NUMBER: M10220 COMPONENT MAINT MANUAL REF: 27-51-02	002004 006100 107107 121503 904999	1
5	850-1-1		.MOTOR ASSY-ELEC ALTERNATE SUPPLIER CODE: V96467 SPECIFICATION NUMBER: S251N406-1 ELECTRICAL EQUIP NUMBER: M10220	002004 006100 107107 121503 904999	1

MISSING ITEM NUMBERS NOT APPLICABLE

- ITEM NOT ILLUSTRATED

27-81-08-01

27-81-08  
FIG. 01  
PAGE 1  
JAN 20/09

BRI



757

PARTS CATALOG (MAINTENANCE)

FIG ITEM	PART NUMBER	1 2 3 4 5 6 7	NOMENCLATURE	EFFECT FROM TO	UNITS PER ASSY
1					
5	2465T100-1		.MOTOR ASSY-ELEC ALTERNATE SUPPLIER CODE: V98889 SPECIFICATION NUMBER: S251N406-2 ELECTRICAL EQUIP NUMBER: M10220 COMPONENT MAINT MANUAL REF: 25-51-02	002004 006100 107107 121503 904999	1
5	2465T100-1		.MOTOR ASSY-ELEC ALTERNATE SUPPLIER CODE: V98889 SPECIFICATION NUMBER: S251N406-2 ELECTRICAL EQUIP NUMBER: M10220 COMPONENT MAINT MANUAL REF: 25-51-02	101106 108120 504903	1
5	4220T100		.MOTOR ASSY-ELEC ALTERNATE SUPPLIER CODE: V98889 SPECIFICATION NUMBER: S256T011-7 ELECTRICAL EQUIP NUMBER: M10220 COMPONENT MAINT MANUAL REF: 25-51-02	002004 006999	1
10	BACB30MR5K15		.BOLT	002004 006999	3
15	BACB30MR5K8		.BOLT	002004 006999	1
20	BACW10CT10J		.WASHER-	002004 006102 107107 121999	4
20	BACW10EG10J		.WASHER-	103106 108120	4
25	AN960KD516		.WASHER-	002004 006102 107107 121999	3
25	NAS1149D563J		.WASHER	108120	3
25	NAS1149D563K		.WASHER-	103106	3

MISSING ITEM NUMBERS NOT APPLICABLE

- ITEM NOT ILLUSTRATED

27-81-08-01

27-81-08  
FIG. 01  
PAGE 2  
JAN 20/09

BRI

BOEING PROPRIETARY - Copyright © - Unpublished Work - See title page for details.





757

PARTS CATALOG (MAINTENANCE)

FIG ITEM	PART NUMBER	1 2 3 4 5 6 7	NOMENCLATURE	EFFECT FROM TO	UNITS PER ASSY
1					
30	BRH10C5D	.	NUT SUPPLIER CODE: V52828 SPECIFICATION NUMBER: BACN10JC5CD OPTIONAL PART: T6C524JCD V11815 102LH9075-5W V72962 H51650-5BAC V15653 -----*-----	002004 006999	3
40	BACB30NR5K13	.	BOLT	002004 006999	3
45	BACB30NR5K7	.	BOLT	002004 006999	1
50	AN960KD516	.	WASHER-	002004 006102 107107 121999	7
50	NAS1149D563K	.	WASHER-	103106	7
55	BRH10C5D	.	NUT SUPPLIER CODE: V52828 SPECIFICATION NUMBER: BACN10JC5CD OPTIONAL PART: T6C524JCD V11815 102LH9075-5W V72962 H51650-5BAC V15653	002004 006999	3
60	251N5002-2	.	MOTOR ASSY-HYDR	002004 006999	1
65	569672	..	MOTOR ASSY- SUPPLIER CODE: V62983 SPECIFICATION NUMBER: S250N212-2 COMPONENT MAINT MANUAL REF: 27-50-08	002004 006999	1
70	MS21902D6	..	UNION	002004 006999	1
75	NAS1612-6	..	PACKING-	002004 006999	1

MISSING ITEM NUMBERS NOT APPLICABLE

- ITEM NOT ILLUSTRATED

27-81-08-01

27-81-08  
FIG. 01  
PAGE 3  
JAN 20/09

BRI



757

PARTS CATALOG (MAINTENANCE)

FIG ITEM	PART NUMBER	1 2 3 4 5 6 7	NOMENCLATURE	EFFECT FROM TO	UNITS PER ASSY
1					
80	251N5091-10		.DRIVE UNIT ASSY- COMPONENT MAINT MANUAL REF: 27-81-45	002004 006999	RF
80	251N5091-12		.DRIVE UNIT ASSY- COMPONENT MAINT MANUAL REF: 27-81-45	002004 006999	RF
80	251N5091-13		.DRIVE UNIT ASSY- COMPONENT MAINT MANUAL REF: 27-81-45	002004 006999	RF
80	251N5091-14		.DRIVE UNIT ASSY- COMPONENT MAINT MANUAL REF: 27-81-45	002004 006999	RF
80	251N5091-15		.DRIVE UNIT ASSY- COMPONENT MAINT MANUAL REF: 27-81-45 OPTIONAL PART: 251N5091-22 251N5091-15	002004 006107 121999	RF
80	251N5091-22		.DRIVE UNIT ASSY- COMPONENT MAINT MANUAL REF: 27-81-45 OPTIONAL PART: 251N5091-14	002004 006999	RF
85	BAC27NCT0152		..MARKER- PLACARD CONTENT: M10220-ALT LE SLAT MOTOR	002004 006999	1
90	BAC27NCT0226		..MARKER- PLACARD CONTENT: M10220-ALT LE SLAT MOTOR	002004 006999	1
- 200	286N3342-005		WIRE BUNDLE ASSY	002004 006100 107107 121503 904999	RF
- 200	286N3342-310		WIRE BUNDLE ASSY	108120	RF
- 200	286N3342-311		WIRE BUNDLE ASSY	101102	RF
- 200	286N3342-317		WIRE BUNDLE ASSY	504903	RF
- 201	286N3342-701		WIRE BUNDLE ASSY	103106	RF

MISSING ITEM NUMBERS NOT APPLICABLE

- ITEM NOT ILLUSTRATED

27-81-08-01

27-81-08  
FIG. 01  
PAGE 4  
JAN 20/09

BRI



757

PARTS CATALOG (MAINTENANCE)

FIG ITEM	PART NUMBER	1 2 3 4 5 6 7	NOMENCLATURE	EFFECT FROM TO	UNITS PER ASSY
1 205	R071018C8SNL		.CONNECTOR- SUPPLIER CODE: V41118 SPECIFICATION NUMBER: BACC63BP18C8SNL ELECTRICAL EQUIP NUMBER: D01708 WIRING DIAGRAM REF: 278111	103106	1
205	R071018A8SNL		.CONNECTOR- SUPPLIER CODE: V41118 SPECIFICATION NUMBER: BACC63BP18A8SNL ELECTRICAL EQUIP NUMBER: D01708 WIRING DIAGRAM REF: 278111	002004 006102 107949 952999	1
210	620AA028NF18L		.CLAMP- SUPPLIER CODE: V06324 SPECIFICATION NUMBER: BACC10KE18 OPTIONAL PART: S3820-18-65 V07418 ELECTRICAL EQUIP NUMBER: D01708T WIRING DIAGRAM REF: 278111	103106	1
210	GS3418-18CD		.CLAMP- SUPPLIER CODE: V06324 SPECIFICATION NUMBER: BACC10HG18 OPTIONAL PART: S2126-18-8 V07418 ELECTRICAL EQUIP NUMBER: D01708T WIRING DIAGRAM REF: 278111	002004 006102 107999	1
900			ILLUSTRATION REFERENCE: PLUMBING INSTL-SECT. 12 LE (LEADING EDGE SLAT SYSTEM ONLY) 27-81-51-16	002004 006100 107107 121503 904999	RF

MISSING ITEM NUMBERS NOT APPLICABLE

- ITEM NOT ILLUSTRATED

BRI

27-81-08-01

BOEING PROPRIETARY - Copyright © - Unpublished Work - See title page for details.

27-81-08  
FIG. 01  
PAGE 5  
JAN 20/09



757

PARTS CATALOG (MAINTENANCE)

FIG ITEM	PART NUMBER	1 2 3 4 5 6 7	NOMENCLATURE	EFFECT FROM TO	UNITS PER ASSY
1 905			ILLUSTRATION REFERENCE: PLUMBING INSTL-SECT. 12 LE (LEADING EDGE SLAT SYSTEM ONLY) 27-81-51-16	002004 006100 107107 121503 904999	RF

MISSING ITEM NUMBERS NOT APPLICABLE

- ITEM NOT ILLUSTRATED

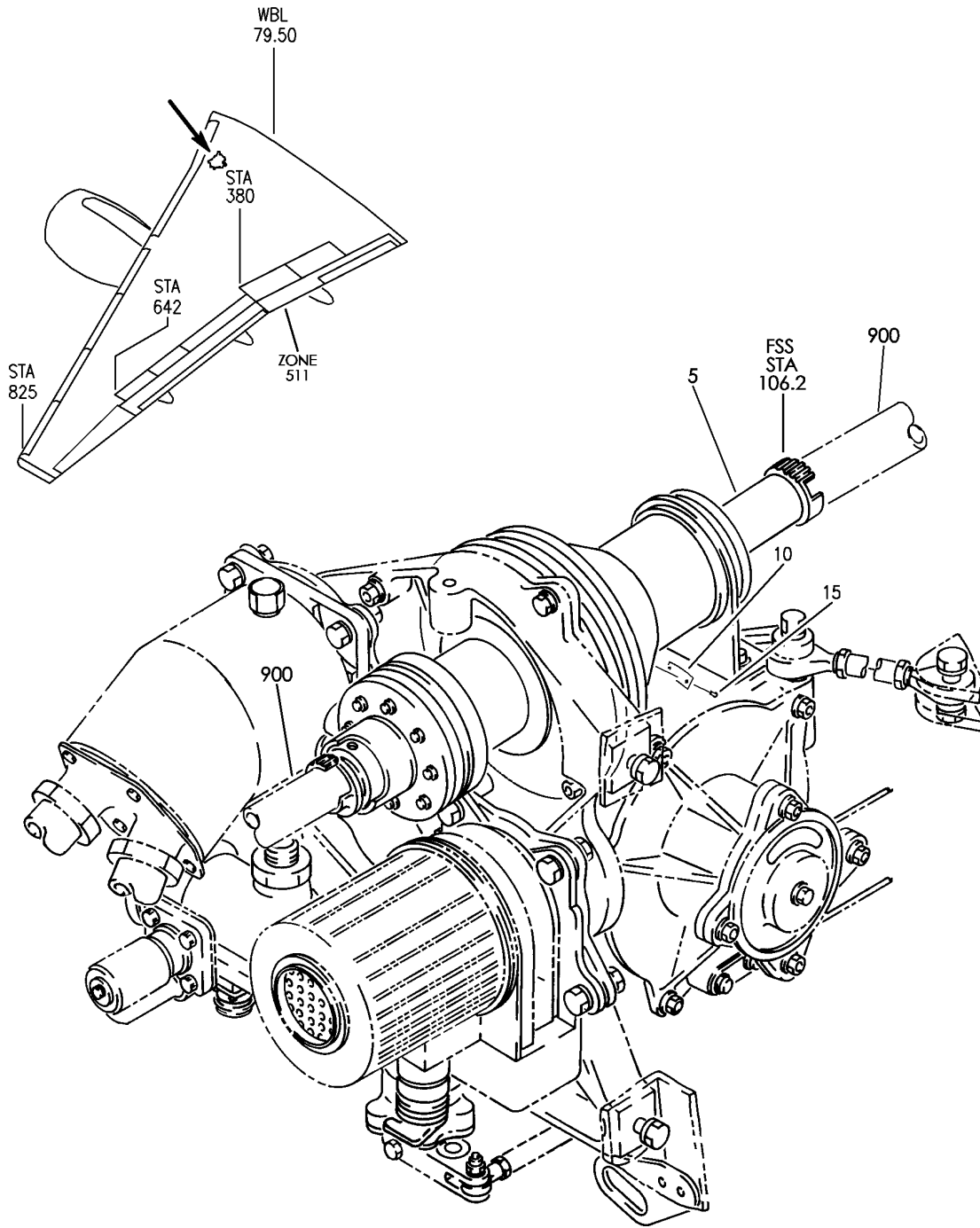
BRI

27-81-08-01

BOEING PROPRIETARY - Copyright © - Unpublished Work - See title page for details.

27-81-08  
FIG. 01  
PAGE 6  
JAN 20/09

**BOEING**  
757  
PARTS CATALOG (MAINTENANCE)



Y 27810802 REV 289

DRIVE UNIT ASSY-PWR LE SLAT DRIVE (LEADING EDGE SLAT POWER DRIVE UNIT COMPONENTS ONLY)  
FIGURE 2

BRI  
MAY 28/07

**27-81-08-02**

27-81-08-02  
PAGE 0



757

PARTS CATALOG (MAINTENANCE)

FIG ITEM	PART NUMBER	1 2 3 4 5 6 7	NOMENCLATURE	EFFECT FROM TO	UNITS PER ASSY
2			DRIVE UNIT ASSY-PWR LE SLAT DRIVE (LEADING EDGE SLAT POWER DRIVE UNIT COMPONENTS ONLY)	002004 006999	
- 1	251N5091-10		DRIVE UNIT ASSY-PWR LE SLAT DRIVE (LEADING EDGE SLAT POWER DRIVE UNIT COMPONENTS ONLY) COMPONENT MAINT MANUAL REF: 27-81-45 FOR NHA/OTHER SYS DET SEE: 27-81-07-01	002004 006999	RF
- 1	251N5091-12		DRIVE UNIT ASSY-PWR LE SLAT DRIVE (LEADING EDGE SLAT POWER DRIVE UNIT COMPONENTS ONLY) COMPONENT MAINT MANUAL REF: 27-81-45 FOR NHA/OTHER SYS DET SEE: 27-81-07-01	002004 006999	RF
- 1	251N5091-13		DRIVE UNIT ASSY-PWR LE SLAT DRIVE (LEADING EDGE SLAT POWER DRIVE UNIT COMPONENTS ONLY) COMPONENT MAINT MANUAL REF: 27-81-45 FOR NHA/OTHER SYS DET SEE: 27-81-07-01	002004 006999	RF
- 1	251N5091-14		DRIVE UNIT ASSY-PWR LE SLAT DRIVE (LEADING EDGE SLAT POWER DRIVE UNIT COMPONENTS ONLY) COMPONENT MAINT MANUAL REF: 27-81-45 OPTIONAL PART: 251N5091-15 251N5091-22 FOR NHA/OTHER SYS DET SEE: 27-81-07-01	002004 006999	RF
- 1	251N5091-15		DRIVE UNIT ASSY-PWR LE SLAT DRIVE (LEADING EDGE SLAT POWER DRIVE UNIT COMPONENTS ONLY) COMPONENT MAINT MANUAL REF: 27-81-45 OPTIONAL PART: 251N5091-14 FOR NHA/OTHER SYS DET SEE: 27-81-07-01	002004 006107 121999	RF

MISSING ITEM NUMBERS NOT APPLICABLE

- ITEM NOT ILLUSTRATED

27-81-08-02

27-81-08  
FIG. 02  
PAGE 1  
JAN 20/09

BRI



757

PARTS CATALOG (MAINTENANCE)

FIG ITEM	PART NUMBER	1 2 3 4 5 6 7	NOMENCLATURE	EFFECT FROM TO	UNITS PER ASSY
2 -	1 251N5091-22		DRIVE UNIT ASSY-PWR LE SLAT DRIVE (LEADING EDGE SLAT POWER DRIVE UNIT COMPONENTS ONLY) COMPONENT MAINT MANUAL REF: 27-81-45 OPTIONAL PART: 251N5091-14 FOR NHA/OTHER SYS DET SEE: 27-81-07-01	002004 006999	RF
	5 2022622-3		.LIMITER ASSY-TORQUE SUPPLIER CODE: V70210 SPECIFICATION NUMBER: S251N503-2 COMPONENT MAINT MANUAL REF: 27-81-06 OPTIONAL PART: 2022622-4 V70210 USED ON: 251N5091-10 251N5091-12	002004 006999	1
	5 2022622-4		.LIMITER ASSY-TORQUE SUPPLIER CODE: V70210 SPECIFICATION NUMBER: S251N503-2 COMPONENT MAINT MANUAL REF: 27-81-06 OPTIONAL PART: 2022622-3 V70210 USED ON: 251N5091-10 251N5091-12	002004 006999	1
	5 2022622-5		.LIMITER ASSY-TORQUE SUPPLIER CODE: V70210 SPECIFICATION NUMBER: S251N503-3 COMPONENT MAINT MANUAL REF: 27-81-06 USED ON: 251N5091-14 251N5091-15 251N5091-22	002004 006999	1

MISSING ITEM NUMBERS NOT APPLICABLE

- ITEM NOT ILLUSTRATED

27-81-08-02

27-81-08  
FIG. 02  
PAGE 2  
JAN 20/09

BRI



757

PARTS CATALOG (MAINTENANCE)

FIG ITEM	PART NUMBER	1 2 3 4 5 6 7	NOMENCLATURE	EFFECT FROM TO	UNITS PER ASSY
2					
5	2022622-5		.LIMITER ASSY-TORQUE SUPPLIER CODE: V70210 SPECIFICATION NUMBER: S251N503-3 COMPONENT MAINT MANUAL REF: 27-81-06 USED ON: 251N5091-13	002004 006999	1
5	2022622-3		.LIMITER ASSY-TORQUE SUPPLIER CODE: V70210 SPECIFICATION NUMBER: S251N503-2 COMPONENT MAINT MANUAL REF: 27-81-06 OPTIONAL PART: 2022622-4 V70210 USED ON: 251N5091-13	002004 006999	1
5	2022622-4		.LIMITER ASSY-TORQUE SUPPLIER CODE: V70210 SPECIFICATION NUMBER: S251N503-2 COMPONENT MAINT MANUAL REF: 27-81-06 OPTIONAL PART: 2022622-3 V70210 USED ON: 251N5091-13	002004 006999	1
10	2041414-3		..PLATE-IDENT SUPPLIER CODE: V70210 USED ON: 2022622-3	002004 006999	1
10	2041414-4		..PLATE-IDENT SUPPLIER CODE: V70210 USED ON: 2022622-4	002004 006999	1
10	2041414-5		..PLATE-IDENT SUPPLIER CODE: V70210 USED ON: 2022622-5	002004 006999	1

MISSING ITEM NUMBERS NOT APPLICABLE

- ITEM NOT ILLUSTRATED

27-81-08-02

27-81-08  
FIG. 02  
PAGE 3  
SEP 20/08

BRI





757

PARTS CATALOG (MAINTENANCE)

FIG ITEM	PART NUMBER	1 2 3 4 5 6 7	NOMENCLATURE	EFFECT FROM TO	UNITS PER ASSY
2			ATTACHING PARTS		
15	MS20470A2-4		..RIVET	002004 006999	2
900			-----*----- ILLUSTRATION REFERENCE: CONTROL AND DRIVE INSTL-LE SLAT 27-81-20-02	002004 006100 107107 121503 904999	RF
900			ILLUSTRATION REFERENCE: TUBE INSTL-TORQUE 27-81-20-02A	101106 108120 504903	RF
905			ILLUSTRATION REFERENCE: CONTROL AND DRIVE INSTL-LE SLAT 27-81-20-02	002004 006100 107107 121503 904999	RF
905			ILLUSTRATION REFERENCE: TUBE INSTL-TORQUE 27-81-20-02A	101106 108120 504903	RF

MISSING ITEM NUMBERS NOT APPLICABLE

- ITEM NOT ILLUSTRATED

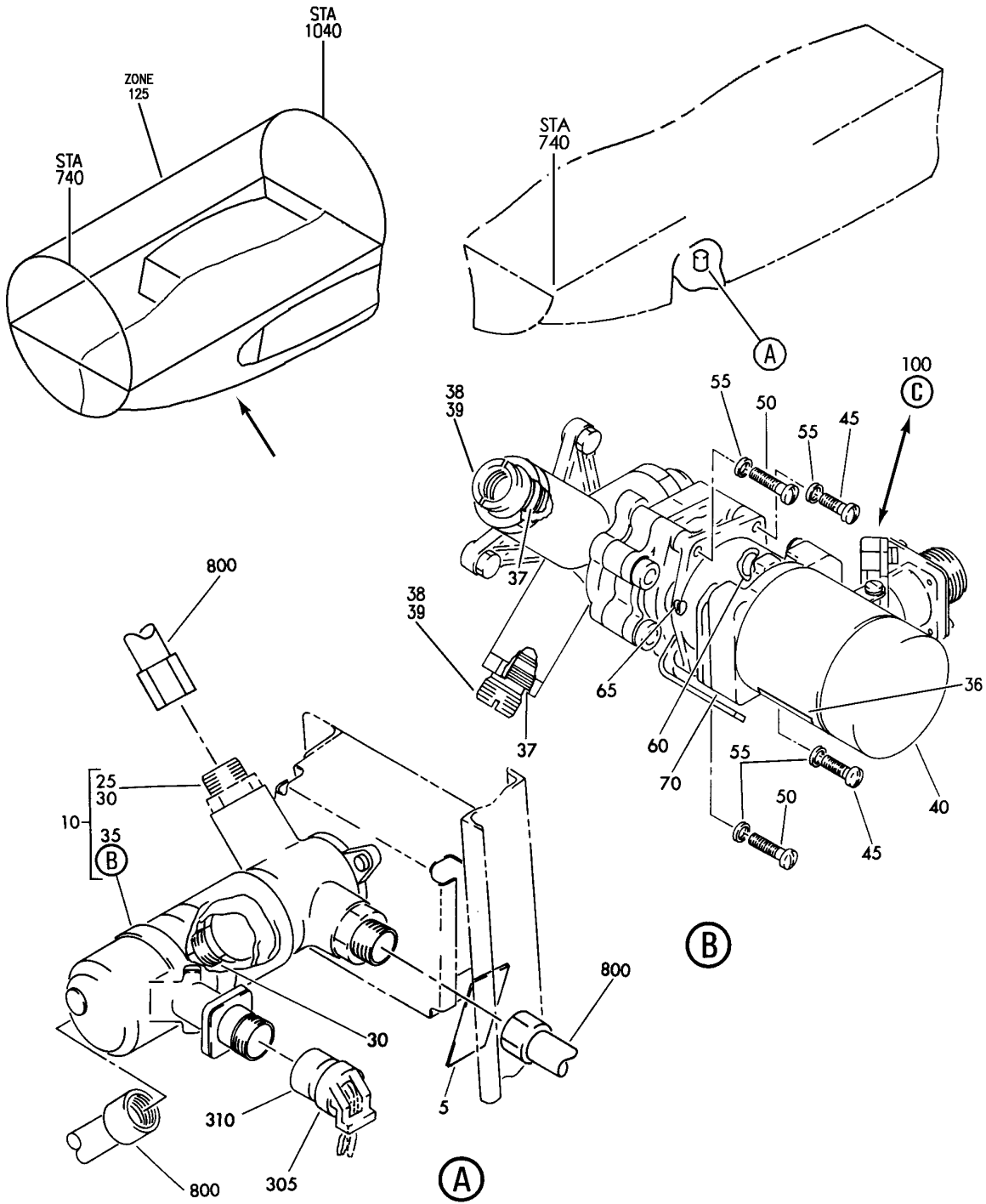
BRI

27-81-08-02

BOEING PROPRIETARY - Copyright © - Unpublished Work - See title page for details.

27-81-08  
FIG. 02  
PAGE 4  
JAN 20/09

**BOEING**  
757  
PARTS CATALOG (MAINTENANCE)



Y 27810901 SHT 1 REV 267

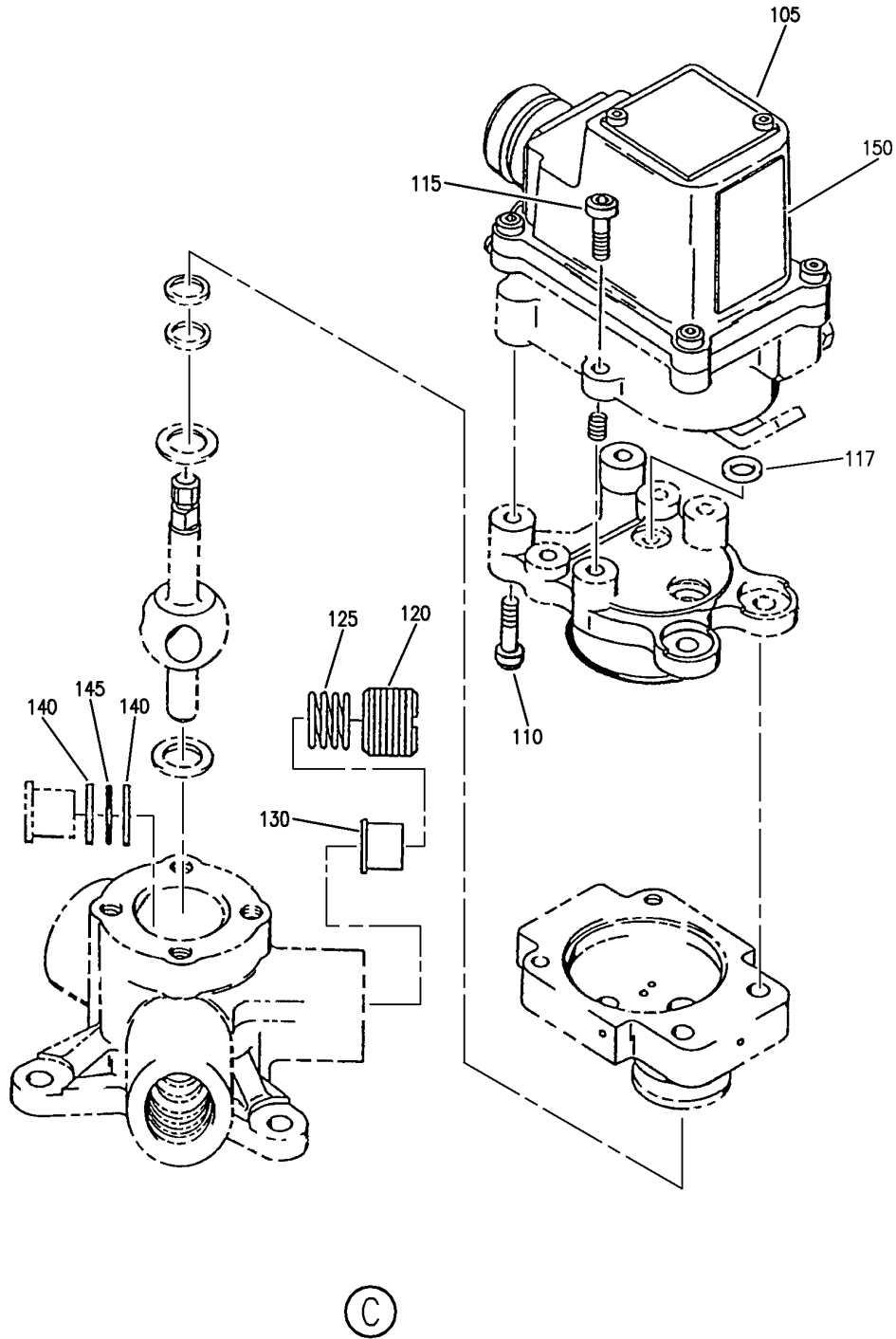
VALVE INSTL-LE SLAT BYPASS (FLIGHT CONTROLS ONLY)  
FIGURE 1 (SHEET 1)

**27-81-09-01**

BRI  
MAY 28/07

27-81-09-01  
PAGE 0

**BOEING**  
757  
PARTS CATALOG (MAINTENANCE)



Y 27810901 SH1 2 REV 259

VALVE INSTL-LE SLAT BYPASS (FLIGHT CONTROLS ONLY)  
FIGURE 1 (SHEET 2)

**27-81-09-01**

BRI  
MAY 28/07

27-81-09-01  
PAGE 0A



**757  
PARTS CATALOG (MAINTENANCE)**

FIG ITEM	PART NUMBER	1 2 3 4 5 6 7	NOMENCLATURE	EFFECT FROM TO	UNITS PER ASSY
1			VALVE INSTL-LE SLAT BYPASS (FLIGHT CONTROLS ONLY)	002004 006999	
- 1	251N5011-9		VALVE INSTL-LE SLAT BYPASS (FLIGHT CONTROLS ONLY) FOR NHA/OTHER SYS DET SEE: 29-00-51-04	002004 006100 107107 121503 904999	RF
- 2	251N5011-13		VALVE INSTL-LE SLAT BYPASS (FLIGHT CONTROLS ONLY) FOR NHA/OTHER SYS DET SEE: 27-00-00-03	101102 504903	RF
- 2	251N5011-17		VALVE INSTL-LE SLAT BYPASS (FLIGHT CONTROLS ONLY) FOR NHA/OTHER SYS DET SEE: 27-00-00-03	108120	RF
- 2	MODREF7784		VALVE INSTL-LE SLAT BYPASS (FLIGHT CONTROLS ONLY) MODULE NUMBER: 251N5011-17 REV A	103106	1
5	BAC27NHY0246		.MARKER-ALUMINUM FOIL	002004 006999	1
10	251N5011-14		.VALVE ASSY-	101102 504903	1
10	251N5011-18		.VALVE ASSY-	103106 108120	1
10	251N5011-8		.VALVE ASSY- QUALIFIED I/W DATA: 251N5011-8 CAN REPLACE BUT NOT BE REPLACED BY 251N0511-10	002004 006100 107107 121503 904999	1
10	251N5011-10		.VALVE ASSY- QUALIFIED I/W DATA: 251N5011-8 CAN REPLACED BUT NOT BE REPLACED BY 251N5011-10	002004 006100 107107 121503 904999	1
10	251N5011-12		.VALVE ASSY-	002004 006100 107107 121503 904999	1
- 15	BACB30NM4K8		ATTACHING PARTS .BOLT	002004 006999	3
- 20	BACW10BP4CD		.WASHER  -----*-----	002004 006999	3

MISSING ITEM NUMBERS NOT APPLICABLE

- ITEM NOT ILLUSTRATED

# 27-81-09-01

27-81-09  
FIG. 01  
PAGE 1  
JAN 20/09

BRI

BOEING PROPRIETARY - Copyright © - Unpublished Work - See title page for details.



757

PARTS CATALOG (MAINTENANCE)

FIG ITEM	PART NUMBER	1 2 3 4 5 6 7	NOMENCLATURE	EFFECT FROM TO	UNITS PER ASSY
1 25	AFP23212-10		.. REDUCER- SUPPLIER CODE: V30974 SPECIFICATION NUMBER: BACR17E12-10 OPTIONAL PART: AP102712-10 V01673 BC916T12-10 V50948 DBOR17E12-10 V14798 ER21916T12-10 V88334 ER31916-12-10 V88334 F23-12-10 V73197 2-01075T12-10 V11328 31778-12-10 V14397 US2114-12-10 V50808	002004 006999	3
30	NAS1612-10		.. PACKING-	002004 006102 107107 121999	3
30	NAS1612-10A		.. PACKING-	103106 108120	3

MISSING ITEM NUMBERS NOT APPLICABLE

- ITEM NOT ILLUSTRATED

BRI

27-81-09-01

BOEING PROPRIETARY - Copyright © - Unpublished Work - See title page for details.

27-81-09  
FIG. 01  
PAGE 2  
JAN 20/09



757

PARTS CATALOG (MAINTENANCE)

FIG ITEM	PART NUMBER	1 2 3 4 5 6 7 NOMENCLATURE	EFFECT FROM TO	UNITS PER ASSY
1 35	340545	<p>.. VALVE ASSY-MOTOR ACTUATED            ROTARY SELECTOR            SUPPLIER CODE:            V79318            FUNCTIONAL DESCRIPTION:            PROVIDES ON-OFF CONTROL            OF HYDRAULIC FLUID FLOW            TO AC MOTOR DRIVEN PUMP            SPECIFICATION NUMBER:            S270T002-3            MISCELLANEOUS DATA:            FOR COMPLETE            INTERCHANGEABILITY            REGARDING SPECIFIC            USAGE, PLEASE REFER TO            DRAWING 270T2001 SHEET 1            ELECTRICAL EQUIP NUMBER:            V10059            COMPONENT MAINT MANUAL REF:            27-13-03            SERVICE BULLETIN OPT DATA:            340015-1            V79318            EM91-80-5            V91816            REFERENCE SERVICE BULLETIN:            29A0049            POST ALERT SB:            29A0049            QUALIFIED SB I/W DATA:            WHITTAKER CONTROLS VALVE            S270T002-2 OR -3 CAN BE            USED TO REPLACE CIRCLE            SEAL CONTROLS VALVE            S270T010-13. PER 29A0049            POST SERVICE BULLETIN:            EM91-80-29-02            V91816</p>	002004 006999	1

MISSING ITEM NUMBERS NOT APPLICABLE

- ITEM NOT ILLUSTRATED

BRI

27-81-09-01

BOEING PROPRIETARY - Copyright © - Unpublished Work - See title page for details.

27-81-09  
FIG. 01  
PAGE 3  
SEP 20/08



757

PARTS CATALOG (MAINTENANCE)

FIG ITEM	PART NUMBER	1 2 3 4 5 6 7	NOMENCLATURE	EFFECT FROM TO	UNITS PER ASSY
1 35	340015-1		.. VALVE ASSY-MOTOR ACTUATED ROTARY SELECTOR SUPPLIER CODE: V79318 FUNCTIONAL DESCRIPTION: PROVIDES ON-OFF CONTROL OF HYDRAULIC FLUID FLOW TO AC MOTOR DRIVEN PUMP SPECIFICATION NUMBER: S270T002-2 MISCELLANEOUS DATA: FOR COMPLETE INTERCHANGEABILITY REGARDING SPECIFIC USAGE, PLEASE REFER TO DRAWING 270T2001 SHEET 1 ELECTRICAL EQUIP NUMBER: V10059 COMPONENT MAINT MANUAL REF: 27-13-01 SERVICE BULLETIN OPT DATA: 340545 V79318 EM91-80-5 V91816 POST ALERT SB: 29A0049 QUALIFIED SB I/W DATA: WHITTAKER CONTROLS VALVE S270T002-2 OR -3 CAN BE USED TO REPLACE CIRCLE SEAL CONTROLS VALVE S270T010-13. PER 29A0049	002004 006999	1
36	201066		... PLATE-IDENT SUPPLIER CODE: V79318 USED ON: 340015-1	002004 006999	1
36	201073		... PLATE-IDENT SUPPLIER CODE: V79318 USED ON: 340545	002004 006999	1
37	145549		... SPRING-CPRSN SUPPLIER CODE: V79318 USED ON: 340545	002004 006999	2

MISSING ITEM NUMBERS NOT APPLICABLE

- ITEM NOT ILLUSTRATED

BRI

27-81-09-01

BOEING PROPRIETARY - Copyright © - Unpublished Work - See title page for details.

27-81-09  
FIG. 01  
PAGE 4  
SEP 20/08

**BOEING**  
757  
**PARTS CATALOG (MAINTENANCE)**

FIG ITEM	PART NUMBER	1 2 3 4 5 6 7	NOMENCLATURE	EFFECT FROM TO	UNITS PER ASSY
1					
38	145561		...RETAINER-SPR SUPPLIER CODE: V79318 USED ON: 340545	002004 006999	2
39	145562		...RETAINER-SPR SUPPLIER CODE: V79318	002004 006999	2
40	157720-2		...ACTUATOR ASSY- SUPPLIER CODE: V79318 COMPONENT MAINT MANUAL REF: 27-13-02 ATTACHING PARTS	002004 006999	1
45	NAS1351-3-20P		...SCREW	002004 006999	2
50	NAS1351-3-28P		...SCREW	002004 006999	2
55	100168-168		...WASHER-FLAT SUPPLIER CODE: V79318 -----*-----	002004 006999	4
60	NAS1611-009		...PACKING-	002004 006999	1
65	145572		...RING-RETAINING SUPPLIER CODE: V79318	002004 006999	1

MISSING ITEM NUMBERS NOT APPLICABLE

— ITEM NOT ILLUSTRATED

BRI

# 27-81-09-01

BOEING PROPRIETARY - Copyright © - Unpublished Work - See title page for details.

27-81-09  
FIG. 01  
PAGE 5  
SEP 20/08





757  
PARTS CATALOG (MAINTENANCE)

FIG ITEM	PART NUMBER	1 2 3 4 5 6 7	NOMENCLATURE	EFFECT FROM TO	UNITS PER ASSY
1 100	EM91-80-1		.. VALVE ASSY-MOTOR ACTUATED ROTARY SELECTOR SUPPLIER CODE: V91816 FUNCTIONAL DESCRIPTION: PROVIDES ON-OFF CONTROL OF HYDRAULIC FLUID FLOW TO AC MOTOR DRIVEN PUMP SPECIFICATION NUMBER: S270T010-4 CONFIG CHG DATA FROM A CMM: SUPSD BY EM91-80-3 SUPSDS EM91-80 MISCELLANEOUS DATA: FOR COMPLETE INTERCHANGEABILITY REGARDING SPECIFIC USAGE, PLEASE REFER TO DRAWING 270T2001 SHEET 1 ELECTRICAL EQUIP NUMBER: V10059 COMPONENT MAINT MANUAL REF: 27-13-01 PRE ALERT SB: 29A0049	018100	1

MISSING ITEM NUMBERS NOT APPLICABLE

- ITEM NOT ILLUSTRATED

BRI

27-81-09-01

BOEING PROPRIETARY - Copyright © - Unpublished Work - See title page for details.

27-81-09  
FIG. 01  
PAGE 6  
JAN 20/09



757

PARTS CATALOG (MAINTENANCE)

FIG ITEM	PART NUMBER	1 2 3 4 5 6 7	NOMENCLATURE	EFFECT FROM TO	UNITS PER ASSY
1 100	EM91-80-3		.. VALVE ASSY-MOTOR ACTUATED ROTARY SELECTOR SUPPLIER CODE: V91816 FUNCTIONAL DESCRIPTION: PROVIDES ON-OFF CONTROL OF HYDRAULIC FLUID FLOW TO AC MOTOR DRIVEN PUMP SPECIFICATION NUMBER: S270T010-7 CONFIG CHG DATA FROM A CMM: SUPSDS EM91-80-1 SUPSD BY EM91-80-4 MISCELLANEOUS DATA: FOR COMPLETE INTERCHANGEABILITY REGARDING SPECIFIC USAGE, PLEASE REFER TO DRAWING 270T2001 SHEET 1 ELECTRICAL EQUIP NUMBER: V10059 COMPONENT MAINT MANUAL REF: 27-13-01 PRE ALERT SB: 29A0049	018102 505505	1
100	EM91-80		.. VALVE ASSY-MOTOR ACTUATED ROTARY SELECTOR SUPPLIER CODE: V91816 FUNCTIONAL DESCRIPTION: PROVIDES ON-OFF CONTROL OF HYDRAULIC FLUID FLOW TO AC MOTOR DRIVEN PUMP SPECIFICATION NUMBER: S270T010-1 CONFIG CHG DATA FROM A CMM: SUPSD BY EM91-80-1 MISCELLANEOUS DATA: FOR COMPLETE INTERCHANGEABILITY REGARDING SPECIFIC USAGE, PLEASE REFER TO DRAWING 270T2001 SHEET 1 ELECTRICAL EQUIP NUMBER: V10059 COMPONENT MAINT MANUAL REF: 27-13-01 PRE ALERT SB: 29A0049	018100	1

MISSING ITEM NUMBERS NOT APPLICABLE

- ITEM NOT ILLUSTRATED

BRI

27-81-09-01

27-81-09  
FIG. 01  
PAGE 7  
JAN 20/09



757

PARTS CATALOG (MAINTENANCE)

FIG ITEM	PART NUMBER	1 2 3 4 5 6 7	NOMENCLATURE	EFFECT FROM TO	UNITS PER ASSY
1 100	EM91-80-4		<p>.. VALVE ASSY-MOTOR ACTUATED ROTARY SELECTOR SUPPLIER CODE: V91816 FUNCTIONAL DESCRIPTION: PROVIDES ON-OFF CONTROL OF HYDRAULIC FLUID FLOW TO AC MOTOR DRIVEN PUMP SPECIFICATION NUMBER: S270T010-10 CONFIG CHG DATA FROM A CMM: SUPSDS EM91-80-3 SUPSD BY EM91-80-5 MISCELLANEOUS DATA: FOR COMPLETE INTERCHANGEABILITY REGARDING SPECIFIC USAGE, PLEASE REFER TO DRAWING 270T2001 SHEET 1 ELECTRICAL EQUIP NUMBER: V10059 COMPONENT MAINT MANUAL REF: 27-13-01</p>	018102 505505	1

MISSING ITEM NUMBERS NOT APPLICABLE

- ITEM NOT ILLUSTRATED

BRI

# 27-81-09-01

BOEING PROPRIETARY - Copyright © - Unpublished Work - See title page for details.

27-81-09  
FIG. 01  
PAGE 8  
JAN 20/09



757

PARTS CATALOG (MAINTENANCE)

FIG ITEM	PART NUMBER	1 2 3 4 5 6 7	NOMENCLATURE	EFFECT FROM TO	UNITS PER ASSY
1 100	EM91-80-5		.. VALVE ASSY-MOTOR ACTUATED ROTARY SELECTOR SUPPLIER CODE: V91816 FUNCTIONAL DESCRIPTION: PROVIDES ON-OFF CONTROL OF HYDRAULIC FLUID FLOW TO AC MOTOR DRIVEN PUMP SPECIFICATION NUMBER: S270T010-13 CONFIG CHG DATA FROM A CMM: SUPSDS EM91-80-4 MISCELLANEOUS DATA: FOR COMPLETE INTERCHANGEABILITY REGARDING SPECIFIC USAGE, PLEASE REFER TO DRAWING 270T2001 SHEET 1 ELECTRICAL EQUIP NUMBER: V10059 COMPONENT MAINT MANUAL REF: 27-13-01 SERVICE BULLETIN OPT DATA: 340015-1 V79318 340545 V79318 POST ALERT SB: 29A0049 QUALIFIED SB I/W DATA: WHITTAKER CONTROLS VALVE S270T002-2 OR -3 CAN BE USED TO REPLACE CIRCLE SEAL CONTROLS VALVE S270T010-13. PER 29A0049 POST SERVICE BULLETIN: EM91-80-29-02 V91816	002004 006999	1
105	P2350-0075		... ACTUATOR-MOTOR SUPPLIER CODE: V91816 USED ON: EM91-80	018100	1

MISSING ITEM NUMBERS NOT APPLICABLE

- ITEM NOT ILLUSTRATED

BRI

27-81-09-01

BOEING PROPRIETARY - Copyright © - Unpublished Work - See title page for details.

27-81-09  
FIG. 01  
PAGE 9  
JAN 20/09



757

PARTS CATALOG (MAINTENANCE)

FIG ITEM	PART NUMBER	1 2 3 4 5 6 7	NOMENCLATURE	EFFECT FROM TO	UNITS PER ASSY
1					
105	V2350-0075	...	ACTUATOR-MOTOR SUPPLIER CODE: V91816 COMPONENT MAINT MANUAL REF: 27-13-02 USED ON: EM91-80-1	018100	1
105	W2350-0075	...	ACTUATOR-MOTOR SUPPLIER CODE: V91816 COMPONENT MAINT MANUAL REF: 27-13-02 USED ON: EM91-80-3	018102 505505	1
105	X2350-0075	...	ACTUATOR-MOTOR SUPPLIER CODE: V91816 COMPONENT MAINT MANUAL REF: 27-13-02 USED ON: EM91-80-4	018102 505505	1
105	Y2350-0075	...	ACTUATOR-MOTOR SUPPLIER CODE: V91816 COMPONENT MAINT MANUAL REF: 27-13-02 USED ON: EM91-80-5	002004 006999	1
110	NAS1352N08-16P	...	SCREW- MISCELLANEOUS DATA: (V91816 SCD 2301-0362)	002004 006999	2
115	NAS1352N08-8P	...	SCREW- MISCELLANEOUS DATA: (V91816 SCD 2301-0360)	002004 006999	2
			-----*-----		
117	NAS1601-009	...	PACKING- CONFIG CHG DATA FROM A CMM: SUPSD BY NAS1611-009A	002004 006999	1
117	NAS1611-009A	...	PACKING- CONFIG CHG DATA FROM A CMM: SUPERSEDES NAS1601-009	002004 006999	1
120	G37434	...	RETAINER-SPR SUPPLIER CODE: V91816	002004 006999	2
125	A37446	...	SPRING- SUPPLIER CODE: V91816	002004 006999	2

MISSING ITEM NUMBERS NOT APPLICABLE

- ITEM NOT ILLUSTRATED

27-81-09-01

27-81-09  
FIG. 01  
PAGE 10  
JAN 20/09

BRI

BOEING PROPRIETARY - Copyright © - Unpublished Work - See title page for details.



757

PARTS CATALOG (MAINTENANCE)

FIG ITEM	PART NUMBER	1 2 3 4 5 6 7	NOMENCLATURE	EFFECT FROM TO	UNITS PER ASSY
1					
130	D37433	...	RETAINER-SEAT SUPPLIER CODE: V91816	002004 006999	2
- 135	B18998	...	STEM ASSY- SUPPLIER CODE: V91816	002004 006999	1
140	MS28774-114	...	RETAINER- MISCELLANEOUS DATA: (V91816 SCD 8114)	002004 006999	4
145	NAS1601-114	...	PACKING- CONFIG CHG DATA FROM A CMM: SUPSD BY NAS1611-114A	002004 006999	2
145	NAS1611-114A	...	PACKING- CONFIG CHG DATA FROM A CMM: SUPERSEDES NAS1601-114 MISCELLANEOUS DATA: (V91816 SCD 4814)	002004 006999	2
150	B2687	...	NAMEPLATE- SUPPLIER CODE: V91816 USED ON: EM91-80	018100	1
150	D2687	...	NAMEPLATE- SUPPLIER CODE: V91816 USED ON: EM91-80-1	018100	1
150	E2687	...	NAMEPLATE- SUPPLIER CODE: V91816 USED ON: EM91-80-3	018102 505505	1
150	F2687	...	NAMEPLATE- SUPPLIER CODE: V91816 USED ON: EM91-80-4	018102 505505	1
150	G2687	...	NAMEPLATE- SUPPLIER CODE: V91816 USED ON: EM91-80-5	002004 006999	1
- 300	286N4208-003		WIRE BUNDLE ASSY	107107 121503 904949	RF
- 300	286N4208-004		WIRE BUNDLE ASSY	002004 006100 950999	RF

MISSING ITEM NUMBERS NOT APPLICABLE

- ITEM NOT ILLUSTRATED

27-81-09-01

27-81-09  
FIG. 01  
PAGE 11  
JAN 20/09

BRI



757

PARTS CATALOG (MAINTENANCE)

FIG ITEM	PART NUMBER	1 2 3 4 5 6 7	NOMENCLATURE	EFFECT FROM TO	UNITS PER ASSY
1					
- 301	286N4208-307		WIRE BUNDLE ASSY	101102 108120	RF
- 301	286N4208-314		WIRE BUNDLE ASSY	504903	RF
305	G899416		.CLAMP- SUPPLIER CODE: V06324 SPECIFICATION NUMBER: BACC10HG16A OPTIONAL PART: G8994M16 V06324 S2252-16-8 V07418 6000-124-1016 V14283 900-555L16-34 V31461 ELECTRICAL EQUIP NUMBER: D01710T WIRING DIAGRAM REF: 275121	002004 006102 107999	1
310	R071016A10SNL		.CONNECTOR- SUPPLIER CODE: V41118 SPECIFICATION NUMBER: BCREF10545 OVERLENGTH PART NUMBER: BACC63BP16A10SNL ELECTRICAL EQUIP NUMBER: D01710 WIRING DIAGRAM REF: 275121	002004 006102 107999	1
800			ILLUSTRATION REFERENCE: PLUMBING INSTL-SECT. 49 AC BAY HYDR (FLIGHT CONTROLS ONLY) 27-81-51-40	002004 006100 107107 121503 904999	RF

MISSING ITEM NUMBERS NOT APPLICABLE

- ITEM NOT ILLUSTRATED

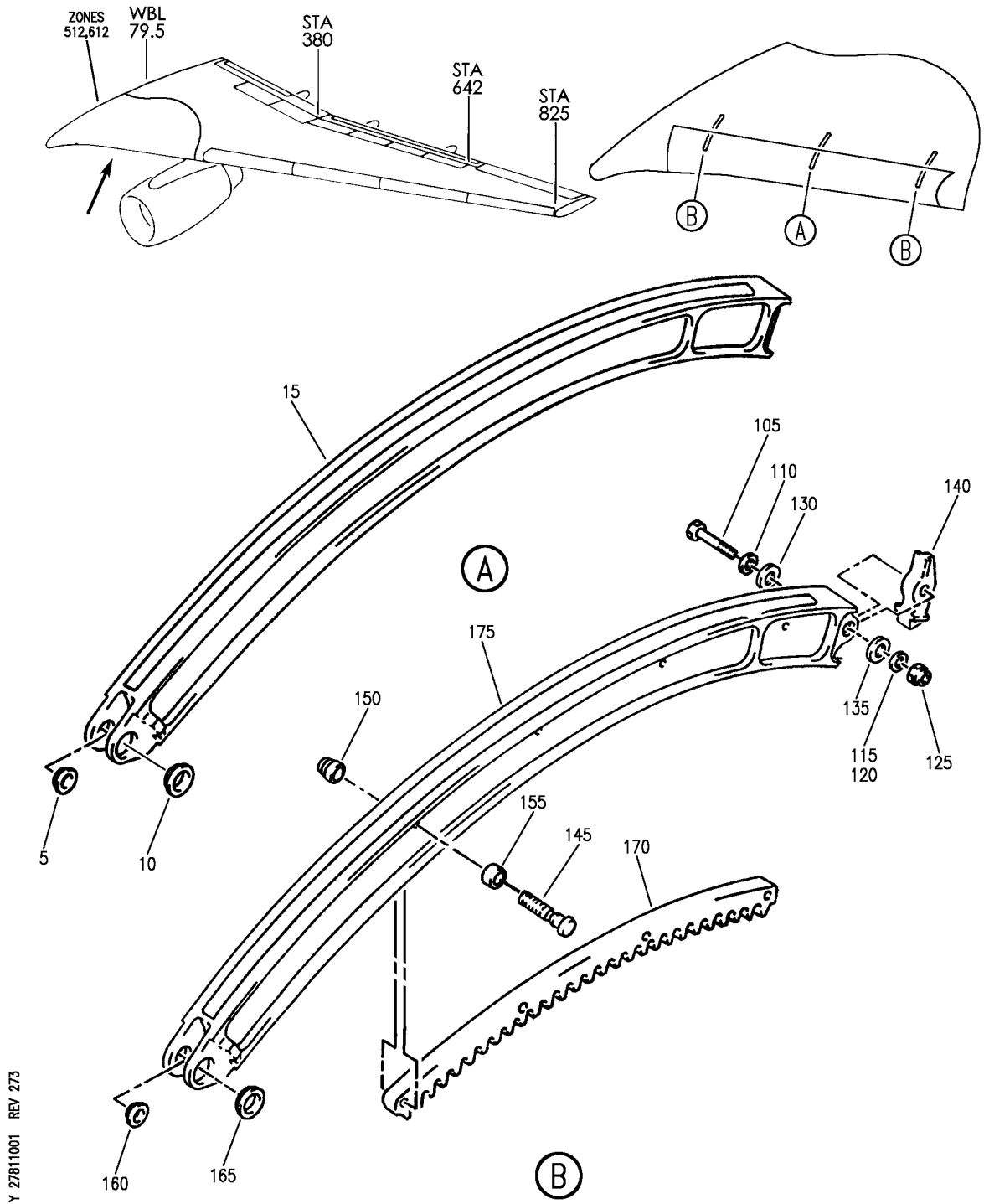
BRI

27-81-09-01

BOEING PROPRIETARY - Copyright © - Unpublished Work - See title page for details.

27-81-09  
FIG. 01  
PAGE 12  
JAN 20/09

**BOEING**  
757  
PARTS CATALOG (MAINTENANCE)



Y 27811001 REV 273

TRACK ASSY MAIN INBOARD LEADING EDGE SLAT  
FIGURE 1

**27-81-10-01**

BRI  
MAY 28/07

27-81-10-01  
PAGE 0





757

PARTS CATALOG (MAINTENANCE)

FIG ITEM	PART NUMBER	1 2 3 4 5 6 7	NOMENCLATURE	EFFECT FROM TO	UNITS PER ASSY
1			TRACK ASSY MAIN INBOARD LEADING EDGE SLAT	002004 006100 102999	
- 1	114N3004-2		TRACK ASSY-MAIN FOR NHA SEE: 27-81-01-02	102106 108120 504903	RF
5	BACB28AP08P024		.BUSHING	102106 108120 504903	1
10	BACB28AT11B024C		.BUSHING- OPTIONAL PART: BACB28AM11B024A	102106 108120 504903	1
10	BACB28AM11B024A		.BUSHING- OPTIONAL PART: BACB28AT11B024C	102106 108120 504903	1
15	114N3006-2		.TRACK- OPTIONAL PART: 114N3006-4	102106 108120 504903	1
15	114N3006-4		.TRACK- OPTIONAL PART: 114N3006-2	102106 108120 504903	1
- 100	114N3004-3		TRACK ASSY-MAIN INBOARD LEADING EDGE SLAT FOR NHA SEE: 27-81-01-01A	002004 006100 107107 121503 904999	RF
- 100	114N3004-5		TRACK ASSY-MAIN INBOARD LEADING EDGE SLAT FOR NHA SEE: 27-81-01-01A	002004 006100 107107 121503 904999	RF
- 100	114N3004-7		TRACK ASSY-MAIN OPTIONAL PART: 114N3004-9 FOR NHA SEE: 27-81-01-01A	002004 006100 102102 107999	RF
- 100	114N3004-9		TRACK ASSY-MAIN OPTIONAL PART: 114N3004-7 FOR NHA SEE: 27-81-01-01A	002004 006100 102102 107999	RF
- 100	114N3002-99		TRACK ASSY-MAIN FOR NHA SEE: 27-81-01-01A	002004 006100 102102 107999	RF

MISSING ITEM NUMBERS NOT APPLICABLE

- ITEM NOT ILLUSTRATED

BRI

27-81-10-01

27-81-10  
FIG. 01  
PAGE 1  
JAN 20/09

 **BOEING**  
757  
**PARTS CATALOG (MAINTENANCE)**

FIG ITEM	PART NUMBER	1 2 3 4 5 6 7	NOMENCLATURE	EFFECT FROM TO	UNITS PER ASSY
1					
- 100	114N3004-7		TRACK ASSY-MAIN OPTIONAL PART: 114N3004-9 FOR NHA SEE: 27-81-01-02A	002004 006100 121503 904949 952999	RF
- 100	114N3004-9		TRACK ASSY-MAIN OPTIONAL PART: 114N3004-7 FOR NHA SEE: 27-81-01-02A	002004 006100 121503 904949 952999	RF
- 100	114N3002-99		TRACK ASSY-MAIN FOR NHA SEE: 27-81-01-02A	002004 006100 121503 904949 952999	RF
- 100	114N3004-7		TRACK ASSY-MAIN OPTIONAL PART: 114N3004-9 FOR NHA SEE: 27-81-01-02	102106 108120 504903	RF
- 100	114N3004-9		TRACK ASSY-MAIN OPTIONAL PART: 114N3004-7 FOR NHA SEE: 27-81-01-02	102106 108120 504903	RF
105	BACB30LT4-17		.BOLT- USED ON: 114N3004-3 114N3004-5	002004 006100 107107 121503 904999	1
105	BACB30LT6-17		.BOLT- MISCELLANEOUS DATA: (114N3032-4 OR 114N3052-3 T/W BACB30LT6-17 BOLT, BACN10JC6CD NUT, BACW10BP6CD, BACW10BP6DP, AND BACW10BP6NDP WASHERS MAY REPLACE 114N3032-3 OR 114N3050-1) OPTIONAL PART: BACB30LT6K17 USED ON: 114N3004-7 114N3004-9 114N3002-99	002004 006100 102102 107999	1

MISSING ITEM NUMBERS NOT APPLICABLE

- ITEM NOT ILLUSTRATED

BRI

# 27-81-10-01

27-81-10  
FIG. 01  
PAGE 2  
JAN 20/09



757

PARTS CATALOG (MAINTENANCE)

FIG ITEM	PART NUMBER	1 2 3 4 5 6 7	NOMENCLATURE	EFFECT FROM TO	UNITS PER ASSY
1					
105	BACB30LT6K17	.BOLT-	OPTIONAL PART: BACB30LT6-17 BACB30LT6-17	002004 006100 102102 107999	1
105	BACB30LT6-17	.BOLT-	OPTIONAL PART: BACB30LT6K17	102106 108120 504903	1
105	BACB30LT6K17	.BOLT-	OPTIONAL PART: BACB30LT6-17	102106 108120 504903	1
110	BACW10BP4CD	.WASHER-	USED ON: 114N3004-7 114N3004-9	002004 006100 107107 121503 904999	1
110	BACW10BP6CD	.WASHER-	MISCELLANEOUS DATA: (114N3032-4 OR 114N3052-3 T/W BACB30LT6-17 BOLT, BACN10JC6CD NUT, BACW10BP6CD, BACW10BP6DP, AND BACW10BP6NDP WASHERS MAY REPLACE 114N3032-3 OR 114N3050-1) USED ON: 114N3004-7 114N3004-9 114N3002-99 POST SERVICE BULLETIN: 27-0094	002004 006100 102102 107999	1
110	BACW10BP6CD	.WASHER		102106 108120 504903	1
115	BACW10BP4DP	.WASHER-	USED ON: 114N3004-3 114N3004-5	002004 006100 107107 121503 904999	1

MISSING ITEM NUMBERS NOT APPLICABLE

- ITEM NOT ILLUSTRATED

27-81-10-01

27-81-10  
FIG. 01  
PAGE 3  
JAN 20/09

BRI

BOEING PROPRIETARY - Copyright © - Unpublished Work - See title page for details.



757

PARTS CATALOG (MAINTENANCE)

FIG ITEM	PART NUMBER	1 2 3 4 5 6 7	NOMENCLATURE	EFFECT FROM TO	UNITS PER ASSY
1 115	BACW10BP6DP		.WASHER- MISCELLANEOUS DATA: (114N3032-4 OR 114N3052-3 T/W BACB30LT6-17 BOLT, BACN10JC6CD NUT, BACW10BP6CD, BACW10BP6DP, AND BACW10BP6NDP WASHERS MAY REPLACE 114N3032-3 OR 114N3050-1) USED ON: 114N3004-7 114N3004-9 114N3002-99	002004 006100 102102 107999	1
115	BACW10BP6DP		.WASHER	102106 108120 504903	1
120	BACW10BP6NDP		.WASHER- MISCELLANEOUS DATA: (114N3032-4 OR 114N3052-3 T/W BACB30LT6-17 BOLT, BACN10JC6CD NUT, BACW10BP6CD, BACW10BP6DP, AND BACW10BP6NDP WASHERS MAY REPLACE 114N3032-3 OR 114N3050-1) USED ON: 114N3004-7 114N3004-9 114N3002-99	002004 006100 102102 107999	2
120	BACW10BP6NDP		.WASHER- MISCELLANEOUS DATA: (114N3032-4 OR 114N3052-3 T/W BACB30LT6-17 BOLT, BACN10JC6CD NUT, BACW10BP6CD, BACW10BP6DP, AND BACW10BP6NDP WASHERS MAY REPLACE 114N3032-3 OR 114N3050-1) USED ON: 114N3004-7 114N3004-9	102106 108120 504903	2

MISSING ITEM NUMBERS NOT APPLICABLE

- ITEM NOT ILLUSTRATED

27-81-10-01

27-81-10  
FIG. 01  
PAGE 4  
JAN 20/09

BRI

 **BOEING**  
757  
**PARTS CATALOG (MAINTENANCE)**

FIG ITEM	PART NUMBER	1 2 3 4 5 6 7	NOMENCLATURE	EFFECT FROM TO	UNITS PER ASSY
1 125	BRH10C4D	.NUT-	SUPPLIER CODE: V52828 SPECIFICATION NUMBER: BACN10JC4CD OPTIONAL PART: T6C428JCD V11815 NS202486-048 V80539 102LH9075-4W V72962 H51650-4BAC V15653 USED ON: 114N3004-3 114N3004-5	002004 006100 107107 121503 904999	1
125	BRH10C6D	.NUT-	SUPPLIER CODE: V52828 SPECIFICATION NUMBER: BACN10JC6CD OPTIONAL PART: H51650-6BAC V15653 MISCELLANEOUS DATA: (114N3032-4 OR 114N3052-3 T/W BACB30LT6-17 BOLT, BACN10JC6CD NUT, BACW10BP6CD, BACW10BP6DP, AND BACW10BP6NDP WASHERS MAY REPLACE 114N3032-3 OR 114N3050-1) USED ON: 114N3004-7 114N3004-9 114N3002-99	002004 006100 102102 107999	1
125	BRH10C6D	.NUT	SUPPLIER CODE: V52828 SPECIFICATION NUMBER: BACN10JC6CD OPTIONAL PART: H51650-6BAC V15653	102106 108120 504903	1

MISSING ITEM NUMBERS NOT APPLICABLE

— ITEM NOT ILLUSTRATED

BRI

# 27-81-10-01

27-81-10  
FIG. 01  
PAGE 5  
JAN 20/09



757

PARTS CATALOG (MAINTENANCE)

FIG ITEM	PART NUMBER	1 2 3 4 5 6 7	NOMENCLATURE	EFFECT FROM TO	UNITS PER ASSY
1					
130	BACB28Y4C022		.BUSHING- USED ON: 114N3004-3 114N3004-5	002004 006100 107107 121503 904999	1
130	BACB28Y6C022		.BUSHING- USED ON: 114N3004-7 114N3004-9	002004 006100 102102 107999	1
130	BACB28Y6C022		.BUSHING	102106 108120 504903	1
135	BACB28Y4C013		.BUSHING- USED ON: 114N3004-3 114N3004-5	002004 006100 107107 121503 904999	1
135	BACB28Y6C013		.BUSHING- USED ON: 114N3004-7 114N3004-9	002004 006100 102102 107999	1
135	BACB28Y6C013		.BUSHING	102106 108120 504903	1
140	114N3032-3		.ROCKER-DOWNSTOP OPTIONAL PART: 114N3050-1	002004 006100 107107 121503 904999	1
140	114N3050-1		.ROCKER-DOWNSTOP QUALIFIED I/W DATA: 114N3032-4 OR 114N3052-3 T/W BACB30LT6-17 BOLT BACN10JC6CD BACW10BP6CD, BACW10BP6DT AND BACW10BP6NDP WASHER MAY REPLACE 114N3050-1 OR 114N3032-3 OPTIONAL PART: 114N3032-3	002004 006100 107107 121503 904999	1
140	114N3032-4		.ROCKER-DOWNSTOP OPTIONAL PART: 114N3052-3	002004 006100 102102 107999	1
140	114N3052-3		.ROCKER-DOWNSTOP OPTIONAL PART: 114N3032-4	002004 006100 102102 107999	1

MISSING ITEM NUMBERS NOT APPLICABLE

- ITEM NOT ILLUSTRATED

27-81-10-01

27-81-10  
FIG. 01  
PAGE 6  
JAN 20/09

BRI

BOEING PROPRIETARY - Copyright © - Unpublished Work - See title page for details.



757

PARTS CATALOG (MAINTENANCE)

FIG ITEM	PART NUMBER	1 2 3 4 5 6 7	NOMENCLATURE	EFFECT FROM TO	UNITS PER ASSY
1 140	114N3052-3		.ROCKER-DOWNSTOP QUALIFIED I/W DATA: 114N3052-3 T/W BACB30LT6-17 BOLT, BACN10JC6CD NUT, BACW10BP6CD, BACW10BP6DP, AND BACW10BP6NDP WASHERS MAY REPLACE 114N3032-3 OR 114N3050-1 OPTIONAL PART: 114N3032-4	102106 108120 504903	1
140	114N3032-4		.ROCKER-DOWNSTOP QUALIFIED I/W DATA: 114N3032-4 T/W BACB30LT6-17 BOLT, BACN10JC6CD NUT, BACW10BP6CD, BACW10BP6DP, AND BACW10BP6NDP WASHERS MAY REPLACE 114N3032-3 OR 114N3050-1 OPTIONAL PART: 114N3052-3	102106 108120 504903	1
145	BACB30GW8-14		.BOLT SUPPLIER CODE: V11815 SPECIFICATION NUMBER: BACB30GW8-14 OPTIONAL PART: SALPYT8-14 V17446	102106 108120 504903	4
150	NAS1080E8		.COLLAR	102106 108120 504903	4
155	NAS75-4-005		.BUSHING	102106 108120 504903	4
160	BACB28AP08P024		.BUSHING	102106 108120 504903	1
165	BACB28AT11B024C		.BUSHING- OPTIONAL PART: BACB28AM11B024A	102106 108120 504903	1
165	BACB28AM11B024A		.BUSHING- OPTIONAL PART: BACB28AT11B024C	102106 108120 504903	1

MISSING ITEM NUMBERS NOT APPLICABLE

- ITEM NOT ILLUSTRATED

27-81-10-01

27-81-10  
FIG. 01  
PAGE 7  
JAN 20/09

BRI

BOEING PROPRIETARY - Copyright © - Unpublished Work - See title page for details.



757

PARTS CATALOG (MAINTENANCE)

FIG ITEM	PART NUMBER	1 2 3 4 5 6 7	NOMENCLATURE	EFFECT FROM TO	UNITS PER ASSY
1					
170	251N5086-2		. GEAR-SEGMENT USED ON: 114N3004-7	102106 108120 504903	1
170	251N5086-3		. GEAR-SEGMENT USED ON: 114N3004-9	102106 108120 504903	1
175	114N3006-3		. TRACK- OPTIONAL PART: 114N3006-5 USED ON: 114N3004-7 114N3004-9	102106 108120 504903	1
175	114N3006-5		. TRACK- OPTIONAL PART: 114N3006-3 USED ON: 114N3004-9	102106 108120 504903	1

MISSING ITEM NUMBERS NOT APPLICABLE

- ITEM NOT ILLUSTRATED

BRI

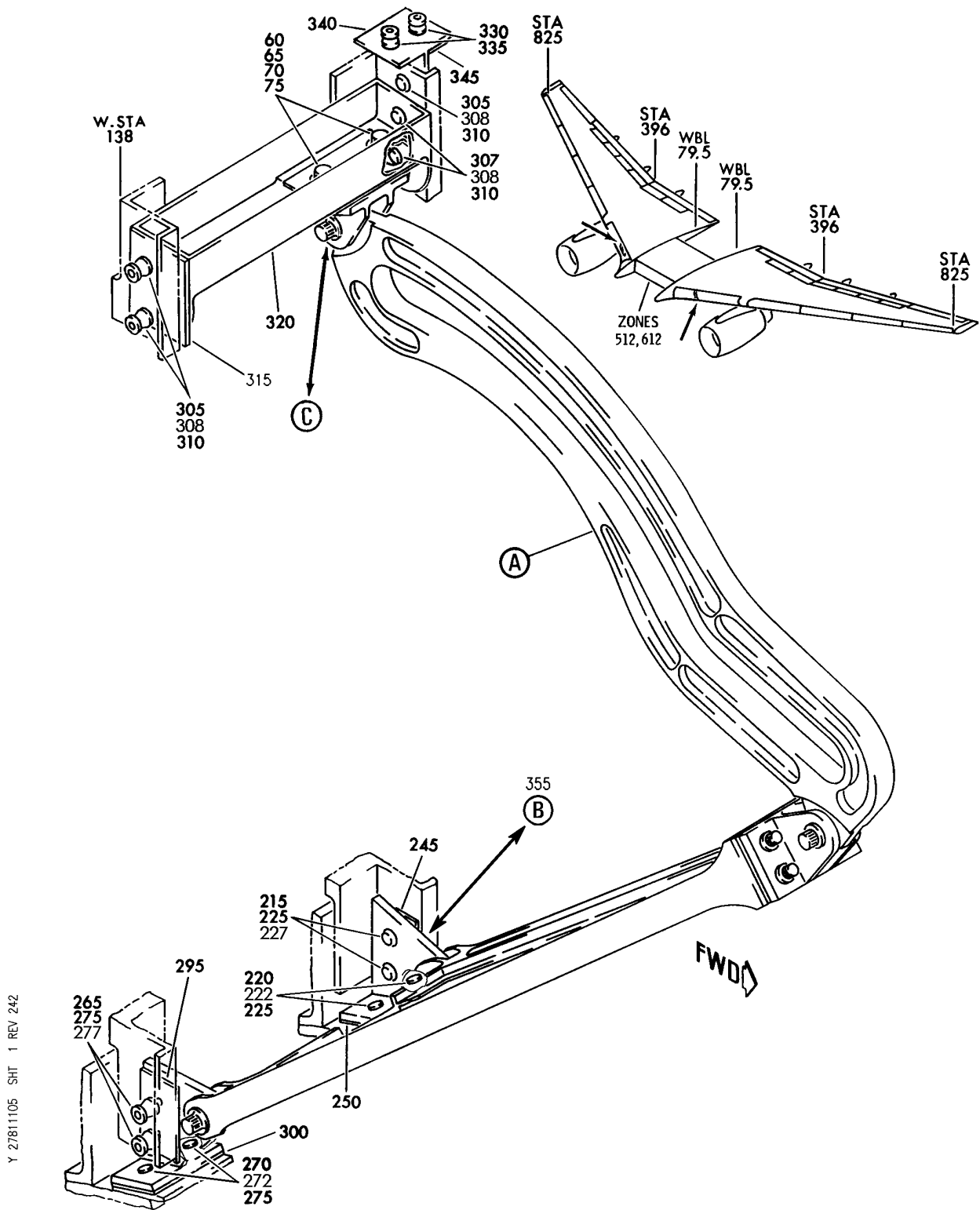
27-81-10-01

BOEING PROPRIETARY - Copyright © - Unpublished Work - See title page for details.

27-81-10  
FIG. 01  
PAGE 8  
JAN 20/09



**BOEING**  
757  
PARTS CATALOG (MAINTENANCE)



Y 27811105 SH1 1 REV 242

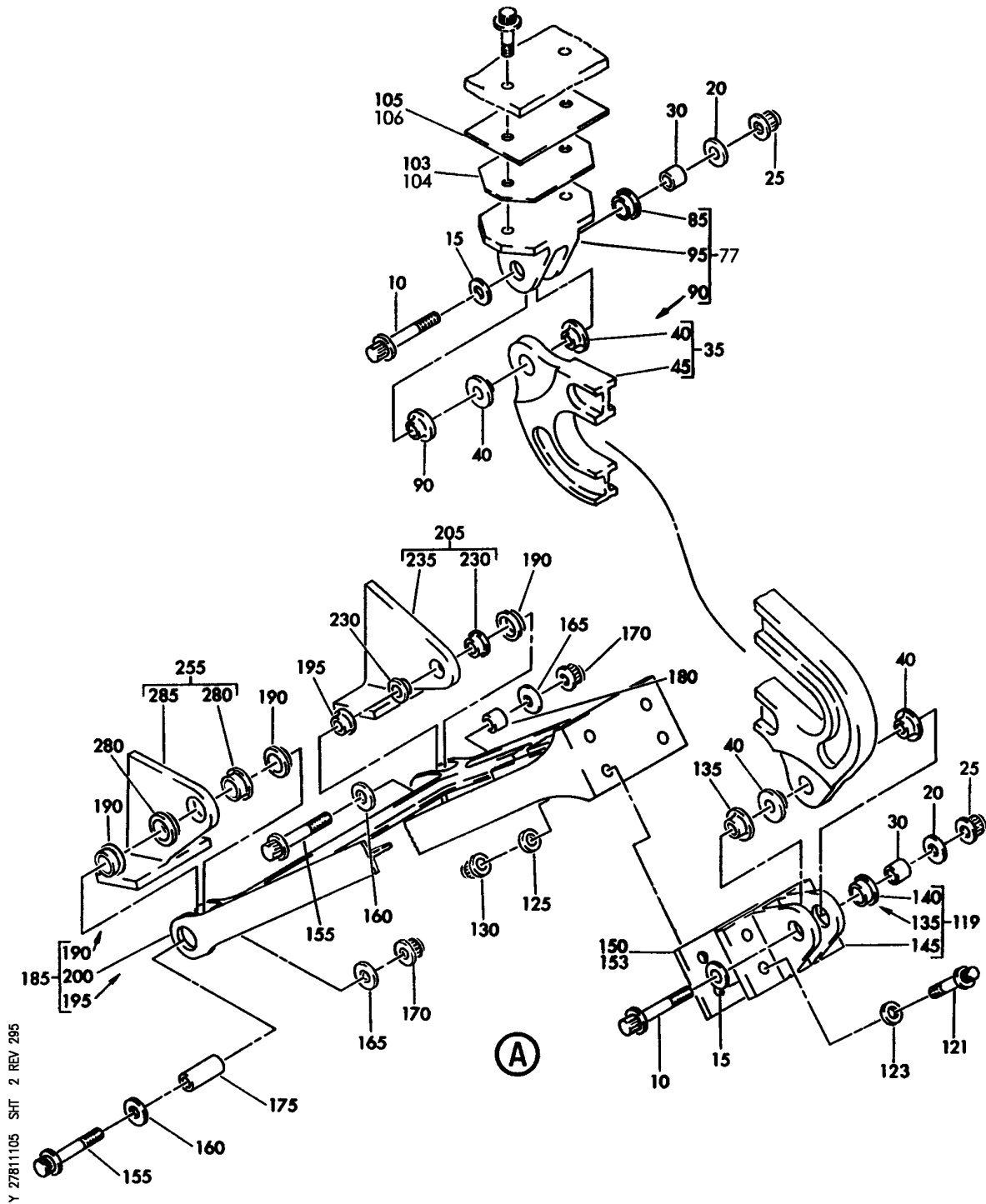
TRACK INSTL-WING LE AUX  
FIGURE 5 (SHEET 1)

**27-81-11-05**

BRI  
MAY 28/07

27-81-11-05  
PAGE 0

**BOEING**  
757  
PARTS CATALOG (MAINTENANCE)



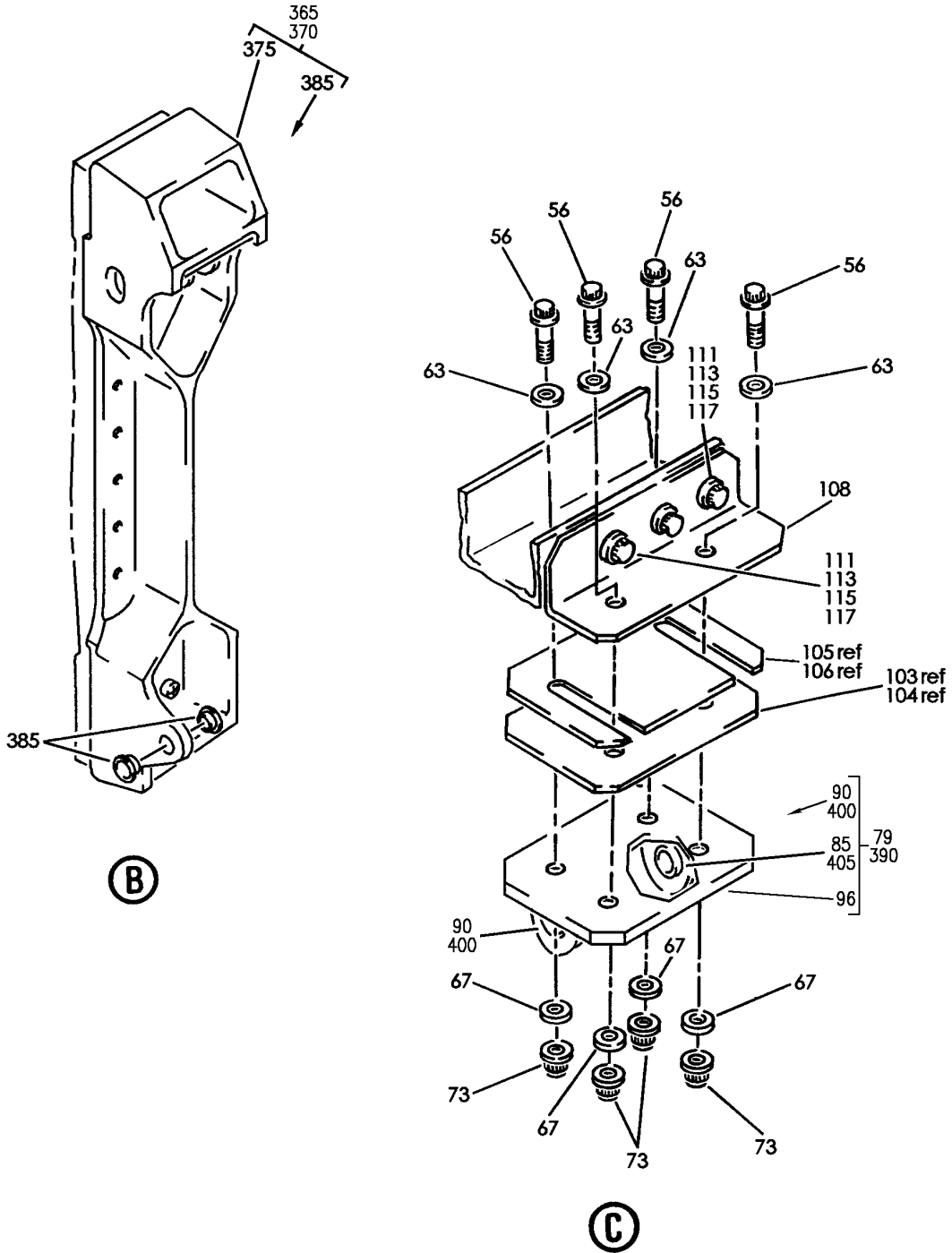
TRACK INSTL-WING LE AUX  
FIGURE 5 (SHEET 2)

**27-81-11-05**

BRI  
MAY 28/07

27-81-11-05  
PAGE 0A

**BOEING**  
757  
PARTS CATALOG (MAINTENANCE)



Y 27811105 SHT 3 REV 295

TRACK INSTL-WING LE AUX  
FIGURE 5 (SHEET 3)

**27-81-11-05**

BRI  
MAY 28/07

27-81-11-05  
PAGE 0B



757

PARTS CATALOG (MAINTENANCE)

FIG ITEM	PART NUMBER	1 2 3 4 5 6 7	NOMENCLATURE	EFFECT FROM TO	UNITS PER ASSY
5			TRACK INSTL-WING LE AUX	002004 006999	
- 1	114N1401-1		TRACK INSTL-WING LE AUX POSITION DATA: ISS 147.0 LH FOR NHA SEE: 57-40-00-01	002004 107107 121503 904949 952952	RF
- 1	114N1401-5		TRACK INSTL-WING LE AUX POSITION DATA: ISS 147.0 LH FOR NHA SEE: 57-40-00-01	006100 950951 953999	RF
- 1	114N1401-401		TRACK INSTL-AUX WING LE POSITION DATA: ISS 147.0 INBD LH FOR NHA SEE: 57-00-00-10	006102 108120 504903 950951 953999	RF
- 1	MODREF1859		TRACK INSTL-AUX WING LE MODULE NUMBER: 114N1401-403 REV A POSITION DATA: ISS 147.0 INBD LH	103103	1
- 1	MODREF26649		TRACK INSTL-AUX WING LE MODULE NUMBER: 114N1401-403 REV B POSITION DATA: ISS 147.0 INBD LH	104106	1
- 5	114N1401-2		TRACK INSTL-WING LE AUX POSITION DATA: ISS 147.0 RH FOR NHA SEE: 57-40-00-01	002004 107107 121503 904949 952952	RF
- 5	114N1401-6		TRACK INSTL-WING LE AUX POSITION DATA: ISS 147.0 RH FOR NHA SEE: 57-40-00-01	006100 950951 953999	RF
- 5	114N1401-402		TRACK INSTL-AUX WING LE POSITION DATA: ISS 147.0 INBD RH FOR NHA SEE: 57-00-00-10	006102 108120 504903 950951 953999	RF
- 5	MODREF1860		TRACK INSTL-AUX WING LE MODULE NUMBER: 114N1401-404 REV A POSITION DATA: ISS 147.0 INBD RH	103103	1

MISSING ITEM NUMBERS NOT APPLICABLE

- ITEM NOT ILLUSTRATED

27-81-11-05

27-81-11  
FIG. 05  
PAGE 1  
JAN 20/09

BRI



757

PARTS CATALOG (MAINTENANCE)

FIG ITEM	PART NUMBER	1 2 3 4 5 6 7	NOMENCLATURE	EFFECT FROM TO	UNITS PER ASSY
5			TRACK INSTL-AUX WING LE		
- 5	MODREF26650		MODULE NUMBER: 114N1401-404 REV B	104106	1
			POSITION DATA: ISS 147.0 INBD RH		
10	BACB30LE5U18		.BOLT	002004 006999	2
15	BACW10BP5CD		.WASHER-	002004 006999	2
20	BACW10BP5DP		.WASHER-	002004 006999	2
25	BH00303CM5		.NUT	002004 006999	2
			SUPPLIER CODE: V27238		
			SPECIFICATION NUMBER: BACN10HR5CD		
			OPTIONAL PART: H51560-5		
			V15653		
			67832CD524		
			V56878		
			102LH9031-5		
			V72962		
			SL7108C524		
			V11815		
			BMN5024CWD35		
			V97928		
			SL7108C5		
			V11815		
			VCU0005D5		
			V06710		
			102LH90315		
			V72962		
			BMN10HRCWD3-5		
			V97928		
			67832CD5		
			V56878		
			CR6030-5		
			VF0224		
			67832CD5		
			V56878		
30	BACB28AK05-035		.BUSHING	002004 006999	2
35	114N1412-1		.TRACK ASSY-	002004 006009 107107 121503 904949 952999	1

MISSING ITEM NUMBERS NOT APPLICABLE

- ITEM NOT ILLUSTRATED

27-81-11-05

27-81-11  
FIG. 05  
PAGE 2  
JAN 20/09

BRI

BOEING PROPRIETARY - Copyright © - Unpublished Work - See title page for details.



757

PARTS CATALOG (MAINTENANCE)

FIG ITEM	PART NUMBER	1 2 3 4 5 6 7	NOMENCLATURE	EFFECT FROM TO	UNITS PER ASSY
5					
35	114N1417-1		.TRACK ASSY-	002004 006009 107107 121503 904949 952999	1
35	114N1417-3		.TRACK ASSY- OPTIONAL PART: 114N1417-11	002004 006009 107107 121503 904949 952999	1
35	114N1417-7		.TRACK ASSY- OPTIONAL PART: 114N1417-11	002004 006009 107107 121503 904949 952999	1
35	114N1417-11		.TRACK ASSY- OPTIONAL PART: 114N1417-3 114N1417-7	002004 006009 107107 121503 904949 952999	1
35	114N1417-15		.TRACK ASSY- OPTIONAL PART: 114N1417-19	002004 006009 107107 121503 904949 952999	1
35	114N1417-19		.TRACK ASSY- OPTIONAL PART: 114N1417-15	002004 006009 107107 121503 904949 952999	1
40	BACB28AA5C015		..BUSHING- USED ON: 114N1412-1 114N1417-25	002004 006999	4
40	BACB28AA5E015		..BUSHING- USED ON: 114N1417-1 114N1417-3 114N1417-7 114N1417-11 114N1417-15 114N1417-19	002004 006999	4

MISSING ITEM NUMBERS NOT APPLICABLE

- ITEM NOT ILLUSTRATED

27-81-11-05

27-81-11  
FIG. 05  
PAGE 3  
JAN 20/09

BRI

BOEING PROPRIETARY - Copyright © - Unpublished Work - See title page for details.



757

PARTS CATALOG (MAINTENANCE)

FIG ITEM	PART NUMBER	1 2 3 4 5 6 7	NOMENCLATURE	EFFECT FROM TO	UNITS PER ASSY
5					
45	114N1412-2	..	TRACK- USED ON: 114N1412-1	002004 006009 107107 121503 904949 952999	1
45	114N1417-2	..	TRACK- USED ON: 114N1417-1	002004 006009 107107 121503 904949 952999	1
45	114N1417-4	..	TRACK- USED ON: 114N1417-3	002004 006009 107107 121503 904949 952999	1
45	114N1417-8	..	TRACK- USED ON: 114N1417-7	002004 006009 107107 121503 904949 952999	1
45	114N1417-12	..	TRACK- USED ON: 114N1417-11	002004 006009 107107 121503 904949 952999	1
45	114N1417-13	..	TRACK- USED ON: 114N1417-15	002004 006009 107107 121503 904949 952999	1
45	114N1417-17	..	TRACK- USED ON: 114N1417-19	002004 006009 107107 121503 904949 952999	1
56	BACB30LE4K11	.BOLT-	POST SERVICE BULLETIN: 57-0035R1	006102 107120 504903 950951 953999	4
56	BACB30LE4K12	.BOLT-		103106	4

MISSING ITEM NUMBERS NOT APPLICABLE

- ITEM NOT ILLUSTRATED

27-81-11-05

27-81-11  
FIG. 05  
PAGE 4  
JAN 20/09

BRI

BOEING PROPRIETARY - Copyright © - Unpublished Work - See title page for details.



757

PARTS CATALOG (MAINTENANCE)

FIG ITEM	PART NUMBER	1 2 3 4 5 6 7	NOMENCLATURE	EFFECT FROM TO	UNITS PER ASSY
5					
60	BACB30LE4-11	.	BOLT-	002004 121503 904949 952952	2
63	BACW10BP4CD	.	WASHER- POST SERVICE BULLETIN: 57-0035R1	006120 504903 950951 953999	4
65	BACW10BP4CD	.	WASHER-	002004 121503 904949 952952	2
67	BACW10BP4DP	.	WASHER- POST SERVICE BULLETIN: 57-0035R1	006120 504903 950951 953999	4
70	BACW10BP4DP	.	WASHER-	002004 121503 904949 952952	2

MISSING ITEM NUMBERS NOT APPLICABLE

- ITEM NOT ILLUSTRATED

BRI

27-81-11-05

BOEING PROPRIETARY - Copyright © - Unpublished Work - See title page for details.

27-81-11  
FIG. 05  
PAGE 5  
JAN 20/09





757

PARTS CATALOG (MAINTENANCE)

FIG ITEM	PART NUMBER	1 2 3 4 5 6 7	NOMENCLATURE	EFFECT FROM TO	UNITS PER ASSY
5 73	BMN5024CWD34	.NUT-	SUPPLIER CODE: V97928 SPECIFICATION NUMBER: BACN10HR4CD OPTIONAL PART: H51560-4 V15653 102CH9031-4 V72962 SL7108C428 V11815 67832CD428 V56878 BMN5024CWD3-4 V97928 BH00303CM4 V27238 SL7108C4 V11815 VCU0005D4 V06710 102LH90314 V72962 67832CD4 V56878 H964CD V15653 RMLH224CD V72962 VAL280094CD V06710 678324CD V56878 CR6030-4 VF0224 RMLH224CD V72962 VAL280094CD V06710 678324CD V56878 BMN5024CWD34 V97928 POST SERVICE BULLETIN: 57-0035R1	006120 504903 950951 953999	4

MISSING ITEM NUMBERS NOT APPLICABLE

- ITEM NOT ILLUSTRATED

27-81-11-05

27-81-11  
FIG. 05  
PAGE 6  
JAN 20/09

BRI



757

PARTS CATALOG (MAINTENANCE)

FIG ITEM	PART NUMBER	1 2 3 4 5 6 7	NOMENCLATURE	EFFECT FROM TO	UNITS PER ASSY
5 75	BMN5024CWD34	.NUT-	SUPPLIER CODE: V97928 SPECIFICATION NUMBER: BACN10HR4CD OPTIONAL PART: H51560-4 V15653 102CH9031-4 V72962 SL7108C428 V11815 67832CD428 V56878 BMN5024CWD3-4 V97928 BH00303CM4 V27238 SL7108C4 V11815 VCU0005D4 V06710 102LH90314 V72962 67832CD4 V56878 H964CD V15653 RMLH224CD V72962 VAL280094CD V06710 678324CD V56878 CR6030-4 VF0224 RMLH224CD V72962 VAL280094CD V06710 678324CD V56878 BMN5024CWD34 V97928	002004 121503 904949 952952	2
77	114N1410-6	.FITTING ASSY-TRACK	ATTACHMENT POSITION DATA: UPR LH SIDE	002004 121503 904949 952952	1

MISSING ITEM NUMBERS NOT APPLICABLE

- ITEM NOT ILLUSTRATED

27-81-11-05

27-81-11  
 FIG. 05  
 PAGE 7  
 JAN 20/09

BRI



757

PARTS CATALOG (MAINTENANCE)

FIG ITEM	PART NUMBER	1 2 3 4 5 6 7	NOMENCLATURE	EFFECT FROM TO	UNITS PER ASSY
5					
- 78	114N1410-5		.FITTING ASSY-TRACK ATTACHMENT POSITION DATA: UPR RH SIDE	002004 121503 904949 952952	1
79	114N1410-13		.FITTING ASSY- POSITION DATA: UPR LH SIDE POST SERVICE BULLETIN: 57-0035R1	006102 107120 504903 950951 953999	1
79	114N1410-37		.FITTING ASSY- POSITION DATA: UPR LH SIDE	103106	1
- 80	114N1410-14		.FITTING ASSY- POSITION DATA: UPR RH SIDE FOR SPARES PROCURE: 114N1410U14 POST SERVICE BULLETIN: 57-0035R1	006102 107120 504903 950951 953999	1
- 80	114N1410-38		.FITTING ASSY- POSITION DATA: UPR RH SIDE	103106	1
85	BACB28AM07B016A		..BUSHING-	002004 121503 904949 952952	1
85	BACB28AT07B016C		..BUSHING- POST SERVICE BULLETIN: 57-0035R1	006120 504903 950951 953999	1
90	BACB28AA5C018		..BUSHING	002004 006999	1
95	114N1410-8		..FITTING- POSITION DATA: LH SIDE	002004 121503 904949 952952	1
96	114N1410-15		..FITTING- POSITION DATA: LH SIDE POST SERVICE BULLETIN: 57-0035R1	006102 107120 504903 950951 953999	1
96	114N1410-39		..FITTING- POSITION DATA: LH SIDE	103106	1
- 100	114N1410-7		..FITTING- POSITION DATA: RH SIDE	002004 121503 904949 952952	1

MISSING ITEM NUMBERS NOT APPLICABLE

- ITEM NOT ILLUSTRATED

27-81-11-05

27-81-11  
FIG. 05  
PAGE 8  
JAN 20/09

BRI

BOEING PROPRIETARY - Copyright © - Unpublished Work - See title page for details.



757

PARTS CATALOG (MAINTENANCE)

FIG ITEM	PART NUMBER	1 2 3 4 5 6 7	NOMENCLATURE	EFFECT FROM TO	UNITS PER ASSY
5					
- 101	114N1410-16	..	FITTING- POSITION DATA: RH SIDE POST SERVICE BULLETIN: 57-0035R1	006102 107120 504903 950951 953999	1
- 101	114N1410-40	..	FITTING- POSITION DATA: RH SIDE	103106	1
103	114N1415-1	.BLOCK-PRELOAD	OPTIONAL PART: 114N1415-2	002004 121503 904949 952952	1
103	114N1415-2	.BLOCK-PRELOAD	OPTIONAL PART: 114N1415-1	002004 121503 904949 952952	1
104	114N1415-3	.BLOCK-PRELOAD		006009	1
104	114N1415-8	.BLOCK-PRELOAD	POST SERVICE BULLETIN: 57-0035R2	010102 108120 504903 950951 953999	1
104	114N1415-9	.BLOCK-PRELOAD		103106	1
105	114N1401-4	.SHIM-		002004 121503 904949 952952	AR
106	114N1005-1	.SHIM-	POST SERVICE BULLETIN: 57-0035R1	006102 107120 504903 950951 953999	AR
106	114N1005-2	.SHIM-		103106	AR
108	114N1400-1	.ANGLE-SPRT	POSITION DATA: LH SIDE POST SERVICE BULLETIN: 57-0035R1	006102 107120 504903 950951 953999	1
- 109	114N1400-2	.ANGLE-SPRT	POSITION DATA: RH SIDE POST SERVICE BULLETIN: 57-0035R1	006102 107120 504903 950951 953999	1
111	BACB30NM3K7	.BOLT-	ATTACHING PARTS POST SERVICE BULLETIN: 57-0035R1	006102 107120 504903 950951 953999	3

MISSING ITEM NUMBERS NOT APPLICABLE

- ITEM NOT ILLUSTRATED

27-81-11-05

27-81-11  
FIG. 05  
PAGE 9  
JAN 20/09

BRI



757

PARTS CATALOG (MAINTENANCE)

FIG ITEM	PART NUMBER	1 2 3 4 5 6 7	NOMENCLATURE	EFFECT FROM TO	UNITS PER ASSY
5					
113	BACW10BP3CD		.WASHER- POST SERVICE BULLETIN: 57-0035R1	006102 107120 504903 950951 953999	3
115	BACW10BP3DP		.WASHER- POST SERVICE BULLETIN: 57-0035R1	006102 107120 504903 950951 953999	3
117	BMN5024CWD33		.NUT- SUPPLIER CODE: V97928 SPECIFICATION NUMBER: BACN10HR3CD OPTIONAL PART: H51560-3 V15653 67832CD1032 V56878 BMN5024CWD3-3 V97928 102LH9031-3 V72962 BH00303CM3 V27238 SL7108C1032 V11815 SL7108C3 V11815 VCU0005D3 V06710 102LH90313 V72962 67832CD3 V56878 BMN10HRCWD3-3 V97928 POST SERVICE BULLETIN: 57-0035R1	006102 107120 504903 950951 953999	3
119	114N1414-1		-----*----- .FITTING ASSY- POSITION DATA: LWR	002004 006999	1
121	BACB30LE4-10		ATTACHING PARTS .BOLT-	002004 121503 904949 952952	4

MISSING ITEM NUMBERS NOT APPLICABLE

- ITEM NOT ILLUSTRATED

27-81-11-05

27-81-11  
FIG. 05  
PAGE 10  
JAN 20/09

BRI



757

PARTS CATALOG (MAINTENANCE)

FIG ITEM	PART NUMBER	1 2 3 4 5 6 7	NOMENCLATURE	EFFECT FROM TO	UNITS PER ASSY
5					
121	BACB30LE4K15		.BOLT- POST SERVICE BULLETIN: 57-0035R1	006120 504903 950951 953999	4
123	BACW10BP4DP		.WASHER	002004 006999	4
125	BACW10BP4CD		.WASHER-	002004 006999	4

MISSING ITEM NUMBERS NOT APPLICABLE

- ITEM NOT ILLUSTRATED

BRI

27-81-11-05

BOEING PROPRIETARY - Copyright © - Unpublished Work - See title page for details.

27-81-11  
FIG. 05  
PAGE 11  
JAN 20/09



757

PARTS CATALOG (MAINTENANCE)

FIG ITEM	PART NUMBER	1 2 3 4 5 6 7	NOMENCLATURE	EFFECT FROM TO	UNITS PER ASSY
5 130	BMN5024CWD34	.NUT	SUPPLIER CODE: V97928 SPECIFICATION NUMBER: BACN10HR4CD OPTIONAL PART: H51560-4 V15653 102CH9031-4 V72962 SL7108C428 V11815 67832CD428 V56878 BMN5024CWD3-4 V97928 BH00303CM4 V27238 SL7108C4 V11815 VCU0005D4 V06710 102LH90314 V72962 67832CD4 V56878 H964CD V15653 RMLH224CD V72962 VAL280094CD V06710 678324CD V56878 CR6030-4 VF0224 RMLH224CD V72962 VAL280094CD V06710 678324CD V56878 BMN5024CWD34 V97928 -----*-----	002004 006999	4
135	BACB28AA5C018	..BUSHING		002004 006999	1
140	BACB28AM07B016A	..BUSHING		002004 006999	1

MISSING ITEM NUMBERS NOT APPLICABLE

- ITEM NOT ILLUSTRATED

27-81-11-05

27-81-11  
FIG. 05  
PAGE 12  
JAN 20/09

BRI



757

PARTS CATALOG (MAINTENANCE)

FIG ITEM	PART NUMBER	1 2 3 4 5 6 7	NOMENCLATURE	EFFECT FROM TO	UNITS PER ASSY
5					
145	114N1414-2	. .	FITTING	002004 006999	1
150	114N1401-3	. SHIM-		002004 006999	AR
153	114N1415-4	. FILLER-		006009	1
153	114N1415-6	. FILLER-		010106	1
			POST SERVICE BULLETIN: 57-0035R2	108120 504903 950951 953999	
155	BACB30LE5U16	. BOLT		002004 006999	2
160	BACW10BP5CD	. WASHER-		002004 006999	2
165	BACW10BP5DP	. WASHER-		002004 006999	2
170	BH00303CM5	. NUT		002004 006999	2
			SUPPLIER CODE: V27238		
			SPECIFICATION NUMBER: BACN10HR5CD		
			OPTIONAL PART: H51560-5		
			V15653		
			67832CD524		
			V56878		
			102LH9031-5		
			V72962		
			SL7108C524		
			V11815		
			BMN5024CWD35		
			V97928		
			SL7108C5		
			V11815		
			VCU0005D5		
			V06710		
			102LH90315		
			V72962		
			BMN10HRCWD3-5		
			V97928		
			67832CD5		
			V56878		
			CR6030-5		
			VF0224		
			67832CD5		
			V56878		
175	BACB28AK05-099	. BUSHING		002004 006999	1

MISSING ITEM NUMBERS NOT APPLICABLE

- ITEM NOT ILLUSTRATED

27-81-11-05

27-81-11  
FIG. 05  
PAGE 13  
JAN 20/09

BRI

BOEING PROPRIETARY - Copyright © - Unpublished Work - See title page for details.





757

PARTS CATALOG (MAINTENANCE)

FIG ITEM	PART NUMBER	1 2 3 4 5 6 7	NOMENCLATURE	EFFECT FROM TO	UNITS PER ASSY
5					
180	BACB28AK05-035	.BUSHING		002004 006999	1
185	114N1402-2	.FITTING ASSY- OPTIONAL PART: 114N1427-1		002004 006999	1
185	114N1427-1	.FITTING ASSY-YOKE OPTIONAL PART: 114N1402-2		002004 006999	1
190	BACB28AM07B016A	..BUSHING		002004 006999	3
195	BACB28AP05P018	..BUSHING		002004 006999	1
200	114N1402-4	..YOKE- USED ON: 114N1402-2		002004 006999	1
200	114N1427-2	..YOKE- USED ON: 114N1427-1		002004 006999	1
205	114N1403-5	.FITTING ASSY-YOKE SPRT POSITION DATA: LH SIDE		002004 107107 121503 904949 952952	1
205	114N1403-15	.FITTING ASSY- POSITION DATA: LH SIDE		006102 108120 504903 950951 953999	1
- 210	114N1403-6	.FITTING ASSY-YOKE SPRT POSITION DATA: RH SIDE		002004 107107 121503 904949 952952	1
- 210	114N1403-16	.FITTING ASSY- POSITION DATA: RH SIDE		006102 108120 504903 950951 953999	1
215	BACB30MY8K	ATTACHING PARTS .BOLT- SIZE DETERMINED ON INSTL.		002004 006100 107107 121503 904999	2
215	BACB30VT8K	.BOLT- SIZE DETERMINED ON INSTL.		101102 108120 504903	2

MISSING ITEM NUMBERS NOT APPLICABLE

- ITEM NOT ILLUSTRATED

27-81-11-05

27-81-11  
FIG. 05  
PAGE 14  
JAN 20/09

BRI



757

PARTS CATALOG (MAINTENANCE)

FIG ITEM	PART NUMBER	1 2 3 4 5 6 7	NOMENCLATURE	EFFECT FROM TO	UNITS PER ASSY
5					
220	BACB30NZ8K	.	BOLT- SIZE DETERMINED ON INSTL.	002004 006102 107999	2
222	HL79-8	.	COLLAR SUPPLIER CODE: V5M902 SPECIFICATION NUMBER: BACC30M8 OPTIONAL PART: HL79-8 V73197 HL79-8 V92215 66014-8 V56878 HL79-8 V56878	101102 108120 504903	2
225	HL79-8	.	COLLAR SUPPLIER CODE: V5M902 SPECIFICATION NUMBER: BACC30M8 OPTIONAL PART: HL79-8 V73197 HL79-8 V92215 66014-8 V56878 HL79-8 V56878	002004 006100 107107 121503 904999	4
227	BACC30BL8	.	COLLAR SUPPLIER CODE: V73197 SPECIFICATION NUMBER: BACC30BL8 OPTIONAL PART: HST79-8 V92215 HST79CY8 V56878 HST79CY8 V5M902	101102 108120 504903	2
230	BACB28AP05P012	..	BUSHING	002004 006102 107999	2

MISSING ITEM NUMBERS NOT APPLICABLE

- ITEM NOT ILLUSTRATED

BRI

27-81-11-05

27-81-11  
FIG. 05  
PAGE 15  
JAN 20/09

 **BOEING**  
757  
**PARTS CATALOG (MAINTENANCE)**

FIG ITEM	PART NUMBER	1 2 3 4 5 6 7	NOMENCLATURE	EFFECT FROM TO	UNITS PER ASSY
5					
235	114N1403-7	..	FITTING- POSITION DATA: LH SIDE	002004 107107 121503 904949 952952	1
235	114N1403-13	..	FITTING- POSITION DATA: LH SIDE	006102 108120 504903 950951 953999	1
- 240	114N1403-8	..	FITTING- POSITION DATA: RH SIDE	002004 107107 121503 904949 952952	1
- 240	114N1403-14	..	FITTING- POSITION DATA: RH SIDE	006102 108120 504903 950951 953999	1
245	BACS40R12C21F	.SHIM-		002004 107107 121503 904949 952952	1
245	BACS40R012C021F	.SHIM-		006100 950951 953999	1
245	BACS40R012E021F	.SHIM-		101102 108120 504903	1
250	BACS40R14C24F	.SHIM-		002004 107107 121503 904949 952952	1
250	BACS40R014C024F	.SHIM-		006102 108120 504903 950951 953999	1
255	114N1403-9	.FITTING ASSY-YOKE SPRT	POSITION DATA: LH SIDE	002004 006009 107107 121503 904949 952999	1

MISSING ITEM NUMBERS NOT APPLICABLE

- ITEM NOT ILLUSTRATED

BRI

# 27-81-11-05

BOEING PROPRIETARY - Copyright © - Unpublished Work - See title page for details.

27-81-11  
FIG. 05  
PAGE 16  
JAN 20/09



757

PARTS CATALOG (MAINTENANCE)

FIG ITEM	PART NUMBER	1 2 3 4 5 6 7	NOMENCLATURE	EFFECT FROM TO	UNITS PER ASSY
5					
255	114N1403-17		.FITTING ASSY-YOKE SPRT POSITION DATA: LH SIDE	010106 108120 504903 950951	1
- 260	114N1403-10		.FITTING ASSY-YOKE SPRT POSITION DATA: RH SIDE	002004 006009 107107 121503 904949 952999	1
- 260	114N1403-18		.FITTING ASSY-YOKE SPRT POSITION DATA: RH SIDE	010106 108120 504903 950951	1
265	BACB30MY8K		ATTACHING PARTS .BOLT- SIZE DETERMINED ON INSTL.	002004 006100 107107 121503 904999	2
265	BACB30VT8K		.BOLT- SIZE DETERMINED ON INSTL.	101102 108120 504903	2
265	HST10AG8-11		.BOLT- SUPPLIER CODE: VOPTK6 SPECIFICATION NUMBER: BACB30VT8K11 OPTIONAL PART: HST10AG8-11 V06725 HST10AG8-11 V56878 HST10AG8-11 V73197 WC10K8-11 V60516	103106	2
270	BACB30NZ8K		.BOLT- SIZE DETERMINED ON INSTL.	002004 006102 107999	2

MISSING ITEM NUMBERS NOT APPLICABLE

- ITEM NOT ILLUSTRATED

BRI

27-81-11-05

BOEING PROPRIETARY - Copyright © - Unpublished Work - See title page for details.

27-81-11  
FIG. 05  
PAGE 17  
JAN 20/09

 **BOEING**  
757  
**PARTS CATALOG (MAINTENANCE)**

FIG ITEM	PART NUMBER	1 2 3 4 5 6 7	NOMENCLATURE	EFFECT FROM TO	UNITS PER ASSY
5 272	HL79-8	.	COLLAR SUPPLIER CODE: V5M902 SPECIFICATION NUMBER: BACC30M8 OPTIONAL PART: HL79-8 V73197 HL79-8 V92215 66014-8 V56878 HL79-8 V56878	101102 108120 504903	2
275	HL79-8	.	COLLAR SUPPLIER CODE: V5M902 SPECIFICATION NUMBER: BACC30M8 OPTIONAL PART: HL79-8 V73197 HL79-8 V92215 66014-8 V56878 HL79-8 V56878	002004 006100 107107 121503 904999	4
277	BACC30BL8	.	COLLAR SUPPLIER CODE: V73197 SPECIFICATION NUMBER: BACC30BL8 OPTIONAL PART: HST79-8 V92215 HST79CY8 V56878 HST79CY8 V5M902	101106 108120 504903	2
280	BACB28AM07B012A	..	-----*----- BUSHING	002004 006999	2
285	114N1403-11	..	FITTING- POSITION DATA: LH SIDE	002004 006009 107107 121503 904949 952999	1

MISSING ITEM NUMBERS NOT APPLICABLE

— ITEM NOT ILLUSTRATED

BRI

# 27-81-11-05

BOEING PROPRIETARY - Copyright © - Unpublished Work - See title page for details.

27-81-11  
FIG. 05  
PAGE 18  
JAN 20/09

 **BOEING**  
757  
**PARTS CATALOG (MAINTENANCE)**

FIG ITEM	PART NUMBER	1 2 3 4 5 6 7	NOMENCLATURE	EFFECT FROM TO	UNITS PER ASSY
5					
285	114N1403-19	..	FITTING- POSITION DATA: LH SIDE	010106 108120 504903 950951	1
- 290	114N1403-12	..	FITTING- POSITION DATA: RH SIDE	002004 006009 107107 121503 904949 952999	1
- 290	114N1403-20	..	FITTING- POSITION DATA: RH SIDE	010106 108120 504903 950951	1
295	BACS40R12C21F	.SHIM-		002004 107107 121503 904949 952952	1
295	BACS40R012C021F	.SHIM-		006100 950951 953999	1
295	BACS40R012C023F	.SHIM-		010100 950951	1
295	BACS40R012E023F	.SHIM-		101106 108120 504903	1
300	BACS40R14C24F	.SHIM-		002004 107107 121503 904949 952952	1
300	BACS40R014C024F	.SHIM-		006102 108120 504903 950951 953999	1
300	BACS40R014D024F	.SHIM-		103106	1
305	L8008K5	.BOLT	SUPPLIER CODE: V06725 SPECIFICATION NUMBER: BACB30MY8K5	002004 107107 121503 904949 952952	3
307	L8008K7	.BOLT	SUPPLIER CODE: V06725 SPECIFICATION NUMBER: BACB30MY8K7	002004 107107 121503 904949 952952	2

MISSING ITEM NUMBERS NOT APPLICABLE

- ITEM NOT ILLUSTRATED

BRI

# 27-81-11-05

BOEING PROPRIETARY - Copyright © - Unpublished Work - See title page for details.

27-81-11  
FIG. 05  
PAGE 19  
JAN 20/09



757

PARTS CATALOG (MAINTENANCE)

FIG ITEM	PART NUMBER	1 2 3 4 5 6 7	NOMENCLATURE	EFFECT FROM TO	UNITS PER ASSY
5	308 BACB30MY8K		.BOLT- SIZE DETERMINED ON INSTL.	006100 950951 953999	5
	308 BACB30VT8K		.BOLT- SIZE DETERMINED ON INSTL.	101102 108120 504903	5
	310 HL79-8		.COLLAR SUPPLIER CODE: V5M902 SPECIFICATION NUMBER: BACC30M8 OPTIONAL PART: HL79-8 V73197 HL79-8 V92215 66014-8 V56878 HL79-8 V56878	002004 006100 107107 121503 904999	5
	310 BACC30BL8		.COLLAR SUPPLIER CODE: V73197 SPECIFICATION NUMBER: BACC30BL8 OPTIONAL PART: HST79-8 V92215 HST79CY8 V56878 HST79CY8 V5M902	101102 108120 504903	5
	315 BACS40R15C25F		.SHIM-	002004 107107 121503 904949 952952	1
	315 BACS40R015C025F		.SHIM- OPTIONAL PART: 114N2179-34	006102 108120 504903 950951 953999	1
	315 114N2179-34		.SHIM- OPTIONAL PART: BACS40R015C025F	101102 108120 504903	1
	320 114N1413-7		.FITTING- POSITION DATA: LH SIDE	002004 006102 107999	1

MISSING ITEM NUMBERS NOT APPLICABLE

- ITEM NOT ILLUSTRATED

27-81-11-05

27-81-11  
FIG. 05  
PAGE 20  
JAN 20/09

BRI

BOEING PROPRIETARY - Copyright © - Unpublished Work - See title page for details.



757

PARTS CATALOG (MAINTENANCE)

FIG ITEM	PART NUMBER	1 2 3 4 5 6 7	NOMENCLATURE	EFFECT FROM TO	UNITS PER ASSY
5					
- 325	114N1413-8		.FITTING- POSITION DATA: RH SIDE	002004 006102 107999	1
330	BACB30NZ6K		.BOLT- SIZE DETERMINED ON INSTL.	002004 006102 107999	2
335	HL79-6		.COLLAR SUPPLIER CODE: V5M902 SPECIFICATION NUMBER: BACC30M6 OPTIONAL PART: HL79-6 V73197 HL79-6 V92215 66014-6 V56878 HL79-6 V56878	002004 006102 107999	2
340	114N1404-1		.CLIP- POSITION DATA: LH SIDE	002004 006102 107999	1
- 343	114N1404-2		.CLIP- POSITION DATA: RH SIDE	002004 006102 107999	1
345	114N1404-4		.FILLER	002004 006102 107999	1
355	114N1401-13		.SUPPORT ASSY-AUX POSITION DATA: ISS 147.0 LH	103106	1
- 360	114N1401-14		.SUPPORT ASSY-AUX POSITION DATA: ISS 147.0 RH	103106	1
365	114N1422-23		..SUPPORT ASSY-AUX POSITION DATA: LH SIDE	103106	1
370	114N1422-24		..SUPPORT ASSY-AUX POSITION DATA: RH SIDE	103106	1
375	114N1422-25		...FITTING ASSY- POSITION DATA: LH SIDE	103106	1
- 380	114N1422-26		...FITTING ASSY- POSITION DATA: RH SIDE	103106	1
385	BACB28AP05P012		....BUSHING	103106	2

MISSING ITEM NUMBERS NOT APPLICABLE

- ITEM NOT ILLUSTRATED

27-81-11-05

27-81-11  
FIG. 05  
PAGE 21  
JAN 20/09

BRI

BOEING PROPRIETARY - Copyright © - Unpublished Work - See title page for details.





757

PARTS CATALOG (MAINTENANCE)

FIG ITEM	PART NUMBER	1 2 3 4 5 6 7	NOMENCLATURE	EFFECT FROM TO	UNITS PER ASSY
5					
390	114N1410-37		..FITTING ASSY- POSITION DATA: LH SIDE	103106	1
- 395	114N1410-38		..FITTING ASSY- POSITION DATA: RH SIDE	103106	1
400	BACB28AA5C018		...BUSHING	103106	1
405	BACB28AT07B016C		...BUSHING	103106	1

MISSING ITEM NUMBERS NOT APPLICABLE

- ITEM NOT ILLUSTRATED

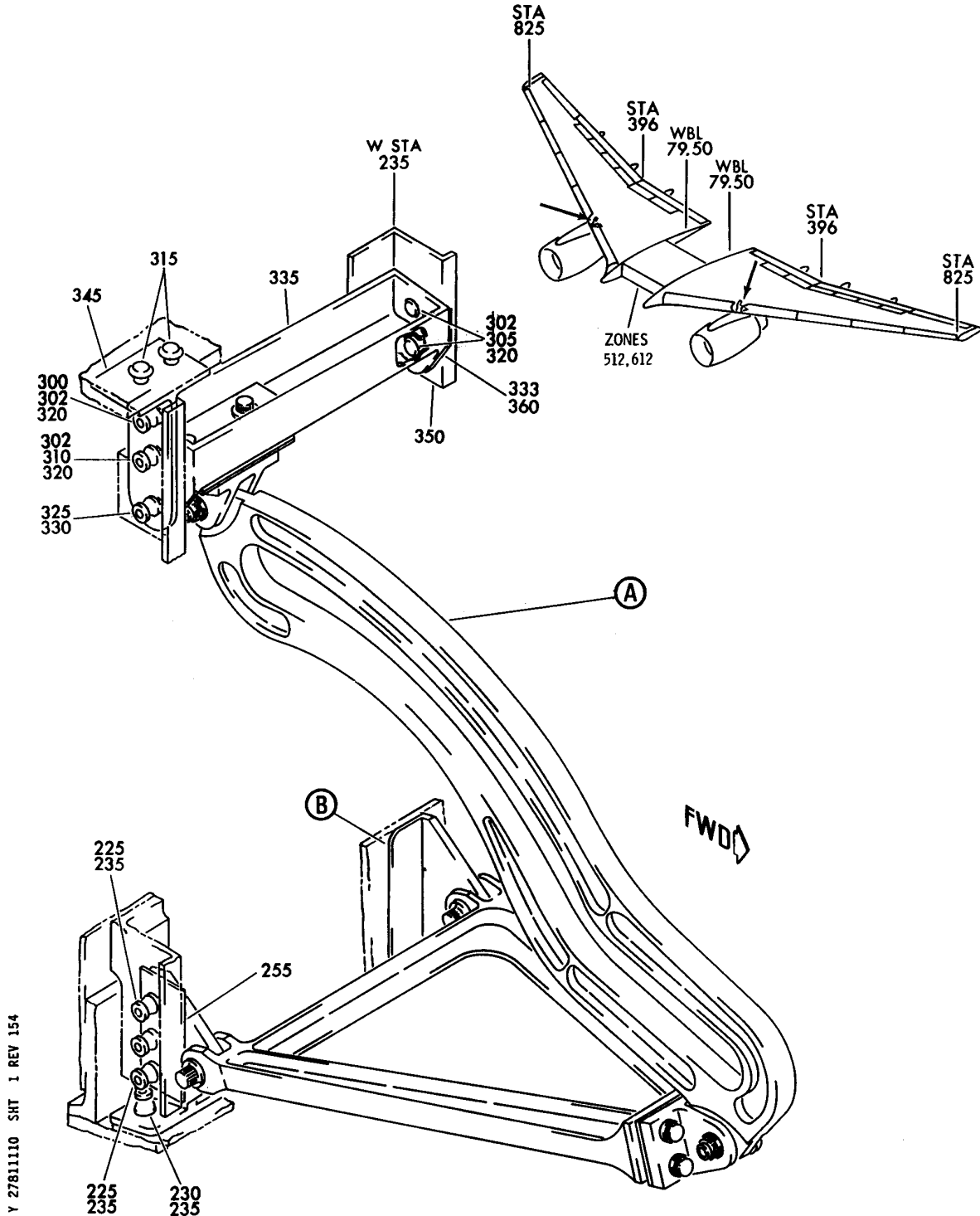
27-81-11-05

BRI

BOEING PROPRIETARY - Copyright © - Unpublished Work - See title page for details.

27-81-11  
FIG. 05  
PAGE 22  
JAN 20/09

**BOEING**  
757  
PARTS CATALOG (MAINTENANCE)



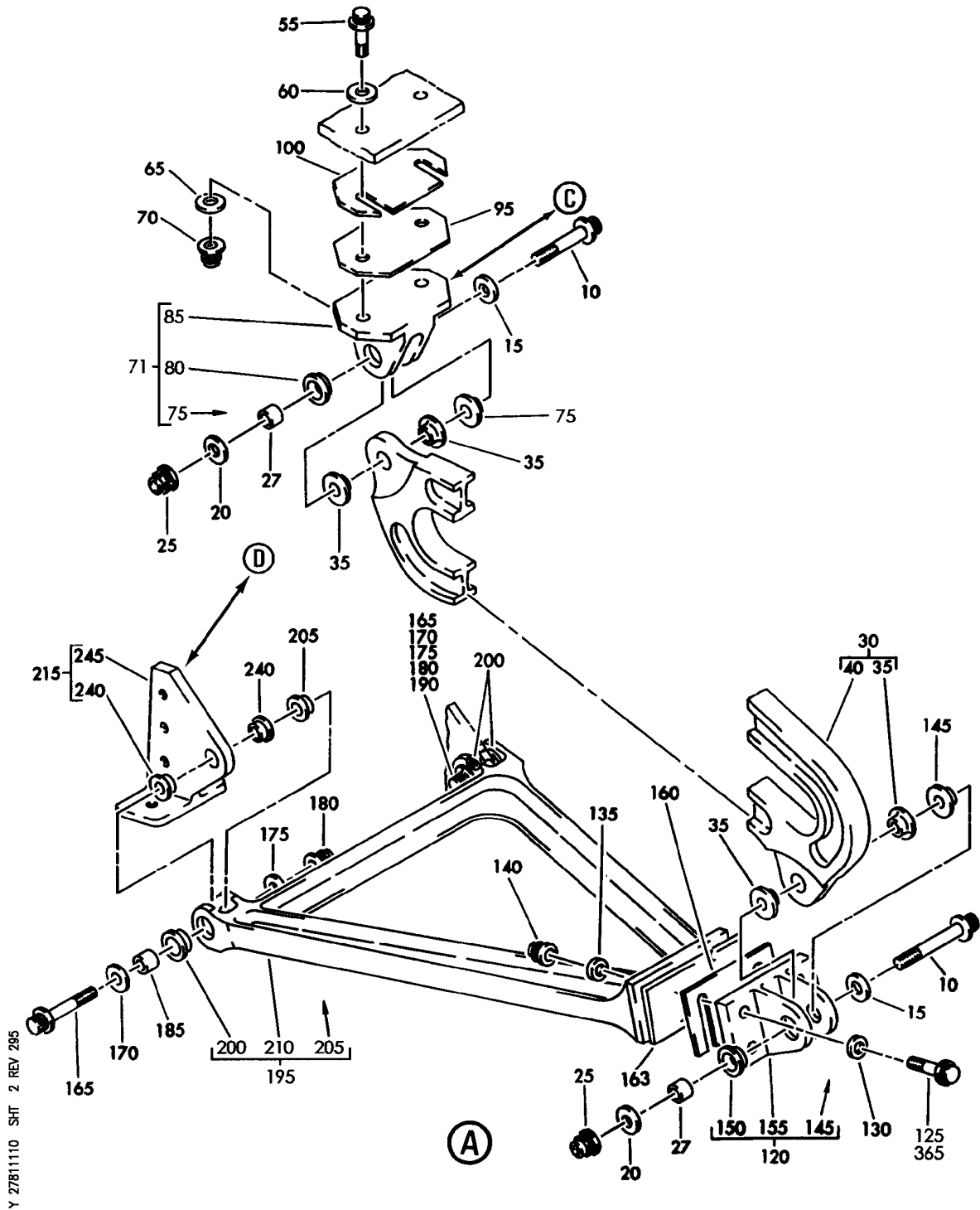
TRACK INSTL-WING LE INBD AUX  
FIGURE 10 (SHEET 1)

**27-81-11-10**

BRI  
MAY 28/07

27-81-11-10  
PAGE 0


**BOEING**  
 757  
**PARTS CATALOG (MAINTENANCE)**



Y 27811110 SH1 2 REV 295

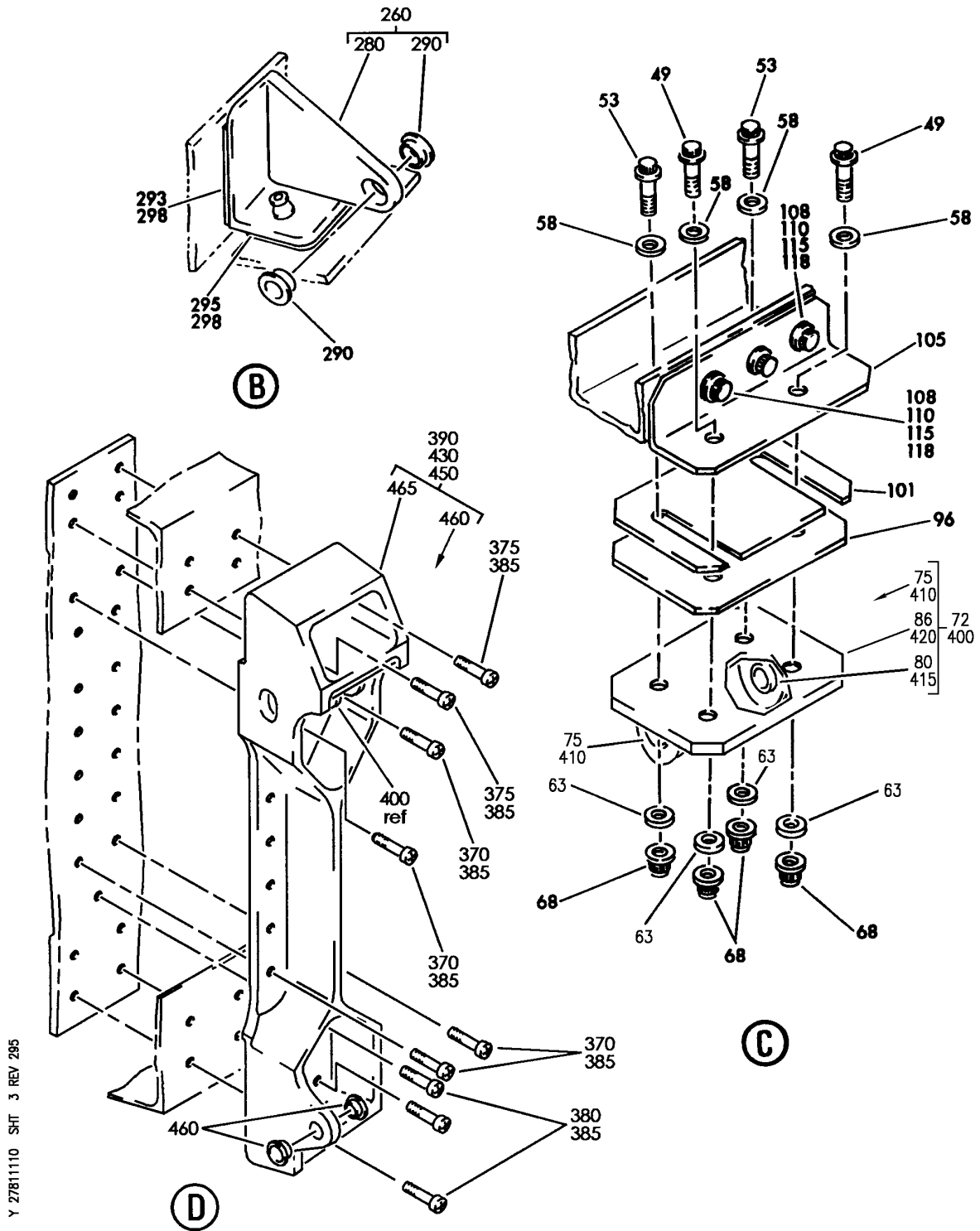
TRACK INSTL-WING LE INBD AUX  
FIGURE 10 (SHEET 2)

**27-81-11-10**

BRI  
MAY 28/07

27-81-11-10  
PAGE 0A

**BOEING**  
757  
PARTS CATALOG (MAINTENANCE)



Y 27811110 SH1 3 REV 295

TRACK INSTL-WING LE INBD AUX  
FIGURE 10 (SHEET 3)

**27-81-11-10**

BRI  
MAY 28/07

27-81-11-10  
PAGE 0B



757

PARTS CATALOG (MAINTENANCE)

FIG ITEM	PART NUMBER	1 2 3 4 5 6 7	NOMENCLATURE	EFFECT FROM TO	UNITS PER ASSY
10			TRACK INSTL-WING LE INBD AUX	002004 006999	
- 1	114N1406-1		TRACK INSTL-WING LE AUX POSITION DATA: INBD ISS 234.0 LH FOR NHA SEE: 57-40-00-01	002004 107107 121503 904949 952952	RF
- 1	114N1406-5		TRACK INSTL-WING LE AUX POSITION DATA: INBD ISS 234.0 LH FOR NHA SEE: 57-40-00-01	006100 950951 953999	RF
- 1	114N1406-401		TRACK INSTL-AUX WING LE POSITION DATA: ISS 234.0 INBD LH FOR NHA SEE: 57-00-00-10	101102 108120 504903	RF
- 1	MODREF1865		TRACK INSTL-AUX WING LE MODULE NUMBER: 114N1406-403 REV A POSITION DATA: ISS 234.0 INBD LH	103103	1
- 1	MODREF26653		TRACK INSTL-AUX WING LE MODULE NUMBER: 114N1406-403 REV B POSITION DATA: ISS 234.0 INBD LH	104106	1
- 5	114N1406-2		TRACK INSTL-WING LE AUX POSITION DATA: INBD ISS 234.0 RH FOR NHA SEE: 57-40-00-01	002004 107107 121503 904949 952952	RF
- 5	114N1406-6		TRACK INSTL-WING LE AUX POSITION DATA: INBD ISS 234.0 RH FOR NHA SEE: 57-40-00-01	006100 950951 953999	RF
- 5	114N1406-402		TRACK INSTL-AUX WING LE POSITION DATA: ISS 234.0 INBD RH FOR NHA SEE: 57-00-00-10	101102 108120 504903	RF
- 5	MODREF1866		TRACK INSTL-AUX WING LE MODULE NUMBER: 114N1406-404 REV A POSITION DATA: ISS 234.0 INBD RH	103103	1

MISSING ITEM NUMBERS NOT APPLICABLE

- ITEM NOT ILLUSTRATED

27-81-11-10

27-81-11  
FIG. 10  
PAGE 1  
JAN 20/09

BRI



757

PARTS CATALOG (MAINTENANCE)

FIG ITEM	PART NUMBER	1 2 3 4 5 6 7	NOMENCLATURE	EFFECT FROM TO	UNITS PER ASSY
10					
- 5	MODREF26654		TRACK INSTL-AUX WING LE MODULE NUMBER: 114N1406-404 REV B POSITION DATA: ISS 234.0 INBD RH	104106	1
10	BACB30LE5U18		.BOLT	002004 006999	2
15	BACW10BP5CD		.WASHER-	002004 006999	2
20	BACW10BP5DP		.WASHER-	002004 006999	2
25	BH00303CM5		.NUT SUPPLIER CODE: V27238 SPECIFICATION NUMBER: BACN10HR5CD OPTIONAL PART: H51560-5 V15653 67832CD524 V56878 102LH9031-5 V72962 SL7108C524 V11815 BMN5024CWD35 V97928 SL7108C5 V11815 VCU0005D5 V06710 102LH90315 V72962 BMN10HRCWD3-5 V97928 67832CD5 V56878 CR6030-5 VF0224 67832CD5 V56878	002004 006999	2
27	BACB28AK05-035		.BUSHING	002004 006999	2
30	114N1412-1		.TRACK ASSY- USED ON: 114N1406-1 114N1406-2	002004 006009 107107 121503 904949 952999	1

MISSING ITEM NUMBERS NOT APPLICABLE

- ITEM NOT ILLUSTRATED

27-81-11-10

27-81-11  
FIG. 10  
PAGE 2  
JAN 20/09

BRI



757

PARTS CATALOG (MAINTENANCE)

FIG ITEM	PART NUMBER	1 2 3 4 5 6 7	NOMENCLATURE	EFFECT FROM TO	UNITS PER ASSY
10					
30	114N1417-1		.TRACK ASSY- OPTIONAL PART: 114N1417-11 114N1417-3 114N1417-7 USED ON: 114N1406-1 114N1406-2	002004 006009 107107 121503 904949 952999	1
30	114N1417-3		.TRACK ASSY- OPTIONAL PART: 114N1417-11 114N1417-1 114N1417-7	002004 006009 107107 121503 904949 952999	1
30	114N1417-7		.TRACK ASSY- OPTIONAL PART: 114N1417-11 114N1417-1 114N1417-3	002004 006009 107107 121503 904949 952999	1
30	114N1417-11		.TRACK ASSY- OPTIONAL PART: 114N1417-3 114N1417-7 114N1417-1	002004 006009 107107 121503 904949 952999	1
30	114N1417-15		.TRACK ASSY- OPTIONAL PART: 114N1417-19	006102 108120 504903 950951 953999	1
30	114N1417-19		.TRACK ASSY- OPTIONAL PART: 114N1417-15	006102 108120 504903 950951 953999	1
30	114N1417-19		.TRACK ASSY-	103106	1
30	114N1417-15		.TRACK ASSY-	103106	1
35	BACB28AA5C015		..BUSHING- USED ON: 114N1412-1	002004 006999	4
35	BACB28AA5E015		..BUSHING- USED ON: 114N1417-1 114N1417-3 114N1417-7 114N1417-11 114N1417-15 114N1417-19	002004 006999	4

MISSING ITEM NUMBERS NOT APPLICABLE

- ITEM NOT ILLUSTRATED

27-81-11-10

27-81-11  
FIG. 10  
PAGE 3  
JAN 20/09

BRI

BOEING PROPRIETARY - Copyright © - Unpublished Work - See title page for details.



757

PARTS CATALOG (MAINTENANCE)

FIG ITEM	PART NUMBER	1 2 3 4 5 6 7	NOMENCLATURE	EFFECT FROM TO	UNITS PER ASSY
10					
40	114N1412-2	..	TRACK-	002004 006009 107107 121503 904949 952999	1
40	114N1417-2	..	TRACK- USED ON: 114N1417-1	002004 006009 107107 121503 904949 952999	1
40	114N1417-4	..	TRACK- USED ON: 114N1417-3	002004 006009 107107 121503 904949 952999	1
40	114N1417-8	..	TRACK- USED ON: 114N1417-7	002004 006009 107107 121503 904949 952999	1
40	114N1417-12	..	TRACK- USED ON: 114N1417-11	002004 006009 107107 121503 904949 952999	1
40	114N1417-13	..	TRACK- USED ON: 114N1417-15	010106 108120 504903 950951	1
40	114N1417-17	..	TRACK- USED ON: 114N1417-19	010106 108120 504903 950951	1
49	BACB30LE4K11	.BOLT-	POST SERVICE BULLETIN: 57-0035R1	006102 107120 504903 950951 953999	2
53	BACB30LE4K13	.BOLT-	POST SERVICE BULLETIN: 57-0035R1	006102 107120 504903 950951 953999	2

MISSING ITEM NUMBERS NOT APPLICABLE

- ITEM NOT ILLUSTRATED

27-81-11-10

27-81-11  
FIG. 10  
PAGE 4  
JAN 20/09

BRI





757

PARTS CATALOG (MAINTENANCE)

FIG ITEM	PART NUMBER	1 2 3 4 5 6 7	NOMENCLATURE	EFFECT FROM TO	UNITS PER ASSY
10					
55	BACB30LE4-12	.	BOLT-	002004 121503 904949 952952	2
58	BACW10BP4CD	.	WASHER- POST SERVICE BULLETIN: 57-0035R1	006102 107120 504903 950951 953999	4
60	BACW10BP4CD	.	WASHER-	002004 121503 904949 952952	2
63	BACW10BP4DP	.	WASHER- POST SERVICE BULLETIN: 57-0035R1	006102 107120 504903 950951 953999	4
65	BACW10BP4DP	.	WASHER-	002004 121503 904949 952952	2

MISSING ITEM NUMBERS NOT APPLICABLE

- ITEM NOT ILLUSTRATED

BRI

27-81-11-10

BOEING PROPRIETARY - Copyright © - Unpublished Work - See title page for details.

27-81-11  
FIG. 10  
PAGE 5  
JAN 20/09



757

PARTS CATALOG (MAINTENANCE)

FIG ITEM	PART NUMBER	1 2 3 4 5 6 7	NOMENCLATURE	EFFECT FROM TO	UNITS PER ASSY
10 68	BMN5024CWD34	.NUT-	SUPPLIER CODE: V97928 SPECIFICATION NUMBER: BACN10HR4CD OPTIONAL PART: H51560-4 V15653 102CH9031-4 V72962 SL7108C428 V11815 67832CD428 V56878 BMN5024CWD3-4 V97928 BH00303CM4 V27238 SL7108C4 V11815 VCU0005D4 V06710 102LH90314 V72962 67832CD4 V56878 H964CD V15653 RMLH224CD V72962 VAL280094CD V06710 678324CD V56878 CR6030-4 VF0224 RMLH224CD V72962 VAL280094CD V06710 678324CD V56878 BMN5024CWD34 V97928 POST SERVICE BULLETIN: 57-0035R1	006102 107120 504903 950951 953999	4

MISSING ITEM NUMBERS NOT APPLICABLE

- ITEM NOT ILLUSTRATED

BRI

27-81-11-10

BOEING PROPRIETARY - Copyright © - Unpublished Work - See title page for details.

27-81-11  
FIG. 10  
PAGE 6  
JAN 20/09



757

PARTS CATALOG (MAINTENANCE)

FIG ITEM	PART NUMBER	1 2 3 4 5 6 7	NOMENCLATURE	EFFECT FROM TO	UNITS PER ASSY
10 70	BMN5024CWD34	.NUT-	SUPPLIER CODE: V97928 SPECIFICATION NUMBER: BACN10HR4CD OPTIONAL PART: H51560-4 V15653 102CH9031-4 V72962 SL7108C428 V11815 67832CD428 V56878 BMN5024CWD3-4 V97928 BH00303CM4 V27238 SL7108C4 V11815 VCU0005D4 V06710 102LH90314 V72962 67832CD4 V56878 H964CD V15653 RMLH224CD V72962 VAL280094CD V06710 678324CD V56878 CR6030-4 VF0224 RMLH224CD V72962 VAL280094CD V06710 678324CD V56878 BMN5024CWD34 V97928	002004 121503 904949 952952	2
71	114N1410-1	.FITTING ASSY-TRACK ATTACHMENT POSITION DATA: UPR LH SIDE		904949	1

MISSING ITEM NUMBERS NOT APPLICABLE

- ITEM NOT ILLUSTRATED

27-81-11-10

27-81-11  
FIG. 10  
PAGE 7  
JAN 20/09

BRI

**BOEING**  
757  
**PARTS CATALOG (MAINTENANCE)**

FIG ITEM	PART NUMBER	1 2 3 4 5 6 7	NOMENCLATURE	EFFECT FROM TO	UNITS PER ASSY
10					
71	114N1410-9	.	FITTING ASSY-TRACK ATTACHMENT POSITION DATA: UPR LH SIDE	002004 121503 952952	1
72	114N1410-17	.	FITTING ASSY-TRACK ATTACHMENT POSITION DATA: UPR LH SIDE FOR SPARES PROCURE: 114N1410U17 POST SERVICE BULLETIN: 57-0035R1	107107	1
72	114N1410-21	.	FITTING ASSY-TRACK ATTACHMENT POSITION DATA: UPR LH SIDE	006102 108120 504903 950951 953999	1
- 73	114N1410-2	.	FITTING ASSY-TRACK ATTACHMENT POSITION DATA: UPR RH SIDE	904949	1
- 73	114N1410-10	.	FITTING ASSY-TRACK ATTACHMENT POSITION DATA: UPR RH SIDE	002004 121503 952952	1
- 74	114N1410-18	.	FITTING ASSY-TRACK ATTACHMENT POSITION DATA: UPR RH SIDE POST SERVICE BULLETIN: 57-0035R1	107107	1
- 74	114N1410-22	.	FITTING ASSY-TRACK ATTACHMENT POSITION DATA: UPR RH SIDE	006102 108120 504903 950951 953999	1
75	BACB28AA5C018	..	BUSHING	002004 006102 107999	1
80	BACB28AM07B016A	..	BUSHING-	002004 121503 904949 952952	1
80	BACB28AT07B016C	..	BUSHING- POST SERVICE BULLETIN: 57-0035R1	006100 107107 950951 953999	1

MISSING ITEM NUMBERS NOT APPLICABLE

- ITEM NOT ILLUSTRATED

BRI

# 27-81-11-10

BOEING PROPRIETARY - Copyright © - Unpublished Work - See title page for details.

27-81-11  
FIG. 10  
PAGE 8  
JAN 20/09



757

PARTS CATALOG (MAINTENANCE)

FIG ITEM	PART NUMBER	1 2 3 4 5 6 7	NOMENCLATURE	EFFECT FROM TO	UNITS PER ASSY
10					
85	114N1410-3	..	FITTING- POSITION DATA: LH SIDE	904949	1
85	114N1410-11	..	FITTING- POSITION DATA: LH SIDE	002004 121503 952952	1
86	114N1410-19	..	FITTING- POSITION DATA: LH SIDE POST SERVICE BULLETIN: 57-0035R1	107107	1
86	114N1410-23	..	FITTING- POSITION DATA: LH SIDE	006102 108120 504903 950951 953999	1
- 90	114N1410-4	..	FITTING- POSITION DATA: RH SIDE	904949	1
- 90	114N1410-12	..	FITTING- POSITION DATA: RH SIDE	002004 121503 952952	1
- 91	114N1410-20	..	FITTING- POSITION DATA: RH SIDE POST SERVICE BULLETIN: 57-0035R1	107107	1
- 91	114N1410-24	..	FITTING- POSITION DATA: RH SIDE	006102 108120 504903 950951 953999	1
95	114N1415-1	.BLOCK-PRELOAD OPTIONAL PART: 114N1415-2		002004 121503 904949 952952	1
95	114N1415-2	.BLOCK-PRELOAD OPTIONAL PART: 114N1415-1		002004 121503 904949 952952	1
96	114N1415-3	.BLOCK-PRELOAD		006100 950951	1
96	114N1415-8	.BLOCK-PRELOAD POST SERVICE BULLETIN: 57-0035R2		953999	1
100	114N1406-3	.SHIM-		002004 121503 904949 952952	AR

MISSING ITEM NUMBERS NOT APPLICABLE

- ITEM NOT ILLUSTRATED

27-81-11-10

27-81-11  
FIG. 10  
PAGE 9  
JAN 20/09

BRI

BOEING PROPRIETARY - Copyright © - Unpublished Work - See title page for details.

 **BOEING**  
757  
**PARTS CATALOG (MAINTENANCE)**

FIG ITEM	PART NUMBER	1 2 3 4 5 6 7	NOMENCLATURE	EFFECT FROM TO	UNITS PER ASSY
10					
101	114N1005-1	.SHIM-	POST SERVICE BULLETIN: 57-0035R1	006102 107120 504903 950951 953999	AR
105	114N1400-3	.ANGLE-	POSITION DATA: LH SIDE POST SERVICE BULLETIN: 57-0035R1	006102 107120 504903 950951 953999	1
- 106	114N1400-4	.ANGLE-	POSITION DATA: RH SIDE POST SERVICE BULLETIN: 57-0035R1 ATTACHING PARTS	006102 107120 504903 950951 953999	1
108	BACB30NM3K8	.BOLT-		006102 107120 504903 950951 953999	3
110	BACW10BP3CD	.WASHER-		006102 107120 504903 950951 953999	3
115	BACW10BP3DP	.WASHER-		006102 107120 504903 950951 953999	3

MISSING ITEM NUMBERS NOT APPLICABLE

- ITEM NOT ILLUSTRATED

BRI

# 27-81-11-10

BOEING PROPRIETARY - Copyright © - Unpublished Work - See title page for details.

27-81-11  
FIG. 10  
PAGE 10  
JAN 20/09



757

PARTS CATALOG (MAINTENANCE)

FIG ITEM	PART NUMBER	1 2 3 4 5 6 7	NOMENCLATURE	EFFECT FROM TO	UNITS PER ASSY
10 118	BMN5024CWD33	.NUT-	SUPPLIER CODE: V97928 SPECIFICATION NUMBER: BACN10HR3CD OPTIONAL PART: H51560-3 V15653 67832CD1032 V56878 BMN5024CWD3-3 V97928 102LH9031-3 V72962 BH00303CM3 V27238 SL7108C1032 V11815 SL7108C3 V11815 VCU0005D3 V06710 102LH90313 V72962 67832CD3 V56878 BMN10HRCWD3-3 V97928	006102 107120 504903 950951 953999	3
120	114N1414-1	-----*----- .FITTING ASSY-TRACK	ATTACHMENT POSITION DATA: LWR ATTACHING PARTS	002004 006999	1
125	BACB30LE4-10	.BOLT-		002004 121503 904949 952952	4
125	BACB30LE4K14	.BOLT-		006106 108120 504903 950951 953999	4
125	BACB30LE4K15	.BOLT-	POST SERVICE BULLETIN: 57-0035R1		4
130	BACW10BP4CD	.WASHER-		002004 006999	4

MISSING ITEM NUMBERS NOT APPLICABLE

- ITEM NOT ILLUSTRATED

27-81-11-10

27-81-11  
FIG. 10  
PAGE 11  
JAN 20/09

BRI



757

PARTS CATALOG (MAINTENANCE)

FIG ITEM	PART NUMBER	1 2 3 4 5 6 7	NOMENCLATURE	EFFECT FROM TO	UNITS PER ASSY
10					
135	BACW10BP4DP	.	WASHER-	002004 006106 108952	4
140	BMN5024CWD34	.	NUT-	002004 006999	4
			SUPPLIER CODE: V97928 SPECIFICATION NUMBER: BACN10HR4CD OPTIONAL PART: H51560-4 V15653 102CH9031-4 V72962 SL7108C428 V11815 67832CD428 V56878 BMN5024CWD3-4 V97928 BH00303CM4 V27238 SL7108C4 V11815 VCU0005D4 V06710 102LH90314 V72962 67832CD4 V56878 H964CD V15653 RMLH224CD V72962 VAL280094CD V06710 678324CD V56878 CR6030-4 VF0224 RMLH224CD V72962 VAL280094CD V06710 678324CD V56878 BMN5024CWD34 V97928 -----*-----		

MISSING ITEM NUMBERS NOT APPLICABLE

- ITEM NOT ILLUSTRATED

BRI

27-81-11-10

BOEING PROPRIETARY - Copyright © - Unpublished Work - See title page for details.

27-81-11  
 FIG. 10  
 PAGE 12  
 JAN 20/09





757

PARTS CATALOG (MAINTENANCE)

FIG ITEM	PART NUMBER	1 2 3 4 5 6 7	NOMENCLATURE	EFFECT FROM TO	UNITS PER ASSY
10					
145	BACB28AA5C018	. .	BUSHING	002004 006999	1
150	BACB28AM07B016A	. .	BUSHING	002004 006999	1
155	114N1414-2	. .	FITTING	002004 006999	1
160	114N1401-3	. SHIM-	SLOTTED	002004 006999	AR
163	114N1415-5	. FILLER-		006100 950951	1
163	114N1415-7	. FILLER-		010100 103106	1
			POST SERVICE BULLETIN: 57-0035R2	950951 953999	
165	BACB30LE5U16	. BOLT		002004 006999	2
170	BACW10BP5CD	. WASHER-		002004 006999	2
175	BACW10BP5DP	. WASHER-		002004 006999	2

MISSING ITEM NUMBERS NOT APPLICABLE

- ITEM NOT ILLUSTRATED

BRI

27-81-11-10

BOEING PROPRIETARY - Copyright © - Unpublished Work - See title page for details.

27-81-11  
FIG. 10  
PAGE 13  
JAN 20/09



757

PARTS CATALOG (MAINTENANCE)

FIG ITEM	PART NUMBER	1 2 3 4 5 6 7	NOMENCLATURE	EFFECT FROM TO	UNITS PER ASSY
10 180	BH00303CM5	.	NUT SUPPLIER CODE: V27238 SPECIFICATION NUMBER: BACN10HR5CD OPTIONAL PART: H51560-5 V15653 67832CD524 V56878 102LH9031-5 V72962 SL7108C524 V11815 BMN5024CWD35 V97928 SL7108C5 V11815 VCU0005D5 V06710 102LH90315 V72962 BMN10HRCWD3-5 V97928 67832CD5 V56878 CR6030-5 VF0224 67832CD5 V56878	002004 006999	2
185	BACB28AK05-035	.	BUSHING	002004 006999	1
190	BACB28AK05-099	.	BUSHING	002004 006999	1
195	114N1402-1	.	FITTING ASSY-YOKE OPTIONAL PART: 114N1426-1	002004 006102 107999	1
195	114N1426-1	.	FITTING ASSY-YOKE OPTIONAL PART: 114N1402-5	002004 006102 107999	1
195	114N1402-5	.	FITTING ASSY-YOKE OPTIONAL PART: 114N1426-1	002004 006100 103106 121503 904999	1
200	BACB28AM07B016A	..	BUSHING	002004 006999	3
205	BACB28AP05P018	..	BUSHING	002004 006999	1

MISSING ITEM NUMBERS NOT APPLICABLE

- ITEM NOT ILLUSTRATED

27-81-11-10

27-81-11  
FIG. 10  
PAGE 14  
JAN 20/09

BRI



757

PARTS CATALOG (MAINTENANCE)

FIG ITEM	PART NUMBER	1 2 3 4 5 6 7	NOMENCLATURE	EFFECT FROM TO	UNITS PER ASSY
10					
210	114N1402-3	..	YOKE- USED ON: 114N1402-1	002004 006102 107999	1
210	114N1426-2	..	YOKE- USED ON: 114N1426-1	002004 006102 107999	1
210	114N1402-7	..	YOKE- USED ON: 114N1402-5	002004 006100 103106 121503 904999	1
215	114N1403-1	.	FITTING ASSY-YOKE SPRT POSITION DATA: LH SIDE	002004 006102 107999	1
- 220	114N1403-2	.	FITTING ASSY-YOKE SPRT POSITION DATA: RH SIDE	002004 006102 107999	1
225	L8008K8	.	BOLT ATTACHING PARTS SUPPLIER CODE: V06725	002004 107107 121503	3
225	BACB30MY8K	.	BOLT- SPECIFICATION NUMBER: BACB30MY8K SIZE DETERMINED ON INSTL.	904949 952952 006102 108120 504903 950951 953999	3
230	HL523AZ8-10	.	BOLT SUPPLIER CODE: V73197 SPECIFICATION NUMBER: BACB30NZ8K10 OPTIONAL PART: L804-8K10 V06725 HL523AZ8-10 V56878 HL523AZ8-10 V92215 HL523AZ8-10 V97928 HL523AZ8-10 VOPTK6 HL523AZ8-10 V60516 HL523AZ8-10 V06725	002004 107107 121503 904949 952952	2

MISSING ITEM NUMBERS NOT APPLICABLE

- ITEM NOT ILLUSTRATED

BRI

27-81-11-10

27-81-11  
FIG. 10  
PAGE 15  
JAN 20/09



757

PARTS CATALOG (MAINTENANCE)

FIG ITEM	PART NUMBER	1 2 3 4 5 6 7	NOMENCLATURE	EFFECT FROM TO	UNITS PER ASSY
10					
230	BACB30NZ8K		.BOLT- SIZE DETERMINED ON INSTL.	006102 108120 504903 950951 953999	2
235	HL79-8		.COLLAR- SUPPLIER CODE: V5M902 SPECIFICATION NUMBER: BACC30M8 OPTIONAL PART: HL79-8 V73197 HL79-8 V92215 66014-8 V56878 HL79-8 V56878 -----*-----	002004 006102 107999	5
240	BACB28AP05P012		..BUSHING	002004 006102 107999	2
245	114N1403-3		..FITTING- POSITION DATA: LH SIDE	002004 006102 107999	1
- 250	114N1403-4		..FITTING- POSITION DATA: RH SIDE	002004 006102 107999	1
255	BACS40R13C30F		.SHIM-	002004 107107 121503 904949 952952	1
255	BACS40R013C030F		.SHIM-	006102 108120 504903 950951 953999	1
260	114N1429-7		.ATTACHMENT ASSY-YOKE SPRT POSITION DATA: LH SIDE	002004 006999	1
260	114N1429-11		.ATTACHMENT ASSY-YOKE SPRT POSITION DATA: LH SIDE OPTIONAL PART: 114N1409-11	002004 006999	1

MISSING ITEM NUMBERS NOT APPLICABLE

- ITEM NOT ILLUSTRATED

27-81-11-10

27-81-11  
FIG. 10  
PAGE 16  
JAN 20/09

BRI

BOEING PROPRIETARY - Copyright © - Unpublished Work - See title page for details.



757

PARTS CATALOG (MAINTENANCE)

FIG ITEM	PART NUMBER	1 2 3 4 5 6 7	NOMENCLATURE	EFFECT FROM TO	UNITS PER ASSY
10					
260	114N1409-11		. ATTACHMENT ASSY-YOKE SPRT POSITION DATA: LH SIDE OPTIONAL PART: 114N1429-11	002004 006101 103106 108503 506999	1
- 265	114N1429-8		. ATTACHMENT ASSY-YOKE SPRT POSITION DATA: RH SIDE	002004 006999	1
- 265	114N1429-12		. ATTACHMENT ASSY-YOKE SPRT POSITION DATA: RH SIDE OPTIONAL PART: 114N1409-12	002004 006999	1
- 265	114N1409-12		. ATTACHMENT ASSY-YOKE SPRT POSITION DATA: RH SIDE OPTIONAL PART: 114N1429-12	002004 101102 107949 952952	1
- 270	HL523AZ8-10		. BOLT SUPPLIER CODE: V73197 SPECIFICATION NUMBER: BACB30NZ8K10 OPTIONAL PART: L804-8K10 V06725 HL523AZ8-10 V56878 HL523AZ8-10 V92215 HL523AZ8-10 V97928 HL523AZ8-10 V0PTK6 HL523AZ8-10 V60516 HL523AZ8-10 V06725	002004 107107 121503 904949 952952	2
- 270	BACB30NZ8K		. BOLT- SIZE DETERMINED ON INSTL.	006102 108120 504903 950951 953999	2
			-----*-----		
280	114N1429-9		. . ATTACHMENT- POSITION DATA: LH SIDE	002004 006999	1

MISSING ITEM NUMBERS NOT APPLICABLE

- ITEM NOT ILLUSTRATED

BRI

27-81-11-10

27-81-11  
FIG. 10  
PAGE 17  
JAN 20/09



757

PARTS CATALOG (MAINTENANCE)

FIG ITEM	PART NUMBER	1 2 3 4 5 6 7	NOMENCLATURE	EFFECT FROM TO	UNITS PER ASSY
10					
280	114N1429-13		.. ATTACHMENT- POSITION DATA: RH SIDE	002004 006999	1
- 285	114N1429-10		.. ATTACHMENT- POSITION DATA: RH SIDE	002004 006999	1
- 285	114N1429-14		.. ATTACHMENT- POSITION DATA: RH SIDE	002004 006999	1
290	BACB28AM07B012A		.. BUSHING	002004 006102 107999	2
293	BACS40R14C25F		. SHIM	002004 107107 121503 904949 952952	1
295	BACS40R19C25F		. SHIM-	002004 107107 121503 904949 952952	1
298	BACS40R014C025F		. SHIM-	006102 108120 504903 950951 953999	2
298	BACS40R014D025F		. SHIM	103106	2
300	L8008K5		. BOLT SUPPLIER CODE: V06725 SPECIFICATION NUMBER: BACB30MY8K5	002004 107107 121503 904949 952952	1
302	BACB30MY8K		. BOLT- SIZE DETERMINED ON INSTL.	006102 108120 504903 950951 953999	4
305	L8008K6		. BOLT SUPPLIER CODE: V06725 SPECIFICATION NUMBER: BACB30MY8K6	002004 107107 121503 904949 952952	2
310	L8008K8		. BOLT SUPPLIER CODE: V06725 SPECIFICATION NUMBER: BACB30MY8K8	002004 107107 121503 904949 952952	1

MISSING ITEM NUMBERS NOT APPLICABLE

- ITEM NOT ILLUSTRATED

BRI

27-81-11-10

27-81-11  
FIG. 10  
PAGE 18  
JAN 20/09



757

PARTS CATALOG (MAINTENANCE)

FIG ITEM	PART NUMBER	1 2 3 4 5 6 7	NOMENCLATURE	EFFECT FROM TO	UNITS PER ASSY
10 315	HL523AZ8-9	.BOLT	SUPPLIER CODE: V73197 SPECIFICATION NUMBER: BACB30NZ8K9 OPTIONAL PART: L804-8K9 V06725 HL523AZ8-9 V56878 HL523AZ8-9 V92215 HL523AZ8-9 V97928 HL523AZ8-9 V0PTK6 HL523AZ8-9 V60516 HL523AZ8-9 V06725	002004 107107 121503 904949 952952	2
315	BACB30NZ8K	.BOLT-	SIZE DETERMINED ON INSTL.	006102 108120 504903 950951 953999	2
320	HL79-8	.COLLAR-	SUPPLIER CODE: V5M902 SPECIFICATION NUMBER: BACC30M8 OPTIONAL PART: HL79-8 V73197 HL79-8 V92215 66014-8 V56878 HL79-8 V56878	002004 006999	6

MISSING ITEM NUMBERS NOT APPLICABLE

- ITEM NOT ILLUSTRATED

BRI

27-81-11-10

BOEING PROPRIETARY - Copyright © - Unpublished Work - See title page for details.

27-81-11  
FIG. 10  
PAGE 19  
JAN 20/09



757

PARTS CATALOG (MAINTENANCE)

FIG ITEM	PART NUMBER	1 2 3 4 5 6 7	NOMENCLATURE	EFFECT FROM TO	UNITS PER ASSY
10 325	HL11VAZ10-8	.BOLT-	SUPPLIER CODE: V60516 SPECIFICATION NUMBER: BACB30NW10K8 OPTIONAL PART: B30NW10K8 V97928 HL11VAZ10-8 V73197 HL11VAZ10-8 V92215 HL11VAZ10-8 V97928 L803-10K8 V06725 HL11VAZ10-8 VOPTK6 HL11VAZ10-8 V56878	002004 006999	1
330	HL79-10	.COLLAR-	SUPPLIER CODE: V5M902 SPECIFICATION NUMBER: BACC30M10 OPTIONAL PART: HL79-10 V73197 HL79-10 V92215 66014-10 V56878 HL79-10 V56878	002004 006999	1
333	BACS40R25C17F	.SHIM		002004 107107 121503 904949 952952	1
333	BACS40R017C025F	.SHIM-	OPTIONAL PART: 114N2179-35	006102 108120 504903 950951 953999	1
333	114N2179-35	.SHIM-	OPTIONAL PART: BACS40R017C025F	101102 108120 504903	1

MISSING ITEM NUMBERS NOT APPLICABLE

- ITEM NOT ILLUSTRATED

BRI

27-81-11-10

BOEING PROPRIETARY - Copyright © - Unpublished Work - See title page for details.

27-81-11  
FIG. 10  
PAGE 20  
JAN 20/09





757

PARTS CATALOG (MAINTENANCE)

FIG ITEM	PART NUMBER	1 2 3 4 5 6 7	NOMENCLATURE	EFFECT FROM TO	UNITS PER ASSY
10					
335	114N1413-5	.	FITTING- POSITION DATA: LH SIDE	002004 006102 107999	1
- 340	114N1413-6	.	FITTING- POSITION DATA: RH SIDE	002004 006102 107999	1
345	114N1404-3	.	CLIP	002004 006102 107999	1
350	114N1411-1	.	FITTING- POSITION DATA: LH SIDE	002004 006102 107999	1
- 355	114N1411-2	.	FITTING- POSITION DATA: RH SIDE	002004 006102 107999	1
360	BACS40R013C022F	.	SHIM	011106 108120 504903	1
365	BACB30LE4K14	.	BOLT	103106	4
370	LGPL2SPV10-10AC	.	BOLT SUPPLIER CODE: V17446 SPECIFICATION NUMBER: BACB30VN10K10 OPTIONAL PART: LGPL2SPV10-10AC V92215 81669V10K10 V56878 LGPL2SPV10-10AC V56878	103106	14
375	LGPL2SPV10-13AC	.	BOLT SUPPLIER CODE: V17446 SPECIFICATION NUMBER: BACB30VN10K13 OPTIONAL PART: LGPL2SPV10-13AC V92215 81669V10K13 V56878 LGPL2SPV10-13AC V56878	103106	6

MISSING ITEM NUMBERS NOT APPLICABLE

- ITEM NOT ILLUSTRATED

BRI

27-81-11-10

27-81-11  
FIG. 10  
PAGE 21  
JAN 20/09



757

PARTS CATALOG (MAINTENANCE)

FIG ITEM	PART NUMBER	1 2 3 4 5 6 7	NOMENCLATURE	EFFECT FROM TO	UNITS PER ASSY
10 380	LGPL2SPV10-14AC	.BOLT	SUPPLIER CODE: V17446 SPECIFICATION NUMBER: BACB30VN10K14 OPTIONAL PART: LGPL2SPV10-14AC V92215 81669V10K14 V56878 LGPL2SPV10-14AC V56878	103106	5
385	3SLCC10	.COLLAR	SUPPLIER CODE: V17446 SPECIFICATION NUMBER: BACC30BK10 OPTIONAL PART: 3SLCC10 V92215	103106	25
390	114N1406-13	.SUPPORT ASSY-AUX	POSITION DATA: LH SIDE	103106	1
- 395	114N1406-14	.SUPPORT ASSY-AUX	POSITION DATA: RH SIDE	103106	1
400	114N1410-33	..FITTING ASSY-	POSITION DATA: LH SIDE	103106	1
- 405	114N1410-34	..FITTING ASSY-	POSITION DATA: RH SIDE	103106	1
410	BACB28AA5C018	...BUSHING		103106	1
415	BACB28AT07B016C	...BUSHING		103106	1
420	114N1410-35	...FITTING-	POSITION DATA: LH SIDE	103106	1
- 425	114N1410-36	...FITTING-	POSITION DATA: RH SIDE	103106	1
430	114N1422-17	..FITTING ASSY-	POSITION DATA: LH SIDE	103106	1
- 435	114N1422-18	..FITTING ASSY-	POSITION DATA: RH SIDE	103106	1

MISSING ITEM NUMBERS NOT APPLICABLE

- ITEM NOT ILLUSTRATED

27-81-11-10

27-81-11  
FIG. 10  
PAGE 22  
JAN 20/09

BRI



757

PARTS CATALOG (MAINTENANCE)

FIG ITEM	PART NUMBER	1 2 3 4 5 6 7	NOMENCLATURE	EFFECT FROM TO	UNITS PER ASSY
10			ATTACHING PARTS		
- 440	LGPL2SPV10-10AC	..	BOLT SUPPLIER CODE: V17446 SPECIFICATION NUMBER: BACB30VN10K10 OPTIONAL PART: LGPL2SPV10-10AC V92215 81669V10K10 V56878 LGPL2SPV10-10AC V56878	103106	6
- 445	3SLCC10	..	COLLAR SUPPLIER CODE: V17446 SPECIFICATION NUMBER: BACC30BK10 OPTIONAL PART: 3SLCC10 V92215	103106	6
			-----*-----		
450	114N1422-19	...	FITTING ASSY- POSITION DATA: LH SIDE	103106	1
- 455	114N1422-20	...	FITTING ASSY- POSITION DATA: RH SIDE	103106	1
460	BACB28AP05P012	....	BUSHING	103106	2
465	114N1422-21	....	FITTING ASSY- POSITION DATA: LH SIDE	103106	1
- 470	114N1422-22	....	FITTING ASSY- POSITION DATA: RH SIDE	103106	1

MISSING ITEM NUMBERS NOT APPLICABLE

- ITEM NOT ILLUSTRATED

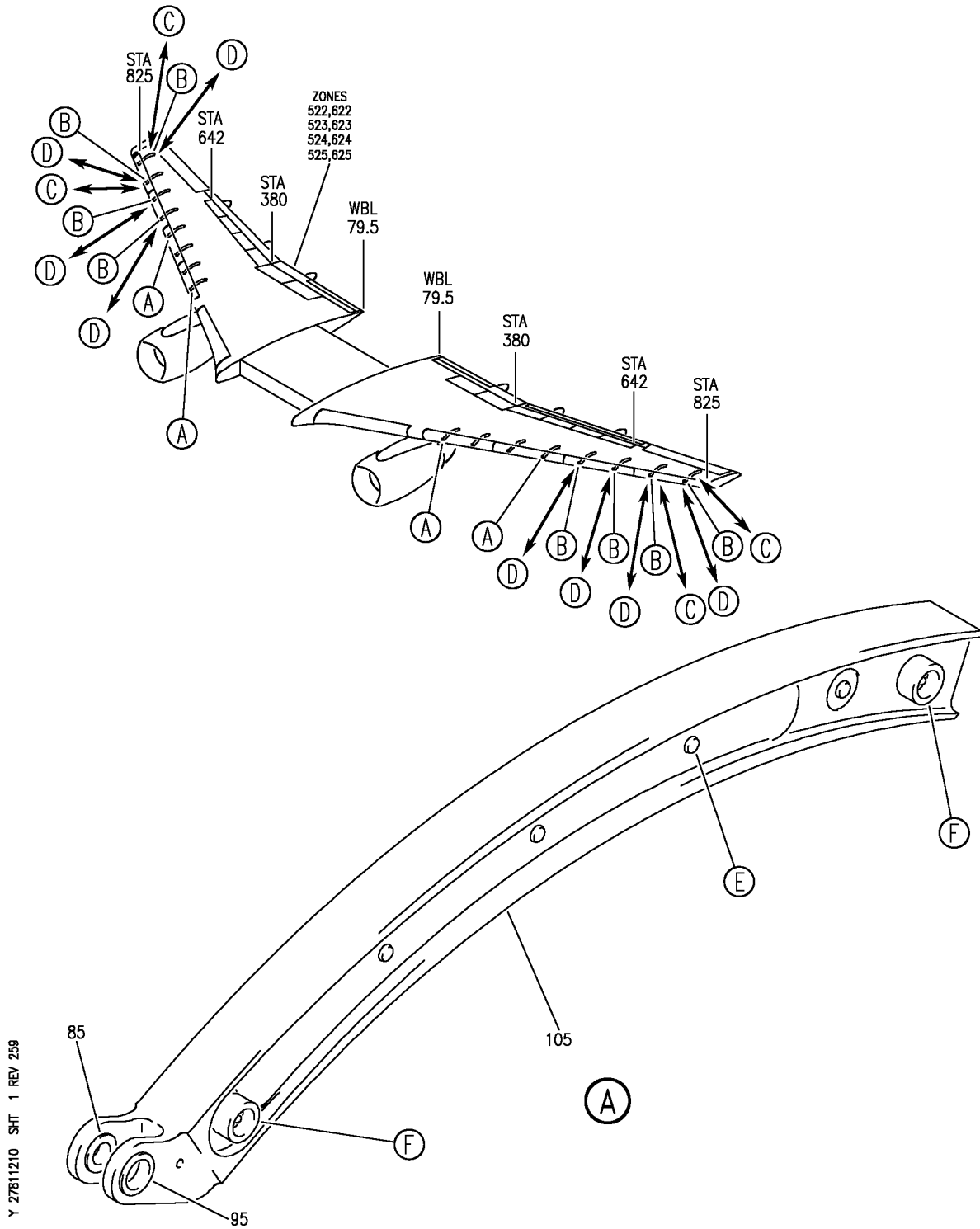
BRI

27-81-11-10

BOEING PROPRIETARY - Copyright © - Unpublished Work - See title page for details.

27-81-11  
FIG. 10  
PAGE 23  
JAN 20/09

**BOEING**  
757  
PARTS CATALOG (MAINTENANCE)



Y 27811210 SHT 1 REV 259

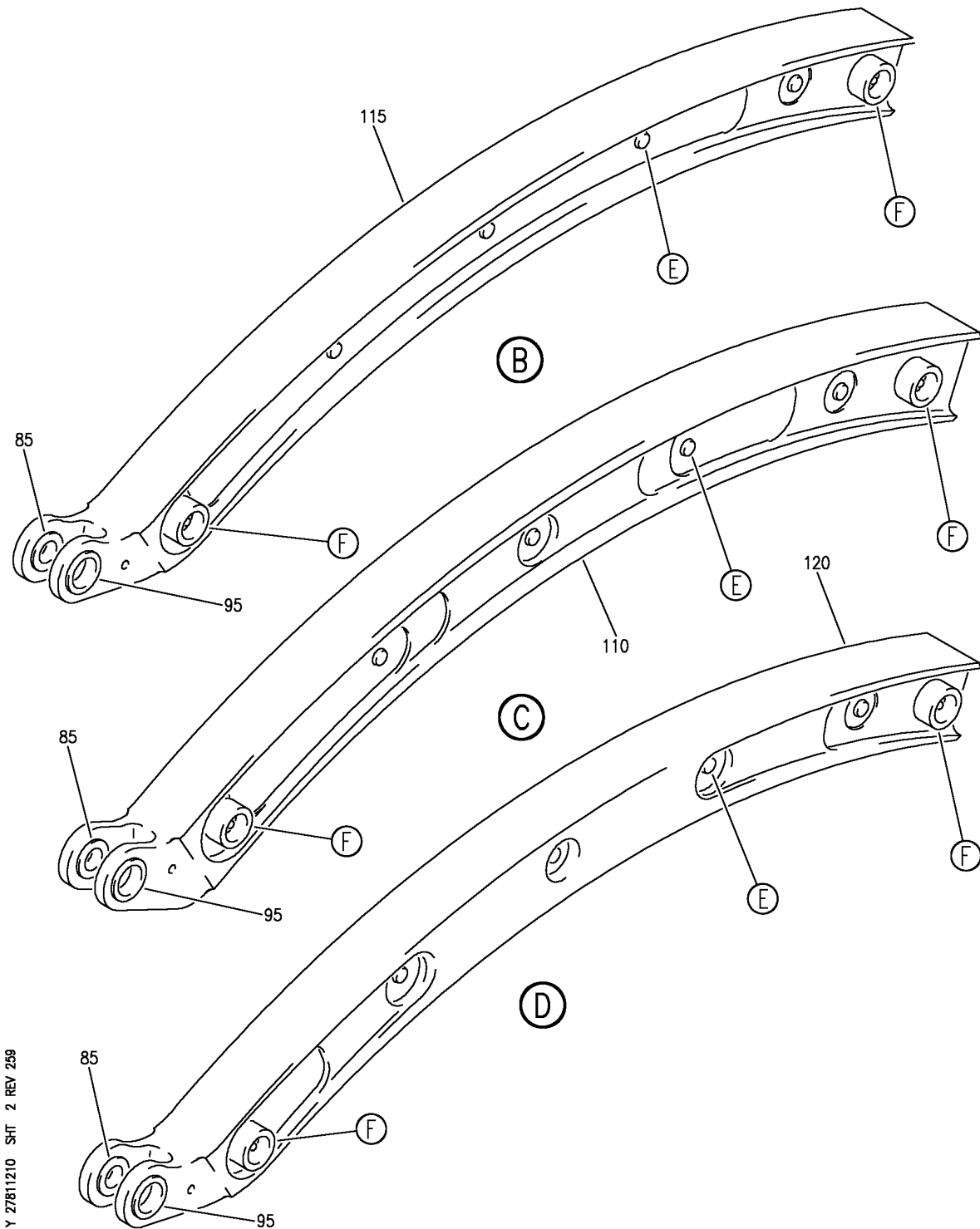
TRACK ASSY-MAIN OUTBD LE SLATS  
FIGURE 10 (SHEET 1)

**27-81-12-10**

BRI  
MAY 28/07

27-81-12-10  
PAGE 0

**BOEING**  
757  
PARTS CATALOG (MAINTENANCE)



Y 27811210 SH1 2 REV 259

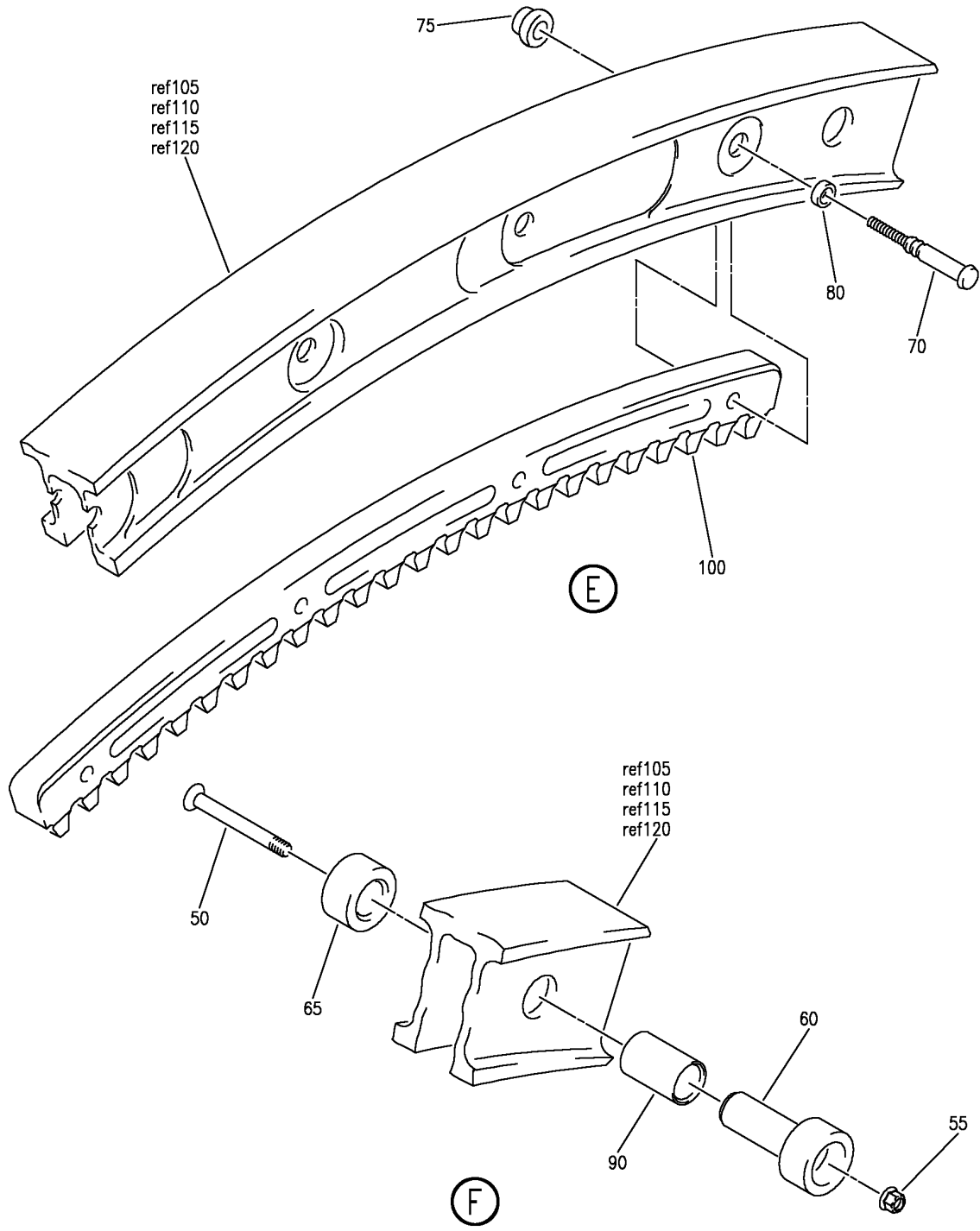
TRACK ASSY-MAIN OUTBD LE SLATS  
FIGURE 10 (SHEET 2)

**27-81-12-10**

BRI  
MAY 28/07

27-81-12-10  
PAGE 0A

**BOEING**  
757  
PARTS CATALOG (MAINTENANCE)



Y 27811210 SH1 3 REV 259

TRACK ASSY-MAIN OUTBD LE SLATS  
FIGURE 10 (SHEET 3)

**27-81-12-10**

BRI  
MAY 28/07

27-81-12-10  
PAGE 0B



757

PARTS CATALOG (MAINTENANCE)

FIG ITEM	PART NUMBER	1 2 3 4 5 6 7	NOMENCLATURE	EFFECT FROM TO	UNITS PER ASSY
10			TRACK ASSY-MAIN OUTBD LE SLATS	002004 006100 107107 121503 904999	
- 10	114N4061-2		TRACK ASSY-MAIN POSITION DATA: OUTBD LE SLATS OPTIONAL PART: 114N4061-4 USED ON: 114N4005-115 114N4005-116 FOR NHA SEE: 27-81-02-04 27-81-02-04A	002004 006100 107107 121503 904999	RF
- 10	114N4061-4		TRACK ASSY-MAIN POSITION DATA: OUTBD LE SLATS LH USED ON: 114N4005-115 114N4005-127 114N4005-131 114N4005-139 114N4005-163 114N4005-171 FOR NHA SEE: 27-81-02-04	002004 006100 107107 121503 904999	RF
- 15	114N4061-3		TRACK ASSY-MAIN FOR NHA SEE: 27-81-02-05 27-81-02-05A	002004 006100 107107 121503 904999	RF
- 15	114N4061-4		TRACK ASSY-MAIN POSITION DATA: OUTBD LE SLATS RH USED ON: 114N4005-116 114N4005-128 114N4005-132 114N4005-140 114N4005-164 114N4005-172 FOR NHA SEE: 27-81-02-04A	002004 006100 107107 121503 904999	RF

MISSING ITEM NUMBERS NOT APPLICABLE

- ITEM NOT ILLUSTRATED

27-81-12-10

27-81-12  
FIG. 10  
PAGE 1  
JAN 20/09

BRI



757

PARTS CATALOG (MAINTENANCE)

FIG ITEM	PART NUMBER	1 2 3 4 5 6 7	NOMENCLATURE	EFFECT FROM TO	UNITS PER ASSY
10					
- 20	114N4061-4		TRACK ASSY-MAIN FOR NHA SEE: 27-81-02-05 27-81-02-05A	002004 006100 107107 121503 904999	RF
50	BACB30LR3-24		.BOLT- USED ON: 114N4061-1 114N4061-2 114N4061-3 114N4061-4	002004 006100 107107 121503 904999	2
50	BACB30LR3-24		.BOLT- USED ON: 114N4061-2 114N4061-4	002004 006100 107107 121503 904999	2
55	BRH10C3D		.NUT- SUPPLIER CODE: V52828 SPECIFICATION NUMBER: BACN10JC3CD OPTIONAL PART: T6C1032JCD V11815 NS202486-02 V80539 102LH9075-3W V72962 H51650-3BAC V15653 USED ON: 114N4061-1 114N4061-2 114N4061-3 114N4061-4	002004 006100 107107 121503 904999	2

MISSING ITEM NUMBERS NOT APPLICABLE

- ITEM NOT ILLUSTRATED

BRI

27-81-12-10

BOEING PROPRIETARY - Copyright © - Unpublished Work - See title page for details.

27-81-12  
FIG. 10  
PAGE 2  
JAN 20/09





757

PARTS CATALOG (MAINTENANCE)

FIG ITEM	PART NUMBER	1 2 3 4 5 6 7	NOMENCLATURE	EFFECT FROM TO	UNITS PER ASSY
10 55	BRH10C3D		.NUT- SUPPLIER CODE: V52828 SPECIFICATION NUMBER: BACN10JC3CD OPTIONAL PART: T6C1032JCD V11815 NS202486-02 V80539 102LH9075-3W V72962 H51650-3BAC V15653 USED ON: 114N4061-2 114N4061-4	002004 006100 107107 121503 904999	2
60	114N4069-1		.STOP- USED ON: 114N4061-1 114N4061-2 114N4061-3 114N4061-4	002004 006100 107107 121503 904999	2
60	114N4069-1		.STOP- USED ON: 114N4061-2 114N4061-4	002004 006100 107107 121503 904999	2
65	114N4069-2		.STOP- USED ON: 114N4061-1 114N4061-2 114N4061-3 114N4061-4	002004 006100 107107 121503 904999	2
65	114N4069-2		.STOP- USED ON: 114N4061-2 114N4061-4	002004 006100 107107 121503 904999	2

MISSING ITEM NUMBERS NOT APPLICABLE

- ITEM NOT ILLUSTRATED

BRI

27-81-12-10

BOEING PROPRIETARY - Copyright © - Unpublished Work - See title page for details.

27-81-12  
FIG. 10  
PAGE 3  
JAN 20/09



757

PARTS CATALOG (MAINTENANCE)

FIG ITEM	PART NUMBER	1 2 3 4 5 6 7	NOMENCLATURE	EFFECT FROM TO	UNITS PER ASSY
10					
70	BACB30GW8-14	.BOLT-	SUPPLIER CODE: V11815 SPECIFICATION NUMBER: BACB30GW8-14 OPTIONAL PART: SALPYT8-14 V17446 USED ON: 114N4061-1 114N4061-2 114N4061-3 114N4061-4	002004 006100 107107 121503 904999	4
70	BACB30GW8-14	.BOLT-	SUPPLIER CODE: V11815 SPECIFICATION NUMBER: BACB30GW8-14 OPTIONAL PART: SALPYT8-14 V17446 USED ON: 114N4061-2 114N4061-4	002004 006100 107107 121503 904999	4
75	NAS1080E8	.COLLAR-	USED ON: 114N4061-1 114N4061-2 114N4061-3 114N4061-4	002004 006100 107107 121503 904999	4
75	NAS1080E8	.COLLAR-	USED ON: 114N4061-2 114N4061-4	002004 006100 107107 121503 904999	4
80	NAS75-4-005	.BUSHING-	USED ON: 114N4061-1 114N4061-2 114N4061-3 114N4061-4	002004 006100 107107 121503 904999	4
80	NAS75-4-005	.BUSHING-	USED ON: 114N4061-2 114N4061-4	002004 006100 107107 121503 904999	4

MISSING ITEM NUMBERS NOT APPLICABLE

- ITEM NOT ILLUSTRATED

27-81-12-10

27-81-12  
FIG. 10  
PAGE 4  
JAN 20/09

BRI

BOEING PROPRIETARY - Copyright © - Unpublished Work - See title page for details.



757

PARTS CATALOG (MAINTENANCE)

FIG ITEM	PART NUMBER	1 2 3 4 5 6 7	NOMENCLATURE	EFFECT FROM TO	UNITS PER ASSY
10					
85	BACB28AP08P024		.BUSHING- USED ON: 114N4061-1 114N4061-2 114N4061-3 114N4061-4	002004 006100 107107 121503 904999	1
85	BACB28AP08P024		.BUSHING- USED ON: 114N4061-2 114N4061-4	002004 006100 107107 121503 904999	1
90	BACB28Y8M097		.BUSHING- USED ON: 114N4061-1 114N4061-2 114N4061-3 114N4061-4	002004 006100 107107 121503 904999	2
90	BACB28Y8M097		.BUSHING- USED ON: 114N4061-2 114N4061-4	002004 006100 107107 121503 904999	2
95	BACB28AM11B024A		.BUSHING- USED ON: 114N4061-1 114N4061-2 114N4061-3 114N4061-4	002004 006100 107107 121503 904999	1
95	BACB28AM11B024A		.BUSHING- USED ON: 114N4061-2 114N4061-4	002004 006100 107107 121503 904999	1
100	251N5087-2		.GEAR-SEGMENT USED ON: 114N4061-3 114N4061-4	002004 006100 107107 121503 904999	1
105	114N4074-1		.TRACK- OPTIONAL PART: 114N4074-3 USED ON: 114N4061-4	002004 006100 107107 121503 904999	1
105	114N4074-3		.TRACK- OPTIONAL PART: 114N4074-1 USED ON: 114N4061-4	002004 006100 107107 121503 904999	1

MISSING ITEM NUMBERS NOT APPLICABLE

- ITEM NOT ILLUSTRATED

27-81-12-10

27-81-12  
FIG. 10  
PAGE 5  
JAN 20/09

BRI

BOEING PROPRIETARY - Copyright © - Unpublished Work - See title page for details.



757

PARTS CATALOG (MAINTENANCE)

FIG ITEM	PART NUMBER	1 2 3 4 5 6 7	NOMENCLATURE	EFFECT FROM TO	UNITS PER ASSY
10					
115	114N4062-1		. TRACK- OPTIONAL PART: 114N4062-3 USED ON: 114N4061-3	002004 006100 107107 121503 904999	1
115	114N4062-3		. TRACK- OPTIONAL PART: 114N4062-1 USED ON: 114N4061-3	002004 006100 107107 121503 904999	1

MISSING ITEM NUMBERS NOT APPLICABLE

- ITEM NOT ILLUSTRATED

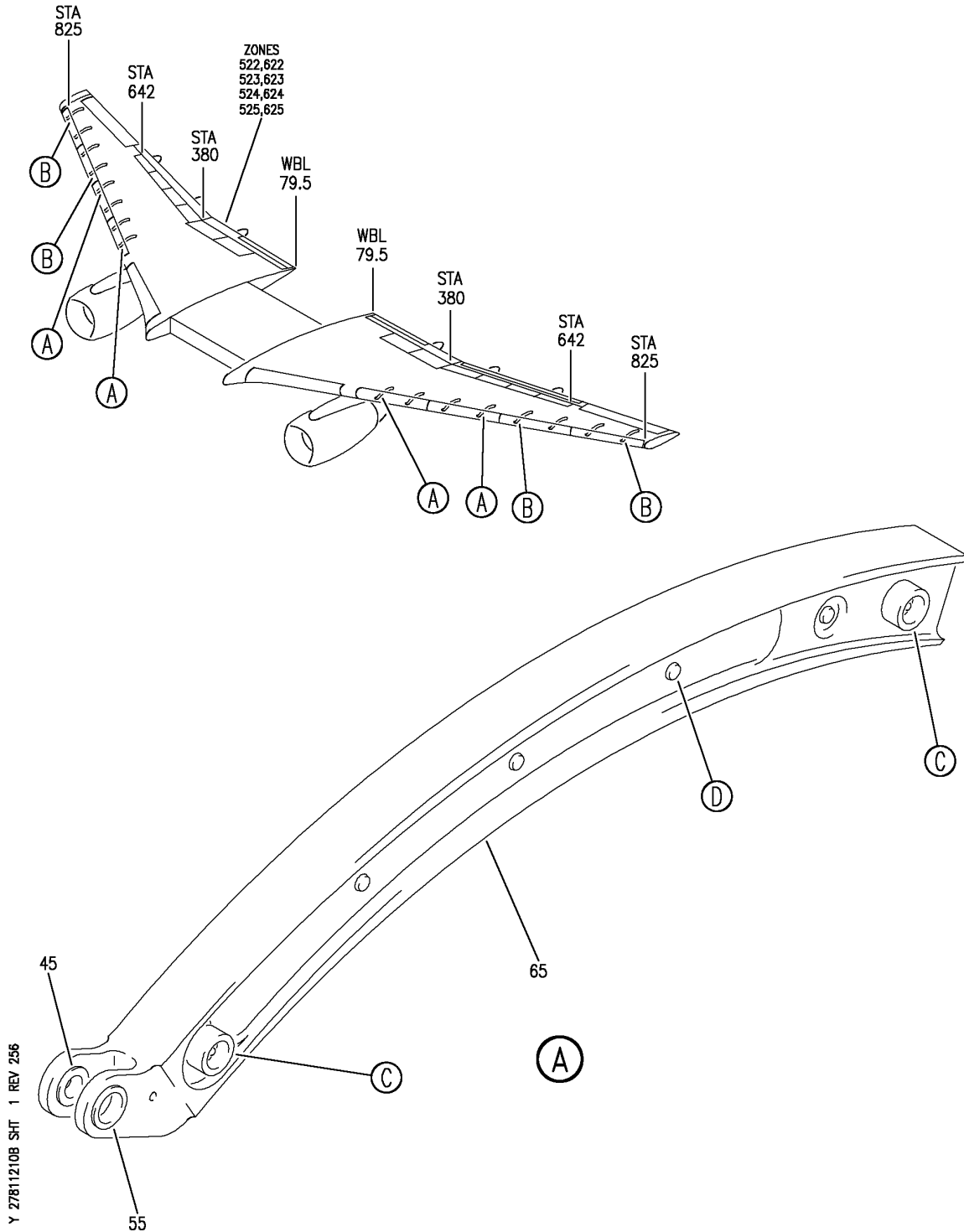
BRI

27-81-12-10

BOEING PROPRIETARY - Copyright © - Unpublished Work - See title page for details.

27-81-12  
FIG. 10  
PAGE 6  
JAN 20/09

**BOEING**  
757  
PARTS CATALOG (MAINTENANCE)



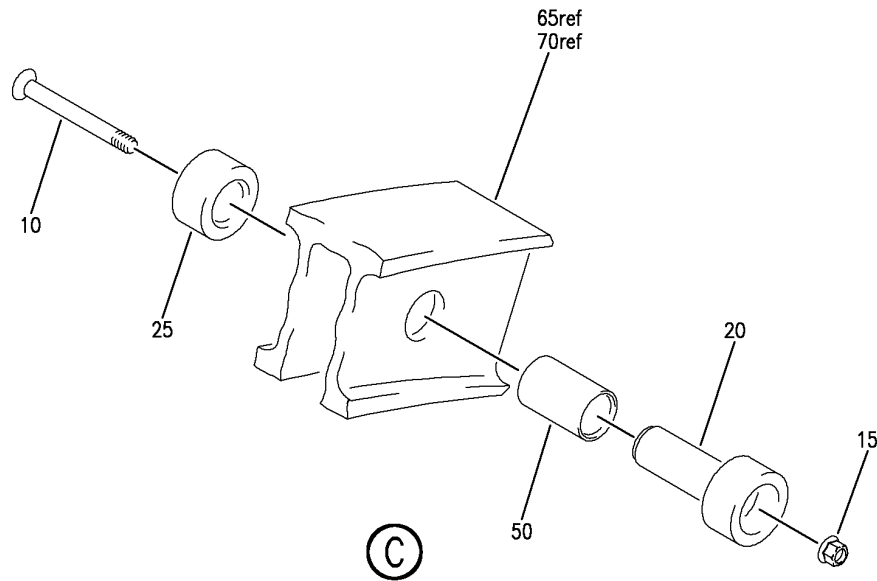
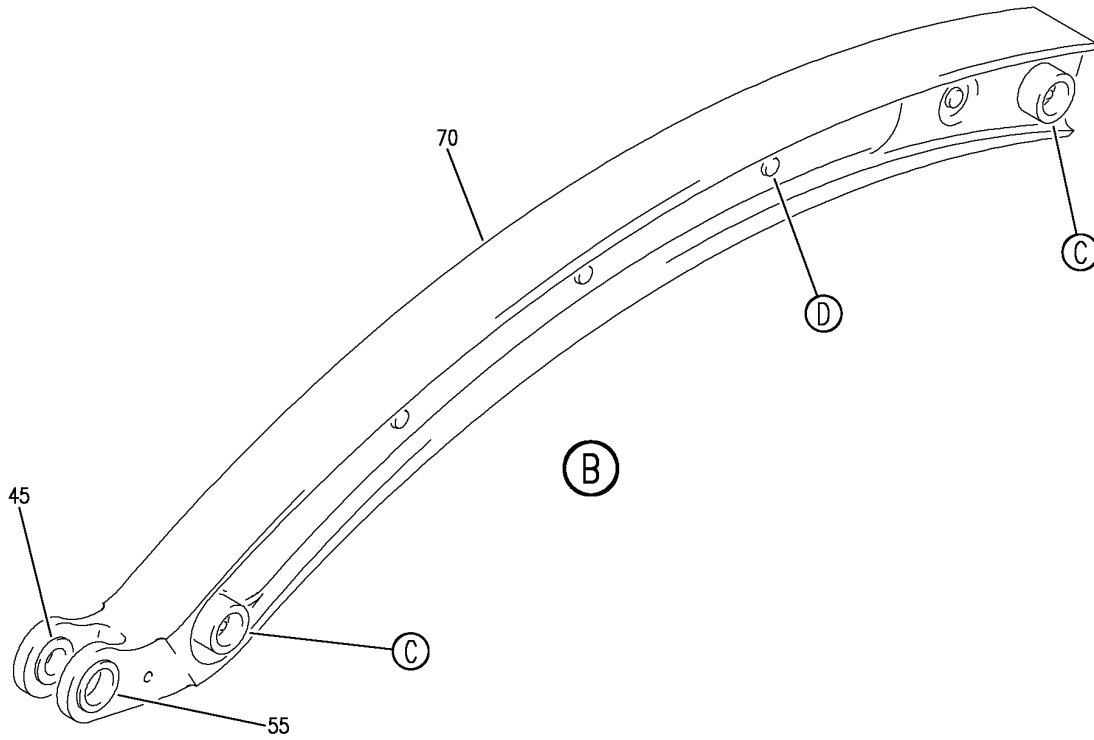
TRACK ASSY-MAIN  
FIGURE 10B (SHEET 1)

**27-81-12-10B**

BRI  
MAY 28/07

27-81-12-10B  
PAGE 0

**BOEING**  
757  
PARTS CATALOG (MAINTENANCE)



Y 27811210B SHT 2 REV 256

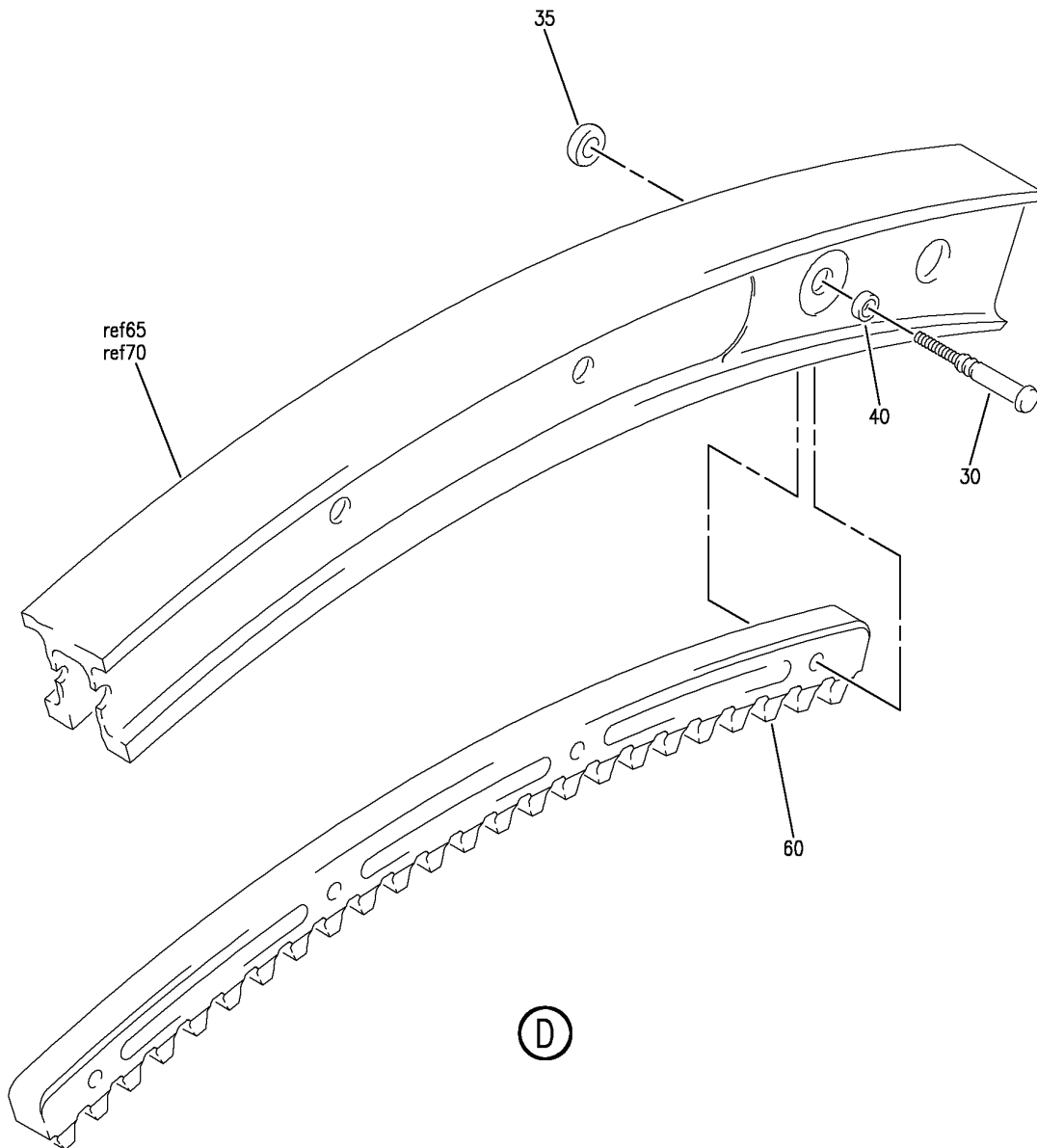
TRACK ASSY-MAIN  
FIGURE 10B (SHEET 2)

**27-81-12-10B**

BRI  
MAY 28/07

27-81-12-10B  
PAGE 0A

**BOEING**  
757  
PARTS CATALOG (MAINTENANCE)



Y 27811210B SHT 3 REV 256

TRACK ASSY-MAIN  
FIGURE 10B (SHEET 3)

**27-81-12-10B**

BRI  
MAY 28/07

27-81-12-10B  
PAGE 0B



757

PARTS CATALOG (MAINTENANCE)

FIG ITEM	PART NUMBER	1 2 3 4 5 6 7	NOMENCLATURE	EFFECT FROM TO	UNITS PER ASSY
10B			TRACK ASSY-MAIN	101106 108120 504903	
- 1	114N4061-3		TRACK ASSY- FOR NHA SEE: 27-81-02-07 27-81-02-07A	101106 108120 504903	RF
- 5	114N4061-4		TRACK ASSY- FOR NHA SEE: 27-81-02-07 27-81-02-07A	101106 108120 504903	RF
10	BACB30LR3-24		.BOLT	101106 108120 504903	2
15	BRH10C3D		.NUT SUPPLIER CODE: V52828 SPECIFICATION NUMBER: BACN10JC3CD OPTIONAL PART: T6C1032JCD V11815 NS202486-02 V80539 102LH9075-3W V72962 H51650-3BAC V15653	101106 108120 504903	2
20	114N4069-1		.STOP	101106 108120 504903	2
25	114N4069-2		.STOP	101106 108120 504903	2
30	BACB30GW8-14		.BOLT SUPPLIER CODE: V11815 SPECIFICATION NUMBER: BACB30GW8-14 OPTIONAL PART: SALPYT8-14 V17446	101106 108120 504903	4
35	NAS1080E8		.COLLAR	101106 108120 504903	4
40	NAS75-4-005		.BUSHING	101106 108120 504903	4

MISSING ITEM NUMBERS NOT APPLICABLE

- ITEM NOT ILLUSTRATED

BRI

27-81-12-10B

BOEING PROPRIETARY - Copyright © - Unpublished Work - See title page for details.

27-81-12  
FIG. 10B  
PAGE 1  
JAN 20/09





757

PARTS CATALOG (MAINTENANCE)

FIG ITEM	PART NUMBER	1 2 3 4 5 6 7	NOMENCLATURE	EFFECT FROM TO	UNITS PER ASSY
10B					
45	BACB28AP08P024	.	BUSHING	101106 108120 504903	1
50	BACB28Y8M097	.	BUSHING	101106 108120 504903	2
55	BACB28AM11B024A	.	BUSHING	101106 108120 504903	1
60	251N5087-2	.	GEAR-SEGMENT	101106 108120 504903	1
65	114N4074-1	.	TRACK- OPTIONAL PART: 114N4074-3 USED ON: 114N4061-4	101106 108120 504903	1
65	114N4074-3	.	TRACK- OPTIONAL PART: 114N4074-1 USED ON: 114N4061-4	101106 108120 504903	1
70	114N4062-1	.	TRACK- OPTIONAL PART: 114N4062-3 USED ON: 114N4061-3	101106 108120 504903	1
70	114N4062-3	.	TRACK- OPTIONAL PART: 114N4062-1 USED ON: 114N4061-3	101106 108120 504903	1

MISSING ITEM NUMBERS NOT APPLICABLE

- ITEM NOT ILLUSTRATED

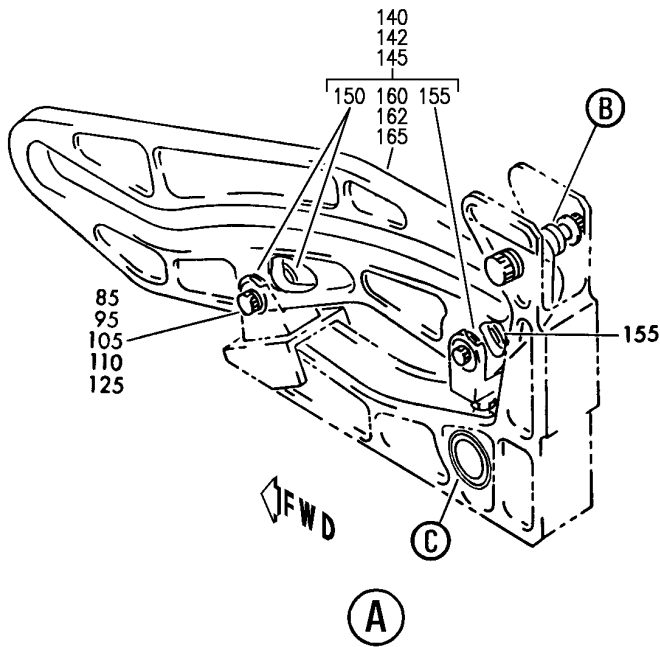
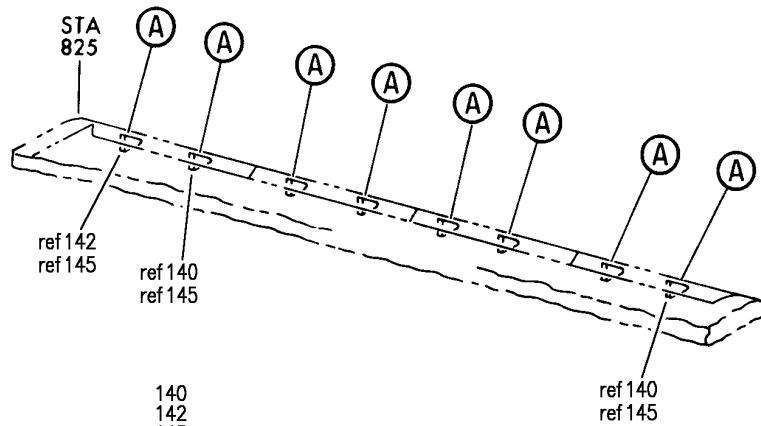
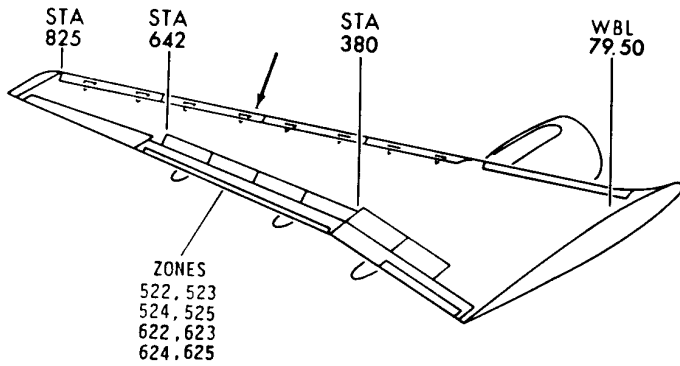
BRI

27-81-12-10B

BOEING PROPRIETARY - Copyright © - Unpublished Work - See title page for details.

27-81-12  
FIG. 10B  
PAGE 2  
JAN 20/09

**BOEING**  
757  
PARTS CATALOG (MAINTENANCE)



Y 27811301 SH1 1 REV 267

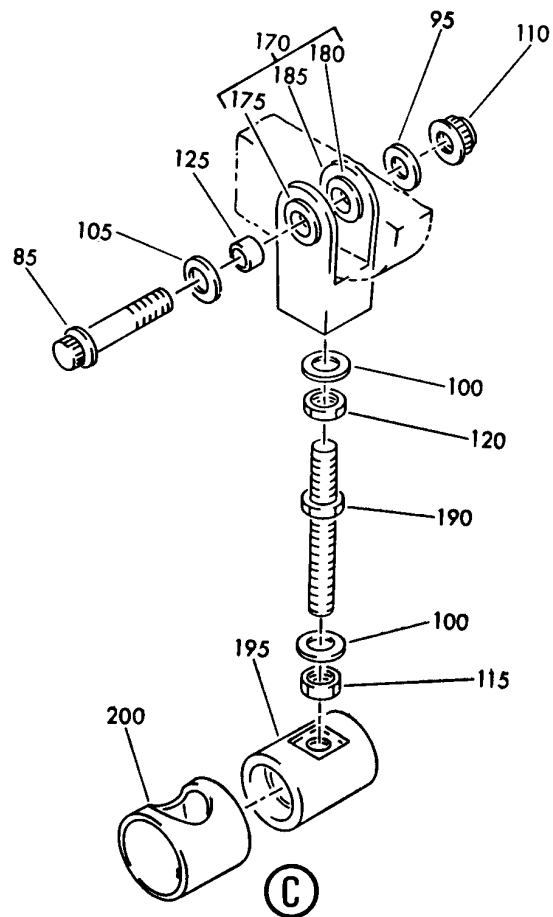
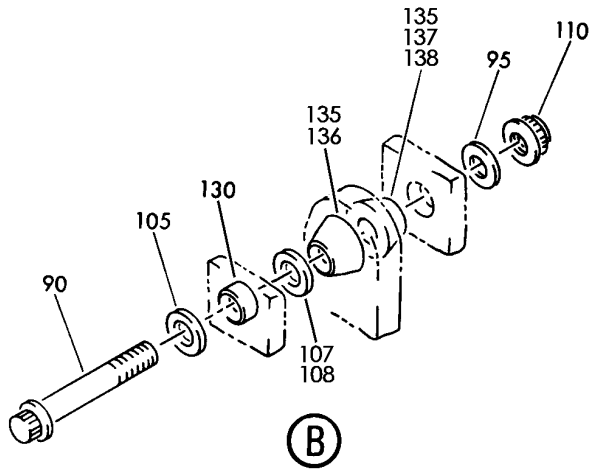
TRACK INSTL-OUTBD FXD LE AUX  
FIGURE 1 (SHEET 1)

**27-81-13-01**

BRI  
MAY 28/07

27-81-13-01  
PAGE 0

**BOEING**  
757  
PARTS CATALOG (MAINTENANCE)



Y 27811301 SHT 2 REV 221

TRACK INSTL-OUTBD FXD LE AUX  
FIGURE 1 (SHEET 2)

**27-81-13-01**

BRI  
MAY 28/07

27-81-13-01  
PAGE 0A



757

PARTS CATALOG (MAINTENANCE)

FIG ITEM	PART NUMBER	1 2 3 4 5 6 7	NOMENCLATURE	EFFECT FROM TO	UNITS PER ASSY
1			TRACK INSTL-OUTBD FXD LE AUX	101106 108120 504903	
- 5	114N2124-401		TRACK INSTL-AUX FXD LE POSITION DATA: OSS 748.70 OUTBD LH FOR NHA SEE: 57-00-00-10	101102 108120 504903	RF
- 5	MODREF205		TRACK INSTL-FXD LE AUX MODULE NUMBER: 114N2124-303 REV A POSITION DATA: OUTBD	103103	1
- 5	MODREF26672		TRACK INSTL-FXD LE AUX MODULE NUMBER: 114N2124-303 REV B POSITION DATA: OUTBD	104106	1
- 10	114N2124-402		TRACK INSTL-AUX FXD LE POSITION DATA: OSS 748.70 OUTBD RH FOR NHA SEE: 57-00-00-10	101102 108120 504903	RF
- 10	MODREF206		TRACK INSTL-FXD LE AUX MODULE NUMBER: 114N2124-304 REV A POSITION DATA: OUTBD	103103	1
- 10	MODREF26673		TRACK INSTL-FXD LE AUX MODULE NUMBER: 114N2124-304 REV B POSITION DATA: OUTBD	104106	1
- 15	114N2124-403		TRACK INSTL-AUX FXD LE POSITION DATA: OSS 797.46 OUTBD LH FOR NHA SEE: 57-00-00-10	101102 108120 504903	RF
- 15	MODREF203		TRACK INSTL-FXD LE AUX MODULE NUMBER: 114N2124-301 REV A POSITION DATA: OUTBD	103103	1
- 15	MODREF26670		TRACK INSTL-FXD LE AUX MODULE NUMBER: 114N2124-301 REV B POSITION DATA: OUTBD	104106	1

MISSING ITEM NUMBERS NOT APPLICABLE

- ITEM NOT ILLUSTRATED

27-81-13-01

27-81-13  
FIG. 01  
PAGE 1  
JAN 20/09

BRI



757

PARTS CATALOG (MAINTENANCE)

FIG ITEM	PART NUMBER	1 2 3 4 5 6 7	NOMENCLATURE	EFFECT FROM TO	UNITS PER ASSY
1					
- 20	114N2124-404		TRACK INSTL-AUX FXD LE POSITION DATA: OSS 797.46 OUTBD RH FOR NHA SEE: 57-00-00-10	101102 108120 504903	RF
- 20	MODREF204		TRACK INSTL-FXD LE AUX MODULE NUMBER: 114N2124-302 REV A POSITION DATA: OUTBD	103103	1
- 20	MODREF26671		TRACK INSTL-FXD LE AUX MODULE NUMBER: 114N2124-302 REV B POSITION DATA: OUTBD	104106	1
- 25	114N2124-405		TRACK INSTL-AUX FXD LE POSITION DATA: OSS 665.50 OUTBD LH FOR NHA SEE: 57-00-00-10	101102 108120 504903	RF
- 25	MODREF207		TRACK INSTL-FXD LE AUX MODULE NUMBER: 114N2124-305 REV A POSITION DATA: OUTBD	103103	1
- 25	MODREF26674		TRACK INSTL-FXD LE AUX MODULE NUMBER: 114N2124-305 REV B POSITION DATA: OUTBD	104106	1
- 30	114N2124-406		TRACK INSTL-AUX FXD LE POSITION DATA: OSS 665.50 OUTBD RH FOR NHA SEE: 57-00-00-10	101102 108120 504903	RF
- 30	MODREF208		TRACK INSTL-FXD LE AUX MODULE NUMBER: 114N2124-306 REV A POSITION DATA: OUTBD	103103	1
- 30	MODREF26675		TRACK INSTL-FXD LE AUX MODULE NUMBER: 114N2124-306 REV B POSITION DATA: OUTBD	104106	1

MISSING ITEM NUMBERS NOT APPLICABLE

- ITEM NOT ILLUSTRATED

27-81-13-01

27-81-13  
FIG. 01  
PAGE 2  
JAN 20/09

BRI

 **BOEING**  
757  
**PARTS CATALOG (MAINTENANCE)**

FIG ITEM	PART NUMBER	1 2 3 4 5 6 7	NOMENCLATURE	EFFECT FROM TO	UNITS PER ASSY
1					
- 35	114N2124-407		TRACK INSTL-AUX FXD LE POSITION DATA: OSS 617.30 OUTBD LH FOR NHA SEE: 57-00-00-10	101102 108120 504903	RF
- 35	MODREF209		TRACK INSTL-FXD LE AUX MODULE NUMBER: 114N2124-307 REV A POSITION DATA: OUTBD	103103	1
- 35	MODREF26676		TRACK INSTL-FXD LE AUX MODULE NUMBER: 114N2124-307 REV B POSITION DATA: OUTBD	104106	1
- 40	114N2124-408		TRACK INSTL-AUX FXD LE POSITION DATA: OSS 617.30 OUTBD RH FOR NHA SEE: 57-00-00-10	101102 108120 504903	RF
- 40	MODREF210		TRACK INSTL-FXD LE AUX MODULE NUMBER: 114N2124-308 REV A POSITION DATA: OUTBD	103103	1
- 40	MODREF26677		TRACK INSTL-FXD LE AUX MODULE NUMBER: 114N2124-308 REV B POSITION DATA: OUTBD	104106	1
- 45	114N2124-409		TRACK INSTL-AUX FXD LE POSITION DATA: OSS 530.70 OUTBD LH FOR NHA SEE: 57-00-00-10	101102 108120 504903	RF
- 45	MODREF211		TRACK INSTL-FXD LE AUX MODULE NUMBER: 114N2124-309 REV A POSITION DATA: OUTBD	103103	1
- 45	MODREF26678		TRACK INSTL-FXD LE AUX MODULE NUMBER: 114N2124-309 REV B POSITION DATA: OUTBD	104106	1

MISSING ITEM NUMBERS NOT APPLICABLE

- ITEM NOT ILLUSTRATED

BRI

# 27-81-13-01

27-81-13  
FIG. 01  
PAGE 3  
JAN 20/09



757

PARTS CATALOG (MAINTENANCE)

FIG ITEM	PART NUMBER	1 2 3 4 5 6 7	NOMENCLATURE	EFFECT FROM TO	UNITS PER ASSY
1					
- 50	114N2124-410		TRACK INSTL-AUX FXD LE POSITION DATA: OSS 483.30 OUTBD LH FOR NHA SEE: 57-00-00-10	101102 108120 504903	RF
- 50	MODREF212		TRACK INSTL-FXD LE AUX MODULE NUMBER: 114N2124-310 REV A POSITION DATA: OUTBD	103103	1
- 50	MODREF26679		TRACK INSTL-FXD LE AUX MODULE NUMBER: 114N2124-310 REV B POSITION DATA: OUTBD	104106	1
- 55	114N2124-411		TRACK INSTL-AUX FXD LE POSITION DATA: OSS 483.30 OUTBD LH FOR NHA SEE: 57-00-00-10	101102 108120 504903	RF
- 55	MODREF213		TRACK INSTL-FXD LE AUX MODULE NUMBER: 114N2124-311 REV A POSITION DATA: OUTBD	103103	1
- 55	MODREF26680		TRACK INSTL-FXD LE AUX MODULE NUMBER: 114N2124-311 REV B POSITION DATA: OUTBD	104106	1
- 60	114N2124-412		TRACK INSTL-AUX FXD LE POSITION DATA: OSS 483.30 OUTBD RH FOR NHA SEE: 57-00-00-10	101102 108120 504903	RF
- 60	MODREF214		TRACK INSTL-FXD LE AUX MODULE NUMBER: 114N2124-312 REV A POSITION DATA: OUTBD	103103	1
- 60	MODREF26681		TRACK INSTL-FXD LE AUX MODULE NUMBER: 114N2124-312 REV B POSITION DATA: OUTBD	104106	1

MISSING ITEM NUMBERS NOT APPLICABLE

- ITEM NOT ILLUSTRATED

27-81-13-01

27-81-13  
FIG. 01  
PAGE 4  
JAN 20/09

BRI



757

PARTS CATALOG (MAINTENANCE)

FIG ITEM	PART NUMBER	1 2 3 4 5 6 7	NOMENCLATURE	EFFECT FROM TO	UNITS PER ASSY
1					
- 65	114N2124-413		TRACK INSTL-AUX FXD LE POSITION DATA: OSS 392.80 OUTBD LH FOR NHA SEE: 57-00-00-10	101102 108120 504903	RF
- 65	MODREF294		TRACK INSTL-FXD LE AUX MODULE NUMBER: 114N2124-313 REV A POSITION DATA: OUTBD	103103	1
- 65	MODREF26682		TRACK INSTL-FXD LE AUX MODULE NUMBER: 114N2124-313 REV B POSITION DATA: OUTBD	104106	1
- 70	114N2124-414		TRACK INSTL-AUX FXD LE POSITION DATA: OSS 392.80 OUTBD RH FOR NHA SEE: 57-00-00-10	101102 108120 504903	RF
- 70	MODREF295		TRACK INSTL-FXD LE AUX MODULE NUMBER: 114N2124-314 REV A POSITION DATA: OUTBD	103103	1
- 70	MODREF26683		TRACK INSTL-FXD LE AUX MODULE NUMBER: 114N2124-314 REV B POSITION DATA: OUTBD	104106	1
- 75	114N2124-415		TRACK INSTL-AUX FXD LE POSITION DATA: OSS 356.50 OUTBD LH REWORK DRAWING REF: 114N2240-1 FOR NHA SEE: 57-00-00-10	101102 108120 504903	RF
- 75	MODREF296		TRACK INSTL-FXD LE AUX MODULE NUMBER: 114N2124-315 REV A POSITION DATA: OUTBD	103103	1
- 75	MODREF26684		TRACK INSTL-FXD LE AUX MODULE NUMBER: 114N2124-315 REV B POSITION DATA: OUTBD	104106	1

MISSING ITEM NUMBERS NOT APPLICABLE

- ITEM NOT ILLUSTRATED

27-81-13-01

27-81-13  
FIG. 01  
PAGE 5  
JAN 20/09

BRI





757

PARTS CATALOG (MAINTENANCE)

FIG ITEM	PART NUMBER	1 2 3 4 5 6 7	NOMENCLATURE	EFFECT FROM TO	UNITS PER ASSY
1					
- 80	114N2124-416		TRACK INSTL-AUX FXD LE POSITION DATA: OSS 356.50 OUTBD RH FOR NHA SEE: 57-00-00-10	101102 108120 504903	RF
- 80	MODREF297		TRACK INSTL-FXD LE AUX MODULE NUMBER: 114N2124-316 REV A POSITION DATA: OUTBD	103103	1
- 80	MODREF26685		TRACK INSTL-FXD LE AUX MODULE NUMBER: 114N2124-316 REV B POSITION DATA: OUTBD	104106	1
85	BACB30LE5U17		.BOLT	101106 108120 504903	2
90	BACB30LE5-30		.BOLT	101102 108120 504903	1
90	BACB30LE5K30		.BOLT	103106	1
95	BACW10BP5DP		.WASHER	101106 108120 504903	3
100	AN960-516L		.WASHER	101102 108120 504903	2
105	BACW10BP5CD		.WASHER	101106 108120 504903	3
107	NAS1149E0563P		.WASHER	102102 505505 507903	1

MISSING ITEM NUMBERS NOT APPLICABLE

- ITEM NOT ILLUSTRATED

BRI

27-81-13-01

BOEING PROPRIETARY - Copyright © - Unpublished Work - See title page for details.

27-81-13  
FIG. 01  
PAGE 6  
JAN 20/09



757

PARTS CATALOG (MAINTENANCE)

FIG ITEM	PART NUMBER	1 2 3 4 5 6 7	NOMENCLATURE	EFFECT FROM TO	UNITS PER ASSY
1 110	BH003035	.NUT	SUPPLIER CODE: V27238 SPECIFICATION NUMBER: BACN10HR5CS OPTIONAL PART: H39953-5 V15653 109LH9031-5 V72962 67832AS524 V56878 BH00303-5 V27238 SL7059C524 V11815 BMN5024CPD35 V97928 CR59085 V62554 SL705095 V11815 109LH90315 V72962 67832AS5 V56878 BMN10HRRCPD3-5 V97928	101106 108120 504903	3
115	NAS1423-5LH	.NUT		101102 108120 504903	1
120	NAS1423-5	.NUT		101102 108120 504903	1
125	BACB28AK05-032	.BUSHING		101106 108120 504903	2
130	BACB28AK05-036	.BUSHING		101106 108120 504903	1
135	114N2077-1	.SPACER-CONE		103106	2

MISSING ITEM NUMBERS NOT APPLICABLE

- ITEM NOT ILLUSTRATED

BRI

27-81-13-01

BOEING PROPRIETARY - Copyright © - Unpublished Work - See title page for details.

27-81-13  
FIG. 01  
PAGE 7  
JAN 20/09



757

PARTS CATALOG (MAINTENANCE)

FIG ITEM	PART NUMBER	1 2 3 4 5 6 7	NOMENCLATURE	EFFECT FROM TO	UNITS PER ASSY
1 135	114N2077-1		. SPACER-CONE USED ON: 114N2124-401 114N2124-403 114N2124-404 114N2124-406 114N2124-407 114N2124-412 114N2124-413 MODREF298 MODREF300 MODREF301 MODREF303 MODREF304 MODREF309 MODREF310	101102 108120 504903	2
136	114N2077-1		. SPACER-CONE USED ON: 114N2124-411 114N2124-415 114N2124-405 114N2124-408 114N2124-409 114N2124-410 114N2124-416 MODREF302 MODREF305 MODREF306 MODREF307 MODREF308 MODREF312 MODREF313	101102 108120 504903	1
137	114N2243-1		. SPACER-CONE	102102 505505 507903	1

MISSING ITEM NUMBERS NOT APPLICABLE

- ITEM NOT ILLUSTRATED

BRI

27-81-13-01

BOEING PROPRIETARY - Copyright © - Unpublished Work - See title page for details.

27-81-13  
FIG. 01  
PAGE 8  
JAN 20/09



757

PARTS CATALOG (MAINTENANCE)

FIG ITEM	PART NUMBER	1 2 3 4 5 6 7	NOMENCLATURE	EFFECT FROM TO	UNITS PER ASSY
1 140	114N2199-11		.TRACK ASSY-AUX QUALIFIED I/W DATA: 114N2199-9 IS INTERCHANGEABLE WITH 114N2199-11 ON 757-200 MINOR MODELS ONLY OPTIONAL PART: 114N2199-9 USED ON: 114N2124-401 MODREF298 114N2124-402 MODREF299 114N2124-405 MODREF302 114N2124-406 MODREF303 114N2124-407 MODREF304 114N2124-408 MODREF305 114N2124-409 MODREF306 114N2124-410 MODREF307 114N2124-411 MODREF308 114N2124-412 MODREF309 114N2124-413 MODREF310 114N2124-414 MODREF311 114N2124-415 MODREF312 114N2124-416 MODREF313	101102 108120 504903	1

MISSING ITEM NUMBERS NOT APPLICABLE

- ITEM NOT ILLUSTRATED

BRI

27-81-13-01

BOEING PROPRIETARY - Copyright © - Unpublished Work - See title page for details.

27-81-13  
FIG. 01  
PAGE 9  
JAN 20/09



757

PARTS CATALOG (MAINTENANCE)

FIG ITEM	PART NUMBER	1 2 3 4 5 6 7	NOMENCLATURE	EFFECT FROM TO	UNITS PER ASSY
1 140	114N2199-9		.TRACK ASSY-AUX QUALIFIED I/W DATA: 114N2199-9 IS INTERCHANGEABLE WITH 114N2199-11 ON 757-200 MINOR MODELS ONLY OPTIONAL PART: 114N2199-11 USED ON: 114N2124-401 MODREF298 114N2124-402 MODREF299 114N2124-405 MODREF302 114N2124-406 MODREF303 114N2124-407 MODREF304 114N2124-408 MODREF305 114N2124-409 MODREF306 114N2124-410 MODREF307 114N2124-411 MODREF308 114N2124-412 MODREF309 114N2124-413 MODREF310 114N2124-414 MODREF311 114N2124-415 MODREF312 114N2124-416 MODREF313	101102 108120 504903	1
142	114N2199-11		.TRACK ASSY-AUX QUALIFIED I/W DATA: 114N2199-9 IS INTERCHANGEABLE WITH 114N2199-11 ON 757-200 MINOR MODELS ONLY USED ON: 114N2124-403 MODREF300 114N2124-404 MODREF301	101102 108120 504903	1
145	114N2199-11		.TRACK ASSY-AUX	103106	1

MISSING ITEM NUMBERS NOT APPLICABLE

- ITEM NOT ILLUSTRATED

27-81-13-01

27-81-13  
FIG. 01  
PAGE 10  
JAN 20/09

BRI



757

PARTS CATALOG (MAINTENANCE)

FIG ITEM	PART NUMBER	1 2 3 4 5 6 7	NOMENCLATURE	EFFECT FROM TO	UNITS PER ASSY
1			QUALIFIED I/W DATA: 114N2199-9 IS INTERCHANGEABLE WITH 114N2199-11 ON 757-200 MINOR MODELS ONLY USED ON: 114N2124-301 MODREF203 MODREF26670 114N2124-302 MODREF204 MODREF26671 114N2124-303 MODREF205 MODREF26672 114N2124-304 MODREF206 MODREF26673 114N2124-305 MODREF207 MODREF26674 114N2124-306 MODREF208 MODREF26675 114N2124-307 MODREF209 MODREF26676 114N2124-308 MODREF210 MODREF26677 114N2124-309 MODREF211 MODREF26678 114N2124-310 MODREF212 MODREF26679 114N2124-311 MODREF213 MODREF26680 114N2124-312 MODREF214 MODREF26681 114N2124-313 MODREF294 MODREF26682 114N2124-314 MODREF295 MODREF26683 114N2124-315		

MISSING ITEM NUMBERS NOT APPLICABLE

- ITEM NOT ILLUSTRATED

BRI

27-81-13-01

BOEING PROPRIETARY - Copyright © - Unpublished Work - See title page for details.

27-81-13  
FIG. 01  
PAGE 11  
JAN 20/09



757

PARTS CATALOG (MAINTENANCE)

FIG ITEM	PART NUMBER	1 2 3 4 5 6 7	NOMENCLATURE	EFFECT FROM TO	UNITS PER ASSY
1			MODREF296 MODREF26684 114N2124-316 MODREF297 MODREF26685		
150	114N2130-2	..	BUSHING	101106 108120 504903	2
155	BACB28AP05P016	..	BUSHING	101106 108120 504903	2
160	114N2199-12	..	TRACK- USED ON: 114N2199-11	101102 108120 504903	1
160	114N2199-10	..	TRACK- USED ON: 114N2199-9	101102 108120 504903	1
162	114N2199-12	..	TRACK- USED ON: 114N2199-11	101102 108120 504903	1
165	114N2199-12	..	TRACK- USED ON: 114N2199-11	103106	1
170	114N2074-1	.	CLEVIS ASSY- POSITION DATA: AFT	101102 108120 504903	1
175	BACB28AM07B013	..	BUSHING	101102 108120 504903	1
180	BACB28AP05-012	..	BUSHING	101102 108120 504903	1
185	114N2074-2	..	CLEVIS- POSITION DATA: AFT	101102 108120 504903	1
190	114N2076-3	.	SCREW	101102 108120 504903	1
195	114N2071-1	.	NUT-BARREL	101102 108120 504903	1

MISSING ITEM NUMBERS NOT APPLICABLE

- ITEM NOT ILLUSTRATED

BRI

27-81-13-01

BOEING PROPRIETARY - Copyright © - Unpublished Work - See title page for details.

27-81-13  
FIG. 01  
PAGE 12  
JAN 20/09



757

PARTS CATALOG (MAINTENANCE)

FIG ITEM	PART NUMBER	1 2 3 4 5 6 7	NOMENCLATURE	EFFECT FROM TO	UNITS PER ASSY
1 200	114N2070-1		. SPACER- USED ON: 114N2124-401 114N2124-403 114N2124-404 114N2124-406 114N2124-407 114N2124-412 114N2124-413 MODREF298 MODREF300 MODREF301 MODREF303 MODREF304 MODREF309 MODREF310	101102 108120 504903	1
200	114N2241-1		. SPACER	102102 505505 507903	1

MISSING ITEM NUMBERS NOT APPLICABLE

- ITEM NOT ILLUSTRATED

BRI

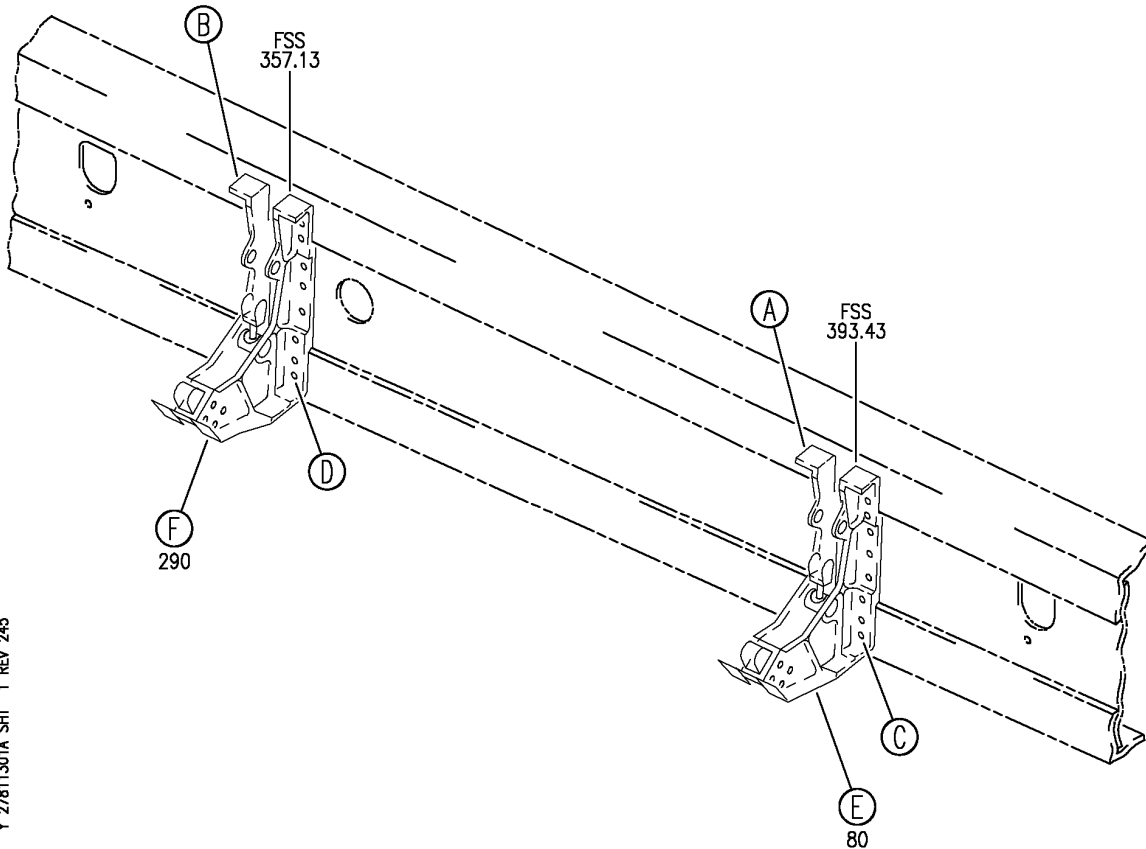
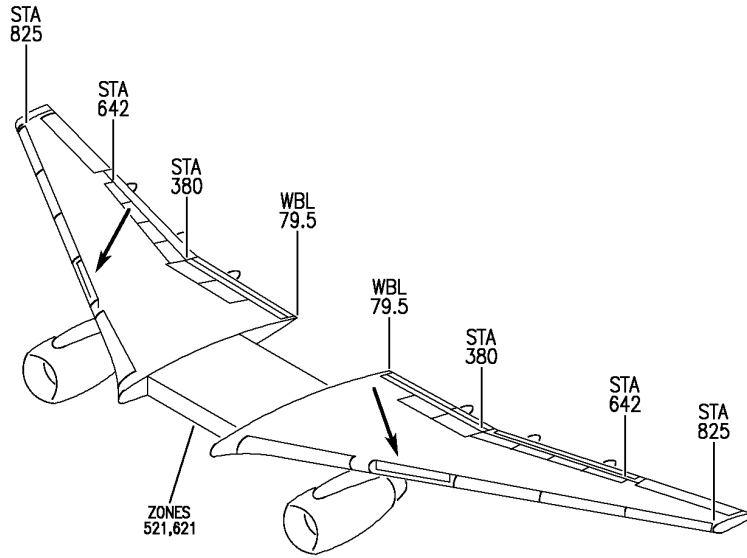
27-81-13-01

BOEING PROPRIETARY - Copyright © - Unpublished Work - See title page for details.

27-81-13  
FIG. 01  
PAGE 13  
JAN 20/09



**BOEING**  
757  
PARTS CATALOG (MAINTENANCE)



Y 27811301A SH1 1 REV 245

TRACK INSTL-OSS 356.5-392.8 OUTBD WING FXD LE SPRT FTG AUX  
FIGURE 1A (SHEET 1)

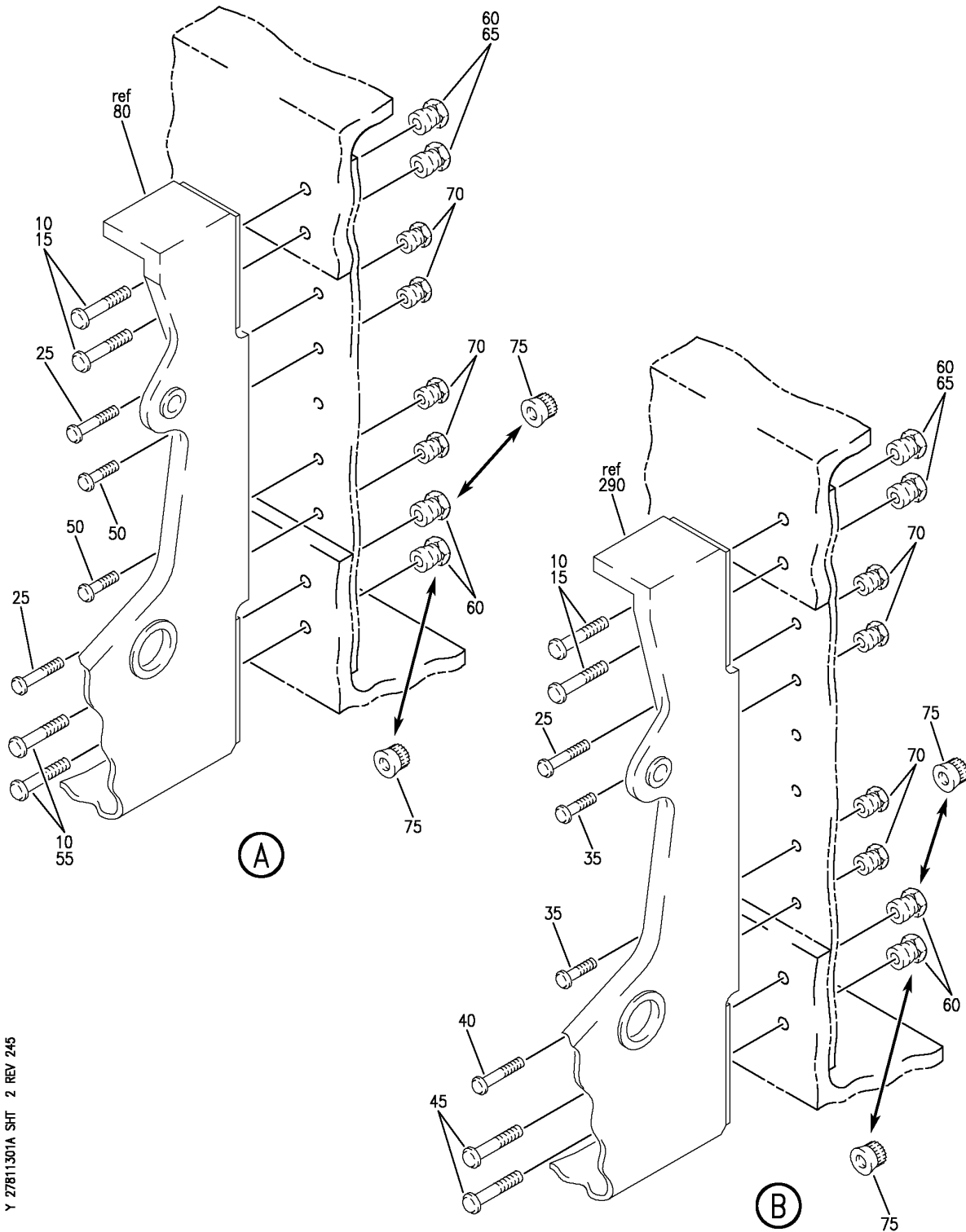
BRI  
JAN 20/09

**27-81-13-01A**

27-81-13-01A  
PAGE 0

BOEING PROPRIETARY - Copyright © - Unpublished Work - See title page for details.

**BOEING**  
757  
PARTS CATALOG (MAINTENANCE)



Y 27811301A SH1 2 REV 245

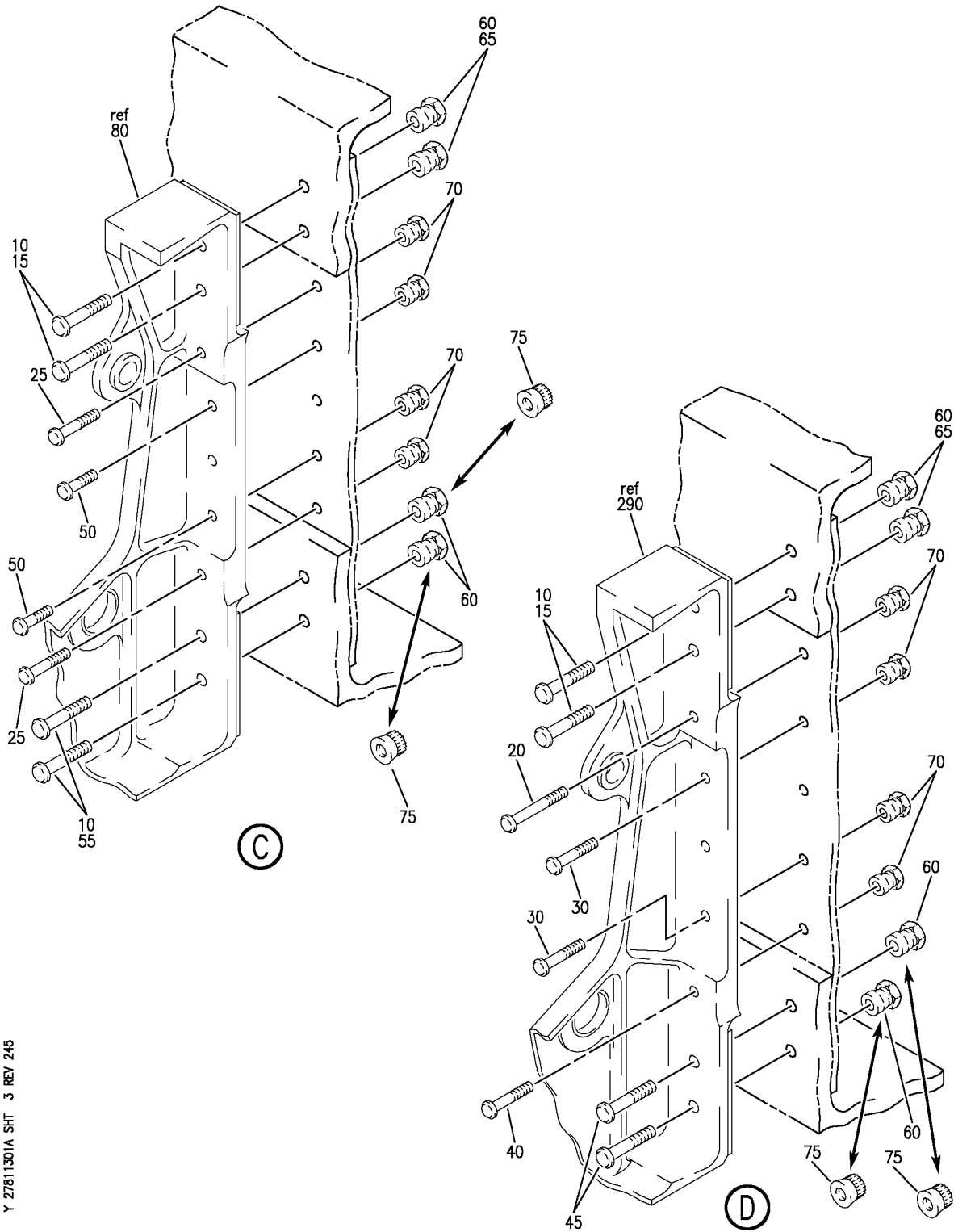
TRACK INSTL-OSS 356.5-392.8 OUTBD WING FXD LE SPRT FTG AUX  
FIGURE 1A (SHEET 2)

BRI  
JAN 20/09

**27-81-13-01A**

27-81-13-01A  
PAGE 0A

**BOEING**  
757  
PARTS CATALOG (MAINTENANCE)



Y 27811301A SHT 3 REV 245

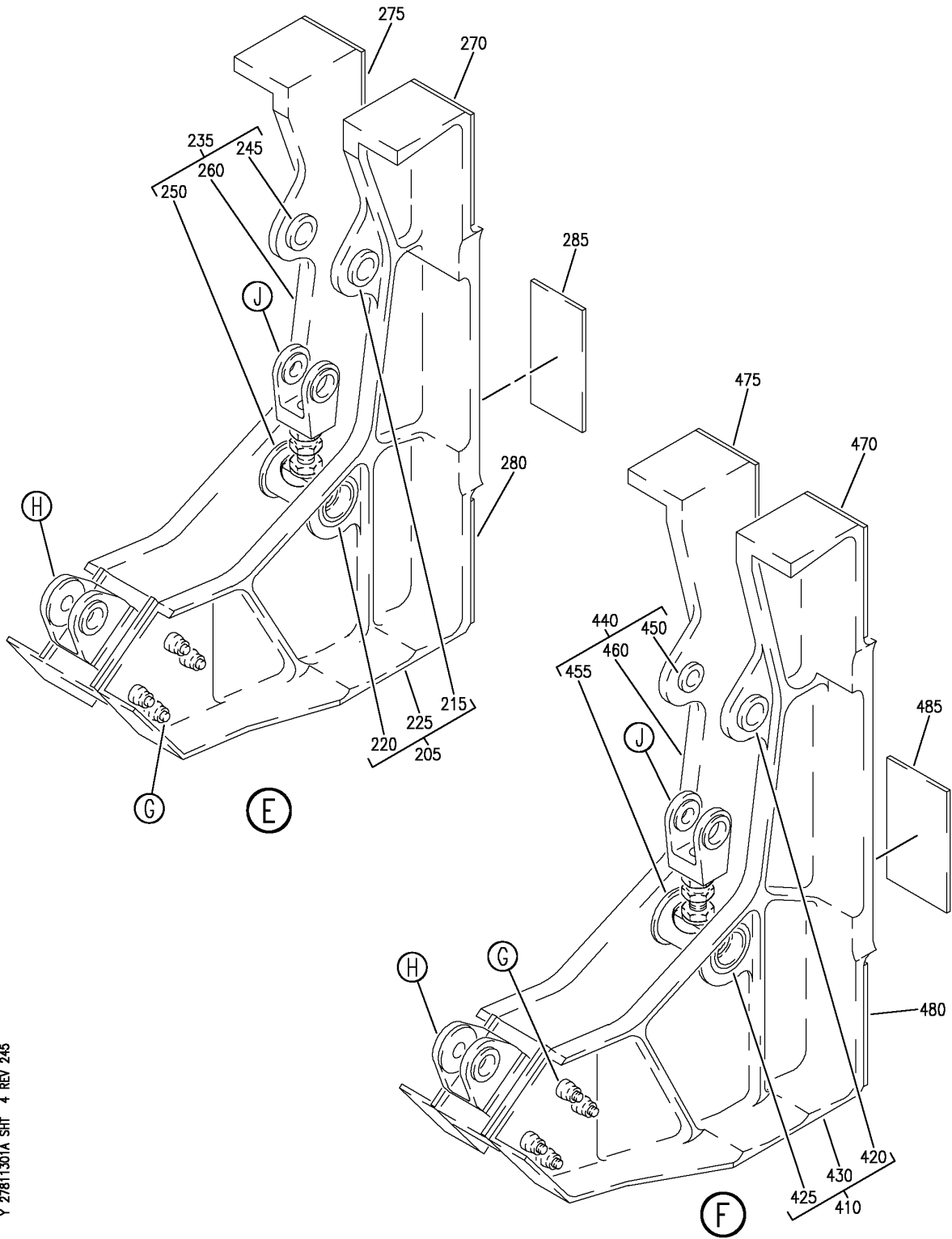
TRACK INSTL-OSS 356.5-392.8 OUTBD WING FXD LE SPRT FTG AUX  
FIGURE 1A (SHEET 3)

BRI  
JAN 20/09

**27-81-13-01A**

27-81-13-01A  
PAGE 0B

**BOEING**  
757  
PARTS CATALOG (MAINTENANCE)



Y 27811301A SH1 4 REV 245

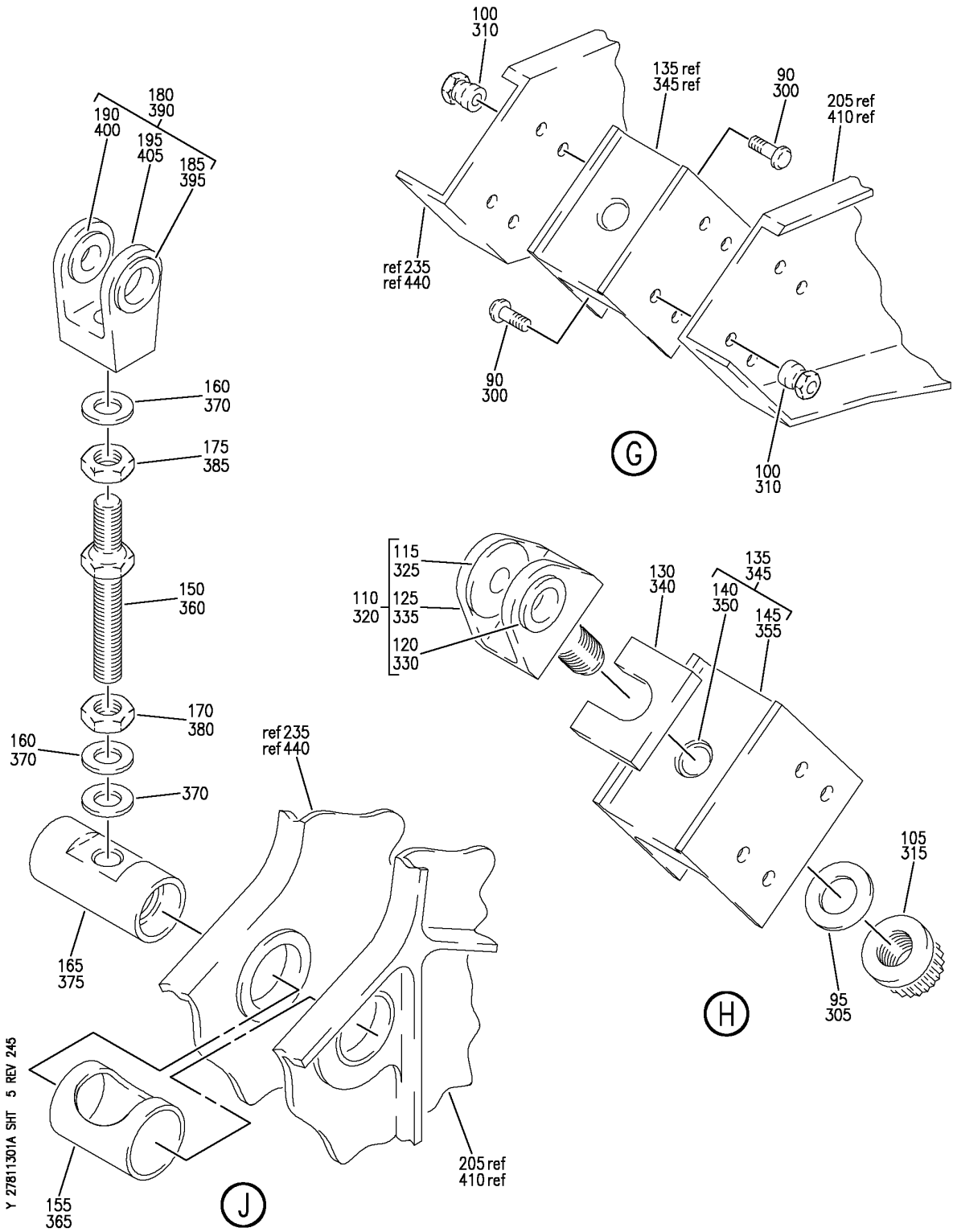
TRACK INSTL-OSS 356.5-392.8 OUTBD WING FXD LE SPRT FTG AUX  
FIGURE 1A (SHEET 4)

BRI  
JAN 20/09

**27-81-13-01A**

27-81-13-01A  
PAGE 0C

**BOEING**  
757  
PARTS CATALOG (MAINTENANCE)



Y 27811301A SHT 5 REV 245

TRACK INSTL-OSS 356.5-392.8 OUTBD WING FXD LE SPRT FTG AUX  
FIGURE 1A (SHEET 5)

BRI  
JAN 20/09

**27-81-13-01A**

27-81-13-01A  
PAGE 0D



757

PARTS CATALOG (MAINTENANCE)

FIG ITEM	PART NUMBER	1 2 3 4 5 6 7	NOMENCLATURE	EFFECT FROM TO	UNITS PER ASSY
1 A			TRACK INSTL-OSS 356.5-392.8 OUTBD WING FXD LE SPRT FTG AUX	103106	
- 1	MODREF19139		TRACK INSTL-SPRT FTG AUX WING FXD LE MODULE NUMBER: 114N2684-303 REV A POSITION DATA: OSS 356.5-392.8 OUTBD LH	103103	1
- 1	MODREF26717		TRACK INSTL-SPRT FTG AUX WING FXD LE MODULE NUMBER: 114N2684-303 REV B POSITION DATA: OSS 356.5-392.8 OUTBD LH	104106	1
- 5	MODREF19140		TRACK INSTL-SPRT FTG AUX WING FXD LE MODULE NUMBER: 114N2684-304 REV A POSITION DATA: OSS 356.5-392.8 OUTBD RH	103103	1
- 5	MODREF26718		TRACK INSTL-SPRT FTG AUX WING FXD LE MODULE NUMBER: 114N2684-304 REV B POSITION DATA: OSS 356.5-392.8 OUTBD RH	104106	1
15	LGPL2SPV10-12AC		.BOLT SUPPLIER CODE: V17446 SPECIFICATION NUMBER: BACB30VN10K12 OPTIONAL PART: LGPL2SPV10-12AC V92215 81669V10K12 V56878 LGPL2SPV10-12AC V56878	103106	8

MISSING ITEM NUMBERS NOT APPLICABLE

- ITEM NOT ILLUSTRATED

**27-81-13-01A**

27-81-13  
FIG. 01A  
PAGE 1  
JAN 20/09

BRI

BOEING PROPRIETARY - Copyright © - Unpublished Work - See title page for details.



757

PARTS CATALOG (MAINTENANCE)

FIG ITEM	PART NUMBER	1 2 3 4 5 6 7	NOMENCLATURE	EFFECT FROM TO	UNITS PER ASSY
1 A					
20	LGPL2SPV8-18AC	.BOLT	SUPPLIER CODE: V17446 SPECIFICATION NUMBER: BACB30VN8K18 OPTIONAL PART: LGPL2SPV8-18AC V56878 LGPL2SPV8-18AC V92215 81669V8K18 V56878	103106	1
25	LGPL2SPV8-12AC	.BOLT	SUPPLIER CODE: V17446 SPECIFICATION NUMBER: BACB30VN8K12 OPTIONAL PART: LGPL2SPV8-12AC V92215 81669V8K12 V56878 LGPL2SPV8-12AC V56878	103106	5
30	LGPL2SPV8-13AC	.BOLT	SUPPLIER CODE: V17446 SPECIFICATION NUMBER: BACB30VN8K13 OPTIONAL PART: LGPL2SPV8-13AC V92215 81669V8K13 V56878 LGPL2SPV8-13AC V56878	103106	3
35	LGPL2SPV8-7AC	.BOLT	SUPPLIER CODE: V17446 SPECIFICATION NUMBER: BACB30VN8K7 OPTIONAL PART: LGPL2SPV8-7AC V92215 81669V8K7 V56878 LGPL2SPV8-7AC V56878	103106	4

MISSING ITEM NUMBERS NOT APPLICABLE

- ITEM NOT ILLUSTRATED

BRI

27-81-13-01A

BOEING PROPRIETARY - Copyright © - Unpublished Work - See title page for details.

27-81-13  
FIG. 01A  
PAGE 2  
JAN 20/09



757

PARTS CATALOG (MAINTENANCE)

FIG ITEM	PART NUMBER	1 2 3 4 5 6 7	NOMENCLATURE	EFFECT FROM TO	UNITS PER ASSY
1 A 40	LGPL2SPV8-11AC	.BOLT	SUPPLIER CODE: V17446 SPECIFICATION NUMBER: BACB30VN8K11 OPTIONAL PART: LGPL2SPV8-11AC V92215 81669V8K11 V56878 LGPL2SPV8-11AC V56878	103106	2
45	BACB30WR5K11L	.BOLT		103106	4
50	LGPL2SPV8-8AC	.BOLT	SUPPLIER CODE: V17446 SPECIFICATION NUMBER: BACB30VN8K8 OPTIONAL PART: LGPL2SPV8-8AC V92215 81669V8K8 V56878 LGPL2SPV8-8AC V56878	103106	6
55	BACB30WR5K12L	.BOLT		103106	4
65	3SLCC10	.COLLAR	SUPPLIER CODE: V17446 SPECIFICATION NUMBER: BACC30BK10 OPTIONAL PART: 3SLCC10 V92215	103106	8
70	3SLCC8	.COLLAR	SUPPLIER CODE: V17446 SPECIFICATION NUMBER: BACC30BK8 OPTIONAL PART: 3SLCC8 V92215	103106	21

MISSING ITEM NUMBERS NOT APPLICABLE

- ITEM NOT ILLUSTRATED

27-81-13-01A

27-81-13  
FIG. 01A  
PAGE 3  
JAN 20/09

BRI

BOEING PROPRIETARY - Copyright © - Unpublished Work - See title page for details.





757

PARTS CATALOG (MAINTENANCE)

FIG ITEM	PART NUMBER	1 2 3 4 5 6 7	NOMENCLATURE	EFFECT FROM TO	UNITS PER ASSY
1 A 75	H39242-5K	.	NUT SUPPLIER CODE: V15653 SPECIFICATION NUMBER: BACN10TN5K OPTIONAL PART: BH00700-5K V27238 TLN1200-5K V97928	103106	8
80	114N2607-1	.	FITTING PAIR ASSY-SPRT POSITION DATA: LH SIDE	103106	1
- 85	114N2607-2	.	FITTING PAIR ASSY-SPRT POSITION DATA: RH SIDE	103106	1
90	HST10AG6-4	..	BOLT SUPPLIER CODE: V06725 SPECIFICATION NUMBER: BACB30VT6K4 OPTIONAL PART: HST10AG6-4 V73197 HST10AG6-4 V56878 HST10AG6-4 VOPTK6 WC10K6-4 V60516	103106	8
95	BACW10BP7DP	..	WASHER	103106	1
100	BACC3OBL6	..	COLLAR SUPPLIER CODE: V73197 SPECIFICATION NUMBER: BACC3OBL6 OPTIONAL PART: HST79-6 V92215 HST79CY6 V56878 HST79CY6 V5M902	103106	8
105	NAS1805-7L	..	NUT	103106	1
110	114N2073-11	..	CLEVIS ASSY- POSITION DATA: FWD	103106	1
115	114N2130-6	...	BUSHING	103106	1
120	BACB28AT07B013C	...	BUSHING	103106	1

MISSING ITEM NUMBERS NOT APPLICABLE

- ITEM NOT ILLUSTRATED

27-81-13-01A

27-81-13  
FIG. 01A  
PAGE 4  
JAN 20/09

BRI

BOEING PROPRIETARY - Copyright © - Unpublished Work - See title page for details.



757

PARTS CATALOG (MAINTENANCE)

FIG ITEM	PART NUMBER	1 2 3 4 5 6 7	NOMENCLATURE	EFFECT FROM TO	UNITS PER ASSY
1 A					
125	114N2073-12	...	CLEVIS	103106	1
130	114N2153-2	..	SHIM	103106	1
135	114N2075-37	..	FITTING ASSY-CHAN	103106	1
140	BACB28U7B048	...	BUSHING	103106	1
145	114N2075-40	...	CHANNEL	103106	1
150	114N2076-3	..	SCREW	103106	1
155	114N2070-1	..	SPACER	103106	1
160	NAS1149E0516P	..	WASHER	103106	2
165	114N2071-1	..	NUT	103106	1
170	NAS1423-5LH	..	NUT	103106	1
175	NAS1423-5	..	NUT	103106	1
180	114N2074-1	..	CLEVIS ASSY- POSITION DATA: AFT	103106	1
185	BACB28AM07B013	...	BUSHING	103106	1
190	BACB28AP05-012	...	BUSHING	103106	1
195	114N2074-2	...	CLEVIS	103106	1
205	114N2192-21	..	FITTING ASSY- POSITION DATA: LH SIDE	103106	1
- 210	114N2192-22	..	FITTING ASSY- POSITION DATA: RH SIDE	103106	1
215	BACB28AT07B017C	...	BUSHING	103106	1
220	BACB28AT13B012C	...	BUSHING	103106	1
225	114N2192-23	...	FITTING- POSITION DATA: LH SIDE	103106	1
- 230	114N2192-24	...	FITTING- POSITION DATA: RH SIDE	103106	1
235	114N2192-25	..	FITTING ASSY- POSITION DATA: LH SIDE	103106	1
- 240	114N2192-26	..	FITTING ASSY- POSITION DATA: RH SIDE	103106	1
245	BACB28AP05P017	...	BUSHING	103106	1
250	BACB28AT13B012C	...	BUSHING	103106	1
260	114N2192-27	...	FITTING- POSITION DATA: LH SIDE	103106	1
- 265	114N2192-28	...	FITTING- POSITION DATA: RH SIDE	103106	1
270	114N2607-3	..	SHIM	103106	1
275	BACS40R015F025F	..	SHIM	103106	1
280	114N2607-4	..	SHIM	103106	1
285	BACS40R015F027F	..	SHIM	103106	1

MISSING ITEM NUMBERS NOT APPLICABLE

- ITEM NOT ILLUSTRATED

27-81-13-01A

27-81-13  
FIG. 01A  
PAGE 5  
JAN 20/09

BRI

BOEING PROPRIETARY - Copyright © - Unpublished Work - See title page for details.

 **BOEING**  
757  
**PARTS CATALOG (MAINTENANCE)**

FIG ITEM	PART NUMBER	1 2 3 4 5 6 7	NOMENCLATURE	EFFECT FROM TO	UNITS PER ASSY
1A					
290	114N2608-1	.	FITTING PAIR ASSY-SPRT POSITION DATA: LH SIDE	103106	1
- 295	114N2608-2	.	FITTING PAIR ASSY-SPRT POSITION DATA: RH SIDE	103106	1
300	HST10AG6-4	..	BOLT SUPPLIER CODE: V06725 SPECIFICATION NUMBER: BACB30VT6K4 OPTIONAL PART: HST10AG6-4 V73197 HST10AG6-4 V56878 HST10AG6-4 VOPTK6 WC10K6-4 V60516	103106	8
305	BACW10BP7DP	..	WASHER	103106	1
310	BACC3OBL6	..	COLLAR SUPPLIER CODE: V73197 SPECIFICATION NUMBER: BACC3OBL6 OPTIONAL PART: HST79-6 V92215 HST79CY6 V56878 HST79CY6 V5M902	103106	8
315	NAS1805-7L	..	NUT	103106	1
320	114N2073-11	..	CLEVIS ASSY- POSITION DATA: FWD	103106	1
325	114N2130-6	...	BUSHING	103106	1
330	BACB28AT07B013C	...	BUSHING	103106	1
335	114N2073-12	...	CLEVIS	103106	1
340	114N2153-2	..	SHIM	103106	1
345	114N2075-37	..	FITTING ASSY-CHAN	103106	1
350	BACB28U7B048	...	BUSHING	103106	1
355	114N2075-40	...	CHANNEL	103106	1
360	114N2076-3	..	SCREW	103106	1
365	114N2070-1	..	SPACER	103106	1
370	NAS1149E0516P	..	WASHER	103106	3
375	114N2071-1	..	NUT	103106	1
380	NAS1423-5LH	..	NUT	103106	1

MISSING ITEM NUMBERS NOT APPLICABLE

- ITEM NOT ILLUSTRATED

BRI

# 27-81-13-01A

BOEING PROPRIETARY - Copyright © - Unpublished Work - See title page for details.

27-81-13  
FIG. 01A  
PAGE 6  
JAN 20/09

 **BOEING**  
757  
**PARTS CATALOG (MAINTENANCE)**

FIG ITEM	PART NUMBER	1 2 3 4 5 6 7	NOMENCLATURE	EFFECT FROM TO	UNITS PER ASSY
1 A					
385	NAS1423-5	..	NUT	103106	1
390	114N2074-1	..	CLEVIS ASSY- POSITION DATA: AFT	103106	1
395	BACB28AM07B013	...	BUSHING	103106	1
400	BACB28AP05-012	...	BUSHING	103106	1
405	114N2074-2	...	CLEVIS	103106	1
410	114N2193-17	..	FITTING ASSY- POSITION DATA: LH SIDE	103106	1
- 415	114N2193-18	..	FITTING ASSY- POSITION DATA: RH SIDE	103106	1
420	BACB28AT07B017C	...	BUSHING	103106	1
425	BACB28AT13B012C	...	BUSHING	103106	1
430	114N2193-19	...	FITTING- POSITION DATA: LH SIDE	103106	1
- 435	114N2193-20	...	FITTING- POSITION DATA: RH SIDE	103106	1
440	114N2193-21	..	FITTING ASSY- POSITION DATA: LH SIDE	103106	1
- 445	114N2193-22	..	FITTING ASSY- POSITION DATA: RH SIDE	103106	1
450	BACB28AP05P017	...	BUSHING	103106	1
455	BACB28AT13B012C	...	BUSHING	103106	1
460	114N2193-23	...	FITTING- POSITION DATA: LH SIDE	103106	1
- 465	114N2193-24	...	FITTING- POSITION DATA: RH SIDE	103106	1
470	114N2608-3	..	SHIM	103106	1
475	BACS40R015F025F	..	SHIM	103106	1
480	114N2608-4	..	SHIM	103106	1
485	BACS40R015F027F	..	SHIM	103106	1

MISSING ITEM NUMBERS NOT APPLICABLE

- ITEM NOT ILLUSTRATED

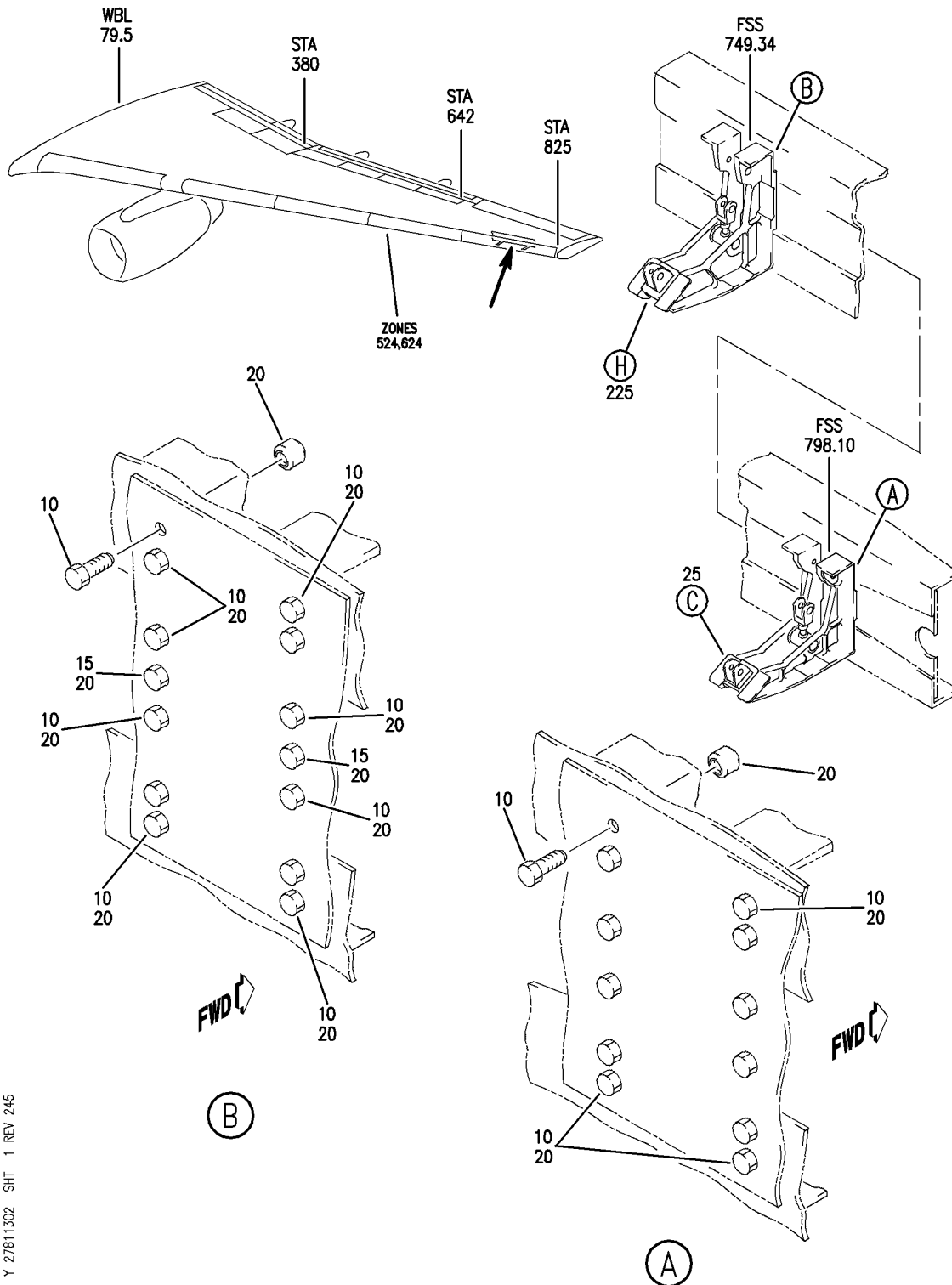
BRI

# 27-81-13-01A

BOEING PROPRIETARY - Copyright © - Unpublished Work - See title page for details.

27-81-13  
FIG. 01A  
PAGE 7  
JAN 20/09

**BOEING**  
757  
PARTS CATALOG (MAINTENANCE)



Y 27811302 SHT 1 REV 245

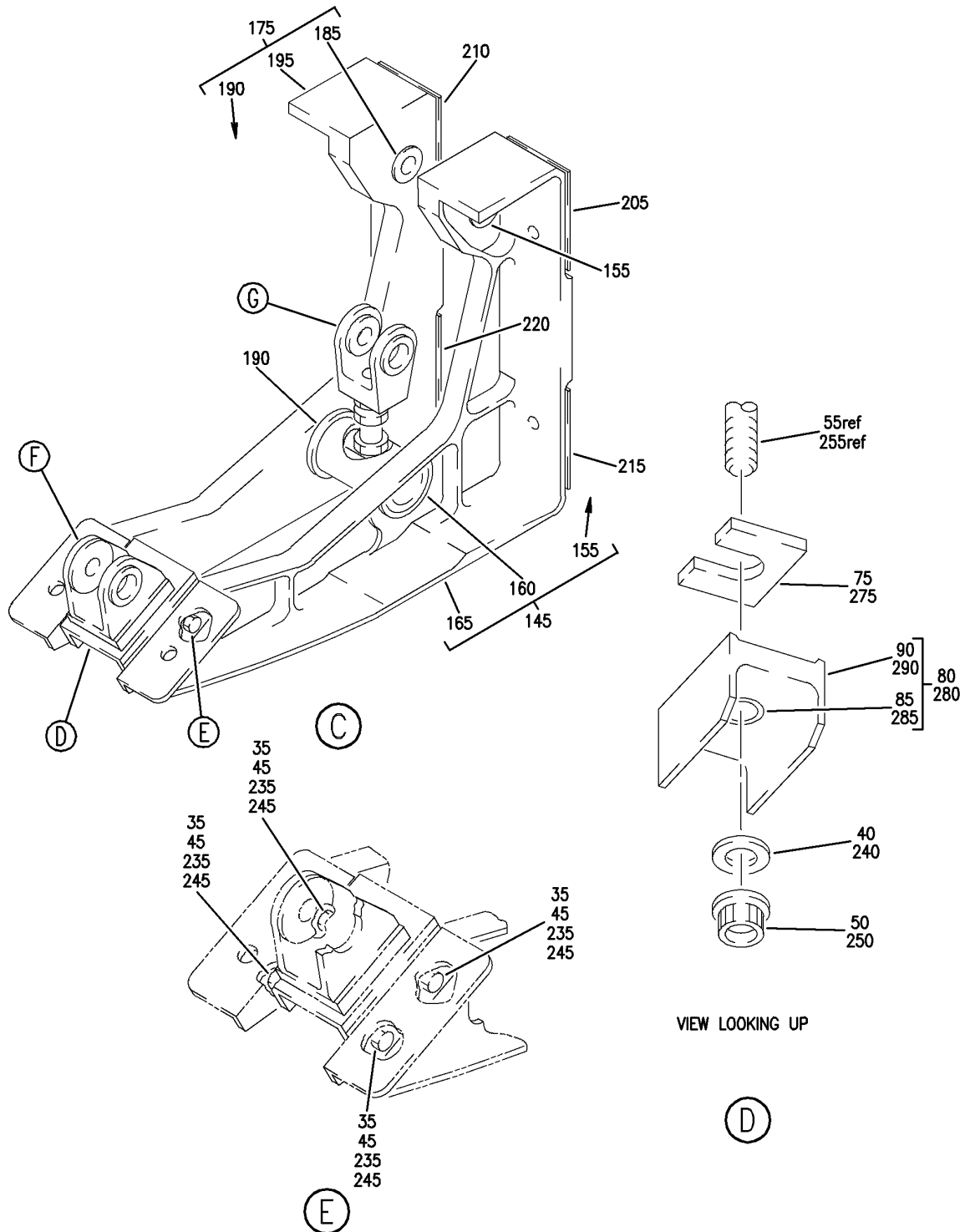
TRACK INSTL-OSS748.7-797.46 OUTBD WING FXD LE SPRT FTG AUX  
FIGURE 2 (SHEET 1)

**27-81-13-02**

BRI  
JAN 20/09

27-81-13-02  
PAGE 0

**BOEING**  
757  
PARTS CATALOG (MAINTENANCE)



Y 27811302 SH1 2 REV 245

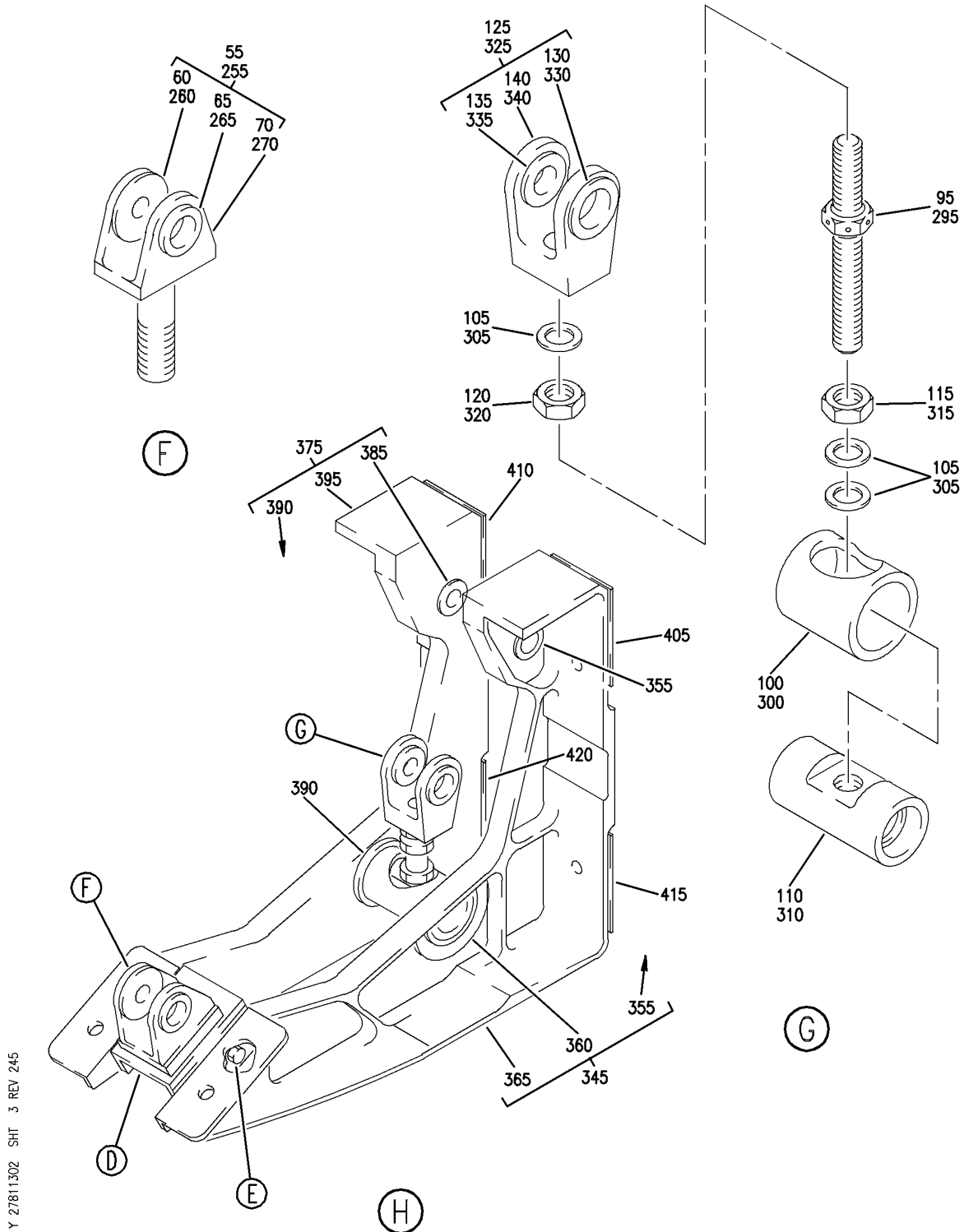
TRACK INSTL-OSS748.7-797.46 OUTBD WING FXD LE SPRT FTG AUX  
FIGURE 2 (SHEET 2)

**27-81-13-02**

BRI  
JAN 20/09

27-81-13-02  
PAGE 0A

**BOEING**  
757  
PARTS CATALOG (MAINTENANCE)



Y 27811302 SH1 3 REV 245

TRACK INSTL-OSS748.7-797.46 OUTBD WING FXD LE SPRT FTG AUX  
FIGURE 2 (SHEET 3)

**27-81-13-02**

BRI  
JAN 20/09

27-81-13-02  
PAGE 0B



757

PARTS CATALOG (MAINTENANCE)

FIG ITEM	PART NUMBER	1 2 3 4 5 6 7	NOMENCLATURE	EFFECT FROM TO	UNITS PER ASSY
2			TRACK INSTL-OSS748.7-797.46 OUTBD WING FXD LE SPRT FTG AUX	103106	
- 1	MODREF607		TRACK INSTL-SPRT FTG AUX WING FXD LE MODULE NUMBER: 114N2681-301 REV A POSITION DATA: OSS 748.7-797.46 OUTBD LH	103103	1
- 1	MODREF26716		TRACK INSTL-SPRT FTG AUX WING FXD LE MODULE NUMBER: 114N2681-301 REV B POSITION DATA: OSS 748.7-797.46 OUTBD LH	104106	1
- 5	MODREF608		TRACK INSTL-SPRT FTG AUX WING FXD LE MODULE NUMBER: 114N2681-302 REV A POSITION DATA: OSS 748.7-797.46 OUTBD RH	103103	1
- 5	MODREF30020		TRACK INSTL-SPRT FTG AUX WING FXD LE MODULE NUMBER: 114N2681-302 REV B POSITION DATA: OSS 748.7-797.46 OUTBD RH	104106	1
10	LGPL2SPV8-7AC		.BOLT SUPPLIER CODE: V17446 SPECIFICATION NUMBER: BACB30VN8K7 OPTIONAL PART: LGPL2SPV8-7AC V92215 81669V8K7 V56878 LGPL2SPV8-7AC V56878	103106	24

MISSING ITEM NUMBERS NOT APPLICABLE

- ITEM NOT ILLUSTRATED

BRI

27-81-13-02

27-81-13  
FIG. 02  
PAGE 1  
JAN 20/09





757

PARTS CATALOG (MAINTENANCE)

FIG ITEM	PART NUMBER	1 2 3 4 5 6 7	NOMENCLATURE	EFFECT FROM TO	UNITS PER ASSY
2					
15	LGPL2SPV8-5AC	.BOLT	SUPPLIER CODE: V17446 SPECIFICATION NUMBER: BACB30VN8K5 OPTIONAL PART: LGPL2SPV8-5AC V92215 81669V8K5 V56878 LGPL2SPV8-5AC V56878	103106	2
20	3SLCC8	.COLLAR	SUPPLIER CODE: V17446 SPECIFICATION NUMBER: BACC30BK8 OPTIONAL PART: 3SLCC8 V92215	103106	26
25	114N2601-1	.TRACK SUPPORT ASSY-	POSITION DATA: LH SIDE	103106	1
- 30	114N2601-2	.TRACK SUPPORT ASSY-	POSITION DATA: RH SIDE	103106	1
35	HST10AG6-4	..BOLT	SUPPLIER CODE: V06725 SPECIFICATION NUMBER: BACB30VT6K4 OPTIONAL PART: HST10AG6-4 V73197 HST10AG6-4 V56878 HST10AG6-4 VOPTK6 WC10K6-4 V60516	103106	4
40	BACW10BP7DP	..WASHER		103106	1

MISSING ITEM NUMBERS NOT APPLICABLE

- ITEM NOT ILLUSTRATED

BRI

27-81-13-02

BOEING PROPRIETARY - Copyright © - Unpublished Work - See title page for details.

27-81-13  
FIG. 02  
PAGE 2  
JAN 20/09



757

PARTS CATALOG (MAINTENANCE)

FIG ITEM	PART NUMBER	1 2 3 4 5 6 7	NOMENCLATURE	EFFECT FROM TO	UNITS PER ASSY
2					
45	BACC30BL6	..	COLLAR SUPPLIER CODE: V73197 SPECIFICATION NUMBER: BACC30BL6 OPTIONAL PART: HST79-6 V92215 HST79CY6 V56878 HST79CY6 V5M902	103106	4
50	NAS1805-7L	..	NUT	103106	1
55	114N2073-7	..	CLEVIS ASSY- POSITION DATA: FWD	103106	1
60	114N2130-6	...	BUSHING	103106	1
65	BACB28AT07B013C	...	BUSHING	103106	1
70	114N2073-8	...	CLEVIS	103106	1
75	114N2153-2	..	SHIM	103106	1
80	114N2075-47	..	FITTING ASSY-CHAN	103106	1
85	BACB28U7B028	...	BUSHING	103106	1
90	114N2075-48	...	CHANNEL	103106	1
95	114N2076-3	..	SCREW	103106	1
100	114N2070-1	..	SPACER	103106	1
105	NAS1149E0516P	..	WASHER	103106	3
110	114N2071-1	..	NUT	103106	1
115	NAS1423-5LH	..	NUT	103106	1
120	NAS1423-5	..	NUT	103106	1
125	114N2074-1	..	CLEVIS ASSY- POSITION DATA: AFT	103106	1
130	BACB28AM07B013	...	BUSHING	103106	1
135	BACB28AP05-012	...	BUSHING	103106	1
140	114N2074-2	...	CLEVIS	103106	1
145	114N2186-21	..	FITTING ASSY- POSITION DATA: LH SIDE	103106	1
- 150	114N2186-22	..	FITTING ASSY- POSITION DATA: RH SIDE	103106	1
155	BACB28AT07B017C	...	BUSHING	103106	1
160	BACB28AT13B012C	...	BUSHING	103106	1
165	114N2186-23	...	FITTING- POSITION DATA: LH SIDE	103106	1
- 170	114N2186-24	...	FITTING- POSITION DATA: RH SIDE	103106	1

MISSING ITEM NUMBERS NOT APPLICABLE

- ITEM NOT ILLUSTRATED

27-81-13-02

27-81-13  
FIG. 02  
PAGE 3  
JAN 20/09

BRI



757

PARTS CATALOG (MAINTENANCE)

FIG ITEM	PART NUMBER	1 2 3 4 5 6 7	NOMENCLATURE	EFFECT FROM TO	UNITS PER ASSY
2					
175	114N2186-25	..	FITTING ASSY- POSITION DATA: LH SIDE	103106	1
- 180	114N2186-26	..	FITTING ASSY- POSITION DATA: RH SIDE	103106	1
185	BACB28AP05P017	...	BUSHING	103106	1
190	BACB28AT13B012C	...	BUSHING	103106	1
195	114N2186-27	...	FITTING- POSITION DATA: LH SIDE	103106	1
- 200	114N2186-28	...	FITTING- POSITION DATA: RH SIDE	103106	1
205	114N2601-3	..	SHIM	103106	1
210	BACS40R013F021F	..	SHIM	103106	1
215	114N2601-4	..	SHIM	103106	1
220	BACS40R013F023F	..	SHIM	103106	1
225	114N2602-1	.TR	ACK SUPPORT ASSY- POSITION DATA: LH SIDE	103106	1
- 230	114N2602-2	.TR	ACK SUPPORT ASSY- POSITION DATA: RH SIDE	103106	1
235	HST10AG6-4	..	BOLT SUPPLIER CODE: V06725 SPECIFICATION NUMBER: BACB30VT6K4 OPTIONAL PART: HST10AG6-4 V73197 HST10AG6-4 V56878 HST10AG6-4 VOPTK6 WC10K6-4 V60516	103106	4
240	BACW10BP7DP	..	WASHER	103106	1

MISSING ITEM NUMBERS NOT APPLICABLE

- ITEM NOT ILLUSTRATED

BRI

27-81-13-02

BOEING PROPRIETARY - Copyright © - Unpublished Work - See title page for details.

27-81-13  
FIG. 02  
PAGE 4  
JAN 20/09



757

PARTS CATALOG (MAINTENANCE)

FIG ITEM	PART NUMBER	1 2 3 4 5 6 7	NOMENCLATURE	EFFECT FROM TO	UNITS PER ASSY
2					
245	BACC30BL6	..	COLLAR SUPPLIER CODE: V73197 SPECIFICATION NUMBER: BACC30BL6 OPTIONAL PART: HST79-6 V92215 HST79CY6 V56878 HST79CY6 V5M902	103106	4
250	NAS1805-7L	..	NUT	103106	1
255	114N2073-9	..	CLEVIS ASSY- POSITION DATA: FWD	103106	1
260	114N2130-6	...	BUSHING	103106	1
265	BACB28AT07B013C	...	BUSHING	103106	1
270	114N2073-10	...	CLEVIS	103106	1
275	114N2153-2	..	SHIM	103106	1
280	114N2075-45	..	FITTING ASSY-CHAN	103106	1
285	BACB28U7B028	...	BUSHING	103106	1
290	114N2075-46	...	CHANNEL	103106	1
295	114N2076-3	..	SCREW	103106	1
300	114N2070-1	..	SPACER	103106	1
305	NAS1149E0516P	..	WASHER	103106	3
310	114N2071-1	..	NUT	103106	1
315	NAS1423-5LH	..	NUT	103106	1
320	NAS1423-5	..	NUT	103106	1
325	114N2074-1	..	CLEVIS ASSY- POSITION DATA: AFT	103106	1
330	BACB28AM07B013	...	BUSHING	103106	1
335	BACB28AP05-012	...	BUSHING	103106	1
340	114N2074-2	...	CLEVIS	103106	1
345	114N2187-11	..	FITTING ASSY- POSITION DATA: LH SIDE	103106	1
- 350	114N2187-12	..	FITTING ASSY- POSITION DATA: RH SIDE	103106	1
355	BACB28AT07B017C	...	BUSHING	103106	1
360	BACB28AT13B012C	...	BUSHING	103106	1
365	114N2187-13	...	FITTING- POSITION DATA: LH SIDE	103106	1
- 370	114N2187-14	...	FITTING- POSITION DATA: RH SIDE	103106	1

MISSING ITEM NUMBERS NOT APPLICABLE

- ITEM NOT ILLUSTRATED

27-81-13-02

27-81-13  
FIG. 02  
PAGE 5  
JAN 20/09

BRI



757

PARTS CATALOG (MAINTENANCE)

FIG ITEM	PART NUMBER	1 2 3 4 5 6 7	NOMENCLATURE	EFFECT FROM TO	UNITS PER ASSY
2					
375	114N2187-15	..	FITTING ASSY- POSITION DATA: LH SIDE	103106	1
- 380	114N2187-16	..	FITTING ASSY- POSITION DATA: RH SIDE	103106	1
385	BACB28AP05P017	...	BUSHING	103106	1
390	BACB28AT13B012C	...	BUSHING	103106	1
395	114N2187-17	...	FITTING- POSITION DATA: LH SIDE	103106	1
- 400	114N2187-18	...	FITTING- POSITION DATA: RH SIDE	103106	1
405	114N2602-3	..	SHIM	103106	1
410	BACS40R013F021F	..	SHIM	103106	1
415	114N2602-4	..	SHIM	103106	1
420	BACS40R013F022F	..	SHIM	103106	1

MISSING ITEM NUMBERS NOT APPLICABLE

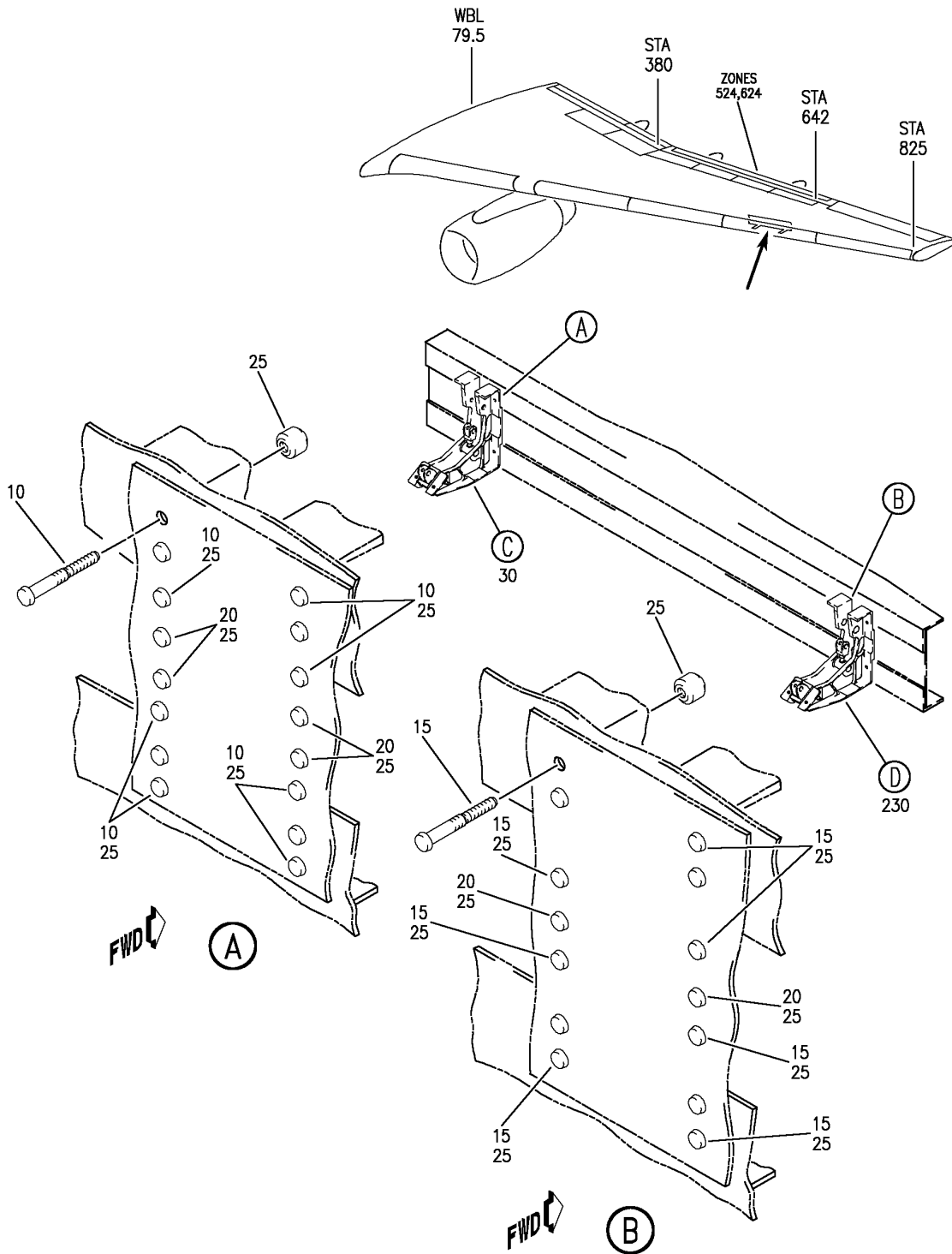
- ITEM NOT ILLUSTRATED

**27-81-13-02**

27-81-13  
FIG. 02  
PAGE 6  
JAN 20/09

BRI

**BOEING**  
757  
PARTS CATALOG (MAINTENANCE)



Y 27811302A SH1 1 REV 245

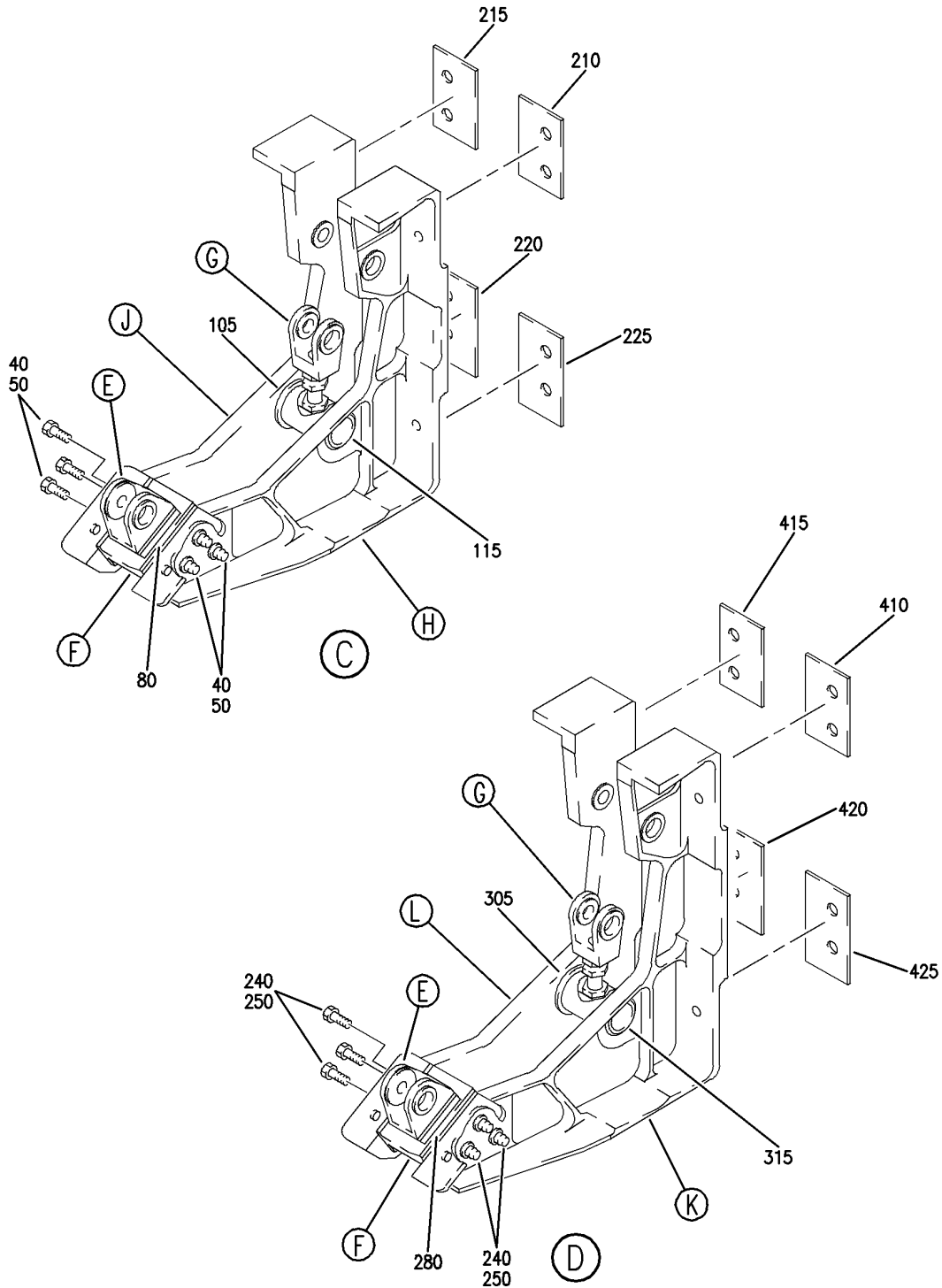
TRACK INSTL-OSS617.3-665.5 OUTBD WING FXD LE SPRT FTG AUX  
FIGURE 2A (SHEET 1)

**27-81-13-02A**

BRI  
JAN 20/09

27-81-13-02A  
PAGE 0

**BOEING**  
757  
PARTS CATALOG (MAINTENANCE)



Y 27811302A SH1 2 REV 245

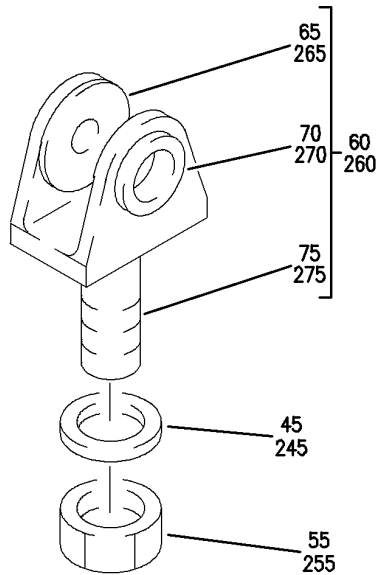
TRACK INSTL-OSS617.3-665.5 OUTBD WING FXD LE SPRT FTG AUX  
FIGURE 2A (SHEET 2)

**27-81-13-02A**

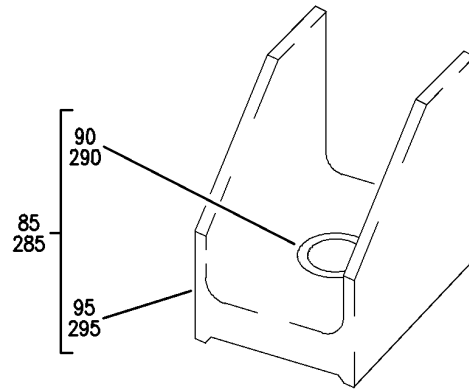
BRI  
JAN 20/09

27-81-13-02A  
PAGE 0A

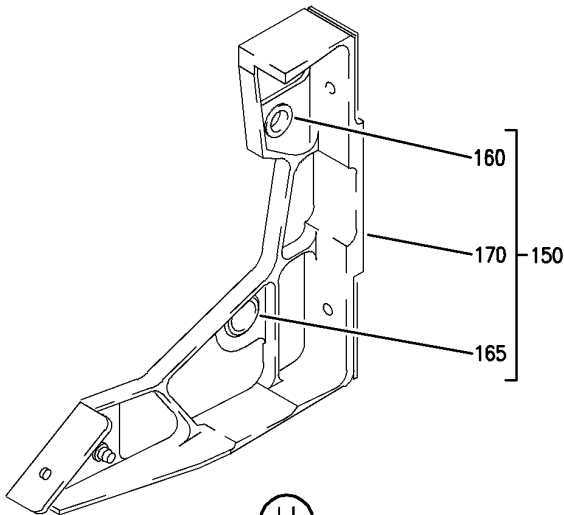
**BOEING**  
757  
PARTS CATALOG (MAINTENANCE)



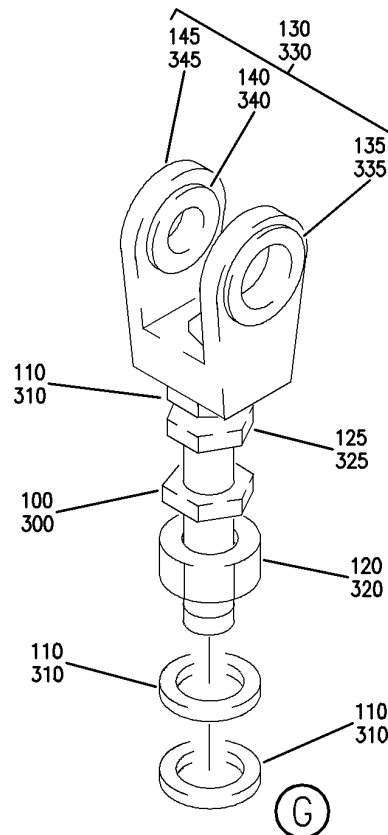
(E)



(F)



(H)



(G)

Y 27811302A SH1 3 REV 245

TRACK INSTL-OSS617.3-665.5 OUTBD WING FXD LE SPRT FTG AUX  
FIGURE 2A (SHEET 3)

**27-81-13-02A**

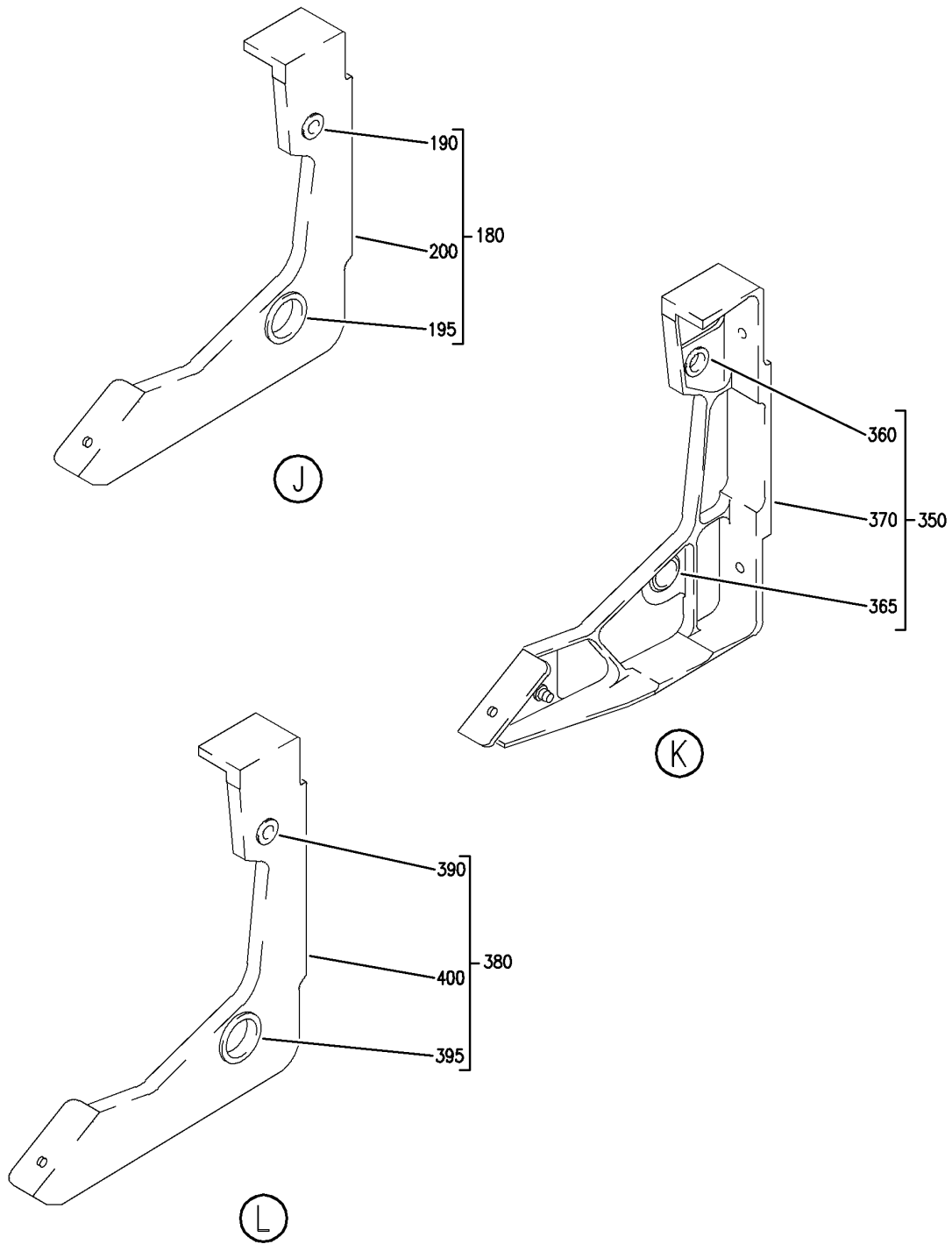
BRI  
JAN 20/09

27-81-13-02A  
PAGE 0B

BOEING PROPRIETARY - Copyright © - Unpublished Work - See title page for details.



**BOEING**  
757  
PARTS CATALOG (MAINTENANCE)



Y 27811302A SH1 4 REV 245

TRACK INSTL-OSS617.3-665.5 OUTBD WING FXD LE SPRT FTG AUX  
FIGURE 2A (SHEET 4)

BRI  
JAN 20/09

**27-81-13-02A**

27-81-13-02A  
PAGE 0C



757

PARTS CATALOG (MAINTENANCE)

FIG ITEM	PART NUMBER	1 2 3 4 5 6 7	NOMENCLATURE	EFFECT FROM TO	UNITS PER ASSY
2A			TRACK INSTL-OSS617.3-665.5 OUTBD WING FXD LE SPRT FTG AUX	103106	
- 1	MODREF609		TRACK INSTL-SPRT FTG AUX WING FXD LE MODULE NUMBER: 114N2682-301 REV A POSITION DATA: OSS 617.3-665.5 OUTBD LH	103103	1
- 1	MODREF30021		TRACK INSTL-SPRT FTG AUX WING FXD LE MODULE NUMBER: 114N2682-301 REV B POSITION DATA: OSS 617.3-665.5 OUTBD LH	104106	1
- 5	MODREF610		TRACK INSTL-SPRT FTG AUX WING FXD LE MODULE NUMBER: 114N2682-302 REV A POSITION DATA: OSS 617.3-665-5 OUTBD LH	103103	1
- 5	MODREF30022		TRACK INSTL-SPRT FTG AUX WING FXD LE MODULE NUMBER: 114N2682-302 REV B POSITION DATA: OSS 617.3-665-5 OUTBD RH	104106	1
10	LGPL2SPV8-10AC		.BOLT SUPPLIER CODE: V17446 SPECIFICATION NUMBER: BACB30VN8K10 OPTIONAL PART: LGPL2SPV8-10AC V92215 81669V8K10 V56878 LGPL2SPV8-10AC V56878	103106	12

MISSING ITEM NUMBERS NOT APPLICABLE

- ITEM NOT ILLUSTRATED

BRI

27-81-13-02A

BOEING PROPRIETARY - Copyright © - Unpublished Work - See title page for details.

27-81-13  
FIG. 02A  
PAGE 1  
JAN 20/09



757

PARTS CATALOG (MAINTENANCE)

FIG ITEM	PART NUMBER	1 2 3 4 5 6 7	NOMENCLATURE	EFFECT FROM TO	UNITS PER ASSY
2A 15	LGPL2SPV8-9AC	.BOLT	SUPPLIER CODE: V17446 SPECIFICATION NUMBER: BACB30VN8K9 OPTIONAL PART: LGPL2SPV8-9AC V92215 81669V8K9 V56878 LGPL2SPV8-9AC V56878	103106	12
20	LGPL2SPV8-6AC	.BOLT	SUPPLIER CODE: V17446 SPECIFICATION NUMBER: BACB30VN8K6 OPTIONAL PART: LGPL2SPV8-6AC V92215 81669V8K6 V56878 LGPL2SPV8-6AC V56878	103106	6
25	3SLCC8	.COLLAR	SUPPLIER CODE: V17446 SPECIFICATION NUMBER: BACC30BK8 OPTIONAL PART: 3SLCC8 V92215	103106	30
30	114N2603-1	.FITTING PAIR ASSY-	POSITION DATA: LH SIDE	103106	1
- 35	114N2603-2	.FITTING PAIR ASSY-	POSITION DATA: RH SIDE	103106	1

MISSING ITEM NUMBERS NOT APPLICABLE

- ITEM NOT ILLUSTRATED

27-81-13-02A

27-81-13  
FIG. 02A  
PAGE 2  
JAN 20/09

BRI

BOEING PROPRIETARY - Copyright © - Unpublished Work - See title page for details.

**BOEING**  
757  
**PARTS CATALOG (MAINTENANCE)**

FIG ITEM	PART NUMBER	1 2 3 4 5 6 7	NOMENCLATURE	EFFECT FROM TO	UNITS PER ASSY
2A 40	HST10AG6-4	..	BOLT SUPPLIER CODE: V06725 SPECIFICATION NUMBER: BACB30VT6K4 OPTIONAL PART: HST10AG6-4 V73197 HST10AG6-4 V56878 HST10AG6-4 VOPTK6 WC10K6-4 V60516	103106	6
45	BACW10BP7DP	..	WASHER	103106	1
50	BACC30BL6	..	COLLAR SUPPLIER CODE: V73197 SPECIFICATION NUMBER: BACC30BL6 OPTIONAL PART: HST79-6 V92215 HST79CY6 V56878 HST79CY6 V5M902	103106	6
55	NAS1805-7L	..	NUT	103106	1
60	114N2073-9	..	CLEVIS ASSY- POSITION DATA: FWD	103106	1
65	114N2130-6	...	BUSHING	103106	1
70	BACB28AT07B013C	...	BUSHING	103106	1
75	114N2073-10	...	CLEVIS	103106	1
80	114N2153-2	..	SHIM	103106	1
85	114N2075-43	..	FITTING ASSY-CHAN	103106	1
90	BACB28U7B038	...	BUSHING	103106	1
95	114N2075-44	...	CHANNEL	103106	1
100	114N2076-3	..	SCREW	103106	1
105	114N2070-1	..	SPACER	103106	1
110	NAS1149E0516P	..	WASHER	103106	3
115	114N2071-1	..	NUT	103106	1
120	NAS1423-5LH	..	NUT	103106	1
125	NAS1423-5	..	NUT	103106	1
130	114N2074-1	..	CLEVIS ASSY- POSITION DATA: AFT	103106	1
135	BACB28AM07B013	...	BUSHING	103106	1
140	BACB28AP05-012	...	BUSHING	103106	1

MISSING ITEM NUMBERS NOT APPLICABLE

— ITEM NOT ILLUSTRATED

BRI

# 27-81-13-02A

BOEING PROPRIETARY - Copyright © - Unpublished Work - See title page for details.

27-81-13  
FIG. 02A  
PAGE 3  
JAN 20/09

 **BOEING**  
757  
**PARTS CATALOG (MAINTENANCE)**

FIG ITEM	PART NUMBER	1 2 3 4 5 6 7	NOMENCLATURE	EFFECT FROM TO	UNITS PER ASSY
2A					
145	114N2074-2	...	CLEVIS	103106	1
150	114N2188-11	..	FITTING ASSY- POSITION DATA: LH SIDE	103106	1
- 155	114N2188-12	..	FITTING ASSY- POSITION DATA: RH SIDE	103106	1
160	BACB28AT07B017C	...	BUSHING	103106	1
165	BACB28AT13B012C	...	BUSHING	103106	1
170	114N2188-13	...	FITTING- POSITION DATA: LH SIDE	103106	1
- 175	114N2188-14	...	FITTING- POSITION DATA: RH SIDE	103106	1
180	114N2188-15	..	FITTING ASSY- POSITION DATA: LH SIDE	103106	1
- 185	114N2188-16	..	FITTING ASSY- POSITION DATA: RH SIDE	103106	1
190	BACB28AP05P017	...	BUSHING	103106	1
195	BACB28AT13B012C	...	BUSHING	103106	1
200	114N2188-17	...	FITTING- POSITION DATA: LH SIDE	103106	1
- 205	114N2188-18	...	FITTING- POSITION DATA: RH SIDE	103106	1
210	114N2603-3	..	SHIM	103106	1
215	BACS40R013F020F	..	SHIM	103106	1
220	114N2603-4	..	SHIM	103106	1
225	BACS40R013F022F	..	SHIM	103106	1
230	114N2604-1	.	FITTING PAIR ASSY- POSITION DATA: LH SIDE	103106	1
- 235	114N2604-2	.	FITTING PAIR ASSY- POSITION DATA: RH SIDE	103106	1

MISSING ITEM NUMBERS NOT APPLICABLE

- ITEM NOT ILLUSTRATED

BRI

# 27-81-13-02A

BOEING PROPRIETARY - Copyright © - Unpublished Work - See title page for details.

27-81-13  
FIG. 02A  
PAGE 4  
JAN 20/09



757

PARTS CATALOG (MAINTENANCE)

FIG ITEM	PART NUMBER	1 2 3 4 5 6 7	NOMENCLATURE	EFFECT FROM TO	UNITS PER ASSY
2A 240	HST10AG6-4	..	BOLT SUPPLIER CODE: V06725 SPECIFICATION NUMBER: BACB30VT6K4 OPTIONAL PART: HST10AG6-4 V73197 HST10AG6-4 V56878 HST10AG6-4 VOPTK6 WC10K6-4 V60516	103106	6
245	BACW10BP7DP	..	WASHER	103106	1
250	BACC30BL6	..	COLLAR SUPPLIER CODE: V73197 SPECIFICATION NUMBER: BACC30BL6 OPTIONAL PART: HST79-6 V92215 HST79CY6 V56878 HST79CY6 V5M902	103106	6
255	NAS1805-7L	..	NUT	103106	1
260	114N2073-9	..	CLEVIS ASSY- POSITION DATA: FWD	103106	1
265	114N2130-6	...	BUSHING	103106	1
270	BACB28AT07B013C	...	BUSHING	103106	1
275	114N2073-10	...	CLEVIS	103106	1
280	114N2153-2	..	SHIM	103106	1
285	114N2075-43	..	FITTING ASSY-CHAN	103106	1
290	BACB28U7B028	...	BUSHING	103106	1
295	114N2075-44	...	CHANNEL	103106	1
300	114N2076-3	..	SCREW	103106	1
305	114N2070-1	..	SPACER	103106	1
310	NAS1149E0516P	..	WASHER	103106	3
315	114N2071-1	..	NUT	103106	1
320	NAS1423-5LH	..	NUT	103106	1
325	NAS1423-5	..	NUT	103106	1
330	114N2074-1	..	CLEVIS ASSY- POSITION DATA: AFT	103106	1
335	BACB28AM07B013	...	BUSHING	103106	1
340	BACB28AP05-012	...	BUSHING	103106	1

MISSING ITEM NUMBERS NOT APPLICABLE

- ITEM NOT ILLUSTRATED

27-81-13-02A

27-81-13  
FIG. 02A  
PAGE 5  
JAN 20/09

BRI

BOEING PROPRIETARY - Copyright © - Unpublished Work - See title page for details.



757

PARTS CATALOG (MAINTENANCE)

FIG ITEM	PART NUMBER	1 2 3 4 5 6 7	NOMENCLATURE	EFFECT FROM TO	UNITS PER ASSY
2A					
345	114N2074-2	...	CLEVIS	103106	1
350	114N2189-11	..	FITTING ASSY- POSITION DATA: LH SIDE	103106	1
- 355	114N2189-12	..	FITTING ASSY- POSITION DATA: RH SIDE	103106	1
360	BACB28AT07B017C	...	BUSHING	103106	1
365	BACB28AT13B012C	...	BUSHING	103106	1
370	114N2189-13	...	FITTING- POSITION DATA: LH SIDE	103106	1
- 375	114N2189-14	...	FITTING- POSITION DATA: RH SIDE	103106	1
380	114N2189-15	..	FITTING ASSY- POSITION DATA: LH SIDE	103106	1
- 385	114N2189-16	..	FITTING ASSY- POSITION DATA: RH SIDE	103106	1
390	BACB28AP05P017	...	BUSHING	103106	1
395	BACB28AT13B012C	...	BUSHING	103106	1
400	114N2189-17	...	FITTING- POSITION DATA: LH SIDE	103106	1
- 405	114N2189-18	...	FITTING- POSITION DATA: RH SIDE	103106	1
410	114N2604-3	..	SHIM	103106	1
415	BACS40R013F020F	..	SHIM	103106	1
420	114N2604-4	..	SHIM	103106	1
425	BACS40R013F023F	..	SHIM	103106	1

MISSING ITEM NUMBERS NOT APPLICABLE

- ITEM NOT ILLUSTRATED

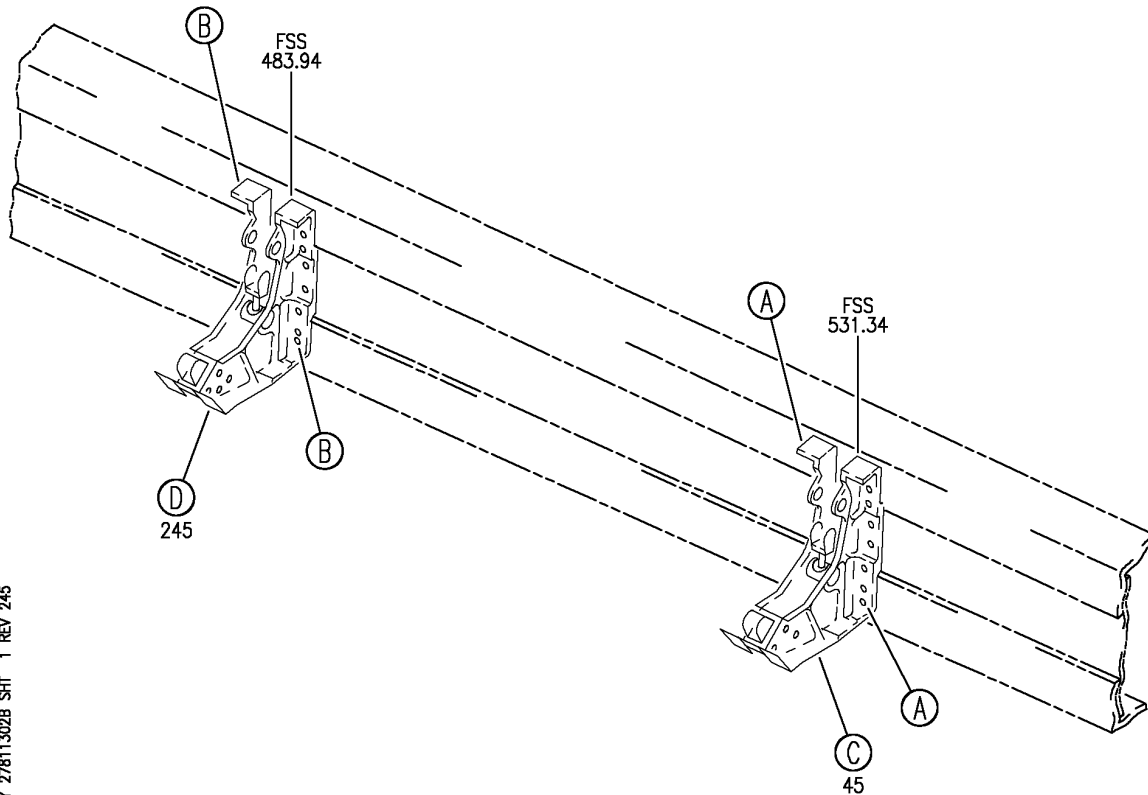
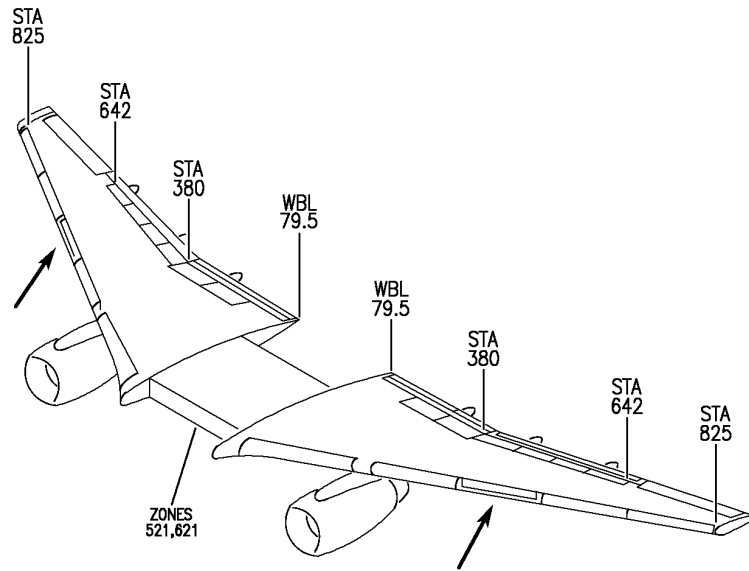
27-81-13-02A

27-81-13  
FIG. 02A  
PAGE 6  
JAN 20/09

BRI

BOEING PROPRIETARY - Copyright © - Unpublished Work - See title page for details.

**BOEING**  
757  
PARTS CATALOG (MAINTENANCE)



Y 27811302B SHT 1 REV 245

TRACK INSTL-OSS 483.3-530.7 OUTBD WING FXD LE SPRT FTG AUX  
FIGURE 2B (SHEET 1)

BRI  
JAN 20/09

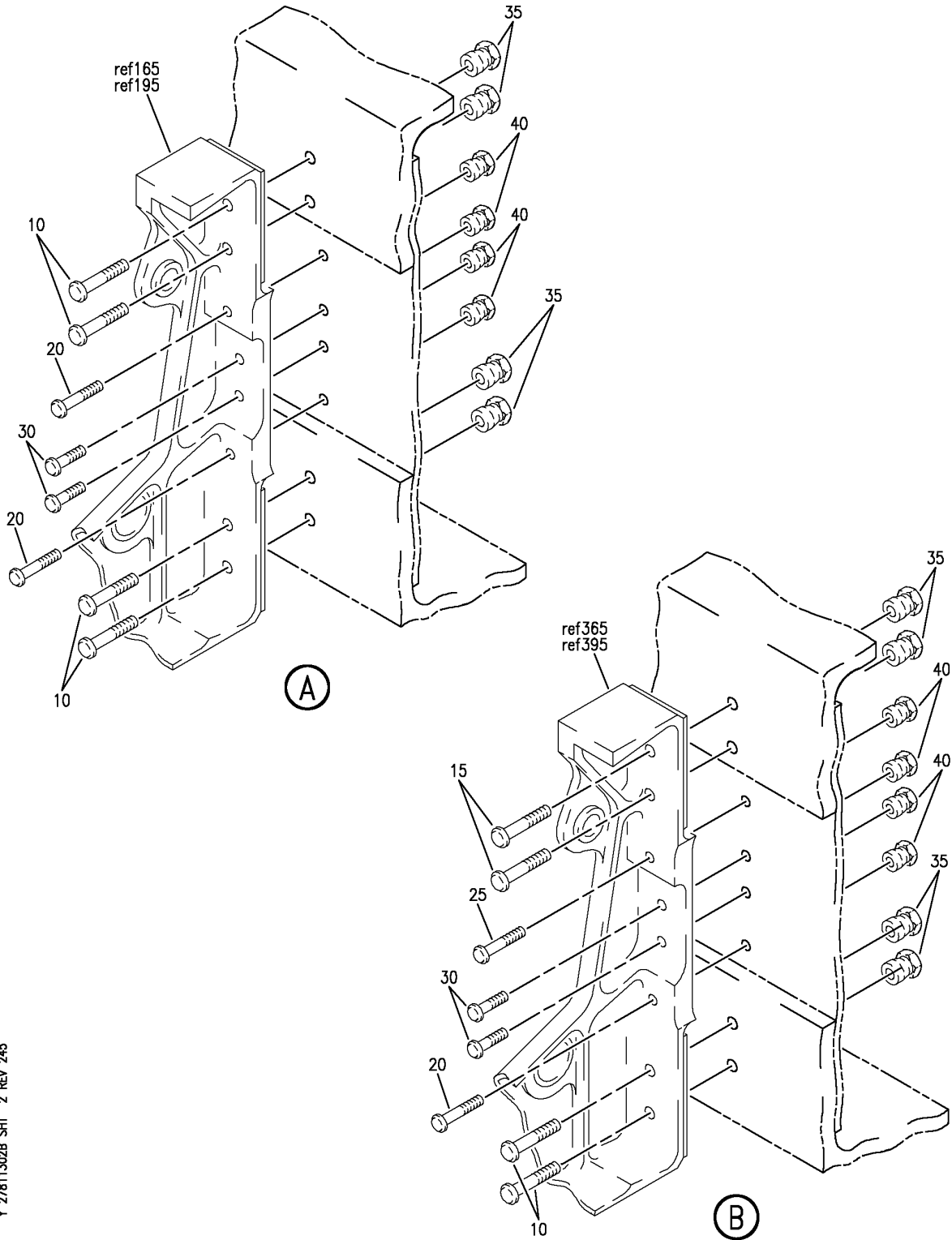
**27-81-13-02B**

27-81-13-02B  
PAGE 0

BOEING PROPRIETARY - Copyright © - Unpublished Work - See title page for details.



**BOEING**  
757  
PARTS CATALOG (MAINTENANCE)



Y 27B11302B SHT 2 REV 245

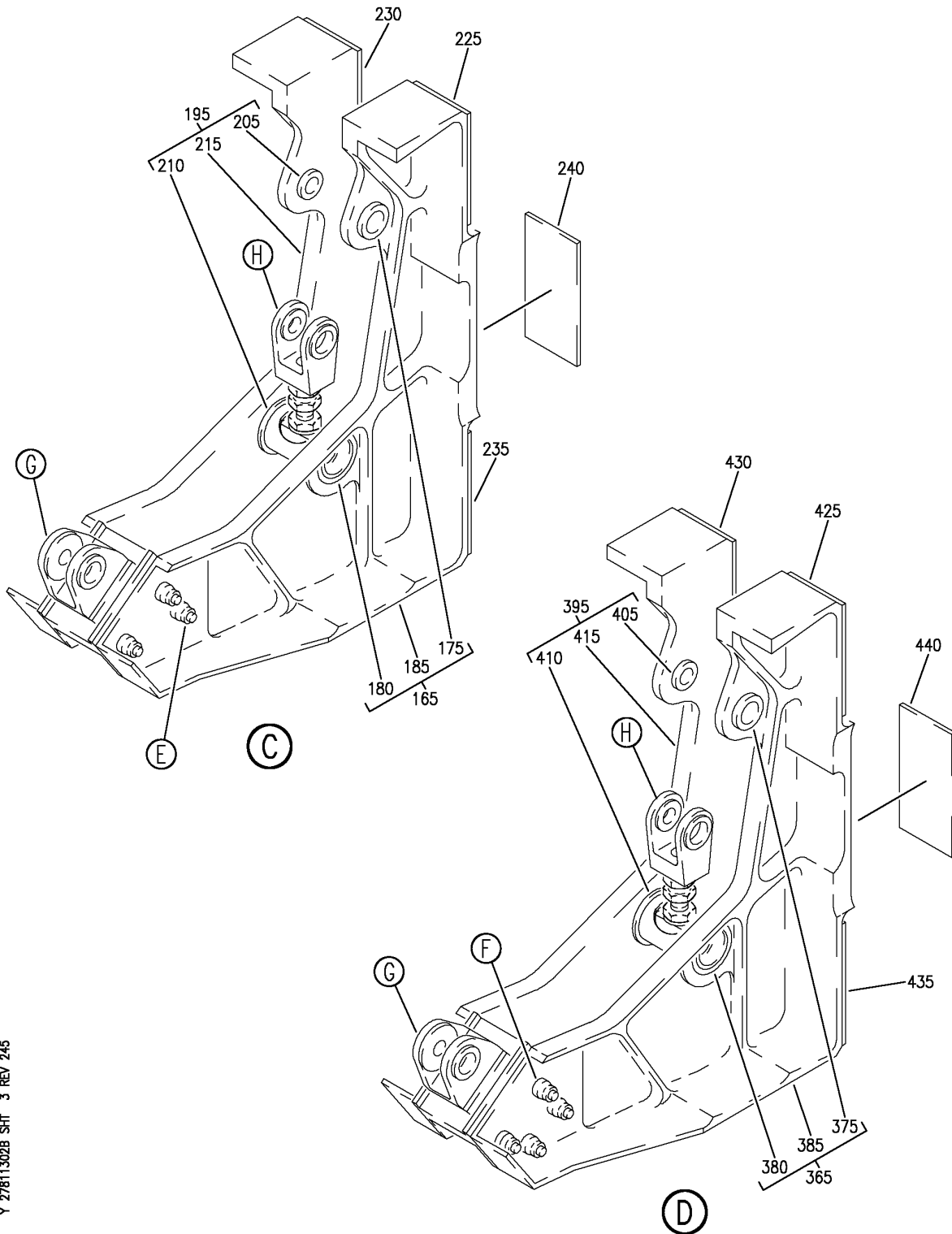
TRACK INSTL-OSS 483.3-530.7 OUTBD WING FXD LE SPRT FTG AUX  
FIGURE 2B (SHEET 2)

BRI  
JAN 20/09

**27-81-13-02B**

27-81-13-02B  
PAGE 0A

**BOEING**  
757  
PARTS CATALOG (MAINTENANCE)



Y 27811302B SHT 3 REV 245

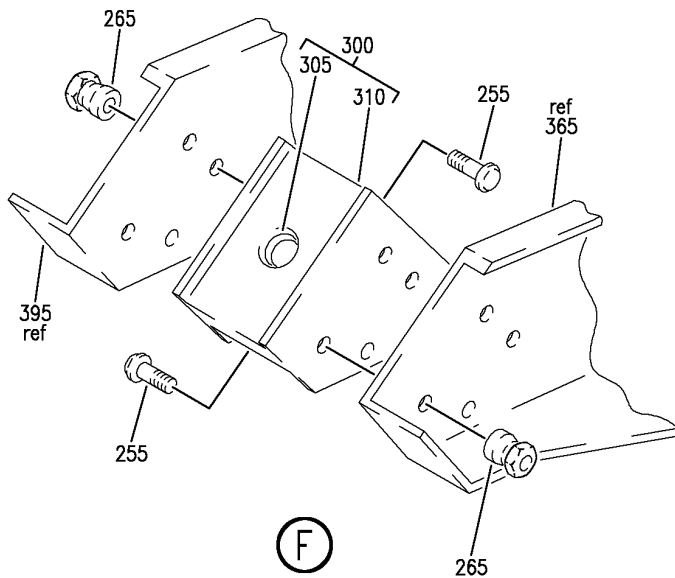
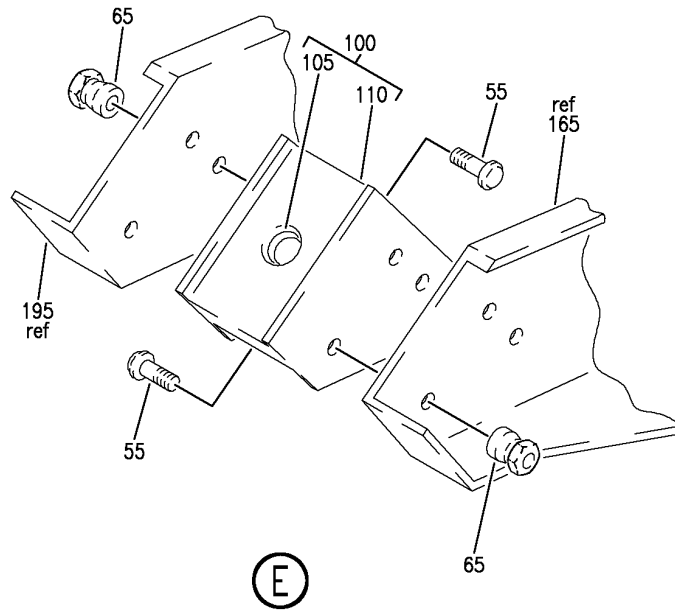
TRACK INSTL-OSS 483.3-530.7 OUTBD WING FXD LE SPRT FTG AUX  
FIGURE 2B (SHEET 3)

**27-81-13-02B**

BRI  
JAN 20/09

27-81-13-02B  
PAGE 0B

**BOEING**  
757  
PARTS CATALOG (MAINTENANCE)



Y 27811302B SHT 4 REV 245

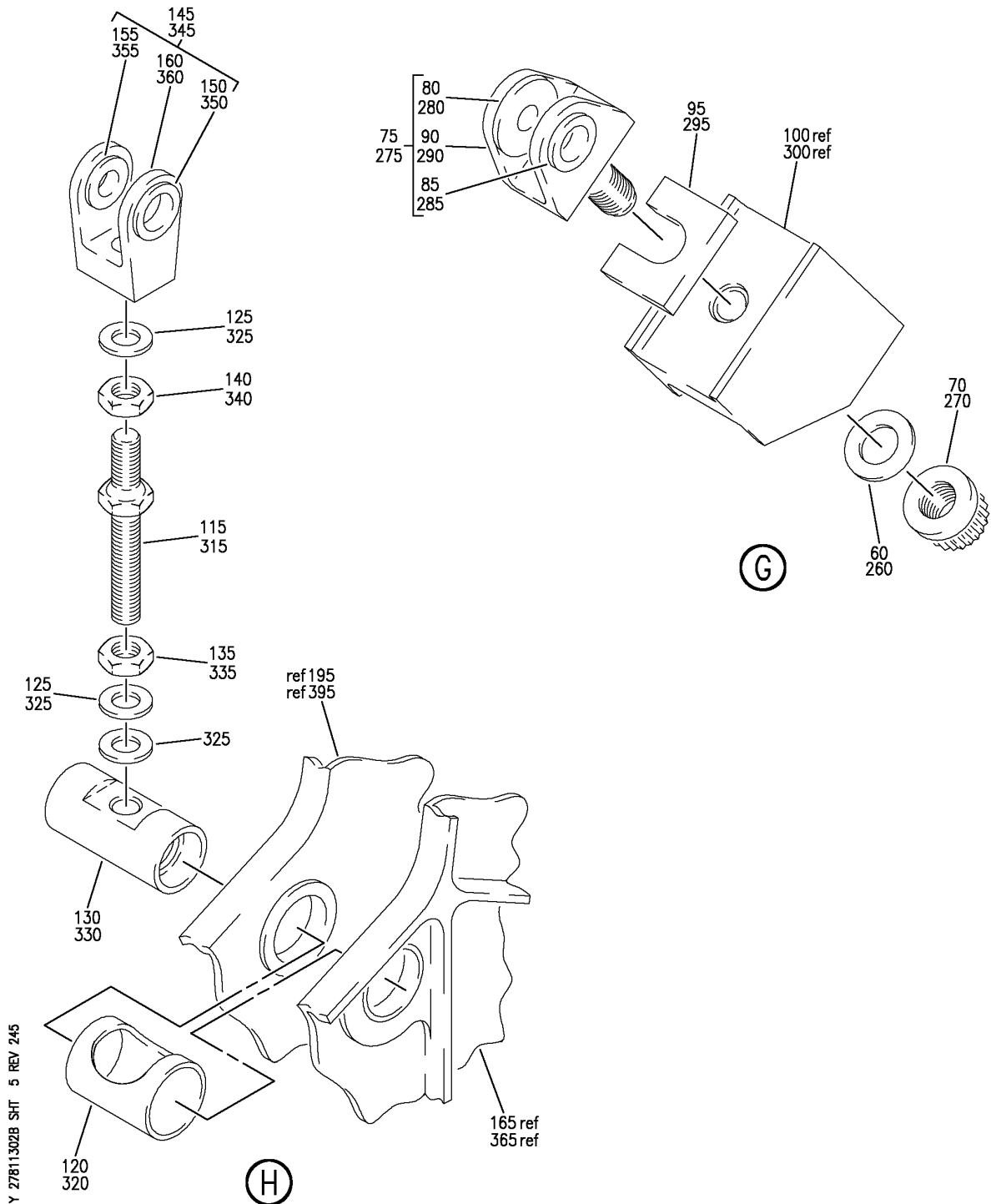
TRACK INSTL-OSS 483.3-530.7 OUTBD WING FXD LE SPRT FTG AUX  
FIGURE 2B (SHEET 4)

**27-81-13-02B**

BRI  
JAN 20/09

27-81-13-02B  
PAGE 0C

**BOEING**  
757  
PARTS CATALOG (MAINTENANCE)



TRACK INSTL-OSS 483.3-530.7 OUTBD WING FXD LE SPRT FTG AUX  
FIGURE 2B (SHEET 5)

BRI  
JAN 20/09

**27-81-13-02B**

27-81-13-02B  
PAGE 0D



757

PARTS CATALOG (MAINTENANCE)

FIG ITEM	PART NUMBER	1 2 3 4 5 6 7	NOMENCLATURE	EFFECT FROM TO	UNITS PER ASSY
2B			TRACK INSTL-OSS 483.3-530.7 OUTBD WING FXD LE SPRT FTG AUX	103106	
- 1	MODREF611		TRACK INSTL-SPRT FTG AUX WING FXD LE MODULE NUMBER: 114N2683-301 REV A POSITION DATA: OSS 483.3-530.7 OUTBD LH	103103	1
- 1	MODREF30023		TRACK INSTL-SPRT FTG AUX WING FXD LE MODULE NUMBER: 114N2683-301 REV B POSITION DATA: OSS 483.3-530.7 OUTBD LH	104106	1
- 5	MODREF612		TRACK INSTL-SPRT FTG AUX WING FXD LE MODULE NUMBER: 114N2683-302 REV A POSITION DATA: OSS 483.3-530.7 OUTBD RH	103103	1
- 5	MODREF30024		TRACK INSTL-SPRT FTG AUX WING FXD LE MODULE NUMBER: 114N2683-302 REV B POSITION DATA: OSS 483.3-530.7 OUTBD RH	104106	1
10	LGPL2SPV10-11AC		.BOLT SUPPLIER CODE: V17446 SPECIFICATION NUMBER: BACB30VN10K11 OPTIONAL PART: LGPL2SPV10-11AC V92215 81669V10K11 V56878 LGPL2SPV10-11AC V56878	103106	12

MISSING ITEM NUMBERS NOT APPLICABLE

- ITEM NOT ILLUSTRATED

27-81-13-02B

27-81-13  
FIG. 02B  
PAGE 1  
JAN 20/09

BRI



757

PARTS CATALOG (MAINTENANCE)

FIG ITEM	PART NUMBER	1 2 3 4 5 6 7	NOMENCLATURE	EFFECT FROM TO	UNITS PER ASSY
2B	15 LGPL2SPV10-12AC	.BOLT	SUPPLIER CODE: V17446 SPECIFICATION NUMBER: BACB30VN10K12 OPTIONAL PART: LGPL2SPV10-12AC V92215 81669V10K12 V56878 LGPL2SPV10-12AC V56878	103106	4
	20 LGPL2SPV8-11AC	.BOLT	SUPPLIER CODE: V17446 SPECIFICATION NUMBER: BACB30VN8K11 OPTIONAL PART: LGPL2SPV8-11AC V92215 81669V8K11 V56878 LGPL2SPV8-11AC V56878	103106	6
	25 LGPL2SPV8-12AC	.BOLT	SUPPLIER CODE: V17446 SPECIFICATION NUMBER: BACB30VN8K12 OPTIONAL PART: LGPL2SPV8-12AC V92215 81669V8K12 V56878 LGPL2SPV8-12AC V56878	103106	2
	30 LGPL2SPV8-7AC	.BOLT	SUPPLIER CODE: V17446 SPECIFICATION NUMBER: BACB30VN8K7 OPTIONAL PART: LGPL2SPV8-7AC V92215 81669V8K7 V56878 LGPL2SPV8-7AC V56878	103106	8

MISSING ITEM NUMBERS NOT APPLICABLE

- ITEM NOT ILLUSTRATED

**27-81-13-02B**

27-81-13  
FIG. 02B  
PAGE 2  
JAN 20/09

BRI

BOEING PROPRIETARY - Copyright © - Unpublished Work - See title page for details.



757

PARTS CATALOG (MAINTENANCE)

FIG ITEM	PART NUMBER	1 2 3 4 5 6 7	NOMENCLATURE	EFFECT FROM TO	UNITS PER ASSY
2B 35	3SLCC10	.	COLLAR SUPPLIER CODE: V17446 SPECIFICATION NUMBER: BACC30BK10 OPTIONAL PART: 3SLCC10 V92215	103106	16
40	3SLCC8	.	COLLAR SUPPLIER CODE: V17446 SPECIFICATION NUMBER: BACC30BK8 OPTIONAL PART: 3SLCC8 V92215	103106	16
45	114N2605-1	.	FITTING PAIR ASSY- POSITION DATA: LH SIDE	103106	1
- 50	114N2605-2	.	FITTING PAIR ASSY- POSITION DATA: RH SIDE	103106	1
55	HST10AG6-4	..	BOLT SUPPLIER CODE: V06725 SPECIFICATION NUMBER: BACB30VT6K4 OPTIONAL PART: HST10AG6-4 V73197 HST10AG6-4 V56878 HST10AG6-4 VOPTK6 WC10K6-4 V60516	103106	6
60	BACW10BP7DP	..	WASHER	103106	1
65	BACC30BL6	..	COLLAR SUPPLIER CODE: V73197 SPECIFICATION NUMBER: BACC30BL6 OPTIONAL PART: HST79-6 V92215 HST79CY6 V56878 HST79CY6 V5M902	103106	6

MISSING ITEM NUMBERS NOT APPLICABLE

- ITEM NOT ILLUSTRATED

27-81-13-02B

27-81-13  
FIG. 02B  
PAGE 3  
JAN 20/09

BRI

BOEING PROPRIETARY - Copyright © - Unpublished Work - See title page for details.



757

PARTS CATALOG (MAINTENANCE)

FIG ITEM	PART NUMBER	1 2 3 4 5 6 7	NOMENCLATURE	EFFECT FROM TO	UNITS PER ASSY
2B					
70	NAS1805-7L	..	NUT	103106	1
75	114N2073-11	..	CLEVIS ASSY- POSITION DATA: FWD	103106	1
80	114N2130-6	...	BUSHING	103106	1
85	BACB28AT07B013C	...	BUSHING	103106	1
90	114N2073-12	...	CLEVIS	103106	1
95	114N2153-2	..	SHIM	103106	1
100	114N2075-39	..	FITTING ASSY-CHAN	103106	1
105	BACB28U7B038	...	BUSHING	103106	1
110	114N2075-44	...	CHANNEL	103106	1
115	114N2076-3	..	SCREW	103106	1
120	114N2070-1	..	SPACER	103106	1
125	NAS1149E0516P	..	WASHER	103106	2
130	114N2071-1	..	NUT	103106	1
135	NAS1423-5LH	..	NUT	103106	1
140	NAS1423-5	..	NUT	103106	1
145	114N2074-1	..	CLEVIS ASSY- POSITION DATA: AFT	103106	1
150	BACB28AM07B013	...	BUSHING	103106	1
155	BACB28AP05-012	...	BUSHING	103106	1
160	114N2074-2	...	CLEVIS	103106	1
165	114N2190-17	..	FITTING ASSY- POSITION DATA: LH SIDE	103106	1
- 170	114N2190-18	..	FITTING ASSY- POSITION DATA: RH SIDE	103106	1
175	BACB28AT07B017C	...	BUSHING	103106	1
180	BACB28AT13B012C	...	BUSHING	103106	1
185	114N2190-19	...	FITTING- POSITION DATA: LH SIDE	103106	1
- 190	114N2190-20	...	FITTING- POSITION DATA: RH SIDE	103106	1
195	114N2190-21	..	FITTING ASSY- POSITION DATA: LH SIDE	103106	1
- 200	114N2190-22	..	FITTING ASSY- POSITION DATA: RH SIDE	103106	1
205	BACB28AP05P017	...	BUSHING	103106	1
210	BACB28AT13B012C	...	BUSHING	103106	1
215	114N2190-23	...	FITTING- POSITION DATA: LH SIDE	103106	1

MISSING ITEM NUMBERS NOT APPLICABLE

- ITEM NOT ILLUSTRATED

27-81-13-02B

27-81-13  
FIG. 02B  
PAGE 4  
JAN 20/09

BRI

BOEING PROPRIETARY - Copyright © - Unpublished Work - See title page for details.





757

PARTS CATALOG (MAINTENANCE)

FIG ITEM	PART NUMBER	1 2 3 4 5 6 7	NOMENCLATURE	EFFECT FROM TO	UNITS PER ASSY
2B					
- 220	114N2190-24	...	FITTING- POSITION DATA: RH SIDE	103106	1
225	114N2605-3	..	SHIM	103106	1
230	BACS40R015F025F	..	SHIM	103106	1
235	114N2605-4	..	SHIM	103106	1
240	BACS40R015F027F	..	SHIM	103106	1
245	114N2606-1	.	FITTING PAIR ASSY- POSITION DATA: LH SIDE	103106	1
- 250	114N2606-2	.	FITTING PAIR ASSY- POSITION DATA: RH SIDE	103106	1
255	HST10AG6-4	..	BOLT SUPPLIER CODE: V06725 SPECIFICATION NUMBER: BACB30VT6K4 OPTIONAL PART: HST10AG6-4 V73197 HST10AG6-4 V56878 HST10AG6-4 VOPTK6 WC10K6-4 V60516	103106	8
260	BACW10BP7DP	..	WASHER	103106	1
265	BACC30BL6	..	COLLAR SUPPLIER CODE: V73197 SPECIFICATION NUMBER: BACC30BL6 OPTIONAL PART: HST79-6 V92215 HST79CY6 V56878 HST79CY6 V5M902	103106	8
270	NAS1805-7L	..	NUT	103106	1
275	114N2073-11	..	CLEVIS ASSY- POSITION DATA: FWD	103106	1
280	114N2130-6	...	BUSHING	103106	1
285	BACB28AT07B013C	...	BUSHING	103106	1
290	114N2073-12	...	CLEVIS	103106	1
295	114N2153-2	..	SHIM	103106	1
300	114N2075-38	..	FITTING ASSY-CHAN	103106	1

MISSING ITEM NUMBERS NOT APPLICABLE

- ITEM NOT ILLUSTRATED

27-81-13-02B

27-81-13  
FIG. 02B  
PAGE 5  
JAN 20/09

BRI

BOEING PROPRIETARY - Copyright © - Unpublished Work - See title page for details.



757

PARTS CATALOG (MAINTENANCE)

FIG ITEM	PART NUMBER	1 2 3 4 5 6 7	NOMENCLATURE	EFFECT FROM TO	UNITS PER ASSY
2B					
305	BACB28U7B048	...	BUSHING	103106	1
310	114N2075-41	...	CHANNEL	103106	1
315	114N2076-3	..	SCREW	103106	1
320	114N2070-1	..	SPACER	103106	1
325	NAS1149E0516P	..	WASHER	103106	3
330	114N2071-1	..	NUT	103106	1
335	NAS1423-5LH	..	NUT	103106	1
340	NAS1423-5	..	NUT	103106	1
345	114N2074-1	..	CLEVIS ASSY- POSITION DATA: AFT	103106	1
350	BACB28AM07B013	...	BUSHING	103106	1
355	BACB28AP05-012	...	BUSHING	103106	1
360	114N2074-2	...	CLEVIS	103106	1
365	114N2191-15	..	FITTING ASSY- POSITION DATA: LH SIDE	103106	1
- 370	114N2191-16	..	FITTING ASSY- POSITION DATA: RH SIDE	103106	1
375	BACB28AT07B017C	...	BUSHING	103106	1
380	BACB28AT13B012C	...	BUSHING	103106	1
385	114N2191-17	...	FITTING- POSITION DATA: LH SIDE	103106	1
- 390	114N2191-18	...	FITTING- POSITION DATA: RH SIDE	103106	1
395	114N2191-19	..	FITTING ASSY- POSITION DATA: LH SIDE	103106	1
- 400	114N2191-20	..	FITTING ASSY- POSITION DATA: RH SIDE	103106	1
405	BACB28AP05P017	...	BUSHING	103106	1
410	BACB28AT13B012C	...	BUSHING	103106	1
415	114N2191-21	...	FITTING- POSITION DATA: LH SIDE	103106	1
- 420	114N2191-22	...	FITTING- POSITION DATA: RH SIDE	103106	1
425	114N2606-3	..	SHIM	103106	1
430	BACS40R015F025F	..	SHIM	103106	1
435	114N2606-4	..	SHIM	103106	1
440	BACS40R015F027F	..	SHIM	103106	1

MISSING ITEM NUMBERS NOT APPLICABLE

- ITEM NOT ILLUSTRATED

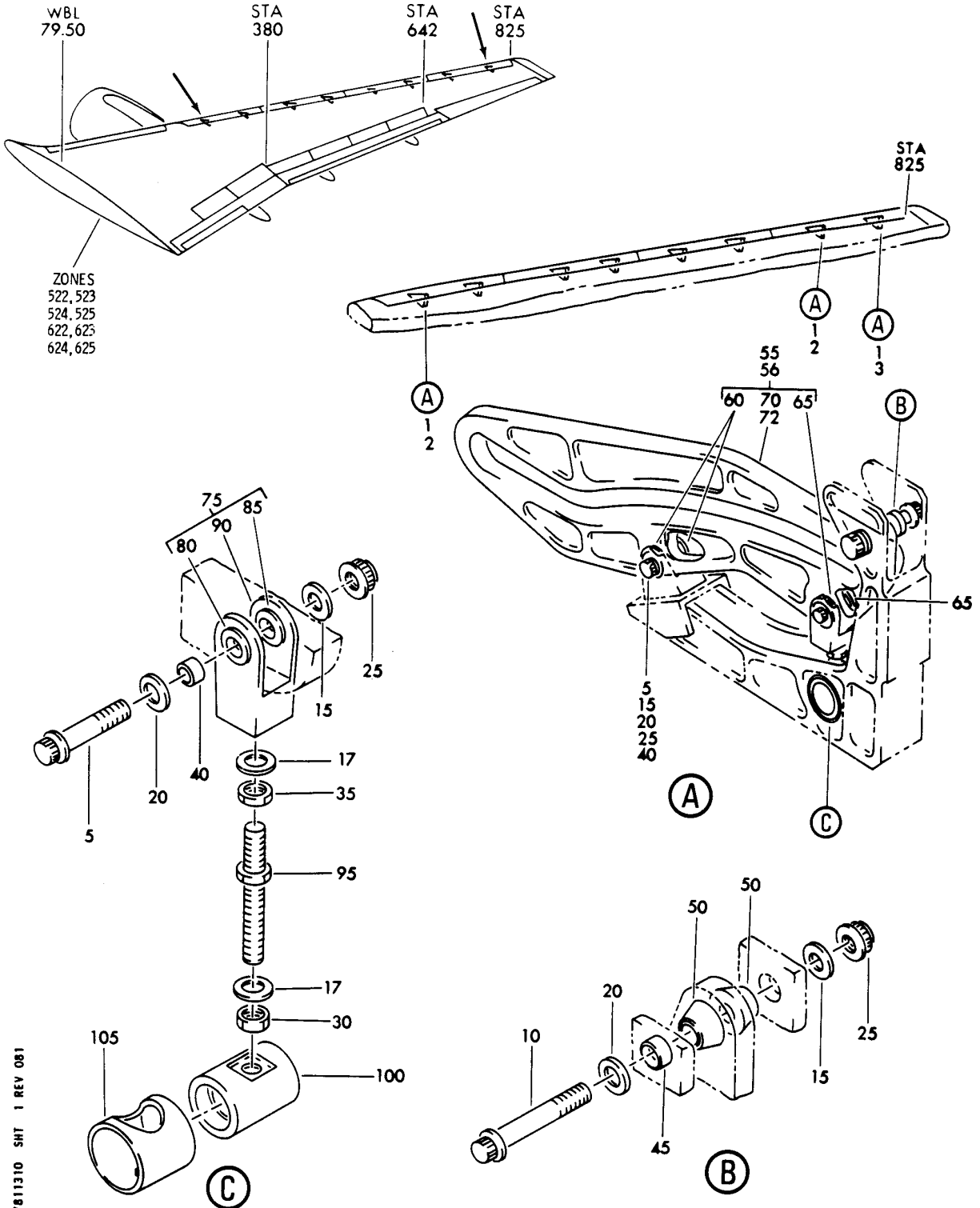
27-81-13-02B

27-81-13  
FIG. 02B  
PAGE 6  
JAN 20/09

BRI

BOEING PROPRIETARY - Copyright © - Unpublished Work - See title page for details.

**BOEING**  
757  
PARTS CATALOG (MAINTENANCE)



Y 27811310 SHT 1 REV 081

TRACK INSTL-OUTBD FXD LE AUX  
FIGURE 10

**27-81-13-10**

BRI  
MAY 28/07

27-81-13-10  
PAGE 0



757

PARTS CATALOG (MAINTENANCE)

FIG ITEM	PART NUMBER	1 2 3 4 5 6 7	NOMENCLATURE	EFFECT FROM TO	UNITS PER ASSY
10			TRACK INSTL-OUTBD FXD LE AUX	002004 006100 107107 121503 904999	
2	114N2124-2		TRACK INSTL-FXD LE AUX POSITION DATA: OUTBD FOR NHA SEE: 57-22-51-50	107107	RF
2	114N2124-6		TRACK INSTL-FXD LE AUX POSITION DATA: OUTBD FOR NHA SEE: 57-22-51-50	002004 006100 121503 904999	RF
3	114N2124-5		TRACK INSTL-AUX POSITION DATA: OUTBD FXD LE FOR NHA SEE: 57-22-51-50	107107	RF
3	114N2124-7		TRACK INSTL-AUX POSITION DATA: OUTBD FXD LE FOR NHA SEE: 57-22-51-50	002004 006100 121503 904999	RF
5	BACB30LE5U17		.BOLT	002004 006100 107107 121503 904999	2
10	BACB30LE5-30		.BOLT	002004 006100 107107 121503 904999	1
15	BACW10BP5DP		.WASHER-	002004 006100 107107 121503 904999	3
17	AN960-516L		.WASHER-	002004 006100 107107 121503 904999	2

MISSING ITEM NUMBERS NOT APPLICABLE

- ITEM NOT ILLUSTRATED

27-81-13-10

27-81-13  
FIG. 10  
PAGE 1  
JAN 20/09

BRI

BOEING PROPRIETARY - Copyright © - Unpublished Work - See title page for details.



757

## PARTS CATALOG (MAINTENANCE)

FIG ITEM	PART NUMBER	1 2 3 4 5 6 7	NOMENCLATURE	EFFECT FROM TO	UNITS PER ASSY
10					
20	BACW10BP5CD	.	WASHER	002004 006100 107107 121503 904999	3
25	BH003035	.	NUT SUPPLIER CODE: V27238 SPECIFICATION NUMBER: BACN10HR5CS OPTIONAL PART: H39953-5 V15653 109LH9031-5 V72962 67832AS524 V56878 BH00303-5 V27238 SL7059C524 V11815 BMN5024CPD35 V97928 CR59085 V62554 SL705095 V11815 109LH90315 V72962 67832AS5 V56878 BMN10HRRCPD3-5 V97928	002004 006100 107107 121503 904999	3
30	NAS1423-5LH	.	NUT-	002004 006100 107107 121503 904999	1
35	NAS1423-5	.	NUT	002004 006100 107107 121503 904999	1
40	BACB28AK05-032	.	BUSHING	002004 006100 107107 121503 904999	2

MISSING ITEM NUMBERS NOT APPLICABLE

- ITEM NOT ILLUSTRATED

BRI

27-81-13-10

BOEING PROPRIETARY - Copyright © - Unpublished Work - See title page for details.

27-81-13  
FIG. 10  
PAGE 2  
JAN 20/09

 **BOEING**  
757  
**PARTS CATALOG (MAINTENANCE)**

FIG ITEM	PART NUMBER	1 2 3 4 5 6 7	NOMENCLATURE	EFFECT FROM TO	UNITS PER ASSY
10					
45	BACB28AK05-036	.	BUSHING	002004 006100 107107 121503 904999	1
50	114N2077-1	.	SPACER-CONE	002004 006100 107107 121503 904999	2
55	114N2199-1	.	TRACK ASSY-AUX	107107 904949 952952	1
55	114N2072-1	.	TRACK ASSY-AUX OPTIONAL PART: 114N2199-1	107107 904949 952952	1
55	114N2199-5	.	TRACK ASSY-AUX	002004 006100 107107 121503 904999	1
55	114N2199-9	.	TRACK ASSY-AUX QUALIFIED I/W DATA: 114N2199-9 IS INTERCHANGEABLE WITH 114N2199-11 ON 757-200 MINOR MODELS ONLY	002004 006100 121503 904999	1
56	114N2199-3	.	TRACK ASSY-AUX QUALIFIED I/W DATA: -3 MAY REPLACE -1 AT OUTBOARD SLAT STATION 796.46 ONLY	107107	1
56	114N2199-7	.	TRACK ASSY-AUX	002004 006100 121503 904999	1
56	114N2199-5	.	TRACK ASSY-AUX	904949 952952	1
56	114N2199-11	.	TRACK ASSY-AUX QUALIFIED I/W DATA: 114N2199-9 IS INTERCHANGEABLE WITH 114N2199-11 ON 757-200 MINOR MODELS ONLY	002004 006100 121503 904999	1
60	114N2130-2	..	BUSHING-	002004 006100 107107 121503 904999	2

MISSING ITEM NUMBERS NOT APPLICABLE

— ITEM NOT ILLUSTRATED

BRI

# 27-81-13-10

27-81-13  
FIG. 10  
PAGE 3  
JAN 20/09

BOEING PROPRIETARY - Copyright © - Unpublished Work - See title page for details.

 **BOEING**  
757  
**PARTS CATALOG (MAINTENANCE)**

FIG ITEM	PART NUMBER	1 2 3 4 5 6 7	NOMENCLATURE	EFFECT FROM TO	UNITS PER ASSY
10					
65	BACB28AP05P016	..	BUSHING	002004 006100 107107 121503 904999	2
70	114N2199-2	..	TRACK- USED ON: 114N2199-1	107107	1
70	114N2199-6	..	TRACK-	904949 952952	1
70	114N2199-10	..	TRACK-	003004 006100 121503 950951 953999	1
72	114N2199-2	..	TRACK	107107	1
72	114N2199-4	..	TRACK	107107	1
72	114N2199-8	..	TRACK-	904949 952952	1
72	114N2199-12	..	TRACK-	003004 006100 121503 950951 953999	1
75	114N2074-1	.C	CLEVIS ASSY- POSITION DATA: AFT	002004 006100 107107 121503 904999	1
80	BACB28AM07B013	..	BUSHING	002004 006100 107107 121503 904999	1
85	BACB28AP05-012	..	BUSHING	002004 006100 107107 121503 904999	1
90	114N2074-2	..	CLEVIS- POSITION DATA: AFT	002004 006100 107107 121503 904999	1
95	114N2076-3	.S	SCREW-	002004 006100 107107 121503 904999	1

MISSING ITEM NUMBERS NOT APPLICABLE

— ITEM NOT ILLUSTRATED

BRI

# 27-81-13-10

BOEING PROPRIETARY - Copyright © - Unpublished Work - See title page for details.

27-81-13  
FIG. 10  
PAGE 4  
JAN 20/09



757

PARTS CATALOG (MAINTENANCE)

FIG ITEM	PART NUMBER	1 2 3 4 5 6 7	NOMENCLATURE	EFFECT FROM TO	UNITS PER ASSY
10 100	114N2071-1	.	NUT-BARREL	002004 006100 107107 121503 904999	1
105	114N2070-1	.	SPACER	002004 006100 107107 121503 904999	1

MISSING ITEM NUMBERS NOT APPLICABLE

- ITEM NOT ILLUSTRATED

BRI

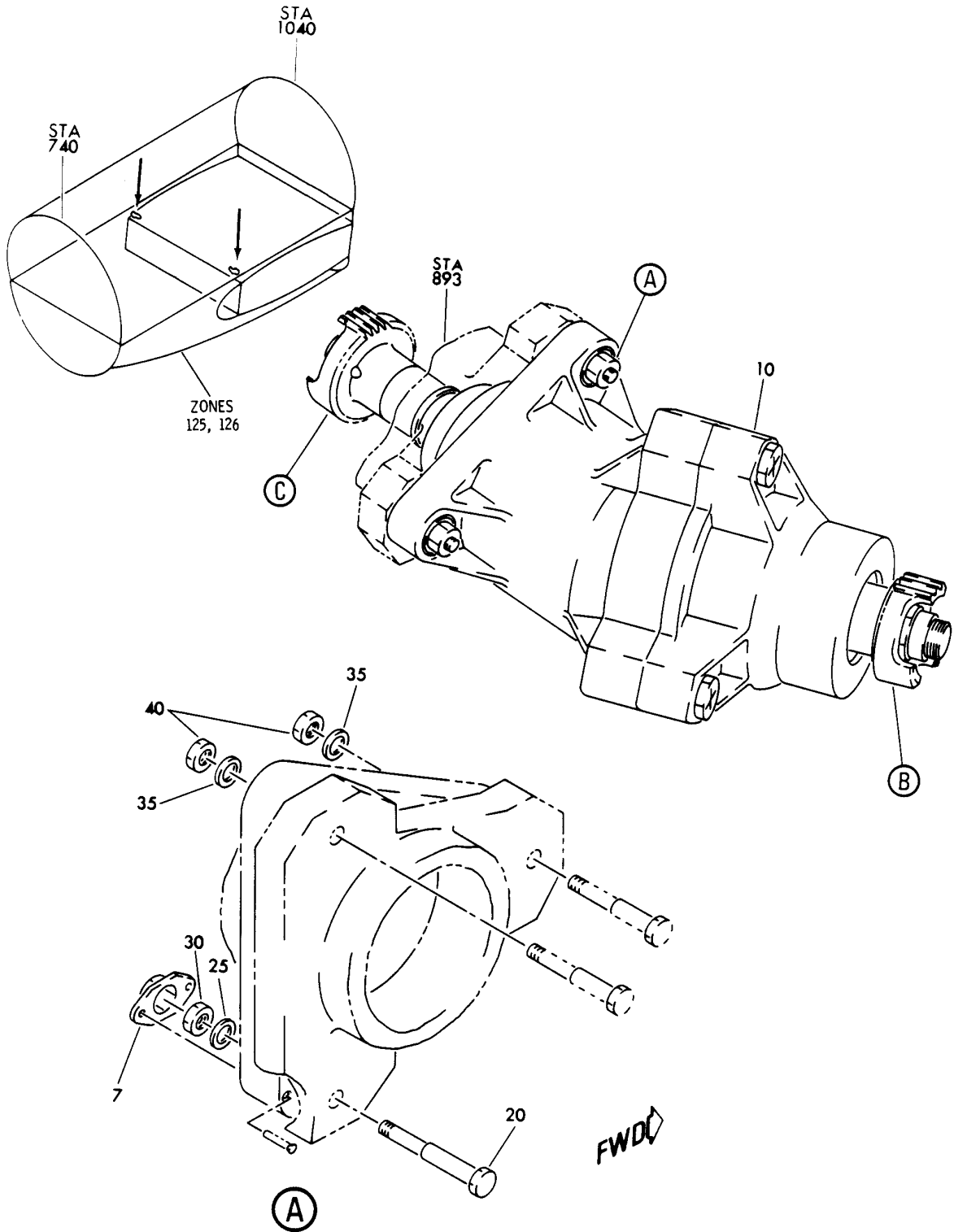
27-81-13-10

BOEING PROPRIETARY - Copyright © - Unpublished Work - See title page for details.

27-81-13  
FIG. 10  
PAGE 5  
JAN 20/09



**BOEING**  
757  
PARTS CATALOG (MAINTENANCE)



Y 27811501 SHT 1 REV 081

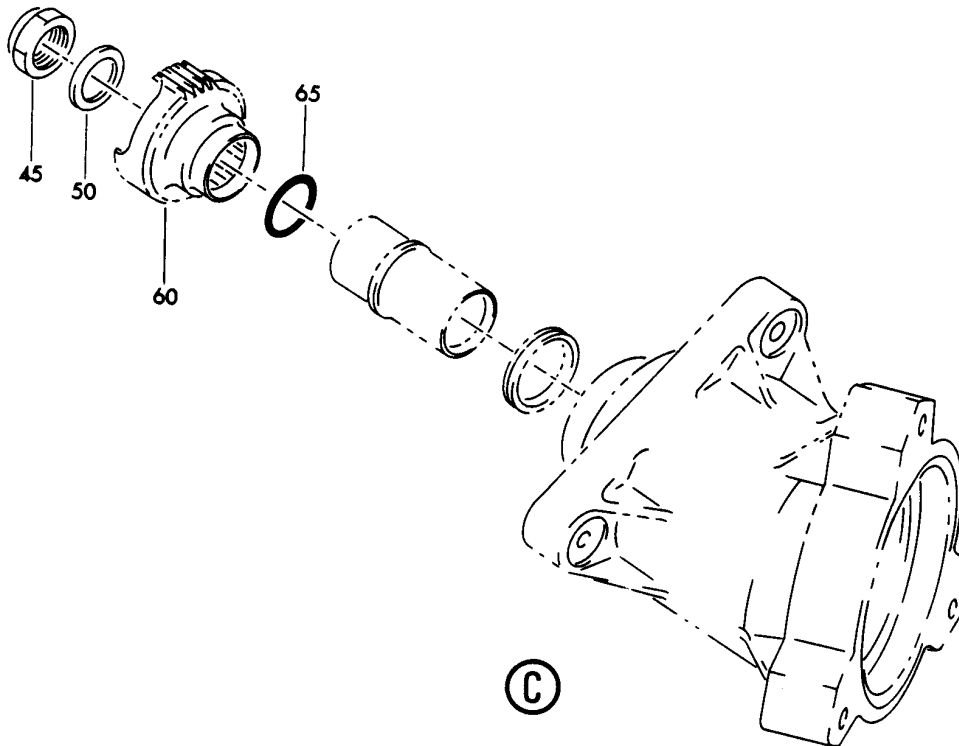
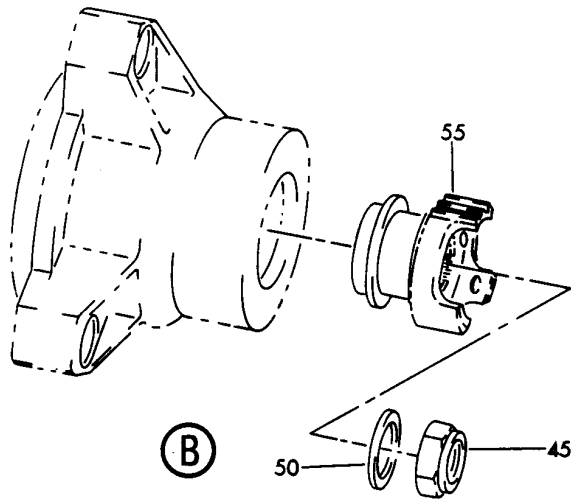
GEARBOX AND SEAL INSTL-LE SLAT DRIVE ANGLE  
FIGURE 1 (SHEET 1)

**27-81-15-01**

BRI  
MAY 28/07

27-81-15-01  
PAGE 0

**BOEING**  
757  
PARTS CATALOG (MAINTENANCE)



Y 27811901 SH1 2 REV 027

GEARBOX AND SEAL INSTL-LE SLAT DRIVE ANGLE  
FIGURE 1 (SHEET 2)

**27-81-15-01**

BRI  
MAY 28/07

27-81-15-01  
PAGE 0A



757

PARTS CATALOG (MAINTENANCE)

FIG ITEM	PART NUMBER	1 2 3 4 5 6 7	NOMENCLATURE	EFFECT FROM TO	UNITS PER ASSY
1			GEARBOX AND SEAL INSTL-LE SLAT DRIVE ANGLE	002004 006999	
- 1	251N5007-1		GEARBOX AND SEAL INSTL-LE SLAT DRIVE ANGLE POSITION DATA: LH FOR NHA SEE: 27-81-20-02	002004 006100 107107 121503 904999	RF
- 1	251N5007-3		GEARBOX AND SEAL INSTL- LE SLAT DRIVE ANGLE POSITION DATA: LH FOR NHA SEE: 27-80-00-01	101102 108120 504903	RF
- 1	MODREF7778		GEARBOX AND SEAL INSTL- LE SLAT DRIVE ANGLE MODULE NUMBER: 251N5007-3 REV A POSITION DATA: LH	103103	1
- 1	MODREF27543		GEARBOX AND SEAL INSTL- LE SLAT DRIVE ANGLE MODULE NUMBER: 251N5007-3 REV B POSITION DATA: LH	104106	1
- 5	251N5007-2		GEARBOX AND SEAL INSTL-LE SLAT DRIVE ANGLE POSITION DATA: RH FOR NHA SEE: 27-81-20-02	002004 006100 107107 121503 904999	RF
- 5	251N5007-4		GEARBOX AND SEAL INSTL- LE SLAT DRIVE ANGLE POSITION DATA: RH FOR NHA SEE: 27-80-00-01	101102 108120 504903	RF
- 5	MODREF7779		GEARBOX AND SEAL INSTL- LE SLAT DRIVE ANGLE MODULE NUMBER: 251N5007-4 REV A POSITION DATA: RH	103103	1

MISSING ITEM NUMBERS NOT APPLICABLE

- ITEM NOT ILLUSTRATED

**27-81-15-01**

27-81-15  
FIG. 01  
PAGE 1  
JAN 20/09

BRI



757

PARTS CATALOG (MAINTENANCE)

FIG ITEM	PART NUMBER	1 2 3 4 5 6 7	NOMENCLATURE	EFFECT FROM TO	UNITS PER ASSY
1					
- 5	MODREF27544		GEARBOX AND SEAL INSTL- LE SLAT DRIVE ANGLE MODULE NUMBER: 251N5007-4 REV B POSITION DATA: RH	104106	1
10	251N5082-5		.GEARBOX ASSY- POSITION DATA: LH SIDE COMPONENT MAINT MANUAL REF: 27-81-27	002004 006999	1
- 15	251N5082-6		.GEARBOX ASSY- POSITION DATA: RH SIDE COMPONENT MAINT MANUAL REF: 27-81-27	002004 006999	1
25	AN960PD616		ATTACHING PARTS .WASHER-	002004 006999	1
30	BRH10A6		.NUT- SUPPLIER CODE: V52828 SPECIFICATION NUMBER: BACN10JC6 OPTIONAL PART: 96-064 V80539 RMLH9075-6 V72962 H10-6BAC V15653	002004 006999	1
35	AN960PD416		.WASHER-	002004 006999	2

MISSING ITEM NUMBERS NOT APPLICABLE

- ITEM NOT ILLUSTRATED

BRI

27-81-15-01

BOEING PROPRIETARY - Copyright © - Unpublished Work - See title page for details.

27-81-15  
FIG. 01  
PAGE 2  
JAN 20/09



757

PARTS CATALOG (MAINTENANCE)

FIG ITEM	PART NUMBER	1 2 3 4 5 6 7	NOMENCLATURE	EFFECT FROM TO	UNITS PER ASSY
1 40	BRH10A4	.NUT	SUPPLIER CODE: V52828 SPECIFICATION NUMBER: BACN10JC4 OPTIONAL PART: T6S428J V11815 96-048 V80539 VN303A048 V92215 RMLH9075-4W V72962 NS202101-048 V80539 H10-4BAC V15653	002004 006999	2
45	BMN4122AD3-8	..NUT	SUPPLIER CODE: V97928 SPECIFICATION NUMBER: BACN10JC8 OPTIONAL PART: BMN4122A8 V85495 H10-8BAC V15653 RMLH9074-8 V72962 48FT820 V56878	002004 006999	2
50	AN960-816	..WASHER		002004 006999	2
55	251N5092-2	..COUPLING		002004 006999	1
60	251N5092-3	..COUPLING		002004 006999	1
65	BACP11AC018	..PACKING		002004 006999	1

MISSING ITEM NUMBERS NOT APPLICABLE

- ITEM NOT ILLUSTRATED

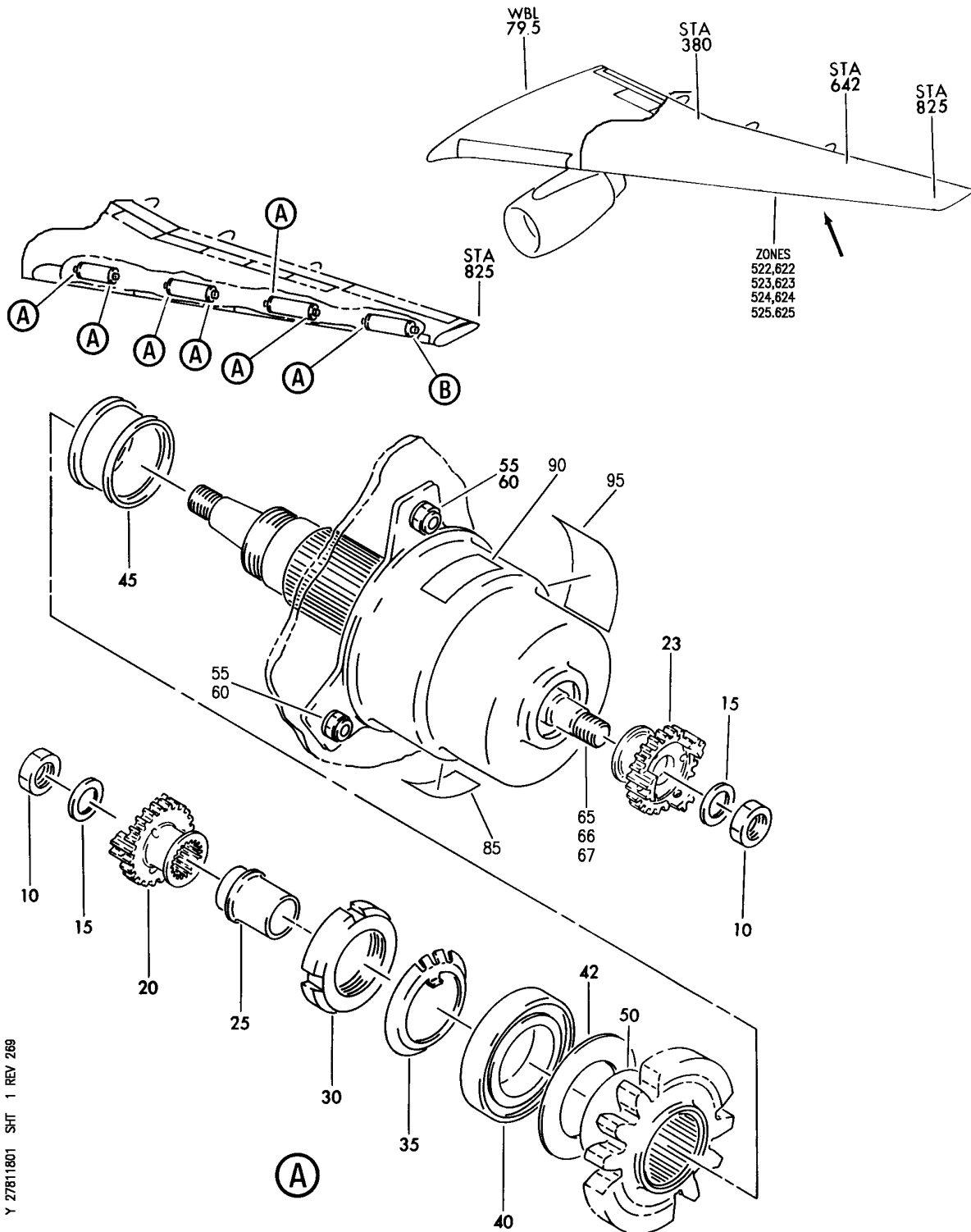
27-81-15-01

27-81-15  
FIG. 01  
PAGE 3  
JAN 20/09

BRI

BOEING PROPRIETARY - Copyright © - Unpublished Work - See title page for details.

**BOEING**  
757  
PARTS CATALOG (MAINTENANCE)



Y 27811801 SHT 1 REV 269

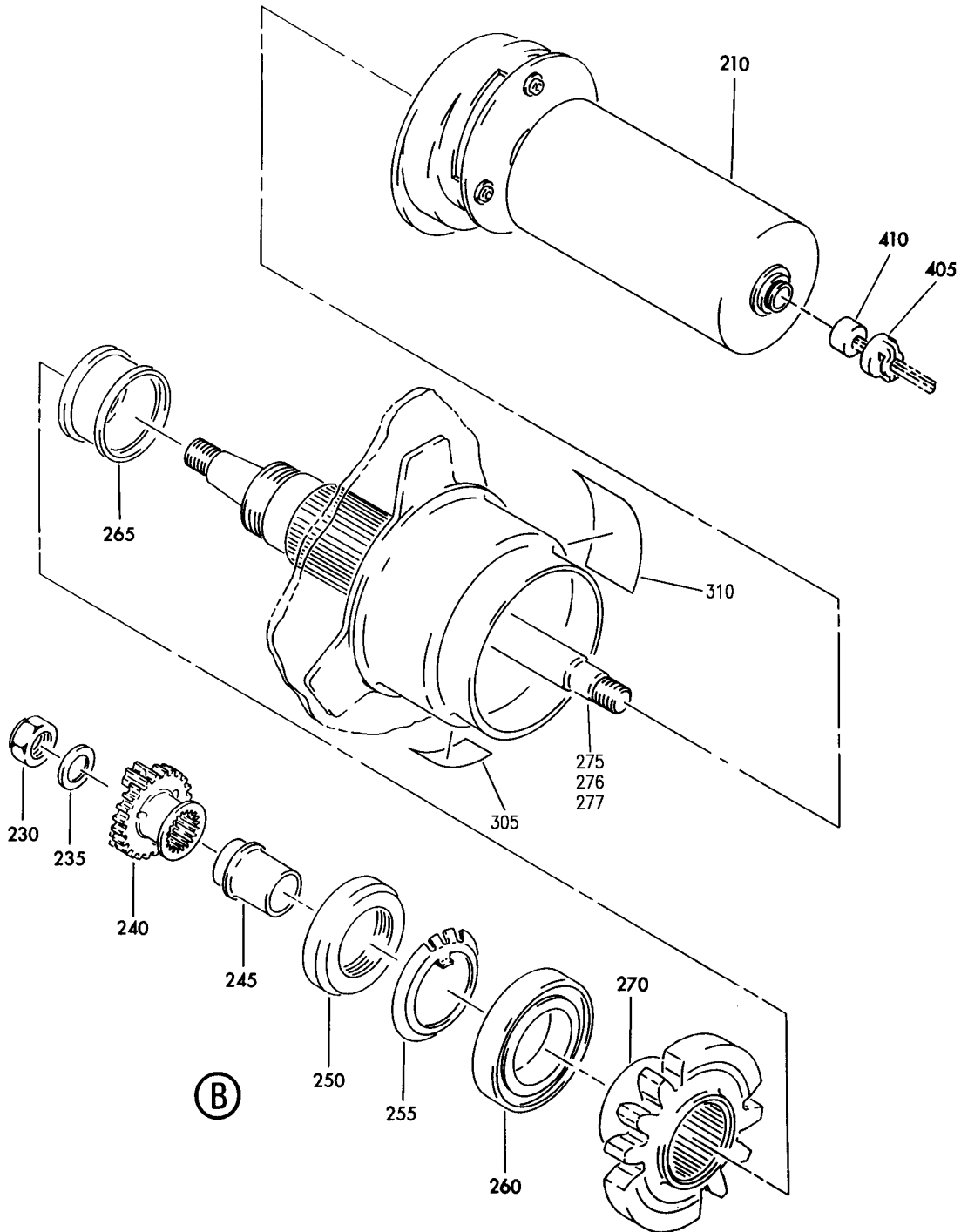
ACTUATOR INSTL-LE SLAT DRIVE ROTARY OUTBD  
FIGURE 1 (SHEET 1)

**27-81-18-01**

BRI  
MAY 28/07

27-81-18-01  
PAGE 0

**BOEING**  
757  
PARTS CATALOG (MAINTENANCE)



Y 27811801 SH1 2 REV 269

ACTUATOR INSTL-LE SLAT DRIVE ROTARY OUTBD  
FIGURE 1 (SHEET 2)

**27-81-18-01**

BRI  
MAY 28/07

27-81-18-01  
PAGE 0A



757

PARTS CATALOG (MAINTENANCE)

FIG ITEM	PART NUMBER	1 2 3 4 5 6 7	NOMENCLATURE	EFFECT FROM TO	UNITS PER ASSY
1			ACTUATOR INSTL-LE SLAT DRIVE ROTARY OUTBD	002004 006100 107107 121503 904999	
- 1	251N5003-1		ACTUATOR INSTL-LE SLAT DRIVE ROTARY POSITION DATA: OUTBD VARIABLE DRAWING REF: 251N5003-7 FOR NHA SEE: 27-81-20-02	002004 006100 107107 121503 904999	RF
- 5	251N5003-2		ACTUATOR INSTL-LE SLAT DRIVE ROTARY POSITION DATA: OUTBD VARIABLE DRAWING REF: 251N5003-8 FOR NHA SEE: 27-81-20-02	002004 006100 107107 121503 904999	RF
10	BMN4122AD3-8		.NUT SUPPLIER CODE: V97928 SPECIFICATION NUMBER: BACN10JCS OPTIONAL PART: BMN4122A8 V85495 H10-8BAC V15653 RMLH9074-8 V72962 48FT820 V56878	002004 006100 107107 121503 904999	2
15	AN960KD816		.WASHER	002004 006100 107107 121503 904999	2
20	251N5128-2		.COUPLING-HALF	002004 006100 107107 121503 904999	1
20	251N5128-1		.COUPLING-HALF	002004 006100 107107 121503 904999	1

MISSING ITEM NUMBERS NOT APPLICABLE

- ITEM NOT ILLUSTRATED

27-81-18-01

27-81-18  
FIG. 01  
PAGE 1  
JAN 20/09

BRI





757

PARTS CATALOG (MAINTENANCE)

FIG ITEM	PART NUMBER	1 2 3 4 5 6 7	NOMENCLATURE	EFFECT FROM TO	UNITS PER ASSY	
1	23	251N5128-1	. COUPLING-HALF	002004 006100 121503 950999	1	
	23	251N5128-2	. COUPLING-HALF	002004 006100 107107 121503 904999	1	
	23	251N5128-1	. COUPLING-HALF	107107 904949	1	
	30	251N5149-1	. NUT-	002004 006100 107107 121503 904999	1	
	30	251N5149-2	. NUT-	002004 006100 107107 121503 904999	1	
	35	MS19070-0653	. WASHER	002004 006100 107107 121503 904999	1	
	MISSING ITEM NUMBERS NOT APPLICABLE					

- ITEM NOT ILLUSTRATED

BRI

27-81-18-01

BOEING PROPRIETARY - Copyright © - Unpublished Work - See title page for details.

27-81-18  
FIG. 01  
PAGE 2  
JAN 20/09

**BOEING**  
757  
**PARTS CATALOG (MAINTENANCE)**

FIG ITEM	PART NUMBER	1 2 3 4 5 6 7	NOMENCLATURE	EFFECT FROM TO	UNITS PER ASSY	
R R R R R R R R R R	1 40	R9107PPA4298	.BEARING- SUPPLIER CODE: V21335 SPECIFICATION NUMBER: BACB10BA35PP OPTIONAL PART: LL107KSG20 V38443 LL107KS V38443 6007TT V43991 9107LLT1C1-01 V21760 9107NPPFS4281 V21335 993L07 V29337 PKTLL107P1 V78118 C107RRP0ZZ V40920 R9107PPA4298 V9V013 R9107PPA4298 V9V013 107KSZZ V38443	002004 006100 107107 121503 904999	1	
	40	BACB10GU35PP	.BEARING-	002004 006100 107107 121503 904999	1	
	40	107KSZZ	.BEARING- SUPPLIER CODE: V38443 OPTIONAL PART: BACB10BA35PP	002004 006100 107107 121503 904999	1	
	42	251N5042-1	.SHIELD-BEARING	002004 006100 107107 121503 904999	1	
	45	251N5103-2	.SPACER-	002004 006100 107107 121503 904999	1	
	MISSING ITEM NUMBERS NOT APPLICABLE					

- ITEM NOT ILLUSTRATED

BRI

# 27-81-18-01

BOEING PROPRIETARY - Copyright © - Unpublished Work - See title page for details.

27-81-18  
FIG. 01  
PAGE 3  
MAY 20/09

**BOEING**  
757  
**PARTS CATALOG (MAINTENANCE)**

FIG ITEM	PART NUMBER	1 2 3 4 5 6 7	NOMENCLATURE	EFFECT FROM TO	UNITS PER ASSY
1					
45	251N5103-3	.	SPACER-	002004 006100 107107 121503 904999	1
50	251N5089-1	.	GEAR- OPTIONAL PART: 251N5089-2	002004 006100 107107 121503 904999	1
50	251N5089-2	.	GEAR-	002004 006100 107107 121503 904999	1
50	251N5089-3	.	GEAR-	002004 006100 107107 121503 904999	1
50	251N5089-4	.	GEAR- SERVICE BULLETIN OPT DATA: 251N5089-5	002004 006100 107107 121503 904999	1
50	251N5089-5	.	GEAR- SERVICE BULLETIN OPT DATA: 251N5089-4	002004 006100 107107 121503 904999	1
50	251N5089-6	.	GEAR-	002004 006100 107107 121503 904999	1
55	BRH10C4D	.	NUT SUPPLIER CODE: V52828 SPECIFICATION NUMBER: BACN10JC4CD OPTIONAL PART: T6C428JCD V11815 NS202486-048 V80539 102LH9075-4W V72962 H51650-4BAC V15653	002004 006100 107107 121503 904999	3

MISSING ITEM NUMBERS NOT APPLICABLE

— ITEM NOT ILLUSTRATED

BRI

# 27-81-18-01

BOEING PROPRIETARY - Copyright © - Unpublished Work - See title page for details.

27-81-18  
FIG. 01  
PAGE 4  
JAN 20/09



757

PARTS CATALOG (MAINTENANCE)

FIG ITEM	PART NUMBER	1 2 3 4 5 6 7	NOMENCLATURE	EFFECT FROM TO	UNITS PER ASSY
1 60	AN960KD416	.	WASHER	002004 006100 107107 121503 904999	3
65	5006397G	.	ACTUATOR ASSY- SUPPLIER CODE: V99167 SPECIFICATION NUMBER: S251N502-13 COMPONENT MAINT MANUAL REF: 27-81-31 QUALIFIED I/W DATA: PRIOR TO STRUCTURAL CHANGE AT A/C LINE NUMBER 296, S251N502-21 (755299,A,B,C,D) CAN BE REPLACED BY BUT NOT REPLACE S251N502-13 (5006397G,M500397EG). FROM A/C LINE NUMBER 296 AND AFTER S251N502-21 CAN REPLACE OR BE REPLACED BY S251N502-13. OPTIONAL PART: M5006397EG V99167 OPTIONAL PART: 5006397K V99167	107107 904949	1

MISSING ITEM NUMBERS NOT APPLICABLE

- ITEM NOT ILLUSTRATED

BRI

27-81-18-01

BOEING PROPRIETARY - Copyright © - Unpublished Work - See title page for details.

27-81-18  
FIG. 01  
PAGE 5  
JAN 20/09



757

PARTS CATALOG (MAINTENANCE)

FIG ITEM	PART NUMBER	1 2 3 4 5 6 7	NOMENCLATURE	EFFECT FROM TO	UNITS PER ASSY
1 65	M5006397EG		.ACTUATOR ASSY- SUPPLIER CODE: V99167 SPECIFICATION NUMBER: S251N502-13 COMPONENT MAINT MANUAL REF: 27-81-32 QUALIFIED I/W DATA: PRIOR TO STRUCTURAL CHANGE AT A/C LINE NUMBER 296, S251N502-21 (755299,A,B,C,D) CAN BE REPLACED BY BUT NOT REPLACE S251N502-13 (5006397G,M500397EG). FROM A/C LINE NUMBER 296 AND AFTER S251N502-21 CAN REPLACE OR BE REPLACED BY S251N502-13. OPTIONAL PART: 5006397G V99167 OPTIONAL PART: 5006397K V99167	107107 904949	1

MISSING ITEM NUMBERS NOT APPLICABLE

- ITEM NOT ILLUSTRATED

BRI

27-81-18-01

BOEING PROPRIETARY - Copyright © - Unpublished Work - See title page for details.

27-81-18  
FIG. 01  
PAGE 6  
JAN 20/09



757

PARTS CATALOG (MAINTENANCE)

FIG ITEM	PART NUMBER	1 2 3 4 5 6 7	NOMENCLATURE	EFFECT FROM TO	UNITS PER ASSY
1 65	5006397J		.ACTUATOR ASSY- SUPPLIER CODE: V99167 SPECIFICATION NUMBER: S251N502-17 SB DATA FROM A CMM: 5006397-27-5 5006397-27-6 5006397-27-7 5006397-27-10 COMPONENT MAINT MANUAL REF: 27-81-32 QUALIFIED I/W DATA: PRIOR TO STRUCTURAL CHANGE AT A/C LINE NUMBER 296, S251N502-21 (755299, A, B, C, D) CAN BE REPLACED BY BUT NOT REPLACE S251N502-17 (5006397J). FROM A/C LINE NUMBER 296 AND AFTER S251N502-21 CAN REPLACE OR BE REPLACED BY S251N502-17. OPTIONAL PART: 5006397K V99167	107107 904949	1

MISSING ITEM NUMBERS NOT APPLICABLE

- ITEM NOT ILLUSTRATED

BRI

27-81-18-01

BOEING PROPRIETARY - Copyright © - Unpublished Work - See title page for details.

27-81-18  
FIG. 01  
PAGE 7  
JAN 20/09



757

PARTS CATALOG (MAINTENANCE)

FIG ITEM	PART NUMBER	1 2 3 4 5 6 7 NOMENCLATURE	EFFECT FROM TO	UNITS PER ASSY
1 65	5006397K	.ACTUATOR ASSY- SUPPLIER CODE: V99167 SPECIFICATION NUMBER: S251N502-19 SB DATA FROM A CMM: 5006397-27-8 5006397-27-10 COMPONENT MAINT MANUAL REF: 27-81-32 QUALIFIED I/W DATA: PRIOR TO STRUCTURAL CHANGE AT A/C LINE NUMBER 296, S251N502-21(755299, 755299A, 755299B, 755299C, 755299D) CAN BE REPLACED BY BUT NOT REPLACE S251N502-19. FROM A/C LINE NUMBER 296 AND AFTER S251N502-21 CAN REPLACE OR BE REPLACED BY S251N502-19. OPTIONAL PART: 5006397J V99167 5006397L V99167 5006397M V99167 5006397N V99167	107107 904949	1

MISSING ITEM NUMBERS NOT APPLICABLE

- ITEM NOT ILLUSTRATED

BRI

**27-81-18-01**

BOEING PROPRIETARY - Copyright © - Unpublished Work - See title page for details.

27-81-18  
FIG. 01  
PAGE 8  
JAN 20/09



757

PARTS CATALOG (MAINTENANCE)

FIG ITEM	PART NUMBER	1 2 3 4 5 6 7 NOMENCLATURE	EFFECT FROM TO	UNITS PER ASSY
1 65	5006397N	.ACTUATOR ASSY- SUPPLIER CODE: V99167 SPECIFICATION NUMBER: S251N502-23 SB DATA FROM A CMM: 5006397/755299-27-15 COMPONENT MAINT MANUAL REF: 27-81-32 QUALIFIED I/W DATA: PRIOR TO STRUCTURAL CHANGE AT A/C LINE NUMBER 296, S251N502-23 (5006397L,M,N,P,R) CAN REPLACE BUT NOT BE REPLACED BY S251N502-21 (755299,A,B,C,D). S251N502-21 AND S251N502-23 ARE FULLY INTERCHANGEABLE WITH THE INCORPORATION OF S/B 757-27-0094. FROM A/C LINE NUMBER 296 AND AFTER S251N502-23 CAN REPLACE OR BE REPLACED BY S251N502-21 OPTIONAL PART: 5006397L V99167 5006397M V99167 5006397P V99167 5006397R V99167 OPTIONAL PART: 5006397K V99167 REWORKED BY ALERT SB: 27A0133 REWORKED BY SB: 5006397/755299-27-21 V99167	107107 904949	1

MISSING ITEM NUMBERS NOT APPLICABLE

- ITEM NOT ILLUSTRATED

BRI

27-81-18-01

BOEING PROPRIETARY - Copyright © - Unpublished Work - See title page for details.

27-81-18  
 FIG. 01  
 PAGE 9  
 JAN 20/09





757

PARTS CATALOG (MAINTENANCE)

FIG ITEM	PART NUMBER	1 2 3 4 5 6 7	NOMENCLATURE	EFFECT FROM TO	UNITS PER ASSY
1 65	5006397P		.ACTUATOR ASSY- SUPPLIER CODE: V99167 SPECIFICATION NUMBER: S251N502-23 SB DATA FROM A CMM: 5006397/755299-27-12 5006397/755299-27-15 CONFIG CHG DATA FROM A CMM: SUPSD BY 5006397R COMPONENT MAINT MANUAL REF: 27-81-32 OPTIONAL PART: 5006397L V99167 5006397M V99167 5006397N V99167 5006397R V99167 POST AIRLINE MOD: PCR130 VALP	950951	1

MISSING ITEM NUMBERS NOT APPLICABLE

- ITEM NOT ILLUSTRATED

BRI

27-81-18-01

BOEING PROPRIETARY - Copyright © - Unpublished Work - See title page for details.

27-81-18  
FIG. 01  
PAGE 10  
JAN 20/09



757

PARTS CATALOG (MAINTENANCE)

FIG ITEM	PART NUMBER	1 2 3 4 5 6 7 NOMENCLATURE	EFFECT FROM TO	UNITS PER ASSY
1 66	5006397P	.ACTUATOR ASSY- SUPPLIER CODE: V99167 SPECIFICATION NUMBER: S251N502-23 SB DATA FROM A CMM: 5006397/755299-27-12 5006397/755299-27-15 CONFIG CHG DATA FROM A CMM: SUPSD BY 5006397R COMPONENT MAINT MANUAL REF: 27-81-32 QUALIFIED I/W DATA: PRIOR TO STRUCTURAL CHANGE AT A/C LINE NUMBER 296, S251N502-23 (5006397L,M,N,P,R) CAN REPLACE BUT NOT BE REPLACED BY S251N502-21 (755299,A,B,C,D). S251N502-21 AND S251N502-23 ARE FULLY INTERCHANGEABLE WITH THE INCORPORATION OF S/B 757-27-0094. FROM A/C LINE NUMBER 296 AND AFTER S251N502-23 CAN REPLACE OR BE REPLACED BY S251N502-21 OPTIONAL PART: 5006397L V99167 5006397M V99167 5006397N V99167 5006397R V99167 OPTIONAL PART: 5006397K V99167 REWORKED BY ALERT SB: 27A0133 REWORKED BY SB: 5006397/755299-27-21 V99167	107107 904951	1

MISSING ITEM NUMBERS NOT APPLICABLE

- ITEM NOT ILLUSTRATED

27-81-18-01

27-81-18  
FIG. 01  
PAGE 11  
JAN 20/09

BRI

 **BOEING**  
757  
**PARTS CATALOG (MAINTENANCE)**

FIG ITEM	PART NUMBER	1 2 3 4 5 6 7 NOMENCLATURE	EFFECT FROM TO	UNITS PER ASSY
1 66	5006397R	.ACTUATOR ASSY- SUPPLIER CODE: V99167 SPECIFICATION NUMBER: S251N502-23 SB DATA FROM A CMM: 5006397/755299-27-20 COMPONENT MAINT MANUAL REF: 27-81-32 QUALIFIED I/W DATA: PRIOR TO STRUCTURAL CHANGE AT A/C LINE NUMBER 296, S251N502-23 (5006397L,M,N,P,R) CAN REPLACE BUT NOT BE REPLACED BY S251N502-21 (755299,A,B,C,D). S251N502-21 AND S251N502-23 ARE FULLY INTERCHANGEABLE WITH THE INCORPORATION OF S/B 757-27-0094. FROM A/C LINE NUMBER 296 AND AFTER S251N502-23 CAN REPLACE OR BE REPLACED BY S251N502-21 OPTIONAL PART: 5006397L V99167 5006397M V99167 5006397N V99167 5006397P V99167 REWORKED BY ALERT SB: 27A0133 REWORKED BY SB: 5006397/755299-27-21 V99167	107107 904951	1

MISSING ITEM NUMBERS NOT APPLICABLE

— ITEM NOT ILLUSTRATED

BRI

# 27-81-18-01

BOEING PROPRIETARY - Copyright © - Unpublished Work - See title page for details.

27-81-18  
FIG. 01  
PAGE 12  
JAN 20/09



757

PARTS CATALOG (MAINTENANCE)

FIG ITEM	PART NUMBER	1 2 3 4 5 6 7 NOMENCLATURE	EFFECT FROM TO	UNITS PER ASSY
1 66	755299	.ACTUATOR ASSY- SUPPLIER CODE: V99167 SPECIFICATION NUMBER: S251N502-21 SB DATA FROM A CMM: 5006397/755299-27-12 COMPONENT MAINT MANUAL REF: 27-81-32 QUALIFIED I/W DATA: PRIOR TO STRUCTURAL CHANGE AT A/C LINE NUMBER 296, S251N502-23 (5006397L,M,N,P,R) CAN REPLACE BUT NOT BE REPLACED BY S251N502-21 (755299,A,B,C,D). S251N502-21 AND S251N502-23 ARE FULLY INTERCHANGEABLE WITH THE INCORPORATION OF S/B 757-27-0094. FROM A/C LINE NUMBER 296 AND AFTER S251N502-23 CAN REPLACE OR BE REPLACED BY S251N502-21. OPTIONAL PART: 755299A V99167 755299B V99167 755299C V99167 755299D V99167 REWORKED BY ALERT SB: 27A0133 REWORKED BY SB: 5006397/755299-27-21 V99167	002004 006100 121503 952999	1

MISSING ITEM NUMBERS NOT APPLICABLE

- ITEM NOT ILLUSTRATED

BRI

27-81-18-01

BOEING PROPRIETARY - Copyright © - Unpublished Work - See title page for details.

27-81-18  
FIG. 01  
PAGE 13  
JAN 20/09



757

PARTS CATALOG (MAINTENANCE)

FIG ITEM	PART NUMBER	1 2 3 4 5 6 7 NOMENCLATURE	EFFECT FROM TO	UNITS PER ASSY
1 66	755299	.ACTUATOR ASSY- SUPPLIER CODE: V99167 SPECIFICATION NUMBER: S251N502-21 SB DATA FROM A CMM: 5006397/755299-27-12 COMPONENT MAINT MANUAL REF: 27-81-32 QUALIFIED I/W DATA: PRIOR TO STRUCTURAL CHANGE AT A/C LINE NUMBER 296, S251N502-21 (755299,A,B,C,D) CAN BE REPLACED BY BUT NOT REPLACE S251N502-19 (5006397K) OR S251N502-17(5006397J) OR S251N502-13(5006397G, M5006397EG). FROM A/C LINE NUMBER 296 AND AFTER S251N502-21 CAN REPLACE OR BE REPLACED BY S251N502-19 OR S251N502-17 OR S251N502-13. OPTIONAL PART: 755299A V99167 755299B V99167 755299C V99167 755299D V99167	002004 006100 121503 952999	1

MISSING ITEM NUMBERS NOT APPLICABLE

- ITEM NOT ILLUSTRATED

BRI

27-81-18-01

BOEING PROPRIETARY - Copyright © - Unpublished Work - See title page for details.

27-81-18  
FIG. 01  
PAGE 14  
JAN 20/09



757

PARTS CATALOG (MAINTENANCE)

FIG ITEM	PART NUMBER	1 2 3 4 5 6 7	NOMENCLATURE	EFFECT FROM TO	UNITS PER ASSY
1 66	755299A		.ACTUATOR ASSY- SUPPLIER CODE: V99167 SPECIFICATION NUMBER: S251N502-21 SB DATA FROM A CMM: 5006397/455299-27-12 COMPONENT MAINT MANUAL REF: 27-81-32 QUALIFIED I/W DATA: PRIOR TO STRUCTURAL CHANGE AT A/C LINE NUMBER 296, S251N502-23 (5006397L,M,N,P,R) CAN REPLACE BUT NOT BE REPLACED BY S251N502-21 (755299,A,B,C,D). S251N502-21 AND S251N502-23 ARE FULLY INTERCHANGEABLE WITH THE INCORPORATION OF S/B 757-27-0094. FROM A/C LINE NUMBER 296 AND AFTER S251N502-23 CAN REPLACE OR BE REPLACED BY S251N502-21. OPTIONAL PART: 755299 V99167 755299B V99167 755299C V99167 755299D V99167 REWORKED BY ALERT SB: 27A0133 POST SERVICE BULLETIN: 755299-27-12 V55820 REWORKED BY SB: SIL-268 V55820 755299-27-17 V55820 5006397/755299-27-21 V99167	107107 904951	1

MISSING ITEM NUMBERS NOT APPLICABLE

- ITEM NOT ILLUSTRATED

27-81-18-01

27-81-18  
FIG. 01  
PAGE 15  
JAN 20/09

BRI



757

PARTS CATALOG (MAINTENANCE)

FIG ITEM	PART NUMBER	1 2 3 4 5 6 7 NOMENCLATURE	EFFECT FROM TO	UNITS PER ASSY
1 66	755299A	.ACTUATOR ASSY- SUPPLIER CODE: V99167 SPECIFICATION NUMBER: S251N502-21 SB DATA FROM A CMM: 5006397/755299-27-12 COMPONENT MAINT MANUAL REF: 27-81-32 QUALIFIED I/W DATA: PRIOR TO STRUCTURAL CHANGE AT A/C LINE NUMBER 296, S251N502-21 (755299,A,B,C,D) CAN BE REPLACED BY BUT NOT REPLACE S251N502-19 (5006397K) OR S251N502-17(5006397J) OR S251N502-13(5006397G, M5006397EG). FROM A/C LINE NUMBER 296 AND AFTER S251N502-21 CAN REPLACE OR BE REPLACED BY S251N502-19 OR S251N502-17 OR S251N502-13. OPTIONAL PART: 755299 V99167 755299B V99167 755299C V99167 755299D V99167	107107 904951	1

MISSING ITEM NUMBERS NOT APPLICABLE

- ITEM NOT ILLUSTRATED

BRI

**27-81-18-01**

BOEING PROPRIETARY - Copyright © - Unpublished Work - See title page for details.

27-81-18  
FIG. 01  
PAGE 16  
JAN 20/09



757

PARTS CATALOG (MAINTENANCE)

FIG ITEM	PART NUMBER	1 2 3 4 5 6 7 NOMENCLATURE	EFFECT FROM TO	UNITS PER ASSY
1 66	755299B	.ACTUATOR ASSY- SUPPLIER CODE: V99167 SPECIFICATION NUMBER: S251N502-21 SB DATA FROM A CMM: 5006397/755299-27-15 COMPONENT MAINT MANUAL REF: 27-81-32 QUALIFIED I/W DATA: PRIOR TO STRUCTURAL CHANGE AT A/C LINE NUMBER 296, S251N502-23 (5006397L,M,N,P,R) CAN REPLACE BUT NOT BE REPLACED BY S251N502-21 (755299,A,B,C,D). S251N502-21 AND S251N502-23 ARE FULLY INTERCHANGEABLE WITH THE INCORPORATION OF S/B 757-27-0094. FROM A/C LINE NUMBER 296 AND AFTER S251N502-23 CAN REPLACE OR BE REPLACED BY S251N502-21. OPTIONAL PART: 755299 V99167 755299C V99167 755299D V99167 755299A V99167 REWORKED BY ALERT SB: 27A0133 REWORKED BY SB: 5006397/755299-27-21 V99167	002004 006100 121503 950999	1

MISSING ITEM NUMBERS NOT APPLICABLE

- ITEM NOT ILLUSTRATED

BRI

27-81-18-01

BOEING PROPRIETARY - Copyright © - Unpublished Work - See title page for details.

27-81-18  
FIG. 01  
PAGE 17  
JAN 20/09





757

PARTS CATALOG (MAINTENANCE)

FIG ITEM	PART NUMBER	1 2 3 4 5 6 7 NOMENCLATURE	EFFECT FROM TO	UNITS PER ASSY
1 66	755299B	.ACTUATOR ASSY- SUPPLIER CODE: V99167 SPECIFICATION NUMBER: S251N502-21 SB DATA FROM A CMM: 5006397/755299-27-15 COMPONENT MAINT MANUAL REF: 27-81-32 QUALIFIED I/W DATA: PRIOR TO STRUCTURAL CHANGE AT A/C LINE NUMBER 296, S251N502-21 (755299,A,B,C,D) CAN BE REPLACED BY BUT NOT REPLACE S251N502-19 (5006397K) OR S251N502-17(5006397J) OR S251N502-13(5006397G, M5006397EG). FROM A/C LINE NUMBER 296 AND AFTER S251N502-21 CAN REPLACE OR BE REPLACED BY S251N502-19 OR S251N502-17 OR S251N502-13. OPTIONAL PART: 755299 V99167 755299A V99167 755299C V99167 755299D V99167	002004 006100 121503 950999	1

MISSING ITEM NUMBERS NOT APPLICABLE

- ITEM NOT ILLUSTRATED

BRI

**27-81-18-01**

BOEING PROPRIETARY - Copyright © - Unpublished Work - See title page for details.

27-81-18  
FIG. 01  
PAGE 18  
JAN 20/09



757

PARTS CATALOG (MAINTENANCE)

FIG ITEM	PART NUMBER	1 2 3 4 5 6 7 NOMENCLATURE	EFFECT FROM TO	UNITS PER ASSY
1 66	755299C	.ACTUATOR ASSY- SUPPLIER CODE: V99167 SPECIFICATION NUMBER: S251N502-21 SB DATA FROM A CMM: 5006397/755299-27-12 5006397/755299-27-15 CONFIG CHG DATA FROM A CMM: SUPSD BY 755299D COMPONENT MAINT MANUAL REF: 27-81-32 QUALIFIED I/W DATA: PRIOR TO STRUCTURAL CHANGE AT A/C LINE NUMBER 296, S251N502-23 (5006397L,M,N,P,R) CAN REPLACE BUT NOT BE REPLACED BY S251N502-21 (755299,A,B,C,D). S251N502-21 AND S251N502-23 ARE FULLY INTERCHANGEABLE WITH THE INCORPORATION OF S/B 757-27-0094. FROM A/C LINE NUMBER 296 AND AFTER S251N502-23 CAN REPLACE OR BE REPLACED BY S251N502-21. OPTIONAL PART: 755299 V99167 755299A V99167 755299B V99167 755299D V99167 REWORKED BY ALERT SB: 27A0133 REWORKED BY SB: 5006397/755299-27-21 V99167	002004 006100 107107 121503 904999	1

MISSING ITEM NUMBERS NOT APPLICABLE

- ITEM NOT ILLUSTRATED

**27-81-18-01**

27-81-18  
FIG. 01  
PAGE 19  
JAN 20/09

BRI



757

PARTS CATALOG (MAINTENANCE)

FIG ITEM	PART NUMBER	1 2 3 4 5 6 7	NOMENCLATURE	EFFECT FROM TO	UNITS PER ASSY
1 66	755299C		.ACTUATOR ASSY- SUPPLIER CODE: V99167 SPECIFICATION NUMBER: S251N502-21 SB DATA FROM A CMM: 5006397/755299-27-12 5006397/755299-27-15 CONFIG CHG DATA FROM A CMM: SUPSD BY 755299D COMPONENT MAINT MANUAL REF: 27-81-32 QUALIFIED I/W DATA: PRIOR TO STRUCTURAL CHANGE AT A/C LINE NUMBER 296, S251N502-21 (755299,A,B,C,D) CAN BE REPLACED BY BUT NOT REPLACE S251N502-19 (5006397K) OR S251N502-17(5006397J) OR S251N502-13(5006397G, M5006397EG). FROM A/C LINE NUMBER 296 AND AFTER S251N502-21 CAN REPLACE OR BE REPLACED BY S251N502-19 OR S251N502-17 OR S251N502-13. OPTIONAL PART: 755299 V99167 755299A V99167 755299B V99167 755299D V99167	002004 006100 107107 121503 904999	1

MISSING ITEM NUMBERS NOT APPLICABLE

- ITEM NOT ILLUSTRATED

BRI

27-81-18-01

BOEING PROPRIETARY - Copyright © - Unpublished Work - See title page for details.

27-81-18  
 FIG. 01  
 PAGE 20  
 JAN 20/09



757

PARTS CATALOG (MAINTENANCE)

FIG ITEM	PART NUMBER	1 2 3 4 5 6 7 NOMENCLATURE	EFFECT FROM TO	UNITS PER ASSY
1 67	755299D	.ACTUATOR ASSY- SUPPLIER CODE: V99167 SPECIFICATION NUMBER: S251N502-21 SB DATA FROM A CMM: 5006397/755299-27-20 COMPONENT MAINT MANUAL REF: 27-81-32 QUALIFIED I/W DATA: PRIOR TO STRUCTURAL CHANGE AT A/C LINE NUMBER 296, S251N502-23 (5006397L,M,N,P,R) CAN REPLACE BUT NOT BE REPLACED BY S251N502-21 (755299,A,B,C,D). S251N502-21 AND S251N502-23 ARE FULLY INTERCHANGEABLE WITH THE INCORPORATION OF S/B 757-27-0094. FROM A/C LINE NUMBER 296 AND AFTER S251N502-23 CAN REPLACE OR BE REPLACED BY S251N502-21. OPTIONAL PART: 755299 V99167 755299A V99167 755299B V99167 755299C V99167 REWORKED BY ALERT SB: 27A0133 REWORKED BY SB: 5006397/755299-27-21 V99167	002004 006100 121503 950999	1

MISSING ITEM NUMBERS NOT APPLICABLE

- ITEM NOT ILLUSTRATED

BRI

27-81-18-01

BOEING PROPRIETARY - Copyright © - Unpublished Work - See title page for details.

27-81-18  
FIG. 01  
PAGE 21  
JAN 20/09



757

PARTS CATALOG (MAINTENANCE)

FIG ITEM	PART NUMBER	1 2 3 4 5 6 7 NOMENCLATURE	EFFECT FROM TO	UNITS PER ASSY
1 67	755299D	.ACTUATOR ASSY- SUPPLIER CODE: V99167 SPECIFICATION NUMBER: S251N502-21 SB DATA FROM A CMM: 5006397/755299-27-20 COMPONENT MAINT MANUAL REF: 27-81-32 QUALIFIED I/W DATA: PRIOR TO STRUCTURAL CHANGE AT A/C LINE NUMBER 296, S251N502-21 (755299,A,B,C,D) CAN BE REPLACED BY BUT NOT REPLACE S251N502-19 (5006397K) OR S251N502-17(5006397J) OR S251N502-13(5006397G, M5006397EG). FROM A/C LINE NUMBER 296 AND AFTER S251N502-21 CAN REPLACE OR BE REPLACED BY S251N502-19 OR S251N502-17 OR S251N502-13. OPTIONAL PART: 755299 V99167 755299A V99167 755299B V99167 755299C V99167	002004 006100 121503 950999	1

MISSING ITEM NUMBERS NOT APPLICABLE

- ITEM NOT ILLUSTRATED

BRI

27-81-18-01

BOEING PROPRIETARY - Copyright © - Unpublished Work - See title page for details.

27-81-18  
FIG. 01  
PAGE 22  
JAN 20/09



757

PARTS CATALOG (MAINTENANCE)

FIG ITEM	PART NUMBER	1 2 3 4 5 6 7 NOMENCLATURE	EFFECT FROM TO	UNITS PER ASSY
1 67	5006397L	.ACTUATOR ASSY- SUPPLIER CODE: V99167 SPECIFICATION NUMBER: S251N502-23 SB DATA FROM A CMM: 5006397-27-10 COMPONENT MAINT MANUAL REF: 27-81-32 OPTIONAL PART: 5006397M V99167 5006397N V99167 5006397P V99167 5006397R V99167 OPTIONAL PART: 5006397K V99167 REWORKED BY ALERT SB: 27A0133 REWORKED BY SB: 5006397/755299-27-21 V99167	107107 904949	1

MISSING ITEM NUMBERS NOT APPLICABLE

- ITEM NOT ILLUSTRATED

BRI

**27-81-18-01**

BOEING PROPRIETARY - Copyright © - Unpublished Work - See title page for details.

27-81-18  
FIG. 01  
PAGE 23  
JAN 20/09



757

PARTS CATALOG (MAINTENANCE)

FIG ITEM	PART NUMBER	1 2 3 4 5 6 7 NOMENCLATURE	EFFECT FROM TO	UNITS PER ASSY
1 67	5006397L	.ACTUATOR ASSY- SUPPLIER CODE: V99167 SPECIFICATION NUMBER: S251N502-23 SB DATA FROM A CMM: 5006397-27-10 COMPONENT MAINT MANUAL REF: 27-81-32 QUALIFIED I/W DATA: PRIOR TO STRUCTURAL CHANGE AT A/C LINE NUMBER 296, S251N502-23 (5006397L,M,N,P,R) CAN REPLACE BUT NOT BE REPLACED BY S251N502-21 (755299,A,B,C,D). S251N502-21 AND S251N502-23 ARE FULLY INTERCHANGEABLE WITH THE INCORPORATION OF S/B 757-27-0094. FROM A/C LINE NUMBER 296 AND AFTER S251N502-23 CAN REPLACE OR BE REPLACED BY S251N502-21. OPTIONAL PART: 5006397M V99167 5006397N V99167 5006397P V99167 5006397R V99167	107107 904949	1

MISSING ITEM NUMBERS NOT APPLICABLE

- ITEM NOT ILLUSTRATED

BRI

**27-81-18-01**

BOEING PROPRIETARY - Copyright © - Unpublished Work - See title page for details.

27-81-18  
 FIG. 01  
 PAGE 24  
 JAN 20/09



757

PARTS CATALOG (MAINTENANCE)

FIG ITEM	PART NUMBER	1 2 3 4 5 6 7	NOMENCLATURE	EFFECT FROM TO	UNITS PER ASSY
1 67	5006397M		.ACTUATOR ASSY- SUPPLIER CODE: V99167 SPECIFICATION NUMBER: S251N502-23 SB DATA FROM A CMM: 5006397/755299-27-12 COMPONENT MAINT MANUAL REF: 27-81-32 OPTIONAL PART: 5006397L V99167 5006397N V99167 5006397P V99167 5006397R V99167 OPTIONAL PART: 5006397K V99167 REWORKED BY ALERT SB: 27A0133 POST SERVICE BULLETIN: 5006397-27-12 V55820 REWORKED BY SB: SIL-268 V55820 5006397-27-17 V55820 5006397/755299-27-21 V99167	107107 904949	1

MISSING ITEM NUMBERS NOT APPLICABLE

- ITEM NOT ILLUSTRATED

BRI

**27-81-18-01**

BOEING PROPRIETARY - Copyright © - Unpublished Work - See title page for details.

27-81-18  
FIG. 01  
PAGE 25  
JAN 20/09





757

PARTS CATALOG (MAINTENANCE)

FIG ITEM	PART NUMBER	1 2 3 4 5 6 7	NOMENCLATURE	EFFECT FROM TO	UNITS PER ASSY
1 67	5006397M		.ACTUATOR ASSY- SUPPLIER CODE: V99167 SPECIFICATION NUMBER: S251N502-23 SB DATA FROM A CMM: 5006397/755299-27-12 COMPONENT MAINT MANUAL REF: 27-81-32 QUALIFIED I/W DATA: PRIOR TO STRUCTURAL CHANGE AT A/C LINE NUMBER 296, S251N502-23 (5006397L,M,N,P,R) CAN REPLACE BUT NOT BE REPLACED BY S251N502-21 (755299,A,B,C,D). S251N502-21 AND S251N502-23 ARE FULLY INTERCHANGEABLE WITH THE INCORPORATION OF S/B 757-27-0094. FROM A/C LINE NUMBER 296 AND AFTER S251N502-23 CAN REPLACE OR BE REPLACED BY S251N502-21. OPTIONAL PART: 5006397L V99167 5006397N V99167 5006397P V99167 5006397R V99167	107107 904949	1
85	755594		..PLACARD-CAUTION SUPPLIER CODE: V99167 USED ON: 755299 755299A 755299B 755299C 755299D	002004 006100 107107 121503 904999	1
90	755938		..PLATE-MODIFICATION SUPPLIER CODE: V99167	002004 006100 107107 121503 904999	1

MISSING ITEM NUMBERS NOT APPLICABLE

- ITEM NOT ILLUSTRATED

27-81-18-01

27-81-18  
FIG. 01  
PAGE 26  
JAN 20/09

BRI



757

PARTS CATALOG (MAINTENANCE)

FIG ITEM	PART NUMBER	1 2 3 4 5 6 7	NOMENCLATURE	EFFECT FROM TO	UNITS PER ASSY
1	95 5006511		..PLATE-IDENT SUPPLIER CODE: V99167 SB DATA FROM A CMM: 5006397 755299-27-12 CONFIG CHG DATA FROM A CMM: SUPSD BY 5006512 USED ON: 5006397J 5006397K USED ON: 5006397L 5006397M	107107 904949	1
	95 5006512		..PLATE-IDENT SUPPLIER CODE: V99167 SB DATA FROM A CMM: 5006397 5006398 755299-27-12 755300-27-12 CONFIG CHG DATA FROM A CMM: SUPERSEDES 5006511 USED ON: 5006397J 5006397K USED ON: 5006397L 5006397M	107107 904949	1
	95 5006512		..PLATE-IDENT SUPPLIER CODE: V99167 SB DATA FROM A CMM: 5006397 5006398 755299-27-12 755300-27-12 USED ON: 5006397N 5006397P 5006397R 755299 755299A 755299B 755299C 755299D	002004 006100 107107 121503 904999	1

MISSING ITEM NUMBERS NOT APPLICABLE

- ITEM NOT ILLUSTRATED

27-81-18-01

27-81-18  
FIG. 01  
PAGE 27  
JAN 20/09

BRI



757

PARTS CATALOG (MAINTENANCE)

FIG ITEM	PART NUMBER	1 2 3 4 5 6 7	NOMENCLATURE	EFFECT FROM TO	UNITS PER ASSY
1					
- 200	251N5003-3		ACTUATOR INSTL-LE SLAT DRIVE ROTARY POSITION DATA: OUTBD LH VARIABLE DRAWING REF: 251N5003-9 FOR NHA SEE: 27-81-20-02	002004 006100 107107 121503 904999	RF
- 205	251N5003-4		ACTUATOR INSTL-LE SLAT DRIVE ROTARY POSITION DATA: OUTBD RH VARIABLE DRAWING REF: 251N5003-10 FOR NHA SEE: 27-81-20-02	002004 006100 107107 121503 904999	RF
210	18-1969-15		.TRANSMITTER- SUPPLIER CODE: V96774 POSITION DATA: LH SIDE SPECIFICATION NUMBER: S251N403-15 ELECTRICAL EQUIP NUMBER: TS5083 COMPONENT MAINT MANUAL REF: 27-88-01	002004 006100 107107 121503 904999	1
- 215	18-1969-16		.TRANSMITTER- SUPPLIER CODE: V96774 POSITION DATA: RH SIDE SPECIFICATION NUMBER: S251N403-16 ELECTRICAL EQUIP NUMBER: TS5047 COMPONENT MAINT MANUAL REF: 27-88-01	002004 006100 107107 121503 904999	1
- 220	NAS1802-3-10		ATTACHING PARTS .SCREW	002004 006100 107107 121503 904999	3

MISSING ITEM NUMBERS NOT APPLICABLE

- ITEM NOT ILLUSTRATED

BRI

27-81-18-01

27-81-18  
FIG. 01  
PAGE 28  
JAN 20/09

 **BOEING**  
757  
**PARTS CATALOG (MAINTENANCE)**

FIG ITEM	PART NUMBER	1 2 3 4 5 6 7	NOMENCLATURE	EFFECT FROM TO	UNITS PER ASSY
1 - 225	AN960KD10L	.	WASHER	002004 006100 107107 121503 904999	3
230	BMN4122AD3-8	-----*----- .	NUT SUPPLIER CODE: V97928 SPECIFICATION NUMBER: BACN10JC8 OPTIONAL PART: BMN4122A8 V85495 H10-8BAC V15653 RMLH9074-8 V72962 48FT820 V56878	002004 006100 107107 121503 904999	1
235	AN960KD816	.	WASHER	002004 006100 107107 121503 904999	1
240	251N5128-2	.	COUPLING-HALF	002004 006100 121503 950999	1
240	251N5128-1	.	COUPLING-HALF	107107 904949	1
250	251N5149-1	.	NUT-	002004 006100 107107 121503 904999	1
250	251N5149-2	.	NUT-	002004 006100 107107 121503 904999	1
255	MS19070-0653	.	WASHER	002004 006100 107107 121503 904999	1

MISSING ITEM NUMBERS NOT APPLICABLE

- ITEM NOT ILLUSTRATED

BRI

# 27-81-18-01

BOEING PROPRIETARY - Copyright © - Unpublished Work - See title page for details.

27-81-18  
FIG. 01  
PAGE 29  
JAN 20/09



757

PARTS CATALOG (MAINTENANCE)

FIG ITEM	PART NUMBER	1 2 3 4 5 6 7	NOMENCLATURE	EFFECT FROM TO	UNITS PER ASSY
R R R R R R R R R R	1 260	R9107PPA4298	.BEARING- SUPPLIER CODE: V21335 SPECIFICATION NUMBER: BACB10BA35PP OPTIONAL PART: LL107KSG20 V38443 LL107KS V38443 6007TT V43991 9107LLT1C1-01 V21760 9107NPPFS4281 V21335 993L07 V29337 PKTLL107P1 V78118 C107RRP0ZZ V40920 R9107PPA4298 V9V013 R9107PPA4298 V9V013	002004 006100 107107 121503 904999	1
	260	BACB10GU35PP	.BEARING-	002004 006100 107107 121503 904999	1
	260	107KSZZ	.BEARING- SUPPLIER CODE: V38443	002004 006100 107107 121503 904999	1
	265	251N5103-2	.SPACER-	002004 006100 107107 121503 904999	1
	265	251N5103-3	.SPACER-	002004 006100 107107 121503 904999	1

MISSING ITEM NUMBERS NOT APPLICABLE

- ITEM NOT ILLUSTRATED

27-81-18-01

27-81-18  
FIG. 01  
PAGE 30  
MAY 20/09

BRI



757

PARTS CATALOG (MAINTENANCE)

FIG ITEM	PART NUMBER	1 2 3 4 5 6 7	NOMENCLATURE	EFFECT FROM TO	UNITS PER ASSY
1					
270	251N5089-1		. GEAR- OPTIONAL PART: 251N5089-2	002004 006100 107107 121503 904999	1
270	251N5089-2		. GEAR-	002004 006100 107107 121503 904999	1
270	251N5089-3		. GEAR-	002004 006100 107107 121503 904999	1
270	251N5089-4		. GEAR-	002004 006100 107107 121503 904999	1
270	251N5089-5		. GEAR-	002004 006100 107107 121503 904999	1
270	251N5089-6		. GEAR-	002004 006100 107107 121503 904999	1

MISSING ITEM NUMBERS NOT APPLICABLE

- ITEM NOT ILLUSTRATED

BRI

27-81-18-01

BOEING PROPRIETARY - Copyright © - Unpublished Work - See title page for details.

27-81-18  
FIG. 01  
PAGE 31  
JAN 20/09



757

PARTS CATALOG (MAINTENANCE)

FIG ITEM	PART NUMBER	1 2 3 4 5 6 7 NOMENCLATURE	EFFECT FROM TO	UNITS PER ASSY
1 275	5006398G	.ACTUATOR ASSY- SUPPLIER CODE: V99167 SPECIFICATION NUMBER: S251N502-18 SB DATA FROM A CMM: 5006398-27-5 5006398-27-6 5006398-27-7 5006398-27-10 COMPONENT MAINT MANUAL REF: 27-81-32 QUALIFIED I/W DATA: PRIOR TO STRUCTURAL CHANGE AT A/C LINE NUMBER 296, S251N502-22(755300,A,B, C,D) CAN BE REPLACED BY BUT NOT REPLACE S251N502-20(5006398H) OR S251N502-18 (5006398G) OR S251N502-14(5006398E/ M5006398CE). FROM A/C LINE NUMBER 296 AND AFTER S251N502-22 CAN REPLACE OR BE REPLACED BY S251N502-20 OR S251N502-18 OR S251N502-14. OPTIONAL PART: 5006398H V99167 REWORKED BY SB: SIL268 V55820	107107 904951	1

MISSING ITEM NUMBERS NOT APPLICABLE

- ITEM NOT ILLUSTRATED

BRI

**27-81-18-01**

BOEING PROPRIETARY - Copyright © - Unpublished Work - See title page for details.

27-81-18  
FIG. 01  
PAGE 32  
JAN 20/09



757

PARTS CATALOG (MAINTENANCE)

FIG ITEM	PART NUMBER	1 2 3 4 5 6 7 NOMENCLATURE	EFFECT FROM TO	UNITS PER ASSY
1 275	5006398M	.ACTUATOR ASSY- SUPPLIER CODE: V99167 SPECIFICATION NUMBER: S251N502-24 SB DATA FROM A CMM: 5006398/755300-27-12 5006398/755300-27-15 CONFIG CHG DATA FROM A CMM: SUPSD BY 5006398N COMPONENT MAINT MANUAL REF: 27-81-32 QUALIFIED I/W DATA: PRIOR TO STRUCTURAL CHANGE AT A/C LINE NUMBER 296, S251N502-24(5006398J/K/L /M/N) CAN REPLACE BUT NOT BE REPLACED BY S251N502-22(755300,A,B, C,D). S251N502-22 AND S251N502-24 ARE FULLY INTERCHANGEABLE WITH THE INCORPORATION OF S/B 757-27-0094. FROM A/C LINE NUMBER 296 AND AFTER S251N502-24 CAN REPLACE OR BE REPLACED BY S251N502-22. OPTIONAL PART: 5006398J V99167 5006398K V99167 5006398L V99167 5006398N V99167 OPTIONAL PART: 5006398H V99167 REWORKED BY ALERT SB: 27A0133 REWORKED BY SB: 5006398/755300-27-21 V99167	107107 904951	1

MISSING ITEM NUMBERS NOT APPLICABLE

- ITEM NOT ILLUSTRATED

27-81-18-01

27-81-18  
FIG. 01  
PAGE 33  
JAN 20/09

BRI





757

PARTS CATALOG (MAINTENANCE)

FIG ITEM	PART NUMBER	1 2 3 4 5 6 7	NOMENCLATURE	EFFECT FROM TO	UNITS PER ASSY
1 275	5006398K		.ACTUATOR ASSY- SUPPLIER CODE: V99167 SPECIFICATION NUMBER: S251N502-24 SB DATA FROM A CMM: 5006398/755300-27-12 COMPONENT MAINT MANUAL REF: 27-81-32 QUALIFIED I/W DATA: PRIOR TO STRUCTURAL CHANGE AT A/C LINE NUMBER 296, S251N502-24(5006398J/K/L /M/N) CAN REPLACE BUT NOT BE REPLACED BY S251N502-22(755300,A,B,C ,D). S251N502-22 AND S251N502-24 ARE FULLY INTERCHANGEABLE WITH THE INCORPORATION OF S/B 757-27-0094. FROM A/C LINE NUMBER 296 AND AFTER S251N502-24 CAN REPLACE OR BE REPLACED BY S251N502-22. OPTIONAL PART: 5006398J V99167 5006398L V99167 5006398M V99167 5006398N V99167 OPTIONAL PART: 5006398H V99167 REWORKED BY ALERT SB: 27A0133 REWORKED BY SB: SIL268 V55820 5006398/755300-27-21 V99167	107107 904951	1

MISSING ITEM NUMBERS NOT APPLICABLE

- ITEM NOT ILLUSTRATED

27-81-18-01

27-81-18  
FIG. 01  
PAGE 34  
JAN 20/09

BRI



757

PARTS CATALOG (MAINTENANCE)

FIG ITEM	PART NUMBER	1 2 3 4 5 6 7 NOMENCLATURE	EFFECT FROM TO	UNITS PER ASSY
1 275	5006398L	.ACTUATOR ASSY- SUPPLIER CODE: V99167 SPECIFICATION NUMBER: S251N502-24 SB DATA FROM A CMM: 5006398/755300-27-15 COMPONENT MAINT MANUAL REF: 27-81-32 QUALIFIED I/W DATA: PRIOR TO STRUCTURAL CHANGE AT A/C LINE NUMBER 296, S251N502-24(5006398J/K/L /M/N) CAN REPLACE BUT NOT BE REPLACED BY S251N502-22(755300,A,B, C,D). S251N502-22 AND S251N502-24 ARE FULLY INTERCHANGEABLE WITH THE INCORPORATION OF S/B 757-27-0094. FROM A/C LINE NUMBER 296 AND AFTER S251N502-24 CAN REPLACE OR BE REPLACED BY S251N502-22. OPTIONAL PART: 5006398J V99167 5006398K V99167 5006398M V99167 5006398N V99167 OPTIONAL PART: 5006398H V99167 REWORKED BY ALERT SB: 27A0133 REWORKED BY SB: 5006398/755300-27-21 V99167	107107 904951	1

MISSING ITEM NUMBERS NOT APPLICABLE

- ITEM NOT ILLUSTRATED

# 27-81-18-01

27-81-18  
FIG. 01  
PAGE 35  
JAN 20/09

BRI



757

PARTS CATALOG (MAINTENANCE)

FIG ITEM	PART NUMBER	1 2 3 4 5 6 7	NOMENCLATURE	EFFECT FROM TO	UNITS PER ASSY
1 276	755300		.ACTUATOR ASSY- SUPPLIER CODE: V99167 SPECIFICATION NUMBER: S251N502-22 SB DATA FROM A CMM: 5006398/755300-27-12 COMPONENT MAINT MANUAL REF: 27-81-32 QUALIFIED I/W DATA: PRIOR TO STRUCTURAL CHANGE AT A/C LINE NUMBER 296, S251N502-22 (755300,A,B,C,D) CAN BE REPLACED BY BUT NOT REPLACE S251N502-20 (5006398H) OR S251N502-18(5006398G) OR S251N502-14 (5006398E/M5006398CE). FORM A/C LINE NUMBER 296 AND AFTER S251N502-22 CAN REPLACE OR BE REPLACED BY S251N502-20 OR S251N502-18 OR S251N502-14. OPTIONAL PART: 755300A V99167 755300B V99167 755300C V99167 755300D V99167 REWORKED BY ALERT SB: 27A0133 REWORKED BY SB: 5006398/755300-27-21 V99167	002004 006100 121503 950999	1

MISSING ITEM NUMBERS NOT APPLICABLE

- ITEM NOT ILLUSTRATED

27-81-18-01

27-81-18  
FIG. 01  
PAGE 36  
JAN 20/09

BRI



757

PARTS CATALOG (MAINTENANCE)

FIG ITEM	PART NUMBER	1 2 3 4 5 6 7 NOMENCLATURE	EFFECT FROM TO	UNITS PER ASSY
1 276	755300	.ACTUATOR ASSY- SUPPLIER CODE: V99167 SPECIFICATION NUMBER: S251N502-22 SB DATA FROM A CMM: 5006398/755300-27-12 COMPONENT MAINT MANUAL REF: 27-81-32 QUALIFIED I/W DATA: PRIOR TO STRUCTURAL CHANGE AT A/C LINE NUMBER 296, S251N502-24 (5006398J/K/L/M/N) CAN REPLACE BUT NOT BE REPLACED BY S251N502-22 (755300,A,B,C,D). S251N502-22 AND S251N502-24 ARE FULLY INTERCHANGEABLE WITH THE INCORPORATION OF S/B 757-27-0094. FROM A/C LINE NUMBER 296 AND AFTER S251N502-24 CAN REPLACE OR BE REPLACED BY S251N502-22. OPTIONAL PART: 755300A V99167 755300B V99167 755300C V99167 755300D V99167	002004 006100 121503 950999	1

MISSING ITEM NUMBERS NOT APPLICABLE

- ITEM NOT ILLUSTRATED

BRI

**27-81-18-01**

BOEING PROPRIETARY - Copyright © - Unpublished Work - See title page for details.

27-81-18  
FIG. 01  
PAGE 37  
JAN 20/09



757

PARTS CATALOG (MAINTENANCE)

FIG ITEM	PART NUMBER	1 2 3 4 5 6 7 NOMENCLATURE	EFFECT FROM TO	UNITS PER ASSY
1 276	755300A	.ACTUATOR ASSY- SUPPLIER CODE: V99167 SPECIFICATION NUMBER: S251N502-22 SB DATA FROM A CMM: 5006398/755300-27-12 COMPONENT MAINT MANUAL REF: 27-81-32 QUALIFIED I/W DATA: PRIOR TO STRUCTURAL CHANGE AT A/C LINE NUMBER 296, S251N502-22 (755300,A,B,C,D) CAN BE REPLACED BY BUT NOT REPLACE S251N502-20 (5006398H) OR S251N502-18(5006398G) OR S251N502-14 (5006398E/M5006398CE). FORM A/C LINE NUMBER 296 AND AFTER S251N502-22 CAN REPLACE OR BE REPLACED BY S251N502-20 OR S251N502-18 OR S251N502-14. OPTIONAL PART: 755300 V99167 755300B V99167 755300C V99167 755300D V99167 REWORKED BY ALERT SB: 27A0133 REWORKED BY SB: 5006398/755300-27-21 V99167 SIL268 V55820	002004 006100 121503 950999	1

MISSING ITEM NUMBERS NOT APPLICABLE

- ITEM NOT ILLUSTRATED

**27-81-18-01**

27-81-18  
FIG. 01  
PAGE 38  
JAN 20/09

BRI



757

PARTS CATALOG (MAINTENANCE)

FIG ITEM	PART NUMBER	1 2 3 4 5 6 7 NOMENCLATURE	EFFECT FROM TO	UNITS PER ASSY
1 276	755300A	.ACTUATOR ASSY- SUPPLIER CODE: V99167 SPECIFICATION NUMBER: S251N502-22 SB DATA FROM A CMM: 5006398/755300-27-12 COMPONENT MAINT MANUAL REF: 27-81-32 QUALIFIED I/W DATA: PRIOR TO STRUCTURAL CHANGE AT A/C LINE NUMBER 296, S251N502-24 (5006398J/K/L/M/N) CAN REPLACE BUT NOT BE REPLACED BY S251N502-22 (755300,A,B,C,D). S251N502-22 AND S251N502-24 ARE FULLY INTERCHANGEABLE WITH THE INCORPORATION OF S/B 757-27-0094. FROM A/C LINE NUMBER 296 AND AFTER S251N502-24 CAN REPLACE OR BE REPLACED BY S251N502-22. OPTIONAL PART: 755300 V99167 755300B V99167 755300C V99167 755300D V99167	002004 006100 121503 950999	1

MISSING ITEM NUMBERS NOT APPLICABLE

- ITEM NOT ILLUSTRATED

BRI

27-81-18-01

BOEING PROPRIETARY - Copyright © - Unpublished Work - See title page for details.

27-81-18  
FIG. 01  
PAGE 39  
JAN 20/09



757

PARTS CATALOG (MAINTENANCE)

FIG ITEM	PART NUMBER	1 2 3 4 5 6 7 NOMENCLATURE	EFFECT FROM TO	UNITS PER ASSY
1 276	755300B	.ACTUATOR ASSY- SUPPLIER CODE: V99167 SPECIFICATION NUMBER: S251N502-22 SB DATA FROM A CMM: 5006398/755300-27-15 COMPONENT MAINT MANUAL REF: 27-81-32 QUALIFIED I/W DATA: PRIOR TO STRUCTURAL CHANGE AT A/C LINE NUMBER 296, S251N502-22 (755300,A,B,C,D) CAN BE REPLACED BY BUT NOT REPLACE S251N502-20 (5006398H) OR S251N502-18(5006398G) OR S251N502-14 (5006398E/M5006398CE). FORM A/C LINE NUMBER 296 AND AFTER S251N502-22 CAN REPLACE OR BE REPLACED BY S251N502-20 OR S251N502-18 OR S251N502-14. OPTIONAL PART: 755300 V99167 755300A V99167 755300C V99167 755300D V99167 REWORKED BY ALERT SB: 27A0133 REWORKED BY SB: 5006398/755300-27-21 V99167	002004 006100 121503 950999	1

MISSING ITEM NUMBERS NOT APPLICABLE

- ITEM NOT ILLUSTRATED

**27-81-18-01**

27-81-18  
FIG. 01  
PAGE 40  
JAN 20/09

BRI



757

PARTS CATALOG (MAINTENANCE)

FIG ITEM	PART NUMBER	1 2 3 4 5 6 7 NOMENCLATURE	EFFECT FROM TO	UNITS PER ASSY
1 276	755300B	.ACTUATOR ASSY- SUPPLIER CODE: V99167 SPECIFICATION NUMBER: S251N502-22 SB DATA FROM A CMM: 5006398/755300-27-15 COMPONENT MAINT MANUAL REF: 27-81-32 QUALIFIED I/W DATA: PRIOR TO STRUCTURAL CHANGE AT A/C LINE NUMBER 296, S251N502-24 (5006398J/K/L/M/N) CAN REPLACE BUT NOT BE REPLACED BY S251N502-22 (755300,A,B,C,D). S251N502-22 AND S251N502-24 ARE FULLY INTERCHANGEABLE WITH THE INCORPORATION OF S/B 757-27-0094. FROM A/C LINE NUMBER 296 AND AFTER S251N502-24 CAN REPLACE OR BE REPLACED BY S251N502-22. OPTIONAL PART: 755300 V99167 755300A V99167 755300C V99167 755300D V99167	002004 006100 121503 950999	1

MISSING ITEM NUMBERS NOT APPLICABLE

- ITEM NOT ILLUSTRATED

BRI

**27-81-18-01**

BOEING PROPRIETARY - Copyright © - Unpublished Work - See title page for details.

27-81-18  
FIG. 01  
PAGE 41  
JAN 20/09





757

PARTS CATALOG (MAINTENANCE)

FIG ITEM	PART NUMBER	1 2 3 4 5 6 7 NOMENCLATURE	EFFECT FROM TO	UNITS PER ASSY
1 276	755300C	.ACTUATOR ASSY- SUPPLIER CODE: V99167 SPECIFICATION NUMBER: S251N502-22 SB DATA FROM A CMM: 5006398/755300-27-12 5006398/755300-27-15 CONFIG CHG DATA FROM A CMM: SUPSD BY 755300D COMPONENT MAINT MANUAL REF: 27-81-32 QUALIFIED I/W DATA: PRIOR TO STRUCTURAL CHANGE AT A/C LINE NUMBER 296, S251N502-22 (755300,A,B,C,D) CAN BE REPLACED BY BUT NOT REPLACE S251N502-20 (5006398H) OR S251N502-18(5006398G) OR S251N502-14 (5006398E/M5006398CE). FORM A/C LINE NUMBER 296 AND AFTER S251N502-22 CAN REPLACE OR BE REPLACED BY S251N502-20 OR S251N502-18 OR S251N502-14. OPTIONAL PART: 755300 V99167 755300A V99167 755300B V99167 755300D V99167 REWORKED BY ALERT SB: 27A0133 REWORKED BY SB: 5006398/755300-27-21 V99167	002004 006100 121503 950999	1

MISSING ITEM NUMBERS NOT APPLICABLE

- ITEM NOT ILLUSTRATED

**27-81-18-01**

27-81-18  
FIG. 01  
PAGE 42  
JAN 20/09

BRI



757

PARTS CATALOG (MAINTENANCE)

FIG ITEM	PART NUMBER	1 2 3 4 5 6 7 NOMENCLATURE	EFFECT FROM TO	UNITS PER ASSY
1 276	755300C	.ACTUATOR ASSY- SUPPLIER CODE: V99167 SPECIFICATION NUMBER: S251N502-22 SB DATA FROM A CMM: 5006398/755300-27-12 5006398/755300-27-15 CONFIG CHG DATA FROM A CMM: SUPSD BY 755300D COMPONENT MAINT MANUAL REF: 27-81-32 QUALIFIED I/W DATA: PRIOR TO STRUCTURAL CHANGE AT A/C LINE NUMBER 296, S251N502-24 (5006398J/K/L/M/N) CAN REPLACE BUT NOT BE REPLACED BY S251N502-22 (755300,A,B,C,D). S251N502-22 AND S251N502-24 ARE FULLY INTERCHANGEABLE WITH THE INCORPORATION OF S/B 757-27-0094. FROM A/C LINE NUMBER 296 AND AFTER S251N502-24 CAN REPLACE OR BE REPLACED BY S251N502-22. OPTIONAL PART: 755300 V99167 755300A V99167 755300B V99167 755300D V99167	002004 006100 121503 950999	1

MISSING ITEM NUMBERS NOT APPLICABLE

- ITEM NOT ILLUSTRATED

BRI

27-81-18-01

BOEING PROPRIETARY - Copyright © - Unpublished Work - See title page for details.

27-81-18  
FIG. 01  
PAGE 43  
JAN 20/09



757

PARTS CATALOG (MAINTENANCE)

FIG ITEM	PART NUMBER	1 2 3 4 5 6 7 NOMENCLATURE	EFFECT FROM TO	UNITS PER ASSY
1 276	755300D	.ACTUATOR ASSY- SUPPLIER CODE: V99167 SPECIFICATION NUMBER: S251N502-22 SB DATA FROM A CMM: 5006398/755300-27-20 COMPONENT MAINT MANUAL REF: 27-81-32 QUALIFIED I/W DATA: PRIOR TO STRUCTURAL CHANGE AT A/C LINE NUMBER 296, S251N502-22 (755300,A,B,C,D) CAN BE REPLACED BY BUT NOT REPLACE S251N502-20 (5006398H) OR S251N502-18(5006398G) OR S251N502-14 (5006398E/M5006398CE). FORM A/C LINE NUMBER 296 AND AFTER S251N502-22 CAN REPLACE OR BE REPLACED BY S251N502-20 OR S251N502-18 OR S251N502-14. OPTIONAL PART: 755300 V99167 755300A V99167 755300B V99167 755300C V99167 REWORKED BY ALERT SB: 27A0133 REWORKED BY SB: 5006398/755300-27-21 V99167	002004 006100 121503 950999	1

MISSING ITEM NUMBERS NOT APPLICABLE

- ITEM NOT ILLUSTRATED

**27-81-18-01**

27-81-18  
FIG. 01  
PAGE 44  
JAN 20/09

BRI



757

PARTS CATALOG (MAINTENANCE)

FIG ITEM	PART NUMBER	1 2 3 4 5 6 7 NOMENCLATURE	EFFECT FROM TO	UNITS PER ASSY
1 277	755300D	.ACTUATOR ASSY- SUPPLIER CODE: V99167 SPECIFICATION NUMBER: S251N502-22 SB DATA FROM A CMM: 5006398/755300-27-20 COMPONENT MAINT MANUAL REF: 27-81-32 QUALIFIED I/W DATA: PRIOR TO STRUCTURAL CHANGE AT A/C LINE NUMBER 296, S251N502-24 (5006398J/K/L/M/N) CAN REPLACE BUT NOT BE REPLACED BY S251N502-22 (755300,A,B,C,D). S251N502-22 AND S251N502-24 ARE FULLY INTERCHANGEABLE WITH THE INCORPORATION OF S/B 757-27-0094. FROM A/C LINE NUMBER 296 AND AFTER S251N502-24 CAN REPLACE OR BE REPLACED BY S251N502-22. OPTIONAL PART: 755300 V99167 755300A V99167 755300B V99167 755300C V99167	002004 006100 121503 950999	1

MISSING ITEM NUMBERS NOT APPLICABLE

- ITEM NOT ILLUSTRATED

BRI

**27-81-18-01**

BOEING PROPRIETARY - Copyright © - Unpublished Work - See title page for details.

27-81-18  
FIG. 01  
PAGE 45  
JAN 20/09



757

PARTS CATALOG (MAINTENANCE)

FIG ITEM	PART NUMBER	1 2 3 4 5 6 7 NOMENCLATURE	EFFECT FROM TO	UNITS PER ASSY
1 277	5006398E	.ACTUATOR ASSY- SUPPLIER CODE: V99167 SPECIFICATION NUMBER: S251N502-14 COMPONENT MAINT MANUAL REF: 27-81-31 QUALIFIED I/W DATA: PRIOR TO STRUCTURAL CHANGE AT A/C LINE NUMBER 296, S251N502-22 (755300,A,B,C,D) CAN BE REPLACED BY BUT NOT REPLACE S251N502-20 (5006398H) OR S251N502-18(5006398G) OR S251N502-14 (5006398E/M5006398CE). FORM A/C LINE NUMBER 296 AND AFTER S251N502-22 CAN REPLACE OR BE REPLACED BY S251N502-20 OR S251N502-18 OR S251N502-14. OPTIONAL PART: M5006398CE V99167 OPTIONAL PART: 5006398H V99167 REWORKED BY SB: SIL268 V55820	107107 904951	1

MISSING ITEM NUMBERS NOT APPLICABLE

- ITEM NOT ILLUSTRATED

BRI

**27-81-18-01**

BOEING PROPRIETARY - Copyright © - Unpublished Work - See title page for details.

27-81-18  
FIG. 01  
PAGE 46  
JAN 20/09



757

PARTS CATALOG (MAINTENANCE)

FIG ITEM	PART NUMBER	1 2 3 4 5 6 7 NOMENCLATURE	EFFECT FROM TO	UNITS PER ASSY
1 277	5006398H	.ACTUATOR ASSY- SUPPLIER CODE: V99167 SPECIFICATION NUMBER: S251N502-20 SB DATA FROM A CMM: 5006398-27-8 5006398-27-10 COMPONENT MAINT MANUAL REF: 27-81-32 OPTIONAL PART: 5006398G V99167 5006398J V99167 5006398K V99167 5006398L V99167 5006398M V99167 5006398N V99167 REWORKED BY SB: SIL268 V55820	107107 904951	1

MISSING ITEM NUMBERS NOT APPLICABLE

- ITEM NOT ILLUSTRATED

BRI

**27-81-18-01**

BOEING PROPRIETARY - Copyright © - Unpublished Work - See title page for details.

27-81-18  
FIG. 01  
PAGE 47  
JAN 20/09



757

PARTS CATALOG (MAINTENANCE)

FIG ITEM	PART NUMBER	1 2 3 4 5 6 7 NOMENCLATURE	EFFECT FROM TO	UNITS PER ASSY
1 277	5006398H	.ACTUATOR ASSY- SUPPLIER CODE: V99167 SPECIFICATION NUMBER: S251N502-20 SB DATA FROM A CMM: 5006398-27-8 5006398-27-10 COMPONENT MAINT MANUAL REF: 27-81-32 QUALIFIED I/W DATA: PRIOR TO STRUCTURAL CHANGE AT A/C LINE NUMBER 296, S251N502-22 (755300,A,B,C,D) CAN BE REPLACED BY BUT NOT REPLACE S251N502-20 (5006398H) OR S251N502-18(5006398G) OR S251N502-14 (5006398E/M5006398CE). FORM A/C LINE NUMBER 296 AND AFTER S251N502-22 CAN REPLACE OR BE REPLACED BY S251N502-20 OR S251N502-18 OR S251N502-14.	107107 904951	1

MISSING ITEM NUMBERS NOT APPLICABLE

- ITEM NOT ILLUSTRATED

BRI

**27-81-18-01**

BOEING PROPRIETARY - Copyright © - Unpublished Work - See title page for details.

27-81-18  
FIG. 01  
PAGE 48  
JAN 20/09



757

PARTS CATALOG (MAINTENANCE)

FIG ITEM	PART NUMBER	1 2 3 4 5 6 7	NOMENCLATURE	EFFECT FROM TO	UNITS PER ASSY
1 277	5006398J		.ACTUATOR ASSY- SUPPLIER CODE: V99167 SPECIFICATION NUMBER: S251N502-24 SB DATA FROM A CMM: 5006398-27-10 COMPONENT MAINT MANUAL REF: 27-81-32 QUALIFIED I/W DATA: PRIOR TO STRUCTURAL CHANGE AT A/C LINE NUMBER 296, S251N502-24 (5006398J/K/L/M/N) CAN REPLACE BUT NOT BE REPLACED BY S251N502-22 (755300,A,B,C,D). S251N502-22 AND S251N502-24 ARE FULLY INTERCHANGEABLE WITH THE INCORPORATION OF S/B 757-27-0094. FROM A/C LINE NUMBER 296 AND AFTER S251N502-24 CAN REPLACE OR BE REPLACED BY S251N502-22. OPTIONAL PART: 5006398K V99167 5006398L V99167 5006398M V99167 5006398N V99167 OPTIONAL PART: 5006398H V99167 REWORKED BY ALERT SB: 27A0133 REWORKED BY SB: SIL-268 V55820 5006398/755300-27-21 V99167	107107 904951	1

MISSING ITEM NUMBERS NOT APPLICABLE

- ITEM NOT ILLUSTRATED

27-81-18-01

27-81-18  
FIG. 01  
PAGE 49  
JAN 20/09

BRI





757

PARTS CATALOG (MAINTENANCE)

FIG ITEM	PART NUMBER	1 2 3 4 5 6 7	NOMENCLATURE	EFFECT FROM TO	UNITS PER ASSY
1 277	5006398N		.ACTUATOR ASSY- SUPPLIER CODE: V99167 SPECIFICATION NUMBER: S251N502-24 SB DATA FROM A CMM: 5006398/755300-27-20 COMPONENT MAINT MANUAL REF: 27-81-32 QUALIFIED I/W DATA: PRIOR TO STRUCTURAL CHANGE AT A/C LINE NUMBER 296, S251N502-24 (5006398J/K/L/M/N) CAN REPLACE BUT NOT BE REPLACED BY S251N502-22 (755300,A,B,C,D). S251N502-22 AND S251N502-24 ARE FULLY INTERCHANGEABLE WITH THE INCORPORATION OF S/B 757-27-0094. FROM A/C LINE NUMBER 296 AND AFTER S251N502-24 CAN REPLACE OR BE REPLACED BY S251N502-22. OPTIONAL PART: 5006398J V99167 5006398K V99167 5006398L V99167 5006398M V99167 REWORKED BY ALERT SB: 27A0133 REWORKED BY SB: 5006398/755300-27-21 V99167	107107 904951	1

MISSING ITEM NUMBERS NOT APPLICABLE

- ITEM NOT ILLUSTRATED

BRI

27-81-18-01

BOEING PROPRIETARY - Copyright © - Unpublished Work - See title page for details.

27-81-18  
FIG. 01  
PAGE 50  
JAN 20/09



757

PARTS CATALOG (MAINTENANCE)

FIG ITEM	PART NUMBER	1 2 3 4 5 6 7	NOMENCLATURE	EFFECT FROM TO	UNITS PER ASSY
1 277	M5006398CE		.ACTUATOR ASSY- SUPPLIER CODE: V99167 SPECIFICATION NUMBER: S251N502-14 COMPONENT MAINT MANUAL REF: 27-81-31 QUALIFIED I/W DATA: PRIOR TO STRUCTURAL CHANGE AT A/C LINE NUMBER 296, S251N502-22 (755300,A,B,C,D) CAN BE REPLACED BY BUT NOT REPLACE S251N502-20 (5006398H) OR S251N502-18(5006398G) OR S251N502-14 (5006398E/M5006398CE). FORM A/C LINE NUMBER 296 AND AFTER S251N502-22 CAN REPLACE OR BE REPLACED BY S251N502-20 OR S251N502-18 OR S251N502-14. OPTIONAL PART: 5006398E V99167 OPTIONAL PART: 5006398H V99167 REWORKED BY SB: SIL268 V55820 ATTACHING PARTS .NUT	107107 904951	1
- 280	BRH10C4D		.NUT SUPPLIER CODE: V52828 SPECIFICATION NUMBER: BACN10JC4CD OPTIONAL PART: T6C428JCD V11815 NS202486-048 V80539 102LH9075-4W V72962 H51650-4BAC V15653	002004 006100 107107 121503 904999	3

MISSING ITEM NUMBERS NOT APPLICABLE

- ITEM NOT ILLUSTRATED

BRI

27-81-18-01

27-81-18  
FIG. 01  
PAGE 51  
JAN 20/09



757

PARTS CATALOG (MAINTENANCE)

FIG ITEM	PART NUMBER	1 2 3 4 5 6 7	NOMENCLATURE	EFFECT FROM TO	UNITS PER ASSY
1 - 285	AN960KD416	.	WASHER	002004 006100 107107 121503 904999	3
305	755594	-----*----- ..	PLACARD-CAUTION SUPPLIER CODE: V99167 USED ON: 755300D	002004 006100 121503 950999	1
310	5006512	..	PLATE-IDENT SUPPLIER CODE: V99167	002004 006100 107107 121503 904999	1
- 400	286N3326-004		WIRE BUNDLE ASSY- POSITION DATA: LH	002004 006100 107107 121503 904999	RF
- 403	286N3426-004		WIRE BUNDLE ASSY- POSITION DATA: RH	002004 006100 107107 121503 904999	RF
405	GS3417-18C	.CLAMP- SUPPLIER CODE: V06324 SPECIFICATION NUMBER: BACC10HF18 OPTIONAL PART: S2125-18-8 V07418 ELECTRICAL EQUIP NUMBER: D01805T D02984T WIRING DIAGRAM REF: 275141		002004 006100 107107 121503 904999	1

MISSING ITEM NUMBERS NOT APPLICABLE

- ITEM NOT ILLUSTRATED

BRI

27-81-18-01

BOEING PROPRIETARY - Copyright © - Unpublished Work - See title page for details.

27-81-18  
FIG. 01  
PAGE 52  
JAN 20/09



757

PARTS CATALOG (MAINTENANCE)

FIG ITEM	PART NUMBER	1 2 3 4 5 6 7	NOMENCLATURE	EFFECT FROM TO	UNITS PER ASSY
1 410	CN096618R14SNL		.CONNECTOR- SUPPLIER CODE: V13556 SPECIFICATION NUMBER: BCREF5955 OPTIONAL PART: ZZY18R14SNL V49367 48-06R18R14SNL V02660 POSITION DATA: LH SIDE OVERLENGTH PART NUMBER: BACC63BP18R14SNL ELECTRICAL EQUIP NUMBER: D02984 WIRING DIAGRAM REF: 275141	002004 006100 107107 121503 904999	1
- 415	BCREF6177		.CONNECTOR- POSITION DATA: RH SIDE OVERLENGTH PART NUMBER: BACC63BP18R14S6L ELECTRICAL EQUIP NUMBER: D01805 WIRING DIAGRAM REF: 275141	002004 006100 107107 121503 904999	1

MISSING ITEM NUMBERS NOT APPLICABLE

- ITEM NOT ILLUSTRATED

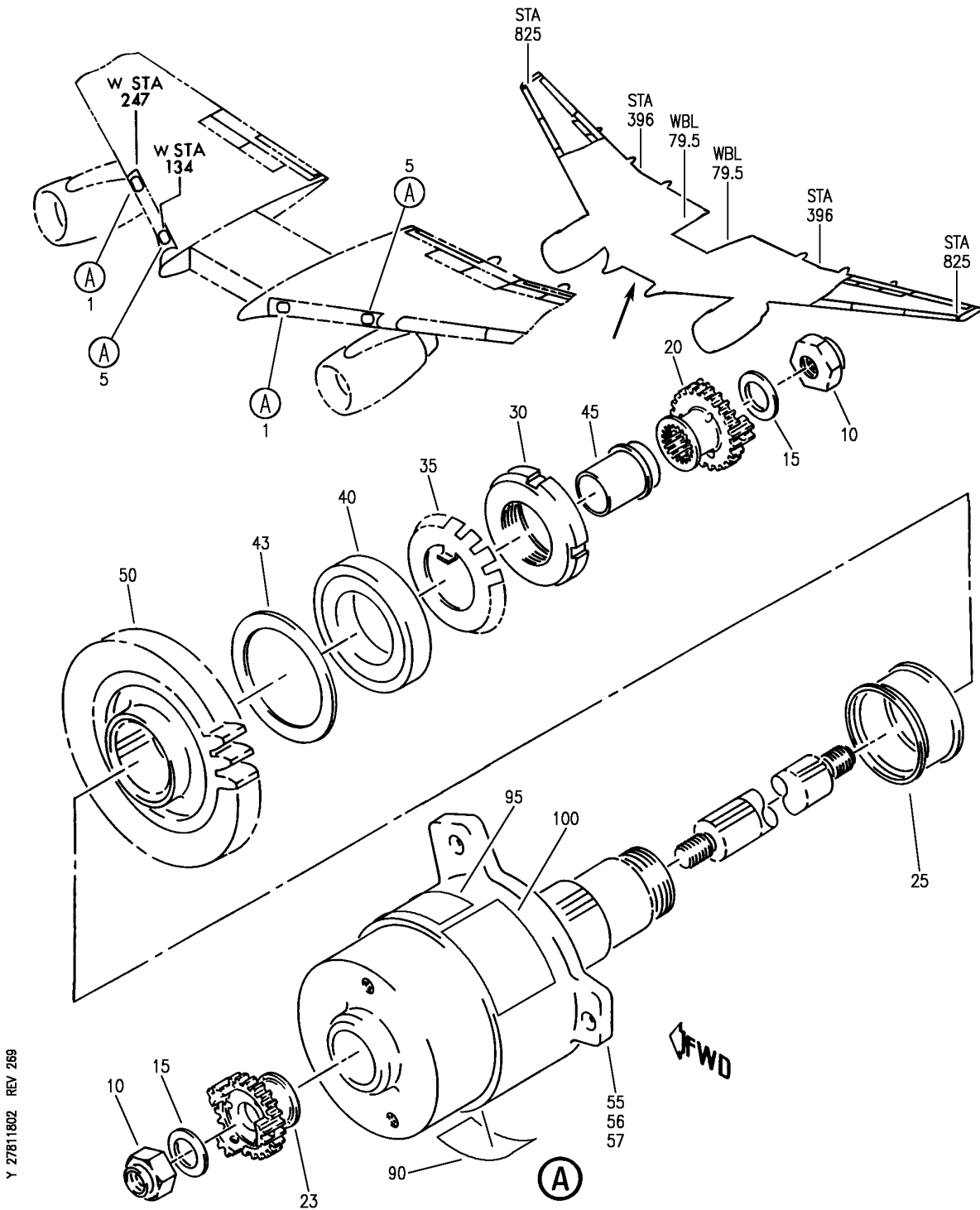
BRI

27-81-18-01

BOEING PROPRIETARY - Copyright © - Unpublished Work - See title page for details.

27-81-18  
FIG. 01  
PAGE 53  
JAN 20/09

**BOEING**  
757  
PARTS CATALOG (MAINTENANCE)



ACTUATOR INSTL-LE SLAT DRIVE ROTARY INBD  
FIGURE 2

**27-81-18-02**

BRI  
MAY 28/07

27-81-18-02  
PAGE 0



757

PARTS CATALOG (MAINTENANCE)

FIG ITEM	PART NUMBER	1 2 3 4 5 6 7	NOMENCLATURE	EFFECT FROM TO	UNITS PER ASSY
2			ACTUATOR INSTL-LE SLAT DRIVE ROTARY INBD	002004 006100 107107 121503 904999	
1	251N5004-1		ACTUATOR INSTL-LE SLAT DRIVE ROTARY POSITION DATA: INBD MISCELLANEOUS DATA: THIS IS A TEST OF THE ETS SYSTEMS ABILITY TO DIFFERENTIATE NEW LINES INPUTED INTO THE SYSTEM AND LINES ADDED PREVIOUSLY BUT NOT OFF LOADED DO NOT OFF LOAD THESE LINES VARIABLE DRAWING REF: 251N5004-5 FOR NHA SEE: 27-81-20-02	002004 006100 107107 121503 904999	RF
5	251N5004-2		ACTUATOR INSTL-LE SLAT DRIVE ROTARY POSITION DATA: INBD MISCELLANEOUS DATA: THIS IS A TEST OF THE ETS SYSTEMS ABILITY TO DIFFERENTIATE NEW LINES INPUTED INTO THE SYSTEM AND LINES ADDED PREVIOUSLY BUT NOT OFF LOADED DO NOT OFF LOAD THESE LINES VARIABLE DRAWING REF: 251N5004-6 FOR NHA SEE: 27-81-20-02	002004 006100 107107 121503 904999	RF

MISSING ITEM NUMBERS NOT APPLICABLE

- ITEM NOT ILLUSTRATED

BRI

27-81-18-02

27-81-18  
FIG. 02  
PAGE 1  
JAN 20/09



757

PARTS CATALOG (MAINTENANCE)

FIG ITEM	PART NUMBER	1 2 3 4 5 6 7	NOMENCLATURE	EFFECT FROM TO	UNITS PER ASSY
2	10 BMN4122AD3-8		.NUT- SUPPLIER CODE: V97928 SPECIFICATION NUMBER: BACN10JC8 OPTIONAL PART: BMN4122A8 V85495 H10-8BAC V15653 RMLH9074-8 V72962 48FT820 V56878 MISCELLANEOUS DATA: THIS IS A TEST OF THE ETS SYSTEMS ABILITY TO DIFFERENTIATE NEW LINES INPUTED INTO THE SYSTEM AND LINES ADDED PREVIOUSLY BUT NOT OFF LOADED DO NOT OFF LOAD THESE LINES	002004 006100 107107 121503 904999	2
	15 AN960KD816		.WASHER	002004 006100 107107 121503 904999	2
	20 251N5128-2		.COUPLING-HALF	002004 006100 107107 121503 904999	1
	20 251N5128-1		.COUPLING-HALF	107107 904949	1
	23 251N5128-1		.COUPLING-HALF OPTIONAL PART: 251N5128-2	003004 006100 121503 950999	1
	23 251N5128-2		.COUPLING-HALF OPTIONAL PART: 251N5128-1	003004 006100 121503 950999	1

MISSING ITEM NUMBERS NOT APPLICABLE

- ITEM NOT ILLUSTRATED

27-81-18-02

27-81-18  
FIG. 02  
PAGE 2  
JAN 20/09

BRI



757

PARTS CATALOG (MAINTENANCE)

FIG ITEM	PART NUMBER	1 2 3 4 5 6 7	NOMENCLATURE	EFFECT FROM TO	UNITS PER ASSY
2	25 251N5103-2	.	SPACER-	002004 006100 107107 121503 904999	1
25	251N5103-3	.	SPACER-	002004 006100 107107 121503 904999	1
30	251N5149-1	.	NUT-	002004 006100 107107 121503 904999	1
30	251N5149-2	.	NUT-	002004 006100 107107 121503 904999	1
35	MS19070-0653	.	WASHER	002004 006100 107107 121503 904999	1

MISSING ITEM NUMBERS NOT APPLICABLE

- ITEM NOT ILLUSTRATED

BRI

27-81-18-02

BOEING PROPRIETARY - Copyright © - Unpublished Work - See title page for details.

27-81-18  
FIG. 02  
PAGE 3  
JAN 20/09





757

PARTS CATALOG (MAINTENANCE)

FIG ITEM	PART NUMBER	1 2 3 4 5 6 7	NOMENCLATURE	EFFECT FROM TO	UNITS PER ASSY
R R R R R R R R R R R R R R R R R R R R	2 40	R9107PPA4298	.BEARING- SUPPLIER CODE: V21335 SPECIFICATION NUMBER: BACB10BA35PP OPTIONAL PART: LL107KSG20 V38443 LL107KS V38443 6007TT V43991 9107LLT1C1-01 V21760 9107NPPFS4281 V21335 993L07 V29337 PKTLL107P1 V78118 C107RRP0ZZ V40920 R9107PPA4298 V9V013 R9107PPA4298 V9V013 107KSZZ V38443	002004 006100 107107 121503 904999	1
	40	BACB10GU35PP	.BEARING-	002004 006100 107107 121503 904999	1
	40	107KSZZ	.BEARING- SUPPLIER CODE: V38443 OPTIONAL PART: BACB10BA35PP	002004 006100 107107 121503 904999	1
	43	251N5042-1	.SHIELD-BEARING	003004 006100 121503 904999	1
	50	251N5088-1	.GEAR-PINION OPTIONAL PART: 251N5088-2	002004 006100 107107 121503 904999	1

MISSING ITEM NUMBERS NOT APPLICABLE

- ITEM NOT ILLUSTRATED

27-81-18-02

27-81-18  
FIG. 02  
PAGE 4  
MAY 20/09

BRI



757

PARTS CATALOG (MAINTENANCE)

FIG ITEM	PART NUMBER	1 2 3 4 5 6 7	NOMENCLATURE	EFFECT FROM TO	UNITS PER ASSY
2					
50	251N5088-2	.	GEAR-PINION	002004 006100 107107 121503 904999	1
50	251N5088-3	.	GEAR-PINION	002004 006100 107107 121503 904999	1
50	251N5088-4	.	GEAR-PINION	002004 006100 107107 121503 904999	1
50	251N5088-5	.	GEAR-PINION	002004 006100 107107 121503 904999	1
50	251N5088-6	.	GEAR-PINION	002004 006100 107107 121503 904999	1

MISSING ITEM NUMBERS NOT APPLICABLE

- ITEM NOT ILLUSTRATED

BRI

27-81-18-02

BOEING PROPRIETARY - Copyright © - Unpublished Work - See title page for details.

27-81-18  
FIG. 02  
PAGE 5  
JAN 20/09



757

PARTS CATALOG (MAINTENANCE)

FIG ITEM	PART NUMBER	1 2 3 4 5 6 7	NOMENCLATURE	EFFECT FROM TO	UNITS PER ASSY
2 55	5006397G		.ACTUATOR ASSY- SUPPLIER CODE: V99167 SPECIFICATION NUMBER: S251N502-13 COMPONENT MAINT MANUAL REF: 27-81-31 QUALIFIED I/W DATA: PRIOR TO STRUCTURAL CHANGE AT A/C LINE NUMBER 296, S251N502-21 (755299,A,B,C,D) CAN BE REPLACED BY BUT NUT REPLACE S251N502-13 5006397G,M5006397EG) FROM A/C LINE NUMBER 296 AND AFTER S251N502-21 CAN REPLACE OR BE REPLACED BY S251N502-13 PRIOR TO STRUCTURAL CHANGE AT A/C LINE NUMBER 296, S251N502-21 (755299,A,B,C,D) CAN BE REPLACED BY BUT NUT REPLACE S251N502-13 (5006397G,M5006397EG) FROM A/C LINE NUMBER 296 AND AFTER S251N502-21 CAN REPLACE OR BE REPLACED BY S251N502-13 OPTIONAL PART: M5006397EG V99167 OPTIONAL PART: 5006397K V99167	107107 904949	1
55	5006397N		.ACTUATOR ASSY- SUPPLIER CODE: V99167 SPECIFICATION NUMBER: S251N502-23 SB DATA FROM A CMM: 5006397/755299-27-15 COMPONENT MAINT MANUAL REF: 27-81-32 QUALIFIED I/W DATA: PRIOR TO STRUCTURAL CHANGE AT A/C LINE NUMBER 296,S251N502-23	107107 904949	1

MISSING ITEM NUMBERS NOT APPLICABLE

- ITEM NOT ILLUSTRATED

BRI

27-81-18-02

27-81-18  
FIG. 02  
PAGE 6  
JAN 20/09



757

PARTS CATALOG (MAINTENANCE)

FIG ITEM	PART NUMBER	1 2 3 4 5 6 7 NOMENCLATURE	EFFECT FROM TO	UNITS PER ASSY
2		<p>(5006397L,M,N,P,R) CAN REPLACE BUT NOT BE REPLACED BY S251N502-21 (755299,A,B,C,D) S251N502-21 AND S251N502-23 ARE FULLY INTERCHANGEABLE WITH INCORPORATION OF S/B 757-27-0094. FROM A/C LINE NUMBER 296 AND AFTER S251N502-23 CAN REPLACE OR BE REPLACE BY S251N502-21 PRIOR TO STRUCTURAL CHANGE AT A/C LINE NUMBER 296,S251N502-23 (5006397L,M,N,P,R) CAN REPLACE BUT NOT BE REPLACED BY S251N502-21 (755299,A,B,C,D) S251N502-21 AND S251N502-23 ARE FULLY INTERCHANGEABLE WITH INCORPORATION OF S/B 757-27-0094. FROM A/C LINE NUMBER 296 AND AFTER S251N502-23 CAN REPLACE OR BE REPLACE BY S251N502-21</p> <p>OPTIONAL PART: 5006397L V99167 5006397M V99167 5006397P V99167 5006397R V99167</p> <p>OPTIONAL PART: 5006397K V99167</p> <p>REWORKED BY ALERT SB: 27A0133</p> <p>REWORKED BY SB: 5006397/755299-27-21 V99167</p>		

MISSING ITEM NUMBERS NOT APPLICABLE

- ITEM NOT ILLUSTRATED

BRI

27-81-18-02

BOEING PROPRIETARY - Copyright © - Unpublished Work - See title page for details.

27-81-18  
FIG. 02  
PAGE 7  
JAN 20/09



757

PARTS CATALOG (MAINTENANCE)

FIG ITEM	PART NUMBER	1 2 3 4 5 6 7	NOMENCLATURE	EFFECT FROM TO	UNITS PER ASSY
2 55	5006397P		.ACTUATOR ASSY- SUPPLIER CODE: V99167 SPECIFICATION NUMBER: S251N502-23 SB DATA FROM A CMM: 5006397/755299-27-12 5006397/755299-27-15 CONFIG CHG DATA FROM A CMM: SUPSD BY 5006397R COMPONENT MAINT MANUAL REF: 27-81-32 OPTIONAL PART: 5006397L V99167 5006397M V99167 5006397N V99167 5006397R V99167 POST AIRLINE MOD: PCR130 VALP	950951	1
56	755299C		.ACTUATOR ASSY- SUPPLIER CODE: V99167 SPECIFICATION NUMBER: S251N502-21 SB DATA FROM A CMM: 5006397/755299-27-12 5006397/755299-27-15 CONFIG CHG DATA FROM A CMM: SUPSD BY 755299D MISCELLANEOUS DATA: (M5006397L MAY REPLACE 755299 BUT USE OF 5006397L IN PLACE OF 75299 NEGATIVE THE INTENT OF SERVICE BULLETIN 757-27-94 COMPONENT MAINT MANUAL REF: 27-81-32 QUALIFIED I/W DATA: PRIOR TO STRUCTURAL CHANGE AT A/C LINE NUMBER 296, S251N502-21 (755299 A,B,C,D) CAN	002004 006100 121503 950999	1

MISSING ITEM NUMBERS NOT APPLICABLE

- ITEM NOT ILLUSTRATED

BRI

27-81-18-02

27-81-18  
FIG. 02  
PAGE 8  
JAN 20/09



757

PARTS CATALOG (MAINTENANCE)

FIG ITEM	PART NUMBER	1 2 3 4 5 6 7 NOMENCLATURE	EFFECT FROM TO	UNITS PER ASSY
2		BE REPLACED BY BUT NOT REPLACE S251B502-19 (5006397K) OR S251N502-17 (5006397J) OR S251N502-13 (5006397G, M5006397EG) FROM A/C LINE NUMBER 296 AND AFTER S251N502-21 CAN REPLACE OR BE REPLACED BY S251N502-19 OR S251N502-17 OR S251N502-13 OPTIONAL PART: 755299 V99167 755299A V99167 755299B V99167 755299D V99167 REWORKED BY ALERT SB: 27A0133 REWORKED BY SB: 5006397/755299-27-21 V99167 .ACTUATOR ASSY- SUPPLIER CODE: V99167 SPECIFICATION NUMBER: S251N502-23 SB DATA FROM A CMM: 5006397/755299-27-20 COMPONENT MAINT MANUAL REF: 27-81-32 QUALIFIED I/W DATA: PRIOR TO STRUCTURAL CHANGE AT A/C LINE NUMBER 296, S251N502-23 (5006397L, M, N, P, R) CAN REPLACE BUT NO BE REPLACE BY S251N502-21 (755299, A, B, C, D) S251N502-21 AND S251N502-23 ARE FULLY	107107 904951	1
56	5006397R			

MISSING ITEM NUMBERS NOT APPLICABLE

- ITEM NOT ILLUSTRATED

BRI

27-81-18-02

BOEING PROPRIETARY - Copyright © - Unpublished Work - See title page for details.

27-81-18  
 FIG. 02  
 PAGE 9  
 JAN 20/09



757

PARTS CATALOG (MAINTENANCE)

FIG ITEM	PART NUMBER	1 2 3 4 5 6 7 NOMENCLATURE	EFFECT FROM TO	UNITS PER ASSY
2		<p>INTERCHANGEABLE WITH THE INCORPORATION OF S/B 757-27-0094. FROM A/C LINE NUMBER 296 AND AFTER S251N502-23 CAN REPLACE OR BE REPLACED BY S251N502-21 PRIOR TO STRUCTURAL CHANGE AT A/C LINE NUMBER 296, S251N502-23 (5006397L, M, N, P, R) CAN REPLACE BUT NO BE REPLACE BY S251N502-21 (755299, A, B, C, D) S251N502-21 AND S251N502-23 ARE FULLY INTERCHANGEABLE WITH THE INCORPORATION OF S/B 757-27-0094. FROM A/C LINE NUMBER 296 AND AFTER S251N502-23 CAN REPLACE OR BE REPLACED BY S251N502-21 PRIOR TO STRUCTURAL CHANGE AT A/C LINE NUMBER 296, S251N502-23 (5006397L, M, N, P, R) CAN REPLACE BUT NO BE REPLACE BY S251N502-21 (755299, A, B, C, D) S251N502-21 AND S251N502-23 ARE FULLY ENTERCHANGEABLE WITH THE INCORPORATION OF S/B 757-27-0094. FROM A/C LINE NUMBER 296 AND AFTER S251N502-23 CAN REPLACE OR BE REPLACED BY S251N502-21</p> <p>OPTIONAL PART:  5006397L  V99167  5006397M  V99167  5006397N  V99167</p>		

MISSING ITEM NUMBERS NOT APPLICABLE

- ITEM NOT ILLUSTRATED

27-81-18-02

27-81-18  
FIG. 02  
PAGE 10  
JAN 20/09

BRI



757

PARTS CATALOG (MAINTENANCE)

FIG ITEM	PART NUMBER	1 2 3 4 5 6 7 NOMENCLATURE	EFFECT FROM TO	UNITS PER ASSY
2		5006397P V99167 REWORKED BY ALERT SB: 27A0133 REWORKED BY SB: 5006397/755299-27-21 V99167		

MISSING ITEM NUMBERS NOT APPLICABLE

- ITEM NOT ILLUSTRATED

BRI

27-81-18-02

BOEING PROPRIETARY - Copyright © - Unpublished Work - See title page for details.

27-81-18  
FIG. 02  
PAGE 11  
JAN 20/09





757

PARTS CATALOG (MAINTENANCE)

FIG ITEM	PART NUMBER	1 2 3 4 5 6 7 NOMENCLATURE	EFFECT FROM TO	UNITS PER ASSY
2 56	755299	.ACTUATOR ASSY- SUPPLIER CODE: V99167 SPECIFICATION NUMBER: S251N502-21 SB DATA FROM A CMM: 5006397/755299-27-12 MISCELLANEOUS DATA: CONTINUED FROM #055K COMPONENT MAINT MANUAL REF: 27-81-32 QUALIFIED I/W DATA: PRIOR TO STRUCTURAL CHANGE AT A/C LINE NUMBER 296, S251N502-21 (755299 A, B, C, D) CAN BE REPLACE BY BUT NOT REPLACE S251N502-19 (5006397K) OR S251N502-17(5006397J) OR S251N502-13 (5006397G, M5006397EG) FROM A/C LINE NUMBER 296 AND AFTER S251N502-21 CAN REPLACE OR BE REPLACE BY S251N502-19 OR S251N502-17 OR S251N502-13 OPTIONAL PART: 755299A V99167 755299B V99167 755299C V99167 755299D V99167 REWORKED BY ALERT SB: 27A0133 REWORKED BY SB: 5006397/755299-27-21 V99167	002004 006100 107107 121503 904949 952999	1

MISSING ITEM NUMBERS NOT APPLICABLE

- ITEM NOT ILLUSTRATED

**27-81-18-02**

27-81-18  
FIG. 02  
PAGE 12  
JAN 20/09

BRI



757

PARTS CATALOG (MAINTENANCE)

FIG ITEM	PART NUMBER	1 2 3 4 5 6 7 NOMENCLATURE	EFFECT FROM TO	UNITS PER ASSY
2 56	755299B	.ACTUATOR ASSY- SUPPLIER CODE: V99167 SPECIFICATION NUMBER: S251N502-21 SB DATA FROM A CMM: 5006397/755299-27-15 COMPONENT MAINT MANUAL REF: 27-81-32 QUALIFIED I/W DATA: PRIOR TO STRUCTURAL CHANGE AT A/C LINE NUMBER 296, S251N502-23 (5006397L,M,N,P,R) CAN REPLACE BUT NOT BE REPLACED BY S251N502-21 (755299,A,B,C,D). S251N502-21 AND S251N502-23 ARE FULLY INTERCHANGEABLE WITH THE INCORPORATION OF S/B 757-27-0094. FROM A/C LINE NUMBER 296 AND AFTER S251N502-23 CAN REPLACE OR BE REPLACED BY S251N502-21. OPTIONAL PART: 755299 V99167 755299A V99167 755299C V99167 755299D V99167 REWORKED BY ALERT SB: 27A0133 REWORKED BY SB: 5006397/755299-27-21 V99167	002004 006100 107107 121503 904999	1

MISSING ITEM NUMBERS NOT APPLICABLE

- ITEM NOT ILLUSTRATED

27-81-18-02

27-81-18  
FIG. 02  
PAGE 13  
JAN 20/09

BRI



757

PARTS CATALOG (MAINTENANCE)

FIG ITEM	PART NUMBER	1 2 3 4 5 6 7	NOMENCLATURE	EFFECT FROM TO	UNITS PER ASSY
2 56	755299B		.ACTUATOR ASSY- SUPPLIER CODE: V99167 SPECIFICATION NUMBER: S251N502-21 SB DATA FROM A CMM: 5006397/755299-27-15 COMPONENT MAINT MANUAL REF: 27-81-32 QUALIFIED I/W DATA: PRIOR TO STRUCTURAL CHANGE AT A/C LINE NUMBER 296, S251N502-21 (755299,A,B,C,D) CAN BE REPLACED BY BUT NOT REPLACE S251N502-19 (5006397K) OR S251N502-17(5006397J) OR S251N502-13(5006397G, M5006397EG). FROM A/C LINE NUMBER 296 AND AFTER S251N502-21 CAN REPLACE OR BE REPLACED BY S251N502-19 OR S251N502-17 OR S251N502-13. OPTIONAL PART: 755299 V99167 755299A V99167 755299C V99167 755299D V99167	002004 006100 107107 121503 904999	1

MISSING ITEM NUMBERS NOT APPLICABLE

- ITEM NOT ILLUSTRATED

BRI

27-81-18-02

27-81-18  
 FIG. 02  
 PAGE 14  
 JAN 20/09



757

PARTS CATALOG (MAINTENANCE)

FIG ITEM	PART NUMBER	1 2 3 4 5 6 7 NOMENCLATURE	EFFECT FROM TO	UNITS PER ASSY
2 56	755299	.ACTUATOR ASSY- SUPPLIER CODE: V99167 SPECIFICATION NUMBER: S251N502-21 SB DATA FROM A CMM: 5006397/755299-27-12 COMPONENT MAINT MANUAL REF: 27-81-32 QUALIFIED I/W DATA: PRIOR TO STRUCTURAL CHANGE AT A/C LINE NUMBER 296, S251N502-23 (5006397L,M,N,P,R) CAN REPLACE BUT NOT BE REPLACED BY S251N502-21 (755299,A,B,C,D). S251N502-21 AND S251N502-23 ARE FULLY INTERCHANGEABLE WITH THE INCORPORATION OF S/B 757-27-0094. FROM A/C LINE NUMBER 296 AND AFTER S251N502-23 CAN REPLACE OR BE REPLACED BY S251N502-21. OPTIONAL PART: 755299A V99167 755299B V99167 755299C V99167 755299D V99167 REWORKED BY ALERT SB: 27A0133 REWORKED BY SB: 5006397/755299-27-21 V99167	002004 006100 107107 121503 904949 952999	1

MISSING ITEM NUMBERS NOT APPLICABLE

- ITEM NOT ILLUSTRATED

BRI

27-81-18-02

BOEING PROPRIETARY - Copyright © - Unpublished Work - See title page for details.

27-81-18  
FIG. 02  
PAGE 15  
JAN 20/09



757

PARTS CATALOG (MAINTENANCE)

FIG ITEM	PART NUMBER	1 2 3 4 5 6 7 NOMENCLATURE	EFFECT FROM TO	UNITS PER ASSY
2 56	755299	.ACTUATOR ASSY- SUPPLIER CODE: V99167 SPECIFICATION NUMBER: S251N502-21 SB DATA FROM A CMM: 5006397/755299-27-12 COMPONENT MAINT MANUAL REF: 27-81-32 QUALIFIED I/W DATA: PRIOR TO STRUCTURAL CHANGE AT A/C LINE NUMBER 296, S251N502-21 (755299, A, B, C, D) CAN BE REPLACED BY BUT NOT REPLACE S251N502-19 (5006397K) OR S251N502-17(5006397J) OR S251N502-13(5006397G, M5006397EG). FROM A/C LINE NUMBER 296 AND AFTER S251N502-21 CAN REPLACE OR BE REPLACED BY S251N502-19 OR S251N502-17 OR S251N502-13. OPTIONAL PART: 755299A V99167 755299B V99167 755299C V99167 755299D V99167	002004 006100 107107 121503 904949 952999	1

MISSING ITEM NUMBERS NOT APPLICABLE

- ITEM NOT ILLUSTRATED

BRI

27-81-18-02

BOEING PROPRIETARY - Copyright © - Unpublished Work - See title page for details.

27-81-18  
FIG. 02  
PAGE 16  
JAN 20/09



757

PARTS CATALOG (MAINTENANCE)

FIG ITEM	PART NUMBER	1 2 3 4 5 6 7	NOMENCLATURE	EFFECT FROM TO	UNITS PER ASSY
2 57	5006397L		.ACTUATOR ASSY- SUPPLIER CODE: V99167 SPECIFICATION NUMBER: S251N502-23 SB DATA FROM A CMM: 5006397-27-10 COMPONENT MAINT MANUAL REF: 27-81-32 OPTIONAL PART: 5006397M V99167 5006397N V99167 5006397P V99167 5006397R V99167 OPTIONAL PART: 5006397K V99167 REWORKED BY ALERT SB: 27A0133 REWORKED BY SB: 5006397/755299-27-21 V99167	107107 904949	1
57	5006397L		.ACTUATOR ASSY- SUPPLIER CODE: V99167 SPECIFICATION NUMBER: S251N502-23 SB DATA FROM A CMM: 5006397-27-10 COMPONENT MAINT MANUAL REF: 27-81-32 OPTIONAL PART: 5006397M V99167 5006397N V99167 5006397P V99167 5006397R V99167	107107 904949	1

MISSING ITEM NUMBERS NOT APPLICABLE

- ITEM NOT ILLUSTRATED

BRI

27-81-18-02

BOEING PROPRIETARY - Copyright © - Unpublished Work - See title page for details.

27-81-18  
FIG. 02  
PAGE 17  
JAN 20/09



757

PARTS CATALOG (MAINTENANCE)

FIG ITEM	PART NUMBER	1 2 3 4 5 6 7	NOMENCLATURE	EFFECT FROM TO	UNITS PER ASSY
2 57	M5006397EG		.ACTUATOR ASSY- SUPPLIER CODE: V99167 SPECIFICATION NUMBER: S251N502-13 COMPONENT MAINT MANUAL REF: 27-81-32 OPTIONAL PART: 5006397G V99167 OPTIONAL PART: 5006397K V99167	107107 904949	1
57	M5006397EG		.ACTUATOR ASSY- SUPPLIER CODE: V99167 SPECIFICATION NUMBER: S251N502-13 COMPONENT MAINT MANUAL REF: 27-81-32 QUALIFIED I/W DATA: PRIOR TO STRUCTURAL CHANGE AT A/C LINE NUMBER 296, S251N502-21 (755299, A, B, C, D) CAN BE REPLACED BY BUT NOT REPLACE S251N502-13 (5006397G, M5006397EG) FROM A/C LINE 296 AND AFTER S251N502-21 CAN REPLACE OR BE REPLACED BY S251N502-13 OPTIONAL PART: 5006397G V99167	107107 904949	1

MISSING ITEM NUMBERS NOT APPLICABLE

- ITEM NOT ILLUSTRATED

BRI

27-81-18-02

BOEING PROPRIETARY - Copyright © - Unpublished Work - See title page for details.

27-81-18  
FIG. 02  
PAGE 18  
JAN 20/09



757

PARTS CATALOG (MAINTENANCE)

FIG ITEM	PART NUMBER	1 2 3 4 5 6 7	NOMENCLATURE	EFFECT FROM TO	UNITS PER ASSY
2 57	5006397J		.ACTUATOR ASSY- SUPPLIER CODE: V99167 SPECIFICATION NUMBER: S251N502-17 SB DATA FROM A CMM: 5006397-27-5 5006397-27-6 5006397-27-7 5006397-27-10 COMPONENT MAINT MANUAL REF: 27-81-32 QUALIFIED I/W DATA: PRIOR TO STRUCTURAL CHANGE AT A/C LINE NUMBER 296, S251N502-21 (755299, A, B, C, D) CAN BE REPLACED BY BUT NOT REPLACE S251N502-17 (5006397J) FROM A/C LINE NUMBER 296 AND AFTER S251N502-21 CAN REPLACE OR BE REPLACE BY S251N502-17 OPTIONAL PART: 5006397K V99167	107107 904949	1

MISSING ITEM NUMBERS NOT APPLICABLE

- ITEM NOT ILLUSTRATED

BRI

27-81-18-02

BOEING PROPRIETARY - Copyright © - Unpublished Work - See title page for details.

27-81-18  
FIG. 02  
PAGE 19  
JAN 20/09





757

PARTS CATALOG (MAINTENANCE)

FIG ITEM	PART NUMBER	1 2 3 4 5 6 7 NOMENCLATURE	EFFECT FROM TO	UNITS PER ASSY
2 57	5006397K	.ACTUATOR ASSY- SUPPLIER CODE: V99167 SPECIFICATION NUMBER: S251N502-19 SB DATA FROM A CMM: 5006397-27-8 5006397-27-10 COMPONENT MAINT MANUAL REF: 27-81-32 QUALIFIED I/W DATA: PRIOR TO STRUCTURAL CHANGE AT A/C LINE NUMBER 296, S251N502-21 (755299, 755299A, 755299B, 755299C, 755299D) CAN BE REPLACED BY BUT NUT REPLACE S251N502-19. FROM A/C LINE NUMBER 296 AND AFTER S251N502-21 CAN REPLACE OR BE REPLACED BY S251N502-19 OPTIONAL PART: 5006397J V99167 5006397L V99167 5006397M V99167 5006397N V99167 REWORKED BY ALERT SB: 27A0133 REWORKED BY SB: 5006397/755299-27-21 V99167	002004 006100 107107 121503 904949 952999	1

MISSING ITEM NUMBERS NOT APPLICABLE

- ITEM NOT ILLUSTRATED

BRI

27-81-18-02

BOEING PROPRIETARY - Copyright © - Unpublished Work - See title page for details.

27-81-18  
FIG. 02  
PAGE 20  
JAN 20/09



757

PARTS CATALOG (MAINTENANCE)

FIG ITEM	PART NUMBER	1 2 3 4 5 6 7 NOMENCLATURE	EFFECT FROM TO	UNITS PER ASSY
2 57	5006397M	.ACTUATOR ASSY- SUPPLIER CODE: V99167 SPECIFICATION NUMBER: S251N502-23 SB DATA FROM A CMM: 5006397/755299-27-12 COMPONENT MAINT MANUAL REF: 27-81-32 OPTIONAL PART: 5006397L V99167 5006397N V99167 5006397P V99167 5006397R V99167 OPTIONAL PART: 5006397F V99167 5006397K V99167 REWORKED BY ALERT SB: 27A0133 POST SERVICE BULLETIN: 5006397-27-12 V55820 REWORKED BY SB: SIL-268 V55820 5006397-27-17 V55820 5006397/755299-27-21 V99167 POST AIRLINE MOD: PCR130 VALP	107107 904951	1

MISSING ITEM NUMBERS NOT APPLICABLE

- ITEM NOT ILLUSTRATED

BRI

**27-81-18-02**

BOEING PROPRIETARY - Copyright © - Unpublished Work - See title page for details.

27-81-18  
FIG. 02  
PAGE 21  
JAN 20/09



757

PARTS CATALOG (MAINTENANCE)

FIG ITEM	PART NUMBER	1 2 3 4 5 6 7	NOMENCLATURE	EFFECT FROM TO	UNITS PER ASSY
2 57	5006397M		.ACTUATOR ASSY- SUPPLIER CODE: V99167 SPECIFICATION NUMBER: S251N502-23 SB DATA FROM A CMM: 5006397/755299-27-12 COMPONENT MAINT MANUAL REF: 27-81-32 QUALIFIED I/W DATA: PRIOR TO STRUCTURAL CHANGE AT A/C LINE NUMBER 296, S251N502-23 (5006397L,M,N,P,R) CAN REPLACE BUT NOT BE REPLACED BY S251N502-21 (755299,A,B,C,D). S251N502-21 AND S251N502-23 ARE FULLY INTERCHANGEABLE WITH THE INCORPORATION OF S/B 757-27-0094. FROM A/C LINE NUMBER 296 AND AFTER S251N502-23 CAN REPLACE OR BE REPLACED BY S251N502-21. OPTIONAL PART: 5006397L V99167 5006397N V99167 5006397P V99167 5006397R V99167	107107 904951	1

MISSING ITEM NUMBERS NOT APPLICABLE

- ITEM NOT ILLUSTRATED

BRI

27-81-18-02

BOEING PROPRIETARY - Copyright © - Unpublished Work - See title page for details.

27-81-18  
FIG. 02  
PAGE 22  
JAN 20/09



757

PARTS CATALOG (MAINTENANCE)

FIG ITEM	PART NUMBER	1 2 3 4 5 6 7 NOMENCLATURE	EFFECT FROM TO	UNITS PER ASSY
2 57	755299A	.ACTUATOR ASSY- SUPPLIER CODE: V99167 V55820 SPECIFICATION NUMBER: S251N502-21 SB DATA FROM A CMM: 5006397/755299-27-12 COMPONENT MAINT MANUAL REF: 27-81-32 QUALIFIED I/W DATA: PRIOR TO STRUCTURAL CHANGE AT A/C LINE NUMBER 296, S251N502-23 (5006397L,M,N,P,R) CAN REPLACE BUT NOT BE REPLACED BY S251N502-21 (755299,A,B,C,D). S251N502-21 AND S251N502-23 ARE FULLY INTERCHANGEABLE WITH THE INCORPORATION OF S/B 757-27-0094. FROM A/C LINE NUMBER 296 AND AFTER S251N502-23 CAN REPLACE OR BE REPLACED BY S251N502-21. OPTIONAL PART: 755299 V99167 755299B V99167 755299C V99167 755299D V99167 REWORKED BY ALERT SB: 27A0133 POST SERVICE BULLETIN: 755299-27-12 V55820 REWORKED BY SB: SIL-268 V55820 5006397/755299-27-21 V99167	107107 904951	1

MISSING ITEM NUMBERS NOT APPLICABLE

- ITEM NOT ILLUSTRATED

BRI

27-81-18-02

27-81-18  
FIG. 02  
PAGE 23  
JAN 20/09



757

PARTS CATALOG (MAINTENANCE)

FIG ITEM	PART NUMBER	1 2 3 4 5 6 7 NOMENCLATURE	EFFECT FROM TO	UNITS PER ASSY
2 57	755299A	.ACTUATOR ASSY- SUPPLIER CODE: V99167 SPECIFICATION NUMBER: S251N502-21 SB DATA FROM A CMM: 5006397/755299-27-12 COMPONENT MAINT MANUAL REF: 27-81-32 QUALIFIED I/W DATA: PRIOR TO STRUCTURAL CHANGE AT A/C LINE NUMBER 296, S251N502-21 (755299,A,B,C,D) CAN BE REPLACED BY BUT NOT REPLACE S251N502-19 (5006397K) OR S251N502-17(5006397J) OR S251N502-13(5006397G, M5006397EG). FROM A/C LINE NUMBER 296 AND AFTER S251N502-21 CAN REPLACE OR BE REPLACED BY S251N502-19 OR S251N502-17 OR S251N502-13. OPTIONAL PART: 755299 V99167 755299B V99167 755299C V99167 755299D V99167	107107 904951	1

MISSING ITEM NUMBERS NOT APPLICABLE

- ITEM NOT ILLUSTRATED

BRI

27-81-18-02

BOEING PROPRIETARY - Copyright © - Unpublished Work - See title page for details.

27-81-18  
FIG. 02  
PAGE 24  
JAN 20/09



757

PARTS CATALOG (MAINTENANCE)

FIG ITEM	PART NUMBER	1 2 3 4 5 6 7 NOMENCLATURE	EFFECT FROM TO	UNITS PER ASSY
2 57	5006397P	.ACTUATOR ASSY- SUPPLIER CODE: V99167 SPECIFICATION NUMBER: S251N502-23 SB DATA FROM A CMM: 5006397/755299-27-12 5006397/755299-27-15 CONFIG CHG DATA FROM A CMM: SUPSD BY 5006397R COMPONENT MAINT MANUAL REF: 27-81-32 QUALIFIED I/W DATA: PRIOR TO STRUCTURAL CHANGE AT A/C LINE NUMBER 296, S251N502-23 (5006397L, M, N, P, R) CAN REPLACE BUT NOT BE REPLACED BY S251N502-21 (755299, A, B, C, D) S251N502-21 AND S251N502-23 ARE FULLY INTERCHANGEABLE WITH INCORPORATION OF S/B 757-27-0094. FROM A/C LINE NUMBER 296 AND AFTER S251N502-23 CAN REPLACE OR BE REPLACE BY S251N502-21 OPTIONAL PART: 5006397L V99167 5006397M V99167 5006397N V99167 5006397R V99167 REWORKED BY ALERT SB: 27A0133 REWORKED BY SB: 5006397/755299-27-21 V99167	107107 904951	1

MISSING ITEM NUMBERS NOT APPLICABLE

- ITEM NOT ILLUSTRATED

BRI

27-81-18-02

BOEING PROPRIETARY - Copyright © - Unpublished Work - See title page for details.

27-81-18  
FIG. 02  
PAGE 25  
JAN 20/09



757

PARTS CATALOG (MAINTENANCE)

FIG ITEM	PART NUMBER	1 2 3 4 5 6 7	NOMENCLATURE	EFFECT FROM TO	UNITS PER ASSY
2 57	755299C		.ACTUATOR ASSY- SUPPLIER CODE: V99167 SPECIFICATION NUMBER: S251N502-21 SB DATA FROM A CMM: 5006397/755299-27-12 5006397/755299-27-15 CONFIG CHG DATA FROM A CMM: SUPSD BY 755299D COMPONENT MAINT MANUAL REF: 27-81-32 QUALIFIED I/W DATA: PRIOR TO STRUCTURAL CHANGE AT A/C LINE NUMBER 296, S251N502-23 (5006397L,M,N,P,R) CAN REPLACE BUT NOT BE REPLACED BY S251N502-21 (755299,A,B,C,D). S251N502-21 AND S251N502-23 ARE FULLY INTERCHANGEABLE WITH THE INCORPORATION OF S/B 757-27-0094. FROM A/C LINE NUMBER 296 AND AFTER S251N502-23 CAN REPLACE OR BE REPLACED BY S251N502-21. OPTIONAL PART: 755299 V99167 755299A V99167 755299B V99167 755299D V99167 REWORKED BY ALERT SB: 27A0133 REWORKED BY SB: 5006397/755299-27-21 V99167	002004 006100 121503 950999	1

MISSING ITEM NUMBERS NOT APPLICABLE

- ITEM NOT ILLUSTRATED

27-81-18-02

27-81-18  
FIG. 02  
PAGE 26  
JAN 20/09

BRI



757

PARTS CATALOG (MAINTENANCE)

FIG ITEM	PART NUMBER	1 2 3 4 5 6 7 NOMENCLATURE	EFFECT FROM TO	UNITS PER ASSY
2 57	755299C	.ACTUATOR ASSY- SUPPLIER CODE: V99167 SPECIFICATION NUMBER: S251N502-21 SB DATA FROM A CMM: 5006397/755299-27-12 5006397/755299-27-15 CONFIG CHG DATA FROM A CMM: SUPSD BY 755299D COMPONENT MAINT MANUAL REF: 27-81-32 QUALIFIED I/W DATA: PRIOR TO STRUCTURAL CHANGE AT A/C LINE NUMBER 296, S251N502-21 (755299,A,B,C,D) CAN BE REPLACED BY BUT NOT REPLACE S251N502-19 (5006397K) OR S251N502-17(5006397J) OR S251N502-13(5006397G, M5006397EG). FROM A/C LINE NUMBER 296 AND AFTER S251N502-21 CAN REPLACE OR BE REPLACED BY S251N502-19 OR S251N502-17 OR S251N502-13. OPTIONAL PART: 755299 V99167 755299A V99167 755299B V99167 755299D V99167	002004 006100 121503 950999	1

MISSING ITEM NUMBERS NOT APPLICABLE

- ITEM NOT ILLUSTRATED

BRI

27-81-18-02

BOEING PROPRIETARY - Copyright © - Unpublished Work - See title page for details.

27-81-18  
FIG. 02  
PAGE 27  
JAN 20/09





757

PARTS CATALOG (MAINTENANCE)

FIG ITEM	PART NUMBER	1 2 3 4 5 6 7 NOMENCLATURE	EFFECT FROM TO	UNITS PER ASSY
2 57	755299D	.ACTUATOR ASSY- SUPPLIER CODE: V99167 SPECIFICATION NUMBER: S251N502-21 SB DATA FROM A CMM: 5006397/755299-27-20 COMPONENT MAINT MANUAL REF: 27-81-32 QUALIFIED I/W DATA: PRIOR TO STRUCTURAL CHANGE AT A/C LINE NUMBER 296, S251N502-23 (5006397L,M,N,P,R) CAN REPLACE BUT NOT BE REPLACED BY S251N502-21 (755299,A,B,C,D). S251N502-21 AND S251N502-23 ARE FULLY INTERCHANGEABLE WITH THE INCORPORATION OF S/B 757-27-0094. FROM A/C LINE NUMBER 296 AND AFTER S251N502-23 CAN REPLACE OR BE REPLACED BY S251N502-21. OPTIONAL PART: 755299 V99167 755299A V99167 755299B V99167 755299C V99167 REWORKED BY ALERT SB: 27A0133 REWORKED BY SB: 5006397/755299-27-21 V99167	002004 006100 121503 950999	1

MISSING ITEM NUMBERS NOT APPLICABLE

- ITEM NOT ILLUSTRATED

BRI

27-81-18-02

BOEING PROPRIETARY - Copyright © - Unpublished Work - See title page for details.

27-81-18  
FIG. 02  
PAGE 28  
JAN 20/09



757

PARTS CATALOG (MAINTENANCE)

FIG ITEM	PART NUMBER	1 2 3 4 5 6 7	NOMENCLATURE	EFFECT FROM TO	UNITS PER ASSY
2 57	755299D		.ACTUATOR ASSY- SUPPLIER CODE: V99167 SPECIFICATION NUMBER: S251N502-21 SB DATA FROM A CMM: 5006397/755299-27-20 COMPONENT MAINT MANUAL REF: 27-81-32 QUALIFIED I/W DATA: PRIOR TO STRUCTURAL CHANGE AT A/C LINE NUMBER 296, S251N502-21 (755299,A,B,C,D) CAN BE REPLACED BY BUT NOT REPLACE S251N502-19 (5006397K) OR S251N502-17(5006397J) OR S251N502-13(5006397G, M5006397EG). FROM A/C LINE NUMBER 296 AND AFTER S251N502-21 CAN REPLACE OR BE REPLACED BY S251N502-19 OR S251N502-17 OR S251N502-13. OPTIONAL PART: 755299 V99167 755299A V99167 755299B V99167 755299C V99167	002004 006100 121503 950999	1
- 60	BACB30NR4K13		.ATTACHING PARTS .BOLT	002004 006100 107107 121503 904999	3
- 65	AN960KD416		.WASHER	002004 006100 107107 121503 904999	6

MISSING ITEM NUMBERS NOT APPLICABLE

- ITEM NOT ILLUSTRATED

BRI

27-81-18-02

27-81-18  
FIG. 02  
PAGE 29  
JAN 20/09



757

PARTS CATALOG (MAINTENANCE)

FIG ITEM	PART NUMBER	1 2 3 4 5 6 7	NOMENCLATURE	EFFECT FROM TO	UNITS PER ASSY
2 - 70	BRH10C4D	.NUT	SUPPLIER CODE: V52828 SPECIFICATION NUMBER: BACN10JC4CD OPTIONAL PART: T6C428JCD V11815 NS202486-048 V80539 102LH9075-4W V72962 H51650-4BAC V15653	002004 006100 107107 121503 904999	3
90	755594	..PLACARD-CAUTION	SUPPLIER CODE: V99167 USED ON: 755299 755299A 755299B 755299C 755299D	002004 006100 107107 121503 904999	1
95	755938	..PLATE-MODIFICATION	SUPPLIER CODE: V99167	002004 006100 107107 121503 904999	1
100	5006511	..PLATE-IDENT	SUPPLIER CODE: V99167 SB DATA FROM A CMM: 5006397 755299-27-12 CONFIG CHG DATA FROM A CMM: SUPSD BY 5006512 USED ON: 5006397J 5006397K USED ON: 5006397L 5006397M	002004 006100 107107 121503 904999	1

MISSING ITEM NUMBERS NOT APPLICABLE

- ITEM NOT ILLUSTRATED

BRI

27-81-18-02

BOEING PROPRIETARY - Copyright © - Unpublished Work - See title page for details.

27-81-18  
FIG. 02  
PAGE 30  
JAN 20/09



757

PARTS CATALOG (MAINTENANCE)

FIG ITEM	PART NUMBER	1 2 3 4 5 6 7	NOMENCLATURE	EFFECT FROM TO	UNITS PER ASSY
2 100	5006512		.. PLATE-IDENT SUPPLIER CODE: V99167 SB DATA FROM A CMM: 5006397 5006398 755299-27-12 755300-27-12 CONFIG CHG DATA FROM A CMM: SUPPERSEDES 5006511 USED ON: 5006397J 5006397K USED ON: 5006397L 5006397M	002004 006100 107107 121503 904999	1
100	5006512		.. PLATE-IDENT SUPPLIER CODE: V99167 SB DATA FROM A CMM: 5006397 5006398 755299-27-12 755300-27-12 USED ON: 5006397N 5006397P 5006397R 755299 755299A 755299B 755299C 755299D	002004 006100 107107 121503 904999	1

MISSING ITEM NUMBERS NOT APPLICABLE

- ITEM NOT ILLUSTRATED

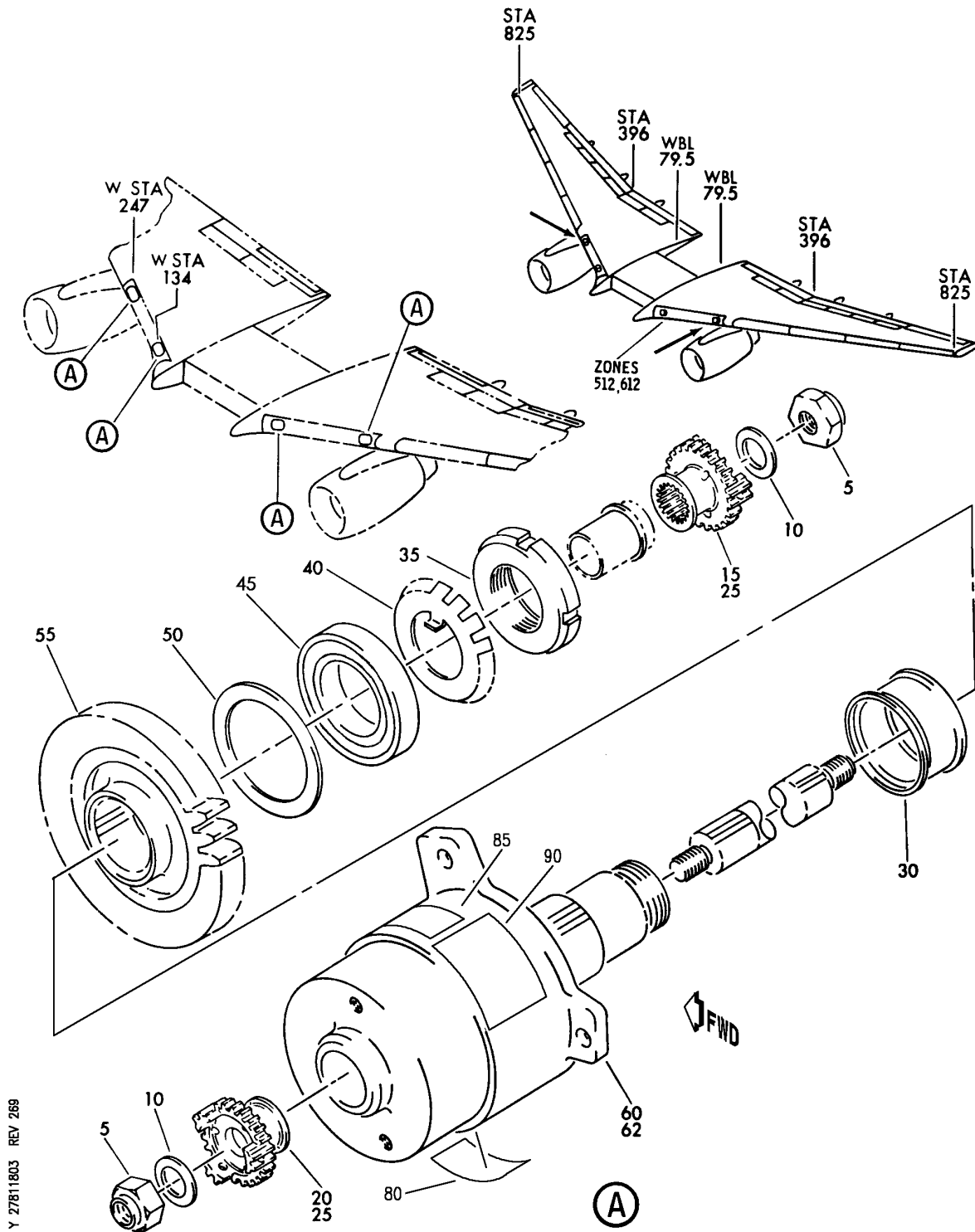
BRI

27-81-18-02

BOEING PROPRIETARY - Copyright © - Unpublished Work - See title page for details.

27-81-18  
 FIG. 02  
 PAGE 31  
 JAN 20/09

**BOEING**  
757  
PARTS CATALOG (MAINTENANCE)



Y 27811803 REV 269

ACTUATOR INSTL-LE SLAT DRIVE ROTARY INBD  
FIGURE 3

**27-81-18-03**

BRI  
MAY 28/07

27-81-18-03  
PAGE 0



757

PARTS CATALOG (MAINTENANCE)

FIG ITEM	PART NUMBER	1 2 3 4 5 6 7	NOMENCLATURE	EFFECT FROM TO	UNITS PER ASSY
3			ACTUATOR INSTL-LE SLAT DRIVE ROTARY INBD	101106 108120 504903	
- 1	251N5004-9		ACTUATOR INSTL-LE SLAT DRIVE ROTARY POSITION DATA: INBD FOR NHA SEE: 27-80-00-01	101102	RF
- 1	251N5004-10		ACTUATOR INSTL-LE SLAT DRIVE ROTARY POSITION DATA: INBD FOR NHA SEE: 27-80-00-01	504903	RF
- 1	251N5004-15		ACTUATOR INSTL-LE SLAT DRIVE ROTARY POSITION DATA: INBD FOR NHA SEE: 27-80-00-01	108120	RF
- 1	MODREF32190		ACTUATOR INSTL-LE SLAT DRIVE ROTARY MODULE NUMBER: 251N5004-15 REV C POSITION DATA: INBD	103106	1
5	BMN4122AD3-8		.NUT SUPPLIER CODE: V97928 SPECIFICATION NUMBER: BACN10JC8 OPTIONAL PART: BMN4122A8 V85495 H10-8BAC V15653 RMLH9074-8 V72962 48FT820 V56878	101106 108120 504903	8
10	AN960KD816		.WASHER	101106 108120 504903	8
15	251N5128-2		.COUPLING-HALF	101106 108120	4
20	251N5128-2		.COUPLING-HALF	101106 108120	4

MISSING ITEM NUMBERS NOT APPLICABLE

- ITEM NOT ILLUSTRATED

27-81-18-03

27-81-18  
FIG. 03  
PAGE 1  
JAN 20/09

BRI

# BOEING

## 757

### PARTS CATALOG (MAINTENANCE)

FIG ITEM	PART NUMBER	1 2 3 4 5 6 7	NOMENCLATURE	EFFECT FROM TO	UNITS PER ASSY	
3	20	251N5128-1	. COUPLING-HALF OPTIONAL PART: 251N5004-17	101106 108120	4	
	20	251N5004-17	. COUPLING-HALF OPTIONAL PART: 251N5128-1	103106 108120	4	
	25	251N5128-2	. COUPLING-HALF	504903	8	
	25	251N5128-1	. COUPLING-HALF	504903	8	
	30	251N5103-3	. SPACER-	101106 108120	4	
	30	251N5103-2	. SPACER-	504903 101106 108120	4	
	35	251N5149-2	. NUT-	504903 101106 108120	4	
	35	251N5149-1	. NUT-	504903 101106 108120	4	
	40	MS19070-0653	. WASHER	504903 101106 108120	4	
	45	R9107PPA4298	. BEARING- SUPPLIER CODE: V21335 SPECIFICATION NUMBER: BACB10BA35PP OPTIONAL PART: LL107KSG20 V38443 LL107KS V38443 6007TT V43991 9107LLT1C1-01 V21760 9107NPPFS4281 V21335 993L07 V29337 PKTLL107P1 V78118 C107RRPOZZ V40920 R9107PPA4298 V9V013 R9107PPA4298 V9V013	504903 101106 108120	4	
	MISSING ITEM NUMBERS NOT APPLICABLE					

R  
R  
R  
R  
R  
R  
R  
R  
R  
R  
R  
R  
R  
R  
R  
R  
R  
R  
R  
R

- ITEM NOT ILLUSTRATED

# 27-81-18-03

27-81-18  
FIG. 03  
PAGE 2  
MAY 20/09

BRI

BOEING PROPRIETARY - Copyright © - Unpublished Work - See title page for details.



757

PARTS CATALOG (MAINTENANCE)

FIG ITEM	PART NUMBER	1 2 3 4 5 6 7	NOMENCLATURE	EFFECT FROM TO	UNITS PER ASSY
3					
45	107KSZZ		.BEARING- SUPPLIER CODE: V38443 OPTIONAL PART: BACB10GU35PPJ	101106 108120 504903	4
45	BACB10GU35PP		.BEARING- USED ON: 251N5004-15	101106 108120 504903	4
45	BACB10GU35PPJ		.BEARING- OPTIONAL PART: 107KSZZ V38443	103106	4
50	251N5042-1		.SHIELD-BEARING	101106 108120 504903	4
55	251N5088-4		.GEAR-PINION	101102 504903	4
55	251N5088-5		.GEAR-PINION	101106 108120 504903	4
55	251N5088-6		.GEAR-PINION	101106 108120 504903	4

MISSING ITEM NUMBERS NOT APPLICABLE

- ITEM NOT ILLUSTRATED

27-81-18-03

27-81-18  
FIG. 03  
PAGE 3  
JAN 20/09

BRI

BOEING PROPRIETARY - Copyright © - Unpublished Work - See title page for details.





757

PARTS CATALOG (MAINTENANCE)

FIG ITEM	PART NUMBER	1 2 3 4 5 6 7 NOMENCLATURE	EFFECT FROM TO	UNITS PER ASSY
3 60	755299	.ACTUATOR ASSY- SUPPLIER CODE: V99167 SPECIFICATION NUMBER: S251N502-21 SB DATA FROM A CMM: 5006397/755299-27-12 COMPONENT MAINT MANUAL REF: 27-81-32 QUALIFIED I/W DATA: PRIOR TO STRUCTURAL CHANGE AT A/C LINE NUMBER 296, S251N502-23 (5006397L,M,N,P,R) CAN REPLACE BUT NOT BE REPLACED BY S251N502-21 (755299,A,B,C,D). S251N502-21 AND S251N502-23 ARE FULLY INTERCHANGEABLE WITH THE INCORPORATION OF S/B 757-27-0094. FROM A/C LINE NUMBER 296 AND AFTER S251N502-23 CAN REPLACE OR BE REPLACED BY S251N502-21. OPTIONAL PART: 755299A V99167 755299B V99167 755299C V99167 755299D V99167 REWORKED BY ALERT SB: 27A0133 REWORKED BY SB: 5006397/755299-27-21 V99167	101106 108120	4

MISSING ITEM NUMBERS NOT APPLICABLE

- ITEM NOT ILLUSTRATED

BRI

**27-81-18-03**

BOEING PROPRIETARY - Copyright © - Unpublished Work - See title page for details.

27-81-18  
FIG. 03  
PAGE 4  
JAN 20/09



757

PARTS CATALOG (MAINTENANCE)

FIG ITEM	PART NUMBER	1 2 3 4 5 6 7 NOMENCLATURE	EFFECT FROM TO	UNITS PER ASSY
3 60	755299	.ACTUATOR ASSY- SUPPLIER CODE: V99167 SPECIFICATION NUMBER: S251N502-21 SB DATA FROM A CMM: 5006397/755299-27-12 COMPONENT MAINT MANUAL REF: 27-81-32 QUALIFIED I/W DATA: PRIOR TO STRUCTURAL CHANGE AT A/C LINE NUMBER 296, S251N502-21 (755299, A, B, C, D) CAN BE REPLACED BY BUT NOT REPLACE S251N502-19 (5006397K) OR S251N502-17(5006397J) OR S251N502-13(5006397G, M5006397EG). FROM A/C LINE NUMBER 296 AND AFTER S251N502-21 CAN REPLACE OR BE REPLACED BY S251N502-19 OR S251N502-17 OR S251N502-13. OPTIONAL PART: 755299A V99167 755299B V99167 755299C V99167 755299D V99167	101106 108120	4

MISSING ITEM NUMBERS NOT APPLICABLE

- ITEM NOT ILLUSTRATED

BRI

**27-81-18-03**

BOEING PROPRIETARY - Copyright © - Unpublished Work - See title page for details.

27-81-18  
 FIG. 03  
 PAGE 5  
 JAN 20/09



757

PARTS CATALOG (MAINTENANCE)

FIG ITEM	PART NUMBER	1 2 3 4 5 6 7 NOMENCLATURE	EFFECT FROM TO	UNITS PER ASSY
3 60	755299A	.ACTUATOR ASSY- SUPPLIER CODE: V99167 SPECIFICATION NUMBER: S251N502-21 SB DATA FROM A CMM: 5006397/755299-27-12 COMPONENT MAINT MANUAL REF: 27-81-32 QUALIFIED I/W DATA: PRIOR TO STRUCTURAL CHANGE AT A/C LINE NUMBER 296, S251N502-23 (5006397L,M,N,P,R) CAN REPLACE BUT NOT BE REPLACED BY S251N502-21 (755299,A,B,C,D). S251N502-21 AND S251N502-23 ARE FULLY INTERCHANGEABLE WITH THE INCORPORATION OF S/B 757-27-0094. FROM A/C LINE NUMBER 296 AND AFTER S251N502-23 CAN REPLACE OR BE REPLACED BY S251N502-21. OPTIONAL PART: 755299 V99167 755299B V99167 755299C V99167 755299D V99167 REWORKED BY ALERT SB: 27A0133 REWORKED BY SB: 5006397/755299-27-21 V99167	101106 108120	4

MISSING ITEM NUMBERS NOT APPLICABLE

- ITEM NOT ILLUSTRATED

**27-81-18-03**

27-81-18  
FIG. 03  
PAGE 6  
JAN 20/09

BRI



757

PARTS CATALOG (MAINTENANCE)

FIG ITEM	PART NUMBER	1 2 3 4 5 6 7 NOMENCLATURE	EFFECT FROM TO	UNITS PER ASSY
3 60	755299A	.ACTUATOR ASSY- SUPPLIER CODE: V99167 SPECIFICATION NUMBER: S251N502-21 SB DATA FROM A CMM: 5006397/755299-27-12 COMPONENT MAINT MANUAL REF: 27-81-32 QUALIFIED I/W DATA: PRIOR TO STRUCTURAL CHANGE AT A/C LINE NUMBER 296, S251N502-21 (755299,A,B,C,D) CAN BE REPLACED BY BUT NOT REPLACE S251N502-19 (5006397K) OR S251N502-17(5006397J) OR S251N502-13(5006397G, M5006397EG). FROM A/C LINE NUMBER 296 AND AFTER S251N502-21 CAN REPLACE OR BE REPLACED BY S251N502-19 OR S251N502-17 OR S251N502-13. OPTIONAL PART: 755299 V99167 755299B V99167 755299C V99167 755299D V99167	101106 108120	4

MISSING ITEM NUMBERS NOT APPLICABLE

- ITEM NOT ILLUSTRATED

BRI

27-81-18-03

BOEING PROPRIETARY - Copyright © - Unpublished Work - See title page for details.

27-81-18  
 FIG. 03  
 PAGE 7  
 JAN 20/09



757

PARTS CATALOG (MAINTENANCE)

FIG ITEM	PART NUMBER	1 2 3 4 5 6 7 NOMENCLATURE	EFFECT FROM TO	UNITS PER ASSY
3 60	755299B	.ACTUATOR ASSY- SUPPLIER CODE: V99167 SPECIFICATION NUMBER: S251N502-21 SB DATA FROM A CMM: 5006397/755299-27-15 COMPONENT MAINT MANUAL REF: 27-81-32 QUALIFIED I/W DATA: PRIOR TO STRUCTURAL CHANGE AT A/C LINE NUMBER 296, S251N502-23 (5006397L,M,N,P,R) CAN REPLACE BUT NOT BE REPLACED BY S251N502-21 (755299,A,B,C,D). S251N502-21 AND S251N502-23 ARE FULLY INTERCHANGEABLE WITH THE INCORPORATION OF S/B 757-27-0094. FROM A/C LINE NUMBER 296 AND AFTER S251N502-23 CAN REPLACE OR BE REPLACED BY S251N502-21. OPTIONAL PART: 755299 V99167 755299A V99167 755299C V99167 755299D V99167 REWORKED BY ALERT SB: 27A0133 REWORKED BY SB: 5006397/755299-27-21 V99167	101106 108120	4

MISSING ITEM NUMBERS NOT APPLICABLE

- ITEM NOT ILLUSTRATED

BRI

27-81-18-03

BOEING PROPRIETARY - Copyright © - Unpublished Work - See title page for details.

27-81-18  
FIG. 03  
PAGE 8  
JAN 20/09



757

PARTS CATALOG (MAINTENANCE)

FIG ITEM	PART NUMBER	1 2 3 4 5 6 7 NOMENCLATURE	EFFECT FROM TO	UNITS PER ASSY
3 60	755299B	.ACTUATOR ASSY- SUPPLIER CODE: V99167 SPECIFICATION NUMBER: S251N502-21 SB DATA FROM A CMM: 5006397/755299-27-15 COMPONENT MAINT MANUAL REF: 27-81-32 QUALIFIED I/W DATA: PRIOR TO STRUCTURAL CHANGE AT A/C LINE NUMBER 296, S251N502-21 (755299,A,B,C,D) CAN BE REPLACED BY BUT NOT REPLACE S251N502-19 (5006397K) OR S251N502-17(5006397J) OR S251N502-13(5006397G, M5006397EG). FROM A/C LINE NUMBER 296 AND AFTER S251N502-21 CAN REPLACE OR BE REPLACED BY S251N502-19 OR S251N502-17 OR S251N502-13. OPTIONAL PART: 755299 V99167 755299A V99167 755299C V99167 755299D V99167	101106 108120	4

MISSING ITEM NUMBERS NOT APPLICABLE

- ITEM NOT ILLUSTRATED

BRI

**27-81-18-03**

BOEING PROPRIETARY - Copyright © - Unpublished Work - See title page for details.

27-81-18  
FIG. 03  
PAGE 9  
JAN 20/09



757

PARTS CATALOG (MAINTENANCE)

FIG ITEM	PART NUMBER	1 2 3 4 5 6 7 NOMENCLATURE	EFFECT FROM TO	UNITS PER ASSY
3 60	755299C	.ACTUATOR ASSY- SUPPLIER CODE: V99167 SPECIFICATION NUMBER: S251N502-21 SB DATA FROM A CMM: 5006397/755299-27-12 5006397/755299-27-15 CONFIG CHG DATA FROM A CMM: SUPSD BY 755299D COMPONENT MAINT MANUAL REF: 27-81-32 QUALIFIED I/W DATA: PRIOR TO STRUCTURAL CHANGE AT A/C LINE NUMBER 296, S251N502-23 (5006397L,M,N,P,R) CAN REPLACE BUT NOT BE REPLACED BY S251N502-21 (755299,A,B,C,D). S251N502-21 AND S251N502-23 ARE FULLY INTERCHANGEABLE WITH THE INCORPORATION OF S/B 757-27-0094. FROM A/C LINE NUMBER 296 AND AFTER S251N502-23 CAN REPLACE OR BE REPLACED BY S251N502-21. OPTIONAL PART: 755299 V99167 755299A V99167 755299B V99167 755299D V99167 REWORKED BY ALERT SB: 27A0133 REWORKED BY SB: 5006397/755299-27-21 V99167	101106 108120	4

MISSING ITEM NUMBERS NOT APPLICABLE

- ITEM NOT ILLUSTRATED

27-81-18-03

27-81-18  
FIG. 03  
PAGE 10  
JAN 20/09

BRI



757

PARTS CATALOG (MAINTENANCE)

FIG ITEM	PART NUMBER	1 2 3 4 5 6 7 NOMENCLATURE	EFFECT FROM TO	UNITS PER ASSY
3 60	755299C	.ACTUATOR ASSY- SUPPLIER CODE: V99167 SPECIFICATION NUMBER: S251N502-21 SB DATA FROM A CMM: 5006397/755299-27-12 5006397/755299-27-15 CONFIG CHG DATA FROM A CMM: SUPSD BY 755299D COMPONENT MAINT MANUAL REF: 27-81-32 QUALIFIED I/W DATA: PRIOR TO STRUCTURAL CHANGE AT A/C LINE NUMBER 296, S251N502-21 (755299, A, B, C, D) CAN BE REPLACED BY BUT NOT REPLACE S251N502-19 (5006397K) OR S251N502-17(5006397J) OR S251N502-13(5006397G, M5006397EG). FROM A/C LINE NUMBER 296 AND AFTER S251N502-21 CAN REPLACE OR BE REPLACED BY S251N502-19 OR S251N502-17 OR S251N502-13. OPTIONAL PART: 755299 V99167 755299A V99167 755299B V99167 755299D V99167	101106 108120	4

MISSING ITEM NUMBERS NOT APPLICABLE

- ITEM NOT ILLUSTRATED

**27-81-18-03**

27-81-18  
FIG. 03  
PAGE 11  
JAN 20/09

BRI





757

PARTS CATALOG (MAINTENANCE)

FIG ITEM	PART NUMBER	1 2 3 4 5 6 7 NOMENCLATURE	EFFECT FROM TO	UNITS PER ASSY
3 60	755299D	.ACTUATOR ASSY- SUPPLIER CODE: V99167 SPECIFICATION NUMBER: S251N502-21 SB DATA FROM A CMM: 5006397/755299-27-20 COMPONENT MAINT MANUAL REF: 27-81-32 QUALIFIED I/W DATA: PRIOR TO STRUCTURAL CHANGE AT A/C LINE NUMBER 296, S251N502-23 (5006397L,M,N,P,R) CAN REPLACE BUT NOT BE REPLACED BY S251N502-21 (755299,A,B,C,D). S251N502-21 AND S251N502-23 ARE FULLY INTERCHANGEABLE WITH THE INCORPORATION OF S/B 757-27-0094. FROM A/C LINE NUMBER 296 AND AFTER S251N502-23 CAN REPLACE OR BE REPLACED BY S251N502-21. OPTIONAL PART: 755299 V99167 755299A V99167 755299B V99167 755299C V99167 REWORKED BY ALERT SB: 27A0133 REWORKED BY SB: 5006397/755299-27-21 V99167	101106 108120	4

MISSING ITEM NUMBERS NOT APPLICABLE

- ITEM NOT ILLUSTRATED

BRI

**27-81-18-03**

BOEING PROPRIETARY - Copyright © - Unpublished Work - See title page for details.

27-81-18  
FIG. 03  
PAGE 12  
JAN 20/09



757

PARTS CATALOG (MAINTENANCE)

FIG ITEM	PART NUMBER	1 2 3 4 5 6 7 NOMENCLATURE	EFFECT FROM TO	UNITS PER ASSY
3 60	755299D	.ACTUATOR ASSY- SUPPLIER CODE: V99167 SPECIFICATION NUMBER: S251N502-21 SB DATA FROM A CMM: 5006397/755299-27-20 COMPONENT MAINT MANUAL REF: 27-81-32 QUALIFIED I/W DATA: PRIOR TO STRUCTURAL CHANGE AT A/C LINE NUMBER 296, S251N502-21 (755299,A,B,C,D) CAN BE REPLACED BY BUT NOT REPLACE S251N502-19 (5006397K) OR S251N502-17(5006397J) OR S251N502-13(5006397G, M5006397EG). FROM A/C LINE NUMBER 296 AND AFTER S251N502-21 CAN REPLACE OR BE REPLACED BY S251N502-19 OR S251N502-17 OR S251N502-13. OPTIONAL PART: 755299 V99167 755299A V99167 755299B V99167 755299C V99167	101106 108120	4

MISSING ITEM NUMBERS NOT APPLICABLE

- ITEM NOT ILLUSTRATED

BRI

27-81-18-03

BOEING PROPRIETARY - Copyright © - Unpublished Work - See title page for details.

27-81-18  
FIG. 03  
PAGE 13  
JAN 20/09



757

PARTS CATALOG (MAINTENANCE)

FIG ITEM	PART NUMBER	1 2 3 4 5 6 7	NOMENCLATURE	EFFECT FROM TO	UNITS PER ASSY
3 62	5006397L		.ACTUATOR ASSY- SUPPLIER CODE: V99167 SPECIFICATION NUMBER: S251N502-23 SB DATA FROM A CMM: 5006397-27-10 COMPONENT MAINT MANUAL REF: 27-81-32 QUALIFIED I/W DATA: PRIOR TO STRUCTURAL CHANGE AT A/C LINE NUMBER 296 S251N502-23 (5006397L,M,N,P,R) CAN REPLACE BUT NOT BE REPLACED BY S251N502-21 (755299,A,B,C,D). S251N502-21 AND S251N502-23 ARE FULLY INTERCHANGEABLE WITH THE INCORPORATION OF S/B 757-27-0094. FROM A/C LINE NUMBER 296 AND AFTER S251N502-23 CAN REPLACE OR BE REPLACED BY S251N502-21. OPTIONAL PART: 5006397M V99167 5006397N V99167 5006397P V99167 5006397R V99167 REWORKED BY ALERT SB: 27A0133 REWORKED BY SB: 5006397/755299-27-21 V99167	504903	4
62	5006397N		.ACTUATOR ASSY- SUPPLIER CODE: V99167 SPECIFICATION NUMBER: S251N502-23 SB DATA FROM A CMM: 5006397/755299-27-15 COMPONENT MAINT MANUAL REF: 27-81-32	504903	4

MISSING ITEM NUMBERS NOT APPLICABLE

- ITEM NOT ILLUSTRATED

27-81-18-03

27-81-18  
FIG. 03  
PAGE 14  
JAN 20/09

BRI



757

PARTS CATALOG (MAINTENANCE)

FIG ITEM	PART NUMBER	1 2 3 4 5 6 7 NOMENCLATURE	EFFECT FROM TO	UNITS PER ASSY
3		<p>QUALIFIED I/W DATA:            PRIOR TO STRUCTURAL            CHANGE AT A/C LINE            NUMBER 296, S251N502-23            (5006397L,M,N,P,R) CAN            REPLACE BUT NOT BE            REPLACED BY S251N502-21            (755299,A,B,C,D).            S251N502-21 AND            S251N502-23 ARE FULLY            INTERCHANGEABLE WITH            THE INCORPORATION OF            S/B 757-27-0094. FROM            A/C LINE NUMBER 296 AND            AFTER S251N502-23 CAN            REPLACE OR BE REPLACED            BY S251N502-21.            PRIOR TO STRUCTURAL            CHANGE AT A/C LINE            NUMBER 296, S251N502-23            (5006397L,M,N,P,R) CAN            REPLACE BUT NOT BE            REPLACED BY S251N502-21            (755299,A,B,C,D).            S251N502-21 AND            S251N502-23 ARE FULLY            INTERCHANGEABLE WITH THE            INCORPORATION OF S/B            757-27-0094. FROM A/C            LINE NUMBER 296 AND            AFTER S251N502-23 CAN            REPLACE OR BE REPLACED            BY S251N502-21.            PRIOR TO STRUCTURAL            CHANGE AT A/C LINE            NUMBER 296, S251N502-23            (5006397L,M,N,P,R) CAN            REPLACE BUT NOT BE            REPLACED BY S251N502-21            (755299,A,B,C,D).            S251N502-21 AND            S251N502-23 ARE FULLY            INTERCHANGEABLE WITH THE            INCORPORATION OF            S/B 757-27-0094. FROM            A/C LINE NUMBER 296 AND            AFTER S251N502-23 CAN            REPLACE OR BE REPLACED            BY S251N502-21.</p>		

MISSING ITEM NUMBERS NOT APPLICABLE

- ITEM NOT ILLUSTRATED

27-81-18-03

27-81-18  
FIG. 03  
PAGE 15  
JAN 20/09

BRI



757

PARTS CATALOG (MAINTENANCE)

FIG ITEM	PART NUMBER	1 2 3 4 5 6 7 NOMENCLATURE	EFFECT FROM TO	UNITS PER ASSY
3		<p>PRIOR TO STRUCTURAL CHANGE AT A/C LINE NUMBER 296, S251N502-23 (5006397L,M,N,P,R) CAN REPLACE BUT NOT BE REPLACED BY S251N502-21 (755299,A,B,C,D,). S251N502-21 AND S251N502-23 ARE FULLY INTERCHANGEABLE WITH THE INCORPORATION OF S/B 757-27-0094. FROM A/C LINE NUMBER 296 AND AFTER S251N502-23 CAN REPLACE OR BE REPLACED BY S251N502-21.</p> <p>OPTIONAL PART:            5006397L            V99167            5006397M            V99167            5006397P            V99167            5006397R            V99167</p> <p>REWORKED BY ALERT SB:            27A0133</p> <p>REWORKED BY SB:            5006397/755299-27-21            V99167</p> <p>.ACTUATOR ASSY-            SUPPLIER CODE:            V99167</p> <p>SPECIFICATION NUMBER:            S251N502-19</p> <p>SB DATA FROM A CMM:            5006397-27-8            5006397-27-10</p> <p>COMPONENT MAINT MANUAL REF:            27-81-32</p> <p>QUALIFIED I/W DATA:            PRIOR TO STRUCTURAL CHANGE AT A/C LINE NUMBER 296, S251N502-21 (755299, 755299A, 755299B, 755299C, 755299D) CAN BE REPLACED BY BUT NOT REPLACE S251N502-19. FROM A/C LINE NUMBER 296</p>	504903	4
62	5006397K			

MISSING ITEM NUMBERS NOT APPLICABLE

- ITEM NOT ILLUSTRATED

BRI

27-81-18-03

BOEING PROPRIETARY - Copyright © - Unpublished Work - See title page for details.

27-81-18  
 FIG. 03  
 PAGE 16  
 JAN 20/09



757

PARTS CATALOG (MAINTENANCE)

FIG ITEM	PART NUMBER	1 2 3 4 5 6 7 NOMENCLATURE	EFFECT FROM TO	UNITS PER ASSY
3		<p>AND AFTER S251N502-21 CAN REPLACE OR BE REPLACED BY S251N502-19. PRIOR TO STRUCTURAL CHANGE AT A/C LINE NUMBER 296 , S251N502-21 (755299, 755299A, 755299B, 755299C, 755299D) CAN BE REPLACED BY BUT NOT REPLACE S251N502-19. FROM A/C LINE NUMBER 296 AND AFTER S251N502-21 CAN REPLACE OR BE REPLACED BY S251N502-19. PRIOR TO STRUCTURAL CHANGE AT A/C LINE NUMBER 296 , S251N502-21 (755299, 755299A,755299B,755299C, 755299D) CAN BE REPLACED BY BUT NOT REPLACE S251N502-19 FROM A/C LINE NUMBER 296 AND AFTER S251N502-21 CAN REPLACE OR BE REPLACED BY S251N502-19. PRIOR TO STRUCTURAL CHANGE AT A/C LINE NUMBER 296, S251N502-21 (755299,755299A,755299B, 755299C,755299D) CAN BE REPLACED BY BUT NOT REPLACE S251N502-19. FROM A/C LINE NUMBER 296 AND AFTER S251N502-21 CAN REPLACE OR BE REPLACED BY S251N502-19. PRIOR TO STRUCTURAL CHANGE AT A/C LINE NUMBER 296, S251N502-21 (755299,755299A,755299B 755299C, 755299D) CAN BE REPLACED BY BUT NOT REPLACE S251N502-19. FROM A/C LINE NUMBER 296 AND AFTER S251N502-21</p>		

MISSING ITEM NUMBERS NOT APPLICABLE

- ITEM NOT ILLUSTRATED

27-81-18-03

27-81-18  
FIG. 03  
PAGE 17  
JAN 20/09

BRI



757

PARTS CATALOG (MAINTENANCE)

FIG ITEM	PART NUMBER	1 2 3 4 5 6 7	NOMENCLATURE	EFFECT FROM TO	UNITS PER ASSY
3  62	M5006397EG		CAN REPLACE OR BE REPLACED BY S251N502-19. .ACTUATOR ASSY- SUPPLIER CODE: V99167 SPECIFICATION NUMBER: S251N502-13 COMPONENT MAINT MANUAL REF: 27-81-32 QUALIFIED I/W DATA: PRIOR TO STRUCTURAL CHANGE AT A/C LINE NUMBER 296, S251N502-21 (755299, A,B,C,D) CAN BE REPLACED BY BUT NOT REPLACE S251N502-19 (5006397K) OR S251N502-17 (5006397J) OR S251N502-13 (5006397G M5006397EG). FROM A/C LINE NUMBER 296 AND AFTER S251N502-21 CAN REPLACE OR BE REPLACED BY S251N502-19 OR S251N502-17 OR S251N502-13 OPTIONAL PART: 5006397G V99167	504903	4

MISSING ITEM NUMBERS NOT APPLICABLE

- ITEM NOT ILLUSTRATED

BRI

27-81-18-03

BOEING PROPRIETARY - Copyright © - Unpublished Work - See title page for details.

27-81-18  
FIG. 03  
PAGE 18  
JAN 20/09



757

PARTS CATALOG (MAINTENANCE)

FIG ITEM	PART NUMBER	1 2 3 4 5 6 7	NOMENCLATURE	EFFECT FROM TO	UNITS PER ASSY
3 62	5006397J		.ACTUATOR ASSY- SUPPLIER CODE: V99167 SPECIFICATION NUMBER: S251N502-17 SB DATA FROM A CMM: 5006397-27-5 5006397-27-6 5006397-27-7 5006397-27-10 COMPONENT MAINT MANUAL REF: 27-81-32 QUALIFIED I/W DATA: PRIOR TO STRUCTURAL CHANGE AT A/C LINE NUMBER 296, S251N502-21 (755299, A,B,C,D) CAN BE REPLACED BY BUT NOT REPLACE S251N502-19 (5006397K) OR S251N502-17 (5006397J) OR S251N502-13 (5006397G M5006397EG). FROM A/C LINE NUMBER 296 AND AFTER S251N502-21 CAN REPLACE OR BE REPLACED BY S251N502-19 OR S251N502-17 OR S251N502-13	504903	4

MISSING ITEM NUMBERS NOT APPLICABLE

- ITEM NOT ILLUSTRATED

BRI

27-81-18-03

BOEING PROPRIETARY - Copyright © - Unpublished Work - See title page for details.

27-81-18  
FIG. 03  
PAGE 19  
JAN 20/09





757

PARTS CATALOG (MAINTENANCE)

FIG ITEM	PART NUMBER	1 2 3 4 5 6 7	NOMENCLATURE	EFFECT FROM TO	UNITS PER ASSY
3 62	5006397G		.ACTUATOR ASSY- SUPPLIER CODE: V99167 SPECIFICATION NUMBER: S251N502-13 COMPONENT MAINT MANUAL REF: 27-81-32 QUALIFIED I/W DATA: PRIOR TO STRUCTURAL CHANGE AT A/C LINE NUMBER 296, S251N502-21 (755299, A,B,C,D) CAN BE REPLACED BY BUT NOT REPLACE S251N502-19 (5006397K) OR S251N502-17 (5006397J) OR S251N502-13 (5006397G M5006397EG). FROM A/C LINE NUMBER 296 AND AFTER S251N502-21 CAN REPLACE OR BE REPLACED BY S251N502-19 OR S251N502-17 OR S251N502-13 OPTIONAL PART: M5006397EG V99167	504903	4

MISSING ITEM NUMBERS NOT APPLICABLE

- ITEM NOT ILLUSTRATED

BRI

27-81-18-03

BOEING PROPRIETARY - Copyright © - Unpublished Work - See title page for details.

27-81-18  
FIG. 03  
PAGE 20  
JAN 20/09



757

PARTS CATALOG (MAINTENANCE)

FIG ITEM	PART NUMBER	1 2 3 4 5 6 7 NOMENCLATURE	EFFECT FROM TO	UNITS PER ASSY
3 62	5006397M	.ACTUATOR ASSY- SUPPLIER CODE: V99167 SPECIFICATION NUMBER: S251N502-23 SB DATA FROM A CMM: 5006397/755299-27-12 COMPONENT MAINT MANUAL REF: 27-81-32 QUALIFIED I/W DATA: PRIOR TO STRUCTURAL CHANGE AT A/C LINE NUMBER 296, S251N502-23 (5006397L,M,N,P,R) CAN REPLACE BUT NOT BE REPLACED BY S251N502-21 (755299,A,B,C,D). S251N502-21 AND S251N502-23 ARE FULLY INTERCHANGEABLE WITH THE INCORPORATION OF S/B 757-27-0094. FROM A/C LINE NUMBER 296 AND AFTER S251N502-23 CAN REPLACE OR BE REPLACED BY S251N502-21. OPTIONAL PART: 5006397L V99167 5006397N V99167 5006397P V99167 5006397R V99167 REWORKED BY ALERT SB: 27A0133 REWORKED BY SB: 5006397/755299-27-21 V99167	504903	4

MISSING ITEM NUMBERS NOT APPLICABLE

- ITEM NOT ILLUSTRATED

BRI

27-81-18-03

BOEING PROPRIETARY - Copyright © - Unpublished Work - See title page for details.

27-81-18  
FIG. 03  
PAGE 21  
JAN 20/09



757

PARTS CATALOG (MAINTENANCE)

FIG ITEM	PART NUMBER	1 2 3 4 5 6 7 NOMENCLATURE	EFFECT FROM TO	UNITS PER ASSY
3 62	5006397P	.ACTUATOR ASSY- SUPPLIER CODE: V99167 SPECIFICATION NUMBER: S251N502-23 SB DATA FROM A CMM: 5006397/755299-27-12 5006397/755299-27-15 CONFIG CHG DATA FROM A CMM: 5006397R COMPONENT MAINT MANUAL REF: 27-81-32 QUALIFIED I/W DATA: PRIOR TO STRUCTURAL CHANGE AT A/C LINE NUMBER 296, S251N502-23 (5006397L,M,N,P,R) CAN REPLACE BUT NOT BE REPLACED BY S251N502-21 (755299,A,B,C,D,). S251N502-21 AND S251N502-23 ARE FULLY INTERCHANGEABLE WITH THE INCORPORATION OF S/B 757-27-0094. FROM A/C LINE NUMBER 296 AND AFTER S251N502-23 CAN REPLACE OR BE REPLACED BY S251N502-21. OPTIONAL PART: 5006397L V99167 5006397M V99167 5006397N V99167 5006397R V99167 REWORKED BY ALERT SB: 27A0133 REWORKED BY SB: 5006397/755299-27-21 V99167	504903	4

MISSING ITEM NUMBERS NOT APPLICABLE

- ITEM NOT ILLUSTRATED

27-81-18-03

27-81-18  
FIG. 03  
PAGE 22  
JAN 20/09

BRI



757

PARTS CATALOG (MAINTENANCE)

FIG ITEM	PART NUMBER	1 2 3 4 5 6 7	NOMENCLATURE	EFFECT FROM TO	UNITS PER ASSY
3 62	5006397R		.ACTUATOR ASSY- SUPPLIER CODE: V99167 SPECIFICATION NUMBER: S251N502-23 SB DATA FROM A CMM: 5006397/755299-27-20 COMPONENT MAINT MANUAL REF: 27-81-32 QUALIFIED I/W DATA: PRIOR TO STRUCTURAL CHANGE AT A/C LINE NUMBER 296, S251N502-23 (5006397L,M,N,P,R) CAN REPLACE BUT NOT BE REPLACED BY S251N502-21 (755299,A,B,C,D,). S251N502-21 AND S251N502-23 ARE FULLY INTERCHANGEABLE WITH THE INCORPORATION OF S/B 757-27-0094. FROM A/C LINE NUMBER 296 AND AFTER S251N502-23 CAN REPLACE OR BE REPLACED BY S251N502-21. OPTIONAL PART: 5006397L V99167 5006397M V99167 5006397N V99167 5006397P V99167 REWORKED BY ALERT SB: 27A0133 REWORKED BY SB: 5006397/755299-27-21 V99167	504903	4
- 65	BACB30NR4K13		.BOLT	101106 108120	12
- 70	AN960JD416		.WASHER	504903 101106 108120 504903	24

MISSING ITEM NUMBERS NOT APPLICABLE

- ITEM NOT ILLUSTRATED

27-81-18-03

27-81-18  
FIG. 03  
PAGE 23  
JAN 20/09

BRI



757

PARTS CATALOG (MAINTENANCE)

FIG ITEM	PART NUMBER	1 2 3 4 5 6 7	NOMENCLATURE	EFFECT FROM TO	UNITS PER ASSY
3 - 75	BRH10C4D	.NUT	SUPPLIER CODE: V52828 SPECIFICATION NUMBER: BACN10JC4CD OPTIONAL PART: T6C428JCD V11815 NS202486-048 V80539 102LH9075-4W V72962 H51650-4BAC V15653	101106 108120 504903	12
80	755594	..PLACARD-CAUTION	SUPPLIER CODE: V99167 USED ON: 755299 755299A 755299B 755299C 755299D	101106 108120	1
85	755938	..PLATE-MODIFICATION	SUPPLIER CODE: V99167	101106 108120 504903	1
90	5006511	..PLATE-IDENT	SUPPLIER CODE: V99167 SB DATA FROM A CMM: 5006397-27-12 755299-27-12 CONFIG CHG DATA FROM A CMM: SUPSD BY 5006512 USED ON: 5006397J 5006397K USED ON: 5006397L 5006397M	504903	1

MISSING ITEM NUMBERS NOT APPLICABLE

- ITEM NOT ILLUSTRATED

27-81-18-03

27-81-18  
FIG. 03  
PAGE 24  
JAN 20/09

BRI



757

PARTS CATALOG (MAINTENANCE)

FIG ITEM	PART NUMBER	1 2 3 4 5 6 7	NOMENCLATURE	EFFECT FROM TO	UNITS PER ASSY
3 90	5006512		.. PLATE-IDENT SUPPLIER CODE: V99167 SB DATA FROM A CMM: 5006397-27-12 5006398-27-12 755299-27-12 755300-27-12 CONFIG CHG DATA FROM A CMM: SUPPERSEDES 5006511 USED ON: 5006397J 5006397K USED ON: 5006397L 5006397M	504903	1
90	5006512		.. PLATE-IDENT SUPPLIER CODE: V99167 SB DATA FROM A CMM: 5006397-27-12 5006398-27-12 755299-27-12 755300-27-12 USED ON: 5006397N 5006397P 5006397R 755299 755299A 755299B 755299C 755299D	101106 108120 504903	1

MISSING ITEM NUMBERS NOT APPLICABLE

- ITEM NOT ILLUSTRATED

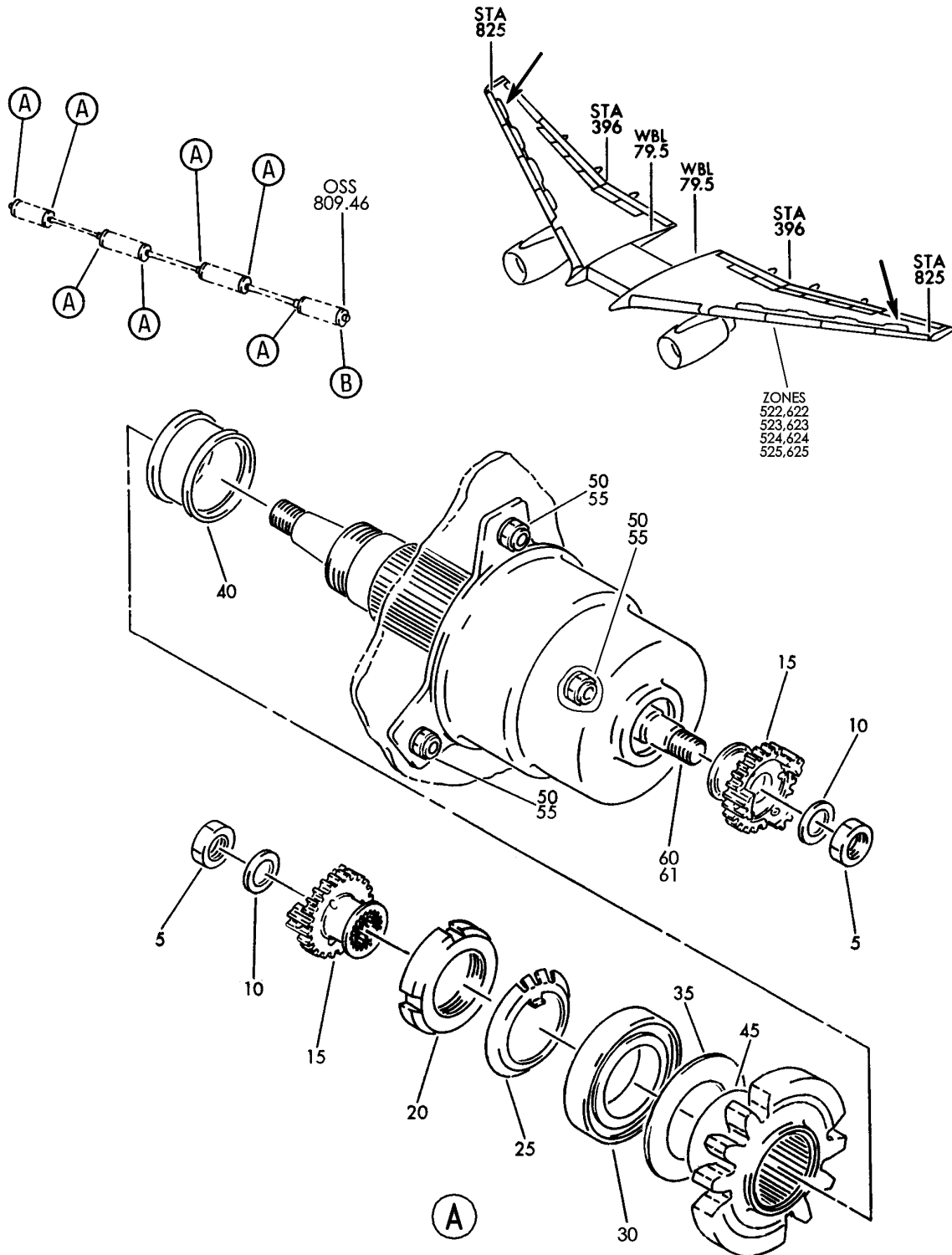
BRI

27-81-18-03

BOEING PROPRIETARY - Copyright © - Unpublished Work - See title page for details.

27-81-18  
 FIG. 03  
 PAGE 25  
 JAN 20/09

**BOEING**  
757  
PARTS CATALOG (MAINTENANCE)



Y 27811804 SHT 1 REV 237

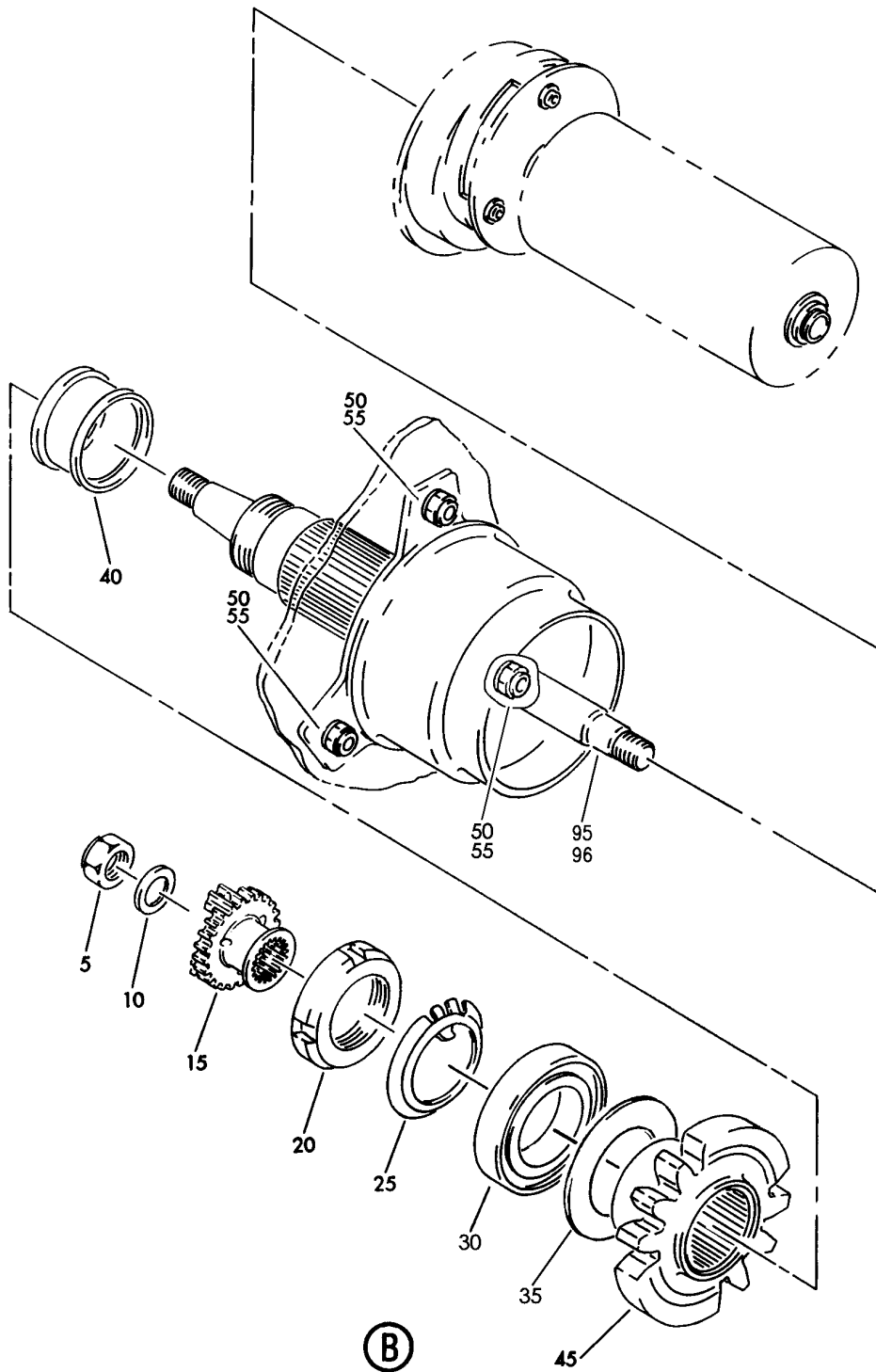
ACTUATOR INSTL-LE SLAT DRIVE ROTARY OUTBD (LEADING EDGE SLAT DRIVE ROTARY ACTUATOR ONLY)  
FIGURE 4 (SHEET 1)

BRI  
MAY 28/07

**27-81-18-04**

27-81-18-04  
PAGE 0

**BOEING**  
757  
PARTS CATALOG (MAINTENANCE)



Y 27811804 SHT 2 REV 250

ACTUATOR INSTL-LE SLAT DRIVE ROTARY OUTBD (LEADING EDGE SLAT DRIVE ROTARY ACTUATOR ONLY)  
FIGURE 4 (SHEET 2)

BRI  
MAY 28/07

**27-81-18-04**

27-81-18-04  
PAGE 0A





757

PARTS CATALOG (MAINTENANCE)

FIG ITEM	PART NUMBER	1 2 3 4 5 6 7	NOMENCLATURE	EFFECT FROM TO	UNITS PER ASSY
4			ACTUATOR INSTL-LE SLAT DRIVE ROTARY OUTBD (LEADING EDGE SLAT DRIVE ROTARY ACTUATOR ONLY)	101106 108120 504903	
- 1	251N5003-15		ACTUATOR INSTL-LE SLAT DRIVE ROTARY (LEADING EDGE SLAT DRIVE ROTARY ACTUATOR ONLY) POSITION DATA: OUTBD FOR NHA/OTHER SYS DET SEE: 27-80-00-01	101102	RF
- 1	251N5003-16		ACTUATOR INSTL-LE SLAT DRIVE ROTARY (LEADING EDGE SLAT DRIVE ROTARY ACTUATOR ONLY) POSITION DATA: OUTBD FOR NHA/OTHER SYS DET SEE: 27-80-00-01	504903	RF
- 1	251N5003-21		ACTUATOR INSTL-LE SLAT DRIVE ROTARY (LEADING EDGE SLAT DRIVE ROTARY ACTUATOR ONLY) POSITION DATA: OUTBD FOR NHA/OTHER SYS DET SEE: 27-80-00-01	108120	RF
- 1	MODREF32189		ACTUATOR INSTL-LE SLAT DRIVE ROTARY (LEADING EDGE SLAT DRIVE ROTARY ACTUATOR ONLY) MODULE NUMBER: 251N5003-21 REV B POSITION DATA: OUTBD	103106	1

MISSING ITEM NUMBERS NOT APPLICABLE

- ITEM NOT ILLUSTRATED

BRI

27-81-18-04

BOEING PROPRIETARY - Copyright © - Unpublished Work - See title page for details.

27-81-18  
FIG. 04  
PAGE 1  
JAN 20/09



757

PARTS CATALOG (MAINTENANCE)

FIG ITEM	PART NUMBER	1 2 3 4 5 6 7	NOMENCLATURE	EFFECT FROM TO	UNITS PER ASSY
4					
5	BMN4122AD3-8	.NUT	SUPPLIER CODE: V97928 SPECIFICATION NUMBER: BACN10JC8 OPTIONAL PART: BMN4122A8 V85495 H10-8BAC V15653 RMLH9074-8 V72962 48FT820 V56878	101106 108120 504903	30
10	AN960JD816	.WASHER-		101106 108120 504903	30
15	251N5128-2	.COUPLING-HALF		101106 108120 504903	30
20	251N5149-2	.NUT		101106 108120 504903	16
25	MS19070-0653	.WASHER		101106 108120 504903	16

MISSING ITEM NUMBERS NOT APPLICABLE

- ITEM NOT ILLUSTRATED

BRI

27-81-18-04

BOEING PROPRIETARY - Copyright © - Unpublished Work - See title page for details.

27-81-18  
FIG. 04  
PAGE 2  
JAN 20/09



757

PARTS CATALOG (MAINTENANCE)

FIG ITEM	PART NUMBER	1 2 3 4 5 6 7	NOMENCLATURE	EFFECT FROM TO	UNITS PER ASSY
4 R	30	R9107PPA4298	.BEARING- SUPPLIER CODE: V21335 SPECIFICATION NUMBER: BACB10BA35PP OPTIONAL PART: LL107KSG20 V38443 LL107KS V38443 6007TT V43991 9107LLT1C1-01 V21760 9107NPPFS4281 V21335 993L07 V29337 PKTLL107P1 V78118 C107RRP0ZZ V40920 R9107PPA4298 V9V013 R9107PPA4298 V9V013 107KSZZ V38443	101102 106106 108120 504903	16
	30	107KSZZ	.BEARING- SUPPLIER CODE: V38443 OPTIONAL PART: BACB10GU35PP BACB10GU35PPJ	101102 106106 108120 504903	16
	30	BACB10GU35PP	.BEARING-	101102 106106 108120 504903	16
	30	BACB10GU35PPJ	.BEARING- OPTIONAL PART: 107KSZZ V38443	103106	16
	35	251N5042-1	.SHIELD-BRG	101106 108120 504903	16
	40	251N5103-2	.SPACER-	101106 108120 504903	16
	MISSING ITEM NUMBERS NOT APPLICABLE				

- ITEM NOT ILLUSTRATED

27-81-18-04

27-81-18  
FIG. 04  
PAGE 3  
MAY 20/09

BRI



757

PARTS CATALOG (MAINTENANCE)

FIG ITEM	PART NUMBER	1 2 3 4 5 6 7	NOMENCLATURE	EFFECT FROM TO	UNITS PER ASSY
4	40 251N5103-3	.	SPACER-	101106 108120 504903	16
	45 251N5089-4	.	GEAR-	101102 504903	16
	45 251N5089-5	.	GEAR-	101102 504903	16
	45 251N5089-6	.	GEAR-	101106 108120 504903	16
	50 BRH10C4D	.	NUT SUPPLIER CODE: V52828 SPECIFICATION NUMBER: BACN10JC4D OPTIONAL PART: T6C428JCD V11815 NS202486-048 V80539 102LH9075-4W V72962 H51650-4BAC V15653	101106 108120 504903	48
	55 AN960JD416	.	WASHER-	101106 108120 504903	48

MISSING ITEM NUMBERS NOT APPLICABLE

- ITEM NOT ILLUSTRATED

BRI

27-81-18-04

BOEING PROPRIETARY - Copyright © - Unpublished Work - See title page for details.

27-81-18  
FIG. 04  
PAGE 4  
JAN 20/09



757

PARTS CATALOG (MAINTENANCE)

FIG ITEM	PART NUMBER	1 2 3 4 5 6 7 NOMENCLATURE	EFFECT FROM TO	UNITS PER ASSY
4 60	5006397L	.ACTUATOR ASSY-GEARED SUPPLIER CODE: V99167 POSITION DATA: INBD SPECIFICATION NUMBER: S251N502-23 SB DATA FROM A CMM: POST 5006397-27-10 COMPONENT MAINT MANUAL REF: 27-81-32 QUALIFIED I/W DATA: PRIOR TO STRUCTURAL CHANGE AT A/C LINE NUMBER 296, S251N502-23 (5006397L,M,N,P,R) CAN REPLACE BUT NOT BE REPLACED BY S251N502-21 (755299,A,B,C,D). S251N502-21 AND S251N502-23 ARE FULLY INTERCHANGEABLE WITH THE INCORPORATION OF S/B 757-27-0094. FROM A/C LINE NUMBER 296 AND AFTER S251N502-23 CAN REPLACE OR BE REPLACED BY S251N502-21 OPTIONAL PART: 5006397M V99167 5006397N V99167 5006397P V99167 5006397R V99167 REWORKED BY ALERT SB: 27A0133 REWORKED BY SB: 5006397/755299-27-21 V99167	504903	14

MISSING ITEM NUMBERS NOT APPLICABLE

- ITEM NOT ILLUSTRATED

27-81-18-04

27-81-18  
FIG. 04  
PAGE 5  
JAN 20/09

BRI



757

PARTS CATALOG (MAINTENANCE)

FIG ITEM	PART NUMBER	1 2 3 4 5 6 7 NOMENCLATURE	EFFECT FROM TO	UNITS PER ASSY
4 60	5006397M	.ACTUATOR ASSY-GEARED SUPPLIER CODE: V99167 POSITION DATA: INBD SPECIFICATION NUMBER: S251N502-23 SB DATA FROM A CMM: PRE 5006397-27-12 PRE 755299-27-12 COMPONENT MAINT MANUAL REF: 27-81-32 QUALIFIED I/W DATA: PRIOR TO STRUCTURAL CHANGE AT A/C LINE NUMBER 296, S251N502-23 (5006397L,M,N,P,R) CAN REPLACE BUT NOT BE REPLACED BY S251N502-21 (755299,A,B,C,D). S251N502-21 AND S251N502-23 ARE FULLY INTERCHANGEABLE WITH THE INCORPORATION OF S/B 757-27-0094. FROM A/C LINE NUMBER 296 AND AFTER S251N502-23 CAN REPLACE OR BE REPLACED BY S251N502-21 OPTIONAL PART: 5006397L V99167 5006397N V99167 5006397P V99167 5006397R V99167 REWORKED BY ALERT SB: 27A0133 REWORKED BY SB: 5006397/755299-27-21 V99167	504903	14

MISSING ITEM NUMBERS NOT APPLICABLE

- ITEM NOT ILLUSTRATED

27-81-18-04

27-81-18  
FIG. 04  
PAGE 6  
JAN 20/09

BRI



757

PARTS CATALOG (MAINTENANCE)

FIG ITEM	PART NUMBER	1 2 3 4 5 6 7 NOMENCLATURE	EFFECT FROM TO	UNITS PER ASSY
4 60	5006397N	.ACTUATOR ASSY-GEARED SUPPLIER CODE: V99167 POSITION DATA: INBD SPECIFICATION NUMBER: S251N502-23 SB DATA FROM A CMM: PRE 5006397-27-15 PRE 755299-27-12 COMPONENT MAINT MANUAL REF: 27-81-32 QUALIFIED I/W DATA: PRIOR TO STRUCTURAL CHANGE AT A/C LINE NUMBER 296, S251N502-23 (5006397L,M,N,P,R) CAN REPLACE BUT NOT BE REPLACED BY S251N502-21 (755299,A,B,C,D). S251N502-21 AND S251N502-23 ARE FULLY INTERCHANGEABLE WITH THE INCORPORATION OF S/B 757-27-0094. FROM A/C LINE NUMBER 296 AND AFTER S251N502-23 CAN REPLACE OR BE REPLACED BY S251N502-21 OPTIONAL PART: 5006397L V99167 5006397M V99167 5006397P V99167 5006397R V99167 REWORKED BY ALERT SB: 27A0133 REWORKED BY SB: 5006397/755299-27-21 V99167	504903	14

MISSING ITEM NUMBERS NOT APPLICABLE

- ITEM NOT ILLUSTRATED

27-81-18-04

27-81-18  
FIG. 04  
PAGE 7  
JAN 20/09

BRI



757

PARTS CATALOG (MAINTENANCE)

FIG ITEM	PART NUMBER	1 2 3 4 5 6 7 NOMENCLATURE	EFFECT FROM TO	UNITS PER ASSY
4 60	5006397P	.ACTUATOR ASSY-GEARED SUPPLIER CODE: V99167 POSITION DATA: INBD SPECIFICATION NUMBER: S251N502-23 SB DATA FROM A CMM: POST 5006397-27-12 POST 5006397-27-15 POST 755299-27-12 POST 755299-27-15 CONFIG CHG DATA FROM A CMM: SUPSD BY 5006397R COMPONENT MAINT MANUAL REF: 27-81-32 QUALIFIED I/W DATA: PRIOR TO STRUCTURAL CHANGE AT A/C LINE NUMBER 296, S251N502-23 (5006397L,M,N,P,R) CAN REPLACE BUT NOT BE REPLACED BY S251N502-21 (755299,A,B,C,D). S251N502-21 AND S251N502-23 ARE FULLY INTERCHANGEABLE WITH THE INCORPORATION OF S/B 757-27-0094. FROM A/C LINE NUMBER 296 AND AFTER S251N502-23 CAN REPLACE OR BE REPLACED BY S251N502-21 OPTIONAL PART: 5006397L V99167 5006397M V99167 5006397N V99167 5006397R V99167 REWORKED BY ALERT SB: 27A0133 REWORKED BY SB: 5006397/755299-27-21 V99167	504903	14

MISSING ITEM NUMBERS NOT APPLICABLE

- ITEM NOT ILLUSTRATED

27-81-18-04

27-81-18  
FIG. 04  
PAGE 8  
JAN 20/09

BRI





757

PARTS CATALOG (MAINTENANCE)

FIG ITEM	PART NUMBER	1 2 3 4 5 6 7	NOMENCLATURE	EFFECT FROM TO	UNITS PER ASSY
4 60	5006397R		.ACTUATOR ASSY-GEARED SUPPLIER CODE: V99167 POSITION DATA: INBD SPECIFICATION NUMBER: S251N502-23 SB DATA FROM A CMM: PRE 5006397-27-20 PRE 755299-27-20 CONFIG CHG DATA FROM A CMM: SUPERSEDES 5006397P COMPONENT MAINT MANUAL REF: 27-81-32 QUALIFIED I/W DATA: PRIOR TO STRUCTURAL CHANGE AT A/C LINE NUMBER 296, S251N502-23 (5006397L,M,N,P,R) CAN REPLACE BUT NOT BE REPLACED BY S251N502-21 (755299,A,B,C,D). S251N502-21 AND S251N502-23 ARE FULLY INTERCHANGEABLE WITH THE INCORPORATION OF S/B 757-27-0094. FROM A/C LINE NUMBER 296 AND AFTER S251N502-23 CAN REPLACE OR BE REPLACED BY S251N502-21 OPTIONAL PART: 5006397L V99167 5006397M V99167 5006397N V99167 5006397P V99167 REWORKED BY ALERT SB: 27A0133 REWORKED BY SB: 5006397/755299-27-21 V99167	504903	14

MISSING ITEM NUMBERS NOT APPLICABLE

- ITEM NOT ILLUSTRATED

27-81-18-04

27-81-18  
FIG. 04  
PAGE 9  
JAN 20/09

BRI



757

PARTS CATALOG (MAINTENANCE)

FIG ITEM	PART NUMBER	1 2 3 4 5 6 7	NOMENCLATURE	EFFECT FROM TO	UNITS PER ASSY
4 60	5006397J		.ACTUATOR ASSY-GEARED SUPPLIER CODE: V99167 POSITION DATA: INBD SPECIFICATION NUMBER: S251N502-17 SB DATA FROM A CMM: PRE 5006397-27-5 PRE 5006397-27-6 PRE 5006397-27-7 PRE 5006397-27-10 COMPONENT MAINT MANUAL REF: 27-81-32 QUALIFIED I/W DATA: PRIOR TO STRUCTURAL CHANGE AT A/C LINE NUMBER 296, S251N502-21 (755299,A,B,C,D) CAN BE REPLACED BY BUT NOT REPLACE S251N502-17 (5006397J). FROM A/C LINE NUMBER 296 AND AFTER S251N502-21 CAN REPLACE OR BE REPLACED BY S251N502-17. PRE SERVICE BULLETIN: C1182 V55820	504903	14

MISSING ITEM NUMBERS NOT APPLICABLE

- ITEM NOT ILLUSTRATED

BRI

27-81-18-04

BOEING PROPRIETARY - Copyright © - Unpublished Work - See title page for details.

27-81-18  
FIG. 04  
PAGE 10  
JAN 20/09



757

PARTS CATALOG (MAINTENANCE)

FIG ITEM	PART NUMBER	1 2 3 4 5 6 7	NOMENCLATURE	EFFECT FROM TO	UNITS PER ASSY
4 60	5006397K		.ACTUATOR ASSY-GEARED SUPPLIER CODE: V99167 POSITION DATA: INBD SPECIFICATION NUMBER: S251N502-19 SB DATA FROM A CMM: PRE 5006397-27-8 POST 5006397-27-10 COMPONENT MAINT MANUAL REF: 27-81-32 QUALIFIED I/W DATA: PRIOR TO STRUCTURAL CHANGE AT A/C LINE NUMBER 296, S251N502-21 (755299, A, B, C, D) CAN BE REPLACED BY BUT NOT REPLACE S251N502-19. FROM A/C LINE NUMBER 296 AND AFTER S251N502-21 CAN REPLACE OR BE REPLACED BY S251N502-19.	504903	14
60	5006397F1		.ACTUATOR ASSY- SUPPLIER CODE: V99167 SPECIFICATION NUMBER: S251N502-9 COMPONENT MAINT MANUAL REF: 27-81-31 OPTIONAL PART: 5006397E V99167	504903	14

MISSING ITEM NUMBERS NOT APPLICABLE

- ITEM NOT ILLUSTRATED

BRI

27-81-18-04

BOEING PROPRIETARY - Copyright © - Unpublished Work - See title page for details.

27-81-18  
FIG. 04  
PAGE 11  
JAN 20/09



757

PARTS CATALOG (MAINTENANCE)

FIG ITEM	PART NUMBER	1 2 3 4 5 6 7	NOMENCLATURE	EFFECT FROM TO	UNITS PER ASSY
4 60	M5006397EG		.ACTUATOR ASSY- SUPPLIER CODE: V99167 SPECIFICATION NUMBER: S251N502-13 COMPONENT MAINT MANUAL REF: 27-81-32 QUALIFIED I/W DATA: PRIOR TO STRUCTURAL CHANGE AT A/C LINE NUMBER 296, S251N502-21 (755299 A,B,C,D) CAN BE REPLACED BY BUT REPLACE S251N502-13 (5006397G,M5006397EG) FROM A/C LINE NUMBER 296 AND AFTER S251N502-21 CAN REPLACE OR BE REPLACED BY S251N502-13. OPTIONAL PART: 5006397G V99167	504903	14
60	5006397G		.ACTUATOR ASSY- SUPPLIER CODE: V99167 SPECIFICATION NUMBER: S251N502-13 QUALIFIED I/W DATA: PRIOR TO STRUCTURAL CHANGE AT A/C LINE NUMBER 296, S251N502-21 (755299 A,B,C,D) CAN BE REPLACED BY BUT REPLACE S251N502-13 (5006397G,M5006397EG) FROM A/C LINE NUMBER 296 AND AFTER S251N502-21 CAN REPLACE OR BE REPLACED BY S251N502-13. OPTIONAL PART: M5006397EG V99167	504903	14

MISSING ITEM NUMBERS NOT APPLICABLE

- ITEM NOT ILLUSTRATED

BRI

27-81-18-04

27-81-18  
FIG. 04  
PAGE 12  
JAN 20/09



757

PARTS CATALOG (MAINTENANCE)

FIG ITEM	PART NUMBER	1 2 3 4 5 6 7	NOMENCLATURE	EFFECT FROM TO	UNITS PER ASSY
4 61	755299		.ACTUATOR ASSY-GEARED SUPPLIER CODE: V99167 POSITION DATA: INBD SPECIFICATION NUMBER: S251N502-21 SB DATA FROM A CMM: POST 5006397-27-12 POST 755299-27-12 COMPONENT MAINT MANUAL REF: 27-81-32 QUALIFIED I/W DATA: PRIOR TO STRUCTURAL CHANGE AT A/C LINE NUMBER 296, S251N502-23 (5006397L,M,N,P,R) CAN REPLACE BUT NOT BE REPLACED BY S251N502-21 (755299,A,B,C,D). S251N502-21 AND S251N502-23 ARE FULLY INTERCHANGEABLE WITH THE INCORPORATION OF S/B 757-27-0094. FROM A/C LINE NUMBER 296 AND AFTER S251N502-23 CAN REPLACE OR BE REPLACED BY S251N502-21. OPTIONAL PART: 755299A V99167 755299B V99167 755299C V99167 755299D V99167 REWORKED BY ALERT SB: 27A0133 REWORKED BY SB: 5006397/755299-27-21 V99167	101106 108120	14

MISSING ITEM NUMBERS NOT APPLICABLE

- ITEM NOT ILLUSTRATED

27-81-18-04

27-81-18  
FIG. 04  
PAGE 13  
JAN 20/09

BRI



757

PARTS CATALOG (MAINTENANCE)

FIG ITEM	PART NUMBER	1 2 3 4 5 6 7	NOMENCLATURE	EFFECT FROM TO	UNITS PER ASSY
4 61	755299		.ACTUATOR ASSY-GEARED SUPPLIER CODE: V99167 POSITION DATA: INBD SPECIFICATION NUMBER: S251N502-21 SB DATA FROM A CMM: POST 5006397-27-12 POST 755299-27-12 COMPONENT MAINT MANUAL REF: 27-81-32 QUALIFIED I/W DATA: PRIOR TO STRUCTURAL CHANGE AT A/C LINE NUMBER 296, S251N502-21 (755299,A,B,C,D) CAN BE REPLACED BY BUT NOT REPLACE S251N502-19 (5006397K) OR S251N502-17(5006397J) OR S251N502-13(5006397G, M5006397EG). FROM A/C LINE NUMBER 296 AND AFTER S251N502-21 CAN REPLACE OR BE REPLACED BY S251N502-19 OR S251N502-17 OR S251N502-13. OPTIONAL PART: 755299A V99167 755299B V99167 755299C V99167 755299D V99167	101106 108120	14

MISSING ITEM NUMBERS NOT APPLICABLE

- ITEM NOT ILLUSTRATED

27-81-18-04

27-81-18  
FIG. 04  
PAGE 14  
JAN 20/09

BRI



757

PARTS CATALOG (MAINTENANCE)

FIG ITEM	PART NUMBER	1 2 3 4 5 6 7 NOMENCLATURE	EFFECT FROM TO	UNITS PER ASSY
4 61	755299A	.ACTUATOR ASSY-GEARED SUPPLIER CODE: V99167 POSITION DATA: INBD SPECIFICATION NUMBER: S251N502-21 SB DATA FROM A CMM: POST 5006397-27-12 POST 755299-27-12 COMPONENT MAINT MANUAL REF: 27-81-32 QUALIFIED I/W DATA: PRIOR TO STRUCTURAL CHANGE AT A/C LINE NUMBER 296, S251N502-23 (5006397L,M,N,P,R) CAN REPLACE BUT NOT BE REPLACED BY S251N502-21 (755299,A,B,C,D). S251N502-21 AND S251N502-23 ARE FULLY INTERCHANGEABLE WITH THE INCORPORATION OF S/B 757-27-0094. FROM A/C LINE NUMBER 296 AND AFTER S251N502-23 CAN REPLACE OR BE REPLACED BY S251N502-21. OPTIONAL PART: 755299 V99167 755299B V99167 755299C V99167 755299D V99167 REWORKED BY ALERT SB: 27A0133 REWORKED BY SB: 5006397/755299-27-21 V99167	101106 108120	14

MISSING ITEM NUMBERS NOT APPLICABLE

- ITEM NOT ILLUSTRATED

27-81-18-04

27-81-18  
FIG. 04  
PAGE 15  
JAN 20/09

BRI



757

PARTS CATALOG (MAINTENANCE)

FIG ITEM	PART NUMBER	1 2 3 4 5 6 7	NOMENCLATURE	EFFECT FROM TO	UNITS PER ASSY
4 61	755299A		.ACTUATOR ASSY-GEARED SUPPLIER CODE: V99167 POSITION DATA: INBD SPECIFICATION NUMBER: S251N502-21 SB DATA FROM A CMM: POST 5006397-27-12 POST 755299-27-12 COMPONENT MAINT MANUAL REF: 27-81-32 QUALIFIED I/W DATA: PRIOR TO STRUCTURAL CHANGE AT A/C LINE NUMBER 296, S251N502-21 (755299,A,B,C,D) CAN BE REPLACED BY BUT NOT REPLACE S251N502-19 (5006397K) OR S251N502-17(5006397J) OR S251N502-13(5006397G, M5006397EG). FROM A/C LINE NUMBER 296 AND AFTER S251N502-21 CAN REPLACE OR BE REPLACED BY S251N502-19 OR S251N502-17 OR S251N502-13. OPTIONAL PART: 755299 V99167 755299B V99167 755299C V99167 755299D V99167	101106 108120	14

MISSING ITEM NUMBERS NOT APPLICABLE

- ITEM NOT ILLUSTRATED

27-81-18-04

27-81-18  
FIG. 04  
PAGE 16  
JAN 20/09

BRI





757

PARTS CATALOG (MAINTENANCE)

FIG ITEM	PART NUMBER	1 2 3 4 5 6 7	NOMENCLATURE	EFFECT FROM TO	UNITS PER ASSY
4 61	755299B		.ACTUATOR ASSY-GEARED SUPPLIER CODE: V99167 POSITION DATA: INBD SPECIFICATION NUMBER: S251N502-21 SB DATA FROM A CMM: POST 5006397-27-15 POST 755299-27-15 COMPONENT MAINT MANUAL REF: 27-81-32 QUALIFIED I/W DATA: PRIOR TO STRUCTURAL CHANGE AT A/C LINE NUMBER 296, S251N502-23 (5006397L,M,N,P,R) CAN REPLACE BUT NOT BE REPLACED BY S251N502-21 (755299,A,B,C,D). S251N502-21 AND S251N502-23 ARE FULLY INTERCHANGEABLE WITH THE INCORPORATION OF S/B 757-27-0094. FROM A/C LINE NUMBER 296 AND AFTER S251N502-23 CAN REPLACE OR BE REPLACED BY S251N502-21. OPTIONAL PART: 755299 V99167 755299A V99167 755299C V99167 755299D V99167 REWORKED BY ALERT SB: 27A0133 REWORKED BY SB: 5006397/755299-27-21 V99167	101106 108120	14

MISSING ITEM NUMBERS NOT APPLICABLE

- ITEM NOT ILLUSTRATED

27-81-18-04

27-81-18  
FIG. 04  
PAGE 17  
JAN 20/09

BRI



757

PARTS CATALOG (MAINTENANCE)

FIG ITEM	PART NUMBER	1 2 3 4 5 6 7	NOMENCLATURE	EFFECT FROM TO	UNITS PER ASSY
4 61	755299B		.ACTUATOR ASSY-GEARED SUPPLIER CODE: V99167 POSITION DATA: INBD SPECIFICATION NUMBER: S251N502-21 SB DATA FROM A CMM: POST 5006397-27-15 POST 755299-27-15 COMPONENT MAINT MANUAL REF: 27-81-32 QUALIFIED I/W DATA: PRIOR TO STRUCTURAL CHANGE AT A/C LINE NUMBER 296, S251N502-21 (755299,A,B,C,D) CAN BE REPLACED BY BUT NOT REPLACE S251N502-19 (5006397K) OR S251N502-17(5006397J) OR S251N502-13(5006397G, M5006397EG). FROM A/C LINE NUMBER 296 AND AFTER S251N502-21 CAN REPLACE OR BE REPLACED BY S251N502-19 OR S251N502-17 OR S251N502-13. OPTIONAL PART: 755299 V99167 755299A V99167 755299C V99167 755299D V99167	101106 108120	14

MISSING ITEM NUMBERS NOT APPLICABLE

- ITEM NOT ILLUSTRATED

**27-81-18-04**

27-81-18  
FIG. 04  
PAGE 18  
JAN 20/09

BRI



757

PARTS CATALOG (MAINTENANCE)

FIG ITEM	PART NUMBER	1 2 3 4 5 6 7 NOMENCLATURE	EFFECT FROM TO	UNITS PER ASSY
4 61	755299C	.ACTUATOR ASSY-GEARED SUPPLIER CODE: V99167 POSITION DATA: INBD SPECIFICATION NUMBER: S251N502-21 SB DATA FROM A CMM: POST 5006397-27-12 POST 5006397-27-15 POST 755299-27-12 POST 755299-27-15 CONFIG CHG DATA FROM A CMM: SUPSD BY 755299D COMPONENT MAINT MANUAL REF: 27-81-32 QUALIFIED I/W DATA: PRIOR TO STRUCTURAL CHANGE AT A/C LINE NUMBER 296, S251N502-23 (5006397L,M,N,P,R) CAN REPLACE BUT NOT BE REPLACED BY S251N502-21 (755299,A,B,C,D). S251N502-21 AND S251N502-23 ARE FULLY INTERCHANGEABLE WITH THE INCORPORATION OF S/B 757-27-0094. FROM A/C LINE NUMBER 296 AND AFTER S251N502-23 CAN REPLACE OR BE REPLACED BY S251N502-21. OPTIONAL PART: 755299 V99167 755299A V99167 755299B V99167 755299D V99167 REWORKED BY ALERT SB: 27A0133 REWORKED BY SB: 5006397/755299-27-21 V99167	101106 108120	14

MISSING ITEM NUMBERS NOT APPLICABLE

- ITEM NOT ILLUSTRATED

**27-81-18-04**

27-81-18  
FIG. 04  
PAGE 19  
JAN 20/09

BRI



757

PARTS CATALOG (MAINTENANCE)

FIG ITEM	PART NUMBER	1 2 3 4 5 6 7	NOMENCLATURE	EFFECT FROM TO	UNITS PER ASSY
4 61	755299C		.ACTUATOR ASSY-GEARED SUPPLIER CODE: V99167 POSITION DATA: INBD SPECIFICATION NUMBER: S251N502-21 SB DATA FROM A CMM: POST 5006397-27-12 POST 5006397-27-15 POST 755299-27-12 POST 755299-27-15 CONFIG CHG DATA FROM A CMM: SUPSD BY 755299D COMPONENT MAINT MANUAL REF: 27-81-32 QUALIFIED I/W DATA: PRIOR TO STRUCTURAL CHANGE AT A/C LINE NUMBER 296, S251N502-21 (755299,A,B,C,D) CAN BE REPLACED BY BUT NOT REPLACE S251N502-19 (5006397K) OR S251N502-17(5006397J) OR S251N502-13(5006397G, M5006397EG). FROM A/C LINE NUMBER 296 AND AFTER S251N502-21 CAN REPLACE OR BE REPLACED BY S251N502-19 OR S251N502-17 OR S251N502-13. OPTIONAL PART: 755299 V99167 755299A V99167 755299B V99167 755299D V99167	101106 108120	14

MISSING ITEM NUMBERS NOT APPLICABLE

- ITEM NOT ILLUSTRATED

27-81-18-04

27-81-18  
FIG. 04  
PAGE 20  
JAN 20/09

BRI



757

PARTS CATALOG (MAINTENANCE)

FIG ITEM	PART NUMBER	1 2 3 4 5 6 7 NOMENCLATURE	EFFECT FROM TO	UNITS PER ASSY
4 61	755299D	.ACTUATOR ASSY-GEARED SUPPLIER CODE: V99167 POSITION DATA: INBD SPECIFICATION NUMBER: S251N502-21 SB DATA FROM A CMM: POST 5006397-27-20 POST 755299-27-20 COMPONENT MAINT MANUAL REF: 27-81-32 QUALIFIED I/W DATA: PRIOR TO STRUCTURAL CHANGE AT A/C LINE NUMBER 296, S251N502-23 (5006397L,M,N,P,R) CAN REPLACE BUT NOT BE REPLACED BY S251N502-21 (755299,A,B,C,D). S251N502-21 AND S251N502-23 ARE FULLY INTERCHANGEABLE WITH THE INCORPORATION OF S/B 757-27-0094. FROM A/C LINE NUMBER 296 AND AFTER S251N502-23 CAN REPLACE OR BE REPLACED BY S251N502-21. OPTIONAL PART: 755299 V99167 755299A V99167 755299B V99167 755299C V99167 REWORKED BY ALERT SB: 27A0133 REWORKED BY SB: 5006397/755299-27-21 V99167	101106 108120	14

MISSING ITEM NUMBERS NOT APPLICABLE

- ITEM NOT ILLUSTRATED

**27-81-18-04**

27-81-18  
FIG. 04  
PAGE 21  
JAN 20/09

BRI



757

PARTS CATALOG (MAINTENANCE)

FIG ITEM	PART NUMBER	1 2 3 4 5 6 7	NOMENCLATURE	EFFECT FROM TO	UNITS PER ASSY
4 61	755299D		.ACTUATOR ASSY-GEARED SUPPLIER CODE: V99167 POSITION DATA: INBD SPECIFICATION NUMBER: S251N502-21 SB DATA FROM A CMM: POST 5006397-27-20 POST 755299-27-20 CONFIG CHG DATA FROM A CMM: SUPERSEDES 755299C COMPONENT MAINT MANUAL REF: 27-81-32 QUALIFIED I/W DATA: PRIOR TO STRUCTURAL CHANGE AT A/C LINE NUMBER 296, S251N502-21 (755299,A,B,C,D) CAN BE REPLACED BY BUT NOT REPLACE S251N502-19 (5006397K) OR S251N502-17(5006397J) OR S251N502-13(5006397G, M5006397EG). FROM A/C LINE NUMBER 296 AND AFTER S251N502-21 CAN REPLACE OR BE REPLACED BY S251N502-19 OR S251N502-17 OR S251N502-13. OPTIONAL PART: 755299 V99167 755299A V99167 755299B V99167 755299C V99167	101106 108120	14
62	755594		..PLACARD-CAUTION SUPPLIER CODE: V99167 USED ON: 755299D	101106 108120	1

MISSING ITEM NUMBERS NOT APPLICABLE

- ITEM NOT ILLUSTRATED

27-81-18-04

27-81-18  
FIG. 04  
PAGE 22  
JAN 20/09

BRI

BOEING PROPRIETARY - Copyright © - Unpublished Work - See title page for details.



757

PARTS CATALOG (MAINTENANCE)

FIG ITEM	PART NUMBER	1 2 3 4 5 6 7	NOMENCLATURE	EFFECT FROM TO	UNITS PER ASSY
4 63	5006512		.. PLATE-IDENT SUPPLIER CODE: V99167 USED ON: 5006397R 755299D	101106 108120 504903	1
- 65	RST66S		.. RING-RETAINING SUPPLIER CODE: V80756 SB DATA FROM A CMM: PRE 5006397-27-10 PRE 5006398-27-10 PRE 5006397-27-12 PRE 5006398-27-12 PRE 755299-27-12 PRE 755300-27-12 OPTIONAL PART: 3416-66S V99167 USED ON: 5006397J 5006397K 5006397L 5006397N 755299B	101106 108120 504903	2
- 67	RST66S		.. RING-RETAINING SUPPLIER CODE: V80756 SB DATA FROM A CMM: POST 5006397-27-10 POST 5006398-27-10 POST 5006397-27-12 POST 5006398-27-12 POST 755299-27-12 POST 755300-27-12 OPTIONAL PART: 3416-66S V99167 USED ON: 5006397L 5006397M 5006397N 5006397P 755299 755299A 755299B 755299C	101106 108120 504903	1

MISSING ITEM NUMBERS NOT APPLICABLE

- ITEM NOT ILLUSTRATED

BRI

27-81-18-04

BOEING PROPRIETARY - Copyright © - Unpublished Work - See title page for details.

27-81-18  
FIG. 04  
PAGE 23  
JAN 20/09



757

PARTS CATALOG (MAINTENANCE)

FIG ITEM	PART NUMBER	1 2 3 4 5 6 7	NOMENCLATURE	EFFECT FROM TO	UNITS PER ASSY
4 95	M5006398CE		.ACTUATOR ASSY- SUPPLIER CODE: V99167 SPECIFICATION NUMBER: S251N502-14 COMPONENT MAINT MANUAL REF: 27-81-31 OPTIONAL PART: 5006398E V99167 OPTIONAL PART: 5006398H V99167	504903	2
95	5006398E		.ACTUATOR ASSY- SUPPLIER CODE: V99167 SPECIFICATION NUMBER: S251N502-14 COMPONENT MAINT MANUAL REF: 27-81-31 OPTIONAL PART: M5006398CE V99167 OPTIONAL PART: 5006398H V99167	504903	2

MISSING ITEM NUMBERS NOT APPLICABLE

- ITEM NOT ILLUSTRATED

BRI

**27-81-18-04**

BOEING PROPRIETARY - Copyright © - Unpublished Work - See title page for details.

27-81-18  
FIG. 04  
PAGE 24  
JAN 20/09





757

PARTS CATALOG (MAINTENANCE)

FIG ITEM	PART NUMBER	1 2 3 4 5 6 7	NOMENCLATURE	EFFECT FROM TO	UNITS PER ASSY
4 95	755300		.ACTUATOR ASSY-GEARED SUPPLIER CODE: V99167 SPECIFICATION NUMBER: S251N502-22 SB DATA FROM A CMM: PRE 5006398-27-12 PRE 755300-27-12 COMPONENT MAINT MANUAL REF: 27-81-32 QUALIFIED I/W DATA: PRIOR TO STRUCTURAL CHANGE AT A/C LINE NUMBER 296, S251N502-22 (755300,A,B,C,D) CAN BE REPLACED BY BUT NOT REPLACE S251N502-20 (5006398H) OR S251N502-18(5006398G) OR S251N502-14 (5006398E/M5006398CE). FORM A/C LINE NUMBER 296 AND AFTER S251N502-22 CAN REPLACE OR BE REPLACED BY S251N502-20 OR S251N502-18 OR S251N502-14. OPTIONAL PART: 755300A V99167 755300B V99167 755300C V99167 755300D V99167 REWORKED BY ALERT SB: 27A0133 REWORKED BY SB: 5006398/755300-27-21 V99167	101106 108120	2

MISSING ITEM NUMBERS NOT APPLICABLE

- ITEM NOT ILLUSTRATED

27-81-18-04

27-81-18  
FIG. 04  
PAGE 25  
JAN 20/09

BRI



757

PARTS CATALOG (MAINTENANCE)

FIG ITEM	PART NUMBER	1 2 3 4 5 6 7 NOMENCLATURE	EFFECT FROM TO	UNITS PER ASSY
4 96	755300	.ACTUATOR ASSY-GEARED SUPPLIER CODE: V99167 SPECIFICATION NUMBER: S251N502-22 SB DATA FROM A CMM: PRE 5006398-27-12 PRE 755300-27-12 COMPONENT MAINT MANUAL REF: 27-81-32 QUALIFIED I/W DATA: PRIOR TO STRUCTURAL CHANGE AT A/C LINE NUMBER 296, S251N502-24 (5006398J/K/L/M/N) CAN REPLACE BUT NOT BE REPLACED BY S251N502-22 (755300, A, B, C, D). S251N502-22 AND S251N502-24 ARE FULLY INTERCHANGEABLE WITH THE INCORPORATION OF S/B 757-27-0094. FROM A/C LINE NUMBER 296 AND AFTER S251N502-24 CAN REPLACE OR BE REPLACED BY S251N502-22. OPTIONAL PART: 755300A V99167 755300B V99167 755300C V99167 755300D V99167	101106 108120	2

MISSING ITEM NUMBERS NOT APPLICABLE

- ITEM NOT ILLUSTRATED

**27-81-18-04**

27-81-18  
FIG. 04  
PAGE 26  
JAN 20/09

BRI



757

PARTS CATALOG (MAINTENANCE)

FIG ITEM	PART NUMBER	1 2 3 4 5 6 7 NOMENCLATURE	EFFECT FROM TO	UNITS PER ASSY
4 96	755300A	.ACTUATOR ASSY-GEARED SUPPLIER CODE: V99167 SPECIFICATION NUMBER: S251N502-22 SB DATA FROM A CMM: PRE 5006398-27-12 PRE 755300-27-12 COMPONENT MAINT MANUAL REF: 27-81-32 QUALIFIED I/W DATA: PRIOR TO STRUCTURAL CHANGE AT A/C LINE NUMBER 296, S251N502-22 (755300,A,B,C,D) CAN BE REPLACED BY BUT NOT REPLACE S251N502-20 (5006398H) OR S251N502-18(5006398G) OR S251N502-14 (5006398E/M5006398CE). FORM A/C LINE NUMBER 296 AND AFTER S251N502-22 CAN REPLACE OR BE REPLACED BY S251N502-20 OR S251N502-18 OR S251N502-14. OPTIONAL PART: 755300 V99167 755300B V99167 755300C V99167 755300D V99167 REWORKED BY ALERT SB: 27A0133 REWORKED BY SB: 5006398/755300-27-21 V99167	101106 108120	2

MISSING ITEM NUMBERS NOT APPLICABLE

- ITEM NOT ILLUSTRATED

**27-81-18-04**

27-81-18  
FIG. 04  
PAGE 27  
JAN 20/09

BRI



757

PARTS CATALOG (MAINTENANCE)

FIG ITEM	PART NUMBER	1 2 3 4 5 6 7 NOMENCLATURE	EFFECT FROM TO	UNITS PER ASSY
4 96	755300A	.ACTUATOR ASSY-GEARED SUPPLIER CODE: V99167 SPECIFICATION NUMBER: S251N502-22 SB DATA FROM A CMM: PRE 5006398-27-12 PRE 755300-27-12 COMPONENT MAINT MANUAL REF: 27-81-32 QUALIFIED I/W DATA: PRIOR TO STRUCTURAL CHANGE AT A/C LINE NUMBER 296, S251N502-24 (5006398J/K/L/M/N) CAN REPLACE BUT NOT BE REPLACED BY S251N502-22 (755300,A,B,C,D). S251N502-22 AND S251N502-24 ARE FULLY INTERCHANGEABLE WITH THE INCORPORATION OF S/B 757-27-0094. FROM A/C LINE NUMBER 296 AND AFTER S251N502-24 CAN REPLACE OR BE REPLACED BY S251N502-22. OPTIONAL PART: 755300 V99167 755300B V99167 755300C V99167 755300D V99167	101106 108120	2

MISSING ITEM NUMBERS NOT APPLICABLE

- ITEM NOT ILLUSTRATED

**27-81-18-04**

27-81-18  
FIG. 04  
PAGE 28  
JAN 20/09

BRI



757

PARTS CATALOG (MAINTENANCE)

FIG ITEM	PART NUMBER	1 2 3 4 5 6 7 NOMENCLATURE	EFFECT FROM TO	UNITS PER ASSY
4 96	755300B	.ACTUATOR ASSY-GEARED SUPPLIER CODE: V99167 SPECIFICATION NUMBER: S251N502-22 SB DATA FROM A CMM: PRE 5006398-27-15 PRE 755300-27-15 COMPONENT MAINT MANUAL REF: 27-81-32 QUALIFIED I/W DATA: PRIOR TO STRUCTURAL CHANGE AT A/C LINE NUMBER 296, S251N502-22 (755300,A,B,C,D) CAN BE REPLACED BY BUT NOT REPLACE S251N502-20 (5006398H) OR S251N502-18(5006398G) OR S251N502-14 (5006398E/M5006398CE). FORM A/C LINE NUMBER 296 AND AFTER S251N502-22 CAN REPLACE OR BE REPLACED BY S251N502-20 OR S251N502-18 OR S251N502-14. OPTIONAL PART: 755300 V99167 755300A V99167 755300C V99167 755300D V99167 REWORKED BY ALERT SB: 27A0133 REWORKED BY SB: 5006398/755300-27-21 V99167	101106 108120	2

MISSING ITEM NUMBERS NOT APPLICABLE

- ITEM NOT ILLUSTRATED

BRI

27-81-18-04

BOEING PROPRIETARY - Copyright © - Unpublished Work - See title page for details.

27-81-18  
 FIG. 04  
 PAGE 29  
 JAN 20/09



757

PARTS CATALOG (MAINTENANCE)

FIG ITEM	PART NUMBER	1 2 3 4 5 6 7 NOMENCLATURE	EFFECT FROM TO	UNITS PER ASSY
4 96	755300B	.ACTUATOR ASSY-GEARED SUPPLIER CODE: V99167 SPECIFICATION NUMBER: S251N502-22 SB DATA FROM A CMM: PRE 5006398-27-15 PRE 755300-27-15 COMPONENT MAINT MANUAL REF: 27-81-32 QUALIFIED I/W DATA: PRIOR TO STRUCTURAL CHANGE AT A/C LINE NUMBER 296, S251N502-24 (5006398J/K/L/M/N) CAN REPLACE BUT NOT BE REPLACED BY S251N502-22 (755300,A,B,C,D). S251N502-22 AND S251N502-24 ARE FULLY INTERCHANGEABLE WITH THE INCORPORATION OF S/B 757-27-0094. FROM A/C LINE NUMBER 296 AND AFTER S251N502-24 CAN REPLACE OR BE REPLACED BY S251N502-22. OPTIONAL PART: 755300 V99167 755300A V99167 755300C V99167 755300D V99167	101106 108120	2

MISSING ITEM NUMBERS NOT APPLICABLE

- ITEM NOT ILLUSTRATED

BRI

27-81-18-04

BOEING PROPRIETARY - Copyright © - Unpublished Work - See title page for details.

27-81-18  
 FIG. 04  
 PAGE 30  
 JAN 20/09



757

PARTS CATALOG (MAINTENANCE)

FIG ITEM	PART NUMBER	1 2 3 4 5 6 7 NOMENCLATURE	EFFECT FROM TO	UNITS PER ASSY
4 96	755300C	.ACTUATOR ASSY-GEARED SUPPLIER CODE: V99167 SPECIFICATION NUMBER: S251N502-22 SB DATA FROM A CMM: POST 5006398-27-12 POST 5006398-27-15 POST 755300-27-12 POST 755300-27-15 COMPONENT MAINT MANUAL REF: 27-81-32 QUALIFIED I/W DATA: PRIOR TO STRUCTURAL CHANGE AT A/C LINE NUMBER 296, S251N502-22 (755300,A,B,C,D) CAN BE REPLACED BY BUT NOT REPLACE S251N502-20 (5006398H) OR S251N502-18(5006398G) OR S251N502-14 (5006398E/M5006398CE). FORM A/C LINE NUMBER 296 AND AFTER S251N502-22 CAN REPLACE OR BE REPLACED BY S251N502-20 OR S251N502-18 OR S251N502-14. OPTIONAL PART: 755300 V99167 755300A V99167 755300B V99167 755300D V99167 REWORKED BY ALERT SB: 27A0133 REWORKED BY SB: 5006398/755300-27-21 V99167	101106 108120	2

MISSING ITEM NUMBERS NOT APPLICABLE

- ITEM NOT ILLUSTRATED

**27-81-18-04**

27-81-18  
FIG. 04  
PAGE 31  
JAN 20/09

BRI



757

PARTS CATALOG (MAINTENANCE)

FIG ITEM	PART NUMBER	1 2 3 4 5 6 7	NOMENCLATURE	EFFECT FROM TO	UNITS PER ASSY
4 96	755300C		.ACTUATOR ASSY-GEARED SUPPLIER CODE: V99167 SPECIFICATION NUMBER: S251N502-22 SB DATA FROM A CMM: POST 5006398-27-12 POST 5006398-27-15 POST 755300-27-125 POST 755300-27-15 CONFIG CHG DATA FROM A CMM: SUPSD BY 755300D COMPONENT MAINT MANUAL REF: 27-81-32 QUALIFIED I/W DATA: PRIOR TO STRUCTURAL CHANGE AT A/C LINE NUMBER 296, S251N502-24 (5006398J/K/L/M/N) CAN REPLACE BUT NOT BE REPLACED BY S251N502-22 (755300,A,B,C,D). S251N502-22 AND S251N502-24 ARE FULLY INTERCHANGEABLE WITH THE INCORPORATION OF S/B 757-27-0094. FROM A/C LINE NUMBER 296 AND AFTER S251N502-24 CAN REPLACE OR BE REPLACED BY S251N502-22. OPTIONAL PART: 755300 V99167 755300A V99167 755300B V99167 755300D V99167	101106 108120	2

MISSING ITEM NUMBERS NOT APPLICABLE

- ITEM NOT ILLUSTRATED

BRI

27-81-18-04

BOEING PROPRIETARY - Copyright © - Unpublished Work - See title page for details.

27-81-18  
FIG. 04  
PAGE 32  
JAN 20/09





757

PARTS CATALOG (MAINTENANCE)

FIG ITEM	PART NUMBER	1 2 3 4 5 6 7	NOMENCLATURE	EFFECT FROM TO	UNITS PER ASSY
4 96	755300D		.ACTUATOR ASSY-GEARED SUPPLIER CODE: V99167 SPECIFICATION NUMBER: S251N502-22 SB DATA FROM A CMM: POST 5006398-27-20 POST 755300-27-20 COMPONENT MAINT MANUAL REF: 27-81-32 QUALIFIED I/W DATA: PRIOR TO STRUCTURAL CHANGE AT A/C LINE NUMBER 296, S251N502-22 (755300,A,B,C,D) CAN BE REPLACED BY BUT NOT REPLACE S251N502-20 (5006398H) OR S251N502-18(5006398G) OR S251N502-14 (5006398E/M5006398CE). FORM A/C LINE NUMBER 296 AND AFTER S251N502-22 CAN REPLACE OR BE REPLACED BY S251N502-20 OR S251N502-18 OR S251N502-14. OPTIONAL PART: 755300 V99167 755300A V99167 755300B V99167 755300C V99167 REWORKED BY ALERT SB: 27A0133 REWORKED BY SB: 5006398/755300-27-21 V99167	101106 108120	2

MISSING ITEM NUMBERS NOT APPLICABLE

- ITEM NOT ILLUSTRATED

27-81-18-04

27-81-18  
FIG. 04  
PAGE 33  
JAN 20/09

BRI



757

PARTS CATALOG (MAINTENANCE)

FIG ITEM	PART NUMBER	1 2 3 4 5 6 7 NOMENCLATURE	EFFECT FROM TO	UNITS PER ASSY
4 96	755300D	.ACTUATOR ASSY-GEARED SUPPLIER CODE: V99167 SPECIFICATION NUMBER: S251N502-22 SB DATA FROM A CMM: POST 5006398-27-20 POST 755300-27-20 CONFIG CHG DATA FROM A CMM: SUPERSEDES 755300C COMPONENT MAINT MANUAL REF: 27-81-32 QUALIFIED I/W DATA: PRIOR TO STRUCTURAL CHANGE AT A/C LINE NUMBER 296, S251N502-24 (5006398J/K/L/M/N) CAN REPLACE BUT NOT BE REPLACED BY S251N502-22 (755300,A,B,C,D). S251N502-22 AND S251N502-24 ARE FULLY INTERCHANGEABLE WITH THE INCORPORATION OF S/B 757-27-0094. FROM A/C LINE NUMBER 296 AND AFTER S251N502-24 CAN REPLACE OR BE REPLACED BY S251N502-22. OPTIONAL PART: 755300 V99167 755300A V99167 755300B V99167 755300C V99167	101106 108120	2

MISSING ITEM NUMBERS NOT APPLICABLE

- ITEM NOT ILLUSTRATED

**27-81-18-04**

27-81-18  
FIG. 04  
PAGE 34  
JAN 20/09

BRI



757

PARTS CATALOG (MAINTENANCE)

FIG ITEM	PART NUMBER	1 2 3 4 5 6 7	NOMENCLATURE	EFFECT FROM TO	UNITS PER ASSY
4 96	5006398G		.ACTUATOR ASSY-GEARED SUPPLIER CODE: V99167 SPECIFICATION NUMBER: S251N502-18 SB DATA FROM A CMM: PRE 5006398-27-5 PRE 5006398-27-6 PRE 5006398-27-7 PRE 5006398-27-10 COMPONENT MAINT MANUAL REF: 27-81-32 QUALIFIED I/W DATA: PRIOR TO STRUCTURAL CHANGE AT A/C LINE NUMBER 296, S251N502-22(755300,A,B, C,D) CAN BE REPLACED BY BUT NOT REPLACE S251N502-20(5006398H) OR S251N502-18 (5006398G) OR S251N502-14(5006398E/ M5006398CE). FROM A/C LINE NUMBER 296 AND AFTER S251N502-22 CAN REPLACE OR BE REPLACED BY S251N502-20 OR S251N502-18 OR S251N502-14.	504903	2
96	5006398H		.ACTUATOR ASSY-GEARED SUPPLIER CODE: V99167 SPECIFICATION NUMBER: S251N502-20 SB DATA FROM A CMM: PRE 5006398-27-8 POST 5006398-27-10 COMPONENT MAINT MANUAL REF: 27-81-32	504903	2

MISSING ITEM NUMBERS NOT APPLICABLE

- ITEM NOT ILLUSTRATED

BRI

27-81-18-04

27-81-18  
FIG. 04  
PAGE 35  
JAN 20/09



757

PARTS CATALOG (MAINTENANCE)

FIG ITEM	PART NUMBER	1 2 3 4 5 6 7	NOMENCLATURE	EFFECT FROM TO	UNITS PER ASSY
4 96	5006398J		.ACTUATOR ASSY-GEARED SUPPLIER CODE: V99167 SPECIFICATION NUMBER: S251N502-24 SB DATA FROM A CMM: POST 5006398-27-10 COMPONENT MAINT MANUAL REF: 27-81-32 QUALIFIED I/W DATA: PRIOR TO STRUCTURAL CHANGE AT A/C LINE NUMBER 296, S251N502-24 (5006398J/K/L/M/N) CAN REPLACE BUT NOT BE REPLACED BY S251N502-22 (755300,A,B,C,D). S251N502-22 AND S251N502-24 ARE FULLY INTERCHANGEABLE WITH THE INCORPORATION OF S/B 757-27-0094. FROM A/C LINE NUMBER 296 AND AFTER S251N502-24 CAN REPLACE OR BE REPLACED BY S251N502-22. OPTIONAL PART: 5006398K V99167 5006398L V99167 5006398M V99167 5006398N V99167 REWORKED BY ALERT SB: 27A0133 REWORKED BY SB: 5006398/755300-27-21 V99167	504903	2

MISSING ITEM NUMBERS NOT APPLICABLE

- ITEM NOT ILLUSTRATED

27-81-18-04

27-81-18  
FIG. 04  
PAGE 36  
JAN 20/09

BRI



757

PARTS CATALOG (MAINTENANCE)

FIG ITEM	PART NUMBER	1 2 3 4 5 6 7	NOMENCLATURE	EFFECT FROM TO	UNITS PER ASSY
4 96	5006398K		.ACTUATOR ASSY-GEARED SUPPLIER CODE: V99167 SPECIFICATION NUMBER: S251N502-24 SB DATA FROM A CMM: PRE 5006398-27-12 PRE 755300-27-12 COMPONENT MAINT MANUAL REF: 27-81-32 QUALIFIED I/W DATA: PRIOR TO STRUCTURAL CHANGE AT A/C LINE NUMBER 296, S251N502-24 (5006398J/K/L/M/N) CAN REPLACE BUT NOT BE REPLACED BY S251N502-22 (755300,A,B,C,D). S251N502-22 AND S251N502-24 ARE FULLY INTERCHANGEABLE WITH THE INCORPORATION OF S/B 757-27-0094. FROM A/C LINE NUMBER 296 AND AFTER S251N502-24 CAN REPLACE OR BE REPLACED BY S251N502-22. OPTIONAL PART: 5006398J V99167 5006398L V99167 5006398M V99167 5006398N V99167 REWORKED BY ALERT SB: 27A0133 REWORKED BY SB: 5006398/755300-27-21 V99167	504903	2

MISSING ITEM NUMBERS NOT APPLICABLE

- ITEM NOT ILLUSTRATED

27-81-18-04

27-81-18  
FIG. 04  
PAGE 37  
JAN 20/09

BRI



757

PARTS CATALOG (MAINTENANCE)

FIG ITEM	PART NUMBER	1 2 3 4 5 6 7 NOMENCLATURE	EFFECT FROM TO	UNITS PER ASSY
4 96	5006398L	.ACTUATOR ASSY-GEARED SUPPLIER CODE: V99167 SPECIFICATION NUMBER: S251N502-24 SB DATA FROM A CMM: PRE 5006398-27-15 PRE 755300-27-15 COMPONENT MAINT MANUAL REF: 27-81-32 QUALIFIED I/W DATA: PRIOR TO STRUCTURAL CHANGE AT A/C LINE NUMBER 296, S251N502-24 (5006398J/K/L/M/N) CAN REPLACE BUT NOT BE REPLACED BY S251N502-22 (755300,A,B,C,D). S251N502-22 AND S251N502-24 ARE FULLY INTERCHANGEABLE WITH THE INCORPORATION OF S/B 757-27-0094. FROM A/C LINE NUMBER 296 AND AFTER S251N502-24 CAN REPLACE OR BE REPLACED BY S251N502-22. OPTIONAL PART: 5006398J V99167 5006398K V99167 5006398M V99167 5006398N V99167 REWORKED BY ALERT SB: 27A0133 REWORKED BY SB: 5006398/755300-27-21 V99167	504903	2

MISSING ITEM NUMBERS NOT APPLICABLE

- ITEM NOT ILLUSTRATED

BRI

**27-81-18-04**

BOEING PROPRIETARY - Copyright © - Unpublished Work - See title page for details.

27-81-18  
 FIG. 04  
 PAGE 38  
 JAN 20/09



757

PARTS CATALOG (MAINTENANCE)

FIG ITEM	PART NUMBER	1 2 3 4 5 6 7 NOMENCLATURE	EFFECT FROM TO	UNITS PER ASSY
4 96	5006398M	.ACTUATOR ASSY-GEARED SUPPLIER CODE: V99167 SPECIFICATION NUMBER: S251N502-24 SB DATA FROM A CMM: POST 5006398-27-12 POST 5006398-27-15 POST 755300-27-12 POST 755300-27-15 CONFIG CHG DATA FROM A CMM: SUPSD BY 5006398N COMPONENT MAINT MANUAL REF: 27-81-32 QUALIFIED I/W DATA: PRIOR TO STRUCTURAL CHANGE AT A/C LINE NUMBER 296, S251N502-24 (5006398J/K/L/M/N) CAN REPLACE BUT NOT BE REPLACED BY S251N502-22 (755300,A,B,C,D). S251N502-22 AND S251N502-24 ARE FULLY INTERCHANGEABLE WITH THE INCORPORATION OF S/B 757-27-0094. FROM A/C LINE NUMBER 296 AND AFTER S251N502-24 CAN REPLACE OR BE REPLACED BY S251N502-22 OPTIONAL PART: 5006398J V99167 5006398K V99167 5006398L V99167 5006398N V99167 REWORKED BY ALERT SB: 27A0133 REWORKED BY SB: 5006398/755300-27-21 V99167	504903	2

MISSING ITEM NUMBERS NOT APPLICABLE

- ITEM NOT ILLUSTRATED

BRI

27-81-18-04

BOEING PROPRIETARY - Copyright © - Unpublished Work - See title page for details.

27-81-18  
 FIG. 04  
 PAGE 39  
 JAN 20/09



757

PARTS CATALOG (MAINTENANCE)

FIG ITEM	PART NUMBER	1 2 3 4 5 6 7	NOMENCLATURE	EFFECT FROM TO	UNITS PER ASSY
4 96	5006398N		.ACTUATOR ASSY-GEARED SUPPLIER CODE: V99167 SPECIFICATION NUMBER: S251N502-24 SB DATA FROM A CMM: PRE 5006398-27-20 PRE 755300-27-20 CONFIG CHG DATA FROM A CMM: SUPERSEDES 5006398M COMPONENT MAINT MANUAL REF: 27-81-32 QUALIFIED I/W DATA: PRIOR TO STRUCTURAL CHANGE AT A/C LINE NUMBER 296, S251N502-24 (5006398J/K/L/M/N) CAN REPLACE BUT NOT BE REPLACED BY S251N502-22 (755300,A,B,C,D). S251N502-22 AND S251N502-24 ARE FULLY INTERCHANGEABLE WITH THE INCORPORATION OF S/B 757-27-0094. FROM A/C LINE NUMBER 296 AND AFTER S251N502-24 CAN REPLACE OR BE REPLACED BY S251N502-22 OPTIONAL PART: 5006398J V99167 5006398K V99167 5006398L V99167 5006398M V99167 REWORKED BY ALERT SB: 27A0133 REWORKED BY SB: 5006398/755300-27-21 V99167	504903	2
97	755594		..PLACARD-CAUTION SUPPLIER CODE: V99167 USED ON: 755300D	101106 108120	1

MISSING ITEM NUMBERS NOT APPLICABLE

- ITEM NOT ILLUSTRATED

27-81-18-04

27-81-18  
FIG. 04  
PAGE 40  
JAN 20/09

BRI





757

PARTS CATALOG (MAINTENANCE)

FIG ITEM	PART NUMBER	1 2 3 4 5 6 7	NOMENCLATURE	EFFECT FROM TO	UNITS PER ASSY
4	98 5006512		.. PLATE-IDENT SUPPLIER CODE: V99167 USED ON: 5006398N 755300D	101106 108120 504903	1
- 100	RST66S		.. RING-RETAINING SUPPLIER CODE: V80756 SB DATA FROM A CMM: PRE 5006397-27-10 PRE 5006398-27-10 PRE 5006397-27-12 PRE 5006398-27-12 PRE 755299-27-12 PRE 755300-27-12 OPTIONAL PART: 3416-66S V99167 USED ON: 5006398G 5006398H 5006398J 5006398L 755300B USED ON: 5006398J	101106 108120 504903	2
- 105	RST66S		.. RING-RETAINING SUPPLIER CODE: V80756 SB DATA FROM A CMM: POST 5006397-27-10 POST 5006398-27-10 POST 5006397-27-12 POST 5006398-27-12 POST 755299-27-12 POST 755300-27-12 OPTIONAL PART: 3416-66S V99167 USED ON: 5006398J 5006398K 5006398L 5006398M 755300 755300A 755300B	101106 108120 504903	1

MISSING ITEM NUMBERS NOT APPLICABLE

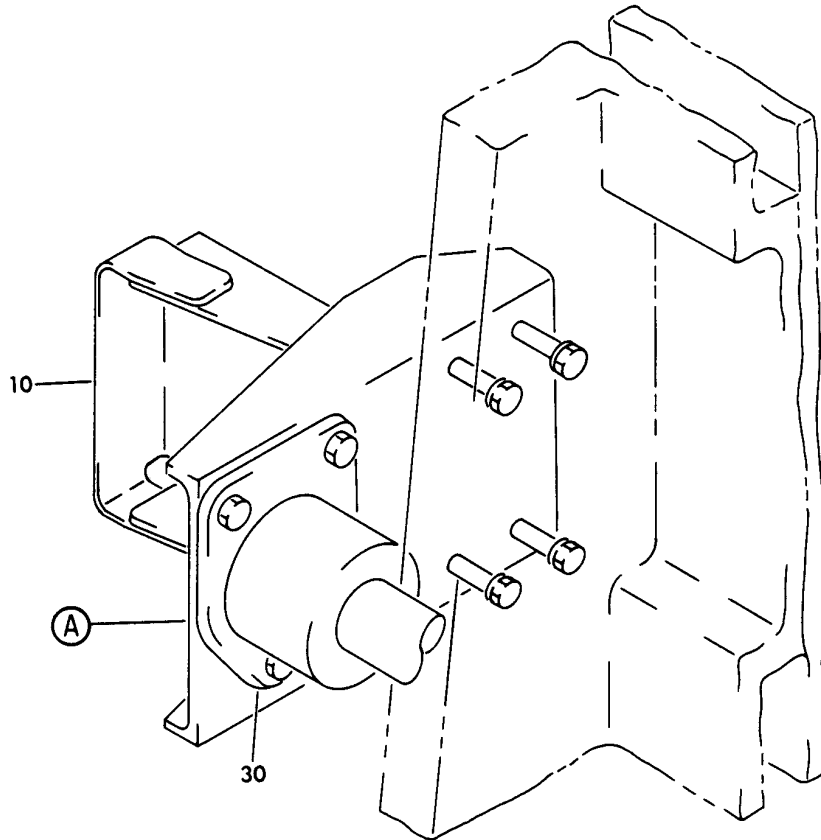
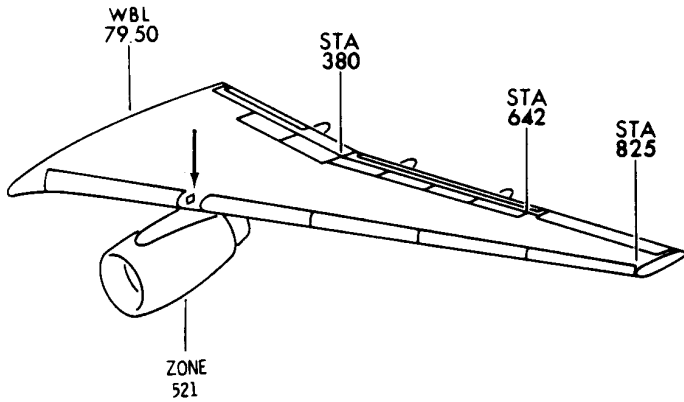
- ITEM NOT ILLUSTRATED

27-81-18-04

27-81-18  
FIG. 04  
PAGE 41  
JAN 20/09

BRI

**BOEING**  
757  
PARTS CATALOG (MAINTENANCE)



Y 27812001 SHT 1 REV 026

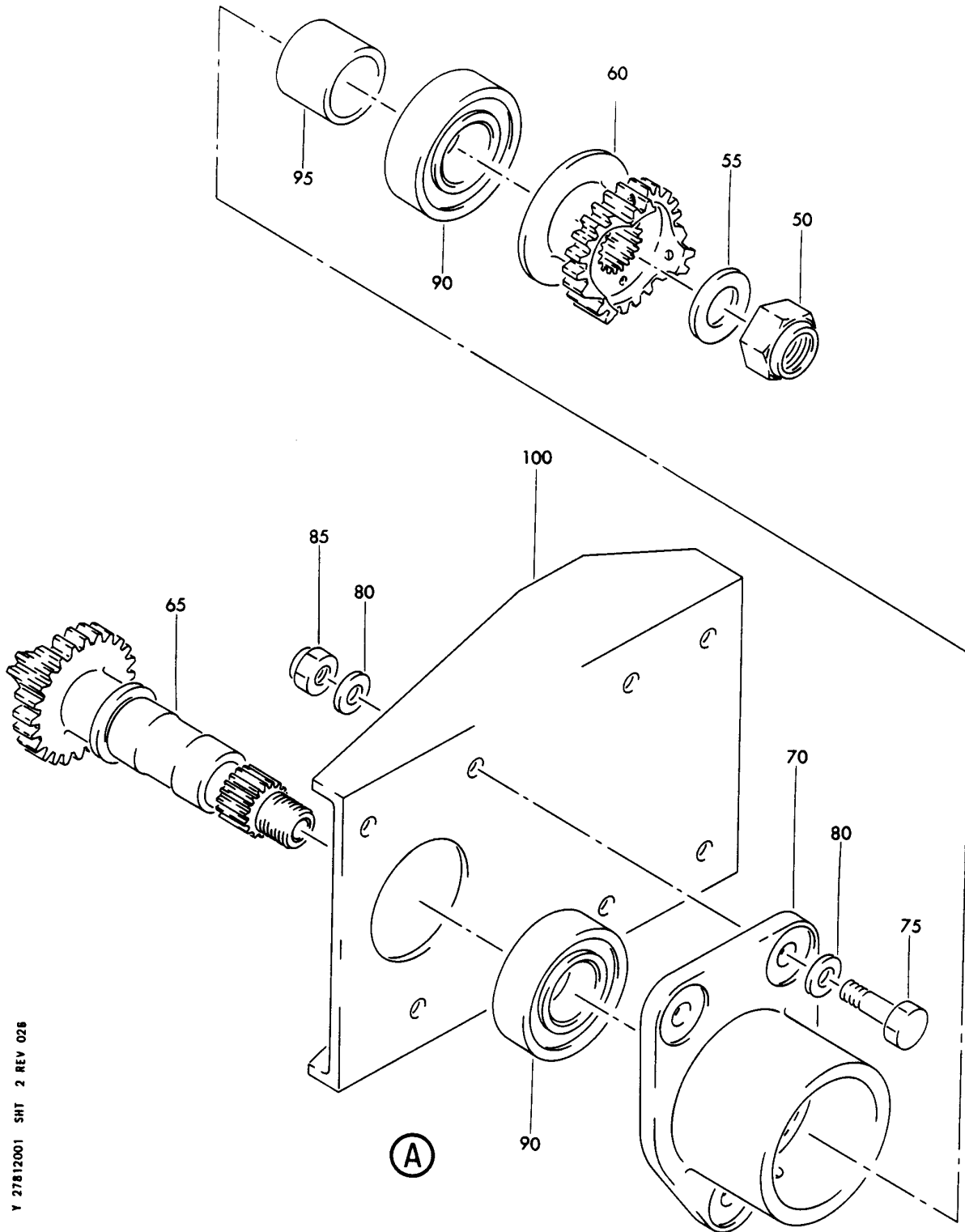
SUPPORT INSTL-LE SLAT DRIVE ENG STRUT TORQUE TUBE  
FIGURE 1 (SHEET 1)

**27-81-20-01**

BRI  
MAY 28/07

27-81-20-01  
PAGE 0

**BOEING**  
757  
PARTS CATALOG (MAINTENANCE)



Y 27812001 SHT 2 REV 028

SUPPORT INSTL-LE SLAT DRIVE ENG STRUT TORQUE TUBE  
FIGURE 1 (SHEET 2)

**27-81-20-01**

BRI  
MAY 28/07

27-81-20-01  
PAGE 0A



757

PARTS CATALOG (MAINTENANCE)

FIG ITEM	PART NUMBER	1 2 3 4 5 6 7	NOMENCLATURE	EFFECT FROM TO	UNITS PER ASSY
1			SUPPORT INSTL-LE SLAT DRIVE ENG STRUT TORQUE TUBE	002004 006999	
- 1	251N5006-1		SUPPORT INSTL-LE SLAT DRIVE ENG STRUT TORQUE TUBE POSITION DATA: L WING FOR NHA SEE: 27-81-20-02	002004 006100 107107 121503 904999	RF
- 1	251N5006-5		SUPPORT INSTL-LE SLAT DRIVE ENG STRUT TORQUE TUBE POSITION DATA: L WING FOR NHA SEE: 27-80-00-01	101102 108120 504903	RF
- 1	MODREF7776		SUPPORT INSTL-LE SLAT DRIVE ENG STRUT TORQUE TUBE MODULE NUMBER: 251N5006-5 REV A POSITION DATA: L WING	103106	1
- 5	251N5006-2		SUPPORT INSTL-LE SLAT DRIVE ENG STRUT TORQUE TUBE POSITION DATA: R WING FOR NHA SEE: 27-81-20-02	002004 006100 107107 121503 904999	RF
- 5	251N5006-6		SUPPORT INSTL-LE SLAT DRIVE ENG STRUT TORQUE TUBE POSITION DATA: R WING FOR NHA SEE: 27-80-00-01	101102 108120 504903	RF
- 5	MODREF7777		SUPPORT INSTL-LE SLAT DRIVE ENG STRUT TORQUE TUBE MODULE NUMBER: 251N5006-6 REV A POSITION DATA: R WING	103106	1
10	251N5107-2		.BRACKET ASSY	002004 006999	1
- 15	BACB30NR4K11		ATTACHING PARTS .BOLT	002004 006999	2
- 20	AN960PD416L		.WASHER	002004 006999	4

MISSING ITEM NUMBERS NOT APPLICABLE

- ITEM NOT ILLUSTRATED

BRI

27-81-20-01

27-81-20  
FIG. 01  
PAGE 1  
JAN 20/09



**757  
PARTS CATALOG (MAINTENANCE)**

FIG ITEM	PART NUMBER	1 2 3 4 5 6 7	NOMENCLATURE	EFFECT FROM TO	UNITS PER ASSY
1					
- 25	BRH10C4D	.NUT	SUPPLIER CODE: V52828 SPECIFICATION NUMBER: BACN10JC4CD OPTIONAL PART: T6C428JCD V11815 NS202486-048 V80539 102LH9075-4W V72962 H51650-4BAC V15653	002004 006999	2
		-----*-----			
30	251N5006-4	.SUPPORT ASSY-	COMPONENT MAINT MANUAL REF: 27-81-90 ATTACHING PARTS	002004 006999	1
- 35	BACB30NR4K9	.BOLT		002004 006999	2
- 40	AN960PD416L	.WASHER		002004 006999	4
- 45	BRH10C4D	.NUT	SUPPLIER CODE: V52828 SPECIFICATION NUMBER: BACN10JC4CD OPTIONAL PART: T6C428JCD V11815 NS202486-048 V80539 102LH9075-4W V72962 H51650-4BAC V15653	002004 006999	2
		-----*-----			

MISSING ITEM NUMBERS NOT APPLICABLE

- ITEM NOT ILLUSTRATED

BRI

# 27-81-20-01

BOEING PROPRIETARY - Copyright © - Unpublished Work - See title page for details.

27-81-20  
FIG. 01  
PAGE 2  
JAN 20/09



757

PARTS CATALOG (MAINTENANCE)

FIG ITEM	PART NUMBER	1 2 3 4 5 6 7	NOMENCLATURE	EFFECT FROM TO	UNITS PER ASSY
1					
50	BMN4122AD3-8	..	NUT SUPPLIER CODE: V97928 SPECIFICATION NUMBER: BACN10JC8 OPTIONAL PART: BMN4122A8 V85495 H10-8BAC V15653 RMLH9074-8 V72962 48FT820 V56878	002004 006999	1
55	AN960D816	..	WASHER	002004 006999	1
60	251N5092-2	..	COUPLING-HALF	002004 006999	1
65	251N5090-1	..	SHAFT-DRIVE	002004 006999	1
70	251N5095-1	..	SUPPORT-TORQUE TUBE OPTIONAL PART: 251N5095-2	002004 006999	1
70	251N5095-2	..	SUPPORT-TORQUE TUBE OPTIONAL PART: 251N5095-1 ATTACHING PARTS	002004 006999	1
75	BACB30NR4K5	..	BOLT	002004 006999	3
80	AN960PD416L	..	WASHER	002004 006999	6
85	BRH10C4D	..	NUT SUPPLIER CODE: V52828 SPECIFICATION NUMBER: BACN10JC4CD OPTIONAL PART: T6C428JCD V11815 NS202486-048 V80539 102LH9075-4W V72962 H51650-4BAC V15653 -----*-----	002004 006999	3

MISSING ITEM NUMBERS NOT APPLICABLE

- ITEM NOT ILLUSTRATED

27-81-20-01

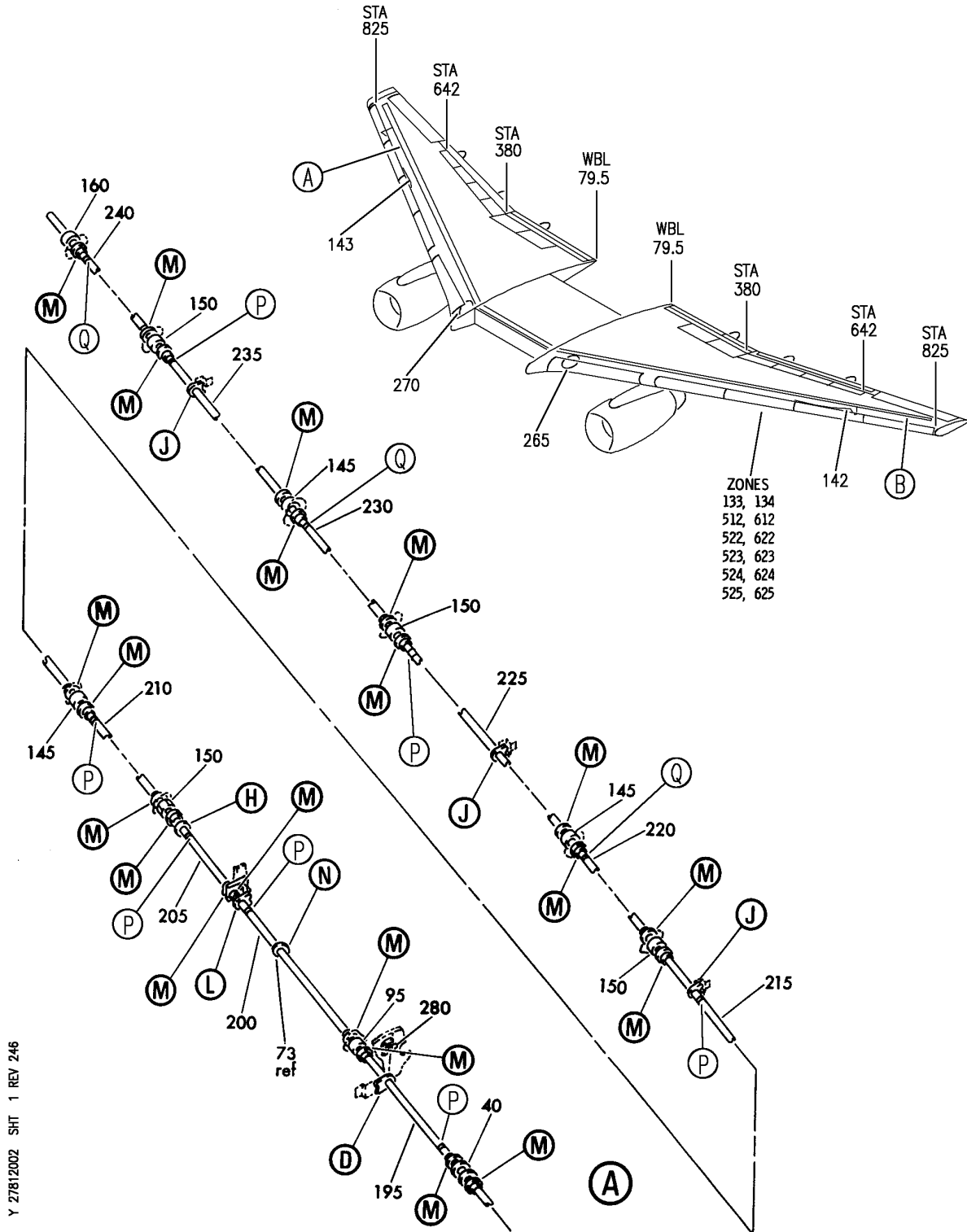
27-81-20  
FIG. 01  
PAGE 3  
JAN 20/09

BRI

BOEING PROPRIETARY - Copyright © - Unpublished Work - See title page for details.



**BOEING**  
757  
PARTS CATALOG (MAINTENANCE)



CONTROL AND DRIVE INSTL-LE SLAT  
FIGURE 2 (SHEET 1)

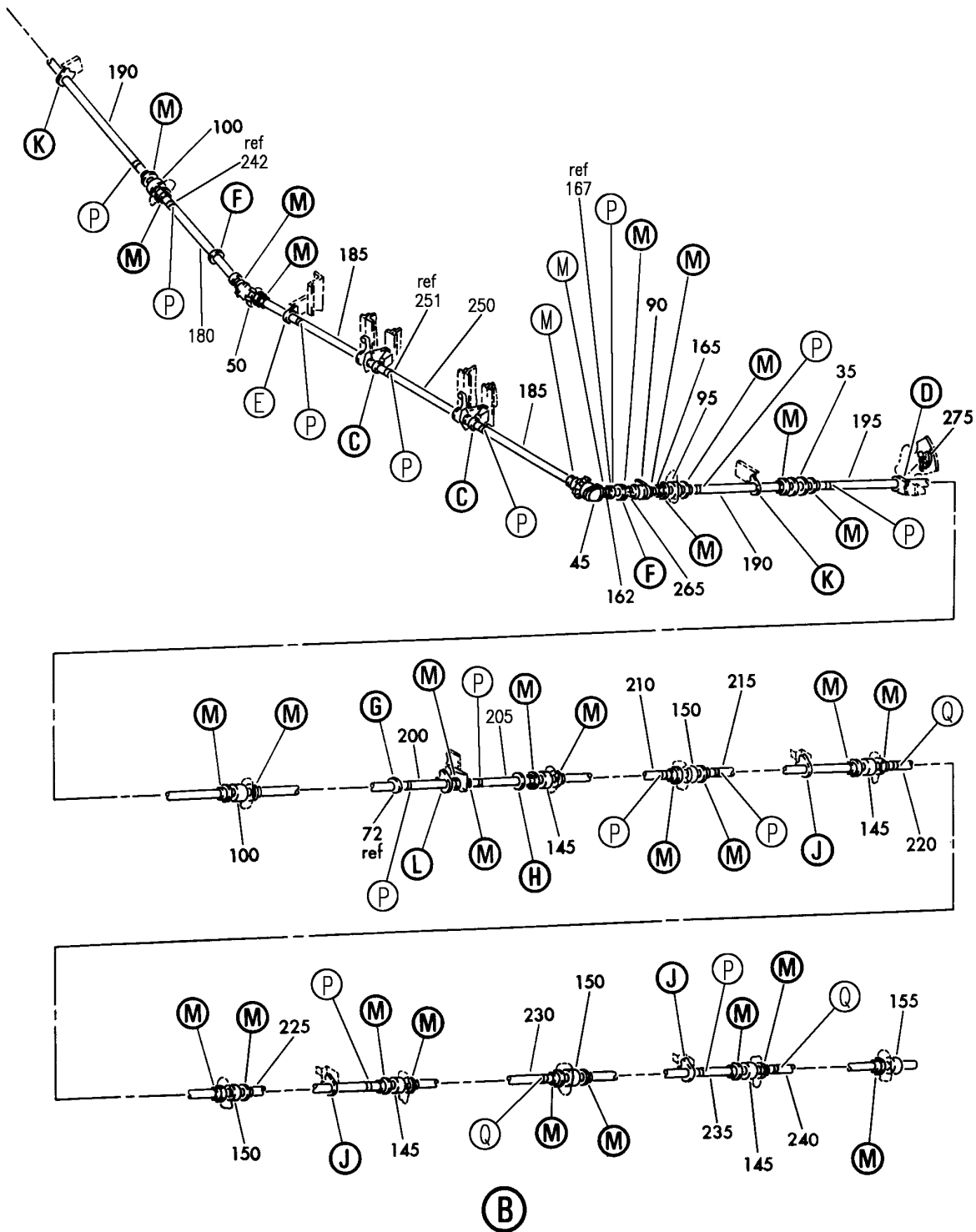
**27-81-20-02**

BRI  
MAY 28/07

27-81-20-02  
PAGE 0




**BOEING**  
 757  
**PARTS CATALOG (MAINTENANCE)**



Y 27812002 SHT 2 REV 246

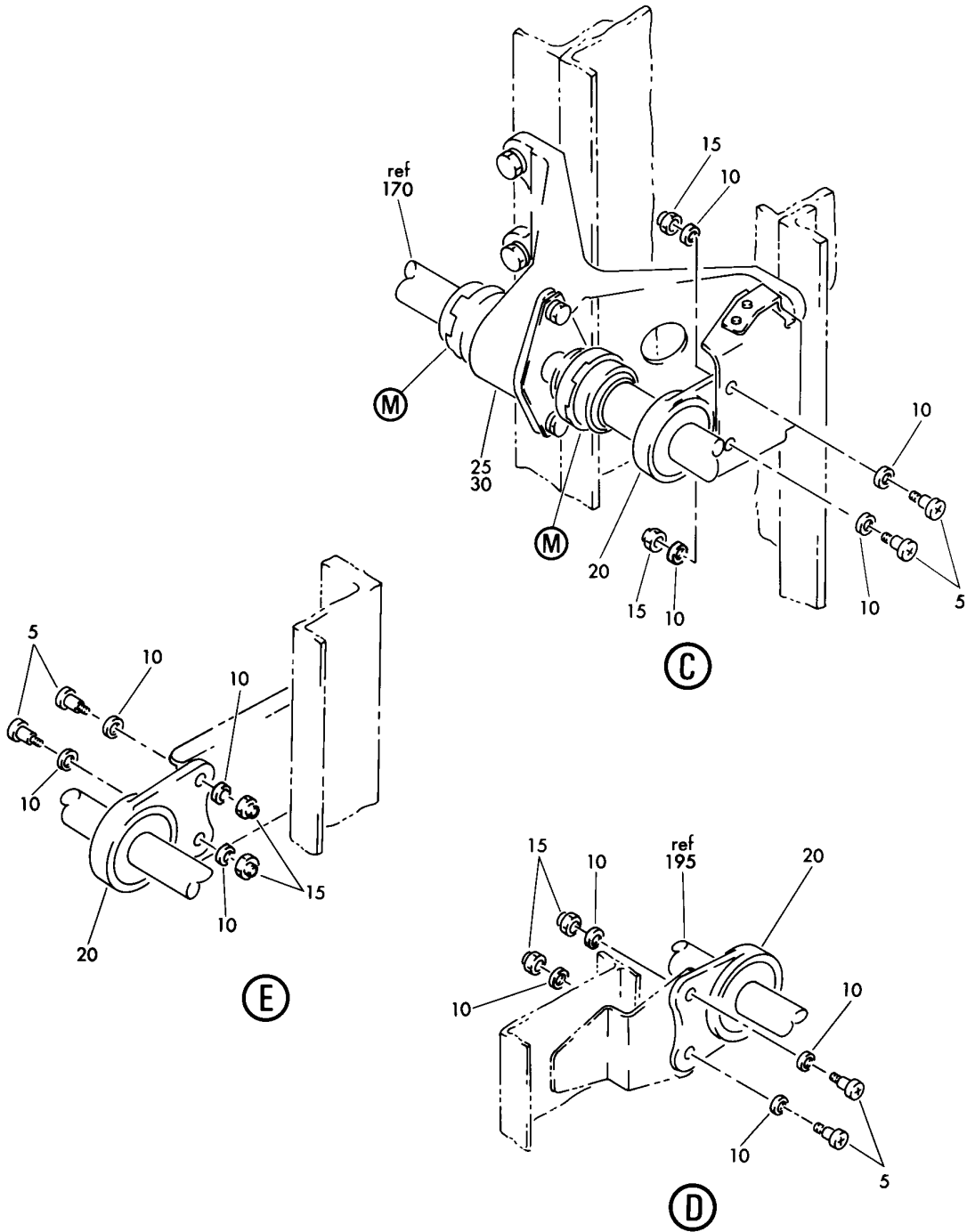
CONTROL AND DRIVE INSTL-LE SLAT  
FIGURE 2 (SHEET 2)

**27-81-20-02**

BRI  
MAY 28/07

27-81-20-02  
PAGE 0A

**BOEING**  
757  
PARTS CATALOG (MAINTENANCE)



Y 27812002 SHT 3 REV 098

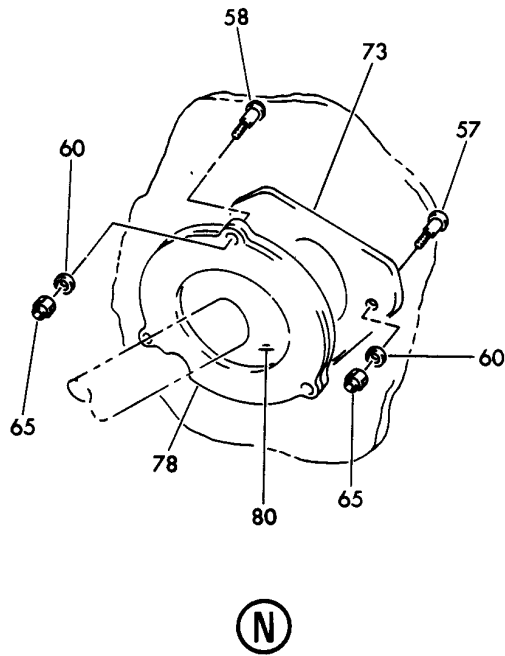
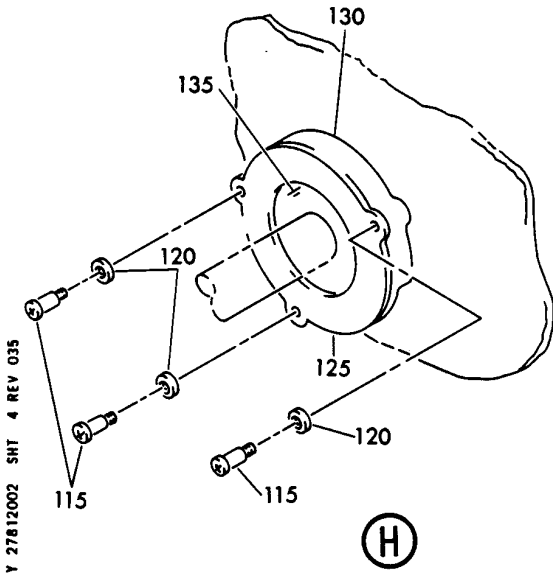
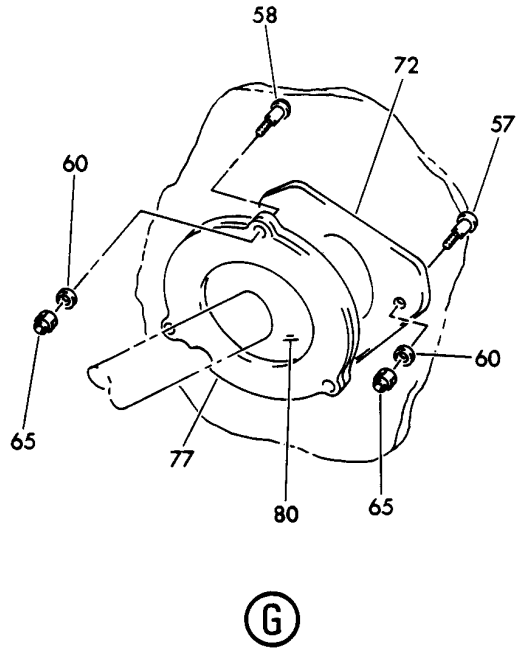
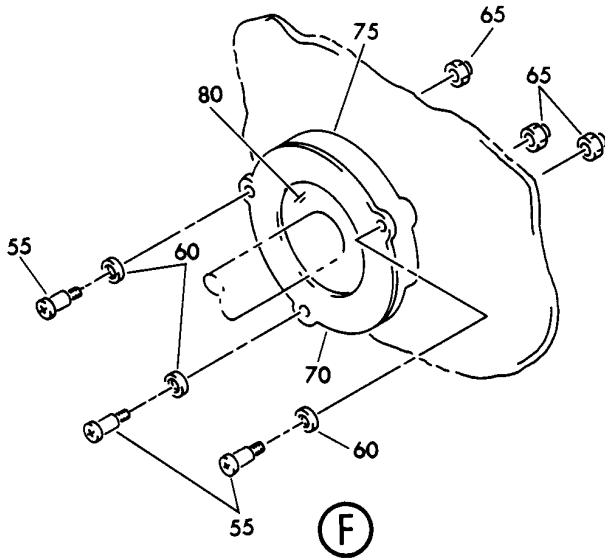
CONTROL AND DRIVE INSTL-LE SLAT  
FIGURE 2 (SHEET 3)

**27-81-20-02**

BRI  
MAY 28/07

27-81-20-02  
PAGE 0B

**BOEING**  
757  
PARTS CATALOG (MAINTENANCE)



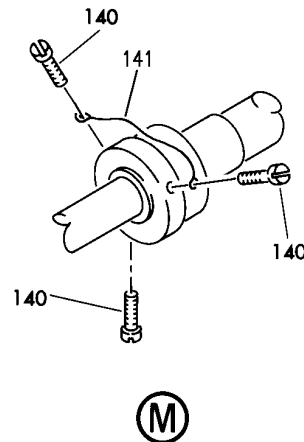
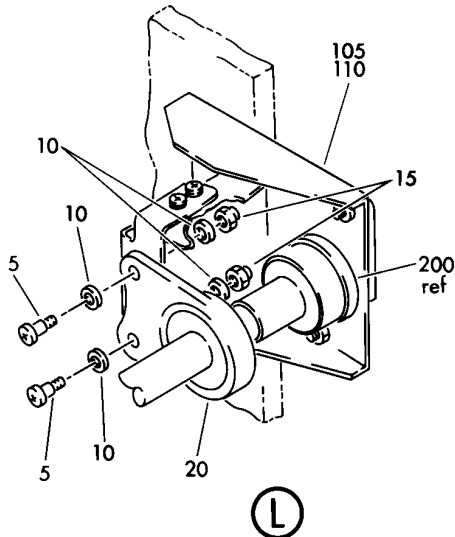
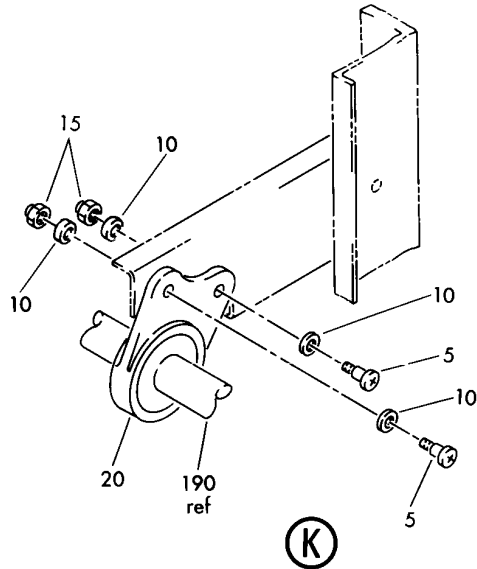
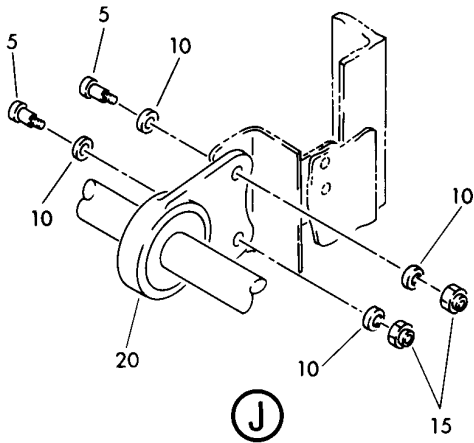
CONTROL AND DRIVE INSTL-LE SLAT  
FIGURE 2 (SHEET 4)

**27-81-20-02**

BRI  
MAY 28/07

27-81-20-02  
PAGE 0C

**BOEING**  
757  
**PARTS CATALOG (MAINTENANCE)**



167  
241  
242  
251

BOEING PART NO.  
251N5099-   
LUBE: MIL-G-21164  
OPT: MIL-G-23827

243

BOEING PART NO.  
251N5144-   
LUBE: MIL-G-21164  
OPT: MIL-G-23827

Y 27812002 SHIT 5 REV 264

CONTROL AND DRIVE INSTL-LE SLAT  
FIGURE 2 (SHEET 5)

**27-81-20-02**

BRI  
MAY 28/07

27-81-20-02  
PAGE 0D



757

PARTS CATALOG (MAINTENANCE)

FIG ITEM	PART NUMBER	1 2 3 4 5 6 7	NOMENCLATURE	EFFECT FROM TO	UNITS PER ASSY
2			CONTROL AND DRIVE INSTL-LE SLAT	002004 006100 107107 121503 904999	
- 1	251N5001-10		CONTROL AND DRIVE INSTL-LE SLAT VARIABLE DRAWING REF: 251N5001-5002	002004 006100 107107 121503 904999	1
5	BACB30NT3K4		.BOLT-	002004 006100 107107 121503 904999	30
10	NAS1149D0332K		.WASHER-	002004 006100 107107 121503 904999	60
15	BRH10C3D		.NUT SUPPLIER CODE: V52828 SPECIFICATION NUMBER: BACN10JC3CD OPTIONAL PART: T6C1032JCD V11815 NS202486-02 V80539 102LH9075-3W V72962 H51650-3BAC V15653	002004 006100 107107 121503 904999	30
20	65B82766-4		.BEARING	002004 006100 107107 121503 904999	15
25	251N5005-1		.SUPPORT INSTL-LE SLAT DRIVE RIB AND INNER BODY TORQUE TUBE POSITION DATA: INBD LH FOR DETAILS SEE: 57-43-52-01	002004 006100 107107 121503 904999	1

MISSING ITEM NUMBERS NOT APPLICABLE

- ITEM NOT ILLUSTRATED

BRI

27-81-20-02

27-81-20  
FIG. 02  
PAGE 1  
JAN 20/09



757

PARTS CATALOG (MAINTENANCE)

FIG ITEM	PART NUMBER	1 2 3 4 5 6 7	NOMENCLATURE	EFFECT FROM TO	UNITS PER ASSY
2					
30	251N5005-2	.	SUPPORT INSTL-LE SLAT DRIVE RIB AND INNER BODY TORQUE TUBE POSITION DATA: INBD RH FOR DETAILS SEE: 57-43-52-01	002004 006100 107107 121503 904999	1
35	251N5005-3	.	SUPPORT INSTL-LE SLAT DRIVE RIB AND INNER BODY TORQUE TUBE POSITION DATA: INBD LH FOR DETAILS SEE: 57-43-52-01	002004 006100 107107 121503 904999	1
40	251N5005-4	.	SUPPORT INSTL-LE SLAT DRIVE RIB AND INNER BODY TORQUE TUBE POSITION DATA: INBD RH FOR DETAILS SEE: 57-43-52-01	002004 006100 107107 121503 904999	1
45	251N5007-1	.	GEARBOX AND SEAL INSTL- LE SLAT DRIVE ANGLE POSITION DATA: LH	002004 006100 107107 121503 904999	1
50	251N5007-2	.	GEARBOX AND SEAL INSTL- LE SLAT DRIVE ANGLE POSITION DATA: RH FOR DETAILS SEE: 27-81-15-01	002004 006100 107107 121503 904999	1
55	BACB30NT3K5	.	BOLT	002004 006100 107107 121503 904999	6
57	BACB30NT3K3	.	BOLT	002004 006100 107107 121503 904999	6
58	L8006K4	.	BOLT SUPPLIER CODE: V06725 SPECIFICATION NUMBER: BACB30MY6K4	002004 006100 107107 121503 904999	6

MISSING ITEM NUMBERS NOT APPLICABLE

- ITEM NOT ILLUSTRATED

27-81-20-02

27-81-20  
FIG. 02  
PAGE 2  
JAN 20/09

BRI

 **BOEING**  
757  
**PARTS CATALOG (MAINTENANCE)**

FIG ITEM	PART NUMBER	1 2 3 4 5 6 7	NOMENCLATURE	EFFECT FROM TO	UNITS PER ASSY
2	60	NAS1149D0332K	.WASHER-	002004 006100 107107 121503 904999	18
	65	BRH10C3D	.NUT SUPPLIER CODE: V52828 SPECIFICATION NUMBER: BACN10JC3CD OPTIONAL PART: T6C1032JCD V11815 NS202486-02 V80539 102LH9075-3W V72962 H51650-3BAC V15653	002004 006100 107107 121503 904999	18
	70	251N5110-1	.RETAINER-	002004 006100 107107 121503 904999	2
	72	251N5147-3	.ADAPTER- POSITION DATA: LH OPTIONAL PART: 251N5147-5	002004 006100 107107 121503 904999	1
	72	251N5147-5	.ADAPTER- POSITION DATA: LH OPTIONAL PART: 251N5147-3	002004 006100 107107 121503 904999	1
	73	251N5147-4	.ADAPTER- POSITION DATA: RH OPTIONAL PART: 251N5147-6	002004 006100 107107 121503 904999	1
	73	251N5147-6	.ADAPTER- POSITION DATA: RH OPTIONAL PART: 251N5147-4	002004 006100 107107 121503 904999	1
	75	251N5108-1	.PLATE-	002004 006100 107107 121503 904999	2

MISSING ITEM NUMBERS NOT APPLICABLE

— ITEM NOT ILLUSTRATED

BRI

# 27-81-20-02

BOEING PROPRIETARY - Copyright © - Unpublished Work - See title page for details.

27-81-20  
FIG. 02  
PAGE 3  
JAN 20/09



757

PARTS CATALOG (MAINTENANCE)

FIG ITEM	PART NUMBER	1 2 3 4 5 6 7	NOMENCLATURE	EFFECT FROM TO	UNITS PER ASSY
2	77	251N5108-5	.PLATE- POSITION DATA: LH	002004 006100 107107 121503 904999	1
	78	251N5108-6	.PLATE- POSITION DATA: RH	002004 006100 107107 121503 904999	1
	80	251N5109-1	.SEAL-FLOATING VAPOR	002004 006100 107107 121503 904999	4
	90	251N5002-1	.DRIVE UNIT INSTL-SLAT PWR POSITION DATA: LH	002004 006100 107107 121503 904999	1
	95	251N5004-1	.ACTUATOR INSTL-LE SLAT DRIVE ROTARY POSITION DATA: INBD VARIABLE DRAWING REF: 251N5004-5 FOR DETAILS SEE: 27-81-18-02	002004 006100 107107 121503 904999	2
	100	251N5004-2	.ACTUATOR INSTL-LE SLAT DRIVE ROTARY POSITION DATA: INBD VARIABLE DRAWING REF: 251N5004-6 FOR DETAILS SEE: 27-81-18-02	002004 006100 107107 121503 904999	2
105	251N5006-1	.SUPPORT INSTL-LE SLAT DRIVE ENG STRUT TORQUE TUBE POSITION DATA: LH FOR DETAILS SEE: 27-81-20-01	002004 006100 107107 121503 904999	1	

MISSING ITEM NUMBERS NOT APPLICABLE

- ITEM NOT ILLUSTRATED

**27-81-20-02**

27-81-20  
FIG. 02  
PAGE 4  
JAN 20/09

BRI





**757  
PARTS CATALOG (MAINTENANCE)**

FIG ITEM	PART NUMBER	1 2 3 4 5 6 7	NOMENCLATURE	EFFECT FROM TO	UNITS PER ASSY
2					
110	251N5006-2		.SUPPORT INSTL-LE SLAT DRIVE ENG STRUT TORQUE TUBE POSITION DATA: RH FOR DETAILS SEE: 27-81-20-01	002004 006100 107107 121503 904999	1
115	BACB30NT3K11		.BOLT	002004 006100 107107 121503 904999	6
120	NAS1149D0332K		.WASHER-	002004 006100 107107 121503 904999	6
125	251N5110-1		.RETAINER	002004 006100 107107 121503 904999	2
130	251N5111-2		.PLATE	002004 006100 107107 121503 904999	2
135	251N5109-1		.SEAL-FLOATING VAPOR	002004 006100 107107 121503 904999	2
140	AN502-10-6		.SCREW- OPTIONAL PART: NAS1801-3D6	002004 006100 107107 121503 904999	168
140	NAS1801-3D6		.SCREW- OPTIONAL PART: AN502-10-8 AN502-10-6	002004 006100 107107 121503 904999	168
140	AN502-10-8		.SCREW- OPTIONAL PART: NAS1801-3D6	002004 006100 107107 121503 904999	168

MISSING ITEM NUMBERS NOT APPLICABLE

— ITEM NOT ILLUSTRATED

BRI

# 27-81-20-02

BOEING PROPRIETARY - Copyright © - Unpublished Work - See title page for details.

27-81-20  
FIG. 02  
PAGE 5  
JAN 20/09



757

PARTS CATALOG (MAINTENANCE)

FIG ITEM	PART NUMBER	1 2 3 4 5 6 7	NOMENCLATURE	EFFECT FROM TO	UNITS PER ASSY
2					
141	MS20995C32	.	WIRE	002004 006100 107107 121503 904999	AR
142	251N5015-1	.	SENSOR INSTL-LE SLAT LOSS POSITION DATA: OUTBD LH FOR DETAILS SEE: 27-81-42-01	002004 006100 107107 121503 904999	1
143	251N5015-2	.	SENSOR INSTL-LE SLAT LOSS POSITION DATA: OUTBD RH FOR DETAILS SEE: 27-81-42-01	002004 006100 107107 121503 904999	1
145	251N5003-2	.	ACTUATOR INSTL-LE SLAT DRIVE ROTARY POSITION DATA: OUTBD VARIABLE DRAWING REF: 251N5003-8 FOR DETAILS SEE: 27-81-18-01	002004 006100 107107 121503 904999	7
150	251N5003-1	.	ACTUATOR INSTL-LE SLAT DRIVE ROTARY POSITION DATA: OUTBD VARIABLE DRAWING REF: 251N5003-7 FOR DETAILS SEE: 27-81-18-01	002004 006100 107107 121503 904999	7
155	251N5003-3	.	ACTUATOR INSTL-LE SLAT DRIVE ROTARY POSITION DATA: OUTBD LH VARIABLE DRAWING REF: 251N5003-9 FOR DETAILS SEE: 27-81-18-01	002004 006100 107107 121503 904999	1
160	251N5003-4	.	ACTUATOR INSTL-LE SLAT DRIVE ROTARY POSITION DATA: OUTBD RH VARIABLE DRAWING REF: 251N5003-10 FOR DETAILS SEE: 27-81-18-01	002004 006100 107107 121503 904999	1

MISSING ITEM NUMBERS NOT APPLICABLE

- ITEM NOT ILLUSTRATED

BRI

27-81-20-02

27-81-20  
FIG. 02  
PAGE 6  
JAN 20/09

**BOEING**  
757  
**PARTS CATALOG (MAINTENANCE)**

FIG ITEM	PART NUMBER	1 2 3 4 5 6 7	NOMENCLATURE	EFFECT FROM TO	UNITS PER ASSY
2					
162	251N5099-34	.	TUBE ASSY-TORQUE POSITION DATA: LH	002004 006100 107107 121503 904999	1
165	251N5099-33	.	TUBE ASSY-TORQUE POSITION DATA: LH	002004 006100 107107 121503 904999	1
166	BAC27NCT0262	..	MARKER-BOEING PART NO. 251N5099-33 LUBE: MIL-G-21164; OPT: MIL-G-23827 USED ON: 251N5099-33	002004 006100 107107 121503 904999	1
167	BAC27NCT0260	..	MARKER- USED ON: 251N5099-34	002004 006100 107107 121503 904999	1
- 169	251N5093-1	..	SLEEVE	002004 006100 107107 121503 904999	1
- 170	251N5093-2	..	SLEEVE	002004 006100 107107 121503 904999	1
- 172	251N5094-1	..	COUPLING-HALF OPTIONAL PART: 251N5094-2	002004 006100 107107 121503 904999	2
- 172	251N5094-2	..	COUPLING-HALF OPTIONAL PART: 251N5094-1	002004 006100 107107 121503 904999	2
- 175	BACR15BB6D	..	ATTACHING PARTS RIVET- SIZE DETERMINED ON INSTL.  -----*-----	002004 006100 107107 121503 904999	8

MISSING ITEM NUMBERS NOT APPLICABLE

- ITEM NOT ILLUSTRATED

BRI

**27-81-20-02**

BOEING PROPRIETARY - Copyright © - Unpublished Work - See title page for details.

27-81-20  
FIG. 02  
PAGE 7  
JAN 20/09

 **BOEING**  
757  
**PARTS CATALOG (MAINTENANCE)**

FIG ITEM	PART NUMBER	1 2 3 4 5 6 7	NOMENCLATURE	EFFECT FROM TO	UNITS PER ASSY
2					
180	251N5099-16	.TUBE ASSY-TORQUE	POSITION DATA: RH	002004 006100 107107 121503 904999	1
185	251N5099-44	.TUBE ASSY-TORQUE		002004 006100 107107 121503 904999	2
185	251N5099-41	.TUBE ASSY-TORQUE		002004 006100 107107 121503 904999	2
190	251N5099-11	.TUBE ASSY-TORQUE		002004 006100 107107 121503 904999	2
195	251N5099-10	.TUBE ASSY-TORQUE		002004 006100 107107 121503 904999	2
200	251N5099-9	.TUBE ASSY-TORQUE		002004 006100 107107 121503 904999	2
205	251N5099-8	.TUBE ASSY-TORQUE		002004 006100 107107 121503 904999	2
210	251N5099-7	.TUBE ASSY-TORQUE		002004 006100 107107 121503 904999	2
215	251N5099-6	.TUBE ASSY-TORQUE		002004 006100 107107 121503 904999	2

MISSING ITEM NUMBERS NOT APPLICABLE

— ITEM NOT ILLUSTRATED

BRI

# 27-81-20-02

BOEING PROPRIETARY - Copyright © - Unpublished Work - See title page for details.

27-81-20  
FIG. 02  
PAGE 8  
JAN 20/09



757

PARTS CATALOG (MAINTENANCE)

FIG ITEM	PART NUMBER	1 2 3 4 5 6 7	NOMENCLATURE	EFFECT FROM TO	UNITS PER ASSY
2					
220	251N5144-3	.	TUBE ASSY-TORQUE	002004 006100 107107 121503 904999	2
225	251N5099-4	.	TUBE ASSY-TORQUE	002004 006100 107107 121503 904999	2
230	251N5144-2	.	TUBE ASSY-TORQUE	002004 006100 107107 121503 904999	2
235	251N5099-2	.	TUBE ASSY-TORQUE	002004 006100 107107 121503 904999	2
240	251N5144-1	.	TUBE ASSY-TORQUE	002004 006100 107107 121503 904999	2
241	BAC27NCT0260	..	MARKER- USED ON: 251N5099-2 251N5099-4 251N5099-6 251N5099-7 251N5099-8 251N5099-9 251N5099-10 251N5099-11 251N5099-41	002004 006100 107107 121503 904999	1
242	BAC27NCT0260	..	MARKER- USED ON: 251N5099-16	002004 006100 107107 121503 904999	1
243	BAC27NCT0261	..	MARKER- USED ON: 251N5144-1 251N5144-2 251N5144-3	002004 006100 107107 121503 904999	1

MISSING ITEM NUMBERS NOT APPLICABLE

- ITEM NOT ILLUSTRATED

27-81-20-02

27-81-20  
FIG. 02  
PAGE 9  
JAN 20/09

BRI



757

PARTS CATALOG (MAINTENANCE)

FIG ITEM	PART NUMBER	1 2 3 4 5 6 7	NOMENCLATURE	EFFECT FROM TO	UNITS PER ASSY
2					
- 245	251N5093-1	..	SLEEVE	002004 006100 107107 121503 904999	2
- 247	251N5094-1	..	COUPLING-HALF OPTIONAL PART: 251N5094-2	002004 006100 107107 121503 904999	2
- 247	251N5094-2	..	COUPLING-HALF OPTIONAL PART: 251N5094-1	002004 006100 107107 121503 904999	2
- 248	BACR15BB6D		ATTACHING PARTS ..RIVET- SIZE DETERMINED ON INSTL.	002004 006100 107107 121503 904999	8
250	251N5099-43	-----*-----	.TUBE ASSY-TORQUE	002004 006100 107107 121503 904999	1
250	251N5099-15		.TUBE ASSY-TORQUE	002004 006100 107107 121503 904999	1
250	251N5099-35		.TUBE ASSY-TORQUE	002004 006100 107107 121503 904999	1
251	BAC27NCT0260	..	MARKER- USED ON: 251N5099-35	002004 006100 107107 121503 904999	1
- 252	251N5093-1	..	SLEEVE	002004 006100 107107 121503 904999	2

MISSING ITEM NUMBERS NOT APPLICABLE

- ITEM NOT ILLUSTRATED

BRI

27-81-20-02

27-81-20  
FIG. 02  
PAGE 10  
JAN 20/09



757

PARTS CATALOG (MAINTENANCE)

FIG ITEM	PART NUMBER	1 2 3 4 5 6 7	NOMENCLATURE	EFFECT FROM TO	UNITS PER ASSY
2					
- 255	251N5094-1	..	COUPLING-HALF OPTIONAL PART: 251N5094-2 USED ON: 251N5099-35	002004 006100 107107 121503 904999	2
- 255	251N5094-2	..	COUPLING-HALF OPTIONAL PART: 251N5094-1 USED ON: 251N5099-35	002004 006100 107107 121503 904999	2
- 260	BACR15BB6D	..	RIVET- SIZE DETERMINED ON INSTL.	002004 006100 107107 121503 904999	8
			-----*-----		
265	251N5016-3	.SENSOR	INSTL-LE SLAT LOSS POSITION DATA: INBD LH FOR DETAILS SEE: 27-81-41-01	107107	1
265	251N5016-5	.SENSOR	INSTL-LE SLAT LOSS POSITION DATA: INBD LH PRE SERVICE BULLETIN: 27-0117 FOR DETAILS SEE: 27-81-41-01	002004 006010 121503 904949 952999	1
265	251N5016-7	.SENSOR	INSTL-INBD LE SLAT LOSS (LH) FOR DETAILS SEE: 27-81-41-01	011100	1
270	251N5016-4	.SENSOR	INSTL-AE SLAT LOSS POSITION DATA: INBD RH FOR DETAILS SEE: 27-81-41-01	107107	1
270	251N5016-6	.SENSOR	INSTL-LE SLAT LOSS POSITION DATA: INBD RH PRE SERVICE BULLETIN: 27-0117 FOR DETAILS SEE: 27-81-41-01	002004 006010 121503 904949 952999	1

MISSING ITEM NUMBERS NOT APPLICABLE

- ITEM NOT ILLUSTRATED

BRI

27-81-20-02

27-81-20  
FIG. 02  
PAGE 11  
JAN 20/09



757

PARTS CATALOG (MAINTENANCE)

FIG ITEM	PART NUMBER	1 2 3 4 5 6 7	NOMENCLATURE	EFFECT FROM TO	UNITS PER ASSY
2					
270	251N5016-8		.SENSOR INSTL-LE SLAT LOSS POSITION DATA: INBD RH FOR DETAILS SEE: 27-81-41-01	011100	1
275	012N8862-3		.SENSOR INSTL- POSITION DATA: LH POST SERVICE BULLETIN: 27-0117 FOR DETAILS SEE: 27-81-41-01	950952	1
280	012N8862-4		.SENSOR INSTL- POSITION DATA: RH POST SERVICE BULLETIN: 27-0117 FOR DETAILS SEE: 27-81-41-01	950952	1

MISSING ITEM NUMBERS NOT APPLICABLE

- ITEM NOT ILLUSTRATED

BRI

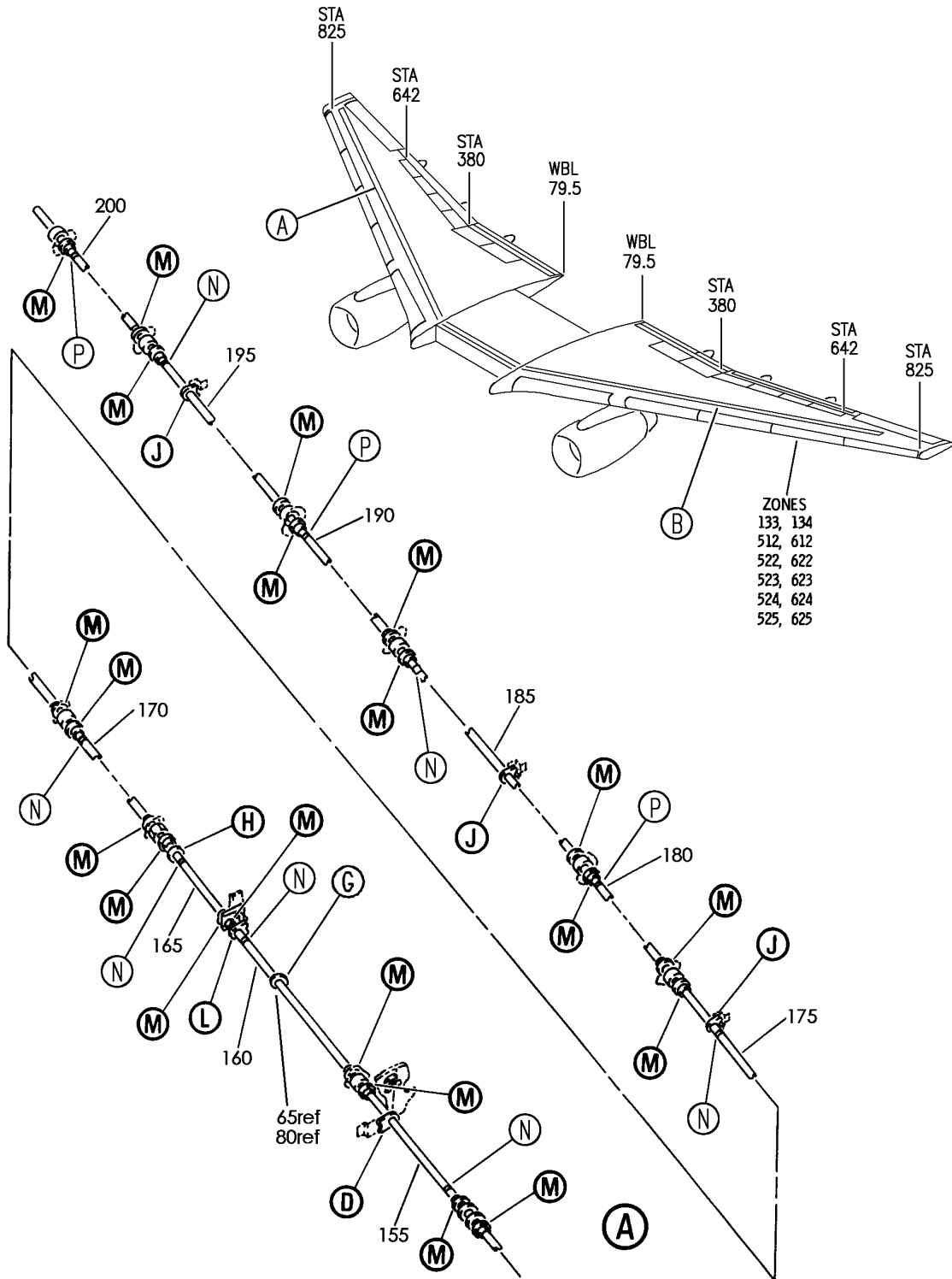
27-81-20-02

BOEING PROPRIETARY - Copyright © - Unpublished Work - See title page for details.

27-81-20  
FIG. 02  
PAGE 12  
JAN 20/09



**BOEING**  
757  
PARTS CATALOG (MAINTENANCE)



Y 27812002A SH1 1 REV 246

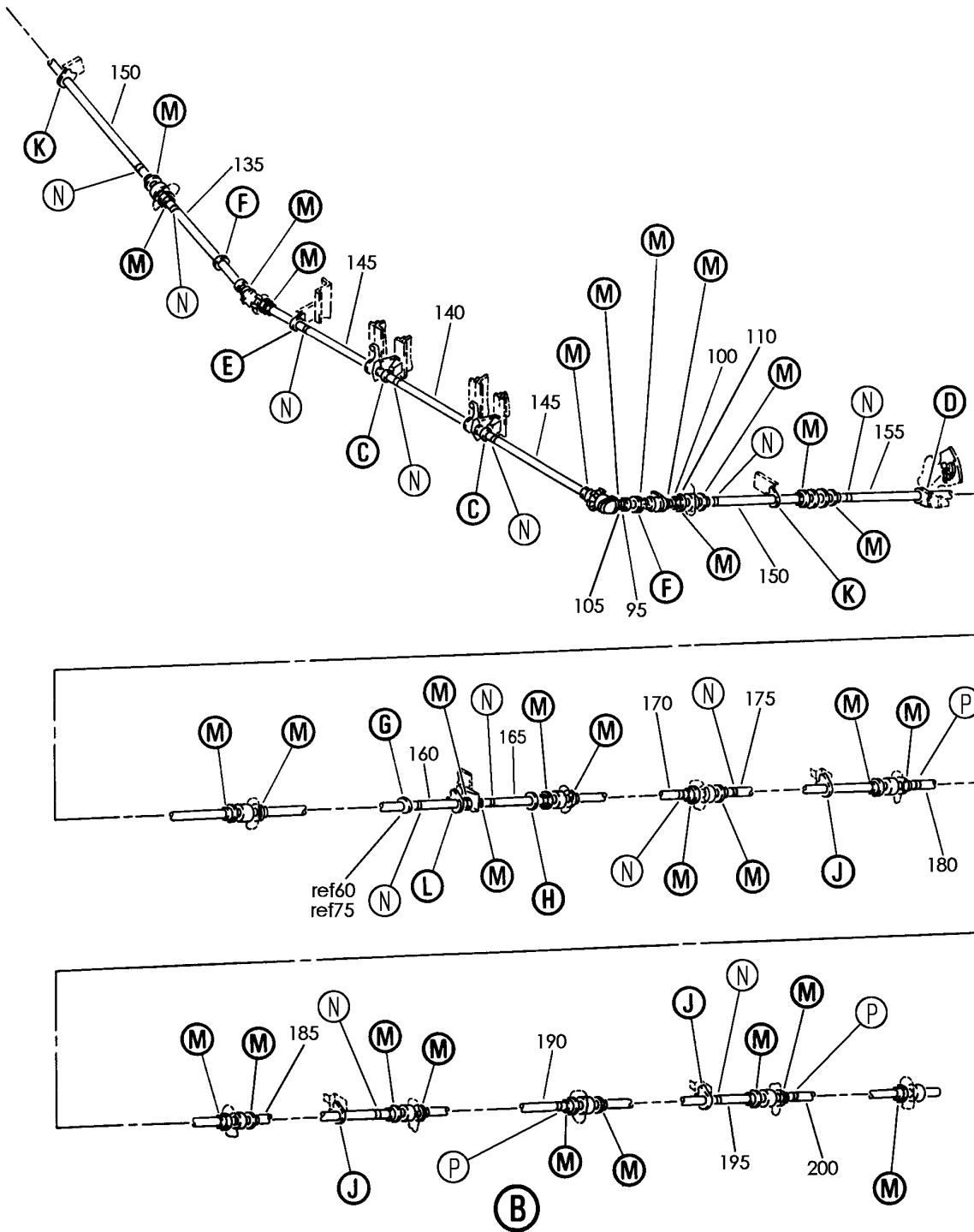
TUBE INSTL-TORQUE  
FIGURE 2A (SHEET 1)

**27-81-20-02A**

BRI  
MAY 28/07

27-81-20-02A  
PAGE 0

**BOEING**  
757  
PARTS CATALOG (MAINTENANCE)



Y 27812002A SHT 2 REV 246

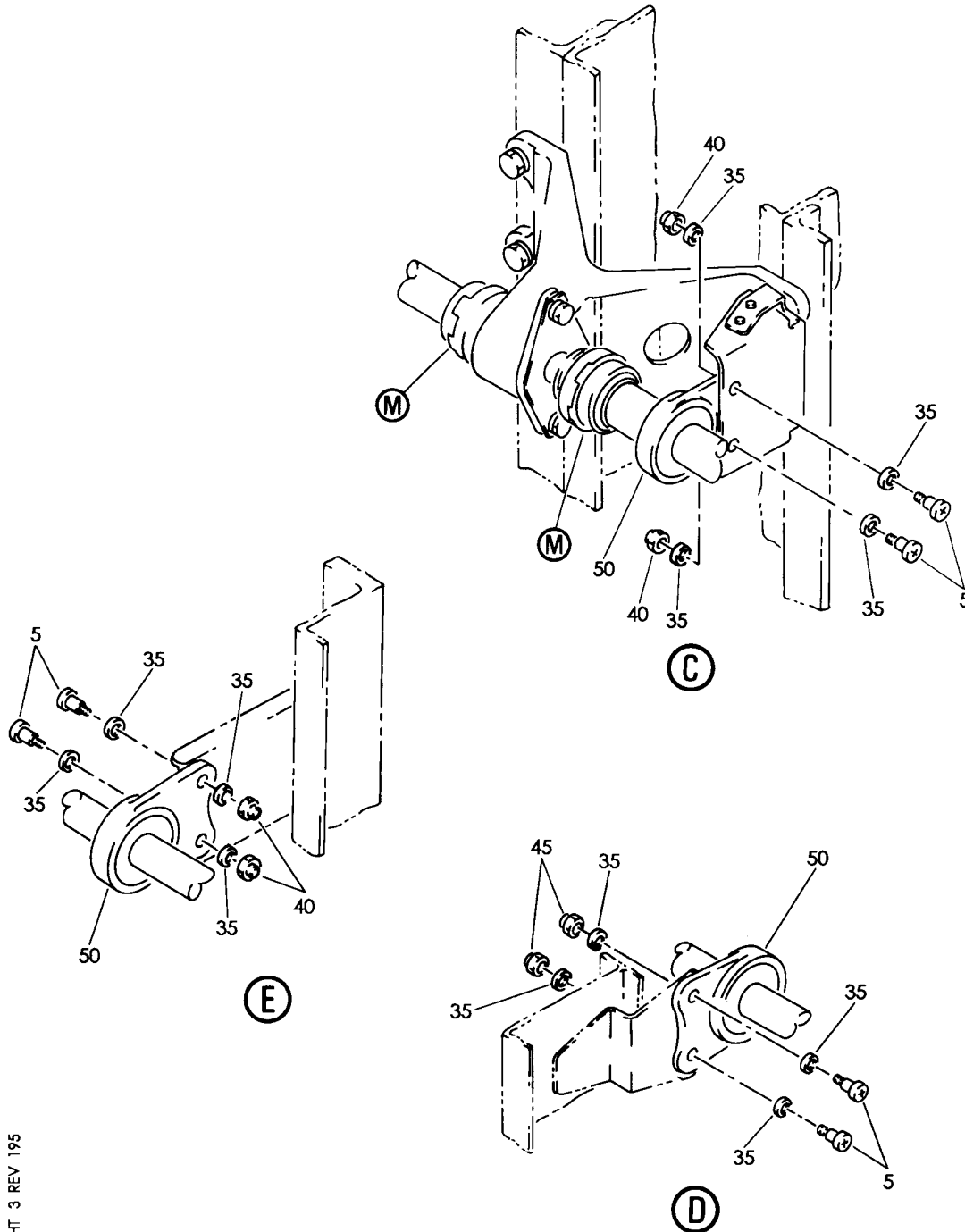
TUBE INSTL-TORQUE  
FIGURE 2A (SHEET 2)

**27-81-20-02A**

BRI  
MAY 28/07

27-81-20-02A  
PAGE 0A

**BOEING**  
757  
PARTS CATALOG (MAINTENANCE)



Y 27812002A SHT 3 REV 195

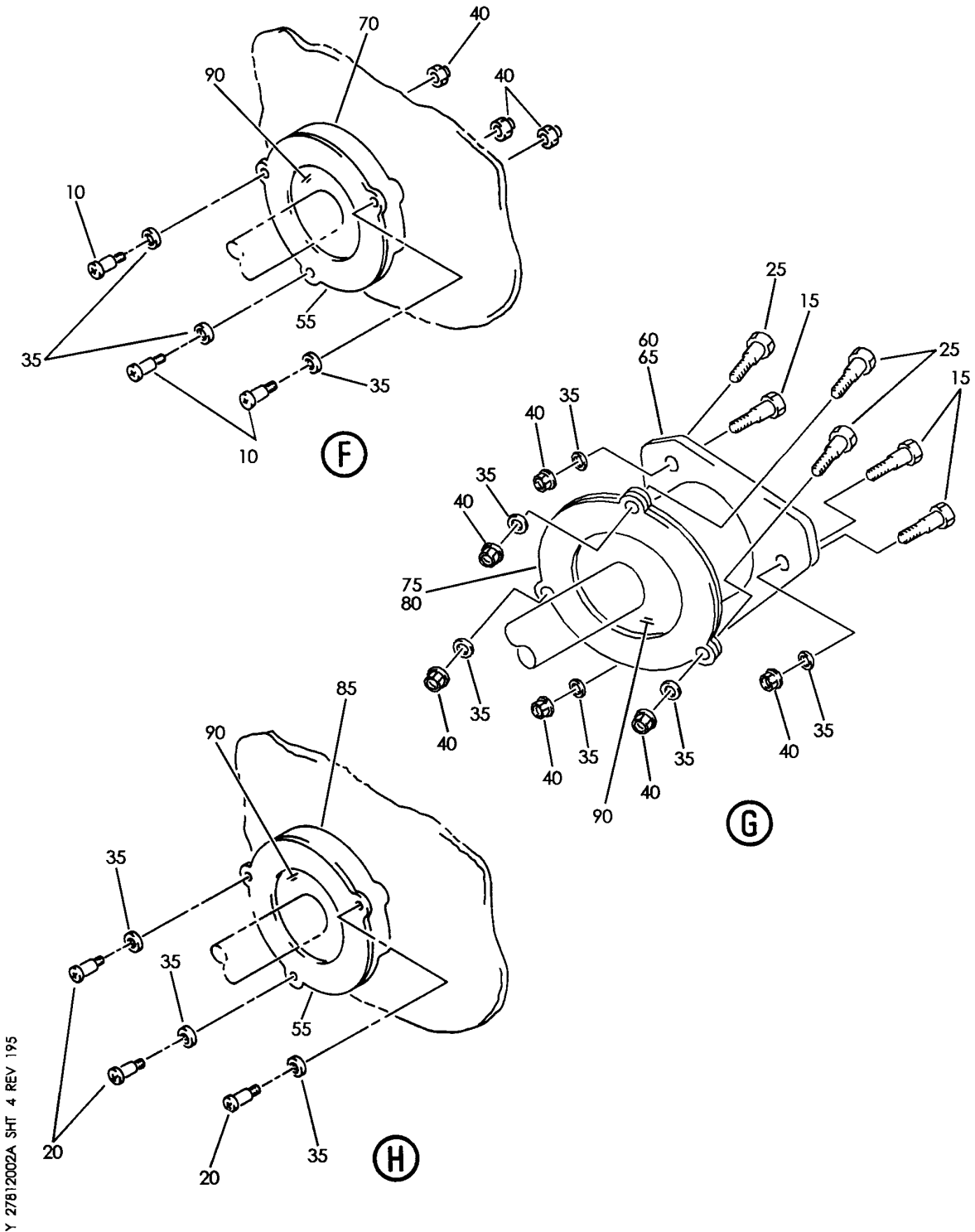
TUBE INSTL-TORQUE  
FIGURE 2A (SHEET 3)

**27-81-20-02A**

BRI  
MAY 28/07

27-81-20-02A  
PAGE 0B

**BOEING**  
757  
PARTS CATALOG (MAINTENANCE)



Y 27812002A SHT 4 REV 195

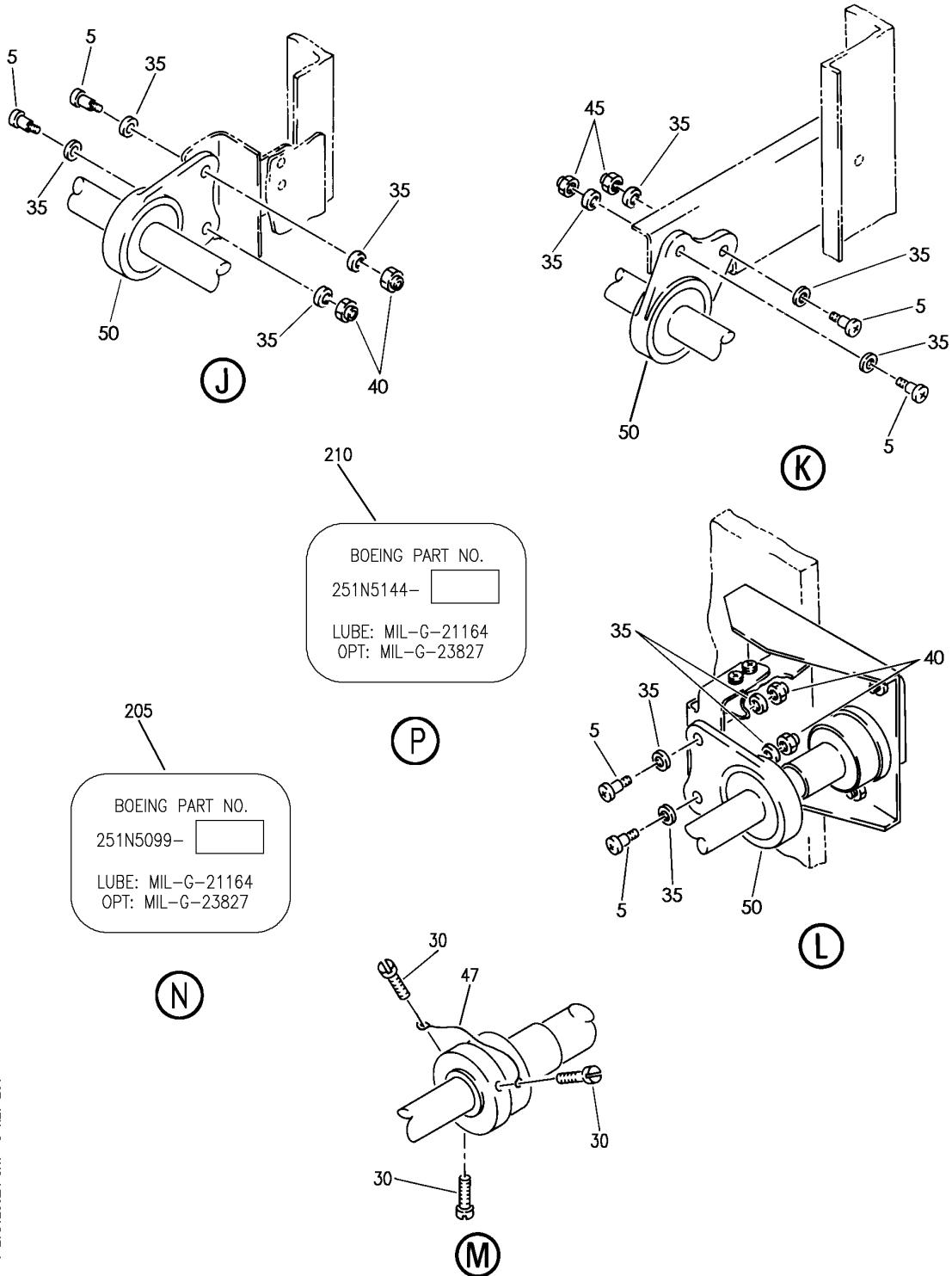
TUBE INSTL-TORQUE  
FIGURE 2A (SHEET 4)

**27-81-20-02A**

BRI  
MAY 28/07

27-81-20-02A  
PAGE 0C

**BOEING**  
757  
PARTS CATALOG (MAINTENANCE)



Y 27812002A SHT 5 REV 264

TUBE INSTL-TORQUE  
FIGURE 2A (SHEET 5)

**27-81-20-02A**

BRI  
MAY 28/07

27-81-20-02A  
PAGE 0D

 **BOEING**  
757  
**PARTS CATALOG (MAINTENANCE)**

FIG ITEM	PART NUMBER	1 2 3 4 5 6 7	NOMENCLATURE	EFFECT FROM TO	UNITS PER ASSY
2A			TUBE INSTL-TORQUE	101106 108120 504903	
- 1	251N5001-11		TUBE INSTL-TORQUE FOR NHA SEE: 27-80-00-01	101102 108120 504903	1
- 1	MODREF7763		TUBE INSTL-TORQUE MODULE NUMBER: 251N5001-11 REV A	103105	1
- 1	MODREF24926		TUBE INSTL-TORQUE MODULE NUMBER: 251N5001-11 REV B	106106	1
5	BACB30NT3K4		.BOLT	101106 108120 504903	30
10	BACB30NT3K5		.BOLT	101106 108120 504903	6
15	BACB30NT3K3		.BOLT	101106 108120 504903	6
20	BACB30NT3K11		.BOLT	101106 108120 504903	6
25	L8006K4		.BOLT SUPPLIER CODE: V06725 SPECIFICATION NUMBER: BACB30MY6K4	101106 108120 504903	6
30	NAS1801-3D6		.SCREW- OPTIONAL PART: AN502-10-6 AN502-10-8 PRE AIRLINE MOD: TRS27-506 VBAA /IPC/27-5 VBAA	101106 108120 504903	168
30	AN502-10-6		.SCREW- OPTIONAL PART: NAS1801-3D6	101106 108120 504903	168
30	AN502-10-8		.SCREW- OPTIONAL PART: NAS1801-3D6 POST AIRLINE MOD: TRS27-506 VBAA /IPC/27-5 VBAA	101106 108120 504903	168

MISSING ITEM NUMBERS NOT APPLICABLE

- ITEM NOT ILLUSTRATED

BRI

# 27-81-20-02A

BOEING PROPRIETARY - Copyright © - Unpublished Work - See title page for details.

27-81-20  
FIG. 02A  
PAGE 1  
JAN 20/09



757

PARTS CATALOG (MAINTENANCE)

FIG ITEM	PART NUMBER	1 2 3 4 5 6 7	NOMENCLATURE	EFFECT FROM TO	UNITS PER ASSY
2A					
35	NAS1149D0332K	.	WASHER-	101106 108120 504903	84
40	BRH10C3D	.	NUT SUPPLIER CODE: V52828 SPECIFICATION NUMBER: BACN10JC3CD OPTIONAL PART: T6C1032JCD V11815 NS202486-02 V80539 102LH9075-3W V72962 H51650-3BAC V15653	101106 108120 504903	42
45	BACN10JC3C2	.	NUT	101106 108120 504903	8
47	MS20995C32	.	WIRE	101106 108120 504903	AR
50	65B82766-4	.	BEARING	101106 108120 504903	15
55	251N5110-1	.	RETAINER	101106 108120 504903	4
60	251N5147-5	.	ADAPTER- POSITION DATA: LH OPTIONAL PART: 251N5147-3	101106 108120 504903	1
60	251N5147-3	.	ADAPTER- POSITION DATA: LH OPTIONAL PART: 251N5147-5	101106 108120 504903	1
65	251N5147-4	.	ADAPTER- POSITION DATA: RH OPTIONAL PART: 251N5147-6	101106 108120 504903	1
65	251N5147-6	.	ADAPTER- POSITION DATA: RH OPTIONAL PART: 251N5147-4	101106 108120 504903	1

MISSING ITEM NUMBERS NOT APPLICABLE

- ITEM NOT ILLUSTRATED

27-81-20-02A

27-81-20  
FIG. 02A  
PAGE 2  
JAN 20/09

BRI

BOEING PROPRIETARY - Copyright © - Unpublished Work - See title page for details.

 **BOEING**  
757  
**PARTS CATALOG (MAINTENANCE)**

FIG ITEM	PART NUMBER	1 2 3 4 5 6 7	NOMENCLATURE	EFFECT FROM TO	UNITS PER ASSY
2A					
70	251N5108-1	.	PLATE	101106 108120 504903	2
75	251N5108-5	.	PLATE	101106 108120 504903	1
80	251N5108-6	.	PLATE- POSITION DATA: RH	101106 108120 504903	1
85	251N5111-2	.	PLATE	101106 108120 504903	2
90	251N5109-1	.	SEAL-FLOATING VAPOR	101106 108120 504903	6
95	251N5099-34	.	TUBE ASSY-TORQUE POSITION DATA: LH	101106 108120 504903	1
100	251N5099-33	.	TUBE ASSY-TORQUE POSITION DATA: LH	101106 108120 504903	1
105	BAC27NCT0262	..	MARKER-BOEING PART NO. 251N5099-33 LUBE: MIL-G-21164; OPT: MIL-G-23827 USED ON: 251N5099-33	101106 108120 504903	1
110	BAC27NCT0260	..	MARKER- USED ON: 251N5099-34	101106 108120 504903	1
- 115	251N5093-1	..	SLEEVE	101106 108120 504903	1
- 120	251N5093-2	..	SLEEVE	101106 108120 504903	1
- 125	251N5094-1	..	COUPLING-HALF OPTIONAL PART: 251N5094-2	101106 108120 504903	2
- 125	251N5094-2	..	COUPLING-HALF OPTIONAL PART: 251N5094-1	101106 108120 504903	2
- 130	BACR15BB6D	..	RIVET- SIZE DETERMINED ON INSTL.  -----*-----	101106 108120 504903	8

MISSING ITEM NUMBERS NOT APPLICABLE

- ITEM NOT ILLUSTRATED

BRI

# 27-81-20-02A

BOEING PROPRIETARY - Copyright © - Unpublished Work - See title page for details.

27-81-20  
FIG. 02A  
PAGE 3  
JAN 20/09





757

PARTS CATALOG (MAINTENANCE)

FIG ITEM	PART NUMBER	1 2 3 4 5 6 7	NOMENCLATURE	EFFECT FROM TO	UNITS PER ASSY
2A					
135	251N5099-16	.TUBE	ASSY-TORQUE POSITION DATA: RH	101106 108120 504903	1
140	251N5099-43	.TUBE	ASSY-TORQUE POSITION DATA: RH	101106 108120 504903	1
140	251N5099-35	.TUBE	ASSY-TORQUE	101106 108120 504903	1
140	251N5099-15	.TUBE	ASSY-TORQUE	101106 108120 504903	1
145	251N5099-44	.TUBE	ASSY-TORQUE	101106 108120 504903	2
145	251N5099-14	.TUBE	ASSY-TORQUE	101106 108120 504903	2
145	251N5099-41	.TUBE	ASSY-TORQUE	101106 108120 504903	2
150	251N5099-11	.TUBE	ASSY-TORQUE	101106 108120 504903	2
155	251N5099-10	.TUBE	ASSY-TORQUE	101106 108120 504903	2
160	251N5099-9	.TUBE	ASSY-TORQUE	101106 108120 504903	2
165	251N5099-8	.TUBE	ASSY-TORQUE	101106 108120 504903	2
170	251N5099-7	.TUBE	ASSY-TORQUE	101106 108120 504903	2
175	251N5099-6	.TUBE	ASSY-TORQUE	101106 108120 504903	2
180	251N5144-3	.TUBE	ASSY-TORQUE	101106 108120 504903	2
185	251N5099-4	.TUBE	ASSY-TORQUE	101106 108120 504903	2
190	251N5144-2	.TUBE	ASSY-TORQUE	101106 108120 504903	2

MISSING ITEM NUMBERS NOT APPLICABLE

- ITEM NOT ILLUSTRATED

BRI

27-81-20-02A

BOEING PROPRIETARY - Copyright © - Unpublished Work - See title page for details.

27-81-20  
FIG. 02A  
PAGE 4  
JAN 20/09



757

PARTS CATALOG (MAINTENANCE)

FIG ITEM	PART NUMBER	1 2 3 4 5 6 7	NOMENCLATURE	EFFECT FROM TO	UNITS PER ASSY
2A 195	251N5099-2	.	TUBE ASSY-TORQUE	101106 108120 504903	2
200	251N5144-1	.	TUBE ASSY-TORQUE	101106 108120 504903	2
205	BAC27NCT0260	..	MARKER- USED ON: 251N5099-2 251N5099-4 251N5099-6 251N5099-7 251N5099-8 251N5099-9 251N5099-10 251N5099-11 251N5099-16 251N5099-43 251N5099-44	101106 108120 504903	1
210	BAC27NCT0261	..	MARKER- USED ON: 251N5144-1 251N5144-2 251N5144-3	101106 108120 504903	1
- 215	251N5093-1	..	SLEEVE	101106 108120 504903	2
- 220	251N5094-1	..	COUPLING-HALF OPTIONAL PART: 251N5094-2	101106 108120 504903	2
- 220	251N5094-2	..	COUPLING-HALF OPTIONAL PART: 251N5094-1	101106 108120 504903	2
- 225	BACR15BB6D	..	RIVET- ATTACHING PARTS SIZE DETERMINED ON INSTL.  -----*-----	101106 108120 504903	8

MISSING ITEM NUMBERS NOT APPLICABLE

- ITEM NOT ILLUSTRATED

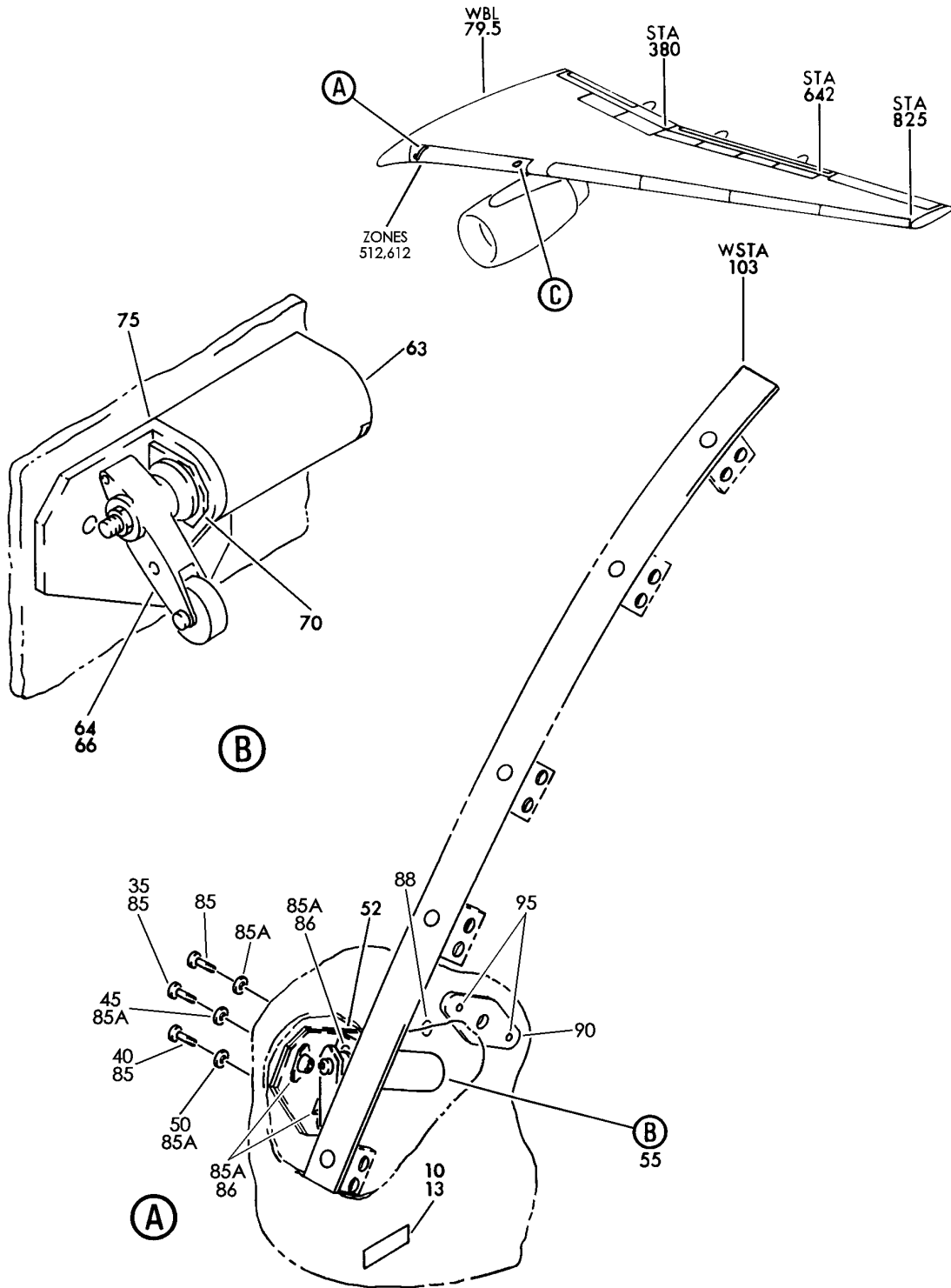
BRI

27-81-20-02A

BOEING PROPRIETARY - Copyright © - Unpublished Work - See title page for details.

27-81-20  
FIG. 02A  
PAGE 5  
JAN 20/09

**BOEING**  
757  
PARTS CATALOG (MAINTENANCE)



Y 27814101 SHT 1 REV 240

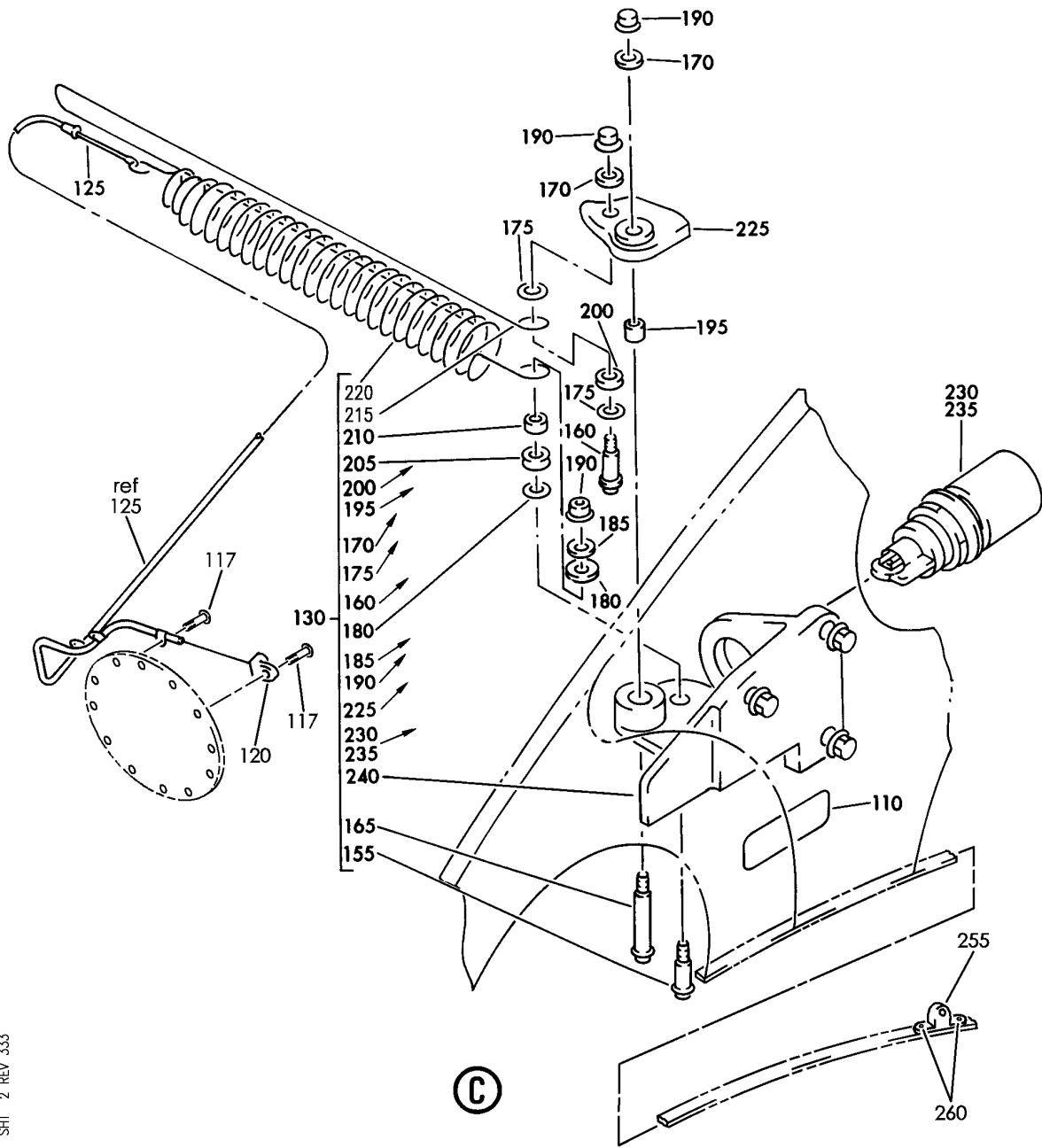
SENSOR INSTL-INBD LE SLAT LOSS  
FIGURE 1 (SHEET 1)

**27-81-41-01**

BRI  
MAY 28/07

27-81-41-01  
PAGE 0

**BOEING**  
757  
PARTS CATALOG (MAINTENANCE)



Y 27814101 SH1 2 REV 333

SENSOR INSTL-INBD LE SLAT LOSS  
FIGURE 1 (SHEET 2)

**27-81-41-01**

BRI  
MAY 20/09

27-81-41-01  
PAGE 0A



757

PARTS CATALOG (MAINTENANCE)

FIG ITEM	PART NUMBER	1 2 3 4 5 6 7	NOMENCLATURE	EFFECT FROM TO	UNITS PER ASSY
1			SENSOR INSTL-INBD LE SLAT LOSS	002004 006101 103503 506999 107107	
- 1	251N5016-3		SENSOR INSTL-LE SLAT LOSS POSITION DATA: INBD LH FOR NHA SEE: 27-81-20-02		RF
- 1	251N5016-5		SENSOR INSTL-LE SLAT LOSS POSITION DATA: INBD LH PRE SERVICE BULLETIN: 27-0117 FOR NHA SEE: 27-81-20-02	002004 006010 121503 904949 952999	RF
- 1	251N5016-7		SENSOR INSTL-LE SLAT LOSS POSITION DATA: INBD LH FOR NHA SEE: 27-81-20-02	011100	RF
- 5	251N5016-4		SENSOR INSTL-LE SLAT LOSS POSITION DATA: INBD RH FOR NHA SEE: 27-81-20-02	107107	RF
- 5	251N5016-6		SENSOR INSTL-LE SLAT LOSS POSITION DATA: INBD RH PRE SERVICE BULLETIN: 27-0117 FOR NHA SEE: 27-81-20-02	002004 006010 121503 904949 952999	RF
- 5	251N5016-8		SENSOR INSTL-LE SLAT LOSS POSITION DATA: INBD RH FOR NHA SEE: 27-81-20-02	011100	RF
10	BAC27NCT0208		.MARKER-ALUMINUM FOIL POSITION DATA: LH SIDE PLACARD CONTENT: S10340 LT INBD SLAT LOSS SENSOR	107107	1
13	BAC27NCT0248		.NAMEPLATE- PLACARD CONTENT: S10340 LT INBD SLAT LOSS SENSOR	002004 006100 121503 904949 952999	1

MISSING ITEM NUMBERS NOT APPLICABLE

- ITEM NOT ILLUSTRATED

BRI

27-81-41-01

27-81-41  
FIG. 01  
PAGE 1  
JAN 20/09



757

PARTS CATALOG (MAINTENANCE)

FIG ITEM	PART NUMBER	1 2 3 4 5 6 7	NOMENCLATURE	EFFECT FROM TO	UNITS PER ASSY
1					
- 15	BAC27NCT0210		.MARKER-ALUMINUM FOIL POSITION DATA: RH SIDE PLACARD CONTENT: S10338 RT INBD SLAT LOSS SENSOR	107107	1
- 20	BAC27NCT0250		.NAMEPLATE- PLACARD CONTENT: S10338 RT INBD SLAT LOSS SENSOR	002004 006100 121503 904949 952999	1
35	BACS12CK3-8		.SCREW	002004 006100 107107 121503 904949 952999	1
40	BACB3ONE4-3		.BOLT-	002004 006100 107107 121503 904949 952999	1
45	AN960KD10L		.WASHER	002004 006100 107107 121503 904949 952999	1
50	AN960KD416L		.WASHER	002004 006100 107107 121503 904949 952999	1
52	251N5142-1		.SHIM	002004 006100 121503 904949 952999	AR
55	251N5117-9		.SWITCH ASSY- POSITION DATA: LH SIDE	002004 006100 107107 121503 904949 952999	1

MISSING ITEM NUMBERS NOT APPLICABLE

- ITEM NOT ILLUSTRATED

BRI

27-81-41-01

BOEING PROPRIETARY - Copyright © - Unpublished Work - See title page for details.

27-81-41  
FIG. 01  
PAGE 2  
JAN 20/09



**757  
PARTS CATALOG (MAINTENANCE)**

FIG ITEM	PART NUMBER	1 2 3 4 5 6 7	NOMENCLATURE	EFFECT FROM TO	UNITS PER ASSY
1					
55	251N5117-11		.SWITCH ASSY- POSITION DATA: LH SIDE	002004 006100 107107 121503 904949 952999	1
55	251N5117-13		.SWITCH ASSY- POSITION DATA: LH SIDE	002004 006100 107107 121503 904949 952999	1
- 60	251N5117-10		.SWITCH ASSY- POSITION DATA: RH SIDE	002004 006100 107107 121503 904949 952999	1
- 60	251N5117-12		.SWITCH ASSY- POSITION DATA: RH SIDE	002004 006100 107107 121503 904949 952999	1
- 60	251N5117-14		.SWITCH ASSY- POSITION DATA: RH SIDE	002004 006100 107107 121503 904949 952999	1
63	31EN11-6		..SWITCH- SUPPLIER CODE: V91929 POSITION DATA: LH SIDE ELECTRICAL EQUIP NUMBER: S10340 USED ON: 251N5117-9 251N5117-11	002004 006100 107107 121503 904949 952999	1

MISSING ITEM NUMBERS NOT APPLICABLE

- ITEM NOT ILLUSTRATED

BRI

# 27-81-41-01

BOEING PROPRIETARY - Copyright © - Unpublished Work - See title page for details.

27-81-41  
FIG. 01  
PAGE 3  
JAN 20/09



757

PARTS CATALOG (MAINTENANCE)

FIG ITEM	PART NUMBER	1 2 3 4 5 6 7	NOMENCLATURE	EFFECT FROM TO	UNITS PER ASSY
1 63	31EN101-6		.. SWITCH- SUPPLIER CODE: V91929 POSITION DATA: LH SIDE ELECTRICAL EQUIP NUMBER: S10340 OPTIONAL PART: 31HE101-6 V91929 USED ON: 251N5117-13	002004 006100 107107 121503 904949 952999	1
63	31DN94-6		.. SWITCH- SUPPLIER CODE: V91929 POSITION DATA: LH SIDE ELECTRICAL EQUIP NUMBER: S10340 OPTIONAL PART: 31EN11-6 V91929 USED ON: 251N5117-9	002004 006100 107107 121503 904949 952999	1
63	31HE101-6		.. SWITCH- SUPPLIER CODE: V91929 POSITION DATA: LH SIDE ELECTRICAL EQUIP NUMBER: S10340 OPTIONAL PART: 31EN101-6 V91929 USED ON: 251N5117-13	002004 006100 107107 121503 904949 952999	1
63	31EN94-6U1		.. SWITCH- SUPPLIER CODE: V91929 POSITION DATA: LH SIDE ELECTRICAL EQUIP NUMBER: S10340	002004 006100 107107 121503 904949 952999	1
64	6PA30		... LEVER ARM-PHENOLIC ROLLER SUPPLIER CODE: V33586 POSITION DATA: LH SIDE	002004 006100 107107 121503 904949 952999	1

MISSING ITEM NUMBERS NOT APPLICABLE

- ITEM NOT ILLUSTRATED

27-81-41-01

27-81-41  
FIG. 01  
PAGE 4  
JAN 20/09

BRI





757

PARTS CATALOG (MAINTENANCE)

FIG ITEM	PART NUMBER	1 2 3 4 5 6 7	NOMENCLATURE	EFFECT FROM TO	UNITS PER ASSY
1 64	6PA358		...LEVER ARM-STEEL ROLLER SUPPLIER CODE: V91929 POSITION DATA: LH SIDE	002004 006100 107107 121503 904949 952999	1
- 65	31EN1-6		..SWITCH- SUPPLIER CODE: V91929 POSITION DATA: RH SIDE ELECTRICAL EQUIP NUMBER: S10338 USED ON: 251N5117-10 251N5117-12	002004 006100 107107 121503 904949 952999	1
- 65	31EN102-6		..SWITCH- SUPPLIER CODE: V91929 POSITION DATA: RH SIDE ELECTRICAL EQUIP NUMBER: S10338 OPTIONAL PART: 31HE102-6 V91929 USED ON: 251N5117-14	002004 006100 107107 121503 904949 952999	1
- 65	31HE102-6		..SWITCH- SUPPLIER CODE: V91929 POSITION DATA: RH SIDE ELECTRICAL EQUIP NUMBER: S10338 OPTIONAL PART: 31EN102-6 V91929 USED ON: 251N5117-14	002004 006100 107107 121503 904949 952999	1
- 65	31EN1-6U1		..SWITCH- SUPPLIER CODE: V91929 POSITION DATA: RH SIDE ELECTRICAL EQUIP NUMBER: S10338	002004 006100 107107 121503 904949 952999	1

MISSING ITEM NUMBERS NOT APPLICABLE

- ITEM NOT ILLUSTRATED

27-81-41-01

27-81-41  
FIG. 01  
PAGE 5  
JAN 20/09

BRI



757

PARTS CATALOG (MAINTENANCE)

FIG ITEM	PART NUMBER	1 2 3 4 5 6 7	NOMENCLATURE	EFFECT FROM TO	UNITS PER ASSY
1					
- 66	6PA30		...LEVER ARM-PHENOLIC ROLLER SUPPLIER CODE: V91929 POSITION DATA: RH SIDE	002004 006100 107107 121503 904949 952999	1
- 66	6PA358		...LEVER ARM-STEEL ROLLER SUPPLIER CODE: V91929 POSITION DATA: RH SIDE	002004 006100 107107 121503 904949 952999	1
70	251N5131-5		..FILLER	002004 006100 107107 121503 904949 952999	1
75	251N5131-17		..BRACKET ASSY- POSITION DATA: LH SIDE	002004 006100 107107 121503 904949 952999	1
- 77	251N5131-18		..BRACKET ASSY- POSITION DATA: RH SIDE	002004 006100 107107 121503 904949 952999	1
- 80	251N5017-3		SENSOR INSTL- POSITION DATA: LH FOR NHA SEE: 27-80-00-01	101101 108120 506903	RF
- 80	012N8862-3		SENSOR INSTL- POSITION DATA: LH POST SERVICE BULLETIN: 27-0117 FOR NHA SEE: 27-81-20-02	950952	RF
- 80	MODREF7869		SENSOR INSTL- MODULE NUMBER: 251N5017-3 REV A POSITION DATA: LH	103103	1

MISSING ITEM NUMBERS NOT APPLICABLE

- ITEM NOT ILLUSTRATED

27-81-41-01

27-81-41  
FIG. 01  
PAGE 6  
JAN 20/09

BRI

**BOEING**  
757  
**PARTS CATALOG (MAINTENANCE)**

FIG ITEM	PART NUMBER	1 2 3 4 5 6 7	NOMENCLATURE	EFFECT FROM TO	UNITS PER ASSY
1					
- 80	MODREF27549		SENSOR INSTL- MODULE NUMBER: 251N5017-3 REV B POSITION DATA: LH	104106	1
- 82	251N5017-4		SENSOR INSTL- POSITION DATA: RH FOR NHA SEE: 27-80-00-01	101101 108120 506903	RF
- 82	012N8862-4		SENSOR INSTL- POSITION DATA: RH POST SERVICE BULLETIN: 27-0117 FOR NHA SEE: 27-81-20-02	950952	RF
- 82	MODREF7870		SENSOR INSTL- MODULE NUMBER: 251N5017-4 REV A POSITION DATA: RH	103103	1
- 82	MODREF27550		SENSOR INSTL- MODULE NUMBER: 251N5017-4 REV B POSITION DATA: RH	104106	1
85	BACB30NM3K3		.BOLT- POST SERVICE BULLETIN: 27-0117	952952	3
85A	BACW10P43AL		.WASHER- POST SERVICE BULLETIN: 27-0117	952952	6
86	BRH10C3D		.NUT- SUPPLIER CODE: V52828 SPECIFICATION NUMBER: BACN10JC3CD OPTIONAL PART: T6C1032JCD V11815 NS202486-02 V80539 102LH9075-3W V72962 H51650-3BAC V15653 POST SERVICE BULLETIN: 27-0117	952952	3

MISSING ITEM NUMBERS NOT APPLICABLE

- ITEM NOT ILLUSTRATED

BRI

# 27-81-41-01

27-81-41  
FIG. 01  
PAGE 7  
JAN 20/09



757

PARTS CATALOG (MAINTENANCE)

FIG ITEM	PART NUMBER	1 2 3 4 5 6 7	NOMENCLATURE	EFFECT FROM TO	UNITS PER ASSY
1					
88	BACR15FT6AD2		.RIVET- POST SERVICE BULLETIN: 27-0117	952952	1
90	114N1313-12		.PLATE-COVER POST SERVICE BULLETIN: 27-0117	952952	1
95	NAS1398D5A2		ATTACHING PARTS .RIVET- POST SERVICE BULLETIN: 27-0117	952952	2
110	BAC27NCT311		-----*----- .MARKER- POSITION DATA: LH PLACARD CONTENT: S10589 LT INBD SLAT LOSS SENSOR	101101 103106 108120 506903 950952	1
- 115	BAC27NCT312		.MARKER- POSITION DATA: RH PLACARD CONTENT: S10588 RT INBD SLAT LOSS SENSOR	101101 103106 108120 506903 950952	1
117	BACB30NT3K3		.BOLT- POST SERVICE BULLETIN: 27-0117	952952	2
120	251N5135-9		.ANCHOR-CABLE	101101 103106 108120 506903 950952	1
125	251N5136-7		.CABLE ASSY-	101101 103106 108120 506903 950952	1
130	251N5046-1		.SWITCH ASSY-SLAT LOSS SENSOR POSITION DATA: INBD LH	101101 103106 108120 506903 950952	1
- 135	251N5046-2		.SWITCH ASSY-SLAT LOSS SENSOR POSITION DATA: INBD RH	101101 103106 108120 506903 950952	1

MISSING ITEM NUMBERS NOT APPLICABLE

- ITEM NOT ILLUSTRATED

BRI

27-81-41-01

27-81-41  
FIG. 01  
PAGE 8  
JAN 20/09



757

PARTS CATALOG (MAINTENANCE)

FIG ITEM	PART NUMBER	1 2 3 4 5 6 7	NOMENCLATURE	EFFECT FROM TO	UNITS PER ASSY
1			ATTACHING PARTS		
- 140	HST10AG6-6		.BOLT SUPPLIER CODE: VOPTK6 SPECIFICATION NUMBER: BACB30VT6K6 OPTIONAL PART: HST10AG6-6 V06725 HST10AG6-6 V56878 HST10AG6-6 V73197 WC10K6-6 V60516	101101 103106 108120 506903	3
- 140	HST10AG6-5		.BOLT- SUPPLIER CODE: VOPTK6 SPECIFICATION NUMBER: BACB30VT6K5 OPTIONAL PART: HST10AG6-5 V06725 HST10AG6-5 V56878 HST10AG6-5 V73197 WC10K6-5 V60516	950952	3
- 145	BACW10BN3SP		.WASHER	101101 103106 108120 506903 950952	3
- 150	BACC30BL6		.COLLAR SUPPLIER CODE: V73197 SPECIFICATION NUMBER: BACC30BL6 OPTIONAL PART: HST79-6 V92215 HST79CY6 V56878 HST79CY6 V5M902	101101 103106 108120 506903	3
- 150	BACNYR3CD		.NUT- -----*-----	950952	3

MISSING ITEM NUMBERS NOT APPLICABLE

- ITEM NOT ILLUSTRATED

27-81-41-01

27-81-41  
FIG. 01  
PAGE 9  
JAN 20/09

BRI



757

PARTS CATALOG (MAINTENANCE)

FIG ITEM	PART NUMBER	1 2 3 4 5 6 7	NOMENCLATURE	EFFECT FROM TO	UNITS PER ASSY
1 155	HST10AG6-7	..	BOLT SUPPLIER CODE: VOPTK6 SPECIFICATION NUMBER: BACB30VT6K7 OPTIONAL PART: HST10AG6-7 V06725 HST10AG6-7 V56878 HST10AG6-7 V73197 WC10K6-7 V60516	101101 103106 108120 506903 950952	1
160	HST10AG6-9	..	BOLT SUPPLIER CODE: VOPTK6 SPECIFICATION NUMBER: BACB30VT6K9 OPTIONAL PART: HST10AG6-9 V06725 HST10AG6-9 V56878 HST10AG6-9 V73197 WC10K6-9 V60516	101101 103106 108120 506903 950952	1
165	HST10AG6-16	..	BOLT SUPPLIER CODE: VOPTK6 SPECIFICATION NUMBER: BACB30VT6K16 OPTIONAL PART: HST10AG6-16 V06725 HST10AG6-16 V56878 HST10AG6-16 V73197 WC10K6-16 V60516	101101 103106 108120 506903 950952	1
170	BACW10BN3SP	..	WASHER	101101 103106 108120 506903 950952	2

MISSING ITEM NUMBERS NOT APPLICABLE

- ITEM NOT ILLUSTRATED

BRI

27-81-41-01

BOEING PROPRIETARY - Copyright © - Unpublished Work - See title page for details.

27-81-41  
FIG. 01  
PAGE 10  
JAN 20/09



757

PARTS CATALOG (MAINTENANCE)

FIG ITEM	PART NUMBER	1 2 3 4 5 6 7	NOMENCLATURE	EFFECT FROM TO	UNITS PER ASSY
1					
175	BACW10P5CC	..	WASHER	101101 103106 108120 506903 950952	2
180	BACW10P273L	..	WASHER	101101 103106 108120 506903 950952	2
185	BACW10P340W	..	WASHER	101101 103106 108120 506903 950952	1
190	BACC30BL6	..	COLLAR SUPPLIER CODE: V73197 SPECIFICATION NUMBER: BACC30BL6 OPTIONAL PART: HST79-6 V92215 HST79CY6 V56878 HST79CY6 V5M902	101101 103106 108120 506903 950952	3
195	BACB28AK03-045	..	BUSHING	101101 103106 108120 506903 950952	1
200	BACB28Z3-012	..	BUSHING	101101 103106 108120 506903 950952	1
205	BACB28Y5F011	..	BUSHING	101101 103106 108120 506903 950952	1
210	BACB28AK03-014	..	BUSHING	101101 103106 108120 506903 950952	1

MISSING ITEM NUMBERS NOT APPLICABLE

- ITEM NOT ILLUSTRATED

BRI

27-81-41-01

27-81-41  
FIG. 01  
PAGE 11  
JAN 20/09



757

PARTS CATALOG (MAINTENANCE)

FIG ITEM	PART NUMBER	1 2 3 4 5 6 7	NOMENCLATURE	EFFECT FROM TO	UNITS PER ASSY
1					
215	251N5155-2	..	H00K-SPRING	101101 103106 108120 506903 950952	1
220	251N5154-2	..	SPRING-HELICAL	101101 103106 108120 506903 950952	1
225	251N5700-1	..	CAM ASSY	101101 103106 108120 506903 950952	1
230	21EN262-6	..	SWITCH- SUPPLIER CODE: V91929 ELECTRICAL EQUIP NUMBER: S10589 S10588 WIRING DIAGRAM REF: 278131 OPTIONAL PART: 21EN87-6 V91929	101101 103106 108120 506903 950952	1
235	21EN87-6	..	SWITCH- SUPPLIER CODE: V91929 ELECTRICAL EQUIP NUMBER: S10589 S10588 WIRING DIAGRAM REF: 278131 OPTIONAL PART: 21EN262-6 V91929	101101 103106 108120 506903 950952	1
240	251N5045-1	..	BRACKET- POSITION DATA: LH OPTIONAL PART: 251N5045-5	101101 103106 108120 506903 950952	1
240	251N5045-5	..	BRACKET- POSITION DATA: LH OPTIONAL PART: 251N5045-1	101101 103106 108120 506903 950952	1

MISSING ITEM NUMBERS NOT APPLICABLE

- ITEM NOT ILLUSTRATED

BRI

27-81-41-01

27-81-41  
FIG. 01  
PAGE 12  
JAN 20/09





757

PARTS CATALOG (MAINTENANCE)

FIG ITEM	PART NUMBER	1 2 3 4 5 6 7	NOMENCLATURE	EFFECT FROM TO	UNITS PER ASSY
1					
- 245	251N5045-2		..BRACKET- POSITION DATA: RH OPTIONAL PART: 251N5045-6	101101 103106 108120 506903 950952	1
- 245	251N5045-6		..BRACKET- POSITION DATA: RH OPTIONAL PART: 251N5045-2	101101 103106 108120 506903 950952	1
255	BACN10GH3A4		.NUTPLATE-SPACER PLATE POST SERVICE BULLETIN: 27-0117 ATTACHING PARTS	952952	1
260	BACR15FT4AD4		.RIVET- POST SERVICE BULLETIN: 27-0117 -----*-----	952952	2

MISSING ITEM NUMBERS NOT APPLICABLE

- ITEM NOT ILLUSTRATED

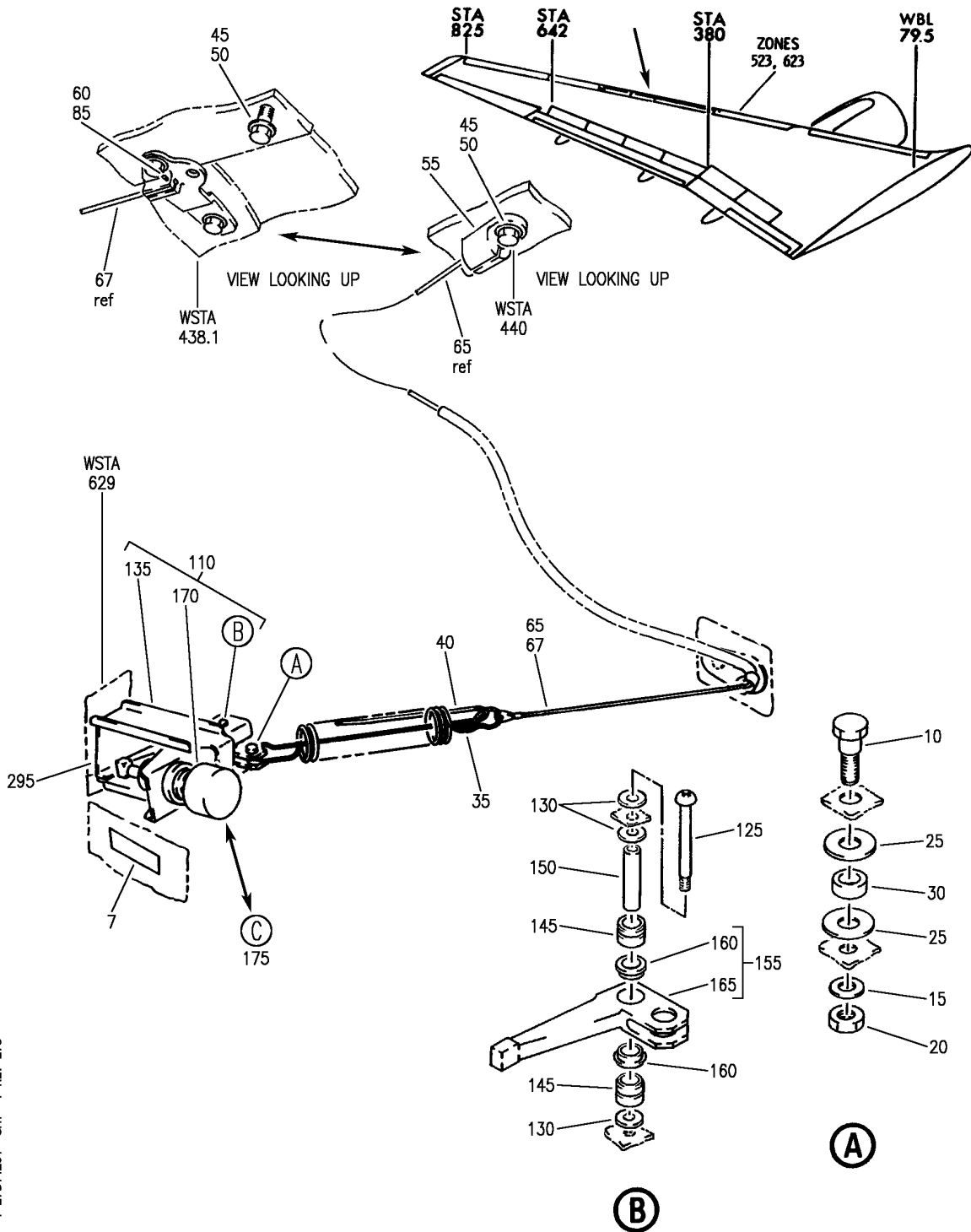
BRI

27-81-41-01

BOEING PROPRIETARY - Copyright © - Unpublished Work - See title page for details.

27-81-41  
FIG. 01  
PAGE 13  
JAN 20/09

**BOEING**  
757  
PARTS CATALOG (MAINTENANCE)



Y 27814201 SH1 1 REV 275

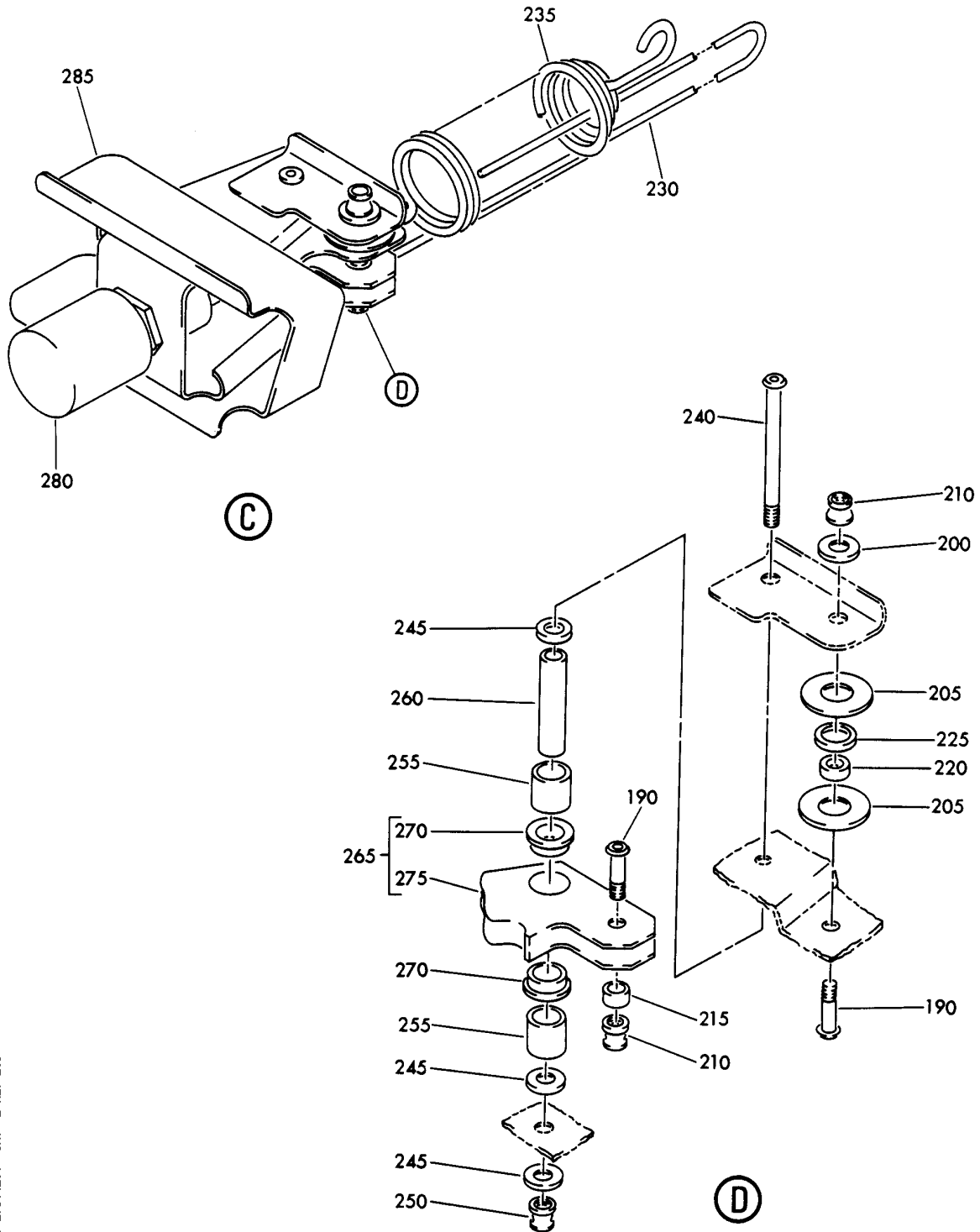
SENSOR INSTL-OUTBD LE SLAT LOSS  
FIGURE 1 (SHEET 1)

**27-81-42-01**

BRI  
MAY 28/07

27-81-42-01  
PAGE 0

**BOEING**  
757  
PARTS CATALOG (MAINTENANCE)



Y 27814201 SH1 2 REV 263

SENSOR INSTL-OUTBD LE SLAT LOSS  
FIGURE 1 (SHEET 2)

**27-81-42-01**

BRI  
MAY 28/07

27-81-42-01  
PAGE 0A



757

PARTS CATALOG (MAINTENANCE)

FIG ITEM	PART NUMBER	1 2 3 4 5 6 7	NOMENCLATURE	EFFECT FROM TO	UNITS PER ASSY
1			SENSOR INSTL-OUTBD LE SLAT LOSS	002004 006999	
- 1	251N5015-1		SENSOR INSTL-LE SLAT LOSS POSITION DATA: OUTBD LH FOR NHA SEE: 27-81-20-02	002004 006100 107107 121503 904999	RF
- 1	251N5015-3		SENSOR INSTL-LOSS POSITION DATA: LH FOR NHA SEE: 27-80-00-01	101102 504903	RF
- 1	251N5015-5		SENSOR INSTL-LOSS POSITION DATA: LH FOR NHA SEE: 27-80-00-01	108120	RF
- 1	MODREF7867		SENSOR INSTL-LOSS MODULE NUMBER: 251N5015-5 REV A POSITION DATA: LH	103103	1
- 1	MODREF27547		SENSOR INSTL-LOSS MODULE NUMBER: 251N5015-5 REV B POSITION DATA: LH	104106	1
- 5	251N5015-2		SENSOR INSTL-LE SLAT LOSS POSITION DATA: OUTBD RH FOR NHA SEE: 27-81-20-02	002004 006100 107107 121503 904999	RF
- 5	251N5015-4		SENSOR INSTL-LOSS POSITION DATA: RH FOR NHA SEE: 27-80-00-01	101102 504903	RF
- 5	251N5015-6		SENSOR INSTL-LOSS POSITION DATA: RH FOR NHA SEE: 27-80-00-01	108120	RF

MISSING ITEM NUMBERS NOT APPLICABLE

- ITEM NOT ILLUSTRATED

**27-81-42-01**

27-81-42  
FIG. 01  
PAGE 1  
JAN 20/09

BRI



757

PARTS CATALOG (MAINTENANCE)

FIG ITEM	PART NUMBER	1 2 3 4 5 6 7	NOMENCLATURE	EFFECT FROM TO	UNITS PER ASSY
1					
- 5	MODREF7868		SENSOR INSTL- LOSS MODULE NUMBER: 251N5015-6 REV A POSITION DATA: RH	103103	1
- 5	MODREF27548		SENSOR INSTL- LOSS MODULE NUMBER: 251N5015-6 REV B POSITION DATA: RH	104106	1
7	BAC27NCT0249		.MARKER-ALUMINUM FOIL POSITION DATA: LH SIDE PLACARD CONTENT: S10341 LT OUTBD SLAT LOSS SENSOR OPTIONAL PART: BAC27NCT0247	003004 006100 107107 121503 904999	1
7	BAC27NCT0247		.MARKER-ALUMINUM FOIL POSITION DATA: LH SIDE PLACARD CONTENT: S10341 LT OUTBD SLAT LOSS SENSOR OPTIONAL PART: BAC27NCT0249	002004 006999	1
- 8	BAC27NCT0247		.MARKER-ALUMINUM FOIL POSITION DATA: RH SIDE PLACARD CONTENT: S10339 RT OUTBD SLAT LOSS SENSOR OPTIONAL PART: BAC27NCT0249	003004 006100 107107 121503 904999	1
- 8	BAC27NCT0249		.MARKER-ALUMINUM FOIL POSITION DATA: RH SIDE PLACARD CONTENT: S10339 RT OUTBD SLAT LOSS SENSOR OPTIONAL PART: BAC27NCT0247	002004 006999	1
45	BACB30NM3K9		.BOLT- PRE SERVICE BULLETIN: 27-0126	002004 006999	1

MISSING ITEM NUMBERS NOT APPLICABLE

- ITEM NOT ILLUSTRATED

27-81-42-01

27-81-42  
FIG. 01  
PAGE 2  
JAN 20/09

BRI



757

PARTS CATALOG (MAINTENANCE)

FIG ITEM	PART NUMBER	1 2 3 4 5 6 7	NOMENCLATURE	EFFECT FROM TO	UNITS PER ASSY
1					
45	BACB30NM3K7	.	BOLT- POST SERVICE BULLETIN: 27-0126	002004 006100 904949	1
50	AN960KD10L	.	WASHER- PRE SERVICE BULLETIN: 27-0126	002004 006999	1
50	NAS1149D0332K	.	WASHER- POST SERVICE BULLETIN: 27-0126	002004 006100 904949	1
55	251N5135-9	.	ANCHOR- PRE SERVICE BULLETIN: 27-0126	002004 006102 107107 121999	1
60	BACP18BC02C06P	.	PIN-COTTER POST SERVICE BULLETIN: 27-0126	002004 006100 904949	1
65	251N5136-3	.	CABLE ASSY- PRE SERVICE BULLETIN: 27-0126	002004 006102 107107 121999	1
65	251N5136-9	.	CABLE ASSY- QUALIFIED I/W DATA: 251N5136-9 MAY REPLACE BUT NOT BE REPLACED BY 251N5136-3 SUBJECT TO INCORPORATION OF SERVICE BULLETIN 757-27-0126	103106 108120	1
67	251N5136-9	.	CABLE ASSY- QUALIFIED I/W DATA: 251N5136-9 MAY REPLACE BUT NOT BE REPLACED BY 251N5136-3 SUBJECT TO INCORPORATION OF SERVICE BULLETIN 757-27-0126 POST SERVICE BULLETIN: 27-0126	002004 006100 904949	1
- 70	MS51844-60	..	SLEEVE	002004 006999	1
- 75	251N5135-3	..	TERMINAL-CYL	002004 006999	1
- 80	251N5135-4	..	TERMINAL	002004 006999	1
85	BACP18BC02C05P	.	PIN-COTTER OPTIONAL PART: BACP18BC02C06P	103106 108120	1
85	BACP18BC02C06P	.	PIN-COTTER OPTIONAL PART: BACP18BC02C05P	103106 108120	1

MISSING ITEM NUMBERS NOT APPLICABLE

- ITEM NOT ILLUSTRATED

27-81-42-01

27-81-42  
FIG. 01  
PAGE 3  
JAN 20/09

BRI



757

PARTS CATALOG (MAINTENANCE)

FIG ITEM	PART NUMBER	1 2 3 4 5 6 7	NOMENCLATURE	EFFECT FROM TO	UNITS PER ASSY
1					
175	251N5153-3	.	SWITCH ASSY- POSITION DATA: LH SIDE	002004 006999	1
175	251N5153-5	.	SWITCH ASSY- POSITION DATA: LH SIDE	002004 006999	1
- 180	251N5153-4	.	SWITCH ASSY- POSITION DATA: RH SIDE	002004 006999	1
- 180	251N5153-6	.	SWITCH ASSY- POSITION DATA: RH SIDE	002004 006999	1
- 185	BACR15BB4AD	.	RIVET- SIZE DETERMINED ON INSTL. -----*-----	002004 006999	4
190	L8006K5	..	BOLT SUPPLIER CODE: V06725 SPECIFICATION NUMBER: BACB30MY6K5	002004 006999	2
200	BACW10BN3SP	..	WASHER	002004 006999	1
205	BACW10P273L	..	WASHER	002004 006999	2
210	HL79-6	..	COLLAR SUPPLIER CODE: V5M902 SPECIFICATION NUMBER: BACC30M6 OPTIONAL PART: HL79-6 V73197 HL79-6 V92215 66014-6 V56878 HL79-6 V56878	002004 006999	2
215	BACB28AK03-024	..	BUSHING	002004 006999	1
220	BACB28AK03-014	..	BUSHING	002004 006999	1
225	BACB28Y5F011	..	BUSHING	002004 006999	1
230	251N5155-1	..	HOOK-SPR	002004 006999	1
235	251N5154-1	..	SPRING-	002004 006999	1

MISSING ITEM NUMBERS NOT APPLICABLE

- ITEM NOT ILLUSTRATED

27-81-42-01

27-81-42  
FIG. 01  
PAGE 4  
JAN 20/09

BRI



757

PARTS CATALOG (MAINTENANCE)

FIG ITEM	PART NUMBER	1 2 3 4 5 6 7	NOMENCLATURE	EFFECT FROM TO	UNITS PER ASSY
1					
235	251N5154-2	..	SPRING-	002004 006999	1
240	L8006K25	..	BOLT SUPPLIER CODE: V06725 SPECIFICATION NUMBER: BACB30MY6K25	002004 006999	1
245	BACW10BN3SP	..	WASHER	002004 006999	3
250	HL79-6	..	COLLAR SUPPLIER CODE: V5M902 SPECIFICATION NUMBER: BACC30M6 OPTIONAL PART: HL79-6 V73197 HL79-6 V92215 66014-6 V56878 HL79-6 V56878	002004 006999	1
255	BACB28Y5F036	..	BUSHING	002004 006999	2
260	BACB28AK03-120	..	BUSHING	002004 006999	1
265	251N5151-1	..	CAM ASSY	002004 006999	1
270	BACB28AR05A012A	...	BUSHING- OPTIONAL PART: BACB28X5M012	002004 006999	2
270	BACB28X5M012	...	BUSHING- OPTIONAL PART: BACB28AR05A012A	002004 006999	2
275	251N5151-2	...	CAM	002004 006999	1
280	21EN262-6	..	SWITCH- SUPPLIER CODE: V91929 ELECTRICAL EQUIP NUMBER: S10339 S10341 OPTIONAL PART: 21EN87-6 V91929	002004 006999	1

MISSING ITEM NUMBERS NOT APPLICABLE

- ITEM NOT ILLUSTRATED

27-81-42-01

27-81-42  
FIG. 01  
PAGE 5  
JAN 20/09

BRI

BOEING PROPRIETARY - Copyright © - Unpublished Work - See title page for details.



 **BOEING**  
757  
**PARTS CATALOG (MAINTENANCE)**

FIG ITEM	PART NUMBER	1 2 3 4 5 6 7	NOMENCLATURE	EFFECT FROM TO	UNITS PER ASSY
1 280	21EN87-6		.. SWITCH- SUPPLIER CODE: V91929 ELECTRICAL EQUIP NUMBER: S10339 S10341 OPTIONAL PART: 21EN262-6 V91929	002004 006999	1
285	251N5152-1		.. BRACKET ASSY- POSITION DATA: LH SIDE	002004 006999	1
- 290	251N5152-2		.. BRACKET ASSY- POSITION DATA: RH SIDE	002004 006999	1
295	251N5123-9		. BRACKET ASSY-SWITCH POSITION DATA: LH SIDE	002004 006999	1
- 300	251N5123-10		. BRACKET ASSY-SWITCH POSITION DATA: RH SIDE	002004 006999	1
- 305	L8006K2		. BOLT SUPPLIER CODE: V06725 SPECIFICATION NUMBER: BACB30MY6K2	002004 006999	4
- 310	AN960KD10L		. WASHER	002004 006999	4
- 315	HL79-6		. COLLAR SUPPLIER CODE: V5M902 SPECIFICATION NUMBER: BACC30M6 OPTIONAL PART: HL79-6 V73197 HL79-6 V92215 66014-6 V56878 HL79-6 V56878 -----*-----	002004 006999	4

MISSING ITEM NUMBERS NOT APPLICABLE

- ITEM NOT ILLUSTRATED

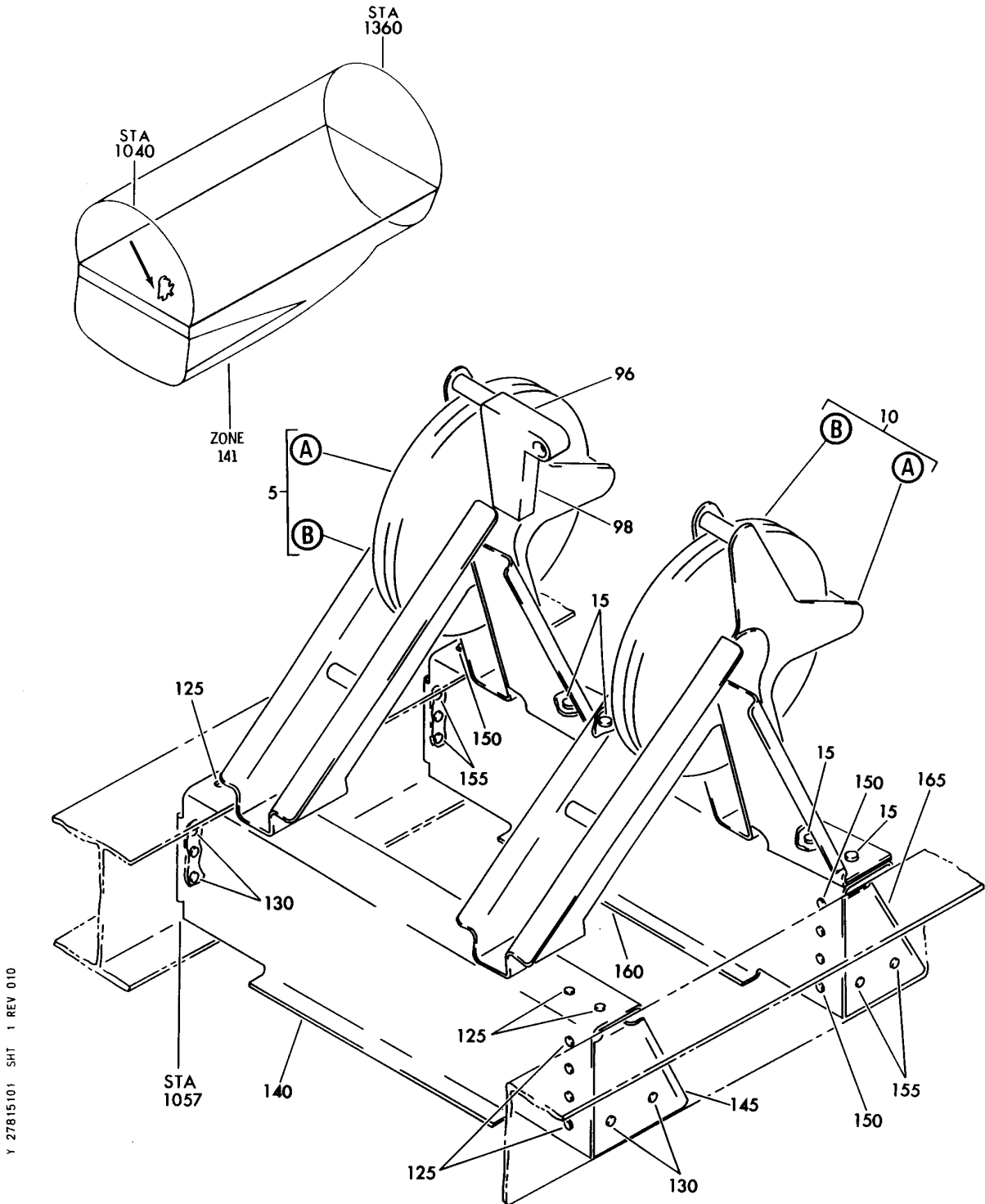
BRI

# 27-81-42-01

BOEING PROPRIETARY - Copyright © - Unpublished Work - See title page for details.

27-81-42  
FIG. 01  
PAGE 6  
JAN 20/09

**BOEING**  
757  
PARTS CATALOG (MAINTENANCE)



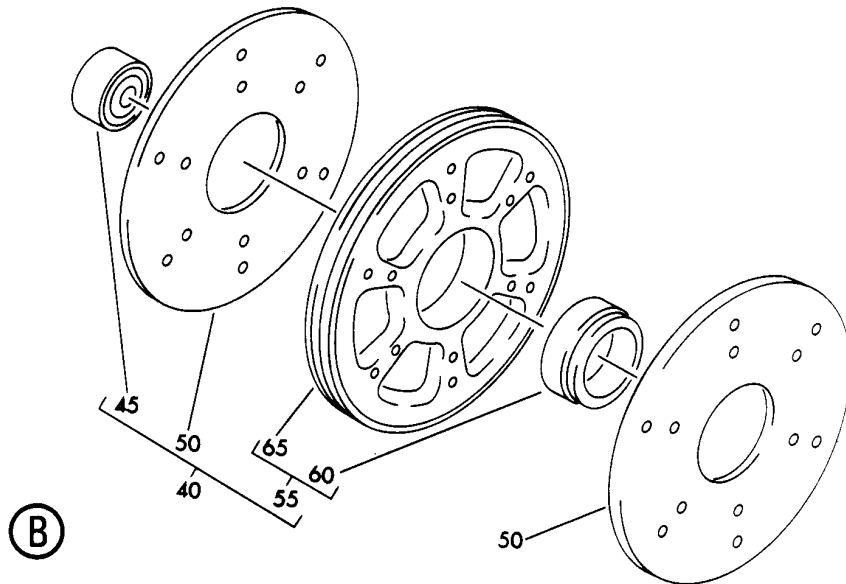
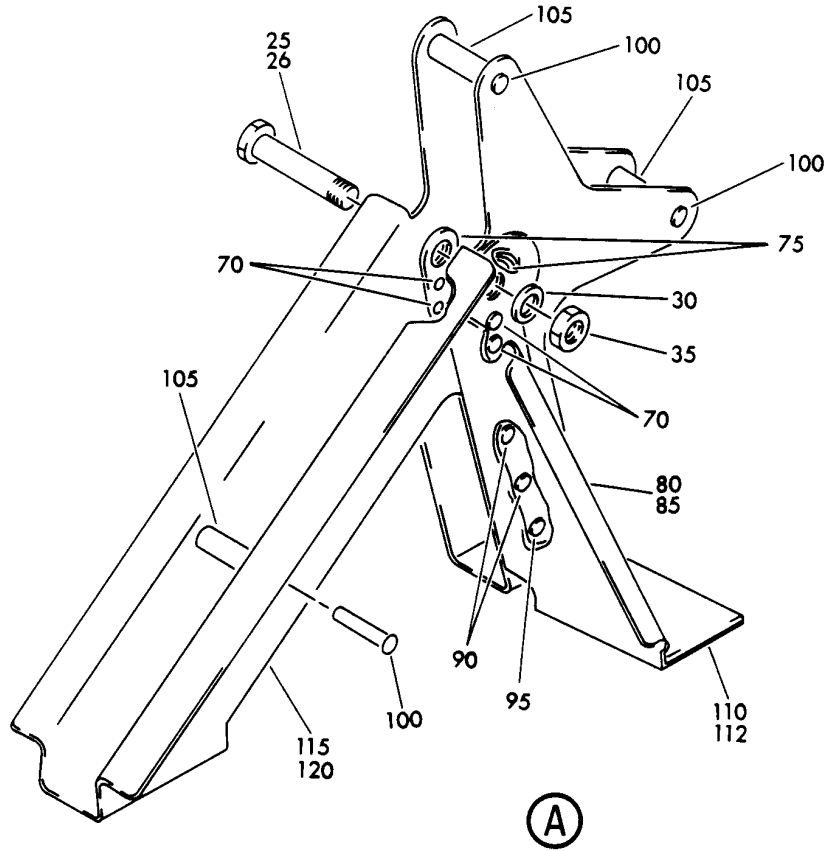
BRACKET INSTL-STA 1064 LE SLATS A AND B CABLE PULLEY  
FIGURE 1 (SHEET 1)

**27-81-51-01**

BRI  
MAY 28/07

27-81-51-01  
PAGE 0

**BOEING**  
757  
PARTS CATALOG (MAINTENANCE)



Y 27815101 SH1 2 REV 063

BRACKET INSTL-STA 1064 LE SLATS A AND B CABLE PULLEY  
FIGURE 1 (SHEET 2)

**27-81-51-01**

BRI  
MAY 28/07

27-81-51-01  
PAGE 0A



757

PARTS CATALOG (MAINTENANCE)

FIG ITEM	PART NUMBER	1 2 3 4 5 6 7	NOMENCLATURE	EFFECT FROM TO	UNITS PER ASSY
1			BRACKET INSTL-STA 1064 LE SLATS A AND B CABLE PULLEY	002004 006999	
- 1	251N6027-2		BRACKET INSTL-SLATS A AND B CABLE PULLEY POSITION DATA: STA 1064 LE FOR NHA SEE: 27-51-25-03	002004 006100 107107 121503 904999	RF
- 1	251N6027-3		BRACKET INSTL-LE SLATS A AND B CABLE PULLEY POSITION DATA: STA 1064 FOR NHA SEE: 27-50-00-01	101102 108120 504903	RF
- 1	MODREF8196		BRACKET INSTL-LE SLATS A AND B CABLE PULLEY MODULE NUMBER: 251N6027-3 REV A POSITION DATA: STA 1064	103106	1
5	251N6226-7		.BRACKET ASSY-	002004 006999	1
10	251N6227-4		.BRACKET ASSY	002004 006999	1

MISSING ITEM NUMBERS NOT APPLICABLE

- ITEM NOT ILLUSTRATED

BRI

27-81-51-01

BOEING PROPRIETARY - Copyright © - Unpublished Work - See title page for details.

27-81-51  
FIG. 01  
PAGE 1  
JAN 20/09



757

PARTS CATALOG (MAINTENANCE)

FIG ITEM	PART NUMBER	1 2 3 4 5 6 7	NOMENCLATURE	EFFECT FROM TO	UNITS PER ASSY
1 15	HL1012AZ6-3	.BOLT	SUPPLIER CODE: V97928 SPECIFICATION NUMBER: BACB30NX6K3 OPTIONAL PART: HL12VAZ6-3 V73197 HL12VAZ6-3 V92215 HL12VAZ6-3 V97928 L802-6K3 V06725 HL12VAZ6-3 V56878 HL1012AZ6-3 VOPTK6 HL1012AZ6-3 V06725 HL1012AZ6-3 V06950 HL1012AZ6-3 V17446 HL1012AZ6-3 V56878 HL1012AZ6-3 V60516 HL1012AZ6-3 V73197	002004 006999	4

MISSING ITEM NUMBERS NOT APPLICABLE

- ITEM NOT ILLUSTRATED

BRI

27-81-51-01

BOEING PROPRIETARY - Copyright © - Unpublished Work - See title page for details.

27-81-51  
 FIG. 01  
 PAGE 2  
 JAN 20/09



757

PARTS CATALOG (MAINTENANCE)

FIG ITEM	PART NUMBER	1 2 3 4 5 6 7	NOMENCLATURE	EFFECT FROM TO	UNITS PER ASSY
1			ATTACHING PARTS		
- 17	HL1012AZ6-2		.BOLT-	002004	4
			SUPPLIER CODE:	006999	
			V97928		
			SPECIFICATION NUMBER:		
			BACB30NX6K2		
			OPTIONAL PART:		
			HL12VAZ6-2		
			V73197		
			HL12VAZ6-2		
			V92215		
			HL12VAZ6-2		
			V97928		
			L802-6K2		
			V06725		
			HL12VAZ6-2		
			V56878		
			HL1012AZ6-2		
			V0PTK6		
			HL1012AZ6-2		
			V06725		
			HL1012AZ6-2		
			V06950		
			HL1012AZ6-2		
			V17446		
			HL1012AZ6-2		
			V56878		
			HL1012AZ6-2		
			V60516		
			HL1012AZ6-2		
			V73197		

MISSING ITEM NUMBERS NOT APPLICABLE

- ITEM NOT ILLUSTRATED

BRI

27-81-51-01

BOEING PROPRIETARY - Copyright © - Unpublished Work - See title page for details.

27-81-51  
FIG. 01  
PAGE 3  
JAN 20/09



757

PARTS CATALOG (MAINTENANCE)

FIG ITEM	PART NUMBER	1 2 3 4 5 6 7	NOMENCLATURE	EFFECT FROM TO	UNITS PER ASSY
1 - 20	HL1187-6	.	COLLAR SUPPLIER CODE: V5M902 SPECIFICATION NUMBER: BACC30X6 OPTIONAL PART: HL87-6 V92215 HL87-6 V73197 HL1187-6 V56878 HL1187-6 V92215 HL87-6 V56878 HL1187-6 V73197 -----*-----	002004 006999	8
25	BACB30NF4-12	..	BOLT- USED ON: 251N6227-4	002004 006999	1
26	BACB30NF4-13	..	BOLT- USED ON: 251N6226-7	002004 006999	1
30	AN960PD416L	..	WASHER	002004 006999	1
35	BRH10A4	..	NUT SUPPLIER CODE: V52828 SPECIFICATION NUMBER: BACN10JC4 OPTIONAL PART: T6S428J V11815 96-048 V80539 VN303A048 V92215 RMLH9075-4W V72962 NS202101-048 V80539 H10-4BAC V15653	002004 006999	1
40	65B80977-1	..	PULLEY ASSY-4 IN. DIA 3/32 IN. CABLE FOR SPARES PROCURE: BACP30M4	002004 006999	1

MISSING ITEM NUMBERS NOT APPLICABLE

- ITEM NOT ILLUSTRATED

27-81-51-01

27-81-51  
FIG. 01  
PAGE 4  
JAN 20/09

BRI



757

PARTS CATALOG (MAINTENANCE)

FIG ITEM	PART NUMBER	1 2 3 4 5 6 7	NOMENCLATURE	EFFECT FROM TO	UNITS PER ASSY
1					
45	JMKP4P25LY196	...	BEARING- SUPPLIER CODE: V40920 SPECIFICATION NUMBER: BACB10AN4 OPTIONAL PART: MKP4FS428 V21335 MKP4G20 V38443 LLMKP4 V38443 MKP4 V38443 MKP4-2TS V43991 MKP4E6531 V21335 MKP4TT V43991 MKP4SD610 V83086	002004 006999	1
50	69B81979-1	...	SHIELD	002004 006999	2
55	65B80978-1	...	SHEAVE ASSY	002004 006999	1
60	69B81362-2	....	INSERT	002004 006999	1
65	65B80978-2	....	SHEAVE	002004 006999	1
70	BACR15BA3AD	..	RIVET- SIZE DETERMINED ON INSTL.	002004 006999	4
75	NAS463TKDD416	..	SPACER	002004 006999	2
80	251N6226-5	..	BRACKET- USED ON: 251N6226-7	002004 006999	1
85	251N6227-5	..	BRACKET- USED ON: 251N6227-4 ATTACHING PARTS	002004 006999	1
90	BACR15BA5D	..	RIVET- SIZE DETERMINED ON INSTL.	002004 006999	2
95	BACR15FT5D	..	RIVET- SIZE DETERMINED ON INSTL.	002004 006999	1
96	251N6194-9	..	FAIRLEAD- USED ON: 251N6226-7	002004 006999	1

MISSING ITEM NUMBERS NOT APPLICABLE

- ITEM NOT ILLUSTRATED

27-81-51-01

27-81-51  
FIG. 01  
PAGE 5  
JAN 20/09

BRI

BOEING PROPRIETARY - Copyright © - Unpublished Work - See title page for details.





757

PARTS CATALOG (MAINTENANCE)

FIG ITEM	PART NUMBER	1 2 3 4 5 6 7	NOMENCLATURE	EFFECT FROM TO	UNITS PER ASSY
1			ATTACHING PARTS		
- 97	BACR15BB5B	..	RIVET- SIZE DETERMINED ON INSTL. -----*-----	002004 006999	4
98	251N6226-8	..	ANGLE- USED ON: 251N6226-7	002004 006999	1
- 99	BACR15BA5D	..	ATTACHING PARTS RIVET- SIZE DETERMINED ON INSTL. -----*-----	002004 006999	2
100	BACR15BB4AD	..	RIVET- SIZE DETERMINED ON INSTL.	002004 006999	3
105	NAS42DD4-39	..	SPACER	002004 006999	3
110	50-3361-8576	..	FILLER-RADIUS USED ON: 251N6227-4	002004 006999	1
112	251N6226-6	..	FILLER-RADIUS USED ON: 251N6226-7	002004 006999	1
115	251N6226-2	..	BRACKET- USED ON: 251N6226-7	002004 006999	1
120	251N6227-2	..	BRACKET- USED ON: 251N6227-4	002004 006999	1
125	BACR15FT5D	.	RIVET- SIZE DETERMINED ON INSTL.	002004 006999	7
130	BACR15FT6D	.	RIVET- SIZE DETERMINED ON INSTL.	002004 006999	5
140	251N6228-1	.	SUPPORT-BRKT	002004 006999	1
145	251N6228-2	.	SUPPORT-BRKT	002004 006999	1
150	BACR15FT5D	.	RIVET- SIZE DETERMINED ON INSTL.	002004 006999	5
155	BACR15FT6D	.	RIVET- SIZE DETERMINED ON INSTL.	002004 006999	5
160	251N6228-9	.	SUPPORT-BKRT	002004 006999	1
165	251N6228-6	.	SUPPORT-BRKT	002004 006999	1

MISSING ITEM NUMBERS NOT APPLICABLE

- ITEM NOT ILLUSTRATED

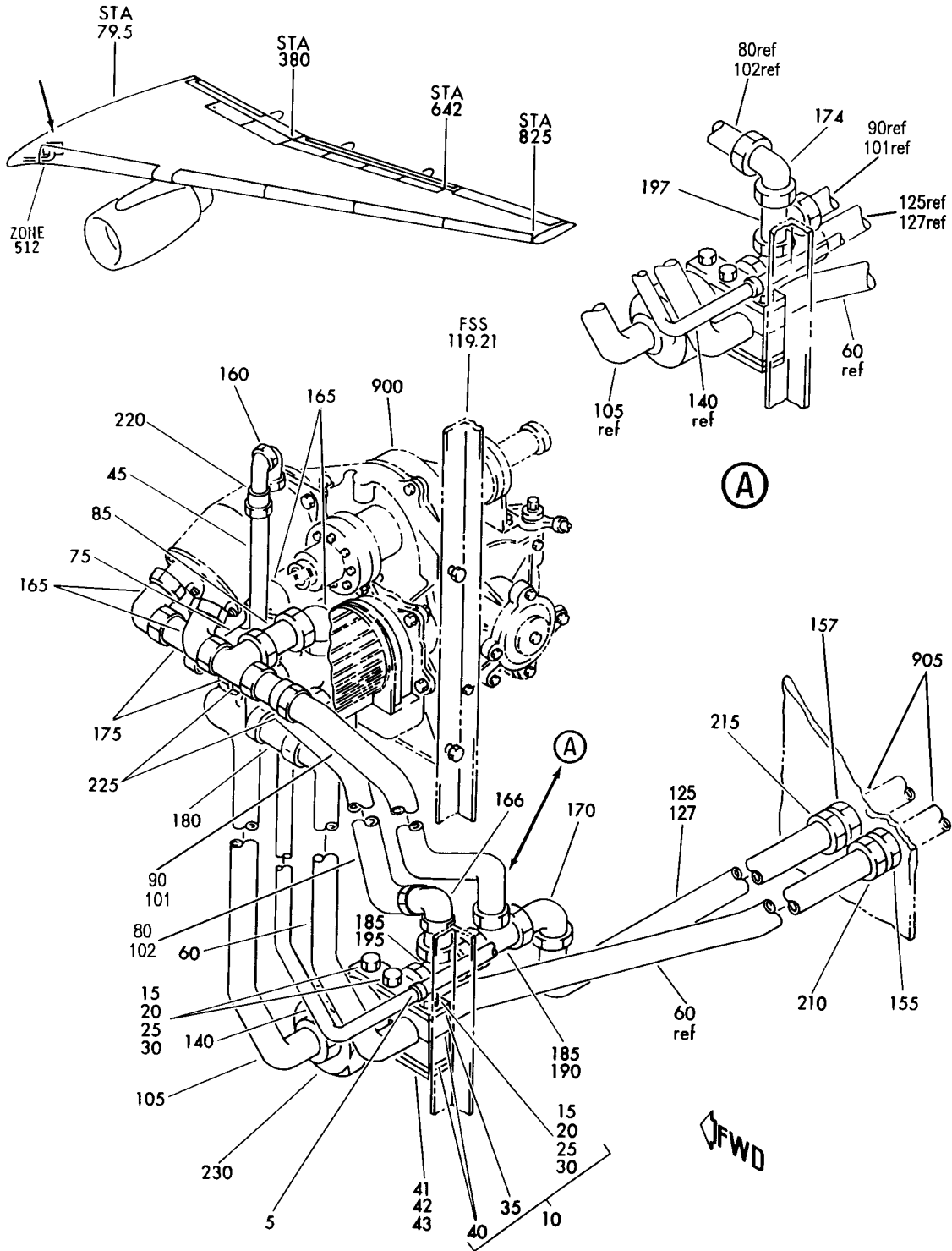
27-81-51-01

27-81-51  
FIG. 01  
PAGE 6  
JAN 20/09

BRI

BOEING PROPRIETARY - Copyright © - Unpublished Work - See title page for details.

**BOEING**  
757  
PARTS CATALOG (MAINTENANCE)



Y 27815116 REV 274

PLUMBING INSTL-SECT. 12 LE (LEADING EDGE SLAT SYSTEM ONLY)  
FIGURE 16

**27-81-51-16**

BRI  
MAY 28/07

27-81-51-16  
PAGE 0



757

PARTS CATALOG (MAINTENANCE)

FIG ITEM	PART NUMBER	1 2 3 4 5 6 7	NOMENCLATURE	EFFECT FROM TO	UNITS PER ASSY
16			PLUMBING INSTL-SECT. 12 LE (LEADING EDGE SLAT SYSTEM ONLY)	002004 006999	
- 1	271N6125-1		PLUMBING INSTL-LE (LEADING EDGE SLAT SYSTEM ONLY) POSITION DATA: SECT. 12 FOR NHA/OTHER SYS DET SEE: 29-00-51-01	002004 006100 107107 121503 904999	RF
- 1	271N6125-2		PLUMBING INSTL-LE (LEADING EDGE SLAT SYSTEM ONLY) POSITION DATA: SECT. 12 FOR NHA/OTHER SYS DET SEE: 27-00-00-03	101102 108120 504903	RF
- 1	MODREF31786		PLUMBING INSTL-LE (LEADING EDGE SLAT SYSTEM ONLY) MODULE NUMBER: 271N6125-2 REV B POSITION DATA: SECT. 12	103106	1
5	M85052-2-4		.CLAMP	002004 006999	1
10	270N2000-209		.CLAMP ASSY-BLOCK	002004 006999	1
15	NAS1801-3-51		.. SCREW- OPTIONAL PART: NAS1801-3-54	002004 006999	3
15	NAS1801-3-54		.. SCREW- OPTIONAL PART: NAS1801-3-51	002004 006999	3
20	AN960KD10L		.. WASHER	002004 006999	3
25	NAS43DD3-172		.. SPACER	002004 006999	3

MISSING ITEM NUMBERS NOT APPLICABLE

- ITEM NOT ILLUSTRATED

BRI

27-81-51-16

27-81-51  
FIG. 16  
PAGE 1  
JAN 20/09

 **BOEING**  
757  
**PARTS CATALOG (MAINTENANCE)**

FIG ITEM	PART NUMBER	1 2 3 4 5 6 7	NOMENCLATURE	EFFECT FROM TO	UNITS PER ASSY
16 30	BRH10A3	..	NUT SUPPLIER CODE: V52828 SPECIFICATION NUMBER: BACN10JC3 OPTIONAL PART: H10-3BAC V15653 NS202101-02 V80539 RMLH9075-3W V72962 VN303A02 V92215 96-02 V80539 T6S1032J V11815	002004 006999	3
35	270N2000-1015	..	CHANNEL	002004 006999	2
40	270N2000-1204	..	BLOCK	002004 006999	2
41	270N2007-40	.	SHIM	002004 006999	AR
42	270N2007-41	.	SHIM	002004 006999	AR
43	270N2007-42	.	SHIM	002004 006999	AR
45	271N6125-1007	.	TUBE ASSY-RETURN SYS POSITION DATA: L TUBING MATERIAL: .375 IN. OD .035 IN. WALL 16.00 IN. LG AL	002004 006999	1
- 50	AP2097HP06	..	SLEEVE SUPPLIER CODE: V01673 SPECIFICATION NUMBER: BACS13BX06HP OPTIONAL PART: 2-02903-06HP V11328 35235VN06 V08199 AFP175V06P V30974 DBOS13BX06HP V14798	002004 006999	2

MISSING ITEM NUMBERS NOT APPLICABLE

- ITEM NOT ILLUSTRATED

BRI

# 27-81-51-16

BOEING PROPRIETARY - Copyright © - Unpublished Work - See title page for details.

27-81-51  
FIG. 16  
PAGE 2  
JAN 20/09



757

PARTS CATALOG (MAINTENANCE)

FIG ITEM	PART NUMBER	1 2 3 4 5 6 7	NOMENCLATURE	EFFECT FROM TO	UNITS PER ASSY
16					
- 55	MS21921-6D	..NUT-	OPTIONAL PART: BACN10YL06	002004 006999	1
- 55	BACN10YL06	..NUT-	OPTIONAL PART: MS21921-6D	002004 006999	1
60	271N6125-1008	.TUBE ASSY-RETURN SYS	POSITION DATA: L TUBING MATERIAL: .750 IN. OD .035 IN. WALL 28.50 IN. LG AL	002004 006999	1
- 65	BACS13BX12MP	..SLEEVE		002004 006999	2
- 70	MS21921-12D	..NUT-	OPTIONAL PART: BACN10YL12	002004 006999	2
- 70	BACN10YL12	..NUT-	OPTIONAL PART: MS21921-12D	002004 006999	2
75	271N6125-1005	.TUBE ASSY-SLAT PRESSURE	TUBING MATERIAL: .625 IN. OD .032 IN. WALL 5.00 IN. LG TITANIUM	107107 904949	1
75	271N6125-1017	.TUBE ASSY-SLAT PRESSURE	TUBING MATERIAL: .625 IN. OD .032 IN. WALL 3.2 IN. LG TI TITANIUM ALLOY TUBING	002004 006106 108903 950999	1
80	271N6125-1013	.TUBE ASSY-SLAT PRESSURE	TUBING MATERIAL: .625 IN. OD .032 IN. WALL 16.00 IN. LG TI	002004 006010 107107 121503 904999	1
85	271N6125-1006	.TUBE ASSY-SLAT PRESSURE	TUBING MATERIAL: .625 IN. OD .032 IN. WALL 5.00 IN. LG TITANIUM	107107	1
85	271N6125-1016	.TUBE ASSY-SLAT PRESSURE	TUBING MATERIAL: .625 IN. OD .032 IN. WALL 7.00 IN. LG TI	002004 006106 108999	1
90	271N6125-1015	.TUBE ASSY-SLAT PRESSURE	TUBING MATERIAL: .625 IN. OD .032 IN. WALL 28.00 IN. LG TI	002004 006010 107107 121503 904999	1

MISSING ITEM NUMBERS NOT APPLICABLE

- ITEM NOT ILLUSTRATED

27-81-51-16

27-81-51  
FIG. 16  
PAGE 3  
JAN 20/09

BRI



757

PARTS CATALOG (MAINTENANCE)

FIG ITEM	PART NUMBER	1 2 3 4 5 6 7	NOMENCLATURE	EFFECT FROM TO	UNITS PER ASSY
16					
- 95	AS1581T10	..	SLEEVE-	002004 006010 107107 121503 904999	2
- 95	AS1581T10	..	SLEEVE	011106 108120 504903	2
- 100	BACN10YA10	..	NUT	002004 006010 107107 121503 904999	2
- 100	BACN10YA10	..	NUT	011106 108120 504903	2
101	271N6125-1021	.	TUBE ASSY-SLAT PRESSURE	011106 108120 504903	1
102	271N6125-1018	.	TUBE ASSY-SLAT PRESSURE	011106 108120 504903	1
- 103	AS1581T06	..	SLEEVE	011106 108120 504903	2
- 104	BACN10YA6	..	NUT	011106 108120 504903	2
105	271N6125-1002	.	TUBE ASSY-SLAT PRESSURE TUBING MATERIAL: .750 IN. OD .039 IN. WALL 20.00 IN. LG TITANIUM	002004 006999	1
- 110	AS1581T12	..	SLEEVE	002004 006999	1
- 115	BACN10YA12	..	NUT	002004 006999	1
- 120	AS1582T12	..	UNION	002004 006999	1
125	271N6125-1001	.	TUBE ASSY-SLAT PRESSURE TUBING MATERIAL: .750 IN. OD .039 IN. WALL 8.00 IN. LG TI	002004 006010 107107 121503 904999	1
127	271N6125-1020	.	TUBE ASSY-SLAT PRESSURE	011106 108120 504903	1
- 130	AS1581T12	..	SLEEVE	002004 006999	2

MISSING ITEM NUMBERS NOT APPLICABLE

- ITEM NOT ILLUSTRATED

27-81-51-16

27-81-51  
FIG. 16  
PAGE 4  
JAN 20/09

BRI



757

PARTS CATALOG (MAINTENANCE)

FIG ITEM	PART NUMBER	1 2 3 4 5 6 7	NOMENCLATURE	EFFECT FROM TO	UNITS PER ASSY
16					
- 135	BACN10YA12	. .	NUT	002004 006999	2
140	271N6125-1014	. TUBE	ASSY-DRAIN TUBING MATERIAL: .250 IN. OD .035 IN. WALL 23.00 IN. LG AL	002004 006999	1
- 145	AFP1644	. .	SLEEVE SUPPLIER CODE: V30974 SPECIFICATION NUMBER: BACS13AP4 OPTIONAL PART: BC922-4 V50948 DBOS13AP4 V14798 2-01033-4 V11328 2-01033-4 V70195 BC922-4 V92003	002004 006999	1
- 150	MS21921-4D	. .	NUT- OPTIONAL PART: BACN10YL04	002004 006999	1
- 150	BACN10YL04	. .	NUT- OPTIONAL PART: MS21921-4D	002004 006999	1
155	MS21924D12	. UNION		002004 006999	1
157	BACU24L12	. UNION		002004 006999	1
160	NAS1762D0606	. ELBOW-	MISCELLANEOUS DATA: MAY USE NAS1762W0606	002004 006100 107107 121503 904999	1
160	NAS1762W0606	. ELBOW-		101106 108120 504903	1
165	NAS1762T1010	. ELBOW-		002004 006100 107107 121503 904999	4

MISSING ITEM NUMBERS NOT APPLICABLE

- ITEM NOT ILLUSTRATED

27-81-51-16

27-81-51  
FIG. 16  
PAGE 5  
JAN 20/09

BRI

BOEING PROPRIETARY - Copyright © - Unpublished Work - See title page for details.



757

PARTS CATALOG (MAINTENANCE)

FIG ITEM	PART NUMBER	1 2 3 4 5 6 7	NOMENCLATURE	EFFECT FROM TO	UNITS PER ASSY
16					
165	NAS1762J1010	.	ELBOW-	002004 006100 107107 121503 904999	4
166	NAS1762T1010	.	ELBOW-	002004 006100 107107 121503 904999	1
166	NAS1762J1010	.	ELBOW-	002004 006100 107107 121503 904999	1
170	NAS1762T1212	.	ELBOW-	002004 006010 107107 121503 904999	1
170	NAS1762J1212	.	ELBOW-	002004 006010 107107 121503 904999	1
172	AP1042JN0606	.	ELBOW SUPPLIER CODE: V01673 SPECIFICATION NUMBER: BACE21BT0606JN	011106 108120 504903	1
175	NAS1763T101010	.	TEE-	002004 006010 107107 121503 904999	2
175	NAS1763J101010	.	TEE-	002004 006010 107107 121503 904999	2
175	BCREF118607	.	TEE- OVERLENGTH PART NUMBER: BACT16BR100610JN	011106 108120 504903	2
180	NAS1764D120612	.	TEE-	002004 006100 107107 121503 904999	1

MISSING ITEM NUMBERS NOT APPLICABLE

- ITEM NOT ILLUSTRATED

27-81-51-16

27-81-51  
FIG. 16  
PAGE 6  
JAN 20/09

BRI

BOEING PROPRIETARY - Copyright © - Unpublished Work - See title page for details.





757

PARTS CATALOG (MAINTENANCE)

FIG ITEM	PART NUMBER	1 2 3 4 5 6 7	NOMENCLATURE	EFFECT FROM TO	UNITS PER ASSY
16					
180	NAS1764W120612	. TEE-		101106 108120 504903	1
185	NAS1763T121210	. TEE-		002004 006100 107107 121503 904999	2
185	NAS1763J121210	. TEE-		002004 006100 107107 121503 904999	2
190	BCREF116854	. TEE-	OVERLENGTH PART NUMBER: BACT16BR060606JN	011106 108120 504903	1
195	BCREF120347	. TEE-	OVERLENGTH PART NUMBER: BACT16BR121206JN	011106 108120 504903	1
210	AN924-12D	. NUT		002004 006999	1
215	AN924-12J	. NUT		002004 006999	1
220	0121520900-2	. VALVE-	SUPPLIER CODE: V83533 SPECIFICATION NUMBER: BACV10CD2 OPTIONAL PART: 1C1346 V99240	002004 006999	1
225	0121520900-4	. VALVE-	SUPPLIER CODE: V83533 SPECIFICATION NUMBER: BACV10CD4 OPTIONAL PART: 1C1350 V99240	002004 006100 107107 121503 904999	2
225	0121520900-2	. VALVE-	SUPPLIER CODE: V83533 SPECIFICATION NUMBER: BACV10CD2 OPTIONAL PART: 1C1346 V99240	101106 108120 504903	2

MISSING ITEM NUMBERS NOT APPLICABLE

- ITEM NOT ILLUSTRATED

27-81-51-16

27-81-51  
FIG. 16  
PAGE 7  
JAN 20/09

BRI

BOEING PROPRIETARY - Copyright © - Unpublished Work - See title page for details.



757

PARTS CATALOG (MAINTENANCE)

FIG ITEM	PART NUMBER	1 2 3 4 5 6 7	NOMENCLATURE	EFFECT FROM TO	UNITS PER ASSY
16 230	P32-595		.LIMITER-FLOW SUPPLIER CODE: V91816 SPECIFICATION NUMBER: S273T458-9 COMPONENT MAINT MANUAL REF: 29-10-07	002004 006999	1
900			ILLUSTRATION REFERENCE: DRIVE UNIT INSTL-LE SLAT DRIVE PWR (LEADING EDGE SLAT POWER DRIVE UNIT ONLY) 27-81-07-01	002004 006100 107107 121503 904999	RF
900			ILLUSTRATION REFERENCE: CONTROL AND DRIVE INSTL-LE SLAT 27-81-20-02	002004 006100 107107 121503 904999	RF
905			ILLUSTRATION REFERENCE: PLUMBING INSTL-SECT. 49 AC BAY HYDR (FLIGHT CONTROLS ONLY) 27-81-51-40	002004 006100 107107 121503 904999	RF

MISSING ITEM NUMBERS NOT APPLICABLE

- ITEM NOT ILLUSTRATED

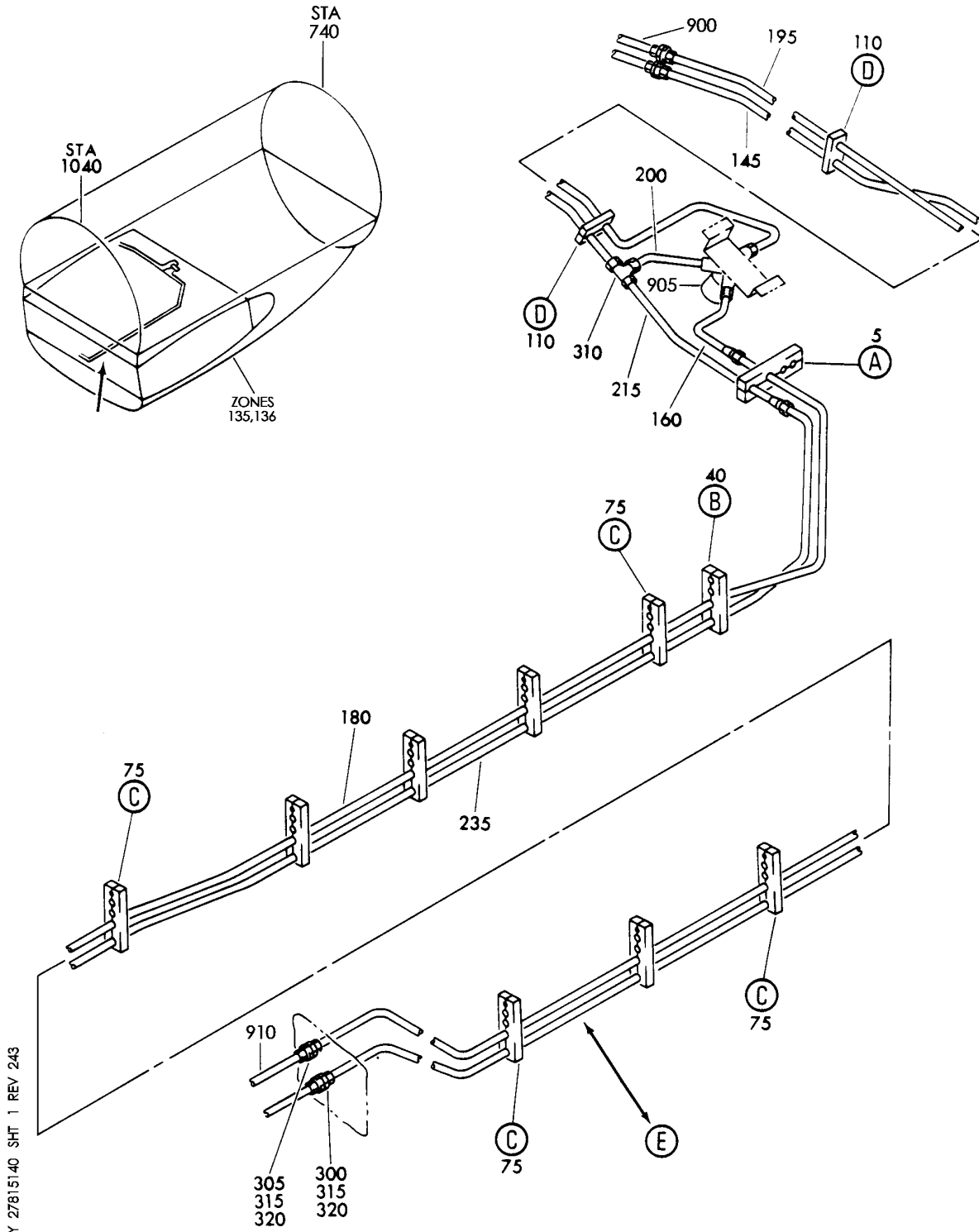
BRI

**27-81-51-16**

BOEING PROPRIETARY - Copyright © - Unpublished Work - See title page for details.

27-81-51  
FIG. 16  
PAGE 8  
JAN 20/09

**BOEING**  
757  
PARTS CATALOG (MAINTENANCE)



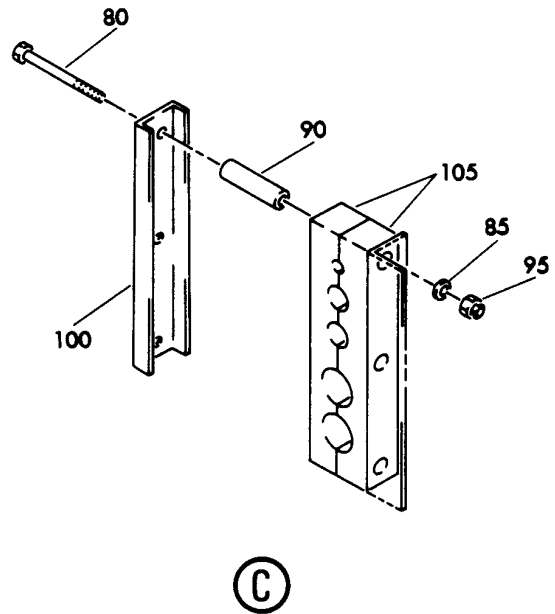
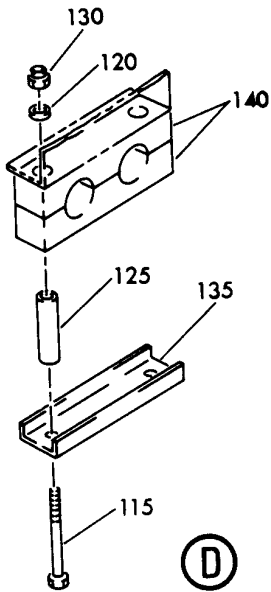
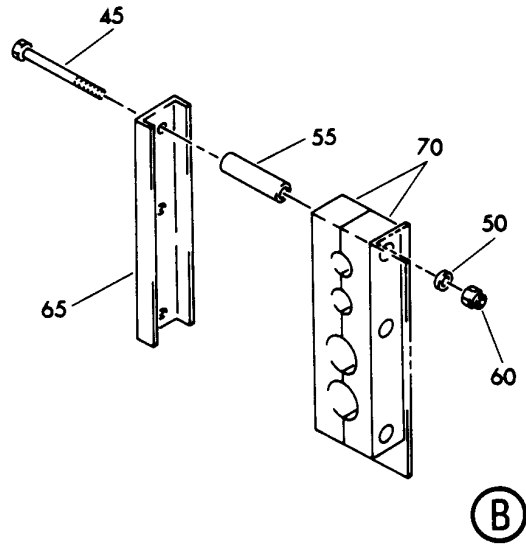
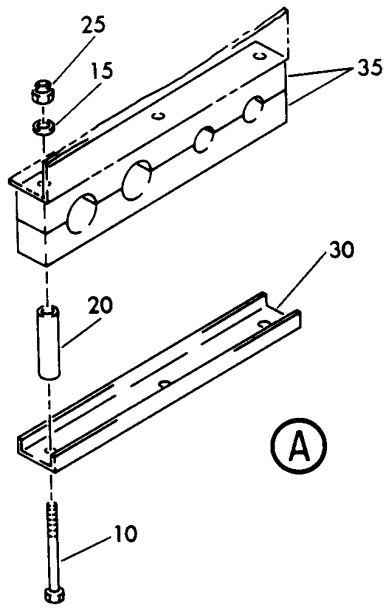
PLUMBING INSTL-SECT. 49 AC BAY HYDR (FLIGHT CONTROLS ONLY)  
FIGURE 40 (SHEET 1)

**27-81-51-40**

BRI  
MAY 28/07

27-81-51-40  
PAGE 0

**BOEING**  
757  
PARTS CATALOG (MAINTENANCE)



Y 27815140 SHT 2 REV 018

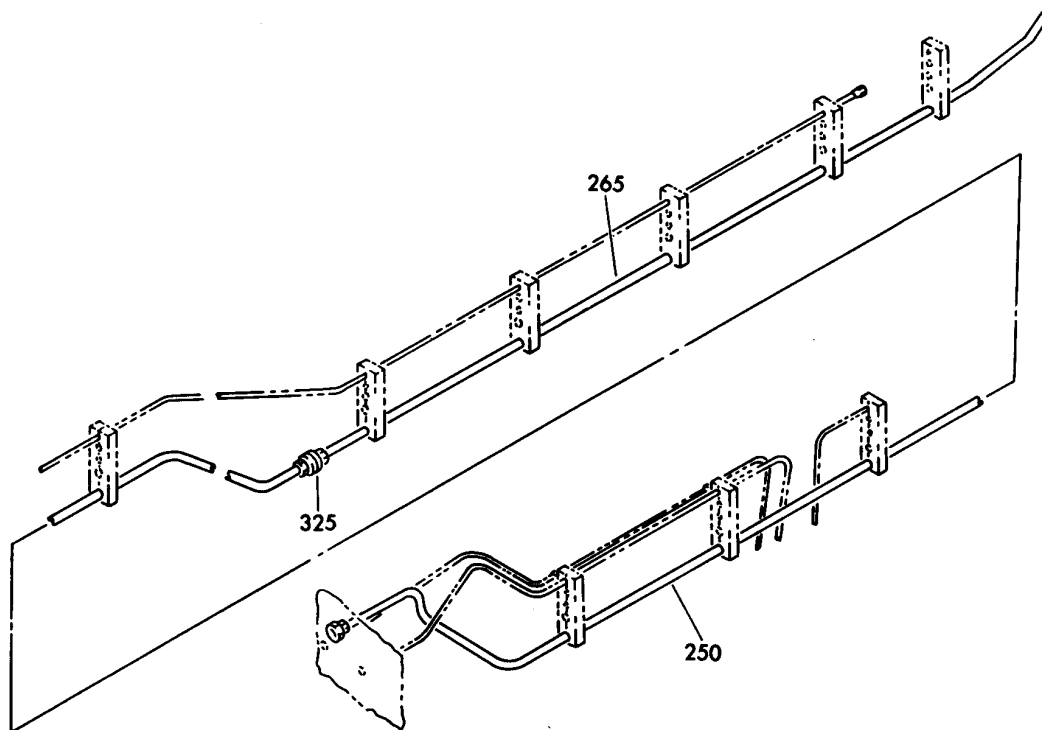
PLUMBING INSTL-SECT. 49 AC BAY HYDR (FLIGHT CONTROLS ONLY)  
FIGURE 40 (SHEET 2)

# 27-81-51-40

BRI  
MAY 28/07

27-81-51-40  
PAGE 0A

**BOEING**  
757  
PARTS CATALOG (MAINTENANCE)



Y 27815140 SHT 3 REV 180

PLUMBING INSTL-SECT. 49 AC BAY HYDR (FLIGHT CONTROLS ONLY)  
FIGURE 40 (SHEET 3)

BRI  
MAY 28/07

**27-81-51-40**

27-81-51-40  
PAGE 0B



757

PARTS CATALOG (MAINTENANCE)

FIG ITEM	PART NUMBER	1 2 3 4 5 6 7	NOMENCLATURE	EFFECT FROM TO	UNITS PER ASSY
40			PLUMBING INSTL-SECT. 49 AC BAY HYDR (FLIGHT CONTROLS ONLY)	002004 006100 107107 121503 904999	
- 1	271N6491-1		PLUMBING INSTL-AC BAY HYDR (FLIGHT CONTROLS ONLY) POSITION DATA: SECT. 49 FOR NHA/OTHER SYS DET SEE: 29-00-51-07	002004 006100 107107 121503 904999	RF
5	270N2000-181		.CLAMP ASSY-BLK	002004 006100 107107 121503 904999	1
10	NAS1801-3-30		..SCREW-	002004 006100 107107 121503 904999	3
15	AN960PD10L		..WASHER	002004 006100 107107 121503 904999	3
20	NAS43DD3-83		..SPACER	002004 006100 107107 121503 904999	3
25	BRH10A3		..NUT SUPPLIER CODE: V52828 SPECIFICATION NUMBER: BACN10JC3 OPTIONAL PART: H10-3BAC V15653 NS202101-02 V80539 RMLH9075-3W V72962 VN303A02 V92215 96-02 V80539 T6S1032J V11815	002004 006100 107107 121503 904999	3

MISSING ITEM NUMBERS NOT APPLICABLE

- ITEM NOT ILLUSTRATED

27-81-51-40

27-81-51  
FIG. 40  
PAGE 1  
JAN 20/09

BRI



757

PARTS CATALOG (MAINTENANCE)

FIG ITEM	PART NUMBER	1 2 3 4 5 6 7	NOMENCLATURE	EFFECT FROM TO	UNITS PER ASSY
40					
30	270N2000-898	. .	CHANNEL	002004 006100 107107 121503 904999	1
35	270N2000-652	. .	BLOCK	002004 006100 107107 121503 904999	1
40	270N2000-182	. .	CLAMP ASSY-BLK	002004 006100 107107 121503 904999	1
45	NAS1801-3-28	. .	SCREW	002004 006100 107107 121503 904999	3
50	AN960PD10L	. .	WASHER	002004 006100 107107 121503 904999	3
55	NAS43DD3-83	. .	SPACER	002004 006100 107107 121503 904999	3
60	BRH10A3	. .	NUT SUPPLIER CODE: V52828 SPECIFICATION NUMBER: BACN10JC3 OPTIONAL PART: H10-3BAC V15653 NS202101-02 V80539 RMLH9075-3W V72962 VN303A02 V92215 96-02 V80539 T6S1032J V11815	002004 006100 107107 121503 904999	3

MISSING ITEM NUMBERS NOT APPLICABLE

- ITEM NOT ILLUSTRATED

27-81-51-40

27-81-51  
FIG. 40  
PAGE 2  
JAN 20/09

BRI

BOEING PROPRIETARY - Copyright © - Unpublished Work - See title page for details.

 **BOEING**  
757  
**PARTS CATALOG (MAINTENANCE)**

FIG ITEM	PART NUMBER	1 2 3 4 5 6 7	NOMENCLATURE	EFFECT FROM TO	UNITS PER ASSY
40					
65	270N2000-897	..	CHANNEL	002004 006100 107107 121503 904999	1
70	270N2000-653	..	BLOCK	002004 006100 107107 121503 904999	2
75	270N2000-180	.	CLAMP ASSY-BLK	002004 006100 107107 121503 904999	8
80	NAS1801-3-32	..	SCREW-	002004 006100 107107 121503 904999	3
85	AN960PD10L	..	WASHER	002004 006100 107107 121503 904999	3
90	NAS43DD3-83	..	SPACER	002004 006100 107107 121503 904999	3
95	BRH10A3	..	NUT SUPPLIER CODE: V52828 SPECIFICATION NUMBER: BACN10JC3 OPTIONAL PART: H10-3BAC V15653 NS202101-02 V80539 RMLH9075-3W V72962 VN303A02 V92215 96-02 V80539 T6S1032J V11815	002004 006100 107107 121503 904999	3

MISSING ITEM NUMBERS NOT APPLICABLE

— ITEM NOT ILLUSTRATED

BRI

# 27-81-51-40

BOEING PROPRIETARY - Copyright © - Unpublished Work - See title page for details.

27-81-51  
FIG. 40  
PAGE 3  
JAN 20/09





757

PARTS CATALOG (MAINTENANCE)

FIG ITEM	PART NUMBER	1 2 3 4 5 6 7	NOMENCLATURE	EFFECT FROM TO	UNITS PER ASSY
40					
100	270N2000-896	. .	CHANNEL	002004 006100 107107 121503 904999	1
105	270N2000-651	. .	BLOCK	002004 006100 107107 121503 904999	2
110	270N2000-183	. .	CLAMP ASSY-BLK	002004 006100 107107 121503 904999	2
115	NAS1801-3-30	. .	SCREW-	002004 006100 107107 121503 904999	2
120	AN960PD10L	. .	WASHER	002004 006100 107107 121503 904999	2
125	NAS43DD3-83	. .	SPACER	002004 006100 107107 121503 904999	2
130	BRH10A3	. .	NUT SUPPLIER CODE: V52828 SPECIFICATION NUMBER: BACN10JC3 OPTIONAL PART: H10-3BAC V15653 NS202101-02 V80539 RMLH9075-3W V72962 VN303A02 V92215 96-02 V80539 T6S1032J V11815	002004 006100 107107 121503 904999	2

MISSING ITEM NUMBERS NOT APPLICABLE

- ITEM NOT ILLUSTRATED

27-81-51-40

27-81-51  
FIG. 40  
PAGE 4  
JAN 20/09

BRI

BOEING PROPRIETARY - Copyright © - Unpublished Work - See title page for details.



757

PARTS CATALOG (MAINTENANCE)

FIG ITEM	PART NUMBER	1 2 3 4 5 6 7	NOMENCLATURE	EFFECT FROM TO	UNITS PER ASSY
40 135	270N2000-899	..	CHANNEL	002004 006100 107107 121503 904999	1
140	270N2000-654	..	BLOCK	002004 006100 107107 121503 904999	2
145	271N6491-1020	.TUBE ASSY-PRESSURE SYS POSITION DATA: L TUBING MATERIAL: .750 IN. OD X.039 IN. WALL X 65.60 IN. LG TI BMS 7-234 TI-3AL-2.5V COLD WORKED, STRESS RELIEVED TUBING		107107 904949	1
145	271N6491-1070	.TUBE ASSY-PRESSURE SYS POSITION DATA: L TUBING MATERIAL: .750 IN. OD X .039 IN. WALL X 65.50 IN. LG TI BMS 7-234 TI-3AL-2.5V COLD WORKED, STRESS RELIEVED TUBING		002004 006100 121503 950999	1
- 150	AS1581T12	..	SLEEVE	002004 006100 107107 121503 904999	2
- 155	BACN10YA12	..	NUT-	002004 006100 107107 121503 904999	2
160	271N6491-1019	.TUBE ASSY-PRESSURE SYS POSITION DATA: L TUBING MATERIAL: .750 IN. OD X .039 IN. WALL X 11.10 IN. LG TI BMS 7-234 TI-3AL-2.5V COLD WORKED, STRESS RELIEVED TUBING		002004 006100 107107 121503 904999	1

MISSING ITEM NUMBERS NOT APPLICABLE

- ITEM NOT ILLUSTRATED

27-81-51-40

27-81-51  
FIG. 40  
PAGE 5  
JAN 20/09

BRI



757

PARTS CATALOG (MAINTENANCE)

FIG ITEM	PART NUMBER	1 2 3 4 5 6 7	NOMENCLATURE	EFFECT FROM TO	UNITS PER ASSY
40					
- 165	AS1581T12	..	SLEEVE	002004 006100 107107 121503 904999	1
- 170	BACN10YA12	..	NUT	002004 006100 107107 121503 904999	1
- 175	AS1582T12	..	UNION	002004 006100 107107 121503 904999	1
180	271N6491-1002	.	TUBE ASSY-PRESSURE SYS POSITION DATA: L TUBING MATERIAL: .750 IN. OD. X .039 IN. WALL X175.80 IN. LG TI BMS 7-234 TI-3AL-2.5V COLD WORKED, STRESS RELIEVED TUBING	002004 006100 107107 121503 904999	1
- 185	AS1581T12	..	SLEEVE	002004 006100 107107 121503 904999	2
- 190	BACN10YA12	..	NUT	002004 006100 107107 121503 904999	2
195	271N6491-1023	.	TUBE ASSY-RETURN SYS POSITION DATA: L TUBING MATERIAL: .750 IN. OD X .035 IN. WALL X 44.00 IN. LG AL AMS4083 6061 T6 TUBING	002004 006100 107107 121503 904999	1
200	271N6491-1061	.	TUBE ASSY-RETURN SYS POSITION DATA: L TUBING MATERIAL: .750 IN. OD X.035 IN. WALL X 9.80 IN. LG AL AMS 4083 6061 T6 TUBING	002004 006100 107107 121503 904999	1

MISSING ITEM NUMBERS NOT APPLICABLE

- ITEM NOT ILLUSTRATED

27-81-51-40

27-81-51  
FIG. 40  
PAGE 6  
JAN 20/09

BRI



757

PARTS CATALOG (MAINTENANCE)

FIG ITEM	PART NUMBER	1 2 3 4 5 6 7	NOMENCLATURE	EFFECT FROM TO	UNITS PER ASSY
40 - 205	AP2097HP12	..	SLEEVE SUPPLIER CODE: V01673 SPECIFICATION NUMBER: BACS13BX12HP OPTIONAL PART: 2-02903-12HP V11328 35235VN12 V08199 AFP175V12P V30974 DBOS13BX12HP V14798	002004 006100 107107 121503 904999	2
- 210	BACN10YL12	..	NUT	002004 006100 107107 121503 904999	2
215	271N6491-1021	.TUBE ASSY-RETURN SYS POSITION DATA: L TUBING MATERIAL: .750 IN. OD X .035 IN. WALL X 20.80 IN. LG AL AMS 4083 6061 T6 TUBING		002004 006100 107107 121503 904999	1
- 220	AP2097HP12	..	SLEEVE SUPPLIER CODE: V01673 SPECIFICATION NUMBER: BACS13BX12HP OPTIONAL PART: 2-02903-12HP V11328 35235VN12 V08199 AFP175V12P V30974 DBOS13BX12HP V14798	002004 006100 107107 121503 904999	1
- 225	BACN10YL12	..	NUT	002004 006100 107107 121503 904999	1

MISSING ITEM NUMBERS NOT APPLICABLE

- ITEM NOT ILLUSTRATED

BRI

27-81-51-40

27-81-51  
FIG. 40  
PAGE 7  
JAN 20/09



757

PARTS CATALOG (MAINTENANCE)

FIG ITEM	PART NUMBER	1 2 3 4 5 6 7	NOMENCLATURE	EFFECT FROM TO	UNITS PER ASSY
40 - 230	35056GV12		.. UNION SUPPLIER CODE: V08199 SPECIFICATION NUMBER: BACU24AB12W OPTIONAL PART: 4671097W12 V50948 2-01027-12W V11328 31875-12W V14397 AP1004W12 V01673 AFP941W12 V30974 DBOU24AB12W V14798	002004 006100 107107 121503 904999	1
235	271N6491-1036		. TUBE ASSY-RETURN SYS POSITION DATA: L TUBING MATERIAL: .750 IN. OD X .035 IN. WALL X 173.60 IN. LG AL AMS 4083 6061 T6 TUBING	002004 006100 107107 121503 904999	1
- 240	AP2097HP12		.. SLEEVE SUPPLIER CODE: V01673 SPECIFICATION NUMBER: BACS13BX12HP OPTIONAL PART: 2-02903-12HP V11328 35235VN12 V08199 AFP175V12P V30974 DBOS13BX12HP V14798	002004 006100 107107 121503 904999	2
- 245	BACN10YL12		.. NUT	002004 006100 107107 121503 904999	2
300	MS21924D12		. UNION	002004 006100 107107 121503 904999	1

MISSING ITEM NUMBERS NOT APPLICABLE

- ITEM NOT ILLUSTRATED

27-81-51-40

27-81-51  
FIG. 40  
PAGE 8  
JAN 20/09

BRI



757

PARTS CATALOG (MAINTENANCE)

FIG ITEM	PART NUMBER	1 2 3 4 5 6 7	NOMENCLATURE	EFFECT FROM TO	UNITS PER ASSY
40					
305	BACU24L12	.	UNION	002004 006100 107107 121503 904999	1
310	MS21905D12	.	TEE-	107107	1
310	MS21905W12	.	TEE-	002004 006100 121503 904999	1
315	AN924-12D	.	NUT	002004 006100 107107 121503 904999	2
320	AN960PD1716	.	WASHER	002004 006100 107107 121503 904999	2
900			ILLUSTRATION REFERENCE: PLUMBING INSTL-SECT. 12 LE (LEADING EDGE SLAT SYSTEM ONLY) 27-81-51-16	002004 006100 107107 121503 904999	RF
905			ILLUSTRATION REFERENCE: VALVE INSTL-LE SLAT BYPASS (FLIGHT CONTROLS ONLY) 27-81-09-01	002004 006100 107107 121503 904999	RF
910			ILLUSTRATION REFERENCE: PLUMBING INSTL-SECT. 44 MLG WHL WELL HYDR (TRAILING EDGE FLAP SYSTEM ONLY) 27-51-51-20	002004 006100 107107 121503 904999	RF

MISSING ITEM NUMBERS NOT APPLICABLE

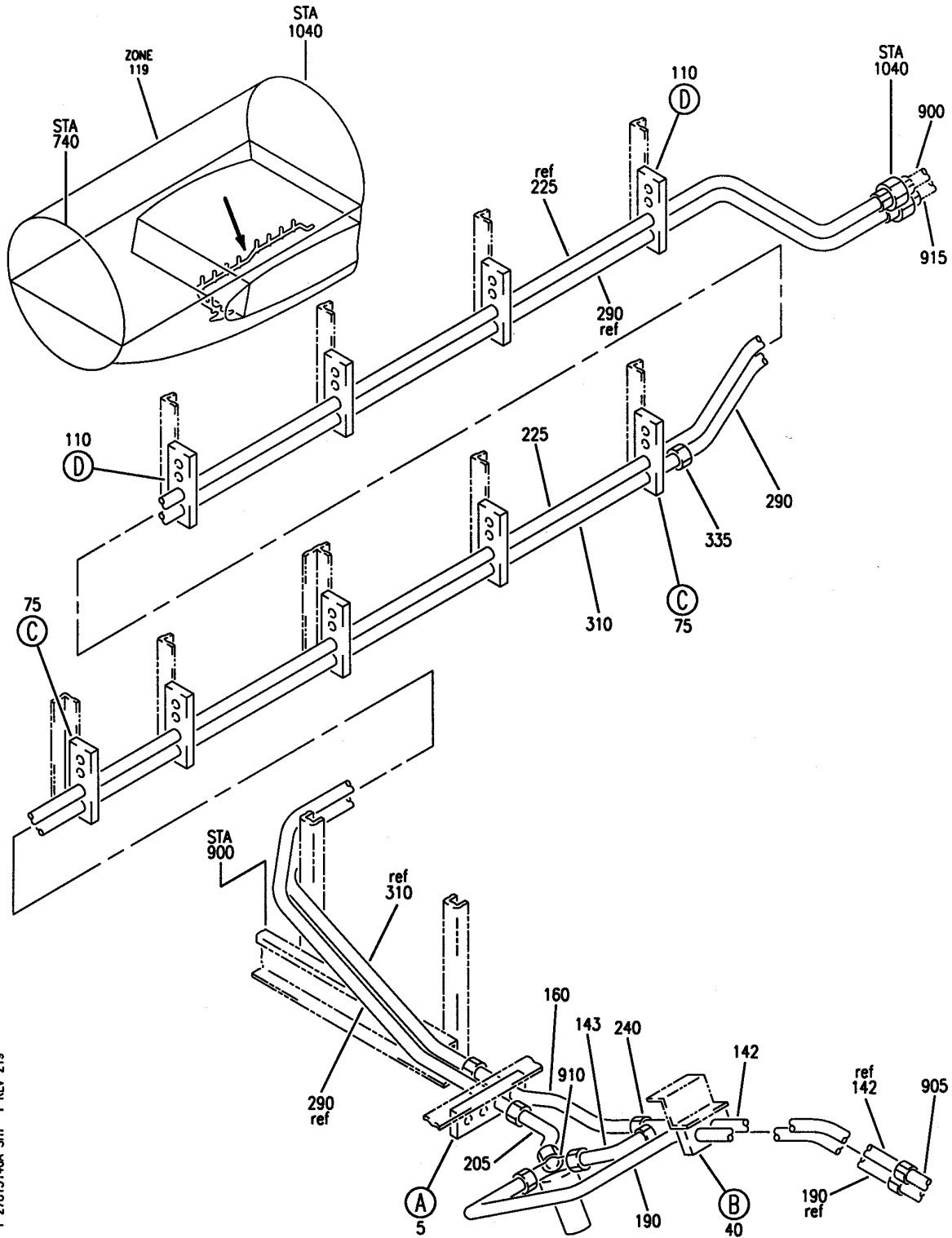
- ITEM NOT ILLUSTRATED

BRI

27-81-51-40

27-81-51  
FIG. 40  
PAGE 9  
JAN 20/09


**BOEING**  
 757  
**PARTS CATALOG (MAINTENANCE)**



Y 27815140A SHT 1 REV 219

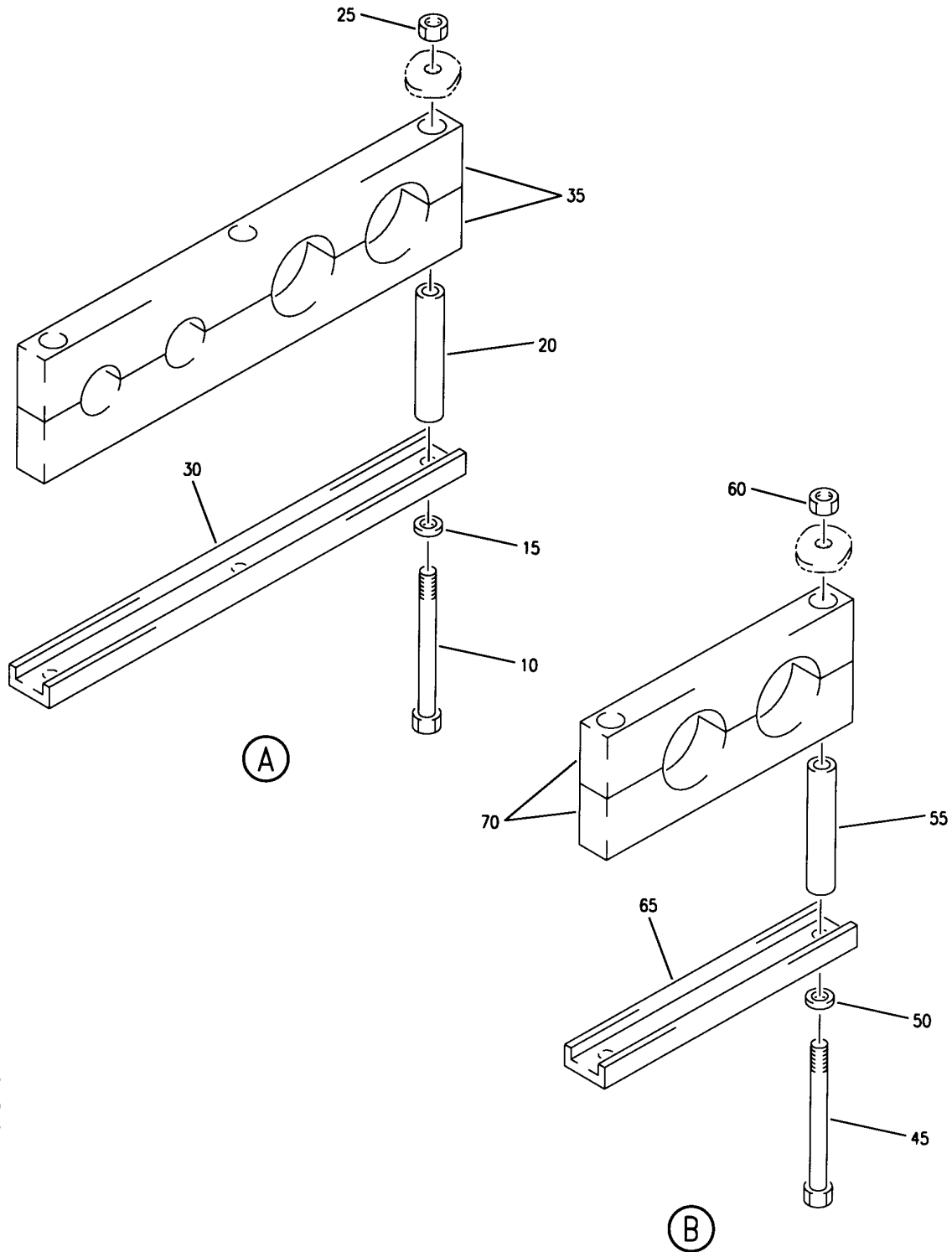
PLUMBING INSTL-SECT. 49 AND SECT. 44 AC BAY HYDR  
FIGURE 40A (SHEET 1)

**27-81-51-40A**

BRI  
MAY 28/07

27-81-51-40A  
PAGE 0

**BOEING**  
757  
PARTS CATALOG (MAINTENANCE)



Y 27815140A SHT 2 REV 194

PLUMBING INSTL-SECT. 49 AND SECT. 44 AC BAY HYDR  
FIGURE 40A (SHEET 2)

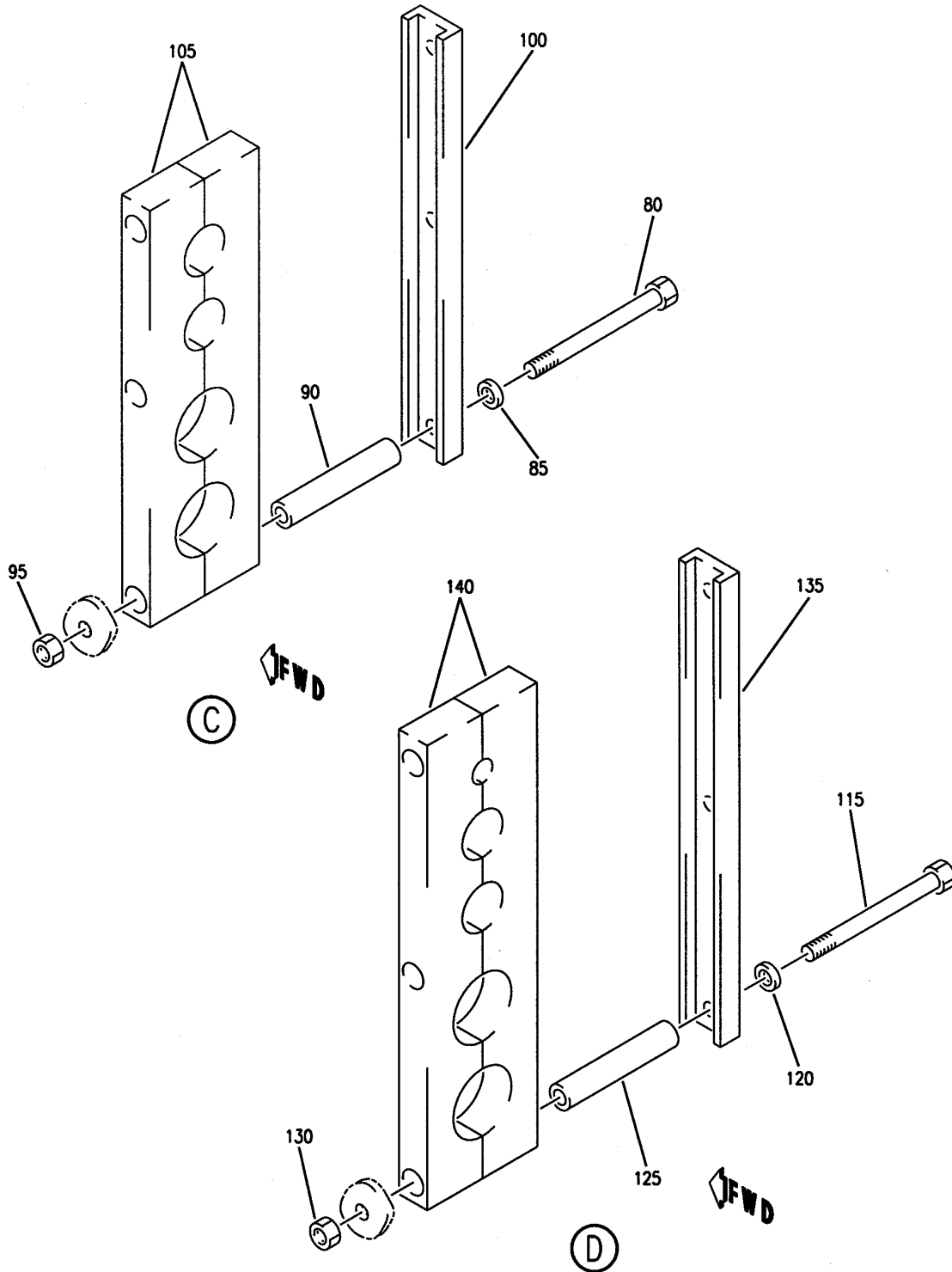
**27-81-51-40A**

BRI  
MAY 28/07

27-81-51-40A  
PAGE 0A



**BOEING**  
757  
PARTS CATALOG (MAINTENANCE)



Y 27815140A SHT 3 REV 219

PLUMBING INSTL-SECT. 49 AND SECT. 44 AC BAY HYDR  
FIGURE 40A (SHEET 3)

**27-81-51-40A**

BRI  
MAY 28/07

27-81-51-40A  
PAGE 0B



757

PARTS CATALOG (MAINTENANCE)

FIG ITEM	PART NUMBER	1 2 3 4 5 6 7	NOMENCLATURE	EFFECT FROM TO	UNITS PER ASSY
40A			PLUMBING INSTL-SECT. 49 AND SECT. 44 AC BAY HYDR	101106 108120 504903	
- 1	271N6491-7		PLUMBING INSTL-AC BAY HYDR (FLIGHT CONTROLS ONLY) POSITION DATA: SECT. 49 FOR NHA/OTHER SYS DET SEE: 29-00-51-02C	101102 504903	RF
- 1	271N6491-9		PLUMBING INSTL-AC BAY HYDR (FLIGHT CONTROLS ONLY) POSITION DATA: SECT. 49 FOR NHA/OTHER SYS DET SEE: 29-00-51-02C	108120	RF
- 1	MODREF30329		PLUMBING INSTL-AC BAY HYDR (FLIGHT CONTROLS ONLY) MODULE NUMBER: 271N6491-9 REV B POSITION DATA: SECT. 49 FOR OTHER SYS DETAILS SEE: 29-11-51-23A 32-34-51-40A 32-35-51-40A	103106	1
5	270N2000-181		.CLAMP ASSY-BLK	101106 108120 504903	1
10	NAS1801-3-30		..SCREW	101106 108120 504903	3
15	AN960PD10L		..WASHER	101106 108120 504903	3
20	NAS43DD3-83		..SPACER	101106 108120 504903	3

MISSING ITEM NUMBERS NOT APPLICABLE

- ITEM NOT ILLUSTRATED

BRI

**27-81-51-40A**

BOEING PROPRIETARY - Copyright © - Unpublished Work - See title page for details.

27-81-51  
FIG. 40A  
PAGE 1  
JAN 20/09



757

PARTS CATALOG (MAINTENANCE)

FIG ITEM	PART NUMBER	1 2 3 4 5 6 7	NOMENCLATURE	EFFECT FROM TO	UNITS PER ASSY
40A 25	BRH10A3	..	NUT SUPPLIER CODE: V52828 SPECIFICATION NUMBER: BACN10JC3 OPTIONAL PART: H10-3BAC V15653 NS202101-02 V80539 RMLH9075-3W V72962 VN303A02 V92215 96-02 V80539 T6S1032J V11815	101106 108120 504903	3
30	270N2000-898	..	CHANNEL	101106 108120 504903	1
35	270N2000-652	..	BLOCK	101106 108120 504903	1
40	270N2000-183	.	CLAMP ASSY-BLK	101106 108120 504903	2
45	NAS1801-3-30	..	SCREW	101106 108120 504903	2
50	AN960PD10L	..	WASHER	101106 108120 504903	2
55	NAS43DD3-83	..	SPACER	101106 108120 504903	2

MISSING ITEM NUMBERS NOT APPLICABLE

- ITEM NOT ILLUSTRATED

27-81-51-40A

27-81-51  
FIG. 40A  
PAGE 2  
JAN 20/09

BRI

BOEING PROPRIETARY - Copyright © - Unpublished Work - See title page for details.



757

PARTS CATALOG (MAINTENANCE)

FIG ITEM	PART NUMBER	1 2 3 4 5 6 7	NOMENCLATURE	EFFECT FROM TO	UNITS PER ASSY
40A 60	BRH10A3	..	NUT SUPPLIER CODE: V52828 SPECIFICATION NUMBER: BACN10JC3 OPTIONAL PART: H10-3BAC V15653 NS202101-02 V80539 RMLH9075-3W V72962 VN303A02 V92215 96-02 V80539 T6S1032J V11815	101106 108120 504903	2
65	270N2000-899	..	CHANNEL	101106 108120 504903	1
70	270N2000-654	..	BLOCK	101106 108120 504903	2
75	270N2000-182	.	CLAMP ASSY-BLK	101106 108120 504903	5
80	NAS1801-3-30	..	SCREW	101106 108120 504903	3
85	AN960PD10L	..	WASHER	101106 108120 504903	3
90	NAS43DD3-83	..	SPACER	101106 108120 504903	3

MISSING ITEM NUMBERS NOT APPLICABLE

- ITEM NOT ILLUSTRATED

**27-81-51-40A**

27-81-51  
FIG. 40A  
PAGE 3  
JAN 20/09

BRI

BOEING PROPRIETARY - Copyright © - Unpublished Work - See title page for details.



757

PARTS CATALOG (MAINTENANCE)

FIG ITEM	PART NUMBER	1 2 3 4 5 6 7	NOMENCLATURE	EFFECT FROM TO	UNITS PER ASSY
40A 95	BRH10A3	..	NUT SUPPLIER CODE: V52828 SPECIFICATION NUMBER: BACN10JC3 OPTIONAL PART: H10-3BAC V15653 NS202101-02 V80539 RMLH9075-3W V72962 VN303A02 V92215 96-02 V80539 T6S1032J V11815	101106 108120 504903	3
100	270N2000-897	..	CHANNEL	101106 108120 504903	1
105	270N2000-653	..	BLOCK	101106 108120 504903	2
110	270N2000-180	.	CLAMP ASSY-BLK	101106 108120 504903	4
115	NAS1801-3-32	..	SCREW	101106 108120 504903	3
120	AN960PD10L	..	WASHER	101106 108120 504903	3
125	NAS43DD3-83	..	SPACER	101106 108120 504903	3

MISSING ITEM NUMBERS NOT APPLICABLE

- ITEM NOT ILLUSTRATED

BRI

**27-81-51-40A**

BOEING PROPRIETARY - Copyright © - Unpublished Work - See title page for details.

27-81-51  
FIG. 40A  
PAGE 4  
JAN 20/09



757

PARTS CATALOG (MAINTENANCE)

FIG ITEM	PART NUMBER	1 2 3 4 5 6 7	NOMENCLATURE	EFFECT FROM TO	UNITS PER ASSY
40A 130	BRH10A3	..	NUT SUPPLIER CODE: V52828 SPECIFICATION NUMBER: BACN10JC3 OPTIONAL PART: H10-3BAC V15653 NS202101-02 V80539 RMLH9075-3W V72962 VN303A02 V92215 96-02 V80539 T6S1032J V11815	101106 108120 504903	3
135	270N2000-896	..	CHANNEL	101106 108120 504903	1
140	270N2000-651	..	BLOCK	101106 108120 504903	2
142	271N6491-1080	.TUBE ASSY-RETURN SYS POSITION DATA: L		101106 108120 504903	1
143	271N6491-1061	.TUBE ASSY-RETURN SYS POSITION DATA: L TUBING MATERIAL: .750 IN. OD X .035 IN. WALL X 9.80 IN. LG AL AMS 4083 6061 T6 TUBING		101106 108120 504903	1
- 145	AP2097HP12	..SLEEVE SUPPLIER CODE: V01673 SPECIFICATION NUMBER: BACS13BX12HP OPTIONAL PART: 2-02903-12HP V11328 35235VN12 V08199 AFP175V12P V30974 DBOS13BX12HP V14798		101106 108120 504903	2

MISSING ITEM NUMBERS NOT APPLICABLE

- ITEM NOT ILLUSTRATED

27-81-51-40A

27-81-51  
FIG. 40A  
PAGE 5  
JAN 20/09

BRI

BOEING PROPRIETARY - Copyright © - Unpublished Work - See title page for details.



757

PARTS CATALOG (MAINTENANCE)

FIG ITEM	PART NUMBER	1 2 3 4 5 6 7	NOMENCLATURE	EFFECT FROM TO	UNITS PER ASSY
40A - 150	MS21921-12D	..	NUT- OPTIONAL PART: BACN10YL12 USED ON: 271N6491-1061	101106 108120 504903	2
- 155	BACN10YL12	..	NUT- OPTIONAL PART: MS21921-12D USED ON: 271N6491-1061	101106 108120 504903	2
160	271N6491-1021	.	TUBE ASSY-RETURN SYS POSITION DATA: L TUBING MATERIAL: .750 IN. OD X .035 IN. WALL X 20.80 IN. LG AL AMS 4083 6061 T6 TUBING	101106 108120 504903	1
- 165	AP2097HP12	..	SLEEVE SUPPLIER CODE: V01673 SPECIFICATION NUMBER: BACS13BX12HP OPTIONAL PART: 2-02903-12HP V11328 35235VN12 V08199 AFP175V12P V30974 DBOS13BX12HP V14798	101106 108120 504903	1
- 175	BACN10YL12	..	NUT	101106 108120 504903	1

MISSING ITEM NUMBERS NOT APPLICABLE

- ITEM NOT ILLUSTRATED

**27-81-51-40A**

27-81-51  
FIG. 40A  
PAGE 6  
JAN 20/09

BRI

BOEING PROPRIETARY - Copyright © - Unpublished Work - See title page for details.



757

PARTS CATALOG (MAINTENANCE)

FIG ITEM	PART NUMBER	1 2 3 4 5 6 7	NOMENCLATURE	EFFECT FROM TO	UNITS PER ASSY
40A - 180	35056GV12		..UNION SUPPLIER CODE: V08199 SPECIFICATION NUMBER: BACU24AB12W OPTIONAL PART: 4671097W12 V50948 2-01027-12W V11328 31875-12W V14397 AP1004W12 V01673 AFP941W12 V30974 DBOU24AB12W V14798	101106 108120 504903	1
190	271N6491-1070		.TUBE ASSY-PRESSURE SYS POSITION DATA: L TUBING MATERIAL: .750 IN. OD X .039 IN. WALL X 65.50 IN. LG TI BMS 7-234 TI-3AL-2.5V COLD WORKED, STRESS RELIEVED TUBING	101106 108120 504903	1
- 195	AS1581T12		..SLEEVE	101106 108120 504903	2
- 200	BACN10YA12N		..NUT	101106 108120 504903	2
205	271N6491-1019		.TUBE ASSY-PRESSURE SYS POSITION DATA: L TUBING MATERIAL: .750 IN. OD X .039 IN. WALL X 11.10 IN. LG TI BMS 7-234 TI-3AL-2.5V COLD WORKED, STRESS RELIEVED TUBING	101106 108120 504903	1
- 210	AS1581T12		..SLEEVE	101106 108120 504903	1
- 215	BACN10YA12		..NUT	101106 108120 504903	1

MISSING ITEM NUMBERS NOT APPLICABLE

- ITEM NOT ILLUSTRATED

27-81-51-40A

27-81-51  
FIG. 40A  
PAGE 7  
JAN 20/09

BRI

BOEING PROPRIETARY - Copyright © - Unpublished Work - See title page for details.





757

PARTS CATALOG (MAINTENANCE)

FIG ITEM	PART NUMBER	1 2 3 4 5 6 7	NOMENCLATURE	EFFECT FROM TO	UNITS PER ASSY
40A - 220	AS1582T12	..	UNION	101106 108120 504903	1
225	271N6491-1002	.	TUBE ASSY-PRESSURE SYS POSITION DATA: L TUBING MATERIAL: .750 IN. OD. .039 IN. WALL 175.80 IN. LG TI BMS 7-234 TI-3AL-2.5V COLD WORKED, STRESS RELIEVED TUBING	101106 108120 504903	1
- 230	AS1581T12	..	SLEEVE	101106 108120 504903	2
- 235	BACN10YA12	..	NUT	101106 108120 504903	2
240	MS21905W12	.	TEE	101106 108120 504903	1
900			ILLUSTRATION REFERENCE: PLUMBING INSTL-MAIN WHL WELL FWD BHD HYDR 29-11-51-78	101106 108120 504903	RF
905			ILLUSTRATION REFERENCE: PLUMBING INSTL-SECT. 12 LE (LEADING EDGE SLAT SYSTEM ONLY) 27-81-51-16	101106 108120 504903	RF
910			ILLUSTRATION REFERENCE: VALVE INSTL-LE SLAT BYPASS (FLIGHT CONTROLS ONLY) 27-81-09-01	101106 108120 504903	RF

MISSING ITEM NUMBERS NOT APPLICABLE

- ITEM NOT ILLUSTRATED

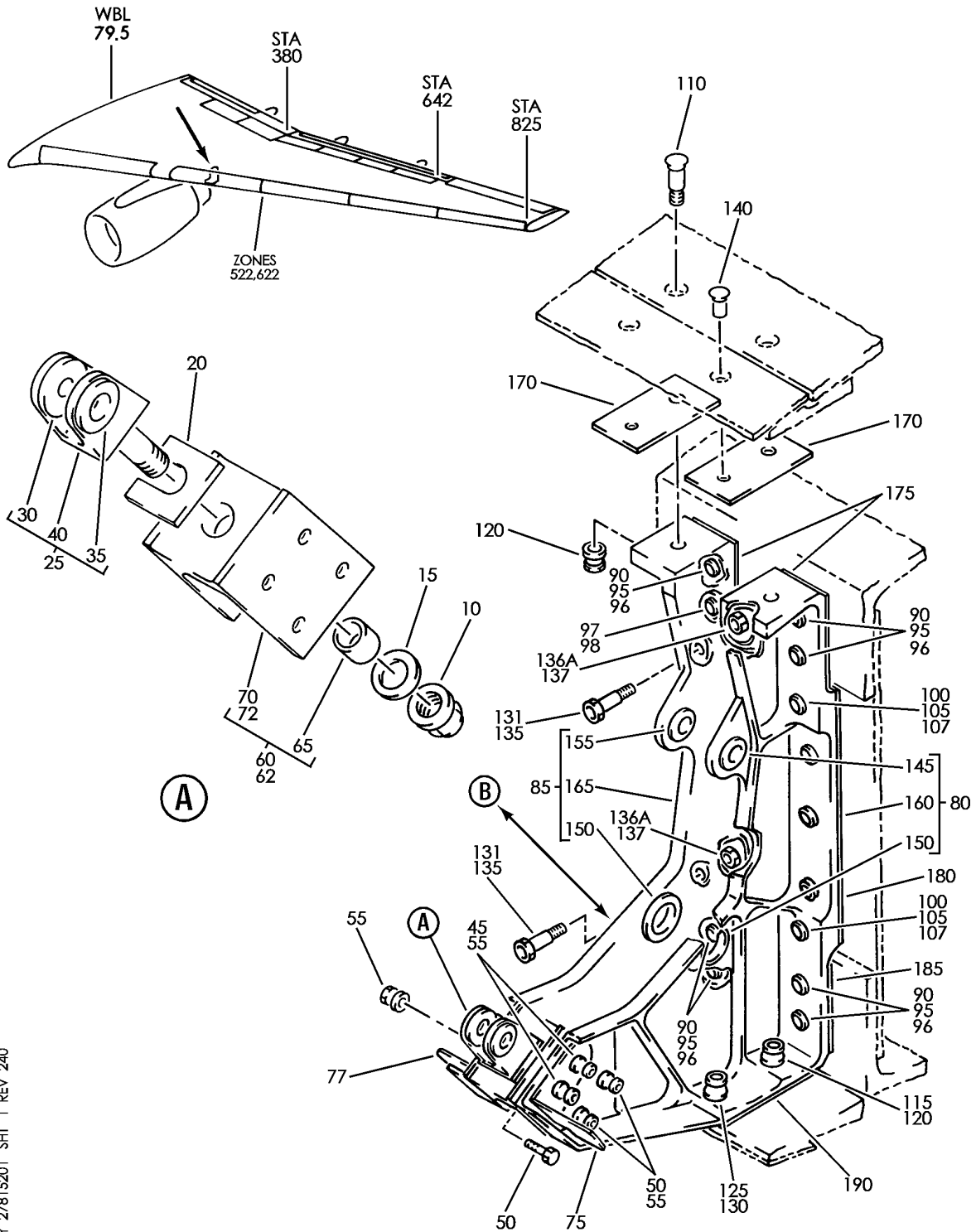
BRI

27-81-51-40A

BOEING PROPRIETARY - Copyright © - Unpublished Work - See title page for details.

27-81-51  
FIG. 40A  
PAGE 8  
JAN 20/09

**BOEING**  
757  
PARTS CATALOG (MAINTENANCE)



Y 27815201 SHT 1 REV 240

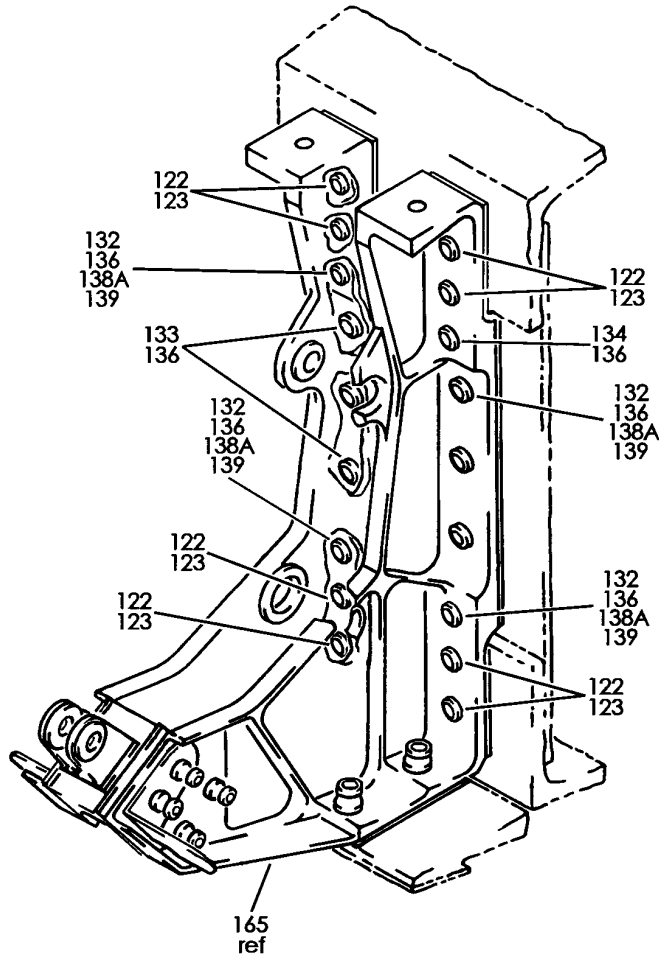
FITTING INSTL-WING FXD LE OSS 356.50 AUX TRACK SPRT  
FIGURE 1 (SHEET 1)

**27-81-52-01**

BRI  
MAY 28/07

27-81-52-01  
PAGE 0

**BOEING**  
757  
PARTS CATALOG (MAINTENANCE)



(B)

Y 27815201 SHT 2 REV 208

FITTING INSTL-WING FXD LE OSS 356.50 AUX TRACK SPRT  
FIGURE 1 (SHEET 2)

**27-81-52-01**

BRI  
MAY 28/07

27-81-52-01  
PAGE 0A

BOEING PROPRIETARY - Copyright © - Unpublished Work - See title page for details.



757

PARTS CATALOG (MAINTENANCE)

FIG ITEM	PART NUMBER	1 2 3 4 5 6 7	NOMENCLATURE	EFFECT FROM TO	UNITS PER ASSY
1			FITTING INSTL-WING FXD LE OSS 356.50 AUX TRACK SPRT	002004 006102 107999	
- 1	114N2017-1		FITTING INSTL-WING FXD LE AUX TRACK SPRT POSITION DATA: OSS 356.50 LH FOR NHA SEE: 57-21-51-01	002004 006100 107107 121503 904999	RF
- 1	114N2017-405		FITTING INSTL-WING FXD LE AUX TRACK SPRT POSITION DATA: OSS 356.50 LH REWORK DRAWING REF: 114N2240-1 FOR NHA SEE: 57-00-00-10	101102 108120 504903	RF
- 5	114N2017-2		FITTING INSTL-WING FXD LE AUX TRACK SPRT POSITION DATA: OSS 356.50 RH FOR NHA SEE: 57-21-51-01	002004 006100 107107 121503 904999	RF
- 5	114N2017-406		FITTING INSTL-WING FXD LE AUX TRACK SPRT POSITION DATA: OSS 356.50 RH FOR NHA SEE: 57-00-00-10	101102 108120 504903	RF

MISSING ITEM NUMBERS NOT APPLICABLE

- ITEM NOT ILLUSTRATED

BRI

**27-81-52-01**

BOEING PROPRIETARY - Copyright © - Unpublished Work - See title page for details.

27-81-52  
FIG. 01  
PAGE 1  
JAN 20/09


**BOEING**  
 757  
**PARTS CATALOG (MAINTENANCE)**

FIG ITEM	PART NUMBER	1 2 3 4 5 6 7	NOMENCLATURE	EFFECT FROM TO	UNITS PER ASSY
1	BMN10HRCWD3-6		.NUT-	002004	1
10			SUPPLIER CODE: V97928	006009	
			SPECIFICATION NUMBER: BACN10HR6CD	107107	
			OPTIONAL PART: H51560-6	121503	
			V15653	904949	
			67832CD624	952999	
			V56878		
			102LH9031-6		
			V72962		
			BH00303CM6		
			V27238		
			SL7108C624		
			V11815		
			BMN5024CWD36		
			V97928		
			SL7108C6		
			V11815		
			102LH90316		
			V72962		
			67832CD6		
			V56878		
			VCU0005D6		
			V06710		
			CR60306		
			VF0224		
			CR60306		
			VF0224		

MISSING ITEM NUMBERS NOT APPLICABLE

- ITEM NOT ILLUSTRATED

BRI

# 27-81-52-01

BOEING PROPRIETARY - Copyright © - Unpublished Work - See title page for details.

27-81-52  
 FIG. 01  
 PAGE 2  
 MAY 20/09



757

PARTS CATALOG (MAINTENANCE)

FIG ITEM	PART NUMBER	1 2 3 4 5 6 7	NOMENCLATURE	EFFECT FROM TO	UNITS PER ASSY
1 10	BMN10HRCWD3-7	.NUT-	SUPPLIER CODE: V97928 SPECIFICATION NUMBER: BACN10HR7CD OPTIONAL PART: H51560-7 V15653 67832CD720 V56878 102LH9031-7 V72962 BH00303CM7 V27238 BMN5024CWD37 V97928 SL7108C7 V11815 VCU0005D7 V06710 102LH90317 V72962 67832CD7 V56878 CR6030-7 VF0224 BMN10HRCWD3-7 V97928	010102 108120 504903 950951	1
15	BACW10BP6DP	.WASHER-		002004 006009 107107 121503 904949 952999	AR
15	BACW10BP7DP	.WASHER-		010102 108120 504903 950951	AR
20	114N2153-1	.SHIM-		904949	1
20	114N2153-2	.SHIM-	POST SERVICE BULLETIN: 57-0035R1	002004 006102 107903 950999	1

MISSING ITEM NUMBERS NOT APPLICABLE

- ITEM NOT ILLUSTRATED

27-81-52-01

27-81-52  
FIG. 01  
PAGE 3  
JAN 20/09

BRI



757

PARTS CATALOG (MAINTENANCE)

FIG ITEM	PART NUMBER	1 2 3 4 5 6 7	NOMENCLATURE	EFFECT FROM TO	UNITS PER ASSY
1	25 114N2073-1		.CLEVIS ASSY- QUALIFIED I/W DATA: -9 T/W 114N2075-30 THRU -36 (DEPENDING ON NEXT HIGHER ASSY),BACN10HR7CD & BACW10BP7DP ARE I/ONE WAY FORWARD WITH -5 OR -1 T/W 114N2075-16 THRU -22 (DEPENDING ON NEXT HIGHER ASSY),BACN10HR6CD & BACN10BP6DP.	107107 904949 952952	1
	25 114N2073-5		.CLEVIS ASSY- QUALIFIED I/W DATA: -9 T/W 114N2075-30 THRU -36, BACN10HR7CD, AND BACN10BP7DP ARE INTERCHANGEABLE ONE-WAY FORWARD WITH -5 T/W 114N2075-16 THRU -22, BACB10HR6CD, AND BACW10BP6DP.	002004 006009 107107 121503 904949 952999	1
	25 114N2073-9		.CLEVIS ASSY- QUALIFIED I/W DATA: -9 T/W 114N2075-30 THRU -36 (DEPENDING ON NEXT HIGHER ASSY),BACN10HR7CD & BACW10BP7DP ARE I/ONE WAY FORWARD WITH -5 AND T/W 114N2075-16 THRU -22 (DEPENDING ON NEXT HIGHER ASSY),BACN10HR6CD & BACW10BP6DP.	010102 108120 504903 950951	1
	30 114N2130-6		..BUSHING	002004 006102 107999	1
	35 BACB28AM07B013		..BUSHING	002004 006009 107107 121503 904949 952999	1
	35 BACB28AT07B013C		..BUSHING	010102 108120 504903 950951	1
	40 114N2073-2		..CLEVIS- USED ON: 114N2073-1	107107 904949 952952	1

MISSING ITEM NUMBERS NOT APPLICABLE

- ITEM NOT ILLUSTRATED

27-81-52-01

27-81-52  
FIG. 01  
PAGE 4  
JAN 20/09

BRI

BOEING PROPRIETARY - Copyright © - Unpublished Work - See title page for details.



757

PARTS CATALOG (MAINTENANCE)

FIG ITEM	PART NUMBER	1 2 3 4 5 6 7	NOMENCLATURE	EFFECT FROM TO	UNITS PER ASSY
1					
40	114N2073-6		..CLEVIS- USED ON: 114N2073-5	002004 006009 107107 121503 904949 952999	1
40	114N2073-10		..CLEVIS-	010102 108120 504903 950951	1
45	L8006K5		.BOLT- SUPPLIER CODE: V06725 SPECIFICATION NUMBER: BACB30MY6K5 OPTIONAL PART: BACB30MY6K4	002004 006100 107107 121503 904999	4
45	L8006K4		.BOLT- SUPPLIER CODE: V06725 SPECIFICATION NUMBER: BACB30MY6K4 OPTIONAL PART: BACB30MY6K5	011100	4
45	HST10AG6-4		.BOLT SUPPLIER CODE: V06725 SPECIFICATION NUMBER: BACB30VT6K4 OPTIONAL PART: HST10AG6-4 V73197 HST10AG6-4 V56878 HST10AG6-4 VOPTK6 WC10K6-4 V60516	101102 108120 504903	4
50	L8006K4		.BOLT SUPPLIER CODE: V06725 SPECIFICATION NUMBER: BACB30MY6K4	002004 006100 107107 121503 904999	4

MISSING ITEM NUMBERS NOT APPLICABLE

- ITEM NOT ILLUSTRATED

BRI

27-81-52-01

BOEING PROPRIETARY - Copyright © - Unpublished Work - See title page for details.

27-81-52  
FIG. 01  
PAGE 5  
JAN 20/09





757

PARTS CATALOG (MAINTENANCE)

FIG ITEM	PART NUMBER	1 2 3 4 5 6 7	NOMENCLATURE	EFFECT FROM TO	UNITS PER ASSY
1	50 HST10AG6-4		.BOLT SUPPLIER CODE: V06725 SPECIFICATION NUMBER: BACB30VT6K4 OPTIONAL PART: HST10AG6-4 V73197 HST10AG6-4 V56878 HST10AG6-4 VOPTK6 WC10K6-4 V60516	101102 108120 504903	4
	55 HL79-6		.COLLAR SUPPLIER CODE: V5M902 SPECIFICATION NUMBER: BACC30M6 OPTIONAL PART: HL79-6 V73197 HL79-6 V92215 66014-6 V56878 HL79-6 V56878	002004 006100 107107 121503 904999	8
	55 BACC30BL6		.COLLAR SUPPLIER CODE: V73197 SPECIFICATION NUMBER: BACC30BL6 OPTIONAL PART: HST79-6 V92215 HST79CY6 V56878 HST79CY6 V5M902	101102 108120 504903	8
	60 114N2075-30		.FITTING ASSY-CHAN USED ON: 114N2017-406	102102 505505 507903	1
	60 114N2075-16		.FITTING ASSY-CHAN	002004 006009 107107 121503 904949 952999	1

MISSING ITEM NUMBERS NOT APPLICABLE

- ITEM NOT ILLUSTRATED

27-81-52-01

27-81-52  
FIG. 01  
PAGE 6  
JAN 20/09

BRI

BOEING PROPRIETARY - Copyright © - Unpublished Work - See title page for details.

 **BOEING**  
757  
**PARTS CATALOG (MAINTENANCE)**

FIG ITEM	PART NUMBER	1 2 3 4 5 6 7	NOMENCLATURE	EFFECT FROM TO	UNITS PER ASSY
1					
60	114N2075-30	.	FITTING ASSY-CHAN	010101 108120 504504 506506 950951	1
60	114N2075-30	.	FITTING ASSY-CHAN USED ON: 114N2017-405	101101 108120 504504 506506	1
62	114N2242-1	.	CHANNEL ASSY- REWORK DRAWING REF: 114N2240-1	102102 505505 507903	1
65	BACB28U6B038	..	BUSHING	002004 006009 107107 121503 904949 952999	1
65	BACB28U7B038	..	BUSHING	010101 108120 504504 506506 950951	1
70	114N2075-1	..	CHANNEL	002004 006009 107107 121503 904949 952999	1
70	114N2075-23	..	CHANNEL-	010101 108120 504504 506506 950951	1
70	114N2075-23	..	CHANNEL	102102 505505 507903	1
72	114N2242-2	..	CHANNEL- REWORK DRAWING REF: 114N2240-1	102102 505505 507903	1
75	287N1401-25	.	BRACKET-	002004 006010 107107 121503 904999	1

MISSING ITEM NUMBERS NOT APPLICABLE

— ITEM NOT ILLUSTRATED

BRI

# 27-81-52-01

BOEING PROPRIETARY - Copyright © - Unpublished Work - See title page for details.

27-81-52  
FIG. 01  
PAGE 7  
JAN 20/09



757

PARTS CATALOG (MAINTENANCE)

FIG ITEM	PART NUMBER	1 2 3 4 5 6 7	NOMENCLATURE	EFFECT FROM TO	UNITS PER ASSY
1					
77	287N1401-26	.	BRACKET-	002004 006010 107107 121503 904999	1
80	114N2063-1	.	FITTING ASSY-SPRT QUALIFIED OPTIONAL DATA: (114N2063-1 WITH 287N1401-25 OPTIONAL TO 114N2193-1 OR 114N2193-7)	002004 006010 107107 121503 904999	1
80	114N2193-1	.	FITTING ASSY-SPRT QUALIFIED OPTIONAL DATA: (114N2063-1 WITH 287N1405-25 OPTIONAL TO 114N2193-1 OR 114N2193-7)	002004 006102 107999	1
80	114N2193-7	.	FITTING ASSY-SPRT OPTIONAL PART: 114N2193-13	011100	1
80	114N2193-13	.	FITTING ASSY-SPRT OPTIONAL PART: 114N2193-7	011102 108120 504903	1
80	114N2193-7	.	FITTING ASSY-SPRT QUALIFIED OPTIONAL DATA: (114N2063-1 WITH 287N1401-25, OR 114N2193-13 OPTIONAL TO 114N2193-7) OPTIONAL PART: 114N2193-13	002004 006010 101102 107999	1
80	114N2193-7	.	FITTING ASSY-SPRT OPTIONAL PART: 114N2193-13	010100 950951	1
85	114N2063-2	.	FITTING ASSY-SPRT QUALIFIED OPTIONAL DATA: (114N2063-2 WITH 287N1401-26 OPTIONAL TO 114N2193-2 OR 114N2193-8)	002004 006010 107107 121503 904999	1
85	114N2193-2	.	FITTING ASSY-SPRT QUALIFIED OPTIONAL DATA: (114N2063-2 WITH 287N1401-6 OPTIONAL TO 114N2193-2 OR 114N2193-8)	002004 006102 107999	1
85	114N2193-8	.	FITTING ASSY-SPRT OPTIONAL PART: 114N2193-14	011100	1

MISSING ITEM NUMBERS NOT APPLICABLE

- ITEM NOT ILLUSTRATED

27-81-52-01

27-81-52  
FIG. 01  
PAGE 8  
JAN 20/09

BRI



757

PARTS CATALOG (MAINTENANCE)

FIG ITEM	PART NUMBER	1 2 3 4 5 6 7	NOMENCLATURE	EFFECT FROM TO	UNITS PER ASSY
1					
85	114N2193-14	.	FITTING ASSY-SPRT OPTIONAL PART: 114N2193-8	011102 108120 504903	1
85	114N2193-8	.	FITTING ASSY-SPRT QUALIFIED OPTIONAL DATA: (114N2063-2 WITH 287N1401-26, OR 114N2193-14 OPTIONAL TO 114N2193-8) OPTIONAL PART: 114N2193-14	002004 006010 101102 107999	1
85	114N2193-8	.	FITTING ASSY-SPRT OPTIONAL PART: 114N2193-14	010100 950951	1
90	L80010K10	.	BOLT SUPPLIER CODE: V06725 SPECIFICATION NUMBER: BACB30MY10K10	002004 006100 107107 121503 904999	7
90	L80010K11	.	BOLT SUPPLIER CODE: V06725 SPECIFICATION NUMBER: BACB30MY10K11	101102 108120 504903	7
95	TLN12045	.	NUT- SUPPLIER CODE: V97928 SPECIFICATION NUMBER: BACN10WM5 OPTIONAL PART: LH10114B5 V72962 MN155 V73197 VN18615 V92215 H49702-5S V15653 W8505 V08524 H497025 V15653	002004 006100 107107 121503 904999	7

MISSING ITEM NUMBERS NOT APPLICABLE

- ITEM NOT ILLUSTRATED

BRI

27-81-52-01

BOEING PROPRIETARY - Copyright © - Unpublished Work - See title page for details.

27-81-52  
FIG. 01  
PAGE 9  
JAN 20/09



757

PARTS CATALOG (MAINTENANCE)

FIG ITEM	PART NUMBER	1 2 3 4 5 6 7	NOMENCLATURE	EFFECT FROM TO	UNITS PER ASSY
1	96 BACC30BL6		.COLLAR SUPPLIER CODE: V73197 SPECIFICATION NUMBER: BACC30BL6 OPTIONAL PART: HST79-6 V92215 HST79CY6 V56878 HST79CY6 V5M902	101102 108120 504903	7
	97 HST10AG10-10		.BOLT- SUPPLIER CODE: VOPTK6 SPECIFICATION NUMBER: BACB30VT10K10 OPTIONAL PART: HST10AG10-10 V06725 HST10AG10-10 V56878 HST10AG10-10 V73197 WC10K10-10 V60516	002004 006100 107107 121503 904999	1
	97 HST10AG10-11		.BOLT- SUPPLIER CODE: VOPTK6 SPECIFICATION NUMBER: BACB30VT10K11 OPTIONAL PART: HST10AG10-11 V06725 HST10AG10-11 V56878 HST10AG10-11 V73197 WC10K10-11 V60516	101102 108120 504903	1

MISSING ITEM NUMBERS NOT APPLICABLE

- ITEM NOT ILLUSTRATED

BRI

27-81-52-01

BOEING PROPRIETARY - Copyright © - Unpublished Work - See title page for details.

27-81-52  
FIG. 01  
PAGE 10  
JAN 20/09



757

PARTS CATALOG (MAINTENANCE)

FIG ITEM	PART NUMBER	1 2 3 4 5 6 7	NOMENCLATURE	EFFECT FROM TO	UNITS PER ASSY
1 98	HST8210AW		.COLLAR SUPPLIER CODE: V5M902 SPECIFICATION NUMBER: BACC30BQ10 OPTIONAL PART: HST8210AW V56878 HST8210AW V73197 HST82CY10APBW V73197 HST82CY10APBW V56878	002004 006102 107999	1
100	H8008K10		.BOLT SUPPLIER CODE: V06725 SPECIFICATION NUMBER: BACB30MY8K10	002004 006100 107107 121503 904999	5
105	TLN12044		.NUT- SUPPLIER CODE: V97928 SPECIFICATION NUMBER: BACN10WM4 OPTIONAL PART: LH10114B4 V72962 MN154 V73197 VN18614 V92215 H49702-4S V15653 W8504 V08524 H497024 V15653	002004 006100 107107 121503 904999	5

MISSING ITEM NUMBERS NOT APPLICABLE

- ITEM NOT ILLUSTRATED

BRI

27-81-52-01

BOEING PROPRIETARY - Copyright © - Unpublished Work - See title page for details.

27-81-52  
FIG. 01  
PAGE 11  
JAN 20/09



757

PARTS CATALOG (MAINTENANCE)

FIG ITEM	PART NUMBER	1 2 3 4 5 6 7	NOMENCLATURE	EFFECT FROM TO	UNITS PER ASSY
1 110	HL523AZ10-13	.BOLT	SUPPLIER CODE: V06725 SPECIFICATION NUMBER: BACB30NZ10K13 OPTIONAL PART: HL523AZ10-13 V56878 L804-10K13 V06725 HL523AZ10-13 V73197 HL523AZ10-13 V92215 HL523AZ10-13 V97928 HL523AZ10-13 VOPTK6 HL523AZ10-13 V60516	002004 006100 107107 121503 904999	2
115	HL523AZ10-14	.BOLT	SUPPLIER CODE: V06725 SPECIFICATION NUMBER: BACB30NZ10K14 OPTIONAL PART: HL523AZ10-14 V56878 L804-10K14 V06725 HL523AZ10-14 V73197 HL523AZ10-14 V92215 HL523AZ10-14 V97928 HL523AZ10-14 VOPTK6 HL523AZ10-14 V60516	002004 006100 107107 121503 904999	2

MISSING ITEM NUMBERS NOT APPLICABLE

- ITEM NOT ILLUSTRATED

BRI

27-81-52-01

BOEING PROPRIETARY - Copyright © - Unpublished Work - See title page for details.

27-81-52  
FIG. 01  
PAGE 12  
JAN 20/09



757

PARTS CATALOG (MAINTENANCE)

FIG ITEM	PART NUMBER	1 2 3 4 5 6 7	NOMENCLATURE	EFFECT FROM TO	UNITS PER ASSY
1 120	HL79-10		.COLLAR- SUPPLIER CODE: V5M902 SPECIFICATION NUMBER: BACC30M10 OPTIONAL PART: HL79-10 V73197 HL79-10 V92215 66014-10 V56878 HL79-10 V56878	002004 006100 107107 121503 904999	4
125	HL523AZ8-8		.BOLT SUPPLIER CODE: V73197 SPECIFICATION NUMBER: BACB30NZ8K8 OPTIONAL PART: L804-8K8 V06725 HL523AZ8-8 V56878 HL523AZ8-8 V92215 HL523AZ8-8 V97928 HL523AZ8-8 VOPTK6 HL523AZ8-8 V60516 HL523AZ8-8 V06725	002004 006100 107107 121503 904999	2
130	HL79-8		.COLLAR SUPPLIER CODE: V5M902 SPECIFICATION NUMBER: BACC30M8 OPTIONAL PART: HL79-8 V73197 HL79-8 V92215 66014-8 V56878 HL79-8 V56878	002004 006100 107107 121503 904999	2

MISSING ITEM NUMBERS NOT APPLICABLE

- ITEM NOT ILLUSTRATED

BRI

27-81-52-01

BOEING PROPRIETARY - Copyright © - Unpublished Work - See title page for details.

27-81-52  
FIG. 01  
PAGE 13  
JAN 20/09





757

PARTS CATALOG (MAINTENANCE)

FIG ITEM	PART NUMBER	1 2 3 4 5 6 7	NOMENCLATURE	EFFECT FROM TO	UNITS PER ASSY
1					
132	L8008K11		.BOLT SUPPLIER CODE: V06725 SPECIFICATION NUMBER: BACB30MY8K11	101102 108120 504903	6
133	L8008K7		.BOLT SUPPLIER CODE: V06725 SPECIFICATION NUMBER: BACB30MY8K7	101102 108120 504903	3
134	L8008K15		.BOLT SUPPLIER CODE: V06275 SPECIFICATION NUMBER: BACB30MY8K15	101102 108120 504903	1
135	H8008K10		.BOLT SUPPLIER CODE: V06725 SPECIFICATION NUMBER: BACB30MY8K10	002004 006100 107107 121503 904999	6
136	TLN12048		.NUT SUPPLIER CODE: V97928 SPECIFICATION NUMBER: BACN10WM8 OPTIONAL PART: LH10114B8 V72962 MN158 V73197 VN18618 V92215 H49702-8S V15653 W8508 V08524 H497028 V15653	101102 108120 504903	10

MISSING ITEM NUMBERS NOT APPLICABLE

- ITEM NOT ILLUSTRATED

BRI

27-81-52-01

BOEING PROPRIETARY - Copyright © - Unpublished Work - See title page for details.

27-81-52  
FIG. 01  
PAGE 14  
JAN 20/09

**BOEING**  
757  
PARTS CATALOG (MAINTENANCE)

FIG ITEM	PART NUMBER	1 2 3 4 5 6 7	NOMENCLATURE	EFFECT FROM TO	UNITS PER ASSY
1 137	TLN12044		.NUT- SUPPLIER CODE: V97928 SPECIFICATION NUMBER: BACN10WM4 OPTIONAL PART: LH10114B4 V72962 MN154 V73197 VN18614 V92215 H49702-4S V15653 W8504 V08524 H497024 V15653	002004 006100 107107 121503 904999	6
138A	L8008K11		.BOLT SUPPLIER CODE: V06725 SPECIFICATION NUMBER: BACB30MY8K11	101102 108120 504903	6
139	TLN12048		.NUT SUPPLIER CODE: V97928 SPECIFICATION NUMBER: BACN10WM8 OPTIONAL PART: LH10114B8 V72962 MN158 V73197 VN18618 V92215 H49702-8S V15653 W8508 V08524 H497028 V15653	101102 108120 504903	6
140	BACR15BA6AD		.RIVET- SIZE DETERMINED ON INSTL.  -----*-----	002004 006102 107999	2

MISSING ITEM NUMBERS NOT APPLICABLE

— ITEM NOT ILLUSTRATED

BRI

# 27-81-52-01

BOEING PROPRIETARY - Copyright © - Unpublished Work - See title page for details.

27-81-52  
FIG. 01  
PAGE 15  
JAN 20/09



757

PARTS CATALOG (MAINTENANCE)

FIG ITEM	PART NUMBER	1 2 3 4 5 6 7	NOMENCLATURE	EFFECT FROM TO	UNITS PER ASSY
1					
145	BACB28AM07B017A	..	BUSHING- USED ON: 114N2063-1 114N2193-1 114N2193-7 USED ON: 114N2063-1 114N2193-1 114N2193-7	002004 006102 107999	1
145	BACB28AT07B017C	..	BUSHING- USED ON: 114N2193-13 USED ON: 114N2193-13	011102 108120 504903	1
150	BACB28AM13B012A	..	BUSHING- USED ON: 114N2063-1 114N2063-2 114N2193-1 114N2193-2 114N2193-7 114N2193-8 USED ON: 114N2063-1 114N2063-2 114N2193-1 114N2193-2 114N2193-7 114N2193-8	002004 006102 107999	1
150	BACB28AT13B012C	..	BUSHING- USED ON: 114N2193-13 114N2193-14 USED ON: 114N2193-13 114N2193-14	011102 108120 504903	1
155	BACB28AP05P017	..	BUSHING- USED ON: 114N2063-2 114N2193-2 114N2193-8 114N2193-14 USED ON: 114N2193-2 114N2063-2 114N2193-8 114N2193-14	002004 006102 107999	1

MISSING ITEM NUMBERS NOT APPLICABLE

- ITEM NOT ILLUSTRATED

27-81-52-01

27-81-52  
FIG. 01  
PAGE 16  
JAN 20/09

BRI

BOEING PROPRIETARY - Copyright © - Unpublished Work - See title page for details.



757

PARTS CATALOG (MAINTENANCE)

FIG ITEM	PART NUMBER	1 2 3 4 5 6 7	NOMENCLATURE	EFFECT FROM TO	UNITS PER ASSY
1					
160	114N2063-3	..	FITTING- USED ON: 114N2063-1	002004 006102 107999	1
160	114N2193-3	..	FITTING- USED ON: 114N2193-1	002004 006102 107999	1
160	114N2193-9	..	FITTING- USED ON: 114N2193-7	002004 006102 107999	1
160	114N2193-15	..	FITTING- USED ON: 114N2193-13	011102 108120 504903	1
165	114N2063-4	..	FITTING- USED ON: 114N2063-2	002004 006102 107999	1
165	114N2193-4	..	FITTING- USED ON: 114N2193-2	002004 006102 107999	1
165	114N2193-10	..	FITTING- USED ON: 114N2193-8	002004 006102 107999	1
165	114N2193-16	..	FITTING- USED ON: 114N2193-14	011102 108120 504903	1
170	BACS40R014D026F	.	SHIM- QUALIFIED OPTIONAL DATA: (BACF3F014R026NN OPTIONAL TO BACS40R014D015F OR BACS40R014D026F, ONLY IF GAP EXCEEDS .09)	101102 108120 504903	2
170	BACS40R014D015F	.	SHIM- QUALIFIED OPTIONAL DATA: (BACF3F014R026NN OPTIONAL TO BACS40R014D026F OR BACS40R014D015F, ONLY IF GAP EXCEEDS .09)	002004 006102 108903 950999	2
170	BACF3F014R026NN	.	SHIM- QUALIFIED OPTIONAL DATA: (BACF3F014R026NN OPTIONAL TO BACS40R014D015F OR BACS40R014D026F, ONLY IF GAP EXCEEDS .09)	002004 006102 108903 950999	2
175	BACS40R14C025F	.	SHIM-	002004 006102 107999	2

MISSING ITEM NUMBERS NOT APPLICABLE

- ITEM NOT ILLUSTRATED

27-81-52-01

27-81-52  
FIG. 01  
PAGE 17  
JAN 20/09

BRI

BOEING PROPRIETARY - Copyright © - Unpublished Work - See title page for details.



757

PARTS CATALOG (MAINTENANCE)

FIG ITEM	PART NUMBER	1 2 3 4 5 6 7	NOMENCLATURE	EFFECT FROM TO	UNITS PER ASSY
1					
180	BACS40R13C069F	.	SHIM-	002004 006102 107999	2
185	BACS40R14C026F	.	SHIM-	002004 006102 107999	2
195	BACS40R14D029F	.	SHIM-	002004 006102 107999	2

MISSING ITEM NUMBERS NOT APPLICABLE

- ITEM NOT ILLUSTRATED

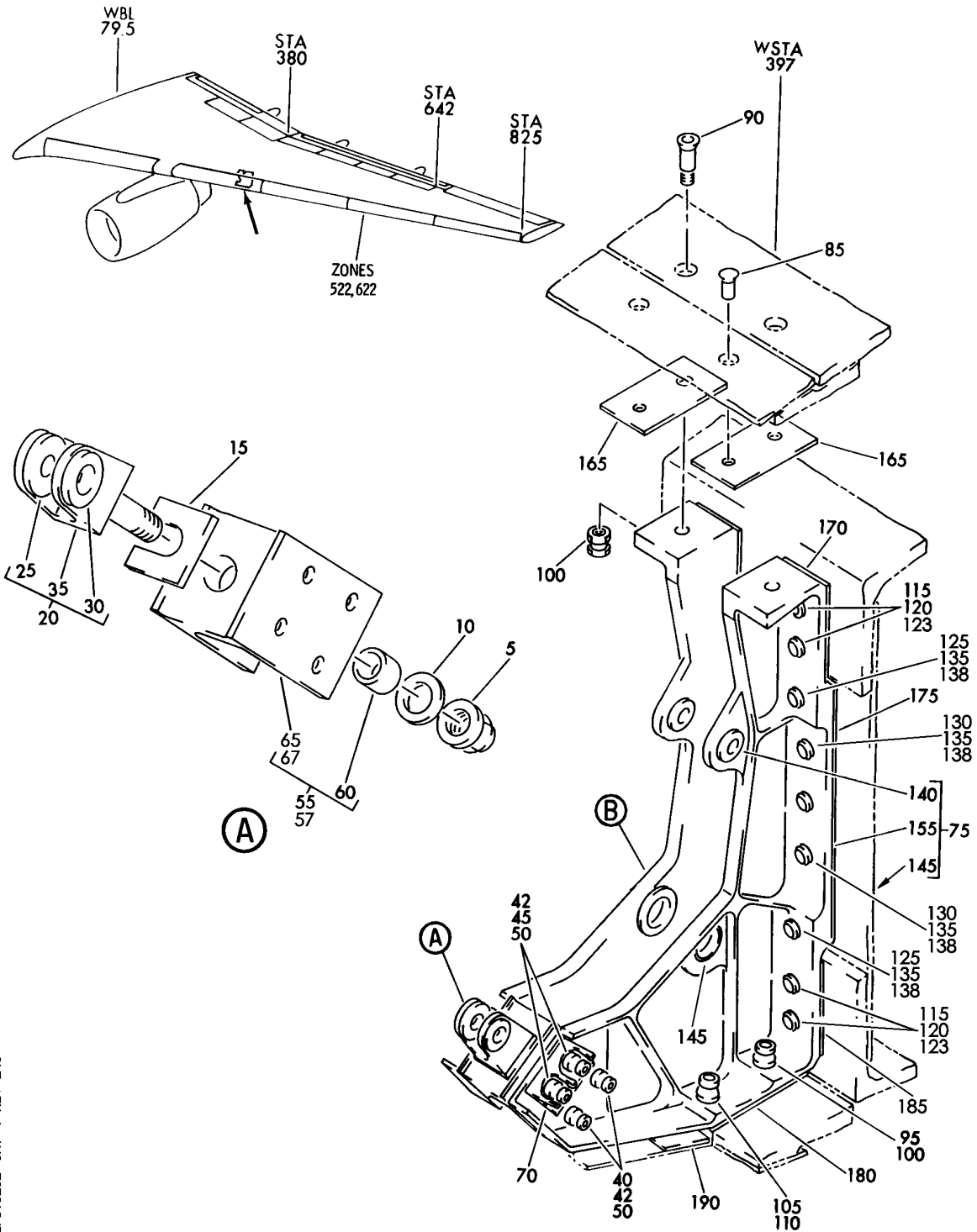
BRI

27-81-52-01

BOEING PROPRIETARY - Copyright © - Unpublished Work - See title page for details.

27-81-52  
FIG. 01  
PAGE 18  
JAN 20/09

**BOEING**  
757  
PARTS CATALOG (MAINTENANCE)



Y 27815202 SHT 1 REV 240

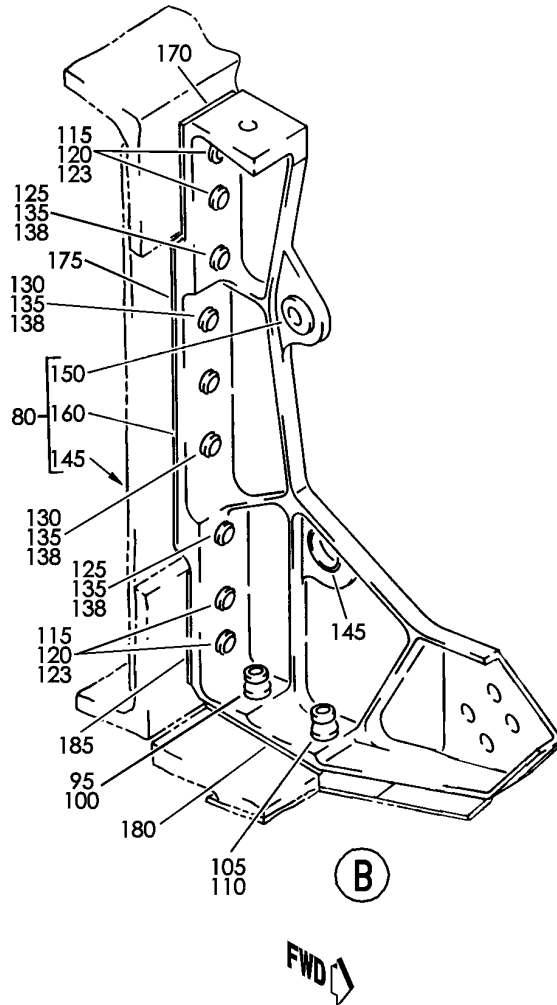
FITTING INSTL-WING FXD LE OSS 392.80 AUX TRACK SPRT  
FIGURE 2 (SHEET 1)

**27-81-52-02**

BRI  
MAY 28/07

27-81-52-02  
PAGE 0

**BOEING**  
757  
PARTS CATALOG (MAINTENANCE)



Y 27815202 SHT 2 REV 240

FITTING INSTL-WING FXD LE OSS 392.80 AUX TRACK SPRT  
FIGURE 2 (SHEET 2)

**27-81-52-02**

BRI  
MAY 28/07

27-81-52-02  
PAGE 0A



757

PARTS CATALOG (MAINTENANCE)

FIG ITEM	PART NUMBER	1 2 3 4 5 6 7	NOMENCLATURE	EFFECT FROM TO	UNITS PER ASSY
2			FITTING INSTL-WING FXD LE OSS 392.80 AUX TRACK SPRT	002004 006102 107999	
- 1	114N2016-1		FITTING INSTL-WING FXD LE AUX TRACK SPRT POSITION DATA: OSS 392.80 FOR NHA SEE: 57-21-51-01	002004 006100 107107 121503 904999	RF
- 1	114N2016-403		FITTING INSTL-WING FXD LE AUX TRACK SPRT POSITION DATA: OSS 392.80 L FOR NHA SEE: 57-00-00-10	101102 108120 504903	RF
- 3	114N2016-404		FITTING INSTL-WING FXD LE AUX TRACK SPRT POSITION DATA: OSS 392.80 R FOR NHA SEE: 57-00-00-10	101102 108120 504903	RF

MISSING ITEM NUMBERS NOT APPLICABLE

- ITEM NOT ILLUSTRATED

BRI

**27-81-52-02**

BOEING PROPRIETARY - Copyright © - Unpublished Work - See title page for details.

27-81-52  
FIG. 02  
PAGE 1  
JAN 20/09





757

PARTS CATALOG (MAINTENANCE)

FIG ITEM	PART NUMBER	1 2 3 4 5 6 7	NOMENCLATURE	EFFECT FROM TO	UNITS PER ASSY
2	5	BMN10HRCWD3-6	.NUT-	002004	1
R			SUPPLIER CODE: V97928	006009	
R			SPECIFICATION NUMBER: BACN10HR6CD	107107	
R			OPTIONAL PART: H51560-6	121503	
R			V15653	904949	
R			67832CD624	952999	
R			V56878		
R			102LH9031-6		
R			V72962		
R			BH00303CM6		
R			V27238		
R			SL7108C624		
R			V11815		
R			BMN5024CWD36		
R			V97928		
R			SL7108C6		
R			V11815		
R			102LH90316		
R			V72962		
R			67832CD6		
R			V56878		
R			VCU0005D6		
R			V06710		
R			CR60306		
R			VF0224		
R			CR60306		
R			VF0224		

MISSING ITEM NUMBERS NOT APPLICABLE

- ITEM NOT ILLUSTRATED

BRI

27-81-52-02

BOEING PROPRIETARY - Copyright © - Unpublished Work - See title page for details.

27-81-52  
FIG. 02  
PAGE 2  
MAY 20/09



757

PARTS CATALOG (MAINTENANCE)

FIG ITEM	PART NUMBER	1 2 3 4 5 6 7	NOMENCLATURE	EFFECT FROM TO	UNITS PER ASSY
2	5		.NUT- SUPPLIER CODE: V97928 SPECIFICATION NUMBER: BACN10HR7CD OPTIONAL PART: H51560-7 V15653 67832CD720 V56878 102LH9031-7 V72962 BH00303CM7 V27238 BMN5024CWD37 V97928 SL7108C7 V11815 VCU0005D7 V06710 102LH90317 V72962 67832CD7 V56878 CR6030-7 VF0224 BMN10HRCWD3-7 V97928	010102 108120 504903 950951	1
	10		.WASHER-	002004 006009 107107 121503 904949 952999	AR
	10		.WASHER-	010102 108120 504903 950951	AR
	15		.SHIM-	904949	1
	15		.SHIM- POST SERVICE BULLETIN: 57-0035R1	002004 006102 107903 950999	1

MISSING ITEM NUMBERS NOT APPLICABLE

- ITEM NOT ILLUSTRATED

BRI

27-81-52-02

BOEING PROPRIETARY - Copyright © - Unpublished Work - See title page for details.

27-81-52  
FIG. 02  
PAGE 3  
JAN 20/09



757

PARTS CATALOG (MAINTENANCE)

FIG ITEM	PART NUMBER	1 2 3 4 5 6 7	NOMENCLATURE	EFFECT FROM TO	UNITS PER ASSY
2 20	114N2073-1		.CLEVIS ASSY-FWD AUX TRACK SUPPORT OUTBD FIX LE QUALIFIED I/W DATA: 114N2073-9 T/W 114N4075-30 THRU 114N2075-36 (DEPENDING ON NEXT HIGHER ASSY) ,BACN10HR7CD AND BACW10BP7CD ARE I/ONE WAY FORWARD WITH 114N2073-5 OR 114N2073-1 T/W 114N2075-16 THRU 114N2075-22 (DEPENDING ON NEXT HIGHER ASSY), BACN10HR6CD AND BACN10BP6DP.	107107 904949 952952	1
20	114N2073-5		.CLEVIS ASSY-FWD AUX TRACK SUPPORT OUTBD FIX LE QUALIFIED I/W DATA: -9 T/W 114N2075-30 THRU -36, BACN10HR7CD, AND BACN10BP7DP ARE I/ONE- WAY FORWARD WITH -5 T/W 114N2075-16 THRU -22, BACN10HR6CD, AND BACW10BP6DP.	002004 006009 107107 121503 904949 952999	1
20	114N2073-9		.CLEVIS ASSY-FWD AUX TRACK SUPPORT OUTBD FIX LE QUALIFIED I/W DATA: -9 T/W 114N2075-30 THRU -36 (DEPENDING ON NEXT HIGHER ASSEMBLY) BACN10HR7CD AND BACW10BP7DP ARE I/ONE-WAY FORWARD WITH -5 T/W 114N2075-16 THRU -22 (DEPENDING ON NEXT HIGHER ASSEMBLY), BACN10HR6CD AND BACW10BP6DP.	002004 006102 107999	1
25	114N2130-6		..BUSHING	002004 006102 107999	1

MISSING ITEM NUMBERS NOT APPLICABLE

- ITEM NOT ILLUSTRATED

27-81-52-02

27-81-52  
FIG. 02  
PAGE 4  
JAN 20/09

BRI



757

PARTS CATALOG (MAINTENANCE)

FIG ITEM	PART NUMBER	1 2 3 4 5 6 7	NOMENCLATURE	EFFECT FROM TO	UNITS PER ASSY
2	30	BACB28AM07B013	.. BUSHING-	002004 006009 107107 121503 904949 952999	1
	30	BACB28AT07B013C	.. BUSHING- USED ON: 114N2073-9	002004 006102 107999	1
	35	114N2073-2	.. CLEVIS- USED ON: 114N2073-1	107107 904949 952952	1
	35	114N2073-6	.. CLEVIS- USED ON: 114N2073-5	002004 006009 107107 121503 904949 952999	1
	35	114N2073-10	.. CLEVIS-	010102 108120 504903 950951	1
	40	L8006K4	.BOLT SUPPLIER CODE: V06725 SPECIFICATION NUMBER: BACB30MY6K4	002004 006100 107107 121503 904999	4
	42	HST10AG6-4	.BOLT SUPPLIER CODE: V06725 SPECIFICATION NUMBER: BACB30VT6K4 OPTIONAL PART: HST10AG6-4 V73197 HST10AG6-4 V56878 HST10AG6-4 VOPTK6 WC10K6-4 V60516	101102 108120 504903	8
	45	L8006K5	.BOLT- SUPPLIER CODE: V06725 SPECIFICATION NUMBER: BACB30MY6K5 OPTIONAL PART: BACB30MY6K4	002004 006100 107107 121503 904999	4

MISSING ITEM NUMBERS NOT APPLICABLE

- ITEM NOT ILLUSTRATED

27-81-52-02

27-81-52  
FIG. 02  
PAGE 5  
JAN 20/09

BRI

BOEING PROPRIETARY - Copyright © - Unpublished Work - See title page for details.



757

PARTS CATALOG (MAINTENANCE)

FIG ITEM	PART NUMBER	1 2 3 4 5 6 7	NOMENCLATURE	EFFECT FROM TO	UNITS PER ASSY
2	45 L8006K4		.BOLT- SUPPLIER CODE: V06725 SPECIFICATION NUMBER: BACB30MY6K4 OPTIONAL PART: BACB30MY6K5	011102 108120 504903	4
	50 HL79-6		.COLLAR SUPPLIER CODE: V5M902 SPECIFICATION NUMBER: BACC30M6 OPTIONAL PART: HL79-6 V73197 HL79-6 V92215 66014-6 V56878 HL79-6 V56878	002004 006100 107107 121503 904999	8
	50 BACC30BL6		.COLLAR SUPPLIER CODE: V73197 SPECIFICATION NUMBER: BACC30BL6 OPTIONAL PART: HST79-6 V92215 HST79CY6 V56878 HST79CY6 V5M902	101102 108120 504903	8
	55 114N2075-16		.FITTING ASSY-CHAN	002004 006009 107107 121503 904949 952999	1
	55 114N2075-30		.FITTING ASSY-CHAN	010102 108120 504903 950951	1
	55 114N2075-30		.FITTING ASSY-CHAN USED ON: 114N2016-403	101102 108120 504903	1

MISSING ITEM NUMBERS NOT APPLICABLE

- ITEM NOT ILLUSTRATED

27-81-52-02

27-81-52  
FIG. 02  
PAGE 6  
JAN 20/09

BRI



757

PARTS CATALOG (MAINTENANCE)

FIG ITEM	PART NUMBER	1 2 3 4 5 6 7	NOMENCLATURE	EFFECT FROM TO	UNITS PER ASSY
2					
60	BACB28U6B038	..	BUSHING	002004 006009 107107 121503 904949 952999	1
60	BACB28U7B038	..	BUSHING	010102 108120 504903 950951	1
65	114N2075-1	..	CHANNEL-	002004 006009 107107 121503 904949 952999	1
65	114N2075-23	..	CHANNEL- MISCELLANEOUS DATA: R/T 621659F LIAISON CHANGE PART NUMBER: 114N2075-23U621659F SPARES SUPPORT PART NUMBER: 114N2075-23U621659F	010102 108120 504903 950951	1
65	114N2075-23	..	CHANNEL- LIAISON CHANGE PART NUMBER: 114N2075-23U621659F SPARES SUPPORT PART NUMBER: 114N2075-23U621659F	101102 108120 504903	1
70	287N1401-25	.BRACKET-	QUALIFIED OPTIONAL DATA: 114N2062-5 WITH 287N1401-25 OR 114N2192-17 OPTIONAL TO 114N2192-13	002004 006100 107107 121503 904999	1
71	287N1401-26	.BRACKET-	QUALIFIED OPTIONAL DATA: 114N2062-6 WITH 287N1401-26 OR 114N2192-18 OPTIONAL TO 114N2192-14	002004 006100 107107 121503 904999	1
75	114N2192-13	.FITTING ASSY-	OPTIONAL PART: 114N2062-5 114N2192-17	002004 006102 107999	1

MISSING ITEM NUMBERS NOT APPLICABLE

- ITEM NOT ILLUSTRATED

27-81-52-02

27-81-52  
FIG. 02  
PAGE 7  
JAN 20/09

BRI

BOEING PROPRIETARY - Copyright © - Unpublished Work - See title page for details.



757

PARTS CATALOG (MAINTENANCE)

FIG ITEM	PART NUMBER	1 2 3 4 5 6 7	NOMENCLATURE	EFFECT FROM TO	UNITS PER ASSY
2	75 114N2062-5		.FITTING ASSY- QUALIFIED OPTIONAL DATA: 114N2062-5 WITH 287N1401-25 OR 114N2192-17 OPTIONAL TO 114N2192-13	002004 006100 107107 121503 904999	1
	75 114N2192-17		.FITTING ASSY- OPTIONAL PART: 114N2192-13	011102 108120 504903	1
	80 114N2192-14		.FITTING ASSY- OPTIONAL PART: 114N2062-6 114N2192-18	002004 006102 107999	1
	80 114N2062-6		.FITTING ASSY- QUALIFIED OPTIONAL DATA: 114N2062-6 WITH 287N1401-26 OR 114N2192-18 OPTIONAL TO 114N2192-14	002004 006100 107107 121503 904999	1
	80 114N2192-18		.FITTING ASSY- OPTIONAL PART: 114N2192-14 ATTACHING PARTS	011102 108120 504903	1
	85 BACR15BA6D		.RIVET- SIZE DETERMINED ON INSTL.	002004 006102 107999	2
	90 BACB30NN5K15		.BOLT-	002004 006102 107999	2
	95 HL523AZ10-13		.BOLT SUPPLIER CODE: V06725 SPECIFICATION NUMBER: BACB30NZ10K13 OPTIONAL PART: HL523AZ10-13 V56878 L804-10K13 V06725 HL523AZ10-13 V73197 HL523AZ10-13 V92215 HL523AZ10-13 V97928 HL523AZ10-13 VOPTK6 HL523AZ10-13 V60516	002004 006102 107999	2

MISSING ITEM NUMBERS NOT APPLICABLE

- ITEM NOT ILLUSTRATED

27-81-52-02

27-81-52  
FIG. 02  
PAGE 8  
JAN 20/09

BRI



757

PARTS CATALOG (MAINTENANCE)

FIG ITEM	PART NUMBER	1 2 3 4 5 6 7	NOMENCLATURE	EFFECT FROM TO	UNITS PER ASSY
2 100	HL79-10		.COLLAR SUPPLIER CODE: V5M902 SPECIFICATION NUMBER: BACC30M10 OPTIONAL PART: HL79-10 V73197 HL79-10 V92215 66014-10 V56878 HL79-10 V56878	002004 006102 107999	2
105	HL523AZ8-8		.BOLT SUPPLIER CODE: V73197 SPECIFICATION NUMBER: BACB30NZ8K8 OPTIONAL PART: L804-8K8 V06725 HL523AZ8-8 V56878 HL523AZ8-8 V92215 HL523AZ8-8 V97928 HL523AZ8-8 V0PTK6 HL523AZ8-8 V60516 HL523AZ8-8 V06725	002004 006102 107999	2
110	HL79-8		.COLLAR SUPPLIER CODE: V5M902 SPECIFICATION NUMBER: BACC30M8 OPTIONAL PART: HL79-8 V73197 HL79-8 V92215 66014-8 V56878 HL79-8 V56878	002004 006102 107999	2

MISSING ITEM NUMBERS NOT APPLICABLE

- ITEM NOT ILLUSTRATED

BRI

27-81-52-02

BOEING PROPRIETARY - Copyright © - Unpublished Work - See title page for details.

27-81-52  
FIG. 02  
PAGE 9  
JAN 20/09



 **BOEING**  
757  
**PARTS CATALOG (MAINTENANCE)**

FIG ITEM	PART NUMBER	1 2 3 4 5 6 7	NOMENCLATURE	EFFECT FROM TO	UNITS PER ASSY
2 115	L80010K10	.	BOLT SUPPLIER CODE: V06725 SPECIFICATION NUMBER: BACB30MY10K10	002004 006102 107999	8
115	HST10AG10-10	.	BOLT SUPPLIER CODE: VOPTK6 SPECIFICATION NUMBER: BACB30VT10K10 OPTIONAL PART: HST10AG10-10 V06725 HST10AG10-10 V56878 HST10AG10-10 V73197 WC10K10-10 V60516	101102 108120 504903	8
120	VLC771-10	.	COLLAR SUPPLIER CODE: V5M902 SPECIFICATION NUMBER: BACC30BP10 OPTIONAL PART: HST771-10 V73197	101102 108120 504903	8
123	TLN12045	.	NUT- SUPPLIER CODE: V97928 SPECIFICATION NUMBER: BACN10WM5 OPTIONAL PART: LH10114B5 V72962 MN155 V73197 VN18615 V92215 H49702-5S V15653 W8505 V08524 H497025 V15653	002004 006102 107999	8

MISSING ITEM NUMBERS NOT APPLICABLE

— ITEM NOT ILLUSTRATED

BRI

**27-81-52-02**

BOEING PROPRIETARY - Copyright © - Unpublished Work - See title page for details.

27-81-52  
FIG. 02  
PAGE 10  
JAN 20/09

 **BOEING**  
757  
**PARTS CATALOG (MAINTENANCE)**

FIG ITEM	PART NUMBER	1 2 3 4 5 6 7	NOMENCLATURE	EFFECT FROM TO	UNITS PER ASSY
2					
125	H8008K10	.BOLT	SUPPLIER CODE: V06725 SPECIFICATION NUMBER: BACB30MY8K10	002004 006102 107999	4
125	HST10AG8-10	.BOLT	SUPPLIER CODE: VOPTK6 SPECIFICATION NUMBER: BACB30VT8K10 OPTIONAL PART: HST10AG8-10 V06725 HST10AG8-10 V56878 HST10AG8-10 V73197 WC10K8-10 V60516	101102 108120 504903	4
130	L8008K5	.BOLT	SUPPLIER CODE: V06725 SPECIFICATION NUMBER: BACB30MY8K5	002004 006102 107999	6
130	HST10AG8-5	.BOLT	SUPPLIER CODE: VOPTK6 SPECIFICATION NUMBER: BACB30VT8K5 OPTIONAL PART: HST10AG8-5 V06725 HST10AG8-5 V56878 HST10AG8-5 V73197 WC10K8-5 V60516	101102 108120 504903	6
135	VLC771-8	.COLLAR	SUPPLIER CODE: V5M902 SPECIFICATION NUMBER: BACC30BP8 OPTIONAL PART: HST771-8 V73197	101102 108120 504903	10

MISSING ITEM NUMBERS NOT APPLICABLE

— ITEM NOT ILLUSTRATED

BRI

# 27-81-52-02

BOEING PROPRIETARY - Copyright © - Unpublished Work - See title page for details.

27-81-52  
FIG. 02  
PAGE 11  
JAN 20/09



757

PARTS CATALOG (MAINTENANCE)

FIG ITEM	PART NUMBER	1 2 3 4 5 6 7	NOMENCLATURE	EFFECT FROM TO	UNITS PER ASSY
2 138	TLN12044		.NUT- SUPPLIER CODE: V97928 SPECIFICATION NUMBER: BACN10WM4 OPTIONAL PART: LH10114B4 V72962 MN154 V73197 VN18614 V92215 H49702-4S V15653 W8504 V08524 H497024 V15653 -----*-----	002004 006102 107999	10
140	BACB28AM07B017A		..BUSHING- USED ON: 114N2062-1 114N2192-1 114N2192-7 USED ON: 114N2062-5	002004 006102 107999	1
145	BACB28AM13B012A		..BUSHING	002004 006102 107999	1
150	BACB28AP05P017		..BUSHING- USED ON: 114N2062-2 114N2192-2 114N2192-8 USED ON: 114N2062-6	002004 006102 107999	1
155	114N2192-15		..FITTING- USED ON: 114N2192-13	002004 006102 107999	1
155	114N2062-7		..FITTING- USED ON: 114N2062-5	002004 006100 107107 121503 904999	1
155	114N2192-19		..FITTING- USED ON: 114N2192-17	011102 108120 504903	1

MISSING ITEM NUMBERS NOT APPLICABLE

- ITEM NOT ILLUSTRATED

27-81-52-02

27-81-52  
FIG. 02  
PAGE 12  
JAN 20/09

BRI

BOEING PROPRIETARY - Copyright © - Unpublished Work - See title page for details.



757

PARTS CATALOG (MAINTENANCE)

FIG ITEM	PART NUMBER	1 2 3 4 5 6 7	NOMENCLATURE	EFFECT FROM TO	UNITS PER ASSY
2					
160	114N2192-16	..	FITTING- USED ON: 114N2192-14	002004 006102 107999	1
160	114N2062-8	..	FITTING- USED ON: 114N2062-6	002004 006100 107107 121503 904999	1
160	114N2192-20	..	FITTING- USED ON: 114N2192-18	011102 108120 504903	1
165	BACS4OR014D026F	.	SHIM-	107107 904949 952952	2
165	BACS4OR014D015F	.	SHIM-	003004 006100 121503 950951 953999	2
170	BACS4OR14C024F	.	SHIM-	002004 006102 107999	2
175	BACS4OR13C057F	.	SHIM-	002004 006102 107999	2
180	BACS4OR14D029F	.	SHIM-	002004 006102 107999	2
185	BACS4OR14C026F	.	SHIM-	002004 006102 107999	2
190	BACS4OR010C010F	.	SHIM-	002004 006102 107999	1

MISSING ITEM NUMBERS NOT APPLICABLE

- ITEM NOT ILLUSTRATED

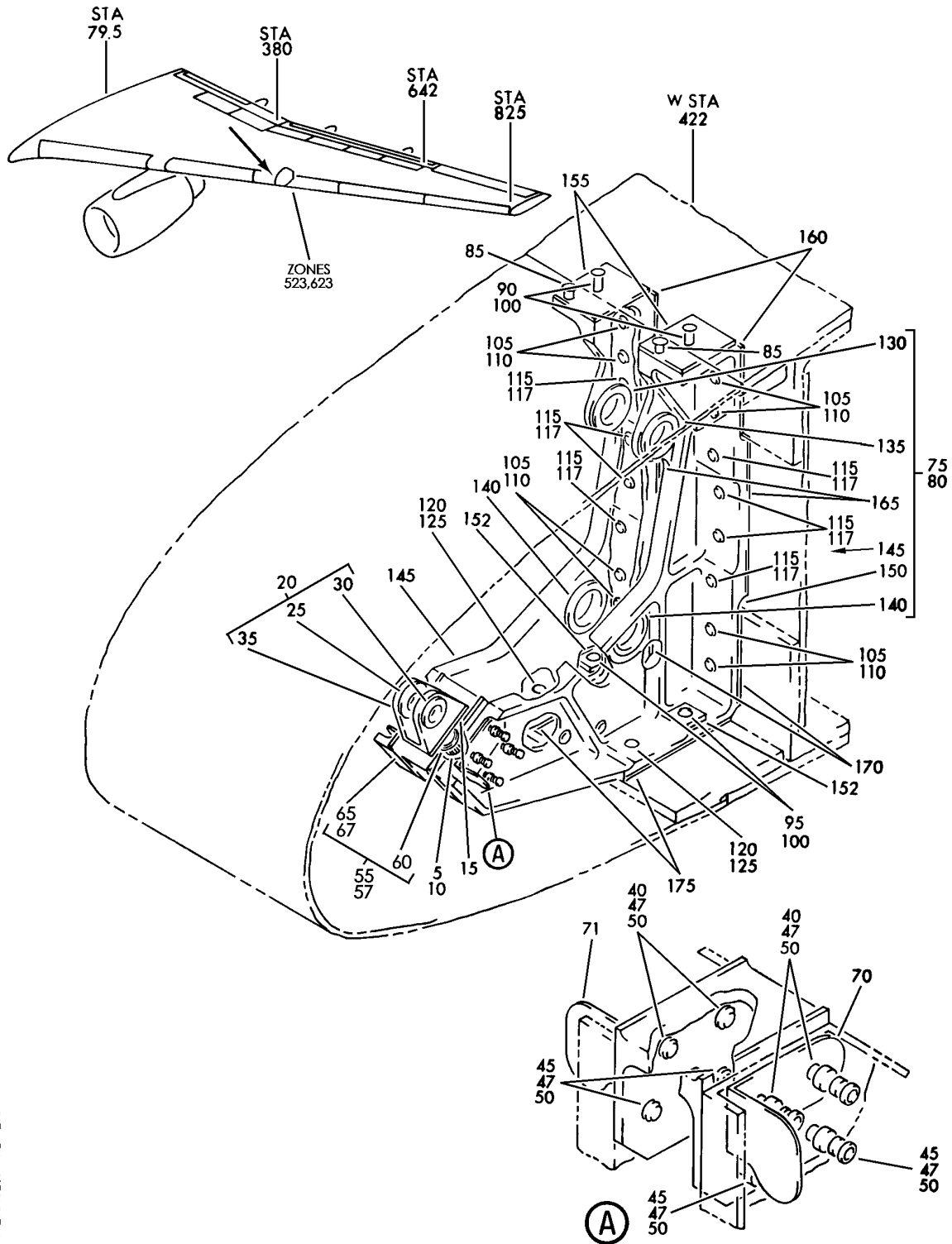
BRI

27-81-52-02

BOEING PROPRIETARY - Copyright © - Unpublished Work - See title page for details.

27-81-52  
FIG. 02  
PAGE 13  
JAN 20/09

**BOEING**  
757  
PARTS CATALOG (MAINTENANCE)



Y 27815203 REV 235

FITTING INSTL-WING FXD LE OSS 483.30 AUX TRACK SPRT  
FIGURE 3

**27-81-52-03**

BRI  
MAY 28/07

27-81-52-03  
PAGE 0



757

PARTS CATALOG (MAINTENANCE)

FIG ITEM	PART NUMBER	1 2 3 4 5 6 7	NOMENCLATURE	EFFECT FROM TO	UNITS PER ASSY
3			FITTING INSTL-WING FXD LE OSS 483.30 AUX TRACK SPRT	002004 006102 107999	
- 1	114N2015-1		FITTING INSTL-WING FXD LE AUX TRACK SPRT POSITION DATA: OSS 483.30 FOR NHA SEE: 57-21-51-01	002004 006100 107107 121503 904999	RF
- 1	114N2015-403		FITTING INSTL-WING FXD LE AUX TRACK SPRT POSITION DATA: OSS 483.30 L FOR NHA SEE: 57-00-00-10	101102 108120 504903	RF
- 3	114N2015-404		FITTING INSTL-WING FXD LE AUX TRACK SPRT POSITION DATA: OSS 483.30 R FOR NHA SEE: 57-00-00-10	101102 108120 504903	RF

MISSING ITEM NUMBERS NOT APPLICABLE

- ITEM NOT ILLUSTRATED

BRI

**27-81-52-03**

BOEING PROPRIETARY - Copyright © - Unpublished Work - See title page for details.

27-81-52  
FIG. 03  
PAGE 1  
JAN 20/09



757

PARTS CATALOG (MAINTENANCE)

FIG ITEM	PART NUMBER	1 2 3 4 5 6 7	NOMENCLATURE	EFFECT FROM TO	UNITS PER ASSY
3	5 BMN10HRCWD3-6		.NUT-	002004	1
R			SUPPLIER CODE:	006009	
R			V97928	107107	
R			SPECIFICATION NUMBER:	121503	
R			BACN10HR6CD	904949	
R			OPTIONAL PART:	952999	
R			H51560-6		
R			V15653		
R			67832CD624		
R			V56878		
R			102LH9031-6		
R			V72962		
R			BH00303CM6		
R			V27238		
R			SL7108C624		
R			V11815		
R			BMN5024CWD36		
R			V97928		
R			SL7108C6		
R			V11815		
R			102LH90316		
R			V72962		
R			67832CD6		
R			V56878		
R			VCU0005D6		
R			V06710		
R			CR60306		
R			VF0224		
R			CR60306		
R			VF0224		

MISSING ITEM NUMBERS NOT APPLICABLE

- ITEM NOT ILLUSTRATED

27-81-52-03

27-81-52  
FIG. 03  
PAGE 2  
MAY 20/09

BRI



757

PARTS CATALOG (MAINTENANCE)

FIG ITEM	PART NUMBER	1 2 3 4 5 6 7	NOMENCLATURE	EFFECT FROM TO	UNITS PER ASSY
3	5		.NUT-	010102	1
			SUPPLIER CODE:	108120	
			V97928	504903	
			SPECIFICATION NUMBER:	950951	
			BACN10HR7CD		
			OPTIONAL PART:		
			H51560-7		
			V15653		
			67832CD720		
			V56878		
			102LH9031-7		
			V72962		
			BH00303CM7		
			V27238		
			BMN5024CWD37		
			V97928		
			SL7108C7		
			V11815		
			VCU0005D7		
			V06710		
			102LH90317		
			V72962		
			67832CD7		
			V56878		
			CR6030-7		
			VF0224		
			BMN10HRCWD3-7		
			V97928		
	10		.WASHER-	002004	AR
				006009	
				107107	
				121503	
				904949	
				952999	
	10		.WASHER-	010102	AR
				108120	
				504903	
				950951	
	15		.SHIM-SLOTTED	904949	1
	15		.SHIM-SLOTTED	002004	1
			POST SERVICE BULLETIN:	006100	
			57-0035R1	107107	
				121503	
				950999	

MISSING ITEM NUMBERS NOT APPLICABLE

- ITEM NOT ILLUSTRATED

27-81-52-03

27-81-52  
FIG. 03  
PAGE 3  
JAN 20/09

BRI

BOEING PROPRIETARY - Copyright © - Unpublished Work - See title page for details.





757

PARTS CATALOG (MAINTENANCE)

FIG ITEM	PART NUMBER	1 2 3 4 5 6 7	NOMENCLATURE	EFFECT FROM TO	UNITS PER ASSY
3 20	114N2073-1		.CLEVIS ASSY- POSITION DATA: OUTBD, FWD QUALIFIED I/W DATA: 114N2073-9 T/W 114N4075-30 THRU 114N2075-36 (DEPENDING ON NEXT HIGHER ASSY), BACN10HR7CD AND BACW10BP7CD ARE I/ONE WAY FORWARD WITH 114N2073-5 OR 114N2073-1 T/W 114N2075-16 THRU 114N2075-22 (DEPENDING ON NEXT HIGHER ASSY), BACN10HR6CD AND BACN10BP6DP.	107107 904949 952952	1
20	114N2073-5		.CLEVIS ASSY- POSITION DATA: OUTBD, FWD QUALIFIED I/W DATA: -9 T/W 114N2075-30 THRU -36, BACN10HR7CD, AND BACN10BP7DP ARE I/ONE- WAY FORWARD WITH -5 T/W 114N2075-16 THRU -22, BACN10HR6CD, AND BACW10BP6DP.	002004 006009 107107 121503 904949 952999	1
20	114N2073-9		.CLEVIS ASSY- POSITION DATA: OUTBD, FWD QUALIFIED I/W DATA: -9 T/W 114N2075-30 THRU -36 (DEPENDING ON NEXT HIGHER ASSEMBLY) BACN10HR7CD AND BACW10BP7DP ARE I/ONE-WAY FORWARD WITH -5 T/W 114N2075-16 THRU -22 (DEPENDING ON NEXT HIGHER ASSEMBLY), BACN10HR6CD AND BACW10BP6DP.	002004 006102 107999	1
25	114N2130-6		..BUSHING	002004 006102 107999	1

MISSING ITEM NUMBERS NOT APPLICABLE

- ITEM NOT ILLUSTRATED

27-81-52-03

27-81-52  
FIG. 03  
PAGE 4  
JAN 20/09

BRI

BOEING PROPRIETARY - Copyright © - Unpublished Work - See title page for details.



757

PARTS CATALOG (MAINTENANCE)

FIG ITEM	PART NUMBER	1 2 3 4 5 6 7	NOMENCLATURE	EFFECT FROM TO	UNITS PER ASSY
3	30 BACB28AM07B013	..	BUSHING	002004 006100 107107 121503 904999	1
	30 BACB28AT07B013C	..	BUSHING	101102 108120 504903	1
35	114N2073-2	..	CLEVIS- POSITION DATA: FWD USED ON: 114N2073-1	107107 904949 952952	1
35	114N2073-6	..	CLEVIS- POSITION DATA: FWD USED ON: 114N2073-5	002004 006009 107107 121503 904949 952999	1
35	114N2073-10	..	CLEVIS- POSITION DATA: FWD	010102 108120 504903 950951	1
47	L8006K4	.BOLT	SUPPLIER CODE: V06725 SPECIFICATION NUMBER: BACB30MY6K4	002004 006100 107107 121503 904999	8
47	HST10AG6-4	.BOLT	SUPPLIER CODE: V06725 SPECIFICATION NUMBER: BACB30VT6K4 OPTIONAL PART: HST10AG6-4 V73197 HST10AG6-4 V56878 HST10AG6-4 VOPTK6 WC10K6-4 V60516	101102 108120 504903	8

MISSING ITEM NUMBERS NOT APPLICABLE

- ITEM NOT ILLUSTRATED

BRI

27-81-52-03

BOEING PROPRIETARY - Copyright © - Unpublished Work - See title page for details.

27-81-52  
FIG. 03  
PAGE 5  
JAN 20/09



757

PARTS CATALOG (MAINTENANCE)

FIG ITEM	PART NUMBER	1 2 3 4 5 6 7	NOMENCLATURE	EFFECT FROM TO	UNITS PER ASSY
3					
50	HL79-6	.	COLLAR SUPPLIER CODE: V5M902 SPECIFICATION NUMBER: BACC30M6 OPTIONAL PART: HL79-6 V73197 HL79-6 V92215 66014-6 V56878 HL79-6 V56878	002004 006100 107107 121503 904999	8
50	BACC30BL6	.	COLLAR SUPPLIER CODE: V73197 SPECIFICATION NUMBER: BACC30BL6 OPTIONAL PART: HST79-6 V92215 HST79CY6 V56878 HST79CY6 V5M902	101102 108120 504903	8
55	114N2075-17	.	CHAMNEL ASSY-FTG	002004 006009 107107 121503 904949 952999	1
55	114N2075-31	.	CHANNEL ASSY-	010102 108120 504903 950951	1
60	BACB28U6B038	..	BUSHING-	002004 006009 107107 121503 904949 952999	1
60	BACB28U7B038	..	BUSHING-	010102 108120 504903 950951	1

MISSING ITEM NUMBERS NOT APPLICABLE

- ITEM NOT ILLUSTRATED

BRI

27-81-52-03

BOEING PROPRIETARY - Copyright © - Unpublished Work - See title page for details.

27-81-52  
FIG. 03  
PAGE 6  
JAN 20/09



757

PARTS CATALOG (MAINTENANCE)

FIG ITEM	PART NUMBER	1 2 3 4 5 6 7	NOMENCLATURE	EFFECT FROM TO	UNITS PER ASSY
3					
65	114N2075-2	. .	CHANNEL-	002004 006009 107107 121503 904949 952999	1
65	114N2075-24	. .	CHANNEL-	010102 108120 504903 950951	1
70	287N1401-23	. BRACKET-	QUALIFIED OPTIONAL DATA: (114N2061-5 AND 287N1401-23 OR 114N2191-11, OPTIONAL TO 114N2191-7)	002004 006100 107107 121503 904999	1
71	287N1401-24	. BRACKET-	QUALIFIED OPTIONAL DATA: (114N2061-6 AND 287N1401-24 OR 114N2191-12, OPTIONAL TO 114N2191-8)	002004 006100 107107 121503 904999	1
75	114N2191-7	. FITTING ASSY-SPRT	QUALIFIED I/W DATA: 114N2191-7 TOGETHER WITH 114N2191-8 CAN REPLACE OR BE REPLACED BY 114N2191-11 TOGETHER WITH 114N2191-12. QUALIFIED OPTIONAL DATA: (114N2061-5 AND 287N1401-23 OR 114N2191-11, OPTIONAL TO 114N2191-7)	002004 006100 107107 121503 904999	1
75	114N2061-5	. FITTING ASSY-SPRT	FOR SPARES PROCURE: 114N2191U7 QUALIFIED OPTIONAL DATA: (114N2061-5 AND 287N1401-23 OR 114N2191-11, OPTIONAL TO 114N2191-7)	002004 006100 107107 121503 904999	1

MISSING ITEM NUMBERS NOT APPLICABLE

- ITEM NOT ILLUSTRATED

27-81-52-03

27-81-52  
FIG. 03  
PAGE 7  
JAN 20/09

BRI

BOEING PROPRIETARY - Copyright © - Unpublished Work - See title page for details.



757

PARTS CATALOG (MAINTENANCE)

FIG ITEM	PART NUMBER	1 2 3 4 5 6 7	NOMENCLATURE	EFFECT FROM TO	UNITS PER ASSY
3	75 114N2191-11		.FITTING ASSY-SPRT QUALIFIED I/W DATA: 114N2191-7 TOGETHER WITH 114N2191-8 CAN REPLACE OR BE REPLACED BY 114N2191-11 TOGETHER WITH 114N2191-12. QUALIFIED OPTIONAL DATA: (114N2061-5 AND 287N1401-23 OR 114N2191-11, OPTIONAL TO 114N2191-7)	011100	1
	75 114N2191-7		.FITTING ASSY-SPRT QUALIFIED I/W DATA: 114N2191-7 TOGETHER WITH 114N2191-8 CAN REPLACE OR BE REPLACED BY 114N2191-11 TOGETHER WITH 114N2191-12. OPTIONAL PART: 114N2191-11 FOR SPARES PROCURE: 114N2191U7	101102 108120 504903	1
	75 114N2191-11		.FITTING ASSY-SPRT QUALIFIED I/W DATA: 114N2191-7 TOGETHER WITH 114N2191-8 CAN REPLACE OR BE REPLACED BY 114N2191-11 TOGETHER WITH 114N2191-12. OPTIONAL PART: 114N2191-7	101102 108120 504903	1
	80 114N2191-8		.FITTING ASSY-SPRT QUALIFIED I/W DATA: 114N2191-8 TOGETHER WITH 114N2191-7 CAN REPLACE OR BE REPLACED BY 114N2191-12 TOGETHER WITH 114N2191-11. QUALIFIED OPTIONAL DATA: (114N2061-6 AND 287N1401-24 OR 114N2191-12, OPTIONAL TO 114N2191-8) FOR SPARES PROCURE: 114N2191U8	002004 006100 107107 121503 904999	1

MISSING ITEM NUMBERS NOT APPLICABLE

- ITEM NOT ILLUSTRATED

27-81-52-03

27-81-52  
FIG. 03  
PAGE 8  
JAN 20/09

BRI



757

PARTS CATALOG (MAINTENANCE)

FIG ITEM	PART NUMBER	1 2 3 4 5 6 7	NOMENCLATURE	EFFECT FROM TO	UNITS PER ASSY
3					
80	114N2061-6		. FITTING ASSY-SPRT QUALIFIED OPTIONAL DATA: (114N2061-6 AND 287N1401-24 OR 114N2191-12, OPTIONAL TO 114N2191-8)	002004 006100 107107 121503 904999	1
80	114N2191-12		. FITTING ASSY-SPRT QUALIFIED I/W DATA: 114N2191-8 TOGETHER WITH 114N2191-7 CAN REPLACE OR BE REPLACED BY 114N2191-12 TOGETHER WITH 114N2191-11. QUALIFIED OPTIONAL DATA: (114N2061-6 AND 287N1401-24 OR 114N2191-12, OPTIONAL TO 114N2191-8)	011100	1
80	114N2191-8		. FITTING ASSY-SPRT QUALIFIED I/W DATA: 114N2191-8 TOGETHER WITH 114N2191-7 CAN REPLACE OR BE REPLACED BY 114N2191-12 TOGETHER WITH 114N2191-11. OPTIONAL PART: 114N2191-12 FOR SPARES PROCURE: 114N2191U8	101102 108120 504903	1
80	114N2191-12		. FITTING ASSY-SPRT QUALIFIED I/W DATA: 114N2191-8 TOGETHER WITH 114N2191-7 CAN REPLACE OR BE REPLACED BY 114N2191-12 TOGETHER WITH 114N2191-11. OPTIONAL PART: 114N2191-8	101102 108120 504903	1
85	BACR15BA6AD		ATTACHING PARTS . RIVET- SIZE DETERMINED ON INSTL.	002004 006102 107999	2

MISSING ITEM NUMBERS NOT APPLICABLE

- ITEM NOT ILLUSTRATED

27-81-52-03

27-81-52  
FIG. 03  
PAGE 9  
JAN 20/09

BRI

BOEING PROPRIETARY - Copyright © - Unpublished Work - See title page for details.



757

PARTS CATALOG (MAINTENANCE)

FIG ITEM	PART NUMBER	1 2 3 4 5 6 7	NOMENCLATURE	EFFECT FROM TO	UNITS PER ASSY
3 90	HL523AZ10-13	.BOLT	SUPPLIER CODE: V06725 SPECIFICATION NUMBER: BACB30NZ10K13 OPTIONAL PART: HL523AZ10-13 V56878 L804-10K13 V06725 HL523AZ10-13 V73197 HL523AZ10-13 V92215 HL523AZ10-13 V97928 HL523AZ10-13 VOPTK6 HL523AZ10-13 V60516	002004 006102 107999	2
95	HL523AZ10-14	.BOLT-	SUPPLIER CODE: V06725 SPECIFICATION NUMBER: BACB30NZ10K14 OPTIONAL PART: HL523AZ10-14 V56878 L804-10K14 V06725 HL523AZ10-14 V73197 HL523AZ10-14 V92215 HL523AZ10-14 V97928 HL523AZ10-14 VOPTK6 HL523AZ10-14 V60516	002004 006102 107999	2

MISSING ITEM NUMBERS NOT APPLICABLE

- ITEM NOT ILLUSTRATED

27-81-52-03

27-81-52  
FIG. 03  
PAGE 10  
JAN 20/09

BRI



757

PARTS CATALOG (MAINTENANCE)

FIG ITEM	PART NUMBER	1 2 3 4 5 6 7	NOMENCLATURE	EFFECT FROM TO	UNITS PER ASSY
3 100	HL79-10		.COLLAR SUPPLIER CODE: V5M902 SPECIFICATION NUMBER: BACC30M10 OPTIONAL PART: HL79-10 V73197 HL79-10 V92215 66014-10 V56878 HL79-10 V56878	002004 006102 107999	4
105	BACB30MY10K		.BOLT- SIZE DETERMINED ON INSTL.	002004 006102 107999	4
110	TLN12045		.NUT- SUPPLIER CODE: V97928 SPECIFICATION NUMBER: BACN10WM5 OPTIONAL PART: LH10114B5 V72962 MN155 V73197 VN18615 V92215 H49702-5S V15653 W8505 V08524 H497025 V15653	002004 006102 107999	4
115	BACB30MY8K		.BOLT- SIZE DETERMINED ON INSTL.	002004 006102 107999	4

MISSING ITEM NUMBERS NOT APPLICABLE

- ITEM NOT ILLUSTRATED

BRI

27-81-52-03

BOEING PROPRIETARY - Copyright © - Unpublished Work - See title page for details.

27-81-52  
FIG. 03  
PAGE 11  
JAN 20/09





757

PARTS CATALOG (MAINTENANCE)

FIG ITEM	PART NUMBER	1 2 3 4 5 6 7	NOMENCLATURE	EFFECT FROM TO	UNITS PER ASSY
3 117	TLN12048		.NUT- SUPPLIER CODE: V97928 SPECIFICATION NUMBER: BACN10WM8 OPTIONAL PART: LH10114B8 V72962 MN158 V73197 VN18618 V92215 H49702-8S V15653 W8508 V08524 H497028 V15653	002004 006102 107999	4
120	HL523AZ8-7		.BOLT SUPPLIER CODE: V56878 SPECIFICATION NUMBER: BACB30NZ8K7 OPTIONAL PART: L804-8K7 V06725 HL523AZ8-7 V92215 HL523AZ8-7 V73197 HL523AZ8-7 V97928 HL523AZ8-7 VOPTK6 HL523AZ8-7 V60516 HL523AZ8-7 V06725	002004 006102 107999	2

MISSING ITEM NUMBERS NOT APPLICABLE

- ITEM NOT ILLUSTRATED

27-81-52-03

27-81-52  
FIG. 03  
PAGE 12  
JAN 20/09

BRI



757

PARTS CATALOG (MAINTENANCE)

FIG ITEM	PART NUMBER	1 2 3 4 5 6 7	NOMENCLATURE	EFFECT FROM TO	UNITS PER ASSY
3 125	HL79-8		. COLLAR SUPPLIER CODE: V5M902 SPECIFICATION NUMBER: BACC30M8 OPTIONAL PART: HL79-8 V73197 HL79-8 V92215 66014-8 V56878 HL79-8 V56878	002004 006102 107999	2
130	BACB28AP05P017		-----*----- .. BUSHING- USED ON: 114N2061-2 114N2061-6 114N2191-2 114N2191-8 114N2191-12 USED ON: 114N2061-2 114N2061-6 114N2191-2 114N2191-8 114N2191-12	002004 006102 107999	1
135	BACB28AM07B017A		.. BUSHING- USED ON: 114N2061-1 114N2061-5 114N2191-1 114N2191-7 USED ON: 114N2061-1 114N2061-5 114N2191-1 114N2191-7	002004 006102 107999	1
135	BACB28AT07B017C		.. BUSHING- USED ON: 114N2191-11 USED ON: 114N2191-11	011102 108120 504903	1

MISSING ITEM NUMBERS NOT APPLICABLE

- ITEM NOT ILLUSTRATED

27-81-52-03

27-81-52  
FIG. 03  
PAGE 13  
JAN 20/09

BRI

BOEING PROPRIETARY - Copyright © - Unpublished Work - See title page for details.



757

PARTS CATALOG (MAINTENANCE)

FIG ITEM	PART NUMBER	1 2 3 4 5 6 7	NOMENCLATURE	EFFECT FROM TO	UNITS PER ASSY
3					
140	BACB28AM13B012A	..	BUSHING- USED ON: 114N2061-1 114N2061-2 114N2061-5 114N2061-6 114N2191-1 114N2191-2 114N2191-7 114N2191-8 USED ON: 114N2061-1 114N2061-2 114N2061-5 114N2061-6 114N2191-1 114N2191-2 114N2191-7 114N2191-8	002004 006102 107999	1
140	BACB28AT13B012C	..	BUSHING- USED ON: 114N2191-11 114N2191-12 USED ON: 114N2191-11 114N2191-12	011102 108120 504903	1
145	114N2191-9	..	FITTING- USED ON: 114N2191-7	002004 006102 107999	1
145	114N2061-7	..	FITTING- USED ON: 114N2061-5	002004 006100 107107 121503 904999	1
145	114N2191-13	..	FITTING- USED ON: 114N2191-11	011102 108120 504903	1
150	114N2191-10	..	FITTING- USED ON: 114N2191-8	002004 006102 107999	1
150	114N2061-8	..	FITTING- USED ON: 114N2061-6	002004 006100 107107 121503 904999	1
150	114N2191-14	..	FITTING- USED ON: 114N2191-12	011102 108120 504903	1

MISSING ITEM NUMBERS NOT APPLICABLE

- ITEM NOT ILLUSTRATED

27-81-52-03

27-81-52  
FIG. 03  
PAGE 14  
JAN 20/09

BRI

BOEING PROPRIETARY - Copyright © - Unpublished Work - See title page for details.



757

PARTS CATALOG (MAINTENANCE)

FIG ITEM	PART NUMBER	1 2 3 4 5 6 7	NOMENCLATURE	EFFECT FROM TO	UNITS PER ASSY
3					
152	114N2014-8	.	FILLER-RADIUS	002004 006102 107999	2
155	BACS40R014D026F	.	SHIM-	107107 904949 952952	2
155	BACS40R014D015F	.	SHIM-	002004 006102 108903 950951 953999	2
160	BACS40R014C025F	.	SHIM-	002004 006102 107999	2
165	BACS40R013C044F	.	SHIM-	002004 006102 107999	2
170	BACS40R014C026F	.	SHIM-	002004 006102 107999	2
175	BACS40R014D029F	.	SHIM-	002004 006102 107999	2

MISSING ITEM NUMBERS NOT APPLICABLE

- ITEM NOT ILLUSTRATED

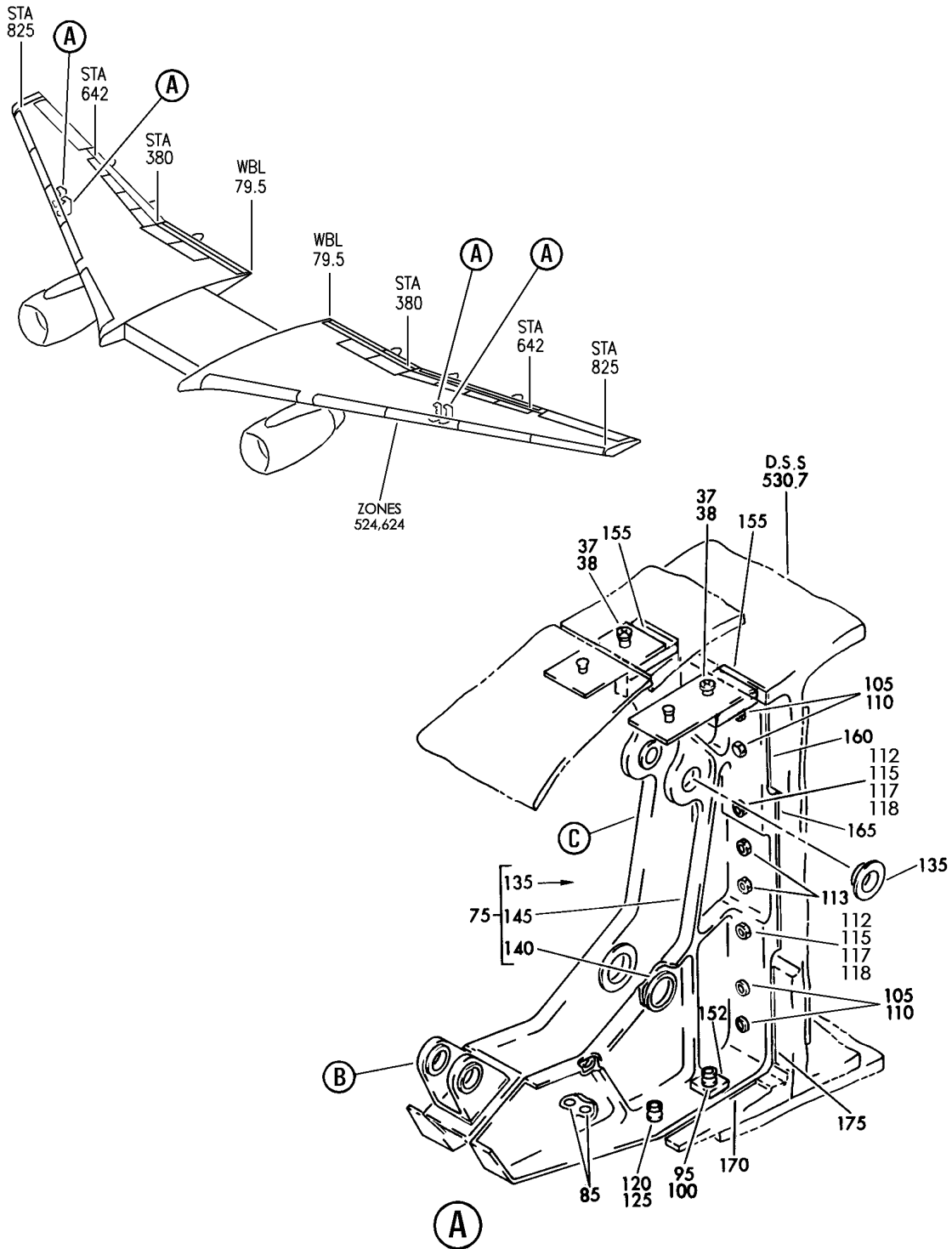
BRI

27-81-52-03

BOEING PROPRIETARY - Copyright © - Unpublished Work - See title page for details.

27-81-52  
FIG. 03  
PAGE 15  
JAN 20/09


**BOEING**  
 757  
**PARTS CATALOG (MAINTENANCE)**



Y 27815204 SHT 1 REV 240

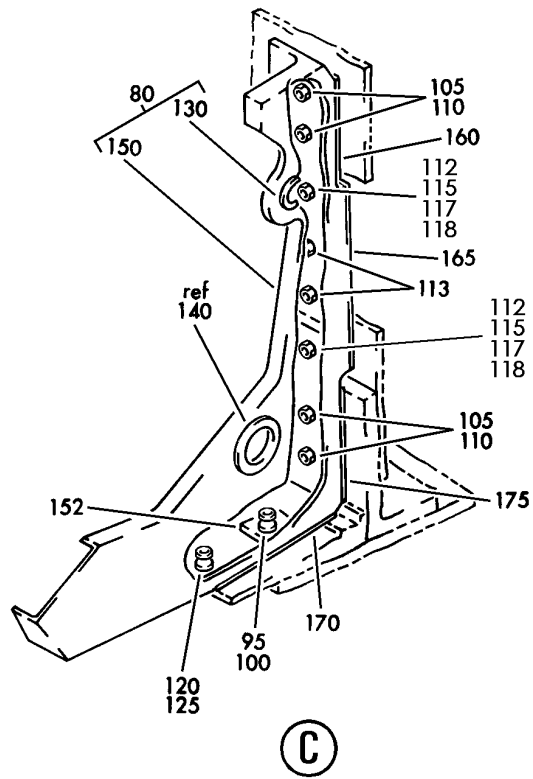
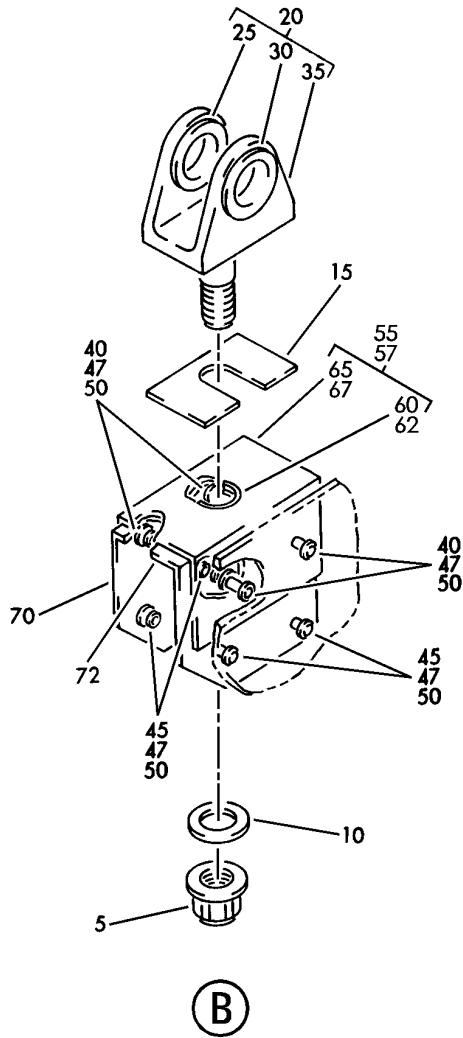
FITTING INSTL-WING FXD LE OSS 530.70 AUX TRACK SPRT  
 FIGURE 4 (SHEET 1)

**27-81-52-04**

BRI  
 MAY 28/07

27-81-52-04  
 PAGE 0

**BOEING**  
757  
PARTS CATALOG (MAINTENANCE)



Y 27815204 SHT 2 REV 240

FITTING INSTL-WING FXD LE OSS 530.70 AUX TRACK SPRT  
FIGURE 4 (SHEET 2)

**27-81-52-04**

BRI  
MAY 28/07

27-81-52-04  
PAGE 0A



757

PARTS CATALOG (MAINTENANCE)

FIG ITEM	PART NUMBER	1 2 3 4 5 6 7	NOMENCLATURE	EFFECT FROM TO	UNITS PER ASSY
4			FITTING INSTL-WING FXD LE OSS 530.70 AUX TRACK SPRT	002004 006102 107999	
- 1	114N2014-1		FITTING INSTL-WING FXD LE AUX TRACK SPRT POSITION DATA: OSS 530.70 FOR NHA SEE: 57-21-51-01	002004 006100 107107 121503 904999	RF
- 2	114N2014-403		FITTING INSTL-WING FXD LE AUX TRACK SPRT POSITION DATA: OSS 530.70 L FOR NHA SEE: 57-00-00-10	101102 108120 504903	RF
- 3	114N2014-404		FITTING INSTL-WING FXD LE AUX TRACK SPRT POSITION DATA: OSS 530.70 R FOR NHA SEE: 57-00-00-10	101102 108120 504903	RF

MISSING ITEM NUMBERS NOT APPLICABLE

- ITEM NOT ILLUSTRATED

BRI

**27-81-52-04**

BOEING PROPRIETARY - Copyright © - Unpublished Work - See title page for details.

27-81-52  
FIG. 04  
PAGE 1  
JAN 20/09



757

PARTS CATALOG (MAINTENANCE)

FIG ITEM	PART NUMBER	1 2 3 4 5 6 7	NOMENCLATURE	EFFECT FROM TO	UNITS PER ASSY
4					
R	5		.NUT-	002004	1
R			SUPPLIER CODE:	006009	
R			V97928	107107	
R			SPECIFICATION NUMBER:	121503	
R			BACN10HR6CD	904949	
R			OPTIONAL PART:	952999	
R			H51560-6		
R			V15653		
R			67832CD624		
R			V56878		
R			102LH9031-6		
R			V72962		
R			BH00303CM6		
R			V27238		
R			SL7108C624		
R			V11815		
R			BMN5024CWD36		
R			V97928		
R			SL7108C6		
R			V11815		
R			102LH90316		
R			V72962		
R			67832CD6		
R			V56878		
R			VCU0005D6		
R			V06710		
R			CR60306		
R			VF0224		
R			CR60306		
R			VF0224		

MISSING ITEM NUMBERS NOT APPLICABLE

- ITEM NOT ILLUSTRATED

27-81-52-04

27-81-52  
FIG. 04  
PAGE 2  
MAY 20/09

BRI





757

PARTS CATALOG (MAINTENANCE)

FIG ITEM	PART NUMBER	1 2 3 4 5 6 7	NOMENCLATURE	EFFECT FROM TO	UNITS PER ASSY
4	5		.NUT- SUPPLIER CODE: V97928 SPECIFICATION NUMBER: BACN10HR7CD OPTIONAL PART: H51560-7 V15653 67832CD720 V56878 102LH9031-7 V72962 BH00303CM7 V27238 BMN5024CWD37 V97928 SL7108C7 V11815 VCU0005D7 V06710 102LH90317 V72962 67832CD7 V56878 CR6030-7 VF0224 BMN10HRCWD3-7 V97928	010102 108120 504903 950951	1
	10		.WASHER-	002004 006009 107107 121503 904949 952999	AR
	10		.WASHER-	010102 108120 504903 950951	AR
	15		.SHIM-SLOTTED	904949	1
	15		.SHIM-SLOTTED POST SERVICE BULLETIN: 57-0035R1	002004 006102 107903 950999	1

MISSING ITEM NUMBERS NOT APPLICABLE

- ITEM NOT ILLUSTRATED

27-81-52-04

27-81-52  
FIG. 04  
PAGE 3  
JAN 20/09

BRI

BOEING PROPRIETARY - Copyright © - Unpublished Work - See title page for details.



757

PARTS CATALOG (MAINTENANCE)

FIG ITEM	PART NUMBER	1 2 3 4 5 6 7	NOMENCLATURE	EFFECT FROM TO	UNITS PER ASSY
4 20	114N2073-1		.CLEVIS ASSY- POSITION DATA: FWD OUTBD QUALIFIED I/W DATA: -9 T/W 114N2075-30 THRU -36 (DEPENDING ON NEXT HIGHER ASSY), BACN10HR7CD & BACW10BP7DP ARE I/ONE WAY FORWARD WITH -5 OR -1 T/W 114N2075-16 THRU -22 (DEPENDING ON NEXT HIGHER ASSY), BACN10HR6CD & BACN10BP6DP	107107 904949 952952	1
20	114N2073-5		.CLEVIS ASSY- POSITION DATA: FWD OUTBD QUALIFIED I/W DATA: -9 T/W 114N2075-30 THRU -36, BACN10HR7CD, AND BACN10BP7DP ARE INTERCHANGEABLE ONE-WAY FORWARD WITH -5 T/W 114N2075-16 THRU -22, BACN10HR6CD, AND BACW10BP6DP	002004 006009 107107 121503 904949 952999	1
20	114N2073-9		.CLEVIS ASSY- POSITION DATA: FWD OUTBD QUALIFIED I/W DATA: -9 T/W 114N2075-30 THRU -36 (DEPENDING ON NEXT HIGHER ASSEMBLY) BACN10HR7CD AND BACW10BP7DP ARE I/ONE- WAY FORWARD WITH -5 T/W 114N2075-16 THRU -22 (DEPENDING ON NEXT HIGHER ASSEMBLY), BACN10HR6CD AND BACW10BP6DP.	002004 006102 107999	1
25	114N2130-6		..BUSHING	002004 006102 107999	1

MISSING ITEM NUMBERS NOT APPLICABLE

- ITEM NOT ILLUSTRATED

27-81-52-04

27-81-52  
FIG. 04  
PAGE 4  
JAN 20/09

BRI



757

PARTS CATALOG (MAINTENANCE)

FIG ITEM	PART NUMBER	1 2 3 4 5 6 7	NOMENCLATURE	EFFECT FROM TO	UNITS PER ASSY
4	30 BACB28AM07B013	..	BUSHING-	002004 006009 107107 121503 904949 952999	1
	30 BACB28AT07B013C	..	BUSHING-	010102 108120 504903 950951 107107 904949 952952	1
	35 114N2073-2	..	CLEVIS- POSITION DATA: FWD USED ON: 114N2073-1	107107 904949 952952	1
	35 114N2073-6	..	CLEVIS- POSITION DATA: FWD USED ON: 114N2073-5	002004 006009 107107 121503 904949 952999	1
	35 114N2073-10	..	CLEVIS- POSITION DATA: FWD	010102 108120 504903 950951	1
	37 BACB30NN5K15	.BOLT-		002004 006102 107999	2
	40 L8006K5	.BOLT	SUPPLIER CODE: V06725 SPECIFICATION NUMBER: BACB30MY6K5	002004 006010 107107 121503 904999	4
	43 114N2120-3	.FILLER		002004 006102 107999	2
	45 L8006K4	.BOLT	SUPPLIER CODE: V06725 SPECIFICATION NUMBER: BACB30MY6K4	002004 006010 107107 121503 904999	4
	47 L8006K4	.BOLT-	SUPPLIER CODE: V06725 SPECIFICATION NUMBER: BACB30MY6K4	011100	8

MISSING ITEM NUMBERS NOT APPLICABLE

- ITEM NOT ILLUSTRATED

27-81-52-04

27-81-52  
FIG. 04  
PAGE 5  
JAN 20/09

BRI

BOEING PROPRIETARY - Copyright © - Unpublished Work - See title page for details.



757

PARTS CATALOG (MAINTENANCE)

FIG ITEM	PART NUMBER	1 2 3 4 5 6 7	NOMENCLATURE	EFFECT FROM TO	UNITS PER ASSY
4	47 HST10AG6-4	.BOLT	SUPPLIER CODE: V06725 SPECIFICATION NUMBER: BACB30VT6K4 OPTIONAL PART: HST10AG6-4 V73197 HST10AG6-4 V56878 HST10AG6-4 VOPTK6 WC10K6-4 V60516	101102 108120 504903	8
	50 HL79-6	.COLLAR	SUPPLIER CODE: V5M902 SPECIFICATION NUMBER: BACC30M6 OPTIONAL PART: HL79-6 V73197 HL79-6 V92215 66014-6 V56878 HL79-6 V56878	002004 006100 107107 121503 904999	8
	50 BACC30BL6	.COLLAR	SUPPLIER CODE: V73197 SPECIFICATION NUMBER: BACC30BL6 OPTIONAL PART: HST79-6 V92215 HST79CY6 V56878 HST79CY6 V5M902	101102 108120 504903	8

MISSING ITEM NUMBERS NOT APPLICABLE

- ITEM NOT ILLUSTRATED

BRI

27-81-52-04

BOEING PROPRIETARY - Copyright © - Unpublished Work - See title page for details.

27-81-52  
FIG. 04  
PAGE 6  
JAN 20/09



757

PARTS CATALOG (MAINTENANCE)

FIG ITEM	PART NUMBER	1 2 3 4 5 6 7	NOMENCLATURE	EFFECT FROM TO	UNITS PER ASSY
4	51	BRFR220C5-2D	.NUTPLATE SUPPLIER CODE: V52828 SPECIFICATION NUMBER: BACN10KE5B2CD OPTIONAL PART: 102A9213-2-5 V72962 NS202493-054-2 V80539 F51747-5-2CD V15653	002004 006102 107999	2
	52	BACR15BA3AD	.RIVET- SIZE DETERMINED ON INSTL.	002004 006102 107999	4
	55	114N2075-18	.FITTING ASSY-CHAN	002004 006009 107107 121503 904949 952999	1
	55	114N2075-32	.FITTING ASSY-CHAN	010102 108120 504903 950951	1
	60	BACB28U6B038	..BUSHING	010102 108120 504903 950951	1
	65	114N2075-3	..CHANNEL-	002004 006009 107107 121503 904949 952999	1
	65	114N2075-25	..CHANNEL-	010102 108120 504903 950951	1
	70	287N1401-355	.BRACKET-	002004 006010 107107 121503 904999	1
	72	287N1401-354	.BRACKET-	002004 006010 107107 121503 904999	1

MISSING ITEM NUMBERS NOT APPLICABLE

- ITEM NOT ILLUSTRATED

27-81-52-04

27-81-52  
FIG. 04  
PAGE 7  
JAN 20/09

BRI

BOEING PROPRIETARY - Copyright © - Unpublished Work - See title page for details.



757

PARTS CATALOG (MAINTENANCE)

FIG ITEM	PART NUMBER	1 2 3 4 5 6 7	NOMENCLATURE	EFFECT FROM TO	UNITS PER ASSY
4	75 114N2190-7		.FITTING ASSY-SPRT OPTIONAL PART: 114N2190-13	002004 006102 107999	1
	75 114N2190-13		.FITTING ASSY-SPRT OPTIONAL PART: 114N2190-7	011102 108120 504903	1
	80 114N2190-8		.FITTING ASSY-SPRT OPTIONAL PART: 114N2190-14	002004 006102 107999	1
	80 114N2190-14		.FITTING ASSY-SPRT OPTIONAL PART: 114N2190-8	011102 108120 504903	1
	85 BACR15BA6AD		ATTACHING PARTS .RIVET- SIZE DETERMINED ON INSTL.	002004 006102 107999	2
	95 HL523AZ10-13		.BOLT- SUPPLIER CODE: V06725 SPECIFICATION NUMBER: BACB30NZ10K13 OPTIONAL PART: HL523AZ10-13 V56878 L804-10K13 V06725 HL523AZ10-13 V73197 HL523AZ10-13 V92215 HL523AZ10-13 V97928 HL523AZ10-13 VOPTK6 HL523AZ10-13 V60516	002004 006102 107999	2

MISSING ITEM NUMBERS NOT APPLICABLE

- ITEM NOT ILLUSTRATED

BRI

27-81-52-04

BOEING PROPRIETARY - Copyright © - Unpublished Work - See title page for details.

27-81-52  
FIG. 04  
PAGE 8  
JAN 20/09



757

PARTS CATALOG (MAINTENANCE)

FIG ITEM	PART NUMBER	1 2 3 4 5 6 7	NOMENCLATURE	EFFECT FROM TO	UNITS PER ASSY
4 100	HL79-10		.COLLAR SUPPLIER CODE: V5M902 SPECIFICATION NUMBER: BACC30M10 OPTIONAL PART: HL79-10 V73197 HL79-10 V92215 66014-10 V56878 HL79-10 V56878	002004 006102 107999	2
105	L80010K10		.BOLT- SUPPLIER CODE: V06725 SPECIFICATION NUMBER: BACB30MY10K10	002004 006100 107107 121503 904999	8
105	HST10AG10-10		.BOLT SUPPLIER CODE: VOPTK6 SPECIFICATION NUMBER: BACB30VT10K10 OPTIONAL PART: HST10AG10-10 V06725 HST10AG10-10 V56878 HST10AG10-10 V73197 WC10K10-10 V60516	101102 108120 504903	8
110	HL79-10		.COLLAR- SUPPLIER CODE: V5M902 SPECIFICATION NUMBER: BACC30M10 OPTIONAL PART: HL79-10 V73197 HL79-10 V92215 66014-10 V56878 HL79-10 V56878	002004 006100 107107 121503 904999	8

MISSING ITEM NUMBERS NOT APPLICABLE

- ITEM NOT ILLUSTRATED

27-81-52-04

27-81-52  
FIG. 04  
PAGE 9  
JAN 20/09

BRI

BOEING PROPRIETARY - Copyright © - Unpublished Work - See title page for details.



757

PARTS CATALOG (MAINTENANCE)

FIG ITEM	PART NUMBER	1 2 3 4 5 6 7	NOMENCLATURE	EFFECT FROM TO	UNITS PER ASSY
4 110	VLC771-10		.COLLAR SUPPLIER CODE: V5M902 SPECIFICATION NUMBER: BACC30BP10 OPTIONAL PART: HST771-10 V73197	101102 108120 504903	8
112	HST10AG8-9		.BOLT SUPPLIER CODE: VOPTK6 SPECIFICATION NUMBER: BACB30VT8K9 OPTIONAL PART: HST10AG8-9 V06725 HST10AG8-9 V56878 HST10AG8-9 V73197 WC10K8-9 V60516	101102 108120 504903	4
113	HST10AG8-6		.BOLT SUPPLIER CODE: VOPTK6 SPECIFICATION NUMBER: BACB30VT8K6 OPTIONAL PART: HST10AG8-6 V06725 HST10AG8-6 V56878 HST10AG8-6 V73197 WC10K8-6 V60516	101102 108120 504903	4
115	BACB30MY8K		.BOLT- SIZE DETERMINED ON INSTL.	002004 006100 107107 121503 904999	8
117	VLC771-8		.COLLAR SUPPLIER CODE: V5M902 SPECIFICATION NUMBER: BACC30BP8 OPTIONAL PART: HST771-8 V73197	101102 108120 504903	8

MISSING ITEM NUMBERS NOT APPLICABLE

- ITEM NOT ILLUSTRATED

BRI

27-81-52-04

27-81-52  
FIG. 04  
PAGE 10  
JAN 20/09





757

PARTS CATALOG (MAINTENANCE)

FIG ITEM	PART NUMBER	1 2 3 4 5 6 7	NOMENCLATURE	EFFECT FROM TO	UNITS PER ASSY
4 118	TLN12044		.NUT- SUPPLIER CODE: V97928 SPECIFICATION NUMBER: BACN10WM4 OPTIONAL PART: LH10114B4 V72962 MN154 V73197 VN18614 V92215 H49702-4S V15653 W8504 V08524 H497024 V15653	002004 006100 107107 121503 904999	8
120	HL523AZ8-7		.BOLT SUPPLIER CODE: V56878 SPECIFICATION NUMBER: BACB30NZ8K7 OPTIONAL PART: L804-8K7 V06725 HL523AZ8-7 V92215 HL523AZ8-7 V73197 HL523AZ8-7 V97928 HL523AZ8-7 VOPTK6 HL523AZ8-7 V60516 HL523AZ8-7 V06725	002004 006102 107999	2

MISSING ITEM NUMBERS NOT APPLICABLE

- ITEM NOT ILLUSTRATED

27-81-52-04

27-81-52  
FIG. 04  
PAGE 11  
JAN 20/09

BRI



757

PARTS CATALOG (MAINTENANCE)

FIG ITEM	PART NUMBER	1 2 3 4 5 6 7	NOMENCLATURE	EFFECT FROM TO	UNITS PER ASSY
4 125	HL79-8	.	COLLAR SUPPLIER CODE: V5M902 SPECIFICATION NUMBER: BACC30M8 OPTIONAL PART: HL79-8 V73197 HL79-8 V92215 66014-8 V56878 HL79-8 V56878 -----*	002004 006102 107999	2
130	BACB28AP05P017	..	BUSHING- USED ON: 114N2060-2 114N2190-2 114N2190-8 114N2190-14 USED ON: 114N2190-8 114N2190-14	002004 006102 107999	1
135	BACB28AM07B017A	..	BUSHING- USED ON: 114N2060-1 114N2190-1 114N2190-7 USED ON: 114N2190-7	002004 006102 107999	1
135	BACB28AT07B017C	..	BUSHING- USED ON: 114N2190-13 USED ON: 114N2190-13	011102 108120 504903	1

MISSING ITEM NUMBERS NOT APPLICABLE

- ITEM NOT ILLUSTRATED

27-81-52-04

27-81-52  
FIG. 04  
PAGE 12  
JAN 20/09

BRI



757

PARTS CATALOG (MAINTENANCE)

FIG ITEM	PART NUMBER	1 2 3 4 5 6 7	NOMENCLATURE	EFFECT FROM TO	UNITS PER ASSY
4 140	BACB28AM13B012A	..	BUSHING- USED ON: 114N2060-1 114N2060-2 114N2190-1 114N2190-2 114N2190-7 114N2190-8 USED ON: 114N2060-1 114N2060-2 114N2190-1 114N2190-2 114N2190-7 114N2190-8	002004 006102 107999	1
140	BACB28AT13B012C	..	BUSHING- USED ON: 114N2190-13 114N2190-14 USED ON: 114N2190-13 114N2190-14	011102 108120 504903	1
145	114N2190-9	..	FITTING- OPTIONAL PART: 114N2190-11 USED ON: 114N2190-7	002004 006102 107999	1
145	114N2190-11	..	FITTING- OPTIONAL PART: 114N2190-9 USED ON: 114N2190-7	002004 006102 107999	1
145	114N2190-15	..	FITTING- USED ON: 114N2190-13	011102 108120 504903	1
150	114N2190-10	..	FITTING- OPTIONAL PART: 114N2190-12 USED ON: 114N2190-8	002004 006102 107999	1
150	114N2190-12	..	FITTING- OPTIONAL PART: 114N2190-10 USED ON: 114N2190-8	002004 006102 107999	1
150	114N2190-16	..	FITTING- USED ON: 114N2190-14	011102 108120 504903	1

MISSING ITEM NUMBERS NOT APPLICABLE

- ITEM NOT ILLUSTRATED

27-81-52-04

27-81-52  
FIG. 04  
PAGE 13  
JAN 20/09

BRI

BOEING PROPRIETARY - Copyright © - Unpublished Work - See title page for details.



757

PARTS CATALOG (MAINTENANCE)

FIG ITEM	PART NUMBER	1 2 3 4 5 6 7	NOMENCLATURE	EFFECT FROM TO	UNITS PER ASSY
4					
152	114N2014-8	.	FILLER-RADIUS	002004 006102 107999	2
155	BACS40R014D026F	.	SHIM-	107107 904949 952952	2
155	BACS40R014D015F	.	SHIM-	002004 006102 108903 950951 953999	2
160	BACS40R014C025F	.	SHIM-	002004 006102 107999	2
165	BACS40R013C041F	.	SHIM-	002004 006102 107999	2
170	BACS40R014D029F	.	SHIM-	002004 006102 107999	2
175	BACS40R014C026F	.	SHIM-	002004 006102 107999	2

MISSING ITEM NUMBERS NOT APPLICABLE

- ITEM NOT ILLUSTRATED

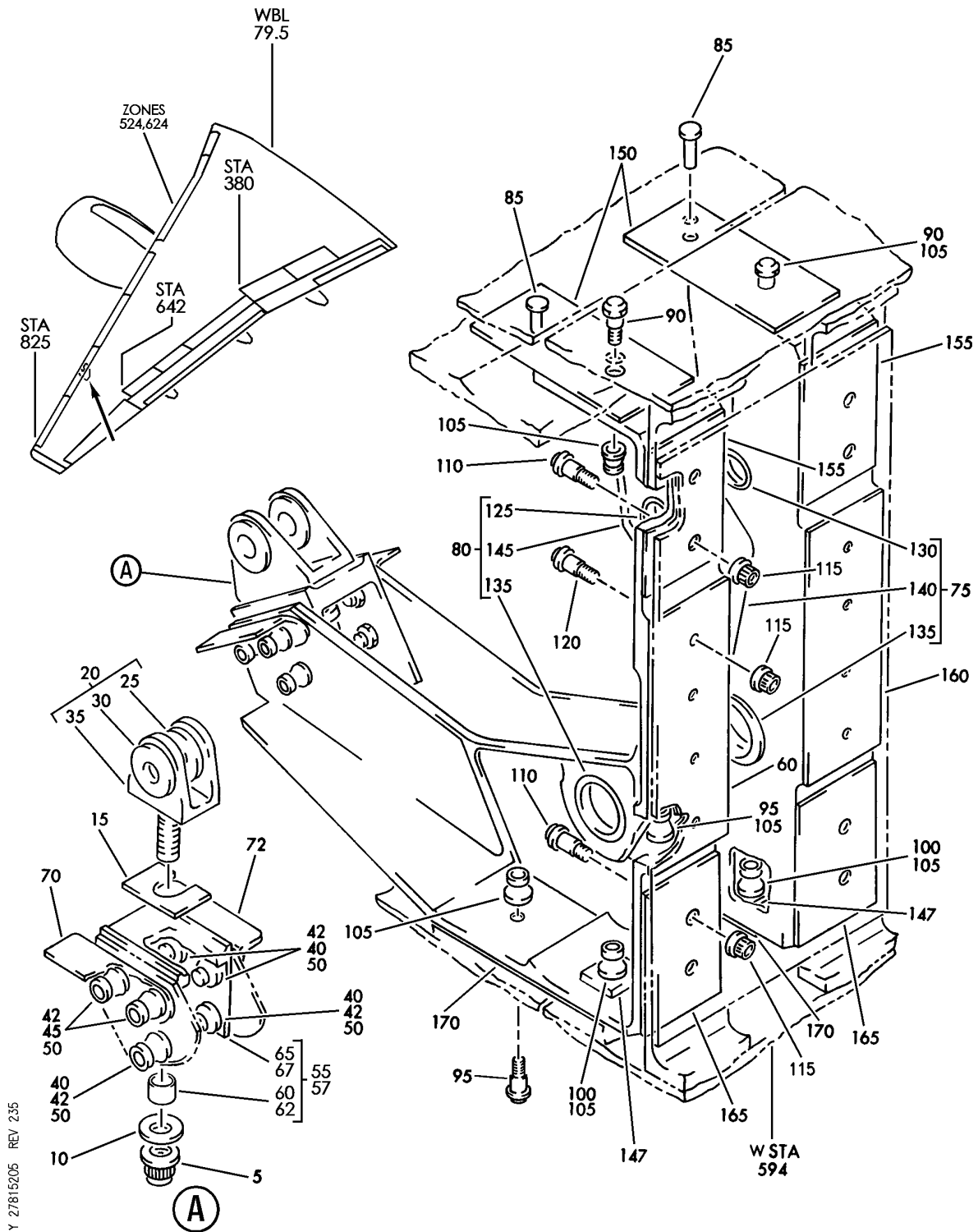
BRI

27-81-52-04

BOEING PROPRIETARY - Copyright © - Unpublished Work - See title page for details.

27-81-52  
FIG. 04  
PAGE 14  
JAN 20/09

**BOEING**  
757  
PARTS CATALOG (MAINTENANCE)



Y 27815205 REV 235

FITTING INSTL-WING FXD LE OSS 617.30 AUX TRACK SPRT  
FIGURE 5

# 27-81-52-05

BRI  
MAY 28/07

27-81-52-05  
PAGE 0

BOEING PROPRIETARY - Copyright © - Unpublished Work - See title page for details.



757

PARTS CATALOG (MAINTENANCE)

FIG ITEM	PART NUMBER	1 2 3 4 5 6 7	NOMENCLATURE	EFFECT FROM TO	UNITS PER ASSY
5			FITTING INSTL-WING FXD LE OSS 617.30 AUX TRACK SPRT	002004 006102 107999	
- 1	114N2013-1		FITTING INSTL-WING FXD LE AUX TRACK SPRT POSITION DATA: OSS 617.30 FOR NHA SEE: 57-21-51-01	002004 006100 107107 121503 904999	RF
- 1	114N2013-403		FITTING INSTL-WING FXD LE AUX TRACK SPRT POSITION DATA: OSS 617.30 L FOR NHA SEE: 57-00-00-10	101102 108120 504903	RF
- 3	114N2013-404		FITTING INSTL-WING FXD LE AUX TRACK SPRT POSITION DATA: OSS 617.30 R FOR NHA SEE: 57-00-00-10	101102 108120 504903	RF

MISSING ITEM NUMBERS NOT APPLICABLE

- ITEM NOT ILLUSTRATED

BRI

27-81-52-05

BOEING PROPRIETARY - Copyright © - Unpublished Work - See title page for details.

27-81-52  
FIG. 05  
PAGE 1  
JAN 20/09


**BOEING**  
 757  
**PARTS CATALOG (MAINTENANCE)**

FIG ITEM	PART NUMBER	1 2 3 4 5 6 7	NOMENCLATURE	EFFECT FROM TO	UNITS PER ASSY
5	BMN10HRCWD3-6		.NUT-	002004	1
			SUPPLIER CODE:	006009	
			V97928	107107	
			SPECIFICATION NUMBER:	121503	
			BACN10HR6CD	904949	
			OPTIONAL PART:	952999	
			H51560-6		
			V15653		
			67832CD624		
			V56878		
			102LH9031-6		
			V72962		
			BH00303CM6		
			V27238		
			SL7108C624		
			V11815		
			BMN5024CWD36		
			V97928		
			SL7108C6		
			V11815		
			102LH90316		
			V72962		
			67832CD6		
			V56878		
			VCU0005D6		
			V06710		
			CR60306		
			VF0224		
			CR60306		
			VF0224		

MISSING ITEM NUMBERS NOT APPLICABLE

— ITEM NOT ILLUSTRATED

BRI

# 27-81-52-05

BOEING PROPRIETARY - Copyright © - Unpublished Work - See title page for details.

27-81-52  
 FIG. 05  
 PAGE 2  
 MAY 20/09



757

PARTS CATALOG (MAINTENANCE)

FIG ITEM	PART NUMBER	1 2 3 4 5 6 7	NOMENCLATURE	EFFECT FROM TO	UNITS PER ASSY
5	5 BMN10HRCWD3-7	.NUT-	SUPPLIER CODE: V97928 SPECIFICATION NUMBER: BACN10HR7CD OPTIONAL PART: H51560-7 V15653 67832CD720 V56878 102LH9031-7 V72962 BH00303CM7 V27238 BMN5024CWD37 V97928 SL7108C7 V11815 VCU0005D7 V06710 102LH90317 V72962 67832CD7 V56878 CR6030-7 VF0224 BMN10HRCWD3-7 V97928	010102 108120 504903 950951	1
10	BACW10BP6DP	.WASHER-		002004 006009 107107 121503 904949 952999	AR
10	BACW10BP7DP	.WASHER-		010102 108120 504903 950951	AR
15	114N2153-1	.SHIM-SLOTTED		904949	1
15	114N2153-2	.SHIM-SLOTTED POST SERVICE BULLETIN: 57-0035R1		002004 006102 107903 950999	1

MISSING ITEM NUMBERS NOT APPLICABLE

- ITEM NOT ILLUSTRATED

27-81-52-05

27-81-52  
FIG. 05  
PAGE 3  
JAN 20/09

BRI





757

PARTS CATALOG (MAINTENANCE)

FIG ITEM	PART NUMBER	1 2 3 4 5 6 7	NOMENCLATURE	EFFECT FROM TO	UNITS PER ASSY
5	20 114N2073-1		.CLEVIS ASSY-OUTBD FIX LE FWD AUX TRACK SUPPORT QUALIFIED I/W DATA: -9 T/W 114N2075-30 THRU -36 (DEPENDING ON NEXT HIGHER ASSY),BACN10HR7CD & BACW10BP7DP ARE I/ONE WAY FORWARD WITH -5 OR -1 T/W 114N2075-16 THRU -22 (DEPENDING ON NEXT HIGHER ASSY).BACN10HR6CD & BACN10BP6DP.	107107 904949 952952	1
	20 114N2073-5		.CLEVIS ASSY-OUTBD FIX LE FWD AUX TRACK SUPPORT QUALIFIED I/W DATA: -9 T/W 114N2075-30 THRU -36, BACN10HR7CD, AND BACN10BP7DP ARE INTERCHANGEABLE ONE-WAY FORWARD WITH -5 T/W 114N2075-16 THRU -22, BACN10HR6CD, AND BACW10BP6DP.	002004 006009 107107 121503 904949 952999	1
	20 114N2073-9		.CLEVIS ASSY-OUTBD FIX LE FWD AUX TRACK SUPPORT QUALIFIED I/W DATA: -9 T/W 114N2075-30 THRU -36 (DEPENDING ON NEXT HIGHER ASSY),BACN10HR7CD & BACW10BP7DP ARE I/ONE WAY FORWARD WITH -5 OR T/W 114N2075-16 THRU -22 (DEPENDING ON NEXT HIGHER ASSY),BACN10HR6CD & BACN10BP6DP.	010102 108120 504903 950951	1
	25 114N2130-6		..BUSHING	002004 006102 107999	1
	30 BACB28AM07B013		..BUSHING-	002004 006009 107107 121503 904949 952999	1
	30 BACB28AT07B013C		..BUSHING-	010102 108120 504903 950951	1

MISSING ITEM NUMBERS NOT APPLICABLE

- ITEM NOT ILLUSTRATED

27-81-52-05

27-81-52  
FIG. 05  
PAGE 4  
JAN 20/09

BRI



757

PARTS CATALOG (MAINTENANCE)

FIG ITEM	PART NUMBER	1 2 3 4 5 6 7	NOMENCLATURE	EFFECT FROM TO	UNITS PER ASSY
5	35 114N2073-2	..	CLEVIS- POSITION DATA: FWD USED ON: 114N2073-1	107107 904949 952952	1
	35 114N2073-6	..	CLEVIS- POSITION DATA: FWD USED ON: 114N2073-5	002004 006009 107107 121503 904949 952999	1
	35 114N2073-10	..	CLEVIS- POSITION DATA: FWD	010102 108120 504903 950951	1
	40 L8006K4	.BOLT	SUPPLIER CODE: V06725 SPECIFICATION NUMBER: BACB30MY6K4	002004 006100 107107 121503 904999	4
	42 HST10AG6-4	.BOLT	SUPPLIER CODE: V06725 SPECIFICATION NUMBER: BACB30VT6K4 OPTIONAL PART: HST10AG6-4 V73197 HST10AG6-4 V56878 HST10AG6-4 VOPTK6 WC10K6-4 V60516	101102 108120 504903	6
45 L8006K5	.BOLT	SUPPLIER CODE: V06725 SPECIFICATION NUMBER: BACB30MY6K5	002004 006100 107107 121503 904999	2	

MISSING ITEM NUMBERS NOT APPLICABLE

- ITEM NOT ILLUSTRATED

27-81-52-05

27-81-52  
FIG. 05  
PAGE 5  
JAN 20/09

BRI



757

PARTS CATALOG (MAINTENANCE)

FIG ITEM	PART NUMBER	1 2 3 4 5 6 7	NOMENCLATURE	EFFECT FROM TO	UNITS PER ASSY
5					
50	HL79-6	.	COLLAR SUPPLIER CODE: V5M902 SPECIFICATION NUMBER: BACC30M6 OPTIONAL PART: HL79-6 V73197 HL79-6 V92215 66014-6 V56878 HL79-6 V56878	002004 006100 107107 121503 904999	6
50	BACC30BL6	.	COLLAR SUPPLIER CODE: V73197 SPECIFICATION NUMBER: BACC30BL6 OPTIONAL PART: HST79-6 V92215 HST79CY6 V56878 HST79CY6 V5M902	101102 108120 504903	6
55	114N2075-19	.	FITTING ASSY-CHAN	002004 006009 107107 121503 904949 952999	1
55	114N2075-33	.	FITTING ASSY-CHAN	010102 108120 504903 950951	1
60	BACB28U6B033	..	BUSHING	010102 108120 504903 950951	1
65	114N2075-4	..	CHANNEL-	002004 006009 107107 121503 904949 952999	1

MISSING ITEM NUMBERS NOT APPLICABLE

- ITEM NOT ILLUSTRATED

BRI

27-81-52-05

BOEING PROPRIETARY - Copyright © - Unpublished Work - See title page for details.

27-81-52  
FIG. 05  
PAGE 6  
JAN 20/09



757

PARTS CATALOG (MAINTENANCE)

FIG ITEM	PART NUMBER	1 2 3 4 5 6 7	NOMENCLATURE	EFFECT FROM TO	UNITS PER ASSY
5					
65	114N2075-26	..	CHANNEL-	010102 108120 504903 950951	1
70	287N1401-19	.BRACKET-	QUALIFIED OPTIONAL DATA: (114N2059-1 WITH 287N1401-19 OR 114N2189-7 OPTIONAL TO 114N2189-1)	002004 006100 107107 121503 904999	1
72	287N1401-20	.BRACKET-	QUALIFIED OPTIONAL DATA: (114N2059-2 WITH 287N1401-20 OR 114N2189-8 OPTIONAL TO 114N2189-2)	002004 006100 107107 121503 904999	1
75	114N2059-1	.FITTING ASSY-SPRT	QUALIFIED OPTIONAL DATA: (114N2059-1 WITH 287N1401-19, OR 114N2189-7 OPTIONAL TO 114N2189-1)	002004 006100 107107 121503 904999	1
75	114N2189-1	.FITTING ASSY-SPRT	QUALIFIED OPTIONAL DATA: (114N2059-1 WITH 287N1401-19, OR 114N2189-7 OPTIONAAL TO 114N2189-1)	002004 006100 107107 121503 904999	1
75	114N2189-7	.FITTING ASSY-SPRT	QUALIFIED OPTIONAL DATA: (114N2059-1 WITH 287N1401-19, OR 114N2189-7 OPTIONAL TO 114N2189-1)	011100	1
75	114N2189-1	.FITTING ASSY-SPRT	OPTIONAL PART: 114N2189-7	101102 108120 504903	1
75	114N2189-7	.FITTING ASSY-SPRT	OPTIONAL PART: 114N2189-1	101102 108120 504903	1
80	114N2059-2	.FITTING ASSY-SPRT	QUALIFIED OPTIONAL DATA: (114N2059-2 WITH 287N1401-20, OR 114N2189-8 OPTIONAL TO 114N2189-2)	002004 006100 107107 121503 904999	1

MISSING ITEM NUMBERS NOT APPLICABLE

- ITEM NOT ILLUSTRATED

27-81-52-05

27-81-52  
FIG. 05  
PAGE 7  
JAN 20/09

BRI



757

PARTS CATALOG (MAINTENANCE)

FIG ITEM	PART NUMBER	1 2 3 4 5 6 7	NOMENCLATURE	EFFECT FROM TO	UNITS PER ASSY
5	80 114N2189-2		.FITTING ASSY-SPRT QUALIFIED OPTIONAL DATA: (114N2059-2 WITH 287N1401-20 OPTIONAL TO 114N2189-8 OR 114N2189-2, 114N2189-8 OPTIONAL TO 114N2189-2)	002004 006100 107107 121503 904999	1
	80 114N2189-8		.FITTING ASSY-SPRT QUALIFIED OPTIONAL DATA: (114N2059-2 WITH 287N1401-20, OR 114N2189-8 OPTIONAL TO 114N2189-2)	011100	1
	80 114N2189-2		.FITTING ASSY-SPRT OPTIONAL PART: 114N2189-8	101102 108120 504903	1
	80 114N2189-8		.FITTING ASSY-SPRT OPTIONAL PART: 114N2189-2	101102 108120 504903	1
	85 BACR15BA6AD		ATTACHING PARTS .RIVET- SIZE DETERMINED ON INSTL.	002004 006102 107999	2
90 HL523AZ8-10		.BOLT SUPPLIER CODE: V73197 SPECIFICATION NUMBER: BACB30NZ8K10 OPTIONAL PART: L804-8K10 V06725 HL523AZ8-10 V56878 HL523AZ8-10 V92215 HL523AZ8-10 V97928 HL523AZ8-10 VOPTK6 HL523AZ8-10 V60516 HL523AZ8-10 V06725	002004 006102 107999	2	

MISSING ITEM NUMBERS NOT APPLICABLE

- ITEM NOT ILLUSTRATED

BRI

27-81-52-05

BOEING PROPRIETARY - Copyright © - Unpublished Work - See title page for details.

27-81-52  
FIG. 05  
PAGE 8  
JAN 20/09



757

PARTS CATALOG (MAINTENANCE)

FIG ITEM	PART NUMBER	1 2 3 4 5 6 7	NOMENCLATURE	EFFECT FROM TO	UNITS PER ASSY
5 95	HL523AZ8-6	.BOLT	SUPPLIER CODE: V73197 SPECIFICATION NUMBER: BACB30NZ8K6 OPTIONAL PART: L804-8K6 V06725 HL523AZ8-6 V56878 HL523AZ8-6 V92215 HL523AZ8-6 V97928 HL523AZ8-6 V0PTK6 HL523AZ8-6 V60516 HL523AZ8-6 V06725	002004 006102 107999	2
100	HL523AZ8-13	.BOLT-	SUPPLIER CODE: V06725 SPECIFICATION NUMBER: BACB30NZ8K13 OPTIONAL PART: HL523AZ8-13 V60516 HL523AZ8-13 V0PTK6 HL523AZ8-13 V97928 HL523AZ8-13 V92215 HL523AZ8-13 V73197 HL523AZ8-13 V56878 L804-8K13 V06725	002004 006102 107999	2

MISSING ITEM NUMBERS NOT APPLICABLE

- ITEM NOT ILLUSTRATED

27-81-52-05

27-81-52  
FIG. 05  
PAGE 9  
JAN 20/09

BRI



757

PARTS CATALOG (MAINTENANCE)

FIG ITEM	PART NUMBER	1 2 3 4 5 6 7	NOMENCLATURE	EFFECT FROM TO	UNITS PER ASSY
5 105	HL79-8		.COLLAR SUPPLIER CODE: V5M902 SPECIFICATION NUMBER: BACC30M8 OPTIONAL PART: HL79-8 V73197 HL79-8 V92215 66014-8 V56878 HL79-8 V56878	002004 006102 107999	6
110	L8008K8		.BOLT- SUPPLIER CODE: V06725 SPECIFICATION NUMBER: BACB30MY8K8	002004 006102 107999	4
115	BACN10WM8AL		.NUT-	002004 006102 107999	8
120	BACB30MY8K		.BOLT- SIZE DETERMINED ON INSTL.	002004 006102 107999	4
125	BACB28AP05P017		-----*----- ..BUSHING- USED ON: 114N2059-2 114N2189-2 114N2189-8 USED ON: 114N2189-2 114N2189-8 114N2059-2	002004 006102 107999	1
130	BACB28AM07B017A		..BUSHING- USED ON: 114N2059-1 114N2189-1	002004 006102 107999	1
130	BACB28AT07B017C		..BUSHING- USED ON: 114N2189-7 USED ON: 114N2189-7	011102 108120 504903	1

MISSING ITEM NUMBERS NOT APPLICABLE

- ITEM NOT ILLUSTRATED

27-81-52-05

27-81-52  
FIG. 05  
PAGE 10  
JAN 20/09

BRI

BOEING PROPRIETARY - Copyright © - Unpublished Work - See title page for details.

 **BOEING**  
757  
**PARTS CATALOG (MAINTENANCE)**

FIG ITEM	PART NUMBER	1 2 3 4 5 6 7	NOMENCLATURE	EFFECT FROM TO	UNITS PER ASSY
5					
135	BACB28AM13B012A	..	BUSHING- USED ON: 114N2059-1 114N2059-2 114N2189-1 114N2189-2 USED ON: 114N2059-1 114N2059-2 114N2189-1 114N2189-2	002004 006102 107999	1
135	BACB28AT13B012C	..	BUSHING- USED ON: 114N2189-7 114N2189-8 USED ON: 114N2189-7 114N2189-8	011102 108120 504903	1
140	114N2059-3	..	FITTING- USED ON: 114N2059-1	002004 006102 107999	1
140	114N2189-3	..	FITTING- USED ON: 114N2189-1	002004 006102 107999	1
140	114N2189-9	..	FITTING- USED ON: 114N2189-7	011102 108120 504903	1
145	114N2059-4	..	FITTING- USED ON: 114N2059-2	002004 006102 107999	1
145	114N2189-4	..	FITTING- USED ON: 114N2189-2	002004 006102 107999	1
145	114N2189-10	..	FITTING- USED ON: 114N2189-8	011102 108120 504903	1
147	114N2011-8	.	FILLER-RADIUS	002004 006102 107999	2
150	BACS40R013D027F	.	SHIM-	107107 904949 952952	2
150	BACS40R013D015F	.	SHIM-	002004 006102 108903 950951 953999	2

MISSING ITEM NUMBERS NOT APPLICABLE

— ITEM NOT ILLUSTRATED

BRI

# 27-81-52-05

BOEING PROPRIETARY - Copyright © - Unpublished Work - See title page for details.

27-81-52  
FIG. 05  
PAGE 11  
JAN 20/09





757

PARTS CATALOG (MAINTENANCE)

FIG ITEM	PART NUMBER	1 2 3 4 5 6 7	NOMENCLATURE	EFFECT FROM TO	UNITS PER ASSY
5					
155	BACS40R013C020F	.	SHIM-	002004 006102 107999	2
160	BACS40R013C043F	.	SHIM-	002004 006102 107999	2
165	BACS40R013C022F	.	SHIM-	002004 006102 107999	2
170	BACS40R013D029F	.	SHIM-	002004 006102 107999	2

MISSING ITEM NUMBERS NOT APPLICABLE

- ITEM NOT ILLUSTRATED

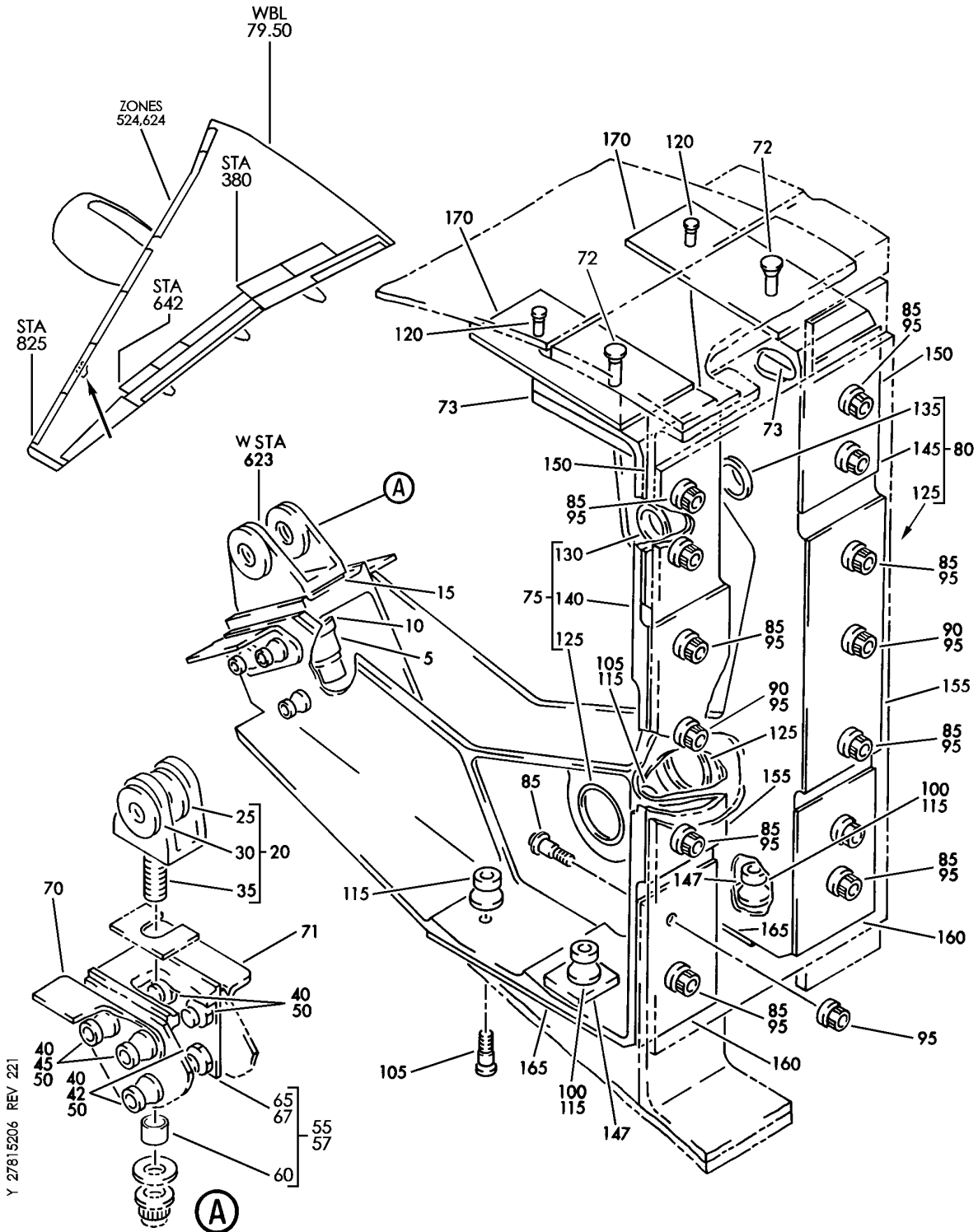
BRI

27-81-52-05

BOEING PROPRIETARY - Copyright © - Unpublished Work - See title page for details.

27-81-52  
FIG. 05  
PAGE 12  
JAN 20/09


**BOEING**  
 757  
**PARTS CATALOG (MAINTENANCE)**



Y 27815206 REV 221

FITTING INSTL-WING FXD LE OSS 665.50 AUX TRACK SPRT  
FIGURE 6

**27-81-52-06**

BRI  
MAY 28/07

27-81-52-06  
PAGE 0



757

PARTS CATALOG (MAINTENANCE)

FIG ITEM	PART NUMBER	1 2 3 4 5 6 7	NOMENCLATURE	EFFECT FROM TO	UNITS PER ASSY
6			FITTING INSTL-WING FXD LE OSS 665.50 AUX TRACK SPRT	002004 006102 107999	
- 1	114N2012-1		FITTING INSTL-WING FXD LE AUX TRACK SPRT POSITION DATA: OSS 665.50 FOR NHA SEE: 57-21-51-01	002004 006100 107107 121503 904999	RF
- 1	114N2012-403		FITTING INSTL-WING FXD LE AUX TRACK SPRT POSITION DATA: 665.50 L FOR NHA SEE: 57-00-00-10	101102 108120 504903	RF
- 4	114N2012-404		FITTING INSTL-WING FXD LE AUX TRACK SPRT POSITION DATA: 665.50 R FOR NHA SEE: 57-00-00-10	101102 108120 504903	RF

MISSING ITEM NUMBERS NOT APPLICABLE

- ITEM NOT ILLUSTRATED

BRI

**27-81-52-06**

BOEING PROPRIETARY - Copyright © - Unpublished Work - See title page for details.

27-81-52  
FIG. 06  
PAGE 1  
JAN 20/09



757  
PARTS CATALOG (MAINTENANCE)

FIG ITEM	PART NUMBER	1 2 3 4 5 6 7	NOMENCLATURE	EFFECT FROM TO	UNITS PER ASSY
R R R R R R R R R R R R R R R R R R R R	6 5	BMN10HRCWD3-6	.NUT- SUPPLIER CODE: V97928 SPECIFICATION NUMBER: BACN10HR6CD OPTIONAL PART: H51560-6 V15653 67832CD624 V56878 102LH9031-6 V72962 BH00303CM6 V27238 SL7108C624 V11815 BMN5024CWD36 V97928 SL7108C6 V11815 102LH90316 V72962 67832CD6 V56878 VCU0005D6 V06710 CR60306 VF0224 CR60306 VF0224	002004 006009 107107 121503 904949 952999	1

MISSING ITEM NUMBERS NOT APPLICABLE

— ITEM NOT ILLUSTRATED

# 27-81-52-06

27-81-52  
FIG. 06  
PAGE 2  
MAY 20/09

BRI



757

PARTS CATALOG (MAINTENANCE)

FIG ITEM	PART NUMBER	1 2 3 4 5 6 7	NOMENCLATURE	EFFECT FROM TO	UNITS PER ASSY
6	5 BMN10HRCWD3-7	.NUT-	SUPPLIER CODE: V97928 SPECIFICATION NUMBER: BACN10HR7CD OPTIONAL PART: H51560-7 V15653 67832CD720 V56878 102LH9031-7 V72962 BH00303CM7 V27238 BMN5024CWD37 V97928 SL7108C7 V11815 VCU0005D7 V06710 102LH90317 V72962 67832CD7 V56878 CR6030-7 VF0224 BMN10HRCWD3-7 V97928	010102 108120 504903 950951	1
	10 BACW10BP6DP	.WASHER-		002004 006009 107107 121503 904949 952999	AR
	10 BACW10BP7DP	.WASHER-		010102 108120 504903 950951	AR
	15 114N2153-1	.SHIM-SLOTTED		904949	1
	15 114N2153-2	.SHIM-SLOTTED POST SERVICE BULLETIN: 57-0035R1		002004 006102 107903 950999	1

MISSING ITEM NUMBERS NOT APPLICABLE

- ITEM NOT ILLUSTRATED

27-81-52-06

27-81-52  
FIG. 06  
PAGE 3  
JAN 20/09

BRI

BOEING PROPRIETARY - Copyright © - Unpublished Work - See title page for details.



757

PARTS CATALOG (MAINTENANCE)

FIG ITEM	PART NUMBER	1 2 3 4 5 6 7	NOMENCLATURE	EFFECT FROM TO	UNITS PER ASSY
6 20	114N2073-1		.CLEVIS ASSY-OUTBD FIX LE FWD AUX TRACK SUPPORT QUALIFIED I/W DATA: 114N2073-9 T/W 114N2075-30 THRU 114N2075-36 (DEPENDING ON NEXT HIGHER ASSY), BACN10HR7CD AND BACW10BP7DP ARE ONE-WAY FORWARD WITH 114N2073-5 OR 114N2073-1 T/W 114N2075-16 THRU 114N2075-22 (DEPENDING ON NEXT HIGHER ASSY), BACN10HR6CD AND BACN10BP6DP.	107107 904949 952952	1
20	114N2073-5		.CLEVIS ASSY-OUTBD FIX LE FWD AUX TRACK SUPPORT QUALIFIED I/W DATA: 114N2073-9 T/W 114N2075-30 THRU 114N2075-36, BACN10HR7CD AND BACN10BP7DP ARE INTERCHANGEABLE ONE-WAY FORWARD WITH 14N2073-5 T/W 114N2075-16 THRU 114N2075-22, BACN10HR6CD AND BACW10BP6DP.	002004 006009 107107 121503 904949 952999	1
20	114N2073-9		.CLEVIS ASSY-OUTBD FIX LE FWD AUX TRACK SUPPORT QUALIFIED I/W DATA: 114N2073-9 T/W 114N2075-30 THRU 114N2075-36 (DEPENDING ON NEXT HIGHER ASSY) BACN10HR7CD AND BACW10BP7DP ARE INTERCHANGEABLE ONE-WAY FORWARD WITH 114N2073-5 T/W 114N2075-16 THRU 14N2075-22 (DEPENDING ON NEXT HIGHER ASSY), BACN10HR6CD AND BACW10BP6DP.	010102 108120 504903 950951	1
25	114N2130-6		..BUSHING	002004 006102 107999	1

MISSING ITEM NUMBERS NOT APPLICABLE

- ITEM NOT ILLUSTRATED

27-81-52-06

27-81-52  
FIG. 06  
PAGE 4  
JAN 20/09

BRI



757

PARTS CATALOG (MAINTENANCE)

FIG ITEM	PART NUMBER	1 2 3 4 5 6 7	NOMENCLATURE	EFFECT FROM TO	UNITS PER ASSY
6	30	BACB28AM07B013	.. BUSHING-	002004 006009 107107 121503 904949 952999	1
	30	BACB28AT07B013C	.. BUSHING-	010102 108120 504903 950951 107107	1
	35	114N2073-2	.. CLEVIS- POSITION DATA: FWD USED ON: 114N2073-1	904949 952952	1
	35	114N2073-6	.. CLEVIS- POSITION DATA: FWD USED ON: 114N2073-5	002004 006009 107107 121503 904949 952999	1
	35	114N2073-10	.. CLEVIS- POSITION DATA: FWD	002004 006102 107999	1
	40	HST10AG6-4	.BOLT SUPPLIER CODE: V06725 SPECIFICATION NUMBER: BACB30VT6K4 OPTIONAL PART: HST10AG6-4 V73197 HST10AG6-4 V56878 HST10AG6-4 VOPTK6 WC10K6-4 V60516	101102 108120 504903	6
	42	L8006K4	.BOLT SUPPLIER CODE: V06725 SPECIFICATION NUMBER: BACB30MY6K4	002004 006100 107107 121503 904999	2
	45	L8006K5	.BOLT SUPPLIER CODE: V06725 SPECIFICATION NUMBER: BACB30MY6K5	002004 006100 107107 121503 904999	4

MISSING ITEM NUMBERS NOT APPLICABLE

- ITEM NOT ILLUSTRATED

27-81-52-06

27-81-52  
FIG. 06  
PAGE 5  
JAN 20/09

BRI

BOEING PROPRIETARY - Copyright © - Unpublished Work - See title page for details.



757

PARTS CATALOG (MAINTENANCE)

FIG ITEM	PART NUMBER	1 2 3 4 5 6 7	NOMENCLATURE	EFFECT FROM TO	UNITS PER ASSY
6					
50	HL79-6	.	COLLAR SUPPLIER CODE: V5M902 SPECIFICATION NUMBER: BACC30M6 OPTIONAL PART: HL79-6 V73197 HL79-6 V92215 66014-6 V56878 HL79-6 V56878	002004 006100 107107 121503 904999	6
50	BACC30BL6	.	COLLAR SUPPLIER CODE: V73197 SPECIFICATION NUMBER: BACC30BL6 OPTIONAL PART: HST79-6 V92215 HST79CY6 V56878 HST79CY6 V5M902	101102 108120 504903	6
55	114N2075-20	.	FITTING ASSY-CHAN	002004 006009 107107 121503 904949 952999	1
55	114N2075-34	.	FITTING ASSY-CHAN	010102 108120 504903 950951	1
60	BACB28U6B033	..	BUSHING	002004 006009 107107 121503 904949 952999	1
60	BACB28U7B033	..	BUSHING	010102 108120 504903 950951	1

MISSING ITEM NUMBERS NOT APPLICABLE

- ITEM NOT ILLUSTRATED

BRI

27-81-52-06

BOEING PROPRIETARY - Copyright © - Unpublished Work - See title page for details.

27-81-52  
FIG. 06  
PAGE 6  
JAN 20/09





757

PARTS CATALOG (MAINTENANCE)

FIG ITEM	PART NUMBER	1 2 3 4 5 6 7	NOMENCLATURE	EFFECT FROM TO	UNITS PER ASSY
6					
65	114N2075-5	..	CHANNEL-	002004 006009 107107 121503 904949 952999	1
65	114N2075-27	..	CHANNEL-	010102 108120 504903 950951	1
70	287N1401-17	.BRACKET-	QUALIFIED OPTIONAL DATA: 114N2058-1 WITH 287N1401-17 OPTIONAL TO 114N2188-1 OR 114N2188-7	002004 006100 107107 121503 904999	1
71	287N1401-18	.BRACKET-	QUALIFIED OPTIONAL DATA: 114N2058-2 WITH 287N1401-18 OPTIONAL TO 114N2188-8 OR 114N2188-2	002004 006100 107107 121503 904999	1
72	BACB30NN5K15	.BOLT		002004 006102 107999	2
73	114N2120-2	.FILLER-RADIUS		002004 006102 107999	2
75	114N2058-1	.FITTING ASSY-SPRT	QUALIFIED OPTIONAL DATA: 114N2058-1 WITH 287N1401-17 OR 114N2188-7 OPTIONAL TO 114N2188-1	002004 006100 107107 121503 904999	1
75	114N2188-1	.FITTING ASSY-SPRT	QUALIFIED OPTIONAL DATA: 114N2058-1 WITH 287N1401-17 OR 114N2188-7 OPTIONAL TO 114N2188-1	002004 006100 107107 121503 904999	1
75	114N2188-7	.FITTING ASSY-SPRT	QUALIFIED OPTIONAL DATA: 114N2058-1 WITH 287N1401-17 OR 114N2188-7 OPTIONAL TO 114N2188-1	011100	1
75	114N2188-1	.FITTING ASSY-SPRT	OPTIONAL PART: 114N2188-7	101102 108120 504903	1

MISSING ITEM NUMBERS NOT APPLICABLE

- ITEM NOT ILLUSTRATED

27-81-52-06

27-81-52  
FIG. 06  
PAGE 7  
JAN 20/09

BRI



757

PARTS CATALOG (MAINTENANCE)

FIG ITEM	PART NUMBER	1 2 3 4 5 6 7	NOMENCLATURE	EFFECT FROM TO	UNITS PER ASSY
6					
75	114N2188-7	.	FITTING ASSY-SPRT OPTIONAL PART: 114N2188-1	101102 108120 504903	1
80	114N2058-2	.	FITTING ASSY-SPRT QUALIFIED OPTIONAL DATA: 114N2058-2 WITH 287N1401-18 OR 114N2188-8 OPTIONAL TO 114N2188-2	002004 006100 107107 121503 904999	1
80	114N2188-2	.	FITTING ASSY-SPRT QUALIFIED OPTIONAL DATA: 114N2058-2 WITH 287N1401-18 OPTIONAL TO 114N2188-8 OR 114N2188-2, 114N2188-8 OPTIONAL TO 114N2188-2	002004 006100 107107 121503 904999	1
80	114N2188-8	.	FITTING ASSY-SPRT QUALIFIED OPTIONAL DATA: 114N2058-2 WITH 287N1401-18 OR 114N2188-8 OPTIONAL TO 114N2188-2	011100	1
80	114N2188-2	.	FITTING ASSY-SPRT OPTIONAL PART: 114N2188-8	101102 108120 504903	1
80	114N2188-8	.	FITTING ASSY-SPRT OPTIONAL PART: 114N2188-2	101102 108120 504903	1
85	L8008K7	.	BOLT SUPPLIER CODE: V06725 SPECIFICATION NUMBER: BACB30MY8K7	002004 006100 107107 121503 904999	12
85	HST10AG8-7	.	BOLT SUPPLIER CODE: VOPTK6 SPECIFICATION NUMBER: BACB30VT8K7 OPTIONAL PART: HST10AG8-7 V06725 HST10AG8-7 V56878 HST10AG8-7 V73197 WC10K8-7 V60516	101102 108120 504903	12

MISSING ITEM NUMBERS NOT APPLICABLE

- ITEM NOT ILLUSTRATED

27-81-52-06

27-81-52  
FIG. 06  
PAGE 8  
JAN 20/09

BRI

BOEING PROPRIETARY - Copyright © - Unpublished Work - See title page for details.



757

PARTS CATALOG (MAINTENANCE)

FIG ITEM	PART NUMBER	1 2 3 4 5 6 7	NOMENCLATURE	EFFECT FROM TO	UNITS PER ASSY
6	90 L8008K5	.	BOLT SUPPLIER CODE: V06725 SPECIFICATION NUMBER: BACB30MY8K5	002004 006100 107107 121503 904999	2
	90 HST10AG8-5	.	BOLT SUPPLIER CODE: VOPTK6 SPECIFICATION NUMBER: BACB30VT8K5 OPTIONAL PART: HST10AG8-5 V06725 HST10AG8-5 V56878 HST10AG8-5 V73197 WC10K8-5 V60516	101102 108120 504903	2
	95 TLN12044	.	NUT SUPPLIER CODE: V97928 SPECIFICATION NUMBER: BACN10WM4 OPTIONAL PART: LH10114B4 V72962 MN154 V73197 VN18614 V92215 H49702-4S V15653 W8504 V08524 H497024 V15653	002004 006100 107107 121503 904999	14
95	VLC771-8	.	COLLAR SUPPLIER CODE: V5M902 SPECIFICATION NUMBER: BACC30BP8 OPTIONAL PART: HST771-8 V73197	101102 108120 504903	14

MISSING ITEM NUMBERS NOT APPLICABLE

- ITEM NOT ILLUSTRATED

BRI

27-81-52-06

BOEING PROPRIETARY - Copyright © - Unpublished Work - See title page for details.

27-81-52  
FIG. 06  
PAGE 9  
JAN 20/09



757

PARTS CATALOG (MAINTENANCE)

FIG ITEM	PART NUMBER	1 2 3 4 5 6 7	NOMENCLATURE	EFFECT FROM TO	UNITS PER ASSY
6 100	HL523AZ8-13		.BOLT- SUPPLIER CODE: V06725 SPECIFICATION NUMBER: BACB30NZ8K13 OPTIONAL PART: HL523AZ8-13 V60516 HL523AZ8-13 VOPTK6 HL523AZ8-13 V97928 HL523AZ8-13 V92215 HL523AZ8-13 V73197 HL523AZ8-13 V56878 L804-8K13 V06725	002004 006102 107999	2
105	HL523AZ8-8		.BOLT SUPPLIER CODE: V73197 SPECIFICATION NUMBER: BACB30NZ8K8 OPTIONAL PART: L804-8K8 V06725 HL523AZ8-8 V56878 HL523AZ8-8 V92215 HL523AZ8-8 V97928 HL523AZ8-8 VOPTK6 HL523AZ8-8 V60516 HL523AZ8-8 V06725	002004 006102 107999	2

MISSING ITEM NUMBERS NOT APPLICABLE

- ITEM NOT ILLUSTRATED

BRI

27-81-52-06

BOEING PROPRIETARY - Copyright © - Unpublished Work - See title page for details.

27-81-52  
FIG. 06  
PAGE 10  
JAN 20/09



757

PARTS CATALOG (MAINTENANCE)

FIG ITEM	PART NUMBER	1 2 3 4 5 6 7	NOMENCLATURE	EFFECT FROM TO	UNITS PER ASSY
6 115	HL79-8	. COLLAR SUPPLIER CODE: V5M902 SPECIFICATION NUMBER: BACC30M8 OPTIONAL PART: HL79-8 V73197 HL79-8 V92215 66014-8 V56878 HL79-8 V56878		002004 006102 107999	4
120	BACR15BA6AD	. RIVET- SIZE DETERMINED ON INSTL.  -----*-----		002004 006102 107999	2
125	BACB28AM13B012A	.. BUSHING- USED ON: 114N2058-1 114N2058-2 114N2188-1 114N2188-2		002004 006102 107999	1
125	BACB28AT13B012C	.. BUSHING- USED ON: 114N2188-7 114N2188-8		011102 108120 504903	1
130	BACB28AM07B017A	.. BUSHING-		002004 006102 107999	1
130	BACB28AT07B017C	.. BUSHING- USED ON: 114N2188-7 USED ON: 114N2188-7		011102 108120 504903	1
135	BACB28AP05P017	.. BUSHING- USED ON: 114N2188-8		002004 006102 107999	1
140	114N2058-3	.. FITTING- USED ON: 114N2058-1		002004 006100 107107 121503 904999	1
140	114N2188-3	.. FITTING- USED ON: 114N2188-1		002004 006102 107999	1

MISSING ITEM NUMBERS NOT APPLICABLE

- ITEM NOT ILLUSTRATED

27-81-52-06

27-81-52  
FIG. 06  
PAGE 11  
JAN 20/09

BRI

BOEING PROPRIETARY - Copyright © - Unpublished Work - See title page for details.



757

PARTS CATALOG (MAINTENANCE)

FIG ITEM	PART NUMBER	1 2 3 4 5 6 7	NOMENCLATURE	EFFECT FROM TO	UNITS PER ASSY
6					
140	114N2188-9	..	FITTING- USED ON: 114N2188-7	011102 108120 504903	1
145	114N2058-4	..	FITTING- USED ON: 114N2058-2	002004 006100 107107 121503 904999	1
145	114N2188-4	..	FITTING- USED ON: 114N2188-2	002004 006102 107999	1
145	114N2188-10	..	FITTING- USED ON: 114N2188-8	011102 108120 504903	1
147	114N2011-8	.	FILLER-RADIUS	002004 006102 107999	2
150	BACS40R013C020F	.	SHIM-	002004 006102 107999	2
155	BACS40R013C038F	.	SHIM-	002004 006102 107999	2
160	BACS40R013C021F	.	SHIM-	002004 006102 107999	2
165	BACS40R013D029F	.	SHIM-	002004 006102 107999	2
170	BACS40R013D027F	.	SHIM-	107107 904949 952952	2
170	BACS40R013D015F	.	SHIM-	002004 006102 108903 950951 953999	2

MISSING ITEM NUMBERS NOT APPLICABLE

- ITEM NOT ILLUSTRATED

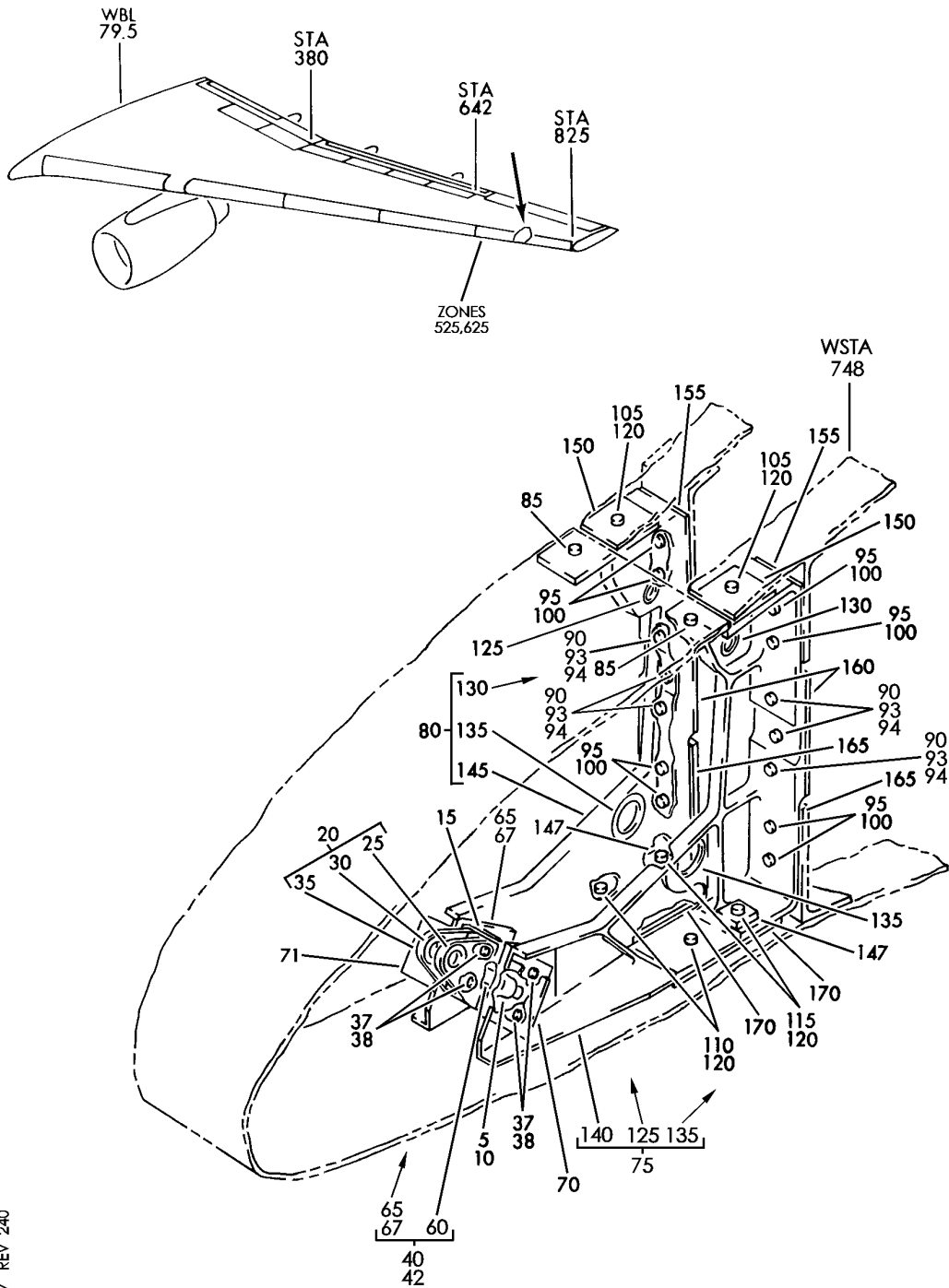
BRI

27-81-52-06

BOEING PROPRIETARY - Copyright © - Unpublished Work - See title page for details.

27-81-52  
FIG. 06  
PAGE 12  
JAN 20/09

**BOEING**  
757  
PARTS CATALOG (MAINTENANCE)



Y 27815207 REV 240

FITTING INSTL-WING FXD LE OSS 748.70 AUX TRACK SPRT  
FIGURE 7

**27-81-52-07**

BRI  
MAY 28/07

27-81-52-07  
PAGE 0



**757  
PARTS CATALOG (MAINTENANCE)**

FIG ITEM	PART NUMBER	1 2 3 4 5 6 7	NOMENCLATURE	EFFECT FROM TO	UNITS PER ASSY
7			FITTING INSTL-WING FXD LE OSS 748.70 AUX TRACK SPRT	002004 006102 107999	
- 1	114N2011-1		FITTING INSTL-WING FXD LE AUX TRACK SPRT POSITION DATA: OSS 748.70 FOR NHA SEE: 57-21-51-01	002004 006100 107107 121503 904999	RF
- 1	114N2011-401		FITTING INSTL-AUX TRACK SPRT WING FXD LE POSITION DATA: OSS 748.70 OUTBD LE FOR NHA SEE: 57-00-00-10	101102 108120 504903	RF
- 3	114N2011-402		FITTING INSTL-AUX TRACK SPRT WING FXD LE POSITION DATA: OSS 748.70 OUTBD RH FOR NHA SEE: 57-00-00-10	101102 108120 504903	RF

MISSING ITEM NUMBERS NOT APPLICABLE

- ITEM NOT ILLUSTRATED

BRI

# 27-81-52-07

BOEING PROPRIETARY - Copyright © - Unpublished Work - See title page for details.

27-81-52  
FIG. 07  
PAGE 1  
JAN 20/09



 **BOEING**  
757  
PARTS CATALOG (MAINTENANCE)

FIG ITEM	PART NUMBER	1 2 3 4 5 6 7	NOMENCLATURE	EFFECT FROM TO	UNITS PER ASSY
R R R R R R R R R R R R R R R R R R	7 5		.NUT-	002004	1
		BMN10HRCWD3-6	SUPPLIER CODE:	006009	
			V97928	107107	
			SPECIFICATION NUMBER:	121503	
			BACN10HR6CD	904949	
			OPTIONAL PART:	952999	
			H51560-6		
			V15653		
			67832CD624		
			V56878		
			102LH9031-6		
			V72962		
			BH00303CM6		
			V27238		
			SL7108C624		
			V11815		
			BMN5024CWD36		
			V97928		
		SL7108C6			
		V11815			
		102LH90316			
		V72962			
		67832CD6			
		V56878			
		VCU0005D6			
		V06710			
		CR60306			
		VF0224			
		CR60306			
		VF0224			

MISSING ITEM NUMBERS NOT APPLICABLE

— ITEM NOT ILLUSTRATED

BRI

**27-81-52-07**

BOEING PROPRIETARY - Copyright © - Unpublished Work - See title page for details.

27-81-52  
FIG. 07  
PAGE 2  
MAY 20/09



757

PARTS CATALOG (MAINTENANCE)

FIG ITEM	PART NUMBER	1 2 3 4 5 6 7	NOMENCLATURE	EFFECT FROM TO	UNITS PER ASSY
7	5		.NUT- SUPPLIER CODE: V97928 SPECIFICATION NUMBER: BACN10HR7CD OPTIONAL PART: H51560-7 V15653 67832CD720 V56878 102LH9031-7 V72962 BH00303CM7 V27238 BMN5024CWD37 V97928 SL7108C7 V11815 VCU0005D7 V06710 102LH90317 V72962 67832CD7 V56878 CR6030-7 VF0224 BMN10HRCWD3-7 V97928	010102 108120 504903 950951	1
	10		.WASHER-	002004 006009 107107 121503 904949 952999	AR
	10		.WASHER-	010102 108120 504903 950951	AR
	15		.SHIM-	904949	1
	15		.SHIM- POST SERVICE BULLETIN: 57-0035R1	002004 006102 107903 950999	1

MISSING ITEM NUMBERS NOT APPLICABLE

- ITEM NOT ILLUSTRATED

27-81-52-07

27-81-52  
FIG. 07  
PAGE 3  
JAN 20/09

BRI

BOEING PROPRIETARY - Copyright © - Unpublished Work - See title page for details.



757

PARTS CATALOG (MAINTENANCE)

FIG ITEM	PART NUMBER	1 2 3 4 5 6 7	NOMENCLATURE	EFFECT FROM TO	UNITS PER ASSY
7 20	114N2073-1		.CLEVIS ASSY-OUTBD FIX LE FWD AUX TRACK SUPPORT QUALIFIED I/W DATA: 114N2073-9 T/W 14N2075-30 THRU 114N2075-36 (DEPENDING ON NEXT HIGHER ASSY), BACN10HR7CD AND BACW10BP7DP ARE INTERCHANGEABLE ONE-WAY FORWARD WITH 114N2073-5 OR 114N2073-1 T/W 114N2075-16 THRU 114N2073-22 (DEPENDING ON NEXT HIGHER ASSY), BACN10HR6CD AND BACN10BP6DP.	107107 904949 952952	1
20	114N2073-5		.CLEVIS ASSY-OUTBD FIX LE FWD AUX TRACK SUPPORT QUALIFIED I/W DATA: 114N2073-9 T/W 114N2075-30 THRU 114N2075-36, BACN10HR7CD AND BACN10BP7DP ARE INTERCHANGEABLE ONE-WAY FORWARD WITH 114N2073-5 T/W 114N2075-16 THRU 114N2075-22, BACN10HR6CD AND BACW10BP6DP.	002004 006009 107107 121503 904949 952999	1
20	114N2073-9		.CLEVIS ASSY-OUTBD FIX LE FWD AUX TRACK SUPPORT QUALIFIED I/W DATA: 114N2073-9 T/W 114N2075-30 THRU 114N2075-36 (DEPENDING ON NEXT HIGHER ASSY) BACN10HR7CD AND BACW10BP7DP ARE INTERCHANGEABLE ONE-WAY FORWARD WITH 114N2073-5 T/W 114N2075-16 THRU 114N2075-22 (DEPENDING ON NEXT HIGHER ASSY), BACN10HR6CD AND BACW10BP6DP.	010102 108120 504903 950951	1
25	114N2130-6		..BUSHING	002004 006102 107999	1

MISSING ITEM NUMBERS NOT APPLICABLE

- ITEM NOT ILLUSTRATED

27-81-52-07

27-81-52  
FIG. 07  
PAGE 4  
JAN 20/09

BRI

BOEING PROPRIETARY - Copyright © - Unpublished Work - See title page for details.



757

PARTS CATALOG (MAINTENANCE)

FIG ITEM	PART NUMBER	1 2 3 4 5 6 7	NOMENCLATURE	EFFECT FROM TO	UNITS PER ASSY
7					
30	BACB28AM07B013	..	BUSHING	002004 006100 107107 121503 904999	1
30	BACB28AT07B013C	..	BUSHING-	101102 108120 504903	1
35	114N2073-2	..	CLEVIS- USED ON: 114N2073-1	107107 904949 952952	1
35	114N2073-6	..	CLEVIS- USED ON: 114N2073-5	002004 006009 107107 121503 904949 952999	1
35	114N2073-10	..	CLEVIS-	010102 108120 504903 950951	1
37	L8006K5	.	BOLT SUPPLIER CODE: V06725 SPECIFICATION NUMBER: BACB30MY6K5	002004 006102 107999	4
38	HL79-6	.	COLLAR SUPPLIER CODE: V5M902 SPECIFICATION NUMBER: BACC30M6 OPTIONAL PART: HL79-6 V73197 HL79-6 V92215 66014-6 V56878 HL79-6 V56878	002004 006102 107999	4
40	114N2075-21	.	FITTING ASSY-CHAN	002004 006009 107107 121503 904949 952999	1

MISSING ITEM NUMBERS NOT APPLICABLE

- ITEM NOT ILLUSTRATED

27-81-52-07

27-81-52  
FIG. 07  
PAGE 5  
JAN 20/09

BRI

BOEING PROPRIETARY - Copyright © - Unpublished Work - See title page for details.



757

PARTS CATALOG (MAINTENANCE)

FIG ITEM	PART NUMBER	1 2 3 4 5 6 7	NOMENCLATURE	EFFECT FROM TO	UNITS PER ASSY
7	40 114N2075-35	.	FITTING ASSY-CHAN	010102 108120 504903 950951	1
- 45	L8006K4	.	ATTACHING PARTS BOLT	002004 006100 107107 121503 904999	4
- 45	HST10AG6-4	.	BOLT SUPPLIER CODE: V06725 SPECIFICATION NUMBER: BACB30MY6K4	101102 108120 504903	4
- 55	HL79-6	.	COLLAR SUPPLIER CODE: V5M902 SPECIFICATION NUMBER: BACC30M6 OPTIONAL PART: HL79-6 V73197 HL79-6 V92215 66014-6 V56878 HL79-6 V56878	002004 006100 107107 121503 904999	4

MISSING ITEM NUMBERS NOT APPLICABLE

- ITEM NOT ILLUSTRATED

27-81-52-07

27-81-52  
FIG. 07  
PAGE 6  
JAN 20/09

BRI



757

PARTS CATALOG (MAINTENANCE)

FIG ITEM	PART NUMBER	1 2 3 4 5 6 7	NOMENCLATURE	EFFECT FROM TO	UNITS PER ASSY
7 - 55	BACC30BL6		.COLLAR SUPPLIER CODE: V73197 SPECIFICATION NUMBER: BACC30BL6 OPTIONAL PART: HST79-6 V92215 HST79CY6 V56878 HST79CY6 V5M902 -----*	101102 108120 504903	4
60	BACB28U6B028		..BUSHING	002004 006102 107999	1
60	BACB28U7B028		..BUSHING	101102 108120 504903	1
65	114N2075-6		..CHANNEL	002004 006009 107107 121503 904949 952999	1
65	114N2075-28		..CHANNEL	010102 108120 504903 950951	1
70	287N1401-15		.BRACKET- QUALIFIED OPTIONAL DATA: 114N2057-1 WITH 287N1401-15, OR 114N2187-7 OPTIONAL TO 114N2187-1	002004 006100 107107 121503 904999	1
71	287N1401-16		.BRACKET- QUALIFIED OPTIONAL DATA: 114N2057-2 WITH 287N1401-16, OR 114N2187-8 OPTIONAL TO 114N2187-2	002004 006100 107107 121503 904999	1
75	114N2057-1		.FITTING ASSY-SPRT QUALIFIED OPTIONAL DATA: 114N2057-1 WITH 287N1401-15 OPTIONAL TO 114N2187-1 OR 114N2187-7	002004 006100 107107 121503 904999	1

MISSING ITEM NUMBERS NOT APPLICABLE

- ITEM NOT ILLUSTRATED

27-81-52-07

27-81-52  
FIG. 07  
PAGE 7  
JAN 20/09

BRI



757

PARTS CATALOG (MAINTENANCE)

FIG ITEM	PART NUMBER	1 2 3 4 5 6 7	NOMENCLATURE	EFFECT FROM TO	UNITS PER ASSY
7					
75	114N2187-1		.FITTING ASSY-SPRT QUALIFIED OPTIONAL DATA: 114N2057-1 WITH 287N1401-15 OR 114N2187-7 OPTIONAL TO 114N2187-1	002004 006100 107107 121503 904999	1
75	114N2187-7		.FITTING ASSY-SPRT QUALIFIED OPTIONAL DATA: 114N2057-1 WITH 287N1401-15 OR 114N2187-7 OPTIONAL TO 114N2187-1	011100	1
75	114N2187-1		.FITTING ASSY-SPRT OPTIONAL PART: 114N2187-7	101102 108120 504903	1
75	114N2187-7		.FITTING ASSY-SPRT OPTIONAL PART: 114N2187-1	101102 108120 504903	1
80	114N2057-2		.FITTING ASSY-SPRT QUALIFIED OPTIONAL DATA: 114N2057-2 WITH 287N1401-16 OR 114N2187-8 OPTIONAL TO 114N2187-2	002004 006100 107107 121503 904999	1
80	114N2187-2		.FITTING ASSY-SPRT QUALIFIED OPTIONAL DATA: 114N2057-2 WITH WITH 287N1401-16 OR 114N2187-8 OPTIONAL TO 114N2187-2	002004 006100 107107 121503 904999	1
80	114N2187-8		.FITTING ASSY-SPRT QUALIFIED OPTIONAL DATA: 114N2057-2 WITH WITH 287N1401-16 OR 114N2187-8 OPTIONAL TO 114N2187-2	011100	1
80	114N2187-2		.FITTING ASSY-SPRT OPTIONAL PART: 114N2187-8	101102 108120 504903	1
80	114N2187-8		.FITTING ASSY-SPRT OPTIONAL PART: 114N2187-2	101102 108120 504903	1
85	BACR15BA6AD		ATTACHING PARTS .RIVET- SIZE DETERMINED ON INSTL.	002004 006102 107999	2

MISSING ITEM NUMBERS NOT APPLICABLE

- ITEM NOT ILLUSTRATED

27-81-52-07

27-81-52  
FIG. 07  
PAGE 8  
JAN 20/09

BRI

BOEING PROPRIETARY - Copyright © - Unpublished Work - See title page for details.



757

PARTS CATALOG (MAINTENANCE)

FIG ITEM	PART NUMBER	1 2 3 4 5 6 7	NOMENCLATURE	EFFECT FROM TO	UNITS PER ASSY
7	90 BACB30MY8K		.BOLT- SIZE DETERMINED ON INSTL.	002004 006100 107107 121503 904999	6
	90 BACB30VT8K		.BOLT- SIZE DETERMINED ON INSTL.	101102 108120 504903	
	93 VLC771-8		.COLLAR SUPPLIER CODE: V5M902 SPECIFICATION NUMBER: BACC30BP8 OPTIONAL PART: HST771-8 V73197	101102 108120 504903	6
	94 TLN12044		.NUT- SUPPLIER CODE: V97928 SPECIFICATION NUMBER: BACN10WM4 OPTIONAL PART: LH10114B4 V72962 MN154 V73197 VN18614 V92215 H49702-4S V15653 W8504 V08524 H497024 V15653	002004 006100 107107 121503 904999	
95 L8008K6		.BOLT SUPPLIER CODE: V06725 SPECIFICATION NUMBER: BACB30MY8K6	002004 006100 107107 121503 904999	8	

MISSING ITEM NUMBERS NOT APPLICABLE

- ITEM NOT ILLUSTRATED

27-81-52-07

27-81-52  
FIG. 07  
PAGE 9  
JAN 20/09

BRI





757

PARTS CATALOG (MAINTENANCE)

FIG ITEM	PART NUMBER	1 2 3 4 5 6 7	NOMENCLATURE	EFFECT FROM TO	UNITS PER ASSY
7 95	HST10AG8-6	.BOLT	SUPPLIER CODE: VOPTK6 SPECIFICATION NUMBER: BACB30VT8K6 OPTIONAL PART: HST10AG8-6 V06725 HST10AG8-6 V56878 HST10AG8-6 V73197 WC10K8-6 V60516	101102 108120 504903	8
100	HL79-8	.COLLAR-	SUPPLIER CODE: V5M902 SPECIFICATION NUMBER: BACC30M8 OPTIONAL PART: HL79-8 V73197 HL79-8 V92215 66014-8 V56878 HL79-8 V56878	002004 006100 107107 121503 904999	8
100	VLC771-8	.COLLAR	SUPPLIER CODE: V5M902 SPECIFICATION NUMBER: BACC30BP8 OPTIONAL PART: HST771-8 V73197	101102 108120 504903	8

MISSING ITEM NUMBERS NOT APPLICABLE

- ITEM NOT ILLUSTRATED

BRI

27-81-52-07

BOEING PROPRIETARY - Copyright © - Unpublished Work - See title page for details.

27-81-52  
FIG. 07  
PAGE 10  
JAN 20/09



757

PARTS CATALOG (MAINTENANCE)

FIG ITEM	PART NUMBER	1 2 3 4 5 6 7	NOMENCLATURE	EFFECT FROM TO	UNITS PER ASSY
7 105	HL523AZ8-9	.BOLT	SUPPLIER CODE: V73197 SPECIFICATION NUMBER: BACB30NZ8K9 OPTIONAL PART: L804-8K9 V06725 HL523AZ8-9 V56878 HL523AZ8-9 V92215 HL523AZ8-9 V97928 HL523AZ8-9 VOPTK6 HL523AZ8-9 V60516 HL523AZ8-9 V06725	002004 006102 107999	2
110	BACB30NZ8K	.BOLT		002004 006100 107107 121503 904999	2
110	HL523AZ8-6	.BOLT	SUPPLIER CODE: V73197 SPECIFICATION NUMBER: BACB30NZ8K6 OPTIONAL PART: L804-8K6 V06725 HL523AZ8-6 V56878 HL523AZ8-6 V92215 HL523AZ8-6 V97928 HL523AZ8-6 VOPTK6 HL523AZ8-6 V60516 HL523AZ8-6 V06725	101102 108120 504903	2

MISSING ITEM NUMBERS NOT APPLICABLE

- ITEM NOT ILLUSTRATED

BRI

27-81-52-07

27-81-52  
FIG. 07  
PAGE 11  
JAN 20/09



757

PARTS CATALOG (MAINTENANCE)

FIG ITEM	PART NUMBER	1 2 3 4 5 6 7	NOMENCLATURE	EFFECT FROM TO	UNITS PER ASSY
7 115	HL523AZ8-12		.BOLT- SUPPLIER CODE: V73197 SPECIFICATION NUMBER: BACB30NZ8K12 OPTIONAL PART: L804-8K12 V06725 HL523AZ8-12 V56878 HL523AZ8-12 V92215 HL523AZ8-12 V97928 HL523AZ8-12 V0PTK6 HL523-12 V06725 HL523AZ8-12 V97928	002004 006102 107999	2
120	HL79-8		.COLLAR SUPPLIER CODE: V5M902 SPECIFICATION NUMBER: BACC30M8 OPTIONAL PART: HL79-8 V73197 HL79-8 V92215 66014-8 V56878 HL79-8 V56878	002004 006102 107999	6
125	BACB28AP05P017		-----*----- ..BUSHING- USED ON: 114N2057-2 114N2187-2 114N2187-8 USED ON: 114N2057-2 114N2187-2 114N2187-8	002004 006102 107999	1

MISSING ITEM NUMBERS NOT APPLICABLE

- ITEM NOT ILLUSTRATED

BRI

27-81-52-07

BOEING PROPRIETARY - Copyright © - Unpublished Work - See title page for details.

27-81-52  
FIG. 07  
PAGE 12  
JAN 20/09



757

PARTS CATALOG (MAINTENANCE)

FIG ITEM	PART NUMBER	1 2 3 4 5 6 7	NOMENCLATURE	EFFECT FROM TO	UNITS PER ASSY
7					
130	BACB28AM07B017A	..	BUSHING- USED ON: 114N2057-1 114N2187-1 USED ON: 114N2057-1 114N2187-1	002004 006102 107999	1
130	BACB28AT07B017C	..	BUSHING- USED ON: 114N2187-7 USED ON: 114N2187-7	011102 108120 504903	1
135	BACB28AM13B012A	..	BUSHING- USED ON: 114N2057-1 114N2057-2 114N2187-1 114N2187-2 USED ON: 114N2057-1 114N2057-2 114N2187-1 114N2187-2	002004 006102 107999	1
135	BACB28AT13B012C	..	BUSHING- USED ON: 114N2187-7 114N2187-8 USED ON: 114N2187-7 114N2187-8	011102 108120 504903	1
140	114N2057-3	..	FITTING- USED ON: 114N2057-1	002004 006100 107107 121503 904999	1
140	114N2187-3	..	FITTING- USED ON: 114N2187-1	002004 006102 107999	1
140	114N2187-9	..	FITTING- USED ON: 114N2187-7	011102 108120 504903	1
145	114N2057-4	..	FITTING- USED ON: 114N2057-2	002004 006100 107107 121503 904999	1
145	114N2187-4	..	FITTING- USED ON: 114N2187-2	002004 006102 107999	1

MISSING ITEM NUMBERS NOT APPLICABLE

- ITEM NOT ILLUSTRATED

27-81-52-07

27-81-52  
FIG. 07  
PAGE 13  
JAN 20/09

BRI

BOEING PROPRIETARY - Copyright © - Unpublished Work - See title page for details.



757

PARTS CATALOG (MAINTENANCE)

FIG ITEM	PART NUMBER	1 2 3 4 5 6 7	NOMENCLATURE	EFFECT FROM TO	UNITS PER ASSY
7					
145	114N2187-10	..	FITTING- USED ON: 114N2187-8	011102 108120 504903	1
147	114N2011-8	.	FILLER-RADIUS	002004 006102 107999	2
150	BACS40R013D026F	.SHIM-	QUALIFIED OPTIONAL DATA: BACF3F013R026NN OPTIONAL TO BACS40R013D026F ONLY IF GAP EXCEEDS .09 MAX.	107107 904949 952952	2
150	BACS40R013D015F	.SHIM-	QUALIFIED OPTIONAL DATA: BACF3F013R026NN OPTIONAL TO BACS40R013D015F ONLY IF GAP EXCEEDS .09 MAX.	003004 006100 121503 950951 953999	2
- 151	BACF3F013R026NN	.FILLER-	QUALIFIED OPTIONAL DATA: BACF3F013R026NN OPTIONAL TO BACS40R013D026F ONLY IF GAP EXCEEDS .09 MAX.	107107 904949 952952	AR
- 151	BACF3F013R026NN	.FILLER-	QUALIFIED OPTIONAL DATA: BACF3F013R026NN OPTIONAL TO BACS40R013D015F ONLY IF GAP EXCEEDS .09 MAX.	003004 006100 121503 950951 953999	AR
155	BACS40R013C020F	.SHIM-		002004 006102 107999	2
160	BACS40R013C028F	.SHIM-		002004 006102 107999	2
165	BACS40R013C022F	.SHIM-		002004 006102 107999	2
170	BACS40R013D029F	.SHIM-		002004 006102 107999	2

MISSING ITEM NUMBERS NOT APPLICABLE

- ITEM NOT ILLUSTRATED

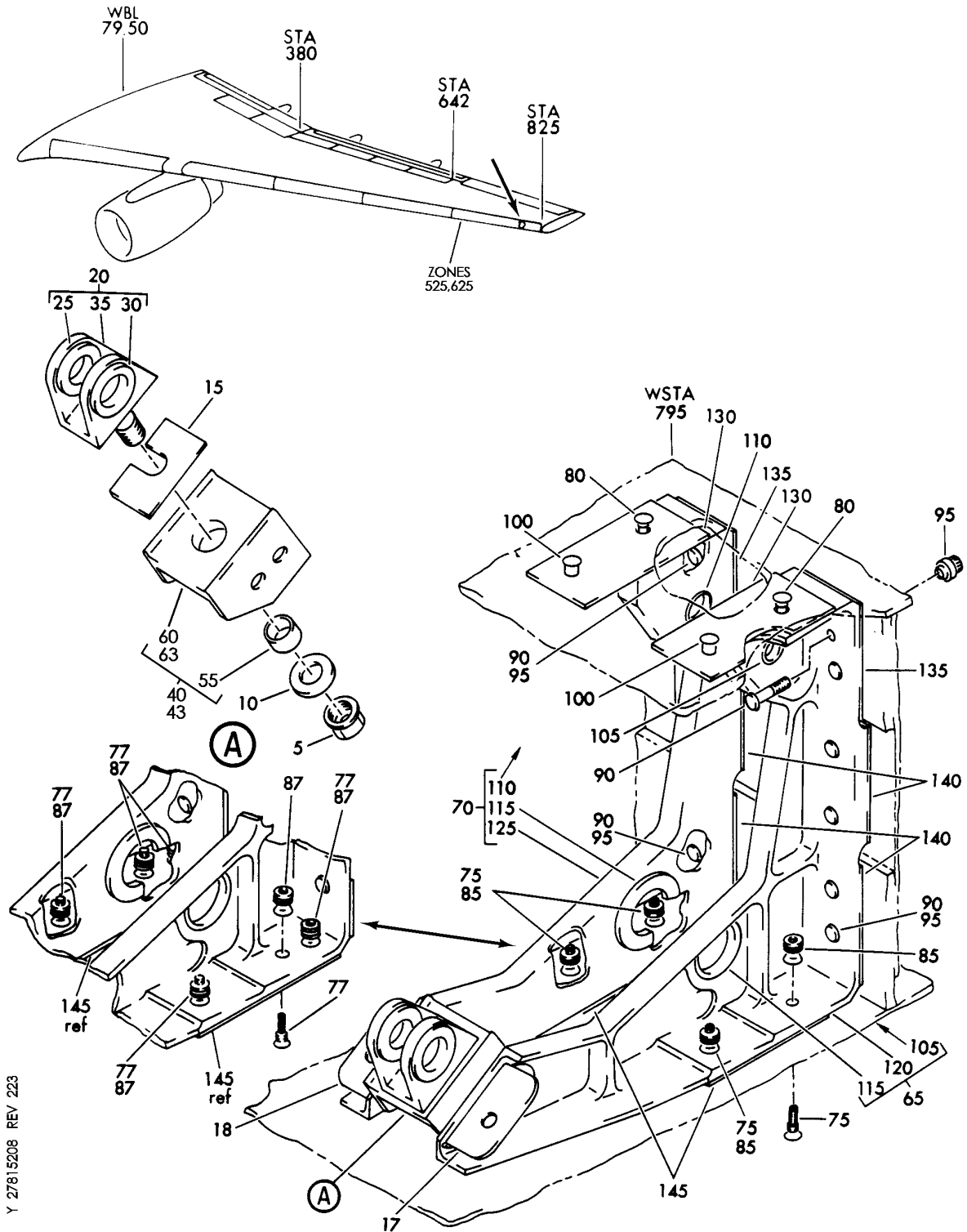
27-81-52-07

27-81-52  
FIG. 07  
PAGE 14  
JAN 20/09

BRI

BOEING PROPRIETARY - Copyright © - Unpublished Work - See title page for details.

**BOEING**  
757  
PARTS CATALOG (MAINTENANCE)



FITTING INSTL-WING FXD LE OSS 797.46 AUX TRACK SPRT  
FIGURE 8

**27-81-52-08**

BRI  
MAY 28/07

27-81-52-08  
PAGE 0



757

PARTS CATALOG (MAINTENANCE)

FIG ITEM	PART NUMBER	1 2 3 4 5 6 7	NOMENCLATURE	EFFECT FROM TO	UNITS PER ASSY
8			FITTING INSTL-WING FXD LE OSS 797.46 AUX TRACK SPRT	002004 006102 107999	
- 1	114N2010-1		FITTING INSTL-WING FXD LE AUX TRACK SPRT POSITION DATA: OSS 797.46 FOR NHA SEE: 57-21-51-01	002004 006100 107107 121503 904999	RF
- 1	114N2010-401		FITTING INSTL-AUX TRACK SPRT WING FXD LE POSITION DATA: OSS 797.46 OUTBD LE FOR NHA SEE: 57-00-00-10	101102 108120 504903	RF
- 3	114N2010-402		FITTING INSTL-AUX TRACK SPRT WING FXD LE POSITION DATA: OSS 797.46 OUTBD RH FOR NHA SEE: 57-00-00-10	101102 108120 504903	RF

MISSING ITEM NUMBERS NOT APPLICABLE

- ITEM NOT ILLUSTRATED

BRI

**27-81-52-08**

BOEING PROPRIETARY - Copyright © - Unpublished Work - See title page for details.

27-81-52  
FIG. 08  
PAGE 1  
JAN 20/09



757

PARTS CATALOG (MAINTENANCE)

FIG ITEM	PART NUMBER	1 2 3 4 5 6 7	NOMENCLATURE	EFFECT FROM TO	UNITS PER ASSY
8	5 BMN10HRCWD3-6		.NUT-	002004	1
R			SUPPLIER CODE:	006009	
R			V97928	107107	
R			SPECIFICATION NUMBER:	121503	
R			BACN10HR6CD	904949	
R			OPTIONAL PART:	952999	
R			H51560-6		
R			V15653		
R			67832CD624		
R			V56878		
R			102LH9031-6		
R			V72962		
R			BH00303CM6		
R			V27238		
R			SL7108C624		
R			V11815		
R			BMN5024CWD36		
R			V97928		
R			SL7108C6		
R			V11815		
R			102LH90316		
R			V72962		
R			67832CD6		
R			V56878		
R			VCU0005D6		
R			V06710		
R			CR60306		
R			VF0224		
R			CR60306		
R			VF0224		

MISSING ITEM NUMBERS NOT APPLICABLE

- ITEM NOT ILLUSTRATED

27-81-52-08

27-81-52  
FIG. 08  
PAGE 2  
MAY 20/09

BRI





757

PARTS CATALOG (MAINTENANCE)

FIG ITEM	PART NUMBER	1 2 3 4 5 6 7	NOMENCLATURE	EFFECT FROM TO	UNITS PER ASSY
8	5 BMN10HRCWD3-7	.NUT-	SUPPLIER CODE: V97928 SPECIFICATION NUMBER: BACN10HR7CD OPTIONAL PART: H51560-7 V15653 67832CD720 V56878 102LH9031-7 V72962 BH00303CM7 V27238 BMN5024CWD37 V97928 SL7108C7 V11815 VCU0005D7 V06710 102LH90317 V72962 67832CD7 V56878 CR6030-7 VF0224 BMN10HRCWD3-7 V97928	010102 108120 504903 950951	1
	10 BACW10BP6DP	.WASHER-		002004 006009 107107 121503 904949 952999	1
	10 BACW10BP7DP	.WASHER-		010102 108120 504903 950951	1
	15 114N2153-1	.SHIM-		904949	1
	15 114N2153-2	.SHIM-	POST SERVICE BULLETIN: 57-0035R1	002004 006102 107903 950999	1
	17 287N1401-13	.BRACKET-	QUALIFIED OPTIONAL DATA: (114N2056-1 WITH 287N1401-13 OPTIONAL TO 114N2186-7)	002004 107107 121503 904949 952952	1

MISSING ITEM NUMBERS NOT APPLICABLE

- ITEM NOT ILLUSTRATED

27-81-52-08

27-81-52  
FIG. 08  
PAGE 3  
JAN 20/09

BRI

BOEING PROPRIETARY - Copyright © - Unpublished Work - See title page for details.



757

PARTS CATALOG (MAINTENANCE)

FIG ITEM	PART NUMBER	1 2 3 4 5 6 7	NOMENCLATURE	EFFECT FROM TO	UNITS PER ASSY
8					
17	287N1401-745		.BRACKET- QUALIFIED OPTIONAL DATA: (114N2056-1 WITH 287N1401-745 OPTIONAL TO 114N2186-7 OR 114N2186-17)	006100 950951 953999	1
18	287N1401-14		.BRACKET- QUALIFIED OPTIONAL DATA: (114N2056-2 WITH 287N1401-14 OPTIONAL TO 114N2186-8)	002004 107107 121503 904949 952952	1
18	287N1401-746		.BRACKET- QUALIFIED OPTIONAL DATA: (114N2056-2 WITH 287N1401-746 OPTIONAL TO 114N2186-8 OR 114N2186-18)	006100 950951 953999	1
20	114N2073-1		.CLEVIS ASSY-OUTBD FIX LE FWD AUX TRACK SUPPORT QUALIFIED I/W DATA: 114N2073-9 T/W 114N2075-30 THRU 114N2075-36 (DEPENDING ON NEXT HIGHER ASSY), BACN10HR7CD AND BACW10BP7DP ARE INTERCHANGEABLE ONE-WAY FORWARD WITH 114N2073-5 OR 114N2073-01 T/W T/W 114N2075-16 THRU 114N2075-22 (DEPENDING ON NEXT HIGHER ASSY), BACN10HR6CD AND BACN10BP6DP.	002004 006009 107107 121503 904949 952999	1
20	114N2073-3		.CLEVIS ASSY-	002004 006009 107107 121503 904949 952999	1
20	114N2073-7		.CLEVIS ASSY-OUTBD FIX LE FWD AUX TRACK SUPPORT	002004 006102 107999	1

MISSING ITEM NUMBERS NOT APPLICABLE

- ITEM NOT ILLUSTRATED

27-81-52-08

27-81-52  
FIG. 08  
PAGE 4  
JAN 20/09

BRI

BOEING PROPRIETARY - Copyright © - Unpublished Work - See title page for details.



757

PARTS CATALOG (MAINTENANCE)

FIG ITEM	PART NUMBER	1 2 3 4 5 6 7	NOMENCLATURE	EFFECT FROM TO	UNITS PER ASSY
8	20 114N2073-5	. CLEVIS ASSY-OUTBD FIX LE FWD AUX TRACK SUPPORT QUALIFIED I/W DATA: 114N2073-9 T/W 114N2075-30 THRU 114N2075-36, BACN10HR7CD AND BACN10BP7DP ARE INTERCHANGEABLE ONE-WAY FORWARD WITH 114N2073-5 T/W 114N2075-16 THRU 114N2075-22, BACN10HR6CD AND BACW10BP6DP.		002004 006009 121503 953999	1
	20 114N2073-9	. CLEVIS ASSY-OUTBD FIX LE FWD AUX TRACK SUPPORT QUALIFIED I/W DATA: 114N2073-9 T/W 114N2075-30 THRU 114N2075-36 (DEPENDING ON NEXT HIGHER ASSY), BACN10HR7CD AND BACW10BP7DP ARE INTERCHANGEABLE ONE-WAY FORWARD WITH 114N2073-5 T/W 114N2075-16 THRU 114N2075-22 (DEPENDING ON NEXT HIGHER ASSY), BACN10HR6CD AND BACW10PB6DP.		010102 108120 504903 950951	1
	25 114N2130-6	.. BUSHING		002004 006102 107999	1
	30 BACB28AM07B013	.. BUSHING		002004 006102 107999	1
	35 114N2073-2	.. CLEVIS-		002004 006009 107107 121503 904949 952999	1
	35 114N2073-4	.. CLEVIS-		002004 006009 107107 121503 904949 952999	1

MISSING ITEM NUMBERS NOT APPLICABLE

- ITEM NOT ILLUSTRATED

27-81-52-08

27-81-52  
FIG. 08  
PAGE 5  
JAN 20/09

BRI

BOEING PROPRIETARY - Copyright © - Unpublished Work - See title page for details.

**BOEING**  
757  
PARTS CATALOG (MAINTENANCE)

FIG ITEM	PART NUMBER	1 2 3 4 5 6 7	NOMENCLATURE	EFFECT FROM TO	UNITS PER ASSY
8					
35	114N2073-8	. .	CLEVIS-	010102 108120 504903 950951	1
40	114N2075-22	. .	FITTING ASSY-CHAN	002004 006009 107107 121503 904949 952999	1
40	114N2075-36	. .	FITTING ASSY-CHAN	010102 108120 504903 950951	1
- 45	L8006K4	. .	ATTACHING PARTS BOLT SUPPLIER CODE: V06725 SPECIFICATION NUMBER: BACB30MY6K4	002004 006102 107999	4
- 50	HL79-6	. .	COLLAR SUPPLIER CODE: V5M902 SPECIFICATION NUMBER: BACC30M6 OPTIONAL PART: HL79-6 V73197 HL79-6 V92215 66014-6 V56878 HL79-6 V56878 -----*-----	002004 006102 107999	4
55	BACB28U6B028	. .	BUSHING	002004 006102 107999	1
60	114N2075-7	. .	CHANNEL-	002004 006009 107107 121503 904949 952999	1
60	114N2075-29	. .	CHANNEL-	010102 108120 504903 950951	1

MISSING ITEM NUMBERS NOT APPLICABLE

- ITEM NOT ILLUSTRATED

BRI

# 27-81-52-08

BOEING PROPRIETARY - Copyright © - Unpublished Work - See title page for details.

27-81-52  
FIG. 08  
PAGE 6  
JAN 20/09



757

PARTS CATALOG (MAINTENANCE)

FIG ITEM	PART NUMBER	1 2 3 4 5 6 7	NOMENCLATURE	EFFECT FROM TO	UNITS PER ASSY
8					
65	114N2056-1	.	FITTING ASSY-SPRT QUALIFIED OPTIONAL DATA: (114N2056-1 WITH 287N1401-13 OPTIONAL TO 114N2186-7)	002004 107107 121503 904949 952952	1
65	114N2186-7	.	FITTING ASSY-SPRT QUALIFIED OPTIONAL DATA: (114N2056-1 WITH 287N1401-13 OPTIONAL TO 114N2186-7)	002004 107107 121503 904949 952952	1
65	114N2186-1	.	FITTING ASSY-SPRT	002004 107107 121503 904949 952952	1
65	114N2056-1	.	FITTING ASSY-SPRT QUALIFIED OPTIONAL DATA: (114N2056-1 WITH 287N1401-745 OPTIONAL TO 114N2186-7 OR 114N2186-17)	006100 950951 953999	1
65	114N2186-7	.	FITTING ASSY-SPRT QUALIFIED OPTIONAL DATA: (114N2056-1 WITH 287N1401-745 OPTIONAL TO 114N2186-7 OR 287N2186-17)	006100 950951 953999	1
65	114N2186-1	.	FITTING ASSY-SPRT	006100 950951 953999	1
65	114N2186-13	.	FITTING ASSY-SPRT OPTIONAL PART: 114N2186-7	011100	1
65	114N2186-7	.	FITTING ASSY-SPRT OPTIONAL PART: 114N2186-13	011100	1
65	114N2186-7	.	FITTING ASSY-SPRT OPTIONAL PART: 114N2186-17	101102 108120 504903	1
65	114N2186-17	.	FITTING ASSY-SPRT OPTIONAL PART: 114N2186-7	101102 108120 504903	1
70	114N2056-2	.	FITTING ASSY-SPRT QUALIFIED OPTIONAL DATA: (114N2056-2 WITH 287N1401-14 OPTIONAL TO 114N2186-8)	002004 107107 121503 904949 952952	1

MISSING ITEM NUMBERS NOT APPLICABLE

- ITEM NOT ILLUSTRATED

27-81-52-08

27-81-52  
FIG. 08  
PAGE 7  
JAN 20/09

BRI

BOEING PROPRIETARY - Copyright © - Unpublished Work - See title page for details.



757

PARTS CATALOG (MAINTENANCE)

FIG ITEM	PART NUMBER	1 2 3 4 5 6 7	NOMENCLATURE	EFFECT FROM TO	UNITS PER ASSY
8					
70	114N2186-8	.	FITTING ASSY-SPRT QUALIFIED OPTIONAL DATA: (114N2056-2 WITH 287N1401-14 OPTIONAL TO 287N2186-8)	002004 107107 121503 904949 952952	1
70	114N2186-2	.	FITTING ASSY-SPRT	002004 107107 121503 904949 952952	1
70	114N2056-2	.	FITTING ASSY-SPRT QUALIFIED OPTIONAL DATA: (114N2056-2 WITH 287N1401-746 OPTIONAL TO 114N2186-8 OR 114N2186-18)	006100 950951 953999	1
70	114N2186-8	.	FITTING ASSY-SPRT QUALIFIED OPTIONAL DATA: (114N2056-2 WITH 287N1401-746 OPTIONAL TO 287N2186-8 OR 114N2186-18)	006100 950951 953999	1
70	114N2186-2	.	FITTING ASSY-SPRT	006100 950951 953999	1
70	114N2186-14	.	FITTING ASSY-SPRT OPTIONAL PART: 114N2186-8	011100	1
70	114N2186-8	.	FITTING ASSY-SPRT OPTIONAL PART: 114N2186-14	011100	1
70	114N2186-8	.	FITTING ASSY-SPRT OPTIONAL PART: 114N2186-18	101102 108120 504903	1
70	114N2186-18	.	FITTING ASSY-SPRT OPTIONAL PART: 114N2186-8	101102 108120 504903	1

MISSING ITEM NUMBERS NOT APPLICABLE

- ITEM NOT ILLUSTRATED

BRI

27-81-52-08

BOEING PROPRIETARY - Copyright © - Unpublished Work - See title page for details.

27-81-52  
FIG. 08  
PAGE 8  
JAN 20/09



757

PARTS CATALOG (MAINTENANCE)

FIG ITEM	PART NUMBER	1 2 3 4 5 6 7	NOMENCLATURE	EFFECT FROM TO	UNITS PER ASSY
8	77 HL523AZ8-9	.BOLT	SUPPLIER CODE: V73197 SPECIFICATION NUMBER: BACB30NZ8K9 OPTIONAL PART: L804-8K9 V06725 HL523AZ8-9 V56878 HL523AZ8-9 V92215 HL523AZ8-9 V97928 HL523AZ8-9 V0PTK6 HL523AZ8-9 V60516 HL523AZ8-9 V06725	002004 006102 107999	6
	80 HL523AZ8-6	ATTACHING PARTS .BOLT	SUPPLIER CODE: V73197 SPECIFICATION NUMBER: BACB30NZ8K6 OPTIONAL PART: L804-8K6 V06725 HL523AZ8-6 V56878 HL523AZ8-6 V92215 HL523AZ8-6 V97928 HL523AZ8-6 V0PTK6 HL523AZ8-6 V60516 HL523AZ8-6 V06725	002004 006102 107999	2

MISSING ITEM NUMBERS NOT APPLICABLE

- ITEM NOT ILLUSTRATED

27-81-52-08

27-81-52  
FIG. 08  
PAGE 9  
JAN 20/09

BRI



757

PARTS CATALOG (MAINTENANCE)

FIG ITEM	PART NUMBER	1 2 3 4 5 6 7	NOMENCLATURE	EFFECT FROM TO	UNITS PER ASSY
8	87	HL79-8	.COLLAR SUPPLIER CODE: V5M902 SPECIFICATION NUMBER: BACC30M8 OPTIONAL PART: HL79-8 V73197 HL79-8 V92215 66014-8 V56878 HL79-8 V56878	002004 006102 107999	6
	88	HL79-8	.COLLAR SUPPLIER CODE: V5M902 SPECIFICATION NUMBER: BACC30M8 OPTIONAL PART: HL79-8 V73197 HL79-8 V92215 66014-8 V56878 HL79-8 V56878	002004 006102 107999	2
	90	BACB30MY8K	.BOLT- SIZE DETERMINED ON INSTL.	002004 006100 107107 121503 904999	12
	90	BACB30MY8K	.BOLT-	101102 108120 504903	12
	95	BACN10WM	.COLLAR-	101102 108120 504903	12

MISSING ITEM NUMBERS NOT APPLICABLE

- ITEM NOT ILLUSTRATED

BRI

27-81-52-08

BOEING PROPRIETARY - Copyright © - Unpublished Work - See title page for details.

27-81-52  
FIG. 08  
PAGE 10  
JAN 20/09



 **BOEING**  
757  
**PARTS CATALOG (MAINTENANCE)**

FIG ITEM	PART NUMBER	1 2 3 4 5 6 7	NOMENCLATURE	EFFECT FROM TO	UNITS PER ASSY
8	95 TLN12044	.NUT-	SUPPLIER CODE: V97928 SPECIFICATION NUMBER: BACN10WM4 OPTIONAL PART: LH10114B4 V72962 MN154 V73197 VN18614 V92215 H49702-4S V15653 W8504 V08524 H497024 V15653	002004 006100 107107 121503 904999	12
100	BACR15BA6AD	.RIVET-	SIZE DETERMINED ON INSTL.	002004 006102 107999	2
		-----*-----			
105	BACB28AM07B017A	..BUSHING-	USED ON: 114N2186-7	002004 006102 107999	1
110	BACB28AP05P017	..BUSHING-	USED ON: 114N2186-8	002004 006102 107999	1
115	BACB28AM13B012A	..BUSHING		002004 006100 107107 121503 904999	1
115	BACB28AT13B012C	..BUSHING-		101102 108120 504903	1
120	114N2056-3	..FITTING-	USED ON: 114N2056-1	002004 006102 107999	1
120	114N2186-3	..FITTING-	USED ON: 114N2186-1	002004 006102 107999	1
120	114N2186-9	..FITTING-	USED ON: 114N2186-7	002004 006102 107999	1
120	114N2186-15	..FITTING-	USED ON: 114N2186-13	011100	1

MISSING ITEM NUMBERS NOT APPLICABLE

— ITEM NOT ILLUSTRATED

BRI

# 27-81-52-08

BOEING PROPRIETARY - Copyright © - Unpublished Work - See title page for details.

27-81-52  
FIG. 08  
PAGE 11  
JAN 20/09



757

PARTS CATALOG (MAINTENANCE)

FIG ITEM	PART NUMBER	1 2 3 4 5 6 7	NOMENCLATURE	EFFECT FROM TO	UNITS PER ASSY
8					
120	114N2186-19	..	FITTING- USED ON: 114N2186-17	101102 108120 504903	1
125	114N2056-4	..	FITTING- USED ON: 114N2056-2	002004 006102 107999	1
125	114N2186-4	..	FITTING- USED ON: 114N2186-2	002004 006102 107999	1
125	114N2186-10	..	FITTING- USED ON: 114N2186-8	002004 006102 107999	1
125	114N2186-16	..	FITTING- USED ON: 114N2186-14	002004 006102 107999	1
125	114N2186-20	..	FITTING- USED ON: 114N2186-18	101102 108120 504903	1
130	BACS40R013D027F	.	SHIM-	107107 904949 952952	2
130	BACS40R013D015F	.	SHIM-	002004 006102 107999	2
135	BACS40R013C020F	.	SHIM-	002004 006102 107999	2
140	BACS40R013C022F	.	SHIM-	002004 006102 107999	2
145	BACS40R013D035F	.	SHIM-	002004 006102 107999	2

MISSING ITEM NUMBERS NOT APPLICABLE

- ITEM NOT ILLUSTRATED

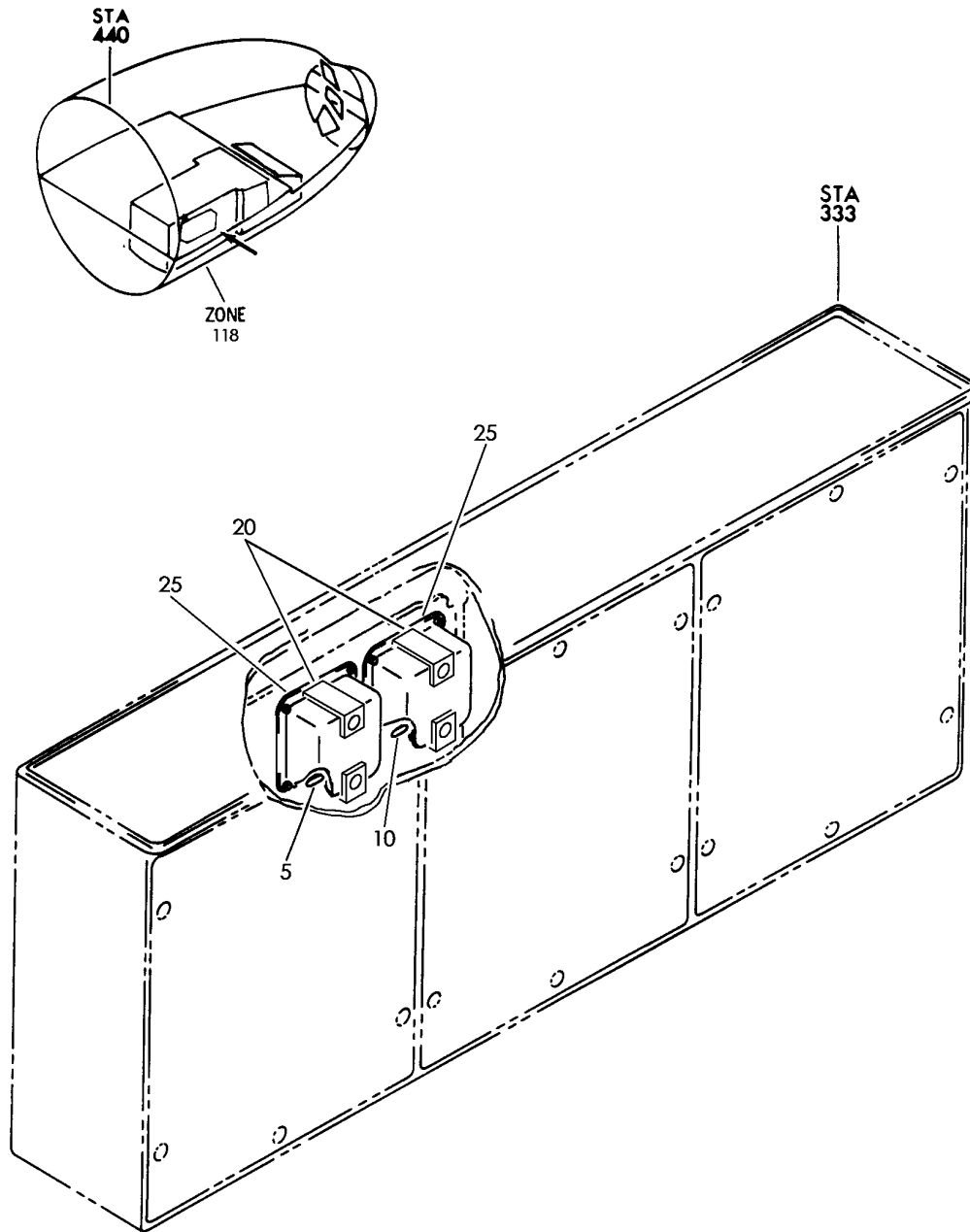
27-81-52-08

27-81-52  
FIG. 08  
PAGE 12  
JAN 20/09

BRI

BOEING PROPRIETARY - Copyright © - Unpublished Work - See title page for details.

**BOEING**  
757  
PARTS CATALOG (MAINTENANCE)



Y 27817101 REV 240

SHIELD ASSY-P33 MISC ELEC EQPT (LEADING EDGE SLAT SYSTEM ONLY)

FIGURE 1

**27-81-71-01**

BRI  
MAY 28/07

27-81-71-01  
PAGE 0



757

PARTS CATALOG (MAINTENANCE)

FIG ITEM	PART NUMBER	1 2 3 4 5 6 7	NOMENCLATURE	EFFECT FROM TO	UNITS PER ASSY
1			SHIELD ASSY-P33 MISC ELEC EQPT (LEADING EDGE SLAT SYSTEM ONLY)	002004 006100 107107 121503 904999	
- 1	284N1318-1		SHIELD ASSY-P33 MISC ELEC EQPT (LEADING EDGE SLAT SYSTEM ONLY) VARIABLE DRAWING REF: 284N1318-5010 284N1318-5016 284N1318-5019 284N1318-5021 284N1318-5023 FOR NHA/OTHER SYS DET SEE: 31-01-33-03	002004 006100 107107 121503 904999	RF
5	BAC27NEX0160		.DECAL- PLACARD CONTENT: K10097	002004 006100 107107 121503 904999	1
10	BAC27NEX0161		.DECAL- PLACARD CONTENT: K10098	002004 006100 107107 121503 904999	1
20	66-22661-2		.BARRIER-TERM.	002004 006100 107107 121503 904999	4
25	9131-8506		.RELAY- SUPPLIER CODE: V35344 SPECIFICATION NUMBER: 10-61445-21 ELECTRICAL EQUIP NUMBER: K10097 K10098 COMPONENT MAINT MANUAL REF: 24-09-07 OPTIONAL PART: BH316A V74063	002004 006100 107107 121503 904999	2

MISSING ITEM NUMBERS NOT APPLICABLE

- ITEM NOT ILLUSTRATED

BRI

27-81-71-01

27-81-71  
FIG. 01  
PAGE 1  
JAN 20/09



757  
PARTS CATALOG (MAINTENANCE)

FIG ITEM	PART NUMBER	1 2 3 4 5 6 7	NOMENCLATURE	EFFECT FROM TO	UNITS PER ASSY
R R R R R R R R R R R R	1 25	BH316A	.RELAY- SUPPLIER CODE: V74063 FUNCTIONAL DESCRIPTION: A SEALED REPAIRABLE ELECTROMAGNETIC DEVICE FOR REMOTE ACTUATION OF 28V, 50 AMP ELECTRICAL CONTACT. SPECIFICATION NUMBER: 10-61445-21 ELECTRICAL EQUIP NUMBER: K10097 K10098 COMPONENT MAINT MANUAL REF: 24-09-36 OPTIONAL PART: 9131-8506 V35344 ATTACHING PARTS	002004 006100 107107 121503 904999	2
	- 30	NAS1801-3-7	.SCREW	002004 006100 107107 121503 904999	8
	- 35	AN960JD10L	.WASHER  -----*-----	107107 950999	8

MISSING ITEM NUMBERS NOT APPLICABLE

- ITEM NOT ILLUSTRATED

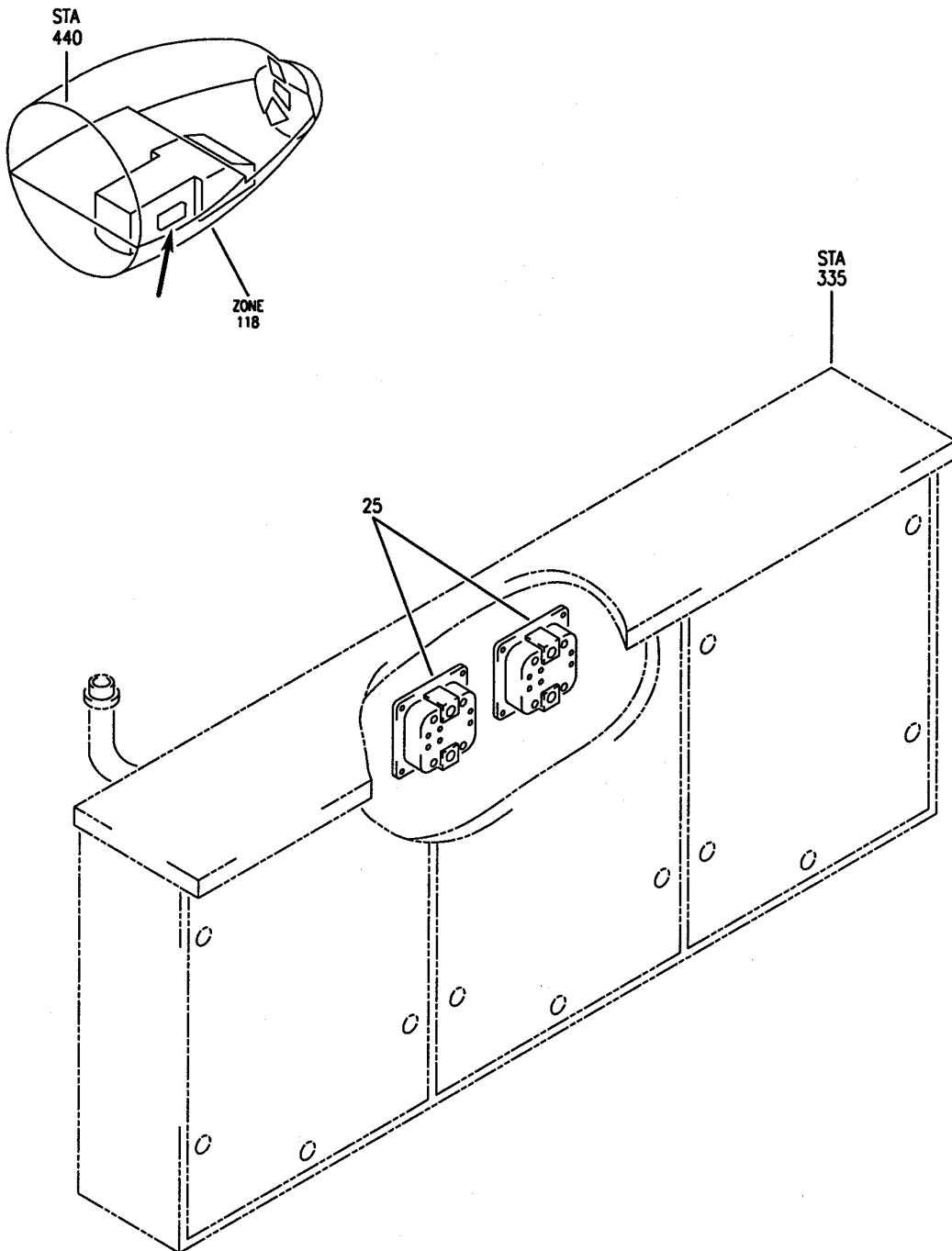
BRI

27-81-71-01

BOEING PROPRIETARY - Copyright © - Unpublished Work - See title page for details.

27-81-71  
FIG. 01  
PAGE 2  
MAY 20/09

**BOEING**  
757  
PARTS CATALOG (MAINTENANCE)



Y 27817101A REV 219

PACKAGE ASSY-OPTION P33 MISC ELECT EQPT (LEADING EDGE SLAT SYSTEM ONLY)

FIGURE 1A

**27-81-71-01A**

BRI  
MAY 28/07

27-81-71-01A  
PAGE 0

**BOEING**  
757  
**PARTS CATALOG (MAINTENANCE)**

FIG ITEM	PART NUMBER	1 2 3 4 5 6 7	NOMENCLATURE	EFFECT FROM TO	UNITS PER ASSY
1A			PACKAGE ASSY-OPTION P33 MISC ELECT EQPT (LEADING EDGE SLAT SYSTEM ONLY)	101102 108120 504903	
- 1	284N1318-1000		PACKAGE ASSY-OPTION P33 MISC ELECT EQPT (LEADING EDGE SLAT SYSTEM ONLY)	101102 108120 504903	RF
	25 9131-8506		.RELAY- SUPPLIER CODE: V35344 SPECIFICATION NUMBER: 10-61445-21 ELECTRICAL EQUIP NUMBER: K10097 K10098 COMPONENT MAINT MANUAL REF: 24-09-07 OPTIONAL PART: BH316A V74063	101102 108120 504903	2
R R	25 BH316A		.RELAY- SUPPLIER CODE: V74063 FUNCTIONAL DESCRIPTION: A SEALED REPAIRABLE ELECTROMAGNETIC DEVICE FOR REMOTE ACTUATION OF 28V, 50 AMP ELECTRICAL CONTACT. SPECIFICATION NUMBER: 10-61445-21 ELECTRICAL EQUIP NUMBER: K10097 K10098 COMPONENT MAINT MANUAL REF: 24-09-36 OPTIONAL PART: 9131-8506 V35344	101102 108120 504903	2
- 30	NAS1801-3-7		ATTACHING PARTS .SCREW  -----*-----	101102 108120 504903	8

MISSING ITEM NUMBERS NOT APPLICABLE

- ITEM NOT ILLUSTRATED

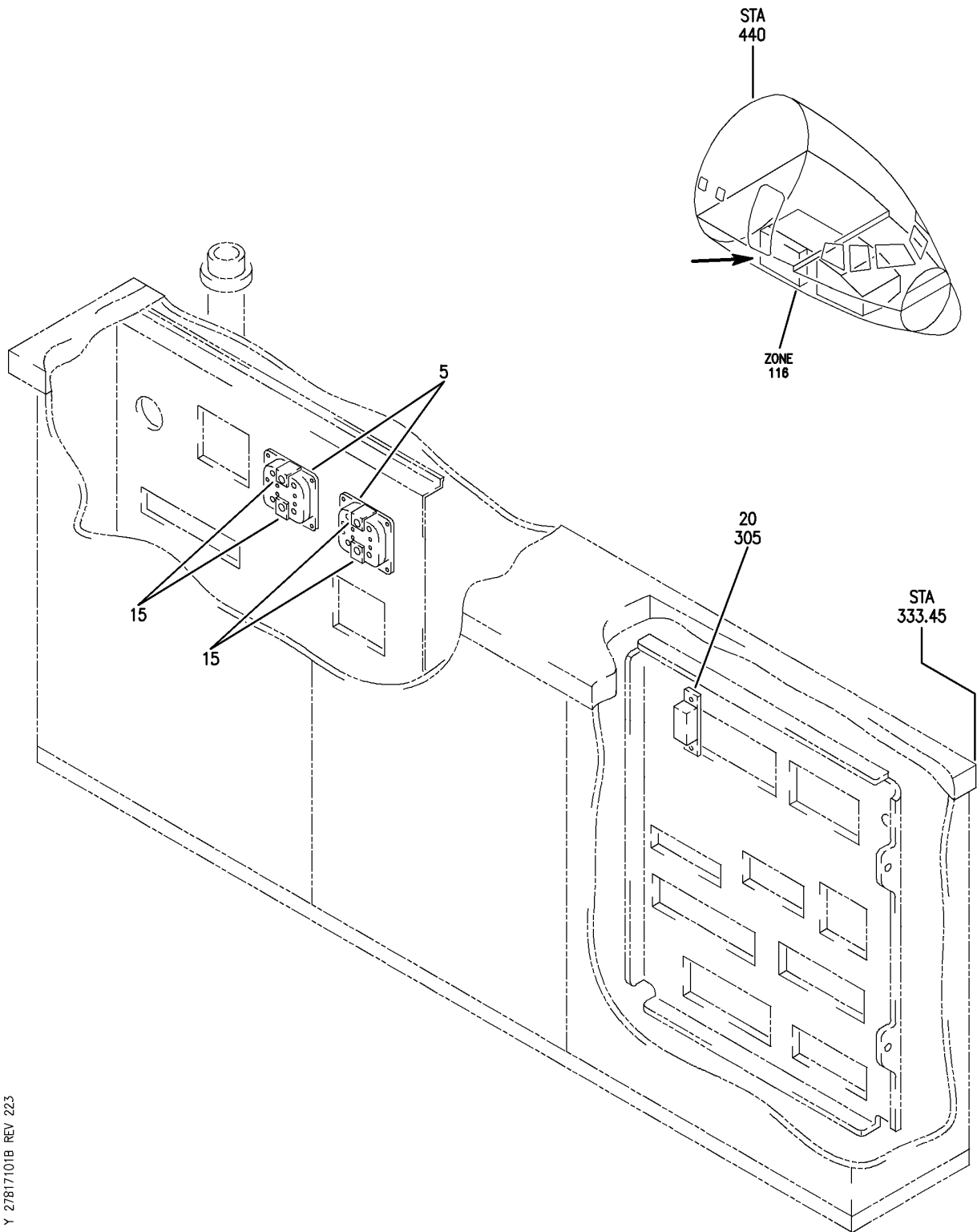
BRI

# 27-81-71-01A

BOEING PROPRIETARY - Copyright © - Unpublished Work - See title page for details.

27-81-71  
FIG. 01A  
PAGE 1  
MAY 20/09

**BOEING**  
757  
PARTS CATALOG (MAINTENANCE)



Y 27817101B REV 223

SHIELD INSTL-P33 MISC ELEC EQPT (LEADING EDGE SLAT SYSTEM ONLY)  
FIGURE 1B

**27-81-71-01B**

BRI  
JAN 20/09

27-81-71-01B  
PAGE 0





757

PARTS CATALOG (MAINTENANCE)

FIG ITEM	PART NUMBER	1 2 3 4 5 6 7	NOMENCLATURE	EFFECT FROM TO	UNITS PER ASSY
1B			SHIELD INSTL-P33 MISC ELEC EQPT (LEADING EDGE SLAT SYSTEM ONLY)	103106	
- 1	MODREF33173		SHIELD INSTL-P33 MISC ELEC EQPT (LEADING EDGE SLAT SYSTEM ONLY) MODULE NUMBER: 284N1318-107 REV B FOR OTHER SYS DETAILS SEE: 11-36-06-01B 24-53-71-03B 26-15-71-01B 27-51-71-01B 28-21-71-01B 28-22-71-01B 28-26-71-01B 29-11-71-01B 29-21-71-03B 29-22-71-01B 30-31-71-03B 30-32-71-03B 31-01-33-10 33-42-71-02B	103105	1
- 1	MODREF34797		SHIELD INSTL-P33 MISC ELEC EQPT (LEADING EDGE SLAT SYSTEM ONLY) MODULE NUMBER: 284N1318-107 REV C FOR OTHER SYS DETAILS SEE: 11-36-06-01B 24-53-71-03B 26-15-71-01B 27-51-71-01B 28-21-71-01B 28-22-71-01B 28-26-71-01B 29-11-71-01B 29-21-71-03B 29-22-71-01B 30-31-71-03B 30-32-71-03B 31-01-33-10 33-42-71-02B	106106	1

MISSING ITEM NUMBERS NOT APPLICABLE

- ITEM NOT ILLUSTRATED

BRI

**27-81-71-01B**

BOEING PROPRIETARY - Copyright © - Unpublished Work - See title page for details.

27-81-71  
FIG. 01B  
PAGE 1  
JAN 20/09


  
**757**
  
**PARTS CATALOG (MAINTENANCE)**

FIG ITEM	PART NUMBER	1 2 3 4 5 6 7	NOMENCLATURE	EFFECT FROM TO	UNITS PER ASSY
1B					
5	9131-8506	.	RELAY-	103106	2
			SUPPLIER CODE:		
			V35344		
			SPECIFICATION NUMBER:		
			10-61445-21		
			ELECTRICAL EQUIP NUMBER:		
			K10097		
			K10098		
			COMPONENT MAINT MANUAL REF:		
			24-09-07		
			OPTIONAL PART:		
			BH316A		
			V74063		
5	BH316A	.	RELAY-	103106	2
			SUPPLIER CODE:		
			V74063		
			FUNCTIONAL DESCRIPTION:		
			A SEALED REPAIRABLE		
			ELECTROMAGNETIC DEVICE		
			FOR REMOTE ACTUATION OF		
			28V, 50 AMP ELECTRICAL		
			CONTACT.		
			SPECIFICATION NUMBER:		
			10-61445-21		
			ELECTRICAL EQUIP NUMBER:		
			K10097		
			K10098		
			COMPONENT MAINT MANUAL REF:		
			24-09-36		
			OPTIONAL PART:		
			9131-8506		
			V35344		
			ATTACHING PARTS		
R -	10	NAS1801-3-7	.SCREW	103105	8
R -	10	BACS12HN3-7	.SCREW	106106	8
			-----*-----		
	15	66-22661-2	.BARRIER-RELAY TERM.	103106	4

MISSING ITEM NUMBERS NOT APPLICABLE

- ITEM NOT ILLUSTRATED

BRI

# 27-81-71-01B

BOEING PROPRIETARY - Copyright © - Unpublished Work - See title page for details.

27-81-71  
 FIG. 01B  
 PAGE 2  
 MAY 20/09



757

PARTS CATALOG (MAINTENANCE)

FIG ITEM	PART NUMBER	1 2 3 4 5 6 7	NOMENCLATURE	EFFECT FROM TO	UNITS PER ASSY
1B 20	E210-1631		.RELAY- SUPPLIER CODE: V99699 SPECIFICATION NUMBER: BACR13CF2A OPTIONAL PART: BR246S0112 V56623 FCA210-70 V78290 E215-1050 V99699 JD4A017 V35344 BR64S104 V56623 61GB19-1A320 V98927 ELECTRICAL EQUIP NUMBER: K10494	103106	1
- 300 305	286N1230-701 RSF116200		WIRE BUNDLE ASSY .SOCKET- SUPPLIER CODE: V58982 SPECIFICATION NUMBER: BACS16X1A OPTIONAL PART: 102-006-1 V09922 000300-1538 V05574 ELECTRICAL EQUIP NUMBER: D05608 WIRING DIAGRAM REF: 275121	103106 103106	RF 1

MISSING ITEM NUMBERS NOT APPLICABLE

- ITEM NOT ILLUSTRATED

**27-81-71-01B**

27-81-71  
FIG. 01B  
PAGE 3  
JAN 20/09

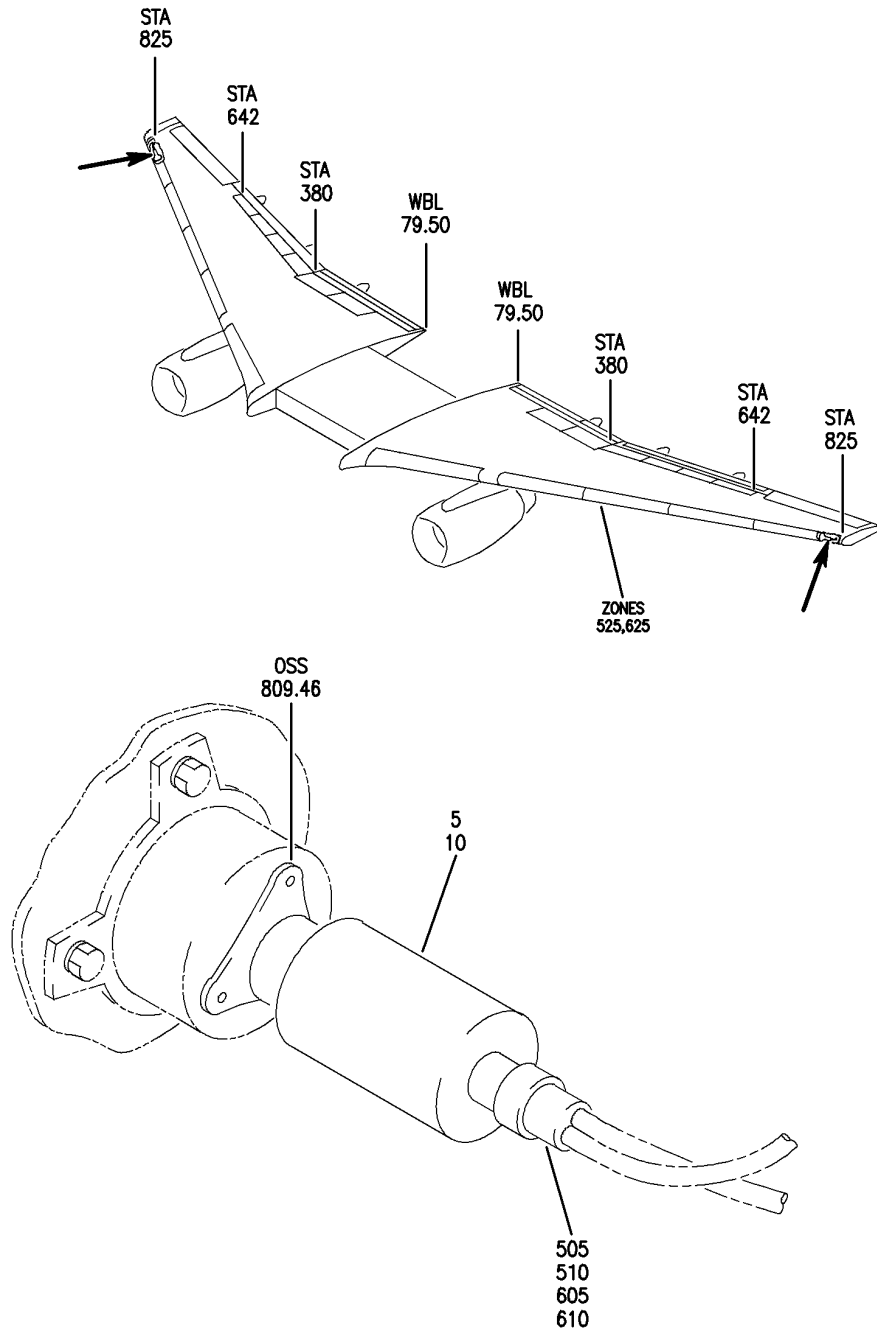
BRI

## LEADING EDGE SLAT POSITION INDICATION

BRI  
MAY 28/07

27-88-00  
SECTION TITLE  
PAGE 1

**BOEING**  
757  
PARTS CATALOG (MAINTENANCE)



Y 27880101 REV 229

ACTUATOR INSTL-OUTBD LE SLAT DRIVE ROTARY (LEADING EDGE SLAT POSITION TRANSMITTER ONLY)

FIGURE 1

**27-88-01-01**

BRI  
MAY 28/07

27-88-01-01  
PAGE 0



757

PARTS CATALOG (MAINTENANCE)

FIG ITEM	PART NUMBER	1 2 3 4 5 6 7	NOMENCLATURE	EFFECT FROM TO	UNITS PER ASSY
1			ACTUATOR INSTL-OUTBD LE SLAT DRIVE ROTARY (LEADING EDGE SLAT POSITION TRANSMITTER ONLY)	101106 108120 504903	
- 1	251N5003-15		ACTUATOR INSTL-LE SLAT DRIVE ROTARY (LEADING EDGE SLAT POSITION TRANSMITTER ONLY) POSITION DATA: OUTBD FOR NHA/OTHER SYS DET SEE: 27-80-00-01	101102	RF
- 1	251N5003-16		ACTUATOR INSTL-LE SLAT DRIVE ROTARY (LEADING EDGE SLAT POSITION TRANSMITTER ONLY) POSITION DATA: OUTBD FOR NHA/OTHER SYS DET SEE: 27-80-00-01	504903	RF
- 1	251N5003-21		ACTUATOR INSTL-LE SLAT DRIVE ROTARY (LEADING EDGE SLAT POSITION TRANSMITTER ONLY) POSITION DATA: OUTBD FOR NHA/OTHER SYS DET SEE: 27-80-00-01	108120	RF
- 1	MODREF32189		ACTUATOR INSTL-LE SLAT DRIVE ROTARY (LEADING EDGE SLAT POSITION TRANSMITTER ONLY) MODULE NUMBER: 251N5003-21 REV B POSITION DATA: OUTBD	103106	1
5	18-1969-15		.TRANSMITTER- SUPPLIER CODE: V96774 POSITION DATA: LH SPECIFICATION NUMBER: S251N403-15 ELECTRICAL EQUIP NUMBER: TS05083 COMPONENT MAINT MANUAL REF: 27-88-01	101106 108120 504903	1

MISSING ITEM NUMBERS NOT APPLICABLE

- ITEM NOT ILLUSTRATED

BRI

27-88-01-01

27-88-01  
FIG. 01  
PAGE 1  
JAN 20/09



757

PARTS CATALOG (MAINTENANCE)

FIG ITEM	PART NUMBER	1 2 3 4 5 6 7	NOMENCLATURE	EFFECT FROM TO	UNITS PER ASSY
1					
10	18-1969-16		. TRANSMITTER- SUPPLIER CODE: V96774 POSITION DATA: RH SPECIFICATION NUMBER: S251N403-16 ELECTRICAL EQUIP NUMBER: TS05047 COMPONENT MAINT MANUAL REF: 27-88-01 ATTACHING PARTS	101106 108120 504903	1
- 15	NAS1802-3-10		. SCREW	101106 108120 504903	6
- 20	AN960KD10L		. WASHER	101106 108120 504903	6
			-----*-----		
- 500	286N3326-304		WIRE BUNDLE ASSY	101101	RF
- 500	286N3326-317		WIRE BUNDLE ASSY	108120	RF
- 500	286N3326-318		WIRE BUNDLE ASSY	102102	RF
- 500	286N3326-321		WIRE BUNDLE ASSY	504903	RF
- 502	286N8526-702		WIRE BUNDLE ASSY	103106	RF
505	CN096618A14SNL		. CONNECTOR- SUPPLIER CODE: V13556 SPECIFICATION NUMBER: BCREFA0276 OPTIONAL PART: ZZY18A14SNL V49367 48-06R18A14SNL V02660 OVERLENGTH PART NUMBER: BACC63BP18A14SNL ELECTRICAL EQUIP NUMBER: D01805 WIRING DIAGRAM REF: 275142	101106 108120 504903	1

MISSING ITEM NUMBERS NOT APPLICABLE

- ITEM NOT ILLUSTRATED

BRI

27-88-01-01

27-88-01  
FIG. 01  
PAGE 2  
JAN 20/09



757

PARTS CATALOG (MAINTENANCE)

FIG ITEM	PART NUMBER	1 2 3 4 5 6 7	NOMENCLATURE	EFFECT FROM TO	UNITS PER ASSY
1 510	GS3417-18C		.CLAMP- SUPPLIER CODE: V06324 SPECIFICATION NUMBER: BACC10HF18 OPTIONAL PART: S2125-18-8 V07418 ELECTRICAL EQUIP NUMBER: D01805T WIRING DIAGRAM REF: 275142	101106 108120 504903	1
- 600	286N3426-303		WIRE BUNDLE ASSY	101101	RF
- 600	286N3426-309		WIRE BUNDLE ASSY	108120	RF
- 600	286N3426-310		WIRE BUNDLE ASSY	102102	RF
- 600	286N3426-313		WIRE BUNDLE ASSY	504903	RF
- 603	286N8626-702		WIRE BUNDLE ASSY	103106	RF
605	CN096618A14SNL		.CONNECTOR- SUPPLIER CODE: V13556 SPECIFICATION NUMBER: BCREFA0276 OPTIONAL PART: ZZY18A14SNL V49367 48-06R18A14SNL V02660 OVERLENGTH PART NUMBER: BACC63BP18A14SNL ELECTRICAL EQUIP NUMBER: D02984 WIRING DIAGRAM REF: 275141	101106 108120 504903	1
610	GS3417-18C		.CLAMP- SUPPLIER CODE: V06324 SPECIFICATION NUMBER: BACC10HF18 OPTIONAL PART: S2125-18-8 V07418 ELECTRICAL EQUIP NUMBER: D02984T WIRING DIAGRAM REF: 275141	101106 108120 504903	1

MISSING ITEM NUMBERS NOT APPLICABLE

- ITEM NOT ILLUSTRATED

BRI

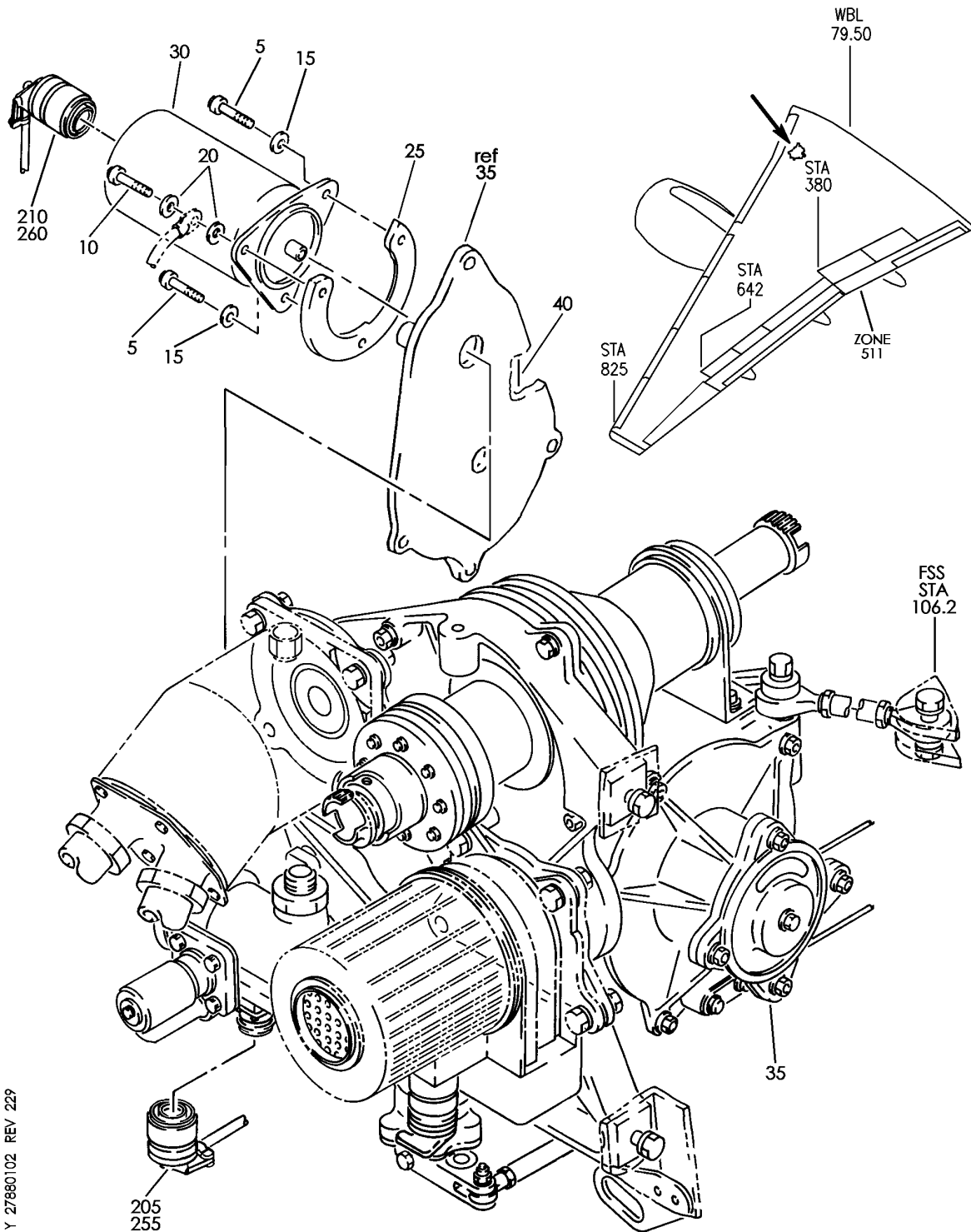
27-88-01-01

BOEING PROPRIETARY - Copyright © - Unpublished Work - See title page for details.

27-88-01  
FIG. 01  
PAGE 3  
JAN 20/09



**BOEING**  
757  
**PARTS CATALOG (MAINTENANCE)**



Y 27880102 REV 229

DRIVE UNIT INSTL-LE SLAT DRIVE PWR (LEADING EDGE SLAT POSITION TRANSMITTER ONLY)  
FIGURE 2

**27-88-01-02**

BRI  
MAY 28/07

27-88-01-02  
PAGE 0



757

PARTS CATALOG (MAINTENANCE)

FIG ITEM	PART NUMBER	1 2 3 4 5 6 7	NOMENCLATURE	EFFECT FROM TO	UNITS PER ASSY
2			DRIVE UNIT INSTL-LE SLAT DRIVE PWR (LEADING EDGE SLAT POSITION TRANSMITTER ONLY)	002004 006999	
- 1	251N5002-1		DRIVE UNIT INSTL-LE SLAT DRIVE PWR (LEADING EDGE SLAT POSITION TRANSMITTER ONLY) FOR NHA/OTHER SYS DET SEE: 27-81-20-02	002004 006100 107107 121503 904999	RF
- 1	251N5002-4		DRIVE UNIT INSTL-LE SLAT DRIVE PWR (LEADING EDGE SLAT POSITION TRANSMITTER ONLY) FOR NHA/OTHER SYS DET SEE: 27-80-00-01	101102 504903	RF
- 1	251N5002-5		DRIVE UNIT INSTL-LE SLAT DRIVE PWR (LEADING EDGE SLAT POSITION TRANSMITTER ONLY) FOR NHA/OTHER SYS DET SEE: 27-80-00-01	108120	RF
- 1	MODREF7765		DRIVE UNIT INSTL-LE SLAT DRIVE PWR (LEADING EDGE SLAT POSITION TRANSMITTER ONLY) MODULE NUMBER: 251N5002-5 REV A	103106	1
5	NAS1801-3-10		.SCREW	002004 006999	2
10	NAS1801-3-12		.SCREW	002004 006999	1
15	AN960KD10L		.WASHER	002004 006107 121999	2
15	NAS1149D0332J		.WASHER	101106 504903	2
20	AN960JD10L		.WASHER	002004 006107 121999	2
20	NAS1149D0332J		.WASHER	101106 504903	2
25	251N4319-1		.CLAMP-MTG	002004 006999	1

MISSING ITEM NUMBERS NOT APPLICABLE

- ITEM NOT ILLUSTRATED

27-88-01-02

27-88-01  
FIG. 02  
PAGE 1  
JAN 20/09

BRI



757

PARTS CATALOG (MAINTENANCE)

FIG ITEM	PART NUMBER	1 2 3 4 5 6 7	NOMENCLATURE	EFFECT FROM TO	UNITS PER ASSY
2					
30	18-1969-14		. TRANSMITTER- SUPPLIER CODE: V96774 SPECIFICATION NUMBER: S251N403-14 ELECTRICAL EQUIP NUMBER: TS5048 COMPONENT MAINT MANUAL REF: 27-51-08	002004 006999	1
35	251N5091-10		. DRIVE UNIT ASSY- COMPONENT MAINT MANUAL REF: 27-81-45	002004 006999	1
35	251N5091-12		. DRIVE UNIT ASSY- COMPONENT MAINT MANUAL REF: 27-81-45	002004 006999	1
35	251N5091-13		. DRIVE UNIT ASSY- COMPONENT MAINT MANUAL REF: 27-81-45	002004 006999	1
35	251N5091-14		. DRIVE UNIT ASSY- COMPONENT MAINT MANUAL REF: 27-81-45	002004 006999	1
35	251N5091-15		. DRIVE UNIT ASSY- COMPONENT MAINT MANUAL REF: 27-81-45 OPTIONAL PART: 251N5091-22 251N5091-15	002004 006107 121999	1
35	251N5091-22		. DRIVE UNIT ASSY- COMPONENT MAINT MANUAL REF: 27-81-45 OPTIONAL PART: 251N5091-14	002004 006999	1
40	BAC27NCT0153		.. NAMEPLATE-ALUMINUM PLACARD CONTENT: TS5048-SLAT PDU POSN SNSR	002004 006999	1
40	BAC27NCT0227		.. NAMEPLATE-ALUMINUM PLACARD CONTENT: TS5048-SLAT PDU POSN SNSR	002004 006999	1
- 200	286N3342-005		WIRE BUNDLE ASSY	002004 006100 107107 121503 904999	RF
- 200	286N3342-310		WIRE BUNDLE ASSY	108120	RF
- 200	286N3342-311		WIRE BUNDLE ASSY	101102	RF

MISSING ITEM NUMBERS NOT APPLICABLE

- ITEM NOT ILLUSTRATED

27-88-01-02

27-88-01  
FIG. 02  
PAGE 2  
JAN 20/09

BRI



757

PARTS CATALOG (MAINTENANCE)

FIG ITEM	PART NUMBER	1 2 3 4 5 6 7	NOMENCLATURE	EFFECT FROM TO	UNITS PER ASSY
2					
- 200	286N3342-317		WIRE BUNDLE ASSY	504903	RF
205	GS3418-14CD		.CLAMP-	002004	1
			SUPPLIER CODE: V06324	006102	
			SPECIFICATION NUMBER: BACC10HG14	107999	
			OPTIONAL PART: S2126-14-8		
			V07418		
			ELECTRICAL EQUIP NUMBER: D01712T		
			WIRING DIAGRAM REF: 278111		
210	R071014A7S6L		.CONNECTOR-	002004	1
			SUPPLIER CODE: V41118	006100	
			SPECIFICATION NUMBER: BACC63BP14A7S6L	107107	
			ELECTRICAL EQUIP NUMBER: D01712	121999	
			WIRING DIAGRAM REF: 278111		

MISSING ITEM NUMBERS NOT APPLICABLE

- ITEM NOT ILLUSTRATED

BRI

27-88-01-02

BOEING PROPRIETARY - Copyright © - Unpublished Work - See title page for details.

27-88-01  
FIG. 02  
PAGE 3  
JAN 20/09