





**BLENDING WINGLET PROGRAM**

**FAA STC No. ST01518SE**

**Supplement to D6-49286 for 757-200  
with APB Winglets  
Aircraft Illustrated Parts Catalog**

**Boeing Model 757-200**

**Doc. No. AP57.2-0614**

**Revision G April, 2008**

**PUBLISHED BY AVIATION PARTNERS BOEING**

**7299 PERIMETER ROAD SOUTH / SEATTLE, WA 98108  
(206) 830-7699 / FAX (206) 762-1158**

**THE DATA CONTAINED HEREON AND HEREIN IS  
PROPRIETARY TO AVIATION PARTNERS BOEING.  
NEITHER THIS DATA NOR THE DATA CONTAINED HEREIN  
SHALL BE REPRODUCED, USED OR DISCLOSED TO  
OTHERS WITHOUT THE WRITTEN AUTHORIZATION OF  
AVIATION PARTNERS BOEING**

**Aviation Partners Boeing**  
**757-200**  
**SUPPLEMENT – PARTS CATALOG (MAINTENANCE)**

**REVISION RECORD**

| REVISION LEVEL  | DATE        | REVISED BY  | APPROVED BY |
|-----------------|-------------|-------------|-------------|
| Initial Release | APRIL-12-05 | R. MANO     | J. INMAN    |
| A               | JULY-15-05  | R. MANO     | S. NELSON   |
| B               | DEC-19-05   | J. PLISKA   | S. NELSON   |
| C               | FEB-15-06   | R. MANO     | S. NELSON   |
| D               | AUG-31-06   | S. PERRY    | J. INMAN    |
| E               | JULY-6-07   | G.WULKOWICZ | C.KIEHN     |
| F               | JAN-31-08   | R. CORRICK  | G. BULLARD  |
| G               | APR-04-08   | S.TAMERU    | G. BULLARD  |

**REVISION DESCRIPTION**

| REV LEVEL | DATE        | PAGES AFFECTED  | REMARKS   |
|-----------|-------------|---|---|
| IR        | APRIL-12-05 |   | INITIAL RELEASE   |
| A         | JULY-15-05  |   |   |
| B         | DEC-19-05   |   |   |
| C         | FEB-15-06   | <u>REVISION RECORD:</u><br>PG.1<br><u>EFFECTIVE PAGES:</u><br>PG.1, 2<br><u>28-44-01-01:</u><br>PG. 1 THRU 3<br>PG. 4 THRU 7<br><br><u>33-44-01-02:</u><br>PG. 2<br><u>57-31-01-01:</u><br>PG. 3, 4<br><u>57-31-03-01:</u><br>PG. 2 | ADDED REVISION DESCRIPTION TABLE.<br><br>UPDATED.<br><br>UPDATED FIGURE 1, SHEET 1, 2 & 3.<br>ADDED FLEXI-STICK ASSY NO. 4 AND NO. 5, AND ALL COMPONENTS.<br><br>ADDED 757-5100-5/-6.<br><br>ADDED 757-5100-5/-6.<br><br>757-3381-2 WAS 757-3381-1. |
| D         | AUG-31-06   | <u>EFFECTIVE PAGES:</u><br>PG.1<br><br><u>27-62-01-01</u><br>PG 1 THRU 9<br><br><u>33-43-01-02</u><br>PG 2  | UPDATED.<br><br>ADDED 757-3904-5/-6 CONFIGURATION AND UPDATED SKETCHED TO SHOW DIFFERENT CONFIGURATIONS OF CRANK ADAPTER.<br><br>CORRECTED LIGHT PART NUMBER TO READ 737-8800-1/-2.   |

# Aviation Partners Boeing

757-200

## SUPPLEMENT – PARTS CATALOG (MAINTENANCE)

|   |           |   |   |
|---|-----------|---|---|
| E | JULY-6-07 | <u>EFFECTIVE PAGES:</u><br>PG. 1<br><u>33-44-01-01:</u><br>PG. 2, 3                               | UPDATED.<br><br>ADDED EXPLODED VIEW OF LIGHT, AND LENS ASSY, FLASHTUBE, & SCREWS.                 |
| F | JAN-31-08 | <u>EFFECTIVE PAGES:</u><br>PG. 1, 2<br><u>27-62-01-01:</u><br>PG. 1, 2, 3, 4, 7, 8, 9, 10, 11, 12 | UPDATED.<br><br>UPDATED LIST OF PARTS, RENUMBERED FIGURE ITEMS.                                   |
| G | APR-04-08 | <u>EFFECTIVE PAGES:</u><br>PG. 1, 2<br><u>28-44-01-01:</u><br>PG. 1, 2, 3, 4, 5, 6, 7, 8, 9, 10   | UPDATED.<br><br>ADDED FIGURE, RENUMBERED FIGURES, CORRECTED FIGURES TITLE, UPDATED LIST OF PARTS. |

# Aviation Partners Boeing

## 757-200

### SUPPLEMENT – PARTS CATALOG (MAINTENANCE)

#### EFFECTIVE PAGES

| Chapter Page                            | Date      |
|---|-----------|
| <u>Title Page</u>                       |           |
| 1                                       | Jan 2008  |
| <u>Revision Record</u>                  |           |
| 1                                       | Jan 2008  |
| <u>Effective Pages</u>                  |           |
| 1                                       | Jan 2008  |
| 2                                       | Jan 2008  |
| <u>Table of Contents</u>                |           |
| 1                                       | Apr 2005  |
| <u>Introduction</u>                     |           |
| 1                                       | Apr 2005  |
| <u>Zone Diagrams</u>                    |           |
| 1                                       | Apr 2005  |
| <u>Sect/Sta Diagrams</u>                |           |
| 1                                       | Apr 2005  |
| 2                                       | Apr 2005  |
| <u>Major Drawing Index</u>              |           |
| 1                                       | Apr 2005  |
| <u>Suppliers Name and Address Index</u> |           |
| 1                                       | July 2005 |
| <u>Service Bulletin List</u>            |           |
| 1                                       | Apr 2005  |
| <u>27-CONTENTS</u>                      |           |
| 1                                       | Apr 2005  |
| <u>27-62-00</u>                         |           |
| 1                                       | Apr 2005  |
| <u>27-62-01-01</u>                      |           |
| 1                                       | Jan 2008  |
| 2                                       | Jan 2008  |
| 3                                       | Jan 2008  |
| 4                                       | Jan 2008  |
| 5                                       | Aug 2006  |
| 6                                       | Aug 2006  |
| 7                                       | Jan 2008  |
| 8                                       | Jan 2008  |
| 9                                       | Jan 2008  |

| Chapter Page       | Date     |
|--------------------|----------|
| 10                 | Jan 2008 |
| 11                 | Jan 2008 |
| 12                 | Jan 2008 |
| <u>27-62-01-02</u> |          |
| 1                  | Apr 2005 |
| 2                  | Apr 2005 |
| 3                  | Apr 2005 |
| 4                  | Apr 2005 |
| <u>27-62-01-03</u> |          |
| 1                  | Apr 2005 |
| 2                  | Apr 2005 |
| 3                  | Apr 2005 |
| <u>28-CONTENTS</u> |          |
| 1                  | Apr 2005 |
| <u>28-44-00</u>    |          |
| 1                  | Apr 2005 |
| <u>28-44-01-01</u> |          |
| 1                  | Apr 2008 |
| 2                  | Apr 2008 |
| 3                  | Apr 2008 |
| 4                  | Apr 2008 |
| 5                  | Apr 2008 |
| 6                  | Apr 2008 |
| 7                  | Apr 2008 |
| 8                  | Apr 2008 |
| 9                  | Apr 2008 |
| 10                 | Apr 2008 |
| <u>33-CONTENTS</u> |          |
| 1                  | Apr 2005 |
| <u>33-43-00</u>    |          |
| 1                  | Apr 2005 |
| <u>33-43-01-01</u> |          |
| 1                  | Apr 2005 |
| 2                  | Apr 2005 |
| 3                  | Dec 2005 |
| 4                  | Dec 2005 |
| <u>33-43-01-02</u> |          |
| 1                  | Apr 2005 |

| Chapter Page       | Date      |
|--------------------|-----------|
| 2                  | Aug 2006  |
| 3                  | Dec 2005  |
| <u>33-43-01-03</u> |           |
| 1                  | Apr 2005  |
| 2                  | Apr 2005  |
| <u>33-44-00</u>    |           |
| 1                  | Apr 2005  |
| <u>33-44-01-01</u> |           |
| 1                  | Apr 2005  |
| 2                  | July 2007 |
| 3                  | July 2007 |
| <u>33-44-01-02</u> |           |
| 1                  | Apr 2005  |
| 2                  | Feb 2006  |
| <u>57-CONTENTS</u> |           |
| 1                  | Apr 2005  |
| <u>57-25-00</u>    |           |
| 1                  | Apr 2005  |
| <u>57-25-01-01</u> |           |
| 1                  | July 2005 |
| 2                  | July 2005 |
| <u>57-31-00</u>    |           |
| 1                  | Apr 2005  |
| <u>57-31-01-01</u> |           |
| 1                  | Apr 2005  |
| 2                  | Apr 2005  |
| 3                  | Feb 2006  |
| 4                  | Feb 2006  |
| 5                  | Apr 2005  |
| <u>57-31-02</u>    |           |
| 1                  | Apr 2005  |
| <u>57-31-02-01</u> |           |
| 1                  | July 2005 |
| 2                  | Apr 2005  |
| 3                  | Apr 2005  |
| 4                  | Apr 2005  |

# Aviation Partners Boeing

757-200

## SUPPLEMENT – PARTS CATALOG (MAINTENANCE)

|                    |          |  |  |
|--------------------|----------|--|--|
| 5                  | Apr 2005 |  |  |
| 6                  | Apr 2005 |  |  |
| 7                  | Dec 2005 |  |  |
| 8                  | Dec 2005 |  |  |
| 9                  | Dec 2005 |  |  |
| 10                 | Dec 2005 |  |  |
| <u>57-31-03</u>    |          |  |  |
| 1                  | Apr 2005 |  |  |
| <u>57-31-03-01</u> |          |  |  |
| 1                  | Apr 2005 |  |  |
| 2                  | Feb 2006 |  |  |
| 3                  | Apr 2005 |  |  |

Aviation Partners Boeing  
757-200  
SUPPLEMENT – PARTS CATALOG (MAINTENANCE)

TABLE OF CONTENTS

| TITLE                            | PAGE        |
|----------------------------------|-------------|
| REVISION RECORD                  | 1           |
| REVISION DESCRIPTION             |             |
| EFFECTIVE PAGES                  | 1           |
| TABLE OF CONTENTS                | 1           |
| INTRODUCTION                     | 1           |
| ZONE DIAGRAMS                    | 1           |
| SECT/STA DIAGRAMS                | 1           |
| MAJOR DRAWING INDEX              | 1           |
| SUPPLIERS NAME AND ADDRESS INDEX | 1           |
| SERVICE BULLETIN LIST (SB LIST)  | 1           |
| <br>                             |             |
| DETAILED PARTS LIST              | CHAPTER NO. |
| AIRFRAME SYSTEMS                 |             |
| Flight Controls                  | 27          |
| Fuel                             | 28          |
| Lights                           | 33          |
| STRUCTURE                        |             |
| Wings                            | 57          |

# Aviation Partners Boeing

## 757-200

### SUPPLEMENT – PARTS CATALOG (MAINTENANCE)

## INTRODUCTION

### General

This document is prepared, issued and revised by Aviation Partners Boeing for the exclusive use of its customers and is intended for use in provisioning, requisitioning, storing and issuing line maintenance parts. The content of this document is proprietary to Aviation Partners and its customers and is subject to change. The use of any part of this document by any other person or persons for any other purpose without written consent of Aviation Partners Boeing is expressly prohibited. In addition, Aviation Partners Boeing expressly disclaims any and all responsibility arising from or in any way related to any such use without Aviation Partners prior written consent thereto. This document is produced to support the configuration of the aircraft at the time of delivery to the original customer and changes submitted by the customer after delivery. It does not necessarily reflect the current configuration of any specific aircraft.

There are two configurations defined by the 757-200 APB wing retrofit in accordance with STC No.ST01518SE. They are as follows:

The Dash –1 Kit contains all of the structural modifications in the wing for a winglet configuration, except, in lieu of winglets, the basic wing tip is reinstalled. The modifications consists of the following:

- Reinforcement of wing structure.
- New upper and lower outboard wing skin panels.
- Adapter plate between the modified wing and the basic wing tip.
- Installation of the Load Alleviation System (LAS), deactivated.

The Dash –2 Kit contains all of the structural modifications in the wing for a winglet configuration, including the installation of the winglets. The modifications consists of the following:

- Reinforcement of wing structure.
- New upper and lower outboard wing skin panels.
- Installation of Adapter Plug.
- Installation of blended winglets.
- Installation of the Load Alleviation System (LAS), activated.
- Flutter ballast weights (included in the adapter plugs)

From this point forward, an airplane configuration with the basic wing tips installed shall be referred to as a Dash –1 Kit. An airplane configuration with APB winglets installed shall be referred to as a Dash –2 Kit.

This document supplements D6-49286, Boeing 757-200 Aircraft Illustrated Parts Catalog (AIPC) for 757-200 aircraft retrofitted with Aviation Partners Boeing winglets. Only differences from the production 757-200 are addressed in this supplement.

### Manual Arrangement and Numbering System

Refer to the Boeing 757-200 Aircraft Illustrated Parts Catalog (AIPC), D6-49286 for definition.

### Publication Change Request

Communications concerning this publication should be directed to:

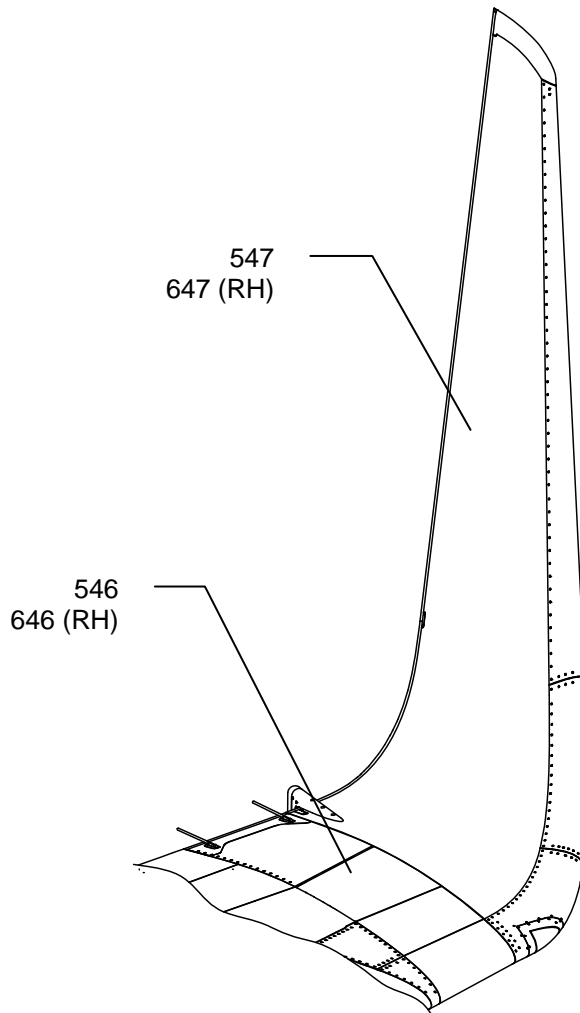
Aviation Partners Boeing  
Attn: Manager - Aircraft Illustrated Parts Catalog  
7299 Perimeter Road South  
Seattle, WA 98108



Aviation Partners Boeing  
757-200  
SUPPLEMENT – PARTS CATALOG (MAINTENANCE)

ZONE INDEX/DIAGRAMS

Revise wing zone diagram to replace Wing Tip (Zone 545/645) with Adapter Plug (Zone 546/646) and Winglet (Zone 547/647) as shown in Figure 1.



| ZONE NO. | TITLE                     |
|----------|---------------------------|
| 546      | ADAPTER PLUG – LEFT WING  |
| 547      | WINGLET – LEFT WING       |
| 646      | ADAPTER PLUG – RIGHT WING |
| 647      | WINGLET – RIGHT WING      |

FIGURE 1  
MAJOR ZONE 500 LEFT WING SHOWN  
600 RIGHT WING OPPOSITE

# Aviation Partners Boeing

757-200

## SUPPLEMENT – PARTS CATALOG (MAINTENANCE)

### AIRPLANE SECTION BREAKDOWN/STATION DIAGRAMS

Revise airplane sectional breakdown to replace wing tip with winglet and adapter plug as shown in Figure 1 and Figure 2.

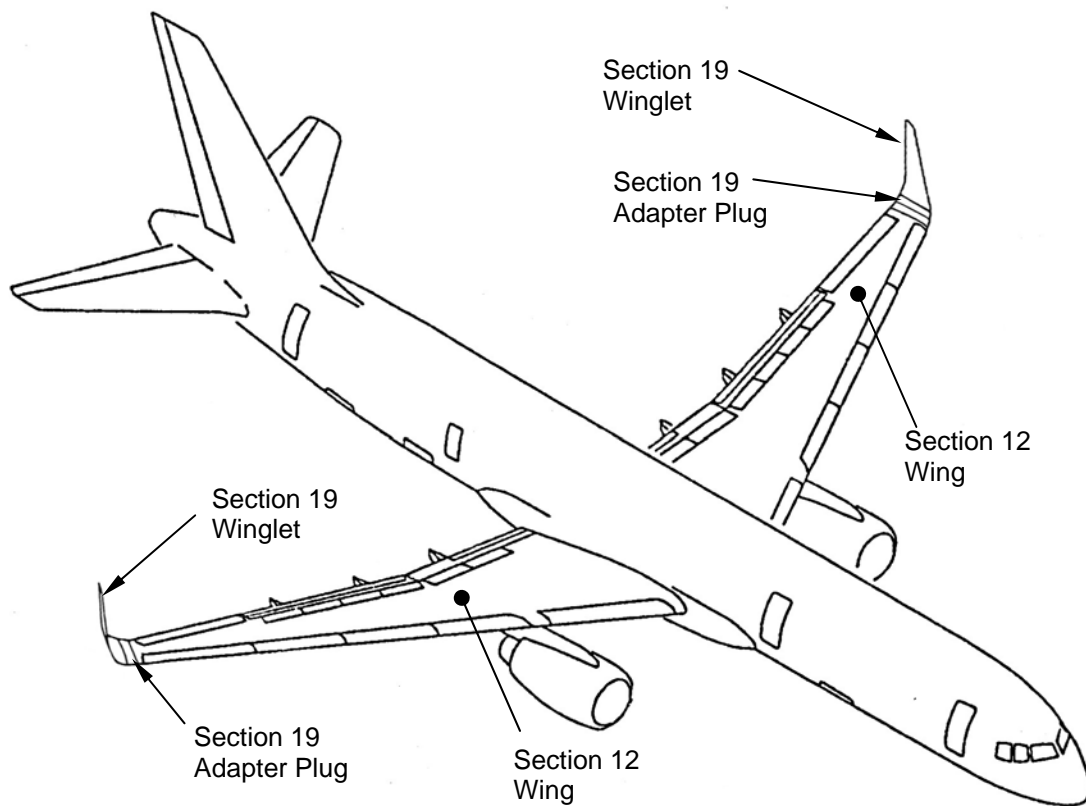
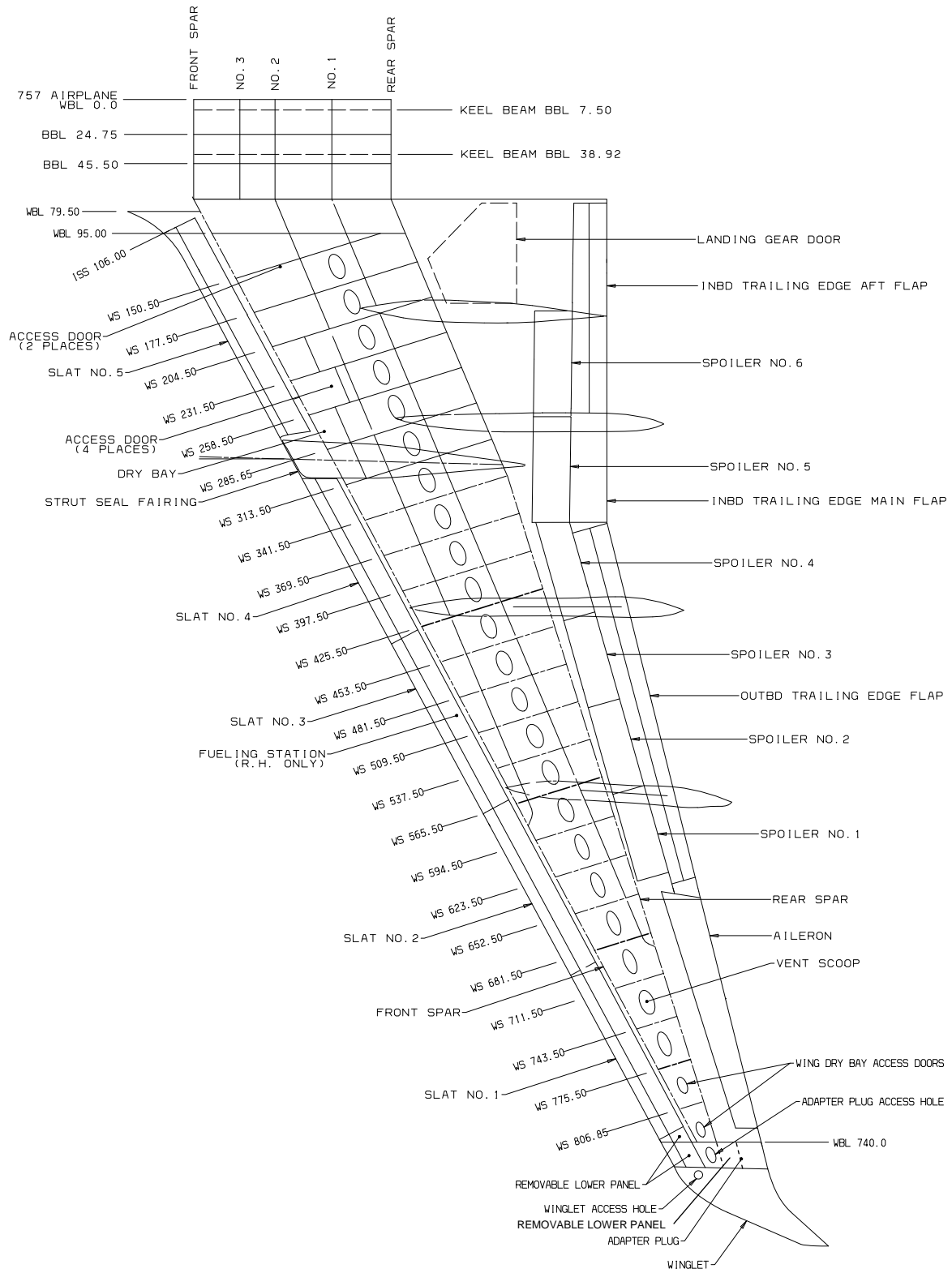


FIGURE 1  
CHANGES TO SECTION 19

# Aviation Partners Boeing

## 757-200

### SUPPLEMENT – PARTS CATALOG (MAINTENANCE)



**FIGURE 2**  
**WING SECTION STATION DIAGRAM**

Aviation Partners Boeing  
757-200  
SUPPLEMENT – PARTS CATALOG (MAINTENANCE)

MAJOR DRAWING INDEX

|          |  |
|----------|--|
| 757-2000 | TOP COLLETOR – 757-200                             |
| 757-0002 | WINGLET INSTALLATION                               |
| 757-3010 | TOP KIT – WING MOD, MIDSPAN                        |
| 757-3020 | TOP KIT – WING MOD, OUTBOARD                       |
| 757-3050 | VORTEX GENERATOR INSTALLATION – WING UPPER SURFACE |
| 757-3280 | LEADING EDGE INSTALLATION (-2 KIT)                 |
| 757-3380 | WING TIP INSTALLATION (-1 KIT)                     |
| 757-3810 | EQUIPMENT INSTALLATION                             |
| 757-3900 | TOP KIT – MECHANICAL SYSTEMS                       |
| 757-5000 | WINGLET ADAPTER PLUG INSTALLATION                  |
| 757-8800 | WIRING CONFIGURATION – FLIGHT MANAGEMENT COMPUTER  |

Aviation Partners Boeing  
757-200  
SUPPLEMENT – PARTS CATALOG (MAINTENANCE)

SUPPLIERS NAME AND ADDRESS INDEX

| CAGE CODE | SUPPLIER  |
|-----------|---|
| 0SEC3     | ACCRA MANUFACTURING COMPANY<br>17703 15 <sup>TH</sup> AVE SE<br>BOTHELL, WASHINGTON 98012-6170                |
| 0ABM0     | KING MACHINE<br>11710 CYRUS WAY<br>MUKILTEO, WASHINTION 98275-5423  |
| 3X2T2     | BAE SYSTEMS CONTROLS, INC.<br>3131 STORY ROAD WEST<br>IRVING, TEXAS 75038-3514                                |
| 72914     | HONEYWELL GRIMES AEROSPACE<br>550 STREET RT. 55<br>URBANA, OHIO 43078   |
| 14752     | ECTROCUBE INC.<br>1307 S. MYRTLE AVE.<br>MONROVIA, CA 91016-4150  |
| 55635     | DAYTON-GRANGER INC.<br>FORT LAUDERDALE, FL 33302  |
| 81039     | SMITH INDUSTRIES, ACTUATION SYSTEMS, INC.<br>WHIPPANY, NJ 07981   |
| 86831     | KAISER ELECTROPRECISION<br>A ROCKWELL COLLINS COMPANY<br>17000 SOUTH RED HILL AVENUE<br>IRVINE, CA 92614-5676 |

Aviation Partners Boeing  
757-200  
SUPPLEMENT – PARTS CATALOG (MAINTENANCE)  
SERVICE BULLETIN

(RESERVED)

Aviation Partners Boeing  
757-200  
SUPPLEMENT – PARTS CATALOG (MAINTENANCE)

CHAPTER 27 – FLIGHT CONTROLS

TABLE OF CONTENTS

| SUBJECT  | CHAPTER<br>SECTION<br>UNIT | FIGURE | PAGE |
|--|----------------------------|--------|------|
| SPEEDBRAKE CONTROL   | 27-62-00                   |        | 1    |
| INSTL – SPEEDBRAKE AUTOSTOW,<br>MECH MODIFICATION  | 27-62-01                   | 01     | 1    |
| SPEEDBRAKE AUTOSTOW<br>CONTROLLER INSTL  | 27-62-01                   | 02     | 1    |
| SPEEDBRAKE LIGHTPLATE –<br>CONTROL STAND<br>CONTROL STANDS WITH MOLDED<br>PLASTIC COVER ASSEMBLY | 27-62-01                   | 03     | 1    |
| SPEEDBRAKE LIGHTPLATE –<br>CONTROL STAND<br>CONTROL STANDS WITH SHEET<br>METAL COVER ASSEMBLY    | 27-62-01                   | 04     | 1    |

Aviation Partners Boeing  
757-200  
SUPPLEMENT – PARTS CATALOG (MAINTENANCE)

SPEEDBRAKE CONTROL



Aviation Partners Boeing  
757-200  
SUPPLEMENT – PARTS CATALOG (MAINTENANCE)

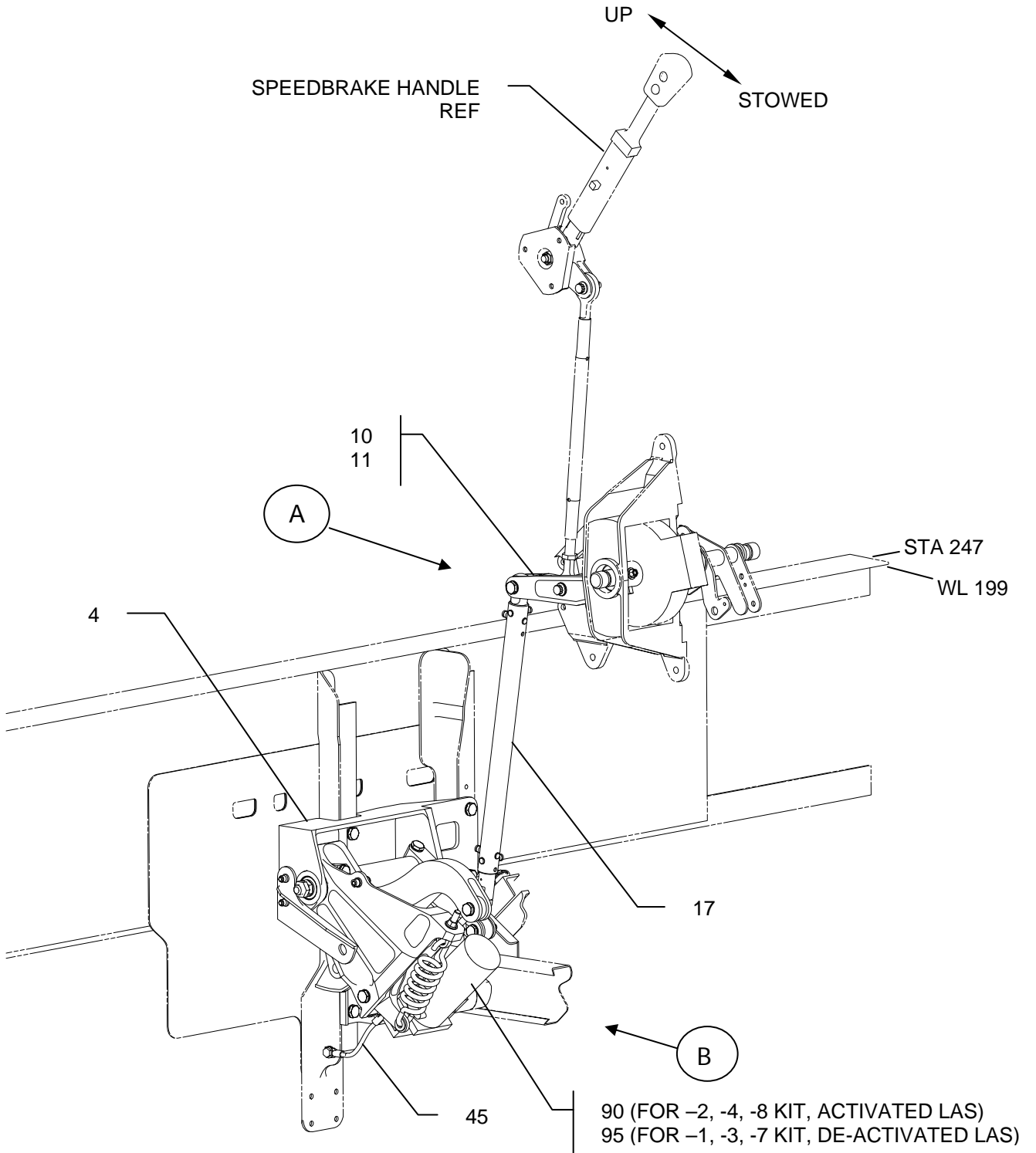


FIGURE 1 (SHEET 1)  
SPEEDBRAKE AUTOSTOW MECHANISM

Aviation Partners Boeing  
757-200  
SUPPLEMENT – PARTS CATALOG (MAINTENANCE)

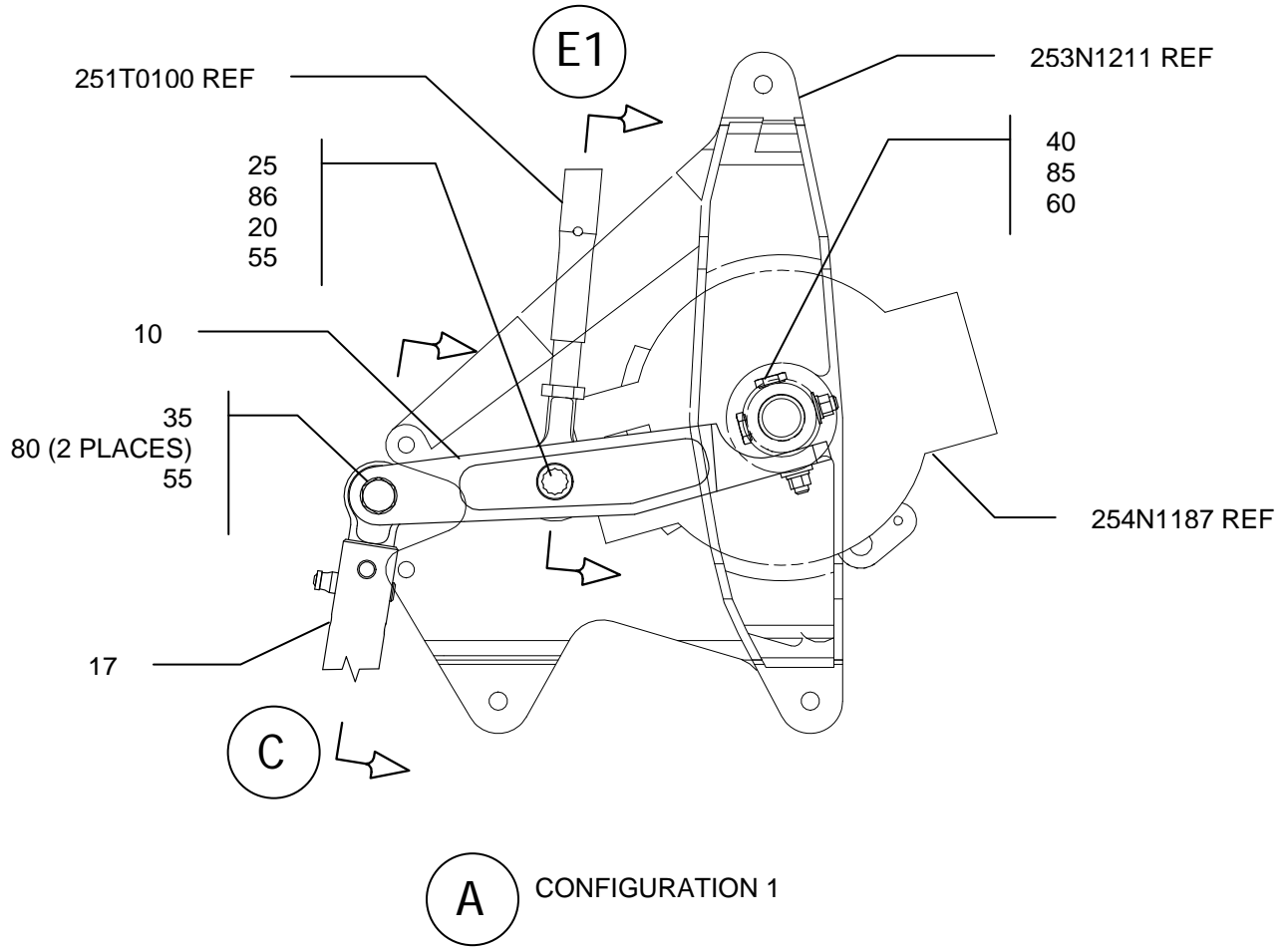


FIGURE 1 (SHEET 2)  
SPEEDBRAKE AUTOSTOW MECHANISM

Aviation Partners Boeing  
757-200  
SUPPLEMENT – PARTS CATALOG (MAINTENANCE)

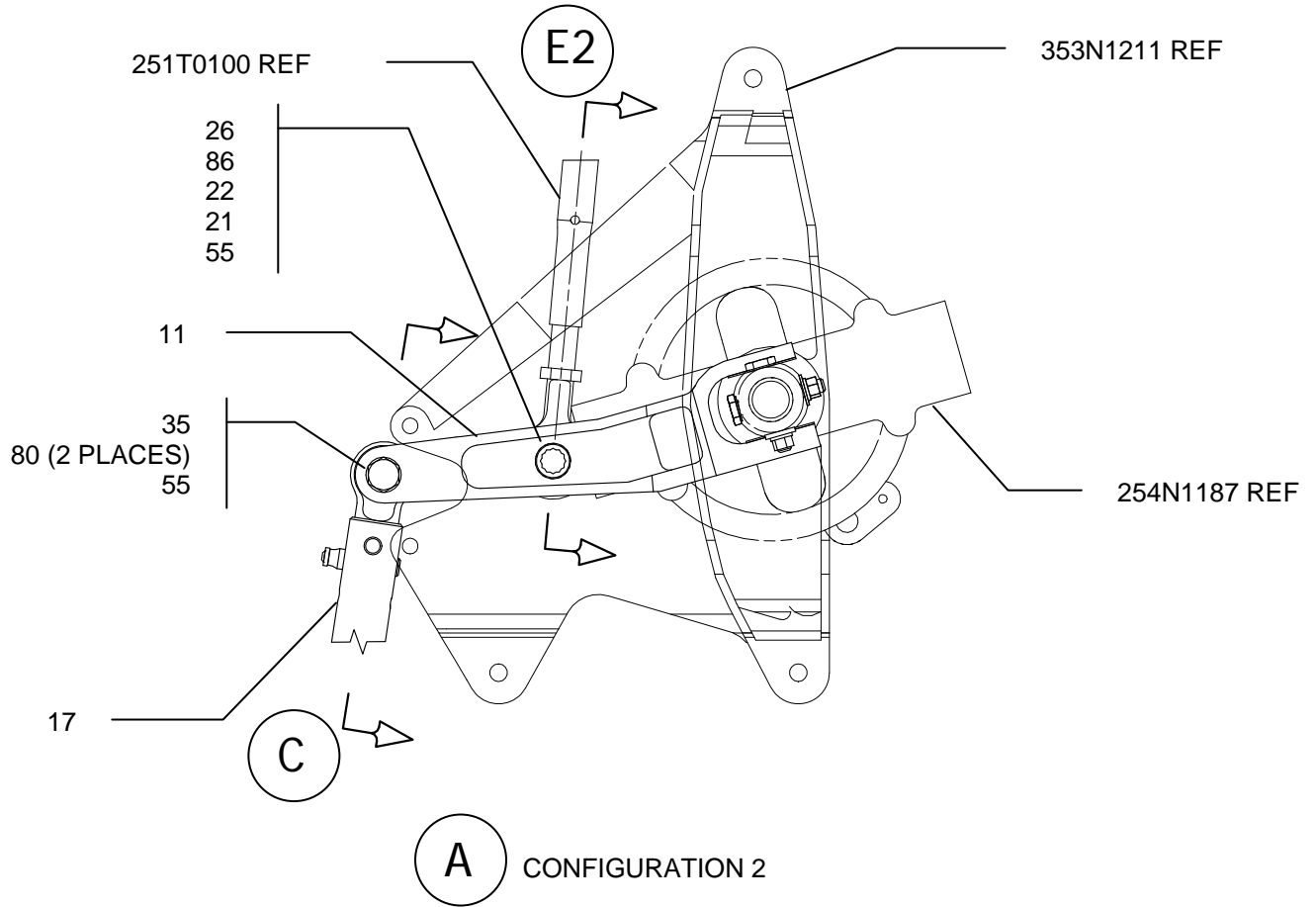


FIGURE 1 (SHEET 3)  
SPEEDBRAKE AUTOSTOW MECHANISM

Aviation Partners Boeing  
757-200  
SUPPLEMENT – PARTS CATALOG (MAINTENANCE)

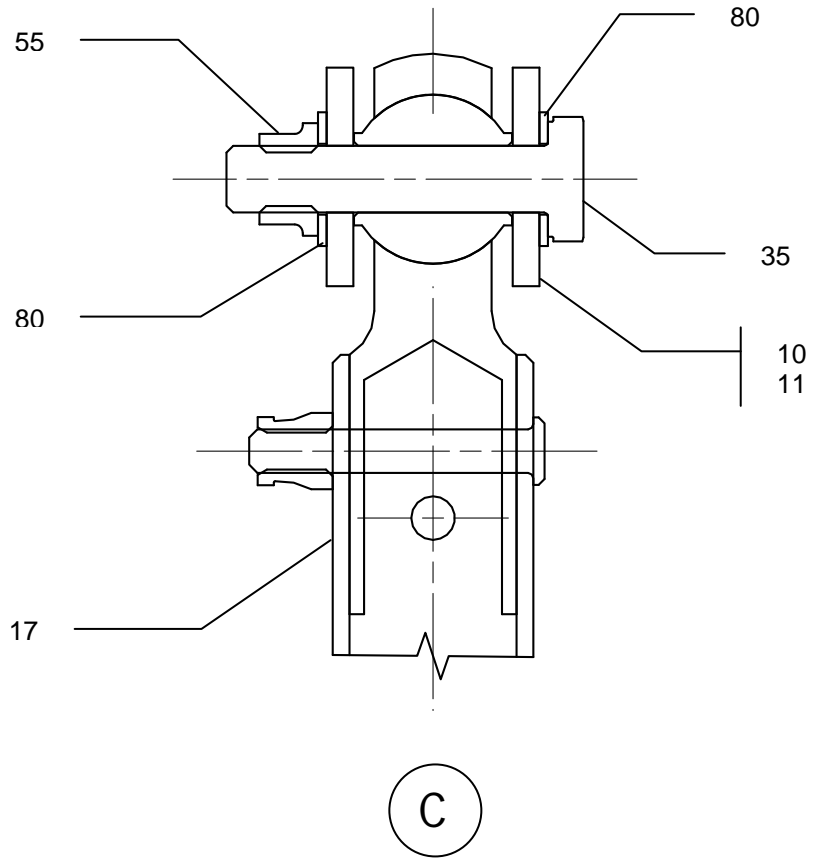
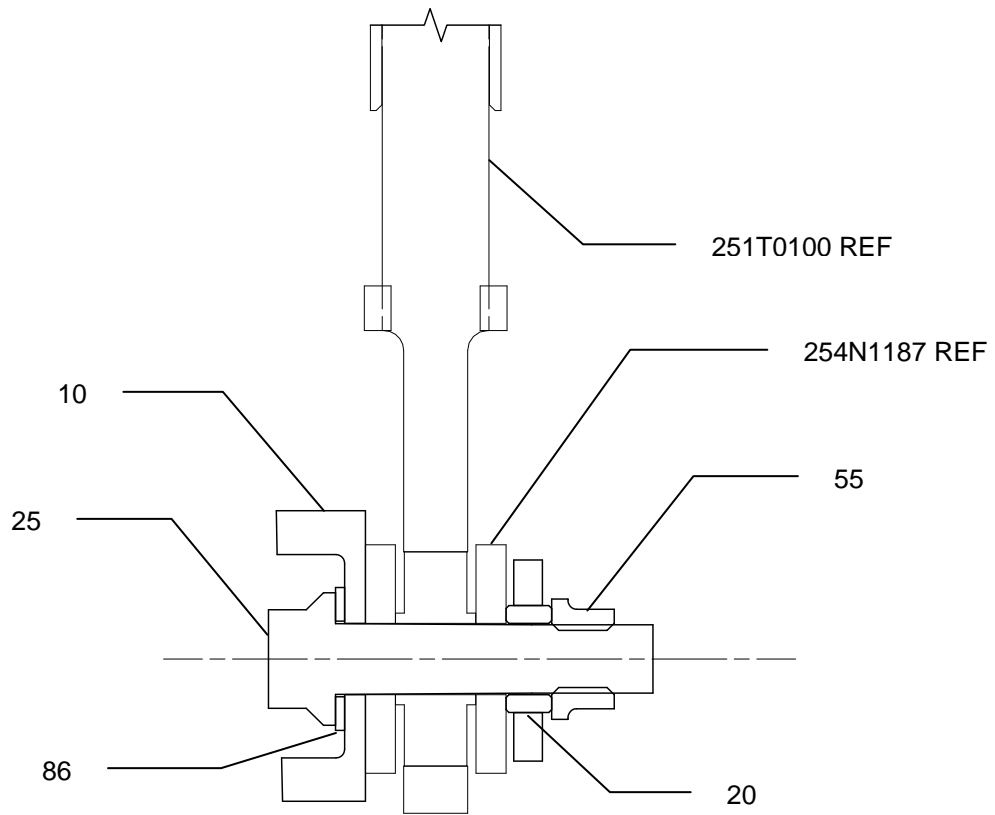


FIGURE 1 (SHEET 4)  
SPEEDBRAKE AUTOSTOW MECHANISM

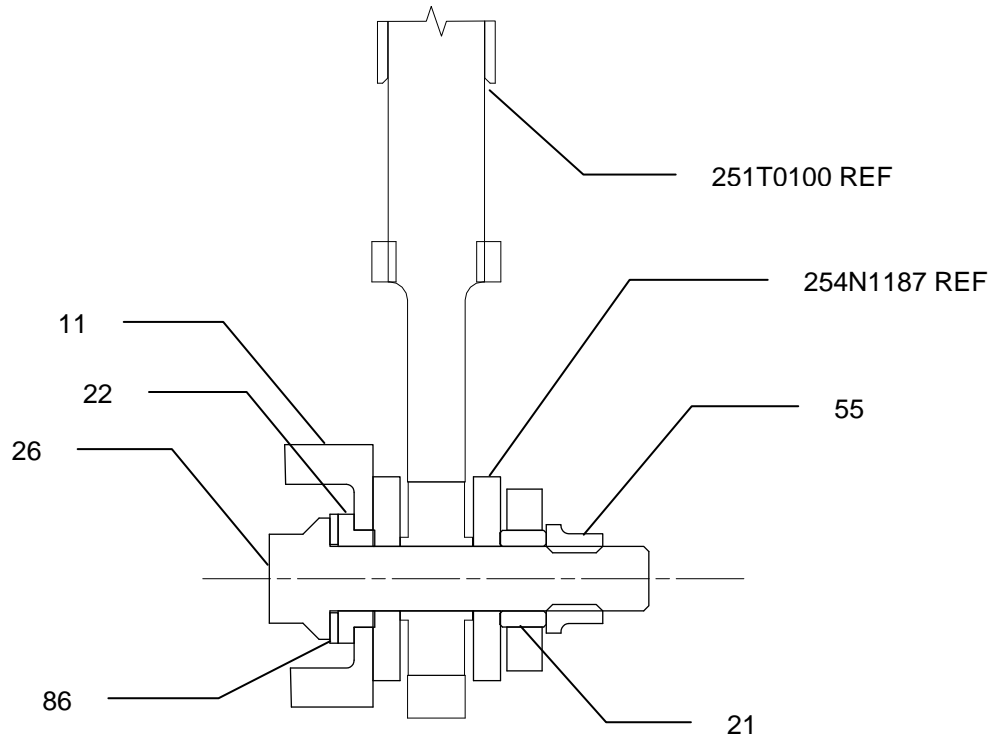
Aviation Partners Boeing  
757-200  
SUPPLEMENT – PARTS CATALOG (MAINTENANCE)



E1

FIGURE 1 (SHEET 5)  
SPEEDBRAKE AUTOSTOW MECHANISM

Aviation Partners Boeing  
757-200  
SUPPLEMENT – PARTS CATALOG (MAINTENANCE)



E2

FIGURE 1 (SHEET 6)  
SPEEDBRAKE AUTOSTOW MECHANISM

Aviation Partners Boeing  
757-200  
SUPPLEMENT – PARTS CATALOG (MAINTENANCE)

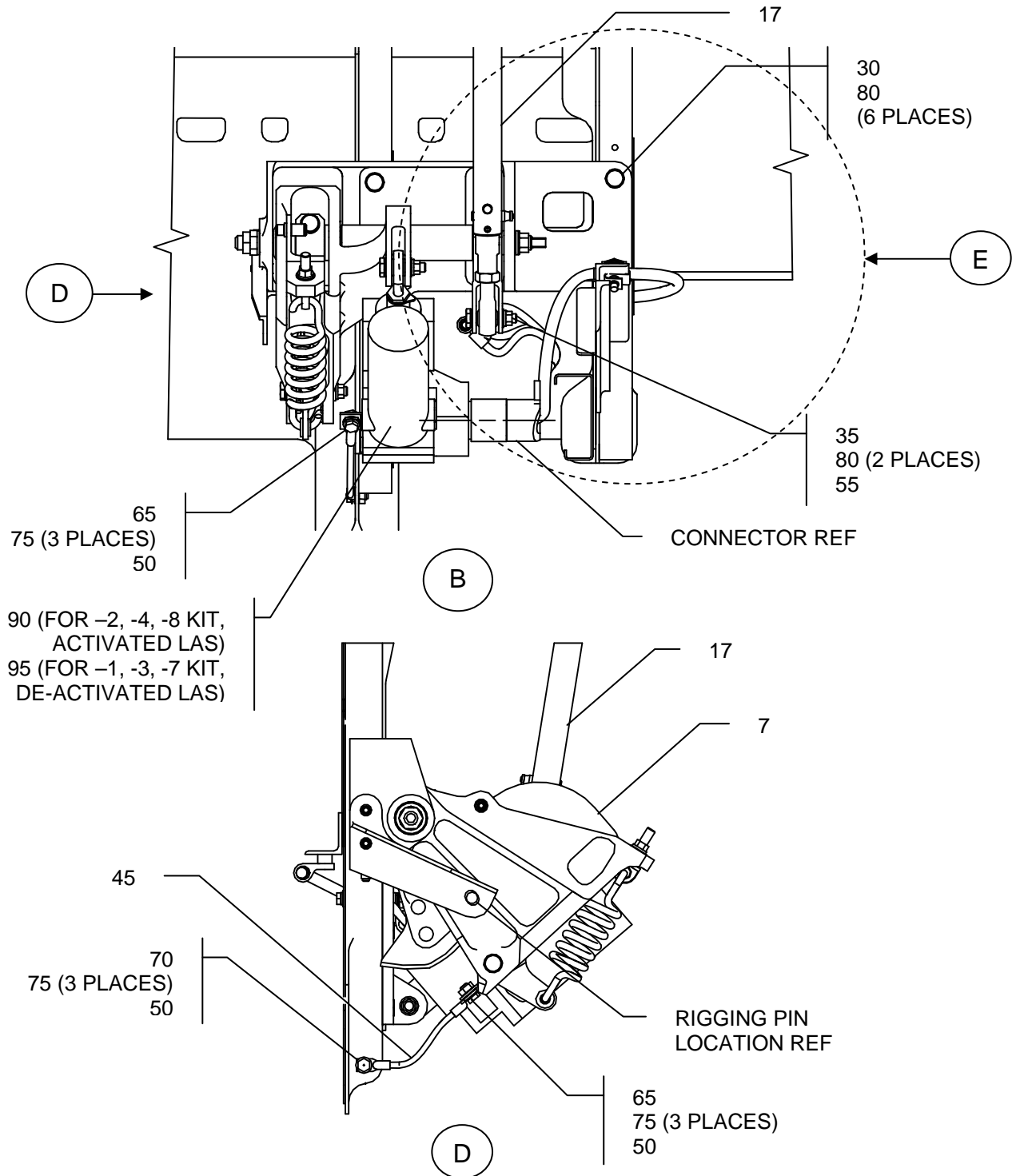
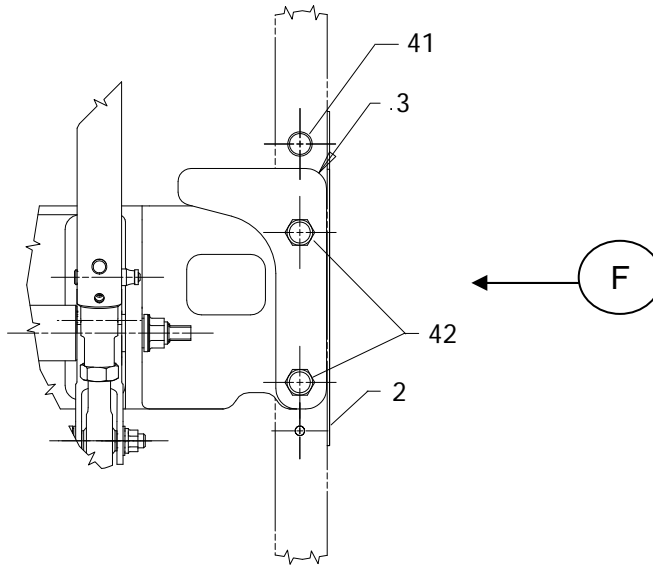
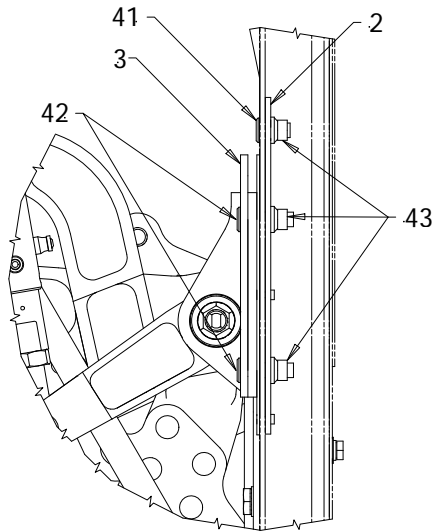


FIGURE 1 (SHEET 7)  
SPEEDBRAKE AUTOSTOW MECHANISM

Aviation Partners Boeing  
757-200  
SUPPLEMENT – PARTS CATALOG (MAINTENANCE)



E



F

FIGURE 1 (SHEET 8)  
SPEEDBRAKE AUTOSTOW MECHANISM



# Aviation Partners Boeing

757-200

## SUPPLEMENT – PARTS CATALOG (MAINTENANCE)

| FIGURE<br>ITEM | PART NUMBER    | NOMENCLATURE<br>1 2 3 4 5 6 7   | EFFECT     | UNITS<br>PER<br>ASSY |
|----------------|----------------|---|------------|----------------------|
|                |                |   | FROM<br>TO |                      |
|                | 757-3904-2, -4 | INSTL – SPEEDBRAKE AUTOSTOW, MECH<br>MODIFICATION<br>-2 KIT, ACTIVATED LOAD ALLEVIATION<br>SYSTEM   | 1          | RF                   |
|                | 757-3904-1, -3 | INSTL – SPEEDBRAKE AUTOSTOW, MECH<br>MODIFICATION<br>-1 KIT, DE-ACTIVATED LOAD ALLEVIATION<br>SYSTEM  | 1          | RF                   |
|                | 757-3904-6     | INSTL – SPEEDBRAKE AUTOSTOW, MECH<br>MODIFICATION<br>-4 KIT, ACTIVATED LOAD ALLEVIATION<br>SYSTEM   | 2          | RF                   |
|                | 757-3904-5     | INSTL – SPEEDBRAKE AUTOSTOW, MECH<br>MODIFICATION<br>-3 KIT, DE-ACTIVATED LOAD ALLEVIATION<br>SYSTEM  | 2          | RF                   |
|                | 757-3904-8     | INSTL – SPEEDBRAKE AUTOSTOW, MECH<br>MODIFICATION<br>-4 KIT, ACTIVATED LOAD ALLEVIATION<br>SYSTEM   | 3          | RF                   |
|                | 757-3904-7     | INSTL – SPEEDBRAKE AUTOSTOW, MECH<br>MODIFICATION<br>-3 KIT, DE-ACTIVATED LOAD ALLEVIATION<br>SYSTEM  | 3          | RF                   |
|                | 757-3904-14    | INSTL – SPEEDBRAKE AUTOSTOW, MECH<br>MODIFICATION<br>-8 KIT, ACTIVATED LOAD ALLEVIATION<br>SYSTEM   | 4          | RF                   |
|                | 757-3904-13    | INSTL – SPEEDBRAKE AUTOSTOW, MECH<br>MODIFICATION<br>-7 KIT, DE-ACTIVATED LOAD ALLEVIATION<br>SYSTEM  | 4          | RF                   |
| 2              | 757-3904-11    | . SPLICE STRAP<br>USED ON: 757-3904-13, -14   |            | 1                    |
| 3              | 757-3904-12    | . RUB PLATE<br>USED ON: 757-3904-13, -14  |            | 1                    |
| 4              | 757-3905-2     | . MECHANISM ASSY – SPEEDBRAKE<br>AUTOSTOW<br>FOR -2, -4 KIT, ACTIVATED LOAD<br>ALLEVIATION SYSTEM.<br>SUPPLIER CODE:<br>0SEC3<br>COMPONENTS MAINTENANCE MANUAL<br>REF: AP57.2-0613, 27-62-00<br>USED ON: 757-3904-2, -4, -6, -8 |            | 11                   |

# Aviation Partners Boeing

757-200

## SUPPLEMENT – PARTS CATALOG (MAINTENANCE)

| FIGURE ITEM | PART NUMBER | NOMENCLATURE<br>1 2 3 4 5 6 7  | EFFECT FROM TO  | UNITS PER ASSY |
|-------------|-------------|--|-----------------|----------------|
|             |             |  |                 |                |
| (5)         | 757-3905-1  | . MECHANISM ASSY – SPEEDBRAKE AUTOSTOW FOR –1,-3 KIT, DE-ACTIVATED LOAD ALLEVIATION SYSTEM.<br>SUPPLIER CODE:<br>0SEC3<br>COMPONENTS MAINTENANCE MANUAL REF: AP57.2-0613, 27-62-00<br>USED ON: 757-3904-1, -3,-5, -7 |                 | 11             |
| (8)         | 757-3905-5  | . MECHANISM ASSY – SPEEDBRAKE AUTOSTOW FOR –8 KIT, DE-ACTIVATED LOAD ALLEVIATION SYSTEM.<br>SUPPLIER CODE:<br>0SEC3<br>COMPONENTS MAINTENANCE MANUAL REF: AP57.2-0613, 27-62-00<br>USED ON: 757-3904-14              |                 | 1              |
| (9)         | 757-3905-6  | . MECHANISM ASSY – SPEEDBRAKE AUTOSTOW FOR –7 KIT, DE-ACTIVATED LOAD ALLEVIATION SYSTEM.<br>SUPPLIER CODE:<br>0SEC3<br>COMPONENTS MAINTENANCE MANUAL REF: AP57.2-0613, 27-62-00<br>USED ON: 757-3904-13              |                 | 1              |
| 10          | 757-3910-1  | . NO BACK ADAPTER<br>SUPPLIER CODE:<br>USED ON: 757-3904-1, -2, -3, -4.<br>FOR 757-3904-5, -6 INSTL, 757-3910-1 IS USED IN 757-3912-1 ASSY   | Ref Flag Note 1 | 1              |
| 11          | 757-3912-1  | . NO BACK ADAPTER<br>SUPPLIER CODE:<br>PREFERRED CONFIGURATION TO 757-3910-1 FOR 757-3904-1, -2, -3, -4 INSTL (REF: SERVICE BULLETIN AP757-27-001)<br>USED ON: 757-3904-5, -6  | Ref Flag Note 1 | 1              |
| (12)        | 757-3912-3  | . NO BACK ADAPTER<br>SUPPLIER CODE:<br>USED ON: 757-3904-7, -8   |                 | 1              |
| (13)        | 757-3912-5  | . NO BACK ADAPTER<br>SUPPLIER CODE:<br>USED ON: 757-3904-13, -14   |                 | 1              |
| (14)        | 757-3910-3  | . . NO BACK ADAPTER<br>SUPPLIER CODE:<br>USED ON: 757-3912-1   |                 | 1              |
| (15)        | 757-3910-5  | . . NO BACK ADAPTER<br>SUPPLIER CODE:<br>USED ON: 757-3912-3   |                 | 1              |

# Aviation Partners Boeing

757-200

## SUPPLEMENT – PARTS CATALOG (MAINTENANCE)

| FIGURE<br>ITEM | PART NUMBER    | NOMENCLATURE<br>1 2 3 4 5 6 7                                     | EFFECT<br>FROM<br>TO | UNITS<br>PER<br>ASSY |
|----------------|----------------|---|----------------------|----------------------|
|                |                |   |                      |                      |
| (16)           | 757-3910-7     | . . NO BACK ADAPTER<br>SUPPLIER CODE:<br>USED ON: 757-3912-5      |                      | 1                    |
| 17             | 757-3921-1     | . CONTROL ROD ASSY<br>SUPPLIER CODE:                              | ALL                  | 1                    |
| 20             | BACB28AK04-016 | . BUSHING<br>USED ON: 757-3904-1, -2, -3, -4                      |                      | 1                    |
| 21             | BACB28AK04-018 | . BUSHING<br>FOR USE WITH 757-3912-1, -3, -5 (ITEM<br>11, 12, 13) |                      | 1                    |
| 22             | BACB28X4C008   | . BUSHING<br>FOR USE WITH 757-3912-1, -3, -5 (ITEM<br>11, 12, 13) |                      | 1                    |
| 25             | BACB30MR4K11   | . BOLT<br>USED ON: 757-3904-1, -2, -3, -4                         |                      | 1                    |
| 26             | BACB30MR4K13   | . BOLT<br>FOR USE WITH 757-3912-1, -3, -5 (ITEM<br>11, 12, 13)    |                      | 1                    |
| 30             | BACB30NR4K5    | . BOLT  | ALL                  | 6                    |
| 35             | BACB30NR4K13   | . BOLT<br>USED ON: 757-3904-1, -2, -3, -4                         |                      | 2                    |
| 40             | BACB30NM3K19   | . BOLT<br>USED ON: 757-3904-1, -2, -3, -4                         |                      | 1                    |
| 41             | BACB30VT8K3    | . BOLT<br>FOR USE WITH 757-3904-13, -14                           |                      |                      |
| 42             | BACB30VT8K9    | . BOLT<br>FOR USE WITH 757-3904-13, -14                           |                      |                      |
| 43             | BACC30BL8      | . COLLAR<br>FOR USE WITH 757-3904-13, -14                         |                      |                      |
| 45             | BACJ40AB20-4   | . JUMPER  | ALL                  | 1                    |
| 50             | BACN10JC3CD    | . NUT   | ALL                  | 2                    |
| 55             | BACN10YR4CD    | . NUT   | ALL                  | 3                    |
| 60             | BACN10YR3CD    | . NUT   | ALL                  | 2                    |
| 65             | BACS12HN3-6    | . SCREW   | ALL                  | 1                    |
| 70             | BACS12HN3-7    | . SCREW   | ALL                  | 1                    |
| 75             | NAS1149D0316H  | . WASHER  | ALL                  | 6                    |

# Aviation Partners Boeing

757-200

## SUPPLEMENT – PARTS CATALOG (MAINTENANCE)

| FIGURE ITEM | PART NUMBER   | NOMENCLATURE |   |   |   |   |   |   | EFFECT FROM TO | UNITS PER ASSY |
|-------------|---------------|--------------|---|---|---|---|---|---|----------------|----------------|
|             |               | 1            | 2 | 3 | 4 | 5 | 6 | 7 |                |                |
| 80          | NAS1149D0432J | .            |   |   |   |   |   |   | ALL            | 11             |
| 85          | NAS1149D0363J | .            |   |   |   |   |   |   |                | 1              |
| 86          | BACW10BP4CD   | .            |   |   |   |   |   |   | ALL            | 1              |
| 90          | 10-61359-3    | .            | . |   |   |   |   |   |                | 1              |
| 95          | 737-8915-1    |              |   |   |   |   |   |   |                | 1              |

- 1 757-3904-1, -2 are effective for Kit Serialization 52001 – 52036\*  
 757-3904-3, -4 are effective for Kit Serialization 52037 – 52054\*  
 The replacement installation for 757-3904-1, -3 is 757-3904-5  
 The replacement installation for 757-3904-2, -4 is 757-3904-6

\*Airplanes that have been modified per APB Service Bulletin AP757-27-001 will have 757-3912-1 installed in lieu of 757-3910-1

- 2 757-3904-5, -6 are effective for Kit Serialization 52055 – 52095
- 3 757-3904-7, -8 are effective for Kit Serialization 52096 – 52999
- 4 757-3904-13, -14 are required for Airplane Line Numbers 125 – 325 and interchangeable with 757-3904-7, -8 for Airplane Line Numbers 326 and on.

Aviation Partners Boeing  
757-200  
SUPPLEMENT – PARTS CATALOG (MAINTENANCE)

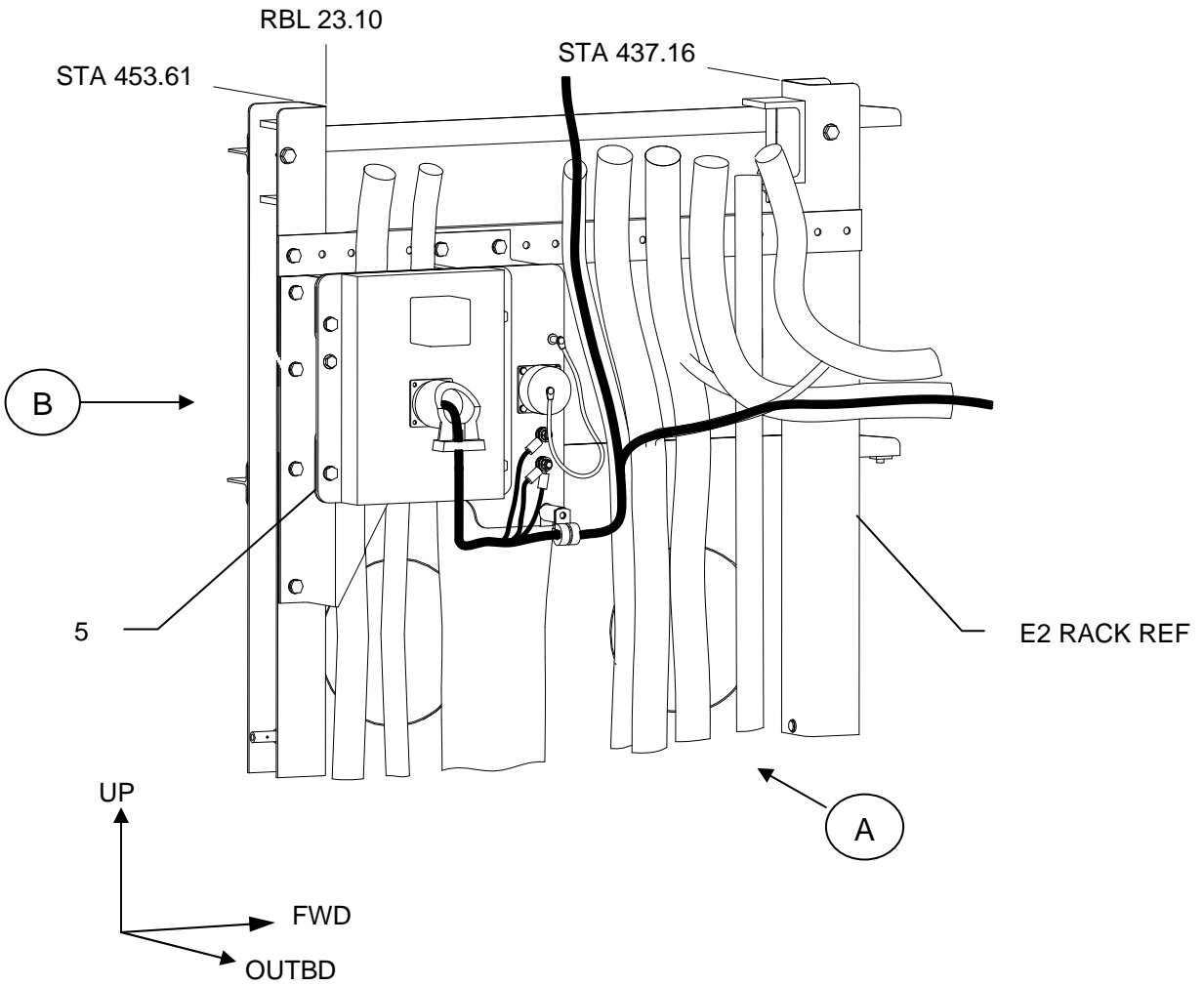
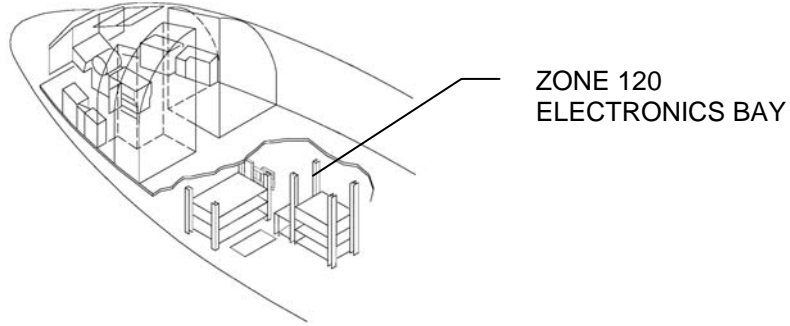


FIGURE 2 (SHEET 1)  
SPEEDBRAKE AUTOSTOW CONTROL MODULE

Aviation Partners Boeing  
757-200  
SUPPLEMENT – PARTS CATALOG (MAINTENANCE)

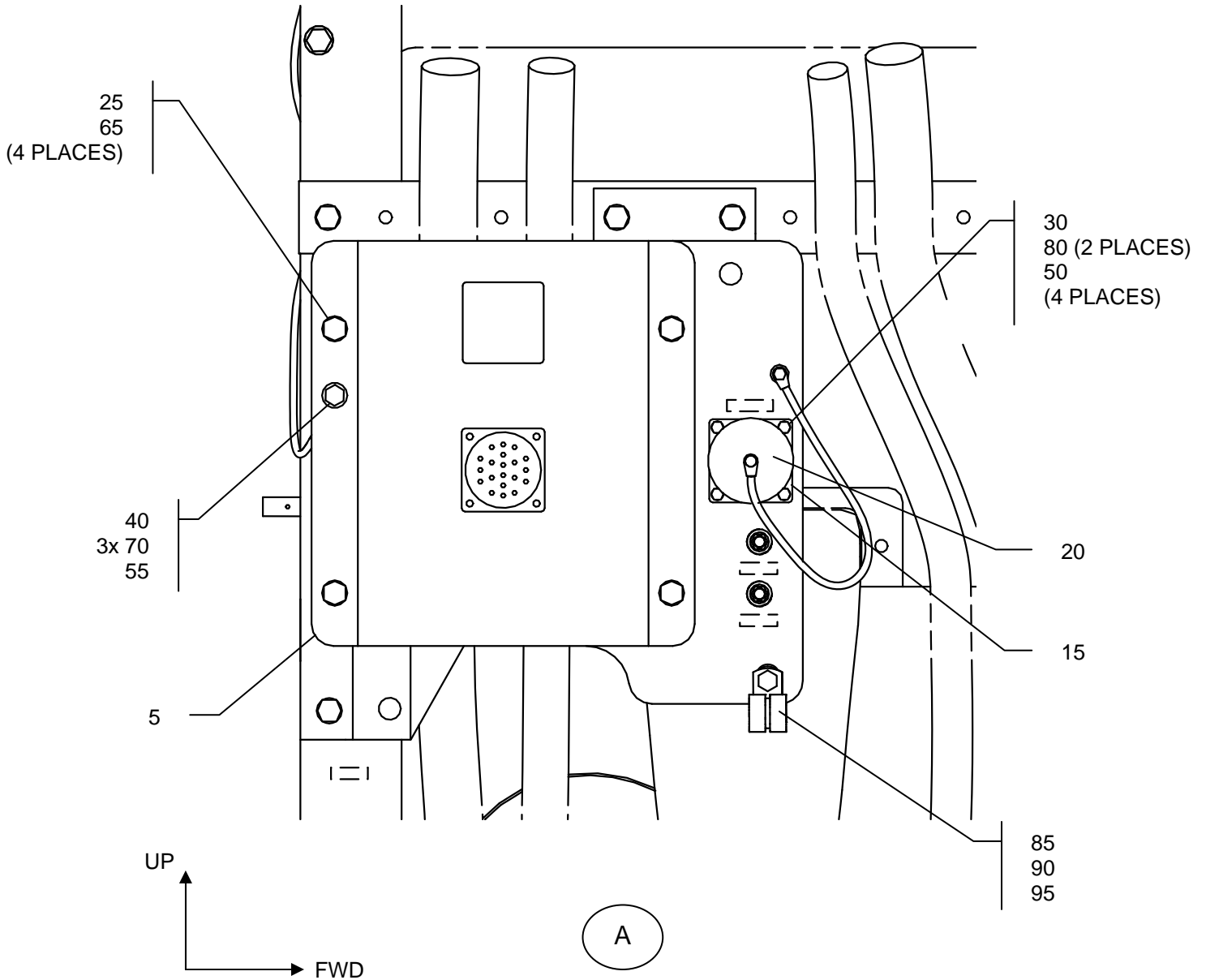


FIGURE 2 (SHEET 2)  
SPEEDBRAKE AUTOSTOW CONTROL MODULE

Aviation Partners Boeing  
757-200  
SUPPLEMENT – PARTS CATALOG (MAINTENANCE)

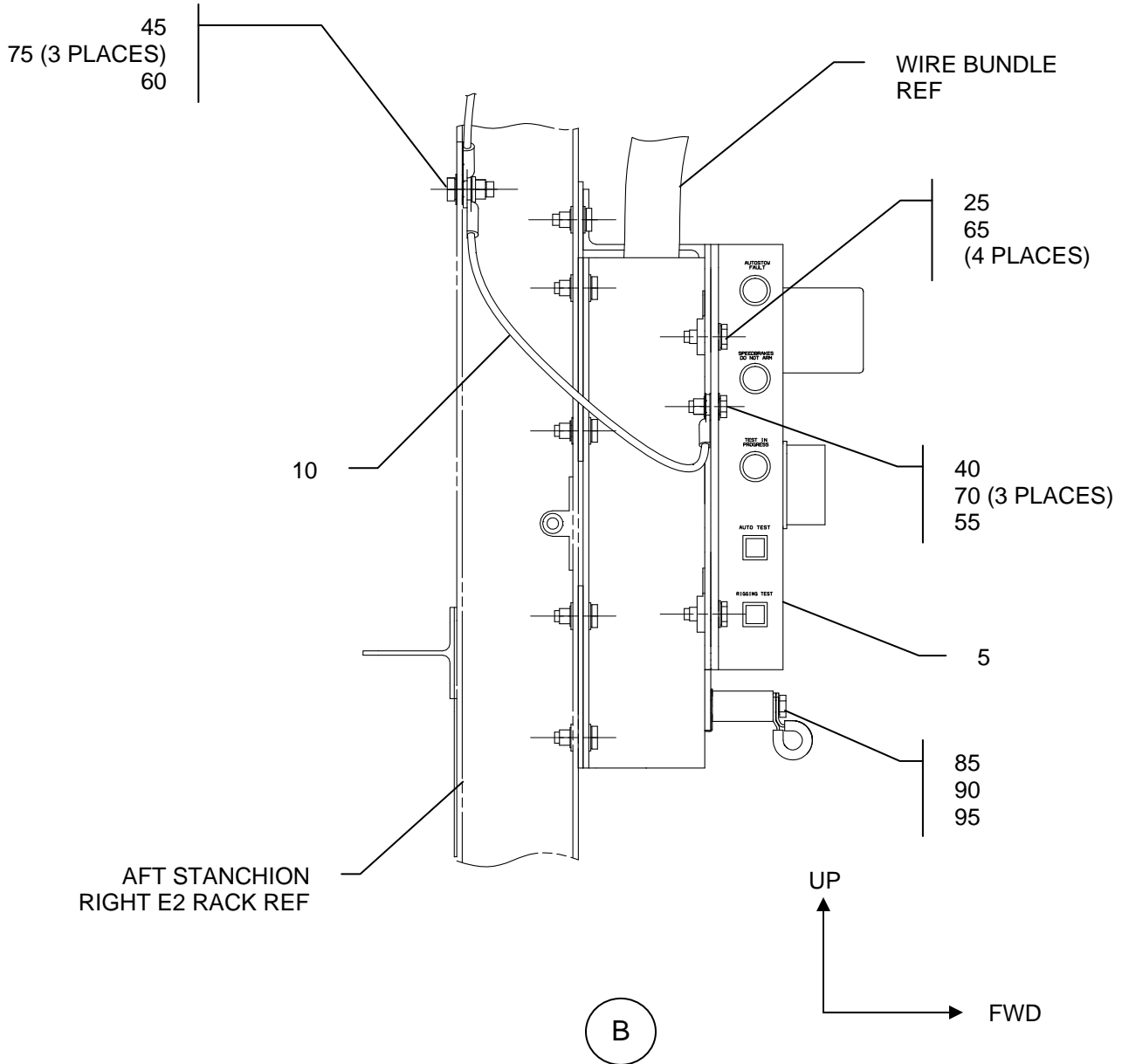


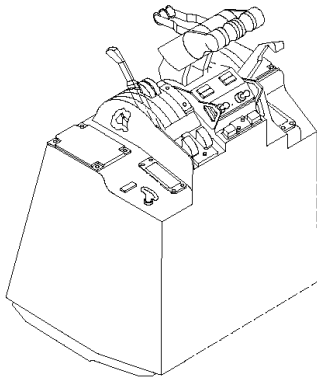
FIGURE 2 (SHEET 3)  
SPEEDBRAKE AUTOSTOW CONTROL MODULE

Aviation Partners Boeing  
757-200  
SUPPLEMENT – PARTS CATALOG (MAINTENANCE)

| FIGURE<br>ITEM | PART NUMBER     | NOMENCLATURE  |   |   |   |   |   |   | EFFECT<br>FROM<br>TO | UNITS<br>PER<br>ASSY |
|----------------|-----------------|---|---|---|---|---|---|---|----------------------|----------------------|
|                |                 | 1   | 2 | 3 | 4 | 5 | 6 | 7 |                      |                      |
| FIG. 2<br>1    | 757-3930-1      | EQUIPMENT INSTL – AUTOSTOW<br>CONTROLLER, E2 - RACK |   |   |   |   |   |   | ALL                  | RF                   |
| 5              | 737S3900-2      | . CONTROLLER<br>SUPPLIER CODE:<br>3X2T2             |   |   |   |   |   |   | ALL                  | 1                    |
| 10             | BACJ40AB21-8    | . JUMPER ASSY                                       |   |   |   |   |   |   | ALL                  | 1                    |
| 15             | BACC45FN20-41P  | . CONNECTOR   |   |   |   |   |   |   | ALL                  | 1                    |
| 20             | M83723-60-220AT | . CAP   |   |   |   |   |   |   | ALL                  | 1                    |
| 25             | BACB30LM3-5     | . BOLT  |   |   |   |   |   |   | ALL                  | 4                    |
| 30             | NAS1802-04-6P   | . SCREW   |   |   |   |   |   |   | ALL                  | 4                    |
| 40             | NAS1802-3-8P    | . SCREW   |   |   |   |   |   |   | ALL                  | 1                    |
| 45             | NAS1802-4-10P   | . SCREW   |   |   |   |   |   |   | ALL                  | 1                    |
| 50             | BACN10YR04CD    | . NUT   |   |   |   |   |   |   | ALL                  | 4                    |
| 55             | BACN10YR3CD     | . NUT   |   |   |   |   |   |   | ALL                  | 1                    |
| 60             | BACN10YR4CD     | . NUT   |   |   |   |   |   |   | ALL                  | 1                    |
| 65             | NAS1149D0332J   | . WASHER  |   |   |   |   |   |   | ALL                  | 4                    |
| 70             | NAS1149D0316H   | . WASHER  |   |   |   |   |   |   | ALL                  | 3                    |
| 75             | NAS1149D0416H   | . WASHER  |   |   |   |   |   |   | ALL                  | 3                    |
| 80             | NAS620-4        | . WASHER  |   |   |   |   |   |   | ALL                  | 8                    |
| 85             | BACC10GE5A      | . CLAMP   |   |   |   |   |   |   | ALL                  | 1                    |
| 90             | NAS1802-3       | . SCREW   |   |   |   |   |   |   | ALL                  | 1                    |
| 95             | BACS18K10-64W   | . SPACER  |   |   |   |   |   |   | ALL                  | 1                    |
|                |                 |   |   |   |   |   |   |   |                      |                      |



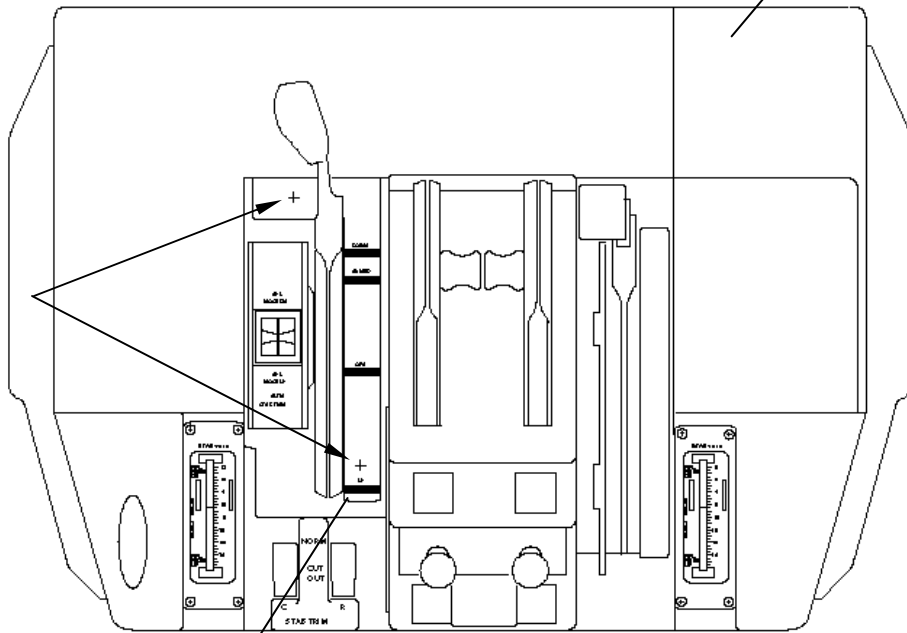
Aviation Partners Boeing  
757-200  
SUPPLEMENT – PARTS CATALOG (MAINTENANCE)



ZONE 211 / 212  
CONTROL CABIN

CONTROL STAND  
REF

SFSW6C5DL12BN REF  
LIGHTPLATE CAPTIVE  
FASTENER



5

FIGURE 3 (SHEET 1)  
SPEEDBRAKE LIGHTPLATE – CONTROL STAND  
CONTROL STANDS WITH MOLDED PLASTIC COVER ASSEMBLY

Aviation Partners Boeing  
757-200  
SUPPLEMENT – PARTS CATALOG (MAINTENANCE)

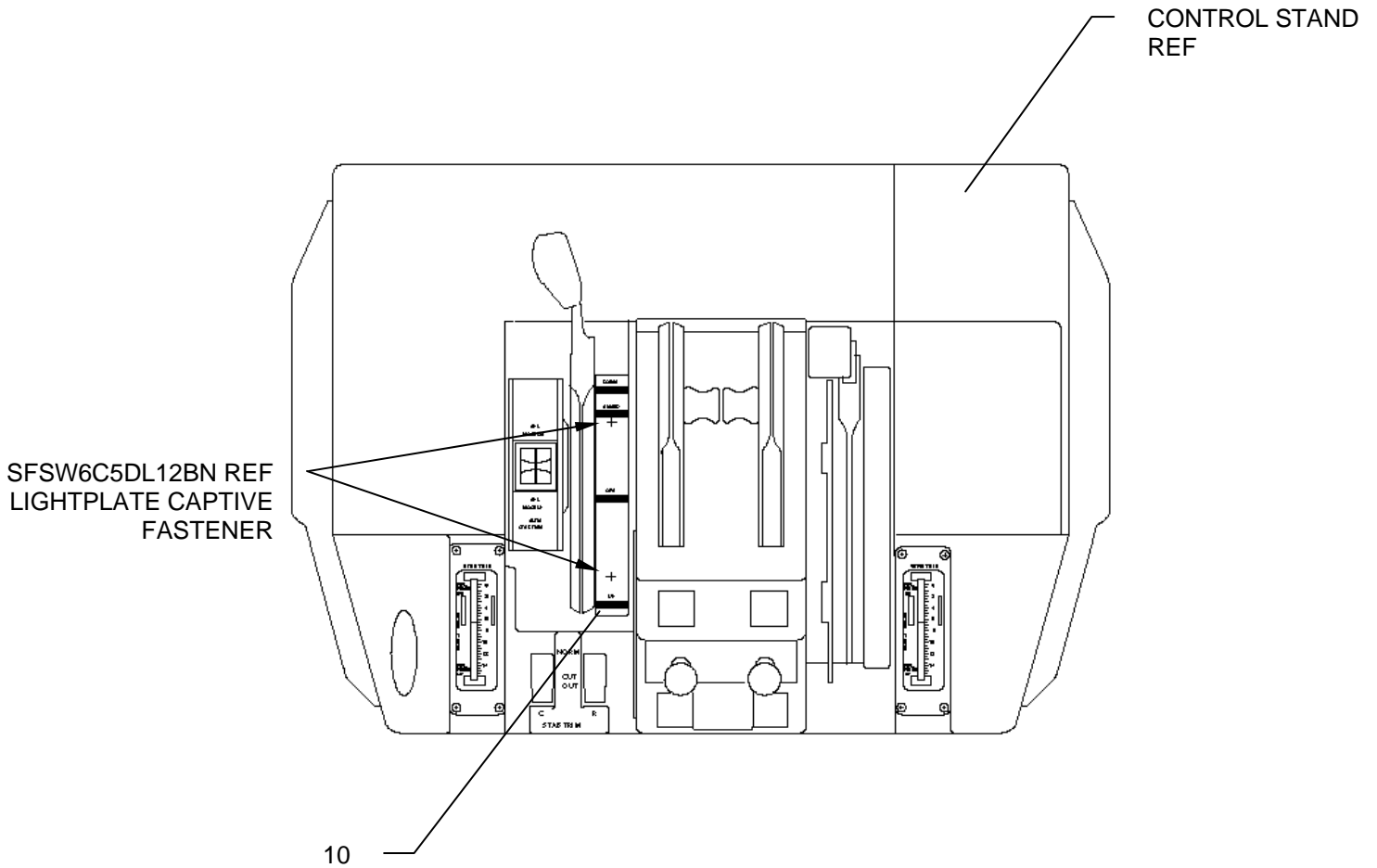


FIGURE 3 (SHEET 2)  
SPEEDBRAKE LIGHTPLATE – CONTROL STAND  
CONTROL STANDS WITH SHEET METAL COVER ASSEMBLY

# Aviation Partners Boeing

757-200

## SUPPLEMENT – PARTS CATALOG (MAINTENANCE)

| FIGURE<br>ITEM          | PART NUMBER | NOMENCLATURE   |   |   |   |   |   |   | EFFECT<br>FROM<br>TO | UNITS<br>PER<br>ASSY |
|-------------------------|-------------|--|---|---|---|---|---|---|----------------------|----------------------|
|                         |             | 1  | 2 | 3 | 4 | 5 | 6 | 7 |                      |                      |
| FIG. 3<br>SHEET 1<br>-1 | 757-3965-2  | LIGHTPLATE INSTL – SPEEDBRAKE<br>AUTOSTOW<br>NOTE: THIS INSTALLATION IS FOR<br>CONTROL STANDS WITH MOLDED<br>PLASTIC COVER ASSEMBLY. |   |   |   |   |   |   |                      | RF                   |
| 5                       | 757-3966-1  | . LIGHTPLATE – SPEEDBRAKE<br>SUPPLIER CODE:<br>05617   |   |   |   |   |   |   |                      | 1                    |
|                         |             |  |   |   |   |   |   |   |                      |                      |
| FIG. 3<br>SHEET 2<br>-2 | 757-3965-4  | LIGHTPLATE INSTL – SPEEDBRAKE<br>AUTOSTOW<br>NOTE: THIS INSTALLATION IS FOR<br>CONTROL STANDS WITH SHEET METAL<br>COVER ASSEMBLY.    |   |   |   |   |   |   |                      | RF                   |
| 10                      | 757-3966-2  | . LIGHTPLATE – SPEEDBRAKE<br>SUPPLIER CODE:<br>05617   |   |   |   |   |   |   |                      | 1                    |
|                         |             |  |   |   |   |   |   |   |                      |                      |
|                         |             |  |   |   |   |   |   |   |                      |                      |
|                         |             |  |   |   |   |   |   |   |                      |                      |
|                         |             |  |   |   |   |   |   |   |                      |                      |
|                         |             |  |   |   |   |   |   |   |                      |                      |
|                         |             |  |   |   |   |   |   |   |                      |                      |
|                         |             |  |   |   |   |   |   |   |                      |                      |
|                         |             |  |   |   |   |   |   |   |                      |                      |
|                         |             |  |   |   |   |   |   |   |                      |                      |
|                         |             |  |   |   |   |   |   |   |                      |                      |
|                         |             |  |   |   |   |   |   |   |                      |                      |
|                         |             |  |   |   |   |   |   |   |                      |                      |
|                         |             |  |   |   |   |   |   |   |                      |                      |
|                         |             |  |   |   |   |   |   |   |                      |                      |
|                         |             |  |   |   |   |   |   |   |                      |                      |
|                         |             |  |   |   |   |   |   |   |                      |                      |
|                         |             |  |   |   |   |   |   |   |                      |                      |
|                         |             |  |   |   |   |   |   |   |                      |                      |
|                         |             |  |   |   |   |   |   |   |                      |                      |
|                         |             |  |   |   |   |   |   |   |                      |                      |

Aviation Partners Boeing  
757-200  
SUPPLEMENT – PARTS CATALOG (MAINTENANCE)

CHAPTER 28 – FUEL

TABLE OF CONTENTS

| SUBJECT                        | CHAPTER<br>SECTION<br>UNIT | FIGURE | WINGLET<br>SERIAL<br>NUMBER<br>(EFFECT) |
|--------------------------------|----------------------------|--------|---|
| FUEL QUANTITY MEASURING STICKS | 28-44-00                   |        | ALL                                     |
| STICK INSTL FUEL QTY MEASURING | 28-44-01                   | 01     | ALL                                     |
| STICK ASSY FUEL QTY MEASURING  | 28-44-01                   | 02     | ALL                                     |

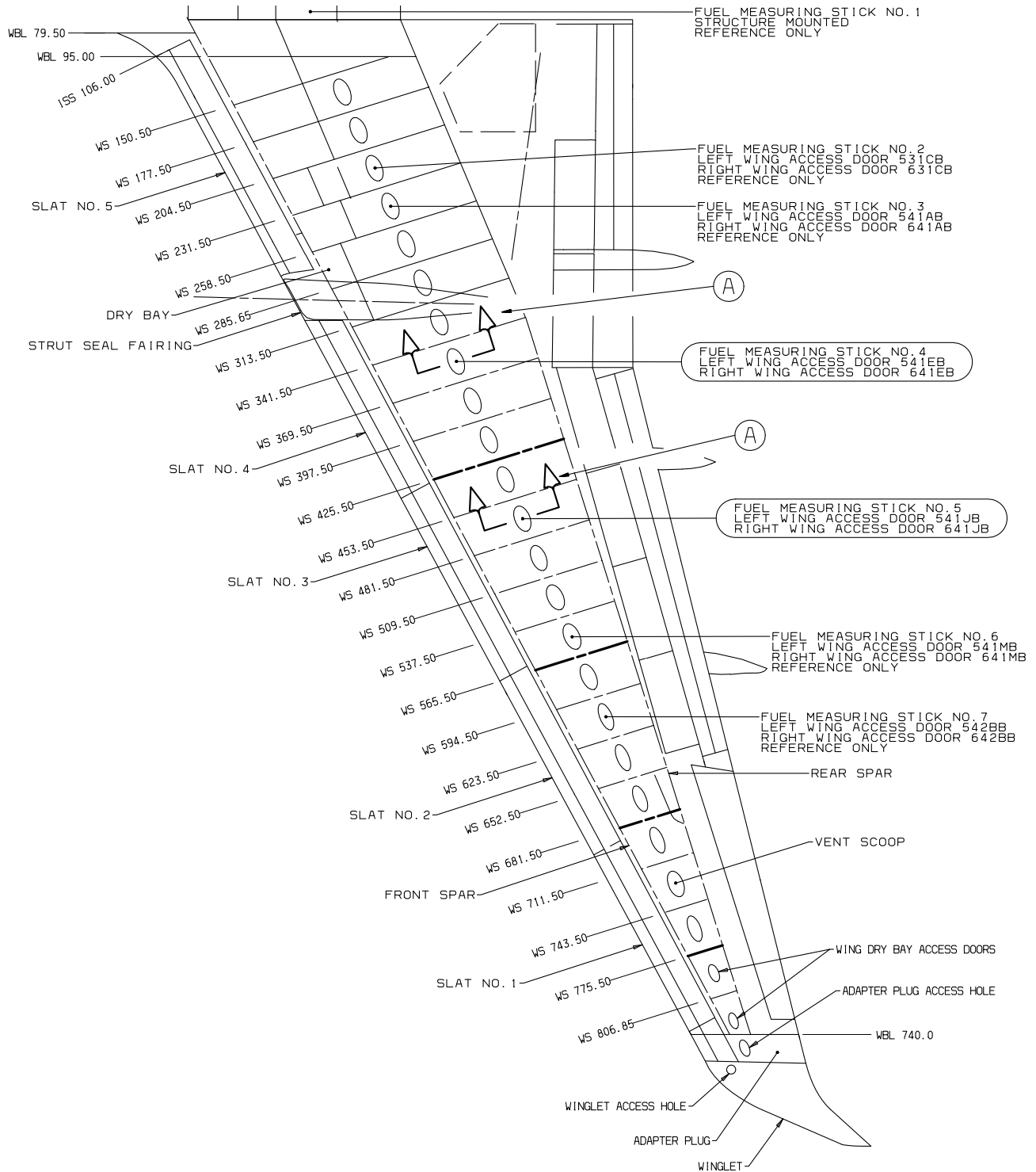
Aviation Partners Boeing  
757-200  
SUPPLEMENT – PARTS CATALOG (MAINTENANCE)

FUEL MEASURING STICKS

# Aviation Partners Boeing

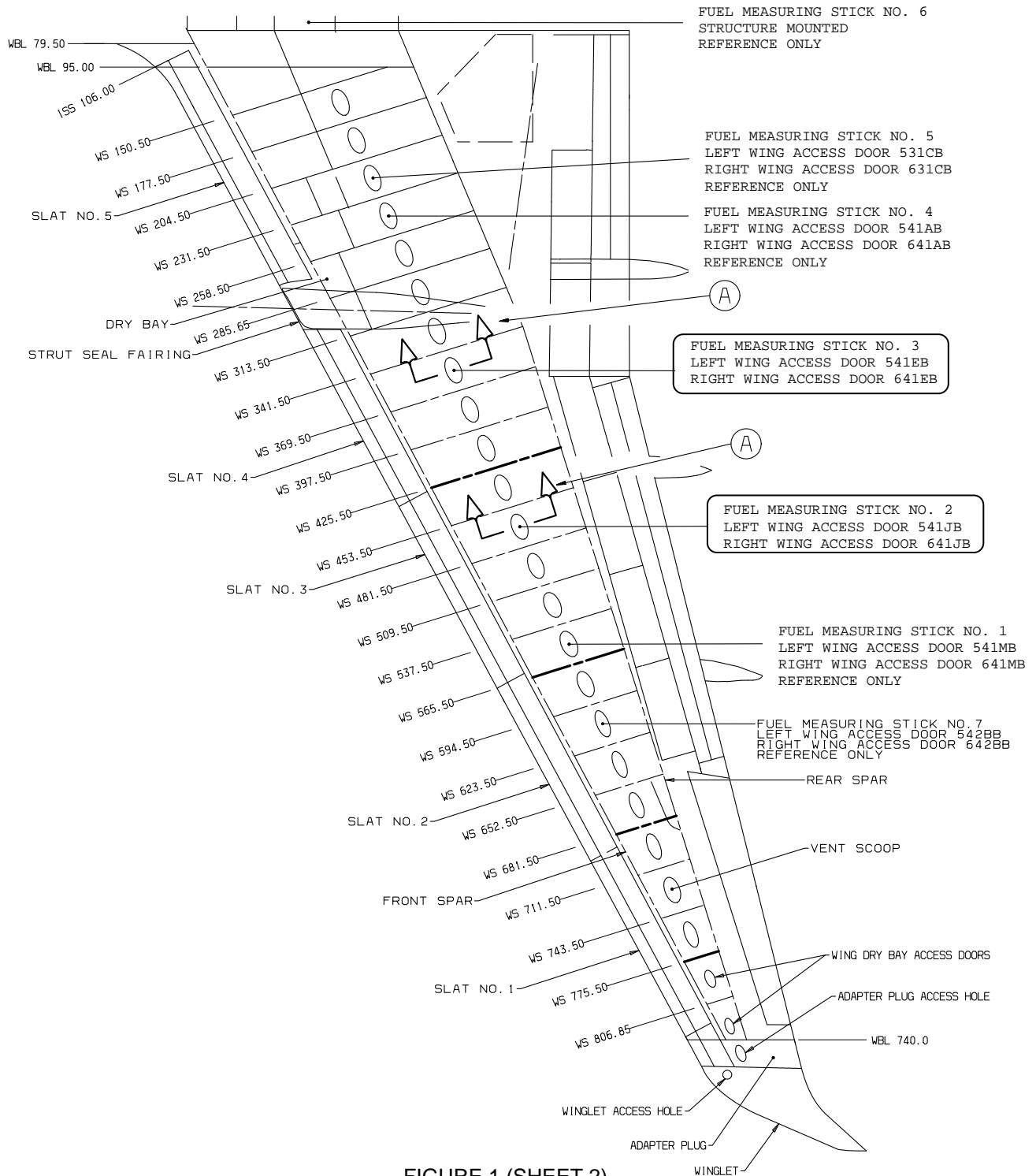
## 757-200

### SUPPLEMENT – PARTS CATALOG (MAINTENANCE)



**FIGURE 1 (SHEET 1)**  
**LEFT WING SHOWN**  
**RIGHT WING OPPOSITE**  
 Stick installation for airplane with sticks numbered INBD to OTBD 1, 2, 3, 4, 5, 6, 7

# Aviation Partners Boeing 757-200 SUPPLEMENT – PARTS CATALOG (MAINTENANCE)



**FIGURE 1 (SHEET 2)  
LEFT WING SHOWN  
RIGHT WING OPPOSITE**

Stick installation for airplane with sticks numbered INBD to OTBD 6, 5, 4, 3, 2, 1, 7

Aviation Partners Boeing  
757-200  
SUPPLEMENT – PARTS CATALOG (MAINTENANCE)

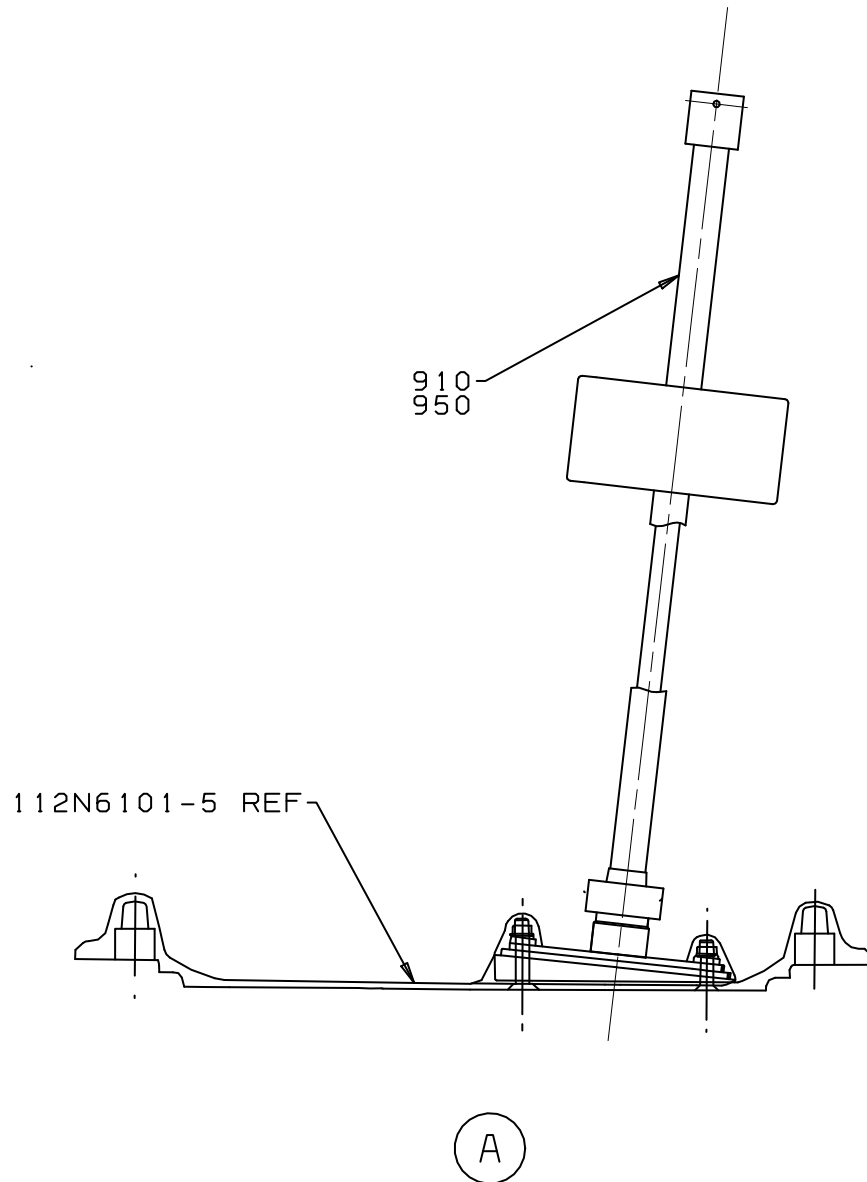


FIGURE 1 (SHEET 3)  
DOOR ASSY – FUEL QUANTITY MEASURING

- 900 - Fuel measuring stick no. 5 for airplane with sticks numbered INBD to OTBD 1, 2, 3, 4, 5, 6, 7 or stick no. 2 for airplane with sticks numbered INBD to OTBD 6, 5, 4, 3, 2, 1, 7.
- 905 - Fuel measuring stick no. 4 for airplane with sticks numbered INBD to OTBD 1, 2, 3, 4, 5, 6, 7 or stick no. 3 for airplane with sticks numbered INBD to OTBD 6, 5, 4, 3, 2, 1, 7.



Aviation Partners Boeing  
757-200  
SUPPLEMENT – PARTS CATALOG (MAINTENANCE)

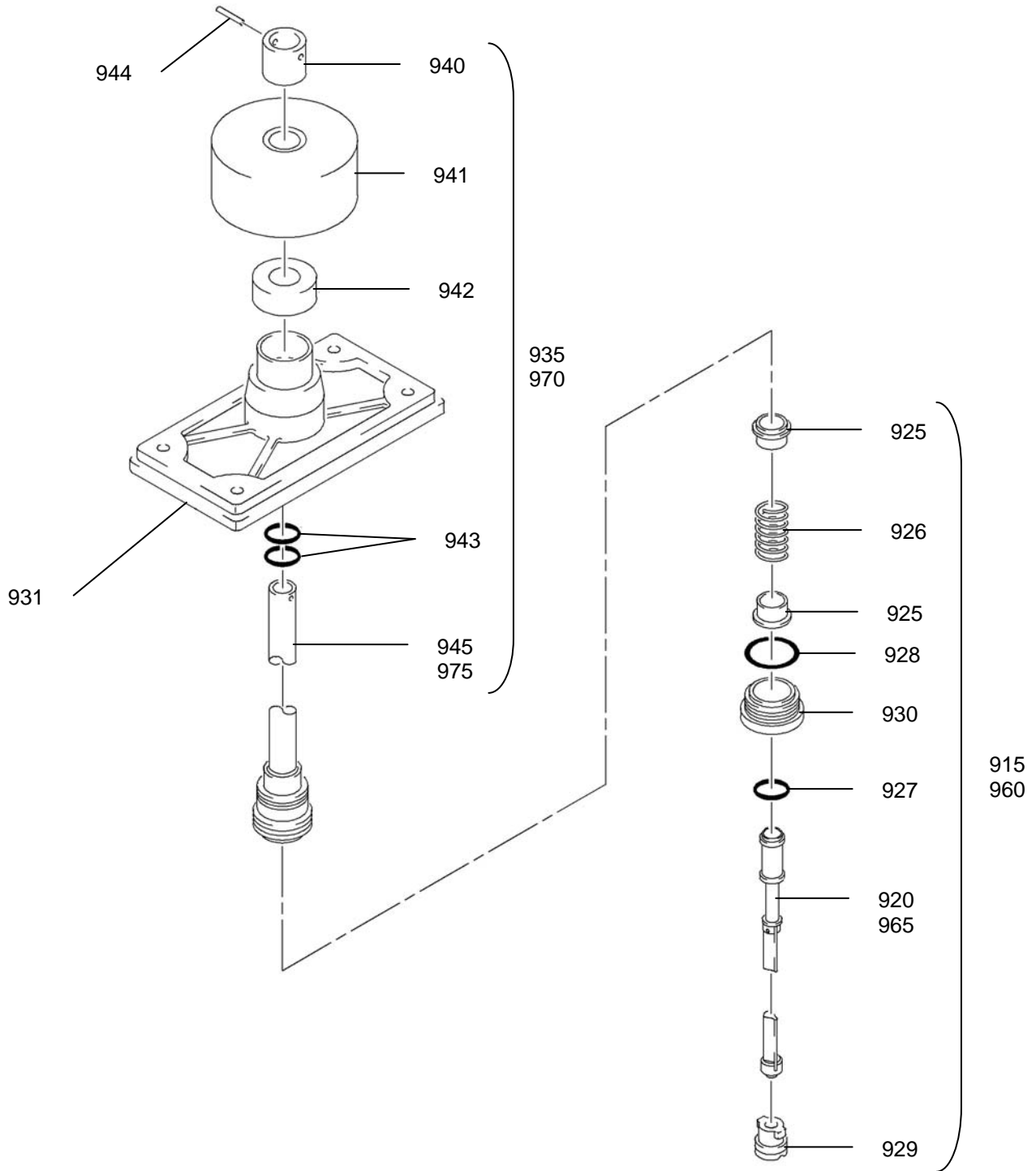


FIGURE 1 (SHEET 4)  
STICK ASSY – FUEL QUANTITY MEASURING

- 910 - Fuel measuring stick no. 5 for airplane with sticks numbered INBD to OTBD 1, 2, 3, 4, 5, 6, 7 or stick no. 2 for airplane with sticks numbered INBD to OTBD 6, 5, 4, 3, 2, 1, 7.
- 950 - Fuel measuring stick no. 4 for airplane with sticks numbered INBD to OTBD 1, 2, 3, 4, 5, 6, 7 or stick no. 3 for airplane with sticks numbered INBD to OTBD 6, 5, 4, 3, 2, 1, 7.

# Aviation Partners Boeing

757-200

## SUPPLEMENT – PARTS CATALOG (MAINTENANCE)

| FIGURE<br>ITEM | PART NUMBER   | NOMENCLATURE<br>1 2 3 4 5 6 7  | EFFECT<br>FROM<br>TO | UNITS<br>PER<br>ASSY |
|----------------|---|--|----------------------|----------------------|
| FIG. 1<br>900  | 757-3700-1  | DOOR ASSEMBLY – STICK NO. 5<br>FOR AIRPLANE WITH STICKS NUMBERED INBD<br>TO OTBD 1, 2, 3, 4, 5, 6, 7.<br>OR<br>DOOR ASSEMBLY - STICK NO. 2<br>FOR AIRPLANE WITH STICKS NUMBERED INBD<br>TO OTBD 6, 5, 4, 3, 2, 1, 7.<br>REWORKED DOOR ASSY 65-50748-26<br>FOR NHA SEE:<br>757-3010   | ALL                  | RF                   |
| 910            | 1140-0110-( )<br><br>-219 (INCHES)<br>-229 (LBS)<br>-239 (LITERS)<br>-249 (KGS) | FLEXI-STICK ASSEMBLY - STICK NO. 5<br>FOR AIRPLANE WITH STICKS NUMBERED<br>INBD TO OTBD 1, 2, 3, 4, 5, 6, 7.<br>OR<br>FLEXI-STICK ASSEMBLY - STICK NO. 2<br>FOR AIRPLANE WITH STICKS NUMBERED<br>INBD TO OTBD 6, 5, 4, 3, 2, 1, 7.<br>SUPPLIER CODE: 86831<br>BOEING SCD:<br>S345T001-219<br>S345T001-229<br>S345T001-239<br>S345T001-249<br>COMPONENT MAINT MANUAL REF:<br>28-40-06 | ALL                  | 1                    |
| 935            | 757-3701-1  | REWORKED HOUSING ASSEMBLY –<br>STICK NO. 5<br>FOR AIRPLANE WITH STICKS<br>NUMBERED INBD TO OTBD 1, 2, 3, 4, 5, 6, 7.<br>OR<br>REWORKED HOUSING ASSEMBLY –<br>STICK NO. 2<br>FOR AIRPLANE WITH STICKS<br>NUMBERED INBD TO OTBD 6, 5, 4, 3, 2, 1, 7.<br>OPTIONAL PART:<br>4090-0033-209  | ALL                  | 1                    |
| 915            | 757-3701-3  | REWORKED STICK ASSEMBLY –<br>STICK NO. 5<br>FOR AIRPLANE WITH STICKS<br>NUMBERED INBD TO OTBD 1, 2, 3, 4, 5, 6, 7.<br>OR<br>REWORKED STICK ASSEMBLY –<br>STICK NO. 2<br>FOR AIRPLANE WITH STICKS<br>NUMBERED INBD TO OTBD 6, 5, 4, 3, 2, 1, 7.<br>OPTIONAL PART:<br>4177-0146-219 (INCHES)<br>4177-0146-229 (LBS)<br>4177-0146-239 (LITERS)<br>4177-0146-249 (KGS)                   | ALL                  | 1                    |

# Aviation Partners Boeing

757-200

## SUPPLEMENT – PARTS CATALOG (MAINTENANCE)

| FIGURE<br>ITEM | PART NUMBER   | NOMENCLATURE<br>1 2 3 4 5 6 7  | EFFECT<br>FROM<br>TO | UNITS<br>PER<br>ASSY |
|----------------|---|--|----------------------|----------------------|
| 915            | 4177-0146-( )<br><br>-219 (INCHES)<br>-229 (LBS)<br>-239 (LITERS)<br>-249 (KGS) | . . STICK ASSEMBLY – STICK NO. 5<br>FOR AIRPLANE WITH STICKS<br>NUMBERED INBD TO OTBD 1, 2, 3, 4, 5, 6, 7.<br>OR<br>STICK ASSEMBLY - STICK NO. 2<br>FOR AIRPLANE WITH STICKS<br>NUMBERED INBD TO OTBD 6, 5, 4, 3, 2, 1, 7.<br>SUPPLIER CODE: 86831<br>USED ON:<br>1140-0110-219<br>1140-0110-229<br>1140-0110-239<br>1140-0110-249<br>OPTIONAL PART:<br>757-3701-3 | ALL                  | 1                    |
| 920            | 4177-0169-( )<br><br>-219 (INCHES)<br>-229 (LBS)<br>-239 (LITERS)<br>-249 (KGS) | . . . STICK SUB ASSEMBLY – STICK NO. 5<br>FOR AIRPLANE WITH STICKS<br>NUMBERED INBD TO OTBD 1, 2, 3, 4, 5, 6, 7.<br>OR<br>STICK SUB ASSEMBLY - STICK NO. 2<br>FOR AIRPLANE WITH STICKS<br>NUMBERED INBD TO OTBD 6, 5, 4, 3, 2, 1, 7.<br>SUPPLIER CODE: 86831<br>USED ON:<br>4177-0146-219<br>4177-0146-229<br>4177-0146-239<br>4177-0146-249                       | ALL                  | 1                    |
| 925            | 2078-0058   | . . . GUIDE -<br>SUPPLIER CODE: 86831<br>OPTIONAL PART: 2078-0058-1  | ALL                  | 2                    |
| 925            | 2078-0058-1   | . . . GUIDE -<br>SUPPLIER CODE: 86831<br>OPTIONAL PART: 2078-0058  | ALL                  | 2                    |
| 926            | 2161-0210   | . . . SPRING -<br>SUPPLIER CODE: 86831   | ALL                  | 1                    |
| 927            | RS900BS015  | . . . O-RING -<br>SUPPLIER CODE: 86831<br>OPTIONAL PART: MS29513-015   | ALL                  | 1                    |
| 927            | MS29513-015   | . . . O-RING -<br>SUPPLIER CODE: 86831<br>OPTIONAL PART: RS900BS015  | ALL                  | 1                    |
| 928            | RS900BS022  | . . . O-RING -<br>SUPPLIER CODE: 86831<br>OPTIONAL PART: MS29513-022   | ALL                  | 1                    |
| 928            | MS29513-022   | . . . O-RING -<br>SUPPLIER CODE: 86831<br>OPTIONAL PART: RS900BS022  | ALL                  | 1                    |
| 929            | 4115-0001   | . . . LATCH ASSY -<br>SUPPLIER CODE: 86831   | ALL                  | 1                    |

# Aviation Partners Boeing

757-200

## SUPPLEMENT – PARTS CATALOG (MAINTENANCE)

| FIGURE<br>ITEM | PART NUMBER   | NOMENCLATURE |   |  |                                      |   | EFFECT<br>FROM<br>TO | UNITS<br>PER<br>ASSY |   |
|----------------|---------------|--------------|---|--|--------------------------------------|---|----------------------|----------------------|---|
|                |               | 1            | 2 | 3  | 4                                    | 5 |                      |                      | 6 |
| 930            | 2144-0074     | .            | . | .  | RETAINER -<br>SUPPLIER CODE: 86831   |   |                      | ALL                  | 1 |
| 931            | 2011-0012     | .            | . | BASE -<br>SUPPLIER CODE: 86831   |                                      |   | ALL                  | 1                    |   |
| 935            | 4090-0033-209 | .            | . | HOUSING ASSEMBLY – STICK NO. 5<br>FOR AIRPLANE WITH STICKS<br>NUMBERED INBD TO OTBD 1, 2, 3, 4, 5, 6, 7.<br>OR<br>HOUSING ASSEMBLY - STICK NO. 2<br>FOR AIRPLANE WITH STICKS<br>NUMBERED INBD TO OTBD 6, 5, 4, 3, 2, 1, 7.<br>SUPPLIER CODE: 86831<br>USED ON:<br>1140-0110-219<br>1140-0110-229<br>1140-0110-239<br>1140-0110-249<br>OPTIONAL PART:<br>757-3701-1 |                                      |   | ALL                  | 1                    |   |
| 940            | 2222-0018     | .            | . | .  | STOP -<br>SUPPLIER CODE: 86831       |   |                      | ALL                  | 1 |
| 941            | 4066-0053-1   | .            | . | .  | FLOAT ASSY -<br>SUPPLIER CODE: 86831 |   |                      | ALL                  | 1 |
| 942            | 2020-0011     | .            | . | .  | BUMPER -<br>SUPPLIER CODE: 86831     |   |                      | ALL                  | 1 |
| 943            | RS900J016     | .            | . | .  | O-RING -<br>SUPPLIER CODE: 86831     |   |                      | ALL                  | 2 |
| 944            | RS299-1       | .            | . | .  | PIN -<br>SUPPLIER CODE: 86831        |   |                      | ALL                  | 1 |
| 945            | 4177-0160-209 | .            | . | .  | TUBE ASSY -<br>SUPPLIER CODE: 86831  |   |                      | ALL                  | 1 |
|                |               |              |   |  |                                      |   |                      |                      |   |
|                |               |              |   |  |                                      |   |                      |                      |   |
|                |               |              |   |  |                                      |   |                      |                      |   |
|                |               |              |   |  |                                      |   |                      |                      |   |

# Aviation Partners Boeing

757-200

## SUPPLEMENT – PARTS CATALOG (MAINTENANCE)

| FIGURE<br>ITEM | PART NUMBER   | NOMENCLATURE<br>1 2 3 4 5 6 7  | EFFECT<br>FROM<br>TO | UNITS<br>PER<br>ASSY |
|----------------|---|--|----------------------|----------------------|
| FIG. 1<br>905  | 757-3700-3  | DOOR ASSEMBLY – STICK NO. 4<br>FOR AIRPLANE WITH STICKS NUMBERED INBD<br>TO OTBD 1, 2, 3, 4, 5, 6, 7.<br>OR<br>DOOR ASSEMBLY - STICK NO. 3<br>FOR AIRPLANE WITH STICKS NUMBERED INBD<br>TO OTBD 6, 5, 4, 3, 2, 1, 7.<br>REWORKED DOOR ASSY 65-50748-27<br>FOR NHA SEE:<br>757-3010   | ALL                  | RF                   |
| 950            | 1140-0110-( )<br><br>-220 (INCHES)<br>-230 (LBS)<br>-240 (LITERS)<br>-250 (KGS) | FLEXI-STICK ASSEMBLY - STICK NO. 4<br>FOR AIRPLANE WITH STICKS NUMBERED<br>INBD TO OTBD 1, 2, 3, 4, 5, 6, 7.<br>OR<br>FLEXI-STICK ASSEMBLY - STICK NO. 3<br>FOR AIRPLANE WITH STICKS NUMBERED<br>INBD TO OTBD 6, 5, 4, 3, 2, 1, 7.<br>SUPPLIER CODE: 86831<br>BOEING SCD:<br>S345T001-220<br>S345T001-230<br>S345T001-240<br>S345T001-250<br>COMPONENT MAINT MANUAL REF:<br>28-40-06 | ALL                  | 1                    |
| 970            | 757-3701-2  | REWORKED HOUSING ASSEMBLY –<br>STICK NO. 4<br>FOR AIRPLANE WITH STICKS<br>NUMBERED INBD TO OTBD 1, 2, 3, 4, 5, 6, 7.<br>OR<br>REWORKED HOUSING ASSEMBLY –<br>STICK NO. 3<br>FOR AIRPLANE WITH STICKS<br>NUMBERED INBD TO OTBD 6, 5, 4, 3, 2, 1, 7.<br>OPTIONAL PART:<br>4090-0033-210  | ALL                  | 1                    |
| 960            | 757-3701-4  | REWORKED STICK ASSEMBLY –<br>STICK NO. 4<br>FOR AIRPLANE WITH STICKS<br>NUMBERED INBD TO OTBD 1, 2, 3, 4, 5, 6, 7.<br>OR<br>REWORKED STICK ASSEMBLY –<br>STICK NO. 3<br>FOR AIRPLANE WITH STICKS<br>NUMBERED INBD TO OTBD 6, 5, 4, 3, 2, 1, 7.<br>OPTIONAL PART:<br>4177-0146-220 (INCHES)<br>4177-0146-230 (LBS)<br>4177-0146-240 (LITERS)<br>4177-0146-250 (KGS)                   | ALL                  | 1                    |

# Aviation Partners Boeing

757-200

## SUPPLEMENT – PARTS CATALOG (MAINTENANCE)

| FIGURE ITEM | PART NUMBER   | NOMENCLATURE |   |   |   |   |   |   | EFFECT FROM TO | UNITS PER ASSY |
|-------------|---|--------------|---|---|---|---|---|---|----------------|----------------|
|             |   | 1            | 2 | 3 | 4 | 5 | 6 | 7 |                |                |
| 960         | 4177-0146-( )<br>-220 (INCHES)<br>-230 (LBS)<br>-240 (LITERS)<br>-250 (KGS) | .            | . |   |   |   |   |   | ALL            | 1              |
|             |   |              |   |   |   |   |   |   |                |                |
| 965         | 4177-0169-( )<br>-220 (INCHES)<br>-230 (LBS)<br>-240 (LITERS)<br>-250 (KGS) | .            | . | . |   |   |   |   | ALL            | 1              |
|             |   |              |   |   |   |   |   |   |                |                |
| 925         | 2078-0058   | .            | . | . |   |   |   |   | ALL            | 2              |
|             |   |              |   |   |   |   |   |   |                |                |
| 925         | 2078-0058-1   | .            | . | . |   |   |   |   | ALL            | 2              |
|             |   |              |   |   |   |   |   |   |                |                |
| 926         | 2161-0210   | .            | . | . |   |   |   |   | ALL            | 1              |
|             |   |              |   |   |   |   |   |   |                |                |
| 927         | RS900BS015  | .            | . | . |   |   |   |   | ALL            | 1              |
|             |   |              |   |   |   |   |   |   |                |                |
| 927         | MS29513-015   | .            | . | . |   |   |   |   | ALL            | 1              |
|             |   |              |   |   |   |   |   |   |                |                |
| 928         | RS900BS022  | .            | . | . |   |   |   |   | ALL            | 1              |
|             |   |              |   |   |   |   |   |   |                |                |
| 928         | MS29513-022   | .            | . | . |   |   |   |   | ALL            | 1              |
|             |   |              |   |   |   |   |   |   |                |                |
| 929         | 4115-0001   | .            | . | . |   |   |   |   | ALL            | 1              |
|             |   |              |   |   |   |   |   |   |                |                |

# Aviation Partners Boeing

757-200

## SUPPLEMENT – PARTS CATALOG (MAINTENANCE)

| FIGURE<br>ITEM | PART NUMBER   | NOMENCLATURE |   |  |                                      |   |     | EFFECT<br>FROM<br>TO | UNITS<br>PER<br>ASSY |
|----------------|---------------|--------------|---|--|--------------------------------------|---|-----|----------------------|----------------------|
|                |               | 1            | 2 | 3  | 4                                    | 5 | 6   |                      |                      |
| 930            | 2144-0074     | .            | . | .  | RETAINER -<br>SUPPLIER CODE: 86831   |   |     | ALL                  | 1                    |
| 931            | 2011-0012     | .            | . | BASE -<br>SUPPLIER CODE: 86831   |                                      |   | ALL | 1                    |                      |
| 970            | 4090-0033-210 | .            | . | HOUSING ASSEMBLY – STICK NO. 4<br>FOR AIRPLANE WITH STICKS<br>NUMBERED INBD TO OTBD 1, 2, 3, 4, 5, 6, 7.<br>OR<br>HOUSING ASSEMBLY - STICK NO. 3<br>FOR AIRPLANE WITH STICKS<br>NUMBERED INBD TO OTBD 6, 5, 4, 3, 2, 1, 7.<br>SUPPLIER CODE: 86831<br>USED ON:<br>1140-0110-220<br>1140-0110-230<br>1140-0110-240<br>1140-0110-250<br>OPTIONAL PART:<br>757-3701-2 |                                      |   | ALL | 1                    |                      |
| 940            | 2222-0018     | .            | . | .  | STOP -<br>SUPPLIER CODE: 86831       |   |     | ALL                  | 1                    |
| 941            | 4066-0053-1   | .            | . | .  | FLOAT ASSY -<br>SUPPLIER CODE: 86831 |   |     | ALL                  | 1                    |
| 942            | 2020-0011     | .            | . | .  | BUMPER -<br>SUPPLIER CODE: 86831     |   |     | ALL                  | 1                    |
| 943            | RS900J016     | .            | . | .  | O-RING -<br>SUPPLIER CODE: 86831     |   |     | ALL                  | 2                    |
| 944            | RS299-1       | .            | . | .  | PIN -<br>SUPPLIER CODE: 86831        |   |     | ALL                  | 1                    |
| 975            | 4177-0160-210 | .            | . | .  | TUBE ASSY -<br>SUPPLIER CODE: 86831  |   |     | ALL                  | 1                    |
|                |               |              |   |  |                                      |   |     |                      |                      |
|                |               |              |   |  |                                      |   |     |                      |                      |
|                |               |              |   |  |                                      |   |     |                      |                      |
|                |               |              |   |  |                                      |   |     |                      |                      |

Aviation Partners Boeing  
757-200  
SUPPLEMENT – PARTS CATALOG (MAINTENANCE)

CHAPTER 33 – LIGHTS

TABLE OF CONTENTS

| SUBJECT                   | CHAPTER<br>SECTION<br>UNIT | FIGURE | PAGE |
|---------------------------|----------------------------|--------|------|
| POSITION LIGHTS           | 33-43-00                   |        | 1    |
| FWD POSITION LIGHT        | 33-43-01                   | 01     | 1    |
| AFT POSITION LIGHT        | 33-43-01                   | 02     | 1    |
| TRANSFORMER INSTL         | 33-43-01                   | 03     | 1    |
| ANTI-COLLISION LIGHTS     | 33-44-00                   |        | 1    |
| LIGHT INSTALLATION        | 33-44-01                   | 01     | 1    |
| POWER SUPPLY INSTALLATION | 33-44-01                   | 02     | 1    |



Aviation Partners Boeing  
757-200  
SUPPLEMENT – PARTS CATALOG (MAINTENANCE)

POSITION (NAVIGATION) LIGHTS

Aviation Partners Boeing  
757-200  
SUPPLEMENT – PARTS CATALOG (MAINTENANCE)

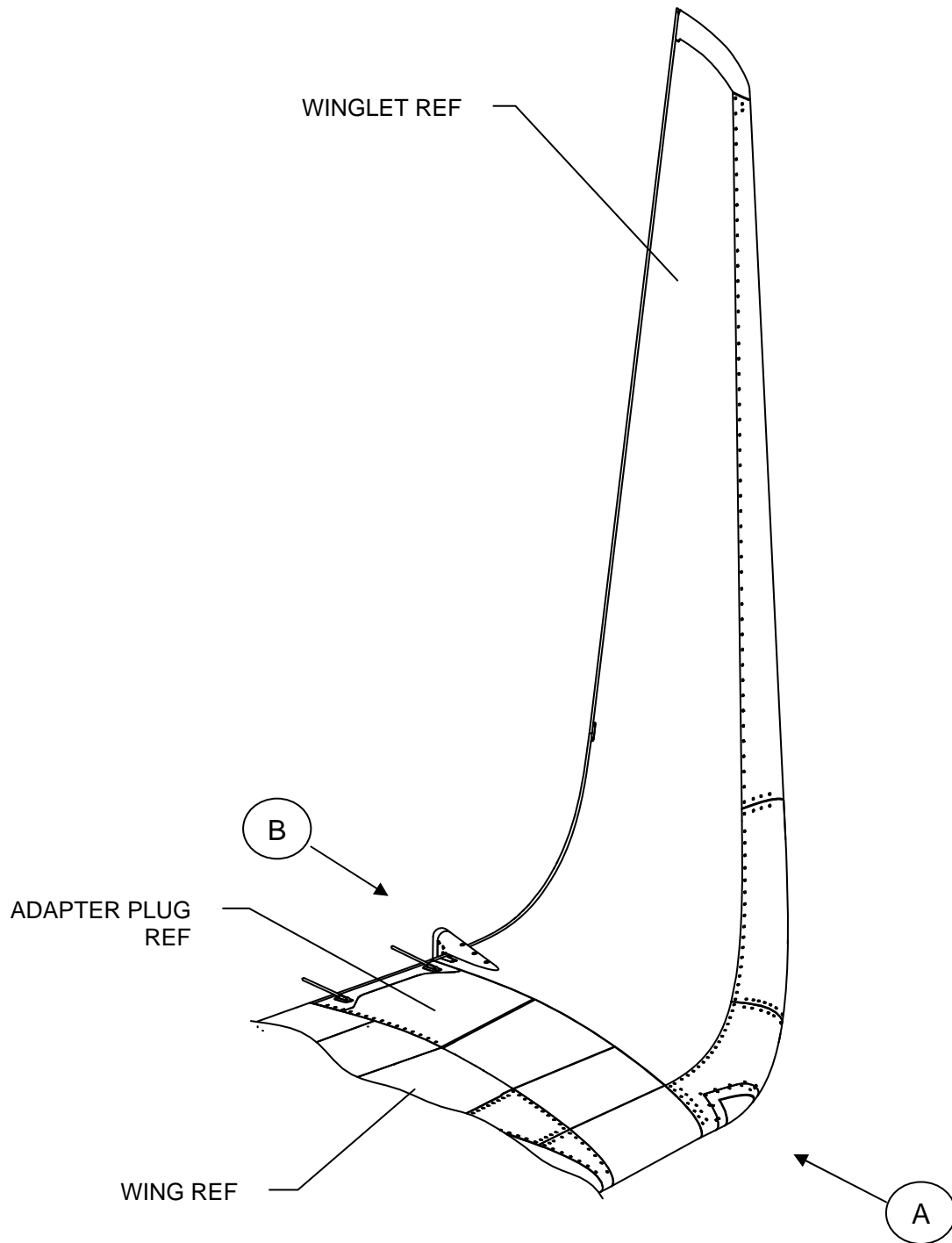


FIGURE 1 (SHEET 1)  
WINGLET POSITION (NAVIGATION) LIGHTS

Aviation Partners Boeing  
757-200  
SUPPLEMENT – PARTS CATALOG (MAINTENANCE)

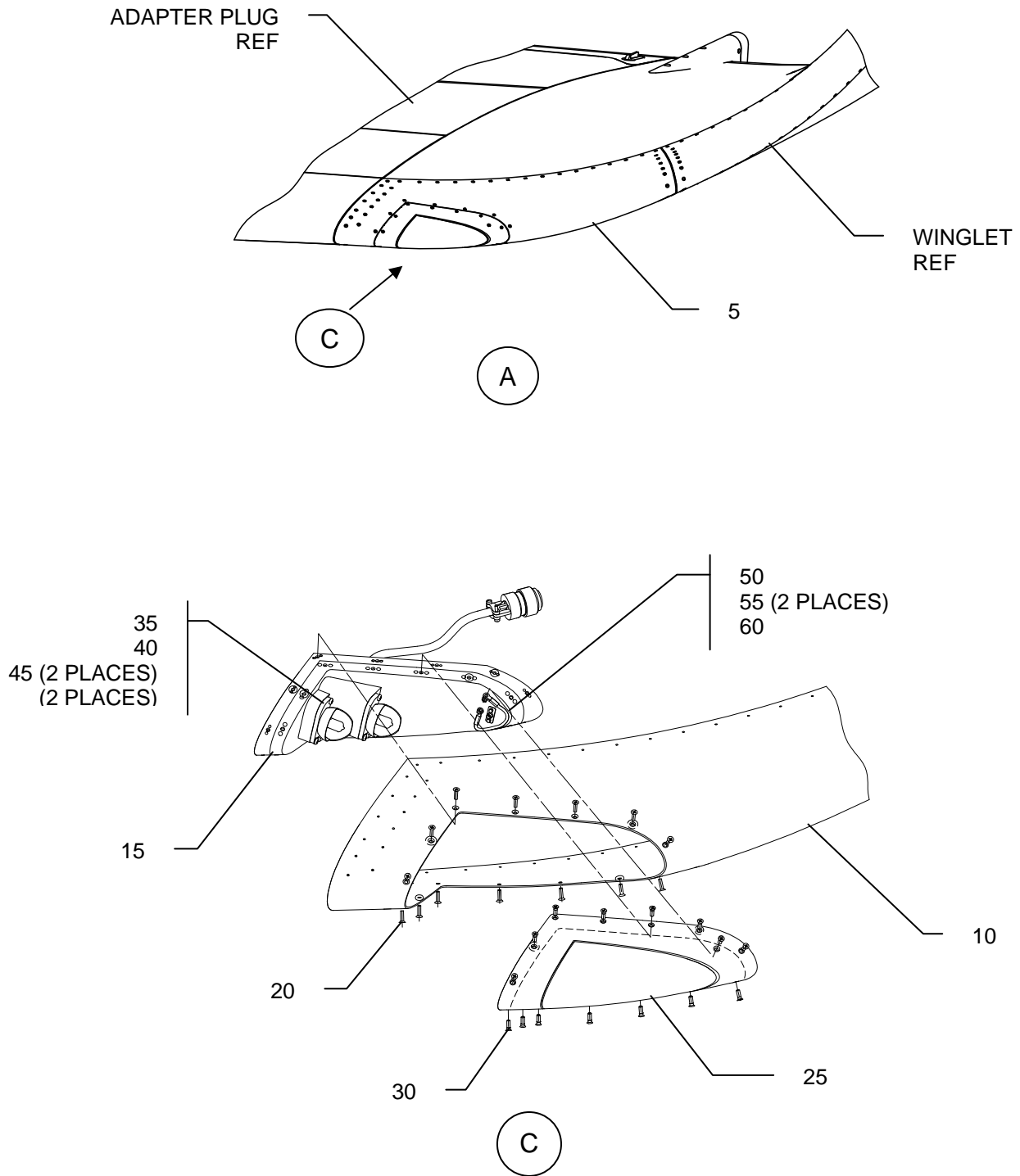


FIGURE 1 (SHEET 2)  
WINGLET FORWARD POSITION LIGHT

**Aviation Partners Boeing**  
**757-200**  
**SUPPLEMENT – PARTS CATALOG (MAINTENANCE)**

| FIGURE<br>ITEM | PART NUMBER | NOMENCLATURE<br>1 2 3 4 5 6 7  | EFFECT<br>FROM TO | UNITS<br>PER<br>ASSY |
|----------------|-------------|--|-------------------|----------------------|
|                |             |  |                   |                      |
|                | 757-0010-3  | . WINGLET ASSY, LH SIDE<br>USED ON: 757-0002-3                           |                   | RF                   |
| --             | 757-0010-4  | . WINGLET ASSY, RH SIDE<br>USED ON: 757-0002-4                           |                   | RF                   |
|                | 757-0010-5  | . WINGLET ASSY, LH SIDE<br>USED ON: 757-0002-5                           |                   | RF                   |
| --             | 757-0010-6  | . WINGLET ASSY, RH SIDE<br>USED ON: 757-0002-6                           |                   | RF                   |
|                |             |  |                   |                      |
| 5              | 757-0353-1  | . . LIGHT ASSY – INBD LEADING EDGE<br>SKIN, L/H<br>USED ON: 757-0350-1   |                   | 1                    |
| -- 6           | 757-0353-2  | . . LIGHT ASSY – INBD LEADING EDGE<br>SKIN, RH<br>USED ON: 757-0350-2    |                   | 1                    |
| 10             | 757-0351-1  | . . . LEADING EDGE SKIN – INBD, LH                                       |                   | 1                    |
| -- 11          | 757-0351-2  | . . . LEADING EDGE SKIN – INBD, RH                                       |                   | 1                    |
| 15             | 31-9289-1   | . . . POSITION LIGHT ASSY – LH<br>SUPPLIER CODE: 72914                   |                   | 1                    |
| -- 16          | 31-9289-4   | . . . POSITION LIGHT ASSY – RH<br>SUPPLIER CODE: 72914                   |                   | 1                    |
| 20             | MS24693C28  | . . . SCREW<br>USED ON: 757-0350-1/-2                                    |                   | 14                   |
| 25             | 31-9292-1   | . . . . LENS ASSY<br>USED ON: 31-9289-1<br>SUPPLIER CODE: 72914          |                   | 1                    |
| -- 26          | 31-9292-2   | . . . . LENS ASSY<br>USED ON: 31-9289-2<br>SUPPLIER CODE: 72914          |                   | 1                    |
| 30             | NAS8702-2   | . . . . BOLT<br>USED ON: 31-9289-1/-2                                    |                   | 14                   |
| 35             | 31-9379-1   | . . . . REFLECTOR ASSY, LH<br>USED ON: 31-9290-1<br>SUPPLIER CODE: 72914 |                   | 2                    |
| -- 36          | 31-9379-2   | . . . . REFLECTOR ASSY, RH<br>USED ON: 31-9290-2<br>SUPPLIER CODE: 72914 |                   | 2                    |
| 40             | LP-64621    | . . . . LAMP<br>USED ON: 31-9290-1/-2                                    |                   | 2                    |
| 45             | MS51957-12  | . . . . SCREW<br>USED ON: 31-9290-1/-2                                   |                   | 4                    |

**Aviation Partners Boeing**  
**757-200**  
**SUPPLEMENT – PARTS CATALOG (MAINTENANCE)**

| FIGURE ITEM | PART NUMBER  | NOMENCLATURE |   |   |   |                       | EFFECT FROM TO | UNITS PER ASSY |
|-------------|--------------|--------------|---|---|---|-----------------------|----------------|----------------|
|             |              | 1            | 2 | 3 | 4 | 5                     |                |                |
| 50          | BACJ40AB10-4 | .            | . | . | . | JUMPER ASSY           |                | 1              |
|             |              |              |   |   |   | USED ON: 31-9289-1/-2 |                |                |
| 55          | MS21043-06   | .            | . | . | . | STOP NUT              |                | 2              |
|             |              |              |   |   |   | USED ON: 31-9289-1/-2 |                |                |
| 60          | MS51957-27   | .            | . | . | . | SCREW                 |                | 1              |
|             |              |              |   |   |   | USED ON: 31-9289-1/-2 |                |                |
|             |              |              |   |   |   |                       |                |                |
|             |              |              |   |   |   |                       |                |                |
|             |              |              |   |   |   |                       |                |                |
|             |              |              |   |   |   |                       |                |                |
|             |              |              |   |   |   |                       |                |                |
|             |              |              |   |   |   |                       |                |                |
|             |              |              |   |   |   |                       |                |                |
|             |              |              |   |   |   |                       |                |                |
|             |              |              |   |   |   |                       |                |                |
|             |              |              |   |   |   |                       |                |                |
|             |              |              |   |   |   |                       |                |                |
|             |              |              |   |   |   |                       |                |                |
|             |              |              |   |   |   |                       |                |                |
|             |              |              |   |   |   |                       |                |                |
|             |              |              |   |   |   |                       |                |                |
|             |              |              |   |   |   |                       |                |                |
|             |              |              |   |   |   |                       |                |                |

Aviation Partners Boeing  
757-200  
SUPPLEMENT – PARTS CATALOG (MAINTENANCE)

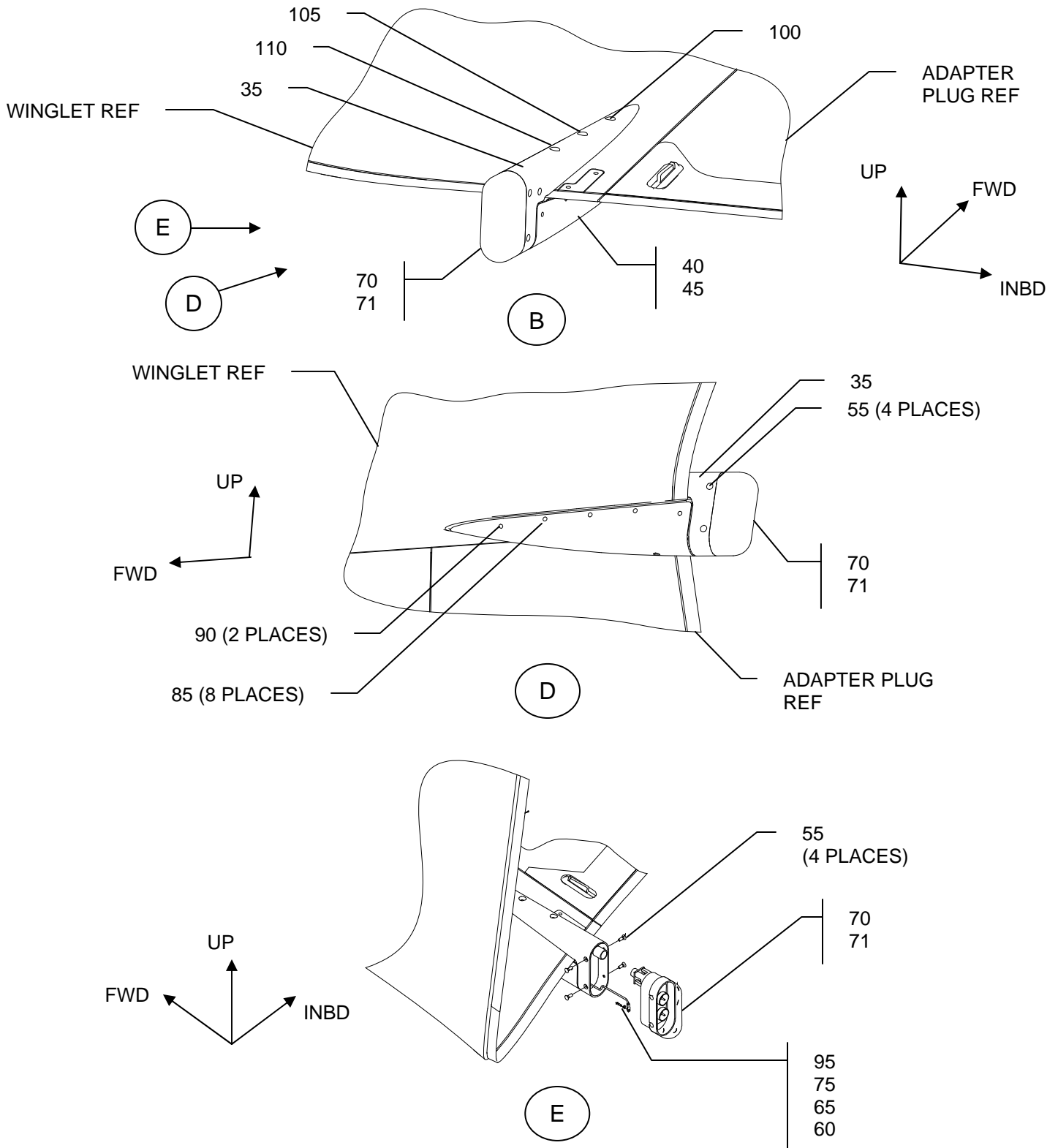


FIGURE 2 (SHEET 1)  
WINGLET AFT POSITION LIGHT

**Aviation Partners Boeing**  
**757-200**  
**SUPPLEMENT – PARTS CATALOG (MAINTENANCE)**

| FIGURE<br>ITEM | PART NUMBER   | NOMENCLATURE<br>1 2 3 4 5 6 7  | EFFECT<br>FROM TO | UNITS<br>PER<br>ASSY |
|----------------|---|--|-------------------|----------------------|
|                |   |  |                   |                      |
|                | 757-0010-3  | . WINGLET ASSY, LH SIDE<br>USED ON: 757-0002-3   |                   | RF                   |
| --             | 757-0010-4  | . WINGLET ASSY, RH SIDE<br>USED ON: 757-0002-4   |                   | RF                   |
|                | 757-0010-5  | . WINGLET ASSY, LH SIDE<br>USED ON: 757-0002-5   |                   | RF                   |
| --             | 757-0010-6  | . WINGLET ASSY, RH SIDE<br>USED ON: 757-0002-6   |                   | RF                   |
|                |   |  |                   |                      |
|                | 737-8800-1  | . . LIGHT INSTL, AFT POSITION, LH<br>USED ON: 757-0010-3, -5                           |                   | RF                   |
| --             | 737-8800-2  | . . LIGHT INSTL, AFT POSITION, RH<br>USED ON: 757-0010-4, -6                           |                   | RF                   |
|                |   |  |                   |                      |
| 35             | 737-8871-1  | . . LIGHT FTG, UPR, LH<br>USED ON: 737-8800-1  |                   | 1                    |
| -- 36          | 737-8871-2  | . . LIGHT FTG, UPR, RH<br>USED ON: 737-8800-2  |                   | 1                    |
| 40             | 737-8872-1  | . . LIGHT FTG, LWR, LH<br>USED ON: 737-8800-1  |                   | 1                    |
| -- 41          | 737-8872-2  | . . LIGHT FTG, LWR, RH<br>USED ON: 737-8800-2  |                   | 1                    |
| 45             | 737-8873-1  | . . LIGHT FTG, CLOSEOUT<br>USED ON: 737-8800-1/-2                                      |                   | 1                    |
| 55             | BACB30NN3K3   | . . . BOLT<br>USED ON: 737-8800-1/-2   |                   | 4                    |
| 60             | BACN10YR3CD   | . . . NUT<br>USED ON: 737-8800-1/-2  |                   | 1                    |
| 65             | NAS1149D0316H   | . . . WASHER<br>USED ON: 737-8800-1/-2   |                   | 3                    |
| 70             | 30-2481-5<br>NOTE:<br>This is the preferred<br>Spare. | . . . LIGHT ASSY<br>USED ON: 737-8800-1/-2<br>SUPPLIER CODE: 72914<br>GRIMES AEROSPACE |                   | 1                    |
| 71             | 30-2481-3   | . . . LIGHT ASSY<br>USED ON: 737-8800-1/-2<br>SUPPLIER CODE: 72914<br>GRIMES AEROSPACE |                   | 1                    |
| 75             | NAS514P1032-10P                                       | . . . SCREW<br>USED ON: 737-8800-1/-2  |                   | 1                    |

Aviation Partners Boeing  
757-200  
SUPPLEMENT – PARTS CATALOG (MAINTENANCE)

| FIGURE<br>ITEM | PART NUMBER  | NOMENCLATURE |   |   |                        |   |   |   | EFFECT<br>FROM TO | UNITS<br>PER<br>ASSY |
|----------------|--------------|--------------|---|---|------------------------|---|---|---|-------------------|----------------------|
|                |              | 1            | 2 | 3 | 4                      | 5 | 6 | 7 |                   |                      |
| 85             | NAS8702-2    | .            | . | . | SCREW                  |   |   |   |                   | 8                    |
|                |              |              |   |   | USED ON: 737-8800-1/-2 |   |   |   |                   |                      |
| 90             | NAS8702-4    | .            | . | . | SCREW                  |   |   |   |                   | 2                    |
|                |              |              |   |   | USED ON: 737-8800-1/-2 |   |   |   |                   |                      |
| 95             | BACJ40A20-7  | .            | . | . | JUMPER                 |   |   |   |                   | 1                    |
|                |              |              |   |   | USED ON: 737-8800-1/-2 |   |   |   |                   |                      |
| 100            | BACB30NT3K6  | .            | . | . | BOLT                   |   |   |   |                   | 1                    |
|                |              |              |   |   | USED ON: 737-8800-1/-2 |   |   |   |                   |                      |
| 105            | BACB30NT3K13 | .            | . | . | BOLT                   |   |   |   |                   | 1                    |
|                |              |              |   |   | USED ON: 737-8800-1/-2 |   |   |   |                   |                      |
| 110            | BACB30NT3K21 | .            | . | . | BOLT                   |   |   |   |                   | 1                    |
|                |              |              |   |   | USED ON: 737-8800-1/-2 |   |   |   |                   |                      |
|                |              |              |   |   |                        |   |   |   |                   |                      |
|                |              |              |   |   |                        |   |   |   |                   |                      |
|                |              |              |   |   |                        |   |   |   |                   |                      |
|                |              |              |   |   |                        |   |   |   |                   |                      |
|                |              |              |   |   |                        |   |   |   |                   |                      |
|                |              |              |   |   |                        |   |   |   |                   |                      |
|                |              |              |   |   |                        |   |   |   |                   |                      |
|                |              |              |   |   |                        |   |   |   |                   |                      |
|                |              |              |   |   |                        |   |   |   |                   |                      |
|                |              |              |   |   |                        |   |   |   |                   |                      |
|                |              |              |   |   |                        |   |   |   |                   |                      |
|                |              |              |   |   |                        |   |   |   |                   |                      |
|                |              |              |   |   |                        |   |   |   |                   |                      |
|                |              |              |   |   |                        |   |   |   |                   |                      |
|                |              |              |   |   |                        |   |   |   |                   |                      |



Aviation Partners Boeing  
757-200  
SUPPLEMENT – PARTS CATALOG (MAINTENANCE)

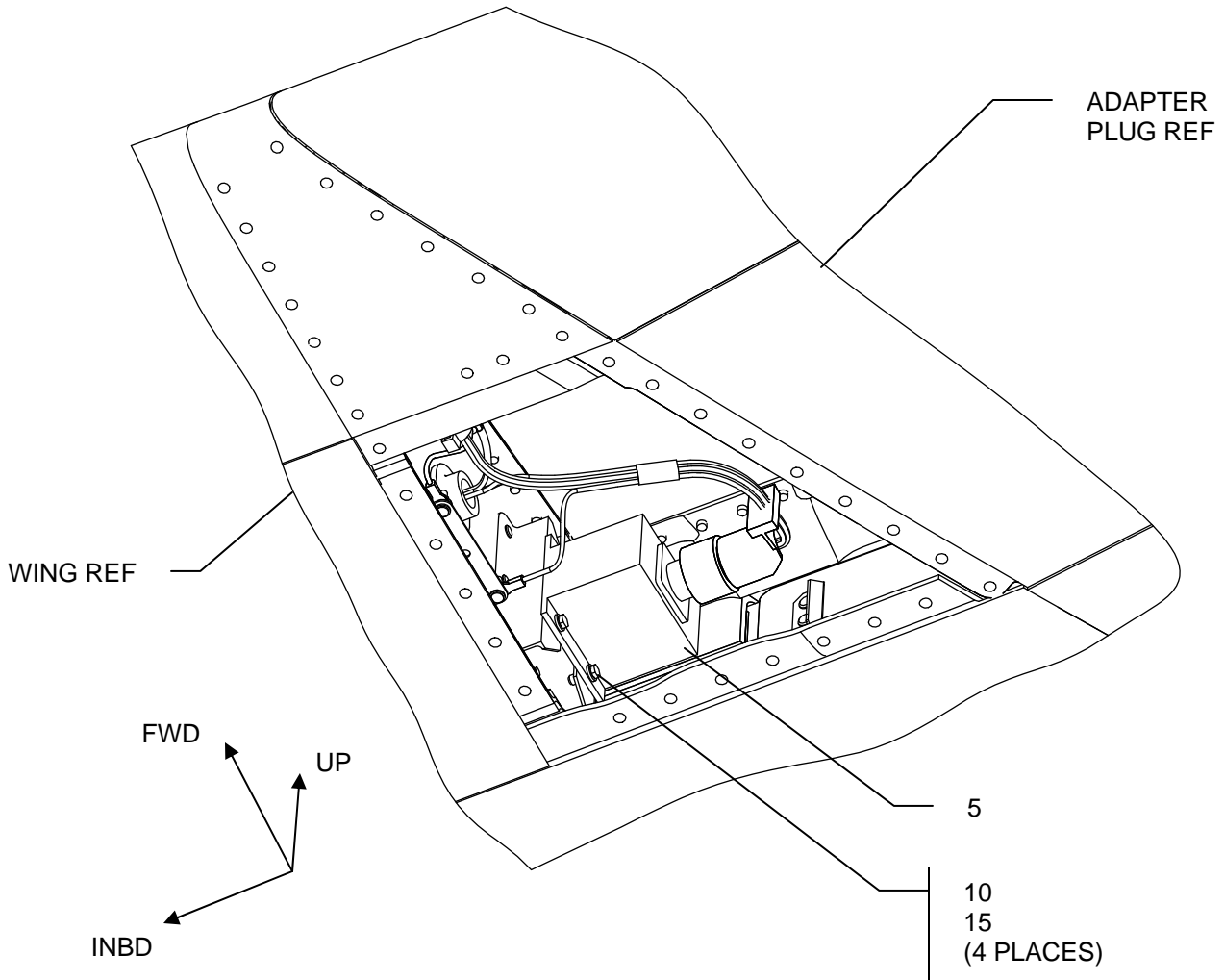


FIGURE 3 (SHEET 1)  
TRANSFORMER INSTALLATION - POSITION LIGHTS

Aviation Partners Boeing  
757-200  
SUPPLEMENT – PARTS CATALOG (MAINTENANCE)

| FIGURE<br>ITEM | PART NUMBER   | NOMENCLATURE   |   |   |   |   |   |   | EFFECT<br>FROM<br>TO | UNITS<br>PER<br>ASSY |
|----------------|---------------|--|---|---|---|---|---|---|----------------------|----------------------|
|                |               | 1  | 2 | 3 | 4 | 5 | 6 | 7 |                      |                      |
| FIG. 3         | 757-3810-1    | EQUIPMENT INSTALLATION – LEFT WING<br>-2 KIT, WINGLET<br>FOR NHA SEE:<br>757-2000-2  |   |   |   |   |   |   | ALL                  | RF                   |
| --             | 757-3810-2    | EQUIPMENT INSTALLATION – RIGHT WING<br>-2 KIT, WINGLET<br>FOR NHA SEE:<br>757-2000-2 |   |   |   |   |   |   | ALL                  | RF                   |
|                | 757-3810-3    | EQUIPMENT INSTALLATION – LEFT WING<br>-1 KIT, WING TIP<br>FOR NHA SEE:<br>757-2000-1 |   |   |   |   |   |   | ALL                  | RF                   |
| --             | 757-3810-4    | EQUIPMENT INSTALLATION – LEFT WING<br>-1 KIT, WING TIP<br>FOR NHA SEE:<br>757-2000-1 |   |   |   |   |   |   | ALL                  | RF                   |
| 5              | FT1348        | . AUTO TRANSFORMER<br>10V<br>SUPPLIER CODE:<br>14752                                 |   |   |   |   |   |   | ALL                  | 1                    |
| (6)            | FT1246        | . AUTO TRANSFORMER<br>9V<br>SUPPLIER CODE:<br>14752                                  |   |   |   |   |   |   | ALL                  | 1                    |
| 10             | NAS1802—3-10P | . BOLT   |   |   |   |   |   |   | ALL                  | 4                    |
| 15             | NAS1149D0363J | . WASHER   |   |   |   |   |   |   | ALL                  | 4                    |
|                |               |  |   |   |   |   |   |   |                      |                      |
|                |               |  |   |   |   |   |   |   |                      |                      |
|                |               |  |   |   |   |   |   |   |                      |                      |
|                |               |  |   |   |   |   |   |   |                      |                      |
|                |               |  |   |   |   |   |   |   |                      |                      |
|                |               |  |   |   |   |   |   |   |                      |                      |
|                |               |  |   |   |   |   |   |   |                      |                      |
|                |               |  |   |   |   |   |   |   |                      |                      |

Aviation Partners Boeing  
757-200  
SUPPLEMENT – PARTS CATALOG (MAINTENANCE)

WINGLET ANTI-COLLISION LIGHT

Aviation Partners Boeing  
757-200  
SUPPLEMENT – PARTS CATALOG (MAINTENANCE)

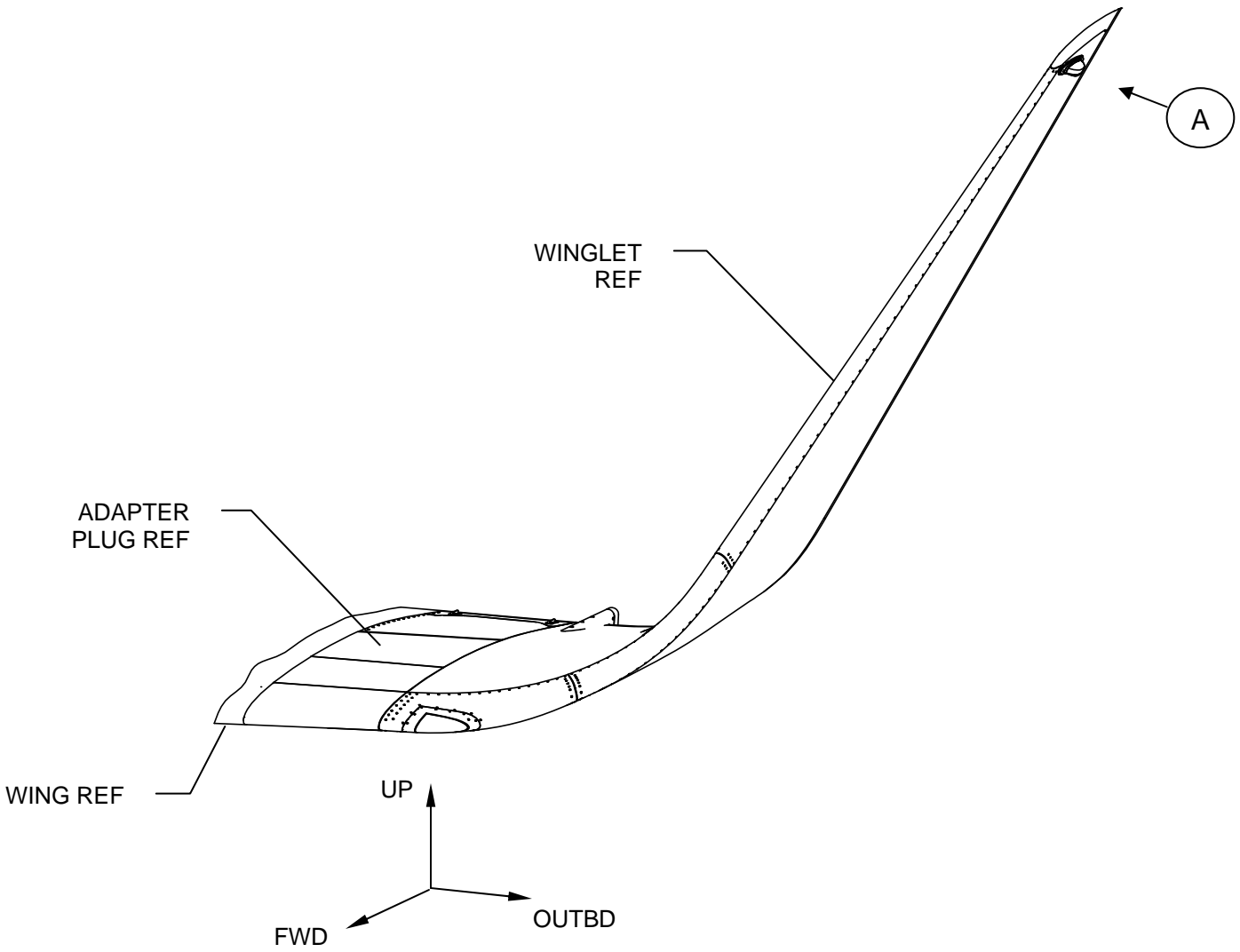


FIGURE 1 (SHEET 1)  
WINGLET ANTI-COLLISION LIGHT

Aviation Partners Boeing  
757-200  
SUPPLEMENT – PARTS CATALOG (MAINTENANCE)

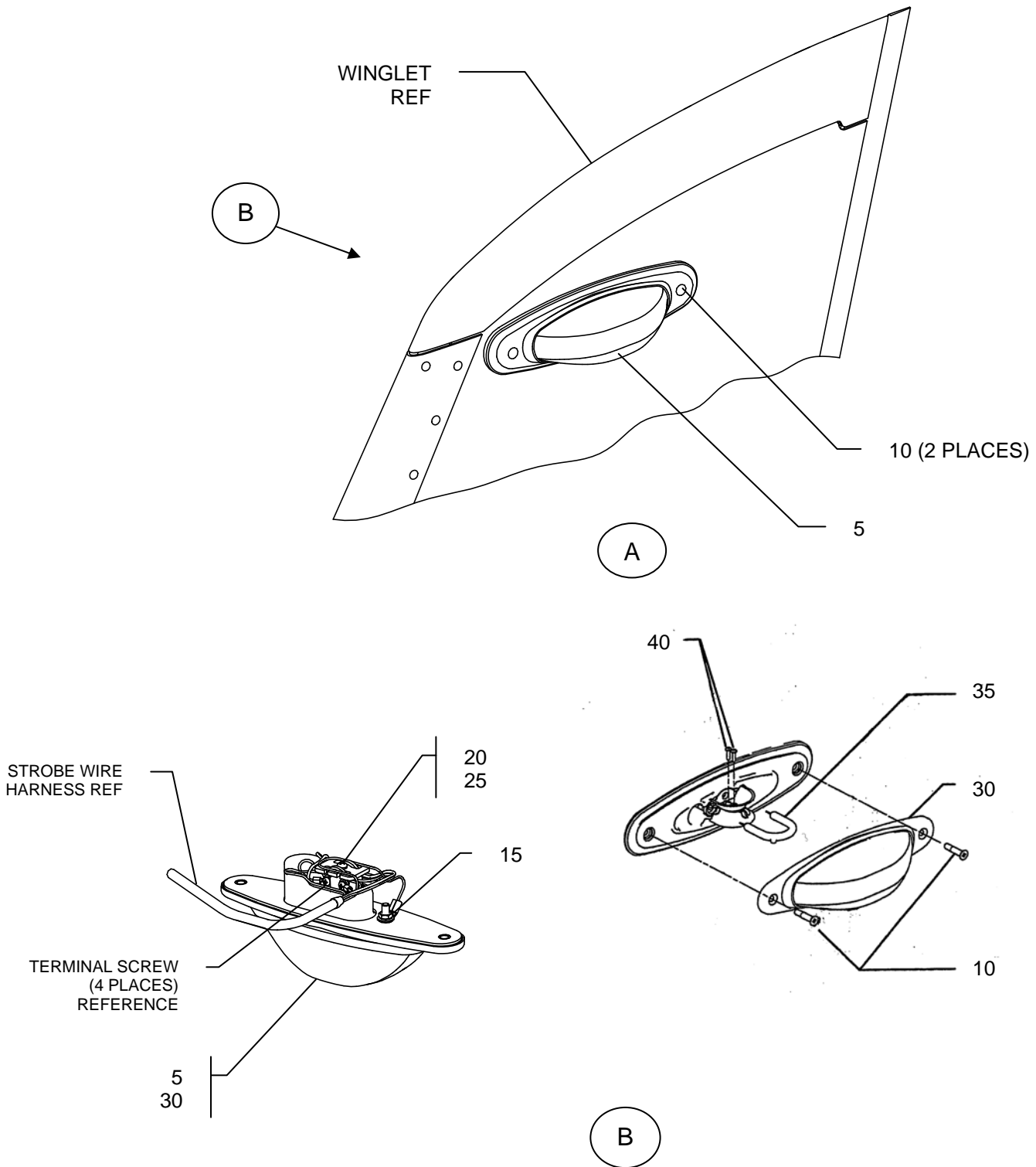


FIGURE 1 (SHEET 2) WINGLET ANTI-COLLISION LIGHT

Aviation Partners Boeing  
757-200  
SUPPLEMENT – PARTS CATALOG (MAINTENANCE)

| FIGURE<br>ITEM | PART NUMBER | NOMENCLATURE  |   |   |   |   |   |   | EFFECT<br>FROM<br>TO | UNITS<br>PER<br>ASSY |
|----------------|-------------|---|---|---|---|---|---|---|----------------------|----------------------|
|                |             | 1   | 2 | 3 | 4 | 5 | 6 | 7 |                      |                      |
| FIG. 1         | 757-1800-1  | LIGHT INSTL – STROBE, LEFT WING<br>USED ON:<br>757-0010-3, -5           |   |   |   |   |   |   | ALL                  | RF                   |
| --             | 757-1800-2  | LIGHT INSTL – STROBE, RIGHT WING<br>USED ON:<br>757-0010-4, -6          |   |   |   |   |   |   | ALL                  | RF                   |
| 5              | 30-2849-1   | . LIGHT ASSY – STROBE<br>SUPPLIER CODE: 72914<br>USED ON: 757-1800-1/-2 |   |   |   |   |   |   | ALL                  | 1                    |
| 10             | BACB30LH3-9 | . BOLT  |   |   |   |   |   |   | ALL                  | 2                    |
| 15             | MS35650-304 | . . NUT<br>USED ON: 30-2849-1   |   |   |   |   |   |   | ALL                  | 1                    |
| 20             | MS51957-27  | . . SCREW<br>USED ON: 30-2849-1   |   |   |   |   |   |   | ALL                  | 1                    |
| 25             | MS35338-136 | . . WASHER, LOCK<br>USED ON: 30-2849-1                                  |   |   |   |   |   |   | ALL                  | 1                    |
| 30             | 31-9366-1   | . . LENS ASSY<br>SUPPLIER CODE: 72914<br>USED ON: 30-2849-1             |   |   |   |   |   |   | ALL                  | 1                    |
| 35             | 55-2199-3   | . . FLASHTUBE<br>SUPPLIER CODE: 72914<br>USED ON: 30-2849-1             |   |   |   |   |   |   | ALL                  | 1                    |
| 40             | MS51957-6   | . . SCREW<br>USED ON: 30-2849-1   |   |   |   |   |   |   | ALL                  | 2                    |
|                |             |   |   |   |   |   |   |   |                      |                      |
|                |             |   |   |   |   |   |   |   |                      |                      |
|                |             |   |   |   |   |   |   |   |                      |                      |
|                |             |   |   |   |   |   |   |   |                      |                      |
|                |             |   |   |   |   |   |   |   |                      |                      |
|                |             |   |   |   |   |   |   |   |                      |                      |
|                |             |   |   |   |   |   |   |   |                      |                      |
|                |             |   |   |   |   |   |   |   |                      |                      |
|                |             |   |   |   |   |   |   |   |                      |                      |

Aviation Partners Boeing  
757-200  
SUPPLEMENT – PARTS CATALOG (MAINTENANCE)

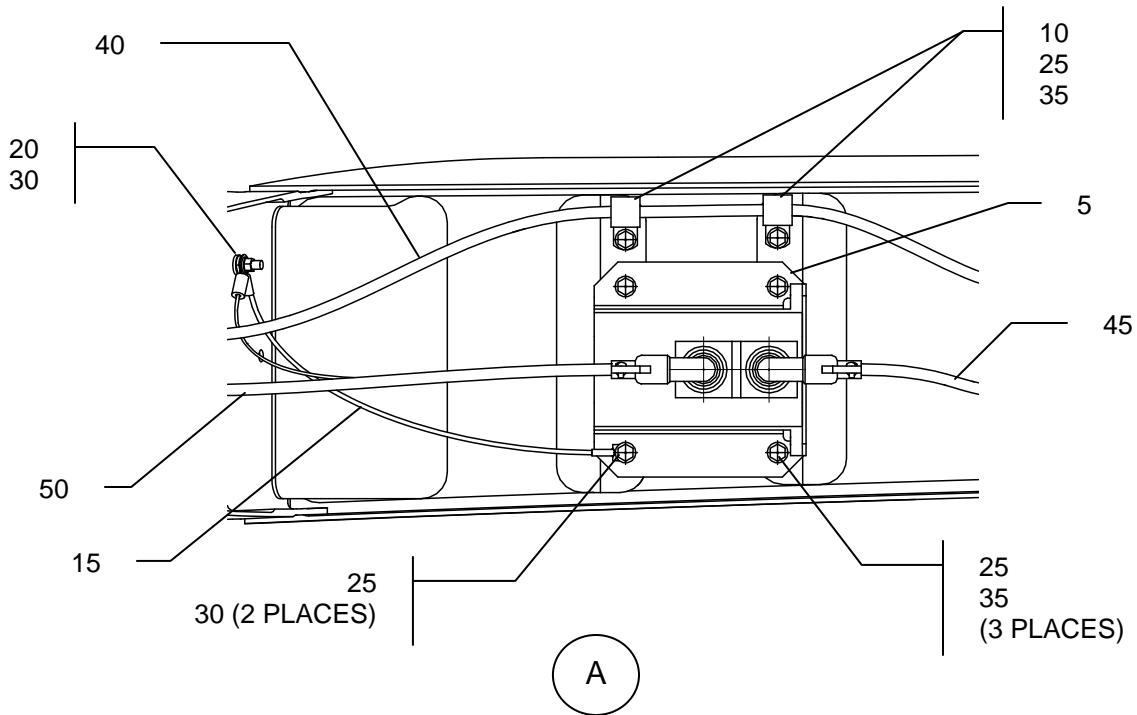
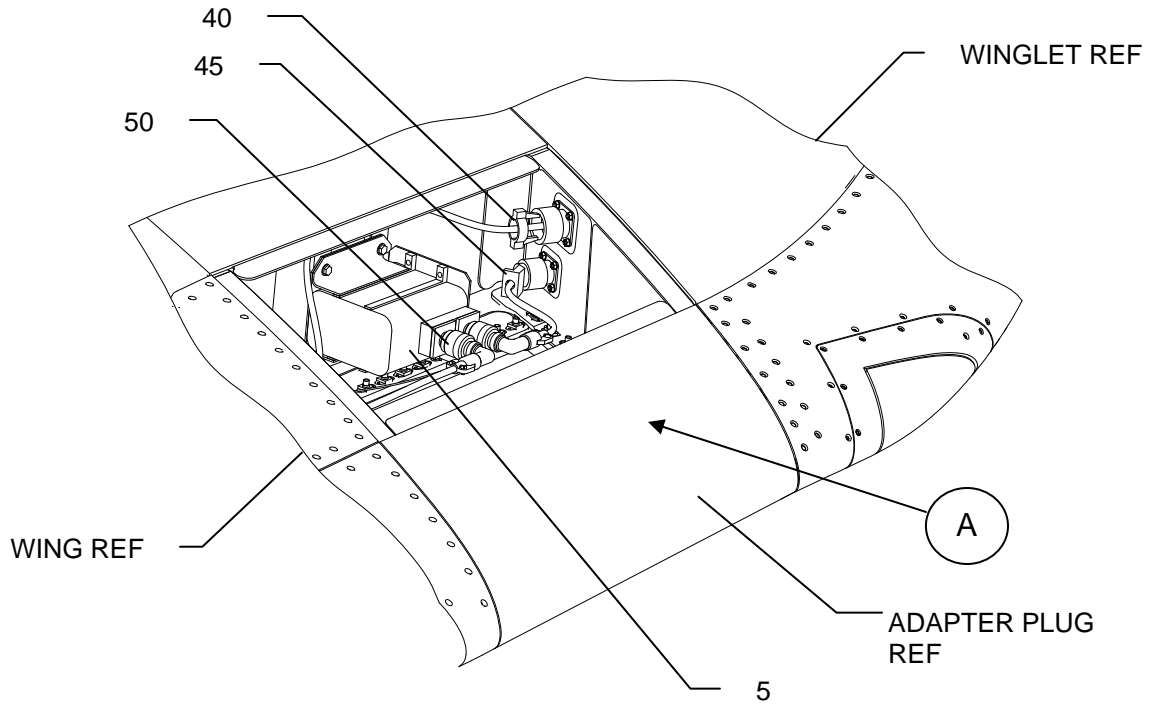


FIGURE 2 (SHEET 1)  
POWER SUPPLY INSTALLATION - WINGLET ANTI-COLLISION LIGHT

Aviation Partners Boeing  
757-200  
SUPPLEMENT – PARTS CATALOG (MAINTENANCE)

| FIGURE<br>ITEM | PART NUMBER        | NOMENCLATURE |   |   |   |   |   |   | EFFECT<br>FROM<br>TO  | UNITS<br>PER<br>ASSY |    |
|----------------|--------------------|--------------|---|---|---|---|---|---|---|----------------------|----|
|                |                    | 1            | 2 | 3 | 4 | 5 | 6 | 7 |   |                      |    |
| FIG. 2<br>1    | 757-5100-1, -3, -5 | .            |   |   |   |   |   |   | ADAPTER PLUG ASSY – LEFT WING<br>USED ON:<br>757-5000-1   | ALL                  | RF |
| FIG. 2<br>-- 2 | 757-5100-2, -4, -6 | .            |   |   |   |   |   |   | ADAPTER PLUG ASSY – RIGHT WING<br>USED ON:<br>757-5000-2  | ALL                  | RF |
|                |                    |              |   |   |   |   |   |   |   |                      |    |
|                |                    |              |   |   |   |   |   |   |   |                      |    |
| 5              | 60-5213-1          | .            | . |   |   |   |   |   | POWER SUPPLY<br>SUPPLIER CODE:<br>72914   | ALL                  | 1  |
| 10             | BACC10GU103        | .            | . |   |   |   |   |   | CLAMP   | ALL                  | 2  |
| 15             | BACJ40AB20-10      | .            | . |   |   |   |   |   | JUMPER ASSY   | ALL                  | 1  |
| 20             | BACN10YR3CD        | .            | . |   |   |   |   |   | NUT   | ALL                  | 1  |
| 25             | NAS1802-3-11P      | .            | . |   |   |   |   |   | BOLT  | ALL                  | 6  |
| 30             | NAS1149D0316J      | .            | . |   |   |   |   |   | WASHER  | ALL                  | 3  |
| 35             | NAS1149D0332J      | .            | . |   |   |   |   |   | WASHER  | ALL                  | 5  |
| 40             | 757-1832-1         |              |   |   |   |   |   |   | WIRE HARNESS ASSY – POSITION<br>LIGHT<br>WDM: AP57.2-0615-2<br>USED ON: 757-5100-1/-2, -3/-4, -5/-6 | ALL                  | 1  |
| 45             | 757-1834-2         |              |   |   |   |   |   |   | WIRE HARNESS ASSY – STROBE LIGHT<br>WDM: AP57.2-0615-2<br>USED ON: 757-5100-1/-2, -3/-4, -5/-6      | ALL                  | 1  |
| 50             | 757-1834-3         |              |   |   |   |   |   |   | WIRE HARNESS ASSY – STROBE LIGHT<br>WDM: AP57.2-0615-2<br>USED ON: 757-5100-1/-2, -3/-4, -5/-6      | ALL                  | 1  |
|                |                    |              |   |   |   |   |   |   |   |                      |    |



Aviation Partners Boeing  
757-200  
SUPPLEMENT – PARTS CATALOG (MAINTENANCE)

CHAPTER 57 – WINGS

TABLE OF CONTENTS

| SUBJECT                        | CHAPTER<br>SECTION<br>UNIT | FIGURE | WINGLET<br>SERIAL<br>NUMBER<br>(EFFECT) |
|--------------------------------|----------------------------|--------|---|
| VORTEX GENERATORS              | 57-25-00                   |        |   |
| GENERATOR INSTALLATION         | 57-25-01                   | 01     |   |
| DASH –2 KIT (WINGLET CONFIG.)  |                            |        |   |
| WING ADAPTER PLUG              | 57-31-01                   |        |   |
| ADAPTER PLUG INSTALLATION      | 57-31-01                   | 01     |   |
| DASH –2 KIT (WINGLET CONFIG.)  |                            |        |   |
| WINGLET                        | 57-31-02                   |        |   |
| WINGLET INSTALLATION           | 57-31-02                   | 01     |   |
| DASH –2 KIT (WINGLET CONFIG.)  |                            |        |   |
| WING TIP                       | 57-31-03                   |        |   |
| WING TIP INSTALLATION          | 57-31-03                   | 01     |   |
| DASH –1 KIT (WING TIP CONFIG.) |                            |        |   |

Aviation Partners Boeing  
757-200  
SUPPLEMENT – PARTS CATALOG (MAINTENANCE)

VORTEX GENERATORS

Aviation Partners Boeing  
757-200  
SUPPLEMENT – PARTS CATALOG (MAINTENANCE)

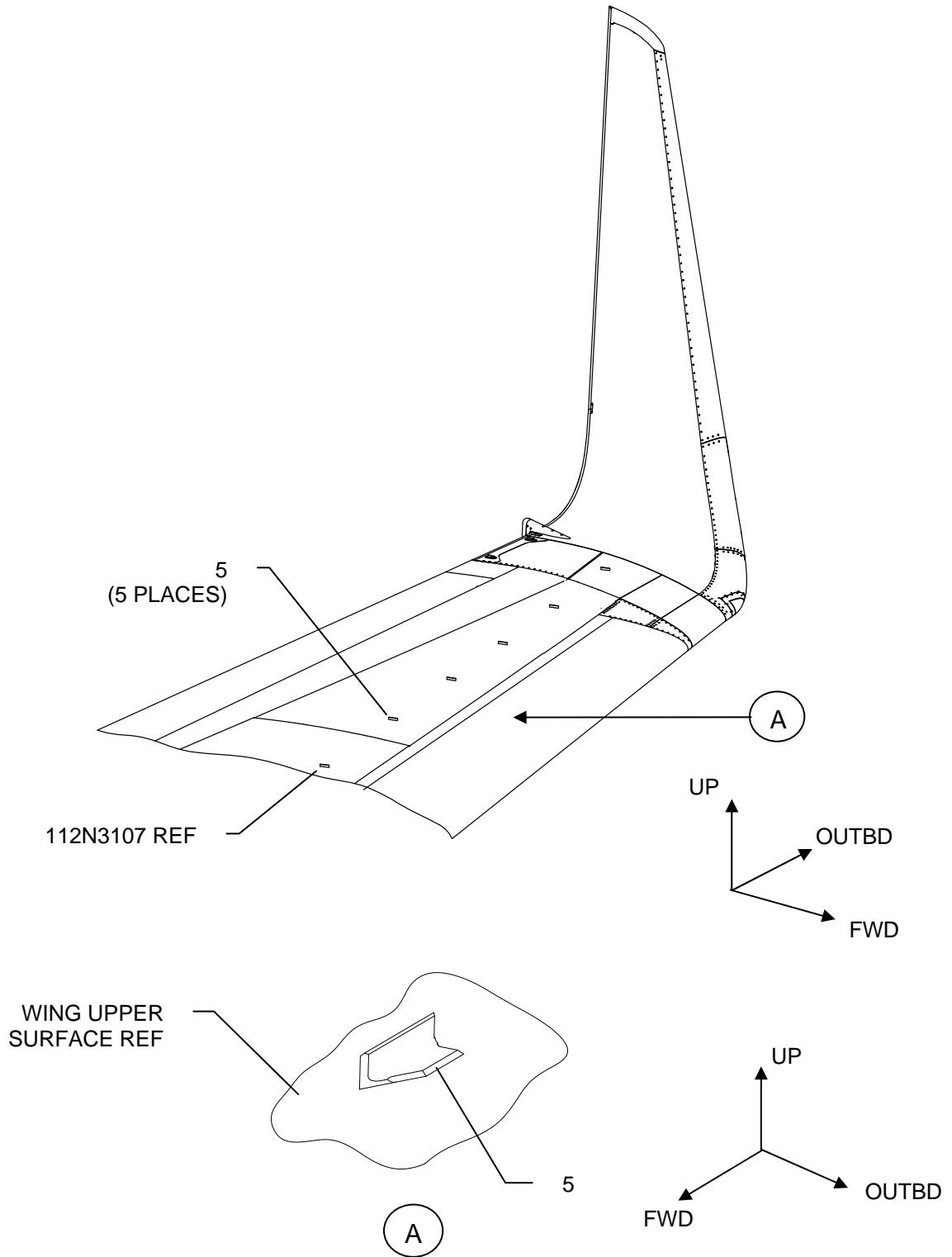


FIGURE 1 (SHEET 1)  
VORTEX GENERATOR INSTALLATION

Aviation Partners Boeing  
757-200  
SUPPLEMENT – PARTS CATALOG (MAINTENANCE)

| FIGURE<br>ITEM | PART NUMBER | NOMENCLATURE   | EFFECT<br>FROM<br>TO | UNITS<br>PER<br>ASSY |
|----------------|-------------|--|----------------------|----------------------|
|                |             | 1 2 3 4 5 6 7  |                      |                      |
| FIG. 1         | 757-3050-1  | VORTEX GENERATOR INSTL – WING UPPER<br>SURFACE<br>USED ON:<br>757-2000-2 | ALL                  | RF                   |
| --             | 757-3050-2  | VORTEX GENERATOR INSTL – WING UPPER<br>SURFACE<br>USED ON:<br>757-2000-2 | ALL                  | 1                    |
| 5              | 757-3051-1  | . VORTEX GENERATOR<br>OPTIONAL PART:<br>112N3106-1                       | ALL                  | 5                    |
| --             | 757-3051-2  | . VORTEX GENERATOR<br>OPTIONAL PART:<br>112N3106-2                       | ALL                  | 5                    |
|                |             |  |                      |                      |
|                |             |  |                      |                      |
|                |             |  |                      |                      |
|                |             |  |                      |                      |
|                |             |  |                      |                      |
|                |             |  |                      |                      |
|                |             |  |                      |                      |
|                |             |  |                      |                      |
|                |             |  |                      |                      |
|                |             |  |                      |                      |
|                |             |  |                      |                      |
|                |             |  |                      |                      |
|                |             |  |                      |                      |

Aviation Partners Boeing  
757-200  
SUPPLEMENT – PARTS CATALOG (MAINTENANCE)

ADAPTER PLUG

Aviation Partners Boeing  
757-200  
SUPPLEMENT – PARTS CATALOG (MAINTENANCE)

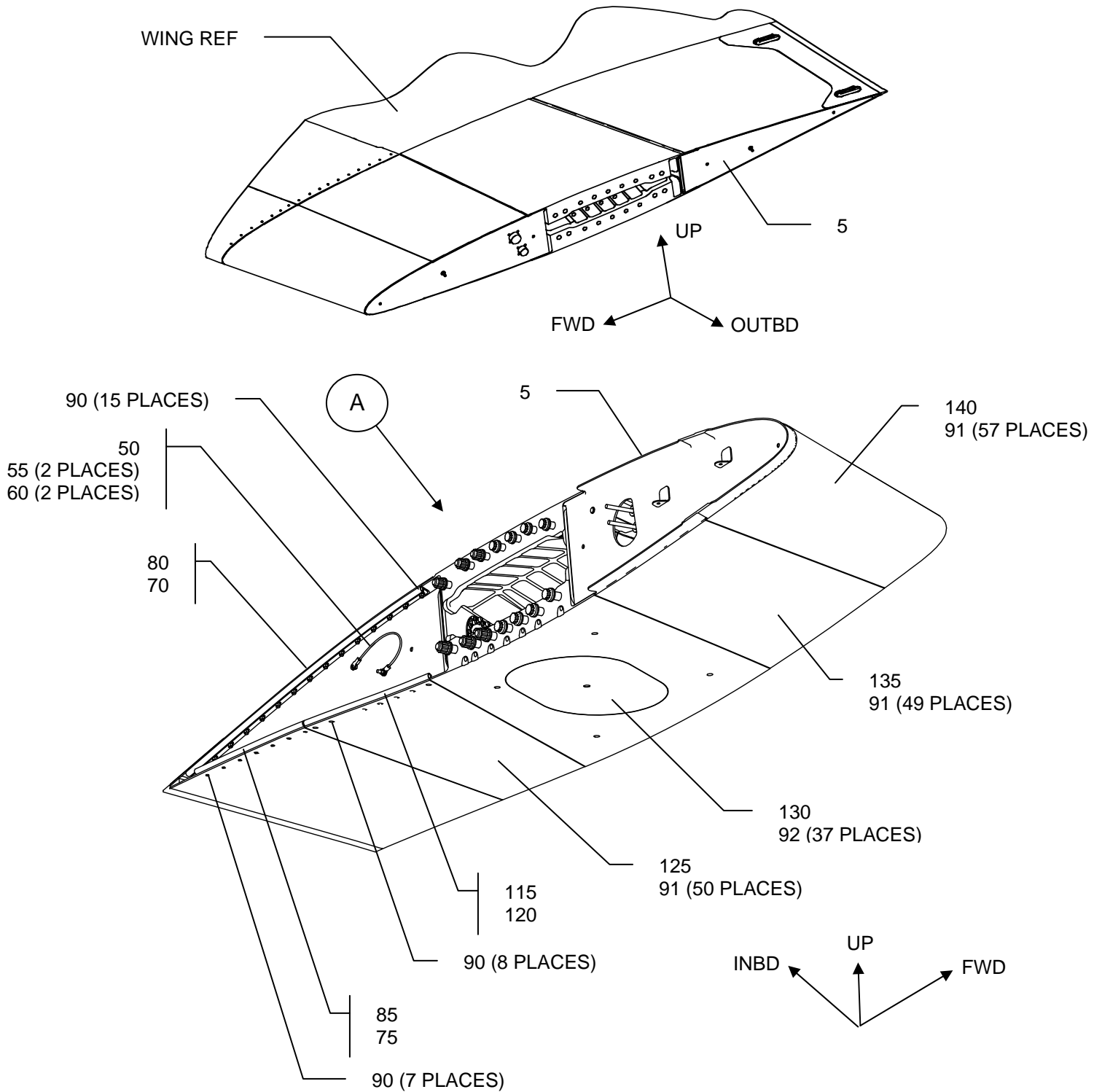


FIGURE 1 (SHEET 1)  
ADAPTER PLUG INSTALLATION – WING

Aviation Partners Boeing  
757-200  
SUPPLEMENT – PARTS CATALOG (MAINTENANCE)

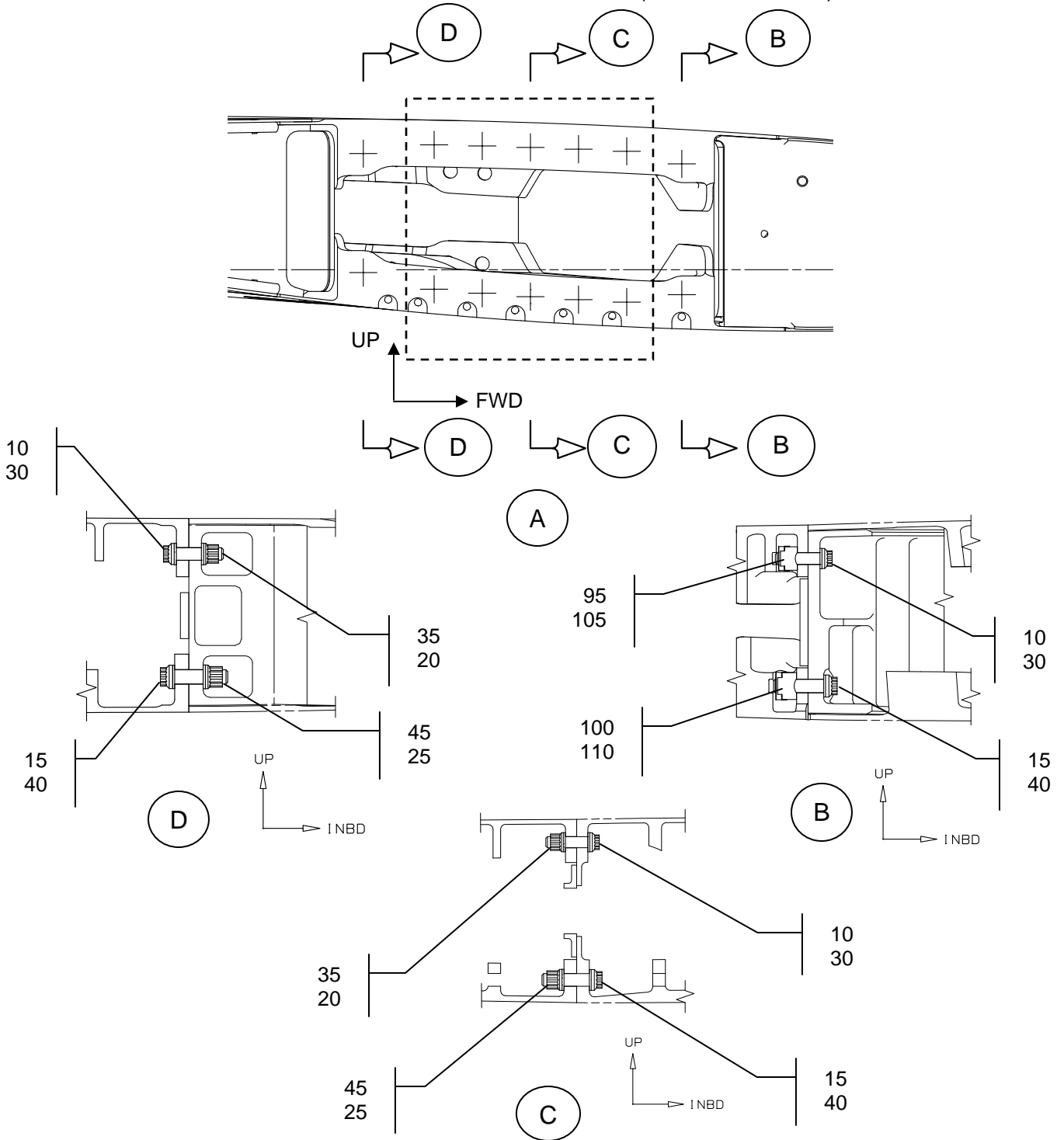


FIGURE 1 (SHEET 2)  
ADAPTER PLUG INSTALLATION – WING

**Aviation Partners Boeing**  
**757-200**  
**SUPPLEMENT – PARTS CATALOG (MAINTENANCE)**

| FIGURE<br>ITEM | PART NUMBER        | NOMENCLATURE   |   |  |   |   |   |   | EFFECT<br>FROM<br>TO | UNITS<br>PER<br>ASSY |
|----------------|--------------------|--|---|--|---|---|---|---|----------------------|----------------------|
|                |                    | 1  | 2   | 3  | 4 | 5 | 6 | 7 |                      |                      |
| FIG. 1         | 757-5000-1         | ADAPTER PLUG INSTALLATION – LH<br>USED ON:<br>757-2000-2 |   |  |   |   |   |   | ALL                  | RF                   |
| --             | 757-5000-2         | ADAPTER PLUG INSTALLATION – RH<br>USED ON:<br>757-2000-2 |   |  |   |   |   |   | ALL                  | RF                   |
| 5              | 757-5100-1, -3, -5 | .  | ADAPTER PLUG ASSY, LH                     |  |   |   |   |   | ALL                  | 1                    |
| -- 6           | 757-5100-2, -4, -6 | .  | ADAPTER PLUG ASSY, RH                     |  |   |   |   |   | ALL                  | 1                    |
| 10             | BACB30US7K16       | .  | BOLT                                      |  |   |   |   |   |                      | 7                    |
| 15             | BACB30US8K18       | .  | BOLT                                      |  |   |   |   |   |                      | 7                    |
| 20             | BACN10HR7CD        | .  | NUT                                       |  |   |   |   |   |                      | 6                    |
| 25             | BACN10HR8CD        | .  | NUT                                       |  |   |   |   |   |                      | 6                    |
| 30             | BACW10BP7CD        | .  | WASHER                                    |  |   |   |   |   |                      | 7                    |
| 35             | BACW10BP7DP        | .  | WASHER                                    |  |   |   |   |   |                      | 6                    |
| 40             | BACW10BP8CD        | .  | WASHER                                    |  |   |   |   |   |                      | 7                    |
| 45             | BACW10BP8DP        | .  | WASHER                                    |  |   |   |   |   |                      | 6                    |
| 50             | BACJ40AB20-8       | .  | JUMPER ASSY                               |  |   |   |   |   |                      | 1                    |
| 55             | BACN10YR3CD        | .  | NUT                                       |  |   |   |   |   |                      | 2                    |
| 60             | NAS1149D0316H      | .  | WASHER                                    |  |   |   |   |   |                      | 2                    |
| 65             | 16785              | .  | STATIC DISCHARGER<br>SUPPLIER CODE: 55635 |  |   |   |   |   |                      | 2                    |
| 70             | 757-5320-1         | .  | .   | RETAINER SEAL, LH<br>USED ON: 757-5100-1, -3, -5 |   |   |   |   | 1                    |                      |
| -- 71          | 757-5320-2         | .  | .   | RETAINER SEAL, RH<br>USED ON: 757-5100-2, -4, -6 |   |   |   |   | 1                    |                      |
| 75             | 757-5320-5         | .  | .   | RETAINER SEAL, LH<br>USED ON: 757-5100-1, -3, -5 |   |   |   |   | 1                    |                      |



# Aviation Partners Boeing

757-200

## SUPPLEMENT – PARTS CATALOG (MAINTENANCE)

| FIGURE<br>ITEM | PART NUMBER    | NOMENCLATURE<br>1 2 3 4 5 6 7                        | EFFECT<br>FROM<br>TO | UNITS<br>PER<br>ASSY |
|----------------|----------------|--|----------------------|----------------------|
|                |                |  |                      |                      |
| -- 76          | 757-5320-6     | . . RETAINER SEAL, RH<br>USED ON: 757-5100-2, -4, -6 |                      | 1                    |
| 80             | 757-5330-1     | . . SEAL, LH<br>USED ON: 757-5100-1, -3, -5          |                      | 1                    |
| -- 81          | 757-5330-2     | . . SEAL, RH<br>USED ON: 757-5100-2, -4, -6          |                      | 1                    |
| 85             | 757-5330-5     | . . SEAL, LH<br>USED ON: 757-5100-1, -3, -5          |                      | 1                    |
| -- 86          | 757-5330-6     | . . SEAL, RH<br>USED ON: 757-5100-2, -4, -6          |                      | 1                    |
| 90             | BACB30VF3K3    | . . BOLT   |                      | 22                   |
| 91             | BACB30VF3K5    | . . BOLT   |                      | 156                  |
| 92             | BACB30VF4K8    | . . BOLT   |                      | 30                   |
| 95             | BACN11X7CD     | . . BARREL NUT                                       |                      | 1                    |
| 100            | BACN1X8CD      | . . BARREL NUT                                       |                      | 1                    |
| 105            | SLR4169C7EASP1 | . . RETAINER   |                      | 1                    |
| 110            | SLR4169C8EASP1 | . . RETAINER   |                      | 1                    |
| 125            | 757-5105-1     | . . PANEL ASSY – TE, LH                              |                      | 1                    |
| 115            | 757-5330-3     | . . . SEAL, LH                                       |                      | 1                    |
| 120            | 757-5320-3     | . . . RETAINER – SEAL, LH                            |                      | 1                    |
| -- 126         | 757-5105-2     | . . PANEL ASSY – TE, RH                              |                      | 1                    |
| -- 116         | 757-5330-4     | . . . SEAL, RH                                       |                      | 1                    |
| -- 121         | 757-5320-4     | . . . RETAINER – SEAL, RH                            |                      | 1                    |
| 130            | 757-5150-1, -5 | . . ACCESS COVER, LH                                 |                      | 1                    |
| -- 131         | 757-5150-2, -6 | . . ACCESS COVER, RH                                 |                      | 1                    |
| 135            | 757-5220-1     | . . PANEL ASSY – LE, LH                              |                      | 1                    |

Aviation Partners Boeing  
 757-200  
 SUPPLEMENT – PARTS CATALOG (MAINTENANCE)

| FIGURE<br>ITEM | PART NUMBER | NOMENCLATURE |   |                       |   |   |   |   | EFFECT<br>FROM<br>TO | UNITS<br>PER<br>ASSY |
|----------------|-------------|--------------|---|-----------------------|---|---|---|---|----------------------|----------------------|
|                |             | 1            | 2 | 3                     | 4 | 5 | 6 | 7 |                      |                      |
| -- 136         | 757-5220-2  | .            | . | PANEL ASSY – LE, RH   |   |   |   |   |                      | 1                    |
| 140            | 757-5230-1  | .            | . | LEADING EDGE SKIN, LH |   |   |   |   |                      | 1                    |
| -- 141         | 757-5230-2  | .            | . | LEADING EDGE SKIN, RH |   |   |   |   |                      | 1                    |
|                |             |              |   |                       |   |   |   |   |                      |                      |
|                |             |              |   |                       |   |   |   |   |                      |                      |
|                |             |              |   |                       |   |   |   |   |                      |                      |
|                |             |              |   |                       |   |   |   |   |                      |                      |
|                |             |              |   |                       |   |   |   |   |                      |                      |
|                |             |              |   |                       |   |   |   |   |                      |                      |
|                |             |              |   |                       |   |   |   |   |                      |                      |
|                |             |              |   |                       |   |   |   |   |                      |                      |
|                |             |              |   |                       |   |   |   |   |                      |                      |
|                |             |              |   |                       |   |   |   |   |                      |                      |
|                |             |              |   |                       |   |   |   |   |                      |                      |
|                |             |              |   |                       |   |   |   |   |                      |                      |
|                |             |              |   |                       |   |   |   |   |                      |                      |
|                |             |              |   |                       |   |   |   |   |                      |                      |
|                |             |              |   |                       |   |   |   |   |                      |                      |
|                |             |              |   |                       |   |   |   |   |                      |                      |
|                |             |              |   |                       |   |   |   |   |                      |                      |
|                |             |              |   |                       |   |   |   |   |                      |                      |
|                |             |              |   |                       |   |   |   |   |                      |                      |
|                |             |              |   |                       |   |   |   |   |                      |                      |
|                |             |              |   |                       |   |   |   |   |                      |                      |

Aviation Partners Boeing  
757-200  
SUPPLEMENT – PARTS CATALOG (MAINTENANCE)

WINGLET

Aviation Partners Boeing  
757-200  
SUPPLEMENT – PARTS CATALOG (MAINTENANCE)

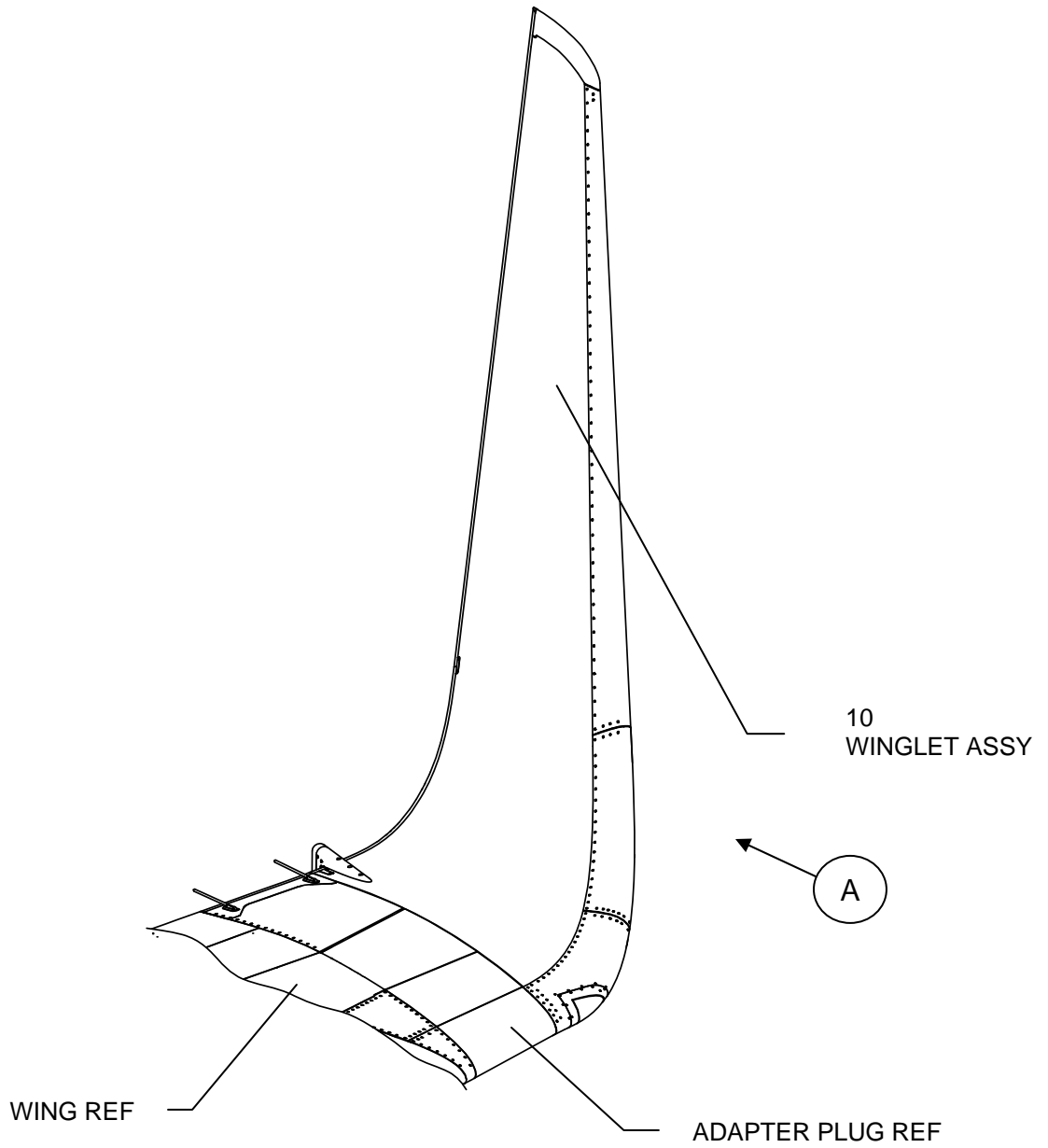


FIGURE 1 (SHEET 1)  
WINGLET INSTALLATION

Aviation Partners Boeing  
757-200  
SUPPLEMENT – PARTS CATALOG (MAINTENANCE)

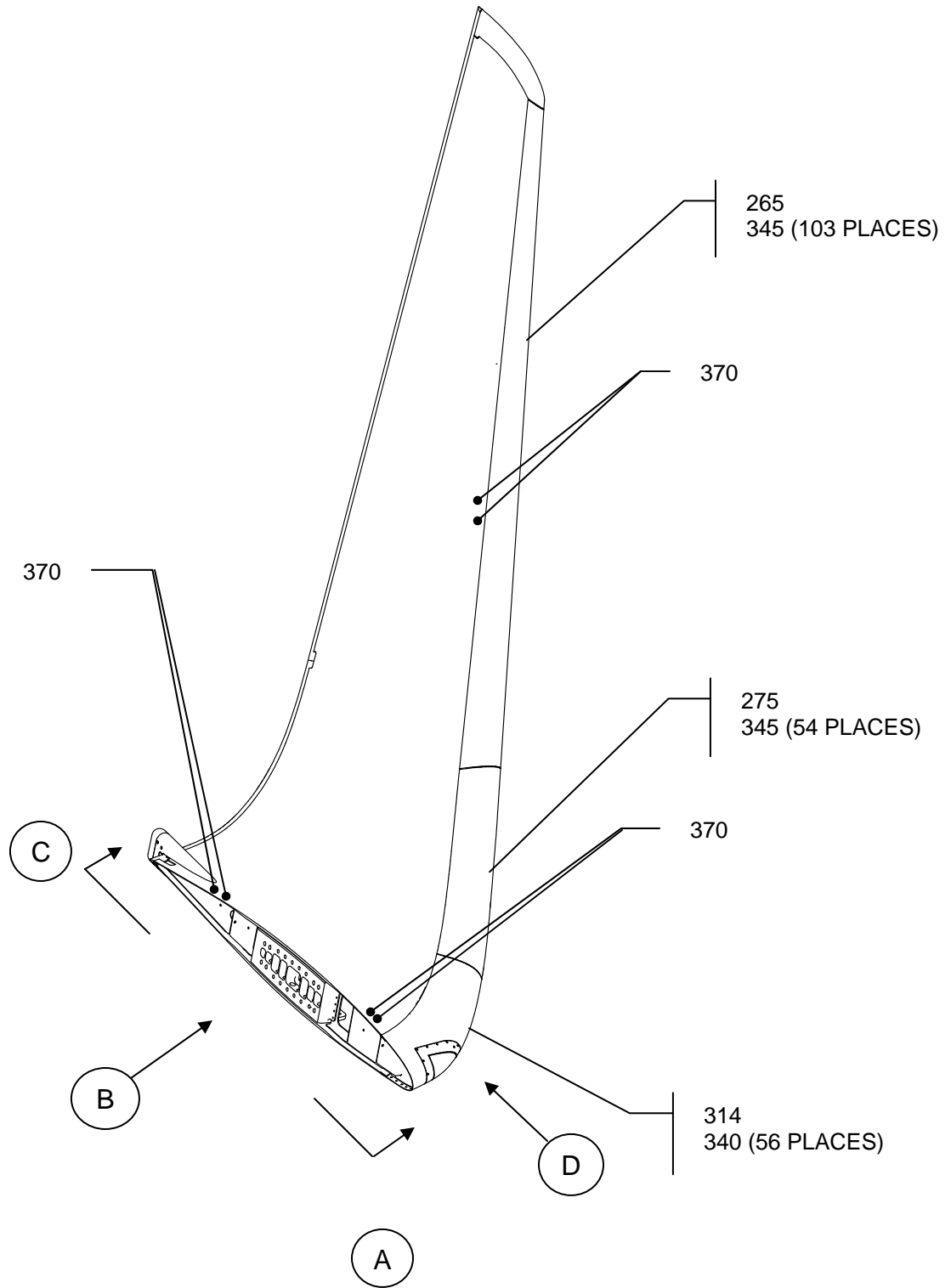


FIGURE 1 (SHEET 2)  
WINGLET INSTALLATION

Aviation Partners Boeing  
757-200  
SUPPLEMENT – PARTS CATALOG (MAINTENANCE)

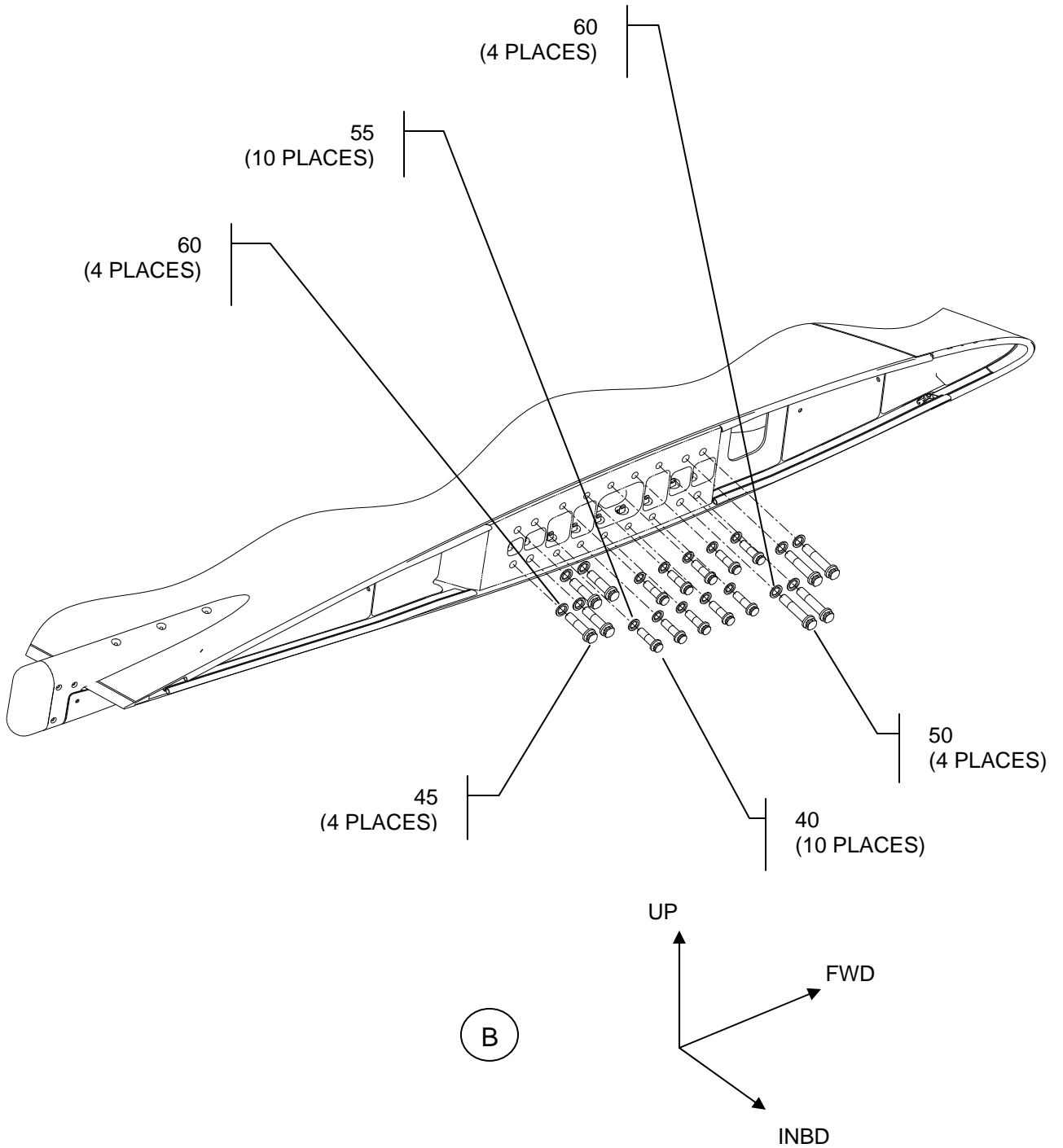


FIGURE 1 (SHEET 3)  
WINGLET INSTALLATION

# Aviation Partners Boeing

757-200

## SUPPLEMENT – PARTS CATALOG (MAINTENANCE)

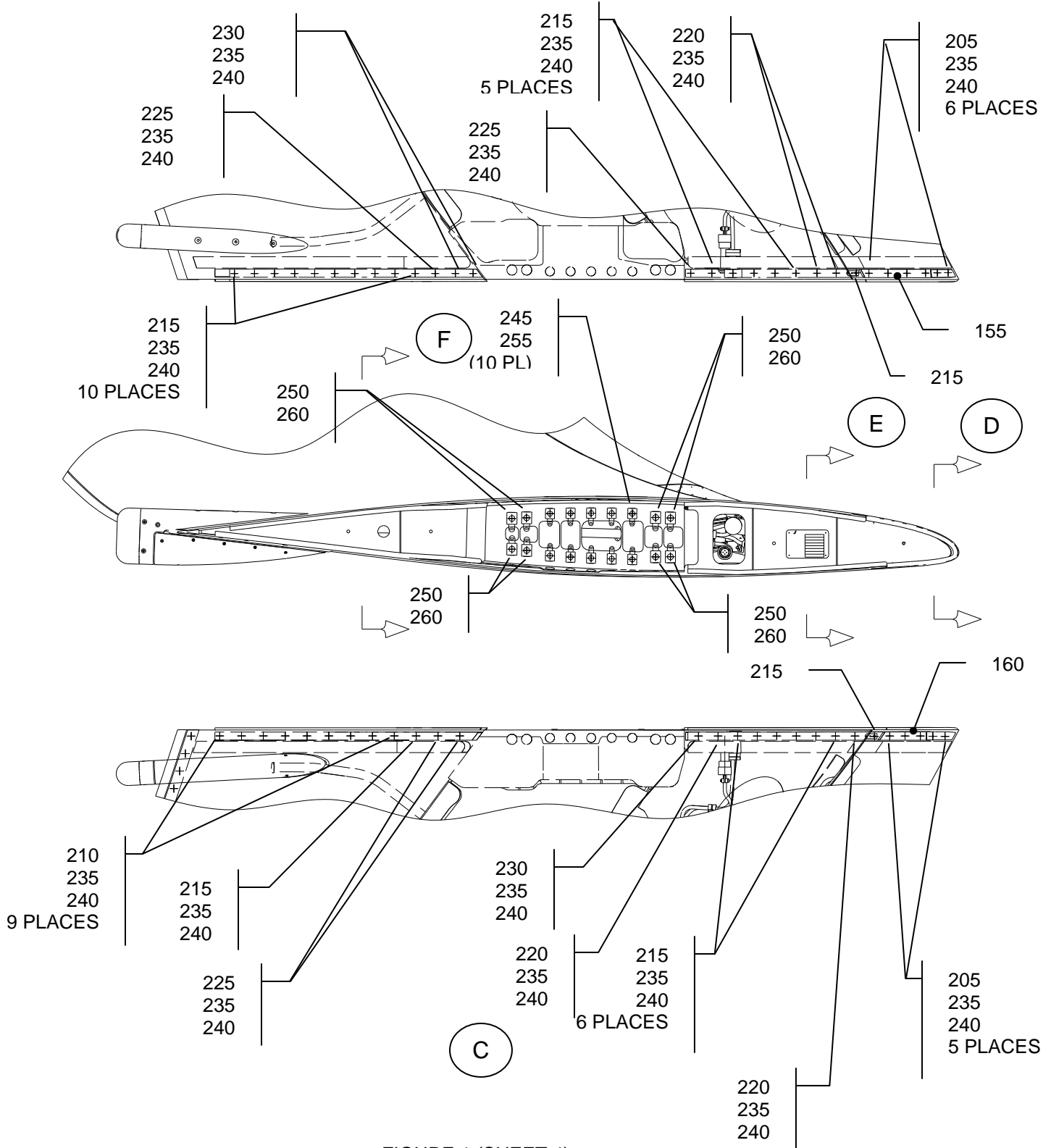


FIGURE 1 (SHEET 4)  
WINGLET INSTALLATION

Aviation Partners Boeing  
757-200  
SUPPLEMENT – PARTS CATALOG (MAINTENANCE)

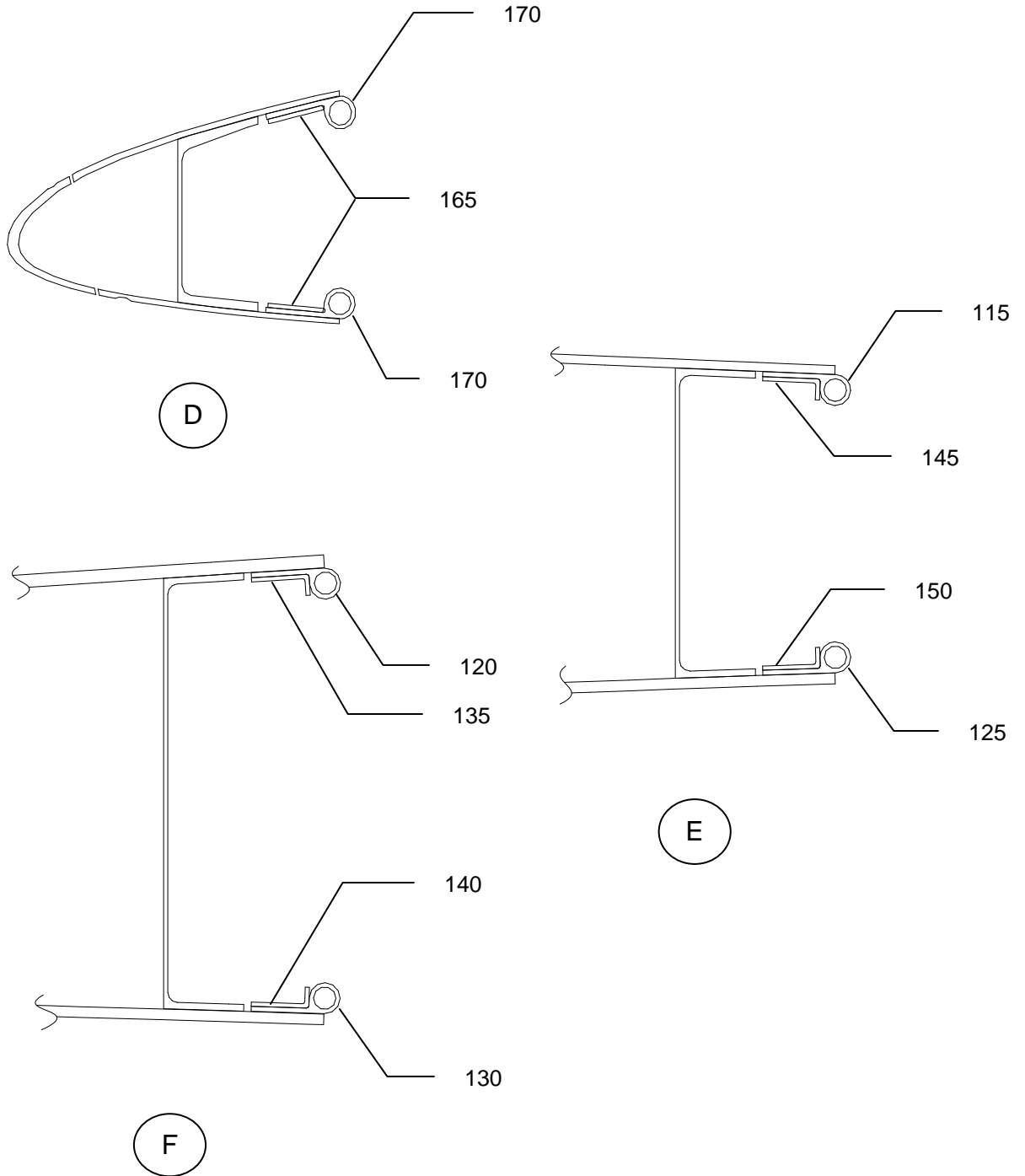
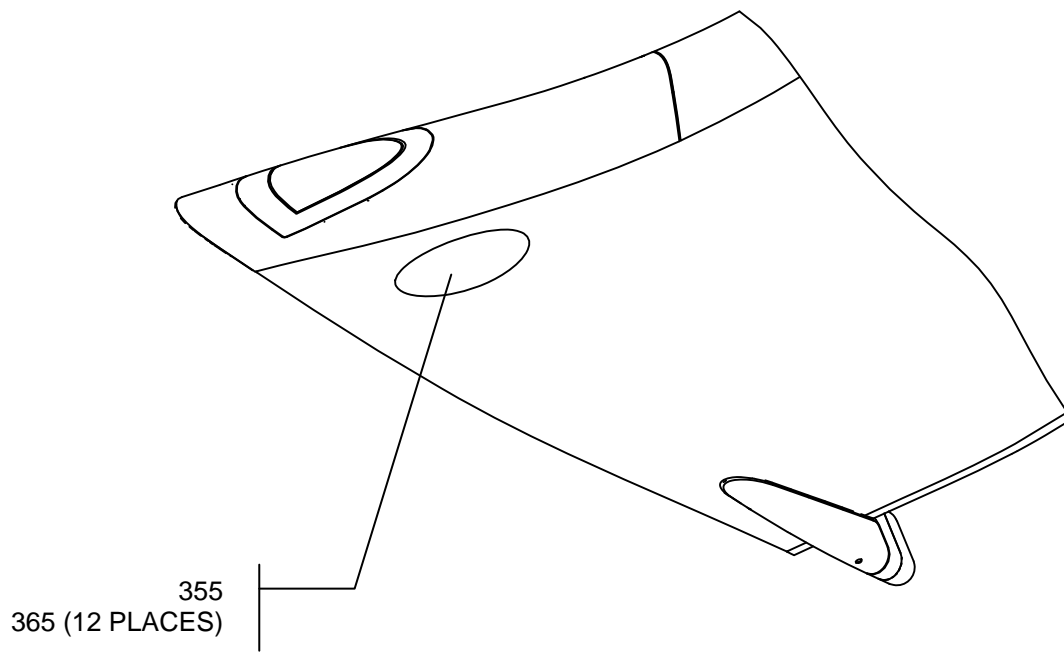


FIGURE 1 (SHEET 5)  
WINGLET INSTALLATION



Aviation Partners Boeing  
757-200  
SUPPLEMENT – PARTS CATALOG (MAINTENANCE)



D

FIGURE 1 (SHEET 6)  
WINGLET INSTALLATION

Aviation Partners Boeing  
757-200  
SUPPLEMENT – PARTS CATALOG (MAINTENANCE)

| FIG. ITEM   | PART NUMBER    | NOMENCLATURE   | EFFECT FROM TO | UNITS    |
|-------------|----------------|--|----------------|----------|
|             |                |  |                | PER ASSY |
| FIG. 1<br>1 | 757-0002-3, -5 | 1 2 3 4 5 6 7<br>WINGLET INSTL, LH                     |                | RF       |
| -- 5        | 757-0002-4, -6 | WINGLET INSTL, RH                                      |                | RF       |
| 10          | 757-0010-3     | . WINGLET ASSY, LH<br>USED ON: 757-0002-3              |                | 1        |
| -- 11       | 757-0010-4     | . WINGLET ASSY, RH<br>USED ON: 757-0002-4              |                | 1        |
| 10          | 757-0010-5     | . WINGLET ASSY, LH<br>USED ON: 757-0002-5              |                | 1        |
| -- 11       | 757-0010-6     | . WINGLET ASSY, RH<br>USED ON: 757-0002-6              |                | 1        |
| 40          | BACB30US7K12   | . BOLT<br>USED ON: 757-0002-3/4, -5/-6                 |                | 10       |
| 45          | BACB30US8K18   | . BOLT<br>USED ON: 757-0002-3/4, -5/-6                 |                | 4        |
| 50          | BACB30US8K26   | . BOLT<br>USED ON: 757-0002-3/4, -5/-6                 |                | 4        |
| 55          | BACW10BP7CD    | . WASHER<br>USED ON: 757-0002-3/4, -5/-6               |                | 10       |
| 60          | BACW10BP8CD    | . WASHER<br>USED ON: 757-0002-3/4, -5/-6               |                | 8        |
| 115         | 737-0010-3     | . . SEAL, LH, FWD UPPER<br>USED ON: 757-0010-3, -5     |                | 1        |
| -- 116      | 737-0010-4     | . . SEAL, RH, FWD UPPER<br>USED ON: 757-0010-4, -6     |                | 1        |
| 120         | 737-0010-5     | . . SEAL, LH, AFT UPPER<br>USED ON: 757-0010-3, -5     |                | 1        |
| -- 121      | 737-0010-6     | . . SEAL, RH, AFT UPPER<br>USED ON: 757-0010-4, -6     |                | 1        |
| -- 125      | 737-0010-7     | . . SEAL, LH, FWD LOWER<br>USED ON: 757-0010-3, -5     |                | 1        |
| -- 126      | 737-0010-8     | . . SEAL, RH, FWD LOWER<br>USED ON: 757-0010-4, -6     |                | 1        |
| 130         | 737-0010-9     | . . SEAL, LH, AFT LOWER<br>USED ON: 757-0010-3, -5     |                | 1        |
| -- 131      | 737-0010-10    | . . SEAL, RH, AFT LOWER<br>USED ON: 757-0010-4, -6     |                | 1        |
| 135         | 737-0804-1     | . . RETAINER, LH, AFT UPPER<br>USED ON: 757-0010-3, -5 |                | 1        |

Aviation Partners Boeing  
757-200  
SUPPLEMENT – PARTS CATALOG (MAINTENANCE)

| FIG. ITEM | PART NUMBER | NOMENCLATURE<br>1 2 3 4 5 6 7                          | EFFECT<br>FROM TO | UNITS<br>PER<br>ASSY |
|-----------|-------------|--|-------------------|----------------------|
|           |             |  |                   |                      |
| -- 136    | 737-0804-2  | . . RETAINER, RH, AFT UPPER<br>USED ON: 757-0010-4, -6 |                   | 1                    |
| 140       | 737-0804-3  | . . RETAINER, LH, AFT LOWER<br>USED ON: 757-0010-3, -5 |                   | 1                    |
| -- 141    | 737-0804-4  | . . RETAINER, RH, AFT LOWER<br>USED ON: 757-0010-4, -6 |                   |                      |
| 145       | 737-0804-5  | . . RETAINER, LH, FWD UPPER<br>USED ON: 757-0010-3, -5 |                   | 1                    |
| -- 146    | 737-0804-6  | . . RETAINER, RH, FWD UPPER<br>USED ON: 757-0010-4, -6 |                   | 1                    |
| 150       | 737-0804-7  | . . RETAINER, LH, FWD LOWER<br>USED ON: 757-0010-3, -5 |                   | 1                    |
| -- 151    | 737-0804-8  | . . RETAINER, RH, FWD LOWER<br>USED ON: 757-0010-4, -6 |                   | 1                    |
| 155       | 737-0804-9  | . . RETAINER, LH, FWD UPPER<br>USED ON: 757-0010-3, -5 |                   | 1                    |
| -- 156    | 737-0804-10 | . . RETAINER, RH, FWD UPPER<br>USED ON: 757-0010-4, -6 |                   | 1                    |
| 160       | 737-0804-11 | . . RETAINER, LH, FWD LOWER<br>USED ON: 757-0010-3, -5 |                   | 1                    |
| -- 161    | 737-0804-12 | . . RETAINER, RH, FWD LOWER<br>USED ON: 757-0010-4, -6 |                   | 1                    |
| 165       | 737-0804-13 | . . RETAINER, LH, FWD LOWER<br>USED ON: 757-0010-3, -5 |                   | 1                    |
| -- 166    | 737-0804-14 | . . RETAINER, RH, FWD LOWER<br>USED ON: 757-0010-4, -6 |                   | 1                    |
| 170       | 737-0805-1  | . . SEAL, LH, FWD<br>USED ON: 757-0010-3, -5           |                   | 1                    |
| -- 171    | 737-0805-2  | . . SEAL, RH, FWD<br>USED ON: 757-0010-4, -6           |                   | 1                    |
| 205       | BACB30VF3K3 | . . BOLT<br>USED ON: 757-0010-3/4, -5/-6               |                   | 11                   |
| 210       | BACB30VF3K4 | . . BOLT<br>USED ON: 757-0010-3/4, -5/-6               |                   | 9                    |
| 215       | BACB30VF3K5 | . . BOLT<br>USED ON: 757-0010-3/4, -5/-6               |                   | 24                   |
| 220       | BACB30VF3K6 | . . BOLT<br>USED ON: 757-0010-3/4, -5/-6               |                   | 4                    |
| 225       | BACB30VF3K7 | . . BOLT<br>USED ON: 757-0010-3/4, -5/-6               |                   | 3                    |

Aviation Partners Boeing  
757-200  
SUPPLEMENT – PARTS CATALOG (MAINTENANCE)

| FIG. ITEM | PART NUMBER    | NOMENCLATURE<br>1 2 3 4 5 6 7  | EFFECT<br>FROM TO | UNITS<br>PER<br>ASSY |
|-----------|----------------|--|-------------------|----------------------|
| 230       | BACB30VF3K8    | . . BOLT<br>USED ON: 757-0010-3/4, -5/-6   |                   | 4                    |
| 235       | BACN10YR3CD    | . . NUT<br>USED ON: 757-0010-3/4, -5/-6  |                   | 53                   |
| 240       | NAS1149EO332P  | . . WASHER<br>USED ON: 757-0010-3/4, -5/-6   |                   | 53                   |
| 245       | SLR4169C7EASP1 | . . RETAINER, BARREL NUT<br>USED ON: 757-0010-3/4, -5/-6                           |                   | 10                   |
| 250       | SLR4169C8EASP1 | . . RETAINER, BARREL NUT<br>USED ON: 757-0010-3/4, -5/-6                           |                   | 8                    |
| 255       | BACN11X7CD     | . . BARREL NUT<br>USED ON: 757-0010-3/4, -5/-6<br>OPTIONAL: NAS577C7A OR SL4137A7A |                   | 10                   |
| 260       | BACN11X8CD     | . . BARREL NUT<br>USED ON: 757-0010-3/4, -5/-6<br>OPTIONAL: NAS577C8A OR SL4137A8A |                   | 8                    |
|           |                |  |                   |                      |
| 265       | 737-0352-1     | . . . SKIN, LE, OUTBD, LH<br>USED ON: 757-0350-3<br>ALTERNATE PART: 757-0352-1     |                   | 1                    |
| -- 270    | 737-0352-2     | . . . SKIN, LE, OUTBD, RH<br>USED ON: 757-0350-3<br>ALTERNATE PART: 757-0352-2     |                   | 1                    |
| 275       | 737-0351-3     | . . . SKIN, LE, MID, LH<br>USED ON: 757-0350-3                                     |                   | 1                    |
| -- 280    | 737-0351-4     | . . . SKIN, LE, MID, RH<br>USED ON: 757-0350-4                                     |                   | 1                    |
| 285       | 757-0353-3     | . . . LE ASSY, INBD, LH<br>USED ON: 757-0350-3                                     |                   | 1                    |
| -- 286    | 757-0353-4     | . . . LE ASSY, INBD, RH<br>USED ON: 757-0350-4                                     |                   | 1                    |
|           |                |  |                   |                      |
| 314       | 757-0351-1     | . . . . SKIN, LE, INBD, LH<br>USED ON: 757-0353-1                                  |                   | 1                    |
| -- 315    | 757-0351-2     | . . . . SKIN, LE, INBD, RH<br>USED ON: 757-0353-2                                  |                   | 1                    |
|           |                |  |                   |                      |
| 335       | BACB30VF3K2    | . . . BOLT<br>USED ON: 757-0350-3/-4   |                   | 3                    |

Aviation Partners Boeing  
757-200  
SUPPLEMENT – PARTS CATALOG (MAINTENANCE)

| FIG. ITEM | PART NUMBER | NOMENCLATURE |   |   |                        |                  |   |   | EFFECT FROM TO | UNITS PER ASSY |
|-----------|-------------|--------------|---|---|------------------------|------------------|---|---|----------------|----------------|
|           |             | 1            | 2 | 3 | 4                      | 5                | 6 | 7 |                |                |
| 340       | BACB30VF3K5 | .            | . | . | BOLT                   |                  |   |   |                | 49             |
|           |             |              |   |   | USED ON: 757-0350-3/-4 |                  |   |   |                |                |
| 345       | BACB30VF3K7 | .            | . | . | BOLT                   |                  |   |   |                | 156            |
|           |             |              |   |   | USED ON: 757-0350-3/-4 |                  |   |   |                |                |
| 350       | NAS8703-5   | .            | . | . | BOLT                   |                  |   |   |                | 4              |
|           |             |              |   |   | USED ON: 757-0350-3/-4 |                  |   |   |                |                |
| 355       | 757-0391-5  | .            | . | . | .                      | ACCESS COVER, LH |   |   |                | 1              |
|           |             |              |   |   | USED ON: 757-0330-1    |                  |   |   |                |                |
| -- 360    | 757-0391-6  | .            | . | . | .                      | ACCESS COVER, RH |   |   |                | 1              |
|           |             |              |   |   | USED ON: 757-0330-2    |                  |   |   |                |                |
| 365       | BACB30VF3K4 | .            | . | . | .                      | BOLT             |   |   |                | 12             |
|           |             |              |   |   | USED ON: 757-0330-1/-2 |                  |   |   |                |                |
| 370       | BACB30VF4K4 | .            | . | . | .                      | BOLT (GSE)       |   |   |                | 6              |
|           |             |              |   |   | USED ON: 757-0310-1/-2 |                  |   |   |                |                |
|           |             |              |   |   |                        |                  |   |   |                |                |
|           |             |              |   |   |                        |                  |   |   |                |                |
|           |             |              |   |   |                        |                  |   |   |                |                |
|           |             |              |   |   |                        |                  |   |   |                |                |
|           |             |              |   |   |                        |                  |   |   |                |                |
|           |             |              |   |   |                        |                  |   |   |                |                |
|           |             |              |   |   |                        |                  |   |   |                |                |
|           |             |              |   |   |                        |                  |   |   |                |                |
|           |             |              |   |   |                        |                  |   |   |                |                |
|           |             |              |   |   |                        |                  |   |   |                |                |
|           |             |              |   |   |                        |                  |   |   |                |                |
|           |             |              |   |   |                        |                  |   |   |                |                |

Aviation Partners Boeing  
757-200  
SUPPLEMENT – PARTS CATALOG (MAINTENANCE)

WING TIP

Aviation Partners Boeing  
757-200  
SUPPLEMENT – PARTS CATALOG (MAINTENANCE)

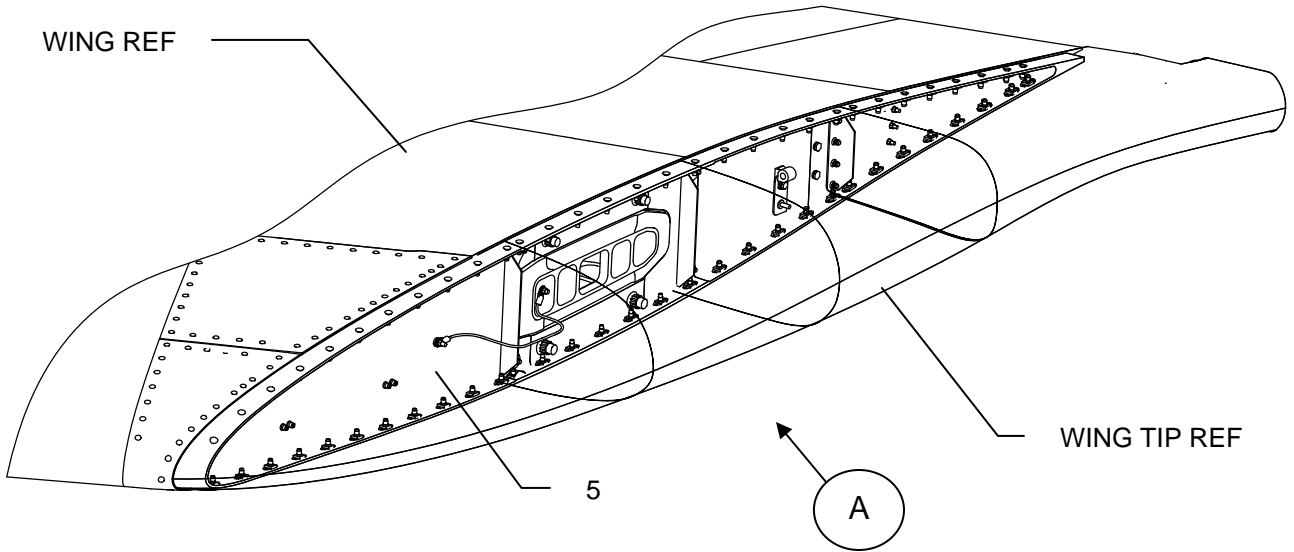
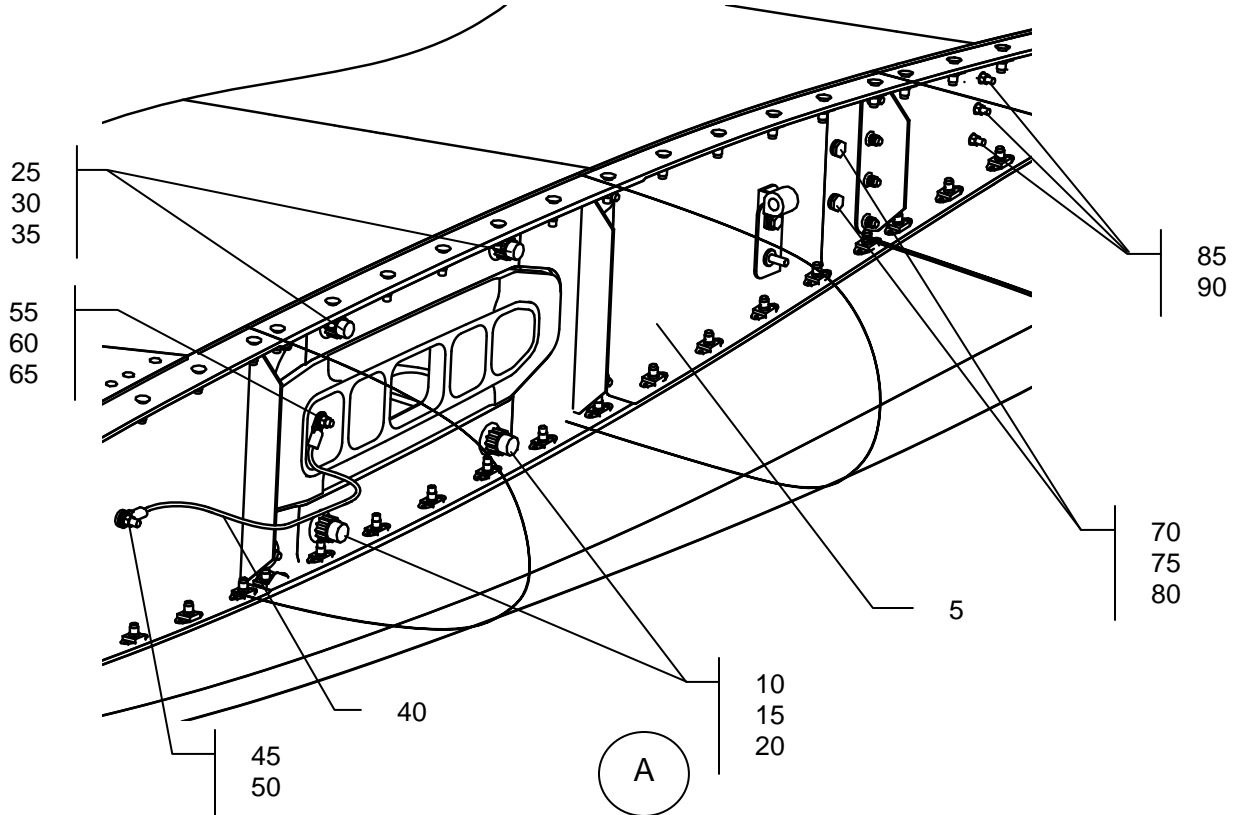


FIGURE 1 (SHEET 1)  
WIP TIP INSTALLATION



Aviation Partners Boeing  
757-200  
SUPPLEMENT – PARTS CATALOG (MAINTENANCE)

| FIGURE<br>ITEM | PART NUMBER   | NOMENCLATURE<br>1 2 3 4 5 6 7                       | EFFECT<br>FROM<br>TO | UNITS<br>PER<br>ASSY |
|----------------|---------------|---|----------------------|----------------------|
|                |               |   |                      |                      |
| FIG. 1         | 757-3380-1    | WING TIP INSTALLATION, LH<br>USED ON:<br>757-2000-1 | ALL                  | RF                   |
| --             | 757-3380-2    | WING TIP INSTALLATION, RH<br>USED ON:<br>757-2000-1 | ALL                  | RF                   |
| 5              | 757-3381-1    | . ADAPTER RIB<br>USED ON: 757-3380-1                | ALL                  | 1                    |
| -- 6           | 757-3381-2    | . ADAPTER RIB<br>USED ON: 757-3380-2                | ALL                  | 1                    |
| 10             | BACB30LE8K12  | . BOLT  | ALL                  | 2                    |
| 15             | BACW10BP8DP   | . WASHER  | ALL                  | 2                    |
| 20             | BACN10HY8M    | . NUT   | ALL                  | 2                    |
| 25             | BACB30LE7K11  | . BOLT  | ALL                  | 2                    |
| 30             | BACW10BP7DP   | . WASHER  | ALL                  | 2                    |
| 35             | BACN10HY7M    | . NUT   | ALL                  | 2                    |
| 40             | BACJ40AB21-11 | . JUMPER ASSY                                       | ALL                  | 1                    |
| 45             | BACN10YR3CD   | . NUT   | ALL                  | 3                    |
| 50             | NAS1149D0316H | . WASHER  | ALL                  | 1                    |
| 55             | BACB30NM4K6   | . BOLT  | ALL                  | 1                    |
| 60             | BACN10YR4CD   | . NUT   | ALL                  | 1                    |
| 65             | NAS1149D0416H | . WASHER  | ALL                  | 1                    |
| 70             | BACB30LM3K5   | . BOLT  | ALL                  | 2                    |
| 75             | BACW10BP3DP   | . WASHER  | ALL                  | 2                    |



# Aviation Partners Boeing

757-200

## SUPPLEMENT – PARTS CATALOG (MAINTENANCE)

| FIGURE<br>ITEM | PART NUMBER  | NOMENCLATURE<br><small>1 2 3 4 5 6 7</small> | EFFECT<br>FROM<br>TO | UNITS<br>PER<br>ASSY |
|----------------|--------------|--|----------------------|----------------------|
| 80             | BACB30LK2-5  | . BOLT                                       | ALL                  | 3                    |
| 85             | BACN10YR08CD | . NUT  | ALL                  | 3                    |
|                |              |  |                      |                      |
|                |              |  |                      |                      |
|                |              |  |                      |                      |
|                |              |  |                      |                      |
|                |              |  |                      |                      |
|                |              |  |                      |                      |
|                |              |  |                      |                      |
|                |              |  |                      |                      |
|                |              |  |                      |                      |
|                |              |  |                      |                      |
|                |              |  |                      |                      |
|                |              |  |                      |                      |
|                |              |  |                      |                      |
|                |              |  |                      |                      |
|                |              |  |                      |                      |
|                |              |  |                      |                      |
|                |              |  |                      |                      |
|                |              |  |                      |                      |
|                |              |  |                      |                      |
|                |              |  |                      |                      |

SECTION 2 CHAPTER 28

CONTROL PAGE INITIAL ISSUE

- A. File the attached Temporary Revisions/Alerts in the Manual supplement in ATA Chapter/Section/Subject/Page sequence.
- B. File this control page in front of the chapter TRs/Alerts.
- C. The following list shows active TRs/Alerts together with TRs/Alerts added by this control page.

| Chapter<br>Section<br>Subject | Page | TR/Alert No. | Distribution<br>(Ref.P.TEC.01.02<br>Para 5) |
|-------------------------------|------|--------------|---|
| 28-22-01-05                   | 0    | * 28-501     | ATP   |

- D Remove and Destroy the following TR's/Alerts:

\* - TR's/Alerts issued with this control page

# ATP TEMPORARY REVISION

A/C NA351, NA352  
757  
ILLUSTRATED PARTS CATALOGUE

TR Page 1 of 1  
13 July 1992

This Temporary Revision complies with BCAR Chapter A5-3, B5-3 and/or TSS No. 0-2 as appropriate.



for Chief Engineer (Technical & Quality Services) CAA Design Approval No.  
DAI/8566/78.

TEMPORARY REVISION NO.28-501

Manual Reference 28-22-01-05 Page 0

## REASON FOR REVISION

1. Actuator AV31 may not be fitted - FAA AD89-14-06
2. To satisfy requirements of 757-SL-28-13.

## ACTION

Figure 5

Add the following to items 30 and 105 P/N AV31:

CAUTION: DELETED BY FAA AD89-14-06 - NOT TO BE FITTED.

Add the following to items 30 and 105 P/N MA11A1265:

DELETED - NOT TO BE FITTED

Originator: M.B. BOWDEN  
(Ref) EPO/203, 208/MBB  
Work Record: 28-171 and 174

28-22-01-0  
Page

**B757 MANUAL SUPPLEMENT - ATP 3510  
SECTION 2 CHAPTER 28  
CONTROL PAGE - INITIAL ISSUE**

- A. File the attached Temporary Revision/Alerts in the Manual Supplement in ATA Chapter/Section/Subject/Page sequence
- B. File this Control Page in front of the Chapter TRs/Alerts.
- C. The following list shows active TRs/Alerts together with TRs/Alerts added by this control page.

| Chapter<br>Section<br>Subject | Page | TR/Alert No. |
|-------------------------------|------|--------------|
| 28-44-01-02                   | 1    | * BA 28-513  |

- D. Remove and Destroy the following TRs/Alerts:

\* Indicates TRs/Alerts issued with this control page

**ATP  
TEMPORARY  
REVISION**

**AIRPLANE**

TR Page 1 of 1

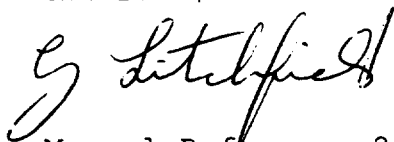
NB322

29 October, 1997

757 ILLUSTRATED PARTS CATALOG

TEMPORARY REVISION No. 28-513

THIS TEMPORARY REVISION IS ISSUED BY BRITISH AIRWAYS ENGINEERING (TECHNICAL INFORMATION SERVICES, G2, TBA, S401, P. O. BOX 10, HEATHROW AIRPORT, HOUNSLOW, MIDDLESEX TW6 2JA) AND COMPLIES WITH BCAR'S CHAPTER A5-3, B5-3 AND/OR TSS No. 0-2 AS REQUIRED. CAA DESIGN APPROVAL No. DA1/8566/78.



For CHIEF ENGINEER QUALITY AND TRAINING

Manual Reference 28-44-01-02 Page 1

**REASON FOR REVISION**

To install fuel quantity measuring stick assys calibrated in litres.

**ACTION**

| Fig Item | Part Number   | Nomenclature | Effect | Units/<br>Assy |
|----------|---------------|--------------|--------|----------------|
| 2        |               |              |        |                |
| 100      | 4177-0146-211 | DELETED      | 002002 | 1              |
| 100      | 4177-0146-231 | ..STICK ASSY | 002002 | 1              |
| 100      | 4177-0146-212 | DELETED      | 002002 | 1              |
| 100      | 4177-0146-232 | ..STICK ASSY | 002002 | 1              |
| 100      | 4177-0146-213 | DELETED      | 002002 | 1              |
| 100      | 4177-0146-233 | ..STICK ASSY | 002002 | 1              |
| 100      | 4177-0146-214 | DELETED      | 002002 | 1              |
| 100      | 4177-0146-234 | ..STICK ASSY | 002002 | 1              |
| 100      | 4177-0146-215 | DELETED      | 002002 | 1              |
| 100      | 4177-0146-235 | ..STICK ASSY | 002002 | 1              |
| 105      | 4177-0146-216 | DELETED      | 002002 | 1              |
| 105      | 4177-0146-236 | ..STICK ASSY | 002002 | 1              |
| 105      | 4177-0146-217 | DELETED      | 002002 | 1              |
| 105      | 4177-0146-237 | ..STICK ASSY | 002002 | 1              |

Originator: C.ANSTEY  
Reference: MOD 28G042  
Workbook: GL

28-44-01-02  
Page 1



**757**  
**PARTS CATALOG (MAINTENANCE)**

| CH-SECT-UNIT-FIG | PAGE NO. | DATE      | CH-SECT-UNIT-FIG | PAGE NO. | DATE      |
|------------------|----------|-----------|------------------|----------|-----------|
| *28              | 1        | MAY 20/09 | *28-11-01- 1     | 5        | MAY 20/09 |
| *28              | 2        | MAY 20/09 | *28-11-01- 1     | 6        | MAY 20/09 |
| *28              | 3        | MAY 20/09 | *28-11-01- 1     | 7        | MAY 20/09 |
| *28              | 4        | MAY 20/09 | *28-11-01- 1     | 8        | MAY 20/09 |
| *28              | 5        | MAY 20/09 | *28-11-01- 1     | 9        | MAY 20/09 |
| *28              | 6        | MAY 20/09 | *28-11-01- 1     | 10       | MAY 20/09 |
| *28              | 7        | MAY 20/09 | *28-11-01- 1     | 11       | MAY 20/09 |
| *28              | 8        | MAY 20/09 | *28-11-01- 1     | 12       | MAY 20/09 |
| *28              | 9        | MAY 20/09 | *28-11-01- 1     | 13       | MAY 20/09 |
| *28              | 10       | MAY 20/09 | *28-11-01- 1     | 14       | MAY 20/09 |
| *28              | 11       | MAY 20/09 | *28-11-01- 1     | 15       | MAY 20/09 |
| *28              | 12       | MAY 20/09 | *28-11-01- 1     | 16       | MAY 20/09 |
| *28              | 13       | MAY 20/09 | *28-11-01- 1     | 17       | MAY 20/09 |
| *28              | 14       | MAY 20/09 | *28-11-01- 1     | 18       | MAY 20/09 |
| *28              | 15       | MAY 20/09 | *28-11-01- 1     | 19       | MAY 20/09 |
| 28-00-00         | 1        | MAY 28/07 | *28-11-01- 1     | 20       | MAY 20/09 |
| 28-00-00- 1      | 0        | MAY 28/07 | *28-11-01- 1     | 21       | MAY 20/09 |
| 28-00-00- 1      | 1        | JAN 20/09 | *28-11-01- 1     | 22       | MAY 20/09 |
| 28-00-00- 1      | 2        | JAN 20/09 | *28-11-01- 1     | 23       | MAY 20/09 |
| 28-00-00- 1      | 3        | JAN 20/09 | *28-11-01- 1     | 24       | MAY 20/09 |
| 28-00-00- 2      | 0        | MAY 28/07 | *28-11-01- 1     | 25       | MAY 20/09 |
| 28-00-00- 2      | 1        | JAN 20/09 | *28-11-01- 1     | 26       | MAY 20/09 |
| 28-00-00- 2      | 2        | JAN 20/09 | *28-11-01- 1     | 27       | MAY 20/09 |
| 28-00-00- 2A     | 0        | JAN 20/09 | 28-11-01- 1D     | 0        | MAY 28/07 |
| 28-00-00- 2A     | 1        | JAN 20/09 | 28-11-01- 1D     | 0A       | MAY 28/07 |
| 28-00-00- 5      | 0        | MAY 28/07 | 28-11-01- 1D     | 0B       | MAY 28/07 |
| 28-00-00- 5      | 1        | JAN 20/09 | 28-11-01- 1D     | 0C       | MAY 28/07 |
| 28-00-00- 5      | 2        | JAN 20/09 | 28-11-01- 1D     | 0D       | MAY 28/07 |
| 28-00-00- 5      | 3        | JAN 20/09 | 28-11-01- 1D     | 0E       | MAY 28/07 |
| 28-00-00- 5      | 4        | JAN 20/09 | 28-11-01- 1D     | 0F       | MAY 28/07 |
| 28-00-00- 5      | 5        | JAN 20/09 | 28-11-01- 1D     | 1        | JAN 20/09 |
| 28-00-00- 5      | 6        | JAN 20/09 | *28-11-01- 1D    | 2        | MAY 20/09 |
| 28-00-00- 5      | 7        | JAN 20/09 | *28-11-01- 1D    | 3        | MAY 20/09 |
| 28-00-00- 5      | 8        | JAN 20/09 | 28-11-01- 1D     | 4        | JAN 20/09 |
| 28-00-00- 5      | 9        | JAN 20/09 | 28-11-01- 1D     | 5        | JAN 20/09 |
| 28-00-00- 5      | 10       | JAN 20/09 | *28-11-01- 1D    | 6        | MAY 20/09 |
| 28-00-01- 1      | 0        | MAY 28/07 | *28-11-01- 1D    | 7        | MAY 20/09 |
| 28-00-01- 1      | 1        | JAN 20/09 | *28-11-01- 1D    | 8        | MAY 20/09 |
| 28-00-01- 1      | 2        | JAN 20/09 | *28-11-01- 1D    | 9        | MAY 20/09 |
| 28-11-00         | 1        | MAY 28/07 | *28-11-01- 1D    | 10       | MAY 20/09 |
| 28-11-01- 1      | 0        | MAY 28/07 | *28-11-01- 1D    | 11       | MAY 20/09 |
| 28-11-01- 1      | 0A       | MAY 28/07 | *28-11-01- 1D    | 12       | MAY 20/09 |
| 28-11-01- 1      | 0B       | MAY 28/07 | *28-11-01- 1D    | 13       | MAY 20/09 |
| 28-11-01- 1      | 0C       | MAY 28/07 | 28-11-01- 1D     | 14       | JAN 20/09 |
| 28-11-01- 1      | 0D       | MAY 28/07 | 28-11-01- 1D     | 15       | JAN 20/09 |
| 28-11-01- 1      | 0E       | MAY 28/07 | 28-11-01- 1D     | 16       | JAN 20/09 |
| 28-11-01- 1      | 0F       | MAY 28/07 | 28-11-01- 1D     | 17       | JAN 20/09 |
| 28-11-01- 1      | 1        | JAN 20/09 | 28-11-01- 1D     | 18       | JAN 20/09 |
| 28-11-01- 1      | 2        | JAN 20/09 | 28-11-01- 1F     | 0        | MAY 28/07 |
| *28-11-01- 1     | 3        | MAY 20/09 | 28-11-01- 1F     | 0A       | MAY 28/07 |
| *28-11-01- 1     | 4        | MAY 20/09 | 28-11-01- 1F     | 1        | JAN 20/09 |

\* THE ASTERISK INDICATES PAGES CHANGED OR ADDED BY THE CURRENT REVISION

BRI  
MAY 20/09

28 - LIST OF EFFECTIVE PAGES  
PAGE 1



757

PARTS CATALOG (MAINTENANCE)

| CH-SECT-UNIT-FIG | PAGE NO. | DATE      | CH-SECT-UNIT-FIG | PAGE NO. | DATE      |
|------------------|----------|-----------|------------------|----------|-----------|
| 28-11-01- 1F     | 2        | JAN 20/09 | 28-11-03- 2      | 2        | JAN 20/09 |
| 28-11-01- 1H     | 0        | MAY 28/07 | 28-11-03- 2      | 3        | JAN 20/09 |
| 28-11-01- 1H     | 0A       | MAY 28/07 | 28-11-03- 2      | 4        | JAN 20/09 |
| 28-11-01- 1H     | 0B       | MAY 28/07 | 28-11-03- 2      | 5        | JAN 20/09 |
| 28-11-01- 1H     | 1        | JAN 20/09 | 28-11-03- 2      | 6        | JAN 20/09 |
| *28-11-01- 1H    | 2        | MAY 20/09 | 28-11-04- 1      | 0        | MAY 28/07 |
| 28-11-02- 4      | 0        | MAY 28/07 | 28-11-04- 1      | 1        | JAN 20/09 |
| 28-11-02- 4      | 0A       | MAY 28/07 | 28-11-04- 1      | 2        | JAN 20/09 |
| 28-11-02- 4      | 0B       | MAY 28/07 | 28-11-04- 1      | 3        | JAN 20/09 |
| 28-11-02- 4      | 0C       | MAY 28/07 | 28-11-04- 2      | 0        | MAY 28/07 |
| 28-11-02- 4      | 0D       | MAY 28/07 | 28-11-04- 2      | 1        | JAN 20/09 |
| 28-11-02- 4      | 1        | JAN 20/09 | 28-11-05- 1      | 0        | MAY 28/07 |
| *28-11-02- 4     | 2        | MAY 20/09 | 28-11-05- 1      | 1        | JAN 20/09 |
| 28-11-02- 4      | 3        | JAN 20/09 | 28-11-05- 1      | 2        | JAN 20/09 |
| 28-11-02- 4      | 4        | JAN 20/09 | 28-11-05- 1A     | 0        | MAY 28/07 |
| *28-11-02- 4     | 5        | MAY 20/09 | 28-11-05- 1A     | 1        | JAN 20/09 |
| *28-11-02- 4     | 6        | MAY 20/09 | 28-11-05- 2      | 0        | MAY 28/07 |
| 28-11-02- 4      | 7        | JAN 20/09 | 28-11-05- 2      | 0A       | MAY 28/07 |
| 28-11-02- 5      | 0        | MAY 28/07 | 28-11-05- 2      | 1        | JAN 20/09 |
| 28-11-02- 5      | 0A       | MAY 28/07 | 28-11-05- 2      | 2        | JAN 20/09 |
| 28-11-02- 5      | 1        | JAN 20/09 | 28-11-05- 2      | 3        | JAN 20/09 |
| *28-11-02- 5     | 2        | MAY 20/09 | 28-11-05- 2      | 4        | JAN 20/09 |
| *28-11-02- 5     | 3        | MAY 20/09 | 28-13-00         | 1        | MAY 28/07 |
| *28-11-02- 5     | 4        | MAY 20/09 | 28-13-00- 1      | 0        | MAY 28/07 |
| 28-11-03- 1      | 0        | MAY 28/07 | 28-13-00- 1      | 0A       | MAY 28/07 |
| 28-11-03- 1      | 0A       | MAY 28/07 | 28-13-00- 1      | 0B       | MAY 28/07 |
| 28-11-03- 1      | 0B       | MAY 28/07 | 28-13-00- 1      | 0C       | MAY 28/07 |
| 28-11-03- 1      | 0C       | MAY 28/07 | 28-13-00- 1      | 0D       | MAY 28/07 |
| 28-11-03- 1      | 0D       | MAY 28/07 | 28-13-00- 1      | 0E       | MAY 28/07 |
| 28-11-03- 1      | 0E       | MAY 28/07 | 28-13-00- 1      | 0F       | MAY 28/07 |
| 28-11-03- 1      | 1        | JAN 20/09 | 28-13-00- 1      | 0G       | MAY 28/07 |
| 28-11-03- 1      | 2        | JAN 20/09 | 28-13-00- 1      | 1        | JAN 20/09 |
| 28-11-03- 1      | 3        | JAN 20/09 | 28-13-00- 1      | 2        | JAN 20/09 |
| 28-11-03- 1      | 4        | JAN 20/09 | 28-13-00- 1      | 3        | JAN 20/09 |
| 28-11-03- 1      | 5        | JAN 20/09 | 28-13-00- 1      | 4        | JAN 20/09 |
| 28-11-03- 1      | 6        | JAN 20/09 | 28-13-00- 1      | 5        | JAN 20/09 |
| 28-11-03- 1      | 7        | JAN 20/09 | 28-13-00- 1      | 6        | JAN 20/09 |
| 28-11-03- 1      | 8        | JAN 20/09 | 28-13-00- 1      | 7        | JAN 20/09 |
| 28-11-03- 1      | 9        | JAN 20/09 | 28-13-00- 1      | 8        | JAN 20/09 |
| *28-11-03- 1     | 10       | MAY 20/09 | 28-13-00- 1      | 9        | JAN 20/09 |
| *28-11-03- 1     | 11       | MAY 20/09 | 28-13-00- 1      | 10       | JAN 20/09 |
| *28-11-03- 1     | 12       | MAY 20/09 | 28-13-00- 1      | 11       | JAN 20/09 |
| *28-11-03- 1     | 13       | MAY 20/09 | 28-13-00- 1      | 12       | JAN 20/09 |
| *28-11-03- 1     | 14       | MAY 20/09 | 28-13-00- 1      | 13       | JAN 20/09 |
| *28-11-03- 1     | 15       | MAY 20/09 | 28-13-00- 1      | 14       | JAN 20/09 |
| 28-11-03- 2      | 0        | MAY 28/07 | 28-13-01- 1      | 0        | MAY 28/07 |
| 28-11-03- 2      | 0A       | MAY 28/07 | 28-13-01- 1      | 0A       | MAY 28/07 |
| 28-11-03- 2      | 0B       | MAY 28/07 | 28-13-01- 1      | 1        | JAN 20/09 |
| 28-11-03- 2      | 0C       | MAY 28/07 | 28-13-01- 1      | 2        | JAN 20/09 |
| 28-11-03- 2      | 0D       | MAY 28/07 | 28-13-01- 1      | 3        | JAN 20/09 |
| 28-11-03- 2      | 1        | JAN 20/09 | 28-13-03- 2      | 0        | MAY 28/07 |

\* THE ASTERISK INDICATES PAGES CHANGED OR ADDED BY THE CURRENT REVISION


**BOEING**  
 757  
**PARTS CATALOG (MAINTENANCE)**

| CH-SECT-UNIT-FIG | PAGE NO. | DATE      | CH-SECT-UNIT-FIG | PAGE NO. | DATE      |
|------------------|----------|-----------|------------------|----------|-----------|
| 28-13-03- 2      | 0A       | MAY 28/07 | 28-21-01- 2      | 1        | JAN 20/09 |
| 28-13-03- 2      | 0B       | MAY 28/07 | 28-21-01- 2      | 2        | JAN 20/09 |
| 28-13-03- 2      | 1        | JAN 20/09 | 28-21-01- 2      | 3        | JAN 20/09 |
| 28-13-03- 2      | 2        | JAN 20/09 | 28-21-01- 2      | 4        | JAN 20/09 |
| 28-13-08- 1      | 0        | MAY 28/07 | 28-21-01- 2      | 5        | JAN 20/09 |
| *28-13-08- 1     | 1        | MAY 20/09 | 28-21-01- 4      | 0        | MAY 28/07 |
| *28-13-08- 1     | 2        | MAY 20/09 | 28-21-01- 4      | 0A       | MAY 28/07 |
| 28-14-00         | 1        | MAY 28/07 | 28-21-01- 4      | 0B       | MAY 28/07 |
| 28-14-01- 3      | 0        | MAY 28/07 | 28-21-01- 4      | 1        | JAN 20/09 |
| 28-14-01- 3      | 0A       | MAY 28/07 | 28-21-01- 4      | 2        | JAN 20/09 |
| 28-14-01- 3      | 0B       | MAY 28/07 | 28-21-01- 4      | 3        | JAN 20/09 |
| 28-14-01- 3      | 1        | JAN 20/09 | 28-21-01- 4      | 4        | JAN 20/09 |
| 28-14-01- 3      | 2        | JAN 20/09 | 28-21-02- 2      | 0        | MAY 20/08 |
| 28-14-01- 3      | 3        | JAN 20/09 | 28-21-02- 2      | 1        | JAN 20/09 |
| 28-14-01- 3      | 4        | JAN 20/09 | 28-21-02- 2      | 2        | JAN 20/09 |
| 28-14-01- 3      | 5        | JAN 20/09 | 28-21-02- 2      | 3        | JAN 20/09 |
| 28-14-01- 3      | 6        | JAN 20/09 | 28-21-02- 2      | 4        | JAN 20/09 |
| 28-14-01- 3      | 7        | JAN 20/09 | 28-21-02- 2B     | 0        | MAY 28/07 |
| 28-14-01- 3      | 8        | JAN 20/09 | 28-21-02- 2B     | 0A       | MAY 28/07 |
| 28-14-01- 3      | 9        | JAN 20/09 | 28-21-02- 2B     | 0B       | MAY 28/07 |
| 28-14-01- 3      | 10       | JAN 20/09 | 28-21-02- 2B     | 1        | JAN 20/09 |
| 28-14-01- 3      | 11       | JAN 20/09 | 28-21-02- 2B     | 2        | JAN 20/09 |
| 28-14-01- 3      | 12       | JAN 20/09 | 28-21-02- 2B     | 3        | JAN 20/09 |
| 28-14-01- 3      | 13       | JAN 20/09 | 28-21-02- 2C     | 0        | MAY 28/07 |
| 28-14-01- 3      | 14       | JAN 20/09 | 28-21-02- 2C     | 1        | JAN 20/09 |
| 28-14-01- 3      | 15       | JAN 20/09 | 28-21-03- 3      | 0        | MAY 28/07 |
| 28-14-01- 3      | 16       | JAN 20/09 | 28-21-03- 3      | 1        | JAN 20/09 |
| 28-14-01- 4      | 0        | MAY 28/07 | 28-21-03- 3      | 2        | JAN 20/09 |
| 28-14-01- 4      | 0A       | MAY 28/07 | *28-21-03- 3     | 3        | MAY 20/09 |
| 28-14-01- 4      | 1        | JAN 20/09 | 28-21-03- 3      | 4        | JAN 20/09 |
| 28-14-01- 4      | 2        | JAN 20/09 | 28-21-03- 4      | 0        | MAY 28/07 |
| 28-14-01- 4      | 3        | JAN 20/09 | 28-21-03- 4      | 1        | JAN 20/09 |
| 28-14-01- 4      | 4        | JAN 20/09 | *28-21-03- 4     | 2        | MAY 20/09 |
| 28-14-01- 4      | 5        | JAN 20/09 | 28-21-04- 1      | 0        | MAY 28/07 |
| 28-14-01- 4      | 6        | JAN 20/09 | 28-21-04- 1      | 1        | JAN 20/09 |
| 28-14-01- 4      | 7        | JAN 20/09 | 28-21-04- 1      | 2        | JAN 20/09 |
| 28-14-01- 4      | 8        | JAN 20/09 | 28-21-04- 1B     | 0        | MAY 28/07 |
| 28-14-01- 4      | 9        | JAN 20/09 | 28-21-04- 1B     | 1        | JAN 20/09 |
| 28-14-01- 4      | 10       | JAN 20/09 | 28-21-04- 8      | 0        | JAN 20/09 |
| 28-14-01- 5      | 0        | MAY 28/07 | 28-21-04- 8      | 1        | JAN 20/09 |
| 28-14-01- 5      | 0A       | MAY 28/07 | 28-21-05- 1      | 0        | MAY 28/07 |
| 28-14-01- 5      | 1        | JAN 20/09 | 28-21-05- 1      | 0A       | MAY 28/07 |
| 28-14-01- 5      | 2        | JAN 20/09 | 28-21-05- 1      | 0B       | MAY 28/07 |
| 28-20-00         | 1        | MAY 28/07 | 28-21-05- 1      | 0C       | MAY 28/07 |
| 28-20-51- 1      | 0        | MAY 28/07 | 28-21-05- 1      | 0D       | MAY 28/07 |
| 28-20-51- 1      | 1        | JAN 20/09 | 28-21-05- 1      | 0E       | MAY 28/07 |
| 28-20-51- 1      | 2        | JAN 20/09 | 28-21-05- 1      | 0F       | MAY 28/07 |
| 28-21-00         | 1        | MAY 28/07 | 28-21-05- 1      | 0G       | MAY 28/07 |
| 28-21-01- 2      | 0        | MAY 28/07 | 28-21-05- 1      | 0H       | MAY 28/07 |
| 28-21-01- 2      | 0A       | MAY 28/07 | 28-21-05- 1      | 0I       | MAY 28/07 |
| 28-21-01- 2      | 0B       | MAY 28/07 | 28-21-05- 1      | 0J       | MAY 28/07 |

\* THE ASTERISK INDICATES PAGES CHANGED OR ADDED BY THE CURRENT REVISION

BRI  
MAY 20/09

28 - LIST OF EFFECTIVE PAGES  
PAGE 3




**BOEING**  
 757  
**PARTS CATALOG (MAINTENANCE)**

| CH-SECT-UNIT-FIG | PAGE NO. | DATE      | CH-SECT-UNIT-FIG | PAGE NO. | DATE      |
|------------------|----------|-----------|------------------|----------|-----------|
| 28-21-05- 1      | OK       | MAY 28/07 | 28-21-05- 1B     | 5        | JAN 20/09 |
| 28-21-05- 1      | OL       | MAY 28/07 | 28-21-05- 1B     | 6        | JAN 20/09 |
| 28-21-05- 1      | OM       | MAY 28/07 | 28-21-05- 1B     | 7        | JAN 20/09 |
| 28-21-05- 1      | ON       | MAY 28/07 | 28-21-05- 1B     | 8        | JAN 20/09 |
| 28-21-05- 1      | OO       | MAY 28/07 | 28-21-05- 1B     | 9        | JAN 20/09 |
| 28-21-05- 1      | OP       | MAY 28/07 | 28-21-05- 1B     | 10       | JAN 20/09 |
| 28-21-05- 1      | OQ       | MAY 28/07 | 28-21-05- 1B     | 11       | JAN 20/09 |
| 28-21-05- 1      | OR       | MAY 28/07 | 28-21-05- 1B     | 12       | JAN 20/09 |
| 28-21-05- 1      | OS       | MAY 28/07 | 28-21-05- 1B     | 13       | JAN 20/09 |
| 28-21-05- 1      | OT       | MAY 28/07 | 28-21-05- 1B     | 14       | JAN 20/09 |
| 28-21-05- 1      | 1        | JAN 20/09 | 28-21-05- 1B     | 15       | JAN 20/09 |
| 28-21-05- 1      | 2        | JAN 20/09 | 28-21-05- 1B     | 16       | JAN 20/09 |
| 28-21-05- 1      | 3        | JAN 20/09 | 28-21-05- 1B     | 17       | JAN 20/09 |
| 28-21-05- 1      | 4        | JAN 20/09 | 28-21-05- 1C     | 0        | JAN 20/09 |
| 28-21-05- 1      | 5        | JAN 20/09 | 28-21-05- 1C     | 0A       | JAN 20/09 |
| 28-21-05- 1      | 6        | JAN 20/09 | 28-21-05- 1C     | 0B       | JAN 20/09 |
| 28-21-05- 1      | 7        | JAN 20/09 | 28-21-05- 1C     | 0C       | JAN 20/09 |
| 28-21-05- 1      | 8        | JAN 20/09 | 28-21-05- 1C     | 0D       | JAN 20/09 |
| 28-21-05- 1      | 9        | JAN 20/09 | 28-21-05- 1C     | 0E       | JAN 20/09 |
| 28-21-05- 1      | 10       | JAN 20/09 | 28-21-05- 1C     | 0F       | JAN 20/09 |
| 28-21-05- 1      | 11       | JAN 20/09 | 28-21-05- 1C     | 0G       | JAN 20/09 |
| 28-21-05- 1      | 12       | JAN 20/09 | 28-21-05- 1C     | 0H       | JAN 20/09 |
| 28-21-05- 1      | 13       | JAN 20/09 | 28-21-05- 1C     | 0I       | JAN 20/09 |
| *28-21-05- 1     | 14       | MAY 20/09 | 28-21-05- 1C     | 0J       | JAN 20/09 |
| 28-21-05- 1      | 15       | JAN 20/09 | 28-21-05- 1C     | 0K       | JAN 20/09 |
| 28-21-05- 1      | 16       | JAN 20/09 | 28-21-05- 1C     | 0L       | JAN 20/09 |
| 28-21-05- 1      | 17       | JAN 20/09 | 28-21-05- 1C     | 0M       | JAN 20/09 |
| 28-21-05- 1      | 18       | JAN 20/09 | 28-21-05- 1C     | 0N       | JAN 20/09 |
| 28-21-05- 1      | 19       | JAN 20/09 | 28-21-05- 1C     | 1        | JAN 20/09 |
| 28-21-05- 1      | 20       | JAN 20/09 | 28-21-05- 1C     | 2        | JAN 20/09 |
| 28-21-05- 1      | 21       | JAN 20/09 | 28-21-05- 1C     | 3        | JAN 20/09 |
| 28-21-05- 1      | 22       | JAN 20/09 | 28-21-05- 1C     | 4        | JAN 20/09 |
| 28-21-05- 1      | 23       | JAN 20/09 | 28-21-05- 1C     | 5        | JAN 20/09 |
| 28-21-05- 1      | 24       | JAN 20/09 | 28-21-05- 1C     | 6        | JAN 20/09 |
| 28-21-05- 1      | 25       | JAN 20/09 | 28-21-05- 1C     | 7        | JAN 20/09 |
| 28-21-05- 1      | 26       | JAN 20/09 | 28-21-05- 1C     | 8        | JAN 20/09 |
| 28-21-05- 1      | 27       | JAN 20/09 | 28-21-05- 1C     | 9        | JAN 20/09 |
| 28-21-05- 1      | 28       | JAN 20/09 | 28-21-05- 1C     | 10       | JAN 20/09 |
| 28-21-05- 1B     | 0        | MAY 28/07 | 28-21-05- 1C     | 11       | JAN 20/09 |
| 28-21-05- 1B     | 0A       | MAY 28/07 | 28-21-05- 1C     | 12       | JAN 20/09 |
| 28-21-05- 1B     | 0B       | MAY 28/07 | 28-21-05- 1C     | 13       | JAN 20/09 |
| 28-21-05- 1B     | 0C       | MAY 28/07 | 28-21-05- 1C     | 14       | JAN 20/09 |
| 28-21-05- 1B     | 0D       | MAY 28/07 | 28-21-05- 1D     | 0        | JAN 20/09 |
| 28-21-05- 1B     | 0E       | MAY 28/07 | 28-21-05- 1D     | 0A       | JAN 20/09 |
| 28-21-05- 1B     | 0F       | MAY 28/07 | 28-21-05- 1D     | 0B       | JAN 20/09 |
| 28-21-05- 1B     | 0G       | MAY 28/07 | 28-21-05- 1D     | 0C       | JAN 20/09 |
| 28-21-05- 1B     | 0H       | MAY 28/07 | 28-21-05- 1D     | 0D       | JAN 20/09 |
| 28-21-05- 1B     | 1        | JAN 20/09 | 28-21-05- 1D     | 0E       | JAN 20/09 |
| 28-21-05- 1B     | 2        | JAN 20/09 | 28-21-05- 1D     | 0F       | JAN 20/09 |
| 28-21-05- 1B     | 3        | JAN 20/09 | 28-21-05- 1D     | 0G       | JAN 20/09 |
| 28-21-05- 1B     | 4        | JAN 20/09 | 28-21-05- 1D     | 0H       | JAN 20/09 |

\* THE ASTERISK INDICATES PAGES CHANGED OR ADDED BY THE CURRENT REVISION


**BOEING**  
 757  
**PARTS CATALOG (MAINTENANCE)**

| CH-SECT-UNIT-FIG | PAGE NO. | DATE      | CH-SECT-UNIT-FIG | PAGE NO. | DATE      |
|------------------|----------|-----------|------------------|----------|-----------|
| 28-21-05- 1D     | 1        | JAN 20/09 | 28-22-01- 5      | 5        | JAN 20/09 |
| 28-21-05- 1D     | 2        | JAN 20/09 | 28-22-01- 5      | 6        | JAN 20/09 |
| 28-21-05- 1D     | 3        | JAN 20/09 | 28-22-02- 1      | 0        | MAY 28/07 |
| 28-21-05- 1D     | 4        | JAN 20/09 | 28-22-02- 1      | 1        | JAN 20/09 |
| 28-21-05- 1D     | 5        | JAN 20/09 | 28-22-02- 1      | 2        | JAN 20/09 |
| 28-21-05- 1D     | 6        | JAN 20/09 | 28-22-02- 1      | 3        | JAN 20/09 |
| 28-21-05- 1D     | 7        | JAN 20/09 | 28-22-02- 1      | 4        | JAN 20/09 |
| 28-21-05- 1D     | 8        | JAN 20/09 | 28-22-02- 1      | 5        | JAN 20/09 |
| 28-21-05- 1D     | 9        | JAN 20/09 | *28-22-03- 1     | 0        | MAY 20/09 |
| 28-21-05- 1D     | 10       | JAN 20/09 | 28-22-03- 1      | 0A       | MAY 28/07 |
| 28-21-05- 1D     | 11       | JAN 20/09 | 28-22-03- 1      | 0B       | MAY 28/07 |
| 28-21-05- 1D     | 12       | JAN 20/09 | 28-22-03- 1      | 0C       | MAY 28/07 |
| 28-21-05- 1D     | 13       | JAN 20/09 | 28-22-03- 1      | 0D       | MAY 28/07 |
| 28-21-12- 1      | 0        | MAY 28/07 | 28-22-03- 1      | 0E       | MAY 28/07 |
| 28-21-12- 1      | 1        | JAN 20/09 | 28-22-03- 1      | 0F       | MAY 28/07 |
| 28-21-12- 1      | 2        | JAN 20/09 | 28-22-03- 1      | 0G       | MAY 28/07 |
| 28-21-12- 2      | 0        | MAY 28/07 | *28-22-03- 1     | 0H       | MAY 20/09 |
| 28-21-12- 2      | 1        | JAN 20/09 | *28-22-03- 1     | 0I       | MAY 20/09 |
| 28-21-12- 2      | 2        | JAN 20/09 | 28-22-03- 1      | 1        | JAN 20/09 |
| 28-21-51- 1      | 0        | MAY 28/07 | 28-22-03- 1      | 2        | JAN 20/09 |
| 28-21-51- 1      | 1        | JAN 20/09 | 28-22-03- 1      | 3        | JAN 20/09 |
| 28-21-55- 1      | 0        | MAY 28/07 | 28-22-03- 1      | 4        | JAN 20/09 |
| 28-21-55- 1      | 0A       | MAY 28/07 | 28-22-03- 1      | 5        | JAN 20/09 |
| 28-21-55- 1      | 1        | JAN 20/09 | 28-22-03- 1      | 6        | JAN 20/09 |
| 28-21-55- 1      | 2        | JAN 20/09 | 28-22-03- 1      | 7        | JAN 20/09 |
| 28-21-55- 1      | 3        | JAN 20/09 | 28-22-03- 1      | 8        | JAN 20/09 |
| 28-21-71- 1      | 0        | MAY 28/07 | 28-22-03- 1      | 9        | JAN 20/09 |
| 28-21-71- 1      | 1        | JAN 20/09 | 28-22-03- 1      | 10       | JAN 20/09 |
| 28-21-71- 1      | 2        | JAN 20/09 | 28-22-03- 1      | 11       | JAN 20/09 |
| 28-21-71- 1      | 3        | JAN 20/09 | 28-22-03- 1      | 12       | JAN 20/09 |
| 28-21-71- 1      | 4        | JAN 20/09 | 28-22-03- 1      | 13       | JAN 20/09 |
| 28-21-71- 1A     | 0        | MAY 28/07 | 28-22-03- 1      | 14       | JAN 20/09 |
| 28-21-71- 1A     | 1        | JAN 20/09 | 28-22-03- 1      | 15       | JAN 20/09 |
| 28-21-71- 1A     | 2        | JAN 20/09 | 28-22-03- 1      | 16       | JAN 20/09 |
| 28-21-71- 1A     | 3        | JAN 20/09 | 28-22-03- 1      | 17       | JAN 20/09 |
| 28-21-71- 1B     | 0        | JAN 20/09 | 28-22-03- 1      | 18       | JAN 20/09 |
| 28-21-71- 1B     | 1        | JAN 20/09 | 28-22-03- 1      | 19       | JAN 20/09 |
| 28-21-71- 1B     | 2        | JAN 20/09 | 28-22-03- 1      | 20       | JAN 20/09 |
| 28-21-71- 1B     | 3        | JAN 20/09 | 28-22-03- 1      | 21       | JAN 20/09 |
| 28-22-00         | 1        | MAY 28/07 | 28-22-03- 1      | 22       | JAN 20/09 |
| 28-22-00- 1      | 0        | MAY 28/07 | 28-22-03- 1      | 23       | JAN 20/09 |
| 28-22-00- 1      | 1        | JAN 20/09 | 28-22-03- 1      | 24       | JAN 20/09 |
| 28-22-00- 1      | 2        | JAN 20/09 | 28-22-03- 1      | 25       | JAN 20/09 |
| 28-22-00- 1      | 3        | JAN 20/09 | 28-22-03- 1      | 26       | JAN 20/09 |
| 28-22-00- 1      | 4        | JAN 20/09 | 28-22-03- 1      | 27       | JAN 20/09 |
| 28-22-00- 1      | 5        | JAN 20/09 | 28-22-03- 1      | 28       | JAN 20/09 |
| 28-22-01- 5      | 0        | MAY 28/07 | *28-22-03- 1     | 29       | MAY 20/09 |
| 28-22-01- 5      | 1        | JAN 20/09 | *28-22-03- 1     | 30       | MAY 20/09 |
| 28-22-01- 5      | 2        | JAN 20/09 | 28-22-03- 1      | 31       | JAN 20/09 |
| 28-22-01- 5      | 3        | JAN 20/09 | 28-22-03- 1      | 32       | JAN 20/09 |
| 28-22-01- 5      | 4        | JAN 20/09 | 28-22-03- 1      | 33       | JAN 20/09 |

\* THE ASTERISK INDICATES PAGES CHANGED OR ADDED BY THE CURRENT REVISION


**BOEING**  
 757  
**PARTS CATALOG (MAINTENANCE)**

| CH-SECT-UNIT-FIG | PAGE NO. | DATE      | CH-SECT-UNIT-FIG | PAGE NO. | DATE      |
|------------------|----------|-----------|------------------|----------|-----------|
| 28-22-03- 1      | 34       | JAN 20/09 | 28-22-03- 2      | 8        | JAN 20/09 |
| *28-22-03- 1B    | 0        | MAY 20/09 | 28-22-03- 2      | 9        | JAN 20/09 |
| 28-22-03- 1B     | 0A       | MAY 28/07 | 28-22-03- 2      | 10       | JAN 20/09 |
| 28-22-03- 1B     | 0B       | MAY 28/07 | 28-22-03- 2      | 11       | JAN 20/09 |
| 28-22-03- 1B     | 0C       | MAY 28/07 | 28-22-03- 2      | 12       | JAN 20/09 |
| *28-22-03- 1B    | 0D       | MAY 20/09 | 28-22-03- 2      | 13       | JAN 20/09 |
| *28-22-03- 1B    | 0E       | MAY 20/09 | 28-22-03- 2      | 14       | JAN 20/09 |
| 28-22-03- 1B     | 1        | JAN 20/09 | 28-22-03- 2      | 15       | JAN 20/09 |
| 28-22-03- 1B     | 2        | JAN 20/09 | 28-22-03- 2      | 16       | JAN 20/09 |
| 28-22-03- 1B     | 3        | JAN 20/09 | *28-22-03- 2     | 17       | MAY 20/09 |
| 28-22-03- 1B     | 4        | JAN 20/09 | *28-22-03- 2     | 18       | MAY 20/09 |
| 28-22-03- 1B     | 5        | JAN 20/09 | 28-22-03- 2      | 19       | JAN 20/09 |
| 28-22-03- 1B     | 6        | JAN 20/09 | 28-22-03- 2      | 20       | JAN 20/09 |
| 28-22-03- 1B     | 7        | JAN 20/09 | 28-22-03- 2      | 21       | JAN 20/09 |
| *28-22-03- 1B    | 8        | MAY 20/09 | 28-22-03- 2      | 22       | JAN 20/09 |
| 28-22-03- 1B     | 9        | JAN 20/09 | 28-22-03- 2      | 23       | JAN 20/09 |
| 28-22-03- 1B     | 10       | JAN 20/09 | 28-22-03- 2      | 24       | JAN 20/09 |
| 28-22-03- 1B     | 11       | JAN 20/09 | 28-22-03- 2      | 25       | JAN 20/09 |
| 28-22-03- 1B     | 12       | JAN 20/09 | 28-22-03- 2      | 26       | JAN 20/09 |
| 28-22-03- 1B     | 13       | JAN 20/09 | 28-22-03- 2      | 27       | JAN 20/09 |
| *28-22-03- 1C    | 0        | MAY 20/09 | 28-22-03- 2      | 28       | JAN 20/09 |
| 28-22-03- 1C     | 0A       | MAY 28/07 | 28-22-03- 2      | 29       | JAN 20/09 |
| 28-22-03- 1C     | 0B       | MAY 28/07 | *28-22-03- 2B    | 0        | MAY 20/09 |
| 28-22-03- 1C     | 0C       | MAY 28/07 | 28-22-03- 2B     | 0A       | MAY 28/07 |
| *28-22-03- 1C    | 0D       | MAY 20/09 | *28-22-03- 2B    | 0B       | MAY 20/09 |
| *28-22-03- 1C    | 0E       | MAY 20/09 | *28-22-03- 2B    | 0C       | MAY 20/09 |
| 28-22-03- 1C     | 1        | MAY 28/07 | *28-22-03- 2B    | 0D       | MAY 20/09 |
| 28-22-03- 1C     | 2        | JAN 20/09 | *28-22-03- 2B    | 0E       | MAY 20/09 |
| 28-22-03- 1C     | 3        | JAN 20/09 | *28-22-03- 2B    | 1        | MAY 20/09 |
| 28-22-03- 1C     | 4        | JAN 20/09 | 28-22-03- 2B     | 2        | JAN 20/09 |
| *28-22-03- 1C    | 5        | MAY 20/09 | 28-22-03- 2B     | 3        | JAN 20/09 |
| 28-22-03- 1C     | 6        | JAN 20/09 | 28-22-03- 2B     | 4        | JAN 20/09 |
| 28-22-03- 1C     | 7        | SEP 28/07 | 28-22-03- 2B     | 5        | JAN 20/09 |
| 28-22-03- 1C     | 8        | MAY 28/07 | *28-22-03- 2B    | 6        | MAY 20/09 |
| 28-22-03- 1C     | 9        | MAY 28/07 | 28-22-03- 2B     | 7        | JAN 20/09 |
| 28-22-03- 2      | 0        | SEP 28/07 | 28-22-03- 2B     | 8        | JAN 20/09 |
| 28-22-03- 2      | 0A       | SEP 28/07 | 28-22-03- 2B     | 9        | JAN 20/09 |
| 28-22-03- 2      | 0B       | SEP 28/07 | 28-22-03- 2B     | 10       | JAN 20/09 |
| 28-22-03- 2      | 0C       | SEP 28/07 | *28-22-03- 2C    | 0        | MAY 20/09 |
| 28-22-03- 2      | 0D       | SEP 28/07 | 28-22-03- 2C     | 0A       | MAY 28/07 |
| *28-22-03- 2     | 0E       | MAY 20/09 | 28-22-03- 2C     | 0B       | MAY 28/07 |
| 28-22-03- 2      | 0F       | MAY 28/07 | *28-22-03- 2C    | 0C       | MAY 20/09 |
| 28-22-03- 2      | 0G       | MAY 28/07 | *28-22-03- 2C    | 0D       | MAY 20/09 |
| *28-22-03- 2     | 0H       | MAY 20/09 | 28-22-03- 2C     | 1        | JAN 20/09 |
| 28-22-03- 2      | 1        | JAN 20/09 | 28-22-03- 2C     | 2        | JAN 20/09 |
| 28-22-03- 2      | 2        | JAN 20/09 | 28-22-03- 2C     | 3        | JAN 20/09 |
| 28-22-03- 2      | 3        | JAN 20/09 | *28-22-03- 2C    | 4        | MAY 20/09 |
| 28-22-03- 2      | 4        | JAN 20/09 | 28-22-03- 2C     | 5        | SEP 28/07 |
| 28-22-03- 2      | 5        | JAN 20/09 | 28-22-03- 2C     | 6        | SEP 28/07 |
| 28-22-03- 2      | 6        | JAN 20/09 | 28-22-03- 2C     | 7        | MAY 28/07 |
| 28-22-03- 2      | 7        | JAN 20/09 | 28-22-03- 2C     | 8        | MAY 28/07 |

\* THE ASTERISK INDICATES PAGES CHANGED OR ADDED BY THE CURRENT REVISION


**BOEING**  
 757  
**PARTS CATALOG (MAINTENANCE)**

| CH-SECT-UNIT-FIG | PAGE NO. | DATE      | CH-SECT-UNIT-FIG | PAGE NO. | DATE      |
|------------------|----------|-----------|------------------|----------|-----------|
| 28-22-03-51      | 0        | MAY 28/07 | 28-22-07- 1      | OK       | MAY 28/07 |
| 28-22-03-51      | 1        | JAN 20/09 | 28-22-07- 1      | OL       | MAY 28/07 |
| 28-22-03-51      | 2        | JAN 20/09 | 28-22-07- 1      | OM       | MAY 28/07 |
| 28-22-03-51      | 3        | JAN 20/09 | 28-22-07- 1      | 1        | JAN 20/09 |
| 28-22-03-51      | 4        | JAN 20/09 | 28-22-07- 1      | 2        | JAN 20/09 |
| 28-22-03-51      | 5        | JAN 20/09 | 28-22-07- 1      | 3        | JAN 20/09 |
| 28-22-03-51      | 6        | JAN 20/09 | 28-22-07- 1      | 4        | JAN 20/09 |
| *28-22-03-51     | 7        | MAY 20/09 | *28-22-07- 1     | 5        | MAY 20/09 |
| 28-22-03-51      | 8        | JAN 20/09 | 28-22-07- 1      | 6        | JAN 20/09 |
| 28-22-03-51      | 9        | JAN 20/09 | 28-22-07- 1      | 7        | JAN 20/09 |
| 28-22-03-51      | 10       | SEP 20/08 | 28-22-07- 1      | 8        | JAN 20/09 |
| 28-22-03-51      | 11       | SEP 20/08 | 28-22-07- 1      | 9        | JAN 20/09 |
| 28-22-03-51      | 12       | SEP 20/08 | 28-22-07- 1      | 10       | JAN 20/09 |
| *28-22-05- 1     | 0        | MAY 20/09 | 28-22-07- 1      | 11       | JAN 20/09 |
| *28-22-05- 1     | 0A       | MAY 20/09 | 28-22-07- 1      | 12       | JAN 20/09 |
| *28-22-05- 1     | 0B       | MAY 20/09 | 28-22-07- 1      | 13       | JAN 20/09 |
| *28-22-05- 1     | 0C       | MAY 20/09 | 28-22-07- 1      | 14       | JAN 20/09 |
| 28-22-05- 1      | 1        | JAN 20/09 | *28-22-07- 1     | 15       | MAY 20/09 |
| *28-22-05- 1     | 2        | MAY 20/09 | *28-22-07- 1     | 16       | MAY 20/09 |
| *28-22-05- 1     | 3        | MAY 20/09 | 28-22-07- 1      | 17       | JAN 20/09 |
| 28-22-05- 1      | 4        | JAN 20/09 | 28-22-07- 1      | 18       | JAN 20/09 |
| 28-22-05- 1      | 5        | JAN 20/09 | 28-22-07- 1      | 19       | JAN 20/09 |
| 28-22-05- 1      | 6        | JAN 20/09 | 28-22-07- 1      | 20       | JAN 20/09 |
| *28-22-05- 3     | 0        | MAY 20/09 | 28-22-07- 1      | 21       | JAN 20/09 |
| *28-22-05- 3     | 0A       | MAY 20/09 | 28-22-07- 1      | 22       | JAN 20/09 |
| 28-22-05- 3      | 1        | JAN 20/09 | 28-22-07- 1      | 23       | JAN 20/09 |
| *28-22-05- 3     | 2        | MAY 20/09 | *28-22-07- 1     | 24       | MAY 20/09 |
| *28-22-05- 3     | 3        | MAY 20/09 | *28-22-07- 1     | 25       | MAY 20/09 |
| 28-22-05- 3      | 4        | JAN 20/09 | *28-22-07- 1     | 26       | MAY 20/09 |
| 28-22-05- 3      | 5        | JAN 20/09 | *28-22-07- 1     | 27       | MAY 20/09 |
| 28-22-05- 3      | 6        | JAN 20/09 | *28-22-07- 1     | 28       | MAY 20/09 |
| 28-22-05- 3      | 7        | JAN 20/09 | *28-22-07- 1     | 29       | MAY 20/09 |
| 28-22-05- 4      | 0        | MAY 28/07 | *28-22-07- 1     | 30       | MAY 20/09 |
| 28-22-05- 4      | 1        | JAN 20/09 | 28-22-07- 1A     | 0        | MAY 28/07 |
| 28-22-05- 4      | 2        | JAN 20/09 | 28-22-07- 1A     | 0A       | MAY 28/07 |
| 28-22-05- 4      | 3        | JAN 20/09 | 28-22-07- 1A     | 0B       | MAY 28/07 |
| 28-22-05- 4      | 4        | JAN 20/09 | 28-22-07- 1A     | 0C       | MAY 28/07 |
| 28-22-05- 4      | 5        | JAN 20/09 | 28-22-07- 1A     | 0D       | MAY 28/07 |
| 28-22-05- 4      | 6        | SEP 20/08 | 28-22-07- 1A     | 0E       | MAY 28/07 |
| 28-22-05- 4      | 7        | SEP 20/08 | 28-22-07- 1A     | 0F       | MAY 28/07 |
| 28-22-07- 1      | 0        | MAY 28/07 | 28-22-07- 1A     | 0G       | SEP 20/08 |
| 28-22-07- 1      | 0A       | MAY 28/07 | 28-22-07- 1A     | 0H       | MAY 28/07 |
| 28-22-07- 1      | 0B       | MAY 28/07 | 28-22-07- 1A     | 0I       | MAY 28/07 |
| 28-22-07- 1      | 0C       | MAY 28/07 | 28-22-07- 1A     | 1        | JAN 20/09 |
| 28-22-07- 1      | 0D       | MAY 28/07 | 28-22-07- 1A     | 2        | JAN 20/09 |
| 28-22-07- 1      | 0E       | MAY 28/07 | *28-22-07- 1A    | 3        | MAY 20/09 |
| 28-22-07- 1      | 0F       | MAY 28/07 | 28-22-07- 1A     | 4        | JAN 20/09 |
| 28-22-07- 1      | 0G       | MAY 28/07 | 28-22-07- 1A     | 5        | JAN 20/09 |
| 28-22-07- 1      | 0H       | SEP 20/08 | *28-22-07- 1A    | 6        | MAY 20/09 |
| 28-22-07- 1      | 0I       | MAY 28/07 | 28-22-07- 1A     | 7        | JAN 20/09 |
| 28-22-07- 1      | 0J       | MAY 28/07 | *28-22-07- 1A    | 8        | MAY 20/09 |

\* THE ASTERISK INDICATES PAGES CHANGED OR ADDED BY THE CURRENT REVISION

BRI  
MAY 20/09

28 - LIST OF EFFECTIVE PAGES  
PAGE 7



757

PARTS CATALOG (MAINTENANCE)

| CH-SECT-UNIT-FIG | PAGE NO. | DATE      | CH-SECT-UNIT-FIG | PAGE NO. | DATE      |
|------------------|----------|-----------|------------------|----------|-----------|
| *28-22-07- 1A    | 9        | MAY 20/09 | 28-22-07- 3      | 6        | JAN 20/09 |
| *28-22-07- 1A    | 10       | MAY 20/09 | 28-22-07- 3      | 7        | JAN 20/09 |
| *28-22-07- 1A    | 11       | MAY 20/09 | 28-22-07- 3      | 8        | JAN 20/09 |
| *28-22-07- 1A    | 12       | MAY 20/09 | 28-22-07- 3      | 9        | JAN 20/09 |
| 28-22-07- 2      | 0        | MAY 28/07 | 28-22-07- 3      | 10       | JAN 20/09 |
| 28-22-07- 2      | 0A       | MAY 28/07 | 28-22-07- 3      | 11       | JAN 20/09 |
| 28-22-07- 2      | 1        | JAN 20/09 | 28-22-07- 6      | 0        | MAY 28/07 |
| 28-22-07- 2      | 2        | JAN 20/09 | 28-22-07- 6      | 0A       | MAY 28/07 |
| 28-22-07- 2A     | 0        | MAY 28/07 | 28-22-07- 6      | 0B       | MAY 28/07 |
| 28-22-07- 2A     | 0A       | MAY 28/07 | 28-22-07- 6      | 0C       | MAY 28/07 |
| 28-22-07- 2A     | 0B       | MAY 28/07 | 28-22-07- 6      | 0D       | MAY 28/07 |
| 28-22-07- 2A     | 0C       | MAY 28/07 | 28-22-07- 6      | 0E       | MAY 28/07 |
| 28-22-07- 2A     | 0D       | MAY 28/07 | 28-22-07- 6      | 0F       | MAY 28/07 |
| 28-22-07- 2A     | 0E       | MAY 28/07 | 28-22-07- 6      | 0G       | MAY 28/07 |
| 28-22-07- 2A     | 0F       | MAY 28/07 | 28-22-07- 6      | 1        | JAN 20/09 |
| 28-22-07- 2A     | 0G       | MAY 28/07 | 28-22-07- 6      | 2        | JAN 20/09 |
| 28-22-07- 2A     | 0H       | MAY 28/07 | 28-22-07- 6      | 3        | JAN 20/09 |
| 28-22-07- 2A     | 0I       | MAY 28/07 | 28-22-07- 6      | 4        | JAN 20/09 |
| 28-22-07- 2A     | 0J       | MAY 28/07 | 28-22-07- 6      | 5        | JAN 20/09 |
| 28-22-07- 2A     | 0K       | MAY 28/07 | 28-22-07- 6      | 6        | JAN 20/09 |
| 28-22-07- 2A     | 1        | JAN 20/09 | 28-22-07- 6      | 7        | JAN 20/09 |
| 28-22-07- 2A     | 2        | JAN 20/09 | 28-22-07- 6      | 8        | JAN 20/09 |
| 28-22-07- 2A     | 3        | JAN 20/09 | 28-22-07- 6      | 9        | JAN 20/09 |
| 28-22-07- 2A     | 4        | JAN 20/09 | 28-22-07- 7      | 0        | MAY 28/07 |
| 28-22-07- 2A     | 5        | JAN 20/09 | 28-22-07- 7      | 0A       | MAY 28/07 |
| 28-22-07- 2A     | 6        | JAN 20/09 | 28-22-07- 7      | 0B       | MAY 28/07 |
| 28-22-07- 2A     | 7        | JAN 20/09 | 28-22-07- 7      | 0C       | MAY 28/07 |
| 28-22-07- 2A     | 8        | JAN 20/09 | 28-22-07- 7      | 0D       | MAY 28/07 |
| 28-22-07- 2A     | 9        | JAN 20/09 | 28-22-07- 7      | 0E       | MAY 28/07 |
| 28-22-07- 2A     | 10       | JAN 20/09 | 28-22-07- 7      | 0F       | MAY 28/07 |
| 28-22-07- 2A     | 11       | JAN 20/09 | 28-22-07- 7      | 1        | JAN 20/09 |
| 28-22-07- 2A     | 12       | JAN 20/09 | 28-22-07- 7      | 2        | JAN 20/09 |
| 28-22-07- 2A     | 13       | JAN 20/09 | 28-22-07- 7      | 3        | JAN 20/09 |
| 28-22-07- 2A     | 14       | JAN 20/09 | 28-22-07- 7      | 4        | JAN 20/09 |
| 28-22-07- 2A     | 15       | JAN 20/09 | 28-22-07- 7      | 5        | JAN 20/09 |
| 28-22-07- 2A     | 16       | JAN 20/09 | 28-22-07- 7      | 6        | JAN 20/09 |
| 28-22-07- 2A     | 17       | JAN 20/09 | 28-22-07- 7      | 7        | JAN 20/09 |
| 28-22-07- 2A     | 18       | JAN 20/09 | 28-22-07- 7      | 8        | JAN 20/09 |
| 28-22-07- 2A     | 19       | JAN 20/09 | 28-22-07- 7      | 9        | JAN 20/09 |
| 28-22-07- 2A     | 20       | JAN 20/09 | 28-22-07- 7      | 10       | JAN 20/09 |
| 28-22-07- 3      | 0        | MAY 28/07 | 28-22-07- 7      | 11       | JAN 20/09 |
| 28-22-07- 3      | 0A       | MAY 28/07 | 28-22-07- 7      | 12       | JAN 20/09 |
| 28-22-07- 3      | 0B       | MAY 28/07 | 28-22-07- 7      | 13       | JAN 20/09 |
| 28-22-07- 3      | 0C       | MAY 28/07 | 28-22-07- 7      | 14       | JAN 20/09 |
| 28-22-07- 3      | 0D       | MAY 28/07 | 28-22-07- 7      | 15       | JAN 20/09 |
| 28-22-07- 3      | 0E       | MAY 28/07 | 28-22-07- 9      | 0        | MAY 28/07 |
| 28-22-07- 3      | 1        | JAN 20/09 | 28-22-07- 9      | 0A       | MAY 28/07 |
| 28-22-07- 3      | 2        | JAN 20/09 | 28-22-07- 9      | 0B       | MAY 28/07 |
| 28-22-07- 3      | 3        | JAN 20/09 | 28-22-07- 9      | 0C       | MAY 28/07 |
| 28-22-07- 3      | 4        | JAN 20/09 | 28-22-07- 9      | 0D       | MAY 28/07 |
| 28-22-07- 3      | 5        | JAN 20/09 | 28-22-07- 9      | 1        | JAN 20/09 |

\* THE ASTERISK INDICATES PAGES CHANGED OR ADDED BY THE CURRENT REVISION



757

PARTS CATALOG (MAINTENANCE)

| CH-SECT-UNIT-FIG | PAGE NO. | DATE      | CH-SECT-UNIT-FIG | PAGE NO. | DATE      |
|------------------|----------|-----------|------------------|----------|-----------|
| 28-22-07- 9      | 2        | JAN 20/09 | *28-22-11- 1     | 12       | MAY 20/09 |
| 28-22-07- 9      | 3        | JAN 20/09 | *28-22-11- 1     | 13       | MAY 20/09 |
| 28-22-07- 9      | 4        | JAN 20/09 | *28-22-11- 1     | 14       | MAY 20/09 |
| 28-22-07- 9      | 5        | JAN 20/09 | *28-22-11- 1     | 15       | MAY 20/09 |
| 28-22-07- 9      | 6        | JAN 20/09 | *28-22-11- 1     | 16       | MAY 20/09 |
| 28-22-07- 9      | 7        | JAN 20/09 | *28-22-11- 1     | 17       | MAY 20/09 |
| 28-22-07- 9      | 8        | JAN 20/09 | *28-22-11- 1     | 18       | MAY 20/09 |
| 28-22-07- 9      | 9        | JAN 20/09 | 28-22-11- 2A     | 0        | MAY 28/07 |
| 28-22-07- 9      | 10       | JAN 20/09 | 28-22-11- 2A     | 1        | SEP 20/08 |
| 28-22-07- 9      | 11       | JAN 20/09 | 28-22-12- 1      | 0        | MAY 28/07 |
| 28-22-07- 9      | 12       | JAN 20/09 | 28-22-12- 1      | 0A       | MAY 28/07 |
| 28-22-08- 1      | 0        | MAY 28/07 | 28-22-12- 1      | 0B       | MAY 28/07 |
| 28-22-08- 1      | 1        | JAN 20/09 | 28-22-12- 1      | 0C       | MAY 28/07 |
| 28-22-08- 1      | 2        | JAN 20/09 | 28-22-12- 1      | 0D       | MAY 28/07 |
| 28-22-08- 1A     | 0        | MAY 28/07 | 28-22-12- 1      | 0E       | MAY 28/07 |
| 28-22-08- 1A     | 1        | JAN 20/09 | 28-22-12- 1      | 0F       | MAY 28/07 |
| 28-22-08- 1A     | 2        | JAN 20/09 | 28-22-12- 1      | 1        | JAN 20/09 |
| 28-22-08- 1C     | 0        | MAY 28/07 | 28-22-12- 1      | 2        | JAN 20/09 |
| 28-22-08- 1C     | 1        | JAN 20/09 | 28-22-12- 1      | 3        | JAN 20/09 |
| 28-22-08- 1C     | 2        | JAN 20/09 | 28-22-12- 1      | 4        | JAN 20/09 |
| 28-22-08- 1C     | 3        | JAN 20/09 | *28-22-12- 1     | 5        | MAY 20/09 |
| 28-22-09- 1      | 0        | MAY 28/07 | *28-22-12- 1     | 6        | MAY 20/09 |
| 28-22-09- 1      | 0A       | MAY 28/07 | *28-22-12- 1     | 7        | MAY 20/09 |
| 28-22-09- 1      | 1        | JAN 20/09 | *28-22-12- 1     | 8        | MAY 20/09 |
| 28-22-09- 1      | 2        | JAN 20/09 | *28-22-12- 1     | 9        | MAY 20/09 |
| 28-22-09- 1      | 3        | JAN 20/09 | *28-22-12- 1     | 10       | MAY 20/09 |
| 28-22-09- 1A     | 0        | MAY 28/07 | *28-22-12- 1     | 11       | MAY 20/09 |
| 28-22-09- 1A     | 0A       | MAY 28/07 | 28-22-13- 1      | 0        | MAY 28/07 |
| 28-22-09- 1A     | 1        | JAN 20/09 | 28-22-13- 1      | 1        | JAN 20/09 |
| 28-22-09- 1A     | 2        | JAN 20/09 | 28-22-13- 1      | 2        | JAN 20/09 |
| 28-22-09- 1A     | 3        | JAN 20/09 | 28-22-13- 1      | 3        | JAN 20/09 |
| 28-22-09- 1C     | 0        | MAY 28/07 | 28-22-13- 3      | 0        | MAY 28/07 |
| 28-22-09- 1C     | 1        | JAN 20/09 | 28-22-13- 3      | 1        | JAN 20/09 |
| 28-22-09- 1C     | 2        | JAN 20/09 | 28-22-13- 3      | 2        | JAN 20/09 |
| 28-22-11- 1      | 0        | MAY 28/07 | 28-22-51- 1      | 0        | JAN 20/08 |
| 28-22-11- 1      | 0A       | MAY 28/07 | 28-22-51- 1      | 0A       | MAY 20/08 |
| 28-22-11- 1      | 0B       | MAY 28/07 | 28-22-51- 1      | 1        | JAN 20/09 |
| 28-22-11- 1      | 0C       | MAY 28/07 | 28-22-51- 1      | 2        | JAN 20/09 |
| 28-22-11- 1      | 0D       | MAY 28/07 | 28-22-51- 1      | 3        | JAN 20/09 |
| 28-22-11- 1      | 0E       | MAY 28/07 | 28-22-51- 1      | 4        | JAN 20/09 |
| 28-22-11- 1      | 1        | JAN 20/09 | 28-22-51- 1      | 5        | JAN 20/09 |
| 28-22-11- 1      | 2        | JAN 20/09 | *28-22-51- 1     | 6        | MAY 20/09 |
| 28-22-11- 1      | 3        | JAN 20/09 | 28-22-51- 1      | 7        | JAN 20/09 |
| 28-22-11- 1      | 4        | JAN 20/09 | 28-22-51- 1      | 8        | JAN 20/09 |
| 28-22-11- 1      | 5        | JAN 20/09 | 28-22-51- 1      | 9        | JAN 20/09 |
| *28-22-11- 1     | 6        | MAY 20/09 | 28-22-51- 1      | 10       | JAN 20/09 |
| 28-22-11- 1      | 7        | JAN 20/09 | 28-22-51- 1      | 11       | JAN 20/09 |
| *28-22-11- 1     | 8        | MAY 20/09 | 28-22-51- 1      | 12       | JAN 20/09 |
| *28-22-11- 1     | 9        | MAY 20/09 | 28-22-51- 1      | 13       | JAN 20/09 |
| *28-22-11- 1     | 10       | MAY 20/09 | 28-22-51- 1      | 14       | JAN 20/09 |
| *28-22-11- 1     | 11       | MAY 20/09 | 28-22-51- 1      | 15       | JAN 20/09 |

\* THE ASTERISK INDICATES PAGES CHANGED OR ADDED BY THE CURRENT REVISION



**757**  
**PARTS CATALOG (MAINTENANCE)**

| CH-SECT-UNIT-FIG | PAGE NO. | DATE      | CH-SECT-UNIT-FIG | PAGE NO. | DATE      |
|------------------|----------|-----------|------------------|----------|-----------|
| 28-22-51- 1      | 16       | JAN 20/09 | 28-22-52- 1A     | 0C       | MAY 28/07 |
| 28-22-51- 1      | 17       | JAN 20/09 | 28-22-52- 1A     | 0D       | MAY 28/07 |
| 28-22-51- 1      | 18       | JAN 20/09 | 28-22-52- 1A     | 0E       | MAY 28/07 |
| 28-22-51- 1      | 19       | JAN 20/09 | 28-22-52- 1A     | 1        | JAN 20/09 |
| 28-22-51- 1      | 20       | JAN 20/09 | 28-22-52- 1A     | 2        | JAN 20/09 |
| 28-22-51- 1      | 21       | JAN 20/09 | 28-22-52- 1A     | 3        | JAN 20/09 |
| 28-22-51- 1      | 22       | JAN 20/09 | 28-22-52- 1A     | 4        | JAN 20/09 |
| 28-22-51- 1      | 23       | JAN 20/09 | 28-22-52- 1A     | 5        | JAN 20/09 |
| 28-22-51- 1      | 24       | JAN 20/09 | 28-22-52- 1A     | 6        | JAN 20/09 |
| 28-22-51- 1      | 25       | JAN 20/09 | 28-22-52- 1A     | 7        | JAN 20/09 |
| 28-22-51- 1      | 26       | JAN 20/09 | 28-22-52- 1A     | 8        | JAN 20/09 |
| 28-22-51- 1      | 27       | JAN 20/09 | 28-22-52- 1A     | 9        | JAN 20/09 |
| 28-22-51- 1      | 28       | JAN 20/09 | 28-22-52- 1A     | 10       | JAN 20/09 |
| 28-22-51- 1      | 29       | JAN 20/09 | 28-22-71- 1      | 0        | JAN 20/09 |
| 28-22-51- 1      | 30       | JAN 20/09 | 28-22-71- 1      | 0A       | MAY 20/08 |
| 28-22-51- 1      | 31       | JAN 20/09 | 28-22-71- 1      | 0B       | SEP 28/07 |
| 28-22-51- 1      | 32       | JAN 20/09 | 28-22-71- 1      | 1        | JAN 20/09 |
| 28-22-51- 1      | 33       | JAN 20/09 | 28-22-71- 1      | 2        | JAN 20/09 |
| 28-22-51- 2      | 0        | SEP 20/08 | 28-22-71- 1      | 3        | JAN 20/09 |
| 28-22-51- 2      | 1        | JAN 20/09 | 28-22-71- 1      | 4        | JAN 20/09 |
| 28-22-51- 2      | 2        | JAN 20/09 | 28-22-71- 1      | 5        | JAN 20/09 |
| 28-22-51- 2      | 3        | JAN 20/09 | 28-22-71- 1      | 6        | JAN 20/09 |
| 28-22-51- 2      | 4        | JAN 20/09 | 28-22-71- 1      | 7        | JAN 20/09 |
| 28-22-51- 2      | 5        | JAN 20/09 | 28-22-71- 1A     | 0        | JAN 20/09 |
| 28-22-51- 2      | 6        | JAN 20/09 | 28-22-71- 1A     | 0A       | MAY 28/07 |
| 28-22-51- 2      | 7        | JAN 20/09 | 28-22-71- 1A     | 0B       | SEP 20/08 |
| 28-22-51- 2      | 8        | JAN 20/09 | 28-22-71- 1A     | 0C       | SEP 28/07 |
| 28-22-51- 2      | 9        | JAN 20/09 | 28-22-71- 1A     | 1        | JAN 20/09 |
| 28-22-51- 2      | 10       | JAN 20/09 | 28-22-71- 1A     | 2        | JAN 20/09 |
| 28-22-51- 2      | 11       | JAN 20/09 | 28-22-71- 1A     | 3        | JAN 20/09 |
| 28-22-51- 2      | 12       | JAN 20/09 | 28-22-71- 1A     | 4        | JAN 20/09 |
| 28-22-51- 2      | 13       | JAN 20/09 | 28-22-71- 1A     | 5        | JAN 20/09 |
| 28-22-51- 2      | 14       | JAN 20/09 | 28-22-71- 1A     | 6        | JAN 20/09 |
| 28-22-52- 1      | 0        | MAY 28/07 | 28-22-71- 1A     | 6        | JAN 20/09 |
| 28-22-52- 1      | 0A       | MAY 28/07 | 28-22-71- 1B     | 0        | JAN 20/09 |
| 28-22-52- 1      | 0B       | MAY 28/07 | 28-22-71- 1B     | 0A       | JAN 20/09 |
| 28-22-52- 1      | 0C       | MAY 28/07 | 28-22-71- 1B     | 1        | JAN 20/09 |
| 28-22-52- 1      | 0D       | MAY 28/07 | 28-22-71- 1B     | 2        | JAN 20/09 |
| 28-22-52- 1      | 1        | JAN 20/09 | 28-22-71- 1B     | 3        | JAN 20/09 |
| 28-22-52- 1      | 2        | JAN 20/09 | 28-22-71- 1B     | 4        | JAN 20/09 |
| 28-22-52- 1      | 3        | JAN 20/09 | 28-22-71- 1B     | 5        | JAN 20/09 |
| 28-22-52- 1      | 4        | JAN 20/09 | 28-22-71- 1B     | 6        | JAN 20/09 |
| 28-22-52- 1      | 5        | JAN 20/09 | 28-22-71- 1B     | 6        | JAN 20/09 |
| 28-22-52- 1      | 6        | JAN 20/09 | 28-22-71- 3      | 0        | JAN 20/09 |
| 28-22-52- 1      | 7        | JAN 20/09 | 28-22-71- 3      | 0A       | MAY 28/07 |
| 28-22-52- 1      | 8        | JAN 20/09 | 28-22-71- 3      | 0B       | SEP 28/07 |
| 28-22-52- 1      | 9        | JAN 20/09 | 28-22-71- 3      | 0C       | SEP 28/07 |
| 28-22-52- 1      | 10       | JAN 20/09 | 28-22-71- 3      | 1        | JAN 20/09 |
| 28-22-52- 1A     | 0        | MAY 28/07 | 28-22-71- 3      | 2        | JAN 20/09 |
| 28-22-52- 1A     | 0A       | MAY 28/07 | 28-22-71- 3      | 3        | JAN 20/09 |
| 28-22-52- 1A     | 0B       | MAY 28/07 | 28-22-71- 3      | 4        | JAN 20/09 |
|                  |          |           | 28-22-71- 3      | 5        | JAN 20/09 |
|                  |          |           | 28-22-71- 3      | 6        | JAN 20/09 |

\* THE ASTERISK INDICATES PAGES CHANGED OR ADDED BY THE CURRENT REVISION


**BOEING**  
 757  
**PARTS CATALOG (MAINTENANCE)**

| CH-SECT-UNIT-FIG | PAGE NO. | DATE      | CH-SECT-UNIT-FIG | PAGE NO. | DATE      |
|------------------|----------|-----------|------------------|----------|-----------|
| 28-22-71- 3      | 7        | JAN 20/09 | 28-25-01- 1      | 4        | JAN 20/09 |
| *28-22-71- 3B    | 0        | MAY 20/09 | 28-25-01- 1      | 5        | JAN 20/09 |
| 28-22-71- 3B     | 0A       | SEP 28/07 | 28-25-01- 1      | 6        | JAN 20/09 |
| 28-22-71- 3B     | 0B       | SEP 28/07 | *28-25-01- 1     | 7        | MAY 20/09 |
| 28-22-71- 3B     | 1        | JAN 20/09 | 28-25-01- 1      | 8        | JAN 20/09 |
| 28-22-71- 3B     | 2        | JAN 20/09 | *28-25-01- 1     | 9        | MAY 20/09 |
| 28-22-71- 3B     | 3        | JAN 20/09 | 28-25-01- 1      | 10       | JAN 20/09 |
| 28-22-71- 3B     | 4        | JAN 20/09 | *28-25-01- 1     | 11       | MAY 20/09 |
| 28-22-71- 3D     | 0        | JAN 20/09 | 28-25-01- 1      | 12       | JAN 20/09 |
| 28-22-71- 3D     | 0A       | JAN 20/09 | 28-25-01- 1      | 13       | JAN 20/09 |
| 28-22-71- 3D     | 1        | JAN 20/09 | 28-25-01- 1      | 14       | JAN 20/09 |
| 28-22-71- 3D     | 2        | JAN 20/09 | 28-25-01- 1      | 15       | JAN 20/09 |
| 28-22-71- 3D     | 3        | JAN 20/09 | *28-25-01- 1     | 16       | MAY 20/09 |
| 28-22-71- 3D     | 4        | JAN 20/09 | 28-25-01- 1      | 17       | JAN 20/09 |
| 28-22-71- 3D     | 5        | JAN 20/09 | 28-25-01- 1      | 18       | JAN 20/09 |
| 28-22-71- 3D     | 6        | JAN 20/09 | 28-25-01- 1      | 19       | JAN 20/09 |
| 28-22-71- 3D     | 7        | JAN 20/09 | 28-25-01- 1      | 20       | JAN 20/09 |
| 28-22-71- 3D     | 8        | JAN 20/09 | 28-25-01- 1      | 21       | JAN 20/09 |
| 28-25-00         | 1        | MAY 28/07 | 28-25-01- 2      | 0        | MAY 28/07 |
| 28-25-00- 1      | 0        | MAY 28/07 | 28-25-01- 2      | 0A       | MAY 28/07 |
| 28-25-00- 1      | 0A       | MAY 28/07 | 28-25-01- 2      | 0B       | MAY 28/07 |
| 28-25-00- 1      | 0B       | MAY 28/07 | 28-25-01- 2      | 0C       | MAY 28/07 |
| 28-25-00- 1      | 0C       | MAY 28/07 | 28-25-01- 2      | 0D       | MAY 28/07 |
| 28-25-00- 1      | 0D       | MAY 28/07 | 28-25-01- 2      | 0E       | MAY 28/07 |
| 28-25-00- 1      | 0E       | MAY 28/07 | 28-25-01- 2      | 1        | JAN 20/09 |
| 28-25-00- 1      | 0F       | MAY 28/07 | 28-25-01- 2      | 2        | JAN 20/09 |
| 28-25-00- 1      | 0G       | MAY 28/07 | 28-25-01- 2      | 3        | JAN 20/09 |
| 28-25-00- 1      | 0H       | MAY 28/07 | *28-25-01- 2     | 4        | MAY 20/09 |
| 28-25-00- 1      | 0I       | MAY 28/07 | *28-25-01- 2     | 5        | MAY 20/09 |
| 28-25-00- 1      | 0J       | MAY 28/07 | *28-25-01- 2     | 6        | MAY 20/09 |
| 28-25-00- 1      | 1        | JAN 20/09 | *28-25-01- 2     | 7        | MAY 20/09 |
| 28-25-00- 1      | 2        | JAN 20/09 | *28-25-01- 2     | 8        | MAY 20/09 |
| 28-25-00- 1      | 3        | JAN 20/09 | *28-25-01- 2     | 9        | MAY 20/09 |
| 28-25-00- 1      | 4        | JAN 20/09 | *28-25-01- 2     | 10       | MAY 20/09 |
| 28-25-00- 1      | 5        | JAN 20/09 | *28-25-01- 2     | 11       | MAY 20/09 |
| 28-25-00- 1      | 6        | JAN 20/09 | *28-25-01- 2     | 12       | MAY 20/09 |
| 28-25-00- 1      | 7        | JAN 20/09 | *28-25-01- 2     | 13       | MAY 20/09 |
| 28-25-00- 1      | 8        | JAN 20/09 | 28-25-02- 1A     | 0        | MAY 28/07 |
| 28-25-00- 1      | 9        | JAN 20/09 | 28-25-02- 1A     | 1        | JAN 20/09 |
| 28-25-01- 1      | 0        | MAY 28/07 | 28-25-05- 1      | 0        | MAY 28/07 |
| 28-25-01- 1      | 0A       | MAY 28/07 | 28-25-05- 1      | 1        | JAN 20/09 |
| 28-25-01- 1      | 0B       | MAY 28/07 | 28-25-05- 1      | 2        | SEP 20/08 |
| 28-25-01- 1      | 0C       | MAY 28/07 | 28-25-05- 1      | 3        | JAN 20/09 |
| 28-25-01- 1      | 0D       | MAY 28/07 | 28-25-05- 2      | 0        | MAY 28/07 |
| 28-25-01- 1      | 0E       | MAY 28/07 | 28-25-05- 2      | 0A       | MAY 28/07 |
| 28-25-01- 1      | 0F       | MAY 28/07 | 28-25-05- 2      | 0B       | MAY 28/07 |
| 28-25-01- 1      | 0G       | MAY 28/07 | 28-25-05- 2      | 1        | JAN 20/09 |
| 28-25-01- 1      | 0H       | MAY 28/07 | 28-25-05- 2      | 2        | JAN 20/09 |
| *28-25-01- 1     | 1        | MAY 20/09 | 28-25-05- 2      | 3        | JAN 20/09 |
| 28-25-01- 1      | 2        | JAN 20/09 | 28-25-05- 2      | 4        | JAN 20/09 |
| 28-25-01- 1      | 3        | JAN 20/09 | 28-25-05- 2      | 5        | JAN 20/09 |

\* THE ASTERISK INDICATES PAGES CHANGED OR ADDED BY THE CURRENT REVISION




**BOEING**  
 757  
**PARTS CATALOG (MAINTENANCE)**

| CH-SECT-UNIT-FIG | PAGE NO. | DATE      | CH-SECT-UNIT-FIG | PAGE NO. | DATE      |
|------------------|----------|-----------|------------------|----------|-----------|
| 28-25-05- 2      | 6        | JAN 20/09 | 28-25-07- 1      | 0        | MAY 28/07 |
| 28-25-05- 2      | 7        | JAN 20/09 | 28-25-07- 1      | 0A       | MAY 28/07 |
| 28-25-05- 2      | 8        | JAN 20/09 | 28-25-07- 1      | 0B       | MAY 28/07 |
| 28-25-05- 2      | 9        | JAN 20/09 | 28-25-07- 1      | 1        | JAN 20/09 |
| 28-25-05- 2      | 10       | JAN 20/09 | 28-25-07- 1      | 2        | JAN 20/09 |
| 28-25-05- 2      | 11       | JAN 20/09 | 28-25-07- 1      | 3        | JAN 20/09 |
| 28-25-05- 2      | 12       | JAN 20/09 | 28-25-07- 1A     | 0        | MAY 28/07 |
| 28-25-05- 2A     | 0        | MAY 28/07 | 28-25-07- 1A     | 1        | JAN 20/09 |
| 28-25-05- 2A     | 0A       | MAY 28/07 | 28-25-07- 1B     | 0        | MAY 28/07 |
| 28-25-05- 2A     | 0B       | MAY 28/07 | 28-25-07- 1B     | 1        | JAN 20/09 |
| 28-25-05- 2A     | 0C       | MAY 28/07 | 28-25-09- 1      | 0        | MAY 28/07 |
| 28-25-05- 2A     | 1        | JAN 20/09 | 28-25-09- 1      | 0A       | MAY 28/07 |
| 28-25-05- 2A     | 2        | JAN 20/09 | 28-25-09- 1      | 0B       | MAY 28/07 |
| 28-25-05- 2A     | 3        | JAN 20/09 | 28-25-09- 1      | 0C       | MAY 28/07 |
| 28-25-05- 2A     | 4        | JAN 20/09 | 28-25-09- 1      | 0D       | MAY 28/07 |
| 28-25-05- 2A     | 5        | JAN 20/09 | 28-25-09- 1      | 1        | JAN 20/09 |
| 28-25-05- 2A     | 6        | JAN 20/09 | 28-25-09- 1      | 2        | JAN 20/09 |
| 28-25-05- 2A     | 7        | JAN 20/09 | 28-25-09- 1      | 3        | JAN 20/09 |
| 28-25-05- 2A     | 8        | JAN 20/09 | 28-25-09- 1      | 4        | JAN 20/09 |
| 28-25-05- 2A     | 9        | JAN 20/09 | 28-25-09- 1      | 5        | JAN 20/09 |
| 28-25-05- 2A     | 0        | MAY 28/07 | 28-25-09- 1      | 6        | JAN 20/09 |
| 28-25-05- 3      | 0A       | MAY 28/07 | 28-25-09- 1      | 7        | JAN 20/09 |
| 28-25-05- 3      | 0B       | MAY 28/07 | 28-25-09- 1      | 8        | JAN 20/09 |
| 28-25-05- 3      | 1        | JAN 20/09 | 28-25-09- 1      | 9        | JAN 20/09 |
| 28-25-05- 3      | 2        | JAN 20/09 | 28-25-09- 1A     | 0        | MAY 28/07 |
| 28-25-05- 3      | 3        | JAN 20/09 | 28-25-09- 1A     | 0A       | MAY 28/07 |
| 28-25-05- 3      | 4        | JAN 20/09 | 28-25-09- 1A     | 0B       | MAY 28/07 |
| 28-25-05- 3      | 5        | JAN 20/09 | 28-25-09- 1A     | 0C       | MAY 28/07 |
| 28-25-05- 3      | 6        | JAN 20/09 | 28-25-09- 1A     | 1        | JAN 20/09 |
| 28-25-05- 3      | 7        | JAN 20/09 | 28-25-09- 1A     | 2        | JAN 20/09 |
| 28-25-05- 3      | 8        | JAN 20/09 | 28-25-09- 1A     | 3        | JAN 20/09 |
| 28-25-05- 4      | 0        | MAY 28/07 | 28-25-09- 1A     | 4        | JAN 20/09 |
| 28-25-05- 4      | 0A       | MAY 28/07 | 28-25-09- 1A     | 5        | JAN 20/09 |
| 28-25-05- 4      | 0B       | MAY 28/07 | 28-25-09- 1A     | 6        | JAN 20/09 |
| 28-25-05- 4      | 1        | JAN 20/09 | 28-25-71- 2      | 0        | MAY 28/07 |
| 28-25-05- 4      | 2        | JAN 20/09 | 28-25-71- 2      | 1        | JAN 20/09 |
| 28-25-05- 4      | 3        | JAN 20/09 | 28-25-71- 2      | 2        | JAN 20/09 |
| 28-25-05- 4      | 4        | JAN 20/09 | 28-25-71- 4      | 0        | MAY 28/07 |
| 28-25-05- 4      | 5        | JAN 20/09 | 28-25-71- 4      | 1        | JAN 20/09 |
| 28-25-05- 4      | 6        | JAN 20/09 | 28-25-71- 4      | 2        | JAN 20/09 |
| 28-25-05- 4      | 7        | JAN 20/09 | 28-25-71- 4      | 3        | JAN 20/09 |
| 28-25-05- 5      | 0        | MAY 28/07 | 28-25-71- 4      | 4        | JAN 20/09 |
| 28-25-05- 5      | 0A       | MAY 28/07 | 28-25-71- 4A     | 0        | MAY 28/07 |
| 28-25-05- 5      | 1        | JAN 20/09 | 28-25-71- 4A     | 1        | JAN 20/09 |
| 28-25-05- 5      | 2        | JAN 20/09 | 28-25-71- 4A     | 2        | JAN 20/09 |
| 28-25-05- 5      | 3        | JAN 20/09 | 28-25-71- 4A     | 3        | JAN 20/09 |
| 28-25-05- 5      | 4        | JAN 20/09 | 28-25-71- 4B     | 0        | JAN 20/09 |
| 28-25-05- 5      | 5        | JAN 20/09 | 28-25-71- 4B     | 1        | JAN 20/09 |
| 28-25-05- 5      | 6        | JAN 20/09 | 28-25-71- 4B     | 2        | JAN 20/09 |
| 28-25-05- 5      | 7        | JAN 20/09 | 28-25-71- 5      | 0        | MAY 28/07 |
| 28-25-05- 5      | 8        | JAN 20/09 | 28-25-71- 5      | 1        | JAN 20/09 |
| 28-25-05- 5      |          |           | 28-25-71- 5      | 2        | JAN 20/09 |

\* THE ASTERISK INDICATES PAGES CHANGED OR ADDED BY THE CURRENT REVISION



**757**  
**PARTS CATALOG (MAINTENANCE)**

| CH-SECT-UNIT-FIG | PAGE NO. | DATE      |
|------------------|----------|-----------|
| 28-25-71- 6      | 0        | JAN 20/09 |
| 28-25-71- 6      | 1        | JAN 20/09 |
| 28-25-71- 7      | 0        | JAN 20/09 |
| 28-25-71- 7      | 1        | JAN 20/09 |
| 28-25-71- 7      | 2        | JAN 20/09 |
| 28-26-00         | 1        | MAY 28/07 |
| 28-26-01- 1      | 0        | MAY 28/07 |
| 28-26-01- 1      | 0A       | MAY 28/07 |
| 28-26-01- 1      | 0B       | MAY 28/07 |
| 28-26-01- 1      | 1        | JAN 20/09 |
| 28-26-01- 1      | 2        | JAN 20/09 |
| 28-26-01- 1      | 3        | JAN 20/09 |
| 28-26-01- 1      | 4        | JAN 20/09 |
| 28-26-01- 1      | 5        | JAN 20/09 |
| 28-26-01- 1      | 6        | JAN 20/09 |
| 28-26-01- 1      | 7        | JAN 20/09 |
| 28-26-01- 2      | 0        | MAY 28/07 |
| 28-26-01- 2      | 1        | JAN 20/09 |
| 28-26-01- 2      | 2        | JAN 20/09 |
| 28-26-01- 2      | 3        | JAN 20/09 |
| 28-26-02- 1      | 0        | MAY 28/07 |
| 28-26-02- 1      | 1        | JAN 20/09 |
| *28-26-02- 1     | 2        | MAY 20/09 |
| *28-26-02- 1     | 3        | MAY 20/09 |
| *28-26-02- 1     | 4        | MAY 20/09 |
| *28-26-02- 1     | 5        | MAY 20/09 |
| 28-26-02- 2      | 0        | SEP 20/08 |
| 28-26-02- 2      | 1        | JAN 20/09 |
| *28-26-02- 2     | 2        | MAY 20/09 |
| *28-26-02- 2     | 3        | MAY 20/09 |
| *28-26-02- 2     | 4        | MAY 20/09 |
| *28-26-02- 2     | 5        | MAY 20/09 |
| 28-26-51- 1      | 0        | MAY 28/07 |
| 28-26-51- 1      | 1        | JAN 20/09 |
| 28-26-51- 1      | 2        | JAN 20/09 |
| 28-26-51- 1      | 3        | JAN 20/09 |
| 28-26-51- 1      | 4        | JAN 20/09 |
| 28-26-51- 1      | 5        | JAN 20/09 |
| 28-26-51- 1      | 6        | JAN 20/09 |
| 28-26-51- 1      | 7        | JAN 20/09 |
| 28-26-71- 1      | 0        | MAY 28/07 |
| 28-26-71- 1      | 1        | JAN 20/09 |
| 28-26-71- 1      | 2        | JAN 20/09 |
| 28-26-71- 1      | 3        | JAN 20/09 |
| 28-26-71- 1A     | 0        | MAY 28/07 |
| 28-26-71- 1A     | 1        | JAN 20/09 |
| 28-26-71- 1A     | 2        | JAN 20/09 |
| 28-26-71- 1A     | 3        | JAN 20/09 |
| 28-26-71- 1B     | 0        | JAN 20/09 |
| 28-26-71- 1B     | 1        | JAN 20/09 |
| 28-26-71- 1B     | 2        | JAN 20/09 |

| CH-SECT-UNIT-FIG | PAGE NO. | DATE      |
|------------------|----------|-----------|
| 28-26-71- 1B     | 3        | JAN 20/09 |
| 28-41-00         | 1        | MAY 28/07 |
| 28-41-01- 1      | 0        | MAY 28/07 |
| 28-41-01- 1      | 0A       | MAY 28/07 |
| 28-41-01- 1      | 0B       | MAY 28/07 |
| 28-41-01- 1      | 1        | JAN 20/09 |
| 28-41-01- 1      | 2        | JAN 20/09 |
| 28-41-01- 1      | 3        | JAN 20/09 |
| 28-41-01- 1      | 4        | JAN 20/09 |
| 28-41-01- 1      | 5        | JAN 20/09 |
| 28-41-01- 1      | 6        | JAN 20/09 |
| 28-41-01- 1      | 7        | JAN 20/09 |
| 28-41-01- 1      | 8        | JAN 20/09 |
| 28-41-01- 1      | 9        | JAN 20/09 |
| 28-41-01-10      | 0        | MAY 28/07 |
| 28-41-01-10      | 0A       | MAY 28/07 |
| 28-41-01-10      | 0B       | MAY 28/07 |
| 28-41-01-10      | 1        | JAN 20/09 |
| 28-41-01-10      | 2        | JAN 20/09 |
| 28-41-01-10      | 3        | JAN 20/09 |
| 28-41-01-10      | 4        | JAN 20/09 |
| 28-41-01-10      | 5        | JAN 20/09 |
| 28-41-01-10      | 6        | JAN 20/09 |
| 28-41-01-10      | 7        | JAN 20/09 |
| 28-41-01-10      | 8        | JAN 20/09 |
| 28-41-01-10      | 9        | JAN 20/09 |
| 28-41-01-10      | 10       | JAN 20/09 |
| 28-41-01-10      | 11       | JAN 20/09 |
| 28-41-01-10      | 12       | JAN 20/09 |
| 28-41-01-10      | 13       | JAN 20/09 |
| 28-41-01-10      | 14       | JAN 20/09 |
| 28-41-01-10      | 15       | JAN 20/09 |
| 28-41-02- 2      | 0        | MAY 28/07 |
| 28-41-02- 2      | 1        | JAN 20/09 |
| 28-41-02- 2      | 2        | JAN 20/09 |
| 28-41-02- 2      | 3        | JAN 20/09 |
| 28-41-02- 3      | 0        | MAY 28/07 |
| 28-41-02- 3      | 1        | JAN 20/09 |
| 28-41-02- 3      | 2        | JAN 20/09 |
| 28-41-02- 3      | 3        | JAN 20/09 |
| 28-41-02- 3      | 4        | JAN 20/09 |
| 28-41-02- 3      | 5        | JAN 20/09 |
| 28-41-02- 3      | 6        | JAN 20/09 |
| 28-41-03- 1      | 0        | MAY 20/08 |
| 28-41-03- 1      | 0A       | MAY 28/07 |
| 28-41-03- 1      | 1        | JAN 20/09 |
| 28-41-03- 1      | 2        | JAN 20/09 |
| 28-41-03- 1      | 3        | JAN 20/09 |
| 28-41-03- 1      | 4        | JAN 20/09 |
| 28-41-03- 1      | 5        | JAN 20/09 |
| 28-41-03- 3      | 0        | MAY 20/08 |

\* THE ASTERISK INDICATES PAGES CHANGED OR ADDED BY THE CURRENT REVISION



**757**  
**PARTS CATALOG (MAINTENANCE)**

| CH-SECT-UNIT-FIG | PAGE NO. | DATE      | CH-SECT-UNIT-FIG | PAGE NO. | DATE      |
|------------------|----------|-----------|------------------|----------|-----------|
| 28-41-03- 3      | 0A       | MAY 20/08 | 28-41-08- 1      | 0B       | MAY 28/07 |
| 28-41-03- 3      | 0B       | MAY 20/08 | 28-41-08- 1      | 1        | JAN 20/09 |
| 28-41-03- 3      | 0C       | MAY 20/08 | 28-41-08- 1      | 2        | JAN 20/09 |
| 28-41-03- 3      | 0D       | MAY 20/08 | 28-41-08- 1      | 3        | JAN 20/09 |
| 28-41-03- 3      | 0E       | MAY 20/08 | 28-41-08- 1      | 4        | JAN 20/09 |
| 28-41-03- 3      | 0F       | MAY 20/08 | 28-41-08- 1      | 5        | JAN 20/09 |
| 28-41-03- 3      | 1        | JAN 20/09 | 28-41-08- 1      | 6        | JAN 20/09 |
| 28-41-03- 3      | 2        | JAN 20/09 | 28-41-08- 1      | 7        | JAN 20/09 |
| 28-41-03- 3      | 3        | JAN 20/09 | 28-41-08- 1      | 8        | JAN 20/09 |
| 28-41-03- 3      | 4        | JAN 20/09 | 28-41-08- 1B     | 0        | MAY 28/07 |
| 28-41-03- 3      | 5        | JAN 20/09 | 28-41-08- 1B     | 0A       | MAY 28/07 |
| 28-41-03- 3      | 6        | JAN 20/09 | 28-41-08- 1B     | 1        | JAN 20/09 |
| 28-41-03- 3      | 7        | JAN 20/09 | 28-41-08- 1B     | 2        | JAN 20/09 |
| 28-41-03- 4      | 0        | MAY 28/07 | 28-41-08- 1B     | 3        | JAN 20/09 |
| 28-41-03- 4      | 1        | JAN 20/09 | 28-41-08- 8      | 0        | JAN 20/09 |
| 28-41-03- 4      | 2        | JAN 20/09 | 28-41-08- 8      | 0A       | JAN 20/09 |
| 28-41-03- 4      | 3        | JAN 20/09 | 28-41-08- 8      | 1        | JAN 20/09 |
| 28-41-03- 4      | 4        | JAN 20/09 | 28-41-08- 8      | 2        | JAN 20/09 |
| 28-41-03- 4      | 5        | JAN 20/09 | 28-41-08- 8      | 3        | JAN 20/09 |
| 28-41-04- 1      | 0        | MAY 28/07 | 28-41-09- 1      | 0        | MAY 28/07 |
| 28-41-04- 1      | 1        | JAN 20/09 | 28-41-09- 1      | 0A       | MAY 28/07 |
| 28-41-04- 1      | 2        | JAN 20/09 | 28-41-09- 1      | 0B       | MAY 28/07 |
| 28-41-04- 1      | 3        | JAN 20/09 | 28-41-09- 1      | 0C       | MAY 28/07 |
| 28-41-04- 1      | 4        | JAN 20/09 | 28-41-09- 1      | 0D       | MAY 28/07 |
| 28-41-04- 1      | 5        | JAN 20/09 | 28-41-09- 1      | 0E       | MAY 28/07 |
| 28-41-04- 1      | 6        | JAN 20/09 | 28-41-09- 1      | 0F       | MAY 28/07 |
| 28-41-04- 1      | 7        | JAN 20/09 | 28-41-09- 1      | 0G       | MAY 28/07 |
| 28-41-04- 2      | 0        | MAY 28/07 | 28-41-09- 1      | 0H       | MAY 28/07 |
| 28-41-04- 2      | 1        | JAN 20/09 | 28-41-09- 1      | 0I       | MAY 28/07 |
| 28-41-04- 2      | 2        | JAN 20/09 | 28-41-09- 1      | 1        | JAN 20/09 |
| 28-41-04- 2      | 3        | JAN 20/09 | 28-41-09- 1      | 2        | JAN 20/09 |
| 28-41-06- 1      | 0        | MAY 28/07 | 28-41-09- 1      | 3        | JAN 20/09 |
| 28-41-06- 1      | 0A       | MAY 28/07 | 28-41-09- 1      | 4        | JAN 20/09 |
| 28-41-06- 1      | 1        | JAN 20/09 | 28-41-09- 1      | 5        | JAN 20/09 |
| 28-41-06- 1      | 2        | JAN 20/09 | 28-41-09- 1      | 6        | JAN 20/09 |
| 28-41-06- 1      | 3        | JAN 20/09 | 28-41-09- 1      | 7        | JAN 20/09 |
| 28-41-06- 1      | 4        | JAN 20/09 | 28-41-09- 1      | 8        | JAN 20/09 |
| 28-41-06- 1      | 5        | JAN 20/09 | 28-41-09- 1      | 9        | JAN 20/09 |
| 28-41-06- 1      | 6        | JAN 20/09 | 28-41-09- 1      | 10       | JAN 20/09 |
| 28-41-06- 1      | 7        | JAN 20/09 | 28-41-09- 1      | 11       | JAN 20/09 |
| 28-41-07- 1      | 0        | MAY 28/07 | 28-41-09- 1      | 12       | JAN 20/09 |
| 28-41-07- 1      | 0A       | MAY 28/07 | 28-41-09- 1      | 13       | JAN 20/09 |
| 28-41-07- 1      | 1        | JAN 20/09 | 28-41-09- 1      | 14       | JAN 20/09 |
| 28-41-07- 1      | 2        | JAN 20/09 | 28-41-09- 1      | 15       | JAN 20/09 |
| 28-41-07- 1      | 3        | JAN 20/09 | 28-41-09- 1      | 16       | JAN 20/09 |
| 28-41-07- 1      | 4        | JAN 20/09 | 28-41-09- 1      | 17       | JAN 20/09 |
| 28-41-07- 1      | 5        | JAN 20/09 | 28-41-09- 1      | 18       | JAN 20/09 |
| 28-41-07- 1      | 6        | JAN 20/09 | 28-41-09- 1      | 19       | JAN 20/09 |
| 28-41-07- 1      | 7        | JAN 20/09 | 28-41-09- 1      | 20       | JAN 20/09 |
| 28-41-08- 1      | 0        | MAY 28/07 | 28-41-09- 1      | 21       | JAN 20/09 |
| 28-41-08- 1      | 0A       | MAY 28/07 | 28-41-09- 1      | 22       | JAN 20/09 |

\* THE ASTERISK INDICATES PAGES CHANGED OR ADDED BY THE CURRENT REVISION

BRI  
MAY 20/09

28 - LIST OF EFFECTIVE PAGES  
PAGE 14



757

PARTS CATALOG (MAINTENANCE)

| CH-SECT-UNIT-FIG | PAGE NO. | DATE      | CH-SECT-UNIT-FIG | PAGE NO. | DATE      |
|------------------|----------|-----------|------------------|----------|-----------|
| 28-41-09- 1      | 23       | JAN 20/09 | 28-42-01- 1      | 6        | JAN 20/09 |
| 28-41-09- 1      | 24       | JAN 20/09 | 28-42-01- 1      | 7        | JAN 20/09 |
| 28-41-09- 1      | 25       | JAN 20/09 | 28-42-01- 1      | 8        | JAN 20/09 |
| 28-41-09- 1      | 26       | JAN 20/09 | 28-42-01- 1A     | 0        | MAY 28/07 |
| 28-41-09- 1      | 27       | JAN 20/09 | 28-42-01- 1A     | 0A       | MAY 28/07 |
| 28-41-09- 1      | 28       | JAN 20/09 | 28-42-01- 1A     | 1        | JAN 20/09 |
| 28-41-09- 1      | 29       | JAN 20/09 | 28-42-01- 1A     | 2        | JAN 20/09 |
| 28-41-09- 1      | 30       | JAN 20/09 | 28-42-01- 1A     | 3        | JAN 20/09 |
| 28-41-09- 1      | 31       | JAN 20/09 | 28-42-01- 1A     | 4        | JAN 20/09 |
| 28-41-09- 1      | 32       | JAN 20/09 | 28-42-01- 2      | 0        | MAY 28/07 |
| 28-41-09- 1      | 33       | JAN 20/09 | 28-42-01- 2      | 1        | JAN 20/09 |
| 28-41-09- 1      | 34       | JAN 20/09 | 28-42-01- 2      | 2        | MAY 28/07 |
| 28-41-09- 1      | 35       | JAN 20/09 | 28-42-01- 2      | 3        | JAN 20/09 |
| 28-41-09- 1      | 36       | JAN 20/09 | 28-42-01- 2      | 4        | JAN 20/09 |
| 28-41-09- 1      | 37       | JAN 20/09 | 28-43-00         | 1        | MAY 28/07 |
| 28-41-09- 1      | 38       | JAN 20/09 | 28-43-01- 1      | 0        | MAY 28/07 |
| 28-41-09- 1      | 39       | JAN 20/09 | 28-43-01- 1      | 1        | JAN 20/09 |
| 28-41-09- 1      | 40       | JAN 20/09 | 28-43-01- 1      | 2        | JAN 20/09 |
| 28-41-09- 1      | 41       | JAN 20/09 | 28-43-01- 2      | 0        | MAY 28/07 |
| 28-41-51- 1      | 0        | JAN 20/08 | 28-43-01- 2      | 1        | JAN 20/09 |
| *28-41-51- 1     | 1        | MAY 20/09 | 28-43-01- 2      | 2        | JAN 20/09 |
| *28-41-51- 1     | 2        | MAY 20/09 | 28-43-01- 2      | 3        | JAN 20/09 |
| *28-41-51- 1     | 3        | MAY 20/09 | 28-44-00         | 1        | MAY 28/07 |
| *28-41-51- 1     | 4        | MAY 20/09 | 28-44-01- 1      | 0        | JAN 20/09 |
| *28-41-51- 1     | 5        | MAY 20/09 | 28-44-01- 1      | 0A       | JAN 20/09 |
| *28-41-51- 1     | 6        | MAY 20/09 | 28-44-01- 1      | 1        | JAN 20/09 |
| *28-41-51- 1     | 7        | MAY 20/09 | 28-44-01- 1      | 2        | JAN 20/09 |
| *28-41-51- 1     | 8        | MAY 20/09 | 28-44-01- 1      | 3        | JAN 20/09 |
| 28-41-51- 1      | 9        | JAN 20/09 | 28-44-01- 1      | 4        | JAN 20/09 |
| 28-41-51- 2      | 0        | MAY 28/07 | 28-44-01- 1      | 5        | JAN 20/09 |
| 28-41-51- 2      | 1        | JAN 20/09 | 28-44-01- 1      | 6        | JAN 20/09 |
| 28-41-51- 2      | 2        | JAN 20/09 | 28-44-01- 1      | 7        | JAN 20/09 |
| 28-41-51- 3      | 0        | MAY 28/07 | 28-44-01- 1      | 8        | JAN 20/09 |
| 28-41-51- 3      | 1        | JAN 20/09 | 28-44-01- 1      | 9        | JAN 20/09 |
| 28-41-51- 3      | 2        | JAN 20/09 | 28-44-01- 1      | 10       | JAN 20/09 |
| 28-41-51- 3      | 3        | JAN 20/09 | 28-44-01- 1      | 11       | JAN 20/09 |
| 28-41-51- 3      | 4        | JAN 20/09 | 28-44-01- 1      | 12       | JAN 20/09 |
| 28-41-51- 3      | 5        | JAN 20/09 | 28-44-01- 1      | 13       | JAN 20/09 |
| 28-41-51- 3      | 6        | JAN 20/09 | 28-44-01- 1      | 14       | JAN 20/09 |
| 28-41-51- 3      | 7        | JAN 20/09 | 28-44-01- 2      | 0        | MAY 28/07 |
| 28-41-51- 4      | 0        | MAY 28/07 | 28-44-01- 2      | 0A       | SEP 20/08 |
| 28-41-51- 4      | 1        | JAN 20/09 | 28-44-01- 2      | 1        | JAN 20/09 |
| 28-41-51- 4      | 2        | JAN 20/09 | 28-44-01- 2      | 2        | JAN 20/09 |
| 28-41-51- 4      | 3        | JAN 20/09 | *28-44-01- 2     | 3        | MAY 20/09 |
| 28-42-00         | 1        | MAY 28/07 | *28-44-01- 2     | 4        | MAY 20/09 |
| 28-42-01- 1      | 0        | MAY 28/07 | *28-44-01- 2     | 5        | MAY 20/09 |
| 28-42-01- 1      | 1        | JAN 20/09 | *28-44-01- 2     | 6        | MAY 20/09 |
| 28-42-01- 1      | 2        | JAN 20/09 | *28-44-01- 2     | 7        | MAY 20/09 |
| 28-42-01- 1      | 3        | JAN 20/09 | *28-44-01- 2     | 8        | MAY 20/09 |
| 28-42-01- 1      | 4        | JAN 20/09 | *28-44-01- 2     | 9        | MAY 20/09 |
| 28-42-01- 1      | 5        | JAN 20/09 | *28-44-01- 2     | 10       | MAY 20/09 |

\* THE ASTERISK INDICATES PAGES CHANGED OR ADDED BY THE CURRENT REVISION


**BOEING**  
 757  
**PARTS CATALOG (MAINTENANCE)**

| CH-SECT-UNIT-FIG | PAGE NO. | DATE      | CH-SECT-UNIT-FIG | PAGE NO. | DATE |
|------------------|----------|-----------|------------------|----------|------|
| *28-44-01- 2     | 11       | MAY 20/09 |                  |          |      |
| *28-44-01- 2     | 12       | MAY 20/09 |                  |          |      |
| *28-44-01- 2     | 13       | MAY 20/09 |                  |          |      |
| *28-44-01- 2     | 14       | MAY 20/09 |                  |          |      |
| *28-44-01- 2     | 15       | MAY 20/09 |                  |          |      |
| *28-44-01- 2     | 16       | MAY 20/09 |                  |          |      |
| *28-44-01- 2     | 17       | MAY 20/09 |                  |          |      |
| *28-44-01- 2     | 18       | MAY 20/09 |                  |          |      |
| *28-44-01- 2     | 19       | MAY 20/09 |                  |          |      |
| *28-44-01- 2     | 20       | MAY 20/09 |                  |          |      |
| *28-44-01- 2     | 21       | MAY 20/09 |                  |          |      |
| *28-44-01- 2     | 22       | MAY 20/09 |                  |          |      |
| *28-44-01- 2     | 23       | MAY 20/09 |                  |          |      |
| *28-44-01- 2     | 24       | MAY 20/09 |                  |          |      |
| *28-44-01- 2     | 25       | MAY 20/09 |                  |          |      |
| 28-44-01- 3      | 0        | MAY 28/07 |                  |          |      |
| 28-44-01- 3      | 0A       | MAY 28/07 |                  |          |      |
| 28-44-01- 3      | 1        | JAN 20/09 |                  |          |      |
| 28-44-01- 3      | 2        | JAN 20/09 |                  |          |      |
| 28-44-01- 3      | 3        | JAN 20/09 |                  |          |      |
| 28-44-01- 3      | 4        | JAN 20/09 |                  |          |      |
| 28-44-01- 3      | 5        | JAN 20/09 |                  |          |      |
| 28-44-01- 3      | 6        | JAN 20/09 |                  |          |      |
| 28-44-01- 3      | 7        | JAN 20/09 |                  |          |      |
| 28-44-01- 3      | 8        | JAN 20/09 |                  |          |      |
| 28-44-01- 3      | 9        | JAN 20/09 |                  |          |      |
| 28-44-01- 3      | 10       | JAN 20/09 |                  |          |      |
| 28-44-01- 3      | 11       | JAN 20/09 |                  |          |      |
| 28-44-01- 3      | 12       | JAN 20/09 |                  |          |      |
| 28-44-01- 3      | 13       | JAN 20/09 |                  |          |      |
| 28-44-01- 3      | 14       | JAN 20/09 |                  |          |      |
| 28-44-01- 3      | 15       | JAN 20/09 |                  |          |      |
| 28-44-01- 3      | 16       | JAN 20/09 |                  |          |      |
| 28-44-01- 3      | 17       | JAN 20/09 |                  |          |      |
| 28-44-01- 3      | 18       | JAN 20/09 |                  |          |      |
| 28-44-01- 3      | 19       | JAN 20/09 |                  |          |      |
| 28-44-01- 3      | 20       | JAN 20/09 |                  |          |      |

\* THE ASTERISK INDICATES PAGES CHANGED OR ADDED BY THE CURRENT REVISION


**BOEING**  
 757  
**PARTS CATALOG (MAINTENANCE)**

CHAPTER 28 — FUEL

TABLE OF CONTENTS

| SUBJECT  | CC-SS-UU | FIGURE | EFFECT   |
|--|----------|--------|--|
| FUEL - GENERAL   | 28-00-00 |        |  |
| FUEL SYSTEM INSTL-CUSTOMER VAR                         | 28-00-01 | 01     | 002004<br>006100<br>107107<br>121503<br>904999 |
| MANAGEMENT COLLECTOR-FUEL SYSTEMS                      | 28-00-00 | 05     | 101102<br>108120<br>504903                     |
| PREMODULE COLLECTOR-757 RB211 SYSTEMS<br>(FUEL ONLY)   | 28-00-00 | 02     | 101102<br>106106<br>108120<br>504903           |
| STRUT SYSTEM INSTL 757 RB211 (FIRE<br>PROTECTION ONLY) | 28-00-00 | 02A    | 103106   |
| SYSTEM INSTL-FUEL                                      | 28-00-00 | 01     | 002004<br>006100<br>107107<br>121503<br>904999 |

 **BOEING**  
757  
**PARTS CATALOG (MAINTENANCE)**

**CHAPTER 28 — FUEL**

**TABLE OF CONTENTS**

| SUBJECT  | CC-SS-UU | FIGURE | EFFECT   |
|--|----------|--------|--|
| FUEL TANKS   | 28-11-00 |        |  |
| DOOR ASSY-WING TANK ACCESS                                     | 28-11-01 | 01F    | 101106<br>108120<br>504903                     |
| DOOR INSTL-LWR SURF TANK ACCESS                                | 28-11-01 | 01D    | 101106<br>108120<br>504903                     |
| DOOR INSTL-WING LWR SURF. (CENTER TANK<br>ACCES DOOR ONLY)     | 28-11-02 | 04     | 002004<br>006100<br>107107<br>121503<br>904999 |
| DOOR INSTL-WING LWR SURF. (CENTER TANK<br>ACCES DOOR ONLY)     | 28-11-02 | 05     | 101106<br>108120<br>504903                     |
| DOOR INSTL-WING LWR SURF. (MAIN TANK<br>ACCES DOOR ONLY)       | 28-11-01 | 01     | 002004<br>006100<br>107107<br>121503<br>904999 |
| DOOR INSTL-WING LWR SURF. (MAIN TANK<br>ACCES DOOR ONLY)       | 28-11-01 | 01H    | 101106<br>108120<br>504903                     |
| DOOR INSTL-WING LWR SURF. (SURGE TANK<br>ACCES DOOR ONLY)      | 28-11-03 | 01     | 002004<br>006100<br>107107<br>121503<br>904999 |
| DOOR INSTL-WING LWR SURF. (SURGE TANK<br>ACCES DOOR ONLY)      | 28-11-03 | 02     | 101106<br>108120<br>504903                     |
| EQUIPMENT INSTL DRAIN HOSE CTR SUMP                            | 28-11-05 | 01     | 101106<br>108120<br>504903                     |
| EQUIPMENT INSTL FILLER PORT OVER WING                          | 28-11-04 | 02     | 101106<br>108120<br>504903                     |
| EQUIPMENT INSTL-FUEL TANK MAIN (FUEL<br>SUMP DRAIN VALVE ONLY) | 28-11-05 | 02     | 002004<br>006999                               |


**BOEING**  
 757  
**PARTS CATALOG (MAINTENANCE)**

**CHAPTER 28 — FUEL**

**TABLE OF CONTENTS**

| SUBJECT  | CC-SS-UU | FIGURE | EFFECT   |
|--|----------|--------|--|
| EQUIPMENT INSTL-FUEL TANK MAIN (FUEL TANKS ONLY)                   | 28-11-04 | 01     | 002004<br>006100<br>107107<br>121503<br>904999 |
| EQUIPMENT INSTL-MAIN AND SURGE DRAIN VALVES                        | 28-11-05 | 01A    | 101106<br>108120<br>504903                     |
| FUEL VENT SYSTEM   | 28-13-00 |        |  |
| TUBING INST-FUEL TANK (FUEL VENT SYSTEM ONLY)                      | 28-13-00 | 01     | 002004<br>006999                               |
| TUBING INST-FUEL TANK VENT SYS (FLOAT DRAIN VALVE ONLY)            | 28-13-03 | 02     | 002004<br>006999                               |
| TUBING INST-FUEL TANK VENT SYS (FLOAT VALVE ONLY)                  | 28-13-01 | 01     | 002004<br>006999                               |
| TUBING INST-FUEL TANK VENT SYS (SURGE TANK DRAIN CHECK VALVE ONLY) | 28-13-08 | 01     | 002004<br>006999                               |
| FUELING CONTROL PANEL  | 28-14-00 |        |  |
| PANEL INSTL-FUELING CONT (PRESSURE FUELING SYSTEM ONLY)            | 28-14-01 | 03     | 002004<br>006100<br>107107<br>121503<br>904999 |
| PANEL INSTL-FUELING CONT (PRESSURE FUELING SYSTEM ONLY)            | 28-14-01 | 04     | 101106<br>108120<br>504903                     |
| PANEL INSTL-FUELING CONT (PRESSURE FUELING SYSTEM ONLY)            | 28-14-01 | 05     | 101106<br>108120<br>504903                     |



 **BOEING**  
757  
**PARTS CATALOG (MAINTENANCE)**

**CHAPTER 28 — FUEL**

**TABLE OF CONTENTS**

| SUBJECT   | CC-SS-UU | FIGURE | EFFECT   |
|---|----------|--------|--|
| DISTRIBUTION  | 28-20-00 |        |  |
| SYSTEM INSTL  | 28-20-51 | 01     | 002004<br>006100<br>107107<br>121503<br>904999 |
| PRESSURE REFUELING SYSTEM   | 28-21-00 |        |  |
| COLLECTOR INSTL-FUEL  | 28-21-51 | 01     | 010100<br>950951                               |
| EQUIPMENT INSTL (FUELING SHUTOFF VALVE<br>CONTROL UNIT ONLY)                | 28-21-12 | 01     | 006100<br>950951<br>953999                     |
| EQUIPMENT INSTL (FUELING SHUTOFF VALVE<br>CONTROL UNIT ONLY)                | 28-21-12 | 02     | 101106<br>108120<br>504903                     |
| EQUIPMENT INSTL FUELING SHUTOFF VALVE                                       | 28-21-02 | 02B    | 101106<br>108120<br>504903                     |
| EQUIPMENT INSTL OVERFILL SENSOR   | 28-21-03 | 04     | 101106<br>108120<br>504903                     |
| EQUIPMENT INSTL PRESSURE FUELING<br>SYSTEM (FUELING ADAPTER ONLY)           | 28-21-01 | 02     | 002004<br>006100<br>107107<br>121503<br>904999 |
| EQUIPMENT INSTL-MAIN ELECTRONICS EQPT<br>CTR (PRESSURE FUELING SYSTEM ONLY) | 28-21-04 | 01     | 002004<br>006100<br>107107<br>121999           |
| EQUIPMENT INSTL-MAIN ELECTRONICS EQPT<br>CTR (PRESSURE FUELING SYSTEM ONLY) | 28-21-04 | 01B    | 101102   |
| EQUIPMENT INSTL-MAIN ELECTRONICS EQPT<br>CTR FUEL LEVEL SENSOR CARD         | 28-21-04 | 08     | 103106<br>108120                               |
| EQUIPMENT INSTL-PRESSURE FUELING<br>SYSTEM (FUELING SHUTOFF VALVE ONLY)     | 28-21-02 | 02     | 002004<br>107107<br>121503<br>904949<br>952952 |


**BOEING**  
 757  
**PARTS CATALOG (MAINTENANCE)**

**CHAPTER 28 — FUEL**

**TABLE OF CONTENTS**

| SUBJECT  | CC-SS-UU | FIGURE | EFFECT   |
|--|----------|--------|--|
| EQUIPMENT INSTL-PRESSURE FUELING SYSTEM (FUELING SHUTOFF VALVE ONLY)             | 28-21-02 | 02C    | 006100<br>950951<br>953999                     |
| EQUIPMENT INSTL-PRESSURE FUELING SYSTEM (SURGE TANK FUEL LEVEL SENSOR UNIT ONLY) | 28-21-03 | 03     | 002004<br>006100<br>107107<br>121503<br>904999 |
| EQUIPMENT INSTL-REFUEL ADAPTER   | 28-21-01 | 04     | 101106<br>108120<br>504903                     |
| EQUIPMENT INSTL-WING REFUELING PNL E/E (FUEL ONLY)                               | 28-21-55 | 01     | 002004<br>006999                               |
| FUELING SYS-FUELING SYS (R SECTION)  | 28-21-05 | 01D    | 103106   |
| PACKAGE ASSY-OPTION P33 MISC ELEC EQPT (PRESSURE (FUELING SYSTEM ONLY)           | 28-21-71 | 01A    | 101102<br>108120<br>504903                     |
| SHIELD ASSY-P33 MISC ELEC EQPT (PRESSURE FUELING SYSTEM ONLY)                    | 28-21-71 | 01     | 002004<br>006100<br>107107<br>121503<br>904999 |
| SHIELD INSTL-P33 MISC ELEC EQPT (PRESSURE FUELING SYSTEM ONLY)                   | 28-21-71 | 01B    | 103106   |
| TUBING INSTL-FUELING SYS (L AND CTR SECTIONS)                                    | 28-21-05 | 01     | 002004<br>006102<br>107999                     |
| TUBING INSTL-FUELING SYS (L AND CTR SECTIONS)                                    | 28-21-05 | 01C    | 103106   |
| TUBING INSTL-FUELING SYS (RIGHT SECTION)   | 28-21-05 | 01B    | 002004<br>006102<br>107999                     |
| ENGINE FUEL FEED SYSTEM  | 28-22-00 |        |  |
| HOSE AND TUBING INSTL ENG FUEL FEED LH, RH DRY BAY 757-200, 757-300              | 28-22-07 | 02     | 101106<br>108120<br>504903                     |
| KIT INSTL-SWITCH AUTO SHUTOFF  | 28-22-11 | 02A    | 002004<br>006999                               |
| MOTOR AND IMPELLER ASSY OVERRIDE PUMP  | 28-22-05 | 04     | 002004<br>006999                               |



**BOEING**  
757  
PARTS CATALOG (MAINTENANCE)

CHAPTER 28 — FUEL

TABLE OF CONTENTS

| SUBJECT   | CC-SS-UU | FIGURE | EFFECT   |
|---|----------|--------|--|
| MOTOR AND IMPELLER ASSY-FUEL BOOST PUMP                                   | 28-22-03 | 51     | 002004<br>006999                               |
| PACKAGE ASSY-OPTION P33 MISC ELECT<br>EQPT (ENGINE FUEL FEED SYSTEM ONLY) | 28-22-71 | 01A    | 101102<br>108120<br>504903                     |
| PACKAGE ASSY-OPTION P37 MISC RELAY<br>(FUEL ONLY)                         | 28-22-71 | 03B    | 101102<br>504903                               |
| PANEL ASSY-P37 MISC RELAY R (FUEL ONLY)                                   | 28-22-71 | 03     | 002004<br>006100<br>107107<br>121503<br>904999 |
| PANEL INSTL-P37 R MISC RELAY (FUEL ONLY)                                  | 28-22-71 | 03D    | 103106<br>108120                               |
| PANEL INSTL-P5 OVHD (ENGINE FUEL FEED<br>SYSTEM ONLY)                     | 28-22-51 | 01     | 002004<br>006010<br>107107<br>121503<br>904999 |
| PANEL INSTL-P5 OVHD (ENGINE FUEL FEED<br>SYSTEM ONLY)                     | 28-22-51 | 02     | 011106<br>108120<br>504903                     |
| PLUMBING INSTL-STRUT FUEL AND FITTINGS<br>(RB211 STRUT SYSTEM)            | 28-22-07 | 06     | 101106<br>108120<br>504903                     |
| PUMP ASSY-ENGINE FEED SYSTEM<br>(DISCHARGE CHECK VALVE ONLY)              | 28-22-09 | 01C    | 101106<br>108120<br>504903                     |
| PUMP ASSY-ENGINE FEED SYSTEM<br>(DISCHARGE CHECK VALVE)                   | 28-22-09 | 01     | 101106<br>108120<br>504903                     |
| PUMP ASSY-ENGINE FEED SYSTEM<br>(DISCHARGE CHECK VALVE)                   | 28-22-09 | 01A    | 101106<br>108120<br>504903                     |
| PUMP ASSY-ENGINE FEED SYSTEM (REMOVAL<br>CHECK VALVE ONLY)                | 28-22-08 | 01C    | 101106<br>108120<br>504903                     |
| PUMP ASSY-ENGINE FEED SYSTEM (REMOVAL<br>CHECK VALVE)                     | 28-22-08 | 01     | 101106<br>108120<br>504903                     |



**BOEING**  
757  
PARTS CATALOG (MAINTENANCE)

CHAPTER 28 — FUEL

TABLE OF CONTENTS

| SUBJECT  | CC-SS-UU | FIGURE | EFFECT   |
|--|----------|--------|--|
| PUMP ASSY-ENGINE FEED SYSTEM (REMOVAL CHECK VALVE)                 | 28-22-08 | 01A    | 101106<br>108120<br>504903                     |
| PUMP INSTL AND WATER SCAVENGE INSTL (FUEL LINES AND FITTINGS ONLY) | 28-22-07 | 09     | 101106<br>108120<br>504903                     |
| PUMP INSTL ENG FUEL FEED (DISTRIBUTION ONLY)                       | 28-22-03 | 01C    | 101101   |
| PUMP INSTL ENG FUEL FEED SYS (DISTRIBUTION ONLY)                   | 28-22-03 | 02C    | 101101   |
| PUMP INSTL-ENG FUEL FEED SYS (CENTER TANK OVER RIDE PUMP ONLY)     | 28-22-05 | 01     | 002004<br>006100<br>107107<br>121503<br>904999 |
| PUMP INSTL-ENG FUEL FEED SYS (CENTER TANK OVER RIDE PUMP ONLY)     | 28-22-05 | 03     | 101106<br>108120<br>504903                     |
| PUMP INSTL-ENG FUEL FEED SYS (DISTRIBUTION ONLY) (AFT)             | 28-22-03 | 01     | 002004<br>006100<br>107107<br>121503<br>904999 |
| PUMP INSTL-ENG FUEL FEED SYS (DISTRIBUTION ONLY) (FWD)             | 28-22-03 | 02     | 002004<br>006100<br>107107<br>121503<br>904999 |
| PUMP INSTL-ENG FUEL FEED SYS (DISTRIBUTION ONLY) AFT               | 28-22-03 | 01B    | 102106<br>108120<br>504903                     |
| PUMP INSTL-ENG FUEL FEED SYS (DISTRIBUTION ONLY) FWD               | 28-22-03 | 02B    | 102106<br>108120<br>504903                     |
| PUMP INSTL-ENG FUEL FEED SYS (EJECTOR PUMP ONLY)                   | 28-22-13 | 01     | 002004<br>006100<br>107107<br>121503<br>904999 |


**BOEING**  
 757  
**PARTS CATALOG (MAINTENANCE)**

CHAPTER 28 — FUEL

TABLE OF CONTENTS

| SUBJECT   | CC-SS-UU | FIGURE | EFFECT   |
|---|----------|--------|--|
| PUMP INSTL-ENG FUEL FEED SYS (FUEL<br>LINES AND FITTINGS ONLY)    | 28-22-07 | 07     | 002004<br>006100<br>107107<br>121503<br>904999 |
| SHIELD ASSY-P33 MISC ELEC EQPT (ENGINE<br>FUEL FEED SYSTEM ONLY)  | 28-22-71 | 01     | 002004<br>006100<br>107107<br>121503<br>904999 |
| SHIELD INSTL-P33 MISC ELEC EQPT<br>(ENGINE FUEL FEED SYSTEM ONLY) | 28-22-71 | 01B    | 103106   |
| SYSTEM INSTL-ENGINE FUEL FEED                                     | 28-22-00 | 01     | 002004<br>006100<br>107107<br>121503<br>904999 |
| SYSTEM INSTL-STRUT FUEL AND HYDR (FUEL<br>ONLY) (RB211-535)       | 28-22-07 | 03     | 002004<br>006100<br>107107<br>121503<br>904999 |
| TUBING INSTL-CTR FUEL TANK SCAVENGE SYS                           | 28-22-52 | 01     | 002004<br>006100<br>107107<br>121503<br>904999 |
| TUBING INSTL-CTR FUEL TANK SCAVENGE SYS                           | 28-22-52 | 01A    | 101106<br>108120<br>504903                     |
| TUBING INSTL-ENG FUEL FEED DUAL<br>CROSSFEED 757-200 AND -300     | 28-22-07 | 01A    | 101106<br>108120<br>504903                     |
| TUBING INSTL-ENG FUEL FEED SYS                                    | 28-22-07 | 01     | 002004<br>006100<br>107107<br>121503<br>904999 |



**BOEING**  
757  
PARTS CATALOG (MAINTENANCE)

CHAPTER 28 — FUEL

TABLE OF CONTENTS

| SUBJECT   | CC-SS-UU | FIGURE | EFFECT   |
|---|----------|--------|--|
| TUBING INSTL-ENG FUEL FEED 757-200 AND<br>-300                                  | 28-22-07 | 02A    | 101106<br>108120<br>504903                     |
| VALVE INSTL-ENG FUEL FEED SYS (ENGINE<br>CROSSFEED VALVE ACTUATOR ONLY)         | 28-22-12 | 01     | 002004<br>107107<br>121503<br>904949<br>952952 |
| VALVE INSTL-ENG FUEL FEED SYS (ENGINE<br>FUEL CROSSFEED VALVE ONLY)             | 28-22-02 | 01     | 002004<br>006999                               |
| VALVE INSTL-ENG FUEL FEED SYS (ENGINE<br>FUEL SHUTOFF VALVE ACTUATOR ONLY)      | 28-22-11 | 01     | 002004<br>006999                               |
| VALVE INSTL-ENG FUEL FEED SYS (ENGINE<br>FUEL SHUTOFF VALVE ONLY)               | 28-22-01 | 05     | 002004<br>006999                               |
| WATER SCAVENGE INST (EJECTOR PUMP ONLY)   | 28-22-13 | 03     | 101106<br>108120<br>504903                     |
| APU FUEL FEED SYSTEM  | 28-25-00 |        |  |
| EQUIPMENT ASSY-AFT EQPT CTR E6 RELAY<br>(FUEL ONLY)                             | 28-25-71 | 02     | 121503<br>904949                               |
| EQUIPMENT ASSY-AFT EQPT CTR E6 RELAY<br>(FUEL ONLY)                             | 28-25-71 | 05     | 002004<br>006100<br>107107<br>950999           |
| EQUIPMENT ASSY-E6 AFT EQPT CTR RELAY<br>PNL OPTION PKG (FUEL DISTRIBUTION ONLY) | 28-25-02 | 01A    | 101102<br>504903                               |
| EQUIPMENT ASSY-E6 RELAY PNL AFT EQPT<br>CTR (FUEL ONLY)                         | 28-25-71 | 06     | 108120   |
| EQUIPMENT ASSY-E6 RELAY PNL AFT EQPT<br>CTR (FUEL ONLY)                         | 28-25-71 | 07     | 103106   |
| FEED INSTL-BODY SECT. 44 APU  | 28-25-05 | 03     | 002004<br>006100<br>107107<br>121503<br>904999 |
| FEED INSTL-BODY SECT. 46 APU  | 28-25-05 | 04     | 002004<br>006100<br>107107<br>121503<br>904999 |


**BOEING**  
 757  
**PARTS CATALOG (MAINTENANCE)**

**CHAPTER 28 — FUEL**

**TABLE OF CONTENTS**

| SUBJECT  | CC-SS-UU | FIGURE | EFFECT   |
|--|----------|--------|--|
| FEED INSTL-BODY SECT. 48 APU   | 28-25-05 | 05     | 002004<br>006100<br>107107<br>121503<br>904999 |
| FEED LINE AND SHROUD INSTL-757 BODY<br>APU (APU FLAME ARRESTOR ONLY)                 | 28-25-07 | 01     | 002004<br>006100<br>107107<br>121503<br>904999 |
| FEED LINE AND SHROUD INSTL-757 BODY<br>APU (APU FLAME ARRESTOR ONLY)                 | 28-25-07 | 01B    | 101106<br>108120<br>504903                     |
| FEED LINE AND SHROUD INSTL-757 BODY<br>APU (APU FUEL SUPPLY LINE AND SHROUD<br>ONLY) | 28-25-05 | 02     | 002004<br>006100<br>107107<br>121503<br>904999 |
| FEED LINE AND SHROUD INSTL-757 BODY<br>APU (APU SUMP DRAIN VALVE ONLY)               | 28-25-09 | 01     | 002004<br>006100<br>107107<br>121503<br>904999 |
| FEED LINE AND SHROUD INSTL-757 BODY<br>APU (APU SUMP DRAIN VALVE ONLY)               | 28-25-09 | 01A    | 101106<br>108120<br>504903                     |
| FUEL FEED INSTL-WING APU   | 28-25-01 | 01     | 002004<br>006100<br>107107<br>121503<br>904999 |
| FUEL FEED INSTL-WING APU   | 28-25-01 | 02     | 101106<br>108120<br>504903                     |
| HOSE AND TUBING INSTL APU FUEL FEED<br>SYS SECT. 46, 46 AND 48 757-200 AND -300      | 28-25-00 | 01     | 101106<br>108120<br>504903                     |
| LINE INSTL-AUX PWR SYS FUEL  | 28-25-05 | 01     | 002004<br>006999                               |



**BOEING**  
757  
PARTS CATALOG (MAINTENANCE)

CHAPTER 28 — FUEL

TABLE OF CONTENTS

| SUBJECT  | CC-SS-UU | FIGURE | EFFECT   |
|--|----------|--------|--|
| PACKAGE ASSY-OPTION P70 MISC RELAY<br>(FUEL ONLY)            | 28-25-71 | 04A    | 101102<br>504903                               |
| PANEL ASSY-P70 MISC RELAY (FUEL ONLY)                        | 28-25-71 | 04     | 002004<br>006100<br>107107<br>121503<br>904999 |
| PANEL INSTL-P70 MISC RELAY (FUEL ONLY)                       | 28-25-71 | 04B    | 103106<br>108120                               |
| TUBE INSTL (APU FUEL LINE SUPPLY AND<br>SHROUD ONLY)         | 28-25-05 | 02A    | 101106<br>108120<br>504903                     |
| TUBE INSTL-DRAIN (APU FLAME ARRESTOR<br>ONLY)                | 28-25-07 | 01A    | 101106<br>108120<br>504903                     |
| DEFUELING  | 28-26-00 |        |  |
| EQUIPMENT INSTL-DEFUEL VALVE                                 | 28-26-01 | 02     | 101106<br>108120<br>504903                     |
| EQUIPMENT INSTL-DEFUELING (DEFUELING<br>VALVE ACTUATOR ONLY) | 28-26-02 | 01     | 002004<br>006100<br>107107<br>121503<br>904999 |
| EQUIPMENT INSTL-DEFUELING (DEFUELING<br>VALVE ACTUATOR ONLY) | 28-26-02 | 02     | 101106<br>108120<br>504903                     |
| EQUIPMENT INSTL-DEFUELING (DEFUELING<br>VALVE ONLY)          | 28-26-01 | 01     | 002004<br>006100<br>107107<br>121503<br>904999 |
| PACKAGE ASSY-OPTION P33 MISC ELECT<br>EQPT (DEFUELING ONLY)  | 28-26-71 | 01A    | 101102<br>108120<br>504903                     |
| PANEL INSTL-FUELING CONT (DEFUELING<br>ONLY)                 | 28-26-51 | 01     | 002004<br>006999                               |



 **BOEING**  
757  
**PARTS CATALOG (MAINTENANCE)**

**CHAPTER 28 — FUEL**

**TABLE OF CONTENTS**

| <b>SUBJECT</b>                                      | <b>CC-SS-UU</b> | <b>FIGURE</b> | <b>EFFECT</b>                                  |
|---|-----------------|---------------|--|
| SHIELD ASSY-P33 MISC ELEC EQPT<br>(DEFUELING ONLY)  | 28-26-71        | 01            | 002004<br>006100<br>107107<br>121503<br>904999 |
| SHIELD INSTL-P33 MISC ELEC EQPT<br>(DEFUELING ONLY) | 28-26-71        | 01B           | 103106   |



**BOEING**  
757  
**PARTS CATALOG (MAINTENANCE)**

**CHAPTER 28 — FUEL**

**TABLE OF CONTENTS**

| <b>SUBJECT</b>   | <b>CC-SS-UU</b> | <b>FIGURE</b> | <b>EFFECT</b>                        |
|--|-----------------|---------------|--------------------------------------|
| FUEL QUANTITY INDICATING SYSTEM (FQIS)   | 28-41-00        |               |                                      |
| DENSITOMETER INSTL-FUEL RETENSION SYS  | 28-41-03        | 01            | 107107<br>904949                     |
| EQUIPMENT INSTL-FUEL QTY INDICATING<br>SYS (COMPENSATOR ONLY)                          | 28-41-02        | 02            | 107107<br>904949                     |
| EQUIPMENT INSTL-FUEL QTY INDICATING<br>SYS (COMPENSATOR ONLY)                          | 28-41-02        | 03            | 002004<br>006106<br>108903<br>950999 |
| EQUIPMENT INSTL-FUEL QTY INDICATING<br>SYS (DENSITOMETER ONLY)                         | 28-41-03        | 03            | 107107<br>904949                     |
| EQUIPMENT INSTL-FUEL QTY INDICATING<br>SYS (DENSITOMETER ONLY)                         | 28-41-03        | 04            | 002004<br>006106<br>108903<br>950999 |
| EQUIPMENT INSTL-FUEL QTY INDICATING<br>SYS (TANK UNIT ONLY)                            | 28-41-01        | 01            | 107107<br>904949                     |
| EQUIPMENT INSTL-MAIN ELECTRONIC EQPT<br>CTR (FUEL QUANTITY INDICATING SYSTEM<br>ONLY)  | 28-41-08        | 01            | 002004<br>006100<br>107107<br>121999 |
| EQUIPMENT INSTL-MAIN ELECTRONICS EQPT<br>CTR (FUEL QUANTITY INDICATING SYSTEM<br>ONLY) | 28-41-08        | 01B           | 101102                               |
| EQUIPMENT INSTL-MAIN ELECTRONICS EQPT<br>CTR PROCESSOR FUEL QTY                        | 28-41-08        | 08            | 103106<br>108120                     |
| EQUIPMENT INSTL-SIMMONDS FUEL QTY<br>INDICATING SYS (TANK UNIT ONLY)                   | 28-41-01        | 10            | 002004<br>006106<br>108903<br>950999 |
| PANEL INSTL-FUELING CONT (FQIS LOAD<br>SELECT CONTROL ONLY)                            | 28-41-07        | 01            | 002004<br>006999                     |
| PANEL INSTL-FUELING CONT (FQIS LOAD<br>SELECT INDICATOR ONLY)                          | 28-41-06        | 01            | 002004<br>006999                     |
| PANEL INSTL-P5 OVHD (FQIS FUEL<br>QUANTITY INDICATOR ONLY)                             | 28-41-04        | 01            | 101106<br>108120<br>504903           |

**BOEING**  
757  
**PARTS CATALOG (MAINTENANCE)**

**CHAPTER 28 — FUEL**

**TABLE OF CONTENTS**

| SUBJECT   | CC-SS-UU | FIGURE | EFFECT   |
|---|----------|--------|--|
| PANEL INSTL-P5 OVHD (FQIS FUEL QUANTITY INDICATOR ONLY)                             | 28-41-04 | 02     | 002004<br>006100<br>107107<br>121503<br>904999 |
| R<br>R<br>R<br>R<br>R<br>PANEL INSTL-P5 OVHD (FUEL QUANTITY INDICATING SYSTEM ONLY) | 28-41-51 | 01     | 002004<br>006010<br>107107<br>121503<br>904999 |
| PANEL INSTL-P5 OVHD (FUEL QUANTITY INDICATING SYSTEM ONLY)                          | 28-41-51 | 02     | 011100   |
| PANEL INSTL-P5 OVHD (FUEL QUANTITY INDICATING SYSTEM ONLY)                          | 28-41-51 | 03     | 101106<br>108120<br>504903                     |
| PANEL INSTL-P61 R SIDEWALL (FUEL ONLY)  | 28-41-51 | 04     | 002004<br>006999                               |
| SUPPORT INSTL-FUEL QTY IND SYS INSPAR WIRE  | 28-41-09 | 01     | 002004<br>006999                               |
| FUEL PRESSURE INDICATING SYSTEM   | 28-42-00 |        |  |
| PUMP INSTL-ENG FUEL FEED SYS (INDICATING ONLY)                                      | 28-42-01 | 01     | 002004<br>006100<br>107107<br>121503<br>904999 |
| PUMP INSTL-ENG FUEL FEED SYS (INDICATING ONLY) AFT,FWD                              | 28-42-01 | 01A    | 102106<br>108120<br>504903                     |
| PUMP INSTL-ENG. FUEL FEED SYS (INDICATING ONLY)                                     | 28-42-01 | 02     | 101106<br>108120<br>504903                     |
| FUEL TEMPERATURE INDICATING SYSTEM  | 28-43-00 |        |  |
| EQUIPMENT INSTL 200 AND 300 TEMP PROBE  | 28-43-01 | 01     | 101106<br>108120<br>504903                     |
| EQUIPMENT INSTL-FUEL TANK MAIN (FUEL TEMP SENSOR ONLY)                              | 28-43-01 | 02     | 002004<br>006100<br>107107<br>121503<br>904999 |

 **BOEING**  
757  
**PARTS CATALOG (MAINTENANCE)**

**CHAPTER 28 — FUEL**

**TABLE OF CONTENTS**

| <b>SUBJECT</b>                 | <b>CC-SS-UU</b> | <b>FIGURE</b> | <b>EFFECT</b>              |
|--------------------------------|-----------------|---------------|----------------------------|
| FUEL QUANTITY MEASURING STICKS | 28-44-00        |               |                            |
| STICK ASSY-FUEL QTY MEASURING  | 28-44-01        | 03            | 101106<br>108120<br>504903 |
| STICK INSTL-FUEL QTY MEASURING | 28-44-01        | 01            | 107107                     |
| STICK INSTL-FUEL QTY MEASURING | 28-44-01        | 02            | 002004<br>006106<br>108999 |

**FUEL - GENERAL**

BRI  
MAY 28/07

28-00-00  
SECTION TITLE  
PAGE 1

 **BOEING**  
757  
PARTS CATALOG (MAINTENANCE)

**NON-ILLUSTRATED FIGURE**

---

THE ITEMS REFLECTED IN THIS FIGURE ARE INTENTIONALLY  
NON-ILLUSTRATED. THEY ARE REFERENCED TO EITHER A  
NEXT HIGHER OR NEXT LOWER ASSEMBLY/INSTALLATION FIGURE.

Y 28000001 SHT 1 REV 085

SYSTEM INSTL-FUEL  
FIGURE 1

**28-00-00-01**

BRI  
MAY 28/07

28-00-00-01  
PAGE 0



757

PARTS CATALOG (MAINTENANCE)

| FIG ITEM | PART NUMBER | 1 2 3 4 5 6 7 | NOMENCLATURE  | EFFECT FROM TO                                 | UNITS PER ASSY |
|----------|-------------|---------------|---|--|----------------|
| 1        |             |               | SYSTEM INSTL-FUEL   | 002004<br>006100<br>107107<br>121503<br>904999 |                |
| - 1      | 340N0001-1  |               | SYSTEM INSTL-FUEL   | 002004<br>006100<br>107107<br>121503<br>904999 | 1              |
| - 5      | 341N0001-1  |               | .EQUIPMENT INSTL-FUEL TANK<br>POSITION DATA:<br>LH<br>FOR DETAILS SEE:<br>28-11-04-01<br>28-11-05-02                | 002004<br>006100<br>107107<br>121503<br>904999 | 1              |
| - 10     | 341N0001-2  |               | .EQUIPMENT INSTL-FUEL TANK<br>POSITION DATA:<br>RH<br>FOR DETAILS SEE:<br>28-11-04-01<br>28-11-05-02<br>28-43-01-02 | 002004<br>006100<br>107107<br>121503<br>904999 | 1              |
| - 15     | 341N0001-3  |               | .EQUIPMENT INSTL-FUEL TANK<br>POSITION DATA:<br>CTR<br>FOR DETAILS SEE:<br>28-11-05-02                              | 002004<br>006100<br>107107<br>121503<br>904999 | 1              |
| - 20     | 342N4001-12 |               | .TUBING INSTL-FUEL TANK<br>VENT SYS<br>FOR DETAILS SEE:<br>28-13-00-01<br>28-13-01-01<br>28-13-03-02<br>28-13-08-01 | 002004<br>006100<br>107107<br>121503<br>904999 | 1              |
| - 25     | 343N0001-1  |               | .SYSTEM INSTL-ENG FEED<br>FOR DETAILS SEE:<br>28-22-00-01   | 002004<br>006100<br>107107<br>121503<br>904999 | 1              |
| - 80     | 344N0001-1  |               | .SYSTEM INSTL-FUELING<br>FOR DETAILS SEE:<br>28-20-51-01  | 002004<br>006100<br>107107<br>121503<br>904999 | 1              |

MISSING ITEM NUMBERS NOT APPLICABLE

- ITEM NOT ILLUSTRATED

28-00-00-01

28-00-00  
FIG. 01  
PAGE 1  
JAN 20/09

BRI



757

PARTS CATALOG (MAINTENANCE)

| FIG ITEM | PART NUMBER | 1 2 3 4 5 6 7 | NOMENCLATURE   | EFFECT FROM TO                       | UNITS PER ASSY |
|----------|-------------|---------------|--|--------------------------------------|----------------|
| 1        |             |               |  |                                      |                |
| - 100    | 345N2001-1  |               | .EQUIPMENT INSTL-FUEL QTY<br>INDICATING SYS<br>POSITION DATA:<br>LH<br>FOR DETAILS SEE:<br>28-41-01-01<br>28-41-02-02<br>28-41-03-03             | 107107<br>904949                     | 1              |
| - 100    | 345N0201-1  |               | .EQUIPMENT INSTL-SIMMONDS<br>FUEL QTY INDICATING<br>SYS<br>POSITION DATA:<br>LH<br>FOR DETAILS SEE:<br>28-41-01-10<br>28-41-02-03<br>28-41-03-04 | 002004<br>006100<br>121503<br>950999 | 1              |
| - 105    | 345N2001-2  |               | .EQUIPMENT INSTL-FUEL QTY<br>INDICATING SYS<br>POSITION DATA:<br>RH<br>FOR DETAILS SEE:<br>28-41-01-01<br>28-41-02-02<br>28-41-03-03             | 107107<br>904949                     | 1              |
| - 105    | 345N0201-2  |               | .EQUIPMENT INSTL-SIMMONDS<br>FUEL QTY INDICATING<br>SYS<br>POSITION DATA:<br>RH<br>FOR DETAILS SEE:<br>28-41-01-10<br>28-41-02-03<br>28-41-03-04 | 002004<br>006100<br>121503<br>950999 | 1              |
| - 107    | 345N2001-3  |               | .EQUIPMENT INSTL-FUEL QTY<br>INDICATING SYS<br>POSITION DATA:<br>CTR<br>FOR DETAILS SEE:<br>28-41-01-01<br>28-41-02-02<br>28-41-03-03            | 107107<br>904949                     | 1              |

MISSING ITEM NUMBERS NOT APPLICABLE

- ITEM NOT ILLUSTRATED

28-00-00-01

28-00-00  
FIG. 01  
PAGE 2  
JAN 20/09

BRI





757

PARTS CATALOG (MAINTENANCE)

| FIG<br>ITEM | PART NUMBER | 1 2 3 4 5 6 7 | NOMENCLATURE  | EFFECT<br>FROM TO                              | UNITS<br>PER<br>ASSY |
|-------------|-------------|---------------|---|--|----------------------|
| 1           |             |               |   |  |                      |
| - 107       | 345N0201-3  |               | .EQUIPMENT INSTL-SIMMONDS<br>FUEL QTY INDICATING<br>SYS<br>POSITION DATA:<br>CTR<br>FOR DETAILS SEE:<br>28-41-01-10<br>28-41-02-03<br>28-41-03-04 | 002004<br>006100<br>121503<br>950999           | 1                    |
| - 110       | 346N4001-29 |               | .FEED LINE AND SHROUD INST-<br>757 BODY APU<br>FOR DETAILS SEE:<br>28-25-05-02<br>28-25-07-01<br>28-25-09-01                                      | 002004<br>006100<br>107107<br>121503<br>904999 | 1                    |
| - 115       | 346N3001-1  |               | .FUEL FEED INSTL-WING APU<br>FOR DETAILS SEE:<br>28-25-01-01  | 107107<br>904949                               | 1                    |
| - 115       | 346N3001-12 |               | .FUEL FEED INSTL-WING APU<br>FOR DETAILS SEE:<br>28-25-01-01  | 952952   | 1                    |
| - 115       | 346N3001-13 |               | .FUEL FEED INSTL-WING APU<br>FOR DETAILS SEE:<br>28-25-01-01  | 002004<br>006100<br>121503<br>950951<br>953999 | 1                    |

MISSING ITEM NUMBERS NOT APPLICABLE

- ITEM NOT ILLUSTRATED

BRI

28-00-00-01

BOEING PROPRIETARY - Copyright © - Unpublished Work - See title page for details.

28-00-00  
FIG. 01  
PAGE 3  
JAN 20/09

 **BOEING**  
757  
**PARTS CATALOG (MAINTENANCE)**

NON-ILLUSTRATED FIGURE

THE ITEMS REFLECTED IN THIS FIGURE ARE INTENTIONALLY  
NON-ILLUSTRATED. THEY ARE REFERENCED TO EITHER A  
NEXT HIGHER OR NEXT LOWER ASSEMBLY/INSTALLATION FIGURE.

Y 28000002 REV 237

PREMODULE COLLECTOR-757 RB211 SYSTEMS (FUEL ONLY)  
FIGURE 2

**28-00-00-02**

BRI  
MAY 28/07

28-00-00-02  
PAGE 0



757

PARTS CATALOG (MAINTENANCE)

| FIG ITEM | PART NUMBER  | 1 2 3 4 5 6 7 | NOMENCLATURE  | EFFECT FROM TO                       | UNITS PER ASSY |
|----------|--------------|---------------|---|--------------------------------------|----------------|
| 2        |              |               | PREMODULE COLLECTOR-<br>757 RB211 SYSTEMS<br>(FUEL ONLY)  | 101102<br>106106<br>108120<br>504903 |                |
| - 1      | 301N5090-300 |               | PREMODULE COLLECTOR-RB211<br>757 RB211 SYSTEMS<br>(FUEL ONLY)<br>POSITION DATA:<br>ENG POS 1 AND 2<br>FOR OTHER SYS DETAILS SEE:<br>26-00-00-01<br>29-00-51-11<br>30-00-00-01<br>36-00-00-01<br>54-00-00-06<br>71-00-01-02A<br>78-00-00-05<br>80-00-00-01 | 101102<br>108120<br>504903           | RF             |
| - 45     | 312N5080-7   |               | .PREMODULE COLLECTOR-RB211<br>STRUT SYSTEM<br>(INSTALLED BY ROHR)<br>POSITION DATA:<br>ENG POS 1  | 101102<br>504505                     | RF             |
| - 45     | 312N5080-9   |               | .PREMODULE COLLECTOR-RB211<br>STRUT SYSTEM<br>(INSTALLED BY ROHR)<br>POSITION DATA:<br>ENG POS 1  | 506903                               | RF             |
| - 45     | 312N5080-11  |               | .PREMODULE COLLECTOR-RB211<br>STRUT SYSTEM<br>(INSTALLED BY ROHR)<br>POSITION DATA:<br>ENG POS 1  | 108120                               | RF             |
| - 45     | 312N5080-13  |               | .PREMODULE COLLECTOR-RB211<br>STRUT SYSTEM<br>(INSTALLED BY ROHR)<br>POSITION DATA:<br>ENG POS 1  | 106106                               | RF             |
| - 50     | 312N5080-8   |               | .PREMODULE COLLECTOR-RB211<br>STRUT SYSTEM<br>(INSTALLED BY ROHR)<br>POSITION DATA:<br>ENG POS 2  | 101102<br>504505                     | RF             |
| - 50     | 312N5080-10  |               | .PREMODULE COLLECTOR-RB211<br>STRUT SYSTEM<br>(INSTALLED BY ROHR)<br>POSITION DATA:<br>ENG POS 2  | 506903                               | RF             |

MISSING ITEM NUMBERS NOT APPLICABLE

- ITEM NOT ILLUSTRATED

28-00-00-02

28-00-00  
FIG. 02  
PAGE 1  
JAN 20/09

BRI



757

PARTS CATALOG (MAINTENANCE)

| FIG ITEM | PART NUMBER  | 1 2 3 4 5 6 7 | NOMENCLATURE  | EFFECT FROM TO             | UNITS PER ASSY |
|----------|--------------|---------------|---|----------------------------|----------------|
| 2        |              |               |   |                            |                |
| - 50     | 312N5080-12  |               | .PREMODULE COLLECTOR-RB211<br>STRUT SYSTEM<br>(INSTALLED BY ROHR)<br>POSITION DATA:<br>ENG POS 2            | 108120                     | RF             |
| - 50     | 312N5080-14  |               | .PREMODULE COLLECTOR-RB211<br>STRUT SYSTEM<br>(INSTALLED BY ROHR)<br>POSITION DATA:<br>ENG POS 2            | 106106                     | RF             |
| - 55     | 312N5150-801 |               | ..PLUMBING INSTL-STRUT<br>FUEL<br>POSITION DATA:<br>ENG POSITION 1 AND 2<br>FOR DETAILS SEE:<br>28-22-07-06 | 101102<br>108120<br>504903 | 1              |
| - 60     | 312N5150-802 |               | .PLUMBING INSTL-STRUT<br>FUEL<br>POSITION DATA:<br>ENG POSITION 1 AND 2<br>FOR DETAILS SEE:<br>28-22-07-06  | 101102<br>108120<br>504903 | 1              |
| - 65     | 312N5150-803 |               | .PLUMBING INSTL-STRUT<br>FUEL<br>POSITION DATA:<br>LH SIDE<br>FOR DETAILS SEE:<br>28-22-07-06               | 101102<br>108120<br>504903 | 1              |
| - 70     | 312N5150-804 |               | .PLUMBING INSTL-STRUT<br>FUEL<br>POSITION DATA:<br>RH SIDE<br>FOR DETAILS SEE:<br>28-22-07-06               | 101102<br>108120<br>504903 | 1              |

MISSING ITEM NUMBERS NOT APPLICABLE

- ITEM NOT ILLUSTRATED

BRI

28-00-00-02

BOEING PROPRIETARY - Copyright © - Unpublished Work - See title page for details.

28-00-00  
FIG. 02  
PAGE 2  
JAN 20/09

 **BOEING**  
757  
**PARTS CATALOG (MAINTENANCE)**

NON-ILLUSTRATED FIGURE

THE ITEMS REFLECTED IN THIS FIGURE ARE INTENTIONALLY  
NON-ILLUSTRATED. THEY ARE REFERENCED TO EITHER A  
NEXT HIGHER OR NEXT LOWER ASSEMBLY/INSTALLATION FIGURE.

Y 2800002A REV 251

STRUT SYSTEM INSTL 757 RB211 (FIRE PROTECTION ONLY)  
FIGURE 2A

**28-00-00-02A**

BRI  
JAN 20/09

28-00-00-02A  
PAGE 0

BOEING PROPRIETARY - Copyright © - Unpublished Work - See title page for details.



757

PARTS CATALOG (MAINTENANCE)

| FIG ITEM | PART NUMBER  | 1 2 3 4 5 6 7 | NOMENCLATURE  | EFFECT FROM TO | UNITS PER ASSY |
|----------|--------------|---------------|---|----------------|----------------|
| 2A       |              |               | STRUT SYSTEM INSTL<br>757 RB211<br>(FIRE PROTECTION ONLY)   | 103106         |                |
| - 1      | MODREF23488  |               | STRUT SYSTEMS INSTL-RB211<br>(FUEL ONLY)<br>MODULE NUMBER:<br>312N5080-13 REV B<br>POSITION DATA:<br>ENG POSITION 1<br>FOR OTHER SYS DETAILS SEE:<br>26-00-00-01A<br>29-00-51-11A<br>30-00-00-01A<br>36-00-00-01A<br>54-00-00-06A<br>78-00-00-05A<br>80-00-00-01A | 103106         | 1              |
| - 5      | MODREF23489  |               | STRUT SYSTEMS INSTL-RB211<br>(FUEL ONLY)<br>MODULE NUMBER:<br>312N5080-14 REV B<br>POSITION DATA:<br>ENG POSITIN 2<br>FOR OTHER SYS DETAILS SEE:<br>26-00-00-01A<br>29-00-51-11A<br>30-00-00-01A<br>36-00-00-01A<br>54-00-00-06A<br>78-00-00-05A<br>80-00-00-01A  | 103106         | 1              |
| - 10     | 312N5150-801 |               | .PLUMBING INSTL-STRUT<br>FUEL<br>POSITION DATA:<br>ENG POSITION 1 AND 2<br>FOR DETAILS SEE:<br>28-22-07-06  | 103106         | 1              |

MISSING ITEM NUMBERS NOT APPLICABLE

- ITEM NOT ILLUSTRATED

**28-00-00-02A**

28-00-00  
FIG. 02A  
PAGE 1  
JAN 20/09

BRI

 **BOEING**  
757  
PARTS CATALOG (MAINTENANCE)

NON-ILLUSTRATED FIGURE

THE ITEMS REFLECTED IN THIS FIGURE ARE INTENTIONALLY  
NON-ILLUSTRATED. THEY ARE REFERENCED TO EITHER A  
NEXT HIGHER OR NEXT LOWER ASSEMBLY/INSTALLATION FIGURE.

MANAGEMENT COLLECTOR-FUEL SYSTEMS  
FIGURE 5

**28-00-00-05**

BRI  
MAY 28/07

28-00-00-05  
PAGE 0



757

PARTS CATALOG (MAINTENANCE)

| FIG ITEM | PART NUMBER  | 1 2 3 4 5 6 7 | NOMENCLATURE   | EFFECT FROM TO             | UNITS PER ASSY |
|----------|--------------|---------------|--|----------------------------|----------------|
| 5        |              |               | MANAGEMENT COLLECTOR-FUEL SYSTEMS  | 101102<br>108120<br>504903 |                |
| - 1      | 340N0100-100 |               | COLLECTOR INSTL-MAJOR MODEL 757  | 101102<br>108120<br>504903 | 1              |
| - 3      | 340N0100-200 |               | COLLECTOR INSTL-757-200 MINOR MODEL OLD INTERIOR   | 101102<br>108120<br>504903 | 1              |
| - 5      | 340N3001-14  |               | .MARKING INSTL-FUEL SYS EXT.<br>FOR DETAILS SEE:<br>11-24-05-01A   | 101102<br>108120<br>504903 | 1              |
| - 10     | 340N3001-12  |               | .MARKER INSTL-FUEL STICK 1 LOCKED<br>FOR DETAILS SEE:<br>11-24-05-01A  | 101102<br>108120           | 1              |
| - 15     | 341N0001-3   |               | .EQUIPMENT INSTL-FUEL TANK MAIN<br>POSITION DATA:<br>CTR<br>FOR DETAILS SEE:<br>28-11-05-02                      | 101102<br>108120<br>504903 | 1              |
| - 25     | 341N0001-9   |               | .EQUIPMENT INSTL-DRAIN HOSE<br>POSITION DATA:<br>CTR SUMP<br>FOR DETAILS SEE:<br>28-11-05-01                     | 101102<br>108120<br>504903 | 1              |
| - 25     | 341N0001-8   |               | .EQUIPMENT INSTL-MAIN AND SURGE DRAIN VALVES<br>FOR DETAILS SEE:<br>28-11-05-01A                                 | 101102<br>108120<br>504903 | 1              |
| - 25     | 341N0001-10  |               | .EQUIPMENT INSTL-FILLER PORT<br>POSITION DATA:<br>OVERWING<br>FOR DETAILS SEE:<br>28-11-04-02                    | 101102<br>108120<br>504903 | 1              |
| - 27     | 341N0001-11  |               | .EQUIPMENT INSTL-TEMP PROBE<br>FOR DETAILS SEE:<br>28-43-01-01   | 101102<br>108120<br>504903 | 1              |
| - 30     | 342N4001-16  |               | .TUBING INSTL-FUEL TANK VENT SYS<br>FOR DETAILS SEE:<br>28-13-00-01<br>28-13-01-01<br>28-13-03-02<br>28-13-08-01 | 101102<br>504903           | 1              |

MISSING ITEM NUMBERS NOT APPLICABLE

- ITEM NOT ILLUSTRATED

28-00-00-05

28-00-00  
FIG. 05  
PAGE 1  
JAN 20/09

BRI





757

PARTS CATALOG (MAINTENANCE)

| FIG ITEM | PART NUMBER  | 1 2 3 4 5 6 7 | NOMENCLATURE   | EFFECT FROM TO   | UNITS PER ASSY |
|----------|--------------|---------------|--|------------------|----------------|
| 5        |              |               |  |                  |                |
| - 30     | 342N4001-17  |               | .TUBING INSTL-FUEL TANK VENT SYS<br>FOR DETAILS SEE:<br>28-13-00-01<br>28-13-01-01<br>28-13-03-02<br>28-13-08-01             | 108120           | 1              |
| - 35     | 343N3101-15  |               | .VALVE INSTL-ENG FUEL FEED SYS<br>POSITION DATA:<br>LH SIDE<br>FOR DETAILS SEE:<br>28-22-01-05<br>28-22-02-01<br>28-22-11-01 | 101102<br>504504 | 1              |
| - 35     | 343N3101-19  |               | .VALVE INSTL-ENG FUEL FEED SYS<br>POSITION DATA:<br>LH SIDE<br>FOR DETAILS SEE:<br>28-22-01-05<br>28-22-02-01<br>28-22-11-01 | 108120<br>505903 | 1              |
| - 40     | 343N3101-16  |               | .VALVE INSTL-ENG FUEL FEED SYS<br>POSITION DATA:<br>RH SIDE<br>FOR DETAILS SEE:<br>28-22-01-05<br>28-22-11-01                | 101102<br>504504 | 1              |
| - 40     | 343N3101-20  |               | .VALVE INSTL-ENG FUEL FEED SYS<br>POSITION DATA:<br>RH SIDE<br>FOR DETAILS SEE:<br>28-22-01-05<br>28-22-11-01                | 108120<br>505903 | 1              |
| - 45     | 343N3301-106 |               | .PUMP INSTL-ENG FUEL FEED SYS<br>POSITION DATA:<br>AFT RH<br>FOR DETAILS SEE:<br>28-42-01-02<br>28-22-03-01C                 | 101101           | 1              |

MISSING ITEM NUMBERS NOT APPLICABLE

- ITEM NOT ILLUSTRATED

BRI

28-00-00-05

BOEING PROPRIETARY - Copyright © - Unpublished Work - See title page for details.

28-00-00  
FIG. 05  
PAGE 2  
JAN 20/09



757

PARTS CATALOG (MAINTENANCE)

| FIG ITEM | PART NUMBER  | 1 2 3 4 5 6 7 | NOMENCLATURE  | EFFECT FROM TO             | UNITS PER ASSY |
|----------|--------------|---------------|---|----------------------------|----------------|
| 5        |              |               |   |                            |                |
| - 45     | 343N3301-130 |               | .PUMP INSTL-<br>POSITION DATA:<br>RH SIDE, AFT<br>FOR DETAILS SEE:<br>28-22-03-01B<br>28-42-01-01A                            | 102102<br>108120<br>504903 | 1              |
| - 50     | 343N3301-107 |               | .PUMP INSTL-ENG FUEL FEED<br>SYS<br>POSITION DATA:<br>FWD LH<br>FOR DETAILS SEE:<br>28-42-01-02<br>28-22-03-02C               | 101101                     | 1              |
| - 50     | 343N3301-131 |               | .PUMP INSTL-<br>POSITION DATA:<br>LH SIDE, FWD<br>FOR DETAILS SEE:<br>28-22-03-02B<br>28-42-01-01A                            | 102102<br>108120<br>504903 | 1              |
| - 55     | 343N3301-108 |               | .PUMP INSTL-ENG FUEL FEED<br>SYS<br>POSITION DATA:<br>FWD RH<br>FOR DETAILS SEE:<br>28-42-01-02<br>28-22-03-02C               | 101101                     | 1              |
| - 55     | 343N3301-132 |               | .PUMP INSTL-<br>POSITION DATA:<br>RH SIDE, FWD<br>FOR DETAILS SEE:<br>28-22-03-02B<br>28-42-01-01A                            | 102102<br>108120<br>504903 | 1              |
| - 60     | 343N3301-119 |               | .PUMP INSTL-ENG FUEL FEED<br>SYS<br>POSITION DATA:<br>CTR LH<br>FOR DETAILS SEE:<br>28-22-05-03<br>28-22-07-09<br>28-42-01-02 | 101101                     | 1              |
| - 60     | 343N3301-133 |               | .PUMP INSTL-ENG FUEL FEED<br>SYS<br>POSITION DATA:<br>CTR LH<br>FOR DETAILS SEE:<br>28-22-05-03<br>28-22-07-09<br>28-42-01-02 | 102102<br>108120<br>504903 | 1              |

MISSING ITEM NUMBERS NOT APPLICABLE

- ITEM NOT ILLUSTRATED

28-00-00-05

28-00-00  
FIG. 05  
PAGE 3  
JAN 20/09

BRI



757

PARTS CATALOG (MAINTENANCE)

| FIG ITEM | PART NUMBER  | 1 2 3 4 5 6 7 | NOMENCLATURE  | EFFECT FROM TO             | UNITS PER ASSY |
|----------|--------------|---------------|---|----------------------------|----------------|
| 5        |              |               |   |                            |                |
| - 63     | 343N3301-121 |               | .WATER SCAVENGE INSTL-<br>POSITION DATA:<br>CTR LH<br>FOR DETAILS SEE:<br>28-22-07-09<br>28-22-13-03                          | 101102<br>108120<br>504903 | 1              |
| - 65     | 343N3301-120 |               | .PUMP INSTL-ENG FUEL FEED<br>SYS<br>POSITION DATA:<br>CTR RH<br>FOR DETAILS SEE:<br>28-22-05-03<br>28-22-07-09<br>28-42-01-02 | 101101                     | 1              |
| - 65     | 343N3301-134 |               | .PUMP INSTL-ENG FUEL FEED<br>SYS<br>POSITION DATA:<br>CTR RH<br>FOR DETAILS SEE:<br>28-22-05-03<br>28-22-07-09<br>28-42-01-02 | 102102<br>108120<br>504903 | 1              |
| - 68     | 343N3301-122 |               | .WATER SCAVENGE INSTL-<br>POSITION DATA:<br>CTR RH<br>FOR DETAILS SEE:<br>28-22-07-09<br>28-22-13-03                          | 101102<br>108120<br>504903 | 1              |
| - 70     | 343N3301-105 |               | .PUMP INSTL-ENG FUEL FEED<br>SYS<br>POSITION DATA:<br>AFT LH<br>FOR DETAILS SEE:<br>28-42-01-02<br>28-22-03-01C               | 101101                     | 1              |
| - 70     | 343N3301-129 |               | .PUMP INSTL-<br>POSITION DATA:<br>LH SIDE, AFT<br>FOR DETAILS SEE:<br>28-22-03-01B<br>28-42-01-01A                            | 102102<br>108120<br>504903 | 1              |
| - 73     | 343N4001-39  |               | .HOSE INSTL-ENG FUEL FEED<br>DRY BAY<br>POSITION DATA:<br>LH SIDE<br>FOR DETAILS SEE:<br>28-22-07-02                          | 101102<br>108120<br>504903 | 1              |

MISSING ITEM NUMBERS NOT APPLICABLE

- ITEM NOT ILLUSTRATED

28-00-00-05

28-00-00  
FIG. 05  
PAGE 4  
JAN 20/09

BRI



757

PARTS CATALOG (MAINTENANCE)

| FIG ITEM | PART NUMBER | 1 2 3 4 5 6 7 | NOMENCLATURE  | EFFECT FROM TO             | UNITS PER ASSY |
|----------|-------------|---------------|---|----------------------------|----------------|
| 5        |             |               |   |                            |                |
| - 73     | 343N4001-40 |               | .HOSE INSTL-ENG FUEL FEED<br>DRY BAY<br>POSITION DATA:<br>RH SIDE<br>FOR DETAILS SEE:<br>28-22-07-02                    | 101102<br>108120<br>504903 | 1              |
| - 75     | 343N4001-41 |               | .TUBING INSTL-ENG FUEL FEED<br>POSITION DATA:<br>LH SIDE<br>FOR DETAILS SEE:<br>28-22-07-02A                            | 101102<br>108120<br>504903 | 1              |
| - 80     | 343N4001-42 |               | .TUBING INSTL-ENG FUEL FEED<br>POSITION DATA:<br>RH SIDE<br>FOR DETAILS SEE:<br>28-22-07-02A                            | 101102<br>108120<br>504903 | 1              |
| - 83     | 343N4001-45 |               | .TUBING INSTL-ENG FUEL-DUAL<br>CROSSFEED<br>FOR DETAILS SEE:<br>28-22-07-01A  | 101102<br>108120<br>504903 | 1              |
| - 85     | 344N3001-8  |               | .EQUIPMENT INSTL-REFUEL<br>ADAPTER<br>FOR DETAILS SEE:<br>28-21-01-04   | 101102<br>108120<br>504903 | 1              |
| - 85     | 344N3001-9  |               | .EQUIPMENT INSTL-DEFUEL<br>VALVE<br>FOR DETAILS SEE:<br>28-26-01-02<br>28-26-02-02                                      | 101102<br>108120<br>504903 | 1              |
| - 85     | 344N3001-10 |               | .EQUIPMENT INSTL-FUELING<br>VALVE<br>FOR DETAILS SEE:<br>28-21-02-02B   | 101102<br>504504           | 1              |
| - 85     | 344N3001-11 |               | .EQUIPMENT INSTL-OVERFILL<br>SENSOR<br>FOR DETAILS SEE:<br>28-21-03-04  | 101102<br>108120<br>504903 | 1              |
| - 86     | 344N3001-14 |               | .EQUIPMENT INSTL-FUELING<br>VALVE<br>FOR DETAILS SEE:<br>28-21-02-02B<br>28-21-12-02                                    | 108120<br>505903           | 1              |
| - 90     | 344N4001-48 |               | .TUBING INSTL-FUELING SYS<br>POSITION DATA:<br>L, R AND CTR SECTIONS<br>FOR DETAILS SEE:<br>28-21-05-01<br>28-21-05-01B | 101102<br>108120<br>504903 | 1              |

MISSING ITEM NUMBERS NOT APPLICABLE

- ITEM NOT ILLUSTRATED

28-00-00-05

28-00-00  
FIG. 05  
PAGE 5  
JAN 20/09

BRI



757

PARTS CATALOG (MAINTENANCE)

| FIG ITEM | PART NUMBER | 1 2 3 4 5 6 7 | NOMENCLATURE   | EFFECT FROM TO             | UNITS PER ASSY |
|----------|-------------|---------------|--|----------------------------|----------------|
| 5        |             |               |  |                            |                |
| - 95     | 344N5001-17 |               | .PANEL INSTL-FUELING<br>FOR DETAILS SEE:<br>28-14-01-04<br>28-26-51-01<br>28-41-06-01<br>28-41-07-01   | 101102<br>504903           | 1              |
| - 95     | 344N5001-23 |               | .PANEL INSTL-FUELING<br>FOR DETAILS SEE:<br>28-14-01-04<br>28-26-51-01<br>28-41-06-01<br>28-41-07-01   | 108120                     | 1              |
| - 100    | 344N5001-18 |               | .PANEL INSTL-INSTR<br>WITHOUT OVERFILL<br>WARNING NOTICE<br>FOR DETAILS SEE:<br>28-14-01-05  | 101102<br>108120<br>504903 | 1              |
| - 105    | 345N0201-4  |               | .EQUIPMENT INSTL-SIMMONDS<br>FUEL QTY INDICATING SYS<br>POSITION DATA:<br>CTR<br>FOR DETAILS SEE:<br>28-41-01-10<br>28-41-02-03<br>28-41-03-04   | 101102<br>108120<br>504903 | 1              |
| - 110    | 345N0201-5  |               | .EQUIPMENT INSTL-SIMMONDS<br>FUEL QTY INDICATING<br>SYS<br>POSITION DATA:<br>LH<br>FOR DETAILS SEE:<br>28-41-01-10<br>28-41-02-03<br>28-41-03-04 | 101102<br>504903           | 1              |
| - 110    | 345N0201-7  |               | .EQUIPMENT INSTL-SIMMONDS<br>FUEL QTY INDICATING<br>SYS<br>POSITION DATA:<br>LH<br>FOR DETAILS SEE:<br>28-41-01-10<br>28-41-02-03<br>28-41-03-04 | 108120                     | 1              |

MISSING ITEM NUMBERS NOT APPLICABLE

- ITEM NOT ILLUSTRATED

28-00-00-05

28-00-00  
FIG. 05  
PAGE 6  
JAN 20/09

BRI



757

PARTS CATALOG (MAINTENANCE)

| FIG ITEM | PART NUMBER | 1 2 3 4 5 6 7 | NOMENCLATURE   | EFFECT FROM TO                       | UNITS PER ASSY |
|----------|-------------|---------------|--|--------------------------------------|----------------|
| 5        |             |               |  |                                      |                |
| - 115    | 345N0201-6  |               | .EQUIPMENT INSTL-SIMMONDS<br>FUEL QTY INDICATING<br>SYS<br>POSITION DATA:<br>RH<br>FOR DETAILS SEE:<br>28-41-01-10<br>28-41-02-03<br>28-41-03-04 | 101102<br>504903                     | 1              |
| - 115    | 345N0201-8  |               | .EQUIPMENT INSTL-SIMMONDS<br>FUEL QTY INDICATING<br>SYS<br>POSITION DATA:<br>RH<br>FOR DETAILS SEE:<br>28-41-01-10<br>28-41-02-03<br>28-41-03-04 | 108120                               | 1              |
| - 120    | 346N3001-14 |               | .FUEL FEED INSTL-APU<br>FOR DETAILS SEE:<br>28-25-01-02  | 101102<br>108120                     | 1              |
| - 128    | 346N4001-58 |               | .HOSE INSTL-APU FUEL FEED<br>POSITION DATA:<br>SECT. 44 AND 46<br>FOR DETAILS SEE:<br>28-25-00-01  | 504903<br>101102<br>108120<br>504903 | 1              |
| - 130    | 346N4001-60 |               | .TUBING INSTL-APU<br>FUEL FEED<br>POSITION DATA:<br>SECT. 44<br>FOR DETAILS SEE:<br>28-25-00-01  | 101102<br>108120<br>504903           | 1              |
| - 130    | 346N4001-62 |               | .TUBING INSTL-APU<br>FUEL FEED<br>POSITION DATA:<br>SECT. 48<br>FOR DETAILS SEE:<br>28-25-00-01  | 101102<br>108120<br>504903           | 1              |
| - 130    | 346N4001-67 |               | .TUBING INSTL-<br>FOR DETAILS SEE:<br>28-25-07-01B<br>28-25-09-01A   | 101102<br>108120<br>504903           | 1              |
| - 130    | 346N4001-68 |               | .TUBING INSTL-APU<br>FUEL FEED<br>POSITION DATA:<br>SECT. 46<br>FOR DETAILS SEE:<br>28-25-00-01  | 101102<br>108120<br>504903           | 1              |

MISSING ITEM NUMBERS NOT APPLICABLE

- ITEM NOT ILLUSTRATED

28-00-00-05

28-00-00  
FIG. 05  
PAGE 7  
JAN 20/09

BRI



757

PARTS CATALOG (MAINTENANCE)

| FIG ITEM | PART NUMBER   | 1 2 3 4 5 6 7 | NOMENCLATURE  | EFFECT FROM TO             | UNITS PER ASSY |
|----------|---------------|---------------|---|----------------------------|----------------|
| 5        |               |               |   |                            |                |
| - 135    | 346N4005-5    |               | .TUBE INSTL-DRAIN<br>FOR DETAILS SEE:<br>28-25-05-02A<br>28-25-07-01A   | 101102<br>108120<br>504903 | 1              |
| - 140    | 343N3302-24   |               | .TUBING INSTL-CTR FUEL TANK<br>SCAVENGE SYS<br>FOR DETAILS SEE:<br>28-22-52-01A                                       | 101102<br>108120<br>504903 | 1              |
| - 140    | 343N3302-25   |               | .TUBING INSTL-CTR FUEL TANK<br>SCAVENGE SYS<br>FOR DETAILS SEE:<br>28-22-52-01A                                       | 101102<br>504903           | 1              |
| - 140    | 343N3302-26   |               | .TUBING INSTL-CTR FUEL TANK<br>SCAVENGE SYS<br>FOR DETAILS SEE:<br>28-22-52-01A                                       | 108120                     | 1              |
| - 220    | 340N0100-1620 |               | COLLECTOR INSTL-BAB<br>BRITISH AIRWAYS  | 504903                     | 1              |
| - 225    | 340N3001-13   |               | .MARKER INSTL-<br>FOR DETAILS SEE:<br>11-24-05-01A  | 504903                     | 1              |
| - 300    | 928N4401-2    |               | COLLECTOR-OPTION<br>DEFAULT CATALOG   | 108120                     | 1              |
| - 315    | 345N3001-39   |               | .STICK INSTL-(INCHES)<br>L/R CTR TANK<br>FOR DETAILS SEE:<br>28-44-01-02  | 108120                     | 1              |
| - 320    | 112N6100-211  |               | .DOOR INSTL-LWR SURF<br>TANK ACCESS<br>POSITION DATA:<br>POSITION 20 LH<br>FOR DETAILS SEE:<br>28-11-01-01D           | 108120                     | 1              |
| - 325    | 112N6100-212  |               | .DOOR INSTL-LWR SURF<br>TANK ACCESS<br>POSITION DATA:<br>POSITION 20 RH<br>FOR DETAILS SEE:<br>28-11-01-01D           | 108120                     | 1              |
| - 330    | 112N6100-411  |               | .DOOR INSTL-LWR SURF<br>TANK ACCESS<br>POSITION DATA:<br>POSITION 6,8,11,15,19 LH<br>FOR DETAILS SEE:<br>28-11-01-01D | 108120                     | 5              |

MISSING ITEM NUMBERS NOT APPLICABLE

- ITEM NOT ILLUSTRATED

28-00-00-05

28-00-00  
FIG. 05  
PAGE 8  
JAN 20/09

BRI



757

PARTS CATALOG (MAINTENANCE)

| FIG ITEM | PART NUMBER  | 1 2 3 4 5 6 7 | NOMENCLATURE  | EFFECT FROM TO | UNITS PER ASSY |
|----------|--------------|---------------|---|----------------|----------------|
| 5        |              |               |   |                |                |
| - 335    | 112N6100-412 |               | .DOOR INSTL-LWR SURF<br>TANK ACCESS<br>POSITION DATA:<br>POSITION 6,8,11,15,19 RH<br>FOR DETAILS SEE:<br>28-11-01-01D | 108120         | 5              |
| - 350    | 928N4403-2   |               | COLLECTOR-OPTION<br>UNPUBLISHED CATALOG   | 101102         | 1              |
| - 365    | 345N3001-42  |               | .STICK INSTL-(POUNDS)<br>POSITION DATA:<br>L/R CTR TANK<br>FOR DETAILS SEE:<br>28-44-01-02                            | 101102         | 1              |
| - 370    | 112N6100-241 |               | .DOOR INSTL-LWR SURF<br>TANK ACCESS<br>POSITION DATA:<br>POSITION 20 LH<br>FOR DETAILS SEE:<br>28-11-01-01D           | 101102         | 1              |
| - 370    | 112N6100-441 |               | .DOOR INSTL-LWR SURF<br>TANK ACCESS<br>POSITION DATA:<br>POSITION 6,8,11,15,19 LH<br>FOR DETAILS SEE:<br>28-11-01-01D | 101102         | 1              |
| - 375    | 112N6100-242 |               | .DOOR INSTL-LWR SURF<br>TANK ACCESS<br>POSITION DATA:<br>POSITION 20 RH<br>FOR DETAILS SEE:<br>28-11-01-01D           | 101102         | 1              |
| - 375    | 112N6100-442 |               | .DOOR INSTL-LWR SURF<br>TANK ACCESS<br>POSITION DATA:<br>POSITION 6,8,11,15,19 RH<br>FOR DETAILS SEE:<br>28-11-01-01D | 101102         | 1              |
| - 400    | 928N4405-2   |               | COLLECTOR-OPTION  | 504903         | 1              |
| - 410    | 345N3001-41  |               | .STICK INSTL-<br>POSITION DATA:<br>L/R CENTER TANK<br>FOR DETAILS SEE:<br>28-44-01-02                                 | 504903         | 1              |
| - 415    | 112N6100-231 |               | .DOOR INSTL-LWR SURF<br>TANK ACCESS<br>POSITION DATA:<br>POSITION 20 LH<br>FOR DETAILS SEE:<br>28-11-01-01D           | 504903         | 1              |

MISSING ITEM NUMBERS NOT APPLICABLE

- ITEM NOT ILLUSTRATED

28-00-00-05

28-00-00  
FIG. 05  
PAGE 9  
JAN 20/09

BRI





757

PARTS CATALOG (MAINTENANCE)

| FIG ITEM   | PART NUMBER  | 1 2 3 4 5 6 7 | NOMENCLATURE  | EFFECT FROM TO | UNITS PER ASSY |
|------------|--------------|---------------|---|----------------|----------------|
| 5<br>- 420 | 112N6100-232 |               | .DOOR INSTL-LWR SURF<br>TANK ACCESS<br>POSITION DATA:<br>POSITION 20 RH<br>FOR DETAILS SEE:<br>28-11-01-01D           | 504903         | 1              |
| - 425      | 112N6100-431 |               | .DOOR INSTL-LWR SURF<br>TANK ACCESS<br>POSITION DATA:<br>POSITION 6,8,11,15,19 LH<br>FOR DETAILS SEE:<br>28-11-01-01D | 504903         | 1              |
| - 430      | 112N6100-432 |               | .DOOR INSTL-LWR SURF<br>TANK ACCESS<br>POSITION DATA:<br>POSITION 6,8,11,15,19 RH<br>FOR DETAILS SEE:<br>28-11-01-01D | 504903         | 1              |

MISSING ITEM NUMBERS NOT APPLICABLE

- ITEM NOT ILLUSTRATED

BRI

28-00-00-05

BOEING PROPRIETARY - Copyright © - Unpublished Work - See title page for details.

28-00-00  
FIG. 05  
PAGE 10  
JAN 20/09

 **BOEING**  
757  
PARTS CATALOG (MAINTENANCE)

NON-ILLUSTRATED FIGURE

THE ITEMS REFLECTED IN THIS FIGURE ARE INTENTIONALLY  
NON-ILLUSTRATED. THEY ARE REFERENCED TO EITHER A  
NEXT HIGHER OR NEXT LOWER ASSEMBLY/INSTALLATION FIGURE.

Y 28000101 SHT 1 REV 085

FUEL SYSTEM INSTL-CUSTOMER VAR  
FIGURE 1

**28-00-01-01**

BRI  
MAY 28/07

28-00-01-01  
PAGE 0



757

PARTS CATALOG (MAINTENANCE)

| FIG ITEM | PART NUMBER  | 1 2 3 4 5 6 7 | NOMENCLATURE  | EFFECT FROM TO                                 | UNITS PER ASSY |
|----------|--------------|---------------|---|--|----------------|
| 1        |              |               | FUEL SYSTEM INSTL-CUSTOMER VAR  | 002004<br>006100<br>107107<br>121503<br>904999 |                |
| - 1      | 340N0901-103 |               | FUEL SYSTEM INSTL-CUSTOMER VAR  | 121503<br>904949                               | 1              |
| - 1      | 340N0901-104 |               | FUEL SYSTEM INSTL-CUSTOMER VAR  | 107107   | 1              |
| - 1      | 340N0901-112 |               | FUEL SYSTEM INSTL-CUSTOMER VAR  | 952999   | 1              |
| - 1      | 340N0901-144 |               | FUEL SYSTEM INSTL-CUSTOMER VAR  | 002004<br>006100                               | 1              |
| - 1      | 340N0901-147 |               | FUEL SYSTEM INSTL-CUSTOMER VAR  | 950951   | 1              |
| - 5      | 344N5001-8   |               | .PANEL INSTL-FUELING CONT<br>FOR DETAILS SEE:<br>28-14-01-03<br>28-26-51-01<br>28-41-06-01<br>28-41-07-01 | 107107<br>904949                               | 1              |
| - 5      | 344N5001-12  |               | .PANEL INSTL-FUELING CONT<br>FOR DETAILS SEE:<br>28-14-01-03<br>28-26-51-01<br>28-41-06-01<br>28-41-07-01 | 002004<br>952952                               | 1              |
| - 5      | 344N5001-14  |               | .PANEL INSTL-FUELING CONT<br>FOR DETAILS SEE:<br>28-14-01-03<br>28-26-51-01<br>28-41-06-01<br>28-41-07-01 | 006100<br>121503<br>950951<br>953999           | 1              |
| - 10     | 345N3001-21  |               | .STICK INSTL-FUEL QTY<br>MEASURING<br>POSITION DATA:<br>LH<br>FOR DETAILS SEE:<br>28-44-01-01             | 107107   | 1              |
| - 13     | 345N3001-33  |               | .STICK INSTL-FUEL QTY<br>MEASURING<br>FOR DETAILS SEE:<br>28-44-01-02                                     | 952999   | 1              |
| - 13     | 345N3001-34  |               | .STICK INSTL-FUEL QTY<br>MEASURING<br>FOR DETAILS SEE:<br>28-44-01-02                                     | 950951   | 1              |

MISSING ITEM NUMBERS NOT APPLICABLE

- ITEM NOT ILLUSTRATED

28-00-01-01

28-00-01  
FIG. 01  
PAGE 1  
JAN 20/09

BRI



757

PARTS CATALOG (MAINTENANCE)

| FIG<br>ITEM | PART NUMBER | 1 2 3 4 5 6 7 | NOMENCLATURE  | EFFECT<br>FROM TO | UNITS<br>PER<br>ASSY |
|-------------|-------------|---------------|---|-------------------|----------------------|
| 1           |             |               |   |                   |                      |
| - 13        | 345N3001-35 |               | .STICK INSTL-FUEL QTY<br>MEASURING<br>FOR DETAILS SEE:<br>28-44-01-02                         | 121503<br>904949  | 1                    |
| - 13        | 345N3001-36 |               | .STICK INSTL-FUEL QTY<br>MEASURING<br>FOR DETAILS SEE:<br>28-44-01-02                         | 002004<br>006100  | 1                    |
| - 15        | 345N3001-22 |               | .STICK INSTL-FUEL QTY<br>MEASURING<br>POSITION DATA:<br>RH<br>FOR DETAILS SEE:<br>28-44-01-01 | 107107            | 1                    |

MISSING ITEM NUMBERS NOT APPLICABLE

- ITEM NOT ILLUSTRATED

BRI

28-00-01-01

BOEING PROPRIETARY - Copyright © - Unpublished Work - See title page for details.

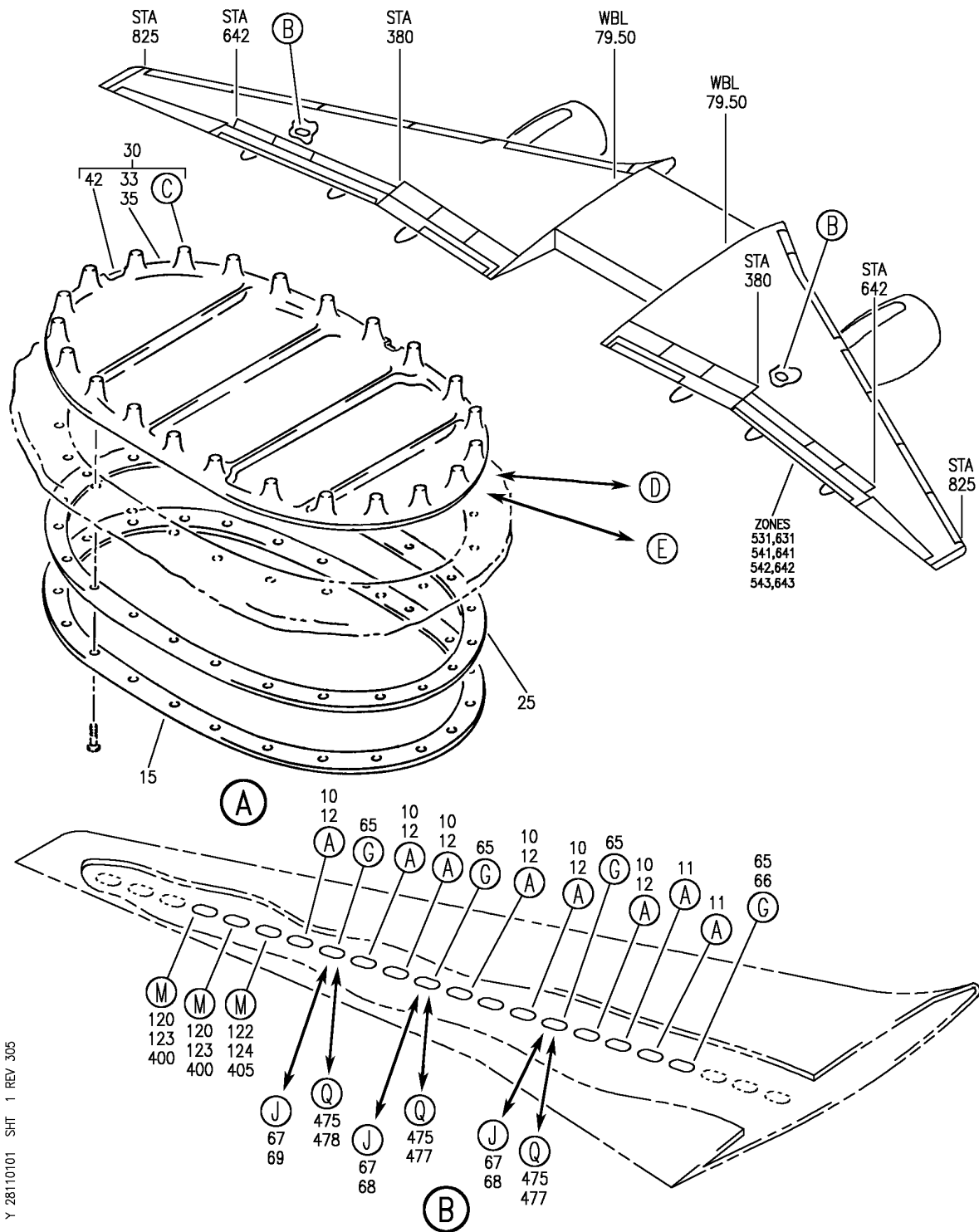
28-00-01  
FIG. 01  
PAGE 2  
JAN 20/09

## FUEL TANKS

BRI  
MAY 28/07

28-11-00  
SECTION TITLE  
PAGE 1

**BOEING**  
757  
PARTS CATALOG (MAINTENANCE)



Y 28110101 SH1 1 REV 305

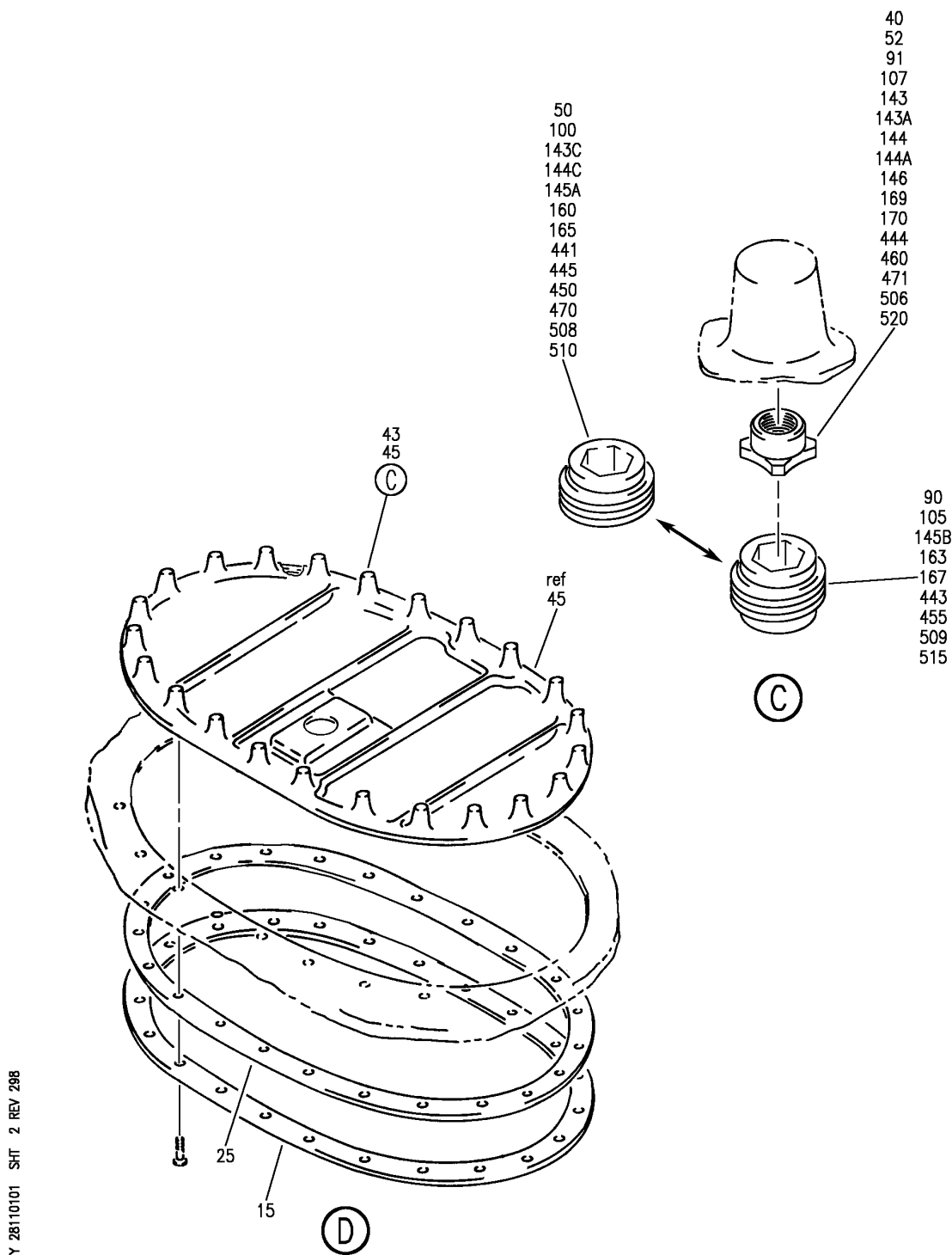
DOOR INSTL-WING LWR SURF. (MAIN TANK ACCES DOOR ONLY)  
FIGURE 1 (SHEET 1)

**28-11-01-01**

BRI  
MAY 28/07

28-11-01-01  
PAGE 0

**BOEING**  
757  
PARTS CATALOG (MAINTENANCE)



Y 28110101 SH1 2 REV 298

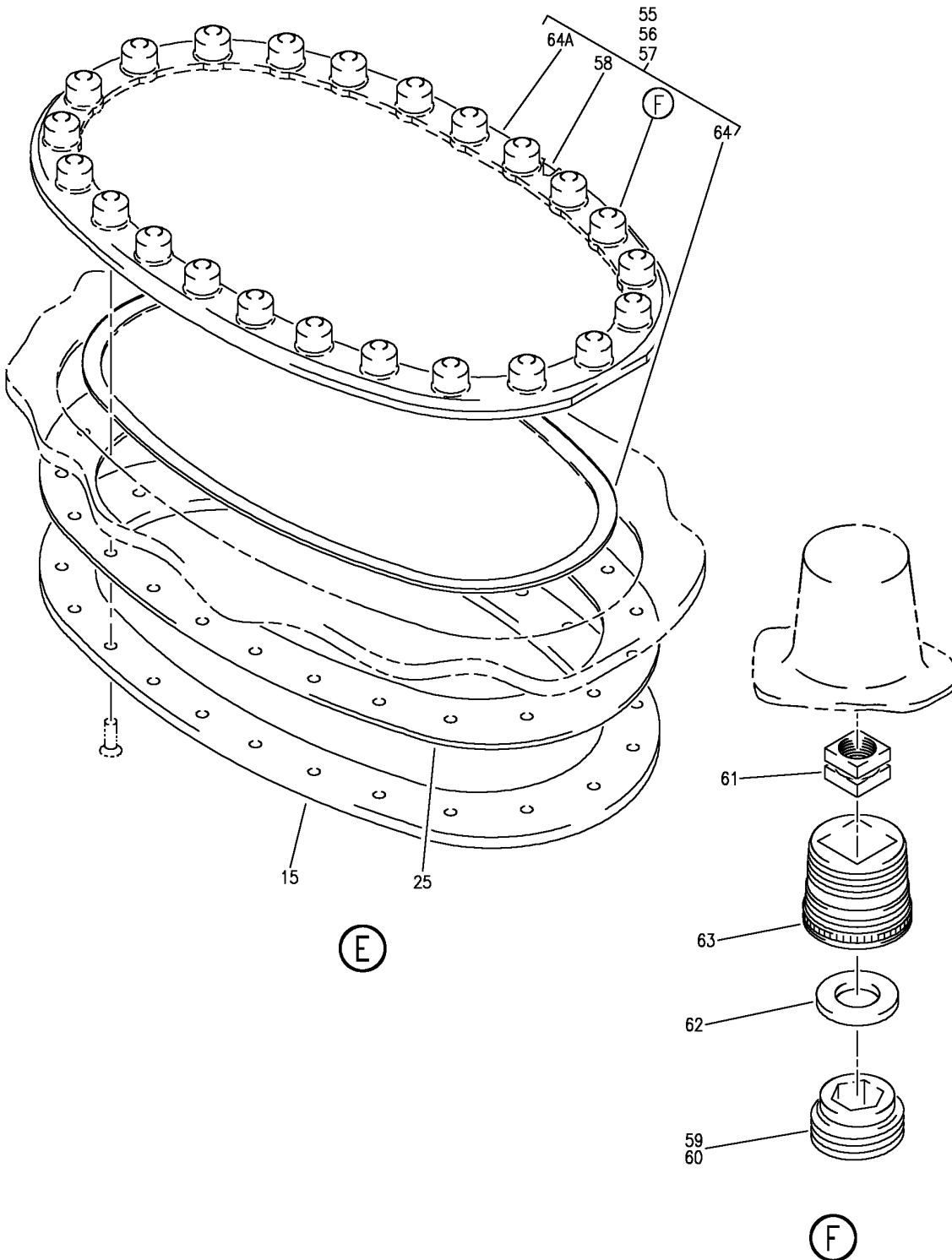
DOOR INSTL-WING LWR SURF. (MAIN TANK ACCES DOOR ONLY)  
FIGURE 1 (SHEET 2)

**28-11-01-01**

BRI  
MAY 28/07

28-11-01-01  
PAGE 0A

**BOEING**  
757  
PARTS CATALOG (MAINTENANCE)



Y 28110101 SHT 3 REV 289

DOOR INSTL-WING LWR SURF. (MAIN TANK ACCES DOOR ONLY)  
FIGURE 1 (SHEET 3)

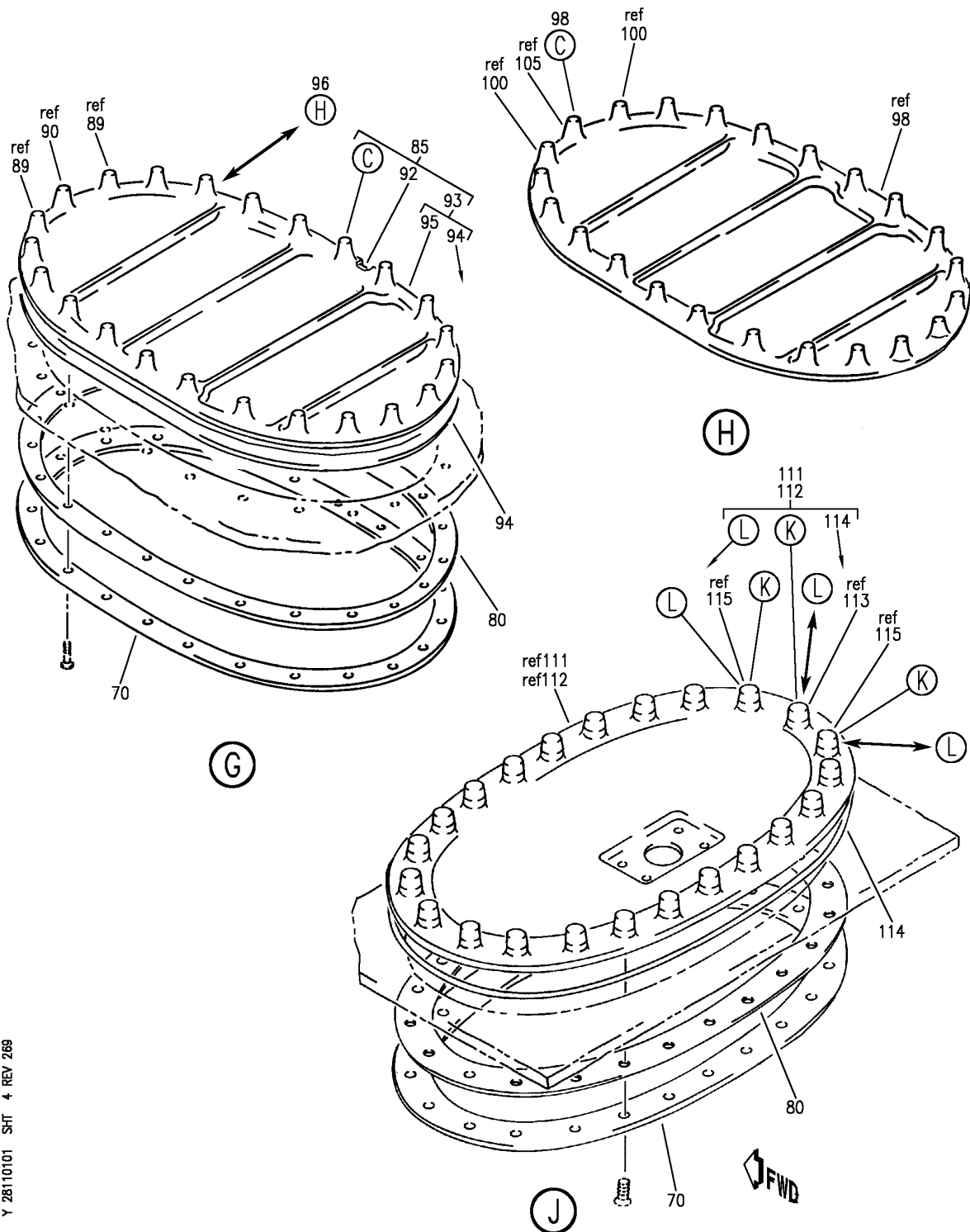
**28-11-01-01**

BRI  
MAY 28/07

28-11-01-01  
PAGE 0B



**BOEING**  
757  
PARTS CATALOG (MAINTENANCE)



Y 28110101 SH1 4 REV 269

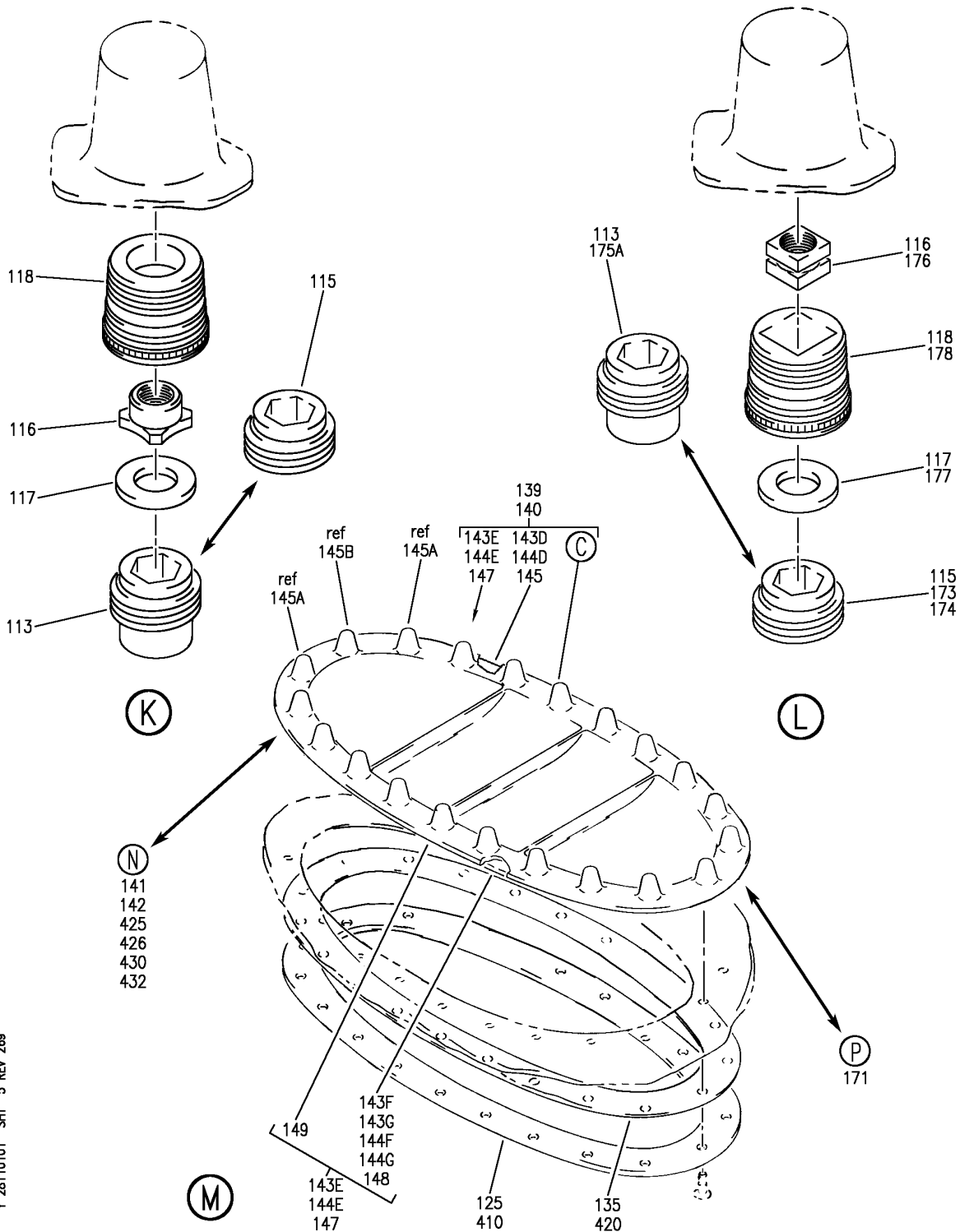
DOOR INSTL-WING LWR SURF. (MAIN TANK ACCES DOOR ONLY)  
FIGURE 1 (SHEET 4)

**28-11-01-01**

BRI  
MAY 28/07

28-11-01-01  
PAGE 0C

**BOEING**  
757  
PARTS CATALOG (MAINTENANCE)



Y 28110101 SH1 5 REV 269

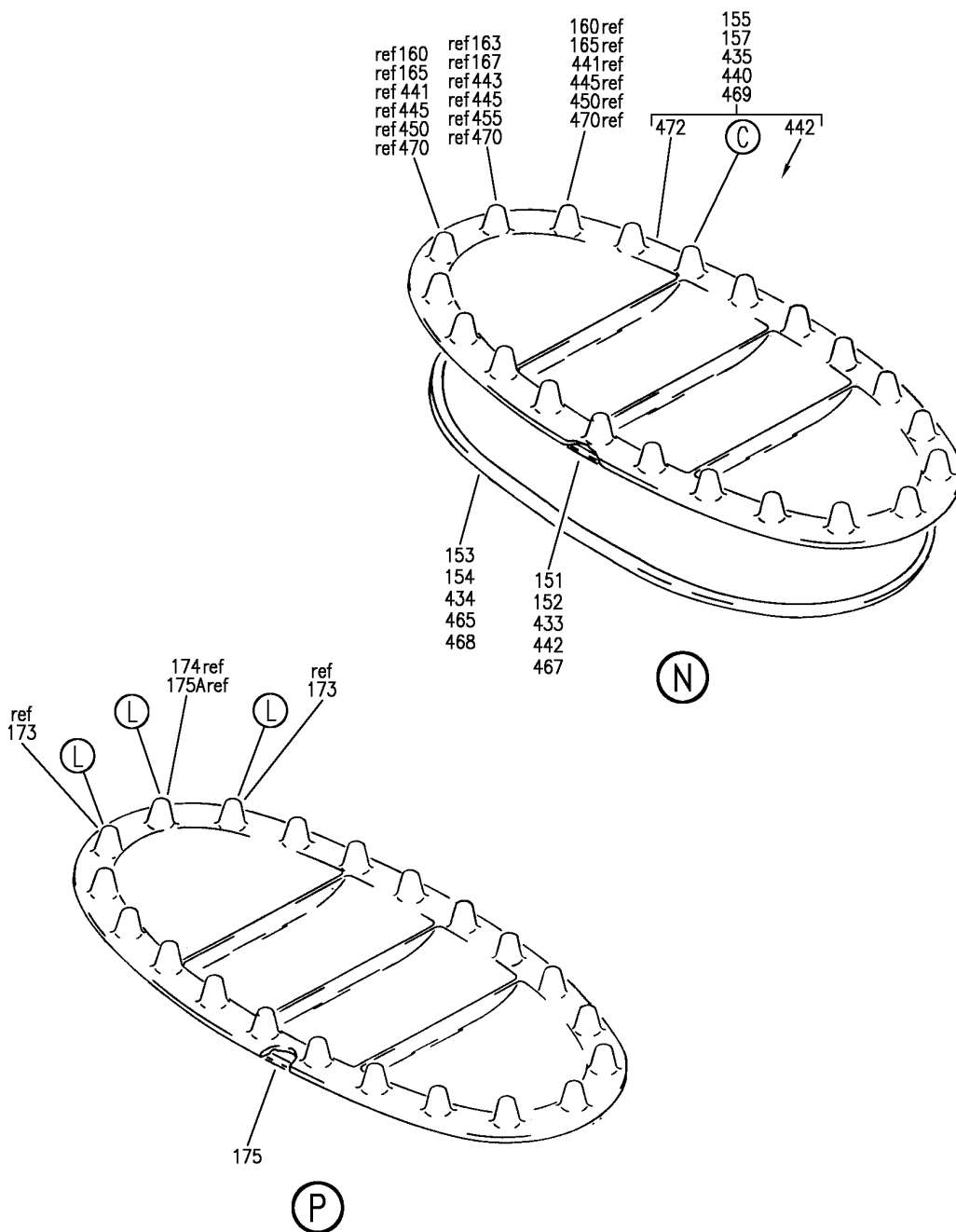
DOOR INSTL-WING LWR SURF. (MAIN TANK ACCES DOOR ONLY)  
FIGURE 1 (SHEET 5)

**28-11-01-01**

BRI  
MAY 28/07

28-11-01-01  
PAGE 0D

**BOEING**  
757  
PARTS CATALOG (MAINTENANCE)



Y 28110101 SH1 6 REV 269

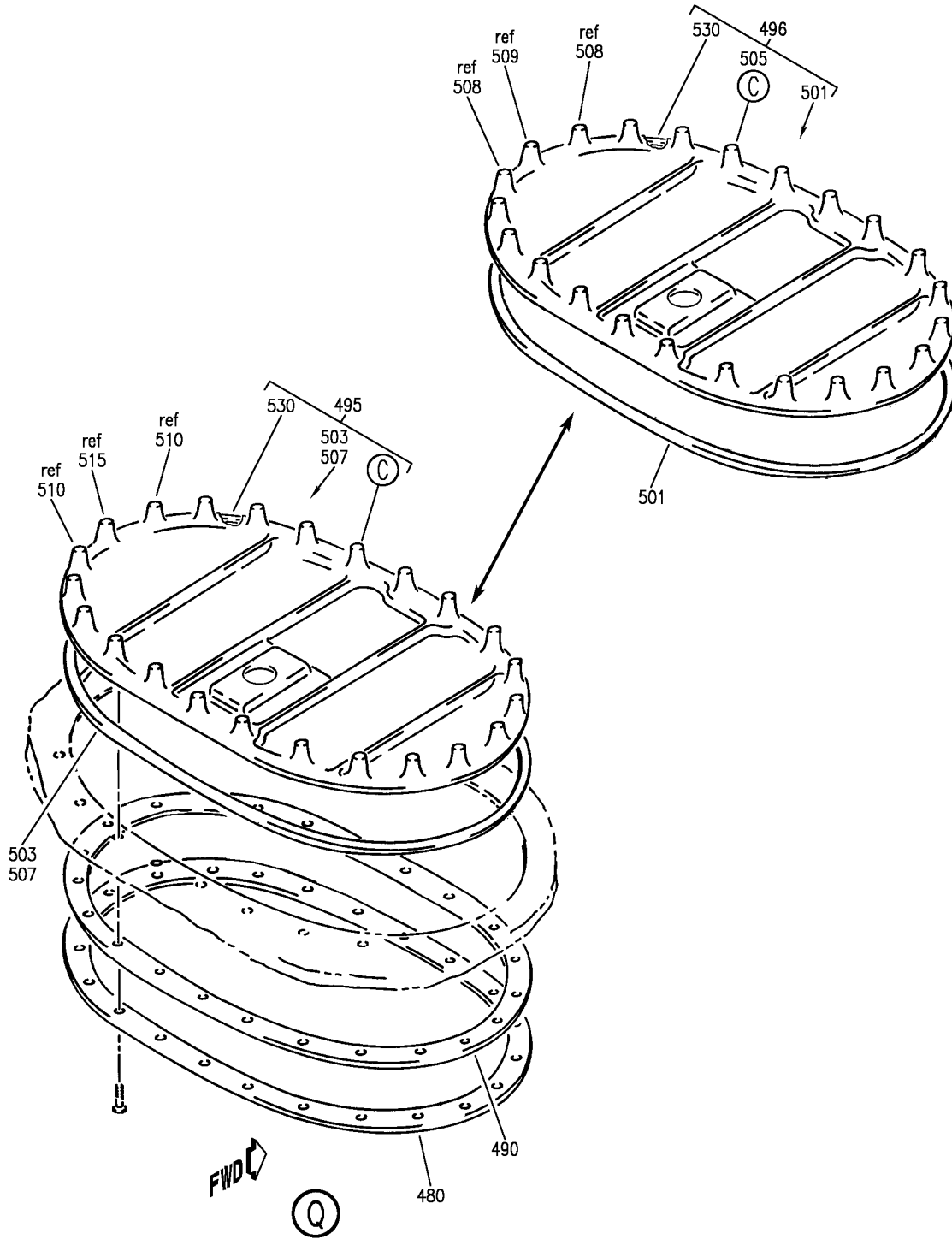
DOOR INSTL-WING LWR SURF. (MAIN TANK ACCES DOOR ONLY)  
FIGURE 1 (SHEET 6)

**28-11-01-01**

BRI  
MAY 28/07

28-11-01-01  
PAGE 0E

**BOEING**  
757  
PARTS CATALOG (MAINTENANCE)



DOOR INSTL-WING LWR SURF. (MAIN TANK ACCES DOOR ONLY)  
FIGURE 1 (SHEET 7)

**28-11-01-01**

BRI  
MAY 28/07

28-11-01-01  
PAGE OF



757

PARTS CATALOG (MAINTENANCE)

| FIG ITEM | PART NUMBER | 1 2 3 4 5 6 7 | NOMENCLATURE   | EFFECT FROM TO                                 | UNITS PER ASSY |
|----------|-------------|---------------|--|--|----------------|
| 1        |             |               | DOOR INSTL-WING LWR SURF.<br>(MAIN TANK ACCES DOOR ONLY)   | 002004<br>006100<br>107107<br>121503<br>904999 |                |
| - 1      | 112N6001-3  |               | DOOR INSTL-WING SURF.<br>(MAIN TANK ACCES DOOR ONLY)<br>POSITION DATA:<br>LWR LH<br>FOR NHA/ADDITIONAL DET SEE:<br>57-20-52-01 | 107107   | RF             |
| - 1      | 112N6001-7  |               | DOOR INSTL-WING SURF.<br>(MAIN TANK ACCES DOOR ONLY)<br>POSITION DATA:<br>LWR LH<br>FOR NHA/ADDITIONAL DET SEE:<br>57-20-52-01 | 002004<br>006010<br>121503<br>904999           | RF             |
| - 1      | 112N6001-9  |               | DOOR INSTL-WING SURF.<br>(MAIN TANK ACCES DOOR ONLY)<br>POSITION DATA:<br>LWR LH<br>FOR NHA/ADDITIONAL DET SEE:<br>57-20-52-01 | 011100   | RF             |
| - 5      | 112N6001-4  |               | DOOR INSTL-WING SURF.<br>(MAIN TANK ACCES DOOR ONLY)<br>POSITION DATA:<br>LWR RH<br>FOR NHA/ADDITIONAL DET SEE:<br>57-20-52-01 | 107107   | RF             |
| - 5      | 112N6001-8  |               | DOOR INSTL-WING SURF.<br>(MAIN TANK ACCES DOOR ONLY)<br>POSITION DATA:<br>LWR RH<br>FOR NHA/ADDITIONAL DET SEE:<br>57-20-52-01 | 002004<br>006010<br>121503<br>904999           | RF             |
| - 5      | 112N6001-10 |               | DOOR INSTL-WING SURF.<br>(MAIN TANK ACCES DOOR ONLY)<br>POSITION DATA:<br>LWR RH<br>FOR NHA/ADDITIONAL DET SEE:<br>57-20-52-01 | 011100   | RF             |

MISSING ITEM NUMBERS NOT APPLICABLE

- ITEM NOT ILLUSTRATED

28-11-01-01

28-11-01  
FIG. 01  
PAGE 1  
JAN 20/09

BRI

**BOEING**  
757  
**PARTS CATALOG (MAINTENANCE)**

| FIG ITEM | PART NUMBER  | 1 2 3 4 5 6 7 | NOMENCLATURE   | EFFECT FROM TO                                 | UNITS PER ASSY |
|----------|--------------|---------------|--|--|----------------|
| 1        |              |               |  |  |                |
| 10       | 65-47850-4   |               | .DOOR INSTL-SURF. TANK<br>ACCESS<br>POSITION DATA:<br>LWR                                | 107107   | 7              |
| 11       | 112N6006-2   |               | .DOOR INSTL-TANK ACCESS<br>IMPACT RESISTANCE   | 002004<br>006100<br>121503<br>904999           | 2              |
| 11       | 65-47850-4   |               | .DOOR INSTL-SURF. TANK<br>ACCESS<br>POSITION DATA:<br>LWR<br>REWORKED BY SB:<br>28-0019  | 107107   | 2              |
| 12       | 65-47850-10  |               | .DOOR INSTL-SURF. TANK<br>ACCESS<br>POSITION DATA:<br>LWR                                | 002004<br>006010<br>121503<br>904999           | 7              |
| 12       | 65-47850-12  |               | .DOOR INSTL-SURF. TANK<br>ACCESS<br>POSITION DATA:<br>LWR                                | 011100   | 7              |
| 15       | 69-35343-1   |               | ..RING-CLAMP   | 107107   | 1              |
| 15       | 69-35343-5   |               | ..RING-CLAMP   | 107107   | 1              |
| 15       | 69-35343-5   |               | ..RING-CLAMP   | 002004<br>006100<br>121503<br>904999           | 1              |
| - 20     | BACB30NN4K12 |               | ATTACHING PARTS<br>..BOLT  | 002004<br>006100<br>107107<br>121503<br>904999 | 23             |
| 25       | 65C33095-2   |               | -----*-----<br>..GASKET-WIRE MESH  | 002004<br>006100<br>121503<br>904999           | 1              |
| 25       | 65C33095-2   |               | ..GASKET-WIRE MESH   | 107107   | 1              |
| 25       | 65C33095-1   |               | ..GASKET-WIRE MESH<br>USED ON:<br>65-47850-8<br>65-47850-10<br>65-47850-12<br>112N6008-1 | 002004<br>006100<br>121503<br>904999           | 1              |

MISSING ITEM NUMBERS NOT APPLICABLE

- ITEM NOT ILLUSTRATED

BRI

# 28-11-01-01

BOEING PROPRIETARY - Copyright © - Unpublished Work - See title page for details.

28-11-01  
FIG. 01  
PAGE 2  
JAN 20/09



**757  
PARTS CATALOG (MAINTENANCE)**

| FIG ITEM              | PART NUMBER | 1 2 3 4 5 6 7 | NOMENCLATURE   | EFFECT FROM TO                                 | UNITS PER ASSY |
|-----------------------|-------------|---------------|--|--|----------------|
| 1                     |             |               |  |  |                |
| 25                    | 15-20001C   |               | .. GASKET-KNITTED<br>SUPPLIER CODE:<br>V07700<br>SPECIFICATION NUMBER:<br>10-61421-4<br>OPTIONAL PART:<br>15-20001<br>V07700<br>15-201481<br>V07700<br>15-20001B<br>V07700<br>USED ON:<br>65-47850-4 | 107107   | 1              |
| R<br>R<br>R<br>R<br>R | 25          | 112W8216-1    | .. GASKET-WIRE MESH  | 002004<br>006100<br>107107<br>121503<br>904999 | 1              |
|                       | 25          | 65C33095-1    | .. GASKET-WIRE MESH<br>USED ON:<br>112N6006-1<br>112N6006-2<br>POST SERVICE BULLETIN:<br>28-0019   | 002004<br>006100<br>107107<br>121503<br>904999 | 1              |
|                       | 25          | 15-20001C     | .. GASKET-KNITTED<br>SUPPLIER CODE:<br>V07700<br>SPECIFICATION NUMBER:<br>10-61421-4<br>OPTIONAL PART:<br>15-20001<br>V07700<br>15-201481<br>V07700<br>15-20001B<br>V07700                           | 107107   | 1              |
|                       | 25          | 65C33095-2    | .. GASKET-WIRE MESH<br>USED ON:<br>112N6006-1<br>112N6006-2  | 002004<br>006100<br>107107<br>121503<br>904999 | 1              |

MISSING ITEM NUMBERS NOT APPLICABLE

— ITEM NOT ILLUSTRATED

BRI

# 28-11-01-01

BOEING PROPRIETARY - Copyright © - Unpublished Work - See title page for details.

28-11-01  
FIG. 01  
PAGE 3  
MAY 20/09



757

PARTS CATALOG (MAINTENANCE)

| FIG ITEM | PART NUMBER | 1 2 3 4 5 6 7 | NOMENCLATURE   | EFFECT FROM TO                                 | UNITS PER ASSY |
|----------|-------------|---------------|--|--|----------------|
| 1        |             |               |  |  |                |
| 30       | 112N6101-1  |               | .. DOOR ASSY-<br>QUALIFIED I/W DATA:<br>8001-83 INTERCHANGEABLE<br>WITH 112N6101-1 TOGETHER<br>WITH 65C33095-1 GASKET.<br>USED ON:<br>65-47850-4<br>65-47850-8<br>65-47850-10<br>65-47850-12 | 002004<br>006100<br>107107<br>121503<br>904999 | 1              |
| 30       | 112N6101-2  |               | .. DOOR ASSY-<br>USED ON:<br>65-47850-4<br>65-47850-8<br>65-47850-10<br>65-47850-12  | 002004<br>006100<br>107107<br>121503<br>904999 | 1              |
| 33       | 112N6004-1  |               | ... DOOR ASSY-<br>USED ON:<br>112N6101-1   | 002004<br>006100<br>107107<br>121503<br>904999 | 1              |
| 35       | 112W8102-1  |               | .... RING-PHENOLIC<br>OPTIONAL PART:<br>112W8102-5   | 002004<br>006100<br>107107<br>121503<br>904999 | 1              |
| 35       | 112W8102-5  |               | .... RING-PHENOLIC<br>OPTIONAL PART:<br>112W8102-1   | 002004<br>006100<br>107107<br>121503<br>904999 | 1              |
| 37       | 63-8497     |               | ... RETAINER ASSY-NUT<br>USED ON:<br>112N6101-1  | 002004<br>006100<br>107107<br>121503<br>904999 | 23             |
| 40       | K19079-4    |               | ... NUT-SPECIAL<br>SUPPLIER CODE:<br>V15653<br>OPTIONAL PART:<br>RM12LH3614-048<br>V72962<br>USED ON:<br>112N6101-1  | 002004<br>006100<br>107107<br>121503<br>904999 | 23             |

MISSING ITEM NUMBERS NOT APPLICABLE

- ITEM NOT ILLUSTRATED

BRI

28-11-01-01

28-11-01  
FIG. 01  
PAGE 4  
MAY 20/09





757

PARTS CATALOG (MAINTENANCE)

| FIG ITEM | PART NUMBER    | 1 2 3 4 5 6 7 | NOMENCLATURE  | EFFECT FROM TO   | UNITS PER ASSY |
|----------|----------------|---------------|---|--|----------------|
| 1        |                |               |   |  |                |
| 40       | RM12LH3614-048 | ...           | NUT-SPECIAL<br>SUPPLIER CODE:<br>V72962<br>OPTIONAL PART:<br>K19079-4<br>V15653<br>USED ON:<br>112N6101-1   | 002004<br>006100<br>107107<br>121503<br>904999   | 23             |
| 42       | 69-77135-1     | ...           | SEAL-FUEL<br>USED ON:<br>112N6101-1   | 002004<br>006100<br>107107<br>121503<br>904999   | 1              |
| 43       | 8001-83        | ..            | DOOR ASSY-<br>SUPPLIER CODE:<br>V32455<br>SPECIFICATION NUMBER:<br>10-60031-83<br>QUALIFIED I/W DATA:<br>8001-83 IS<br>INTERCHANGEABLE WITH<br>112N6101-1 TOGETHER WITH<br>65C33095-1<br>65C33150-2 OR -6 I/W<br>8001-83 AT WS327, WS383,<br>WS411, WS439, WS495,<br>WS523, WS580, AND RBBL<br>57 ON 757 ONLY<br>USED ON:<br>65-47850-8<br>65-47850-4 | 002004<br>006100<br>107107<br>121503<br>904999   | 1              |
| 43       | 8001-116       | ..            | DOOR ASSY-<br>SUPPLIER CODE:<br>V32455<br>SPECIFICATION NUMBER:<br>10-60031-116<br>USED ON:<br>65-47850-10<br><br>TEMPORARY BREAKDOWN FOR:<br>8001-116  | 002004<br>006100<br>107107<br>121503<br>904999<br><br>002004<br>006100<br>107107<br>121503<br>904999 | 1              |
| 45       | 65-76140-12    | ...           | DOOR ASSY-<br>USED ON:<br>8001-83<br>8001-116   | 002004<br>006100<br>107107<br>121503<br>904999   | 1              |

MISSING ITEM NUMBERS NOT APPLICABLE

- ITEM NOT ILLUSTRATED

28-11-01-01

28-11-01  
FIG. 01  
PAGE 5  
MAY 20/09

BRI



757

PARTS CATALOG (MAINTENANCE)

| FIG ITEM | PART NUMBER    | 1 2 3 4 5 6 7 | NOMENCLATURE   | EFFECT FROM TO                                 | UNITS PER ASSY |
|----------|----------------|---------------|--|--|----------------|
| 1        |                |               |  |  |                |
| 50       | 63-8497        | ....          | RETAINER ASSY-NUT  | 002004<br>006100<br>107107<br>121503<br>904999 | 23             |
| 52       | K19079-4       | ....          | NUT-SPECIAL<br>SUPPLIER CODE:<br>V15653  | 002004<br>006100<br>107107<br>121503<br>904999 | 23             |
| 52       | RM12LH3614-048 | ....          | NUT-SPECIAL<br>SUPPLIER CODE:<br>V72962  | 002004<br>006100<br>107107<br>121503<br>904999 | 23             |
| 55       | 112N6000-3     | ..            | DOOR ASSY-<br>POST SERVICE BULLETIN:<br>28-0019  | 107107   | 1              |
| 56       | 65C33092-2     | ..            | DOOR ASSY-<br>QUALIFIED I/W DATA:<br>65C33092-2 MAY REPLACE<br>8001-83 AT WS164.0,<br>WS191.0, WS272.0, AND<br>WS300.0 ON 757 ONLY<br>USED ON:<br>112N6006-1 | 002004<br>006100<br>121503<br>904999           | 1              |
| 56       | 65C33092-7     | ..            | DOOR ASSY-<br>USED ON:<br>112N6006-1<br>112N6006-2   | 002004<br>006100<br>121503<br>904999           | 1              |
| 56       | 65C33092-9     | ..            | DOOR ASSY-<br>USED ON:<br>112N6006-1<br>112N6006-2   | 002004<br>006100<br>121503<br>904999           | 1              |
| 58       | 69-77135-1     | ...           | SEAL-FUEL  | 002004<br>006100<br>121503<br>904999           | 1              |
| 58       | 69-77135-1     | ...           | SEAL-FUEL<br>POST SERVICE BULLETIN:<br>28-0019   | 107107   | 1              |
| 60       | 63-8497        | ...           | RETAINER ASSY-NUT<br>POST SERVICE BULLETIN:<br>28-0019   | 107107   | 23             |
| 60       | 63-8497        | ...           | RETAINER ASSY-NUT  | 002004<br>006100<br>121503<br>904999           | 23             |

MISSING ITEM NUMBERS NOT APPLICABLE

- ITEM NOT ILLUSTRATED

28-11-01-01

28-11-01  
FIG. 01  
PAGE 6  
MAY 20/09

BRI



757

PARTS CATALOG (MAINTENANCE)

| FIG ITEM | PART NUMBER    | 1 2 3 4 5 6 7 | NOMENCLATURE   | EFFECT FROM TO                       | UNITS PER ASSY |
|----------|----------------|---------------|--|--------------------------------------|----------------|
| 1        |                |               |  |                                      |                |
| 61       | 69-77137-2     | ...           | NUT-<br>USED ON:<br>65C33092-2<br>65C33092-7   | 002004<br>006100<br>121503<br>904999 | 23             |
| 61       | K19079-4       | ...           | NUT-SPECIAL<br>SUPPLIER CODE:<br>V15653<br>OPTIONAL PART:<br>RM12LH3614-048<br>V72962<br>USED ON:<br>65C33092-9                        | 002004<br>006100<br>121503<br>904999 | 23             |
| 61       | RM12LH3614-048 | ...           | NUT-SPECIAL<br>SUPPLIER CODE:<br>V72962<br>OPTIONAL PART:<br>K19079-4<br>V15653<br>USED ON:<br>65C33092-9                              | 002004<br>006100<br>121503<br>904999 | 23             |
| 61       | K19079-4       | ...           | NUT-SPECIAL<br>SUPPLIER CODE:<br>V15653<br>SERVICE BULLETIN OPT DATA:<br>RM12LH3614-048<br>V72962<br>POST SERVICE BULLETIN:<br>28-0019 | 107107                               | 23             |
| 61       | RM12LH3614-048 | ...           | NUT-SPECIAL<br>SUPPLIER CODE:<br>V72962<br>SERVICE BULLETIN OPT DATA:<br>K19079-4<br>V15653<br>POST SERVICE BULLETIN:<br>28-0019       | 107107                               | 23             |
| 62       | 112N4508-1     | ...           | WASHER-<br>USED ON:<br>65C33092-2<br>65C33092-7  | 002004<br>006100<br>121503<br>904999 | 23             |
| 63       | 69-77138-2     | ...           | INSERT-NOT REPLACEABLE,<br>SEE NHA FOR SPARE<br>USED ON:<br>65C33092-2   | 002004<br>006100<br>121503<br>904999 | 23             |
| 63       | 69-77138-3     | ...           | INSERT-NOT REPLACEABLE,<br>SEE NHA FOR SPARE<br>USED ON:<br>65C33092-7   | 002004<br>006100<br>121503<br>904999 | 23             |

MISSING ITEM NUMBERS NOT APPLICABLE

- ITEM NOT ILLUSTRATED

28-11-01-01

28-11-01  
FIG. 01  
PAGE 7  
MAY 20/09

BRI



757

PARTS CATALOG (MAINTENANCE)

| FIG ITEM | PART NUMBER | 1 2 3 4 5 6 7 | NOMENCLATURE  | EFFECT FROM TO                       | UNITS PER ASSY |
|----------|-------------|---------------|---|--------------------------------------|----------------|
| 1        |             |               |   |                                      |                |
| 63       | 69-77138-4  |               | ...INSERT-NOT REPLACEABLE,<br>SEE NHA FOR SPARE<br>USED ON:<br>65C33092-9 | 002004<br>006100<br>121503<br>904999 | 23             |
| 63       | 69-77138-4  |               | ...INSERT-<br>POST SERVICE BULLETIN:<br>28-0019                           | 107107                               | 23             |
| 64       | 65C33094-1  |               | ...SHEET-FACE<br>POST SERVICE BULLETIN:<br>28-0019                        | 107107                               | 1              |
| 64A      | 65C33093-2  |               | ...PLATE-BACKING<br>POST SERVICE BULLETIN:<br>28-0019                     | 107107                               | 1              |
| 66       | 112N6007-2  |               | .DOOR INSTL-TANK ACCESS<br>IMPACT RESISTANCE,<br>DRIPSTICK                | 002004<br>006100<br>121503<br>904999 | 1              |
| 66       | 65-50748-11 |               | .DOOR INSTL-DRIPSTICK<br>REWORKED BY SB:<br>28-0019                       | 107107                               | 1              |
| 67       | 65-50748-16 |               | .DOOR INSTL-DRIP STICK  | 002004<br>006010<br>121503<br>904999 | 3              |
| 67       | 65-50748-11 |               | .DOOR INSTL-DRIPSTICK   | 107107                               | 3              |
| 70       | 69-35343-1  |               | ..RING-CLAMP<br>USED ON:<br>65-50748-4<br>65-50748-11                     | 107107                               | 1              |
| 70       | 69-35343-5  |               | ..RING-CLAMP<br>USED ON:<br>65-50748-4<br>65-50748-11                     | 107107                               | 1              |
| 70       | 69-35343-5  |               | ..RING-CLAMP<br>USED ON:<br>65-50748-14<br>65-50748-16                    | 002004<br>006010<br>121503<br>904999 | 1              |
| 70       | 69-35343-1  |               | ..RING-CLAMP<br>USED ON:<br>65-50748-14<br>65-50748-16                    | 002004<br>006010<br>121503<br>904999 | 1              |
| 70       | 69-35343-5  |               | ..RING-CLAMP<br>USED ON:<br>112N6007-1<br>112N6007-2                      | 002004<br>006100<br>121503<br>904999 | 1              |

MISSING ITEM NUMBERS NOT APPLICABLE

- ITEM NOT ILLUSTRATED

BRI

28-11-01-01

28-11-01  
FIG. 01  
PAGE 8  
MAY 20/09

**BOEING**  
757  
**PARTS CATALOG (MAINTENANCE)**

| FIG ITEM | PART NUMBER  | 1 2 3 4 5 6 7 | NOMENCLATURE  | EFFECT FROM TO                                 | UNITS PER ASSY |
|----------|--------------|---------------|---|--|----------------|
| 1        |              |               | ATTACHING PARTS   |  |                |
| - 75     | BACB30NN4K12 |               | ..BOLT  | 002004<br>006010<br>107107<br>121503<br>904999 | 23             |
| - 75     | BACB30NN4K12 |               | ..BOLT  | 002004<br>006100<br>121503<br>904999           | 23             |
| 80       | 65C33095-1   |               | -----*-----<br>..GASKET-WIRE MESH<br>USED ON:<br>65-50748-4<br>65-50748-11  | 107107   | 1              |
| 80       | 65C33095-1   |               | ..GASKET-WIRE MESH<br>USED ON:<br>65-50748-14<br>65-50748-16  | 002004<br>006010<br>121503<br>904999           | 1              |
| 80       | 15-20001C    |               | ..GASKET-KNITTED<br>SUPPLIER CODE:<br>V07700<br>SPECIFICATION NUMBER:<br>10-61421-4<br>OPTIONAL PART:<br>15-20001<br>V07700<br>15-201481<br>V07700<br>15-20001B<br>V07700<br>USED ON:<br>65-50748-14<br>65-50748-16 | 002004<br>006010<br>121503<br>904999           | 1              |
| 80       | 65C33095-1   |               | ..GASKET-WIRE MESH<br>POST SERVICE BULLETIN:<br>28-0019   | 107107   | 1              |
| 80       | 112W8216-1   |               | ..GASKET-WIRE MESH  | 002004<br>006100<br>107107<br>121503<br>904999 | 1              |

R  
R  
R  
R  
R

MISSING ITEM NUMBERS NOT APPLICABLE

- ITEM NOT ILLUSTRATED

BRI

28-11-01-01

BOEING PROPRIETARY - Copyright © - Unpublished Work - See title page for details.

28-11-01  
FIG. 01  
PAGE 9  
MAY 20/09



757

PARTS CATALOG (MAINTENANCE)

| FIG ITEM | PART NUMBER | 1 2 3 4 5 6 7 | NOMENCLATURE  | EFFECT FROM TO                                 | UNITS PER ASSY |
|----------|-------------|---------------|---|--|----------------|
| 1        |             |               |   |  |                |
| 80       | 15-20001C   |               | .. GASKET-KNITTED<br>SUPPLIER CODE:<br>V07700<br>SPECIFICATION NUMBER:<br>10-61421-4<br>OPTIONAL PART:<br>15-20001<br>V07700<br>15-201481<br>V07700<br>15-20001B<br>V07700<br>USED ON:<br>65-50748-4<br>65-50748-11 | 107107   | 1              |
| 80       | 15-20001C   |               | .. GASKET-KNITTED<br>SUPPLIER CODE:<br>V07700<br>SPECIFICATION NUMBER:<br>10-61421-4<br>OPTIONAL PART:<br>15-20001<br>V07700<br>15-201481<br>V07700<br>15-20001B<br>V07700  | 107107   | 1              |
| 80       | 65C33095-1  |               | .. GASKET-WIRE MESH<br>USED ON:<br>112N6007-1<br>112N6007-2   | 002004<br>006100<br>121503<br>904999           | 1              |
| 80       | 65C33095-2  |               | .. GASKET-WIRE MESH   | 002004<br>006010<br>107107<br>121503<br>904999 | 1              |
| 80       | 65C33095-2  |               | .. GASKET-WIRE MESH   | 002004<br>006100<br>107107<br>121503<br>904999 | 1              |
| 85       | 112N6101-5  |               | .. DOOR ASSY-   | 002004<br>006010<br>107107<br>121503<br>904999 | 1              |

MISSING ITEM NUMBERS NOT APPLICABLE

- ITEM NOT ILLUSTRATED

BRI

28-11-01-01

BOEING PROPRIETARY - Copyright © - Unpublished Work - See title page for details.

28-11-01  
FIG. 01  
PAGE 10  
MAY 20/09

 **BOEING**  
757  
**PARTS CATALOG (MAINTENANCE)**

| FIG<br>ITEM | PART NUMBER    | 1 2 3 4 5 6 7 | NOMENCLATURE   | EFFECT<br>FROM TO                              | UNITS<br>PER<br>ASSY |
|-------------|----------------|---------------|--|--|----------------------|
| 1           |                |               |  |  |                      |
| 89          | 63-8497        |               | ...RETAINER ASSY-NUT<br>USED ON:<br>112N6101-5   | 002004<br>006010<br>107107<br>121503<br>904999 | 22                   |
| 90          | 63-8497-3      |               | ...RETAINER ASSY-NUT<br>USED ON:<br>112N6101-5   | 002004<br>006010<br>107107<br>121503<br>904999 | 1                    |
| 91          | K19079-4       |               | ...NUT-SPECIAL<br>SUPPLIER CODE:<br>V15653<br>OPTIONAL PART:<br>RM12LH3614-048<br>V72962<br>USED ON:<br>112N6101-5 | 002004<br>006010<br>107107<br>121503<br>904999 | 23                   |
| 91          | RM12LH3614-048 |               | ...NUT-SPECIAL<br>SUPPLIER CODE:<br>V72962<br>OPTIONAL PART:<br>K19079-4<br>V15653<br>USED ON:<br>112N6101-5       | 002004<br>006010<br>107107<br>121503<br>904999 | 23                   |
| 92          | 69-77135-1     |               | ...SEAL-FUEL<br>USED ON:<br>112N6101-5   | 002004<br>006010<br>107107<br>121503<br>904999 | 1                    |
| 93          | 112N6004-4     |               | ...DOOR ASSY-<br>USED ON:<br>112N6101-5  | 002004<br>006010<br>107107<br>121503<br>904999 | 1                    |
| 94          | 112W8102-1     |               | ....RING-PHENOLIC<br>OPTIONAL PART:<br>112W8102-5  | 002004<br>006010<br>107107<br>121503<br>904999 | 1                    |
| 94          | 112W8102-5     |               | ....RING-PHENOLIC<br>OPTIONAL PART:<br>112W8102-1  | 002004<br>006010<br>107107<br>121503<br>904999 | 1                    |

MISSING ITEM NUMBERS NOT APPLICABLE

— ITEM NOT ILLUSTRATED

BRI

# 28-11-01-01

BOEING PROPRIETARY - Copyright © - Unpublished Work - See title page for details.

28-11-01  
FIG. 01  
PAGE 11  
MAY 20/09



757

PARTS CATALOG (MAINTENANCE)

| FIG ITEM | PART NUMBER | 1 2 3 4 5 6 7 | NOMENCLATURE   | EFFECT FROM TO                                 | UNITS PER ASSY |
|----------|-------------|---------------|--|--|----------------|
| 1        |             |               |  |  |                |
| 95       | 65-76140-6  | ....          | DOOR-CASTING   | 002004<br>006010<br>107107<br>121503<br>904999 | 1              |
| 96       | 8001-119    | ..            | DOOR ASSY-<br>SUPPLIER CODE:<br>V32455<br>SPECIFICATION NUMBER:<br>10-60031-119<br>USED ON:<br>65-50748-11<br>65-50748-14<br>65-50748-16   | 002004<br>006010<br>107107<br>121503<br>904999 | 1              |
| 96       | 9001-108    | ..            | DOOR ASSY-<br>SUPPLIER CODE:<br>V32455<br>SPECIFICATION NUMBER:<br>10-60031-108<br>QUALIFIED I/W DATA:<br>65C33147-4 OR 65C33147-6<br>MAY REPLACE 9001-108 AT<br>WS218 AND WS245 ON 757<br>ONLY<br>USED ON:<br>65-50748-11<br>65-50748-14<br>65-50748-16 | 002004<br>006010<br>107107<br>121503<br>904999 | 1              |
|          |             |               | TEMPORARY BREAKDOWN FOR:<br>8001-119   | 002004<br>006010<br>107107<br>121503<br>904999 |                |
| 98       | 65-76140-18 | ...           | DOOR ASSY  | 002004<br>006010<br>107107<br>121503<br>904999 | 1              |
| 98       | 65-76140-18 | ...           | DOOR ASSY-   | 107107   | 1              |
| 100      | 63-8497     | ....          | RETAINER ASSY-NUT  | 002004<br>006010<br>107107<br>121503<br>904999 | 22             |
| 105      | 63-8497-3   | ....          | RETAINER ASSY-NUT  | 002004<br>006010<br>107107<br>121503<br>904999 | 1              |

MISSING ITEM NUMBERS NOT APPLICABLE

- ITEM NOT ILLUSTRATED

28-11-01-01

28-11-01  
FIG. 01  
PAGE 12  
MAY 20/09

BRI





757

PARTS CATALOG (MAINTENANCE)

| FIG ITEM | PART NUMBER    | 1 2 3 4 5 6 7 | NOMENCLATURE  | EFFECT FROM TO                                 | UNITS PER ASSY |
|----------|----------------|---------------|---|--|----------------|
| 1<br>107 | K19079-4       | ....          | NUT-SPECIAL<br>SUPPLIER CODE:<br>V15653<br>OPTIONAL PART:<br>RM12LH3614-048<br>V72962   | 002004<br>006010<br>107107<br>121503<br>904999 | 23             |
| 107      | RM12LH3614-048 | ....          | NUT-SPECIAL<br>SUPPLIER CODE:<br>V72962<br>OPTIONAL PART:<br>K19079-4<br>V15653   | 002004<br>006010<br>107107<br>121503<br>904999 | 23             |
| 111      | 65C33147-4     | ..            | DOOR ASSY-<br>QUALIFIED I/W DATA:<br>65C33147-4 OR 65C33147-6<br>MAY REPLACE 9001-108 AT<br>WS218 AND WS245 ON 757<br>ONLY<br>USED ON:<br>112N6007-1  | 002004<br>006100<br>121503<br>904999           | 1              |
| 111      | 65C33147-6     | ..            | DOOR ASSY-<br>USED ON:<br>112N6007-1  | 002004<br>006100<br>121503<br>904999           | 1              |
| 111      | 65C33147-8     | ..            | DOOR ASSY-<br>QUALIFIED I/W DATA:<br>65C33147-8 MAY REPLACE<br>9001-108 AT WS218 AND<br>WS245 ON 757 ONLY<br>USED ON:<br>112N6007-1<br>112N6007-2   | 002004<br>006100<br>121503<br>904999           | 1              |
| 112      | 112N6000-4     | ..            | DOOR ASSY-<br>QUALIFIED I/W DATA:<br>65C33153-6 OR 65C33153-4<br>INTERCHANGEABLE WITH<br>112N6000-4 ONLY IF<br>SERVICE BULLETIN<br>757-28-0019 IS<br>INCORPORATED.<br>POST SERVICE BULLETIN:<br>28-0019 | 107107   | 1              |
| 113      | 69-77692-4     | ...           | RETAINER-NUT<br>USED ON:<br>65C33147-8  | 002004<br>006100<br>121503<br>904999           | 1              |

MISSING ITEM NUMBERS NOT APPLICABLE

- ITEM NOT ILLUSTRATED

BRI

28-11-01-01

BOEING PROPRIETARY - Copyright © - Unpublished Work - See title page for details.

28-11-01  
FIG. 01  
PAGE 13  
MAY 20/09



757

PARTS CATALOG (MAINTENANCE)

| FIG ITEM | PART NUMBER    | 1 2 3 4 5 6 7 | NOMENCLATURE  | EFFECT FROM TO                       | UNITS PER ASSY |
|----------|----------------|---------------|---|--------------------------------------|----------------|
| 1        |                |               |   |                                      |                |
| 113      | 69-77692-1     | ...           | RETAINER-NUT<br>USED ON:<br>65C33147-4<br>65C33147-6  | 002004<br>006100<br>121503<br>904999 | 1              |
| 113      | 69-77692-4     | ...           | RETAINER-<br>POST SERVICE BULLETIN:<br>28-0019  | 107107                               | 1              |
| 114      | 69-77135-1     | ...           | SEAL-FUEL   | 002004<br>006100<br>121503<br>904999 | 1              |
| 114      | 69-77135-1     | ...           | SEAL-FUEL<br>POST SERVICE BULLETIN:<br>28-0019  | 107107                               | 1              |
| 115      | 63-8497        | ...           | RETAINER ASSY-NUT<br>POST SERVICE BULLETIN:<br>28-0019  | 107107                               | 22             |
| 115      | 63-8497        | ...           | RETAINER ASSY-NUT   | 002004<br>006100<br>121503<br>904999 | 22             |
| 116      | 69-77137-2     | ...           | NUT-<br>USED ON:<br>65C33147-4<br>65C33147-6  | 002004<br>006100<br>121503<br>904999 | 23             |
| 116      | K19079-4       | ...           | NUT-SPECIAL<br>SUPPLIER CODE:<br>V15653<br>OPTIONAL PART:<br>RM12LH3614-048<br>V72962<br>USED ON:<br>65C33147-8 | 002004<br>006100<br>121503<br>904999 | 23             |
| 116      | RM12LH3614-048 | ...           | NUT-SPECIAL<br>SUPPLIER CODE:<br>V72962<br>OPTIONAL PART:<br>K19079-4<br>V15653<br>USED ON:<br>65C33147-8       | 002004<br>006100<br>121503<br>904999 | 23             |
| 116      | RM12LH3614-048 | ...           | NUT-SPECIAL<br>SUPPLIER CODE:<br>V72962<br>POST SERVICE BULLETIN:<br>28-0019                                    | 107107                               | 23             |

MISSING ITEM NUMBERS NOT APPLICABLE

- ITEM NOT ILLUSTRATED

BRI

28-11-01-01

28-11-01  
FIG. 01  
PAGE 14  
MAY 20/09



757

PARTS CATALOG (MAINTENANCE)

| FIG ITEM | PART NUMBER | 1 2 3 4 5 6 7 | NOMENCLATURE   | EFFECT FROM TO                                 | UNITS PER ASSY |
|----------|-------------|---------------|--|--|----------------|
| 1        |             |               |  |  |                |
| 116      | K19079-4    |               | ...NUT-SPECIAL<br>SUPPLIER CODE:<br>V15653<br>POST SERVICE BULLETIN:<br>28-0019    | 107107   | 23             |
| 118      | 69-77138-2  |               | ...INSERT-NOT REPLACEABLE,<br>SEE NHA FOR SPARE<br>USED ON:<br>65C33147-4          | 002004<br>006100<br>121503<br>904999           | 23             |
| 118      | 69-77138-4  |               | ...INSERT-NOT REPLACEABLE,<br>SEE NHA FOR SPARE<br>USED ON:<br>65C33147-8          | 002004<br>006100<br>121503<br>904999           | 23             |
| 118      | 69-77138-3  |               | ...INSERT-NOT REPLACEABLE,<br>SEE NHA FOR SPARE<br>USED ON:<br>65C33147-6          | 002004<br>006100<br>121503<br>904999           | 23             |
| 118      | 69-77138-4  |               | ...INSERT-<br>POST SERVICE BULLETIN:<br>28-0019                                    | 107107   | 23             |
| 120      | 65-47851-4  |               | .DOOR INSTL-TANK ACCESS  | 107107   | 2              |
| 120      | 65-47851-13 |               | .DOOR INSTL-TANK ACCESS  | 002004<br>006010<br>121503<br>904999           | 2              |
| 122      | 65-49506-8  |               | .DOOR INSTL-DRIP STICK   | 107107   | 1              |
| 122      | 65-49506-12 |               | .DOOR INSTL-DRIP STICK   | 002004<br>006010<br>121503<br>904999           | 1              |
| 125      | 69-35342-1  |               | ..RING-CLAMP<br>USED ON:<br>65-47851-4<br>65-47851-9<br>65-47851-13                | 002004<br>006010<br>107107<br>121503<br>904999 | 1              |
| 125      | 69-35342-2  |               | ..RING-CLAMP<br>USED ON:<br>65-47851-4<br>65-47851-9<br>65-47851-13                | 002004<br>006010<br>107107<br>121503<br>904999 | 1              |
| 125      | 69-35342-2  |               | ..RING-CLAMP<br>USED ON:<br>65-49506-8<br>65-49506-11<br>65-49506-12<br>65-49506-7 | 002004<br>006010<br>107107<br>121503<br>904999 | 1              |

MISSING ITEM NUMBERS NOT APPLICABLE

- ITEM NOT ILLUSTRATED

28-11-01-01

28-11-01  
FIG. 01  
PAGE 15  
MAY 20/09

BRI



757

PARTS CATALOG (MAINTENANCE)

| FIG ITEM | PART NUMBER  | 1 2 3 4 5 6 7 | NOMENCLATURE  | EFFECT FROM TO                                 | UNITS PER ASSY |
|----------|--------------|---------------|---|--|----------------|
| 1        |              |               | ATTACHING PARTS   |  |                |
| - 130    | BACB30NN4K11 |               | ..BOLT  | 002004<br>006010<br>107107<br>121503<br>904999 | 21             |
| 135      | 65C33161-2   |               | -----*-----<br>..GASKET-WIRE MESH   | 002004<br>006010<br>107107<br>121503<br>904999 | 1              |
| 135      | 65C33161-1   |               | ..GASKET-WIRE MESH<br>OPTIONAL PART:<br>15-20000B<br>V07700   | 002004<br>006010<br>107107<br>121503<br>904999 | 1              |
| 135      | 15-20000B    |               | ..GASKET-KNITTED<br>SUPPLIER CODE:<br>V07700<br>SPECIFICATION NUMBER:<br>10-61421-3<br>OPTIONAL PART:<br>15-201480<br>V07700<br>03-0302-6155<br>V57003<br>15-20000<br>V07700<br>15-20000A<br>V07700<br>OPTIONAL PART:<br>65C33161-1 | 002004<br>006010<br>107107<br>121503<br>904999 | 1              |
| 139      | 112N6102-4   |               | ..DOOR ASSY-DRIPSTICK<br>USED ON:<br>65-49506-8<br>65-49506-11<br>65-49506-12   | 002004<br>006010<br>107107<br>121503<br>904999 | 1              |
| 140      | 112N6102-1   |               | ..DOOR ASSY-  | 002004<br>006010<br>107107<br>121503<br>904999 | 1              |

MISSING ITEM NUMBERS NOT APPLICABLE

- ITEM NOT ILLUSTRATED

BRI

28-11-01-01

28-11-01  
FIG. 01  
PAGE 16  
MAY 20/09



757

PARTS CATALOG (MAINTENANCE)

| FIG ITEM | PART NUMBER    | 1 2 3 4 5 6 7 | NOMENCLATURE  | EFFECT FROM TO                                 | UNITS PER ASSY |
|----------|----------------|---------------|---|--|----------------|
| 1<br>141 | 9001-117       |               | .. DOOR ASSY-<br>SUPPLIER CODE:<br>V32455<br>SPECIFICATION NUMBER:<br>10-60031-117<br>USED ON:<br>65-47851-4<br>65-47851-9<br>65-47851-13           | 002004<br>006010<br>107107<br>121503<br>904999 | 1              |
| 141      | 9001-85        |               | .. DOOR ASSY-<br>SUPPLIER CODE:<br>V32455<br>SPECIFICATION NUMBER:<br>10-60031-85<br>USED ON:<br>65-47851-4<br>65-47851-9<br>65-47851-13            | 002004<br>006010<br>107107<br>121503<br>904999 | 1              |
| 142      | 9001-118       |               | .. DOOR ASSY-DRIPSTICK<br>SUPPLIER CODE:<br>V32455<br>SPECIFICATION NUMBER:<br>10-60031-118<br>USED ON:<br>65-49506-8<br>65-49506-11<br>65-49506-12 | 002004<br>006010<br>107107<br>121503<br>904999 | 1              |
| 142      | 9001-109       |               | .. DOOR ASSY-DRIPSTICK<br>SUPPLIER CODE:<br>V32455<br>SPECIFICATION NUMBER:<br>10-60031-109<br>USED ON:<br>65-49506-8<br>65-49506-11<br>65-49506-12 | 002004<br>006010<br>107107<br>121503<br>904999 | 1              |
| 143      | RM12LH3614-048 |               | ... NUT-SPECIAL<br>SUPPLIER CODE:<br>V72962<br>OPTIONAL PART:<br>K19079-4<br>V15653<br>USED ON:<br>112N6102-1                                       | 002004<br>006010<br>107107<br>121503<br>904999 | 21             |

MISSING ITEM NUMBERS NOT APPLICABLE

- ITEM NOT ILLUSTRATED

28-11-01-01

28-11-01  
FIG. 01  
PAGE 17  
MAY 20/09

BRI



757

PARTS CATALOG (MAINTENANCE)

| FIG ITEM | PART NUMBER | 1 2 3 4 5 6 7 | NOMENCLATURE  | EFFECT FROM TO                                 | UNITS PER ASSY |
|----------|-------------|---------------|---|--|----------------|
| 1        |             |               |   |  |                |
| 143A     | K19079-4    | ...           | NUT-SPECIAL<br>SUPPLIER CODE:<br>V15653<br>OPTIONAL PART:<br>RM12LH3614-048<br>V72962<br>USED ON:<br>112N6102-1 | 002004<br>006010<br>107107<br>121503<br>904999 | 21             |
| 143C     | 63-8497     | ...           | RETAINER ASSY-NUT<br>USED ON:<br>112N6102-1   | 002004<br>006010<br>107107<br>121503<br>904999 | 21             |
| 143D     | 69-77023-1  | ...           | SEAL-FUEL<br>USED ON:<br>112N6102-1   | 002004<br>006010<br>107107<br>121503<br>904999 | 1              |
| 143E     | 112N6012-1  | ...           | DOOR ASSY-<br>USED ON:<br>112N6102-1  | 002004<br>006010<br>107107<br>121503<br>904999 | 1              |
| 143F     | 112N6013-1  | ....          | RING-PHENOLIC<br>OPTIONAL PART:<br>112N6013-3<br>USED ON:<br>112N6012-1   | 002004<br>006010<br>107107<br>121503<br>904999 | 1              |
| 143G     | 112N6013-3  | ....          | RING-PHENOLIC<br>OPTIONAL PART:<br>112N6013-1<br>USED ON:<br>112N6012-1   | 002004<br>006010<br>107107<br>121503<br>904999 | 1              |
| 145      | 69-77023-1  | ...           | SEAL-<br>USED ON:<br>112N6102-4   | 002004<br>006010<br>107107<br>121503<br>904999 | 1              |
| 145A     | 63-8497     | ...           | RETAINER ASSY-NUT<br>USED ON:<br>112N6102-4   | 002004<br>006010<br>107107<br>121503<br>904999 | 20             |
| 145B     | 63-8497-3   | ...           | RETAINER ASSY-NUT<br>USED ON:<br>112N6102-4   | 002004<br>006010<br>107107<br>121503<br>904999 | 1              |

MISSING ITEM NUMBERS NOT APPLICABLE

- ITEM NOT ILLUSTRATED

BRI

28-11-01-01

28-11-01  
FIG. 01  
PAGE 18  
MAY 20/09



757

PARTS CATALOG (MAINTENANCE)

| FIG ITEM | PART NUMBER    | 1 2 3 4 5 6 7 | NOMENCLATURE  | EFFECT FROM TO   | UNITS PER ASSY |
|----------|----------------|---------------|---|--|----------------|
| 1        |                |               |   |  |                |
| 146      | K19079-4       | ...           | NUT-SPECIAL<br>SUPPLIER CODE:<br>V15653<br>OPTIONAL PART:<br>RM12LH3614-048<br>V72962<br>USED ON:<br>112N6102-4 | 002004<br>006010<br>107107<br>121503<br>904999   | 21             |
| 146      | RM12LH3614-048 | ...           | NUT-SPECIAL<br>SUPPLIER CODE:<br>V72962<br>OPTIONAL PART:<br>K19079-4<br>V15653<br>USED ON:<br>112N6102-4       | 002004<br>006010<br>107107<br>121503<br>904999   | 21             |
| 147      | 112N6012-7     | ...           | DOOR ASSY-<br>USED ON:<br>112N6102-4  | 002004<br>006010<br>107107<br>121503<br>904999   | 1              |
| 148      | 112N6013-1     | ....          | RING-PHENOLIC<br>OPTIONAL PART:<br>112N6013-3   | 002004<br>006010<br>107107<br>121503<br>904999   | 1              |
| 148      | 112N6013-3     | ....          | RING-PHENOLIC<br>OPTIONAL PART:<br>112N6013-1   | 002004<br>006010<br>107107<br>121503<br>904999   | 1              |
| 149      | 65-76139-6     | ....          | DOOR<br><br>TEMPORARY BREAKDOWN FOR:<br>9001-117  | 002004<br>006010<br>107107<br>121503<br>904999<br>002004<br>006010<br>107107<br>121503<br>904999 | 1              |
| 151      | 10-60031-60    | ...           | RING-PHENOLIC<br>USED ON:<br>9001-85<br>9001-117  | 002004<br>006010<br>107107<br>121503<br>904999   | 1              |

MISSING ITEM NUMBERS NOT APPLICABLE

- ITEM NOT ILLUSTRATED

28-11-01-01

28-11-01  
FIG. 01  
PAGE 19  
MAY 20/09

BRI



757

PARTS CATALOG (MAINTENANCE)

| FIG ITEM | PART NUMBER | 1 2 3 4 5 6 7 | NOMENCLATURE   | EFFECT FROM TO                                 | UNITS PER ASSY |
|----------|-------------|---------------|--|--|----------------|
| 1        |             |               |  |  |                |
| 152      | 10-60031-60 |               | ...RING-PHENOLIC<br>USED ON:<br>9001-85<br>9001-99<br>9001-109<br>9001-117<br>9001-118 | 002004<br>006010<br>107107<br>121503<br>904999 | 1              |
| 153      | 10-60031-58 |               | ...SEAL-<br>USED ON:<br>9001-85<br>9001-117  | 002004<br>006010<br>107107<br>121503<br>904999 | 1              |
| 154      | 10-60031-58 |               | ...SEAL-<br>USED ON:<br>9001-85<br>9001-99<br>9001-109<br>9001-117<br>9001-118         | 002004<br>006010<br>107107<br>121503<br>904999 | 1              |
| 155      | 65-76139-17 |               | ...DOOR ASSY-<br>USED ON:<br>9001-117  | 002004<br>006010<br>107107<br>121503<br>904999 | 1              |
| 155      | 65-76139-11 |               | ...DOOR ASSY-<br>USED ON:<br>9001-85   | 002004<br>006010<br>107107<br>121503<br>904999 | 1              |
| 157      | 65-76139-17 |               | ...DOOR ASSY-<br>USED ON:<br>9001-109<br>9001-118                                      | 002004<br>006010<br>107107<br>121503<br>904999 | 1              |
| 160      | 63-8497     |               | ....RETAINER ASSY-NUT<br>USED ON:<br>65-76139-11<br>65-76139-17                        | 002004<br>006010<br>107107<br>121503<br>904999 | 20             |
| 163      | 63-8497-3   |               | ....RETAINER ASSY-NUT<br>USED ON:<br>65-76139-17                                       | 002004<br>006010<br>107107<br>121503<br>904999 | 1              |
| 163      | 63-8497     |               | ....RETAINER ASSY-NUT<br>USED ON:<br>65-76139-11                                       | 002004<br>006010<br>107107<br>121503<br>904999 | 1              |

MISSING ITEM NUMBERS NOT APPLICABLE

- ITEM NOT ILLUSTRATED

28-11-01-01

28-11-01  
FIG. 01  
PAGE 20  
MAY 20/09

BRI





757

PARTS CATALOG (MAINTENANCE)

| FIG ITEM | PART NUMBER    | 1 2 3 4 5 6 7 | NOMENCLATURE   | EFFECT FROM TO                                 | UNITS PER ASSY |
|----------|----------------|---------------|--|--|----------------|
| 1<br>165 | 63-8497        | ....          | RETAINER ASSY-NUT<br>USED ON:<br>65-76139-11<br>65-76139-14<br>65-76139-17   | 002004<br>006010<br>107107<br>121503<br>904999 | 20             |
| 167      | 63-8497-3      | ....          | RETAINER ASSY-NUT<br>USED ON:<br>65-76139-14<br>65-76139-17  | 002004<br>006010<br>107107<br>121503<br>904999 | 1              |
| 169      | K19079-4       | ....          | NUT-SPECIAL<br>SUPPLIER CODE:<br>V15653<br>OPTIONAL PART:<br>RM12LH3614-048<br>V72962<br>USED ON:<br>65-76139-11<br>65-76139-17                | 002004<br>006010<br>107107<br>121503<br>904999 | 21             |
| 169      | RM12LH3614-048 | ....          | NUT-SPECIAL<br>SUPPLIER CODE:<br>V72962<br>OPTIONAL PART:<br>K19079-4<br>V15653<br>USED ON:<br>65-76139-11<br>65-76139-17                      | 002004<br>006010<br>107107<br>121503<br>904999 | 21             |
| 170      | K19079-4       | ....          | NUT-SPECIAL<br>SUPPLIER CODE:<br>V15653<br>OPTIONAL PART:<br>RM12LH3614-048<br>V72962<br>USED ON:<br>65-76139-11<br>65-76139-14<br>65-76139-17 | 002004<br>006010<br>107107<br>121503<br>904999 | 21             |
| 170      | RM12LH3614-048 | ....          | NUT-SPECIAL<br>SUPPLIER CODE:<br>V72962<br>OPTIONAL PART:<br>K19079-4<br>V15653<br>USED ON:<br>65-76139-11<br>65-76139-14<br>65-76139-17       | 002004<br>006010<br>107107<br>121503<br>904999 | 21             |
| 400      | 65-47851-16    | .DOOR         | INSTL-TANK ACCESS  | 011100   | 2              |

MISSING ITEM NUMBERS NOT APPLICABLE

- ITEM NOT ILLUSTRATED

28-11-01-01

28-11-01  
FIG. 01  
PAGE 21  
MAY 20/09

BRI

 **BOEING**  
757  
**PARTS CATALOG (MAINTENANCE)**

| FIG ITEM | PART NUMBER  | 1 2 3 4 5 6 7 | NOMENCLATURE                          | EFFECT FROM TO | UNITS PER ASSY |
|----------|--------------|---------------|---------------------------------------|----------------|----------------|
| 1        |              |               |                                       |                |                |
| 405      | 65-49506-23  | .             | DOOR INSTL-DRIP STICK                 | 011100         | 1              |
| 410      | 69-35342-2   | ..            | RING-CLAMP                            | 011100         | 1              |
|          |              |               | ATTACHING PARTS                       |                |                |
| - 415    | BACB30NN4K11 | ..            | BOLT                                  | 011100         | 21             |
|          |              |               | -----*-----                           |                |                |
| 420      | 65C33161-1   | ..            | GASKET-WIRE MESH                      | 011100         | 1              |
| 420      | 15-20000B    | ..            | GASKET-KNITTED                        | 011100         | 1              |
|          |              |               | SUPPLIER CODE:<br>V07700              |                |                |
|          |              |               | SPECIFICATION NUMBER:<br>10-61421-3   |                |                |
|          |              |               | OPTIONAL PART:<br>15-201480           |                |                |
|          |              |               | V07700                                |                |                |
|          |              |               | 03-0302-6155                          |                |                |
|          |              |               | V57003                                |                |                |
|          |              |               | 15-20000                              |                |                |
|          |              |               | V07700                                |                |                |
|          |              |               | 15-20000A                             |                |                |
|          |              |               | V07700                                |                |                |
| 420      | 65C33161-2   | ..            | GASKET-WIRE MESH                      | 011100         | 1              |
| 425      | 112N6102-1   | ..            | DOOR ASSY-                            | 011100         | 1              |
|          |              |               | USED ON:<br>65-47851-16               |                |                |
| 426      | 9001-117     | ..            | DOOR ASSY-                            | 011100         | 1              |
|          |              |               | SUPPLIER CODE:<br>V32455              |                |                |
|          |              |               | SPECIFICATION NUMBER:<br>10-60031-117 |                |                |
|          |              |               | USED ON:<br>65-47851-16               |                |                |
| 426      | 9001-85      | ..            | DOOR ASSY-                            | 011100         | 1              |
|          |              |               | SUPPLIER CODE:<br>V32455              |                |                |
|          |              |               | SPECIFICATION NUMBER:<br>10-60031-85  |                |                |
|          |              |               | USED ON:<br>65-47851-16               |                |                |
| 430      | 112N6102-4   | ..            | DOOR ASSY-                            | 011100         | 1              |
|          |              |               | USED ON:<br>65-49506-23               |                |                |
| 432      | 9001-118     | ..            | DOOR ASSY-                            | 011100         | 1              |
|          |              |               | SUPPLIER CODE:<br>V32455              |                |                |
|          |              |               | SPECIFICATION NUMBER:<br>10-60031-118 |                |                |
|          |              |               | USED ON:<br>65-49506-23               |                |                |

MISSING ITEM NUMBERS NOT APPLICABLE

- ITEM NOT ILLUSTRATED

BRI

# 28-11-01-01

BOEING PROPRIETARY - Copyright © - Unpublished Work - See title page for details.

28-11-01  
FIG. 01  
PAGE 22  
MAY 20/09



757

PARTS CATALOG (MAINTENANCE)

| FIG ITEM | PART NUMBER | 1 2 3 4 5 6 7 | NOMENCLATURE  | EFFECT FROM TO | UNITS PER ASSY |
|----------|-------------|---------------|---|----------------|----------------|
| 1        |             |               |   |                |                |
| 432      | 9001-109    |               | .. DOOR ASSY-<br>SUPPLIER CODE:<br>V32455<br>SPECIFICATION NUMBER:<br>10-60031-109<br>USED ON:<br>65-49506-23 | 011100         | 1              |
| 433      | 10-60031-60 |               | ... RING-PHENOLIC<br>USED ON:<br>9001-109<br>9001-118   | 011100         | 1              |
| 434      | 10-60031-58 |               | ... SEAL-<br>USED ON:<br>9001-109<br>9001-118   | 011100         | 1              |
| 435      | 112N6012-1  |               | ... DOOR ASSY-<br>USED ON:<br>112N6102-1  | 011100         | 1              |
| 440      | 112N6012-7  |               | ... DOOR ASSY-<br>USED ON:<br>112N6102-4  | 011100         | 1              |
| 440      | 65-76139-17 |               | ... DOOR ASSY-<br>USED ON:<br>9001-109<br>9001-118  | 011100         | 1              |
| 441      | 63-8497     |               | .... RETAINER ASSY-NUT<br>USED ON:<br>65-76139-17   | 011100         | 20             |
| 442      | 112N6013-1  |               | .... RING-PHENOLIC<br>OPTIONAL PART:<br>112N6013-3<br>USED ON:<br>112N6012-1<br>112N6012-7                    | 011100         | 1              |
| 442      | 112N6013-3  |               | .... RING-PHENOLIC<br>OPTIONAL PART:<br>112N6013-1<br>USED ON:<br>112N6012-1<br>112N6012-7                    | 011100         | 1              |
| 443      | 63-8497-3   |               | .... RETAINER ASSY-NUT<br>USED ON:<br>65-76139-17   | 011100         | 1              |

MISSING ITEM NUMBERS NOT APPLICABLE

- ITEM NOT ILLUSTRATED

BRI

28-11-01-01

28-11-01  
FIG. 01  
PAGE 23  
MAY 20/09



757

PARTS CATALOG (MAINTENANCE)

| FIG ITEM | PART NUMBER    | 1 2 3 4 5 6 7 | NOMENCLATURE  | EFFECT FROM TO | UNITS PER ASSY |
|----------|----------------|---------------|---|----------------|----------------|
| 1        |                |               |   |                |                |
| 444      | K19079-4       | ....          | NUT-SPECIAL<br>SUPPLIER CODE:<br>V15653<br>OPTIONAL PART:<br>RM12LH3614-048<br>V72962<br>USED ON:<br>65-76139-17              | 011100         | 21             |
| 444      | RM12LH3614-048 | ....          | NUT-SPECIAL<br>SUPPLIER CODE:<br>V72962<br>OPTIONAL PART:<br>K19079-4<br>V15653<br>USED ON:<br>65-76139-17                    | 011100         | 21             |
| 445      | 63-8497        | ...           | RETAINER ASSY-NUT<br>USED ON:<br>112N6102-1   | 011100         | 21             |
| 450      | 63-8497        | ...           | RETAINER ASSY-NUT<br>USED ON:<br>112N6102-4   | 011100         | 20             |
| 455      | 63-8497-3      | ...           | RETAINER ASSY-NUT<br>USED ON:<br>112N6102-4   | 011100         | 1              |
| 460      | K19079-4       | ...           | NUT-SPECIAL<br>SUPPLIER CODE:<br>V15653<br>OPTIONAL PART:<br>RM12LH3614-048<br>V72962<br>USED ON:<br>112N6102-1<br>112N6102-4 | 011100         | 21             |
| 460      | RM12LH3614-048 | ...           | NUT-SPECIAL<br>SUPPLIER CODE:<br>V72962<br>OPTIONAL PART:<br>K19079-4<br>V15653<br>USED ON:<br>112N6102-1<br>112N6102-4       | 011100         | 21             |
| 465      | 69-77023-1     | ...           | SEAL-<br>USED ON:<br>112N6102-1<br>112N6102-4   | 011100         | 1              |

MISSING ITEM NUMBERS NOT APPLICABLE

- ITEM NOT ILLUSTRATED

28-11-01-01

28-11-01  
FIG. 01  
PAGE 24  
MAY 20/09

BRI



757

PARTS CATALOG (MAINTENANCE)

| FIG ITEM | PART NUMBER    | 1 2 3 4 5 6 7 | NOMENCLATURE  | EFFECT FROM TO | UNITS PER ASSY |
|----------|----------------|---------------|---|----------------|----------------|
| 1        |                |               |   |                |                |
| 467      | 10-60031-60    |               | ...RING-PHENOLIC<br>USED ON:<br>9001-85<br>9001-117   | 011100         | 1              |
| 468      | 10-60031-58    |               | ...SEAL-<br>USED ON:<br>9001-85<br>9001-117   | 011100         | 1              |
| 469      | 65-76139-11    |               | ...DOOR ASSY-<br>USED ON:<br>9001-85<br>9001-117  | 011100         | 1              |
| 470      | 63-8497        |               | ....RETAINER ASSY-NUT   | 011100         | 21             |
| 471      | K19079-4       |               | ....NUT-SPECIAL<br>SUPPLIER CODE:<br>V15653<br>OPTIONAL PART:<br>RM12LH3614-048<br>V72962   | 011100         | 21             |
| 471      | RM12LH3614-048 |               | ....NUT-SPECIAL<br>SUPPLIER CODE:<br>V72962<br>OPTIONAL PART:<br>K19079-4<br>V15653   | 011100         | 21             |
| 472      | 65-76139-2     |               | ....DOOR  | 011100         | 1              |
| 475      | 65-50748-21    |               | .DOOR INSTL-DRIP STICK  | 011100         | 3              |
| 480      | 69-35343-5     |               | ..RING-CLAMP<br>ATTACHING PARTS   | 011100         | 1              |
| - 485    | BACB30NN4K12   |               | ..BOLT<br>-----*-----   | 011100         | 23             |
| 490      | 65C33095-1     |               | ..GASKET-WIRE MESH  | 011100         | 1              |
| 490      | 15-20001C      |               | ..GASKET-KNITTED<br>SUPPLIER CODE:<br>V07700<br>SPECIFICATION NUMBER:<br>10-61421-4<br>OPTIONAL PART:<br>15-20001<br>V07700<br>15-201481<br>V07700<br>15-20001B<br>V07700 | 011100         | 1              |
| 490      | 65C33095-2     |               | ..GASKET-WIRE MESH  | 011100         | 1              |
| 490      | 112W8216-1     |               | ..GASKET-WIRE MESH  | 011100         | 1              |
| 495      | 112N6101-5     |               | ..DOOR ASSY-  | 011100         | 1              |

MISSING ITEM NUMBERS NOT APPLICABLE

- ITEM NOT ILLUSTRATED

28-11-01-01

28-11-01  
FIG. 01  
PAGE 25  
MAY 20/09

BRI



757

PARTS CATALOG (MAINTENANCE)

| FIG ITEM | PART NUMBER    | 1 2 3 4 5 6 7 | NOMENCLATURE   | EFFECT FROM TO | UNITS PER ASSY |
|----------|----------------|---------------|--|----------------|----------------|
| 1        |                |               |  |                |                |
| 496      | 8001-119       | ..            | DOOR ASSY-<br>SUPPLIER CODE:<br>V32455<br>SPECIFICATION NUMBER:<br>10-60031-119                                  | 011100         | 1              |
| 496      | 9001-108       | ..            | DOOR ASSY-<br>SUPPLIER CODE:<br>V32455<br>SPECIFICATION NUMBER:<br>10-60031-108                                  | 011100         | 1              |
| 501      | 10-60031-59    | ...           | RING-PHENOLIC<br>USED ON:<br>8001-119<br>9001-108  | 011100         | 1              |
| 503      | 112N6004-4     | ...           | DOOR ASSY-<br>USED ON:<br>112N6101-5   | 011100         | 1              |
| 505      | 65-76140-18    | ...           | DOOR ASSY-<br>USED ON:<br>8001-119<br>9001-108   | 011100         | 1              |
| 506      | RM12LH3614-048 | ....          | NUT-SPECIAL<br>SUPPLIER CODE:<br>V72962<br>OPTIONAL PART:<br>K19079-4<br>V15653<br>USED ON:<br>65-76140-18       | 011100         | 23             |
| 506      | K19079-4       | ....          | NUT-SPECIAL<br>SUPPLIER CODE:<br>V15653<br>OPTIONAL PART:<br>RM12LH3614-048<br>V72962<br>USED ON:<br>65-76140-18 | 011100         | 23             |
| 507      | 112W8102-1     | ....          | RING-PHENOLIC<br>OPTIONAL PART:<br>112W8102-5<br>USED ON:<br>112N6004-4  | 011100         | 1              |
| 507      | 112W8102-5     | ....          | RING-PHENOLIC<br>OPTIONAL PART:<br>112W8102-1<br>USED ON:<br>112N6004-4  | 011100         | 1              |

MISSING ITEM NUMBERS NOT APPLICABLE

- ITEM NOT ILLUSTRATED

BRI

28-11-01-01

BOEING PROPRIETARY - Copyright © - Unpublished Work - See title page for details.

28-11-01  
FIG. 01  
PAGE 26  
MAY 20/09



757

PARTS CATALOG (MAINTENANCE)

| FIG ITEM | PART NUMBER    | 1 2 3 4 5 6 7 | NOMENCLATURE  | EFFECT FROM TO | UNITS PER ASSY |
|----------|----------------|---------------|---|----------------|----------------|
| 1        |                |               |   |                |                |
| 508      | 63-8497        | ....          | RETAINER ASSY-NUT<br>USED ON:<br>65-76140-18  | 011100         | 22             |
| 509      | 63-8497-3      | ....          | RETAINER ASSY-NUT<br>USED ON:<br>65-76140-18  | 011100         | 1              |
| 510      | 63-8497        | ...           | RETAINER ASSY-NUT<br>USED ON:<br>112N6101-5   | 011100         | 22             |
| 515      | 63-8497-3      | ...           | RETAINER ASSY-NUT<br>USED ON:<br>112N6101-5   | 011100         | 1              |
| 520      | K19079-4       | ...           | NUT-SPECIAL<br>SUPPLIER CODE:<br>V15653<br>OPTIONAL PART:<br>RM12LH3614-048<br>V72962<br>USED ON:<br>112N6101-5 | 011100         | 23             |
| 520      | RM12LH3614-048 | ...           | NUT-SPECIAL<br>SUPPLIER CODE:<br>V72962<br>OPTIONAL PART:<br>K19079-4<br>V15653<br>USED ON:<br>112N6101-5       | 011100         | 23             |
| 530      | 69-77135-1     | ...           | SEAL-FUEL<br>USED ON:<br>112N6101-5   | 011100         | 1              |
| 530      | 10-60031-57    | ...           | SEAL-<br>USED ON:<br>8001-119<br>9001-108   | 011100         | 1              |

MISSING ITEM NUMBERS NOT APPLICABLE

- ITEM NOT ILLUSTRATED

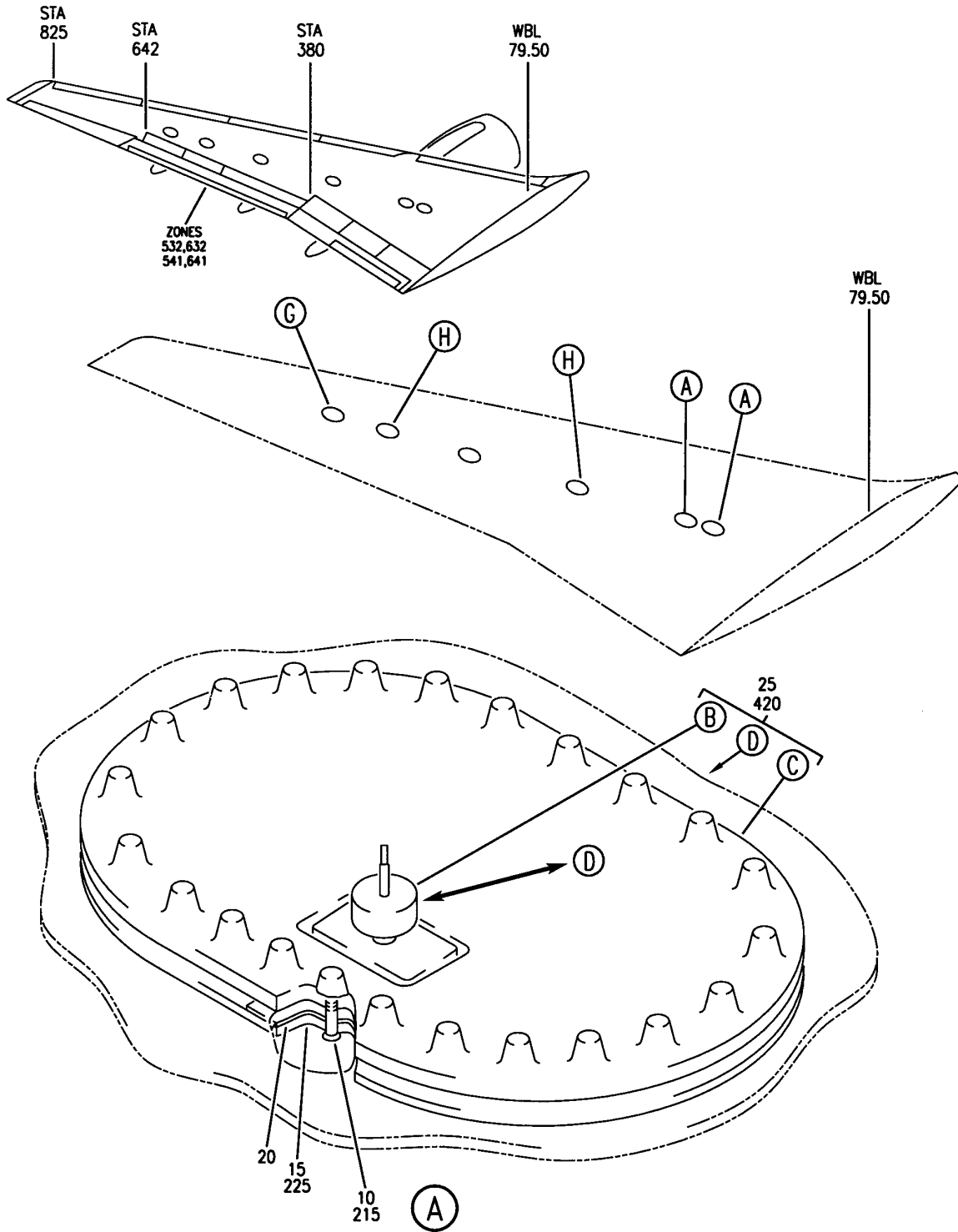
BRI

28-11-01-01

BOEING PROPRIETARY - Copyright © - Unpublished Work - See title page for details.

28-11-01  
FIG. 01  
PAGE 27  
MAY 20/09

**BOEING**  
757  
PARTS CATALOG (MAINTENANCE)



Y 28110101D SHT 1 REV 208

DOOR INSTL-LWR SURF TANK ACCESS  
FIGURE 1D (SHEET 1)

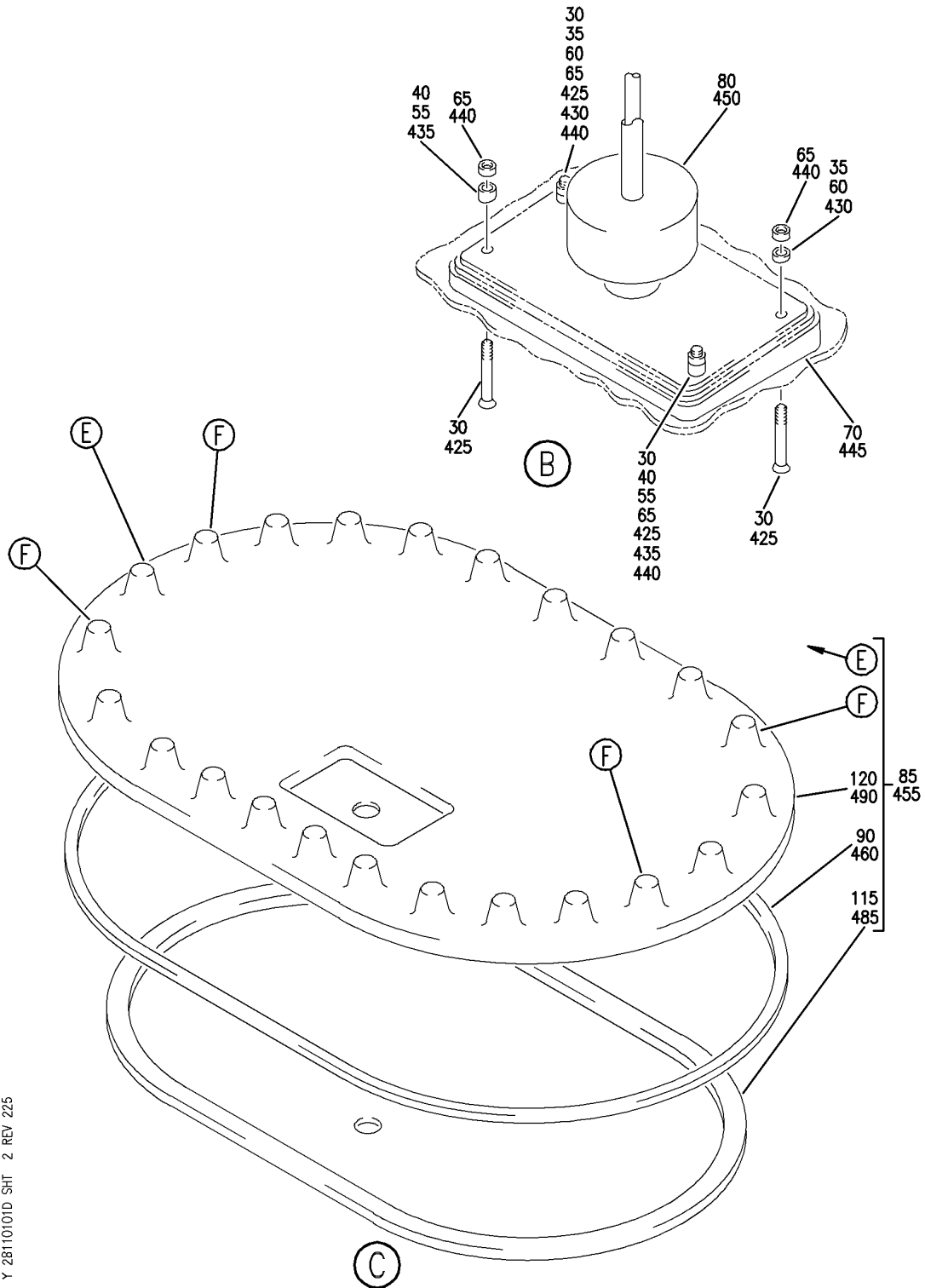
**28-11-01-01D**

BRI  
MAY 28/07

28-11-01-01D  
PAGE 0



**BOEING**  
757  
PARTS CATALOG (MAINTENANCE)



Y 28110101D SHT 2 REV 225

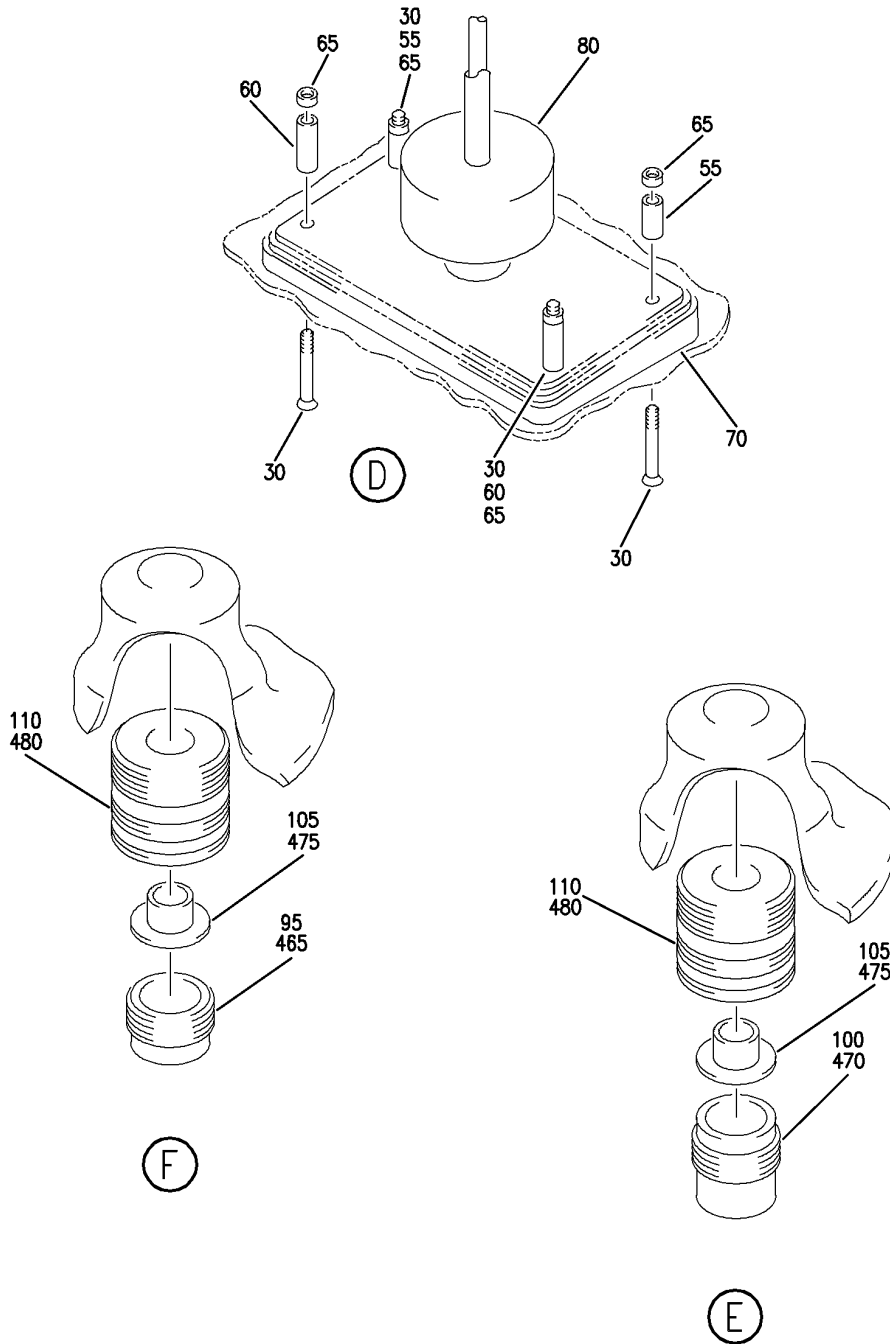
DOOR INSTL-LWR SURF TANK ACCESS  
FIGURE 1D (SHEET 2)

**28-11-01-01D**

BRI  
MAY 28/07

28-11-01-01D  
PAGE 0A

**BOEING**  
757  
PARTS CATALOG (MAINTENANCE)



Y 28110101D SHT 3 REV 225

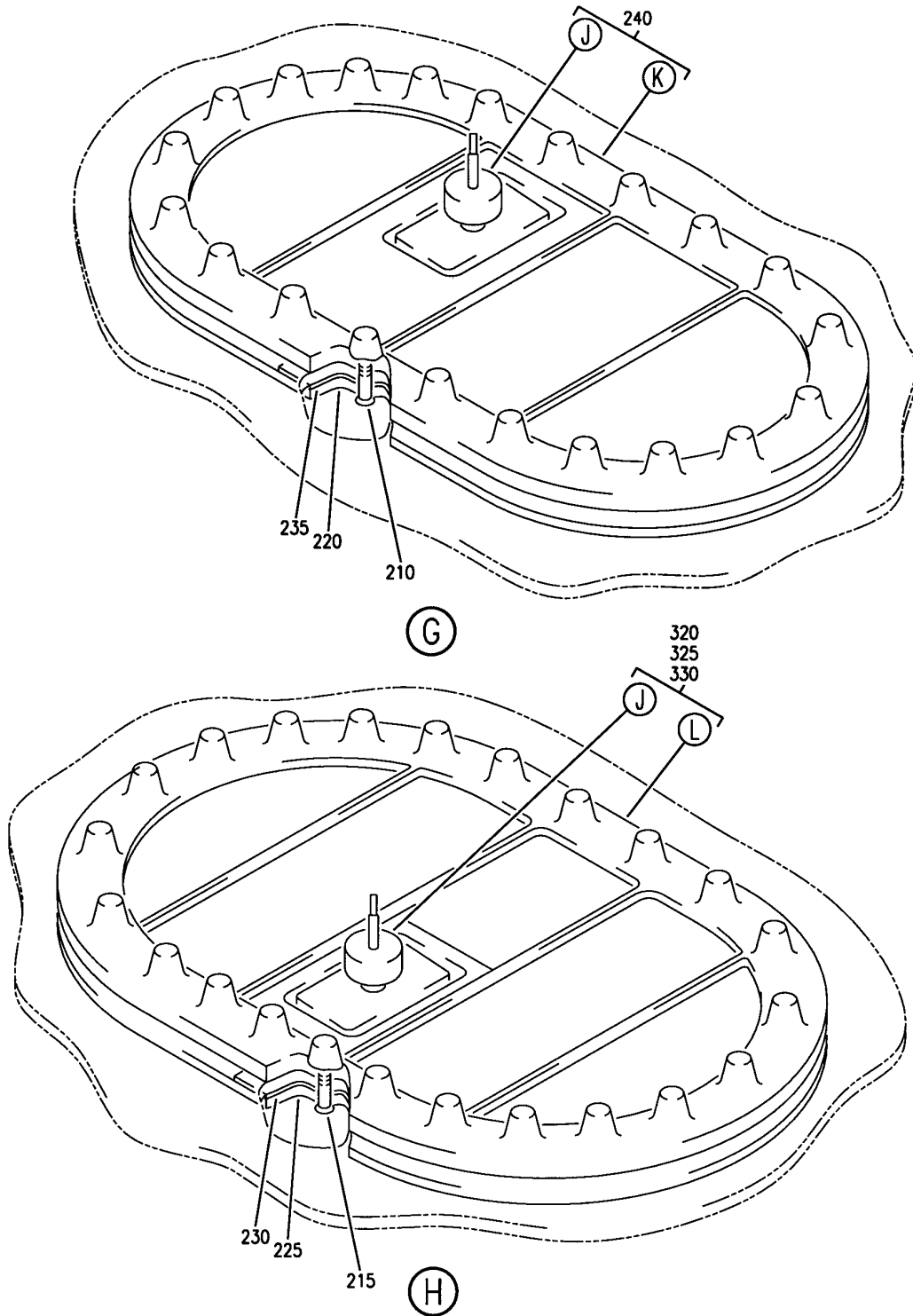
DOOR INSTL-LWR SURF TANK ACCESS  
FIGURE 1D (SHEET 3)

**28-11-01-01D**

BRI  
MAY 28/07

28-11-01-01D  
PAGE 0B

**BOEING**  
757  
PARTS CATALOG (MAINTENANCE)



Y 28110101D SHT 4 REV 208

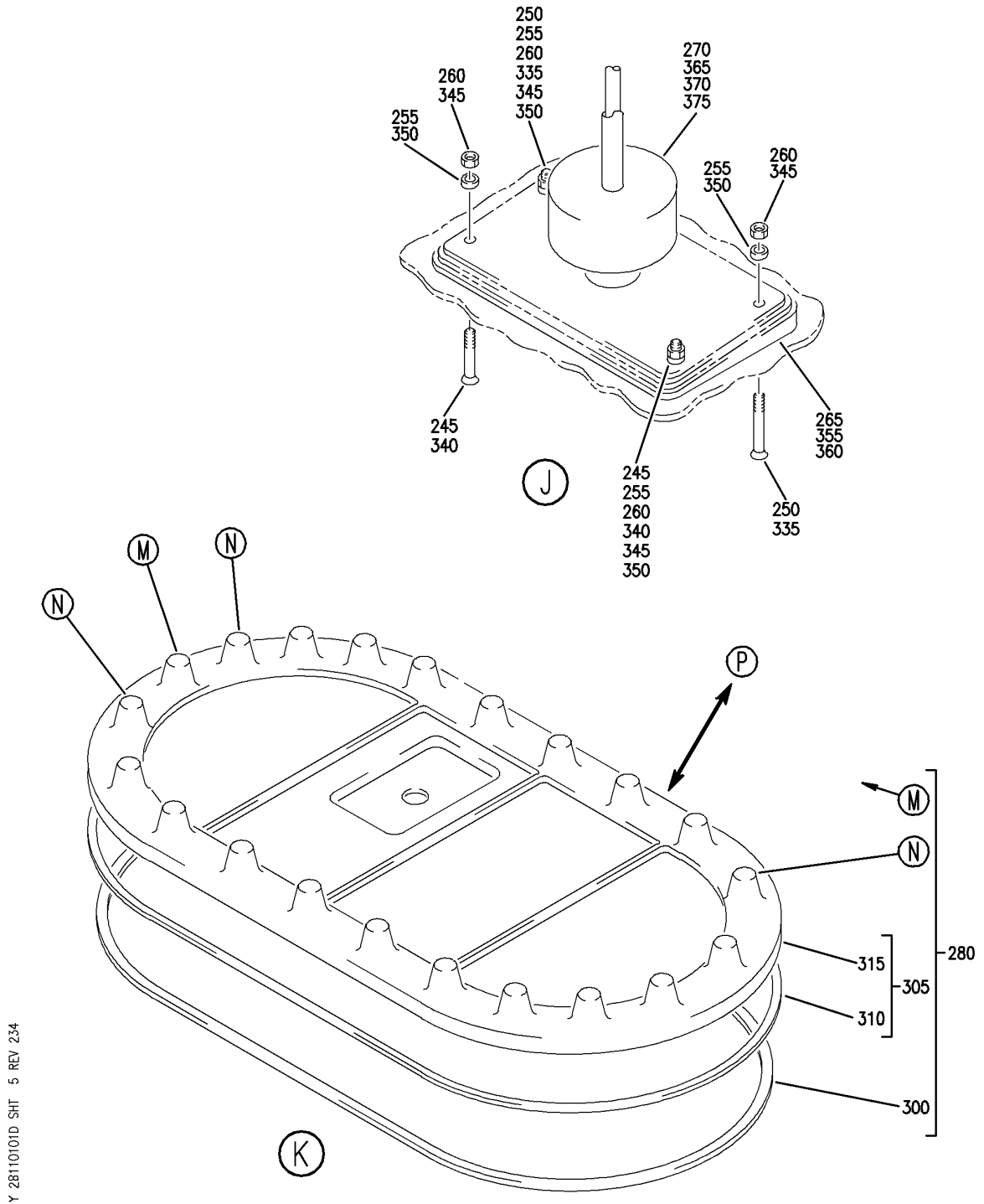
DOOR INSTL-LWR SURF TANK ACCESS  
FIGURE 1D (SHEET 4)

**28-11-01-01D**

BRI  
MAY 28/07

28-11-01-01D  
PAGE 0C

**BOEING**  
757  
PARTS CATALOG (MAINTENANCE)



Y 28110101D SH1 5 REV 234

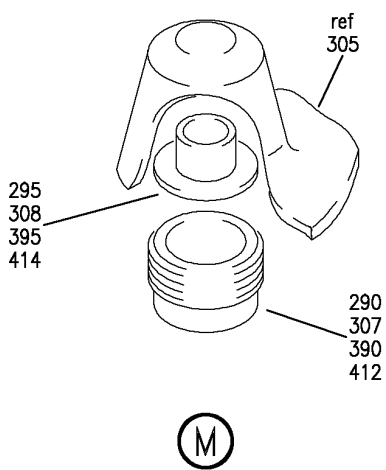
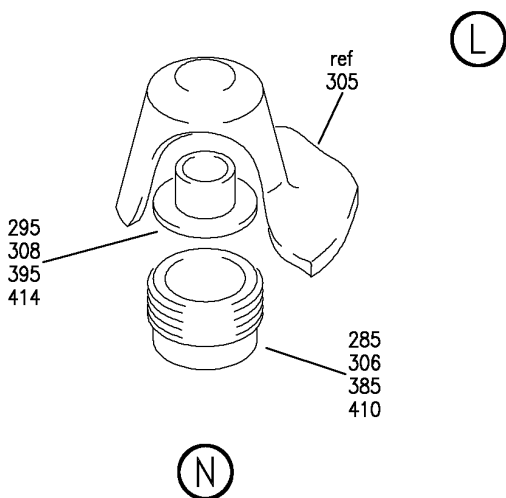
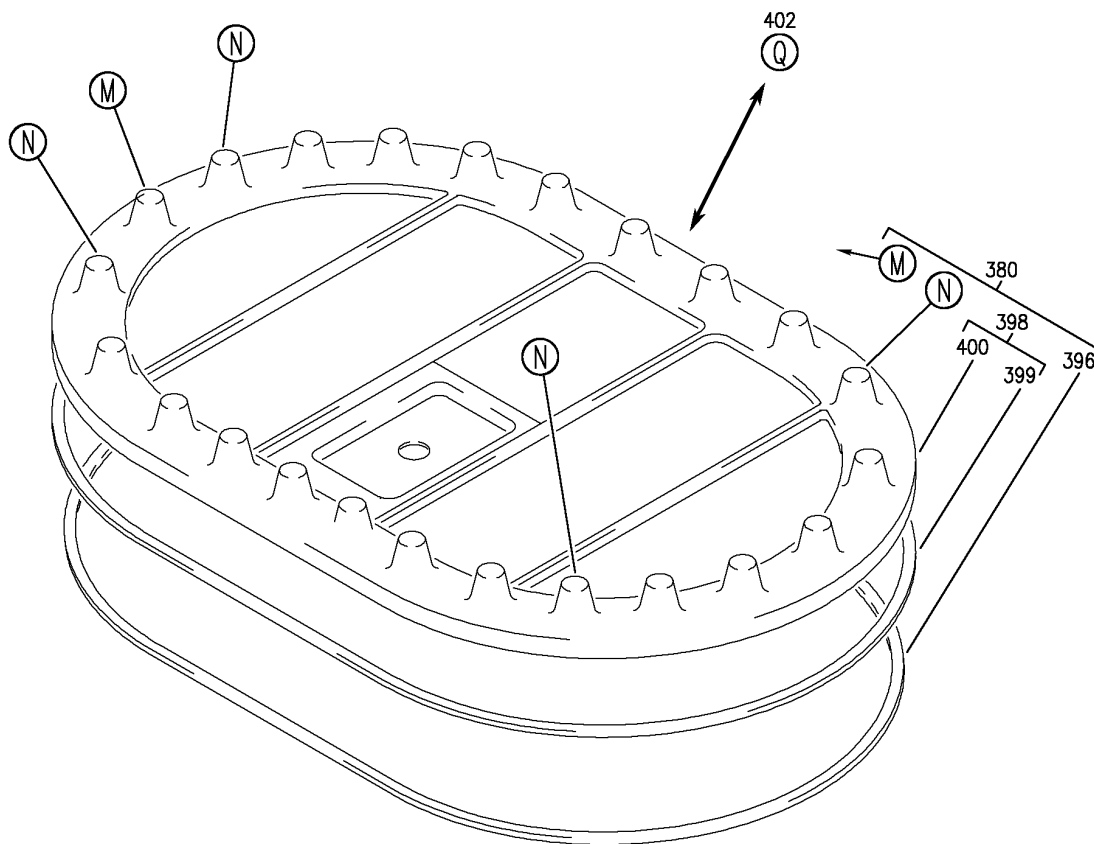
DOOR INSTL-LWR SURF TANK ACCESS  
FIGURE 1D (SHEET 5)

**28-11-01-01D**

BRI  
MAY 28/07

28-11-01-01D  
PAGE 0D

**BOEING**  
757  
PARTS CATALOG (MAINTENANCE)



Y 28110101D SHT 6 REV 306

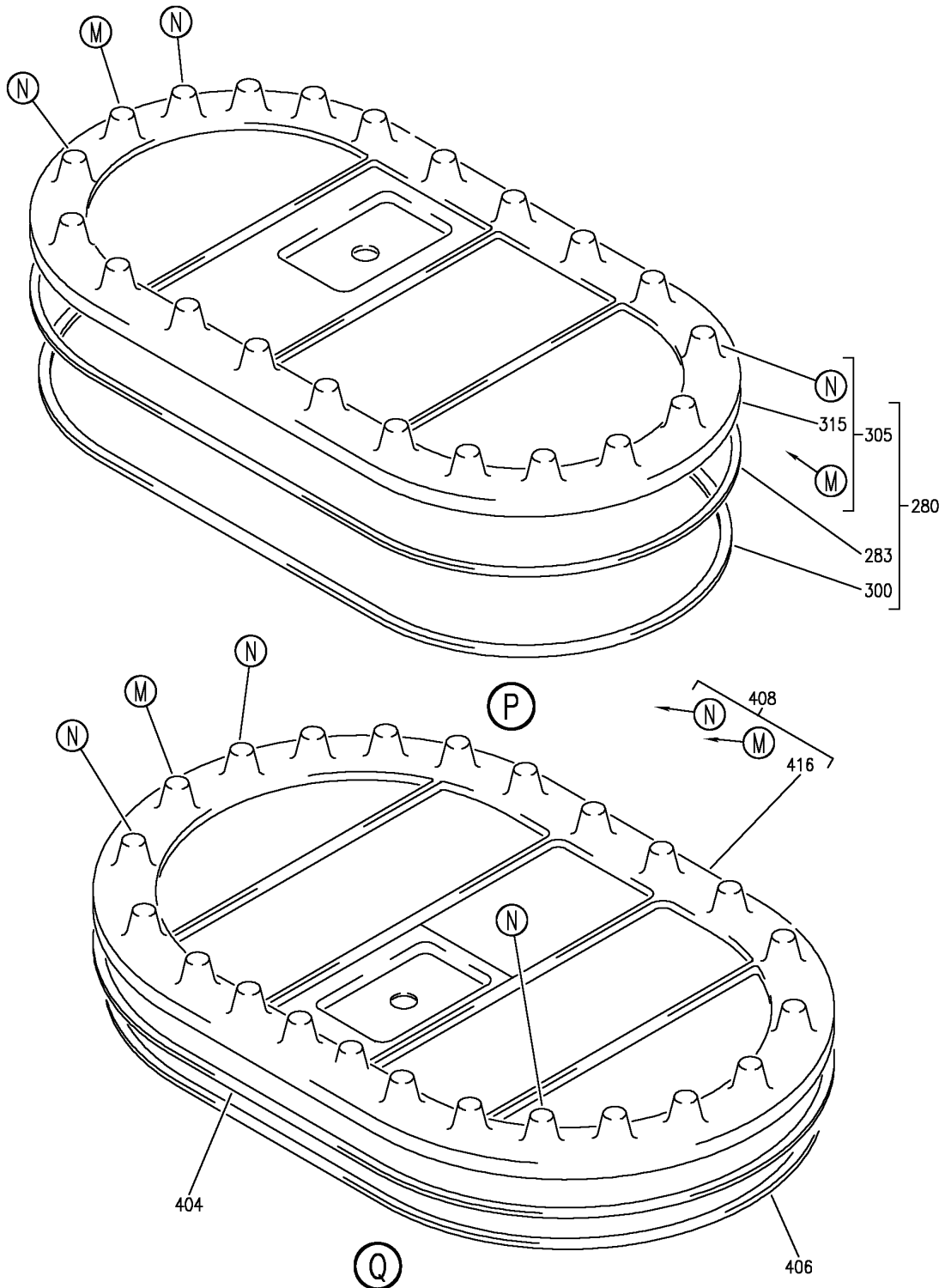
DOOR INSTL-LWR SURF TANK ACCESS  
FIGURE 1D (SHEET 6)

**28-11-01-01D**

BRI  
MAY 28/07

28-11-01-01D  
PAGE 0E

**BOEING**  
757  
PARTS CATALOG (MAINTENANCE)



Y 28110101D SHT 7 REV 264

DOOR INSTL-LWR SURF TANK ACCESS  
FIGURE 1D (SHEET 7)

**28-11-01-01D**

BRI  
MAY 28/07

28-11-01-01D  
PAGE OF



757

PARTS CATALOG (MAINTENANCE)

| FIG ITEM | PART NUMBER  | 1 2 3 4 5 6 7 | NOMENCLATURE  | EFFECT FROM TO             | UNITS PER ASSY |
|----------|--------------|---------------|---|----------------------------|----------------|
| 1D       |              |               | DOOR INSTL-LWR SURF<br>TANK ACCESS  | 101106<br>108120<br>504903 |                |
| - 1      | 112N6100-211 |               | DOOR INSTL-LWR SURF<br>TANK ACCESS<br>POSITION DATA:<br>POSITION 20 LH<br>FOR NHA SEE:<br>28-00-00-05                     | 108120                     | RF             |
| - 1      | 112N6100-231 |               | DOOR INSTL-LWR SURF<br>TANK ACCESS<br>POSITION DATA:<br>POSITION 20 LH<br>FOR NHA SEE:<br>28-00-00-05                     | 504903                     | RF             |
| - 1      | 112N6100-241 |               | DOOR INSTL-LWR SURF<br>TANK ACCESS<br>POSITION DATA:<br>POSITION 20 LH<br>FOR NHA SEE:<br>28-00-00-05                     | 101102                     | RF             |
| - 1      | MODREF763    |               | DOOR INSTL-LWR SURF<br>TANK ACCESS DRIP STICK<br>MODULE NUMBER:<br>112N6100-311 REV A<br>POSITION DATA:<br>POSITION 20 LH | 103103                     | 1              |
| - 1      | MODREF26483  |               | DOOR INSTL-LWR SURF<br>TANK ACCESS DRIP STICK<br>MODULE NUMBER:<br>112N6100-311 REV B<br>POSITION DATA:<br>POSITION 20 LH | 104106                     | 1              |
| - 5      | 112N6100-212 |               | DOOR INSTL-LWR SURF<br>TANK ACCESS<br>POSITION DATA:<br>POSITION 20 RH<br>FOR NHA SEE:<br>28-00-00-05                     | 108120                     | RF             |
| - 5      | 112N6100-232 |               | DOOR INSTL-LWR SURF<br>TANK ACCESS<br>POSITION DATA:<br>POSITION 20 RH<br>FOR NHA SEE:<br>28-00-00-05                     | 504903                     | RF             |

MISSING ITEM NUMBERS NOT APPLICABLE

- ITEM NOT ILLUSTRATED

28-11-01-01D

28-11-01  
FIG. 01D  
PAGE 1  
JAN 20/09

BRI

BOEING PROPRIETARY - Copyright © - Unpublished Work - See title page for details.

**BOEING**  
757  
**PARTS CATALOG (MAINTENANCE)**

| FIG ITEM | PART NUMBER  | 1 2 3 4 5 6 7 | NOMENCLATURE  | EFFECT FROM TO             | UNITS PER ASSY |
|----------|--------------|---------------|---|----------------------------|----------------|
| 1 D      |              |               |   |                            |                |
| - 5      | 112N6100-242 |               | DOOR INSTL-LWR SURF<br>TANK ACCESS<br>POSITION DATA:<br>POSITION 20 RH<br>FOR NHA SEE:<br>28-00-00-05                     | 101102                     | RF             |
| - 5      | MODREF841    |               | DOOR INSTL-LWR SURF<br>TANK ACCESS DRIP STICK<br>MODULE NUMBER:<br>112N6100-312 REV A<br>POSITION DATA:<br>POSITION 20 RH | 103103                     | 1              |
| - 5      | MODREF26484  |               | DOOR INSTL-LWR SURF<br>TANK ACCESS DRIP STICK<br>MODULE NUMBER:<br>112N6100-312 REV B<br>POSITION DATA:<br>POSITION 20 RH | 104106                     | 1              |
| 10       | BACB30NN4K12 |               | .BOLT   | 101106<br>108120<br>504903 | 23             |
| 15       | 69-35343-5   |               | .RING-CLAMP   | 101106<br>108120<br>504903 | 1              |
| 20       | 65C33095-1   |               | .GASKET-WIRE MESH   | 101106<br>108120<br>504903 | 1              |
| 20       | 65C33095-2   |               | ..GASKET-WIRE MESH  | 101106<br>108120<br>504903 | 1              |
| 20       | 112W8216-1   |               | .GASKET-WIRE MESH   | 101106<br>108120<br>504903 | 1              |
| 25       | 112N6007-4   |               | .DOOR ASSY-TANK ACCESS<br>IMPACT RESISTANT,<br>FLOAT STICK  | 108120                     | 1              |
| 25       | 112N6007-10  |               | .DOOR ASSY-TANK ACCESS<br>IMPACT RESISTANT,<br>FLOAT STICK  | 504903                     | 1              |
| 25       | 112N6007-13  |               | .DOOR ASSY-TANK ACCESS<br>IMPACT RESISTANT,<br>FLOAT STICK  | 101102                     | 1              |
| 25       | 112N6007-5   |               | .DOOR ASSY-TANK ACCESS<br>IMPACT RESISTANT,<br>FLOAT STICK  | 103106                     | 1              |
| 30       | 345N0301-1   |               | ..BOLT-   | 101102<br>108120<br>504903 | 4              |
| 30       | 345N0301-2   |               | ..BOLT-   | 103106                     | 4              |

MISSING ITEM NUMBERS NOT APPLICABLE

- ITEM NOT ILLUSTRATED

BRI

# 28-11-01-01D

BOEING PROPRIETARY - Copyright © - Unpublished Work - See title page for details.

28-11-01  
FIG. 01D  
PAGE 2  
MAY 20/09





757

PARTS CATALOG (MAINTENANCE)

| FIG ITEM | PART NUMBER   | 1 2 3 4 5 6 7 | NOMENCLATURE   | EFFECT FROM TO             | UNITS PER ASSY |
|----------|---------------|---------------|--|----------------------------|----------------|
| 1D       |               |               |  |                            |                |
| 35       | 345N0300-1    | ..            | WASHER-  | 101102<br>108120<br>504903 | 2              |
| 40       | 345N0300-2    | ..            | WASHER-  | 101102<br>108120<br>504903 | 2              |
| 55       | NAS42DD6-9FC  | ..            | SPACER-  | 103106                     | 2              |
| 60       | NAS42DD6-4FC  | ..            | SPACER-  | 103106                     | 2              |
| 65       | NAS1080D06    | ..            | COLLAR   | 101106<br>108120<br>504903 | 4              |
| 70       | 345T0006-7    | ..            | SHIM-TAPERED   | 101102<br>108120<br>504903 | 1              |
| 70       | 345T0006-9    | ..            | SHIM-TAPERED   | 103106                     | 1              |
| 80       | 1140-0110-215 | ..            | STICK ASSY-MEASURING<br>SUPPLIER CODE:<br>V86831<br>SPECIFICATION NUMBER:<br>S345T001-215<br>COMPONENT MAINT MANUAL REF:<br>28-40-06<br>FOR DETAILS SEE:<br>28-44-01-03  | 108120                     | 1              |
| 80       | 1140-0110-235 | ..            | STICK ASSY-MEASURING<br>SUPPLIER CODE:<br>V86831<br>SPECIFICATION NUMBER:<br>S345T001-235<br>COMPONENT MAINT MANUAL REF:<br>28-40-06<br>POST SERVICE BULLETIN:<br>31-0124<br>PRE SERVICE BULLETIN:<br>31-0093<br>FOR DETAILS SEE:<br>28-44-01-03 | 504903                     | 1              |
| 80       | 1140-0110-242 | ..            | STICK ASSY-MEASURING<br>SUPPLIER CODE:<br>V86831<br>SPECIFICATION NUMBER:<br>S345T001-242<br>COMPONENT MAINT MANUAL REF:<br>28-40-06<br>FOR DETAILS SEE:<br>28-44-01-03  | 101102                     | 1              |

MISSING ITEM NUMBERS NOT APPLICABLE

- ITEM NOT ILLUSTRATED

28-11-01-01D

28-11-01  
FIG. 01D  
PAGE 3  
MAY 20/09

BRI

BOEING PROPRIETARY - Copyright © - Unpublished Work - See title page for details.

 **BOEING**  
757  
**PARTS CATALOG (MAINTENANCE)**

| FIG ITEM | PART NUMBER    | 1 2 3 4 5 6 7 | NOMENCLATURE  | EFFECT FROM TO             | UNITS PER ASSY |
|----------|----------------|---------------|---|----------------------------|----------------|
| 1D       |                |               |   |                            |                |
| 80       | 1140-0110-218  | ..            | STICK ASSY-MEASURING<br>SUPPLIER CODE:<br>V86831<br>SPECIFICATION NUMBER:<br>S345T001-218<br>COMPONENT MAINT MANUAL REF:<br>28-40-06<br>FOR DETAILS SEE:<br>28-44-01-03 | 103106                     | 1              |
| 85       | 65C33147-8     | ..            | DOOR ASSY-<br>QUALIFIED I/W DATA:<br>65C33147-8 MAY REPLACE<br>9001-108 AT WS218 AND<br>WS245 ON 757 ONLY   | 101106<br>108120<br>504903 | 1              |
| 90       | 69-77135-1     | ...           | SEAL-FUEL<br>01 WS245 ON 757 ONLY   | 101106<br>108120<br>504903 | 1              |
| 95       | 63-8497        | ...           | RETAINER ASSY-NUT<br>01 WS245 ON 757 ONLY   | 101106<br>108120<br>504903 | 22             |
| 100      | 69-77692-4     | ...           | RETAINER  | 101106<br>108120<br>504903 | 1              |
| 105      | RM12LH3614-048 | ...           | NUT-SPECIAL<br>SUPPLIER CODE:<br>V72962<br>OPTIONAL PART:<br>K19079-4<br>V15653   | 101106<br>108120<br>504903 | 23             |
| 105      | K19079-4       | ...           | NUT-SPECIAL<br>SUPPLIER CODE:<br>V15653<br>OPTIONAL PART:<br>RM12LH3614-048<br>V72962   | 101106<br>108120<br>504903 | 23             |
| 110      | 69-77138-4     | ...           | INSERT  | 101106<br>108120<br>504903 | 23             |
| 115      | 65C33094-1     | ...           | SHEET-FACE  | 101106<br>108120<br>504903 | 1              |
| 120      | 65C33148-2     | ...           | PLATE-BACKING   | 101106<br>108120<br>504903 | 1              |

MISSING ITEM NUMBERS NOT APPLICABLE

— ITEM NOT ILLUSTRATED

BRI

# 28-11-01-01D

BOEING PROPRIETARY - Copyright © - Unpublished Work - See title page for details.

28-11-01  
FIG. 01D  
PAGE 4  
JAN 20/09



757

PARTS CATALOG (MAINTENANCE)

| FIG ITEM | PART NUMBER  | 1 2 3 4 5 6 7 | NOMENCLATURE  | EFFECT FROM TO | UNITS PER ASSY |
|----------|--------------|---------------|---|----------------|----------------|
| 1D       |              |               |   |                |                |
| - 200    | 112N6100-411 |               | DOOR INSTL-LWR SURF<br>TANK ACCESS<br>POSITION DATA:<br>POSITIONS 6,8,11<br>15,19, LH<br>FOR NHA SEE:<br>28-00-00-05          | 108120         | RF             |
| - 200    | 112N6100-431 |               | DOOR INSTL-LWR SURF<br>TANK ACCESS<br>POSITION DATA:<br>POSITIONS 6,8,11<br>15,19, LH<br>FOR NHA SEE:<br>28-00-00-05          | 504903         | RF             |
| - 200    | 112N6100-441 |               | DOOR INSTL-LWR SURF<br>TANK ACCESS<br>POSITION DATA:<br>POSITIONS 6,8,11<br>15,19, LH<br>FOR NHA SEE:<br>28-00-00-05          | 101102         | RF             |
| - 200    | MODREF844    |               | DOOR INSTL-LWR SURF<br>TANK ACCESS<br>MODULE NUMBER:<br>112N6100-411 REV A<br>POSITION DATA:<br>POSITIONS 6,8,11<br>15,19, LH | 103103         | 1              |
| - 200    | MODREF26487  |               | DOOR INSTL-LWR SURF<br>TANK ACCESS<br>MODULE NUMBER:<br>112N6100-411 REV B<br>POSITION DATA:<br>POSITIONS 6,8,11<br>15,19, LH | 104106         | 1              |
| - 205    | 112N6100-412 |               | DOOR INSTL-LWR SURF<br>TANK ACCESS<br>POSITION DATA:<br>POSITIONS 6,8,11<br>15,19, RH<br>FOR NHA SEE:<br>28-00-00-05          | 108120         | RF             |
| - 205    | 112N6100-432 |               | DOOR INSTL-LWR SURF<br>TANK ACCESS<br>POSITION DATA:<br>POSITIONS 6,8,11<br>15,19, RH<br>FOR NHA SEE:<br>28-00-00-05          | 504903         | RF             |

MISSING ITEM NUMBERS NOT APPLICABLE

- ITEM NOT ILLUSTRATED

28-11-01-01D

28-11-01  
FIG. 01D  
PAGE 5  
JAN 20/09

BRI

BOEING PROPRIETARY - Copyright © - Unpublished Work - See title page for details.

**BOEING**  
757  
**PARTS CATALOG (MAINTENANCE)**

| FIG ITEM | PART NUMBER  | 1 2 3 4 5 6 7 | NOMENCLATURE  | EFFECT FROM TO             | UNITS PER ASSY |
|----------|--------------|---------------|---|----------------------------|----------------|
| 1D       |              |               |   |                            |                |
| - 205    | 112N6100-442 |               | DOOR INSTL-LWR SURF<br>TANK ACCESS<br>POSITION DATA:<br>POSITIONS 6,8,11<br>15,19, RH<br>FOR NHA SEE:<br>28-00-00-05          | 101102                     | RF             |
| - 205    | MODREF845    |               | DOOR INSTL-LWR SURF<br>TANK ACCESS<br>MODULE NUMBER:<br>112N6100-412 REV A<br>POSITION DATA:<br>POSITIONS 6,8,11<br>15,19, RH | 103103                     | 1              |
| - 205    | MODREF26488  |               | DOOR INSTL-LWR SURF<br>TANK ACCESS<br>MODULE NUMBER:<br>112N6100-412 REV B<br>POSITION DATA:<br>POSITIONS 6,8,11<br>15,19, RH | 104106                     | 1              |
| 210      | BACB30NN4K11 |               | .BOLT   | 101106<br>108120<br>504903 | 21             |
| 215      | BACB30NN4K12 |               | .BOLT   | 101106<br>108120<br>504903 | 92             |
| 220      | 69-35342-2   |               | .RING-CLAMP   | 101106<br>108120<br>504903 | 1              |
| 225      | 69-35343-5   |               | .RING-CLAMP   | 101106<br>108120<br>504903 | 4              |
| 230      | 65C33095-1   |               | .GASKET-WIRE MESH   | 101106<br>108120<br>504903 | 4              |
| 230      | 65C33095-2   |               | ..GASKET-WIRE MESH  | 101106<br>108120<br>504903 | 4              |
| 230      | 112W8216-1   |               | .GASKET-WIRE MESH   | 101106<br>108120<br>504903 | 4              |
| 235      | 65C33161-1   |               | .GASKET-WIRE MESH   | 101106<br>108120<br>504903 | 1              |
| 235      | 65C33161-2   |               | .GASKET-WIRE MESH   | 101106<br>108120<br>504903 | 1              |

R  
R  
R

MISSING ITEM NUMBERS NOT APPLICABLE

- ITEM NOT ILLUSTRATED

28-11-01-01D

28-11-01  
FIG. 01D  
PAGE 6  
MAY 20/09

BRI

BOEING PROPRIETARY - Copyright © - Unpublished Work - See title page for details.



757

PARTS CATALOG (MAINTENANCE)

| FIG ITEM | PART NUMBER  | 1 2 3 4 5 6 7  | NOMENCLATURE | EFFECT FROM TO             | UNITS PER ASSY |
|----------|--------------|--|--------------|----------------------------|----------------|
| 1D       |              |  |              |                            |                |
| 240      | 65-49506-24  | .DOOR ASSY-TANK ACCESS<br>FLOAT STICK  |              | 103106<br>108120           | 1              |
| 240      | 65-49506-26  | .DOOR ASSY-TANK ACCESS<br>FLOAT STICK  |              | 504903                     | 1              |
| 240      | 65-49506-27  | .DOOR ASSY-TANK ACCESS<br>FLOAT STICK  |              | 101102                     | 1              |
| 245      | BACB30NN3K6  | ..BOLT   |              | 101106<br>108120<br>504903 | 2              |
| 250      | BACB30NN3K11 | ..BOLT   |              | 101106<br>108120<br>504903 | 2              |
| 255      | AS46-3       | ..WASHER<br>SUPPLIER CODE:<br>V10630<br>SPECIFICATION NUMBER:<br>BACW10AU3<br>OPTIONAL PART:<br>K19701P3<br>V15653<br>53488W1032<br>V56878<br>6073-0<br>V72962<br>TLN1020L3W<br>V08524 |              | 101106<br>108120<br>504903 | 4              |
| 260      | H19700P3     | ..NUT<br>SUPPLIER CODE:<br>V15653<br>SPECIFICATION NUMBER:<br>BACN10MT3<br>OPTIONAL PART:<br>52LH6073-02<br>V72962<br>TLN1020L3N<br>V97928<br>53488N1032<br>V56878                     |              | 101106<br>108120<br>504903 | 4              |
| 265      | 345T0006-3   | ..SHIM-TAPERED   |              | 101106<br>108120<br>504903 | 1              |

MISSING ITEM NUMBERS NOT APPLICABLE

- ITEM NOT ILLUSTRATED

28-11-01-01D

28-11-01  
FIG. 01D  
PAGE 7  
MAY 20/09

BRI

BOEING PROPRIETARY - Copyright © - Unpublished Work - See title page for details.



757

PARTS CATALOG (MAINTENANCE)

| FIG ITEM  | PART NUMBER   | 1 2 3 4 5 6 7 | NOMENCLATURE   | EFFECT FROM TO             | UNITS PER ASSY |
|-----------|---------------|---------------|--|----------------------------|----------------|
| 1D<br>270 | 1140-0110-217 | ..            | STICK ASSY-MEASURING<br>SUPPLIER CODE:<br>V86831<br>SPECIFICATION NUMBER:<br>S345T001-217<br>COMPONENT MAINT MANUAL REF:<br>28-40-06<br>FOR DETAILS SEE:<br>28-44-01-03  | 103106<br>108120           | 1              |
| 270       | 1140-0110-237 | ..            | STICK ASSY-MEASURING<br>SUPPLIER CODE:<br>V86831<br>SPECIFICATION NUMBER:<br>S345T001-237<br>COMPONENT MAINT MANUAL REF:<br>28-40-06<br>POST SERVICE BULLETIN:<br>31-0124<br>PRE SERVICE BULLETIN:<br>31-0093<br>FOR DETAILS SEE:<br>28-44-01-03 | 504903                     | 1              |
| 270       | 1140-0110-247 | ..            | STICK ASSY-MEASURING<br>SUPPLIER CODE:<br>V86831<br>SPECIFICATION NUMBER:<br>S345T001-247<br>COMPONENT MAINT MANUAL REF:<br>28-40-06<br>FOR DETAILS SEE:<br>28-44-01-03  | 101102                     | 1              |
| 280       | 112N6102-4    | ..            | DOOR ASSY-   | 101106<br>108120<br>504903 | 1              |
| 280       | 9001-118      | ..            | DOOR ASSY-<br>SUPPLIER CODE:<br>V32455<br>SPECIFICATION NUMBER:<br>10-60031-118  | 101106<br>108120<br>504903 | 1              |
| 280       | 9001-109      | ..            | DOOR ASSY-<br>SUPPLIER CODE:<br>V32455<br>SPECIFICATION NUMBER:<br>10-60031-109  | 101106<br>108120<br>504903 | 1              |
| 283       | 10-60031-60   | ...           | RING-PHENOLIC<br>USED ON:<br>9001-109<br>9001-118  | 101106<br>108120<br>504903 | 1              |

MISSING ITEM NUMBERS NOT APPLICABLE

- ITEM NOT ILLUSTRATED

28-11-01-01D

28-11-01  
FIG. 01D  
PAGE 8  
MAY 20/09

BRI



757

PARTS CATALOG (MAINTENANCE)

| FIG ITEM  | PART NUMBER    | 1 2 3 4 5 6 7 | NOMENCLATURE  | EFFECT FROM TO             | UNITS PER ASSY |
|-----------|----------------|---------------|---|----------------------------|----------------|
| 1D<br>285 | 63-8497        | ...           | RETAINER ASSY-NUT<br>USED ON:<br>112N6102-4   | 101106<br>108120<br>504903 | 20             |
| 290       | 63-8497-3      | ...           | RETAINER ASSY-NUT<br>USED ON:<br>112N6102-4   | 101106<br>108120<br>504903 | 1              |
| 295       | K19079-4       | ...           | NUT-SPECIAL<br>SUPPLIER CODE:<br>V15653<br>OPTIONAL PART:<br>RM12LH3614-048<br>V72962<br>USED ON:<br>112N6102-4 | 101106<br>108120<br>504903 | 21             |
| 295       | RM12LH3614-048 | ...           | NUT-SPECIAL<br>SUPPLIER CODE:<br>V72962<br>OPTIONAL PART:<br>K19079-4<br>V15653<br>USED ON:<br>112N6102-4       | 101106<br>108120<br>504903 | 21             |
| 300       | 69-77023-1     | ...           | SEAL-<br>USED ON:<br>112N6102-4   | 101106<br>108120<br>504903 | 1              |
| 300       | 10-60031-58    | ...           | SEAL-<br>USED ON:<br>9001-109<br>9001-118   | 101106<br>108120<br>504903 | 1              |
| 305       | 112N6012-7     | ...           | DOOR ASSY-<br>ANGLED FUEL STICK<br>USED ON:<br>112N6102-4   | 101106<br>108120<br>504903 | 1              |
| 305       | 65-76139-17    | ...           | DOOR ASSY-<br>USED ON:<br>9001-109<br>9001-118  | 101106<br>108120<br>504903 | 1              |
| 306       | 63-8497        | ....          | RETAINER ASSY-NUT<br>USED ON:<br>65-76139-17  | 101106<br>108120<br>504903 | 20             |
| 307       | 63-8497-3      | ....          | RETAINER ASSY-NUT<br>USED ON:<br>65-76139-17  | 101106<br>108120<br>504903 | 1              |

MISSING ITEM NUMBERS NOT APPLICABLE

- ITEM NOT ILLUSTRATED

28-11-01-01D

28-11-01  
FIG. 01D  
PAGE 9  
MAY 20/09

BRI

BOEING PROPRIETARY - Copyright © - Unpublished Work - See title page for details.



757

PARTS CATALOG (MAINTENANCE)

| FIG ITEM  | PART NUMBER    | 1 2 3 4 5 6 7 | NOMENCLATURE   | EFFECT FROM TO             | UNITS PER ASSY |
|-----------|----------------|---------------|--|----------------------------|----------------|
| 1D<br>308 | K19079-4       | .....         | NUT-SPECIAL<br>SUPPLIER CODE:<br>V15653<br>OPTIONAL PART:<br>RM12LH3614-048<br>V72962<br>USED ON:<br>65-76139-17 | 101106<br>108120<br>504903 | 21             |
| 308       | RM12LH3614-048 | .....         | NUT-SPECIAL<br>SUPPLIER CODE:<br>V72962<br>OPTIONAL PART:<br>K19079-4<br>V15653<br>USED ON:<br>65-76139-17       | 101106<br>108120<br>504903 | 21             |
| 310       | 112N6013-1     | .....         | RING-PHENOLIC<br>OPTIONAL PART:<br>112N6013-3<br>USED ON:<br>112N6012-7  | 101106<br>108120<br>504903 | 1              |
| 310       | 112N6013-3     | .....         | RING-PHENOLIC<br>OPTIONAL PART:<br>112N6013-1<br>USED ON:<br>112N6012-7  | 101106<br>108120<br>504903 | 1              |
| 315       | 65-76139-6     | .....         | DOOR-CASTING<br>USED ON:<br>112N6012-7   | 101106<br>108120<br>504903 | 1              |
| 315       | 65-76139-18    | .....         | DOOR-<br>USED ON:<br>65-76139-17   | 101106<br>108120<br>504903 | 1              |
| 320       | 65-50748-25    | .DOOR         | ASSY-TANK ACCESS<br>FLOAT STICK  | 103106<br>108120           | 1              |
| 320       | 65-50748-31    | .DOOR         | ASSY-TANK ACCESS<br>FLOAT STICK  | 504903                     | 1              |
| 320       | 65-50748-34    | .DOOR         | ASSY-TANK ACCESS<br>FLOAT STICK  | 101102                     | 1              |
| 325       | 65-50748-26    | .DOOR         | ASSY-TANK ACCESS<br>FLOAT STICK  | 103106<br>108120           | 1              |
| 325       | 65-50748-32    | .DOOR         | ASSY-TANK ACCESS<br>FLOAT STICK  | 504903                     | 1              |
| 325       | 65-50748-35    | .DOOR         | ASSY-TANK ACCESS<br>FLOAT STICK  | 101102                     | 1              |
| 330       | 65-50748-27    | .DOOR         | ASSY-TANK ACCESS<br>FLOAT STICK  | 103106<br>108120           | 1              |
| 330       | 65-50748-33    | .DOOR         | ASSY-TANK ACCESS<br>FLOAT STICK  | 504903                     | 1              |

MISSING ITEM NUMBERS NOT APPLICABLE

- ITEM NOT ILLUSTRATED

28-11-01-01D

28-11-01  
FIG. 01D  
PAGE 10  
MAY 20/09

BRI

BOEING PROPRIETARY - Copyright © - Unpublished Work - See title page for details.





757

PARTS CATALOG (MAINTENANCE)

| FIG ITEM | PART NUMBER  | 1 2 3 4 5 6 7 | NOMENCLATURE   | EFFECT FROM TO             | UNITS PER ASSY |
|----------|--------------|---------------|--|----------------------------|----------------|
| 1D       |              |               |  |                            |                |
| 330      | 65-50748-36  | .             | DOOR ASSY-TANK ACCESS<br>FLOAT STICK   | 101102                     | 1              |
| 335      | BACB30NN3K11 | ..            | BOLT   | 101106<br>108120<br>504903 | 2              |
| 340      | BACB30NN3K6  | ..            | BOLT   | 101106<br>108120<br>504903 | 2              |
| 345      | H19700P3     | ..            | NUT<br>SUPPLIER CODE:<br>V15653<br>SPECIFICATION NUMBER:<br>BACN10MT3<br>OPTIONAL PART:<br>52LH6073-02<br>V72962<br>TLN1020L3N<br>V97928<br>53488N1032<br>V56878                     | 101106<br>108120<br>504903 | 4              |
| 350      | AS46-3       | ..            | WASHER<br>SUPPLIER CODE:<br>V10630<br>SPECIFICATION NUMBER:<br>BACW10AU3<br>OPTIONAL PART:<br>K19701P3<br>V15653<br>53488W1032<br>V56878<br>6073-0<br>V72962<br>TLN1020L3W<br>V08524 | 101106<br>108120<br>504903 | 4              |
| 355      | 345T0006-3   | ..            | SHIM-TAPERED<br>USED ON:<br>65-50748-25<br>65-50748-27<br>65-50748-28<br>65-50748-30<br>65-50748-31<br>65-50748-33<br>65-50748-34<br>65-50748-36                                     | 101106<br>108120<br>504903 | 1              |

MISSING ITEM NUMBERS NOT APPLICABLE

- ITEM NOT ILLUSTRATED

BRI

28-11-01-01D

BOEING PROPRIETARY - Copyright © - Unpublished Work - See title page for details.

28-11-01  
FIG. 01D  
PAGE 11  
MAY 20/09



757

PARTS CATALOG (MAINTENANCE)

| FIG ITEM  | PART NUMBER   | 1 2 3 4 5 6 7 | NOMENCLATURE  | EFFECT FROM TO             | UNITS PER ASSY |
|-----------|---------------|---------------|---|----------------------------|----------------|
| 1D<br>360 | 345T0006-4    |               | .. SHIM-TAPERED<br>USED ON:<br>65-50748-26<br>65-50748-29<br>65-50748-32<br>65-50748-35   | 101106<br>108120<br>504903 | 1              |
| 365       | 1140-0110-211 |               | .. STICK ASSY-FUEL<br>SUPPLIER CODE:<br>V86831<br>SPECIFICATION NUMBER:<br>S345T001-211<br>COMPONENT MAINT MANUAL REF:<br>28-40-06<br>USED ON:<br>65-50748-25<br>FOR DETAILS SEE:<br>28-44-01-03  | 103106<br>108120           | 1              |
| 365       | 1140-0110-231 |               | .. STICK ASSY-FUEL<br>SUPPLIER CODE:<br>V86831<br>SPECIFICATION NUMBER:<br>S345T001-231<br>COMPONENT MAINT MANUAL REF:<br>28-40-06<br>USED ON:<br>65-50748-31<br>POST SERVICE BULLETIN:<br>31-0124<br>PRE SERVICE BULLETIN:<br>31-0093<br>FOR DETAILS SEE:<br>28-44-01-03 | 504903                     | 1              |
| 365       | 1140-0110-246 |               | .. STICK ASSY-FUEL<br>SUPPLIER CODE:<br>V86831<br>SPECIFICATION NUMBER:<br>S345T001-246<br>COMPONENT MAINT MANUAL REF:<br>28-40-06<br>USED ON:<br>65-50748-34<br>FOR DETAILS SEE:<br>28-44-01-03  | 101102                     | 1              |

MISSING ITEM NUMBERS NOT APPLICABLE

- ITEM NOT ILLUSTRATED

BRI

28-11-01-01D

BOEING PROPRIETARY - Copyright © - Unpublished Work - See title page for details.

28-11-01  
FIG. 01D  
PAGE 12  
MAY 20/09



757

PARTS CATALOG (MAINTENANCE)

| FIG ITEM  | PART NUMBER   | 1 2 3 4 5 6 7 | NOMENCLATURE   | EFFECT FROM TO   | UNITS PER ASSY |
|-----------|---------------|---------------|--|------------------|----------------|
| 1D<br>370 | 1140-0110-212 | ..            | STICK ASSY-FUEL<br>SUPPLIER CODE:<br>V86831<br>SPECIFICATION NUMBER:<br>S345T001-212<br>COMPONENT MAINT MANUAL REF:<br>28-40-06<br>USED ON:<br>65-50748-26<br>FOR DETAILS SEE:<br>28-44-01-03  | 103106<br>108120 | 1              |
| 370       | 1140-0110-232 | ..            | STICK ASSY-FUEL<br>SUPPLIER CODE:<br>V86831<br>SPECIFICATION NUMBER:<br>S345T001-232<br>COMPONENT MAINT MANUAL REF:<br>28-40-06<br>USED ON:<br>65-50748-32<br>POST SERVICE BULLETIN:<br>31-0124<br>PRE SERVICE BULLETIN:<br>31-0093<br>FOR DETAILS SEE:<br>28-44-01-03 | 504903           | 1              |
| 370       | 1140-0110-245 | ..            | STICK ASSY-FUEL<br>SUPPLIER CODE:<br>V86831<br>SPECIFICATION NUMBER:<br>S345T001-245<br>COMPONENT MAINT MANUAL REF:<br>28-40-06<br>USED ON:<br>65-50748-35<br>FOR DETAILS SEE:<br>28-44-01-03  | 101102           | 1              |
| 375       | 1140-0110-213 | ..            | STICK ASSY-FUEL<br>SUPPLIER CODE:<br>V86831<br>SPECIFICATION NUMBER:<br>S345T001-213<br>COMPONENT MAINT MANUAL REF:<br>28-40-06<br>USED ON:<br>65-50748-27<br>FOR DETAILS SEE:<br>28-44-01-03  | 103106<br>108120 | 1              |

MISSING ITEM NUMBERS NOT APPLICABLE

- ITEM NOT ILLUSTRATED

28-11-01-01D

28-11-01  
FIG. 01D  
PAGE 13  
MAY 20/09

BRI

BOEING PROPRIETARY - Copyright © - Unpublished Work - See title page for details.



757

PARTS CATALOG (MAINTENANCE)

| FIG ITEM  | PART NUMBER    | 1 2 3 4 5 6 7 | NOMENCLATURE   | EFFECT FROM TO                       | UNITS PER ASSY |
|-----------|----------------|---------------|--|--------------------------------------|----------------|
| 1D<br>375 | 1140-0110-233  | ..            | STICK ASSY-FUEL<br>SUPPLIER CODE:<br>V86831<br>SPECIFICATION NUMBER:<br>S345T001-233<br>COMPONENT MAINT MANUAL REF:<br>28-40-06<br>USED ON:<br>65-50748-33<br>POST SERVICE BULLETIN:<br>31-0124<br>PRE SERVICE BULLETIN:<br>31-0093<br>FOR DETAILS SEE:<br>28-44-01-03 | 504903                               | 1              |
| 375       | 1140-0110-244  | ..            | STICK ASSY-FUEL<br>SUPPLIER CODE:<br>V86831<br>SPECIFICATION NUMBER:<br>S345T001-244<br>COMPONENT MAINT MANUAL REF:<br>28-40-06<br>USED ON:<br>65-50748-36<br>FOR DETAILS SEE:<br>28-44-01-03  | 101102                               | 1              |
| 380       | 112N6101-5     | ..            | DOOR ASSY-   | 101106<br>108120                     | 1              |
| 385       | 63-8497        | ...           | RETAINER ASSY-NUT  | 504903<br>101106<br>108120           | 22             |
| 390       | 63-8497-3      | ...           | RETAINER ASSY-NUT  | 504903<br>101106<br>108120           | 1              |
| 395       | K19079-4       | ...           | NUT-SPECIAL<br>SUPPLIER CODE:<br>V15653<br>OPTIONAL PART:<br>RM12LH3614-048<br>V72962  | 504903<br>101106<br>108120<br>504903 | 23             |
| 395       | RM12LH3614-048 | ...           | NUT-SPECIAL<br>SUPPLIER CODE:<br>V72962<br>OPTIONAL PART:<br>K19079-4<br>V15653  | 101106<br>108120<br>504903           | 23             |

MISSING ITEM NUMBERS NOT APPLICABLE

- ITEM NOT ILLUSTRATED

28-11-01-01D

28-11-01  
FIG. 01D  
PAGE 14  
JAN 20/09

BRI

BOEING PROPRIETARY - Copyright © - Unpublished Work - See title page for details.

 **BOEING**  
757  
**PARTS CATALOG (MAINTENANCE)**

| FIG ITEM | PART NUMBER | 1 2 3 4 5 6 7 | NOMENCLATURE  | EFFECT FROM TO             | UNITS PER ASSY |
|----------|-------------|---------------|---|----------------------------|----------------|
| 1D       |             |               |   |                            |                |
| 396      | 69-77135-1  | ...           | SEAL-FUEL   | 101106<br>108120<br>504903 | 1              |
| 398      | 112N6004-4  | ...           | DOOR ASSY   | 101106<br>108120<br>504903 | 1              |
| 399      | 112W8102-1  | ....          | RING-PHENOLIC<br>OPTIONAL PART:<br>112W8102-5   | 101106<br>108120<br>504903 | 1              |
| 399      | 112W8102-5  | ....          | RING-PHENOLIC<br>OPTIONAL PART:<br>112W8102-1   | 101106<br>108120<br>504903 | 1              |
| 400      | 65-76140-6  | ....          | DOOR-CASTING  | 101106<br>108120<br>504903 | 1              |
| 402      | 9001-108    | ..            | DOOR ASSY-<br>SUPPLIER CODE:<br>V32455<br>SPECIFICATION NUMBER:<br>10-60031-108       | 101106<br>108120<br>504903 | 1              |
| 402      | 8001-119    | ..            | DOOR ASSY-<br>SUPPLIER CODE:<br>V32455<br>SPECIFICATION NUMBER:<br>10-60031-119       | 101106<br>108120<br>504903 | 1              |
| 404      | 10-60031-59 | ...           | RING-PHENOLIC   | 101106<br>108120<br>504903 | 1              |
| 406      | 10-60031-57 | ...           | SEAL  | 101106<br>108120<br>504903 | 1              |
| 408      | 65-76140-18 | ...           | DOOR ASSY   | 101106<br>108120<br>504903 | 1              |
| 410      | 63-8497     | ....          | RETAINER ASSY-NUT   | 101106<br>108120<br>504903 | 22             |
| 412      | 63-8497-3   | ....          | RETAINER ASSY-NUT   | 101106<br>108120<br>504903 | 1              |
| 414      | K19079-4    | ....          | NUT-SPECIAL<br>SUPPLIER CODE:<br>V15653<br>OPTIONAL PART:<br>RM12LH3614-048<br>V72962 | 101106<br>108120<br>504903 | 23             |

MISSING ITEM NUMBERS NOT APPLICABLE

— ITEM NOT ILLUSTRATED

BRI

# 28-11-01-01D

BOEING PROPRIETARY - Copyright © - Unpublished Work - See title page for details.

28-11-01  
FIG. 01D  
PAGE 15  
JAN 20/09

 **BOEING**  
757  
**PARTS CATALOG (MAINTENANCE)**

| FIG ITEM  | PART NUMBER    | 1 2 3 4 5 6 7 | NOMENCLATURE  | EFFECT FROM TO             | UNITS PER ASSY |
|-----------|----------------|---------------|---|----------------------------|----------------|
| 1D<br>414 | RM12LH3614-048 | ....          | NUT-SPECIAL<br>SUPPLIER CODE:<br>V72962<br>OPTIONAL PART:<br>K19079-4<br>V15653   | 101106<br>108120<br>504903 | 23             |
| 416       | 65-76140-19    | ....          | DOOR  | 101106<br>108120<br>504903 | 1              |
| 420       | 112N6007-3     | .DOOR         | ASSY-TANK ACCESS<br>IMPACT RESISTANT,<br>FLOAT STICK  | 103106<br>108120           | 1              |
| 420       | 112N6007-9     | .DOOR         | ASSY-TANK ACCESS<br>IMPACT RESISTANT,<br>FLOAT STICK  | 504903                     | 1              |
| 420       | 112N6007-12    | .DOOR         | ASSY-TANK ACCESS<br>IMPACT RESISTANT,<br>FLOAT STICK  | 101102                     | 1              |
| 425       | 345N0301-1     | ..            | BOLT  | 101106<br>108120<br>504903 | 4              |
| 430       | 345N0300-1     | ..            | WASHER  | 101106<br>108120<br>504903 | 2              |
| 435       | 345N0300-2     | ..            | WASHER  | 101106<br>108120<br>504903 | 2              |
| 440       | NAS1080D06     | ..            | COLLAR  | 101106<br>108120<br>504903 | 4              |
| 445       | 345T0006-7     | ..            | SHIM-TAPERED  | 101106<br>108120<br>504903 | 1              |
| 450       | 1140-0110-214  | ..            | STICK ASSY-MEASURING<br>SUPPLIER CODE:<br>V86831<br>SPECIFICATION NUMBER:<br>S345T001-214<br>COMPONENT MAINT MANUAL REF:<br>28-40-06<br>FOR DETAILS SEE:<br>28-44-01-03 | 103106<br>108120           | 1              |

MISSING ITEM NUMBERS NOT APPLICABLE

— ITEM NOT ILLUSTRATED

BRI

# 28-11-01-01D

BOEING PROPRIETARY - Copyright © - Unpublished Work - See title page for details.

28-11-01  
FIG. 01D  
PAGE 16  
JAN 20/09



757

PARTS CATALOG (MAINTENANCE)

| FIG ITEM  | PART NUMBER    | 1 2 3 4 5 6 7 | NOMENCLATURE   | EFFECT FROM TO             | UNITS PER ASSY |
|-----------|----------------|---------------|--|----------------------------|----------------|
| 1D<br>450 | 1140-0110-234  | ..            | STICK ASSY-MEASURING<br>SUPPLIER CODE:<br>V86831<br>SPECIFICATION NUMBER:<br>S345T001-234<br>COMPONENT MAINT MANUAL REF:<br>28-40-06<br>POST SERVICE BULLETIN:<br>31-0124<br>PRE SERVICE BULLETIN:<br>31-0093<br>FOR DETAILS SEE:<br>28-44-01-03 | 504903                     | 1              |
| 450       | 1140-0110-243  | ..            | STICK ASSY-MEASURING<br>SUPPLIER CODE:<br>V86831<br>SPECIFICATION NUMBER:<br>S345T001-243<br>COMPONENT MAINT MANUAL REF:<br>28-40-06<br>FOR DETAILS SEE:<br>28-44-01-03  | 101102                     | 1              |
| 455       | 65C33147-8     | ..            | DOOR ASSY-<br>QUALIFIED I/W DATA:<br>65C33147-8 MAY REPLACE<br>9001-108 AT WS218 AND<br>WS245 ON 757 ONLY  | 101106<br>108120<br>504903 | 1              |
| 460       | 69-77135-1     | ...           | SEAL-FUEL<br>01 WS245 ON 757 ONLY  | 101106<br>108120<br>504903 | 1              |
| 465       | 63-8497        | ...           | RETAINER ASSY-NUT<br>01 WS245 ON 757 ONLY  | 101106<br>108120<br>504903 | 22             |
| 470       | 69-77692-4     | ...           | RETAINER   | 101106<br>108120<br>504903 | 1              |
| 475       | RM12LH3614-048 | ...           | NUT-SPECIAL<br>SUPPLIER CODE:<br>V72962<br>OPTIONAL PART:<br>K19079-4<br>V15653  | 101106<br>108120<br>504903 | 23             |
| 475       | K19079-4       | ...           | NUT-SPECIAL<br>SUPPLIER CODE:<br>V15653<br>OPTIONAL PART:<br>RM12LH3614-048<br>V72962  | 101106<br>108120<br>504903 | 23             |

MISSING ITEM NUMBERS NOT APPLICABLE

- ITEM NOT ILLUSTRATED

28-11-01-01D

28-11-01  
FIG. 01D  
PAGE 17  
JAN 20/09

BRI

BOEING PROPRIETARY - Copyright © - Unpublished Work - See title page for details.



757

PARTS CATALOG (MAINTENANCE)

| FIG<br>ITEM | PART NUMBER | 1 2 3 4 5 6 7 | NOMENCLATURE      | EFFECT<br>FROM TO          | UNITS<br>PER<br>ASSY |
|-------------|-------------|---------------|-------------------|----------------------------|----------------------|
| 1 D         |             |               |                   |                            |                      |
| 480         | 69-77138-4  |               | ... INSERT        | 101106<br>108120<br>504903 | 23                   |
| 485         | 65C33094-1  |               | ... SHEET-FACE    | 101106<br>108120<br>504903 | 1                    |
| 490         | 65C33148-2  |               | ... PLATE-BACKING | 101106<br>108120<br>504903 | 1                    |

MISSING ITEM NUMBERS NOT APPLICABLE

- ITEM NOT ILLUSTRATED

BRI

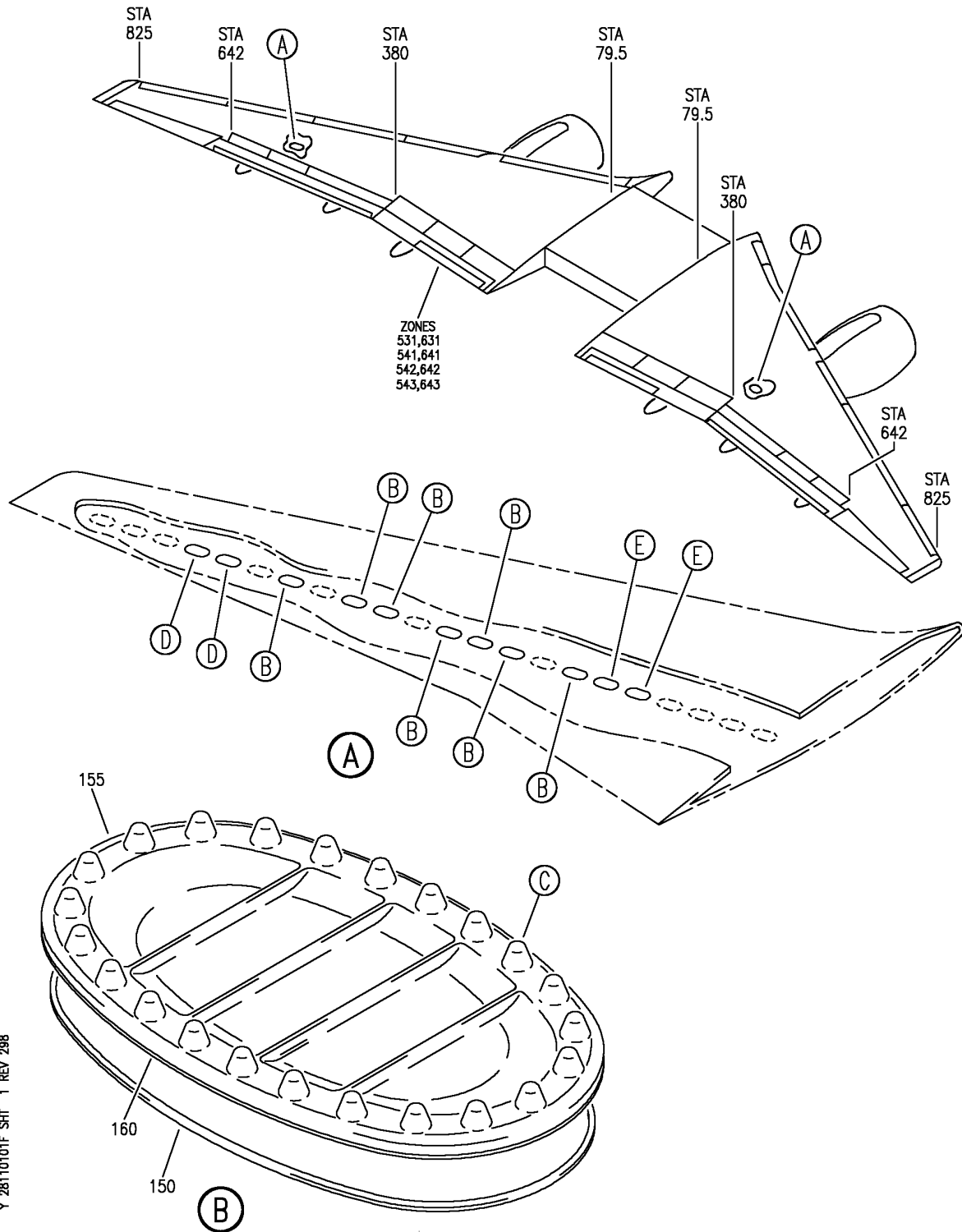
28-11-01-01D

BOEING PROPRIETARY - Copyright © - Unpublished Work - See title page for details.

28-11-01  
FIG. 01D  
PAGE 18  
JAN 20/09



**BOEING**  
757  
PARTS CATALOG (MAINTENANCE)



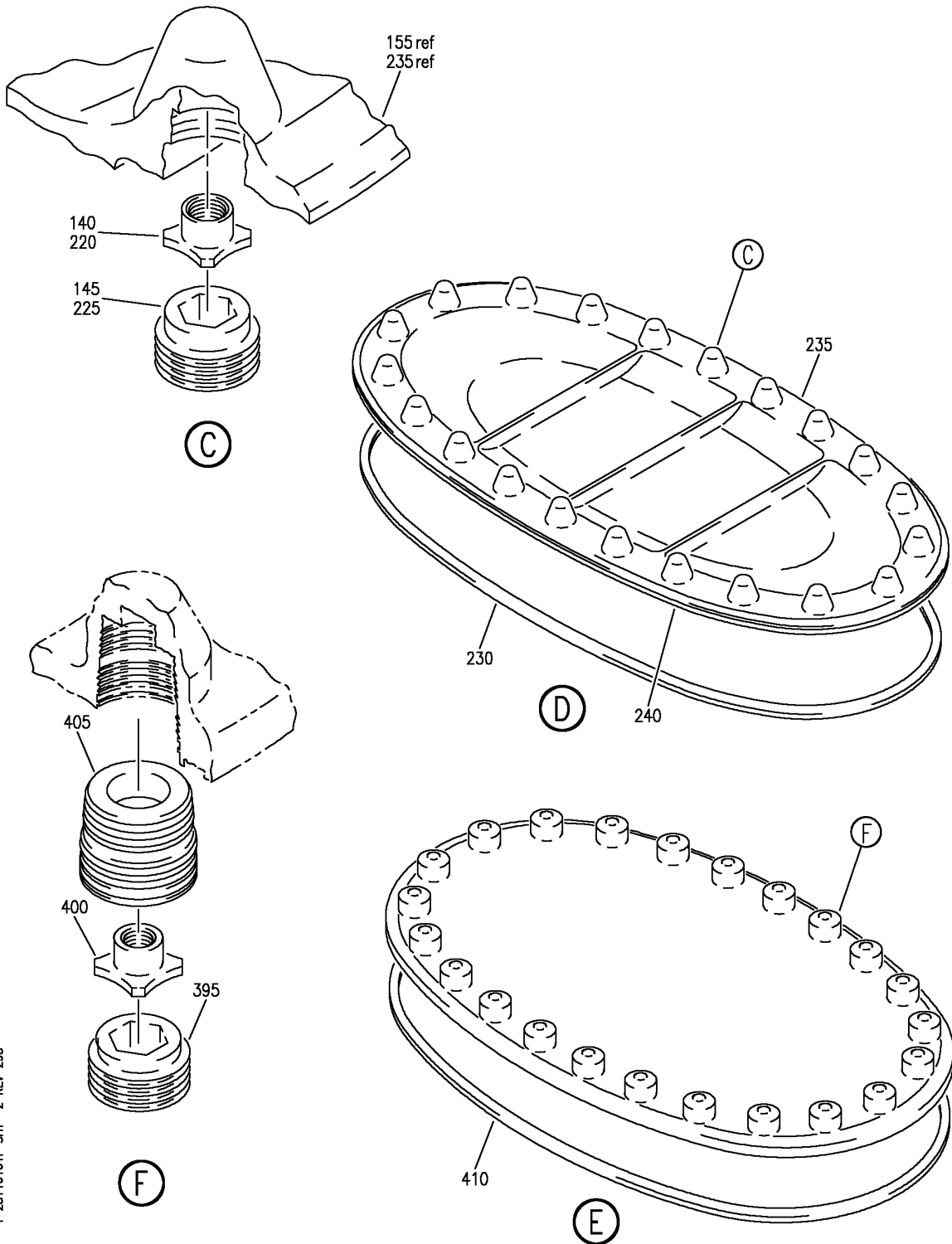
DOOR ASSY-WING TANK ACCESS  
FIGURE 1F (SHEET 1)

**28-11-01-01F**

BRI  
MAY 28/07

28-11-01-01F  
PAGE 0

**BOEING**  
757  
PARTS CATALOG (MAINTENANCE)



Y 28110101F SHT 2 REV 298

DOOR ASSY-WING TANK ACCESS  
FIGURE 1F (SHEET 2)

**28-11-01-01F**

BRI  
MAY 28/07

28-11-01-01F  
PAGE 0A



757

PARTS CATALOG (MAINTENANCE)

| FIG ITEM | PART NUMBER    | 1 2 3 4 5 6 7 | NOMENCLATURE   | EFFECT FROM TO             | UNITS PER ASSY |
|----------|----------------|---------------|--|----------------------------|----------------|
| 1 F      |                |               | DOOR ASSY-WING TANK ACCESS   | 101106<br>108120<br>504903 |                |
| - 135    | 112N6101-1     |               | DOOR ASSY-<br>FOR NHA SEE:<br>28-11-01-01H   | 101106<br>108120<br>504903 | RF             |
| - 135    | 112N6101-2     |               | DOOR ASSY-<br>FOR NHA SEE:<br>28-11-01-01H   | 101106<br>108120<br>504903 | RF             |
| 140      | K19079-4       |               | .NUT-SPECIAL<br>SUPPLIER CODE:<br>V15653<br>OPTIONAL PART:<br>RM12LH3614-048<br>V72962 | 101106<br>108120<br>504903 | 23             |
| 140      | RM12LH3614-048 |               | .NUT-SPECIAL<br>SUPPLIER CODE:<br>V72962<br>OPTIONAL PART:<br>K19079-4<br>V15653       | 101106<br>108120<br>504903 | 23             |
| 145      | 63-8497        |               | .RETAINER ASSY-NUT   | 101106<br>108120<br>504903 | 23             |
| 150      | 69-77135-1     |               | .SEAL-FUEL   | 101106<br>108120<br>504903 | 1              |
| 155      | 112N6004-1     |               | .DOOR ASSY   | 101106<br>108120<br>504903 | 1              |
| 160      | 112W8102-1     |               | ..RING-PHENOLIC<br>OPTIONAL PART:<br>112W8102-5  | 101106<br>108120<br>504903 | 1              |
| 160      | 112W8102-5     |               | ..RING-PHENOLIC<br>OPTIONAL PART:<br>112W8102-1  | 101106<br>108120<br>504903 | 1              |
| - 215    | 112N6102-1     |               | DOOR ASSY-<br>FOR NHA SEE:<br>28-11-01-01H   | 101106<br>108120<br>504903 | RF             |
| 220      | K19079-4       |               | .NUT-SPECIAL<br>SUPPLIER CODE:<br>V15653<br>OPTIONAL PART:<br>RM12LH3614-048<br>V72962 | 101106<br>108120<br>504903 | 21             |

MISSING ITEM NUMBERS NOT APPLICABLE

- ITEM NOT ILLUSTRATED

28-11-01-01F

28-11-01  
FIG. 01F  
PAGE 1  
JAN 20/09

BRI



757

PARTS CATALOG (MAINTENANCE)

| FIG ITEM | PART NUMBER    | 1 2 3 4 5 6 7 | NOMENCLATURE  | EFFECT FROM TO             | UNITS PER ASSY |
|----------|----------------|---------------|---|----------------------------|----------------|
| 1 F      |                |               |   |                            |                |
| 220      | RM12LH3614-048 | .             | NUT-SPECIAL<br>SUPPLIER CODE:<br>V72962<br>OPTIONAL PART:<br>K19079-4<br>V15653       | 101106<br>108120<br>504903 | 21             |
| 225      | 63-8497        | .             | RETAINER ASSY-NUT   | 101106<br>108120<br>504903 | 21             |
| 230      | 69-77023-1     | .             | SEAL-FUEL   | 101106<br>108120<br>504903 | 1              |
| 235      | 112N6012-1     | .             | DOOR ASSY   | 101106<br>108120<br>504903 | 1              |
| 240      | 112N6013-1     | ..            | RING-PHENOLIC<br>OPTIONAL PART:<br>112N6013-3   | 101106<br>108120<br>504903 | 1              |
| 240      | 112N6013-3     | ..            | RING-PHENOLIC<br>OPTIONAL PART:<br>112N6013-1   | 101106<br>108120<br>504903 | 1              |
| - 390    | 65C33092-9     |               | DOOR ASSY-<br>FOR NHA SEE:<br>28-11-01-01H  | 101106<br>108120<br>504903 | RF             |
| 395      | 63-8497        | .             | RETAINER ASSY-NUT   | 101106<br>108120<br>504903 | 23             |
| 400      | K19079-4       | .             | NUT-SPECIAL<br>SUPPLIER CODE:<br>V15653<br>OPTIONAL PART:<br>RM12LH3614-048<br>V72962 | 101106<br>108120<br>504903 | 23             |
| 400      | RM12LH3614-048 | .             | NUT-SPECIAL<br>SUPPLIER CODE:<br>V72962<br>OPTIONAL PART:<br>K19079-4<br>V15653       | 101106<br>108120<br>504903 | 23             |
| 405      | 69-77138-4     | .             | INSERT  | 101106<br>108120<br>504903 | 23             |
| 410      | 69-77135-1     | .             | SEAL-FUEL   | 101106<br>108120<br>504903 | 1              |

MISSING ITEM NUMBERS NOT APPLICABLE

- ITEM NOT ILLUSTRATED

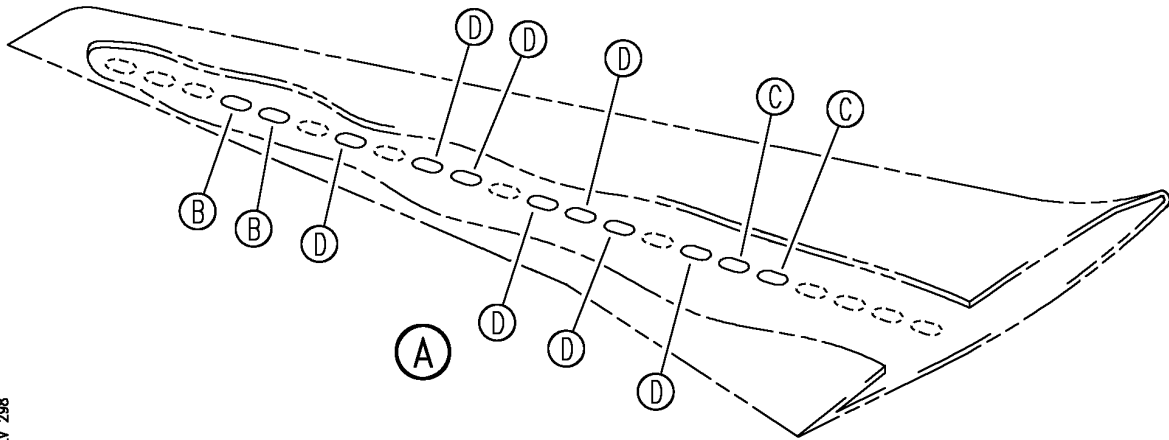
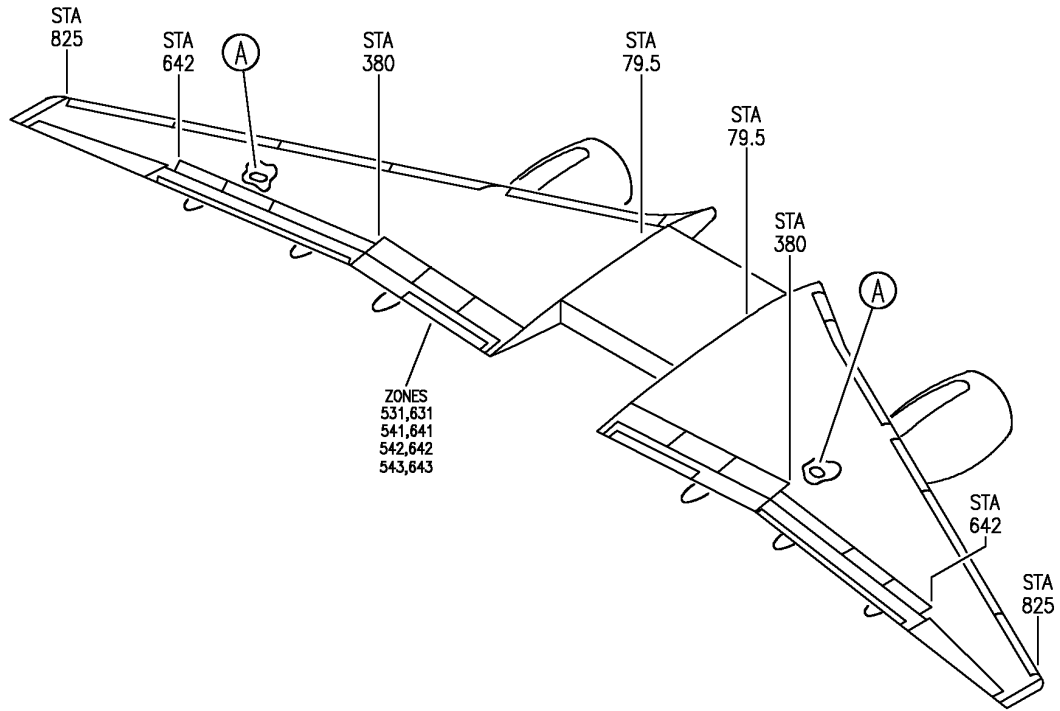
28-11-01-01F

28-11-01  
FIG. 01F  
PAGE 2  
JAN 20/09

BRI

BOEING PROPRIETARY - Copyright © - Unpublished Work - See title page for details.

**BOEING**  
757  
**PARTS CATALOG (MAINTENANCE)**



Y 28110101H SHT 1 REV 298

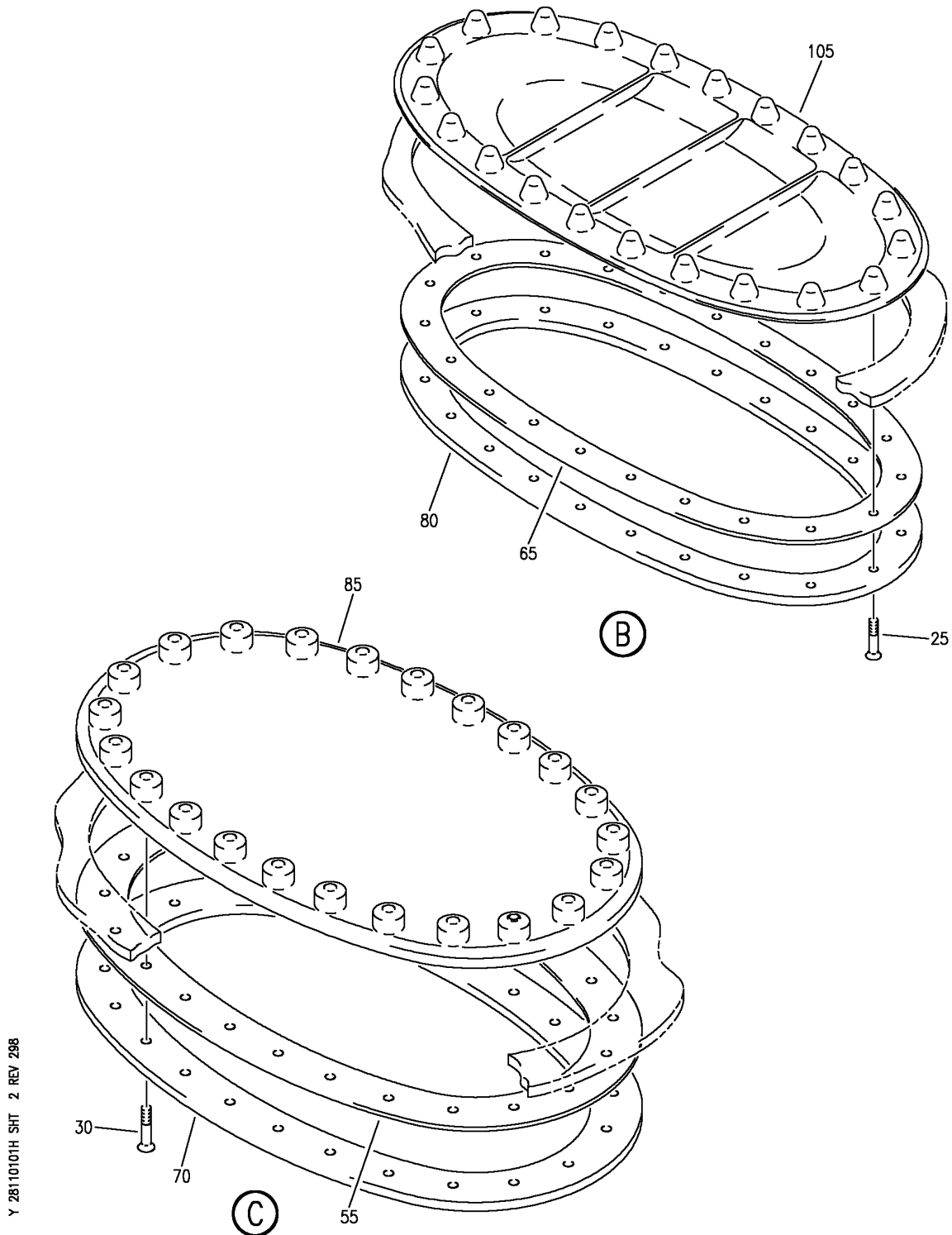
DOOR INSTL-WING LWR SURF. (MAIN TANK ACCES DOOR ONLY)  
FIGURE 1H (SHEET 1)

**28-11-01-01H**

BRI  
MAY 28/07

28-11-01-01H  
PAGE 0

**BOEING**  
757  
PARTS CATALOG (MAINTENANCE)



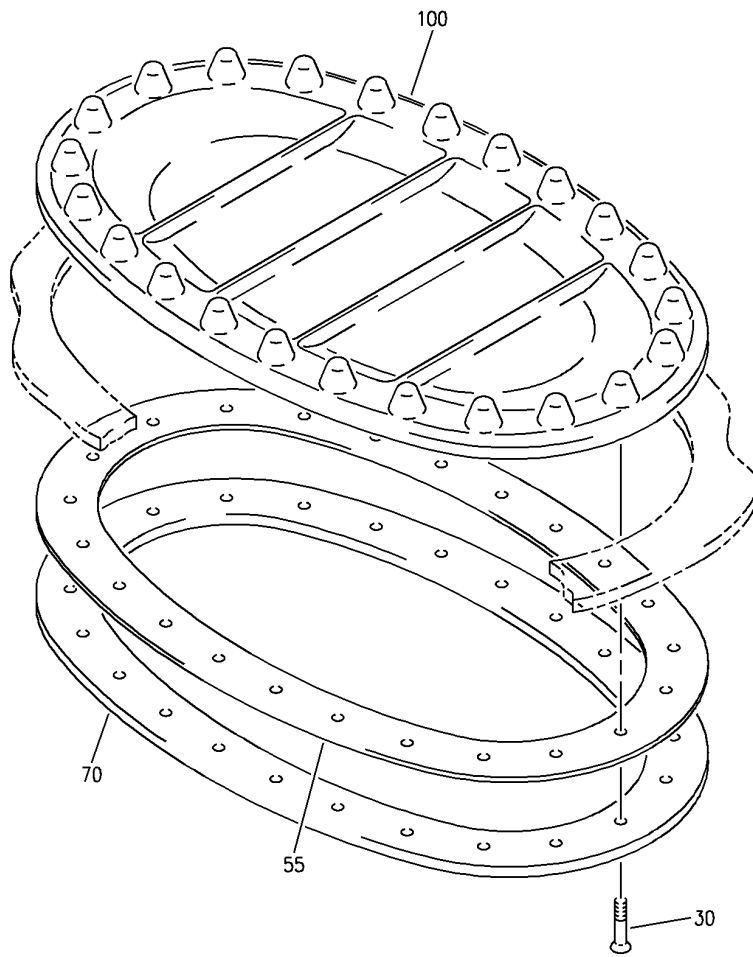
DOOR INSTL-WING LWR SURF. (MAIN TANK ACCES DOOR ONLY)  
FIGURE 1H (SHEET 2)

**28-11-01-01H**

BRI  
MAY 28/07

28-11-01-01H  
PAGE 0A

**BOEING**  
757  
PARTS CATALOG (MAINTENANCE)



(D)

Y 28110101H SHT 3 REV 298

DOOR INSTL-WING LWR SURF. (MAIN TANK ACCES DOOR ONLY)  
FIGURE 1H (SHEET 3)

**28-11-01-01H**

BRI  
MAY 28/07

28-11-01-01H  
PAGE 0B

BOEING PROPRIETARY - Copyright © - Unpublished Work - See title page for details.



757

PARTS CATALOG (MAINTENANCE)

| FIG ITEM | PART NUMBER  | 1 2 3 4 5 6 7 | NOMENCLATURE  | EFFECT FROM TO             | UNITS PER ASSY |
|----------|--------------|---------------|---|----------------------------|----------------|
| 1H       |              |               | DOOR INSTL-WING LWR SURF.<br>(MAIN TANK ACCES DOOR ONLY)  | 101106<br>108120<br>504903 |                |
| - 1      | 112N6001-403 |               | DOOR INSTL-WING SURF.<br>(MAIN TANK ACCES DOOR ONLY)  | 101102<br>108120<br>504903 | RF             |
| - 5      | MODREF755    |               | POSITION DATA:<br>LWR LH<br>FOR NHA/ADDITIONAL DET SEE:<br>57-00-00-15  |                            |                |
| - 5      | MODREF30121  |               | DOOR INSTL-WING SURF.<br>(MAIN TANK ACCES DOOR ONLY)  | 103103                     | 1              |
|          |              |               | MODULE NUMBER:<br>112N6001-403 REV A<br>POSITION DATA:<br>LWR LH<br>FOR ADDITIONAL DETAILS SEE:<br>28-11-02-05<br>28-11-03-02 |                            |                |
| - 5      | MODREF30121  |               | DOOR INSTL-WING SURF.<br>(MAIN TANK ACCES DOOR ONLY)  | 104106                     | 1              |
|          |              |               | MODULE NUMBER:<br>112N6001-403 REV B<br>POSITION DATA:<br>LWR LH<br>FOR ADDITIONAL DETAILS SEE:<br>28-11-02-05<br>28-11-03-02 |                            |                |
| - 10     | 112N6001-404 |               | DOOR INSTL-WING SURF.<br>(MAIN TANK ACCES DOOR ONLY)  | 101102<br>108120<br>504903 | RF             |
|          |              |               | POSITION DATA:<br>LWR RH<br>FOR NHA/ADDITIONAL DET SEE:<br>57-00-00-15  |                            |                |
| - 15     | MODREF756    |               | DOOR INSTL-WING SURF.<br>(MAIN TANK ACCES DOOR ONLY)  | 103103                     | 1              |
|          |              |               | MODULE NUMBER:<br>112N6001-404 REV A<br>POSITION DATA:<br>LWR RH<br>FOR ADDITIONAL DETAILS SEE:<br>28-11-02-05<br>28-11-03-02 |                            |                |

MISSING ITEM NUMBERS NOT APPLICABLE

- ITEM NOT ILLUSTRATED

28-11-01-01H

28-11-01  
FIG. 01H  
PAGE 1  
JAN 20/09

BRI





757

PARTS CATALOG (MAINTENANCE)

| FIG ITEM   | PART NUMBER  | 1 2 3 4 5 6 7     | NOMENCLATURE  | EFFECT FROM TO             | UNITS PER ASSY |
|------------|--------------|-------------------|---|----------------------------|----------------|
| 1H<br>- 15 | MODREF26476  |                   | DOOR INSTL-WING SURF.<br>(MAIN TANK ACCES DOOR ONLY)<br>MODULE NUMBER:<br>112N6001-404 REV B<br>POSITION DATA:<br>LWR RH<br>FOR ADDITIONAL DETAILS SEE:<br>28-11-02-05<br>28-11-03-02 | 104106                     | 1              |
| 25         | BACB30NN4K11 | .BOLT             |   | 101106<br>108120<br>504903 | 42             |
| 30         | BACB30NN4K12 | .BOLT             |   | 101106<br>108120<br>504903 | 207            |
| 55         | 65C33095-1   | .GASKET-WIRE MESH |   | 101106<br>108120<br>504903 | 9              |
| 55         | 65C33095-2   | .GASKET-WIRE MESH |   | 101106<br>108120<br>504903 | 9              |
| 55         | 112W8216-1   | .GASKET-WIRE MESH |   | 101106<br>108120<br>504903 | 9              |
| 65         | 65C33161-1   | .GASKET-WIRE MESH |   | 101106<br>108120<br>504903 | 2              |
| 65         | 65C33161-2   | .GASKET-WIRE MESH |   | 101106<br>108120<br>504903 | 2              |
| 70         | 69-35343-5   | .RING-CLAMP       |   | 101106<br>108120<br>504903 | 9              |
| 80         | 69-35342-2   | .RING-CLAMP       |   | 101106<br>108120<br>504903 | 2              |
| 85         | 65C33092-9   | .DOOR ASSY-       | FOR DETAILS SEE:<br>28-11-01-01F  | 101106<br>108120<br>504903 | 2              |
| 100        | 112N6101-1   | .DOOR ASSY-       | FOR DETAILS SEE:<br>28-11-01-01F  | 101106<br>108120<br>504903 | 7              |
| 100        | 112N6101-2   | .DOOR ASSY-       | FOR DETAILS SEE:<br>28-11-01-01F  | 101106<br>108120<br>504903 | 7              |
| 105        | 112N6102-1   | .DOOR ASSY-       | FOR DETAILS SEE:<br>28-11-01-01F  | 101106<br>108120<br>504903 | 2              |

R  
R  
R

MISSING ITEM NUMBERS NOT APPLICABLE

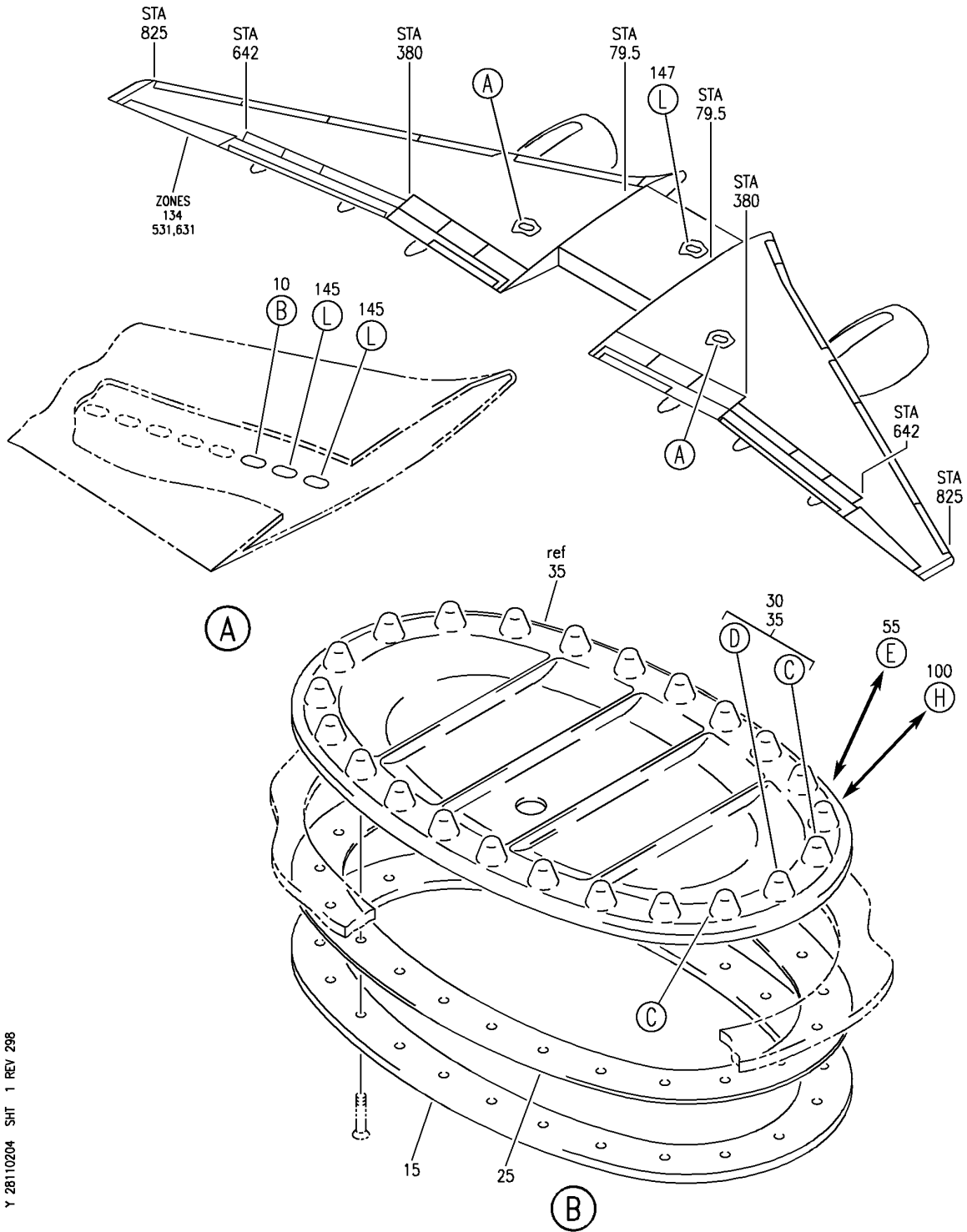
- ITEM NOT ILLUSTRATED

28-11-01-01H

28-11-01  
FIG. 01H  
PAGE 2  
MAY 20/09

BRI

**BOEING**  
757  
PARTS CATALOG (MAINTENANCE)



Y 28110204 SH1 1 REV 298

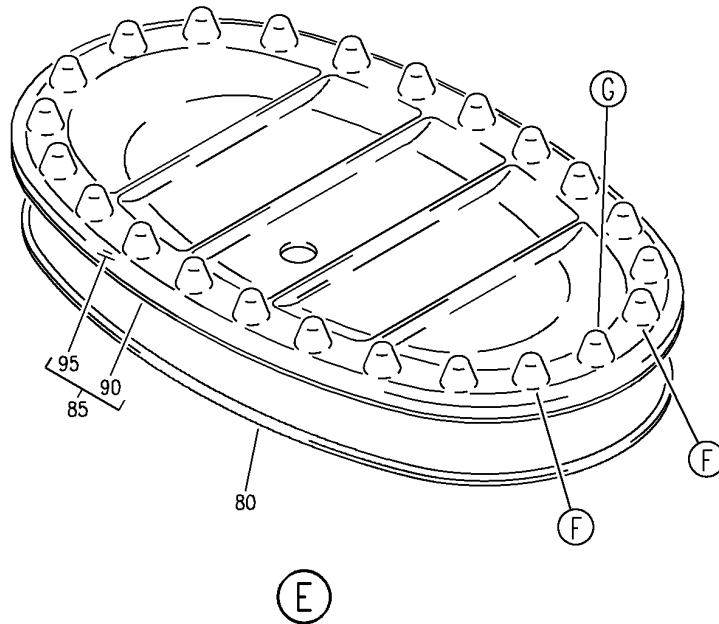
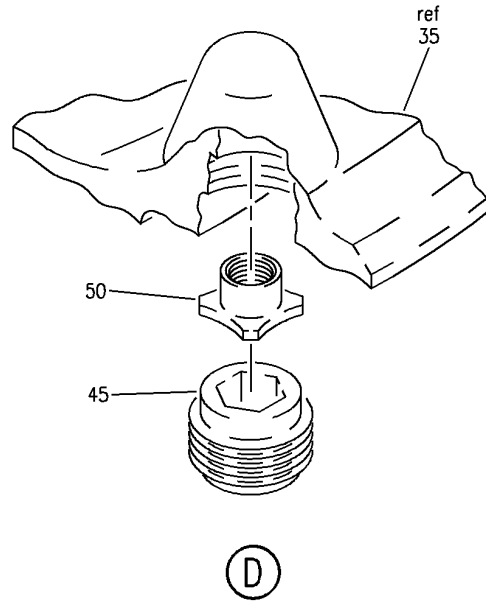
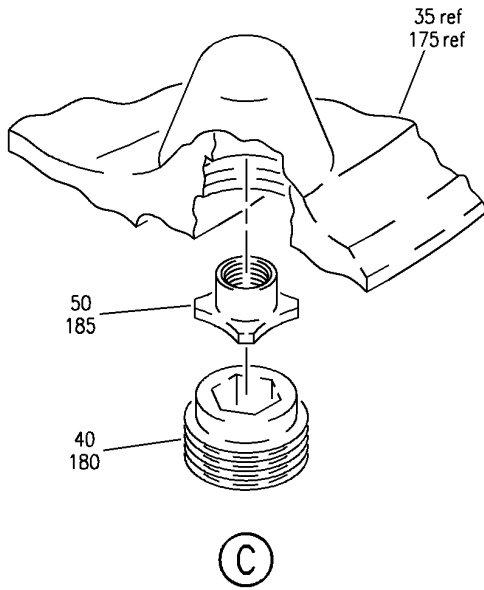
DOOR INSTL-WING LWR SURF. (CENTER TANK ACCES DOOR ONLY)  
FIGURE 4 (SHEET 1)

**28-11-02-04**

BRI  
MAY 28/07

28-11-02-04  
PAGE 0

**BOEING**  
757  
PARTS CATALOG (MAINTENANCE)



Y 28110204 SH1 2 REV 298

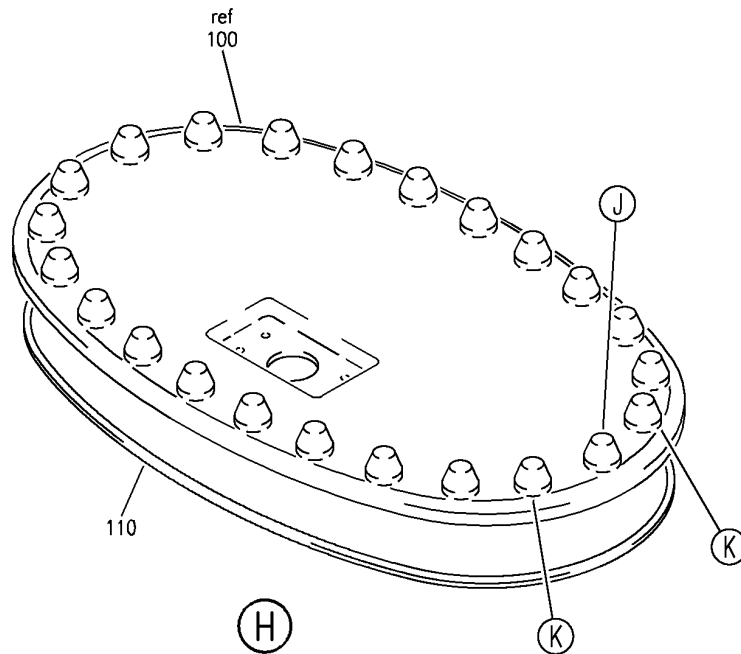
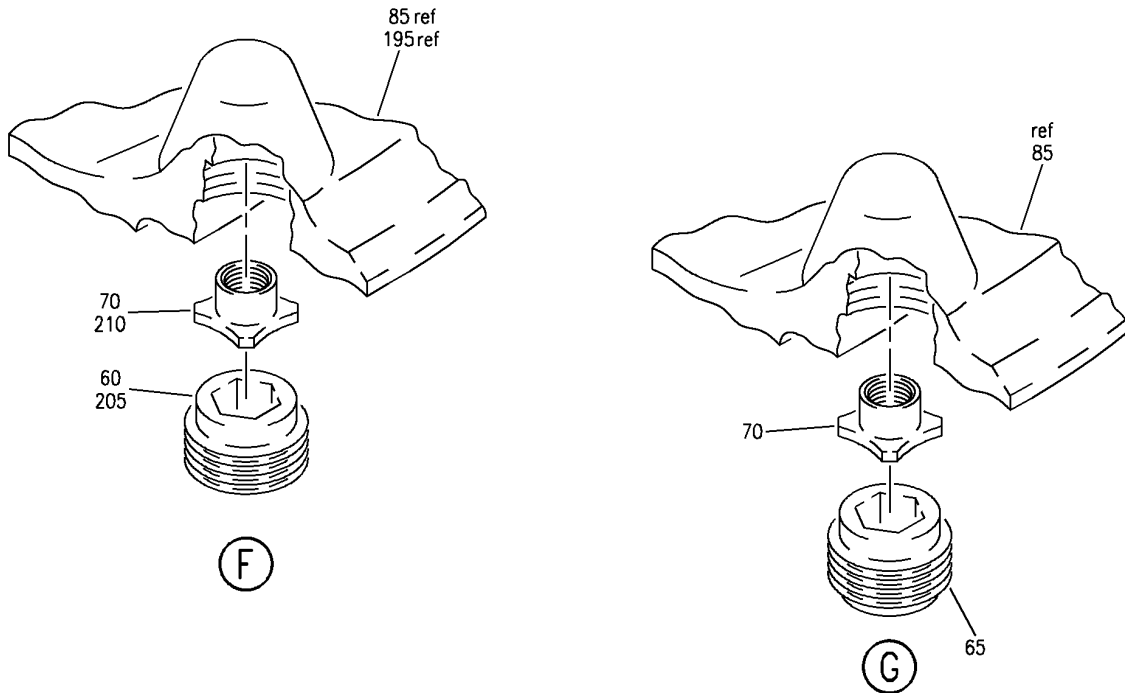
DOOR INSTL-WING LWR SURF. (CENTER TANK ACCES DOOR ONLY)  
FIGURE 4 (SHEET 2)

**28-11-02-04**

BRI  
MAY 28/07

28-11-02-04  
PAGE 0A

**BOEING**  
757  
PARTS CATALOG (MAINTENANCE)



Y 28110204 SH1 3 REV 298

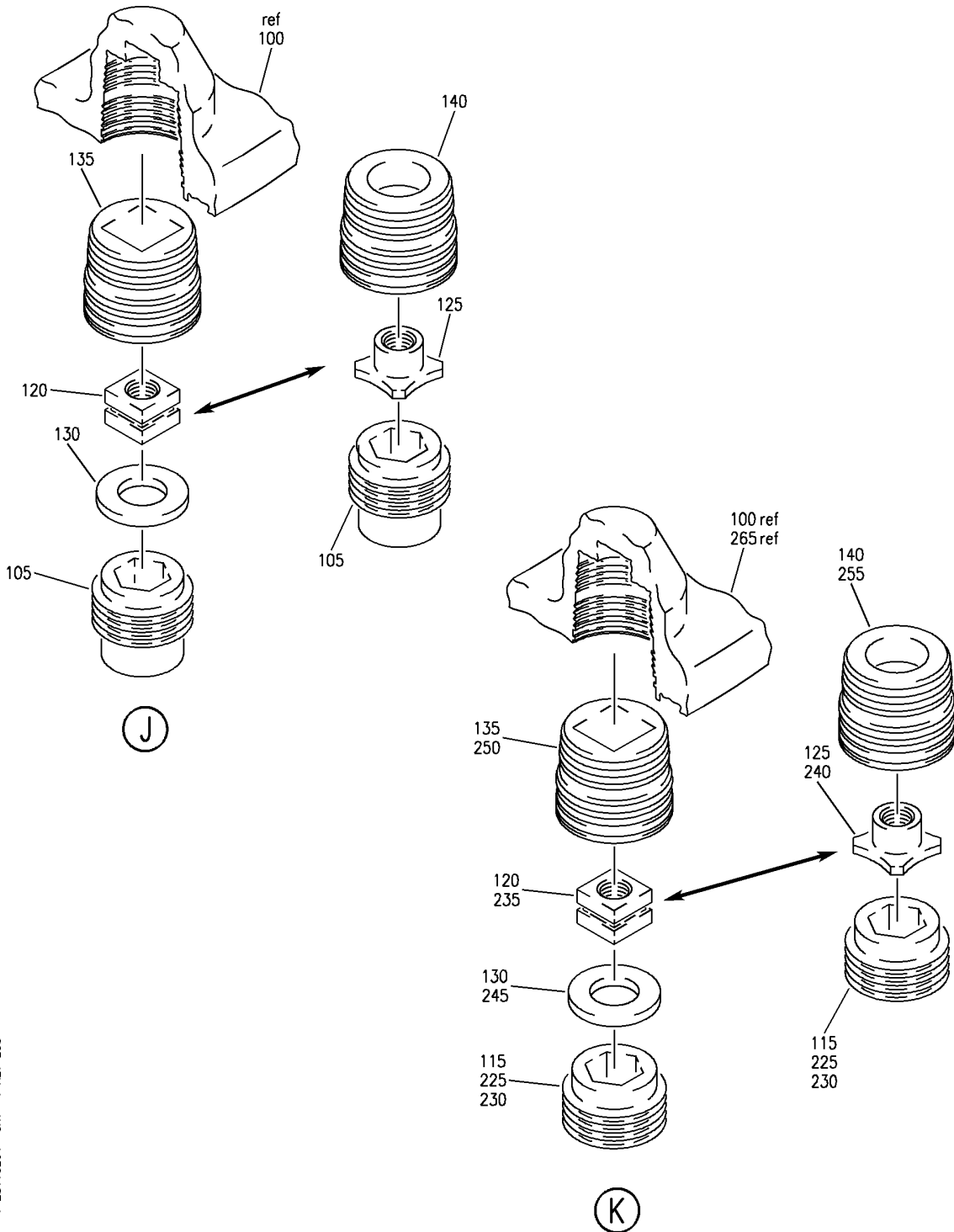
DOOR INSTL-WING LWR SURF. (CENTER TANK ACCES DOOR ONLY)  
FIGURE 4 (SHEET 3)

BRI  
MAY 28/07

**28-11-02-04**

28-11-02-04  
PAGE 0B

**BOEING**  
757  
PARTS CATALOG (MAINTENANCE)



Y 28110204 SH1 4 REV 298

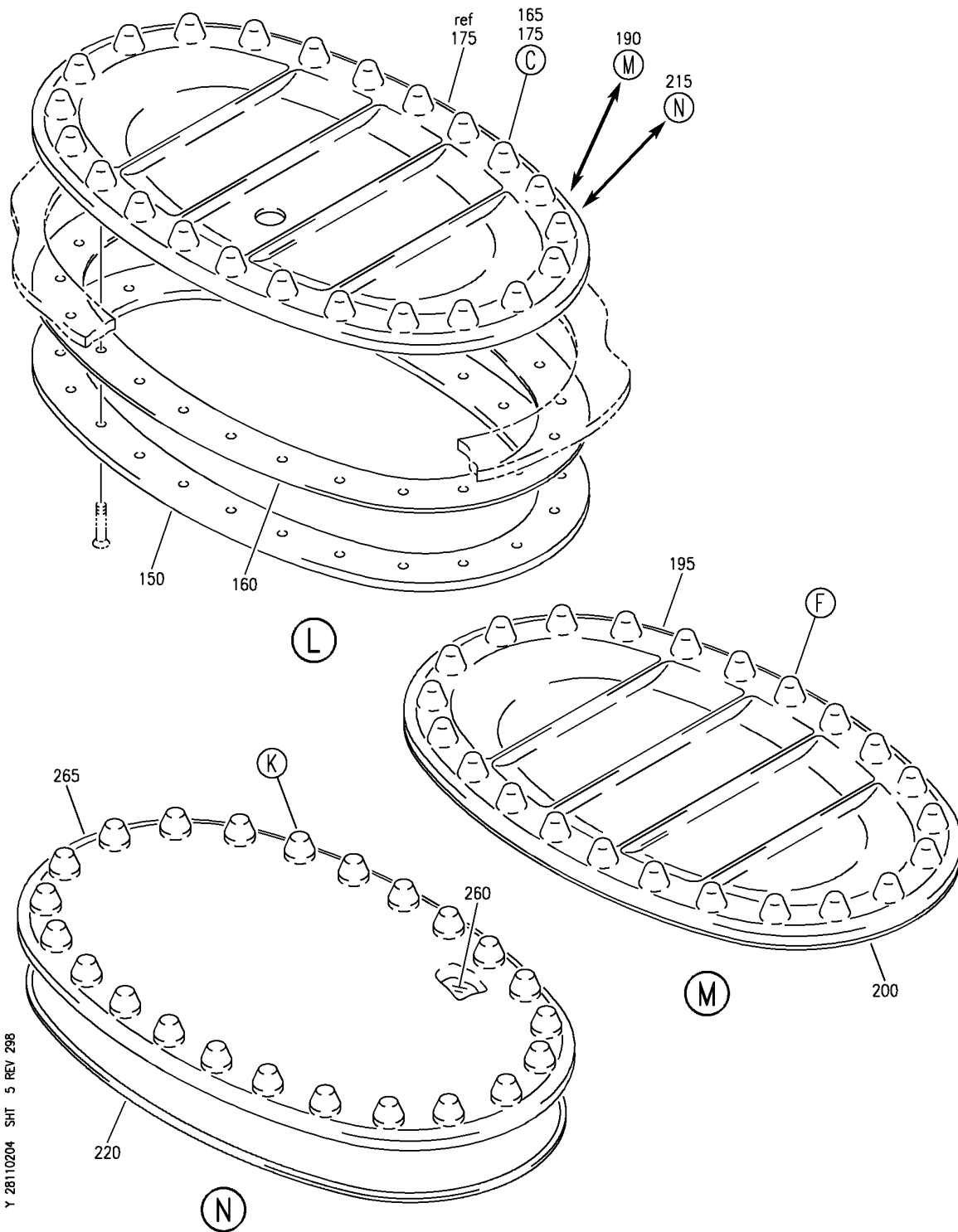
DOOR INSTL-WING LWR SURF. (CENTER TANK ACCES DOOR ONLY)  
FIGURE 4 (SHEET 4)

**28-11-02-04**

BRI  
MAY 28/07

28-11-02-04  
PAGE 0C

**BOEING**  
757  
PARTS CATALOG (MAINTENANCE)



DOOR INSTL-WING LWR SURF. (CENTER TANK ACCES DOOR ONLY)  
FIGURE 4 (SHEET 5)

**28-11-02-04**

BRI  
MAY 28/07

28-11-02-04  
PAGE 0D



757

PARTS CATALOG (MAINTENANCE)

| FIG ITEM | PART NUMBER | 1 2 3 4 5 6 7 | NOMENCLATURE   | EFFECT FROM TO                                 | UNITS PER ASSY |
|----------|-------------|---------------|--|--|----------------|
| 4        |             |               | DOOR INSTL-WING LWR SURF.<br>(CENTER TANK ACCES DOOR ONLY)   | 002004<br>006100<br>107107<br>121503<br>904999 |                |
| - 1      | 112N6001-3  |               | DOOR INSTL-WING SURF.<br>(CENTER TANK ACCES DOOR ONLY)<br>POSITION DATA:<br>LWR LH<br>FOR NHA/ADDITIONAL DET SEE:<br>57-20-52-01 | 107107   | RF             |
| - 1      | 112N6001-7  |               | DOOR INSTL-WING SURF.<br>(CENTER TANK ACCES DOOR ONLY)<br>POSITION DATA:<br>LWR LH<br>FOR NHA/ADDITIONAL DET SEE:<br>57-20-52-01 | 002004<br>006010<br>121503<br>904999           | RF             |
| - 1      | 112N6001-9  |               | DOOR INSTL-WING SURF.<br>(CENTER TANK ACCES DOOR ONLY)<br>POSITION DATA:<br>LWR LH<br>FOR NHA/ADDITIONAL DET SEE:<br>57-20-52-01 | 011100   | RF             |
| - 5      | 112N6001-4  |               | DOOR INSTL-WING SURF.<br>(CENTER TANK ACCES DOOR ONLY)<br>POSITION DATA:<br>LWR RH<br>FOR NHA/ADDITIONAL DET SEE:<br>57-20-52-01 | 107107   | RF             |
| - 5      | 112N6001-8  |               | DOOR INSTL-WING SURF.<br>(CENTER TANK ACCES DOOR ONLY)<br>POSITION DATA:<br>LWR RH<br>FOR NHA/ADDITIONAL DET SEE:<br>57-20-52-01 | 002004<br>006010<br>121503<br>904999           | RF             |
| - 5      | 112N6001-10 |               | DOOR INSTL-WING SURF.<br>(CENTER TANK ACCES DOOR ONLY)<br>POSITION DATA:<br>LWR RH<br>FOR NHA/ADDITIONAL DET SEE:<br>57-20-52-01 | 011100   | RF             |

MISSING ITEM NUMBERS NOT APPLICABLE

- ITEM NOT ILLUSTRATED

28-11-02-04

28-11-02  
FIG. 04  
PAGE 1  
JAN 20/09

BRI

**BOEING**  
757  
PARTS CATALOG (MAINTENANCE)

| FIG ITEM | PART NUMBER | 1 2 3 4 5 6 7 | NOMENCLATURE   | EFFECT FROM TO                                 | UNITS PER ASSY |
|----------|-------------|---------------|--|--|----------------|
| 4        |             |               |  |  |                |
| 10       | 65-50748-11 |               | .DOOR INSTL-DRIPSTICK<br>REWORKED BY SB:<br>28-0019  | 107107   | 1              |
| 10       | 112N6007-2  |               | .DOOR INSTL-TANK ACCESS<br>IMPACT RESISTANCE,<br>DRIPSTICK   | 002004<br>006100<br>121503<br>904999           | 1              |
| 15       | 69-35343-1  |               | ..RING-CLAMP   | 107107   | 1              |
| 15       | 69-35343-5  |               | ..RING-CLAMP   | 107107   | 1              |
| 15       | 69-35343-5  |               | ..RING-CLAMP   | 002004<br>006100<br>121503<br>904999           | 1              |
| -        | 20          | BACB30NN4K12  | ATTACHING PARTS<br>..BOLT  | 002004<br>006100<br>107107<br>121503<br>904999 | 23             |
|          | 25          | 15-20001C     | -----*-----<br>..GASKET-KNITTED<br>SUPPLIER CODE:<br>V07700<br>SPECIFICATION NUMBER:<br>10-61421-4<br>OPTIONAL PART:<br>15-20001<br>V07700<br>15-201481<br>V07700<br>15-20001B<br>V07700 | 107107   | 1              |
|          | 25          | 65C33095-1    | ..GASKET-WIRE MESH<br>POST SERVICE BULLETIN:<br>28-0019  | 107107   | 1              |
|          | 25          | 65C33095-1    | ..GASKET-WIRE MESH   | 002004<br>006100<br>121503<br>904999           | 1              |
|          | 25          | 65C33095-2    | ..GASKET-WIRE MESH   | 002004<br>006100<br>107107<br>121503<br>904999 | 1              |
|          | 25          | 112W8216-1    | ..GASKET-WIRE MESH   | 002004<br>006100<br>107107<br>121503<br>904999 | 1              |

R  
R  
R  
R  
R

MISSING ITEM NUMBERS NOT APPLICABLE

- ITEM NOT ILLUSTRATED

BRI

28-11-02-04

28-11-02  
FIG. 04  
PAGE 2  
MAY 20/09





757

PARTS CATALOG (MAINTENANCE)

| FIG ITEM | PART NUMBER | 1 2 3 4 5 6 7 | NOMENCLATURE  | EFFECT FROM TO                                 | UNITS PER ASSY |
|----------|-------------|---------------|---|--|----------------|
| 4<br>100 | 65C33147-4  | ..            | DOOR ASSY-<br>QUALIFIED I/W DATA:<br>65C33147-4 OR 65C33147-6<br>MAY REPLACE 9001-108 AT<br>WS218 AND WS245 ON 757<br>ONLY<br>USED ON:<br>112N6007-1  | 002004<br>006100<br>121503<br>904999           | 1              |
| 100      | 65C33147-6  | ..            | DOOR ASSY-<br>USED ON:<br>112N6007-1  | 002004<br>006100<br>121503<br>904999           | 1              |
| 100      | 65C33147-8  | ..            | DOOR ASSY-<br>QUALIFIED I/W DATA:<br>65C33147-8 MAY REPLACE<br>9001-108 AT WS218 AND<br>WS245 ON 757 ONLY<br>USED ON:<br>112N6007-1<br>112N6007-2   | 002004<br>006100<br>121503<br>904999           | 1              |
| 100      | 112N6000-4  | ..            | DOOR ASSY-<br>QUALIFIED I/W DATA:<br>65C33153-6 OR 65C33153-4<br>INTERCHANGEABLE WITH<br>112N6000-4 ONLY IF<br>SERVICE BULLETIN<br>757-28-0019 IS<br>INCORPORATED.<br>POST SERVICE BULLETIN:<br>28-0019 | 107107   | 1              |
| 105      | 69-77692-1  | ...           | RETAINER-NUT<br>USED ON:<br>65C33147-4<br>65C33147-6  | 002004<br>006100<br>121503<br>904999           | 1              |
| 105      | 69-77692-4  | ...           | RETAINER-NUT<br>USED ON:<br>65C33147-8<br>POST SERVICE BULLETIN:<br>28-0019   | 002004<br>006100<br>107107<br>121503<br>904999 | 1              |
| 110      | 69-77135-1  | ...           | SEAL-FUEL<br>POST SERVICE BULLETIN:<br>28-0019  | 002004<br>006100<br>107107<br>121503<br>904999 | 1              |
| 115      | 63-8497     | ...           | RETAINER ASSY-NUT<br>POST SERVICE BULLETIN:<br>28-0019  | 002004<br>006100<br>107107<br>121503<br>904999 | 22             |

MISSING ITEM NUMBERS NOT APPLICABLE

- ITEM NOT ILLUSTRATED

28-11-02-04

28-11-02  
FIG. 04  
PAGE 3  
JAN 20/09

BRI



757

PARTS CATALOG (MAINTENANCE)

| FIG ITEM | PART NUMBER    | 1 2 3 4 5 6 7 | NOMENCLATURE   | EFFECT FROM TO                                 | UNITS PER ASSY |
|----------|----------------|---------------|--|--|----------------|
| 4        |                |               |  |  |                |
| 120      | 69-77137-2     | ...           | NUT-<br>USED ON:<br>65C33147-4<br>65C33147-6   | 002004<br>006100<br>121503<br>904999           | 23             |
| 125      | K19079-4       | ...           | NUT-SPECIAL<br>SUPPLIER CODE:<br>V15653<br>OPTIONAL PART:<br>RM12LH3614-048<br>V72962<br>USED ON:<br>65C33147-8<br>POST SERVICE BULLETIN:<br>28-0019 | 002004<br>006100<br>107107<br>121503<br>904999 | 23             |
| 125      | RM12LH3614-048 | ...           | NUT-SPECIAL<br>SUPPLIER CODE:<br>V72962<br>OPTIONAL PART:<br>K19079-4<br>V15653<br>USED ON:<br>65C33147-8<br>POST SERVICE BULLETIN:<br>28-0019       | 002004<br>006100<br>107107<br>121503<br>904999 | 23             |
| 130      | 112N4508-1     | ...           | WASHER-<br>USED ON:<br>65C33147-4<br>65C33147-6  | 002004<br>006100<br>121503<br>904999           | 23             |
| 135      | 69-77138-2     | ...           | INSERT-NOT REPLACEABLE,<br>SEE NHA FOR SPARE<br>USED ON:<br>65C33147-4   | 002004<br>006100<br>121503<br>904999           | 23             |
| 135      | 69-77138-3     | ...           | INSERT-NOT REPLACEABLE,<br>SEE NHA FOR SPARE<br>USED ON:<br>65C33147-6   | 002004<br>006100<br>121503<br>904999           | 23             |
| 140      | 69-77138-4     | ...           | INSERT-NOT REPLACEABLE,<br>SEE NHA FOR SPARE<br>USED ON:<br>65C33147-8<br>POST SERVICE BULLETIN:<br>28-0019  | 002004<br>006100<br>107107<br>121503<br>904999 | 23             |
| 145      | 65-47850-4     | .             | DOOR INSTL-SURF. TANK<br>ACCESS<br>POSITION DATA:<br>LWR<br>REWORKED BY SB:<br>28-0019   | 107107   | 2              |

MISSING ITEM NUMBERS NOT APPLICABLE

- ITEM NOT ILLUSTRATED

28-11-02-04

28-11-02  
FIG. 04  
PAGE 4  
JAN 20/09

BRI



757

PARTS CATALOG (MAINTENANCE)

| FIG ITEM | PART NUMBER  | 1 2 3 4 5 6 7 | NOMENCLATURE   | EFFECT FROM TO                                 | UNITS PER ASSY |
|----------|--------------|---------------|--|--|----------------|
| 4        |              |               |  |  |                |
| 145      | 112N6006-2   |               | .DOOR INSTL-TANK ACCESS<br>IMPACT RESISTANCE   | 002004<br>006100<br>121503<br>904999           | 2              |
| 150      | 69-35343-1   |               | ..RING-CLAMP   | 107107   | 1              |
| 150      | 69-35343-5   |               | ..RING-CLAMP   | 107107   | 1              |
| 150      | 69-35343-5   |               | ..RING-CLAMP   | 002004<br>006100<br>121503<br>904999           | 1              |
|          |              |               | ATTACHING PARTS  |  |                |
| - 155    | BACB30NN4K12 |               | ..BOLT   | 002004<br>006100<br>107107<br>121503<br>904999 | 23             |
|          |              |               | -----*-----  |  |                |
| 160      | 65C33095-1   |               | ..GASKET-WIRE MESH<br>POST SERVICE BULLETIN:<br>28-0019  | 002004<br>006100<br>107107<br>121503<br>904999 | 1              |
| 160      | 65C33095-2   |               | ..GASKET-WIRE MESH   | 002004<br>006100<br>107107<br>121503<br>904999 | 1              |
| 160      | 112W8216-1   |               | ..GASKET-WIRE MESH   | 002004<br>006100<br>107107<br>121503<br>904999 | 1              |
| 215      | 65C33092-2   |               | ..DOOR ASSY-<br>QUALIFIED I/W DATA:<br>65C33092-2 MAY REPLACE<br>8001-83 AT WS164.0,<br>WS191.0, WS272.0, AND<br>WS300.0 ON 757 ONLY<br>USED ON:<br>112N6006-1 | 002004<br>006100<br>121503<br>904999           | 1              |
| 215      | 65C33092-7   |               | ..DOOR ASSY-<br>USED ON:<br>112N6006-1<br>112N6006-2   | 002004<br>006100<br>121503<br>904999           | 1              |
| 215      | 65C33092-9   |               | ..DOOR ASSY-<br>USED ON:<br>112N6006-1<br>112N6006-2   | 002004<br>006100<br>121503<br>904999           | 1              |

R  
R  
R  
R  
R

MISSING ITEM NUMBERS NOT APPLICABLE

- ITEM NOT ILLUSTRATED

28-11-02-04

28-11-02  
FIG. 04  
PAGE 5  
MAY 20/09

BRI



757

PARTS CATALOG (MAINTENANCE)

| FIG ITEM | PART NUMBER    | 1 2 3 4 5 6 7 | NOMENCLATURE   | EFFECT FROM TO                                 | UNITS PER ASSY |
|----------|----------------|---------------|--|--|----------------|
| 4        |                |               |  |  |                |
| 215      | 112N6000-3     | ..            | DOOR ASSY-<br>POST SERVICE BULLETIN:<br>28-0019  | 107107   | 1              |
| 220      | 69-77135-1     | ...           | SEAL-FUEL<br>POST SERVICE BULLETIN:<br>28-0019   | 002004<br>006100<br>107107<br>121503<br>904999 | 1              |
| 225      | 63-8497        | ...           | RETAINER ASSY-NUT<br>POST SERVICE BULLETIN:<br>28-0019   | 002004<br>006100<br>107107<br>121503<br>904999 | 23             |
| 230      | 63-8497-1      | ...           | RETAINER-NUT   | 002004<br>006100<br>121503<br>904999           | 23             |
| 235      | 69-77137-2     | ...           | NUT-<br>USED ON:<br>65C33092-2<br>65C33092-7   | 002004<br>006100<br>121503<br>904999           | 23             |
| 240      | K19079-4       | ...           | NUT-SPECIAL<br>SUPPLIER CODE:<br>V15653<br>OPTIONAL PART:<br>RM12LH3614-048<br>V72962<br>USED ON:<br>65C33092-9<br>POST SERVICE BULLETIN:<br>28-0019 | 002004<br>006100<br>107107<br>121503<br>904999 | 23             |
| 240      | RM12LH3614-048 | ...           | NUT-SPECIAL<br>SUPPLIER CODE:<br>V72962<br>OPTIONAL PART:<br>K19079-4<br>V15653<br>USED ON:<br>65C33092-9<br>POST SERVICE BULLETIN:<br>28-0019       | 002004<br>006100<br>107107<br>121503<br>904999 | 23             |
| 245      | 112N4508-1     | ...           | WASHER-<br>USED ON:<br>65C33092-2<br>65C33092-7  | 002004<br>006100<br>121503<br>904999           | 23             |
| 250      | 69-77138-2     | ...           | INSERT-NOT REPLACEABLE,<br>SEE NHA FOR SPARE<br>USED ON:<br>65C33092-2   | 002004<br>006100<br>121503<br>904999           | 23             |

MISSING ITEM NUMBERS NOT APPLICABLE

- ITEM NOT ILLUSTRATED

28-11-02-04

28-11-02  
FIG. 04  
PAGE 6  
MAY 20/09

BRI



757

PARTS CATALOG (MAINTENANCE)

| FIG ITEM | PART NUMBER | 1 2 3 4 5 6 7 | NOMENCLATURE  | EFFECT FROM TO                                 | UNITS PER ASSY |
|----------|-------------|---------------|---|--|----------------|
| 4<br>250 | 69-77138-3  |               | ...INSERT-NOT REPLACEABLE,<br>SEE NHA FOR SPARE<br>USED ON:<br>65C33092-7                     | 002004<br>006100<br>121503<br>904999           | 23             |
| 255      | 69-77138-4  |               | ...INSERT-NOT REPLACEABLE,<br>SEE NHA FOR SPARE<br>USED ON:<br>65C33092-9                     | 002004<br>006100<br>107107<br>121503<br>904999 | 23             |
| 260      | 65C33094-1  |               | ...SHEET-FACE<br>POST SERVICE BULLETIN:<br>28-0019  | 002004<br>006100<br>107107<br>121503<br>904999 | 1              |
| 265      | 65C33093-1  |               | ...PLATE-BACKING<br>USED ON:<br>65C33092-2  | 002004<br>006100<br>121503<br>904999           | 1              |
| 265      | 65C33093-2  |               | ...PLATE-BACKING<br>USED ON:<br>65C33092-7<br>65C33092-9<br>POST SERVICE BULLETIN:<br>28-0019 | 002004<br>006100<br>107107<br>121503<br>904999 | 1              |

MISSING ITEM NUMBERS NOT APPLICABLE

- ITEM NOT ILLUSTRATED

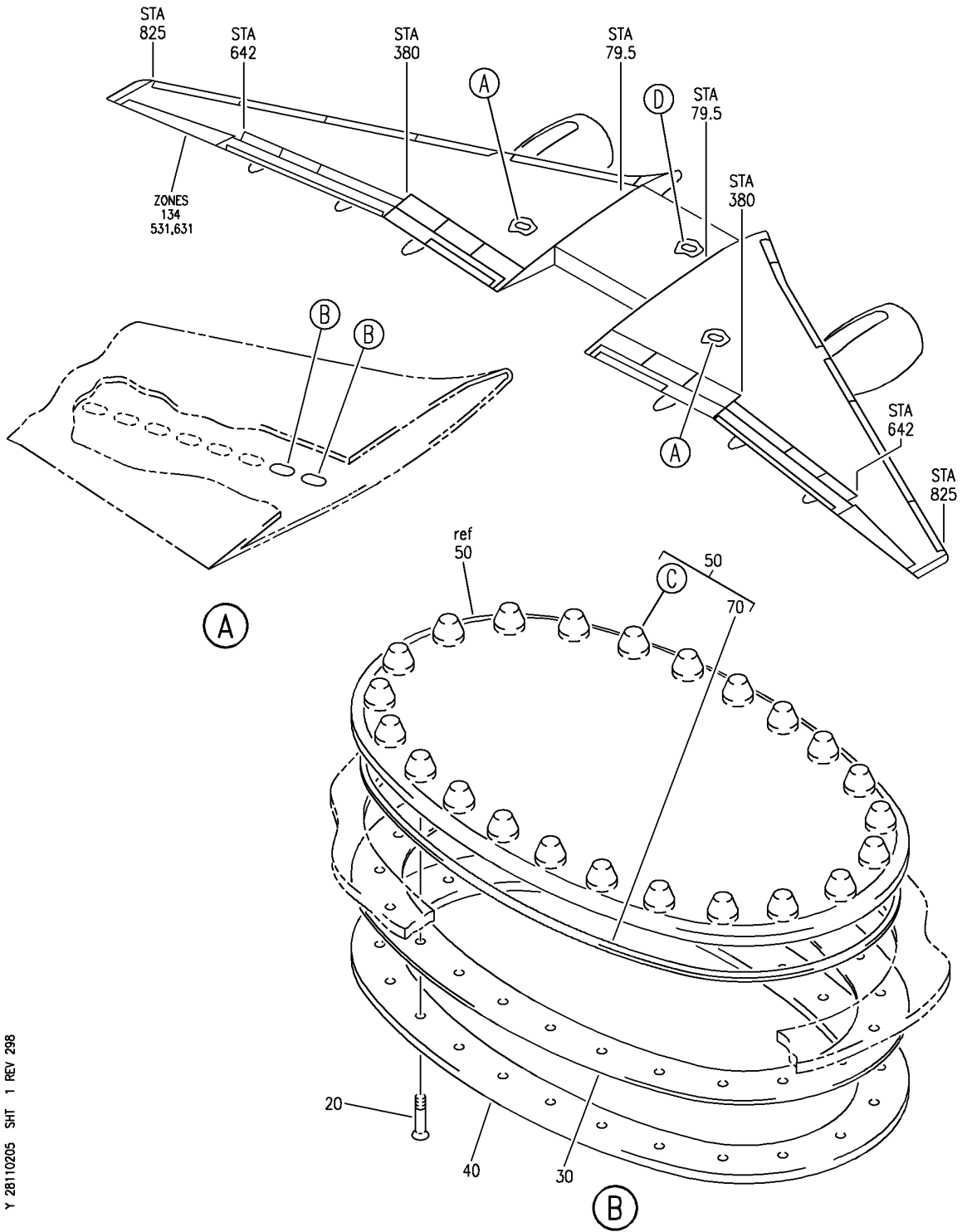
BRI

28-11-02-04

BOEING PROPRIETARY - Copyright © - Unpublished Work - See title page for details.

28-11-02  
FIG. 04  
PAGE 7  
JAN 20/09

**BOEING**  
757  
PARTS CATALOG (MAINTENANCE)



Y 28110205 SH1 1 REV 298

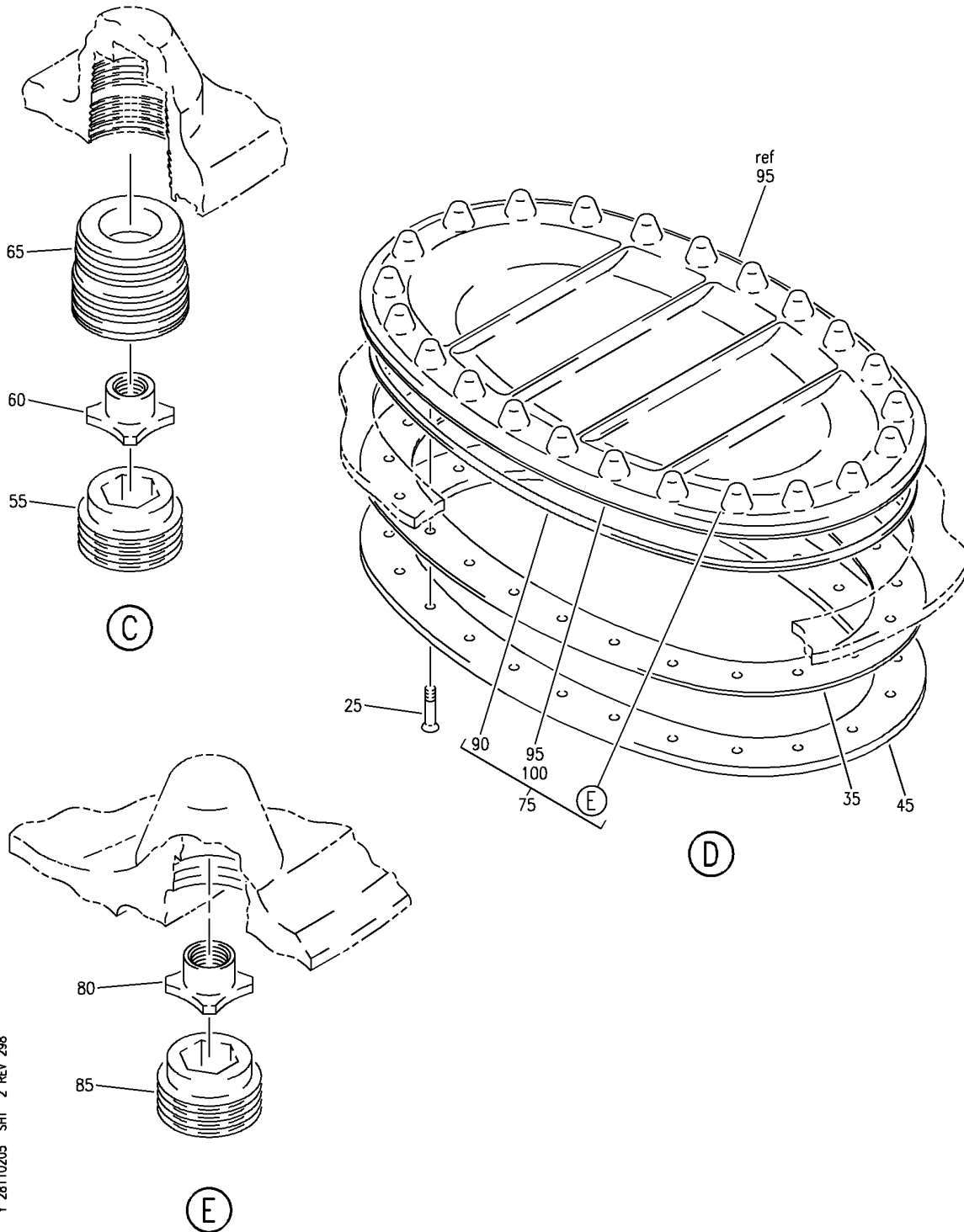
DOOR INSTL-WING LWR SURF. (CENTER TANK ACCES DOOR ONLY)  
FIGURE 5 (SHEET 1)

**28-11-02-05**

BRI  
MAY 28/07

28-11-02-05  
PAGE 0

**BOEING**  
757  
PARTS CATALOG (MAINTENANCE)



Y 28110205 SHT 2 REV 298

DOOR INSTL-WING LWR SURF. (CENTER TANK ACCES DOOR ONLY)  
FIGURE 5 (SHEET 2)

**28-11-02-05**

BRI  
MAY 28/07

28-11-02-05  
PAGE 0A



757

PARTS CATALOG (MAINTENANCE)

| FIG ITEM | PART NUMBER  | 1 2 3 4 5 6 7 | NOMENCLATURE   | EFFECT FROM TO             | UNITS PER ASSY |
|----------|--------------|---------------|--|----------------------------|----------------|
| 5        |              |               | DOOR INSTL-WING LWR SURF.<br>(CENTER TANK ACCES DOOR ONLY)   | 101106<br>108120<br>504903 |                |
| - 1      | 112N6001-403 |               | DOOR INSTL-WING SURF.<br>(CENTER TANK ACCES DOOR ONLY)   | 101102<br>108120<br>504903 | RF             |
| - 5      | MODREF755    |               | POSITION DATA:<br>LWR LH<br>FOR NHA/ADDITIONAL DET SEE:<br>57-00-00-15   |                            |                |
| - 5      | MODREF30121  |               | DOOR INSTL-WING SURF.<br>(CENTER TANK ACCES DOOR ONLY)   | 103103                     | 1              |
|          |              |               | MODULE NUMBER:<br>112N6001-403 REV A<br>POSITION DATA:<br>LWR LH<br>FOR ADDITIONAL DETAILS SEE:<br>28-11-01-01H<br>28-11-03-02 |                            |                |
| - 5      | MODREF30121  |               | DOOR INSTL-WING SURF.<br>(CENTER TANK ACCES DOOR ONLY)   | 104106                     | 1              |
|          |              |               | MODULE NUMBER:<br>112N6001-403 REV B<br>POSITION DATA:<br>LWR LH<br>FOR ADDITIONAL DETAILS SEE:<br>28-11-01-01H<br>28-11-03-02 |                            |                |
| - 10     | 112N6001-404 |               | DOOR INSTL-WING SURF.<br>(CENTER TANK ACCES DOOR ONLY)   | 101102<br>108120<br>504903 | RF             |
|          |              |               | POSITION DATA:<br>LWR RH<br>FOR NHA/ADDITIONAL DET SEE:<br>57-00-00-15   |                            |                |
| - 15     | MODREF756    |               | DOOR INSTL-WING SURF.<br>(CENTER TANK ACCES DOOR ONLY)   | 103103                     | 1              |
|          |              |               | MODULE NUMBER:<br>112N6001-404 REV A<br>POSITION DATA:<br>LWR RH<br>FOR ADDITIONAL DETAILS SEE:<br>28-11-01-01H<br>28-11-03-02 |                            |                |

MISSING ITEM NUMBERS NOT APPLICABLE

- ITEM NOT ILLUSTRATED

28-11-02-05

28-11-02  
FIG. 05  
PAGE 1  
JAN 20/09

BRI





757

PARTS CATALOG (MAINTENANCE)

| FIG ITEM | PART NUMBER     | 1 2 3 4 5 6 7 | NOMENCLATURE   | EFFECT FROM TO             | UNITS PER ASSY |
|----------|-----------------|---------------|--|----------------------------|----------------|
| 5        |                 |               |  |                            |                |
| - 15     | MODREF26476     |               | DOOR INSTL-WING SURF.<br>(CENTER TANK ACCES DOOR ONLY)<br>MODULE NUMBER:<br>112N6001-404 REV B<br>POSITION DATA:<br>LWR RH<br>FOR ADDITIONAL DETAILS SEE:<br>28-11-01-01H<br>28-11-03-02 | 104106                     | 1              |
|          | 20 BACB30NN4K12 |               | .BOLT  | 101106<br>108120<br>504903 | 46             |
|          | 25 BACB30NN4K12 |               | .BOLT  | 101106<br>108120<br>504903 | 23             |
|          | 30 65C33095-1   |               | .GASKET-WIRE MESH  | 101106<br>108120<br>504903 | 1              |
|          | 30 65C33095-2   |               | .GASKET-WIRE MESH  | 101106<br>108120<br>504903 | 1              |
| R        | 30 112W8216-1   |               | .GASKET-WIRE MESH  | 101106<br>108120<br>504903 | 1              |
| R        | 35 65C33095-1   |               | .GASKET-WIRE MESH  | 101106<br>108120<br>504903 | 1              |
| R        | 35 65C33095-2   |               | .GASKET-WIRE MESH  | 101106<br>108120<br>504903 | 1              |
| R        | 35 112W8216-1   |               | .GASKET-WIRE MESH  | 101106<br>108120<br>504903 | 1              |
|          | 40 69-35343-5   |               | .RING-CLAMP  | 101106<br>108120<br>504903 | 1              |
|          | 45 69-35343-5   |               | .RING-CLAMP  | 101106<br>108120<br>504903 | 1              |
|          | 50 65C33092-9   |               | .DOOR ASSY-  | 101106<br>108120<br>504903 | 2              |
|          | 55 63-8497      |               | ..RETAINER ASSY-NUT  | 101106<br>108120<br>504903 | 23             |

MISSING ITEM NUMBERS NOT APPLICABLE

- ITEM NOT ILLUSTRATED

BRI

28-11-02-05

BOEING PROPRIETARY - Copyright © - Unpublished Work - See title page for details.

28-11-02  
FIG. 05  
PAGE 2  
MAY 20/09



757

PARTS CATALOG (MAINTENANCE)

| FIG ITEM | PART NUMBER    | 1 2 3 4 5 6 7 | NOMENCLATURE  | EFFECT FROM TO             | UNITS PER ASSY |
|----------|----------------|---------------|---|----------------------------|----------------|
| 5        |                |               |   |                            |                |
| 60       | K19079-4       | ..            | NUT-SPECIAL<br>SUPPLIER CODE:<br>V15653<br>OPTIONAL PART:<br>RM12LH3614-048<br>V72962 | 101106<br>108120<br>504903 | 23             |
| 60       | RM12LH3614-048 | ..            | NUT-SPECIAL<br>SUPPLIER CODE:<br>V72962<br>OPTIONAL PART:<br>K19079-4<br>V15653       | 101106<br>108120<br>504903 | 23             |
| 65       | 69-77138-4     | ..            | INSERT  | 101106<br>108120<br>504903 | 23             |
| 70       | 69-77135-1     | ..            | SEAL-FUEL   | 101106<br>108120<br>504903 | 1              |
| 75       | 112N6101-1     | .D            | DOOR ASSY-<br>POSITION DATA:<br>RH SIDE   | 101106<br>108120<br>504903 | 1              |
| 75       | 112N6101-2     | .D            | DOOR ASSY-<br>POSITION DATA:<br>RH SIDE   | 101106<br>108120<br>504903 | 1              |
| 80       | K19079-4       | ..            | NUT-SPECIAL<br>SUPPLIER CODE:<br>V15653<br>OPTIONAL PART:<br>RM12LH3614-048<br>V72962 | 101106<br>108120<br>504903 | 23             |
| 80       | RM12LH3614-048 | ..            | NUT-SPECIAL<br>SUPPLIER CODE:<br>V72962<br>OPTIONAL PART:<br>K19079-4<br>V15653       | 101106<br>108120<br>504903 | 23             |
| 85       | 63-8497        | ..            | RETAINER ASSY-NUT   | 101106<br>108120<br>504903 | 23             |
| 90       | 69-77135-1     | ..            | SEAL-FUEL   | 101106<br>108120<br>504903 | 1              |
| 95       | 112N6004-1     | ..            | DOOR ASSY   | 101106<br>108120<br>504903 | 1              |
| 100      | 112W8102-1     | ...           | RING-PHENOLIC<br>OPTIONAL PART:<br>112W8102-5   | 101106<br>108120<br>504903 | 1              |

MISSING ITEM NUMBERS NOT APPLICABLE

- ITEM NOT ILLUSTRATED

28-11-02-05

28-11-02  
FIG. 05  
PAGE 3  
MAY 20/09

BRI

BOEING PROPRIETARY - Copyright © - Unpublished Work - See title page for details.



757

PARTS CATALOG (MAINTENANCE)

| FIG<br>ITEM | PART NUMBER | 1 2 3 4 5 6 7 | NOMENCLATURE  | EFFECT<br>FROM TO          | UNITS<br>PER<br>ASSY |
|-------------|-------------|---------------|---|----------------------------|----------------------|
| 5<br>100    | 112W8102-5  |               | . . . RING-PHENOLIC<br>OPTIONAL PART:<br>112W8102-1 | 101106<br>108120<br>504903 | 1                    |

MISSING ITEM NUMBERS NOT APPLICABLE

- ITEM NOT ILLUSTRATED

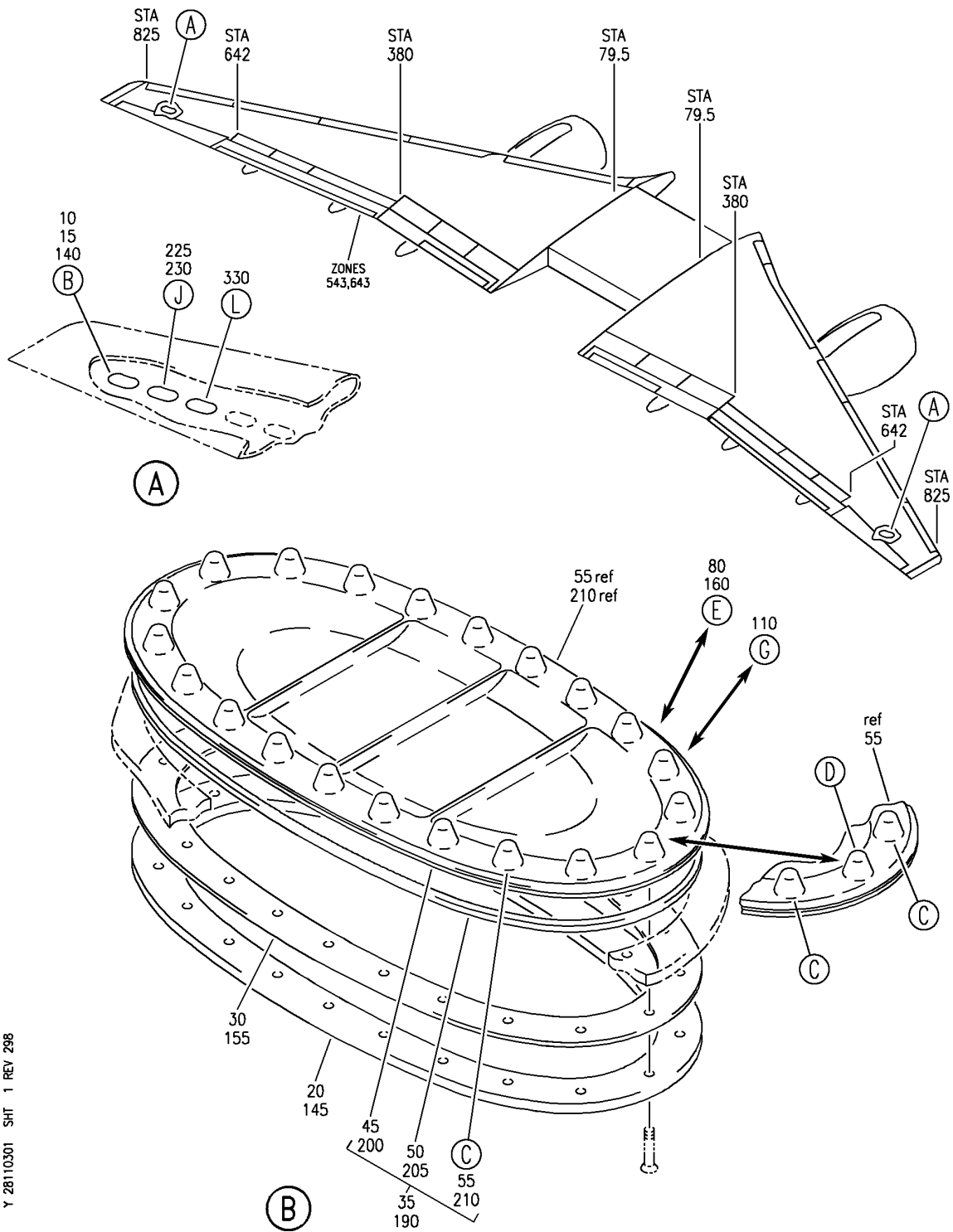
BRI

28-11-02-05

BOEING PROPRIETARY - Copyright © - Unpublished Work - See title page for details.

28-11-02  
FIG. 05  
PAGE 4  
MAY 20/09


**BOEING**  
 757  
**PARTS CATALOG (MAINTENANCE)**



Y 28110301 SH1 1 REV 298

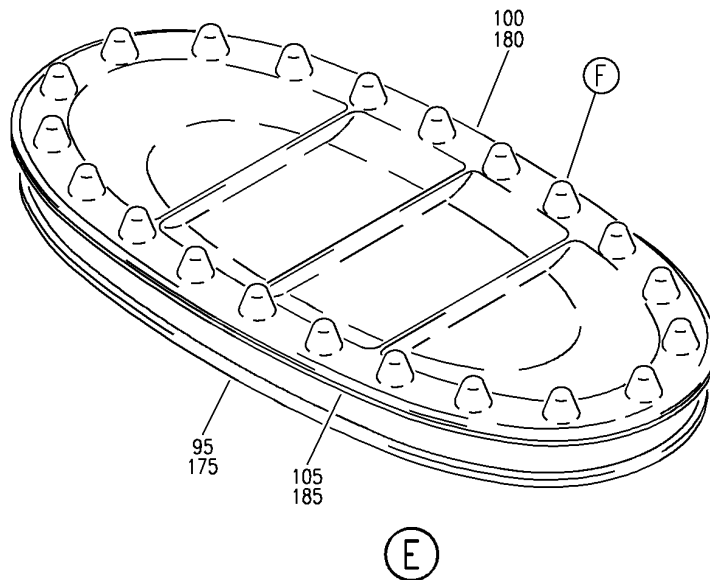
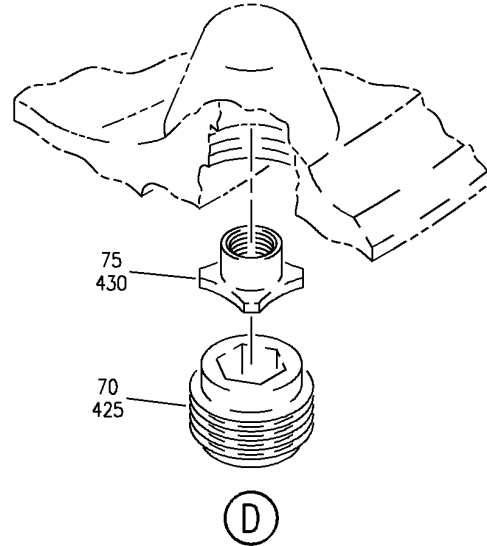
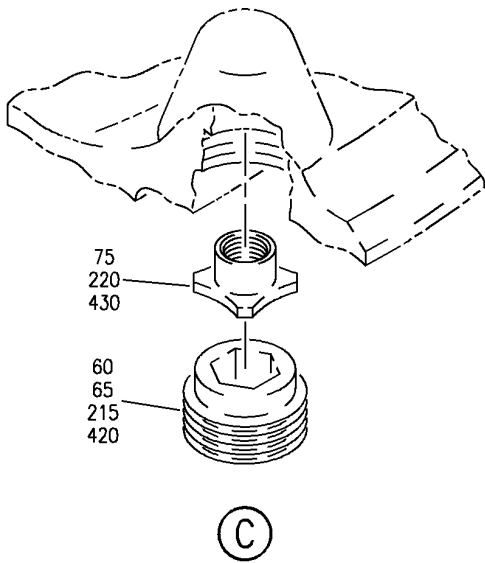
DOOR INSTL-WING LWR SURF. (SURGE TANK ACCES DOOR ONLY)  
 FIGURE 1 (SHEET 1)

**28-11-03-01**

BRI  
MAY 28/07

28-11-03-01  
 PAGE 0

**BOEING**  
757  
PARTS CATALOG (MAINTENANCE)



Y 28110301 SH1 2 REV 298

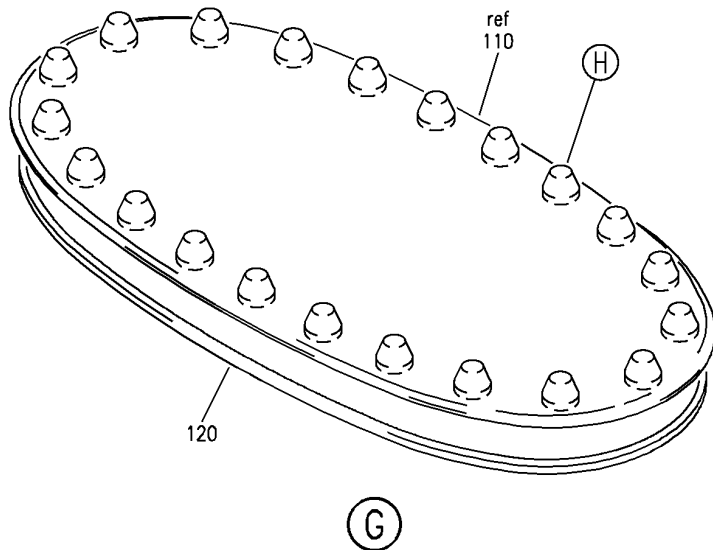
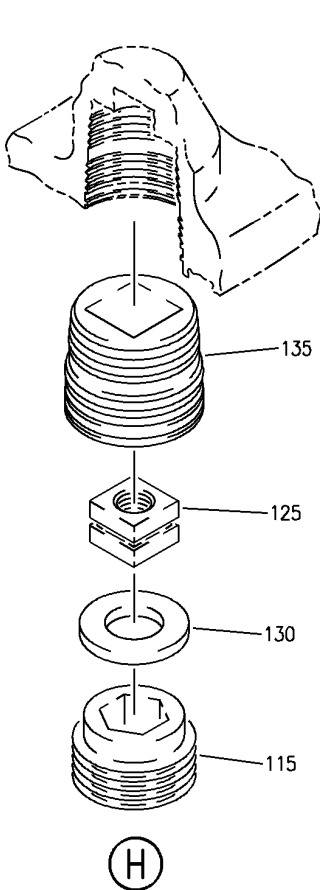
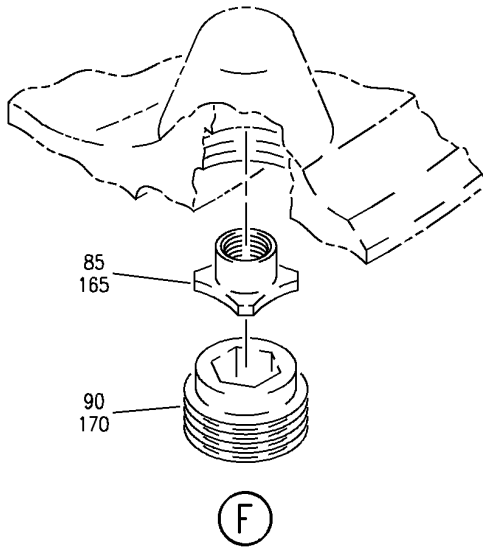
DOOR INSTL-WING LWR SURF. (SURGE TANK ACCES DOOR ONLY)  
FIGURE 1 (SHEET 2)

**28-11-03-01**

BRI  
MAY 28/07

28-11-03-01  
PAGE 0A

**BOEING**  
757  
PARTS CATALOG (MAINTENANCE)



Y 28110301 SHT 3 REV 298

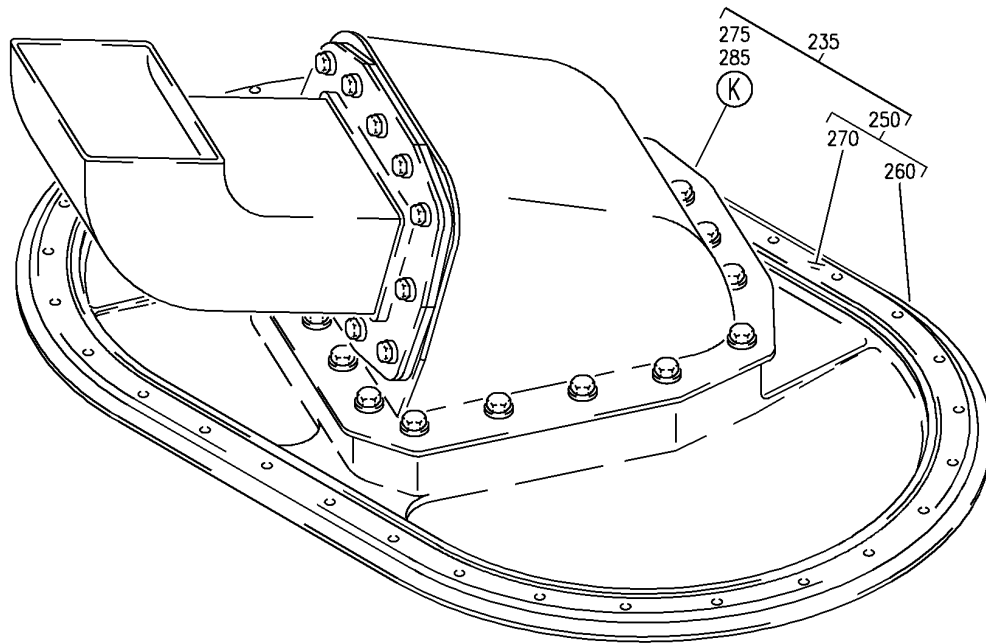
DOOR INSTL-WING LWR SURF. (SURGE TANK ACCES DOOR ONLY)  
FIGURE 1 (SHEET 3)

**28-11-03-01**

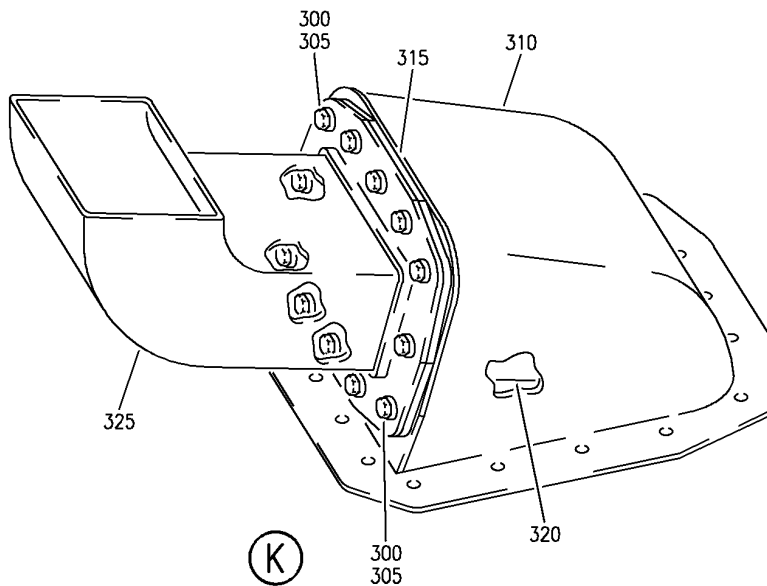
BRI  
MAY 28/07

28-11-03-01  
PAGE 0B

**BOEING**  
757  
PARTS CATALOG (MAINTENANCE)



J



Y 28110301 SH1 4 REV 298

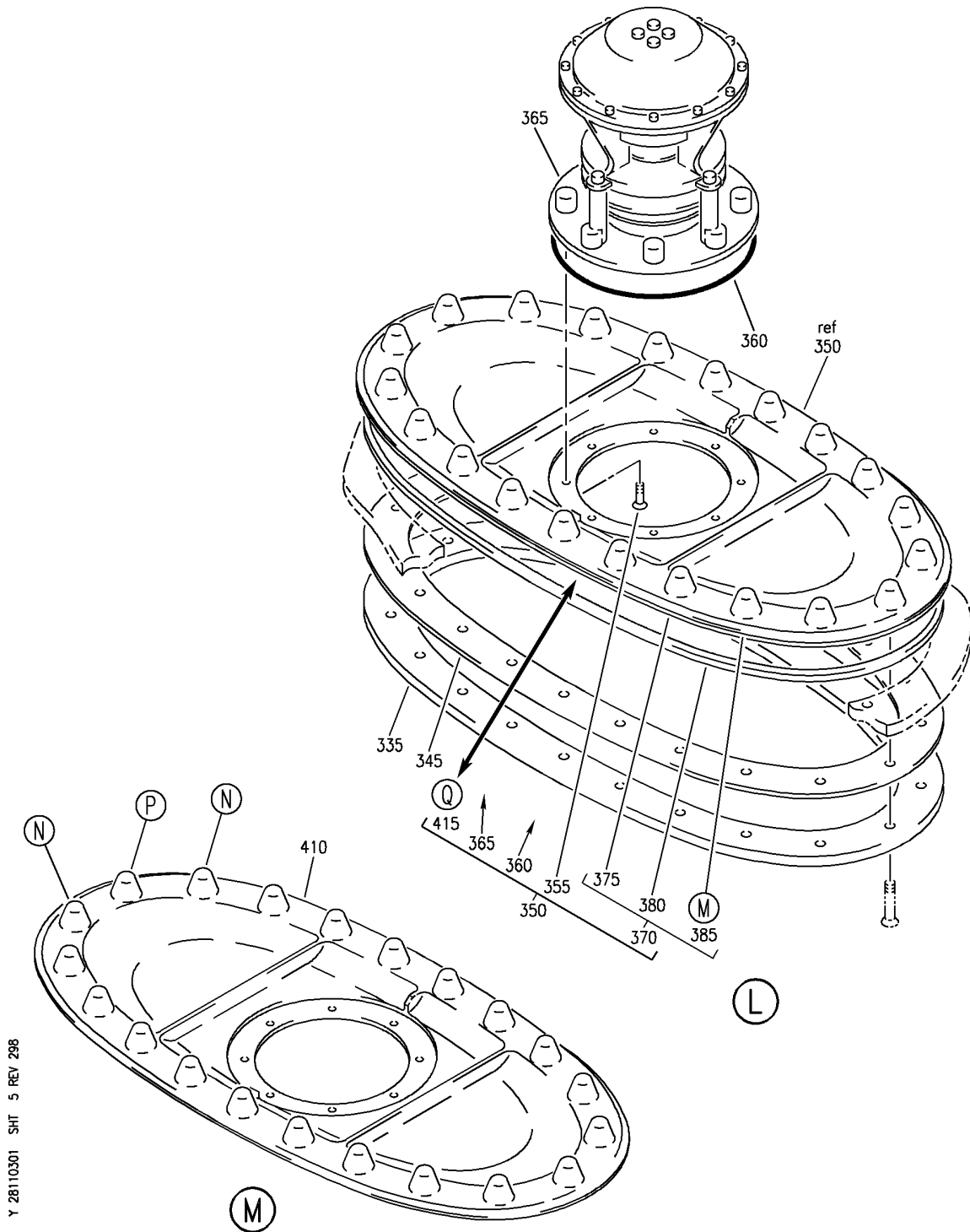
DOOR INSTL-WING LWR SURF. (SURGE TANK ACCES DOOR ONLY)  
FIGURE 1 (SHEET 4)

**28-11-03-01**

BRI  
MAY 28/07

28-11-03-01  
PAGE 0C

**BOEING**  
757  
PARTS CATALOG (MAINTENANCE)



Y 28110301 SHT 5 REV 298

DOOR INSTL-WING LWR SURF. (SURGE TANK ACCES DOOR ONLY)  
FIGURE 1 (SHEET 5)

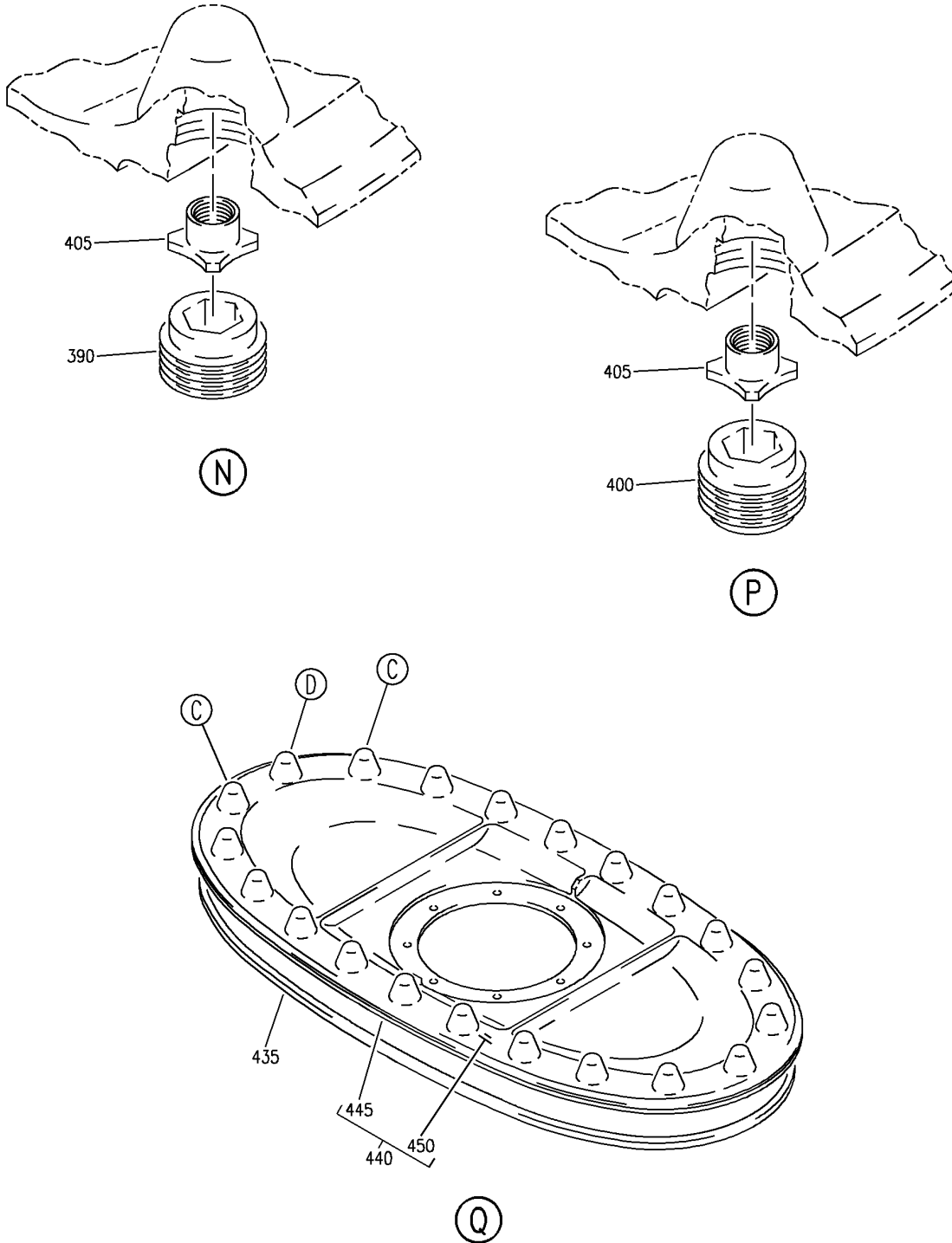
**28-11-03-01**

BRI  
MAY 28/07

28-11-03-01  
PAGE 0D



**BOEING**  
757  
PARTS CATALOG (MAINTENANCE)



Y 28110301 SHT 6 REV 298

DOOR INSTL-WING LWR SURF. (SURGE TANK ACCES DOOR ONLY)  
FIGURE 1 (SHEET 6)

**28-11-03-01**

BRI  
MAY 28/07

28-11-03-01  
PAGE 0E



757

PARTS CATALOG (MAINTENANCE)

| FIG ITEM | PART NUMBER | 1 2 3 4 5 6 7 | NOMENCLATURE  | EFFECT FROM TO                                 | UNITS PER ASSY |
|----------|-------------|---------------|---|--|----------------|
| 1        |             |               | DOOR INSTL-WING LWR SURF.<br>(SURGE TANK ACCES DOOR ONLY)   | 002004<br>006100<br>107107<br>121503<br>904999 |                |
| - 1      | 112N6001-3  |               | DOOR INSTL-WING SURF<br>(SURGE TANK ACCES DOOR ONLY)<br>POSITION DATA:<br>LWR LH<br>FOR NHA/ADDITIONAL DET SEE:<br>57-20-52-01  | 107107   | RF             |
| - 1      | 112N6001-7  |               | DOOR INSTL-WING SURF.<br>(SURGE TANK ACCES DOOR ONLY)<br>POSITION DATA:<br>LWR LH<br>FOR NHA/ADDITIONAL DET SEE:<br>57-20-52-01 | 002004<br>006010<br>121503<br>904999           | RF             |
| - 1      | 112N6001-9  |               | DOOR INSTL-WING SURF.<br>(SURGE TANK ACCES DOOR ONLY)<br>POSITION DATA:<br>LWR LH<br>FOR NHA/ADDITIONAL DET SEE:<br>57-20-52-01 | 011100   | RF             |
| - 5      | 112N6001-4  |               | DOOR INSTL-WING SURF.<br>(SURGE TANK ACCES DOOR ONLY)<br>POSITION DATA:<br>LWR RH<br>FOR NHA/ADDITIONAL DET SEE:<br>57-20-52-01 | 107107   | RF             |
| - 5      | 112N6001-8  |               | DOOR INSTL-WING SURF.<br>(SURGE TANK ACCES DOOR ONLY)<br>POSITION DATA:<br>LWR RH<br>FOR NHA/ADDITIONAL DET SEE:<br>57-20-52-01 | 002004<br>006010<br>121503<br>904999           | RF             |
| - 5      | 112N6001-10 |               | DOOR INSTL-WING SURF.<br>(SURGE TANK ACCES DOOR ONLY)<br>POSITION DATA:<br>LWR RH<br>FOR NHA/ADDITIONAL DET SEE:<br>57-20-52-01 | 011100   | RF             |
| 10       | 65-47851-4  |               | .DOOR INSTL-TANK ACCESS   | 107107   | 1              |

MISSING ITEM NUMBERS NOT APPLICABLE

- ITEM NOT ILLUSTRATED

28-11-03-01

28-11-03  
FIG. 01  
PAGE 1  
JAN 20/09

BRI

BOEING PROPRIETARY - Copyright © - Unpublished Work - See title page for details.



757

PARTS CATALOG (MAINTENANCE)

| FIG ITEM | PART NUMBER  | 1 2 3 4 5 6 7 | NOMENCLATURE   | EFFECT FROM TO                                 | UNITS PER ASSY |
|----------|--------------|---------------|--|--|----------------|
| 1        |              |               |  |  |                |
| 10       | 65-47851-13  | .DOOR         | INSTL-TANK ACCESS  | 002004<br>006010<br>121503<br>904999           | 1              |
| 20       | 69-35342-1   | ..RING        | CLAMP  | 002004<br>006010<br>121503<br>904999           | 1              |
| 20       | 69-35342-2   | ..RING        | CLAMP  | 002004<br>006010<br>121503<br>904999           | 1              |
| - 25     | BACB30NN4K11 | ..BOLT        | ATTACHING PARTS  | 002004<br>006010<br>107107<br>121503<br>904999 | 21             |
| 30       | 15-20000B    | ..GASKET      | KNITTED<br>SUPPLIER CODE:<br>V07700<br>SPECIFICATION NUMBER:<br>10-61421-3<br>OPTIONAL PART:<br>15-201480<br>V07700<br>03-0302-6155<br>V57003<br>15-20000<br>V07700<br>15-20000A<br>V07700<br>OPTIONAL PART:<br>65C33161-1 | 002004<br>006010<br>107107<br>121503<br>904999 | 1              |
| 30       | 65C33161-1   | ..GASKET      | WIRE MESH<br>OPTIONAL PART:<br>15-20000B<br>V07700   | 002004<br>006010<br>107107<br>121503<br>904999 | 1              |
| 30       | 65C33161-2   | ..GASKET      | WIRE MESH  | 002004<br>006010<br>107107<br>121503<br>904999 | 1              |

MISSING ITEM NUMBERS NOT APPLICABLE

- ITEM NOT ILLUSTRATED

BRI

28-11-03-01

BOEING PROPRIETARY - Copyright © - Unpublished Work - See title page for details.

28-11-03  
FIG. 01  
PAGE 2  
JAN 20/09



757

PARTS CATALOG (MAINTENANCE)

| FIG ITEM | PART NUMBER | 1 2 3 4 5 6 7 | NOMENCLATURE  | EFFECT FROM TO                                 | UNITS PER ASSY |
|----------|-------------|---------------|---|--|----------------|
| 1        |             |               |   |  |                |
| 35       | 9001-85     |               | .. DOOR ASSY-<br>SUPPLIER CODE:<br>V32455<br>SPECIFICATION NUMBER:<br>10-60031-85<br>USED ON:<br>65-47851-4<br>65-47851-9 | 002004<br>006010<br>107107<br>121503<br>904999 | 1              |
| 35       | 9001-117    |               | .. DOOR ASSY-<br>SUPPLIER CODE:<br>V32455<br>SPECIFICATION NUMBER:<br>10-60031-117<br>USED ON:<br>65-47851-13             | 002004<br>006010<br>107107<br>121503<br>904999 | 1              |
|          |             |               | TEMPORARY BREAKDOWN FOR:<br>9001-117  | 002004<br>006010<br>107107<br>121503<br>904999 |                |
| 45       | 10-60031-60 |               | ...RING-PHENOLIC  | 002004<br>006010<br>107107<br>121503<br>904999 | 1              |
| 50       | 10-60031-58 |               | ...SEAL   | 002004<br>006010<br>107107<br>121503<br>904999 | 1              |
| 55       | 65-76139-11 |               | ...DOOR ASSY-<br>USED ON:<br>9001-85  | 002004<br>006010<br>107107<br>121503<br>904999 | 1              |
| 55       | 65-76139-17 |               | ...DOOR ASSY-<br>USED ON:<br>9001-117   | 002004<br>006010<br>107107<br>121503<br>904999 | 1              |
| 60       | 63-8497     |               | ....RETAINER ASSY-NUT<br>USED ON:<br>65-76139-11  | 002004<br>006010<br>107107<br>121503<br>904999 | 21             |

MISSING ITEM NUMBERS NOT APPLICABLE

- ITEM NOT ILLUSTRATED

28-11-03-01

28-11-03  
FIG. 01  
PAGE 3  
JAN 20/09

BRI

BOEING PROPRIETARY - Copyright © - Unpublished Work - See title page for details.



757

PARTS CATALOG (MAINTENANCE)

| FIG ITEM | PART NUMBER    | 1 2 3 4 5 6 7 | NOMENCLATURE  | EFFECT FROM TO                                 | UNITS PER ASSY |
|----------|----------------|---------------|---|--|----------------|
| 1        |                |               |   |  |                |
| 65       | 63-8497        | ....          | RETAINER ASSY-NUT<br>USED ON:<br>65-76139-17  | 002004<br>006010<br>107107<br>121503<br>904999 | 20             |
| 70       | 63-8497-3      | ....          | RETAINER ASSY-NUT<br>USED ON:<br>65-76139-17  | 002004<br>006010<br>107107<br>121503<br>904999 | 1              |
| 75       | K19079-4       | ....          | NUT-SPECIAL<br>SUPPLIER CODE:<br>V15653<br>OPTIONAL PART:<br>RM12LH3614-048<br>V72962 | 002004<br>006010<br>107107<br>121503<br>904999 | 21             |
| 75       | RM12LH3614-048 | ....          | NUT-SPECIAL<br>SUPPLIER CODE:<br>V72962<br>OPTIONAL PART:<br>K19079-4<br>V15653       | 002004<br>006010<br>107107<br>121503<br>904999 | 21             |
| 80       | 112N6102-1     | ..            | DOOR ASSY-  | 002004<br>006010<br>107107<br>121503<br>904999 | 1              |
| 85       | K19079-4       | ...           | NUT-SPECIAL<br>SUPPLIER CODE:<br>V15653<br>OPTIONAL PART:<br>RM12LH3614-048<br>V72962 | 002004<br>006010<br>107107<br>121503<br>904999 | 21             |
| 85       | RM12LH3614-048 | ...           | NUT-SPECIAL<br>SUPPLIER CODE:<br>V72962<br>OPTIONAL PART:<br>K19079-4<br>V15653       | 002004<br>006010<br>107107<br>121503<br>904999 | 21             |
| 90       | 63-8497        | ...           | RETAINER ASSY-NUT   | 002004<br>006010<br>107107<br>121503<br>904999 | 21             |
| 95       | 69-77023-1     | ...           | SEAL-FUEL   | 002004<br>006010<br>107107<br>121503<br>904999 | 1              |

MISSING ITEM NUMBERS NOT APPLICABLE

- ITEM NOT ILLUSTRATED

28-11-03-01

28-11-03  
FIG. 01  
PAGE 4  
JAN 20/09

BRI

BOEING PROPRIETARY - Copyright © - Unpublished Work - See title page for details.



757

PARTS CATALOG (MAINTENANCE)

| FIG ITEM | PART NUMBER    | 1 2 3 4 5 6 7 | NOMENCLATURE  | EFFECT FROM TO                                 | UNITS PER ASSY |
|----------|----------------|---------------|---|--|----------------|
| 1<br>100 | 112N6012-1     | ...           | DOOR ASSY   | 002004<br>006010<br>107107<br>121503<br>904999 | 1              |
| 105      | 112N6013-1     | ....          | RING-PHENOLIC<br>OPTIONAL PART:<br>112N6013-3   | 002004<br>006010<br>107107<br>121503<br>904999 | 1              |
| 105      | 112N6013-3     | ....          | RING-PHENOLIC<br>OPTIONAL PART:<br>112N6013-1   | 002004<br>006010<br>107107<br>121503<br>904999 | 1              |
| 140      | 65-47851-16    | .             | DOOR INSTL-TANK ACCESS  | 011100   | 1              |
| 145      | 69-35342-2     | ..            | RING-CLAMP<br>ATTACHING PARTS   | 011100   | 1              |
| - 150    | BACB30NN4K11   | ..            | BOLT<br>-----*-----   | 011100   | 21             |
| 155      | 65C33161-1     | ..            | GASKET-WIRE MESH  | 011100   | 1              |
| 155      | 15-20000B      | ..            | GASKET-KNITTED<br>SUPPLIER CODE:<br>V07700<br>SPECIFICATION NUMBER:<br>10-61421-3<br>OPTIONAL PART:<br>15-201480<br>V07700<br>03-0302-6155<br>V57003<br>15-20000<br>V07700<br>15-20000A<br>V07700 | 011100   | 1              |
| 155      | 65C33161-2     | ..            | GASKET-WIRE MESH  | 011100   | 1              |
| 160      | 112N6102-1     | ..            | DOOR ASSY-  | 011100   | 1              |
| 165      | K19079-4       | ...           | NUT-SPECIAL<br>SUPPLIER CODE:<br>V15653<br>OPTIONAL PART:<br>RM12LH3614-048<br>V72962   | 011100   | 21             |
| 165      | RM12LH3614-048 | ...           | NUT-SPECIAL<br>SUPPLIER CODE:<br>V72962<br>OPTIONAL PART:<br>K19079-4<br>V15653   | 011100   | 21             |

MISSING ITEM NUMBERS NOT APPLICABLE

- ITEM NOT ILLUSTRATED

28-11-03-01

28-11-03  
FIG. 01  
PAGE 5  
JAN 20/09

BRI



757

PARTS CATALOG (MAINTENANCE)

| FIG ITEM | PART NUMBER    | 1 2 3 4 5 6 7 | NOMENCLATURE  | EFFECT FROM TO                                 | UNITS PER ASSY |
|----------|----------------|---------------|---|--|----------------|
| 1        |                |               |   |  |                |
| 170      | 63-8497        | ...           | RETAINER ASSY-NUT   | 011100   | 21             |
| 175      | 69-77023-1     | ...           | SEAL-FUEL   | 011100   | 1              |
| 180      | 112N6012-1     | ...           | DOOR ASSY   | 011100   | 1              |
| 185      | 112N6013-1     | ....          | RING-PHENOLIC<br>OPTIONAL PART:<br>112N6013-3   | 011100   | 1              |
| 185      | 112N6013-3     | ....          | RING-PHENOLIC<br>OPTIONAL PART:<br>112N6013-1   | 011100   | 1              |
| 190      | 9001-117       | ..            | DOOR ASSY-<br>SUPPLIER CODE:<br>V32455<br>SPECIFICATION NUMBER:<br>10-60031-117       | 011100   | 1              |
| 190      | 9001-85        | ..            | DOOR ASSY-<br>SUPPLIER CODE:<br>V32455<br>SPECIFICATION NUMBER:<br>10-60031-85        | 011100   | 1              |
|          |                |               | TEMPORARY BREAKDOWN FOR:<br>9001-117  |  |                |
| 200      | 10-60031-60    | ...           | RING-PHENOLIC   | 011100   | 1              |
| 205      | 10-60031-58    | ...           | SEAL  | 011100   | 1              |
| 210      | 65-76139-11    | ...           | DOOR ASSY   | 011100   | 1              |
| 215      | 63-8497        | ....          | RETAINER ASSY-NUT<br>USED ON:<br>65-76139-11  | 011100   | 21             |
| 220      | K19079-4       | ....          | NUT-SPECIAL<br>SUPPLIER CODE:<br>V15653<br>OPTIONAL PART:<br>RM12LH3614-048<br>V72962 | 011100   | 21             |
| 220      | RM12LH3614-048 | ....          | NUT-SPECIAL<br>SUPPLIER CODE:<br>V72962<br>OPTIONAL PART:<br>K19079-4<br>V15653       | 011100   | 21             |
| 225      | 112N6003-1     | .             | DOOR INSTL-<br>POSITION DATA:<br>LH SIDE  | 002004<br>006100<br>107107<br>121503<br>904999 | 1              |

MISSING ITEM NUMBERS NOT APPLICABLE

- ITEM NOT ILLUSTRATED

BRI

28-11-03-01

BOEING PROPRIETARY - Copyright © - Unpublished Work - See title page for details.

28-11-03  
FIG. 01  
PAGE 6  
JAN 20/09



757

PARTS CATALOG (MAINTENANCE)

| FIG ITEM | PART NUMBER | 1 2 3 4 5 6 7 | NOMENCLATURE  | EFFECT FROM TO                                 | UNITS PER ASSY |
|----------|-------------|---------------|---|--|----------------|
| 1<br>230 | 112N6003-2  | .D            | DOOR INSTL-<br>POSITION DATA:<br>RH SIDE  | 002004<br>006100<br>107107<br>121503<br>904999 | 1              |
| 235      | 112N6003-5  | ..D           | DOOR ASSY-<br>POSITION DATA:<br>LH SIDE   | 002004<br>006100<br>107107<br>121503<br>904999 | 1              |
| - 240    | 112N6003-6  | ..D           | DOOR ASSY-<br>POSITION DATA:<br>RH SIDE   | 002004<br>006100<br>107107<br>121503<br>904999 | 1              |
| - 245    | BACB30LR4-7 | ..B           | ATTACHING PARTS<br>BOLT   | 002004<br>006100<br>107107<br>121503<br>904999 | 31             |
| 250      | 10-60031-89 | ...D          | -----*-----<br>DOOR ASSY-<br>POSITION DATA:<br>LH SIDE<br>OPTIONAL PART:<br>9001-103<br>V32455  | 002004<br>006100<br>107107<br>121503<br>904999 | 1              |
| 250      | 9001-103    | ...D          | DOOR ASSY-<br>SUPPLIER CODE:<br>V32455<br>POSITION DATA:<br>LH SIDE<br>SPECIFICATION NUMBER:<br>10-60031-103<br>OPTIONAL PART:<br>10-60031-89 | 002004<br>006100<br>107107<br>121503<br>904999 | 1              |
| - 255    | 10-60031-90 | ...D          | DOOR ASSY-<br>POSITION DATA:<br>RH SIDE<br>OPTIONAL PART:<br>9001-104<br>V32455   | 002004<br>006100<br>107107<br>121503<br>904999 | 1              |

MISSING ITEM NUMBERS NOT APPLICABLE

- ITEM NOT ILLUSTRATED

BRI

28-11-03-01

28-11-03  
FIG. 01  
PAGE 7  
JAN 20/09





757

PARTS CATALOG (MAINTENANCE)

| FIG ITEM | PART NUMBER | 1 2 3 4 5 6 7 | NOMENCLATURE  | EFFECT FROM TO                                 | UNITS PER ASSY |
|----------|-------------|---------------|---|--|----------------|
| 1        |             |               |   |  |                |
| - 255    | 9001-104    | ...           | DOOR ASSY-<br>SUPPLIER CODE:<br>V32455<br>POSITION DATA:<br>RH SIDE<br>SPECIFICATION NUMBER:<br>10-60031-104<br>OPTIONAL PART:<br>10-60031-90<br>V32455 | 002004<br>006100<br>107107<br>121503<br>904999 | 1              |
| 260      | 112N6002-7  | ....          | DOOR ASSY-VENT<br>USED ON:<br>9001-103  | 002004<br>006100<br>107107<br>121503<br>904999 | 1              |
| - 265    | 112N6002-8  | ....          | DOOR ASSY-VENT<br>USED ON:<br>9001-104  | 002004<br>006100<br>107107<br>121503<br>904999 | 1              |
| 270      | 9001-102    | ....          | RING ASSY-SEAL<br>SUPPLIER CODE:<br>V32455<br>SPECIFICATION NUMBER:<br>10-60031-102   | 002004<br>006100<br>107107<br>121503<br>904999 | 1              |
| 275      | 342N3001-5  | ...           | EQUIPMENT INSTL-VENT SYS<br>POSITION DATA:<br>LH SIDE   | 002004<br>006100<br>107107<br>121503<br>904999 | 1              |
| - 280    | 342N3001-6  | ...           | EQUIPMENT INSTL-VENT SYS<br>POSITION DATA:<br>RH SIDE   | 002004<br>006100<br>107107<br>121503<br>904999 | 1              |
| 285      | 342N2010-4  | ....          | TUBE ASSY-FLAME ARREST  | 002004<br>006100<br>107107<br>121503<br>904999 | 1              |
| - 290    | NAS6603-1   | ....          | ATTACHING PARTS<br>BOLT   | 002004<br>006100<br>107107<br>121503<br>904999 | 18             |

MISSING ITEM NUMBERS NOT APPLICABLE

- ITEM NOT ILLUSTRATED

28-11-03-01

28-11-03  
FIG. 01  
PAGE 8  
JAN 20/09

BRI

BOEING PROPRIETARY - Copyright © - Unpublished Work - See title page for details.



757

PARTS CATALOG (MAINTENANCE)

| FIG ITEM   | PART NUMBER  | 1 2 3 4 5 6 7 | NOMENCLATURE  | EFFECT FROM TO                                 | UNITS PER ASSY |
|------------|--------------|---------------|---|--|----------------|
| 1<br>- 295 | AN960C10L    | ....          | WASHER  | 002004<br>006100<br>107107<br>121503<br>904999 | 18             |
| 300        | BACB30LM3HU5 | .....         | BOLT-<br>OPTIONAL PART:<br>NAS6703H5  | 002004<br>006100<br>107107<br>121503<br>904999 | 12             |
| 300        | NAS6703H5    | .....         | BOLT-<br>OPTIONAL PART:<br>BACB30LM3HU5   | 002004<br>006100<br>107107<br>121503<br>904999 | 12             |
| 305        | AN960C10L    | .....         | WASHER  | 002004<br>006100<br>107107<br>121503<br>904999 | 12             |
| 310        | 6301520300-2 | .....         | HOUSING-FLAME ARREST<br>SUPPLIER CODE:<br>V83533<br>SPECIFICATION NUMBER:<br>S342T002-3 | 002004<br>006100<br>107107<br>121503<br>904999 | 1              |
| 315        | 808295       | .....         | GASKOSEAL-<br>SUPPLIER CODE:<br>V83259  | 002004<br>006100<br>107107<br>121503<br>904999 | 1              |
| 320        | 6301520300-1 | .....         | ARRESTOR-FLAME<br>SUPPLIER CODE:<br>V83533<br>SPECIFICATION NUMBER:<br>S342T002-2       | 002004<br>006100<br>107107<br>121503<br>904999 | 1              |
| 325        | 342N2115-5   | .....         | TUBE ASSY   | 002004<br>006100<br>107107<br>121503<br>904999 | 1              |
| 330        | 65-47851-7   | .DOOR         | INSTL-TANK ACCESS   | 107107   | 1              |
| 330        | 65-47851-12  | .DOOR         | INSTL-TANK ACCESS   | 002004<br>006010<br>121503<br>904999           | 1              |
| 330        | 65-47851-18  | .DOOR         | INSTL-TANK ACCESS   | 011100   | 1              |

MISSING ITEM NUMBERS NOT APPLICABLE

- ITEM NOT ILLUSTRATED

28-11-03-01

28-11-03  
FIG. 01  
PAGE 9  
JAN 20/09

BRI

BOEING PROPRIETARY - Copyright © - Unpublished Work - See title page for details.



757

PARTS CATALOG (MAINTENANCE)

| FIG ITEM    | PART NUMBER      | 1 2 3 4 5 6 7 | NOMENCLATURE  | EFFECT FROM TO                                 | UNITS PER ASSY |
|-------------|------------------|---------------|---|--|----------------|
| 1           | 335 69-35342-1   |               | ..RING-CLAMP  | 002004<br>006100<br>107107<br>121503<br>904999 | 1              |
|             | 335 69-35342-2   |               | ..RING-CLAMP  | 002004<br>006100<br>107107<br>121503<br>904999 | 1              |
| -           | 340 BACB30NN4K11 |               | ATTACHING PARTS<br>..BOLT   | 002004<br>006100<br>107107<br>121503<br>904999 | 21             |
|             | 345 65C33161-1   |               | -----*-----<br>..GASKET-WIRE MESH<br>OPTIONAL PART:<br>15-20000B<br>V07700  | 002004<br>006100<br>107107<br>121503<br>904999 | 1              |
|             | 345 15-20000B    |               | ..GASKET-KNITTED<br>SUPPLIER CODE:<br>V07700<br>SPECIFICATION NUMBER:<br>10-61421-3<br>OPTIONAL PART:<br>15-201480<br>V07700<br>03-0302-6155<br>V57003<br>15-20000<br>V07700<br>15-20000A<br>V07700<br>OPTIONAL PART:<br>65C33161-1 | 002004<br>006100<br>107107<br>121503<br>904999 | 1              |
|             | 345 65C33161-2   |               | ..GASKET-WIRE MESH  | 002004<br>006100<br>107107<br>121503<br>904999 | 1              |
| R<br>R<br>R | 350 342T0029-3   |               | ..DOOR ASSY-ACCESS<br>USED ON:<br>65-47851-7  | 011100<br>107107                               | 1              |

MISSING ITEM NUMBERS NOT APPLICABLE

- ITEM NOT ILLUSTRATED

28-11-03-01

28-11-03  
FIG. 01  
PAGE 10  
MAY 20/09

BRI



757

PARTS CATALOG (MAINTENANCE)

| FIG ITEM | PART NUMBER | 1 2 3 4 5 6 7 | NOMENCLATURE  | EFFECT FROM TO                                 | UNITS PER ASSY |
|----------|-------------|---------------|---|--|----------------|
| 1        |             |               |   |  |                |
| 350      | 342T0029-5  | ..            | DOOR ASSY-ACCESS  | 002004<br>006010<br>121503<br>904999           | 1              |
| R        | 350         | ..            | DOOR ASSY-ACCESS  | 002004<br>006100<br>107107<br>121503<br>904999 | 1              |
| R        |             |               |   |  |                |
| R        |             |               |   |  |                |
| R        |             |               |   |  |                |
| R        | 350         | ..            | DOOR ASSY-ACCESS  | 002004<br>006010<br>121503<br>904999           | 1              |
| R        | 350         | ..            | DOOR ASSY-ACCESS  | 011100<br>107107                               | 1              |
| R        | 355         | ...           | BOLT-<br>USED ON:<br>342T0029-1<br>342T0029-2<br>342T0029-3<br>342T0029-5 | 002004<br>006100<br>107107<br>121503<br>904999 | 8              |
|          | 355         | ...           | BOLT-<br>USED ON:<br>342T0029-6   | 002004<br>006100<br>107107<br>121503<br>904999 | 8              |
|          | 360         | ...           | PACKING   | 002004<br>006100<br>107107<br>121503<br>904999 | 1              |

MISSING ITEM NUMBERS NOT APPLICABLE

- ITEM NOT ILLUSTRATED

BRI

28-11-03-01

BOEING PROPRIETARY - Copyright © - Unpublished Work - See title page for details.

28-11-03  
FIG. 01  
PAGE 11  
MAY 20/09

 **BOEING**  
757  
**PARTS CATALOG (MAINTENANCE)**

| FIG<br>ITEM | PART NUMBER | 1 2 3 4 5 6 7 | NOMENCLATURE   | EFFECT<br>FROM TO                              | UNITS<br>PER<br>ASSY |
|-------------|-------------|---------------|--|--|----------------------|
| 1<br>365    | 2790475-103 |               | ...VALVE ASSY-PRESSURE<br>RELIEF<br>SUPPLIER CODE:<br>V92003<br>FUNCTIONAL DESCRIPTION:<br>LIMITS TO POSITIVE AND<br>NEGATIVE PRESSURES<br>INSIDE FUEL SURGE TANKS<br>TO BE COMPATIBLE WITH<br>STRUCTURE CAPABILITY<br>OF WING<br>SPECIFICATION NUMBER:<br>10-61897-7<br>COMPONENT MAINT MANUAL REF:<br>28-10-16<br>USED ON:<br>342T0029-3<br>342T0029-5<br>342T0029-6 | 002004<br>006100<br>107107<br>121503<br>904999 | 1                    |
| 370         | 5001-82     |               | ...DOOR ASSY-<br>SUPPLIER CODE:<br>V32455<br>SPECIFICATION NUMBER:<br>10-60031-82<br>OPTIONAL PART:<br>9001-82<br>V32455<br>OPTIONAL PART:<br>9001-100<br>V32455   | 002004<br>006100<br>107107<br>121503<br>904999 | 1                    |
| 370         | 9001-100    |               | ...DOOR ASSY-<br>SUPPLIER CODE:<br>V32455<br>SPECIFICATION NUMBER:<br>10-60031-100<br>OPTIONAL PART:<br>5001-82<br>V32455<br>9001-82<br>V32455   | 002004<br>006100<br>107107<br>121503<br>904999 | 1                    |

MISSING ITEM NUMBERS NOT APPLICABLE

— ITEM NOT ILLUSTRATED

BRI

# 28-11-03-01

BOEING PROPRIETARY - Copyright © - Unpublished Work - See title page for details.

28-11-03  
FIG. 01  
PAGE 12  
MAY 20/09



757

PARTS CATALOG (MAINTENANCE)

| FIG ITEM | PART NUMBER | 1 2 3 4 5 6 7 | NOMENCLATURE   | EFFECT FROM TO                                 | UNITS PER ASSY |
|----------|-------------|---------------|--|--|----------------|
| 1        |             |               |  |  |                |
| 370      | 9001-82     |               | ...DOOR ASSY-<br>SUPPLIER CODE:<br>V32455<br>SPECIFICATION NUMBER:<br>10-60031-82<br>OPTIONAL PART:<br>5001-82<br>V32455<br>OPTIONAL PART:<br>9001-100<br>V32455 | 002004<br>006100<br>107107<br>121503<br>904999 | 1              |
| 370      | 9001-120    |               | ...DOOR ASSY-<br>SUPPLIER CODE:<br>V32455<br>SPECIFICATION NUMBER:<br>10-60031-120   | 002004<br>006100<br>107107<br>121503<br>904999 | 1              |
| 375      | 10-60031-60 |               | ....RING-PHENOLIC  | 002004<br>006100<br>107107<br>121503<br>904999 | 1              |
| 380      | 10-60031-58 |               | ....SEAL   | 002004<br>006100<br>107107<br>121503<br>904999 | 1              |
| 385      | 65-76139-7  |               | ....DOOR ASSY  | 002004<br>006100<br>107107<br>121503<br>904999 | 1              |
| 390      | 63-8497     |               | .....RETAINER ASSY-NUT   | 002004<br>006100<br>107107<br>121503<br>904999 | 20             |
| 400      | 63-8497-3   |               | .....RETAINER ASSY-NUT   | 002004<br>006100<br>107107<br>121503<br>904999 | 1              |
| 405      | K19079-4    |               | .....NUT-SPECIAL<br>SUPPLIER CODE:<br>V15653<br>OPTIONAL PART:<br>RM12LH3614-048<br>V72962   | 002004<br>006100<br>107107<br>121503<br>904999 | 21             |

MISSING ITEM NUMBERS NOT APPLICABLE

- ITEM NOT ILLUSTRATED

28-11-03-01

28-11-03  
FIG. 01  
PAGE 13  
MAY 20/09

BRI



757

PARTS CATALOG (MAINTENANCE)

| FIG ITEM | PART NUMBER    | 1 2 3 4 5 6 7 | NOMENCLATURE  | EFFECT FROM TO                                 | UNITS PER ASSY |
|----------|----------------|---------------|---|--|----------------|
| 1        |                |               |   |  |                |
| 405      | RM12LH3614-048 | .....         | NUT-SPECIAL<br>SUPPLIER CODE:<br>V72962<br>OPTIONAL PART:<br>K19079-4<br>V15653       | 002004<br>006100<br>107107<br>121503<br>904999 | 21             |
| 410      | 65-76139-8     | .....         | DOOR  | 002004<br>006100<br>107107<br>121503<br>904999 | 1              |
| 415      | 112N6102-3     | ...           | DOOR ASSY-  | 002004<br>006100<br>107107<br>121503<br>904999 | 1              |
| 420      | 63-8497        | .....         | RETAINER ASSY-NUT   | 002004<br>006100<br>107107<br>121503<br>904999 | 20             |
| 425      | 63-8497-3      | .....         | RETAINER ASSY-NUT   | 002004<br>006100<br>107107<br>121503<br>904999 | 1              |
| 430      | K19079-4       | .....         | NUT-SPECIAL<br>SUPPLIER CODE:<br>V15653<br>OPTIONAL PART:<br>RM12LH3614-048<br>V72962 | 002004<br>006100<br>107107<br>121503<br>904999 | 21             |
| 430      | RM12LH3614-048 | .....         | NUT-SPECIAL<br>SUPPLIER CODE:<br>V72962<br>OPTIONAL PART:<br>K19079-4<br>V15653       | 002004<br>006100<br>107107<br>121503<br>904999 | 21             |
| 435      | 69-77023-1     | .....         | SEAL  | 002004<br>006100<br>107107<br>121503<br>904999 | 1              |
| 440      | 112N6012-2     | .....         | DOOR ASSY   | 002004<br>006100<br>107107<br>121503<br>904999 | 1              |

MISSING ITEM NUMBERS NOT APPLICABLE

- ITEM NOT ILLUSTRATED

28-11-03-01

28-11-03  
FIG. 01  
PAGE 14  
MAY 20/09

BRI



757

PARTS CATALOG (MAINTENANCE)

| FIG<br>ITEM | PART NUMBER | 1 2 3 4 5 6 7 | NOMENCLATURE  | EFFECT<br>FROM TO                              | UNITS<br>PER<br>ASSY |
|-------------|-------------|---------------|---|--|----------------------|
| 1<br>445    | 112N6013-1  | .....         | RING-PHENOLIC<br>OPTIONAL PART:<br>112N6013-3                           | 002004<br>006100<br>107107<br>121503<br>904999 | 1                    |
| 445         | 112N6013-3  | .....         | RING-PHENOLIC<br>OPTIONAL PART:<br>112N6013-1<br>USED ON:<br>112N6012-2 | 002004<br>006100<br>107107<br>121503<br>904999 | 1                    |
| 450         | 65-76139-9  | .....         | DOOR-<br>USED ON:<br>112N6012-2   | 002004<br>006100<br>107107<br>121503<br>904999 | 1                    |

MISSING ITEM NUMBERS NOT APPLICABLE

- ITEM NOT ILLUSTRATED

BRI

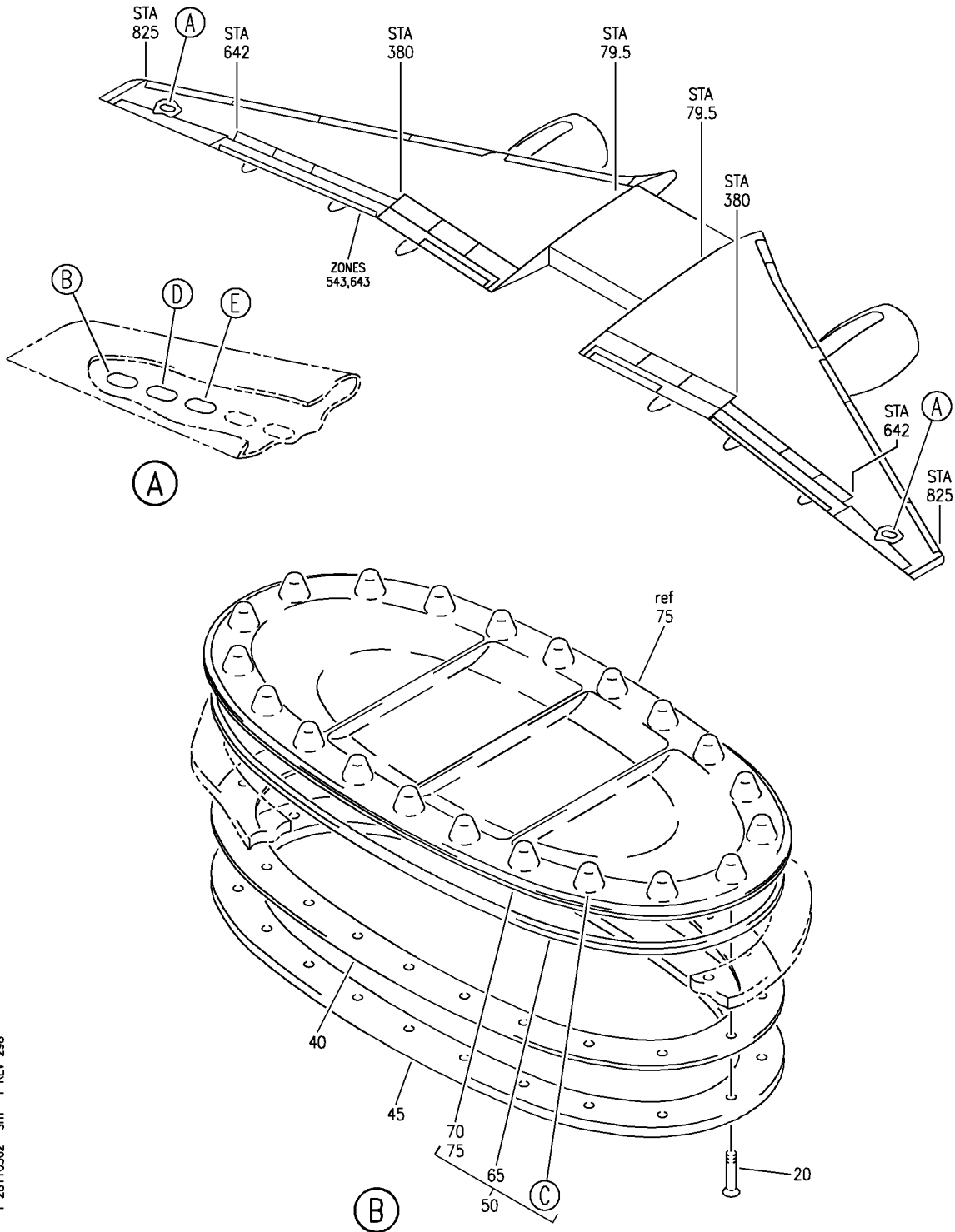
28-11-03-01

BOEING PROPRIETARY - Copyright © - Unpublished Work - See title page for details.

28-11-03  
FIG. 01  
PAGE 15  
MAY 20/09



**BOEING**  
757  
PARTS CATALOG (MAINTENANCE)



Y 28110302 SH1 1 REV 298

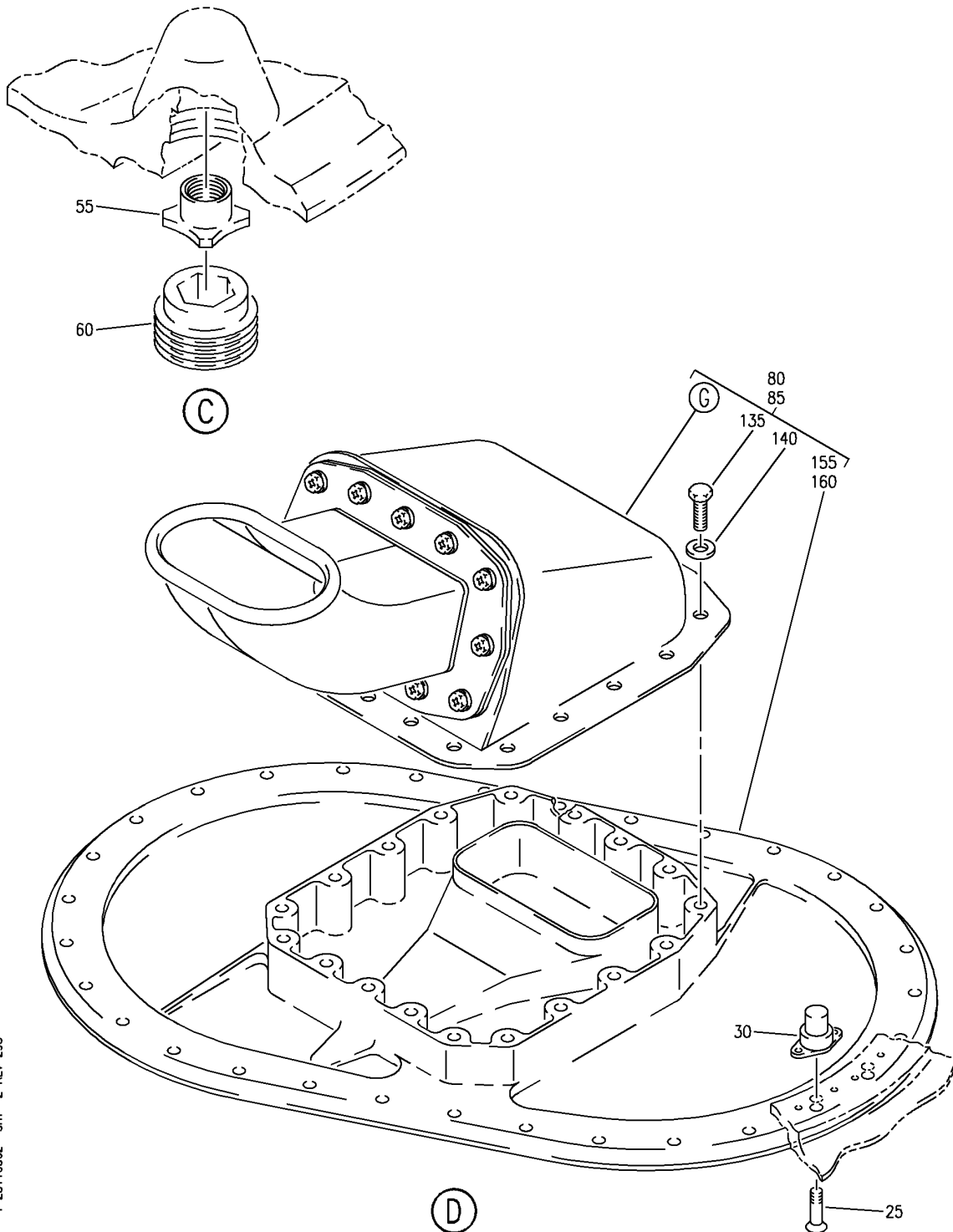
DOOR INSTL-WING LWR SURF. (SURGE TANK ACCES DOOR ONLY)  
FIGURE 2 (SHEET 1)

**28-11-03-02**

BRI  
MAY 28/07

28-11-03-02  
PAGE 0

**BOEING**  
757  
PARTS CATALOG (MAINTENANCE)



Y 28110302 SH1 2 REV 298

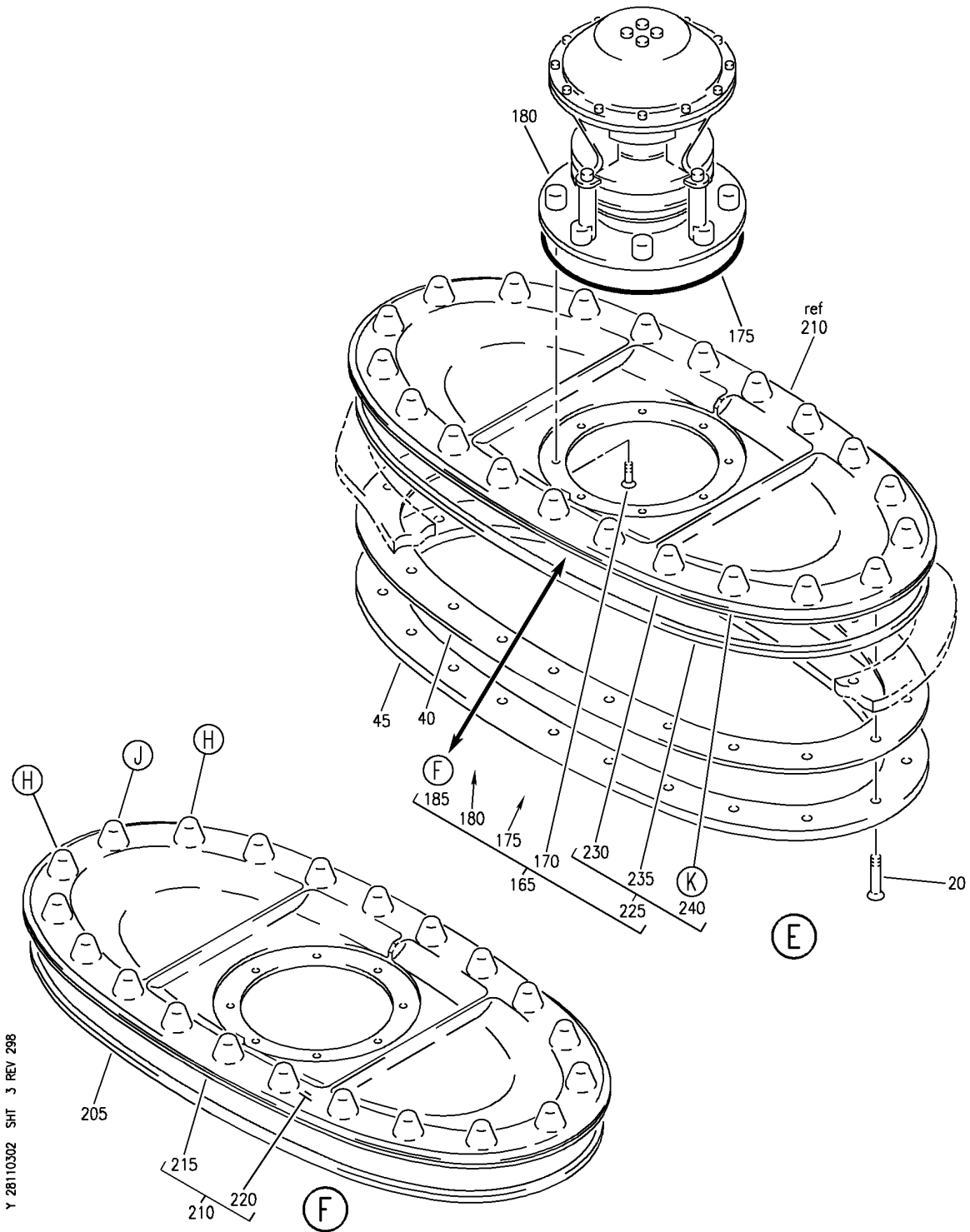
DOOR INSTL-WING LWR SURF. (SURGE TANK ACCES DOOR ONLY)  
FIGURE 2 (SHEET 2)

BRI  
MAY 28/07

**28-11-03-02**

28-11-03-02  
PAGE 0A

**BOEING**  
757  
PARTS CATALOG (MAINTENANCE)



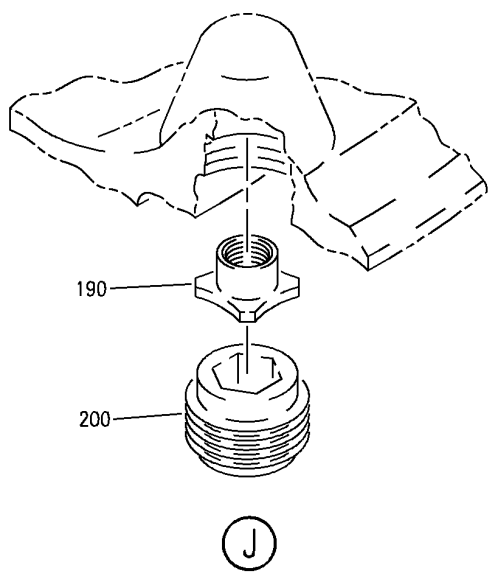
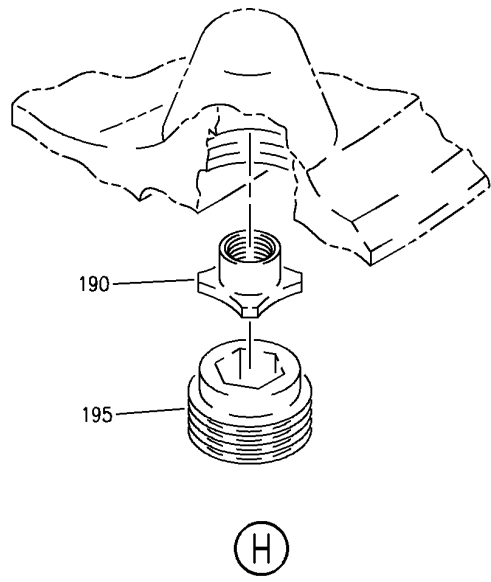
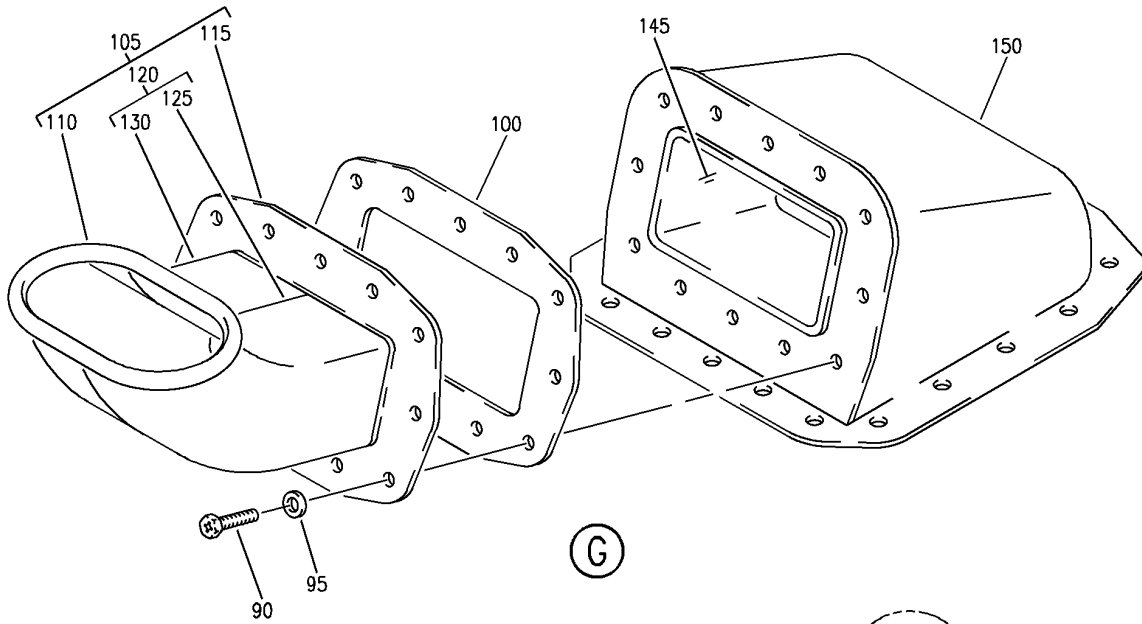
DOOR INSTL-WING LWR SURF. (SURGE TANK ACCES DOOR ONLY)  
FIGURE 2 (SHEET 3)

**28-11-03-02**

BRI  
MAY 28/07

28-11-03-02  
PAGE 0B

**BOEING**  
757  
PARTS CATALOG (MAINTENANCE)



Y 28110302 SH1 4 REV 298

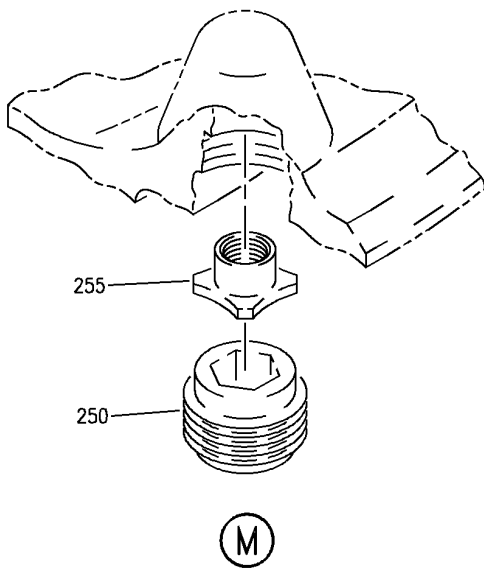
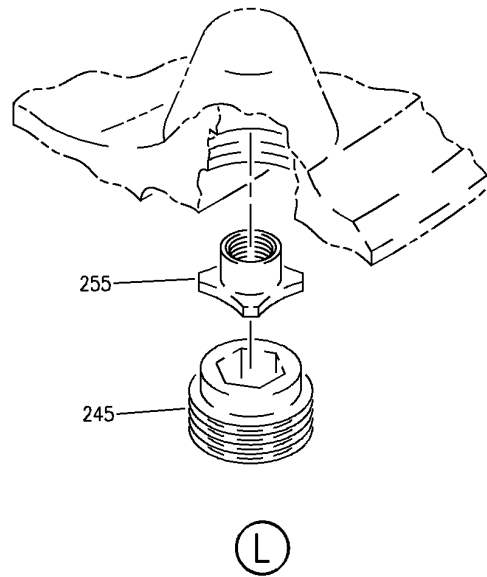
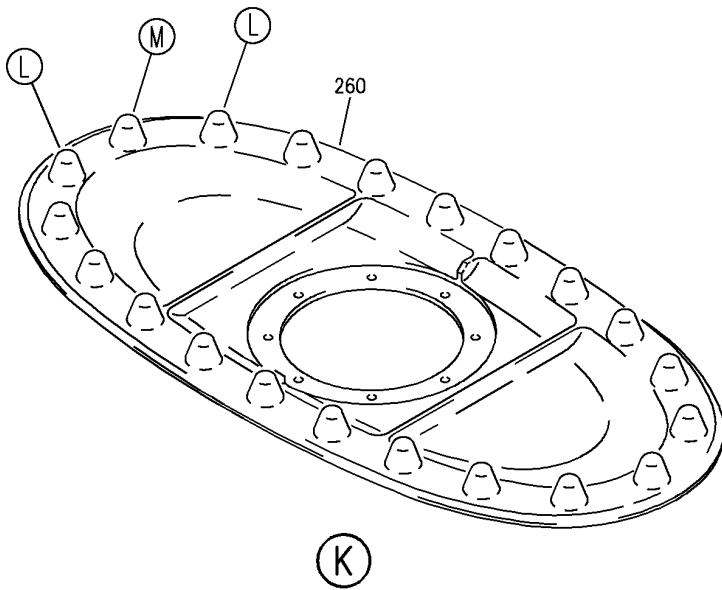
DOOR INSTL-WING LWR SURF. (SURGE TANK ACCES DOOR ONLY)  
FIGURE 2 (SHEET 4)

**28-11-03-02**

BRI  
MAY 28/07

28-11-03-02  
PAGE 0C

**BOEING**  
757  
PARTS CATALOG (MAINTENANCE)



Y 28110302 SH1 5 REV 298

DOOR INSTL-WING LWR SURF. (SURGE TANK ACCES DOOR ONLY)  
FIGURE 2 (SHEET 5)

**28-11-03-02**

BRI  
MAY 28/07

28-11-03-02  
PAGE 00



757

PARTS CATALOG (MAINTENANCE)

| FIG ITEM | PART NUMBER  | 1 2 3 4 5 6 7 | NOMENCLATURE   | EFFECT FROM TO             | UNITS PER ASSY |
|----------|--------------|---------------|--|----------------------------|----------------|
| 2        |              |               | DOOR INSTL-WING LWR SURF.<br>(SURGE TANK ACCES DOOR ONLY)  | 101106<br>108120<br>504903 |                |
| - 1      | 112N6001-403 |               | DOOR INSTL-WING SURF.<br>(SURGE TANK ACCES DOOR ONLY)  | 101102<br>108120<br>504903 | RF             |
| - 5      | MODREF755    |               | POSITION DATA:<br>LWR LH<br>FOR NHA/ADDITIONAL DET SEE:<br>57-00-00-15   |                            |                |
| - 5      | MODREF30121  |               | DOOR INSTL-WING SURF.<br>(SURGE TANK ACCES DOOR ONLY)  | 103103                     | 1              |
| - 5      | MODREF30121  |               | MODULE NUMBER:<br>112N6001-403 REV A<br>POSITION DATA:<br>LWR LH<br>FOR ADDITIONAL DETAILS SEE:<br>28-11-01-01H<br>28-11-02-05 |                            |                |
| - 5      | MODREF30121  |               | DOOR INSTL-WING SURF.<br>(SURGE TANK ACCES DOOR ONLY)  | 104106                     | 1              |
| - 5      | MODREF30121  |               | MODULE NUMBER:<br>112N6001-403 REV B<br>POSITION DATA:<br>LWR LH<br>FOR ADDITIONAL DETAILS SEE:<br>28-11-01-01H<br>28-11-02-05 |                            |                |
| - 10     | 112N6001-404 |               | DOOR INSTL-WING SURF.<br>(SURGE TANK ACCES DOOR ONLY)  | 101102<br>108120<br>504903 | RF             |
| - 10     | 112N6001-404 |               | POSITION DATA:<br>LWR RH<br>FOR NHA/ADDITIONAL DET SEE:<br>57-00-00-15   |                            |                |
| - 15     | MODREF756    |               | DOOR INSTL-WING SURF.<br>(SURGE TANK ACCES DOOR ONLY)  | 103103                     | 1              |
| - 15     | MODREF756    |               | MODULE NUMBER:<br>112N6001-404 REV A<br>POSITION DATA:<br>LWR RH<br>FOR ADDITIONAL DETAILS SEE:<br>28-11-01-01H<br>28-11-02-05 |                            |                |

MISSING ITEM NUMBERS NOT APPLICABLE

- ITEM NOT ILLUSTRATED

28-11-03-02

28-11-03  
FIG. 02  
PAGE 1  
JAN 20/09

BRI



757

PARTS CATALOG (MAINTENANCE)

| FIG ITEM | PART NUMBER  | 1 2 3 4 5 6 7 | NOMENCLATURE  | EFFECT FROM TO             | UNITS PER ASSY |
|----------|--------------|---------------|---|----------------------------|----------------|
| 2        |              |               |   |                            |                |
| - 15     | MODREF26476  |               | DOOR INSTL-WING SURF.<br>(SURGE TANK ACCES DOOR ONLY)<br>MODULE NUMBER:<br>112N6001-404 REV B<br>POSITION DATA:<br>LWR RH<br>FOR ADDITIONAL DETAILS SEE:<br>28-11-01-01H<br>28-11-02-05 | 104106                     | 1              |
| 20       | BACB30NN4K11 |               | .BOLT   | 101106<br>108120<br>504903 | 42             |
| 25       | BACB30LR4-7  |               | .BOLT   | 101106<br>108120<br>504903 | 31             |
| 30       | NS202492A048 |               | .NUTPLATE<br>SUPPLIER CODE:<br>V80539<br>SPECIFICATION NUMBER:<br>BACN10JZ4A4CDM<br>OPTIONAL PART:<br>102F9221-4<br>V72962<br>F51645-4BAC<br>V15653<br>ATTACHING PARTS                  | 101106<br>108120<br>504903 | 31             |
| - 35     | BACR15BC3-5  |               | .RIVET  | 101106<br>108120<br>504903 | 62             |
| 40       | 65C33161-1   |               | -----*-----<br>.GASKET-WIRE MESH  | 101106<br>108120<br>504903 | 2              |
| 40       | 65C33161-2   |               | .GASKET-WIRE MESH   | 101106<br>108120<br>504903 | 2              |
| 45       | 69-35342-2   |               | .RING-CLAMP   | 101106<br>108120<br>504903 | 2              |
| 50       | 112N6102-1   |               | .DOOR ASSY-   | 101106<br>108120<br>504903 | 1              |
| 55       | K19079-4     |               | ..NUT-SPECIAL<br>SUPPLIER CODE:<br>V15653<br>OPTIONAL PART:<br>RM12LH3614-048<br>V72962   | 101106<br>108120<br>504903 | 21             |

MISSING ITEM NUMBERS NOT APPLICABLE

- ITEM NOT ILLUSTRATED

BRI

28-11-03-02

28-11-03  
FIG. 02  
PAGE 2  
JAN 20/09



757

PARTS CATALOG (MAINTENANCE)

| FIG ITEM | PART NUMBER    | 1 2 3 4 5 6 7 | NOMENCLATURE  | EFFECT FROM TO             | UNITS PER ASSY |
|----------|----------------|---------------|---|----------------------------|----------------|
| 2        |                |               |   |                            |                |
| 55       | RM12LH3614-048 | ..            | NUT-SPECIAL<br>SUPPLIER CODE:<br>V72962<br>OPTIONAL PART:<br>K19079-4<br>V15653 | 101106<br>108120<br>504903 | 21             |
| 60       | 63-8497        | ..            | RETAINER ASSY-NUT   | 101106<br>108120<br>504903 | 21             |
| 65       | 69-77023-1     | ..            | SEAL-FUEL   | 101106<br>108120<br>504903 | 1              |
| 70       | 112N6012-1     | ..            | DOOR ASSY   | 101106<br>108120<br>504903 | 1              |
| 75       | 112N6013-1     | ...           | RING-PHENOLIC<br>OPTIONAL PART:<br>112N6013-3                                   | 101106<br>108120<br>504903 | 1              |
| 75       | 112N6013-3     | ...           | RING-PHENOLIC<br>OPTIONAL PART:<br>112N6013-1                                   | 101106<br>108120<br>504903 | 1              |
| 80       | 112N6003-13    | .D            | DOOR ASSY-<br>POSITION DATA:<br>LH SIDE   | 101106<br>108120<br>504903 | 1              |
| 85       | 112N6003-14    | .D            | DOOR ASSY-<br>POSITION DATA:<br>RH SIDE   | 101106<br>108120<br>504903 | 1              |
| 90       | NAS1801-3D11   | ..            | BOLT  | 101106<br>108120<br>504903 | 12             |
| 95       | NAS1149C0332R  | ..            | WASHER  | 101106<br>108120<br>504903 | 12             |
| 100      | 808295         | ..            | GASKOSEAL-<br>SUPPLIER CODE:<br>V83259  | 101106<br>108120<br>504903 | 1              |
| 105      | 342N2115-5     | ..            | TUBE ASSY   | 101106<br>108120<br>504903 | 1              |
| 110      | 342N2126-3     | ...           | INLET LIP-<br>OPTIONAL PART:<br>342N2126-5                                      | 101106<br>108120<br>504903 | 1              |
| 110      | 342N2126-5     | ...           | INLET LIP-<br>OPTIONAL PART:<br>342N2126-3                                      | 101106<br>108120<br>504903 | 1              |
| 115      | 342N2113-3     | ...           | FLANGE  | 101106<br>108120<br>504903 | 1              |

MISSING ITEM NUMBERS NOT APPLICABLE

- ITEM NOT ILLUSTRATED

28-11-03-02

28-11-03  
FIG. 02  
PAGE 3  
JAN 20/09

BRI





757

PARTS CATALOG (MAINTENANCE)

| FIG ITEM | PART NUMBER   | 1 2 3 4 5 6 7 | NOMENCLATURE   | EFFECT FROM TO             | UNITS PER ASSY |
|----------|---------------|---------------|--|----------------------------|----------------|
| 2        |               |               |  |                            |                |
| 120      | 342N2127-7    | ...           | TUBE ASSY  | 101106<br>108120<br>504903 | 1              |
| 125      | 342N2127-8    | ....          | TUBE-HALF  | 101106<br>108120<br>504903 | 1              |
| 130      | 342N2127-9    | ....          | TUBE-HALF  | 101106<br>108120<br>504903 | 1              |
| 135      | NAS6603-1     | ..            | BOLT   | 101106<br>108120<br>504903 | 18             |
| 140      | NAS1149C0332R | ..            | WASHER   | 101106<br>108120<br>504903 | 18             |
| 145      | 6301520300-1  | ..            | ARRESTOR-FLAME<br>SUPPLIER CODE:<br>V83533<br>SPECIFICATION NUMBER:<br>S342T002-2                            | 101106<br>108120<br>504903 | 1              |
| 150      | 6301520300-2  | ..            | HOUSING-ARRESTOR FLAME<br>SUPPLIER CODE:<br>V83533<br>SPECIFICATION NUMBER:<br>S342T002-3                    | 101106<br>108120<br>504903 | 1              |
| 155      | 9001-103      | ..            | DOOR ASSY-<br>SUPPLIER CODE:<br>V32455<br>POSITION DATA:<br>LH SIDE<br>SPECIFICATION NUMBER:<br>10-60031-103 | 101106<br>108120<br>504903 | 1              |
| 160      | 9001-104      | ..            | DOOR ASSY-<br>SUPPLIER CODE:<br>V32455<br>POSITION DATA:<br>RH SIDE<br>SPECIFICATION NUMBER:<br>10-60031-104 | 101106<br>108120<br>504903 | 1              |
| 165      | 342T0029-6    | .D            | DOOR ASSY-ACCES  | 101106<br>108120<br>504903 | 1              |
| 170      | BACB30LR3-2   | ..            | BOLT   | 101106<br>108120<br>504903 | 8              |
| 175      | MS29513-250   | ..            | PACKING  | 101106<br>108120<br>504903 | 1              |

MISSING ITEM NUMBERS NOT APPLICABLE

- ITEM NOT ILLUSTRATED

BRI

28-11-03-02

28-11-03  
FIG. 02  
PAGE 4  
JAN 20/09



757

PARTS CATALOG (MAINTENANCE)

| FIG ITEM | PART NUMBER    | 1 2 3 4 5 6 7 | NOMENCLATURE   | EFFECT FROM TO             | UNITS PER ASSY |
|----------|----------------|---------------|--|----------------------------|----------------|
| 2<br>180 | 2790475-103    |               | .. VALVE ASSY-PRESSURE<br>RELIEF<br>SUPPLIER CODE:<br>V92003<br>FUNCTIONAL DESCRIPTION:<br>LIMITS TO POSITIVE AND<br>NEGATIVE PRESSURES<br>INSIDE FUEL SURGE TANKS<br>TO BE COMPATIBLE WITH<br>STRUCTURE CAPABILITY<br>OF WING<br>SPECIFICATION NUMBER:<br>10-61897-7<br>COMPONENT MAINT MANUAL REF:<br>28-10-16 | 101106<br>108120<br>504903 | 1              |
| 185      | 112N6102-3     |               | .. DOOR ASSY-  | 101106<br>108120<br>504903 | 1              |
| 190      | K19079-4       |               | ... NUT-SPECIAL<br>SUPPLIER CODE:<br>V15653<br>OPTIONAL PART:<br>RM12LH3614-048<br>V72962  | 101106<br>108120<br>504903 | 21             |
| 190      | RM12LH3614-048 |               | ... NUT-SPECIAL<br>SUPPLIER CODE:<br>V72962<br>OPTIONAL PART:<br>K19079-4<br>V15653  | 101106<br>108120<br>504903 | 21             |
| 195      | 63-8497        |               | ... RETAINER ASSY-NUT  | 101106<br>108120<br>504903 | 20             |
| 200      | 63-8497-3      |               | ... RETAINER ASSY-NUT  | 101106<br>108120<br>504903 | 1              |
| 205      | 69-77023-1     |               | ... SEAL   | 101106<br>108120<br>504903 | 1              |
| 210      | 112N6012-2     |               | ... DOOR ASSY  | 101106<br>108120<br>504903 | 1              |
| 215      | 112N6013-1     |               | .... RING-<br>OPTIONAL PART:<br>112N6013-3   | 101106<br>108120<br>504903 | 1              |
| 215      | 112N6013-3     |               | .... RING-<br>OPTIONAL PART:<br>112N6013-1   | 101106<br>108120<br>504903 | 1              |

MISSING ITEM NUMBERS NOT APPLICABLE

- ITEM NOT ILLUSTRATED

BRI

28-11-03-02

28-11-03  
FIG. 02  
PAGE 5  
JAN 20/09



757

PARTS CATALOG (MAINTENANCE)

| FIG ITEM | PART NUMBER    | 1 2 3 4 5 6 7 | NOMENCLATURE  | EFFECT FROM TO             | UNITS PER ASSY |
|----------|----------------|---------------|---|----------------------------|----------------|
| 2        |                |               |   |                            |                |
| 220      | 65-76139-9     | .....         | DOOR  | 101106<br>108120<br>504903 | 1              |
| 225      | 9001-100       | ..            | DOOR ASSY-<br>SUPPLIER CODE:<br>V32455<br>SPECIFICATION NUMBER:<br>10-60031-100       | 101106<br>108120<br>504903 | 1              |
| 225      | 9001-120       | ..            | DOOR ASSY-<br>SUPPLIER CODE:<br>V32455<br>SPECIFICATION NUMBER:<br>10-60031-120       | 101106<br>108120<br>504903 | 1              |
| 230      | 10-60031-60    | ...           | RING-PHENOLIC   | 101106<br>108120<br>504903 | 1              |
| 235      | 10-60031-58    | ...           | SEAL  | 101106<br>108120<br>504903 | 1              |
| 240      | 65-76139-7     | ...           | DOOR ASSY   | 101106<br>108120<br>504903 | 1              |
| 245      | 63-8497        | .....         | RETAINER ASSY-NUT   | 101106<br>108120<br>504903 | 20             |
| 250      | 63-8497-3      | .....         | RETAINER ASSY-NUT   | 101106<br>108120<br>504903 | 1              |
| 255      | K19079-4       | .....         | NUT-SPECIAL<br>SUPPLIER CODE:<br>V15653<br>OPTIONAL PART:<br>RM12LH3614-048<br>V72962 | 101106<br>108120<br>504903 | 21             |
| 255      | RM12LH3614-048 | .....         | NUT-SPECIAL<br>SUPPLIER CODE:<br>V72962<br>OPTIONAL PART:<br>K19079-4<br>V15653       | 101106<br>108120<br>504903 | 21             |
| 260      | 65-76139-8     | .....         | DOOR  | 101106<br>108120<br>504903 | 1              |

MISSING ITEM NUMBERS NOT APPLICABLE

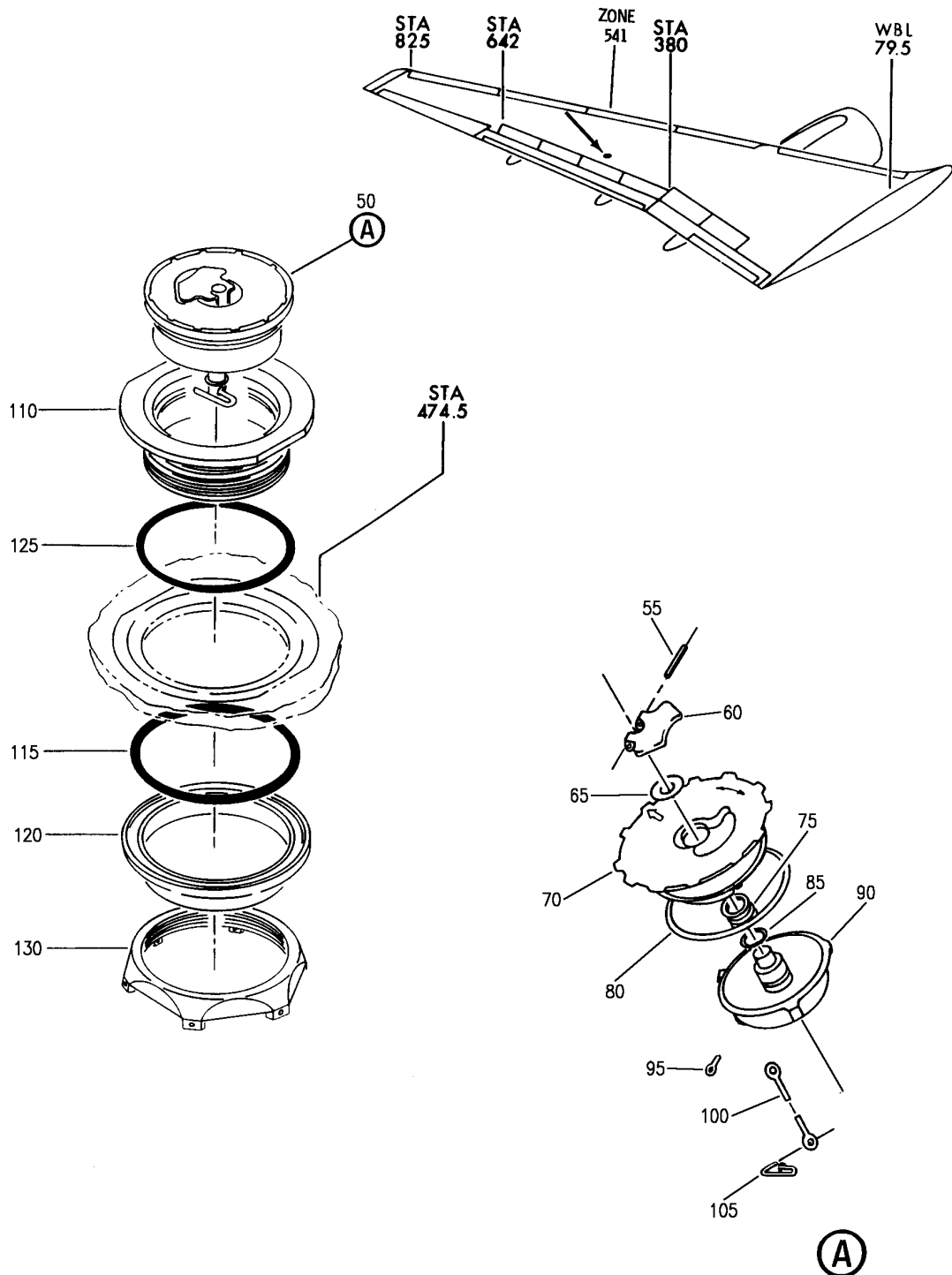
- ITEM NOT ILLUSTRATED

BRI

28-11-03-02

28-11-03  
FIG. 02  
PAGE 6  
JAN 20/09

**BOEING**  
757  
PARTS CATALOG (MAINTENANCE)



Y 28110401 REV 248

EQUIPMENT INSTL-FUEL TANK MAIN (FUEL TANKS ONLY)  
FIGURE 1

**28-11-04-01**

BRI  
MAY 28/07

28-11-04-01  
PAGE 0



757

PARTS CATALOG (MAINTENANCE)

| FIG ITEM | PART NUMBER | 1 2 3 4 5 6 7 | NOMENCLATURE   | EFFECT FROM TO                                 | UNITS PER ASSY |
|----------|-------------|---------------|--|--|----------------|
| 1        |             |               | EQUIPMENT INSTL-FUEL TANK<br>MAIN (FUEL TANKS ONLY)  | 002004<br>006100<br>107107<br>121503<br>904999 |                |
| - 1      | 341N0001-1  |               | EQUIPMENT INSTL-FUEL TANK<br>MAIN (FUEL TANKS ONLY)<br>POSITION DATA:<br>L<br>FOR NHA/ADDITIONAL DET SEE:<br>28-00-00-01   | 002004<br>006100<br>107107<br>121503<br>904999 | RF             |
| - 5      | 341N0001-2  |               | EQUIPMENT INSTL-FUEL TANK<br>MAIN (FUEL TANKS ONLY)<br>POSITION DATA:<br>R<br>FOR NHA/ADDITIONAL DET SEE:<br>28-00-00-01   | 002004<br>006100<br>107107<br>121503<br>904999 | RF             |
| 50       | 38222-3     |               | .CAP ASSY-<br>SUPPLIER CODE:<br>V99321<br>SPECIFICATION NUMBER:<br>10-3297-147<br>COMPONENT MAINT MANUAL REF:<br>28-11-01<br>OPTIONAL PART:<br>15-20001CAP<br>V53217 | 002004<br>006100<br>107107<br>121503<br>904999 | 1              |
| 50       | 15-20001CAP |               | .CAP ASSY-<br>SUPPLIER CODE:<br>V53217<br>SPECIFICATION NUMBER:<br>10-3297-147<br>COMPONENT MAINT MANUAL REF:<br>28-11-01<br>OPTIONAL PART:<br>38222-3<br>V99321     | 002004<br>006100<br>107107<br>121503<br>904999 | 1              |
| 55       | 38251       |               | ..PIN-HANDLE<br>SUPPLIER CODE:<br>V99321   | 002004<br>006100<br>107107<br>121503<br>904999 | 1              |
| 60       | 38249-1     |               | ..HANDLE-<br>SUPPLIER CODE:<br>V99321  | 002004<br>006100<br>107107<br>121503<br>904999 | 1              |

MISSING ITEM NUMBERS NOT APPLICABLE

- ITEM NOT ILLUSTRATED

BRI

28-11-04-01

28-11-04  
FIG. 01  
PAGE 1  
JAN 20/09



757

PARTS CATALOG (MAINTENANCE)

| FIG ITEM | PART NUMBER | 1 2 3 4 5 6 7 | NOMENCLATURE  | EFFECT FROM TO                                 | UNITS PER ASSY |
|----------|-------------|---------------|---|--|----------------|
| 1        |             |               |   |  |                |
| 65       | 38247       |               | .. PLATE-BEARING<br>SUPPLIER CODE:<br>V99321  | 002004<br>006100<br>107107<br>121503<br>904999 | 1              |
| 70       | 38285-2     |               | .. BASE ASSY-<br>SUPPLIER CODE:<br>V99321   | 002004<br>006100<br>107107<br>121503<br>904999 | 1              |
| 75       | 38218       |               | .. SPRING-<br>SUPPLIER CODE:<br>V99321  | 002004<br>006100<br>107107<br>121503<br>904999 | 1              |
| 80       | 38241       |               | .. SEAL-<br>PREFERRED PART<br>SUPPLIER CODE:<br>V99321<br>OPTIONAL PART:<br>38283<br>V99321 | 002004<br>006100<br>107107<br>121503<br>904999 | 1              |
| 80       | 38283       |               | .. SEAL-<br>SUPPLIER CODE:<br>V99321<br>OPTIONAL PART:<br>38241<br>V99321                   | 002004<br>006100<br>107107<br>121503<br>904999 | 1              |
| 85       | 37622-015   |               | .. PACKING-<br>SUPPLIER CODE:<br>V99321   | 002004<br>006100<br>107107<br>121503<br>904999 | 1              |
| 90       | 38677-1     |               | .. LOCK-<br>SUPPLIER CODE:<br>V99321  | 002004<br>006100<br>107107<br>121503<br>904999 | 1              |
| 95       | AN381-3-8   |               | .. PIN  | 002004<br>006100<br>107107<br>121503<br>904999 | 1              |
| 100      | 38252-12    |               | .. LANYARD-<br>SUPPLIER CODE:<br>V99321   | 002004<br>006100<br>107107<br>121503<br>904999 | 1              |

MISSING ITEM NUMBERS NOT APPLICABLE

- ITEM NOT ILLUSTRATED

28-11-04-01

28-11-04  
FIG. 01  
PAGE 2  
JAN 20/09

BRI

 **BOEING**  
757  
**PARTS CATALOG (MAINTENANCE)**

| FIG<br>ITEM | PART NUMBER | 1 2 3 4 5 6 7 | NOMENCLATURE   | EFFECT<br>FROM TO                              | UNITS<br>PER<br>ASSY |
|-------------|-------------|---------------|--|--|----------------------|
| 1           |             |               |  |  |                      |
| 105         | MS29523-1   | . .           | H00K   | 002004<br>006100<br>107107<br>121503<br>904999 | 1                    |
| 110         | 38768       | . ADAPTER-    | SUPPLIER CODE:<br>V99321<br>SPECIFICATION NUMBER:<br>60B92014-8  | 002004<br>006100<br>107107<br>121503<br>904999 | 1                    |
| 115         | MS29513-244 | . PACKING     |  | 002004<br>006100<br>107107<br>121503<br>904999 | 1                    |
| 120         | 38769       | . SEAL-       | SUPPLIER CODE:<br>V99321<br>SPECIFICATION NUMBER:<br>60B92014-9  | 002004<br>006100<br>107107<br>121503<br>904999 | 1                    |
| 125         | MS29513-240 | . PACKING     |  | 002004<br>006100<br>107107<br>121503<br>904999 | 1                    |
| 130         | 37093-1     | . NUT-        | SUPPLIER CODE:<br>V99321<br>SPECIFICATION NUMBER:<br>10-3297-151 | 002004<br>006100<br>107107<br>121503<br>904999 | 1                    |

MISSING ITEM NUMBERS NOT APPLICABLE

— ITEM NOT ILLUSTRATED

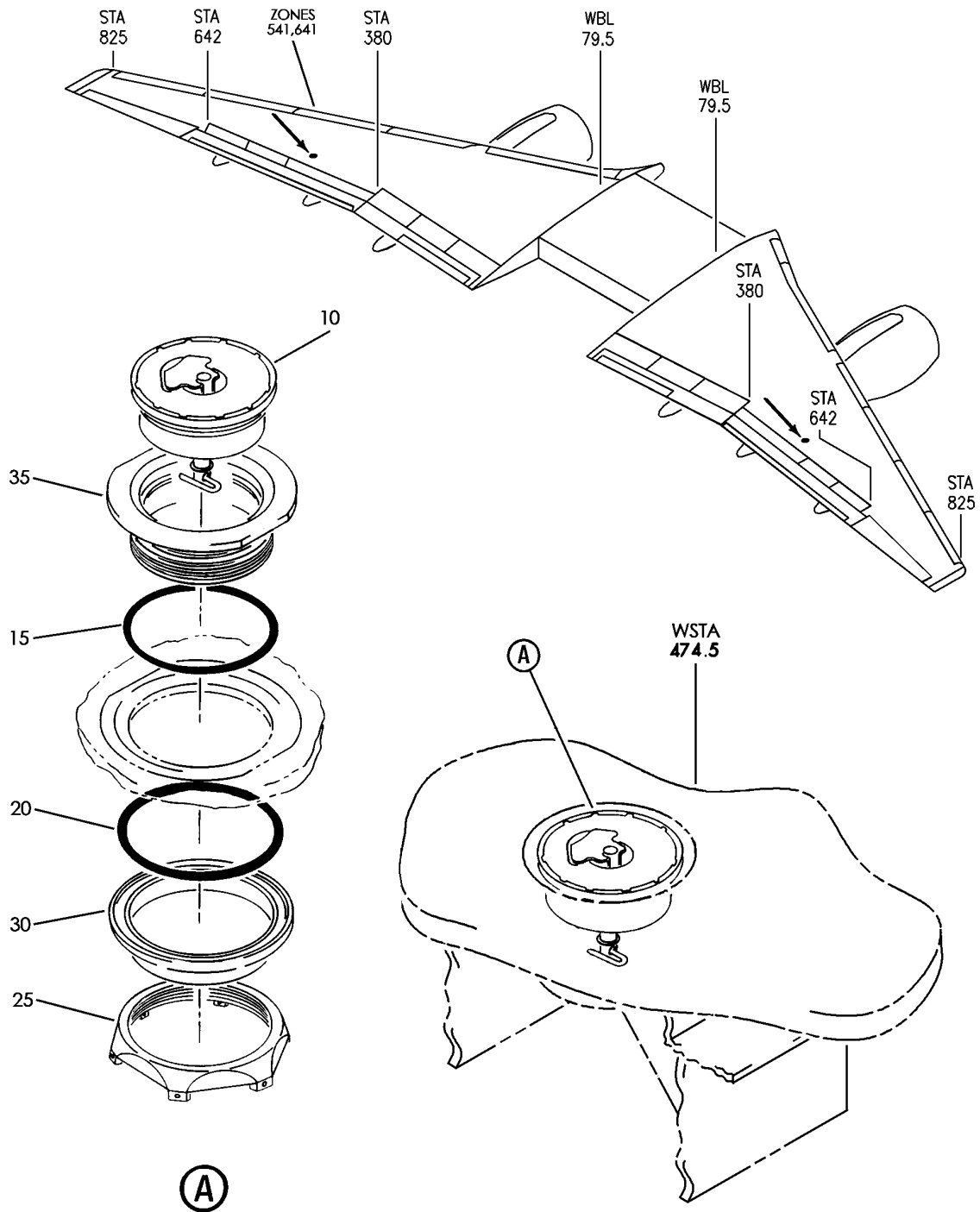
BRI

# 28-11-04-01

BOEING PROPRIETARY - Copyright © - Unpublished Work - See title page for details.

28-11-04  
FIG. 01  
PAGE 3  
JAN 20/09

**BOEING**  
757  
PARTS CATALOG (MAINTENANCE)



Y 28110402 REV 243

EQUIPMENT INSTL FILLER PORT OVER WING  
FIGURE 2

**28-11-04-02**

BRI  
MAY 28/07

28-11-04-02  
PAGE 0





757

PARTS CATALOG (MAINTENANCE)

| FIG ITEM | PART NUMBER | 1 2 3 4 5 6 7 | NOMENCLATURE   | EFFECT FROM TO             | UNITS PER ASSY |
|----------|-------------|---------------|--|----------------------------|----------------|
| 2        |             |               | EQUIPMENT INSTL<br>FILLER PORT OVER WING   | 101106<br>108120<br>504903 |                |
| - 1      | 341N0001-10 |               | EQUIPMENT INSTL-FILLER PORT<br>FOR NHA SEE:<br>28-00-00-05   | 101102<br>108120<br>504903 | RF             |
| - 1      | MODREF13602 |               | EQUIPMENT INSTL-FILLER PORT<br>MODULE NUMBER:<br>341N0001-10 REV A   | 103106                     | 1              |
| 10       | 38222-3     |               | .CAP ASSY-<br>SUPPLIER CODE:<br>V99321<br>SPECIFICATION NUMBER:<br>10-3297-147<br>COMPONENT MAINT MANUAL REF:<br>28-11-01<br>OPTIONAL PART:<br>15-20001CAP<br>V53217 | 101106<br>108120<br>504903 | 2              |
| 15       | MS29513-240 |               | .PACKING   | 101106<br>108120<br>504903 | 2              |
| 20       | MS29513-244 |               | .PACKING   | 101106<br>108120<br>504903 | 2              |
| 25       | 37093-1     |               | .NUT-<br>SUPPLIER CODE:<br>V99321<br>SPECIFICATION NUMBER:<br>10-3297-151  | 101106<br>108120<br>504903 | 2              |
| 30       | 38769       |               | .SEAL-RING<br>SUPPLIER CODE:<br>V99321<br>SPECIFICATION NUMBER:<br>60B92014-9  | 101106<br>108120<br>504903 | 2              |
| 35       | 38768       |               | .ADAPTER-<br>SUPPLIER CODE:<br>V99321<br>SPECIFICATION NUMBER:<br>60B92014-8   | 101106<br>108120<br>504903 | 2              |

MISSING ITEM NUMBERS NOT APPLICABLE

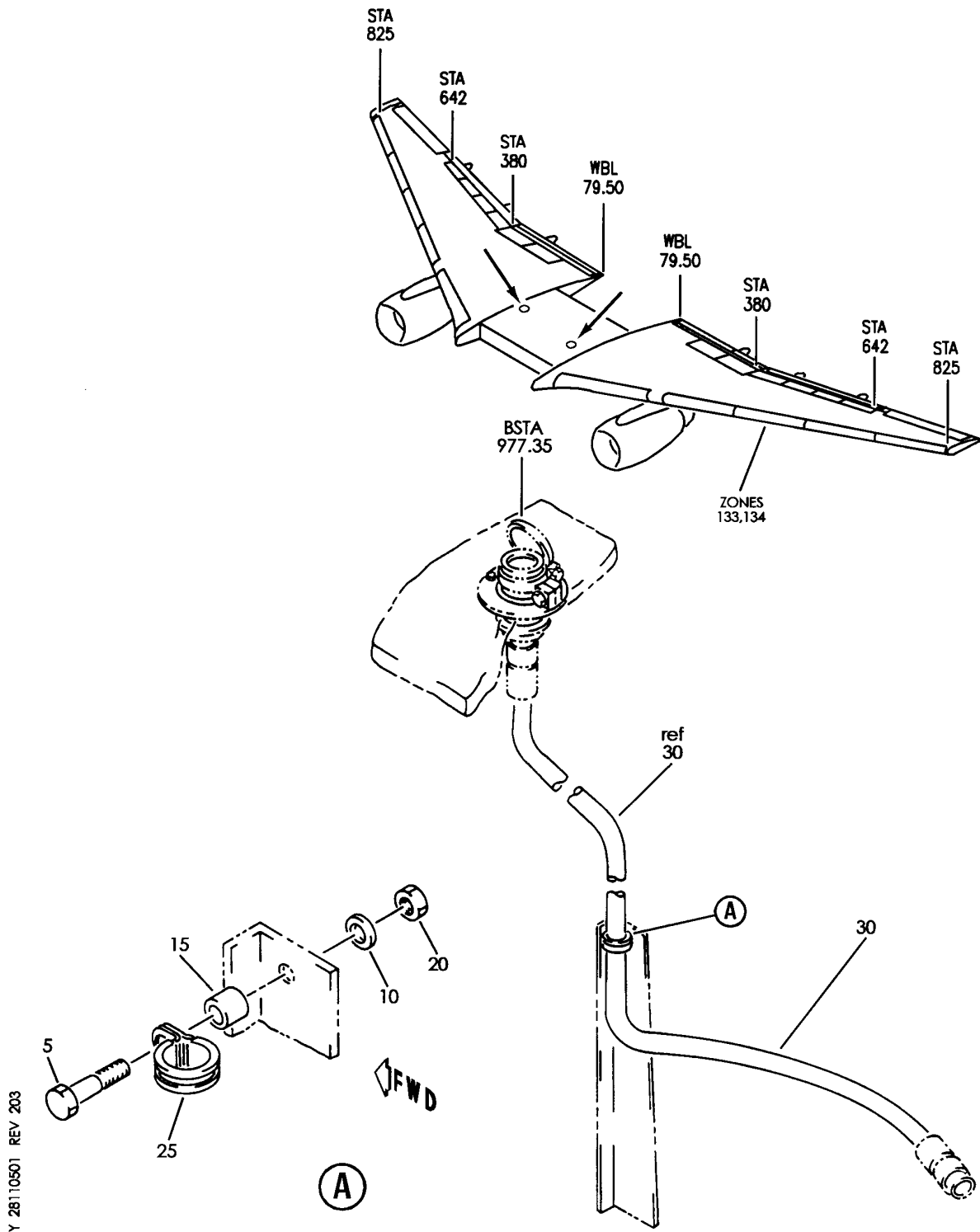
- ITEM NOT ILLUSTRATED

BRI

28-11-04-02

28-11-04  
FIG. 02  
PAGE 1  
JAN 20/09

**BOEING**  
757  
PARTS CATALOG (MAINTENANCE)



Y 28110501 REV 203

EQUIPMENT INSTL DRAIN HOSE CTR SUMP  
FIGURE 1

**28-11-05-01**

BRI  
MAY 28/07

28-11-05-01  
PAGE 0



757

PARTS CATALOG (MAINTENANCE)

| FIG ITEM | PART NUMBER   | 1 2 3 4 5 6 7 | NOMENCLATURE   | EFFECT FROM TO             | UNITS PER ASSY |
|----------|---------------|---------------|--|----------------------------|----------------|
| 1        |               |               | EQUIPMENT INSTL<br>DRAIN HOSE CTR SUMP   | 101106<br>108120<br>504903 |                |
| - 1      | 341N0001-9    |               | EQUIPMENT INSTL-DRAIN HOSE<br>POSITION DATA:<br>CTR SUMP<br>FOR NHA SEE:<br>28-00-00-05  | 101102<br>108120<br>504903 | RF             |
| - 1      | MODREF13607   |               | EQUIPMENT INSTL-DRAIN HOSE<br>MODULE NUMBER:<br>341N0001-9 REV A<br>POSITION DATA:<br>CTR SUMP   | 103106                     | 1              |
| 5        | NAS1801-3-16  |               | .SCREW   | 101106<br>108120<br>504903 | 1              |
| 10       | NAS1149C0332R |               | .WASHER  | 101106<br>108120<br>504903 | 1              |
| 15       | BACS18K10-32W |               | .SPACER  | 101106<br>108120<br>504903 | 1              |
| 20       | BRH10C3D      |               | .NUT<br>SUPPLIER CODE:<br>V52828<br>SPECIFICATION NUMBER:<br>BACN10JC3CD<br>OPTIONAL PART:<br>T6C1032JCD<br>V11815<br>NS202486-02<br>V80539<br>102LH9075-3W<br>V72962<br>H51650-3BAC<br>V15653 | 101106<br>108120<br>504903 | 1              |
| 25       | S258T6        |               | .CLAMP<br>SUPPLIER CODE:<br>V18076<br>SPECIFICATION NUMBER:<br>BACC10DW6S<br>OPTIONAL PART:<br>TA4C44S6T<br>V84971<br>475CS6<br>V83930<br>8084C6T<br>V72285                                    | 101106<br>108120<br>504903 | 1              |

MISSING ITEM NUMBERS NOT APPLICABLE

- ITEM NOT ILLUSTRATED

28-11-05-01

28-11-05  
FIG. 01  
PAGE 1  
JAN 20/09

BRI



757

PARTS CATALOG (MAINTENANCE)

| FIG<br>ITEM | PART NUMBER | 1 2 3 4 5 6 7 | NOMENCLATURE   | EFFECT<br>FROM TO          | UNITS<br>PER<br>ASSY |
|-------------|-------------|---------------|--|----------------------------|----------------------|
| 1<br>30     | AE708149-1  |               | .HOSE ASSY-<br>SUPPLIER CODE:<br>V00624<br>OPTIONAL PART:<br>R29348-0270<br>V50599 | 101106<br>108120<br>504903 | 1                    |
| 30          | R29348-0270 |               | .HOSE ASSY-<br>SUPPLIER CODE:<br>V50599<br>OPTIONAL PART:<br>AE708149-1<br>V00624  | 101106<br>108120<br>504903 | 1                    |

MISSING ITEM NUMBERS NOT APPLICABLE

- ITEM NOT ILLUSTRATED

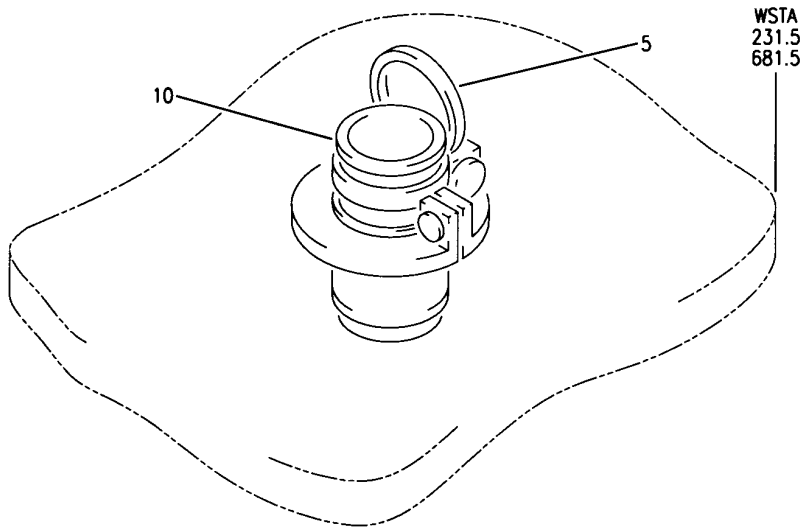
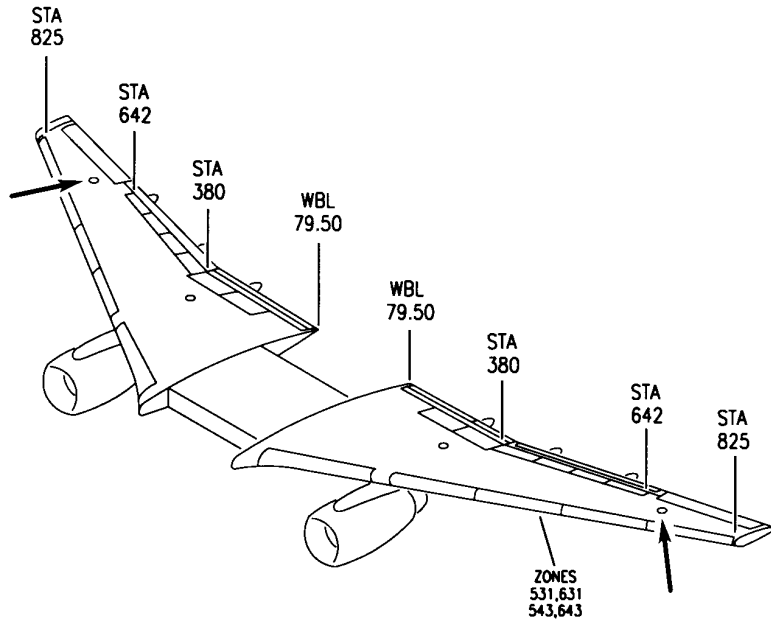
BRI

28-11-05-01

BOEING PROPRIETARY - Copyright © - Unpublished Work - See title page for details.

28-11-05  
FIG. 01  
PAGE 2  
JAN 20/09

**BOEING**  
757  
PARTS CATALOG (MAINTENANCE)



Y 28110501A REV 203

EQUIPMENT INSTL-MAIN AND SURGE DRAIN VALVES  
FIGURE 1A

**28-11-05-01A**

BRI  
MAY 28/07

28-11-05-01A  
PAGE 0



757

PARTS CATALOG (MAINTENANCE)

| FIG ITEM | PART NUMBER | 1 2 3 4 5 6 7 | NOMENCLATURE  | EFFECT FROM TO             | UNITS PER ASSY |
|----------|-------------|---------------|---|----------------------------|----------------|
| 1 A      |             |               | EQUIPMENT INSTL-MAIN AND SURGE DRAIN VALVES   | 101106<br>108120<br>504903 |                |
| - 1      | 341N0001-8  |               | EQUIPMENT INSTL-MAIN AND SURGE DRAIN VALVES FOR NHA SEE: 28-00-00-05                                      | 101102<br>108120<br>504903 | RF             |
| - 1      | MODREF13606 |               | EQUIPMENT INSTL-MAIN AND SURGE DRAIN VALVES MODULE NUMBER: 341N0001-8 REV A                               | 103106                     | 1              |
| 5        | 8D111-7     |               | . FLAPPER ASSY-SUMP DRAIN SUPPLIER CODE: V82829 SPECIFICATION NUMBER: 10-60523-27                         | 101106<br>108120<br>504903 | 4              |
| 10       | 8D111-1     |               | . VALVE ASSY- SUPPLIER CODE: V82829 SPECIFICATION NUMBER: 10-60523-11 COMPONENT MAINT MANUAL REF: 28-00-1 | 101106<br>108120<br>504903 | 4              |

MISSING ITEM NUMBERS NOT APPLICABLE

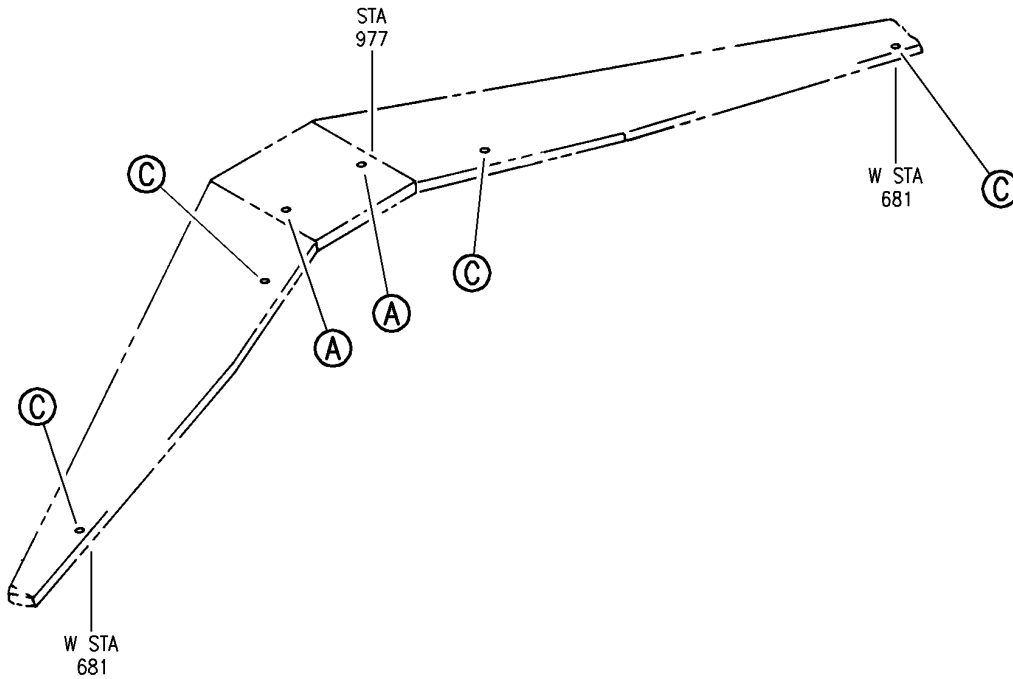
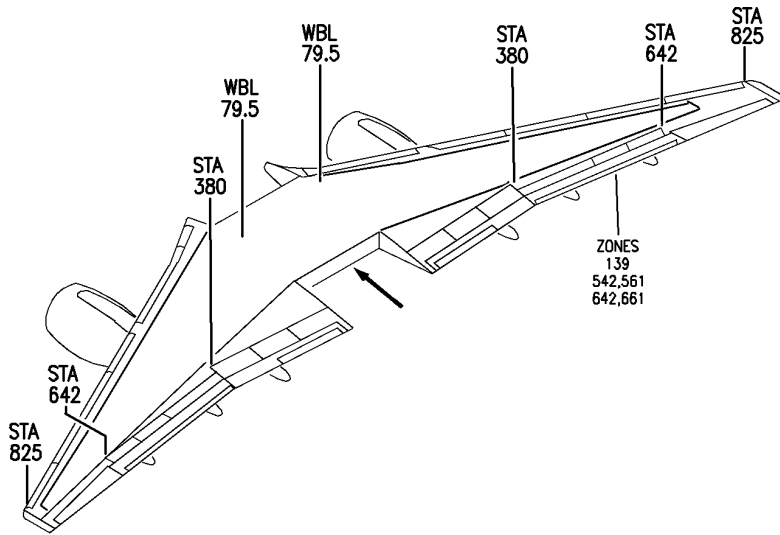
- ITEM NOT ILLUSTRATED

28-11-05-01A

28-11-05  
FIG. 01A  
PAGE 1  
JAN 20/09

BRI

**BOEING**  
757  
PARTS CATALOG (MAINTENANCE)



Y 28110502 SHT 1 REV 237

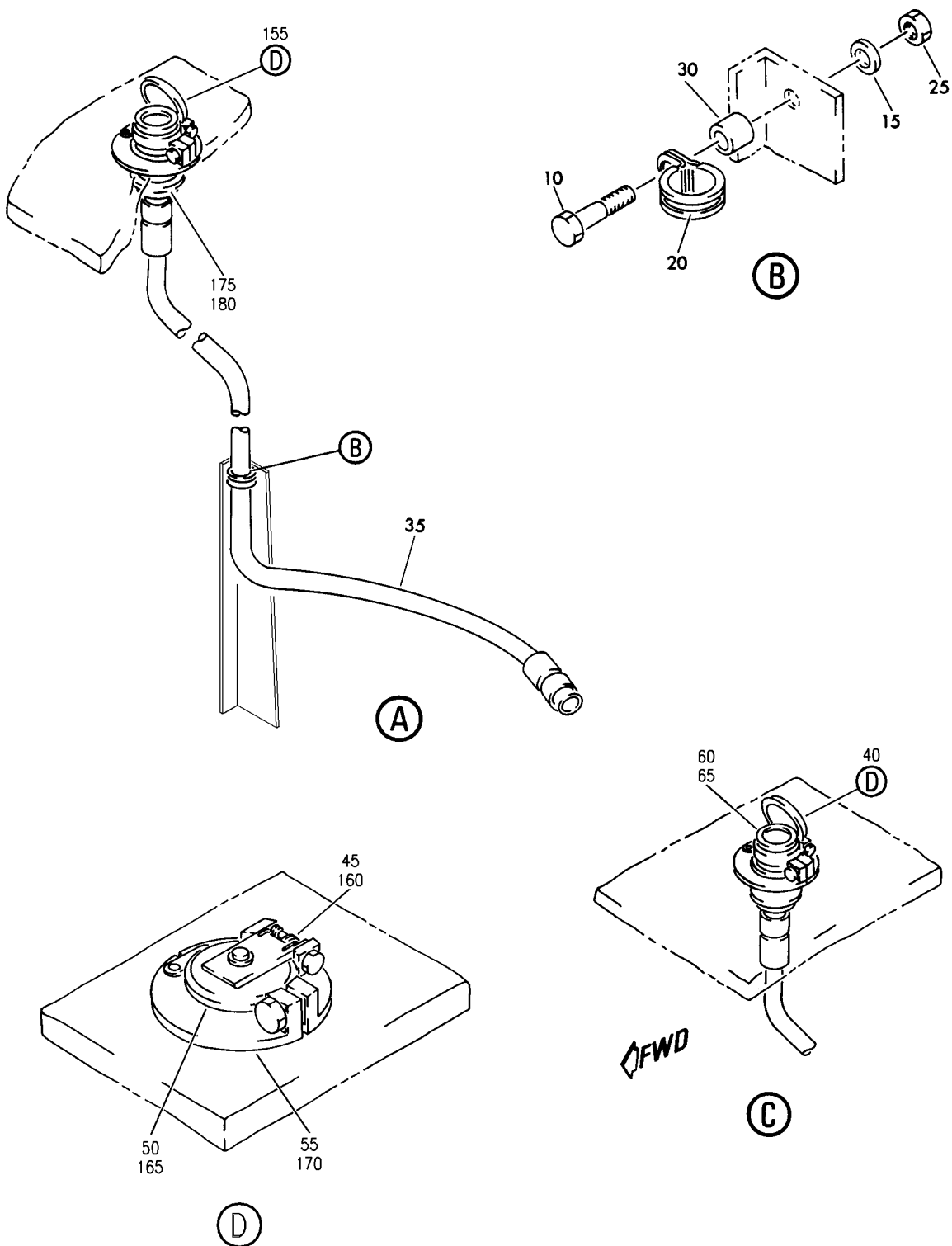
EQUIPMENT INSTL-FUEL TANK MAIN (FUEL SUMP DRAIN VALVE ONLY)  
FIGURE 2 (SHEET 1)

**28-11-05-02**

BRI  
MAY 28/07

28-11-05-02  
PAGE 0

**BOEING**  
757  
PARTS CATALOG (MAINTENANCE)



Y 28110502 SHT 2 REV 237

EQUIPMENT INSTL-FUEL TANK MAIN (FUEL SUMP DRAIN VALVE ONLY)  
FIGURE 2 (SHEET 2)

**28-11-05-02**

BRI  
MAY 28/07

28-11-05-02  
PAGE 0A





757

PARTS CATALOG (MAINTENANCE)

| FIG ITEM | PART NUMBER  | 1 2 3 4 5 6 7 | NOMENCLATURE  | EFFECT FROM TO                                 | UNITS PER ASSY |
|----------|--------------|---------------|---|--|----------------|
| 2        |              |               | EQUIPMENT INSTL-FUEL TANK<br>MAIN (FUEL SUMP DRAIN<br>VALVE ONLY)   | 002004<br>006999                               |                |
| - 1      | 341N0001-1   |               | EQUIPMENT INSTL-FUEL TANK<br>MAIN (FUEL SUMP DRAIN<br>VALVE ONLY)<br>POSITION DATA:<br>L<br>FOR NHA/OTHER SYS DET SEE:<br>28-00-00-01                       | 002004<br>006100<br>107107<br>121503<br>904999 | RF             |
| - 5      | 341N0001-2   |               | EQUIPMENT INSTL-FUEL TANK<br>MAIN (FUEL SUMP DRAIN<br>VALVE ONLY)<br>POSITION DATA:<br>R<br>FOR NHA/OTHER SYS DET SEE:<br>28-00-00-01                       | 002004<br>006100<br>107107<br>121503<br>904999 | RF             |
| 10       | NAS1801-3-16 |               | .SCREW  | 002004<br>006100<br>107107<br>121503<br>904999 | 1              |
| 15       | AN960C10L    |               | .WASHER   | 002004<br>006100<br>107107<br>121503<br>904999 | 1              |
| 20       | S258T6       |               | .CLAMP<br>SUPPLIER CODE:<br>V18076<br>SPECIFICATION NUMBER:<br>BACC10DW6S<br>OPTIONAL PART:<br>TA4C44S6T<br>V84971<br>475CS6<br>V83930<br>8084C6T<br>V72285 | 002004<br>006100<br>107107<br>121503<br>904999 | 1              |

MISSING ITEM NUMBERS NOT APPLICABLE

- ITEM NOT ILLUSTRATED

BRI

28-11-05-02

28-11-05  
FIG. 02  
PAGE 1  
JAN 20/09



757

PARTS CATALOG (MAINTENANCE)

| FIG ITEM | PART NUMBER      | 1 2 3 4 5 6 7 | NOMENCLATURE   | EFFECT FROM TO                                 | UNITS PER ASSY |
|----------|------------------|---------------|--|--|----------------|
| 2        | 25 BRH10A3       | .             | NUT<br>SUPPLIER CODE:<br>V52828<br>SPECIFICATION NUMBER:<br>BACN10JC3<br>OPTIONAL PART:<br>H10-3BAC<br>V15653<br>NS202101-02<br>V80539<br>RMLH9075-3W<br>V72962<br>VN303A02<br>V92215<br>96-02<br>V80539<br>T6S1032J<br>V11815 | 002004<br>006100<br>107107<br>121503<br>904999 | 1              |
|          | 30 BACS18K10-32W | .             | SPACER   | 002004<br>006100<br>107107<br>121503<br>904999 | 1              |
|          | 35 R29348-0270   | .             | HOSE ASSY-<br>SUPPLIER CODE:<br>V50599   | 002004<br>006100<br>107107<br>121503<br>904999 | 1              |
|          | 35 AE708149-1    | .             | HOSE ASSY-<br>SUPPLIER CODE:<br>V00624   | 002004<br>006100<br>107107<br>121503<br>904999 | 1              |
|          | 40 8D111-7       | .             | FLAPPER ASSY-SUMP DRAIN<br>SUPPLIER CODE:<br>V82829<br>SPECIFICATION NUMBER:<br>10-60523-27  | 002004<br>006100<br>107107<br>121503<br>904999 | 2              |
|          | 45 8D111B7       | ..            | SPRING-TORSION<br>SUPPLIER CODE:<br>V82829   | 002004<br>006100<br>107107<br>121503<br>904999 | 1              |
|          | 50 8D111B13      | ..            | FLAPPER ASSY-<br>SUPPLIER CODE:<br>V82829  | 002004<br>006100<br>107107<br>121503<br>904999 | 1              |

MISSING ITEM NUMBERS NOT APPLICABLE

- ITEM NOT ILLUSTRATED

28-11-05-02

28-11-05  
FIG. 02  
PAGE 2  
JAN 20/09

BRI



757

PARTS CATALOG (MAINTENANCE)

| FIG ITEM | PART NUMBER | 1 2 3 4 5 6 7  | NOMENCLATURE                                | EFFECT FROM TO                                 | UNITS PER ASSY |
|----------|-------------|--|---|--|----------------|
| 2        |             |  |   |  |                |
| 55       | 8D111-7C1   | ..   | FLANGE-MTG<br>SUPPLIER CODE:<br>V82829      | 002004<br>006100<br>107107<br>121503<br>904999 | 1              |
| 60       | 8D111-1     | .VALVE ASSY-SUMP DRAIN<br>SUPPLIER CODE:<br>V82829<br>SPECIFICATION NUMBER:<br>10-60523-11<br>COMPONENT MAINT MANUAL REF:<br>28-00-1 |   | 002004<br>006100<br>107107<br>121503<br>904999 | 2              |
| 65       | MS29513-118 | ..   | PACKING-                                    | 002004<br>006100<br>107107<br>121503<br>904999 | 1              |
| - 150    | 341N0001-3  | EQUIPMENT INSTL-FUEL TANK<br>MAIN<br>POSITION DATA:<br>CTR<br>FOR NHA SEE:<br>28-00-00-01<br>28-00-00-05                             |   | 002004<br>006102<br>107999                     | RF             |
| - 150    | MODREF13605 | EQUIPMENT INSTL-FUEL TANK<br>MAIN<br>MODULE NUMBER:<br>341N0001-3 REV A<br>POSITION DATA:<br>CTR                                     |   | 103106   | 1              |
| 155      | 8D111-7     | .FLAPPER ASSY-SUMP DRAIN<br>SUPPLIER CODE:<br>V82829<br>SPECIFICATION NUMBER:<br>10-60523-27   |   | 002004<br>006999                               | 2              |
| 160      | 8D111B7     | ..   | SPRING-TORSION<br>SUPPLIER CODE:<br>V82829  | 002004<br>006999                               | 1              |
| 165      | 8D111B13    | ..   | FLAPPER ASSY-<br>SUPPLIER CODE:<br>V82829   | 002004<br>006999                               | 1              |
| 170      | 8D111-7C1   | ..   | FLANGE-MOUNTING<br>SUPPLIER CODE:<br>V82829 | 002004<br>006999                               | 1              |

MISSING ITEM NUMBERS NOT APPLICABLE

- ITEM NOT ILLUSTRATED

BRI

28-11-05-02

28-11-05  
FIG. 02  
PAGE 3  
JAN 20/09



757

PARTS CATALOG (MAINTENANCE)

| FIG<br>ITEM | PART NUMBER | 1 2 3 4 5 6 7 | NOMENCLATURE   | EFFECT<br>FROM TO | UNITS<br>PER<br>ASSY |
|-------------|-------------|---------------|--|-------------------|----------------------|
| 2<br>175    | 8D136-1     |               | . VALVE ASSY-SUMP DRAIN<br>SUPPLIER CODE:<br>V82829<br>SPECIFICATION NUMBER:<br>10-60523-25<br>COMPONENT MAINT MANUAL REF:<br>28-11-02 | 002004<br>006999  | 2                    |
| 180         | MS29513-118 |               | .. PACKING   | 002004<br>006999  | 1                    |

MISSING ITEM NUMBERS NOT APPLICABLE

- ITEM NOT ILLUSTRATED

BRI

28-11-05-02

BOEING PROPRIETARY - Copyright © - Unpublished Work - See title page for details.

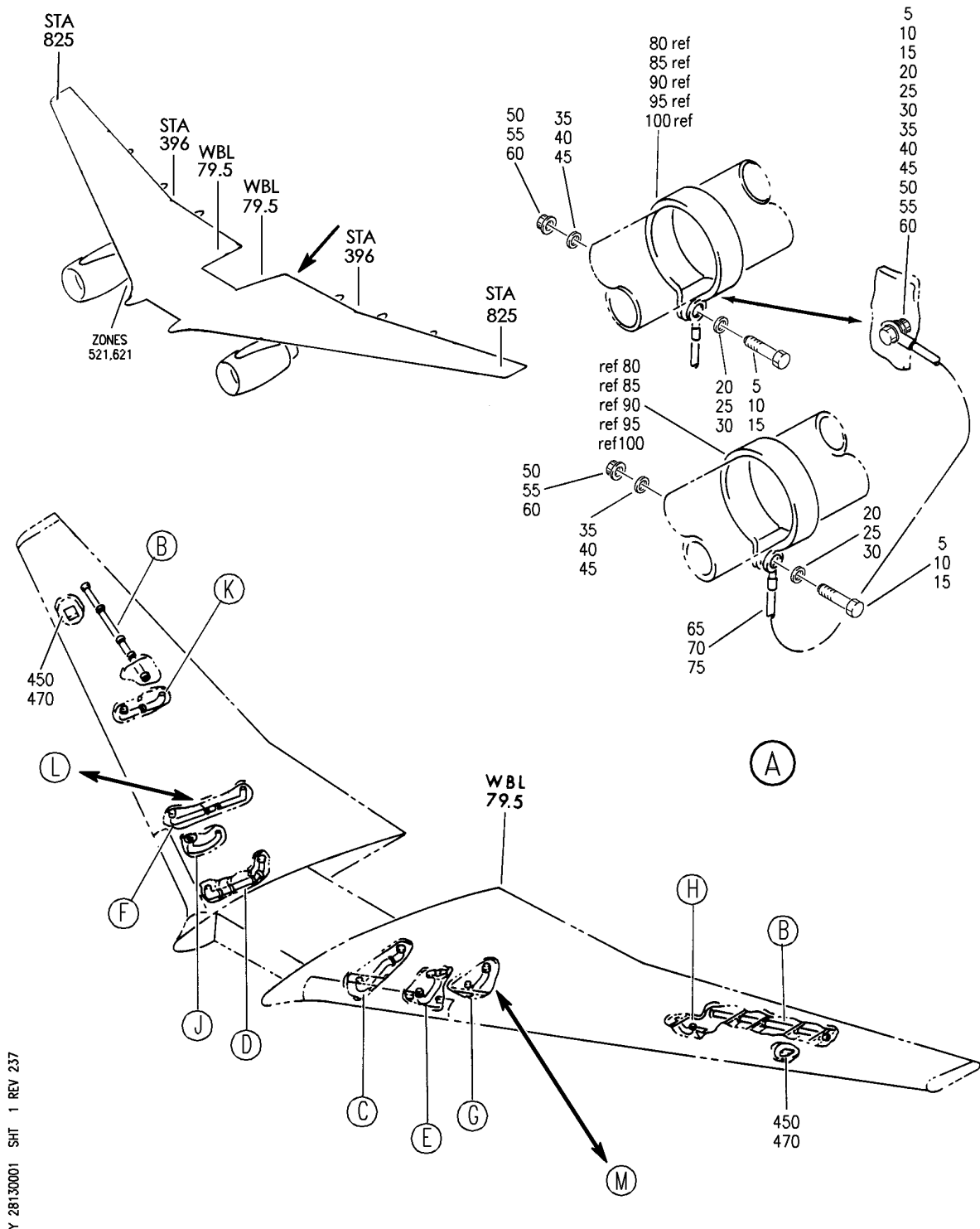
28-11-05  
FIG. 02  
PAGE 4  
JAN 20/09

## **FUEL VENT SYSTEM**

**BRI**  
**MAY 28/07**

**28-13-00**  
**SECTION TITLE**  
**PAGE 1**

**BOEING**  
757  
**PARTS CATALOG (MAINTENANCE)**



Y 28130001 SHT 1 REV 237

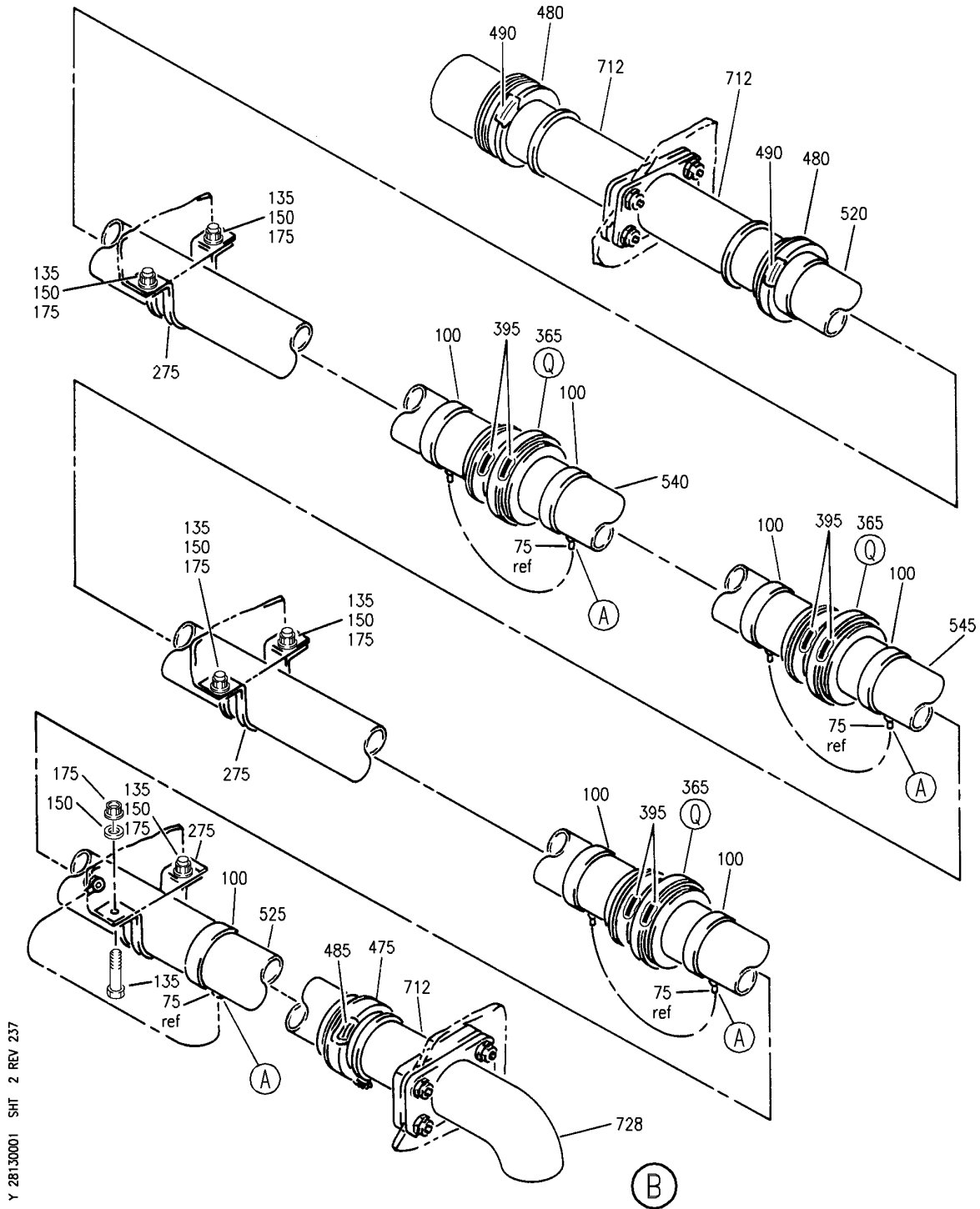
TUBING INST-FUEL TANK (FUEL VENT SYSTEM ONLY)  
FIGURE 1 (SHEET 1)

**28-13-00-01**

BRI  
MAY 28/07

28-13-00-01  
PAGE 0

**BOEING**  
757  
PARTS CATALOG (MAINTENANCE)



Y 28130001 SHT 2 REV 237

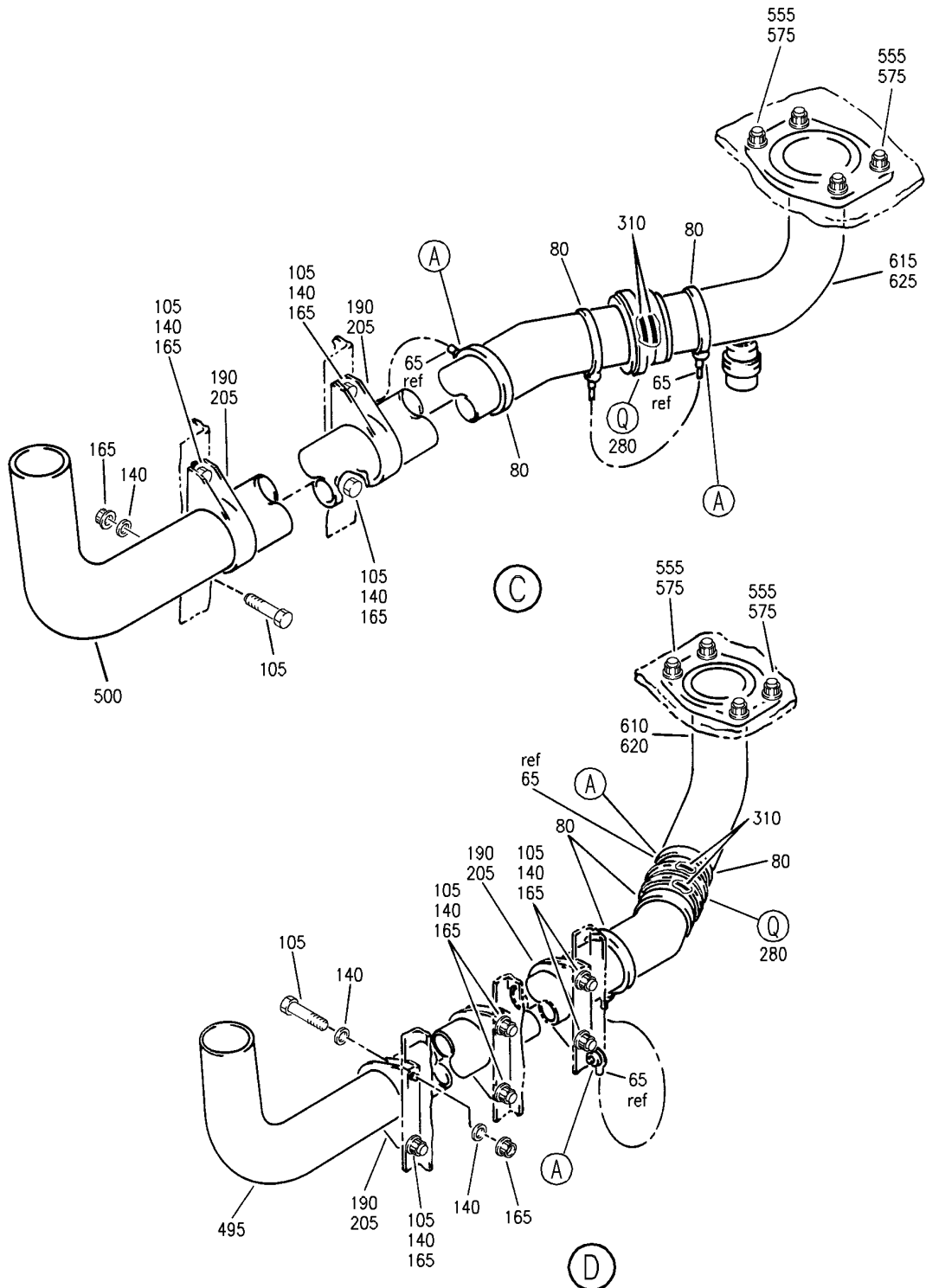
TUBING INST-FUEL TANK (FUEL VENT SYSTEM ONLY)  
FIGURE 1 (SHEET 2)

# 28-13-00-01

BRI  
MAY 28/07

28-13-00-01  
PAGE 0A

**BOEING**  
757  
PARTS CATALOG (MAINTENANCE)



Y 28130001 SH1 3 REV 237

TUBING INST-FUEL TANK (FUEL VENT SYSTEM ONLY)  
FIGURE 1 (SHEET 3)

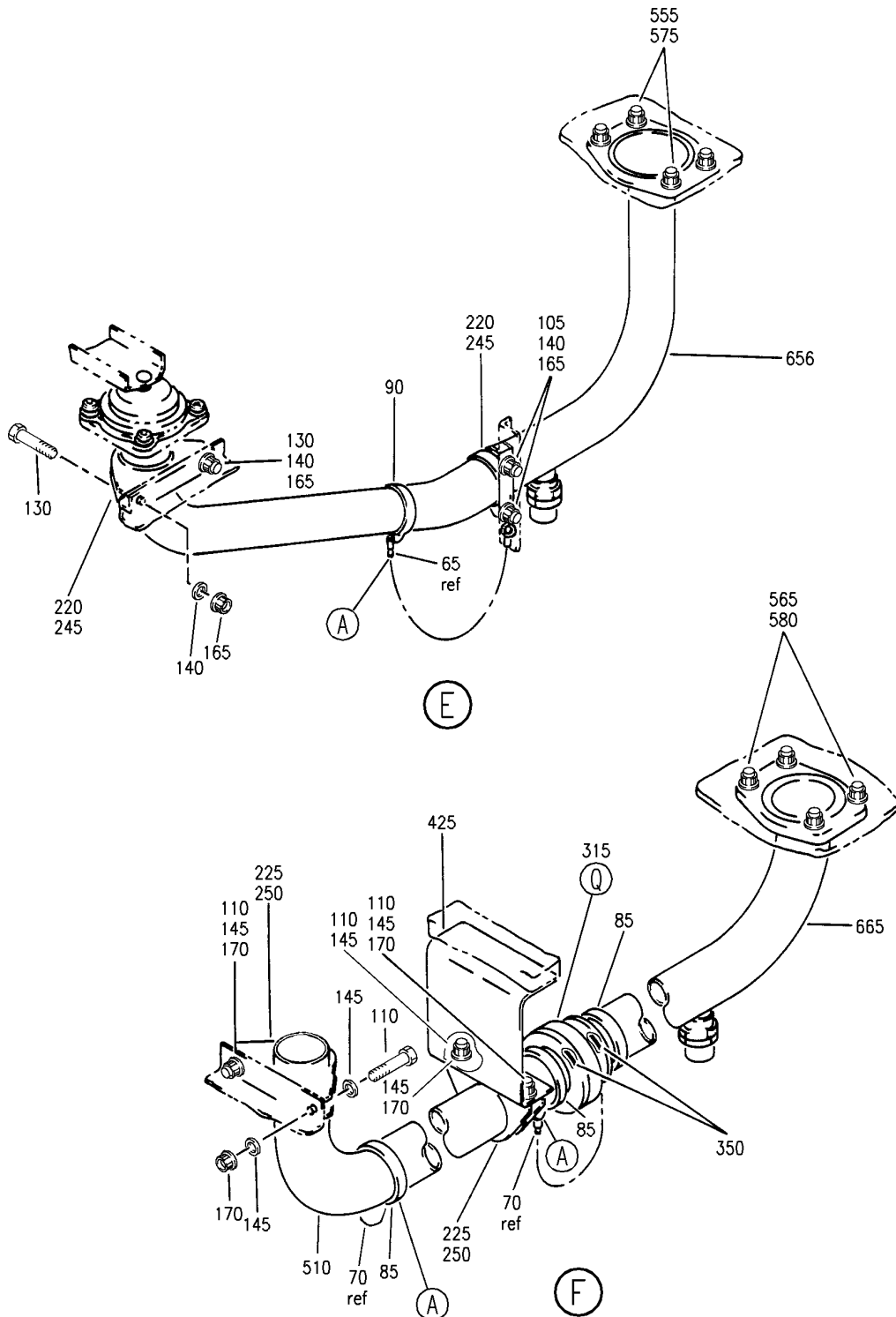
**28-13-00-01**

BRI  
MAY 28/07

28-13-00-01  
PAGE 0B



**BOEING**  
757  
**PARTS CATALOG (MAINTENANCE)**



Y 28130001 SH 4 REV 237

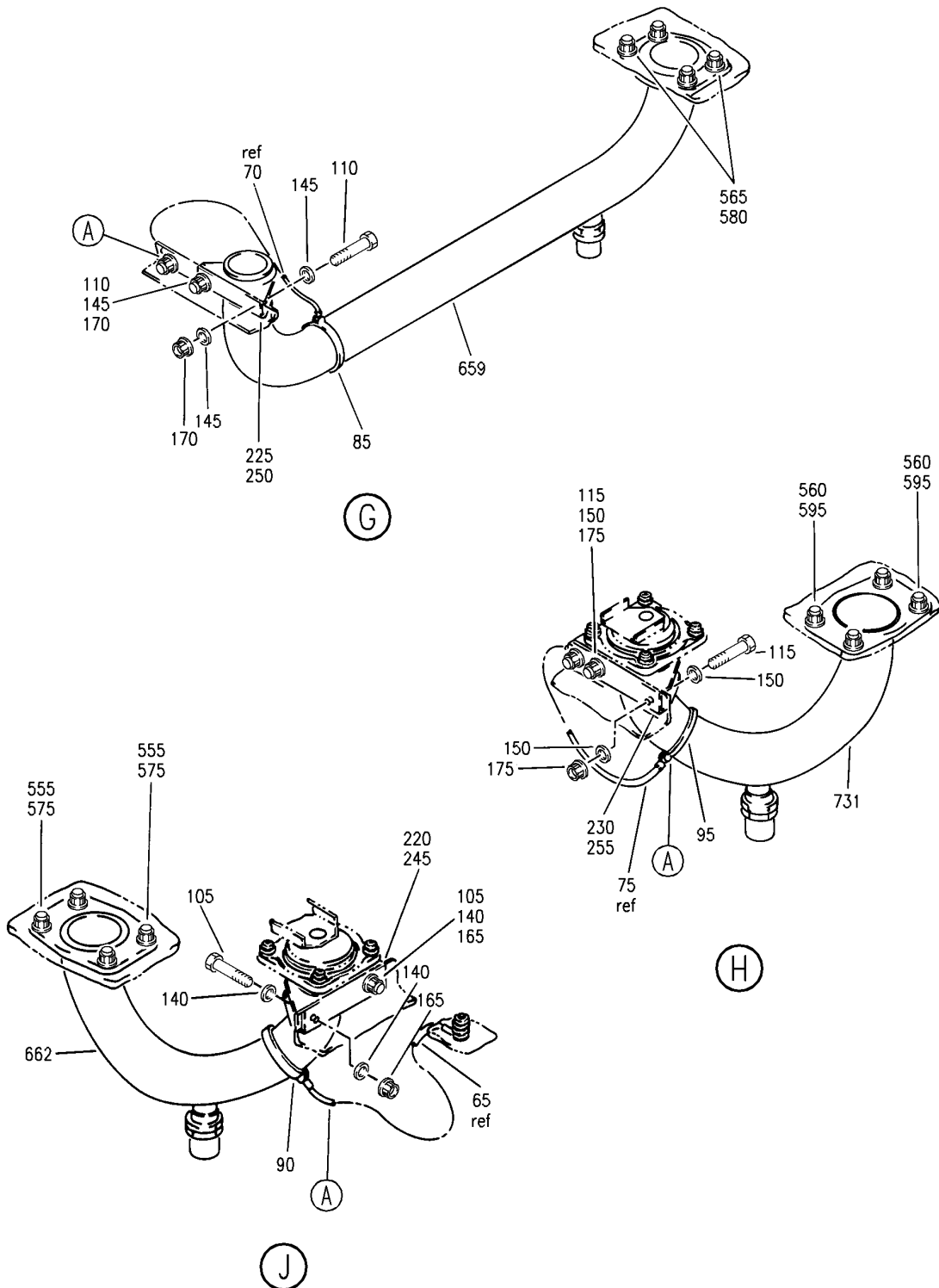
TUBING INST-FUEL TANK (FUEL VENT SYSTEM ONLY)  
FIGURE 1 (SHEET 4)

**28-13-00-01**

BRI  
MAY 28/07

28-13-00-01  
PAGE 0C

**BOEING**  
757  
PARTS CATALOG (MAINTENANCE)



Y 28130001 SHT 5 REV 237

TUBING INST-FUEL TANK (FUEL VENT SYSTEM ONLY)  
FIGURE 1 (SHEET 5)

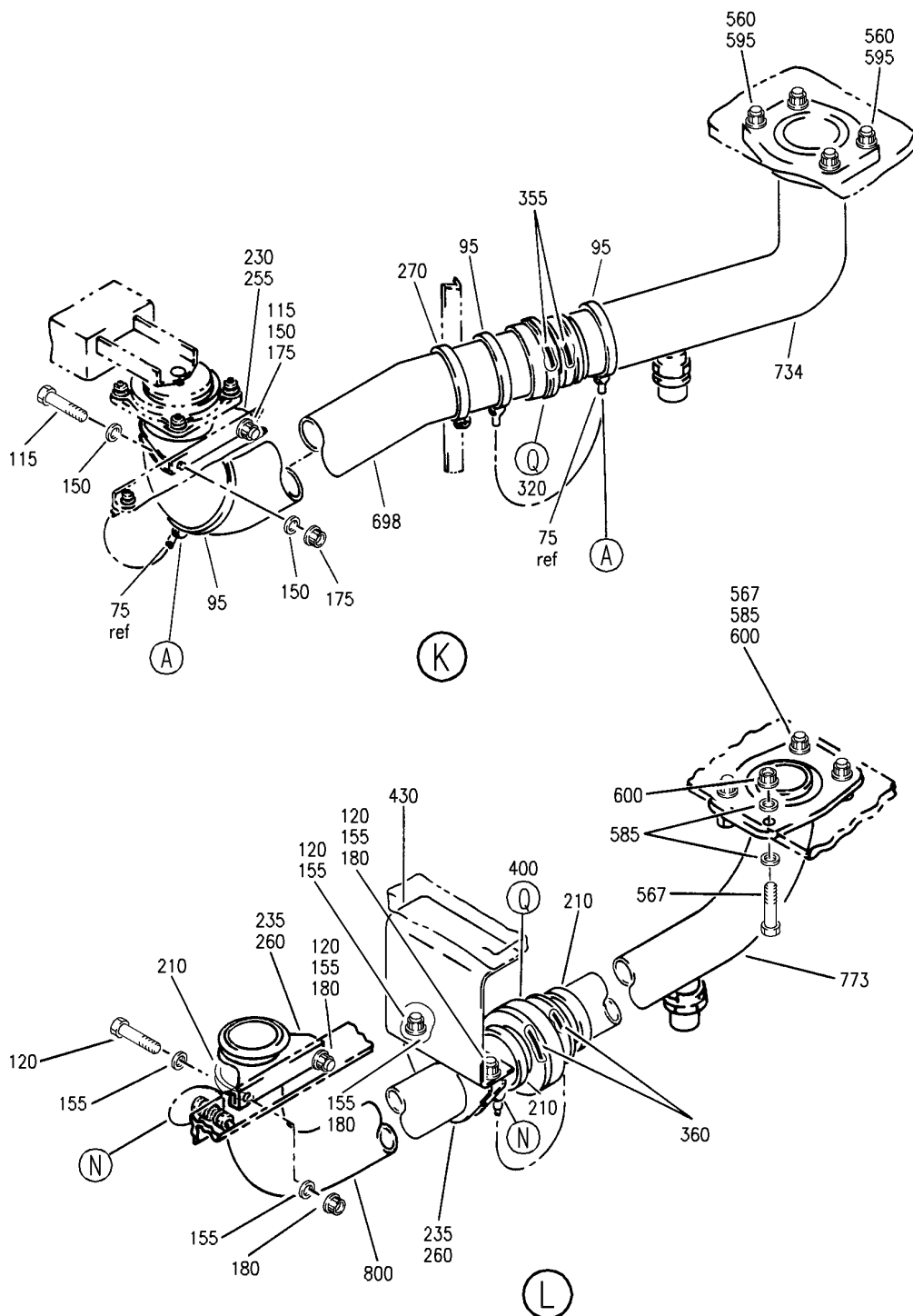
**28-13-00-01**

BRI  
MAY 28/07

28-13-00-01  
PAGE 0D

**BOEING**  
757  
**PARTS CATALOG (MAINTENANCE)**

Y 28130001 SHT 6 REV 237



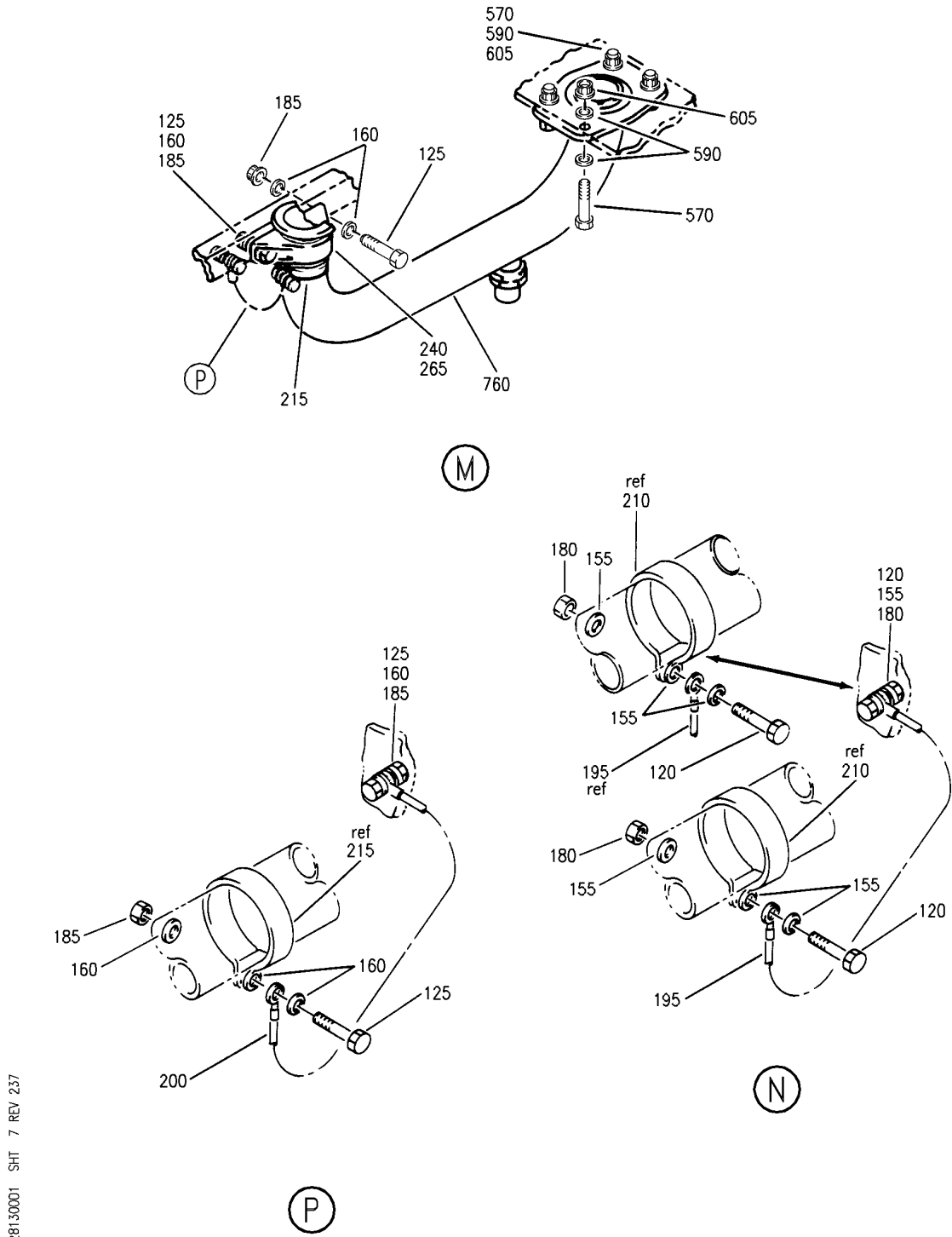
TUBING INST-FUEL TANK (FUEL VENT SYSTEM ONLY)  
FIGURE 1 (SHEET 6)

**28-13-00-01**

BRI  
MAY 28/07

28-13-00-01  
PAGE 0E

**BOEING**  
757  
PARTS CATALOG (MAINTENANCE)



Y 28130001 SH 7 REV 237

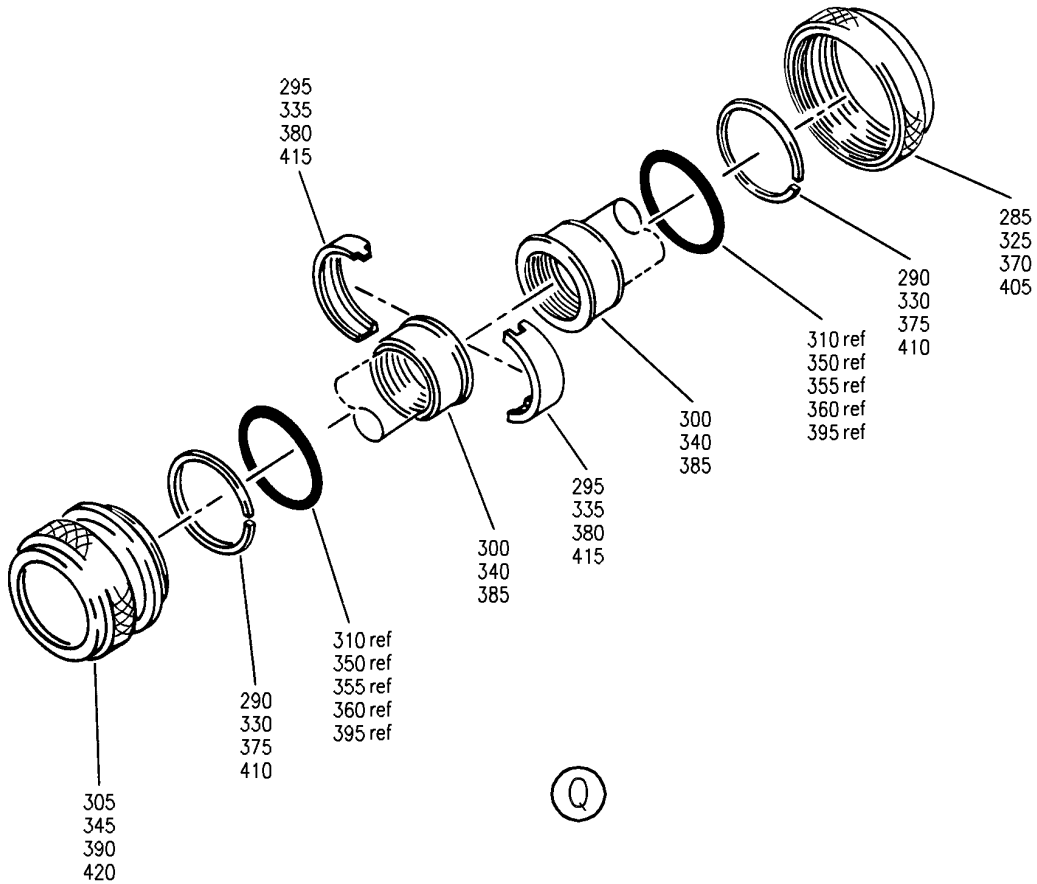
TUBING INST-FUEL TANK (FUEL VENT SYSTEM ONLY)  
FIGURE 1 (SHEET 7)

**28-13-00-01**

BRI  
MAY 28/07

28-13-00-01  
PAGE OF

**BOEING**  
757  
**PARTS CATALOG (MAINTENANCE)**



Y 28130001 SHT 8 REV 237

TUBING INST-FUEL TANK (FUEL VENT SYSTEM ONLY)  
FIGURE 1 (SHEET 8)

**28-13-00-01**

BRI  
MAY 28/07

28-13-00-01  
PAGE 06



757

PARTS CATALOG (MAINTENANCE)

| FIG ITEM | PART NUMBER  | 1 2 3 4 5 6 7 | NOMENCLATURE   | EFFECT FROM TO                                 | UNITS PER ASSY |
|----------|--------------|---------------|--|--|----------------|
| 1        |              |               | TUBING INST-FUEL TANK<br>(FUEL VENT SYSTEM ONLY)   | 002004<br>006999                               |                |
| - 1      | 342N4001-12  |               | TUBING INSTL-FUEL TANK VENT<br>(FUEL VENT SYSTEM ONLY)<br>FOR NHA SEE:<br>28-00-00-01  | 002004<br>006100<br>107107<br>121503<br>904999 | RF             |
| - 1      | 342N4001-16  |               | TUBING INSTL-FUEL TANK<br>(FUEL VENT SYSTEM ONLY)<br>FOR NHA/OTHER SYS DET SEE:<br>28-00-00-05   | 101102<br>504903                               | RF             |
| - 1      | 342N4001-17  |               | TUBING INSTL-FUEL TANK<br>(FUEL VENT SYSTEM ONLY)<br>FOR NHA/OTHER SYS DET SEE:<br>28-00-00-05   | 108120   | RF             |
| - 1      | MODREF13608  |               | TUBING INSTL-FUEL TANK<br>(FUEL VENT SYSTEM ONLY)<br>MODULE NUMBER:<br>342N4001-17 REV A<br>FOR ADDITIONAL DETAILS SEE:<br>28-13-01-01<br>28-13-03-02<br>28-13-08-01 | 103106   | 1              |
| 5        | NAS1801-3-10 |               | .SCREW   | 002004<br>006999                               | 12             |
| 10       | NAS1801-3-10 |               | .SCREW   | 002004<br>006100<br>107107<br>121503<br>904999 | 6              |
| 20       | AN960D10L    |               | .WASHER  | 002004<br>006999                               | 12             |
| 25       | AN960D10L    |               | .WASHER  | 002004<br>006100<br>107107<br>121503<br>904999 | 6              |
| 35       | AN960PD10L   |               | .WASHER  | 002004<br>006999                               | 12             |
| 40       | AN960PD10L   |               | .WASHER  | 002004<br>006100<br>107107<br>121503<br>904999 | 6              |

MISSING ITEM NUMBERS NOT APPLICABLE

- ITEM NOT ILLUSTRATED

28-13-00-01

28-13-00  
FIG. 01  
PAGE 1  
JAN 20/09

BRI



757

PARTS CATALOG (MAINTENANCE)

| FIG ITEM | PART NUMBER | 1 2 3 4 5 6 7 | NOMENCLATURE  | EFFECT FROM TO                                 | UNITS PER ASSY |
|----------|-------------|---------------|---|--|----------------|
| 1<br>50  | BRH10A3     | .NUT          | SUPPLIER CODE:<br>V52828<br>SPECIFICATION NUMBER:<br>BACN10JC3<br>OPTIONAL PART:<br>H10-3BAC<br>V15653<br>NS202101-02<br>V80539<br>RMLH9075-3W<br>V72962<br>VN303A02<br>V92215<br>96-02<br>V80539<br>T6S1032J<br>V11815 | 002004<br>006999                               | 12             |
| 55       | BRH10A3     | .NUT          | SUPPLIER CODE:<br>V52828<br>SPECIFICATION NUMBER:<br>BACN10JC3<br>OPTIONAL PART:<br>H10-3BAC<br>V15653<br>NS202101-02<br>V80539<br>RMLH9075-3W<br>V72962<br>VN303A02<br>V92215<br>96-02<br>V80539<br>T6S1032J<br>V11815 | 002004<br>006100<br>107107<br>121503<br>904999 | 6              |
| 65       | 740A20-6    | .JUMPER ASSY  | SUPPLIER CODE:<br>V91812<br>SPECIFICATION NUMBER:<br>BACJ40A20-6<br>OPTIONAL PART:<br>TJEJ40A20-6<br>V33483<br>RBEJ20-6<br>V1GK47   | 002004<br>006999                               | 6              |

MISSING ITEM NUMBERS NOT APPLICABLE

- ITEM NOT ILLUSTRATED

BRI

28-13-00-01

28-13-00  
FIG. 01  
PAGE 2  
JAN 20/09



757

PARTS CATALOG (MAINTENANCE)

| FIG ITEM | PART NUMBER  | 1 2 3 4 5 6 7 | NOMENCLATURE   | EFFECT FROM TO                                 | UNITS PER ASSY |
|----------|--------------|---------------|--|--|----------------|
| 1        |              |               |  |  |                |
| 70       | 740A20-6     | .             | JUMPER ASSY<br>SUPPLIER CODE:<br>V91812<br>SPECIFICATION NUMBER:<br>BACJ40A20-6<br>OPTIONAL PART:<br>TJEJ40A20-6<br>V33483<br>RBEJ20-6<br>V1GK47 | 002004<br>006100<br>107107<br>121503<br>904999 | 3              |
| 80       | AN735DC40    | .             | CLAMP  | 002004<br>006999                               | 6              |
| 85       | AN735DC32    | .             | CLAMP  | 002004<br>006100<br>107107<br>121503<br>904999 | 4              |
| 90       | AN735DC32    | .             | CLAMP  | 002004<br>006999                               | 2              |
| 105      | NAS1801-3-10 | .             | SCREW  | 002004<br>006999                               | 14             |
| 110      | NAS1801-3-10 | .             | SCREW  | 002004<br>006100<br>107107<br>121503<br>904999 | 6              |
| 120      | NAS1801-3-10 | .             | SCREW  | 101106<br>108120<br>504903                     | 8              |
| 125      | NAS1801-3-10 | .             | SCREW  | 101106<br>108120<br>504903                     | 4              |
| 130      | NAS1801-3-11 | .             | SCREW  | 002004<br>006999                               | 2              |
| 140      | AN960PD10L   | .             | WASHER   | 002004<br>006999                               | 24             |
| 145      | AN960PD10L   | .             | WASHER   | 002004<br>006100<br>107107<br>121503<br>904999 | 12             |
| 155      | AN960JD10L   | .             | WASHER   | 101106<br>108120<br>504903                     | 16             |
| 160      | AN960JD10L   | .             | WASHER   | 101106<br>108120<br>504903                     | 16             |

MISSING ITEM NUMBERS NOT APPLICABLE

- ITEM NOT ILLUSTRATED

28-13-00-01

28-13-00  
FIG. 01  
PAGE 3  
JAN 20/09

BRI

BOEING PROPRIETARY - Copyright © - Unpublished Work - See title page for details.





757

PARTS CATALOG (MAINTENANCE)

| FIG ITEM | PART NUMBER | 1 2 3 4 5 6 7 | NOMENCLATURE  | EFFECT FROM TO                                 | UNITS PER ASSY |
|----------|-------------|---------------|---|--|----------------|
| 1<br>165 | BRH10A3     | .NUT          | SUPPLIER CODE:<br>V52828<br>SPECIFICATION NUMBER:<br>BACN10JC3<br>OPTIONAL PART:<br>H10-3BAC<br>V15653<br>NS202101-02<br>V80539<br>RMLH9075-3W<br>V72962<br>VN303A02<br>V92215<br>96-02<br>V80539<br>T6S1032J<br>V11815 | 002004<br>006999                               | 16             |
| 170      | BRH10A3     | .NUT          | SUPPLIER CODE:<br>V52828<br>SPECIFICATION NUMBER:<br>BACN10JC3<br>OPTIONAL PART:<br>H10-3BAC<br>V15653<br>NS202101-02<br>V80539<br>RMLH9075-3W<br>V72962<br>VN303A02<br>V92215<br>96-02<br>V80539<br>T6S1032J<br>V11815 | 002004<br>006100<br>107107<br>121503<br>904999 | 6              |

MISSING ITEM NUMBERS NOT APPLICABLE

- ITEM NOT ILLUSTRATED

BRI

28-13-00-01

BOEING PROPRIETARY - Copyright © - Unpublished Work - See title page for details.

28-13-00  
FIG. 01  
PAGE 4  
JAN 20/09



757

PARTS CATALOG (MAINTENANCE)

| FIG ITEM | PART NUMBER | 1 2 3 4 5 6 7 | NOMENCLATURE  | EFFECT FROM TO             | UNITS PER ASSY |
|----------|-------------|---------------|---|----------------------------|----------------|
| 1<br>180 | BRH10A3     | .NUT          | SUPPLIER CODE:<br>V52828<br>SPECIFICATION NUMBER:<br>BACN10JC3<br>OPTIONAL PART:<br>H10-3BAC<br>V15653<br>NS202101-02<br>V80539<br>RMLH9075-3W<br>V72962<br>VN303A02<br>V92215<br>96-02<br>V80539<br>T6S1032J<br>V11815 | 101106<br>108120<br>504903 | 8              |
| 185      | BRH10A3     | .NUT          | SUPPLIER CODE:<br>V52828<br>SPECIFICATION NUMBER:<br>BACN10JC3<br>OPTIONAL PART:<br>H10-3BAC<br>V15653<br>NS202101-02<br>V80539<br>RMLH9075-3W<br>V72962<br>VN303A02<br>V92215<br>96-02<br>V80539<br>T6S1032J<br>V11815 | 101106<br>108120<br>504903 | 4              |
| 190      | BACC10EW40A | .CLAMP STRAP  |   | 002004<br>006999           | 5              |
| 195      | 740A20-6    | .JUMPER ASSY  | SUPPLIER CODE:<br>V91812<br>SPECIFICATION NUMBER:<br>BACJ40A20-6<br>OPTIONAL PART:<br>TJEJ40A20-6<br>V33483<br>RBEJ20-6<br>V1GK47   | 101106<br>108120<br>504903 | 2              |

MISSING ITEM NUMBERS NOT APPLICABLE

- ITEM NOT ILLUSTRATED

28-13-00-01

28-13-00  
FIG. 01  
PAGE 5  
JAN 20/09

BRI



757

PARTS CATALOG (MAINTENANCE)

| FIG ITEM | PART NUMBER | 1 2 3 4 5 6 7 | NOMENCLATURE   | EFFECT FROM TO                                 | UNITS PER ASSY |
|----------|-------------|---------------|--|--|----------------|
| 1<br>200 | 740A20-6    |               | . JUMPER ASSY<br>SUPPLIER CODE:<br>V91812<br>SPECIFICATION NUMBER:<br>BACJ40A20-6<br>OPTIONAL PART:<br>TJEJ40A20-6<br>V33483<br>RBEJ20-6<br>V1GK47 | 101106<br>108120<br>504903                     | 1              |
| 205      | BACC10EW40B |               | . CLAMP SADDLE   | 002004<br>006999                               | 5              |
| 210      | AN735DC48   |               | . CLAMP  | 101106<br>108120<br>504903                     | 3              |
| 215      | AN735DC48   |               | . CLAMP  | 101106<br>108120<br>504903                     | 1              |
| 220      | BACC10EW32A |               | . CLAMP STRAP  | 002004<br>006999                               | 3              |
| 225      | BACC10EW32A |               | . CLAMP STRAP  | 002004<br>006100<br>107107<br>121503<br>904999 | 3              |
| 235      | BACC10EW48A |               | . CLAMP STRAP  | 101106<br>108120<br>504903                     | 2              |
| 240      | BACC10EW48A |               | . CLAMP STRAP  | 101106<br>108120<br>504903                     | 1              |
| 245      | BACC10EW32B |               | . CLAMP SADDLE   | 002004<br>006999                               | 3              |
| 250      | BACC10EW32B |               | . CLAMP SADDLE   | 002004<br>006100<br>107107<br>121503<br>904999 | 3              |
| 260      | BACC10EW48B |               | . CLAMP SADDLE   | 101106<br>108120<br>504903                     | 2              |
| 265      | BACC10EW48B |               | . CLAMP SADDLE   | 101106<br>108120<br>504903                     | 1              |
| 280      | BACC42R40   |               | . COUPLING ASSY<br>SUPPLIER CODE:<br>V79326<br>SPECIFICATION NUMBER:<br>BACC42R40  | 002004<br>006102<br>107107<br>121999           | 2              |

MISSING ITEM NUMBERS NOT APPLICABLE

- ITEM NOT ILLUSTRATED

28-13-00-01

28-13-00  
FIG. 01  
PAGE 6  
JAN 20/09

BRI



757

PARTS CATALOG (MAINTENANCE)

| FIG ITEM | PART NUMBER | 1 2 3 4 5 6 7 | NOMENCLATURE   | EFFECT FROM TO                                 | UNITS PER ASSY |
|----------|-------------|---------------|--|--|----------------|
| 1        |             |               |  |  |                |
| 280      | 83051-40A   | .             | COUPLING ASSY<br>SUPPLIER CODE:<br>V79326<br>SPECIFICATION NUMBER:<br>AS1712D40<br>OPTIONAL PART:<br>12J63-40A<br>V24984 | 103106<br>108120                               | 2              |
| 285      | BACN10KL40  | ..            | NUT ASSY   | 002004<br>006102<br>107107<br>121999           | 1              |
| 290      | BACR12BN40  | ..            | RING   | 103106<br>108120                               | 2              |
| 295      | BACR10AD40  | ..            | RETAINER   | 002004<br>006102<br>107107<br>121999           | 2              |
| 300      | S3052-40    | ..            | FERRULE<br>SUPPLIER CODE:<br>V79326<br>SPECIFICATION NUMBER:<br>BACF32E40<br>OPTIONAL PART:<br>63052-40<br>V79326        | 002004<br>006102<br>107107<br>121999           | 2              |
| 305      | BACC42P40   | ..            | BODY   | 002004<br>006102<br>107107<br>121999           | 1              |
| 310      | MS29513-334 | .             | PACKING  | 002004<br>006999                               | 4              |
| 315      | BACC42R32   | .             | COUPLING ASSY<br>SUPPLIER CODE:<br>V79326<br>SPECIFICATION NUMBER:<br>BACC42R32  | 002004<br>006100<br>107107<br>121503<br>904999 | 1              |
| 325      | BACN10KL32  | ..            | NUT ASSY   | 002004<br>006100<br>103107<br>121503<br>904999 | 1              |
| 330      | BACR12BN32  | ..            | RING   | 002004<br>006100<br>103107<br>121503<br>904999 | 2              |

MISSING ITEM NUMBERS NOT APPLICABLE

- ITEM NOT ILLUSTRATED

28-13-00-01

28-13-00  
FIG. 01  
PAGE 7  
JAN 20/09

BRI

BOEING PROPRIETARY - Copyright © - Unpublished Work - See title page for details.



757

PARTS CATALOG (MAINTENANCE)

| FIG ITEM | PART NUMBER | 1 2 3 4 5 6 7 | NOMENCLATURE   | EFFECT FROM TO                                 | UNITS PER ASSY |
|----------|-------------|---------------|--|--|----------------|
| 1        |             |               |  |  |                |
| 335      | BACR10AD32  | . .           | RETAINER   | 002004<br>006100<br>103107<br>121503<br>904999 | 2              |
| 340      | BACF32E32   | . .           | FERRULE<br>SUPPLIER CODE:<br>V79326<br>SPECIFICATION NUMBER:<br>BACF32E32<br>OPTIONAL PART:<br>63052-32<br>V79326        | 002004<br>006100<br>103107<br>121503<br>904999 | 2              |
| 345      | BACC42P32   | . .           | BODY   | 002004<br>006100<br>103107<br>121503<br>904999 | 1              |
| 350      | MS29513-330 | .             | PACKING  | 002004<br>006100<br>107107<br>121503<br>904999 | 2              |
| 360      | MS29513-338 | .             | PACKING  | 101106<br>108120<br>504903                     | 2              |
| 400      | 83051-48A   | . .           | COUPLING ASSY<br>SUPPLIER CODE:<br>V79326<br>SPECIFICATION NUMBER:<br>AS1712D48<br>OPTIONAL PART:<br>12J63-48A<br>V24984 | 101106<br>108120<br>504903                     | 1              |
| 405      | 12N63-48A   | . .           | NUT ASSY<br>SUPPLIER CODE:<br>V24984<br>SPECIFICATION NUMBER:<br>AS1714D48<br>OPTIONAL PART:<br>AS6305-48-03<br>V79326   | 101106<br>108120<br>504903                     | 1              |
| 410      | AS1715-48   | . .           | WASHER   | 101106<br>108120<br>504903                     | 2              |

MISSING ITEM NUMBERS NOT APPLICABLE

- ITEM NOT ILLUSTRATED

28-13-00-01

28-13-00  
FIG. 01  
PAGE 8  
JAN 20/09

BRI



**757  
PARTS CATALOG (MAINTENANCE)**

| FIG ITEM | PART NUMBER | 1 2 3 4 5 6 7 | NOMENCLATURE  | EFFECT FROM TO                                 | UNITS PER ASSY |
|----------|-------------|---------------|---|--|----------------|
| 1        |             |               |   |  |                |
| 415      | 12R63-48A   |               | ..RETAINER<br>SUPPLIER CODE:<br>V24984<br>SPECIFICATION NUMBER:<br>AS1717D48  | 101106<br>108120<br>504903                     | 2              |
| 420      | AS1718D48   |               | ..BODY  | 101106<br>108120<br>504903                     | 1              |
| 425      | 342N2116-20 |               | .BRACKET  | 002004<br>006100<br>107107<br>121503<br>904999 | 1              |
| 430      | 342N2131-3  |               | .BRACKET  | 101106<br>108120<br>504903                     | 1              |
| - 435    | NAS6603-5   |               | ATTACHING PARTS<br>.BOLT  | 002004<br>006999                               | 3              |
| - 440    | AN960PD10L  |               | .WASHER   | 002004<br>006999                               | 3              |
| - 440    | AN960JD10L  |               | .WASHER   | 002004<br>006999                               | 3              |
| - 445    | BRH10A3     |               | .NUT<br>SUPPLIER CODE:<br>V52828<br>SPECIFICATION NUMBER:<br>BACN10JC3<br>OPTIONAL PART:<br>H10-3BAC<br>V15653<br>NS202101-02<br>V80539<br>RMLH9075-3W<br>V72962<br>VN303A02<br>V92215<br>96-02<br>V80539<br>T6S1032J<br>V11815 | 002004<br>006999                               | 3              |
| 450      | 2790481-102 |               | -----*-----<br>.VALVE-VENT<br>SUPPLIER CODE:<br>V92003<br>SPECIFICATION NUMBER:<br>S342T001-3<br>COMPONENT MAINT MANUAL REF:<br>28-10-14  | 002004<br>006999                               | 2              |

MISSING ITEM NUMBERS NOT APPLICABLE

- ITEM NOT ILLUSTRATED

BRI

# 28-13-00-01

BOEING PROPRIETARY - Copyright © - Unpublished Work - See title page for details.

28-13-00  
FIG. 01  
PAGE 9  
JAN 20/09



757

PARTS CATALOG (MAINTENANCE)

| FIG ITEM | PART NUMBER | 1 2 3 4 5 6 7 | NOMENCLATURE  | EFFECT FROM TO                                 | UNITS PER ASSY |
|----------|-------------|---------------|---|--|----------------|
| 1        |             |               | ATTACHING PARTS   |  |                |
| - 455    | BACB30NM4K8 |               | .BOLT   | 002004<br>006999                               | 8              |
| - 460    | AN960PD416L |               | .WASHER   | 002004<br>006999                               | 8              |
| - 465    | BACN10GW4   |               | .NUT  | 002004<br>006999                               | 8              |
|          |             |               | -----*-----   |  |                |
| 470      | MS29513-232 |               | .PACKING  | 002004<br>006999                               | 2              |
| 495      | 342N2125-4  |               | .TUBE ASSY  | 107107   | 1              |
| 495      | 342N2125-7  |               | .TUBE ASSY  | 002004<br>006106<br>108999                     | 1              |
| 500      | 342N2124-1  |               | .TUBE ASSY-   | 002004<br>006999                               | 1              |
| - 505    | S3052-40A   |               | ..FERRULE<br>SUPPLIER CODE:<br>V79326<br>SPECIFICATION NUMBER:<br>BACF32E40A  | 002004<br>006999                               | 1              |
| 510      | 342N4001-6  |               | .TUBE ASSY-<br>TUBING MATERIAL:<br>2.00 IN. OD .028 IN.<br>WALL 34.00 IN. LG<br>ALUMINUM                            | 002004<br>006100<br>107107<br>121503<br>904999 | 1              |
| - 515    | BACF32E32   |               | ..FERRULE<br>SUPPLIER CODE:<br>V79326<br>SPECIFICATION NUMBER:<br>BACF32E32<br>OPTIONAL PART:<br>63052-32<br>V79326 | 002004<br>006100<br>107107<br>121503<br>904999 | 1              |
| 555      | NAS6604-8   |               | .BOLT   | 002004<br>006999                               | 16             |
| 565      | NAS6604-8   |               | .BOLT   | 002004<br>006100<br>107107<br>121503<br>904999 | 8              |
| 567      | NAS6604-9   |               | .BOLT   | 101106<br>108120<br>504903                     | 4              |
| 570      | NAS6604-9   |               | .BOLT   | 101106<br>108120<br>504903                     | 4              |
| 575      | AN960PD416L |               | .WASHER   | 002004<br>006999                               | 16             |

MISSING ITEM NUMBERS NOT APPLICABLE

- ITEM NOT ILLUSTRATED

28-13-00-01

28-13-00  
FIG. 01  
PAGE 10  
JAN 20/09

BRI



757

PARTS CATALOG (MAINTENANCE)

| FIG ITEM | PART NUMBER | 1 2 3 4 5 6 7 | NOMENCLATURE   | EFFECT FROM TO                                 | UNITS PER ASSY |
|----------|-------------|---------------|--|--|----------------|
| 1        |             |               |  |  |                |
| 580      | AN960PD416L | .             | WASHER   | 002004<br>006100<br>107107<br>121503<br>904999 | 8              |
| 585      | AN960PD416L | .             | WASHER   | 101106<br>108120<br>504903                     | 4              |
| 590      | AN960PD416L | .             | WASHER   | 101106<br>108120<br>504903                     | 4              |
| 600      | NAS1804-4   | .             | NUT  | 101106<br>108120<br>504903                     | 4              |
| 605      | NAS1804-4   | .             | NUT  | 101106<br>108120<br>504903                     | 4              |
| 610      | 342N2104-1  | .             | TUBE ASSY-CLIMB PORT CTR   | 002004<br>006102<br>107107<br>121999           | 1              |
| 615      | 342N2104-4  | .             | TUBE ASSY-CLIMB PORT CTR   | 002004<br>006102<br>107107<br>121999           | 1              |
| 620      | 342N2104-10 | .             | TUBE ASSY-CLIMB PORT CTR   | 103106<br>108120                               | 1              |
| 625      | 342N2104-7  | .             | TUBE ASSY  | 103106<br>108120                               | 1              |
| - 630    | S3052-40A   | ..            | FERRULE<br>SUPPLIER CODE:<br>V79326<br>SPECIFICATION NUMBER:<br>BACF32E40A | 002004<br>006999                               | 1              |
| - 635    | B79S40      | ..            | FERRULE-<br>SUPPLIER CODE:<br>V79326                                       | 002004<br>006999                               | 1              |
| - 640    | AS1716D40   | ..            | FERRULE-<br>SUPPLIER CODE:<br>V79326                                       | 103106<br>108120                               | 1              |
| - 645    | 342N2109-1  | ..            | FLANGE   | 002004<br>006102<br>107107<br>121999           | 1              |
| - 648    | 342N2104-2  | ..            | BRAZE ASSY-<br>USED ON:<br>342N2104-1                                      | 002004<br>006102<br>107107<br>121999           | 1              |

MISSING ITEM NUMBERS NOT APPLICABLE

- ITEM NOT ILLUSTRATED

28-13-00-01

28-13-00  
FIG. 01  
PAGE 11  
JAN 20/09

BRI





757

PARTS CATALOG (MAINTENANCE)

| FIG ITEM | PART NUMBER | 1 2 3 4 5 6 7 | NOMENCLATURE   | EFFECT FROM TO                                 | UNITS PER ASSY |
|----------|-------------|---------------|--|--|----------------|
| 1        |             |               |  |  |                |
| - 651    | 342N2104-5  | ..            | BRAZE ASSY-<br>USED ON:<br>342N2104-4  | 002004<br>006102<br>107107<br>121999           | 1              |
| - 653    | 342N2110-1  | ...           | FITTING-BOSS ADPTR   | 002004<br>006102<br>107107<br>121999           | 1              |
| 656      | 342N2118-1  | .TUBE         | ASSY-DIVE CTR<br>POSITION DATA:<br>LH  | 002004<br>006999                               | 1              |
| 659      | 342N2102-1  | .TUBE         | ASSY-CLIMB MAIN<br>POSITION DATA:<br>LH  | 002004<br>006100<br>107107<br>121503<br>904999 | 1              |
| 662      | 342N2105-1  | .TUBE         | ASSY-DIVE CTR<br>POSITION DATA:<br>RH  | 002004<br>006999                               | 1              |
| 665      | 342N2119-1  | .TUBE         | ASSY-CLIMB MAIN<br>POSITION DATA:<br>RH  | 002004<br>006100<br>107107<br>121503<br>904999 | 1              |
| - 668    | B79S32      | ..            | FERRULE-<br>SUPPLIER CODE:<br>V79326   | 002004<br>006100<br>107107<br>121503<br>904999 | 1              |
| - 670    | BACF32E32   | ..            | FERRULE-<br>SUPPLIER CODE:<br>V79326<br>SPECIFICATION NUMBER:<br>BACF32E32<br>OPTIONAL PART:<br>63052-32<br>V79326<br>USED ON:<br>342N2119-1 | 002004<br>006100<br>107107<br>121503<br>904999 | 1              |
| - 671    | B79S32      | ..            | FERRULE-<br>SUPPLIER CODE:<br>V79326   | 101106<br>108120<br>504903                     | 1              |
| - 673    | 342N2108-1  | ..            | FLANGE   | 002004<br>006100<br>107107<br>121503<br>904999 | 1              |

MISSING ITEM NUMBERS NOT APPLICABLE

- ITEM NOT ILLUSTRATED

BRI

28-13-00-01

BOEING PROPRIETARY - Copyright © - Unpublished Work - See title page for details.

28-13-00  
FIG. 01  
PAGE 12  
JAN 20/09



757

PARTS CATALOG (MAINTENANCE)

| FIG ITEM | PART NUMBER | 1 2 3 4 5 6 7 | NOMENCLATURE                                  | EFFECT FROM TO                                 | UNITS PER ASSY |
|----------|-------------|---------------|---|--|----------------|
| 1        |             |               |   |  |                |
| - 673    | 342N2108-1  | ..            | FLANGE  | 101106<br>108120<br>504903                     | 1              |
| - 679    | 342N2118-2  | ..            | BRAZE ASSY-<br>USED ON:<br>342N2118-1         | 002004<br>006999                               | 1              |
| - 682    | 342N2102-2  | ..            | BRAZE ASSY-<br>USED ON:<br>342N2102-1         | 101106<br>108120<br>504903                     | 1              |
| - 685    | 342N2105-2  | ..            | BRAZE ASSY-<br>USED ON:<br>342N2105-1         | 002004<br>006999                               | 1              |
| - 689    | 342N2119-2  | ..            | BRAZE ASSY-<br>USED ON:<br>342N2119-1         | 002004<br>006100<br>107107<br>121503<br>904999 | 1              |
| - 692    | 342N2110-1  | ...           | FITTING-BOSS ADPTR                            | 002004<br>006100<br>107107<br>121503<br>904999 | 1              |
| - 692    | 342N2110-1  | ...           | FITTING-BOSS ADPTR                            | 101106<br>108120<br>504903                     | 1              |
| - 695    | 69B92203-1  | ...           | FLANGE-<br>USED ON:<br>342N2118-2             | 002004<br>006999                               | 1              |
| - 697    | 69B92203-4  | ...           | FLANGE-<br>USED ON:<br>342N2105-2             | 002004<br>006999                               | 1              |
| 760      | 342N2128-7  | .             | TUBE ASSY                                     | 103106<br>108120                               | 1              |
| - 766    | 342N2110-1  | ...           | FITTING-BOSS ADPTR                            | 101106<br>108120<br>504903                     | 1              |
| - 769    | 342N2132-1  | ..            | FLANGE-SWIVEL<br>OPTIONAL PART:<br>342N2132-3 | 101106<br>108120<br>504903                     | 1              |
| - 769    | 342N2132-3  | ..            | FLANGE-SWIVEL<br>OPTIONAL PART:<br>342N2132-1 | 101106<br>108120<br>504903                     | 1              |
| - 771    | B79S48      | ..            | FERRULE                                       | 103106<br>108120                               | 1              |
| 773      | 342N2129-1  | .             | TUBE ASSY-CLIMB MAIN<br>POSITION DATA:<br>RH  | 101102<br>504903                               | 1              |
| 773      | 342N2129-4  | .             | TUBE ASSY                                     | 103106<br>108120                               | 1              |

MISSING ITEM NUMBERS NOT APPLICABLE

- ITEM NOT ILLUSTRATED

28-13-00-01

28-13-00  
FIG. 01  
PAGE 13  
JAN 20/09

BRI



757

PARTS CATALOG (MAINTENANCE)

| FIG ITEM | PART NUMBER | 1 2 3 4 5 6 7 | NOMENCLATURE                 | EFFECT FROM TO   | UNITS PER ASSY |
|----------|-------------|---------------|------------------------------|------------------|----------------|
| 1        |             |               |                              |                  |                |
| - 777    | 342N2129-2  | ..            | BRAZE ASSY                   | 101102<br>504903 | 1              |
| - 780    | 342N2110-1  | ...           | FITTING-BOSS ADPTR           | 101102<br>504903 | 1              |
| - 785    | 342N2132-1  | ..            | FLANGE-SWIVEL                | 101106           | 1              |
|          |             |               | OPTIONAL PART:<br>342N2132-3 | 108120<br>504903 |                |
| - 785    | 342N2132-3  | ..            | FLANGE-SWIVEL                | 101106           | 1              |
|          |             |               | OPTIONAL PART:<br>342N2132-1 | 108120<br>504903 |                |
| - 790    | AS1716D48   | ..            | FERRULE                      | 103106<br>108120 | 1              |
| - 795    | B79S48D48   | ..            | FERRULE                      | 103106<br>108120 | 1              |

MISSING ITEM NUMBERS NOT APPLICABLE

- ITEM NOT ILLUSTRATED

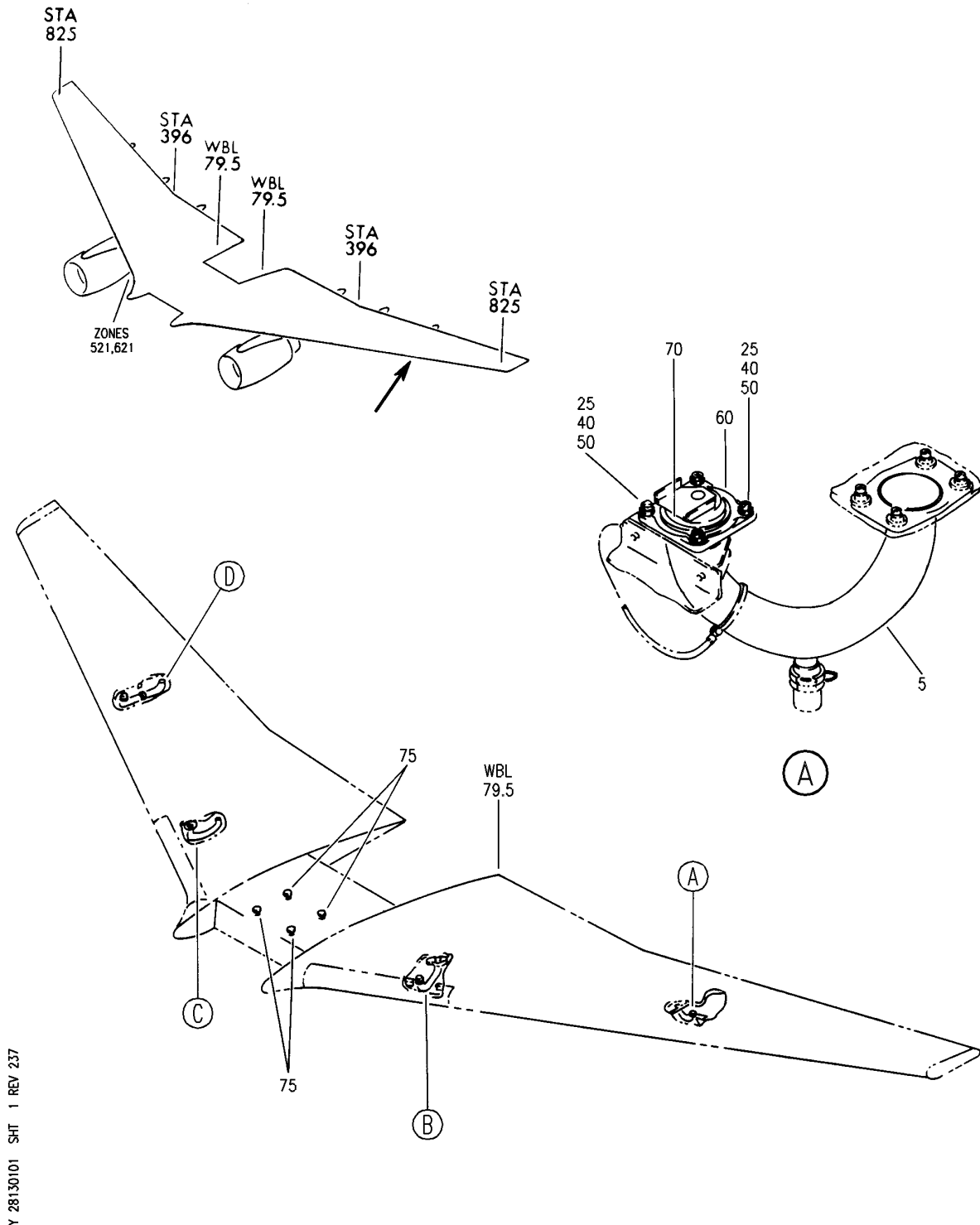
BRI

28-13-00-01

BOEING PROPRIETARY - Copyright © - Unpublished Work - See title page for details.

28-13-00  
FIG. 01  
PAGE 14  
JAN 20/09


**BOEING**  
 757  
**PARTS CATALOG (MAINTENANCE)**



Y 28130101 SHT 1 REV 237

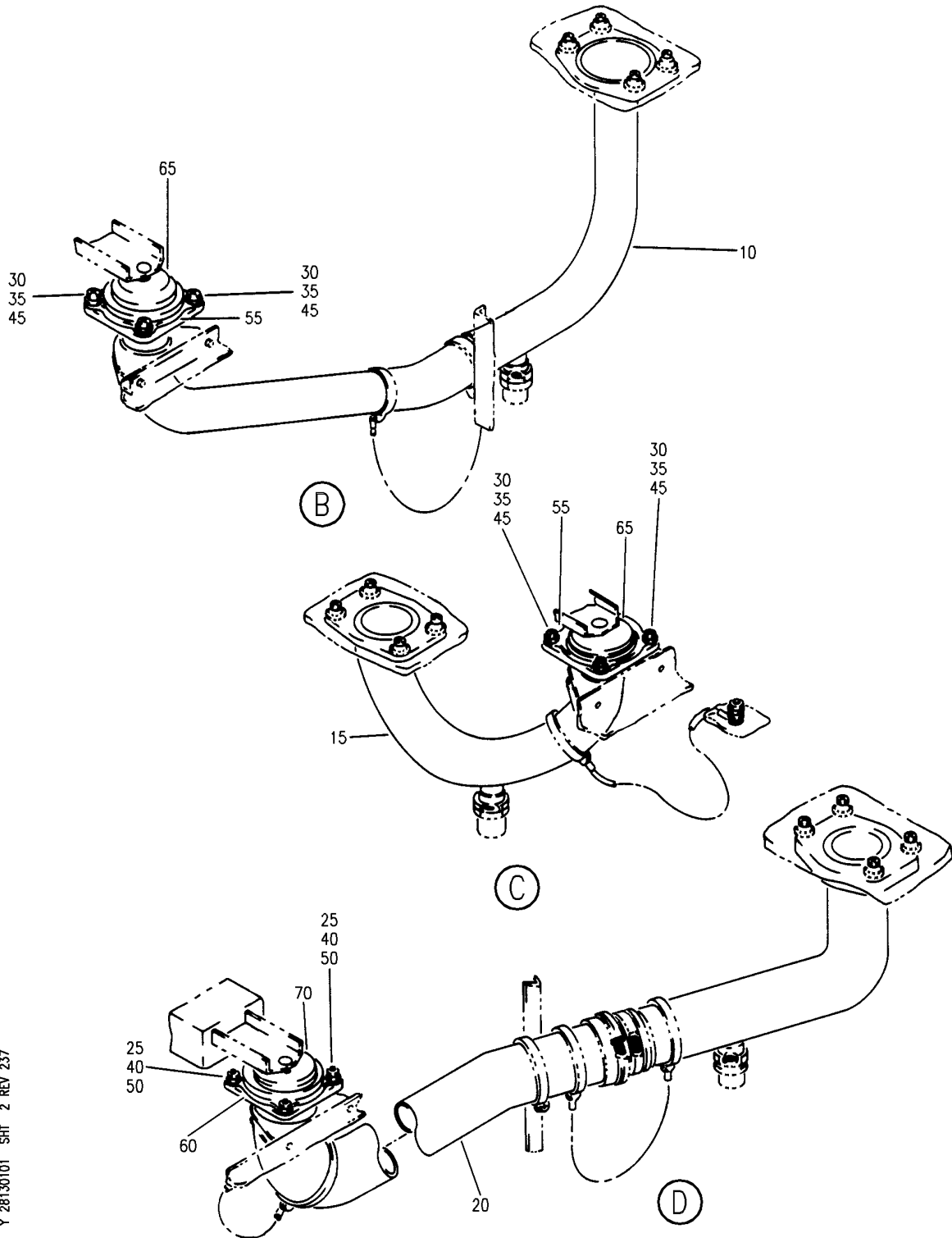
TUBING INST-FUEL TANK VENT SYS (FLOAT VALVE ONLY)  
 FIGURE 1 (SHEET 1)

**28-13-01-01**

BRI  
MAY 28/07

28-13-01-01  
 PAGE 0

**BOEING**  
757  
PARTS CATALOG (MAINTENANCE)



Y 28130101 SHT 2 REV 237

TUBING INST-FUEL TANK VENT SYS (FLOAT VALVE ONLY)  
FIGURE 1 (SHEET 2)

**28-13-01-01**

BRI  
MAY 28/07

28-13-01-01  
PAGE 0A



757

PARTS CATALOG (MAINTENANCE)

| FIG ITEM | PART NUMBER  | 1 2 3 4 5 6 7 | NOMENCLATURE  | EFFECT FROM TO                                 | UNITS PER ASSY |
|----------|--------------|---------------|---|--|----------------|
| 1        |              |               | TUBING INST-FUEL TANK VENT<br>SYS (FLOAT VALVE ONLY)  | 002004<br>006999                               |                |
| - 1      | 342N4001-12  |               | TUBING INSTL-FUEL TANK VENT<br>SYS (FLOAT VALVE ONLY)<br>FOR NHA/OTHER SYS DET SEE:<br>28-00-00-01  | 002004<br>006100<br>107107<br>121503<br>904999 | RF             |
| - 1      | 342N4001-16  |               | TUBING INSTL-FUEL TANK<br>SYS (FLOAT VALVE ONLY)<br>FOR NHA/OTHER SYS DET SEE:<br>28-00-00-05   | 101102<br>504903                               | RF             |
| - 1      | 342N4001-17  |               | TUBING INSTL-FUEL TANK<br>SYS (FLOAT VALVE ONLY)<br>FOR NHA/OTHER SYS DET SEE:<br>28-00-00-05   | 108120   | RF             |
| - 1      | MODREF13608  |               | TUBING INSTL-FUEL TANK<br>SYS (FLOAT VALVE ONLY)<br>MODULE NUMBER:<br>342N4001-17 REV A<br>FOR ADDITIONAL DETAILS SEE:<br>28-13-00-01<br>28-13-03-02<br>28-13-08-01 | 103106   | 1              |
| 10       | 342N2118-1   |               | .TUBE ASSY-DIVE CTR<br>POSITION DATA:<br>LH   | 002004<br>006999                               | RF             |
| 15       | 342N2105-1   |               | .TUBE ASSY-DIVE CTR<br>POSITION DATA:<br>RH   | 002004<br>006999                               | RF             |
| 30       | NAS1801-3-10 |               | .SCREW  | 002004<br>006999                               | 8              |
| 35       | AN960PD10L   |               | .WASHER   | 002004<br>006999                               | 16             |

MISSING ITEM NUMBERS NOT APPLICABLE

- ITEM NOT ILLUSTRATED

28-13-01-01

28-13-01  
FIG. 01  
PAGE 1  
JAN 20/09

BRI



757

PARTS CATALOG (MAINTENANCE)

| FIG ITEM | PART NUMBER     | 1 2 3 4 5 6 7 | NOMENCLATURE  | EFFECT FROM TO   | UNITS PER ASSY |
|----------|-----------------|---------------|---|------------------|----------------|
| 1        | 45 BRH10A3      | .             | NUT<br>SUPPLIER CODE:<br>V52828<br>SPECIFICATION NUMBER:<br>BACN10JC3<br>OPTIONAL PART:<br>H10-3BAC<br>V15653<br>NS202101-02<br>V80539<br>RMLH9075-3W<br>V72962<br>VN303A02<br>V92215<br>96-02<br>V80539<br>T6S1032J<br>V11815                        | 002004<br>006999 | 8              |
|          | 55 BACG20AD1900 | .             | GROMMET   | 002004<br>006999 | 2              |
|          | 65 2670281M4    | .             | VALVE ASSY-FLOAT ACTUATED<br>SUPPLIER CODE:<br>V92003<br>FUNCTIONAL DESCRIPTION:<br>ALLOWS AIR TO BE<br>VENTED FROM THE FUEL<br>TANK DURING REFUELING.<br>SPECIFICATION NUMBER:<br>60B92604-8<br>COMPONENT MAINT MANUAL REF:<br>28-10-20              | 002004<br>006999 | 2              |
|          | 75 2670282M2    | .             | VALVE ASSY-FLOAT ACTUATED<br>SUPPLIER CODE:<br>V92003<br>FUNCTIONAL DESCRIPTION:<br>DRAINS WATER CONDENSATES<br>AND FUEL FROM THE VENT<br>TUBES.<br>SPECIFICATION NUMBER:<br>60B92604-6<br>COMPONENT MAINT MANUAL REF:<br>28-20-05<br>ATTACHING PARTS | 002004<br>006999 | 4              |
| -        | 80 NAS6603-2    | .             | BOLT  | 002004<br>006999 | 8              |
| -        | 85 AN960PD10L   | .             | WASHER  | 101102<br>504903 | 8              |

MISSING ITEM NUMBERS NOT APPLICABLE

- ITEM NOT ILLUSTRATED

28-13-01-01

28-13-01  
FIG. 01  
PAGE 2  
JAN 20/09

BRI



757  
PARTS CATALOG (MAINTENANCE)

| FIG<br>ITEM | PART NUMBER | 1 2 3 4 5 6 7 | NOMENCLATURE          | EFFECT<br>FROM TO                    | UNITS<br>PER<br>ASSY |
|-------------|-------------|---------------|-----------------------|--------------------------------------|----------------------|
| 1<br>- 85   | AN960JD10   |               | .WASHER<br><br>-----* | 002004<br>006100<br>103503<br>904999 | 8                    |

MISSING ITEM NUMBERS NOT APPLICABLE

- ITEM NOT ILLUSTRATED

BRI

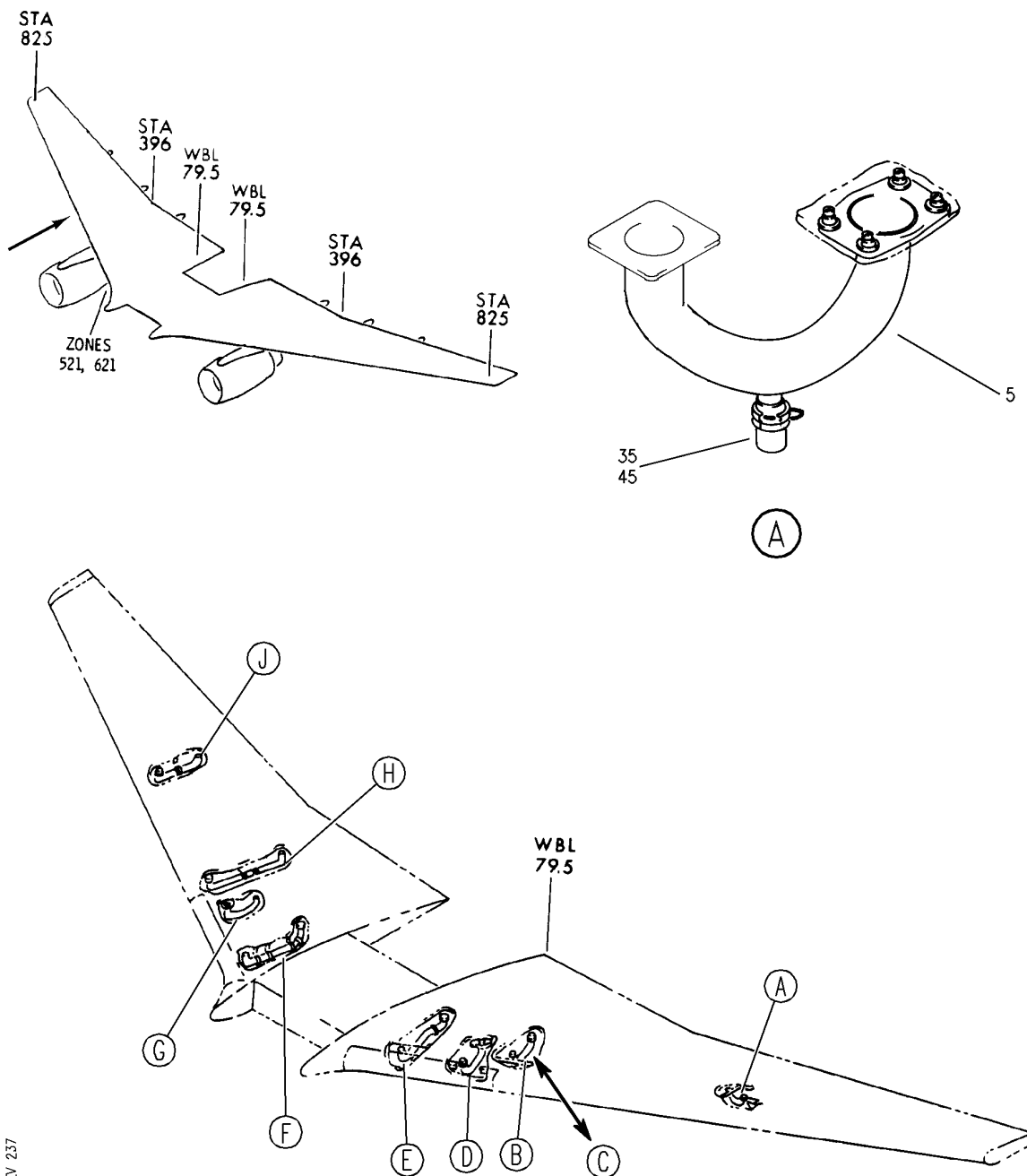
28-13-01-01

BOEING PROPRIETARY - Copyright © - Unpublished Work - See title page for details.

28-13-01  
FIG. 01  
PAGE 3  
JAN 20/09




**BOEING**  
 757  
**PARTS CATALOG (MAINTENANCE)**



Y 28130302 SHT 1 REV 237

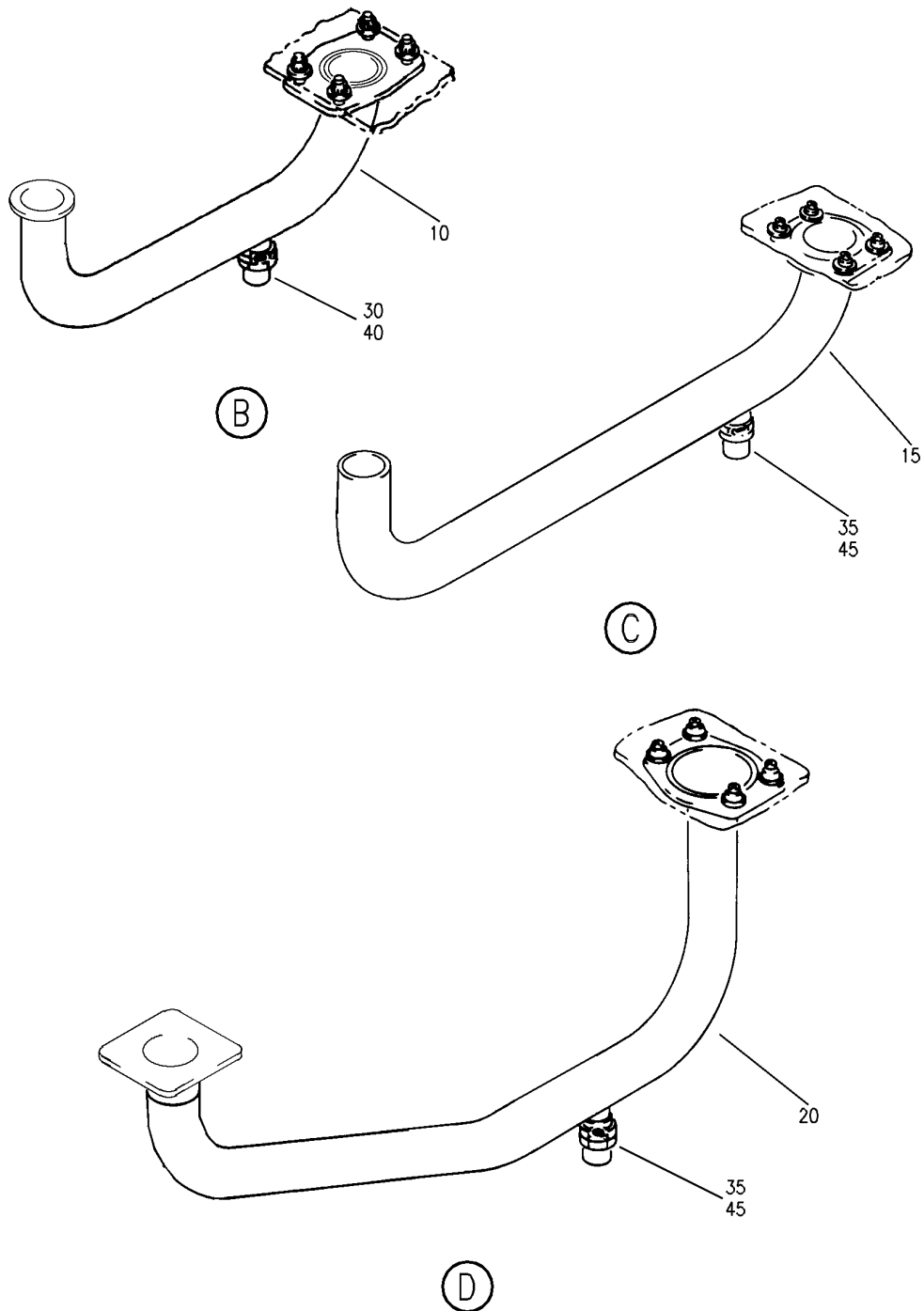
TUBING INST-FUEL TANK VENT SYS (FLOAT DRAIN VALVE ONLY)  
 FIGURE 2 (SHEET 1)

**28-13-03-02**

BRI  
 MAY 28/07

28-13-03-02  
 PAGE 0

**BOEING**  
757  
PARTS CATALOG (MAINTENANCE)



Y 28130302 SHT 2 REV 237

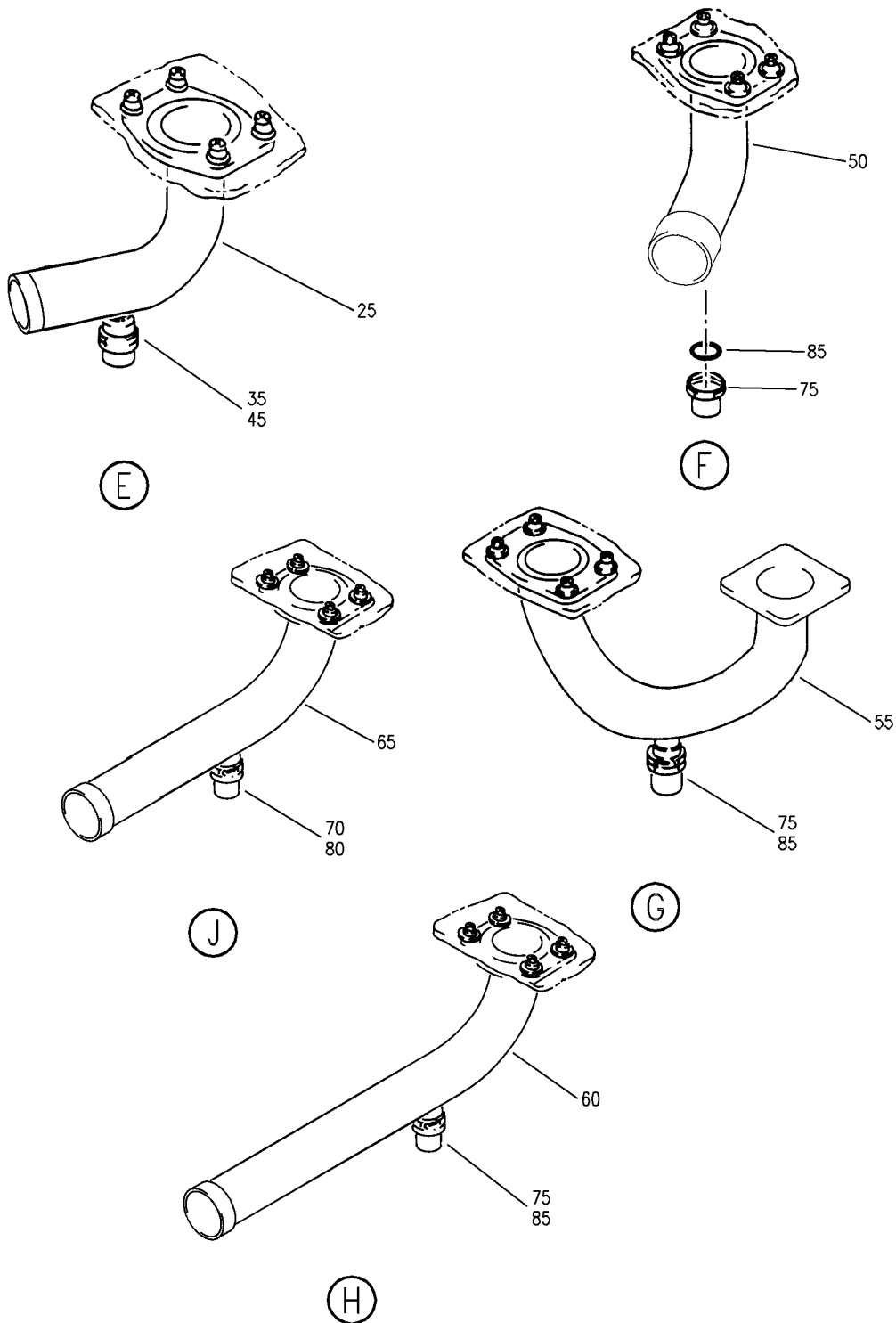
TUBING INST-FUEL TANK VENT SYS (FLOAT DRAIN VALVE ONLY)  
FIGURE 2 (SHEET 2)

**28-13-03-02**

BRI  
MAY 28/07

28-13-03-02  
PAGE 0A

**BOEING**  
757  
PARTS CATALOG (MAINTENANCE)



Y 28130302 SHT 3 REV 237

TUBING INST-FUEL TANK VENT SYS (FLOAT DRAIN VALVE ONLY)  
FIGURE 2 (SHEET 3)

**28-13-03-02**

BRI  
MAY 28/07

28-13-03-02  
PAGE 0B



757

PARTS CATALOG (MAINTENANCE)

| FIG ITEM | PART NUMBER | 1 2 3 4 5 6 7 | NOMENCLATURE  | EFFECT FROM TO                                 | UNITS PER ASSY |
|----------|-------------|---------------|---|--|----------------|
| 2        |             |               | TUBING INST-FUEL TANK VENT<br>SYS (FLOAT DRAIN VALVE<br>ONLY)   | 002004<br>006999                               |                |
| - 1      | 342N4001-12 |               | TUBING INSTL-FUEL TANK VENT<br>(FLOAT DRAIN VALVE ONLY)<br>FOR NHA/OTHER SYS DET SEE:<br>28-00-00-01  | 002004<br>006100<br>107107<br>121503<br>904999 | RF             |
| - 1      | 342N4001-16 |               | TUBING INSTL-FUEL TANK<br>(FLOAT DRAIN VALVE ONLY)<br>FOR NHA/OTHER SYS DET SEE:<br>28-00-00-05   | 101102<br>504903                               | RF             |
| - 1      | 342N4001-17 |               | TUBING INSTL-FUEL TANK<br>(FLOAT DRAIN VALVE ONLY)<br>FOR NHA/OTHER SYS DET SEE:<br>28-00-00-05   | 108120   | RF             |
| - 1      | MODREF13608 |               | TUBING INSTL-FUEL TANK<br>(FLOAT DRAIN VALVE ONLY)<br>MODULE NUMBER:<br>342N4001-17 REV A<br>FOR ADDITIONAL DETAILS SEE:<br>28-13-00-01<br>28-13-01-01<br>28-13-08-01 | 103106   | 1              |
| 10       | 342N2128-7  |               | .TUBE ASSY-CLIMB MAIN<br>POSITION DATA:<br>LH   | 103106<br>108120                               | RF             |
| 15       | 342N2102-1  |               | .TUBE ASSY-CLIMB MAIN<br>POSITION DATA:<br>LH   | 002004<br>006100<br>107107<br>121503<br>904999 | RF             |
| 20       | 342N2118-1  |               | .TUBE ASSY-DIVE CTR<br>POSITION DATA:<br>LH   | 002004<br>006999                               | RF             |
| 25       | 342N2104-1  |               | .TUBE ASSY-CLIMB PORT CTR   | 002004<br>006102<br>107107<br>121999           | RF             |
| 25       | 342N2104-10 |               | .TUBE ASSY-CLIMB PORT CTR   | 103106<br>108120                               | RF             |
| 35       | 8F111-101   |               | .DRAIN-VALVE<br>SUPPLIER CODE:<br>V82829<br>POSITION DATA:<br>LH  | 002004<br>006999                               | 4              |
| 45       | MS29512-08  |               | .PACKING-<br>POSITION DATA:<br>LH   | 002004<br>006999                               | 4              |

MISSING ITEM NUMBERS NOT APPLICABLE

- ITEM NOT ILLUSTRATED

28-13-03-02

28-13-03  
FIG. 02  
PAGE 1  
JAN 20/09

BRI



757

PARTS CATALOG (MAINTENANCE)

| FIG ITEM | PART NUMBER | 1 2 3 4 5 6 7 | NOMENCLATURE   | EFFECT FROM TO                                 | UNITS PER ASSY |
|----------|-------------|---------------|--|--|----------------|
| 2        |             |               |  |  |                |
| 50       | 342N2104-4  |               | .TUBE ASSY-CLIMB PORT CTR<br>POSITION DATA:<br>RH                | 002004<br>006102<br>107107<br>121999           | RF             |
| 50       | 342N2104-7  |               | .TUBE ASSY-CLIMB PORT CTR<br>POSITION DATA:<br>RH                | 103106<br>108120                               | RF             |
| 55       | 342N2105-1  |               | .TUBE ASSY-DIVE CTR<br>POSITION DATA:<br>RH                      | 002004<br>006999                               | RF             |
| 60       | 342N2119-1  |               | .TUBE ASSY-CLIMB MAIN<br>POSITION DATA:<br>RH                    | 002004<br>006100<br>107107<br>121503<br>904999 | RF             |
| 60       | 342N2129-1  |               | .TUBE ASSY-CLIMB MAIN<br>POSITION DATA:<br>RH                    | 002004<br>006102<br>107107<br>121999           | RF             |
| 60       | 342N2129-4  |               | .TUBE ASSY-CLIMB MAIN<br>POSITION DATA:<br>RH                    | 103106<br>108120                               | RF             |
| 75       | 8F111-101   |               | .DRAIN-VALVE<br>SUPPLIER CODE:<br>V82829<br>POSITION DATA:<br>RH | 002004<br>006999                               | 3              |
| 85       | MS29512-08  |               | .PACKING-<br>POSITION DATA:<br>RH                                | 002004<br>006999                               | 3              |

MISSING ITEM NUMBERS NOT APPLICABLE

- ITEM NOT ILLUSTRATED

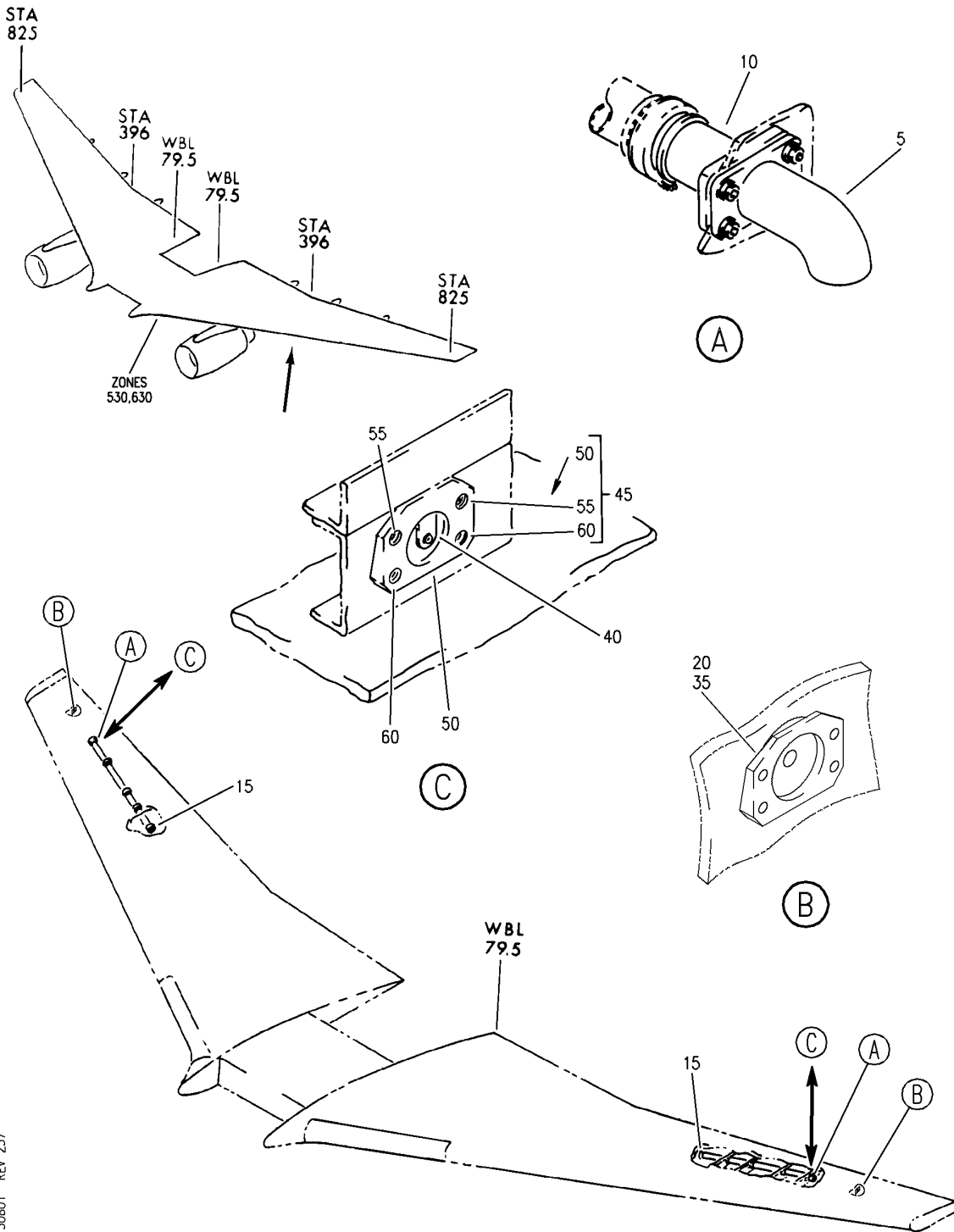
BRI

28-13-03-02

BOEING PROPRIETARY - Copyright © - Unpublished Work - See title page for details.

28-13-03  
FIG. 02  
PAGE 2  
JAN 20/09

**BOEING**  
757  
PARTS CATALOG (MAINTENANCE)



Y 28130801 REV 237

TUBING INST-FUEL TANK VENT SYS (SURGE TANK DRAIN CHECK VALVE ONLY)  
FIGURE 1

**28-13-08-01**

BRI  
MAY 28/07

28-13-08-01  
PAGE 0



757

PARTS CATALOG (MAINTENANCE)

| FIG ITEM | PART NUMBER | 1 2 3 4 5 6 7 | NOMENCLATURE  | EFFECT FROM TO                                 | UNITS PER ASSY |
|----------|-------------|---------------|---|--|----------------|
| 1        |             |               | TUBING INST-FUEL TANK VENT<br>SYS (SURGE TANK DRAIN<br>CHECK VALVE ONLY)  | 002004<br>006999                               |                |
| - 1      | 342N4001-12 |               | TUBING INSTL-FUEL TANK VENT<br>SYS (SURGE TANK DRAIN<br>CHECK VALVE ONLY)<br>FOR NHA/OTHER SYS DET SEE:<br>28-00-00-01  | 002004<br>006100<br>107107<br>121503<br>904999 | RF             |
| - 1      | 342N4001-16 |               | TUBING INSTL-FUEL TANK<br>SYS (SURGE TANK DRAIN<br>CHECK VALVE ONLY)<br>FOR NHA/OTHER SYS DET SEE:<br>28-00-00-05   | 101102<br>504903                               | RF             |
| - 1      | 342N4001-17 |               | TUBING INSTL-FUEL TANK<br>SYS (SURGE TANK DRAIN<br>CHECK VALVE ONLY)<br>FOR NHA/OTHER SYS DET SEE:<br>28-00-00-05   | 108120   | RF             |
| - 1      | MODREF13608 |               | TUBING INSTL-FUEL TANK<br>SYS (SURGE TANK DRAIN<br>CHECK VALVE ONLY)<br>MODULE NUMBER:<br>342N4001-17 REV A<br>FOR ADDITIONAL DETAILS SEE:<br>28-13-00-01<br>28-13-01-01<br>28-13-03-02 | 103106   | 1              |
| 20       | 342N2122-2  |               | .VALVE ASSY-CHK<br>POSITION DATA:<br>W.S 681.5<br>ATTACHING PARTS   | 002004<br>006999                               | 2              |
| - 25     | NAS6603-1   |               | .BOLT   | 002004<br>006999                               | 4              |
| - 30     | AN960PD10L  |               | .WASHER<br><br>-----*-----  | 002004<br>006999                               | 4              |

MISSING ITEM NUMBERS NOT APPLICABLE

- ITEM NOT ILLUSTRATED

BRI

28-13-08-01

28-13-08  
FIG. 01  
PAGE 1  
MAY 20/09



757

PARTS CATALOG (MAINTENANCE)

| FIG ITEM                                       | PART NUMBER | 1 2 3 4 5 6 7 | NOMENCLATURE  | EFFECT FROM TO   | UNITS PER ASSY |
|--|-------------|---------------|---|------------------|----------------|
| R<br>R<br>R<br>R<br>R<br>R<br>R<br>R<br>R<br>R | 1 35        | 2790511-101   | .. VALVE-SWING<br>SUPPLIER CODE:<br>V92003<br>FUNCTIONAL DESCRIPTION:<br>PROVIDES ONE WAY FUEL<br>FLOW<br>QUALIFIED OPTIONAL DATA:<br>(2S2568 AND 24C112-7<br>ARE OPTIONAL TO<br>2790511-101)<br>OPTIONAL PART:<br>2S2568<br>V99240<br>24C112-7<br>V99240 | 002004<br>006999 | 1              |
|  | 40          | 2S2568        | .. VALVE-SWING<br>SUPPLIER CODE:<br>V99240<br>QUALIFIED OPTIONAL DATA:<br>(2S2568 AND 24C112-7<br>ARE OPTIONAL TO<br>2790511-101)<br>OPTIONAL PART:<br>2790511-101<br>V92003  | 002004<br>006999 | 1              |
|  | 40          | 24C112-7      | .. VALVE-SWING<br>SUPPLIER CODE:<br>V99240<br>QUALIFIED OPTIONAL DATA:<br>(2S2568 AND 24C112-7<br>ARE OPTIONAL TO<br>2790511-101)<br>OPTIONAL PART:<br>2790511-101<br>V92003  | 002004<br>006999 | 1              |
|  | 45          | 342N2121-3    | .. SEAT ASSY  | 002004<br>006999 | 1              |
|  | 50          | 342N2121-4    | ... SEAT  | 002004<br>006999 | 1              |
|  | 55          | MS21209F1-10P | ... INSERT  | 002004<br>006999 | 2              |
|  | 60          | MS21209F1-15P | ... INSERT  | 002004<br>006999 | 2              |

MISSING ITEM NUMBERS NOT APPLICABLE

- ITEM NOT ILLUSTRATED

28-13-08-01

28-13-08  
FIG. 01  
PAGE 2  
MAY 20/09

BRI

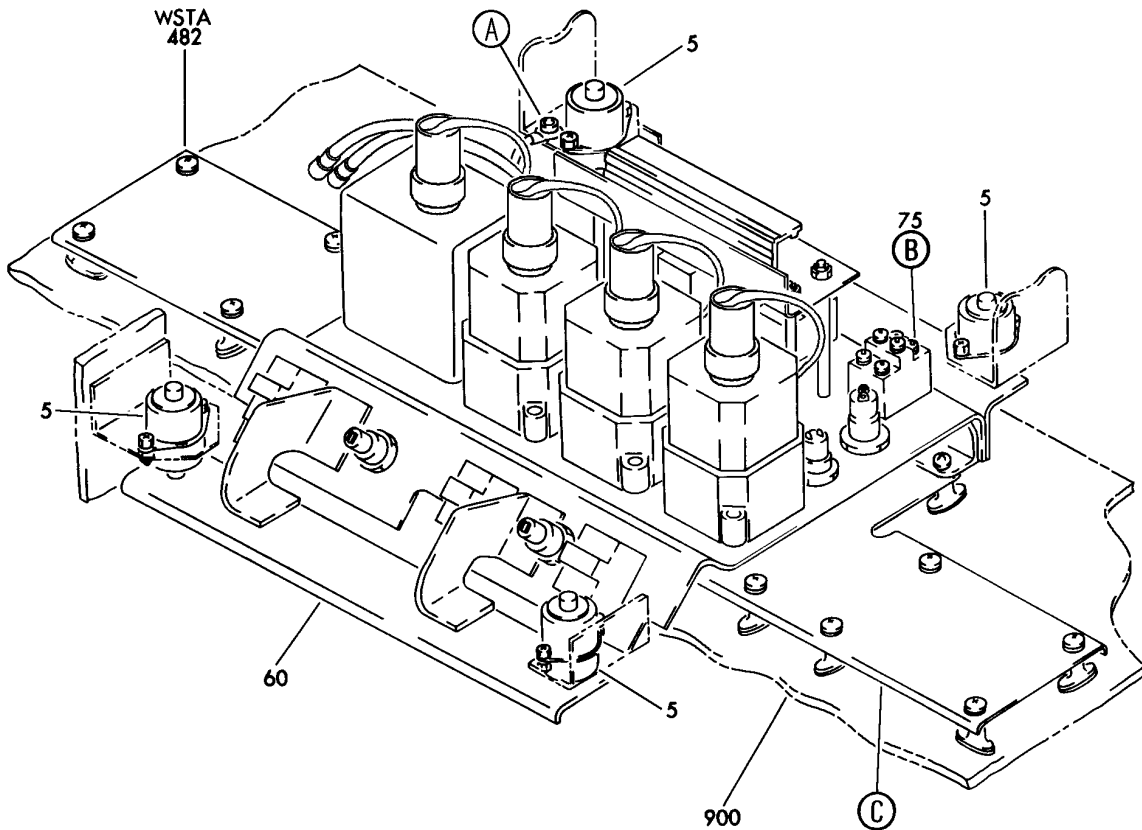
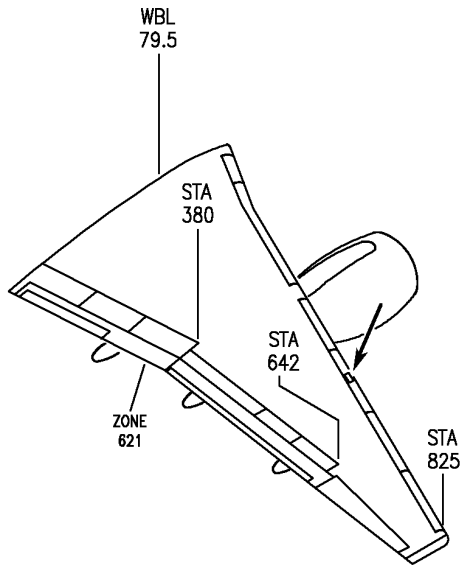


## FUELING CONTROL PANEL

BRI  
MAY 28/07

28-14-00  
SECTION TITLE  
PAGE 1

**BOEING**  
757  
PARTS CATALOG (MAINTENANCE)



Y 28140103 SHT 1 REV 270

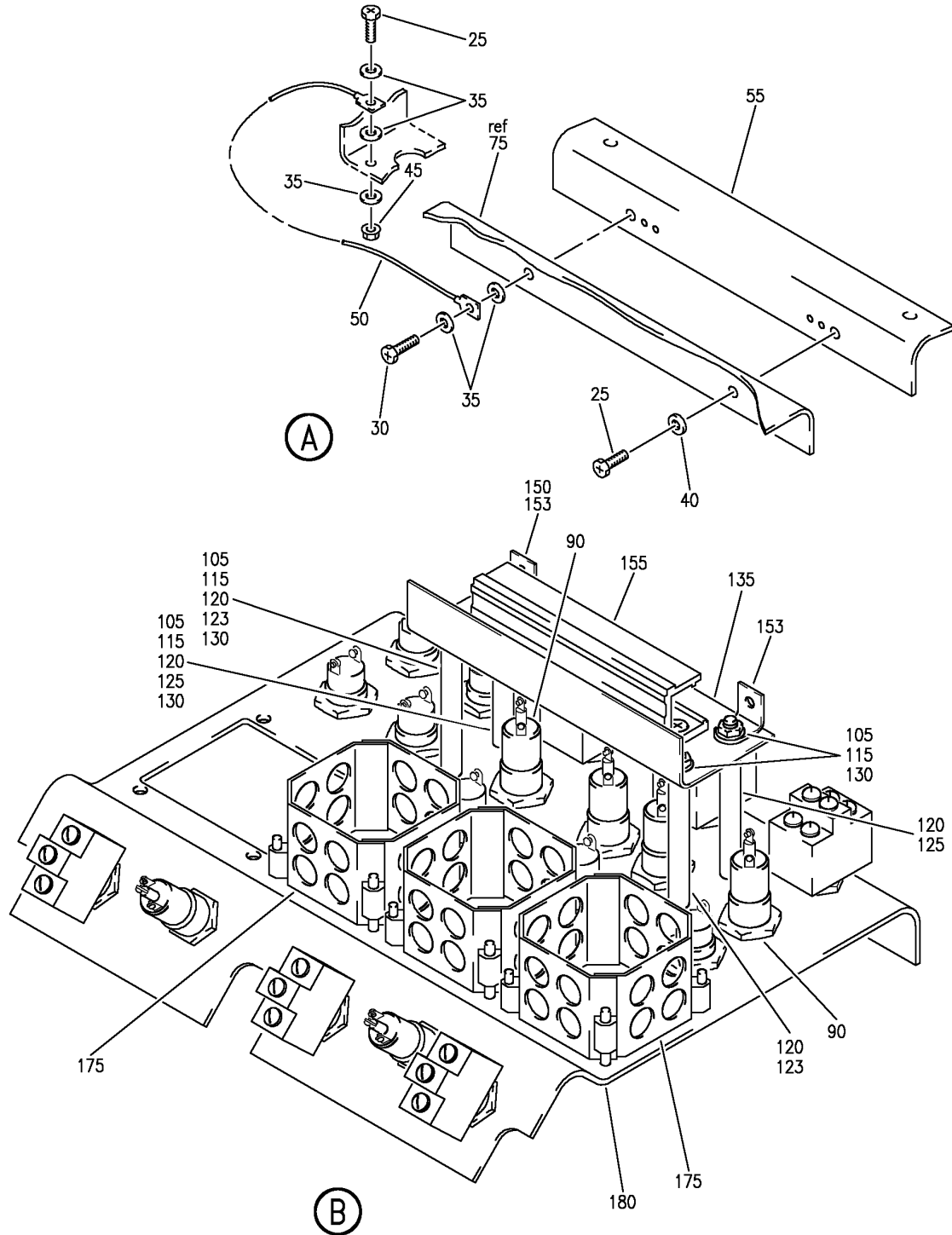
PANEL INSTL-FUELING CONT (PRESSURE FUELING SYSTM ONLY)  
FIGURE 3 (SHEET 1)

**28-14-01-03**

BRI  
MAY 28/07

28-14-01-03  
PAGE 0

**BOEING**  
757  
PARTS CATALOG (MAINTENANCE)



Y 28140103 SHT 2 REV 270

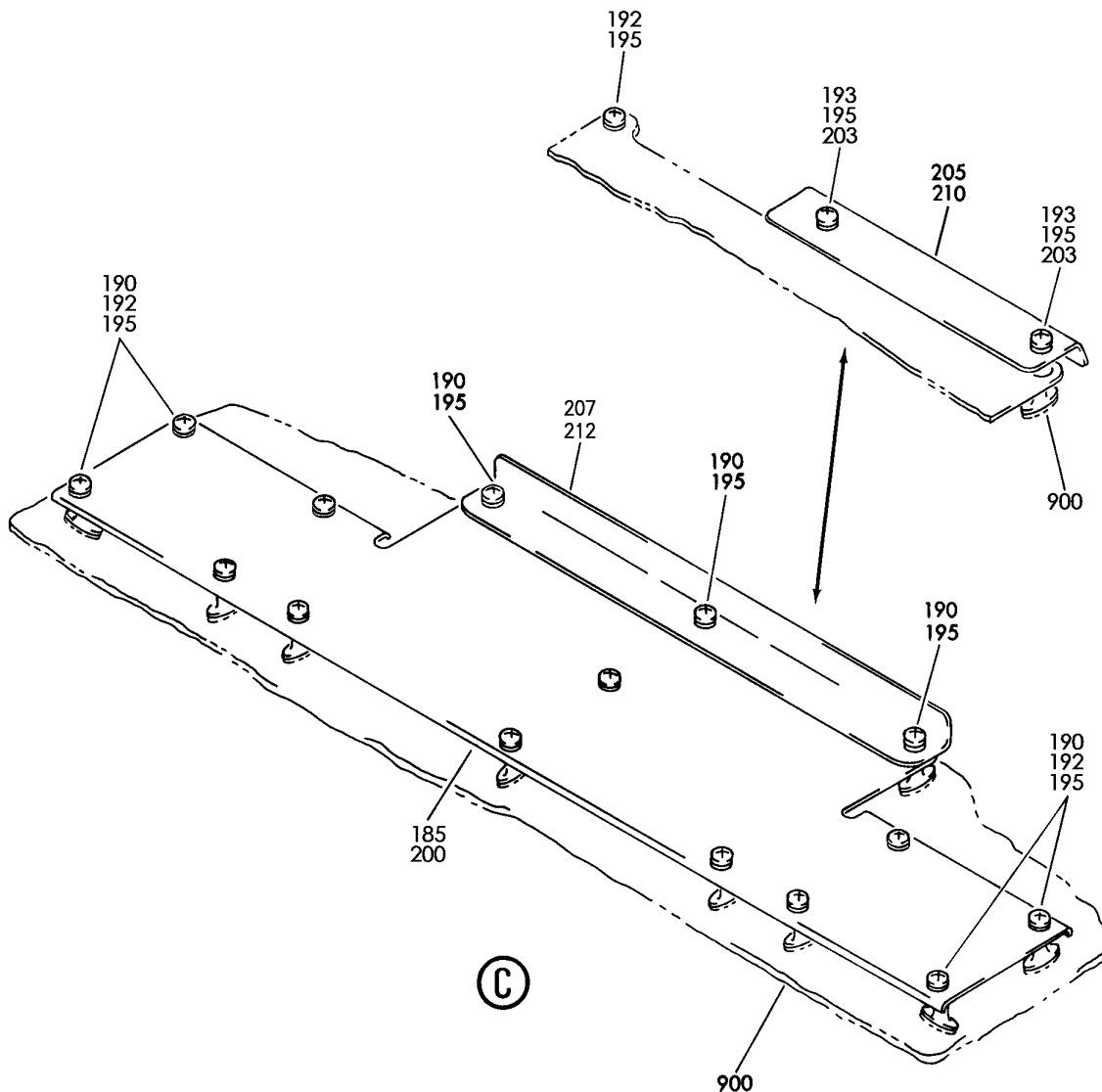
PANEL INSTL-FUELING CONT (PRESSURE FUELING SYSTEM ONLY)  
FIGURE 3 (SHEET 2)

**28-14-01-03**

BRI  
MAY 28/07

28-14-01-03  
PAGE 0A

**BOEING**  
757  
PARTS CATALOG (MAINTENANCE)



Y 28140103 SH1 3 REV 270

PANEL INSTL-FUELING CONT (PRESSURE FUELING SYSTEM ONLY)  
FIGURE 3 (SHEET 3)

**28-14-01-03**

BRI  
MAY 28/07

28-14-01-03  
PAGE 0B



757

PARTS CATALOG (MAINTENANCE)

| FIG ITEM | PART NUMBER  | 1 2 3 4 5 6 7 | NOMENCLATURE  | EFFECT FROM TO                                 | UNITS PER ASSY |
|----------|--------------|---------------|---|--|----------------|
| 3        |              |               | PANEL INSTL-FUELING CONT<br>(PRESSURE FUELING SYSTEM ONLY)  | 002004<br>006100<br>107107<br>121503<br>904999 |                |
| - 1      | 344N5001-8   |               | PANEL INSTL-FUELING CONT<br>(PRESSURE FUELING SYSTEM ONLY)<br>FOR NHA/OTHER SYS DET SEE:<br>28-00-01-01 | 107107<br>904949                               | RF             |
| - 1      | 344N5001-12  |               | PANEL INSTL-FUELING CONT<br>(PRESSURE FUELING SYSTEM ONLY)<br>FOR NHA/OTHER SYS DET SEE:<br>28-00-01-01 | 002004<br>952952                               | RF             |
| - 1      | 344N5001-14  |               | PANEL INSTL-FUELING CONT<br>(PRESSURE FUELING SYSTEM ONLY)<br>FOR NHA/OTHER SYS DET SEE:<br>28-00-01-01 | 006100<br>121503<br>950951<br>953999           | RF             |
| 5        | 9303-3D      |               | .SHOCKMOUNT<br>SUPPLIER CODE:<br>V81860<br>SPECIFICATION NUMBER:<br>BACS14F330D<br>ATTACHING PARTS      | 002004<br>006100<br>107107<br>121503<br>904999 | 4              |
| - 10     | NAS1801-06-6 |               | .SCREW  | 002004<br>006100<br>107107<br>121503<br>904999 | 8              |
| - 15     | AN960PD06L   |               | .WASHER-  | 002004<br>006100<br>107107<br>121503<br>904999 | 8              |

MISSING ITEM NUMBERS NOT APPLICABLE

- ITEM NOT ILLUSTRATED

28-14-01-03

28-14-01  
FIG. 03  
PAGE 1  
JAN 20/09

BRI



757

PARTS CATALOG (MAINTENANCE)

| FIG ITEM  | PART NUMBER  | 1 2 3 4 5 6 7         | NOMENCLATURE  | EFFECT FROM TO                                 | UNITS PER ASSY |
|-----------|--------------|-----------------------|---|--|----------------|
| 3<br>- 20 | BRH10A06     | .NUT                  | SUPPLIER CODE:<br>V52828<br>SPECIFICATION NUMBER:<br>BACN10JC06<br>OPTIONAL PART:<br>H10-06BAC<br>V15653<br>RMLH9075-62W<br>V72962<br>VN303A62<br>V92215<br>96-62<br>V80539<br>NS202101-62<br>V80539<br>T6S632J<br>V11815 | 002004<br>006100<br>107107<br>121503<br>904999 | 8              |
| 25        | NAS1801-3-8  | -----*-----<br>.SCREW |   | 002004<br>006100<br>107107<br>121503<br>904999 | 2              |
| 30        | NAS1801-3-10 | .SCREW                |   | 002004<br>006100<br>107107<br>121503<br>904999 | 1              |
| 35        | AN960JD10L   | .WASHER               |   | 002004<br>006100<br>107107<br>121503<br>904999 | 5              |
| 40        | AN960PD10L   | .WASHER               |   | 002004<br>006100<br>107107<br>121503<br>904999 | 1              |

MISSING ITEM NUMBERS NOT APPLICABLE

- ITEM NOT ILLUSTRATED

28-14-01-03

28-14-01  
FIG. 03  
PAGE 2  
JAN 20/09

BRI



757

PARTS CATALOG (MAINTENANCE)

| FIG ITEM | PART NUMBER | 1 2 3 4 5 6 7 | NOMENCLATURE   | EFFECT FROM TO                                 | UNITS PER ASSY |
|----------|-------------|---------------|--|--|----------------|
| 3        |             |               |  |  |                |
| 45       | BRH10A3     | .             | NUT<br>SUPPLIER CODE:<br>V52828<br>SPECIFICATION NUMBER:<br>BACN10JC3<br>OPTIONAL PART:<br>H10-3BAC<br>V15653<br>NS202101-02<br>V80539<br>RMLH9075-3W<br>V72962<br>VN303A02<br>V92215<br>96-02<br>V80539<br>T6S1032J<br>V11815 | 002004<br>006100<br>107107<br>121503<br>904999 | 1              |
| 50       | 740A20-6    | .             | JUMPER ASSY<br>SUPPLIER CODE:<br>V91812<br>SPECIFICATION NUMBER:<br>BACJ40A20-6<br>OPTIONAL PART:<br>TJEJ40A20-6<br>V33483<br>RBEJ20-6<br>V1GK47   | 002004<br>006100<br>107107<br>121503<br>904999 | 1              |
| 55       | 344N5113-1  | .             | SUPPORT ASSY-<br>POSITION DATA:<br>FWD   | 002004<br>006100<br>107107<br>121503<br>904999 | 1              |
| 60       | 344N5112-1  | .             | SUPPORT ASSY-<br>POSITION DATA:<br>AFT   | 002004<br>006100<br>107107<br>121503<br>904999 | 1              |
| - 65     | AN960PD10L  | .             | ATTACHING PARTS<br>WASHER  | 002004<br>006100<br>107107<br>121503<br>904999 | 4              |

MISSING ITEM NUMBERS NOT APPLICABLE

- ITEM NOT ILLUSTRATED

28-14-01-03

28-14-01  
FIG. 03  
PAGE 3  
JAN 20/09

BRI



757

PARTS CATALOG (MAINTENANCE)

| FIG ITEM  | PART NUMBER | 1 2 3 4 5 6 7 | NOMENCLATURE  | EFFECT FROM TO                                 | UNITS PER ASSY |
|-----------|-------------|---------------|---|--|----------------|
| 3<br>- 70 | BRH10A3     |               | .NUT<br>SUPPLIER CODE:<br>V52828<br>SPECIFICATION NUMBER:<br>BACN10JC3<br>OPTIONAL PART:<br>H10-3BAC<br>V15653<br>NS202101-02<br>V80539<br>RMLH9075-3W<br>V72962<br>VN303A02<br>V92215<br>96-02<br>V80539<br>T6S1032J<br>V11815   | 002004<br>006100<br>107107<br>121503<br>904999 | 4              |
| 75        | 344N5101-2  |               | -----*-----<br>.PANEL ASSY-<br>REWORK DRAWING REF:<br>344N5002-3<br>QUALIFIED I/W DATA:<br>MUST REPLACE HONEYWELL<br>MANUFACTURED PARTS WITH<br>HONEYWELL MANUFACTURED<br>PARTS AND SIMMONDS PARTS<br>WITH SIMMONDS WITH THE<br>EXCEPTION OF 344N5101-5<br>WHICH IS A REWORKED<br>SIMMONS TO MATE WITH<br>HONEYWELL | 002004<br>107107<br>904949<br>952952           | 1              |
| 75        | 344N5101-3  |               | .PANEL ASSY-<br>QUALIFIED I/W DATA:<br>MUST REPLACE HONEYWELL<br>MANUFACTURED PARTS WITH<br>HONEYWELL MANUFACTURED<br>PARTS AND SIMMONDS PARTS<br>WITH SIMMONDS WITH THE<br>EXCEPTION OF 344N5101-5<br>WHICH IS A REWORKED<br>SIMMONDS TO MATE WITH<br>HONEYWELL  | 006100<br>121503<br>950951<br>953999           | 1              |
| - 80      | NAS1801-3-8 |               | ATTACHING PARTS<br>.SCREW   | 002004<br>006100<br>107107<br>121503<br>904999 | 2              |

MISSING ITEM NUMBERS NOT APPLICABLE

- ITEM NOT ILLUSTRATED

28-14-01-03

28-14-01  
FIG. 03  
PAGE 4  
JAN 20/09

BRI





757

PARTS CATALOG (MAINTENANCE)

| FIG ITEM  | PART NUMBER | 1 2 3 4 5 6 7     | NOMENCLATURE   | EFFECT FROM TO                                 | UNITS PER ASSY |
|-----------|-------------|-------------------|--|--|----------------|
| 3<br>- 85 | AN960PD10L  | .                 | WASHER   | 002004<br>006100<br>107107<br>121503<br>904999 | 2              |
| 90        | BCREF6926   | -----*-----<br>.. | LIGHT ASSY-<br>SUPPLIER CODE:<br>V81590<br>OVERLENGTH PART NUMBER:<br>121-563-1005-005<br>ELECTRICAL EQUIP NUMBER:<br>L00081<br>L00082<br>L00083<br>L00402<br>OPTIONAL PART:<br>BCREF7752<br>V81590<br>FOR DETAILS SEE:<br>33-42-51-10 | 002004<br>006100<br>107107<br>121503<br>904999 | 4              |
| 90        | BCREF5082   | ..                | LIGHT ASSY-<br>SUPPLIER CODE:<br>V81590<br>OVERLENGTH PART NUMBER:<br>121-563-1005-001<br>ELECTRICAL EQUIP NUMBER:<br>L00081<br>L00082<br>L00083<br>L00402<br>OPTIONAL PART:<br>BCREF7752<br>V81590<br>FOR DETAILS SEE:<br>33-42-51-10 | 002004<br>006100<br>107107<br>121503<br>904999 | 4              |

MISSING ITEM NUMBERS NOT APPLICABLE

- ITEM NOT ILLUSTRATED

28-14-01-03

28-14-01  
FIG. 03  
PAGE 5  
JAN 20/09

BRI



757

PARTS CATALOG (MAINTENANCE)

| FIG ITEM | PART NUMBER      | 1 2 3 4 5 6 7 | NOMENCLATURE  | EFFECT FROM TO                                 | UNITS PER ASSY |
|----------|------------------|---------------|---|--|----------------|
| 3        | 90 BCRE7752      |               | .. LIGHT ASSY-<br>SUPPLIER CODE:<br>V81590<br>OVERLENGTH PART NUMBER:<br>121-563-1006-004<br>ELECTRICAL EQUIP NUMBER:<br>L00081<br>L00082<br>L00083<br>L00402<br>OPTIONAL PART:<br>BCREF5082<br>V81590<br>FOR DETAILS SEE:<br>33-42-51-10 | 002004<br>006100<br>107107<br>121503<br>904999 | 4              |
|          | 105 BACS12ER3K48 |               | .. SCREW  | 002004<br>006100<br>107107<br>121503<br>904999 | 4              |
|          | 115 AN960PD10L   |               | .. WASHER   | 002004<br>006100<br>107107<br>121503<br>904999 | 4              |
|          | 120 NAS43DD3-160 |               | .. SPACER   | 002004<br>006017<br>107107<br>121503<br>904999 | 4              |
|          | 130 BRH10A3      |               | .. NUT<br>SUPPLIER CODE:<br>V52828<br>SPECIFICATION NUMBER:<br>BACN10JC3<br>OPTIONAL PART:<br>H10-3BAC<br>V15653<br>NS202101-02<br>V80539<br>RMLH9075-3W<br>V72962<br>VN303A02<br>V92215<br>96-02<br>V80539<br>T6S1032J<br>V11815         | 002004<br>006100<br>107107<br>121503<br>904999 | 4              |

MISSING ITEM NUMBERS NOT APPLICABLE

- ITEM NOT ILLUSTRATED

28-14-01-03

28-14-01  
FIG. 03  
PAGE 6  
JAN 20/09

BRI



757

PARTS CATALOG (MAINTENANCE)

| FIG ITEM | PART NUMBER  | 1 2 3 4 5 6 7 | NOMENCLATURE   | EFFECT FROM TO                                 | UNITS PER ASSY |
|----------|--------------|---------------|--|--|----------------|
| 3        |              |               |  |  |                |
| 135      | 344N5115-1   | ..            | BASE   | 002004<br>006100<br>107107<br>121503<br>904999 | 1              |
| 153      | AN743-12     | ..            | BRACKET  | 002004<br>006100<br>107107<br>121503<br>904999 | 2              |
| 155      | MRTBL7       | ..            | TRACK-<br>SUPPLIER CODE:<br>V14283<br>OPTIONAL PART:<br>M81714-5-6 | 002004<br>006100<br>107107<br>121503<br>904999 | 1              |
| 155      | M81714-5-6   | ..            | TRACK-<br>OPTIONAL PART:<br>MRTBL7<br>V14283                       | 002004<br>006100<br>107107<br>121503<br>904999 | 1              |
| - 160    | BACS12ER06K8 |               | ATTACHING PARTS<br>.. SCREW  | 002004<br>006100<br>107107<br>121503<br>904999 | 2              |
| - 165    | AN960PD10L   | ..            | WASHER   | 002004<br>006100<br>107107<br>121503<br>904999 | 2              |

MISSING ITEM NUMBERS NOT APPLICABLE

- ITEM NOT ILLUSTRATED

BRI

28-14-01-03

BOEING PROPRIETARY - Copyright © - Unpublished Work - See title page for details.

28-14-01  
FIG. 03  
PAGE 7  
JAN 20/09



757

PARTS CATALOG (MAINTENANCE)

| FIG ITEM   | PART NUMBER | 1 2 3 4 5 6 7 | NOMENCLATURE  | EFFECT FROM TO                                 | UNITS PER ASSY |
|------------|-------------|---------------|---|--|----------------|
| 3<br>- 170 | BRH10A3     |               | ..NUT<br>SUPPLIER CODE:<br>V52828<br>SPECIFICATION NUMBER:<br>BACN10JC3<br>OPTIONAL PART:<br>H10-3BAC<br>V15653<br>NS202101-02<br>V80539<br>RMLH9075-3W<br>V72962<br>VN303A02<br>V92215<br>96-02<br>V80539<br>T6S1032J<br>V11815<br>-----*----- | 002004<br>006100<br>107107<br>121503<br>904999 | 2              |
| 175        | 123-2       |               | ..CLAMP-<br>SUPPLIER CODE:<br>V33463<br>QUALIFIED OPTIONAL DATA:<br>(123-2, 54620, 9962, OR<br>9962B OPTIONAL TO<br>123SH2222 ONLY WHEN<br>123SH2222 OR 64565B ARE<br>NOT AVAILABLE)  | 002004<br>107107<br>904949<br>952952           | 3              |
| 175        | 54620       |               | ..CLAMP-<br>SUPPLIER CODE:<br>V00624<br>QUALIFIED OPTIONAL DATA:<br>(123-2, 54620, 9962, OR<br>9962B OPTIONAL TO<br>123SH2222 ONLY WHEN<br>123SH2222 OR 64565B ARE<br>NOT AVAILABLE)  | 002004<br>107107<br>904949<br>952952           | 3              |
| 175        | 9962        |               | ..CLAMP-<br>SUPPLIER CODE:<br>V91893<br>QUALIFIED OPTIONAL DATA:<br>(123-2, 54620, 9962, OR<br>9962B OPTIONAL TO<br>123SH2222 ONLY WHEN<br>123SH2222 OR 64565B ARE<br>NOT AVAILABLE)  | 002004<br>107107<br>904949<br>952952           | 3              |

MISSING ITEM NUMBERS NOT APPLICABLE

- ITEM NOT ILLUSTRATED

28-14-01-03

28-14-01  
FIG. 03  
PAGE 8  
JAN 20/09

BRI



757

PARTS CATALOG (MAINTENANCE)

| FIG ITEM | PART NUMBER | 1 2 3 4 5 6 7 | NOMENCLATURE   | EFFECT FROM TO                       | UNITS PER ASSY |
|----------|-------------|---------------|--|--------------------------------------|----------------|
| 3        |             |               |  |                                      |                |
| 175      | 9962B       |               | ..CLAMP-<br>SUPPLIER CODE:<br>V91893<br>QUALIFIED OPTIONAL DATA:<br>(123-2, 54620, 9962, OR<br>9962B OPTIONAL TO<br>123SH2222 ONLY WHEN<br>123SH2222 OR 64565B ARE<br>NOT AVAILABLE) | 002004<br>107107<br>904949<br>952952 | 3              |
| 175      | 123SH2222   |               | ..CLAMP-<br>SUPPLIER CODE:<br>V33463<br>QUALIFIED OPTIONAL DATA:<br>(123-2, 54620, 9962, OR<br>9962B OPTIONAL TO<br>123SH2222 ONLY WHEN<br>123SH2222 OR 64565B ARE<br>NOT AVAILABLE) | 002004<br>107107<br>904949<br>952952 | 3              |
| 175      | 123-2222F   |               | ..CLAMP-<br>SUPPLIER CODE:<br>V33463   | 002004<br>107107<br>904949<br>952952 | 3              |
| 175      | 123-2       |               | ..CLAMP-<br>SUPPLIER CODE:<br>V33463<br>OPTIONAL PART:<br>123SH2222<br>V28277<br>54620<br>V00624<br>9962<br>V91893<br>9962B<br>V91893<br>64565B<br>V91893<br>123-2222F<br>V28277     | 006100<br>121503<br>950951<br>953999 | 3              |

MISSING ITEM NUMBERS NOT APPLICABLE

- ITEM NOT ILLUSTRATED

28-14-01-03

28-14-01  
FIG. 03  
PAGE 9  
JAN 20/09

BRI



757

PARTS CATALOG (MAINTENANCE)

| FIG ITEM | PART NUMBER | 1 2 3 4 5 6 7 | NOMENCLATURE   | EFFECT FROM TO                       | UNITS PER ASSY |
|----------|-------------|---------------|--|--------------------------------------|----------------|
| 3<br>175 | 54620       |               | .. CLAMP-<br>SUPPLIER CODE:<br>V00624<br>OPTIONAL PART:<br>123SH2222<br>V28277<br>9962<br>V91893<br>9962B<br>V91893<br>64565B<br>V91893<br>123-2222F<br>V28277<br>123-2<br>V28277  | 006100<br>121503<br>950951<br>953999 | 3              |
| 175      | 9962        |               | .. CLAMP-<br>SUPPLIER CODE:<br>V91893<br>OPTIONAL PART:<br>123SH2222<br>V28277<br>54620<br>V00624<br>9962B<br>V91893<br>64565B<br>V91893<br>123-2222F<br>V28277<br>123-2<br>V28277 | 006100<br>121503<br>950951<br>953999 | 3              |
| 175      | 9962B       |               | .. CLAMP-<br>SUPPLIER CODE:<br>V91893<br>OPTIONAL PART:<br>123SH2222<br>V28277<br>54620<br>V00624<br>9962<br>V91893<br>64565B<br>V91893<br>123-2222F<br>V28277<br>123-2<br>V28277  | 006100<br>121503<br>950951<br>953999 | 3              |

MISSING ITEM NUMBERS NOT APPLICABLE

- ITEM NOT ILLUSTRATED

28-14-01-03

28-14-01  
FIG. 03  
PAGE 10  
JAN 20/09

BRI



757

PARTS CATALOG (MAINTENANCE)

| FIG ITEM | PART NUMBER | 1 2 3 4 5 6 7 | NOMENCLATURE   | EFFECT FROM TO                       | UNITS PER ASSY |
|----------|-------------|---------------|--|--------------------------------------|----------------|
| 3<br>175 | 64565B      |               | .. CLAMP-<br>SUPPLIER CODE:<br>V91893<br>OPTIONAL PART:<br>123SH2222<br>V28277<br>54620<br>V00624<br>9962<br>V91893<br>9962B<br>V91893<br>123-2222F<br>V28277<br>123-2<br>V28277 | 006100<br>121503<br>950951<br>953999 | 3              |
| 175      | 123SH2222   |               | .. CLAMP-<br>SUPPLIER CODE:<br>V33463<br>OPTIONAL PART:<br>54620<br>V00624<br>9962<br>V91893<br>9962B<br>V91893<br>64565B<br>V91893<br>123-2222F<br>V28277<br>123-2<br>V28277    | 006100<br>121503<br>950951<br>953999 | 3              |
| 175      | 123-2222F   |               | .. CLAMP-<br>SUPPLIER CODE:<br>V33463<br>OPTIONAL PART:<br>123SH2222<br>V28277<br>54620<br>V00624<br>9962<br>V91893<br>9962B<br>V91893<br>64565B<br>V91893<br>123-2<br>V28277    | 006100<br>121503<br>950951<br>953999 | 3              |

MISSING ITEM NUMBERS NOT APPLICABLE

- ITEM NOT ILLUSTRATED

28-14-01-03

28-14-01  
FIG. 03  
PAGE 11  
JAN 20/09

BRI



757

PARTS CATALOG (MAINTENANCE)

| FIG ITEM | PART NUMBER | 1 2 3 4 5 6 7 | NOMENCLATURE   | EFFECT FROM TO                                 | UNITS PER ASSY |
|----------|-------------|---------------|--|--|----------------|
| 3<br>180 | 344N5120-2  |               | .. PANEL-<br>MISCELLANEOUS DATA:<br>INSTALL PLACARD<br>BAC27NFS223 AS REQUIRED<br>TO REPLACE MISSING OR<br>PARTIALLY MISSING<br>NOMENCLATURE ON REFUEL<br>PANEL. PLACARDS SHALL<br>BE INSTALLED AND<br>POSITIONED PER<br>MAINTENANCE MANUAL<br>PROCEDURES 11-24-01 AND<br>20-10-12 | 002004<br>006100<br>107107<br>121503<br>904999 | 1              |
| 180      | 344N5120-3  |               | .. PANEL-<br>MISCELLANEOUS DATA:<br>INSTALL PLACARD<br>BAC27NFS223 AS REQUIRED<br>TO REPLACE MISSING OR<br>PARTIALLY MISSING<br>NOMENCLATURE ON REFUEL<br>PANEL. PLACARDS SHALL<br>BE INSTALLED AND<br>POSITIONED PER<br>MAINTENANCE MANUAL<br>PROCEDURES 11-24-01 AND<br>20-10-12 | 002004<br>006100<br>107107<br>121503<br>904999 | 1              |
| 180      | 344N5120-1  |               | .. PANEL-<br>MISCELLANEOUS DATA:<br>INSTALL PLACARD<br>BAC27NFS223 AS REQUIRED<br>TO REPLACE MISSING OR<br>PARTIALLY MISSING<br>NOMENCLATURE ON REFUEL<br>PANEL. PLACARDS SHALL<br>BE INSTALLED AND<br>POSITIONED PER<br>MAINTENANCE MANUAL<br>PROCEDURES 11-24-01 AND<br>20-10-12 | 002004<br>006100<br>107107<br>121503<br>904999 | 1              |

MISSING ITEM NUMBERS NOT APPLICABLE

- ITEM NOT ILLUSTRATED

28-14-01-03

28-14-01  
FIG. 03  
PAGE 12  
JAN 20/09

BRI





757

PARTS CATALOG (MAINTENANCE)

| FIG ITEM | PART NUMBER | 1 2 3 4 5 6 7 | NOMENCLATURE   | EFFECT FROM TO                                 | UNITS PER ASSY |
|----------|-------------|---------------|--|--|----------------|
| 3<br>180 | 344N5120-4  |               | .. PANEL-<br>MISCELLANEOUS DATA:<br>INSTALL PLACARD<br>BAC27NFS223 AS REQUIRED<br>TO REPLACE MISSING OR<br>PARTIALLY MISSING<br>NOMENCLATURE ON REFUEL<br>PANEL. PLACARDS SHALL<br>BE INSTALLED AND<br>POSITIONED PER<br>MAINTENANCE MANUAL<br>PROCEDURES 11-24-01 AND<br>20-10-12 | 002004<br>006100<br>107107<br>121503<br>904999 | 1              |
| 180      | 344N5120-5  |               | .. PANEL-<br>MISCELLANEOUS DATA:<br>INSTALL PLACARD<br>BAC27NFS223 AS REQUIRED<br>TO REPLACE MISSING OR<br>PARTIALLY MISSING<br>NOMENCLATURE ON REFUEL<br>PANEL. PLACARDS SHALL<br>BE INSTALLED AND<br>POSITIONED PER<br>MAINTENANCE MANUAL<br>PROCEDURES 11-24-01 AND<br>20-10-12 | 002004<br>006017<br>121503<br>950999           | 1              |
| 180      | 344N5120-6  |               | .. PANEL-<br>MISCELLANEOUS DATA:<br>INSTALL PLACARD<br>BAC27NFS223 AS REQUIRED<br>TO REPLACE MISSING OR<br>PARTIALLY MISSING<br>NOMENCLATURE ON REFUEL<br>PANEL. PLACARDS SHALL<br>BE INSTALLED AND<br>POSITIONED PER<br>MAINTENANCE MANUAL<br>PROCEDURES 11-24-01 AND<br>20-10-12 | 002004<br>006017<br>121503<br>950999           | 1              |

MISSING ITEM NUMBERS NOT APPLICABLE

- ITEM NOT ILLUSTRATED

28-14-01-03

28-14-01  
FIG. 03  
PAGE 13  
JAN 20/09

BRI



757

PARTS CATALOG (MAINTENANCE)

| FIG ITEM | PART NUMBER | 1 2 3 4 5 6 7 | NOMENCLATURE   | EFFECT FROM TO                                 | UNITS PER ASSY |
|----------|-------------|---------------|--|--|----------------|
| 3<br>180 | 344N5120-7  |               | .. PANEL-<br>MISCELLANEOUS DATA:<br>INSTALL PLACARD<br>BAC27NFS223 AS REQUIRED<br>TO REPLACE MISSING OR<br>PARTIALLY MISSING<br>NOMENCLATURE ON REFUEL<br>PANEL. PLACARDS SHALL<br>BE INSTALLED AND<br>POSITIONED PER<br>MAINTENANCE MANUAL<br>PROCEDURES 11-24-01 AND<br>20-10-12 | 002004<br>006017<br>121503<br>950999           | 1              |
| 180      | 344N5120-8  |               | .. PANEL-<br>MISCELLANEOUS DATA:<br>INSTALL PLACARD<br>BAC27NFS223 AS REQUIRED<br>TO REPLACE MISSING OR<br>PARTIALLY MISSING<br>NOMENCLATURE ON REFUEL<br>PANEL. PLACARDS SHALL<br>BE INSTALLED AND<br>POSITIONED PER<br>MAINTENANCE MANUAL<br>PROCEDURES 11-24-01 AND<br>20-10-12 | 002004<br>006017<br>121503<br>950999           | 1              |
| 180      | 344N5120-9  |               | .. PANEL-<br>MISCELLANEOUS DATA:<br>INSTALL PLACARD<br>BAC27NFS223 AS REQUIRED<br>TO REPLACE MISSING OR<br>PARTIALLY MISSING<br>NOMENCLATURE ON REFUEL<br>PANEL. PLACARDS SHALL<br>BE INSTALLED AND<br>POSITIONED PER<br>MAINTENANCE MANUAL<br>PROCEDURES 11-24-01 AND<br>20-10-12 | 002004<br>006100<br>107107<br>121503<br>904999 | 1              |
| 185      | 344N5118-13 |               | . PANEL ASSY-FUELING<br>INSTRUCTIONS (FUEL ONLY)<br>POSITION DATA:<br>OSS 502.00 RH<br>FUNCTIONAL REFERENCE:<br>PLACARDS AND MARKINGS<br>FOR DETAILS SEE<br>11-24-01-01  | 107107<br>904949                               | 1              |

MISSING ITEM NUMBERS NOT APPLICABLE

- ITEM NOT ILLUSTRATED

28-14-01-03

28-14-01  
FIG. 03  
PAGE 14  
JAN 20/09

BRI



757

PARTS CATALOG (MAINTENANCE)

| FIG ITEM | PART NUMBER  | 1 2 3 4 5 6 7 | NOMENCLATURE   | EFFECT FROM TO                                 | UNITS PER ASSY |
|----------|--------------|---------------|--|--|----------------|
| 3        |              |               |  |  |                |
| 185      | 344N5118-17  |               | .PANEL ASSY-FUELING<br>INSTRUCTIONS (FUEL ONLY)<br>POSITION DATA:<br>OSS 502.00 RH<br>FUNCTIONAL REFERENCE:<br>PLACARDS AND MARKINGS<br>FOR DETAILS SEE<br>11-24-01-01 | 002004<br>006010<br>121503<br>950999           | 1              |
| 185      | 344N5118-19  |               | .PANEL ASSY-FUELING<br>INSTRUCTIONS (FUEL ONLY)<br>POSITION DATA:<br>OSS 502.00 RH<br>FUNCTIONAL REFERENCE:<br>PLACARDS AND MARKINGS<br>FOR DETAILS SEE<br>11-24-01-01 | 011017   | 1              |
| 185      | 344N5118-21  |               | .PANEL ASSY-FUELING<br>INSTRUCTIONS (FUEL ONLY)<br>POSITION DATA:<br>OSS 502.00 RH<br>FUNCTIONAL REFERENCE:<br>PLACARDS AND MARKINGS<br>FOR DETAILS SEE<br>11-24-01-01 | 018100   | 1              |
| 192      | BACS12CK3-8  |               | .ATTACHING PARTS<br>.SCREW   | 002004<br>006017<br>107107<br>121503<br>904999 | 13             |
| 193      | BACS12CK3-12 |               | .SCREW   | 002004<br>006017<br>107107<br>121503<br>904999 | 2              |
| 195      | AN960PD10L   |               | .WASHER  | 002004<br>006017<br>107107<br>121503<br>904999 | 15             |
| 200      | 344N5118-5   |               | -----*-----<br>..PANEL-<br>REWORKED BY SB:<br>28-0036  | 002004<br>006010<br>121503<br>950999           | 1              |
| 200      | 344N5118-20  |               | ..PANEL-   | 011017   | 1              |

MISSING ITEM NUMBERS NOT APPLICABLE

- ITEM NOT ILLUSTRATED

BRI

28-14-01-03

28-14-01  
FIG. 03  
PAGE 15  
JAN 20/09



757

PARTS CATALOG (MAINTENANCE)

| FIG<br>ITEM | PART NUMBER | 1 2 3 4 5 6 7 | NOMENCLATURE   | EFFECT<br>FROM TO                              | UNITS<br>PER<br>ASSY |
|-------------|-------------|---------------|--|--|----------------------|
| 3<br>203    | NAS43DD3-16 | .             | SPACER   | 002004<br>006017<br>107107<br>121503<br>904999 | 2                    |
| 205         | 344N5119-7  | .             | BUMPER ASSY-FUELING VALVE<br>SWITCH<br>FOR DETAILS SEE:<br>11-24-01-01 | 107107<br>904949                               | 1                    |
| 205         | 344N5119-9  | .             | BUMPER ASSY-FUELING VALVE<br>SWITCH<br>FOR DETAILS SEE:<br>11-24-01-01 | 002004<br>006100<br>121503<br>950999           | 1                    |
| 210         | 344N5119-8  | ..            | BUMPER-  | 002004<br>006017<br>107107<br>121503<br>904999 | 1                    |

MISSING ITEM NUMBERS NOT APPLICABLE

- ITEM NOT ILLUSTRATED

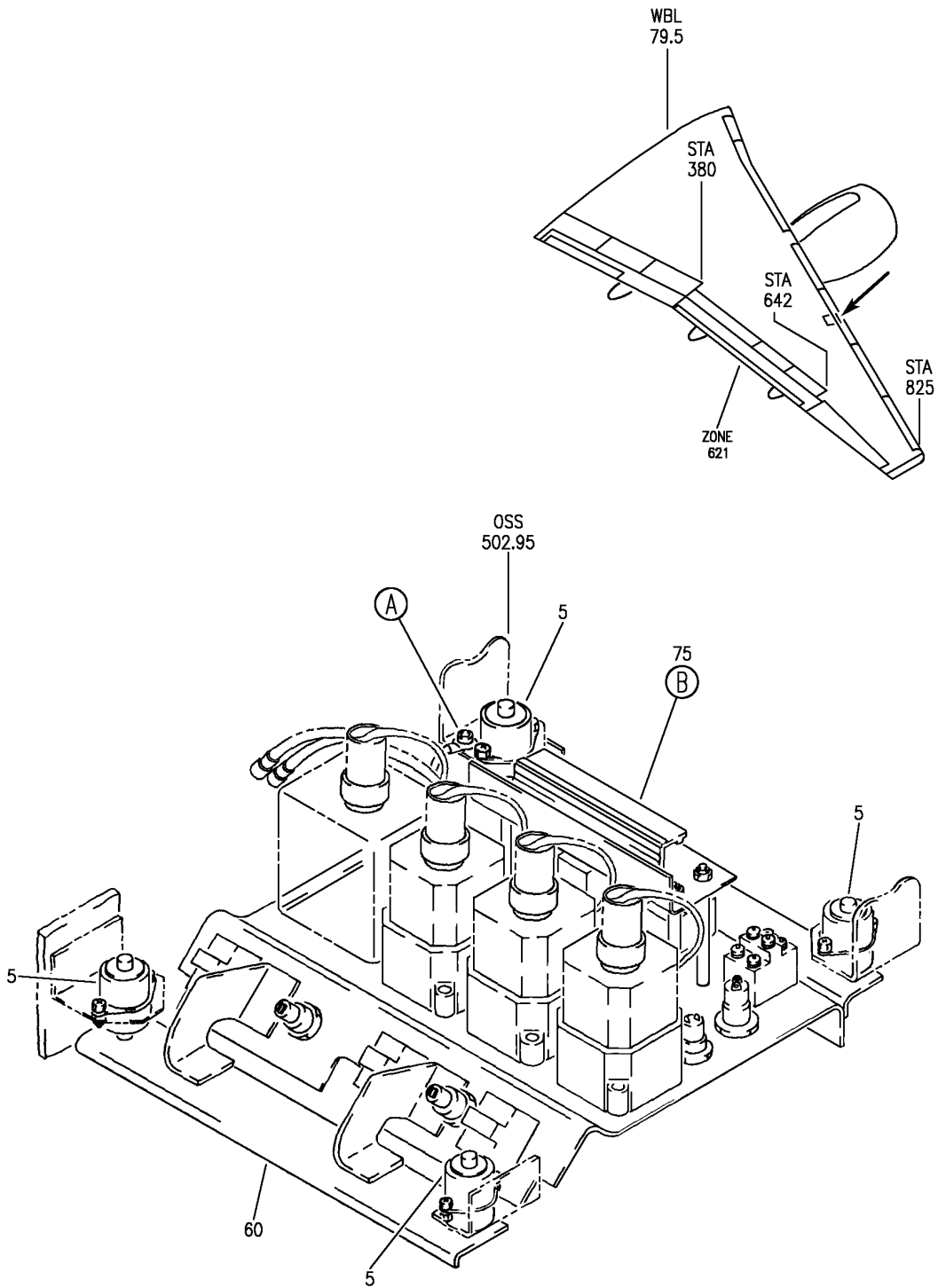
BRI

28-14-01-03

BOEING PROPRIETARY - Copyright © - Unpublished Work - See title page for details.

28-14-01  
FIG. 03  
PAGE 16  
JAN 20/09

**BOEING**  
757  
PARTS CATALOG (MAINTENANCE)



Y 28140104 SHT 1 REV 270

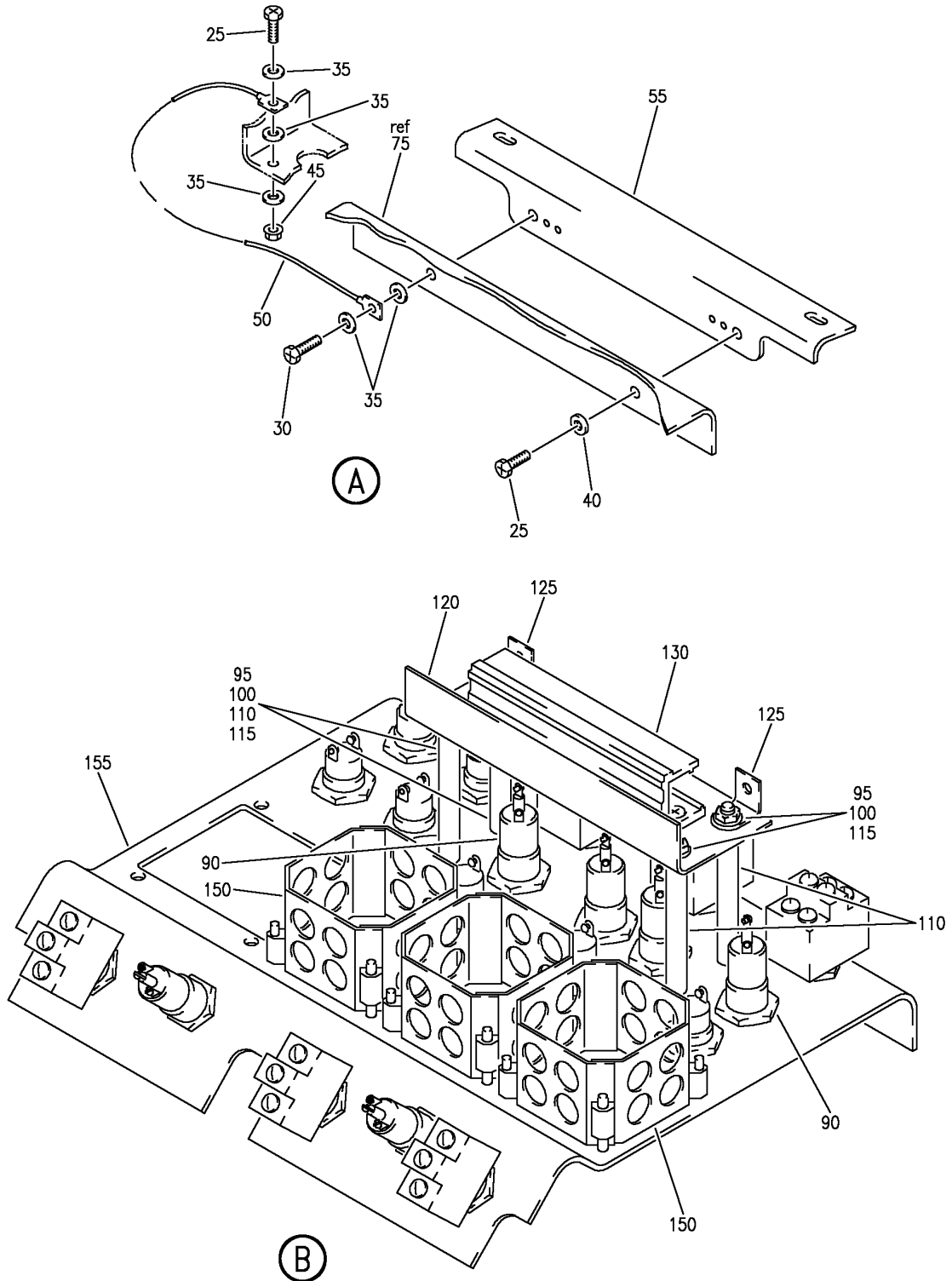
PANEL INSTL-FUELING CONT (PRESSURE FUELING SYSTM ONLY)  
FIGURE 4 (SHEET 1)

**28-14-01-04**

BRI  
MAY 28/07

28-14-01-04  
PAGE 0

**BOEING**  
757  
PARTS CATALOG (MAINTENANCE)



Y 28140104 SHT 2 REV 270

PANEL INSTL-FUELING CONT (PRESSURE FUELING SYSTEM ONLY)  
FIGURE 4 (SHEET 2)

**28-14-01-04**

BRI  
MAY 28/07

28-14-01-04  
PAGE 0A



757

PARTS CATALOG (MAINTENANCE)

| FIG ITEM | PART NUMBER   | 1 2 3 4 5 6 7 | NOMENCLATURE   | EFFECT FROM TO             | UNITS PER ASSY |
|----------|---------------|---------------|--|----------------------------|----------------|
| 4        |               |               | PANEL INSTL-FUELING CONT<br>(PRESSURE FUELING SYSTEM ONLY)   | 101106<br>108120<br>504903 |                |
| - 1      | 344N5001-17   |               | PANEL INSTL-FUELING CONT<br>(PRESSURE FUELING SYSTEM ONLY)<br>FOR NHA/OTHER SYS DET SEE:<br>28-00-00-05  | 101102<br>504903           | RF             |
| - 1      | 344N5001-23   |               | PANEL INSTL-FUELING CONT<br>(PRESSURE FUELING SYSTEM ONLY)<br>FOR NHA/OTHER SYS DET SEE:<br>28-00-00-05  | 108120                     | RF             |
| - 1      | MODREF13723   |               | PANEL INSTL-FUELING CONT<br>(PRESSURE FUELING SYSTEM ONLY)<br>MODULE NUMBER:<br>344N5001-24 REV A<br>FOR OTHER SYS DETAILS SEE:<br>28-26-51-01<br>28-41-06-01<br>28-41-07-01 | 103105                     | 1              |
| - 1      | MODREF34278   |               | PANEL INSTL-FUELING CONT<br>(PRESSURE FUELING SYSTEM ONLY)<br>MODULE NUMBER:<br>344N5001-25 REV A<br>FOR OTHER SYS DETAILS SEE:<br>28-26-51-01<br>28-41-06-01<br>28-41-07-01 | 106106                     | 1              |
| 5        | 9303-3D       |               | .SHOCKMOUNT<br>SUPPLIER CODE:<br>V81860<br>SPECIFICATION NUMBER:<br>BACS14F330D  | 101106<br>108120<br>504903 | 4              |
| - 10     | BACS12HN06-6  |               | ATTACHING PARTS<br>.SCREW  | 101106<br>108120<br>504903 | 8              |
| - 15     | NAS1149DN616J |               | .WASHER  | 101106<br>108120<br>504903 | 8              |

MISSING ITEM NUMBERS NOT APPLICABLE

- ITEM NOT ILLUSTRATED

BRI

28-14-01-04

28-14-01  
FIG. 04  
PAGE 1  
JAN 20/09



757

PARTS CATALOG (MAINTENANCE)

| FIG ITEM  | PART NUMBER   | 1 2 3 4 5 6 7 | NOMENCLATURE   | EFFECT FROM TO             | UNITS PER ASSY |
|-----------|---------------|---------------|--|----------------------------|----------------|
| 4<br>- 20 | BRH10A06      | .NUT          | SUPPLIER CODE:<br>V52828<br>SPECIFICATION NUMBER:<br>BACN10JC06<br>OPTIONAL PART:<br>H10-06BAC<br>V15653<br>RMLH9075-62W<br>V72962<br>VN303A62<br>V92215<br>96-62<br>V80539<br>NS202101-62<br>V80539<br>T6S632J<br>V11815<br>-----*----- | 101106<br>108120<br>504903 | 8              |
| 25        | BACS12GU3K8   | .SCREW        |  | 101106<br>108120<br>504903 | 2              |
| 30        | BACS12GU3K10  | .SCREW        |  | 101106<br>108120<br>504903 | 1              |
| 35        | NAS1149D0316H | .WASHER       |  | 101106<br>108120<br>504903 | 5              |
| 40        | NAS1149D0332J | .WASHER       |  | 101106<br>108120<br>504903 | 1              |
| 45        | PLH53CD       | .NUT          | SUPPLIER CODE:<br>VF0224<br>SPECIFICATION NUMBER:<br>BACN10YR3CD<br>OPTIONAL PART:<br>H52732-3CD<br>V15653   | 101106<br>108120<br>504903 | 1              |
| 50        | 740A20-6      | .JUMPER ASSY  | SUPPLIER CODE:<br>V91812<br>SPECIFICATION NUMBER:<br>BACJ40A20-6<br>OPTIONAL PART:<br>TJEJ40A20-6<br>V33483<br>RBEJ20-6<br>V1GK47  | 101106<br>108120<br>504903 | 1              |

MISSING ITEM NUMBERS NOT APPLICABLE

- ITEM NOT ILLUSTRATED

28-14-01-04

28-14-01  
FIG. 04  
PAGE 2  
JAN 20/09

BRI





757

PARTS CATALOG (MAINTENANCE)

| FIG ITEM | PART NUMBER   | 1 2 3 4 5 6 7 | NOMENCLATURE   | EFFECT FROM TO             | UNITS PER ASSY |
|----------|---------------|---------------|--|----------------------------|----------------|
| 4        |               |               |  |                            |                |
| 55       | 344N5113-1    |               | .SUPPORT ASSY-<br>POSITION DATA:<br>FWD  | 101106<br>108120<br>504903 | 1              |
| 60       | 344N5112-1    |               | .SUPPORT ASSY-<br>POSITION DATA:<br>AFT  | 101106<br>108120<br>504903 | 1              |
| - 65     | NAS1149D0332J |               | .WASHER  | 101106<br>108120<br>504903 | 4              |
| - 70     | PLH53CD       |               | .NUT<br>SUPPLIER CODE:<br>VF0224<br>SPECIFICATION NUMBER:<br>BACN10YR3CD<br>OPTIONAL PART:<br>H52732-3CD<br>V15653<br>-----*-----  | 101106<br>108120<br>504903 | 4              |
| 75       | 344N5101-6    |               | .PANEL ASSY-   | 101102<br>504903           | 1              |
| 75       | 344N5101-7    |               | .PANEL ASSY  | 108120                     | 1              |
| 75       | 344N5101-8    |               | .PANEL ASSY-   | 103105                     | 1              |
| 75       | 344N5101-9    |               | .PANEL ASSY-   | 106106                     | 1              |
| 75       | 344N5101-4    |               | .PANEL ASSY-   | 101102<br>504903           | 1              |
| - 80     | BACS12GU3K8   |               | ATTACHING PARTS<br>.SCREW  | 101106<br>108120<br>504903 | 2              |
| - 85     | NAS1149D0332J |               | .WASHER  | 101106<br>108120<br>504903 | 2              |
| 90       | BCREF7752     |               | -----*-----<br>..LIGHT ASSY-<br>SUPPLIER CODE:<br>V81590<br>OVERLENGTH PART NUMBER:<br>121-563-1006-004<br>ELECTRICAL EQUIP NUMBER:<br>L00081<br>L00082<br>L00083<br>L00402<br>FOR DETAILS SEE:<br>33-42-51-10 | 101106<br>108120<br>504903 | 4              |

MISSING ITEM NUMBERS NOT APPLICABLE

- ITEM NOT ILLUSTRATED

BRI

28-14-01-04

28-14-01  
FIG. 04  
PAGE 3  
JAN 20/09



757

PARTS CATALOG (MAINTENANCE)

| FIG ITEM | PART NUMBER       | 1 2 3 4 5 6 7 | NOMENCLATURE  | EFFECT FROM TO             | UNITS PER ASSY |
|----------|-------------------|---------------|---|----------------------------|----------------|
| 4        | 90 BCRE6926       |               | ..LIGHT ASSY-<br>SUPPLIER CODE:<br>V81590<br>OVERLENGTH PART NUMBER:<br>121-563-1005-005<br>ELECTRICAL EQUIP NUMBER:<br>L00081<br>L00082<br>L00083<br>L00402<br>FOR DETAILS SEE:<br>33-42-51-10 | 101106<br>108120<br>504903 | 4              |
|          | 90 BCRE5082       |               | ..LIGHT ASSY-<br>SUPPLIER CODE:<br>V81590<br>OVERLENGTH PART NUMBER:<br>121-563-1005-001<br>ELECTRICAL EQUIP NUMBER:<br>L00081<br>L00082<br>L00083<br>L00402<br>FOR DETAILS SEE:<br>33-42-51-10 | 101106<br>108120<br>504903 | 4              |
|          | 95 BACS12ER3K48   |               | ..SCREW   | 101106<br>108120<br>504903 | 4              |
|          | 100 NAS1149D0332J |               | ..WASHER  | 101106<br>108120<br>504903 | 4              |
|          | 110 NAS43DD3-160  |               | ..SPACER  | 101106<br>108120<br>504903 | 4              |
|          | 115 BRH10C3D      |               | ..NUT<br>SUPPLIER CODE:<br>V52828<br>SPECIFICATION NUMBER:<br>BACN10JC3CD<br>OPTIONAL PART:<br>T6C1032JCD<br>V11815<br>NS202486-02<br>V80539<br>102LH9075-3W<br>V72962<br>H51650-3BAC<br>V15653 | 101106<br>108120<br>504903 | 4              |

MISSING ITEM NUMBERS NOT APPLICABLE

- ITEM NOT ILLUSTRATED

28-14-01-04

28-14-01  
FIG. 04  
PAGE 4  
JAN 20/09

BRI



757

PARTS CATALOG (MAINTENANCE)

| FIG ITEM | PART NUMBER   | 1 2 3 4 5 6 7 | NOMENCLATURE   | EFFECT FROM TO             | UNITS PER ASSY |
|----------|---------------|---------------|--|----------------------------|----------------|
| 4        |               |               |  |                            |                |
| 120      | 344N5115-1    | ..            | BASE   | 101106<br>108120<br>504903 | 1              |
| 125      | AN743-12      | ..            | BRACKET  | 101106<br>108120<br>504903 | 2              |
| 130      | MRTBL7        | ..            | TRACK-<br>SUPPLIER CODE:<br>V14283<br>OPTIONAL PART:<br>M81714-5-6   | 101106<br>108120<br>504903 | 1              |
| 130      | M81714-5-6    | ..            | TRACK-<br>OPTIONAL PART:<br>MRTBL7<br>V14283<br>ATTACHING PARTS  | 101106<br>108120<br>504903 | 1              |
| - 135    | BACS12ER06K8  | ..            | SCREW  | 101106<br>108120<br>504903 | 2              |
| - 140    | NAS1149D0332J | ..            | WASHER   | 101106<br>108120<br>504903 | 2              |
| - 145    | BRH10C3D      | ..            | NUT<br>SUPPLIER CODE:<br>V52828<br>SPECIFICATION NUMBER:<br>BACN10JC3CD<br>OPTIONAL PART:<br>T6C1032JCD<br>V11815<br>NS202486-02<br>V80539<br>102LH9075-3W<br>V72962<br>H51650-3BAC<br>V15653<br>-----*----- | 101106<br>108120<br>504903 | 2              |

MISSING ITEM NUMBERS NOT APPLICABLE

- ITEM NOT ILLUSTRATED

28-14-01-04

28-14-01  
FIG. 04  
PAGE 5  
JAN 20/09

BRI



757

PARTS CATALOG (MAINTENANCE)

| FIG ITEM | PART NUMBER | 1 2 3 4 5 6 7 | NOMENCLATURE   | EFFECT FROM TO             | UNITS PER ASSY |
|----------|-------------|---------------|--|----------------------------|----------------|
| 4<br>150 | 123-2       |               | .. CLAMP-<br>SUPPLIER CODE:<br>V33463<br>OPTIONAL PART:<br>123SH2222<br>V28277<br>54620<br>V00624<br>9962<br>V91893<br>9962B<br>V91893<br>64565B<br>V91893<br>123-2222F<br>V28277  | 101106<br>108120<br>504903 | 3              |
| 150      | 54620       |               | .. CLAMP-<br>SUPPLIER CODE:<br>V00624<br>OPTIONAL PART:<br>123SH2222<br>V28277<br>9962<br>V91893<br>9962B<br>V91893<br>64565B<br>V91893<br>123-2222F<br>V28277<br>123-2<br>V28277  | 101106<br>108120<br>504903 | 3              |
| 150      | 9962        |               | .. CLAMP-<br>SUPPLIER CODE:<br>V91893<br>OPTIONAL PART:<br>123SH2222<br>V28277<br>54620<br>V00624<br>9962B<br>V91893<br>64565B<br>V91893<br>123-2222F<br>V28277<br>123-2<br>V28277 | 101106<br>108120<br>504903 | 3              |

MISSING ITEM NUMBERS NOT APPLICABLE

- ITEM NOT ILLUSTRATED

28-14-01-04

28-14-01  
FIG. 04  
PAGE 6  
JAN 20/09

BRI



757

PARTS CATALOG (MAINTENANCE)

| FIG ITEM | PART NUMBER | 1 2 3 4 5 6 7 | NOMENCLATURE  | EFFECT FROM TO             | UNITS PER ASSY |
|----------|-------------|---------------|---|----------------------------|----------------|
| 4<br>150 | 9962B       |               | .. CLAMP-<br>SUPPLIER CODE:<br>V91893<br>OPTIONAL PART:<br>123SH2222<br>V28277<br>54620<br>V00624<br>9962<br>V91893<br>64565B<br>V91893<br>123-2222F<br>V28277<br>123-2<br>V28277 | 101106<br>108120<br>504903 | 3              |
| 150      | 64565B      |               | .. CLAMP-<br>SUPPLIER CODE:<br>V91893<br>OPTIONAL PART:<br>123SH2222<br>V28277<br>54620<br>V00624<br>9962<br>V91893<br>9962B<br>V91893<br>123-2222F<br>V28277<br>123-2<br>V28277  | 101106<br>108120<br>504903 | 3              |
| 150      | 123SH2222   |               | .. CLAMP-<br>SUPPLIER CODE:<br>V33463<br>OPTIONAL PART:<br>54620<br>V00624<br>9962<br>V91893<br>9962B<br>V91893<br>64565B<br>V91893<br>123-2222F<br>V28277<br>123-2<br>V28277     | 101106<br>108120<br>504903 | 3              |

MISSING ITEM NUMBERS NOT APPLICABLE

- ITEM NOT ILLUSTRATED

BRI

28-14-01-04

28-14-01  
FIG. 04  
PAGE 7  
JAN 20/09



757

PARTS CATALOG (MAINTENANCE)

| FIG ITEM | PART NUMBER | 1 2 3 4 5 6 7 | NOMENCLATURE   | EFFECT FROM TO             | UNITS PER ASSY |
|----------|-------------|---------------|--|----------------------------|----------------|
| 4<br>150 | 123-2222F   |               | .. CLAMP-<br>SUPPLIER CODE:<br>V33463<br>OPTIONAL PART:<br>123SH2222<br>V28277<br>54620<br>V00624<br>9962<br>V91893<br>9962B<br>V91893<br>64565B<br>V91893<br>123-2<br>V28277  | 101106<br>108120<br>504903 | 3              |
| 155      | 344N5120-8  |               | .. PANEL-<br>MISCELLANEOUS DATA:<br>INSTALL PLACARD<br>BAC27NFS223 AS REQUIRED<br>TO REPLACE MISSING OR<br>PARTIALLY MISSING<br>NOMENCLATURE ON REFUEL<br>PANEL. PLACARDS SHALL<br>BE INSTALLED AND<br>POSITIONED PER<br>MAINTENANCE MANUAL<br>PROCEDURES 11-24-01 AND<br>20-10-12 | 101106<br>108120<br>504903 | 1              |
| 155      | 344N5120-7  |               | .. PANEL-<br>MISCELLANEOUS DATA:<br>INSTALL PLACARD<br>BAC27NFS223 AS REQUIRED<br>TO REPLACE MISSING OR<br>PARTIALLY MISSING<br>NOMENCLATURE ON REFUEL<br>PANEL. PLACARDS SHALL<br>BE INSTALLED AND<br>POSITIONED PER<br>MAINTENANCE MANUAL<br>PROCEDURES 11-24-01 AND<br>20-10-12 | 101106<br>108120<br>504903 | 1              |

MISSING ITEM NUMBERS NOT APPLICABLE

- ITEM NOT ILLUSTRATED

BRI

28-14-01-04

BOEING PROPRIETARY - Copyright © - Unpublished Work - See title page for details.

28-14-01  
FIG. 04  
PAGE 8  
JAN 20/09



757

PARTS CATALOG (MAINTENANCE)

| FIG ITEM | PART NUMBER | 1 2 3 4 5 6 7 | NOMENCLATURE   | EFFECT FROM TO             | UNITS PER ASSY |
|----------|-------------|---------------|--|----------------------------|----------------|
| 4<br>155 | 344N5120-6  |               | .. PANEL-<br>MISCELLANEOUS DATA:<br>INSTALL PLACARD<br>BAC27NFS223 AS REQUIRED<br>TO REPLACE MISSING OR<br>PARTIALLY MISSING<br>NOMENCLATURE ON REFUEL<br>PANEL. PLACARDS SHALL<br>BE INSTALLED AND<br>POSITIONED PER<br>MAINTENANCE MANUAL<br>PROCEDURES 11-24-01 AND<br>20-10-12 | 101106<br>108120<br>504903 | 1              |
| 155      | 344N5120-5  |               | .. PANEL-<br>MISCELLANEOUS DATA:<br>INSTALL PLACARD<br>BAC27NFS223 AS REQUIRED<br>TO REPLACE MISSING OR<br>PARTIALLY MISSING<br>NOMENCLATURE ON REFUEL<br>PANEL. PLACARDS SHALL<br>BE INSTALLED AND<br>POSITIONED PER<br>MAINTENANCE MANUAL<br>PROCEDURES 11-24-01 AND<br>20-10-12 | 101106<br>108120<br>504903 | 1              |
| 155      | 344N5120-4  |               | .. PANEL-<br>MISCELLANEOUS DATA:<br>INSTALL PLACARD<br>BAC27NFS223 AS REQUIRED<br>TO REPLACE MISSING OR<br>PARTIALLY MISSING<br>NOMENCLATURE ON REFUEL<br>PANEL. PLACARDS SHALL BE<br>INSTALLED AND POSITIONED<br>PER MAINTENANCE MANUAL<br>PROCEDURES 11-24-01 AND<br>20-10-12    | 101106<br>108120<br>504903 | 1              |

MISSING ITEM NUMBERS NOT APPLICABLE

- ITEM NOT ILLUSTRATED

BRI

28-14-01-04

BOEING PROPRIETARY - Copyright © - Unpublished Work - See title page for details.

28-14-01  
FIG. 04  
PAGE 9  
JAN 20/09



757

PARTS CATALOG (MAINTENANCE)

| FIG ITEM | PART NUMBER | 1 2 3 4 5 6 7 | NOMENCLATURE   | EFFECT FROM TO             | UNITS PER ASSY |
|----------|-------------|---------------|--|----------------------------|----------------|
| 4<br>155 | 344N5120-9  | ..            | PANEL-<br>MISCELLANEOUS DATA:<br>INSTALL PLACARD<br>BAC27NFS223 AS REQUIRED<br>TO REPLACE MISSING OR<br>PARTIALLY MISSING<br>NOMENCLATURE ON REFUEL<br>PANEL. PLACARDS SHALL BE<br>INSTALLED AND POSITIONED<br>PER MAINTENANCE MANUAL<br>PROCEDURES 11-24-01 AND<br>20-10-12   | 101106<br>108120<br>504903 | 1              |
| 155      | 344N5120-3  | ..            | PANEL-<br>MISCELLANEOUS DATA:<br>INSTALL PLACARD<br>BAC27NFS223 AS REQUIRED<br>TO REPLACE MISSING OR<br>PARTIALLY MISSING<br>NOMENCLATURE ON REFUEL<br>PANEL. PLACARDS SHALL BE<br>INSTALLED AND POSITIONED<br>PER MAINTENANCE MANUAL<br>PROCEDURES 11-24-01 AND<br>20-10-12   | 101106<br>108120<br>504903 | 1              |
| 155      | 344N5120-2  | ..            | PANEL-<br>MISCELLANEOUS DATA:<br>INSTALL PLACARD<br>BAC27NFS223 AS REQUIRED<br>TO REPLACE MISSING OR<br>PARTI- ALLY MISSING<br>NOMENCLATURE ON REFUEL<br>PANEL. PLACARDS SHALL BE<br>INSTALLED AND POSITIONED<br>PER MAINTENANCE MANUAL<br>PROCEDURES 11-24-01 AND<br>20-10-12 | 101106<br>108120<br>504903 | 1              |
| 155      | 344N5120-1  | ..            | PANEL-<br>MISCELLANEOUS DATA:<br>INSTALL PLACARD<br>BAC27NFS223 AS REQUIRED<br>TO REPLACE MISSING OR<br>PARTI- ALLY MISSING<br>NOMENCLATURE ON REFUEL<br>PANEL. PLACARDS SHALL BE<br>INSTALLED AND POSITIONED<br>PER MAINTENANCE MANAUL<br>PROCEDURES 11-24-01 AND<br>20-10-12 | 101106<br>108120<br>504903 | 1              |

MISSING ITEM NUMBERS NOT APPLICABLE

- ITEM NOT ILLUSTRATED

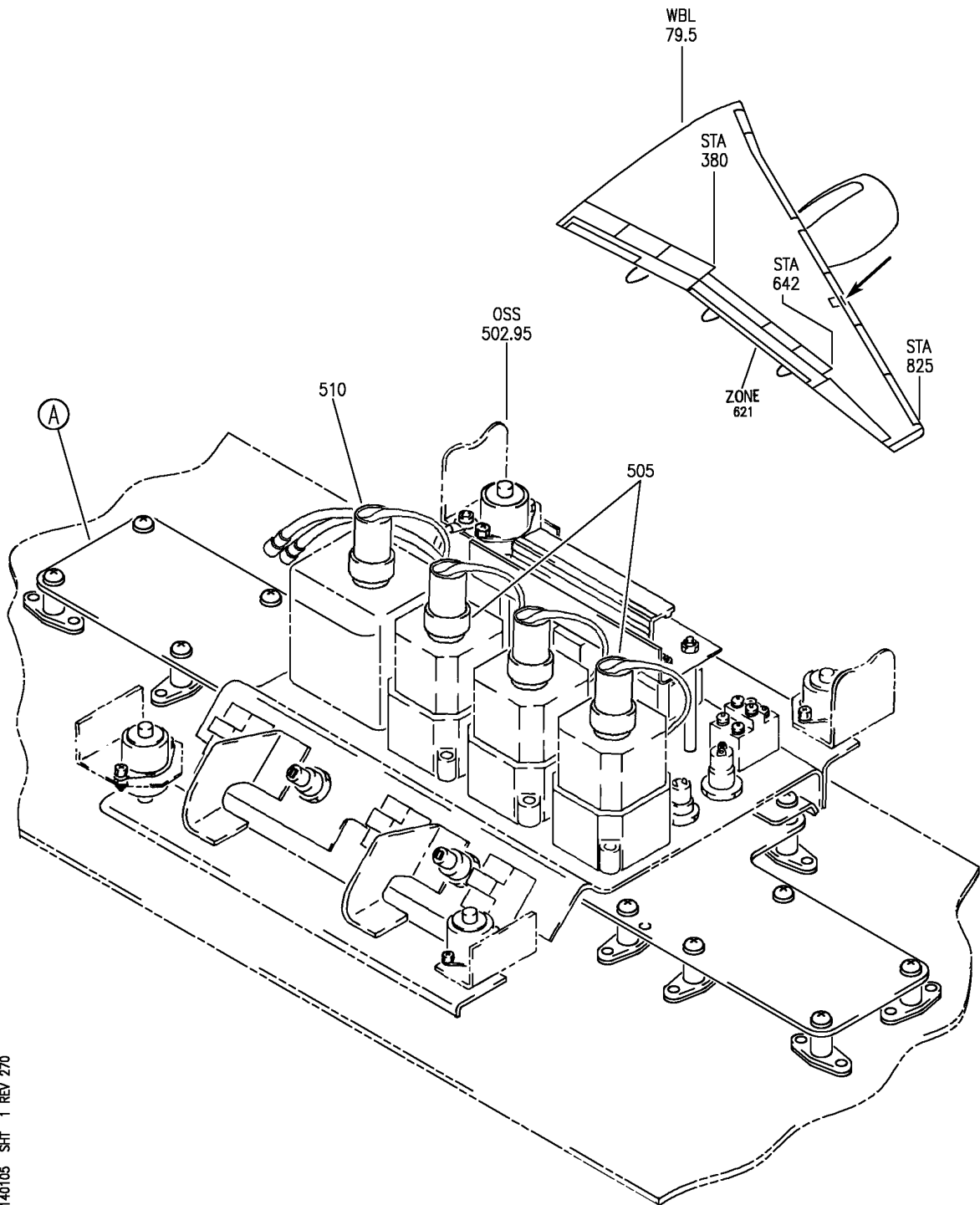
28-14-01-04

28-14-01  
FIG. 04  
PAGE 10  
JAN 20/09

BRI



**BOEING**  
757  
PARTS CATALOG (MAINTENANCE)



Y 28140105 SHT 1 REV 270

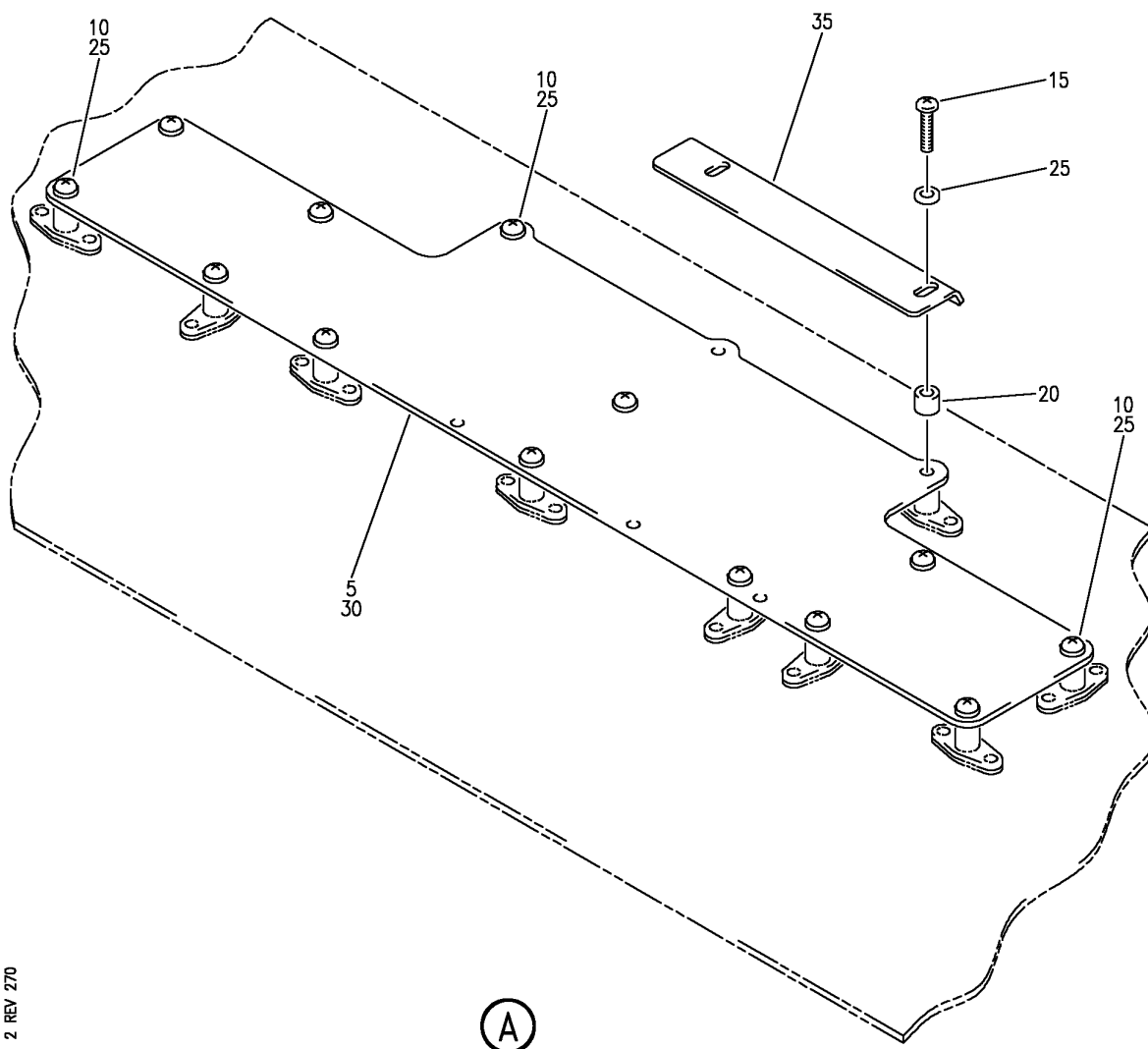
PANEL INSTL-FUELING CONT (PRESSURE FUELING SYSTM ONLY)  
FIGURE 5 (SHEET 1)

**28-14-01-05**

BRI  
MAY 28/07

28-14-01-05  
PAGE 0

**BOEING**  
757  
PARTS CATALOG (MAINTENANCE)



Y 28140105 SH1 2 REV 270

PANEL INSTL-FUELING CONT (PRESSURE FUELING SYSTM ONLY)  
FIGURE 5 (SHEET 2)

**28-14-01-05**

BRI  
MAY 28/07

28-14-01-05  
PAGE 0A



757

PARTS CATALOG (MAINTENANCE)

| FIG ITEM | PART NUMBER   | 1 2 3 4 5 6 7 | NOMENCLATURE  | EFFECT FROM TO             | UNITS PER ASSY |
|----------|---------------|---------------|---|----------------------------|----------------|
| 5        |               |               | PANEL INSTL-FUELING CONT<br>(PRESSURE FUELING SYSTEM ONLY)  | 101106<br>108120<br>504903 |                |
| - 1      | 344N5001-18   |               | PANEL INSTL-FUELING CONT<br>(PRESSURE FUELING SYSTEM ONLY)  | 101102<br>108120<br>504903 | RF             |
| - 1      | MODREF13720   |               | FOR NHA SEE:<br>28-00-00-05<br>PANEL INSTL-FUELING CONT<br>(PRESSURE FUELING SYSTEM ONLY)   | 103105                     | 1              |
| - 1      | MODREF13722   |               | MODULE NUMBER:<br>344N5001-18 REV A<br>PANEL INSTL-FUELING CONT<br>INCREASED FUEL<br>CAPACITY   | 106106                     | 1              |
| 5        | 344N5118-18   |               | MODULE NUMBER:<br>344N5001-22 REV A<br>.PANEL ASSY-FUELING<br>INSTRUCTIONS (FUEL ONLY)  | 101105<br>108120<br>504903 | 1              |
| 5        | 344N5118-26   |               | POSITION DATA:<br>OSS 502.00 RH<br>FUNCTIONAL REFERENCE:<br>PLACARDS AND MARKINGS<br>FOR DETAILS SEE<br>11-24-01-01<br>.PANEL ASSY-<br>FUNCTIONAL REFERENCE:<br>PLACARDS AND MARKINGS<br>FOR DETAILS SEE<br>11-24-01-01 | 106106                     | 1              |
| 10       | BACS12CK3-8   |               | ATTACHING PARTS<br>.SCREW   | 101106<br>108120<br>504903 | 13             |
| 15       | BACS12CK3-12  |               | .SCREW  | 101106<br>108120<br>504903 | 2              |
| 20       | NAS43DD3-16   |               | .SPACER   | 101106<br>108120<br>504903 | 2              |
| 25       | NAS1149D0332J |               | .WASHER   | 101106<br>108120<br>504903 | 15             |
| 30       | 344N5118-20   |               | -----*-----<br>. . PANEL  | 101106<br>108120<br>504903 | 1              |

MISSING ITEM NUMBERS NOT APPLICABLE

- ITEM NOT ILLUSTRATED

28-14-01-05

28-14-01  
FIG. 05  
PAGE 1  
JAN 20/09

BRI



757

PARTS CATALOG (MAINTENANCE)

| FIG ITEM | PART NUMBER   | 1 2 3 4 5 6 7 | NOMENCLATURE   | EFFECT FROM TO             | UNITS PER ASSY |
|----------|---------------|---------------|--|----------------------------|----------------|
| 5        | 344N5119-9    |               | .BUMPER ASSY-FUELING VALVE SWITCH<br>FOR DETAILS SEE:<br>11-24-01-01   | 101106<br>108120<br>504903 | 1              |
| - 500    | 286N1500-302  |               | WIRE BUNDLE ASSY   | 101102<br>504903           | RF             |
| 505      | R071020A16SNL |               | .CONNECTOR-<br>SUPPLIER CODE:<br>V41118<br>SPECIFICATION NUMBER:<br>BCREF101116<br>OVERLENGTH PART NUMBER:<br>BACC63BP20A16SNL<br>ELECTRICAL EQUIP NUMBER:<br>D06874<br>D06876<br>D06878<br>WIRING DIAGRAM REF:<br>284111  | 101102<br>504903           | 1              |
| 510      | R071014A7SNL  |               | .CONNECTOR-<br>SUPPLIER CODE:<br>V41118<br>SPECIFICATION NUMBER:<br>BACC63BP14A7SNL<br>MISCELLANEOUS DATA:<br>OPTIONAL PART NUMBERS:<br>BACC63BP14A7SN (81205)<br>BACC63BP14R7SN (81205)<br>BACC63BP14R7SNL (81205)<br>ELECTRICAL EQUIP NUMBER:<br>D02624<br>WIRING DIAGRAM REF:<br>282122 | 101102<br>504903           | 1              |

MISSING ITEM NUMBERS NOT APPLICABLE

- ITEM NOT ILLUSTRATED

BRI

28-14-01-05

BOEING PROPRIETARY - Copyright © - Unpublished Work - See title page for details.

28-14-01  
FIG. 05  
PAGE 2  
JAN 20/09

## **DISTRIBUTION**

**BRI**  
**MAY 28/07**

**28-20-00**  
**SECTION TITLE**  
**PAGE 1**

 **BOEING**  
757  
**PARTS CATALOG (MAINTENANCE)**

NON-ILLUSTRATED FIGURE

THE ITEMS REFLECTED IN THIS FIGURE ARE INTENTIONALLY  
NON-ILLUSTRATED. THEY ARE REFERENCED TO EITHER A  
NEXT HIGHER OR NEXT LOWER ASSEMBLY/INSTALLATION FIGURE.

Y 28205101 REV 239

SYSTEM INSTL  
FIGURE 1

**28-20-51-01**

BRI  
MAY 28/07

28-20-51-01  
PAGE 0



757

PARTS CATALOG (MAINTENANCE)

| FIG ITEM | PART NUMBER | 1 2 3 4 5 6 7 | NOMENCLATURE   | EFFECT FROM TO                                 | UNITS PER ASSY |
|----------|-------------|---------------|--|--|----------------|
| 1        |             |               | SYSTEM INSTL   | 002004<br>006100<br>107107<br>121503<br>904999 |                |
| - 1      | 344N0001-1  |               | SYSTEM INSTL-FUELING<br>FOR NHA SEE:<br>28-00-00-01  | 002004<br>006100<br>107107<br>121503<br>904999 | RF             |
| - 5      | 344N3001-2  |               | .EQUIPMENT INSTL-<br>FOR DETAILS SEE:<br>28-21-01-02<br>28-21-02-02<br>28-21-03-03<br>28-26-01-01<br>28-26-02-01                 | 107107<br>904949                               | 1              |
| - 5      | 344N3001-4  |               | .EQUIPMENT INSTL-<br>FOR DETAILS SEE:<br>28-21-01-02<br>28-21-02-02<br>28-21-03-03<br>28-26-01-01<br>28-26-02-01                 | 952952   | 1              |
| - 5      | 344N3001-5  |               | .EQUIPMENT INSTL-<br>FOR DETAILS SEE:<br>28-21-01-02<br>28-21-02-02<br>28-21-03-03<br>28-26-01-01<br>28-26-02-01                 | 002004<br>121503                               | 1              |
| - 5      | 344N3001-6  |               | .EQUIPMENT INSTL-<br>FOR DETAILS SEE:<br>28-21-01-02<br>28-21-02-02C<br>28-21-03-03<br>28-21-12-01<br>28-26-01-01<br>28-26-02-01 | 006100<br>950951<br>953999                     | 1              |
| - 10     | 344N4001-34 |               | .TUBING INSTL-FUELING SYS<br>FOR DETAILS SEE:<br>28-21-05-01<br>28-21-05-01B   | 107107   | 1              |
| - 10     | 344N4001-39 |               | .TUBING INSTL-FUELING SYS<br>FOR DETAILS SEE:<br>28-21-05-01<br>28-21-05-01B   | 904949   | 1              |

MISSING ITEM NUMBERS NOT APPLICABLE

- ITEM NOT ILLUSTRATED

28-20-51-01

28-20-51  
FIG. 01  
PAGE 1  
JAN 20/09

BRI



757

PARTS CATALOG (MAINTENANCE)

| FIG<br>ITEM | PART NUMBER | 1 2 3 4 5 6 7 | NOMENCLATURE   | EFFECT<br>FROM TO          | UNITS<br>PER<br>ASSY |
|-------------|-------------|---------------|--|----------------------------|----------------------|
| 1           |             |               |  |                            |                      |
| - 10        | 344N4001-40 |               | .TUBING INSTL-FUELING SYS<br>FOR DETAILS SEE:<br>28-21-05-01                 | 002004<br>006017<br>121503 | 1                    |
| - 10        | 344N4001-43 |               | .TUBING INSTL-FUELING SYS<br>FOR DETAILS SEE:<br>28-21-05-01<br>28-21-05-01B | 950999<br>018100           | 1                    |

MISSING ITEM NUMBERS NOT APPLICABLE

- ITEM NOT ILLUSTRATED

BRI

28-20-51-01

BOEING PROPRIETARY - Copyright © - Unpublished Work - See title page for details.

28-20-51  
FIG. 01  
PAGE 2  
JAN 20/09

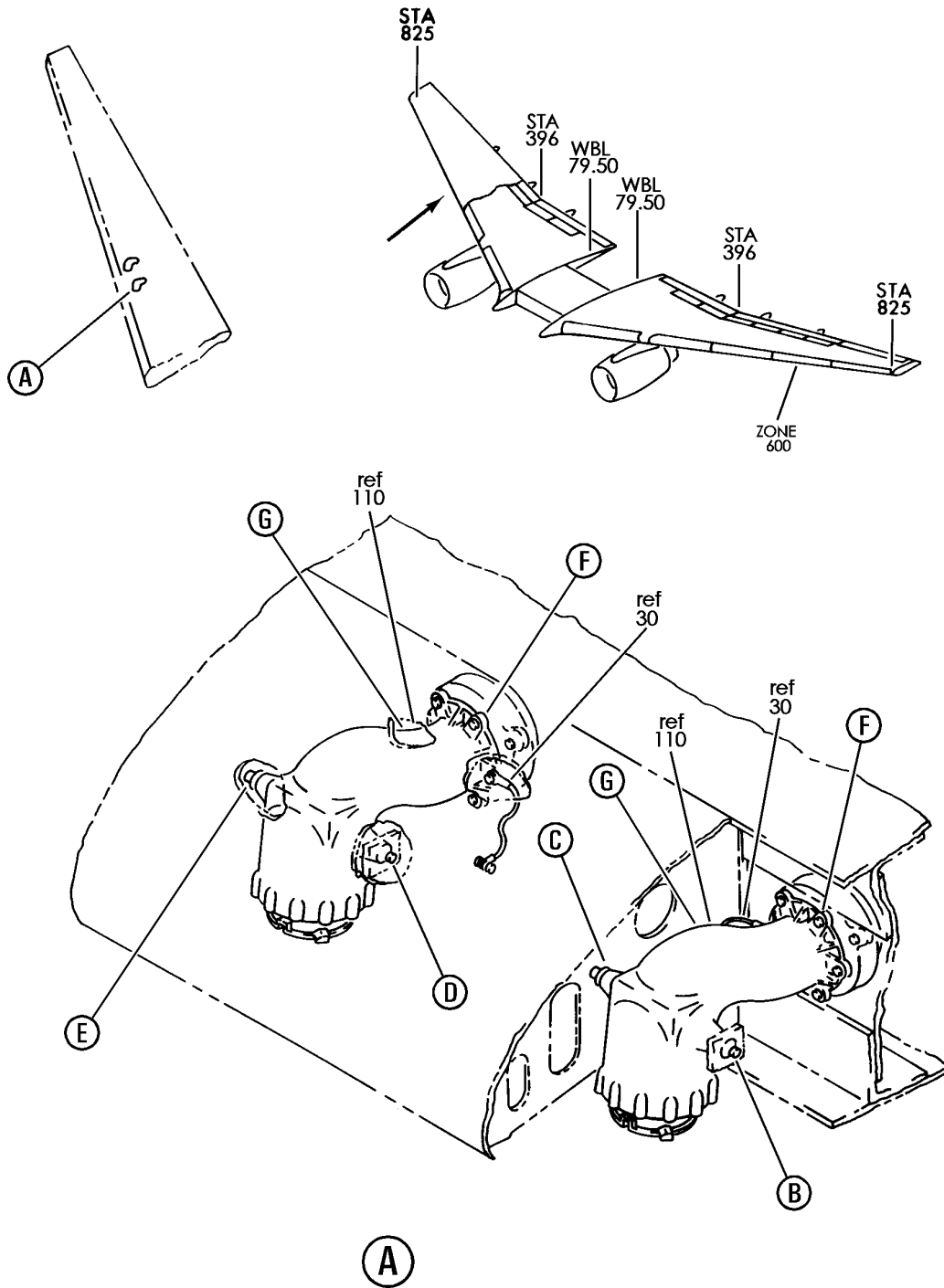


## PRESSURE REFUELING SYSTEM

BRI  
MAY 28/07

28-21-00  
SECTION TITLE  
PAGE 1

**BOEING**  
757  
PARTS CATALOG (MAINTENANCE)



Y 28210102 SHT 1 REV 239

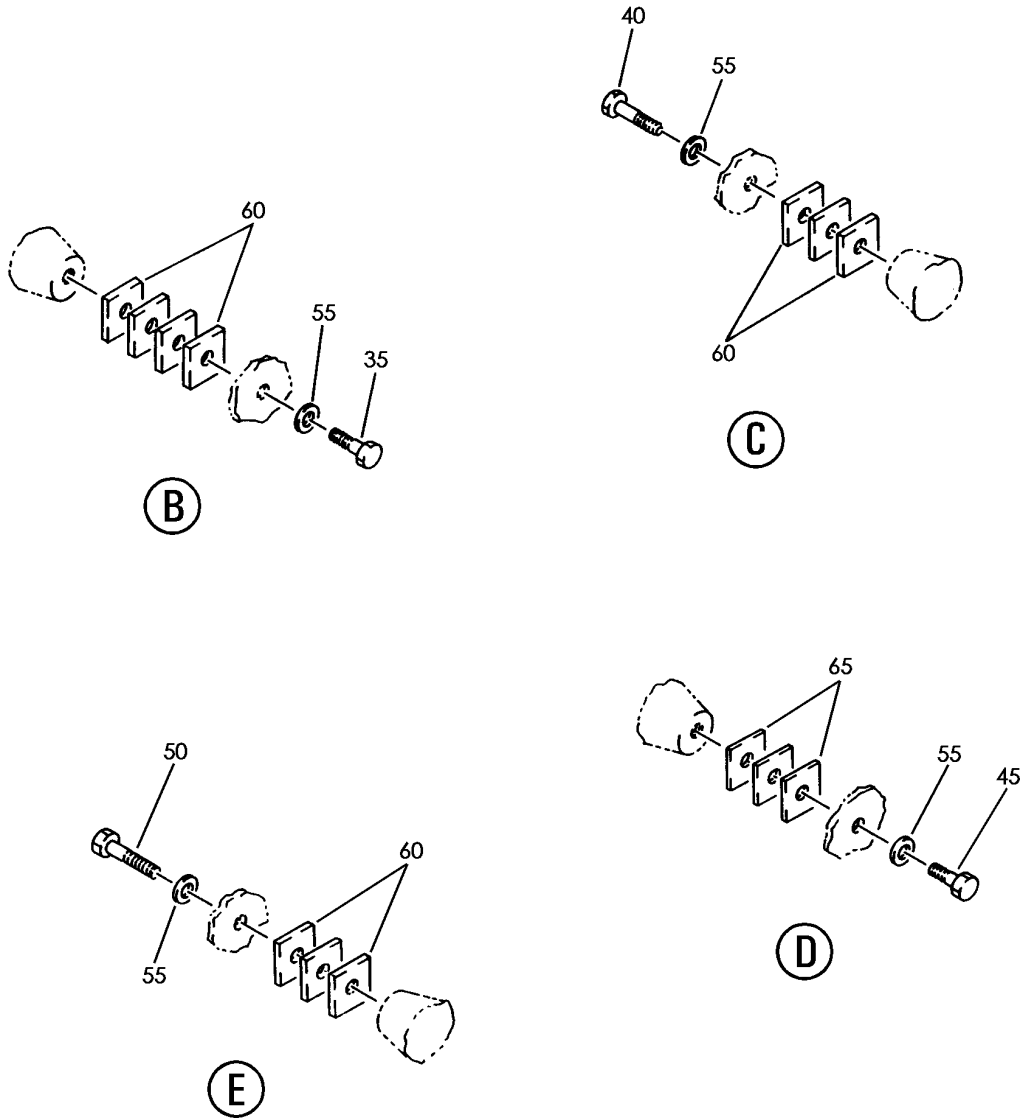
EQUIPMENT INSTL PRESSURE FUELING SYSTEM (FUELING ADAPTER ONLY)  
FIGURE 2 (SHEET 1)

**28-21-01-02**

BRI  
MAY 28/07

28-21-01-02  
PAGE 0

**BOEING**  
757  
PARTS CATALOG (MAINTENANCE)



Y 28210102 SHT 2 REV 239

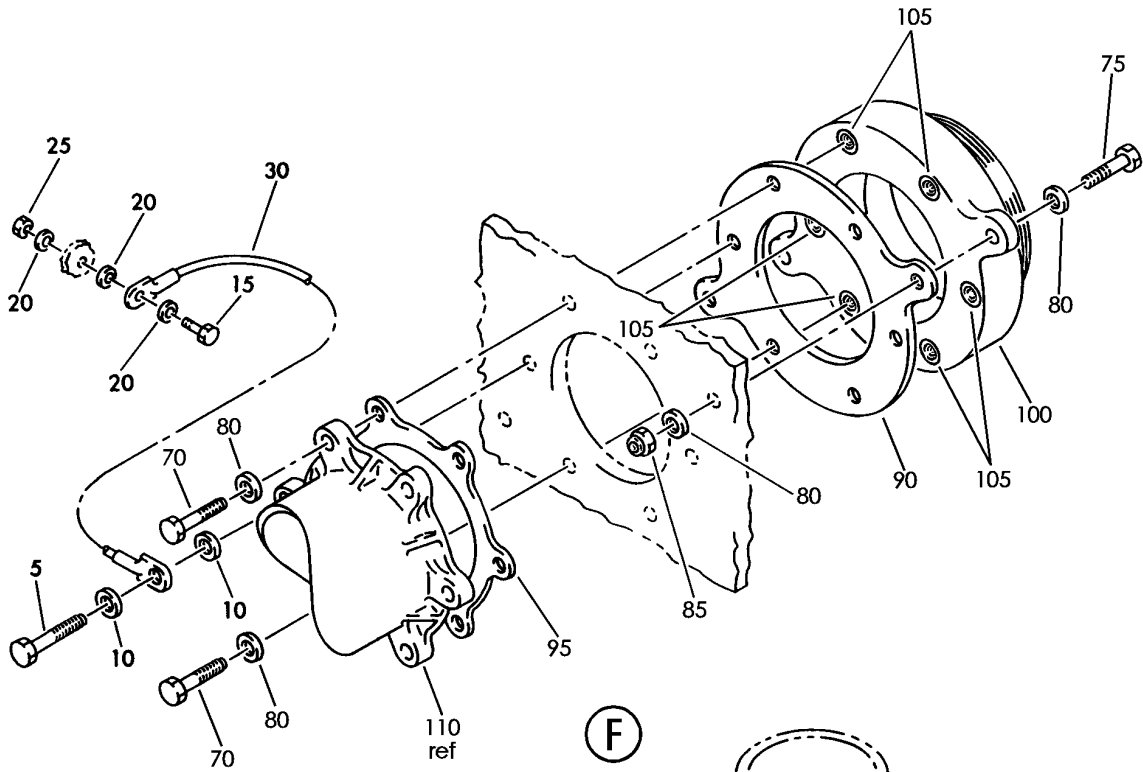
EQUIPMENT INSTL PRESSURE FUELING SYSTEM (FUELING ADAPTER ONLY)  
FIGURE 2 (SHEET 2)

**28-21-01-02**

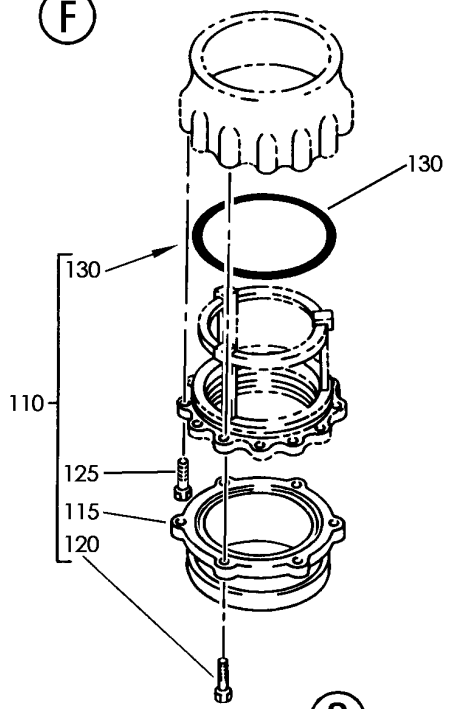
BRI  
MAY 28/07

28-21-01-02  
PAGE 0A

**BOEING**  
757  
PARTS CATALOG (MAINTENANCE)



(F)



(G)

Y 28210102 SHT 3 REV 239

EQUIPMENT INSTL PRESSURE FUELING SYSTEM (FUELING ADAPTER ONLY)  
FIGURE 2 (SHEET 3)

**28-21-01-02**

BRI  
MAY 28/07

28-21-01-02  
PAGE 0B



757

PARTS CATALOG (MAINTENANCE)

| FIG ITEM | PART NUMBER  | 1 2 3 4 5 6 7 | NOMENCLATURE  | EFFECT FROM TO                                 | UNITS PER ASSY |
|----------|--------------|---------------|---|--|----------------|
| 2        |              |               | EQUIPMENT INSTL<br>PRESSURE FUELING SYSTEM<br>(FUELING ADAPTER ONLY)  | 002004<br>006100<br>107107<br>121503<br>904999 |                |
| - 1      | 344N3001-2   |               | EQUIPMENT INSTL-PRESSURE<br>FUELING SYSTEM<br>(FUELING ADAPTER ONLY)<br>FOR NHA/OTHER SYS DET SEE:<br>28-20-51-01 | 107107<br>904949                               | RF             |
| - 1      | 344N3001-4   |               | EQUIPMENT INSTL-PRESSURE<br>FUELING SYSTEM<br>(FUELING ADAPTER ONLY)<br>FOR NHA/OTHER SYS DET SEE:<br>28-20-51-01 | 952952   | RF             |
| - 1      | 344N3001-5   |               | EQUIPMENT INSTL-PRESSURE<br>FUELING SYSTEM<br>(FUELING ADAPTER ONLY)<br>FOR NHA/OTHER SYS DET SEE:<br>28-20-51-01 | 003004<br>121503                               | RF             |
| - 1      | 344N3001-6   |               | EQUIPMENT INSTL-PRESSURE<br>FUELING SYSTEM<br>(FUELING ADAPTER ONLY)<br>FOR NHA/OTHER SYS DET SEE:<br>28-20-51-01 | 006100<br>950951<br>953999                     | RF             |
| 5        | BACB30NM4K15 |               | .BOLT   | 002004<br>006100<br>107107<br>121503<br>904999 | 2              |
| 10       | AN960D416L   |               | .WASHER   | 002004<br>006100<br>107107<br>121503<br>904999 | 4              |
| 15       | NAS1801-3-8  |               | .SCREW  | 002004<br>006100<br>107107<br>121503<br>904999 | 2              |
| 20       | AN960D10L    |               | .WASHER   | 002004<br>006100<br>107107<br>121503<br>904999 | 6              |

MISSING ITEM NUMBERS NOT APPLICABLE

- ITEM NOT ILLUSTRATED

BRI

28-21-01-02

28-21-01  
FIG. 02  
PAGE 1  
JAN 20/09



757

PARTS CATALOG (MAINTENANCE)

| FIG ITEM | PART NUMBER     | 1 2 3 4 5 6 7 | NOMENCLATURE   | EFFECT FROM TO                                 | UNITS PER ASSY |
|----------|-----------------|---------------|--|--|----------------|
| 2        | 25 BRH10A3      | .             | NUT<br>SUPPLIER CODE:<br>V52828<br>SPECIFICATION NUMBER:<br>BACN10JC3<br>OPTIONAL PART:<br>H10-3BAC<br>V15653<br>NS202101-02<br>V80539<br>RMLH9075-3W<br>V72962<br>VN303A02<br>V92215<br>96-02<br>V80539<br>T6S1032J<br>V11815 | 002004<br>006100<br>107107<br>121503<br>904999 | 2              |
|          | 30 740A21-4     | .             | JUMPER ASSY<br>SUPPLIER CODE:<br>V91812<br>SPECIFICATION NUMBER:<br>BACJ40A21-4<br>OPTIONAL PART:<br>TJEJ40A21-4<br>V33483<br>RBEJ21-4<br>V1GK47   | 002004<br>006100<br>107107<br>121503<br>904999 | 2              |
|          | 35 NAS1801-4-15 | .             | SCREW  | 002004<br>006100<br>107107<br>121503<br>904999 | 1              |
|          | 40 NAS1801-4-17 | .             | SCREW  | 002004<br>006100<br>107107<br>121503<br>904999 | 1              |
|          | 45 NAS1801-4-14 | .             | SCREW  | 002004<br>006100<br>107107<br>121503<br>904999 | 1              |
|          | 50 NAS1801-4-18 | .             | SCREW  | 002004<br>006100<br>107107<br>121503<br>904999 | 1              |

MISSING ITEM NUMBERS NOT APPLICABLE

- ITEM NOT ILLUSTRATED

28-21-01-02

28-21-01  
FIG. 02  
PAGE 2  
JAN 20/09

BRI



757

PARTS CATALOG (MAINTENANCE)

| FIG ITEM | PART NUMBER | 1 2 3 4 5 6 7 | NOMENCLATURE | EFFECT FROM TO  | UNITS PER ASSY |
|----------|-------------|---------------|--------------|---|----------------|
| 2        | 55          | AN960PD416L   | .WASHER      | 002004<br>006100<br>107107<br>121503<br>904999  | 4              |
|          | 60          | BACS40R9E9F   | .SHIM        | 002004<br>006100<br>107107<br>121503<br>904999  | 10             |
|          | 65          | BACS40R9F9F   | .SHIM        | 002004<br>006100<br>107107<br>121503<br>904999  | 3              |
|          | 70          | BACB30NM4K13  | .BOLT        | 002004<br>006100<br>107107<br>121503<br>904999  | 10             |
|          | 75          | BACB30NM4HK10 | .BOLT        | 002004<br>006100<br>107107<br>121503<br>904999  | 4              |
|          | 80          | AN960D416L    | .WASHER      | 002004<br>006100<br>107107<br>121503<br>904999  | 18             |
|          | 85          | BRH10A4       | .NUT         | 002004<br>006100<br>107107<br>121503<br>904999  | 4              |
|          |             |               |              | SUPPLIER CODE:<br>V52828<br>SPECIFICATION NUMBER:<br>BACN10JC4<br>OPTIONAL PART:<br>T6S428J<br>V11815<br>96-048<br>V80539<br>VN303A048<br>V92215<br>RMLH9075-4W<br>V72962<br>NS202101-048<br>V80539<br>H10-4BAC<br>V15653 |                |

MISSING ITEM NUMBERS NOT APPLICABLE

- ITEM NOT ILLUSTRATED

BRI

28-21-01-02

BOEING PROPRIETARY - Copyright © - Unpublished Work - See title page for details.

28-21-01  
FIG. 02  
PAGE 3  
JAN 20/09



757

PARTS CATALOG (MAINTENANCE)

| FIG ITEM | PART NUMBER     | 1 2 3 4 5 6 7 | NOMENCLATURE  | EFFECT FROM TO                                 | UNITS PER ASSY |
|----------|-----------------|---------------|---|--|----------------|
| 2        | 90 808170       |               | .SEAL-<br>SUPPLIER CODE:<br>V83259  | 002004<br>006100<br>107107<br>121503<br>904999 | 2              |
|          | 95 40613-48     |               | .GASKET<br>SUPPLIER CODE:<br>V98159<br>SPECIFICATION NUMBER:<br>BACG10AD48<br>OPTIONAL PART:<br>020157-48<br>V83259<br>S7P405-48<br>V95272                              | 002004<br>006100<br>107107<br>121503<br>904999 | 2              |
|          | 100 344N2011-1  |               | .SPAR FITTING ASSY  | 002004<br>006100<br>107107<br>121503<br>904999 | 2              |
|          | 105 NAS1395C4L  |               | ..INSERT  | 002004<br>006100<br>107107<br>121503<br>904999 | 12             |
|          | 110 2800014-101 |               | .ADAPTER ASSY-<br>SUPPLIER CODE:<br>V92003<br>SPECIFICATION NUMBER:<br>S344T001-5<br>COMPONENT MAINT MANUAL REF:<br>28-20-10<br>OPTIONAL PART:<br>2800014-102<br>V92003 | 002004<br>006100<br>107107<br>121503<br>904999 | 2              |
|          | 110 2800014-102 |               | .ADAPTER ASSY-<br>SUPPLIER CODE:<br>V92003<br>SPECIFICATION NUMBER:<br>S344T001-5<br>COMPONENT MAINT MANUAL REF:<br>28-20-10<br>OPTIONAL PART:<br>2800014-101<br>V92003 | 002004<br>006100<br>107107<br>121503<br>904999 | 2              |

MISSING ITEM NUMBERS NOT APPLICABLE

- ITEM NOT ILLUSTRATED

BRI

28-21-01-02

28-21-01  
FIG. 02  
PAGE 4  
JAN 20/09





757

PARTS CATALOG (MAINTENANCE)

| FIG<br>ITEM | PART NUMBER | 1 2 3 4 5 6 7 | NOMENCLATURE  | EFFECT<br>FROM TO                              | UNITS<br>PER<br>ASSY |
|-------------|-------------|---------------|---|--|----------------------|
| 2<br>115    | 2793350-101 |               | .. FLANGE-<br>SUPPLIER CODE:<br>V92003<br>PRE SERVICE BULLETIN:<br>2800014-28-27<br>V92003<br>ATTACHING PARTS | 002004<br>006100<br>107107<br>121503<br>904999 | 1                    |
| 120         | MS24693C274 |               | .. SCREW  | 002004<br>006100<br>107107<br>121503<br>904999 | 6                    |
| 125         | MS24693C272 |               | -----*-----<br>.. SCREW   | 002004<br>006100<br>107107<br>121503<br>904999 | 6                    |
| 130         | MS29513-153 |               | .. PACKING  | 002004<br>006100<br>107107<br>121503<br>904999 | 1                    |

MISSING ITEM NUMBERS NOT APPLICABLE

- ITEM NOT ILLUSTRATED

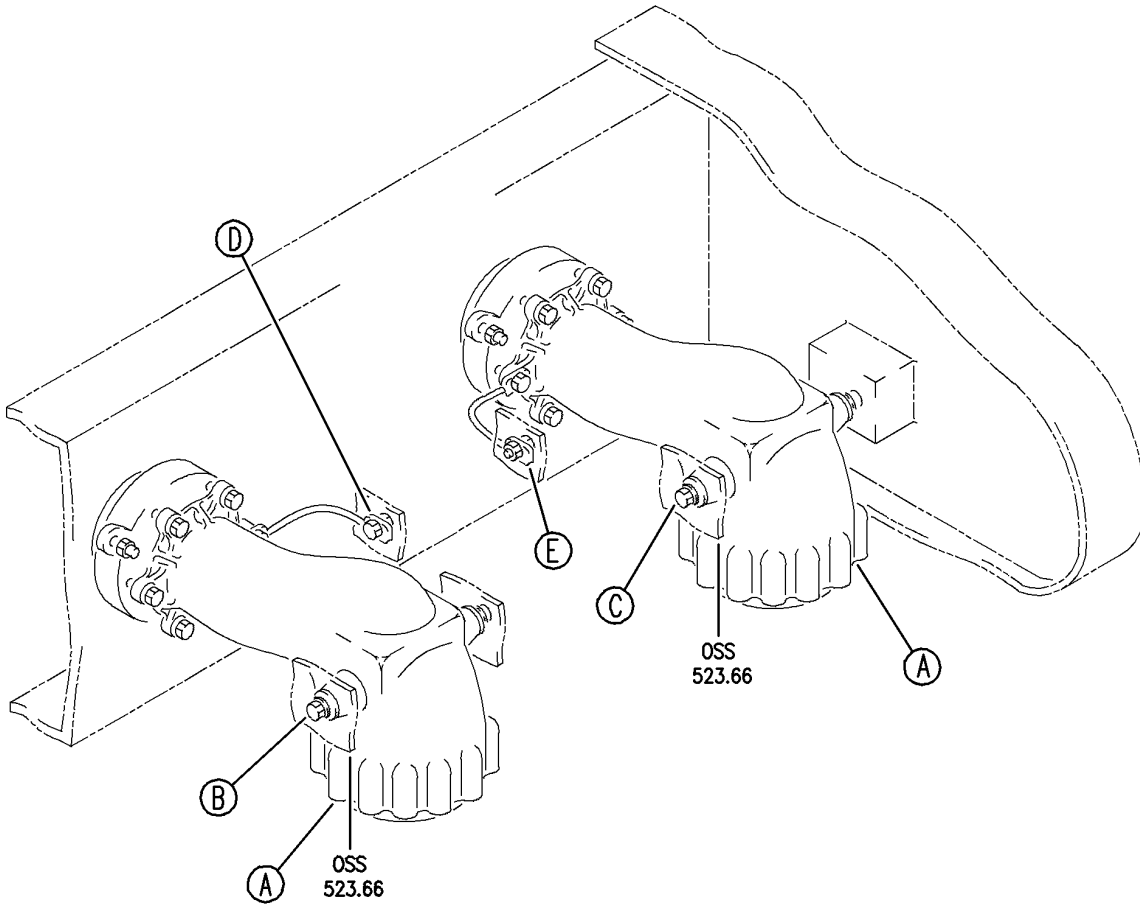
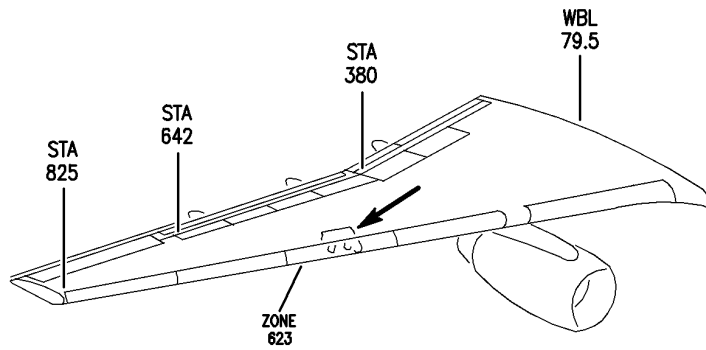
BRI

28-21-01-02

BOEING PROPRIETARY - Copyright © - Unpublished Work - See title page for details.

28-21-01  
FIG. 02  
PAGE 5  
JAN 20/09

**BOEING**  
757  
PARTS CATALOG (MAINTENANCE)



Y 28210104 SH1 1 REV 239

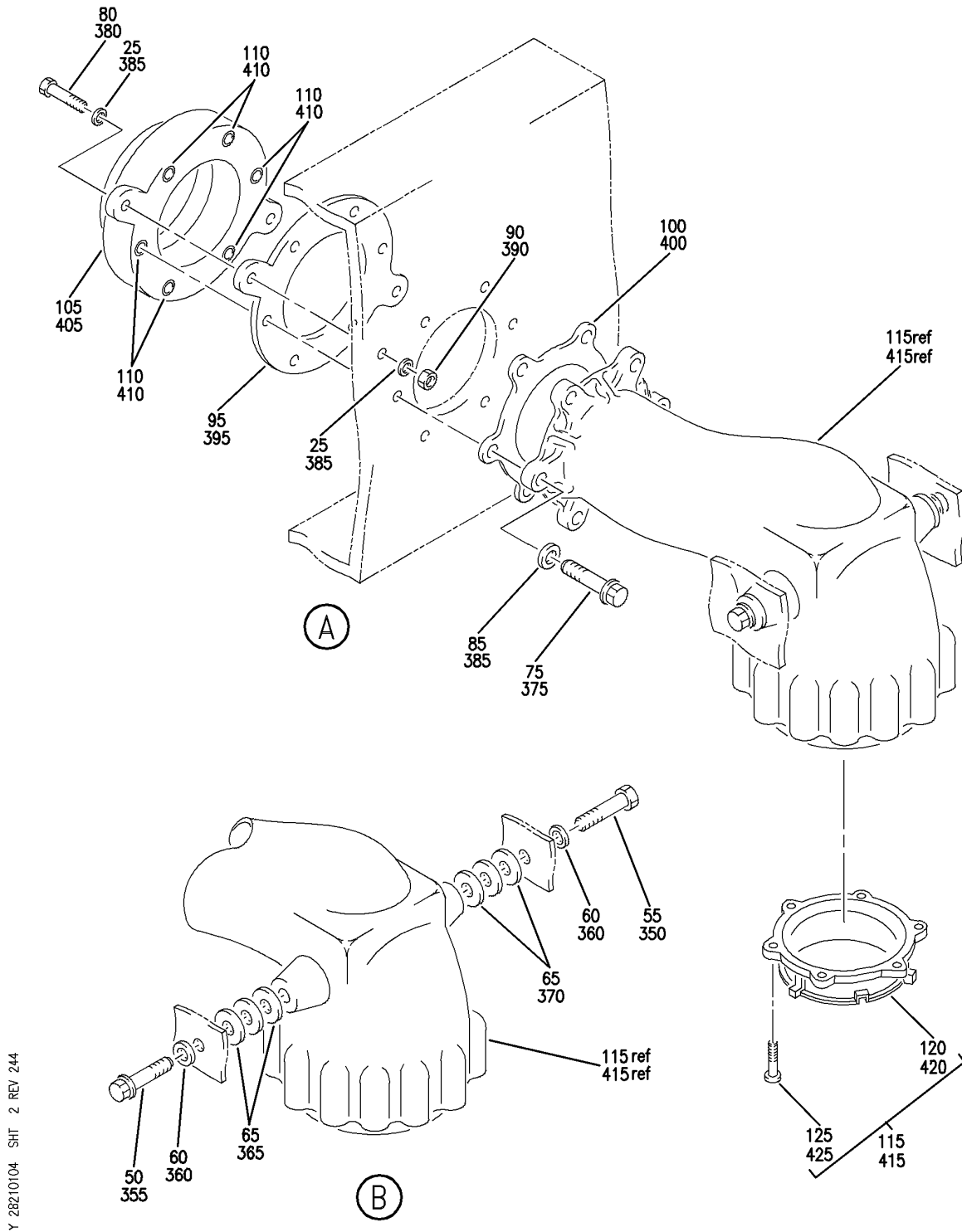
EQUIPMENT INSTL-REFUEL ADAPTER  
FIGURE 4 (SHEET 1)

BRI  
MAY 28/07

**28-21-01-04**

28-21-01-04  
PAGE 0

**BOEING**  
757  
PARTS CATALOG (MAINTENANCE)



Y 28210104 SH1 2 REV 244

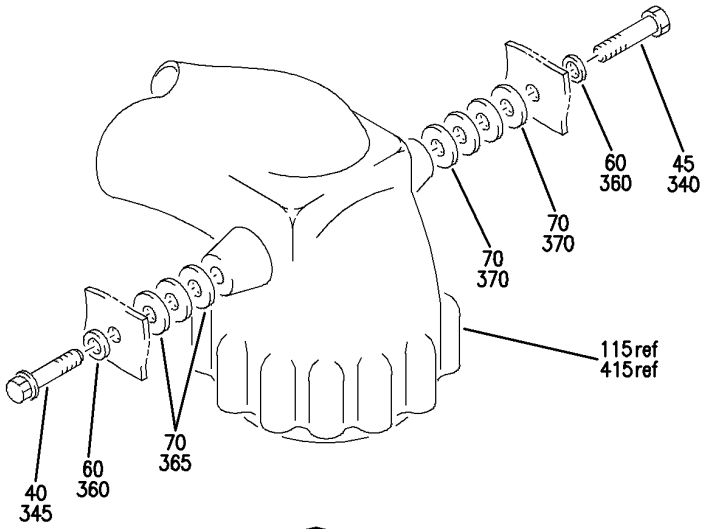
EQUIPMENT INSTL-REFUEL ADAPTER  
FIGURE 4 (SHEET 2)

**28-21-01-04**

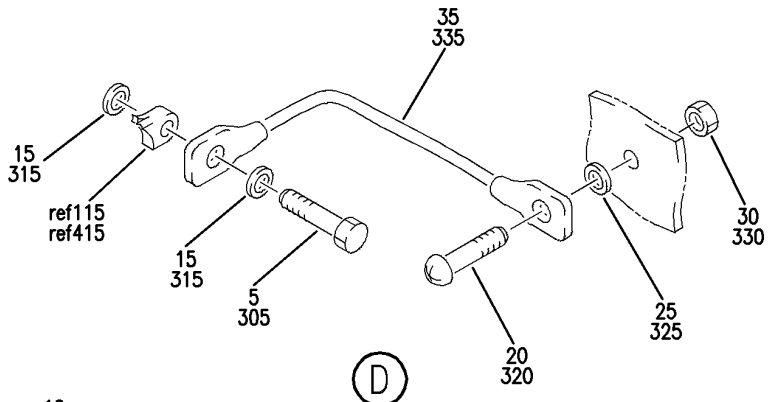
BRI  
MAY 28/07

28-21-01-04  
PAGE 0A

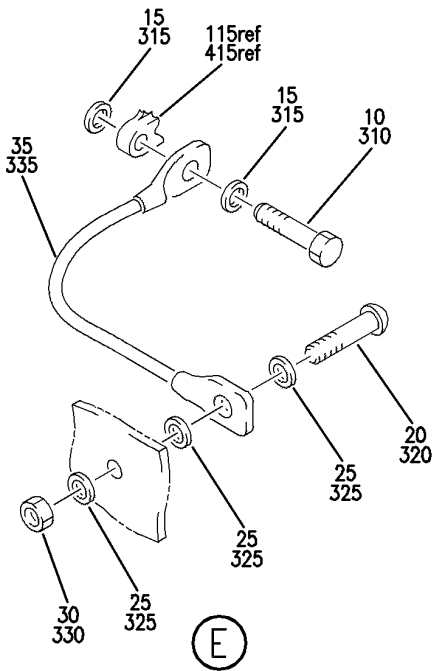
**BOEING**  
757  
PARTS CATALOG (MAINTENANCE)



(C)



(D)



(E)

Y 28210104 SHT 3 REV 239

EQUIPMENT INSTL-REFUEL ADAPTER  
FIGURE 4 (SHEET 3)

**28-21-01-04**



757

PARTS CATALOG (MAINTENANCE)

| FIG ITEM | PART NUMBER   | 1 2 3 4 5 6 7 | NOMENCLATURE   | EFFECT FROM TO             | UNITS PER ASSY |
|----------|---------------|---------------|--|----------------------------|----------------|
| 4        |               |               | EQUIPMENT INSTL-REFUEL ADAPTER   | 101106<br>108120<br>504903 |                |
| - 300    | 344N3001-8    |               | EQUIPMENT INSTL-REFUEL ADAPTER<br>FOR NHA SEE:<br>28-00-00-05  | 101102<br>108120<br>504903 | RF             |
| - 300    | MODREF13717   |               | EQUIPMENT INSTL-REFUEL ADAPTER<br>MODULE NUMBER:<br>344N3001-8 REV A   | 103106                     | 1              |
| 305      | BACB30NM4K15  |               | .BOLT  | 101106<br>108120<br>504903 | 1              |
| 310      | BACB30NM4K14  |               | .BOLT  | 101106<br>108120<br>504903 | 1              |
| 315      | NAS1149D0416J |               | .WASHER  | 101106<br>108120<br>504903 | 4              |
| 320      | BACS12GU3K8   |               | .SCREW   | 101106<br>108120<br>504903 | 2              |
| 325      | NAS1149D0316J |               | .WASHER  | 101106<br>108120<br>504903 | 4              |
| 330      | BRH10C3D      |               | .NUT<br>SUPPLIER CODE:<br>V52828<br>SPECIFICATION NUMBER:<br>BACN10JC3CD<br>OPTIONAL PART:<br>T6C1032JCD<br>V11815<br>NS202486-02<br>V80539<br>102LH9075-3W<br>V72962<br>H51650-3BAC<br>V15653 | 101106<br>108120<br>504903 | 2              |

MISSING ITEM NUMBERS NOT APPLICABLE

- ITEM NOT ILLUSTRATED

BRI

28-21-01-04

BOEING PROPRIETARY - Copyright © - Unpublished Work - See title page for details.

28-21-01  
FIG. 04  
PAGE 1  
JAN 20/09



757

PARTS CATALOG (MAINTENANCE)

| FIG ITEM | PART NUMBER     | 1 2 3 4 5 6 7 | NOMENCLATURE   | EFFECT FROM TO             | UNITS PER ASSY |
|----------|-----------------|---------------|--|----------------------------|----------------|
| 4<br>335 | 740A21-4        |               | . JUMPER ASSY<br>SUPPLIER CODE:<br>V91812<br>SPECIFICATION NUMBER:<br>BACJ40A21-4<br>OPTIONAL PART:<br>TJEJ40A21-4<br>V33483<br>RBEJ21-4<br>V1GK47 | 101106<br>108120<br>504903 | 2              |
| 340      | BACS12GU4K15    |               | . SCREW  | 101106<br>108120<br>504903 | 1              |
| 345      | BACS12GU4K17    |               | . SCREW  | 101106<br>108120<br>504903 | 1              |
| 350      | BACS12GU4K14    |               | . SCREW  | 101106<br>108120<br>504903 | 1              |
| 355      | BACS12GU4K18    |               | . SCREW  | 101106<br>108120<br>504903 | 1              |
| 360      | NAS1149D0416J   |               | . WASHER   | 101106<br>108120<br>504903 | 4              |
| 365      | BACS40R009E009F |               | . SHIM   | 101106<br>108120<br>504903 | 6              |
| 370      | BACS40R009F009F |               | . SHIM   | 101106<br>108120<br>504903 | 7              |
| 375      | BACB30NM4K13    |               | . BOLT   | 101106<br>108120<br>504903 | 10             |
| 380      | BACB30NM4HK9    |               | . BOLT   | 101106<br>108120<br>504903 | 4              |
| 385      | NAS1149D0416J   |               | . WASHER   | 101106<br>108120<br>504903 | 18             |

MISSING ITEM NUMBERS NOT APPLICABLE

- ITEM NOT ILLUSTRATED

28-21-01-04

28-21-01  
FIG. 04  
PAGE 2  
JAN 20/09

BRI



757

PARTS CATALOG (MAINTENANCE)

| FIG ITEM | PART NUMBER | 1 2 3 4 5 6 7      | NOMENCLATURE  | EFFECT FROM TO             | UNITS PER ASSY |
|----------|-------------|--------------------|---|----------------------------|----------------|
| 4<br>390 | BRH10C4D    | .NUT               | SUPPLIER CODE:<br>V52828<br>SPECIFICATION NUMBER:<br>BACN10JC4CD<br>OPTIONAL PART:<br>T6C428JCD<br>V11815<br>NS202486-048<br>V80539<br>102LH9075-4W<br>V72962<br>H51650-4BAC<br>V15653            | 101106<br>108120<br>504903 | 4              |
| 395      | 808170      | .SEAL-             | SUPPLIER CODE:<br>V83259  | 101106<br>108120<br>504903 | 2              |
| 400      | 40613-48    | .GASKET            | SUPPLIER CODE:<br>V98159<br>SPECIFICATION NUMBER:<br>BACG10AD48<br>OPTIONAL PART:<br>020157-48<br>V83259<br>S7P405-48<br>V95272   | 101106<br>108120<br>504903 | 2              |
| 405      | 344N2011-1  | .SPAR FITTING ASSY |   | 101106<br>108120<br>504903 | 2              |
| 410      | NAS1395C4L  | ..INSERT           |   | 101106<br>108120<br>504903 | 6              |
| 415      | 2800014-101 | .ADAPTER ASSY-     | SUPPLIER CODE:<br>V92003<br>SPECIFICATION NUMBER:<br>S344T001-5<br>SB DATA FROM A CMM:<br>PRE 2800014-28-44<br>COMPONENT MAINT MANUAL REF:<br>28-20-10<br>OPTIONAL PART:<br>2800014-102<br>V92003 | 101106<br>108120<br>504903 | 2              |

MISSING ITEM NUMBERS NOT APPLICABLE

- ITEM NOT ILLUSTRATED

28-21-01-04

28-21-01  
FIG. 04  
PAGE 3  
JAN 20/09

BRI



757

PARTS CATALOG (MAINTENANCE)

| FIG<br>ITEM | PART NUMBER | 1 2 3 4 5 6 7 | NOMENCLATURE  | EFFECT<br>FROM TO          | UNITS<br>PER<br>ASSY |
|-------------|-------------|---------------|---|----------------------------|----------------------|
| 4<br>415    | 2800014-102 | .             | ADAPTER ASSY-<br>SUPPLIER CODE:<br>V92003<br>SPECIFICATION NUMBER:<br>S344T001-5<br>SB DATA FROM A CMM:<br>POST 2800014-28-44<br>COMPONENT MAINT MANUAL REF:<br>28-20-10<br>OPTIONAL PART:<br>2800014-101<br>V92003 | 101106<br>108120<br>504903 | 2                    |
| 420         | 2793350-101 | ..            | FLANGE-<br>SUPPLIER CODE:<br>V92003<br>SB DATA FROM A CMM:<br>POST 2800014-28-27  | 101106<br>108120<br>504903 | 1                    |
| 425         | MS24693C274 | ..            | SCREW<br><br>-----*-----  | 101106<br>108120<br>504903 | 6                    |

MISSING ITEM NUMBERS NOT APPLICABLE

- ITEM NOT ILLUSTRATED

BRI

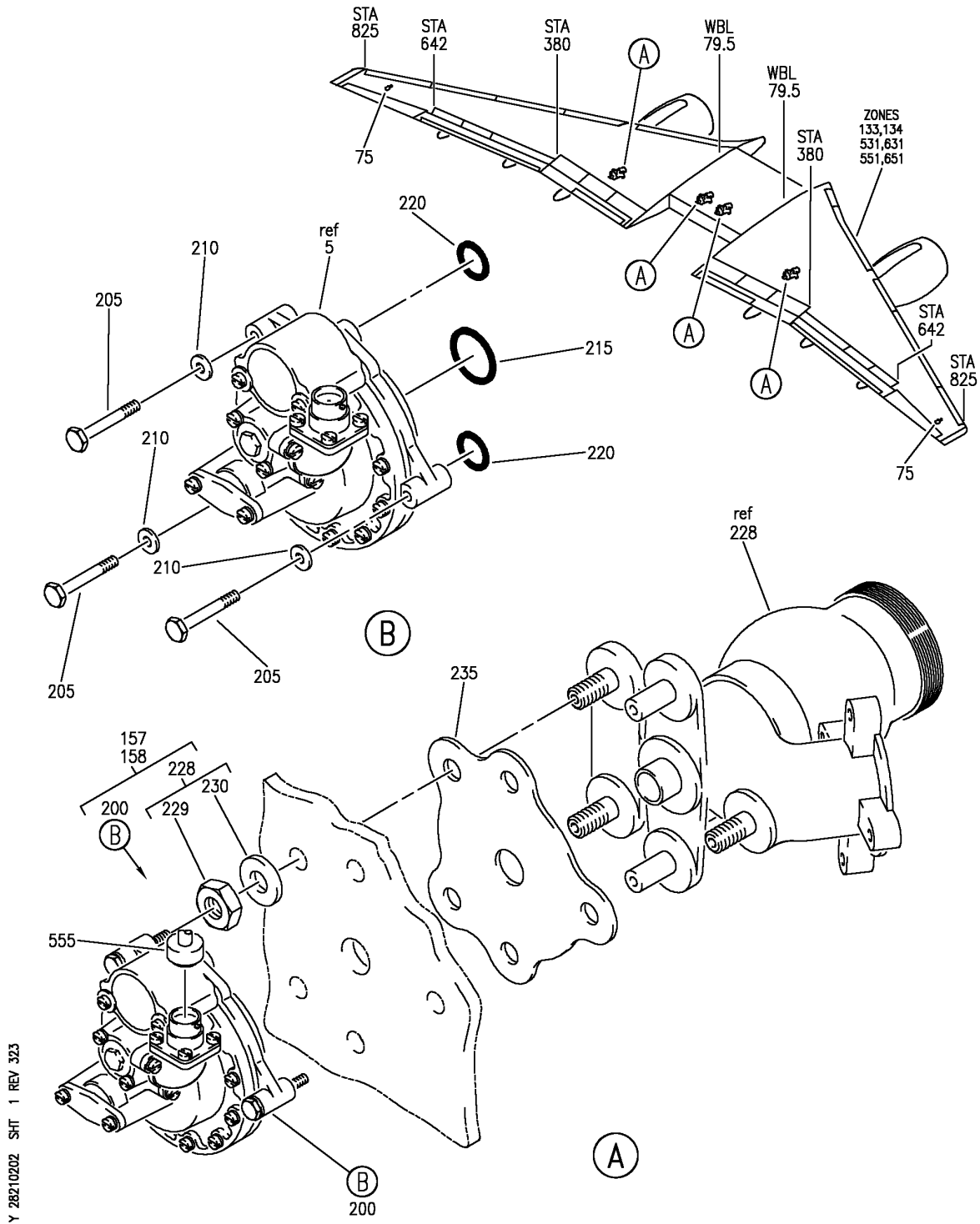
28-21-01-04

BOEING PROPRIETARY - Copyright © - Unpublished Work - See title page for details.

28-21-01  
FIG. 04  
PAGE 4  
JAN 20/09



**BOEING**  
757  
**PARTS CATALOG (MAINTENANCE)**



Y 28210202 SHT 1 REV 323

EQUIPMENT INSTL-PRESSURE FUELING SYSTEM (FUELING SHUTOFF VALVE ONLY)  
FIGURE 2

**28-21-02-02**

BRI  
MAY 20/08

28-21-02-02  
PAGE 0



757

PARTS CATALOG (MAINTENANCE)

| FIG ITEM | PART NUMBER | 1 2 3 4 5 6 7 | NOMENCLATURE   | EFFECT FROM TO                                 | UNITS PER ASSY |
|----------|-------------|---------------|--|--|----------------|
| 2        |             |               | EQUIPMENT INSTL-PRESSURE FUELING SYSTEM (FUELING SHUTOFF VALVE ONLY)   | 002004<br>107107<br>121503<br>904949<br>952952 |                |
| - 1      | 344N3001-2  |               | EQUIPMENT INSTL-PRESSURE FUELING SYSTEM ONLY (FUELING SHUTOFF VALVE ONLY)<br>FOR NHA/OTHER SYS DET SEE: 28-20-51-01  | 107107<br>904949                               | RF             |
| - 1      | 344N3001-4  |               | EQUIPMENT INSTL-PRESSURE FUELING SYSTEM ONLY (FUELING SHUTOFF VALVE ONLY)<br>FOR NHA/OTHER SYS DET SEE: 28-20-51-01  | 952952   | RF             |
| - 1      | 344N3001-5  |               | EQUIPMENT INSTL-PRESSURE FUELING SYSTEM ONLY (FUELING SHUTOFF VALVE ONLY)<br>FOR NHA/OTHER SYS DET SEE: 28-20-51-01  | 002004<br>121503                               | RF             |
| 75       | AN735D14    |               | .CLAMP   | 002004<br>107107<br>121503<br>904949<br>952952 | 2              |
| 157      | 60160-7     |               | .VALVE ASSY-SHUTOFF<br>SUPPLIER CODE: V86090<br>COMPONENT MAINT MANUAL REF: 28-20-05   | 002004<br>107107<br>121503<br>904949<br>952952 | 4              |
| 158      | 60160-5     |               | .VALVE ASSY-SHUTOFF<br>SUPPLIER CODE: V86090<br>SPECIFICATION NUMBER: 60B92602-11<br>ELECTRICAL EQUIP NUMBER: V10001<br>V10002<br>V10003<br>V10064<br>COMPONENT MAINT MANUAL REF: 28-20-05<br>QUALIFIED I/W DATA: 60160-5 I/W 40884-6<br>TOGETHER WITH 40885-4<br>FOR 757 ONLY | 002004<br>107107<br>121503<br>904949<br>952952 | 4              |

MISSING ITEM NUMBERS NOT APPLICABLE

- ITEM NOT ILLUSTRATED

28-21-02-02

28-21-02  
FIG. 02  
PAGE 1  
JAN 20/09

BRI



757

PARTS CATALOG (MAINTENANCE)

| FIG ITEM | PART NUMBER | 1 2 3 4 5 6 7 | NOMENCLATURE   | EFFECT FROM TO                                 | UNITS PER ASSY |
|----------|-------------|---------------|--|--|----------------|
| 2<br>200 | 40885-2     |               | ..CONTROL UNIT ASSY-<br>SUPPLIER CODE:<br>V86090<br>SPECIFICATION NUMBER:<br>60B92602-9<br>MISCELLANEOUS DATA:<br>40885-22 (60B92602-17)<br>MAY REPLACE CONTROLLER<br>40885-2 (60B92602-9).<br>40885-22 IS REWORKED<br>FROM P/N 40885-2 VIA<br>JC CARTER SB 60160-28-4.<br>THIS MODIFICATION<br>PROVIDES SURGE<br>PROTECTION FOR THE<br>CONTROLLER/ VALVE<br>COMBINATION.<br>USED ON:<br>60160-5 | 002004<br>107107<br>121503<br>904949<br>952952 | 1              |
| 200      | 40885-4     |               | ..CONTROL UNIT ASSY-<br>SUPPLIER CODE:<br>V86090<br>SPECIFICATION NUMBER:<br>60B92602-14<br>COMPONENT MAINT MANUAL REF:<br>28-20-32<br>USED ON:<br>60160-7   | 002004<br>107107<br>121503<br>904949<br>952952 | 1              |
| 205      | AN3C12A     |               | ...BOLT-<br>USED ON:<br>40885-2  | 002004<br>107107<br>121503<br>904949<br>952952 | 3              |
| 205      | NAS6704U14  |               | ...BOLT-<br>USED ON:<br>40885-4  | 002004<br>107107<br>121503<br>904949<br>952952 | 3              |
| 210      | AN960C10L   |               | ...WASHER-<br>USED ON:<br>40885-2  | 002004<br>107107<br>121503<br>904949<br>952952 | 3              |
| 210      | AN960C416L  |               | ...WASHER-<br>USED ON:<br>40885-4  | 002004<br>107107<br>121503<br>904949<br>952952 | 3              |

MISSING ITEM NUMBERS NOT APPLICABLE

- ITEM NOT ILLUSTRATED

28-21-02-02

28-21-02  
FIG. 02  
PAGE 2  
JAN 20/09

BRI



757

PARTS CATALOG (MAINTENANCE)

| FIG ITEM | PART NUMBER  | 1 2 3 4 5 6 7 | NOMENCLATURE   | EFFECT FROM TO                                 | UNITS PER ASSY |
|----------|--------------|---------------|--|--|----------------|
| 2        |              |               |  |  |                |
| 215      | MS29513-111  | ...           | PACKING  | 002004<br>107107<br>121503<br>904949<br>952952 | 1              |
| 220      | MS29513-010  | ...           | PACKING  | 002004<br>107107<br>121503<br>904949<br>952952 | 2              |
| 228      | 40884-4      | ..            | VALVE UNIT ASSY-<br>SUPPLIER CODE:<br>V86090<br>SPECIFICATION NUMBER:<br>60B92602-12<br>COMPONENT MAINT MANUAL REF:<br>28-20-05<br>USED ON:<br>60160-5 | 002004<br>107107<br>121503<br>904949<br>952952 | 1              |
| 228      | 40884-6      | ..            | VALVE UNIT ASSY-<br>SUPPLIER CODE:<br>V86090<br>SPECIFICATION NUMBER:<br>60B92602-13<br>COMPONENT MAINT MANUAL REF:<br>28-20-31<br>USED ON:<br>60160-7 | 002004<br>107107<br>121503<br>904949<br>952952 | 1              |
| 229      | MS9201-05    | ...           | NUT  | 002004<br>107107<br>121503<br>904949<br>952952 | 3              |
| 230      | AN960C816L   | ...           | WASHER-  | 002004<br>107107<br>121503<br>904949<br>952952 | 3              |
| 235      | 678580       | .             | SEAL-<br>SUPPLIER CODE:<br>V83259  | 002004<br>107107<br>121503<br>904949<br>952952 | 1              |
| - 550    | 286N2418-005 |               | WIRE BUNDLE ASSY-(PRESSURE<br>FUELING SYSTEM ONLY)   | 002004<br>952952                               | RF             |
| - 550    | 286N2418-006 |               | WIRE BUNDLE ASSY-(PRESSURE<br>FUELING SYSTEM ONLY)   | 107107<br>121503<br>904949                     | RF             |

MISSING ITEM NUMBERS NOT APPLICABLE

- ITEM NOT ILLUSTRATED

28-21-02-02

28-21-02  
FIG. 02  
PAGE 3  
JAN 20/09

BRI



757

PARTS CATALOG (MAINTENANCE)

| FIG ITEM | PART NUMBER   | 1 2 3 4 5 6 7 | NOMENCLATURE  | EFFECT FROM TO             | UNITS PER ASSY |
|----------|---------------|---------------|---|----------------------------|----------------|
| 2<br>555 | C0909A10B05SN |               | .CONNECTOR-<br>SUPPLIER CODE:<br>V13556<br>SPECIFICATION NUMBER:<br>BACC63BN10B5S<br>OPTIONAL PART:<br>48-63N10B5S<br>V02660<br>R071210B5S<br>V41118<br>ELECTRICAL EQUIP NUMBER:<br>D02502<br>WIRING DIAGRAM REF:<br>282123 | 107107<br>121503<br>904949 | 1              |
| 555      | C0909A10C05SN |               | .CONNECTOR-<br>SUPPLIER CODE:<br>V13556<br>SPECIFICATION NUMBER:<br>BACC63BN10C5S<br>OPTIONAL PART:<br>48-63N10C5S<br>V02660<br>R071210C5S<br>V41118<br>ELECTRICAL EQUIP NUMBER:<br>D02502<br>WIRING DIAGRAM REF:<br>282123 | 002004                     | 1              |

MISSING ITEM NUMBERS NOT APPLICABLE

- ITEM NOT ILLUSTRATED

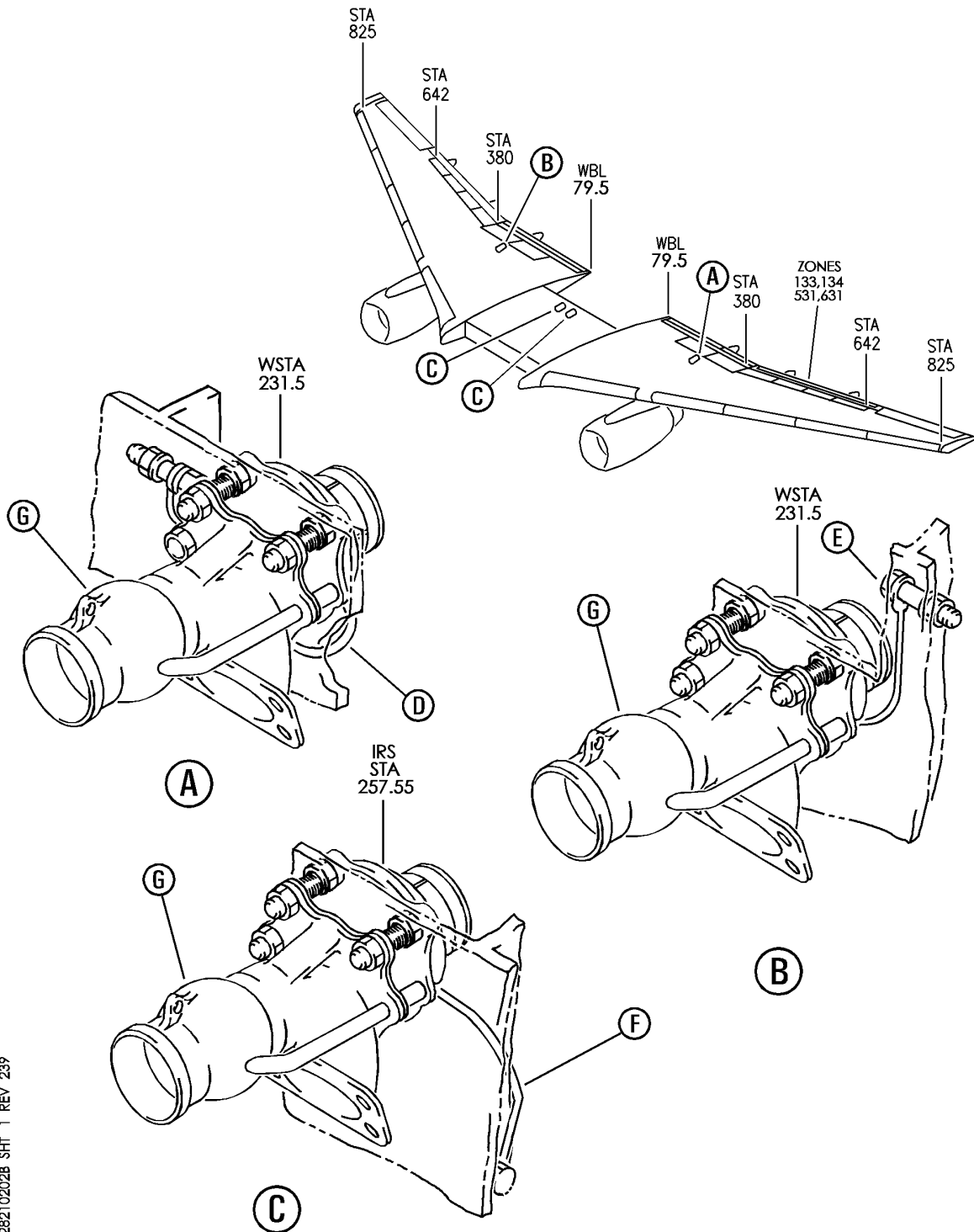
BRI

28-21-02-02

BOEING PROPRIETARY - Copyright © - Unpublished Work - See title page for details.

28-21-02  
FIG. 02  
PAGE 4  
JAN 20/09

**BOEING**  
757  
PARTS CATALOG (MAINTENANCE)



Y 28210202B SHT 1 REV 239

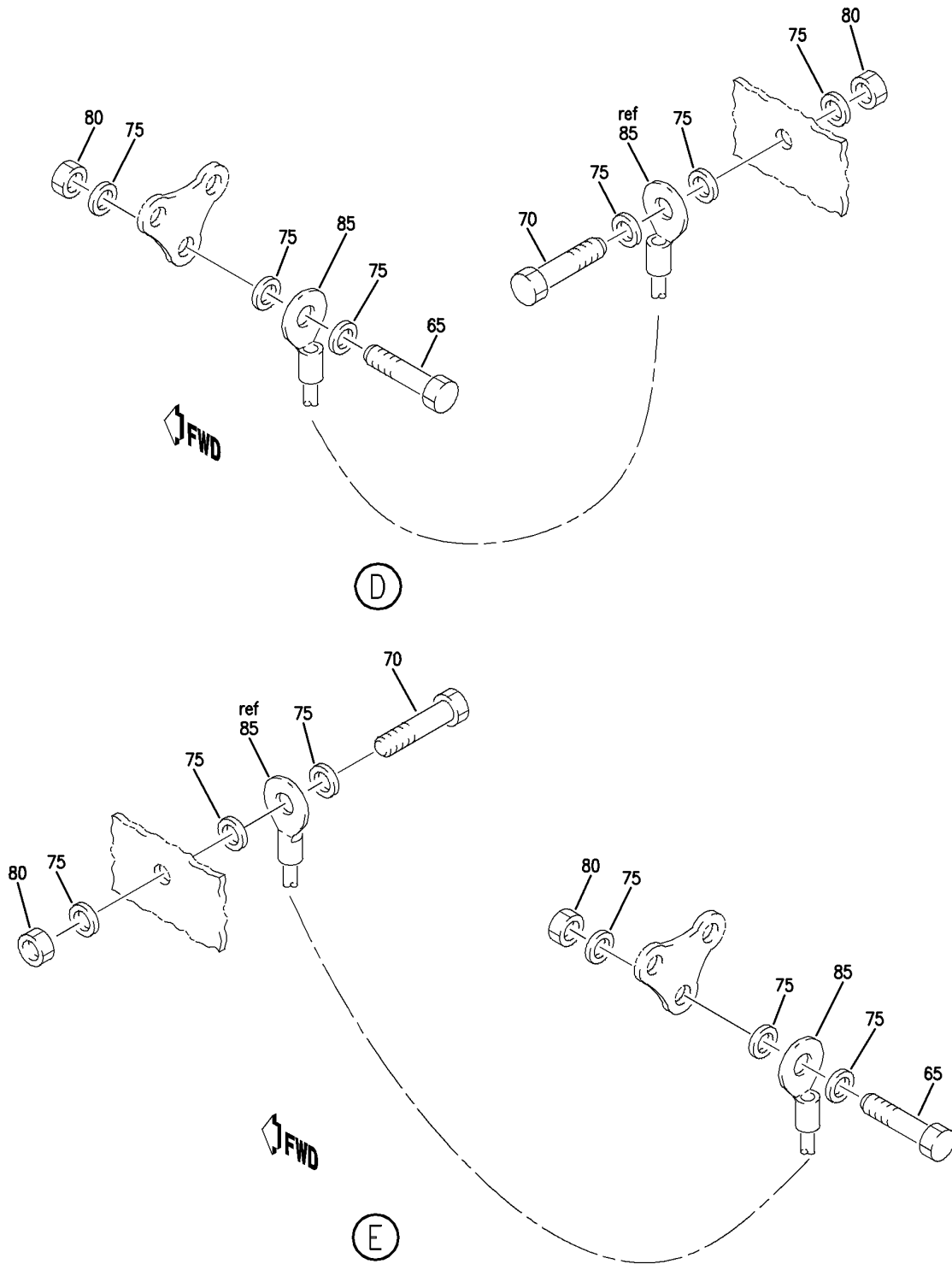
EQUIPMENT INSTL FUELING SHUTOFF VALVE  
FIGURE 2B (SHEET 1)

**28-21-02-02B**

BRI  
MAY 28/07

28-21-02-02B  
PAGE 0

**BOEING**  
757  
PARTS CATALOG (MAINTENANCE)



Y 28210202B SH1 2 REV 239

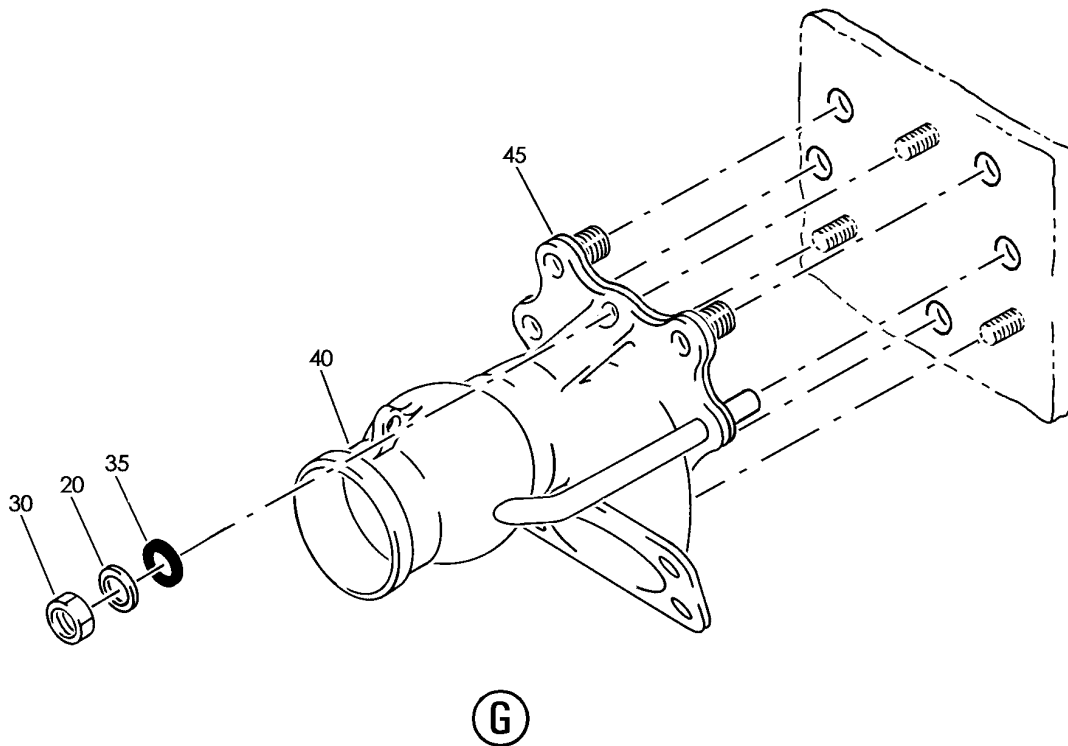
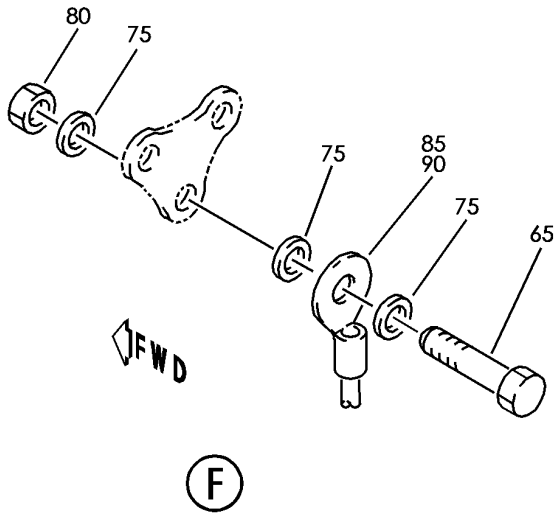
EQUIPMENT INSTL FUELING SHUTOFF VALVE  
FIGURE 2B (SHEET 2)

**28-21-02-02B**

BRI  
MAY 28/07

28-21-02-02B  
PAGE 0A

**BOEING**  
757  
PARTS CATALOG (MAINTENANCE)



Y 28210202B SHT. 3 REV 239

EQUIPMENT INSTL FUELING SHUTOFF VALVE  
FIGURE 2B (SHEET 3)

**28-21-02-02B**

BRI  
MAY 28/07

28-21-02-02B  
PAGE 0B





757

PARTS CATALOG (MAINTENANCE)

| FIG ITEM | PART NUMBER   | 1 2 3 4 5 6 7 | NOMENCLATURE   | EFFECT FROM TO             | UNITS PER ASSY |
|----------|---------------|---------------|--|----------------------------|----------------|
| 2B       |               |               | EQUIPMENT INSTL<br>FUELING SHUTOFF VALVE   | 101106<br>108120<br>504903 |                |
| - 1      | 344N3001-10   |               | EQUIPMENT INSTL-(FUELING<br>SHUTOFF VALVE<br>ONLY)<br>FOR NHA/OTHER SYS DET SEE:<br>28-00-00-05                    | 101102<br>504504           | RF             |
| - 1      | 344N3001-14   |               | EQUIPMENT INSTL-(FUELING<br>SHUTOFF VALVE)<br>ONLY)<br>FOR NHA SEE:<br>28-00-00-05                                 | 108120<br>505903           | RF             |
| - 1      | MODREF13716   |               | EQUIPMENT INSTL-(FUELING<br>SHUTOFF VALVE)<br>ONLY)<br>MODULE NUMBER:<br>344N3001-14 REV A                         | 103106                     | 1              |
| 20       | NAS1149D0463J |               | .WASHER  | 101106<br>108120<br>504903 | 12             |
| 30       | PLH54CD       |               | .NUT<br>SUPPLIER CODE:<br>VF0224<br>SPECIFICATION NUMBER:<br>BACN10YR4CD<br>OPTIONAL PART:<br>H52732-4CD<br>V15653 | 101106<br>108120<br>504903 | 12             |
| 35       | NAS1523AA4Y   |               | .PACKING   | 101106<br>108120<br>504903 | 12             |

MISSING ITEM NUMBERS NOT APPLICABLE

- ITEM NOT ILLUSTRATED

28-21-02-02B

28-21-02  
FIG. 02B  
PAGE 1  
JAN 20/09

BRI



757

PARTS CATALOG (MAINTENANCE)

| FIG ITEM | PART NUMBER   | 1 2 3 4 5 6 7 | NOMENCLATURE   | EFFECT FROM TO             | UNITS PER ASSY |
|----------|---------------|---------------|--|----------------------------|----------------|
| 2B<br>40 | 40884-7       | .             | VALVE-BODY<br>SUPPLIER CODE:<br>V86090<br>FUNCTIONAL DESCRIPTION:<br>CONNECTS FUELING<br>MANIFOLD TO FUEL TANK<br>DURING FUELING<br>OPERATIONS<br>SPECIFICATION NUMBER:<br>60B92602-19<br>QUALIFIED I/W DATA:<br>60B92602-19(40884-7) T/W<br>60B92602-20(40885-5) CAN<br>REPLACE BUT NOT BE<br>REPLACED BY<br>60B92602-13(40884-6) T/W<br>60B92602-14(40885-4).<br>60B92602-13(40884-6) IS<br>NOT I/W WITH<br>60B92602-19(40884-7) AND<br>60B92602-14(40885-4) IS<br>NOT I/W WITH<br>60B92602-20(40885-5).<br>"757 ONLY" | 101106<br>108120<br>504903 | 4              |
| 45       | 938283        | .             | SEAL-GASK-0<br>SUPPLIER CODE:<br>V83259  | 101106<br>108120<br>504903 | 4              |
| 65       | NAS1801-3-8   | .             | SCREW  | 103106<br>108120<br>505903 | 4              |
| 70       | NAS1801-3-10  | .             | SCREW  | 103106<br>108120<br>505903 | 2              |
| 75       | NAS1149D0316J | .             | WASHER   | 103106<br>108120<br>505903 | 18             |
| 80       | PLH53CD       | .             | NUT<br>SUPPLIER CODE:<br>VF0224<br>SPECIFICATION NUMBER:<br>BACN10YR3CD<br>OPTIONAL PART:<br>H52732-3CD<br>V15653  | 103106<br>108120<br>505903 | 6              |
| 85       | BACJ40A20-8   | .             | JUMPER ASSY  | 103106<br>108120<br>505903 | 3              |

MISSING ITEM NUMBERS NOT APPLICABLE

- ITEM NOT ILLUSTRATED

28-21-02-02B

28-21-02  
FIG. 02B  
PAGE 2  
JAN 20/09

BRI

BOEING PROPRIETARY - Copyright © - Unpublished Work - See title page for details.



757  
PARTS CATALOG (MAINTENANCE)

| FIG<br>ITEM | PART NUMBER | 1 2 3 4 5 6 7 | NOMENCLATURE  | EFFECT<br>FROM TO          | UNITS<br>PER<br>ASSY |
|-------------|-------------|---------------|---|----------------------------|----------------------|
| 2B<br>90    | 740A20-12   | .             | JUMPER ASSY<br>SUPPLIER CODE:<br>V91812<br>SPECIFICATION NUMBER:<br>BACJ40A20-12<br>OPTIONAL PART:<br>TJEJ40A20-12<br>V33483<br>RBEJ20-12<br>V1GK47 | 103106<br>108120<br>505903 | 1                    |

MISSING ITEM NUMBERS NOT APPLICABLE

- ITEM NOT ILLUSTRATED

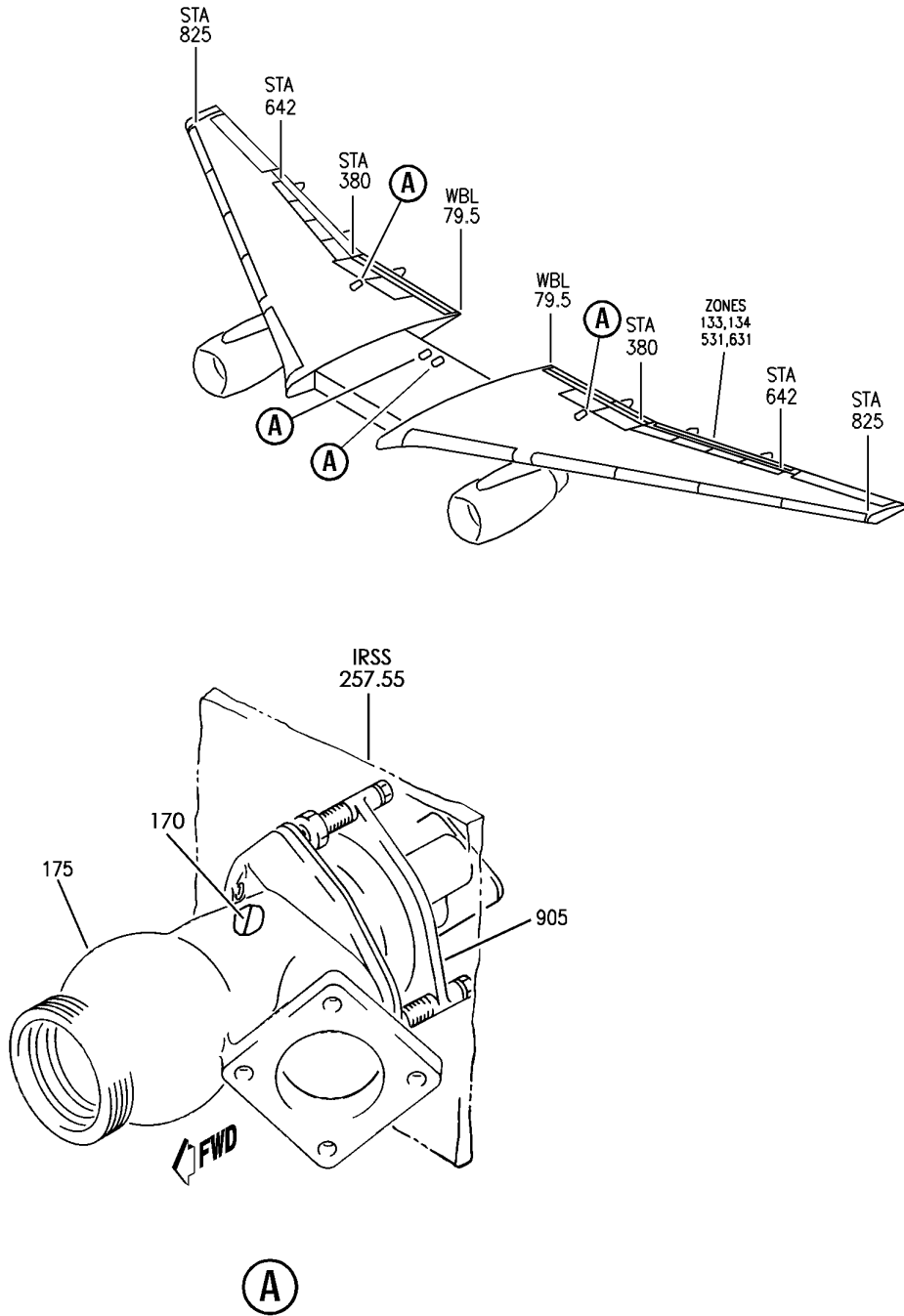
BRI

28-21-02-02B

BOEING PROPRIETARY - Copyright © - Unpublished Work - See title page for details.

28-21-02  
FIG. 02B  
PAGE 3  
JAN 20/09

**BOEING**  
757  
PARTS CATALOG (MAINTENANCE)



Y 28210202C REV 255

EQUIPMENT INSTL-PRESSURE FUELING SYSTEM (FUELING SHUTOFF VALVE ONLY)  
FIGURE 2C

**28-21-02-02C**

BRI  
MAY 28/07

28-21-02-02C  
PAGE 0



757

PARTS CATALOG (MAINTENANCE)

| FIG ITEM | PART NUMBER | 1 2 3 4 5 6 7 | NOMENCLATURE  | EFFECT FROM TO             | UNITS PER ASSY |
|----------|-------------|---------------|---|----------------------------|----------------|
| 2C       |             |               | EQUIPMENT INSTL-PRESSURE FUELING SYSTEM (FUELING SHUTOFF VALVE ONLY)  | 006100<br>950951<br>953999 |                |
| - 1      | 344N3001-6  |               | EQUIPMENT INSTL-PRESSURE FUELING SYSTEM (FUELING SHUTOFF VALVE ONLY)<br>FOR NHA/OTHER SYS DET SEE:<br>28-20-51-01   | 006100<br>950951<br>953999 | RF             |
| 170      | 678580      |               | .SEAL-<br>SUPPLIER CODE:<br>V83259  | 006100<br>950951<br>953999 | 1              |
| 175      | 40884-6     |               | .VALVE UNIT ASSY-<br>SUPPLIER CODE:<br>V86090<br>FUNCTIONAL DESCRIPTION:<br>CONNECTS FUELING MANIFOLD TO FUEL TANK DURING FUELING OPERATIONS<br>SPECIFICATION NUMBER:<br>60B92602-13<br>COMPONENT MAINT MANUAL REF:<br>28-20-31<br>QUALIFIED I/W DATA:<br>60B92602-19(40884-7) T/W<br>60B92602-20(40885-5) CAN REPLACE BUT NOT BE REPLACED BY<br>60B92602-13(40884-6) T/W<br>60B92602-14(40885-4).<br>60B92602-13(40884-6) IS NOT I/W WITH<br>60B92602-19(40884-7) AND<br>60B92602-14(40885-4) IS NOT I/W WITH<br>60B92602-20(40885-5).<br>"757 ONLY" | 006100<br>950951<br>953999 | 4              |
| 905      |             |               | ILLUSTRATION REFERENCE:<br>EQUIPMENT INSTL (FUELING SHUTOFF VALVE CONTROL UNIT ONLY)<br>28-21-12-01   | 006100<br>950951<br>953999 | RF             |

MISSING ITEM NUMBERS NOT APPLICABLE

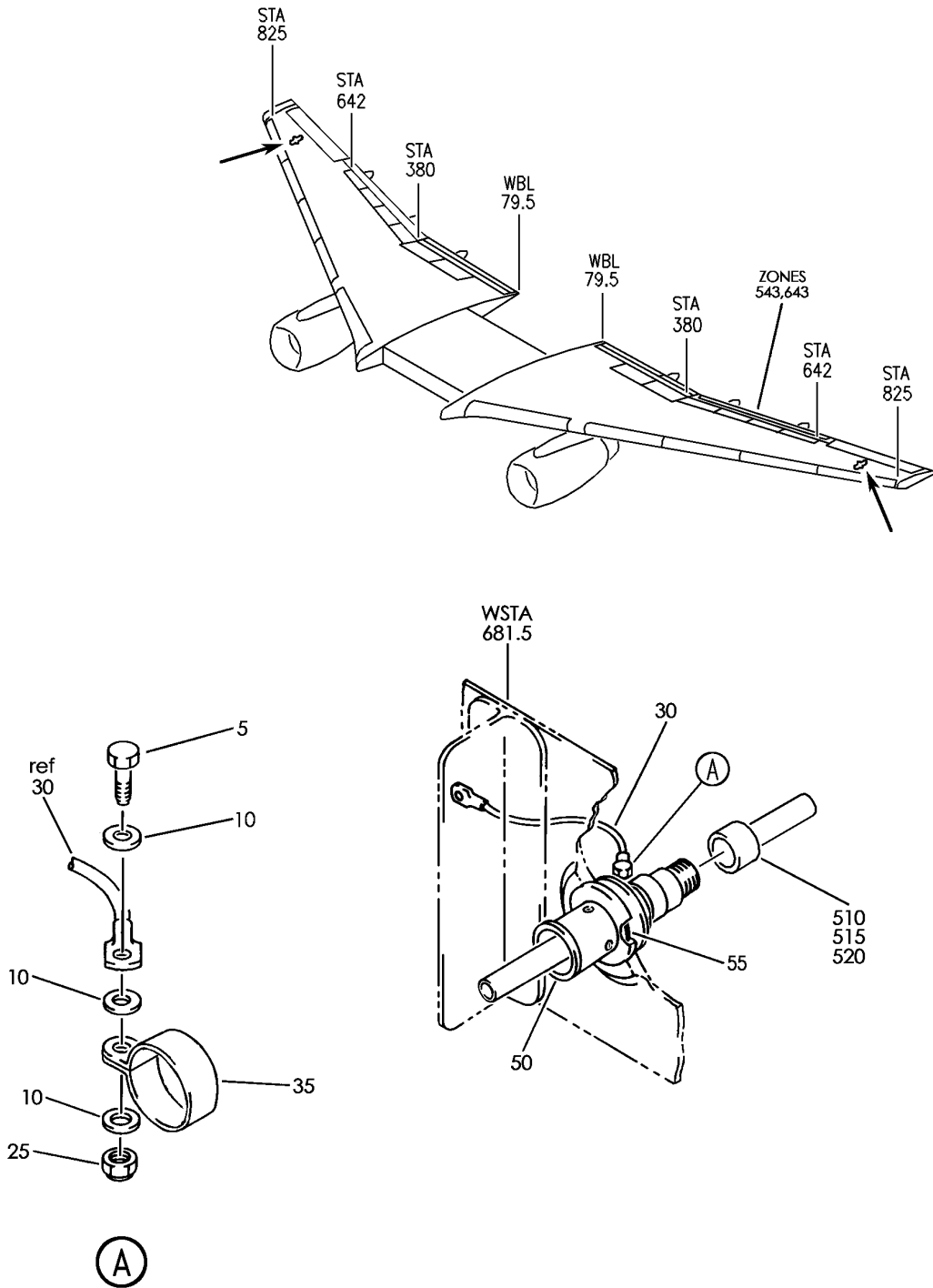
- ITEM NOT ILLUSTRATED

28-21-02-02C

28-21-02  
FIG. 02C  
PAGE 1  
JAN 20/09

BRI

**BOEING**  
757  
PARTS CATALOG (MAINTENANCE)



Y 28210303 REV 292

EQUIPMENT INSTL-PRESSURE FUELING SYSTEM (SURGE TANK FUEL LEVEL SENSOR UNIT ONLY)  
FIGURE 3

**28-21-03-03**

BRI  
MAY 28/07

28-21-03-03  
PAGE 0



757

PARTS CATALOG (MAINTENANCE)

| FIG ITEM | PART NUMBER   | 1 2 3 4 5 6 7 | NOMENCLATURE  | EFFECT FROM TO                                 | UNITS PER ASSY |
|----------|---------------|---------------|---|--|----------------|
| 3        |               |               | EQUIPMENT INSTL-PRESSURE FUELING SYSTEM (SURGE TANK FUEL LEVEL SENSOR UNIT ONLY)  | 002004<br>006100<br>107107<br>121503<br>904999 |                |
| - 1      | 344N3001-2    |               | EQUIPMENT INSTL-PRESSURE FUELING SYSTEM (SURGE TANK FUEL LEVEL SENSOR UNIT ONLY)<br>FOR NHA/OTHER SYS DET SEE:<br>28-20-51-01 | 107107<br>904949                               | RF             |
| - 1      | 344N3001-4    |               | EQUIPMENT INSTL-PRESSURE FUELING SYSTEM (SURGE TANK FUEL LEVEL SENSOR UNIT ONLY)<br>FOR NHA/OTHER SYS DET SEE:<br>28-20-51-01 | 952952   | RF             |
| - 1      | 344N3001-5    |               | EQUIPMENT INSTL-PRESSURE FUELING SYSTEM (SURGE TANK FUEL LEVEL SENSOR UNIT ONLY)<br>FOR NHA/OTHER SYS DET SEE:<br>28-20-51-01 | 002004<br>121503                               | RF             |
| - 1      | 344N3001-6    |               | EQUIPMENT INSTL-PRESSURE FUELING SYSTEM (SURGE TANK FUEL LEVEL SENSOR UNIT ONLY)<br>FOR NHA/OTHER SYS DET SEE:<br>28-20-51-01 | 006100<br>950951<br>953999                     | RF             |
| 5        | NAS1801-3-8   |               | .SCREW-<br>PRE SERVICE BULLETIN:<br>28-0093<br>28-0093R1  | 002004<br>006100<br>107107<br>121503<br>950999 | 2              |
| 5        | BACS12GU3K8   |               | .SCREW-<br>POST SERVICE BULLETIN:<br>28-0093<br>28-0093R1   | 002004<br>006100<br>904949                     | 2              |
| 10       | AN960D10L     |               | .WASHER-<br>PRE SERVICE BULLETIN:<br>28-0093  | 002004<br>006100<br>107107<br>121503<br>950999 | 6              |
| 10       | NAS1149D0316H |               | .WASHER-<br>POST SERVICE BULLETIN:<br>28-0093   | 002004<br>006100<br>904949                     | 6              |

MISSING ITEM NUMBERS NOT APPLICABLE

- ITEM NOT ILLUSTRATED

28-21-03-03

28-21-03  
FIG. 03  
PAGE 1  
JAN 20/09

BRI



757

PARTS CATALOG (MAINTENANCE)

| FIG ITEM | PART NUMBER     | 1 2 3 4 5 6 7 | NOMENCLATURE   | EFFECT FROM TO                                 | UNITS PER ASSY |
|----------|-----------------|---------------|--|--|----------------|
| 3        | 25 BRH10A3      |               | .NUT-<br>SUPPLIER CODE:<br>V52828<br>SPECIFICATION NUMBER:<br>BACN10JC3<br>OPTIONAL PART:<br>H10-3BAC<br>V15653<br>NS202101-02<br>V80539<br>RMLH9075-3W<br>V72962<br>VN303A02<br>V92215<br>96-02<br>V80539<br>T6S1032J<br>V11815 | 002004<br>006100<br>107107<br>121503<br>904999 | 2              |
|          | 30 740A20-5     |               | .JUMPER ASSY<br>SUPPLIER CODE:<br>V91812<br>SPECIFICATION NUMBER:<br>BACJ40A20-5<br>OPTIONAL PART:<br>TJEJ40A20-5<br>V33483<br>RBEJ20-5<br>V1GK47  | 002004<br>006100<br>107107<br>121503<br>904999 | 2              |
|          | 35 AN735D14     |               | .CLAMP-<br>PRE SERVICE BULLETIN:<br>28-0093  | 002004<br>006100<br>107107<br>121503<br>950999 | 2              |
|          | 35 AN735DC14    |               | .CLAMP-<br>POST SERVICE BULLETIN:<br>28-0093   | 002004<br>006100<br>904949                     | 2              |
| -        | 45 MS29513-151  |               | .PACKING-<br>OPTIONAL PART:<br>M25988-1-151  | 006100<br>950951<br>953999                     | 2              |
| -        | 45 M25988-1-151 |               | .PACKING-<br>OPTIONAL PART:<br>MS29513-151   | 006100<br>950951<br>953999                     | 2              |

MISSING ITEM NUMBERS NOT APPLICABLE

- ITEM NOT ILLUSTRATED

28-21-03-03

28-21-03  
FIG. 03  
PAGE 2  
JAN 20/09

BRI



**BOEING**  
757  
**PARTS CATALOG (MAINTENANCE)**

| FIG ITEM | PART NUMBER     | 1 2 3 4 5 6 7 | NOMENCLATURE  | EFFECT FROM TO                                 | UNITS PER ASSY |
|----------|-----------------|---------------|---|--|----------------|
| 3        |                 |               |   |  |                |
| 50       | 37821-1         | .             | SENSOR-<br>SUPPLIER CODE:<br>V24338<br>SPECIFICATION NUMBER:<br>S344N001-2<br>ELECTRICAL EQUIP NUMBER:<br>TS0195<br>TS0196<br>COMPONENT MAINT MANUAL REF:<br>28-21-01 | 002004<br>006100<br>107107<br>121503<br>904999 | 2              |
| 50       | 54182-1         | .             | SENSOR-<br>SUPPLIER CODE:<br>V24338<br>SPECIFICATION NUMBER:<br>S344N001-2<br>ELECTRICAL EQUIP NUMBER:<br>TS0195<br>TS0196  | 002004<br>006100<br>107107<br>121503<br>904999 | 2              |
| 55       | MS29513-124     | ..            | PACKING   | 002004<br>006100<br>107107<br>121503<br>904999 | 1              |
| - 500    | 286N3306-003    |               | WIRE BUNDLE ASSY-(PRESSURE FUELING SYSTEM ONLY)   | 107107<br>904949                               | RF             |
| - 500    | 286N3306-005    |               | WIRE BUNDLE ASSY-(PRESSURE FUELING SYSTEM ONLY)   | 002004<br>006100<br>950999                     | RF             |
| - 500    | 286N3306-006    |               | WIRE BUNDLE ASSY-(PRESSURE FUELING SYSTEM ONLY)   | 121503   | RF             |
| - 505    | 286N3406-003    |               | WIRE BUNDLE ASSY-(PRESSURE FUELING SYSTEM ONLY)   | 107107<br>904949                               | RF             |
| - 505    | 286N3406-005    |               | WIRE BUNDLE ASSY-(PRESSURE FUELING SYSTEM ONLY)   | 002004<br>006100<br>950999                     | RF             |
| - 505    | 286N3406-006    |               | WIRE BUNDLE ASSY-(PRESSURE FUELING SYSTEM ONLY)   | 121503   | RF             |
| 510      | BACC63CE10SLB3S | .             | CONNECTOR-<br>ELECTRICAL EQUIP NUMBER:<br>D02456<br>D02510<br>WIRING DIAGRAM REF:<br>282121   | 002004<br>006100<br>107107<br>121503<br>904999 | 1              |
| 515      | MS27559-2       | .             | SUPPORT-<br>ELECTRICAL EQUIP NUMBER:<br>D02444T<br>D02500T<br>WIRING DIAGRAM REF:<br>282123   | 002004<br>006100<br>107107<br>121503<br>904999 | 1              |

MISSING ITEM NUMBERS NOT APPLICABLE

- ITEM NOT ILLUSTRATED

BRI

# 28-21-03-03

28-21-03  
FIG. 03  
PAGE 3  
MAY 20/09



757

PARTS CATALOG (MAINTENANCE)

| FIG<br>ITEM | PART NUMBER   | 1 2 3 4 5 6 7 | NOMENCLATURE  | EFFECT<br>FROM TO                              | UNITS<br>PER<br>ASSY |
|-------------|---------------|---------------|---|--|----------------------|
| 3<br>520    | C0909A10-05SN |               | .CONNECTOR-<br>SUPPLIER CODE:<br>V13556<br>SPECIFICATION NUMBER:<br>BACC63BN10-5S<br>OPTIONAL PART:<br>48-63N10-5S<br>V02660<br>R071210-5S<br>V41118<br>ELECTRICAL EQUIP NUMBER:<br>D02444<br>D02500<br>WIRING DIAGRAM REF:<br>282423 | 002004<br>006100<br>107107<br>121503<br>904999 | 1                    |

MISSING ITEM NUMBERS NOT APPLICABLE

- ITEM NOT ILLUSTRATED

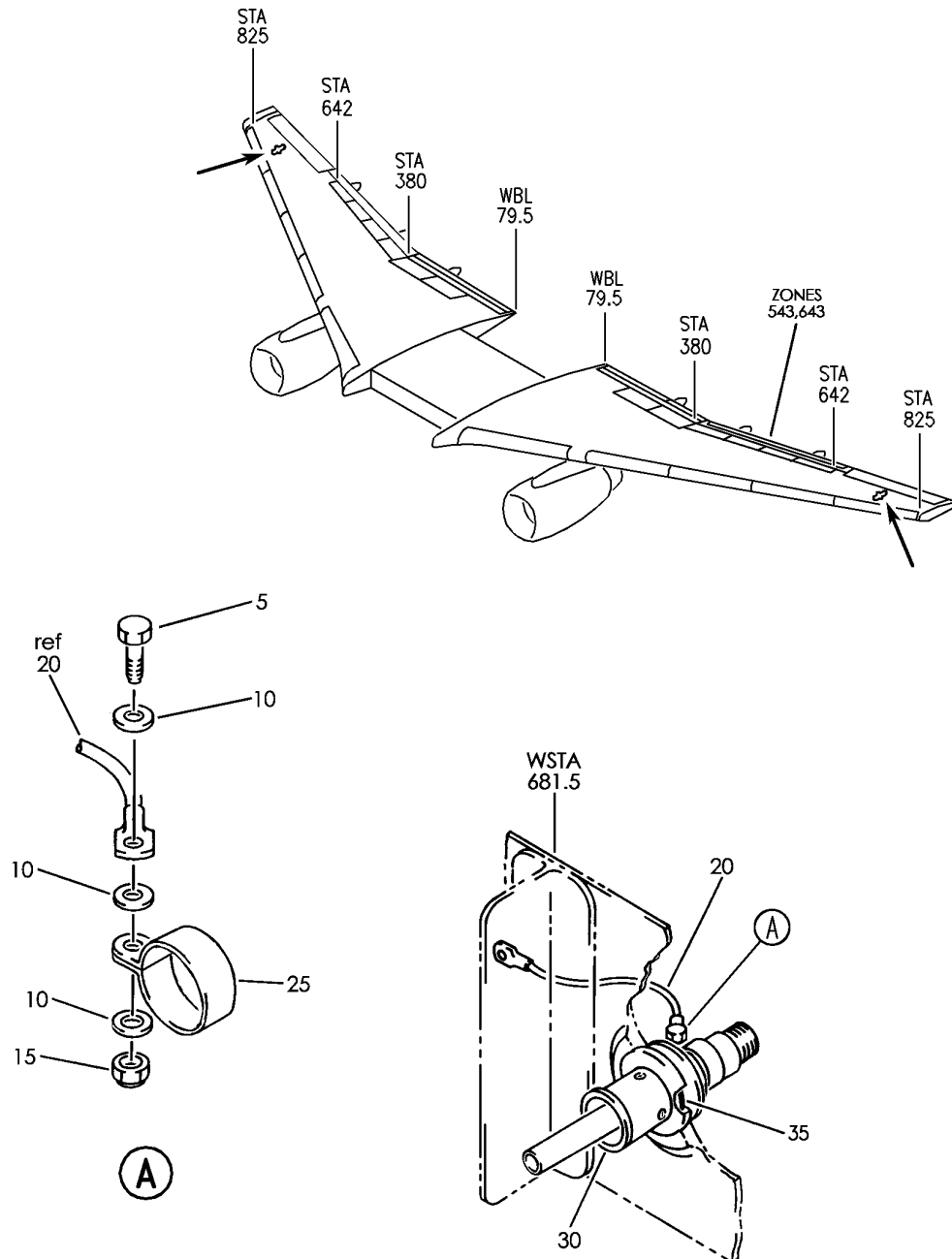
BRI

28-21-03-03

BOEING PROPRIETARY - Copyright © - Unpublished Work - See title page for details.

28-21-03  
FIG. 03  
PAGE 4  
JAN 20/09

**BOEING**  
757  
PARTS CATALOG (MAINTENANCE)



Y 28210304 REV 292

EQUIPMENT INSTL OVERFILL SENSOR  
FIGURE 4

**28-21-03-04**

BRI  
MAY 28/07

28-21-03-04  
PAGE 0



757

PARTS CATALOG (MAINTENANCE)

| FIG ITEM | PART NUMBER   | 1 2 3 4 5 6 7 | NOMENCLATURE  | EFFECT FROM TO             | UNITS PER ASSY |
|----------|---------------|---------------|---|----------------------------|----------------|
| 4        |               |               | EQUIPMENT INSTL<br>OVERFILL SENSOR  | 101106<br>108120<br>504903 |                |
| - 1      | 344N3001-11   |               | EQUIPMENT INSTL-OVERFILL<br>SENSOR<br>FOR NHA SEE:<br>28-00-00-05   | 101102<br>108120<br>504903 | RF             |
| - 1      | MODREF13713   |               | EQUIPMENT INSTL-OVERFILL<br>SENSOR<br>MODULE NUMBER:<br>344N3001-11 REV A   | 103106                     | 1              |
| 5        | BACS12GU3K8   |               | .SCREW  | 101106<br>108120<br>504903 | 2              |
| 10       | NAS1149D0316H |               | .WASHER   | 101106<br>108120<br>504903 | 6              |
| 15       | BRH10A3       |               | .NUT<br>SUPPLIER CODE:<br>V52828<br>SPECIFICATION NUMBER:<br>BACN10JC3<br>OPTIONAL PART:<br>H10-3BAC<br>V15653<br>NS202101-02<br>V80539<br>RMLH9075-3W<br>V72962<br>VN303A02<br>V92215<br>96-02<br>V80539<br>T6S1032J<br>V11815 | 101106<br>108120<br>504903 | 2              |
| 20       | 740A20-5      |               | .JUMPER ASSY<br>SUPPLIER CODE:<br>V91812<br>SPECIFICATION NUMBER:<br>BACJ40A20-5<br>OPTIONAL PART:<br>TJEJ40A20-5<br>V33483<br>RBEJ20-5<br>V1GK47   | 101106<br>108120<br>504903 | 2              |
| 25       | AN735DC14     |               | .CLAMP  | 101106<br>108120<br>504903 | 2              |

MISSING ITEM NUMBERS NOT APPLICABLE

- ITEM NOT ILLUSTRATED

28-21-03-04

28-21-03  
FIG. 04  
PAGE 1  
JAN 20/09

BRI



757

PARTS CATALOG (MAINTENANCE)

| FIG ITEM                   | PART NUMBER    | 1 2 3 4 5 6 7 | NOMENCLATURE  | EFFECT FROM TO             | UNITS PER ASSY |
|----------------------------|----------------|---------------|---|----------------------------|----------------|
| 4<br>R<br>R<br>R<br>R<br>R | 30 37821-1     | .             | SENSOR-<br>SUPPLIER CODE:<br>V24338<br>SPECIFICATION NUMBER:<br>S344N001-2<br>COMPONENT MAINT MANUAL REF:<br>28-21-01 | 101106<br>108120<br>504903 | 2              |
|                            | 30 54182-1     | .             | SENSOR-<br>SUPPLIER CODE:<br>V24338<br>SPECIFICATION NUMBER:<br>S344N001-2  | 101106<br>108120<br>504903 | 2              |
|                            | 35 MS29513-124 | ..            | PACKING   | 101106<br>108120<br>504903 | 1              |

MISSING ITEM NUMBERS NOT APPLICABLE

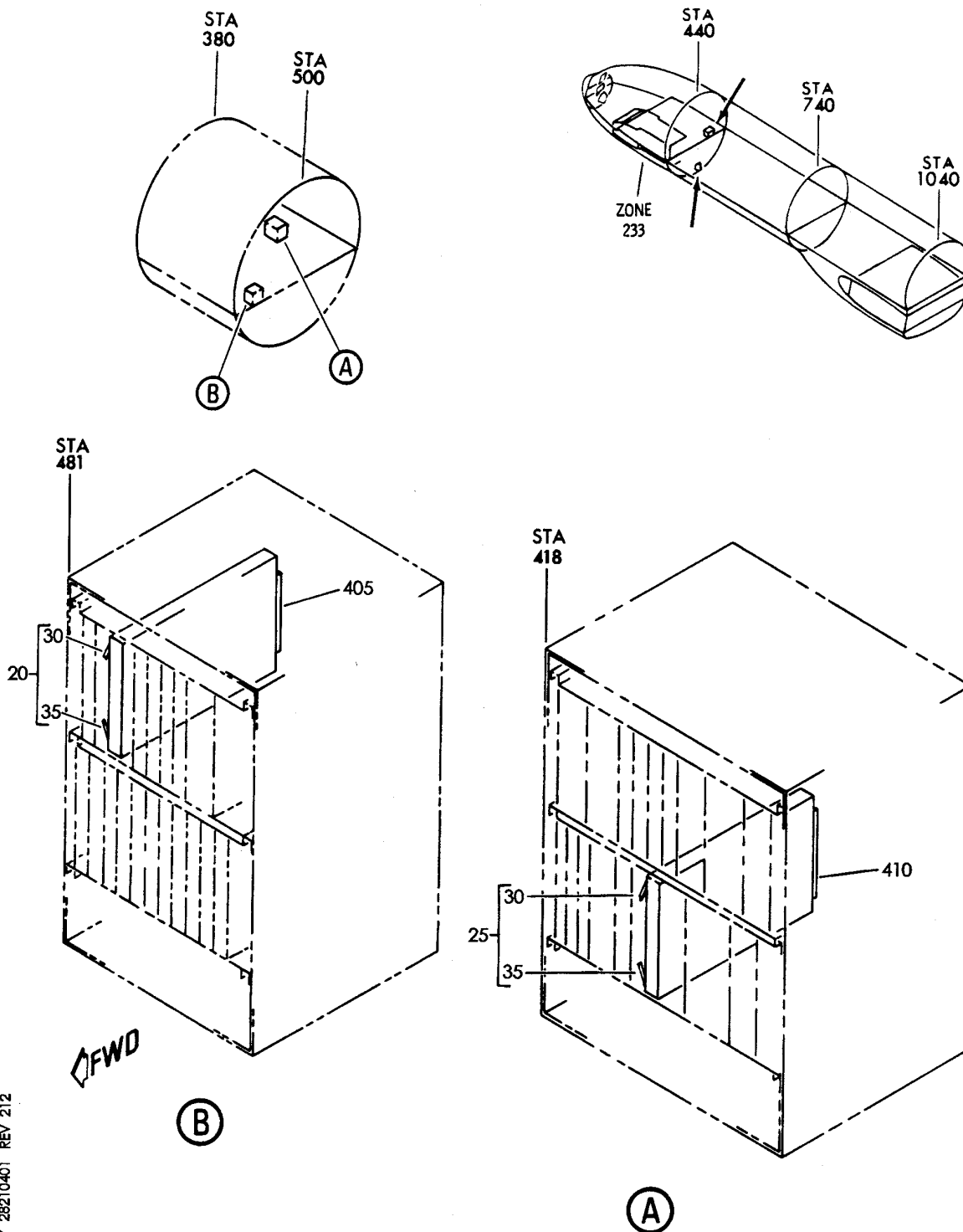
- ITEM NOT ILLUSTRATED

28-21-03-04

28-21-03  
FIG. 04  
PAGE 2  
MAY 20/09

BRI

**BOEING**  
757  
PARTS CATALOG (MAINTENANCE)



Y 28210401 REV 212

EQUIPMENT INSTL-MAIN ELECTRONICS EQPT CTR (PRESSURE FUELING SYSTEM ONLY)

FIGURE 1

**28-21-04-01**

BRI  
MAY 28/07

28-21-04-01  
PAGE 0



757

PARTS CATALOG (MAINTENANCE)

| FIG ITEM | PART NUMBER  | 1 2 3 4 5 6 7 | NOMENCLATURE   | EFFECT FROM TO                       | UNITS PER ASSY |
|----------|--------------|---------------|--|--------------------------------------|----------------|
| 1        |              |               | EQUIPMENT INSTL-MAIN<br>ELECTRONICS EQPT CTR<br>(PRESSURE FUELING SYSTEM ONLY)   | 002004<br>006100<br>107107<br>121999 |                |
| - 2      | 284N1307-33  |               | EQUIPMENT INSTL-MAIN<br>ELECTRONICS EQPT CTR<br>(PRESSURE FUELING SYSTEM ONLY)<br>FOR NHA/OTHER SYS DET SEE:<br>24-00-58-01  | 107107                               | RF             |
| - 3      | 284N1800-16  |               | EQUIPMENT INSTL-MAIN<br>ELECTRONICS EQPT CTR<br>(PRESSURE FUELING SYSTEM ONLY)<br>FOR NHA/OTHER SYS DET SEE:<br>24-00-58-01  | 121503<br>904949                     | RF             |
| - 4      | 284N1800-32  |               | EQUIPMENT INSTL-MAIN<br>ELECTRONICS EQPT CTR<br>(PRESSURE FUELING SYSTEM ONLY)<br>FOR NHA/OTHER SYS DET SEE:<br>24-00-58-01  | 952999                               | RF             |
| - 4      | 284N1800-34  |               | EQUIPMENT INSTL-MAIN<br>ELECTRONICS EQPT CTR<br>(PRESSURE FUELING SYSTEM ONLY)<br>FOR NHA/OTHER SYS DET SEE:<br>24-00-58-01  | 002004<br>006100                     | RF             |
| - 5      | 284N1800-38  |               | EQUIPMENT INSTL-MAIN<br>ELECTRONICS EQPT CTR<br>(PRESSURE FUELING SYSTEM ONLY)<br>FOR NHA/OTHER SYS DET SEE:<br>24-00-58-01  | 950951                               | RF             |
| - 6      | 284N1800-88  |               | EQUIPMENT INSTL-MAIN<br>ELECTRONICS EQPT CTR<br>(PRESSURE FUELING SYSTEM ONLY)<br>FOR NHA/OTHER SYS DET SEE:<br>24-00-58-01  | 505505                               | RF             |
| - 7      | 284N1800-190 |               | EQUIPMENT INSTL-MAIN<br>ELECTRONICS EQPT CTR<br>(PRESSURE FUELING SYSTEM ONLY)<br>FOR NHA/OTHER SYS DET SEE:<br>24-00-58-05E | 504504<br>506903                     | RF             |

MISSING ITEM NUMBERS NOT APPLICABLE

- ITEM NOT ILLUSTRATED

28-21-04-01

28-21-04  
FIG. 01  
PAGE 1  
JAN 20/09

BRI



757

PARTS CATALOG (MAINTENANCE)

| FIG ITEM | PART NUMBER  | 1 2 3 4 5 6 7 | NOMENCLATURE  | EFFECT FROM TO                       | UNITS PER ASSY |
|----------|--------------|---------------|---|--------------------------------------|----------------|
| 1<br>25  | 37822-1      |               | .PRINTED CIRCUIT ASSY-FUEL<br>LEVEL SENSOR CARD<br>SUPPLIER CODE:<br>V24338<br>SPECIFICATION NUMBER:<br>S344N001-3<br>ELECTRICAL EQUIP NUMBER:<br>M00586<br>COMPONENT MAINT MANUAL REF:<br>28-21-01   | 002004<br>006100<br>107107<br>121999 | 1              |
| 30       | 71-2LA       |               | ..EXTRACTOR-CARD<br>SUPPLIER CODE:<br>V18915  | 002004<br>006100<br>107107<br>121999 | 1              |
| 35       | 71-2RA       |               | ..EXTRACTOR-CARD<br>SUPPLIER CODE:<br>V18915  | 002004<br>006100<br>107107<br>121999 | 1              |
| - 400    | 286N1140-002 |               | WIRE BUNDLE ASSY  | 107107<br>121503<br>904949           | RF             |
| - 400    | 286N1140-004 |               | WIRE BUNDLE ASSY  | 002004<br>006100<br>950999           | RF             |
| - 400    | 286N1140-314 |               | WIRE BUNDLE ASSY  | 504903                               | RF             |
| 410      | 300055-001   |               | .CONNECTOR-<br>SUPPLIER CODE:<br>V0D9V3<br>SPECIFICATION NUMBER:<br>BACC65L41<br>OPTIONAL PART:<br>300055-001<br>V03877<br>192-341-0005<br>V26742<br>S1022-00833<br>V03877<br>ELECTRICAL EQUIP NUMBER:<br>D02514<br>WIRING DIAGRAM REF:<br>282121 | 002004<br>006100<br>107107<br>121999 | 1              |

MISSING ITEM NUMBERS NOT APPLICABLE

- ITEM NOT ILLUSTRATED

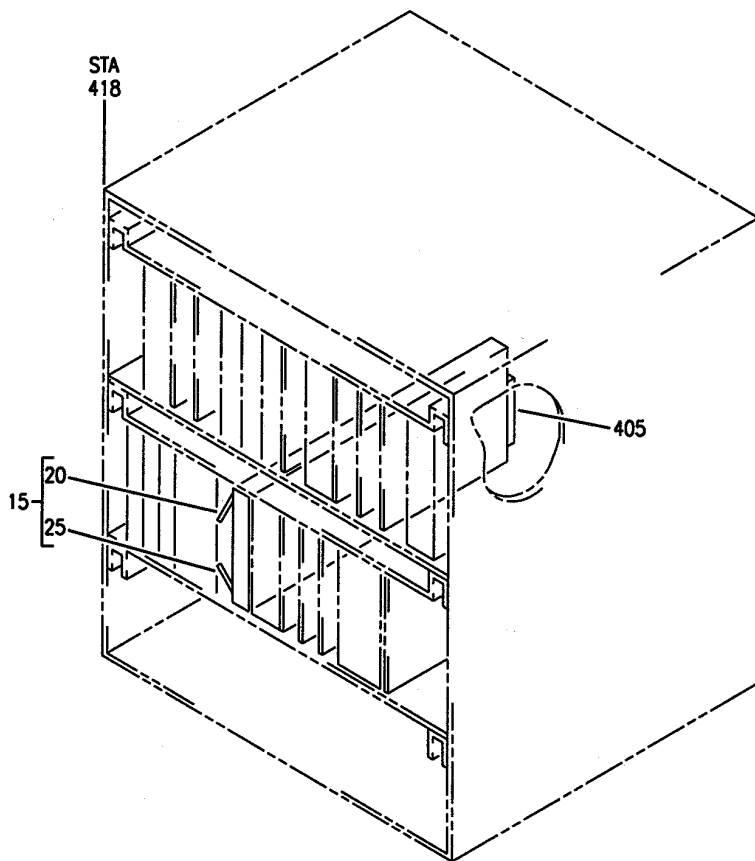
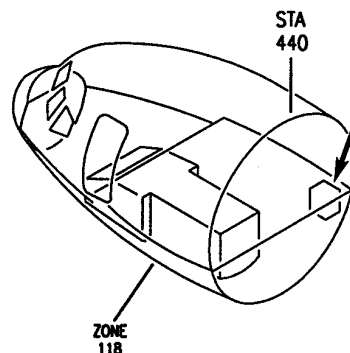
28-21-04-01

28-21-04  
FIG. 01  
PAGE 2  
JAN 20/09

BRI



**BOEING**  
757  
PARTS CATALOG (MAINTENANCE)



Y 28210401B REV 219

EQUIPMENT INSTL-MAIN ELECTRONICS EQPT CTR (PRESSURE FUELING SYSTEM ONLY)  
FIGURE 1B

BRI  
MAY 28/07

**28-21-04-01B**

28-21-04-01B  
PAGE 0



757

PARTS CATALOG (MAINTENANCE)

| FIG ITEM | PART NUMBER  | 1 2 3 4 5 6 7 | NOMENCLATURE  | EFFECT FROM TO | UNITS PER ASSY |
|----------|--------------|---------------|---|----------------|----------------|
| 1B       |              |               | EQUIPMENT INSTL-MAIN<br>ELECTRONICS EQPT CTR<br>(PRESSURE FUELING SYSTEM ONLY)  | 101102         |                |
| - 3      | 284N1800-140 |               | EQUIPMENT INSTL-MAIN<br>ELECTRONICS EQPT CTR<br>(PRESSURE FUELING SYSTEM ONLY)  | 101101         | RF             |
| - 3      | 284N1800-141 |               | FOR NHA/OTHER SYS DET SEE:<br>24-00-58-05E<br>EQUIPMENT INSTL-MAIN<br>ELECTRONICS EQPT CTR<br>(PRESSURE FUELING SYSTEM ONLY)  | 102102         | RF             |
| 15       | 37822-1      |               | .PRINTED CIRCUIT ASSY-FUEL<br>LEVEL SENSOR CARD<br>SUPPLIER CODE:<br>V24338<br>SPECIFICATION NUMBER:<br>S344N001-3<br>ELECTRICAL EQUIP NUMBER:<br>M00586<br>COMPONENT MAINT MANUAL REF:<br>28-21-01   | 101102         | 1              |
| 20       | 71-2LA       |               | ..EXTRACTOR-CARD<br>SUPPLIER CODE:<br>V18915  | 101102         | 1              |
| 25       | 71-2RA       |               | ..EXTRACTOR-CARD<br>SUPPLIER CODE:<br>V18915  | 101102         | 1              |
| - 400    | 286N1140-306 |               | WIRE BUNDLE ASSY  | 101102         | RF             |
| 405      | 300055-001   |               | .CONNECTOR-<br>SUPPLIER CODE:<br>V0D9V3<br>SPECIFICATION NUMBER:<br>BACC65L41<br>OPTIONAL PART:<br>300055-001<br>V03877<br>192-341-0005<br>V26742<br>S1022-00833<br>V03877<br>ELECTRICAL EQUIP NUMBER:<br>D02514<br>WIRING DIAGRAM REF:<br>282121 | 101102         | 1              |

MISSING ITEM NUMBERS NOT APPLICABLE

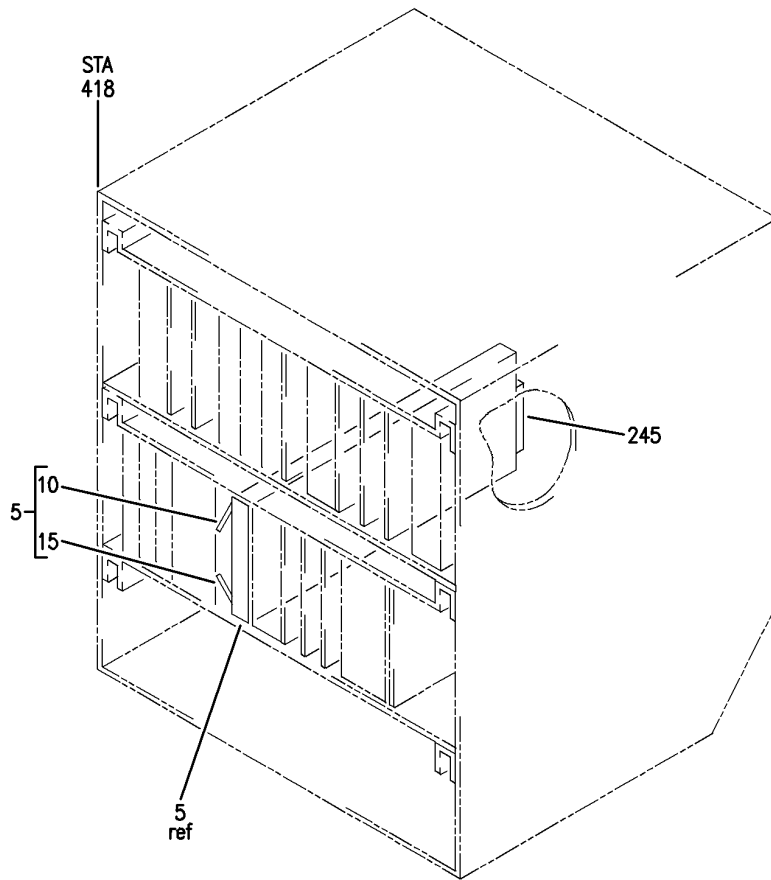
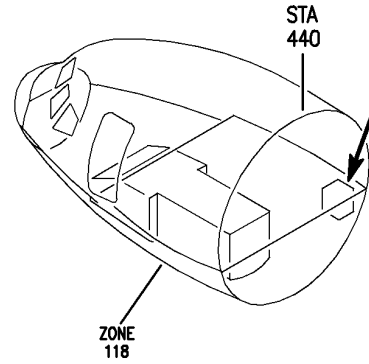
- ITEM NOT ILLUSTRATED

28-21-04-01B

28-21-04  
FIG. 01B  
PAGE 1  
JAN 20/09

BRI

**BOEING**  
757  
PARTS CATALOG (MAINTENANCE)



Y 28210408 REV 222

EQUIPMENT INSTL-MAIN ELECTRONICS EQPT CTR FUEL LEVEL SENSOR CARD  
FIGURE 8

BRI  
JAN 20/09

**28-21-04-08**

28-21-04-08  
PAGE 0



757

PARTS CATALOG (MAINTENANCE)

| FIG ITEM | PART NUMBER     | 1 2 3 4 5 6 7 | NOMENCLATURE  | EFFECT FROM TO   | UNITS PER ASSY |
|----------|-----------------|---------------|---|------------------|----------------|
| 8        |                 |               | EQUIPMENT INSTL-MAIN<br>ELECTRONICS EQPT CTR<br>FUEL LEVEL SENSOR CARD  | 103106<br>108120 |                |
| - 1      | 284N4000-330000 |               | EQUIPMENT INSTL-MAIN<br>ELECTRONICS EQPT CTR<br>FUEL LEVEL SENSOR CARD  | 108120           | RF             |
| - 1      | MODREF10235     |               | FOR NHA SEE:<br>24-00-58-05   |                  |                |
|          |                 |               | EQUIPMENT INSTL-MAIN<br>ELECTRONICS EQPT CTR<br>FUEL LEVEL SENSOR CARD  | 103106           | 1              |
| 5        | 37822-1         |               | MODULE NUMBER:<br>284N4000-330000 REV A<br>.PRINTED CIRCUIT ASSY-<br>SUPPLIER CODE:<br>V24338<br>SPECIFICATION NUMBER:<br>S344N001-3<br>ELECTRICAL EQUIP NUMBER:<br>M00586<br>COMPONENT MAINT MANUAL REF:<br>28-21-01                             | 103106<br>108120 | 1              |
| 10       | 71-2LA          |               | ..EXTRACTOR-CARD<br>SUPPLIER CODE:<br>V18915  | 103106<br>108120 | 1              |
| 15       | 71-2RA          |               | ..EXTRACTOR-CARD<br>SUPPLIER CODE:<br>V18915  | 103106<br>108120 | 1              |
| - 205    | 286N1140-701    |               | WIRE BUNDLE ASSY  | 103106           | RF             |
| - 235    | 286N1140-324    |               | WIRE BUNDLE ASSY-   | 108120           | RF             |
| 245      | 300055-001      |               | .CONNECTOR-<br>SUPPLIER CODE:<br>V0D9V3<br>SPECIFICATION NUMBER:<br>BACC65L41<br>OPTIONAL PART:<br>300055-001<br>V03877<br>192-341-0005<br>V26742<br>S1022-00833<br>V03877<br>ELECTRICAL EQUIP NUMBER:<br>D02514<br>WIRING DIAGRAM REF:<br>282121 | 103106<br>108120 | 1              |

MISSING ITEM NUMBERS NOT APPLICABLE

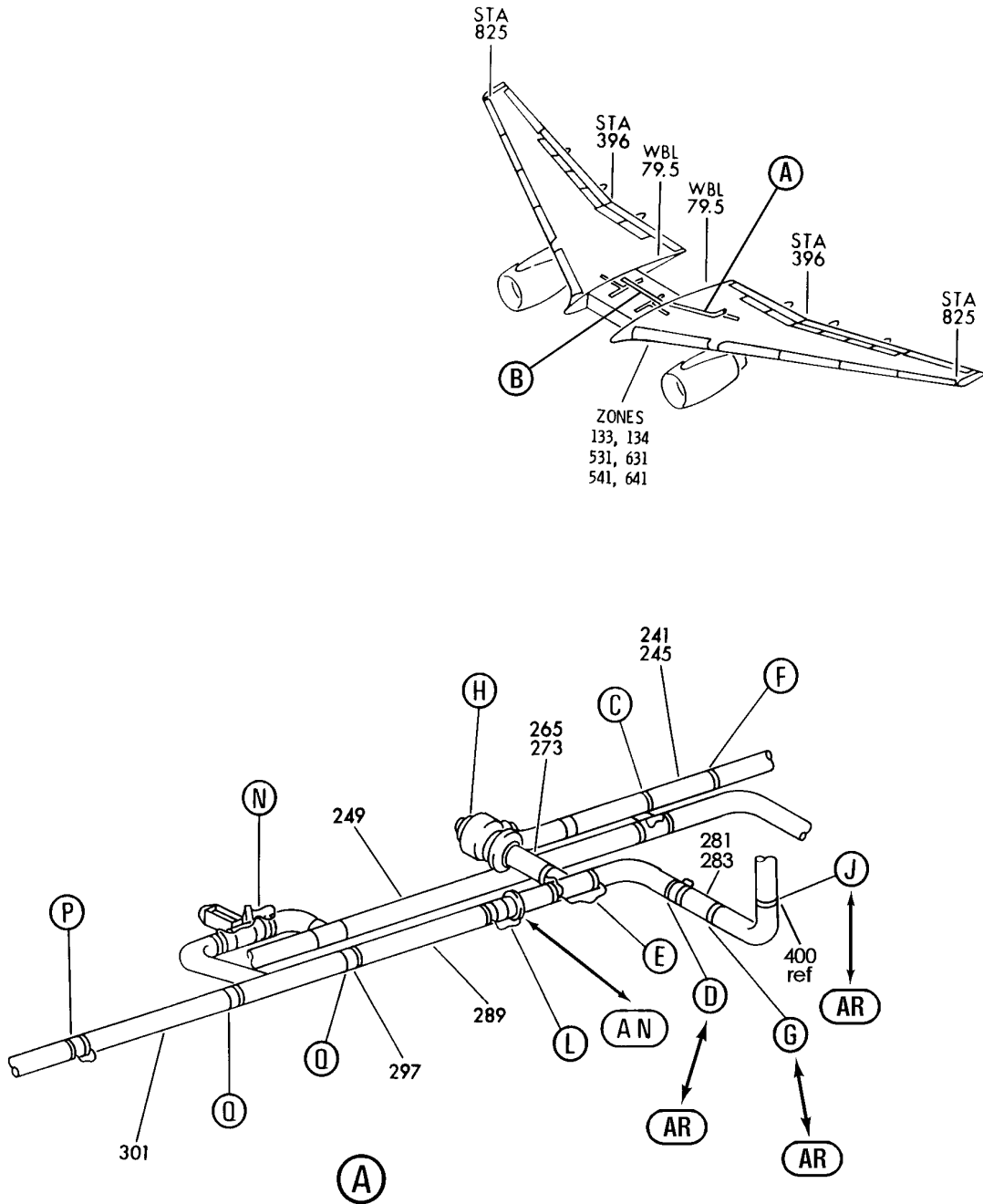
- ITEM NOT ILLUSTRATED

28-21-04-08

28-21-04  
FIG. 08  
PAGE 1  
JAN 20/09

BRI

**BOEING**  
757  
PARTS CATALOG (MAINTENANCE)



Y 28210501 SHT 1 REV 240

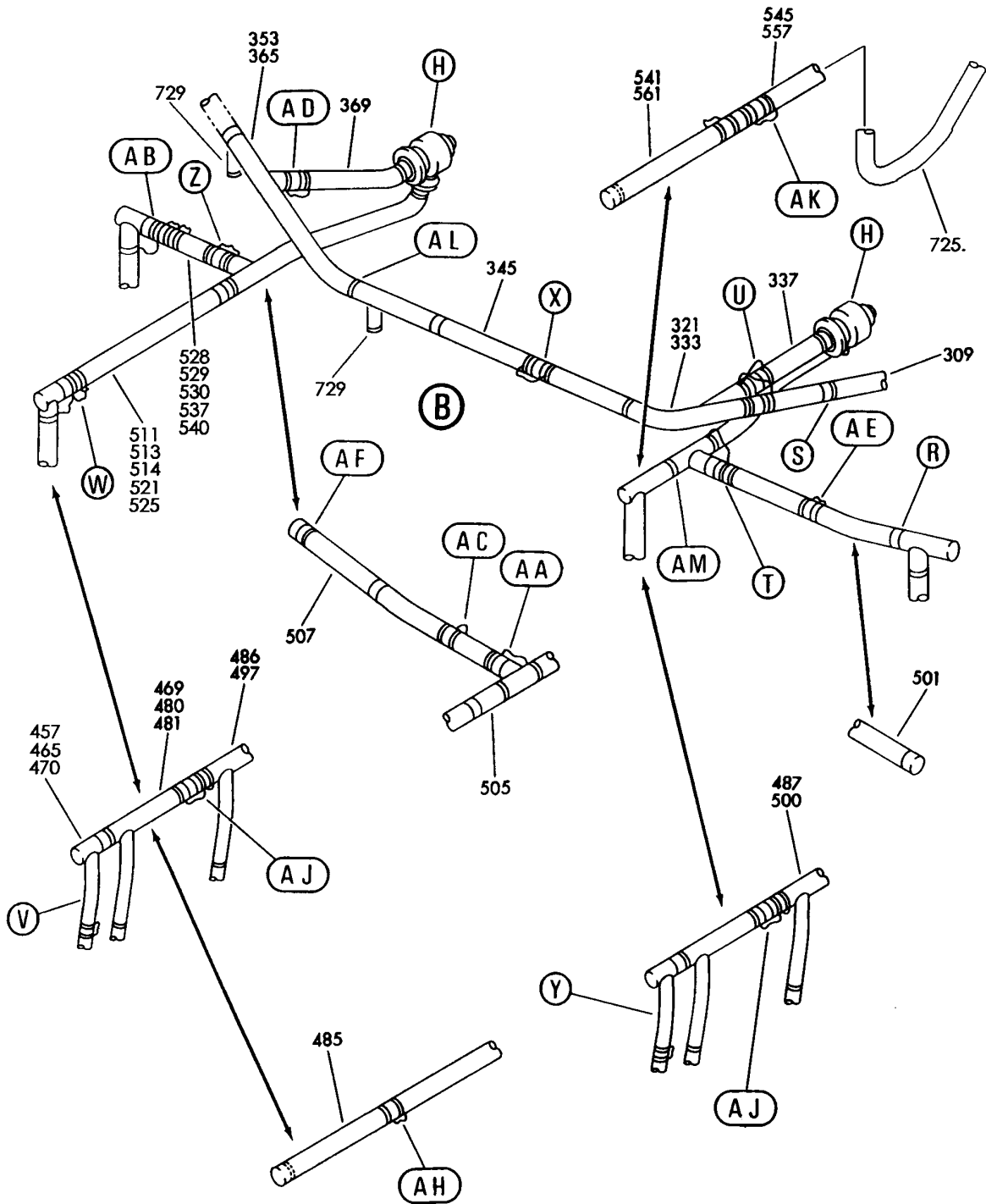
TUBING INSTL-FUELING SYS (L AND CTR SECTIONS)  
FIGURE 1 (SHEET 1)

**28-21-05-01**

BRI  
MAY 28/07

28-21-05-01  
PAGE 0


**BOEING**  
 757  
**PARTS CATALOG (MAINTENANCE)**



Y 28210501 SHT 2 REV 207

TUBING INSTL-FUELING SYS (L AND CTR SECTIONS)  
 FIGURE 1 (SHEET 2)

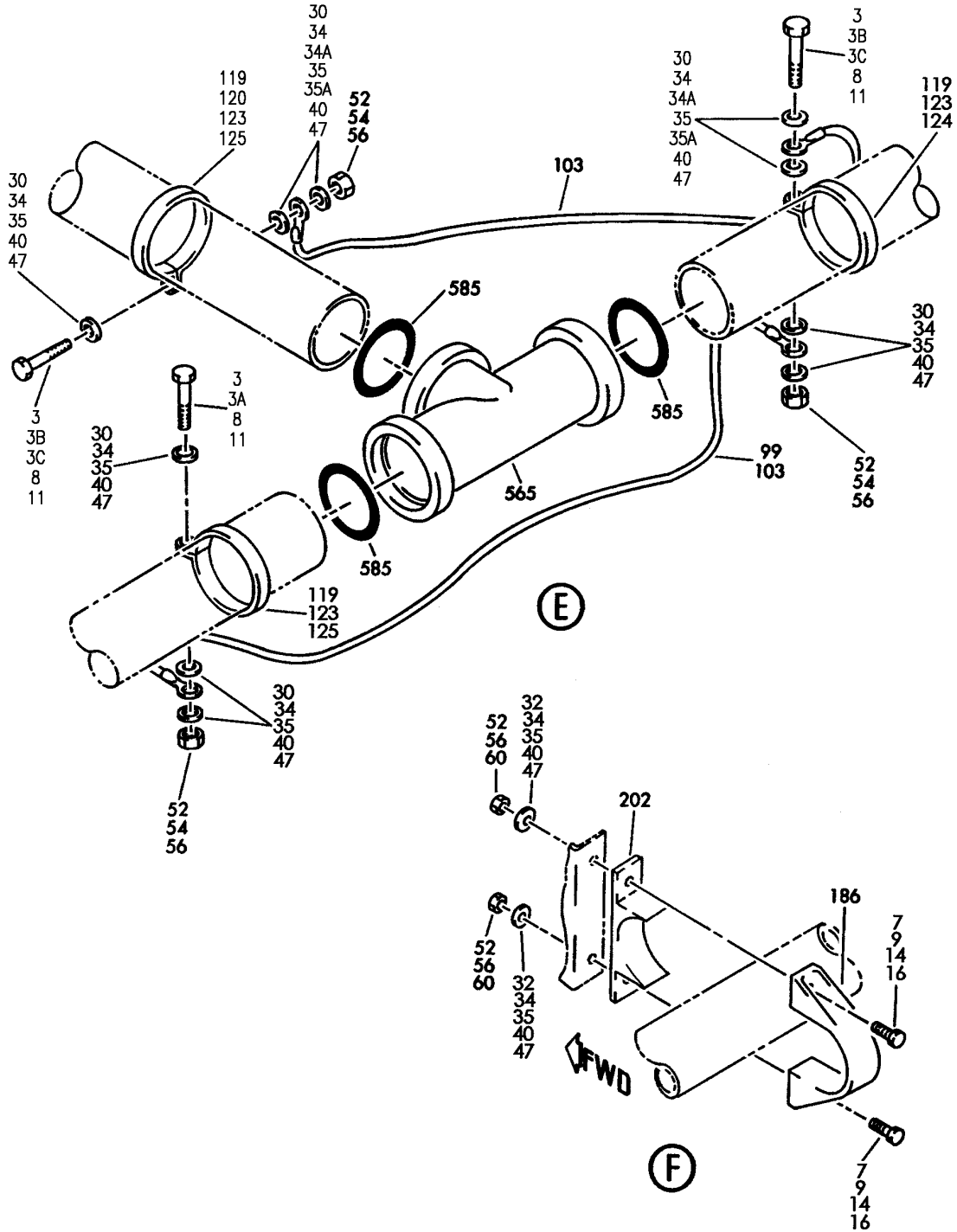
**28-21-05-01**

BRI  
 MAY 28/07

28-21-05-01  
 PAGE 0A



**BOEING**  
757  
PARTS CATALOG (MAINTENANCE)



Y 28210501 SHT 4 REV 287

TUBING INSTL-FUELING SYS (L AND CTR SECTIONS)  
FIGURE 1 (SHEET 4)

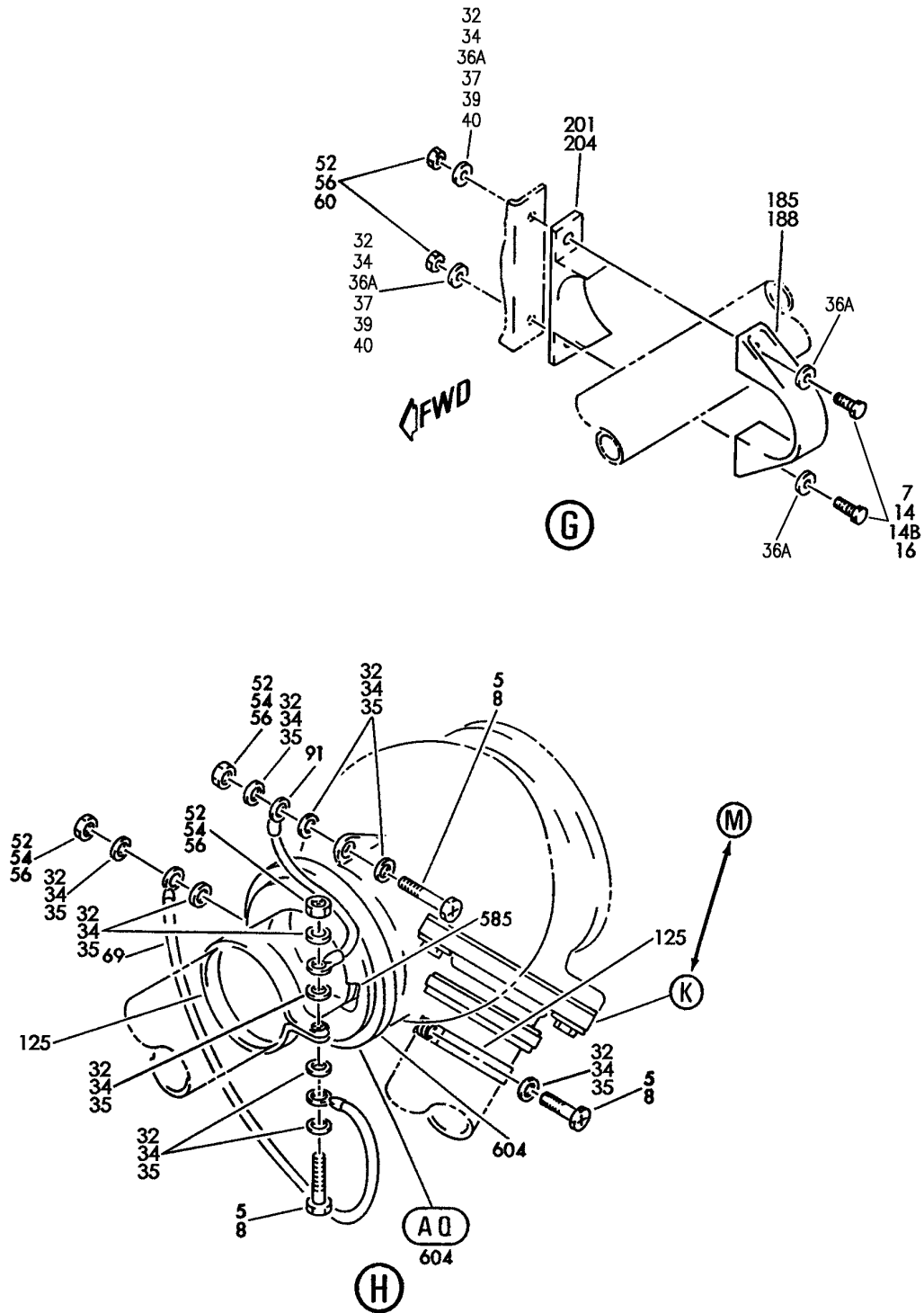
**28-21-05-01**

BRI  
MAY 28/07

28-21-05-01  
PAGE 0C



**BOEING**  
757  
PARTS CATALOG (MAINTENANCE)



Y 28210501 SHT 5 REV 287

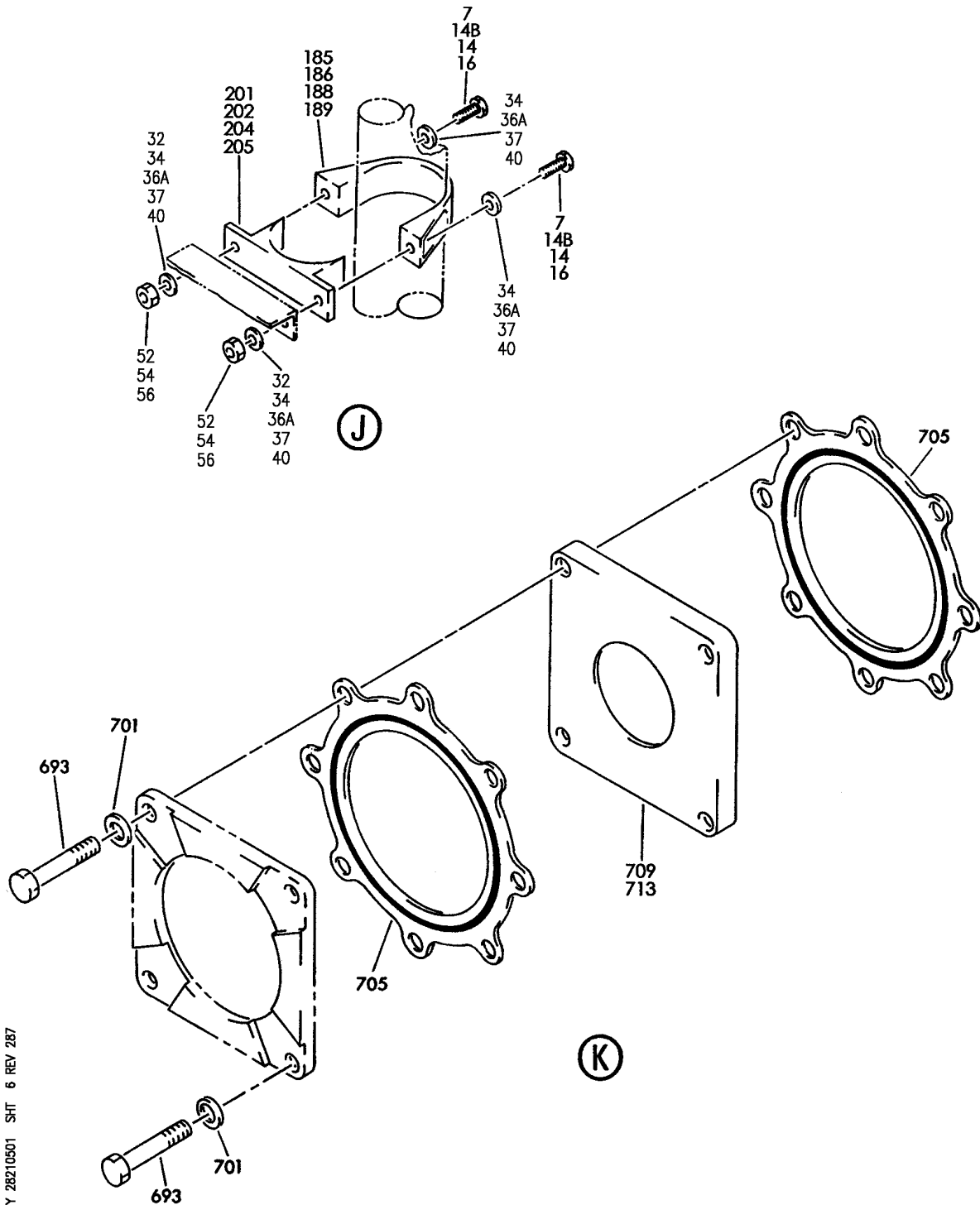
TUBING INSTL-FUELING SYS (L AND CTR SECTIONS)  
FIGURE 1 (SHEET 5)

**28-21-05-01**

BRI  
MAY 28/07

28-21-05-01  
PAGE 0D

**BOEING**  
757  
PARTS CATALOG (MAINTENANCE)



Y 28210501 SHT 6 REV 287

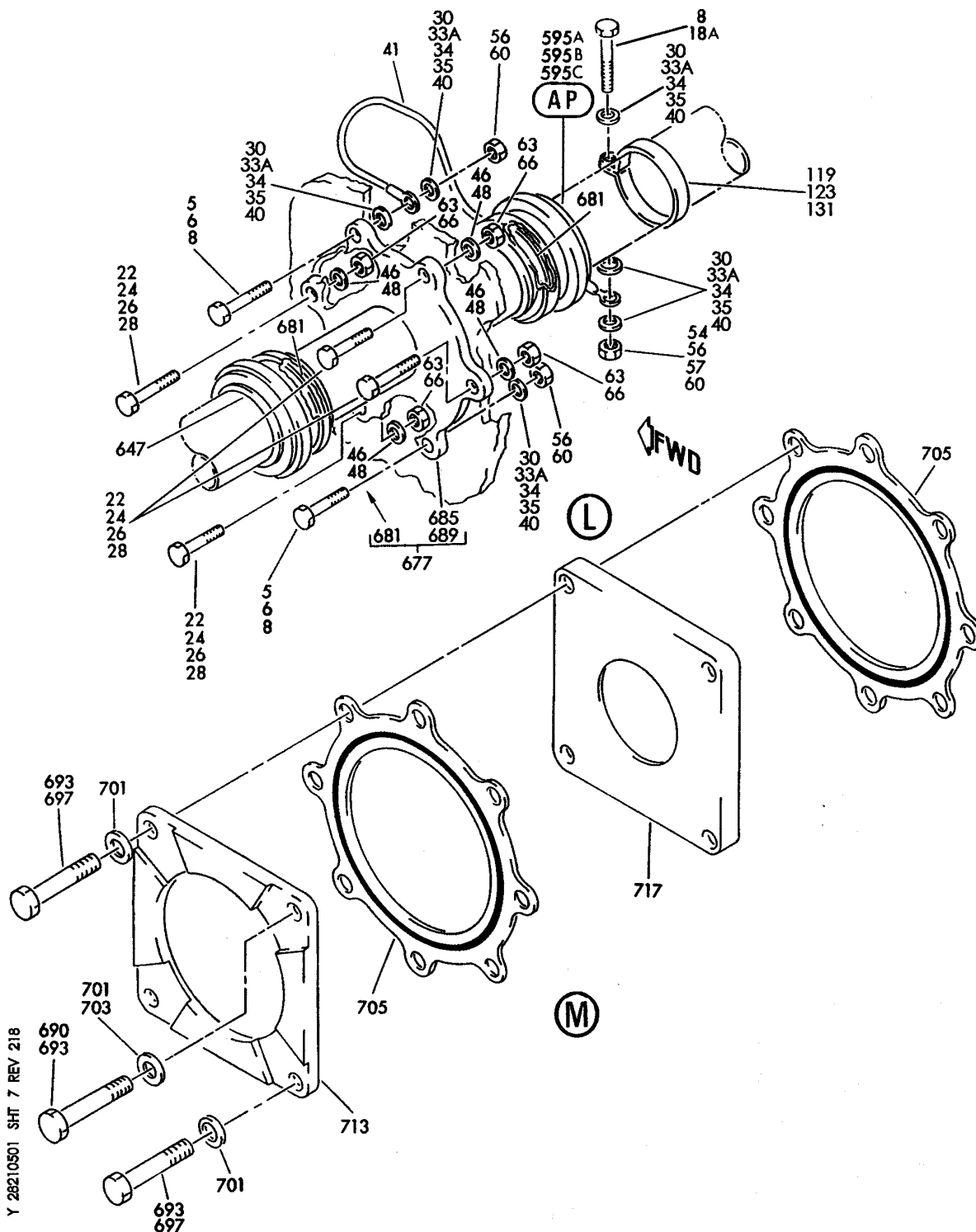
TUBING INSTL-FUELING SYS (L AND CTR SECTIONS)  
FIGURE 1 (SHEET 6)

**28-21-05-01**

BRI  
MAY 28/07

28-21-05-01  
PAGE 0E

**BOEING**  
757  
PARTS CATALOG (MAINTENANCE)



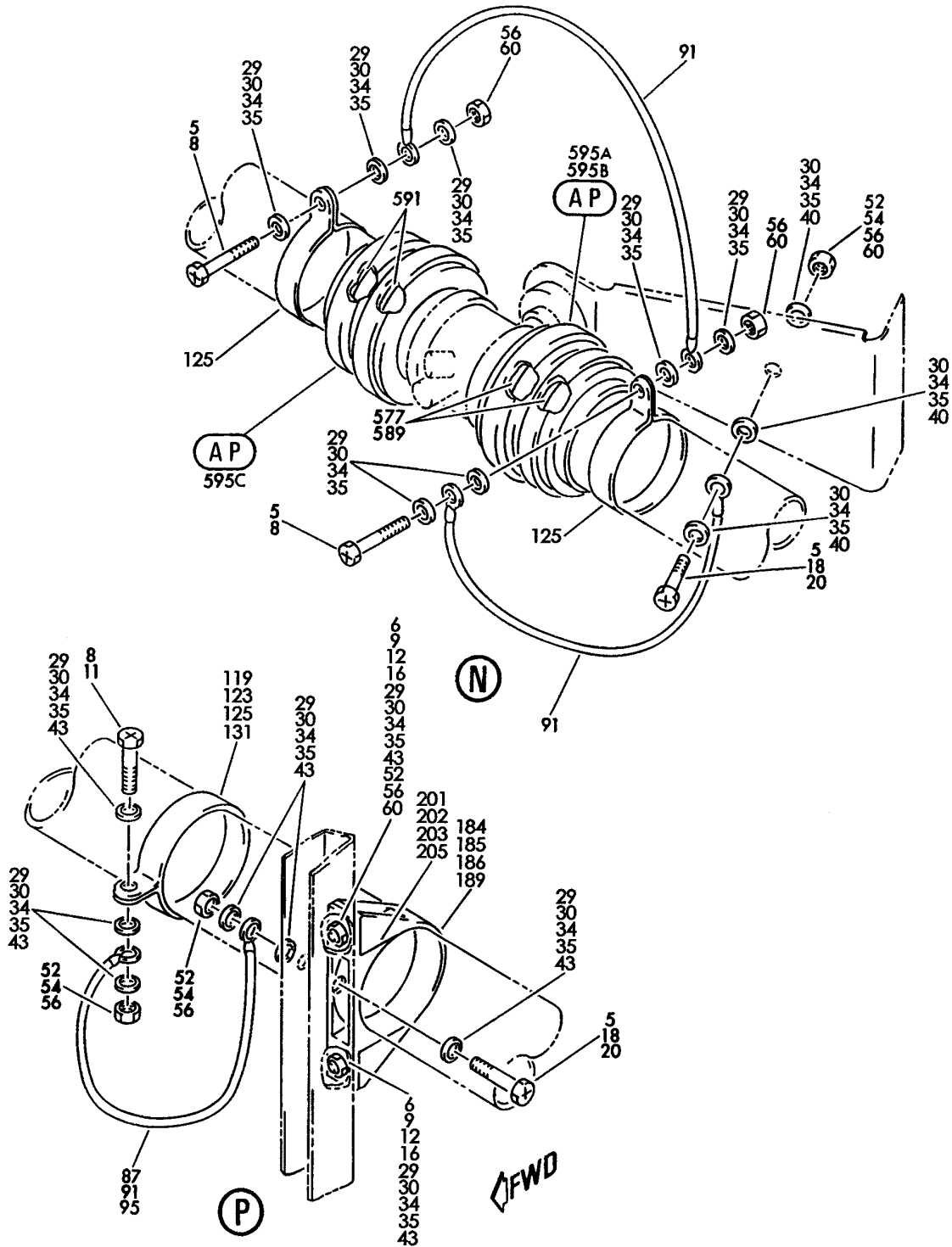
TUBING INSTL-FUELING SYS (L AND CTR SECTIONS)  
FIGURE 1 (SHEET 7)

**28-21-05-01**

BRI  
MAY 28/07

28-21-05-01  
PAGE OF

**BOEING**  
757  
PARTS CATALOG (MAINTENANCE)



Y 28210501 SHT 8 REV 287

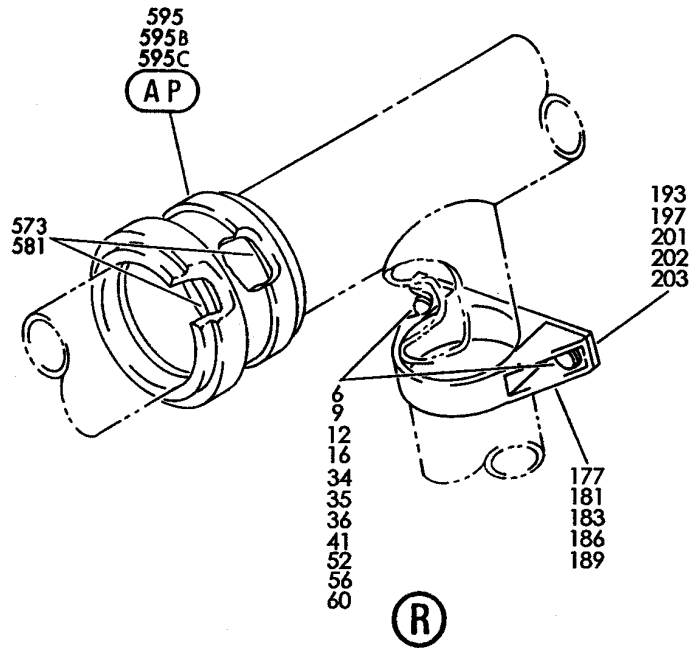
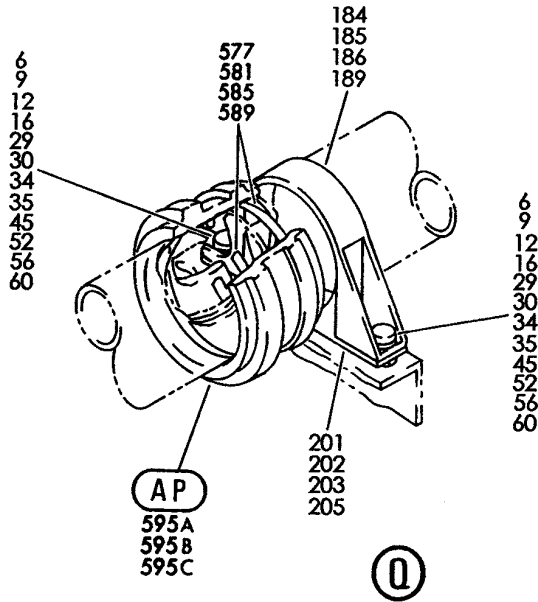
TUBING INSTL-FUELING SYS (L AND CTR SECTIONS)  
FIGURE 1 (SHEET 8)

**28-21-05-01**

BRI  
MAY 28/07

28-21-05-01  
PAGE 08

**BOEING**  
757  
PARTS CATALOG (MAINTENANCE)



Y 28210501 SHT 9 REV 218

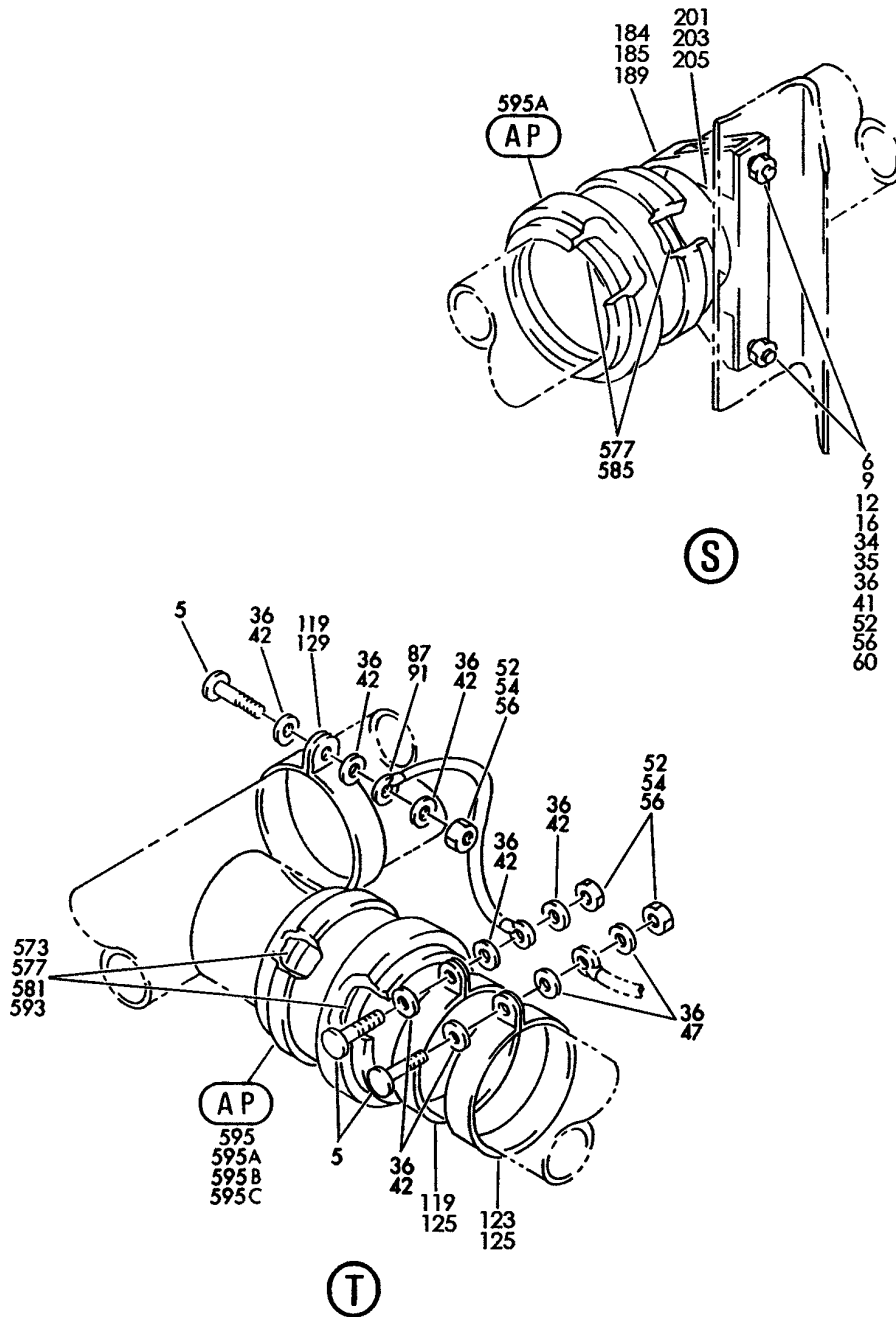
TUBING INSTL-FUELING SYS (L AND CTR SECTIONS)  
FIGURE 1 (SHEET 9)

**28-21-05-01**

BRI  
MAY 28/07

28-21-05-01  
PAGE 0H

**BOEING**  
757  
PARTS CATALOG (MAINTENANCE)



Y 28210501 SHT 10 REV 287

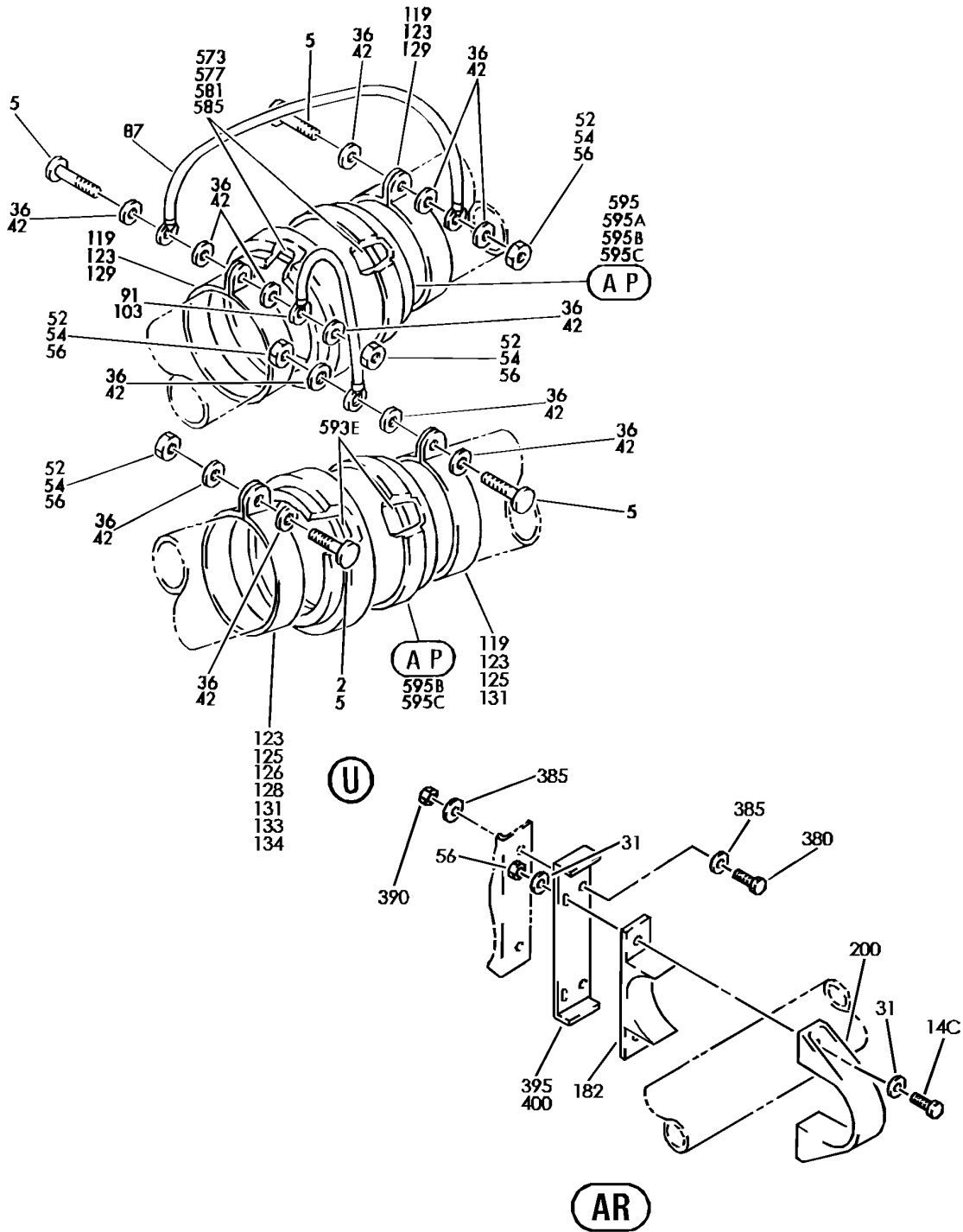
TUBING INSTL-FUELING SYS (L AND CTR SECTIONS)  
FIGURE 1 (SHEET 10)

**28-21-05-01**

BRI  
MAY 28/07

28-21-05-01  
PAGE 01

**BOEING**  
757  
PARTS CATALOG (MAINTENANCE)



Y 28210501 SHT 11 REV 287

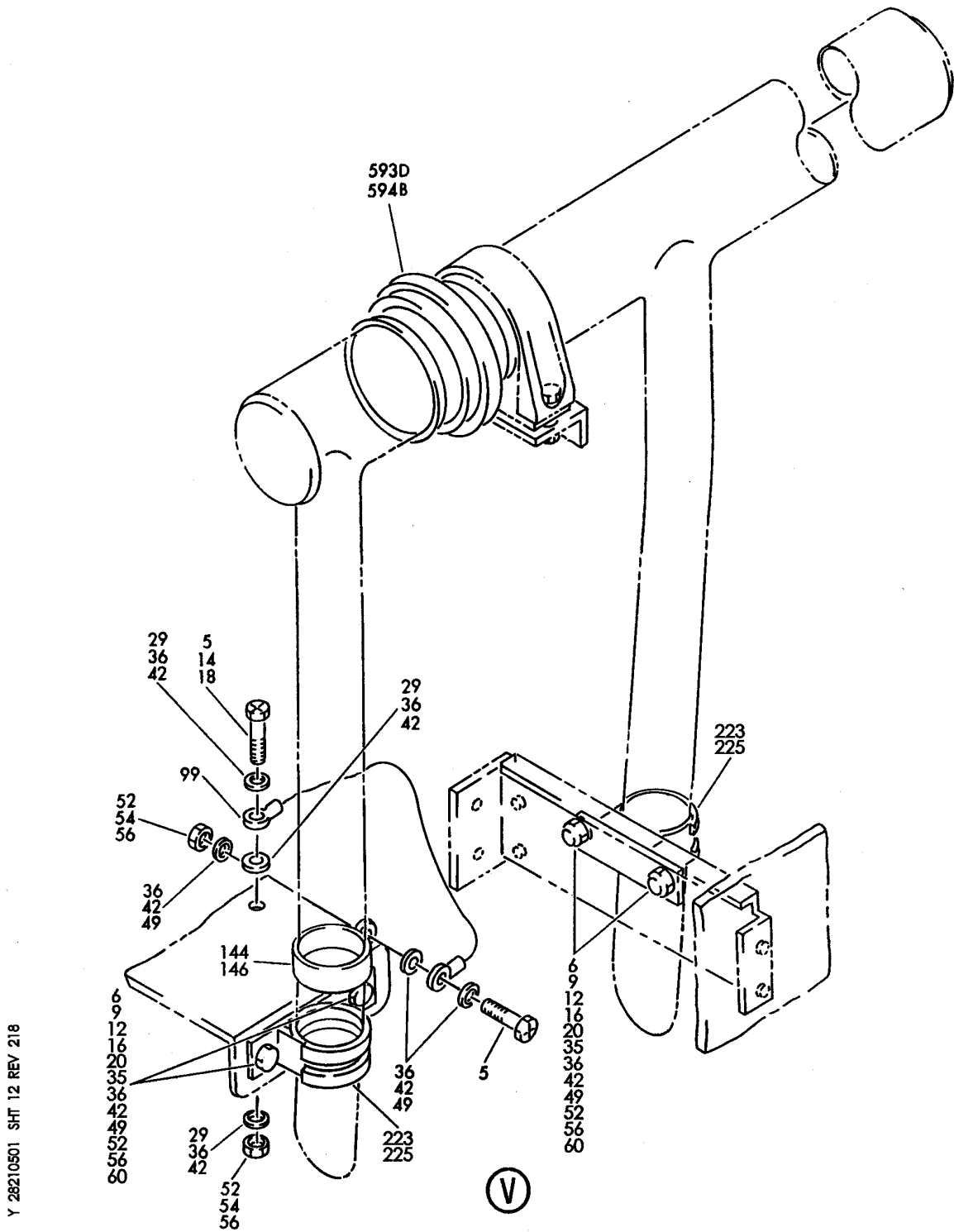
TUBING INSTL-FUELING SYS (L AND CTR SECTIONS)  
FIGURE 1 (SHEET 11)

**28-21-05-01**

BRI  
MAY 28/07

28-21-05-01  
PAGE 0J

**BOEING**  
757  
PARTS CATALOG (MAINTENANCE)



Y 28210501 SH1 12 REV 218

TUBING INSTL-FUELING SYS (L AND CTR SECTIONS)  
FIGURE 1 (SHEET 12)

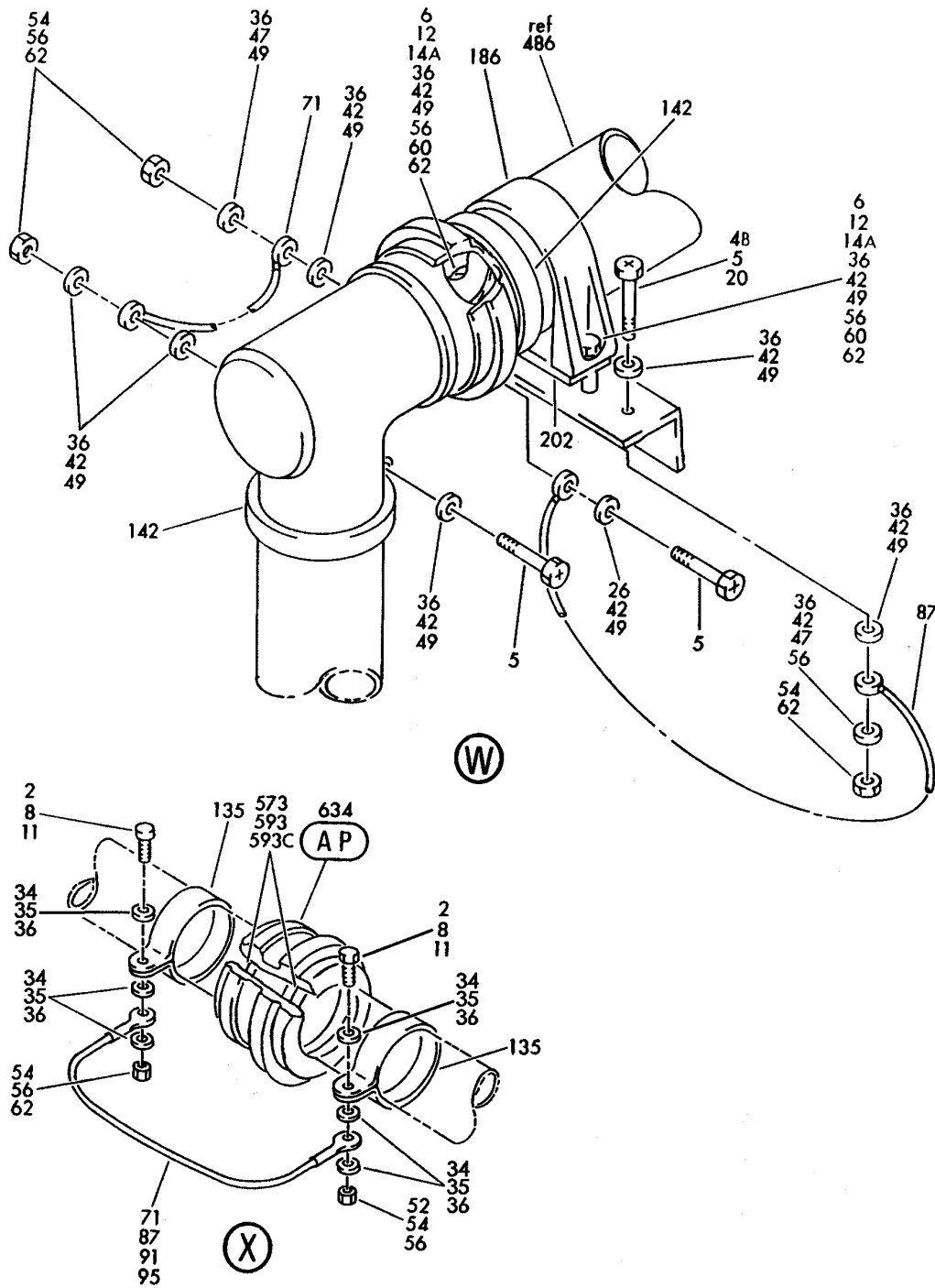
**28-21-05-01**

BRI  
MAY 28/07

28-21-05-01  
PAGE OK




**BOEING**  
 757  
**PARTS CATALOG (MAINTENANCE)**



Y 28210501 SHT 13 REV 218

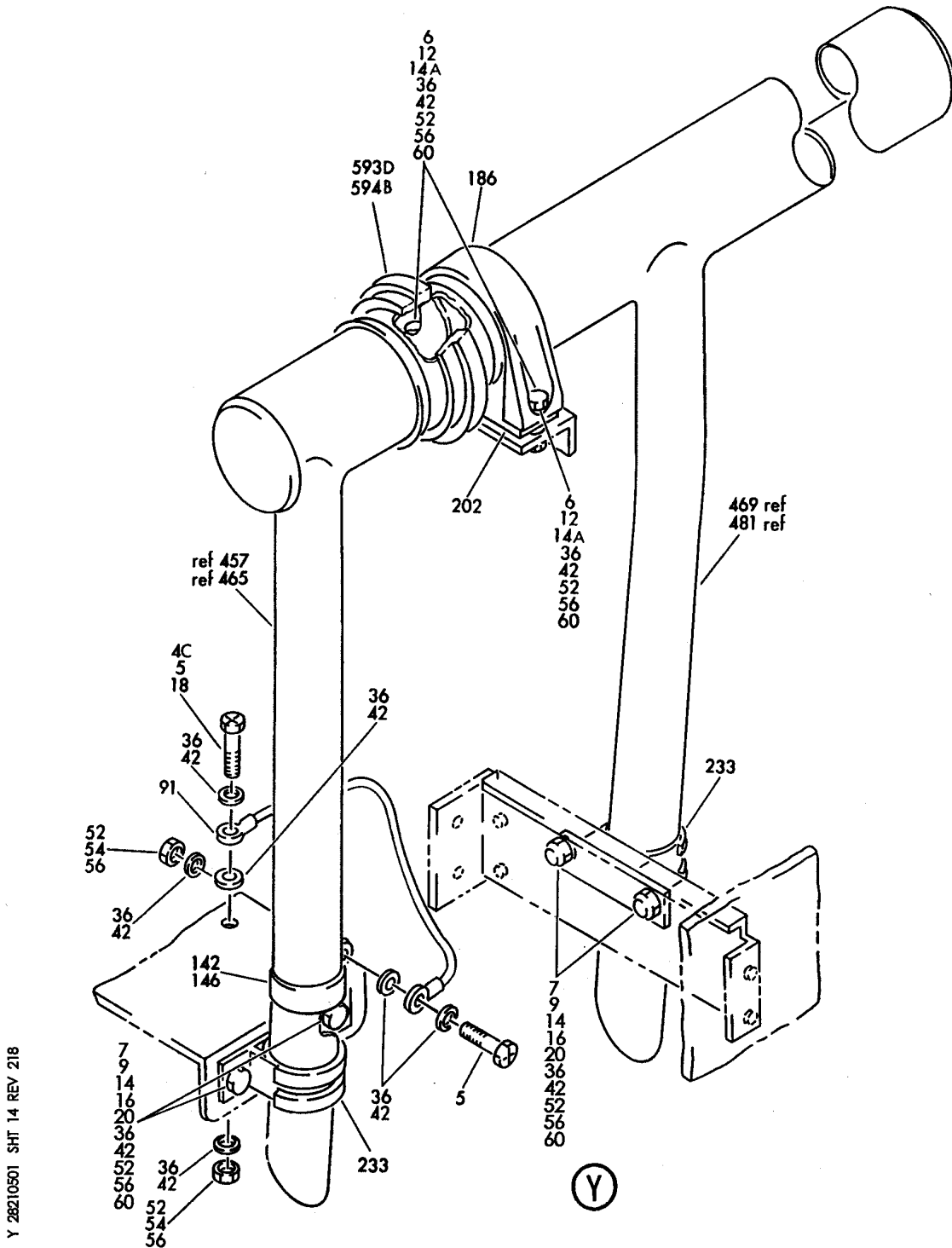
TUBING INSTL-FUELING SYS (L AND CTR SECTIONS)  
 FIGURE 1 (SHEET 13)

**28-21-05-01**

BRI  
 MAY 28/07

28-21-05-01  
 PAGE 0L

**BOEING**  
757  
PARTS CATALOG (MAINTENANCE)



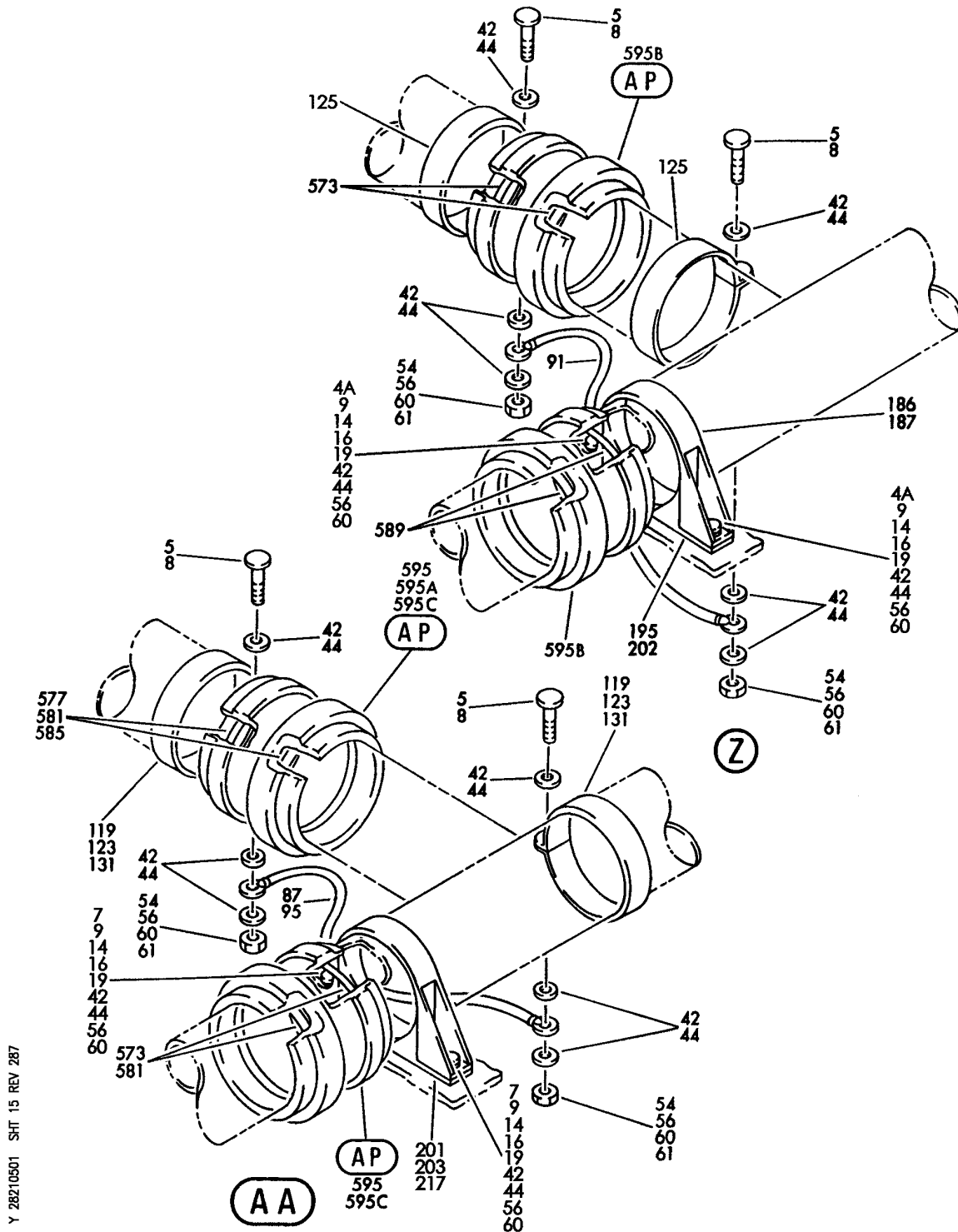
TUBING INSTL-FUELING SYS (L AND CTR SECTIONS)  
FIGURE 1 (SHEET 14)

**28-21-05-01**

BRI  
MAY 28/07

28-21-05-01  
PAGE 0M

**BOEING**  
757  
PARTS CATALOG (MAINTENANCE)



Y 28210501 SHT 15 REV 287

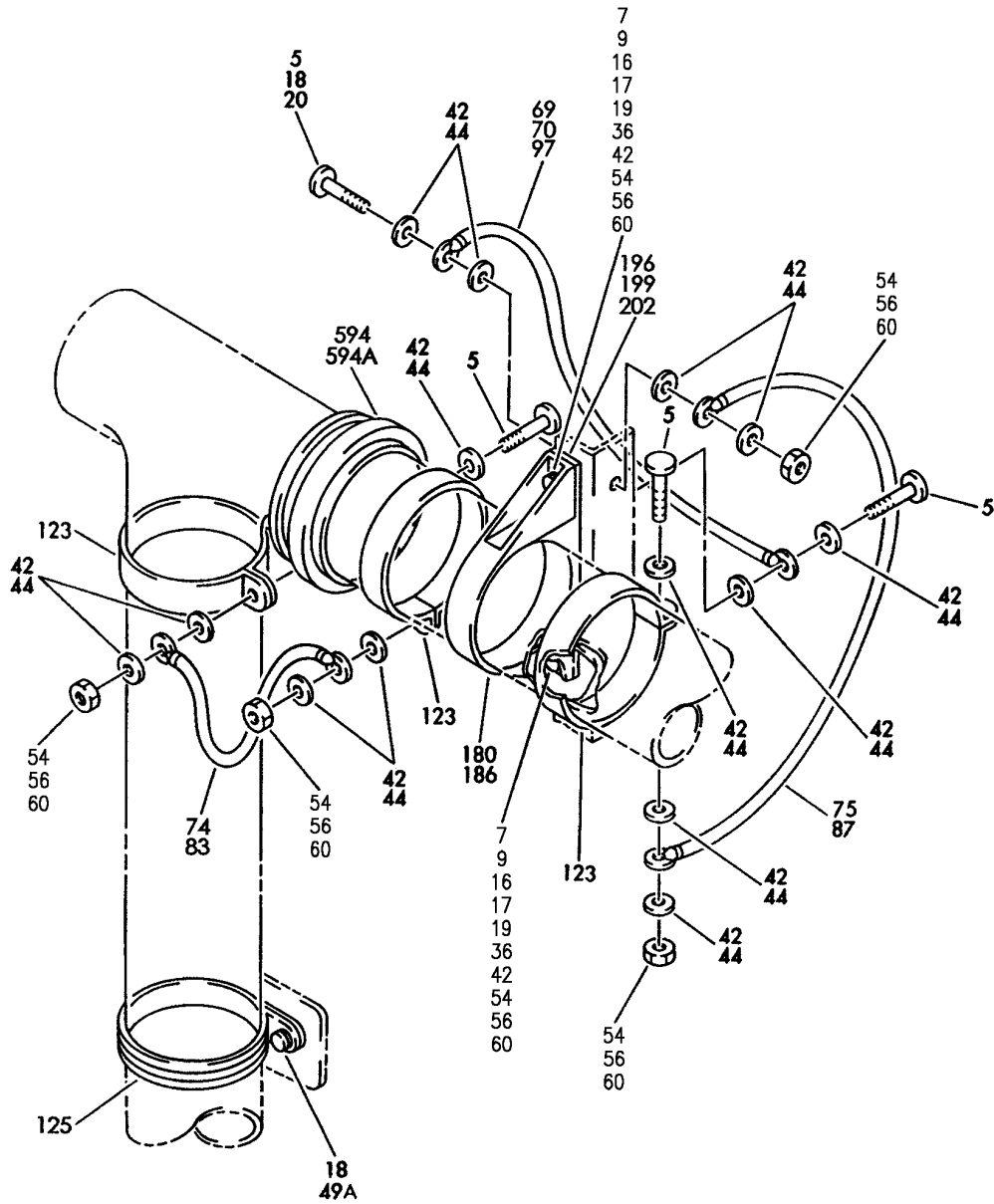
TUBING INSTL-FUELING SYS (L AND CTR SECTIONS)  
FIGURE 1 (SHEET 15)

**28-21-05-01**

BRI  
MAY 28/07

28-21-05-01  
PAGE ON

**BOEING**  
757  
PARTS CATALOG (MAINTENANCE)



**AB**

Y 28210501 SHT 16 REV 287

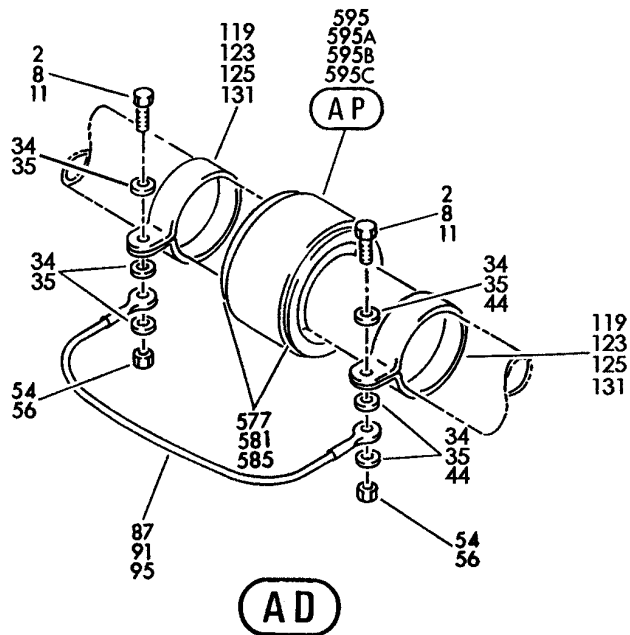
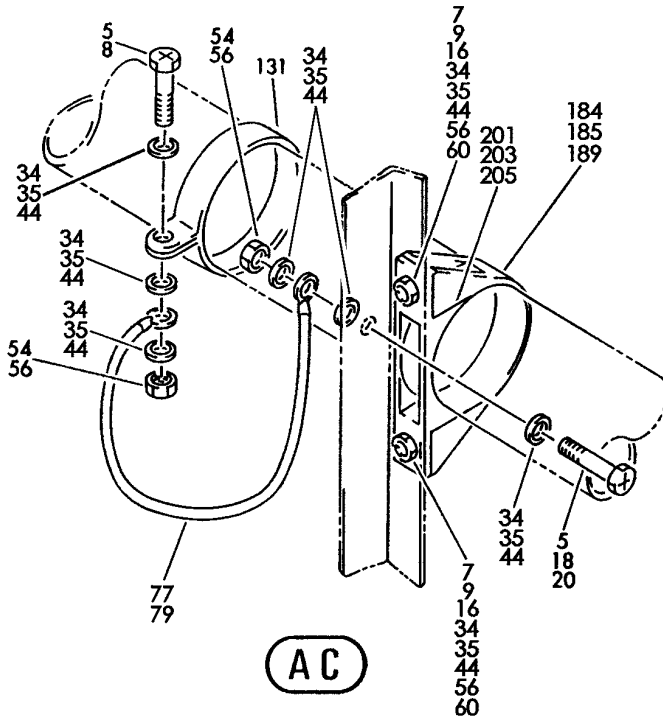
TUBING INSTL-FUELING SYS (L AND CTR SECTIONS)  
FIGURE 1 (SHEET 16)

**28-21-05-01**

BRI  
MAY 28/07

28-21-05-01  
PAGE 00

**BOEING**  
757  
PARTS CATALOG (MAINTENANCE)



Y 28210501 SHT 17 REV 287

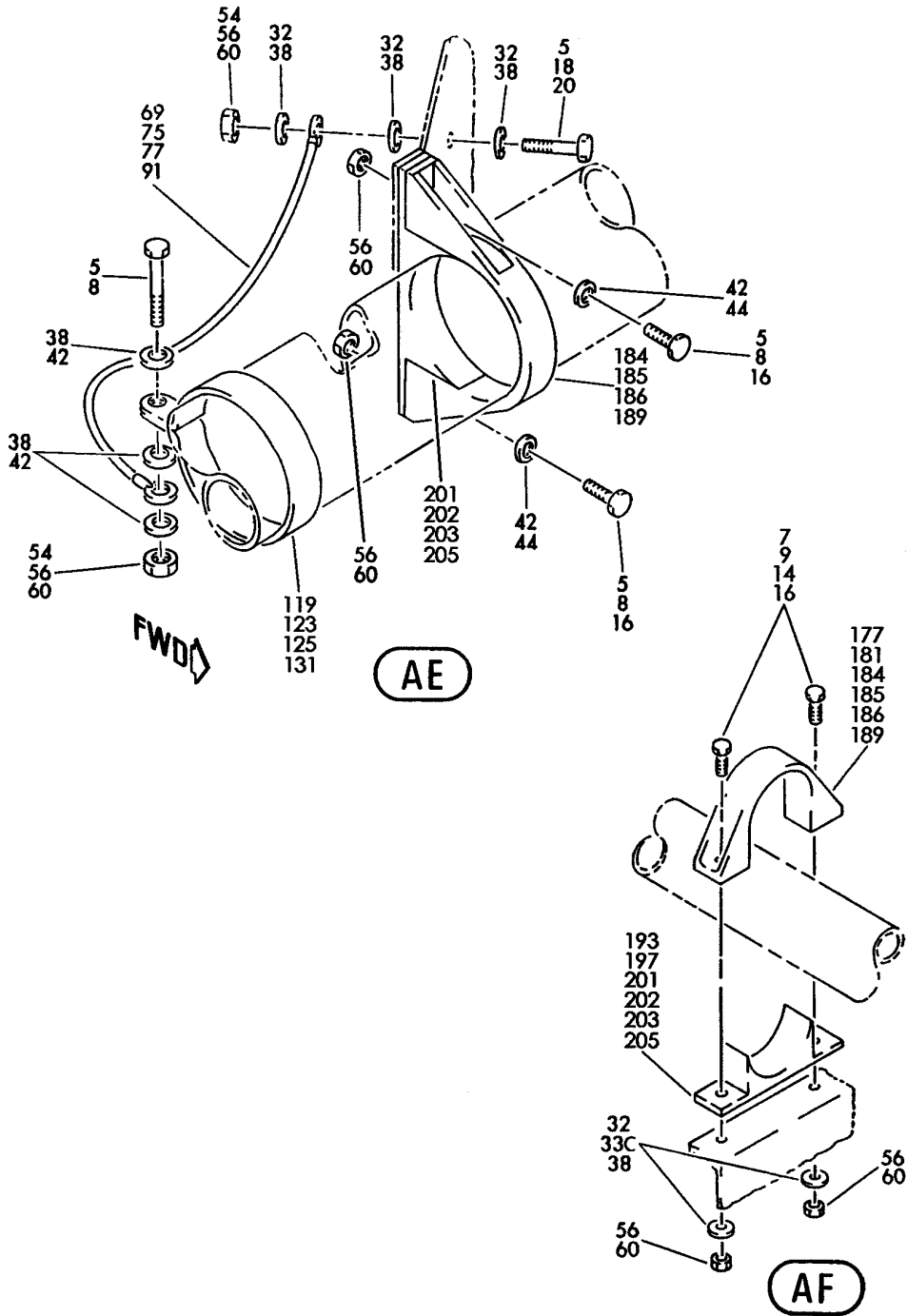
TUBING INSTL-FUELING SYS (L AND CTR SECTIONS)  
FIGURE 1 (SHEET 17)

**28-21-05-01**

BRI  
MAY 28/07

28-21-05-01  
PAGE 0P

**BOEING**  
757  
PARTS CATALOG (MAINTENANCE)



Y 28210501 SHT 18 REV 287

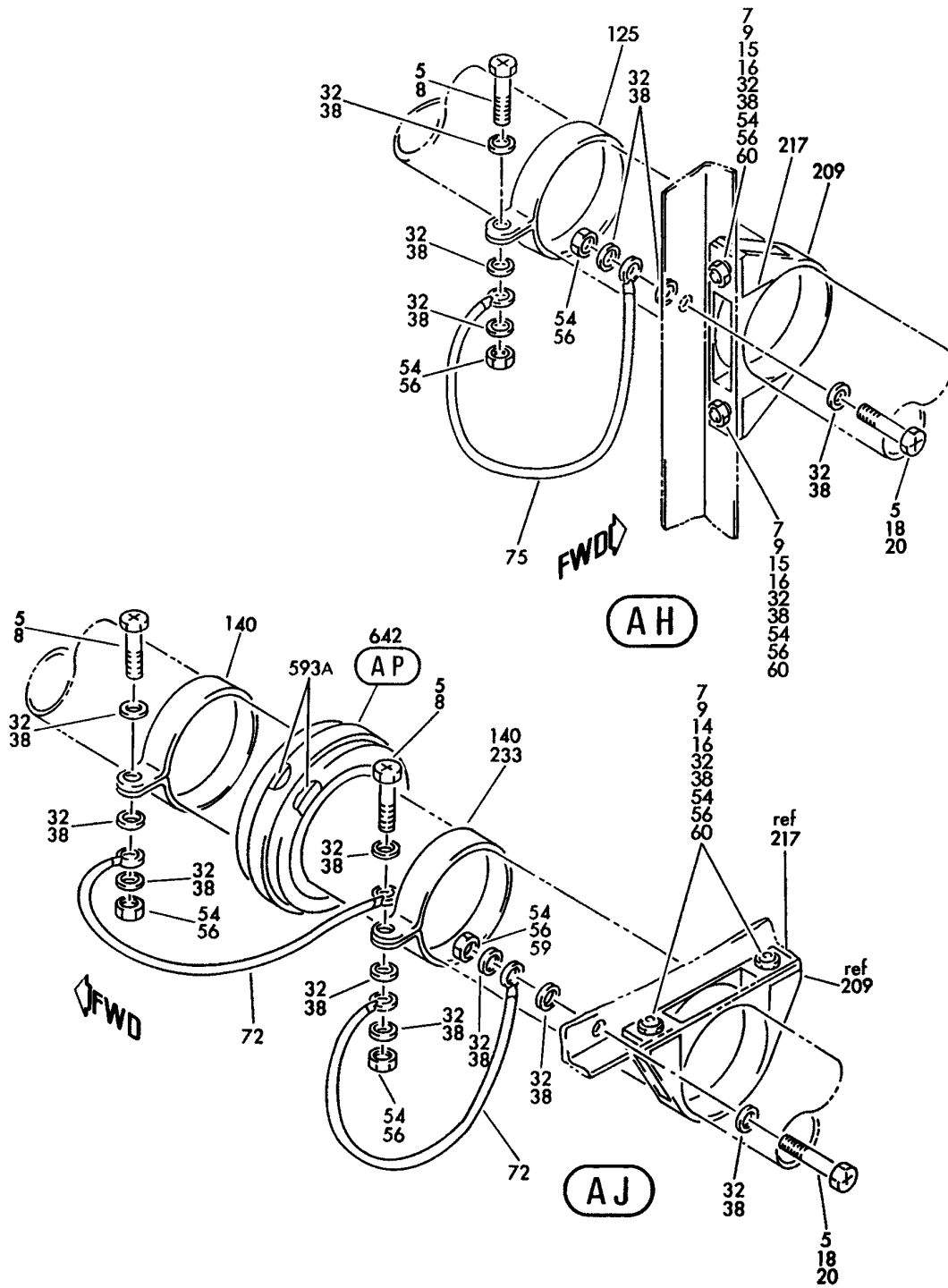
TUBING INSTL-FUELING SYS (L AND CTR SECTIONS)  
FIGURE 1 (SHEET 18)

**28-21-05-01**

BRI  
MAY 28/07

28-21-05-01  
PAGE 00

**BOEING**  
757  
PARTS CATALOG (MAINTENANCE)



Y 28210501 SHT 19 REV 287

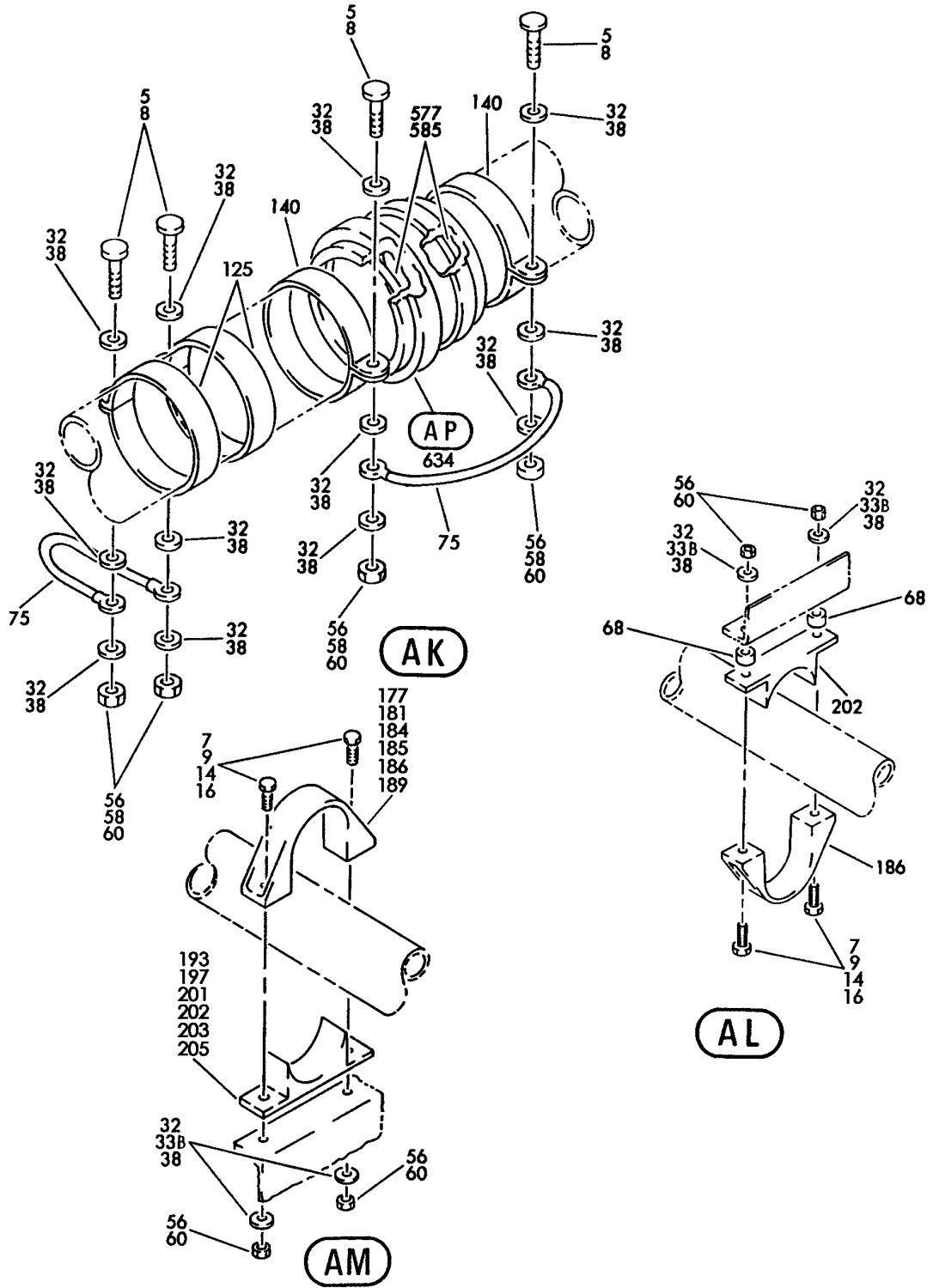
TUBING INSTL-FUELING SYS (L AND CTR SECTIONS)  
FIGURE 1 (SHEET 19)

**28-21-05-01**

BRI  
MAY 28/07

28-21-05-01  
PAGE OR

**BOEING**  
757  
PARTS CATALOG (MAINTENANCE)



Y 28210501 SHT 20 REV 287

TUBING INSTL-FUELING SYS (L AND CTR SECTIONS)  
FIGURE 1 (SHEET 20)

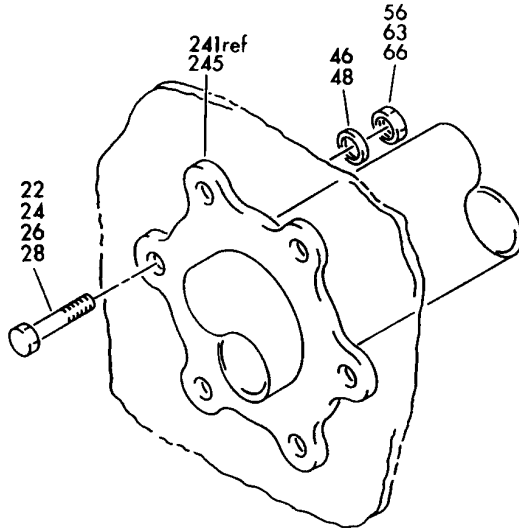
**28-21-05-01**

BRI  
MAY 28/07

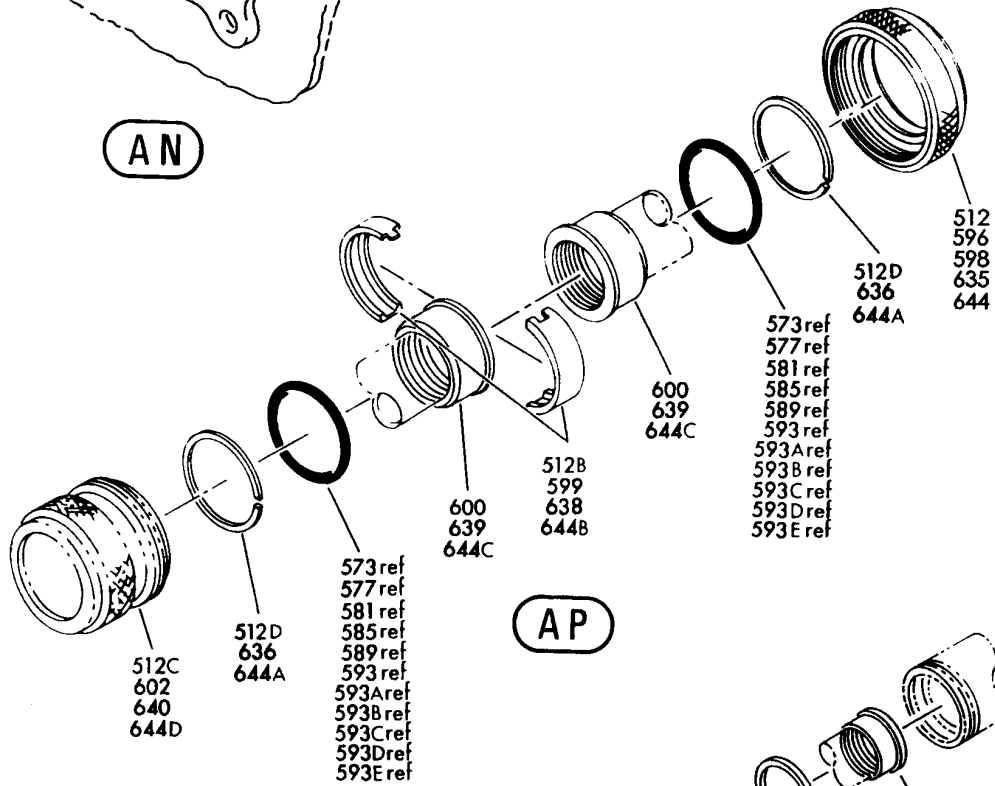
28-21-05-01  
PAGE 05



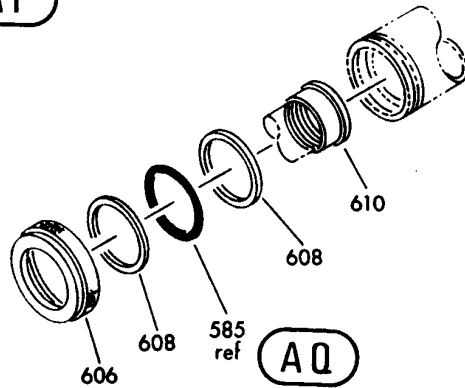
**BOEING**  
757  
PARTS CATALOG (MAINTENANCE)



**AN**



**AP**



**AQ**

Y 28210501 SHT 21 REV 207

TUBING INSTL-FUELING SYS (L AND CTR SECTIONS)  
FIGURE 1 (SHEET 21)

**28-21-05-01**

BRI  
MAY 28/07

28-21-05-01  
PAGE 0T



757

PARTS CATALOG (MAINTENANCE)

| FIG ITEM | PART NUMBER  | 1 2 3 4 5 6 7 | NOMENCLATURE   | EFFECT FROM TO                       | UNITS PER ASSY |
|----------|--------------|---------------|--|--------------------------------------|----------------|
| 1        |              |               | TUBING INSTL-FUELING SYS<br>(L AND CTR SECTIONS)   | 002004<br>006102<br>107999           |                |
| - 1      | 344N4001-34  |               | TUBING INSTL-FUELING SYS<br>POSITION DATA:<br>L AND CTR SECTIONS<br>FOR NHA/ADDITIONAL DET SEE:<br>28-20-51-01 | 107107                               | RF             |
| - 1      | 344N4001-39  |               | TUBING INSTL-FUELING SYS<br>POSITION DATA:<br>L AND CTR SECTIONS<br>FOR NHA/ADDITIONAL DET SEE:<br>28-20-51-01 | 904949                               | RF             |
| - 1      | 344N4001-40  |               | TUBING INSTL-FUELING SYS<br>POSITION DATA:<br>L AND CTR SECTIONS<br>FOR NHA/ADDITIONAL DET SEE:<br>28-20-51-01 | 002004<br>006017<br>121503<br>950999 | RF             |
| - 1      | 344N4001-43  |               | TUBING INSTL-FUELING SYS<br>POSITION DATA:<br>L AND CTR SECTIONS<br>FOR NHA/ADDITIONAL DET SEE:<br>28-20-51-01 | 018100                               | RF             |
| - 1      | 344N4001-48  |               | TUBING INSTL-FUELING SYS<br>POSITION DATA:<br>L AND CTR SECTIONS<br>FOR NHA/ADDITIONAL DET SEE:<br>28-20-51-01 | 101102<br>108120<br>504903           | RF             |
| 2        | NAS1801-3-8  |               | .SCREW   | 002004<br>006102<br>108999           | 6              |
| 3        | NAS1801-3-7  |               | .SCREW   | 002004<br>006102<br>107999           | 3              |
| 4A       | NAS1801-3-8  |               | .SCREW-  | 107107                               | 4              |
| 4B       | NAS1801-3-8  |               | .SCREW-<br>PRE SERVICE BULLETIN:<br>28-0039  | 002004<br>006102<br>107999           | 1              |
| 5        | NAS1801-3-8  |               | .SCREW-  | 002004<br>006102<br>107999           | 59             |
| 9        | NAS1801-3-11 |               | .SCREW   | 950951                               | 48             |
| 13       | NAS1801-3-11 |               | .SCREW   | 107107                               | 2              |
| 13       | NAS1801-3-2  |               | .SCREW   | 002004<br>006102<br>108999           | 2              |
| 14A      | NAS1801-3-11 |               | .SCREW   | 002004<br>006102<br>107999           | 4              |

MISSING ITEM NUMBERS NOT APPLICABLE

- ITEM NOT ILLUSTRATED

28-21-05-01

28-21-05  
FIG. 01  
PAGE 1  
JAN 20/09

BRI



757

PARTS CATALOG (MAINTENANCE)

| FIG ITEM | PART NUMBER   | 1 2 3 4 5 6 7 | NOMENCLATURE                      | EFFECT FROM TO                       | UNITS PER ASSY |
|----------|---------------|---------------|-----------------------------------|--------------------------------------|----------------|
| 1        |               |               |                                   |                                      |                |
| 14B      | NAS1801-3-11  | .SCREW-       | PRE SERVICE BULLETIN:<br>28-0039  | 950951                               | 6              |
| 14C      | NAS1801-3-14  | .SCREW-       | POST SERVICE BULLETIN:<br>28-0039 | 107107<br>950951<br>953999           | 6              |
| 15       | NAS1801-3-10  | .SCREW        |                                   | 002004<br>006102<br>107999           | 2              |
| 16       | NAS1801-3-11  | .SCREW        |                                   | 002004<br>006102<br>107949<br>952999 | 54             |
| 17       | NAS1801-3-7   | .SCREW        |                                   | 002004<br>006102<br>107999           | 2              |
| 18A      | NAS1801-3-11  | .SCREW        |                                   | 002004<br>006102<br>108999           | 1              |
| 20       | NAS1801-3-13  | .SCREW        |                                   | 002004<br>006102<br>107999           | 20             |
| 24       | BACB30NM4K3   | .BOLT         |                                   | 002004<br>006102<br>107999           | 10             |
| 28       | BACB30NM3K4   | .BOLT         |                                   | 002004<br>006102<br>107999           | 10             |
| 31       | NAS1149D0332J | .WASHER-      | POST SERVICE BULLETIN:<br>28-0039 | 950951                               | 12             |
| 33A      | AN960D10L     | .WASHER-      |                                   | 002004<br>006102<br>107999           | 6              |
| 34       | AN960D10L     | .WASHER-      |                                   | 002004<br>006102<br>107949<br>952999 | 117            |
| 35       | AN960D10L     | .WASHER-      |                                   | 950951                               | 101            |
| 35A      | AN960D10L     | .WASHER-      |                                   | 950951                               | 4              |
| 36A      | AN960PD10L    | .WASHER-      |                                   | 950951                               | 12             |
| 37       | AN960PD10L    | .WASHER-      | PRE SERVICE BULLETIN:<br>28-0039  | 950951                               | 12             |
| 39       | AN960PD10L    | .WASHER       |                                   | 107107                               | 2              |
| 39       | AN960JD10L    | .WASHER       |                                   | 002004<br>006102<br>108999           | 2              |

MISSING ITEM NUMBERS NOT APPLICABLE

- ITEM NOT ILLUSTRATED

28-21-05-01

28-21-05  
FIG. 01  
PAGE 2  
JAN 20/09

BRI



757

PARTS CATALOG (MAINTENANCE)

| FIG ITEM | PART NUMBER | 1 2 3 4 5 6 7 | NOMENCLATURE  | EFFECT FROM TO             | UNITS PER ASSY |
|----------|-------------|---------------|---|----------------------------|----------------|
| 1        |             |               |   |                            |                |
| 41       | AN960D10L   | .             | WASHER  | 002004<br>006102<br>107999 | 4              |
| 42       | AN960PD10L  | .             | WASHER  | 002004<br>006102<br>107999 | 81             |
| 43       | AN960PD10L  | .             | WASHER  | 002004<br>006102<br>107999 | 8              |
| 45       | AN960PD10L  | .             | WASHER  | 002004<br>006102<br>107999 | 4              |
| 47       | AN960D10L   | .             | WASHER-   | 107107                     | 12             |
| 48       | AN960PD416L | .             | WASHER  | 002004<br>006102<br>107999 | 10             |
| 49       | AN960D10L   | .             | WASHER  | 002004<br>006102<br>108999 | 18             |
| 49A      | AN960JD10L  | .             | WASHER  | 002004<br>006102<br>108999 | 1              |
| 56       | BRH10A3     | .             | NUT-<br>SUPPLIER CODE:<br>V52828<br>SPECIFICATION NUMBER:<br>BACN10JC3<br>OPTIONAL PART:<br>H10-3BAC<br>V15653<br>NS202101-02<br>V80539<br>RMLH9075-3W<br>V72962<br>VN303A02<br>V92215<br>96-02<br>V80539<br>T6S1032J<br>V11815 | 002004<br>006102<br>107999 | 129            |

MISSING ITEM NUMBERS NOT APPLICABLE

- ITEM NOT ILLUSTRATED

BRI

28-21-05-01

BOEING PROPRIETARY - Copyright © - Unpublished Work - See title page for details.

28-21-05  
FIG. 01  
PAGE 3  
JAN 20/09



757

PARTS CATALOG (MAINTENANCE)

| FIG ITEM | PART NUMBER | 1 2 3 4 5 6 7 | NOMENCLATURE  | EFFECT FROM TO             | UNITS PER ASSY |
|----------|-------------|---------------|---|----------------------------|----------------|
| 1<br>57  | BRH10A3     | .NUT-         | SUPPLIER CODE:<br>V52828<br>SPECIFICATION NUMBER:<br>BACN10JC3<br>OPTIONAL PART:<br>H10-3BAC<br>V15653<br>NS202101-02<br>V80539<br>RMLH9075-3W<br>V72962<br>VN303A02<br>V92215<br>96-02<br>V80539<br>T6S1032J<br>V11815 | 002004<br>006102<br>107999 | 1              |
| 58       | BRH10A3     | .NUT-         | SUPPLIER CODE:<br>V52828<br>SPECIFICATION NUMBER:<br>BACN10JC3<br>OPTIONAL PART:<br>H10-3BAC<br>V15653<br>NS202101-02<br>V80539<br>RMLH9075-3W<br>V72962<br>VN303A02<br>V92215<br>96-02<br>V80539<br>T6S1032J<br>V11815 | 107107                     | 4              |

MISSING ITEM NUMBERS NOT APPLICABLE

- ITEM NOT ILLUSTRATED

BRI

28-21-05-01

BOEING PROPRIETARY - Copyright © - Unpublished Work - See title page for details.

28-21-05  
FIG. 01  
PAGE 4  
JAN 20/09



757

PARTS CATALOG (MAINTENANCE)

| FIG ITEM | PART NUMBER | 1 2 3 4 5 6 7 | NOMENCLATURE  | EFFECT FROM TO             | UNITS PER ASSY |
|----------|-------------|---------------|---|----------------------------|----------------|
| 1        | 61 BRH10A3  | .NUT          | SUPPLIER CODE:<br>V52828<br>SPECIFICATION NUMBER:<br>BACN10JC3<br>OPTIONAL PART:<br>H10-3BAC<br>V15653<br>NS202101-02<br>V80539<br>RMLH9075-3W<br>V72962<br>VN303A02<br>V92215<br>96-02<br>V80539<br>T6S1032J<br>V11815 | 002004<br>006102<br>107999 | 4              |
|          | 62 BRH10A3  | .NUT          | SUPPLIER CODE:<br>V52828<br>SPECIFICATION NUMBER:<br>BACN10JC3<br>OPTIONAL PART:<br>H10-3BAC<br>V15653<br>NS202101-02<br>V80539<br>RMLH9075-3W<br>V72962<br>VN303A02<br>V92215<br>96-02<br>V80539<br>T6S1032J<br>V11815 | 002004<br>006102<br>108999 | 7              |

MISSING ITEM NUMBERS NOT APPLICABLE

- ITEM NOT ILLUSTRATED

BRI

28-21-05-01

BOEING PROPRIETARY - Copyright © - Unpublished Work - See title page for details.

28-21-05  
FIG. 01  
PAGE 5  
JAN 20/09



757

PARTS CATALOG (MAINTENANCE)

| FIG ITEM | PART NUMBER | 1 2 3 4 5 6 7 | NOMENCLATURE  | EFFECT FROM TO             | UNITS PER ASSY |
|----------|-------------|---------------|---|----------------------------|----------------|
| 1<br>66  | BRH10A4     | .NUT          | SUPPLIER CODE:<br>V52828<br>SPECIFICATION NUMBER:<br>BACN10JC4<br>OPTIONAL PART:<br>T6S428J<br>V11815<br>96-048<br>V80539<br>VN303A048<br>V92215<br>RMLH9075-4W<br>V72962<br>NS202101-048<br>V80539<br>H10-4BAC<br>V15653 | 002004<br>006102<br>107999 | 10             |
| 68       | NAS43DD3-36 | .SPACER       |   | 002004<br>006102<br>108999 | 2              |
| 70       | 740A20-5    | .JUMPER ASSY  | SUPPLIER CODE:<br>V91812<br>SPECIFICATION NUMBER:<br>BACJ40A20-5<br>OPTIONAL PART:<br>TJEJ40A20-5<br>V33483<br>RBEJ20-5<br>V1GK47   | 107107                     | 1              |
| 70       | 740A20-4    | .JUMPER ASSY  | SUPPLIER CODE:<br>V91812<br>SPECIFICATION NUMBER:<br>BACJ40A20-4<br>OPTIONAL PART:<br>TJEJ40A20-4<br>V33483<br>RBEJ20-4<br>V1GK47   | 002004<br>006102<br>108999 | 1              |

MISSING ITEM NUMBERS NOT APPLICABLE

- ITEM NOT ILLUSTRATED

28-21-05-01

28-21-05  
FIG. 01  
PAGE 6  
JAN 20/09

BRI



757

PARTS CATALOG (MAINTENANCE)

| FIG ITEM | PART NUMBER | 1 2 3 4 5 6 7 | NOMENCLATURE   | EFFECT FROM TO             | UNITS PER ASSY |
|----------|-------------|---------------|--|----------------------------|----------------|
| 1        |             |               |  |                            |                |
| 71       | 740A20-5    | .             | JUMPER ASSY<br>SUPPLIER CODE:<br>V91812<br>SPECIFICATION NUMBER:<br>BACJ40A20-5<br>OPTIONAL PART:<br>TJEJ40A20-5<br>V33483<br>RBEJ20-5<br>V1GK47 | 107107                     | 2              |
| 72       | 740A20-5    | .             | JUMPER ASSY<br>SUPPLIER CODE:<br>V91812<br>SPECIFICATION NUMBER:<br>BACJ40A20-5<br>OPTIONAL PART:<br>TJEJ40A20-5<br>V33483<br>RBEJ20-5<br>V1GK47 | 002004<br>006102<br>107999 | 4              |
| 74       | 740A20-5    | .             | JUMPER ASSY<br>SUPPLIER CODE:<br>V91812<br>SPECIFICATION NUMBER:<br>BACJ40A20-5<br>OPTIONAL PART:<br>TJEJ40A20-5<br>V33483<br>RBEJ20-5<br>V1GK47 | 002004<br>006102<br>107999 | 1              |
| 77       | 740A20-5    | .             | JUMPER ASSY<br>SUPPLIER CODE:<br>V91812<br>SPECIFICATION NUMBER:<br>BACJ40A20-5<br>OPTIONAL PART:<br>TJEJ40A20-5<br>V33483<br>RBEJ20-5<br>V1GK47 | 002004<br>006102<br>108999 | 2              |
| 83       | BACJ40A21-5 | .             | JUMPER ASSY  | 002004<br>006102<br>107999 | 1              |

MISSING ITEM NUMBERS NOT APPLICABLE

- ITEM NOT ILLUSTRATED

BRI

28-21-05-01

BOEING PROPRIETARY - Copyright © - Unpublished Work - See title page for details.

28-21-05  
FIG. 01  
PAGE 7  
JAN 20/09





757

PARTS CATALOG (MAINTENANCE)

| FIG ITEM | PART NUMBER     | 1 2 3 4 5 6 7 | NOMENCLATURE  | EFFECT FROM TO             | UNITS PER ASSY |
|----------|-----------------|---------------|---|----------------------------|----------------|
| 1        | 91 740A20-4     |               | . JUMPER ASSY<br>SUPPLIER CODE:<br>V91812<br>SPECIFICATION NUMBER:<br>BACJ40A20-4<br>OPTIONAL PART:<br>TJEJ40A20-4<br>V33483<br>RBEJ20-4<br>V1GK47    | 002004<br>006102<br>107999 | 11             |
|          | 97 740A20-4     |               | . JUMPER ASSY<br>SUPPLIER CODE:<br>V91812<br>SPECIFICATION NUMBER:<br>BACJ40A20-4<br>OPTIONAL PART:<br>TJEJ40A20-4<br>V33483<br>RBEJ20-4<br>V1GK47    | 002004<br>006102<br>108999 | 1              |
|          | 103 BACJ40A20-8 |               | . JUMPER ASSY   | 002004<br>006102<br>107999 | 3              |
|          | 107 740A20-6    |               | . JUMPER ASSY-<br>SUPPLIER CODE:<br>V91812<br>SPECIFICATION NUMBER:<br>BACJ40A20-6<br>OPTIONAL PART:<br>TJEJ40A20-6<br>V33483<br>RBEJ20-6<br>V1GK47   | 002004<br>006102<br>107999 | 4              |
|          | 111 740A20-10   |               | . JUMPER ASSY<br>SUPPLIER CODE:<br>V91812<br>SPECIFICATION NUMBER:<br>BACJ40A20-10<br>OPTIONAL PART:<br>TJEJ40A20-10<br>V33483<br>RBEJ20-10<br>V1GK47 | 002004<br>006102<br>107999 | 1              |
|          | 124 AN735DC32   |               | . CLAMP-<br>PRE SERVICE BULLETIN:<br>28-0039  | 950951                     | 1              |
|          | 124 AN735DC48   |               | . CLAMP-<br>POST SERVICE BULLETIN:<br>28-0039   | 107107<br>950951<br>953999 | 1              |

MISSING ITEM NUMBERS NOT APPLICABLE

- ITEM NOT ILLUSTRATED

28-21-05-01

28-21-05  
FIG. 01  
PAGE 8  
JAN 20/09

BRI



757

PARTS CATALOG (MAINTENANCE)

| FIG ITEM | PART NUMBER | 1 2 3 4 5 6 7 | NOMENCLATURE          | EFFECT FROM TO | UNITS PER ASSY |
|----------|-------------|---------------|-----------------------|----------------|----------------|
| 1        |             |               |                       |                |                |
| 125      | AN735DC32   | .             | CLAMP-                | 950951         | 25             |
| 128      | AN735DC32   | .             | CLAMP-                | 002004         | 1              |
|          |             |               |                       | 006102         |                |
|          |             |               |                       | 107999         |                |
| 129      | AN735DC32   | .             | CLAMP-                | 002004         | 3              |
|          |             |               |                       | 006102         |                |
|          |             |               |                       | 108999         |                |
| 133      | AN735DC32   | .             | CLAMP-                | 002004         | 1              |
|          |             |               |                       | 006102         |                |
|          |             |               |                       | 107999         |                |
| 135      | AN735DC40   | .             | CLAMP-                | 002004         | 2              |
|          |             |               |                       | 006102         |                |
|          |             |               |                       | 107999         |                |
| 140      | AN735DC28   | .             | CLAMP-                | 107107         | 6              |
| 142      | AN735DC24   | .             | CLAMP-                | 002004         | 3              |
|          |             |               |                       | 006102         |                |
|          |             |               |                       | 108999         |                |
| 144      | AN735DC24   | .             | CLAMP-                | 002004         | 1              |
|          |             |               |                       | 006102         |                |
|          |             |               |                       | 108999         |                |
| 146      | AN735DC16   | .             | CLAMP-                | 002004         | 2              |
|          |             |               |                       | 006102         |                |
|          |             |               |                       | 107999         |                |
| 157      | BACC10EW48B | .             | CLAMP SADDLE          | 002004         | 1              |
|          |             |               |                       | 006102         |                |
|          |             |               |                       | 107999         |                |
| 165      | BACC10EW40A | .             | CLAMP STRAP           | 002004         | 9              |
|          |             |               |                       | 006102         |                |
|          |             |               |                       | 107999         |                |
| 173      | BACC10EW40B | .             | CLAMP SADDLE          | 002004         | 9              |
|          |             |               |                       | 006102         |                |
|          |             |               |                       | 107999         |                |
| 175      | S258DT32    | .             | CLAMP                 | 002004         | 1              |
|          |             |               | SUPPLIER CODE:        | 006102         |                |
|          |             |               | V18076                | 108999         |                |
|          |             |               | SPECIFICATION NUMBER: |                |                |
|          |             |               | BACC10DW32D           |                |                |
|          |             |               | OPTIONAL PART:        |                |                |
|          |             |               | TA4C44D32T            |                |                |
|          |             |               | V84971                |                |                |
|          |             |               | 475-32                |                |                |
|          |             |               | V83930                |                |                |
|          |             |               | 8084D32T              |                |                |
|          |             |               | V72285                |                |                |
|          |             |               | 475A32                |                |                |
|          |             |               | V83930                |                |                |

MISSING ITEM NUMBERS NOT APPLICABLE

- ITEM NOT ILLUSTRATED

28-21-05-01

28-21-05  
FIG. 01  
PAGE 9  
JAN 20/09

BRI



757

PARTS CATALOG (MAINTENANCE)

| FIG ITEM | PART NUMBER | 1 2 3 4 5 6 7 | NOMENCLATURE                                       | EFFECT FROM TO   | UNITS PER ASSY |
|----------|-------------|---------------|--|--|----------------|
| 1        |             |               |  |  |                |
| 180      | BACC10EW32A | .             | CLAMP STRAP  | 002004<br>006100<br>107107<br>121503<br>904999           | 2              |
| 182      | BACC10EW48A | .             | CLAMP STRAP-<br>POST SERVICE BULLETIN:<br>28-0039  | 950951   | 3              |
| 183      | BACC10EW32A | .             | CLAMP STRAP-                                       | 002004<br>006100<br>107107<br>121503<br>904999           | 3              |
| 183      | BACC10EW48A | .             | CLAMP STRAP-<br>POST SERVICE BULLETIN:<br>28-0039  | 107107<br>953999   | 3              |
| 184      | BACC10EW32A | .             | CLAMP STRAP  | 950951   | 11             |
| 185      | BACC10EW32A | .             | CLAMP STRAP  | 002004<br>006100<br>107107<br>121503<br>904949<br>952999 | 14             |
| 187      | BACC10EW32A | .             | CLAMP STRAP  | 002004<br>006102<br>107999                               | 1              |
| 188      | BACC10EW32A | .             | CLAMP STRAP-<br>PRE SERVICE BULLETIN:<br>28-0039   | 950951   | 3              |
| 195      | BACC10EW32B | .             | CLAMP SADDLE                                       | 002004<br>006102<br>107999                               | 1              |
| 196      | BACC10EW32B | .             | CLAMP SADDLE                                       | 002004<br>006100<br>107107<br>121503<br>904999           | 2              |
| 199      | BACC10EW32B | .             | CLAMP SADDLE-                                      | 002004<br>006100<br>107107<br>121503<br>904999           | 3              |
| 199      | BACC10EW48B | .             | CLAMP SADDLE-<br>POST SERVICE BULLETIN:<br>28-0039 | 107107<br>953999   | 3              |
| 200      | BACC10EW48B | .             | CLAMP SADDLE-<br>POST SERVICE BULLETIN:<br>28-0039 | 950951   | 3              |

MISSING ITEM NUMBERS NOT APPLICABLE

- ITEM NOT ILLUSTRATED

28-21-05-01

28-21-05  
FIG. 01  
PAGE 10  
JAN 20/09

BRI



757

PARTS CATALOG (MAINTENANCE)

| FIG ITEM | PART NUMBER  | 1 2 3 4 5 6 7 | NOMENCLATURE  | EFFECT FROM TO   | UNITS PER ASSY |
|----------|--------------|---------------|---|--|----------------|
| 1        |              |               |   |  |                |
| 201      | BACC10EW32B  | .             | CLAMP SADDLE  | 002004<br>006100<br>107107<br>121503<br>904949<br>952999 | 14             |
| 203      | BACC10EW32B  | .             | CLAMP SADDLE  | 950951   | 11             |
| 204      | BACC10EW32B  | .             | CLAMP SADDLE-<br>PRE SERVICE BULLETIN:<br>28-0039   | 950951   | 3              |
| 209      | BACC10EW28A  | .             | CLAMP STRAP-  | 107107   | 4              |
| 209      | BACC10EW24A  | .             | CLAMP STRAP-  | 002004<br>006102<br>108999                               | 4              |
| 217      | BACC10EW28B  | .             | CLAMP SADDLE-   | 107107   | 4              |
| 217      | BACC10EW24B  | .             | CLAMP SADDLE-   | 002004<br>006102<br>108999                               | 4              |
| 225      | 760-14-2-8AF | .             | CLAMP-<br>SUPPLIER CODE:<br>V83930<br>SPECIFICATION NUMBER:<br>BACC10M514<br>OPTIONAL PART:<br>TA4C34D14AF<br>V84971<br>TA4C34-14AF<br>V84971 | 018100<br>108120<br>504903                               | 2              |
| 233      | 760-16-2-8AF | .             | CLAMP-<br>SUPPLIER CODE:<br>V83930<br>SPECIFICATION NUMBER:<br>BACC10M516<br>OPTIONAL PART:<br>TA4C34D16AF<br>V84971<br>TA4C34-16AF<br>V84971 | 107107   | 6              |
| 241      | 344N2019-25  | .             | TUBE ASSY-  | 002004<br>006102<br>107999                               | 1              |
| 245      | 344N2019-27  | ..            | WELD ASSY   | 002004<br>006102<br>107999                               | 1              |
| 249      | 344N4001-33  | .             | TUBE ASSY-<br>TUBING MATERIAL:<br>2.0 IN. OD .028 IN. WALL<br>19.3 IN. LG WW-T-700/6<br>6061 T4 TUBING  | 002004<br>006102<br>107999                               | 1              |

MISSING ITEM NUMBERS NOT APPLICABLE

- ITEM NOT ILLUSTRATED

28-21-05-01

28-21-05  
FIG. 01  
PAGE 11  
JAN 20/09

BRI

BOEING PROPRIETARY - Copyright © - Unpublished Work - See title page for details.



757

PARTS CATALOG (MAINTENANCE)

| FIG ITEM | PART NUMBER | 1 2 3 4 5 6 7 | NOMENCLATURE  | EFFECT FROM TO                                 | UNITS PER ASSY |
|----------|-------------|---------------|---|--|----------------|
| 1        |             |               |   |  |                |
| - 253    | BACF32E32   | ..            | FERRULE<br>SUPPLIER CODE:<br>V79326<br>SPECIFICATION NUMBER:<br>BACF32E32<br>OPTIONAL PART:<br>63052-32<br>V79326 | 002004<br>006102<br>107999                     | 1              |
| 273      | 344N2034-1  | .             | TUBE ASSY   | 002004<br>006102<br>107999                     | 1              |
| - 277    | BACF32E32   | ..            | FERRULE<br>SUPPLIER CODE:<br>V79326<br>SPECIFICATION NUMBER:<br>BACF32E32<br>OPTIONAL PART:<br>63052-32<br>V79326 | 002004<br>006102<br>107999                     | 2              |
| 281      | 344N2033-5  | .             | TUBE ASSY-<br>PRE SERVICE BULLETIN:<br>28-0039  | 002004<br>006017<br>121503<br>904952           | 1              |
| 283      | 344N2033-14 | .             | WELD ASSY-<br>POST SERVICE BULLETIN:<br>28-0039   | 018102<br>107120<br>504903<br>953999           | 1              |
| - 285    | BACF32E32   | ..            | FERRULE<br>SUPPLIER CODE:<br>V79326<br>SPECIFICATION NUMBER:<br>BACF32E32<br>OPTIONAL PART:<br>63052-32<br>V79326 | 002004<br>006017<br>107107<br>121503<br>904999 | 1              |
| 289      | 344N4001-5  | .             | TUBE ASSY-<br>TUBING MATERIAL:<br>STOCK 2.00 O.D. X .028<br>WALL 6061-T4 SEAMLESS AL<br>TUBING PER WW-T-700/6.    | 002004<br>006102<br>107999                     | 1              |
| - 293    | BACF32E32   | ..            | FERRULE<br>SUPPLIER CODE:<br>V79326<br>SPECIFICATION NUMBER:<br>BACF32E32<br>OPTIONAL PART:<br>63052-32<br>V79326 | 002004<br>006102<br>107999                     | 2              |

MISSING ITEM NUMBERS NOT APPLICABLE

- ITEM NOT ILLUSTRATED

28-21-05-01

28-21-05  
FIG. 01  
PAGE 12  
JAN 20/09

BRI



757

PARTS CATALOG (MAINTENANCE)

| FIG ITEM | PART NUMBER | 1 2 3 4 5 6 7 | NOMENCLATURE  | EFFECT FROM TO                                 | UNITS PER ASSY |
|----------|-------------|---------------|---|--|----------------|
| 1        |             |               |   |  |                |
| 297      | 344N2014-1  | .             | TUBE ASSY   | 002004<br>006102<br>107999                     | 1              |
| - 298    | BACF32E32   | ..            | FERRULE<br>SUPPLIER CODE:<br>V79326<br>SPECIFICATION NUMBER:<br>BACF32E32<br>OPTIONAL PART:<br>63052-32<br>V79326 | 002004<br>006102<br>107999                     | 3              |
| - 299    | 344N2014-3  | ..            | WELD ASSY   | 002004<br>006102<br>107999                     | 1              |
| 301      | 344N4001-6  | .             | TUBE ASSY-<br>TUBING MATERIAL:<br>2.0 IN. OD .028 IN. WALL<br>55.78 IN. LG WW-T-700/6<br>6061 T4 TUBING           | 002004<br>006102<br>107999                     | 1              |
| - 305    | BACF32E32   | ..            | FERRULE<br>SUPPLIER CODE:<br>V79326<br>SPECIFICATION NUMBER:<br>BACF32E32<br>OPTIONAL PART:<br>63052-32<br>V79326 | 002004<br>006102<br>107999                     | 2              |
| 309      | 344N4001-19 | .             | TUBE ASSY-<br>TUBING MATERIAL:<br>2.0 IN. OD .028 IN. WALL<br>20.1 IN. LG WW-T-700/6<br>6061 T4 TUBING            | 002004<br>006102<br>107999                     | 1              |
| - 313    | BACF32E32   | ..            | FERRULE<br>SUPPLIER CODE:<br>V79326<br>SPECIFICATION NUMBER:<br>BACF32E32<br>OPTIONAL PART:<br>63052-32<br>V79326 | 002004<br>006102<br>107999                     | 1              |
| - 317    | 63052-32-40 | ..            | FERRULE-<br>SUPPLIER CODE:<br>V79326  | 002004<br>006102<br>107999                     | 1              |
| 321      | 344N2017-6  | .             | TUBE ASSY-  | 002004<br>006017<br>107107<br>121503<br>904999 | 1              |

MISSING ITEM NUMBERS NOT APPLICABLE

- ITEM NOT ILLUSTRATED

28-21-05-01

28-21-05  
FIG. 01  
PAGE 13  
JAN 20/09

BRI



757

PARTS CATALOG (MAINTENANCE)

| FIG ITEM    | PART NUMBER                         | 1 2 3 4 5 6 7 | NOMENCLATURE  | EFFECT FROM TO                                 | UNITS PER ASSY |  |
|-------------|-------------------------------------|---------------|---|--|----------------|--|
| R<br>R<br>R | 1 321                               | 344N2017-10   | .TUBE ASSY-   | 002004<br>006102<br>107999                     | 1              |  |
|             | - 325                               | BACF32E32     | ..FERRULE<br>SUPPLIER CODE:<br>V79326<br>SPECIFICATION NUMBER:<br>BACF32E32<br>OPTIONAL PART:<br>63052-32<br>V79326 | 002004<br>006102<br>107999                     | 1              |  |
|             | - 329                               | S3052-40A     | ..FERRULE<br>SUPPLIER CODE:<br>V79326<br>SPECIFICATION NUMBER:<br>BACF32E40A  | 002004<br>006102<br>107999                     | 2              |  |
|             | 333                                 | 344N2017-7    | ..WELD ASSY-  | 002004<br>006017<br>107107<br>121503<br>904999 | 1              |  |
|             | 333                                 | 344N2017-11   | ..WELD ASSY-  | 018102<br>108120<br>504903                     | 1              |  |
|             | 337                                 | 344N4001-36   | .TUBE ASSY-<br>TUBING MATERIAL:<br>STOCK 2.00 O.D. X .028<br>WALL 6061-T4 SEAMLESS AL<br>TUBING PER WW-T-700/6.     | 002004<br>006102<br>107999                     | 1              |  |
|             | - 341                               | BACF32E32     | ..FERRULE<br>SUPPLIER CODE:<br>V79326<br>SPECIFICATION NUMBER:<br>BACF32E32<br>OPTIONAL PART:<br>63052-32<br>V79326 | 002004<br>006102<br>107999                     | 2              |  |
|             | 345                                 | 344N4001-17   | .TUBE ASSY-<br>TUBING MATERIAL:<br>2.5 IN. OD .035 IN. WALL<br>24.7 IN. LG WW-T-700/6<br>6061 T4 TUBING             | 002004<br>006102<br>107999                     | 1              |  |
|             | - 349                               | S3052-40A     | ..FERRULE<br>SUPPLIER CODE:<br>V79326<br>SPECIFICATION NUMBER:<br>BACF32E40A  | 002004<br>006102<br>107999                     | 2              |  |
|             | MISSING ITEM NUMBERS NOT APPLICABLE |               |   |  |                |  |

- ITEM NOT ILLUSTRATED

28-21-05-01

28-21-05  
FIG. 01  
PAGE 14  
MAY 20/09

BRI



757

PARTS CATALOG (MAINTENANCE)

| FIG ITEM | PART NUMBER   | 1 2 3 4 5 6 7 | NOMENCLATURE  | EFFECT FROM TO                                 | UNITS PER ASSY |
|----------|---------------|---------------|---|--|----------------|
| 1        |               |               |   |  |                |
| 353      | 344N2015-10   | .             | TUBE ASSY-  | 002004<br>006017<br>107107<br>121503<br>904999 | 1              |
| 353      | 344N2015-16   | .             | TUBE ASSY-  | 018102<br>108120<br>504903                     | 1              |
| - 357    | BACF32E32     | ..            | FERRULE<br>SUPPLIER CODE:<br>V79326<br>SPECIFICATION NUMBER:<br>BACF32E32<br>OPTIONAL PART:<br>63052-32<br>V79326 | 002004<br>006102<br>107999                     | 1              |
| - 361    | S3052-40A     | ..            | FERRULE<br>SUPPLIER CODE:<br>V79326<br>SPECIFICATION NUMBER:<br>BACF32E40A  | 002004<br>006102<br>107999                     | 2              |
| 365      | 344N2015-11   | ..            | WELD ASSY-  | 002004<br>006017<br>107107<br>121503<br>904999 | 1              |
| 365      | 344N2015-15   | ..            | WELD ASSY   | 018102<br>108120<br>504903                     | 1              |
| 369      | 344N4001-35   | .             | TUBE ASSY-<br>TUBING MATERIAL:<br>2.0 IN. OD .028 IN. WALL<br>22.3 IN. LG WW-T-700/6<br>6061 T4 TUBING            | 002004<br>006017<br>107107<br>121503<br>904999 | 1              |
| - 373    | BACF32E32     | ..            | FERRULE<br>SUPPLIER CODE:<br>V79326<br>SPECIFICATION NUMBER:<br>BACF32E32<br>OPTIONAL PART:<br>63052-32<br>V79326 | 002004<br>006102<br>107999                     | 2              |
| 380      | NAS1801-3-8   | .             | SCREW-<br>POST SERVICE BULLETIN:<br>28-0039   | 107107<br>950951<br>953999                     | 6              |
| 385      | NAS1149D0332J | .             | WASHER-<br>POST SERVICE BULLETIN:<br>28-0039  | 107107<br>950951<br>953999                     | 12             |

MISSING ITEM NUMBERS NOT APPLICABLE

- ITEM NOT ILLUSTRATED

28-21-05-01

28-21-05  
FIG. 01  
PAGE 15  
JAN 20/09

BRI





757

PARTS CATALOG (MAINTENANCE)

| FIG ITEM | PART NUMBER | 1 2 3 4 5 6 7 | NOMENCLATURE  | EFFECT FROM TO             | UNITS PER ASSY |
|----------|-------------|---------------|---|----------------------------|----------------|
| 1<br>390 | BRH10A3     |               | .NUT-<br>SUPPLIER CODE:<br>V52828<br>SPECIFICATION NUMBER:<br>BACN10JC3<br>OPTIONAL PART:<br>H10-3BAC<br>V15653<br>NS202101-02<br>V80539<br>RMLH9075-3W<br>V72962<br>VN303A02<br>V92215<br>96-02<br>V80539<br>T6S1032J<br>V11815<br>POST SERVICE BULLETIN:<br>28-0039 | 107107<br>950951<br>953999 | 6              |
| 395      | 344N2032-7  |               | .BRACKET-<br>POST SERVICE BULLETIN:<br>28-0039  | 107107<br>950951<br>953999 | 2              |
| 400      | 344N2032-8  |               | .BRACKET-<br>POST SERVICE BULLETIN:<br>28-0039  | 107107<br>950951<br>953999 | 1              |
| 457      | 344N2030-14 |               | .TUBE ASSY-   | 107107                     | 2              |
| - 461    | S83052-28   |               | ..FERRULE<br>SUPPLIER CODE:<br>V79326<br>SPECIFICATION NUMBER:<br>BACF32F28<br>OPTIONAL PART:<br>TC010-28<br>V24984   | 107107                     | 1              |
| 465      | 344N2030-15 |               | ..WELD ASSY   | 107107                     | 1              |
| 469      | 344N2030-2  |               | .TUBE ASSY-   | 107107                     | 2              |
| 470      | 344N2030-34 |               | .TUBE ASSY  | 002004<br>006102<br>108999 | 1              |

MISSING ITEM NUMBERS NOT APPLICABLE

- ITEM NOT ILLUSTRATED

28-21-05-01

28-21-05  
FIG. 01  
PAGE 16  
JAN 20/09

BRI



757

PARTS CATALOG (MAINTENANCE)

| FIG ITEM | PART NUMBER | 1 2 3 4 5 6 7 | NOMENCLATURE  | EFFECT FROM TO             | UNITS PER ASSY |
|----------|-------------|---------------|---|----------------------------|----------------|
| 1        |             |               |   |                            |                |
| - 473    | BACC42T28   | ..            | COUPLING<br>SUPPLIER CODE:<br>V24984<br>SPECIFICATION NUMBER:<br>BACC42T28<br>OPTIONAL PART:<br>S83051-28<br>V79326<br>83051-28<br>V79326 | 107107                     | 1              |
| - 477    | S3052-28    | ..            | FERRULE<br>SUPPLIER CODE:<br>V79326<br>SPECIFICATION NUMBER:<br>BACF32E28<br>OPTIONAL PART:<br>63052-28<br>V79326                         | 107107                     | 1              |
| - 478    | S83052-24   | ..            | FERRULE<br>SUPPLIER CODE:<br>V79326<br>SPECIFICATION NUMBER:<br>BACF32F24<br>OPTIONAL PART:<br>TC010-24<br>V24984                         | 002004<br>006102<br>108999 | 1              |
| 480      | 344N2030-36 | ..            | WELD ASSY   | 002004<br>006102<br>108999 | 1              |
| 481      | 344N2030-5  | ..            | WELD ASSY   | 107107                     | 1              |
| 485      | 344N2030-1  | .             | TUBE ASSY-  | 107107                     | 2              |
| 486      | 344N2030-19 | .             | TUBE ASSY-<br>TUBING MATERIAL:<br>1.5 IN. OD .028 IN.<br>WALL 39.4 IN. LG<br>WW-T-700/6 6061 T4<br>TUBING                                 | 002004<br>006102<br>108999 | 1              |
| 487      | 344N2030-31 | .             | TUBE ASSY   | 002004<br>006102<br>108999 | 1              |
| - 489    | 63052-28-32 | ..            | FERRULE-REDUCING<br>SUPPLIER CODE:<br>V79326  | 107107                     | 1              |
| - 489    | 63052-24-32 | ..            | FERRULE-REDUCING<br>SUPPLIER CODE:<br>V79326<br>USED ON:<br>344N2030-19   | 002004<br>006102<br>108999 | 1              |

MISSING ITEM NUMBERS NOT APPLICABLE

- ITEM NOT ILLUSTRATED

28-21-05-01

28-21-05  
FIG. 01  
PAGE 17  
JAN 20/09

BRI



757

PARTS CATALOG (MAINTENANCE)

| FIG ITEM | PART NUMBER | 1 2 3 4 5 6 7 | NOMENCLATURE   | EFFECT FROM TO             | UNITS PER ASSY |
|----------|-------------|---------------|--|----------------------------|----------------|
| 1        |             |               |  |                            |                |
| - 491    | TC036-24AE  | ..            | COUPLING-<br>SUPPLIER CODE:<br>V24984<br>SPECIFICATION NUMBER:<br>AS1732D24<br>OPTIONAL PART:<br>AS83051-24DE<br>V79326<br>USED ON:<br>344N2030-19 | 002004<br>006102<br>108999 | 1              |
| - 493    | S3052-28    | ..            | FERRULE<br>SUPPLIER CODE:<br>V79326<br>SPECIFICATION NUMBER:<br>BACF32E28<br>OPTIONAL PART:<br>63052-28<br>V79326                                  | 107107                     | 1              |
| - 495    | S83052-32   | ..            | FERRULE-<br>SUPPLIER CODE:<br>V79326<br>SPECIFICATION NUMBER:<br>BACF32F32<br>OPTIONAL PART:<br>TC010-32<br>V24984<br>USED ON:<br>344N2030-31      | 002004<br>006102<br>108999 | 1              |
| 497      | 344N2030-4  | ..            | WELD ASSY  | 107107                     | 1              |
| 500      | 344N2030-33 | ..            | WELD ASSY-<br>USED ON:<br>344N2030-31  | 002004<br>006102<br>108999 | 1              |
| 501      | 344N2022-19 | .             | TUBE ASSY-   | 002004<br>006102<br>107999 | 1              |
| 505      | 344N2022-20 | .             | TUBE ASSY-   | 107107                     | 1              |
| 507      | 344N2022-24 | .             | TUBE ASSY  | 002004<br>006102<br>108999 | 1              |
| - 509    | BACF32E32   | ..            | FERRULE<br>SUPPLIER CODE:<br>V79326<br>SPECIFICATION NUMBER:<br>BACF32E32<br>OPTIONAL PART:<br>63052-32<br>V79326                                  | 107107                     | 2              |

MISSING ITEM NUMBERS NOT APPLICABLE

- ITEM NOT ILLUSTRATED

28-21-05-01

28-21-05  
FIG. 01  
PAGE 18  
JAN 20/09

BRI



757

PARTS CATALOG (MAINTENANCE)

| FIG ITEM | PART NUMBER | 1 2 3 4 5 6 7 | NOMENCLATURE  | EFFECT FROM TO             | UNITS PER ASSY |
|----------|-------------|---------------|---|----------------------------|----------------|
| 1        |             |               |   |                            |                |
| - 510    | 63052-32    |               | .. FERRULE<br>SUPPLIER CODE:<br>V79326<br>SPECIFICATION NUMBER:<br>AS1716D32<br>OPTIONAL PART:<br>12F63-32A<br>V24984       | 002004<br>006102<br>108999 | 1              |
| 511      | 83051-32A   |               | .. COUPLING ASSY<br>SUPPLIER CODE:<br>V79326<br>SPECIFICATION NUMBER:<br>AS1712D32<br>OPTIONAL PART:<br>12J63-32A<br>V24984 | 002004<br>006102<br>108999 | 1              |
| 512      | 12N63-32A   |               | ... NUT ASSY<br>SUPPLIER CODE:<br>V24984<br>SPECIFICATION NUMBER:<br>AS1714D32<br>OPTIONAL PART:<br>AS6305-32-03<br>V79326  | 002004<br>006102<br>108999 | 1              |
| 512B     | 12R63-32A   |               | ... RETAINER<br>SUPPLIER CODE:<br>V24984<br>SPECIFICATION NUMBER:<br>AS1717D32  | 002004<br>006102<br>108999 | 2              |
| 512C     | 12C63-32A   |               | ... BODY<br>SUPPLIER CODE:<br>V24984<br>SPECIFICATION NUMBER:<br>AS1718D32<br>OPTIONAL PART:<br>AS6305-32-1<br>V79326       | 002004<br>006102<br>108999 | 1              |
| 512D     | AS1715-32   |               | ... WASHER-   | 002004<br>006102<br>108999 | 2              |
| 513      | 344N2022-16 |               | . TUBE ASSY-  | 107107                     | 2              |
| 514      | 344N2022-25 |               | . TUBE ASSY   | 002004<br>006102<br>108999 | 1              |

MISSING ITEM NUMBERS NOT APPLICABLE

- ITEM NOT ILLUSTRATED

28-21-05-01

28-21-05  
FIG. 01  
PAGE 19  
JAN 20/09

BRI

 **BOEING**  
757  
**PARTS CATALOG (MAINTENANCE)**

| FIG ITEM | PART NUMBER | 1 2 3 4 5 6 7 | NOMENCLATURE   | EFFECT FROM TO             | UNITS PER ASSY |
|----------|-------------|---------------|--|----------------------------|----------------|
| 1        |             |               |  |                            |                |
| - 517    | BACF32E32   |               | .. FERRULE-<br>SUPPLIER CODE:<br>V79326<br>SPECIFICATION NUMBER:<br>BACF32E32<br>OPTIONAL PART:<br>63052-32<br>V79326                        | 002004<br>006102<br>107999 | 1              |
| - 521    | BACC42T32   |               | .. COUPLING<br>SUPPLIER CODE:<br>V24984<br>SPECIFICATION NUMBER:<br>BACC42T32<br>OPTIONAL PART:<br>S83051-32<br>V79326<br>83051-32<br>V79326 | 107107                     | 1              |
| 525      | 344N2022-17 |               | .. WELD ASSY-<br>USED ON:<br>344N2022-16   | 107107                     | 1              |
| 528      | 344N2022-28 |               | .. WELD ASSY   | 002004<br>006102<br>108999 | 1              |
| 529      | 344N2022-5  |               | . TUBE ASSY-   | 107107                     | 2              |
| 530      | 344N2022-23 |               | . TUBE ASSY  | 002004<br>006102<br>108999 | 1              |
| - 533    | S83052-32   |               | .. FERRULE<br>SUPPLIER CODE:<br>V79326<br>SPECIFICATION NUMBER:<br>BACF32F32<br>OPTIONAL PART:<br>TC010-32<br>V24984                         | 107107                     | 1              |
| - 535    | 63052-32    |               | .. FERRULE<br>SUPPLIER CODE:<br>V79326<br>SPECIFICATION NUMBER:<br>AS1716D32<br>OPTIONAL PART:<br>12F63-32A<br>V24984                        | 002004<br>006102<br>108999 | 1              |
| 537      | 344N2022-6  |               | .. WELD ASSY   | 107107                     | 1              |
| 540      | 344N2022-26 |               | .. WELD ASSY   | 002004<br>006102<br>108999 | 1              |
| 541      | 344N2025-1  |               | . TUBE ASSY-   | 107107                     | 1              |

MISSING ITEM NUMBERS NOT APPLICABLE

- ITEM NOT ILLUSTRATED

BRI

# 28-21-05-01

BOEING PROPRIETARY - Copyright © - Unpublished Work - See title page for details.

28-21-05  
FIG. 01  
PAGE 20  
JAN 20/09



757

PARTS CATALOG (MAINTENANCE)

| FIG ITEM | PART NUMBER | 1 2 3 4 5 6 7 | NOMENCLATURE  | EFFECT FROM TO                       | UNITS PER ASSY |
|----------|-------------|---------------|---|--------------------------------------|----------------|
| 1        |             |               |   |                                      |                |
| 541      | 344N2025-6  | .             | TUBE ASSY-<br>OPTIONAL PART:<br>344N2025-7  | 002004<br>006102<br>108999           | 1              |
| 541      | 344N2025-7  | .             | TUBE ASSY-<br>OPTIONAL PART:<br>344N2025-6  | 101102<br>108120<br>504903           | 1              |
| 545      | 344N2023-15 | .             | TUBE ASSY-  | 107107<br>904949                     | 1              |
| 545      | 344N2023-19 | .             | TUBE ASSY-  | 002004<br>006102<br>108903<br>950999 | 1              |
| - 548    | 63052-32    | ..            | FERRULE-<br>SUPPLIER CODE:<br>V79326<br>SPECIFICATION NUMBER:<br>AS1716D32<br>OPTIONAL PART:<br>12F63-32A<br>V24984<br>USED ON:<br>344N2025-6<br>344N2025-7 | 002004<br>006102<br>108999           | 1              |
| - 549    | BACF32E32   | ..            | FERRULE<br>SUPPLIER CODE:<br>V79326<br>SPECIFICATION NUMBER:<br>BACF32E32<br>OPTIONAL PART:<br>63052-32<br>V79326   | 107107                               | 2              |
| - 550    | S83052-8    | ..            | FERRULE-<br>SUPPLIER CODE:<br>V79326<br>SPECIFICATION NUMBER:<br>BACF32F8<br>OPTIONAL PART:<br>TC010-8<br>V24984<br>USED ON:<br>344N2023-15                 | 107107<br>904949                     | 1              |
| - 553    | B79S32      | ..            | FERRULE-<br>SUPPLIER CODE:<br>V79326<br>USED ON:<br>344N2025-6  | 002004<br>006102<br>107999           | 1              |

MISSING ITEM NUMBERS NOT APPLICABLE

- ITEM NOT ILLUSTRATED

28-21-05-01

28-21-05  
FIG. 01  
PAGE 21  
JAN 20/09

BRI



757

PARTS CATALOG (MAINTENANCE)

| FIG ITEM | PART NUMBER | 1 2 3 4 5 6 7 | NOMENCLATURE  | EFFECT FROM TO                       | UNITS PER ASSY |
|----------|-------------|---------------|---|--------------------------------------|----------------|
| 1        |             |               |   |                                      |                |
| - 555    | BACC42T32   |               | .. COUPLING-<br>SUPPLIER CODE:<br>V24984<br>SPECIFICATION NUMBER:<br>BACC42T32<br>OPTIONAL PART:<br>S83051-32<br>V79326<br>83051-32<br>V79326<br>USED ON:<br>344N2025-6 | 002004<br>006102<br>108999           | 1              |
| 557      | 344N2023-16 |               | .. WELD ASSY-<br>USED ON:<br>344N2023-15  | 107107<br>904949                     | 1              |
| 557      | 344N2023-20 |               | .. WELD ASSY-<br>USED ON:<br>344N2023-19  | 002004<br>006102<br>108903<br>950999 | 1              |
| 561      | 344N2025-2  |               | .. WELD ASSY-<br>USED ON:<br>344N2025-1<br>USED ON:<br>344N2025-6   | 002004<br>006102<br>107999           | 1              |
| 561      | 344N2025-8  |               | .. WELD ASSY-<br>USED ON:<br>344N2025-7   | 101102<br>108120<br>504903           | 1              |
| 565      | S73521-32   |               | . TEE-<br>SUPPLIER CODE:<br>V79326<br>OPTIONAL PART:<br>73521-32<br>V79326<br>VC510-32A<br>V16632   | 002004<br>006102<br>107999           | 1              |
| 565      | 73521-32    |               | . TEE-<br>SUPPLIER CODE:<br>V79326<br>OPTIONAL PART:<br>S73521-32<br>V79326<br>VC510-32A<br>V16632  | 002004<br>006102<br>107999           | 1              |

MISSING ITEM NUMBERS NOT APPLICABLE

- ITEM NOT ILLUSTRATED

BRI

28-21-05-01

BOEING PROPRIETARY - Copyright © - Unpublished Work - See title page for details.

28-21-05  
FIG. 01  
PAGE 22  
JAN 20/09



757

PARTS CATALOG (MAINTENANCE)

| FIG ITEM | PART NUMBER | 1 2 3 4 5 6 7  | NOMENCLATURE  | EFFECT FROM TO             | UNITS PER ASSY |
|----------|-------------|--|---|----------------------------|----------------|
| 1<br>565 | VC510-32A   | . TEE-   | SUPPLIER CODE:<br>V16632<br>OPTIONAL PART:<br>73521-32<br>V79326<br>S73521-32<br>V79326 | 002004<br>006102<br>107999 | 1              |
| 585      | MS29513-330 | . PACKING  |   | 002004<br>006102<br>107999 | 37             |
| 589      | MS29513-334 | . PACKING  |   | 002004<br>006102<br>107999 | 12             |
| 593      | MS29513-338 | . PACKING  |   | 002004<br>006102<br>107999 | 8              |
| 593A     | MS29513-328 | . PACKING-   |   | 107107                     | 4              |
| 593B     | MS29513-034 | . PACKING-   |   | 107107                     | 2              |
| 593C     | MS29513-034 | . PACKING  |   | 002004<br>006102<br>108999 | 1              |
| 593D     | MS29513-032 | . PACKING-   |   | 107107                     | 2              |
| 593E     | MS29512-08  | . PACKING  |   | 002004<br>006102<br>107999 | 2              |
| 594      | BACN10KN32  | . NUT ASSY-  |   | 107107                     | 2              |
| 594A     | BACN10KN32  | . NUT ASSY   |   | 002004<br>006102<br>108999 | 1              |
| 594B     | BACN10KN28  | . NUT ASSY-  |   | 107107                     | 2              |
| 595C     | BACC42R32   | . COUPLING ASSY-<br>SUPPLIER CODE:<br>V79326<br>SPECIFICATION NUMBER:<br>BACC42R32 |   | 002004<br>006102<br>107999 | 17             |
| 596      | BACN10KL32  | .. NUT ASSY  |   | 002004<br>006102<br>107999 | 1              |
| 596      | BACN10KL32  | .. NUT ASSY  |   | 002004<br>006102<br>107999 | 1              |
| 598      | BACR12BN32  | .. RING  |   | 002004<br>006102<br>107999 | 2              |
| 598      | BACR12BN32  | .. RING  |   | 002004<br>006102<br>107999 | 2              |

MISSING ITEM NUMBERS NOT APPLICABLE

- ITEM NOT ILLUSTRATED

28-21-05-01

28-21-05  
FIG. 01  
PAGE 23  
JAN 20/09

BRI





757

PARTS CATALOG (MAINTENANCE)

| FIG ITEM | PART NUMBER | 1 2 3 4 5 6 7 | NOMENCLATURE  | EFFECT FROM TO             | UNITS PER ASSY |
|----------|-------------|---------------|---|----------------------------|----------------|
| 1        |             |               |   |                            |                |
| 599      | BACR10AD32  | ..            | RETAINER  | 002004<br>006102<br>107999 | 2              |
| 599      | BACR10AD32  | ..            | RETAINER  | 002004<br>006102<br>107999 | 2              |
| 600      | BACF32E32   | ..            | FERRULE<br>SUPPLIER CODE:<br>V79326<br>SPECIFICATION NUMBER:<br>BACF32E32<br>OPTIONAL PART:<br>63052-32<br>V79326 | 002004<br>006102<br>107999 | 2              |
| 600      | BACF32E32   | ..            | FERRULE<br>SUPPLIER CODE:<br>V79326<br>SPECIFICATION NUMBER:<br>BACF32E32<br>OPTIONAL PART:<br>63052-32<br>V79326 | 002004<br>006102<br>107999 | 2              |
| 602      | BACC42P32   | ..            | BODY  | 002004<br>006102<br>107999 | 1              |
| 602      | BACC42P32   | ..            | BODY  | 002004<br>006102<br>107999 | 1              |
| 604      | BACC42S32   | .C            | COUPLING ASSY<br>SUPPLIER CODE:<br>V79326<br>SPECIFICATION NUMBER:<br>BACC42S32                                   | 002004<br>006102<br>107999 | 3              |
| 606      | BACN10KL32  | ..            | NUT ASSY  | 002004<br>006102<br>107999 | 1              |
| 608      | BACR12BN32  | ..            | RING  | 002004<br>006102<br>107999 | 2              |
| 610      | BACF32E32   | ..            | FERRULE<br>SUPPLIER CODE:<br>V79326<br>SPECIFICATION NUMBER:<br>BACF32E32<br>OPTIONAL PART:<br>63052-32<br>V79326 | 002004<br>006102<br>107999 | 1              |

MISSING ITEM NUMBERS NOT APPLICABLE

- ITEM NOT ILLUSTRATED

BRI

28-21-05-01

28-21-05  
FIG. 01  
PAGE 24  
JAN 20/09



757

PARTS CATALOG (MAINTENANCE)

| FIG ITEM | PART NUMBER | 1 2 3 4 5 6 7 | NOMENCLATURE  | EFFECT FROM TO                                 | UNITS PER ASSY |
|----------|-------------|---------------|---|--|----------------|
| 1        |             |               |   |  |                |
| 634      | BACC42R40   | .             | COUPLING ASSY-<br>SUPPLIER CODE:<br>V79326<br>SPECIFICATION NUMBER:<br>BACC42R40                                  | 002004<br>006102<br>107999                     | 3              |
| 635      | BACN10KL40  | ..            | NUT ASSY  | 002004<br>006102<br>107999                     | 1              |
| 636      | BACR12BN40  | ..            | RING-   | 002004<br>006100<br>107107<br>121503<br>904999 | 2              |
| 638      | BACR10AD40  | ..            | RETAINER  | 002004<br>006102<br>107999                     | 2              |
| 639      | S3052-40    | ..            | FERRULE<br>SUPPLIER CODE:<br>V79326<br>SPECIFICATION NUMBER:<br>BACF32E40<br>OPTIONAL PART:<br>63052-40<br>V79326 | 002004<br>006102<br>107999                     | 2              |
| 640      | BACC42P40   | ..            | BODY  | 002004<br>006102<br>107999                     | 1              |
| 642      | BACC42R28   | .             | COUPLING ASSY-<br>SUPPLIER CODE:<br>V79326<br>SPECIFICATION NUMBER:<br>BACC42R28                                  | 107107   | 2              |
| 644      | BACN10KL28  | ..            | NUT ASSY  | 107107   | 1              |
| 644A     | BACR12BN28  | ..            | RING  | 107107   | 2              |
| 644B     | BACR10AD28  | ..            | RETAINER  | 107107   | 2              |
| 644C     | S3052-28    | ..            | FERRULE<br>SUPPLIER CODE:<br>V79326<br>SPECIFICATION NUMBER:<br>BACF32E28<br>OPTIONAL PART:<br>63052-28<br>V79326 | 107107   | 2              |
| 644D     | BACC42P28   | ..            | BODY  | 107107   | 1              |
| 647      | BACR12BN48  | .             | RING-RETAINING  | 002004<br>006102<br>107999                     | 2              |

MISSING ITEM NUMBERS NOT APPLICABLE

- ITEM NOT ILLUSTRATED

28-21-05-01

28-21-05  
FIG. 01  
PAGE 25  
JAN 20/09

BRI



757

PARTS CATALOG (MAINTENANCE)

| FIG ITEM | PART NUMBER   | 1 2 3 4 5 6 7 | NOMENCLATURE   | EFFECT FROM TO                                 | UNITS PER ASSY |
|----------|---------------|---------------|--|--|----------------|
| 1        |               |               |  |  |                |
| 677      | 344N2008-23   | .             | FITTING ASSY   | 002004<br>006102<br>107999                     | 1              |
| 681      | BACF32E32     | ..            | FERRULE<br>SUPPLIER CODE:<br>V79326<br>SPECIFICATION NUMBER:<br>BACF32E32<br>OPTIONAL PART:<br>63052-32<br>V79326                          | 002004<br>006102<br>107999                     | 2              |
| 689      | 344N2008-21   | ..            | BRAZED ASSY  | 002004<br>006102<br>107999                     | 1              |
| 690      | BACB30NM4K7   | .             | BOLT-  | 002004<br>006102<br>107999                     | 1              |
| 693      | BACB30NM4K10  | .             | BOLT-  | 002004<br>006102<br>107999                     | 7              |
| 697      | BACB30NM4HK10 | .             | BOLT-  | 002004<br>006102<br>107999                     | 2              |
| 701      | AN960D416     | .             | WASHER   | 002004<br>006102<br>107999                     | 9              |
| 703      | AN960D416L    | .             | WASHER   | 002004<br>006102<br>107999                     | 1              |
| 705      | 40613-32      | .             | GASKET-<br>SUPPLIER CODE:<br>V98159<br>SPECIFICATION NUMBER:<br>BACG10AD32<br>OPTIONAL PART:<br>020157-32<br>V83259<br>S7P405-32<br>V95272 | 002004<br>006102<br>107999                     | 4              |
| 709      | 344T0062-37   | .             | PLATE-ORIFICE  | 002004<br>006100<br>107107<br>121503<br>904999 | 1              |
| 709      | 344T0062-42   | .             | PLATE-ORIFICE  | 101102<br>108120<br>504903                     | 1              |

MISSING ITEM NUMBERS NOT APPLICABLE

- ITEM NOT ILLUSTRATED

28-21-05-01

28-21-05  
FIG. 01  
PAGE 26  
JAN 20/09

BRI



757

PARTS CATALOG (MAINTENANCE)

| FIG ITEM | PART NUMBER | 1 2 3 4 5 6 7 | NOMENCLATURE   | EFFECT FROM TO             | UNITS PER ASSY |
|----------|-------------|---------------|--|----------------------------|----------------|
| 1        |             |               |  |                            |                |
| 713      | 344T0062-36 | .             | PLATE-ORIFICE  | 002004<br>006102<br>107999 | 1              |
| 717      | 344T0062-35 | .             | PLATE-ORIFICE  | 002004<br>006102<br>107999 | 1              |
| 725      | 344N4002-11 | .             | DENSITOMETER INSTL-FUEL<br>RETENSION SYS<br>FOR DETAILS SEE:<br>28-41-03-01  | 107107<br>904949           | 1              |
| 729      | 8C167       | .             | VALVE-<br>SUPPLIER CODE:<br>V82829<br>FUNCTIONAL DESCRIPTION:<br>VALVE ALLOWS FUEL<br>TRAPPED IN THE<br>PRESSURE FUELING &<br>JETTISON MANIFOLDS TO<br>DRAIN INTO THE FUEL<br>TANK<br>SPECIFICATION NUMBER:<br>60B92601-1<br>COMPONENT MAINT MANUAL REF:<br>28-21-01 | 002004<br>006102<br>107999 | 2              |
| 765      | 344N2027-12 | .             | BRACKET  | 002004<br>006102<br>107999 | 1              |
| 770      | 344N2027-13 | .             | BRACKET-   | 002004<br>006102<br>107999 | 1              |
| - 775    | NAS1801-3-7 | .             | ATTACHING PARTS<br>SCREW   | 002004<br>006102<br>107999 | 2              |
| - 780    | AN960D10L   | .             | WASHER   | 002004<br>006102<br>107999 | 4              |

MISSING ITEM NUMBERS NOT APPLICABLE

- ITEM NOT ILLUSTRATED

BRI

28-21-05-01

28-21-05  
FIG. 01  
PAGE 27  
JAN 20/09



757

PARTS CATALOG (MAINTENANCE)

| FIG<br>ITEM | PART NUMBER | 1 2 3 4 5 6 7<br>NOMENCLATURE  | EFFECT<br>FROM TO          | UNITS<br>PER<br>ASSY |
|-------------|-------------|--|----------------------------|----------------------|
| 1<br>- 785  | BRH10A3     | .NUT<br>SUPPLIER CODE:<br>V52828<br>SPECIFICATION NUMBER:<br>BACN10JC3<br>OPTIONAL PART:<br>H10-3BAC<br>V15653<br>NS202101-02<br>V80539<br>RMLH9075-3W<br>V72962<br>VN303A02<br>V92215<br>96-02<br>V80539<br>T6S1032J<br>V11815<br>-----*----- | 002004<br>006102<br>107999 | 2                    |

MISSING ITEM NUMBERS NOT APPLICABLE

- ITEM NOT ILLUSTRATED

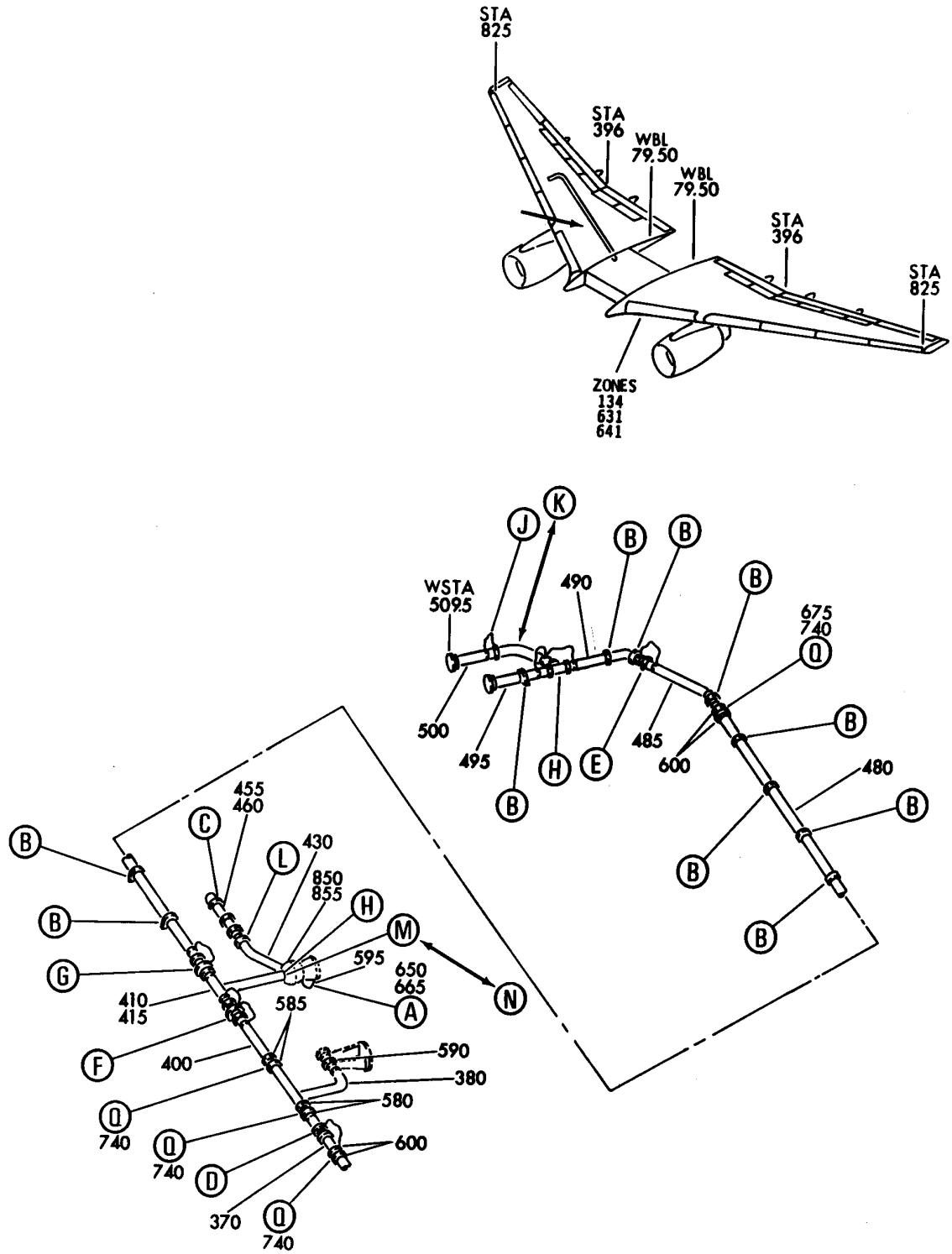
BRI

28-21-05-01

BOEING PROPRIETARY - Copyright © - Unpublished Work - See title page for details.

28-21-05  
FIG. 01  
PAGE 28  
JAN 20/09

**BOEING**  
757  
**PARTS CATALOG (MAINTENANCE)**



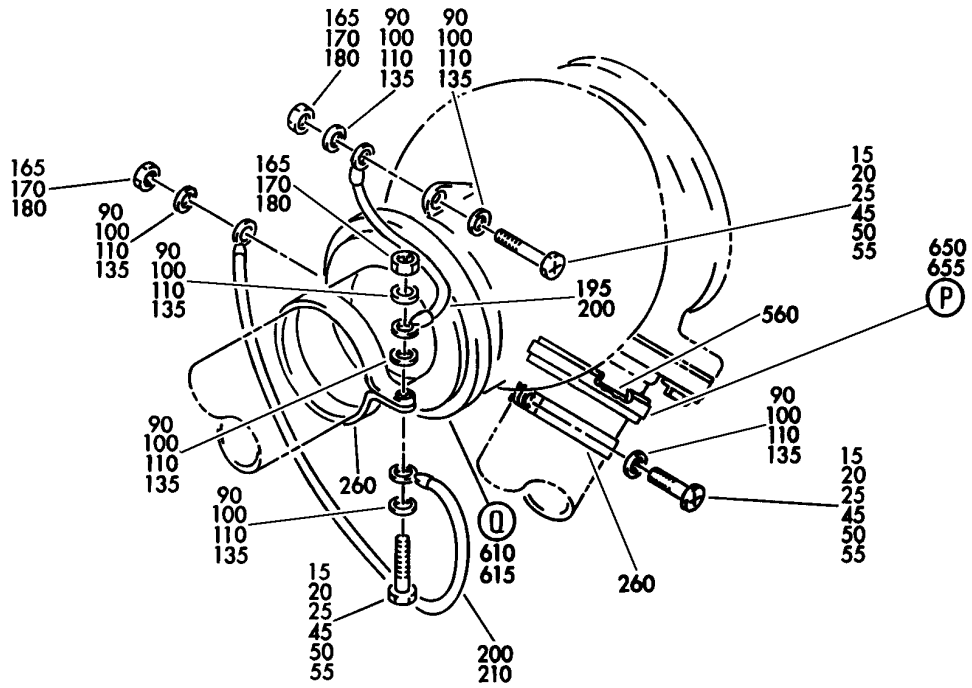
TUBING INSTL-FUELING SYS (RIGHT SECTION)  
FIGURE 1B (SHEET 1)

**28-21-05-01B**

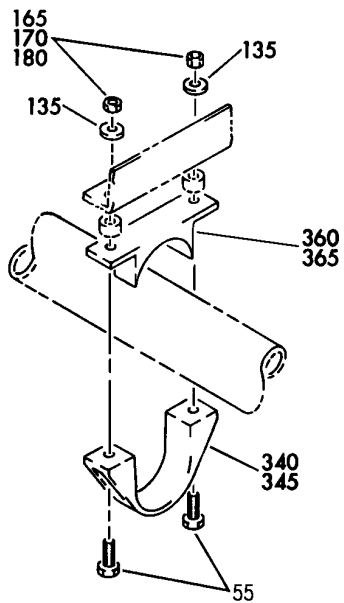
BRI  
MAY 28/07

28-21-05-01B  
PAGE 0

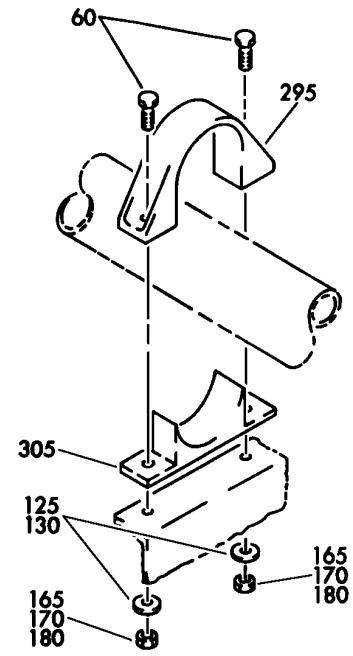
**BOEING**  
757  
PARTS CATALOG (MAINTENANCE)



(A)



(C)



(B)

Y 28210501B SHT. 2 REV 277

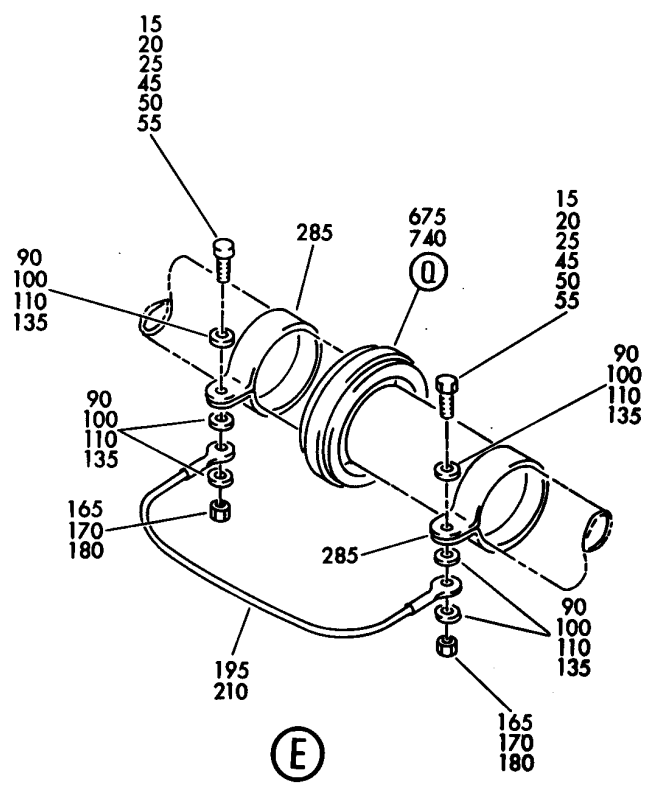
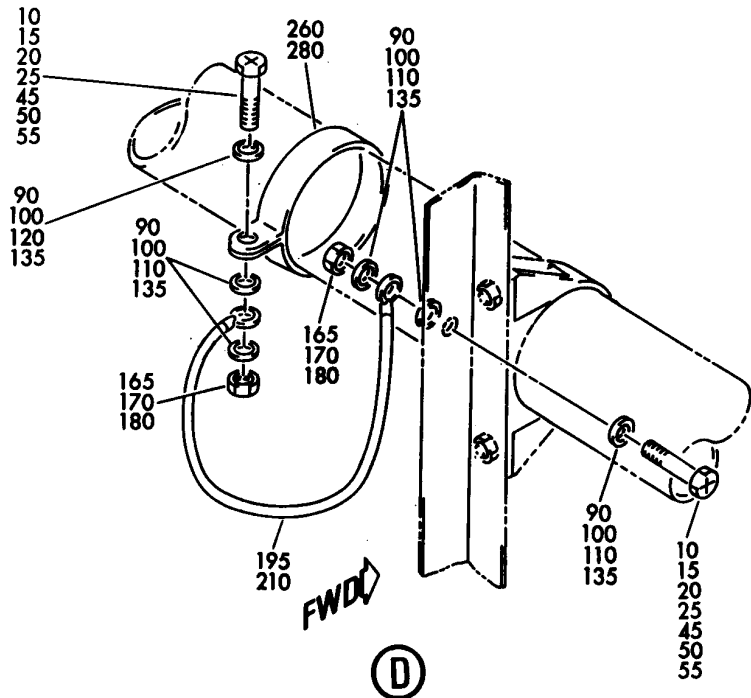
TUBING INSTL-FUELING SYS (RIGHT SECTION)  
FIGURE 1B (SHEET 2)

**28-21-05-01B**

BRI  
MAY 28/07

28-21-05-01B  
PAGE 0A

**BOEING**  
757  
PARTS CATALOG (MAINTENANCE)



Y 28210501B SHT 3 REV 175

TUBING INSTL-FUELING SYS (RIGHT SECTION)  
FIGURE 1B (SHEET 3)

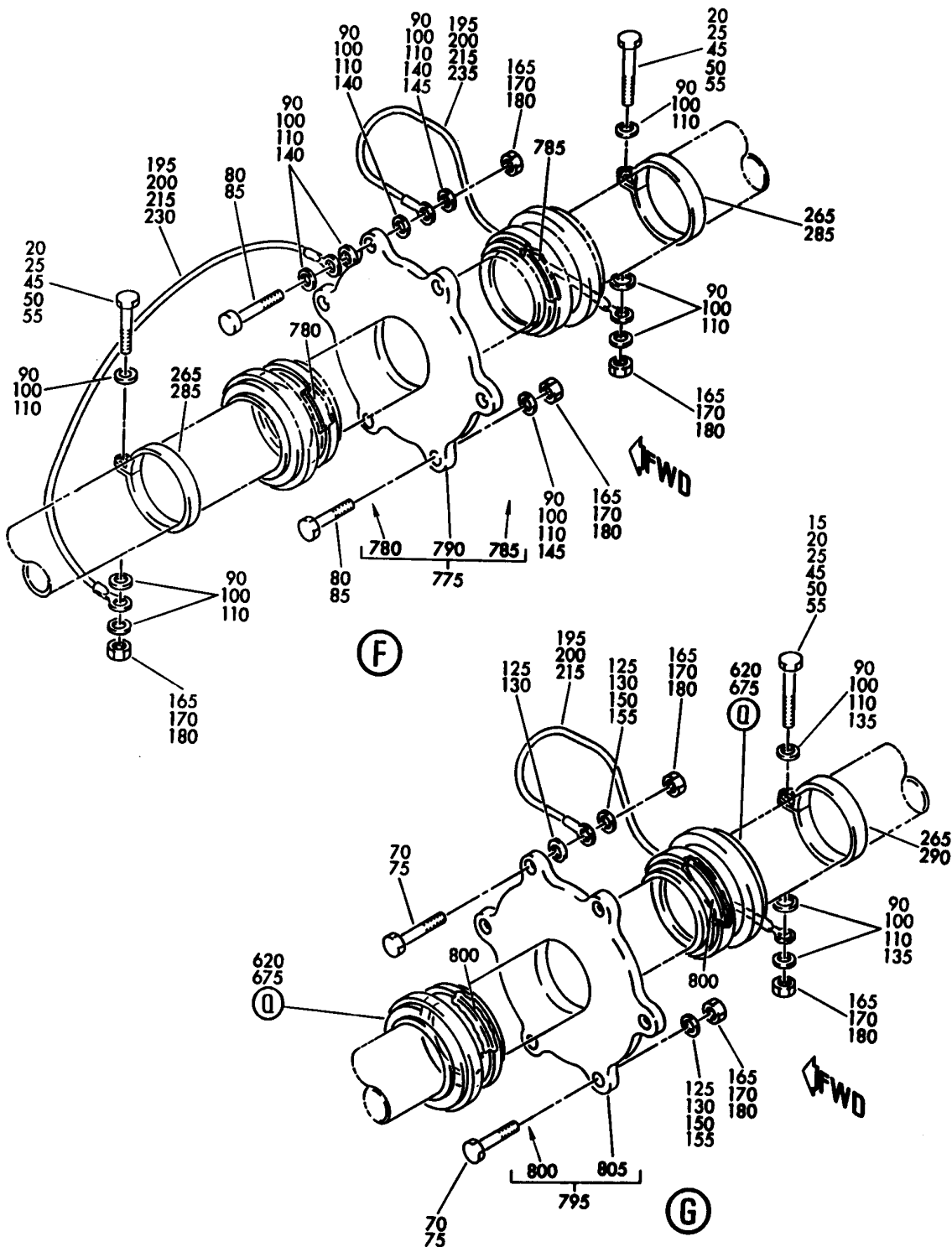
**28-21-05-01B**

BRI  
MAY 28/07

28-21-05-01B  
PAGE 0B



**BOEING**  
757  
PARTS CATALOG (MAINTENANCE)



Y 28210501B SHT 4 REV 175

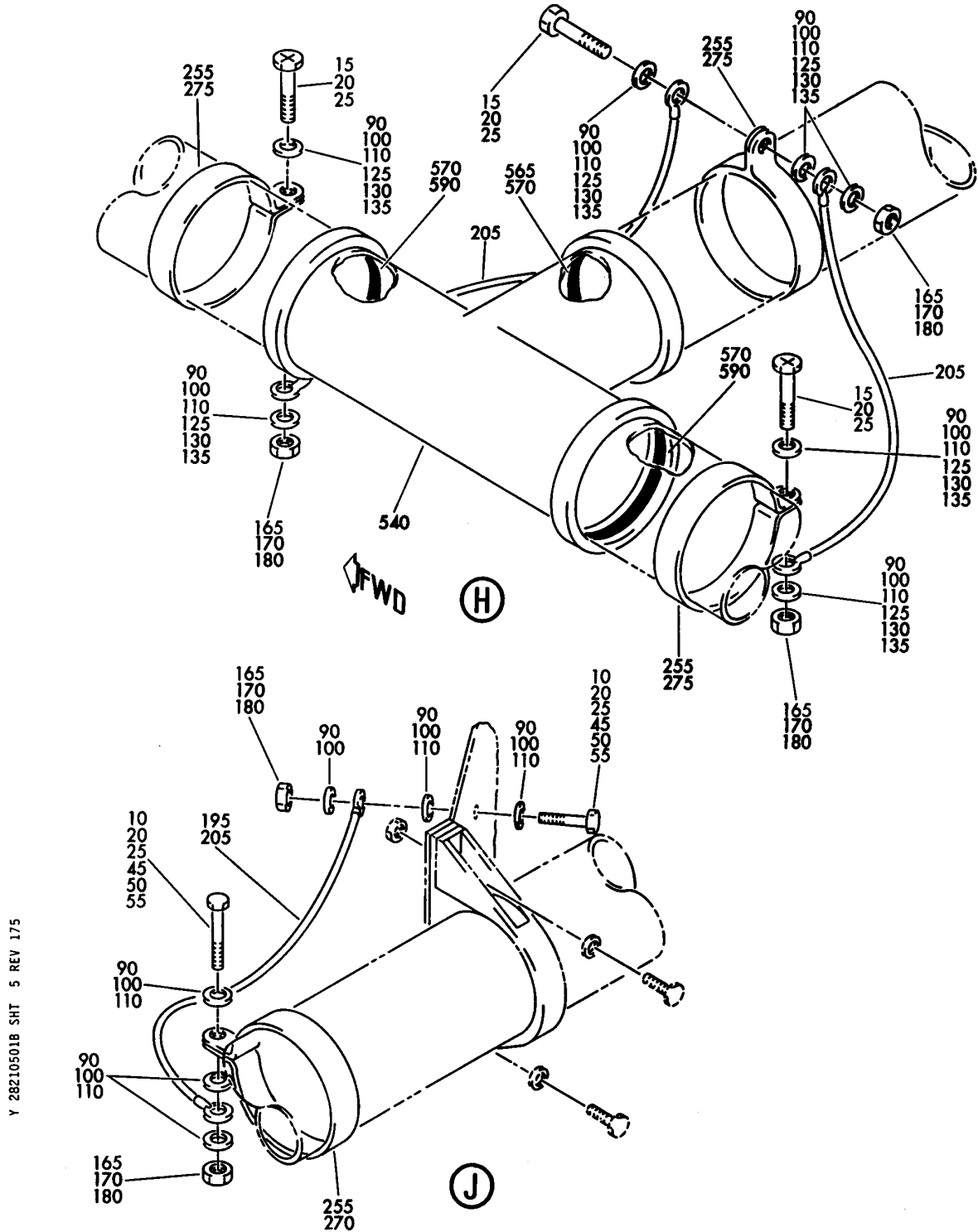
TUBING INSTL-FUELING SYS (RIGHT SECTION)  
FIGURE 1B (SHEET 4)

**28-21-05-01B**

BRI  
MAY 28/07

28-21-05-01B  
PAGE 0C

**BOEING**  
757  
PARTS CATALOG (MAINTENANCE)



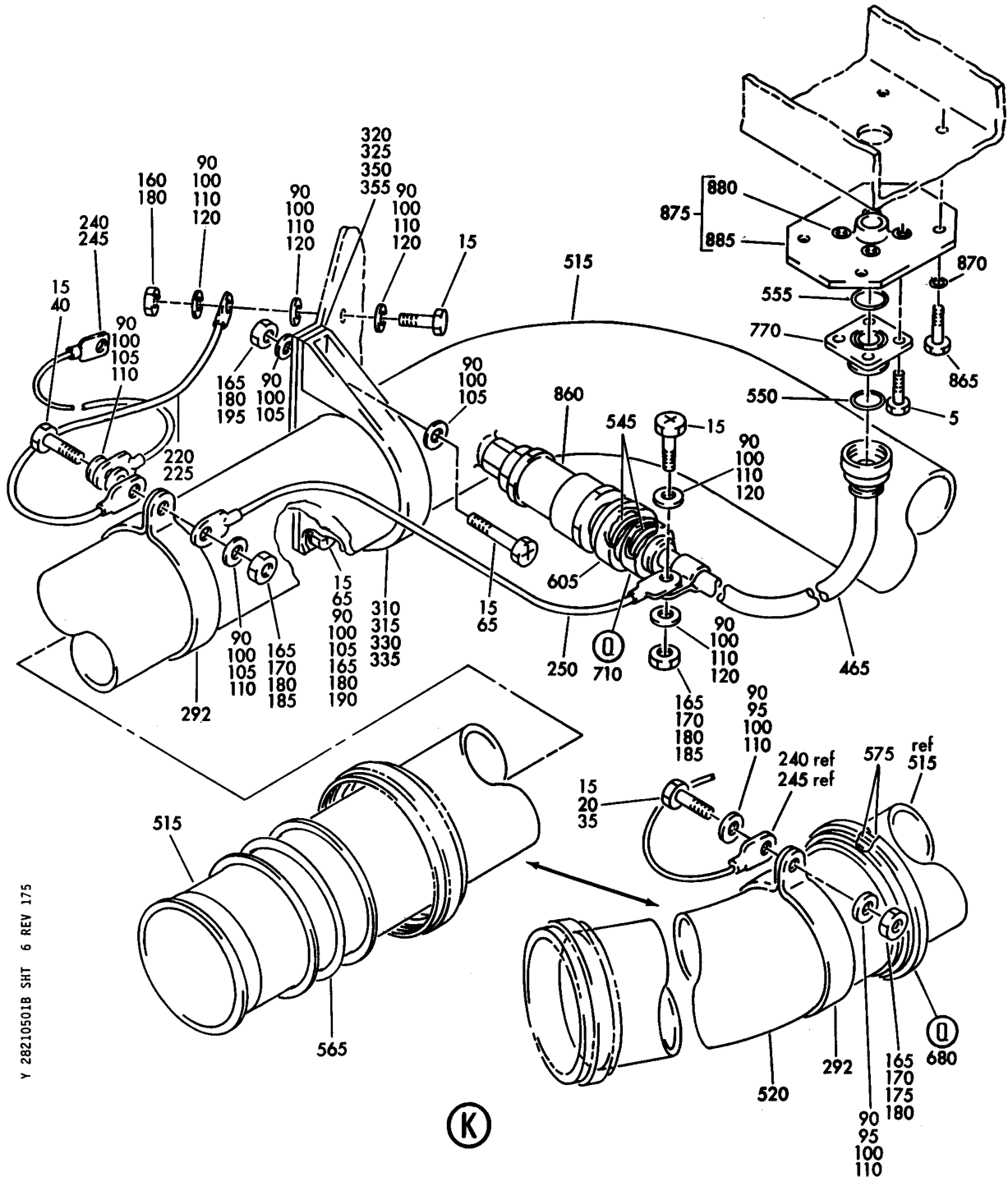
TUBING INSTL-FUELING SYS (RIGHT SECTION)  
FIGURE 1B (SHEET 5)

**28-21-05-01B**

BRI  
MAY 28/07

28-21-05-01B  
PAGE 0D

**BOEING**  
757  
PARTS CATALOG (MAINTENANCE)



Y 28210501B SHT 6 REV 175

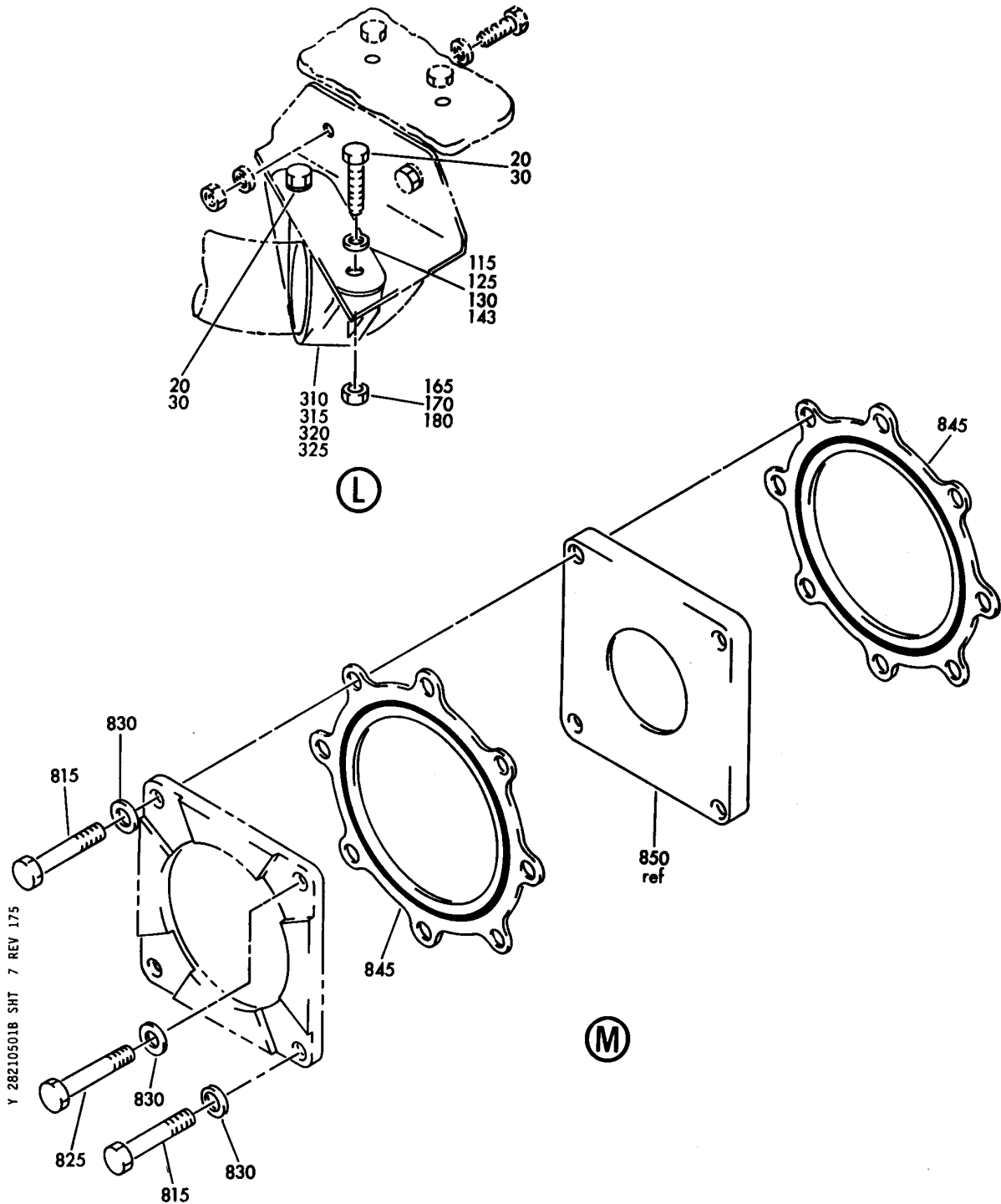
TUBING INSTL-FUELING SYS (RIGHT SECTION)  
FIGURE 1B (SHEET 6)

**28-21-05-01B**

BRI  
MAY 28/07

28-21-05-01B  
PAGE 0E

**BOEING**  
757  
PARTS CATALOG (MAINTENANCE)



Y 28210501B SHT 7 REV 175

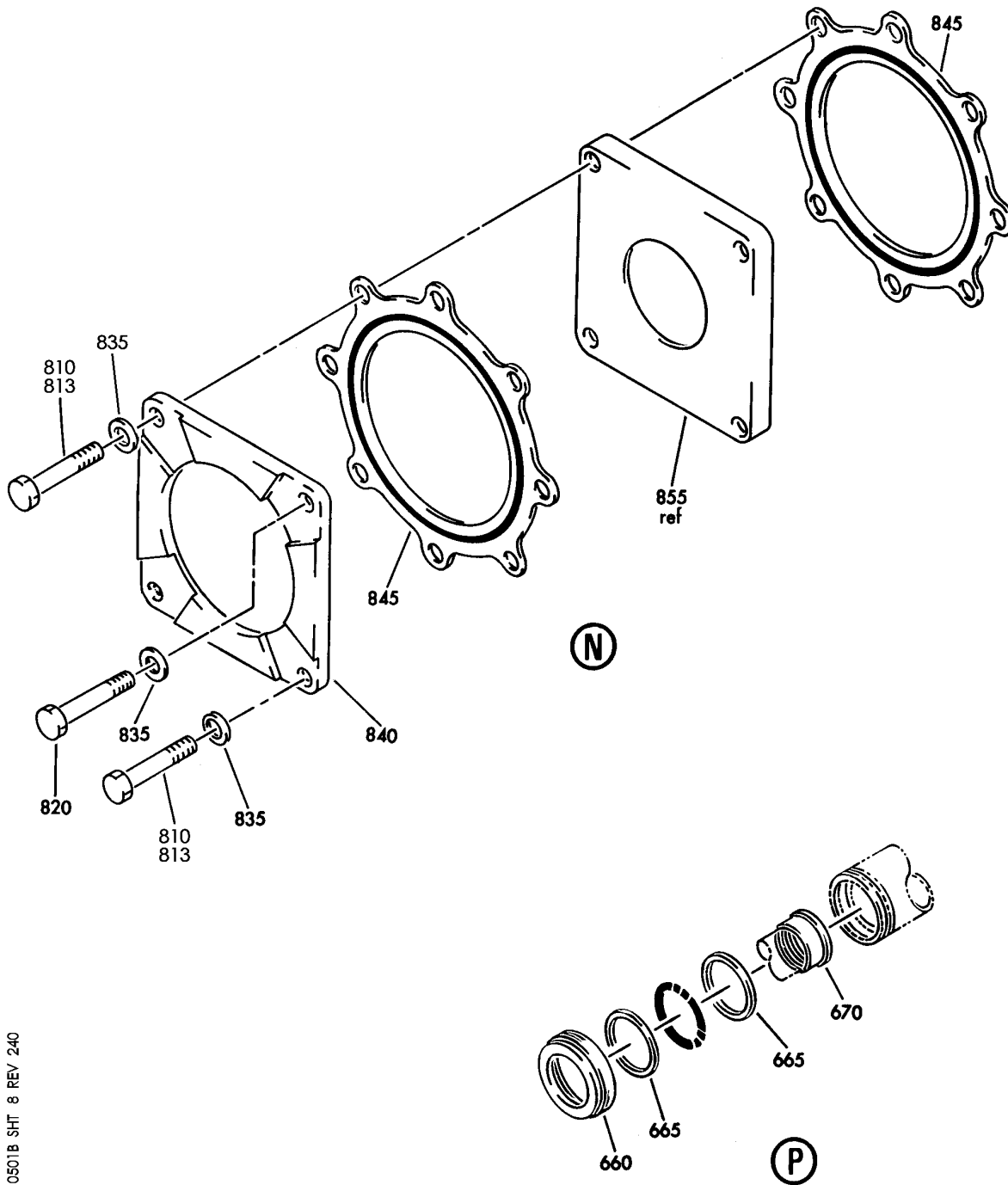
TUBING INSTL-FUELING SYS (RIGHT SECTION)  
FIGURE 1B (SHEET 7)

**28-21-05-01B**

BRI  
MAY 28/07

28-21-05-01B  
PAGE OF

**BOEING**  
757  
PARTS CATALOG (MAINTENANCE)



Y 28210501B SHT 8 REV 240

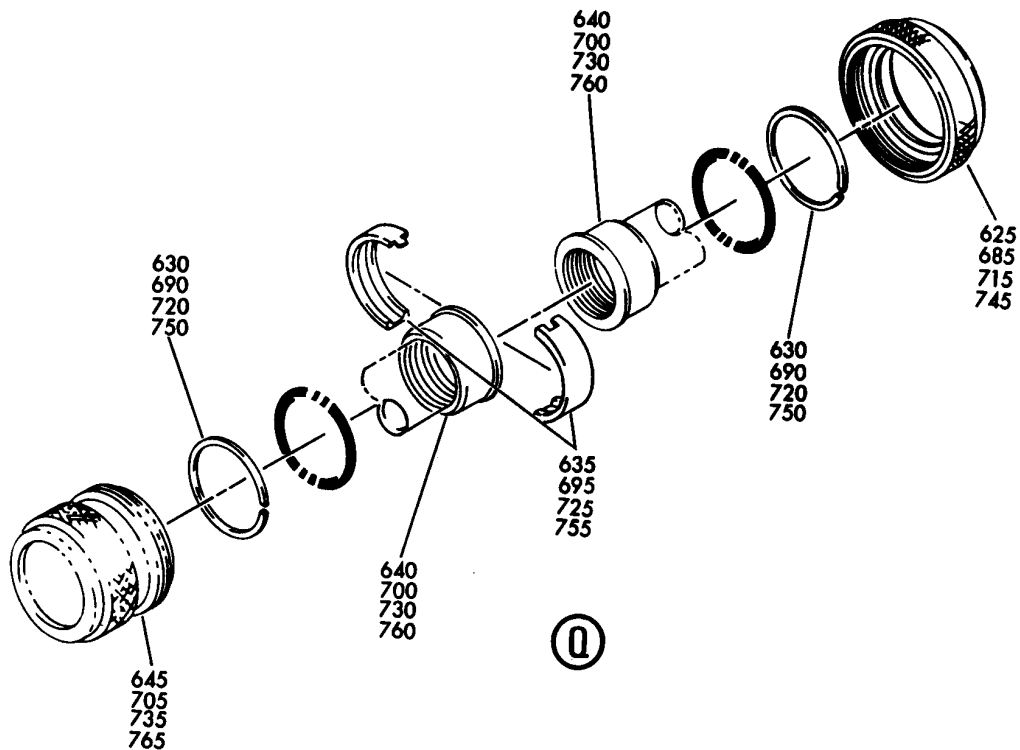
TUBING INSTL-FUELING SYS (RIGHT SECTION)  
FIGURE 1B (SHEET 8)

**28-21-05-01B**

BRI  
MAY 28/07

28-21-05-01B  
PAGE 0G

**BOEING**  
757  
PARTS CATALOG (MAINTENANCE)



Y 28210501B SHT 9 REV 175

TUBING INSTL-FUELING SYS (RIGHT SECTION)  
FIGURE 1B (SHEET 9)

**28-21-05-01B**

BRI  
MAY 28/07

28-21-05-01B  
PAGE 0H



757

PARTS CATALOG (MAINTENANCE)

| FIG ITEM | PART NUMBER | 1 2 3 4 5 6 7 | NOMENCLATURE  | EFFECT FROM TO                                 | UNITS PER ASSY |
|----------|-------------|---------------|---|--|----------------|
| 1B       |             |               | TUBING INSTL-FUELING SYS<br>(RIGHT SECTION)   | 002004<br>006102<br>107999                     |                |
| - 1      | 344N4001-34 |               | TUBING INSTL-FUELING SYS<br>POSITION DATA:<br>RIGHT SECTION<br>FOR NHA/ADDITIONAL DET SEE:<br>28-20-51-01 | 107107   | RF             |
| - 1      | 344N4001-39 |               | TUBING INSTL-FUELING SYS<br>POSITION DATA:<br>RIGHT SECTION<br>FOR NHA/ADDITIONAL DET SEE:<br>28-20-51-01 | 904949   | RF             |
| - 1      | 344N4001-40 |               | TUBING INSTL-FUELING SYS<br>POSITION DATA:<br>RIGHT SECTION<br>FOR NHA/ADDITIONAL DET SEE:<br>28-20-51-01 | 002004<br>006017<br>121503<br>950999           | RF             |
| - 1      | 344N4001-43 |               | TUBING INSTL-FUELING SYS<br>POSITION DATA:<br>RIGHT SECTION<br>FOR NHA/ADDITIONAL DET SEE:<br>28-20-51-01 | 018100   | RF             |
| - 1      | 344N4001-48 |               | TUBING INSTL-FUELING SYS<br>POSITION DATA:<br>RIGHT SECTION<br>FOR NHA/ADDITIONAL DET SEE:<br>28-00-00-05 | 101102<br>108120<br>504903                     | RF             |
| 5        | NAS1801-3-7 |               | .SCREW  | 002004<br>006017<br>107107<br>121503<br>904999 | 3              |
| 5        | NAS1801-3-8 |               | .SCREW  | 018102<br>108120<br>504903                     | 3              |
| 15       | NAS1801-3-8 |               | .SCREW-   | 002004<br>006102<br>107999                     | 16             |
| 35       | NAS1801-3-8 |               | .SCREW-<br>USED WITH:<br>344N2035-5<br>344N2035-6   | 002004<br>006102<br>107999                     | 1              |
| 40       | NAS1801-3-8 |               | .SCREW-<br>USED WITH:<br>344N2035-1   | 002004<br>006102<br>107999                     | 1              |

MISSING ITEM NUMBERS NOT APPLICABLE

- ITEM NOT ILLUSTRATED

28-21-05-01B

28-21-05  
FIG. 01B  
PAGE 1  
JAN 20/09

BRI

BOEING PROPRIETARY - Copyright © - Unpublished Work - See title page for details.



757

PARTS CATALOG (MAINTENANCE)

| FIG ITEM | PART NUMBER   | 1 2 3 4 5 6 7 | NOMENCLATURE                           | EFFECT FROM TO                                 | UNITS PER ASSY |
|----------|---------------|---------------|--|--|----------------|
| 1B       |               |               |  |  |                |
| 40       | NAS1801-3-10  | .SCREW-       | USED WITH:<br>344N2035-5<br>344N2035-6 | 002004<br>006102<br>107999                     | 1              |
| 55       | NAS1801-3-11  | .SCREW        |  | 002004<br>006102<br>107999                     | 14             |
| 60       | NAS1801-3-13  | .SCREW        |  | 002004<br>006102<br>107999                     | 20             |
| 65       | NAS1801-3-13  | .SCREW-       |  | 002004<br>006102<br>107999                     | 2              |
| 65       | NAS1801-3-14  | .SCREW-       |  | 002004<br>006102<br>107999                     | 2              |
| 75       | BACB30NM4K3   | .BOLT         |  | 002004<br>006102<br>107999                     | 2              |
| 85       | BACB30NM3K4   | .BOLT         |  | 002004<br>006102<br>107999                     | 2              |
| 95       | AN960D10L     | .WASHER-      | USED WITH:<br>344N2035-1               | 002004<br>006017<br>107107<br>121503<br>904999 | 2              |
| 95       | NAS1149D0316J | .WASHER-      | USED WITH:<br>344N2035-1               | 018102<br>108120<br>504903                     | 2              |
| 110      | AN960D10L     | .WASHER-      |  | 002004<br>006017<br>107107<br>121503<br>904999 | 56             |
| 110      | NAS1149D0316J | .WASHER-      |  | 018102<br>108120<br>504903                     | 56             |
| 115      | AN960D10L     | .WASHER       |  | 002004<br>006017<br>107107<br>121503<br>904999 | 2              |
| 115      | NAS1149D0316J | .WASHER       |  | 018102<br>108120<br>504903                     | 2              |

MISSING ITEM NUMBERS NOT APPLICABLE

- ITEM NOT ILLUSTRATED

28-21-05-01B

28-21-05  
FIG. 01B  
PAGE 2  
JAN 20/09

BRI

BOEING PROPRIETARY - Copyright © - Unpublished Work - See title page for details.





757

PARTS CATALOG (MAINTENANCE)

| FIG ITEM  | PART NUMBER   | 1 2 3 4 5 6 7 | NOMENCLATURE                                      | EFFECT FROM TO                                 | UNITS PER ASSY |
|-----------|---------------|---------------|---|--|----------------|
| 1B<br>120 | AN960PD10L    | .             | WASHER-<br>USED WITH:<br>344N2035-5<br>344N2035-6 | 002004<br>006017<br>107107<br>121503<br>904999 | 5              |
| 120       | NAS1149D0332J | .             | WASHER-<br>USED WITH:<br>344N2035-5<br>344N2035-6 | 018102<br>108120<br>504903                     | 5              |
| 135       | AN960PD10L    | .             | WASHER  | 002004<br>006017<br>107107<br>121503<br>904999 | 31             |
| 135       | NAS1149D0332J | .             | WASHER  | 018102<br>108120<br>504903                     | 31             |
| 140       | NAS1149D0332J | .             | WASHER-   | 002004<br>006017<br>107107<br>121503<br>904999 | 4              |
| 143       | NAS1149D0332J | .             | WASHER  | 018102<br>108120<br>504903                     | 2              |
| 155       | AN960PD416L   | .             | WASHER  | 002004<br>006017<br>107107<br>121503<br>904999 | 2              |
| 155       | NAS1149D0432J | .             | WASHER  | 018102<br>108120<br>504903                     | 2              |

MISSING ITEM NUMBERS NOT APPLICABLE

- ITEM NOT ILLUSTRATED

**28-21-05-01B**

28-21-05  
FIG. 01B  
PAGE 3  
JAN 20/09

BRI



757

PARTS CATALOG (MAINTENANCE)

| FIG ITEM  | PART NUMBER | 1 2 3 4 5 6 7 | NOMENCLATURE  | EFFECT FROM TO             | UNITS PER ASSY |
|-----------|-------------|---------------|---|----------------------------|----------------|
| 1B<br>160 | BRH10A3     | .             | NUT<br>SUPPLIER CODE:<br>V52828<br>SPECIFICATION NUMBER:<br>BACN10JC3<br>OPTIONAL PART:<br>H10-3BAC<br>V15653<br>NS202101-02<br>V80539<br>RMLH9075-3W<br>V72962<br>VN303A02<br>V92215<br>96-02<br>V80539<br>T6S1032J<br>V11815  | 002004<br>006102<br>107999 | 1              |
| 175       | BRH10A3     | .             | NUT-<br>SUPPLIER CODE:<br>V52828<br>SPECIFICATION NUMBER:<br>BACN10JC3<br>OPTIONAL PART:<br>H10-3BAC<br>V15653<br>NS202101-02<br>V80539<br>RMLH9075-3W<br>V72962<br>VN303A02<br>V92215<br>96-02<br>V80539<br>T6S1032J<br>V11815<br>USED WITH:<br>344N2035-5<br>344N2035-6 | 002004<br>006102<br>107999 | 1              |

MISSING ITEM NUMBERS NOT APPLICABLE

- ITEM NOT ILLUSTRATED

BRI

28-21-05-01B

BOEING PROPRIETARY - Copyright © - Unpublished Work - See title page for details.

28-21-05  
FIG. 01B  
PAGE 4  
JAN 20/09



757

PARTS CATALOG (MAINTENANCE)

| FIG ITEM  | PART NUMBER | 1 2 3 4 5 6 7 | NOMENCLATURE  | EFFECT FROM TO             | UNITS PER ASSY |
|-----------|-------------|---------------|---|----------------------------|----------------|
| 1B<br>180 | BRH10A3     | .NUT-         | SUPPLIER CODE:<br>V52828<br>SPECIFICATION NUMBER:<br>BACN10JC3<br>OPTIONAL PART:<br>H10-3BAC<br>V15653<br>NS202101-02<br>V80539<br>RMLH9075-3W<br>V72962<br>VN303A02<br>V92215<br>96-02<br>V80539<br>T6S1032J<br>V11815   | 002004<br>006102<br>107999 | 50             |
| 190       | BRH10A4     | .NUT          | SUPPLIER CODE:<br>V52828<br>SPECIFICATION NUMBER:<br>BACN10JC4<br>OPTIONAL PART:<br>T6S428J<br>V11815<br>96-048<br>V80539<br>VN303A048<br>V92215<br>RMLH9075-4W<br>V72962<br>NS202101-048<br>V80539<br>H10-4BAC<br>V15653 | 002004<br>006102<br>107999 | 2              |
| 200       | 740A20-5    | .JUMPER ASSY  | SUPPLIER CODE:<br>V91812<br>SPECIFICATION NUMBER:<br>BACJ40A20-5<br>OPTIONAL PART:<br>TJEJ40A20-5<br>V33483<br>RBEJ20-5<br>V1GK47   | 002004<br>006102<br>107999 | 5              |

MISSING ITEM NUMBERS NOT APPLICABLE

- ITEM NOT ILLUSTRATED

28-21-05-01B

28-21-05  
FIG. 01B  
PAGE 5  
JAN 20/09

BRI



757

PARTS CATALOG (MAINTENANCE)

| FIG ITEM  | PART NUMBER | 1 2 3 4 5 6 7 | NOMENCLATURE  | EFFECT FROM TO             | UNITS PER ASSY |
|-----------|-------------|---------------|---|----------------------------|----------------|
| 1B<br>215 | 740A20-5    | .             | JUMPER ASSY<br>SUPPLIER CODE:<br>V91812<br>SPECIFICATION NUMBER:<br>BACJ40A20-5<br>OPTIONAL PART:<br>TJEJ40A20-5<br>V33483<br>RBEJ20-5<br>V1GK47    | 002004<br>006102<br>107999 | 3              |
| 225       | 740A20-6    | .             | JUMPER ASSY<br>SUPPLIER CODE:<br>V91812<br>SPECIFICATION NUMBER:<br>BACJ40A20-6<br>OPTIONAL PART:<br>TJEJ40A20-6<br>V33483<br>RBEJ20-6<br>V1GK47    | 002004<br>006102<br>107999 | 1              |
| 230       | 740A20-4    | .             | JUMPER ASSY<br>SUPPLIER CODE:<br>V91812<br>SPECIFICATION NUMBER:<br>BACJ40A20-4<br>OPTIONAL PART:<br>TJEJ40A20-4<br>V33483<br>RBEJ20-4<br>V1GK47    | 002004<br>006102<br>107999 | 1              |
| 240       | BACJ40A20-8 | .             | JUMPER ASSY   | 002004<br>006102<br>107999 | 1              |
| 245       | 740A20-10   | .             | JUMPER ASSY<br>SUPPLIER CODE:<br>V91812<br>SPECIFICATION NUMBER:<br>BACJ40A20-10<br>OPTIONAL PART:<br>TJEJ40A20-10<br>V33483<br>RBEJ20-10<br>V1GK47 | 002004<br>006102<br>107999 | 1              |

MISSING ITEM NUMBERS NOT APPLICABLE

- ITEM NOT ILLUSTRATED

28-21-05-01B

28-21-05  
FIG. 01B  
PAGE 6  
JAN 20/09

BRI

BOEING PROPRIETARY - Copyright © - Unpublished Work - See title page for details.



757

PARTS CATALOG (MAINTENANCE)

| FIG ITEM  | PART NUMBER | 1 2 3 4 5 6 7 | NOMENCLATURE   | EFFECT FROM TO                                 | UNITS PER ASSY |
|-----------|-------------|---------------|--|--|----------------|
| 1B<br>250 | 740A20-10   |               | . JUMPER ASSY-<br>SUPPLIER CODE:<br>V91812<br>SPECIFICATION NUMBER:<br>BACJ40A20-10<br>OPTIONAL PART:<br>TJEJ40A20-10<br>V33483<br>RBEJ20-10<br>V1GK47<br>USED WITH:<br>344N2035-5<br>344N2035-6 | 002004<br>006102<br>107999                     | 1              |
| 255       | AN735DC48   |               | . CLAMP-   | 002004<br>006102<br>107999                     | 4              |
| 270       | AN735DC8    |               | . CLAMP-   | 002004<br>006102<br>107999                     | 1              |
| 280       | AN735DC48   |               | . CLAMP-<br>USED WITH:<br>344N2035-5<br>344N2035-6   | 002004<br>006102<br>107999                     | 1              |
| 285       | AN735DC32   |               | . CLAMP  | 002004<br>006102<br>107999                     | 4              |
| 290       | AN735DC40   |               | . CLAMP  | 002004<br>006102<br>107999                     | 1              |
| 292       | AN735DC40   |               | . CLAMP  | 002004<br>006017<br>107107<br>121503<br>904999 | 2              |
| 292       | AN735DC48   |               | . CLAMP  | 018102<br>108120<br>504903                     | 2              |
| 295       | BACC10EW48A |               | . CLAMP STRAP  | 002004<br>006102<br>107999                     | 10             |
| 305       | BACC10EW48B |               | . CLAMP SADDLE   | 002004<br>006102<br>107999                     | 10             |
| 315       | BACC10EW40A |               | . CLAMP STRAP  | 002004<br>006102<br>107999                     | 2              |
| 325       | BACC10EW40B |               | . CLAMP SADDLE   | 002004<br>006102<br>107999                     | 2              |

MISSING ITEM NUMBERS NOT APPLICABLE

- ITEM NOT ILLUSTRATED

28-21-05-01B

28-21-05  
FIG. 01B  
PAGE 7  
JAN 20/09

BRI

BOEING PROPRIETARY - Copyright © - Unpublished Work - See title page for details.



757

PARTS CATALOG (MAINTENANCE)

| FIG ITEM  | PART NUMBER | 1 2 3 4 5 6 7 | NOMENCLATURE  | EFFECT FROM TO                                 | UNITS PER ASSY |
|-----------|-------------|---------------|---|--|----------------|
| 1B<br>340 | BACC10EW32A | .             | CLAMP STRAP   | 002004<br>006100<br>107107<br>121503<br>904999 | 1              |
| 360       | BACC10EW32B | .             | CLAMP SADDLE  | 002004<br>006100<br>107107<br>121503<br>904999 | 1              |
| 370       | 344N4001-10 | .             | TUBE ASSY-<br>TUBING MATERIAL:<br>2.5 IN. OD .035 IN. WALL<br>55.32 IN. LG WW-T-700/6<br>6061 T4 TUBING           | 002004<br>006102<br>107999                     | 1              |
| - 375     | S3052-40A   | ..            | FERRULE<br>SUPPLIER CODE:<br>V79326<br>SPECIFICATION NUMBER:<br>BACF32E40A  | 002004<br>006102<br>107999                     | 2              |
| 380       | 344N2014-2  | .             | TUBE ASSY   | 002004<br>006102<br>107999                     | 1              |
| - 385     | BACF32E32   | ..            | FERRULE<br>SUPPLIER CODE:<br>V79326<br>SPECIFICATION NUMBER:<br>BACF32E32<br>OPTIONAL PART:<br>63052-32<br>V79326 | 002004<br>006102<br>107999                     | 1              |
| - 390     | S3052-40    | ..            | FERRULE<br>SUPPLIER CODE:<br>V79326<br>SPECIFICATION NUMBER:<br>BACF32E40<br>OPTIONAL PART:<br>63052-40<br>V79326 | 002004<br>006102<br>107999                     | 2              |
| - 395     | 344N2014-4  | ..            | WELD ASSY   | 002004<br>006102<br>107999                     | 1              |
| 400       | 344N4001-11 | .             | TUBE ASSY-<br>TUBING MATERIAL:<br>STOCK 2.500.D.X.035WALL<br>6061-T4 SEAMLESS AL<br>TUBING PER WW-T-700/6.        | 002004<br>006102<br>107999                     | 1              |

MISSING ITEM NUMBERS NOT APPLICABLE

- ITEM NOT ILLUSTRATED

28-21-05-01B

28-21-05  
FIG. 01B  
PAGE 8  
JAN 20/09

BRI

BOEING PROPRIETARY - Copyright © - Unpublished Work - See title page for details.



757

PARTS CATALOG (MAINTENANCE)

| FIG ITEM | PART NUMBER | 1 2 3 4 5 6 7 | NOMENCLATURE  | EFFECT FROM TO                                 | UNITS PER ASSY |
|----------|-------------|---------------|---|--|----------------|
| 1B       |             |               |   |  |                |
| - 405    | S3052-40A   | ..            | FERRULE<br>SUPPLIER CODE:<br>V79326<br>SPECIFICATION NUMBER:<br>BACF32E40A  | 002004<br>006102<br>107999                     | 2              |
| 410      | 344N2013-9  | .             | TUBE ASSY   | 002004<br>006017<br>107107<br>121503<br>904999 | 1              |
| 410      | 344N2013-13 | .             | TUBE ASSY   | 018102<br>108120<br>504903                     | 1              |
| 415      | 344N2013-10 | ..            | WELD ASSY   | 002004<br>006017<br>107107<br>121503<br>904999 | 1              |
| 415      | 344N2013-14 | ..            | WELD ASSY   | 018102<br>108120<br>504903                     | 1              |
| - 420    | BACF32E32   | ..            | FERRULE<br>SUPPLIER CODE:<br>V79326<br>SPECIFICATION NUMBER:<br>BACF32E32<br>OPTIONAL PART:<br>63052-32<br>V79326 | 002004<br>006102<br>107999                     | 1              |
| - 425    | S3052-48A   | ..            | FERRULE<br>SUPPLIER CODE:<br>V79326<br>SPECIFICATION NUMBER:<br>BACF32E48A  | 002004<br>006102<br>107999                     | 2              |
| 430      | 344N4001-38 | .             | TUBE ASSY-<br>TUBING MATERIAL:<br>2.0 IN. OD .028 IN. WALL<br>22.9 IN. LG WW-T-700/6<br>6061 T4 TUBING            | 002004<br>006102<br>107999                     | 1              |
| - 435    | BACF32E32   | ..            | FERRULE<br>SUPPLIER CODE:<br>V79326<br>SPECIFICATION NUMBER:<br>BACF32E32<br>OPTIONAL PART:<br>63052-32<br>V79326 | 002004<br>006102<br>107999                     | 2              |

MISSING ITEM NUMBERS NOT APPLICABLE

- ITEM NOT ILLUSTRATED

28-21-05-01B

28-21-05  
FIG. 01B  
PAGE 9  
JAN 20/09

BRI

BOEING PROPRIETARY - Copyright © - Unpublished Work - See title page for details.



757

PARTS CATALOG (MAINTENANCE)

| FIG ITEM  | PART NUMBER | 1 2 3 4 5 6 7 | NOMENCLATURE  | EFFECT FROM TO                       | UNITS PER ASSY |
|-----------|-------------|---------------|---|--------------------------------------|----------------|
| 1B<br>455 | 344N2019-26 | .             | TUBE ASSY-  | 002004<br>006102<br>107999           | 1              |
| 460       | 344N2019-28 | ..            | WELD ASSY   | 002004<br>006102<br>107999           | 1              |
| 465       | 344N2036-3  | .             | TUBE ASSY   | 002004<br>006102<br>107999           | 1              |
| - 470     | S83052-8    | ..            | FERRULE<br>SUPPLIER CODE:<br>V79326<br>SPECIFICATION NUMBER:<br>BACF32F8<br>OPTIONAL PART:<br>TC010-8<br>V24984 | 002004<br>006102<br>107999           | 1              |
| - 475     | 63052-8-12  | ..            | FERRULE-<br>SUPPLIER CODE:<br>V79326  | 002004<br>006102<br>107999           | 1              |
| 480       | 344N4001-12 | .             | TUBE ASSY-<br>TUBING MATERIAL:<br>STOCK 3.000.D.X.035WALL<br>6061-T4 SEAMLESS AL<br>TUBING PER WW-T-700/6.      | 002004<br>006102<br>107999           | 1              |
| 485       | 344N4001-29 | .             | TUBE ASSY-<br>TUBING MATERIAL:<br>STOCK 3.00 O.D. X .035<br>WALL 6061-T4 SEAMLESS AL<br>TUBING PER WW-T-700/6   | 002004<br>006102<br>107999           | 1              |
| 490       | 344N4001-16 | .             | TUBE ASSY-<br>TUBING MATERIAL:<br>3.0 IN. OD .035 IN. WALL<br>32.8 IN. LG WW-T-700/6<br>6061 T4 TUBING          | 002004<br>006102<br>107999           | 1              |
| 495       | 344N4001-14 | .             | TUBE ASSY-<br>TUBING MATERIAL:<br>3.0 IN. OD .035 IN. WALL<br>26.6 IN. LG WW-T-700/6<br>6061 T4 TUBING          | 002004<br>006102<br>107999           | 1              |
| 500       | 344N2035-1  | .             | TUBE ASSY-<br>QUALIFIED OPTIONAL DATA:<br>(344N2035-1 OPTIONAL TO<br>344N2035-5 AND<br>344N2035-6)              | 107107<br>904949                     | 1              |
| 500       | 344N2035-1  | .             | TUBE ASSY   | 002004<br>006102<br>108903<br>950999 | 1              |

MISSING ITEM NUMBERS NOT APPLICABLE

- ITEM NOT ILLUSTRATED

28-21-05-01B

28-21-05  
FIG. 01B  
PAGE 10  
JAN 20/09

BRI

BOEING PROPRIETARY - Copyright © - Unpublished Work - See title page for details.





757

PARTS CATALOG (MAINTENANCE)

| FIG ITEM | PART NUMBER | 1 2 3 4 5 6 7 | NOMENCLATURE   | EFFECT FROM TO                       | UNITS PER ASSY |
|----------|-------------|---------------|--|--------------------------------------|----------------|
| 1B       |             |               |  |                                      |                |
| - 505    | S3052-48A   | ..            | FERRULE<br>SUPPLIER CODE:<br>V79326<br>SPECIFICATION NUMBER:<br>BACF32E48A           | 002004<br>006102<br>107999           | 2              |
| - 510    | 344N2035-2  | ..            | WELD ASSY  | 002004<br>006102<br>107999           | 1              |
| 515      | 344N2035-5  | .TUBE ASSY-   | QUALIFIED OPTIONAL DATA:<br>(344N2035-1 OPTIONAL TO<br>344N2035-5 AND<br>344N2035-6) | 107107<br>904949                     | 1              |
| 515      | 344N2035-5  | .TUBE ASSY    |  | 002004<br>006102<br>108903<br>950999 | 1              |
| 520      | 344N2035-6  | .TUBE ASSY    |  | 002004<br>006102<br>108903<br>950999 | 1              |
| 520      | 344N2035-6  | .TUBE ASSY-   | QUALIFIED OPTIONAL DATA:<br>(344N2035-1 OPTIONAL TO<br>344N2035-5 AND<br>344N2035-6) | 107107<br>904949                     | 1              |
| - 525    | S3052-48A   | ..            | FERRULE<br>SUPPLIER CODE:<br>V79326<br>SPECIFICATION NUMBER:<br>BACF32E48A           | 002004<br>006102<br>107999           | 2              |
| - 530    | 344N2035-7  | ..            | WELD ASSY-<br>USED ON:<br>344N2035-5   | 002004<br>006102<br>107999           | 1              |
| - 535    | 344N2035-9  | ..            | TUBE-<br>USED ON:<br>344N2035-6  | 002004<br>006102<br>107999           | 1              |
| 540      | S73521-48   | .TEE-         | SUPPLIER CODE:<br>V79326   | 002004<br>006102<br>107999           | 1              |
| 545      | MS29513-212 | .PACKING      |  | 002004<br>006102<br>107999           | 2              |
| 550      | MS29513-016 | .PACKING      |  | 002004<br>006102<br>107999           | 1              |
| 555      | MS29513-017 | .PACKING      |  | 002004<br>006102<br>107999           | 1              |

MISSING ITEM NUMBERS NOT APPLICABLE

- ITEM NOT ILLUSTRATED

28-21-05-01B

28-21-05  
FIG. 01B  
PAGE 11  
JAN 20/09

BRI

BOEING PROPRIETARY - Copyright © - Unpublished Work - See title page for details.



757

PARTS CATALOG (MAINTENANCE)

| FIG ITEM | PART NUMBER | 1 2 3 4 5 6 7 | NOMENCLATURE  | EFFECT FROM TO                                 | UNITS PER ASSY |
|----------|-------------|---------------|---|--|----------------|
| 1B       |             |               |   |  |                |
| 570      | MS29513-330 | .             | PACKING   | 002004<br>006017<br>107107<br>121503<br>904999 | 3              |
| 570      | MS29513-338 | .             | PACKING   | 018102<br>108120<br>504903                     | 3              |
| 575      | MS29513-338 | .             | PACKING-<br>USED WITH:<br>344N2035-5<br>344N2035-6  | 002004<br>006102<br>107999                     | 2              |
| 590      | MS29513-330 | .             | PACKING   | 002004<br>006102<br>107999                     | 4              |
| 595      | MS29513-330 | .             | PACKING   | 002004<br>006102<br>107999                     | 1              |
| 600      | MS29513-334 | .             | PACKING   | 002004<br>006102<br>107999                     | 4              |
| 605      | BACN10KL48  | .             | NUT ASSY  | 002004<br>006102<br>107999                     | 1              |
| 620      | BACC42R32   | .             | COUPLING ASSY-<br>SUPPLIER CODE:<br>V79326<br>SPECIFICATION NUMBER:<br>BACC42R32                                  | 002004<br>006102<br>107999                     | 2              |
| 625      | BACN10KL32  | ..            | NUT ASSY  | 002004<br>006102<br>107999                     | 1              |
| 630      | BACR12BN32  | ..            | RING  | 002004<br>006102<br>107999                     | 2              |
| 635      | BACR10AD32  | ..            | RETAINER  | 002004<br>006102<br>107999                     | 2              |
| 640      | BACF32E32   | ..            | FERRULE<br>SUPPLIER CODE:<br>V79326<br>SPECIFICATION NUMBER:<br>BACF32E32<br>OPTIONAL PART:<br>63052-32<br>V79326 | 002004<br>006102<br>107999                     | 2              |
| 645      | BACC42P32   | ..            | BODY  | 002004<br>006102<br>107999                     | 1              |

MISSING ITEM NUMBERS NOT APPLICABLE

- ITEM NOT ILLUSTRATED

28-21-05-01B

28-21-05  
FIG. 01B  
PAGE 12  
JAN 20/09

BRI

BOEING PROPRIETARY - Copyright © - Unpublished Work - See title page for details.



757

PARTS CATALOG (MAINTENANCE)

| FIG ITEM  | PART NUMBER | 1 2 3 4 5 6 7 | NOMENCLATURE   | EFFECT FROM TO             | UNITS PER ASSY |
|-----------|-------------|---------------|--|----------------------------|----------------|
| 1B<br>650 | BACC42S32   | .             | COUPLING ASSY<br>SUPPLIER CODE:<br>V79326<br>SPECIFICATION NUMBER:<br>BACC42S32  | 002004<br>006102<br>107999 | 1              |
| 655       | BACC42S32   | .             | COUPLING ASSY<br>SUPPLIER CODE:<br>V79326<br>SPECIFICATION NUMBER:<br>BACC42S32  | 002004<br>006102<br>107999 | 1              |
| 660       | BACN10KL32  | ..            | NUT ASSY   | 002004<br>006102<br>107999 | 1              |
| 665       | BACR12BN32  | ..            | RING   | 002004<br>006102<br>107999 | 2              |
| 670       | BACF32E32   | ..            | FERRULE<br>SUPPLIER CODE:<br>V79326<br>SPECIFICATION NUMBER:<br>BACF32E32<br>OPTIONAL PART:<br>63052-32<br>V79326          | 002004<br>006102<br>107999 | 1              |
| 675       | BACC42R48   | .             | COUPLING ASSY<br>SUPPLIER CODE:<br>V79326<br>SPECIFICATION NUMBER:<br>BACC42R48  | 002004<br>006102<br>107999 | 4              |
| 680       | BACC42R48   | .             | COUPLING ASSY-<br>SUPPLIER CODE:<br>V79326<br>SPECIFICATION NUMBER:<br>BACC42R48<br>USED WITH:<br>344N2035-5<br>344N2035-6 | 002004<br>006102<br>107999 | 1              |
| 685       | BACN10KL48  | ..            | NUT ASSY   | 002004<br>006102<br>107999 | 1              |
| 690       | BACR12BN48  | ..            | RING   | 002004<br>006102<br>107999 | 2              |
| 695       | BACR10AD48  | ..            | RETAINER   | 002004<br>006102<br>107999 | 2              |
| 700       | BACF32E48   | ..            | FERRULE  | 002004<br>006102<br>107999 | 2              |

MISSING ITEM NUMBERS NOT APPLICABLE

- ITEM NOT ILLUSTRATED

28-21-05-01B

28-21-05  
FIG. 01B  
PAGE 13  
JAN 20/09

BRI

BOEING PROPRIETARY - Copyright © - Unpublished Work - See title page for details.



757

PARTS CATALOG (MAINTENANCE)

| FIG ITEM  | PART NUMBER | 1 2 3 4 5 6 7 | NOMENCLATURE  | EFFECT FROM TO             | UNITS PER ASSY |
|-----------|-------------|---------------|---|----------------------------|----------------|
| 1B<br>705 | BACC42P48   | ..            | BODY  | 002004<br>006102<br>107999 | 1              |
| 710       | BACC42R12   | . .           | COUPLING ASSY<br>SUPPLIER CODE:<br>V79326<br>SPECIFICATION NUMBER:<br>BACC42R12                                   | 002004<br>006102<br>107999 | 1              |
| 715       | BACN10KL12  | ..            | NUT ASSY  | 002004<br>006102<br>107999 | 1              |
| 720       | BACR12BN12  | ..            | RING  | 002004<br>006102<br>107999 | 2              |
| 725       | BACR10AD12  | ..            | RETAINER  | 002004<br>006102<br>107999 | 2              |
| 730       | S3052-12    | ..            | FERRULE<br>SUPPLIER CODE:<br>V79326<br>SPECIFICATION NUMBER:<br>BACF32E12   | 002004<br>006102<br>107999 | 2              |
| 735       | BACC42P12   | ..            | BODY  | 002004<br>006102<br>107999 | 1              |
| 740       | BACC42R40   | . .           | COUPLING ASSY-<br>SUPPLIER CODE:<br>V79326<br>SPECIFICATION NUMBER:<br>BACC42R40                                  | 002004<br>006102<br>107999 | 5              |
| 745       | BACN10KL40  | ..            | NUT ASSY  | 002004<br>006102<br>107999 | 1              |
| 750       | BACR12BN40  | ..            | RING  | 002004<br>006102<br>107999 | 2              |
| 755       | BACR10AD40  | ..            | RETAINER  | 002004<br>006102<br>107999 | 2              |
| 760       | S3052-40    | ..            | FERRULE<br>SUPPLIER CODE:<br>V79326<br>SPECIFICATION NUMBER:<br>BACF32E40<br>OPTIONAL PART:<br>63052-40<br>V79326 | 002004<br>006102<br>107999 | 2              |

MISSING ITEM NUMBERS NOT APPLICABLE

- ITEM NOT ILLUSTRATED

28-21-05-01B

28-21-05  
FIG. 01B  
PAGE 14  
JAN 20/09

BRI

BOEING PROPRIETARY - Copyright © - Unpublished Work - See title page for details.

 **BOEING**  
757  
**PARTS CATALOG (MAINTENANCE)**

| FIG ITEM | PART NUMBER   | 1 2 3 4 5 6 7 | NOMENCLATURE   | EFFECT FROM TO             | UNITS PER ASSY |
|----------|---------------|---------------|--|----------------------------|----------------|
| 1B       |               |               |  |                            |                |
| 765      | BACC42P40     | ..            | BODY   | 002004<br>006102<br>107999 | 1              |
| 770      | 83533-8       | . .           | COUPLING ASSY-FUELING SYS<br>SUPPLIER CODE:<br>V79326                      | 002004<br>006102<br>107999 | 1              |
| 775      | 344N2008-24   | . .           | FITTING ASSY   | 002004<br>006102<br>107999 | 1              |
| 780      | 63052-40-48   | ..            | FERRULE-<br>SUPPLIER CODE:<br>V79326                                       | 002004<br>006102<br>107999 | 1              |
| 785      | S3052-40A     | ..            | FERRULE<br>SUPPLIER CODE:<br>V79326<br>SPECIFICATION NUMBER:<br>BACF32E40A | 002004<br>006102<br>107999 | 1              |
| 790      | 344N2008-25   | ..            | BRAZED ASSY  | 002004<br>006102<br>107999 | 1              |
| 795      | 344N2008-26   | . .           | FITTING ASSY   | 002004<br>006102<br>107999 | 1              |
| 800      | S3052-48A     | ..            | FERRULE<br>SUPPLIER CODE:<br>V79326<br>SPECIFICATION NUMBER:<br>BACF32E48A | 002004<br>006102<br>107999 | 2              |
| 805      | 344N2008-27   | ..            | BRAZED ASSY  | 002004<br>006102<br>107999 | 1              |
| 813      | BACB30NM4K7   | . .           | BOLT-  | 002004<br>006102<br>107999 | 3              |
| 815      | BACB30NM4K10  | . .           | BOLT-  | 002004<br>006102<br>107999 | 2              |
| 820      | BACB30NM4HK7  | . .           | BOLT-  | 002004<br>006102<br>107999 | 1              |
| 825      | BACB30NM4HK10 | . .           | BOLT-  | 002004<br>006102<br>107999 | 1              |
| 830      | AN960D416     | . .           | WASHER   | 002004<br>006102<br>107999 | 3              |
| 835      | AN960D416L    | . .           | WASHER   | 002004<br>006102<br>107999 | 3              |

MISSING ITEM NUMBERS NOT APPLICABLE

— ITEM NOT ILLUSTRATED

BRI

# 28-21-05-01B

BOEING PROPRIETARY - Copyright © - Unpublished Work - See title page for details.

28-21-05  
FIG. 01B  
PAGE 15  
JAN 20/09



757

PARTS CATALOG (MAINTENANCE)

| FIG ITEM | PART NUMBER  | 1 2 3 4 5 6 7 | NOMENCLATURE   | EFFECT FROM TO                                 | UNITS PER ASSY |
|----------|--------------|---------------|--|--|----------------|
| 1B       |              |               |  |  |                |
| 840      | 73531B89S32  | .             | COUPLING-<br>SUPPLIER CODE:<br>V79326  | 002004<br>006102<br>107999                     | 1              |
| 845      | 40613-32     | .             | GASKET-<br>SUPPLIER CODE:<br>V98159<br>SPECIFICATION NUMBER:<br>BACG10AD32<br>OPTIONAL PART:<br>020157-32<br>V83259<br>S7P405-32<br>V95272   | 002004<br>006102<br>107999                     | 4              |
| 850      | 344T0062-37  | .             | PLATE-ORIFICE  | 002004<br>006100<br>107107<br>121503<br>904999 | 1              |
| 850      | 344T0062-42  | .             | PLATE-ORIFICE  | 101102<br>108120<br>504903                     | 1              |
| 855      | 344T0062-34  | .             | PLATE-ORIFICE  | 002004<br>006100<br>107107<br>121503<br>904999 | 1              |
| 855      | 344T0062-41  | .             | PLATE-ORIFICE  | 101102<br>108120<br>504903                     | 1              |
| 860      | 8C213-1      | .             | VALVE-<br>SUPPLIER CODE:<br>V82829<br>FUNCTIONAL DESCRIPTION:<br>ALLOWS AIR INTO THE FUEL<br>MANIFOLD TO PERMIT FUEL<br>LEVEL TO DECREASE WITH<br>USE<br>COMPONENT MAINT MANUAL REF:<br>28-21-03 | 002004<br>006102<br>107999                     | 1              |
| 865      | NAS1801-3-14 | .             | SCREW  | 002004<br>006102<br>107999                     | 4              |
| 870      | NAS1523-3Y   | .             | PACKING  | 002004<br>006102<br>107999                     | 4              |
| 875      | 344N2037-1   | .             | PLATE ASSY-ADAPTER   | 002004<br>006102<br>107999                     | 1              |

MISSING ITEM NUMBERS NOT APPLICABLE

- ITEM NOT ILLUSTRATED

28-21-05-01B

28-21-05  
FIG. 01B  
PAGE 16  
JAN 20/09

BRI

BOEING PROPRIETARY - Copyright © - Unpublished Work - See title page for details.



757

PARTS CATALOG (MAINTENANCE)

| FIG<br>ITEM | PART NUMBER   | 1 2 3 4 5 6 7 | NOMENCLATURE | EFFECT<br>FROM TO          | UNITS<br>PER<br>ASSY |
|-------------|---------------|---------------|--------------|----------------------------|----------------------|
| 1 B<br>880  | MS21209F1-10P | . .           | INSERT       | 002004<br>006102<br>107999 | 4                    |
| 885         | 344N2037-2    | . .           | PLATE        | 002004<br>006102<br>107999 | 1                    |

MISSING ITEM NUMBERS NOT APPLICABLE

- ITEM NOT ILLUSTRATED

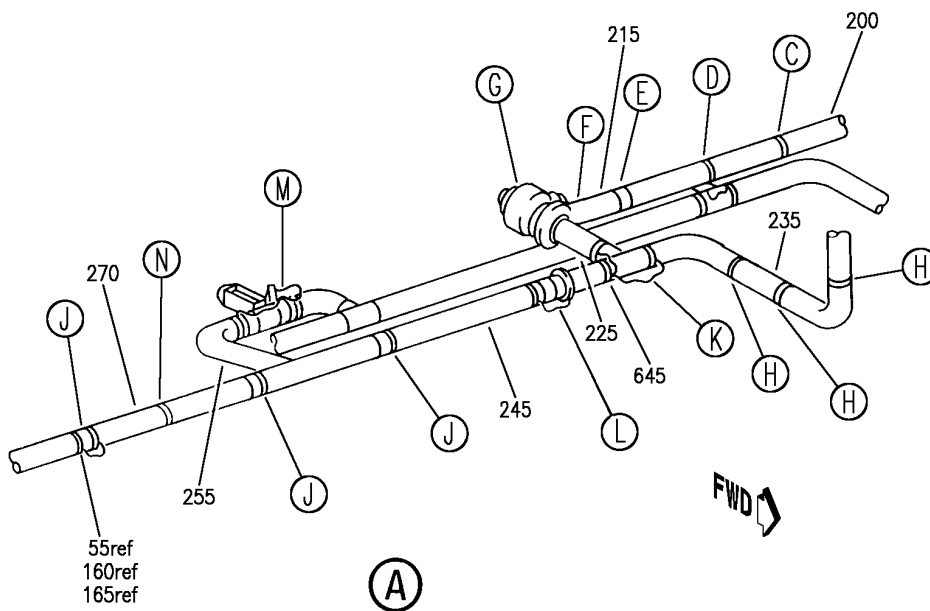
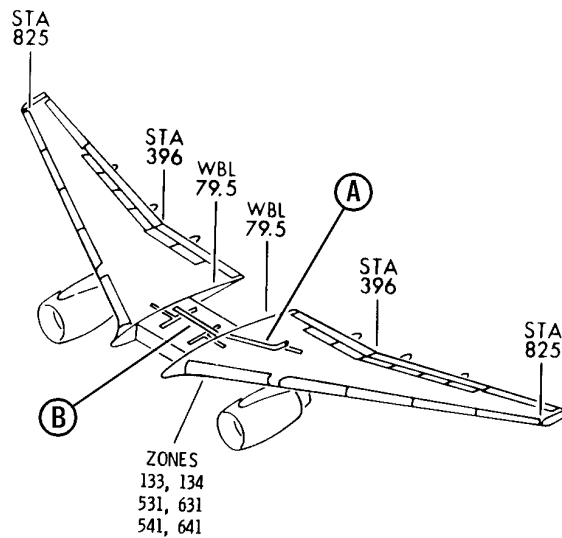
BRI

28-21-05-01B

BOEING PROPRIETARY - Copyright © - Unpublished Work - See title page for details.

28-21-05  
FIG. 01B  
PAGE 17  
JAN 20/09

**BOEING**  
757  
PARTS CATALOG (MAINTENANCE)



Y 28210501C SHT 1 REV 249

TUBING INSTL-FUELING SYS (L AND CTR SECTIONS)  
FIGURE 1C (SHEET 1)

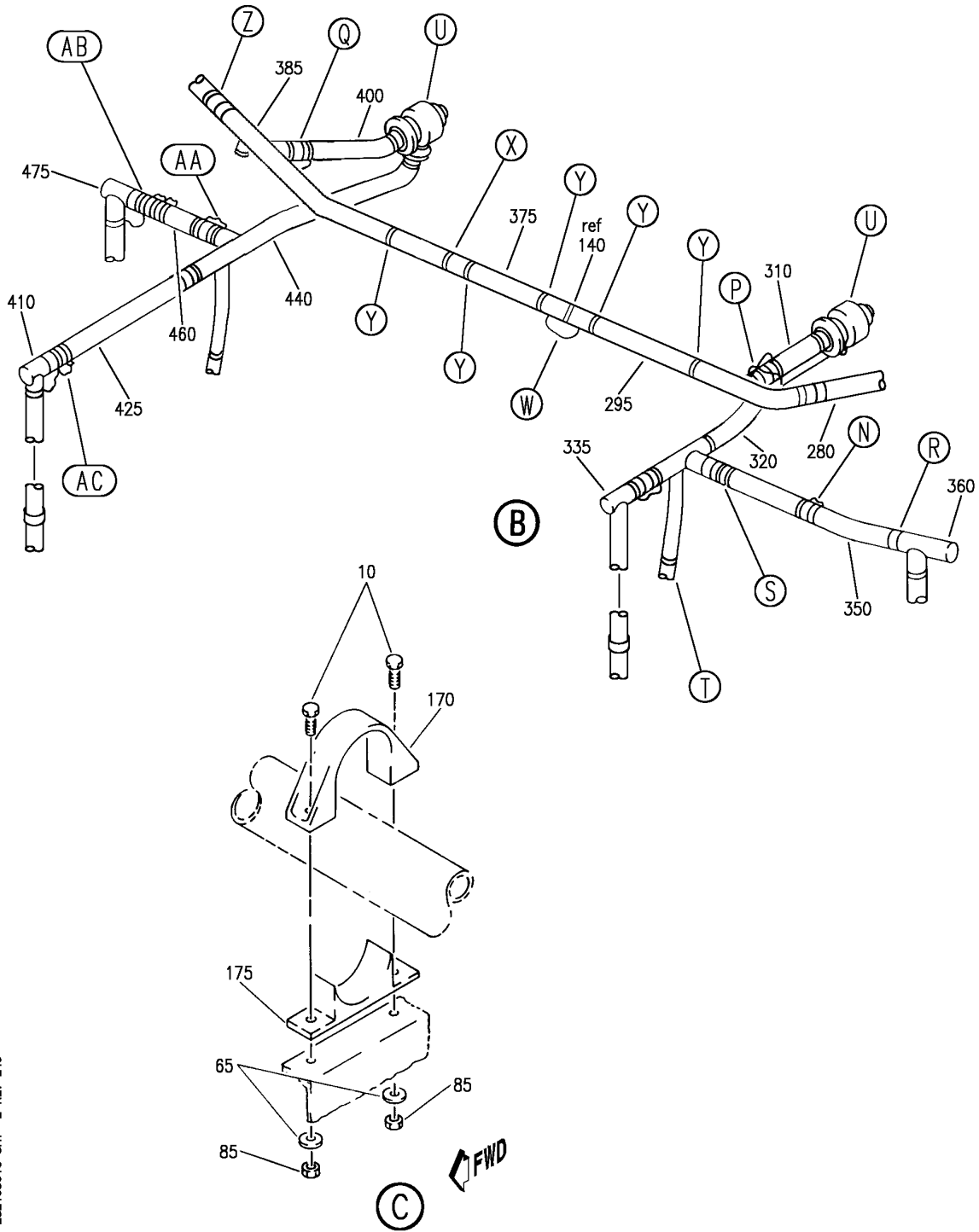
**28-21-05-01C**

BRI  
JAN 20/09

28-21-05-01C  
PAGE 0



**BOEING**  
757  
PARTS CATALOG (MAINTENANCE)



Y 28210501C SHT 2 REV 249

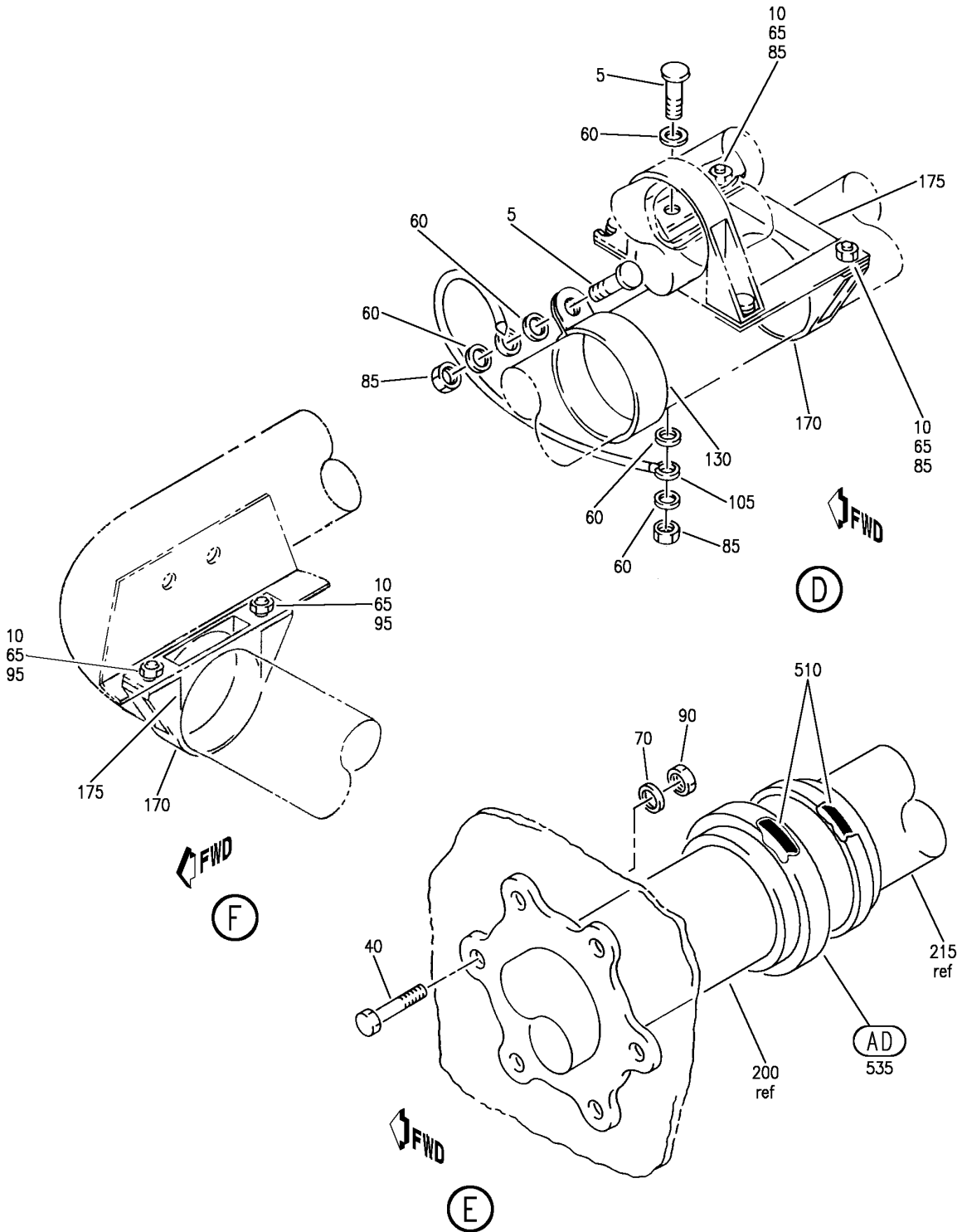
TUBING INSTL-FUELING SYS (L AND CTR SECTIONS)  
FIGURE 1C (SHEET 2)

**28-21-05-01C**

BRI  
JAN 20/09

28-21-05-01C  
PAGE 0A

**BOEING**  
757  
PARTS CATALOG (MAINTENANCE)



Y 28210501C SHT 3 REV 249

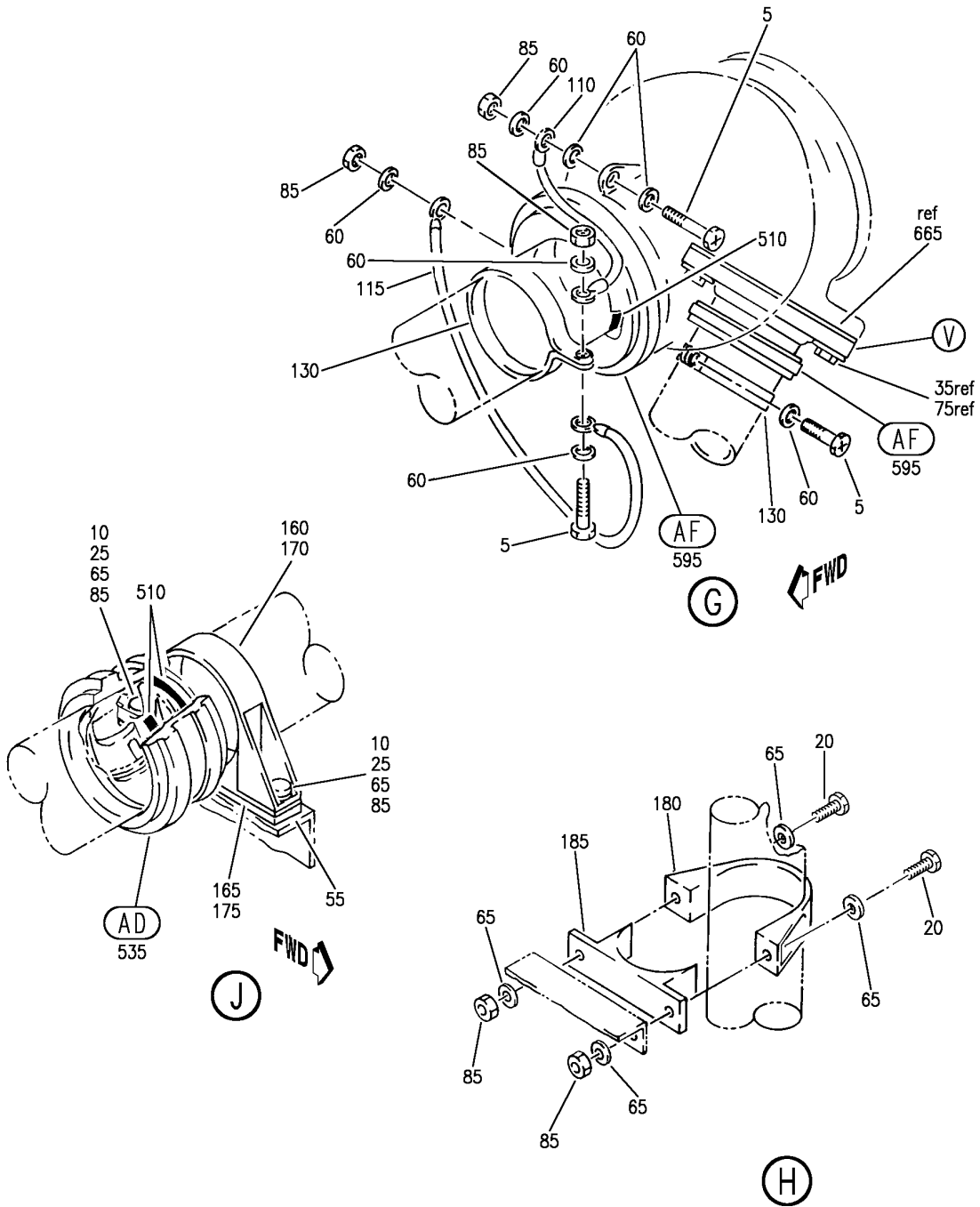
TUBING INSTL-FUELING SYS (L AND CTR SECTIONS)  
FIGURE 1C (SHEET 3)

**28-21-05-01C**

BRI  
JAN 20/09

28-21-05-01C  
PAGE 0B

**BOEING**  
757  
PARTS CATALOG (MAINTENANCE)



Y 28210501C SHT 4 REV 249

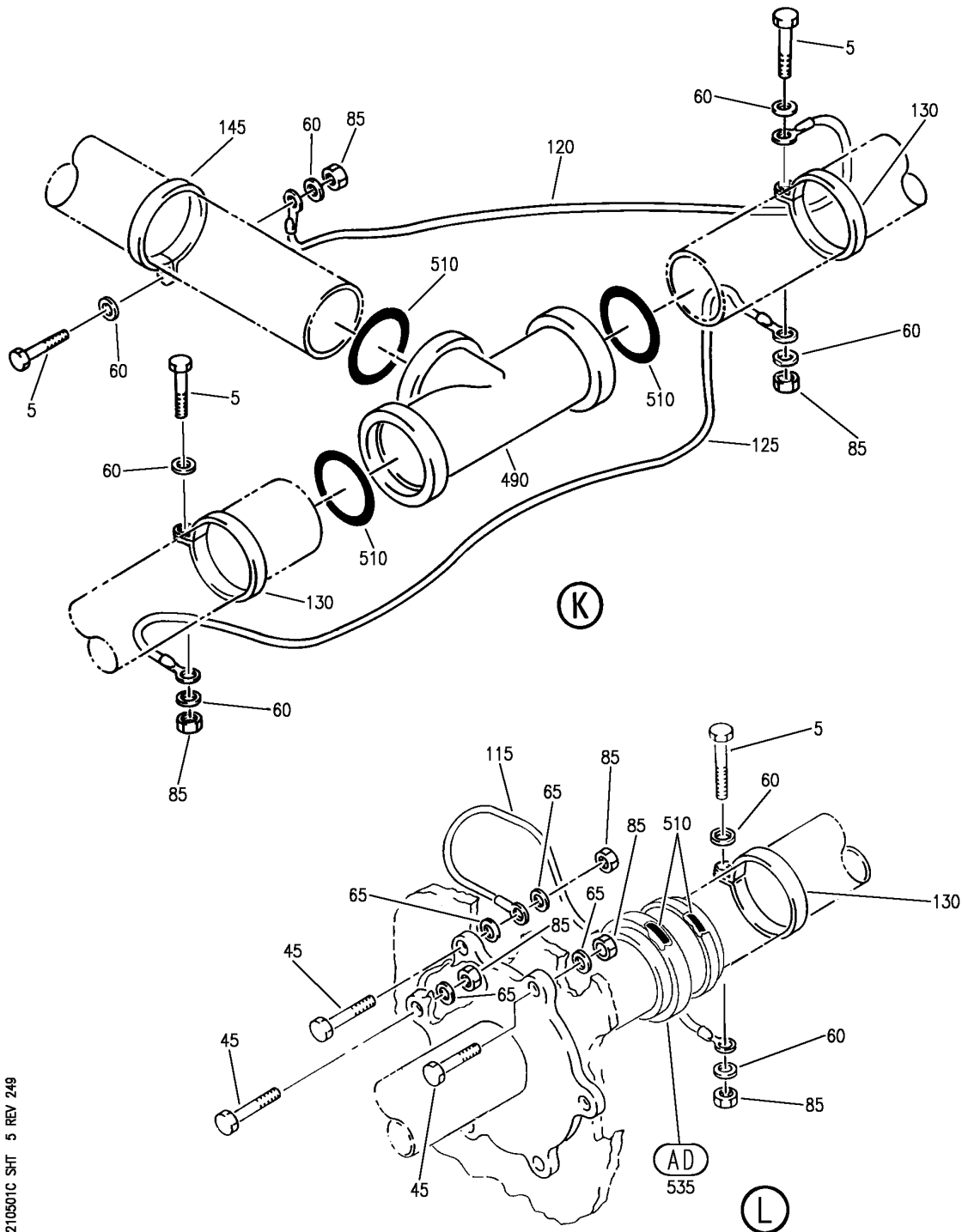
TUBING INSTL-FUELING SYS (L AND CTR SECTIONS)  
FIGURE 1C (SHEET 4)

**28-21-05-01C**

BRI  
JAN 20/09

28-21-05-01C  
PAGE 0C

**BOEING**  
757  
PARTS CATALOG (MAINTENANCE)



Y 28210501C SHT 5 REV 249

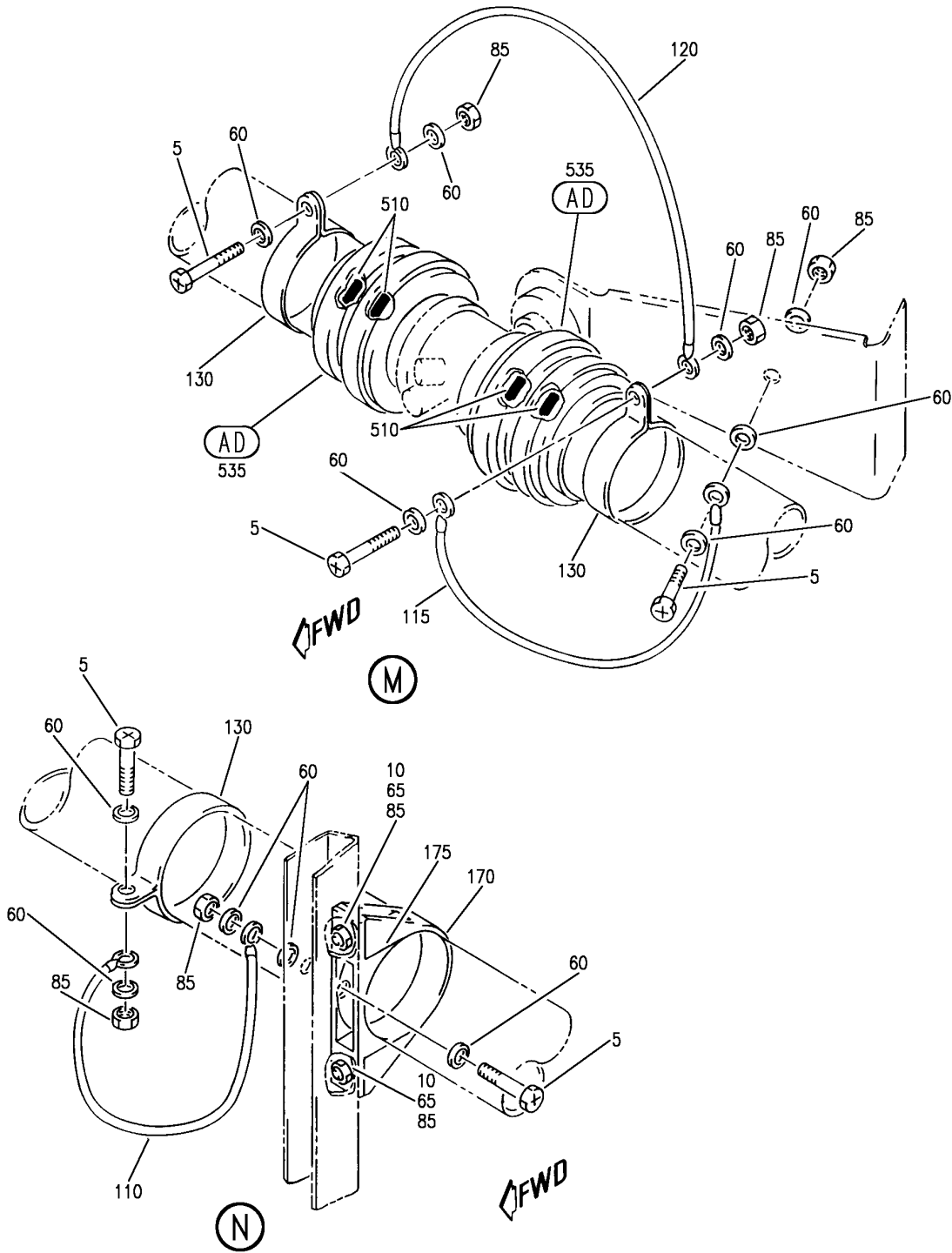
TUBING INSTL-FUELING SYS (L AND CTR SECTIONS)  
FIGURE 1C (SHEET 5)

**28-21-05-01C**

BRI  
JAN 20/09

28-21-05-01C  
PAGE 0D

**BOEING**  
757  
PARTS CATALOG (MAINTENANCE)



Y 28210501C SHT 6 REV 249

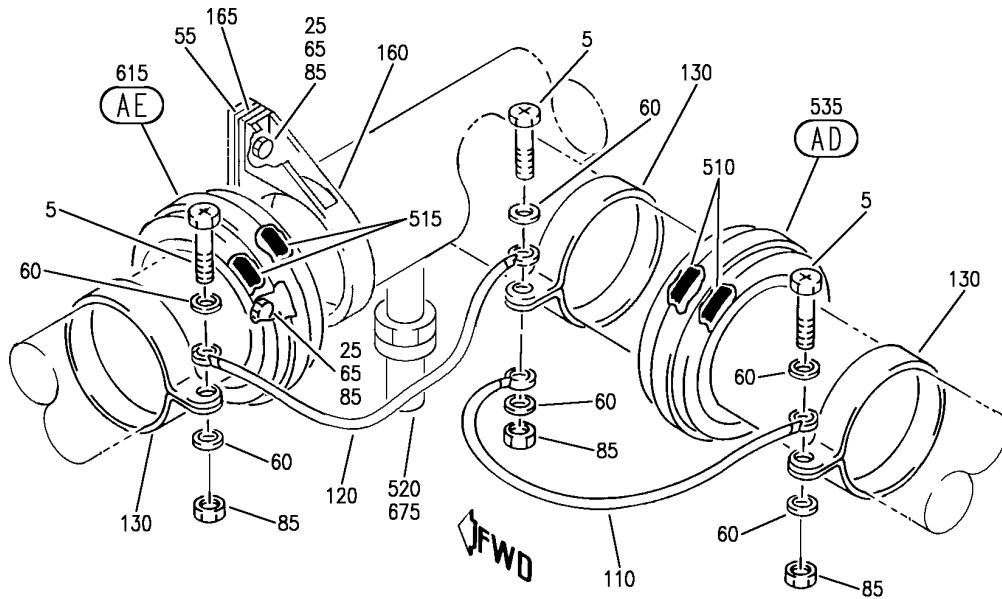
TUBING INSTL-FUELING SYS (L AND CTR SECTIONS)  
FIGURE 1C (SHEET 6)

**28-21-05-01C**

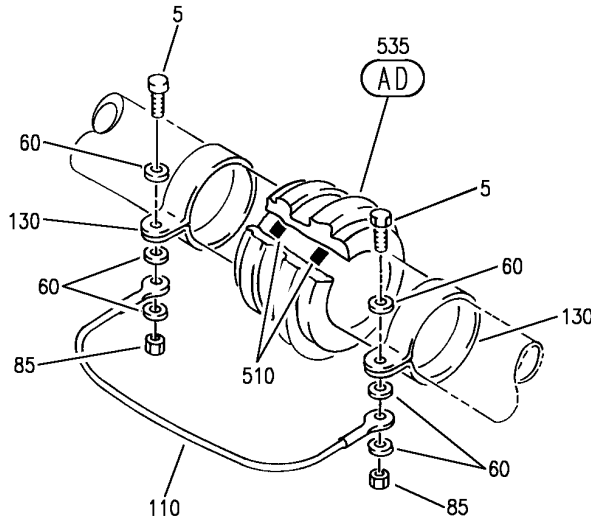
BRI  
JAN 20/09

28-21-05-01C  
PAGE 0E

**BOEING**  
757  
PARTS CATALOG (MAINTENANCE)



(P)



(Q)

Y 28210501C SHT 7 REV 249

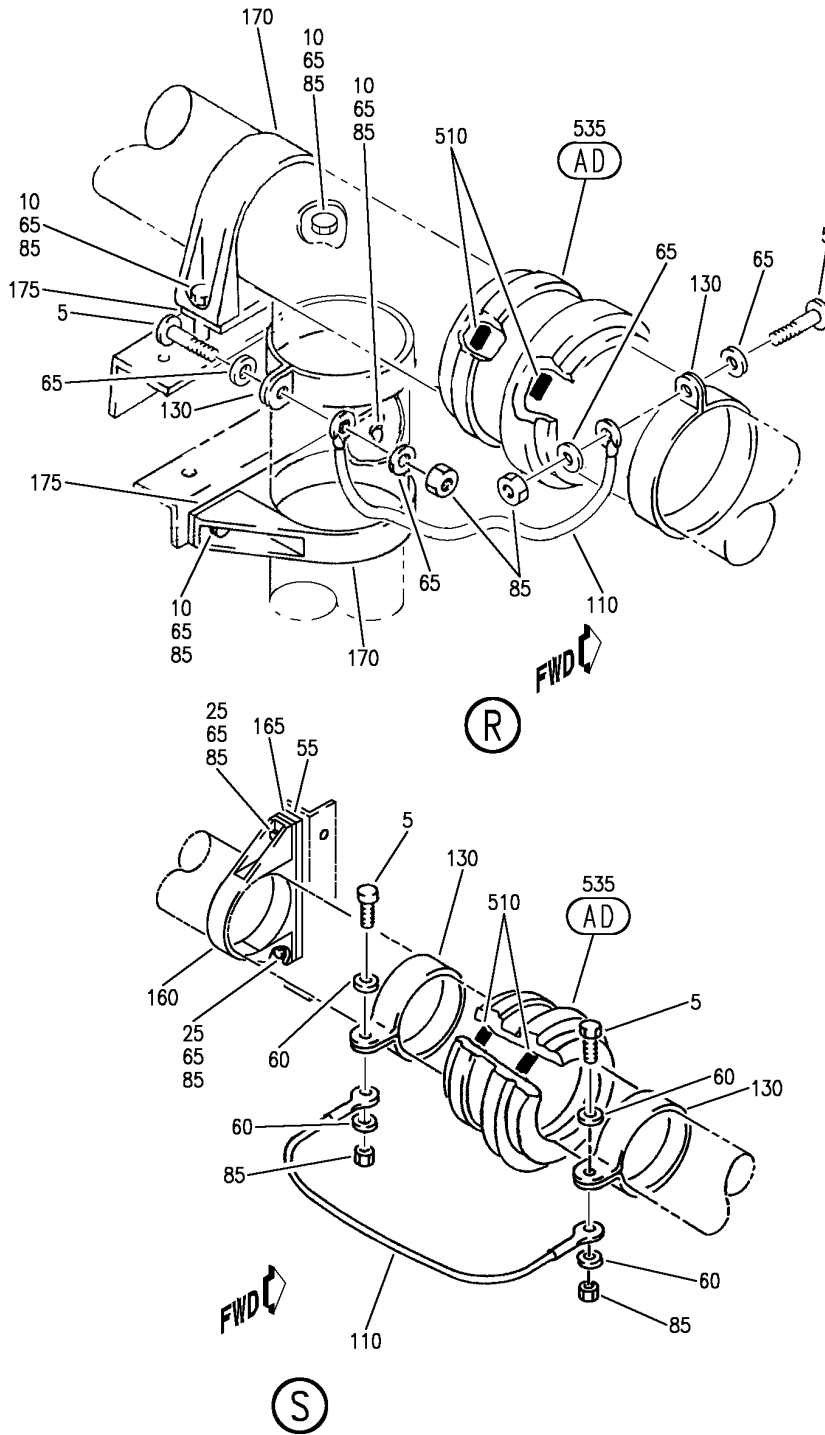
TUBING INSTL-FUELING SYS (L AND CTR SECTIONS)  
FIGURE 1C (SHEET 7)

**28-21-05-01C**

BRI  
JAN 20/09

28-21-05-01C  
PAGE OF

**BOEING**  
757  
**PARTS CATALOG (MAINTENANCE)**



Y 28210501C SHT 8 REV 249

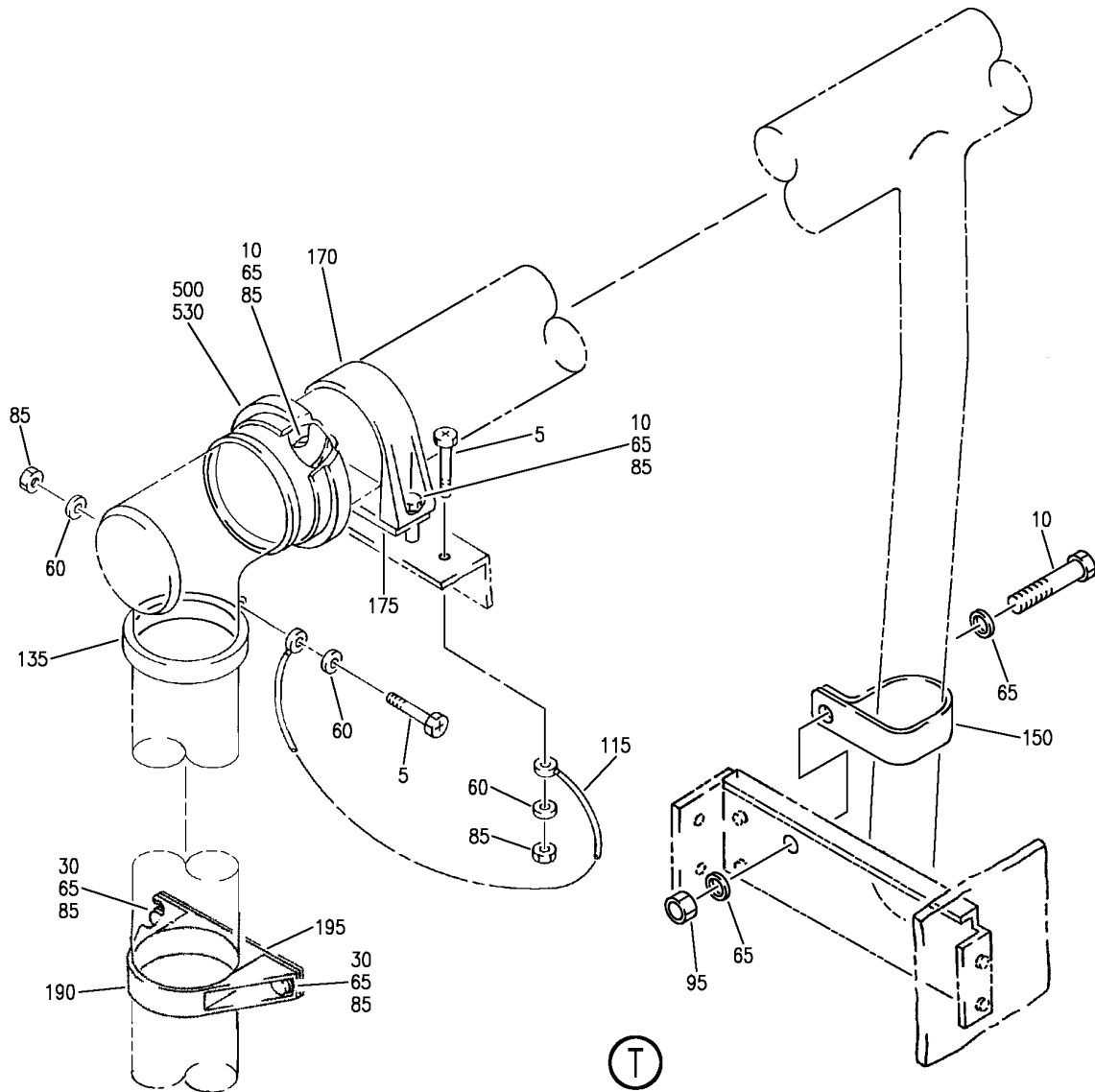
TUBING INSTL-FUELING SYS (L AND CTR SECTIONS)  
FIGURE 1C (SHEET 8)

**28-21-05-01C**

BRI  
JAN 20/09

28-21-05-01C  
PAGE 0G

**BOEING**  
757  
PARTS CATALOG (MAINTENANCE)



Y 28210501C SHT 9 REV 249

TUBING INSTL-FUELING SYS (L AND CTR SECTIONS)  
FIGURE 1C (SHEET 9)

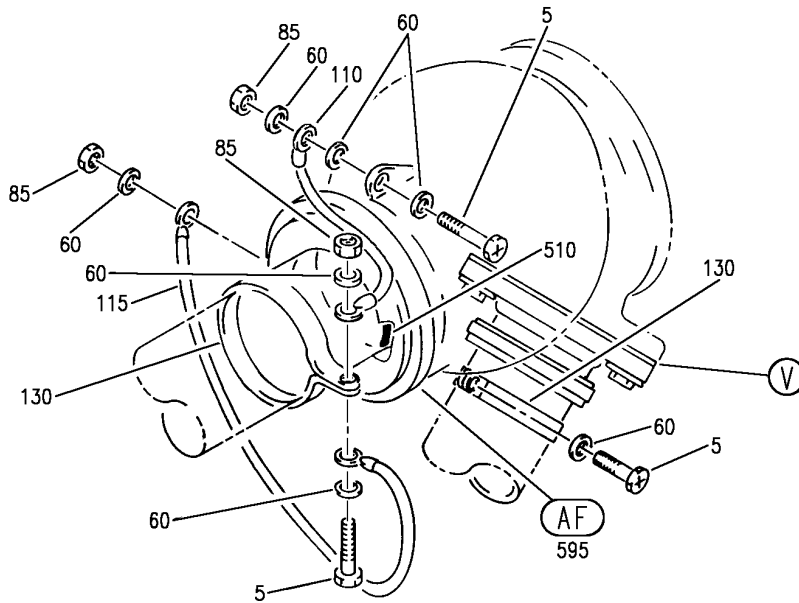
**28-21-05-01C**

BRI  
JAN 20/09

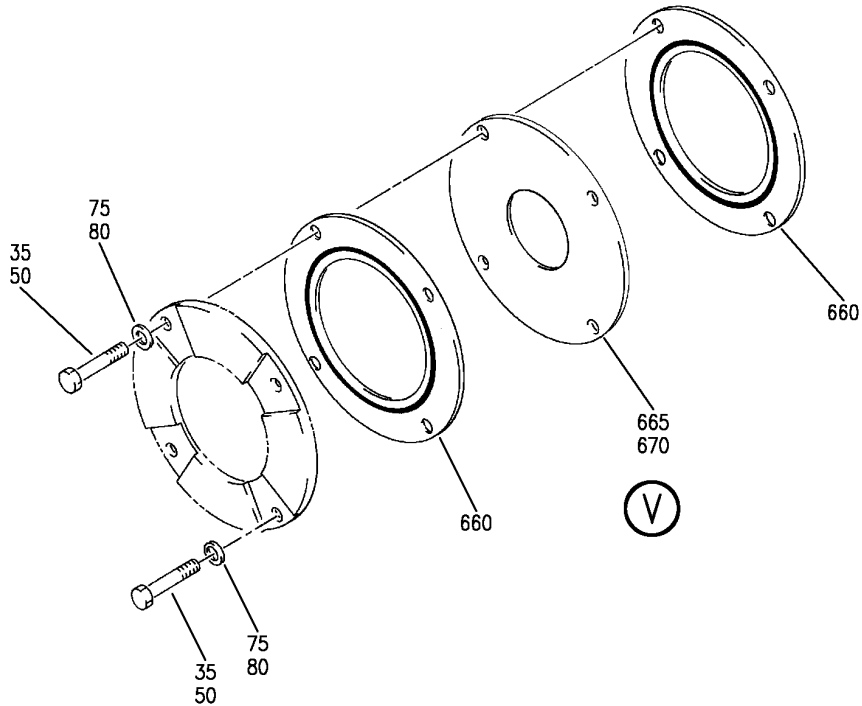
28-21-05-01C  
PAGE 0H



**BOEING**  
757  
PARTS CATALOG (MAINTENANCE)



U



Y 28210501C SHT 10 REV 249

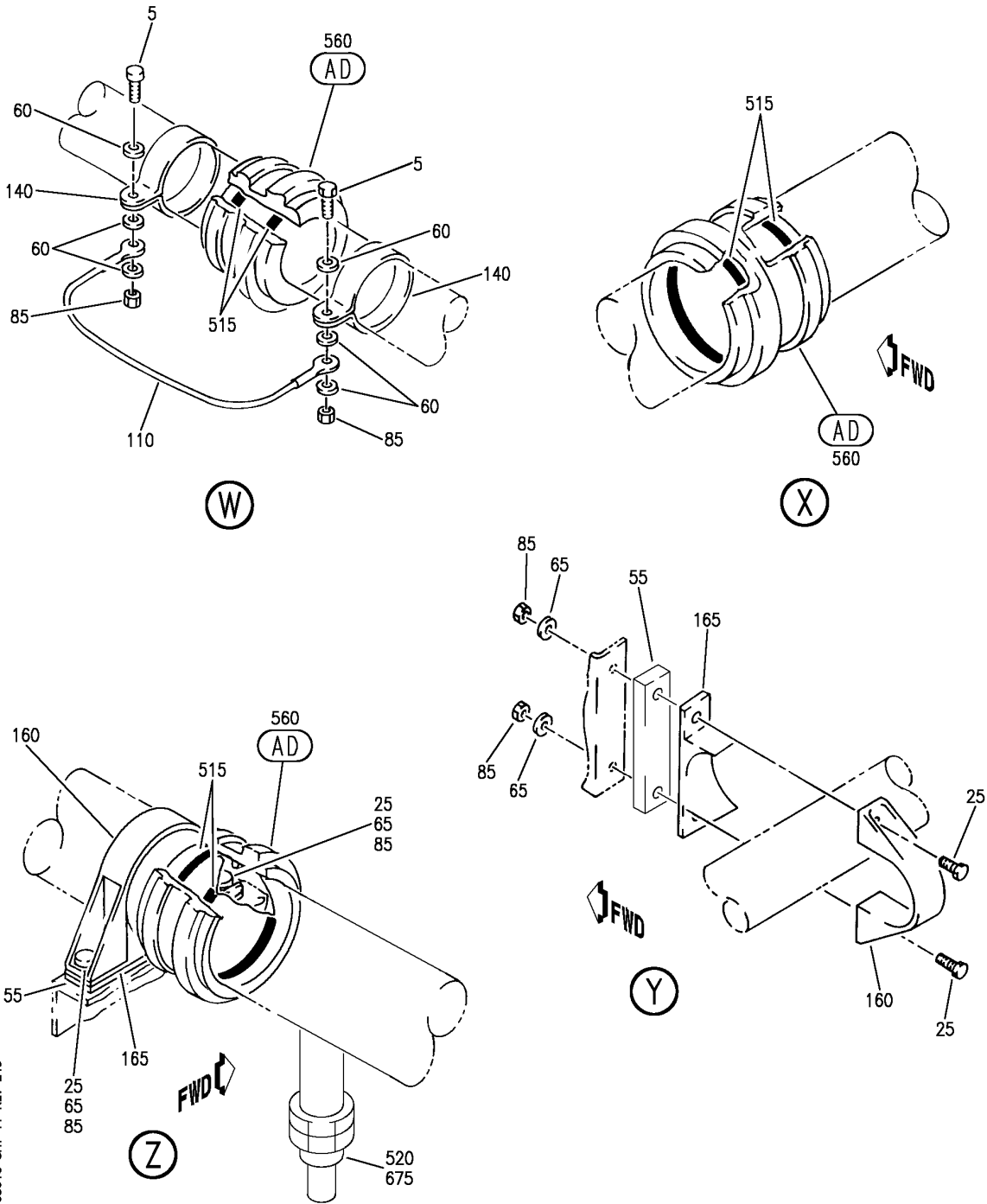
TUBING INSTL-FUELING SYS (L AND CTR SECTIONS)  
FIGURE 1C (SHEET 10)

**28-21-05-01C**

BRI  
JAN 20/09

28-21-05-01C  
PAGE 01

**BOEING**  
757  
PARTS CATALOG (MAINTENANCE)



Y 28210501C SHT 11 REV 249

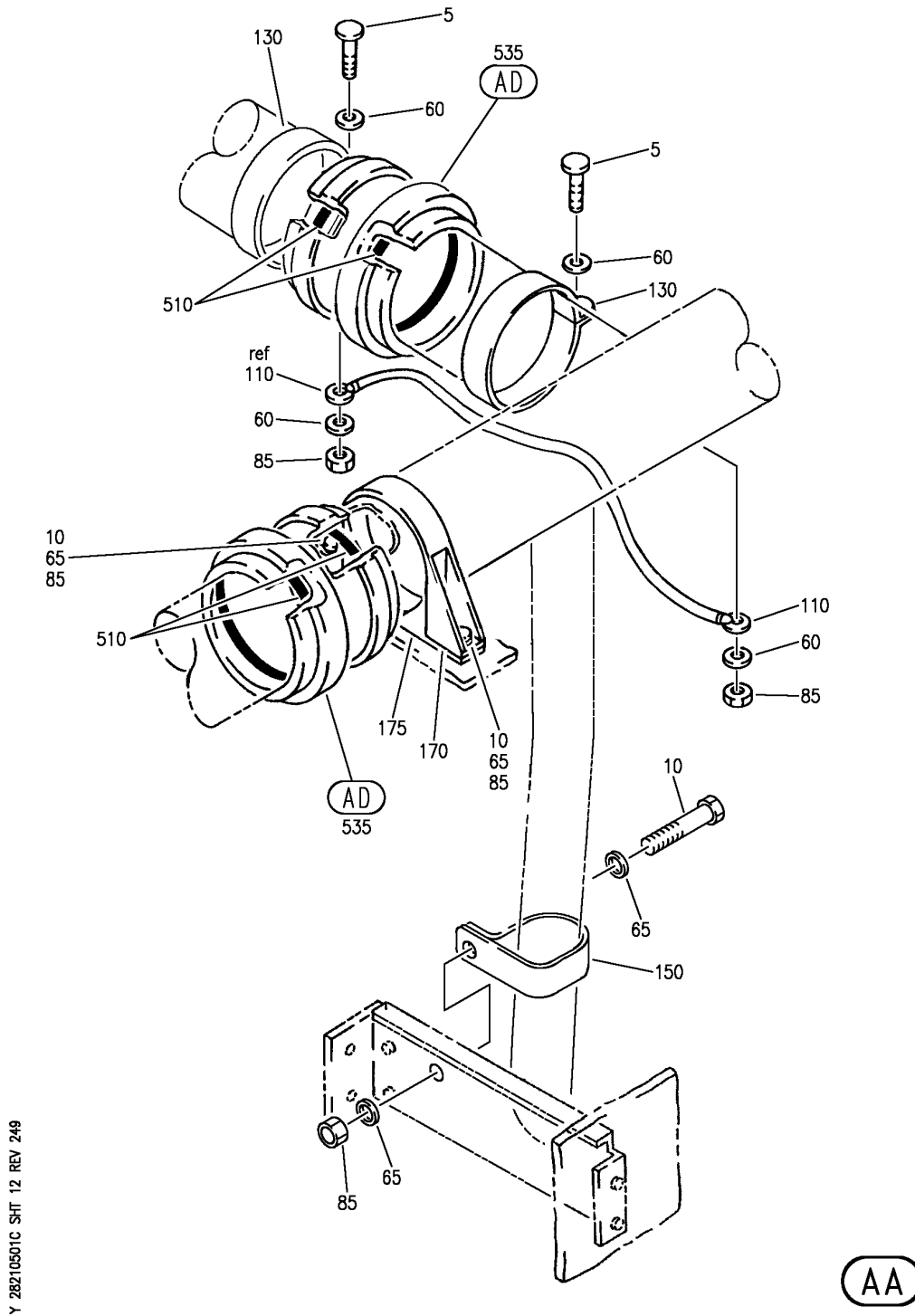
TUBING INSTL-FUELING SYS (L AND CTR SECTIONS)  
FIGURE 1C (SHEET 11)

**28-21-05-01C**

BRI  
JAN 20/09

28-21-05-01C  
PAGE 0J

**BOEING**  
757  
PARTS CATALOG (MAINTENANCE)



Y 28210501C SHT 12 REV 249

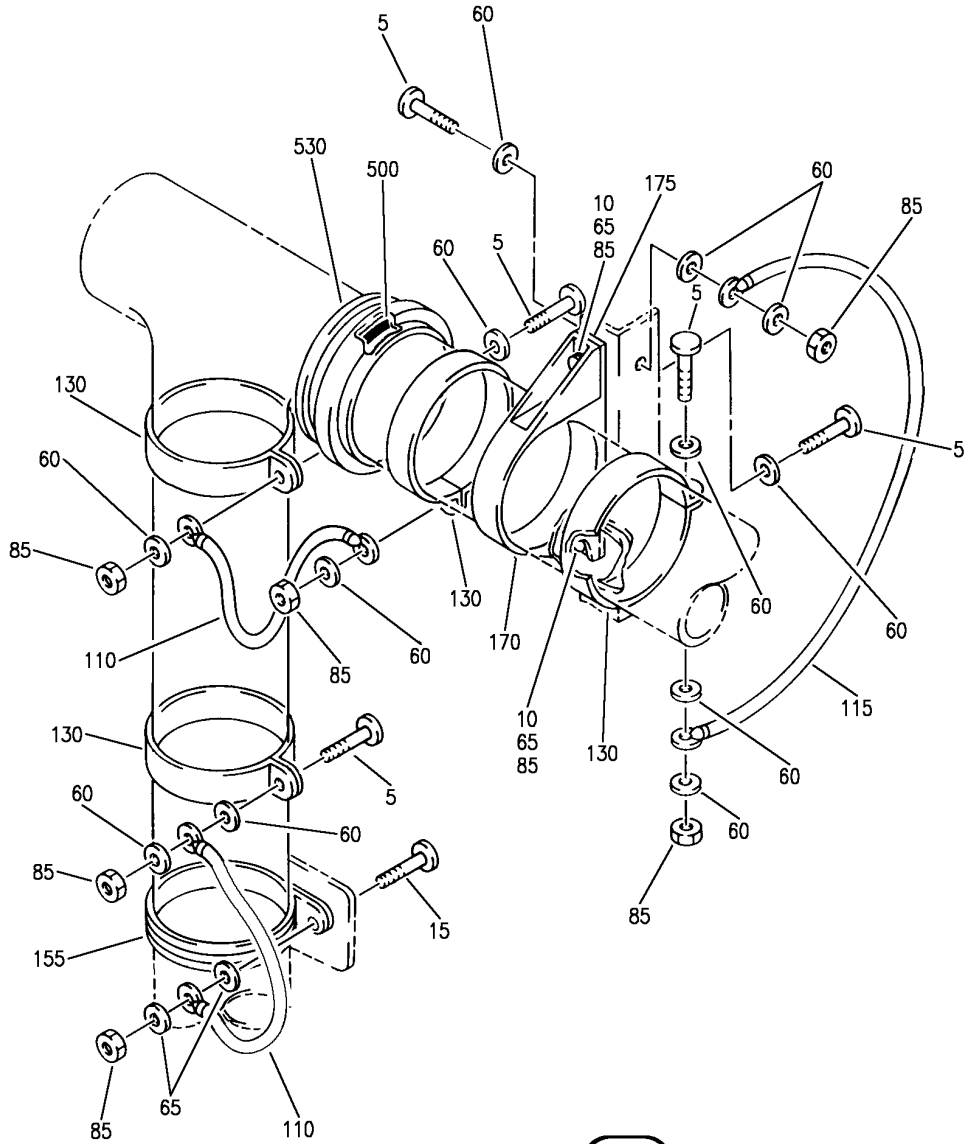
TUBING INSTL-FUELING SYS (L AND CTR SECTIONS)  
FIGURE 1C (SHEET 12)

**28-21-05-01C**

BRI  
JAN 20/09

28-21-05-01C  
PAGE OK

**BOEING**  
757  
PARTS CATALOG (MAINTENANCE)



(AB)

Y 28210501C SHT 13 REV 249

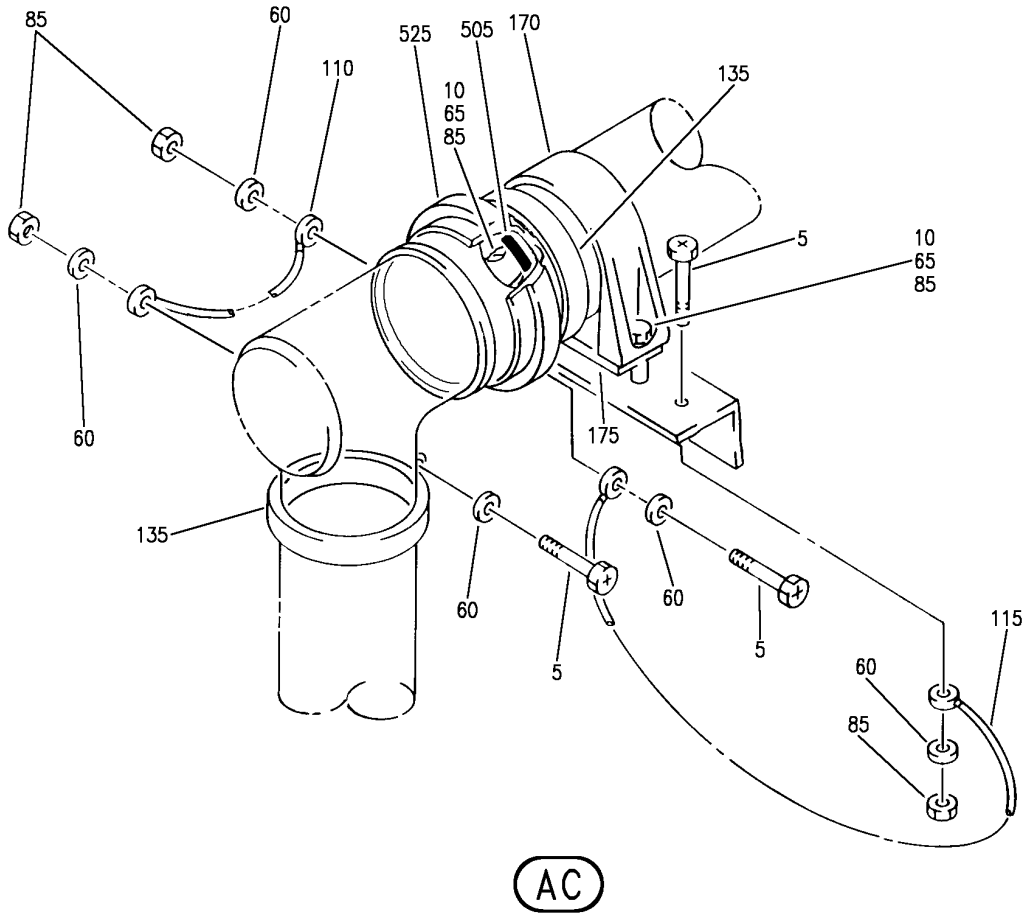
TUBING INSTL-FUELING SYS (L AND CTR SECTIONS)  
FIGURE 1C (SHEET 13)

**28-21-05-01C**

BRI  
JAN 20/09

28-21-05-01C  
PAGE 01

**BOEING**  
757  
PARTS CATALOG (MAINTENANCE)



Y 28210501C SHT 14 REV 249

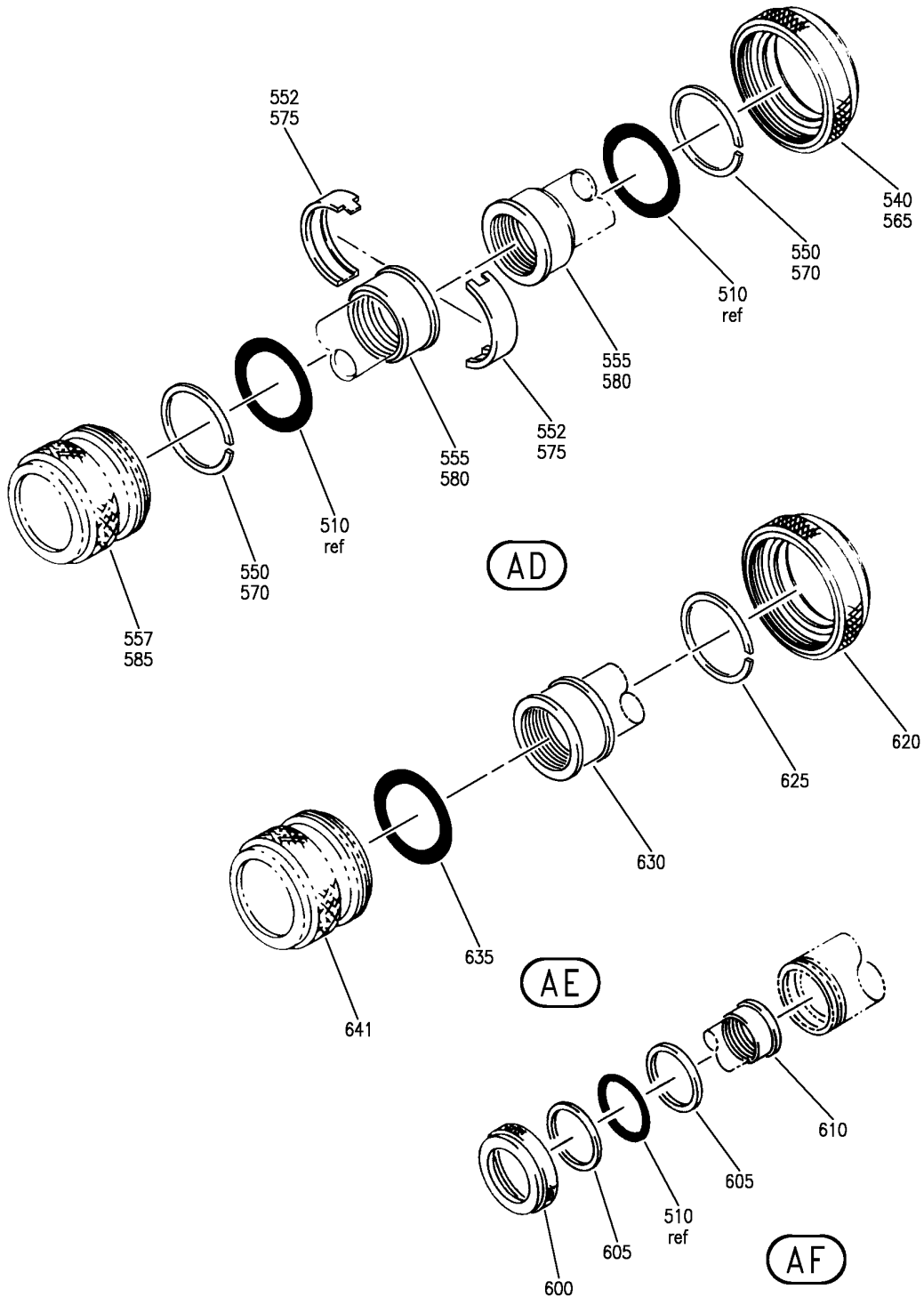
TUBING INSTL-FUELING SYS (L AND CTR SECTIONS)  
FIGURE 1C (SHEET 14)

**28-21-05-01C**

BRI  
JAN 20/09

28-21-05-01C  
PAGE 0M

**BOEING**  
757  
PARTS CATALOG (MAINTENANCE)



Y 28210501C SHT 15 REV 249

TUBING INSTL-FUELING SYS (L AND CTR SECTIONS)  
FIGURE 1C (SHEET 15)

**28-21-05-01C**

BRI  
JAN 20/09

28-21-05-01C  
PAGE ON



757

PARTS CATALOG (MAINTENANCE)

| FIG ITEM | PART NUMBER   | 1 2 3 4 5 6 7 | NOMENCLATURE   | EFFECT FROM TO | UNITS PER ASSY |
|----------|---------------|---------------|--|----------------|----------------|
| 1 C      |               |               | TUBING INSTL-FUELING SYS<br>(L AND CTR SECTIONS)   | 103106         |                |
| - 1      | MODREF33239   |               | TUBING INSTL-FUELING SYS<br>MODULE NUMBER:<br>344N4001-49 REV B<br>POSITION DATA:<br>L AND CTR SECTIONS<br>FOR ADDITIONAL DETAILS SEE:<br>28-21-05-01D | 103105         | RF             |
| - 1      | MODREF34371   |               | TUBING INSTL-FUELING SYS<br>MODULE NUMBER:<br>344N4001-49 REV C<br>POSITION DATA:<br>L AND CTR SECTIONS<br>FOR ADDITIONAL DETAILS SEE:<br>28-21-05-01D | 106106         | RF             |
| 5        | NAS1801-3-8   | .SCREW-       |  | 103105         | 43             |
| 5        | BACS12HN3-8   | .SCREW-       |  | 106106         | 43             |
| 10       | NAS1801-3-11  | .SCREW-       |  | 103105         | 26             |
| 10       | BACS12HN3-11  | .SCREW-       |  | 106106         | 16             |
| 15       | NAS1801-3-12  | .SCREW-       |  | 103105         | 1              |
| 15       | BACS12HN3-12  | .SCREW-       |  | 106106         | 1              |
| 20       | NAS1801-3-14  | .SCREW-       |  | 103105         | 6              |
| 20       | BACS12HN3-14  | .SCREW-       |  | 106106         | 6              |
| 25       | NAS1801-3-15  | .SCREW-       |  | 103105         | 18             |
| 25       | BACS12HN3-15  | .SCREW-       |  | 106106         | 18             |
| 30       | NAS1801-3-21  | .SCREW        |  | 103105         | 2              |
| 30       | BACS12HN3-21  | .SCREW-       |  | 106106         | 2              |
| 35       | BACB30NM4HK7  | .BOLT         |  | 103106         | 4              |
| 40       | BACB30NM4K4   | .BOLT         |  | 103106         | 6              |
| 45       | BACB30NM3K5   | .BOLT         |  | 103106         | 6              |
| 50       | BACB30NM4K10  | .BOLT         |  | 103106         | 8              |
| 55       | 69B92447-31   | .SPACER       |  | 103106         | 9              |
| 60       | NAS1149D0316J | .WASHER       |  | 103106         | 92             |
| 65       | NAS1149D0332J | .WASHER       |  | 103106         | 73             |
| 70       | NAS1149D0432J | .WASHER       |  | 103106         | 6              |
| 75       | NAS1149D0416J | .WASHER       |  | 103106         | 4              |
| 80       | NAS1149D0416K | .WASHER       |  | 103106         | 8              |
| 85       | PLH53CD       | .NUT          |  | 103106         | 97             |
|          |               |               | SUPPLIER CODE:<br>VF0224<br>SPECIFICATION NUMBER:<br>BACN10YR3CD<br>OPTIONAL PART:<br>H52732-3CD<br>V15653   |                |                |

MISSING ITEM NUMBERS NOT APPLICABLE

- ITEM NOT ILLUSTRATED

BRI

28-21-05-01C

28-21-05  
FIG. 01C  
PAGE 1  
JAN 20/09



757

PARTS CATALOG (MAINTENANCE)

| FIG ITEM | PART NUMBER | 1 2 3 4 5 6 7 | NOMENCLATURE  | EFFECT FROM TO | UNITS PER ASSY |
|----------|-------------|---------------|---|----------------|----------------|
| 1C<br>90 | PLH54CD     | .NUT          | SUPPLIER CODE:<br>VF0224<br>SPECIFICATION NUMBER:<br>BACN10YR4CD<br>OPTIONAL PART:<br>H52732-4CD<br>V15653  | 103106         | 6              |
| 95       | BRH10A3     | .NUT          | SUPPLIER CODE:<br>V52828<br>SPECIFICATION NUMBER:<br>BACN10JC3<br>OPTIONAL PART:<br>H10-3BAC<br>V15653<br>NS202101-02<br>V80539<br>RMLH9075-3W<br>V72962<br>VN303A02<br>V92215<br>96-02<br>V80539<br>T6S1032J<br>V11815 | 103106         | 3              |
| 105      | 740A20-3    | .JUMPER ASSY  | SUPPLIER CODE:<br>V91812<br>SPECIFICATION NUMBER:<br>BACJ40A20-3<br>OPTIONAL PART:<br>TJEJ40A20-3<br>V33483<br>RBEJ20-3<br>V1GK47   | 103106         | 1              |
| 110      | 740A20-4    | .JUMPER ASSY  | SUPPLIER CODE:<br>V91812<br>SPECIFICATION NUMBER:<br>BACJ40A20-4<br>OPTIONAL PART:<br>TJEJ40A20-4<br>V33483<br>RBEJ20-4<br>V1GK47   | 103106         | 13             |

MISSING ITEM NUMBERS NOT APPLICABLE

- ITEM NOT ILLUSTRATED

28-21-05-01C

28-21-05  
FIG. 01C  
PAGE 2  
JAN 20/09

BRI

BOEING PROPRIETARY - Copyright © - Unpublished Work - See title page for details.





757

PARTS CATALOG (MAINTENANCE)

| FIG ITEM  | PART NUMBER | 1 2 3 4 5 6 7 | NOMENCLATURE  | EFFECT FROM TO | UNITS PER ASSY |
|-----------|-------------|---------------|---|----------------|----------------|
| 1C<br>115 | 740A20-5    | .             | JUMPER ASSY<br>SUPPLIER CODE:<br>V91812<br>SPECIFICATION NUMBER:<br>BACJ40A20-5<br>OPTIONAL PART:<br>TJEJ40A20-5<br>V33483<br>RBEJ20-5<br>V1GK47                                  | 103106         | 8              |
| 120       | BACJ40A20-8 | .             | JUMPER ASSY   | 103106         | 3              |
| 125       | 740A20-10   | .             | JUMPER ASSY<br>SUPPLIER CODE:<br>V91812<br>SPECIFICATION NUMBER:<br>BACJ40A20-10<br>OPTIONAL PART:<br>TJEJ40A20-10<br>V33483<br>RBEJ20-10<br>V1GK47                               | 103106         | 1              |
| 130       | AN735DC32   | .             | CLAMP   | 103106         | 28             |
| 135       | AN735DC24   | .             | CLAMP   | 103106         | 3              |
| 140       | AN735DC40   | .             | CLAMP   | 103106         | 2              |
| 145       | AN735DC48   | .             | CLAMP   | 103106         | 1              |
| 150       | BACC10DK14  | .             | CLAMP   | 103106         | 2              |
| 155       | S258DT32    | .             | CLAMP<br>SUPPLIER CODE:<br>V18076<br>SPECIFICATION NUMBER:<br>BACC10DW32D<br>OPTIONAL PART:<br>TA4C44D32T<br>V84971<br>475-32<br>V83930<br>8084D32T<br>V72285<br>475A32<br>V83930 | 103106         | 1              |
| 160       | BACC10EW40A | .             | CLAMP STRAP   | 103106         | 9              |
| 165       | BACC10EW40B | .             | CLAMP SADDLE  | 103106         | 9              |
| 170       | BACC10EW32A | .             | CLAMP STRAP   | 103106         | 11             |
| 175       | BACC10EW32B | .             | CLAMP SADDLE  | 103106         | 11             |
| 180       | BACC10EW48A | .             | CLAMP STRAP   | 103106         | 3              |
| 185       | BACC10EW48B | .             | CLAMP SADDLE  | 103106         | 3              |
| 190       | BACC10EW24A | .             | CLAMP STRAP   | 103106         | 1              |
| 195       | BACC10EW24B | .             | CLAMP SADDLE  | 103106         | 1              |
| 200       | 344N2019-25 | .             | TUBE ASSY   | 103106         | 1              |

MISSING ITEM NUMBERS NOT APPLICABLE

- ITEM NOT ILLUSTRATED

28-21-05-01C

28-21-05  
FIG. 01C  
PAGE 3  
JAN 20/09

BRI

BOEING PROPRIETARY - Copyright © - Unpublished Work - See title page for details.



757

PARTS CATALOG (MAINTENANCE)

| FIG ITEM | PART NUMBER | 1 2 3 4 5 6 7 | NOMENCLATURE   | EFFECT FROM TO | UNITS PER ASSY |
|----------|-------------|---------------|--|----------------|----------------|
| 1C       |             |               |  |                |                |
| - 205    | 344N2019-27 | ..            | WELD ASSY  | 103106         | 1              |
| - 210    | BACF32E32   | ..            | FERRULE  | 103106         | 1              |
|          |             |               | SUPPLIER CODE:<br>V79326   |                |                |
|          |             |               | SPECIFICATION NUMBER:<br>BACF32E32   |                |                |
|          |             |               | OPTIONAL PART:<br>63052-32<br>V79326   |                |                |
| 215      | 344N4001-33 | .TUBE ASSY-   | TUBE ASSY-   | 103106         | 1              |
|          |             |               | TUBING MATERIAL:<br>2.0 IN. OD X .028 IN.<br>WALL X 19.3 IN. LG<br>WW-T-700/6 6061 T4<br>TUBING                                    |                |                |
| - 220    | BACF32E32   | .FERRULE      | FERRULE  | 103106         | 2              |
|          |             |               | SUPPLIER CODE:<br>V79326   |                |                |
|          |             |               | SPECIFICATION NUMBER:<br>BACF32E32   |                |                |
|          |             |               | OPTIONAL PART:<br>63052-32<br>V79326   |                |                |
| 225      | 344N2034-1  | .TUBE ASSY-   | TUBE ASSY-   | 103106         | 1              |
|          |             |               | TUBING MATERIAL:<br>2.0 IN. OD X .035 IN.<br>WALL X 15.0 IN. LG<br>6061 T4 AL ALLOY TUBE<br>PER WW-T-700/6                         |                |                |
| - 230    | BACF32E32   | ..FERRULE     | FERRULE  | 103106         | 1              |
|          |             |               | SUPPLIER CODE:<br>V79326   |                |                |
|          |             |               | SPECIFICATION NUMBER:<br>BACF32E32   |                |                |
|          |             |               | OPTIONAL PART:<br>63052-32<br>V79326   |                |                |
| 235      | 344N2033-14 | .WELD ASSY    | WELD ASSY  | 103106         | 1              |
| - 240    | 344N2033-20 | ..FERRULE     | FERRULE  | 103106         | 1              |
| 245      | 344N4001-5  | .TUBE ASSY-   | TUBE ASSY-   | 103106         | 1              |
|          |             |               | TUBING MATERIAL:<br>2.0 IN. OD X .028 IN.<br>WALL LG TO BE DETERMINED<br>AT INSTL 6061-T4<br>SEAMLESS AL TUBING PER<br>WW-T-700/6. |                |                |

MISSING ITEM NUMBERS NOT APPLICABLE

- ITEM NOT ILLUSTRATED

28-21-05-01C

28-21-05  
FIG. 01C  
PAGE 4  
JAN 20/09

BRI

BOEING PROPRIETARY - Copyright © - Unpublished Work - See title page for details.



757

PARTS CATALOG (MAINTENANCE)

| FIG ITEM | PART NUMBER | 1 2 3 4 5 6 7 | NOMENCLATURE  | EFFECT FROM TO | UNITS PER ASSY |
|----------|-------------|---------------|---|----------------|----------------|
| 1C       |             |               |   |                |                |
| - 250    | BACF32E32   | ..            | FERRULE<br>SUPPLIER CODE:<br>V79326<br>SPECIFICATION NUMBER:<br>BACF32E32<br>OPTIONAL PART:<br>63052-32<br>V79326 | 103106         | 2              |
| 255      | 344N2014-1  | .TUBE         | ASSY  | 103106         | 1              |
| - 260    | 344N2014-3  | ..            | WELD ASSY   | 103106         | 1              |
| - 265    | BACF32E32   | ..            | FERRULE<br>SUPPLIER CODE:<br>V79326<br>SPECIFICATION NUMBER:<br>BACF32E32<br>OPTIONAL PART:<br>63052-32<br>V79326 | 103106         | 3              |
| 270      | 344N4001-6  | .TUBE         | ASSY-<br>TUBING MATERIAL:<br>2.0 IN. OD X .028 IN.<br>WALL X 55.78 IN. LG<br>WW-T-700/6 6061 T4<br>TUBING         | 103106         | 1              |
| - 275    | BACF32E32   | ..            | FERRULE<br>SUPPLIER CODE:<br>V79326<br>SPECIFICATION NUMBER:<br>BACF32E32<br>OPTIONAL PART:<br>63052-32<br>V79326 | 103106         | 2              |
| 280      | 344N4001-19 | .TUBE         | ASSY-<br>TUBING MATERIAL:<br>2.0 IN. OD X .028 IN.<br>WALL X 20.1 IN. LG<br>WW-T-700/6 6061 T4<br>TUBING          | 103106         | 1              |
| - 285    | BACF32E32   | ..            | FERRULE<br>SUPPLIER CODE:<br>V79326<br>SPECIFICATION NUMBER:<br>BACF32E32<br>OPTIONAL PART:<br>63052-32<br>V79326 | 103106         | 1              |
| - 290    | 63052-32-40 | ..            | FERRULE-<br>SUPPLIER CODE:<br>V79326  | 103106         | 1              |

MISSING ITEM NUMBERS NOT APPLICABLE

- ITEM NOT ILLUSTRATED

28-21-05-01C

28-21-05  
FIG. 01C  
PAGE 5  
JAN 20/09

BRI

BOEING PROPRIETARY - Copyright © - Unpublished Work - See title page for details.



757

PARTS CATALOG (MAINTENANCE)

| FIG ITEM | PART NUMBER | 1 2 3 4 5 6 7 | NOMENCLATURE  | EFFECT FROM TO | UNITS PER ASSY |
|----------|-------------|---------------|---|----------------|----------------|
| 1C       |             |               |   |                |                |
| 295      | 344N2017-14 | .             | TUBE ASSY   | 103106         | 1              |
| - 298    | 344N2017-15 | ..            | WELD ASSY   | 103106         | 1              |
| - 300    | BACF32E32   | ..            | FERRULE   | 103106         | 1              |
|          |             |               | SUPPLIER CODE:<br>V79326  |                |                |
|          |             |               | SPECIFICATION NUMBER:<br>BACF32E32  |                |                |
|          |             |               | OPTIONAL PART:<br>63052-32<br>V79326  |                |                |
| - 305    | S3052-40A   | ..            | FERRULE   | 103106         | 2              |
|          |             |               | SUPPLIER CODE:<br>V79326  |                |                |
|          |             |               | SPECIFICATION NUMBER:<br>BACF32E40A   |                |                |
| 310      | 344N4001-36 | .             | TUBE ASSY-  | 103106         | 1              |
|          |             |               | TUBING MATERIAL:<br>2.0 IN. OD X .028 IN.<br>WALL LG TO BE DETERMINED<br>AT INSTL 6061-T4<br>SEAMLESS AL TUBING PER<br>WW-T-700/6 |                |                |
| - 315    | BACF32E32   | ..            | FERRULE   | 103106         | 2              |
|          |             |               | SUPPLIER CODE:<br>V79326  |                |                |
|          |             |               | SPECIFICATION NUMBER:<br>BACF32E32  |                |                |
|          |             |               | OPTIONAL PART:<br>63052-32<br>V79326  |                |                |
| 320      | 344N2025-7  | .             | TUBE ASSY   | 103106         | 1              |
| - 325    | 344N2025-8  | ..            | WELD ASSY   | 103106         | 1              |
| - 330    | 63052-32    | ..            | FERRULE   | 103106         | 1              |
|          |             |               | SUPPLIER CODE:<br>V79326  |                |                |
|          |             |               | SPECIFICATION NUMBER:<br>AS1716D32  |                |                |
|          |             |               | OPTIONAL PART:<br>12F63-32A<br>V24984   |                |                |
| 335      | 344N2030-31 | .             | TUBE ASSY   | 103106         | 1              |
| - 340    | 344N2030-33 | ..            | WELD ASSY   | 103106         | 1              |

MISSING ITEM NUMBERS NOT APPLICABLE

- ITEM NOT ILLUSTRATED

BRI

28-21-05-01C

BOEING PROPRIETARY - Copyright © - Unpublished Work - See title page for details.

28-21-05  
FIG. 01C  
PAGE 6  
JAN 20/09



757

PARTS CATALOG (MAINTENANCE)

| FIG ITEM | PART NUMBER | 1 2 3 4 5 6 7 | NOMENCLATURE   | EFFECT FROM TO | UNITS PER ASSY |
|----------|-------------|---------------|--|----------------|----------------|
| 1C       |             |               |  |                |                |
| - 345    | S83052-32   | ..            | FERRULE<br>SUPPLIER CODE:<br>V79326<br>SPECIFICATION NUMBER:<br>BACF32F32<br>OPTIONAL PART:<br>TC010-32<br>V24984  | 103106         | 1              |
| 350      | 344N2022-19 | .TUBE ASSY-   | TUBING MATERIAL:<br>2.0 IN. OD X .035 IN.<br>WALL X 42.9 IN. LG<br>6061 T4 SEAMLESS TUBING<br>PER WW-T-700/6       | 103106         | 1              |
| - 355    | BACF32E32   | ..            | FERRULE<br>SUPPLIER CODE:<br>V79326<br>SPECIFICATION NUMBER:<br>BACF32E32<br>OPTIONAL PART:<br>63052-32<br>V79326  | 103106         | 2              |
| 360      | 344N2022-23 | .TUBE ASSY    |  | 103106         | 1              |
| - 365    | 344N2022-26 | ..            | WELD ASSY  | 103106         | 1              |
| - 370    | 63052-32    | ..            | FERRULE<br>SUPPLIER CODE:<br>V79326<br>SPECIFICATION NUMBER:<br>AS1716D32<br>OPTIONAL PART:<br>12F63-32A<br>V24984 | 103106         | 1              |
| 375      | 344N4001-17 | .TUBE ASSY-   | TUBING MATERIAL:<br>2.5 IN. OD X .035 IN.<br>WALL X 24.7 IN. LG<br>WW-T-700/6 6061 T4<br>TUBING                    | 103106         | 1              |
| - 380    | S3052-40A   | ..            | FERRULE<br>SUPPLIER CODE:<br>V79326<br>SPECIFICATION NUMBER:<br>BACF32E40A   | 103106         | 2              |
| 385      | 344N2015-16 | .TUBE ASSY    |  | 103106         | 1              |

MISSING ITEM NUMBERS NOT APPLICABLE

- ITEM NOT ILLUSTRATED

28-21-05-01C

28-21-05  
FIG. 01C  
PAGE 7  
JAN 20/09

BRI

BOEING PROPRIETARY - Copyright © - Unpublished Work - See title page for details.



757

PARTS CATALOG (MAINTENANCE)

| FIG ITEM | PART NUMBER | 1 2 3 4 5 6 7 | NOMENCLATURE  | EFFECT FROM TO | UNITS PER ASSY |
|----------|-------------|---------------|---|----------------|----------------|
| 1C       |             |               |   |                |                |
| - 390    | BACF32E32   | ..            | FERRULE<br>SUPPLIER CODE:<br>V79326<br>SPECIFICATION NUMBER:<br>BACF32E32<br>OPTIONAL PART:<br>63052-32<br>V79326 | 103106         | 1              |
| - 395    | S3052-40A   | ..            | FERRULE<br>SUPPLIER CODE:<br>V79326<br>SPECIFICATION NUMBER:<br>BACF32E40A  | 103106         | 2              |
| 400      | 344N4001-35 | .TUBE ASSY-   | TUBING MATERIAL:<br>2.0 IN. OD X .028 IN.<br>WALL X 22.3 IN. LG<br>WW-T-700/6 6061 T4<br>TUBING                   | 103106         | 1              |
| - 405    | BACF32E32   | ..            | FERRULE<br>SUPPLIER CODE:<br>V79326<br>SPECIFICATION NUMBER:<br>BACF32E32<br>OPTIONAL PART:<br>63052-32<br>V79326 | 103106         | 2              |
| 410      | 344N2030-34 | .TUBE ASSY    |   | 103106         | 1              |
| - 415    | 344N4001-36 | ..TUBE ASSY-  | TUBING MATERIAL:<br>STOCK 2.00 O.D. X .028<br>WALL 6061-T4 SEAMLESS AL<br>TUBING PER WW-T-700/6.                  | 103106         | 1              |
| - 420    | S83052-24   | ..            | FERRULE<br>SUPPLIER CODE:<br>V79326<br>SPECIFICATION NUMBER:<br>BACF32F24<br>OPTIONAL PART:<br>TC010-24<br>V24984 | 103106         | 1              |
| 425      | 344N2030-19 | .TUBE ASSY-   | TUBING MATERIAL:<br>1.5 IN. OD X .028 IN.<br>WALL X 39.4 IN. LG<br>6061-T4 SEAMLESS TUBING<br>PER WW-T-700/6      | 103106         | 1              |

MISSING ITEM NUMBERS NOT APPLICABLE

- ITEM NOT ILLUSTRATED

28-21-05-01C

28-21-05  
FIG. 01C  
PAGE 8  
JAN 20/09

BRI

BOEING PROPRIETARY - Copyright © - Unpublished Work - See title page for details.



757

PARTS CATALOG (MAINTENANCE)

| FIG ITEM | PART NUMBER | 1 2 3 4 5 6 7 | NOMENCLATURE   | EFFECT FROM TO | UNITS PER ASSY |
|----------|-------------|---------------|--|----------------|----------------|
| 1C       |             |               |  |                |                |
| - 430    | TC036-24AE  | ..            | COUPLING<br>SUPPLIER CODE:<br>V24984<br>SPECIFICATION NUMBER:<br>AS1732D24<br>OPTIONAL PART:<br>AS83051-24DE<br>V79326     | 103106         | 1              |
| - 435    | 63052-24-32 | ..            | FERRULE-<br>SUPPLIER CODE:<br>V79326   | 103106         | 1              |
| 440      | 344N2023-19 | .             | TUBE ASSY  | 103106         | 1              |
| - 445    | 344N2023-20 | ..            | WELD ASSY  | 103106         | 1              |
| - 450    | 63052-32    | ..            | FERRULE<br>SUPPLIER CODE:<br>V79326<br>SPECIFICATION NUMBER:<br>AS1716D32<br>OPTIONAL PART:<br>12F63-32A<br>V24984         | 103106         | 2              |
| - 455    | B79S32      | ..            | FERRULE-<br>SUPPLIER CODE:<br>V79326   | 103106         | 1              |
| 460      | 344N2022-24 | .             | TUBE ASSY-<br>TUBING MATERIAL:<br>2.0 IN. OD X .028 IN.<br>WALL X 17.3 IN. LG<br>6061-T4 SEAMLESS TUBING<br>PER WW-T-700/6 | 103106         | 1              |
| - 465    | 63052-32    | ..            | FERRULE<br>SUPPLIER CODE:<br>V79326<br>SPECIFICATION NUMBER:<br>AS1716D32<br>OPTIONAL PART:<br>12F63-32A<br>V24984         | 103106         | 1              |
| - 470    | AS1732D32   | ..            | FERRULE  | 103106         | 1              |
| 475      | 344N2022-25 | .             | TUBE ASSY  | 103106         | 1              |
| - 480    | 344N2022-28 | ..            | WELD ASSY  | 103106         | 1              |
| - 485    | S83052-32   | ..            | FERRULE<br>SUPPLIER CODE:<br>V79326<br>SPECIFICATION NUMBER:<br>BACF32F32<br>OPTIONAL PART:<br>TC010-32<br>V24984          | 103106         | 1              |

MISSING ITEM NUMBERS NOT APPLICABLE

- ITEM NOT ILLUSTRATED

28-21-05-01C

28-21-05  
FIG. 01C  
PAGE 9  
JAN 20/09

BRI

BOEING PROPRIETARY - Copyright © - Unpublished Work - See title page for details.



757

PARTS CATALOG (MAINTENANCE)

| FIG ITEM  | PART NUMBER | 1 2 3 4 5 6 7 | NOMENCLATURE   | EFFECT FROM TO | UNITS PER ASSY |
|-----------|-------------|---------------|--|----------------|----------------|
| 1C<br>490 | S73521-32   |               | .TEE-<br>SUPPLIER CODE:<br>V79326  | 103106         | 1              |
| 500       | MS29513-034 |               | .PACKING   | 103106         | 2              |
| 505       | MS29513-030 |               | .PACKING   | 103106         | 1              |
| 510       | MS29513-330 |               | .PACKING   | 103106         | 32             |
| 515       | MS29513-334 |               | .PACKING   | 103106         | 8              |
| 520       | MS29512-08  |               | .PACKING   | 103106         | 2              |
| 525       | BACN10KN24  |               | .NUT ASSY  | 103106         | 1              |
| 530       | BACN10KN32  |               | .NUT ASSY  | 103106         | 2              |
| 535       | BACC42R32   |               | .COUPLING ASSY-<br>SUPPLIER CODE:<br>V79326<br>SPECIFICATION NUMBER:<br>BACC42R32  | 103105         | 13             |
| 535       | 83051-32A   |               | .COUPLING ASSY-<br>SUPPLIER CODE:<br>V79326<br>SPECIFICATION NUMBER:<br>AS1712D32<br>OPTIONAL PART:<br>12J63-32A<br>V24984 | 106106         | 13             |
| 540       | BACN10KL32  |               | ..NUT ASSY-  | 103105         | 1              |
| 540       | 12N63-32A   |               | ..NUT ASSY-<br>SUPPLIER CODE:<br>V24984<br>SPECIFICATION NUMBER:<br>AS1714D32<br>OPTIONAL PART:<br>AS6305-32-03<br>V79326  | 106106         | 1              |
| 550       | BACR12BN32  |               | ..RING-  | 103105         | 2              |
| 550       | AS1715D32   |               | ..WASHER-  | 106106         | 2              |
| 552       | BACR10AD31  |               | ..RETAINER-  | 103105         | 2              |
| 552       | 12R63-32A   |               | ..RETAINER-<br>SUPPLIER CODE:<br>V24984<br>SPECIFICATION NUMBER:<br>AS1717D32  | 106106         | 2              |
| 555       | BACF32E32   |               | ..FERRULE<br>SUPPLIER CODE:<br>V79326<br>SPECIFICATION NUMBER:<br>BACF32E32<br>OPTIONAL PART:<br>63052-32<br>V79326        | 103105         | 2              |
| 557       | BACC42P323  |               | ..BODY-  | 103105         | 1              |

MISSING ITEM NUMBERS NOT APPLICABLE

- ITEM NOT ILLUSTRATED

28-21-05-01C

28-21-05  
FIG. 01C  
PAGE 10  
JAN 20/09

BRI

BOEING PROPRIETARY - Copyright © - Unpublished Work - See title page for details.





757

PARTS CATALOG (MAINTENANCE)

| FIG ITEM  | PART NUMBER | 1 2 3 4 5 6 7 | NOMENCLATURE  | EFFECT FROM TO | UNITS PER ASSY |
|-----------|-------------|---------------|---|----------------|----------------|
| 1C<br>557 | 12C63-32A   |               | .. BODY-<br>SUPPLIER CODE:<br>V24984<br>SPECIFICATION NUMBER:<br>AS1718D32<br>OPTIONAL PART:<br>AS6305-32-1<br>V79326       | 106106         | 1              |
| 560       | BACC42R40   |               | . COUPLING ASSY-<br>SUPPLIER CODE:<br>V79326<br>SPECIFICATION NUMBER:<br>BACC42R40  | 103105         | 3              |
| 560       | 83051-40A   |               | . COUPLING ASSY-<br>SUPPLIER CODE:<br>V79326<br>SPECIFICATION NUMBER:<br>AS1712D40<br>OPTIONAL PART:<br>12J63-40A<br>V24984 | 106106         | 3              |
| 565       | BACN10KL40  |               | .. NUT ASSY-  | 103105         | 1              |
| 565       | 12N63-40A   |               | .. NUT ASSY-<br>SUPPLIER CODE:<br>V24984<br>SPECIFICATION NUMBER:<br>AS1714D40<br>OPTIONAL PART:<br>AS6305-40-03<br>V79326  | 106106         | 1              |
| 570       | BACR12BN40  |               | .. RING-  | 103105         | 2              |
| 570       | AS1715D40   |               | .. WASHER-  | 106106         | 2              |
| 575       | BACR10AD40  |               | .. RETAINER-  | 103105         | 2              |
| 575       | 12R63-40A   |               | .. RETAINER-<br>SUPPLIER CODE:<br>V24984<br>SPECIFICATION NUMBER:<br>AS1717D40  | 106106         | 2              |
| 580       | S3052-40    |               | .. FERRULE<br>SUPPLIER CODE:<br>V79326<br>SPECIFICATION NUMBER:<br>BACF32E40<br>OPTIONAL PART:<br>63052-40<br>V79326        | 103105         | 2              |
| 585       | BACC42P40   |               | .. BODY-  | 103105         | 1              |

MISSING ITEM NUMBERS NOT APPLICABLE

- ITEM NOT ILLUSTRATED

28-21-05-01C

28-21-05  
FIG. 01C  
PAGE 11  
JAN 20/09

BRI

BOEING PROPRIETARY - Copyright © - Unpublished Work - See title page for details.



757

PARTS CATALOG (MAINTENANCE)

| FIG ITEM  | PART NUMBER | 1 2 3 4 5 6 7 | NOMENCLATURE  | EFFECT FROM TO | UNITS PER ASSY |
|-----------|-------------|---------------|---|----------------|----------------|
| 1C<br>585 | 12C63-40A   |               | .. BODY-<br>SUPPLIER CODE:<br>V24984<br>SPECIFICATION NUMBER:<br>AS1718D40<br>OPTIONAL PART:<br>AS6305-40-1<br>V79326       | 106106         | 1              |
| 590       | 73531B89S32 |               | . COUPLING-<br>SUPPLIER CODE:<br>V79326   | 103105         | 1              |
| 595       | BACC42S32   |               | . COUPLING ASSY-<br>SUPPLIER CODE:<br>V79326<br>SPECIFICATION NUMBER:<br>BACC42S32  | 103105         | 3              |
| 595       | 63551-32A   |               | . COUPLING ASSY-<br>SUPPLIER CODE:<br>V79326<br>SPECIFICATION NUMBER:<br>AS1713D32<br>OPTIONAL PART:<br>12H63-32A<br>V24984 | 106106         | 3              |
| 600       | BACN10KL32  |               | .. NUT ASSY-  | 103105         | 1              |
| 600       | 12N63-32A   |               | .. NUT ASSY-<br>SUPPLIER CODE:<br>V24984<br>SPECIFICATION NUMBER:<br>AS1714D32<br>OPTIONAL PART:<br>AS6305-32-03<br>V79326  | 106106         | 1              |
| 605       | BACR12BN32  |               | .. RING-  | 103105         | 2              |
| 605       | AS1715D32   |               | .. WASHER-  | 106106         | 2              |
| 610       | BACF32E32   |               | .. FERRULE<br>SUPPLIER CODE:<br>V79326<br>SPECIFICATION NUMBER:<br>BACF32E32<br>OPTIONAL PART:<br>63052-32<br>V79326        | 103105         | 1              |

MISSING ITEM NUMBERS NOT APPLICABLE

- ITEM NOT ILLUSTRATED

28-21-05-01C

28-21-05  
FIG. 01C  
PAGE 12  
JAN 20/09

BRI

BOEING PROPRIETARY - Copyright © - Unpublished Work - See title page for details.



757

PARTS CATALOG (MAINTENANCE)

| FIG ITEM  | PART NUMBER | 1 2 3 4 5 6 7 | NOMENCLATURE  | EFFECT FROM TO | UNITS PER ASSY |
|-----------|-------------|---------------|---|----------------|----------------|
| 1C<br>615 | BACC42T40   | .             | COUPLING<br>SUPPLIER CODE:<br>V79326<br>SPECIFICATION NUMBER:<br>BACC42T40<br>OPTIONAL PART:<br>TC011-40<br>V24984<br>83051-40<br>V79326  | 103106         | 1              |
| 620       | BACN10KP40  | ..            | NUT ASSY  | 103106         | 1              |
| 625       | BACR12BR40  | ..            | RING  | 103106         | 1              |
| 630       | S83052-40   | ..            | FERRULE<br>SUPPLIER CODE:<br>V79326<br>SPECIFICATION NUMBER:<br>BACF32F40<br>OPTIONAL PART:<br>TC010-40<br>V24984                         | 103106         | 1              |
| 635       | AS568-038   | ..            | RING  | 103106         | 1              |
| 641       | BACC42P40   | ..            | BODY  | 103106         | 1              |
| 645       | 344N2008-23 | .             | FITTING ASSY  | 103106         | 1              |
| - 650     | 344N2008-21 | ..            | BRAZED ASSY   | 103106         | 1              |
| - 655     | BACF32E32   | ..            | FERRULE<br>SUPPLIER CODE:<br>V79326<br>SPECIFICATION NUMBER:<br>BACF32E32<br>OPTIONAL PART:<br>63052-32<br>V79326                         | 103106         | 2              |
| 660       | 40613-32    | .             | GASKET<br>SUPPLIER CODE:<br>V98159<br>SPECIFICATION NUMBER:<br>BACG10AD32<br>OPTIONAL PART:<br>020157-32<br>V83259<br>S7P405-32<br>V95272 | 103106         | 6              |
| 665       | 344T0062-42 | .             | PLATE-ORIFICE   | 103106         | 1              |
| 670       | 344T0062-36 | .             | PLATE   | 103106         | 2              |

MISSING ITEM NUMBERS NOT APPLICABLE

- ITEM NOT ILLUSTRATED

28-21-05-01C

28-21-05  
FIG. 01C  
PAGE 13  
JAN 20/09

BRI

BOEING PROPRIETARY - Copyright © - Unpublished Work - See title page for details.



757

PARTS CATALOG (MAINTENANCE)

| FIG<br>ITEM | PART NUMBER | 1 2 3 4 5 6 7 | NOMENCLATURE  | EFFECT<br>FROM TO | UNITS<br>PER<br>ASSY |
|-------------|-------------|---------------|---|-------------------|----------------------|
| 1C<br>675   | 8C167       |               | . VALVE-<br>SUPPLIER CODE:<br>V82829<br>FUNCTIONAL DESCRIPTION:<br>VALVE ALLOWS FUEL<br>TRAPPED IN THE PRESSURE<br>FUELING & JETTISON<br>MANIFOLDS TO DRAIN INTO<br>THE FUEL TANK<br>SPECIFICATION NUMBER:<br>60B92601-1<br>COMPONENT MAINT MANUAL REF:<br>28-21-01 | 103106            | 2                    |

MISSING ITEM NUMBERS NOT APPLICABLE

- ITEM NOT ILLUSTRATED

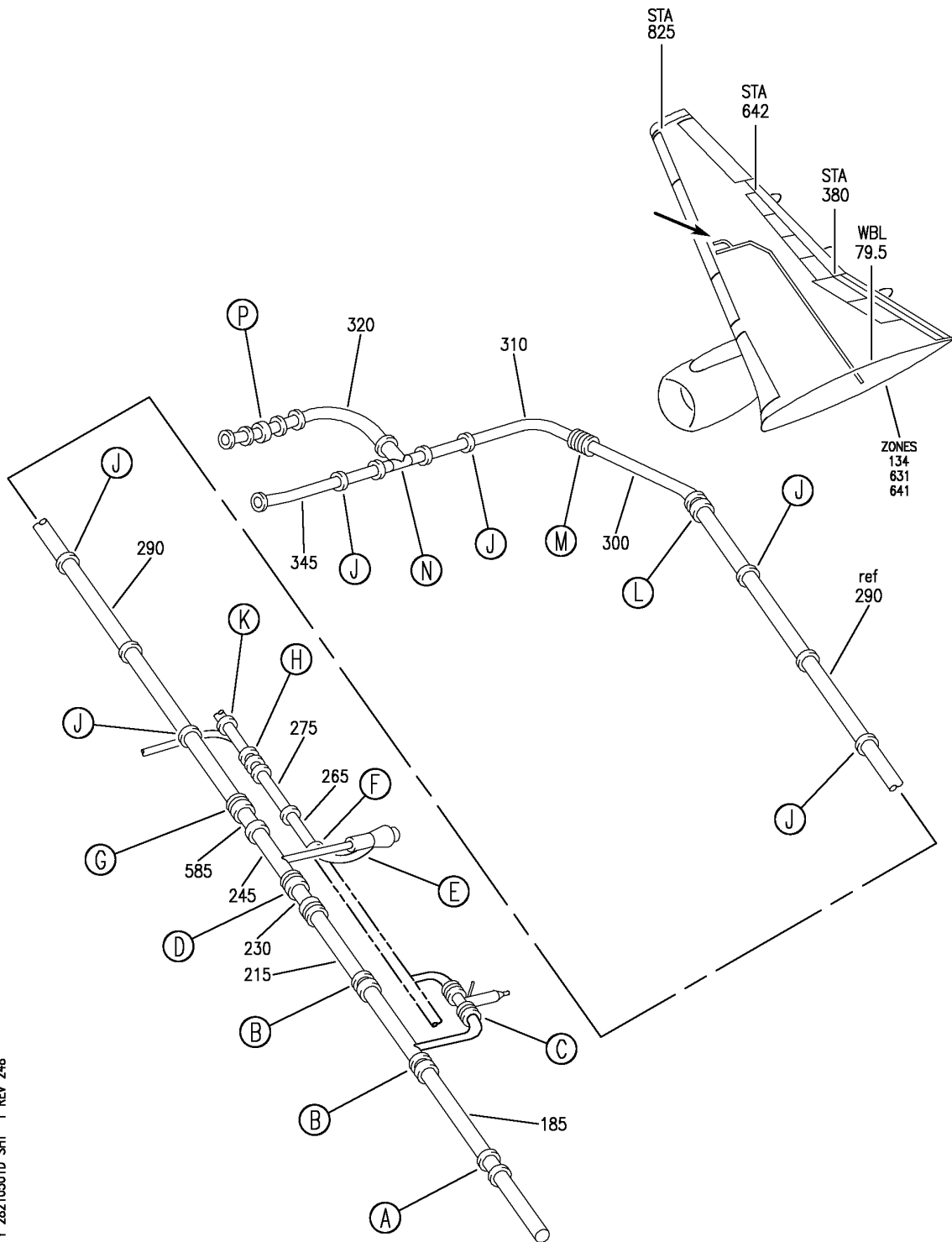
BRI

28-21-05-01C

BOEING PROPRIETARY - Copyright © - Unpublished Work - See title page for details.

28-21-05  
FIG. 01C  
PAGE 14  
JAN 20/09

**BOEING**  
757  
PARTS CATALOG (MAINTENANCE)



Y 28210501D SHT 1 REV 248

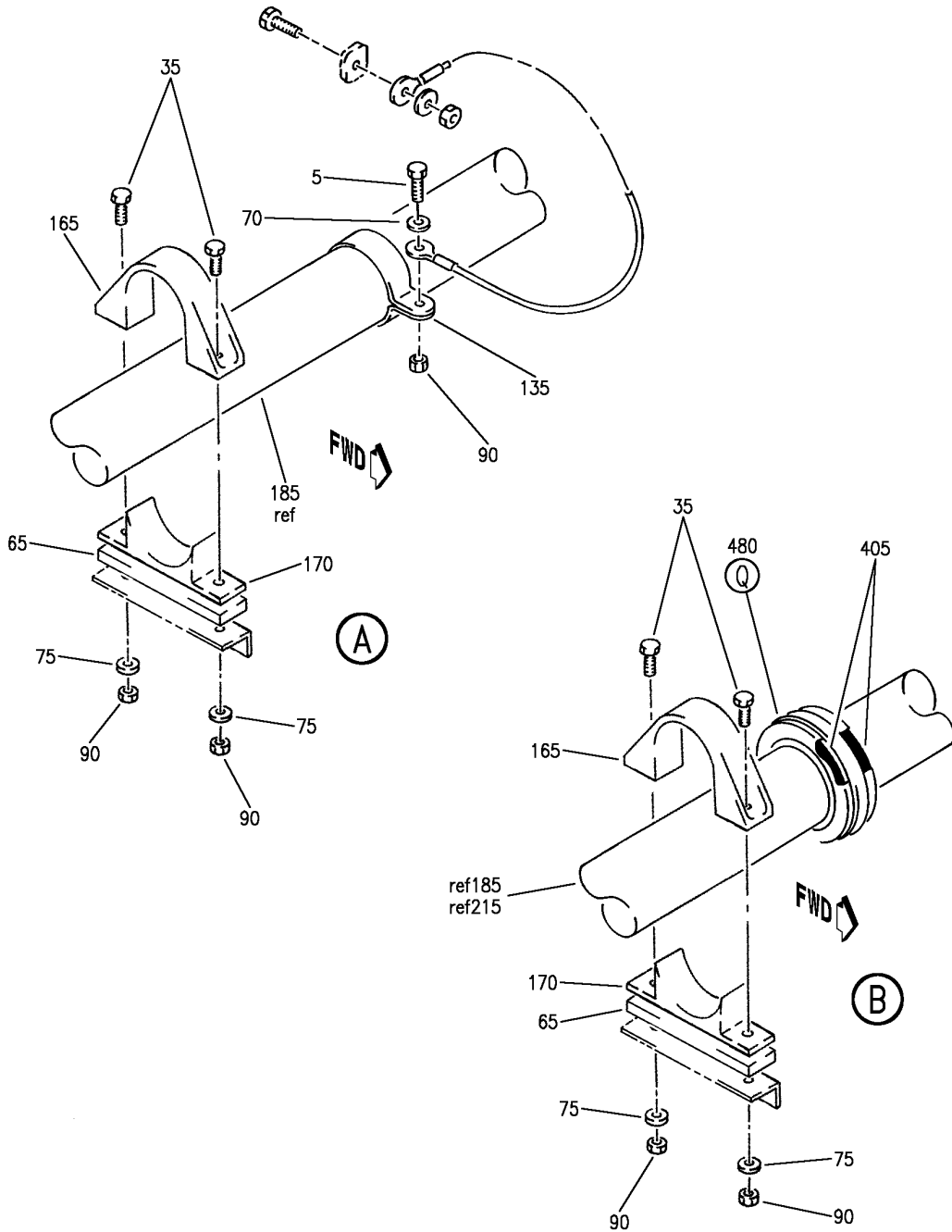
FUELING SYS-FUELING SYS (R SECTION)  
FIGURE 1D (SHEET 1)

**28-21-05-01D**

BRI  
JAN 20/09

28-21-05-01D  
PAGE 0

**BOEING**  
757  
PARTS CATALOG (MAINTENANCE)



Y 28210501D SHT 2 REV 248

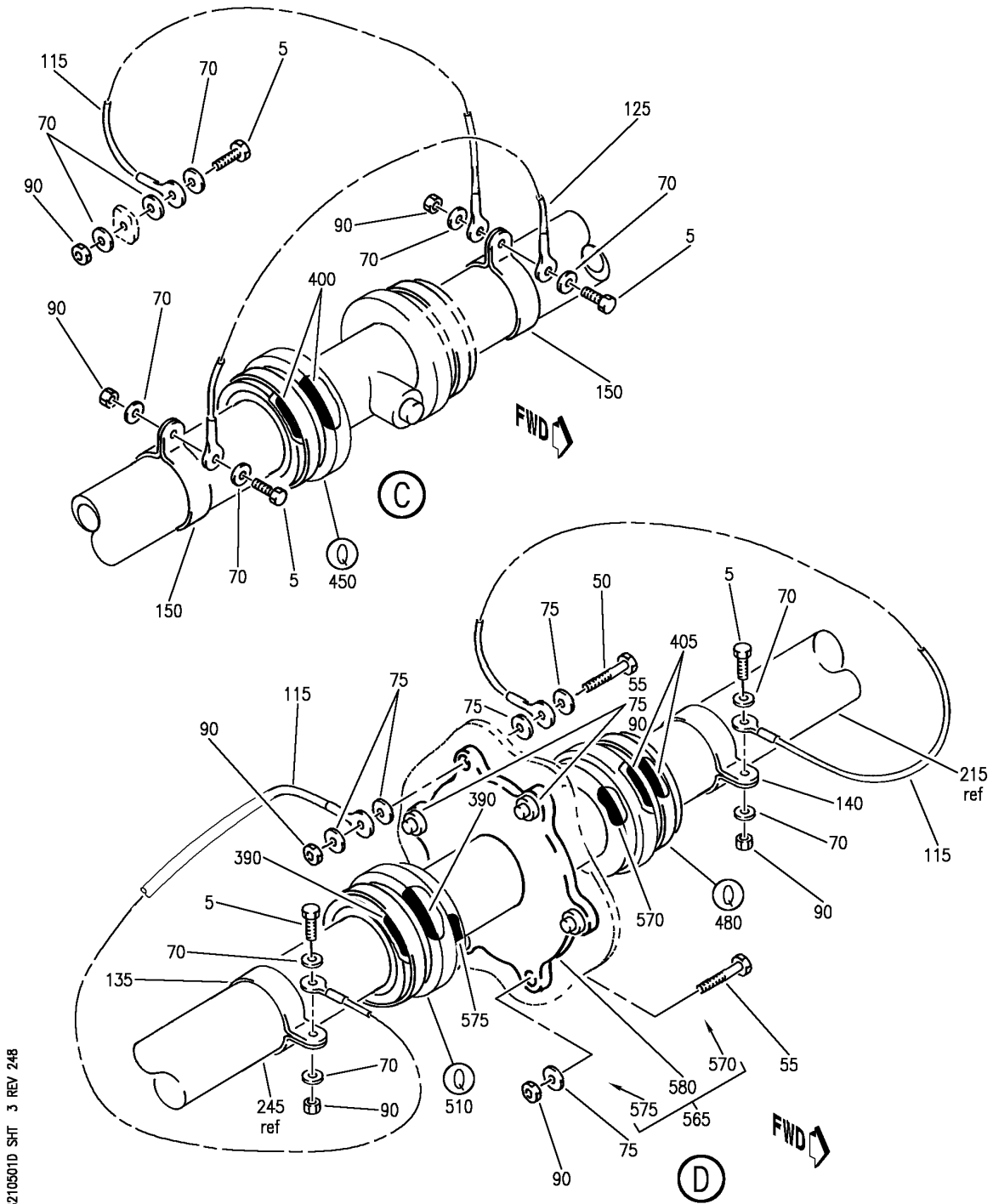
FUELING SYS-FUELING SYS (R SECTION)  
FIGURE 1D (SHEET 2)

**28-21-05-01D**

BRI  
JAN 20/09

28-21-05-01D  
PAGE 0A

**BOEING**  
757  
PARTS CATALOG (MAINTENANCE)



Y 28210501D SHT 3 REV 248

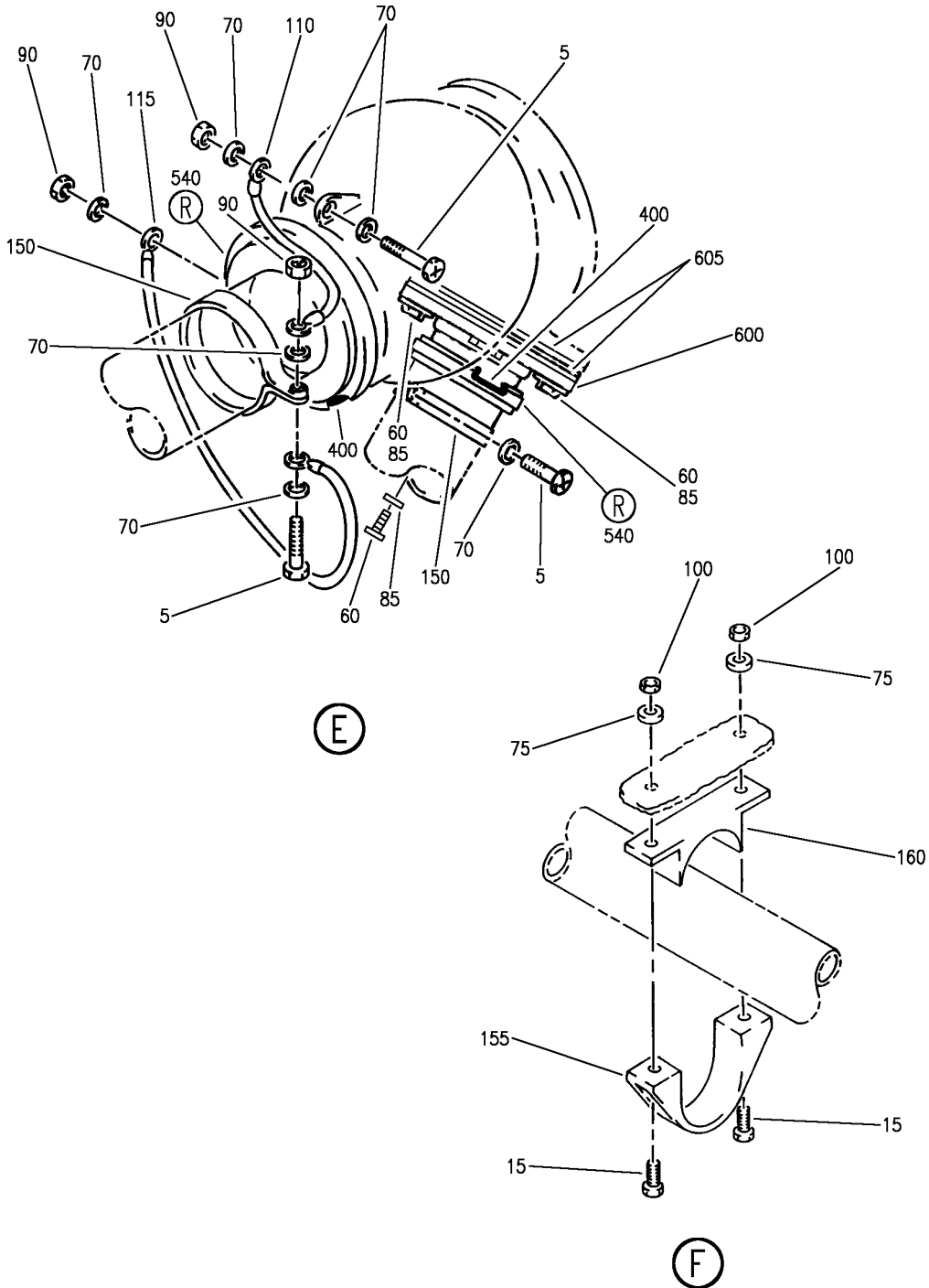
FUELING SYS-FUELING SYS (R SECTION)  
FIGURE 1D (SHEET 3)

**28-21-05-01D**

BRI  
JAN 20/09

28-21-05-01D  
PAGE 0B


**BOEING**  
 757  
**PARTS CATALOG (MAINTENANCE)**



Y 28210501D SHT 4 REV 248

FUELING SYS-FUELING SYS (R SECTION)  
 FIGURE 1D (SHEET 4)

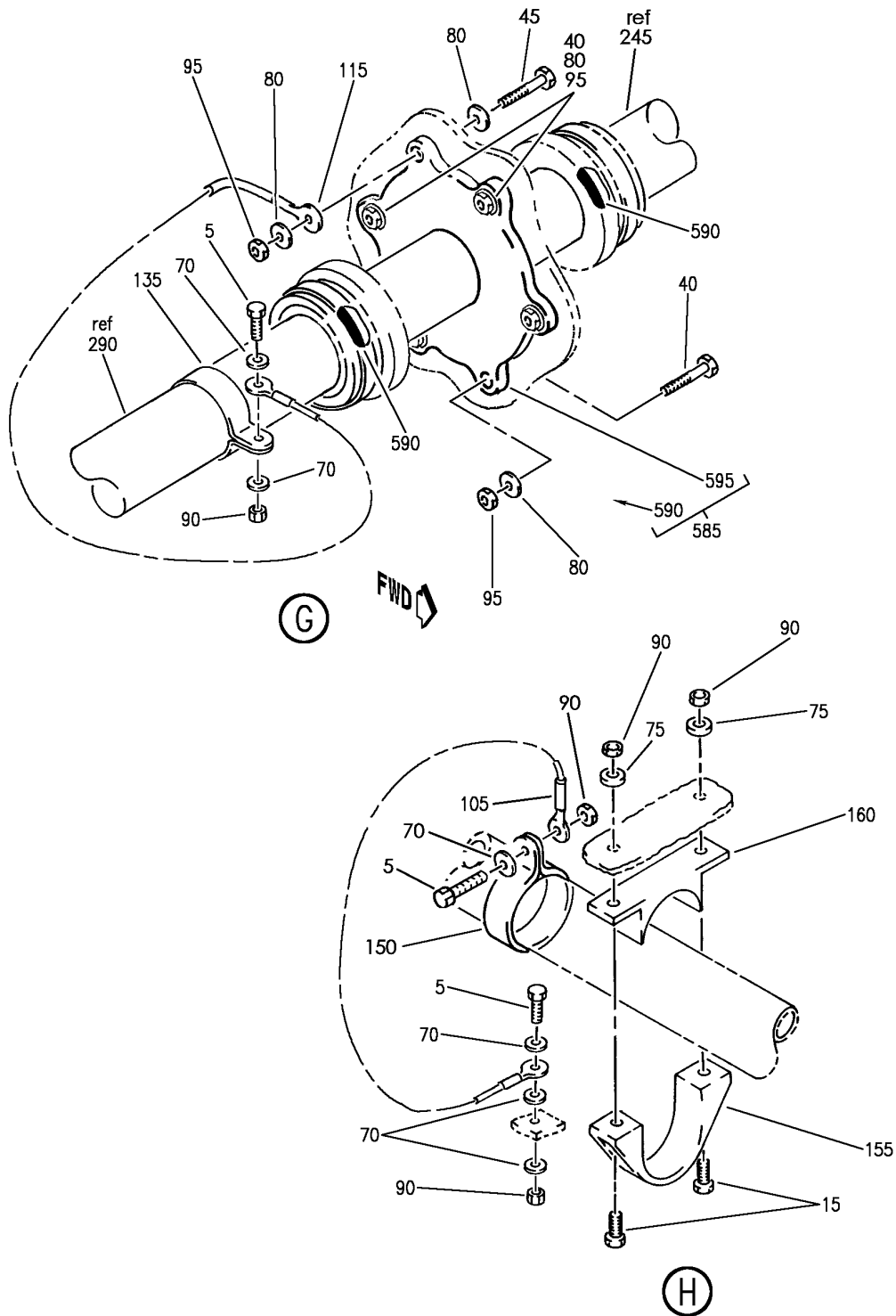
**28-21-05-01D**

BRI  
 JAN 20/09

28-21-05-01D  
 PAGE 0C



**BOEING**  
757  
PARTS CATALOG (MAINTENANCE)



Y 28210501D SHT 5 REV 248

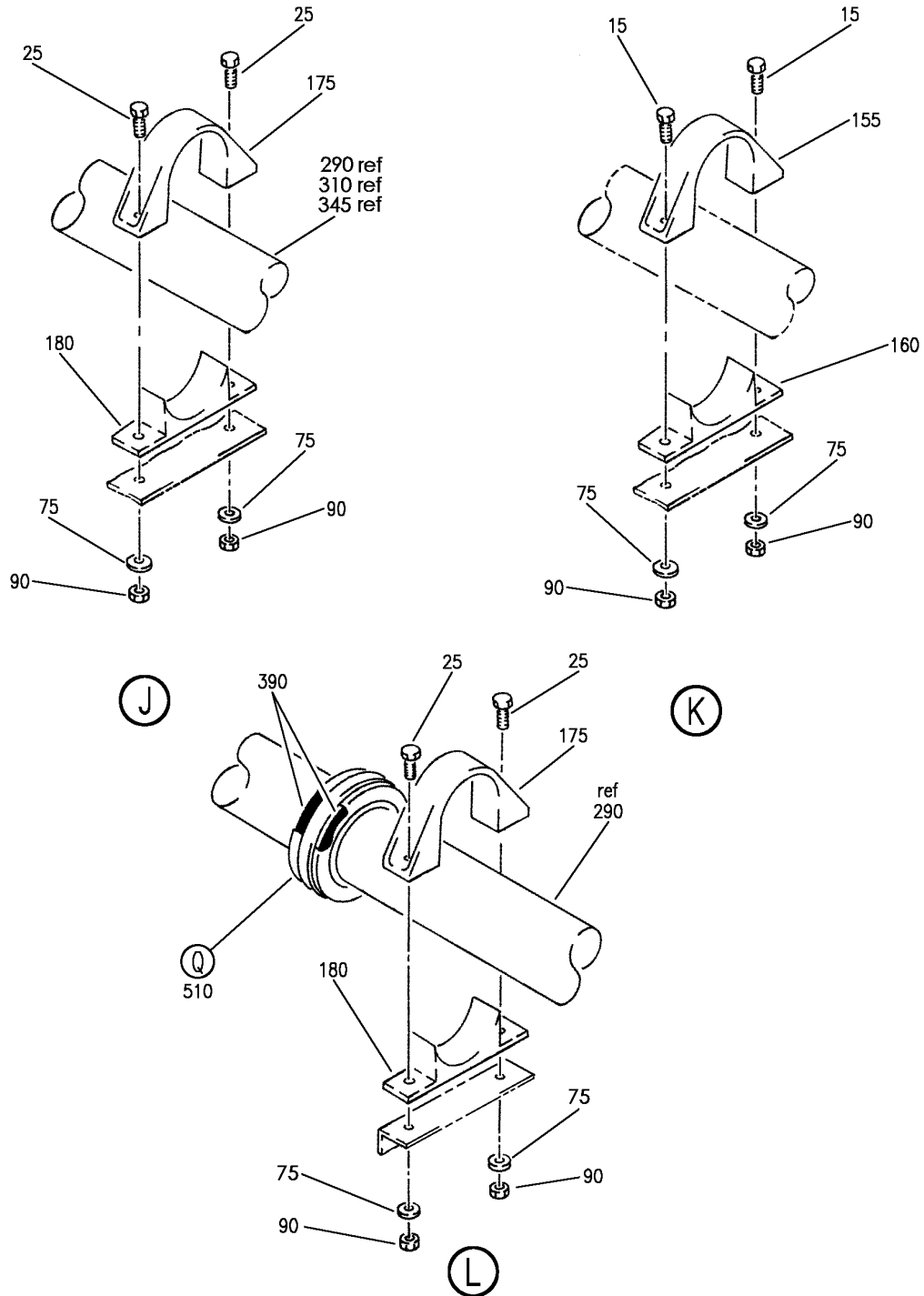
FUELING SYS-FUELING SYS (R SECTION)  
FIGURE 1D (SHEET 5)

**28-21-05-01D**

BRI  
JAN 20/09

28-21-05-01D  
PAGE 0D

**BOEING**  
757  
PARTS CATALOG (MAINTENANCE)



Y 28210501D SHT 6 REV 248

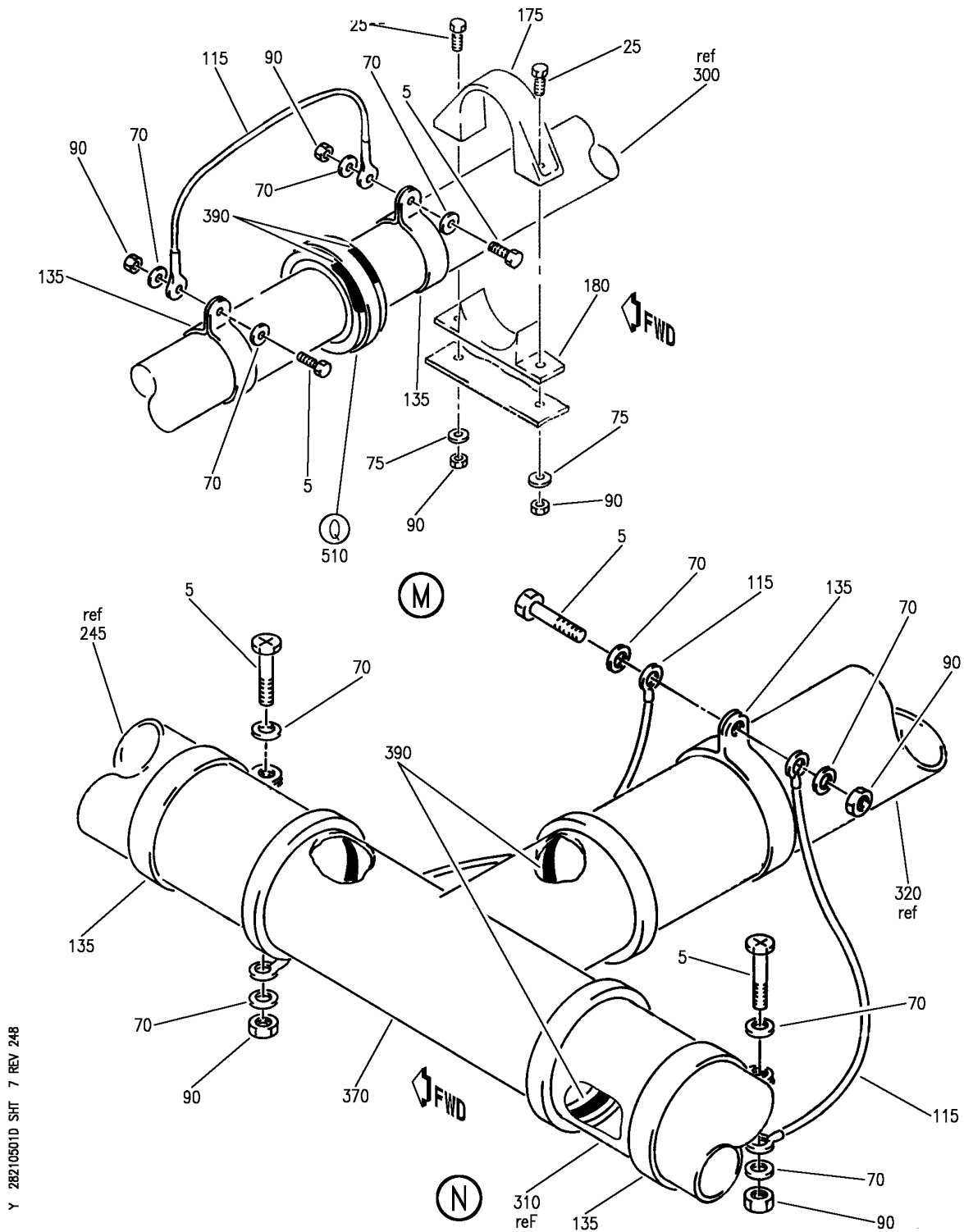
FUELING SYS-FUELING SYS (R SECTION)  
FIGURE 1D (SHEET 6)

**28-21-05-01D**

BRI  
JAN 20/09

28-21-05-01D  
PAGE 0E

**BOEING**  
757  
PARTS CATALOG (MAINTENANCE)



Y 28210501D SHT 7 REV 248

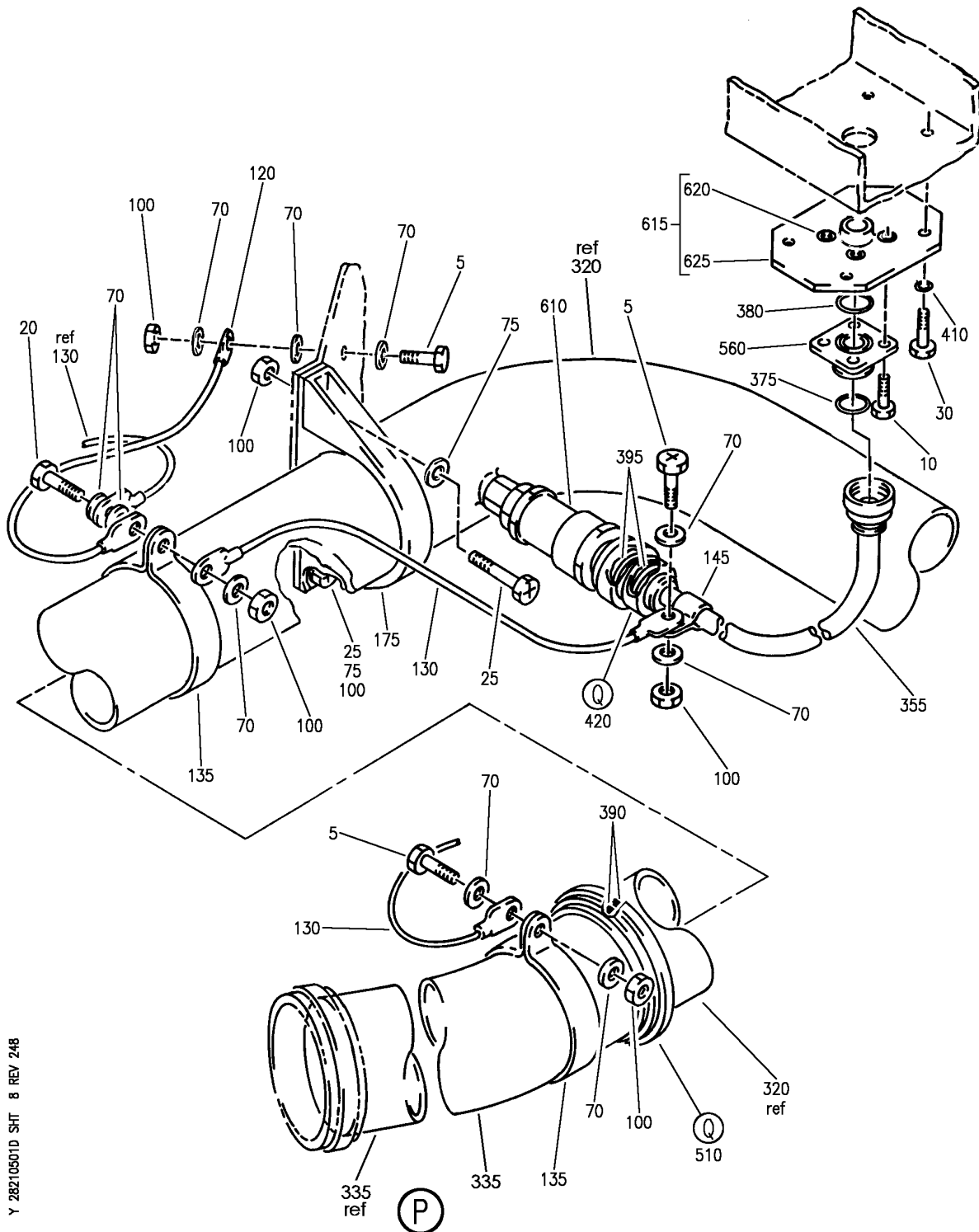
FUELING SYS-FUELING SYS (R SECTION)  
FIGURE 1D (SHEET 7)

**28-21-05-01D**

BRI  
JAN 20/09

28-21-05-01D  
PAGE OF

**BOEING**  
757  
PARTS CATALOG (MAINTENANCE)



Y 28210501D SHT 8 REV 248

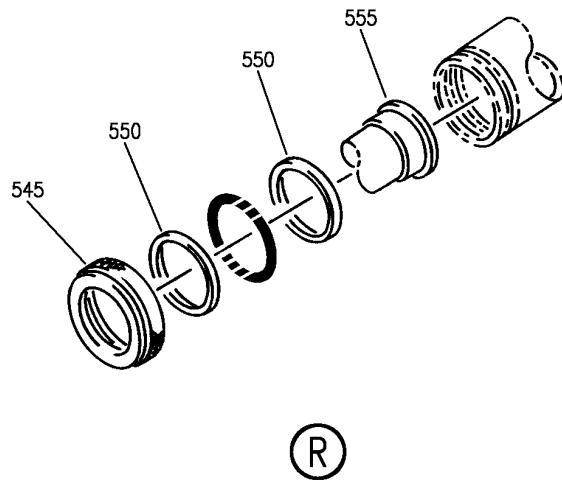
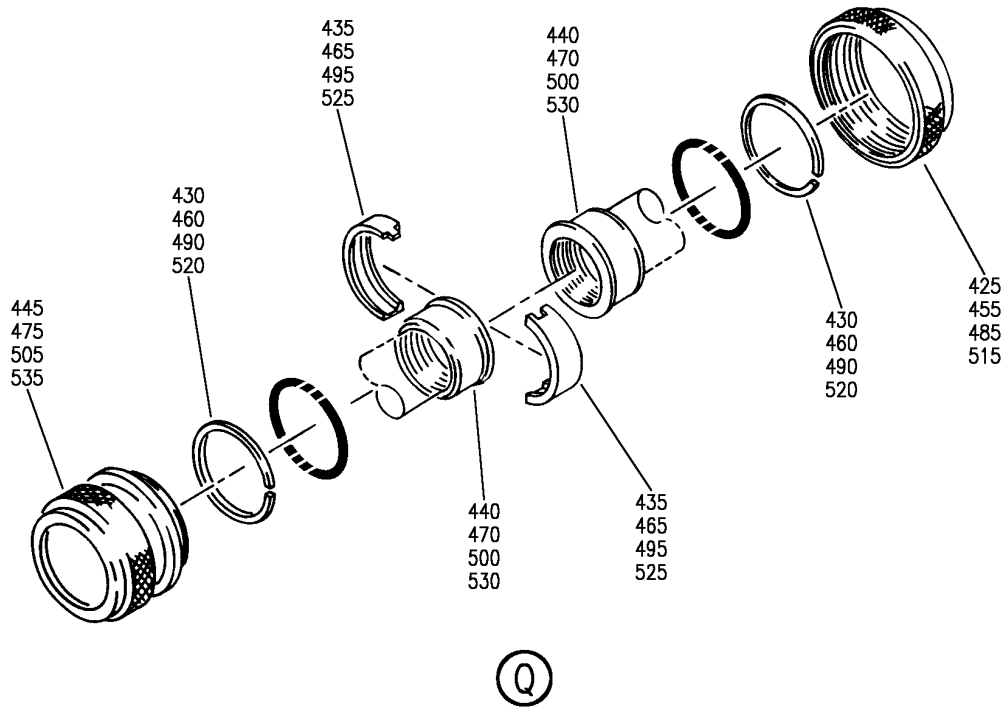
FUELING SYS-FUELING SYS (R SECTION)  
FIGURE 1D (SHEET 8)

**28-21-05-01D**

BRI  
JAN 20/09

28-21-05-01D  
PAGE 0G

**BOEING**  
757  
PARTS CATALOG (MAINTENANCE)



Y 28210501D SHT 9 REV 248

FUELING SYS-FUELING SYS (R SECTION)  
FIGURE 1D (SHEET 9)

**28-21-05-01D**

BRI  
JAN 20/09

28-21-05-01D  
PAGE 0H



757

PARTS CATALOG (MAINTENANCE)

| FIG ITEM | PART NUMBER   | 1 2 3 4 5 6 7 | NOMENCLATURE   | EFFECT FROM TO | UNITS PER ASSY |
|----------|---------------|---------------|--|----------------|----------------|
| 1D       |               |               | FUELING SYS-FUELING SYS (R SECTION)  | 103106         |                |
| - 1      | MODREF33239   |               | TUBING INSTL-FUELING SYS<br>MODULE NUMBER:<br>344N4001-49 REV B<br>POSITION DATA:<br>RIGHT SECTIONS<br>FOR ADDITIONAL DETAILS SEE:<br>28-21-05-01C | 103105         | RF             |
| - 1      | MODREF34371   |               | TUBING INSTL-FUELING SYS<br>MODULE NUMBER:<br>344N4001-49 REV C<br>POSITION DATA:<br>RIGHT SECTIONS<br>FOR ADDITIONAL DETAILS SEE:<br>28-21-05-01C | 106106         | RF             |
| 5        | NAS1801-3-8   | .SCREW-       |  | 103105         | 21             |
| 5        | BACS12HN3-8   | .SCREW-       |  | 106106         | 21             |
| 10       | NAS1801-3-7   | .SCREW-       |  | 103105         | 4              |
| 10       | BACS12HN3-7   | .SCREW-       |  | 106106         | 4              |
| 15       | NAS1801-3-11  | .SCREW-       |  | 103105         | 16             |
| 15       | BACS12HN3-11  | .SCREW-       |  | 106106         | 16             |
| 20       | NAS1801-3-10  | .SCREW-       |  | 103105         | 1              |
| 20       | BACS12HN3-10  | .SCREW-       |  | 106106         | 1              |
| 25       | NAS1801-3-13  | .SCREW-       |  | 103105         | 24             |
| 25       | BACS12HN3-13  | .SCREW-       |  | 106106         | 24             |
| 30       | NAS1801-3-14  | .SCREW-       |  | 103105         | 4              |
| 30       | BACS12HN3-14  | .SCREW-       |  | 106106         | 4              |
| 35       | NAS1801-3-15  | .SCREW-       |  | 103105         | 6              |
| 35       | BACS12HN3-15  | .SCREW-       |  | 106106         | 6              |
| 40       | BACB30NM4K4   | .BOLT         |  | 103106         | 11             |
| 45       | BACB30NM4K5   | .BOLT         |  | 103106         | 1              |
| 50       | BACB30NM3K7   | .BOLT         |  | 103106         | 1              |
| 55       | BACB30NM3K5   | .BOLT         |  | 103106         | 5              |
| 60       | BACB30NM4HK7  | .BOLT         |  | 103106         | 4              |
| 65       | 69B92447-31   | .SPACER       |  | 103106         | 3              |
| 70       | NAS1149D0316J | .WASHER       |  | 103106         | 47             |
| 75       | NAS1149D0332J | .WASHER       |  | 103106         | 45             |
| 80       | NAS1149D0432J | .WASHER       |  | 103106         | 7              |
| 85       | NAS1149D0416J | .WASHER       |  | 103106         | 4              |
| 90       | PLH53CD       | .NUT          |  | 103106         | 51             |
|          |               |               | SUPPLIER CODE:<br>VF0224<br>SPECIFICATION NUMBER:<br>BACN10YR3CD<br>OPTIONAL PART:<br>H52732-3CD<br>V15653   |                |                |

MISSING ITEM NUMBERS NOT APPLICABLE

- ITEM NOT ILLUSTRATED

28-21-05-01D

28-21-05  
FIG. 01D  
PAGE 1  
JAN 20/09

BRI

BOEING PROPRIETARY - Copyright © - Unpublished Work - See title page for details.



757

PARTS CATALOG (MAINTENANCE)

| FIG ITEM | PART NUMBER | 1 2 3 4 5 6 7 | NOMENCLATURE  | EFFECT FROM TO | UNITS PER ASSY |
|----------|-------------|---------------|---|----------------|----------------|
| 1D<br>95 | PLH54CD     | .NUT          | SUPPLIER CODE:<br>VF0224<br>SPECIFICATION NUMBER:<br>BACN10YR4CD<br>OPTIONAL PART:<br>H52732-4CD<br>V15653  | 103106         | 12             |
| 100      | BRH10A3     | .NUT          | SUPPLIER CODE:<br>V52828<br>SPECIFICATION NUMBER:<br>BACN10JC3<br>OPTIONAL PART:<br>H10-3BAC<br>V15653<br>NS202101-02<br>V80539<br>RMLH9075-3W<br>V72962<br>VN303A02<br>V92215<br>96-02<br>V80539<br>T6S1032J<br>V11815 | 103106         | 7              |
| 105      | 740A20-3    | .JUMPER ASSY  | SUPPLIER CODE:<br>V91812<br>SPECIFICATION NUMBER:<br>BACJ40A20-3<br>OPTIONAL PART:<br>TJEJ40A20-3<br>V33483<br>RBEJ20-3<br>V1GK47   | 103106         | 1              |
| 110      | 740A20-4    | .JUMPER ASSY  | SUPPLIER CODE:<br>V91812<br>SPECIFICATION NUMBER:<br>BACJ40A20-4<br>OPTIONAL PART:<br>TJEJ40A20-4<br>V33483<br>RBEJ20-4<br>V1GK47   | 103106         | 1              |

MISSING ITEM NUMBERS NOT APPLICABLE

- ITEM NOT ILLUSTRATED

28-21-05-01D

28-21-05  
FIG. 01D  
PAGE 2  
JAN 20/09

BRI

BOEING PROPRIETARY - Copyright © - Unpublished Work - See title page for details.



757

PARTS CATALOG (MAINTENANCE)

| FIG ITEM  | PART NUMBER | 1 2 3 4 5 6 7 | NOMENCLATURE  | EFFECT FROM TO | UNITS PER ASSY |
|-----------|-------------|---------------|---|----------------|----------------|
| 1D<br>115 | 740A20-5    | .             | JUMPER ASSY<br>SUPPLIER CODE:<br>V91812<br>SPECIFICATION NUMBER:<br>BACJ40A20-5<br>OPTIONAL PART:<br>TJEJ40A20-5<br>V33483<br>RBEJ20-5<br>V1GK47    | 103106         | 9              |
| 120       | 740A20-6    | .             | JUMPER ASSY<br>SUPPLIER CODE:<br>V91812<br>SPECIFICATION NUMBER:<br>BACJ40A20-6<br>OPTIONAL PART:<br>TJEJ40A20-6<br>V33483<br>RBEJ20-6<br>V1GK47    | 103106         | 1              |
| 125       | BACJ40A20-8 | .             | JUMPER ASSY   | 103106         | 1              |
| 130       | 740A20-10   | .             | JUMPER ASSY<br>SUPPLIER CODE:<br>V91812<br>SPECIFICATION NUMBER:<br>BACJ40A20-10<br>OPTIONAL PART:<br>TJEJ40A20-10<br>V33483<br>RBEJ20-10<br>V1GK47 | 103106         | 2              |
| 135       | AN735DC48   | .             | CLAMP   | 103106         | 10             |
| 140       | AN735DC40   | .             | CLAMP   | 103106         | 1              |
| 145       | AN735DC8    | .             | CLAMP   | 103106         | 1              |
| 150       | AN735DC32   | .             | CLAMP   | 103106         | 5              |
| 155       | BACC10EW32A | .             | CLAMP STRAP   | 103106         | 3              |
| 160       | BACC10EW32B | .             | CLAMP SADDLE  | 103106         | 3              |
| 165       | BACC10EW40A | .             | CLAMP STRAP   | 103106         | 3              |
| 170       | BACC10EW40B | .             | CLAMP SADDLE  | 103106         | 3              |
| 175       | BACC10EW48A | .             | CLAMP STRAP   | 103106         | 11             |
| 180       | BACC10EW48B | .             | CLAMP SADDLE  | 103106         | 11             |
| 185       | 344N4001-10 | .             | TUBE ASSY-<br>TUBING MATERIAL:<br>2.5 IN. OD X .035 IN.<br>WALL X 55.32 IN. LG<br>WW-T-7006 6061 T4 TUBING  | 103106         | 1              |

MISSING ITEM NUMBERS NOT APPLICABLE

- ITEM NOT ILLUSTRATED

28-21-05-01D

28-21-05  
FIG. 01D  
PAGE 3  
JAN 20/09

BRI

BOEING PROPRIETARY - Copyright © - Unpublished Work - See title page for details.





757

PARTS CATALOG (MAINTENANCE)

| FIG ITEM     | PART NUMBER               | 1 2 3 4 5 6 7 | NOMENCLATURE   | EFFECT FROM TO   | UNITS PER ASSY |
|--------------|---------------------------|---------------|--|------------------|----------------|
| 1D<br>- 190  | S3052-40A                 | ..            | FERRULE<br>SUPPLIER CODE:<br>V79326<br>SPECIFICATION NUMBER:<br>BACF32E40A   | 103106           | 2              |
| 195<br>- 200 | 344N2014-2<br>BACF32E32   | .<br>..       | TUBE ASSY<br>FERRULE<br>SUPPLIER CODE:<br>V79326<br>SPECIFICATION NUMBER:<br>BACF32E32<br>OPTIONAL PART:<br>63052-32<br>V79326                                 | 103106<br>103106 | 1<br>1         |
| - 205        | S3052-40                  | ..            | FERRULE<br>SUPPLIER CODE:<br>V79326<br>SPECIFICATION NUMBER:<br>BACF32E40<br>OPTIONAL PART:<br>63052-40<br>V79326  | 103106           | 2              |
| - 210<br>215 | 344N2014-4<br>344N4001-11 | ..<br>.       | WELD ASSY<br>TUBE ASSY-<br>TUBING MATERIAL:<br>2.50 IN. OD X .035 IN.<br>WALL LG TO BE DETERMINED<br>AT INSTL 6061-T4<br>SEAMLESS AL TUBING PER<br>WW-T-700/6. | 103106<br>103106 | 1<br>1         |
| - 220        | S3052-40A                 | ..            | FERRULE<br>SUPPLIER CODE:<br>V79326<br>SPECIFICATION NUMBER:<br>BACF32E40A   | 103106           | 2              |
| - 225        | S3052-40A                 | ..            | FERRULE<br>SUPPLIER CODE:<br>V79326<br>SPECIFICATION NUMBER:<br>BACF32E40A   | 103106           | 2              |
| 230<br>- 235 | 344N2008-24<br>S3052-40A  | .<br>..       | FITTING ASSY<br>FERRULE<br>SUPPLIER CODE:<br>V79326<br>SPECIFICATION NUMBER:<br>BACF32E40A   | 103106<br>103106 | 1<br>1         |
| - 240        | 63052-40-48               | ..            | FERRULE-<br>SUPPLIER CODE:<br>V79326   | 103106           | 1              |

MISSING ITEM NUMBERS NOT APPLICABLE

- ITEM NOT ILLUSTRATED

28-21-05-01D

28-21-05  
FIG. 01D  
PAGE 4  
JAN 20/09

BRI

BOEING PROPRIETARY - Copyright © - Unpublished Work - See title page for details.



757

PARTS CATALOG (MAINTENANCE)

| FIG ITEM | PART NUMBER | 1 2 3 4 5 6 7 | NOMENCLATURE  | EFFECT FROM TO | UNITS PER ASSY |
|----------|-------------|---------------|---|----------------|----------------|
| 1D       |             |               |   |                |                |
| 245      | 344N2013-13 | .             | TUBE ASSY   | 103106         | 1              |
| - 250    | 344N2013-14 | ..            | WELD ASSY   | 103106         | 1              |
| - 255    | BACF32E32   | ..            | FERRULE<br>SUPPLIER CODE:<br>V79326<br>SPECIFICATION NUMBER:<br>BACF32E32<br>OPTIONAL PART:<br>63052-32<br>V79326 | 103106         | 1              |
| - 260    | S3052-48A   | ..            | FERRULE<br>SUPPLIER CODE:<br>V79326<br>SPECIFICATION NUMBER:<br>BACF32E48A  | 103106         | 2              |
| 265      | 344N4001-38 | .             | TUBE ASSY-<br>TUBING MATERIAL:<br>2.0 IN. OD X .028 IN.<br>WALL X 22.9 IN. LG<br>WW-T-700/6 6061 T4<br>TUBING     | 103106         | 1              |
| - 270    | BACF32E32   | ..            | FERRULE<br>SUPPLIER CODE:<br>V79326<br>SPECIFICATION NUMBER:<br>BACF32E32<br>OPTIONAL PART:<br>63052-32<br>V79326 | 103106         | 2              |
| 275      | 344N2019-26 | .             | TUBE ASSY   | 103106         | 1              |
| - 280    | 344N2019-28 | ..            | WELD ASSY   | 103106         | 1              |
| - 285    | BACF32E32   | ..            | FERRULE<br>SUPPLIER CODE:<br>V79326<br>SPECIFICATION NUMBER:<br>BACF32E32<br>OPTIONAL PART:<br>63052-32<br>V79326 | 103106         | 1              |
| 290      | 344N4001-12 | .             | TUBE ASSY-<br>TUBING MATERIAL:<br>STOCK 3.000.D.X.035WALL<br>6061-T4 SEAMLESS AL<br>TUBING PER WW-T-700/6.        | 103106         | 1              |
| - 295    | S3052-48A   | ..            | FERRULE<br>SUPPLIER CODE:<br>V79326<br>SPECIFICATION NUMBER:<br>BACF32E48A  | 103106         | 2              |

MISSING ITEM NUMBERS NOT APPLICABLE

- ITEM NOT ILLUSTRATED

28-21-05-01D

28-21-05  
FIG. 01D  
PAGE 5  
JAN 20/09

BRI

BOEING PROPRIETARY - Copyright © - Unpublished Work - See title page for details.



757

PARTS CATALOG (MAINTENANCE)

| FIG ITEM  | PART NUMBER | 1 2 3 4 5 6 7 | NOMENCLATURE   | EFFECT FROM TO | UNITS PER ASSY |
|-----------|-------------|---------------|--|----------------|----------------|
| 1D<br>300 | 344N4001-29 | .             | TUBE ASSY-<br>TUBING MATERIAL:<br>STOCK 3.00 O.D. X .035<br>WALL 6061-T4 SEAMLESS AL<br>TUBING PER WW-T-700/6                  | 103106         | 1              |
| - 305     | S3052-48A   | ..            | FERRULE<br>SUPPLIER CODE:<br>V79326<br>SPECIFICATION NUMBER:<br>BACF32E48A   | 103106         | 2              |
| 310       | 344N4001-16 | .             | TUBE ASSY-<br>TUBING MATERIAL:<br>3.0 IN. OD .035 IN. WALL<br>32.8 IN. LG WW-T-700/6<br>6061 T4 TUBING                         | 103106         | 1              |
| - 315     | S3052-48A   | ..            | FERRULE<br>SUPPLIER CODE:<br>V79326<br>SPECIFICATION NUMBER:<br>BACF32E48A   | 103106         | 2              |
| 320       | 344N2035-5  | .             | TUBE ASSY  | 103106         | 1              |
| - 325     | 344N2035-7  | ..            | WELD ASSY  | 103106         | 1              |
| - 330     | S3052-48A   | ..            | FERRULE<br>SUPPLIER CODE:<br>V79326<br>SPECIFICATION NUMBER:<br>BACF32E48A   | 103106         | 2              |
| 335       | 344N2035-6  | .             | TUBE ASSY-<br>TUBING MATERIAL:<br>3.0 IN. OD X .035 IN.<br>WALL X 9.0 IN. LG<br>6061-T4 SEAMLESS ALUM<br>TUBING PER WW-T-700/6 | 103106         | 1              |
| - 340     | S3052-48A   | ..            | FERRULE<br>SUPPLIER CODE:<br>V79326<br>SPECIFICATION NUMBER:<br>BACF32E48A   | 103106         | 2              |
| 345       | 344N4001-14 | .             | TUBE ASSY-<br>TUBING MATERIAL:<br>3.0 IN. OD .035 IN. WALL<br>26.6 IN. LG WW-T-700/6<br>6061 T4 TUBING                         | 103106         | 1              |
| - 350     | S3052-48A   | ..            | FERRULE<br>SUPPLIER CODE:<br>V79326<br>SPECIFICATION NUMBER:<br>BACF32E48A   | 103106         | 2              |

MISSING ITEM NUMBERS NOT APPLICABLE

- ITEM NOT ILLUSTRATED

28-21-05-01D

28-21-05  
FIG. 01D  
PAGE 6  
JAN 20/09

BRI

BOEING PROPRIETARY - Copyright © - Unpublished Work - See title page for details.



757

PARTS CATALOG (MAINTENANCE)

| FIG ITEM  | PART NUMBER | 1 2 3 4 5 6 7 | NOMENCLATURE   | EFFECT FROM TO | UNITS PER ASSY |
|-----------|-------------|---------------|--|----------------|----------------|
| 1D<br>355 | 344N2036-3  | .             | TUBE ASSY-<br>TUBING MATERIAL:<br>.50 IN. OD X .028 IN.<br>WALL X 14.60 IN. LG<br>6061-T4 SEAMLESS ALUM<br>TUBING PER WW-T-700/6 | 103106         | 1              |
| - 360     | S83052-8    | ..            | FERRULE<br>SUPPLIER CODE:<br>V79326<br>SPECIFICATION NUMBER:<br>BACF32F8<br>OPTIONAL PART:<br>TC010-8<br>V24984                  | 103106         | 1              |
| - 365     | 63052-8-12  | ..            | FERRULE-<br>SUPPLIER CODE:<br>V79326   | 103106         | 1              |
| 370       | S73521-48   | .             | TEE-<br>SUPPLIER CODE:<br>V79326   | 103106         | 1              |
| 375       | MS29513-016 | .             | PACKING  | 103106         | 1              |
| 380       | MS29513-017 | .             | PACKING  | 103106         | 1              |
| 385       | MS29512-08  | .             | PACKING  | 103106         | 1              |
| 390       | MS29513-338 | .             | PACKING  | 103106         | 9              |
| 395       | MS29513-212 | .             | PACKING  | 103106         | 1              |
| 400       | MS29513-330 | .             | PACKING  | 103106         | 4              |
| 405       | MS29513-334 | .             | PACKING  | 103106         | 6              |
| 410       | NAS1523-3Y  | .             | PACKING  | 103106         | 4              |
| 415       | BACN10KL48  | .             | NUT ASSY   | 103106         | 2              |
| 420       | BACC42R12   | .             | COUPLING ASSY-<br>SUPPLIER CODE:<br>V79326<br>SPECIFICATION NUMBER:<br>BACC42R12   | 103105         | 1              |
| 420       | 12J63-12A   | .             | COUPLING ASSY-<br>SUPPLIER CODE:<br>V24984<br>SPECIFICATION NUMBER:<br>AS1712D12<br>OPTIONAL PART:<br>83051-12A<br>V79326        | 106106         | 1              |
| 425       | BACN10KL12  | ..            | NUT ASSY-  | 103105         | 1              |

MISSING ITEM NUMBERS NOT APPLICABLE

- ITEM NOT ILLUSTRATED

28-21-05-01D

28-21-05  
FIG. 01D  
PAGE 7  
JAN 20/09

BRI

BOEING PROPRIETARY - Copyright © - Unpublished Work - See title page for details.



757

PARTS CATALOG (MAINTENANCE)

| FIG ITEM  | PART NUMBER | 1 2 3 4 5 6 7 | NOMENCLATURE   | EFFECT FROM TO | UNITS PER ASSY |
|-----------|-------------|---------------|--|----------------|----------------|
| 1D<br>425 | 12N63-12A   |               | ..NUT ASSY-<br>SUPPLIER CODE:<br>V24984<br>SPECIFICATION NUMBER:<br>AS1714D12<br>OPTIONAL PART:<br>AS6305-12-03<br>V79326  | 106106         | 1              |
| 430       | BACR12BN12  |               | ..RING-  | 103105         | 2              |
| 430       | AS1715D12   |               | ..WASHER-  | 106106         | 2              |
| 435       | BACR10AD12  |               | ..RETAINER-  | 103105         | 2              |
| 435       | 12R63-12A   |               | ..RETAINER-<br>SUPPLIER CODE:<br>V24984<br>SPECIFICATION NUMBER:<br>AS1717D12  | 106106         | 2              |
| 440       | S3052-12    |               | ..FERRULE<br>SUPPLIER CODE:<br>V79326<br>SPECIFICATION NUMBER:<br>BACF32E12  | 103105         | 2              |
| 445       | BACC42P12   |               | ..BODY-  | 103105         | 1              |
| 445       | 12C63-12A   |               | ..BODY-<br>SUPPLIER CODE:<br>V24984<br>SPECIFICATION NUMBER:<br>AS1718D12<br>OPTIONAL PART:<br>AS6305-12-1<br>V79326       | 106106         | 1              |
| 450       | BACC42R32   |               | .COUPLING ASSY-<br>SUPPLIER CODE:<br>V79326<br>SPECIFICATION NUMBER:<br>BACC42R32  | 103105         | 1              |
| 450       | 83051-32A   |               | .COUPLING ASSY-<br>SUPPLIER CODE:<br>V79326<br>SPECIFICATION NUMBER:<br>AS1712D32<br>OPTIONAL PART:<br>12J63-32A<br>V24984 | 106106         | 1              |
| 455       | BACN10KL32  |               | ..NUT ASSY-  | 103105         | 1              |

MISSING ITEM NUMBERS NOT APPLICABLE

- ITEM NOT ILLUSTRATED

28-21-05-01D

28-21-05  
FIG. 01D  
PAGE 8  
JAN 20/09

BRI

BOEING PROPRIETARY - Copyright © - Unpublished Work - See title page for details.



757

PARTS CATALOG (MAINTENANCE)

| FIG ITEM  | PART NUMBER | 1 2 3 4 5 6 7 | NOMENCLATURE   | EFFECT FROM TO | UNITS PER ASSY |
|-----------|-------------|---------------|--|----------------|----------------|
| 1D<br>455 | 12N63-32A   |               | ..NUT ASSY-<br>SUPPLIER CODE:<br>V24984<br>SPECIFICATION NUMBER:<br>AS1714D32<br>OPTIONAL PART:<br>AS6305-32-03<br>V79326  | 106106         | 1              |
| 460       | BACR12BN32  |               | ..RING-  | 103105         | 2              |
| 460       | AS1715D32   |               | ..WASHER-  | 106106         | 2              |
| 465       | BACR10AD32  |               | ..RETAINER-  | 103105         | 2              |
| 465       | 12R63-32A   |               | ..RETAINER-<br>SUPPLIER CODE:<br>V24984<br>SPECIFICATION NUMBER:<br>AS1717D32  | 106106         | 2              |
| 470       | BACF32E32   |               | ..FERRULE<br>SUPPLIER CODE:<br>V79326<br>SPECIFICATION NUMBER:<br>BACF32E32<br>OPTIONAL PART:<br>63052-32<br>V79326        | 103105         | 2              |
| 475       | BACC42P32   |               | ..BODY-  | 103105         | 1              |
| 475       | 12C63-32A   |               | ..BODY-<br>SUPPLIER CODE:<br>V24984<br>SPECIFICATION NUMBER:<br>AS1718D32<br>OPTIONAL PART:<br>AS6305-32-1<br>V79326       | 106106         | 1              |
| 480       | BACC42R40   |               | .COUPLING ASSY-<br>SUPPLIER CODE:<br>V79326<br>SPECIFICATION NUMBER:<br>BACC42R40  | 103105         | 3              |
| 480       | 83051-40A   |               | .COUPLING ASSY-<br>SUPPLIER CODE:<br>V79326<br>SPECIFICATION NUMBER:<br>AS1712D40<br>OPTIONAL PART:<br>12J63-40A<br>V24984 | 106106         | 3              |
| 485       | BACN10KL40  |               | ..NUT ASSY-  | 103105         | 1              |

MISSING ITEM NUMBERS NOT APPLICABLE

- ITEM NOT ILLUSTRATED

28-21-05-01D

28-21-05  
FIG. 01D  
PAGE 9  
JAN 20/09

BRI

BOEING PROPRIETARY - Copyright © - Unpublished Work - See title page for details.



757

PARTS CATALOG (MAINTENANCE)

| FIG ITEM  | PART NUMBER | 1 2 3 4 5 6 7 | NOMENCLATURE   | EFFECT FROM TO | UNITS PER ASSY |
|-----------|-------------|---------------|--|----------------|----------------|
| 1D<br>485 | 12N63-40A   |               | ..NUT ASSY-<br>SUPPLIER CODE:<br>V24984<br>SPECIFICATION NUMBER:<br>AS1714D40<br>OPTIONAL PART:<br>AS6305-40-03<br>V79326  | 106106         | 1              |
| 490       | BACR12BN40  |               | ..RING-  | 103105         | 2              |
| 490       | AS1715D40   |               | ..WASHER-  | 106106         | 2              |
| 495       | BACR10AD40  |               | ..RETAINER-  | 103105         | 2              |
| 495       | 12R63-40A   |               | ..RETAINER-<br>SUPPLIER CODE:<br>V24984<br>SPECIFICATION NUMBER:<br>AS1717D40  | 106106         | 2              |
| 500       | S3052-40    |               | ..FERRULE<br>SUPPLIER CODE:<br>V79326<br>SPECIFICATION NUMBER:<br>BACF32E40<br>OPTIONAL PART:<br>63052-40<br>V79326        | 103105         | 2              |
| 505       | BACC42P40   |               | ..BODY-  | 103105         | 1              |
| 505       | 12C63-40A   |               | ..BODY-<br>SUPPLIER CODE:<br>V24984<br>SPECIFICATION NUMBER:<br>AS1718D40<br>OPTIONAL PART:<br>AS6305-40-1<br>V79326       | 106106         | 1              |
| 510       | BACC42R48   |               | .COUPLING ASSY-<br>SUPPLIER CODE:<br>V79326<br>SPECIFICATION NUMBER:<br>BACC42R48  | 103105         | 3              |
| 510       | 83051-48A   |               | .COUPLING ASSY-<br>SUPPLIER CODE:<br>V79326<br>SPECIFICATION NUMBER:<br>AS1712D48<br>OPTIONAL PART:<br>12J63-48A<br>V24984 | 106106         | 3              |
| 515       | BACN10KL48  |               | ..NUT ASSY-  | 103105         | 1              |

MISSING ITEM NUMBERS NOT APPLICABLE

- ITEM NOT ILLUSTRATED

28-21-05-01D

28-21-05  
FIG. 01D  
PAGE 10  
JAN 20/09

BRI

BOEING PROPRIETARY - Copyright © - Unpublished Work - See title page for details.



757

PARTS CATALOG (MAINTENANCE)

| FIG ITEM  | PART NUMBER | 1 2 3 4 5 6 7 | NOMENCLATURE   | EFFECT FROM TO | UNITS PER ASSY |
|-----------|-------------|---------------|--|----------------|----------------|
| 1D<br>515 | 12N63-48A   |               | ..NUT ASSY-<br>SUPPLIER CODE:<br>V24984<br>SPECIFICATION NUMBER:<br>AS1714D48<br>OPTIONAL PART:<br>AS6305-48-03<br>V79326  | 106106         | 1              |
| 520       | BACR12BN48  |               | ..RING-  | 103105         | 2              |
| 520       | AS1715-48   |               | ..WASHER-  | 106106         | 2              |
| 525       | BACR10AD48  |               | ..RETAINER-  | 103105         | 2              |
| 525       | 12R63-48A   |               | ..RETAINER-<br>SUPPLIER CODE:<br>V24984<br>SPECIFICATION NUMBER:<br>AS1717D48  | 106106         | 2              |
| 530       | BACF32E48   |               | ..FERRULE  | 103105         | 2              |
| 535       | BACC42P48   |               | ..BODY-  | 103105         | 1              |
| 535       | AS1718D48   |               | ..BODY-  | 106106         | 1              |
| 540       | BACC42S32   |               | .COUPLING ASSY-<br>SUPPLIER CODE:<br>V79326<br>SPECIFICATION NUMBER:<br>BACC42S32  | 103105         | 2              |
| 540       | 63551-32A   |               | .COUPLING ASSY-<br>SUPPLIER CODE:<br>V79326<br>SPECIFICATION NUMBER:<br>AS1713D32<br>OPTIONAL PART:<br>12H63-32A<br>V24984 | 106106         | 2              |
| 545       | BACN10KL32  |               | ..NUT ASSY-  | 103105         | 1              |
| 545       | 12N63-32A   |               | ..NUT ASSY-<br>SUPPLIER CODE:<br>V24984<br>SPECIFICATION NUMBER:<br>AS1714D32<br>OPTIONAL PART:<br>AS6305-32-03<br>V79326  | 106106         | 1              |
| 550       | BACR12BN32  |               | ..RING-  | 103105         | 2              |
| 550       | AS1715D32   |               | ..WASHER-  | 106106         | 2              |

MISSING ITEM NUMBERS NOT APPLICABLE

- ITEM NOT ILLUSTRATED

28-21-05-01D

28-21-05  
FIG. 01D  
PAGE 11  
JAN 20/09

BRI

BOEING PROPRIETARY - Copyright © - Unpublished Work - See title page for details.





757

PARTS CATALOG (MAINTENANCE)

| FIG ITEM  | PART NUMBER | 1 2 3 4 5 6 7              | NOMENCLATURE  | EFFECT FROM TO | UNITS PER ASSY |
|-----------|-------------|----------------------------|---|----------------|----------------|
| 1D<br>555 | BACF32E32   | ..                         | FERRULE<br>SUPPLIER CODE:<br>V79326<br>SPECIFICATION NUMBER:<br>BACF32E32<br>OPTIONAL PART:<br>63052-32<br>V79326               | 103105         | 1              |
| 560       | 83533-8     | .COUPLING ASSY-FUELING SYS | SUPPLIER CODE:<br>V79326  | 103106         | 2              |
| 565       | 344N2008-24 | .FITTING ASSY              |   | 103106         | 1              |
| 570       | S3052-40A   | ..FERRULE                  | SUPPLIER CODE:<br>V79326<br>SPECIFICATION NUMBER:<br>BACF32E40A   | 103106         | 1              |
| 575       | 63052-40-48 | ..FERRULE-                 | SUPPLIER CODE:<br>V79326  | 103106         | 1              |
| 580       | 344N2008-25 | ..BRAZED ASSY              |   | 103106         | 1              |
| 585       | 344N2008-26 | .FITTING ASSY              |   | 103106         | 1              |
| 590       | S3052-48A   | ..FERRULE                  | SUPPLIER CODE:<br>V79326<br>SPECIFICATION NUMBER:<br>BACF32E48A   | 103106         | 2              |
| 595       | 344N2008-27 | ..BRAZED ASSY              |   | 103106         | 1              |
| 600       | 73531B89S32 | .COUPLING-                 | SUPPLIER CODE:<br>V79326  | 103106         | 1              |
| 605       | 40613-32    | .GASKET                    | SUPPLIER CODE:<br>V98159<br>SPECIFICATION NUMBER:<br>BACG10AD32<br>OPTIONAL PART:<br>020157-32<br>V83259<br>S7P405-32<br>V95272 | 103106         | 1              |

MISSING ITEM NUMBERS NOT APPLICABLE

- ITEM NOT ILLUSTRATED

28-21-05-01D

28-21-05  
FIG. 01D  
PAGE 12  
JAN 20/09

BRI

BOEING PROPRIETARY - Copyright © - Unpublished Work - See title page for details.



757

PARTS CATALOG (MAINTENANCE)

| FIG<br>ITEM | PART NUMBER   | 1 2 3 4 5 6 7 | NOMENCLATURE   | EFFECT<br>FROM TO | UNITS<br>PER<br>ASSY |
|-------------|---------------|---------------|--|-------------------|----------------------|
| 1 D<br>610  | 8C213-1       |               | . VALVE-<br>SUPPLIER CODE:<br>V82829<br>FUNCTIONAL DESCRIPTION:<br>ALLOWS AIR INTO THE FUEL<br>MANIFOLD TO PERMIT FUEL<br>LEVEL TO DECREASE WITH<br>USE<br>COMPONENT MAINT MANUAL REF:<br>28-21-03 | 103106            | 1                    |
| 615         | 344N2037-1    |               | . PLATE ASSY-ADAPTER   | 103106            | 1                    |
| 620         | MS21209F1-10P |               | .. INSERT  | 103106            | 4                    |
| 625         | 344N2037-2    |               | .. PLATE   | 103106            | 1                    |

MISSING ITEM NUMBERS NOT APPLICABLE

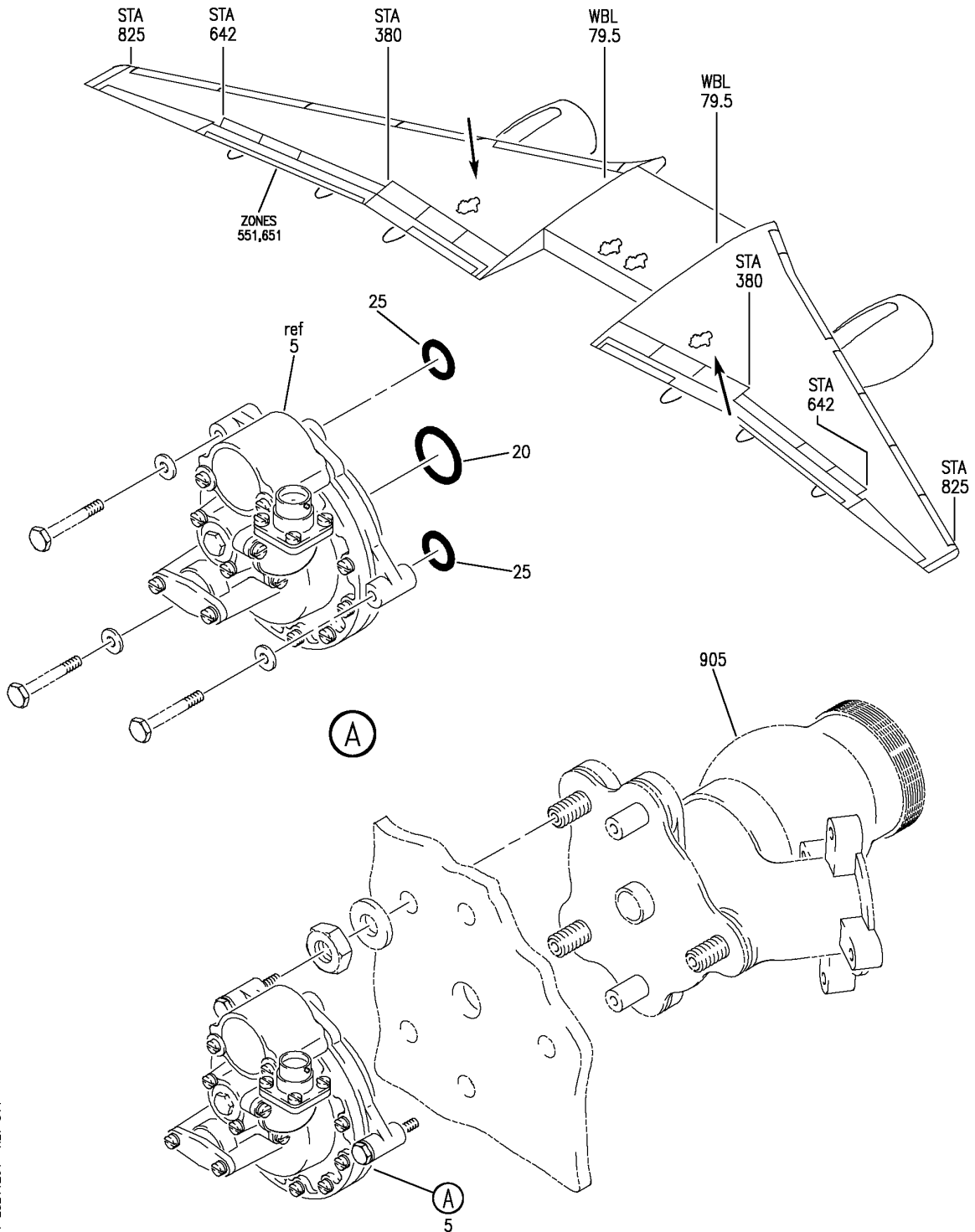
- ITEM NOT ILLUSTRATED

**28-21-05-01D**

28-21-05  
FIG. 01D  
PAGE 13  
JAN 20/09

BRI

**BOEING**  
757  
PARTS CATALOG (MAINTENANCE)



Y 28211201 REV 311

EQUIPMENT INSTL (FUELING SHUTOFF VALVE CONTROL UNIT ONLY)  
FIGURE 1

**28-21-12-01**

BRI  
MAY 28/07

28-21-12-01  
PAGE 0



757

PARTS CATALOG (MAINTENANCE)

| FIG ITEM | PART NUMBER | 1 2 3 4 5 6 7 | NOMENCLATURE   | EFFECT FROM TO             | UNITS PER ASSY |
|----------|-------------|---------------|--|----------------------------|----------------|
| 1        |             |               | EQUIPMENT INSTL<br>(FUELING SHUTOFF VALVE<br>CONTROL UNIT ONLY)  | 006100<br>950951<br>953999 |                |
| - 1      | 344N3001-6  |               | EQUIPMENT INSTL-(FUELING<br>SHUTOFF VALVE CONTROL<br>UNIT ONLY)  | 006100<br>950951<br>953999 | RF             |
| 5        | 40885-4     |               | FOR NHA/OTHER SYS DET SEE:<br>28-20-51-01<br>CONTROL UNIT ASSY-<br>SUPPLIER CODE:<br>V86090<br>FUNCTIONAL DESCRIPTION:<br>CONTROLS OPERATION OF<br>REFUELING VALVE<br>SPECIFICATION NUMBER:<br>60B92602-14<br>MISCELLANEOUS DATA:<br>40885-4/60B92602-14 R/B<br>40885-10/60B92602-21<br>FULLY INTERCHANGEABLE<br>PER PRR 54530-198<br>757-SL-28-035<br>COMPONENT MAINT MANUAL REF:<br>28-20-32<br>QUALIFIED I/W DATA:<br>60B92602-19(40884-7) T/W<br>60B92602-20(40885-5) CAN<br>REPLACE BUT NOT BE<br>REPLACED BY<br>60B92602-13(40884-6) T/W<br>60B92602-14(40885-4).<br>60B92602-13(40884-6) IS<br>NOT I/W WITH<br>60B92602-19(40884-7) AND<br>60B92602-14(40885-4) IS<br>NOT I/W WITH<br>60B92602-20(40885-5).<br>"757 ONLY" | 006100<br>950951<br>953999 | 4              |

MISSING ITEM NUMBERS NOT APPLICABLE

- ITEM NOT ILLUSTRATED

BRI

28-21-12-01

28-21-12  
FIG. 01  
PAGE 1  
JAN 20/09



757

PARTS CATALOG (MAINTENANCE)

| FIG ITEM | PART NUMBER | 1 2 3 4 5 6 7 | NOMENCLATURE   | EFFECT FROM TO             | UNITS PER ASSY |
|----------|-------------|---------------|--|----------------------------|----------------|
| 1        | 5 40885-10  |               | .CONTROL UNIT ASSY-<br>SUPPLIER CODE:<br>V86090<br>SPECIFICATION NUMBER:<br>60B92602-21<br>MISCELLANEOUS DATA:<br>40885-4/60B92602-14 R/B<br>40885-10/60B92602-21<br>FULLY INTERCHANGEABLE<br>PER PRR 54530-198<br>757-SL-28-035<br>COMPONENT MAINT MANUAL REF:<br>28-20-32<br>ATTACHING PARTS | 006100<br>950951<br>953999 | 4              |
| - 10     | NAS6704U14  |               | .BOLT  | 006100<br>950951<br>953999 | 12             |
| - 15     | NAS620C416L |               | .WASHER  | 006100<br>950951<br>953999 | 12             |
|          |             |               | -----*-----  |                            |                |
| 20       | MS29513-111 |               | .PACKING   | 006100<br>950951<br>953999 | 4              |
| 25       | MS29513-010 |               | .PACKING   | 006100<br>950951<br>953999 | 8              |
| 905      |             |               | ILLUSTRATION REFERENCE:<br>EQUIPMENT INSTL-PRESSURE<br>FUELING SYSTEM<br>(FUELING SHUTOFF VALVE<br>ONLY)<br>28-21-02-02C   | 006100<br>950951<br>953999 | RF             |

MISSING ITEM NUMBERS NOT APPLICABLE

- ITEM NOT ILLUSTRATED

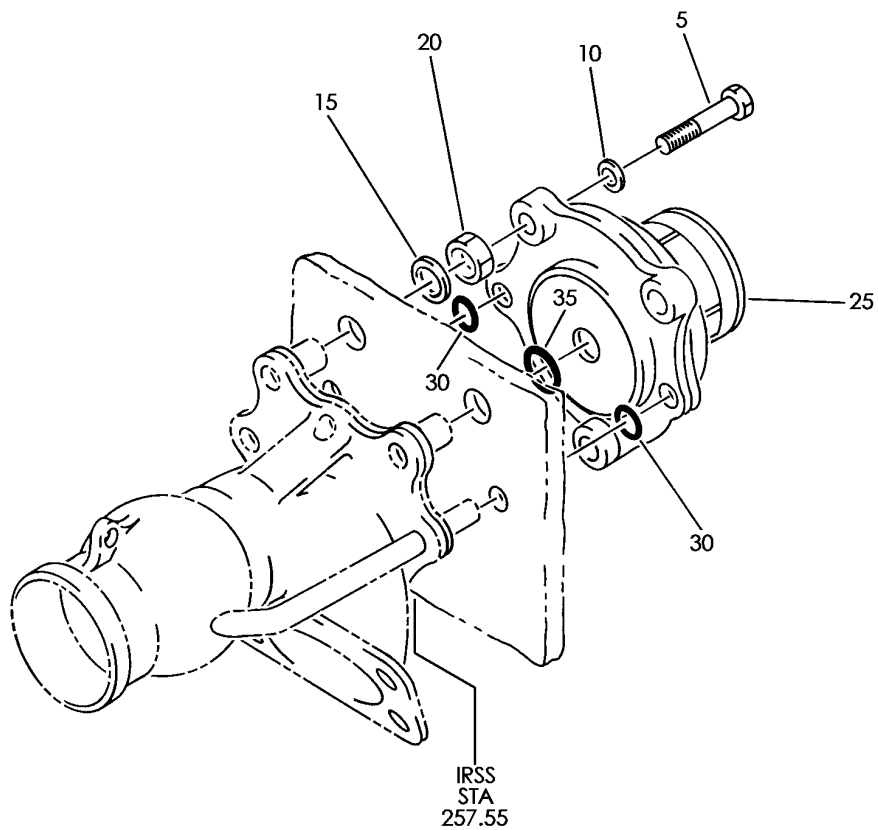
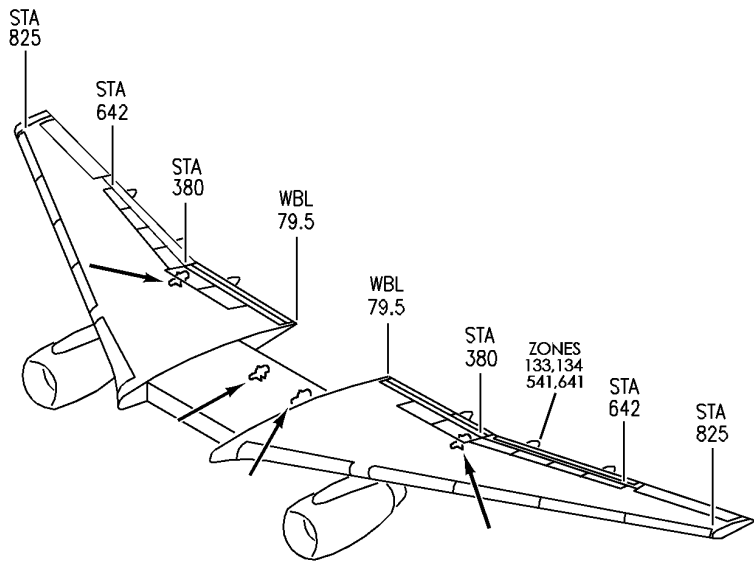
BRI

28-21-12-01

BOEING PROPRIETARY - Copyright © - Unpublished Work - See title page for details.

28-21-12  
FIG. 01  
PAGE 2  
JAN 20/09

**BOEING**  
757  
PARTS CATALOG (MAINTENANCE)



Y 28211202 REV 239

EQUIPMENT INSTL (FUELING SHUTOFF VALVE CONTROL UNIT ONLY)  
FIGURE 2

**28-21-12-02**

BRI  
MAY 28/07

28-21-12-02  
PAGE 0



757

PARTS CATALOG (MAINTENANCE)

| FIG ITEM | PART NUMBER   | 1 2 3 4 5 6 7 | NOMENCLATURE  | EFFECT FROM TO             | UNITS PER ASSY |
|----------|---------------|---------------|---|----------------------------|----------------|
| 2        |               |               | EQUIPMENT INSTL<br>(FUELING SHUTOFF VALVE<br>CONTROL UNIT ONLY)   | 101106<br>108120<br>504903 |                |
| - 1      | 344N3001-10   |               | EQUIPMENT INSTL-(FUELING<br>SHUTOFF VALVE CONTROL<br>UNIT ONLY)<br>FOR NHA/OTHER SYS DET SEE:<br>28-00-00-05  | 101102<br>504504           | RF             |
| - 1      | 344N3001-14   |               | EQUIPMENT INSTL-(FUELING<br>SHUTOFF VALVE CONTROL<br>UNIT ONLY)<br>FOR NHA/OTHER SYS DET SEE:<br>28-00-00-05  | 108120<br>505903           | RF             |
| - 1      | MODREF13716   |               | EQUIPMENT INSTL-(FUELING<br>SHUTOFF VALVE CONTROL<br>UNIT ONLY)<br>MODULE NUMBER:<br>344N3001-14 REV A  | 103106                     | 1              |
| 5        | NAS6704U14    |               | .BOLT   | 101106<br>108120<br>504903 | 12             |
| 10       | NAS620C416L   |               | .WASHER   | 101106<br>108120<br>504903 | 12             |
| 15       | NAS1149D0832J |               | .WASHER   | 101106<br>108120<br>504903 | 12             |
| 20       | NAS509-8C     |               | .NUT  | 101106<br>108120<br>504903 | 12             |
| 25       | 40885-5       |               | .CONTROL-UNIT<br>SUPPLIER CODE:<br>V86090<br>SPECIFICATION NUMBER:<br>60B92602-20<br>QUALIFIED I/W DATA:<br>60B92602-19(40884-7) T/W<br>60B92602-20(40885-5) CAN<br>REPLACE BUT NOT BE<br>REPLACED BY<br>60B92602-13(40884-6) T/W<br>60B92602-14(40885-4).<br>60B92602-13(40884-6) IS<br>NOT I/W WITH<br>60B92602-19(40884-7) AND<br>60B92602-14(40885-4) IS<br>NOT I/W WITH<br>60B92602-20(40885-5).<br>"757 ONLY" | 101106<br>108120<br>504903 | 4              |

MISSING ITEM NUMBERS NOT APPLICABLE

- ITEM NOT ILLUSTRATED

BRI

28-21-12-02

BOEING PROPRIETARY - Copyright © - Unpublished Work - See title page for details.

28-21-12  
FIG. 02  
PAGE 1  
JAN 20/09



757

PARTS CATALOG (MAINTENANCE)

| FIG<br>ITEM | PART NUMBER    | 1 2 3 4 5 6 7 | NOMENCLATURE  | EFFECT<br>FROM TO          | UNITS<br>PER<br>ASSY |
|-------------|----------------|---------------|---|----------------------------|----------------------|
| 2           | 25 40885-7     |               | .CONTROL-UNIT<br>SUPPLIER CODE:<br>V86090<br>SPECIFICATION NUMBER:<br>60B92602-22 | 101106<br>108120<br>504903 | 4                    |
|             | 30 MS29513-009 |               | .PACKING  | 101106<br>108120<br>504903 | 8                    |
|             | 35 MS29513-111 |               | .PACKING  | 101106<br>108120<br>504903 | 4                    |

MISSING ITEM NUMBERS NOT APPLICABLE

- ITEM NOT ILLUSTRATED

BRI

28-21-12-02

BOEING PROPRIETARY - Copyright © - Unpublished Work - See title page for details.

28-21-12  
FIG. 02  
PAGE 2  
JAN 20/09



 **BOEING**  
757  
PARTS CATALOG (MAINTENANCE)

NON-ILLUSTRATED FIGURE

THE ITEMS REFLECTED IN THIS FIGURE ARE INTENTIONALLY  
NON-ILLUSTRATED. THEY ARE REFERENCED TO EITHER A  
NEXT HIGHER OR NEXT LOWER ASSEMBLY/INSTALLATION FIGURE.

COLLECTOR INSTL-FUEL  
FIGURE 1

**28-21-51-01**

BRI  
MAY 28/07

28-21-51-01  
PAGE 0



757

PARTS CATALOG (MAINTENANCE)

| FIG ITEM | PART NUMBER | 1 2 3 4 5 6 7 | NOMENCLATURE   | EFFECT FROM TO   | UNITS PER ASSY |
|----------|-------------|---------------|--|------------------|----------------|
| 1        |             |               | COLLECTOR INSTL-FUEL   | 010100<br>950951 |                |
| - 1      | 287N0002-2  |               | COLLECTOR INSTL-FUEL<br>FOR NHA/OTHER SYS DET SEE:<br>24-00-60-01                | 010100<br>950951 | RF             |
| - 5      | 69-58806-4  |               | .DIODE ASSY-<br>ELECTRICAL EQUIP NUMBER:<br>R10409<br>R10410<br>R10411<br>R10412 | 010100<br>950951 | 4              |
| - 10     | D436-59     |               | ..SPLICE-<br>SUPPLIER CODE:<br>V00779  | 010100<br>950951 | 2              |
| - 15     | 69-58806-6  |               | ..THERMOFIT-<br>OPTIONAL PART:<br>69-58806-7                                     | 010100<br>950951 | 1              |
| - 15     | 69-58806-7  |               | ..THERMOFIT-<br>OPTIONAL PART:<br>69-58806-6                                     | 010100<br>950951 | 1              |
| - 20     | IN5061      |               | ..DIODE-<br>SUPPLIER CODE:<br>V00779   | 010100<br>950951 | 1              |

MISSING ITEM NUMBERS NOT APPLICABLE

- ITEM NOT ILLUSTRATED

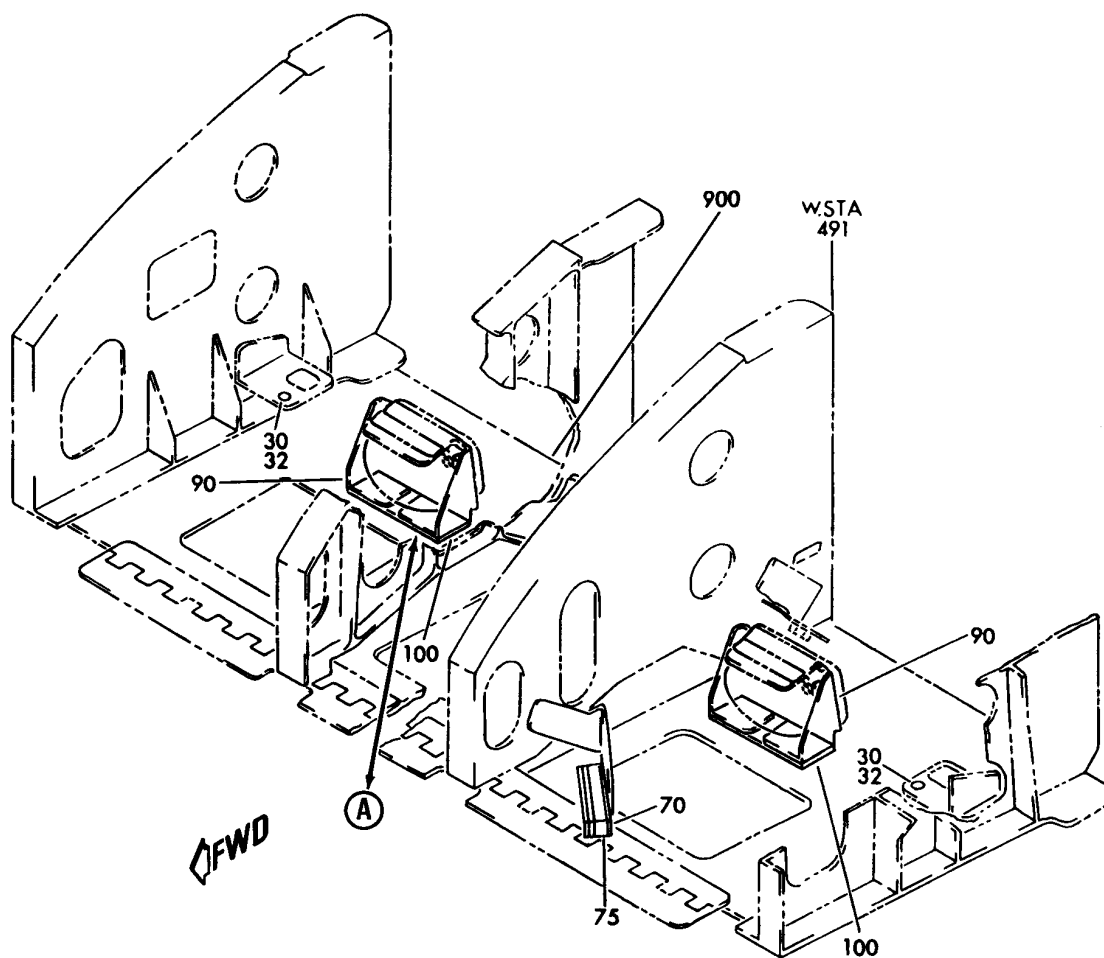
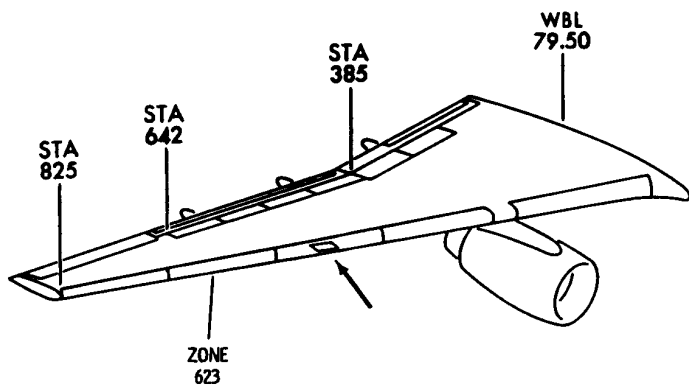
BRI

28-21-51-01

BOEING PROPRIETARY - Copyright © - Unpublished Work - See title page for details.

28-21-51  
FIG. 01  
PAGE 1  
JAN 20/09

**BOEING**  
757  
PARTS CATALOG (MAINTENANCE)



Y 28215501 SHT 1 REV 205

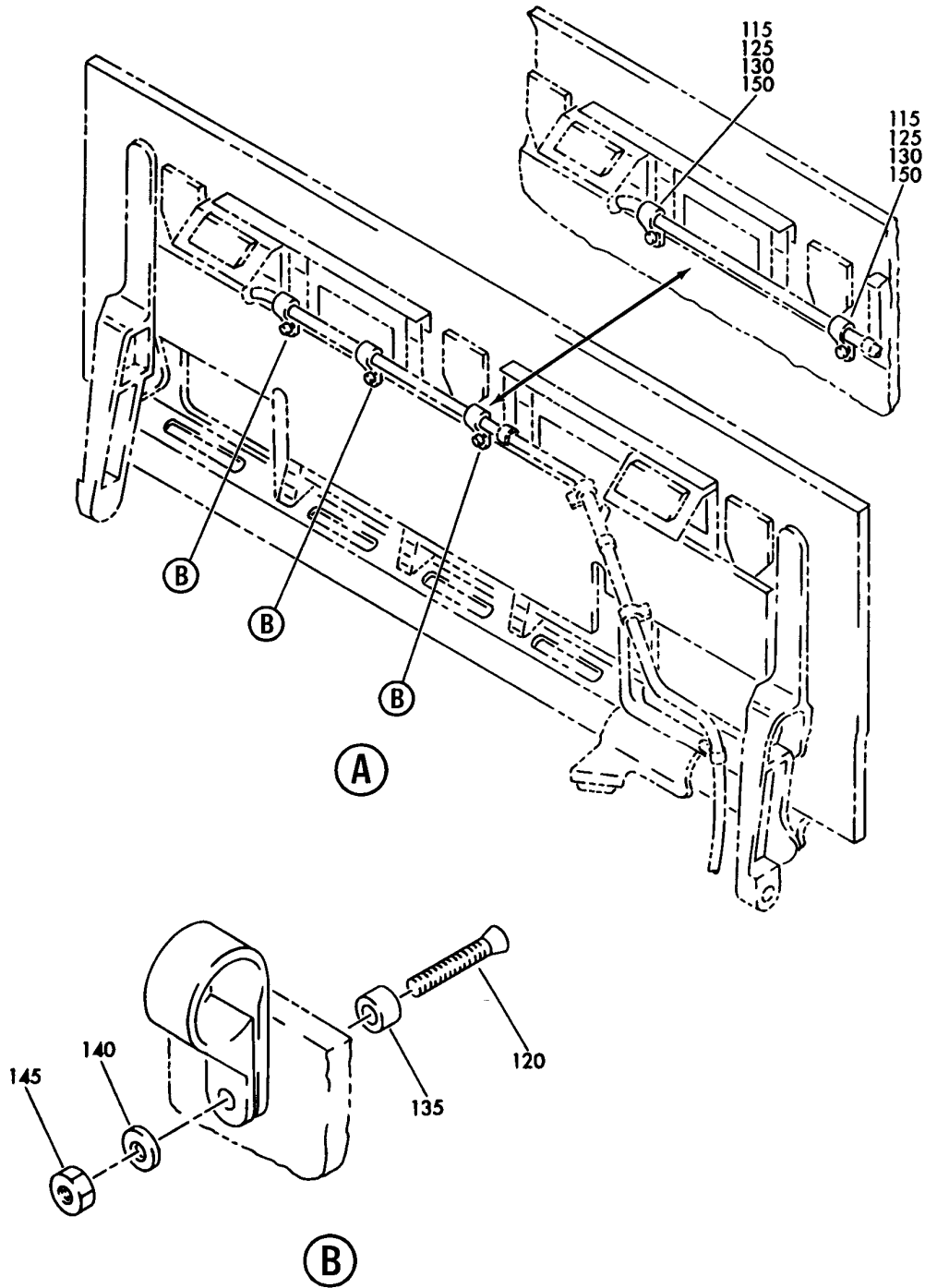
EQUIPMENT INSTL-WING REFUELING PNL E/E (FUEL ONLY)  
FIGURE 1 (SHEET 1)

**28-21-55-01**

BRI  
MAY 28/07

28-21-55-01  
PAGE 0

**BOEING**  
757  
PARTS CATALOG (MAINTENANCE)



Y 28215501 SHT 2 REV 205

EQUIPMENT INSTL-WING REFUELING PNL E/E (FUEL ONLY)  
FIGURE 1 (SHEET 2)

**28-21-55-01**

BRI  
MAY 28/07

28-21-55-01  
PAGE 0A



757

PARTS CATALOG (MAINTENANCE)

| FIG ITEM | PART NUMBER | 1 2 3 4 5 6 7 | NOMENCLATURE   | EFFECT FROM TO             | UNITS PER ASSY |
|----------|-------------|---------------|--|----------------------------|----------------|
| 1        |             |               | EQUIPMENT INSTL-WING<br>REFUELING PNL E/E (FUEL ONLY)  | 002004<br>006999           |                |
| - 1      | 284N1114-2  |               | EQUIPMENT INSTL-WING<br>REFUELING PNL E/E (FUEL ONLY)<br>FOR NHA/OTHER SYS DET SEE:<br>24-00-58-01   | 107107                     | RF             |
| - 1      | 284N1114-5  |               | EQUIPMENT INSTL-WING<br>REFUELING PNL E/E (FUEL ONLY)<br>FOR NHA/OTHER SYS DET SEE:<br>24-00-58-01   | 904949                     | RF             |
| - 1      | 284N1114-7  |               | EQUIPMENT INSTL-WING<br>REFUELING PNL E/E (FUEL ONLY)<br>FOR NHA/OTHER SYS DET SEE:<br>24-00-58-01   | 002004<br>121503<br>952952 | RF             |
| - 1      | 284N1114-11 |               | EQUIPMENT INSTL-WING<br>REFUELING PNL E/E (FUEL ONLY)<br>FOR NHA/OTHER SYS DET SEE:<br>24-00-58-01   | 006014<br>950951<br>953999 | RF             |
| - 1      | 284N1114-12 |               | EQUIPMENT INSTL-WING<br>REFUELING PNL E/E (FUEL ONLY)<br>FOR NHA/OTHER SYS DET SEE:<br>24-00-58-01   | 015017                     | RF             |
| - 1      | 284N1114-13 |               | EQUIPMENT INSTL-WING<br>REFUELING PNL E/E (FUEL ONLY)<br>FOR NHA/OTHER SYS DET SEE:<br>24-00-58-01   | 018100                     | RF             |
| - 1      | 284N1114-16 |               | EQUIPMENT INSTL-WING<br>REFUELING PNL E/E (FUEL ONLY)<br>FOR NHA/OTHER SYS DET SEE:<br>24-00-58-05A  | 101102<br>108120<br>504903 | RF             |
| - 2      | MODREF29852 |               | EQUIPMENT INSTL-WING<br>REFUELING PNL E/E (FUEL ONLY)<br>MODULE NUMBER:<br>284N1114-16 REV B<br>FOR OTHER SYS DETAILS SEE:<br>11-24-01-02<br>23-41-00-01<br>33-31-51-04<br>52-49-02-01 | 103106                     | 1              |

MISSING ITEM NUMBERS NOT APPLICABLE

- ITEM NOT ILLUSTRATED

28-21-55-01

28-21-55  
FIG. 01  
PAGE 1  
JAN 20/09

BRI



757

PARTS CATALOG (MAINTENANCE)

| FIG ITEM | PART NUMBER     | 1 2 3 4 5 6 7 | NOMENCLATURE  | EFFECT FROM TO                       | UNITS PER ASSY |
|----------|-----------------|---------------|---|--------------------------------------|----------------|
| 1        | 30 MS90298-2    | .             | CONNECTOR-GSE   | 002004<br>006999                     | 2              |
|          | 32 MS35333-42   | .             | WASHER  | 002004<br>006999                     | 2              |
|          | 90 284N1138-31  | .             | BRACKET-FLOODLIGHT<br>PRE SERVICE BULLETIN:<br>28-0033R3  | 002004<br>904949<br>952952           | 2              |
|          | 90 284N1138-35  | .             | BRACKET-FLOODLIGHT  | 006017<br>950951<br>953999           | 2              |
|          | 90 284N1138-42  | .             | BRACKET-FLOODLIGHT  | 018100                               | 2              |
|          | 90 284N1138-45  | .             | BRACKET-FLOODLIGHT  | 101106<br>108120<br>504903           | 2              |
|          | 90 284N1138U44  | .             | BRACKET-FLOODLIGHT<br>POST SERVICE BULLETIN:<br>28-0033R2<br>28-0033R3  | 002004<br>107107<br>121503           | 2              |
| -        | 93 HST11AG5-5   | .             | BOLT-<br>SUPPLIER CODE:<br>V06725<br>SPECIFICATION NUMBER:<br>BACB30VU5K5<br>OPTIONAL PART:<br>HST11AG5-5<br>V73197<br>HST11AG5-5<br>VOPTK6<br>HST11AG5-5<br>V56878<br>QUALIFIED OPTIONAL DATA:<br>(BACB30VU5K5 WITH COLLAR<br>BACC30BL5 OPTIONAL TO<br>BACR15BA5AD5)<br>PRE SERVICE BULLETIN:<br>28-0033R3 | 002004<br>006106<br>108120<br>504999 | 8              |
| -        | 95 BACR15BA5AD9 | .             | RIVET-<br>POST SERVICE BULLETIN:<br>28-0033<br>28-0033R2<br>28-0033R3   | 002004<br>107107<br>121503           | 8              |
| -        | 95 BACR15BA5AD5 | .             | RIVET-<br>QUALIFIED OPTIONAL DATA:<br>(BACB30VU5K5 WITH COLLAR<br>BACC30BL5 OPTIONAL TO<br>BACR15BA5AD5)<br>PRE SERVICE BULLETIN:<br>28-0033R3  | 002004<br>006106<br>108120<br>504999 | 8              |

MISSING ITEM NUMBERS NOT APPLICABLE

- ITEM NOT ILLUSTRATED

BRI

28-21-55-01

28-21-55  
FIG. 01  
PAGE 2  
JAN 20/09



757

PARTS CATALOG (MAINTENANCE)

| FIG ITEM  | PART NUMBER | 1 2 3 4 5 6 7 | NOMENCLATURE   | EFFECT FROM TO                       | UNITS PER ASSY |
|-----------|-------------|---------------|--|--------------------------------------|----------------|
| 1<br>- 97 | BACC30BL5   |               | .COLLAR-<br>SUPPLIER CODE:<br>V73197<br>SPECIFICATION NUMBER:<br>BACC30BL5<br>OPTIONAL PART:<br>HST79-5<br>V92215<br>HST79CY5<br>V56878<br>HST79CY5<br>V5M902<br>QUALIFIED OPTIONAL DATA:<br>(BACB30VU5K5 WITH COLLAR<br>BACC30BL5 OPTIONAL TO<br>BACR15BA5AD5)<br>PRE SERVICE BULLETIN:<br>28-0033R3<br>-----*----- | 002004<br>006106<br>108120<br>504999 | 8              |
| 100       | 284N1138-28 |               | .FILLER-   | 002004<br>006999                     | 2              |
| 120       | BACB30VF3K4 |               | .BOLT-<br>POST SERVICE BULLETIN:<br>28-0036  | 953999                               | 3              |
| 135       | BACW10BP3CD |               | .WASHER-<br>POST SERVICE BULLETIN:<br>28-0036  | 953999                               | 3              |
| 140       | BACW10BN3SP |               | .WASHER-<br>POST SERVICE BULLETIN:<br>28-0036  | 953999                               | 3              |
| 145       | PLH53CD     |               | .NUT-<br>SUPPLIER CODE:<br>VF0224<br>SPECIFICATION NUMBER:<br>BACN10YR3CD<br>OPTIONAL PART:<br>H52732-3CD<br>V15653<br>POST SERVICE BULLETIN:<br>28-0036   | 953999                               | 3              |
| 155       | BACC10DK3   |               | .CLAMP-<br>POST SERVICE BULLETIN:<br>28-0036   | 953999                               | 3              |

MISSING ITEM NUMBERS NOT APPLICABLE

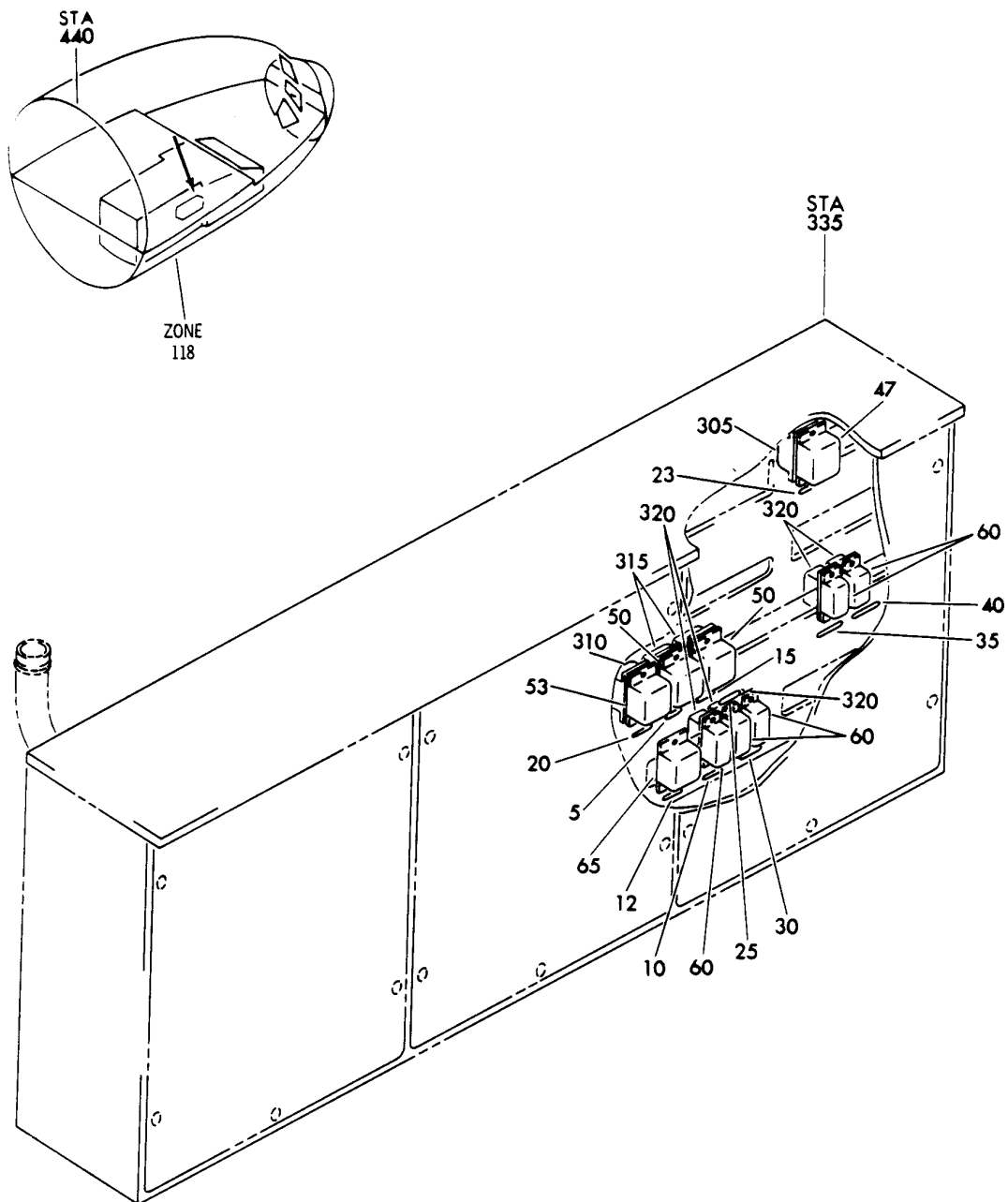
- ITEM NOT ILLUSTRATED

28-21-55-01

28-21-55  
FIG. 01  
PAGE 3  
JAN 20/09

BRI

**BOEING**  
757  
PARTS CATALOG (MAINTENANCE)



V 28217101 SHT 1 REV 024

SHIELD ASSY-P33 MISC ELEC EQPT (PRESSURE FUELING SYSTEM ONLY)  
FIGURE 1

**28-21-71-01**

BRI  
MAY 28/07

28-21-71-01  
PAGE 0





757

PARTS CATALOG (MAINTENANCE)

| FIG ITEM | PART NUMBER  | 1 2 3 4 5 6 7 | NOMENCLATURE   | EFFECT FROM TO                                 | UNITS PER ASSY |
|----------|--------------|---------------|--|--|----------------|
| 1        |              |               | SHIELD ASSY-P33 MISC ELEC<br>EQPT (PRESSURE FUELING<br>SYSTEM ONLY)  | 002004<br>006100<br>107107<br>121503<br>904999 |                |
| - 1      | 284N1318-1   |               | SHIELD ASSY-P33 MISC ELEC<br>EQPT (PRESSURE FUELING<br>SYSTEM ONLY)<br>VARIABLE DRAWING REF:<br>284N1318-5010<br>284N1318-5016<br>284N1318-5019<br>284N1318-5021<br>284N1318-5023<br>FOR NHA/OTHER SYS DET SEE:<br>31-01-33-03 | 002004<br>006100<br>107107<br>121503<br>904999 | RF             |
| 5        | BAC27TEX0145 |               | .DECAL-<br>PLACARD CONTENT:<br>K179  | 002004<br>006100<br>107107<br>121503<br>904999 | 1              |
| 10       | BAC27TEX0147 |               | .DECAL-<br>PLACARD CONTENT:<br>K181  | 002004<br>006100<br>107107<br>121503<br>904999 | 1              |
| 12       | BAC27NEX1522 |               | .DECAL-<br>PLACARD CONTENT:<br>K180  | 002004<br>006100<br>107107<br>121503<br>904999 | 1              |
| 15       | BAC27TEX0766 |               | .DECAL-<br>PLACARD CONTENT:<br>K356  | 002004<br>006100<br>107107<br>121503<br>904999 | 1              |
| 23       | BAC27TEX0155 |               | .DECAL-<br>PLACARD CONTENT:<br>K357  | 002004<br>006100<br>107107<br>121503<br>904999 | 1              |
| 25       | BAC27NEX0151 |               | .DECAL-<br>PLACARD CONTENT:<br>K10013  | 002004<br>006100<br>107107<br>121503<br>904999 | 1              |

MISSING ITEM NUMBERS NOT APPLICABLE

- ITEM NOT ILLUSTRATED

BRI

28-21-71-01

28-21-71  
FIG. 01  
PAGE 1  
JAN 20/09



757

PARTS CATALOG (MAINTENANCE)

| FIG ITEM | PART NUMBER | 1 2 3 4 5 6 7   | NOMENCLATURE  | EFFECT FROM TO                                 | UNITS PER ASSY |
|----------|-------------|---|---|--|----------------|
| 1        | 30          | BAC27NEX0152  | .DECAL-<br>PLACARD CONTENT:<br>K10024   | 002004<br>006100<br>107107<br>121503<br>904999 | 1              |
|          | 35          | BAC27NEX0153  | .DECAL-<br>PLACARD CONTENT:<br>K10025   | 002004<br>006100<br>107107<br>121503<br>904999 | 1              |
|          | 40          | BAC27NEX0166  | .DECAL-<br>PLACARD CONTENT:<br>K10157   | 002004<br>006100<br>107107<br>121503<br>904999 | 1              |
|          | 47          | E410-1537   | .RELAY-<br>SUPPLIER CODE:<br>V99699<br>SPECIFICATION NUMBER:<br>BACR13CG2A<br>OPTIONAL PART:<br>E415-1078<br>V99699<br>BR230S0116<br>V56623<br>KD4A017<br>V58687<br>FCA410-62<br>V78290<br>ELECTRICAL EQUIP NUMBER:<br>K00357 | 002004<br>006100<br>107107<br>121503<br>904999 | 1              |
| 50       | E410-1537   | .RELAY-<br>SUPPLIER CODE:<br>V99699<br>SPECIFICATION NUMBER:<br>BACR13CG2A<br>OPTIONAL PART:<br>E415-1078<br>V99699<br>BR230S0116<br>V56623<br>KD4A017<br>V58687<br>FCA410-62<br>V78290<br>ELECTRICAL EQUIP NUMBER:<br>K00179<br>K00356 | 002004<br>006100<br>107107<br>121503<br>904999  | 2  |                |

MISSING ITEM NUMBERS NOT APPLICABLE

- ITEM NOT ILLUSTRATED

BRI

28-21-71-01

28-21-71  
FIG. 01  
PAGE 2  
JAN 20/09



757

PARTS CATALOG (MAINTENANCE)

| FIG ITEM | PART NUMBER  | 1 2 3 4 5 6 7 | NOMENCLATURE  | EFFECT FROM TO                                 | UNITS PER ASSY |
|----------|--------------|---------------|---|--|----------------|
| 1<br>60  | E210-1631    |               | .RELAY-<br>SUPPLIER CODE:<br>V99699<br>SPECIFICATION NUMBER:<br>BACR13CF2A<br>OPTIONAL PART:<br>BR246S0112<br>V56623<br>FCA210-70<br>V78290<br>E215-1050<br>V99699<br>JD4A017<br>V35344<br>BR64S104<br>V56623<br>61GB19-1A320<br>V98927<br>ELECTRICAL EQUIP NUMBER:<br>K00181<br>K10013<br>K10024<br>K10025<br>K10157 | 002004<br>006100<br>107107<br>121503<br>904999 | 5              |
| 65       | TDH8116-5001 |               | .RELAY-<br>SUPPLIER CODE:<br>V58657<br>ELECTRICAL EQUIP NUMBER:<br>K00180   | 002004<br>006100<br>107107<br>121503<br>904999 | 1              |
| - 300    | 286N1230-002 |               | WIRE BUNDLE ASSY-(PRESSURE FUELING SYSTEM ONLY)   | 121503<br>904949                               | RF             |
| - 300    | 286N1230-003 |               | WIRE BUNDLE ASSY-(PRESSURE FUELING SYSTEM ONLY)   | 107107   | RF             |
| - 300    | 286N1230-004 |               | WIRE BUNDLE ASSY-(PRESSURE FUELING SYSTEM ONLY)   | 002004<br>006100<br>950999                     | RF             |
| 305      | BACS16W1     |               | .SOCKET-<br>ELECTRICAL EQUIP NUMBER:<br>D02392<br>WIRING DIAGRAM REF:<br>282111   | 002004<br>006100<br>107107<br>121503<br>904999 | 1              |
| 315      | BACS16W1     |               | .SOCKET-<br>ELECTRICAL EQUIP NUMBER:<br>D02390<br>D02394<br>WIRING DIAGRAM REF:<br>282111   | 002004<br>006100<br>107107<br>121503<br>904999 | 2              |

MISSING ITEM NUMBERS NOT APPLICABLE

- ITEM NOT ILLUSTRATED

BRI

28-21-71-01

28-21-71  
FIG. 01  
PAGE 3  
JAN 20/09



757

PARTS CATALOG (MAINTENANCE)

| FIG<br>ITEM | PART NUMBER | 1 2 3 4 5 6 7 | NOMENCLATURE   | EFFECT<br>FROM TO                              | UNITS<br>PER<br>ASSY |
|-------------|-------------|---------------|--|--|----------------------|
| 1<br>320    | BACS16X1    |               | . SOCKET-<br>ELECTRICAL EQUIP NUMBER:<br>D02448<br>D02450<br>D02504<br>D02506<br>D02512<br>WIRING DIAGRAM REF:<br>282121<br>282122 | 002004<br>006100<br>107107<br>121503<br>904999 | 5                    |

MISSING ITEM NUMBERS NOT APPLICABLE

- ITEM NOT ILLUSTRATED

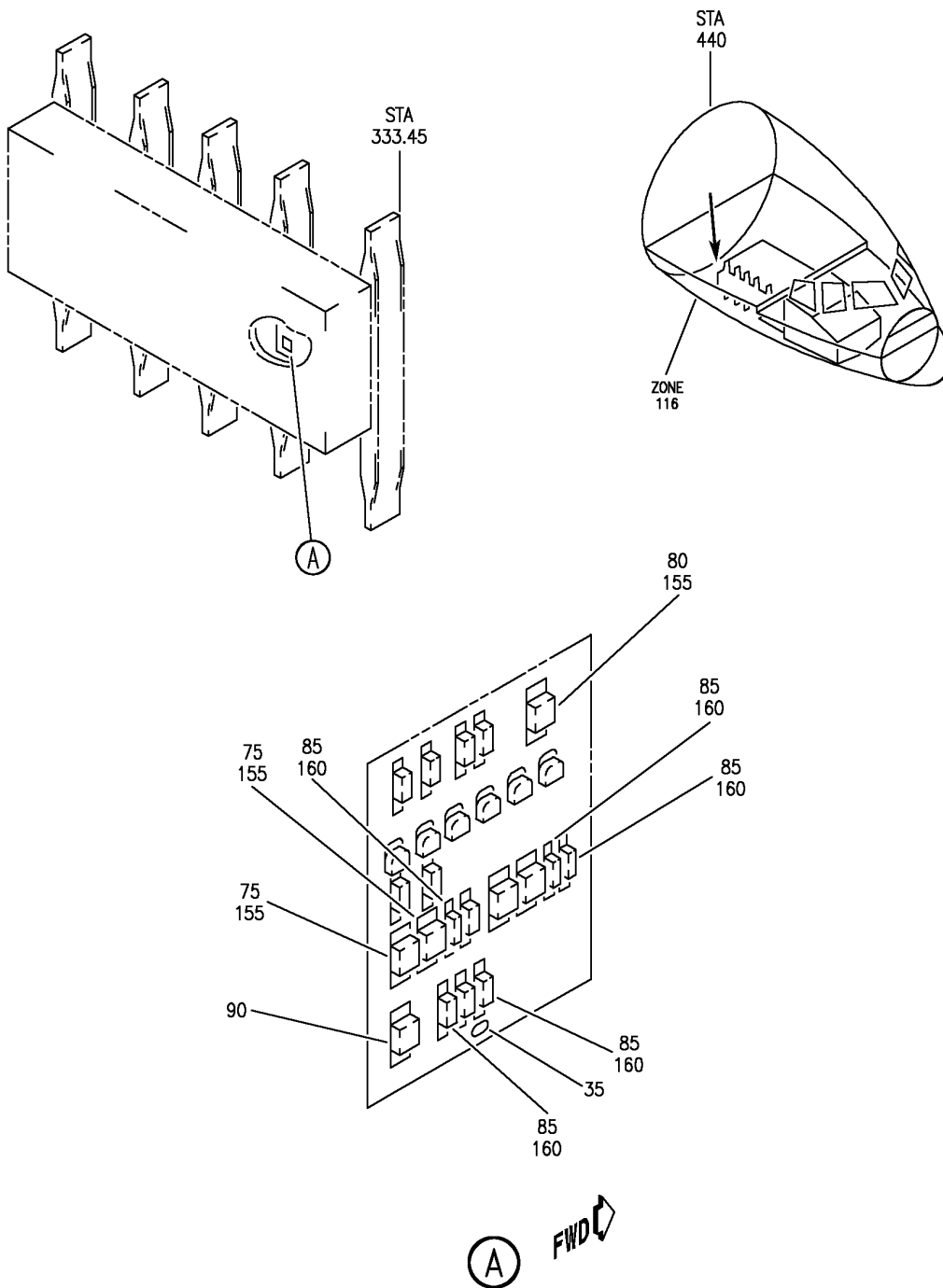
BRI

28-21-71-01

BOEING PROPRIETARY - Copyright © - Unpublished Work - See title page for details.

28-21-71  
FIG. 01  
PAGE 4  
JAN 20/09

**BOEING**  
757  
PARTS CATALOG (MAINTENANCE)



Y 28217101A REV 267

PACKAGE ASSY-OPTION P33 MISC ELEC EQPT (PRESSURE (FUELING SYSTEM ONLY))  
FIGURE 1A

BRI  
MAY 28/07

**28-21-71-01A**

28-21-71-01A  
PAGE 0



757

PARTS CATALOG (MAINTENANCE)

| FIG ITEM | PART NUMBER   | 1 2 3 4 5 6 7 | NOMENCLATURE               | EFFECT FROM TO | UNITS PER ASSY |
|----------|---------------|---------------|----------------------------|----------------|----------------|
| 1 A      |               |               | PACKAGE ASSY-OPTION P33    | 101102         |                |
|          |               |               | MISC ELEC EQPT (PRESSURE   | 108120         |                |
|          |               |               | (FUELING SYSTEM ONLY)      | 504903         |                |
| - 1      | 284N1318-1000 |               | PACKAGE ASSY-OPTION P33    | 101102         | RF             |
|          |               |               | MISC ELEC EQPT (PRESSURE   | 108120         |                |
|          |               |               | FUELING SYSTEM ONLY)       | 504903         |                |
|          |               |               | FOR NHA/OTHER SYS DET SEE: |                |                |
|          |               |               | 31-01-33-01                |                |                |
| 75       | E410-1537     |               | .RELAY-                    | 101102         | 2              |
|          |               |               | SUPPLIER CODE:             | 108120         |                |
|          |               |               | V99699                     | 504903         |                |
|          |               |               | SPECIFICATION NUMBER:      |                |                |
|          |               |               | BACR13CG2A                 |                |                |
|          |               |               | OPTIONAL PART:             |                |                |
|          |               |               | E415-1078                  |                |                |
|          |               |               | V99699                     |                |                |
|          |               |               | BR230S0116                 |                |                |
|          |               |               | V56623                     |                |                |
|          |               |               | KD4A017                    |                |                |
|          |               |               | V58687                     |                |                |
|          |               |               | FCA410-62                  |                |                |
|          |               |               | V78290                     |                |                |
|          |               |               | ELECTRICAL EQUIP NUMBER:   |                |                |
|          |               |               | K00179                     |                |                |
|          |               |               | K00356                     |                |                |
| 80       | E410-1537     |               | .RELAY-                    | 101102         | 1              |
|          |               |               | SUPPLIER CODE:             | 108120         |                |
|          |               |               | V99699                     | 504903         |                |
|          |               |               | SPECIFICATION NUMBER:      |                |                |
|          |               |               | BACR13CG2A                 |                |                |
|          |               |               | OPTIONAL PART:             |                |                |
|          |               |               | E415-1078                  |                |                |
|          |               |               | V99699                     |                |                |
|          |               |               | BR230S0116                 |                |                |
|          |               |               | V56623                     |                |                |
|          |               |               | KD4A017                    |                |                |
|          |               |               | V58687                     |                |                |
|          |               |               | FCA410-62                  |                |                |
|          |               |               | V78290                     |                |                |
|          |               |               | ELECTRICAL EQUIP NUMBER:   |                |                |
|          |               |               | K00357                     |                |                |

MISSING ITEM NUMBERS NOT APPLICABLE

- ITEM NOT ILLUSTRATED

28-21-71-01A

28-21-71  
FIG. 01A  
PAGE 1  
JAN 20/09

BRI



757

PARTS CATALOG (MAINTENANCE)

| FIG ITEM  | PART NUMBER  | 1 2 3 4 5 6 7 | NOMENCLATURE  | EFFECT FROM TO             | UNITS PER ASSY |
|-----------|--------------|---------------|---|----------------------------|----------------|
| 1 A<br>85 | E210-1631    |               | .RELAY-<br>SUPPLIER CODE:<br>V99699<br>SPECIFICATION NUMBER:<br>BACR13CF2A<br>OPTIONAL PART:<br>BR246S0112<br>V56623<br>FCA210-70<br>V78290<br>E215-1050<br>V99699<br>JD4A017<br>V35344<br>BR64S104<br>V56623<br>61GB19-1A320<br>V98927<br>ELECTRICAL EQUIP NUMBER:<br>K00181<br>K10013<br>K10024<br>K10025<br>K10157 | 101102<br>108120<br>504903 | 5              |
| 90        | TDH8116-5001 |               | .RELAY-<br>SUPPLIER CODE:<br>V58657<br>ELECTRICAL EQUIP NUMBER:<br>K00180   | 101102<br>108120<br>504903 | 1              |
| - 150     | 286N1230-303 |               | WIRE BUNDLE ASSY  | 101102                     | 1              |
| - 150     | 286N1230-322 |               | WIRE BUNDLE ASSY  | 504903                     | 1              |
| - 150     | 286N1230-323 |               | WIRE BUNDLE ASSY  | 108120                     | 1              |
| 155       | BACS16W1     |               | .SOCKET-<br>ELECTRICAL EQUIP NUMBER:<br>D02390<br>D02392<br>D02394<br>WIRING DIAGRAM REF:<br>282111   | 101102<br>108120<br>504903 | 3              |

MISSING ITEM NUMBERS NOT APPLICABLE

- ITEM NOT ILLUSTRATED

28-21-71-01A

28-21-71  
FIG. 01A  
PAGE 2  
JAN 20/09

BRI

BOEING PROPRIETARY - Copyright © - Unpublished Work - See title page for details.



757

PARTS CATALOG (MAINTENANCE)

| FIG ITEM   | PART NUMBER | 1 2 3 4 5 6 7 | NOMENCLATURE   | EFFECT FROM TO             | UNITS PER ASSY |
|------------|-------------|---------------|--|----------------------------|----------------|
| 1 A<br>160 | RSF116200   |               | . SOCKET-<br>SUPPLIER CODE:<br>V58982<br>SPECIFICATION NUMBER:<br>BACS16X1A<br>OPTIONAL PART:<br>102-006-1<br>V09922<br>000300-1538<br>V05574<br>ELECTRICAL EQUIP NUMBER:<br>D02448<br>D02450<br>D02504<br>D02506<br>D02512<br>WIRING DIAGRAM REF:<br>282121<br>282122 | 101102<br>108120<br>504903 | 5              |

MISSING ITEM NUMBERS NOT APPLICABLE

- ITEM NOT ILLUSTRATED

BRI

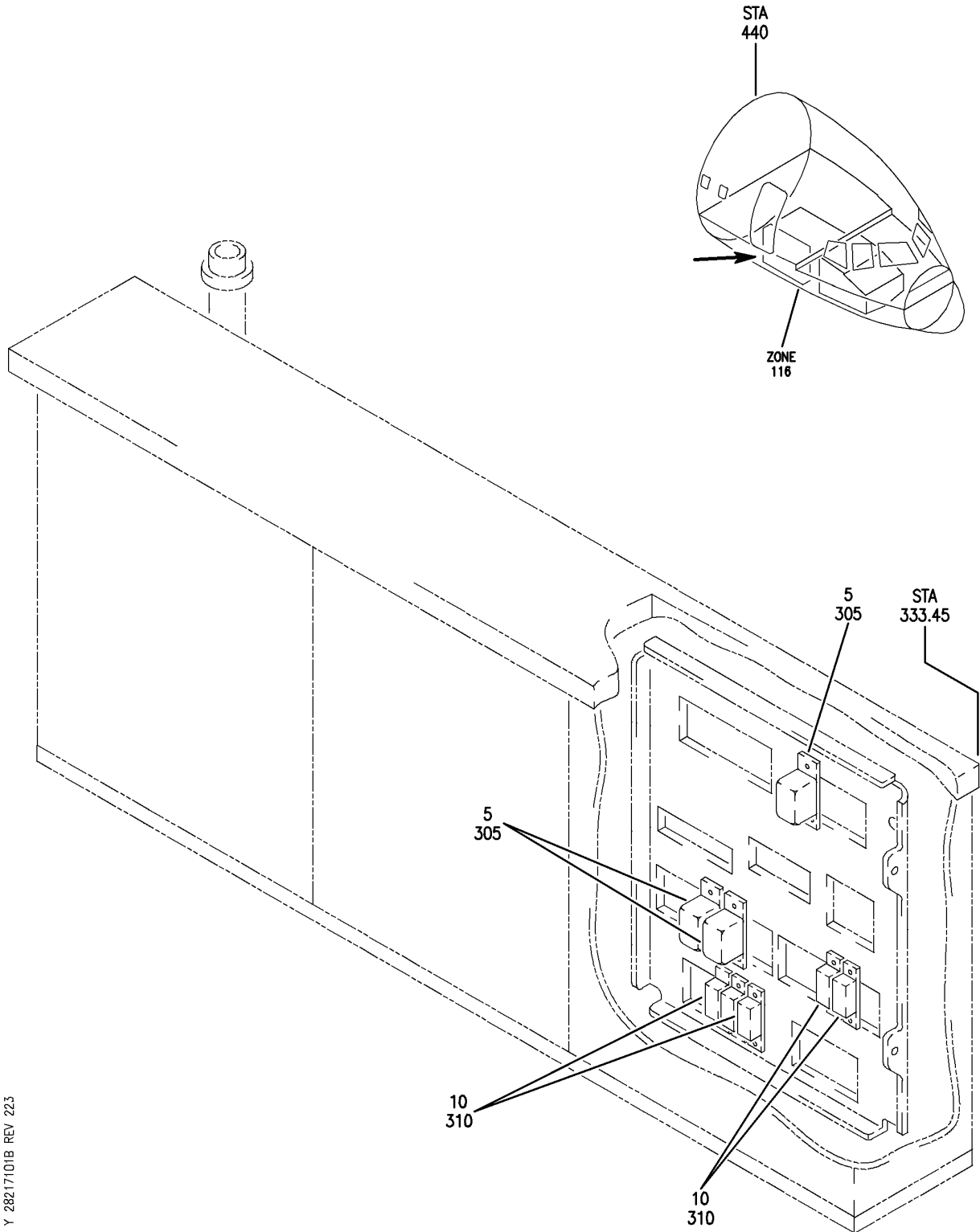
# 28-21-71-01A

BOEING PROPRIETARY - Copyright © - Unpublished Work - See title page for details.

28-21-71  
FIG. 01A  
PAGE 3  
JAN 20/09



**BOEING**  
757  
PARTS CATALOG (MAINTENANCE)



Y 28217101B REV 223

SHIELD INSTL-P33 MISC ELEC EQPT (PRESSURE FUELING SYSTEM ONLY)  
FIGURE 1B

**28-21-71-01B**

BRI  
JAN 20/09

28-21-71-01B  
PAGE 0



757

PARTS CATALOG (MAINTENANCE)

| FIG ITEM | PART NUMBER | 1 2 3 4 5 6 7 | NOMENCLATURE  | EFFECT FROM TO | UNITS PER ASSY |
|----------|-------------|---------------|---|----------------|----------------|
| 1B       |             |               | SHIELD INSTL-P33 MISC ELEC EQPT (PRESSURE FUELING SYSTEM ONLY)  | 103106         |                |
| - 1      | MODREF33173 |               | SHIELD INSTL-P33 MISC ELEC EQPT (PRESSURE FUELING SYSTEM ONLY)<br>MODULE NUMBER:<br>284N1318-107 REV B<br>FOR OTHER SYS DETAILS SEE:<br>11-36-06-01B<br>24-53-71-03B<br>26-15-71-01B<br>27-51-71-01B<br>27-81-71-01B<br>28-22-71-01B<br>28-26-71-01B<br>29-11-71-01B<br>29-21-71-03B<br>29-22-71-01B<br>30-31-71-03B<br>30-32-71-03B<br>31-01-33-10<br>33-42-71-02B | 103105         | 1              |
| - 1      | MODREF34797 |               | SHIELD INSTL-P33 MISC ELEC EQPT (PRESSURE FUELING SYSTEM ONLY)<br>MODULE NUMBER:<br>284N1318-107 REV C<br>FOR OTHER SYS DETAILS SEE:<br>11-36-06-01B<br>24-53-71-03B<br>26-15-71-01B<br>27-51-71-01B<br>27-81-71-01B<br>28-22-71-01B<br>28-26-71-01B<br>29-11-71-01B<br>29-21-71-03B<br>29-22-71-01B<br>30-31-71-03B<br>30-32-71-03B<br>31-01-33-10<br>33-42-71-02B | 106106         | 1              |

MISSING ITEM NUMBERS NOT APPLICABLE

- ITEM NOT ILLUSTRATED

BRI

**28-21-71-01B**

BOEING PROPRIETARY - Copyright © - Unpublished Work - See title page for details.

28-21-71  
FIG. 01B  
PAGE 1  
JAN 20/09



757

PARTS CATALOG (MAINTENANCE)

| FIG ITEM | PART NUMBER  | 1 2 3 4 5 6 7 | NOMENCLATURE  | EFFECT FROM TO | UNITS PER ASSY |
|----------|--------------|---------------|---|----------------|----------------|
| 1B<br>5  | E410-1537    |               | .RELAY-<br>SUPPLIER CODE:<br>V99699<br>SPECIFICATION NUMBER:<br>BACR13CG2A<br>OPTIONAL PART:<br>E415-1078<br>V99699<br>BR230S0116<br>V56623<br>KD4A017<br>V58687<br>FCA410-62<br>V78290<br>ELECTRICAL EQUIP NUMBER:<br>K00179<br>K00356<br>K00357   | 103106         | 3              |
| 10       | E210-1631    |               | .RELAY-<br>SUPPLIER CODE:<br>V99699<br>SPECIFICATION NUMBER:<br>BACR13CF2A<br>OPTIONAL PART:<br>BR246S0112<br>V56623<br>FCA210-70<br>V78290<br>E215-1050<br>V99699<br>JD4A017<br>V35344<br>BR64S104<br>V56623<br>61GB19-1A320<br>V98927<br>ELECTRICAL EQUIP NUMBER:<br>K00181<br>K10013<br>K10024<br>K10025<br>K10157 | 103106         | 5              |
| 15       | TDH8116-5001 |               | .RELAY-<br>SUPPLIER CODE:<br>V58657<br>ELECTRICAL EQUIP NUMBER:<br>K00180   | 103106         | 1              |
| - 300    | 286N1230-701 |               | WIRE BUNDLE ASSY  | 103106         | RF             |

MISSING ITEM NUMBERS NOT APPLICABLE

- ITEM NOT ILLUSTRATED

28-21-71-01B

28-21-71  
FIG. 01B  
PAGE 2  
JAN 20/09

BRI



757

PARTS CATALOG (MAINTENANCE)

| FIG ITEM  | PART NUMBER | 1 2 3 4 5 6 7 | NOMENCLATURE  | EFFECT FROM TO | UNITS PER ASSY |
|-----------|-------------|---------------|---|----------------|----------------|
| 1B<br>305 | BACS16W1    |               | .SOCKET-<br>ELECTRICAL EQUIP NUMBER:<br>D02394<br>D02390<br>D02392<br>WIRING DIAGRAM REF:<br>282111   | 103106         | 3              |
| 310       | RSF116200   |               | .SOCKET-<br>SUPPLIER CODE:<br>V58982<br>SPECIFICATION NUMBER:<br>BACS16X1A<br>OPTIONAL PART:<br>102-006-1<br>V09922<br>000300-1538<br>V05574<br>ELECTRICAL EQUIP NUMBER:<br>D02512<br>D02506<br>D02448<br>D02504<br>D02450<br>WIRING DIAGRAM REF:<br>282121<br>282122 | 103106         | 5              |

MISSING ITEM NUMBERS NOT APPLICABLE

- ITEM NOT ILLUSTRATED

**28-21-71-01B**

28-21-71  
FIG. 01B  
PAGE 3  
JAN 20/09

BRI

## ENGINE FUEL FEED SYSTEM

BRI  
MAY 28/07

28-22-00  
SECTION TITLE  
PAGE 1

 **BOEING**  
757  
**PARTS CATALOG (MAINTENANCE)**

NON-ILLUSTRATED FIGURE

THE ITEMS REFLECTED IN THIS FIGURE ARE INTENTIONALLY  
NON-ILLUSTRATED. THEY ARE REFERENCED TO EITHER A  
NEXT HIGHER OR NEXT LOWER ASSEMBLY/INSTALLATION FIGURE.

Y 28220001 REV 237

SYSTEM INSTL-ENGINE FUEL FEED  
FIGURE 1

**28-22-00-01**

BRI  
MAY 28/07

28-22-00-01  
PAGE 0



757

PARTS CATALOG (MAINTENANCE)

| FIG ITEM | PART NUMBER | 1 2 3 4 5 6 7 | NOMENCLATURE   | EFFECT FROM TO                                 | UNITS PER ASSY |
|----------|-------------|---------------|--|--|----------------|
| 1        |             |               | SYSTEM INSTL-ENGINE<br>FUEL FEED   | 002004<br>006100<br>107107<br>121503<br>904999 |                |
| - 1      | 343N0001-1  |               | SYSTEM INSTL-ENG FUEL FEED<br>FOR NHA SEE:<br>28-00-00-01  | 002004<br>006100<br>107107<br>121503<br>904999 | RF             |
| - 5      | 343N3101-1  |               | .VALVE INSTL-FUEL FEED SYS<br>POSITION DATA:<br>LH<br>FOR DETAILS SEE:<br>28-22-01-05<br>28-22-02-01<br>28-22-11-01<br>28-22-12-01 | 107107<br>904949                               | 1              |
| - 5      | 343N3101-7  |               | .VALVE INSTL-FUEL FEED SYS<br>POSITION DATA:<br>LH<br>FOR DETAILS SEE:<br>28-22-01-05<br>28-22-02-01<br>28-22-11-01<br>28-22-12-01 | 952952   | 1              |
| - 5      | 343N3101-12 |               | .VALVE INSTL-FUEL FEED SYS<br>POSITION DATA:<br>LH<br>FOR DETAILS SEE:<br>28-22-01-05<br>28-22-02-01<br>28-22-11-01<br>28-22-12-01 | 002004<br>121503                               | 1              |
| - 5      | 343N3101-13 |               | .VALVE INSTL-FUEL FEED SYS<br>POSITION DATA:<br>LH<br>FOR DETAILS SEE:<br>28-22-01-05<br>28-22-02-01<br>28-22-11-01<br>28-22-12-01 | 006100<br>950951<br>953999                     | 1              |
| - 10     | 343N3101-2  |               | .VALVE INSTL-FUEL FEED SYS<br>POSITION DATA:<br>RH<br>FOR DETAILS SEE:<br>28-22-01-05<br>28-22-11-01                               | 107107<br>904949                               | 1              |

MISSING ITEM NUMBERS NOT APPLICABLE

- ITEM NOT ILLUSTRATED

BRI

28-22-00-01

28-22-00  
FIG. 01  
PAGE 1  
JAN 20/09



757

PARTS CATALOG (MAINTENANCE)

| FIG ITEM | PART NUMBER | 1 2 3 4 5 6 7 | NOMENCLATURE  | EFFECT FROM TO                       | UNITS PER ASSY |
|----------|-------------|---------------|---|--------------------------------------|----------------|
| 1        |             |               |   |                                      |                |
| - 10     | 343N3101-6  |               | .VALVE INSTL-FUEL FEED SYS<br>POSITION DATA:<br>RH<br>FOR DETAILS SEE:<br>28-22-01-05<br>28-22-11-01    | 952952                               | 1              |
| - 10     | 343N3101-10 |               | .VALVE INSTL-FUEL FEED SYS<br>POSITION DATA:<br>RH<br>FOR DETAILS SEE:<br>28-22-01-05<br>28-22-11-01    | 002004<br>121503                     | 1              |
| - 10     | 343N3101-14 |               | .VALVE INSTL-FUEL FEED SYS<br>POSITION DATA:<br>RH<br>FOR DETAILS SEE:<br>28-22-01-05<br>28-22-11-01    | 006100<br>950951<br>953999           | 1              |
| - 15     | 343N3301-71 |               | .PUMP INSTL-FUEL FEED SYS<br>POSITION DATA:<br>AFT LH<br>FOR DETAILS SEE:<br>28-22-03-01<br>28-42-01-01 | 107107                               | 1              |
| - 15     | 343N3301-87 |               | .PUMP INSTL-FUEL FEED SYS<br>POSITION DATA:<br>AFT LH<br>FOR DETAILS SEE:<br>28-22-03-01<br>28-42-01-01 | 002004<br>121503<br>904949<br>952952 | 1              |
| - 15     | 343N3301-95 |               | .PUMP INSTL-FUEL FEED SYS<br>POSITION DATA:<br>AFT LH<br>FOR DETAILS SEE:<br>28-22-03-01<br>28-42-01-01 | 006100<br>950951<br>953999           | 1              |
| - 20     | 343N3301-72 |               | .PUMP INSTL-FUEL FEED SYS<br>POSITION DATA:<br>AFT RH<br>FOR DETAILS SEE:<br>28-22-03-01<br>28-42-01-01 | 107107                               | 1              |
| - 20     | 343N3301-88 |               | .PUMP INSTL-FUEL FEED SYS<br>POSITION DATA:<br>AFT RH<br>FOR DETAILS SEE:<br>28-22-03-01<br>28-42-01-01 | 002004<br>121503<br>904949<br>952952 | 1              |

MISSING ITEM NUMBERS NOT APPLICABLE

- ITEM NOT ILLUSTRATED

28-22-00-01

28-22-00  
FIG. 01  
PAGE 2  
JAN 20/09

BRI





757

PARTS CATALOG (MAINTENANCE)

| FIG ITEM | PART NUMBER | 1 2 3 4 5 6 7 | NOMENCLATURE  | EFFECT FROM TO                       | UNITS PER ASSY |
|----------|-------------|---------------|---|--------------------------------------|----------------|
| 1        |             |               |   |                                      |                |
| - 20     | 343N3301-96 |               | .PUMP INSTL-FUEL FEED SYS<br>POSITION DATA:<br>AFT RH<br>FOR DETAILS SEE:<br>28-22-03-01<br>28-42-01-01                               | 006100<br>950951<br>953999           | 1              |
| - 25     | 343N3301-77 |               | .PUMP INSTL-FUEL FEED SYS<br>POSITION DATA:<br>FWD LH<br>FOR DETAILS SEE:<br>28-22-03-02<br>28-42-01-01                               | 107107                               | 1              |
| - 25     | 343N3301-91 |               | .PUMP INSTL-FUEL FEED SYS<br>POSITION DATA:<br>FWD LH<br>FOR DETAILS SEE:<br>28-22-03-02<br>28-42-01-01                               | 002004<br>006100<br>121503<br>904999 | 1              |
| - 30     | 343N3301-78 |               | .PUMP INSTL-FUEL FEED SYS<br>POSITION DATA:<br>FWD RH<br>FOR DETAILS SEE:<br>28-22-03-02<br>28-42-01-01                               | 107107                               | 1              |
| - 30     | 343N3301-92 |               | .PUMP INSTL-FUEL FEED SYS<br>POSITION DATA:<br>FWD RH<br>FOR DETAILS SEE:<br>28-22-03-02<br>28-42-01-01                               | 002004<br>006100<br>121503<br>904999 | 1              |
| - 40     | 343N3301-75 |               | .PUMP INSTL-FUEL FEED SYS<br>POSITION DATA:<br>CTR LH<br>FOR DETAILS SEE:<br>28-22-05-01<br>28-22-07-07<br>28-22-13-01<br>28-42-01-01 | 107107                               | 1              |
| - 40     | 343N3301-89 |               | .PUMP INSTL-FUEL FEED SYS<br>POSITION DATA:<br>CTR LH<br>FOR DETAILS SEE:<br>28-22-05-01<br>28-22-07-07<br>28-22-13-01<br>28-42-01-01 | 003004<br>006100<br>121503<br>904999 | 1              |

MISSING ITEM NUMBERS NOT APPLICABLE

- ITEM NOT ILLUSTRATED

28-22-00-01

28-22-00  
FIG. 01  
PAGE 3  
JAN 20/09

BRI



757

PARTS CATALOG (MAINTENANCE)

| FIG ITEM | PART NUMBER | 1 2 3 4 5 6 7 | NOMENCLATURE  | EFFECT FROM TO                       | UNITS PER ASSY |
|----------|-------------|---------------|---|--------------------------------------|----------------|
| 1        |             |               |   |                                      |                |
| - 45     | 343N3301-76 |               | .PUMP INSTL-FUEL FEED SYS<br>POSITION DATA:<br>CTR RH<br>FOR DETAILS SEE:<br>28-22-05-01<br>28-22-07-07<br>28-22-13-01<br>28-42-01-01 | 107107                               | 1              |
| - 45     | 343N3301-90 |               | .PUMP INSTL-FUEL FEED SYS<br>POSITION DATA:<br>CTR RH<br>FOR DETAILS SEE:<br>28-22-05-01<br>28-22-07-07<br>28-22-13-01<br>28-42-01-01 | 003004<br>006100<br>121503<br>904999 | 1              |
| - 50     | 343N4001-1  |               | .TUBING INSTL-FUEL FEED<br>SYS<br>POSITION DATA:<br>LH<br>FOR DETAILS SEE:<br>28-22-07-01   | 107107                               | 1              |
| - 50     | 343N4001-23 |               | .TUBING INSTL-FUEL FEED<br>SYS<br>POSITION DATA:<br>LH<br>FOR DETAILS SEE:<br>28-22-07-01   | 904949<br>952952                     | 1              |
| - 50     | 343N4001-30 |               | .TUBING INSTL-FUEL FEED<br>SYS<br>POSITION DATA:<br>LH<br>FOR DETAILS SEE:<br>28-22-07-01   | 002004<br>121503                     | 1              |
| - 50     | 343N4001-33 |               | .TUBING INSTL-FUEL FEED<br>SYS<br>POSITION DATA:<br>LH<br>FOR DETAILS SEE:<br>28-22-07-01   | 006100<br>950951<br>953999           | 1              |
| - 55     | 343N4001-2  |               | .TUBING INSTL-FUEL FEED<br>SYS<br>POSITION DATA:<br>RH<br>FOR DETAILS SEE:<br>28-22-07-01   | 107107                               | 1              |

MISSING ITEM NUMBERS NOT APPLICABLE

- ITEM NOT ILLUSTRATED

28-22-00-01

28-22-00  
FIG. 01  
PAGE 4  
JAN 20/09

BRI



757

PARTS CATALOG (MAINTENANCE)

| FIG ITEM | PART NUMBER | 1 2 3 4 5 6 7 | NOMENCLATURE  | EFFECT FROM TO                                 | UNITS PER ASSY |
|----------|-------------|---------------|---|--|----------------|
| 1        |             |               |   |  |                |
| - 55     | 343N4001-24 |               | .TUBING INSTL-FUEL FEED<br>SYS<br>POSITION DATA:<br>RH<br>FOR DETAILS SEE:<br>28-22-07-01 | 904949<br>952952                               | 1              |
| - 55     | 343N4001-31 |               | .TUBING INSTL-FUEL FEED<br>SYS<br>POSITION DATA:<br>RH<br>FOR DETAILS SEE:<br>28-22-07-01 | 002004<br>121503                               | 1              |
| - 55     | 343N4001-34 |               | .TUBING INSTL-FUEL FEED<br>SYS<br>POSITION DATA:<br>RH<br>FOR DETAILS SEE:<br>28-22-07-01 | 006100<br>950951<br>953999                     | 1              |
| - 60     | 343N3302-17 |               | .TUBING INSTL-CTR FUEL<br>TANK SCAVENGE SYS<br>FOR DETAILS SEE:<br>28-22-52-01            | 002004<br>006100<br>107107<br>121503<br>904999 | 1              |

MISSING ITEM NUMBERS NOT APPLICABLE

- ITEM NOT ILLUSTRATED

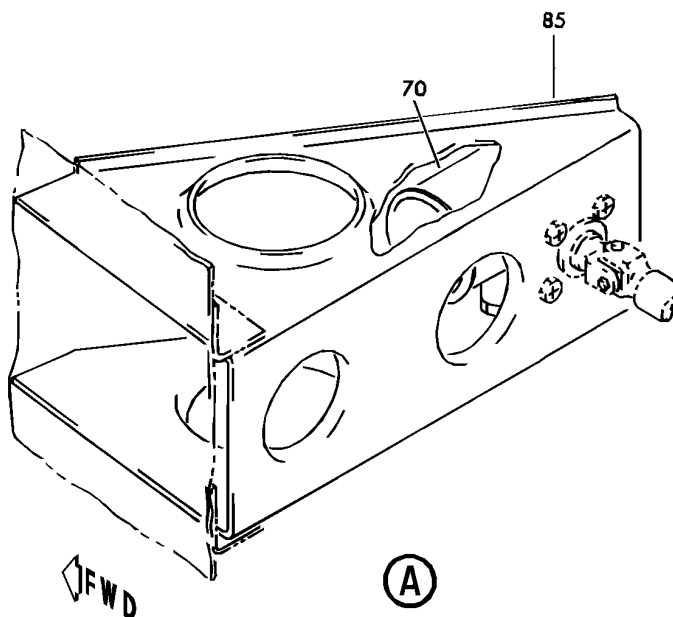
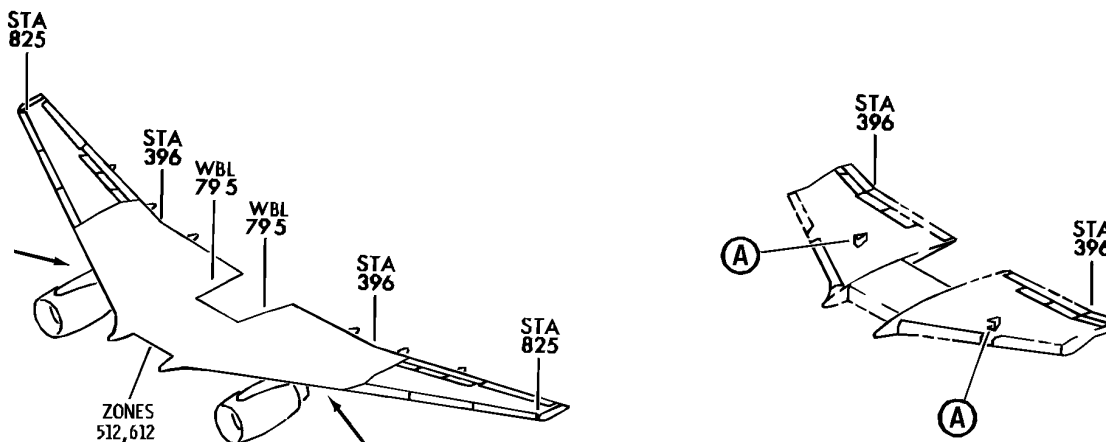
BRI

28-22-00-01

BOEING PROPRIETARY - Copyright © - Unpublished Work - See title page for details.

28-22-00  
FIG. 01  
PAGE 5  
JAN 20/09

**BOEING**  
757  
PARTS CATALOG (MAINTENANCE)



Y 28220105 REV 255

VALVE INSTL-ENG FUEL FEED SYS (ENGINE FUEL SHUTOFF VALVE ONLY)  
FIGURE 5

**28-22-01-05**

BRI  
MAY 28/07

28-22-01-05  
PAGE 0



757

PARTS CATALOG (MAINTENANCE)

| FIG ITEM | PART NUMBER | 1 2 3 4 5 6 7 | NOMENCLATURE  | EFFECT FROM TO             | UNITS PER ASSY |
|----------|-------------|---------------|---|----------------------------|----------------|
| 5        |             |               | VALVE INSTL-ENG FUEL FEED<br>SYS<br>(ENGINE FUEL SHUTOFF<br>VALVE ONLY)   | 002004<br>006999           |                |
| - 1      | 343N3101-1  |               | VALVE INSTL-ENG FUEL FEED<br>SYS<br>(ENGINE FUEL SHUTOFF<br>VALVE ONLY)<br>POSITION DATA:<br>LH<br>FOR NHA/ADDITIONAL DET SEE:<br>28-22-00-01 | 107107<br>904949           | RF             |
| - 1      | 343N3101-7  |               | VALVE INSTL-ENG FUEL FEED<br>SYS<br>(ENGINE FUEL SHUTOFF<br>VALVE ONLY)<br>POSITION DATA:<br>LH<br>FOR NHA/ADDITIONAL DET SEE:<br>28-22-00-01 | 952952                     | RF             |
| - 1      | 343N3101-12 |               | VALVE INSTL-ENG FUEL FEED<br>SYS<br>(ENGINE FUEL SHUTOFF<br>VALVE ONLY)<br>POSITION DATA:<br>LH<br>FOR NHA/ADDITIONAL DET SEE:<br>28-22-00-01 | 002004<br>121503           | RF             |
| - 1      | 343N3101-13 |               | VALVE INSTL-ENG FUEL FEED<br>SYS<br>(ENGINE FUEL SHUTOFF<br>VALVE ONLY)<br>POSITION DATA:<br>LH<br>FOR NHA/ADDITIONAL DET SEE:<br>28-22-00-01 | 006100<br>950951<br>953999 | RF             |
| - 1      | 343N3101-15 |               | VALVE INSTL-ENG FUEL FEED<br>SYS<br>(ENGINE FUEL SHUTOFF<br>VALVE ONLY)<br>POSITION DATA:<br>LH<br>FOR NHA/ADDITIONAL DET SEE:<br>28-00-00-05 | 101102<br>504504           | RF             |

MISSING ITEM NUMBERS NOT APPLICABLE

- ITEM NOT ILLUSTRATED

28-22-01-05

28-22-01  
FIG. 05  
PAGE 1  
JAN 20/09

BRI



757

PARTS CATALOG (MAINTENANCE)

| FIG ITEM | PART NUMBER  | 1 2 3 4 5 6 7 | NOMENCLATURE  | EFFECT FROM TO   | UNITS PER ASSY |
|----------|--------------|---------------|---|------------------|----------------|
| 5        |              |               |   |                  |                |
| - 1      | 343N3101-19  |               | VALVE INSTL-ENG FUEL FEED<br>SYS<br>(ENGINE FUEL SHUTOFF<br>VALVE ONLY)<br>POSITION DATA:<br>LH<br>FOR NHA/ADDITIONAL DET SEE:<br>28-00-00-05   | 108120<br>505903 | RF             |
| - 1      | MODREF13609  |               | VALVE INSTL-ENG FUEL FEED<br>SYS<br>(ENGINE FUEL SHUTOFF<br>VALVE ONLY)<br>MODULE NUMBER:<br>343N3101-19 REV A<br>POSITION DATA:<br>LH<br>FOR ADDITIONAL DETAILS SEE:<br>28-22-02-01<br>28-22-11-01 | 103103           | 1              |
| - 1      | MODREF28177  |               | VALVE INSTL-ENG FUEL FEED<br>SYS<br>(ENGINE FUEL SHUTOFF<br>VALVE ONLY)<br>MODULE NUMBER:<br>343N3101-19 REV B<br>POSITION DATA:<br>LH<br>FOR ADDITIONAL DETAILS SEE:<br>28-22-02-01<br>28-22-11-01 | 104105           | 1              |
| - 2      | MODREF100722 |               | VALVE INSTL-ENG FUEL FEED<br>SYS<br>(ENGINE FUEL SHUTOFF<br>VALVE ONLY)<br>MODULE NUMBER:<br>343N3101-19 REV C<br>POSITION DATA:<br>LH<br>FOR ADDITIONAL DETAILS SEE:<br>28-22-02-01<br>28-22-11-01 | 106106           | 1              |
| - 5      | 343N3101-2   |               | VALVE INSTL-ENG FUEL FEED<br>SYS<br>(ENGINE FUEL SHUTOFF<br>VALVE ONLY)<br>POSITION DATA:<br>RH<br>FOR NHA/ADDITIONAL DET SEE:<br>28-22-00-01   | 107107<br>904949 | RF             |

MISSING ITEM NUMBERS NOT APPLICABLE

- ITEM NOT ILLUSTRATED

28-22-01-05

28-22-01  
FIG. 05  
PAGE 2  
JAN 20/09

BRI



757

PARTS CATALOG (MAINTENANCE)

| FIG ITEM | PART NUMBER | 1 2 3 4 5 6 7 | NOMENCLATURE  | EFFECT FROM TO             | UNITS PER ASSY |
|----------|-------------|---------------|---|----------------------------|----------------|
| 5        |             |               |   |                            |                |
| - 5      | 343N3101-6  |               | VALVE INSTL-ENG FUEL FEED<br>SYS<br>(ENGINE FUEL SHUTOFF<br>VALVE ONLY)<br>POSITION DATA:<br>RH<br>FOR NHA/ADDITIONAL DET SEE:<br>28-22-00-01 | 952952                     | RF             |
| - 5      | 343N3101-10 |               | VALVE INSTL-ENG FUEL FEED<br>SYS<br>(ENGINE FUEL SHUTOFF<br>VALVE ONLY)<br>POSITION DATA:<br>RH<br>FOR NHA/ADDITIONAL DET SEE:<br>28-22-00-01 | 002004<br>121503           | RF             |
| - 5      | 343N3101-14 |               | VALVE INSTL-ENG FUEL FEED<br>SYS<br>(ENGINE FUEL SHUTOFF<br>VALVE ONLY)<br>POSITION DATA:<br>RH<br>FOR NHA/ADDITIONAL DET SEE:<br>28-22-00-01 | 006100<br>950951<br>953999 | RF             |
| - 5      | 343N3101-16 |               | VALVE INSTL-ENG FUEL FEED<br>SYS<br>(ENGINE FUEL SHUTOFF<br>VALVE ONLY)<br>POSITION DATA:<br>RH<br>FOR NHA/ADDITIONAL DET SEE:<br>28-22-00-01 | 101102<br>504504           | RF             |
| - 5      | 343N3101-20 |               | VALVE INSTL-ENG FUEL FEED<br>SYS<br>(ENGINE FUEL SHUTOFF<br>VALVE ONLY)<br>POSITION DATA:<br>RH<br>FOR NHA/ADDITIONAL DET SEE:<br>28-00-00-05 | 108120<br>505903           | RF             |

MISSING ITEM NUMBERS NOT APPLICABLE

- ITEM NOT ILLUSTRATED

28-22-01-05

28-22-01  
FIG. 05  
PAGE 3  
JAN 20/09

BRI



757

PARTS CATALOG (MAINTENANCE)

| FIG ITEM | PART NUMBER  | 1 2 3 4 5 6 7 | NOMENCLATURE   | EFFECT FROM TO | UNITS PER ASSY |
|----------|--------------|---------------|--|----------------|----------------|
| 5        | MODREF13610  |               | VALVE INSTL-ENG FUEL FEED<br>SYS<br>(ENGINE FUEL SHUTOFF<br>VALVE ONLY)<br>MODULE NUMBER:<br>343N3101-20 REV A<br>POSITION DATA:<br>RH<br>FOR ADDITIONAL DETAILS SEE:<br>28-22-11-01 | 103103         | 1              |
| - 5      | MODREF28178  |               | VALVE INSTL-ENG FUEL FEED<br>SYS<br>(ENGINE FUEL SHUTOFF<br>VALVE ONLY)<br>MODULE NUMBER:<br>343N3101-20 REV B<br>POSITION DATA:<br>RH<br>FOR ADDITIONAL DETAILS SEE:<br>28-22-11-01 | 104105         | 1              |
| - 6      | MODREF100723 |               | VALVE INSTL-ENG FUEL FEED<br>SYS<br>(ENGINE FUEL SHUTOFF<br>VALVE ONLY)<br>MODULE NUMBER:<br>343N3101-20 REV C<br>POSITION DATA:<br>RH<br>FOR ADDITIONAL DETAILS SEE:<br>28-22-11-01 | 106106         | 1              |

MISSING ITEM NUMBERS NOT APPLICABLE

- ITEM NOT ILLUSTRATED

28-22-01-05

28-22-01  
FIG. 05  
PAGE 4  
JAN 20/09

BRI





757

PARTS CATALOG (MAINTENANCE)

| FIG ITEM | PART NUMBER    | 1 2 3 4 5 6 7 | NOMENCLATURE   | EFFECT FROM TO             | UNITS PER ASSY |
|----------|----------------|---------------|--|----------------------------|----------------|
| 5        | 70 125334D1    |               | .VALVE BODY-2 IN.<br>SUPPLIER CODE:<br>V73760<br>FUNCTIONAL DESCRIPTION:<br>ELECTRICALLY OPERATED<br>VALVE USED FOR<br>CROSSFEED, JETTISON<br>ISOLATION, DEFUEL AND<br>ENGINE SHUTOFF<br>SPECIFICATION NUMBER:<br>S343T003-40<br>COMPONENT MAINT MANUAL REF:<br>28-25-14<br>QUALIFIED I/W DATA:<br>125334D1 I/W 125334D<br>EXCEPT FOR ETOPS WHERE<br>125334D1 MUST BE<br>INSTALLED ON PRATT AND<br>WHITNEY POWERED<br>AIRPLANES.<br>OPTIONAL PART:<br>AV32<br>VS0319 | 002004<br>006951<br>953999 | 1              |
|          | 70 AV32        |               | .VALVE BODY-2 IN.<br>SUPPLIER CODE:<br>VS0319<br>SPECIFICATION NUMBER:<br>S343T003-2<br>COMPONENT MAINT MANUAL REF:<br>28-20-02<br>OPTIONAL PART:<br>125334D1<br>V73760  | 002004<br>006951<br>953999 | 1              |
|          | 70 125334D     |               | .VALVE BODY-2 IN.<br>SUPPLIER CODE:<br>V73760<br>SPECIFICATION NUMBER:<br>S343T003-15<br>MISCELLANEOUS DATA:<br>NOT APPROVED FOR ETOPS<br>IN THE ENGINE FUEL<br>SHUT OFF POSITION FOR<br>THE PW2000 ENGINES ONLY<br>COMPONENT MAINT MANUAL REF:<br>28-25-14  | 952952                     | 1              |
| -        | 75 NAS1801-3-7 |               | ATTACHING PARTS<br>.SCREW  | 002004<br>006999           | 4              |

MISSING ITEM NUMBERS NOT APPLICABLE

- ITEM NOT ILLUSTRATED

28-22-01-05

28-22-01  
FIG. 05  
PAGE 5  
JAN 20/09

BRI



757

PARTS CATALOG (MAINTENANCE)

| FIG ITEM | PART NUMBER   | 1 2 3 4 5 6 7 | NOMENCLATURE  | EFFECT FROM TO                                 | UNITS PER ASSY |
|----------|---------------|---------------|---|--|----------------|
| 5        |               |               |   |  |                |
| - 80     | AN960PD10L    |               | .WASHER-  | 002004<br>006100<br>107107<br>121503<br>904999 | 4              |
| - 80     | NAS1149D0316J |               | .WASHER-  | 101106<br>108120<br>504903                     | 4              |
|          |               |               | -----*-----   |  |                |
| 85       | 343N2015-11   |               | .SUPPORT-SHUTOFF VALVE<br>POSITION DATA:<br>LH SIDE   | 002004<br>006999                               | 1              |
| - 90     | 343N2015-12   |               | .SUPPORT-SHUTOFF VALVE<br>POSITION DATA:<br>RH SIDE   | 002004<br>006999                               | 1              |
| - 95     | NAS1801-3-7   |               | ATTACHING PARTS<br>.SCREW-  | 002004<br>006999                               | 8              |
| - 97     | AN960PD10L    |               | .WASHER-  | 002004<br>006100<br>107107<br>121503<br>904999 | 8              |
| - 97     | NAS1149D0316H |               | .WASHER-  | 101106<br>108120<br>504903                     | 8              |
| - 100    | BRH10A3       |               | .NUT-<br>SUPPLIER CODE:<br>V52828<br>SPECIFICATION NUMBER:<br>BACN10JC3<br>OPTIONAL PART:<br>H10-3BAC<br>V15653<br>NS202101-02<br>V80539<br>RMLH9075-3W<br>V72962<br>VN303A02<br>V92215<br>96-02<br>V80539<br>T6S1032J<br>V11815<br>-----*----- | 002004<br>006999                               | 8              |

MISSING ITEM NUMBERS NOT APPLICABLE

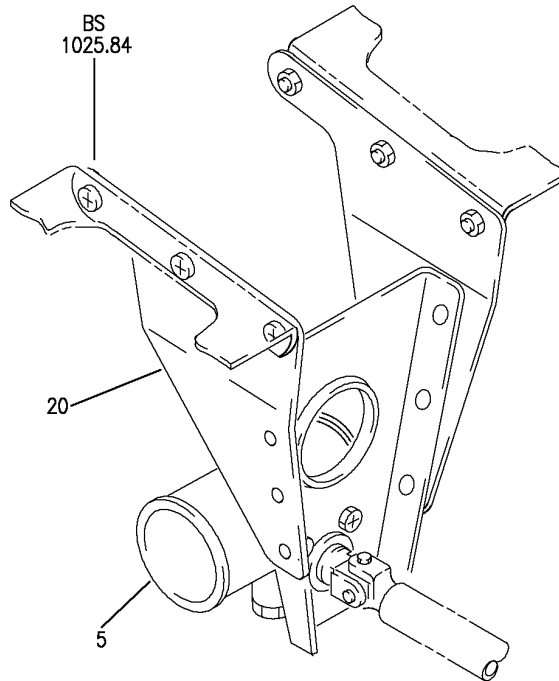
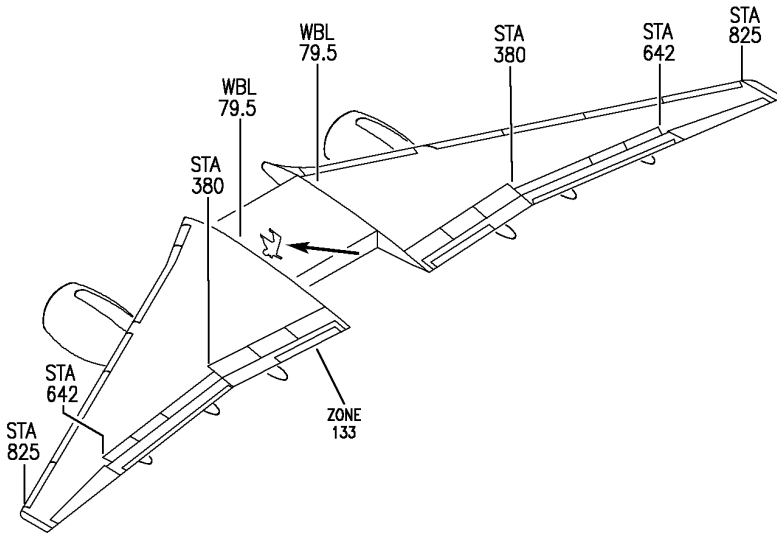
- ITEM NOT ILLUSTRATED

BRI

28-22-01-05

28-22-01  
FIG. 05  
PAGE 6  
JAN 20/09

**BOEING**  
757  
PARTS CATALOG (MAINTENANCE)



Y 28220201 REV 255

VALVE INSTL-ENG FUEL FEED SYS (ENGINE FUEL CROSSFEED VALVE ONLY)  
FIGURE 1

BRI  
MAY 28/07

**28-22-02-01**

28-22-02-01  
PAGE 0



757

PARTS CATALOG (MAINTENANCE)

| FIG ITEM | PART NUMBER | 1 2 3 4 5 6 7 | NOMENCLATURE   | EFFECT FROM TO             | UNITS PER ASSY |
|----------|-------------|---------------|--|----------------------------|----------------|
| 1        |             |               | VALVE INSTL-ENG FUEL FEED<br>SYS<br>(ENGINE FUEL CROSSFEED<br>VALVE ONLY)  | 002004<br>006999           |                |
| - 1      | 343N3101-1  |               | VALVE INSTL-ENG FUEL FEED<br>SYS<br>(ENGINE FUEL CROSSFEED<br>VALVE ONLY)<br>POSITION DATA:<br>LH<br>FOR NHA SEE:<br>28-22-00-01 | 107107<br>904949           | RF             |
| - 1      | 343N3101-12 |               | VALVE INSTL-ENG FUEL FEED<br>SYS<br>(ENGINE FUEL CROSSFEED<br>VALVE ONLY)<br>POSITION DATA:<br>LH<br>FOR NHA SEE:<br>28-22-00-01 | 002004<br>121503           | RF             |
| - 1      | 343N3101-13 |               | VALVE INSTL-ENG FUEL FEED<br>SYS<br>(ENGINE FUEL CROSSFEED<br>VALVE ONLY)<br>POSITION DATA:<br>LH<br>FOR NHA SEE:<br>28-22-00-01 | 006100<br>950951<br>953999 | RF             |
| - 1      | 343N3101-15 |               | VALVE INSTL-ENG FUEL FEED<br>SYS<br>(ENGINE FUEL CROSSFEED<br>VALVE ONLY)<br>POSITION DATA:<br>LH<br>FOR NHA SEE:<br>28-00-00-05 | 101102<br>504504           | RF             |
| - 1      | 343N3101-19 |               | VALVE INSTL-ENG FUEL FEED<br>SYS<br>(ENGINE FUEL CROSSFEED<br>VALVE ONLY)<br>POSITION DATA:<br>LH<br>FOR NHA SEE:<br>28-00-00-05 | 108120<br>505903           | RF             |

MISSING ITEM NUMBERS NOT APPLICABLE

- ITEM NOT ILLUSTRATED

28-22-02-01

28-22-02  
FIG. 01  
PAGE 1  
JAN 20/09

BRI



757

PARTS CATALOG (MAINTENANCE)

| FIG ITEM | PART NUMBER  | 1 2 3 4 5 6 7 | NOMENCLATURE  | EFFECT FROM TO | UNITS PER ASSY |
|----------|--------------|---------------|---|----------------|----------------|
| 1        |              |               |   |                |                |
| - 1      | MODREF13609  |               | VALVE INSTL-ENG FUEL FEED<br>SYS<br>(ENGINE FUEL CROSSFEED<br>VALVE ONLY)<br>MODULE NUMBER:<br>343N3101-19 REV A<br>POSITION DATA:<br>LH<br>FOR ADDITIONAL DETAILS SEE:<br>28-22-01-05<br>28-22-11-01 | 103103         | 1              |
| - 1      | MODREF28177  |               | VALVE INSTL-ENG FUEL FEED<br>SYS<br>(ENGINE FUEL CROSSFEED<br>VALVE ONLY)<br>MODULE NUMBER:<br>343N3101-19 REV B<br>POSITION DATA:<br>LH<br>FOR ADDITIONAL DETAILS SEE:<br>28-22-01-05<br>28-22-11-01 | 104105         | 1              |
| - 1      | 343N3101-7   |               | VALVE INSTL-ENG FUEL FEED<br>SYS<br>(ENGINE FUEL CROSSFEED<br>VALVE ONLY)<br>POSITION DATA:<br>LH<br>FOR NHA SEE:<br>28-22-00-01  | 952952         | RF             |
| - 2      | MODREF100722 |               | VALVE INSTL-ENG FUEL FEED<br>SYS<br>(ENGINE FUEL CROSSFEED<br>VALVE ONLY)<br>MODULE NUMBER:<br>343N3101-19 REV C<br>POSITION DATA:<br>LH<br>FOR ADDITIONAL DETAILS SEE:<br>28-22-01-05<br>28-22-11-01 | 106106         | 1              |

MISSING ITEM NUMBERS NOT APPLICABLE

- ITEM NOT ILLUSTRATED

28-22-02-01

28-22-02  
FIG. 01  
PAGE 2  
JAN 20/09

BRI



757

PARTS CATALOG (MAINTENANCE)

| FIG ITEM | PART NUMBER | 1 2 3 4 5 6 7 | NOMENCLATURE  | EFFECT FROM TO                       | UNITS PER ASSY |
|----------|-------------|---------------|---|--------------------------------------|----------------|
| 1        | 5 AV32      |               | .VALVE BODY-2 IN.<br>SUPPLIER CODE:<br>VS0319<br>POSITION DATA:<br>LH SIDE<br>SPECIFICATION NUMBER:<br>S343T003-2<br>COMPONENT MAINT MANUAL REF:<br>28-20-02<br>OPTIONAL PART:<br>125334D1<br>V73760  | 002004<br>107107<br>121503<br>904949 | 1              |
|          | 5 125334D   |               | .VALVE BODY-2 IN.<br>SUPPLIER CODE:<br>V73760<br>POSITION DATA:<br>LH SIDE<br>SPECIFICATION NUMBER:<br>S343T003-15<br>MISCELLANEOUS DATA:<br>NOT APPROVED FOR ETOPS<br>IN THE ENGINE FUEL SHUT<br>OFF POSITION FOR THE<br>PW2000 ENGINES ONLY<br>COMPONENT MAINT MANUAL REF:<br>28-25-14<br>QUALIFIED I/W DATA:<br>125334D1 I/W 125334D<br>EXCEPT FOR ETOPS WHERE<br>125334D1 MUST BE<br>INSTALLED ON PRATT AND<br>WHITNEY POWERED<br>AIRPLANES | 952952                               | 1              |

MISSING ITEM NUMBERS NOT APPLICABLE

- ITEM NOT ILLUSTRATED

BRI

28-22-02-01

BOEING PROPRIETARY - Copyright © - Unpublished Work - See title page for details.

28-22-02  
FIG. 01  
PAGE 3  
JAN 20/09



757

PARTS CATALOG (MAINTENANCE)

| FIG ITEM | PART NUMBER | 1 2 3 4 5 6 7 | NOMENCLATURE   | EFFECT FROM TO                                 | UNITS PER ASSY |
|----------|-------------|---------------|--|--|----------------|
| 1        | 5 125334D1  |               | .VALVE BODY-2 IN.<br>SUPPLIER CODE:<br>V73760<br>FUNCTIONAL DESCRIPTION:<br>ELECTRICALLY OPERATED<br>VALVE USED FOR<br>CROSSFEED, JETTISON<br>ISOLATION, DEFUEL AND<br>ENGINE SHUTOFF<br>SPECIFICATION NUMBER:<br>S343T003-40<br>COMPONENT MAINT MANUAL REF:<br>28-25-14<br>QUALIFIED I/W DATA:<br>125334D1 I/W 125334D<br>EXCEPT FOR ETOPS WHERE<br>125334D1 MUST BE<br>INSTALLED ON PRATT AND<br>WHITNEY POWERED<br>AIRPLANES<br>OPTIONAL PART:<br>AV32<br>VS0319<br>ATTACHING PARTS | 002004<br>107107<br>121503<br>904949           | 1              |
| - 10     | NAS1801-3-7 |               | .SCREW   | 002004<br>107107<br>121503<br>904949           | 4              |
| - 15     | AN960PD10L  |               | .WASHER  | 002004<br>107107<br>121503<br>904949           | 4              |
|          |             |               | -----*-----  |  |                |
| 20       | 343N2016-1  |               | .BRACKET ASSY-CROSS FEED<br>VALVE SPRT<br>POSITION DATA:<br>LH SIDE<br>ATTACHING PARTS   | 002004<br>107107<br>121503<br>904949<br>952952 | 1              |
| - 25     | NAS1801-3-7 |               | .SCREW-  | 002004<br>107107<br>121503<br>904949<br>952952 | 6              |
| - 30     | AN960PD10L  |               | .WASHER-   | 002004<br>107107<br>121503<br>904949<br>952952 | 6              |

MISSING ITEM NUMBERS NOT APPLICABLE

- ITEM NOT ILLUSTRATED

28-22-02-01

28-22-02  
FIG. 01  
PAGE 4  
JAN 20/09

BRI



757

PARTS CATALOG (MAINTENANCE)

| FIG<br>ITEM | PART NUMBER | 1 2 3 4 5 6 7 | NOMENCLATURE  | EFFECT<br>FROM TO                              | UNITS<br>PER<br>ASSY |
|-------------|-------------|---------------|---|--|----------------------|
| 1<br>- 35   | BRH10A3     |               | .NUT-<br>SUPPLIER CODE:<br>V52828<br>SPECIFICATION NUMBER:<br>BACN10JC3<br>OPTIONAL PART:<br>H10-3BAC<br>V15653<br>NS202101-02<br>V80539<br>RMLH9075-3W<br>V72962<br>VN303A02<br>V92215<br>96-02<br>V80539<br>T6S1032J<br>V11815<br>-----*----- | 002004<br>107107<br>121503<br>904949<br>952952 | 6                    |

MISSING ITEM NUMBERS NOT APPLICABLE

- ITEM NOT ILLUSTRATED

BRI

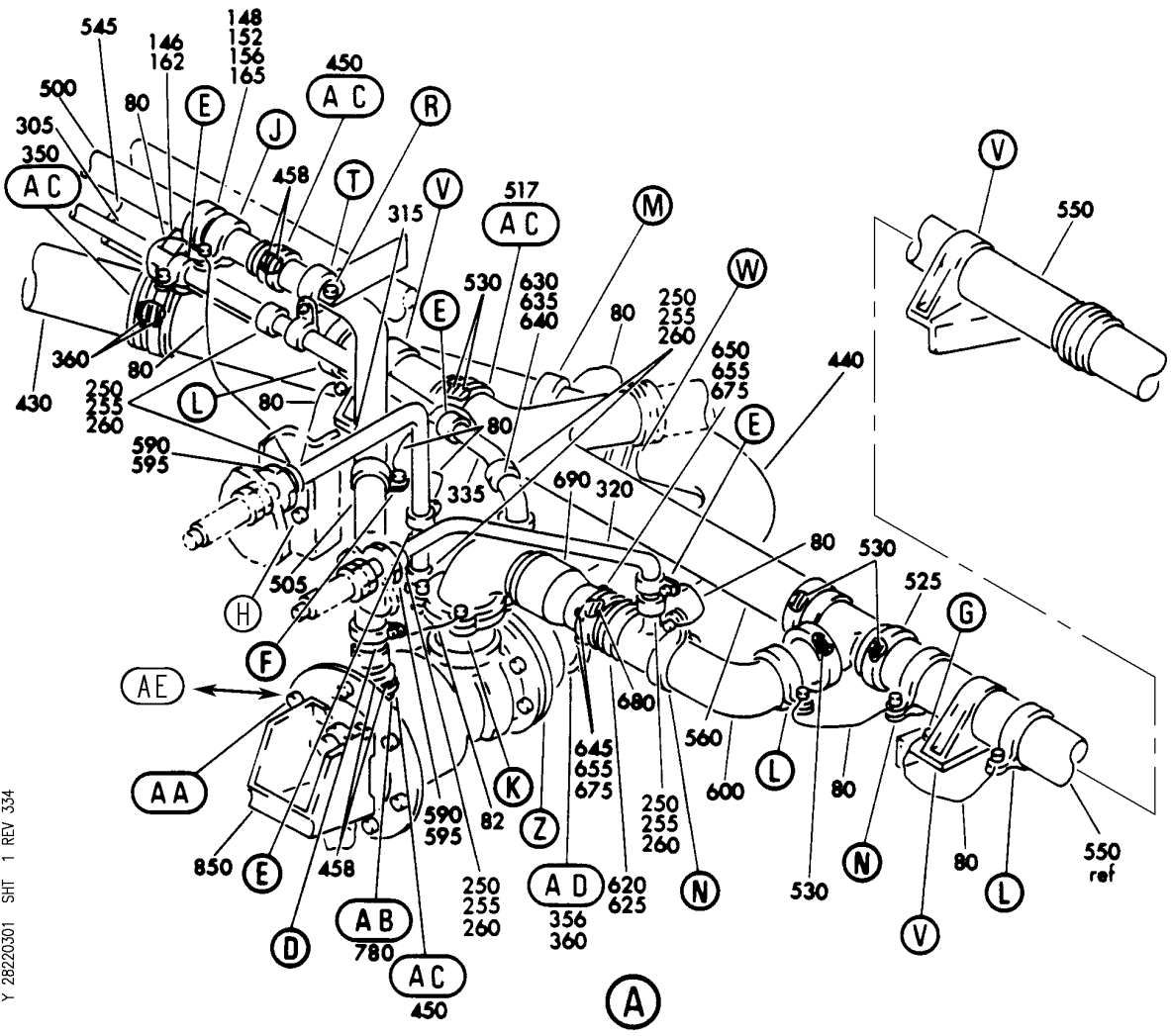
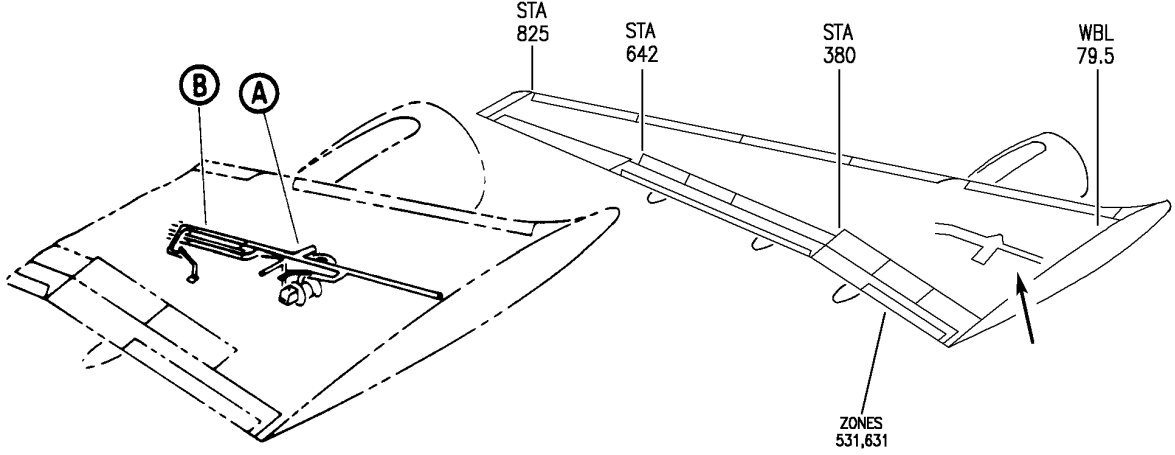
28-22-02-01

BOEING PROPRIETARY - Copyright © - Unpublished Work - See title page for details.

28-22-02  
FIG. 01  
PAGE 5  
JAN 20/09



**BOEING**  
757  
PARTS CATALOG (MAINTENANCE)



Y 28220301 SHT 1 REV 354

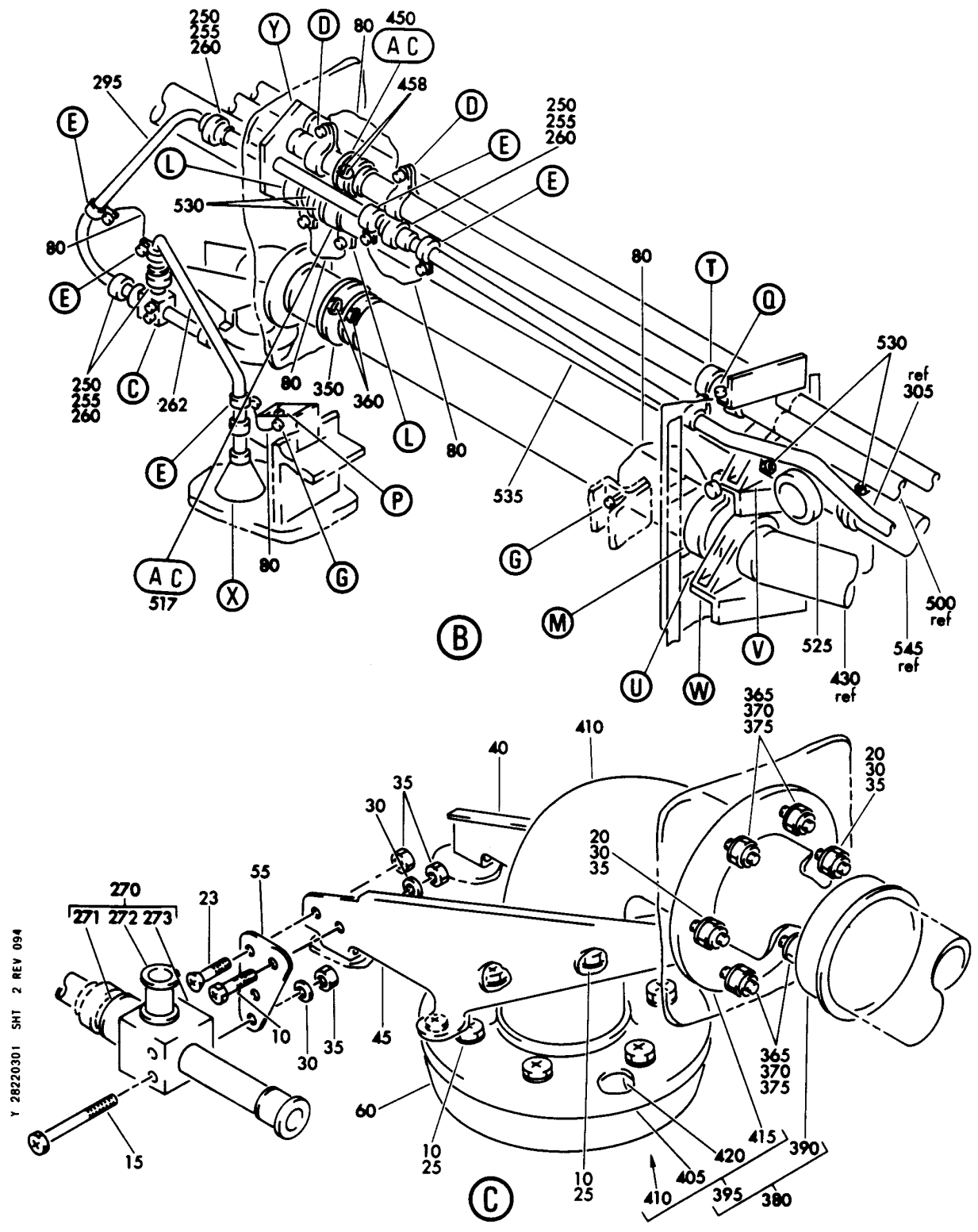
PUMP INSTL-ENG FUEL FEED SYS (DISTRIBUTION ONLY) (AFT)  
FIGURE 1 (SHEET 1)

**28-22-03-01**

BRI  
MAY 20/09

28-22-03-01  
PAGE 0


**BOEING**  
 757  
**PARTS CATALOG (MAINTENANCE)**



Y 28220301 SHT 2 REV 094

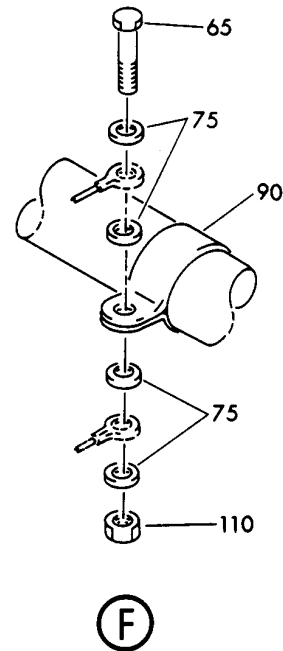
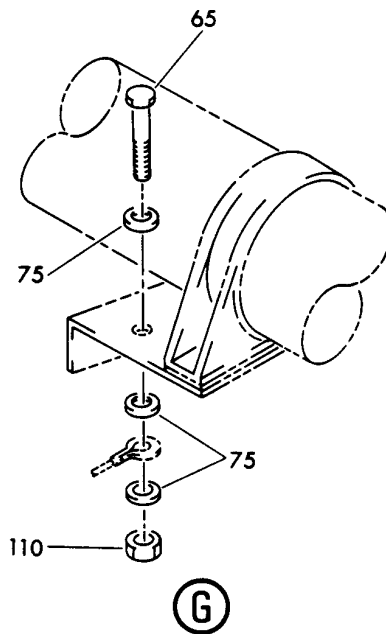
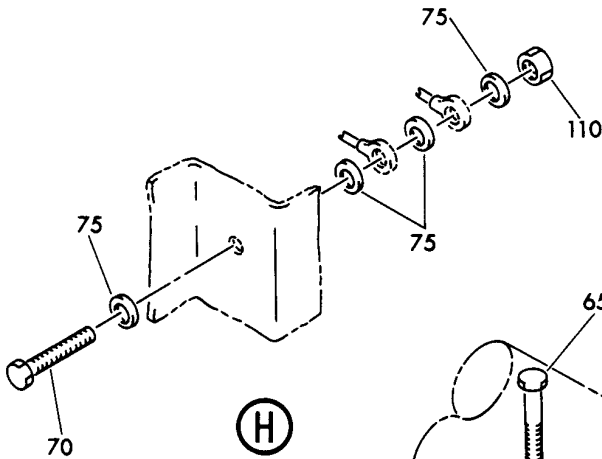
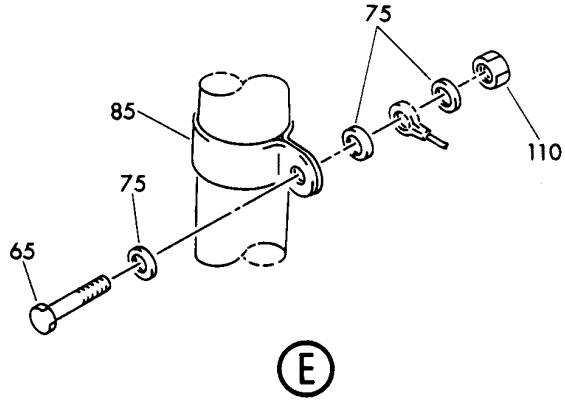
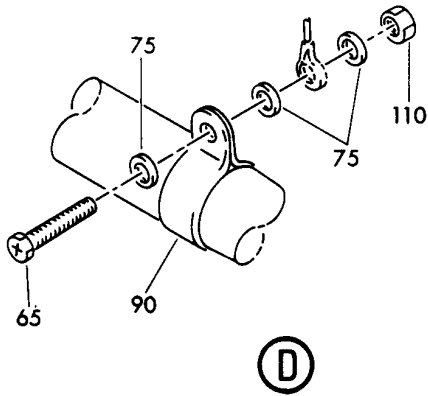
PUMP INSTL-ENG FUEL FEED SYS (DISTRIBUTION ONLY) (AFT)  
 FIGURE 1 (SHEET 2)

# 28-22-03-01

BRI  
 MAY 28/07

28-22-03-01  
 PAGE 0A


**BOEING**  
 757  
**PARTS CATALOG (MAINTENANCE)**



Y 28220301 SHT 3 REV 022

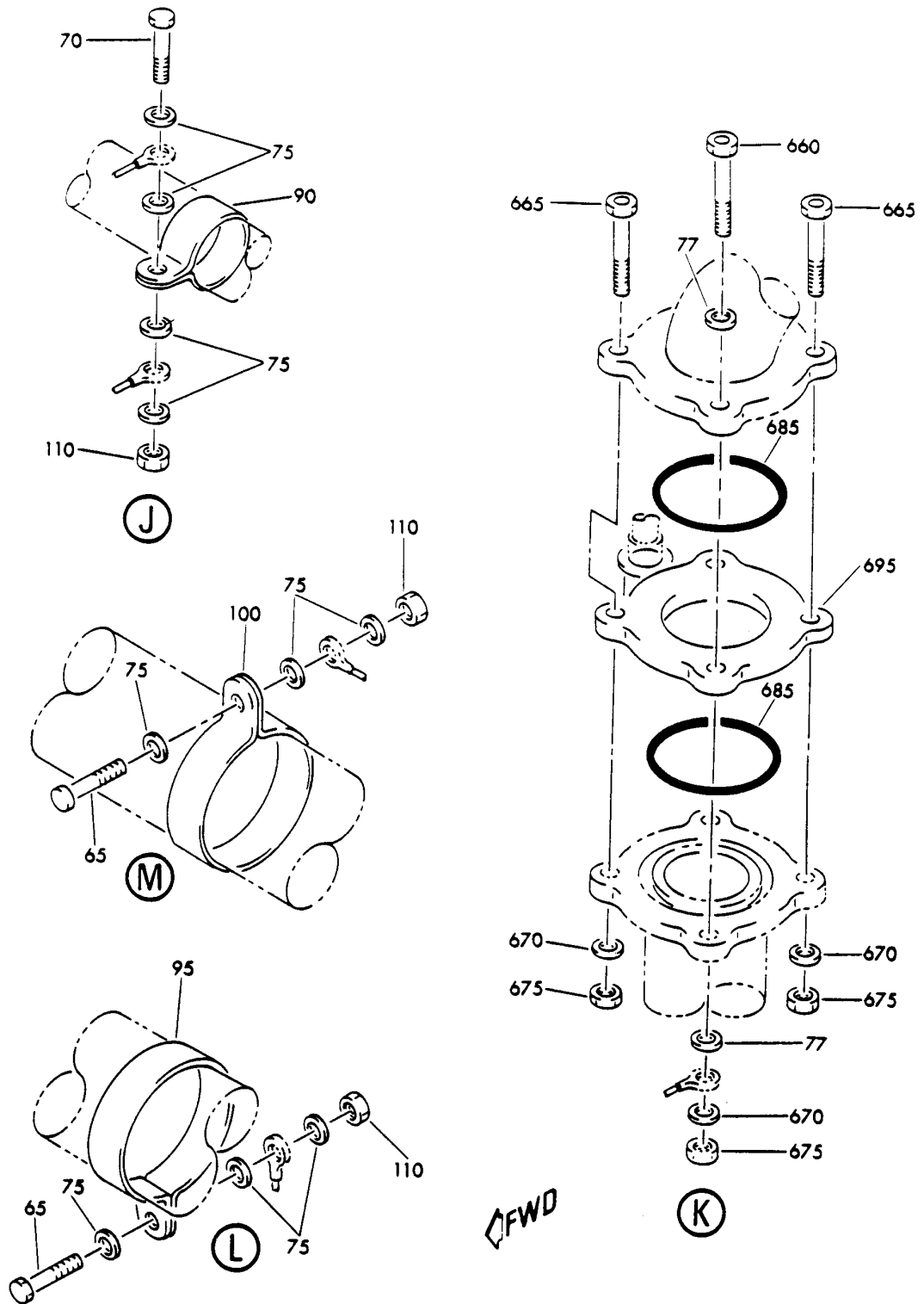
PUMP INSTL-ENG FUEL FEED SYS (DISTRIBUTION ONLY) (AFT)  
FIGURE 1 (SHEET 3)

**28-22-03-01**

BRI  
MAY 28/07

28-22-03-01  
PAGE 0B

**BOEING**  
757  
PARTS CATALOG (MAINTENANCE)



Y 28220301 SHT 4 REV 022

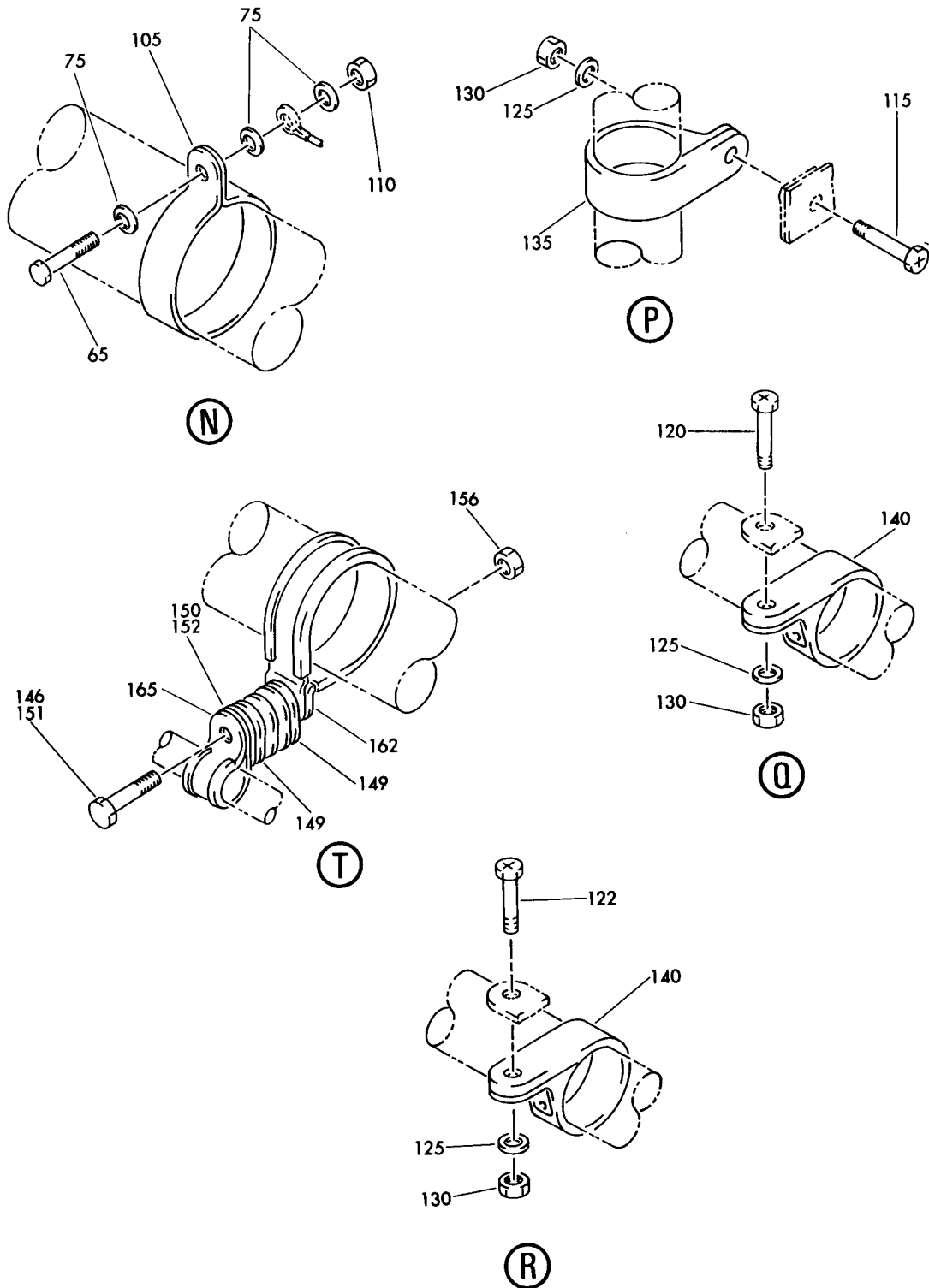
PUMP INSTL-ENG FUEL FEED SYS (DISTRIBUTION ONLY) (AFT)  
FIGURE 1 (SHEET 4)

**28-22-03-01**

BRI  
MAY 28/07

28-22-03-01  
PAGE 0C

**BOEING**  
757  
PARTS CATALOG (MAINTENANCE)



Y 28220301 SH1 5 REV 162

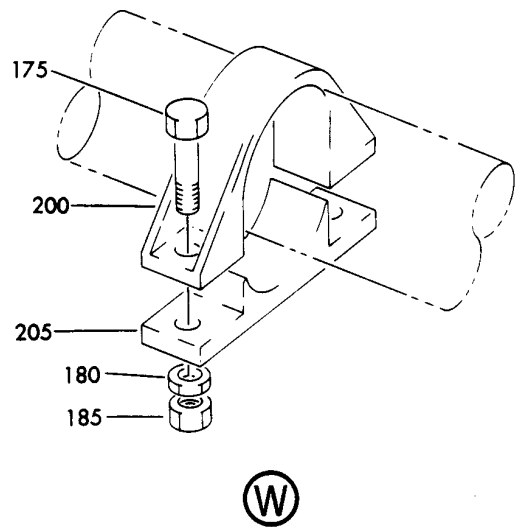
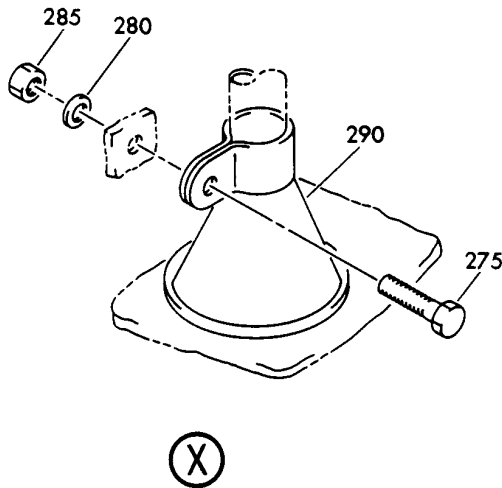
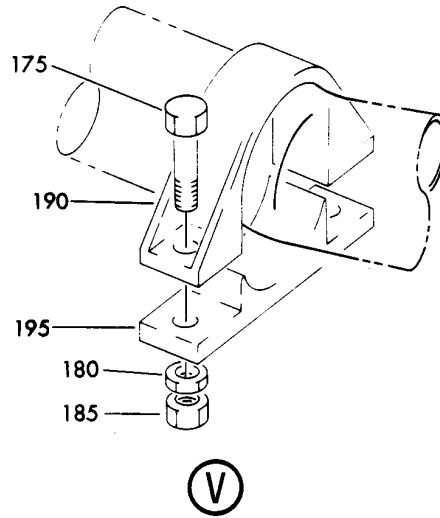
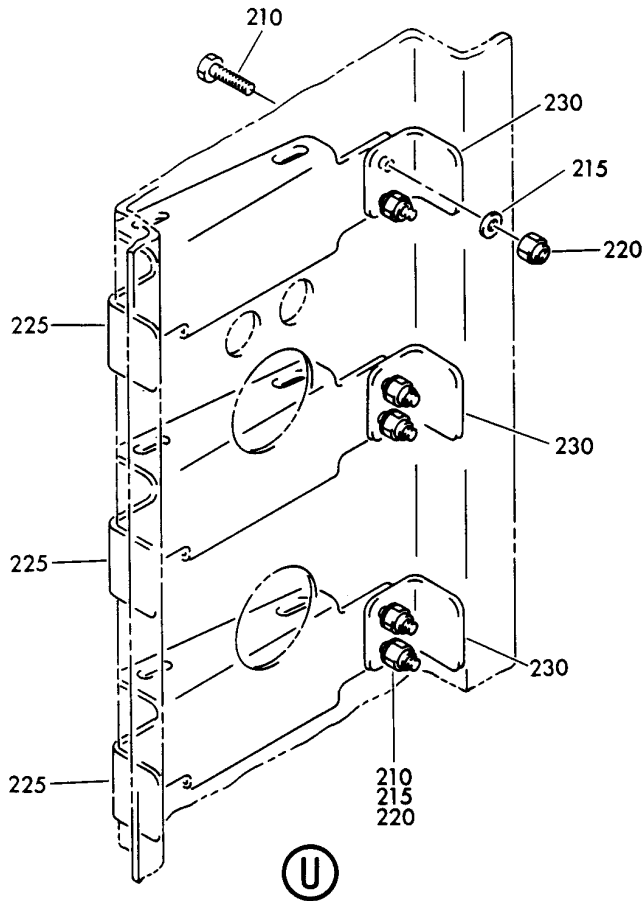
PUMP INSTL-ENG FUEL FEED SYS (DISTRIBUTION ONLY) (AFT)  
FIGURE 1 (SHEET 5)

**28-22-03-01**

BRI  
MAY 28/07

28-22-03-01  
PAGE 0D

**BOEING**  
757  
PARTS CATALOG (MAINTENANCE)



Y 28220301 SH1 6 REV 022

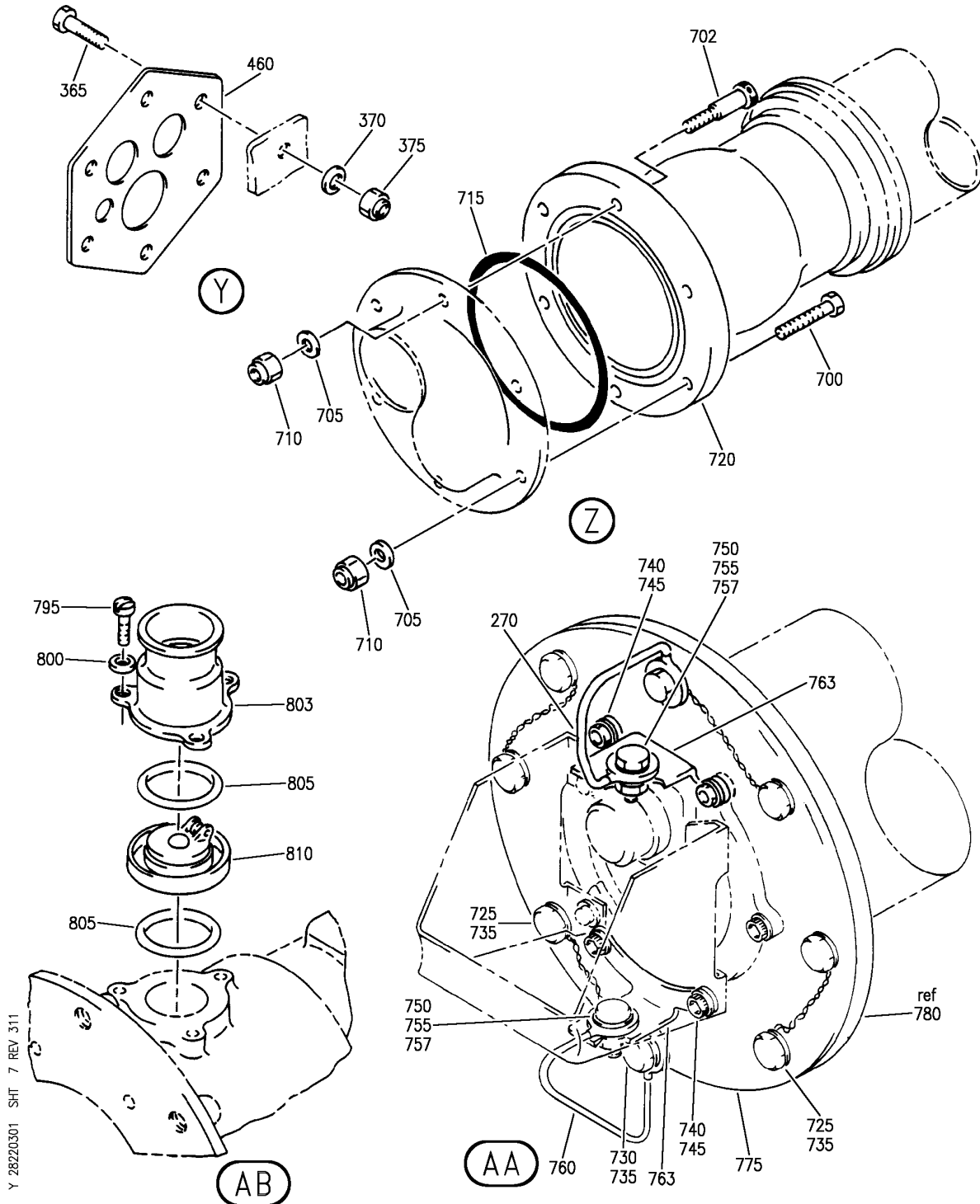
PUMP INSTL-ENG FUEL FEED SYS (DISTRIBUTION ONLY) (AFT)  
FIGURE 1 (SHEET 6)

**28-22-03-01**

BRI  
MAY 28/07

28-22-03-01  
PAGE 0E

**BOEING**  
757  
PARTS CATALOG (MAINTENANCE)



Y 28220301\_SHT 7 REV 311

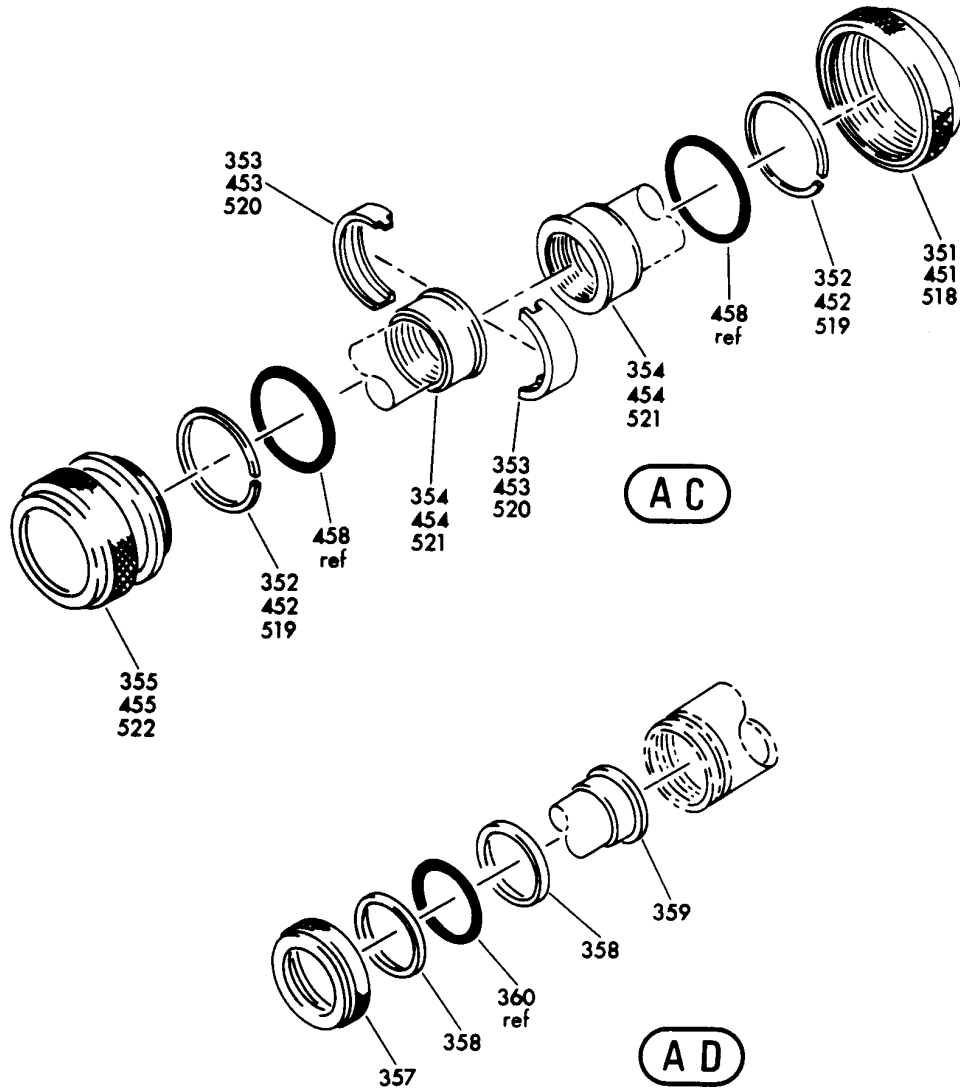
PUMP INSTL-ENG FUEL FEED SYS (DISTRIBUTION ONLY) (AFT)  
FIGURE 1 (SHEET 7)

**28-22-03-01**

BRI  
MAY 28/07

28-22-03-01  
PAGE OF

**BOEING**  
757  
PARTS CATALOG (MAINTENANCE)



Y 28220301 SH1 8 REV 094

PUMP INSTL-ENG FUEL FEED SYS (DISTRIBUTION ONLY) (AFT)  
FIGURE 1 (SHEET 8)

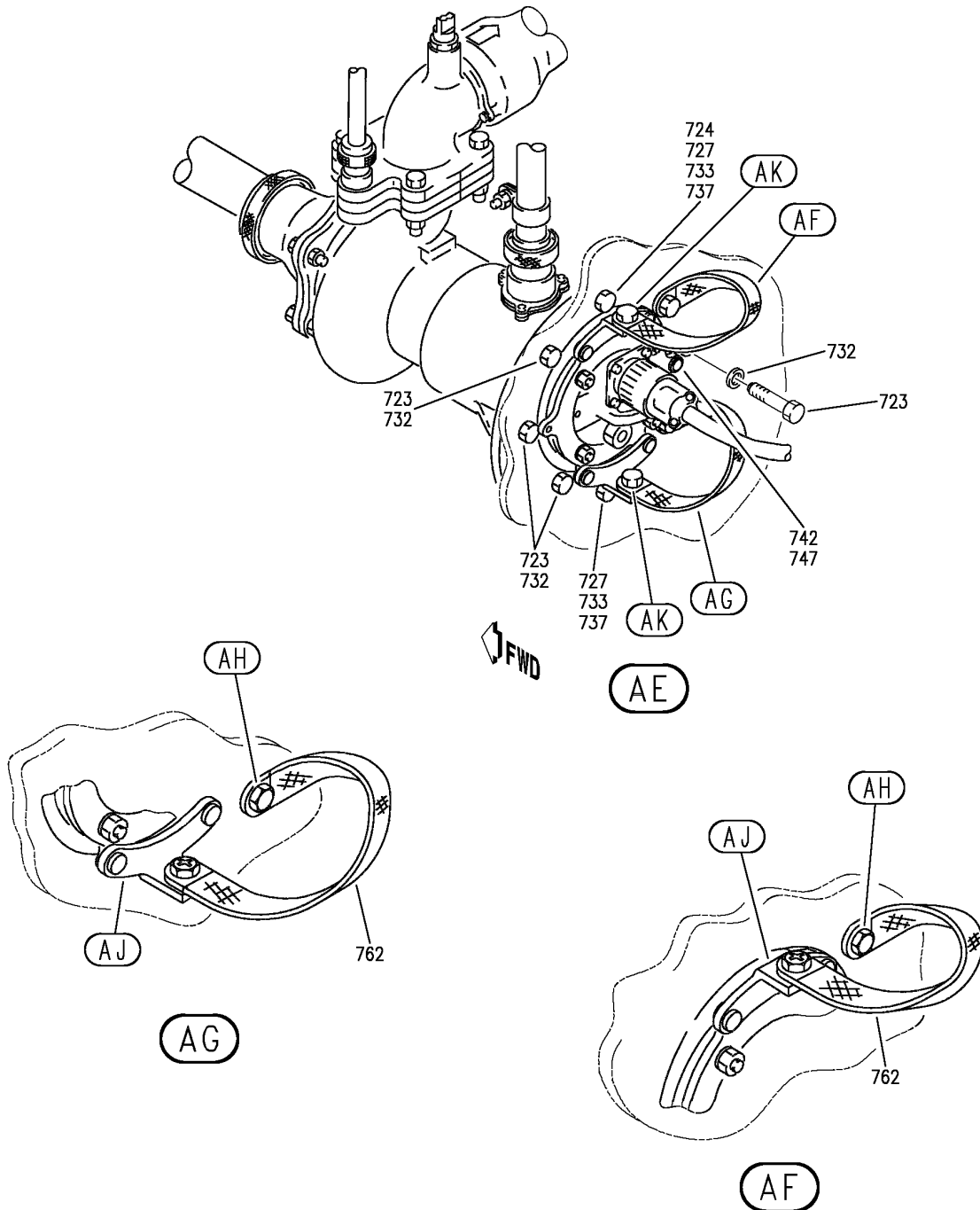
**28-22-03-01**

BRI  
MAY 28/07

28-22-03-01  
PAGE 06



**BOEING**  
757  
PARTS CATALOG (MAINTENANCE)



Y 28220301 SH1 9 REV 335

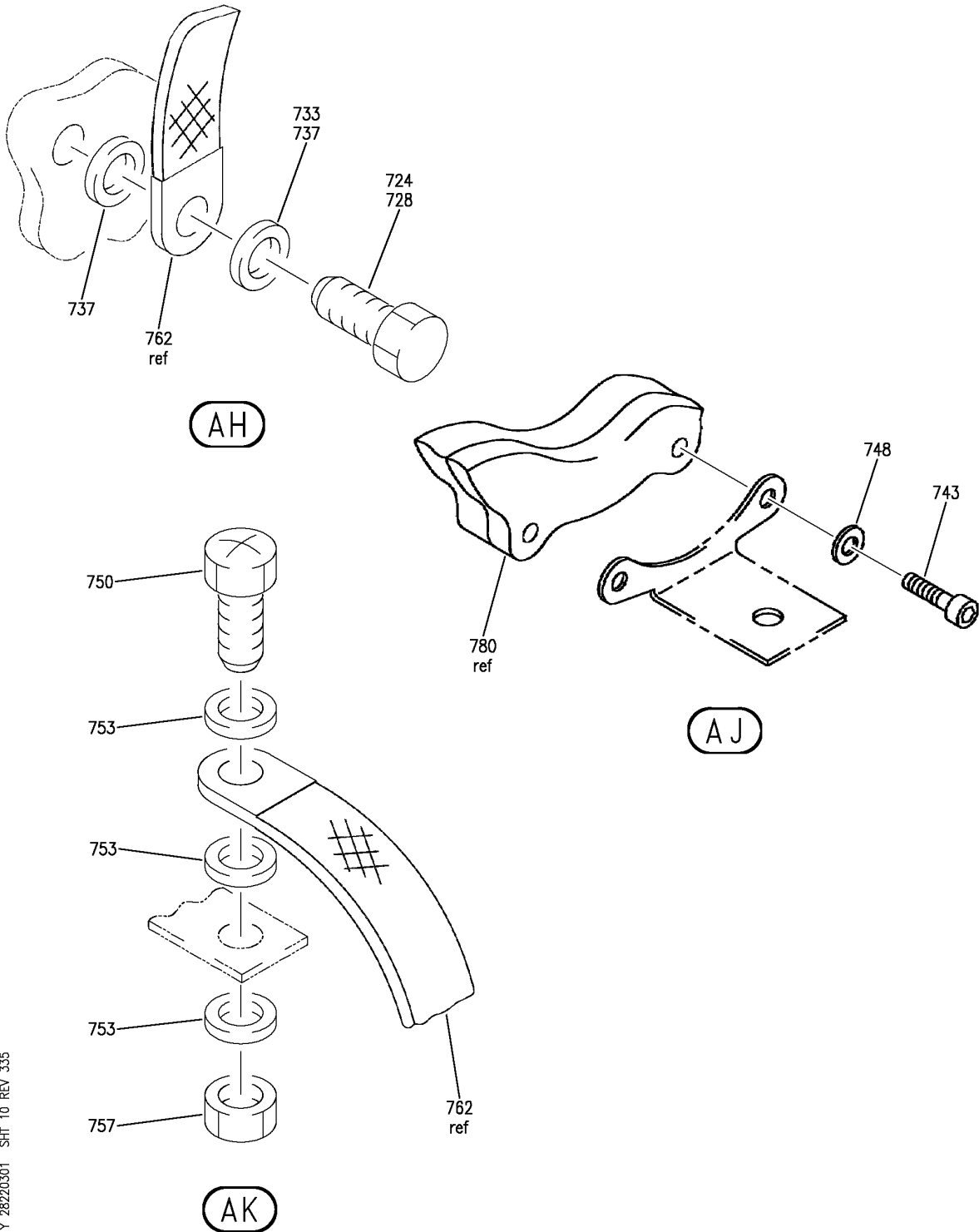
PUMP INSTL-ENG FUEL FEED SYS (DISTRIBUTION ONLY) (AFT)  
FIGURE 1 (SHEET 9)

**28-22-03-01**

BRI  
MAY 20/09

28-22-03-01  
PAGE 0H

**BOEING**  
757  
PARTS CATALOG (MAINTENANCE)



Y 28220301 SH1 10 REV 335

PUMP INSTL-ENG FUEL FEED SYS (DISTRIBUTION ONLY) (AFT)  
FIGURE 1 (SHEET 10)

**28-22-03-01**

BRI  
MAY 20/09

28-22-03-01  
PAGE 01



757

PARTS CATALOG (MAINTENANCE)

| FIG ITEM | PART NUMBER | 1 2 3 4 5 6 7 | NOMENCLATURE  | EFFECT FROM TO                                 | UNITS PER ASSY |
|----------|-------------|---------------|---|--|----------------|
| 1        |             |               | PUMP INSTL-ENG FUEL FEED<br>SYS (DISTRIBUTION ONLY)<br>(AFT)  | 002004<br>006100<br>107107<br>121503<br>904999 |                |
| - 1      | 343N3301-71 |               | PUMP INSTL-ENG FUEL FEED<br>SYS AFT (DISTRIBUTION<br>ONLY)<br>POSITION DATA:<br>LH<br>FOR NHA/OTHER SYS DET SEE:<br>28-22-00-01 | 107107   | RF             |
| - 1      | 343N3301-87 |               | PUMP INSTL-ENG FUEL FEED<br>SYS AFT (DISTRIBUTION<br>ONLY)<br>POSITION DATA:<br>LH<br>FOR NHA/OTHER SYS DET SEE:<br>28-22-00-01 | 002004<br>121503<br>904949<br>952952           | RF             |
| - 1      | 343N3301-95 |               | PUMP INSTL-ENG FUEL FEED<br>SYS AFT (DISTRIBUTION<br>ONLY)<br>POSITION DATA:<br>LH<br>FOR NHA/OTHER SYS DET SEE:<br>28-22-00-01 | 006100<br>950951<br>953999                     | RF             |
| - 5      | 343N3301-72 |               | PUMP INSTL-ENG FUEL FEED<br>SYS AFT (DISTRIBUTION<br>ONLY)<br>POSITION DATA:<br>RH<br>FOR NHA/OTHER SYS DET SEE:<br>28-22-00-01 | 107107   | RF             |
| - 5      | 343N3301-88 |               | PUMP INSTL-ENG FUEL FEED<br>SYS AFT (DISTRIBUTION<br>ONLY)<br>POSITION DATA:<br>RH<br>FOR NHA/OTHER SYS DET SEE:<br>28-22-00-01 | 002004<br>121503<br>904949<br>952952           | RF             |
| - 5      | 343N3301-96 |               | PUMP INSTL-ENG FUEL FEED<br>SYS AFT (DISTRIBUTION<br>ONLY)<br>POSITION DATA:<br>RH<br>FOR NHA/OTHER SYS DET SEE:<br>28-22-00-01 | 006100<br>950951<br>953999                     | RF             |

MISSING ITEM NUMBERS NOT APPLICABLE

- ITEM NOT ILLUSTRATED

28-22-03-01

28-22-03  
FIG. 01  
PAGE 1  
JAN 20/09

BRI



757

PARTS CATALOG (MAINTENANCE)

| FIG ITEM | PART NUMBER | 1 2 3 4 5 6 7 | NOMENCLATURE  | EFFECT FROM TO                                 | UNITS PER ASSY |
|----------|-------------|---------------|---|--|----------------|
| 1        | 10          | NAS1801-3-6   | . SCREW   | 002004<br>006100<br>107107<br>121503<br>904999 | 7              |
|          | 15          | NAS1801-3-20  | . SCREW-  | 002004<br>006100<br>107107<br>121503<br>904999 | 2              |
|          | 20          | NAS1801-3-12  | . SCREW-  | 002004<br>006100<br>107107<br>121503<br>904999 | 2              |
|          | 23          | NAS514P1032-8 | . SCREW   | 002004<br>006100<br>107107<br>121503<br>904999 | 1              |
|          | 25          | AN960-10L     | . WASHER  | 002004<br>006100<br>107107<br>121503<br>904999 | 6              |
|          | 30          | AN960PD10L    | . WASHER-   | 002004<br>006100<br>107107<br>121503<br>904999 | 6              |
|          | 35          | BRH10A3       | . NUT-<br>SUPPLIER CODE:<br>V52828<br>SPECIFICATION NUMBER:<br>BACN10JC3<br>OPTIONAL PART:<br>H10-3BAC<br>V15653<br>NS202101-02<br>V80539<br>RMLH9075-3W<br>V72962<br>VN303A02<br>V92215<br>96-02<br>V80539<br>T6S1032J<br>V11815 | 002004<br>006100<br>107107<br>121503<br>904999 | 6              |

MISSING ITEM NUMBERS NOT APPLICABLE

- ITEM NOT ILLUSTRATED

BRI

28-22-03-01

BOEING PROPRIETARY - Copyright © - Unpublished Work - See title page for details.

28-22-03  
FIG. 01  
PAGE 2  
JAN 20/09

**BOEING**  
757  
PARTS CATALOG (MAINTENANCE)

| FIG ITEM | PART NUMBER | 1 2 3 4 5 6 7 | NOMENCLATURE  | EFFECT FROM TO                                 | UNITS PER ASSY |
|----------|-------------|---------------|---|--|----------------|
| 1        | 55          | 343N2037-7    | .CLIP-<br>POSITION DATA:<br>LH SIDE   | 002004<br>006100<br>107107<br>121503<br>904999 | 1              |
| -        | 57          | 343N2037-8    | .CLIP-<br>POSITION DATA:<br>RH SIDE   | 002004<br>006100<br>107107<br>121503<br>904999 | 1              |
|          | 60          | 69B92405-5    | .SCREEN ASSY-INLET  | 002004<br>006100<br>107107<br>121503<br>904999 | 1              |
|          | 65          | NAS1801-3-7   | .SCREW  | 002004<br>006100<br>107107<br>121503<br>904999 | 26             |
|          | 70          | NAS1801-3-8   | .SCREW  | 002004<br>006100<br>107107<br>121503<br>904999 | 2              |
|          | 75          | AN960D10L     | .WASHER   | 002004<br>006100<br>107107<br>121503<br>904999 | 79             |
|          | 77          | AN960D416L    | .WASHER-  | 002004<br>006100<br>107107<br>121503<br>904999 | 2              |
|          | 80          | 740A20-6      | .JUMPER ASSY<br>SUPPLIER CODE:<br>V91812<br>SPECIFICATION NUMBER:<br>BACJ40A20-6<br>OPTIONAL PART:<br>TJEJ40A20-6<br>V33483<br>RBEJ20-6<br>V1GK47 | 002004<br>006100<br>107107<br>121503<br>904999 | 15             |

MISSING ITEM NUMBERS NOT APPLICABLE

- ITEM NOT ILLUSTRATED

BRI

# 28-22-03-01

BOEING PROPRIETARY - Copyright © - Unpublished Work - See title page for details.

28-22-03  
FIG. 01  
PAGE 3  
JAN 20/09



757

PARTS CATALOG (MAINTENANCE)

| FIG ITEM | PART NUMBER | 1 2 3 4 5 6 7 | NOMENCLATURE                          | EFFECT FROM TO                                 | UNITS PER ASSY |
|----------|-------------|---------------|---------------------------------------|--|----------------|
| 1        |             |               |                                       |  |                |
| 82       | BACJ40A21-6 | .             | JUMPER ASSY                           | 002004<br>006100<br>107107<br>121503<br>904999 | 1              |
| 85       | AN735D6     | .             | CLAMP-<br>OPTIONAL PART:<br>AN735DC6  | 002004<br>006100<br>107107<br>121503<br>904999 | 9              |
| 85       | AN735DC6    | .             | CLAMP-<br>OPTIONAL PART:<br>AN735D6   | 003004<br>006100<br>121503<br>904999           | 9              |
| 90       | AN735D16    | .             | CLAMP-<br>OPTIONAL PART:<br>AN735DC16 | 002004<br>006100<br>107107<br>121503<br>904999 | 5              |
| 90       | AN735DC16   | .             | CLAMP-<br>OPTIONAL PART:<br>AN735D16  | 003004<br>006100<br>121503<br>904999           | 5              |
| 95       | AN735D28    | .             | CLAMP-<br>OPTIONAL PART:<br>AN735DC28 | 002004<br>006100<br>107107<br>121503<br>904999 | 5              |
| 95       | AN735DC28   | .             | CLAMP-<br>OPTIONAL PART:<br>AN735D28  | 006100<br>950951<br>953999                     | 5              |
| 100      | AN735D32    | .             | CLAMP-<br>OPTIONAL PART:<br>AN735DC32 | 002004<br>006100<br>107107<br>121503<br>904999 | 2              |
| 100      | AN735DC32   | .             | CLAMP-<br>OPTIONAL PART:<br>AN735D32  | 003004<br>006100<br>121503<br>904999           | 2              |
| 105      | AN735D24    | .             | CLAMP-<br>OPTIONAL PART:<br>AN735DC24 | 002004<br>006100<br>107107<br>121503<br>904999 | 2              |
| 105      | AN735DC24   | .             | CLAMP-<br>OPTIONAL PART:<br>AN735D24  | 003004<br>006100<br>121503<br>904999           | 2              |

MISSING ITEM NUMBERS NOT APPLICABLE

- ITEM NOT ILLUSTRATED

28-22-03-01

28-22-03  
FIG. 01  
PAGE 4  
JAN 20/09

BRI

BOEING PROPRIETARY - Copyright © - Unpublished Work - See title page for details.



757

PARTS CATALOG (MAINTENANCE)

| FIG ITEM | PART NUMBER   | 1 2 3 4 5 6 7 | NOMENCLATURE  | EFFECT FROM TO                                 | UNITS PER ASSY |
|----------|---------------|---------------|---|--|----------------|
| 1<br>110 | BRH10A3       | .NUT          | SUPPLIER CODE:<br>V52828<br>SPECIFICATION NUMBER:<br>BACN10JC3<br>OPTIONAL PART:<br>H10-3BAC<br>V15653<br>NS202101-02<br>V80539<br>RMLH9075-3W<br>V72962<br>VN303A02<br>V92215<br>96-02<br>V80539<br>T6S1032J<br>V11815 | 002004<br>006100<br>107107<br>121503<br>904999 | 28             |
| 115      | NAS1801-3-8   | .SCREW        |   | 002004<br>006100<br>107107<br>121503<br>904999 | 1              |
| 120      | NAS1801-3-6   | .SCREW        |   | 002004<br>006100<br>107107<br>121503<br>904999 | 1              |
| 122      | NAS514P1032-8 | .SCREW        |   | 002004<br>006100<br>107107<br>121503<br>904999 | 1              |
| 125      | AN960PD10L    | .WASHER       |   | 002004<br>006100<br>107107<br>121503<br>904999 | 3              |

MISSING ITEM NUMBERS NOT APPLICABLE

- ITEM NOT ILLUSTRATED

BRI

28-22-03-01

BOEING PROPRIETARY - Copyright © - Unpublished Work - See title page for details.

28-22-03  
FIG. 01  
PAGE 5  
JAN 20/09



757

PARTS CATALOG (MAINTENANCE)

| FIG ITEM | PART NUMBER  | 1 2 3 4 5 6 7 | NOMENCLATURE  | EFFECT FROM TO                                 | UNITS PER ASSY |
|----------|--------------|---------------|---|--|----------------|
| 1<br>130 | BRH10A3      | .NUT          | SUPPLIER CODE:<br>V52828<br>SPECIFICATION NUMBER:<br>BACN10JC3<br>OPTIONAL PART:<br>H10-3BAC<br>V15653<br>NS202101-02<br>V80539<br>RMLH9075-3W<br>V72962<br>VN303A02<br>V92215<br>96-02<br>V80539<br>T6S1032J<br>V11815 | 002004<br>006100<br>107107<br>121503<br>904999 | 3              |
| 135      | BACC10DK6    | .CLAMP        |   | 002004<br>006100<br>107107<br>121503<br>904999 | 1              |
| 140      | BACC10DK16   | .CLAMP        |   | 002004<br>006100<br>107107<br>121503<br>904999 | 2              |
| 146      | NAS1801-3-15 | .SCREW        |   | 002004<br>006100<br>107107<br>121503<br>904999 | 1              |
| 149      | BACS18AF4    | .SPACER-      |   | 002004<br>107107<br>121503<br>904949<br>952952 | 4              |
| 150      | BACS18AF4    | .SPACER-      |   | 006100<br>950951<br>953999                     | AR             |
| 151      | NAS1801-3-11 | .SCREW-       |   | 002004<br>006100<br>107107<br>121503<br>904999 | 2              |

MISSING ITEM NUMBERS NOT APPLICABLE

- ITEM NOT ILLUSTRATED

28-22-03-01

28-22-03  
FIG. 01  
PAGE 6  
JAN 20/09

BRI





757

PARTS CATALOG (MAINTENANCE)

| FIG ITEM | PART NUMBER | 1 2 3 4 5 6 7 | NOMENCLATURE   | EFFECT FROM TO                                 | UNITS PER ASSY |
|----------|-------------|---------------|--|--|----------------|
| 1        |             |               |  |  |                |
| 152      | BACS18AF4   | .             | SPACER   | 002004<br>006100<br>107107<br>121503<br>904999 | 1              |
| 155      | AN960PD10L  | .             | WASHER   | 002004<br>006100<br>107107<br>121503<br>904999 | 2              |
| 156      | BRH10A3     | .             | NUT<br>SUPPLIER CODE:<br>V52828<br>SPECIFICATION NUMBER:<br>BACN10JC3<br>OPTIONAL PART:<br>H10-3BAC<br>V15653<br>NS202101-02<br>V80539<br>RMLH9075-3W<br>V72962<br>VN303A02<br>V92215<br>96-02<br>V80539<br>T6S1032J<br>V11815 | 002004<br>006100<br>107107<br>121503<br>904999 | 1              |
| 160      | BRH10A3     | .             | NUT<br>SUPPLIER CODE:<br>V52828<br>SPECIFICATION NUMBER:<br>BACN10JC3<br>OPTIONAL PART:<br>H10-3BAC<br>V15653<br>NS202101-02<br>V80539<br>RMLH9075-3W<br>V72962<br>VN303A02<br>V92215<br>96-02<br>V80539<br>T6S1032J<br>V11815 | 002004<br>006100<br>107107<br>121503<br>904999 | 2              |

MISSING ITEM NUMBERS NOT APPLICABLE

- ITEM NOT ILLUSTRATED

BRI

28-22-03-01

BOEING PROPRIETARY - Copyright © - Unpublished Work - See title page for details.

28-22-03  
FIG. 01  
PAGE 7  
JAN 20/09



757

PARTS CATALOG (MAINTENANCE)

| FIG ITEM | PART NUMBER  | 1 2 3 4 5 6 7 | NOMENCLATURE   | EFFECT FROM TO                                 | UNITS PER ASSY |
|----------|--------------|---------------|--|--|----------------|
| 1<br>162 | S39228F      |               | .CLAMP<br>SUPPLIER CODE:<br>V18076<br>SPECIFICATION NUMBER:<br>BACC10BU28DF<br>OPTIONAL PART:<br>393-28AF<br>V83930<br>JM44LC24D28YN<br>V22175<br>TA04C44D28NB<br>V84971<br>393A28AF<br>V83930 | 002004<br>006100<br>107107<br>121503<br>904999 | 1              |
| 165      | BACC10DK16   |               | .CLAMP-  | 002004<br>006100<br>107107<br>121503<br>904999 | 3              |
| 170      | BACC10DK6    |               | .CLAMP-  | 002004<br>006100<br>107107<br>121503<br>904999 | 2              |
| 175      | NAS1801-3-11 |               | .SCREW   | 002004<br>006100<br>107107<br>121503<br>904999 | 12             |
| 180      | AN960PD10L   |               | .WASHER  | 002004<br>006100<br>107107<br>121503<br>904999 | 12             |

MISSING ITEM NUMBERS NOT APPLICABLE

- ITEM NOT ILLUSTRATED

BRI

28-22-03-01

BOEING PROPRIETARY - Copyright © - Unpublished Work - See title page for details.

28-22-03  
FIG. 01  
PAGE 8  
JAN 20/09



757

PARTS CATALOG (MAINTENANCE)

| FIG<br>ITEM | PART NUMBER | 1 2 3 4 5 6 7 | NOMENCLATURE  | EFFECT<br>FROM TO                              | UNITS<br>PER<br>ASSY |
|-------------|-------------|---------------|---|--|----------------------|
| 1<br>185    | BRH10A3     | .NUT          | SUPPLIER CODE:<br>V52828<br>SPECIFICATION NUMBER:<br>BACN10JC3<br>OPTIONAL PART:<br>H10-3BAC<br>V15653<br>NS202101-02<br>V80539<br>RMLH9075-3W<br>V72962<br>VN303A02<br>V92215<br>96-02<br>V80539<br>T6S1032J<br>V11815 | 002004<br>006100<br>107107<br>121503<br>904999 | 12                   |
| 190         | BACC10EW28A | .CLAMP STRAP  |   | 002004<br>006100<br>107107<br>121503<br>904999 | 4                    |
| 195         | BACC10EW28B | .CLAMP SADDLE |   | 002004<br>006100<br>107107<br>121503<br>904999 | 4                    |
| 200         | BACC10EW32A | .CLAMP STRAP  |   | 002004<br>006100<br>107107<br>121503<br>904999 | 2                    |
| 205         | BACC10EW32B | .CLAMP SADDLE |   | 002004<br>006100<br>107107<br>121503<br>904999 | 2                    |
| 210         | NAS1801-3-8 | .SCREW        |   | 002004<br>006100<br>107107<br>121503<br>904999 | 6                    |
| 215         | AN960PD10L  | .WASHER       |   | 002004<br>006100<br>107107<br>121503<br>904999 | 6                    |

MISSING ITEM NUMBERS NOT APPLICABLE

- ITEM NOT ILLUSTRATED

28-22-03-01

28-22-03  
FIG. 01  
PAGE 9  
JAN 20/09

BRI



757

PARTS CATALOG (MAINTENANCE)

| FIG<br>ITEM | PART NUMBER | 1 2 3 4 5 6 7 | NOMENCLATURE   | EFFECT<br>FROM TO                              | UNITS<br>PER<br>ASSY |
|-------------|-------------|---------------|--|--|----------------------|
| 1<br>220    | BRH10A3     | .             | NUT<br>SUPPLIER CODE:<br>V52828<br>SPECIFICATION NUMBER:<br>BACN10JC3<br>OPTIONAL PART:<br>H10-3BAC<br>V15653<br>NS202101-02<br>V80539<br>RMLH9075-3W<br>V72962<br>VN303A02<br>V92215<br>96-02<br>V80539<br>T6S1032J<br>V11815 | 002004<br>006100<br>107107<br>121503<br>904999 | 6                    |
| 225         | 343N2041-20 | .             | BRACKET  | 002004<br>006100<br>107107<br>121503<br>904999 | 3                    |
| 230         | 343N2041-28 | .             | BRACKET ASSY   | 002004<br>006100<br>107107<br>121503<br>904999 | 3                    |
| - 235       | NAS1801-3-8 | .             | ATTACHING PARTS<br>SCREW   | 002004<br>006100<br>107107<br>121503<br>904999 | 12                   |
| - 240       | AN960PD10L  | .             | WASHER   | 002004<br>006100<br>107107<br>121503<br>904999 | 12                   |

MISSING ITEM NUMBERS NOT APPLICABLE

- ITEM NOT ILLUSTRATED

28-22-03-01

28-22-03  
FIG. 01  
PAGE 10  
JAN 20/09

BRI



757

PARTS CATALOG (MAINTENANCE)

| FIG ITEM   | PART NUMBER | 1 2 3 4 5 6 7 | NOMENCLATURE   | EFFECT FROM TO                                 | UNITS PER ASSY |
|------------|-------------|---------------|--|--|----------------|
| 1<br>- 245 | BRH10A3     |               | .NUT<br>SUPPLIER CODE:<br>V52828<br>SPECIFICATION NUMBER:<br>BACN10JC3<br>OPTIONAL PART:<br>H10-3BAC<br>V15653<br>NS202101-02<br>V80539<br>RMLH9075-3W<br>V72962<br>VN303A02<br>V92215<br>96-02<br>V80539<br>T6S1032J<br>V11815<br>-----*----- | 002004<br>006100<br>107107<br>121503<br>904999 | 12             |
| 250        | BACN10KP6   |               | .NUT-  | 002004<br>006100<br>107107<br>121503<br>904999 | 10             |
| 255        | BACR12BR6   |               | .RING-   | 002004<br>006100<br>107107<br>121503<br>904999 | 10             |
| 260        | MS29513-014 |               | .PACKING-  | 002004<br>006100<br>107107<br>121503<br>904999 | 10             |
| 262        | 343N3301-73 |               | .TUBE ASSY-<br>POSITION DATA:<br>LH SIDE<br>TUBING MATERIAL:<br>.375 IN. OD .022 IN.<br>WALL 16.00 IN. LG<br>ALUMINUM  | 107107   | 1              |
| - 265      | 343N3301-62 |               | .TUBE ASSY-<br>POSITION DATA:<br>RH SIDE<br>TUBING MATERIAL:<br>.375 ON. OD .022 IN.<br>WALL 20.0 IN. LG<br>ALUMINUM   | 002004<br>006100<br>107107<br>121503<br>904999 | 1              |

MISSING ITEM NUMBERS NOT APPLICABLE

- ITEM NOT ILLUSTRATED

28-22-03-01

28-22-03  
FIG. 01  
PAGE 11  
JAN 20/09

BRI



757

PARTS CATALOG (MAINTENANCE)

| FIG ITEM | PART NUMBER | 1 2 3 4 5 6 7                                  | NOMENCLATURE  | EFFECT FROM TO                                 | UNITS PER ASSY |
|----------|-------------|--|---|--|----------------|
| 1        |             |  |   |  |                |
| - 267    | BACC42T6    | ..   | COUPLING<br>SUPPLIER CODE:<br>V79326<br>SPECIFICATION NUMBER:<br>BACC42T6<br>OPTIONAL PART:<br>TC011-6<br>V24984<br>83051-6<br>V79326 | 002004<br>006100<br>107107<br>121503<br>904999 | 1              |
| 270      | 68E108      | .PUMP ASSY-EJECTOR<br>SUPPLIER CODE:<br>V82829 |   | 002004<br>006100<br>107107<br>121503<br>904999 | 1              |
| 271      | 68E108C3    | .. JET-NOZ<br>SUPPLIER CODE:<br>V82829         |   | 002004<br>006100<br>107107<br>121503<br>904999 | 1              |
| 272      | 68E108C2    | .. FITTING-INDUCED<br>SUPPLIER CODE:<br>V82829 |   | 002004<br>006100<br>107107<br>121503<br>904999 | 1              |
| 273      | 68E108C1    | .. HOUSING-<br>SUPPLIER CODE:<br>V82829        |   | 002004<br>006100<br>107107<br>121503<br>904999 | 1              |
| 275      | NAS1801-3-7 | . SCREW  |   | 002004<br>006100<br>107107<br>121503<br>904999 | 1              |
| 280      | AN960PD10L  | . WASHER                                       |   | 002004<br>006100<br>107107<br>121503<br>904999 | 1              |

MISSING ITEM NUMBERS NOT APPLICABLE

- ITEM NOT ILLUSTRATED

BRI

28-22-03-01

BOEING PROPRIETARY - Copyright © - Unpublished Work - See title page for details.

28-22-03  
FIG. 01  
PAGE 12  
JAN 20/09



**757  
PARTS CATALOG (MAINTENANCE)**

| FIG<br>ITEM | PART NUMBER | 1 2 3 4 5 6 7 | NOMENCLATURE   | EFFECT<br>FROM TO                              | UNITS<br>PER<br>ASSY |
|-------------|-------------|---------------|--|--|----------------------|
| 1<br>285    | BRH10A3     | .             | NUT<br>SUPPLIER CODE:<br>V52828<br>SPECIFICATION NUMBER:<br>BACN10JC3<br>OPTIONAL PART:<br>H10-3BAC<br>V15653<br>NS202101-02<br>V80539<br>RMLH9075-3W<br>V72962<br>VN303A02<br>V92215<br>96-02<br>V80539<br>T6S1032J<br>V11815 | 002004<br>006100<br>107107<br>121503<br>904999 | 1                    |
| 290         | 69B92426-2  | .             | SCREEN ASSY  | 002004<br>006100<br>107107<br>121503<br>904999 | 1                    |
| 295         | 343N3301-74 | .             | TUBE ASSY-<br>POSITION DATA:<br>LH SIDE<br>TUBING MATERIAL:<br>.375 IN. OD .022 IN.<br>WALL 17.4 IN. LG<br>WW-T-700/6 6061 T4  | 002004<br>006100<br>107107<br>121503<br>904999 | 1                    |
| - 300       | 343N3301-69 | .             | TUBE ASSY-<br>POSITION DATA:<br>RH SIDE<br>TUBING MATERIAL:<br>.375 IN. OD .022 IN.<br>WALL 17.6 IN. LG<br>WW-T-700/6 6061 T4  | 002004<br>006100<br>107107<br>121503<br>904999 | 1                    |
| - 301       | AS1737D06   | ..            | FERRULE-<br>USED ON:<br>343N3301-74<br>343N3301-69   | 002004<br>006100<br>107107<br>121503<br>904999 | 1                    |

MISSING ITEM NUMBERS NOT APPLICABLE

- ITEM NOT ILLUSTRATED

BRI

# 28-22-03-01

BOEING PROPRIETARY - Copyright © - Unpublished Work - See title page for details.

28-22-03  
FIG. 01  
PAGE 13  
JAN 20/09



757

PARTS CATALOG (MAINTENANCE)

| FIG ITEM | PART NUMBER | 1 2 3 4 5 6 7 | NOMENCLATURE   | EFFECT FROM TO                                 | UNITS PER ASSY |
|----------|-------------|---------------|--|--|----------------|
| 1        |             |               |  |  |                |
| - 302    | BACC42T6    | ..            | COUPLING-<br>SUPPLIER CODE:<br>V79326<br>SPECIFICATION NUMBER:<br>BACC42T6<br>OPTIONAL PART:<br>TC011-6<br>V24984<br>83051-6<br>V79326<br>USED ON:<br>343N3301-68<br>343N3301-40 | 002004<br>006100<br>107107<br>121503<br>904999 | 1              |
| - 303    | S83052-6    | ..            | FERRULE-<br>SUPPLIER CODE:<br>V79326<br>SPECIFICATION NUMBER:<br>BACF32F6<br>OPTIONAL PART:<br>TC010-6<br>V24984<br>USED ON:<br>343N3301-68<br>343N3301-40                       | 002004<br>006100<br>107107<br>121503<br>904999 | 1              |
| - 304    | AS1732D06   | ..            | BODY-<br>USED ON:<br>343N3301-74<br>343N3301-69  | 002004<br>006100<br>107107<br>121503<br>904999 | 1              |
| 305      | 343N3301-37 | .TUBE ASSY-   | POSITION DATA:<br>LH SIDE<br>TUBING MATERIAL:<br>.375 IN. OD .022 IN.<br>WALL 46.3 IN. LG<br>WW-T-700/6 6061 T4  | 002004<br>006100<br>107107<br>121503<br>904999 | 1              |
| - 310    | 343N3301-38 | .TUBE ASSY-   | POSITION DATA:<br>RH SIDE<br>TUBING MATERIAL:<br>.375 IN. OD .022 IN.<br>WALL 48 IN. LG<br>WW-T-700/6 6061 T4  | 002004<br>006100<br>107107<br>121503<br>904999 | 1              |
| 315      | 343N3301-8  | .TUBE ASSY-   | TUBING MATERIAL:<br>.375 IN. OD .022 IN.<br>WALL 12.6 IN. LG<br>WW-T-700/6 T4 TUBING   | 002004<br>006100<br>107107<br>121503<br>904999 | 1              |

MISSING ITEM NUMBERS NOT APPLICABLE

- ITEM NOT ILLUSTRATED

28-22-03-01

28-22-03  
FIG. 01  
PAGE 14  
JAN 20/09

BRI





757

PARTS CATALOG (MAINTENANCE)

| FIG ITEM | PART NUMBER | 1 2 3 4 5 6 7 | NOMENCLATURE   | EFFECT FROM TO                                 | UNITS PER ASSY |
|----------|-------------|---------------|--|--|----------------|
| 1<br>320 | 343N3301-79 |               | .TUBE ASSY-<br>POSITION DATA:<br>LH SIDE   | 002004<br>006100<br>107107<br>121503<br>904999 | 1              |
| - 325    | BACC42T6    |               | ..COUPLING-<br>SUPPLIER CODE:<br>V79326<br>SPECIFICATION NUMBER:<br>BACC42T6<br>OPTIONAL PART:<br>TC011-6<br>V24984<br>83051-6<br>V79326<br>USED ON:<br>343N3301-45<br>343N3301-79 | 002004<br>006100<br>107107<br>121503<br>904999 | 1              |
| - 326    | AS1732D06   |               | ..BODY-<br>USED ON:<br>343N3301-8<br>343N3301-37<br>343N3301-38  | 002004<br>006100<br>107107<br>121503<br>904999 | 1              |
| - 330    | S83052-6    |               | ..FERRULE-<br>SUPPLIER CODE:<br>V79326<br>SPECIFICATION NUMBER:<br>BACF32F6<br>OPTIONAL PART:<br>TC010-6<br>V24984<br>USED ON:<br>343N3301-45<br>343N3301-79                       | 002004<br>006100<br>107107<br>121503<br>904999 | 1              |
| - 332    | AS1737D06   |               | ..FERRULE-<br>USED ON:<br>343N3301-8<br>343N3301-37<br>343N3301-38   | 002004<br>006100<br>107107<br>121503<br>904999 | 1              |
| 335      | 343N3301-35 |               | .TUBE ASSY-<br>POSITION DATA:<br>LH SIDE<br>TUBING MATERIAL:<br>.375 IN. OD .022 IN.<br>WALL 18.10 IN. LG<br>WW-T-700/6 6061 T4<br>TUBING  | 002004<br>006100<br>107107<br>121503<br>904999 | 1              |

MISSING ITEM NUMBERS NOT APPLICABLE

- ITEM NOT ILLUSTRATED

28-22-03-01

28-22-03  
FIG. 01  
PAGE 15  
JAN 20/09

BRI



757

PARTS CATALOG (MAINTENANCE)

| FIG ITEM | PART NUMBER | 1 2 3 4 5 6 7 | NOMENCLATURE   | EFFECT FROM TO                                 | UNITS PER ASSY |
|----------|-------------|---------------|--|--|----------------|
| 1        |             |               |  |  |                |
| - 340    | 343N3301-36 |               | .TUBE ASSY-<br>POSITION DATA:<br>RH SIDE<br>TUBING MATERIAL:<br>.375 IN. OD .022 IN.<br>WALL 18.8 IN. LG<br>WW-T-700/6 6061 T4<br>TUBING | 002004<br>006100<br>107107<br>121503<br>904999 | 1              |
| - 345    | AS1732D06   |               | ..BODY-COUPLING  | 002004<br>006100<br>107107<br>121503<br>904999 | 1              |
| 350      | BACC42R32   |               | .COUPLING ASSY<br>SUPPLIER CODE:<br>V79326<br>SPECIFICATION NUMBER:<br>BACC42R32   | 002004<br>006100<br>107107<br>121503<br>904999 | 2              |
| 351      | BACN10KL32  |               | ..NUT ASSY   | 002004<br>006100<br>107107<br>121503<br>904999 | 1              |
| 352      | BACR12BN32  |               | ..RING   | 002004<br>006100<br>107107<br>121503<br>904999 | 2              |
| 353      | BACR10AD32  |               | ..RETAINER   | 002004<br>006100<br>107107<br>121503<br>904999 | 2              |
| 354      | BACF32E32   |               | ..FERRULE<br>SUPPLIER CODE:<br>V79326<br>SPECIFICATION NUMBER:<br>BACF32E32<br>OPTIONAL PART:<br>63052-32<br>V79326                      | 002004<br>006100<br>107107<br>121503<br>904999 | 2              |
| 355      | BACC42P32   |               | ..BODY   | 002004<br>006100<br>107107<br>121503<br>904999 | 1              |

MISSING ITEM NUMBERS NOT APPLICABLE

- ITEM NOT ILLUSTRATED

BRI

28-22-03-01

28-22-03  
FIG. 01  
PAGE 16  
JAN 20/09



757

PARTS CATALOG (MAINTENANCE)

| FIG ITEM | PART NUMBER  | 1 2 3 4 5 6 7 | NOMENCLATURE  | EFFECT FROM TO                                 | UNITS PER ASSY |
|----------|--------------|---------------|---|--|----------------|
| 1        |              |               |   |  |                |
| 356      | BACC42S32    | .             | COUPLING ASSY<br>SUPPLIER CODE:<br>V79326<br>SPECIFICATION NUMBER:<br>BACC42S32                                   | 002004<br>006100<br>107107<br>121503<br>904999 | 1              |
| 357      | BACN10KL32   | ..            | NUT ASSY  | 002004<br>006100<br>107107<br>121503<br>904999 | 1              |
| 358      | BACR12BN32   | ..            | RING  | 002004<br>006100<br>107107<br>121503<br>904999 | 2              |
| 359      | BACF32E32    | ..            | FERRULE<br>SUPPLIER CODE:<br>V79326<br>SPECIFICATION NUMBER:<br>BACF32E32<br>OPTIONAL PART:<br>63052-32<br>V79326 | 002004<br>006100<br>107107<br>121503<br>904999 | 1              |
| 360      | MS29513-330  | .             | PACKING   | 002004<br>006100<br>107107<br>121503<br>904999 | 5              |
| 365      | NAS1801-3-12 | .             | SCREW-  | 002004<br>006100<br>107107<br>121503<br>904999 | 10             |
| 370      | AN960PD10L   | .             | WASHER  | 002004<br>006100<br>107107<br>121503<br>904999 | 10             |

MISSING ITEM NUMBERS NOT APPLICABLE

- ITEM NOT ILLUSTRATED

BRI

28-22-03-01

BOEING PROPRIETARY - Copyright © - Unpublished Work - See title page for details.

28-22-03  
FIG. 01  
PAGE 17  
JAN 20/09



757

PARTS CATALOG (MAINTENANCE)

| FIG ITEM | PART NUMBER | 1 2 3 4 5 6 7   | NOMENCLATURE  | EFFECT FROM TO                                 | UNITS PER ASSY |
|----------|-------------|---|---|--|----------------|
| 1<br>375 | BRH10A3     | .NUT  | SUPPLIER CODE:<br>V52828<br>SPECIFICATION NUMBER:<br>BACN10JC3<br>OPTIONAL PART:<br>H10-3BAC<br>V15653<br>NS202101-02<br>V80539<br>RMLH9075-3W<br>V72962<br>VN303A02<br>V92215<br>96-02<br>V80539<br>T6S1032J<br>V11815 | 002004<br>006100<br>107107<br>121503<br>904999 | 10             |
| 380      | 343N2056-9  | .BELLMOUTH ASSY-<br>POSITION DATA:<br>LH SIDE   |   | 107107<br>904949                               | 1              |
| 380      | 343N2056-15 | .BELLMOUTH ASSY-<br>POSITION DATA:<br>LH SIDE   |   | 002004<br>006100<br>121503<br>950999           | 1              |
| - 385    | 343N2056-10 | .BELLMOUTH ASSY-<br>POSITION DATA:<br>RH SIDE   |   | 107107<br>904949                               | 1              |
| - 385    | 343N2056-16 | .BELLMOUTH ASSY-<br>POSITION DATA:<br>RH SIDE   |   | 002004<br>006100<br>121503<br>950999           | 1              |
| 390      | 63052-32    | ..FERRULE-<br>SUPPLIER CODE:<br>V79326<br>SPECIFICATION NUMBER:<br>AS1716D32<br>OPTIONAL PART:<br>12F63-32A<br>V24984 |   | 002004<br>006100<br>107107<br>121503<br>904999 | 1              |
| 395      | 343N2056-11 | ..BRAZED ASSY-<br>POSITION DATA:<br>LH SIDE   |   | 002004<br>006100<br>107107<br>121503<br>904999 | 1              |

MISSING ITEM NUMBERS NOT APPLICABLE

- ITEM NOT ILLUSTRATED

28-22-03-01

28-22-03  
FIG. 01  
PAGE 18  
JAN 20/09

BRI



757

PARTS CATALOG (MAINTENANCE)

| FIG ITEM | PART NUMBER | 1 2 3 4 5 6 7 | NOMENCLATURE   | EFFECT FROM TO                                 | UNITS PER ASSY |
|----------|-------------|---------------|--|--|----------------|
| 1        |             |               |  |  |                |
| - 400    | 343N2056-12 |               | ..BRAZED ASSY-<br>POSITION DATA:<br>RH SIDE  | 002004<br>006100<br>107107<br>121503<br>904999 | 1              |
| 405      | 343N2056-6  |               | ...COLLAR-   | 002004<br>006100<br>107107<br>121503<br>904999 | 1              |
| 410      | 343N2056-8  |               | ...TUBE-   | 002004<br>006100<br>107107<br>121503<br>904999 | 1              |
| 415      | 343N2056-5  |               | ...PLATE-  | 002004<br>006100<br>107107<br>121503<br>904999 | 1              |
| 420      | 65B92416-4  |               | ...BELLMOUTH-<br>OPTIONAL PART:<br>343N2056-7  | 002004<br>006100<br>107107<br>121503<br>904999 | 1              |
| 420      | 343N2056-7  |               | ...BELLMOUTH-<br>OPTIONAL PART:<br>65B92416-4  | 002004<br>006100<br>107107<br>121503<br>904999 | 1              |
| 430      | 343N3301-43 |               | .TUBE ASSY-<br>POSITION DATA:<br>LH SIDE<br>TUBING MATERIAL:<br>2.00 IN. OD .028 IN.<br>WALL 27.88 IN. LG<br>WW-T-700/6 TUBING | 002004<br>006100<br>107107<br>121503<br>904999 | 1              |
| - 435    | 343N3301-44 |               | .TUBE ASSY-<br>POSITION DATA:<br>RH SIDE<br>TUBING MATERIAL:<br>2.00 IN. OD .028 IN.<br>WALL 27.87 IN. LG<br>WW-T-700/6 TUBING | 002004<br>006100<br>107107<br>121503<br>904999 | 1              |
| 440      | 343N3301-48 |               | .TUBE ASSY-<br>TUBING MATERIAL:<br>2.00 IN. OD .028 IN.<br>WALL 41.61 IN. LG<br>WW-T-700/6 TUBING                              | 002004<br>006100<br>107107<br>121503<br>904999 | 1              |

MISSING ITEM NUMBERS NOT APPLICABLE

- ITEM NOT ILLUSTRATED

28-22-03-01

28-22-03  
FIG. 01  
PAGE 19  
JAN 20/09

BRI



757

PARTS CATALOG (MAINTENANCE)

| FIG ITEM | PART NUMBER | 1 2 3 4 5 6 7  | NOMENCLATURE  | EFFECT FROM TO                                 | UNITS PER ASSY |
|----------|-------------|----------------|---|--|----------------|
| 1        |             |                |   |  |                |
| - 445    | BACF32E32   | ..             | FERRULE<br>SUPPLIER CODE:<br>V79326<br>SPECIFICATION NUMBER:<br>BACF32E32<br>OPTIONAL PART:<br>63052-32<br>V79326 | 002004<br>006100<br>107107<br>121503<br>904999 | 2              |
| 450      | BACC42R16   | .COUPLING ASSY | SUPPLIER CODE:<br>V79326<br>SPECIFICATION NUMBER:<br>BACC42R16  | 002004<br>006100<br>107107<br>121503<br>904999 | 3              |
| 451      | BACN10KL16  | ..             | NUT ASSY  | 002004<br>006100<br>107107<br>121503<br>904999 | 1              |
| 452      | BACR12BN16  | ..             | RING  | 002004<br>006100<br>107107<br>121503<br>904999 | 2              |
| 453      | BACR10AD16  | ..             | RETAINER  | 002004<br>006100<br>107107<br>121503<br>904999 | 2              |
| 454      | S3052-16    | ..             | FERRULE<br>SUPPLIER CODE:<br>V79326<br>SPECIFICATION NUMBER:<br>BACF32E16   | 002004<br>006100<br>107107<br>121503<br>904999 | 2              |
| 455      | BACC42P32   | ..             | BODY  | 002004<br>006100<br>107107<br>121503<br>904999 | 1              |
| 458      | MS29513-216 | .PACKING       |   | 002004<br>006100<br>107107<br>121503<br>904999 | 6              |
| 460      | 343N2042-1  | .TUBE ASSY-    | POSITION DATA:<br>LH SIDE   | 002004<br>006100<br>107107<br>121503<br>904999 | 1              |

MISSING ITEM NUMBERS NOT APPLICABLE

- ITEM NOT ILLUSTRATED

BRI

28-22-03-01

28-22-03  
FIG. 01  
PAGE 20  
JAN 20/09



757

PARTS CATALOG (MAINTENANCE)

| FIG ITEM | PART NUMBER  | 1 2 3 4 5 6 7 | NOMENCLATURE  | EFFECT FROM TO                                 | UNITS PER ASSY |
|----------|--------------|---------------|---|--|----------------|
| 1        |              |               |   |  |                |
| - 465    | 343N2042-2   | . TUBE ASSY-  | POSITION DATA:<br>RH SIDE   | 002004<br>006100<br>107107<br>121503<br>904999 | 1              |
| - 470    | 343N2042-3   | .. FLANGE-    | POSITION DATA:<br>LH SIDE   | 002004<br>006100<br>107107<br>121503<br>904999 | 1              |
| - 475    | 343N2042-4   | .. FLANGE-    | POSITION DATA:<br>RH SIDE   | 002004<br>006100<br>107107<br>121503<br>904999 | 1              |
| - 480    | 83052B377S6  | .. FERRULE-   | SUPPLIER CODE:<br>V79326  | 002004<br>006100<br>107107<br>121503<br>904999 | 2              |
| - 485    | 63052B377S28 | .. FERRULE-   | SUPPLIER CODE:<br>V79326  | 002004<br>006100<br>107107<br>121503<br>904999 | 2              |
| - 490    | 63052B377S16 | .. FERRULE-   | SUPPLIER CODE:<br>V79326  | 002004<br>006100<br>107107<br>121503<br>904999 | 1              |
| - 495    | 63052B377S16 | .. FERRULE-   | SUPPLIER CODE:<br>V79326<br>POSITION DATA:<br>RH SIDE   | 002004<br>006100<br>107107<br>121503<br>904999 | 2              |
| 500      | 343N3301-47  | . TUBE ASSY-  | TUBING MATERIAL:<br>1.00 IN. OD .028 IN.<br>WALL 45.8 IN. LG<br>WW-T-700/6 6061 T4<br>TUBING      | 002004<br>006100<br>107107<br>121503<br>904999 | 1              |
| 505      | 343N3301-41  | . TUBE ASSY-  | POSITION DATA:<br>LH SIDE<br>TUBING MATERIAL:<br>1.00 IN. OD 28.00 IN.<br>WALL 25.00 IN. LG<br>AL | 002004<br>006100<br>107107<br>121503<br>904999 | 1              |

MISSING ITEM NUMBERS NOT APPLICABLE

- ITEM NOT ILLUSTRATED

28-22-03-01

28-22-03  
FIG. 01  
PAGE 21  
JAN 20/09

BRI



757

PARTS CATALOG (MAINTENANCE)

| FIG ITEM | PART NUMBER | 1 2 3 4 5 6 7 | NOMENCLATURE  | EFFECT FROM TO                                 | UNITS PER ASSY |
|----------|-------------|---------------|---|--|----------------|
| 1        |             |               |   |  |                |
| - 510    | 343N3301-42 |               | .TUBE ASSY-<br>POSITION DATA:<br>RH SIDE<br>TUBING MATERIAL:<br>1.00 IN. OD .028 IN.<br>WALL 23.14 IN. LG<br>WW-T-700/6 6061 T4<br>TUBING | 002004<br>006100<br>107107<br>121503<br>904999 | 1              |
| - 515    | S3052-16    |               | ..FERRULE-<br>SUPPLIER CODE:<br>V79326<br>SPECIFICATION NUMBER:<br>BACF32E16<br>USED ON:<br>343N3301-41<br>343N3301-47                    | 002004<br>006100<br>107107<br>121503<br>904999 | 2              |
| - 515    | AS1716D16   |               | ..FERRULE-<br>USED ON:<br>343N3301-42   | 002004<br>006100<br>107107<br>121503<br>904999 | 2              |
| 517      | BACC42R28   |               | .COUPLING ASSY<br>SUPPLIER CODE:<br>V79326<br>SPECIFICATION NUMBER:<br>BACC42R28  | 002004<br>006100<br>107107<br>121503<br>904999 | 2              |
| 518      | BACN10KL28  |               | ..NUT ASSY  | 002004<br>006100<br>107107<br>121503<br>904999 | 1              |
| 519      | BACR12BN28  |               | ..RING  | 002004<br>006100<br>107107<br>121503<br>904999 | 2              |
| 520      | BACR10AD28  |               | ..RETAINER  | 002004<br>006100<br>107107<br>121503<br>904999 | 2              |
| 521      | S3052-28    |               | ..FERRULE<br>SUPPLIER CODE:<br>V79326<br>SPECIFICATION NUMBER:<br>BACF32E28<br>OPTIONAL PART:<br>63052-28<br>V79326                       | 002004<br>006100<br>107107<br>121503<br>904999 | 2              |

MISSING ITEM NUMBERS NOT APPLICABLE

- ITEM NOT ILLUSTRATED

28-22-03-01

28-22-03  
FIG. 01  
PAGE 22  
JAN 20/09

BRI



**BOEING**  
757  
**PARTS CATALOG (MAINTENANCE)**

| FIG<br>ITEM | PART NUMBER | 1 2 3 4 5 6 7 | NOMENCLATURE  | EFFECT<br>FROM TO                              | UNITS<br>PER<br>ASSY |
|-------------|-------------|---------------|---|--|----------------------|
| 1<br>522    | BACC42P28   |               | . . BODY  | 002004<br>006100<br>107107<br>121503<br>904999 | 1                    |
| 525         | 73521-28    |               | . TEE ASSY-<br>SUPPLIER CODE:<br>V79326   | 002004<br>006100<br>107107<br>121503<br>904999 | 2                    |
| 530         | MS29513-328 |               | . PACKING   | 002004<br>006100<br>107107<br>121503<br>904999 | 9                    |
| 535         | 343N3301-33 |               | . TUBE ASSY-<br>POSITION DATA:<br>LH SIDE<br>TUBING MATERIAL:<br>1.75 IN. OD .028 IN.<br>WALL 26.71 IN. LG<br>WW-T-700/6 TUBING | 002004<br>006100<br>107107<br>121503<br>904999 | 1                    |
| - 540       | 343N3301-34 |               | . TUBE ASSY-<br>POSITION DATA:<br>RH SIDE<br>TUBING MATERIAL:<br>1.75 IN. OD .028 IN.<br>WALL 26.7 IN. LG<br>WW-T-700/6 TUBING  | 002004<br>006100<br>107107<br>121503<br>904999 | 1                    |
| 545         | 343N3301-50 |               | . TUBE ASSY-<br>TUBING MATERIAL:<br>1.75 IN. OD .028 IN.<br>WALL 24.58 IN. LG<br>WW-T-700/6 6061 T4<br>TUBING                   | 002004<br>006100<br>107107<br>121503<br>904999 | 1                    |
| 550         | 343N3301-81 |               | . TUBE ASSY-<br>POSITION DATA:<br>LH SIDE<br>TUBING MATERIAL:<br>1.75 IN. OD .028 IN.<br>WALL 37.67 IN. LG<br>WW-T-700/6 TUBING | 002004<br>006100<br>107107<br>121503<br>904999 | 1                    |

MISSING ITEM NUMBERS NOT APPLICABLE

- ITEM NOT ILLUSTRATED

BRI

# 28-22-03-01

BOEING PROPRIETARY - Copyright © - Unpublished Work - See title page for details.

28-22-03  
FIG. 01  
PAGE 23  
JAN 20/09



757

PARTS CATALOG (MAINTENANCE)

| FIG ITEM | PART NUMBER | 1 2 3 4 5 6 7 | NOMENCLATURE  | EFFECT FROM TO                                 | UNITS PER ASSY |
|----------|-------------|---------------|---|--|----------------|
| 1        |             |               |   |  |                |
| - 552    | 343N3301-56 | .             | TUBE ASSY-<br>POSITION DATA:<br>RH SIDE<br>TUBING MATERIAL:<br>1.75 IN. OD .028 IN.<br>WALL 36.7 IN. LG<br>WW-T-700/6 6061 T4<br>TUBING | 002004<br>006100<br>107107<br>121503<br>904999 | 1              |
| - 555    | 63052-28    | ..            | FERRULE-<br>SUPPLIER CODE:<br>V79326<br>SPECIFICATION NUMBER:<br>AS1716D28<br>OPTIONAL PART:<br>12F63-28A<br>V24984                     | 002004<br>006100<br>107107<br>121503<br>904999 | 2              |
| 560      | 343N2023-1  | .             | MANIFOLD ASSY   | 002004<br>006100<br>107107<br>121503<br>904999 | 1              |
| - 565    | S3052-28    | ..            | FERRULE<br>SUPPLIER CODE:<br>V79326<br>SPECIFICATION NUMBER:<br>BACF32E28<br>OPTIONAL PART:<br>63052-28<br>V79326                       | 002004<br>006100<br>107107<br>121503<br>904999 | 3              |
| 590      | 8366B343S6  | .             | ADAPTER-<br>SUPPLIER CODE:<br>V79326  | 002004<br>006100<br>107107<br>121503<br>904999 | 2              |
| 595      | MS29513-121 | .             | PACKING   | 002004<br>006100<br>107107<br>121503<br>904999 | 2              |
| 600      | 343N2032-1  | .             | TUBE ASSY-<br>POSITION DATA:<br>LH SIDE   | 002004<br>006100<br>107107<br>121503<br>904999 | 1              |
| - 605    | 343N2032-2  | .             | TUBE ASSY-<br>POSITION DATA:<br>RH SIDE   | 002004<br>006100<br>107107<br>121503<br>904999 | 1              |

MISSING ITEM NUMBERS NOT APPLICABLE

- ITEM NOT ILLUSTRATED

28-22-03-01

28-22-03  
FIG. 01  
PAGE 24  
JAN 20/09

BRI



757

PARTS CATALOG (MAINTENANCE)

| FIG ITEM | PART NUMBER  | 1 2 3 4 5 6 7 | NOMENCLATURE   | EFFECT FROM TO                                 | UNITS PER ASSY |
|----------|--------------|---------------|--|--|----------------|
| 1        |              |               |  |  |                |
| - 610    | S3052-24     |               | .. FERRULE<br>SUPPLIER CODE:<br>V79326<br>SPECIFICATION NUMBER:<br>BACF32E24<br>OPTIONAL PART:<br>63052-24<br>V79326 | 002004<br>006100<br>107107<br>121503<br>904999 | 1              |
| - 615    | 63052-24-28  |               | .. FERRULE-<br>SUPPLIER CODE:<br>V79326  | 002004<br>006100<br>107107<br>121503<br>904999 | 1              |
| 620      | 73531B123S24 |               | . COUPLING-<br>SUPPLIER CODE:<br>V79326  | 002004<br>006100<br>107107<br>121503<br>904999 | 1              |
| 625      | MS29513-326  |               | . PACKING  | 002004<br>006100<br>107107<br>121503<br>904999 | 1              |
| 630      | BACN10DR6D   |               | . NUT-   | 002004<br>006100<br>107107<br>121503<br>904999 | 1              |
| 635      | MS29512-06   |               | . PACKING-   | 002004<br>006100<br>107107<br>121503<br>904999 | 1              |
| 640      | B86S6        |               | . ELBOW-<br>SUPPLIER CODE:<br>V79326   | 002004<br>006100<br>107107<br>121503<br>904999 | 1              |
| 645      | NAS1801-4-12 |               | . SCREW-   | 002004<br>006100<br>107107<br>121503<br>904999 | 3              |
| 650      | NAS1801-4D12 |               | . SCREW-   | 002004<br>006100<br>107107<br>121503<br>904999 | 1              |

MISSING ITEM NUMBERS NOT APPLICABLE

- ITEM NOT ILLUSTRATED

28-22-03-01

28-22-03  
FIG. 01  
PAGE 25  
JAN 20/09

BRI



757

PARTS CATALOG (MAINTENANCE)

| FIG ITEM | PART NUMBER   | 1 2 3 4 5 6 7 | NOMENCLATURE  | EFFECT FROM TO                                 | UNITS PER ASSY |
|----------|---------------|---------------|---|--|----------------|
| 1<br>655 | AN960PD416L   | .             | WASHER-   | 002004<br>006100<br>107107<br>121503<br>904999 | 8              |
| 660      | BACB30LJ4U14  | .             | BOLT-   | 002004<br>006100<br>107107<br>121503<br>904999 | 1              |
| 665      | BACB30LJ4HU12 | .             | BOLT-   | 002004<br>006100<br>107107<br>121503<br>904999 | 3              |
| 670      | AN960PD416    | .             | WASHER-   | 002004<br>006100<br>107107<br>121503<br>904999 | 4              |
| 675      | BRH10A4       | .             | NUT-<br>SUPPLIER CODE:<br>V52828<br>SPECIFICATION NUMBER:<br>BACN10JC4<br>OPTIONAL PART:<br>T6S428J<br>V11815<br>96-048<br>V80539<br>VN303A048<br>V92215<br>RMLH9075-4W<br>V72962<br>NS202101-048<br>V80539<br>H10-4BAC<br>V15653 | 002004<br>006100<br>107107<br>121503<br>904999 | 8              |
| 680      | MS29513-223   | .             | PACKING-  | 002004<br>006100<br>107107<br>121503<br>904999 | 1              |
| 685      | MS29513-228   | .             | PACKING-  | 002004<br>006100<br>107107<br>121503<br>904999 | 2              |

MISSING ITEM NUMBERS NOT APPLICABLE

- ITEM NOT ILLUSTRATED

28-22-03-01

28-22-03  
FIG. 01  
PAGE 26  
JAN 20/09

BRI



757

PARTS CATALOG (MAINTENANCE)

| FIG<br>ITEM | PART NUMBER  | 1 2 3 4 5 6 7 | NOMENCLATURE   | EFFECT<br>FROM TO                              | UNITS<br>PER<br>ASSY |
|-------------|--------------|---------------|--|--|----------------------|
| 1<br>690    | 20C144-5     |               | .VALVE-BOOST PUMP CHK<br>SUPPLIER CODE:<br>V82829<br>FUNCTIONAL DESCRIPTION:<br>ALLOWS FUEL FLOW FROM<br>THE BOOST PUMP TO THE<br>ENGINE AND PREVENTS<br>REVERSE FLOW THROUGH<br>THE PUMP<br>SPECIFICATION NUMBER:<br>10-60526-15<br>COMPONENT MAINT MANUAL REF:<br>28-22-03 | 002004<br>006100<br>107107<br>121503<br>904999 | 1                    |
| 695         | 69B92317-1   |               | .ADAPTER ASSY  | 002004<br>006100<br>107107<br>121503<br>904999 | 1                    |
| 700         | NAS1801-4-14 |               | .SCREW   | 002004<br>006100<br>107107<br>121503<br>904999 | 5                    |
| 702         | NAS6604H7    |               | .BOLT  | 002004<br>006100<br>107107<br>121503<br>904999 | 1                    |
| 705         | AN960PD416   |               | .WASHER-   | 002004<br>006100<br>107107<br>121503<br>904999 | 6                    |

MISSING ITEM NUMBERS NOT APPLICABLE

- ITEM NOT ILLUSTRATED

BRI

28-22-03-01

BOEING PROPRIETARY - Copyright © - Unpublished Work - See title page for details.

28-22-03  
FIG. 01  
PAGE 27  
JAN 20/09



757

PARTS CATALOG (MAINTENANCE)

| FIG ITEM | PART NUMBER | 1 2 3 4 5 6 7                    | NOMENCLATURE  | EFFECT FROM TO                                 | UNITS PER ASSY |
|----------|-------------|----------------------------------|---|--|----------------|
| 1<br>710 | BRH10A4     | .NUT                             | SUPPLIER CODE:<br>V52828<br>SPECIFICATION NUMBER:<br>BACN10JC4<br>OPTIONAL PART:<br>T6S428J<br>V11815<br>96-048<br>V80539<br>VN303A048<br>V92215<br>RMLH9075-4W<br>V72962<br>NS202101-048<br>V80539<br>H10-4BAC<br>V15653 | 002004<br>006100<br>107107<br>121503<br>904999 | 6              |
| 715      | MS29513-231 | .PACKING                         |   | 002004<br>006100<br>107107<br>121503<br>904999 | 1              |
| 720      | 2660608M2   | .VALVE-BOOST PUMP REMOVAL<br>CHK | SUPPLIER CODE:<br>V92003<br>FUNCTIONAL DESCRIPTION:<br>PERMITS REMOVAL OF FUEL<br>PUMP WITHOUT EMPTYING<br>FUEL TANK<br>SPECIFICATION NUMBER:<br>60B92405-3<br>COMPONENT MAINT MANUAL REF:<br>28-10-21                    | 002004<br>006100<br>107107<br>121503<br>904999 | 1              |
| 725      | NAS6604H15  | .BOLT-                           |   | 002004<br>006100<br>107107<br>121503<br>904999 | 7              |
| 730      | NAS6604H18  | .BOLT-                           |   | 002004<br>006100<br>107107<br>121503<br>904999 | 1              |

MISSING ITEM NUMBERS NOT APPLICABLE

- ITEM NOT ILLUSTRATED

28-22-03-01

28-22-03  
FIG. 01  
PAGE 28  
JAN 20/09

BRI



757

PARTS CATALOG (MAINTENANCE)

| FIG ITEM                             | PART NUMBER | 1 2 3 4 5 6 7  | NOMENCLATURE  | EFFECT FROM TO                                 | UNITS PER ASSY |
|--------------------------------------|-------------|----------------|---|--|----------------|
| 1<br>R<br>R<br>R<br>R<br>R<br>R<br>R | 735         | AN960D416L     | .WASHER-  | 002004<br>006100<br>107107<br>121503<br>904999 | 8              |
|                                      | 740         | NAS1352C08H10P | .SCREW-   | 002004<br>006100<br>107107<br>121503<br>904999 | 5              |
|                                      | 745         | AN960D8        | .WASHER   | 002004<br>006100<br>107107<br>121503<br>904999 | 5              |
|                                      | 750         | NAS6604-3      | .BOLT-  | 002004<br>006100<br>107107<br>121503<br>904999 | 2              |
|                                      | 755         | AN960D416L     | .WASHER-  | 002004<br>006100<br>107107<br>121503<br>904999 | 4              |
| 757                                  | BRH10A4     | .NUT-          | 002004<br>006100<br>107107<br>121503<br>904999  | 2  |                |
|                                      |             |                | SUPPLIER CODE:<br>V52828<br>SPECIFICATION NUMBER:<br>BACN10JC4<br>OPTIONAL PART:<br>T6S428J<br>V11815<br>96-048<br>V80539<br>VN303A048<br>V92215<br>RMLH9075-4W<br>V72962<br>NS202101-048<br>V80539<br>H10-4BAC<br>V15653 |  |                |

MISSING ITEM NUMBERS NOT APPLICABLE

- ITEM NOT ILLUSTRATED

28-22-03-01

28-22-03  
FIG. 01  
PAGE 29  
MAY 20/09

BRI



**757  
PARTS CATALOG (MAINTENANCE)**

| FIG ITEM                                  | PART NUMBER                         | 1 2 3 4 5 6 7 | NOMENCLATURE  | EFFECT FROM TO                                 | UNITS PER ASSY |
|---|-------------------------------------|---------------|---|--|----------------|
| R<br>R<br>R<br>R<br>R<br>R<br>R<br>R<br>R | 1<br>760                            | RBEJ40D20-24  | . JUMPER ASSY-<br>SUPPLIER CODE:<br>V1GK47<br>SPECIFICATION NUMBER:<br>BACJ40D20-24<br>OPTIONAL PART:<br>4F24F<br>V79550  | 002004<br>006100<br>107107<br>121503<br>904999 | 2              |
|   | 763                                 | 343N2054-2    | . CLIP-   | 002004<br>006100<br>107107<br>121503<br>904999 | 2              |
|   | 775                                 | 678576        | . SEAL-<br>SUPPLIER CODE:<br>V83259   | 002004<br>006100<br>107107<br>121503<br>904999 | 1              |
|   | 780                                 | 60-75502      | . HOUSING ASSY-<br>SUPPLIER CODE:<br>V81982<br>FUNCTIONAL DESCRIPTION:<br>PROVIDES A DRY BAY FOR<br>SERVICING AND REMOVAL OF<br>BOOST PUMPS<br>SPECIFICATION NUMBER:<br>60B92404-2<br>COMPONENT MAINT MANUAL REF:<br>28-22-06 | 002004<br>006100<br>107107<br>121503<br>904999 | 1              |
|   | 795                                 | MS35275-230   | .. SCREW  | 002004<br>006100<br>107107<br>121503<br>904999 | 3              |
|   | 800                                 | NAS620C6      | .. WASHER   | 002004<br>006100<br>107107<br>121503<br>904999 | 3              |
|   | 803                                 | 60-75529      | .. PORT-PRIMER DISCH<br>SUPPLIER CODE:<br>V81982  | 002004<br>006100<br>107107<br>121503<br>904999 | 1              |
|   | 805                                 | MS29513-027   | .. PACKING  | 002004<br>006100<br>107107<br>121503<br>904999 | 2              |
|   | MISSING ITEM NUMBERS NOT APPLICABLE |               |   |  |                |

- ITEM NOT ILLUSTRATED

# 28-22-03-01

28-22-03  
FIG. 01  
PAGE 30  
MAY 20/09

BRI





**757  
PARTS CATALOG (MAINTENANCE)**

| FIG<br>ITEM | PART NUMBER | 1 2 3 4 5 6 7 | NOMENCLATURE  | EFFECT<br>FROM TO                              | UNITS<br>PER<br>ASSY |
|-------------|-------------|---------------|---|--|----------------------|
| 1<br>810    | 60-75521    |               | . . VALVE ASSY-CHK<br>SUPPLIER CODE:<br>V81982  | 002004<br>006100<br>107107<br>121503<br>904999 | 1                    |
| 850         | 60-75504    |               | . MOTOR-IMPELLER<br>FUEL BOOST PUMP<br>SUPPLIER CODE:<br>V81982<br>SPECIFICATION NUMBER:<br>60B92404-5<br>MISCELLANEOUS DATA:<br>60-755100-5 IS PREFERRED<br>SPARE FOR 60-75504 FOR<br>ALL MODELS<br>COMPONENT MAINT MANUAL REF:<br>28-22-06<br>PRE ALERT SB:<br>28A0066<br>28A0070R2<br>PRE SERVICE BULLETIN:<br>60-75504-28-02<br>V81982<br>REWORKED BY SB:<br>28-01<br>V81982<br>FOR DETAILS SEE:<br>28-22-03-51 | 002004<br>006100<br>107107<br>121503<br>904999 | 1                    |

MISSING ITEM NUMBERS NOT APPLICABLE

— ITEM NOT ILLUSTRATED

BRI

# 28-22-03-01

BOEING PROPRIETARY - Copyright © - Unpublished Work - See title page for details.

28-22-03  
FIG. 01  
PAGE 31  
JAN 20/09



757

PARTS CATALOG (MAINTENANCE)

| FIG<br>ITEM | PART NUMBER | 1 2 3 4 5 6 7 | NOMENCLATURE  | EFFECT<br>FROM TO                              | UNITS<br>PER<br>ASSY |
|-------------|-------------|---------------|---|--|----------------------|
| 1<br>850    | 60-755100   |               | .MOTOR-IMPELLER<br>FUEL BOOST PUMP<br>SUPPLIER CODE:<br>V81982<br>FUNCTIONAL DESCRIPTION:<br>DELIVERS FUEL UNDER<br>PRESSURE FROM A TANK TO<br>ITS RESPECTIVE ENGINE OR<br>THROUGH THE CROSSFEED<br>VALVE TO THE OTHER<br>ENGINE<br>SPECIFICATION NUMBER:<br>60B92404-6<br>MISCELLANEOUS DATA:<br>PART INTERCHANGEABILITY<br>FOR 747 IS SHOWN ON<br>BOEING DRAWING 344U0052<br>COMPONENT MAINT MANUAL REF:<br>28-22-06<br>PRE ALERT SB:<br>28A0066<br>28A0070R2<br>PRE SERVICE BULLETIN:<br>60-755100-28-2<br>V81982<br>REWORKED BY SB:<br>28-01<br>V81982<br>FOR DETAILS SEE:<br>28-22-03-51 | 002004<br>006100<br>107107<br>121503<br>904999 | 1                    |

MISSING ITEM NUMBERS NOT APPLICABLE

- ITEM NOT ILLUSTRATED

BRI

28-22-03-01

BOEING PROPRIETARY - Copyright © - Unpublished Work - See title page for details.

28-22-03  
 FIG. 01  
 PAGE 32  
 JAN 20/09



757

PARTS CATALOG (MAINTENANCE)

| FIG ITEM | PART NUMBER | 1 2 3 4 5 6 7 | NOMENCLATURE  | EFFECT FROM TO                                 | UNITS PER ASSY |
|----------|-------------|---------------|---|--|----------------|
| 1<br>850 | 60-755100-4 |               | .MOTOR-IMPELLER<br>FUEL BOOST PUMP<br>SUPPLIER CODE:<br>V81982<br>FUNCTIONAL DESCRIPTION:<br>DELIVERS FUEL UNDER<br>PRESSURE FROM A TANK TO<br>ITS RESPECTIVE ENGINE OR<br>THROUGH THE CROSSFEED<br>VALVE TO THE OTHER<br>ENGINE<br>SPECIFICATION NUMBER:<br>60B92404-8<br>COMPONENT MAINT MANUAL REF:<br>28-22-08<br>POST ALERT SB:<br>28A0066<br>PRE ALERT SB:<br>28A0070R2<br>POST SERVICE BULLETIN:<br>60-755100-28-1<br>V81982<br>PRE SERVICE BULLETIN:<br>60-755100-28-2<br>V81982<br>FOR DETAILS SEE:<br>28-22-03-51 | 002004<br>006100<br>107107<br>121503<br>904999 | 1              |

MISSING ITEM NUMBERS NOT APPLICABLE

- ITEM NOT ILLUSTRATED

BRI

28-22-03-01

BOEING PROPRIETARY - Copyright © - Unpublished Work - See title page for details.

28-22-03  
FIG. 01  
PAGE 33  
JAN 20/09



757

PARTS CATALOG (MAINTENANCE)

| FIG ITEM | PART NUMBER | 1 2 3 4 5 6 7 | NOMENCLATURE  | EFFECT FROM TO                                 | UNITS PER ASSY |
|----------|-------------|---------------|---|--|----------------|
| 1<br>850 | 60-755100-2 | .             | MOTOR-IMPELLER<br>FUEL BOOST PUMP<br>SUPPLIER CODE:<br>V81982<br>FUNCTIONAL DESCRIPTION:<br>DELIVERS FUEL UNDER<br>PRESSURE FROM A TANK TO<br>ITS RESPECTIVE ENGINE OR<br>THROUGH THE CROSSFEED<br>VALVE TO THE OTHER<br>ENGINE<br>SPECIFICATION NUMBER:<br>60B92404-7<br>COMPONENT MAINT MANUAL REF:<br>28-22-08<br>PRE ALERT SB:<br>28A0070R2<br>PRE SERVICE BULLETIN:<br>60-755100-28-2<br>V81982<br>60-755100-28-1<br>V81982<br>FOR DETAILS SEE:<br>28-22-03-51 | 002004<br>006100<br>107107<br>121503<br>904999 | 1              |
| 850      | 60-755100-5 | .             | MOTOR-IMPELLER<br>FUEL BOOST PUMP<br>SUPPLIER CODE:<br>V81982<br>SPECIFICATION NUMBER:<br>60B92404-10<br>POST ALERT SB:<br>28A0070R2<br>POST SERVICE BULLETIN:<br>60-75504-28-2<br>V81982<br>60-755100-28-2<br>V81982<br>FOR DETAILS SEE:<br>28-22-03-51  | 002004<br>006100<br>107107<br>121503<br>904999 | 1              |

MISSING ITEM NUMBERS NOT APPLICABLE

- ITEM NOT ILLUSTRATED

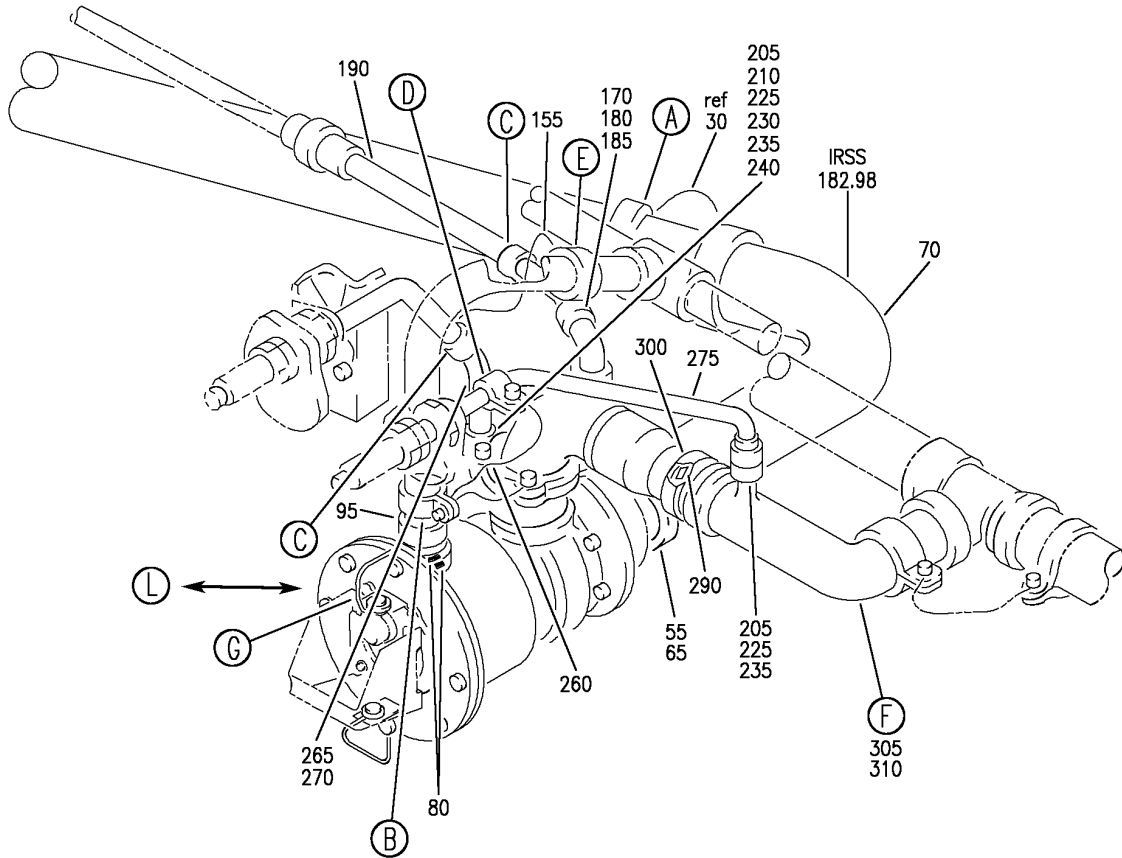
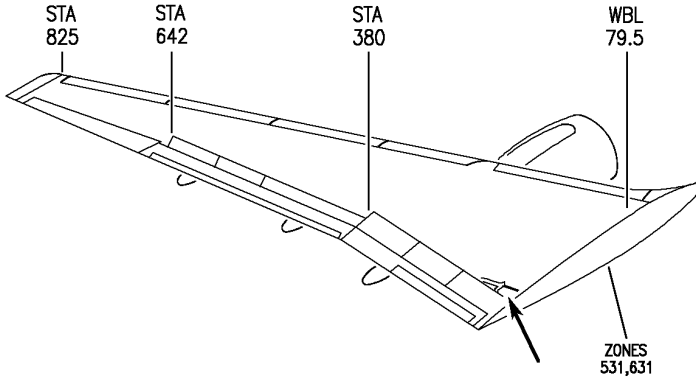
BRI

28-22-03-01

BOEING PROPRIETARY - Copyright © - Unpublished Work - See title page for details.

28-22-03  
FIG. 01  
PAGE 34  
JAN 20/09

**BOEING**  
757  
PARTS CATALOG (MAINTENANCE)



Y 28220301B SHT 1 REV 334

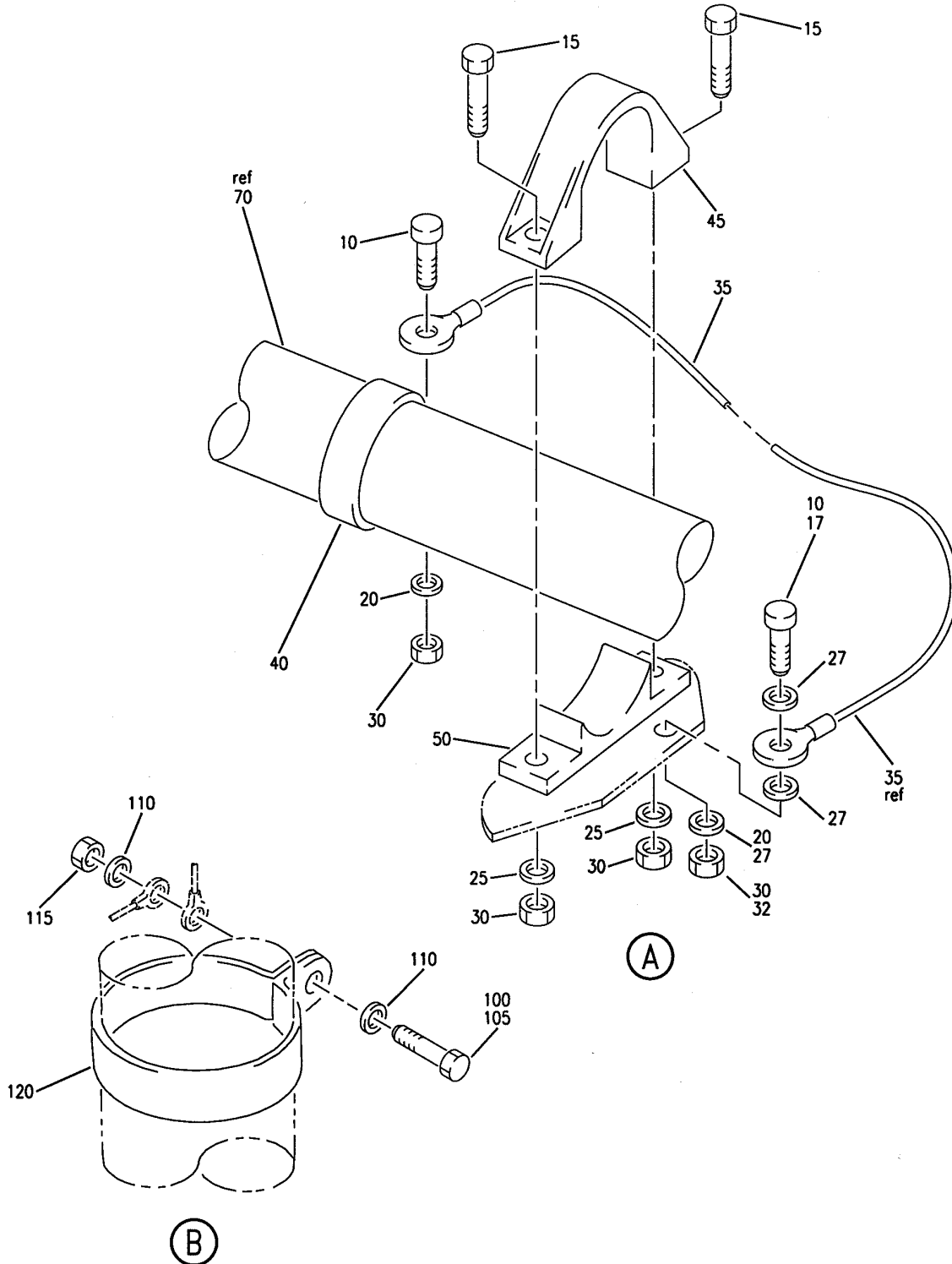
PUMP INSTL-ENG FUEL FEED SYS (DISTRIBUTION ONLY) AFT  
FIGURE 1B (SHEET 1)

**28-22-03-01B**

BRI  
MAY 20/09

28-22-03-01B  
PAGE 0

**BOEING**  
757  
PARTS CATALOG (MAINTENANCE)



Y 28220301B SHT 2 REV 214

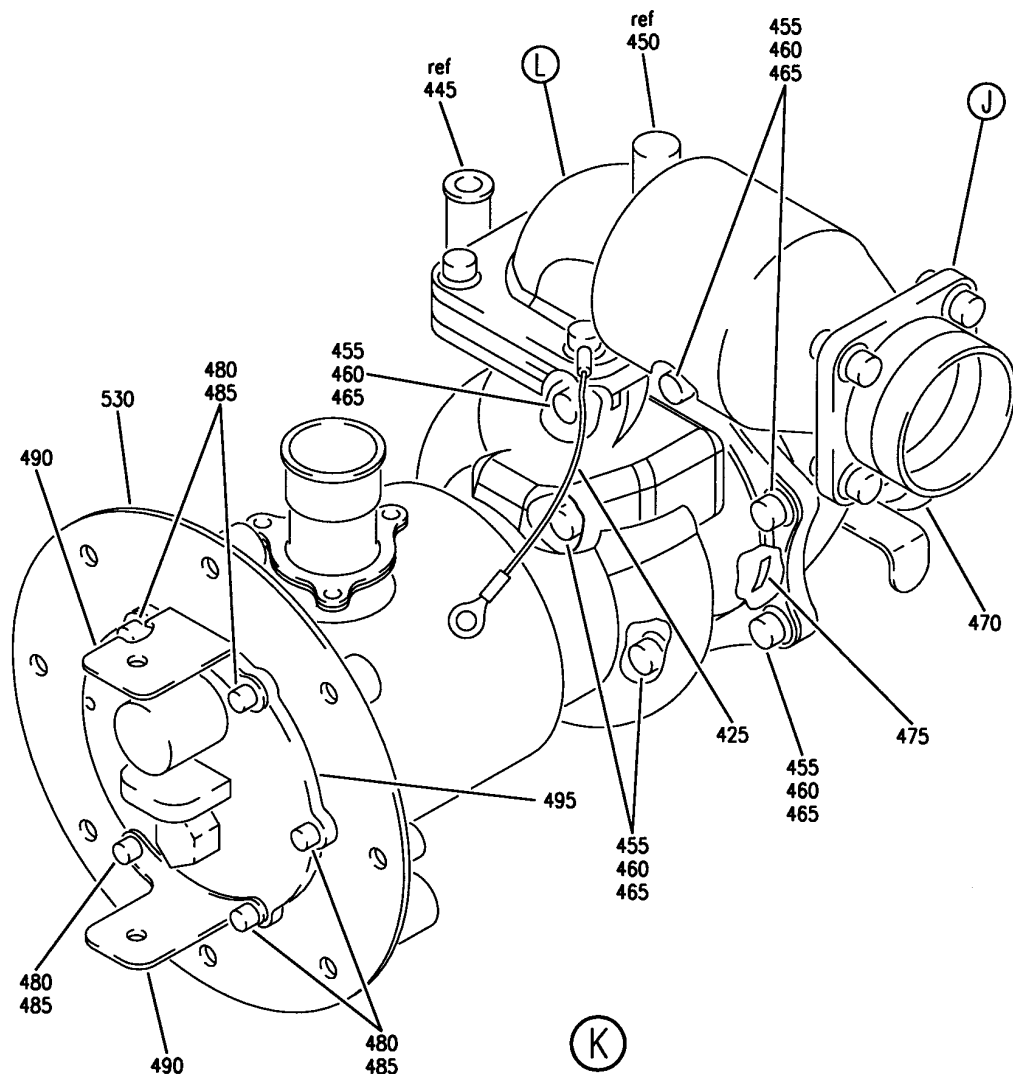
PUMP INSTL-ENG FUEL FEED SYS (DISTRIBUTION ONLY) AFT  
FIGURE 1B (SHEET 2)

**28-22-03-01B**

BRI  
MAY 28/07

28-22-03-01B  
PAGE 0A

**BOEING**  
757  
PARTS CATALOG (MAINTENANCE)



Y 28220301B SHT 5 REV 205

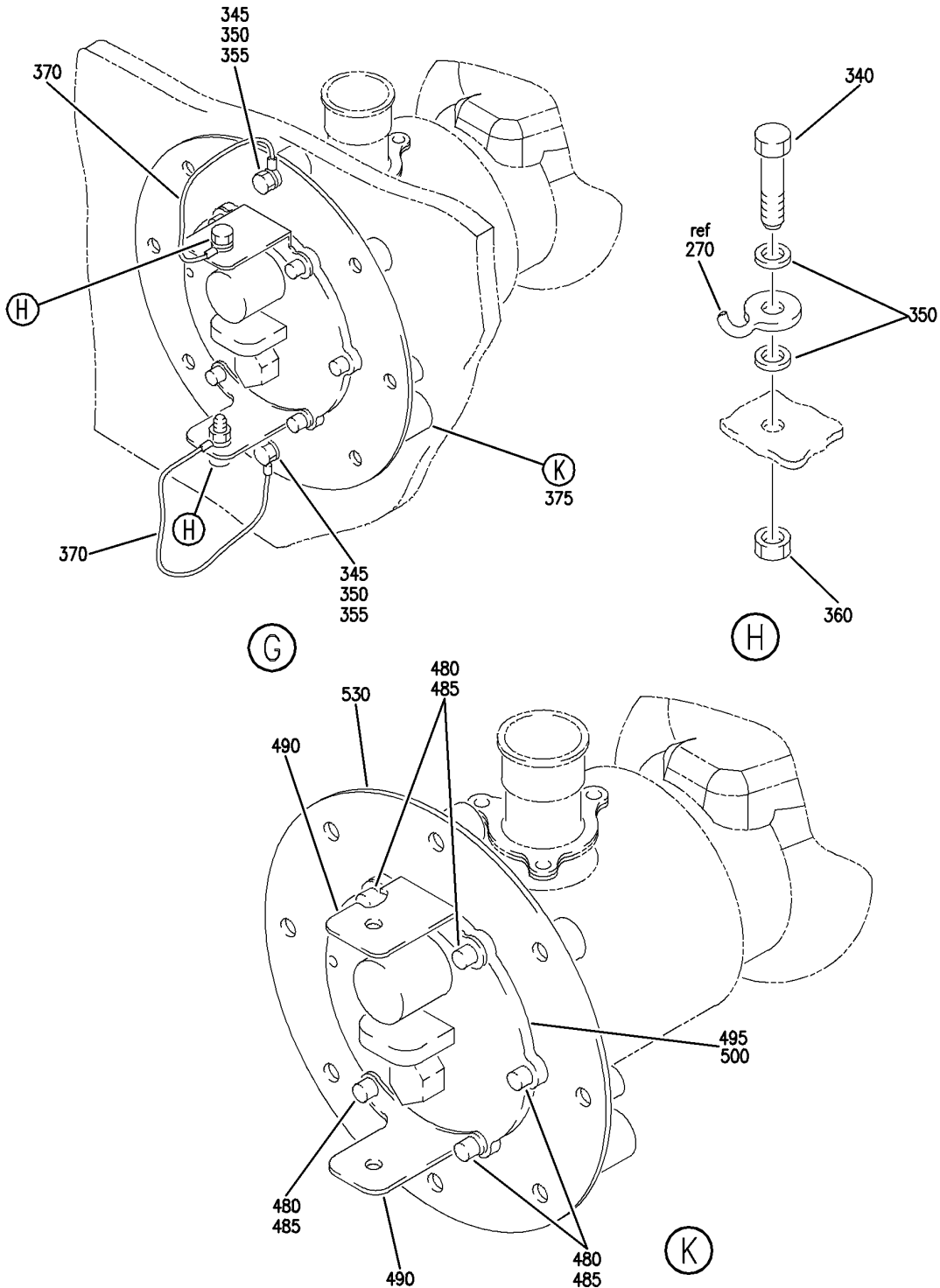
PUMP INSTL-ENG FUEL FEED SYS (DISTRIBUTION ONLY) AFT  
FIGURE 1B (SHEET 3)

**28-22-03-01B**

BRI  
MAY 28/07

28-22-03-01B  
PAGE 0B

**BOEING**  
757  
PARTS CATALOG (MAINTENANCE)



Y 28220301B SH1 4 REV 243

PUMP INSTL-ENG FUEL FEED SYS (DISTRIBUTION ONLY) AFT  
FIGURE 1B (SHEET 4)

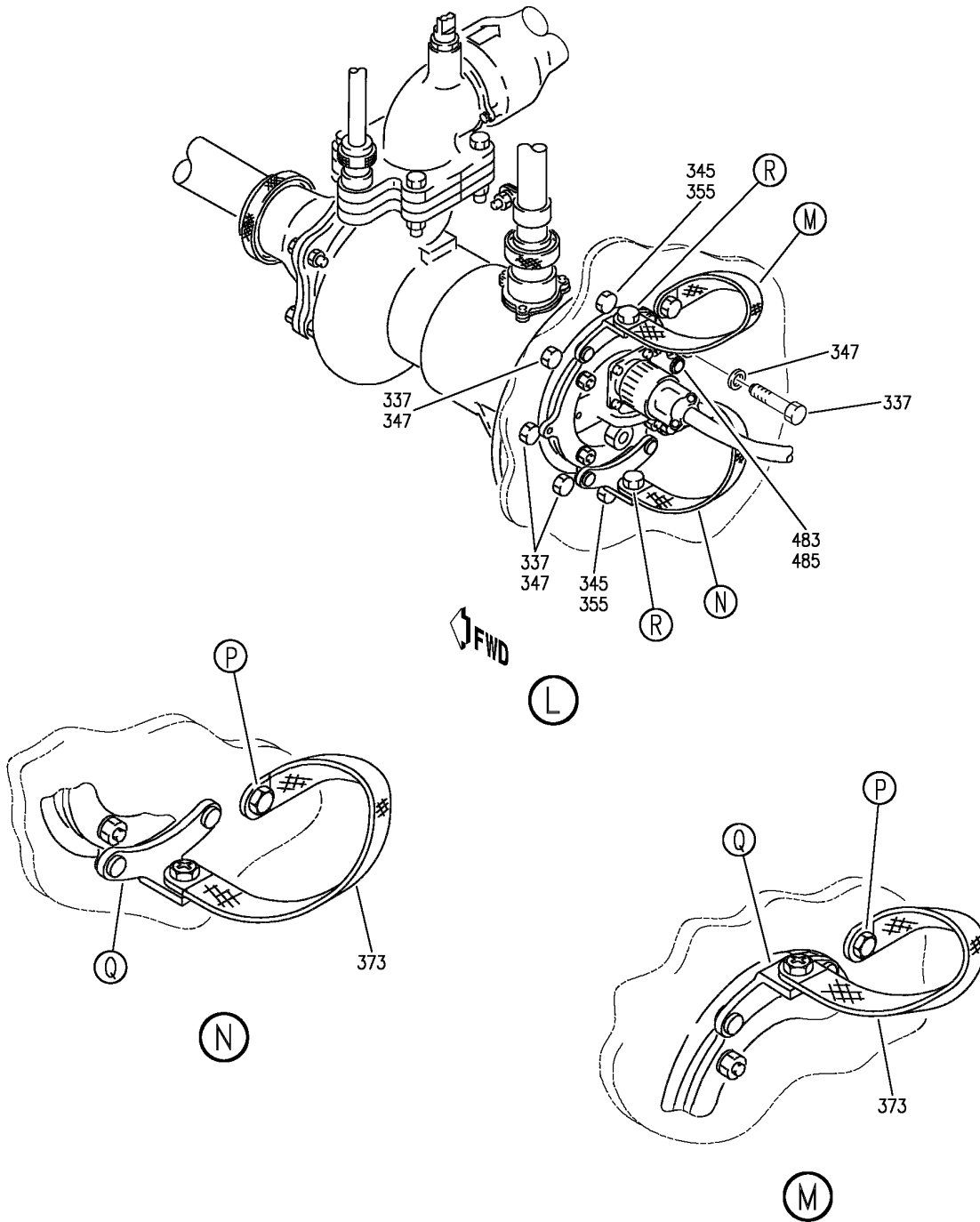
**28-22-03-01B**

BRI  
MAY 28/07

28-22-03-01B  
PAGE 0C



**BOEING**  
757  
PARTS CATALOG (MAINTENANCE)



Y 28220301B SHT 5 REV 335

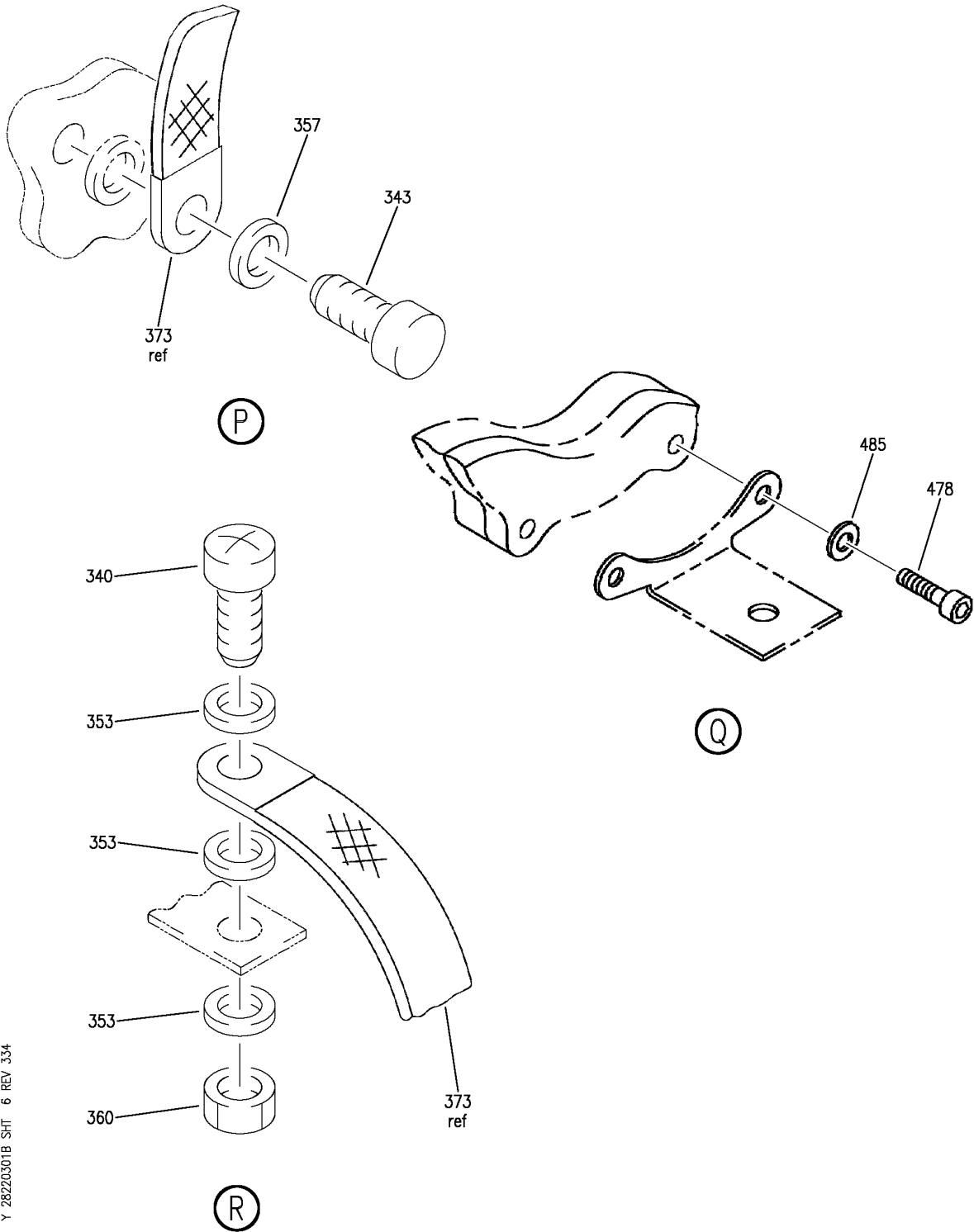
PUMP INSTL-ENG FUEL FEED SYS (DISTRIBUTION ONLY) AFT  
FIGURE 1B (SHEET 5)

**28-22-03-01B**

BRI  
MAY 20/09

28-22-03-01B  
PAGE 0D

**BOEING**  
757  
PARTS CATALOG (MAINTENANCE)



Y 28220301B SH1 6 REV 334

PUMP INSTL-ENG FUEL FEED SYS (DISTRIBUTION ONLY) AFT  
FIGURE 1B (SHEET 6)

**28-22-03-01B**

BRI  
MAY 20/09

28-22-03-01B  
PAGE 0E



757

PARTS CATALOG (MAINTENANCE)

| FIG ITEM | PART NUMBER   | 1 2 3 4 5 6 7 | NOMENCLATURE  | EFFECT FROM TO             | UNITS PER ASSY |
|----------|---------------|---------------|---|----------------------------|----------------|
| 1B       |               |               | PUMP INSTL-ENG FUEL FEED<br>SYS (DISTRIBUTION ONLY)<br>AFT  | 102106<br>108120<br>504903 |                |
| - 1      | 343N3301-129  |               | PUMP INSTL-ENG FUEL FEED<br>SYS(DISTRIBUTION ONLY)<br>POSITION DATA:<br>AFT, LH<br>FOR NHA/OTHER SYS DET SEE:<br>28-00-00-05  | 102102<br>108120<br>504903 | RF             |
| - 1      | MODREF21943   |               | PUMP INSTL-ENG FUEL FEED<br>SYS (DISTRIBUTION ONLY)<br>MODULE NUMBER:<br>343N3301-141 REV A<br>POSITION DATA:<br>AFT LH<br>FOR OTHER SYS DETAILS SEE:<br>28-42-01-01A | 103106                     | 1              |
| - 5      | 343N3301-130  |               | PUMP INSTL-ENG FUEL FEED<br>SYS(DISTRIBUTION ONLY)<br>POSITION DATA:<br>AFT, RH<br>FOR NHA/OTHER SYS DET SEE:<br>28-00-00-05  | 102102<br>108120<br>504903 | RF             |
| - 5      | MODREF22803   |               | PUMP INSTL-ENG FUEL FEED<br>SYS (DISTRIBUTION ONLY)<br>MODULE NUMBER:<br>343N3301-142 REV B<br>POSITION DATA:<br>AFT RH<br>FOR OTHER SYS DETAILS SEE:<br>28-42-01-01A | 103106                     | 1              |
| 10       | BACS12GU3K7   |               | .SCREW  | 102106<br>108120<br>504903 | 2              |
| 15       | BACS12GU3K11  |               | .SCREW  | 102106<br>108120<br>504903 | 2              |
| 17       | BACS12GU3K8   |               | .SCREW  | 102106<br>108120<br>504903 | 1              |
| 20       | NAS1149D0316H |               | .WASHER   | 102106<br>108120<br>504903 | 2              |
| 25       | NAS1149D0316J |               | .WASHER   | 102106<br>108120<br>504903 | 2              |
| 27       | NAS1149D0316H |               | .WASHER   | 102106<br>108120<br>504903 | 3              |

MISSING ITEM NUMBERS NOT APPLICABLE

- ITEM NOT ILLUSTRATED

28-22-03-01B

28-22-03  
FIG. 01B  
PAGE 1  
JAN 20/09

BRI

BOEING PROPRIETARY - Copyright © - Unpublished Work - See title page for details.



757

PARTS CATALOG (MAINTENANCE)

| FIG ITEM | PART NUMBER | 1 2 3 4 5 6 7  | NOMENCLATURE  | EFFECT FROM TO             | UNITS PER ASSY |
|----------|-------------|----------------|---|----------------------------|----------------|
| 1B<br>30 | PLH53CD     | .NUT           | SUPPLIER CODE:<br>VF0224<br>SPECIFICATION NUMBER:<br>BACN10YR3CD<br>OPTIONAL PART:<br>H52732-3CD<br>V15653                        | 102106<br>108120<br>504903 | 4              |
| 32       | PLH53CD     | .NUT           | SUPPLIER CODE:<br>VF0224<br>SPECIFICATION NUMBER:<br>BACN10YR3CD<br>OPTIONAL PART:<br>H52732-3CD<br>V15653                        | 102106<br>108120<br>504903 | 1              |
| 35       | 740A20-6    | .JUMPER ASSY   | SUPPLIER CODE:<br>V91812<br>SPECIFICATION NUMBER:<br>BACJ40A20-6<br>OPTIONAL PART:<br>TJEJ40A20-6<br>V33483<br>RBEJ20-6<br>V1GK47 | 102106<br>108120<br>504903 | 1              |
| 40       | AN735DC32   | .CLAMP         |   | 102106<br>108120<br>504903 | 1              |
| 45       | BACC10EW32A | .CLAMP STRAP   |   | 102106<br>108120<br>504903 | 1              |
| 50       | BACC10EW32B | .CLAMP SADDLE  |   | 102106<br>108120<br>504903 | 1              |
| 55       | MS29513-330 | .PACKING       |   | 102106<br>108120<br>504903 | 1              |
| 65       | 63551-32A   | .COUPLING ASSY | SUPPLIER CODE:<br>V79326<br>SPECIFICATION NUMBER:<br>AS1713D32<br>OPTIONAL PART:<br>12H63-32A<br>V24984                           | 102106<br>108120<br>504903 | 1              |

MISSING ITEM NUMBERS NOT APPLICABLE

- ITEM NOT ILLUSTRATED

28-22-03-01B

28-22-03  
FIG. 01B  
PAGE 2  
JAN 20/09

BRI

BOEING PROPRIETARY - Copyright © - Unpublished Work - See title page for details.



757

PARTS CATALOG (MAINTENANCE)

| FIG ITEM | PART NUMBER   | 1 2 3 4 5 6 7   | NOMENCLATURE   | EFFECT FROM TO             | UNITS PER ASSY |
|----------|---------------|-----------------|--|----------------------------|----------------|
| 1B<br>70 | 343N3301-48   | . TUBE ASSY-    | TUBING MATERIAL:<br>2.00 IN. OD .028 IN.<br>WALL 41.61 IN. LG<br>WW-T-700/6 TUBING                         | 102106<br>108120<br>504903 | 1              |
| - 75     | BACF32E32     | .. FERRULE      | SUPPLIER CODE:<br>V79326<br>SPECIFICATION NUMBER:<br>BACF32E32<br>OPTIONAL PART:<br>63052-32<br>V79326     | 102106<br>108120<br>504903 | 2              |
| 80       | MS29513-216   | . PACKING       |  | 102106<br>108120<br>504903 | 2              |
| 95       | 12J63-16A     | . COUPLING ASSY | SUPPLIER CODE:<br>V24984<br>SPECIFICATION NUMBER:<br>AS1712D16<br>OPTIONAL PART:<br>83051-16A<br>V79326    | 102106<br>108120<br>504903 | 1              |
| 100      | BACS12GU3K8   | . SCREW         |  | 102106<br>108120<br>504903 | 1              |
| 105      | BACS12GU3K7   | . SCREW         |  | 102106<br>108120<br>504903 | 1              |
| 110      | NAS1149D0316H | . WASHER        |  | 102106<br>108120<br>504903 | 2              |
| 115      | PLH53CD       | . NUT           | SUPPLIER CODE:<br>VF0224<br>SPECIFICATION NUMBER:<br>BACN10YR3CD<br>OPTIONAL PART:<br>H52732-3CD<br>V15653 | 102106<br>108120<br>504903 | 1              |
| 120      | AN735DC16     | . CLAMP         |  | 102106<br>108120<br>504903 | 1              |
| 125      | BACS12GU3K7   | . SCREW         |  | 102106<br>108120<br>504903 | 2              |

MISSING ITEM NUMBERS NOT APPLICABLE

- ITEM NOT ILLUSTRATED

28-22-03-01B

28-22-03  
FIG. 01B  
PAGE 3  
JAN 20/09

BRI

BOEING PROPRIETARY - Copyright © - Unpublished Work - See title page for details.



757

PARTS CATALOG (MAINTENANCE)

| FIG ITEM | PART NUMBER   | 1 2 3 4 5 6 7 | NOMENCLATURE   | EFFECT FROM TO             | UNITS PER ASSY |
|----------|---------------|---------------|--|----------------------------|----------------|
| 1B       |               |               |  |                            |                |
| 130      | BACS12GU3K8   | .             | SCREW  | 102106<br>108120<br>504903 | 1              |
| 135      | NAS1149D0316H | .             | WASHER   | 102106<br>108120<br>504903 | 6              |
| 140      | PLH53CD       | .             | NUT<br>SUPPLIER CODE:<br>VF0224<br>SPECIFICATION NUMBER:<br>BACN10YR3CD<br>OPTIONAL PART:<br>H52732-3CD<br>V15653                                | 102106<br>108120<br>504903 | 3              |
| 145      | AN735DC16     | .             | CLAMP  | 102106<br>108120<br>504903 | 1              |
| - 150    | AN735DC6      | .             | CLAMP  | 102106<br>108120<br>504903 | 2              |
| 155      | 740A20-6      | .             | JUMPER ASSY<br>SUPPLIER CODE:<br>V91812<br>SPECIFICATION NUMBER:<br>BACJ40A20-6<br>OPTIONAL PART:<br>TJEJ40A20-6<br>V33483<br>RBEJ20-6<br>V1GK47 | 102106<br>108120<br>504903 | 2              |
| - 160    | 343N2043-6    | .             | TUBE ASSY-<br>TUBING MATERIAL:<br>1 IN. OD .028 IN.<br>WALL 13.479 IN. LG<br>WW-T-700/6 6061 T4<br>TUBING  | 102106<br>108120<br>504903 | 1              |
| - 165    | AS1716D16     | ..            | FERRULE  | 102106<br>108120<br>504903 | 2              |
| 170      | MS29512-06    | .             | PACKING  | 102106<br>108120<br>504903 | 1              |
| 180      | B86S6         | .             | ELBOW-<br>SUPPLIER CODE:<br>V79326   | 102106<br>108120<br>504903 | 1              |
| 185      | BACN10DR6D    | .             | NUT  | 102106<br>108120<br>504903 | 1              |

MISSING ITEM NUMBERS NOT APPLICABLE

- ITEM NOT ILLUSTRATED

28-22-03-01B

28-22-03  
FIG. 01B  
PAGE 4  
JAN 20/09

BRI

BOEING PROPRIETARY - Copyright © - Unpublished Work - See title page for details.



757

PARTS CATALOG (MAINTENANCE)

| FIG ITEM  | PART NUMBER | 1 2 3 4 5 6 7 | NOMENCLATURE   | EFFECT FROM TO             | UNITS PER ASSY |
|-----------|-------------|---------------|--|----------------------------|----------------|
| 1B<br>190 | 343N2039-5  |               | .TUBE ASSY-<br>POSITION DATA:<br>LH SIDE<br>TUBING MATERIAL:<br>.375 IN. OD .022 IN.<br>WALL 14.602 IN. LG<br>WW-T-700/6 6061 T4<br>TUBING | 102102<br>108120<br>504903 | 1              |
| 190       | 343N2039-6  |               | .TUBE ASSY-<br>POSITION DATA:<br>LH SIDE<br>TUBING MATERIAL:<br>.375 IN. OD .022 IN.<br>WALL 14.753 IN. LG<br>WW-T-700/6 6061 T4<br>TUBING | 103106                     | 1              |
| - 195     | 343N2039-4  |               | .TUBE ASSY-<br>POSITION DATA:<br>RH SIDE<br>TUBING MATERIAL:<br>.375 IN. OD .022 IN.<br>WALL 14.202 IN. LG<br>WW-T-700/6 6061 T4<br>TUBING | 102106<br>108120<br>504903 | 1              |
| - 200     | AS1732D06   |               | ..BODY-COUPLING  | 102106<br>108120<br>504903 | 2              |
| 205       | MS29513-014 |               | .PACKING-<br>POSITION DATA:<br>LH SIDE   | 102106<br>108120<br>504903 | 2              |
| 210       | MS29513-014 |               | .PACKING-<br>POSITION DATA:<br>RH SIDE   | 102106<br>108120<br>504903 | 1              |
| 225       | AS1734D06   |               | .NUT-<br>POSITION DATA:<br>LH SIDE   | 102106<br>108120<br>504903 | 2              |
| 230       | AS1734D06   |               | .NUT-<br>POSITION DATA:<br>RH SIDE   | 102106<br>108120<br>504903 | 1              |
| 235       | TC001-06A   |               | .NUT-<br>SUPPLIER CODE:<br>V24984<br>SPECIFICATION NUMBER:<br>AS1736-06<br>POSITION DATA:<br>LH SIDE                                       | 102106<br>108120<br>504903 | 2              |

MISSING ITEM NUMBERS NOT APPLICABLE

- ITEM NOT ILLUSTRATED

28-22-03-01B

28-22-03  
FIG. 01B  
PAGE 5  
JAN 20/09

BRI



757

PARTS CATALOG (MAINTENANCE)

| FIG ITEM  | PART NUMBER   | 1 2 3 4 5 6 7 | NOMENCLATURE   | EFFECT FROM TO             | UNITS PER ASSY |
|-----------|---------------|---------------|--|----------------------------|----------------|
| 1B<br>240 | TC001-06A     | .             | NUT-<br>SUPPLIER CODE:<br>V24984<br>SPECIFICATION NUMBER:<br>AS1736-06<br>POSITION DATA:<br>RH SIDE  | 102106<br>108120<br>504903 | 1              |
| 245       | BACS12GU3K7   | .             | SCREW-<br>POSITION DATA:<br>LH SIDE  | 102106<br>108120<br>504903 | 1              |
| 250       | NAS1149D0316H | .             | WASHER-<br>POSITION DATA:<br>LH SIDE   | 102106<br>108120<br>504903 | 2              |
| 255       | PLH53CD       | .             | NUT<br>SUPPLIER CODE:<br>VF0224<br>SPECIFICATION NUMBER:<br>BACN10YR3CD<br>OPTIONAL PART:<br>H52732-3CD<br>V15653  | 102106<br>108120<br>504903 | 1              |
| 260       | 740A20-6      | .             | JUMPER ASSY-<br>SUPPLIER CODE:<br>V91812<br>SPECIFICATION NUMBER:<br>BACJ40A20-6<br>OPTIONAL PART:<br>TJEJ40A20-6<br>V33483<br>RBEJ20-6<br>V1GK47<br>POSITION DATA:<br>LH SIDE | 102106<br>108120<br>504903 | 1              |
| 265       | 343N3301-8    | .             | TUBE ASSY-<br>POSITION DATA:<br>LH SIDE<br>TUBING MATERIAL:<br>.375 IN. OD .022 IN.<br>WALL 12.6 IN. LG<br>WW-T-700/6 T4 TUBING  | 102106<br>108120<br>504903 | 1              |
| 270       | 343N3301-8    | .             | TUBE ASSY-<br>POSITION DATA:<br>RH SIDE<br>TUBING MATERIAL:<br>.375 IN. OD .022 IN.<br>WALL 12.6 IN. LG<br>WW-T-700/6 T4 TUBING  | 102106<br>108120<br>504903 | 1              |

MISSING ITEM NUMBERS NOT APPLICABLE

- ITEM NOT ILLUSTRATED

28-22-03-01B

28-22-03  
FIG. 01B  
PAGE 6  
JAN 20/09

BRI

BOEING PROPRIETARY - Copyright © - Unpublished Work - See title page for details.





757

PARTS CATALOG (MAINTENANCE)

| FIG ITEM  | PART NUMBER | 1 2 3 4 5 6 7 | NOMENCLATURE  | EFFECT FROM TO             | UNITS PER ASSY |
|-----------|-------------|---------------|---|----------------------------|----------------|
| 1B<br>275 | 343N2038-4  | .             | TUBE ASSY-<br>POSITION DATA:<br>LH SIDE<br>TUBING MATERIAL:<br>.375 IN. OD .022 IN.<br>WALL 11.908 IN. LG<br>WW-T-700/6 6061 T4<br>TUBING | 102106<br>108120<br>504903 | 1              |
| - 280     | AS1732D06   | ..            | BODY  | 102106<br>108120<br>504903 | 1              |
| - 285     | AS1737D06   | ..            | FERRULE   | 102106<br>108120<br>504903 | 1              |
| 290       | MS29513-326 | .             | PACKING   | 102106<br>108120<br>504903 | 1              |
| 300       | AS1713D24   | .             | COUPLING ASSY   | 102106<br>108120<br>504903 | 1              |
| 305       | 343N2032-7  | .             | TUBE ASSY-<br>POSITION DATA:<br>LH SIDE   | 102106<br>108120<br>504903 | 1              |
| 310       | 343N2044-4  | .             | TUBE ASSY-<br>POSITION DATA:<br>RH SIDE<br>TUBING MATERIAL:<br>1.5 IN. OD .035 IN.<br>WALL 8.304 IN. LG<br>WW-T-700/6 6061 T4<br>TUBING   | 102106<br>108120<br>504903 | 1              |
| 315       | 63052-24    | ..            | FERRULE<br>SUPPLIER CODE:<br>V79326<br>SPECIFICATION NUMBER:<br>AS1716D24<br>OPTIONAL PART:<br>12F63-24A<br>V24984                        | 102106<br>108120<br>504903 | 1              |
| 320       | 63052-24-28 | ..            | FERRULE-<br>SUPPLIER CODE:<br>V79326  | 102106<br>108120<br>504903 | 1              |
| 325       | 343N2032-8  | ..            | WEB ASSY-<br>POSITION DATA:<br>LH SIDE  | 102106<br>108120<br>504903 | 1              |
| 330       | 343N2032-6  | ...           | BOSS-<br>POSITION DATA:<br>LH SIDE  | 102106<br>108120<br>504903 | 1              |

MISSING ITEM NUMBERS NOT APPLICABLE

- ITEM NOT ILLUSTRATED

28-22-03-01B

28-22-03  
FIG. 01B  
PAGE 7  
JAN 20/09

BRI

BOEING PROPRIETARY - Copyright © - Unpublished Work - See title page for details.



757

PARTS CATALOG (MAINTENANCE)

| FIG ITEM | PART NUMBER   | 1 2 3 4 5 6 7 | NOMENCLATURE  | EFFECT FROM TO             | UNITS PER ASSY |
|----------|---------------|---------------|---|----------------------------|----------------|
| 1B       |               |               |   |                            |                |
| 335      | 343N2032-9    | . . .         | TUBE-<br>POSITION DATA:<br>LH SIDE  | 102106<br>108120<br>504903 | 1              |
| 340      | BACS12GU4K8   | .             | SCREW   | 102106<br>108120<br>504903 | 2              |
| 345      | NAS6604H18    | .             | BOLT-   | 102106<br>108120<br>504903 | 2              |
| 350      | NAS1149D0416H | .             | WASHER  | 102106<br>108120<br>504903 | 6              |
| 355      | MS35338-44    | .             | WASHER-   | 102106<br>108120<br>504903 | 2              |
| 360      | PLH54CD       | .             | NUT<br>SUPPLIER CODE:<br>VF0224<br>SPECIFICATION NUMBER:<br>BACN10YR4CD<br>OPTIONAL PART:<br>H52732-4CD<br>V15653         | 102106<br>108120<br>504903 | 2              |
| 370      | RBEJ40D20-24  | .             | JUMPER ASSY-<br>SUPPLIER CODE:<br>V1GK47<br>SPECIFICATION NUMBER:<br>BACJ40D20-24<br>OPTIONAL PART:<br>4F24F<br>V79550    | 102106<br>108120<br>504903 | 2              |
| 375      | 343N0330-7    | .             | PUMP ASSY-<br>POSITION DATA:<br>LH SIDE<br>FUNCTIONAL REFERENCE:<br>FUEL<br>FOR DETAILS SEE<br>28-22-08-01<br>28-22-09-01 | 102102<br>108120<br>504903 | 1              |
| 375      | 343N0330-13   | .             | PUMP ASSY-<br>POSITION DATA:<br>LH SIDE<br>FUNCTIONAL REFERENCE:<br>FUEL<br>FOR DETAILS SEE<br>28-22-08-01<br>28-22-09-01 | 103106                     | 1              |

MISSING ITEM NUMBERS NOT APPLICABLE

- ITEM NOT ILLUSTRATED

28-22-03-01B

28-22-03  
FIG. 01B  
PAGE 8  
MAY 20/09

BRI

BOEING PROPRIETARY - Copyright © - Unpublished Work - See title page for details.



757

PARTS CATALOG (MAINTENANCE)

| FIG ITEM    | PART NUMBER   | 1 2 3 4 5 6 7 | NOMENCLATURE   | EFFECT FROM TO             | UNITS PER ASSY |
|-------------|---------------|---------------|--|----------------------------|----------------|
| 1B<br>- 380 | 343N0330-8    |               | .PUMP ASSY-<br>POSITION DATA:<br>RH SIDE<br>FUNCTIONAL REFERENCE:<br>FUEL<br>FOR DETAILS SEE<br>28-22-08-01<br>28-22-09-01 | 102102<br>108120<br>504903 | 1              |
| - 380       | 343N0330-14   |               | .PUMP ASSY-<br>POSITION DATA:<br>RH SIDE<br>FUNCTIONAL REFERENCE:<br>FUEL<br>FOR DETAILS SEE<br>28-22-08-01<br>28-22-09-01 | 103106                     | 1              |
| 480         | BACS12HM08H9  |               | ..SCREW-   | 102106<br>108120<br>504903 | 5              |
| 485         | NAS1149DN832J |               | ..WASHER   | 102106<br>108120<br>504903 | 5              |
| 490         | 343N2054-2    |               | ..CLIP   | 102106<br>108120<br>504903 | 2              |

MISSING ITEM NUMBERS NOT APPLICABLE

- ITEM NOT ILLUSTRATED

28-22-03-01B

28-22-03  
FIG. 01B  
PAGE 9  
JAN 20/09

BRI



757

PARTS CATALOG (MAINTENANCE)

| FIG ITEM  | PART NUMBER | 1 2 3 4 5 6 7 | NOMENCLATURE   | EFFECT FROM TO             | UNITS PER ASSY |
|-----------|-------------|---------------|--|----------------------------|----------------|
| 1B<br>495 | 60-755100   |               | <p>..MOTOR-BOOST PUMP<br/>SUPPLIER CODE:<br/>V81982<br/>FUNCTIONAL DESCRIPTION:<br/>DELIVERS FUEL UNDER<br/>PRESSURE FROM A TANK TO<br/>ITS RESPECTIVE ENGINE OR<br/>THROUGH THE CROSSFEED<br/>VALVE TO THE OTHER<br/>ENGINE<br/>SPECIFICATION NUMBER:<br/>60B92404-6<br/>MISCELLANEOUS DATA:<br/>PART INTERCHANGEABILITY<br/>FOR 747 IS SHOWN ON<br/>BOEING DRAWING 344U0052<br/>COMPONENT MAINT MANUAL REF:<br/>28-22-06<br/>PRE ALERT SB:<br/>28A0066<br/>28A0070R2<br/>PRE SERVICE BULLETIN:<br/>60-755100-28-2<br/>V81982<br/>REWORKED BY SB:<br/>28-01<br/>V81982<br/>FOR DETAILS SEE:<br/>28-22-03-51</p> | 102106<br>108120<br>504903 | 1              |

MISSING ITEM NUMBERS NOT APPLICABLE

- ITEM NOT ILLUSTRATED

BRI

28-22-03-01B

BOEING PROPRIETARY - Copyright © - Unpublished Work - See title page for details.

28-22-03  
FIG. 01B  
PAGE 10  
JAN 20/09



757

PARTS CATALOG (MAINTENANCE)

| FIG ITEM  | PART NUMBER | 1 2 3 4 5 6 7 | NOMENCLATURE  | EFFECT FROM TO             | UNITS PER ASSY |
|-----------|-------------|---------------|---|----------------------------|----------------|
| 1B<br>495 | 60-75504    |               | ..MOTOR-BOOST PUMP<br>SUPPLIER CODE:<br>V81982<br>SPECIFICATION NUMBER:<br>60B92404-5<br>MISCELLANEOUS DATA:<br>60-755100-5 IS PREFERRED<br>SPARE FOR 60-75504 FOR<br>ALL MODELS.<br>COMPONENT MAINT MANUAL REF:<br>28-22-06<br>PRE ALERT SB:<br>28A0066<br>28A0070R2<br>PRE SERVICE BULLETIN:<br>60-75504-28-2<br>V81982<br>REWORKED BY SB:<br>28-01<br>V81982<br>FOR DETAILS SEE:<br>28-22-03-51  | 102106<br>108120<br>504903 | 1              |
| 495       | 60-755100-2 |               | ..MOTOR-FUEL BOOST<br>PUMP<br>SUPPLIER CODE:<br>V81982<br>FUNCTIONAL DESCRIPTION:<br>DELIVERS FUEL UNDER<br>PRESSURE FROM A TANK TO<br>ITS RESPECTIVE ENGINE OR<br>THROUGH THE CROSSFEED<br>VALVE TO THE OTHER<br>ENGINE<br>SPECIFICATION NUMBER:<br>60B92404-7<br>COMPONENT MAINT MANUAL REF:<br>28-22-08<br>PRE ALERT SB:<br>28A0066<br>28A0070R2<br>PRE SERVICE BULLETIN:<br>60-755100-28-2<br>V81982<br>REWORKED BY SB:<br>28-01<br>V81982<br>FOR DETAILS SEE:<br>28-22-03-51 | 102106<br>108120<br>504903 | 1              |

MISSING ITEM NUMBERS NOT APPLICABLE

- ITEM NOT ILLUSTRATED

28-22-03-01B

28-22-03  
FIG. 01B  
PAGE 11  
JAN 20/09

BRI



757

PARTS CATALOG (MAINTENANCE)

| FIG ITEM  | PART NUMBER | 1 2 3 4 5 6 7 | NOMENCLATURE  | EFFECT FROM TO             | UNITS PER ASSY |
|-----------|-------------|---------------|---|----------------------------|----------------|
| 1B<br>495 | 60-755100-4 |               | ..MOTOR-FUEL BOOST<br>PUMP<br>SUPPLIER CODE:<br>V81982<br>FUNCTIONAL DESCRIPTION:<br>DELIVERS FUEL UNDER<br>PRESSURE FROM A TANK TO<br>ITS RESPECTIVE ENGINE OR<br>THROUGH THE CROSSFEED<br>VALVE TO THE OTHER<br>ENGINE<br>SPECIFICATION NUMBER:<br>60B92404-8<br>COMPONENT MAINT MANUAL REF:<br>28-22-08<br>POST ALERT SB:<br>28A0066<br>PRE ALERT SB:<br>28A0070R2<br>PRE SERVICE BULLETIN:<br>60-755100-28-2<br>V81982<br>REWORKED BY SB:<br>28-01<br>V81982<br>FOR DETAILS SEE:<br>28-22-03-51 | 102106<br>108120<br>504903 | 1              |
| 495       | 60-755100-5 |               | ..MOTOR-IMPELLER<br>BOOST PUMP<br>SUPPLIER CODE:<br>V81982<br>SPECIFICATION NUMBER:<br>60B92404-10<br>POST ALERT SB:<br>28A0070R2<br>POST SERVICE BULLETIN:<br>60-75504-28-2<br>V81982<br>60-755100-28-2<br>V81982<br>FOR DETAILS SEE:<br>28-22-03-51   | 102106<br>108120<br>504903 | 1              |

MISSING ITEM NUMBERS NOT APPLICABLE

- ITEM NOT ILLUSTRATED

BRI

**28-22-03-01B**

BOEING PROPRIETARY - Copyright © - Unpublished Work - See title page for details.

28-22-03  
FIG. 01B  
PAGE 12  
JAN 20/09



757

PARTS CATALOG (MAINTENANCE)

| FIG ITEM  | PART NUMBER | 1 2 3 4 5 6 7 | NOMENCLATURE  | EFFECT FROM TO             | UNITS PER ASSY |
|-----------|-------------|---------------|---|----------------------------|----------------|
| 1B<br>530 | 60-75502    |               | ..HOUSING ASSY-<br>SUPPLIER CODE:<br>V81982<br>FUNCTIONAL DESCRIPTION:<br>PROVIDES A DRY BAY FOR<br>SERVICING AND REMOVAL OF<br>BOOST PUMPS<br>SPECIFICATION NUMBER:<br>60B92404-2<br>COMPONENT MAINT MANUAL REF:<br>28-22-06 | 102106<br>108120<br>504903 | 1              |
| 535       | MS35275-230 |               | ...SCREW  | 102106<br>108120<br>504903 | 3              |
| 540       | NAS620C6    |               | ...WASHER   | 102106<br>108120<br>504903 | 3              |
| 545       | 60-75529    |               | ...PORT-PRIMER DISCH<br>SUPPLIER CODE:<br>V81982  | 102106<br>108120<br>504903 | 1              |
| 550       | MS29513-027 |               | ...PACKING  | 102106<br>108120<br>504903 | 2              |
| 555       | 60-75521    |               | ...VALVE ASSY-CHK<br>SUPPLIER CODE:<br>V81982   | 102106<br>108120<br>504903 | 1              |

MISSING ITEM NUMBERS NOT APPLICABLE

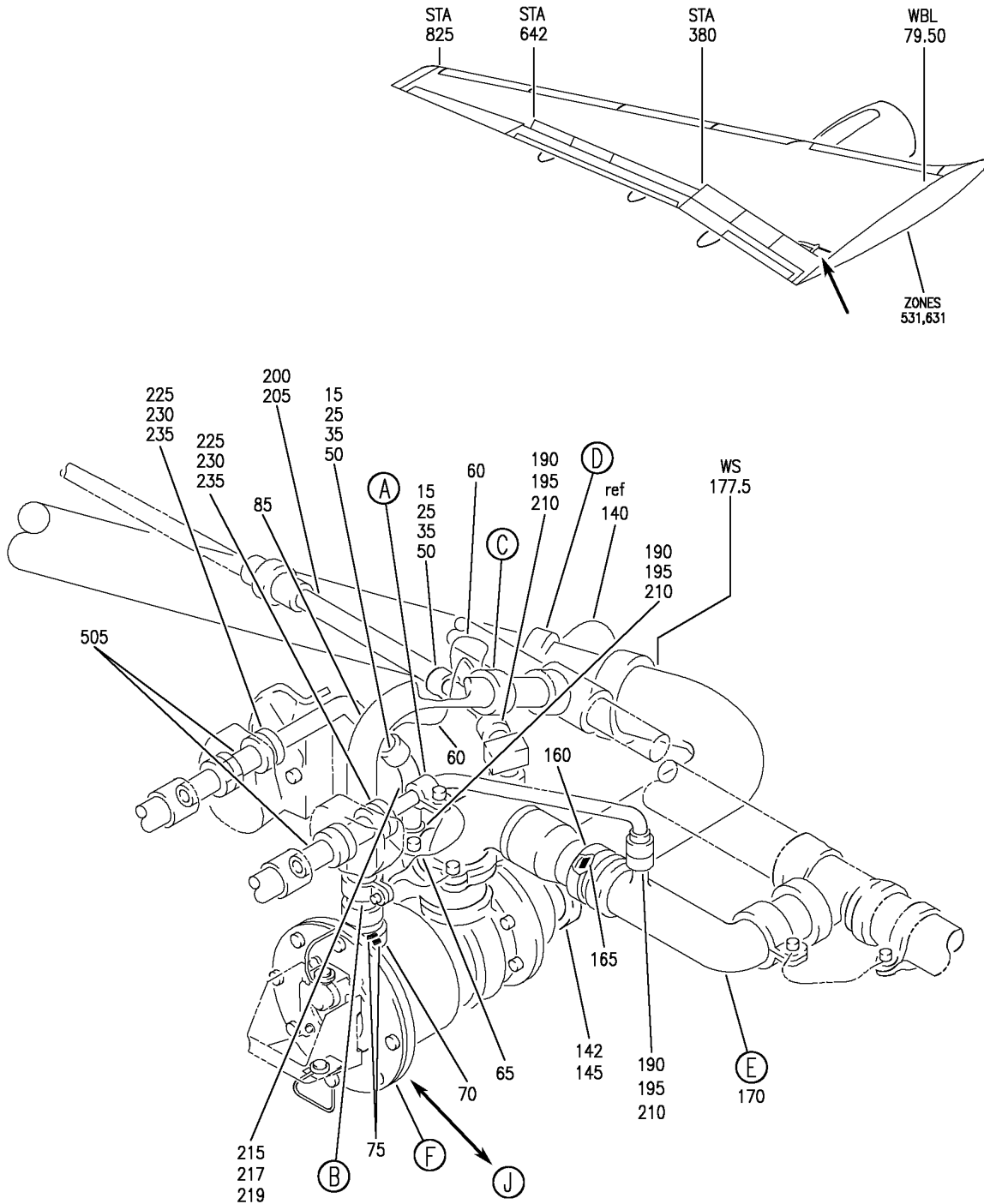
- ITEM NOT ILLUSTRATED

28-22-03-01B

28-22-03  
FIG. 01B  
PAGE 13  
JAN 20/09

BRI

**BOEING**  
757  
**PARTS CATALOG (MAINTENANCE)**



Y 28220301C SHT 1 REV 334

PUMP INSTL ENG FUEL FEED (DISTRIBUTION ONLY)  
FIGURE 1C (SHEET 1)

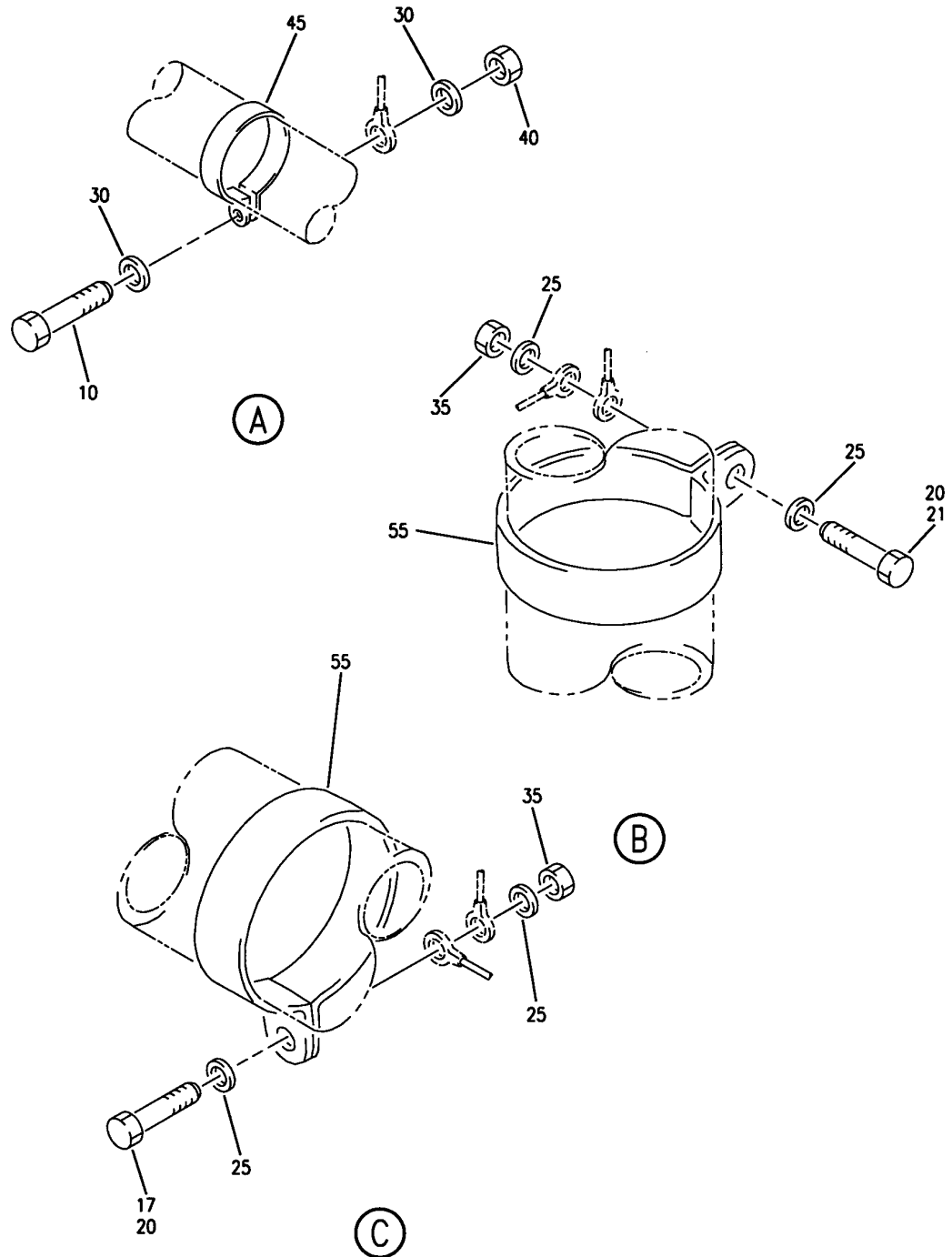
**28-22-03-01C**

BRI  
MAY 20/09

28-22-03-01C  
PAGE 0



**BOEING**  
757  
PARTS CATALOG (MAINTENANCE)



Y 28220301C SHT 2 REV 205

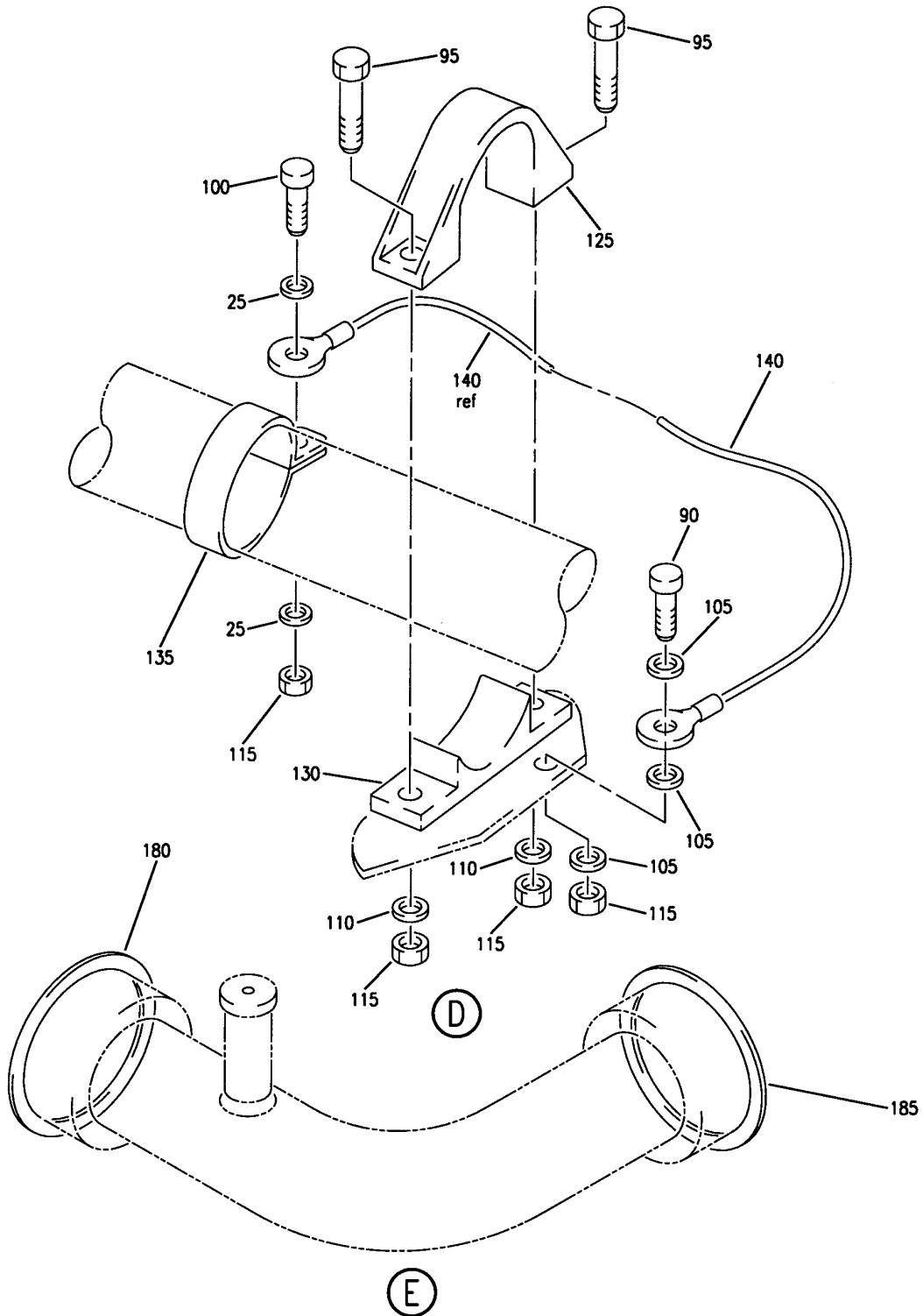
PUMP INSTL ENG FUEL FEED (DISTRIBUTION ONLY)  
FIGURE 1C (SHEET 2)

**28-22-03-01C**

BRI  
MAY 28/07

28-22-03-01C  
PAGE 0A

**BOEING**  
757  
PARTS CATALOG (MAINTENANCE)



Y 28220301C SHT 3 REV 205

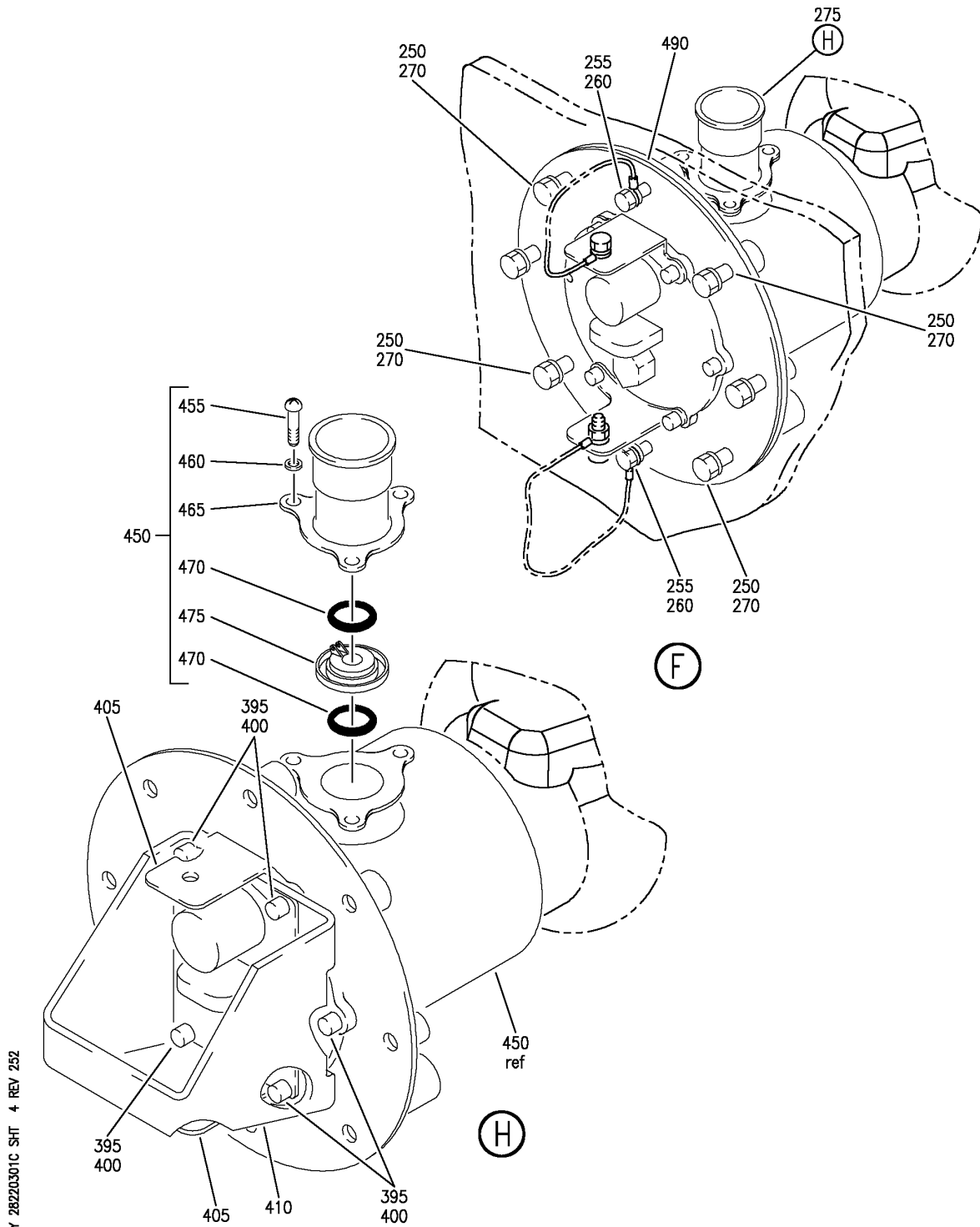
PUMP INSTL ENG FUEL FEED (DISTRIBUTION ONLY)  
FIGURE 1C (SHEET 3)

**28-22-03-01C**

BRI  
MAY 28/07

28-22-03-01C  
PAGE 0B

**BOEING**  
757  
PARTS CATALOG (MAINTENANCE)



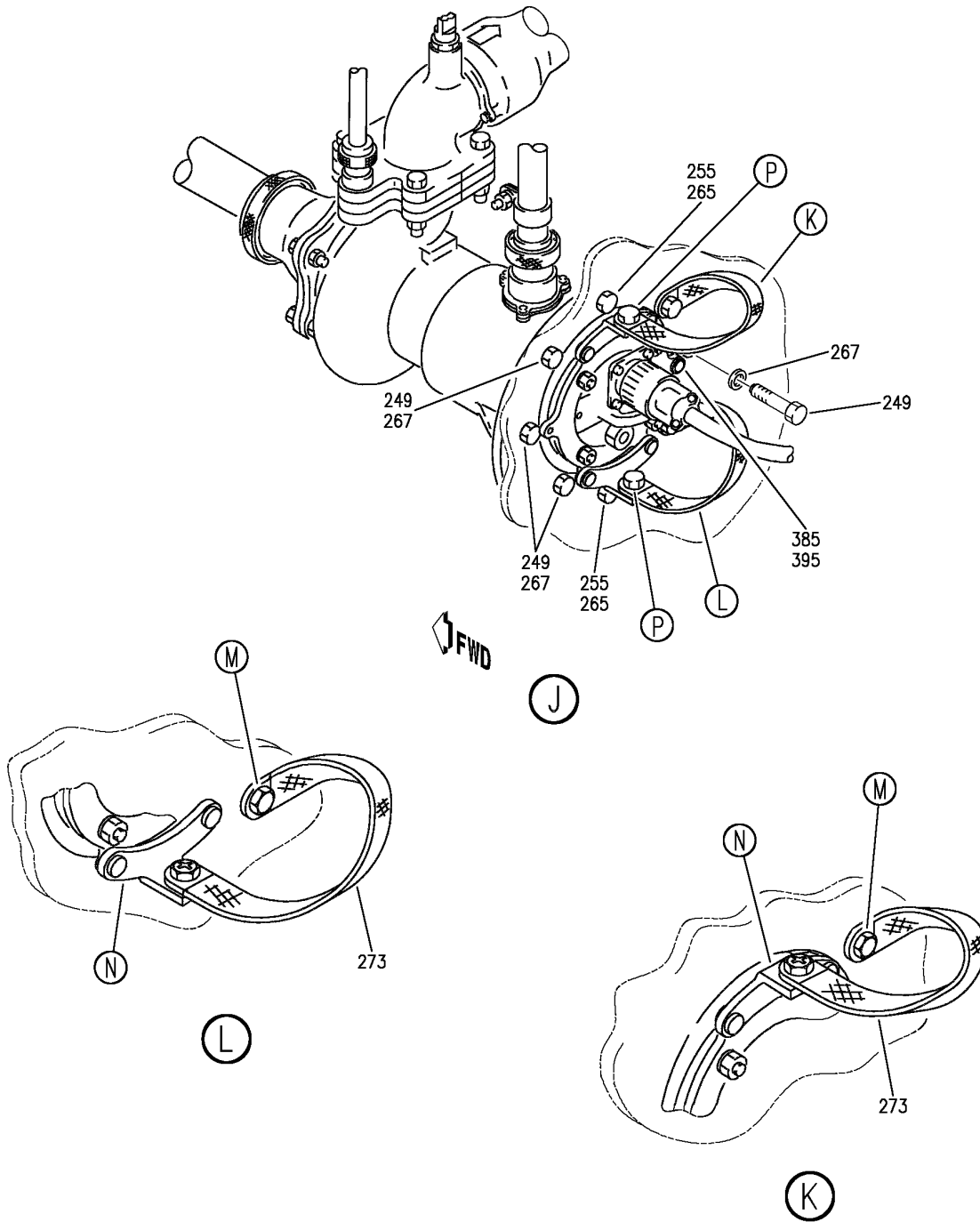
PUMP INSTL ENG FUEL FEED (DISTRIBUTION ONLY)  
FIGURE 1C (SHEET 4)

**28-22-03-01C**

BRI  
MAY 28/07

28-22-03-01C  
PAGE 0C

**BOEING**  
757  
PARTS CATALOG (MAINTENANCE)



Y 28220301C SHT 5 REV 335

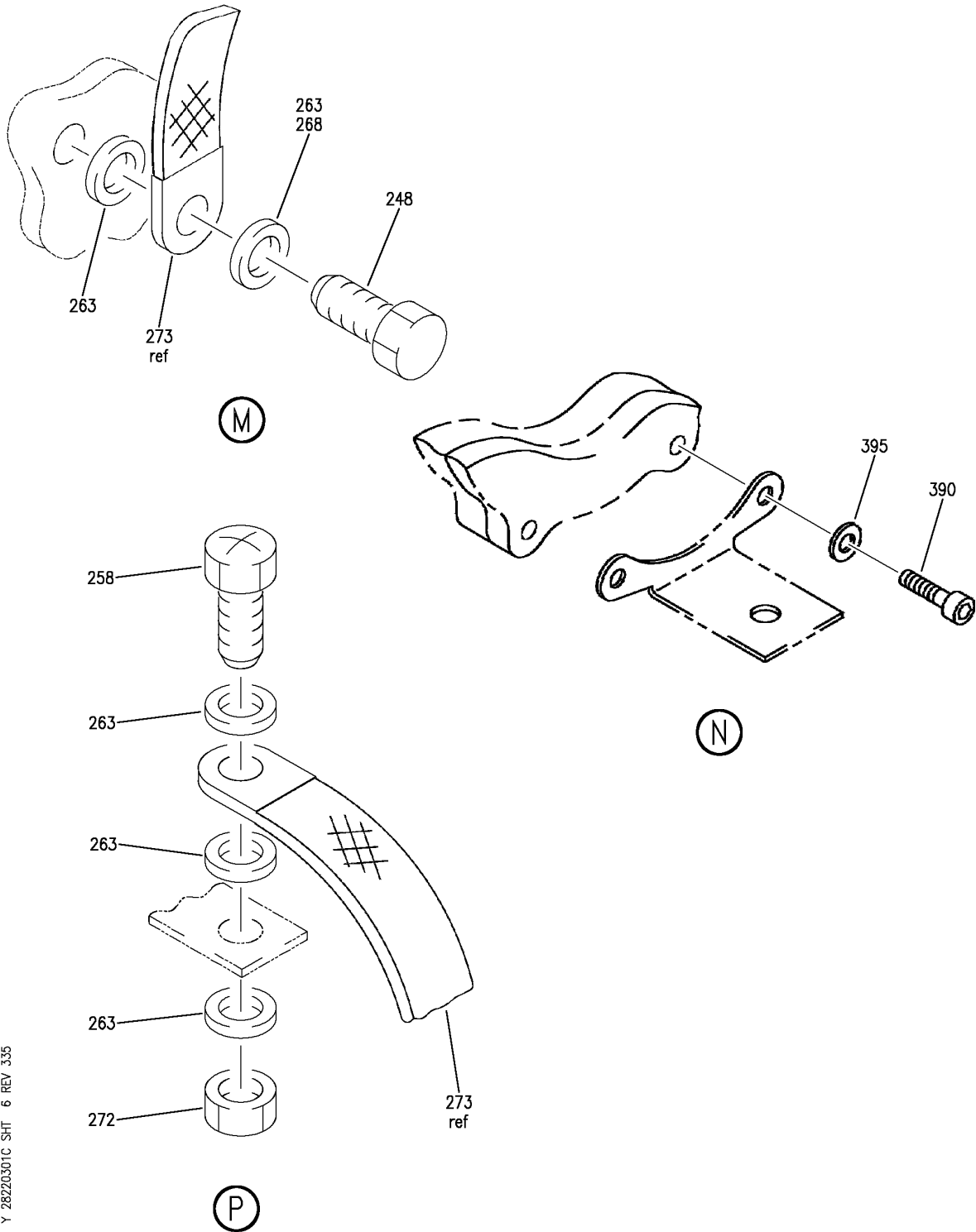
PUMP INSTL ENG FUEL FEED (DISTRIBUTION ONLY)  
FIGURE 1C (SHEET 5)

**28-22-03-01C**

BRI  
MAY 20/09

28-22-03-01C  
PAGE 0D

**BOEING**  
757  
PARTS CATALOG (MAINTENANCE)



PUMP INSTL ENG FUEL FEED (DISTRIBUTION ONLY)  
FIGURE 1C (SHEET 6)

**28-22-03-01C**

BRI  
MAY 20/09

28-22-03-01C  
PAGE 0E



757

PARTS CATALOG (MAINTENANCE)

| FIG ITEM | PART NUMBER   | 1 2 3 4 5 6 7 | NOMENCLATURE   | EFFECT FROM TO | UNITS PER ASSY |
|----------|---------------|---------------|--|----------------|----------------|
| 1C       |               |               | PUMP INSTL<br>ENG FUEL FEED<br>(DISTRIBUTION ONLY)   | 101101         |                |
| - 1      | 343N3301-105  |               | PUMP INSTL-ENG FUEL FEED<br>(DISTRIBUTION ONLY)<br>POSITION DATA:<br>AFT LH<br>FOR NHA/OTHER SYS DET SEE:<br>28-00-00-05 | 101101         | RF             |
| - 5      | 343N3301-106  |               | PUMP INSTL-ENG FUEL FEED<br>(DISTRIBUTION ONLY)<br>POSITION DATA:<br>AFT RH<br>FOR NHA/OTHER SYS DET SEE:<br>28-00-00-05 | 101101         | RF             |
| 10       | BACS12GU3K7   |               | .SCREW-<br>USED ON:<br>343N3301-105<br>343N3301-125<br>343N3301-137<br>MODREF13617<br>MODREF21939                        | 101101         | 1              |
| 15       | BACS12GU3K7   |               | .SCREW   | 101101         | 2              |
| 17       | BACS12GU3K8   |               | .SCREW-<br>USED ON:<br>343N3301-106<br>343N3301-126<br>343N3301-138<br>MODREF13618<br>MODREF21940                        | 101101         | 1              |
| 20       | BACS12GU3K8   |               | .SCREW-<br>USED ON:<br>343N3301-105<br>343N3301-125<br>343N3301-137<br>MODREF13617<br>MODREF21939                        | 101101         | 2              |
| 21       | BACS12GU3K7   |               | .SCREW-<br>USED ON:<br>343N3301-106<br>343N3301-126<br>343N3301-138<br>MODREF13618<br>MODREF21940                        | 101101         | 1              |
| 25       | NAS1149D0316H |               | .WASHER  | 101101         | 8              |

MISSING ITEM NUMBERS NOT APPLICABLE

- ITEM NOT ILLUSTRATED

28-22-03-01C

28-22-03  
FIG. 01C  
PAGE 1  
MAY 28/07

BRI



757

PARTS CATALOG (MAINTENANCE)

| FIG ITEM | PART NUMBER   | 1 2 3 4 5 6 7 | NOMENCLATURE  | EFFECT FROM TO | UNITS PER ASSY |
|----------|---------------|---------------|---|----------------|----------------|
| 1C       |               |               |   |                |                |
| 30       | NAS1149D0316H |               | .WASHER-<br>USED ON:<br>343N3301-105<br>343N3301-125<br>343N3301-137<br>MODREF13617<br>MODREF21939  | 101101         | 2              |
| 35       | PLH53CD       |               | .NUT<br>SUPPLIER CODE:<br>VF0224<br>SPECIFICATION NUMBER:<br>BACN10YR3CD<br>OPTIONAL PART:<br>H52732-3CD<br>V15653                                | 101101         | 4              |
| 40       | BAC10YR3CD    |               | .NUT-<br>USED ON:<br>343N3301-105<br>343N3301-125<br>343N3301-137<br>MODREF13617<br>MODREF21939   | 101101         | 1              |
| 45       | AN735DC6      |               | .CLAMP-<br>USED ON:<br>343N3301-105<br>343N3301-125<br>343N3301-137<br>MODREF13617<br>MODREF21939   | 101101         | 1              |
| 50       | AN735DC6      |               | .CLAMP  | 101101         | 2              |
| 55       | AN735DC16     |               | .CLAMP  | 101101         | 2              |
| 60       | 740A20-6      |               | .JUMPER ASSY<br>SUPPLIER CODE:<br>V91812<br>SPECIFICATION NUMBER:<br>BACJ40A20-6<br>OPTIONAL PART:<br>TJEJ40A20-6<br>V33483<br>RBEJ20-6<br>V1GK47 | 101101         | 2              |

MISSING ITEM NUMBERS NOT APPLICABLE

- ITEM NOT ILLUSTRATED

28-22-03-01C

28-22-03  
FIG. 01C  
PAGE 2  
JAN 20/09

BRI

BOEING PROPRIETARY - Copyright © - Unpublished Work - See title page for details.

 **BOEING**  
757  
**PARTS CATALOG (MAINTENANCE)**

| FIG ITEM | PART NUMBER   | 1 2 3 4 5 6 7 | NOMENCLATURE   | EFFECT FROM TO | UNITS PER ASSY |
|----------|---------------|---------------|--|----------------|----------------|
| 1C<br>65 | 740A20-6      |               | .JUMPER ASSY-<br>SUPPLIER CODE:<br>V91812<br>SPECIFICATION NUMBER:<br>BACJ40A20-6<br>OPTIONAL PART:<br>TJEJ40A20-6<br>V33483<br>RBEJ20-6<br>V1GK47<br>USED ON:<br>343N3301-105<br>343N3301-125<br>343N3301-137<br>MODREF13617<br>MODREF21939 | 101101         | 1              |
| 70       | 12J63-16A     |               | .COUPLING ASSY<br>SUPPLIER CODE:<br>V24984<br>SPECIFICATION NUMBER:<br>AS1712D16<br>OPTIONAL PART:<br>83051-16A<br>V79326  | 101101         | 1              |
| 75       | MS29513-216   |               | .PACKING   | 101101         | 2              |
| 80       | AS1716D16     |               | ..FERRULE  | 101101         | 2              |
| 85       | 343N2043-6    |               | .TUBE ASSY-<br>TUBING MATERIAL:<br>1 IN. OD .028 IN.<br>WALL 13.479 IN. LG<br>WW-T-700/6 6061 T4<br>TUBING   | 101101         | 1              |
| 90       | BACS12GU3K8   |               | .SCREW   | 101101         | 1              |
| - 95     | BACS12GU3K11  |               | .SCREW   | 101101         | 2              |
| 100      | BACS12GU3K7   |               | .SCREW   | 101101         | 1              |
| 105      | NAS1149D0316H |               | .WASHER  | 101101         | 3              |
| 110      | NAS1149D0332J |               | .WASHER  | 101101         | 2              |
| 115      | PLH53CD       |               | .NUT<br>SUPPLIER CODE:<br>VF0224<br>SPECIFICATION NUMBER:<br>BACN10YR3CD<br>OPTIONAL PART:<br>H52732-3CD<br>V15653   | 101101         | 4              |
| 120      | AS171D32      |               | .NUT   | 101101         | 1              |
| 125      | BACC10EW32A   |               | .CLAMP STRAP   | 101101         | 1              |
| 130      | BACC10EW32B   |               | .CLAMP SADDLE  | 101101         | 1              |
| 135      | AN735DC32     |               | .CLAMP   | 101101         | 1              |

MISSING ITEM NUMBERS NOT APPLICABLE

- ITEM NOT ILLUSTRATED

BRI

# 28-22-03-01C

BOEING PROPRIETARY - Copyright © - Unpublished Work - See title page for details.

28-22-03  
FIG. 01C  
PAGE 3  
JAN 20/09





757

PARTS CATALOG (MAINTENANCE)

| FIG ITEM  | PART NUMBER | 1 2 3 4 5 6 7 | NOMENCLATURE   | EFFECT FROM TO | UNITS PER ASSY |
|-----------|-------------|---------------|--|----------------|----------------|
| 1C<br>140 | 740A20-6    | .             | JUMPER ASSY<br>SUPPLIER CODE:<br>V91812<br>SPECIFICATION NUMBER:<br>BACJ40A20-6<br>OPTIONAL PART:<br>TJEJ40A20-6<br>V33483<br>RBEJ20-6<br>V1GK47 | 101101         | 1              |
| 142       | 63551-32A   | .             | COUPLING ASSY<br>SUPPLIER CODE:<br>V79326<br>SPECIFICATION NUMBER:<br>AS1713D32<br>OPTIONAL PART:<br>12H63-32A<br>V24984                         | 101101         | 1              |
| 145       | MS29513-330 | .             | PACKING  | 101101         | 1              |
| 155       | S83052-6    | ..            | FERRULE<br>SUPPLIER CODE:<br>V79326<br>SPECIFICATION NUMBER:<br>BACF32F6<br>OPTIONAL PART:<br>TC010-6<br>V24984                                  | 101101         | 1              |
| 160       | AS1713D24   | .             | COUPLING ASSY  | 101101         | 1              |
| 165       | MS29513-326 | .             | PACKING  | 101101         | 1              |
| 170       | 343N2032-7  | .             | TUBE ASSY-<br>POSITION DATA:<br>LH SIDE, AFT   | 101101         | 1              |
| - 175     | 343N2044-4  | .             | TUBE ASSY-<br>POSITION DATA:<br>RH SIDE, AFT<br>TUBING MATERIAL:<br>1.5 IN. OD .035 IN.<br>WALL 8.304 IN. LG<br>WW-T-700/6 6061 T4<br>TUBING     | 101101         | 1              |
| 180       | 63052-24    | ..            | FERRULE<br>SUPPLIER CODE:<br>V79326<br>SPECIFICATION NUMBER:<br>AS1716D24<br>OPTIONAL PART:<br>12F63-24A<br>V24984                               | 101101         | 1              |

MISSING ITEM NUMBERS NOT APPLICABLE

- ITEM NOT ILLUSTRATED

28-22-03-01C

28-22-03  
FIG. 01C  
PAGE 4  
JAN 20/09

BRI

BOEING PROPRIETARY - Copyright © - Unpublished Work - See title page for details.



757

PARTS CATALOG (MAINTENANCE)

| FIG ITEM | PART NUMBER   | 1 2 3 4 5 6 7 | NOMENCLATURE   | EFFECT FROM TO | UNITS PER ASSY |
|----------|---------------|---------------|--|----------------|----------------|
| 1C       |               |               |  |                |                |
| 185      | 63052-24-28   | ..            | FERRULE-<br>SUPPLIER CODE:<br>V79326   | 101101         | 1              |
| 190      | AS1734D06     | .NUT          |  | 101101         | 3              |
| 195      | TC001-06A     | .NUT          | SUPPLIER CODE:<br>V24984<br>SPECIFICATION NUMBER:<br>AS1736-06                                 | 101101         | 3              |
| 200      | 343N2039-5    | .TUBE ASSY-   | TUBING MATERIAL:<br>.375 IN. OD .022 IN.<br>WALL 14.602 IN. LG<br>WW-T-700/6 6061 T4<br>TUBING | 101101         | 1              |
| 205      | 343N2039-4    | .TUBE ASSY-   | TUBING MATERIAL:<br>.375 IN. OD .022 IN.<br>WALL 14.202 IN. LG<br>WW-T-700/6 6061 T4<br>TUBING | 101101         | 1              |
| 210      | MS29513-014   | .PACKING      |  | 101101         | 3              |
| 215      | 343N3301-8    | .TUBE ASSY-   | TUBING MATERIAL:<br>.375 IN. OD .022 IN.<br>WALL 12.6 IN. LG<br>WW-T-700/6 T4 TUBING           | 101101         | 1              |
| - 221    | AS1737D06     | ..            | FERRULE  | 101101         | 1              |
| - 222    | AS1732D06     | ..            | BODY   | 101101         | 1              |
| 225      | TC001-06A     | .NUT          | SUPPLIER CODE:<br>V24984<br>SPECIFICATION NUMBER:<br>AS1736-06                                 | 101101         | 2              |
| 230      | AS1734D06     | .NUT          |  | 101101         | 2              |
| 235      | MS29513-014   | .PACKING      |  | 101101         | 2              |
| - 240    | 343N2038-4    | .TUBE ASSY-   | TUBING MATERIAL:<br>.375 IN. OD .022 IN.<br>WALL 11.908 IN. LG<br>WW-T-700/6 6061 T4<br>TUBING | 101101         | 1              |
| 245      | AS1737D06     | ..            | FERRULE  | 101101         | 1              |
| 250      | NAS6604H15    | .BOLT         |  | 101101         | 6              |
| 255      | NAS6604H16    | .BOLT-        |  | 101101         | 2              |
| 260      | NAS1149D0416H | .WASHER       |  | 101101         | 2              |
| 265      | MS35338-44    | .WASHER-      |  | 101101         | 2              |
| 270      | NAS1149D0416J | .WASHER       |  | 101101         | 6              |

MISSING ITEM NUMBERS NOT APPLICABLE

- ITEM NOT ILLUSTRATED

28-22-03-01C

28-22-03  
FIG. 01C  
PAGE 5  
MAY 20/09

BRI

BOEING PROPRIETARY - Copyright © - Unpublished Work - See title page for details.



757

PARTS CATALOG (MAINTENANCE)

| FIG ITEM  | PART NUMBER   | 1 2 3 4 5 6 7 | NOMENCLATURE  | EFFECT FROM TO | UNITS PER ASSY |
|-----------|---------------|---------------|---|----------------|----------------|
| 1C<br>275 | 343N0330-1    |               | .PUMP ASSY-<br>POSITION DATA:<br>LH SIDE ,AFT<br>FUNCTIONAL REFERENCE:<br>FUEL<br>FOR DETAILS SEE<br>28-22-08-01<br>28-22-09-01   | 101101         | 1              |
| - 280     | 343N0330-2    |               | .PUMP ASSY-<br>POSITION DATA:<br>RH SIDE ,AFT<br>FUNCTIONAL REFERENCE:<br>FUEL<br>FOR DETAILS SEE<br>28-22-08-01<br>28-22-09-01   | 101101         | 1              |
| 395       | BACS12HM08H10 | ..            | SCREW-  | 101101         | 5              |
| 400       | NAS1149DN832J | ..            | WASHER  | 101101         | 5              |
| 405       | 343N2054-2    | ..            | CLIP  | 101101         | 2              |
| 410       | 60-755100     | ..            | MOTOR-BOOST PUMP<br>SUPPLIER CODE:<br>V81982<br>FUNCTIONAL DESCRIPTION:<br>DELIVERS FUEL UNDER<br>PRESSURE FROM A TANK TO<br>ITS RESPECTIVE ENGINE OR<br>THROUGH THE CROSSFEED<br>VALVE TO THE OTHER<br>ENGINE<br>SPECIFICATION NUMBER:<br>60B92404-6<br>MISCELLANEOUS DATA:<br>PART INTERCHANGEABILITY<br>FOR 747 IS SHOWN ON<br>BOEING DRAWING 334U0052<br>COMPONENT MAINT MANUAL REF:<br>28-22-06<br>PRE ALERT SB:<br>28A0066<br>28A0070R2<br>PRE SERVICE BULLETIN:<br>60-755100-28-2<br>V81982<br>REWORKED BY SB:<br>28-01<br>V81982<br>FOR DETAILS SEE:<br>28-22-03-51 | 101101         | 1              |

MISSING ITEM NUMBERS NOT APPLICABLE

- ITEM NOT ILLUSTRATED

28-22-03-01C

28-22-03  
FIG. 01C  
PAGE 6  
JAN 20/09

BRI



757

PARTS CATALOG (MAINTENANCE)

| FIG ITEM  | PART NUMBER | 1 2 3 4 5 6 7 | NOMENCLATURE  | EFFECT FROM TO | UNITS PER ASSY |
|-----------|-------------|---------------|---|----------------|----------------|
| 1C<br>410 | 60-75504    |               | <p>..MOTOR-BOOST PUMP<br/>           SUPPLIER CODE:<br/>           V81982<br/>           SPECIFICATION NUMBER:<br/>           60B92404-5<br/>           MISCELLANEOUS DATA:<br/>           60-755100-5 IS PREFERRED<br/>           SPARE FOR 60-75504 FOR<br/>           ALL MODELS.<br/>           COMPONENT MAINT MANUAL REF:<br/>           28-22-06<br/>           PRE ALERT SB:<br/>           28A0066<br/>           28A0070R2<br/>           PRE SERVICE BULLETIN:<br/>           60-75504-28-2<br/>           V81982<br/>           REWORKED BY SB:<br/>           28-01<br/>           V81982<br/>           FOR DETAILS SEE:<br/>           28-22-03-51</p>   | 101101         | 1              |
| 410       | 60-755100-2 |               | <p>..MOTOR-FUEL BOOST PUMP<br/>           SUPPLIER CODE:<br/>           V81982<br/>           FUNCTIONAL DESCRIPTION:<br/>           DELIVERS FUEL UNDER<br/>           PRESSURE FROM A TANK TO<br/>           ITS RESPECTIVE ENGINE OR<br/>           THROUGH THE CROSSFEED<br/>           VALVE TO THE OTHER<br/>           ENGINE<br/>           SPECIFICATION NUMBER:<br/>           60B92404-7<br/>           COMPONENT MAINT MANUAL REF:<br/>           28-22-08<br/>           PRE ALERT SB:<br/>           28A0066<br/>           28A0070R2<br/>           PRE SERVICE BULLETIN:<br/>           60-755100-28-2<br/>           V81982<br/>           REWORKED BY SB:<br/>           28-01<br/>           V81982<br/>           FOR DETAILS SEE:<br/>           28-22-03-51</p> | 101101         | 1              |

MISSING ITEM NUMBERS NOT APPLICABLE

- ITEM NOT ILLUSTRATED

**28-22-03-01C**

28-22-03  
 FIG. 01C  
 PAGE 7  
 SEP 28/07

BRI



757

PARTS CATALOG (MAINTENANCE)

| FIG<br>ITEM | PART NUMBER | 1 2 3 4 5 6 7 | NOMENCLATURE  | EFFECT<br>FROM TO | UNITS<br>PER<br>ASSY |
|-------------|-------------|---------------|---|-------------------|----------------------|
| 1C<br>410   | 60-755100-4 |               | ..MOTOR-FUEL BOOST<br>PUMP<br>SUPPLIER CODE:<br>V81982<br>FUNCTIONAL DESCRIPTION:<br>DELIVERS FUEL UNDER<br>PRESSURE FROM A TANK TO<br>ITS RESPECTIVE ENGINE OR<br>THROUGH THE CROSSFEED<br>VALVE TO THE OTHER<br>ENGINE<br>SPECIFICATION NUMBER:<br>60B92404-8<br>COMPONENT MAINT MANUAL REF:<br>28-22-08<br>POST ALERT SB:<br>28A0066<br>PRE ALERT SB:<br>28A0070R2<br>PRE SERVICE BULLETIN:<br>60-755100-28-2<br>V81982<br>REWORKED BY SB:<br>28-01<br>V81982<br>FOR DETAILS SEE:<br>28-22-03-51 | 101101            | 1                    |
| 410         | 60-755100-5 |               | ..MOTOR-IMPELLER<br>BOOST PUMP<br>SUPPLIER CODE:<br>V81982<br>SPECIFICATION NUMBER:<br>60B92404-10<br>POST ALERT SB:<br>28A0070R2<br>POST SERVICE BULLETIN:<br>60-75504-28-2<br>V81982<br>60-755100-28-2<br>V81982<br>FOR DETAILS SEE:<br>28-22-03-51   | 101101            | 1                    |

MISSING ITEM NUMBERS NOT APPLICABLE

- ITEM NOT ILLUSTRATED

BRI

**28-22-03-01C**

BOEING PROPRIETARY - Copyright © - Unpublished Work - See title page for details.

28-22-03  
 FIG. 01C  
 PAGE 8  
 MAY 28/07



757

PARTS CATALOG (MAINTENANCE)

| FIG<br>ITEM | PART NUMBER | 1 2 3 4 5 6 7 | NOMENCLATURE  | EFFECT<br>FROM TO | UNITS<br>PER<br>ASSY |
|-------------|-------------|---------------|---|-------------------|----------------------|
| 1C<br>450   | 60-75502    |               | ..HOUSING ASSY-<br>SUPPLIER CODE:<br>V81982<br>FUNCTIONAL DESCRIPTION:<br>PROVIDES A DRY BAY FOR<br>SERVICING AND REMOVAL OF<br>BOOST PUMPS<br>SPECIFICATION NUMBER:<br>60B92404-2<br>COMPONENT MAINT MANUAL REF:<br>28-22-06 | 101101            | 1                    |
| 455         | MS35275-230 |               | ...SCREW  | 101101            | 3                    |
| 460         | NAS620C6    |               | ...WASHER   | 101101            | 3                    |
| 465         | 60-75529    |               | ...PORT-PRIMER DISCH<br>SUPPLIER CODE:<br>V81982  | 101101            | 1                    |
| 470         | MS29513-027 |               | ...PACKING  | 101101            | 2                    |
| 475         | 60-75521    |               | ...VALVE ASSY-CHK<br>SUPPLIER CODE:<br>V81982   | 101101            | 1                    |
| 490         | 678576      |               | .SEAL-<br>SUPPLIER CODE:<br>V83259  | 101101            | 1                    |

MISSING ITEM NUMBERS NOT APPLICABLE

- ITEM NOT ILLUSTRATED

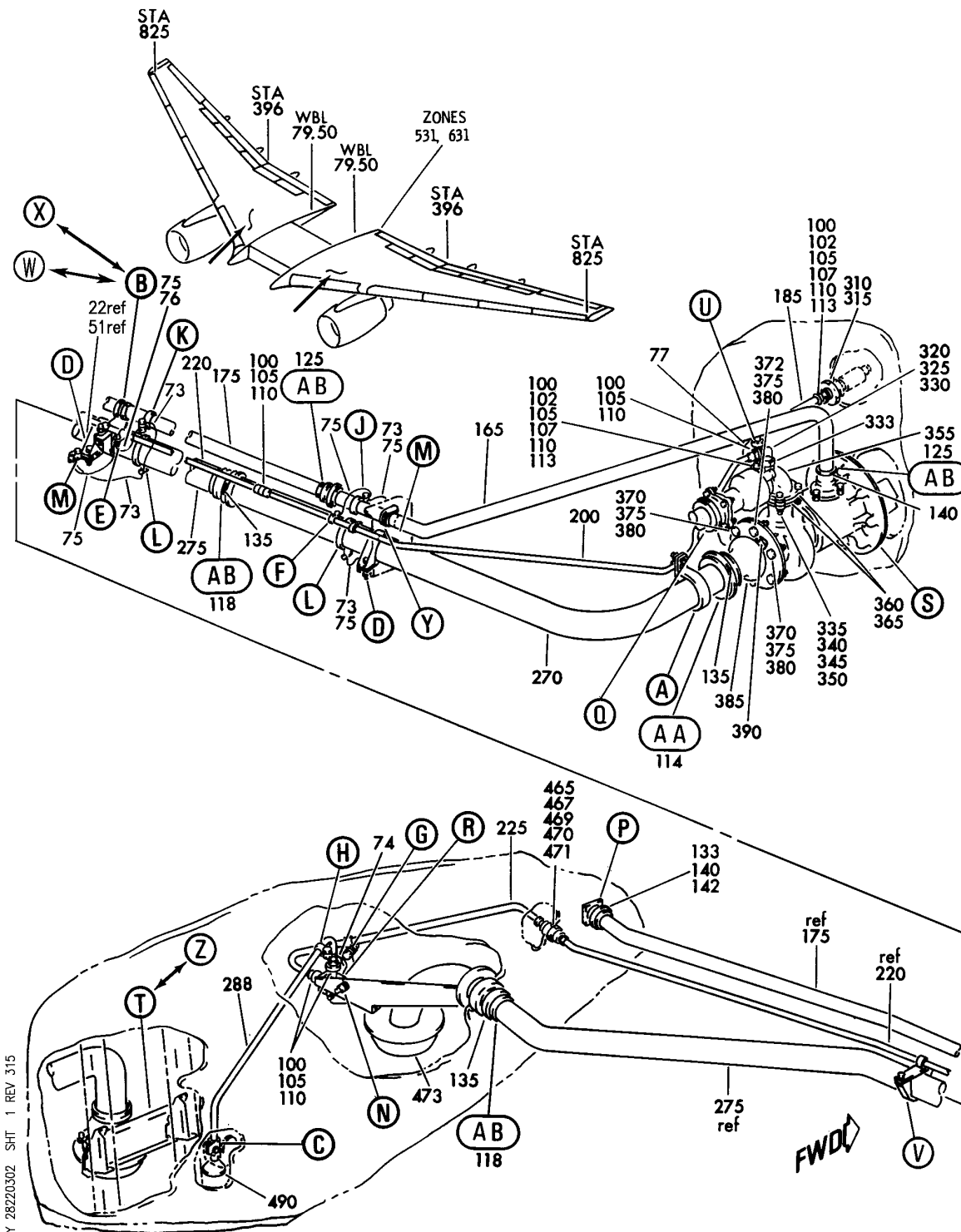
28-22-03-01C

28-22-03  
FIG. 01C  
PAGE 9  
MAY 28/07

BRI

BOEING PROPRIETARY - Copyright © - Unpublished Work - See title page for details.


**BOEING**  
 757  
**PARTS CATALOG (MAINTENANCE)**



Y 28220302 SH1 1 REV 315

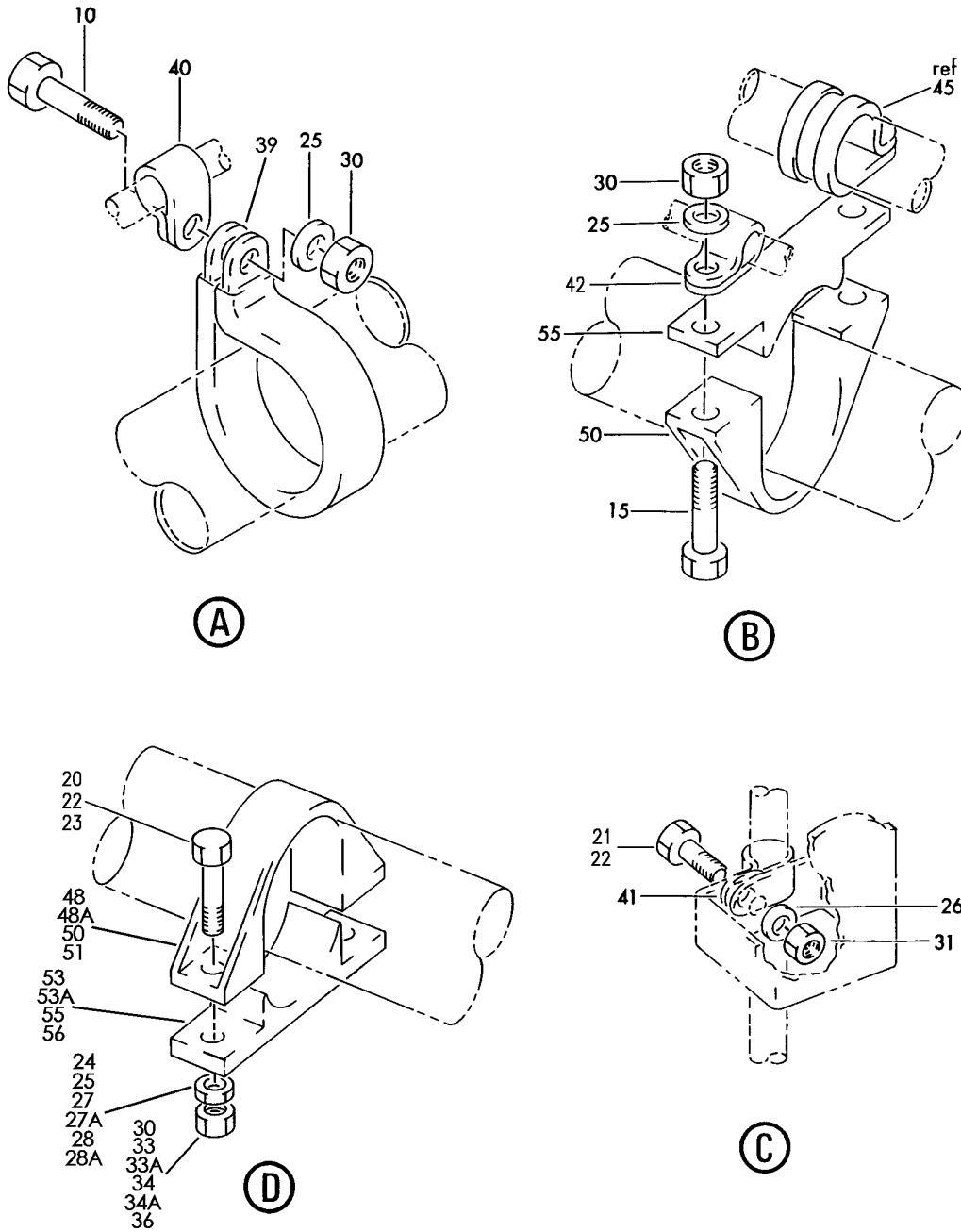
PUMP INSTL-ENG FUEL FEED SYS (DISTRIBUTION ONLY) (FWD)  
 FIGURE 2 (SHEET 1)

**28-22-03-02**

BRI  
SEP 28/07

28-22-03-02  
 PAGE 0

**BOEING**  
757  
PARTS CATALOG (MAINTENANCE)



Y 28220302 SH1 2 REV 315

PUMP INSTL-ENG FUEL FEED SYS (DISTRIBUTION ONLY) (FWD)  
FIGURE 2 (SHEET 2)

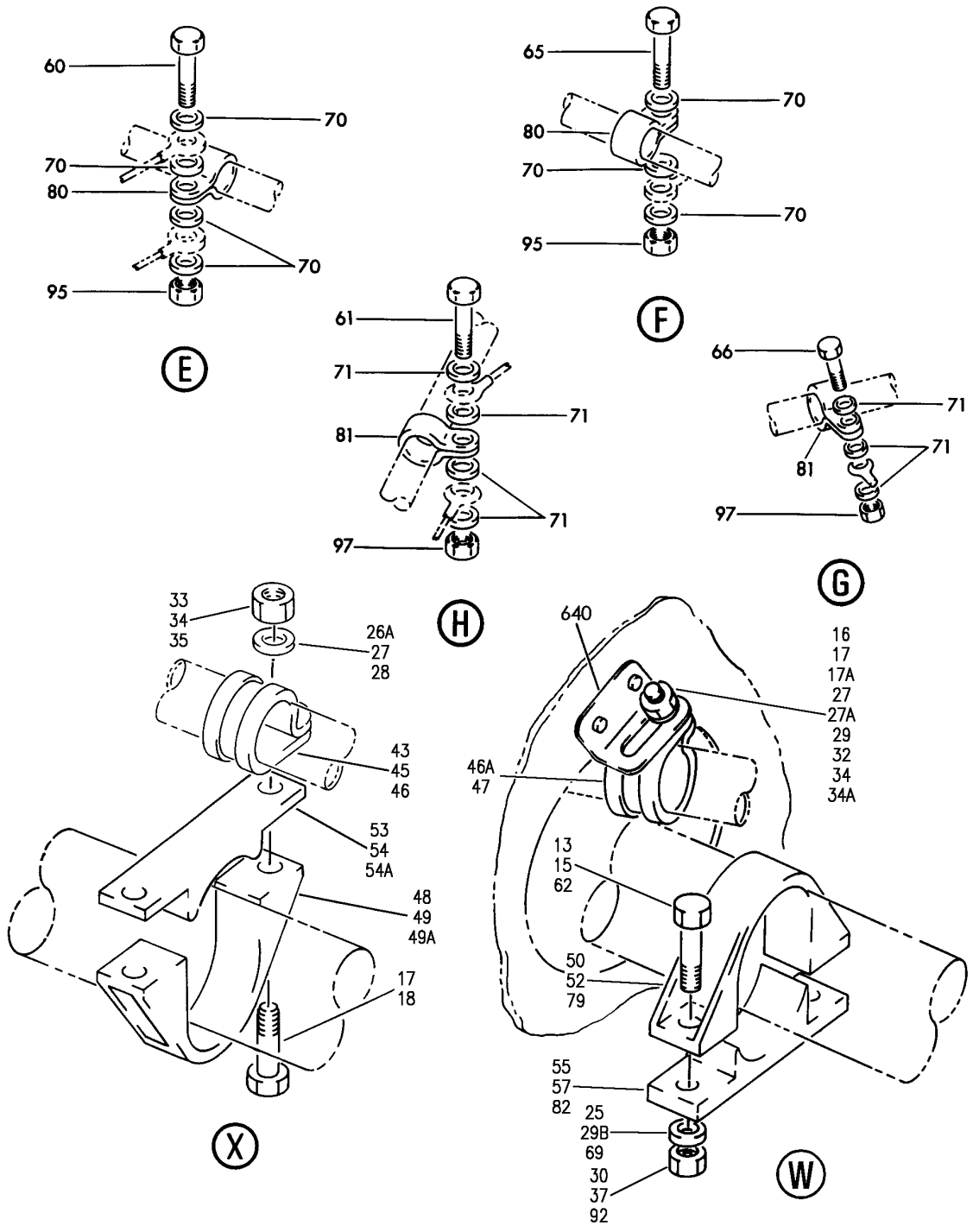
**28-22-03-02**

BRI  
SEP 28/07

28-22-03-02  
PAGE 0A



**BOEING**  
757  
**PARTS CATALOG (MAINTENANCE)**



Y 28220302 SHT 3 REV 315

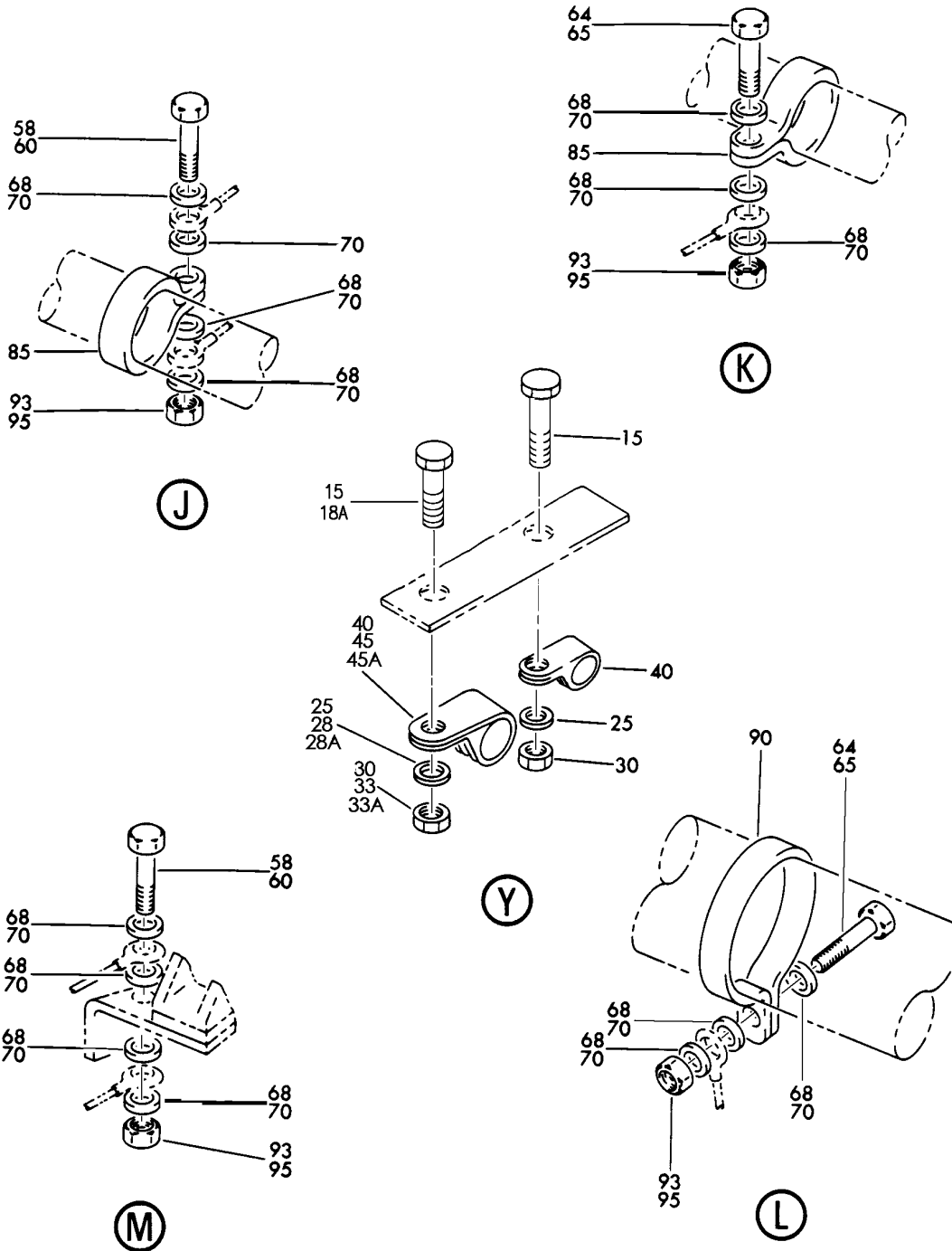
PUMP INSTL-ENG FUEL FEED SYS (DISTRIBUTION ONLY) (FWD)  
FIGURE 2 (SHEET 3)

**28-22-03-02**

BRI  
SEP 28/07

28-22-03-02  
PAGE 0B


**BOEING**  
 757  
**PARTS CATALOG (MAINTENANCE)**



Y 28220302 SH1 4 REV 315

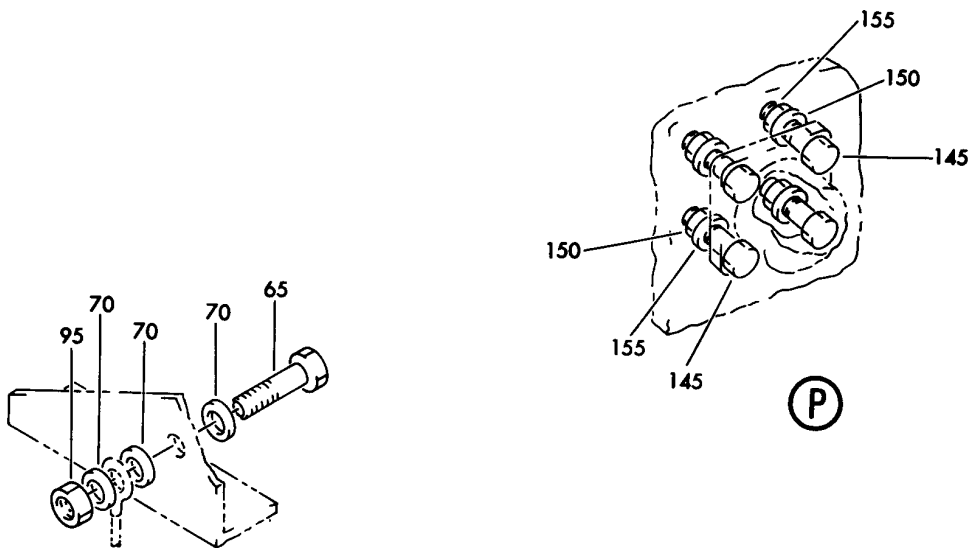
PUMP INSTL-ENG FUEL FEED SYS (DISTRIBUTION ONLY) (FWD)  
 FIGURE 2 (SHEET 4)

**28-22-03-02**

BRI  
 SEP 28/07

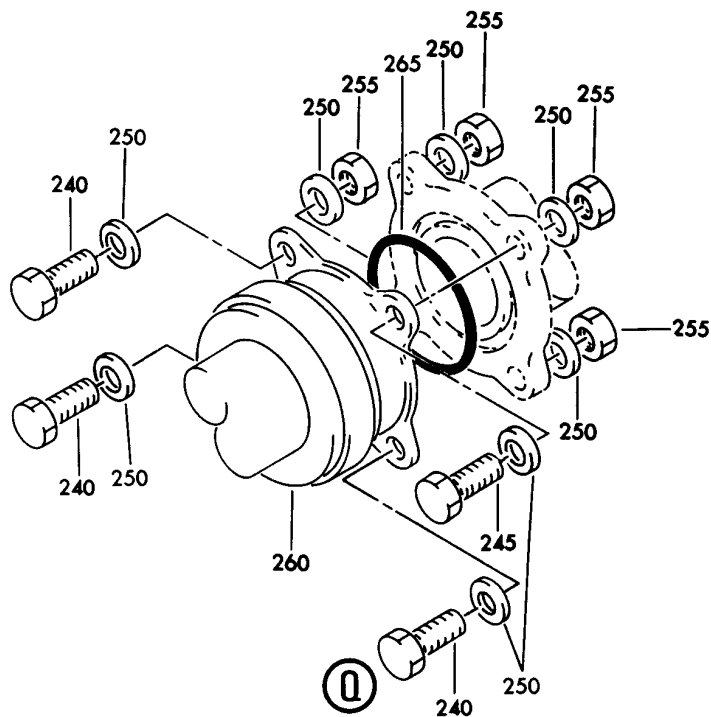
28-22-03-02  
 PAGE 0C

**BOEING**  
757  
PARTS CATALOG (MAINTENANCE)



(N)

(P)



(Q)

Y 28220302 SHT 5 REV 315

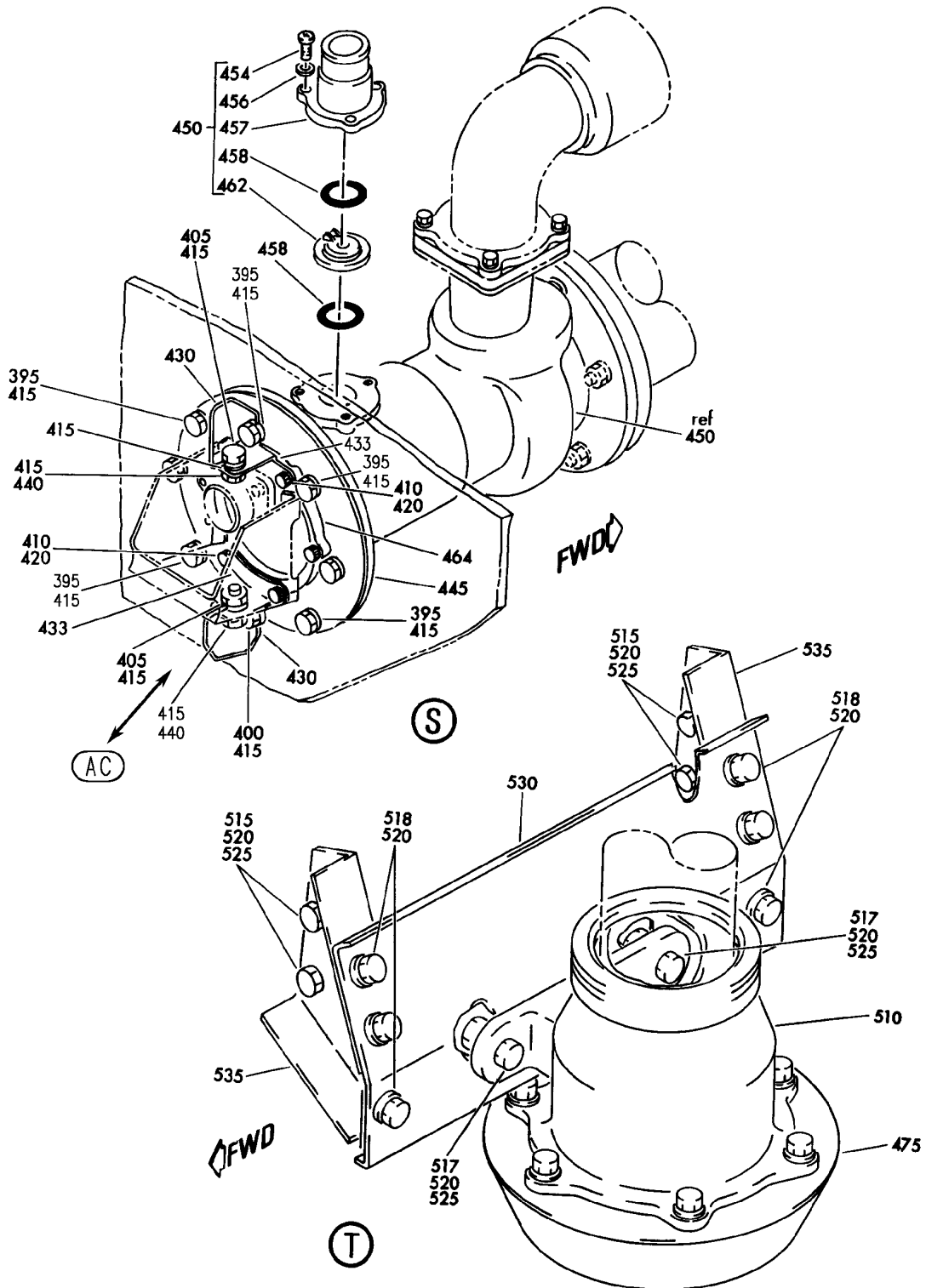
PUMP INSTL-ENG FUEL FEED SYS (DISTRIBUTION ONLY) (FWD)  
FIGURE 2 (SHEET 5)

**28-22-03-02**

BRI  
SEP 28/07

28-22-03-02  
PAGE 0D


**BOEING**  
 757  
**PARTS CATALOG (MAINTENANCE)**



Y 28220302 SH-T 6 REV 334

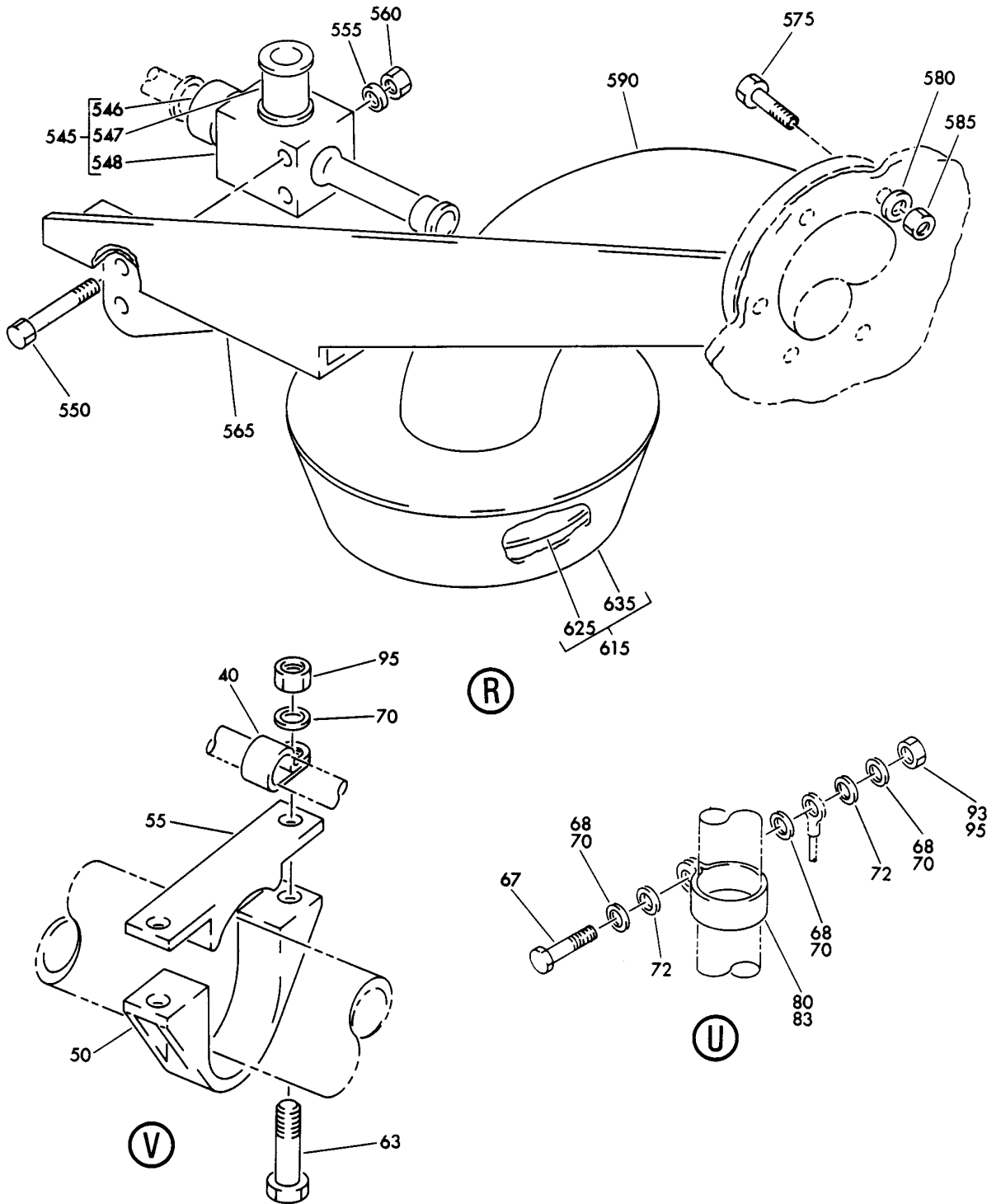
PUMP INSTL-ENG FUEL FEED SYS (DISTRIBUTION ONLY) (FWD)  
FIGURE 2 (SHEET 6)

**28-22-03-02**

BRI  
MAY 20/09

28-22-03-02  
PAGE 0E

**BOEING**  
757  
PARTS CATALOG (MAINTENANCE)



Y 28220302 SH1 7 REV 047

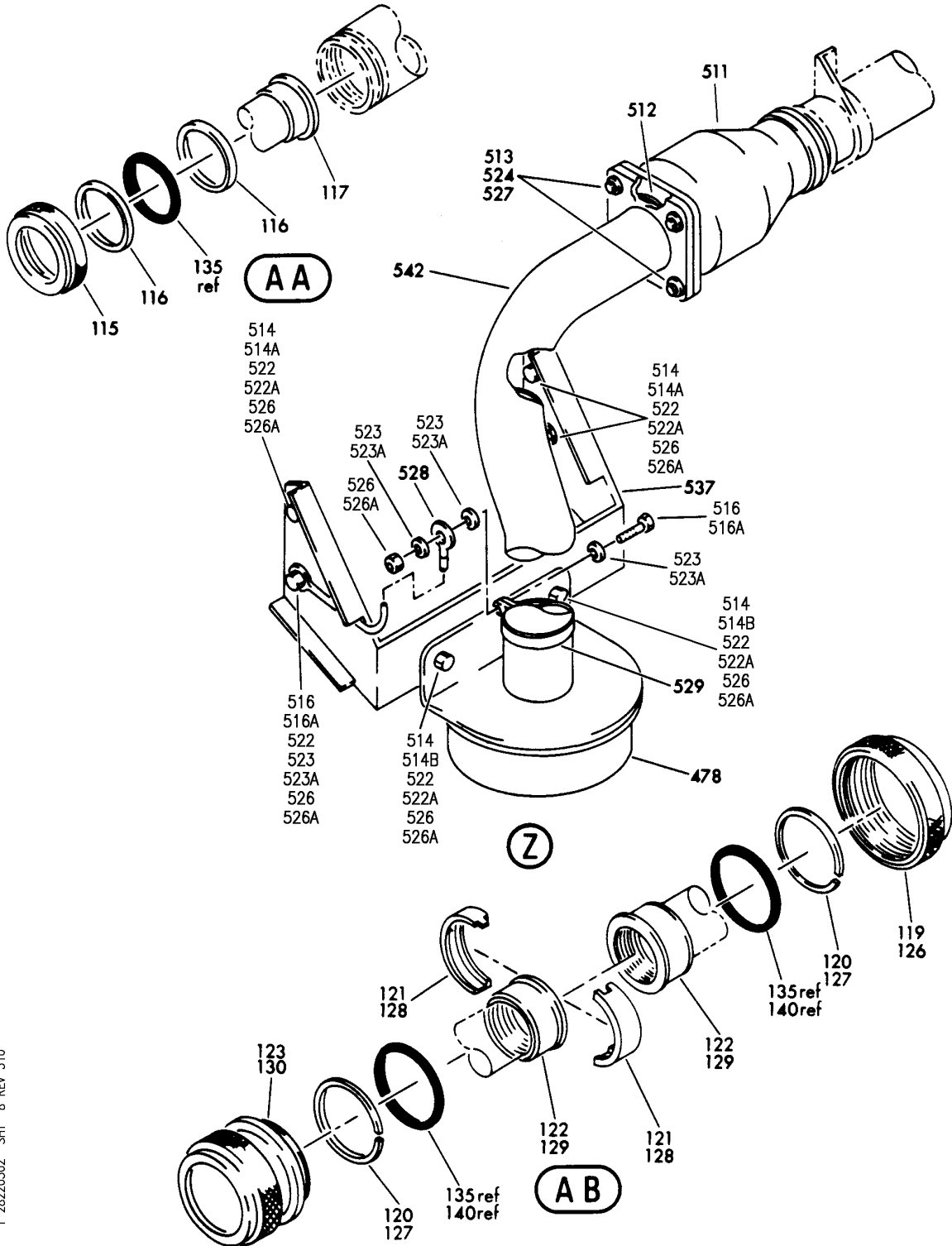
PUMP INSTL-ENG FUEL FEED SYS (DISTRIBUTION ONLY) (FWD)  
FIGURE 2 (SHEET 7)

**28-22-03-02**

BRI  
MAY 28/07

28-22-03-02  
PAGE OF

**BOEING**  
757  
PARTS CATALOG (MAINTENANCE)



Y 28220302 SHT 8 REV 310

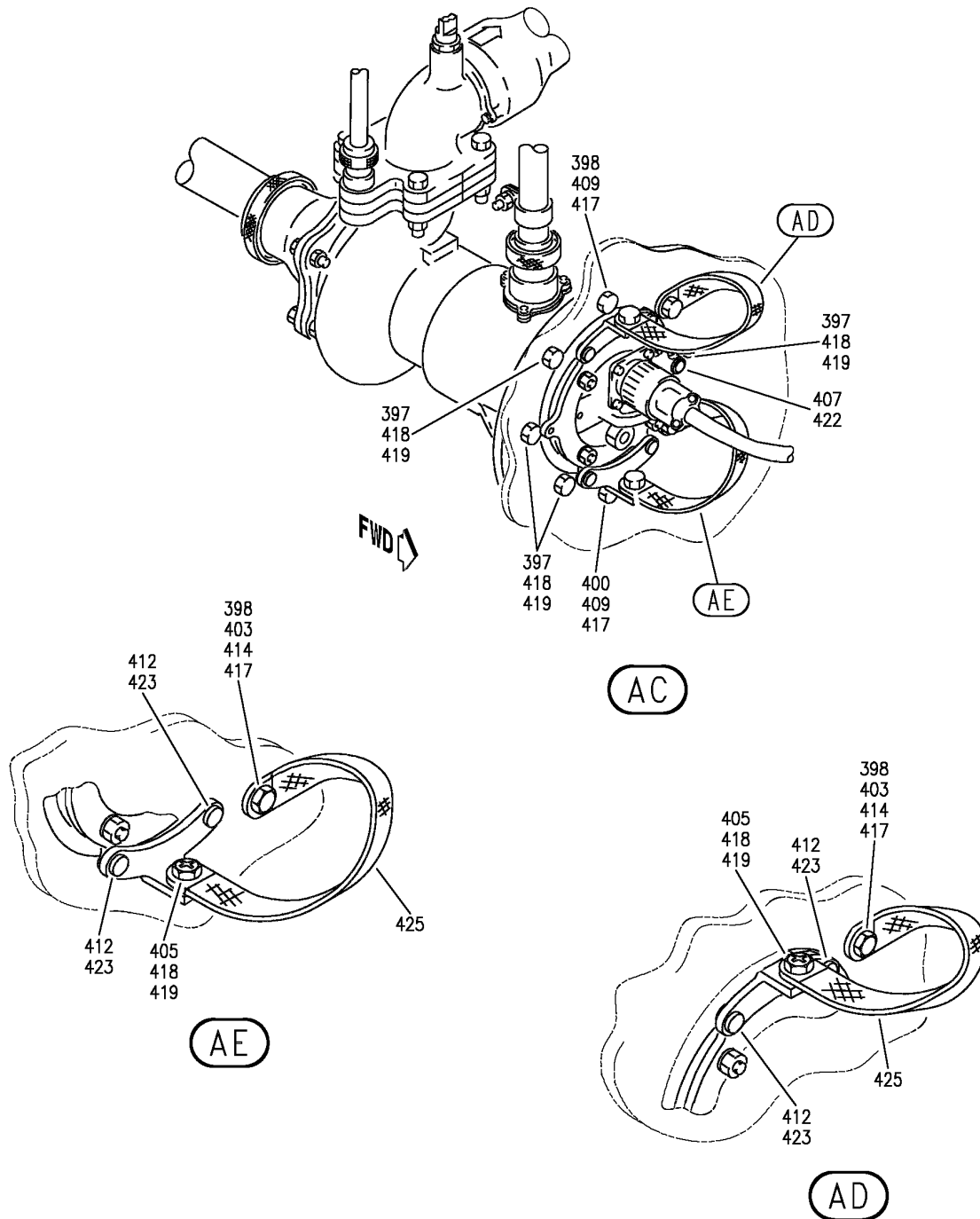
PUMP INSTL-ENG FUEL FEED SYS (DISTRIBUTION ONLY) (FWD)  
FIGURE 2 (SHEET 8)

**28-22-03-02**

BRI  
MAY 28/07

28-22-03-02  
PAGE 0G

**BOEING**  
757  
PARTS CATALOG (MAINTENANCE)



Y 28220302 SH1 9 REV 335

PUMP INSTL-ENG FUEL FEED SYS (DISTRIBUTION ONLY) (FWD)  
FIGURE 2 (SHEET 9)

**28-22-03-02**

BRI  
MAY 20/09

28-22-03-02  
PAGE 0H



757

PARTS CATALOG (MAINTENANCE)

| FIG ITEM | PART NUMBER  | 1 2 3 4 5 6 7 | NOMENCLATURE   | EFFECT FROM TO                                 | UNITS PER ASSY |
|----------|--------------|---------------|--|--|----------------|
| 2        |              |               | PUMP INSTL-ENG FUEL FEED<br>SYS (DISTRIBUTION ONLY)<br>(FWD)   | 002004<br>006100<br>107107<br>121503<br>904999 |                |
| - 1      | 343N3301-77  |               | PUMP INSTL-ENG FUEL FEED<br>SYS (DISTRIBUTION ONLY)<br>POSITION DATA:<br>FWD LH<br>FOR NHA/OTHER SYS DET SEE:<br>28-22-00-01 | 107107   | RF             |
| - 1      | 343N3301-91  |               | PUMP INSTL-ENG FUEL FEED<br>SYS (DISTRIBUTION ONLY)<br>POSITION DATA:<br>FWD LH<br>FOR NHA/OTHER SYS DET SEE:<br>28-22-00-01 | 002004<br>006100<br>121503<br>904999           | RF             |
| - 5      | 343N3301-78  |               | PUMP INSTL-ENG FUEL FEED<br>SYS (DISTRIBUTION ONLY)<br>POSITION DATA:<br>FWD RH<br>FOR NHA/OTHER SYS DET SEE:<br>28-22-00-01 | 107107   | RF             |
| - 5      | 343N3301-92  |               | PUMP INSTL-ENG FUEL FEED<br>SYS (DISTRIBUTION ONLY)<br>POSITION DATA:<br>FWD RH<br>FOR NHA/OTHER SYS DET SEE:<br>28-22-00-01 | 002004<br>006100<br>121503<br>904999           | RF             |
| 13       | NAS1801-3-12 |               | .SCREW-<br>POSITION DATA:<br>LH<br>REWORKED BY SB:<br>28-0041R1  | 952999   | 1              |
| 16       | NAS1801-3-12 |               | .SCREW-<br>POSITION DATA:<br>LH<br>POST SERVICE BULLETIN:<br>28-0041<br>28-0041R1  | 107107<br>952999                               | 1              |
| 17       | NAS1801-3-12 |               | .SCREW   | 002004<br>006100<br>121503<br>904951           | 2              |
| 17A      | NAS1801-3-12 |               | .SCREW   | 952999   | 1              |

MISSING ITEM NUMBERS NOT APPLICABLE

- ITEM NOT ILLUSTRATED

28-22-03-02

28-22-03  
FIG. 02  
PAGE 1  
JAN 20/09

BRI





757

PARTS CATALOG (MAINTENANCE)

| FIG ITEM | PART NUMBER  | 1 2 3 4 5 6 7 | NOMENCLATURE   | EFFECT FROM TO | UNITS PER ASSY |
|----------|--------------|---------------|--|----------------|----------------|
| 2        |              |               |  |                |                |
| - 19     | NAS1801-3-12 |               | .SCREW-<br>POSITION DATA:<br>RH<br>POST SERVICE BULLETIN:<br>28-0041               | 107107         | 1              |
| 22       | NAS1801-3-8  |               | .SCREW   | 952999         | 3              |
| 23       | NAS1801-3-8  |               | .SCREW   | 002004         | 4              |
|          |              |               |  | 006100         |                |
|          |              |               |  | 107107         |                |
|          |              |               |  | 121503         |                |
|          |              |               |  | 904951         |                |
| 27       | AN960PD10L   |               | .WASHER  | 002004         | 6              |
|          |              |               |  | 006100         |                |
|          |              |               |  | 121503         |                |
|          |              |               |  | 904951         |                |
| 27A      | AN960PD10L   |               | .WASHER  | 952999         | 5              |
| 29       | AN960PD10L   |               | .WASHER-<br>POSITION DATA:<br>LH<br>POST SERVICE BULLETIN:<br>28-0041              | 107107         | 1              |
|          |              |               |  | 952999         |                |
|          |              |               |  |                |                |
| - 29A    | AN960PD10L   |               | .WASHER-<br>POSITION DATA:<br>RH<br>POST SERVICE BULLETIN:<br>28-0041<br>28-0041R1 | 107107         | 1              |
|          |              |               |  |                |                |
|          |              |               |  |                |                |
| 29B      | AN960PD10L   |               | .WASHER-<br>POSITION DATA:<br>LH<br>REWORKED BY SB:<br>28-0041R1                   | 952999         | 1              |

MISSING ITEM NUMBERS NOT APPLICABLE

- ITEM NOT ILLUSTRATED

28-22-03-02

28-22-03  
FIG. 02  
PAGE 2  
JAN 20/09

BRI



757

PARTS CATALOG (MAINTENANCE)

| FIG ITEM | PART NUMBER | 1 2 3 4 5 6 7 | NOMENCLATURE  | EFFECT FROM TO   | UNITS PER ASSY |
|----------|-------------|---------------|---|------------------|----------------|
| 2<br>32  | BRH10A3     | .NUT-         | SUPPLIER CODE:<br>V52828<br>SPECIFICATION NUMBER:<br>BACN10JC3<br>OPTIONAL PART:<br>H10-3BAC<br>V15653<br>NS202101-02<br>V80539<br>RMLH9075-3W<br>V72962<br>VN303A02<br>V92215<br>96-02<br>V80539<br>T6S1032J<br>V11815<br>POSITION DATA:<br>LH<br>POST SERVICE BULLETIN:<br>28-0041<br>28-0041R1 | 107107<br>952999 | 1              |
| - 32A    | BRH10A3     | .NUT-         | SUPPLIER CODE:<br>V52828<br>SPECIFICATION NUMBER:<br>BACN10JC3<br>OPTIONAL PART:<br>H10-3BAC<br>V15653<br>NS202101-02<br>V80539<br>RMLH9075-3W<br>V72962<br>VN303A02<br>V92215<br>96-02<br>V80539<br>T6S1032J<br>V11815<br>POSITION DATA:<br>RH<br>POST SERVICE BULLETIN:<br>28-0041              | 107107           | 1              |

MISSING ITEM NUMBERS NOT APPLICABLE

- ITEM NOT ILLUSTRATED

BRI

28-22-03-02

BOEING PROPRIETARY - Copyright © - Unpublished Work - See title page for details.

28-22-03  
FIG. 02  
PAGE 3  
JAN 20/09



757

PARTS CATALOG (MAINTENANCE)

| FIG ITEM | PART NUMBER | 1 2 3 4 5 6 7 | NOMENCLATURE  | EFFECT FROM TO                       | UNITS PER ASSY |
|----------|-------------|---------------|---|--------------------------------------|----------------|
| 2        | 34 BRH10A3  | .NUT          | SUPPLIER CODE:<br>V52828<br>SPECIFICATION NUMBER:<br>BACN10JC3<br>OPTIONAL PART:<br>H10-3BAC<br>V15653<br>NS202101-02<br>V80539<br>RMLH9075-3W<br>V72962<br>VN303A02<br>V92215<br>96-02<br>V80539<br>T6S1032J<br>V11815 | 002004<br>006100<br>121503<br>904951 | 6              |
| 34A      | BRH10A3     | .NUT          | SUPPLIER CODE:<br>V52828<br>SPECIFICATION NUMBER:<br>BACN10JC3<br>OPTIONAL PART:<br>H10-3BAC<br>V15653<br>NS202101-02<br>V80539<br>RMLH9075-3W<br>V72962<br>VN303A02<br>V92215<br>96-02<br>V80539<br>T6S1032J<br>V11815 | 952999                               | 5              |

MISSING ITEM NUMBERS NOT APPLICABLE

- ITEM NOT ILLUSTRATED

BRI

28-22-03-02

BOEING PROPRIETARY - Copyright © - Unpublished Work - See title page for details.

28-22-03  
FIG. 02  
PAGE 4  
JAN 20/09



757

PARTS CATALOG (MAINTENANCE)

| FIG ITEM  | PART NUMBER                | 1 2 3 4 5 6 7 | NOMENCLATURE   | EFFECT FROM TO                                 | UNITS PER ASSY |
|-----------|----------------------------|---------------|--|--|----------------|
| 2<br>37   | BRH10A3                    |               | .NUT-<br>SUPPLIER CODE:<br>V52828<br>SPECIFICATION NUMBER:<br>BACN10JC3<br>OPTIONAL PART:<br>H10-3BAC<br>V15653<br>NS202101-02<br>V80539<br>RMLH9075-3W<br>V72962<br>VN303A02<br>V92215<br>96-02<br>V80539<br>T6S1032J<br>V11815<br>POSITION DATA:<br>LH<br>REWORKED BY SB:<br>28-0041R1 | 952999   | 1              |
| 45A<br>46 | BACC10DK16<br>BACC10DK16   |               | .CLAMP<br>.CLAMP-  | 107107<br>002004<br>006100<br>121503<br>904951 | 1<br>1         |
| 46A<br>47 | BACC10DK16<br>BACC10DK16   |               | .CLAMP<br>.CLAMP-<br>POSITION DATA:<br>LH<br>POST SERVICE BULLETIN:<br>28-0041<br>28-0041R1  | 952999<br>107107<br>952999                     | 1<br>1         |
| - 47A     | BACC10DK16                 |               | .CLAMP-<br>POSITION DATA:<br>RH<br>POST SERVICE BULLETIN:<br>28-0041   | 107107   | 1              |
| 49        | BACC10EW32A                |               | .CLAMP STRAP-  | 002004<br>006100<br>121503<br>904951           | 1              |
| 49A<br>52 | BACC10EW32A<br>BACC10EW32A |               | .CLAMP STRAP-<br>.CLAMP STRAP-<br>POSITION DATA:<br>LH<br>REWORKED BY SB:<br>28-0041R1   | 952999<br>952999                               | 1<br>1         |

MISSING ITEM NUMBERS NOT APPLICABLE

- ITEM NOT ILLUSTRATED

28-22-03-02

28-22-03  
FIG. 02  
PAGE 5  
JAN 20/09

BRI



757

PARTS CATALOG (MAINTENANCE)

| FIG ITEM | PART NUMBER | 1 2 3 4 5 6 7 | NOMENCLATURE   | EFFECT FROM TO                                 | UNITS PER ASSY |
|----------|-------------|---------------|--|--|----------------|
| 2        |             |               |  |  |                |
| 54       | BACC10EW32B | .             | CLAMP SADDLE-  | 002004<br>006100<br>121503<br>904951           | 1              |
| 54A      | BACC10EW32B | .             | CLAMP SADDLE-  | 952999   | 1              |
| 57       | BACC10EW32B | .             | CLAMP SADDLE-<br>POSITION DATA:<br>LH<br>REWORKED BY SB:<br>28-0041R1  | 952999   | 1              |
| 58       | NAS1801-3-8 | .             | SCREW  | 002004<br>006100<br>107107<br>121503<br>904999 | 3              |
| 64       | NAS1801-3-7 | .             | SCREW  | 002004<br>006100<br>107107<br>121503<br>904999 | 3              |
| 67       | NAS1801-3-6 | .             | SCREW  | 002004<br>006100<br>107107<br>121503<br>904999 | 1              |
| 68       | AN960D10L   | .             | WASHER   | 002004<br>006100<br>107107<br>121503<br>904999 | 26             |
| 72       | AN960D416L  | .             | WASHER   | 002004<br>006100<br>107107<br>121503<br>904999 | 2              |
| 73       | 740A20-6    | .             | JUMPER ASSY<br>SUPPLIER CODE:<br>V91812<br>SPECIFICATION NUMBER:<br>BACJ40A20-6<br>OPTIONAL PART:<br>TJEJ40A20-6<br>V33483<br>RBEJ20-6<br>V1GK47 | 002004<br>006100<br>107107<br>121503<br>904999 | 4              |

MISSING ITEM NUMBERS NOT APPLICABLE

- ITEM NOT ILLUSTRATED

28-22-03-02

28-22-03  
FIG. 02  
PAGE 6  
JAN 20/09

BRI



757

PARTS CATALOG (MAINTENANCE)

| FIG ITEM | PART NUMBER    | 1 2 3 4 5 6 7 | NOMENCLATURE   | EFFECT FROM TO                                 | UNITS PER ASSY |
|----------|----------------|---------------|--|--|----------------|
| 2        | 76 740A20-10   |               | . JUMPER ASSY<br>SUPPLIER CODE:<br>V91812<br>SPECIFICATION NUMBER:<br>BACJ40A20-10<br>OPTIONAL PART:<br>TJEJ40A20-10<br>V33483<br>RBEJ20-10<br>V1GK47  | 002004<br>006100<br>107107<br>121503<br>904999 | 1              |
|          | 77 BACJ40A21-6 |               | . JUMPER ASSY  | 002004<br>006100<br>107107<br>121503<br>904999 | 1              |
|          | 83 AN735D6     |               | . CLAMP  | 002004<br>006100<br>107107<br>121503<br>904999 | 1              |
|          | 85 AN735D16    |               | . CLAMP  | 002004<br>006100<br>107107<br>121503<br>904999 | 2              |
|          | 90 AN735D32    |               | . CLAMP  | 002004<br>006100<br>107107<br>121503<br>904999 | 2              |
|          | 93 BRH10A3     |               | . NUT<br>SUPPLIER CODE:<br>V52828<br>SPECIFICATION NUMBER:<br>BACN10JC3<br>OPTIONAL PART:<br>H10-3BAC<br>V15653<br>NS202101-02<br>V80539<br>RMLH9075-3W<br>V72962<br>VN303A02<br>V92215<br>96-02<br>V80539<br>T6S1032J<br>V11815 | 002004<br>006100<br>107107<br>121503<br>904999 | 7              |

MISSING ITEM NUMBERS NOT APPLICABLE

- ITEM NOT ILLUSTRATED

28-22-03-02

28-22-03  
FIG. 02  
PAGE 7  
JAN 20/09

BRI



757

PARTS CATALOG (MAINTENANCE)

| FIG ITEM | PART NUMBER | 1 2 3 4 5 6 7 | NOMENCLATURE   | EFFECT FROM TO                                 | UNITS PER ASSY |
|----------|-------------|---------------|--|--|----------------|
| 2        |             |               |  |  |                |
| 102      | BACN10KP6   | .             | NUT-   | 002004<br>006100<br>107107<br>121503<br>904999 | 2              |
| 107      | BACR12BR6   | .             | RING-  | 002004<br>006100<br>107107<br>121503<br>904999 | 2              |
| 113      | MS29513-014 | .             | PACKING-   | 002004<br>006100<br>107107<br>121503<br>904999 | 2              |
| 114      | BACC42S32   | .             | COUPLING ASSY-<br>SUPPLIER CODE:<br>V79326<br>SPECIFICATION NUMBER:<br>BACC42S32   | 002004<br>006100<br>121503<br>904999           | 1              |
| 114      | 83053-24DE  | .             | COUPLING ASSY-<br>SUPPLIER CODE:<br>V79326<br>SPECIFICATION NUMBER:<br>AS1738-1D24<br>OPTIONAL PART:<br>TC039-24A<br>V24984<br>POST ALERT SB:<br>28A0017R2 | 107107   | 1              |
| 115      | BACN10KL32  | ..            | NUT ASSY   | 002004<br>006100<br>107107<br>121503<br>904999 | 1              |
| 116      | BACR12BN32  | ..            | RING   | 002004<br>006100<br>107107<br>121503<br>904999 | 2              |
| 117      | BACF32E32   | ..            | FERRULE<br>SUPPLIER CODE:<br>V79326<br>SPECIFICATION NUMBER:<br>BACF32E32<br>OPTIONAL PART:<br>63052-32<br>V79326  | 002004<br>006100<br>107107<br>121503<br>904999 | 1              |

MISSING ITEM NUMBERS NOT APPLICABLE

- ITEM NOT ILLUSTRATED

28-22-03-02

28-22-03  
FIG. 02  
PAGE 8  
JAN 20/09

BRI



757

PARTS CATALOG (MAINTENANCE)

| FIG ITEM | PART NUMBER | 1 2 3 4 5 6 7 | NOMENCLATURE  | EFFECT FROM TO                                 | UNITS PER ASSY |
|----------|-------------|---------------|---|--|----------------|
| 2        |             |               |   |  |                |
| 118      | BACC42R32   | .             | COUPLING ASSY<br>SUPPLIER CODE:<br>V79326<br>SPECIFICATION NUMBER:<br>BACC42R32                                   | 002004<br>006100<br>107107<br>121503<br>904999 | 2              |
| 119      | BACN10KL32  | ..            | NUT ASSY  | 002004<br>006100<br>107107<br>121503<br>904999 | 1              |
| 120      | BACR12BN32  | ..            | RING  | 002004<br>006100<br>107107<br>121503<br>904999 | 2              |
| 121      | BACR10AD32  | ..            | RETAINER  | 002004<br>006100<br>107107<br>121503<br>904999 | 2              |
| 122      | BACF32E32   | ..            | FERRULE<br>SUPPLIER CODE:<br>V79326<br>SPECIFICATION NUMBER:<br>BACF32E32<br>OPTIONAL PART:<br>63052-32<br>V79326 | 002004<br>006100<br>107107<br>121503<br>904999 | 1              |
| 123      | BACC42P32   | ..            | BODY  | 002004<br>006100<br>107107<br>121503<br>904999 | 1              |
| 125      | BACC42R16   | .             | COUPLING ASSY-<br>SUPPLIER CODE:<br>V79326<br>SPECIFICATION NUMBER:<br>BACC42R16<br>POSITION DATA:<br>LH SIDE     | 002004<br>006100<br>107107<br>121503<br>904999 | 2              |
| 126      | BACN10KL16  | ..            | NUT ASSY  | 002004<br>006100<br>107107<br>121503<br>904999 | 1              |

MISSING ITEM NUMBERS NOT APPLICABLE

- ITEM NOT ILLUSTRATED

28-22-03-02

28-22-03  
FIG. 02  
PAGE 9  
JAN 20/09

BRI





757

PARTS CATALOG (MAINTENANCE)

| FIG ITEM | PART NUMBER  | 1 2 3 4 5 6 7 | NOMENCLATURE  | EFFECT FROM TO                                 | UNITS PER ASSY |
|----------|--------------|---------------|---|--|----------------|
| 2        |              |               |   |  |                |
| 127      | BACR12BN16   | . .           | RING  | 002004<br>006100<br>107107<br>121503<br>904999 | 2              |
| 128      | BACR10AD16   | . .           | RETAINER  | 002004<br>006100<br>107107<br>121503<br>904999 | 2              |
| 129      | S3052-16     | . .           | FERRULE<br>SUPPLIER CODE:<br>V79326<br>SPECIFICATION NUMBER:<br>BACF32E16 | 002004<br>006100<br>107107<br>121503<br>904999 | 1              |
| 130      | BACC42P16    | . .           | BODY  | 002004<br>006100<br>107107<br>121503<br>904999 | 1              |
| 133      | 73531-16     | . .           | COUPLING-FLANGE<br>SUPPLIER CODE:<br>V79326                               | 002004<br>006100<br>107107<br>121503<br>904999 | 1              |
| 135      | MS29513-330  | . .           | PACKING   | 002004<br>006100<br>107107<br>121503<br>904999 | 5              |
| 140      | MS29513-216  | . .           | PACKING   | 002004<br>006100<br>107107<br>121503<br>904999 | 5              |
| 142      | MS29513-028  | . .           | PACKING   | 002004<br>006100<br>107107<br>121503<br>904999 | 1              |
| 145      | NAS1801-3-10 | . .           | SCREW   | 002004<br>006100<br>107107<br>121503<br>904999 | 4              |

MISSING ITEM NUMBERS NOT APPLICABLE

- ITEM NOT ILLUSTRATED

28-22-03-02

28-22-03  
FIG. 02  
PAGE 10  
JAN 20/09

BRI



757

PARTS CATALOG (MAINTENANCE)

| FIG ITEM | PART NUMBER | 1 2 3 4 5 6 7 | NOMENCLATURE   | EFFECT FROM TO                                 | UNITS PER ASSY |
|----------|-------------|---------------|--|--|----------------|
| 2        |             |               |  |  |                |
| 150      | AN960PD10L  | .             | WASHER   | 002004<br>006100<br>107107<br>121503<br>904999 | 4              |
| 155      | BRH10A3     | .             | NUT<br>SUPPLIER CODE:<br>V52828<br>SPECIFICATION NUMBER:<br>BACN10JC3<br>OPTIONAL PART:<br>H10-3BAC<br>V15653<br>NS202101-02<br>V80539<br>RMLH9075-3W<br>V72962<br>VN303A02<br>V92215<br>96-02<br>V80539<br>T6S1032J<br>V11815 | 002004<br>006100<br>107107<br>121503<br>904999 | 4              |
| 165      | 343N3301-19 | .             | TUBE ASSY-<br>POSITION DATA:<br>LH SIDE<br>TUBING MATERIAL:<br>1.00 IN. OD .028 IN.<br>WALL 63.25 IN. LG<br>AL   | 002004<br>006100<br>107107<br>121503<br>904999 | 1              |
| - 170    | 343N3301-20 | .             | TUBE ASSY-<br>POSITION DATA:<br>RH SIDE<br>TUBING MATERIAL:<br>1.00 IN. OD .028 IN.<br>WALL 63.31 IN. LG<br>AL   | 002004<br>006100<br>107107<br>121503<br>904999 | 1              |
| 175      | 343N3301-51 | .             | TUBE ASSY-<br>POSITION DATA:<br>LH SIDE<br>TUBING MATERIAL:<br>1.00 IN. OD .028 IN.<br>WALL 38.50 IN. LG<br>AL   | 002004<br>006100<br>107107<br>121503<br>904999 | 1              |

MISSING ITEM NUMBERS NOT APPLICABLE

- ITEM NOT ILLUSTRATED

BRI

28-22-03-02

28-22-03  
FIG. 02  
PAGE 11  
JAN 20/09



757

PARTS CATALOG (MAINTENANCE)

| FIG ITEM | PART NUMBER  | 1 2 3 4 5 6 7 | NOMENCLATURE  | EFFECT FROM TO                                 | UNITS PER ASSY |
|----------|--------------|---------------|---|--|----------------|
| 2        |              |               |   |  |                |
| - 177    | 343N3301-16  |               | .TUBE ASSY-<br>POSITION DATA:<br>RH SIDE<br>TUBING MATERIAL:<br>1.00 IN. OD .028 IN.<br>WALL 40.00 IN. LG<br>AL                         | 002004<br>006100<br>107107<br>121503<br>904999 | 1              |
| - 180    | S3052-16     |               | ..FERRULE<br>SUPPLIER CODE:<br>V79326<br>SPECIFICATION NUMBER:<br>BACF32E16   | 002004<br>006100<br>107107<br>121503<br>904999 | 2              |
| 185      | 343N3301-7   |               | .TUBE ASSY-<br>TUBING MATERIAL:<br>.375 IN. OD .022 IN.<br>WALL 11.00 IN. LG<br>AL  | 002004<br>006100<br>107107<br>121503<br>904999 | 1              |
| - 190    | BACC42T6     |               | ..COUPLING<br>SUPPLIER CODE:<br>V79326<br>SPECIFICATION NUMBER:<br>BACC42T6<br>OPTIONAL PART:<br>TC011-6<br>V24984<br>83051-6<br>V79326 | 002004<br>006100<br>107107<br>121503<br>904999 | 1              |
| - 195    | S83052-6     |               | ..FERRULE<br>SUPPLIER CODE:<br>V79326<br>SPECIFICATION NUMBER:<br>BACF32F6<br>OPTIONAL PART:<br>TC010-6<br>V24984                       | 002004<br>006100<br>107107<br>121503<br>904999 | 1              |
| 240      | NAS1801-4-12 |               | .SCREW-   | 002004<br>006100<br>107107<br>121503<br>904999 | 3              |
| 245      | NAS1801-4D12 |               | .SCREW-   | 002004<br>006100<br>107107<br>121503<br>904999 | 1              |

MISSING ITEM NUMBERS NOT APPLICABLE

- ITEM NOT ILLUSTRATED

28-22-03-02

28-22-03  
FIG. 02  
PAGE 12  
JAN 20/09

BRI



757

PARTS CATALOG (MAINTENANCE)

| FIG ITEM | PART NUMBER  | 1 2 3 4 5 6 7 | NOMENCLATURE  | EFFECT FROM TO                                 | UNITS PER ASSY |
|----------|--------------|---------------|---|--|----------------|
| 2        |              |               |   |  |                |
| 250      | AN960PD416L  | .             | WASHER-   | 002004<br>006100<br>107107<br>121503<br>904999 | 8              |
| 255      | BRH10A4      | .             | NUT-<br>SUPPLIER CODE:<br>V52828<br>SPECIFICATION NUMBER:<br>BACN10JC4<br>OPTIONAL PART:<br>T6S428J<br>V11815<br>96-048<br>V80539<br>VN303A048<br>V92215<br>RMLH9075-4W<br>V72962<br>NS202101-048<br>V80539<br>H10-4BAC<br>V15653 | 002004<br>006100<br>107107<br>121503<br>904999 | 4              |
| 260      | 73531B123S24 | .             | COUPLING-<br>SUPPLIER CODE:<br>V79326   | 002004<br>006100<br>107107<br>121503<br>904999 | 1              |
| 265      | MS29513-223  | .             | PACKING-  | 002004<br>006100<br>107107<br>121503<br>904999 | 1              |
| 270      | 343N3301-15  | .             | TUBE ASSY-<br>TUBING MATERIAL:<br>2.00 IN. OD .028 IN.<br>WALL 52.0 IN. LG<br>WW-T-700/6 TUBING   | 002004<br>006100<br>107107<br>121503<br>904999 | 1              |
| 275      | 343N3301-17  | .             | TUBE ASSY-<br>POSITION DATA:<br>LH SIDE<br>TUBING MATERIAL:<br>2.00 IN. OD .028 IN.<br>WALL 54.00 IN. LG<br>AL  | 002004<br>006100<br>107107<br>121503<br>904999 | 1              |

MISSING ITEM NUMBERS NOT APPLICABLE

- ITEM NOT ILLUSTRATED

BRI

28-22-03-02

28-22-03  
FIG. 02  
PAGE 13  
JAN 20/09



757

PARTS CATALOG (MAINTENANCE)

| FIG ITEM | PART NUMBER   | 1 2 3 4 5 6 7 | NOMENCLATURE  | EFFECT FROM TO                                 | UNITS PER ASSY |
|----------|---------------|---------------|---|--|----------------|
| 2        |               |               |   |  |                |
| - 280    | 343N3301-18   |               | .TUBE ASSY-<br>POSITION DATA:<br>RH SIDE<br>TUBING MATERIAL:<br>2.00 IN. OD .028 IN.<br>WALL 45.00 IN. LG<br>AL     | 002004<br>006100<br>107107<br>121503<br>904999 | 1              |
| - 285    | BACF32E32     |               | ..FERRULE<br>SUPPLIER CODE:<br>V79326<br>SPECIFICATION NUMBER:<br>BACF32E32<br>OPTIONAL PART:<br>63052-32<br>V79326 | 002004<br>006100<br>107107<br>121503<br>904999 | 2              |
| 310      | MS29513-121   |               | .PACKING  | 002004<br>006100<br>107107<br>121503<br>904999 | 1              |
| 315      | 8366B343S6    |               | .ADAPTER-<br>SUPPLIER CODE:<br>V79326   | 002004<br>006100<br>107107<br>121503<br>904999 | 1              |
| 330      | MS29512-06    |               | .PACKING-   | 002004<br>006100<br>107107<br>121503<br>904999 | 1              |
| 335      | BACB30LJ4U14  |               | .BOLT-  | 002004<br>006100<br>107107<br>121503<br>904999 | 1              |
| 340      | BACB30LJ4HU12 |               | .BOLT-  | 002004<br>006100<br>107107<br>121503<br>904999 | 3              |
| 345      | AN960PD416    |               | .WASHER-  | 002004<br>006100<br>107107<br>121503<br>904999 | 4              |

MISSING ITEM NUMBERS NOT APPLICABLE

- ITEM NOT ILLUSTRATED

28-22-03-02

28-22-03  
FIG. 02  
PAGE 14  
JAN 20/09

BRI



757

PARTS CATALOG (MAINTENANCE)

| FIG ITEM | PART NUMBER  | 1 2 3 4 5 6 7         | NOMENCLATURE  | EFFECT FROM TO                                 | UNITS PER ASSY |
|----------|--------------|-----------------------|---|--|----------------|
| 2<br>350 | BRH10A4      | .NUT-                 | SUPPLIER CODE:<br>V52828<br>SPECIFICATION NUMBER:<br>BACN10JC4<br>OPTIONAL PART:<br>T6S428J<br>V11815<br>96-048<br>V80539<br>VN303A048<br>V92215<br>RMLH9075-4W<br>V72962<br>NS202101-048<br>V80539<br>H10-4BAC<br>V15653                           | 002004<br>006100<br>107107<br>121503<br>904999 | 4              |
| 355      | 20C144-5     | .VALVE-BOOST PUMP CHK | SUPPLIER CODE:<br>V82829<br>FUNCTIONAL DESCRIPTION:<br>ALLOWS FUEL FLOW FROM<br>THE BOOST PUMP TO THE<br>ENGINE AND PREVENTS<br>REVERSE FLOW THROUGH<br>THE PUMP<br>SPECIFICATION NUMBER:<br>10-60526-15<br>COMPONENT MAINT MANUAL REF:<br>28-22-03 | 002004<br>006100<br>107107<br>121503<br>904999 | 1              |
| 360      | MS29513-228  | .PACKING-             |   | 002004<br>006100<br>107107<br>121503<br>904999 | 2              |
| 365      | 69B92317-1   | .ADAPTER ASSY         |   | 002004<br>006100<br>107107<br>121503<br>904999 | 1              |
| 370      | NAS1801-4-14 | .SCREW-               |   | 002004<br>006100<br>107107<br>121503<br>904999 | 5              |

MISSING ITEM NUMBERS NOT APPLICABLE

- ITEM NOT ILLUSTRATED

28-22-03-02

28-22-03  
FIG. 02  
PAGE 15  
JAN 20/09

BRI



757

PARTS CATALOG (MAINTENANCE)

| FIG ITEM | PART NUMBER | 1 2 3 4 5 6 7 | NOMENCLATURE  | EFFECT FROM TO                                 | UNITS PER ASSY |
|----------|-------------|---------------|---|--|----------------|
| 2<br>372 | NAS6604H7   | .             | BOLT  | 002004<br>006100<br>107107<br>121503<br>904999 | 1              |
| 375      | AN960PD416  | .             | WASHER-   | 002004<br>006100<br>107107<br>121503<br>904999 | 6              |
| 380      | BRH10A4     | .             | NUT-<br>SUPPLIER CODE:<br>V52828<br>SPECIFICATION NUMBER:<br>BACN10JC4<br>OPTIONAL PART:<br>T6S428J<br>V11815<br>96-048<br>V80539<br>VN303A048<br>V92215<br>RMLH9075-4W<br>V72962<br>NS202101-048<br>V80539<br>H10-4BAC<br>V15653         | 002004<br>006100<br>107107<br>121503<br>904999 | 6              |
| 385      | 2660608M2   | .             | VALVE-BOOST PUMP REMOVAL<br>CHK<br>SUPPLIER CODE:<br>V92003<br>FUNCTIONAL DESCRIPTION:<br>PERMITS REMOVAL OF FUEL<br>PUMP WITHOUT EMPTYING<br>FUEL TANK<br>SPECIFICATION NUMBER:<br>60B92405-3<br>COMPONENT MAINT MANUAL REF:<br>28-10-21 | 002004<br>006100<br>107107<br>121503<br>904999 | 1              |
| 390      | MS29513-231 | .             | PACKING   | 002004<br>006100<br>107107<br>121503<br>904999 | 1              |

MISSING ITEM NUMBERS NOT APPLICABLE

- ITEM NOT ILLUSTRATED

28-22-03-02

28-22-03  
FIG. 02  
PAGE 16  
JAN 20/09

BRI

 **BOEING**  
757  
PARTS CATALOG (MAINTENANCE)

| FIG ITEM                   | PART NUMBER | 1 2 3 4 5 6 7  | NOMENCLATURE  | EFFECT FROM TO                                 | UNITS PER ASSY |
|----------------------------|-------------|----------------|---|--|----------------|
| 2                          | 395         | NAS6604H10     | .BOLT-  | 002004<br>006100<br>107107<br>121503<br>904999 | 7              |
|                            | 400         | NAS6604H14     | .BOLT-  | 002004<br>006100<br>107107<br>121503<br>904999 | 1              |
| R<br>R<br>R<br>R           | 405         | NAS6604-3      | .BOLT-  | 002004<br>006100<br>107107<br>121503<br>904999 | 2              |
|                            | 410         | NAS1352C08H10P | .SCREW-   | 002004<br>006100<br>107107<br>121503<br>904999 | 5              |
| R<br>R<br>R<br>R           | 415         | AN960PD416L    | .WASHER-  | 002004<br>006100<br>107107<br>121503<br>904999 | 14             |
|                            | 420         | AN960D8        | .WASHER-  | 002004<br>006100<br>107107<br>121503<br>904999 | 5              |
| R<br>R<br>R<br>R<br>R<br>R | 430         | RBEJ40D20-24   | .JUMPER ASSY-<br>SUPPLIER CODE:<br>V1GK47<br>SPECIFICATION NUMBER:<br>BACJ40D20-24<br>OPTIONAL PART:<br>4F24F<br>V79550 | 002004<br>006100<br>107107<br>121503<br>904999 | 2              |
|                            | 433         | 343N2054-2     | .CLIP-  | 002004<br>006100<br>107107<br>121503<br>904999 | 2              |

MISSING ITEM NUMBERS NOT APPLICABLE

— ITEM NOT ILLUSTRATED

BRI

**28-22-03-02**

BOEING PROPRIETARY - Copyright © - Unpublished Work - See title page for details.

28-22-03  
FIG. 02  
PAGE 17  
MAY 20/09



 **BOEING**  
757  
**PARTS CATALOG (MAINTENANCE)**

| FIG ITEM   | PART NUMBER                         | 1 2 3 4 5 6 7 | NOMENCLATURE   | EFFECT FROM TO                                 | UNITS PER ASSY |
|--|-------------------------------------|---------------|--|--|----------------|
| R<br>R<br>R<br>R<br>R<br>R<br>R<br>R<br>R<br>R<br>R<br>R | 2<br>440                            | BRH10A4       | .NUT-<br>SUPPLIER CODE:<br>V52828<br>SPECIFICATION NUMBER:<br>BACN10JC4<br>OPTIONAL PART:<br>T6S428J<br>V11815<br>96-048<br>V80539<br>VN303A048<br>V92215<br>RMLH9075-4W<br>V72962<br>NS202101-048<br>V80539<br>H10-4BAC<br>V15653 | 002004<br>006100<br>107107<br>121503<br>904999 | 2              |
|  | 445                                 | 678576        | .SEAL-<br>SUPPLIER CODE:<br>V83259   | 002004<br>006100<br>107107<br>121503<br>904999 | 1              |
|  | 450                                 | 60-75502      | .HOUSING ASSY-<br>SUPPLIER CODE:<br>V81982<br>FUNCTIONAL DESCRIPTION:<br>PROVIDES A DRY BAY FOR<br>SERVICING AND REMOVAL<br>OF BOOST PUMPS<br>SPECIFICATION NUMBER:<br>60B92404-2<br>COMPONENT MAINT MANUAL REF:<br>28-22-06       | 002004<br>006100<br>107107<br>121503<br>904999 | 1              |
|  | 454                                 | MS35275-230   | ..SCREW  | 002004<br>006100<br>107107<br>121503<br>904999 | 3              |
|  | 456                                 | NAS620C6      | ..WASHER   | 002004<br>006100<br>107107<br>121503<br>904999 | 3              |
|  | 457                                 | 60-75529      | ..PORT-PRIMER DISCH<br>SUPPLIER CODE:<br>V81982  | 002004<br>006100<br>107107<br>121503<br>904999 | 1              |
|  | MISSING ITEM NUMBERS NOT APPLICABLE |               |  |  |                |

- ITEM NOT ILLUSTRATED

BRI

28-22-03-02

BOEING PROPRIETARY - Copyright © - Unpublished Work - See title page for details.

28-22-03  
FIG. 02  
PAGE 18  
MAY 20/09



757

PARTS CATALOG (MAINTENANCE)

| FIG ITEM | PART NUMBER | 1 2 3 4 5 6 7 | NOMENCLATURE   | EFFECT FROM TO                                 | UNITS PER ASSY |
|----------|-------------|---------------|--|--|----------------|
| 2        |             |               |  |  |                |
| 458      | MS29513-027 | ..            | PACKING  | 002004<br>006100<br>107107<br>121503<br>904999 | 2              |
| 462      | 60-75521    | ..            | VALVE ASSY-CHK<br>SUPPLIER CODE:<br>V81982   | 002004<br>006100<br>107107<br>121503<br>904999 | 1              |
| 464      | 60-75504    | .             | MOTOR-IMPELLER<br>FUEL BOOST PUMP<br>SUPPLIER CODE:<br>V81982<br>SPECIFICATION NUMBER:<br>60B92404-5<br>MISCELLANEOUS DATA:<br>60-755100-5 IS PREFERRED<br>SPARE FOR 60-75504 FOR<br>ALL MODELS.<br>COMPONENT MAINT MANUAL REF:<br>28-22-06<br>PRE ALERT SB:<br>28A0066<br>28A0070R2<br>PRE SERVICE BULLETIN:<br>60-75504-28-02<br>V81982<br>REWORKED BY SB:<br>28-01<br>V81982<br>FOR DETAILS SEE:<br>28-22-03-51 | 002004<br>006100<br>107107<br>121503<br>904999 | 1              |

MISSING ITEM NUMBERS NOT APPLICABLE

- ITEM NOT ILLUSTRATED

BRI

28-22-03-02

BOEING PROPRIETARY - Copyright © - Unpublished Work - See title page for details.

28-22-03  
FIG. 02  
PAGE 19  
JAN 20/09



757  
PARTS CATALOG (MAINTENANCE)

| FIG<br>ITEM | PART NUMBER | 1 2 3 4 5 6 7 | NOMENCLATURE  | EFFECT<br>FROM TO                              | UNITS<br>PER<br>ASSY |
|-------------|-------------|---------------|---|--|----------------------|
| 2<br>464    | 60-755100   |               | .MOTOR-IMPELLER<br>FUEL BOOST PUMP<br>SUPPLIER CODE:<br>V81982<br>FUNCTIONAL DESCRIPTION:<br>DELIVERS FUEL UNDER<br>PRESSURE FROM A TANK TO<br>ITS RESPECTIVE ENGINE OR<br>THROUGH THE CROSSFEED<br>VALVE TO THE OTHER<br>ENGINE<br>SPECIFICATION NUMBER:<br>60B92404-6<br>MISCELLANEOUS DATA:<br>PART INTERCHANGEABILITY<br>FOR 747 IS SHOWN ON<br>BOEING DRAWING 334U0052<br>COMPONENT MAINT MANUAL REF:<br>28-22-06<br>PRE ALERT SB:<br>28A0066<br>28A0070R2<br>PRE SERVICE BULLETIN:<br>60-755100-28-2<br>V81982<br>REWORKED BY SB:<br>28-01<br>V81982<br>FOR DETAILS SEE:<br>28-22-03-51 | 002004<br>006100<br>107107<br>121503<br>904999 | 1                    |

MISSING ITEM NUMBERS NOT APPLICABLE

- ITEM NOT ILLUSTRATED

BRI

28-22-03-02

BOEING PROPRIETARY - Copyright © - Unpublished Work - See title page for details.

28-22-03  
FIG. 02  
PAGE 20  
JAN 20/09



757

PARTS CATALOG (MAINTENANCE)

| FIG ITEM | PART NUMBER | 1 2 3 4 5 6 7 | NOMENCLATURE   | EFFECT FROM TO                                 | UNITS PER ASSY |
|----------|-------------|---------------|--|--|----------------|
| 2<br>464 | 60-755100-4 | .             | MOTOR-IMPELLER<br>FUEL BOOST PUMP<br>SUPPLIER CODE:<br>V81982<br>FUNCTIONAL DESCRIPTION:<br>DELIVERS FUEL UNDER<br>PRESSURE FROM A TANK TO<br>ITS RESPECTIVE ENGINE OR<br>THROUGH THE CROSSFEED<br>VALVE TO THE OTHER<br>ENGINE<br>SPECIFICATION NUMBER:<br>60B92404-8<br>COMPONENT MAINT MANUAL REF:<br>28-22-08<br>POST ALERT SB:<br>28A0066<br>PRE ALERT SB:<br>28A0070R2<br>POST SERVICE BULLETIN:<br>60-755100-28-1<br>V81982<br>PRE SERVICE BULLETIN:<br>60-755100-28-2<br>V81982<br>FOR DETAILS SEE:<br>28-22-03-51 | 002004<br>006100<br>107107<br>121503<br>904999 | 1              |

MISSING ITEM NUMBERS NOT APPLICABLE

- ITEM NOT ILLUSTRATED

BRI

28-22-03-02

BOEING PROPRIETARY - Copyright © - Unpublished Work - See title page for details.

28-22-03  
FIG. 02  
PAGE 21  
JAN 20/09



757

PARTS CATALOG (MAINTENANCE)

| FIG ITEM | PART NUMBER | 1 2 3 4 5 6 7 | NOMENCLATURE   | EFFECT FROM TO                                 | UNITS PER ASSY |
|----------|-------------|---------------|--|--|----------------|
| 2<br>464 | 60-755100-2 |               | .MOTOR-IMPELLER<br>FUEL BOOST PUMP<br>SUPPLIER CODE:<br>V81982<br>FUNCTIONAL DESCRIPTION:<br>DELIVERS FUEL UNDER<br>PRESSURE FROM A TANK TO<br>ITS RESPECTIVE ENGINE OR<br>THROUGH THE CROSSFEED<br>VALVE TO THE OTHER<br>ENGINE<br>SPECIFICATION NUMBER:<br>60B92404-7<br>COMPONENT MAINT MANUAL REF:<br>28-22-08<br>PRE ALERT SB:<br>28A0070R2<br>PRE SERVICE BULLETIN:<br>60-755100-28-2<br>V81982<br>60-755100-28-1<br>V81982<br>FOR DETAILS SEE:<br>28-22-03-51 | 002004<br>006100<br>107107<br>121503<br>904999 | 1              |
| 464      | 60-755100-5 |               | .MOTOR-IMPELLER<br>FUEL BOOST PUMP<br>SUPPLIER CODE:<br>V81982<br>SPECIFICATION NUMBER:<br>60B92404-10<br>POST ALERT SB:<br>28A0070R2<br>POST SERVICE BULLETIN:<br>60-75504-28-2<br>V81982<br>60-755100-28-2<br>V81982<br>FOR DETAILS SEE:<br>28-22-03-51  | 002004<br>006100<br>107107<br>121503<br>904999 | 1              |
| 465      | 8310-6-64   |               | .CAP-<br>SUPPLIER CODE:<br>V79326  | 002004<br>006100<br>107107<br>121503<br>904999 | 2              |
| 467      | 83204-6     |               | .CONNECTOR-<br>SUPPLIER CODE:<br>V79326  | 002004<br>006100<br>107107<br>121503<br>904999 | 1              |

MISSING ITEM NUMBERS NOT APPLICABLE

- ITEM NOT ILLUSTRATED

28-22-03-02

28-22-03  
FIG. 02  
PAGE 22  
JAN 20/09

BRI



757

PARTS CATALOG (MAINTENANCE)

| FIG ITEM | PART NUMBER  | 1 2 3 4 5 6 7 | NOMENCLATURE  | EFFECT FROM TO                                 | UNITS PER ASSY |
|----------|--------------|---------------|---|--|----------------|
| 2        |              |               |   |  |                |
| 469      | MS29513-021  | .             | PACKING   | 002004<br>006100<br>107107<br>121503<br>904999 | 1              |
| 470      | MS29513-014  | .             | PACKING   | 002004<br>006100<br>107107<br>121503<br>904999 | 2              |
| 473      | 69B92405-12  | .             | SCREEN ASSY-  | 002004<br>006100<br>107107<br>121503<br>904999 | 1              |
| - 482    | NAS1801-3-6  | .             | ATTACHING PARTS<br>SCREW-   | 002004<br>006100<br>121503<br>904999           | 6              |
| - 485    | AN960-10L    | .             | WASHER  | 002004<br>006100<br>121503<br>904999           | 6              |
| 511      | 24C236       | -----*-----   | .VALVE-BOOST PUMP BYPASS<br>CHK<br>SUPPLIER CODE:<br>V82829<br>FUNCTIONAL DESCRIPTION:<br>PERMITS FUEL TO BYPASS<br>THE BOOST PUMP WHEN PUMP<br>IS INOPERATIVE<br>SPECIFICATION NUMBER:<br>60B92401-4<br>COMPONENT MAINT MANUAL REF:<br>28-22-01<br>POST ALERT SB:<br>28A0017R2 | 002004<br>006100<br>107107<br>121503<br>904999 | 1              |
| 512      | MS29513-223  | .             | PACKING-<br>POST ALERT SB:<br>28A0017R2   | 002004<br>006100<br>107107<br>121503<br>904999 | 1              |
| 513      | NAS1801-4-12 | .             | SCREW-<br>POST ALERT SB:<br>28A0017R2   | 002004<br>006100<br>107107<br>121503<br>904999 | 4              |

MISSING ITEM NUMBERS NOT APPLICABLE

- ITEM NOT ILLUSTRATED

BRI

28-22-03-02

28-22-03  
FIG. 02  
PAGE 23  
JAN 20/09



757

PARTS CATALOG (MAINTENANCE)

| FIG ITEM | PART NUMBER | 1 2 3 4 5 6 7 | NOMENCLATURE                           | EFFECT FROM TO                                 | UNITS PER ASSY |
|----------|-------------|---------------|--|--|----------------|
| 2        |             |               |  |  |                |
| 514      | NAS1801-3-6 | .             | SCREW-                                 | 002004<br>006100<br>121503<br>904999           | 5              |
| 514A     | NAS1801-3-6 | .             | SCREW-<br>POST ALERT SB:<br>28A0017R3  | 107107   | 3              |
| 514B     | NAS1801-3-7 | .             | SCREW-<br>POST ALERT SB:<br>28A0017R3  | 107107   | 2              |
| 516      | NAS1801-3-8 | .             | SCREW-                                 | 002004<br>006100<br>121503<br>904999           | 3              |
| 516A     | NAS1801-3-8 | .             | SCREW-<br>POST ALERT SB:<br>28A0017R3  | 107107   | 2              |
| 522      | AN960-10L   | .             | WASHER-                                | 002004<br>006100<br>121503<br>904999           | 6              |
| 522A     | AN960-10L   | .             | WASHER-<br>POST ALERT SB:<br>28A0017R3 | 107107   | 5              |
| 523      | AN960D10L   | .             | WASHER-                                | 002004<br>006100<br>121503<br>904999           | 7              |
| 523A     | AN960D10L   | .             | WASHER-<br>POST ALERT SB:<br>28A0017R3 | 107107   | 6              |
| 524      | AN960JD416L | .             | WASHER-<br>POST ALERT SB:<br>28A0017R2 | 002004<br>006100<br>107107<br>121503<br>904999 | 8              |

MISSING ITEM NUMBERS NOT APPLICABLE

- ITEM NOT ILLUSTRATED

BRI

28-22-03-02

BOEING PROPRIETARY - Copyright © - Unpublished Work - See title page for details.

28-22-03  
FIG. 02  
PAGE 24  
JAN 20/09



757

PARTS CATALOG (MAINTENANCE)

| FIG ITEM | PART NUMBER | 1 2 3 4 5 6 7 | NOMENCLATURE  | EFFECT FROM TO                                 | UNITS PER ASSY |
|----------|-------------|---------------|---|--|----------------|
| 2<br>526 | BRH10A3     | .NUT-         | SUPPLIER CODE:<br>V52828<br>SPECIFICATION NUMBER:<br>BACN10JC3<br>OPTIONAL PART:<br>H10-3BAC<br>V15653<br>NS202101-02<br>V80539<br>RMLH9075-3W<br>V72962<br>VN303A02<br>V92215<br>96-02<br>V80539<br>T6S1032J<br>V11815 | 002004<br>006100<br>121503<br>904999           | 8              |
| 526A     | BRH10A3     | .NUT-         | SUPPLIER CODE:<br>V52828<br>SPECIFICATION NUMBER:<br>BACN10JC3<br>OPTIONAL PART:<br>H10-3BAC<br>V15653<br>NS202101-02<br>V80539<br>RMLH9075-3W<br>V72962<br>VN303A02<br>V92215<br>96-02<br>V80539<br>T6S1032J<br>V11815 | 107107   | 7              |
| 527      | MS21042L4   | .NUT-         | POST ALERT SB:<br>28A0017R3   | 002004<br>006100<br>107107<br>121503<br>904999 | 4              |
| 528      | BACJ40A20-8 | .JUMPER ASSY- | POST ALERT SB:<br>28A0017R2   | 002004<br>006100<br>107107<br>121503<br>904999 | 1              |

MISSING ITEM NUMBERS NOT APPLICABLE

- ITEM NOT ILLUSTRATED

BRI

28-22-03-02

BOEING PROPRIETARY - Copyright © - Unpublished Work - See title page for details.

28-22-03  
FIG. 02  
PAGE 25  
JAN 20/09





757

PARTS CATALOG (MAINTENANCE)

| FIG ITEM | PART NUMBER  | 1 2 3 4 5 6 7 | NOMENCLATURE  | EFFECT FROM TO                                 | UNITS PER ASSY |
|----------|--------------|---------------|---|--|----------------|
| 2<br>529 | AN735D24     |               | .CLAMP-<br>POST ALERT SB:<br>28A0017R2                                  | 002004<br>006100<br>107107<br>121503<br>904999 | 1              |
| 537      | 343N2035-9   |               | .BRACKET-<br>POSITION DATA:<br>LH SIDE<br>POST ALERT SB:<br>28A0017R2   | 002004<br>006100<br>107107<br>121503<br>904999 | 2              |
| - 538    | 343N2035-10  |               | .BRACKET-<br>POSITION DATA:<br>RH SIDE<br>POST ALERT SB:<br>28A0017R2   | 002004<br>006100<br>107107<br>121503<br>904999 | 2              |
| 542      | 69-77546-1   |               | .TUBE ASSY-<br>POSITION DATA:<br>LH SIDE<br>POST ALERT SB:<br>28A0017R2 | 002004<br>006100<br>107107<br>121503<br>904999 | 1              |
| - 543    | 69-77546-2   |               | .TUBE ASSY-<br>POSITION DATA:<br>RH SIDE<br>POST ALERT SB:<br>28A0017R2 | 002004<br>006100<br>107107<br>121503<br>904999 | 1              |
| 565      | 343N2036-3   |               | .SUPPORT-<br>POSITION DATA:<br>LH SIDE                                  | 002004<br>006100<br>107107<br>121503<br>904999 | 1              |
| - 570    | 343N2036-4   |               | .SUPPORT-<br>POSITION DATA:<br>RH SIDE                                  | 002004<br>006100<br>107107<br>121503<br>904999 | 1              |
| 575      | NAS1801-3-16 |               | .SCREW  | 002004<br>006100<br>107107<br>121503<br>904999 | 6              |
| 580      | AN960PD10L   |               | .WASHER   | 002004<br>006100<br>107107<br>121503<br>904999 | 6              |

MISSING ITEM NUMBERS NOT APPLICABLE

- ITEM NOT ILLUSTRATED

28-22-03-02

28-22-03  
FIG. 02  
PAGE 26  
JAN 20/09

BRI



757

PARTS CATALOG (MAINTENANCE)

| FIG ITEM | PART NUMBER | 1 2 3 4 5 6 7              | NOMENCLATURE  | EFFECT FROM TO                                 | UNITS PER ASSY |
|----------|-------------|----------------------------|---|--|----------------|
| 2<br>585 | BRH10A3     | .NUT                       | SUPPLIER CODE:<br>V52828<br>SPECIFICATION NUMBER:<br>BACN10JC3<br>OPTIONAL PART:<br>H10-3BAC<br>V15653<br>NS202101-02<br>V80539<br>RMLH9075-3W<br>V72962<br>VN303A02<br>V92215<br>96-02<br>V80539<br>T6S1032J<br>V11815 | 002004<br>006100<br>107107<br>121503<br>904999 | 6              |
| 590      | 65B92416-33 | .BELLMOUTH ASSY-           | POSITION DATA:<br>LH SIDE   | 002004<br>006100<br>107107<br>121503<br>904999 | 1              |
| - 595    | 65B92416-34 | .BELLMOUTH ASSY-           | POSITION DATA:<br>RH SIDE   | 002004<br>006100<br>107107<br>121503<br>904999 | 1              |
| - 600    | NAS1801-3-6 | ATTACHING PARTS<br>.SCREW  |   | 002004<br>006100<br>107107<br>121503<br>904999 | 6              |
| - 605    | AN960-10L   | .WASHER                    |   | 002004<br>006100<br>107107<br>121503<br>904999 | 6              |
| - 610    | BACF32E32   | -----*-----<br>. . FERRULE | SUPPLIER CODE:<br>V79326<br>SPECIFICATION NUMBER:<br>BACF32E32<br>OPTIONAL PART:<br>63052-32<br>V79326  | 002004<br>006100<br>107107<br>121503<br>904999 | 1              |

MISSING ITEM NUMBERS NOT APPLICABLE

- ITEM NOT ILLUSTRATED

28-22-03-02

28-22-03  
FIG. 02  
PAGE 27  
JAN 20/09

BRI



757

PARTS CATALOG (MAINTENANCE)

| FIG ITEM | PART NUMBER | 1 2 3 4 5 6 7 | NOMENCLATURE   | EFFECT FROM TO                                 | UNITS PER ASSY |
|----------|-------------|---------------|--|--|----------------|
| 2        |             |               |  |  |                |
| 615      | 65B92416-35 | ..            | BRAZED ASSY-<br>POSITION DATA:<br>LH SIDE  | 002004<br>006100<br>107107<br>121503<br>904999 | 1              |
| 620      | 65B92416-36 | ..            | BRAZED ASSY-<br>POSITION DATA:<br>LH SIDE  | 002004<br>006100<br>107107<br>121503<br>904999 | 1              |
| 625      | 65B92416-29 | ...           | COLLAR   | 002004<br>006100<br>107107<br>121503<br>904999 | 1              |
| - 630    | 65B92416-5  | ...           | TUBE   | 002004<br>006100<br>107107<br>121503<br>904999 | 1              |
| 635      | 65B92416-4  | ...           | BELLMOUTH-<br>OPTIONAL PART:<br>343N2056-7<br>343N2161-11                            | 002004<br>006100<br>107107<br>121503<br>904999 | 1              |
| 635      | 343N2056-7  | ...           | BELLMOUTH-<br>OPTIONAL PART:<br>65B92416-4   | 002004<br>006100<br>107107<br>121503<br>904999 | 1              |
| 635      | 343N2161-11 | ...           | BELLMOUTH-<br>OPTIONAL PART:<br>65B92416-4<br>USED ON:<br>65B92416-35<br>65B92416-36 | 002004<br>006100<br>107107<br>121503<br>904999 | 1              |
| 640      | 343N2041-48 | .BRACKET-     | POSITION DATA:<br>LH<br>POST SERVICE BULLETIN:<br>28-0041<br>28-0041R1               | 107107<br>952999                               | 1              |
| - 643    | 343N2041-45 | .BRACKET-     | POSITION DATA:<br>RH<br>POST SERVICE BULLETIN:<br>28-0041                            | 107107   | 1              |

MISSING ITEM NUMBERS NOT APPLICABLE

- ITEM NOT ILLUSTRATED

28-22-03-02

28-22-03  
FIG. 02  
PAGE 28  
JAN 20/09

BRI



757

PARTS CATALOG (MAINTENANCE)

| FIG ITEM | PART NUMBER | 1 2 3 4 5 6 7 | NOMENCLATURE   | EFFECT FROM TO   | UNITS PER ASSY |
|----------|-------------|---------------|--|------------------|----------------|
| 2        |             |               |  |                  |                |
| - 645    | BACR15FT6D8 |               | ATTACHING PARTS<br>.RIVET-<br>POSITION DATA:<br>LH<br>POST SERVICE BULLETIN:<br>28-0041<br>28-0041R1 | 107107<br>952999 | 2              |
| - 650    | BACR15FT6D8 |               | .RIVET-<br>POSITION DATA:<br>RH<br>POST SERVICE BULLETIN:<br>28-0041<br>-----*-----                  | 107107           | 2              |

MISSING ITEM NUMBERS NOT APPLICABLE

- ITEM NOT ILLUSTRATED

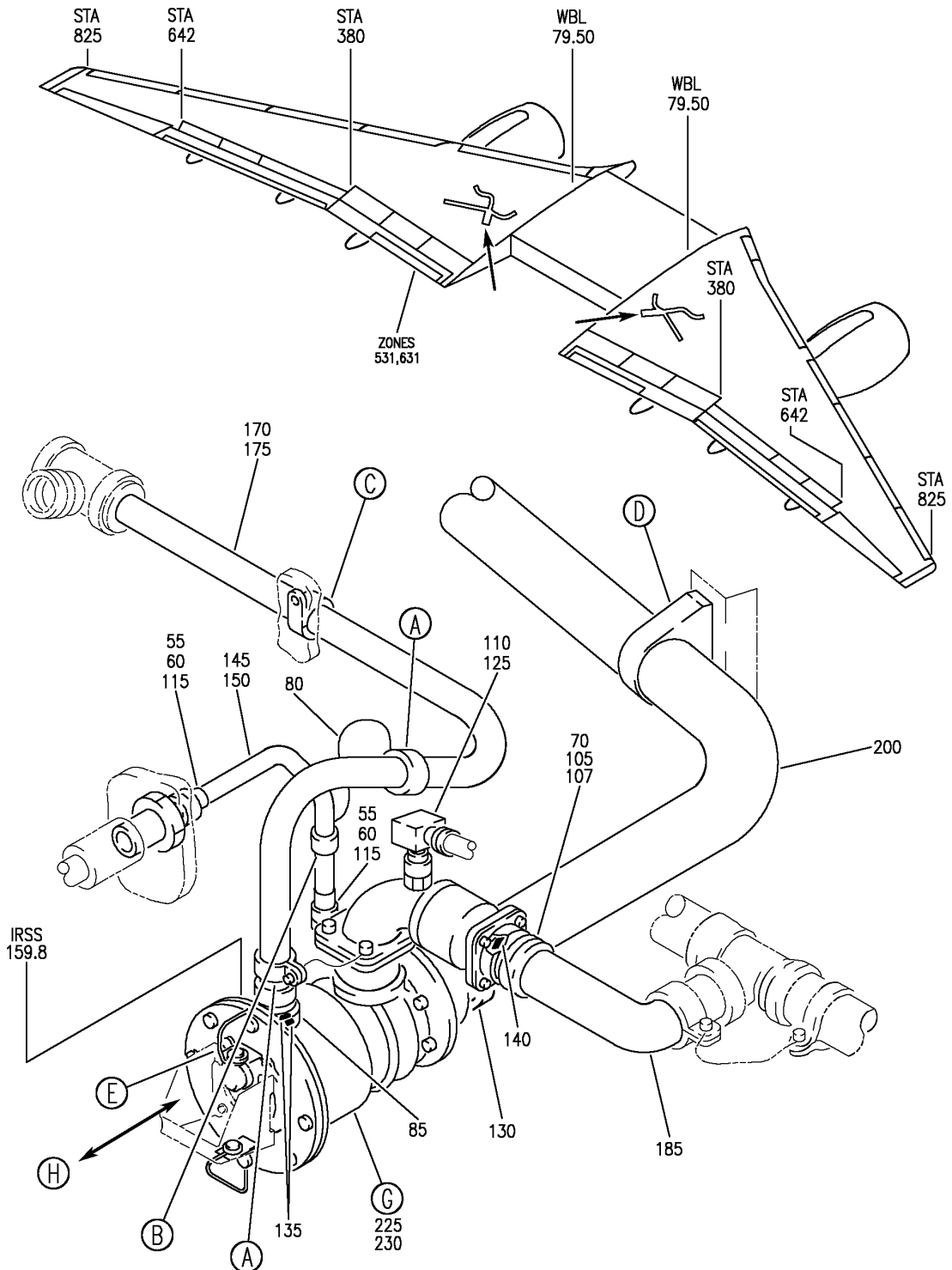
BRI

28-22-03-02

BOEING PROPRIETARY - Copyright © - Unpublished Work - See title page for details.

28-22-03  
FIG. 02  
PAGE 29  
JAN 20/09

**BOEING**  
757  
**PARTS CATALOG (MAINTENANCE)**



Y 28220302B SHT 1 REV 334

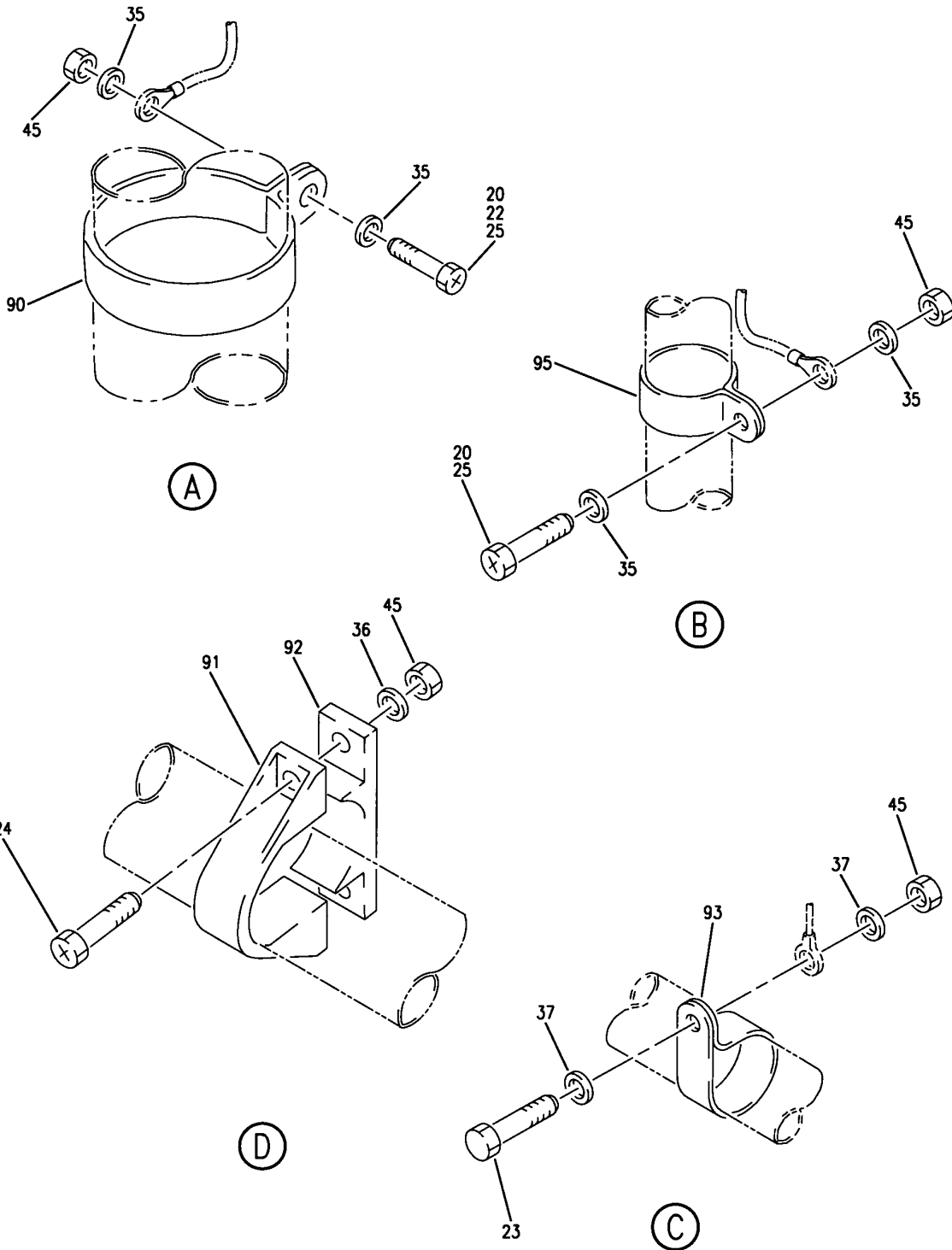
PUMP INSTL-ENG FUEL FEED SYS (DISTRIBUTION ONLY) FWD  
FIGURE 2B (SHEET 1)

**28-22-03-02B**

BRI  
MAY 20/09

28-22-03-02B  
PAGE 0

**BOEING**  
757  
PARTS CATALOG (MAINTENANCE)



Y 28220302B SHT 2 REV 206

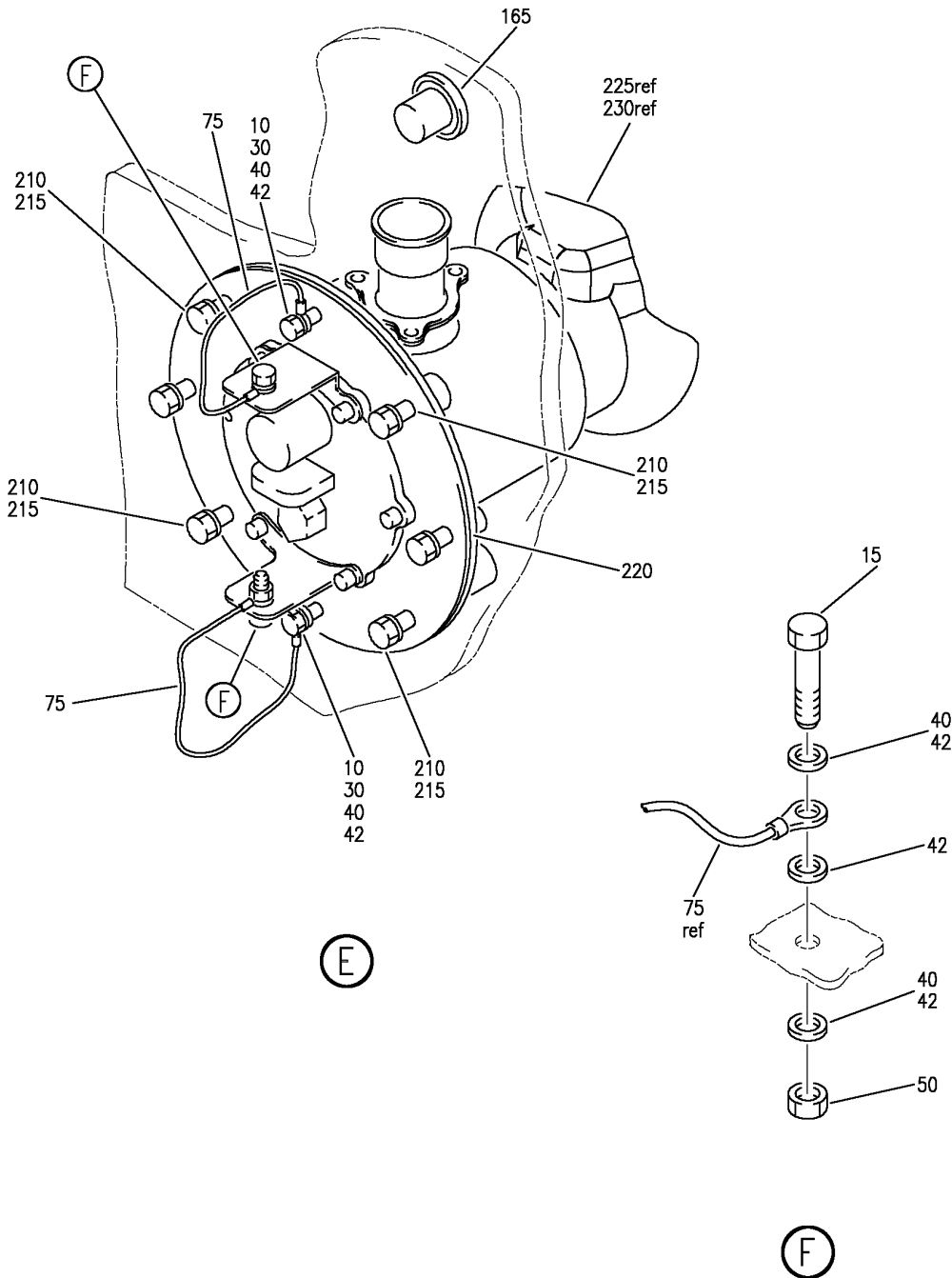
PUMP INSTL-ENG FUEL FEED SYS (DISTRIBUTION ONLY) FWD  
FIGURE 2B (SHEET 2)

**28-22-03-02B**

BRI  
MAY 28/07

28-22-03-02B  
PAGE 0A

**BOEING**  
757  
PARTS CATALOG (MAINTENANCE)



Y 28220302B SHT 3 REV 334

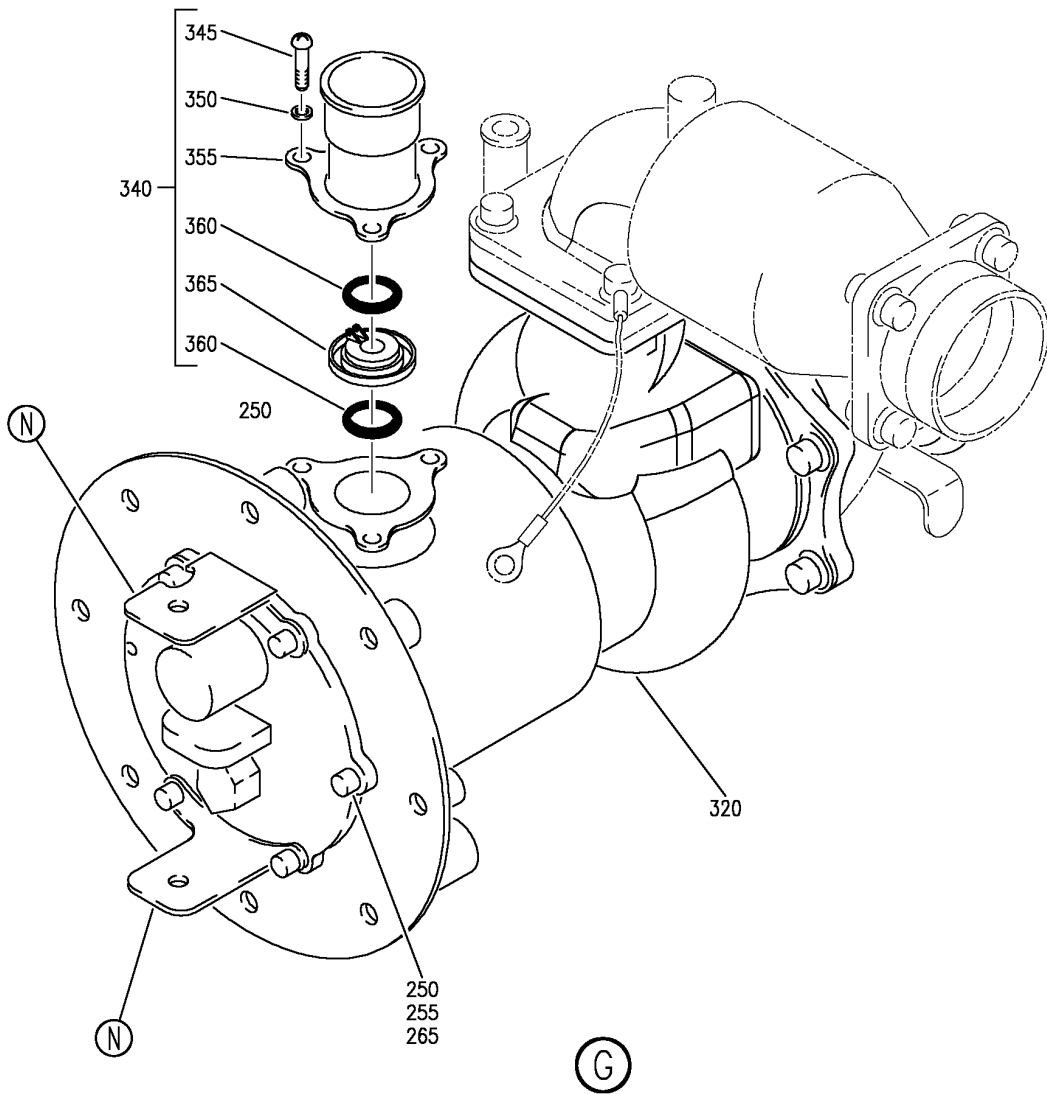
PUMP INSTL-ENG FUEL FEED SYS (DISTRIBUTION ONLY) FWD  
FIGURE 2B (SHEET 3)

**28-22-03-02B**

BRI  
MAY 20/09

28-22-03-02B  
PAGE 0B

**BOEING**  
757  
PARTS CATALOG (MAINTENANCE)



Y 28220302B SHT 4 REV 334

PUMP INSTL-ENG FUEL FEED SYS (DISTRIBUTION ONLY) FWD  
FIGURE 2B (SHEET 4)

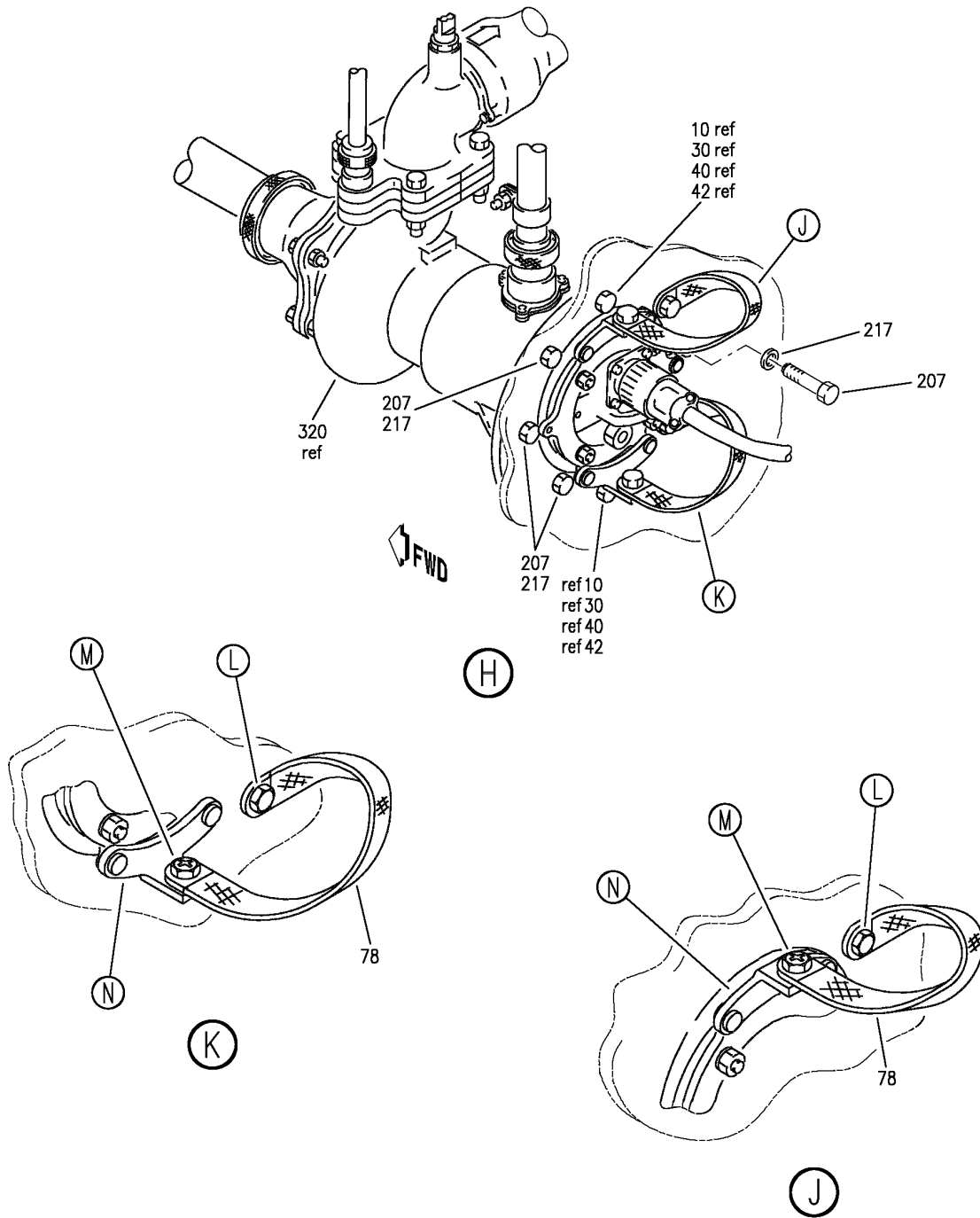
**28-22-03-02B**

BRI  
MAY 20/09

28-22-03-02B  
PAGE 0C



**BOEING**  
757  
PARTS CATALOG (MAINTENANCE)



Y 28220302B SHT 5 REV 334

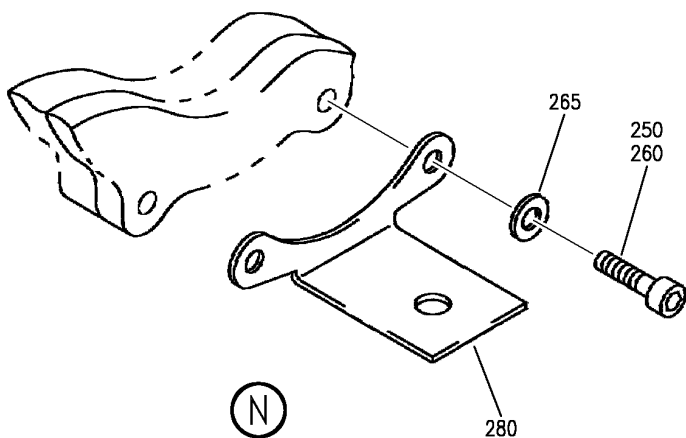
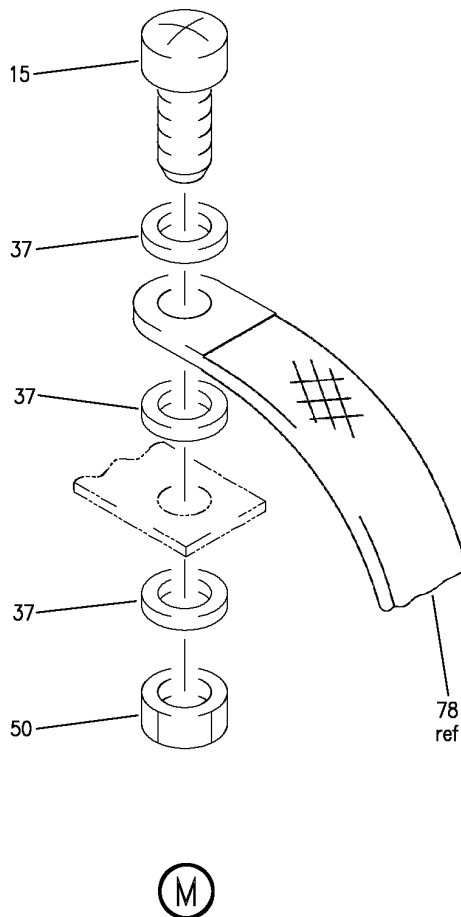
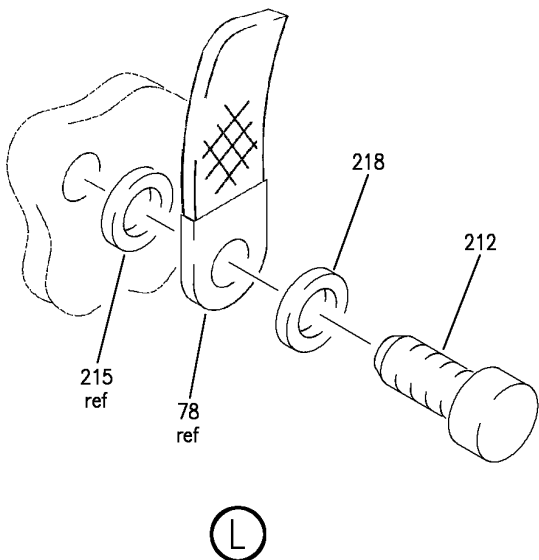
PUMP INSTL-ENG FUEL FEED SYS (DISTRIBUTION ONLY) FWD  
FIGURE 2B (SHEET 5)

**28-22-03-02B**

BRI  
MAY 20/09

28-22-03-02B  
PAGE 0D

**BOEING**  
757  
PARTS CATALOG (MAINTENANCE)



Y 28220302B SHT 6 REV 334

PUMP INSTL-ENG FUEL FEED SYS (DISTRIBUTION ONLY) FWD  
FIGURE 2B (SHEET 6)

**28-22-03-02B**

BRI  
MAY 20/09

28-22-03-02B  
PAGE 0E



757

PARTS CATALOG (MAINTENANCE)

| FIG ITEM    | PART NUMBER  | 1 2 3 4 5 6 7 | NOMENCLATURE  | EFFECT FROM TO             | UNITS PER ASSY |
|-------------|--------------|---------------|---|----------------------------|----------------|
| 2B          |              |               | PUMP INSTL-ENG FUEL FEED<br>SYS (DISTRIBUTION ONLY)<br>FWD  | 102106<br>108120<br>504903 |                |
| - 1         | 343N3301-131 |               | PUMP INSTL-ENG FUEL FEED<br>SYS (DISTRIBUTION ONLY)<br>POSITION DATA:<br>FWD, LH<br>FOR NHA/OTHER SYS DET SEE:<br>28-00-00-05   | 102102<br>108120<br>504903 | RF             |
| - 1         | MODREF22804  |               | PUMP INSTL-ENG FUEL FEED<br>SYS (DISTRIBUTION ONLY)<br>MODULE NUMBER:<br>343N3301-143 REV B<br>POSITION DATA:<br>AFT RH<br>FOR OTHER SYS DETAILS SEE:<br>28-42-01-01A | 103106                     | 1              |
| - 5         | 343N3301-132 |               | PUMP INSTL-ENG FUEL FEED<br>SYS (DISTRIBUTION ONLY)<br>POSITION DATA:<br>FWD, RH<br>FOR NHA/OTHER SYS DET SEE:<br>28-00-00-05   | 102102<br>108120<br>504903 | RF             |
| - 5         | MODREF22805  |               | PUMP INSTL-ENG FUEL FEED<br>SYS (DISTRIBUTION ONLY)<br>MODULE NUMBER:<br>343N3301-144 REV B<br>POSITION DATA:<br>FWD RH<br>FOR OTHER SYS DETAILS SEE:<br>28-42-01-01A | 103106                     | 1              |
| R<br>R<br>R | 10           | NAS6604H18    | .BOLT-  | 102106<br>108120<br>504903 | 2              |
|             | 15           | BACS12GU4K8   | .SCREW  | 102106<br>108120<br>504903 | 2              |
|             | 20           | BACS12GU3K7   | .SCREW  | 102106<br>108120<br>504903 | 3              |
| R<br>R<br>R | 30           | MS35338-44    | .WASHER-  | 102106<br>108120<br>504903 | 2              |
|             | 35           | NAS1149D0316H | .WASHER   | 102106<br>108120<br>504903 | 6              |
|             | 40           | NAS1149D0416H | .WASHER-<br>POSITION DATA:<br>LH SIDE   | 102106<br>108120<br>504903 | 6              |

MISSING ITEM NUMBERS NOT APPLICABLE

- ITEM NOT ILLUSTRATED

28-22-03-02B

28-22-03  
FIG. 02B  
PAGE 1  
MAY 20/09

BRI



757

PARTS CATALOG (MAINTENANCE)

| FIG ITEM | PART NUMBER   | 1 2 3 4 5 6 7 | NOMENCLATURE  | EFFECT FROM TO             | UNITS PER ASSY |
|----------|---------------|---------------|---|----------------------------|----------------|
| 2B       |               |               |   |                            |                |
| 42       | NAS1149D0416H | .             | WASHER-<br>POSITION DATA:<br>RH SIDE  | 102106<br>108120<br>504903 | 8              |
| 45       | PLH53CD       | .             | NUT<br>SUPPLIER CODE:<br>VF0224<br>SPECIFICATION NUMBER:<br>BACN10YR3CD<br>OPTIONAL PART:<br>H52732-3CD<br>V15653         | 102106<br>108120<br>504903 | 3              |
| 50       | PLH54CD       | .             | NUT<br>SUPPLIER CODE:<br>VF0224<br>SPECIFICATION NUMBER:<br>BACN10YR4CD<br>OPTIONAL PART:<br>H52732-4CD<br>V15653         | 102106<br>108120<br>504903 | 2              |
| - 53     | AS1714D24     | .             | COUPLING  | 102106<br>108120<br>504903 | 1              |
| 55       | AS1734D06     | .             | NUT   | 102106<br>108120<br>504903 | 2              |
| 60       | AS1736D06     | .             | NUT   | 102106<br>108120<br>504903 | 2              |
| 70       | 63551-32A     | .             | COUPLING ASSY-<br>SUPPLIER CODE:<br>V79326<br>SPECIFICATION NUMBER:<br>AS1713D32<br>OPTIONAL PART:<br>12H63-32A<br>V24984 | 102106<br>108120<br>504903 | 1              |
| 75       | RBEJ40D20-24  | .             | JUMPER ASSY<br>SUPPLIER CODE:<br>V1GK47<br>SPECIFICATION NUMBER:<br>BACJ40D20-24<br>OPTIONAL PART:<br>4F24F<br>V79550     | 102106<br>108120<br>504903 | 2              |

MISSING ITEM NUMBERS NOT APPLICABLE

- ITEM NOT ILLUSTRATED

28-22-03-02B

28-22-03  
FIG. 02B  
PAGE 2  
JAN 20/09

BRI

BOEING PROPRIETARY - Copyright © - Unpublished Work - See title page for details.



757

PARTS CATALOG (MAINTENANCE)

| FIG ITEM | PART NUMBER | 1 2 3 4 5 6 7 | NOMENCLATURE  | EFFECT FROM TO             | UNITS PER ASSY |
|----------|-------------|---------------|---|----------------------------|----------------|
| 2B       |             |               |   |                            |                |
| 80       | 740A20-6    | .             | JUMPER ASSY-<br>SUPPLIER CODE:<br>V91812<br>SPECIFICATION NUMBER:<br>BACJ40A20-6<br>OPTIONAL PART:<br>TJEJ40A20-6<br>V33483<br>RBEJ20-6<br>V1GK47 | 102106<br>108120<br>504903 | 1              |
| 85       | 12J63-16A   | .             | COUPLING ASSY<br>SUPPLIER CODE:<br>V24984<br>SPECIFICATION NUMBER:<br>AS1712D16<br>OPTIONAL PART:<br>83051-16A<br>V79326                          | 102106<br>108120<br>504903 | 1              |
| 90       | AN735DC16   | .             | CLAMP   | 102106<br>108120<br>504903 | 2              |
| 95       | AN735DC6    | .             | CLAMP   | 102106<br>108120<br>504903 | 1              |
| 105      | AS1713D24   | .             | COUPLING ASSY   | 102106<br>108120<br>504903 | 1              |
| 110      | AN814-6DL   | .             | PLUG-<br>POSITION DATA:<br>RH   | 102106<br>108120<br>504903 | 1              |
| 115      | MS29513-014 | .             | PACKING   | 102106<br>108120<br>504903 | 2              |
| 125      | MS29512-06  | .             | PACKING-<br>POSITION DATA:<br>RH  | 102106<br>108120<br>504903 | 1              |
| 130      | MS29513-330 | .             | PACKING   | 102106<br>108120<br>504903 | 1              |
| 135      | MS29513-216 | .             | PACKING   | 102106<br>108120<br>504903 | 2              |
| 140      | MS29513-326 | .             | PACKING   | 102106<br>108120<br>504903 | 1              |

MISSING ITEM NUMBERS NOT APPLICABLE

- ITEM NOT ILLUSTRATED

28-22-03-02B

28-22-03  
FIG. 02B  
PAGE 3  
JAN 20/09

BRI

BOEING PROPRIETARY - Copyright © - Unpublished Work - See title page for details.



757

PARTS CATALOG (MAINTENANCE)

| FIG ITEM  | PART NUMBER | 1 2 3 4 5 6 7 | NOMENCLATURE   | EFFECT FROM TO             | UNITS PER ASSY |
|-----------|-------------|---------------|--|----------------------------|----------------|
| 2B<br>145 | 343N2038-7  |               | .TUBE ASSY-<br>POSITION DATA:<br>LH<br>TUBING MATERIAL:<br>.375 IN. OD .022 IN.<br>WALL 11.343 IN. LG<br>WW-T-700/6 6061 T4<br>TUBING  | 102106<br>108120<br>504903 | 1              |
| 150       | 343N2038-8  |               | .TUBE ASSY-<br>POSITION DATA:<br>RH<br>TUBING MATERIAL:<br>.375 IN. OD .022 IN.<br>WALL 11.383 IN. LG<br>WW-T-700/6 6061 T4<br>TUBING  | 102106<br>108120<br>504903 | 1              |
| - 155     | AS1732D06   |               | ..BODY   | 102106<br>108120<br>504903 | 1              |
| - 160     | AS1737D06   |               | ..FERRULE  | 102106<br>108120<br>504903 | 1              |
| 165       | 21C1-3-21   |               | .SWITCH-<br>SUPPLIER CODE:<br>V02750<br>FUNCTIONAL DESCRIPTION:<br>SENSES LOW FLOW PUMP<br>DISCHARGE TO THE<br>ENGINES.<br>SPECIFICATION NUMBER:<br>60B92400-10<br>COMPONENT MAINT MANUAL REF:<br>28-42-01 | 102106<br>108120<br>504903 | 1              |
| 165       | 7G110-3     |               | .SWITCH-<br>SUPPLIER CODE:<br>V09049<br>SPECIFICATION NUMBER:<br>60B92400-3<br>COMPONENT MAINT MANUAL REF:<br>28-40-05   | 102106<br>108120<br>504903 | 1              |
| 170       | 343N2043-3  |               | .TUBE ASSY-<br>POSITION DATA:<br>LH SIDE<br>TUBING MATERIAL:<br>1 IN. OD .028 IN.<br>WALL 35.662 IN. LG<br>WW-T-700/6 6061 T4<br>TUBING  | 102106<br>108120<br>504903 | 1              |

MISSING ITEM NUMBERS NOT APPLICABLE

- ITEM NOT ILLUSTRATED

28-22-03-02B

28-22-03  
FIG. 02B  
PAGE 4  
JAN 20/09

BRI

BOEING PROPRIETARY - Copyright © - Unpublished Work - See title page for details.



757

PARTS CATALOG (MAINTENANCE)

| FIG ITEM  | PART NUMBER   | 1 2 3 4 5 6 7 | NOMENCLATURE   | EFFECT FROM TO             | UNITS PER ASSY |
|-----------|---------------|---------------|--|----------------------------|----------------|
| 2B<br>175 | 343N2043-4    | .             | TUBE ASSY-<br>POSITION DATA:<br>RH SIDE<br>TUBING MATERIAL:<br>1 IN. OD .028 IN.<br>WALL 35.662 IN. LG<br>WW-T-700/6 6061 T4<br>TUBING | 102106<br>108120<br>504903 | 1              |
| - 180     | AS1716D16     | ..            | FERRULE  | 102106<br>108120<br>504903 | 2              |
| 185       | 343N2044-3    | .             | TUBE-<br>TUBING MATERIAL:<br>1.5 IN. OD .035 IN.<br>WALL 9.96 IN. LG<br>WW-T-700/6 6061 T4<br>TUBING                                   | 102106<br>108120<br>504903 | 1              |
| - 190     | 63052-24      | ..            | FERRULE<br>SUPPLIER CODE:<br>V79326<br>SPECIFICATION NUMBER:<br>AS1716D24<br>OPTIONAL PART:<br>12F63-24A<br>V24984                     | 102106<br>108120<br>504903 | 1              |
| - 195     | 63052-24-28   | ..            | FERRULE-<br>SUPPLIER CODE:<br>V79326   | 102106<br>108120<br>504903 | 1              |
| 200       | 343N2059-4    | .             | TUBE ASSY-<br>TUBING MATERIAL:<br>2 IN. OD .028 IN.<br>WALL 33.427 IN. LG<br>WW-T-700/6 6061 T4<br>TUBING                              | 102106<br>108120<br>504903 | 1              |
| - 205     | 63052-32      | ..            | FERRULE<br>SUPPLIER CODE:<br>V79326<br>SPECIFICATION NUMBER:<br>AS1716D32<br>OPTIONAL PART:<br>12F63-32A<br>V24984                     | 102106<br>108120<br>504903 | 2              |
| 210       | NAS6604H15    | .             | BOLT   | 102106<br>108120<br>504903 | 6              |
| 215       | NAS1149D0416J | .             | WASHER   | 102106<br>108120<br>504903 | 6              |

MISSING ITEM NUMBERS NOT APPLICABLE

- ITEM NOT ILLUSTRATED

28-22-03-02B

28-22-03  
FIG. 02B  
PAGE 5  
JAN 20/09

BRI

BOEING PROPRIETARY - Copyright © - Unpublished Work - See title page for details.



757

PARTS CATALOG (MAINTENANCE)

| FIG ITEM  | PART NUMBER   | 1 2 3 4 5 6 7 | NOMENCLATURE  | EFFECT FROM TO             | UNITS PER ASSY |
|-----------|---------------|---------------|---|----------------------------|----------------|
| 2B<br>220 | 678576        | .             | SEAL-<br>SUPPLIER CODE:<br>V83259   | 102106<br>108120<br>504903 | 1              |
| 225       | 343N0330-7    | .             | PUMP ASSY-<br>POSITION DATA:<br>AFT, LH<br>FUNCTIONAL REFERENCE:<br>FUEL<br>FOR DETAILS SEE<br>28-22-08-01A<br>28-22-09-01A | 102102<br>108120<br>504903 | 1              |
| 225       | 343N0330-13   | .             | PUMP ASSY-<br>POSITION DATA:<br>AFT, LH<br>FUNCTIONAL REFERENCE:<br>FUEL<br>FOR DETAILS SEE<br>28-22-08-01A<br>28-22-09-01A | 103106                     | 1              |
| 230       | 343N0330-8    | .             | PUMP ASSY-<br>POSITION DATA:<br>AFT, RH<br>FUNCTIONAL REFERENCE:<br>FUEL<br>FOR DETAILS SEE<br>28-22-08-01A<br>28-22-09-01A | 102102<br>108120<br>504903 | 1              |
| 230       | 343N0330-14   | .             | PUMP ASSY-<br>POSITION DATA:<br>AFT, RH<br>FUNCTIONAL REFERENCE:<br>FUEL<br>FOR DETAILS SEE<br>28-22-08-01A<br>28-22-09-01A | 103106                     | 1              |
| 250       | BACS12HM08H9  | ..            | SCREW-  | 102106<br>108120<br>504903 | 5              |
| 265       | NAS1149DN832J | ..            | WASHER  | 102106<br>108120<br>504903 | 5              |
| 280       | 343N2054-2    | ..            | CLIP  | 102106<br>108120<br>504903 | 2              |

MISSING ITEM NUMBERS NOT APPLICABLE

- ITEM NOT ILLUSTRATED

R  
R  
R

28-22-03-02B

28-22-03  
FIG. 02B  
PAGE 6  
MAY 20/09

BRI





757

PARTS CATALOG (MAINTENANCE)

| FIG ITEM  | PART NUMBER | 1 2 3 4 5 6 7 | NOMENCLATURE   | EFFECT FROM TO             | UNITS PER ASSY |
|-----------|-------------|---------------|--|----------------------------|----------------|
| 2B<br>320 | 60-755100   |               | <p>..MOTOR-BOOST PUMP<br/>SUPPLIER CODE:<br/>V81982<br/>FUNCTIONAL DESCRIPTION:<br/>DELIVERS FUEL UNDER<br/>PRESSURE FROM A TANK TO<br/>ITS RESPECTIVE ENGINE OR<br/>THROUGH THE CROSSFEED<br/>VALVE TO THE OTHER<br/>ENGINE<br/>SPECIFICATION NUMBER:<br/>60B92404-6<br/>MISCELLANEOUS DATA:<br/>PART INTERCHANGEABILITY<br/>FOR 747 IS SHOWN ON<br/>BOEING DRAWING 334U0052<br/>COMPONENT MAINT MANUAL REF:<br/>28-22-06<br/>PRE ALERT SB:<br/>28A0066<br/>28A0070R2<br/>PRE SERVICE BULLETIN:<br/>60-755100-28-2<br/>V81982<br/>REWORKED BY SB:<br/>28-01<br/>V81982<br/>FOR DETAILS SEE:<br/>28-22-03-51</p> | 102106<br>108120<br>504903 | 1              |

MISSING ITEM NUMBERS NOT APPLICABLE

- ITEM NOT ILLUSTRATED

BRI

28-22-03-02B

BOEING PROPRIETARY - Copyright © - Unpublished Work - See title page for details.

28-22-03  
FIG. 02B  
PAGE 7  
JAN 20/09



**757  
PARTS CATALOG (MAINTENANCE)**

| FIG<br>ITEM | PART NUMBER | 1 2 3 4 5 6 7 | NOMENCLATURE  | EFFECT<br>FROM TO          | UNITS<br>PER<br>ASSY |
|-------------|-------------|---------------|---|----------------------------|----------------------|
| 2B<br>320   | 60-75504    |               | ..MOTOR-BOOST PUMP<br>SUPPLIER CODE:<br>V81982<br>SPECIFICATION NUMBER:<br>60B92404-5<br>MISCELLANEOUS DATA:<br>60-755100-5 IS PREFERRED<br>SPARE FOR 60-75504 FOR<br>ALL MODELS.<br>COMPONENT MAINT MANUAL REF:<br>28-22-06<br>PRE ALERT SB:<br>28A0066<br>28A0070R2<br>PRE SERVICE BULLETIN:<br>60-75504-28-2<br>V81982<br>REWORKED BY SB:<br>28-01<br>V81982<br>FOR DETAILS SEE:<br>28-22-03-51  | 102106<br>108120<br>504903 | 1                    |
| 320         | 60-755100-2 |               | ..MOTOR-FUEL BOOST<br>PUMP<br>SUPPLIER CODE:<br>V81982<br>FUNCTIONAL DESCRIPTION:<br>DELIVERS FUEL UNDER<br>PRESSURE FROM A TANK TO<br>ITS RESPECTIVE ENGINE OR<br>THROUGH THE CROSSFEED<br>VALVE TO THE OTHER<br>ENGINE<br>SPECIFICATION NUMBER:<br>60B92404-7<br>COMPONENT MAINT MANUAL REF:<br>28-22-08<br>PRE ALERT SB:<br>28A0066<br>28A0070R2<br>PRE SERVICE BULLETIN:<br>60-755100-28-2<br>V81982<br>REWORKED BY SB:<br>28-01<br>V81982<br>FOR DETAILS SEE:<br>28-22-03-51 | 102106<br>108120<br>504903 | 1                    |

MISSING ITEM NUMBERS NOT APPLICABLE

— ITEM NOT ILLUSTRATED

BRI

# 28-22-03-02B

BOEING PROPRIETARY - Copyright © - Unpublished Work - See title page for details.

28-22-03  
FIG. 02B  
PAGE 8  
JAN 20/09



757

PARTS CATALOG (MAINTENANCE)

| FIG ITEM  | PART NUMBER | 1 2 3 4 5 6 7 | NOMENCLATURE   | EFFECT FROM TO             | UNITS PER ASSY |
|-----------|-------------|---------------|--|----------------------------|----------------|
| 2B<br>320 | 60-755100-4 | ..            | MOTOR-FUEL BOOST PUMP<br>SUPPLIER CODE: V81982<br>FUNCTIONAL DESCRIPTION:<br>DELIVERS FUEL UNDER PRESSURE FROM A TANK TO ITS RESPECTIVE ENGINE OR THROUGH THE CROSSFEED VALVE TO THE OTHER ENGINE<br>SPECIFICATION NUMBER: 60B92404-8<br>MISCELLANEOUS DATA:<br>PART INTERCHANGEABILITY FOR 747 IS SHOWN ON BOEING DRAWING 344U0052.<br>COMPONENT MAINT MANUAL REF: 28-22-08<br>POST ALERT SB: 28A0066<br>PRE ALERT SB: 28A0070R2<br>PRE SERVICE BULLETIN: 60-755100-28-2 V81982<br>REWORKED BY SB: 28-01 V81982<br>FOR DETAILS SEE: 28-22-03-51 | 102106<br>108120<br>504903 | 1              |
| 320       | 60-755100-5 | ..            | MOTOR-IMPELLER BOOST PUMP<br>SUPPLIER CODE: V81982<br>SPECIFICATION NUMBER: 60B92404-10<br>POST ALERT SB: 28A0070R2<br>POST SERVICE BULLETIN: 60-75504-28-2 V81982<br>60-755100-28-2 V81982<br>FOR DETAILS SEE: 28-22-03-51  | 102106<br>108120<br>504903 | 1              |

MISSING ITEM NUMBERS NOT APPLICABLE

- ITEM NOT ILLUSTRATED

**28-22-03-02B**

28-22-03  
FIG. 02B  
PAGE 9  
JAN 20/09

BRI

BOEING PROPRIETARY - Copyright © - Unpublished Work - See title page for details.



757

PARTS CATALOG (MAINTENANCE)

| FIG ITEM  | PART NUMBER | 1 2 3 4 5 6 7 | NOMENCLATURE  | EFFECT FROM TO             | UNITS PER ASSY |
|-----------|-------------|---------------|---|----------------------------|----------------|
| 2B<br>340 | 60-75502    |               | ..HOUSING ASSY-<br>SUPPLIER CODE:<br>V81982<br>FUNCTIONAL DESCRIPTION:<br>PROVIDES A DRY BAY FOR<br>SERVICING AND REMOVAL OF<br>BOOST PUMPS<br>SPECIFICATION NUMBER:<br>60B92404-2<br>COMPONENT MAINT MANUAL REF:<br>28-22-06 | 102106<br>108120<br>504903 | 1              |
| 345       | MS35275-230 |               | ...SCREW  | 102106<br>108120<br>504903 | 3              |
| 350       | NAS620C6    |               | ...WASHER   | 102106<br>108120<br>504903 | 3              |
| 355       | 60-75529    |               | ...PORT-PRIMER DISCH<br>SUPPLIER CODE:<br>V81982  | 102106<br>108120<br>504903 | 1              |
| 360       | MS29513-027 |               | ...PACKING  | 102106<br>108120<br>504903 | 2              |
| 365       | 60-75521    |               | ...VALVE ASSY-CHK<br>SUPPLIER CODE:<br>V81982   | 102106<br>108120<br>504903 | 1              |

MISSING ITEM NUMBERS NOT APPLICABLE

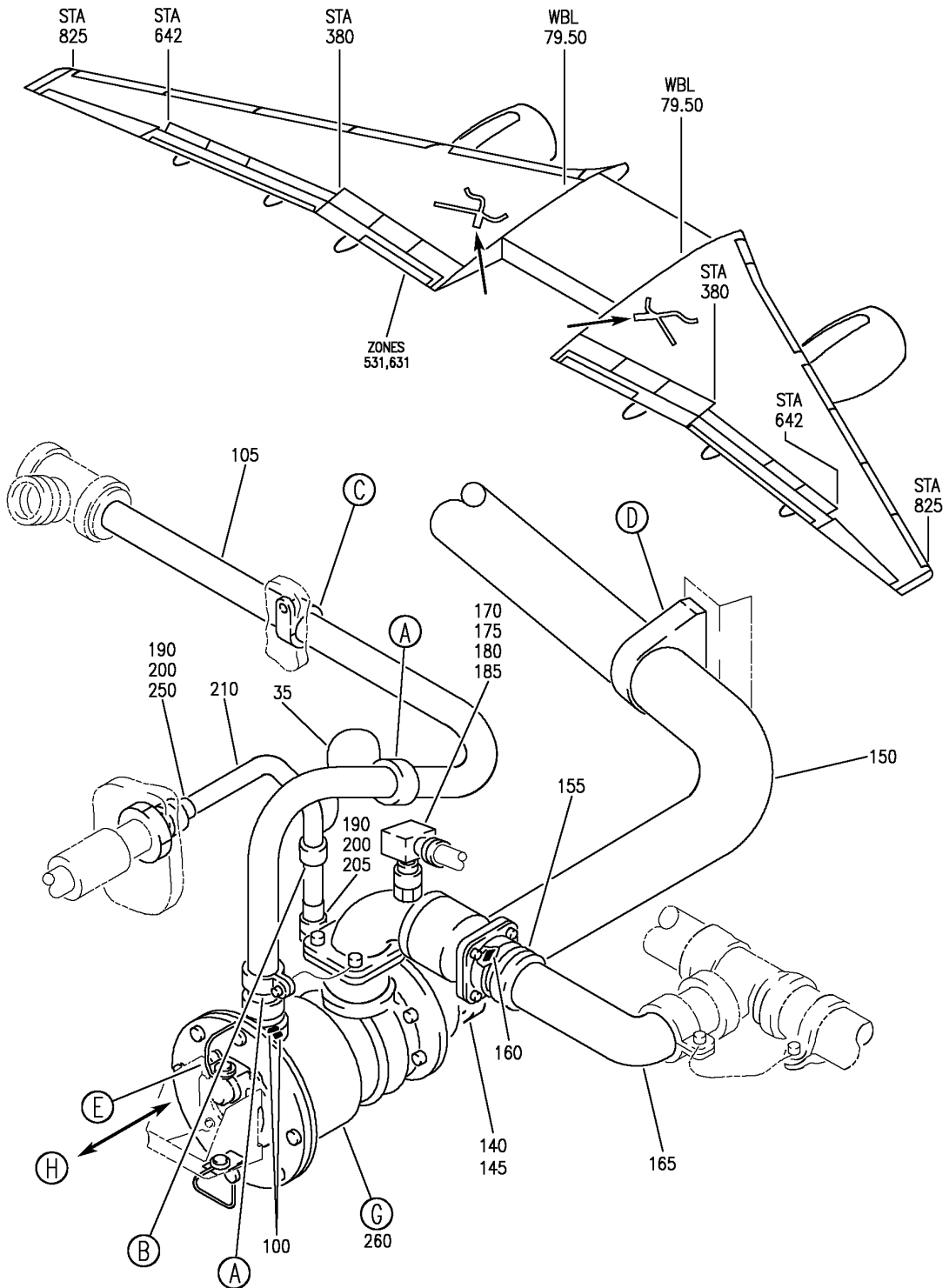
- ITEM NOT ILLUSTRATED

28-22-03-02B

28-22-03  
FIG. 02B  
PAGE 10  
JAN 20/09

BRI

**BOEING**  
757  
**PARTS CATALOG (MAINTENANCE)**



Y 28220302C SHT 1 REV 334

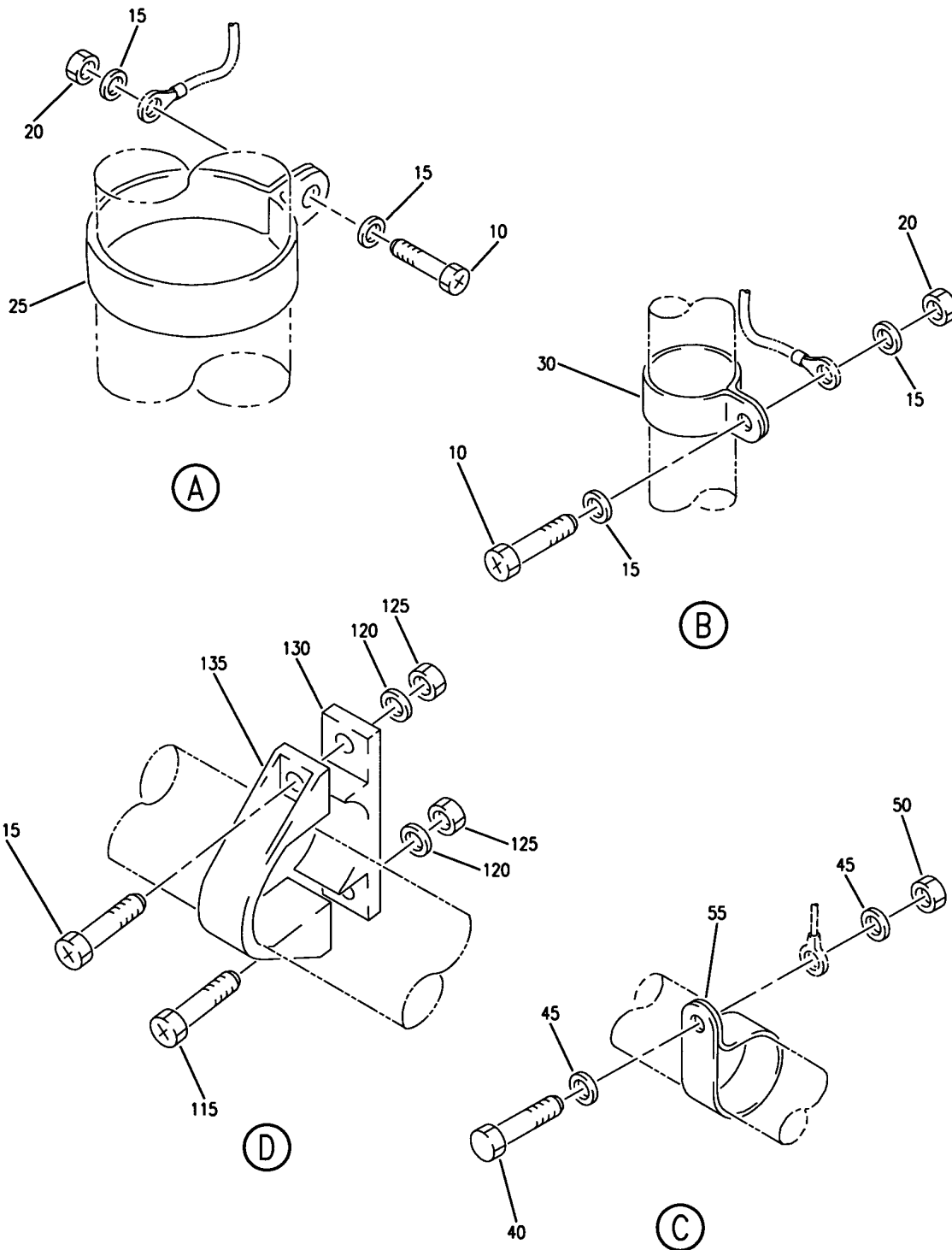
PUMP INSTL ENG FUEL FEED SYS (DISTRIBUTION ONLY)  
FIGURE 2C (SHEET 1)

**28-22-03-02C**

BRI  
MAY 20/09

28-22-03-02C  
PAGE 0

**BOEING**  
757  
PARTS CATALOG (MAINTENANCE)



Y 28220302C SHT 2 REV 205

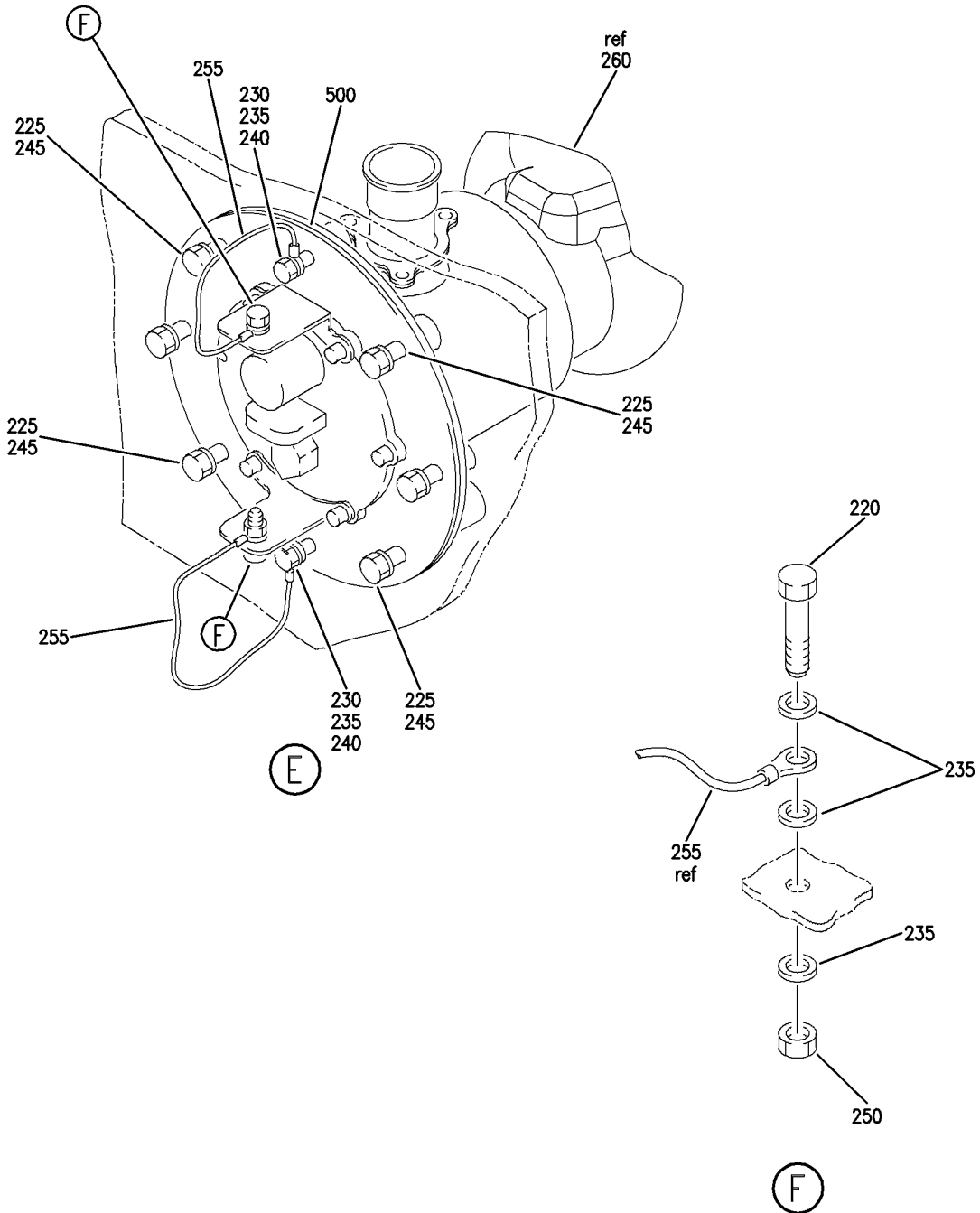
PUMP INSTL ENG FUEL FEED SYS (DISTRIBUTION ONLY)  
FIGURE 2C (SHEET 2)

**28-22-03-02C**

BRI  
MAY 28/07

28-22-03-02C  
PAGE 0A

**BOEING**  
757  
PARTS CATALOG (MAINTENANCE)



Y 28220302C SHT 3 REV 232

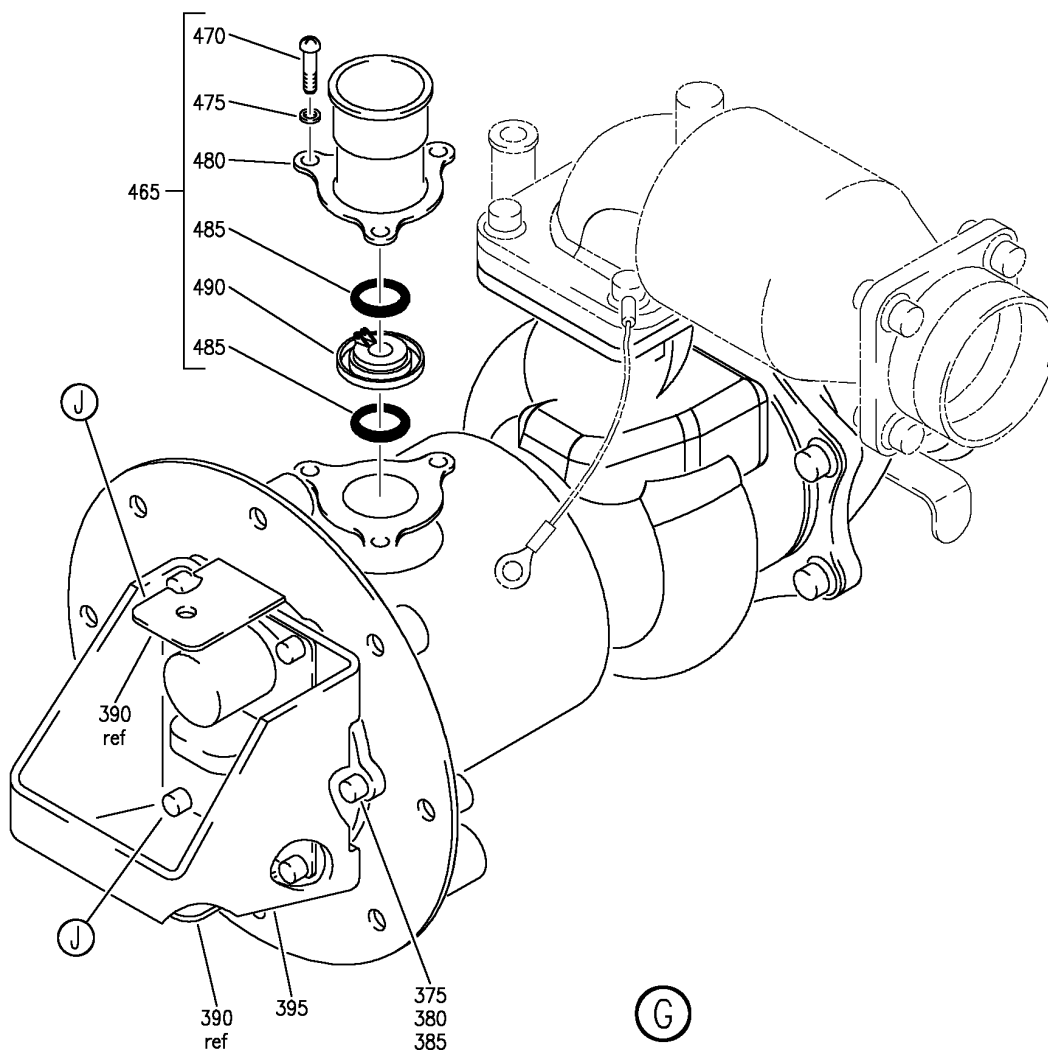
PUMP INSTL ENG FUEL FEED SYS (DISTRIBUTION ONLY)  
FIGURE 2C (SHEET 3)

**28-22-03-02C**

BRI  
MAY 28/07

28-22-03-02C  
PAGE 0B

**BOEING**  
757  
PARTS CATALOG (MAINTENANCE)



Y 28220302C SHT 4 REV 334

PUMP INSTL ENG FUEL FEED SYS (DISTRIBUTION ONLY)  
FIGURE 2C (SHEET 4)

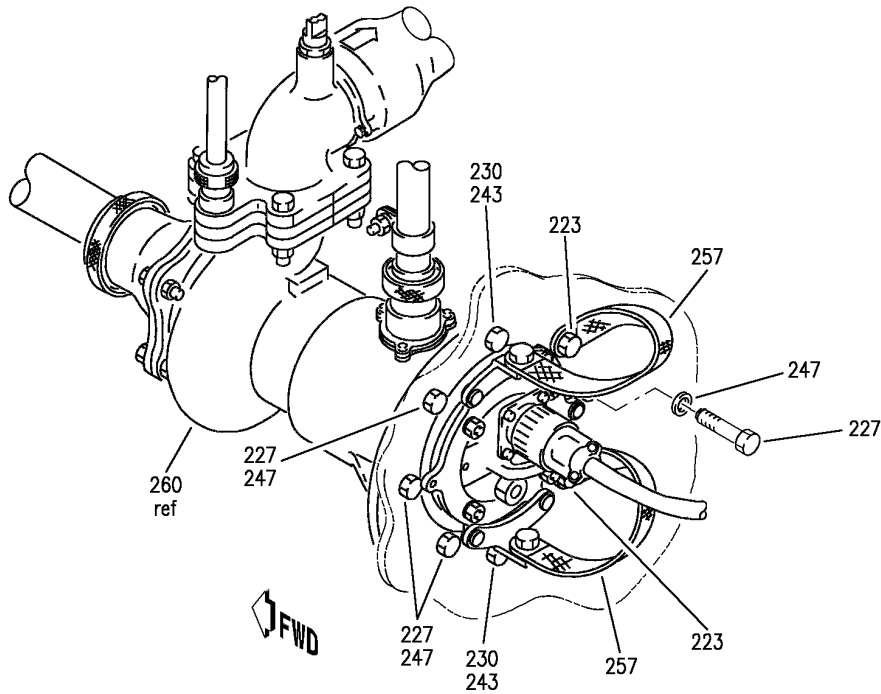
**28-22-03-02C**

BRI  
MAY 20/09

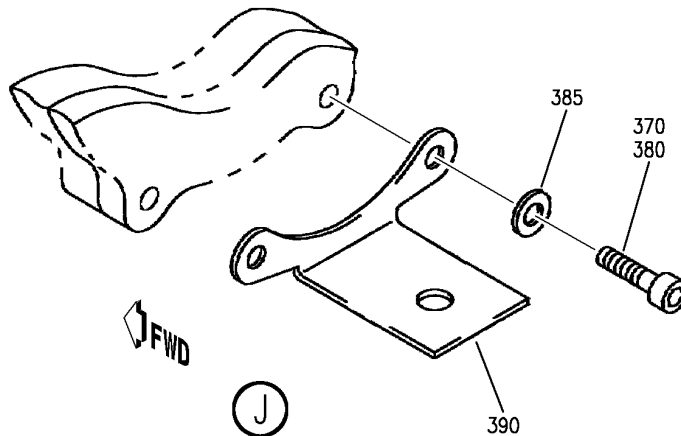
28-22-03-02C  
PAGE 0C



**BOEING**  
757  
PARTS CATALOG (MAINTENANCE)



(H)



(J)

Y 28220302C SHT 5 REV 335

PUMP INSTL ENG FUEL FEED SYS (DISTRIBUTION ONLY)  
FIGURE 2C (SHEET 5)

**28-22-03-02C**

BRI  
MAY 20/09

28-22-03-02C  
PAGE 0D



757

PARTS CATALOG (MAINTENANCE)

| FIG ITEM | PART NUMBER   | 1 2 3 4 5 6 7 | NOMENCLATURE  | EFFECT FROM TO | UNITS PER ASSY |
|----------|---------------|---------------|---|----------------|----------------|
| 2C       |               |               | PUMP INSTL<br>ENG FUEL FEED SYS<br>(DISTRIBUTION ONLY)  | 101101         |                |
| - 1      | 343N3301-107  |               | PUMP INSTL-ENG FUEL FEED<br>SYS (DISTRIBUTION ONLY)<br>POSITION DATA:<br>L, FWD<br>FOR NHA/OTHER SYS DET SEE:<br>28-00-00-05                      | 101101         | RF             |
| - 5      | 343N3301-108  |               | PUMP INSTL-ENG FUEL FEED<br>SYS (DISTRIBUTION ONLY)<br>POSITION DATA:<br>R, FWD<br>FOR NHA/OTHER SYS DET SEE:<br>28-00-00-05                      | 101101         | RF             |
| 10       | BACS12GU3K7   |               | .SCREW  | 101101         | 3              |
| 15       | NAS1149D0316H |               | .WASHER   | 101101         | 6              |
| 20       | PLH53CD       |               | .NUT  | 101101         | 3              |
|          |               |               | SUPPLIER CODE:<br>VF0224<br>SPECIFICATION NUMBER:<br>BACN10YR3CD<br>OPTIONAL PART:<br>H52732-3CD<br>V15653  |                |                |
| 25       | AN735DC16     |               | .CLAMP  | 101101         | 2              |
| 30       | AN735DC6      |               | .CLAMP  | 101101         | 1              |
| 35       | 740A20-6      |               | .JUMPER ASSY<br>SUPPLIER CODE:<br>V91812<br>SPECIFICATION NUMBER:<br>BACJ40A20-6<br>OPTIONAL PART:<br>TJEJ40A20-6<br>V33483<br>RBEJ20-6<br>V1GK47 | 101101         | 1              |
| 40       | BACS12GU3K10  |               | .SCREW  | 101101         | 1              |
| 45       | NAS1149D0316J |               | .WASHER   | 101101         | 2              |
| 50       | PLH53CD       |               | .NUT  | 101101         | 1              |
|          |               |               | SUPPLIER CODE:<br>VF0224<br>SPECIFICATION NUMBER:<br>BACN10YR3CD<br>OPTIONAL PART:<br>H52732-3CD<br>V15653  |                |                |
| 55       | BACC10DK16    |               | .CLAMP  | 101101         | 1              |

MISSING ITEM NUMBERS NOT APPLICABLE

- ITEM NOT ILLUSTRATED

28-22-03-02C

28-22-03  
FIG. 02C  
PAGE 1  
JAN 20/09

BRI

BOEING PROPRIETARY - Copyright © - Unpublished Work - See title page for details.



757

PARTS CATALOG (MAINTENANCE)

| FIG ITEM   | PART NUMBER   | 1 2 3 4 5 6 7 | NOMENCLATURE   | EFFECT FROM TO | UNITS PER ASSY |
|------------|---------------|---------------|--|----------------|----------------|
| 2C<br>- 95 | 12J63-16A     |               | .COUPLING ASSY<br>SUPPLIER CODE:<br>V24984<br>SPECIFICATION NUMBER:<br>AS1712D16<br>OPTIONAL PART:<br>83051-16A<br>V79326                    | 101101         | 1              |
| 100        | MS29513-216   |               | .PACKING   | 101101         | 2              |
| 105        | 343N2043-3    |               | .TUBE ASSY-<br>POSITION DATA:<br>LH SIDE, FWD<br>TUBING MATERIAL:<br>1 IN. OD .028 IN.<br>WALL 35.662 IN. LG<br>WW-T-700/6 6061 T4<br>TUBING | 101101         | 1              |
| - 110      | 343N2043-4    |               | .TUBE ASSY-<br>POSITION DATA:<br>RH SIDE, FWD<br>TUBING MATERIAL:<br>1 IN. OD .028 IN.<br>WALL 35.662 IN. LG<br>WW-T-700/6 6061 T4<br>TUBING | 101101         | 1              |
| 115        | BACS12GU3K11  |               | .SCREW   | 101101         | 2              |
| 120        | NAS1149D0332J |               | .WASHER  | 101101         | 2              |
| 125        | PLH53CD       |               | .NUT<br>SUPPLIER CODE:<br>VF0224<br>SPECIFICATION NUMBER:<br>BACN10YR3CD<br>OPTIONAL PART:<br>H52732-3CD<br>V15653                           | 101101         | 2              |
| 130        | BACC10EW32B   |               | .CLAMP SADDLE  | 101101         | 1              |
| 135        | BACC10EW32A   |               | .CLAMP STRAP   | 101101         | 1              |
| 140        | 63551-32A     |               | .COUPLING ASSY<br>SUPPLIER CODE:<br>V79326<br>SPECIFICATION NUMBER:<br>AS1713D32<br>OPTIONAL PART:<br>12H63-32A<br>V24984                    | 101101         | 1              |
| 145        | MS29513-330   |               | .PACKING   | 101101         | 1              |

MISSING ITEM NUMBERS NOT APPLICABLE

- ITEM NOT ILLUSTRATED

28-22-03-02C

28-22-03  
FIG. 02C  
PAGE 2  
JAN 20/09

BRI



757

PARTS CATALOG (MAINTENANCE)

| FIG ITEM  | PART NUMBER | 1 2 3 4 5 6 7 | NOMENCLATURE  | EFFECT FROM TO | UNITS PER ASSY |
|-----------|-------------|---------------|---|----------------|----------------|
| 2C<br>150 | 343N2059-4  |               | .TUBE ASSY-<br>TUBING MATERIAL:<br>2 IN. OD .028 IN.<br>WALL 33.427 IN. LG<br>WW-T-700/6 6061 T4<br>TUBING                                      | 101101         | 1              |
| 155       | AS1713D24   |               | .COUPLING ASSY  | 101101         | 1              |
| 160       | MS29513-326 |               | .PACKING  | 101101         | 1              |
| 165       | 343N2044-3  |               | .TUBE-<br>TUBING MATERIAL:<br>1.5 IN. OD .035 IN.<br>WALL 9.96 IN. LG<br>WW-T-700/6 6061 T4<br>TUBING   | 101101         | 1              |
| 170       | BACN10DR6D  |               | .NUT-<br>POSITION DATA:<br>LH SIDE, FWD   | 101101         | 1              |
| 175       | B86S6       |               | .ELBOW-<br>SUPPLIER CODE:<br>V79326<br>POSITION DATA:<br>LH SIDE, FWD   | 101101         | 1              |
| 180       | AN814-6DL   |               | .PLUG-<br>POSITION DATA:<br>RH SIDE, FWD  | 101101         | 1              |
| 185       | MS29512-06  |               | .PACKING  | 101101         | 1              |
| 190       | AS1734D06   |               | .NUT  | 101101         | 2              |
| 200       | TC001-06A   |               | .NUT<br>SUPPLIER CODE:<br>V24984<br>SPECIFICATION NUMBER:<br>AS1736-06  | 101101         | 2              |
| 205       | MS29513-014 |               | .PACKING  | 101101         | 2              |
| 210       | 343N2038-7  |               | .TUBE ASSY-<br>POSITION DATA:<br>LH SIDE, FWD<br>TUBING MATERIAL:<br>.375 IN. OD .022 IN.<br>WALL 11.343 IN. LG<br>WW-T-700/6 6061 T4<br>TUBING | 101101         | 1              |
| - 215     | 343N2038-8  |               | .TUBE ASSY-<br>POSITION DATA:<br>RH SIDE, FWD<br>TUBING MATERIAL:<br>.375 IN. OD .022 IN.<br>WALL 11.383 IN. LG<br>WW-T-700/6 6061 T4<br>TUBING | 101101         | 1              |

MISSING ITEM NUMBERS NOT APPLICABLE

- ITEM NOT ILLUSTRATED

28-22-03-02C

28-22-03  
FIG. 02C  
PAGE 3  
JAN 20/09

BRI

BOEING PROPRIETARY - Copyright © - Unpublished Work - See title page for details.



757

PARTS CATALOG (MAINTENANCE)

| FIG ITEM | PART NUMBER   | 1 2 3 4 5 6 7                                   | NOMENCLATURE | EFFECT FROM TO | UNITS PER ASSY |
|----------|---------------|---|--------------|----------------|----------------|
| 2C       |               |   |              |                |                |
| R 220    | BACS12GU4K8   | .SCREW  |              | 101101         | 2              |
| 225      | NAS6604H15    | .BOLT   |              | 101101         | 6              |
| R 230    | NAS6604H18    | .BOLT-  |              | 101101         | 2              |
| R 235    | NAS1149D0416H | .WASHER   |              | 101101         | 5              |
| 240      | MS35338-44    | .WASHER-  |              | 101101         | 2              |
| 245      | NAS1149D0416J | .WASHER   |              | 101101         | 6              |
| 250      | PLH54CD       | .NUT  |              | 101101         | 2              |
|          |               | SUPPLIER CODE:<br>VF0224                        |              |                |                |
|          |               | SPECIFICATION NUMBER:<br>BACN10YR4CD            |              |                |                |
|          |               | OPTIONAL PART:<br>H52732-4CD<br>V15653          |              |                |                |
| R 255    | RBEJ40D20-24  | .JUMPER ASSY-                                   |              | 101101         | 2              |
| R        |               | SUPPLIER CODE:<br>V1GK47                        |              |                |                |
| R        |               | SPECIFICATION NUMBER:<br>BACJ40D20-24           |              |                |                |
| R        |               | OPTIONAL PART:<br>4F24F<br>V79550               |              |                |                |
| R 260    | 343N0330-1    | .PUMP ASSY-                                     |              | 101101         | 1              |
|          |               | POSITION DATA:<br>LH SIDE, AFT                  |              |                |                |
|          |               | FUNCTIONAL REFERENCE:<br>FUEL                   |              |                |                |
|          |               | FOR DETAILS SEE<br>28-22-08-01A<br>28-22-09-01A |              |                |                |
| - 265    | 343N0330-2    | .PUMP ASSY-                                     |              | 101101         | 1              |
|          |               | POSITION DATA:<br>RH SIDE, AFT                  |              |                |                |
|          |               | FUNCTIONAL REFERENCE:<br>FUEL                   |              |                |                |
|          |               | FOR DETAILS SEE<br>28-22-08-01A<br>28-22-09-01A |              |                |                |
| 380      | BACS12HM08H10 | ..SCREW-  |              | 101101         | 5              |
| 385      | NAS1149DN832J | ..WASHER  |              | 101101         | 5              |
| 390      | 343N2054-2    | ..CLIP  |              | 101101         | 2              |

MISSING ITEM NUMBERS NOT APPLICABLE

- ITEM NOT ILLUSTRATED

28-22-03-02C

28-22-03  
FIG. 02C  
PAGE 4  
MAY 20/09

BRI

 **BOEING**  
757  
**PARTS CATALOG (MAINTENANCE)**

| FIG<br>ITEM | PART NUMBER | 1 2 3 4 5 6 7 NOMENCLATURE   | EFFECT<br>FROM TO | UNITS<br>PER<br>ASSY |
|-------------|-------------|--|-------------------|----------------------|
| 2C<br>395   | 60-755100   | <p>..MOTOR-BOOST PUMP<br/> SUPPLIER CODE:<br/> V81982<br/> FUNCTIONAL DESCRIPTION:<br/> DELIVERS FUEL UNDER<br/> PRESSURE FROM A TANK TO<br/> ITS RESPECTIVE ENGINE OR<br/> THROUGH THE CROSSFEED<br/> VALVE TO THE OTHER<br/> ENGINE<br/> SPECIFICATION NUMBER:<br/> 60B92404-6<br/> MISCELLANEOUS DATA:<br/> PART INTERCHANGEABILITY<br/> FOR 747 IS SHOWN ON<br/> BOEING DRAWING 344U0052<br/> COMPONENT MAINT MANUAL REF:<br/> 28-22-06<br/> PRE ALERT SB:<br/> 28A0066<br/> 28A0070R2<br/> PRE SERVICE BULLETIN:<br/> 60-755100-28-2<br/> V81982<br/> REWORKED BY SB:<br/> 28-01<br/> V81982<br/> FOR DETAILS SEE:<br/> 28-22-03-51</p> | 101101            | 1                    |

MISSING ITEM NUMBERS NOT APPLICABLE

— ITEM NOT ILLUSTRATED

BRI

# 28-22-03-02C

BOEING PROPRIETARY - Copyright © - Unpublished Work - See title page for details.

28-22-03  
FIG. 02C  
PAGE 5  
SEP 28/07



**757  
PARTS CATALOG (MAINTENANCE)**

| FIG<br>ITEM | PART NUMBER | 1 2 3 4 5 6 7 | NOMENCLATURE  | EFFECT<br>FROM TO | UNITS<br>PER<br>ASSY |
|-------------|-------------|---------------|---|-------------------|----------------------|
| 2C<br>395   | 60-75504    |               | ..MOTOR-BOOST PUMP<br>SUPPLIER CODE:<br>V81982<br>SPECIFICATION NUMBER:<br>60B92404-5<br>MISCELLANEOUS DATA:<br>60-755100-5 IS PREFERRED<br>SPARE FOR 60-75504 FOR<br>ALL MODELS.<br>COMPONENT MAINT MANUAL REF:<br>28-22-06<br>PRE ALERT SB:<br>28A0066<br>28A0070R2<br>PRE SERVICE BULLETIN:<br>60-75504-28-2<br>V81982<br>REWORKED BY SB:<br>28-01<br>V81982<br>FOR DETAILS SEE:<br>28-22-03-51  | 101101            | 1                    |
| 395         | 60-755100-2 |               | ..MOTOR-HUEL BOOST<br>PUMP<br>SUPPLIER CODE:<br>V81982<br>FUNCTIONAL DESCRIPTION:<br>DELIVERS FUEL UNDER<br>PRESSURE FROM A TANK TO<br>ITS RESPECTIVE ENGINE OR<br>THROUGH THE CROSSFEED<br>VALVE TO THE OTHER<br>ENGINE<br>SPECIFICATION NUMBER:<br>60B92404-7<br>COMPONENT MAINT MANUAL REF:<br>28-22-08<br>PRE ALERT SB:<br>28A0066<br>28A0070R2<br>PRE SERVICE BULLETIN:<br>60-755100-28-2<br>V81982<br>REWORKED BY SB:<br>28-01<br>V81982<br>FOR DETAILS SEE:<br>28-22-03-51 | 101101            | 1                    |

MISSING ITEM NUMBERS NOT APPLICABLE

— ITEM NOT ILLUSTRATED

# 28-22-03-02C

28-22-03  
FIG. 02C  
PAGE 6  
SEP 28/07

BRI



757

PARTS CATALOG (MAINTENANCE)

| FIG ITEM  | PART NUMBER | 1 2 3 4 5 6 7 | NOMENCLATURE  | EFFECT FROM TO | UNITS PER ASSY |
|-----------|-------------|---------------|---|----------------|----------------|
| 2C<br>395 | 60-755100-4 | ..            | MOTOR-FUEL BOOST PUMP<br>SUPPLIER CODE:<br>V81982<br>FUNCTIONAL DESCRIPTION:<br>DELIVERS FUEL UNDER PRESSURE FROM A TANK TO ITS RESPECTIVE ENGINE OR THROUGH THE CROSSFEED VALVE TO THE OTHER ENGINE<br>SPECIFICATION NUMBER:<br>60B92404-8<br>COMPONENT MAINT MANUAL REF:<br>28-22-08<br>POST ALERT SB:<br>28A0066<br>PRE ALERT SB:<br>28A0070R2<br>PRE SERVICE BULLETIN:<br>60-755100-28-2<br>V81982<br>REWORKED BY SB:<br>28-01<br>V81982<br>FOR DETAILS SEE:<br>28-22-03-51 | 101101         | 1              |
| 395       | 60-755100-5 | ..            | MOTOR-IMPELLER BOOST PUMP<br>SUPPLIER CODE:<br>V81982<br>SPECIFICATION NUMBER:<br>60B92404-10<br>POST ALERT SB:<br>28A0070R2<br>POST SERVICE BULLETIN:<br>60-75504-28-2<br>V81982<br>60-755100-28-2<br>V81982<br>FOR DETAILS SEE:<br>28-22-03-51  | 101101         | 1              |

MISSING ITEM NUMBERS NOT APPLICABLE

- ITEM NOT ILLUSTRATED

28-22-03-02C

28-22-03  
FIG. 02C  
PAGE 7  
MAY 28/07

BRI





757

PARTS CATALOG (MAINTENANCE)

| FIG ITEM  | PART NUMBER | 1 2 3 4 5 6 7 | NOMENCLATURE  | EFFECT FROM TO | UNITS PER ASSY |
|-----------|-------------|---------------|---|----------------|----------------|
| 2C<br>465 | 60-75502    | ..            | HOUSING ASSY-<br>SUPPLIER CODE:<br>V81982<br>FUNCTIONAL DESCRIPTION:<br>PROVIDES A DRY BAY FOR<br>SERVICING AND REMOVAL OF<br>BOOST PUMPS<br>SPECIFICATION NUMBER:<br>60B92404-2<br>COMPONENT MAINT MANUAL REF:<br>28-22-06 | 101101         | 1              |
| 470       | MS35275-230 | ...           | SCREW   | 101101         | 3              |
| 475       | NAS620C6    | ...           | WASHER  | 101101         | 3              |
| 480       | 60-75529    | ...           | PORT-PRIMER DISCH<br>SUPPLIER CODE:<br>V81982   | 101101         | 1              |
| 485       | MS29513-027 | ...           | PACKING   | 101101         | 2              |
| 490       | 60-75521    | ...           | VALVE ASSY-CHK<br>SUPPLIER CODE:<br>V81982  | 101101         | 1              |
| 500       | 678576      | .             | SEAL-<br>SUPPLIER CODE:<br>V83259   | 101101         | 1              |

MISSING ITEM NUMBERS NOT APPLICABLE

- ITEM NOT ILLUSTRATED

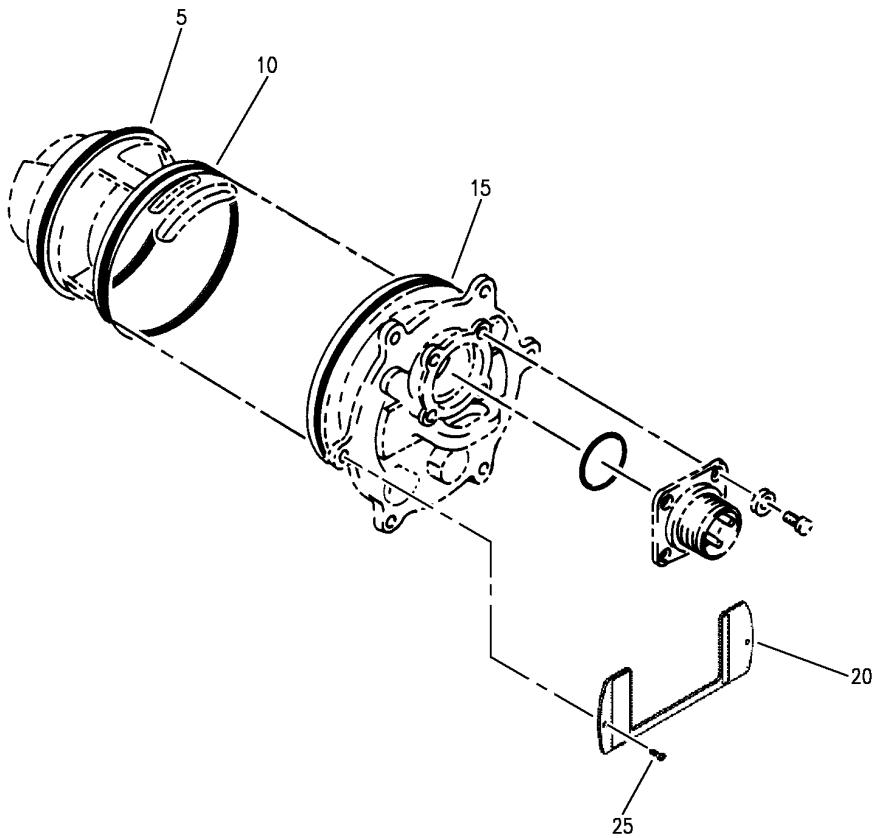
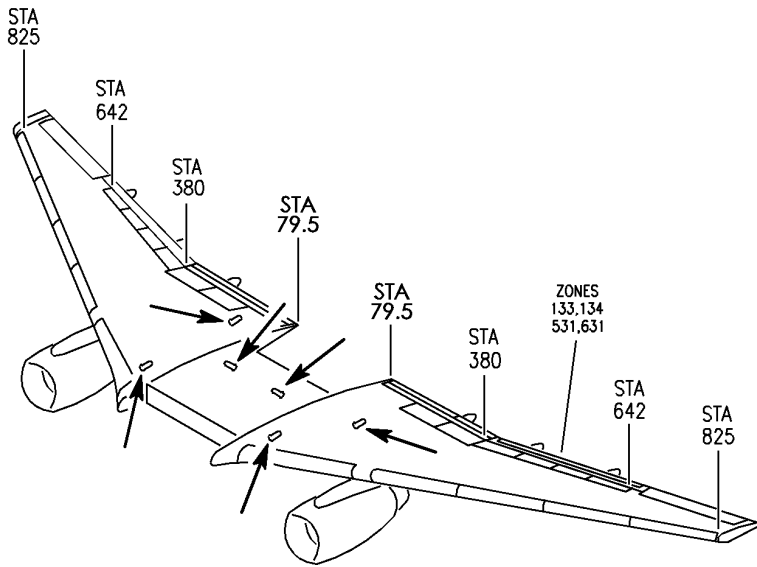
28-22-03-02C

28-22-03  
FIG. 02C  
PAGE 8  
MAY 28/07

BRI

BOEING PROPRIETARY - Copyright © - Unpublished Work - See title page for details.

**BOEING**  
757  
PARTS CATALOG (MAINTENANCE)



Y 28220351 REV 267

MOTOR AND IMPELLER ASSY-FUEL BOOST PUMP  
FIGURE 51

**28-22-03-51**

BRI  
MAY 28/07

28-22-03-51  
PAGE 0



757

PARTS CATALOG (MAINTENANCE)

| FIG<br>ITEM | PART NUMBER | 1 2 3 4 5 6 7 | NOMENCLATURE  | EFFECT<br>FROM TO                              | UNITS<br>PER<br>ASSY |
|-------------|-------------|---------------|---|--|----------------------|
| 51          |             |               |   |  |                      |
| - 1         | 60-75504    |               | MOTOR AND IMPELLER ASSY-<br>FUEL BOOST PUMP<br>MOTOR-IMPELLER<br>FUEL BOOST PUMP<br>SUPPLIER CODE:<br>V81982<br>SPECIFICATION NUMBER:<br>60B92404-5<br>MISCELLANEOUS DATA:<br>60-755100-5 IS PREFERRED<br>SPARE FOR 60-75504 FOR<br>ALL MODELS.<br>COMPONENT MAINT MANUAL REF:<br>28-22-06<br>PRE ALERT SB:<br>28A0066<br>28A0070R2<br>PRE SERVICE BULLETIN:<br>60-75504-28-2<br>V81982<br>REWORKED BY SB:<br>28-01<br>V81982<br>FOR NHA SEE:<br>28-22-03-01B<br>28-22-03-01C<br>28-22-03-02B<br>28-22-03-02C | 002004<br>006999<br>101106<br>108120<br>504903 | RF                   |

MISSING ITEM NUMBERS NOT APPLICABLE

- ITEM NOT ILLUSTRATED

BRI

28-22-03-51

BOEING PROPRIETARY - Copyright © - Unpublished Work - See title page for details.

28-22-03  
 FIG. 51  
 PAGE 1  
 JAN 20/09



757

PARTS CATALOG (MAINTENANCE)

| FIG<br>ITEM | PART NUMBER | 1 2 3 4 5 6 7 | NOMENCLATURE  | EFFECT<br>FROM TO          | UNITS<br>PER<br>ASSY |
|-------------|-------------|---------------|---|----------------------------|----------------------|
| 51<br>- 1   | 60-755100   |               | MOTOR-IMPELLER<br>FUEL BOOST PUMP<br>SUPPLIER CODE:<br>V81982<br>FUNCTIONAL DESCRIPTION:<br>DELIVERS FUEL UNDER<br>PRESSURE FROM A TANK TO<br>ITS RESPECTIVE ENGINE OR<br>THROUGH THE CROSSFEED<br>VALVE TO THE OTHER<br>ENGINE<br>SPECIFICATION NUMBER:<br>60B92404-6<br>MISCELLANEOUS DATA:<br>PART INTERCHANGEABILITY<br>FOR 747 IS SHOWN ON<br>BOEING DRAWING 344U0052<br>COMPONENT MAINT MANUAL REF:<br>28-22-06<br>PRE ALERT SB:<br>28A0066<br>28A0070R2<br>PRE SERVICE BULLETIN:<br>60-755100-28-2<br>V81982<br>REWORKED BY SB:<br>28-01<br>V81982<br>FOR NHA SEE:<br>28-22-03-01B<br>28-22-03-01C<br>28-22-03-02B<br>28-22-03-02C | 101106<br>108120<br>504903 | RF                   |

MISSING ITEM NUMBERS NOT APPLICABLE

- ITEM NOT ILLUSTRATED

BRI

28-22-03-51

BOEING PROPRIETARY - Copyright © - Unpublished Work - See title page for details.

28-22-03  
FIG. 51  
PAGE 2  
JAN 20/09



757

PARTS CATALOG (MAINTENANCE)

| FIG<br>ITEM | PART NUMBER | 1 2 3 4 5 6 7 NOMENCLATURE  | EFFECT<br>FROM TO          | UNITS<br>PER<br>ASSY |
|-------------|-------------|---|----------------------------|----------------------|
| 51<br>- 1   | 60-755100-2 | MOTOR-FUEL BOOST PUMP<br>SUPPLIER CODE:<br>V81982<br>FUNCTIONAL DESCRIPTION:<br>DELIVERS FUEL UNDER<br>PRESSURE FROM A TANK TO<br>ITS RESPECTIVE ENGINE OR<br>THROUGH THE CROSSFEED<br>VALVE TO THE OTHER<br>ENGINE<br>SPECIFICATION NUMBER:<br>60B92404-7<br>COMPONENT MAINT MANUAL REF:<br>28-22-08<br>PRE ALERT SB:<br>28A0066<br>28A0070R2<br>PRE SERVICE BULLETIN:<br>60-755100-28-2<br>V81982<br>60-755100-28-1<br>V81982<br>REWORKED BY SB:<br>28-01<br>V81982<br>FOR NHA SEE:<br>28-22-03-01B<br>28-22-03-01C<br>28-22-03-02B<br>28-22-03-02C | 101106<br>108120<br>504903 | RF                   |

MISSING ITEM NUMBERS NOT APPLICABLE

- ITEM NOT ILLUSTRATED

# 28-22-03-51

28-22-03  
FIG. 51  
PAGE 3  
JAN 20/09

BRI



757

PARTS CATALOG (MAINTENANCE)

| FIG<br>ITEM | PART NUMBER | 1 2 3 4 5 6 7 | NOMENCLATURE   | EFFECT<br>FROM TO                              | UNITS<br>PER<br>ASSY |
|-------------|-------------|---------------|--|--|----------------------|
| 51<br>- 1   | 60-755100-4 |               | MOTOR-FUEL BOOST<br>PUMP<br>SUPPLIER CODE:<br>V81982<br>FUNCTIONAL DESCRIPTION:<br>DELIVERS FUEL UNDER<br>PRESSURE FROM A TANK TO<br>ITS RESPECTIVE ENGINE OR<br>THROUGH THE CROSSFEED<br>VALVE TO THE OTHER<br>ENGINE<br>SPECIFICATION NUMBER:<br>60B92404-8<br>COMPONENT MAINT MANUAL REF:<br>28-22-08<br>POST ALERT SB:<br>28A0066<br>PRE ALERT SB:<br>28A0070R2<br>POST SERVICE BULLETIN:<br>60-755100-28-1<br>V81982<br>PRE SERVICE BULLETIN:<br>60-755100-28-2<br>V81982<br>FOR NHA SEE:<br>28-22-03-01<br>28-22-03-02 | 002004<br>006100<br>107107<br>121503<br>904999 | RF                   |

MISSING ITEM NUMBERS NOT APPLICABLE

- ITEM NOT ILLUSTRATED

BRI

**28-22-03-51**

28-22-03  
 FIG. 51  
 PAGE 4  
 JAN 20/09



757

PARTS CATALOG (MAINTENANCE)

| FIG ITEM  | PART NUMBER | 1 2 3 4 5 6 7 | NOMENCLATURE   | EFFECT FROM TO             | UNITS PER ASSY |
|-----------|-------------|---------------|--|----------------------------|----------------|
| 51<br>- 1 | 60-755100-4 |               | MOTOR-FUEL BOOST<br>PUMP<br>SUPPLIER CODE:<br>V81982<br>FUNCTIONAL DESCRIPTION:<br>DELIVERS FUEL UNDER<br>PRESSURE FROM A TANK TO<br>ITS RESPECTIVE ENGINE OR<br>THROUGH THE CROSSFEED<br>VALVE TO THE OTHER<br>ENGINE<br>SPECIFICATION NUMBER:<br>60B92404-8<br>COMPONENT MAINT MANUAL REF:<br>28-22-08<br>POST ALERT SB:<br>28A0066<br>PRE ALERT SB:<br>28A0070R2<br>POST SERVICE BULLETIN:<br>60-755100-28-1<br>V81982<br>PRE SERVICE BULLETIN:<br>60-755100-28-2<br>V81982<br>REWORKED BY SB:<br>28-01<br>V81982<br>FOR NHA SEE:<br>28-22-03-01B<br>28-22-03-01C<br>28-22-03-02B<br>28-22-03-02C | 101106<br>108120<br>504903 | RF             |

MISSING ITEM NUMBERS NOT APPLICABLE

- ITEM NOT ILLUSTRATED

BRI

# 28-22-03-51

BOEING PROPRIETARY - Copyright © - Unpublished Work - See title page for details.

28-22-03  
FIG. 51  
PAGE 5  
JAN 20/09



757

PARTS CATALOG (MAINTENANCE)

| FIG<br>ITEM | PART NUMBER | 1 2 3 4 5 6 7 | NOMENCLATURE   | EFFECT<br>FROM TO                              | UNITS<br>PER<br>ASSY |
|-------------|-------------|---------------|--|--|----------------------|
| 51<br>- 1   | 60-75504    |               | MOTOR-IMPELLER<br>FUEL BOOST PUMP<br>SUPPLIER CODE:<br>V81982<br>SPECIFICATION NUMBER:<br>60B92404-5<br>MISCELLANEOUS DATA:<br>60-755100-5 IS PREFERRED<br>SPARE FOR 60-75504 FOR<br>ALL MODELS.<br>COMPONENT MAINT MANUAL REF:<br>28-22-06<br>PRE ALERT SB:<br>28A0066<br>28A0070R2<br>PRE SERVICE BULLETIN:<br>60-75504-28-2<br>V81982<br>REWORKED BY SB:<br>28-01<br>V81982<br>FOR NHA SEE:<br>28-22-03-01<br>28-22-03-02 | 002004<br>006100<br>107107<br>121503<br>904999 | RF                   |

MISSING ITEM NUMBERS NOT APPLICABLE

- ITEM NOT ILLUSTRATED

BRI

28-22-03-51

BOEING PROPRIETARY - Copyright © - Unpublished Work - See title page for details.

28-22-03  
FIG. 51  
PAGE 6  
JAN 20/09





757  
PARTS CATALOG (MAINTENANCE)

| FIG ITEM  | PART NUMBER | 1 2 3 4 5 6 7 | NOMENCLATURE  | EFFECT FROM TO                                 | UNITS PER ASSY |
|-----------|-------------|---------------|---|--|----------------|
| 51<br>- 1 | 60-755100   |               | MOTOR-2MPELLER<br>FUEL BOOST PUMP<br>SUPPLIER CODE:<br>V81982<br>FUNCTIONAL DESCRIPTION:<br>DELIVERS FUEL UNDER<br>PRESSURE FROM A TANK TO<br>ITS RESPECTIVE ENGINE OR<br>THROUGH THE CROSSFEED<br>VALVE TO THE OTHER<br>ENGINE<br>SPECIFICATION NUMBER:<br>60B92404-6<br>MISCELLANEOUS DATA:<br>PART INTERCHANGEABILITY<br>FOR 747 IS SHOWN ON<br>BOEING DRAWING 344U0052<br>COMPONENT MAINT MANUAL REF:<br>28-22-06<br>PRE ALERT SB:<br>28A0066<br>28A0070R2<br>PRE SERVICE BULLETIN:<br>60-755100-28-2<br>V81982<br>REWORKED BY SB:<br>28-01<br>V81982<br>FOR NHA SEE:<br>28-22-03-01<br>28-22-03-02 | 002004<br>006100<br>107107<br>121503<br>904999 | RF             |

R  
R  
R  
R  
R  
R  
R  
R  
R  
R  
R  
R  
R  
R  
R  
R  
R  
R  
R  
R  
R  
R

MISSING ITEM NUMBERS NOT APPLICABLE

- ITEM NOT ILLUSTRATED

**28-22-03-51**

28-22-03  
FIG. 51  
PAGE 7  
MAY 20/09

BRI



757

PARTS CATALOG (MAINTENANCE)

| FIG ITEM  | PART NUMBER | 1 2 3 4 5 6 7 | NOMENCLATURE  | EFFECT FROM TO                                 | UNITS PER ASSY |
|-----------|-------------|---------------|---|--|----------------|
| 51<br>- 1 | 60-755100-2 |               | MOTOR-FUEL BOOST PUMP<br>SUPPLIER CODE: V81982<br>FUNCTIONAL DESCRIPTION: DELIVERS FUEL UNDER PRESSURE FROM A TANK TO ITS RESPECTIVE ENGINE OR THROUGH THE CROSSFEED VALVE TO THE OTHER ENGINE<br>SPECIFICATION NUMBER: 60B92404-7<br>COMPONENT MAINT MANUAL REF: 28-22-08<br>PRE ALERT SB: 28A0070R2<br>PRE SERVICE BULLETIN: 60-755100-28-2 V81982<br>60-755100-28-1 V81982<br>FOR NHA SEE: 28-22-03-01 28-22-03-02 | 002004<br>006100<br>107107<br>121503<br>904999 | RF             |
| - 1       | 60-755100-5 |               | MOTOR-IMPELLER FUEL BOOST PUMP<br>SUPPLIER CODE: V81982<br>SPECIFICATION NUMBER: 60B92404-10<br>POST ALERT SB: 28A0070R2<br>POST SERVICE BULLETIN: 60-75504-28-2 V81982<br>60-755100-28-2 V81982<br>FOR NHA SEE: 28-22-03-01 28-22-03-02  | 002004<br>006100<br>107107<br>121503<br>904999 | RF             |

MISSING ITEM NUMBERS NOT APPLICABLE

- ITEM NOT ILLUSTRATED

BRI

28-22-03-51

28-22-03  
FIG. 51  
PAGE 8  
JAN 20/09



757

PARTS CATALOG (MAINTENANCE)

| FIG ITEM | PART NUMBER  | 1 2 3 4 5 6 7 | NOMENCLATURE   | EFFECT FROM TO             | UNITS PER ASSY |
|----------|--------------|---------------|--|----------------------------|----------------|
| 51       |              |               |  |                            |                |
| - 1      | 60-755100-5  |               | MOTOR-IMPELLER<br>BOOST PUMP<br>SUPPLIER CODE:<br>V81982<br>SPECIFICATION NUMBER:<br>60B92404-10<br>POST ALERT SB:<br>28A0070R2<br>POST SERVICE BULLETIN:<br>60-75504-28-2<br>V81982<br>60-755100-28-2<br>V81982<br>FOR NHA SEE:<br>28-22-03-01B<br>28-22-03-01C<br>28-22-03-02B<br>28-22-03-02C | 101106<br>108120<br>504903 | RF             |
| 5        | MS29513-145  |               | .PACKING-<br>CONFIG CHG DATA FROM A CMM:<br>SUPSD BY 60-755550<br>USED ON:<br>60-75504<br>60-755100  | 002004<br>006999           | 1              |
| 5        | 60-755550    |               | .PACKING-<br>SUPPLIER CODE:<br>V81982<br>CONFIG CHG DATA FROM A CMM:<br>SUPERSEDES MS29513-145<br>OPTIONAL PART:<br>M25988-1-145<br>USED ON:<br>60-75504<br>60-755100  | 002004<br>006999           | 1              |
| 5        | M25988-1-145 |               | .PACKING-<br>OPTIONAL PART:<br>60-755550<br>V81982<br>USED ON:<br>60-75504<br>60-755100  | 002004<br>006999           | 1              |
| 5        | M25988-1-145 |               | .PACKING-<br>OPTIONAL PART:<br>60-755550<br>V81982<br>USED ON:<br>60-755100-2<br>60-755100-4<br>60-755100-5  | 002004<br>006999           | 1              |

MISSING ITEM NUMBERS NOT APPLICABLE

- ITEM NOT ILLUSTRATED

28-22-03-51

28-22-03  
FIG. 51  
PAGE 9  
JAN 20/09

BRI



757

PARTS CATALOG (MAINTENANCE)

| FIG ITEM | PART NUMBER  | 1 2 3 4 5 6 7 | NOMENCLATURE  | EFFECT FROM TO   | UNITS PER ASSY |
|----------|--------------|---------------|---|------------------|----------------|
| 51       |              |               |   |                  |                |
| 5        | 60-755550    |               | .PACKING-<br>SUPPLIER CODE:<br>V81982<br>OPTIONAL PART:<br>M25988-1-145<br>USED ON:<br>60-755100-2<br>60-755100-4<br>60-755100-5                                      | 002004<br>006999 | 1              |
| 10       | 60-755551    |               | .PACKING-<br>SUPPLIER CODE:<br>V81982<br>CONFIG CHG DATA FROM A CMM:<br>SUPERSEDES MS29513-146<br>OPTIONAL PART:<br>M25988-1-146<br>USED ON:<br>60-75504<br>60-755100 | 002004<br>006999 | 1              |
| 10       | M25988-1-146 |               | .PACKING-<br>OPTIONAL PART:<br>60-755551<br>V81982<br>USED ON:<br>60-75504<br>60-755100   | 002004<br>006999 | 1              |
| 10       | M25988-1-146 |               | .PACKING-<br>OPTIONAL PART:<br>60-755551<br>V81982<br>USED ON:<br>60-755100-2<br>60-755100-4<br>60-755100-5   | 002004<br>006999 | 1              |
| 10       | MS29513-146  |               | .PACKING-<br>CONFIG CHG DATA FROM A CMM:<br>SUPSD BY 60-755551<br>USED ON:<br>60-75504<br>60-755100   | 002004<br>006999 | 1              |
| 10       | 60-755551    |               | .PACKING-<br>SUPPLIER CODE:<br>V81982<br>OPTIONAL PART:<br>M25988-1-146<br>USED ON:<br>60-755100-2<br>60-755100-4<br>60-755100-5                                      | 002004<br>006999 | 1              |

MISSING ITEM NUMBERS NOT APPLICABLE

- ITEM NOT ILLUSTRATED

28-22-03-51

28-22-03  
FIG. 51  
PAGE 10  
SEP 20/08

BRI



757

PARTS CATALOG (MAINTENANCE)

| FIG ITEM | PART NUMBER  | 1 2 3 4 5 6 7 | NOMENCLATURE  | EFFECT FROM TO   | UNITS PER ASSY |
|----------|--------------|---------------|---|------------------|----------------|
| 51       |              |               |   |                  |                |
| 15       | 60-703552    |               | .PACKING-<br>SUPPLIER CODE:<br>V81982<br>CONFIG CHG DATA FROM A CMM:<br>SUPERSEDES MS29513-237<br>OPTIONAL PART:<br>M25988-1-237<br>USED ON:<br>60-75504<br>60-755100 | 002004<br>006999 | 1              |
| 15       | MS29513-237  |               | .PACKING-<br>CONFIG CHG DATA FROM A CMM:<br>SUPSD BY 60-703552<br>USED ON:<br>60-75504<br>60-755100   | 002004<br>006999 | 1              |
| 15       | M25988-1-237 |               | .PACKING-<br>OPTIONAL PART:<br>60-703552<br>V81982<br>USED ON:<br>60-755100-2<br>60-755100-4<br>60-755100-5   | 002004<br>006999 | 1              |
| 15       | 60-703552    |               | .PACKING-<br>SUPPLIER CODE:<br>V81982<br>OPTIONAL PART:<br>M25988-1-237<br>USED ON:<br>60-755100-2<br>60-755100-4<br>60-755100-5                                      | 002004<br>006999 | 1              |
| 15       | M25988-1-237 |               | .PACKING-<br>OPTIONAL PART:<br>60-703552<br>V81982<br>USED ON:<br>60-75504<br>60-755100   | 002004<br>006999 | 1              |
| 20       | 60-75574     |               | .PLATE-IDENT<br>SUPPLIER CODE:<br>V81982<br>USED ON:<br>60-755100-2   | 002004<br>006999 | 1              |

MISSING ITEM NUMBERS NOT APPLICABLE

- ITEM NOT ILLUSTRATED

28-22-03-51

28-22-03  
FIG. 51  
PAGE 11  
SEP 20/08

BRI



757

PARTS CATALOG (MAINTENANCE)

| FIG ITEM | PART NUMBER | 1 2 3 4 5 6 7 | NOMENCLATURE  | EFFECT FROM TO   | UNITS PER ASSY |
|----------|-------------|---------------|---|------------------|----------------|
| 51       |             |               |   |                  |                |
| 20       | 60-75574-1  |               | .PLATE-IDENT<br>SUPPLIER CODE:<br>V81982<br>USED ON:<br>60-755100-4   | 002004<br>006999 | 1              |
| 20       | 60-75564    |               | .PLATE-IDENT<br>SUPPLIER CODE:<br>V81982<br>USED ON:<br>60-75504      | 002004<br>006999 | 1              |
| 20       | 60-75572    |               | .NAMEPLATE-IDENT<br>SUPPLIER CODE:<br>V81982<br>USED ON:<br>60-755100 | 002004<br>006999 | 1              |
| 20       | 60-755745-1 |               | .PLATE-IDENT<br>SUPPLIER CODE:<br>V81982<br>USED ON:<br>60-755100-5   | 002004<br>006999 | 1              |
| 25       | MS21318-1   |               | ATTACHING PARTS<br>.SCREW<br><br>-----*-----                          | 002004<br>006999 | 2              |

MISSING ITEM NUMBERS NOT APPLICABLE

- ITEM NOT ILLUSTRATED

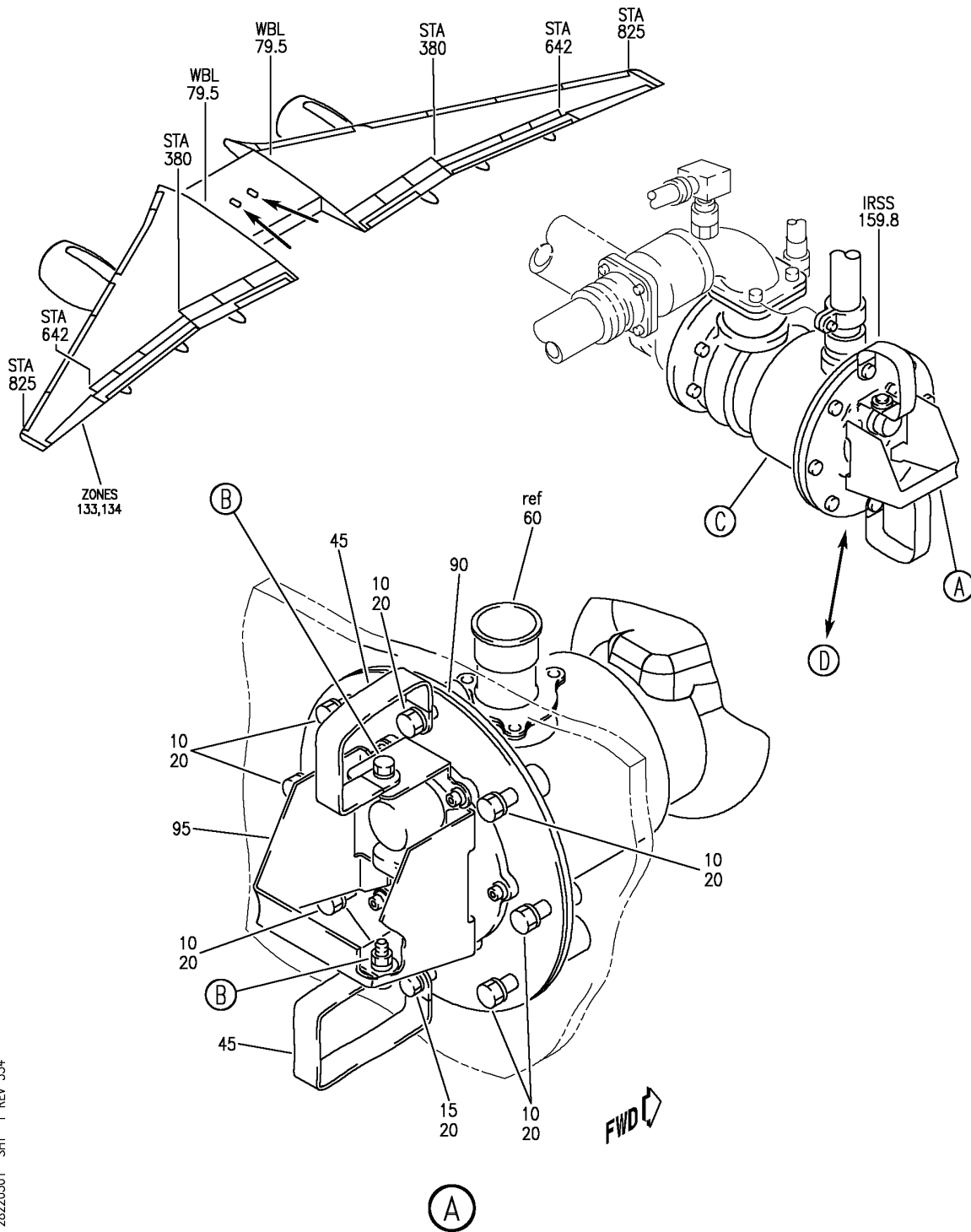
BRI

28-22-03-51

BOEING PROPRIETARY - Copyright © - Unpublished Work - See title page for details.

28-22-03  
FIG. 51  
PAGE 12  
SEP 20/08

**BOEING**  
757  
**PARTS CATALOG (MAINTENANCE)**



Y 28220501 SH1 1 REV 334

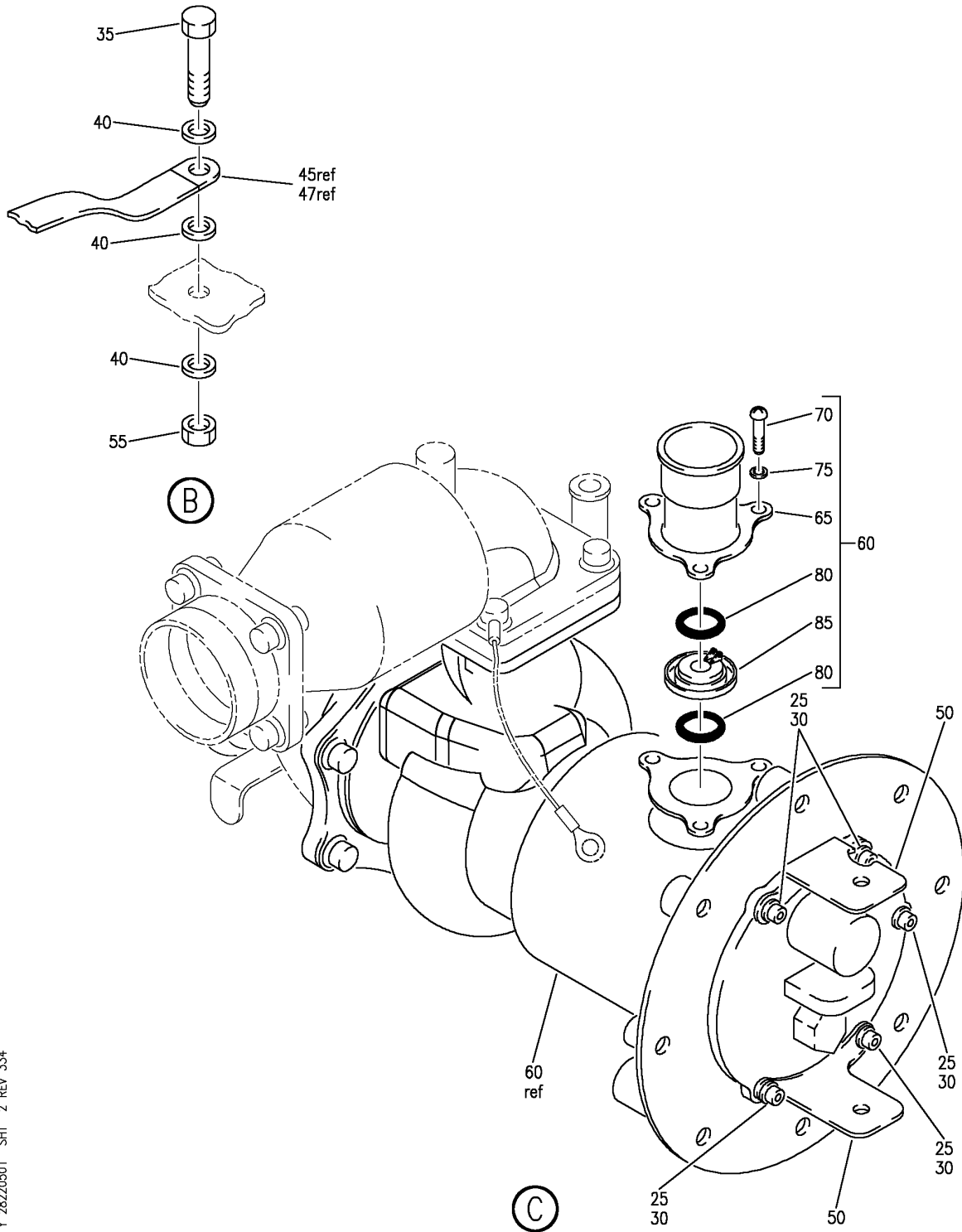
PUMP INSTL-ENG FUEL FEED SYS (CENTER TANK OVER RIDE PUMP ONLY)  
FIGURE 1 (SHEET 1)

**28-22-05-01**

BRI  
MAY 20/09

28-22-05-01  
PAGE 0

**BOEING**  
757  
PARTS CATALOG (MAINTENANCE)



Y 28220501 SH-T 2 REV 334

PUMP INSTL-ENG FUEL FEED SYS (CENTER TANK OVER RIDE PUMP ONLY)  
FIGURE 1 (SHEET 2)

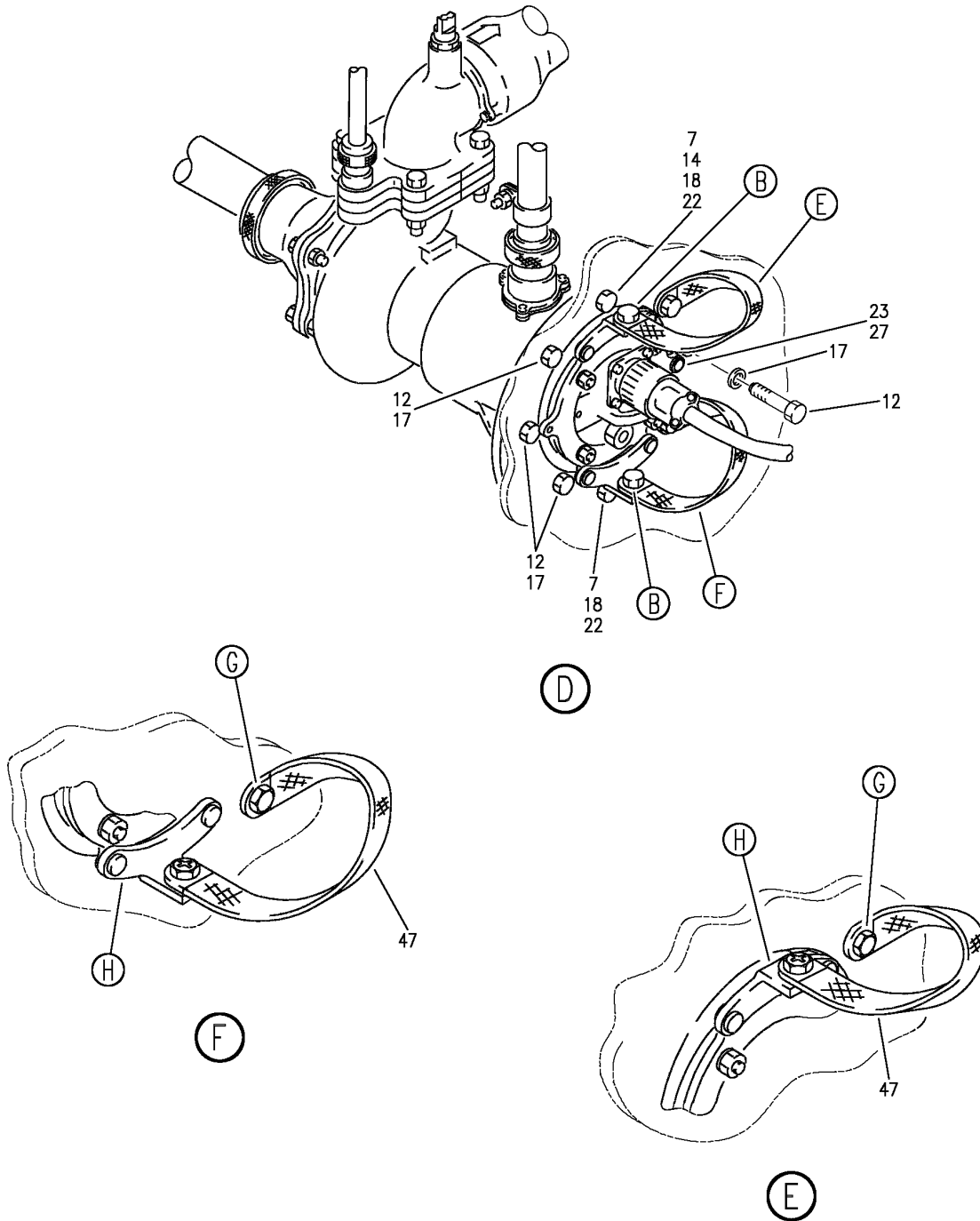
**28-22-05-01**

BRI  
MAY 20/09

28-22-05-01  
PAGE 0A



**BOEING**  
757  
PARTS CATALOG (MAINTENANCE)



Y 28220501 SH1 3 REV 334

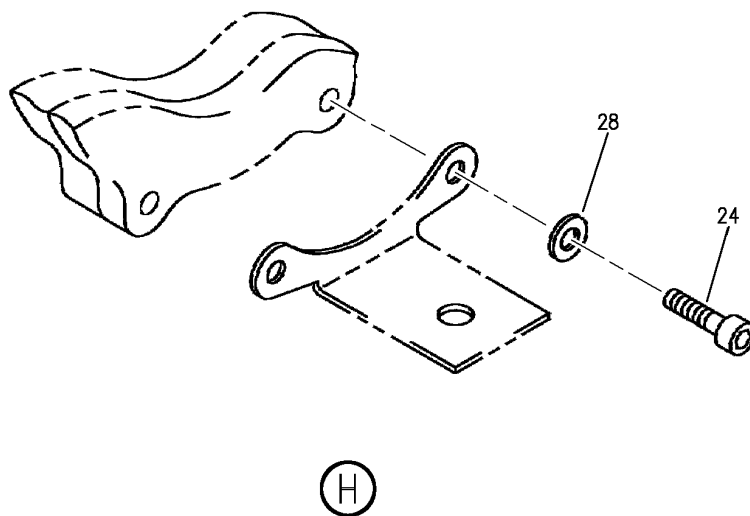
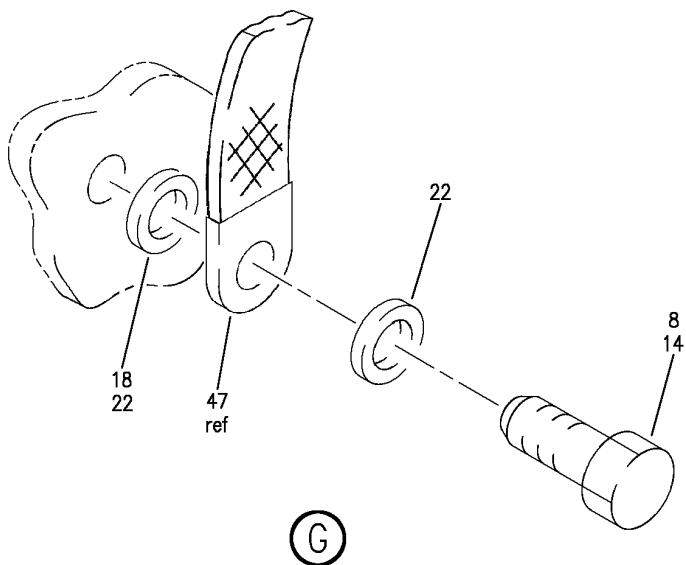
PUMP INSTL-ENG FUEL FEED SYS (CENTER TANK OVER RIDE PUMP ONLY)  
FIGURE 1 (SHEET 3)

**28-22-05-01**

BRI  
MAY 20/09

28-22-05-01  
PAGE 0B

**BOEING**  
757  
PARTS CATALOG (MAINTENANCE)



Y 28220501 SH1 4 REV 334

PUMP INSTL-ENG FUEL FEED SYS (CENTER TANK OVER RIDE PUMP ONLY)  
FIGURE 1 (SHEET 4)

**28-22-05-01**

BRI  
MAY 20/09

28-22-05-01  
PAGE 0C



757

PARTS CATALOG (MAINTENANCE)

| FIG ITEM | PART NUMBER | 1 2 3 4 5 6 7 | NOMENCLATURE  | EFFECT FROM TO                                 | UNITS PER ASSY |
|----------|-------------|---------------|---|--|----------------|
| 1        |             |               | PUMP INSTL-ENG FUEL FEED<br>SYS (CENTER TANK OVER<br>RIDE PUMP ONLY)  | 002004<br>006100<br>107107<br>121503<br>904999 |                |
| - 1      | 343N3301-75 |               | PUMP INSTL-ENG FUEL FEED<br>SYS (CENTER TANK OVER<br>RIDE PUMP ONLY)<br>POSITION DATA:<br>CTR LH<br>FOR NHA/OTHER SYS DET SEE:<br>28-22-00-01 | 107107   | RF             |
| - 1      | 343N3301-89 |               | PUMP INSTL-ENG FUEL FEED<br>SYS (CENTER TANK OVER<br>RIDE PUMP ONLY)<br>POSITION DATA:<br>CTR LH<br>FOR NHA/OTHER SYS DET SEE:<br>28-22-00-01 | 003004<br>006100<br>121503<br>904999           | RF             |
| - 5      | 343N3301-76 |               | PUMP INSTL-ENG FUEL FEED<br>SYS (CENTER TANK OVER<br>RIDE PUMP ONLY)<br>POSITION DATA:<br>CTR RH<br>FOR NHA/OTHER SYS DET SEE:<br>28-22-00-01 | 107107   | RF             |
| - 5      | 343N3301-90 |               | PUMP INSTL-ENG FUEL FEED<br>SYS (CENTER TANK OVER<br>RIDE PUMP ONLY)<br>POSITION DATA:<br>CTR RH<br>FOR NHA/OTHER SYS DET SEE:<br>28-22-00-01 | 003004<br>006100<br>121503<br>904999           | RF             |
| 10       | NAS6604H8   |               | .BOLT-  | 002004<br>006100<br>107107<br>121503<br>904999 | 7              |
| 15       | NAS6604H12  |               | .BOLT-  | 002004<br>006100<br>107107<br>121503<br>904999 | 1              |
| 20       | AN960D416L  |               | .WASHER   | 002004<br>006100<br>107107<br>121503<br>904999 | 8              |

MISSING ITEM NUMBERS NOT APPLICABLE

- ITEM NOT ILLUSTRATED

28-22-05-01

28-22-05  
FIG. 01  
PAGE 1  
JAN 20/09

BRI



757

PARTS CATALOG (MAINTENANCE)

| FIG ITEM   | PART NUMBER | 1 2 3 4 5 6 7  | NOMENCLATURE  | EFFECT FROM TO                                 | UNITS PER ASSY |
|--|-------------|----------------|---|--|----------------|
| 1  | 25          | NAS1352C08H10P | .SCREW-   | 002004<br>006100<br>107107<br>121503<br>904999 | 5              |
|  | 30          | AN960D8        | .WASHER   | 002004<br>006100<br>107107<br>121503<br>904999 | 5              |
|  | 35          | NAS6604-3      | .BOLT-  | 002004<br>006100<br>107107<br>121503<br>904999 | 2              |
|  | 40          | AN960D416L     | .WASHER-  | 002004<br>006100<br>107107<br>121503<br>904999 | 6              |
|  | 45          | RBEJ40D20-24   | .JUMPER ASSY-<br>SUPPLIER CODE:<br>V1GK47<br>SPECIFICATION NUMBER:<br>BACJ40D20-24<br>OPTIONAL PART:<br>4F24F<br>V79550 | 002004<br>006100<br>107107<br>121503<br>904999 | 2              |
| R<br>R<br>R<br>R<br>R<br>R<br>R<br>R<br>R<br>R<br>R<br>R | 50          | 343N2054-2     | .CLIP   | 002004<br>006100<br>107107<br>121503<br>904999 | 2              |

MISSING ITEM NUMBERS NOT APPLICABLE

- ITEM NOT ILLUSTRATED

28-22-05-01

28-22-05  
FIG. 01  
PAGE 2  
MAY 20/09

BRI

**BOEING**  
757  
**PARTS CATALOG (MAINTENANCE)**

| FIG ITEM  | PART NUMBER | 1 2 3 4 5 6 7 | NOMENCLATURE   | EFFECT FROM TO                                 | UNITS PER ASSY |
|---|-------------|---------------|--|--|----------------|
| R<br>R<br>R<br>R<br>R<br>R<br>R<br>R<br>R<br>R<br>R | 1 55        | BRH10A4       | .NUT-<br>SUPPLIER CODE:<br>V52828<br>SPECIFICATION NUMBER:<br>BACN10JC4<br>OPTIONAL PART:<br>T6S428J<br>V11815<br>96-048<br>V80539<br>VN303A048<br>V92215<br>RMLH9075-4W<br>V72962<br>NS202101-048<br>V80539<br>H10-4BAC<br>V15653 | 002004<br>006100<br>107107<br>121503<br>904999 | 2              |
|   | 60          | 60-98907      | .HOUSING ASSY-<br>SUPPLIER CODE:<br>V81982<br>SPECIFICATION NUMBER:<br>60B89004-7<br>COMPONENT MAINT MANUAL REF:<br>28-22-05   | 002004<br>006100<br>107107<br>121503<br>904999 | 1              |
|   | 65          | 60-75529      | ..PORT-PRIMER DISCHARGE<br>SUPPLIER CODE:<br>V81982  | 002004<br>006100<br>107107<br>121503<br>904999 | 1              |
|   | 70          | MS35275-230   | ATTACHING PARTS<br>..SCREW   | 002004<br>006100<br>107107<br>121503<br>904999 | 3              |
|   | 75          | NAS620C6      | ..WASHER   | 002004<br>006100<br>107107<br>121503<br>904999 | 3              |
|   | 80          | MS29513-027   | -----*-----<br>..PACKING   | 002004<br>006100<br>107107<br>121503<br>904999 | 2              |

MISSING ITEM NUMBERS NOT APPLICABLE

— ITEM NOT ILLUSTRATED

BRI

**28-22-05-01**

BOEING PROPRIETARY - Copyright © - Unpublished Work - See title page for details.

28-22-05  
FIG. 01  
PAGE 3  
MAY 20/09



757

PARTS CATALOG (MAINTENANCE)

| FIG ITEM | PART NUMBER | 1 2 3 4 5 6 7 | NOMENCLATURE  | EFFECT FROM TO                                 | UNITS PER ASSY |
|----------|-------------|---------------|---|--|----------------|
| 1        | 85 60-75521 |               | . . VALVE ASSY-CHECK<br>SUPPLIER CODE:<br>V81982  | 002004<br>006100<br>107107<br>121503<br>904999 | 1              |
|          | 90 678576   |               | . SEAL-<br>SUPPLIER CODE:<br>V83259   | 002004<br>006100<br>107107<br>121503<br>904999 | 1              |
|          | 95 60-98908 |               | . MOTOR AND IMPELLER-<br>OVERRIDE PUMP<br>SUPPLIER CODE:<br>V81982<br>SPECIFICATION NUMBER:<br>60B89004-8<br>SB DATA FROM A CMM:<br>PRE SB 28-28<br>COMPONENT MAINT MANUAL REF:<br>28-22-05<br>PRE ALERT SB:<br>28A0066<br>28A0070R2<br>PRE SERVICE BULLETIN:<br>60-98908-28-2<br>V81982<br>REWORKED BY SB:<br>28-01<br>V81982<br>FOR DETAILS SEE:<br>28-22-05-04 | 002004<br>006100<br>107107<br>121503<br>904999 | 1              |

MISSING ITEM NUMBERS NOT APPLICABLE

- ITEM NOT ILLUSTRATED

BRI

28-22-05-01

BOEING PROPRIETARY - Copyright © - Unpublished Work - See title page for details.

28-22-05  
FIG. 01  
PAGE 4  
JAN 20/09



757

PARTS CATALOG (MAINTENANCE)

| FIG ITEM | PART NUMBER | 1 2 3 4 5 6 7 | NOMENCLATURE   | EFFECT FROM TO                                 | UNITS PER ASSY |
|----------|-------------|---------------|--|--|----------------|
| 1<br>95  | 60-989100   |               | .MOTOR-OVERRIDE PUMP<br>SUPPLIER CODE:<br>V81982<br>FUNCTIONAL DESCRIPTION:<br>PROVIDES CENTER TANK<br>FUEL TO ENGINES.<br>SPECIFICATION NUMBER:<br>60B89004-10<br>SB DATA FROM A CMM:<br>POST SB 28-28<br>COMPONENT MAINT MANUAL REF:<br>28-22-05<br>PRE ALERT SB:<br>28A0066<br>28A0070R2<br>PRE SERVICE BULLETIN:<br>60-98908-28-2<br>V81982<br>REWORKED BY SB:<br>28-01<br>V81982<br>FOR DETAILS SEE:<br>28-22-05-04 | 002004<br>006100<br>107107<br>121503<br>904999 | 1              |
| 95       | 60-989100-2 |               | .MOTOR-IMPELLER FUEL BOOST<br>PUMP<br>SUPPLIER CODE:<br>V81982<br>FUNCTIONAL DESCRIPTION:<br>PROVIDES CENTER TANK<br>FUEL TO ENGINES.<br>SPECIFICATION NUMBER:<br>60B89004-12<br>COMPONENT MAINT MANUAL REF:<br>28-22-09<br>PRE ALERT SB:<br>28A0066<br>28A0070R2<br>PRE SERVICE BULLETIN:<br>60-989100-28-2<br>V81982<br>REWORKED BY SB:<br>28-01<br>V81982<br>FOR DETAILS SEE:<br>28-22-05-04                          | 002004<br>006100<br>107107<br>121503<br>904999 | 1              |

MISSING ITEM NUMBERS NOT APPLICABLE

- ITEM NOT ILLUSTRATED

28-22-05-01

28-22-05  
FIG. 01  
PAGE 5  
JAN 20/09

BRI



757

PARTS CATALOG (MAINTENANCE)

| FIG ITEM | PART NUMBER | 1 2 3 4 5 6 7 | NOMENCLATURE  | EFFECT FROM TO                                 | UNITS PER ASSY |
|----------|-------------|---------------|---|--|----------------|
| 1<br>95  | 60-989100-4 |               | .MOTOR-OVERRIDE PUMP<br>SUPPLIER CODE:<br>V81982<br>FUNCTIONAL DESCRIPTION:<br>PROVIDES CENTER TANK<br>FUEL TO ENGINES.<br>SPECIFICATION NUMBER:<br>60B89004-14<br>COMPONENT MAINT MANUAL REF:<br>28-22-09<br>POST ALERT SB:<br>28A0066<br>PRE ALERT SB:<br>28A0070R2<br>PRE SERVICE BULLETIN:<br>60-989100-28-2<br>V81982<br>REWORKED BY SB:<br>28-01<br>V81982<br>FOR DETAILS SEE:<br>28-22-05-04 | 002004<br>006100<br>107107<br>121503<br>904999 | 1              |
| 95       | 60-989100-5 |               | .MOTOR-OVERRIDE PUMP<br>BOOST PUMP<br>SUPPLIER CODE:<br>V81982<br>SPECIFICATION NUMBER:<br>60B89004-16<br>COMPONENT MAINT MANUAL REF:<br>28-22-09<br>POST ALERT SB:<br>28A0070R2<br>POST SERVICE BULLETIN:<br>60-98908-28-2<br>V81982<br>60-989100-28-2<br>V81982<br>FOR DETAILS SEE:<br>28-22-05-04  | 002004<br>006100<br>107107<br>121503<br>904999 | 1              |

MISSING ITEM NUMBERS NOT APPLICABLE

- ITEM NOT ILLUSTRATED

BRI

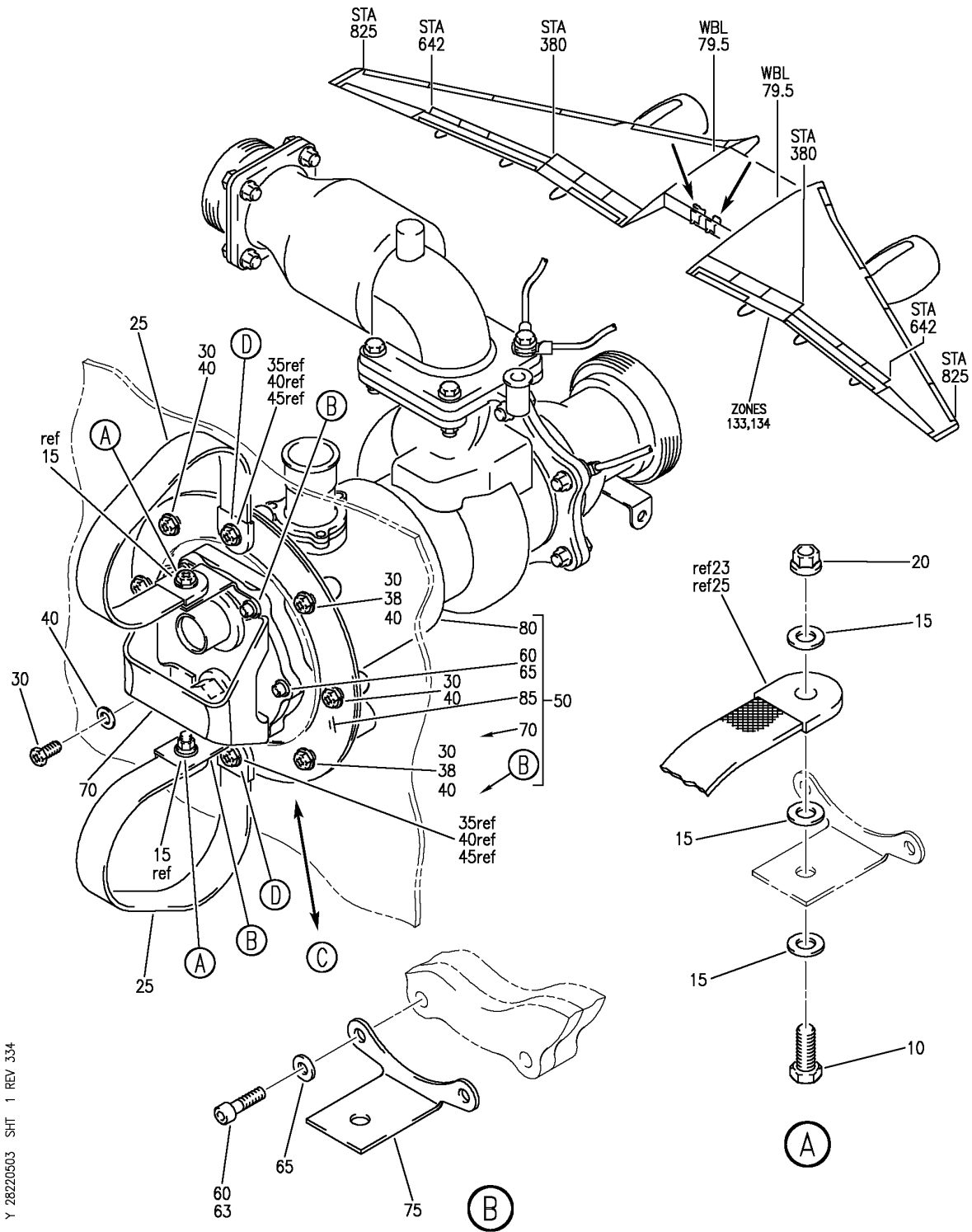
28-22-05-01

BOEING PROPRIETARY - Copyright © - Unpublished Work - See title page for details.

28-22-05  
FIG. 01  
PAGE 6  
JAN 20/09



**BOEING**  
757  
PARTS CATALOG (MAINTENANCE)



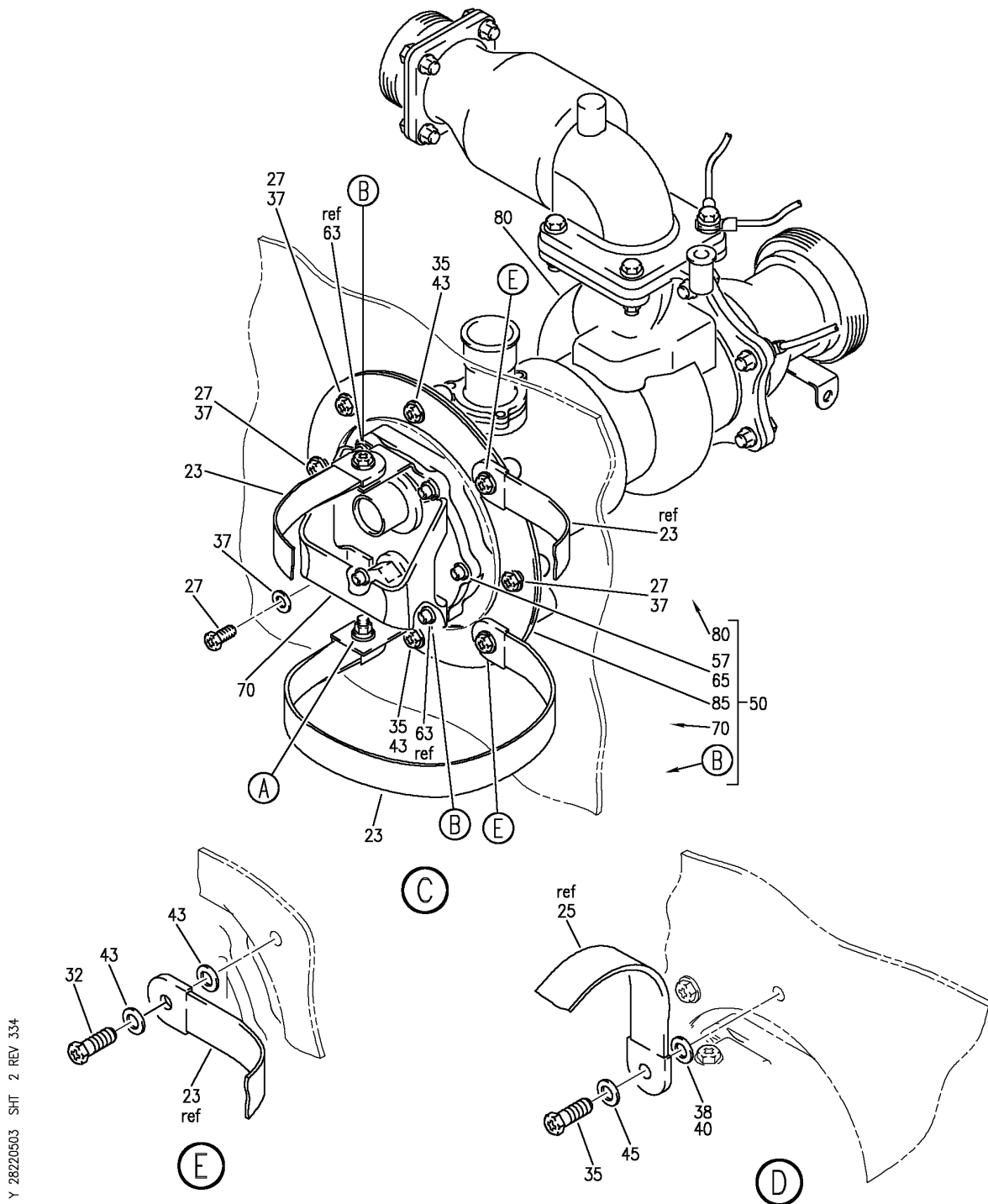
PUMP INSTL-ENG FUEL FEED SYS (CENTER TANK OVER RIDE PUMP ONLY)  
FIGURE 3

**28-22-05-03**

BRI  
MAY 20/09

28-22-05-03  
PAGE 0

**BOEING**  
757  
PARTS CATALOG (MAINTENANCE)



Y 28220503 SH-T 2 REV 334

PUMP INSTL-ENG FUEL FEED SYS (CENTER TANK OVER RIDE PUMP ONLY)  
FIGURE 3

**28-22-05-03**

BRI  
MAY 20/09

28-22-05-03  
PAGE 0A



757

PARTS CATALOG (MAINTENANCE)

| FIG ITEM | PART NUMBER  | 1 2 3 4 5 6 7 | NOMENCLATURE  | EFFECT FROM TO             | UNITS PER ASSY |
|----------|--------------|---------------|---|----------------------------|----------------|
| 3        |              |               | PUMP INSTL-ENG FUEL FEED<br>SYS (CENTER TANK OVER<br>RIDE PUMP ONLY)  | 101106<br>108120<br>504903 |                |
| - 1      | 343N3301-119 |               | PUMP INSTL-ENG FUEL FEED<br>SYS (CENTER TANK OVER<br>RIDE PUMP ONLY)  | 101101                     | RF             |
| - 1      | 343N3301-133 |               | POSITION DATA:<br>LH<br>FOR NHA/OTHER SYS DET SEE:<br>28-00-00-05<br>PUMP INSTL-ENG FUEL FEED<br>SYS (CENTER TANK OVER<br>RIDE PUMP ONLY)   | 102102<br>108120<br>504903 | RF             |
| - 1      | MODREF21947  |               | POSITION DATA:<br>LH<br>FOR NHA/OTHER SYS DET SEE:<br>28-00-00-05<br>PUMP INSTL-FUEL FEED<br>SYS (CENTER TANK OVER<br>RIDE PUMP ONLY)   | 103103                     | 1              |
| - 1      | MODREF28185  |               | MODULE NUMBER:<br>343N3301-145 REV A<br>POSITION DATA:<br>LH<br>FOR OTHER SYS DETAILS SEE:<br>28-42-01-02<br>FOR ADDITIONAL DETAILS SEE:<br>28-22-07-09<br>PUMP INSTL-FUEL FEED<br>SYS (CENTER TANK OVER<br>RIDE PUMP ONLY)     | 104106                     | 1              |
| - 5      | 343N3301-120 |               | MODULE NUMBER:<br>343N3301-145 REV B<br>POSITION DATA:<br>LH<br>FOR OTHER SYS DETAILS SEE:<br>28-42-01-02<br>FOR ADDITIONAL DETAILS SEE:<br>28-22-07-09<br>PUMP INSTL-ENG FUEL FEED<br>SYS (CENTER TANK OVER<br>RIDE PUMP ONLY) | 101101                     | RF             |
|          |              |               | POSITION DATA:<br>RH<br>FOR NHA/OTHER SYS DET SEE:<br>28-00-00-05   |                            |                |

MISSING ITEM NUMBERS NOT APPLICABLE

- ITEM NOT ILLUSTRATED

28-22-05-03

28-22-05  
FIG. 03  
PAGE 1  
JAN 20/09

BRI



757

PARTS CATALOG (MAINTENANCE)

| FIG ITEM | PART NUMBER   | 1 2 3 4 5 6 7 | NOMENCLATURE  | EFFECT FROM TO             | UNITS PER ASSY |
|----------|---------------|---------------|---|----------------------------|----------------|
| 3        |               |               |   |                            |                |
| - 5      | 343N3301-134  |               | PUMP INSTL-ENG FUEL FEED<br>SYS (CENTER TANK OVER<br>RIDE PUMP ONLY)<br>POSITION DATA:<br>RH<br>FOR NHA/OTHER SYS DET SEE:<br>28-00-00-05   | 102102<br>108120<br>504903 | RF             |
| - 5      | MODREF21948   |               | PUMP INSTL-FUEL FEED<br>SYS (CENTER TANK OVER<br>RIDE PUMP ONLY)<br>MODULE NUMBER:<br>343N3301-146 REV A<br>POSITION DATA:<br>RH<br>FOR OTHER SYS DETAILS SEE:<br>28-42-01-02<br>FOR ADDITIONAL DETAILS SEE:<br>28-22-07-09 | 103103                     | 1              |
| - 5      | MODREF28186   |               | PUMP INSTL-FUEL FEED<br>SYS (CENTER TANK OVER<br>RIDE PUMP ONLY)<br>MODULE NUMBER:<br>343N3301-146 REV B<br>POSITION DATA:<br>RH<br>FOR OTHER SYS DETAILS SEE:<br>28-42-01-02<br>FOR ADDITIONAL DETAILS SEE:<br>28-22-07-09 | 104106                     | 1              |
| 10       | BACS12GU4K8   |               | .SCREW  | 101106<br>108120<br>504903 | 2              |
| 15       | NAS1149D0416H |               | .WASHER   | 101106<br>108120<br>504903 | 6              |
| 20       | PLH54CD       |               | .NUT<br>SUPPLIER CODE:<br>VF0224<br>SPECIFICATION NUMBER:<br>BACN10YR4CD<br>OPTIONAL PART:<br>H52732-4CD<br>V15653  | 101106<br>108120<br>504903 | 2              |
| 25       | 1002BB24      |               | .JUMPER ASSY-<br>SUPPLIER CODE:<br>V1FF12<br>SPECIFICATION NUMBER:<br>BACJ40A20-24  | 101106<br>108120<br>504903 | 2              |

MISSING ITEM NUMBERS NOT APPLICABLE

- ITEM NOT ILLUSTRATED

R  
R  
R  
R  
R

28-22-05-03

28-22-05  
FIG. 03  
PAGE 2  
MAY 20/09

BRI



757

PARTS CATALOG (MAINTENANCE)

| FIG ITEM | PART NUMBER | 1 2 3 4 5 6 7 | NOMENCLATURE   | EFFECT FROM TO             | UNITS PER ASSY |
|----------|-------------|---------------|--|----------------------------|----------------|
| 3        | 30          |               | .BOLT  | 101106<br>108120<br>504903 | 6              |
|          | 35          |               | .BOLT-   | 101106<br>108120<br>504903 | 2              |
|          | 40          |               | .WASHER  | 101106<br>108120<br>504903 | 8              |
| 45       | MS35338-44  |               | .WASHER-   | 101106<br>108120<br>504903 | 2              |
|          | 50          | 343N0330-5    | .PUMP ASSY-<br>POSITION DATA:<br>LH SIDE CTR<br>FUNCTIONAL REFERENCE:<br>FUEL<br>FOR DETAILS SEE<br>28-22-08-01C<br>28-22-09-01C | 101101                     | 1              |
| 50       | 343N0330-11 |               | .PUMP ASSY-<br>POSITION DATA:<br>LH SIDE CTR<br>FUNCTIONAL REFERENCE:<br>FUEL<br>FOR DETAILS SEE<br>28-22-08-01C<br>28-22-09-01C | 102102<br>108120<br>504903 | 1              |
|          | 50          | 343N0330-17   | .PUMP ASSY-<br>POSITION DATA:<br>LH SIDE CTR<br>FUNCTIONAL REFERENCE:<br>FUEL<br>FOR DETAILS SEE<br>28-22-08-01C<br>28-22-09-01C | 103106                     | 1              |
| -        | 55          | 343N0330-6    | .PUMP ASSY-<br>POSITION DATA:<br>RH SIDE CTR<br>FUNCTIONAL REFERENCE:<br>FUEL<br>FOR DETAILS SEE<br>28-22-08-01C<br>28-22-09-01C | 101101                     | 1              |

MISSING ITEM NUMBERS NOT APPLICABLE

- ITEM NOT ILLUSTRATED

BRI

28-22-05-03

BOEING PROPRIETARY - Copyright © - Unpublished Work - See title page for details.

28-22-05  
FIG. 03  
PAGE 3  
MAY 20/09



757

PARTS CATALOG (MAINTENANCE)

| FIG ITEM | PART NUMBER    | 1 2 3 4 5 6 7 | NOMENCLATURE  | EFFECT FROM TO             | UNITS PER ASSY |
|----------|----------------|---------------|---|----------------------------|----------------|
| 3        |                |               |   |                            |                |
| - 55     | 343N0330-12    |               | .PUMP ASSY-<br>POSITION DATA:<br>RH SIDE CTR<br>FUNCTIONAL REFERENCE:<br>FUEL<br>FOR DETAILS SEE<br>28-22-08-01C<br>28-22-09-01C  | 102102<br>108120<br>504903 | 1              |
| - 55     | 343N0330-18    |               | .PUMP ASSY-<br>POSITION DATA:<br>RH SIDE CTR<br>FUNCTIONAL REFERENCE:<br>FUEL<br>FOR DETAILS SEE<br>28-22-08-01C<br>28-22-09-01C  | 103106                     | 1              |
| 60       | NAS1352N08H10P |               | ..SCREW   | 101102<br>108120<br>504903 | 5              |
| 65       | NAS1149DN832J  |               | ..WASHER  | 101106<br>108120<br>504903 | 5              |
| 70       | 60-989100      |               | ..MOTOR-OVERRIDE PUMP<br>SUPPLIER CODE:<br>V81982<br>FUNCTIONAL DESCRIPTION:<br>PROVIDES CENTER TANK<br>FUEL TO ENGINES.<br>SPECIFICATION NUMBER:<br>60B89004-10<br>SB DATA FROM A CMM:<br>POST 60-989-28-28<br>COMPONENT MAINT MANUAL REF:<br>28-22-05<br>PRE ALERT SB:<br>28A0066<br>28A0070R2<br>PRE SERVICE BULLETIN:<br>60-98908-28-2<br>V81982<br>REWORKED BY SB:<br>28-01<br>V81982<br>FOR DETAILS SEE:<br>28-22-05-04 | 101106<br>108120<br>504903 | 1              |

MISSING ITEM NUMBERS NOT APPLICABLE

- ITEM NOT ILLUSTRATED

28-22-05-03

28-22-05  
FIG. 03  
PAGE 4  
JAN 20/09

BRI



757

PARTS CATALOG (MAINTENANCE)

| FIG ITEM | PART NUMBER | 1 2 3 4 5 6 7 | NOMENCLATURE   | EFFECT FROM TO             | UNITS PER ASSY |
|----------|-------------|---------------|--|----------------------------|----------------|
| 3<br>70  | 60-98908    |               | ..MOTOR AND IMPELLER-<br>OVERRIDE PUMP<br>SUPPLIER CODE:<br>V81982<br>SPECIFICATION NUMBER:<br>60B89004-8<br>SB DATA FROM A CMM:<br>PRE 60-989-28-28<br>COMPONENT MAINT MANUAL REF:<br>28-22-05<br>PRE ALERT SB:<br>28A0066<br>28A0070R2<br>PRE SERVICE BULLETIN:<br>60-98908-28-2<br>V81982<br>REWORKED BY SB:<br>28-01<br>V81982<br>FOR DETAILS SEE:<br>28-22-05-04              | 101106<br>108120<br>504903 | 1              |
| 70       | 60-989100-2 |               | ..MOTOR-OVERRIDE PUMP<br>SUPPLIER CODE:<br>V81982<br>FUNCTIONAL DESCRIPTION:<br>PROVIDES CENTER TANK<br>FUEL TO ENGINES.<br>SPECIFICATION NUMBER:<br>60B89004-12<br>COMPONENT MAINT MANUAL REF:<br>28-22-09<br>PRE ALERT SB:<br>28A0066<br>28A0070R2<br>PRE SERVICE BULLETIN:<br>60-989100-28-2<br>V81982<br>REWORKED BY SB:<br>28-01<br>V81982<br>FOR DETAILS SEE:<br>28-22-05-04 | 101106<br>108120<br>504903 | 1              |

MISSING ITEM NUMBERS NOT APPLICABLE

- ITEM NOT ILLUSTRATED

BRI

28-22-05-03

BOEING PROPRIETARY - Copyright © - Unpublished Work - See title page for details.

28-22-05  
FIG. 03  
PAGE 5  
JAN 20/09



**757  
PARTS CATALOG (MAINTENANCE)**

| FIG ITEM | PART NUMBER | 1 2 3 4 5 6 7 | NOMENCLATURE   | EFFECT FROM TO             | UNITS PER ASSY |
|----------|-------------|---------------|--|----------------------------|----------------|
| 3        |             |               |  |                            |                |
| 70       | 60-989100-4 |               | ..MOTOR-OVERRIDE PUMP<br>SUPPLIER CODE:<br>V81982<br>FUNCTIONAL DESCRIPTION:<br>PROVIDES CENTER TANK<br>FUEL TO ENGINES.<br>SPECIFICATION NUMBER:<br>60B89004-14<br>COMPONENT MAINT MANUAL REF:<br>28-22-09<br>POST ALERT SB:<br>28A0066<br>PRE ALERT SB:<br>28A0070R2<br>PRE SERVICE BULLETIN:<br>60-989100-28-2<br>V81982<br>REWORKED BY SB:<br>28-01<br>V81982<br>FOR DETAILS SEE:<br>28-22-05-04 | 101106<br>108120<br>504903 | 1              |
| 70       | 60-989100-5 |               | ..MOTOR-OVERRIDE PUMP<br>SUPPLIER CODE:<br>V81982<br>SPECIFICATION NUMBER:<br>60B89004-16<br>COMPONENT MAINT MANUAL REF:<br>28-22-09<br>POST ALERT SB:<br>28A0070R2<br>POST SERVICE BULLETIN:<br>60-98908-28-2<br>V81982<br>60-989100-28-2<br>V81982<br>FOR DETAILS SEE:<br>28-22-05-04  | 101106<br>108120<br>504903 | 1              |
| 75       | 343N2054-2  |               | ..CLIP   | 101106<br>108120<br>504903 | 2              |
| 80       | 60-98907    |               | ..HOUSING ASSY-OVERRIDE<br>PUMP<br>SUPPLIER CODE:<br>V81982<br>SPECIFICATION NUMBER:<br>60B89004-7<br>COMPONENT MAINT MANUAL REF:<br>28-22-05  | 101106<br>108120<br>504903 | 1              |

MISSING ITEM NUMBERS NOT APPLICABLE

— ITEM NOT ILLUSTRATED

# 28-22-05-03

28-22-05  
FIG. 03  
PAGE 6  
JAN 20/09

BRI





757

PARTS CATALOG (MAINTENANCE)

| FIG<br>ITEM | PART NUMBER | 1 2 3 4 5 6 7 | NOMENCLATURE                       | EFFECT<br>FROM TO          | UNITS<br>PER<br>ASSY |
|-------------|-------------|---------------|------------------------------------|----------------------------|----------------------|
| 3<br>85     | 678576      |               | .SEAL-<br>SUPPLIER CODE:<br>V83259 | 101106<br>108120<br>504903 | 1                    |

MISSING ITEM NUMBERS NOT APPLICABLE

- ITEM NOT ILLUSTRATED

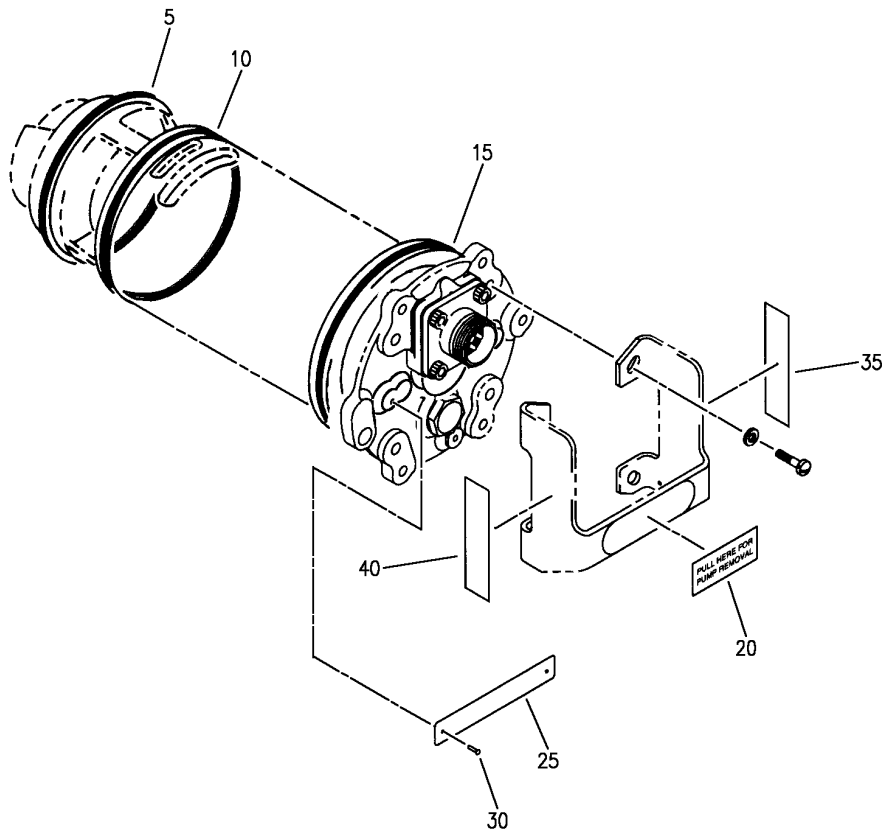
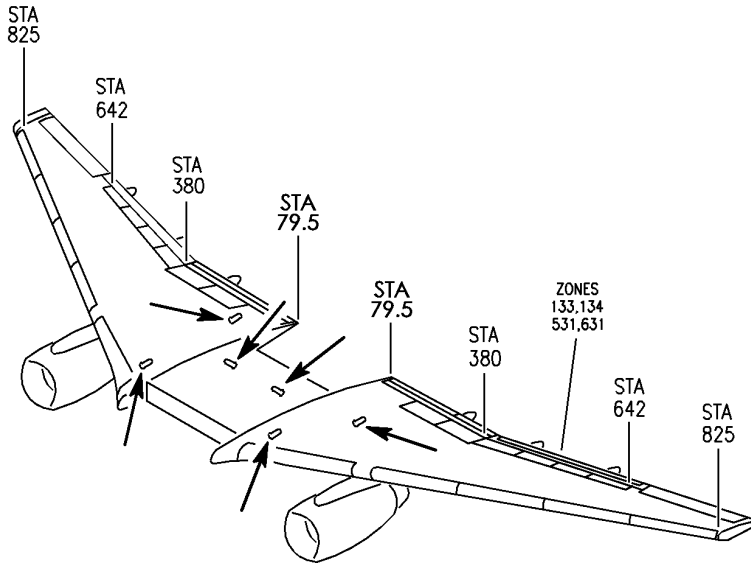
BRI

28-22-05-03

BOEING PROPRIETARY - Copyright © - Unpublished Work - See title page for details.

28-22-05  
FIG. 03  
PAGE 7  
JAN 20/09

**BOEING**  
757  
PARTS CATALOG (MAINTENANCE)



Y 28220504 REV 267

MOTOR AND IMPELLER ASSY OVERRIDE PUMP  
FIGURE 4

**28-22-05-04**

BRI  
MAY 28/07

28-22-05-04  
PAGE 0



757

PARTS CATALOG (MAINTENANCE)

| FIG ITEM | PART NUMBER | 1 2 3 4 5 6 7 | NOMENCLATURE  | EFFECT FROM TO   | UNITS PER ASSY |
|----------|-------------|---------------|---|--|----------------|
| 4        |             |               | MOTOR AND IMPELLER ASSY   | 002004   |                |
| - 1      | 60-98908    |               | OVERRIDE PUMP<br>MOTOR AND IMPELLER-<br>OVERRIDE PUMP<br>SUPPLIER CODE:<br>V81982<br>SPECIFICATION NUMBER:<br>60B89004-8<br>COMPONENT MAINT MANUAL REF:<br>28-22-05<br>PRE ALERT SB:<br>28A0066<br>28A0070R2<br>PRE SERVICE BULLETIN:<br>60-98908-28-02<br>V81982<br>REWORKED BY SB:<br>28-01<br>V81982<br>FOR NHA SEE:<br>28-22-05-01                                      | 006999<br>002004<br>006100<br>107107<br>121503<br>904999 | RF             |
| - 1      | 60-989100   |               | MOTOR-OVERRIDE PUMP<br>SUPPLIER CODE:<br>V81982<br>FUNCTIONAL DESCRIPTION:<br>PROVIDES CENTER TANK<br>FUEL TO ENGINES.<br>SPECIFICATION NUMBER:<br>60B89004-10<br>COMPONENT MAINT MANUAL REF:<br>28-22-05<br>PRE ALERT SB:<br>28A0066<br>28A0070R2<br>PRE SERVICE BULLETIN:<br>60-98908-28-2<br>V81982<br>REWORKED BY SB:<br>28-01<br>V81982<br>FOR NHA SEE:<br>28-22-05-01 | 002004<br>006100<br>107107<br>121503<br>904999           | RF             |

MISSING ITEM NUMBERS NOT APPLICABLE

- ITEM NOT ILLUSTRATED

28-22-05-04

28-22-05  
 FIG. 04  
 PAGE 1  
 JAN 20/09

BRI



757

PARTS CATALOG (MAINTENANCE)

| FIG ITEM | PART NUMBER | 1 2 3 4 5 6 7 | NOMENCLATURE   | EFFECT FROM TO                                 | UNITS PER ASSY |
|----------|-------------|---------------|--|--|----------------|
| 4<br>- 1 | 60-989100-2 |               | MOTOR-OVERRIDE PUMP<br>SUPPLIER CODE:<br>V81982<br>FUNCTIONAL DESCRIPTION:<br>PROVIDES CENTER TANK<br>FUEL TO ENGINES.<br>SPECIFICATION NUMBER:<br>60B89004-12<br>COMPONENT MAINT MANUAL REF:<br>28-22-09<br>PRE ALERT SB:<br>28A0066<br>28A0070R2<br>PRE SERVICE BULLETIN:<br>60-98100-28-02<br>V81982<br>REWORKED BY SB:<br>28-01<br>V81982<br>FOR NHA SEE:<br>28-22-05-01                   | 002004<br>006100<br>107107<br>121503<br>904999 | RF             |
| - 1      | 60-989100-4 |               | MOTOR-OVERRIDE PUMP<br>SUPPLIER CODE:<br>V81982<br>FUNCTIONAL DESCRIPTION:<br>PROVIDES CENTER TANK<br>FUEL TO ENGINES.<br>SPECIFICATION NUMBER:<br>60B89004-14<br>COMPONENT MAINT MANUAL REF:<br>28-22-09<br>POST ALERT SB:<br>28A0066<br>PRE ALERT SB:<br>28A0070R2<br>PRE SERVICE BULLETIN:<br>60-98100-28-02<br>V81982<br>REWORKED BY SB:<br>28-01<br>V81982<br>FOR NHA SEE:<br>28-22-05-01 | 002004<br>006100<br>107107<br>121503<br>904999 | RF             |

MISSING ITEM NUMBERS NOT APPLICABLE

- ITEM NOT ILLUSTRATED

28-22-05-04

28-22-05  
FIG. 04  
PAGE 2  
JAN 20/09

BRI



757

PARTS CATALOG (MAINTENANCE)

| FIG ITEM | PART NUMBER | 1 2 3 4 5 6 7 | NOMENCLATURE  | EFFECT FROM TO                                 | UNITS PER ASSY |
|----------|-------------|---------------|---|--|----------------|
| 4<br>- 1 | 60-989100-5 |               | MOTOR-OVERRIDE PUMP<br>BOOST PUMP<br>SUPPLIER CODE:<br>V81982<br>SPECIFICATION NUMBER:<br>60B89004-16<br>COMPONENT MAINT MANUAL REF:<br>28-22-09<br>POST ALERT SB:<br>28A0070R2<br>POST SERVICE BULLETIN:<br>60-98908-28-02<br>V81982<br>60-98100-28-02<br>V81982<br>FOR NHA SEE:<br>28-22-05-01  | 002004<br>006100<br>107107<br>121503<br>904999 | RF             |
| - 2      | 60-989100   |               | MOTOR-OVERRIDE PUMP<br>SUPPLIER CODE:<br>V81982<br>FUNCTIONAL DESCRIPTION:<br>PROVIDES CENTER TANK<br>FUEL TO ENGINES.<br>SPECIFICATION NUMBER:<br>60B89004-10<br>COMPONENT MAINT MANUAL REF:<br>28-22-05<br>PRE ALERT SB:<br>28A0066<br>28A0070R2<br>PRE SERVICE BULLETIN:<br>60-98908-28-2<br>V81982<br>REWORKED BY SB:<br>28-01<br>V81982<br>FOR NHA SEE:<br>28-22-05-03 | 101106<br>108120<br>504903                     | RF             |

MISSING ITEM NUMBERS NOT APPLICABLE

- ITEM NOT ILLUSTRATED

BRI

28-22-05-04

BOEING PROPRIETARY - Copyright © - Unpublished Work - See title page for details.

28-22-05  
FIG. 04  
PAGE 3  
JAN 20/09



757

PARTS CATALOG (MAINTENANCE)

| FIG ITEM | PART NUMBER | 1 2 3 4 5 6 7 | NOMENCLATURE   | EFFECT FROM TO             | UNITS PER ASSY |
|----------|-------------|---------------|--|----------------------------|----------------|
| 4<br>- 2 | 60-989100-2 |               | MOTOR-OVERRIDE PUMP<br>SUPPLIER CODE:<br>V81982<br>FUNCTIONAL DESCRIPTION:<br>PROVIDES CENTER TANK<br>FUEL TO ENGINES.<br>SPECIFICATION NUMBER:<br>60B89004-12<br>COMPONENT MAINT MANUAL REF:<br>28-22-09<br>PRE ALERT SB:<br>28A0066<br>28A0070R2<br>PRE SERVICE BULLETIN:<br>60-989100-28-2<br>V81982<br>REWORKED BY SB:<br>28-01<br>V81982<br>FOR NHA SEE:<br>28-22-05-03                   | 101106<br>108120<br>504903 | RF             |
| - 2      | 60-989100-4 |               | MOTOR-OVERRIDE PUMP<br>SUPPLIER CODE:<br>V81982<br>FUNCTIONAL DESCRIPTION:<br>PROVIDES CENTER TANK<br>FUEL TO ENGINES.<br>SPECIFICATION NUMBER:<br>60B89004-14<br>COMPONENT MAINT MANUAL REF:<br>28-22-09<br>POST ALERT SB:<br>28A0066<br>PRE ALERT SB:<br>28A0070R2<br>PRE SERVICE BULLETIN:<br>60-989100-28-2<br>V81982<br>REWORKED BY SB:<br>28-01<br>V81982<br>FOR NHA SEE:<br>28-22-05-03 | 101106<br>108120<br>504903 | RF             |

MISSING ITEM NUMBERS NOT APPLICABLE

- ITEM NOT ILLUSTRATED

BRI

28-22-05-04

28-22-05  
FIG. 04  
PAGE 4  
JAN 20/09



757

PARTS CATALOG (MAINTENANCE)

| FIG ITEM | PART NUMBER   | 1 2 3 4 5 6 7 | NOMENCLATURE   | EFFECT FROM TO             | UNITS PER ASSY |
|----------|---------------|---------------|--|----------------------------|----------------|
| 4<br>-   | 2 60-98908    |               | MOTOR AND IMPELLER-<br>OVERRIDE PUMP<br>SUPPLIER CODE:<br>V81982<br>SPECIFICATION NUMBER:<br>60B89004-8<br>COMPONENT MAINT MANUAL REF:<br>28-22-05<br>PRE ALERT SB:<br>28A0066<br>28A0070R2<br>PRE SERVICE BULLETIN:<br>60-98908-28-2<br>V81982<br>REWORKED BY SB:<br>28-01<br>V81982<br>FOR NHA SEE:<br>28-22-05-03 | 101106<br>108120<br>504903 | RF             |
| -        | 2 60-989100-5 |               | MOTOR-OVERRIDE PUMP<br>BOOST PUMP<br>SUPPLIER CODE:<br>V81982<br>SPECIFICATION NUMBER:<br>60B89004-16<br>COMPONENT MAINT MANUAL REF:<br>28-22-09<br>POST ALERT SB:<br>28A0070R2<br>POST SERVICE BULLETIN:<br>60-98908-28-2<br>V81982<br>60-989100-28-2<br>V81982<br>FOR NHA SEE:<br>28-22-05-03                      | 101106<br>108120<br>504903 | RF             |
|          | 5 60-989550   |               | .PACKING-<br>SUPPLIER CODE:<br>V81982<br>OPTIONAL PART:<br>M25988-1-149<br>USED ON:<br>60-98908<br>60-989100   | 002004<br>006999           | 1              |

MISSING ITEM NUMBERS NOT APPLICABLE

- ITEM NOT ILLUSTRATED

BRI

28-22-05-04

28-22-05  
FIG. 04  
PAGE 5  
JAN 20/09

 **BOEING**  
757  
**PARTS CATALOG (MAINTENANCE)**

| FIG ITEM | PART NUMBER  | 1 2 3 4 5 6 7 | NOMENCLATURE   | EFFECT FROM TO   | UNITS PER ASSY |
|----------|--------------|---------------|--|------------------|----------------|
| 4        |              |               |  |                  |                |
| 5        | M25988-1-149 |               | .PACKING-<br>OPTIONAL PART:<br>60-989550<br>V81982<br>USED ON:<br>60-98908<br>60-989100<br>60-989100-2<br>60-989100-4<br>60-989100-5 | 002004<br>006999 | 1              |
| 10       | 60-989551    |               | .PACKING-<br>SUPPLIER CODE:<br>V81982<br>OPTIONAL PART:<br>M25988-1-150<br>USED ON:<br>60-98908<br>60-989100                         | 002004<br>006999 | 1              |
| 10       | M25988-1-150 |               | .PACKING-<br>OPTIONAL PART:<br>60-989551<br>V81982<br>USED ON:<br>60-98908<br>60-989100<br>60-989100-2<br>60-989100-4<br>60-989100-5 | 002004<br>006999 | 1              |
| 15       | M25988-1-152 |               | .PACKING-<br>OPTIONAL PART:<br>60-989552<br>V81982   | 002004<br>006999 | 1              |
| 15       | 60-989552    |               | .PACKING-<br>SUPPLIER CODE:<br>V81982<br>OPTIONAL PART:<br>M25988-1-152  | 002004<br>006999 | 1              |
| 20       | 60-703109    |               | .LABEL-PUMP REMOVAL<br>SUPPLIER CODE:<br>V81982  | 002004<br>006999 | 1              |
| 25       | 60-989106    |               | .PLATE-IDENT<br>SUPPLIER CODE:<br>V81982<br>USED ON:<br>60-989100-2<br>60-989100-4<br>60-989100-5                                    | 002004<br>006999 | 1              |

MISSING ITEM NUMBERS NOT APPLICABLE

— ITEM NOT ILLUSTRATED

BRI

# 28-22-05-04

BOEING PROPRIETARY - Copyright © - Unpublished Work - See title page for details.

28-22-05  
FIG. 04  
PAGE 6  
SEP 20/08



 **BOEING**  
757  
**PARTS CATALOG (MAINTENANCE)**

| FIG<br>ITEM | PART NUMBER | 1 2 3 4 5 6 7 | NOMENCLATURE  | EFFECT<br>FROM TO | UNITS<br>PER<br>ASSY |
|-------------|-------------|---------------|---|-------------------|----------------------|
| 4           | 25 60-98958 |               | .PLATE-IDENT<br>SUPPLIER CODE:<br>V81982<br>USED ON:<br>60-98908  | 002004<br>006999  | 1                    |
|             | 25 60-98995 |               | .PLATE-IDENT<br>SUPPLIER CODE:<br>V81982<br>USED ON:<br>60-989100   | 002004<br>006999  | 1                    |
| 30          | MS21318-1   |               | .SCREW<br>ATTACHING PARTS   | 002004<br>006999  | 2                    |
| 35          | 60-989108   |               | -----*-----<br>.LABEL-PN<br>SUPPLIER CODE:<br>V81982<br>USED ON:<br>60-989100-2                           | 002004<br>006999  | 1                    |
| 35          | 60-989108-1 |               | .LABEL-PN<br>SUPPLIER CODE:<br>V81982<br>USED ON:<br>60-989100-4<br>60-989100-5                           | 002004<br>006999  | 1                    |
| 40          | 60-989109   |               | .LABEL-SERIAL NUMBER<br>SUPPLIER CODE:<br>V81982<br>USED ON:<br>60-989100-2<br>60-989100-4<br>60-989100-5 | 002004<br>006999  | 1                    |

MISSING ITEM NUMBERS NOT APPLICABLE

— ITEM NOT ILLUSTRATED

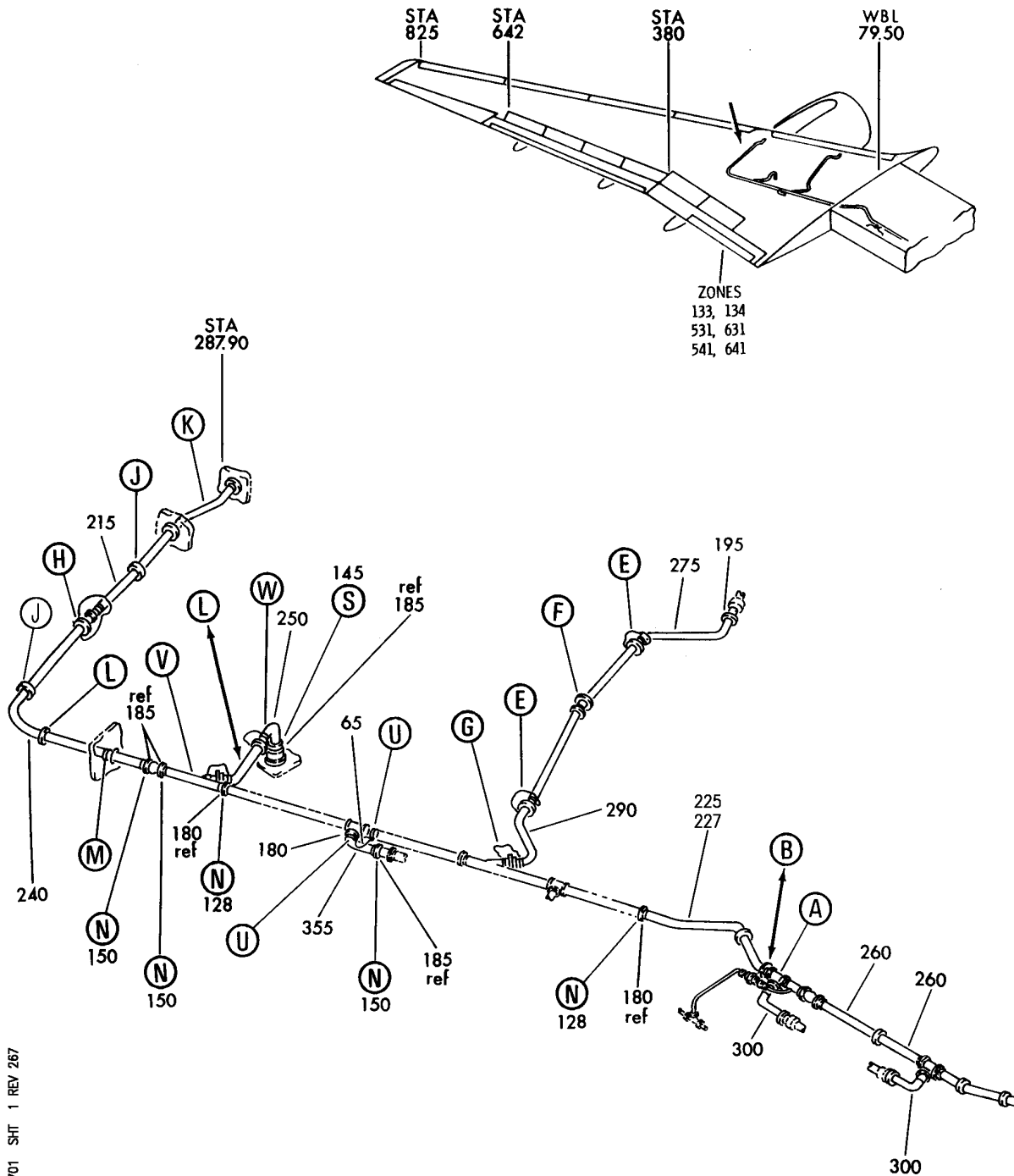
BRI

**28-22-05-04**

BOEING PROPRIETARY - Copyright © - Unpublished Work - See title page for details.

28-22-05  
FIG. 04  
PAGE 7  
SEP 20/08

**BOEING**  
757  
PARTS CATALOG (MAINTENANCE)



Y 28220701 SHT 1 REV 267

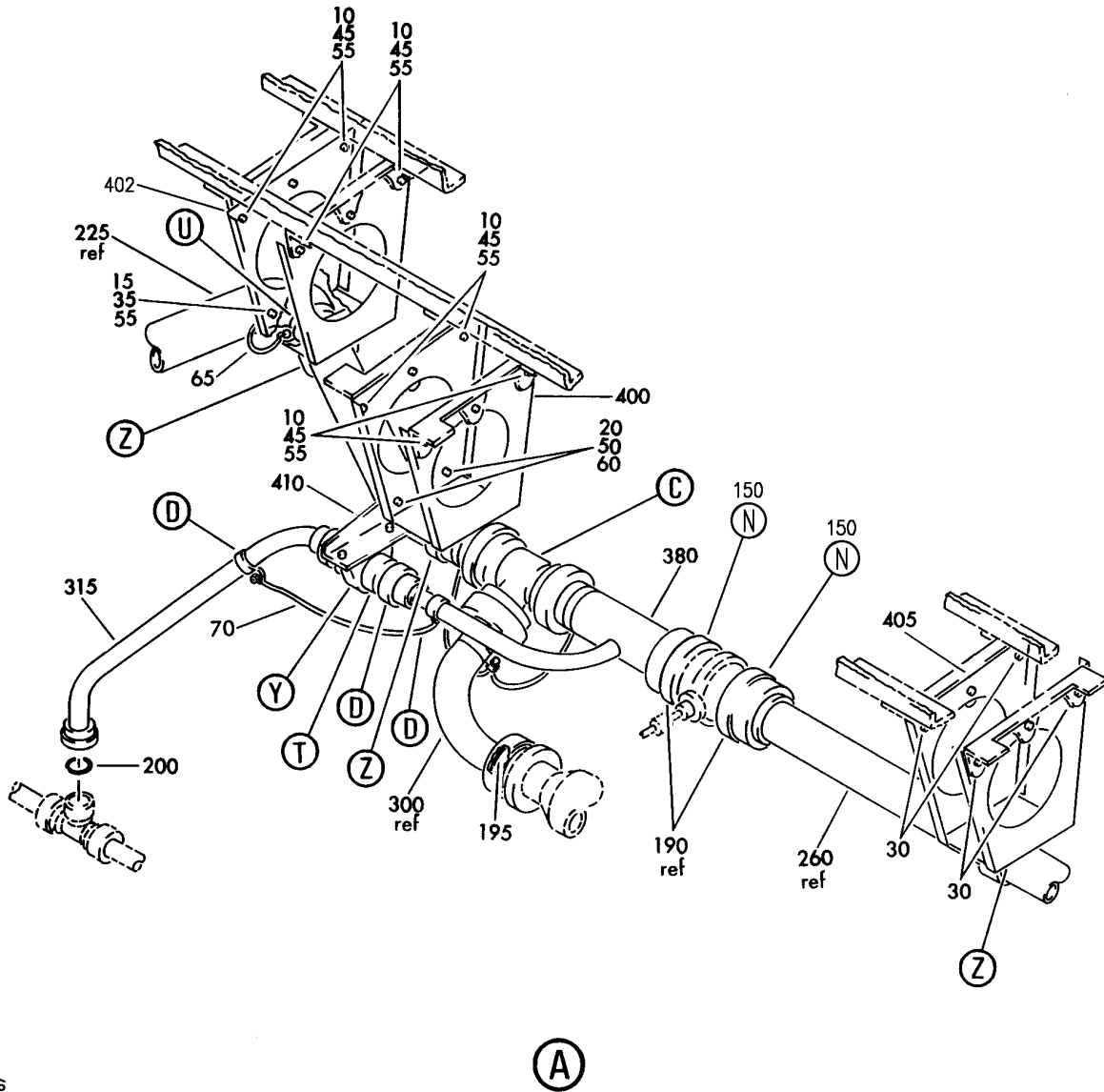
TUBING INSTL-ENG FUEL FEED SYS  
FIGURE 1 (SHEET 1)

**28-22-07-01**

BRI  
MAY 28/07

28-22-07-01  
PAGE 0

**BOEING**  
757  
PARTS CATALOG (MAINTENANCE)



Y 28220701 SH1 2 REV 267

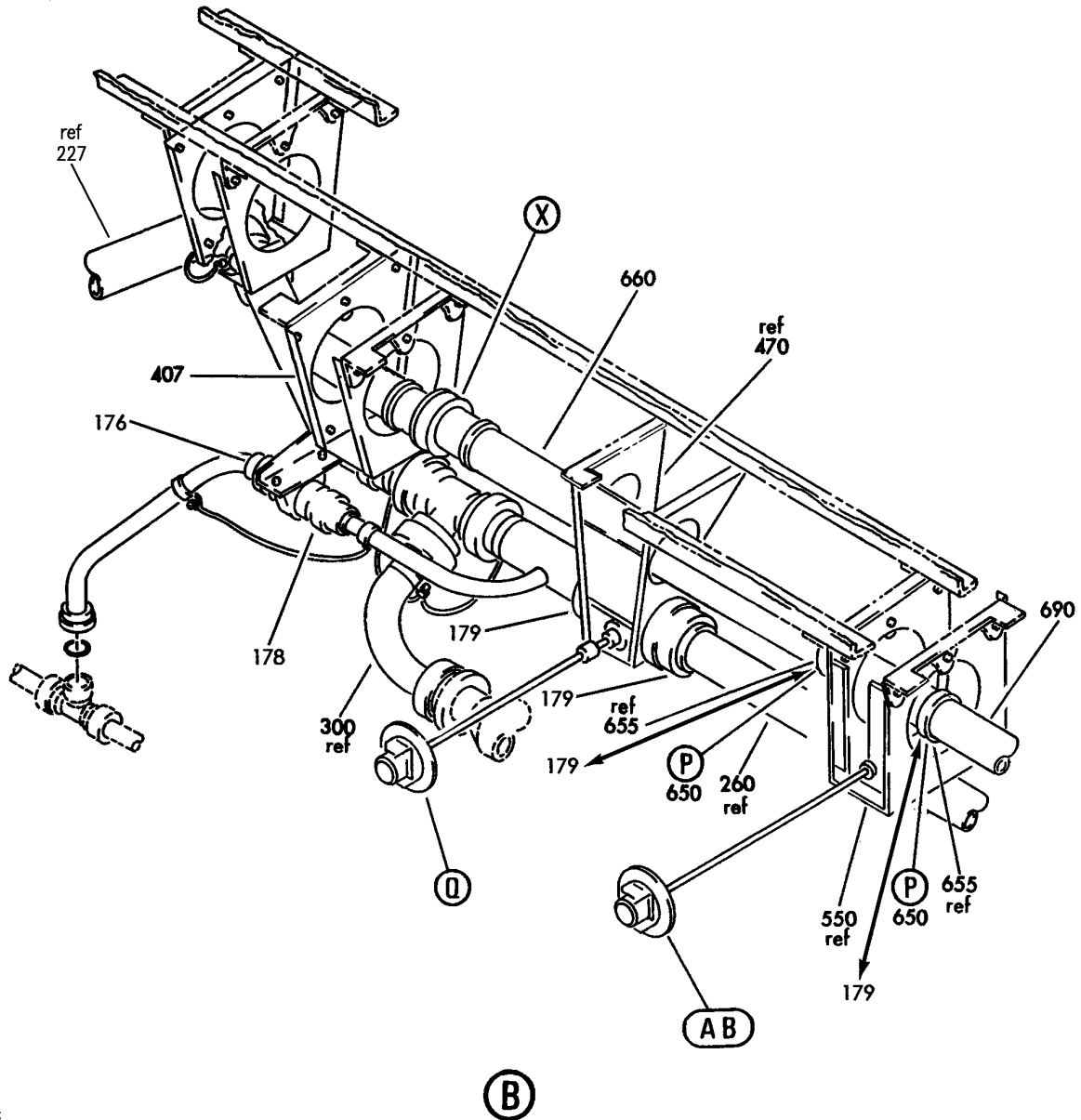
TUBING INSTL-ENG FUEL FEED SYS  
FIGURE 1 (SHEET 2)

**28-22-07-01**

BRI  
MAY 28/07

28-22-07-01  
PAGE 0A

**BOEING**  
757  
PARTS CATALOG (MAINTENANCE)



Y 28220701 SH1 3 REV 267

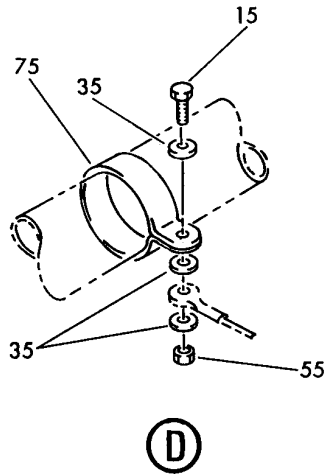
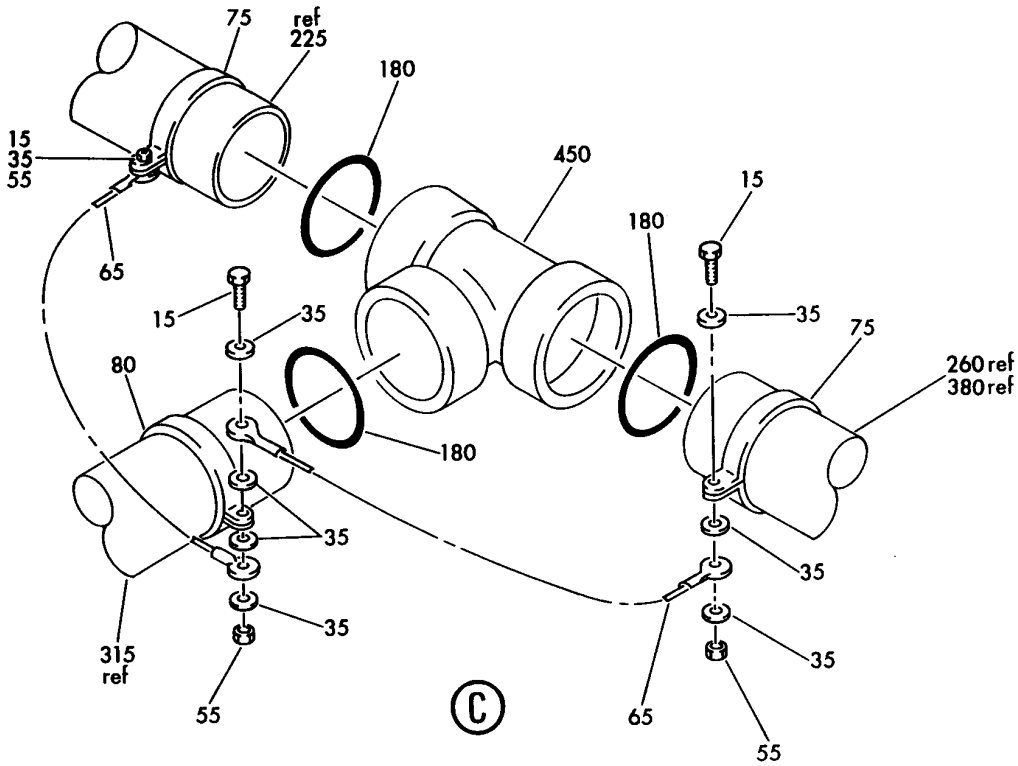
TUBING INSTL-ENG FUEL FEED SYS  
FIGURE 1 (SHEET 3)

**28-22-07-01**

BRI  
MAY 28/07

28-22-07-01  
PAGE 0B

**BOEING**  
757  
PARTS CATALOG (MAINTENANCE)



Y 28220701 SHT 4 REV 158

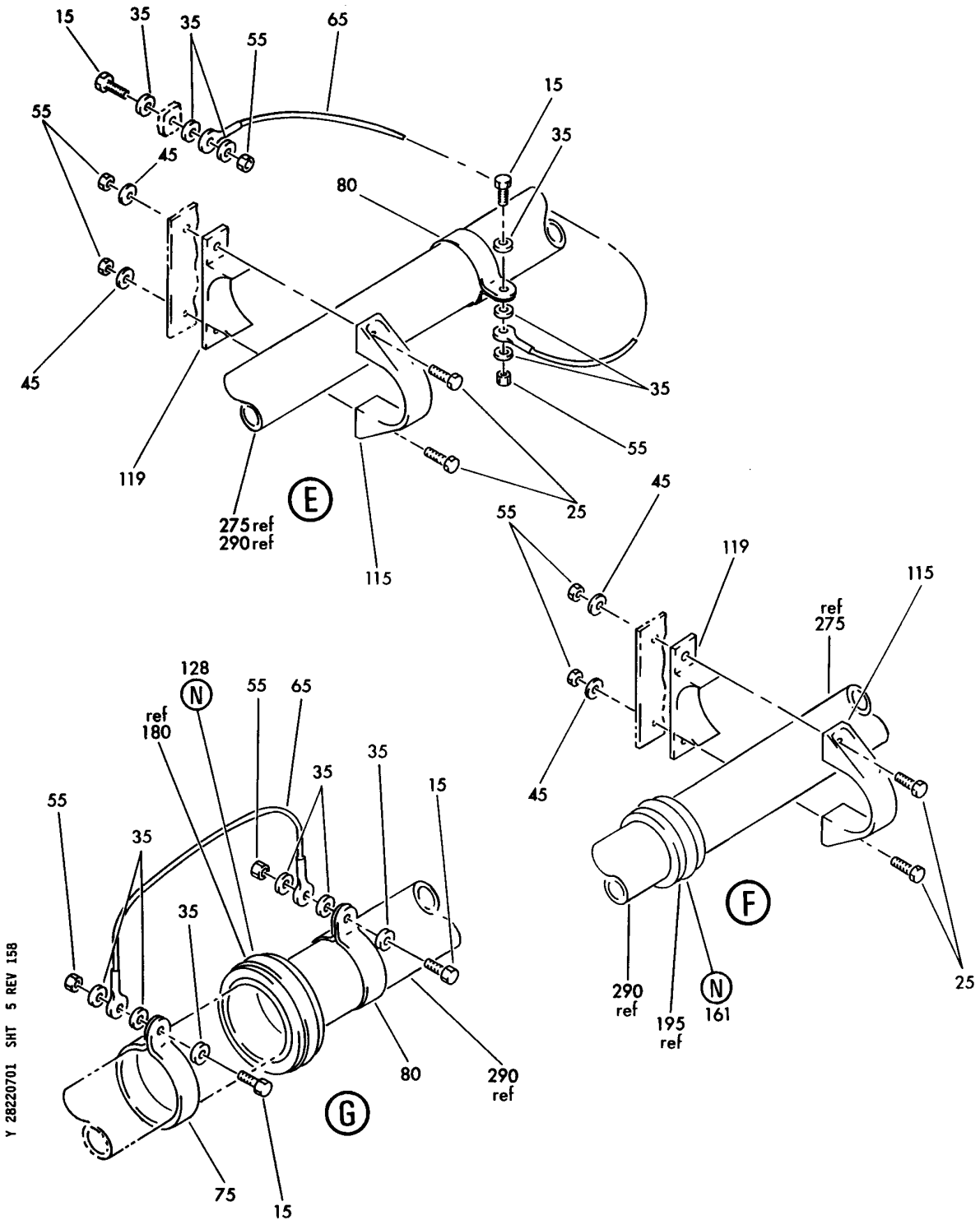
TUBING INSTL-ENG FUEL FEED SYS  
FIGURE 1 (SHEET 4)

**28-22-07-01**

BRI  
MAY 28/07

28-22-07-01  
PAGE 0C

**BOEING**  
757  
PARTS CATALOG (MAINTENANCE)



Y 28220701 SHT 5 REV 158

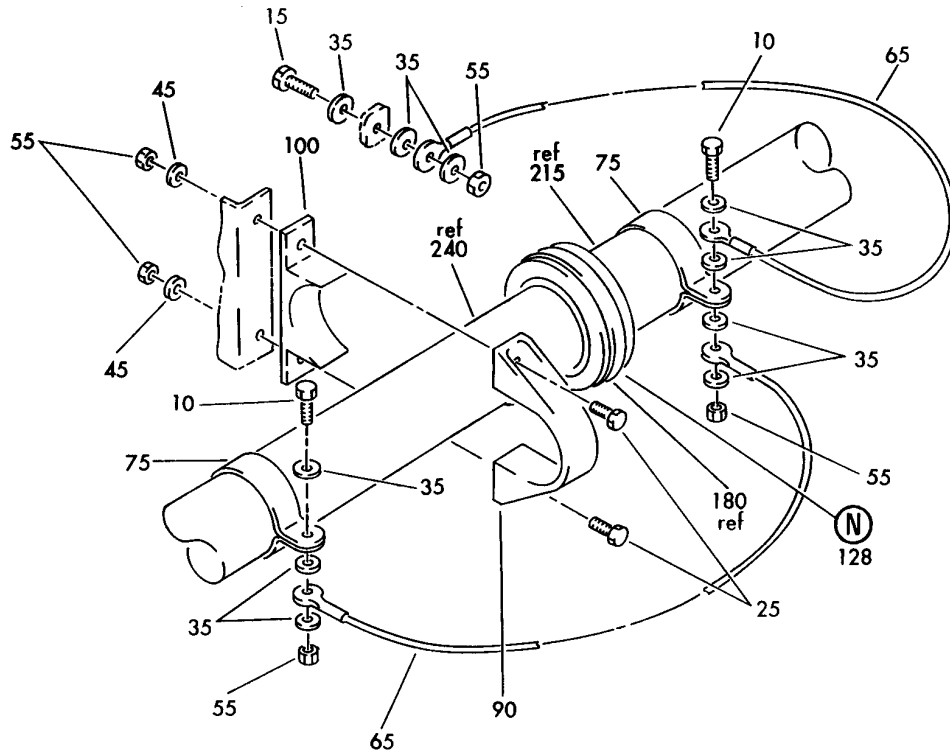
TUBING INSTL-ENG FUEL FEED SYS  
FIGURE 1 (SHEET 5)

**28-22-07-01**

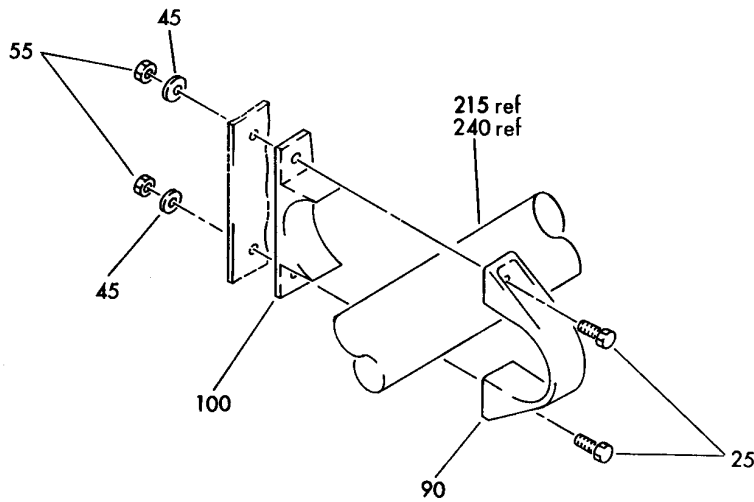
BRI  
MAY 28/07

28-22-07-01  
PAGE 0D

**BOEING**  
757  
PARTS CATALOG (MAINTENANCE)



(H)



(J)

Y 28220701 SHT 6 REV 158

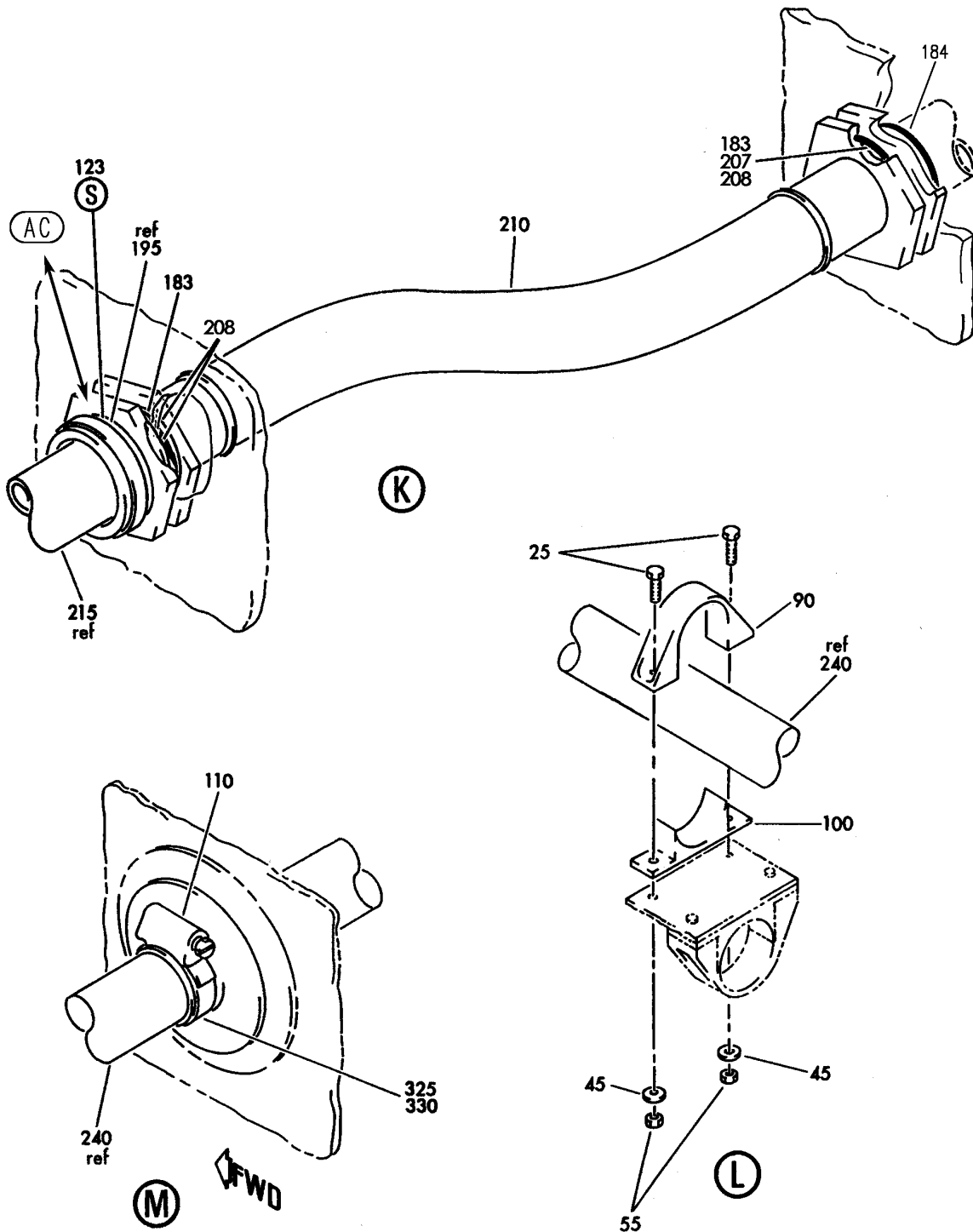
TUBING INSTL-ENG FUEL FEED SYS  
FIGURE 1 (SHEET 6)

**28-22-07-01**

BRI  
MAY 28/07

28-22-07-01  
PAGE 0E

**BOEING**  
757  
PARTS CATALOG (MAINTENANCE)



Y 28220701 SH7 7 REV 295

TUBING INSTL-ENG FUEL FEED SYS  
FIGURE 1 (SHEET 7)

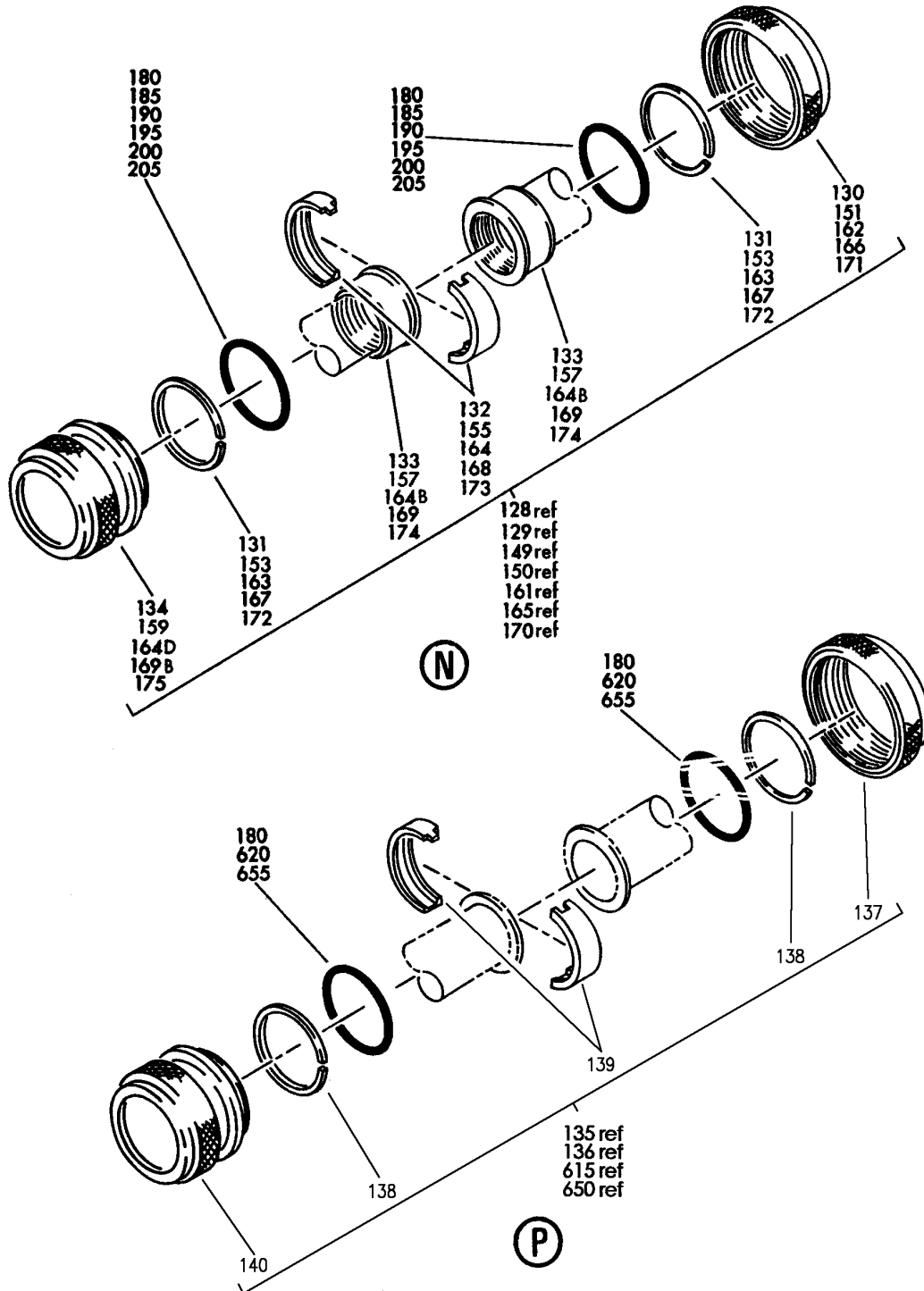
**28-22-07-01**

BRI  
MAY 28/07

28-22-07-01  
PAGE OF



**BOEING**  
757  
PARTS CATALOG (MAINTENANCE)



Y 28220701 SHT 8 REV 267

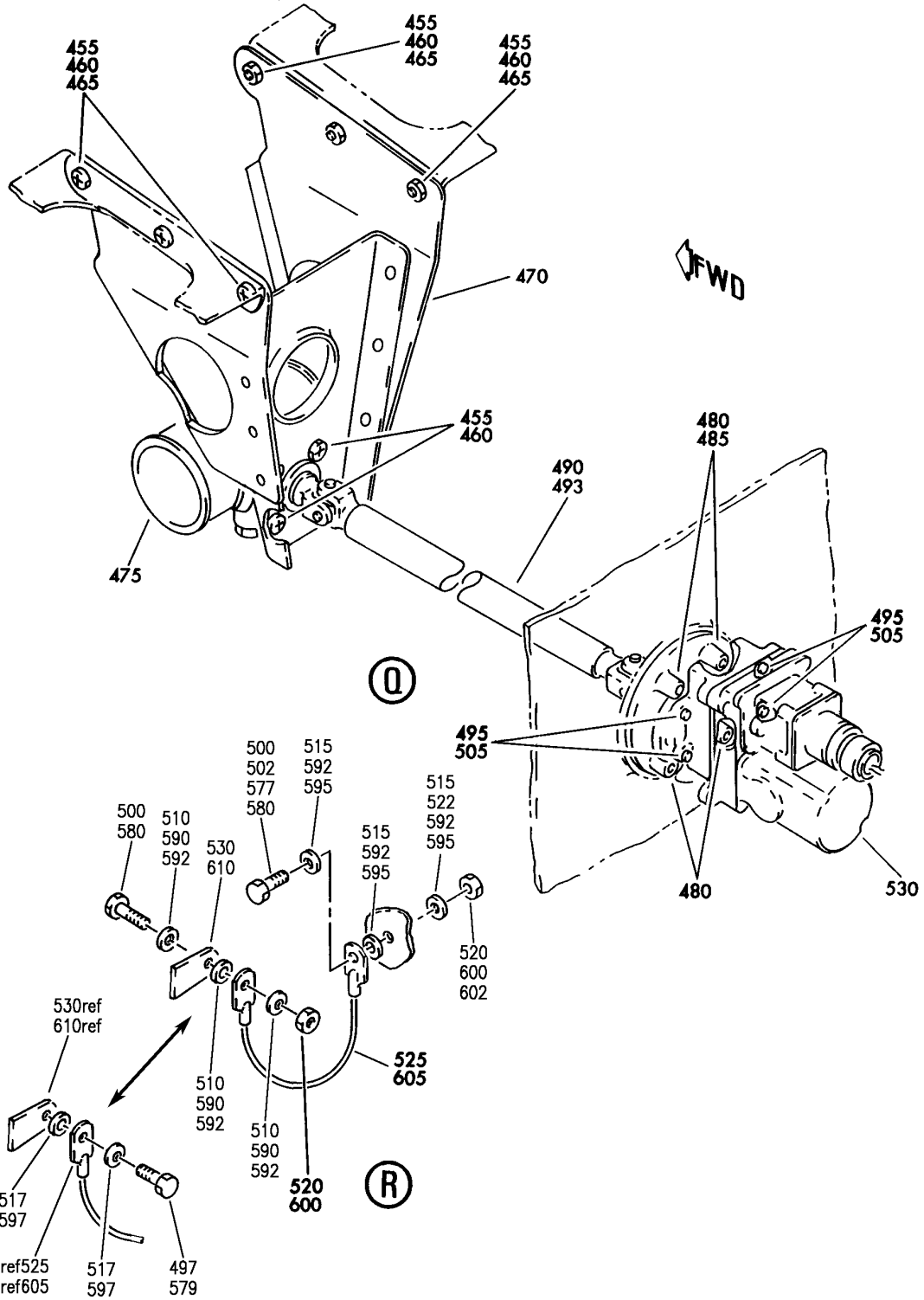
TUBING INSTL-ENG FUEL FEED SYS  
FIGURE 1 (SHEET 8)

**28-22-07-01**

BRI  
MAY 28/07

28-22-07-01  
PAGE 0G

**BOEING**  
757  
PARTS CATALOG (MAINTENANCE)



Y 28220701 SH 9 REV 326

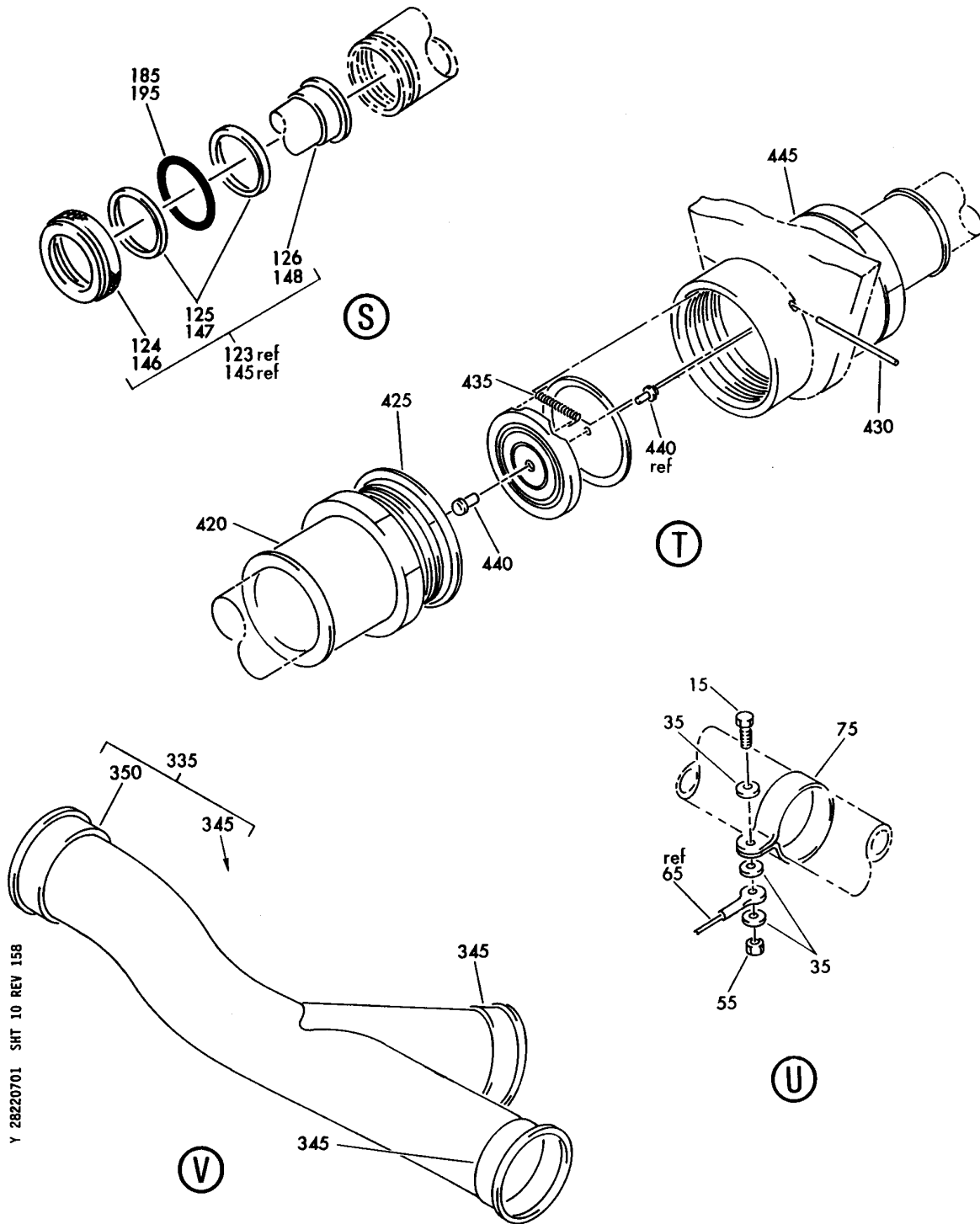
TUBING INSTL-ENG FUEL FEED SYS  
FIGURE 1 (SHEET 9)

**28-22-07-01**

BRI  
SEP 20/08

28-22-07-01  
PAGE 0H

**BOEING**  
757  
PARTS CATALOG (MAINTENANCE)



Y 28220701 SHT 10 REV 158

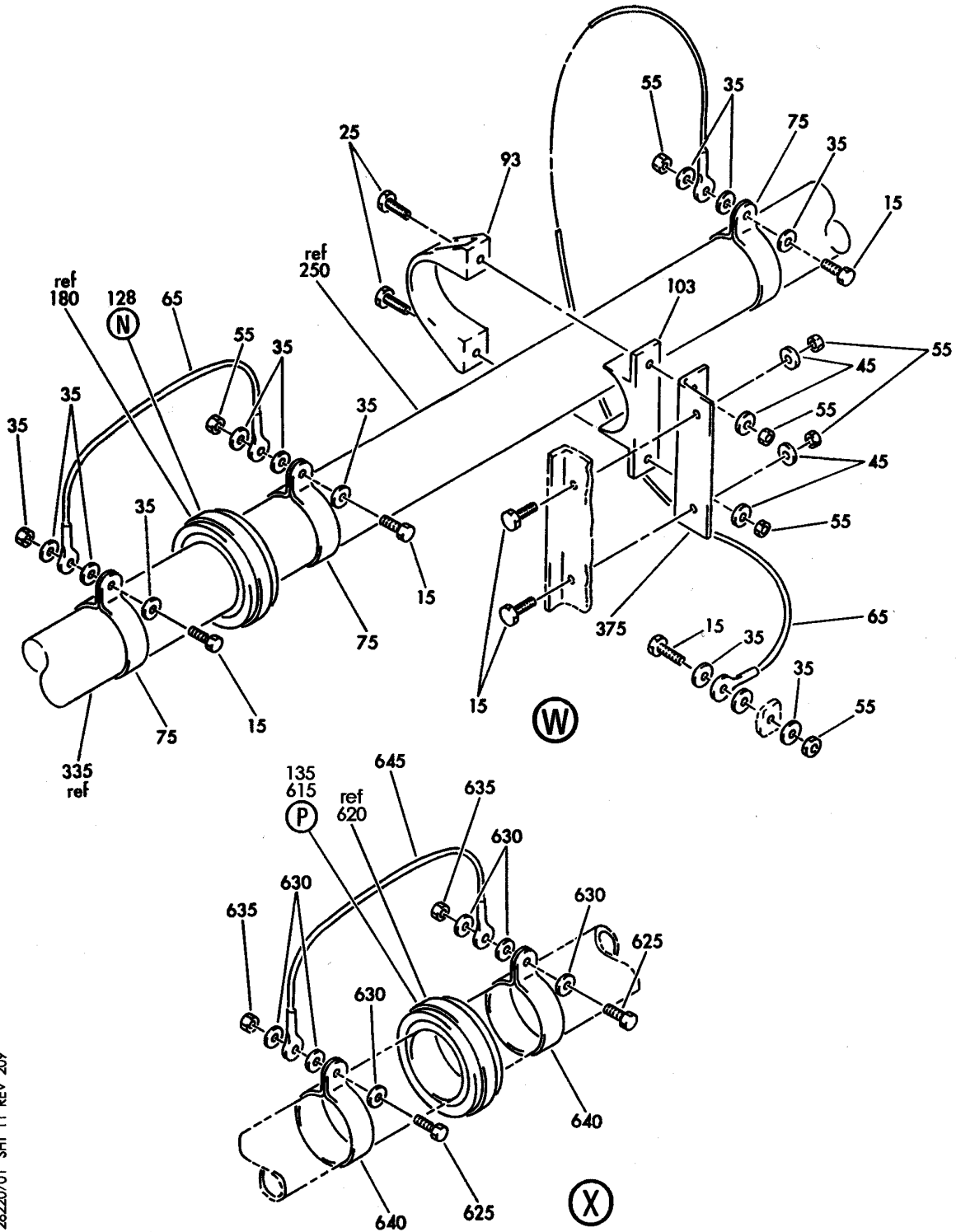
TUBING INSTL-ENG FUEL FEED SYS  
FIGURE 1 (SHEET 10)

**28-22-07-01**

BRI  
MAY 28/07

28-22-07-01  
PAGE 01

**BOEING**  
757  
PARTS CATALOG (MAINTENANCE)



Y 28220701 SHT 11 REV 209

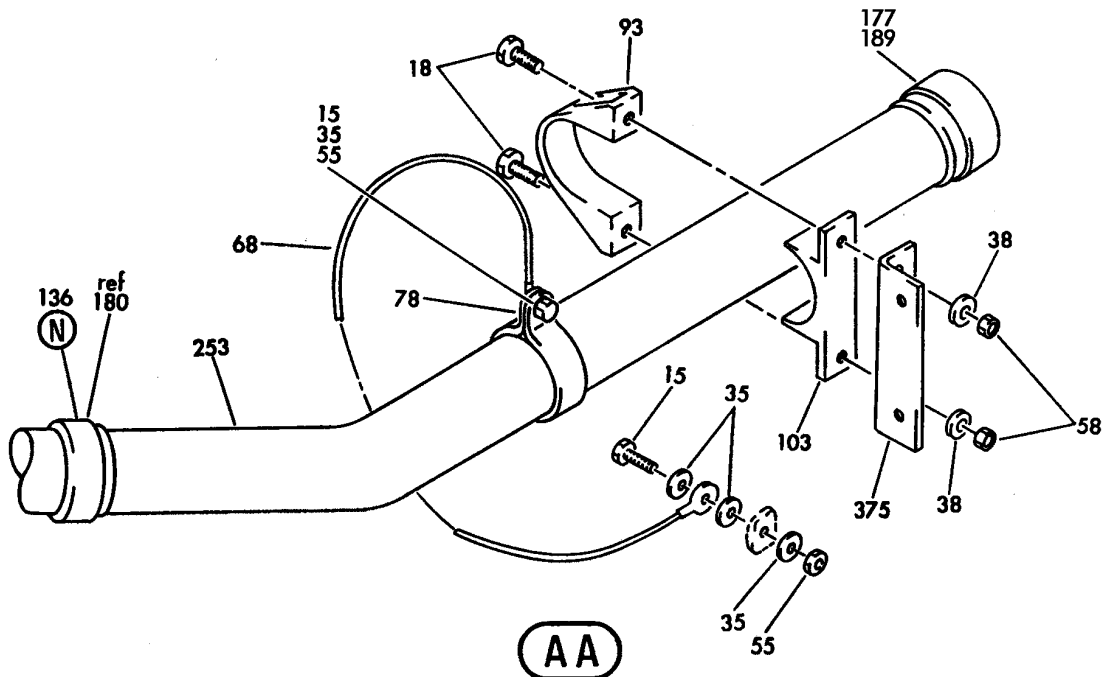
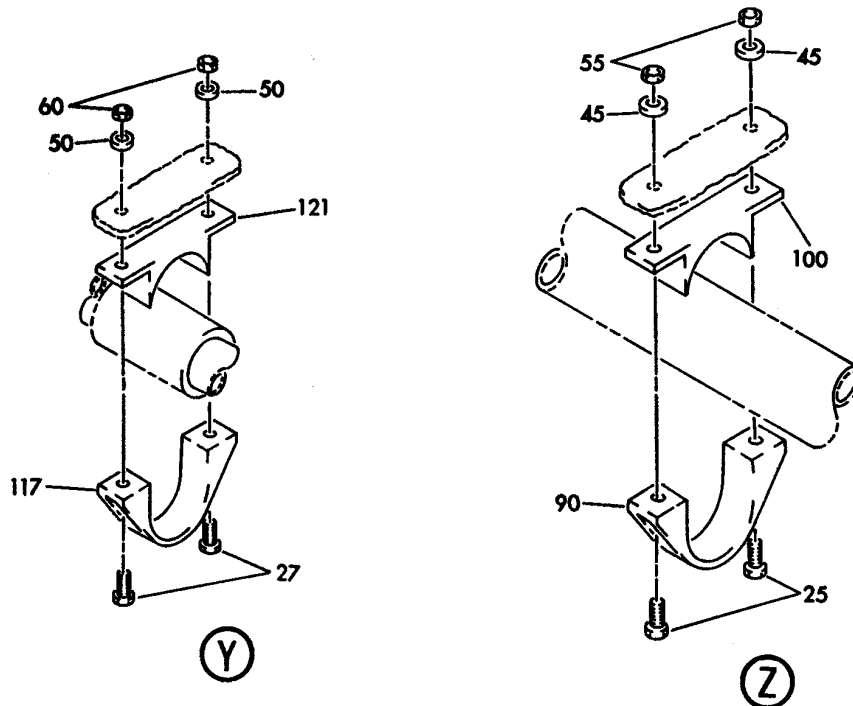
TUBING INSTL-ENG FUEL FEED SYS  
FIGURE 1 (SHEET 11)

**28-22-07-01**

BRI  
MAY 28/07

28-22-07-01  
PAGE 0J


**BOEING**  
 757  
**PARTS CATALOG (MAINTENANCE)**



Y 28220701 SHT 12 REV 209

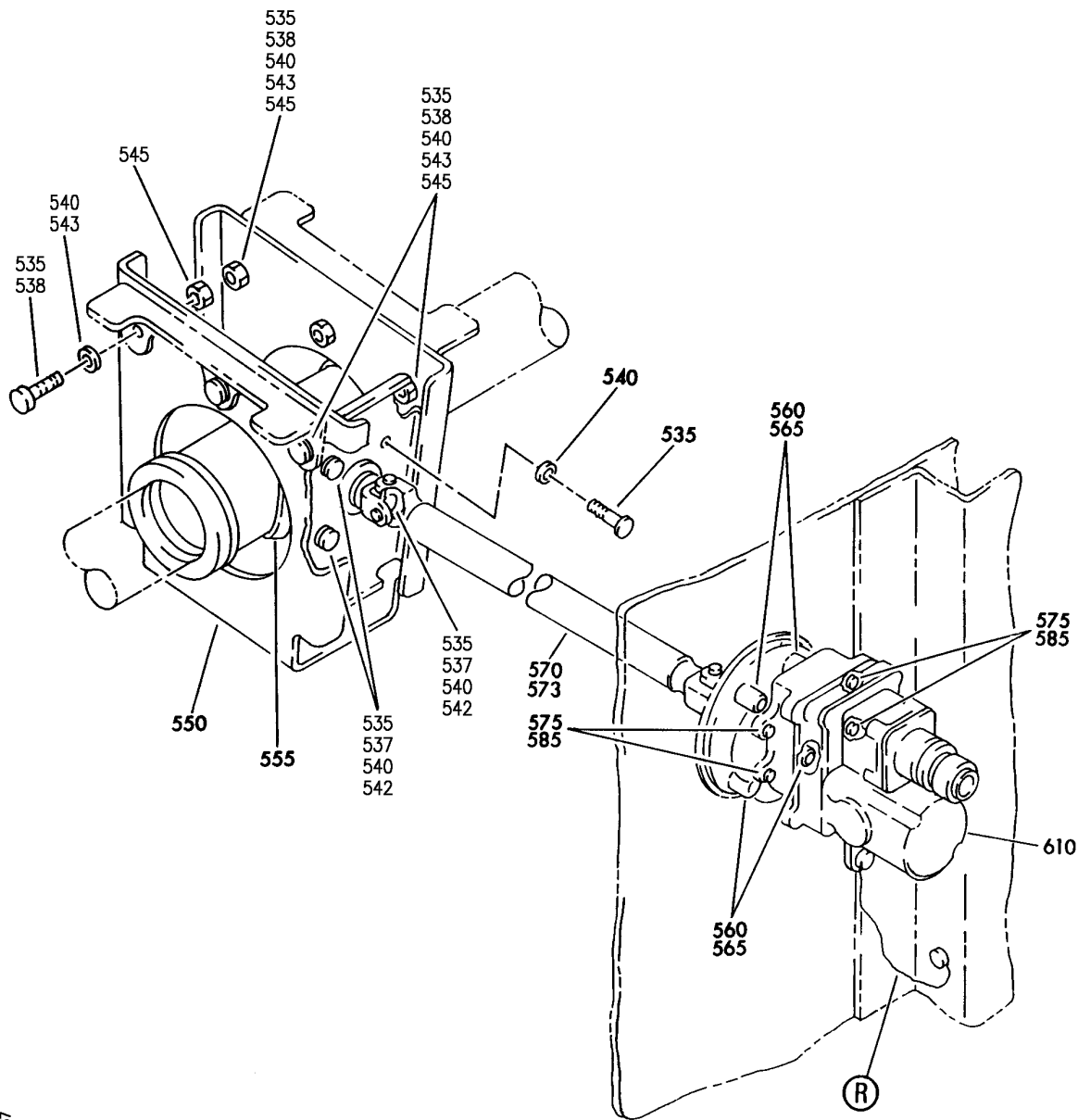
TUBING INSTL-ENG FUEL FEED SYS  
 FIGURE 1 (SHEET 12)

**28-22-07-01**

BRI  
 MAY 28/07

28-22-07-01  
 PAGE OK

**BOEING**  
757  
PARTS CATALOG (MAINTENANCE)



Y 28220701 SH1 13 REV 267

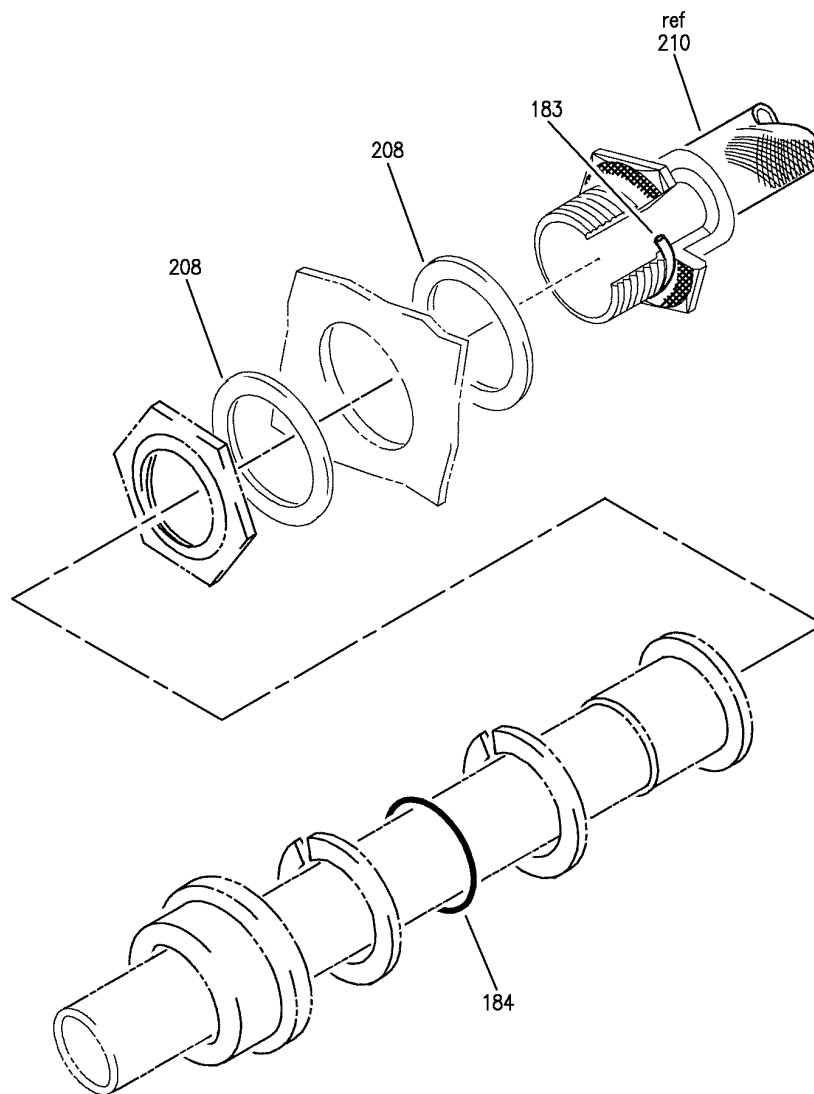
TUBING INSTL-ENG FUEL FEED SYS  
FIGURE 1 (SHEET 13)

**28-22-07-01**

BRI  
MAY 28/07

28-22-07-01  
PAGE 01

**BOEING**  
757  
PARTS CATALOG (MAINTENANCE)



AC

Y 28220701 SH1 14 REV 295

TUBING INSTL-ENG FUEL FEED SYS  
FIGURE 1 (SHEET 14)

**28-22-07-01**

BRI  
MAY 28/07

28-22-07-01  
PAGE 0M



757

PARTS CATALOG (MAINTENANCE)

| FIG ITEM | PART NUMBER | 1 2 3 4 5 6 7 | NOMENCLATURE   | EFFECT FROM TO                                 | UNITS PER ASSY |
|----------|-------------|---------------|--|--|----------------|
| 1        |             |               | TUBING INSTL-ENG FUEL FEED<br>SYS  | 002004<br>006100<br>107107<br>121503<br>904999 |                |
| - 1      | 343N4001-1  |               | TUBING INSTL-ENG FUEL FEED<br>SYS<br>POSITION DATA:<br>LH<br>FOR NHA SEE:<br>28-22-00-01 | 107107   | RF             |
| - 1      | 343N4001-23 |               | TUBING INSTL-ENG FUEL FEED<br>SYS<br>POSITION DATA:<br>LH<br>FOR NHA SEE:<br>28-22-00-01 | 904949<br>952952                               | RF             |
| - 1      | 343N4001-30 |               | TUBING INSTL-ENG FUEL FEED<br>SYS<br>POSITION DATA:<br>LH<br>FOR NHA SEE:<br>28-22-00-01 | 002004<br>121503                               | RF             |
| - 1      | 343N4001-33 |               | TUBING INSTL-ENG FUEL FEED<br>SYS<br>POSITION DATA:<br>LH<br>FOR NHA SEE:<br>28-22-00-01 | 006100<br>950951<br>953999                     | RF             |
| - 5      | 343N4001-2  |               | TUBING INSTL-ENG FUEL FEED<br>SYS<br>POSITION DATA:<br>RH<br>FOR NHA SEE:<br>28-22-00-01 | 107107   | RF             |
| - 5      | 343N4001-24 |               | TUBING INSTL-ENG FUEL FEED<br>SYS<br>POSITION DATA:<br>RH<br>FOR NHA SEE:<br>28-22-00-01 | 904949<br>952952                               | RF             |
| - 5      | 343N4001-31 |               | TUBING INSTL-ENG FUEL FEED<br>SYS<br>POSITION DATA:<br>RH<br>FOR NHA SEE:<br>28-22-00-01 | 002004<br>121503                               | RF             |

MISSING ITEM NUMBERS NOT APPLICABLE

- ITEM NOT ILLUSTRATED

28-22-07-01

28-22-07  
FIG. 01  
PAGE 1  
JAN 20/09

BRI





757

PARTS CATALOG (MAINTENANCE)

| FIG ITEM | PART NUMBER  | 1 2 3 4 5 6 7 | NOMENCLATURE   | EFFECT FROM TO                                 | UNITS PER ASSY |
|----------|--------------|---------------|--|--|----------------|
| 1        |              |               |  |  |                |
| - 5      | 343N4001-34  |               | TUBING INSTL-ENG FUEL FEED<br>SYS<br>POSITION DATA:<br>RH<br>FOR NHA SEE:<br>28-22-00-01 | 006100<br>950951<br>953999                     | RF             |
| 10       | NAS1801-3-8  |               | .SCREW   | 002004<br>006100<br>107107<br>121503<br>904999 | 14             |
| 15       | NAS1801-3-7  |               | .SCREW   | 002004<br>006100<br>107107<br>121503<br>904999 | 19             |
| 18       | NAS1801-3-7  |               | .SCREW   | 002004<br>006100<br>121503<br>904999           | 1              |
| 20       | NAS1801-3-7  |               | .SCREW-<br>POSITION DATA:<br>LH SIDE   | 002004<br>006100<br>107107<br>121503<br>904999 | 4              |
| 25       | NAS1801-3-11 |               | .SCREW   | 002004<br>006100<br>107107<br>121503<br>904999 | 20             |
| 30       | NAS1801-3-8  |               | .SCREW-<br>POSITION DATA:<br>RH SIDE   | 002004<br>006100<br>107107<br>121503<br>904999 | 6              |
| 35       | AN960D10L    |               | .WASHER  | 002004<br>006100<br>107107<br>121503<br>904999 | 57             |
| 38       | AN960D10L    |               | .WASHER  | 002004<br>006100<br>121503<br>904999           | 3              |
| 40       | AN960D10L    |               | .WASHER-<br>POSITION DATA:<br>LH SIDE  | 002004<br>006100<br>107107<br>121503<br>904999 | 6              |

MISSING ITEM NUMBERS NOT APPLICABLE

- ITEM NOT ILLUSTRATED

BRI

28-22-07-01

28-22-07  
FIG. 01  
PAGE 2  
JAN 20/09



757

PARTS CATALOG (MAINTENANCE)

| FIG ITEM | PART NUMBER   | 1 2 3 4 5 6 7 | NOMENCLATURE   | EFFECT FROM TO                                 | UNITS PER ASSY |
|----------|---------------|---------------|--|--|----------------|
| 1        | 45 AN960PD10L | .             | WASHER   | 002004<br>006100<br>107107<br>121503<br>904999 | 34             |
|          | 50 AN960PD10L | .             | WASHER-<br>POSITION DATA:<br>LH SIDE   | 002004<br>006100<br>107107<br>121503<br>904999 | 4              |
|          | 55 BRH10A3    | .             | NUT<br>SUPPLIER CODE:<br>V52828<br>SPECIFICATION NUMBER:<br>BACN10JC3<br>OPTIONAL PART:<br>H10-3BAC<br>V15653<br>NS202101-02<br>V80539<br>RMLH9075-3W<br>V72962<br>VN303A02<br>V92215<br>96-02<br>V80539<br>T6S1032J<br>V11815 | 002004<br>006100<br>107107<br>121503<br>904999 | 53             |
|          | 58 BRH10A3    | .             | NUT<br>SUPPLIER CODE:<br>V52828<br>SPECIFICATION NUMBER:<br>BACN10JC3<br>OPTIONAL PART:<br>H10-3BAC<br>V15653<br>NS202101-02<br>V80539<br>RMLH9075-3W<br>V72962<br>VN303A02<br>V92215<br>96-02<br>V80539<br>T6S1032J<br>V11815 | 002004<br>006100<br>121503<br>904999           | 1              |

MISSING ITEM NUMBERS NOT APPLICABLE

- ITEM NOT ILLUSTRATED

BRI

28-22-07-01

BOEING PROPRIETARY - Copyright © - Unpublished Work - See title page for details.

28-22-07  
FIG. 01  
PAGE 3  
JAN 20/09



757

PARTS CATALOG (MAINTENANCE)

| FIG ITEM | PART NUMBER | 1 2 3 4 5 6 7 | NOMENCLATURE   | EFFECT FROM TO                                 | UNITS PER ASSY |
|----------|-------------|---------------|--|--|----------------|
| 1<br>60  | BRH10A3     | .NUT-         | SUPPLIER CODE:<br>V52828<br>SPECIFICATION NUMBER:<br>BACN10JC3<br>OPTIONAL PART:<br>H10-3BAC<br>V15653<br>NS202101-02<br>V80539<br>RMLH9075-3W<br>V72962<br>VN303A02<br>V92215<br>96-02<br>V80539<br>T6S1032J<br>V11815<br>POSITION DATA:<br>LH SIDE | 002004<br>006100<br>107107<br>121503<br>904999 | 6              |
| 65       | 740A20-6    | .JUMPER ASSY  | SUPPLIER CODE:<br>V91812<br>SPECIFICATION NUMBER:<br>BACJ40A20-6<br>OPTIONAL PART:<br>TJEJ40A20-6<br>V33483<br>RBEJ20-6<br>V1GK47  | 002004<br>006100<br>107107<br>121503<br>904999 | 11             |
| 70       | BACJ40A20-8 | .JUMPER ASSY- | POSITION DATA:<br>LH SIDE  | 002004<br>006100<br>107107<br>121503<br>904999 | 1              |
| 73       | BACJ40A20-8 | .JUMPER ASSY  |  | 002004<br>006100<br>121503<br>904999           | 1              |
| 75       | AN735D28    | .CLAMP        |  | 002004<br>006100<br>107107<br>121503<br>904999 | 11             |
| 78       | AN735D28    | .CLAMP        |  | 002004<br>006100<br>121503<br>904999           | 1              |

MISSING ITEM NUMBERS NOT APPLICABLE

- ITEM NOT ILLUSTRATED

28-22-07-01

28-22-07  
FIG. 01  
PAGE 4  
JAN 20/09

BRI

 **BOEING**  
757  
**PARTS CATALOG (MAINTENANCE)**

| FIG ITEM              | PART NUMBER | 1 2 3 4 5 6 7 | NOMENCLATURE                                  | EFFECT FROM TO                                 | UNITS PER ASSY |
|-----------------------|-------------|---------------|---|--|----------------|
| R<br>R<br>R<br>R<br>R | 1 80        | AN735D24      | .CLAMP  | 002004<br>006100<br>107107<br>121503<br>904999 | 4              |
|                       | 85          | AN735D12      | .CLAMP-<br>POSITION DATA:<br>LH SIDE          | 002004<br>006100<br>107107<br>121503<br>904999 | 2              |
|                       | 90          | BACC10EW28A   | .CLAMP STRAP                                  | 002004<br>006100<br>107107<br>121503<br>904999 | 6              |
|                       | 93          | BACC10EW24A   | .CLAMP STRAP-<br>POST ALERT SB:<br>28A0017R2  | 002004<br>006100<br>107107<br>121503<br>904999 | 1              |
|                       | 95          | BACC10EW28A   | .CLAMP STRAP-<br>POSITION DATA:<br>RH SIDE    | 002004<br>006100<br>107107<br>121503<br>904999 | 1              |
|                       | 100         | BACC10EW28B   | .CLAMP SADDLE                                 | 002004<br>006100<br>107107<br>121503<br>904999 | 6              |
|                       | 103         | BACC10EW24B   | .CLAMP SADDLE-<br>POST ALERT SB:<br>28A0017R2 | 002004<br>006100<br>107107<br>121503<br>904999 | 1              |
|                       | 105         | BACC10EW28B   | .CLAMP SADDLE-<br>POSITION DATA:<br>RH SIDE   | 002004<br>006100<br>107107<br>121503<br>904999 | 1              |
|                       | 110         | MS35842-12    | .CLAMP  | 002004<br>006100<br>107107<br>121503<br>904999 | 1              |

MISSING ITEM NUMBERS NOT APPLICABLE

— ITEM NOT ILLUSTRATED

BRI

# 28-22-07-01

BOEING PROPRIETARY - Copyright © - Unpublished Work - See title page for details.

28-22-07  
FIG. 01  
PAGE 5  
MAY 20/09

 **BOEING**  
757  
**PARTS CATALOG (MAINTENANCE)**

| FIG ITEM | PART NUMBER | 1 2 3 4 5 6 7 | NOMENCLATURE  | EFFECT FROM TO                                 | UNITS PER ASSY |
|----------|-------------|---------------|---|--|----------------|
| 1        |             |               |   |  |                |
| 115      | BACC10EW24A | .             | CLAMP STRAP   | 002004<br>006100<br>107107<br>121503<br>904999 | 3              |
| 117      | BACC10EW24A | .             | CLAMP STRAP-<br>POSITION DATA:<br>LH SIDE   | 002004<br>006100<br>107107<br>121503<br>904999 | 1              |
| 119      | BACC10EW24B | .             | CLAMP SADDLE  | 002004<br>006100<br>107107<br>121503<br>904999 | 3              |
| 121      | BACC10EW24B | .             | CLAMP SADDLE-<br>POSITION DATA:<br>LH SIDE  | 002004<br>006100<br>107107<br>121503<br>904999 | 1              |
| 123      | BACC42S28   | .             | COUPLING ASSY<br>SUPPLIER CODE:<br>V79326<br>SPECIFICATION NUMBER:<br>BACC42S28                                   | 002004<br>006100<br>107107<br>121503<br>904999 | 1              |
| 124      | BACN10KL28  | ..            | NUT ASSY  | 002004<br>006100<br>107107<br>121503<br>904999 | 1              |
| 125      | BACR12BN28  | ..            | RING  | 002004<br>006100<br>107107<br>121503<br>904999 | 2              |
| 126      | S3052-28    | ..            | FERRULE<br>SUPPLIER CODE:<br>V79326<br>SPECIFICATION NUMBER:<br>BACF32E28<br>OPTIONAL PART:<br>63052-28<br>V79326 | 002004<br>006100<br>107107<br>121503<br>904999 | 1              |
| 128      | BACC42R28   | .             | COUPLING ASSY<br>SUPPLIER CODE:<br>V79326<br>SPECIFICATION NUMBER:<br>BACC42R28                                   | 002004<br>006100<br>107107<br>121503<br>904999 | 4              |

MISSING ITEM NUMBERS NOT APPLICABLE

— ITEM NOT ILLUSTRATED

BRI

# 28-22-07-01

28-22-07  
FIG. 01  
PAGE 6  
JAN 20/09



757

PARTS CATALOG (MAINTENANCE)

| FIG ITEM | PART NUMBER | 1 2 3 4 5 6 7 | NOMENCLATURE  | EFFECT FROM TO                       | UNITS PER ASSY |
|----------|-------------|---------------|---|--------------------------------------|----------------|
| 1        |             |               |   |                                      |                |
| 129      | BACC42R28   | .             | COUPLING ASSY<br>SUPPLIER CODE:<br>V79326<br>SPECIFICATION NUMBER:<br>BACC42R28                                   | 107107                               | 1              |
| 130      | BACN10KL28  | ..            | NUT ASSY  | 107107                               | 1              |
| 130      | BACN10KL28  | ..            | NUT ASSY  | 002004<br>006100<br>121503<br>904999 | 1              |
| 131      | BACR12BN28  | ..            | RING  | 107107                               | 2              |
| 131      | BACR12BN28  | ..            | RING  | 002004<br>006100<br>121503<br>904999 | 2              |
| 132      | BACR10AD28  | ..            | RETAINER  | 107107                               | 2              |
| 132      | BACR10AD28  | ..            | RETAINER  | 002004<br>006100<br>121503<br>904999 | 2              |
| 133      | S3052-28    | ..            | FERRULE<br>SUPPLIER CODE:<br>V79326<br>SPECIFICATION NUMBER:<br>BACF32E28<br>OPTIONAL PART:<br>63052-28<br>V79326 | 107107                               | 2              |
| 133      | S3052-28    | ..            | FERRULE<br>SUPPLIER CODE:<br>V79326<br>SPECIFICATION NUMBER:<br>BACF32E28<br>OPTIONAL PART:<br>63052-28<br>V79326 | 002004<br>006100<br>121503<br>904999 | 2              |
| 134      | BACC42P28   | ..            | BODY  | 107107                               | 1              |
| 134      | BACC42P28   | ..            | BODY  | 002004<br>006100<br>121503<br>904999 | 1              |

MISSING ITEM NUMBERS NOT APPLICABLE

- ITEM NOT ILLUSTRATED

BRI

28-22-07-01

28-22-07  
FIG. 01  
PAGE 7  
JAN 20/09



757

PARTS CATALOG (MAINTENANCE)

| FIG ITEM | PART NUMBER | 1 2 3 4 5 6 7 | NOMENCLATURE   | EFFECT FROM TO                       | UNITS PER ASSY |
|----------|-------------|---------------|--|--------------------------------------|----------------|
| 1<br>135 | 83051-28A   |               | . COUPLING ASSY-<br>SUPPLIER CODE:<br>V79326<br>SPECIFICATION NUMBER:<br>AS1712D28<br>OPTIONAL PART:<br>12J63-28A<br>V24984<br>POSITION DATA:<br>LH SIDE | 006100<br>950951<br>953999           | 1              |
| 136      | 83051-28A   |               | . COUPLING ASSY<br>SUPPLIER CODE:<br>V79326<br>SPECIFICATION NUMBER:<br>AS1712D28<br>OPTIONAL PART:<br>12J63-28A<br>V24984                               | 006100<br>950951<br>953999           | 1              |
| 137      | 12N63-28A   |               | .. NUT ASSY<br>SUPPLIER CODE:<br>V24984<br>SPECIFICATION NUMBER:<br>AS1714D28<br>OPTIONAL PART:<br>AS6305-28-03<br>V79326                                | 002004<br>121503<br>904949<br>952952 | 1              |
| 137      | 12N63-28A   |               | .. NUT ASSY<br>SUPPLIER CODE:<br>V24984<br>SPECIFICATION NUMBER:<br>AS1714D28<br>OPTIONAL PART:<br>AS6305-28-03<br>V79326                                | 006100<br>950951<br>953999           | 1              |
| 138      | AS1715-28   |               | .. WASHER  | 002004<br>121503<br>904949<br>952952 | 2              |
| 138      | AS1715-28   |               | .. WASHER  | 006100<br>950951<br>953999           | 2              |
| 139      | 12R63-28A   |               | .. RETAINER<br>SUPPLIER CODE:<br>V24984<br>SPECIFICATION NUMBER:<br>AS1717D28  | 002004<br>121503<br>904949<br>952952 | 2              |

MISSING ITEM NUMBERS NOT APPLICABLE

- ITEM NOT ILLUSTRATED

28-22-07-01

28-22-07  
FIG. 01  
PAGE 8  
JAN 20/09

BRI



757

PARTS CATALOG (MAINTENANCE)

| FIG ITEM | PART NUMBER | 1 2 3 4 5 6 7 | NOMENCLATURE  | EFFECT FROM TO                                 | UNITS PER ASSY |
|----------|-------------|---------------|---|--|----------------|
| 1        |             |               |   |  |                |
| 139      | 12R63-28A   |               | ..RETAINER<br>SUPPLIER CODE:<br>V24984<br>SPECIFICATION NUMBER:<br>AS1717D28  | 006100<br>950951<br>953999                     | 2              |
| 140      | 12C63-28A   |               | ..BODY<br>SUPPLIER CODE:<br>V24984<br>SPECIFICATION NUMBER:<br>AS1718D28<br>OPTIONAL PART:<br>AS6305-28-1<br>V79326 | 006100<br>950951<br>953999                     | 1              |
| 140      | 12C63-28A   |               | ..BODY<br>SUPPLIER CODE:<br>V24984<br>SPECIFICATION NUMBER:<br>AS1718D28<br>OPTIONAL PART:<br>AS6305-28-1<br>V79326 | 002004<br>121503<br>904949<br>952952           | 1              |
| 145      | BACC42S32   |               | .COUPLING ASSY-<br>SUPPLIER CODE:<br>V79326<br>SPECIFICATION NUMBER:<br>BACC42S32                                   | 002004<br>006100<br>121503<br>904999           | 1              |
| 146      | BACN10KL32  |               | ..NUT ASSY  | 002004<br>006100<br>121503<br>904999           | 1              |
| 147      | BACR12BN32  |               | ..RING  | 002004<br>006100<br>121503<br>904999           | 2              |
| 148      | BACF32E32   |               | ..FERRULE<br>SUPPLIER CODE:<br>V79326<br>SPECIFICATION NUMBER:<br>BACF32E32<br>OPTIONAL PART:<br>63052-32<br>V79326 | 002004<br>006100<br>121503<br>904999           | 1              |
| 150      | BACC42R32   |               | .COUPLING ASSY-<br>SUPPLIER CODE:<br>V79326<br>SPECIFICATION NUMBER:<br>BACC42R32<br>POSITION DATA:<br>LH SIDE      | 002004<br>006100<br>107107<br>121503<br>904999 | 5              |

MISSING ITEM NUMBERS NOT APPLICABLE

- ITEM NOT ILLUSTRATED

28-22-07-01

28-22-07  
FIG. 01  
PAGE 9  
JAN 20/09

BRI

BOEING PROPRIETARY - Copyright © - Unpublished Work - See title page for details.





757

PARTS CATALOG (MAINTENANCE)

| FIG ITEM | PART NUMBER | 1 2 3 4 5 6 7 | NOMENCLATURE  | EFFECT FROM TO                                 | UNITS PER ASSY |
|----------|-------------|---------------|---|--|----------------|
| 1        |             |               |   |  |                |
| 151      | BACN10KL32  |               | ..NUT ASSY-<br>POSITION DATA:<br>LH SIDE  | 002004<br>006100<br>107107<br>121503<br>904999 | 1              |
| 153      | BACR12BN32  |               | ..RING-<br>POSITION DATA:<br>LH SIDE  | 002004<br>006100<br>107107<br>121503<br>904999 | 2              |
| 155      | BACR10AD32  |               | ..RETAINER-<br>POSITION DATA:<br>LH SIDE  | 002004<br>006100<br>107107<br>121503<br>904999 | 2              |
| 157      | BACF32E32   |               | ..FERRULE-<br>SUPPLIER CODE:<br>V79326<br>SPECIFICATION NUMBER:<br>BACF32E32<br>OPTIONAL PART:<br>63052-32<br>V79326<br>POSITION DATA:<br>LH SIDE | 002004<br>006100<br>107107<br>121503<br>904999 | 2              |
| 159      | BACC42P32   |               | ..BODY-<br>POSITION DATA:<br>LH SIDE  | 002004<br>006100<br>107107<br>121503<br>904999 | 1              |
| 161      | BACC42R24   |               | .COUPLING ASSY<br>SUPPLIER CODE:<br>V79326<br>SPECIFICATION NUMBER:<br>BACC42R24  | 002004<br>006100<br>107107<br>121503<br>904999 | 1              |
| 162      | BACN10KL24  |               | ..NUT ASSY  | 002004<br>006100<br>107107<br>121503<br>904999 | 1              |
| 163      | BACR12BN24  |               | ..RING  | 002004<br>006100<br>107107<br>121503<br>904999 | 2              |

MISSING ITEM NUMBERS NOT APPLICABLE

- ITEM NOT ILLUSTRATED

28-22-07-01

28-22-07  
FIG. 01  
PAGE 10  
JAN 20/09

BRI

BOEING PROPRIETARY - Copyright © - Unpublished Work - See title page for details.



757

PARTS CATALOG (MAINTENANCE)

| FIG ITEM | PART NUMBER | 1 2 3 4 5 6 7  | NOMENCLATURE  | EFFECT FROM TO                                 | UNITS PER ASSY |
|----------|-------------|--|---|--|----------------|
| 1<br>164 | BACR10AD24  | ..   | RETAINER  | 002004<br>006100<br>107107<br>121503<br>904999 | 2              |
| 164B     | S3052-24    | ..   | FERRULE<br>SUPPLIER CODE:<br>V79326<br>SPECIFICATION NUMBER:<br>BACF32E24<br>OPTIONAL PART:<br>63052-24<br>V79326 | 002004<br>006100<br>107107<br>121503<br>904999 | 2              |
| 164D     | BACC42P24   | ..   | BODY  | 002004<br>006100<br>107107<br>121503<br>904999 | 1              |
| 165      | BACC42R12   | .COUPLING ASSY-<br>SUPPLIER CODE:<br>V79326<br>SPECIFICATION NUMBER:<br>BACC42R12<br>POSITION DATA:<br>LH SIDE |   | 002004<br>006100<br>107107<br>121503<br>904999 | 1              |
| 166      | BACN10KL12  | ..NUT ASSY-<br>POSITION DATA:<br>LH SIDE   |   | 002004<br>006100<br>107107<br>121503<br>904999 | 1              |
| 167      | BACR12BN12  | ..RING-<br>POSITION DATA:<br>LH SIDE   |   | 002004<br>006100<br>107107<br>121503<br>904999 | 2              |
| 168      | BACR10AD12  | ..RETAINER-<br>POSITION DATA:<br>LH SIDE   |   | 002004<br>006100<br>107107<br>121503<br>904999 | 2              |
| 169      | S3052-12    | ..FERRULE-<br>SUPPLIER CODE:<br>V79326<br>SPECIFICATION NUMBER:<br>BACF32E12<br>POSITION DATA:<br>LH SIDE      |   | 002004<br>006100<br>107107<br>121503<br>904999 | 2              |

MISSING ITEM NUMBERS NOT APPLICABLE

- ITEM NOT ILLUSTRATED

BRI

28-22-07-01

28-22-07  
FIG. 01  
PAGE 11  
JAN 20/09



757

PARTS CATALOG (MAINTENANCE)

| FIG ITEM  | PART NUMBER | 1 2 3 4 5 6 7 | NOMENCLATURE  | EFFECT FROM TO                                 | UNITS PER ASSY |
|-----------|-------------|---------------|---|--|----------------|
| 1<br>169B | BACC42P12   |               | ..BODY-<br>POSITION DATA:<br>LH SIDE  | 002004<br>006100<br>107107<br>121503<br>904999 | 1              |
| 170       | BACC42R16   |               | .COUPLING ASSY-<br>SUPPLIER CODE:<br>V79326<br>SPECIFICATION NUMBER:<br>BACC42R16<br>POSITION DATA:<br>LH SIDE  | 002004<br>006100<br>107107<br>121503<br>904999 | 1              |
| 171       | BACN10KL16  |               | ..NUT ASSY-<br>POSITION DATA:<br>LH SIDE  | 002004<br>006100<br>107107<br>121503<br>904999 | 1              |
| 172       | BACR12BN16  |               | ..RING-<br>POSITION DATA:<br>LH SIDE  | 002004<br>006100<br>107107<br>121503<br>904999 | 2              |
| 173       | BACR10AD16  |               | ..RETAINER-<br>POSITION DATA:<br>LH SIDE  | 002004<br>006100<br>107107<br>121503<br>904999 | 2              |
| 174       | S3052-16    |               | ..FERRULE-<br>SUPPLIER CODE:<br>V79326<br>SPECIFICATION NUMBER:<br>BACF32E16<br>POSITION DATA:<br>LH SIDE   | 002004<br>006100<br>107107<br>121503<br>904999 | 2              |
| 175       | BACC42P16   |               | ..BODY-<br>POSITION DATA:<br>LH SIDE  | 002004<br>006100<br>107107<br>121503<br>904999 | 1              |
| 176       | 12J63-12A   |               | .COUPLING ASSY-<br>SUPPLIER CODE:<br>V24984<br>SPECIFICATION NUMBER:<br>AS1712D12<br>OPTIONAL PART:<br>83051-12A<br>V79326<br>POSITION DATA:<br>LH SIDE | 006100<br>950951<br>953999                     | 1              |

MISSING ITEM NUMBERS NOT APPLICABLE

- ITEM NOT ILLUSTRATED

28-22-07-01

28-22-07  
FIG. 01  
PAGE 12  
JAN 20/09

BRI



757

PARTS CATALOG (MAINTENANCE)

| FIG ITEM | PART NUMBER | 1 2 3 4 5 6 7 | NOMENCLATURE   | EFFECT FROM TO                                 | UNITS PER ASSY |
|----------|-------------|---------------|--|--|----------------|
| 1        |             |               |  |  |                |
| 177      | 83053-24DE  |               | . COUPLING ASSY-<br>SUPPLIER CODE:<br>V79326<br>SPECIFICATION NUMBER:<br>AS1738-1D24<br>OPTIONAL PART:<br>TC039-24A<br>V24984<br>POST ALERT SB:<br>28A0017R2 | 002004<br>006100<br>107107<br>121503<br>904999 | 1              |
| 178      | 12J63-16A   |               | . COUPLING ASSY-<br>SUPPLIER CODE:<br>V24984<br>SPECIFICATION NUMBER:<br>AS1712D16<br>OPTIONAL PART:<br>83051-16A<br>V79326<br>POSITION DATA:<br>LH SIDE     | 006100<br>950951<br>953999                     | 1              |
| 179      | 83051-32A   |               | . COUPLING ASSY<br>SUPPLIER CODE:<br>V79326<br>SPECIFICATION NUMBER:<br>AS1712D32<br>OPTIONAL PART:<br>12J63-32A<br>V24984                                   | 006100<br>950951<br>953999                     | 4              |
| 180      | MS29513-328 |               | . PACKING  | 002004<br>006100<br>107107<br>121503<br>904999 | 15             |
| 183      | MS29513-231 |               | . PACKING  | 002004<br>006100<br>107107<br>121503<br>904999 | 2              |
| 184      | MS29513-328 |               | . PACKING-<br>POST SERVICE BULLETIN:<br>28A0076R1  | 002004<br>006100<br>107107<br>121503<br>904999 | 2              |
| 185      | MS29513-330 |               | . PACKING  | 002004<br>006100<br>107107<br>121503<br>904999 | 6              |

MISSING ITEM NUMBERS NOT APPLICABLE

- ITEM NOT ILLUSTRATED

28-22-07-01

28-22-07  
FIG. 01  
PAGE 13  
JAN 20/09

BRI



757

PARTS CATALOG (MAINTENANCE)

| FIG ITEM | PART NUMBER  | 1 2 3 4 5 6 7 | NOMENCLATURE   | EFFECT FROM TO                                 | UNITS PER ASSY |
|----------|--------------|---------------|--|--|----------------|
| 1        |              |               |  |  |                |
| 189      | MS29513-030  |               | .PACKING-<br>POST ALERT SB:<br>28A0017R2   | 002004<br>006100<br>107107<br>121503<br>904999 | 1              |
| 190      | MS29513-330  |               | .PACKING-<br>POSITION DATA:<br>LH SIDE   | 002004<br>006100<br>107107<br>121503<br>904999 | 4              |
| 195      | MS29513-326  |               | .PACKING   | 002004<br>006100<br>107107<br>121503<br>904999 | 4              |
| 200      | MS29513-212  |               | .PACKING-<br>POSITION DATA:<br>LH SIDE   | 002004<br>006100<br>107107<br>121503<br>904999 | 3              |
| 205      | MS29513-216  |               | .PACKING-<br>POSITION DATA:<br>LH SIDE   | 002004<br>006100<br>107107<br>121503<br>904999 | 2              |
| 207      | AN960JD4016L |               | .WASHER  | 107107<br>904949<br>952952                     | 1              |
| 208      | AN960JD4016L |               | .WASHER  | 002004<br>006100<br>121503<br>950951<br>953999 | 3              |
| 210      | 108144-1     |               | .HOSE ASSY-<br>SUPPLIER CODE:<br>V78570  | 002004<br>006100<br>107107<br>121503<br>904999 | 1              |
| 215      | 343N4001-19  |               | .TUBE ASSY-<br>POSITION DATA:<br>LH SIDE<br>TUBING MATERIAL:<br>1.75 IN. OD .028 IN.<br>WALL 43.62 IN. LG<br>WW-T-700/6 TUBING | 002004<br>006100<br>107107<br>121503<br>904999 | 1              |

MISSING ITEM NUMBERS NOT APPLICABLE

- ITEM NOT ILLUSTRATED

28-22-07-01

28-22-07  
FIG. 01  
PAGE 14  
JAN 20/09

BRI



757

PARTS CATALOG (MAINTENANCE)

| FIG ITEM                             | PART NUMBER | 1 2 3 4 5 6 7 | NOMENCLATURE   | EFFECT FROM TO                                 | UNITS PER ASSY |
|--------------------------------------|-------------|---------------|--|--|----------------|
| 1                                    |             |               |  |  |                |
| - 220                                | 343N4001-4  |               | .TUBE ASSY-<br>POSITION DATA:<br>RH SIDE<br>TUBING MATERIAL:<br>1.75 IN. OD .028 IN.<br>WALL 45.50 IN. LG<br>AL                | 107107   | 1              |
| - 220                                | 343N4001-25 |               | .TUBE ASSY-<br>POSITION DATA:<br>RH SIDE<br>TUBING MATERIAL:<br>1.75 IN. OD .028 IN.<br>WALL 44.03 IN. LG<br>WW-T-700/6 TUBING | 002004<br>006100<br>121503<br>904999           | 1              |
| 225                                  | 343N4001-13 |               | .TUBE ASSY-<br>POSITION DATA:<br>LH SIDE<br>TUBING MATERIAL:<br>1.75 IN. OD .028 IN.<br>WALL 45.50 IN. LG<br>AL                | 002004<br>107107<br>121503<br>904949<br>952952 | 1              |
| 227                                  | 343N2002-5  |               | .TUBE ASSY-<br>POSITION DATA:<br>LH SIDE   | 006100<br>950951<br>953999                     | 1              |
| - 230                                | 343N4001-18 |               | .TUBE ASSY-<br>POSITION DATA:<br>RH SIDE<br>TUBING MATERIAL:<br>1.75 IN. OD .028 IN.<br>WALL 46.00 IN. LG<br>AL                | 002004<br>107107<br>121503<br>904949<br>952952 | 1              |
| - 232                                | 343N2002-10 |               | .TUBE ASSY-<br>POSITION DATA:<br>RH SIDE   | 006100<br>950951<br>953999                     | 1              |
| R<br>R<br>R<br>R<br>R<br>R<br>R<br>R | - 235       | S3052-28      | ..FERRULE<br>SUPPLIER CODE:<br>V79326<br>SPECIFICATION NUMBER:<br>BACF32E28<br>OPTIONAL PART:<br>63052-28<br>V79326            | 002004<br>006100<br>107107<br>121503<br>904999 | 2              |

MISSING ITEM NUMBERS NOT APPLICABLE

- ITEM NOT ILLUSTRATED

28-22-07-01

28-22-07  
FIG. 01  
PAGE 15  
MAY 20/09

BRI



757

PARTS CATALOG (MAINTENANCE)

| FIG ITEM                        | PART NUMBER | 1 2 3 4 5 6 7 | NOMENCLATURE   | EFFECT FROM TO                                 | UNITS PER ASSY |
|---------------------------------|-------------|---------------|--|--|----------------|
| R<br>R<br>R<br>R<br>R<br>R<br>R | 1<br>- 235  | 63052-28      | .. FERRULE<br>SUPPLIER CODE:<br>V79326<br>SPECIFICATION NUMBER:<br>AS1716D28<br>OPTIONAL PART:<br>12F63-28A<br>V24984                      | 002004<br>107107<br>121503<br>904949<br>952952 | 2              |
|                                 | 240         | 343N4001-5    | . TUBE ASSY-<br>POSITION DATA:<br>LH SIDE<br>TUBING MATERIAL:<br>1.75 IN. OD .028 IN.<br>WALL 65.57 IN. LG<br>WW-T-700/6 TUBING            | 002004<br>006100<br>107107<br>121503<br>904999 | 1              |
|                                 | - 245       | 343N4001-6    | . TUBE ASSY-<br>POSITION DATA:<br>RH SIDE<br>TUBING MATERIAL:<br>2.0 IN. OD .028 IN. WALL<br>55.78 IN. LG WW-T-700/6<br>6061 T4 TUBING     | 002004<br>006100<br>107107<br>121503<br>904999 | 1              |
|                                 | 253         | 343N2001-1    | . TUBE ASSY-<br>POSITION DATA:<br>LH SIDE<br>POST ALERT SB:<br>28A0017R2   | 002004<br>006100<br>107107<br>121503<br>904999 | 1              |
|                                 | - 258       | 343N2001-2    | . TUBE ASSY-<br>POSITION DATA:<br>RH SIDE<br>POST ALERT SB:<br>28A0017R2   | 002004<br>006100<br>107107<br>121503<br>904999 | 1              |
|                                 | 260         | 343N4001-15   | . TUBE ASSY-<br>POSITION DATA:<br>RH SIDE<br>TUBING MATERIAL:<br>1.75 IN. OD .028 IN.<br>WALL 34.11 IN. LG<br>WW-T-700/6 6061 T4<br>TUBING | 002004<br>006100<br>107107<br>121503<br>904999 | 1              |

MISSING ITEM NUMBERS NOT APPLICABLE

- ITEM NOT ILLUSTRATED

28-22-07-01

28-22-07  
FIG. 01  
PAGE 16  
MAY 20/09

BRI



757

PARTS CATALOG (MAINTENANCE)

| FIG ITEM | PART NUMBER | 1 2 3 4 5 6 7 | NOMENCLATURE  | EFFECT FROM TO                                 | UNITS PER ASSY |
|----------|-------------|---------------|---|--|----------------|
| 1        |             |               |   |  |                |
| - 265    | TC038-24AE  | ..            | FERRULE-<br>SUPPLIER CODE:<br>V24984<br>SPECIFICATION NUMBER:<br>AS1737D24<br>OPTIONAL PART:<br>AS83052-24DE<br>V79326<br>POST ALERT SB:<br>28A0017R2 | 002004<br>006100<br>107107<br>121503<br>904999 | 1              |
| - 270    | 63052-28    | ..            | FERRULE-<br>SUPPLIER CODE:<br>V79326<br>SPECIFICATION NUMBER:<br>AS1716D28<br>OPTIONAL PART:<br>12F63-28A<br>V24984<br>POST ALERT SB:<br>28A0017R2    | 002004<br>006100<br>107107<br>121503<br>904999 | 1              |
| 275      | 343N4001-20 | .TUBE ASSY-   | POSITION DATA:<br>LH SIDE<br>TUBING MATERIAL:<br>1.50 IN. OD .025 IN.<br>WALL 55.00 IN. LG<br>AL  | 002004<br>006100<br>107107<br>121503<br>904999 | 1              |
| - 280    | 343N4001-10 | .TUBE ASSY-   | POSITION DATA:<br>RH SIDE<br>TUBING MATERIAL:<br>1.50 IN. OD .025 IN.<br>WALL 44.9 IN. LG<br>MIL T-700/6 T4 TUBING                                    | 002004<br>006100<br>107107<br>121503<br>904999 | 1              |
| - 285    | S3052-24    | ..            | FERRULE<br>SUPPLIER CODE:<br>V79326<br>SPECIFICATION NUMBER:<br>BACF32E24<br>OPTIONAL PART:<br>63052-24<br>V79326                                     | 002004<br>006100<br>107107<br>121503<br>904999 | 2              |
| 290      | 343N4001-21 | .TUBE ASSY-   | POSITION DATA:<br>LH SIDE<br>TUBING MATERIAL:<br>1.50 IN. OD .025 IN.<br>WALL 61.00 IN. LG<br>AL  | 002004<br>006100<br>107107<br>121503<br>904999 | 1              |

MISSING ITEM NUMBERS NOT APPLICABLE

- ITEM NOT ILLUSTRATED

28-22-07-01

28-22-07  
FIG. 01  
PAGE 17  
JAN 20/09

BRI





757

PARTS CATALOG (MAINTENANCE)

| FIG ITEM | PART NUMBER | 1 2 3 4 5 6 7 | NOMENCLATURE   | EFFECT FROM TO                                 | UNITS PER ASSY |
|----------|-------------|---------------|--|--|----------------|
| 1        |             |               |  |  |                |
| - 295    | 343N4001-12 |               | .TUBE ASSY-<br>POSITION DATA:<br>RH SIDE<br>TUBING MATERIAL:<br>1.50 IN. OD .025 IN.<br>WALL 60.00 IN. LG<br>AL                                  | 002004<br>006100<br>107107<br>121503<br>904999 | 1              |
| 300      | 343N4001-16 |               | .TUBE ASSY-<br>TUBING MATERIAL:<br>1.5 IN. OD .025 IN.<br>WALL 8.9 IN. LG<br>WW-T-700/6 6061 T4<br>TUBING  | 002004<br>006100<br>107107<br>121503<br>904999 | 1              |
| - 305    | 63052-24-28 |               | ..FERRULE-<br>SUPPLIER CODE:<br>V79326   | 002004<br>006100<br>107107<br>121503<br>904999 | 1              |
| - 310    | S3052-24    |               | ..FERRULE<br>SUPPLIER CODE:<br>V79326<br>SPECIFICATION NUMBER:<br>BACF32E24<br>OPTIONAL PART:<br>63052-24<br>V79326                              | 002004<br>006100<br>107107<br>121503<br>904999 | 1              |
| 315      | 343N4001-17 |               | .TUBE ASSY-<br>POSITION DATA:<br>LH SIDE<br>TUBING MATERIAL:<br>.75 IN. OD .022 IN.<br>WALL 14.8 IN. LG<br>WW-T-700/6 6061 T4<br>SEAMLESS TUBING | 002004<br>006100<br>107107<br>121503<br>904999 | 1              |
| - 320    | S3052-12    |               | ..FERRULE<br>SUPPLIER CODE:<br>V79326<br>SPECIFICATION NUMBER:<br>BACF32E12  | 002004<br>006100<br>107107<br>121503<br>904999 | 2              |
| 325      | 343N2052-1  |               | .SEAL  | 002004<br>006100<br>107107<br>121503<br>904999 | 1              |
| 330      | 343N2052-2  |               | .SEAL  | 002004<br>006100<br>107107<br>121503<br>904999 | 1              |

MISSING ITEM NUMBERS NOT APPLICABLE

- ITEM NOT ILLUSTRATED

28-22-07-01

28-22-07  
FIG. 01  
PAGE 18  
JAN 20/09

BRI



757

PARTS CATALOG (MAINTENANCE)

| FIG ITEM | PART NUMBER     | 1 2 3 4 5 6 7 | NOMENCLATURE  | EFFECT FROM TO                                 | UNITS PER ASSY |
|----------|-----------------|---------------|---|--|----------------|
| 1        | 335 343N2045-13 |               | .MANIFOLD ASSY-<br>POSITION DATA:<br>LH SIDE  | 002004<br>006100<br>107107<br>121503<br>904999 | 1              |
| - 340    | 343N2045-14     |               | .MANIFOLD ASSY-<br>POSITION DATA:<br>RH SIDE  | 002004<br>006100<br>107107<br>121503<br>904999 | 1              |
| 345      | S3052-28        |               | ..FERRULE<br>SUPPLIER CODE:<br>V79326<br>SPECIFICATION NUMBER:<br>BACF32E28<br>OPTIONAL PART:<br>63052-28<br>V79326 | 002004<br>006100<br>107107<br>121503<br>904999 | 2              |
| 350      | 63052-28-32     |               | ..FERRULE-<br>SUPPLIER CODE:<br>V79326  | 002004<br>006100<br>107107<br>121503<br>904999 | 1              |
| 350      | VC025-28-32A    |               | ..FERRULE-<br>SUPPLIER CODE:<br>V24984  | 002004<br>006100<br>107107<br>121503<br>904999 | 1              |
| 355      | 343N2049-1      |               | .TUBE ASSY-<br>POSITION DATA:<br>LH SIDE  | 002004<br>006100<br>107107<br>121503<br>904999 | 1              |
| - 360    | 343N2049-2      |               | .TUBE ASSY-<br>POSITION DATA:<br>RH SIDE  | 002004<br>006100<br>107107<br>121503<br>904999 | 1              |
| - 365    | S3052-28        |               | ..FERRULE<br>SUPPLIER CODE:<br>V79326<br>SPECIFICATION NUMBER:<br>BACF32E28<br>OPTIONAL PART:<br>63052-28<br>V79326 | 002004<br>006100<br>107107<br>121503<br>904999 | 1              |

MISSING ITEM NUMBERS NOT APPLICABLE

- ITEM NOT ILLUSTRATED

BRI

28-22-07-01

28-22-07  
FIG. 01  
PAGE 19  
JAN 20/09



757

PARTS CATALOG (MAINTENANCE)

| FIG ITEM | PART NUMBER | 1 2 3 4 5 6 7 | NOMENCLATURE  | EFFECT FROM TO                                 | UNITS PER ASSY |
|----------|-------------|---------------|---|--|----------------|
| 1        |             |               |   |  |                |
| - 370    | 63052-28-32 | ..            | FERRULE-<br>SUPPLIER CODE:<br>V79326  | 002004<br>006100<br>107107<br>121503<br>904999 | 1              |
| 375      | 343N2051-24 | .             | BRACKET-<br>POST ALERT SB:<br>28A0017R2   | 002004<br>006100<br>121503<br>904999           | 1              |
| 380      | 343N2046-1  | .             | TUBE ASSY-<br>POSITION DATA:<br>LH SIDE   | 002004<br>006100<br>107107<br>121503<br>904999 | 1              |
| - 385    | S3052-28    | ..            | FERRULE<br>SUPPLIER CODE:<br>V79326<br>SPECIFICATION NUMBER:<br>BACF32E28<br>OPTIONAL PART:<br>63052-28<br>V79326 | 002004<br>006100<br>107107<br>121503<br>904999 | 1              |
| - 390    | 63052-12-16 | ..            | FERRULE-<br>SUPPLIER CODE:<br>V79326  | 002004<br>006100<br>107107<br>121503<br>904999 | 1              |
| - 395    | 63052-28-32 | ..            | FERRULE-<br>SUPPLIER CODE:<br>V79326  | 002004<br>006100<br>107107<br>121503<br>904999 | 1              |
| 400      | 343N2047-1  | .             | SUPPORT-  | 002004<br>006100<br>107107<br>121503<br>904999 | 1              |
| 402      | 343N2047-1  | .             | SUPPORT   | 002004<br>006100<br>107107<br>121503<br>904999 | 1              |
| 405      | 343N2047-1  | .             | SUPPORT-<br>POSITION DATA:<br>RH SIDE   | 002004<br>006100<br>107107<br>121503<br>904999 | 1              |

MISSING ITEM NUMBERS NOT APPLICABLE

- ITEM NOT ILLUSTRATED

BRI

28-22-07-01

28-22-07  
FIG. 01  
PAGE 20  
JAN 20/09



757

PARTS CATALOG (MAINTENANCE)

| FIG ITEM | PART NUMBER | 1 2 3 4 5 6 7 | NOMENCLATURE   | EFFECT FROM TO                                 | UNITS PER ASSY |
|----------|-------------|---------------|--|--|----------------|
| 1        |             |               |  |  |                |
| 407      | 343N2003-1  | .             | BRACKET-   | 006100<br>950951<br>953999                     | 1              |
| 410      | 343N2048-3  | .             | BRACKET-<br>POSITION DATA:<br>LH SIDE  | 002004<br>006100<br>107107<br>121503<br>904999 | 1              |
| 415      | 2S2860      | .             | VALVE-CHK<br>SUPPLIER CODE:<br>V99240<br>POSITION DATA:<br>LH SIDE<br>FUNCTIONAL DESCRIPTION:<br>BLOCKS FUEL DISCHARGE<br>GENERATED BY APU PUMP<br>MOTOR FROM PRESSURING<br>ENGINE SUPPLY MANIFOLD | 002004<br>006100<br>107107<br>121503<br>904999 | 1              |
| 420      | 2S2861-3    | ..            | CAP-<br>SUPPLIER CODE:<br>V99240   | 002004<br>006100<br>107107<br>121503<br>904999 | 1              |
| 425      | 2S3013-9    | ..            | GASKET-<br>SUPPLIER CODE:<br>V99240  | 002004<br>006100<br>107107<br>121503<br>904999 | 1              |
| 430      | 2S3013-7    | ..            | PIN-<br>SUPPLIER CODE:<br>V99240   | 002004<br>006100<br>107107<br>121503<br>904999 | 1              |
| 435      | 2S3013-8    | ..            | SPRING-<br>SUPPLIER CODE:<br>V99240  | 002004<br>006100<br>107107<br>121503<br>904999 | 1              |
| 440      | 2S4812      | ..            | FLAPPER ASSY-<br>SUPPLIER CODE:<br>V99240  | 002004<br>006100<br>107107<br>121503<br>904999 | 1              |
| 445      | 2S2861-2    | ..            | BODY-<br>SUPPLIER CODE:<br>V99240  | 002004<br>006100<br>107107<br>121503<br>904999 | 1              |

MISSING ITEM NUMBERS NOT APPLICABLE

- ITEM NOT ILLUSTRATED

BRI

28-22-07-01

28-22-07  
FIG. 01  
PAGE 21  
JAN 20/09



757

PARTS CATALOG (MAINTENANCE)

| FIG ITEM | PART NUMBER | 1 2 3 4 5 6 7 | NOMENCLATURE   | EFFECT FROM TO                                 | UNITS PER ASSY |
|----------|-------------|---------------|--|--|----------------|
| 1        |             |               |  |  |                |
| 450      | 73521-28    |               | .TEE ASSY-<br>SUPPLIER CODE:<br>V79326   | 002004<br>006100<br>107107<br>121503<br>904999 | 1              |
| 455      | NAS1801-3-7 |               | .SCREW   | 006100<br>950951<br>953999                     | 10             |
| 460      | AN960PD10L  |               | .WASHER  | 006100<br>950951<br>953999                     | 10             |
| 465      | BRH10A3     |               | .NUT<br>SUPPLIER CODE:<br>V52828<br>SPECIFICATION NUMBER:<br>BACN10JC3<br>OPTIONAL PART:<br>H10-3BAC<br>V15653<br>NS202101-02<br>V80539<br>RMLH9075-3W<br>V72962<br>VN303A02<br>V92215<br>96-02<br>V80539<br>T6S1032J<br>V11815  | 006100<br>950951<br>953999                     | 6              |
| 470      | 343N2005-1  |               | .BRACKET ASSY-   | 006100<br>950951<br>953999                     | 1              |
| 475      | 125334D1    |               | .VALVE BODY-2 IN.<br>SUPPLIER CODE:<br>V73760<br>FUNCTIONAL DESCRIPTION:<br>ELECTRICALLY OPERATED<br>VALVE USED FOR<br>CROSSFEED, JETTISON<br>ISOLATION, DEFUEL AND<br>ENGINE SHUTOFF<br>SPECIFICATION NUMBER:<br>S343T003-40<br>COMPONENT MAINT MANUAL REF:<br>28-25-14 | 006100<br>950951<br>953999                     | 1              |
| 480      | NAS6604-4   |               | .BOLT  | 006100<br>950951<br>953999                     | 4              |

MISSING ITEM NUMBERS NOT APPLICABLE

- ITEM NOT ILLUSTRATED

28-22-07-01

28-22-07  
FIG. 01  
PAGE 22  
JAN 20/09

BRI

 **BOEING**  
757  
**PARTS CATALOG (MAINTENANCE)**

| FIG ITEM | PART NUMBER  | 1 2 3 4 5 6 7 | NOMENCLATURE   | EFFECT FROM TO             | UNITS PER ASSY |
|----------|--------------|---------------|--|----------------------------|----------------|
| 1        |              |               |  |                            |                |
| 485      | AN960PD416   | .             | WASHER   | 006100<br>950951<br>953999 | 4              |
| 490      | 125329B8     | .             | ADAPTER ASSY-SHAFT<br>SUPPLIER CODE:<br>V73760<br>POSITION DATA:<br>LH SIDE<br>SPECIFICATION NUMBER:<br>S343T003-21<br>COMPONENT MAINT MANUAL REF:<br>28-25-13   | 006100<br>950951<br>953999 | 1              |
| 495      | NAS1352C08H6 | .             | SCREW  | 006100<br>950951<br>953999 | 4              |
| 500      | NAS1801-3-8  | .             | SCREW  | 006100<br>950951<br>953999 | 2              |
| 505      | NAS620A08L   | .             | WASHER   | 006100<br>950951<br>953999 | 4              |
| 510      | AN960PD10L   | .             | WASHER-  | 006100<br>950951<br>953999 | 3              |
| 515      | AN960D10L    | .             | WASHER   | 006100<br>950951<br>953999 | 3              |
| 520      | BRH10A3      | .             | NUT<br>SUPPLIER CODE:<br>V52828<br>SPECIFICATION NUMBER:<br>BACN10JC3<br>OPTIONAL PART:<br>H10-3BAC<br>V15653<br>NS202101-02<br>V80539<br>RMLH9075-3W<br>V72962<br>VN303A02<br>V92215<br>96-02<br>V80539<br>T6S1032J<br>V11815 | 006100<br>950951<br>953999 | 2              |

MISSING ITEM NUMBERS NOT APPLICABLE

— ITEM NOT ILLUSTRATED

BRI

# 28-22-07-01

BOEING PROPRIETARY - Copyright © - Unpublished Work - See title page for details.

28-22-07  
FIG. 01  
PAGE 23  
JAN 20/09

**PARTS CATALOG (MAINTENANCE)**

| FIG ITEM | PART NUMBER     | 1 2 3 4 5 6 7               | NOMENCLATURE | EFFECT FROM TO | UNITS PER ASSY |
|----------|-----------------|-----------------------------|--------------|----------------|----------------|
| 1        | 525 740A20-6    | . JUMPER ASSY               |              | 006100         | 1              |
|          |                 | SUPPLIER CODE:              |              | 950951         |                |
|          |                 | V91812                      |              | 953999         |                |
|          |                 | SPECIFICATION NUMBER:       |              |                |                |
|          |                 | BACJ40A20-6                 |              |                |                |
|          |                 | OPTIONAL PART:              |              |                |                |
|          |                 | TJEJ40A20-6                 |              |                |                |
|          |                 | V33483                      |              |                |                |
|          |                 | RBEJ20-6                    |              |                |                |
|          |                 | V1GK47                      |              |                |                |
| R        | 530 MA20A1001-1 | . ACTUATOR ASSY-            |              | 006100         | 1              |
| R        |                 | SUPPLIER CODE:              |              | 950951         |                |
| R        |                 | V73760                      |              | 953999         |                |
| R        |                 | FUNCTIONAL DESCRIPTION:     |              |                |                |
| R        |                 | PROVIDES ELECTRIC           |              |                |                |
| R        |                 | ACTUATION FOR REMOTE        |              |                |                |
| R        |                 | CONTROL OF VARIOUS          |              |                |                |
| R        |                 | VALVES                      |              |                |                |
| R        |                 | SPECIFICATION NUMBER:       |              |                |                |
| R        |                 | S343T003-39                 |              |                |                |
| R        |                 | MISCELLANEOUS DATA:         |              |                |                |
| R        |                 | CUSTOMER SHOULD REVIEW      |              |                |                |
| R        |                 | BOEING FLEET TEAM           |              |                |                |
| R        |                 | DIGEST ARTICLE              |              |                |                |
| R        |                 | 737NG-FTD-28-06003 FOR      |              |                |                |
| R        |                 | STATUS OF RELIABILITY       |              |                |                |
| R        |                 | CONCERNS ASSOCIATED         |              |                |                |
| R        |                 | WITH THIS PART.             |              |                |                |
| R        |                 | SERVICE LETTERS             |              |                |                |
| R        |                 | 737-SL-28-069 AND           |              |                |                |
| R        |                 | 757-SL-28-042/              |              |                |                |
| R        |                 | 767-SL-28-039/              |              |                |                |
| R        |                 | 777-SL-28-020 ALL           |              |                |                |
| R        |                 | PROVIDE MORE INFORMATION    |              |                |                |
| R        |                 | ABOUT THE FUEL SYSTEM       |              |                |                |
| R        |                 | MOTOR OPERATED VALVE        |              |                |                |
| R        |                 | ACTUATORS.                  |              |                |                |
| R        |                 | ELECTRICAL EQUIP NUMBER:    |              |                |                |
| R        |                 | V00026                      |              |                |                |
| R        |                 | COMPONENT MAINT MANUAL REF: |              |                |                |
| R        |                 | 28-25-17                    |              |                |                |
| R        |                 | QUALIFIED I/W DATA:         |              |                |                |
| R        |                 | MA20A2027 MAY REPLACE       |              |                |                |
| R        |                 | BUT NOT BE REPLACED BY      |              |                |                |
| R        |                 | MA20A1001-1 SUBJECT TO      |              |                |                |
| R        |                 | INCORPORATION OF SERVICE    |              |                |                |
| R        |                 | BULLETIN 757-28A0088.       |              |                |                |
| R        |                 | MA30A1001 MAY REPLACE       |              |                |                |
| R        |                 | MA20A1001-1 SUBJECT         |              |                |                |

MISSING ITEM NUMBERS NOT APPLICABLE

- ITEM NOT ILLUSTRATED

# 28-22-07-01

BRI

 28-22-07  
 FIG. 01  
 PAGE 24  
 MAY 20/09

**BOEING**  
757  
PARTS CATALOG (MAINTENANCE)

| FIG ITEM | PART NUMBER     | 1 2 3 4 5 6 7 | NOMENCLATURE   | EFFECT FROM TO             | UNITS PER ASSY |
|----------|-----------------|---------------|--|----------------------------|----------------|
| 1        | 530 MA11A1265-1 |               | TO INCORPORATION<br>OF S.B. 757-28A0088.<br>MA11A1265-1 MAY REPLACE<br>MA20A1001-1 ONE WAY ON<br>757 AND 767 AIRPLANES<br>ONLY.<br>FOR SPARES PROCURE:<br>S343T003-41<br>PRE ALERT SB:<br>28A0088<br>.ACTUATOR ASSY-<br>SUPPLIER CODE:<br>V73760<br>SPECIFICATION NUMBER:<br>S343T003-41<br>COMPONENT MAINT MANUAL REF:<br>28-25-12<br>QUALIFIED I/W DATA:<br>MA30A1001 AND<br>MA11A1265-1 ARE TWO WAY<br>INTERCHANGEABLE ON THE<br>757 AND 767 ONLY.<br>MA11A1265-1 MAY REPLACE<br>MA20A1001-1 ONE WAY ON<br>757 AND 767 AIRPLANES<br>ONLY.<br>MA20A2027 AND<br>MA11A1265-1 ARE TWO WAY<br>INTERCHANGEABLE ON 757<br>AND 767 AIRPLANES ONLY.<br>S.B. 757-28A0088 AND<br>767-28A0090 MUST BE<br>COMPLETED TO INSTALL<br>PART NUMBER MA20A2027. |                            |                |
|          |                 |               |  | 006100<br>950951<br>953999 | 1              |

MISSING ITEM NUMBERS NOT APPLICABLE

- ITEM NOT ILLUSTRATED

BRI

**28-22-07-01**

BOEING PROPRIETARY - Copyright © - Unpublished Work - See title page for details.

28-22-07  
FIG. 01  
PAGE 25  
MAY 20/09





757

PARTS CATALOG (MAINTENANCE)

| FIG ITEM   | PART NUMBER | 1 2 3 4 5 6 7 | NOMENCLATURE   | EFFECT FROM TO             | UNITS PER ASSY |
|--|-------------|---------------|--|----------------------------|----------------|
| R<br>R<br>R<br>R<br>R<br>R<br>R<br>R<br>R<br>R<br>R<br>R<br>R<br>R | 1<br>530    |               | MA30A1001<br>.ACTUATOR ASSY-<br>SUPPLIER CODE:<br>V73760<br>FUNCTIONAL DESCRIPTION:<br>ACTUATOR ASSEMBLY OPENS<br>AND CLOSES A FUEL VALVE<br>SPECIFICATION NUMBER:<br>S343T003-66<br>ELECTRICAL EQUIP NUMBER:<br>V00026<br>QUALIFIED I/W DATA:<br>MA30A1001 AND<br>MA11A1265-1 ARE TWO WAY<br>INTERCHANGEABLE ON THE<br>757 AND 767 ONLY.<br>MA30A1001 MAY REPLACE<br>MA20A1001-1 SUBJECT<br>TO INCORPORATION OF<br>S.B. 757-28A0088.<br>POST ALERT SB:<br>28A0088 | 006100<br>950951<br>953999 | 1              |
|  | 535         | NAS1801-3-7   | .SCREW   | 006100<br>950951<br>953999 | 10             |
|  | 540         | AN960PD10L    | .WASHER  | 006100<br>950951<br>953999 | 10             |
|  | 545         | BRH10A3       | .NUT-<br>SUPPLIER CODE:<br>V52828<br>SPECIFICATION NUMBER:<br>BACN10JC3<br>OPTIONAL PART:<br>H10-3BAC<br>V15653<br>NS202101-02<br>V80539<br>RMLH9075-3W<br>V72962<br>VN303A02<br>V92215<br>96-02<br>V80539<br>T6S1032J<br>V11815   | 006100<br>950951<br>953999 | 6              |
|  | 550         | 343N2004-1    | .BRACKET-  | 006100<br>950951<br>953999 | 1              |

MISSING ITEM NUMBERS NOT APPLICABLE

- ITEM NOT ILLUSTRATED

28-22-07-01

28-22-07  
FIG. 01  
PAGE 26  
MAY 20/09

BRI



757

PARTS CATALOG (MAINTENANCE)

| FIG ITEM | PART NUMBER  | 1 2 3 4 5 6 7 | NOMENCLATURE   | EFFECT FROM TO             | UNITS PER ASSY |
|----------|--------------|---------------|--|----------------------------|----------------|
| 1<br>555 | 125334D1     |               | .VALVE BODY-2 IN.<br>SUPPLIER CODE:<br>V73760<br>FUNCTIONAL DESCRIPTION:<br>ELECTRICALLY OPERATED<br>VALVE USED FOR<br>CROSSFEED, JETTISON<br>ISOLATION, DEFUEL AND<br>ENGINE SHUTOFF<br>SPECIFICATION NUMBER:<br>S343T003-40<br>COMPONENT MAINT MANUAL REF:<br>28-25-14   | 006100<br>950951<br>953999 | 1              |
| 560      | NAS6604-7    |               | .BOLT-   | 006100<br>950951<br>953999 | 4              |
| 565      | AN960PD416   |               | .WASHER  | 006100<br>950951<br>953999 | 4              |
| 570      | 125329B12    |               | .ADAPTER ASSY-SHAFT<br>SUPPLIER CODE:<br>V73760<br>POSITION DATA:<br>RH SIDE<br>FUNCTIONAL DESCRIPTION:<br>PROVIDES AN EXTENSION<br>(STRAIGHT OR OFFSET)<br>BETWEEN THE ROTARY FUEL<br>AND THE FUEL SHUTOFF<br>VALVE ACTUATOR<br>SPECIFICATION NUMBER:<br>S343T003-25<br>COMPONENT MAINT MANUAL REF:<br>28-25-13 | 006100<br>950951<br>953999 | 1              |
| 575      | NAS1352C08H6 |               | .SCREW   | 006100<br>950951<br>953999 | 4              |
| 580      | NAS1801-3-8  |               | .SCREW-  | 006100<br>950951<br>953999 | 2              |
| 585      | NAS620A08L   |               | .WASHER-   | 006100<br>950951<br>953999 | 4              |
| 590      | AN960PD10L   |               | .WASHER-   | 006100<br>950951<br>953999 | 3              |
| 595      | AN960D10L    |               | .WASHER  | 006100<br>950951<br>953999 | 3              |

MISSING ITEM NUMBERS NOT APPLICABLE

- ITEM NOT ILLUSTRATED

28-22-07-01

28-22-07  
FIG. 01  
PAGE 27  
MAY 20/09

BRI


**BOEING**  
 757  
**PARTS CATALOG (MAINTENANCE)**

| FIG ITEM | PART NUMBER | 1 2 3 4 5 6 7 NOMENCLATURE   | EFFECT FROM TO             | UNITS PER ASSY |
|----------|-------------|--|----------------------------|----------------|
| 1<br>600 | BRH10A3     | .NUT-<br>SUPPLIER CODE:<br>V52828<br>SPECIFICATION NUMBER:<br>BACN10JC3<br>OPTIONAL PART:<br>H10-3BAC<br>V15653<br>NS202101-02<br>V80539<br>RMLH9075-3W<br>V72962<br>VN303A02<br>V92215<br>96-02<br>V80539<br>T6S1032J<br>V11815   | 006100<br>950951<br>953999 | 2              |
| 605      | BACJ40A20-8 | .JUMPER ASSY-  | 006100<br>950951<br>953999 | 1              |
| 610      | MA20A1001-1 | .ACTUATOR ASSY-<br>SUPPLIER CODE:<br>V73760<br>FUNCTIONAL DESCRIPTION:<br>PROVIDES ELECTRIC<br>ACTUATION FOR REMOTE<br>CONTROL OF VARIOUS<br>VALVES<br>SPECIFICATION NUMBER:<br>S343T003-39<br>MISCELLANEOUS DATA:<br>CUSTOMER SHOULD REVIEW<br>BOEING FLEET TEAM<br>DIGEST ARTICLE<br>737NG-FTD-28-06003 FOR<br>STATUS OF RELIABILITY<br>CONCERNS ASSOCIATED<br>WITH THIS PART.<br>SERVICE LETTERS<br>737-SL-28-069 AND<br>757-SL-28-042/<br>767-SL-28-039/<br>777-SL-28-020 ALL<br>PROVIDE MORE INFORMATION<br>ABOUT THE FUEL SYSTEM<br>MOTOR OPERATED VALVE<br>ACTUATORS.<br>ELECTRICAL EQUIP NUMBER: | 006100<br>950951<br>953999 | 1              |

R  
R  
R  
R  
R  
R  
R  
R  
R  
R  
R  
R  
R  
R  
R  
R  
R  
R  
R  
R  
R  
R  
R

MISSING ITEM NUMBERS NOT APPLICABLE

— ITEM NOT ILLUSTRATED

# 28-22-07-01



 **BOEING**  
757  
**PARTS CATALOG (MAINTENANCE)**

| FIG<br>ITEM   | PART NUMBER                         | 1 2 3 4 5 6 7 | NOMENCLATURE  | EFFECT<br>FROM TO          | UNITS<br>PER<br>ASSY |
|---|-------------------------------------|---------------|---|----------------------------|----------------------|
| R<br>R<br>R<br>R<br>R<br>R<br>R<br>R<br>R<br>R<br>R<br>R<br>R<br>R<br>R<br>R<br>R<br>R<br>R<br>R<br>R | 1<br>610                            | MA11A1265-1   | .ACTUATOR ASSY-<br>SUPPLIER CODE:<br>V73760<br>SPECIFICATION NUMBER:<br>S343T003-41<br>COMPONENT MAINT MANUAL REF:<br>28-25-12<br>QUALIFIED I/W DATA:<br>MA30A1001 AND<br>MA11A1265-1 ARE TWO WAY<br>INTERCHANGEABLE ON THE<br>757 AND 767 ONLY.<br>MA11A1265-1 MAY REPLACE<br>MA20A1001-1 ONE WAY ON<br>757 AND 767 AIRPLANES<br>ONLY.<br>MA20A2027 AND<br>MA11A1265-1 ARE TWO WAY<br>INTERCHANGEABLE ON 757<br>AND 767 AIRPLANES ONLY.<br>S.B. 757-28A0088 AND<br>767-28A0090 MUST BE<br>COMPLETED TO INSTALL<br>PART NUMBER MA20A2027. | 006100<br>950951<br>953999 | 1                    |
|   | 660                                 | 343N2002-1    | .TUBE ASSY-<br>POSITION DATA:<br>LH SIDE  | 006100<br>950951<br>953999 | 1                    |
|   | 675                                 | AS1734D28     | .NUT-   | 006100<br>950951<br>953999 | 1                    |
|   | 680                                 | AS1736-28     | .WASHER-  | 006100<br>950951<br>953999 | 1                    |
|   | 685                                 | MS29513-032   | .PACKING-   | 006100<br>950951<br>953999 | 1                    |
|   | 690                                 | 343N2002-2    | .TUBE ASSY-<br>POSITION DATA:<br>RH SIDE  | 006100<br>950951<br>953999 | 1                    |
|   | MISSING ITEM NUMBERS NOT APPLICABLE |               |   |                            |                      |

- ITEM NOT ILLUSTRATED

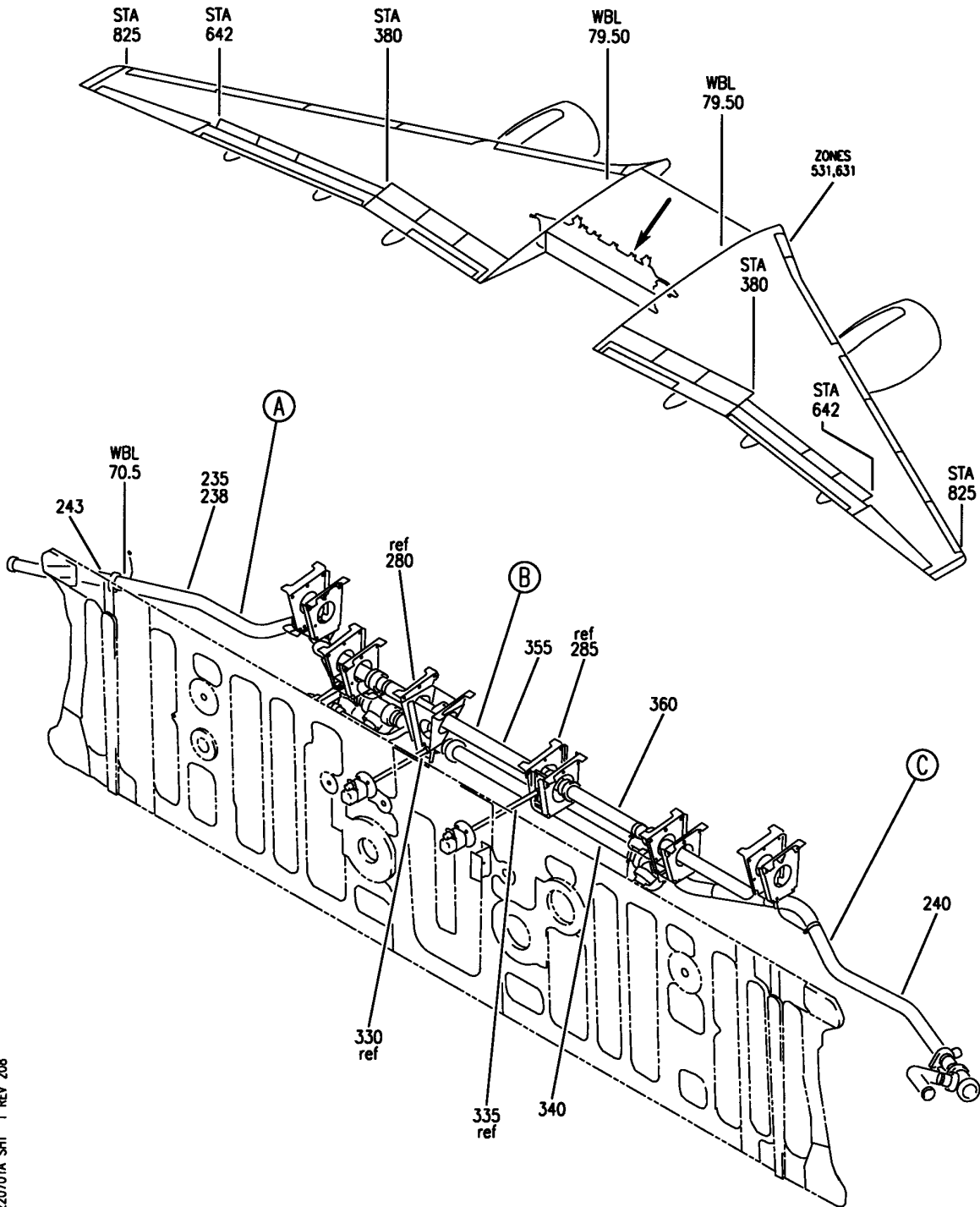
BRI

# 28-22-07-01

BOEING PROPRIETARY - Copyright © - Unpublished Work - See title page for details.

28-22-07  
FIG. 01  
PAGE 30  
MAY 20/09

**BOEING**  
757  
PARTS CATALOG (MAINTENANCE)



Y 28220701A SHT 1 REV 208

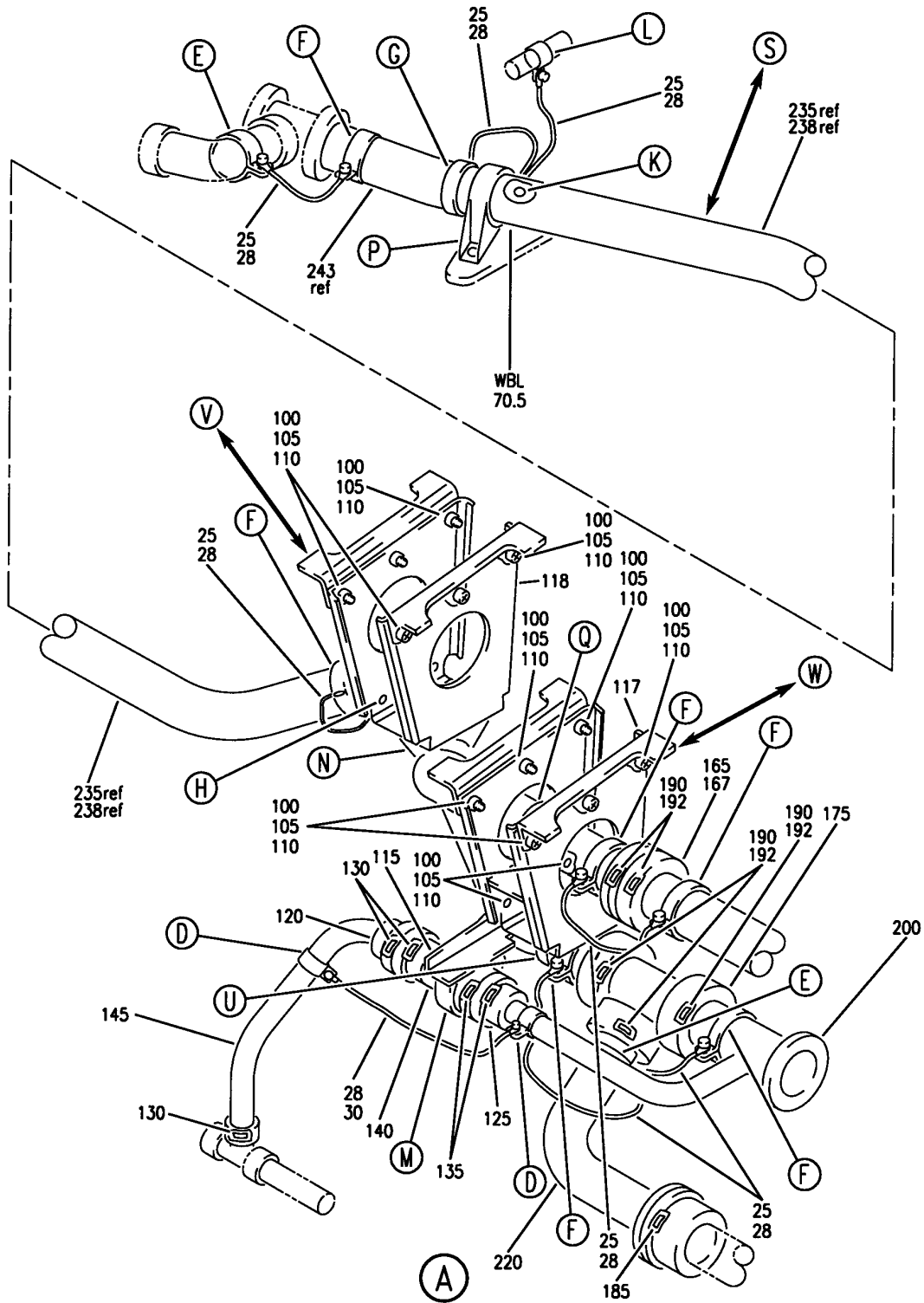
TUBING INSTL-ENG FUEL FEED DUAL CROSSFEED 757-200 AND -300  
FIGURE 1A (SHEET 1)

**28-22-07-01A**

BRI  
MAY 28/07

28-22-07-01A  
PAGE 0

**BOEING**  
757  
PARTS CATALOG (MAINTENANCE)



Y 28220701A SHT 2 REV 208

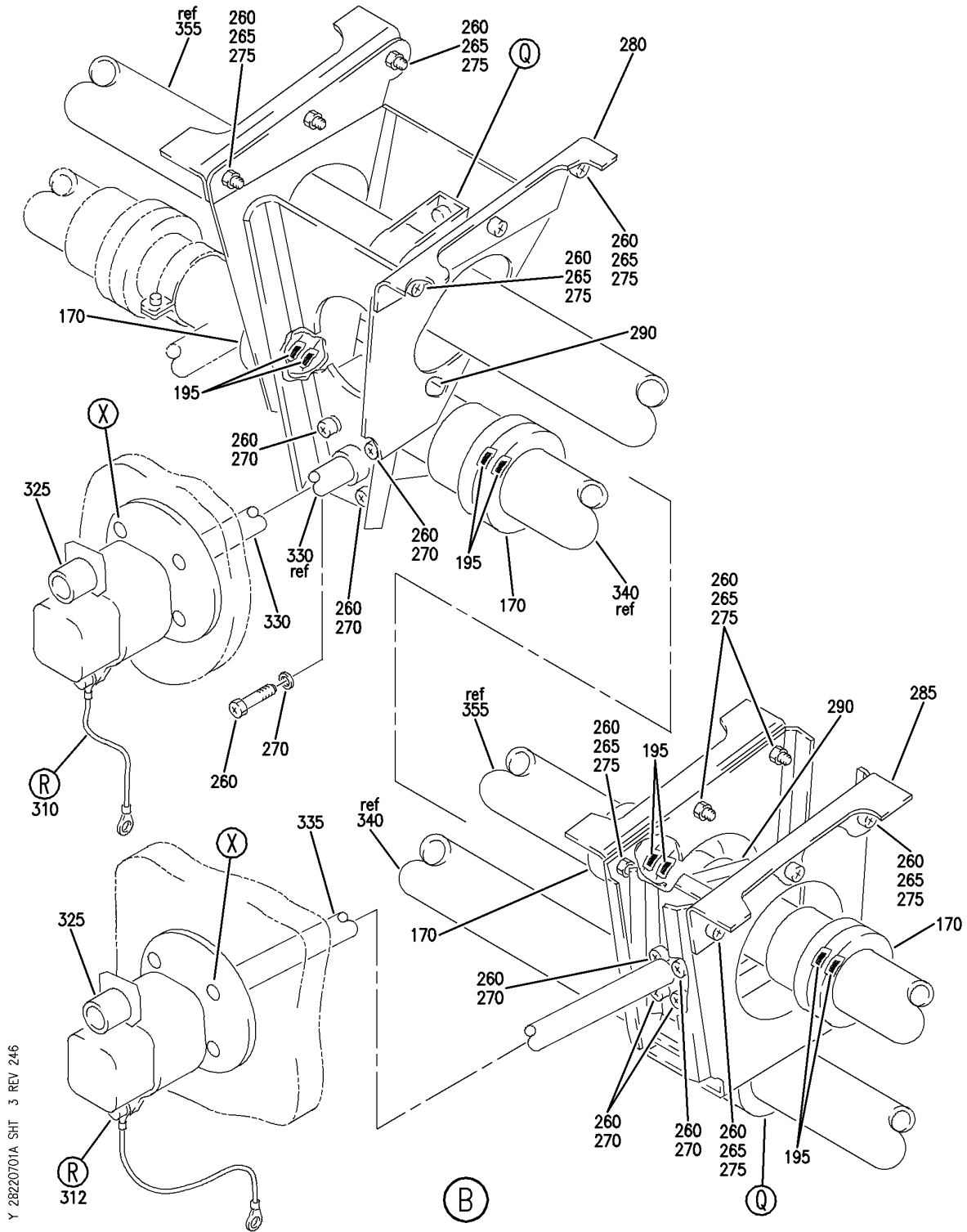
TUBING INSTL-ENG FUEL FEED DUAL CROSSFEED 757-200 AND -300  
FIGURE 1A (SHEET 2)

**28-22-07-01A**

BRI  
MAY 28/07

28-22-07-01A  
PAGE 0A

**BOEING**  
757  
PARTS CATALOG (MAINTENANCE)



Y 28220701A SH1 3 REV 246

TUBING INSTL-ENG FUEL FEED DUAL CROSSFEED 757-200 AND -300  
FIGURE 1A (SHEET 3)

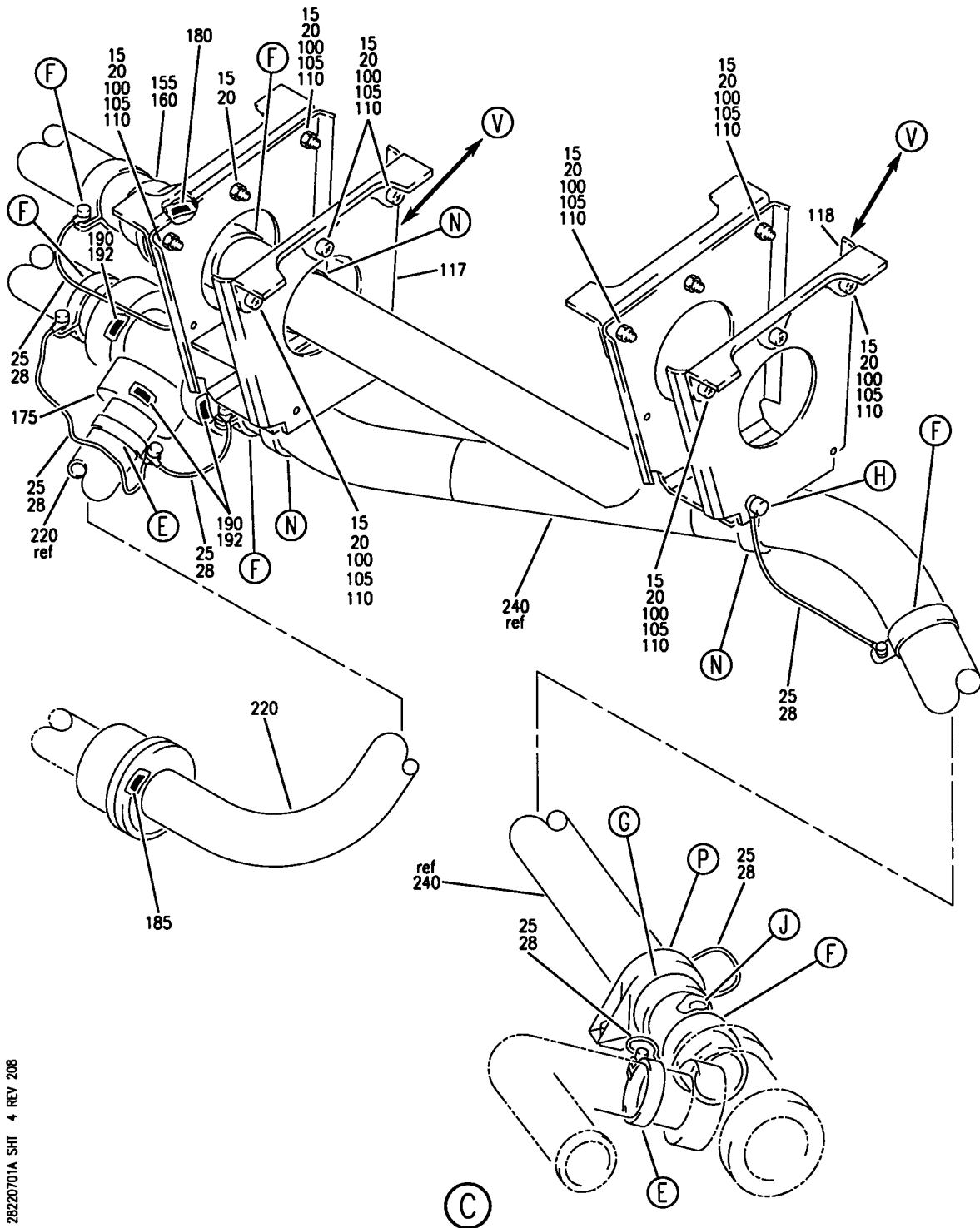
**28-22-07-01A**

BRI  
MAY 28/07

28-22-07-01A  
PAGE 0B




**BOEING**  
 757  
**PARTS CATALOG (MAINTENANCE)**



Y 28220701A SHT 4 REV 208

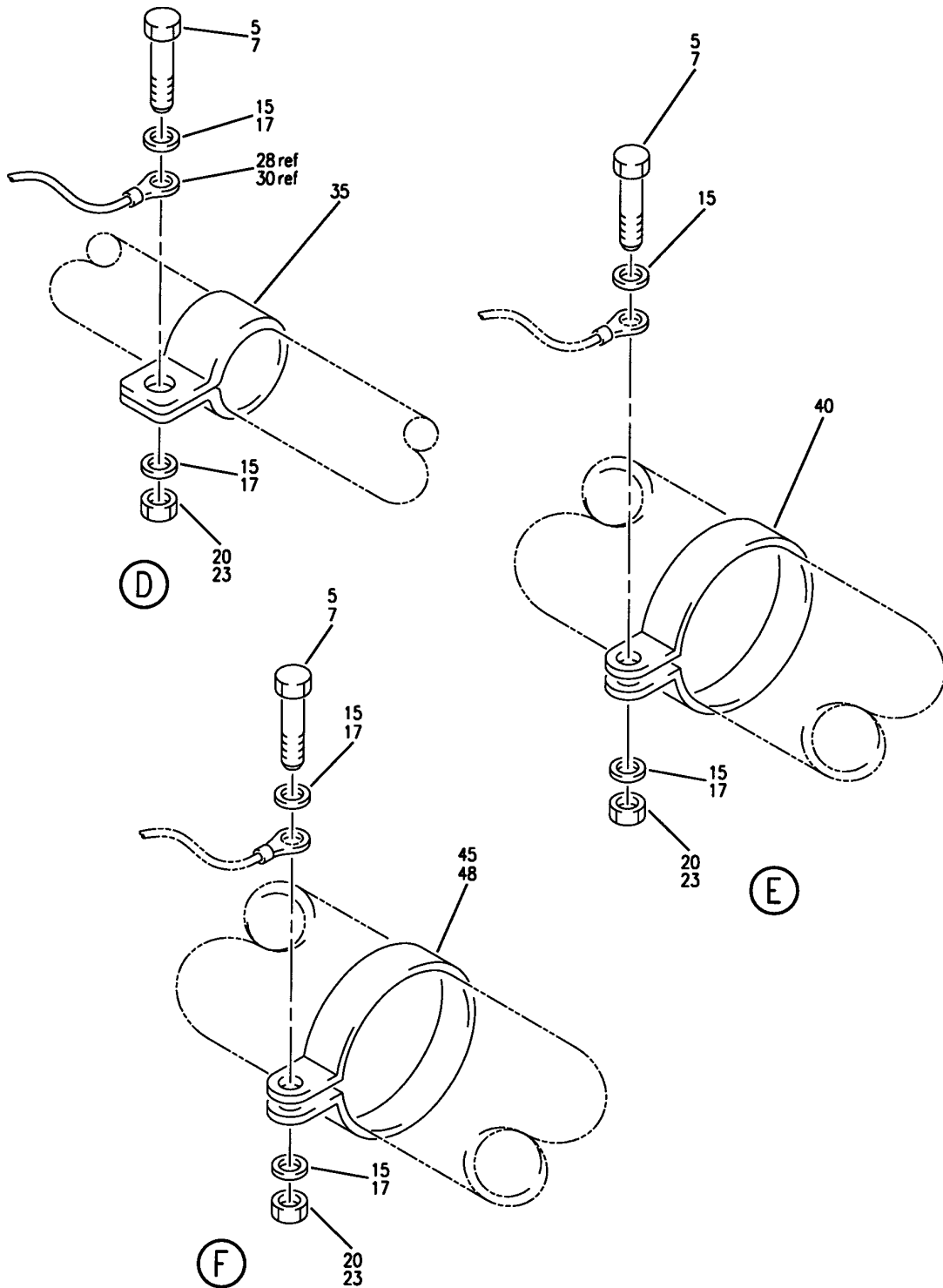
TUBING INSTL-ENG FUEL FEED DUAL CROSSFEED 757-200 AND -300  
 FIGURE 1A (SHEET 4)

**28-22-07-01A**

BRI  
MAY 28/07

28-22-07-01A  
PAGE 0C

**BOEING**  
757  
PARTS CATALOG (MAINTENANCE)



Y 28220701A SHT 5 REV 208

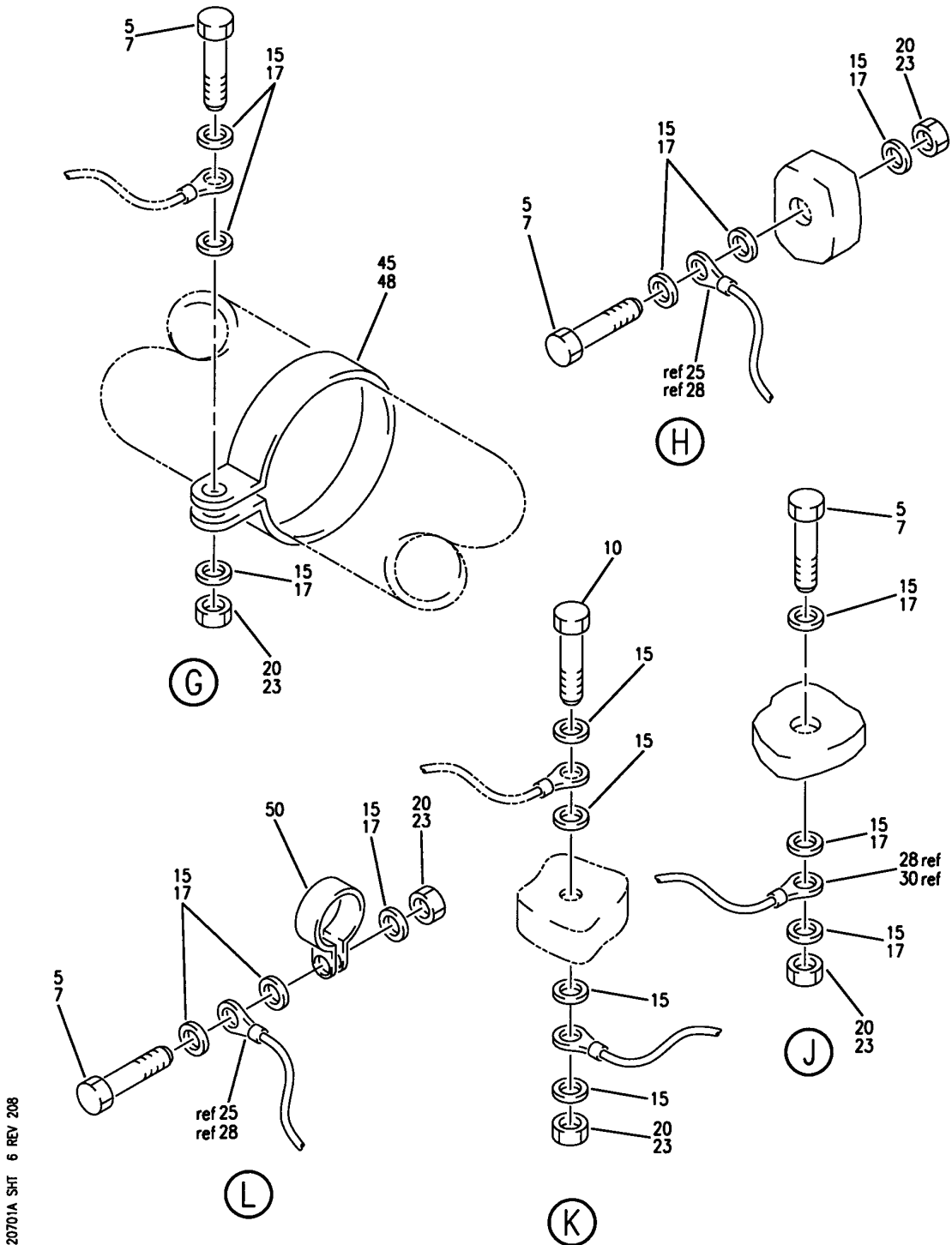
TUBING INSTL-ENG FUEL FEED DUAL CROSSFEED 757-200 AND -300  
FIGURE 1A (SHEET 5)

**28-22-07-01A**

BRI  
MAY 28/07

28-22-07-01A  
PAGE 0D

**BOEING**  
757  
PARTS CATALOG (MAINTENANCE)



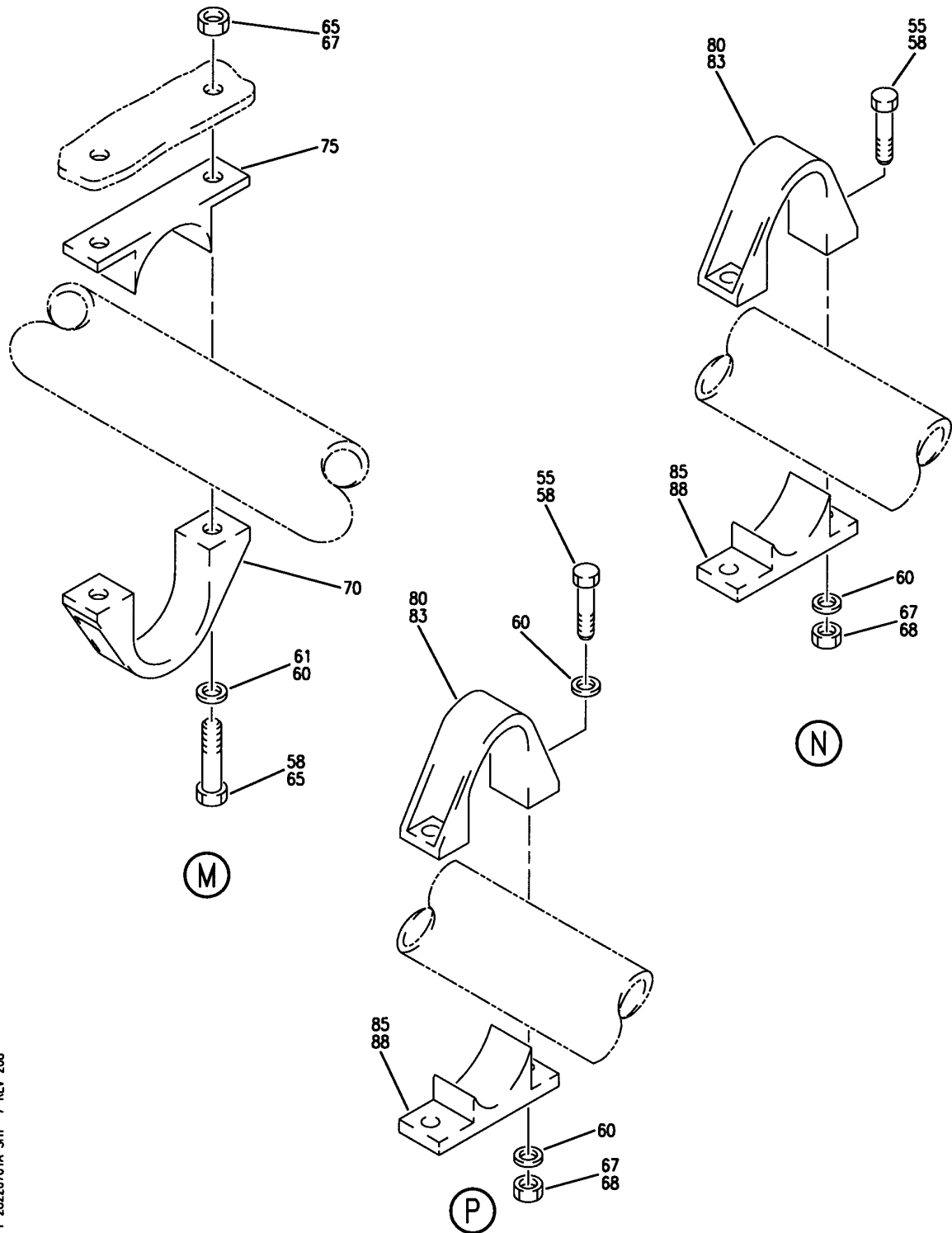
TUBING INSTL-ENG FUEL FEED DUAL CROSSFEED 757-200 AND -300  
FIGURE 1A (SHEET 6)

**28-22-07-01A**

BRI  
MAY 28/07

28-22-07-01A  
PAGE 0E

**BOEING**  
757  
PARTS CATALOG (MAINTENANCE)



Y 28220701A SHT 7 REV 208

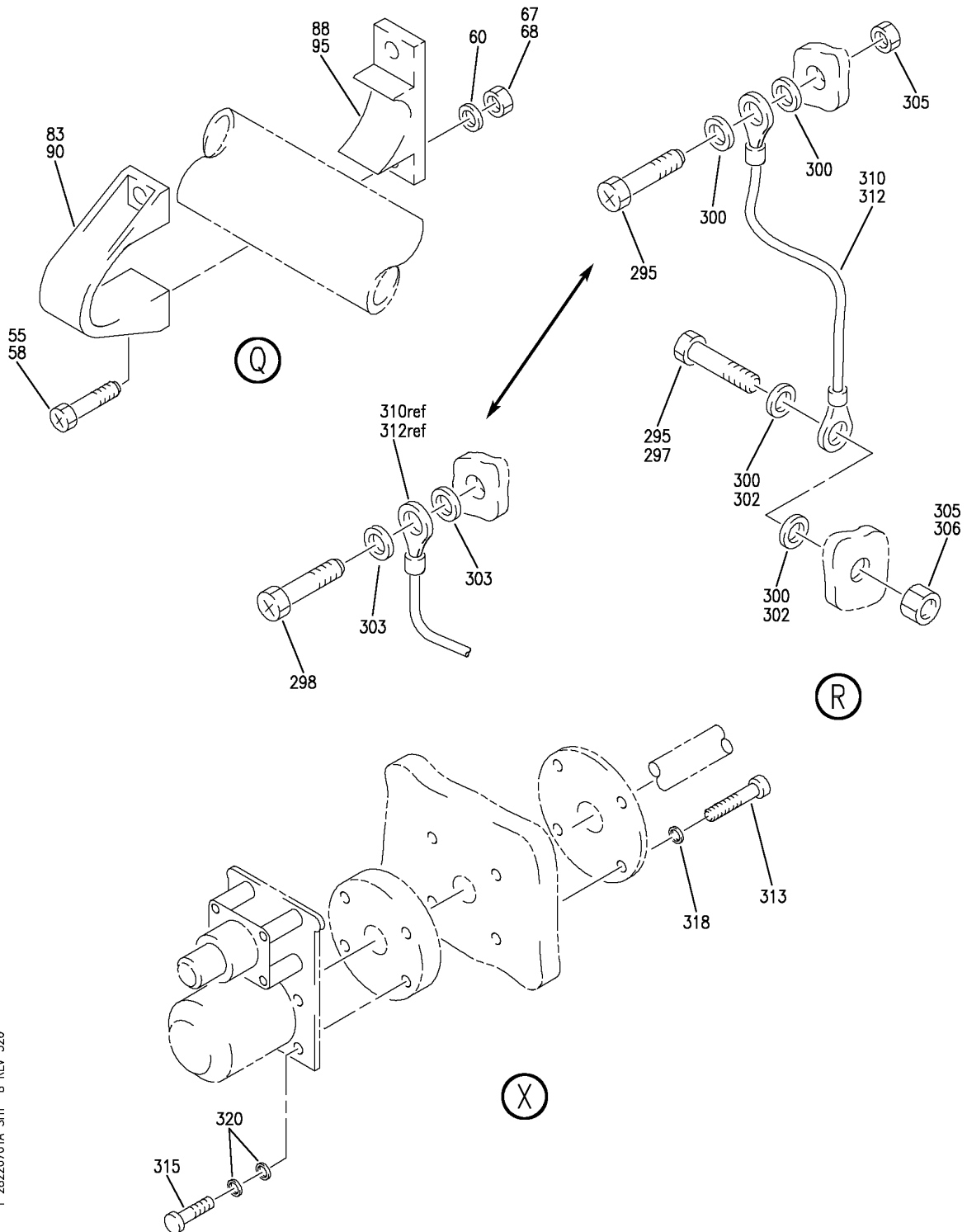
TUBING INSTL-ENG FUEL FEED DUAL CROSSFEED 757-200 AND -300  
FIGURE 1A (SHEET 7)

**28-22-07-01A**

BRI  
MAY 28/07

28-22-07-01A  
PAGE OF

**BOEING**  
757  
PARTS CATALOG (MAINTENANCE)



Y 28220701A SHT 8 REV 326

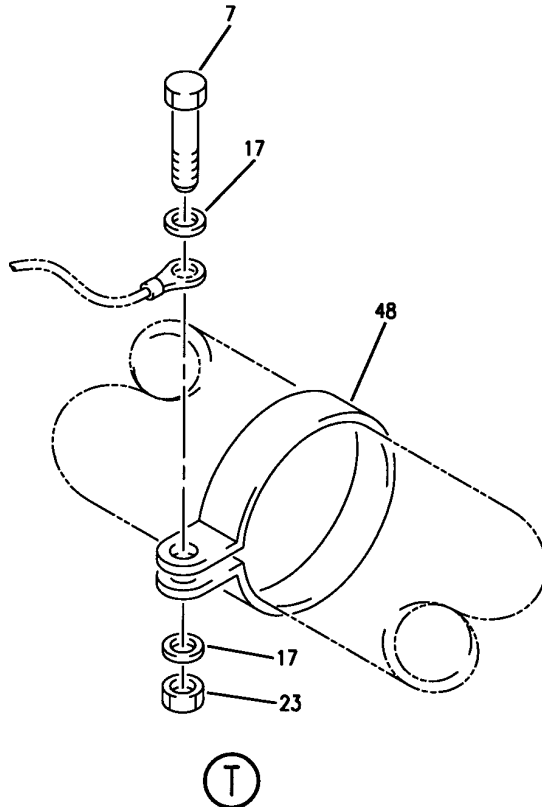
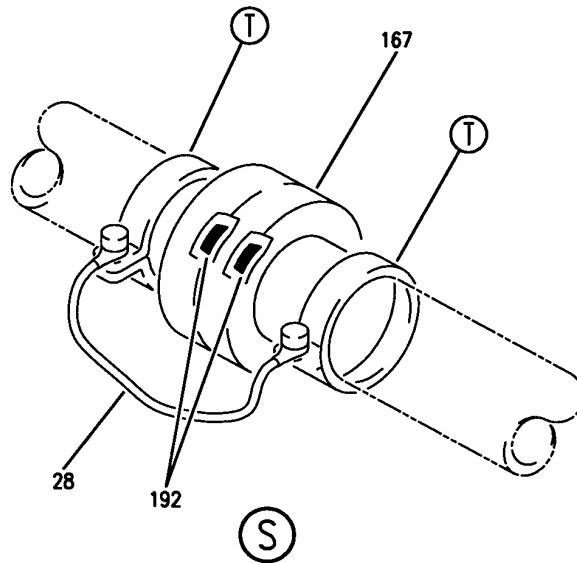
TUBING INSTL-ENG FUEL FEED DUAL CROSSFEED 757-200 AND -300  
FIGURE 1A (SHEET 8)

**28-22-07-01A**

BRI  
SEP 20/08

28-22-07-01A  
PAGE 08

**BOEING**  
757  
PARTS CATALOG (MAINTENANCE)



Y 28220701A SHT 9 REV 208

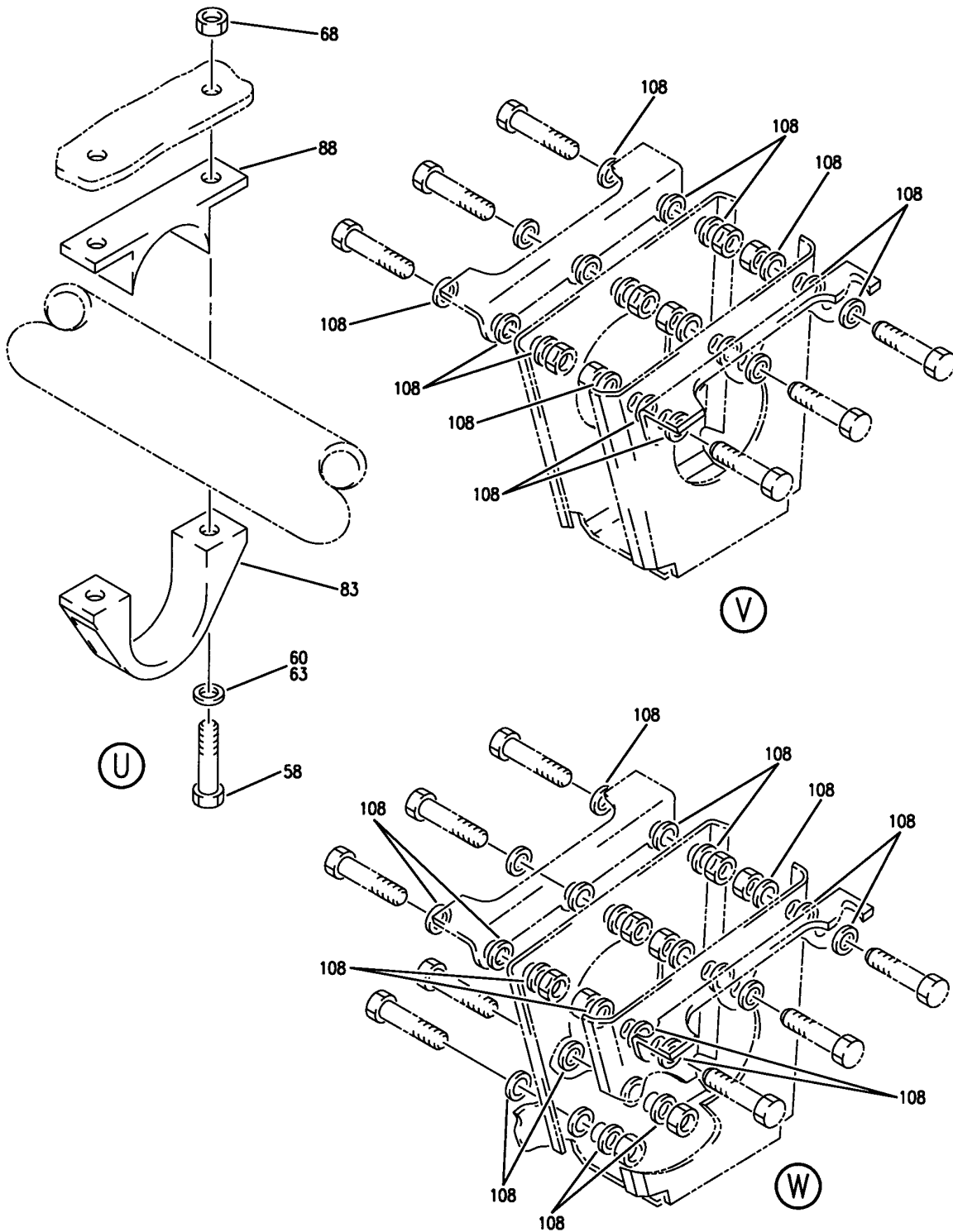
TUBING INSTL-ENG FUEL FEED DUAL CROSSFEED 757-200 AND -300  
FIGURE 1A (SHEET 9)

**28-22-07-01A**

BRI  
MAY 28/07

28-22-07-01A  
PAGE 0H

**BOEING**  
757  
PARTS CATALOG (MAINTENANCE)



Y 28220701A SHT 10 REV 208

TUBING INSTL-ENG FUEL FEED DUAL CROSSFEED 757-200 AND -300  
FIGURE 1A (SHEET 10)

**28-22-07-01A**

BRI  
MAY 28/07

28-22-07-01A  
PAGE 01



757

PARTS CATALOG (MAINTENANCE)

| FIG ITEM | PART NUMBER   | 1 2 3 4 5 6 7 | NOMENCLATURE  | EFFECT FROM TO             | UNITS PER ASSY |
|----------|---------------|---------------|---|----------------------------|----------------|
| 1 A      |               |               | TUBING INSTL-ENG FUEL FEED<br>DUAL CROSSFEED<br>757-200 AND -300  | 101106<br>108120<br>504903 |                |
| - 1      | 343N4001-45   |               | TUBING INSTL-ENG FUEL FEED<br>DUAL CROSSFEED<br>757-200 AND -300<br>FOR NHA SEE:<br>28-00-00-05   | 101102<br>108120<br>504903 | RF             |
| - 1      | MODREF13712   |               | TUBING INSTL-ENG FUEL FEED<br>DUAL CROSSFEED<br>757-200 AND -300<br>MODULE NUMBER:<br>343N4001-46 REV A   | 103105                     | 1              |
| - 1      | MODREF100726  |               | TUBING INSTL-ENG FUEL FEED<br>DUAL CROSSFEED<br>757-200 AND -300<br>MODULE NUMBER:<br>343N4001-46 REV B   | 106106                     | 1              |
| 7        | BACS12GU3K7   |               | .SCREW  | 101106<br>108120<br>504903 | 26             |
| 10       | BACS12GU3K11  |               | .SCREW  | 101106<br>108120<br>504903 | 1              |
| 17       | NAS1149D0316H |               | .WASHER   | 101106<br>108120<br>504903 | 54             |
| 23       | PLH53CD       |               | .NUT<br>SUPPLIER CODE:<br>VF0224<br>SPECIFICATION NUMBER:<br>BACN10YR3CD<br>OPTIONAL PART:<br>H52732-3CD<br>V15653                                | 101106<br>108120<br>504903 | 27             |
| 28       | 740A20-6      |               | .JUMPER ASSY<br>SUPPLIER CODE:<br>V91812<br>SPECIFICATION NUMBER:<br>BACJ40A20-6<br>OPTIONAL PART:<br>TJEJ40A20-6<br>V33483<br>RBEJ20-6<br>V1GK47 | 101106<br>108120<br>504903 | 14             |
| 30       | BACJ40A20-8   |               | .JUMPER ASSY  | 101106<br>108120<br>504903 | 1              |

MISSING ITEM NUMBERS NOT APPLICABLE

- ITEM NOT ILLUSTRATED

28-22-07-01A

28-22-07  
FIG. 01A  
PAGE 1  
JAN 20/09

BRI





757

PARTS CATALOG (MAINTENANCE)

| FIG ITEM | PART NUMBER   | 1 2 3 4 5 6 7 | NOMENCLATURE  | EFFECT FROM TO             | UNITS PER ASSY |
|----------|---------------|---------------|---|----------------------------|----------------|
| 1 A      |               |               |   |                            |                |
| 35       | AN735DC12     | .             | CLAMP   | 101106<br>108120<br>504903 | 2              |
| 40       | AN735DC24     | .             | CLAMP   | 101106<br>108120<br>504903 | 4              |
| 48       | AN735DC28     | .             | CLAMP   | 101106<br>108120<br>504903 | 16             |
| 50       | AN735DC6      | .             | CLAMP   | 101106<br>108120<br>504903 | 1              |
| 58       | BACS12GU3K11  | .             | SCREW   | 101106<br>108120<br>504903 | 22             |
| 60       | NAS1149D0332J | .             | WASHER  | 101106<br>108120<br>504903 | 22             |
| 63       | NAS1149D0316J | .             | WASHER  | 101106<br>108120<br>504903 | 2              |
| 65       | BRH10C3D      | .             | NUT<br>SUPPLIER CODE:<br>V52828<br>SPECIFICATION NUMBER:<br>BACN10JC3CD<br>OPTIONAL PART:<br>T6C1032JCD<br>V11815<br>NS202486-02<br>V80539<br>102LH9075-3W<br>V72962<br>H51650-3BAC<br>V15653 | 101106<br>108120<br>504903 | 2              |
| 68       | PLH53CD       | .             | NUT<br>SUPPLIER CODE:<br>VF0224<br>SPECIFICATION NUMBER:<br>BACN10YR3CD<br>OPTIONAL PART:<br>H52732-3CD<br>V15653   | 101106<br>108120<br>504903 | 20             |
| 70       | BACC10EW24A   | .             | CLAMP STRAP   | 101106<br>108120<br>504903 | 1              |
| 75       | BACC10EW24B   | .             | CLAMP SADDLE  | 101106<br>108120<br>504903 | 1              |

MISSING ITEM NUMBERS NOT APPLICABLE

- ITEM NOT ILLUSTRATED

28-22-07-01A

28-22-07  
FIG. 01A  
PAGE 2  
JAN 20/09

BRI

BOEING PROPRIETARY - Copyright © - Unpublished Work - See title page for details.



757

PARTS CATALOG (MAINTENANCE)

| FIG ITEM | PART NUMBER   | 1 2 3 4 5 6 7 | NOMENCLATURE  | EFFECT FROM TO             | UNITS PER ASSY |
|----------|---------------|---------------|---|----------------------------|----------------|
| 1 A      |               |               |   |                            |                |
| 83       | BACC10EW28A   | .             | CLAMP STRAP   | 101106<br>108120<br>504903 | 10             |
| 88       | BACC10EW28B   | .             | CLAMP SADDLE  | 101106<br>108120<br>504903 | 10             |
| 100      | BACS12GU3K7   | .             | SCREW   | 101106<br>108120<br>504903 | 26             |
| 108      | NAS1149D0316H | .             | WASHER  | 101106<br>108120<br>504903 | 78             |
| 110      | PLH53CD       | .             | NUT<br>SUPPLIER CODE:<br>VF0224<br>SPECIFICATION NUMBER:<br>BACN10YR3CD<br>OPTIONAL PART:<br>H52732-3CD<br>V15653         | 101106<br>108120<br>504903 | 26             |
| R        | 115           | 343N2048-3    | .BRACKET  | 101106<br>108120<br>504903 | 1              |
| R        | 117           | 343N2003-1    | .BRACKET  | 101106<br>108120<br>504903 | 2              |
| R        | 118           | 343N2047-1    | .SUPPORT  | 101102<br>108120<br>504903 | 2              |
| R        | 118           | 343N2047-2    | .SUPPORT  | 103106                     | 2              |
| R        | 120           | 12J63-12A     | .COUPLING ASSY<br>SUPPLIER CODE:<br>V24984<br>SPECIFICATION NUMBER:<br>AS1712D12<br>OPTIONAL PART:<br>83051-12A<br>V79326 | 101106<br>108120<br>504903 | 1              |
|          | 125           | 12J63-16A     | .COUPLING ASSY<br>SUPPLIER CODE:<br>V24984<br>SPECIFICATION NUMBER:<br>AS1712D16<br>OPTIONAL PART:<br>83051-16A<br>V79326 | 101106<br>108120<br>504903 | 1              |
|          | 130           | MS29513-212   | .PACKING  | 101106<br>108120<br>504903 | 3              |

MISSING ITEM NUMBERS NOT APPLICABLE

- ITEM NOT ILLUSTRATED

28-22-07-01A

28-22-07  
FIG. 01A  
PAGE 3  
MAY 20/09

BRI

BOEING PROPRIETARY - Copyright © - Unpublished Work - See title page for details.

 **BOEING**  
757  
**PARTS CATALOG (MAINTENANCE)**

| FIG ITEM  | PART NUMBER | 1 2 3 4 5 6 7 | NOMENCLATURE  | EFFECT FROM TO             | UNITS PER ASSY |
|-----------|-------------|---------------|---|----------------------------|----------------|
| 1A<br>135 | MS29513-216 | .             | PACKING   | 101106<br>108120<br>504903 | 2              |
| 140       | 2S2860      | .             | VALVE-CHECK<br>SUPPLIER CODE:<br>V99240<br>FUNCTIONAL DESCRIPTION:<br>BLOCKS FUEL DISCHARGE<br>GENERATED BY APU PUMP<br>MOTOR FROM PRESSURING<br>ENGINE SUPPLY MANIFOLD | 101106<br>108120<br>504903 | 1              |
| 145       | 343N4001-17 | .             | TUBE ASSY-APU FUEL FEED<br>TUBING MATERIAL:<br>.75 IN. OD .022 IN.<br>WALL 14.8 IN. LG<br>WW-T-700/6 6061 T4<br>SEAMLESS TUBING   | 101106<br>108120<br>504903 | 1              |
| - 150     | S3052-12    | ..            | FERRULE<br>SUPPLIER CODE:<br>V79326<br>SPECIFICATION NUMBER:<br>BACF32E12   | 101106<br>108120<br>504903 | 2              |
| 155       | AS1736-28   | .             | WASHER-COUPLING   | 101106<br>108120<br>504903 | 1              |
| 160       | AS1734D28   | .             | NUT-COUPLING  | 101106<br>108120<br>504903 | 1              |
| 167       | 83051-28A   | .             | COUPLING ASSY<br>SUPPLIER CODE:<br>V79326<br>SPECIFICATION NUMBER:<br>AS1712D28<br>OPTIONAL PART:<br>12J63-28A<br>V24984  | 101106<br>108120<br>504903 | 2              |
| 170       | 83051-32A   | .             | COUPLING ASSY<br>SUPPLIER CODE:<br>V79326<br>SPECIFICATION NUMBER:<br>AS1712D32<br>OPTIONAL PART:<br>12J63-32A<br>V24984  | 101106<br>108120<br>504903 | 4              |
| 175       | 73521-28    | .             | TEE ASSY-<br>SUPPLIER CODE:<br>V79326   | 101106<br>108120<br>504903 | 2              |

MISSING ITEM NUMBERS NOT APPLICABLE

- ITEM NOT ILLUSTRATED

BRI

# 28-22-07-01A

BOEING PROPRIETARY - Copyright © - Unpublished Work - See title page for details.

28-22-07  
FIG. 01A  
PAGE 4  
JAN 20/09



757

PARTS CATALOG (MAINTENANCE)

| FIG ITEM | PART NUMBER | 1 2 3 4 5 6 7 | NOMENCLATURE   | EFFECT FROM TO             | UNITS PER ASSY |
|----------|-------------|---------------|--|----------------------------|----------------|
| 1A       |             |               |  |                            |                |
| 180      | MS29513-032 | .             | PACKING  | 101106<br>108120<br>504903 | 1              |
| 185      | MS29513-326 | .             | PACKING  | 101106<br>108120<br>504903 | 2              |
| 192      | MS29513-328 | .             | PACKING  | 101106<br>108120<br>504903 | 10             |
| 195      | MS29513-330 | .             | PACKING  | 101106<br>108120<br>504903 | 8              |
| 200      | 343N2046-1  | .             | TUBE ASSY-CROSSFEED<br>POSITION DATA:<br>FWD   | 101106<br>108120<br>504903 | 1              |
| - 205    | S3052-28    | ..            | FERRULE<br>SUPPLIER CODE:<br>V79326<br>SPECIFICATION NUMBER:<br>BACF32E28<br>OPTIONAL PART:<br>63052-28<br>V79326                  | 101106<br>108120<br>504903 | 1              |
| - 210    | 63052-12-16 | ..            | FERRULE-<br>SUPPLIER CODE:<br>V79326   | 101106<br>108120<br>504903 | 1              |
| - 215    | 63052-28-32 | ..            | FERRULE-<br>SUPPLIER CODE:<br>V79326   | 101106<br>108120<br>504903 | 1              |
| 220      | 343N4001-16 | .             | TUBE ASSY-OVERRIDE PUMP<br>DISCHARGE<br>TUBING MATERIAL:<br>1.5 IN. OD .025 IN.<br>WALL 8.9 IN. LG<br>WW-T-700/6 6061 T4<br>TUBING | 101106<br>108120<br>504903 | 2              |
| - 225    | S3052-24    | ..            | FERRULE<br>SUPPLIER CODE:<br>V79326<br>SPECIFICATION NUMBER:<br>BACF32E24<br>OPTIONAL PART:<br>63052-24<br>V79326                  | 101106<br>108120<br>504903 | 1              |
| - 230    | 63052-24-28 | ..            | FERRULE-<br>SUPPLIER CODE:<br>V79326   | 101106<br>108120<br>504903 | 1              |

MISSING ITEM NUMBERS NOT APPLICABLE

- ITEM NOT ILLUSTRATED

28-22-07-01A

28-22-07  
FIG. 01A  
PAGE 5  
JAN 20/09

BRI

BOEING PROPRIETARY - Copyright © - Unpublished Work - See title page for details.



757

PARTS CATALOG (MAINTENANCE)

| FIG ITEM    | PART NUMBER | 1 2 3 4 5 6 7 | NOMENCLATURE   | EFFECT FROM TO             | UNITS PER ASSY |
|-------------|-------------|---------------|--|----------------------------|----------------|
| R<br>R<br>R | 1A<br>238   | 343N2002-5    | .TUBE ASSY   | 101106<br>108120<br>504903 | 1              |
|             | 240         | 343N2002-17   | .TUBE ASSY-CROSSFEED<br>POSITION DATA:<br>RH SIDE  | 101106<br>108120<br>504903 | 1              |
|             | 243         | 343N2044-5    | .TUBE ASSY-<br>TUBING MATERIAL:<br>1.75 IN. OD .028 IN.<br>WALL 14.091 IN. LG<br>WW-T-700/6 6061 T4<br>TUBING  | 101106<br>108120<br>504903 | 1              |
|             | - 245       | 63052-28      | ..FERRULE-<br>SUPPLIER CODE:<br>V79326<br>SPECIFICATION NUMBER:<br>AS1716D28<br>OPTIONAL PART:<br>12F63-28A<br>V24984<br>USED ON:<br>343N2002-20<br>343N2002-5 | 101106<br>108120<br>504903 | 3              |
|             | - 250       | 63052-28      | ..FERRULE-<br>SUPPLIER CODE:<br>V79326<br>SPECIFICATION NUMBER:<br>AS1716D28<br>OPTIONAL PART:<br>12F63-28A<br>V24984<br>USED ON:<br>343N2002-17               | 101106<br>108120<br>504903 | 2              |
|             | - 253       | 63052-28      | ..FERRULE-<br>SUPPLIER CODE:<br>V79326<br>SPECIFICATION NUMBER:<br>AS1716D28<br>OPTIONAL PART:<br>12F63-28A<br>V24984<br>USED ON:<br>343N2044-5                | 101106<br>108120<br>504903 | 2              |
|             | - 255       | AS1732D28     | ..FERRULE-<br>USED ON:<br>343N2002-17  | 101106<br>108120<br>504903 | 1              |
|             | 260         | BACS12GU3K7   | .SCREW   | 101106<br>108120<br>504903 | 20             |

MISSING ITEM NUMBERS NOT APPLICABLE

- ITEM NOT ILLUSTRATED

28-22-07-01A

28-22-07  
FIG. 01A  
PAGE 6  
MAY 20/09

BRI



757

PARTS CATALOG (MAINTENANCE)

| FIG ITEM | PART NUMBER   | 1 2 3 4 5 6 7 | NOMENCLATURE  | EFFECT FROM TO             | UNITS PER ASSY |
|----------|---------------|---------------|---|----------------------------|----------------|
| 1A       |               |               |   |                            |                |
| 265      | NAS1149D0316H | .             | WASHER  | 101106<br>108120<br>504903 | 12             |
| 270      | NAS1149D0316J | .             | WASHER  | 101106<br>108120<br>504903 | 8              |
| 275      | PLH53CD       | .             | NUT<br>SUPPLIER CODE:<br>VF0224<br>SPECIFICATION NUMBER:<br>BACN10YR3CD<br>OPTIONAL PART:<br>H52732-3CD<br>V15653   | 101106<br>108120<br>504903 | 12             |
| 280      | 343N2005-1    | .             | BRACKET ASSY  | 101106<br>108120<br>504903 | 1              |
| 285      | 343N2004-1    | .             | BRACKET   | 101106<br>108120<br>504903 | 1              |
| 290      | 125334D1      | .             | VALVE BODY-<br>CROSSFEED<br>SUPPLIER CODE:<br>V73760<br>FUNCTIONAL DESCRIPTION:<br>ELECTRICALLY OPERATED<br>VALVE USED FOR<br>CROSSFEED, JETTISON<br>ISOLATION, DEFUEL AND<br>ENGINE SHUTOFF<br>SPECIFICATION NUMBER:<br>S343T003-40<br>COMPONENT MAINT MANUAL REF:<br>28-25-14 | 101106<br>108120<br>504903 | 2              |
| 295      | BACS12GU3K8   | .             | SCREW   | 101106<br>108120<br>504903 | 4              |
| 300      | NAS1149D0316H | .             | WASHER  | 101106<br>108120<br>504903 | 8              |
| 305      | PLH53CD       | .             | NUT<br>SUPPLIER CODE:<br>VF0224<br>SPECIFICATION NUMBER:<br>BACN10YR3CD<br>OPTIONAL PART:<br>H52732-3CD<br>V15653   | 101106<br>108120<br>504903 | 4              |

MISSING ITEM NUMBERS NOT APPLICABLE

- ITEM NOT ILLUSTRATED

28-22-07-01A

28-22-07  
FIG. 01A  
PAGE 7  
JAN 20/09

BRI

BOEING PROPRIETARY - Copyright © - Unpublished Work - See title page for details.



757

PARTS CATALOG (MAINTENANCE)

| FIG ITEM  | PART NUMBER | 1 2 3 4 5 6 7 | NOMENCLATURE   | EFFECT FROM TO             | UNITS PER ASSY |
|-----------|-------------|---------------|--|----------------------------|----------------|
| 1A<br>310 | 740A20-6    |               | . JUMPER ASSY<br>SUPPLIER CODE:<br>V91812<br>SPECIFICATION NUMBER:<br>BACJ40A20-6<br>OPTIONAL PART:<br>TJEJ40A20-6<br>V33483<br>RBEJ20-6<br>V1GK47 | 101106<br>108120<br>504903 | 1              |
|           | 312         | BACJ40A20-8   | . JUMPER ASSY  | 101106<br>108120<br>504903 | 1              |
| R         | 313         | BACB30NR4K7   | . BOLT   | 101106<br>108120<br>504903 | 8              |
| R         | 315         | BACS12HM08H8  | . SCREW  | 101106<br>108120<br>504903 | 5              |
| R         | 318         | NAS1149D0416H | . WASHER   | 101106<br>108120<br>504903 | 8              |
| R         | 320         | BACW10BP2NDP  | . WASHER   | 101106<br>108120<br>504903 | 16             |

MISSING ITEM NUMBERS NOT APPLICABLE

- ITEM NOT ILLUSTRATED

28-22-07-01A

28-22-07  
FIG. 01A  
PAGE 8  
MAY 20/09

BRI

BOEING PROPRIETARY - Copyright © - Unpublished Work - See title page for details.

**BOEING**  
757  
**PARTS CATALOG (MAINTENANCE)**

| FIG ITEM  | PART NUMBER | 1 2 3 4 5 6 7 | NOMENCLATURE  | EFFECT FROM TO             | UNITS PER ASSY |
|-----------|-------------|---------------|---|----------------------------|----------------|
| 1A<br>325 | MA20A1001-1 |               | .ACTUATOR ASSY-<br>SUPPLIER CODE:<br>V73760<br>FUNCTIONAL DESCRIPTION:<br>PROVIDES ELECTRIC<br>ACTUATION FOR REMOTE<br>CONTROL OF VARIOUS<br>VALVES<br>SPECIFICATION NUMBER:<br>S343T003-39<br>MISCELLANEOUS DATA:<br>CUSTOMER SHOULD REVIEW<br>BOEING FLEET TEAM<br>DIGEST ARTICLE<br>737NG-FTD-28-06003 FOR<br>STATUS OF RELIABILITY<br>CONCERNS ASSOCIATED<br>WITH THIS PART.<br>SERVICE LETTERS<br>737-SL-28-069 AND<br>757-SL-28-042/<br>767-SL-28-039/<br>777-SL-28-020 ALL<br>PROVIDE MORE INFORMATION<br>ABOUT THE FUEL SYSTEM<br>MOTOR OPERATED VALVE<br>ACTUATORS.<br>COMPONENT MAINT MANUAL REF:<br>28-25-17<br>QUALIFIED I/W DATA:<br>MA20A2027 MAY REPLACE<br>BUT NOT BE REPLACED BY<br>MA20A1001-1 SUBJECT TO<br>INCORPORATION OF SERVICE<br>BULLETIN 757-28A0088.<br>MA30A1001 MAY REPLACE<br>MA20A1001-1 SUBJECT<br>TO INCORPORATION<br>OF S.B. 757-28A0088.<br>MA11A1265-1 MAY REPLACE<br>MA20A1001-1 ONE WAY ON<br>757 AND 767 AIRPLANES<br>ONLY.<br>PRE ALERT SB:<br>28A0088 | 101106<br>108120<br>504903 | 2              |

MISSING ITEM NUMBERS NOT APPLICABLE

— ITEM NOT ILLUSTRATED

BRI

**28-22-07-01A**

BOEING PROPRIETARY - Copyright © - Unpublished Work - See title page for details.

28-22-07  
FIG. 01A  
PAGE 9  
MAY 20/09





757

PARTS CATALOG (MAINTENANCE)

| FIG ITEM   | PART NUMBER   | 1 2 3 4 5 6 7 | NOMENCLATURE   | EFFECT FROM TO             | UNITS PER ASSY |
|------------|---------------|---------------|--|----------------------------|----------------|
| 1 A<br>325 | MA11A1265-1   |               | .ACTUATOR ASSY-<br>SUPPLIER CODE:<br>V73760<br>SPECIFICATION NUMBER:<br>S343T003-41<br>COMPONENT MAINT MANUAL REF:<br>28-25-12<br>QUALIFIED I/W DATA:<br>MA30A1001 AND<br>MA11A1265-1 ARE TWO WAY<br>INTERCHANGEABLE ON THE<br>757 AND 767 ONLY.<br>MA11A1265-1 MAY REPLACE<br>MA20A1001-1 ONE WAY ON<br>757 AND 767 AIRPLANES<br>ONLY.<br>MA20A2027 AND<br>MA11A1265-1 ARE TWO WAY<br>INTERCHANGEABLE ON 757<br>AND 767 AIR PLANES ONLY.<br>S.B. 757-28A0088 AND<br>767-28A0090 MUST BE<br>COMPLETED TO INSTALL<br>PART NUMBER MA20A2027. | 101106<br>108120<br>504903 | 2              |
|            | 325 MA30A1001 |               | .ACTUATOR ASSY-<br>SUPPLIER CODE:<br>V73760<br>FUNCTIONAL DESCRIPTION:<br>ACTUATOR ASSEMBLY OPENS<br>AND CLOSES A FUEL VALVE<br>SPECIFICATION NUMBER:<br>S343T003-66<br>QUALIFIED I/W DATA:<br>MA30A1001 AND<br>MA11A1265-1 ARE TWO WAY<br>INTERCHANGEABLE ON THE<br>757 AND 767 ONLY.<br>MA30A1001 MAY REPLACE<br>MA20A1001-1 SUBJECT<br>TO INCORPORATION OF<br>S.B. 757-28A0088.<br>POST ALERT SB:<br>28A0088  | 101106<br>108120<br>504903 | 2              |

MISSING ITEM NUMBERS NOT APPLICABLE

- ITEM NOT ILLUSTRATED

28-22-07-01A

28-22-07  
FIG. 01A  
PAGE 10  
MAY 20/09

BRI



757

PARTS CATALOG (MAINTENANCE)

| FIG ITEM  | PART NUMBER | 1 2 3 4 5 6 7 | NOMENCLATURE   | EFFECT FROM TO             | UNITS PER ASSY |
|-----------|-------------|---------------|--|----------------------------|----------------|
| 1A<br>330 | 125329B8    | .             | ADAPTER ASSY-SHAFT<br>CROSSFEED VALVE<br>SUPPLIER CODE:<br>V73760<br>POSITION DATA:<br>AFT<br>SPECIFICATION NUMBER:<br>S343T003-21<br>COMPONENT MAINT MANUAL REF:<br>28-25-13  | 101106<br>108120<br>504903 | 1              |
| 335       | 125329B12   | .             | ADAPTER ASSY-SHAFT<br>CROSSFEED VALVE<br>SUPPLIER CODE:<br>V73760<br>POSITION DATA:<br>FWD<br>FUNCTIONAL DESCRIPTION:<br>PROVIDES AN EXTENSION<br>(STRAIGHT OR OFFSET)<br>BETWEEN THE ROTARY FUEL<br>AND THE FUEL SHUTOFF<br>VALVE ACTUATOR<br>SPECIFICATION NUMBER:<br>S343T003-25<br>COMPONENT MAINT MANUAL REF:<br>28-25-13 | 101106<br>108120<br>504903 | 1              |
| 340       | 343N4001-15 | .             | TUBE ASSY-CROSSFEED<br>POSITION DATA:<br>AFT<br>TUBING MATERIAL:<br>1.75 IN. OD .028 IN.<br>WALL 34.11 IN. LG<br>WW-T-700/6 6061 T4<br>TUBING  | 101106<br>108120<br>504903 | 1              |
| - 345     | S3052-28    | ..            | FERRULE<br>SUPPLIER CODE:<br>V79326<br>SPECIFICATION NUMBER:<br>BACF32E28<br>OPTIONAL PART:<br>63052-28<br>V79326  | 101106<br>108120<br>504903 | 1              |
| - 350     | 63052-28-32 | ..            | FERRULE-<br>SUPPLIER CODE:<br>V79326   | 101106<br>108120<br>504903 | 1              |
| 355       | 343N2002-1  | .             | TUBE ASSY-CROSSFEED<br>POSITION DATA:<br>FWD   | 101106<br>108120<br>504903 | 1              |

MISSING ITEM NUMBERS NOT APPLICABLE

- ITEM NOT ILLUSTRATED

28-22-07-01A

28-22-07  
FIG. 01A  
PAGE 11  
MAY 20/09

BRI

 **BOEING**  
757  
**PARTS CATALOG (MAINTENANCE)**

| FIG<br>ITEM | PART NUMBER | 1 2 3 4 5 6 7 | NOMENCLATURE  | EFFECT<br>FROM TO          | UNITS<br>PER<br>ASSY |
|-------------|-------------|---------------|---|----------------------------|----------------------|
| 1 A<br>360  | 343N2002-2  |               | .TUBE ASSY-CROSSFEED<br>POSITION DATA:<br>FWD   | 101106<br>108120<br>504903 | 1                    |
| - 365       | AS1737D28   |               | ..FERRULE-<br>USED ON:<br>343N2002-2  | 101106<br>108120<br>504903 | 1                    |
| - 370       | 63052-28-32 |               | ..FERRULE-<br>SUPPLIER CODE:<br>V79326<br>USED ON:<br>343N2002-1<br>343N2002-2  | 101106<br>108120<br>504903 | 1                    |
| - 375       | 63052-28    |               | ..FERRULE-<br>SUPPLIER CODE:<br>V79326<br>SPECIFICATION NUMBER:<br>AS1716D28<br>OPTIONAL PART:<br>12F63-28A<br>V24984<br>USED ON:<br>343N2002-1 | 101106<br>108120<br>504903 | 1                    |

MISSING ITEM NUMBERS NOT APPLICABLE

- ITEM NOT ILLUSTRATED

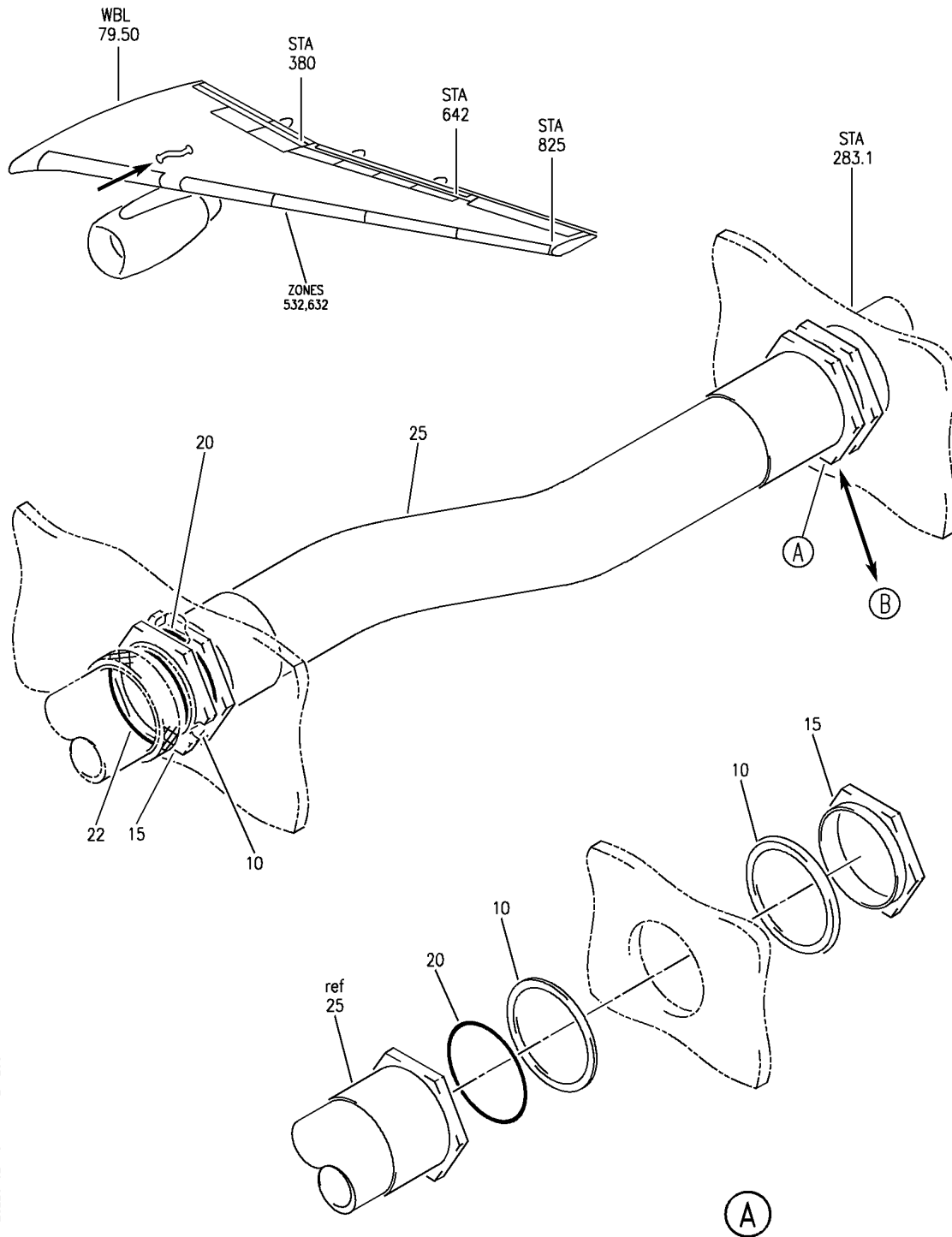
BRI

# 28-22-07-01A

BOEING PROPRIETARY - Copyright © - Unpublished Work - See title page for details.

28-22-07  
FIG. 01A  
PAGE 12  
MAY 20/09

**BOEING**  
757  
PARTS CATALOG (MAINTENANCE)



Y 28220702 SHT 1 REV 295

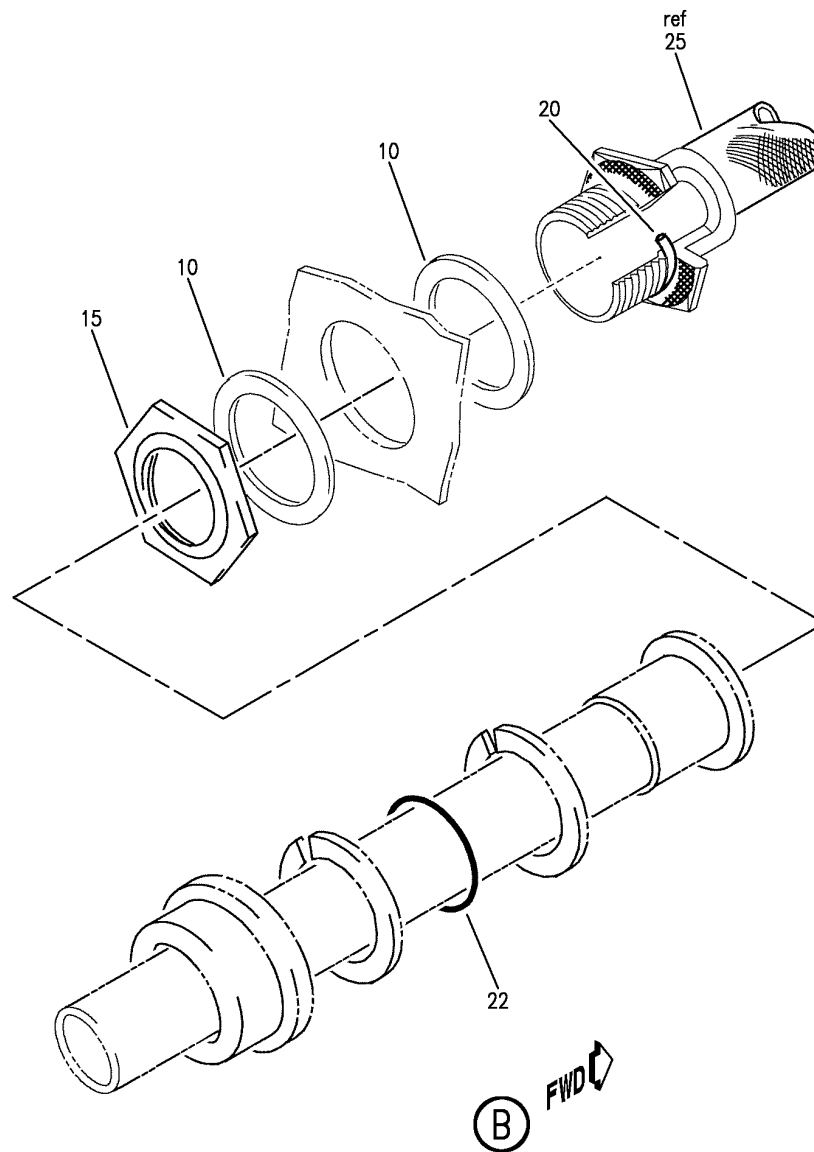
HOSE AND TUBING INSTL ENG FUEL FEED LH, RH DRY BAY 757-200, 757-300  
FIGURE 2 (SHEET 1)

**28-22-07-02**

BRI  
MAY 28/07

28-22-07-02  
PAGE 0

**BOEING**  
757  
PARTS CATALOG (MAINTENANCE)



Y 28220702 SH1 2 REV 295

HOSE AND TUBING INSTL ENG FUEL FEED LH, RH DRY BAY 757-200, 757-300  
FIGURE 2 (SHEET 2)

BRI  
MAY 28/07

**28-22-07-02**

28-22-07-02  
PAGE 0A



757

PARTS CATALOG (MAINTENANCE)

| FIG ITEM | PART NUMBER   | 1 2 3 4 5 6 7 | NOMENCLATURE   | EFFECT FROM TO             | UNITS PER ASSY |
|----------|---------------|---------------|--|----------------------------|----------------|
| 2        |               |               | HOSE AND TUBING INSTL<br>ENG FUEL FEED<br>LH, RH DRY BAY<br>757-200, 757-300                                     | 101106<br>108120<br>504903 |                |
| - 3      | 343N4001-39   |               | HOSE INSTL-ENG FUEL FEED<br>DRY BAY, 757-200<br>POSITION DATA:<br>LH SIDE<br>FOR NHA SEE:<br>28-00-00-05         | 101102<br>108120<br>504903 | RF             |
| - 3      | MODREF13707   |               | HOSE INSTL-ENG FUEL FEED<br>DRY BAY, 757-200<br>MODULE NUMBER:<br>343N4001-39 REV A<br>POSITION DATA:<br>LH SIDE | 103103                     | 1              |
| - 3      | MODREF28189   |               | HOSE INSTL-ENG FUEL FEED<br>DRY BAY, 757-200<br>MODULE NUMBER:<br>343N4001-39 REV B<br>POSITION DATA:<br>LH SIDE | 104106                     | 1              |
| - 7      | 343N4001-40   |               | HOSE INSTL-ENG FUEL FEED<br>DRY BAY, 757-200<br>POSITION DATA:<br>RH SIDE<br>FOR NHA SEE:<br>28-00-00-05         | 101102<br>108120<br>504903 | RF             |
| - 7      | MODREF13708   |               | HOSE INSTL-ENG FUEL FEED<br>DRY BAY, 757-200<br>MODULE NUMBER:<br>343N4001-40 REV A<br>POSITION DATA:<br>RH SIDE | 103103                     | 1              |
| - 7      | MODREF28190   |               | HOSE INSTL-ENG FUEL FEED<br>DRY BAY, 757-200<br>MODULE NUMBER:<br>343N4001-40 REV B<br>POSITION DATA:<br>RH SIDE | 104106                     | 1              |
| 10       | NAS1149D4016J |               | .WASHER  | 101106<br>108120<br>504903 | 3              |
| 15       | 108144-5      |               | .NUT-JAM<br>SUPPLIER CODE:<br>V78570   | 101106<br>108120<br>504903 | 2              |
| 20       | MS29513-231   |               | .PACKING   | 101106<br>108120<br>504903 | 2              |

MISSING ITEM NUMBERS NOT APPLICABLE

- ITEM NOT ILLUSTRATED

28-22-07-02

28-22-07  
FIG. 02  
PAGE 1  
JAN 20/09

BRI



757

PARTS CATALOG (MAINTENANCE)

| FIG ITEM | PART NUMBER | 1 2 3 4 5 6 7 | NOMENCLATURE                                     | EFFECT FROM TO             | UNITS PER ASSY |
|----------|-------------|---------------|--|----------------------------|----------------|
| 2        |             |               |  |                            |                |
| 22       | MS29513-328 |               | .PACKING-<br>POST SERVICE BULLETIN:<br>28A0076R1 | 101106<br>108120<br>504903 | 2              |
| 25       | 108144-1    |               | .HOSE ASSY-<br>SUPPLIER CODE:<br>V78570          | 101106<br>108120<br>504903 | 1              |

MISSING ITEM NUMBERS NOT APPLICABLE

- ITEM NOT ILLUSTRATED

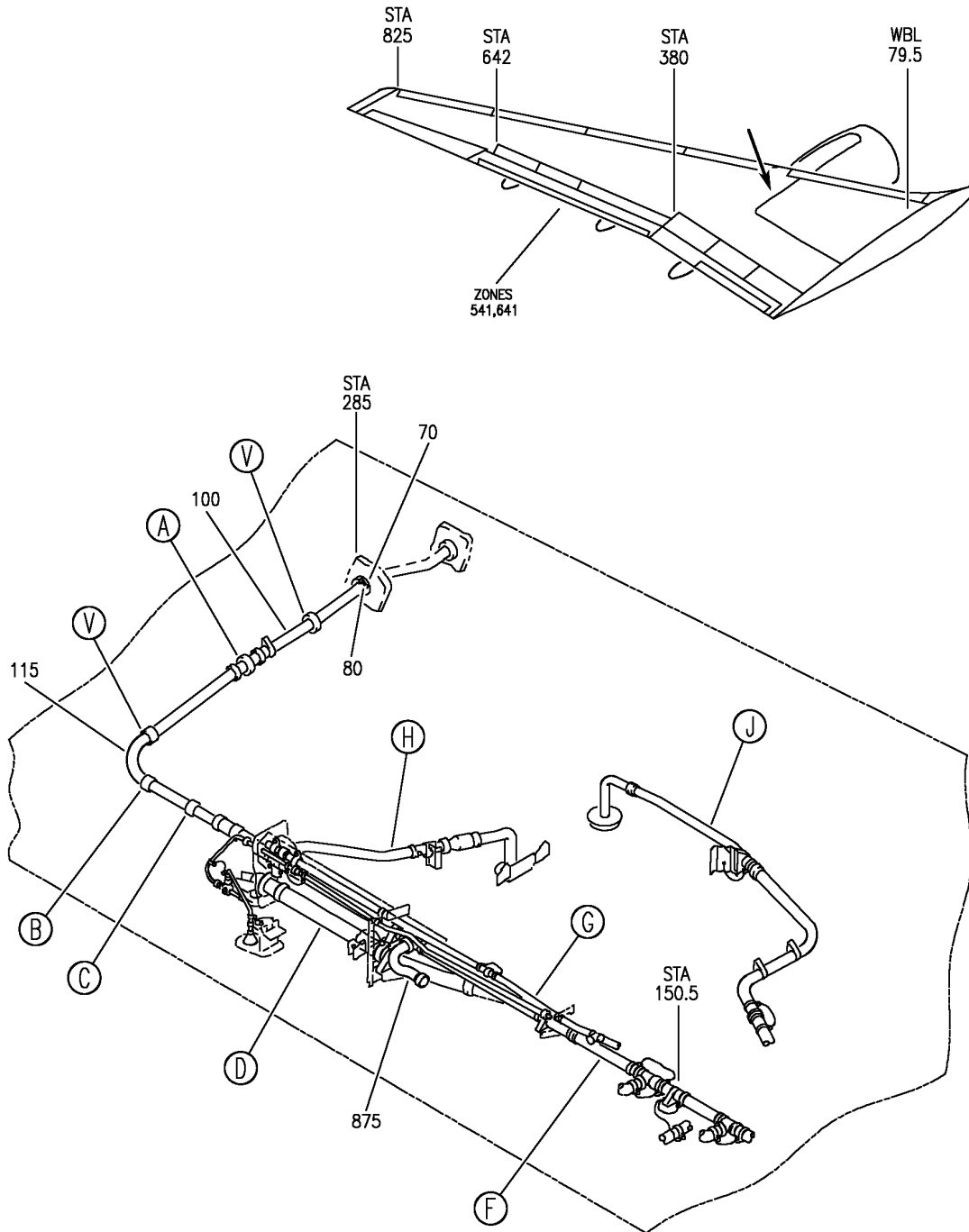
BRI

28-22-07-02

BOEING PROPRIETARY - Copyright © - Unpublished Work - See title page for details.

28-22-07  
FIG. 02  
PAGE 2  
JAN 20/09

**BOEING**  
757  
PARTS CATALOG (MAINTENANCE)



Y 28220702A SHT 1 REV 248

TUBING INSTL-ENG FUEL FEED 757-200 AND -300  
FIGURE 2A (SHEET 1)

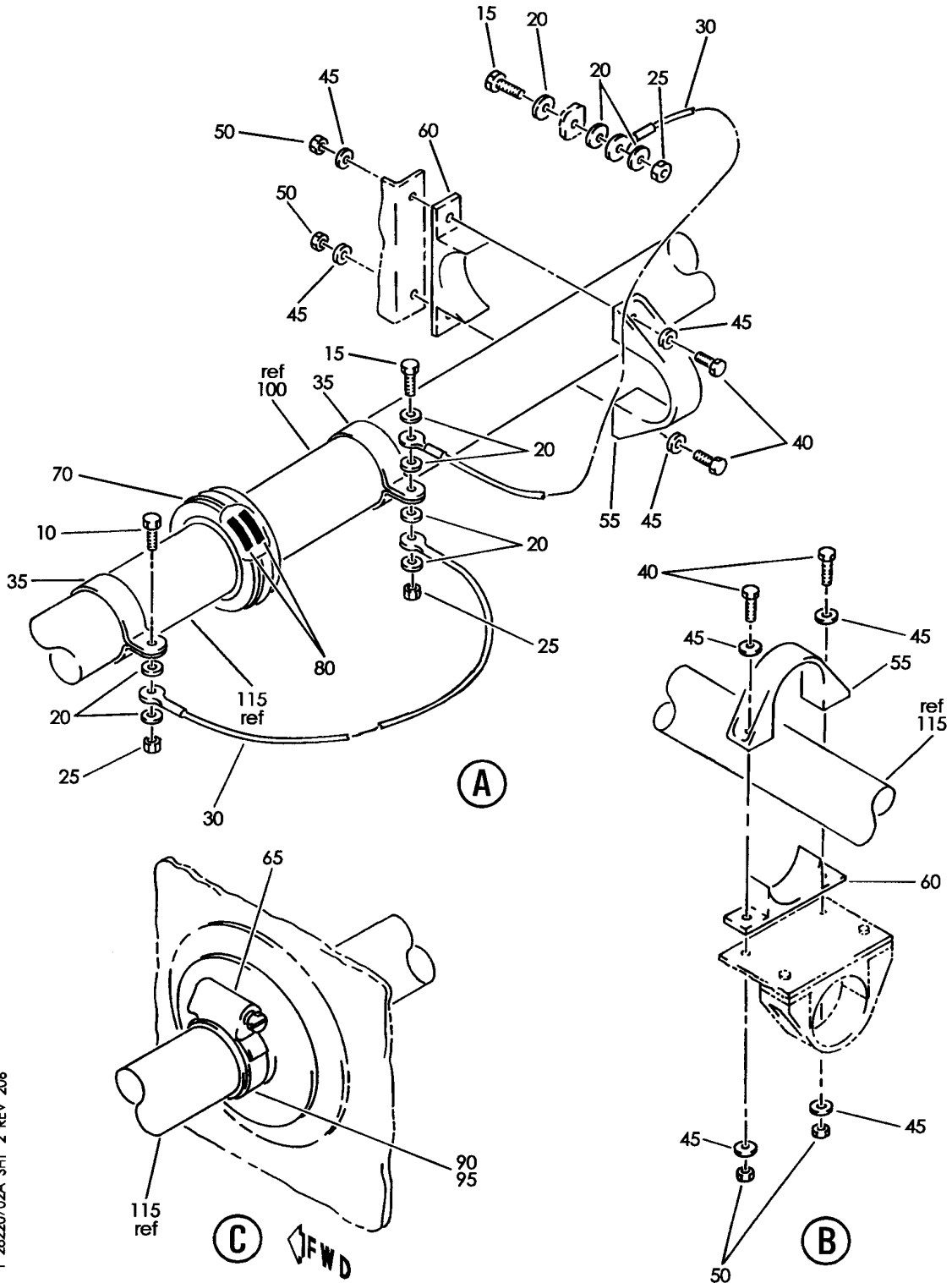
**28-22-07-02A**

BRI  
MAY 28/07

28-22-07-02A  
PAGE 0



**BOEING**  
757  
PARTS CATALOG (MAINTENANCE)



Y 28220702A SHT 2 REV 206

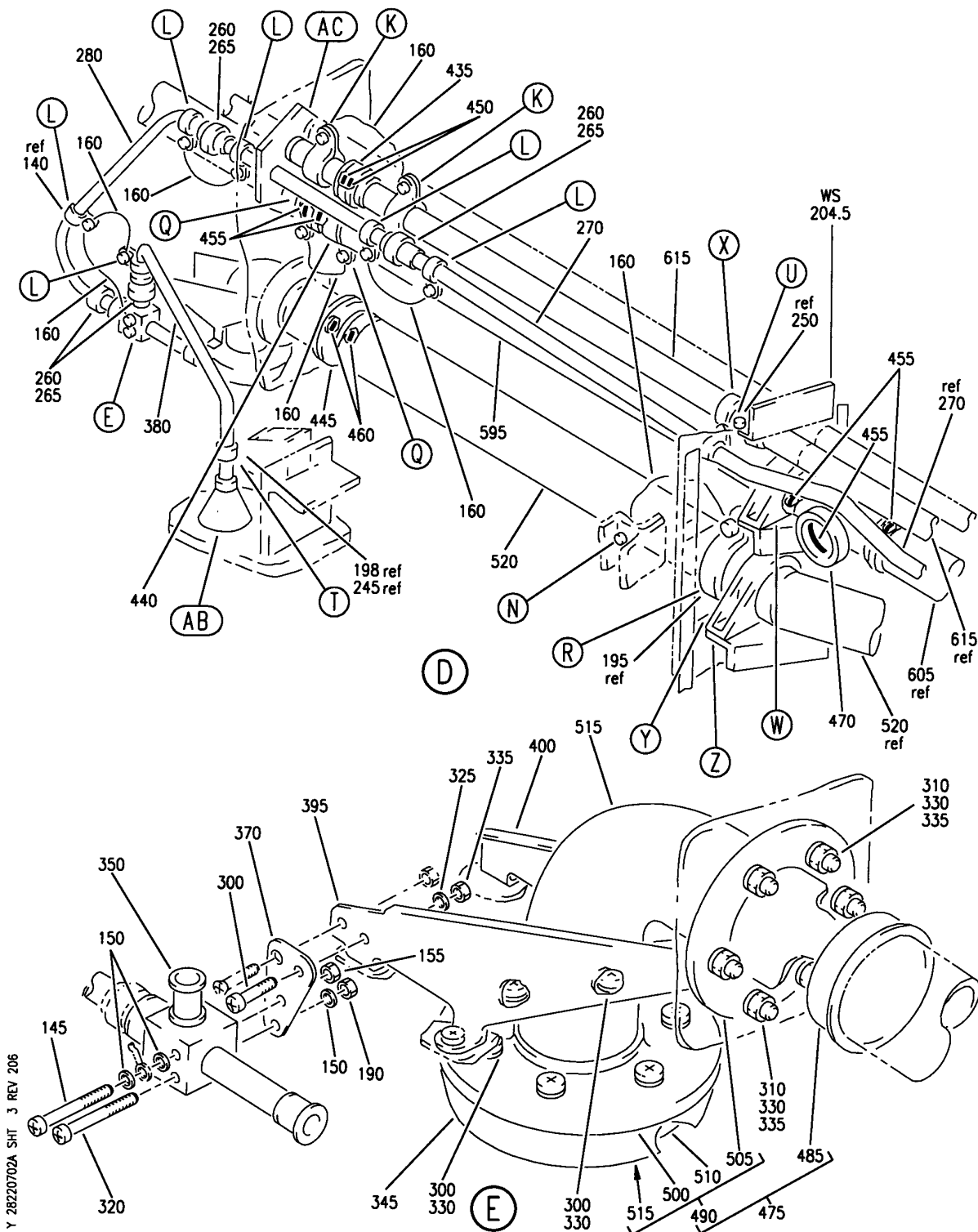
TUBING INSTL-ENG FUEL FEED 757-200 AND -300  
FIGURE 2A (SHEET 2)

**28-22-07-02A**

BRI  
MAY 28/07

28-22-07-02A  
PAGE 0A

**BOEING**  
757  
**PARTS CATALOG (MAINTENANCE)**



Y 28220702A SHT 3 REV 206

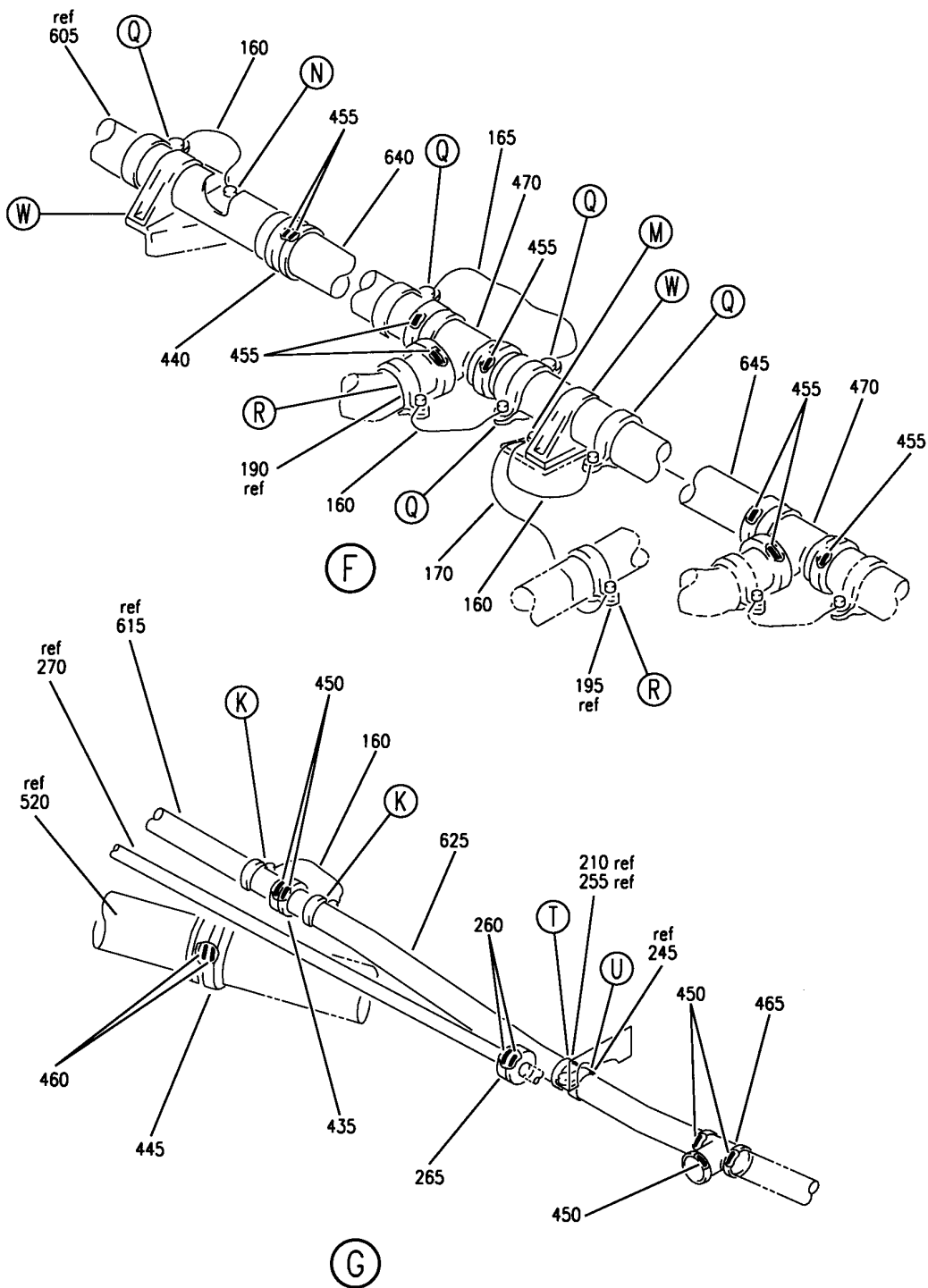
TUBING INSTL-ENG FUEL FEED 757-200 AND -300  
FIGURE 2A (SHEET 3)

**28-22-07-02A**

BRI  
MAY 28/07

28-22-07-02A  
PAGE 0B

**BOEING**  
757  
PARTS CATALOG (MAINTENANCE)



Y 28220702A SHT 4 REV 206

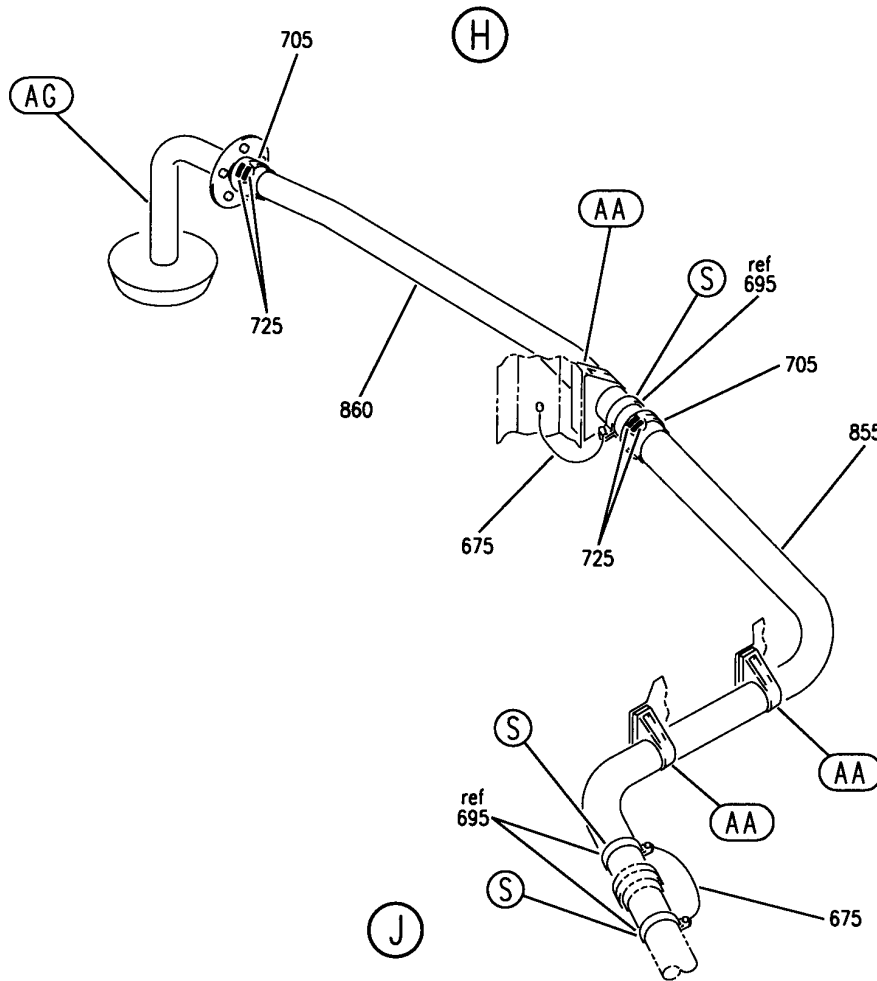
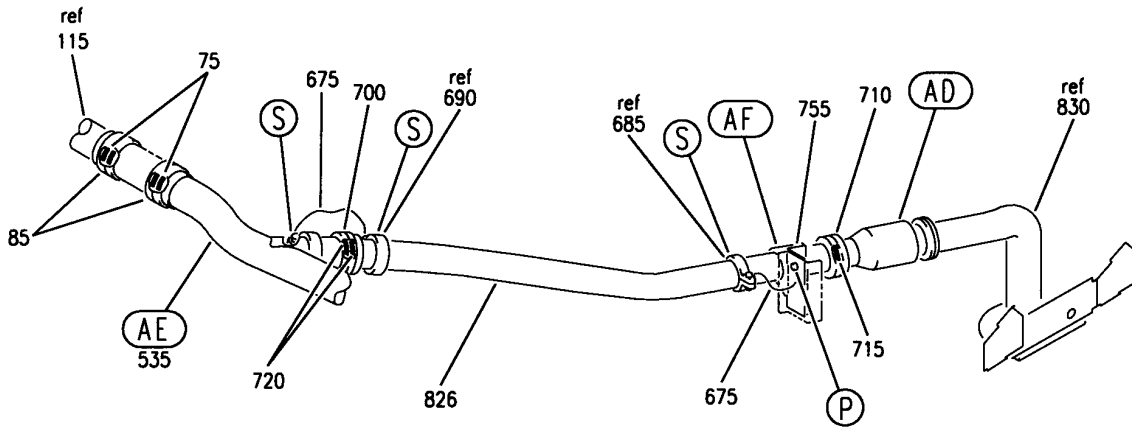
TUBING INSTL-ENG FUEL FEED 757-200 AND -300  
FIGURE 2A (SHEET 4)

**28-22-07-02A**

BRI  
MAY 28/07

28-22-07-02A  
PAGE 0C

**BOEING**  
757  
PARTS CATALOG (MAINTENANCE)



Y 28220702A SHT 5 REV 206

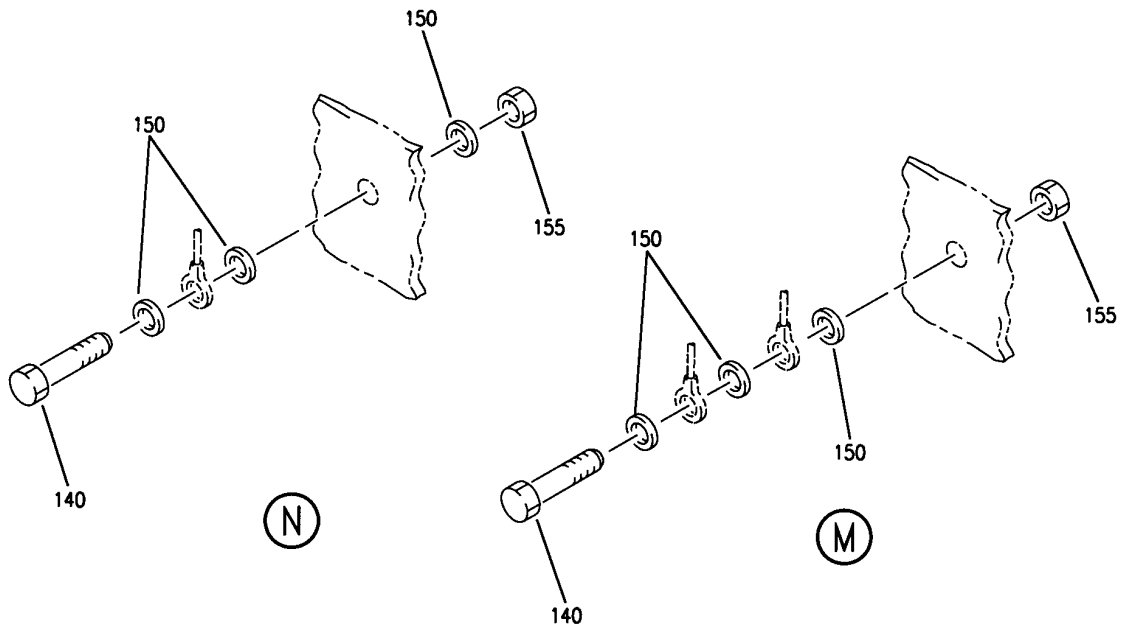
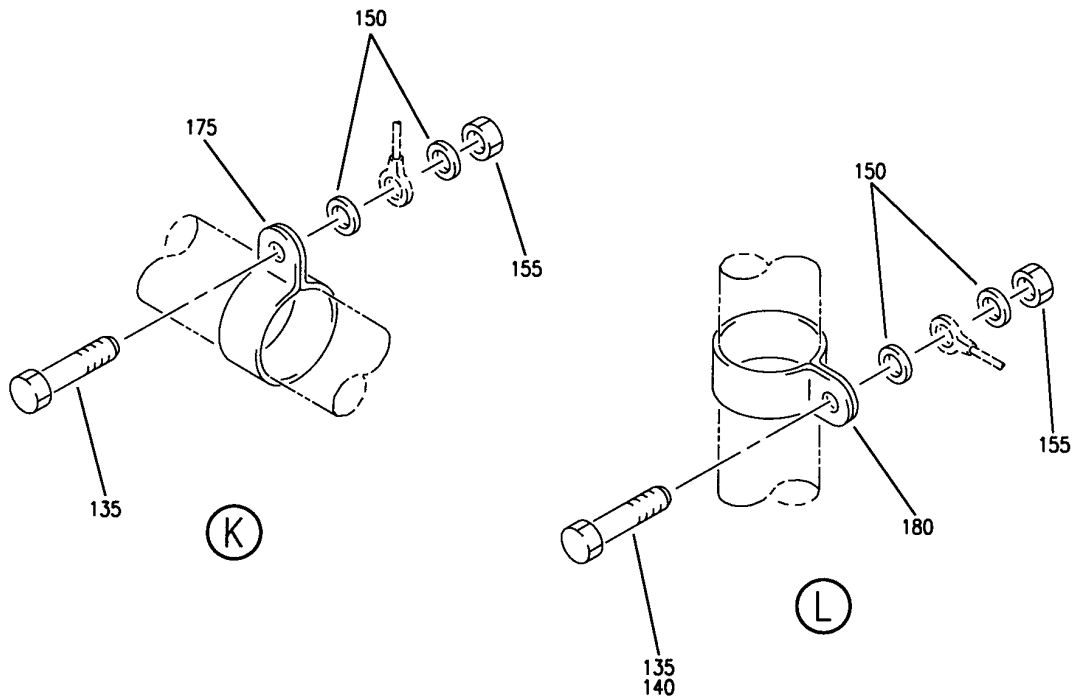
TUBING INSTL-ENG FUEL FEED 757-200 AND -300  
FIGURE 2A (SHEET 5)

**28-22-07-02A**

BRI  
MAY 28/07

28-22-07-02A  
PAGE 0D

**BOEING**  
757  
PARTS CATALOG (MAINTENANCE)



Y 28220702A SHT 6 REV 206

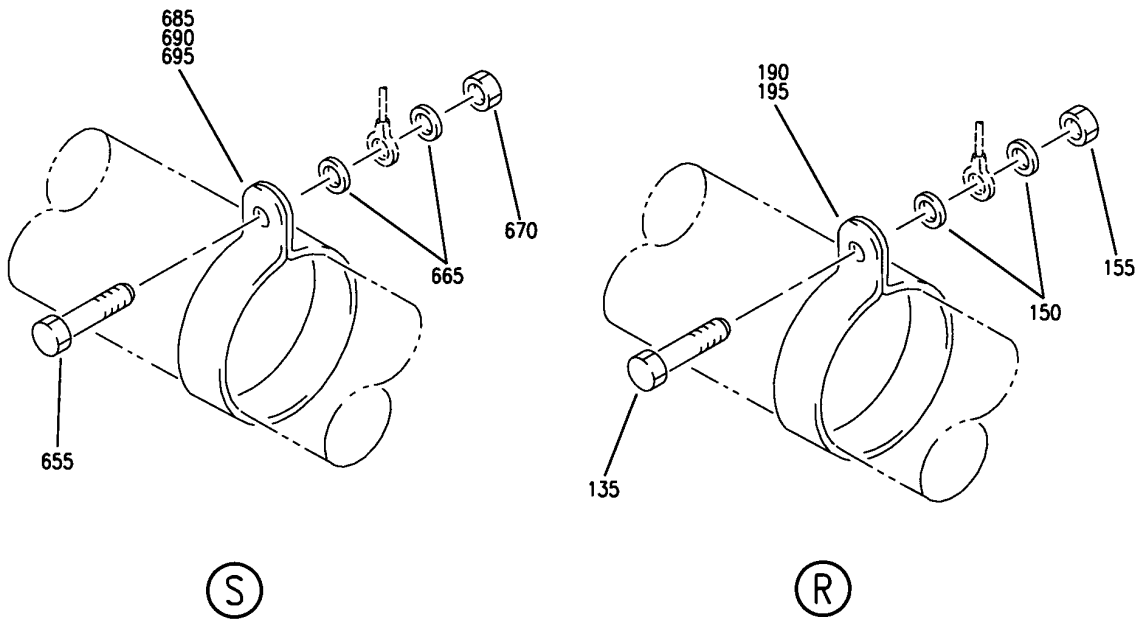
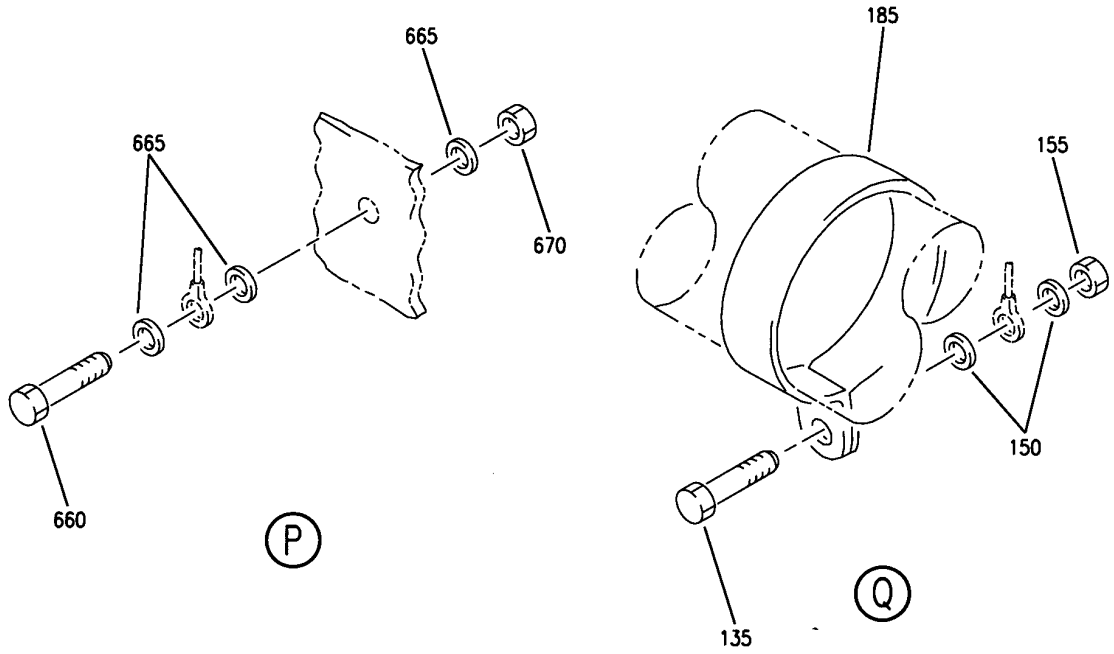
TUBING INSTL-ENG FUEL FEED 757-200 AND -300  
FIGURE 2A (SHEET 6)

**28-22-07-02A**

BRI  
MAY 28/07

28-22-07-02A  
PAGE 0E

**BOEING**  
757  
PARTS CATALOG (MAINTENANCE)



Y 28220702A SHT 7 REV 206

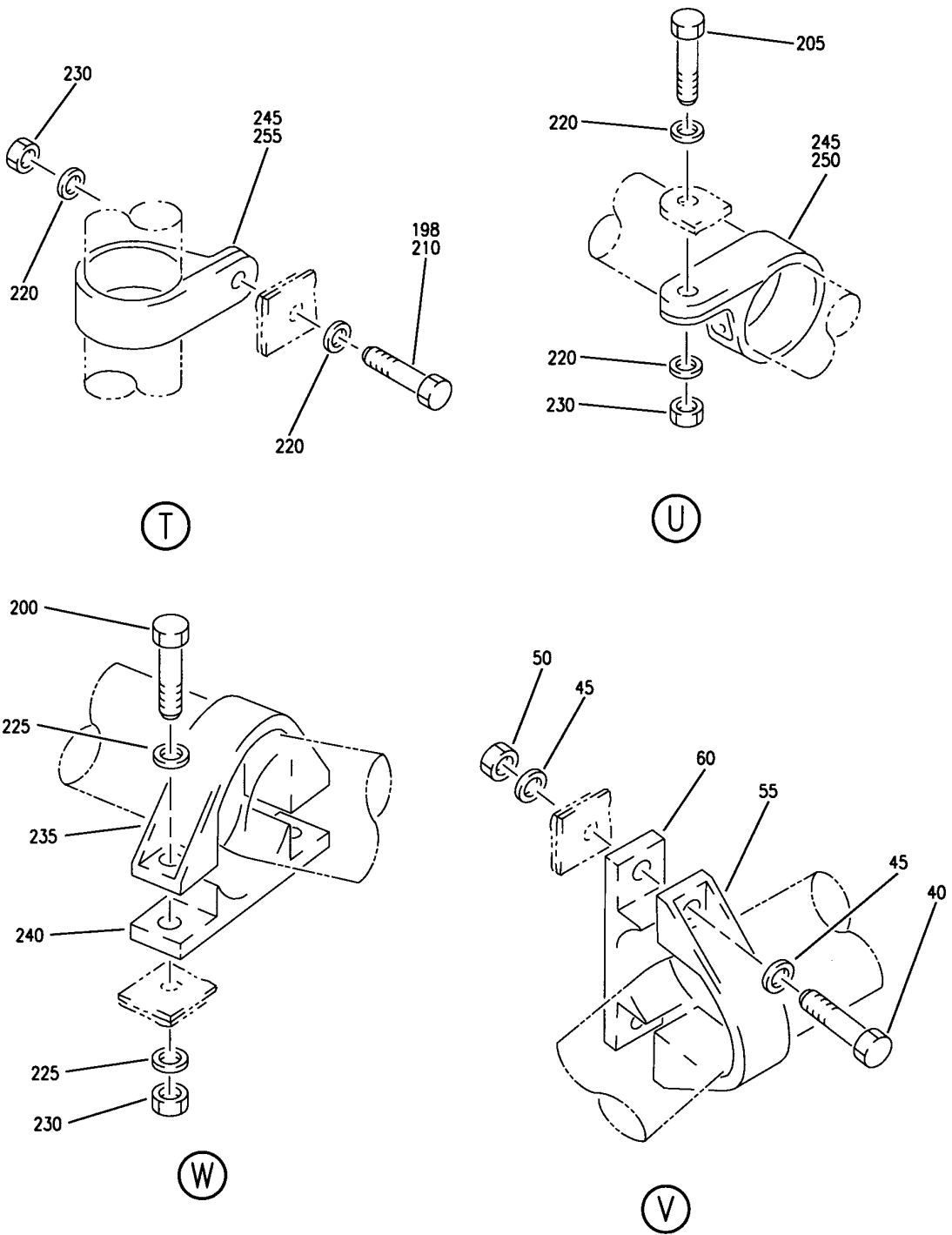
TUBING INSTL-ENG FUEL FEED 757-200 AND -300  
FIGURE 2A (SHEET 7)

**28-22-07-02A**

BRI  
MAY 28/07

28-22-07-02A  
PAGE OF

**BOEING**  
757  
PARTS CATALOG (MAINTENANCE)



Y 28220702A SHT 8 REV 206

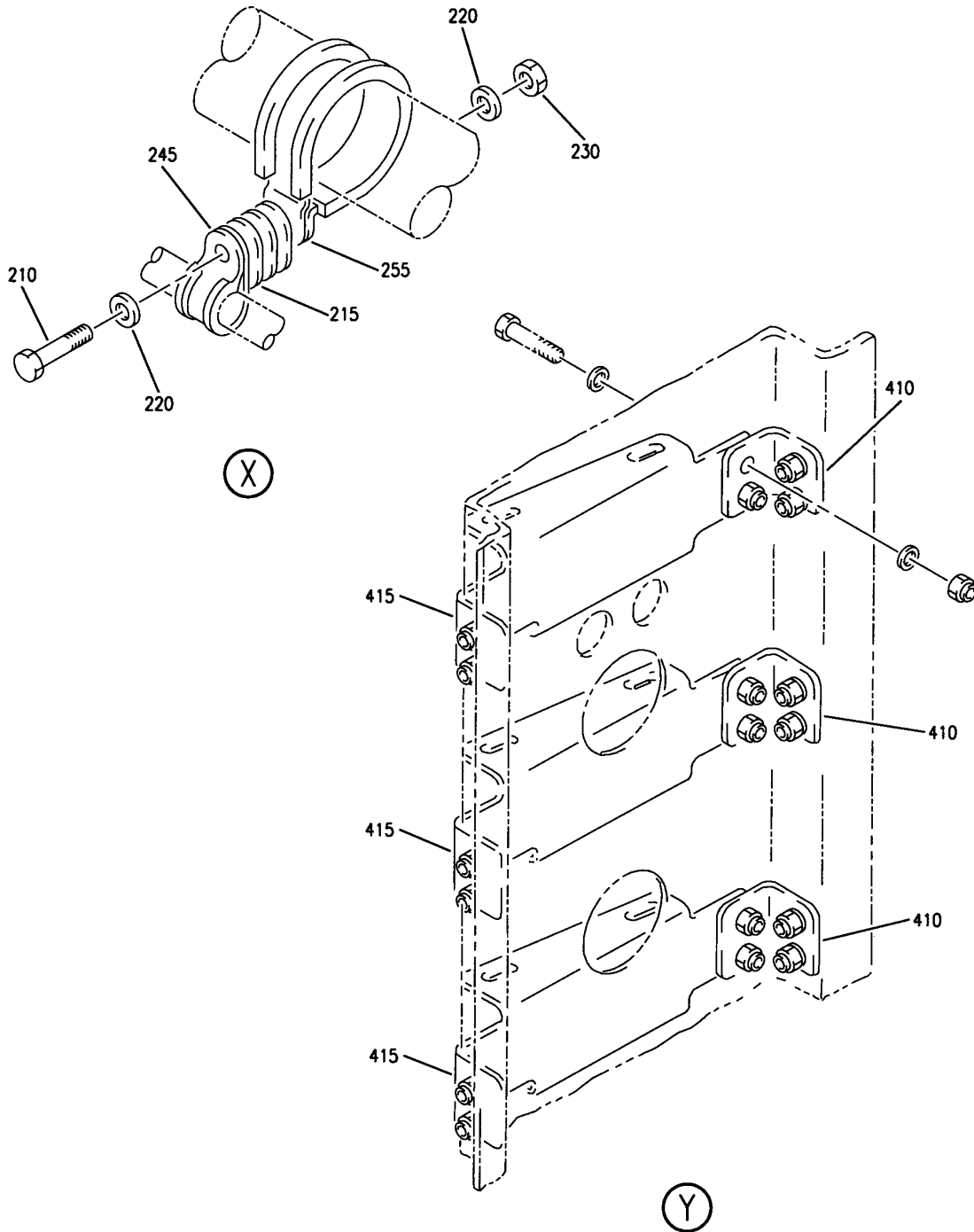
TUBING INSTL-ENG FUEL FEED 757-200 AND -300  
FIGURE 2A (SHEET 8)

**28-22-07-02A**

BRI  
MAY 28/07

28-22-07-02A  
PAGE 06

**BOEING**  
 757  
 PARTS CATALOG (MAINTENANCE)



Y 28220702A SHT 9 REV 206

TUBING INSTL-ENG FUEL FEED 757-200 AND -300  
 FIGURE 2A (SHEET 9)

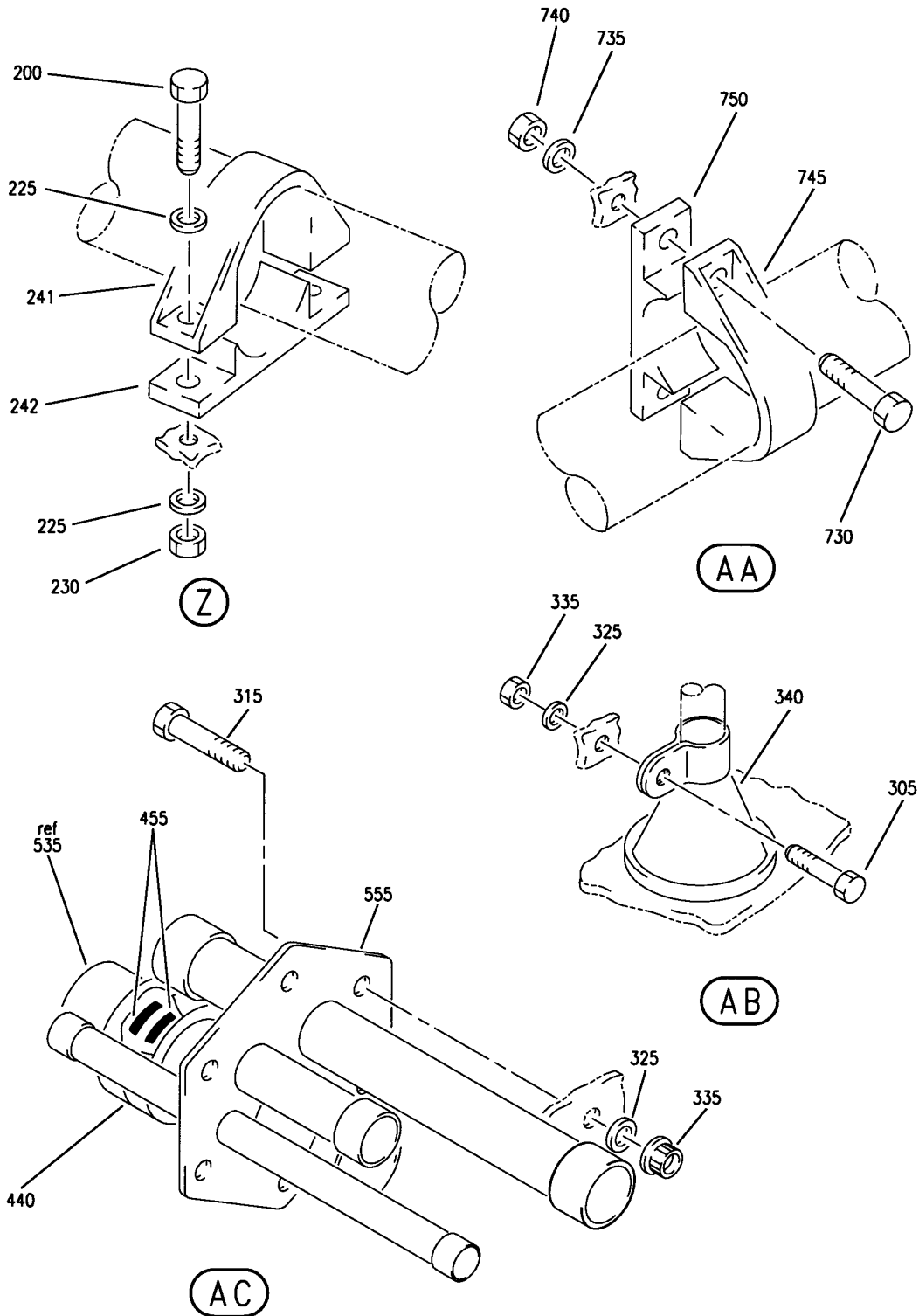
**28-22-07-02A**

BRI  
 MAY 28/07

28-22-07-02A  
 PAGE 0H



**BOEING**  
757  
PARTS CATALOG (MAINTENANCE)



Y 28220702A SHT 10 REV 206

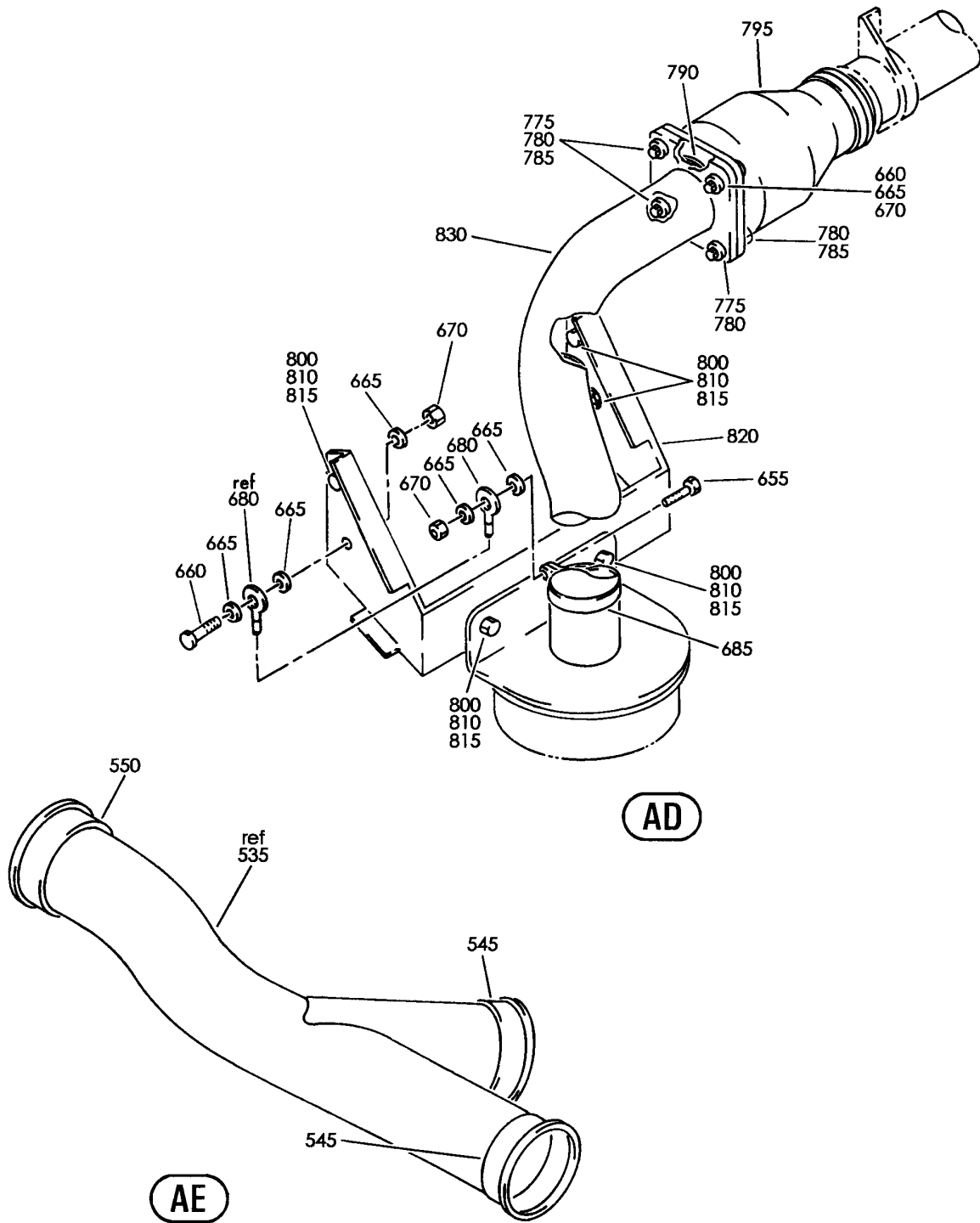
TUBING INSTL-ENG FUEL FEED 757-200 AND -300  
FIGURE 2A (SHEET 10)

**28-22-07-02A**

BRI  
MAY 28/07

28-22-07-02A  
PAGE 01

**BOEING**  
757  
PARTS CATALOG (MAINTENANCE)



Y 28220702A SHT 11 REV 206

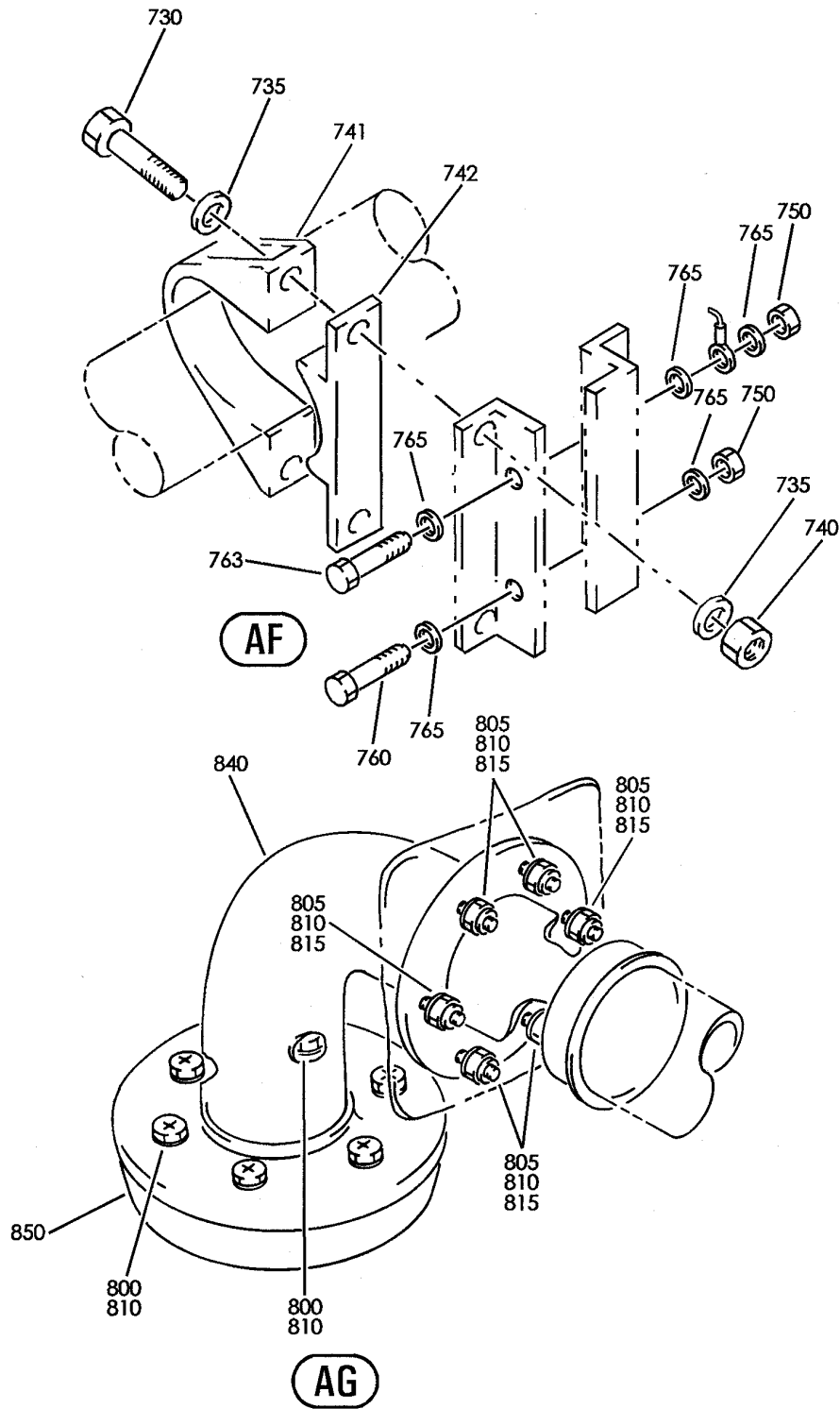
TUBING INSTL-ENG FUEL FEED 757-200 AND -300  
FIGURE 2A (SHEET 11)

**28-22-07-02A**

BRI  
MAY 28/07

28-22-07-02A  
PAGE 0J

**BOEING**  
757  
PARTS CATALOG (MAINTENANCE)



Y 28220702A SHT 12 REV 214

TUBING INSTL-ENG FUEL FEED 757-200 AND -300  
FIGURE 2A (SHEET 12)

**28-22-07-02A**

BRI  
MAY 28/07

28-22-07-02A  
PAGE OK



757

PARTS CATALOG (MAINTENANCE)

| FIG ITEM | PART NUMBER   | 1 2 3 4 5 6 7 | NOMENCLATURE   | EFFECT FROM TO             | UNITS PER ASSY |
|----------|---------------|---------------|--|----------------------------|----------------|
| 2A       |               |               | TUBING INSTL-ENG FUEL FEED<br>757-200 AND -300   | 101106<br>108120<br>504903 |                |
| - 1      | 343N4001-41   |               | TUBING INSTL-ENG FUEL FEED<br>757-200 AND -300<br>POSITION DATA:<br>LH SIDE<br>FOR NHA SEE:<br>28-00-00-05         | 101102<br>108120<br>504903 | RF             |
| - 1      | MODREF13709   |               | TUBING INSTL-ENG FUEL FEED<br>757-200 AND -300<br>MODULE NUMBER:<br>343N4001-41 REV A<br>POSITION DATA:<br>LH SIDE | 103103                     | 1              |
| - 1      | MODREF28191   |               | TUBING INSTL-ENG FUEL FEED<br>757-200 AND -300<br>MODULE NUMBER:<br>343N4001-41 REV B<br>POSITION DATA:<br>LH SIDE | 104106                     | 1              |
| - 5      | 343N4001-42   |               | TUBING INSTL-ENG FUEL FEED<br>757-200 AND -300<br>POSITION DATA:<br>RH SIDE<br>FOR NHA SEE:<br>28-00-00-05         | 101102<br>108120<br>504903 | RF             |
| - 5      | MODREF13710   |               | TUBING INSTL-ENG FUEL FEED<br>757-200 AND -300<br>MODULE NUMBER:<br>343N4001-42 REV A<br>POSITION DATA:<br>RH SIDE | 103103                     | 1              |
| - 5      | MODREF28192   |               | TUBING INSTL-ENG FUEL FEED<br>757-200 AND -300<br>MODULE NUMBER:<br>343N4001-42 REV B<br>POSITION DATA:<br>RH SIDE | 104106                     | 1              |
| 10       | BACS12GU3K7   |               | .SCREW   | 101106<br>108120<br>504903 | 1              |
| 15       | BACS12GU3K8   |               | .SCREW   | 101106<br>108120<br>504903 | 2              |
| 20       | NAS1149D0316H |               | .WASHER  | 101106<br>108120<br>504903 | 7              |

MISSING ITEM NUMBERS NOT APPLICABLE

- ITEM NOT ILLUSTRATED

28-22-07-02A

28-22-07  
FIG. 02A  
PAGE 1  
JAN 20/09

BRI

BOEING PROPRIETARY - Copyright © - Unpublished Work - See title page for details.



757

PARTS CATALOG (MAINTENANCE)

| FIG ITEM | PART NUMBER   | 1 2 3 4 5 6 7  | NOMENCLATURE  | EFFECT FROM TO             | UNITS PER ASSY |
|----------|---------------|----------------|---|----------------------------|----------------|
| 2A       |               |                |   |                            |                |
| 25       | PLH53CD       | .NUT           | SUPPLIER CODE:<br>VF0224<br>SPECIFICATION NUMBER:<br>BACN10YR3CD<br>OPTIONAL PART:<br>H52732-3CD<br>V15653                        | 101106<br>108120<br>504903 | 3              |
| 30       | 740A20-6      | .JUMPER ASSY   | SUPPLIER CODE:<br>V91812<br>SPECIFICATION NUMBER:<br>BACJ40A20-6<br>OPTIONAL PART:<br>TJEJ40A20-6<br>V33483<br>RBEJ20-6<br>V1GK47 | 101106<br>108120<br>504903 | 2              |
| 35       | AN735DC28     | .CLAMP         |   | 101106<br>108120<br>504903 | 2              |
| 40       | BACS12GU3K10  | .SCREW         |   | 101106<br>108120<br>504903 | 8              |
| 45       | NAS1149D0332J | .WASHER        |   | 101106<br>108120<br>504903 | 16             |
| 50       | PLH53CD       | .NUT           | SUPPLIER CODE:<br>VF0224<br>SPECIFICATION NUMBER:<br>BACN10YR3CD<br>OPTIONAL PART:<br>H52732-3CD<br>V15653                        | 101106<br>108120<br>504903 | 8              |
| 55       | BACC10EW28A   | .CLAMP STRAP   |   | 101106<br>108120<br>504903 | 4              |
| 60       | BACC10EW28B   | .CLAMP SADDLE  |   | 101106<br>108120<br>504903 | 4              |
| 65       | MS35842-1840  | .CLAMP         |   | 101106<br>108120<br>504903 | 1              |
| 70       | AS1713D28     | .COUPLING ASSY |   | 101106<br>108120<br>504903 | 2              |

MISSING ITEM NUMBERS NOT APPLICABLE

- ITEM NOT ILLUSTRATED

28-22-07-02A

28-22-07  
FIG. 02A  
PAGE 2  
JAN 20/09

BRI

BOEING PROPRIETARY - Copyright © - Unpublished Work - See title page for details.



757

PARTS CATALOG (MAINTENANCE)

| FIG ITEM | PART NUMBER | 1 2 3 4 5 6 7 | NOMENCLATURE   | EFFECT FROM TO             | UNITS PER ASSY |
|----------|-------------|---------------|--|----------------------------|----------------|
| 2A       |             |               |  |                            |                |
| 75       | 83051-32A   | .             | COUPLING ASSY<br>SUPPLIER CODE:<br>V79326<br>SPECIFICATION NUMBER:<br>AS1712D32<br>OPTIONAL PART:<br>12J63-32A<br>V24984                     | 101106<br>108120<br>504903 | 2              |
| 80       | MS29513-328 | .             | PACKING  | 101106<br>108120<br>504903 | 3              |
| 85       | MS29513-330 | .             | PACKING  | 101106<br>108120<br>504903 | 4              |
| 90       | 343N2052-1  | .             | SEAL   | 101106<br>108120<br>504903 | 1              |
| 95       | 343N2052-2  | .             | SEAL   | 101106<br>108120<br>504903 | 1              |
| 100      | 343N4001-19 | .             | TUBE ASSY-<br>POSITION DATA:<br>LH SIDE<br>TUBING MATERIAL:<br>1.75 IN. OD X .028 IN.<br>WALL X 43.62 IN. LG<br>WW-T-700/6 6061 T4<br>TUBING | 101106<br>108120<br>504903 | 1              |
| - 105    | 343N4001-25 | .             | TUBE ASSY-<br>POSITION DATA:<br>RH SIDE<br>TUBING MATERIAL:<br>1.75 IN. OD X .028 IN.<br>WALL X 44.03 IN. LG<br>WW-T-700/6 6061 T4<br>TUBING | 101106<br>108120<br>504903 | 1              |
| - 110    | S3052-28    | ..            | FERRULE<br>SUPPLIER CODE:<br>V79326<br>SPECIFICATION NUMBER:<br>BACF32E28<br>OPTIONAL PART:<br>63052-28<br>V79326                            | 101106<br>108120<br>504903 | 2              |

MISSING ITEM NUMBERS NOT APPLICABLE

- ITEM NOT ILLUSTRATED

28-22-07-02A

28-22-07  
FIG. 02A  
PAGE 3  
JAN 20/09

BRI

BOEING PROPRIETARY - Copyright © - Unpublished Work - See title page for details.



757

PARTS CATALOG (MAINTENANCE)

| FIG ITEM  | PART NUMBER   | 1 2 3 4 5 6 7 | NOMENCLATURE   | EFFECT FROM TO             | UNITS PER ASSY |
|-----------|---------------|---------------|--|----------------------------|----------------|
| 2A<br>115 | 343N4001-5    | .             | TUBE ASSY-<br>POSITION DATA:<br>LH SIDE<br>TUBING MATERIAL:<br>1.75 IN. OD X .028 IN.<br>WALL X 65.57 IN. LG<br>WW-T-700/6 6061 T4<br>TUBING | 101106<br>108120<br>504903 | 1              |
| - 120     | 343N4001-6    | .             | TUBE ASSY-<br>POSITION DATA:<br>RH SIDE<br>TUBING MATERIAL:<br>1.75 IN. OD X .028 IN.<br>WALL X 65.76 IN. LG<br>WW-T-700/6 6061 T4<br>TUBING | 101106<br>108120<br>504903 | 1              |
| - 125     | S3052-28      | ..            | FERRULE<br>SUPPLIER CODE:<br>V79326<br>SPECIFICATION NUMBER:<br>BACF32E28<br>OPTIONAL PART:<br>63052-28<br>V79326                            | 101106<br>108120<br>504903 | 1              |
| - 130     | 63052-28-32   | ..            | FERRULE-<br>SUPPLIER CODE:<br>V79326   | 101106<br>108120<br>504903 | 1              |
| 135       | BACS12GU3K7   | .             | SCREW  | 101106<br>108120<br>504903 | 21             |
| 140       | BACS12GU3K8   | .             | SCREW  | 101106<br>108120<br>504903 | 4              |
| 145       | BACS12GU3K21  | .             | SCREW  | 101106<br>108120<br>504903 | 1              |
| 150       | NAS1149D0316H | .             | WASHER   | 101106<br>108120<br>504903 | 55             |
| 155       | PLH53CD       | .             | NUT<br>SUPPLIER CODE:<br>VF0224<br>SPECIFICATION NUMBER:<br>BACN10YR3CD<br>OPTIONAL PART:<br>H52732-3CD<br>V15653                            | 101106<br>108120<br>504903 | 26             |

MISSING ITEM NUMBERS NOT APPLICABLE

- ITEM NOT ILLUSTRATED

28-22-07-02A

28-22-07  
FIG. 02A  
PAGE 4  
JAN 20/09

BRI

BOEING PROPRIETARY - Copyright © - Unpublished Work - See title page for details.



757

PARTS CATALOG (MAINTENANCE)

| FIG ITEM  | PART NUMBER  | 1 2 3 4 5 6 7 | NOMENCLATURE  | EFFECT FROM TO             | UNITS PER ASSY |
|-----------|--------------|---------------|---|----------------------------|----------------|
| 2A<br>160 | 740A20-6     | .             | JUMPER ASSY<br>SUPPLIER CODE:<br>V91812<br>SPECIFICATION NUMBER:<br>BACJ40A20-6<br>OPTIONAL PART:<br>TJEJ40A20-6<br>V33483<br>RBEJ20-6<br>V1GK47    | 101106<br>108120<br>504903 | 12             |
| 165       | BACJ40A20-8  | .             | JUMPER ASSY   | 101106<br>108120<br>504903 | 1              |
| 170       | 740A20-10    | .             | JUMPER ASSY<br>SUPPLIER CODE:<br>V91812<br>SPECIFICATION NUMBER:<br>BACJ40A20-10<br>OPTIONAL PART:<br>TJEJ40A20-10<br>V33483<br>RBEJ20-10<br>V1GK47 | 101106<br>108120<br>504903 | 1              |
| 175       | AN735DC16    | .             | CLAMP   | 101106<br>108120<br>504903 | 4              |
| 180       | AN735DC6     | .             | CLAMP   | 101106<br>108120<br>504903 | 6              |
| 185       | AN735DC28    | .             | CLAMP   | 101106<br>108120<br>504903 | 8              |
| 190       | AN735DC24    | .             | CLAMP   | 101106<br>108120<br>504903 | 1              |
| 195       | AN735DC32    | .             | CLAMP   | 101106<br>108120<br>504903 | 3              |
| 200       | BACS12GU3K10 | .             | SCREW   | 101106<br>108120<br>504903 | 8              |
| 205       | BACS12GU3K15 | .             | SCREW   | 101106<br>108120<br>504903 | 2              |
| 210       | BACS12GU3K15 | .             | SCREW   | 101106<br>108120<br>504903 | 2              |

MISSING ITEM NUMBERS NOT APPLICABLE

- ITEM NOT ILLUSTRATED

28-22-07-02A

28-22-07  
FIG. 02A  
PAGE 5  
JAN 20/09

BRI

BOEING PROPRIETARY - Copyright © - Unpublished Work - See title page for details.





757

PARTS CATALOG (MAINTENANCE)

| FIG ITEM | PART NUMBER   | 1 2 3 4 5 6 7 | NOMENCLATURE   | EFFECT FROM TO             | UNITS PER ASSY |
|----------|---------------|---------------|--|----------------------------|----------------|
| 2A       |               |               |  |                            |                |
| 215      | NAS43DD3-16FC | .             | SPACER   | 101106<br>108120<br>504903 | 1              |
| 220      | NAS1149D0316J | .             | WASHER   | 101106<br>108120<br>504903 | 8              |
| 225      | NAS1149D0332J | .             | WASHER   | 101106<br>108120<br>504903 | 16             |
| 230      | PLH53CD       | .             | NUT<br>SUPPLIER CODE:<br>VF0224<br>SPECIFICATION NUMBER:<br>BACN10YR3CD<br>OPTIONAL PART:<br>H52732-3CD<br>V15653  | 101106<br>108120<br>504903 | 12             |
| 235      | BACC10EW28A   | .             | CLAMP STRAP  | 101106<br>108120<br>504903 | 4              |
| 240      | BACC10EW28B   | .             | CLAMP SADDLE   | 101106<br>108120<br>504903 | 4              |
| 245      | BACC10DK6     | .             | CLAMP  | 101106<br>108120<br>504903 | 3              |
| 250      | BACC10DK16    | .             | CLAMP  | 101106<br>108120<br>504903 | 1              |
| 255      | 393A16AF      | .             | CLAMP SADDLE<br>SUPPLIER CODE:<br>V83930<br>SPECIFICATION NUMBER:<br>BACC10BU16DF<br>OPTIONAL PART:<br>TA04C44D16NB<br>V84971<br>JM44LC24D16YN<br>V22175<br>393-16AF<br>V83930<br>S392D16F<br>V18076 | 101106<br>108120<br>504903 | 2              |
| 260      | AS1735-1D06   | .             | COUPLING   | 101106<br>108120<br>504903 | 5              |
| 265      | MS29513-014   | .             | PACKING  | 101106<br>108120<br>504903 | 5              |

MISSING ITEM NUMBERS NOT APPLICABLE

- ITEM NOT ILLUSTRATED

28-22-07-02A

28-22-07  
FIG. 02A  
PAGE 6  
JAN 20/09

BRI

BOEING PROPRIETARY - Copyright © - Unpublished Work - See title page for details.



757

PARTS CATALOG (MAINTENANCE)

| FIG ITEM  | PART NUMBER  | 1 2 3 4 5 6 7 | NOMENCLATURE   | EFFECT FROM TO             | UNITS PER ASSY |
|-----------|--------------|---------------|--|----------------------------|----------------|
| 2A<br>270 | 343N3301-37  |               | .TUBE ASSY-<br>POSITION DATA:<br>LH SIDE<br>TUBING MATERIAL:<br>.375 IN. OD X .022 IN.<br>WALL X 46.3 IN. LG<br>WW-T-700/6 6061 T4<br>TUBING | 101106<br>108120<br>504903 | 1              |
| - 275     | 343N3301-38  |               | .TUBE ASSY-<br>POSITION DATA:<br>RH SIDE<br>TUBING MATERIAL:<br>.375 IN. OD X .022 IN.<br>WALL X 48.0 IN. LG<br>WW-T-700/6 6061 T4<br>TUBING | 101106<br>108120<br>504903 | 1              |
| 280       | 343N3301-74  |               | .TUBE ASSY-<br>POSITION DATA:<br>LH SIDE<br>TUBING MATERIAL:<br>.375 IN. OD X .022 IN.<br>WALL X 17.4 IN. LG<br>WW-T-700/6 6061 T4<br>TUBING | 101106<br>108120<br>504903 | 1              |
| - 285     | 343N3301-69  |               | .TUBE ASSY-<br>POSITION DATA:<br>RH SIDE<br>TUBING MATERIAL:<br>.375 IN. OD .X 022 IN.<br>WALL X 17.6 IN. LG<br>WW-T-700/6 6061 T4<br>TUBING | 101106<br>108120<br>504903 | 1              |
| - 290     | AS1732D06    |               | ..BODY   | 101106<br>108120<br>504903 | 1              |
| - 295     | AS1737D06    |               | ..FERRULE  | 101106<br>108120<br>504903 | 1              |
| 300       | BACS12GU3K6  |               | .SCREW   | 101106<br>108120<br>504903 | 7              |
| 305       | BACS12GU3K7  |               | .SCREW   | 101106<br>108120<br>504903 | 1              |
| 310       | BACS12GU3K11 |               | .SCREW   | 101106<br>108120<br>504903 | 6              |

MISSING ITEM NUMBERS NOT APPLICABLE

- ITEM NOT ILLUSTRATED

28-22-07-02A

28-22-07  
FIG. 02A  
PAGE 7  
JAN 20/09

BRI

BOEING PROPRIETARY - Copyright © - Unpublished Work - See title page for details.



757

PARTS CATALOG (MAINTENANCE)

| FIG ITEM | PART NUMBER   | 1 2 3 4 5 6 7 | NOMENCLATURE  | EFFECT FROM TO             | UNITS PER ASSY |
|----------|---------------|---------------|---|----------------------------|----------------|
| 2A       |               |               |   |                            |                |
| 315      | BACS12GU3K12  | .             | SCREW   | 101106<br>108120<br>504903 | 6              |
| 320      | BACS12GU3K20  | .             | SCREW   | 101106<br>108120<br>504903 | 1              |
| 325      | NAS1149D0316J | .             | WASHER  | 101106<br>108120<br>504903 | 9              |
| 330      | NAS1149D0332J | .             | WASHER  | 101106<br>108120<br>504903 | 12             |
| 335      | PLH53CD       | .             | NUT<br>SUPPLIER CODE:<br>VF0224<br>SPECIFICATION NUMBER:<br>BACN10YR3CD<br>OPTIONAL PART:<br>H52732-3CD<br>V15653 | 101106<br>108120<br>504903 | 15             |
| 340      | 69B92426-2    | .             | SCREEN ASSY   | 101106<br>108120<br>504903 | 1              |
| 345      | 69B92405-12   | .             | SCREEN ASSY   | 101106<br>108120<br>504903 | 1              |
| 350      | 68E108        | .             | PUMP ASSY-<br>SUPPLIER CODE:<br>V82829  | 101106<br>108120<br>504903 | 1              |
| 370      | 343N2037-7    | .             | CLIP-<br>POSITION DATA:<br>LH SIDE  | 101106<br>108120<br>504903 | 1              |
| - 375    | 343N2037-8    | .             | CLIP-<br>POSITION DATA:<br>RH SIDE  | 101106<br>108120<br>504903 | 1              |
| 380      | 343N3301-73   | .             | TUBE ASSY-<br>POSITION DATA:<br>LH SIDE   | 101106<br>108120<br>504903 | 1              |
| - 385    | 343N3301-62   | .             | TUBE ASSY-<br>POSITION DATA:<br>RH SIDE   | 101106<br>108120<br>504903 | 1              |

MISSING ITEM NUMBERS NOT APPLICABLE

- ITEM NOT ILLUSTRATED

28-22-07-02A

28-22-07  
FIG. 02A  
PAGE 8  
JAN 20/09

BRI

BOEING PROPRIETARY - Copyright © - Unpublished Work - See title page for details.



757

PARTS CATALOG (MAINTENANCE)

| FIG ITEM    | PART NUMBER   | 1 2 3 4 5 6 7   | NOMENCLATURE  | EFFECT FROM TO             | UNITS PER ASSY |
|-------------|---------------|---|---|----------------------------|----------------|
| 2A<br>- 390 | BACC42T6      | . .   | COUPLING<br>SUPPLIER CODE:<br>V79326<br>SPECIFICATION NUMBER:<br>BACC42T6<br>OPTIONAL PART:<br>TC011-6<br>V24984<br>83051-6<br>V79326 | 101106<br>108120<br>504903 | 1              |
| 395         | 343N2055-6    | . SUPPORT-  | POSITION DATA:<br>LH SIDE   | 101106<br>108120<br>504903 | 1              |
| 400         | 343N2055-7    | . SUPPORT-  | POSITION DATA:<br>LH SIDE   | 101106<br>108120<br>504903 | 1              |
| - 405       | 343N2055-8    | . SUPPORT-  | POSITION DATA:<br>RH SIDE   | 101106<br>108120<br>504903 | 1              |
| 410         | 343N2041-28   | . BRACKET ASSY  |   | 101106<br>108120<br>504903 | 3              |
| 415         | 343N2041-20   | . BRACKET   |   | 101106<br>108120<br>504903 | 3              |
| - 420       | BACS12GU3K8   | ATTACHING PARTS<br>. SCREW  |   | 101106<br>108120<br>504903 | 18             |
| - 425       | NAS1149D0316J | . WASHER  |   | 101106<br>108120<br>504903 | 36             |
| - 430       | PLH53CD       | . NUT<br>SUPPLIER CODE:<br>VF0224<br>SPECIFICATION NUMBER:<br>BACN10YR3CD<br>OPTIONAL PART:<br>H52732-3CD<br>V15653                       |   | 101106<br>108120<br>504903 | 18             |
| 435         | 12J63-16A     | -----*-----<br>. COUPLING ASSY<br>SUPPLIER CODE:<br>V24984<br>SPECIFICATION NUMBER:<br>AS1712D16<br>OPTIONAL PART:<br>83051-16A<br>V79326 |   | 101106<br>108120<br>504903 | 2              |

MISSING ITEM NUMBERS NOT APPLICABLE

- ITEM NOT ILLUSTRATED

28-22-07-02A

28-22-07  
FIG. 02A  
PAGE 9  
JAN 20/09

BRI

BOEING PROPRIETARY - Copyright © - Unpublished Work - See title page for details.

 **BOEING**  
757  
**PARTS CATALOG (MAINTENANCE)**

| FIG ITEM  | PART NUMBER | 1 2 3 4 5 6 7 | NOMENCLATURE   | EFFECT FROM TO             | UNITS PER ASSY |
|-----------|-------------|---------------|--|----------------------------|----------------|
| 2A<br>440 | 83051-28A   | .             | COUPLING ASSY<br>SUPPLIER CODE:<br>V79326<br>SPECIFICATION NUMBER:<br>AS1712D28<br>OPTIONAL PART:<br>12J63-28A<br>V24984 | 101106<br>108120<br>504903 | 3              |
| 445       | 83051-32A   | .             | COUPLING ASSY<br>SUPPLIER CODE:<br>V79326<br>SPECIFICATION NUMBER:<br>AS1712D32<br>OPTIONAL PART:<br>12J63-32A<br>V24984 | 101106<br>108120<br>504903 | 4              |
| 450       | MS29513-216 | .             | PACKING  | 101106<br>108120<br>504903 | 7              |
| 455       | MS29513-328 | .             | PACKING  | 101106<br>108120<br>504903 | 15             |
| 460       | MS29513-330 | .             | PACKING  | 101106<br>108120<br>504903 | 4              |
| 465       | 73521-16    | .             | TEE ASSY-<br>SUPPLIER CODE:<br>V79326  | 101106<br>108120<br>504903 | 1              |
| 470       | 73521-28    | .             | TEE ASSY-<br>SUPPLIER CODE:<br>V79326  | 101106<br>108120<br>504903 | 1              |
| 475       | 343N2056-17 | .             | BELLMOUTH ASSY-<br>POSITION DATA:<br>LH SIDE   | 101106<br>108120<br>504903 | 1              |
| - 480     | 343N2056-18 | .             | BELLMOUTH ASSY-<br>POSITION DATA:<br>RH SIDE   | 101106<br>108120<br>504903 | 1              |
| 485       | 63052-32    | ..            | FERRULE<br>SUPPLIER CODE:<br>V79326<br>SPECIFICATION NUMBER:<br>AS1716D32<br>OPTIONAL PART:<br>12F63-32A<br>V24984       | 101106<br>108120<br>504903 | 3              |
| 490       | 343N2056-19 | ..            | BRAZED ASSY-<br>POSITION DATA:<br>LH SIDE  | 101106<br>108120<br>504903 | 1              |

MISSING ITEM NUMBERS NOT APPLICABLE

- ITEM NOT ILLUSTRATED

BRI

# 28-22-07-02A

BOEING PROPRIETARY - Copyright © - Unpublished Work - See title page for details.

28-22-07  
FIG. 02A  
PAGE 10  
JAN 20/09



757

PARTS CATALOG (MAINTENANCE)

| FIG ITEM | PART NUMBER | 1 2 3 4 5 6 7 | NOMENCLATURE  | EFFECT FROM TO             | UNITS PER ASSY |
|----------|-------------|---------------|---|----------------------------|----------------|
| 2A       |             |               |   |                            |                |
| - 495    | 343N2056-20 | ..            | BRAZED ASSY-<br>POSITION DATA:<br>RH SIDE   | 101106<br>108120<br>504903 | 1              |
| 500      | 343N2056-21 | ...           | COLLAR  | 101106<br>108120<br>504903 | 1              |
| 505      | 343N2056-5  | ...           | PLATE   | 101106<br>108120<br>504903 | 1              |
| 510      | 343N2056-7  | ...           | BELLMOUTH-<br>OPTIONAL PART:<br>65B92416-4  | 101106<br>108120<br>504903 | 1              |
| 510      | 65B92416-4  | ...           | BELLMOUTH-<br>OPTIONAL PART:<br>343N2056-7  | 101106<br>108120<br>504903 | 1              |
| 515      | 343N2056-8  | ...           | TUBE  | 101106<br>108120<br>504903 | 1              |
| 520      | 343N3301-43 | .             | TUBE ASSY-<br>POSITION DATA:<br>LH SIDE<br>TUBING MATERIAL:<br>2.0 IN. OD X .028 IN.<br>WALL X 27.88 IN. LG<br>WW-T-700/6 6061 T4<br>TUBING | 101106<br>108120<br>504903 | 1              |
| - 525    | 343N3301-44 | .             | TUBE ASSY-<br>POSITION DATA:<br>RH SIDE<br>TUBING MATERIAL:<br>2.0 IN. OD X .028 IN.<br>WALL X 27.87 IN. LG<br>WW-T-700/6 6061 T4<br>TUBING | 101106<br>108120<br>504903 | 1              |
| - 530    | BACF32E32   | ..            | FERRULE<br>SUPPLIER CODE:<br>V79326<br>SPECIFICATION NUMBER:<br>BACF32E32<br>OPTIONAL PART:<br>63052-32<br>V79326                           | 101106<br>108120<br>504903 | 1              |
| 535      | 343N2045-13 | .             | MANIFOLD ASSY-<br>POSITION DATA:<br>LH SIDE   | 101106<br>108120<br>504903 | 1              |
| - 540    | 343N2045-14 | .             | MANIFOLD ASSY-<br>POSITION DATA:<br>RH SIDE   | 101106<br>108120<br>504903 | 1              |

MISSING ITEM NUMBERS NOT APPLICABLE

- ITEM NOT ILLUSTRATED

28-22-07-02A

28-22-07  
FIG. 02A  
PAGE 11  
JAN 20/09

BRI

BOEING PROPRIETARY - Copyright © - Unpublished Work - See title page for details.



757

PARTS CATALOG (MAINTENANCE)

| FIG ITEM  | PART NUMBER  | 1 2 3 4 5 6 7 | NOMENCLATURE   | EFFECT FROM TO             | UNITS PER ASSY |
|-----------|--------------|---------------|--|----------------------------|----------------|
| 2A<br>545 | S3052-28     |               | .. FERRULE<br>SUPPLIER CODE:<br>V79326<br>SPECIFICATION NUMBER:<br>BACF32E28<br>OPTIONAL PART:<br>63052-28<br>V79326 | 101106<br>108120<br>504903 | 2              |
| 550       | 63052-28-32  |               | .. FERRULE-<br>SUPPLIER CODE:<br>V79326<br>OPTIONAL PART:<br>VC025-28-32A<br>V24984                                  | 101106<br>108120<br>504903 | 1              |
| 550       | VC025-28-32A |               | .. FERRULE-<br>SUPPLIER CODE:<br>V24984<br>OPTIONAL PART:<br>63052-28-32<br>V79326                                   | 101106<br>108120<br>504903 | 1              |
| 555       | 343N2042-1   |               | . TUBE ASSY-<br>POSITION DATA:<br>LH SIDE  | 101106<br>108120<br>504903 | 1              |
| - 560     | 343N2042-2   |               | . TUBE ASSY-<br>POSITION DATA:<br>RH SIDE  | 101106<br>108120<br>504903 | 1              |
| - 565     | 343N2042-3   |               | .. FLANGE-<br>POSITION DATA:<br>LH SIDE  | 101106<br>108120<br>504903 | 1              |
| - 570     | 343N2042-4   |               | .. FLANGE-<br>POSITION DATA:<br>RH SIDE  | 101106<br>108120<br>504903 | 1              |
| - 575     | 83052B377S6  |               | .. FERRULE-<br>SUPPLIER CODE:<br>V79326  | 101106<br>108120<br>504903 | 2              |
| - 580     | 63052B377S28 |               | .. FERRULE-<br>SUPPLIER CODE:<br>V79326  | 101106<br>108120<br>504903 | 2              |
| - 585     | 63052B377S16 |               | .. FERRULE-<br>SUPPLIER CODE:<br>V79326  | 101106<br>108120<br>504903 | 1              |
| - 590     | 63052B377S16 |               | .. FERRULE-<br>SUPPLIER CODE:<br>V79326<br>POSITION DATA:<br>LH SIDE   | 101106<br>108120<br>504903 | 2              |

MISSING ITEM NUMBERS NOT APPLICABLE

- ITEM NOT ILLUSTRATED

28-22-07-02A

28-22-07  
FIG. 02A  
PAGE 12  
JAN 20/09

BRI

BOEING PROPRIETARY - Copyright © - Unpublished Work - See title page for details.



757

PARTS CATALOG (MAINTENANCE)

| FIG ITEM  | PART NUMBER | 1 2 3 4 5 6 7 | NOMENCLATURE   | EFFECT FROM TO             | UNITS PER ASSY |
|-----------|-------------|---------------|--|----------------------------|----------------|
| 2A<br>595 | 343N3301-33 | .             | TUBE ASSY-<br>POSITION DATA:<br>LH SIDE<br>TUBING MATERIAL:<br>1.75 IN. OD X .028 IN.<br>WALL X 26.71 IN. LG<br>WW-T-700/6 6061 T4<br>TUBING | 101106<br>108120<br>504903 | 1              |
| - 600     | 343N3301-34 | .             | TUBE ASSY-<br>POSITION DATA:<br>RH SIDE<br>TUBING MATERIAL:<br>1.75 IN. OD X .028 IN.<br>WALL X 26.7 IN. LG<br>WW-T-700/6 6061 T4<br>TUBING  | 101106<br>108120<br>504903 | 1              |
| 605       | 343N3301-50 | .             | TUBE ASSY-<br>TUBING MATERIAL:<br>1.75 IN. OD X .028 IN.<br>WALL X 24.58 IN. LG<br>WW-T-700/6 6061 T4<br>TUBING                              | 101106<br>108120<br>504903 | 1              |
| - 610     | 63052-28    | ..            | FERRULE-<br>SUPPLIER CODE:<br>V79326<br>SPECIFICATION NUMBER:<br>AS1716D28<br>OPTIONAL PART:<br>12F63-28A<br>V24984                          | 101106<br>108120<br>504903 | 2              |
| 615       | 343N2043-9  | .             | TUBE ASSY-<br>POSITION DATA:<br>LH SIDE<br>TUBING MATERIAL:<br>1 IN. OD X .028 IN.<br>WALL X 31.584 IN. LG<br>WW-T-700/6 6061 T4<br>TUBING   | 101106<br>108120<br>504903 | 1              |
| - 620     | 343N2043-10 | .             | TUBE ASSY-<br>POSITION DATA:<br>RH SIDE<br>TUBING MATERIAL:<br>1 IN. OD X .028 IN.<br>WALL X 31.584 IN. LG<br>WW-T-700/6 6061 T4<br>TUBING   | 101106<br>108120<br>504903 | 1              |

MISSING ITEM NUMBERS NOT APPLICABLE

- ITEM NOT ILLUSTRATED

28-22-07-02A

28-22-07  
FIG. 02A  
PAGE 13  
JAN 20/09

BRI





757

PARTS CATALOG (MAINTENANCE)

| FIG ITEM  | PART NUMBER | 1 2 3 4 5 6 7 | NOMENCLATURE   | EFFECT FROM TO             | UNITS PER ASSY |
|-----------|-------------|---------------|--|----------------------------|----------------|
| 2A<br>625 | 343N2043-7  |               | .TUBE ASSY-<br>POSITION DATA:<br>LH SIDE<br>TUBING MATERIAL:<br>1 IN. OD X .028 IN.<br>WALL X 27.264 IN. LG<br>WW-T-700/6 6061 T4<br>TUBING    | 101106<br>108120<br>504903 | 1              |
| - 630     | 343N2043-8  |               | .TUBE ASSY-<br>POSITION DATA:<br>RH SIDE<br>TUBING MATERIAL:<br>1 IN. OD X .028 IN.<br>WALL X 27.264 IN. LG<br>WW-T-700/6 6061 T4<br>TUBING    | 101106<br>108120<br>504903 | 1              |
| - 635     | AS1716D16   |               | ..FERRULE  | 101106<br>108120<br>504903 | 2              |
| 640       | 343N2044-1  |               | .TUBE ASSY-<br>POSITION DATA:<br>LH SIDE<br>TUBING MATERIAL:<br>1.75 IN. OD X .028 IN.<br>WALL X 17.238 IN. LG<br>WW-T-700/6 6061 T4<br>TUBING | 101106<br>108120<br>504903 | 1              |
| - 645     | 343N2044-2  |               | .TUBE ASSY-<br>POSITION DATA:<br>RH SIDE<br>TUBING MATERIAL:<br>1.75 IN. OD X .028 IN.<br>WALL X 20.496 IN. LG<br>WW-T-700/6 6061 T4<br>TUBING | 101106<br>108120<br>504903 | 1              |
| - 650     | 63052-28    |               | ..FERRULE<br>SUPPLIER CODE:<br>V79326<br>SPECIFICATION NUMBER:<br>AS1716D28<br>OPTIONAL PART:<br>12F63-28A<br>V24984                           | 101106<br>108120<br>504903 | 2              |
| 655       | BACS12GU3K7 |               | .SCREW   | 101106<br>108120<br>504903 | 4              |
| 660       | BACS12GU3K8 |               | .SCREW   | 101106<br>108120<br>504903 | 3              |

MISSING ITEM NUMBERS NOT APPLICABLE

- ITEM NOT ILLUSTRATED

28-22-07-02A

28-22-07  
FIG. 02A  
PAGE 14  
JAN 20/09

BRI

BOEING PROPRIETARY - Copyright © - Unpublished Work - See title page for details.



757

PARTS CATALOG (MAINTENANCE)

| FIG ITEM  | PART NUMBER   | 1 2 3 4 5 6 7 | NOMENCLATURE   | EFFECT FROM TO             | UNITS PER ASSY |
|-----------|---------------|---------------|--|----------------------------|----------------|
| 2A<br>665 | NAS1149D0316H | .             | WASHER   | 101106<br>108120<br>504903 | 17             |
| 670       | PLH53CD       | .             | NUT<br>SUPPLIER CODE:<br>VF0224<br>SPECIFICATION NUMBER:<br>BACN10YR3CD<br>OPTIONAL PART:<br>H52732-3CD<br>V15653                                | 101106<br>108120<br>504903 | 7              |
| 675       | 740A20-6      | .             | JUMPER ASSY<br>SUPPLIER CODE:<br>V91812<br>SPECIFICATION NUMBER:<br>BACJ40A20-6<br>OPTIONAL PART:<br>TJEJ40A20-6<br>V33483<br>RBEJ20-6<br>V1GK47 | 101106<br>108120<br>504903 | 3              |
| 680       | BACJ40A20-8   | .             | JUMPER ASSY  | 101106<br>108120<br>504903 | 1              |
| 685       | AN735DC24     | .             | CLAMP  | 101106<br>108120<br>504903 | 2              |
| 690       | AN735DC28     | .             | CLAMP  | 101106<br>108120<br>504903 | 2              |
| 695       | AN735DC32     | .             | CLAMP  | 101106<br>108120<br>504903 | 1              |
| 700       | 83051-28A     | .             | COUPLING ASSY<br>SUPPLIER CODE:<br>V79326<br>SPECIFICATION NUMBER:<br>AS1712D28<br>OPTIONAL PART:<br>12J63-28A<br>V24984                         | 101106<br>108120<br>504903 | 1              |
| 705       | 83051-32A     | .             | COUPLING ASSY<br>SUPPLIER CODE:<br>V79326<br>SPECIFICATION NUMBER:<br>AS1712D32<br>OPTIONAL PART:<br>12J63-32A<br>V24984                         | 101106<br>108120<br>504903 | 2              |

MISSING ITEM NUMBERS NOT APPLICABLE

- ITEM NOT ILLUSTRATED

28-22-07-02A

28-22-07  
FIG. 02A  
PAGE 15  
JAN 20/09

BRI

BOEING PROPRIETARY - Copyright © - Unpublished Work - See title page for details.



757

PARTS CATALOG (MAINTENANCE)

| FIG ITEM  | PART NUMBER   | 1 2 3 4 5 6 7 | NOMENCLATURE  | EFFECT FROM TO             | UNITS PER ASSY |
|-----------|---------------|---------------|---|----------------------------|----------------|
| 2A<br>710 | 83053-24DE    |               | .COUPLING ASSY<br>SUPPLIER CODE:<br>V79326<br>SPECIFICATION NUMBER:<br>AS1738-1D24<br>OPTIONAL PART:<br>TC039-24A<br>V24984 | 101106<br>108120<br>504903 | 1              |
| 715       | MS29513-030   |               | .PACKING  | 101106<br>108120<br>504903 | 1              |
| 720       | MS29513-328   |               | .PACKING  | 101106<br>108120<br>504903 | 2              |
| 725       | MS29513-330   |               | .PACKING  | 101106<br>108120<br>504903 | 4              |
| 730       | BACS12GU3K10  |               | .SCREW  | 101106<br>108120<br>504903 | 8              |
| 735       | NAS1149D0332J |               | .WASHER   | 101106<br>108120<br>504903 | 16             |
| 740       | PLH53CD       |               | .NUT<br>SUPPLIER CODE:<br>VF0224<br>SPECIFICATION NUMBER:<br>BACN10YR3CD<br>OPTIONAL PART:<br>H52732-3CD<br>V15653          | 101106<br>108120<br>504903 | 8              |
| 745       | BACC10EW32A   |               | .CLAMP STRAP  | 101106<br>108120<br>504903 | 4              |
| 750       | BACC10EW32B   |               | .CLAMP SADDLE   | 101106<br>108120<br>504903 | 4              |
| 755       | 343N2051-24   |               | .BRACKET  | 101106<br>108120<br>504903 | 1              |
| 760       | BACS12GU3K7   |               | ATTACHING PARTS<br>.SCREW   | 101106<br>108120<br>504903 | 1              |
| 763       | BACS12GU3K8   |               | .SCREW  | 101106<br>108120<br>504903 | 1              |

MISSING ITEM NUMBERS NOT APPLICABLE

- ITEM NOT ILLUSTRATED

28-22-07-02A

28-22-07  
FIG. 02A  
PAGE 16  
JAN 20/09

BRI

BOEING PROPRIETARY - Copyright © - Unpublished Work - See title page for details.



757

PARTS CATALOG (MAINTENANCE)

| FIG ITEM  | PART NUMBER   | 1 2 3 4 5 6 7 | NOMENCLATURE  | EFFECT FROM TO             | UNITS PER ASSY |
|-----------|---------------|---------------|---|----------------------------|----------------|
| 2A<br>765 | NAS1149D0316H | .             | WASHER  | 101106<br>108120<br>504903 | 5              |
| 770       | PLH53CD       | .             | NUT<br>SUPPLIER CODE:<br>VF0224<br>SPECIFICATION NUMBER:<br>BACN10YR3CD<br>OPTIONAL PART:<br>H52732-3CD<br>V15653<br>-----*-----  | 101106<br>108120<br>504903 | 2              |
| 775       | BACS12GU4K12  | .             | SCREW   | 101106<br>108120<br>504903 | 4              |
| 780       | NAS1149D0416J | .             | WASHER  | 101106<br>108120<br>504903 | 8              |
| 785       | MS21042L4     | .             | NUT   | 101106<br>108120<br>504903 | 4              |
| 790       | MS29513-223   | .             | PACKING   | 101106<br>108120<br>504903 | 1              |
| 795       | 24C236        | .             | VALVE-<br>SUPPLIER CODE:<br>V82829<br>FUNCTIONAL DESCRIPTION:<br>PERMITS FUEL TO BYPASS<br>THE BOOST PUMP WHEN PUMP<br>IS INOPERATIVE<br>SPECIFICATION NUMBER:<br>60B92401-4<br>COMPONENT MAINT MANUAL REF:<br>28-22-01 | 101106<br>108120<br>504903 | 1              |
| 800       | BACS12GU3K6   | .             | SCREW   | 101106<br>108120<br>504903 | 11             |
| 805       | BACS12GU3K16  | .             | SCREW   | 101106<br>108120<br>504903 | 6              |
| 810       | NAS1149D0332J | .             | WASHER  | 101106<br>108120<br>504903 | 22             |

MISSING ITEM NUMBERS NOT APPLICABLE

- ITEM NOT ILLUSTRATED

28-22-07-02A

28-22-07  
FIG. 02A  
PAGE 17  
JAN 20/09

BRI

BOEING PROPRIETARY - Copyright © - Unpublished Work - See title page for details.



757

PARTS CATALOG (MAINTENANCE)

| FIG ITEM  | PART NUMBER | 1 2 3 4 5 6 7 | NOMENCLATURE  | EFFECT FROM TO             | UNITS PER ASSY |
|-----------|-------------|---------------|---|----------------------------|----------------|
| 2A<br>815 | PLH53CD     | .             | NUT<br>SUPPLIER CODE:<br>VF0224<br>SPECIFICATION NUMBER:<br>BACN10YR3CD<br>OPTIONAL PART:<br>H52732-3CD<br>V15653     | 101106<br>108120<br>504903 | 11             |
| 820       | 343N2035-9  | .             | BRACKET-<br>POSITION DATA:<br>LH SIDE   | 101106<br>108120<br>504903 | 1              |
| - 825     | 343N2035-10 | .             | BRACKET-<br>POSITION DATA:<br>RH SIDE   | 101106<br>108120<br>504903 | 1              |
| 826       | 343N2001-1  | .             | TUBE ASSY-<br>POSITION DATA:<br>LH SIDE   | 101106<br>108120<br>504903 | 1              |
| - 827     | 343N2001-2  | .             | TUBE ASSY-<br>POSITION DATA:<br>RH SIDE   | 101106<br>108120<br>504903 | 1              |
| - 828     | 63052-28    | ..            | FERRULE<br>SUPPLIER CODE:<br>V79326<br>SPECIFICATION NUMBER:<br>AS1716D28<br>OPTIONAL PART:<br>12F63-28A<br>V24984    | 101106<br>108120<br>504903 | 1              |
| - 829     | TC038-24AE  | ..            | FERRULE<br>SUPPLIER CODE:<br>V24984<br>SPECIFICATION NUMBER:<br>AS1737D24<br>OPTIONAL PART:<br>AS83052-24DE<br>V79326 | 101106<br>108120<br>504903 | 1              |
| 830       | 69-77546-1  | .             | TUBE ASSY-<br>POSITION DATA:<br>LH SIDE   | 101106<br>108120<br>504903 | 1              |
| - 835     | 69-77546-2  | .             | TUBE ASSY-<br>POSITION DATA:<br>RH SIDE   | 101106<br>108120<br>504903 | 1              |
| 840       | 65B92416-33 | .             | BELLMOUTH ASSY-<br>POSITION DATA:<br>LH SIDE  | 101106<br>108120<br>504903 | 1              |
| - 845     | 65B92416-34 | .             | BELLMOUTH ASSY-<br>POSITION DATA:<br>RH SIDE  | 101106<br>108120<br>504903 | 1              |

MISSING ITEM NUMBERS NOT APPLICABLE

- ITEM NOT ILLUSTRATED

28-22-07-02A

28-22-07  
FIG. 02A  
PAGE 18  
JAN 20/09

BRI

BOEING PROPRIETARY - Copyright © - Unpublished Work - See title page for details.



757

PARTS CATALOG (MAINTENANCE)

| FIG ITEM  | PART NUMBER | 1 2 3 4 5 6 7 | NOMENCLATURE   | EFFECT FROM TO             | UNITS PER ASSY |
|-----------|-------------|---------------|--|----------------------------|----------------|
| 2A<br>850 | 69B92405-12 | .             | SCREEN ASSY  | 101106<br>108120<br>504903 | 1              |
| 855       | 343N2059-3  | .             | TUBE ASSY-<br>TUBING MATERIAL:<br>2 IN. OD X .028 IN.<br>WALL X 50.269 IN. LG<br>WW-T-700/6 6061 T4<br>TUBING                              | 101106<br>108120<br>504903 | 1              |
| 860       | 343N2059-1  | .             | TUBE ASSY-<br>POSITION DATA:<br>LH SIDE<br>TUBING MATERIAL:<br>2 IN. OD X .028 IN.<br>WALL X 30.637 IN. LG<br>WW-T-700/6 6061 T4<br>TUBING | 101106<br>108120<br>504903 | 1              |
| - 865     | 343N2059-2  | .             | TUBE ASSY-<br>POSITION DATA:<br>RH SIDE<br>TUBING MATERIAL:<br>2 IN. OD X .028 IN.<br>WALL X 30.677 IN. LG<br>WW-T-700/6 6061 T4<br>TUBING | 101106<br>108120<br>504903 | 1              |
| - 870     | 63052-32    | ..            | FERRULE<br>SUPPLIER CODE:<br>V79326<br>SPECIFICATION NUMBER:<br>AS1716D32<br>OPTIONAL PART:<br>12F63-32A<br>V24984                         | 101106<br>108120<br>504903 | 2              |
| 875       | 343N2049-1  | .             | TUBE ASSY-<br>POSITION DATA:<br>LH SIDE  | 101106<br>108120<br>504903 | 1              |
| - 880     | 343N2049-2  | .             | TUBE ASSY-<br>POSITION DATA:<br>RH SIDE  | 101106<br>108120<br>504903 | 1              |
| - 885     | S3052-28    | ..            | FERRULE<br>SUPPLIER CODE:<br>V79326<br>SPECIFICATION NUMBER:<br>BACF32E28<br>OPTIONAL PART:<br>63052-28<br>V79326                          | 101106<br>108120<br>504903 | 1              |

MISSING ITEM NUMBERS NOT APPLICABLE

- ITEM NOT ILLUSTRATED

28-22-07-02A

28-22-07  
FIG. 02A  
PAGE 19  
JAN 20/09

BRI



757

PARTS CATALOG (MAINTENANCE)

| FIG<br>ITEM | PART NUMBER | 1 2 3 4 5 6 7 | NOMENCLATURE                              | EFFECT<br>FROM TO          | UNITS<br>PER<br>ASSY |
|-------------|-------------|---------------|---|----------------------------|----------------------|
| 2A<br>- 890 | 63052-28-32 |               | . . FERRULE-<br>SUPPLIER CODE :<br>V79326 | 101106<br>108120<br>504903 | 1                    |

MISSING ITEM NUMBERS NOT APPLICABLE

- ITEM NOT ILLUSTRATED

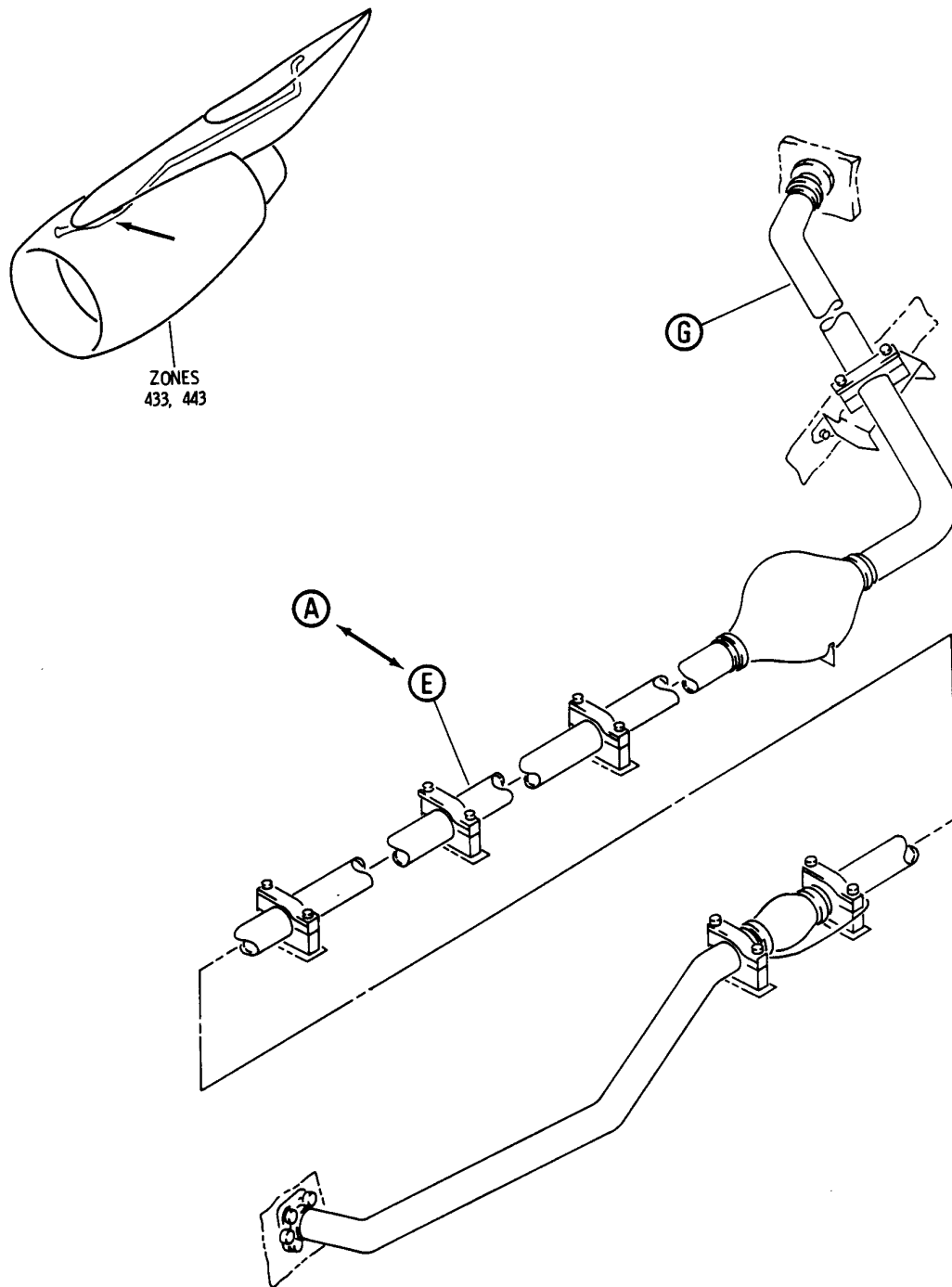
BRI

28-22-07-02A

BOEING PROPRIETARY - Copyright © - Unpublished Work - See title page for details.

28-22-07  
FIG. 02A  
PAGE 20  
JAN 20/09

**BOEING**  
757  
PARTS CATALOG (MAINTENANCE)



Y 28220703 SH1 1 REV 033

SYSTEM INSTL-STRUT FUEL AND HYDR (FUEL ONLY) (RB211-535)  
FIGURE 3 (SHEET 1)

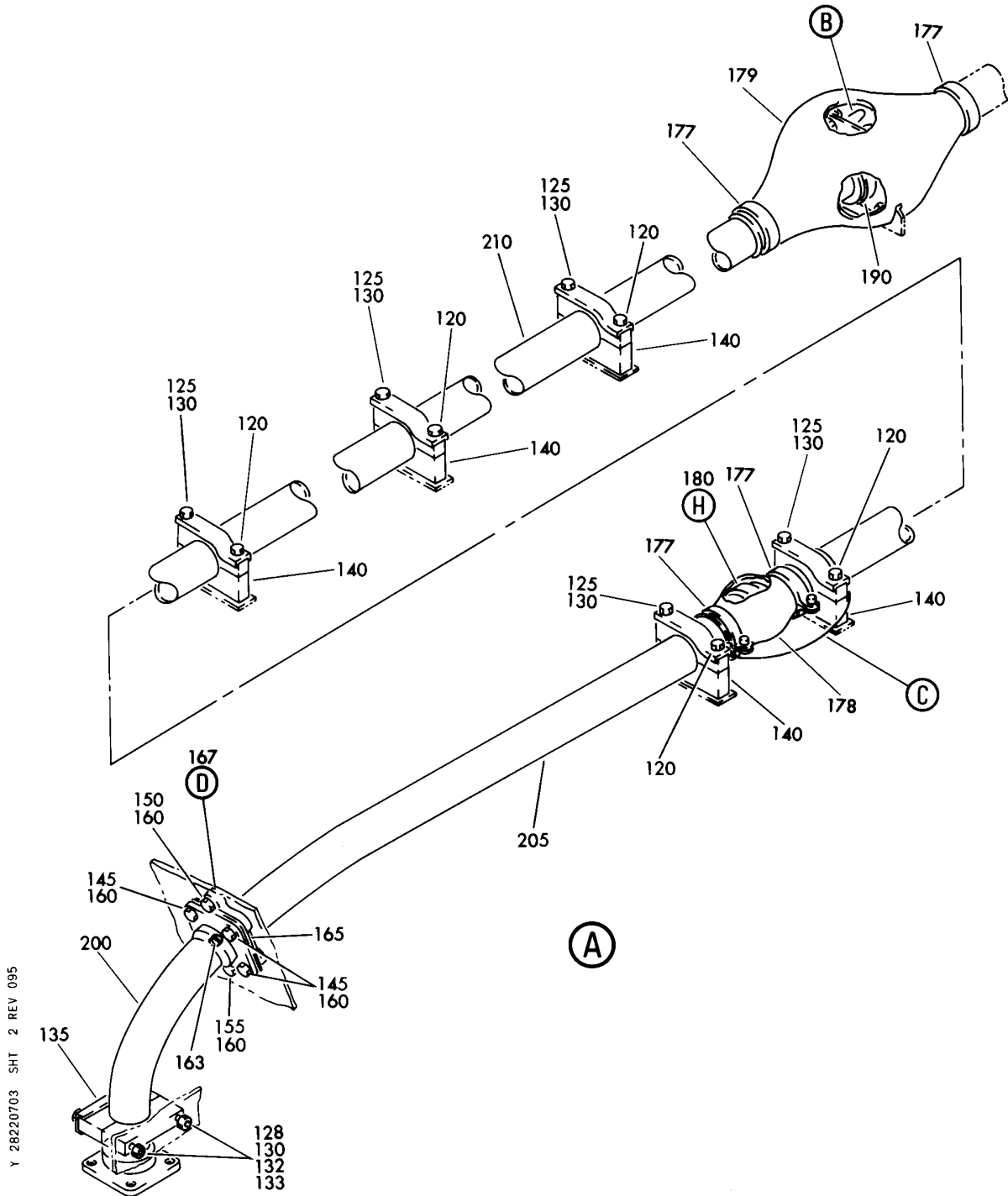
BRI  
MAY 28/07

**28-22-07-03**

28-22-07-03  
PAGE 0



**BOEING**  
757  
PARTS CATALOG (MAINTENANCE)



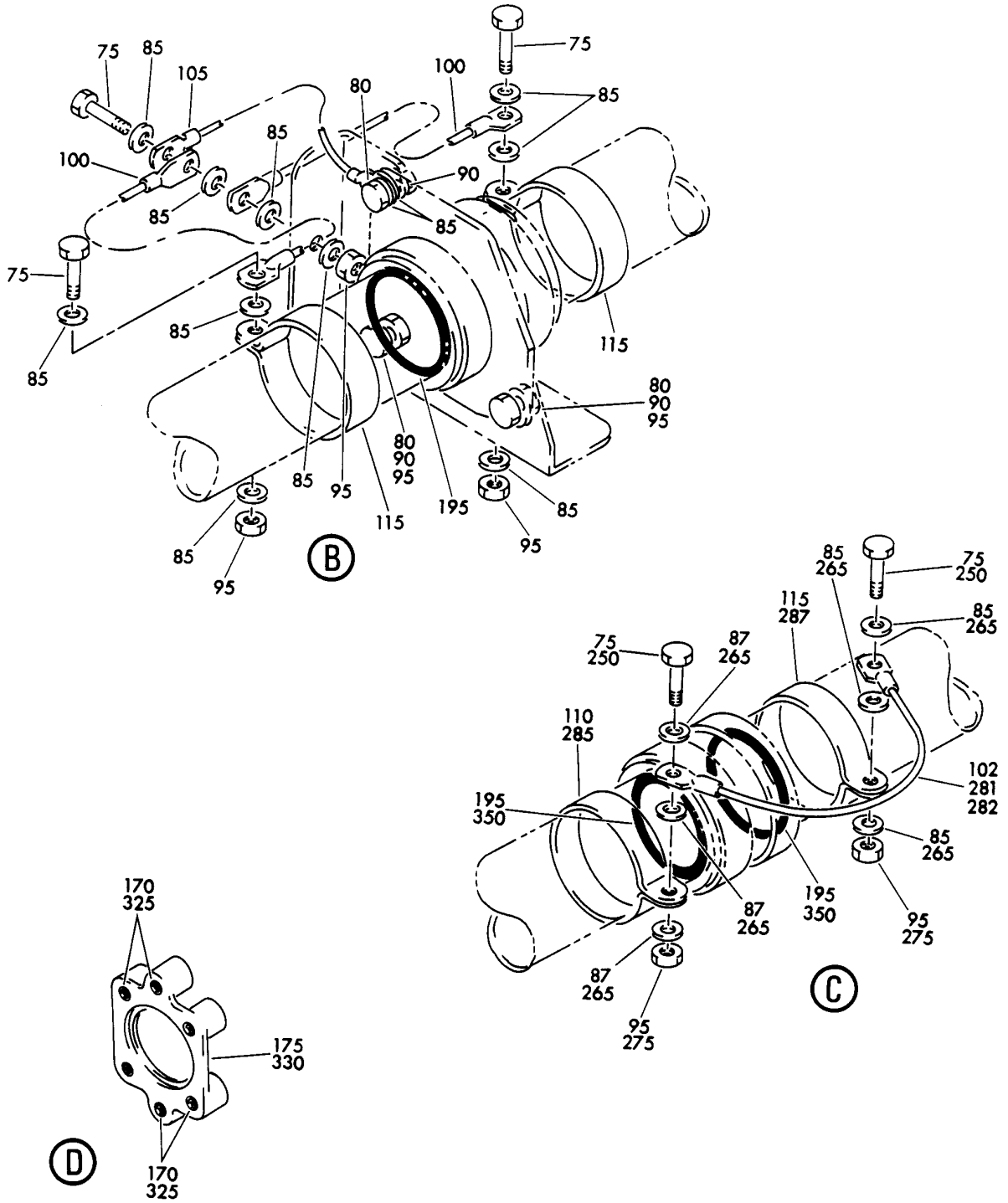
SYSTEM INSTL-STRUT FUEL AND HYDR (FUEL ONLY) (RB211-535)  
FIGURE 3 (SHEET 2)

**28-22-07-03**

BRI  
MAY 28/07

28-22-07-03  
PAGE 0A

**BOEING**  
757  
PARTS CATALOG (MAINTENANCE)



Y 28220703 SHT 3 REV 021

SYSTEM INSTL-STRUT FUEL AND HYDR (FUEL ONLY) (RB211-535)  
FIGURE 3 (SHEET 3)

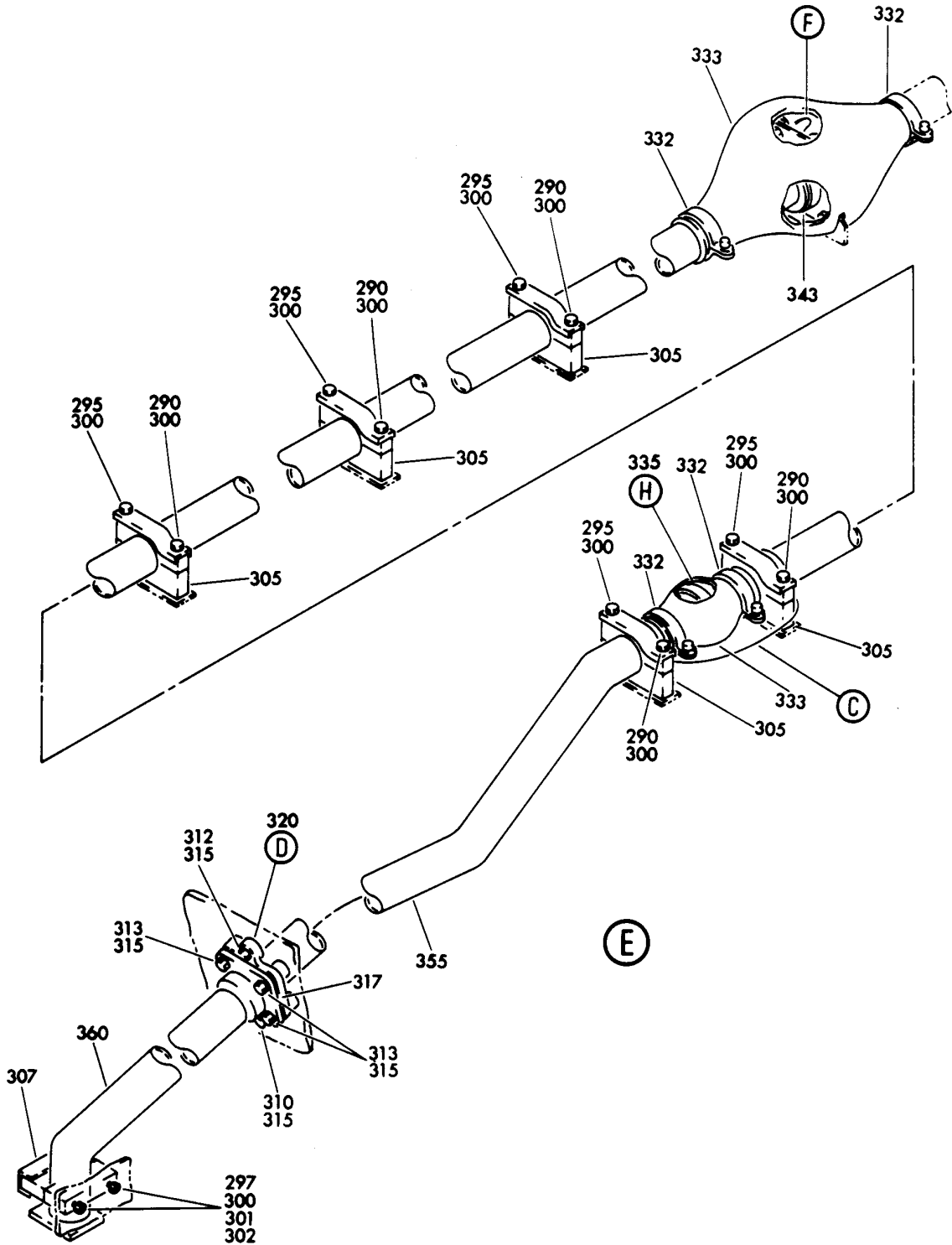
**28-22-07-03**

BRI  
MAY 28/07

28-22-07-03  
PAGE 0B

**BOEING**  
757  
PARTS CATALOG (MAINTENANCE)

Y 28220703 SHT 4 REV 094



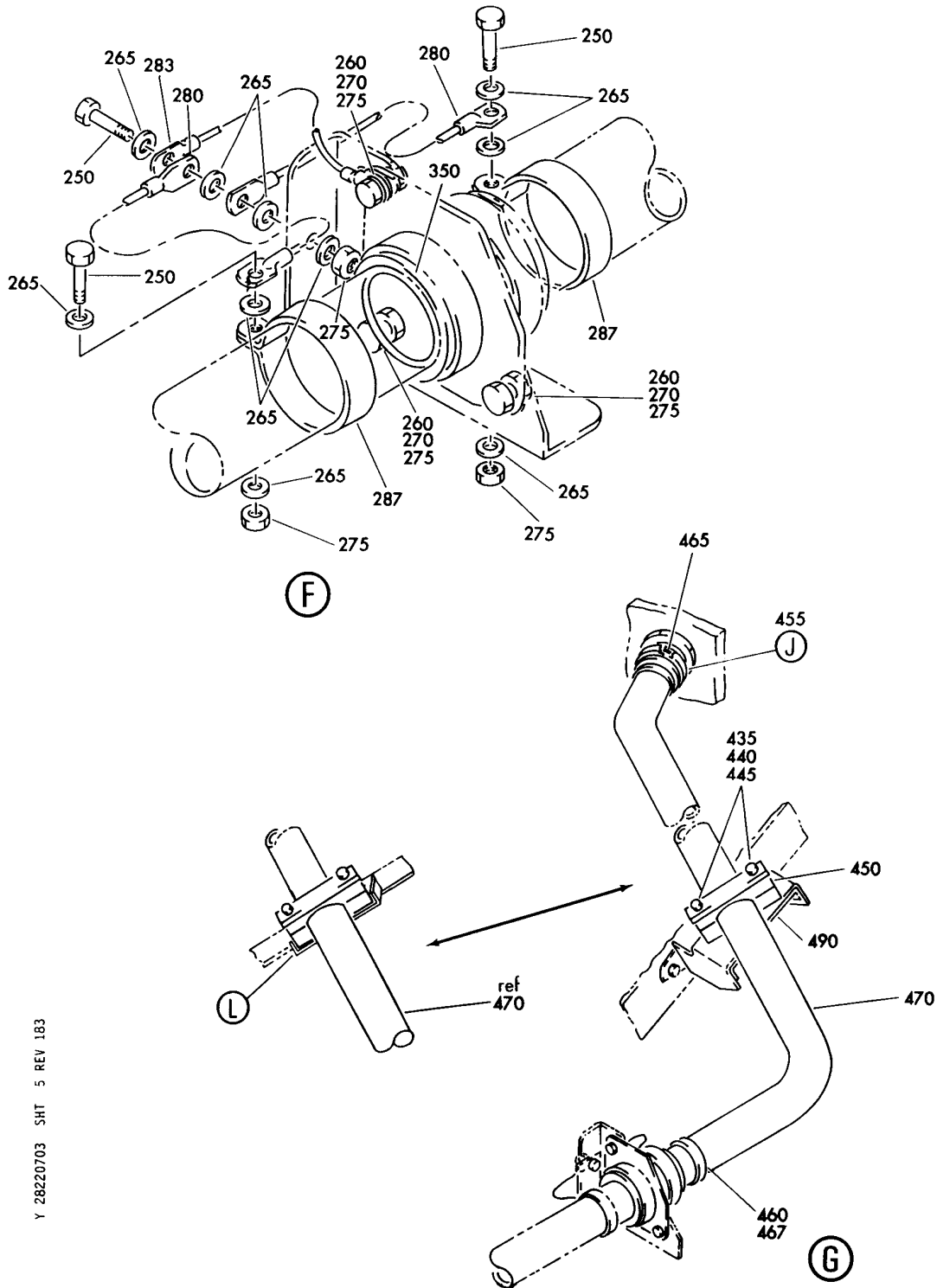
SYSTEM INSTL-STRUT FUEL AND HYDR (FUEL ONLY) (RB211-535)  
FIGURE 3 (SHEET 4)

BRI  
MAY 28/07

**28-22-07-03**

28-22-07-03  
PAGE 0C

**BOEING**  
757  
PARTS CATALOG (MAINTENANCE)



Y 28220703 SHT 5 REV 183

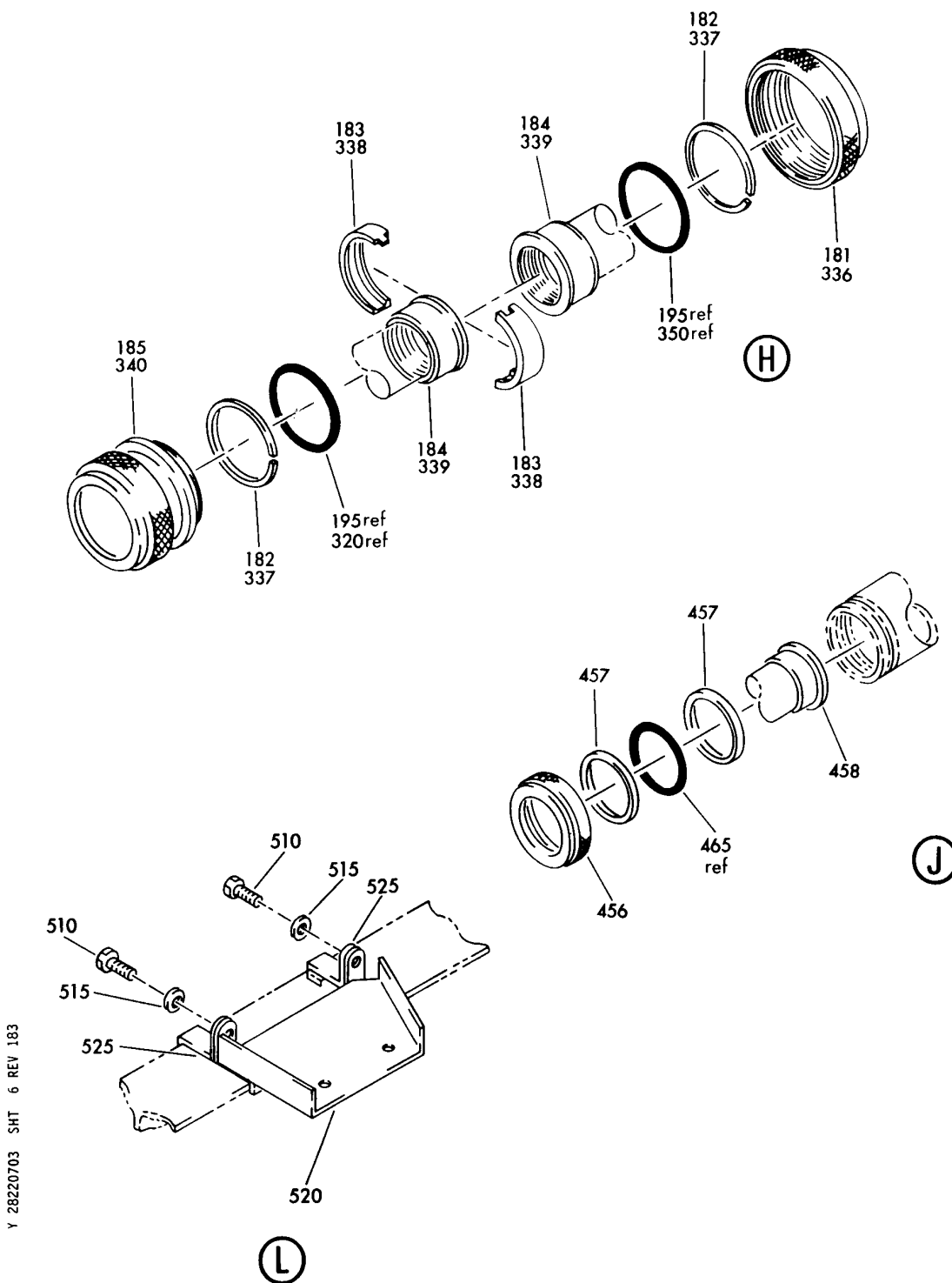
SYSTEM INSTL-STRUT FUEL AND HYDR (FUEL ONLY) (RB211-535)  
FIGURE 3 (SHEET 5)

**28-22-07-03**

BRI  
MAY 28/07

28-22-07-03  
PAGE 0D

**BOEING**  
757  
PARTS CATALOG (MAINTENANCE)



Y 28220703 SHT 6 REV 183

SYSTEM INSTL-STRUT FUEL AND HYDR (FUEL ONLY) (RB211-535)  
FIGURE 3 (SHEET 6)

**28-22-07-03**

BRI  
MAY 28/07

28-22-07-03  
PAGE 0E



757

PARTS CATALOG (MAINTENANCE)

| FIG ITEM | PART NUMBER | 1 2 3 4 5 6 7 | NOMENCLATURE  | EFFECT FROM TO                                 | UNITS PER ASSY |
|----------|-------------|---------------|---|--|----------------|
| 3        |             |               | SYSTEM INSTL-STRUT FUEL AND HYDR (FUEL ONLY) (RB211-535)                                  | 002004<br>006100<br>107107<br>121503<br>904999 |                |
| - 70     | 312N5101-36 |               | SYSTEM INSTL-STRUT FUEL AND HYDR (FUEL ONLY)<br>FOR NHA/OTHER SYS DET SEE:<br>54-00-51-01 | 002004<br>006100<br>107107<br>121503<br>904999 | RF             |
| 75       | NAS1801-3-9 | .             | SCREW   | 002004<br>006100<br>107107<br>121503<br>904999 | 5              |
| 80       | BACB30LM3-4 | .             | BOLT  | 002004<br>006100<br>107107<br>121503<br>904999 | 3              |
| 85       | AN960D10L   | .             | WASHER-   | 002004<br>006100<br>107107<br>121503<br>904999 | 15             |
| 87       | AN960C10L   | .             | WASHER-   | 002004<br>006100<br>107107<br>121503<br>904999 | 3              |
| 90       | AN960KD10   | .             | WASHER  | 002004<br>006100<br>107107<br>121503<br>904999 | 3              |

MISSING ITEM NUMBERS NOT APPLICABLE

- ITEM NOT ILLUSTRATED

BRI

28-22-07-03

BOEING PROPRIETARY - Copyright © - Unpublished Work - See title page for details.

28-22-07  
FIG. 03  
PAGE 1  
JAN 20/09



757

PARTS CATALOG (MAINTENANCE)

| FIG ITEM | PART NUMBER | 1 2 3 4 5 6 7 | NOMENCLATURE  | EFFECT FROM TO                                 | UNITS PER ASSY |
|----------|-------------|---------------|---|--|----------------|
| 3        | 95 BRH10A3  | .NUT          | SUPPLIER CODE:<br>V52828<br>SPECIFICATION NUMBER:<br>BACN10JC3<br>OPTIONAL PART:<br>H10-3BAC<br>V15653<br>NS202101-02<br>V80539<br>RMLH9075-3W<br>V72962<br>VN303A02<br>V92215<br>96-02<br>V80539<br>T6S1032J<br>V11815 | 002004<br>006100<br>107107<br>121503<br>904999 | 8              |
| 100      | 740A20-5    | .JUMPER ASSY- | SUPPLIER CODE:<br>V91812<br>SPECIFICATION NUMBER:<br>BACJ40A20-5<br>OPTIONAL PART:<br>TJEJ40A20-5<br>V33483<br>RBEJ20-5<br>V1GK47   | 002004<br>006100<br>107107<br>121503<br>904999 | 2              |
| 102      | BACJ40A20-7 | .JUMPER ASSY  |   | 002004<br>006100<br>107107<br>121503<br>904999 | 1              |
| 105      | 740A20-3    | .JUMPER ASSY  | SUPPLIER CODE:<br>V91812<br>SPECIFICATION NUMBER:<br>BACJ40A20-3<br>OPTIONAL PART:<br>TJEJ40A20-3<br>V33483<br>RBEJ20-3<br>V1GK47   | 002004<br>006100<br>107107<br>121503<br>904999 | 1              |
| 110      | AN735-24    | .CLAMP-       |   | 002004<br>006100<br>107107<br>121503<br>904999 | 1              |

MISSING ITEM NUMBERS NOT APPLICABLE

- ITEM NOT ILLUSTRATED

28-22-07-03

28-22-07  
FIG. 03  
PAGE 2  
JAN 20/09

BRI



757

PARTS CATALOG (MAINTENANCE)

| FIG ITEM | PART NUMBER  | 1 2 3 4 5 6 7 | NOMENCLATURE   | EFFECT FROM TO                                 | UNITS PER ASSY |
|----------|--------------|---------------|--|--|----------------|
| 3        |              |               |  |  |                |
| 115      | AN735D24     | .             | CLAMP-   | 002004<br>006100<br>107107<br>121503<br>904999 | 3              |
| 120      | BACB30LR3-29 | .             | BOLT-  | 002004<br>006100<br>107107<br>121503<br>904999 | 5              |
| 125      | NAS1801-3-43 | .             | SCREW-   | 002004<br>006100<br>107107<br>121503<br>904999 | 5              |
| 128      | NAS1802-3-43 | .             | SCREW-   | 002004<br>006100<br>107107<br>121503<br>904999 | 2              |
| 130      | AN960KD10    | .             | WASHER   | 002004<br>006100<br>107107<br>121503<br>904999 | 7              |
| 132      | AN960C10     | .             | WASHER-  | 002004<br>006100<br>107107<br>121503<br>904999 | 2              |
| 133      | BRH10C3M     | .             | NUT-<br>SUPPLIER CODE:<br>V52828<br>SPECIFICATION NUMBER:<br>BACN10JC3CM<br>OPTIONAL PART:<br>T6C1032JM<br>V11815<br>97E02<br>V80539<br>109LH9075-3W<br>V72962<br>VN303D02<br>V92215<br>NS202101SE02<br>V80539<br>H01-3BAC<br>V15653 | 002004<br>006100<br>107107<br>121503<br>904999 | 2              |

MISSING ITEM NUMBERS NOT APPLICABLE

- ITEM NOT ILLUSTRATED

28-22-07-03

28-22-07  
FIG. 03  
PAGE 3  
JAN 20/09

BRI





757

PARTS CATALOG (MAINTENANCE)

| FIG ITEM | PART NUMBER   | 1 2 3 4 5 6 7 | NOMENCLATURE                      | EFFECT FROM TO                                 | UNITS PER ASSY |
|----------|---------------|---------------|-----------------------------------|--|----------------|
| 3        |               |               |                                   |  |                |
| 135      | 312N5112-57   | .             | BLOCK ASSY                        | 002004<br>006100<br>107107<br>121503<br>904999 | 1              |
| 140      | 312N5112-56   | .             | BLOCK ASSY                        | 002004<br>006100<br>107107<br>121503<br>904999 | 5              |
| 145      | BACB30LJ5SU6  | .             | BOLT                              | 002004<br>006100<br>107107<br>121503<br>904999 | 4              |
| 150      | BACB30LJ5HSU2 | .             | BOLT                              | 002004<br>006100<br>107107<br>121503<br>904999 | 1              |
| 155      | BACB30LJ5SU2  | .             | BOLT                              | 002004<br>006100<br>107107<br>121503<br>904999 | 1              |
| 160      | AN960C516     | .             | WASHER                            | 002004<br>006100<br>107107<br>121503<br>904999 | 6              |
| 163      | M25988-1-223  | .             | PACKING-                          | 002004<br>006100<br>107107<br>121503<br>904999 | 1              |
| 165      | 808297        | .             | SEAL-<br>SUPPLIER CODE:<br>V83259 | 002004<br>006100<br>107107<br>121503<br>904999 | 1              |
| 167      | 312N5109-1    | .             | FLANGE ASSY-                      | 002004<br>006100<br>107107<br>121503<br>904999 | 1              |

MISSING ITEM NUMBERS NOT APPLICABLE

- ITEM NOT ILLUSTRATED

28-22-07-03

28-22-07  
FIG. 03  
PAGE 4  
JAN 20/09

BRI

**BOEING**  
757  
PARTS CATALOG (MAINTENANCE)

| FIG<br>ITEM | PART NUMBER     | 1 2 3 4 5 6 7 | NOMENCLATURE   | EFFECT<br>FROM TO                              | UNITS<br>PER<br>ASSY |
|-------------|-----------------|---------------|--|--|----------------------|
| 3           |                 |               |  |  |                      |
| 167         | 312N5109-3      | .             | FLANGE ASSY-   | 002004<br>006100<br>107107<br>121503<br>904999 | 1                    |
| 170         | MS21209F5-10    | ..            | INSERT   | 002004<br>006100<br>107107<br>121503<br>904999 | 6                    |
| 175         | 312N5109-2      | ..            | FLANGE-  | 002004<br>006100<br>107107<br>121503<br>904999 | 1                    |
| 175         | 312N5109-4      | ..            | FLANGE-  | 002004<br>006100<br>107107<br>121503<br>904999 | 1                    |
| 177         | 20              | .             | CLAMP-<br>SUPPLIER CODE:<br>V7Z588<br>SPECIFICATION NUMBER:<br>STBC10GG48-58<br>OPTIONAL PART:<br>WWD48-58H<br>V66295<br>BACC10JB046C060 | 002004<br>006100<br>107107<br>121503<br>904999 | 4                    |
| 177         | BACC10JB046C060 | .             | CLAMP-<br>OPTIONAL PART:<br>STBC10GG48-58  | 002004<br>006100<br>107107<br>121503<br>904999 | 4                    |
| 178         | 312N5115-8      | .             | SHROUD-<br>QUALIFIED I/W DATA:<br>-8 MAY REPLACE -1 IN<br>FORWARD POSITION ONLY  | 002004<br>006100<br>107107<br>121503<br>904999 | 1                    |
| 179         | 312N5115-9      | .             | SHROUD-<br>QUALIFIED I/W DATA:<br>-9 MAY REPLACE -1 IN<br>AFT POSITION ONLY<br>OPTIONAL PART:<br>312N5115-10                             | 107107<br>904949                               | 1                    |

MISSING ITEM NUMBERS NOT APPLICABLE

— ITEM NOT ILLUSTRATED

BRI

**28-22-07-03**

BOEING PROPRIETARY - Copyright © - Unpublished Work - See title page for details.

28-22-07  
FIG. 03  
PAGE 5  
JAN 20/09



757

PARTS CATALOG (MAINTENANCE)

| FIG ITEM | PART NUMBER  | 1 2 3 4 5 6 7 | NOMENCLATURE  | EFFECT FROM TO                                 | UNITS PER ASSY |
|----------|--------------|---------------|---|--|----------------|
| 3        |              |               |   |  |                |
| 179      | 312N5115-10  | .             | SHROUD-<br>OPTIONAL PART:<br>312N5115-9   | 002004<br>006100<br>107107<br>121503<br>904999 | 1              |
| 180      | BACC42R24    | .             | COUPLING ASSY<br>SUPPLIER CODE:<br>V79326<br>SPECIFICATION NUMBER:<br>BACC42R24                                   | 002004<br>006100<br>107107<br>121503<br>904999 | 1              |
| 181      | BACN10KL24   | ..            | NUT ASSY  | 002004<br>006100<br>107107<br>121503<br>904999 | 1              |
| 182      | BACR12BN24   | ..            | RING  | 002004<br>006100<br>107107<br>121503<br>904999 | 2              |
| 183      | BACR10AD24   | ..            | RETAINER  | 002004<br>006100<br>107107<br>121503<br>904999 | 2              |
| 184      | S3052-24     | ..            | FERRULE<br>SUPPLIER CODE:<br>V79326<br>SPECIFICATION NUMBER:<br>BACF32E24<br>OPTIONAL PART:<br>63052-24<br>V79326 | 002004<br>006100<br>107107<br>121503<br>904999 | 2              |
| 185      | BACC42P24    | ..            | BODY  | 002004<br>006100<br>107107<br>121503<br>904999 | 1              |
| 190      | 63201B380S24 | .             | COUPLING-<br>SUPPLIER CODE:<br>V79326   | 002004<br>006100<br>107107<br>121503<br>904999 | 1              |
| 195      | MS29513-326  | .             | PACKING   | 002004<br>006100<br>107107<br>121503<br>904999 | 3              |

MISSING ITEM NUMBERS NOT APPLICABLE

- ITEM NOT ILLUSTRATED

28-22-07-03

28-22-07  
FIG. 03  
PAGE 6  
JAN 20/09

BRI



757

PARTS CATALOG (MAINTENANCE)

| FIG ITEM | PART NUMBER   | 1 2 3 4 5 6 7 NOMENCLATURE  | EFFECT FROM TO                                 | UNITS PER ASSY |
|----------|---------------|---|--|----------------|
| 3<br>200 | 312N5107-21   | .TUBE ASSY-FUEL   | 002004<br>006100<br>107107<br>121503<br>904999 | 1              |
| 205      | 312N5107-8    | .TUBE ASSY-FUEL   | 002004<br>006100<br>107107<br>121503<br>904999 | 1              |
| 210      | 312N5101-16   | .TUBE ASSY-FUEL<br>TUBING MATERIAL:<br>1.50 IN. OD 0.035 IN.<br>WALL 71 IN. LG 6061-T4<br>WW-T 700-6 F-17.08 AND<br>F-20.02 AL<br>OPTIONAL PART:<br>312N5101-8700 | 002004<br>006100<br>107107<br>121503<br>904999 | 1              |
| 210      | 312N5101-8700 | .TUBE ASSY-FUEL<br>TUBING MATERIAL:<br>1.50 IN. OD 0.035 IN.<br>WALL 73.0 IN. LG<br>6061-T4 WW-T 700-6<br>F-17.08 AND F-20.02 AL                                  | 002004<br>006100<br>107107<br>121503<br>904999 | 1              |
| - 215    | S3052-24      | ..FERRULE-<br>SUPPLIER CODE:<br>V79326<br>SPECIFICATION NUMBER:<br>BACF32E24<br>OPTIONAL PART:<br>63052-24<br>V79326<br>USED ON:<br>312N5101-16                   | 002004<br>006100<br>107107<br>121503<br>904999 | 2              |
| - 215    | 63052-24      | ..FERRULE-<br>SUPPLIER CODE:<br>V79326<br>SPECIFICATION NUMBER:<br>AS1716D24<br>OPTIONAL PART:<br>12F63-24A<br>V24984<br>USED ON:<br>312N5101-8700                | 002004<br>006100<br>107107<br>121503<br>904999 | 2              |

MISSING ITEM NUMBERS NOT APPLICABLE

- ITEM NOT ILLUSTRATED

BRI

28-22-07-03

28-22-07  
FIG. 03  
PAGE 7  
JAN 20/09



757

PARTS CATALOG (MAINTENANCE)

| FIG ITEM | PART NUMBER   | 1 2 3 4 5 6 7 | NOMENCLATURE  | EFFECT FROM TO                                 | UNITS PER ASSY |
|----------|---------------|---------------|---|--|----------------|
| 3        |               |               |   |  |                |
| - 425    | 312N5101-29   |               | TUBE INSTL-STRUT FUEL AND<br>HYDR SYS (FUEL ONLY)<br>POSITION DATA:<br>LH<br>FOR NHA/OTHER SYS DET SEE:<br>54-51-01-01A | 002004<br>006100<br>107107<br>121503<br>904999 | RF             |
| - 430    | 312N5101-30   |               | TUBE INSTL-STRUT FUEL AND<br>HYDR SYS (FUEL ONLY)<br>POSITION DATA:<br>RH<br>FOR NHA/OTHER SYS DET SEE:<br>54-51-01-01A | 002004<br>006100<br>107107<br>121503<br>904999 | RF             |
| 435      | NAS1801-3-47  |               | .SCREW-<br>POSITION DATA:<br>LH SIDE  | 002004<br>006100<br>107107<br>121503<br>904999 | 2              |
| - 437    | NAS1801-3-43  |               | .SCREW-<br>POSITION DATA:<br>RH SIDE  | 002004<br>006100<br>107107<br>121503<br>904999 | 2              |
| 440      | AN960PD10     |               | .WASHER-  | 002004<br>006100<br>107107<br>121503<br>904999 | 2              |
| 440      | NAS1149D0363J |               | .WASHER-  | 002004<br>006100<br>107107<br>121503<br>904999 | 2              |
| 445      | PLH53CD       |               | .NUT-<br>SUPPLIER CODE:<br>VF0224<br>SPECIFICATION NUMBER:<br>BACN10YR3CD<br>OPTIONAL PART:<br>H52732-3CD<br>V15653     | 002004<br>006100<br>107107<br>121503<br>904999 | 2              |
| 450      | 312N5112-57   |               | .BLOCK ASSY-  | 002004<br>006100<br>107107<br>121503<br>904999 | 1              |

MISSING ITEM NUMBERS NOT APPLICABLE

- ITEM NOT ILLUSTRATED

28-22-07-03

28-22-07  
FIG. 03  
PAGE 8  
JAN 20/09

BRI

BOEING PROPRIETARY - Copyright © - Unpublished Work - See title page for details.



757

PARTS CATALOG (MAINTENANCE)

| FIG ITEM | PART NUMBER | 1 2 3 4 5 6 7 | NOMENCLATURE   | EFFECT FROM TO                                 | UNITS PER ASSY |
|----------|-------------|---------------|--|--|----------------|
| 3        |             |               |  |  |                |
| 455      | BACC42S28   | .             | COUPLING ASSY<br>SUPPLIER CODE:<br>V79326<br>SPECIFICATION NUMBER:<br>BACC42S28  | 002004<br>006100<br>107107<br>121503<br>904999 | 1              |
| 456      | BACN10KL28  | ..            | NUT ASSY   | 002004<br>006100<br>107107<br>121503<br>904999 | 1              |
| 457      | BACR12BN28  | ..            | RING   | 002004<br>006100<br>107107<br>121503<br>904999 | 2              |
| 458      | S3052-28    | ..            | FERRULE<br>SUPPLIER CODE:<br>V79326<br>SPECIFICATION NUMBER:<br>BACF32E28<br>OPTIONAL PART:<br>63052-28<br>V79326  | 002004<br>006100<br>107107<br>121503<br>904999 | 1              |
| 460      | AN735D24    | .             | CLAMP  | 002004<br>006100<br>107107<br>121503<br>904999 | 1              |
| 465      | MS29513-328 | .             | PACKING  | 002004<br>006100<br>107107<br>121503<br>904999 | 1              |
| 467      | MS29513-326 | .             | PACKING  | 002004<br>006100<br>107107<br>121503<br>904999 | 1              |
| 470      | 312N5101-13 | .             | TUBE ASSY-FUEL<br>POSITION DATA:<br>LH SIDE<br>TUBING MATERIAL:<br>1.50 IN. OD 0.035 IN.<br>WALL 39 IN. LG<br>6061-T4 WW-T-700-6<br>F-17.08 AND F-20.02 AL | 002004<br>006100<br>107107<br>121503<br>904999 | 1              |

MISSING ITEM NUMBERS NOT APPLICABLE

- ITEM NOT ILLUSTRATED

28-22-07-03

28-22-07  
FIG. 03  
PAGE 9  
JAN 20/09

BRI

BOEING PROPRIETARY - Copyright © - Unpublished Work - See title page for details.



757

PARTS CATALOG (MAINTENANCE)

| FIG ITEM | PART NUMBER | 1 2 3 4 5 6 7 | NOMENCLATURE  | EFFECT FROM TO                                 | UNITS PER ASSY |
|----------|-------------|---------------|---|--|----------------|
| 3        |             |               |   |  |                |
| - 475    | 312N5101-14 | .             | TUBE ASSY-FUEL<br>POSITION DATA:<br>RH SIDE<br>TUBING MATERIAL:<br>1.50 IN. OD 0.035 IN.<br>WALL 23.60 IN. LG<br>6061-T4 WW-T-700-6<br>F-17.08 AND F-20.02 AL | 002004<br>006100<br>107107<br>121503<br>904999 | 1              |
| - 480    | S3052-24    | ..            | FERRULE<br>SUPPLIER CODE:<br>V79326<br>SPECIFICATION NUMBER:<br>BACF32E24<br>OPTIONAL PART:<br>63052-24<br>V79326   | 002004<br>006100<br>107107<br>121503<br>904999 | 1              |
| - 485    | 63052-24-28 | ..            | FERRULE-<br>SUPPLIER CODE:<br>V79326  | 002004<br>006100<br>107107<br>121503<br>904999 | 1              |
| 490      | 312N5832-1  | .             | BRACKET ASSY-<br>POSITION DATA:<br>LH SIDE  | 002004<br>006100<br>107107<br>121503<br>904999 | 1              |
| - 495    | NAS6704U6   | .             | ATTACHING PARTS<br>SCREW-   | 002004<br>006100<br>107107<br>121503<br>904999 | 2              |
| - 500    | AN960PD416  | .             | WASHER-   | 002004<br>006100<br>107107<br>121503<br>904999 | 2              |

MISSING ITEM NUMBERS NOT APPLICABLE

- ITEM NOT ILLUSTRATED

28-22-07-03

28-22-07  
FIG. 03  
PAGE 10  
JAN 20/09

BRI



757

PARTS CATALOG (MAINTENANCE)

| FIG<br>ITEM | PART NUMBER | 1 2 3 4 5 6 7 | NOMENCLATURE  | EFFECT<br>FROM TO                              | UNITS<br>PER<br>ASSY |
|-------------|-------------|---------------|---|--|----------------------|
| 3<br>- 505  | BRH10A4     |               | .NUT-<br>SUPPLIER CODE:<br>V52828<br>SPECIFICATION NUMBER:<br>BACN10JC4<br>OPTIONAL PART:<br>T6S428J<br>V11815<br>96-048<br>V80539<br>VN303A048<br>V92215<br>RMLH9075-4W<br>V72962<br>NS202101-048<br>V80539<br>H10-4BAC<br>V15653<br>-----*----- | 002004<br>006100<br>107107<br>121503<br>904999 | 2                    |

MISSING ITEM NUMBERS NOT APPLICABLE

- ITEM NOT ILLUSTRATED

BRI

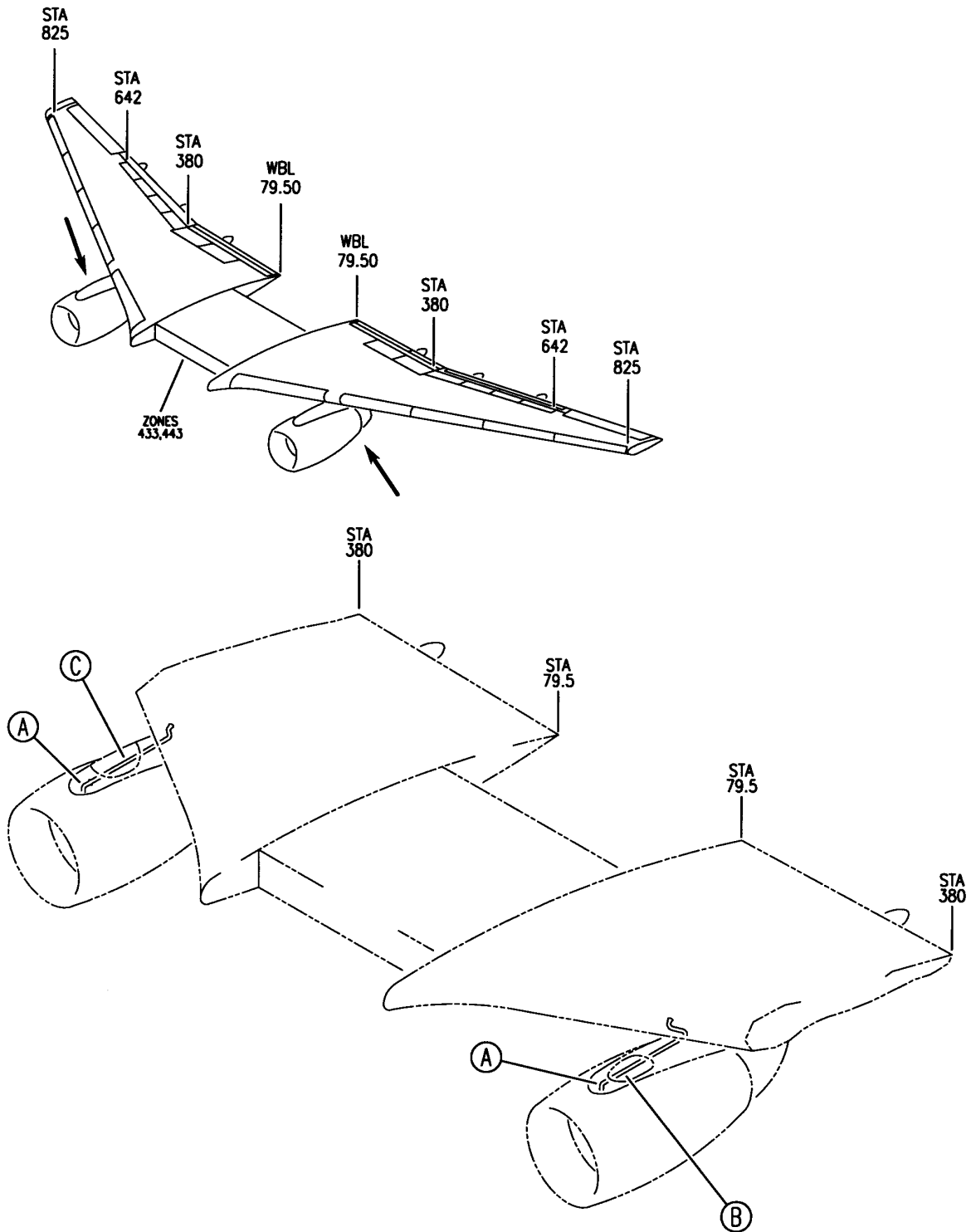
28-22-07-03

BOEING PROPRIETARY - Copyright © - Unpublished Work - See title page for details.

28-22-07  
FIG. 03  
PAGE 11  
JAN 20/09




**BOEING**  
 757  
**PARTS CATALOG (MAINTENANCE)**



Y 28220706 SHT 1 REV 207

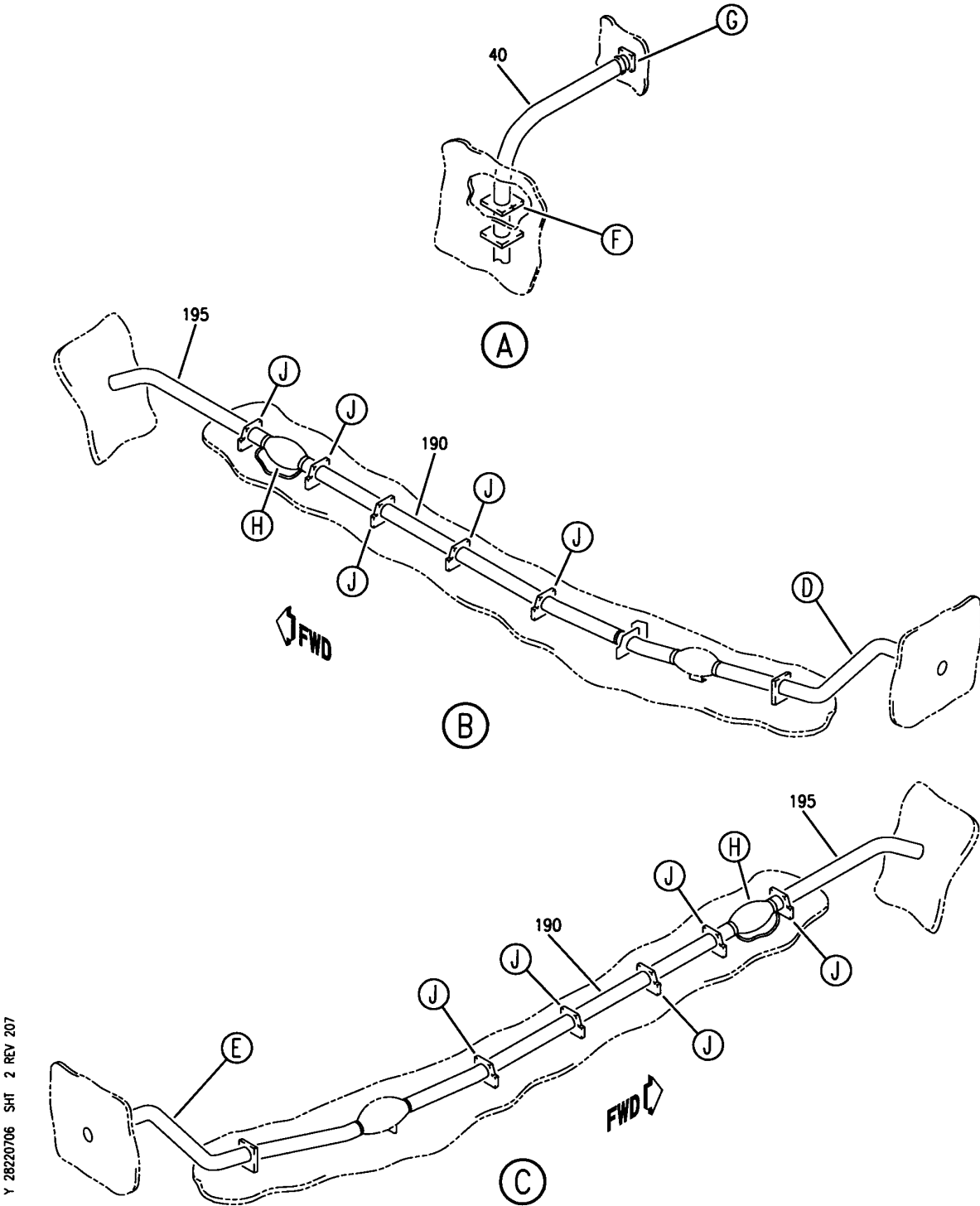
PLUMBING INSTL-STRUT FUEL AND FITTINGS (RB211 STRUT SYSTEM)  
 FIGURE 6 (SHEET 1)

**28-22-07-06**

BRI  
 MAY 28/07

28-22-07-06  
 PAGE 0

**BOEING**  
757  
PARTS CATALOG (MAINTENANCE)



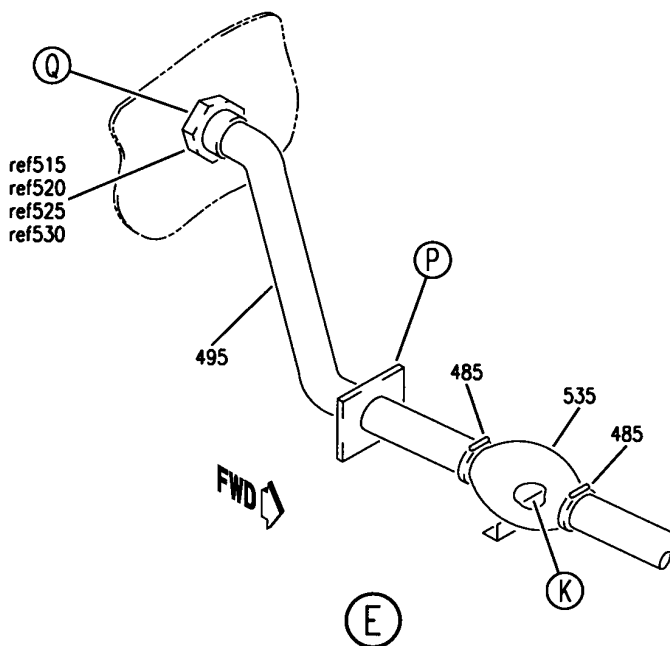
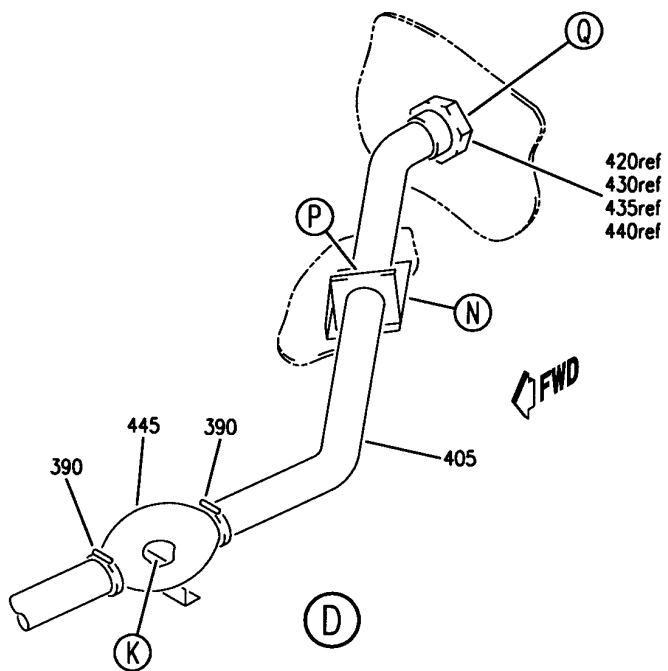
PLUMBING INSTL-STRUT FUEL AND FITTINGS (RB211 STRUT SYSTEM)  
FIGURE 6 (SHEET 2)

**28-22-07-06**

BRI  
MAY 28/07

28-22-07-06  
PAGE 0A

**BOEING**  
757  
PARTS CATALOG (MAINTENANCE)



Y 28220706 SH 3 REV 207

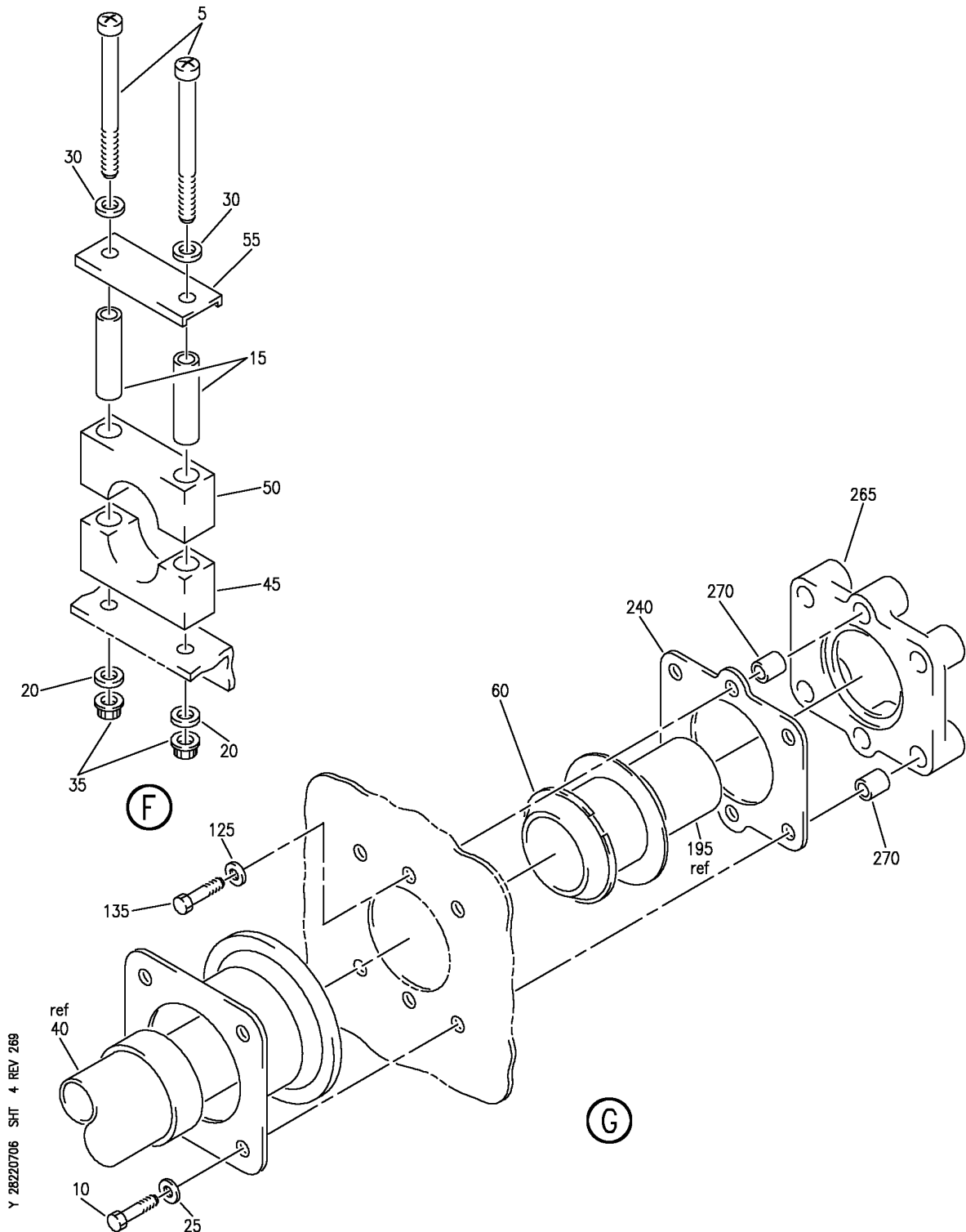
PLUMBING INSTL-STRUT FUEL AND FITTINGS (RB211 STRUT SYSTEM)  
FIGURE 6 (SHEET 3)

**28-22-07-06**

BRI  
MAY 28/07

28-22-07-06  
PAGE 0B

**BOEING**  
757  
PARTS CATALOG (MAINTENANCE)



Y 28220706 SH1 4 REV 269

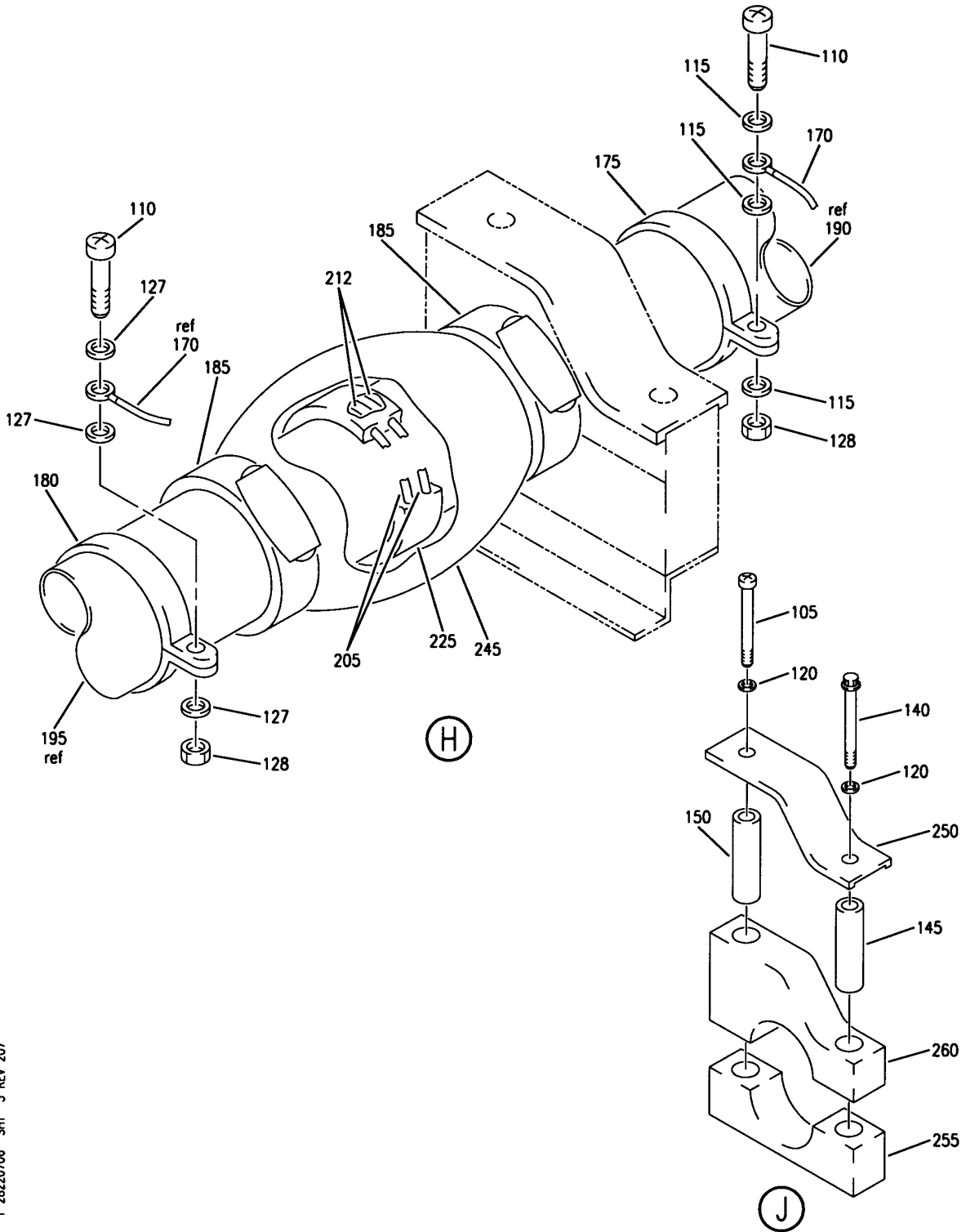
PLUMBING INSTL-STRUT FUEL AND FITTINGS (RB211 STRUT SYSTEM)  
FIGURE 6 (SHEET 4)

**28-22-07-06**

BRI  
MAY 28/07

28-22-07-06  
PAGE 0C

**BOEING**  
757  
PARTS CATALOG (MAINTENANCE)



Y 28220706 SH1 5 REV 207

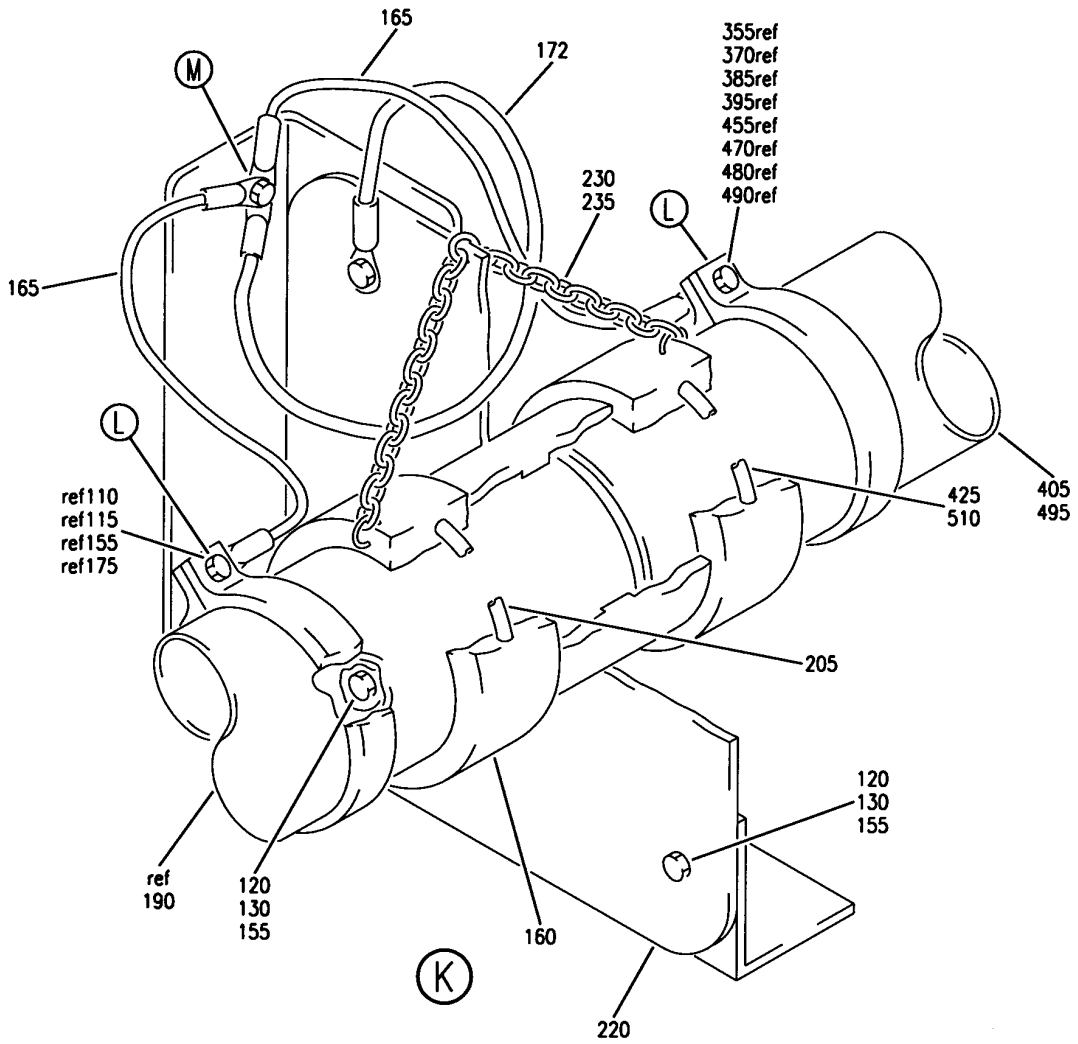
PLUMBING INSTL-STRUT FUEL AND FITTINGS (RB211 STRUT SYSTEM)  
FIGURE 6 (SHEET 5)

**28-22-07-06**

BRI  
MAY 28/07

28-22-07-06  
PAGE 0D

**BOEING**  
757  
PARTS CATALOG (MAINTENANCE)



Y 28220706 SH 6 REV 207

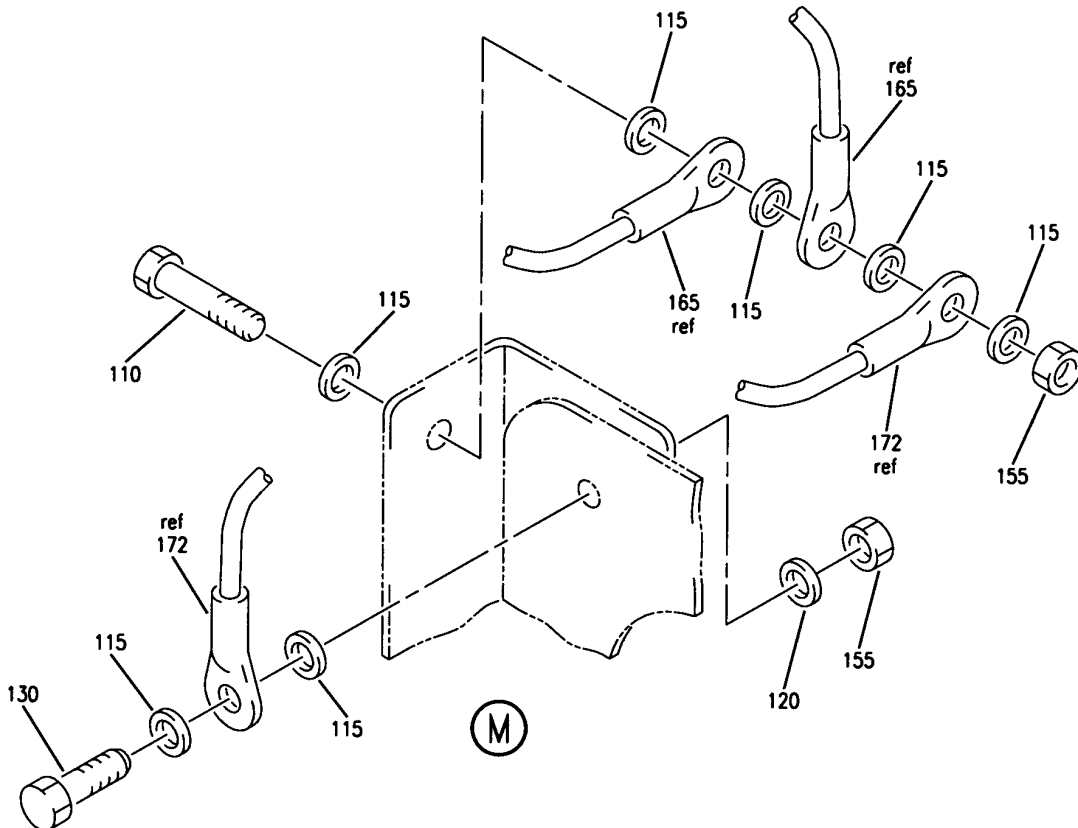
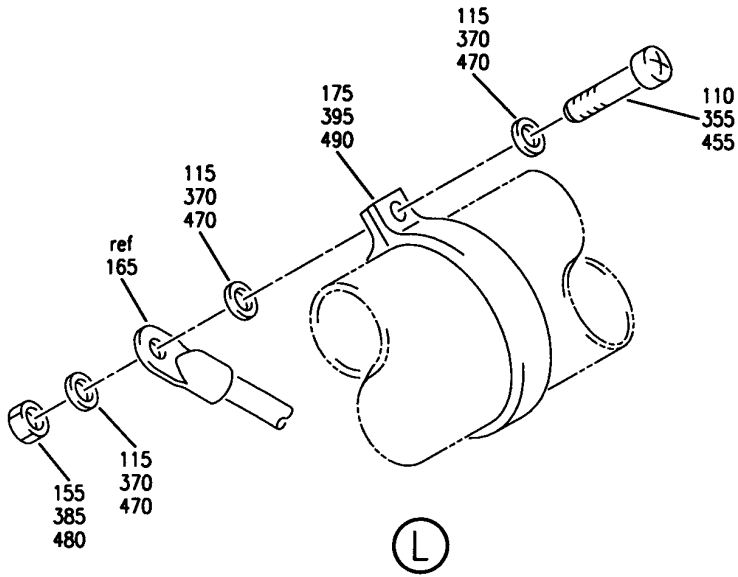
PLUMBING INSTL-STRUT FUEL AND FITTINGS (RB211 STRUT SYSTEM)  
FIGURE 6 (SHEET 6)

**28-22-07-06**

BRI  
MAY 28/07

28-22-07-06  
PAGE 0E

**BOEING**  
757  
PARTS CATALOG (MAINTENANCE)



Y 28220706 SHT 7 REV 207

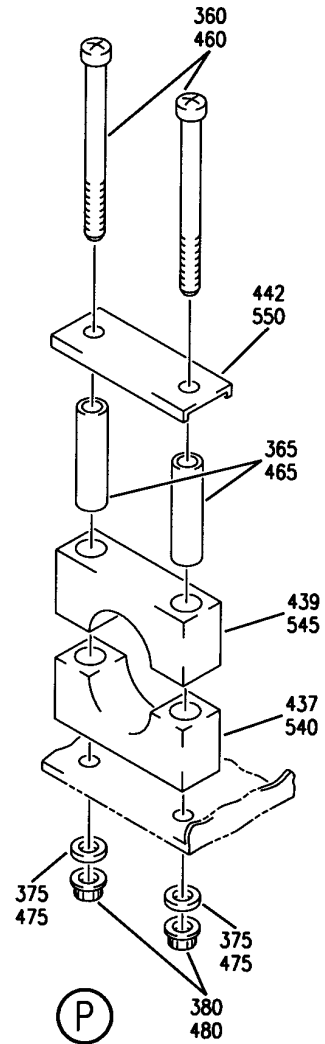
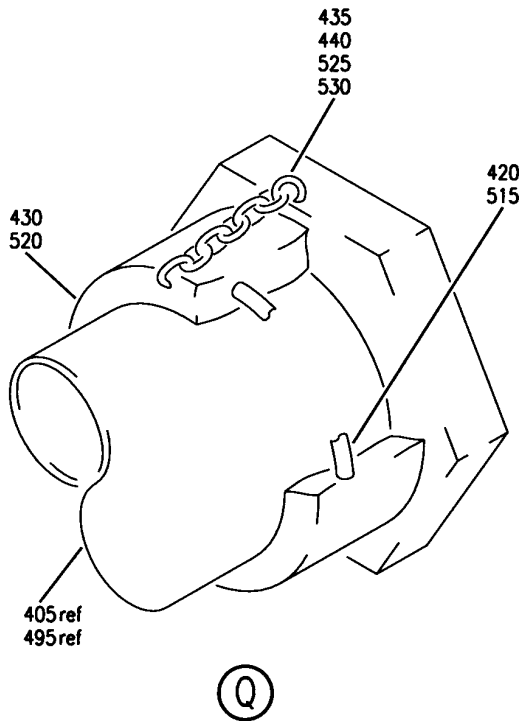
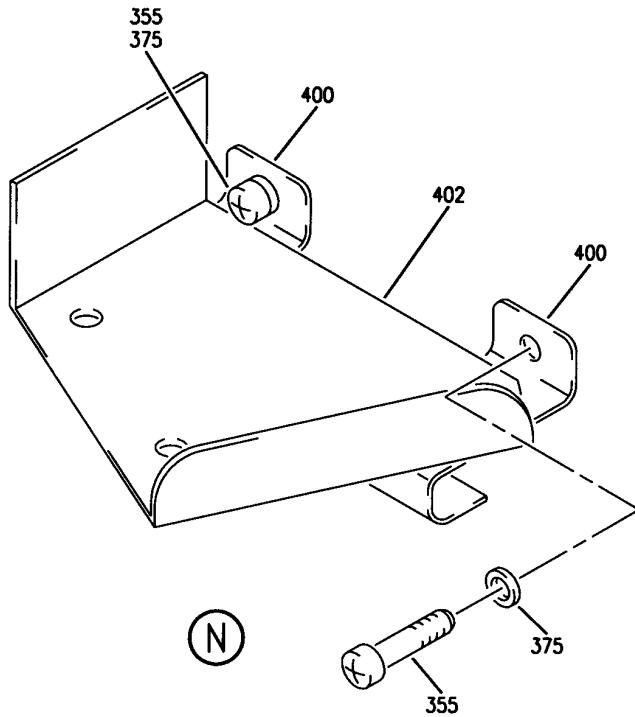
PLUMBING INSTL-STRUT FUEL AND FITTINGS (RB211 STRUT SYSTEM)  
FIGURE 6 (SHEET 7)

BRI  
MAY 28/07

**28-22-07-06**

28-22-07-06  
PAGE OF

**BOEING**  
757  
PARTS CATALOG (MAINTENANCE)



Y 28220706 SH 8 REV 207

PLUMBING INSTL-STRUT FUEL AND FITTINGS (RB211 STRUT SYSTEM)  
FIGURE 6 (SHEET 8)

**28-22-07-06**

BRI  
MAY 28/07

28-22-07-06  
PAGE 06





757

PARTS CATALOG (MAINTENANCE)

| FIG ITEM | PART NUMBER    | 1 2 3 4 5 6 7 | NOMENCLATURE  | EFFECT FROM TO             | UNITS PER ASSY |
|----------|----------------|---------------|---|----------------------------|----------------|
| 6        |                |               | PLUMBING INSTL-STRUT FUEL AND FITTINGS (RB211 STRUT SYSTEM)                                 | 101106<br>108120<br>504903 |                |
| - 1      | 312N5150-802   |               | PLUMBING INSTL-STRUT FUEL 757-200/300 (PROPULSION SYS INSTL)                                | 101102<br>108120<br>504903 | RF             |
| - 1      | MODREF23499    |               | FOR NHA SEE:<br>28-00-00-02<br>PLUMBING INSTL-STRUT FUEL 757-200/300 (PROPULSION SYS INSTL) | 103106                     | 1              |
|          |                |               | MODULE NUMBER:<br>312N5150-802 REV B  |                            |                |
| 5        | NAS1802-3-43   |               | .SCREW  | 101106<br>108120<br>504903 | 4              |
| 10       | BACB30LJ5SU6   |               | .BOLT   | 101106<br>108120<br>504903 | 8              |
| 15       | NAS43DD3-138FC |               | .SPACER   | 101106<br>108120<br>504903 | 4              |
| 20       | NAS1149C0363R  |               | .WASHER   | 101106<br>108120<br>504903 | 4              |
| 25       | NAS1149C0563R  |               | .WASHER   | 101106<br>108120<br>504903 | 8              |
| 30       | NAS1149D0363J  |               | .WASHER-  | 101106<br>108120<br>504903 | 4              |
| 35       | PLH53CM        |               | .NUT  | 101106<br>108120<br>504903 | 4              |
|          |                |               | SUPPLIER CODE:<br>VF0224  |                            |                |
|          |                |               | SPECIFICATION NUMBER:<br>BACN10YR3CM  |                            |                |
|          |                |               | OPTIONAL PART:<br>H52732-3CM<br>V15653  |                            |                |
| 40       | 312N5107-21    |               | .TUBE ASSY  | 101106<br>108120<br>504903 | 2              |
| 45       | 312N5112-46    |               | .BLOCK  | 101106<br>108120<br>504903 | 2              |
| 50       | 312N5112-7     |               | .BLOCK  | 101106<br>108120<br>504903 | 2              |

MISSING ITEM NUMBERS NOT APPLICABLE

- ITEM NOT ILLUSTRATED

28-22-07-06

28-22-07  
FIG. 06  
PAGE 1  
JAN 20/09

BRI



757

PARTS CATALOG (MAINTENANCE)

| FIG ITEM | PART NUMBER    | 1 2 3 4 5 6 7 | NOMENCLATURE  | EFFECT FROM TO             | UNITS PER ASSY |
|----------|----------------|---------------|---|----------------------------|----------------|
| 6        |                |               |   |                            |                |
| 55       | 312N5112-6     | .             | CHANNEL   | 101106<br>108120<br>504903 | 2              |
| 60       | M25988-1-223   | .             | PACKING   | 101106<br>108120<br>504903 | 1              |
| - 100    | 312N5150-801   |               | PLUMBING INSTL-STRUT<br>FUEL 757-200/300<br>FOR NHA SEE:<br>28-00-00-02<br>28-00-00-02A                           | 101106<br>108120<br>504903 | RF             |
| 105      | NAS1801-3-43   | .             | SCREW   | 101106<br>108120<br>504903 | 10             |
| 110      | NAS1801-3-9    | .             | SCREW   | 101106<br>108120<br>504903 | 8              |
| 115      | NAS1149D0316H  | .             | WASHER  | 101106<br>108120<br>504903 | 26             |
| 120      | NAS1149D0363K  | .             | WASHER  | 101106<br>108120<br>504903 | 26             |
| 125      | NAS1149C0563R  | .             | WASHER  | 101106<br>108120<br>504903 | 4              |
| 127      | NAS1149C0332   | .             | BOLT  | 101106<br>108120<br>504903 | 6              |
| 128      | PLH53CD        | .             | NUT<br>SUPPLIER CODE:<br>VF0224<br>SPECIFICATION NUMBER:<br>BACN10YR3CD<br>OPTIONAL PART:<br>H52732-3CD<br>V15653 | 101106<br>108120<br>504903 | 4              |
| 130      | NAS6703-4      | .             | BOLT  | 101106<br>108120<br>504903 | 6              |
| 135      | BACB30LJ5HSU2  | .             | BOLT  | 101106<br>108120<br>504903 | 4              |
| 140      | BACB30LH3-29   | .             | BOLT  | 101106<br>108120<br>504903 | 10             |
| 145      | NAS43DD3-106FC | .             | SPACER  | 101106<br>108120<br>504903 | 10             |

MISSING ITEM NUMBERS NOT APPLICABLE

- ITEM NOT ILLUSTRATED

28-22-07-06

28-22-07  
FIG. 06  
PAGE 2  
JAN 20/09

BRI

BOEING PROPRIETARY - Copyright © - Unpublished Work - See title page for details.



757

PARTS CATALOG (MAINTENANCE)

| FIG ITEM | PART NUMBER     | 1 2 3 4 5 6 7 | NOMENCLATURE   | EFFECT FROM TO             | UNITS PER ASSY |
|----------|-----------------|---------------|--|----------------------------|----------------|
| 6        |                 |               |  |                            |                |
| 150      | NAS43DD3-138FC  | .             | SPACER   | 101106<br>108120<br>504903 | 10             |
| 155      | PLH53CD         | .             | NUT<br>SUPPLIER CODE:<br>VF0224<br>SPECIFICATION NUMBER:<br>BACN10YR3CD<br>OPTIONAL PART:<br>H52732-3CD<br>V15653                                | 101106<br>108120<br>504903 | 10             |
| 160      | BACN10KL24      | .             | NUT ASSY   | 101106<br>108120<br>504903 | 2              |
| 165      | 740A20-5        | .             | JUMPER ASSY<br>SUPPLIER CODE:<br>V91812<br>SPECIFICATION NUMBER:<br>BACJ40A20-5<br>OPTIONAL PART:<br>TJEJ40A20-5<br>V33483<br>RBEJ20-5<br>V1GK47 | 101106<br>108120<br>504903 | 4              |
| 170      | BACJ40A20-7     | .             | JUMPER ASSY  | 101106<br>108120<br>504903 | 2              |
| 172      | 740A20-3        | .             | JUMPER ASSY<br>SUPPLIER CODE:<br>V91812<br>SPECIFICATION NUMBER:<br>BACJ40A20-3<br>OPTIONAL PART:<br>TJEJ40A20-3<br>V33483<br>RBEJ20-3<br>V1GK47 | 101106<br>108120<br>504903 | 2              |
| 175      | AN735D24        | .             | CLAMP  | 101106<br>108120<br>504903 | 4              |
| 180      | AN735-24        | .             | CLAMP  | 101106<br>108120<br>504903 | 2              |
| 185      | BACC10JB046C060 | .             | CLAMP  | 101106<br>108120<br>504903 | 4              |
| 190      | 312N5101-8700   | .             | TUBE ASSY  | 101106<br>108120<br>504903 | 2              |

MISSING ITEM NUMBERS NOT APPLICABLE

- ITEM NOT ILLUSTRATED

28-22-07-06

28-22-07  
FIG. 06  
PAGE 3  
JAN 20/09

BRI



757

PARTS CATALOG (MAINTENANCE)

| FIG ITEM | PART NUMBER  | 1 2 3 4 5 6 7 | NOMENCLATURE   | EFFECT FROM TO             | UNITS PER ASSY |
|----------|--------------|---------------|--|----------------------------|----------------|
| 6        |              |               |  |                            |                |
| - 193    | 63052-24     | ..            | FERRULE<br>SUPPLIER CODE:<br>V79326<br>SPECIFICATION NUMBER:<br>AS1716D24<br>OPTIONAL PART:<br>12F63-24A<br>V24984       | 101106<br>108120<br>504903 | 2              |
| 195      | 312N5107-8   | .             | TUBE ASSY  | 101106<br>108120<br>504903 | 2              |
| - 200    | 63152-24     | ..            | FERRULE-<br>SUPPLIER CODE:<br>V79326   | 101106<br>108120<br>504903 | 1              |
| 205      | MS29513-326  | .             | PACKING  | 101106<br>108120<br>504903 | 6              |
| 212      | BACR12BN24   | .             | RING   | 101106<br>108120<br>504903 | 4              |
| 220      | 63201B380S24 | .             | COUPLING-<br>SUPPLIER CODE:<br>V79326  | 101106<br>108120<br>504903 | 2              |
| 225      | 12J63-24A    | .             | COUPLING ASSY<br>SUPPLIER CODE:<br>V24984<br>SPECIFICATION NUMBER:<br>AS1712D24<br>OPTIONAL PART:<br>83051-24A<br>V79326 | 101106<br>108120<br>504903 | 2              |
| 230      | MS20995NC32  | .             | LOCK WIRE-<br>OPTIONAL PART:<br>AS3510-0218K   | 101106<br>108120<br>504903 | AR             |
| 235      | AS3510-0218K | .             | SAFETY CABLE-<br>OPTIONAL PART:<br>MS20995NC32   | 101106<br>108120<br>504903 | AR             |
| 240      | 808297       | .             | SEAL-<br>SUPPLIER CODE:<br>V83259  | 101106<br>108120<br>504903 | 2              |
| 245      | 312N5115-8   | .             | SHROUD-FUEL  | 101106<br>108120<br>504903 | 2              |
| 250      | 312N5112-4   | .             | CHANNEL  | 101106<br>108120<br>504903 | 10             |
| 255      | 312N5112-3   | .             | BLOCK  | 101106<br>108120<br>504903 | 10             |

MISSING ITEM NUMBERS NOT APPLICABLE

- ITEM NOT ILLUSTRATED

28-22-07-06

28-22-07  
FIG. 06  
PAGE 4  
JAN 20/09

BRI

BOEING PROPRIETARY - Copyright © - Unpublished Work - See title page for details.



757

PARTS CATALOG (MAINTENANCE)

| FIG ITEM | PART NUMBER    | 1 2 3 4 5 6 7  | NOMENCLATURE | EFFECT FROM TO             | UNITS PER ASSY |
|----------|----------------|--|--------------|----------------------------|----------------|
| 6        |                |  |              |                            |                |
| 260      | 312N5112-2     | .BLOCK   |              | 101106<br>108120<br>504903 | 10             |
| 265      | 312N5109-3     | .FLANGE ASSY   |              | 101106<br>108120<br>504903 | 2              |
| 270      | MS21209F5-10   | ..INSERT   |              | 101106<br>108120<br>504903 | 6              |
| - 350    | 312N5150-803   | PLUMBING INSTL-STRUT<br>FUEL 757-200<br>POSITION DATA:<br>LH<br>FOR NHA SEE:<br>28-00-00-02                      |              | 101102<br>108120<br>504903 | RF             |
| - 350    | MODREF14078    | PLUMBING INSTL-STRUT<br>FUEL 757-200<br>MODULE NUMBER:<br>312N5150-803 REV A<br>POSITION DATA:<br>LH             |              | 103106                     | 1              |
| 355      | NAS1801-3-9    | .SCREW   |              | 101106<br>108120<br>504903 | 3              |
| 360      | NAS1801-3-47   | .SCREW   |              | 101106<br>108120<br>504903 | 2              |
| 365      | NAS43DD3-138FC | .SPACER  |              | 101106<br>108120<br>504903 | 2              |
| 370      | NAS1149D0316H  | .WASHER  |              | 101106<br>108120<br>504903 | 3              |
| 375      | NAS1149C0363R  | .WASHER  |              | 101106<br>108120<br>504903 | 4              |
| 380      | PLH53C         | .NUT<br>SUPPLIER CODE:<br>V62554<br>SPECIFICATION NUMBER:<br>BACN10YR3C<br>OPTIONAL PART:<br>H52732-3C<br>V15653 |              | 101106<br>108120<br>504903 | 2              |

MISSING ITEM NUMBERS NOT APPLICABLE

- ITEM NOT ILLUSTRATED

BRI

28-22-07-06

28-22-07  
FIG. 06  
PAGE 5  
JAN 20/09



757

PARTS CATALOG (MAINTENANCE)

| FIG ITEM | PART NUMBER     | 1 2 3 4 5 6 7  | NOMENCLATURE   | EFFECT FROM TO             | UNITS PER ASSY |
|----------|-----------------|----------------|--|----------------------------|----------------|
| 6<br>385 | PLH53CD         | .NUT           | SUPPLIER CODE:<br>VF0224<br>SPECIFICATION NUMBER:<br>BACN10YR3CD<br>OPTIONAL PART:<br>H52732-3CD<br>V15653                               | 101106<br>108120<br>504903 | 1              |
| 390      | BACC10JB046C060 | .CLAMP         |  | 101106<br>108120<br>504903 | 2              |
| 395      | AN735D24        | .CLAMP         |  | 101106<br>108120<br>504903 | 1              |
| 400      | 312N5832-10     | .CLAMP ASSY    |  | 101106<br>108120<br>504903 | 2              |
| 402      | 312N5832-7      | .BRACKET ASSY  |  | 101106<br>108120<br>504903 | 1              |
| 405      | 312N5101-13     | .TUBE ASSY-    | POSITION DATA:<br>LH SIDE<br>TUBING MATERIAL:<br>1.50 IN. OD 0.035 IN.<br>WALL 39 IN. LG<br>6061-T4 WW-T-700-6<br>F-17.08 AND F-20.02 AL | 101106<br>108120<br>504903 | 1              |
| - 410    | 63052-24        | ..FERRULE      | SUPPLIER CODE:<br>V79326<br>SPECIFICATION NUMBER:<br>AS1716D24<br>OPTIONAL PART:<br>12F63-24A<br>V24984                                  | 101106<br>108120<br>504903 | 1              |
| - 415    | 63052-24-28     | ..FERRULE-     | SUPPLIER CODE:<br>V79326   | 101106<br>108120<br>504903 | 1              |
| 420      | MS29513-328     | .PACKING       |  | 101106<br>108120<br>504903 | 1              |
| 425      | MS29513-326     | .PACKING       |  | 101106<br>108120<br>504903 | 1              |
| 430      | AS1713D28       | .COUPLING ASSY |  | 101106<br>108120<br>504903 | 1              |

MISSING ITEM NUMBERS NOT APPLICABLE

- ITEM NOT ILLUSTRATED

28-22-07-06

28-22-07  
FIG. 06  
PAGE 6  
JAN 20/09

BRI



757

PARTS CATALOG (MAINTENANCE)

| FIG ITEM | PART NUMBER    | 1 2 3 4 5 6 7 | NOMENCLATURE  | EFFECT FROM TO             | UNITS PER ASSY |
|----------|----------------|---------------|---|----------------------------|----------------|
| 6        |                |               |   |                            |                |
| 435      | AS3510-0218K   | .             | SAFETY CABLE-<br>OPTIONAL PART:<br>MS20995NC32                                  | 101106<br>108120<br>504903 | AR             |
| 437      | 312N5112-46    | .             | BLOCK   | 101106<br>108120<br>504903 | 1              |
| 439      | 312N5112-7     | .             | BLOCK   | 101106<br>108120<br>504903 | 1              |
| 440      | MS20995NC32    | .             | LOCK WIRE-<br>OPTIONAL PART:<br>AS3510-0218K                                    | 101106<br>108120<br>504903 | AR             |
| 442      | 312N5112-6     | .             | CHANNEL   | 101106<br>108120<br>504903 | 1              |
| 445      | 312N5115-6     | .             | SHROUD  | 101106<br>108120<br>504903 | 1              |
| - 450    | 312N5150-804   |               | PLUMBING INSTL-<br>POSITION DATA:<br>RH<br>FOR NHA SEE:<br>28-00-00-02          | 101102<br>108120<br>504903 | RF             |
| - 450    | MODREF14079    |               | PLUMBING INSTL-<br>MODULE NUMBER:<br>312N5150-804 REV A<br>POSITION DATA:<br>RH | 103106                     | 1              |
| 455      | NAS1801-3-9    | .             | SCREW   | 101106<br>108120<br>504903 | 1              |
| 460      | NAS1801-3-43   | .             | SCREW   | 101106<br>108120<br>504903 | 2              |
| 465      | NAS43DD3-138FC | .             | SPACER  | 101106<br>108120<br>504903 | 2              |
| 470      | NAS1149D0316H  | .             | WASHER  | 101106<br>108120<br>504903 | 3              |
| 475      | NAS1149D0363J  | .             | WASHER  | 101106<br>108120<br>504903 | 2              |

MISSING ITEM NUMBERS NOT APPLICABLE

- ITEM NOT ILLUSTRATED

28-22-07-06

28-22-07  
FIG. 06  
PAGE 7  
JAN 20/09

BRI



757

PARTS CATALOG (MAINTENANCE)

| FIG ITEM | PART NUMBER     | 1 2 3 4 5 6 7  | NOMENCLATURE   | EFFECT FROM TO             | UNITS PER ASSY |
|----------|-----------------|----------------|--|----------------------------|----------------|
| 6<br>480 | PLH53CD         | .NUT           | SUPPLIER CODE:<br>VF0224<br>SPECIFICATION NUMBER:<br>BACN10YR3CD<br>OPTIONAL PART:<br>H52732-3CD<br>V15653                                 | 101106<br>108120<br>504903 | 3              |
| 485      | BACC10JB046C060 | .CLAMP         |  | 101106<br>108120<br>504903 | 2              |
| 490      | AN735D24        | .CLAMP         |  | 101106<br>108120<br>504903 | 1              |
| 495      | 312N5101-14     | .TUBE ASSY-    | POSITION DATA:<br>RH SIDE<br>TUBING MATERIAL:<br>1.50 IN. OD .035 IN.<br>WALL 23.60 IN. LG<br>6061-T4 WW-T-700-6<br>F-17.08 AND F-20.02 AL | 101106<br>108120<br>504903 | 1              |
| - 500    | 63052-24        | ..FERRULE      | SUPPLIER CODE:<br>V79326<br>SPECIFICATION NUMBER:<br>AS1716D24<br>OPTIONAL PART:<br>12F63-24A<br>V24984                                    | 101106<br>108120<br>504903 | 1              |
| - 505    | 63052-24-28     | ..FERRULE-     | SUPPLIER CODE:<br>V79326   | 101106<br>108120<br>504903 | 1              |
| 510      | MS29513-326     | .PACKING       |  | 101106<br>108120<br>504903 | 1              |
| 515      | MS29513-328     | .PACKING       |  | 101106<br>108120<br>504903 | 1              |
| 520      | AS1713D28       | .COUPLING ASSY |  | 101106<br>108120<br>504903 | 1              |
| 525      | MS20995NC32     | .LOCK WIRE-    | OPTIONAL PART:<br>AS3510-0218K   | 101106<br>108120<br>504903 | AR             |
| 530      | AS3510-0218K    | .SAFETY CABLE- | OPTIONAL PART:<br>MS20995NC32  | 101106<br>108120<br>504903 | AR             |

MISSING ITEM NUMBERS NOT APPLICABLE

- ITEM NOT ILLUSTRATED

28-22-07-06

28-22-07  
FIG. 06  
PAGE 8  
JAN 20/09

BRI





757

PARTS CATALOG (MAINTENANCE)

| FIG<br>ITEM | PART NUMBER | 1 2 3 4 5 6 7 | NOMENCLATURE | EFFECT<br>FROM TO          | UNITS<br>PER<br>ASSY |
|-------------|-------------|---------------|--------------|----------------------------|----------------------|
| 6           |             |               |              |                            |                      |
| 535         | 312N5115-10 | .             | SHROUD-FUEL  | 101106<br>108120<br>504903 | 1                    |
| 540         | 312N5112-46 | .             | BLOCK        | 101106<br>108120<br>504903 | 1                    |
| 545         | 312N5112-7  | .             | BLOCK        | 101106<br>108120<br>504903 | 1                    |
| 550         | 312N5112-6  | .             | CHANNEL      | 101106<br>108120<br>504903 | 1                    |

MISSING ITEM NUMBERS NOT APPLICABLE

- ITEM NOT ILLUSTRATED

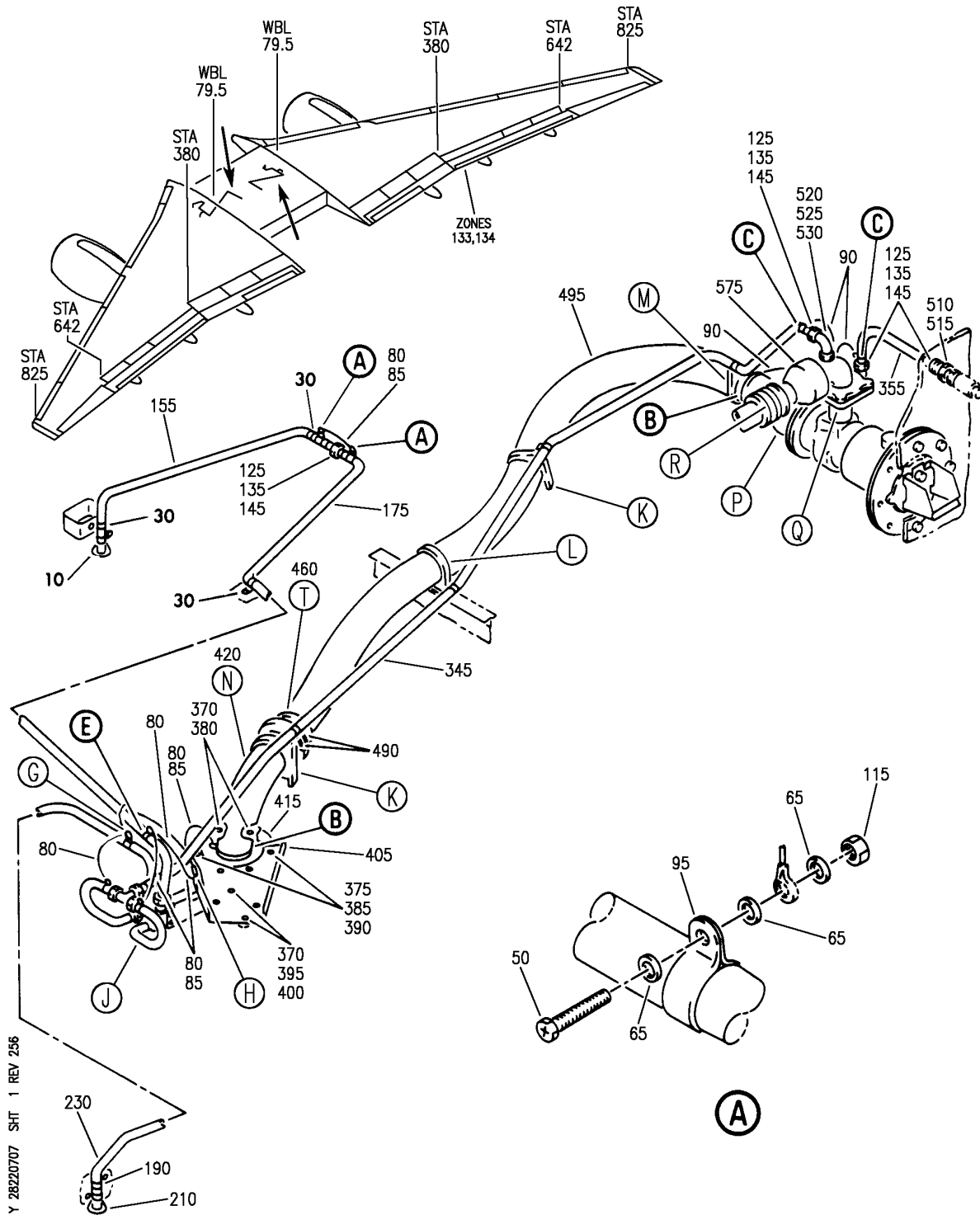
BRI

28-22-07-06

BOEING PROPRIETARY - Copyright © - Unpublished Work - See title page for details.

28-22-07  
FIG. 06  
PAGE 9  
JAN 20/09

**BOEING**  
757  
**PARTS CATALOG (MAINTENANCE)**



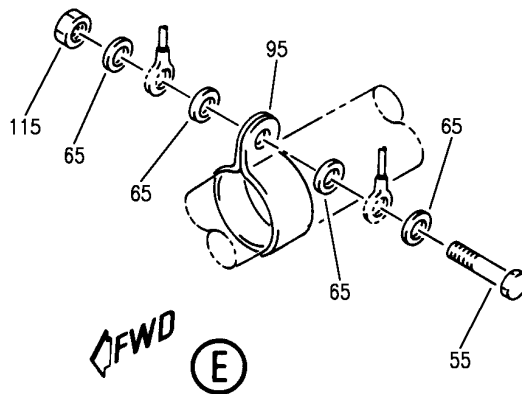
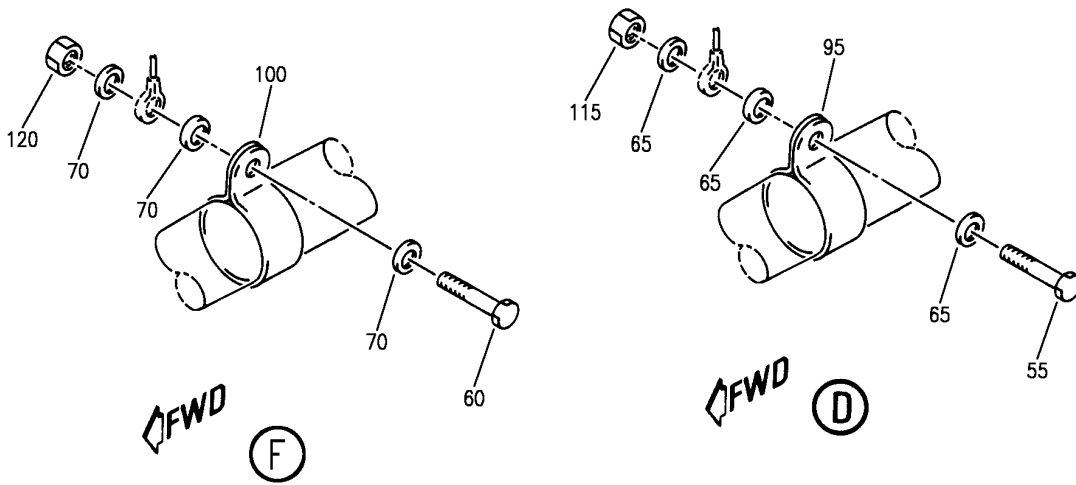
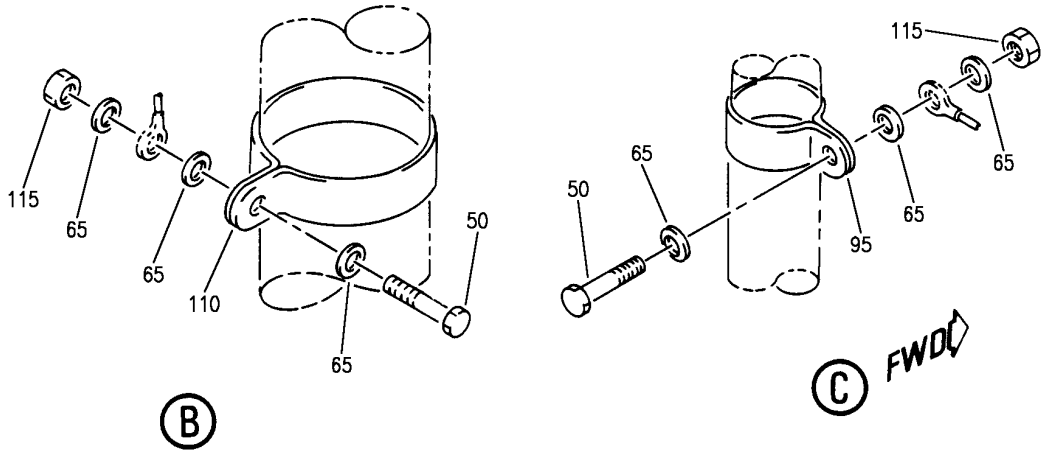
PUMP INSTL-ENG FUEL FEED SYS (FUEL LINES AND FITTINGS ONLY)  
FIGURE 7 (SHEET 1)

# 28-22-07-07

BRI  
MAY 28/07

28-22-07-07  
PAGE 0

**BOEING**  
757  
PARTS CATALOG (MAINTENANCE)



Y 28220707 SH1 2 REV 256

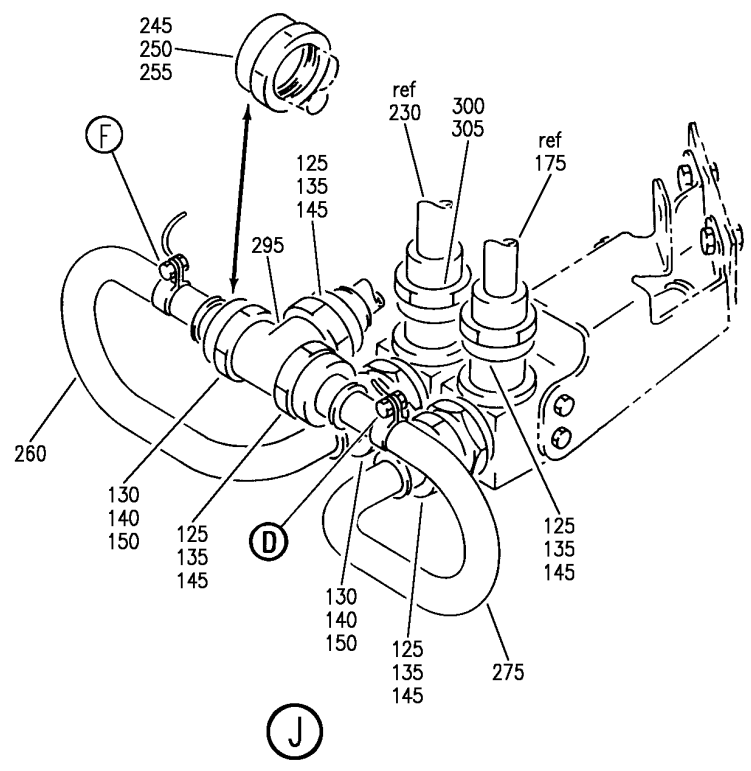
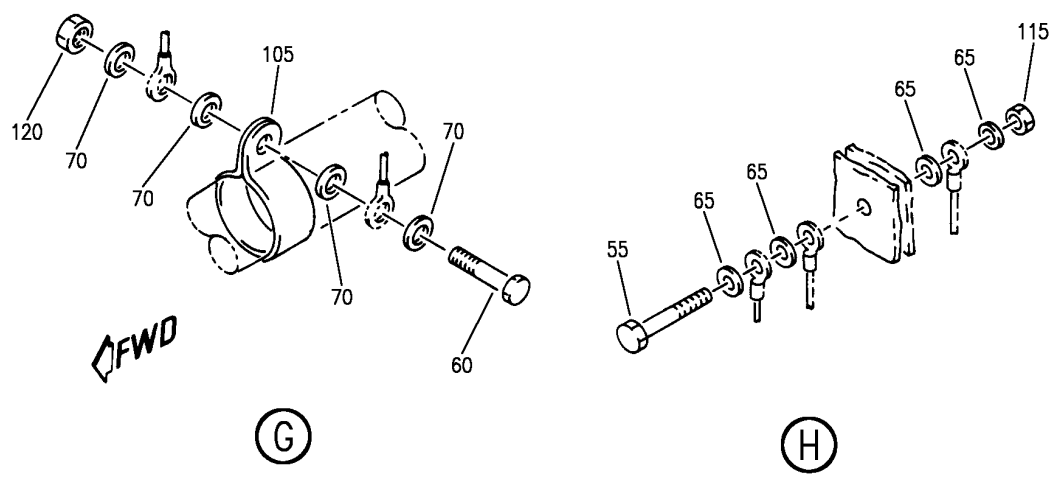
PUMP INSTL-ENG FUEL FEED SYS (FUEL LINES AND FITTINGS ONLY)  
FIGURE 7 (SHEET 2)

**28-22-07-07**

BRI  
MAY 28/07

28-22-07-07  
PAGE 0A

**BOEING**  
757  
**PARTS CATALOG (MAINTENANCE)**



Y 28220707 SH1 3 REV 256

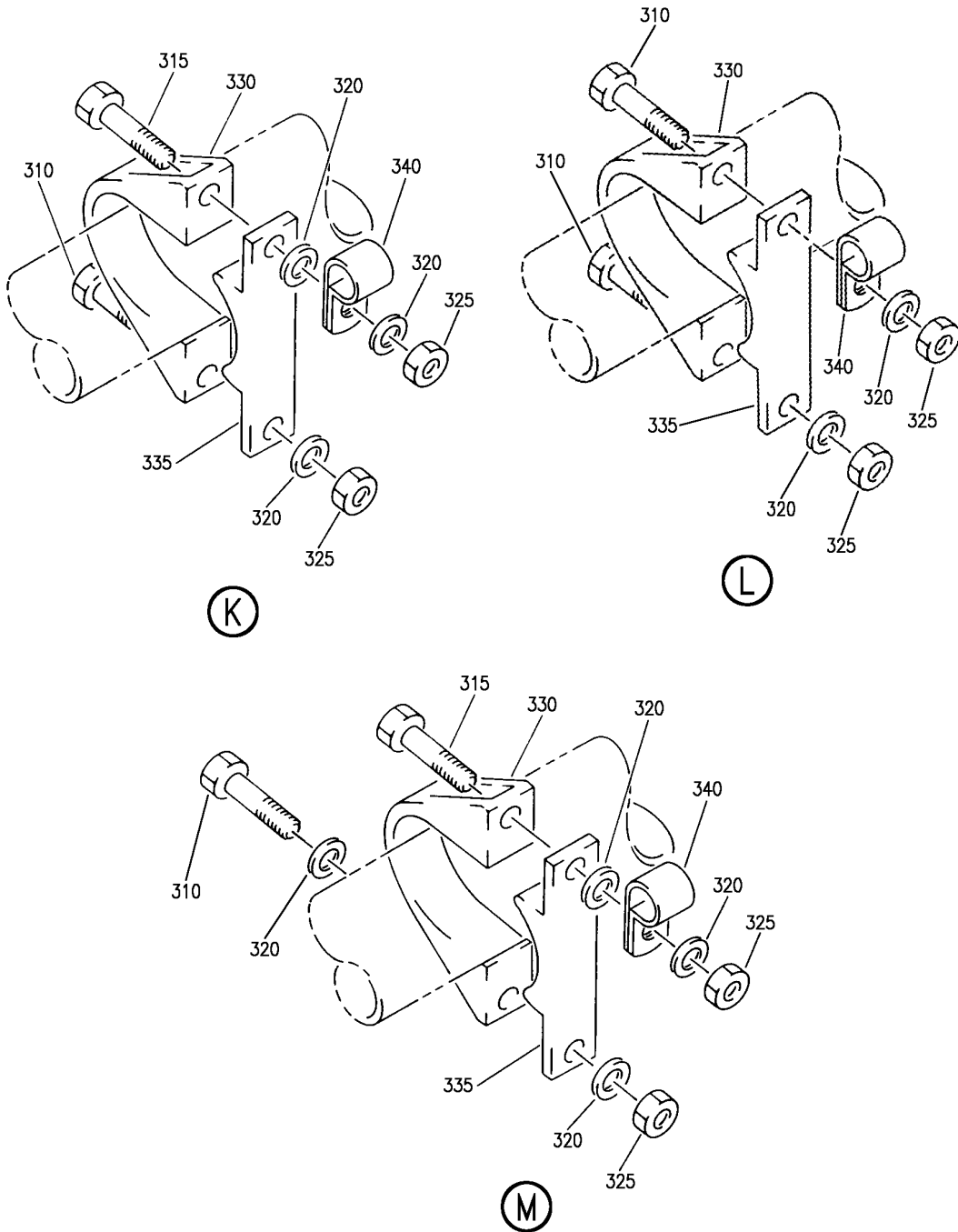
PUMP INSTL-ENG FUEL FEED SYS (FUEL LINES AND FITTINGS ONLY)  
FIGURE 7 (SHEET 3)

**28-22-07-07**

BRI  
MAY 28/07

28-22-07-07  
PAGE 0B

**BOEING**  
757  
PARTS CATALOG (MAINTENANCE)



Y 28220707 SH1 4 REV 256

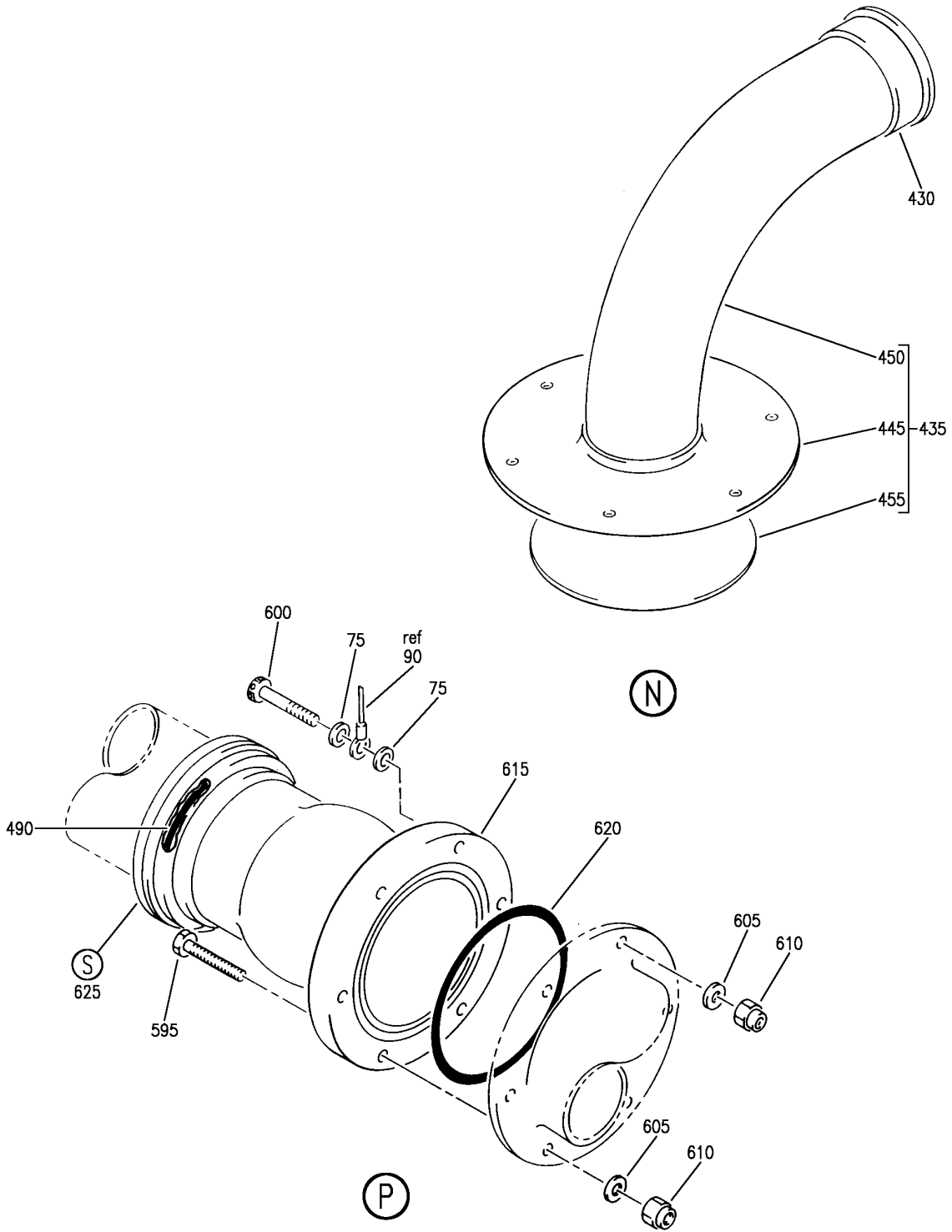
PUMP INSTL-ENG FUEL FEED SYS (FUEL LINES AND FITTINGS ONLY)  
FIGURE 7 (SHEET 4)

**28-22-07-07**

BRI  
MAY 28/07

28-22-07-07  
PAGE 0C

**BOEING**  
757  
PARTS CATALOG (MAINTENANCE)



Y 28220707 SH1 5 REV 256

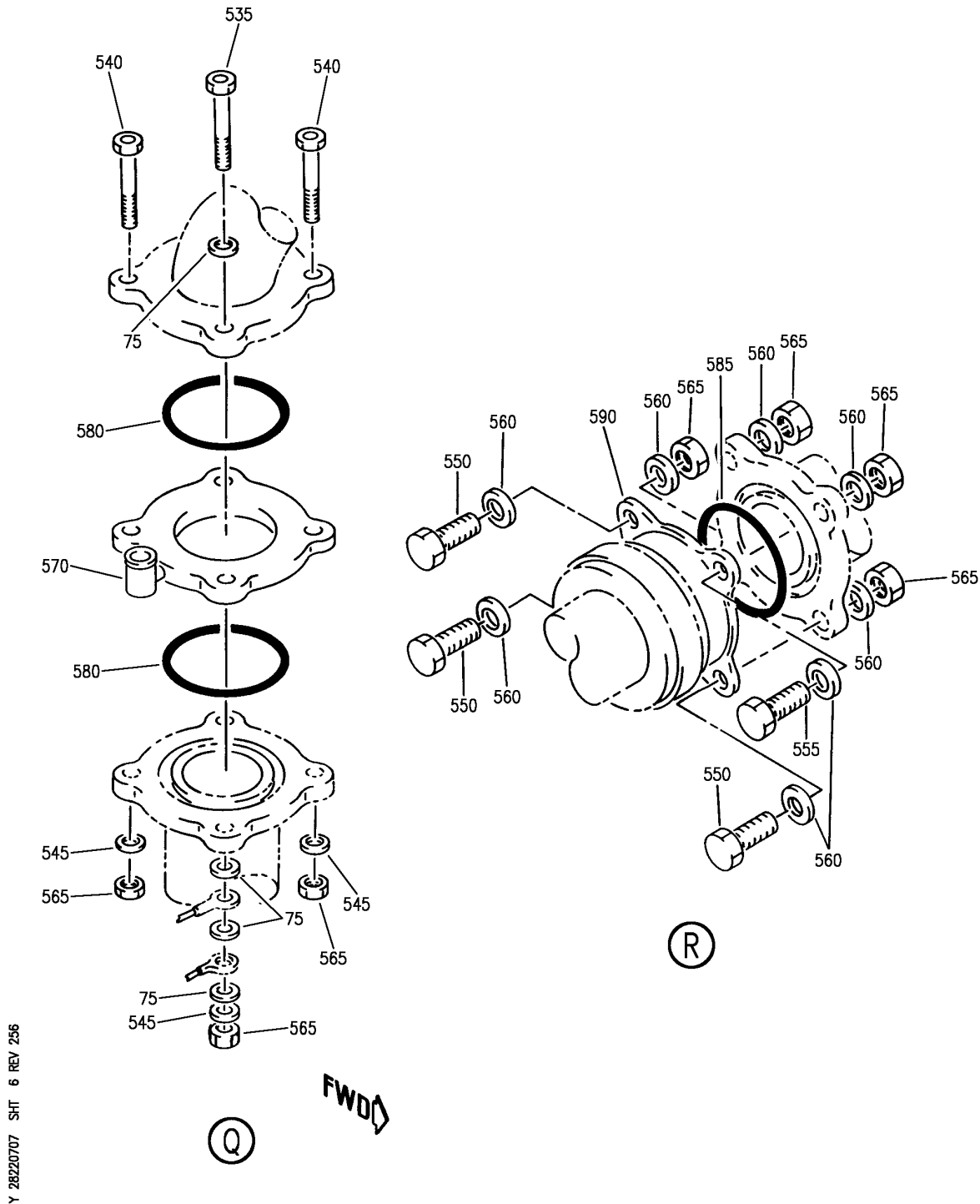
PUMP INSTL-ENG FUEL FEED SYS (FUEL LINES AND FITTINGS ONLY)  
FIGURE 7 (SHEET 5)

**28-22-07-07**

BRI  
MAY 28/07

28-22-07-07  
PAGE 0D

**BOEING**  
757  
PARTS CATALOG (MAINTENANCE)



Y 28220707 SHT 6 REV 256

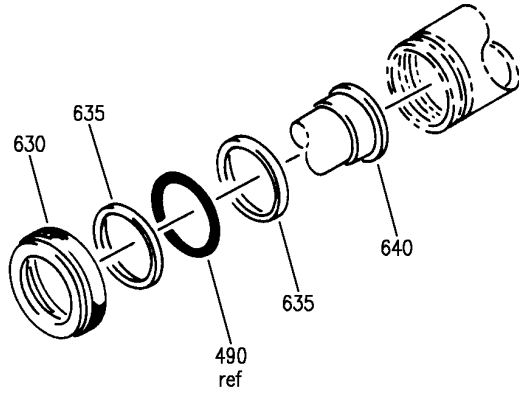
PUMP INSTL-ENG FUEL FEED SYS (FUEL LINES AND FITTINGS ONLY)  
FIGURE 7 (SHEET 6)

**28-22-07-07**

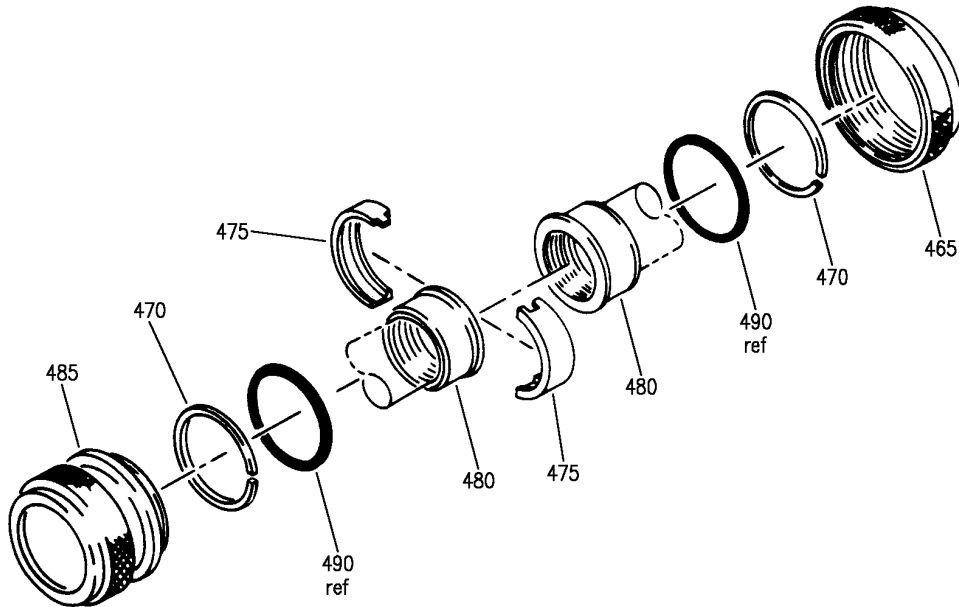
BRI  
MAY 28/07

28-22-07-07  
PAGE 0E

**BOEING**  
757  
PARTS CATALOG (MAINTENANCE)



(S)



(T)

Y 28220707 SHT 7 REV 256

PUMP INSTL-ENG FUEL FEED SYS (FUEL LINES AND FITTINGS ONLY)  
FIGURE 7 (SHEET 7)

**28-22-07-07**

BRI  
MAY 28/07

28-22-07-07  
PAGE OF





757

PARTS CATALOG (MAINTENANCE)

| FIG ITEM | PART NUMBER | 1 2 3 4 5 6 7 | NOMENCLATURE   | EFFECT FROM TO                                 | UNITS PER ASSY |
|----------|-------------|---------------|--|--|----------------|
| 7        |             |               | PUMP INSTL-ENG FUEL FEED<br>SYS (FUEL LINES AND<br>FITTINGS ONLY)  | 002004<br>006100<br>107107<br>121503<br>904999 |                |
| - 1      | 343N3301-75 |               | PUMP INSTL-ENG FUEL FEED<br>SYS (FUEL LINES AND<br>FITTINGS ONLY)<br>POSITION DATA:<br>CTR LH<br>FOR NHA/OTHER SYS DET SEE:<br>28-22-00-01 | 107107   | RF             |
| - 1      | 343N3301-89 |               | PUMP INSTL-ENG FUEL FEED<br>SYS (FUEL LINES AND<br>FITTINGS ONLY)<br>POSITION DATA:<br>CTR LH<br>FOR NHA/OTHER SYS DET SEE:<br>28-22-00-01 | 003004<br>006100<br>121503<br>904999           | RF             |
| - 5      | 343N3301-76 |               | PUMP INSTL-ENG FUEL FEED<br>SYS (FUEL LINES AND<br>FITTINGS ONLY)<br>POSITION DATA:<br>CTR RH<br>FOR NHA/OTHER SYS DET SEE:<br>28-22-00-01 | 107107   | RF             |
| - 5      | 343N3301-90 |               | PUMP INSTL-ENG FUEL FEED<br>SYS (FUEL LINES AND<br>FITTINGS ONLY)<br>POSITION DATA:<br>CTR RH<br>FOR NHA/OTHER SYS DET SEE:<br>28-22-00-01 | 003004<br>006100<br>121503<br>904999           | RF             |
| 10       | 69B92426-2  |               | .SCREEN ASSY   | 002004<br>006100<br>107107<br>121503<br>904999 | 1              |
| - 15     | NAS1801-3-7 |               | ATTACHING PARTS<br>.SCREW  | 002004<br>006100<br>107107<br>121503<br>904999 | 1              |
| - 20     | AN960PD10L  |               | .WASHER  | 002004<br>006100<br>107107<br>121503<br>904999 | 1              |

MISSING ITEM NUMBERS NOT APPLICABLE

- ITEM NOT ILLUSTRATED

28-22-07-07

28-22-07  
FIG. 07  
PAGE 1  
JAN 20/09

BRI



757

PARTS CATALOG (MAINTENANCE)

| FIG<br>ITEM | PART NUMBER | 1 2 3 4 5 6 7 | NOMENCLATURE   | EFFECT<br>FROM TO                              | UNITS<br>PER<br>ASSY |
|-------------|-------------|---------------|--|--|----------------------|
| 7<br>- 25   | BRH10A3     | .NUT          | SUPPLIER CODE:<br>V52828<br>SPECIFICATION NUMBER:<br>BACN10JC3<br>OPTIONAL PART:<br>H10-3BAC<br>V15653<br>NS202101-02<br>V80539<br>RMLH9075-3W<br>V72962<br>VN303A02<br>V92215<br>96-02<br>V80539<br>T6S1032J<br>V11815<br>-----*----- | 002004<br>006100<br>107107<br>121503<br>904999 | 1                    |
| 30          | BACC10DK6   | .CLAMP        | ATTACHING PARTS  | 002004<br>006100<br>107107<br>121503<br>904999 | 3                    |
| - 35        | NAS1801-3-6 | .SCREW        |  | 002004<br>006100<br>107107<br>121503<br>904999 | 3                    |
| - 40        | AN960PD10L  | .WASHER       |  | 002004<br>006100<br>107107<br>121503<br>904999 | 3                    |

MISSING ITEM NUMBERS NOT APPLICABLE

- ITEM NOT ILLUSTRATED

28-22-07-07

28-22-07  
FIG. 07  
PAGE 2  
JAN 20/09

BRI

BOEING PROPRIETARY - Copyright © - Unpublished Work - See title page for details.



757

PARTS CATALOG (MAINTENANCE)

| FIG ITEM  | PART NUMBER | 1 2 3 4 5 6 7 | NOMENCLATURE   | EFFECT FROM TO                                 | UNITS PER ASSY |
|-----------|-------------|---------------|--|--|----------------|
| 7<br>- 45 | BRH10A3     |               | .NUT<br>SUPPLIER CODE:<br>V52828<br>SPECIFICATION NUMBER:<br>BACN10JC3<br>OPTIONAL PART:<br>H10-3BAC<br>V15653<br>NS202101-02<br>V80539<br>RMLH9075-3W<br>V72962<br>VN303A02<br>V92215<br>96-02<br>V80539<br>T6S1032J<br>V11815<br>-----*----- | 002004<br>006100<br>107107<br>121503<br>904999 | 3              |
| 50        | NAS1801-3-7 |               | .SCREW   | 002004<br>006100<br>107107<br>121503<br>904999 | 6              |
| 55        | NAS1801-3-8 |               | .SCREW   | 002004<br>006100<br>107107<br>121503<br>904999 | 3              |
| 65        | AN960D10L   |               | .WASHER  | 002004<br>006100<br>107107<br>121503<br>904999 | 25             |
| 75        | AN960D416L  |               | .WASHER  | 002004<br>006100<br>107107<br>121503<br>904999 | 6              |
| 85        | 740A20-6    |               | .JUMPER ASSY<br>SUPPLIER CODE:<br>V91812<br>SPECIFICATION NUMBER:<br>BACJ40A20-6<br>OPTIONAL PART:<br>TJEJ40A20-6<br>V33483<br>RBEJ20-6<br>V1GK47  | 002004<br>006100<br>107107<br>121503<br>904999 | 4              |

MISSING ITEM NUMBERS NOT APPLICABLE

- ITEM NOT ILLUSTRATED

BRI

28-22-07-07

28-22-07  
FIG. 07  
PAGE 3  
JAN 20/09



757

PARTS CATALOG (MAINTENANCE)

| FIG ITEM | PART NUMBER     | 1 2 3 4 5 6 7 | NOMENCLATURE   | EFFECT FROM TO                                 | UNITS PER ASSY |
|----------|-----------------|---------------|--|--|----------------|
| 7        | 90 BACJ40A21-6  | .             | JUMPER ASSY  | 002004<br>006100<br>107107<br>121503<br>904999 | 3              |
|          | 95 AN735D6      | .             | CLAMP  | 002004<br>006100<br>107107<br>121503<br>904999 | 6              |
|          | 110 AN735D32    | .             | CLAMP  | 002004<br>006100<br>107107<br>121503<br>904999 | 2              |
|          | 115 BRH10A3     | .             | NUT<br>SUPPLIER CODE:<br>V52828<br>SPECIFICATION NUMBER:<br>BACN10JC3<br>OPTIONAL PART:<br>H10-3BAC<br>V15653<br>NS202101-02<br>V80539<br>RMLH9075-3W<br>V72962<br>VN303A02<br>V92215<br>96-02<br>V80539<br>T6S1032J<br>V11815 | 002004<br>006100<br>107107<br>121503<br>904999 | 9              |
|          | 125 BACN10KP6   | .             | NUT-   | 002004<br>006100<br>107107<br>121503<br>904999 | 8              |
|          | 135 BACR12BR6   | .             | RING-  | 002004<br>006100<br>107107<br>121503<br>904999 | 8              |
|          | 145 MS29513-014 | .             | PACKING-   | 002004<br>006100<br>107107<br>121503<br>904999 | 8              |

MISSING ITEM NUMBERS NOT APPLICABLE

- ITEM NOT ILLUSTRATED

BRI

28-22-07-07

28-22-07  
FIG. 07  
PAGE 4  
JAN 20/09



757

PARTS CATALOG (MAINTENANCE)

| FIG ITEM | PART NUMBER | 1 2 3 4 5 6 7 | NOMENCLATURE  | EFFECT FROM TO                                 | UNITS PER ASSY |
|----------|-------------|---------------|---|--|----------------|
| 7<br>155 | 343N3301-64 |               | .TUBE ASSY-<br>POSITION DATA:<br>LH SIDE<br>TUBING MATERIAL:<br>.375 IN. OD .02 IN.<br>WALL 20.1 IN. LG<br>WW-T-700/6 6061 T4                 | 002004<br>006100<br>107107<br>121503<br>904999 | 1              |
| - 160    | 343N3301-65 |               | .TUBE ASSY-<br>POSITION DATA:<br>RH SIDE<br>TUBING MATERIAL:<br>.375 IN. OD .022 IN.<br>WALL 19.8 IN. LG<br>WW-T-700/6 6061 T4                | 002004<br>006100<br>107107<br>121503<br>904999 | 1              |
| - 170    | S83052-6    |               | ..FERRULE-<br>SUPPLIER CODE:<br>V79326<br>SPECIFICATION NUMBER:<br>BACF32F6<br>OPTIONAL PART:<br>TC010-6<br>V24984<br>USED ON:<br>343N3301-65 | 002004<br>006100<br>107107<br>121503<br>904999 | 1              |
| - 172    | AS1737D06   |               | ..FERRULE-<br>USED ON:<br>343N3301-64   | 002004<br>006100<br>107107<br>121503<br>904999 | 1              |
| 175      | 343N3301-23 |               | .TUBE ASSY-<br>POSITION DATA:<br>LH SIDE<br>TUBING MATERIAL:<br>.375 IN. OD .022 IN.<br>WALL 38.8 IN. LG<br>WW-T-700/6 6061 T4                | 002004<br>006100<br>107107<br>121503<br>904999 | 1              |
| - 180    | 343N3301-24 |               | .TUBE ASSY-<br>POSITION DATA:<br>RH SIDE<br>TUBING MATERIAL:<br>.375 IN. OD .022 IN.<br>WALL 38.8 IN. LG<br>WW-T-700/6 6061 T4                | 002004<br>006100<br>107107<br>121503<br>904999 | 1              |
| - 185    | AS1732D06   |               | ..BODY-COUPLING   | 002004<br>006100<br>107107<br>121503<br>904999 | 2              |

MISSING ITEM NUMBERS NOT APPLICABLE

- ITEM NOT ILLUSTRATED

28-22-07-07

28-22-07  
FIG. 07  
PAGE 5  
JAN 20/09

BRI



757

PARTS CATALOG (MAINTENANCE)

| FIG ITEM | PART NUMBER  | 1 2 3 4 5 6 7 | NOMENCLATURE                            | EFFECT FROM TO                                 | UNITS PER ASSY |
|----------|--------------|---------------|---|--|----------------|
| 7        |              |               |   |  |                |
| 245      | 8310-6-64    | .             | CAP-<br>SUPPLIER CODE:<br>V79326        | 002004<br>006100<br>107107<br>121503<br>904999 | 1              |
| 250      | BACN10KN6    | .             | NUT                                     | 002004<br>006100<br>107107<br>121503<br>904999 | 1              |
| 255      | MS29513-014  | .             | PACKING                                 | 002004<br>006100<br>107107<br>121503<br>904999 | 1              |
| 275      | 343N2053-4   | .             | TUBE ASSY-<br>POSITION DATA:<br>LH SIDE | 002004<br>006100<br>107107<br>121503<br>904999 | 1              |
| - 280    | 343N2053-1   | .             | TUBE ASSY-<br>POSITION DATA:<br>RH SIDE | 002004<br>006100<br>107107<br>121503<br>904999 | 1              |
| - 285    | 343N2053-7   | ..            | ORIFICE                                 | 002004<br>006100<br>107107<br>121503<br>904999 | 1              |
| - 290    | 83052B377S6  | ..            | FERRULE-<br>SUPPLIER CODE:<br>V79326    | 002004<br>006100<br>107107<br>121503<br>904999 | 1              |
| 295      | B357S6-6-6   | .             | TEE ASSY-<br>SUPPLIER CODE:<br>V79326   | 002004<br>006100<br>107107<br>121503<br>904999 | 1              |
| 310      | NAS1801-3-10 | .             | SCREW                                   | 002004<br>006100<br>107107<br>121503<br>904999 | 5              |

MISSING ITEM NUMBERS NOT APPLICABLE

- ITEM NOT ILLUSTRATED

28-22-07-07

28-22-07  
FIG. 07  
PAGE 6  
JAN 20/09

BRI



757

PARTS CATALOG (MAINTENANCE)

| FIG ITEM | PART NUMBER  | 1 2 3 4 5 6 7 | NOMENCLATURE   | EFFECT FROM TO                                 | UNITS PER ASSY |
|----------|--------------|---------------|--|--|----------------|
| 7<br>315 | NAS1801-3-13 | .             | SCREW  | 002004<br>006100<br>107107<br>121503<br>904999 | 3              |
| 320      | AN960PD10L   | .             | WASHER   | 002004<br>006100<br>107107<br>121503<br>904999 | 12             |
| 325      | BRH10A3      | .             | NUT<br>SUPPLIER CODE:<br>V52828<br>SPECIFICATION NUMBER:<br>BACN10JC3<br>OPTIONAL PART:<br>H10-3BAC<br>V15653<br>NS202101-02<br>V80539<br>RMLH9075-3W<br>V72962<br>VN303A02<br>V92215<br>96-02<br>V80539<br>T6S1032J<br>V11815 | 002004<br>006100<br>107107<br>121503<br>904999 | 8              |
| 330      | BACC10EW32A  | .             | CLAMP STRAP  | 002004<br>006100<br>107107<br>121503<br>904999 | 4              |
| 335      | BACC10EW32B  | .             | CLAMP SADDLE   | 002004<br>006100<br>107107<br>121503<br>904999 | 4              |
| 340      | BACC10DK6    | .             | CLAMP  | 002004<br>006100<br>107107<br>121503<br>904999 | 4              |

MISSING ITEM NUMBERS NOT APPLICABLE

- ITEM NOT ILLUSTRATED

28-22-07-07

28-22-07  
FIG. 07  
PAGE 7  
JAN 20/09

BRI



757

PARTS CATALOG (MAINTENANCE)

| FIG ITEM | PART NUMBER  | 1 2 3 4 5 6 7 | NOMENCLATURE   | EFFECT FROM TO                                 | UNITS PER ASSY |
|----------|--------------|---------------|--|--|----------------|
| 7<br>345 | 343N3301-21  |               | .TUBE ASSY-<br>POSITION DATA:<br>LH SIDE<br>TUBING MATERIAL:<br>.375 IN. OD .022 IN.<br>WALL 74.8 IN. LG<br>WW-T-700/6 6061 T4 | 002004<br>006100<br>107107<br>121503<br>904999 | 1              |
| - 350    | 343N3301-22  |               | .TUBE ASSY-<br>POSITION DATA:<br>RH SIDE<br>TUBING MATERIAL:<br>.375 IN. OD .022 IN.<br>WALL 72.8 IN. LG<br>WW-T-700/6 6061 T4 | 002004<br>006100<br>107107<br>121503<br>904999 | 1              |
| 355      | 343N3301-55  |               | .TUBE ASSY-<br>TUBING MATERIAL:<br>.375 IN. OD .022 IN.<br>WALL 8.3 IN. LG<br>WW-T-700/6 6061 T4                               | 002004<br>006100<br>107107<br>121503<br>904999 | 1              |
| - 360    | AS1732D06    |               | ..BODY-COUPLING  | 002004<br>006100<br>107107<br>121503<br>904999 | 1              |
| - 365    | AS1737D06    |               | ..FERRULE  | 002004<br>006100<br>107107<br>121503<br>904999 | 1              |
| 370      | NAS1801-3-6  |               | .SCREW   | 002004<br>006100<br>107107<br>121503<br>904999 | 6              |
| 375      | NAS1801-3-22 |               | .SCREW   | 002004<br>006100<br>107107<br>121503<br>904999 | 4              |
| 380      | AN960-10L    |               | .WASHER  | 002004<br>006100<br>107107<br>121503<br>904999 | 2              |
| 390      | NAS43DD3-48  |               | .SPACER  | 002004<br>006100<br>107107<br>121503<br>904999 | 4              |

MISSING ITEM NUMBERS NOT APPLICABLE

- ITEM NOT ILLUSTRATED

28-22-07-07

28-22-07  
FIG. 07  
PAGE 8  
JAN 20/09

BRI



 **BOEING**  
757  
**PARTS CATALOG (MAINTENANCE)**

| FIG ITEM | PART NUMBER | 1 2 3 4 5 6 7 | NOMENCLATURE  | EFFECT FROM TO                                 | UNITS PER ASSY |
|----------|-------------|---------------|---|--|----------------|
| 7        |             |               |   |  |                |
| 395      | AN960PD10L  | .             | WASHER  | 002004<br>006100<br>107107<br>121503<br>904999 | 4              |
| 405      | 343N2009-29 | .             | SUPPORT-<br>POSITION DATA:<br>LH SIDE   | 002004<br>006100<br>107107<br>121503<br>904999 | 1              |
| - 410    | 343N2009-30 | .             | SUPPORT-<br>POSITION DATA:<br>RH SIDE   | 002004<br>006100<br>107107<br>121503<br>904999 | 1              |
| 415      | 69B92405-5  | .             | SCREEN ASSY   | 002004<br>006100<br>107107<br>121503<br>904999 | 1              |
| 420      | 65B92416-30 | .             | BELLMOUTH ASSY-<br>POSITION DATA:<br>LH SIDE  | 002004<br>006100<br>107107<br>121503<br>904999 | 1              |
| - 425    | 65B92416-31 | .             | BELLMOUTH ASSY-<br>POSITION DATA:<br>RH SIDE  | 002004<br>006100<br>107107<br>121503<br>904999 | 1              |
| 430      | BACF32E32   | ..            | FERRULE<br>SUPPLIER CODE:<br>V79326<br>SPECIFICATION NUMBER:<br>BACF32E32<br>OPTIONAL PART:<br>63052-32<br>V79326 | 002004<br>006100<br>107107<br>121503<br>904999 | 1              |
| 435      | 65B92416-11 | ..            | BRAZED ASSY-<br>POSITION DATA:<br>LH SIDE   | 002004<br>006100<br>107107<br>121503<br>904999 | 1              |
| - 440    | 65B92416-12 | ..            | BRAZED ASSY-<br>POSITION DATA:<br>RH SIDE   | 002004<br>006100<br>107107<br>121503<br>904999 | 1              |

MISSING ITEM NUMBERS NOT APPLICABLE

- ITEM NOT ILLUSTRATED

BRI

**28-22-07-07**

28-22-07  
FIG. 07  
PAGE 9  
JAN 20/09



757

PARTS CATALOG (MAINTENANCE)

| FIG ITEM | PART NUMBER | 1 2 3 4 5 6 7 | NOMENCLATURE  | EFFECT FROM TO                                 | UNITS PER ASSY |
|----------|-------------|---------------|---|--|----------------|
| 7        |             |               |   |  |                |
| 445      | 65B92416-3  | ...           | COLLAR  | 002004<br>006100<br>107107<br>121503<br>904999 | 1              |
| 450      | 65B92416-5  | ...           | TUBE  | 002004<br>006100<br>107107<br>121503<br>904999 | 1              |
| 455      | 65B92416-4  | ...           | BELLMOUTH-<br>OPTIONAL PART:<br>343N2056-7  | 002004<br>006100<br>107107<br>121503<br>904999 | 1              |
| 455      | 343N2056-7  | ...           | BELLMOUTH-<br>OPTIONAL PART:<br>65B92416-4  | 002004<br>006100<br>107107<br>121503<br>904999 | 1              |
| 460      | BACC42R32   | .             | COUPLING ASSY<br>SUPPLIER CODE:<br>V79326<br>SPECIFICATION NUMBER:<br>BACC42R32                                   | 002004<br>006100<br>107107<br>121503<br>904999 | 1              |
| 465      | BACN10KL32  | ..            | NUT ASSY  | 002004<br>006100<br>107107<br>121503<br>904999 | 1              |
| 470      | BACR12BN32  | ..            | RING  | 002004<br>006100<br>107107<br>121503<br>904999 | 2              |
| 475      | BACR10AD32  | ..            | RETAINER  | 002004<br>006100<br>107107<br>121503<br>904999 | 2              |
| 480      | BACF32E32   | ..            | FERRULE<br>SUPPLIER CODE:<br>V79326<br>SPECIFICATION NUMBER:<br>BACF32E32<br>OPTIONAL PART:<br>63052-32<br>V79326 | 002004<br>006100<br>107107<br>121503<br>904999 | 2              |

MISSING ITEM NUMBERS NOT APPLICABLE

- ITEM NOT ILLUSTRATED

28-22-07-07

28-22-07  
FIG. 07  
PAGE 10  
JAN 20/09

BRI



757

PARTS CATALOG (MAINTENANCE)

| FIG ITEM | PART NUMBER | 1 2 3 4 5 6 7 | NOMENCLATURE  | EFFECT FROM TO                                 | UNITS PER ASSY |
|----------|-------------|---------------|---|--|----------------|
| 7<br>485 | BACC42P32   |               | . . BODY  | 002004<br>006100<br>107107<br>121503<br>904999 | 1              |
| 490      | MS29513-330 |               | . PACKING   | 002004<br>006100<br>107107<br>121503<br>904999 | 3              |
| 495      | 343N3301-83 |               | . TUBE ASSY-<br>POSITION DATA:<br>LH SIDE<br>TUBING MATERIAL:<br>2.00 IN. OD .028 IN.<br>WALL 52.26 IN. LG<br>WW-T-700/6 TUBING | 002004<br>006100<br>107107<br>121503<br>904999 | 1              |
| - 500    | 343N3301-82 |               | . TUBE ASSY-<br>POSITION DATA:<br>RH SIDE<br>TUBING MATERIAL:<br>2.00 IN. OD .028 IN.<br>WALL 51.57 IN. LG<br>WW-T-700/6 TUBING | 002004<br>006100<br>107107<br>121503<br>904999 | 1              |
| - 505    | BACF32E32   |               | . . FERRULE<br>SUPPLIER CODE:<br>V79326<br>SPECIFICATION NUMBER:<br>BACF32E32<br>OPTIONAL PART:<br>63052-32<br>V79326           | 002004<br>006100<br>107107<br>121503<br>904999 | 2              |
| 510      | 8366B343S6  |               | . ADAPTER-<br>SUPPLIER CODE:<br>V79326  | 002004<br>006100<br>107107<br>121503<br>904999 | 1              |
| 515      | MS29513-121 |               | . PACKING   | 002004<br>006100<br>107107<br>121503<br>904999 | 1              |
| 520      | B86S6       |               | . ELBOW-<br>SUPPLIER CODE:<br>V79326  | 002004<br>006100<br>107107<br>121503<br>904999 | 1              |

MISSING ITEM NUMBERS NOT APPLICABLE

- ITEM NOT ILLUSTRATED

28-22-07-07

28-22-07  
FIG. 07  
PAGE 11  
JAN 20/09

BRI



757

PARTS CATALOG (MAINTENANCE)

| FIG ITEM | PART NUMBER  | 1 2 3 4 5 6 7 | NOMENCLATURE | EFFECT FROM TO                                 | UNITS PER ASSY |
|----------|--------------|---------------|--------------|--|----------------|
| 7        |              |               |              |  |                |
| 525      | BACN10DR6D   | .             | NUT-         | 002004<br>006100<br>107107<br>121503<br>904999 | 1              |
| 530      | MS29512-06   | .             | PACKING-     | 002004<br>006100<br>107107<br>121503<br>904999 | 1              |
| 535      | BACB30LJ4U14 | .             | BOLT-        | 002004<br>006100<br>107107<br>121503<br>904999 | 1              |
| 540      | BACB30LJ4U12 | .             | BOLT-        | 002004<br>006100<br>107107<br>121503<br>904999 | 3              |
| 545      | AN960PD416   | .             | WASHER-      | 002004<br>006100<br>107107<br>121503<br>904999 | 4              |
| 550      | NAS1801-4-12 | .             | SCREW-       | 002004<br>006100<br>107107<br>121503<br>904999 | 3              |
| 555      | NAS1801-4D12 | .             | SCREW-       | 002004<br>006100<br>107107<br>121503<br>904999 | 1              |
| 560      | AN960PD416L  | .             | WASHER-      | 002004<br>006100<br>107107<br>121503<br>904999 | 8              |

MISSING ITEM NUMBERS NOT APPLICABLE

- ITEM NOT ILLUSTRATED

BRI

28-22-07-07

28-22-07  
FIG. 07  
PAGE 12  
JAN 20/09



757

PARTS CATALOG (MAINTENANCE)

| FIG ITEM | PART NUMBER | 1 2 3 4 5 6 7         | NOMENCLATURE  | EFFECT FROM TO                                 | UNITS PER ASSY |
|----------|-------------|-----------------------|---|--|----------------|
| 7<br>565 | BRH10A4     | .NUT-                 | SUPPLIER CODE:<br>V52828<br>SPECIFICATION NUMBER:<br>BACN10JC4<br>OPTIONAL PART:<br>T6S428J<br>V11815<br>96-048<br>V80539<br>VN303A048<br>V92215<br>RMLH9075-4W<br>V72962<br>NS202101-048<br>V80539<br>H10-4BAC<br>V15653                           | 002004<br>006100<br>107107<br>121503<br>904999 | 8              |
| 570      | 69B92317-1  | .ADAPTER ASSY         |   | 002004<br>006100<br>107107<br>121503<br>904999 | 1              |
| 575      | 20C144-5    | .VALVE-BOOST PUMP CHK | SUPPLIER CODE:<br>V82829<br>FUNCTIONAL DESCRIPTION:<br>ALLOWS FUEL FLOW FROM<br>THE BOOST PUMP TO THE<br>ENGINE AND PREVENTS<br>REVERSE FLOW THROUGH THE<br>PUMP<br>SPECIFICATION NUMBER:<br>10-60526-15<br>COMPONENT MAINT MANUAL REF:<br>28-22-03 | 002004<br>006100<br>107107<br>121503<br>904999 | 1              |
| 580      | MS29513-228 | .PACKING-             |   | 002004<br>006100<br>107107<br>121503<br>904999 | 2              |
| 585      | MS29513-223 | .PACKING-             |   | 002004<br>006100<br>107107<br>121503<br>904999 | 1              |

MISSING ITEM NUMBERS NOT APPLICABLE

- ITEM NOT ILLUSTRATED

28-22-07-07

28-22-07  
FIG. 07  
PAGE 13  
JAN 20/09

BRI



757

PARTS CATALOG (MAINTENANCE)

| FIG<br>ITEM | PART NUMBER  | 1 2 3 4 5 6 7 | NOMENCLATURE   | EFFECT<br>FROM TO                              | UNITS<br>PER<br>ASSY |
|-------------|--------------|---------------|--|--|----------------------|
| 7           |              |               |  |  |                      |
| 590         | 73531B123S24 |               | . COUPLING-<br>SUPPLIER CODE:<br>V79326  | 002004<br>006100<br>107107<br>121503<br>904999 | 1                    |
| 595         | NAS1801-4-14 |               | . SCREW  | 002004<br>006100<br>107107<br>121503<br>904999 | 5                    |
| 600         | NAS6604H7    |               | . BOLT   | 002004<br>006100<br>107107<br>121503<br>904999 | 1                    |
| 605         | AN960PD416   |               | . WASHER   | 002004<br>006100<br>107107<br>121503<br>904999 | 6                    |
| 610         | BRH10A4      |               | . NUT<br>SUPPLIER CODE:<br>V52828<br>SPECIFICATION NUMBER:<br>BACN10JC4<br>OPTIONAL PART:<br>T6S428J<br>V11815<br>96-048<br>V80539<br>VN303A048<br>V92215<br>RMLH9075-4W<br>V72962<br>NS202101-048<br>V80539<br>H10-4BAC<br>V15653 | 002004<br>006100<br>107107<br>121503<br>904999 | 6                    |

MISSING ITEM NUMBERS NOT APPLICABLE

- ITEM NOT ILLUSTRATED

BRI

28-22-07-07

BOEING PROPRIETARY - Copyright © - Unpublished Work - See title page for details.

28-22-07  
FIG. 07  
PAGE 14  
JAN 20/09



757

PARTS CATALOG (MAINTENANCE)

| FIG<br>ITEM | PART NUMBER | 1 2 3 4 5 6 7 | NOMENCLATURE  | EFFECT<br>FROM TO                              | UNITS<br>PER<br>ASSY |
|-------------|-------------|---------------|---|--|----------------------|
| 7<br>615    | 2660608M2   |               | . VALVE-BOOST PUMP REMOVAL<br>CHK<br>SUPPLIER CODE:<br>V92003<br>FUNCTIONAL DESCRIPTION:<br>PERMITS REMOVAL OF FUEL<br>PUMP WITHOUT EMPTYING<br>FUEL TANK<br>SPECIFICATION NUMBER:<br>60B92405-3<br>COMPONENT MAINT MANUAL REF:<br>28-10-21 | 002004<br>006100<br>107107<br>121503<br>904999 | 1                    |
| 620         | MS29513-231 |               | . PACKING   | 002004<br>006100<br>107107<br>121503<br>904999 | 1                    |
| 625         | BACC42S32   |               | . COUPLING ASSY<br>SUPPLIER CODE:<br>V79326<br>SPECIFICATION NUMBER:<br>BACC42S32   | 002004<br>006100<br>107107<br>121503<br>904999 | 1                    |
| 630         | BACN10KL32  |               | .. NUT ASSY   | 002004<br>006100<br>107107<br>121503<br>904999 | 1                    |
| 635         | BACR12BN32  |               | .. RING   | 002004<br>006100<br>107107<br>121503<br>904999 | 2                    |
| 640         | BACF32E32   |               | .. FERRULE<br>SUPPLIER CODE:<br>V79326<br>SPECIFICATION NUMBER:<br>BACF32E32<br>OPTIONAL PART:<br>63052-32<br>V79326  | 002004<br>006100<br>107107<br>121503<br>904999 | 1                    |

MISSING ITEM NUMBERS NOT APPLICABLE

- ITEM NOT ILLUSTRATED

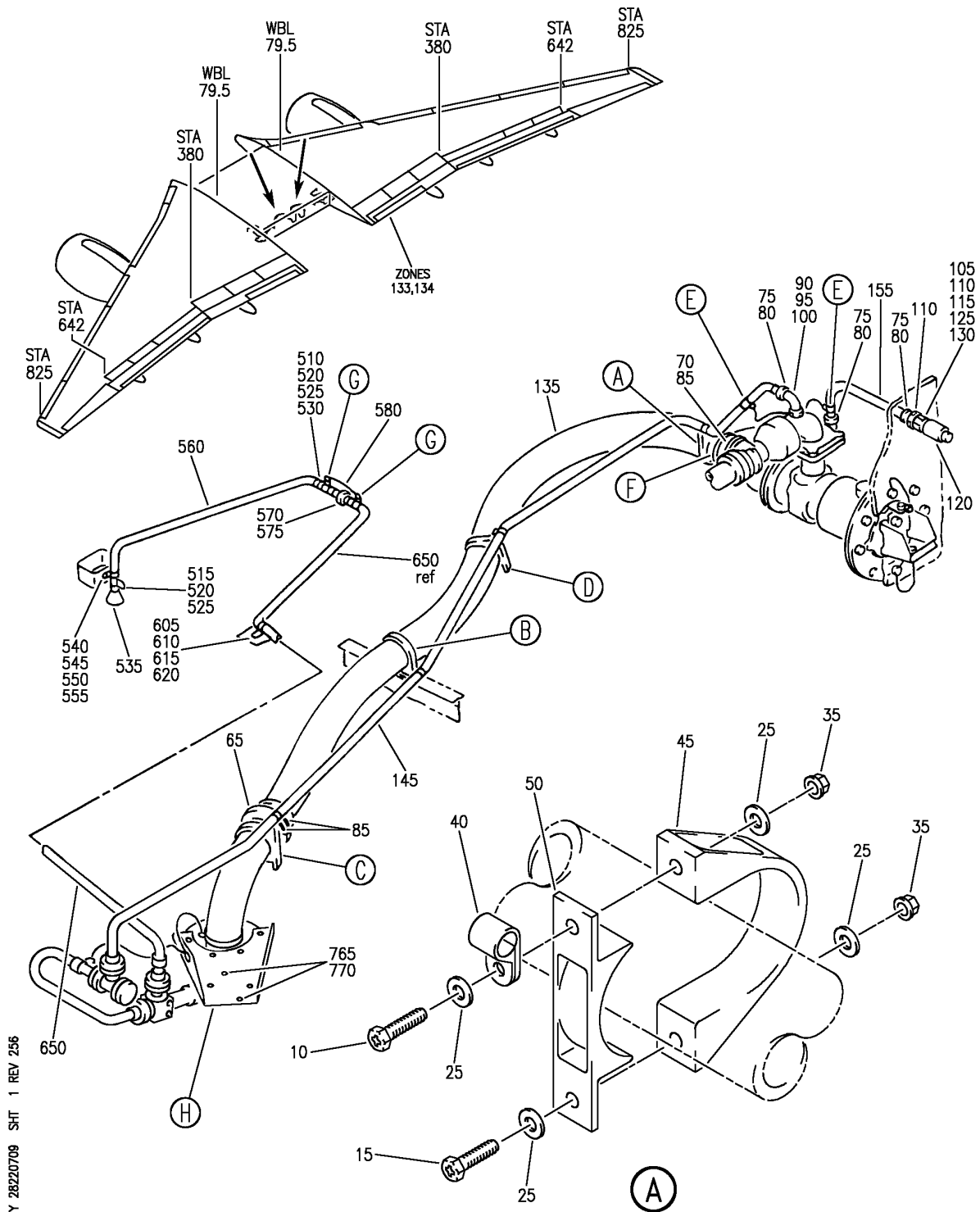
BRI

28-22-07-07

BOEING PROPRIETARY - Copyright © - Unpublished Work - See title page for details.

28-22-07  
FIG. 07  
PAGE 15  
JAN 20/09


**BOEING**  
 757  
**PARTS CATALOG (MAINTENANCE)**



Y 28220708 SHT 1 REV 256

PUMP INSTL AND WATER SCAVENGE INSTL (FUEL LINES AND FITTINGS ONLY)  
 FIGURE 9 (SHEET 1)

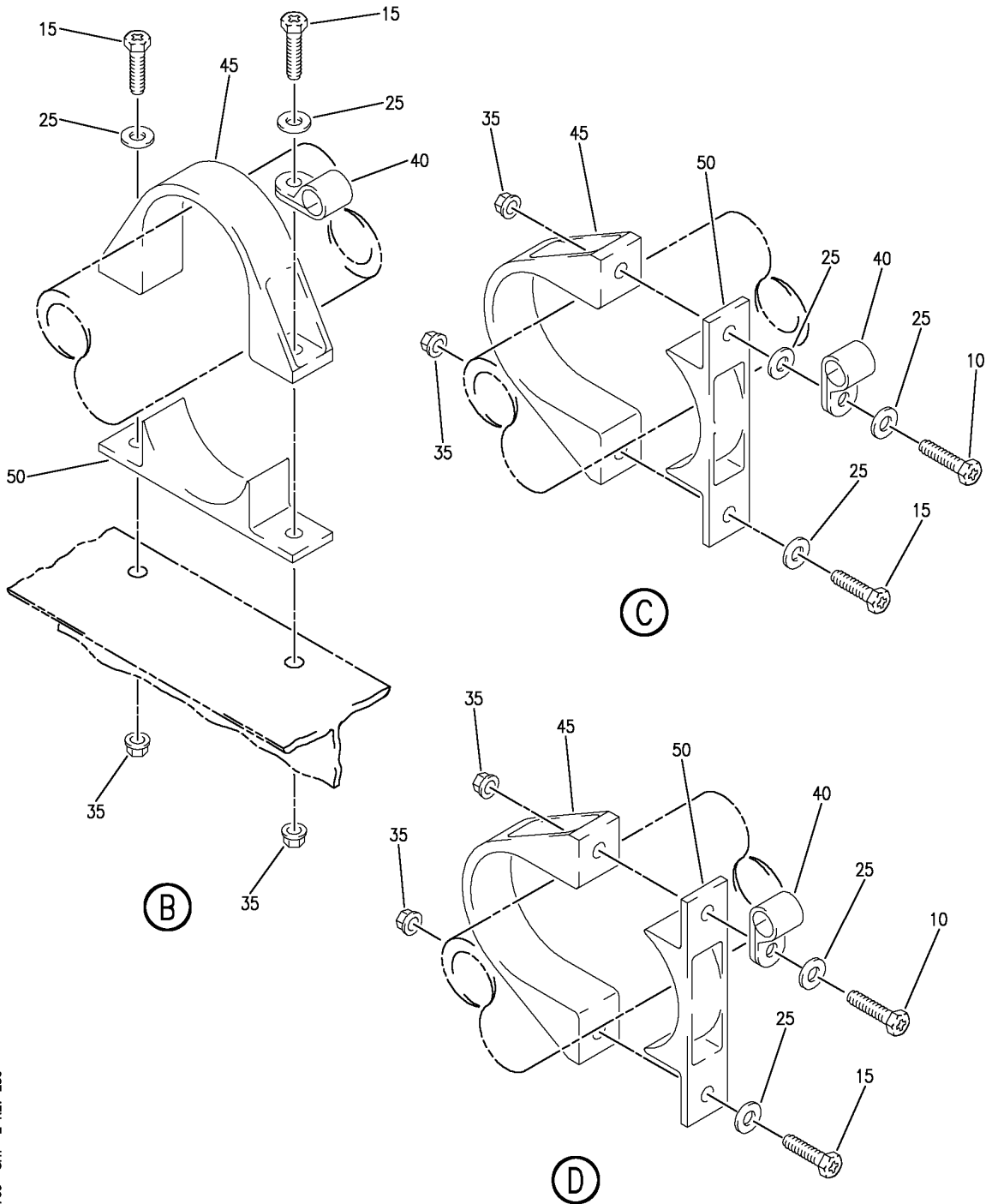
**28-22-07-09**

BRI  
 MAY 28/07

28-22-07-09  
 PAGE 0



**BOEING**  
757  
PARTS CATALOG (MAINTENANCE)



Y 28220708 SH1 2 REV 256

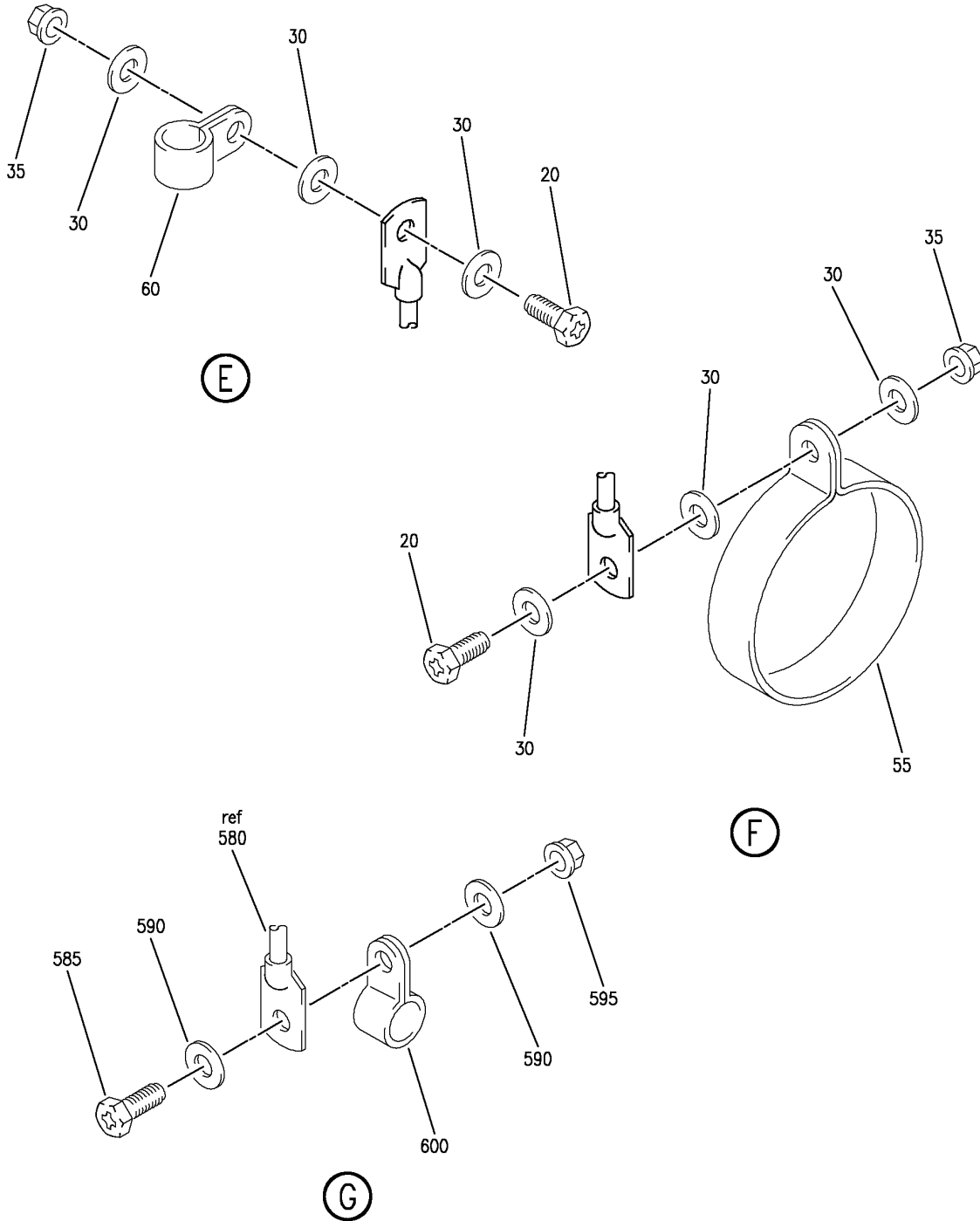
PUMP INSTL AND WATER SCAVENGE INSTL (FUEL LINES AND FITTINGS ONLY)  
FIGURE 9 (SHEET 2)

BRI  
MAY 28/07

**28-22-07-09**

28-22-07-09  
PAGE 0A

**BOEING**  
757  
PARTS CATALOG (MAINTENANCE)



Y 28220708 SH-T 3 REV 256

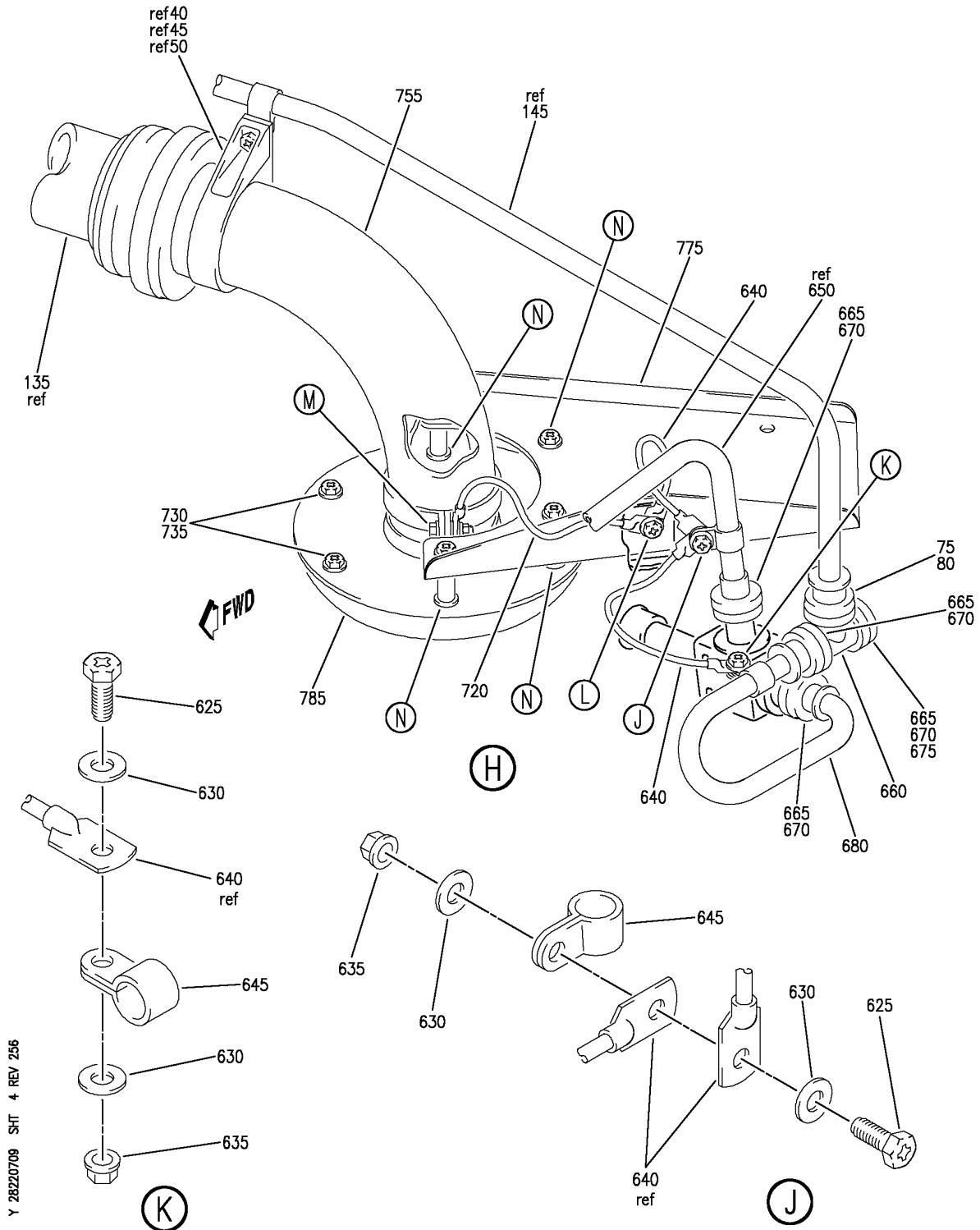
PUMP INSTL AND WATER SCAVENGE INSTL (FUEL LINES AND FITTINGS ONLY)  
FIGURE 9 (SHEET 3)

**28-22-07-09**

BRI  
MAY 28/07

28-22-07-09  
PAGE 0B

**BOEING**  
757  
PARTS CATALOG (MAINTENANCE)



Y 28220708 SH1 4 REV 256

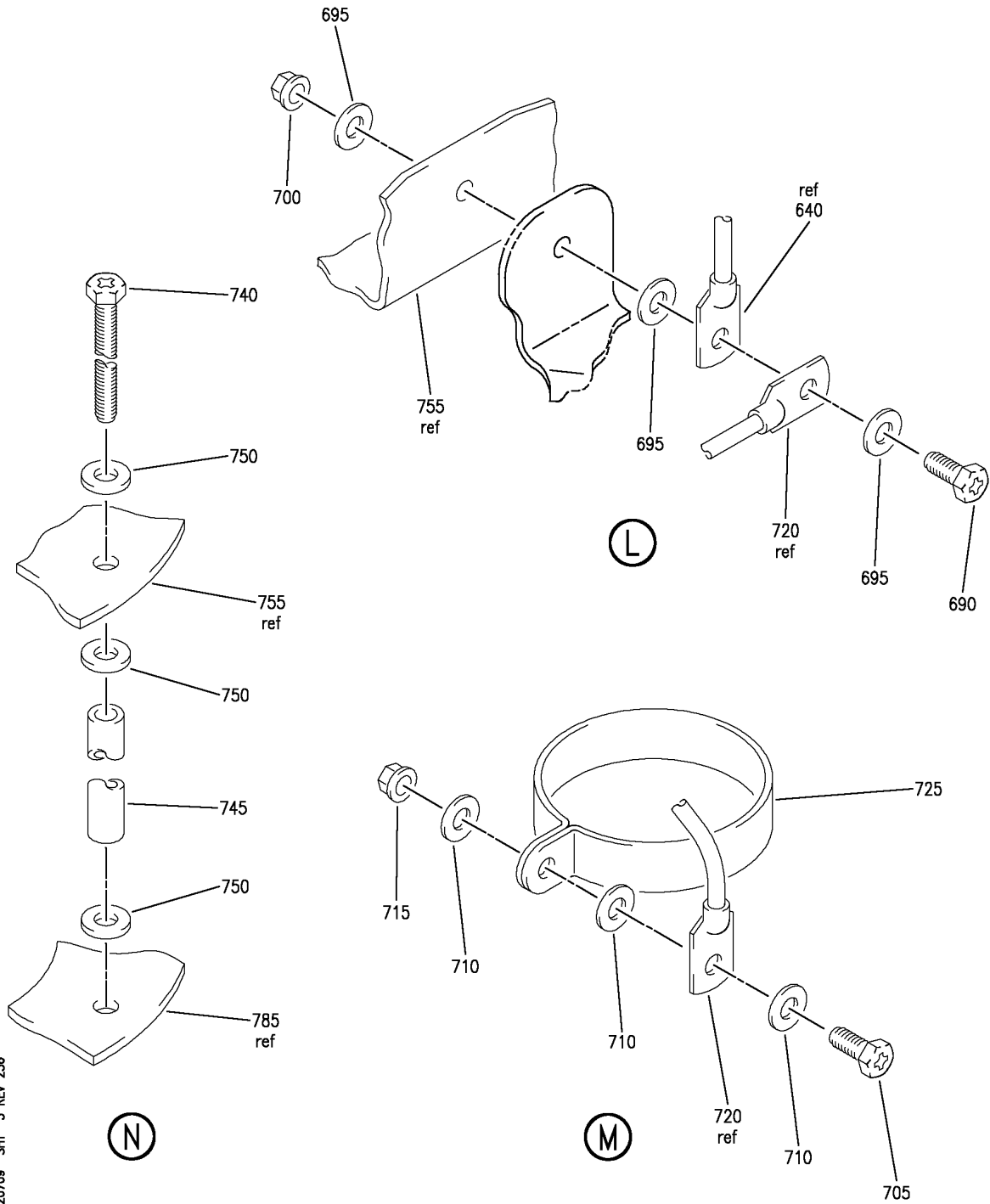
PUMP INSTL AND WATER SCAVENGE INSTL (FUEL LINES AND FITTINGS ONLY)  
FIGURE 9 (SHEET 4)

**28-22-07-09**

BRI  
MAY 28/07

28-22-07-09  
PAGE 0C

**BOEING**  
757  
PARTS CATALOG (MAINTENANCE)



PUMP INSTL AND WATER SCAVENGE INSTL (FUEL LINES AND FITTINGS ONLY)  
FIGURE 9 (SHEET 5)

BRI  
MAY 28/07

**28-22-07-09**

28-22-07-09  
PAGE 0D



757

PARTS CATALOG (MAINTENANCE)

| FIG ITEM | PART NUMBER  | 1 2 3 4 5 6 7 | NOMENCLATURE   | EFFECT FROM TO             | UNITS PER ASSY |
|----------|--------------|---------------|--|----------------------------|----------------|
| 9        |              |               | PUMP INSTL AND WATER<br>SCAVENGE INSTL<br>(FUEL LINES AND<br>FITTINGS ONLY)  | 101106<br>108120<br>504903 |                |
| - 1      | 343N3301-119 |               | PUMP INSTL-ENG FUEL FEED<br>(FUEL LINES AND FITTINGS<br>ONLY)<br>POSITION DATA:<br>LH<br>FOR NHA/OTHER SYS DET SEE:<br>28-00-00-05   | 101101                     | RF             |
| - 1      | 343N3301-133 |               | PUMP INSTL-ENG FUEL FEED<br>(FUEL LINES AND FITTINGS<br>ONLY)<br>POSITION DATA:<br>LH<br>FOR NHA/OTHER SYS DET SEE:<br>28-00-00-05   | 102102<br>108120<br>504903 | RF             |
| - 1      | MODREF21947  |               | PUMP INSTL-FUEL FEED<br>(FUEL LINES AND FITTINGS<br>ONLY)<br>MODULE NUMBER:<br>343N3301-145 REV A<br>POSITION DATA:<br>LH<br>FOR OTHER SYS DETAILS SEE:<br>28-42-01-02<br>FOR ADDITIONAL DETAILS SEE:<br>28-22-05-03 | 103103                     | 1              |
| - 1      | MODREF28185  |               | PUMP INSTL-FUEL FEED<br>(FUEL LINES AND FITTINGS<br>ONLY)<br>MODULE NUMBER:<br>343N3301-145 REV B<br>POSITION DATA:<br>LH<br>FOR OTHER SYS DETAILS SEE:<br>28-42-01-02<br>FOR ADDITIONAL DETAILS SEE:<br>28-22-05-03 | 104106                     | 1              |
| - 5      | 343N3301-120 |               | PUMP INSTL-ENG FUEL FEED<br>(FUEL LINES AND FITTINGS<br>ONLY)<br>POSITION DATA:<br>RH<br>FOR NHA/OTHER SYS DET SEE:<br>28-00-00-05   | 101101                     | RF             |

MISSING ITEM NUMBERS NOT APPLICABLE

- ITEM NOT ILLUSTRATED

28-22-07-09

28-22-07  
FIG. 09  
PAGE 1  
JAN 20/09

BRI



757

PARTS CATALOG (MAINTENANCE)

| FIG ITEM | PART NUMBER   | 1 2 3 4 5 6 7 | NOMENCLATURE  | EFFECT FROM TO             | UNITS PER ASSY |
|----------|---------------|---------------|---|----------------------------|----------------|
| 9        |               |               |   |                            |                |
| - 5      | 343N3301-134  |               | PUMP INSTL-ENG FUEL FEED<br>(FUEL LINES AND FITTINGS ONLY)<br>POSITION DATA:<br>RH<br>FOR NHA/OTHER SYS DET SEE:<br>28-00-00-05   | 102102<br>108120<br>504903 | RF             |
| - 5      | MODREF21948   |               | PUMP INSTL-FUEL FEED<br>(FUEL LINES AND FITTINGS ONLY)<br>MODULE NUMBER:<br>343N3301-146 REV A<br>POSITION DATA:<br>RH<br>FOR OTHER SYS DETAILS SEE:<br>28-42-01-02<br>FOR ADDITIONAL DETAILS SEE:<br>28-22-05-03 | 103103                     | 1              |
| - 5      | MODREF28186   |               | PUMP INSTL-FUEL FEED<br>(FUEL LINES AND FITTINGS ONLY)<br>MODULE NUMBER:<br>343N3301-146 REV B<br>POSITION DATA:<br>RH<br>FOR OTHER SYS DETAILS SEE:<br>28-42-01-02<br>FOR ADDITIONAL DETAILS SEE:<br>28-22-05-03 | 104106                     | 1              |
| 10       | NAS1801-3-13  |               | .SCREW  | 101106<br>108120<br>504903 | 3              |
| 15       | NAS1801-3-12  |               | .SCREW  | 101106<br>108120<br>504903 | 5              |
| 20       | NAS1801-3-7   |               | .SCREW  | 101106<br>108120<br>504903 | 3              |
| 25       | NAS1149D0316J |               | .WASHER   | 101106<br>108120<br>504903 | 11             |
| 30       | NAS1149D0316H |               | .WASHER   | 101106<br>108120<br>504903 | 9              |

MISSING ITEM NUMBERS NOT APPLICABLE

- ITEM NOT ILLUSTRATED

28-22-07-09

28-22-07  
FIG. 09  
PAGE 2  
JAN 20/09

BRI



757

PARTS CATALOG (MAINTENANCE)

| FIG ITEM | PART NUMBER | 1 2 3 4 5 6 7  | NOMENCLATURE   | EFFECT FROM TO             | UNITS PER ASSY |
|----------|-------------|----------------|--|----------------------------|----------------|
| 9        |             |                |  |                            |                |
| 35       | PLH53CD     | .NUT           | SUPPLIER CODE:<br>VF0224<br>SPECIFICATION NUMBER:<br>BACN10YR3CD<br>OPTIONAL PART:<br>H52732-3CD<br>V15653 | 101106<br>108120<br>504903 | 11             |
| 40       | BACC10DK6   | .CLAMP         |  | 101106<br>108120<br>504903 | 4              |
| 45       | BACC10EW32A | .CLAMP STRAP   |  | 101106<br>108120<br>504903 | 4              |
| 50       | BACC10EW32B | .CLAMP SADDLE  |  | 101106<br>108120<br>504903 | 4              |
| 55       | AN735DC32   | .CLAMP         |  | 101106<br>108120<br>504903 | 1              |
| 60       | AN735DC6    | .CLAMP         |  | 101106<br>108120<br>504903 | 2              |
| 65       | 83051-32A   | .COUPLING ASSY | SUPPLIER CODE:<br>V79326<br>SPECIFICATION NUMBER:<br>AS1712D32<br>OPTIONAL PART:<br>12J63-32A<br>V24984    | 101106<br>108120<br>504903 | 1              |
| 70       | 63551-32A   | .COUPLING ASSY | SUPPLIER CODE:<br>V79326<br>SPECIFICATION NUMBER:<br>AS1713D32<br>OPTIONAL PART:<br>12H63-32A<br>V24984    | 101106<br>108120<br>504903 | 1              |
| 75       | 83053-06DE  | .NUT           | SUPPLIER CODE:<br>V79326<br>SPECIFICATION NUMBER:<br>AS1738-1D06<br>OPTIONAL PART:<br>TC039-06A<br>V24984  | 101106<br>108120<br>504903 | 4              |

MISSING ITEM NUMBERS NOT APPLICABLE

- ITEM NOT ILLUSTRATED

28-22-07-09

28-22-07  
FIG. 09  
PAGE 3  
JAN 20/09

BRI

BOEING PROPRIETARY - Copyright © - Unpublished Work - See title page for details.



757

PARTS CATALOG (MAINTENANCE)

| FIG ITEM | PART NUMBER   | 1 2 3 4 5 6 7 | NOMENCLATURE  | EFFECT FROM TO             | UNITS PER ASSY |
|----------|---------------|---------------|---|----------------------------|----------------|
| 9        |               |               |   |                            |                |
| 80       | MS29513-014   | .             | PACKING   | 101106<br>108120<br>504903 | 4              |
| 85       | MS29513-330   | .             | PACKING   | 101106<br>108120<br>504903 | 3              |
| 90       | BACN10DR6D    | .             | NUT   | 101106<br>108120<br>504903 | 1              |
| 95       | B86S6         | .             | ELBOW-<br>SUPPLIER CODE:<br>V79326  | 101106<br>108120<br>504903 | 1              |
| 100      | MS29512-06    | .             | PACKING   | 101106<br>108120<br>504903 | 1              |
| 105      | NAS1149D1216J | .             | WASHER  | 101106<br>108120<br>504903 | 1              |
| 110      | BACN10DR8D    | .             | NUT   | 101106<br>108120<br>504903 | 2              |
| 115      | MS29512-04    | .             | PACKING   | 101106<br>108120<br>504903 | 1              |
| 120      | 7G110-5       | .             | SWITCH-<br>SUPPLIER CODE:<br>V09049<br>SPECIFICATION NUMBER:<br>60B92400-5<br>COMPONENT MAINT MANUAL REF:<br>28-42-01       | 101106<br>108120<br>504903 | 1              |
| 125      | MS29513-121   | .             | PACKING   | 101106<br>108120<br>504903 | 1              |
| 130      | 8366B343S6    | .             | ADAPTER-<br>SUPPLIER CODE:<br>V79326  | 101106<br>108120<br>504903 | 1              |
| 135      | 343N3301-83   | .             | TUBE ASSY-<br>POSITION DATA:<br>LH SIDE<br>TUBING MATERIAL:<br>2.00 IN OD .028 IN<br>WALL 52.26 IN. LG<br>WW-T-700/6 TUBING | 101106<br>108120<br>504903 | 1              |

MISSING ITEM NUMBERS NOT APPLICABLE

- ITEM NOT ILLUSTRATED

BRI

28-22-07-09

28-22-07  
FIG. 09  
PAGE 4  
JAN 20/09





757

PARTS CATALOG (MAINTENANCE)

| FIG ITEM | PART NUMBER  | 1 2 3 4 5 6 7 | NOMENCLATURE  | EFFECT FROM TO             | UNITS PER ASSY |
|----------|--------------|---------------|---|----------------------------|----------------|
| 9        |              |               |   |                            |                |
| - 140    | 343N3301-82  |               | .TUBE ASSY-<br>POSITION DATA:<br>RH SIDE<br>TUBING MATERIAL:<br>2.00 IN OD .028 IN<br>WALL 51.57 IN. LG<br>WW-T-700/6 TUBING        | 101106<br>108120<br>504903 | 1              |
| 145      | 343N3301-21  |               | .TUBE ASSY-<br>POSITION DATA:<br>LH SIDE<br>TUBING MATERIAL:<br>.375 IN. OD .022 IN.<br>WALL 74.8 IN. LG<br>WW-T-700/6 6061 T4      | 101106<br>108120<br>504903 | 1              |
| - 150    | 343N3301-22  |               | .TUBE ASSY-<br>POSITION DATA:<br>RH SIDE<br>TUBING MATERIAL:<br>.375 IN. OD .022 IN.<br>WALL 72.8 IN. LG<br>WW-T-700/6 6061 T4      | 101106<br>108120<br>504903 | 1              |
| 155      | 343N3301-55  |               | .TUBE ASSY-<br>TUBING MATERIAL:<br>.375 IN. OD .022 IN.<br>WALL 8.3 IN. LG<br>WW-T-700/6 6061 T4                                    | 101106<br>108120<br>504903 | 1              |
| - 160    | AS1732D06    |               | ..BODY  | 101106<br>108120<br>504903 | 1              |
| - 165    | AS1737D06    |               | ..FERRULE   | 101106<br>108120<br>504903 | 1              |
| - 500    | 343N3301-121 |               | WATER SCAVENGE INSTL-<br>(FUEL LINES AND FITTINGS<br>ONLY)<br>POSITION DATA:<br>LH<br>FOR NHA SEE:<br>28-00-00-05                   | 101102<br>108120<br>504903 | RF             |
| - 500    | MODREF13613  |               | WATER SCAVENGE INSTL-<br>MODULE NUMBER:<br>343N3301-121 REV A<br>POSITION DATA:<br>LH<br>FOR ADDITIONAL DETAILS SEE:<br>28-22-13-03 | 103103                     | 1              |

MISSING ITEM NUMBERS NOT APPLICABLE

- ITEM NOT ILLUSTRATED

28-22-07-09

28-22-07  
FIG. 09  
PAGE 5  
JAN 20/09

BRI



757

PARTS CATALOG (MAINTENANCE)

| FIG ITEM | PART NUMBER   | 1 2 3 4 5 6 7 | NOMENCLATURE  | EFFECT FROM TO             | UNITS PER ASSY |
|----------|---------------|---------------|---|----------------------------|----------------|
| 9        |               |               |   |                            |                |
| - 500    | MODREF28181   |               | WATER SCAVENGE INSTL-<br>MODULE NUMBER:<br>343N3301-121 REV B<br>POSITION DATA:<br>LH<br>FOR ADDITIONAL DETAILS SEE:<br>28-22-13-03 | 104106                     | 1              |
| - 505    | 343N3301-122  |               | WATER SCAVENGE INSTL-<br>(FUEL LINES AND FITTINGS<br>ONLY)<br>POSITION DATA:<br>RH<br>FOR NHA SEE:<br>28-00-00-05                   | 101102<br>108120<br>504903 | RF             |
| - 505    | MODREF13614   |               | WATER SCAVENGE INSTL-<br>MODULE NUMBER:<br>343N3301-122 REV A<br>POSITION DATA:<br>RH<br>FOR ADDITIONAL DETAILS SEE:<br>28-22-13-03 | 103103                     | 1              |
| - 505    | MODREF28182   |               | WATER SCAVENGE INSTL-<br>MODULE NUMBER:<br>343N3301-122 REV B<br>POSITION DATA:<br>RH<br>FOR ADDITIONAL DETAILS SEE:<br>28-22-13-03 | 104106                     | 1              |
| 510      | NAS1801-3-6   |               | .SCREW  | 101106<br>108120<br>504903 | 1              |
| 515      | NAS1801-3-7   |               | .SCREW  | 101106<br>108120<br>504903 | 1              |
| 520      | NAS1149D0316J |               | .WASHER   | 101106<br>108120<br>504903 | 2              |
| 525      | PLH53CD       |               | .NUT<br>SUPPLIER CODE:<br>VF0224<br>SPECIFICATION NUMBER:<br>BACN10YR3CD<br>OPTIONAL PART:<br>H52732-3CD<br>V15653                  | 101106<br>108120<br>504903 | 2              |
| 530      | BACC10DK6     |               | .CLAMP  | 101106<br>108120<br>504903 | 1              |

MISSING ITEM NUMBERS NOT APPLICABLE

- ITEM NOT ILLUSTRATED

BRI

28-22-07-09

28-22-07  
FIG. 09  
PAGE 6  
JAN 20/09



757

PARTS CATALOG (MAINTENANCE)

| FIG ITEM | PART NUMBER   | 1 2 3 4 5 6 7 | NOMENCLATURE  | EFFECT FROM TO             | UNITS PER ASSY |
|----------|---------------|---------------|---|----------------------------|----------------|
| 9        |               |               |   |                            |                |
| 535      | 69B92426-2    | .             | SCREEN ASSY   | 101106<br>108120<br>504903 | 1              |
| 540      | NAS1801-3-6   | .             | SCREW   | 101106<br>108120<br>504903 | 1              |
| 545      | NAS1149D0316J | .             | WASHER  | 101106<br>108120<br>504903 | 1              |
| 550      | PLH53CD       | .             | NUT<br>SUPPLIER CODE:<br>VF0224<br>SPECIFICATION NUMBER:<br>BACN10YR3CD<br>OPTIONAL PART:<br>H52732-3CD<br>V15653                           | 101106<br>108120<br>504903 | 1              |
| 555      | BACC10DK6     | .             | CLAMP   | 101106<br>108120<br>504903 | 1              |
| 560      | 343N3301-64   | .             | TUBE ASSY-<br>POSITION DATA:<br>LH SIDE<br>TUBING MATERIAL:<br>.375 IN. OD .02 IN.<br>WALL 20.1 IN. LG<br>WW-T-700/6 6061 T4                | 101106<br>108120<br>504903 | 1              |
| - 565    | 343N3301-65   | .             | TUBE ASSY-<br>POSITION DATA:<br>RH SIDE<br>TUBING MATERIAL:<br>.375 IN. OD .22 IN. WALL<br>WALL 19.8 IN. LG<br>WW-T-700/6 6061 T4           | 101106<br>108120<br>504903 | 1              |
| - 566    | S83052-6      | ..            | FERRULE-<br>SUPPLIER CODE:<br>V79326<br>SPECIFICATION NUMBER:<br>BACF32F6<br>OPTIONAL PART:<br>TC010-6<br>V24984<br>USED ON:<br>343N3301-65 | 101106<br>108120<br>504903 | 1              |
| - 568    | AS1737D06     | ..            | FERRULE-<br>USED ON:<br>343N3301-64   | 101106<br>108120<br>504903 | 1              |

MISSING ITEM NUMBERS NOT APPLICABLE

- ITEM NOT ILLUSTRATED

28-22-07-09

28-22-07  
FIG. 09  
PAGE 7  
JAN 20/09

BRI



757

PARTS CATALOG (MAINTENANCE)

| FIG<br>ITEM | PART NUMBER   | 1 2 3 4 5 6 7 | NOMENCLATURE  | EFFECT<br>FROM TO          | UNITS<br>PER<br>ASSY |
|-------------|---------------|---------------|---|----------------------------|----------------------|
| 9           |               |               |   |                            |                      |
| 570         | 83053-06DE    | .NUT          | SUPPLIER CODE:<br>V79326<br>SPECIFICATION NUMBER:<br>AS1738-1D06<br>OPTIONAL PART:<br>TC039-06A<br>V24984                         | 101106<br>108120<br>504903 | 1                    |
| 575         | MS29513-014   | .PACKING      |   | 101106<br>108120<br>504903 | 1                    |
| 580         | 740A20-6      | .JUMPER ASSY  | SUPPLIER CODE:<br>V91812<br>SPECIFICATION NUMBER:<br>BACJ40A20-6<br>OPTIONAL PART:<br>TJEJ40A20-6<br>V33483<br>RBEJ20-6<br>V1GK47 | 101106<br>108120<br>504903 | 1                    |
| 585         | NAS1801-3-8   | .SCREW        |   | 101106<br>108120<br>504903 | 2                    |
| 590         | NAS1149D0316H | .WASHER       |   | 101106<br>108120<br>504903 | 4                    |
| 595         | PLH53CD       | .NUT          | SUPPLIER CODE:<br>VF0224<br>SPECIFICATION NUMBER:<br>BACN10YR3CD<br>OPTIONAL PART:<br>H52732-3CD<br>V15653                        | 101106<br>108120<br>504903 | 2                    |
| 600         | AN735DC6      | .CLAMP        |   | 101106<br>108120<br>504903 | 2                    |
| 605         | NAS1801-3-6   | .SCREW        |   | 101106<br>108120<br>504903 | 1                    |
| 610         | NAS1149D0316J | .WASHER       |   | 101106<br>108120<br>504903 | 1                    |

MISSING ITEM NUMBERS NOT APPLICABLE

- ITEM NOT ILLUSTRATED

28-22-07-09

28-22-07  
FIG. 09  
PAGE 8  
JAN 20/09

BRI



757

PARTS CATALOG (MAINTENANCE)

| FIG ITEM | PART NUMBER   | 1 2 3 4 5 6 7 | NOMENCLATURE   | EFFECT FROM TO             | UNITS PER ASSY |
|----------|---------------|---------------|--|----------------------------|----------------|
| 9        |               |               |  |                            |                |
| 615      | PLH53CD       | .             | NUT<br>SUPPLIER CODE:<br>VF0224<br>SPECIFICATION NUMBER:<br>BACN10YR3CD<br>OPTIONAL PART:<br>H52732-3CD<br>V15653                                | 101106<br>108120<br>504903 | 1              |
| 620      | BACC10DK6     | .             | CLAMP  | 101106<br>108120<br>504903 | 1              |
| 625      | NAS1801-3-8   | .             | SCREW  | 101106<br>108120<br>504903 | 2              |
| 630      | NAS1149D0316H | .             | WASHER   | 101106<br>108120<br>504903 | 4              |
| 635      | PLH53CD       | .             | NUT<br>SUPPLIER CODE:<br>VF0224<br>SPECIFICATION NUMBER:<br>BACN10YR3CD<br>OPTIONAL PART:<br>H52732-3CD<br>V15653                                | 101106<br>108120<br>504903 | 2              |
| 640      | 740A20-6      | .             | JUMPER ASSY<br>SUPPLIER CODE:<br>V91812<br>SPECIFICATION NUMBER:<br>BACJ40A20-6<br>OPTIONAL PART:<br>TJEJ40A20-6<br>V33483<br>RBEJ20-6<br>V1GK47 | 101106<br>108120<br>504903 | 2              |
| 645      | AN735DC6      | .             | CLAMP  | 101106<br>108120<br>504903 | 2              |
| 650      | 343N3301-23   | .             | TUBE ASSY-<br>POSITION DATA:<br>LH SIDE<br>TUBING MATERIAL:<br>.375 IN. OD .022 IN.<br>WALL 38.8 IN. LG<br>WW-T-700/6 6061 T4                    | 101106<br>108120<br>504903 | 1              |

MISSING ITEM NUMBERS NOT APPLICABLE

- ITEM NOT ILLUSTRATED

28-22-07-09

28-22-07  
FIG. 09  
PAGE 9  
JAN 20/09

BRI



757

PARTS CATALOG (MAINTENANCE)

| FIG ITEM | PART NUMBER   | 1 2 3 4 5 6 7 | NOMENCLATURE  | EFFECT FROM TO             | UNITS PER ASSY |
|----------|---------------|---------------|---|----------------------------|----------------|
| 9        |               |               |   |                            |                |
| - 655    | 343N3301-24   | . TUBE ASSY-  | POSITION DATA:<br>RH SIDE<br>TUBING MATERIAL:<br>.375 IN. OD .022 IN.<br>WALL 38.8 IN. LG<br>WW-T-700/6 6061 T4 | 101106<br>108120<br>504903 | 1              |
| - 657    | AS1732D06     | .. BODY       |   | 101106<br>108120<br>504903 | 2              |
| 660      | B357S6-6-6    | . TEE ASSY-   | SUPPLIER CODE:<br>V79326  | 101106<br>108120<br>504903 | 1              |
| 665      | 83053-06DE    | . NUT         | SUPPLIER CODE:<br>V79326<br>SPECIFICATION NUMBER:<br>AS1738-1D06<br>OPTIONAL PART:<br>TC039-06A<br>V24984       | 101106<br>108120<br>504903 | 4              |
| 670      | MS29513-014   | . PACKING     |   | 101106<br>108120<br>504903 | 4              |
| 675      | 8310-6-64     | . CAP-        | SUPPLIER CODE:<br>V79326  | 101106<br>108120<br>504903 | 1              |
| 680      | 343N2053-4    | . TUBE ASSY-  | POSITION DATA:<br>LH SIDE   | 101106<br>108120<br>504903 | 1              |
| - 685    | 343N2053-1    | . TUBE ASSY-  | POSITION DATA:<br>RH SIDE   | 101106<br>108120<br>504903 | 1              |
| 690      | NAS1801-3-8   | . SCREW       |   | 101106<br>108120<br>504903 | 1              |
| 695      | NAS1149D0316H | . WASHER      |   | 101106<br>108120<br>504903 | 3              |
| 700      | PLH53CD       | . NUT         | SUPPLIER CODE:<br>VF0224<br>SPECIFICATION NUMBER:<br>BACN10YR3CD<br>OPTIONAL PART:<br>H52732-3CD<br>V15653      | 101106<br>108120<br>504903 | 1              |

MISSING ITEM NUMBERS NOT APPLICABLE

- ITEM NOT ILLUSTRATED

28-22-07-09

28-22-07  
FIG. 09  
PAGE 10  
JAN 20/09

BRI



757

PARTS CATALOG (MAINTENANCE)

| FIG ITEM | PART NUMBER   | 1 2 3 4 5 6 7 | NOMENCLATURE   | EFFECT FROM TO             | UNITS PER ASSY |
|----------|---------------|---------------|--|----------------------------|----------------|
| 9        |               |               |  |                            |                |
| 705      | NAS1801-3-7   | .             | SCREW  | 101106<br>108120<br>504903 | 1              |
| 710      | NAS1149D0316H | .             | WASHER   | 101106<br>108120<br>504903 | 3              |
| 715      | PLH53CD       | .             | NUT<br>SUPPLIER CODE:<br>VF0224<br>SPECIFICATION NUMBER:<br>BACN10YR3CD<br>OPTIONAL PART:<br>H52732-3CD<br>V15653                                | 101106<br>108120<br>504903 | 1              |
| 720      | 740A20-6      | .             | JUMPER ASSY<br>SUPPLIER CODE:<br>V91812<br>SPECIFICATION NUMBER:<br>BACJ40A20-6<br>OPTIONAL PART:<br>TJEJ40A20-6<br>V33483<br>RBEJ20-6<br>V1GK47 | 101106<br>108120<br>504903 | 1              |
| 725      | AN735DC32     | .             | CLAMP  | 101106<br>108120<br>504903 | 1              |
| 730      | NAS1801-3-6   | .             | SCREW  | 101106<br>108120<br>504903 | 2              |
| 735      | NAS1149F0332P | .             | WASHER   | 101106<br>108120<br>504903 | 2              |
| 740      | NAS1801-3-22  | .             | SCREW  | 101106<br>108120<br>504903 | 4              |
| 745      | NAS43DD3-48FC | .             | SPACER   | 101106<br>108120<br>504903 | 4              |
| 750      | NAS1149D0363J | .             | WASHER   | 101106<br>108120<br>504903 | 12             |
| 755      | 65B92416-30   | .             | BELLMOUTH ASSY-<br>POSITION DATA:<br>LH SIDE   | 101106<br>108120<br>504903 | 1              |
| - 760    | 65B92416-31   | .             | BELLMOUTH ASSY-<br>POSITION DATA:<br>RH SIDE   | 101106<br>108120<br>504903 | 1              |

MISSING ITEM NUMBERS NOT APPLICABLE

- ITEM NOT ILLUSTRATED

BRI

28-22-07-09

28-22-07  
FIG. 09  
PAGE 11  
JAN 20/09



757

PARTS CATALOG (MAINTENANCE)

| FIG ITEM | PART NUMBER   | 1 2 3 4 5 6 7 | NOMENCLATURE                          | EFFECT FROM TO             | UNITS PER ASSY |
|----------|---------------|---------------|---------------------------------------|----------------------------|----------------|
| 9        |               |               |                                       |                            |                |
| 765      | NAS1801-3-6   | .             | SCREW                                 | 101106<br>108120<br>504903 | 4              |
| 770      | NAS1149D0363J | .             | WASHER                                | 101106<br>108120<br>504903 | 4              |
| 775      | 343N2009-29   | .             | SUPPORT-<br>POSITION DATA:<br>LH SIDE | 101106<br>108120<br>504903 | 1              |
| - 780    | 343N2009-30   | .             | SUPPORT-<br>POSITION DATA:<br>RH SIDE | 101106<br>108120<br>504903 | 1              |
| 785      | 69B92405-5    | .             | SCREEN ASSY                           | 101106<br>108120<br>504903 | 1              |

MISSING ITEM NUMBERS NOT APPLICABLE

- ITEM NOT ILLUSTRATED

BRI

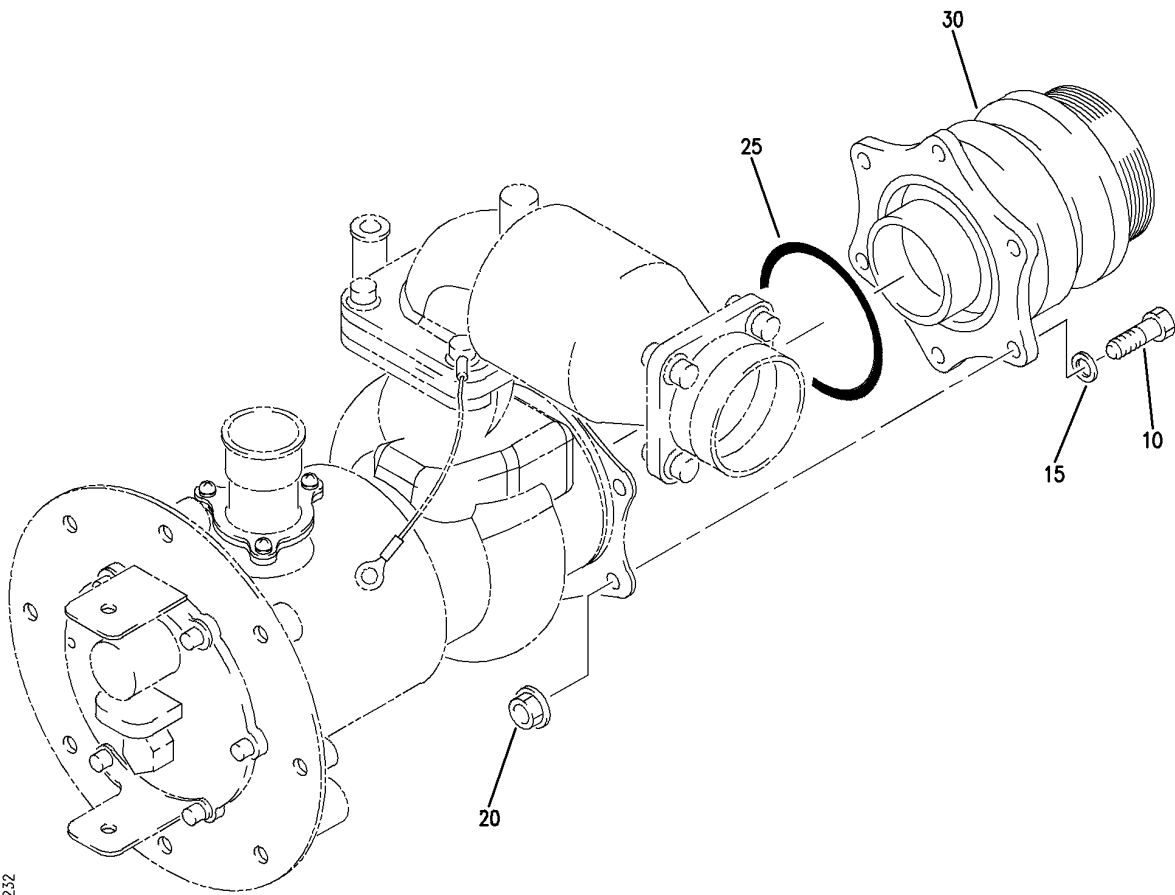
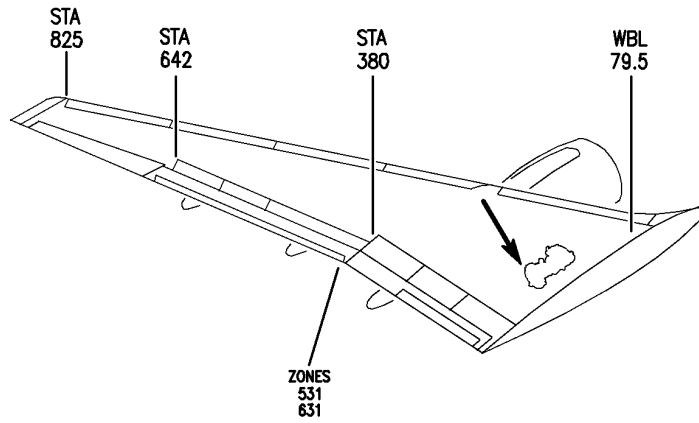
28-22-07-09

BOEING PROPRIETARY - Copyright © - Unpublished Work - See title page for details.

28-22-07  
FIG. 09  
PAGE 12  
JAN 20/09



**BOEING**  
757  
PARTS CATALOG (MAINTENANCE)



Y 28220801 REV 232

PUMP ASSY-ENGINE FEED SYSTEM (REMOVAL CHECK VALVE)  
FIGURE 1

**28-22-08-01**

BRI  
MAY 28/07

28-22-08-01  
PAGE 0



757

PARTS CATALOG (MAINTENANCE)

| FIG ITEM | PART NUMBER   | 1 2 3 4 5 6 7 | NOMENCLATURE   | EFFECT FROM TO             | UNITS PER ASSY |
|----------|---------------|---------------|--|----------------------------|----------------|
| 1        |               |               | PUMP ASSY-ENGINE FEED SYSTEM<br>(REMOVAL CHECK VALVE)  | 101106<br>108120<br>504903 |                |
| - 1      | 343N0330-1    |               | PUMP ASSY-<br>POSITION DATA:<br>LH SIDE, AFT<br>FOR NHA/OTHER SYS DET SEE:<br>28-22-03-01C                         | 101101                     | RF             |
| - 1      | 343N0330-7    |               | PUMP ASSY-<br>POSITION DATA:<br>LH SIDE<br>FOR NHA/OTHER SYS DET SEE:<br>28-22-03-01B                              | 102102<br>108120<br>504903 | RF             |
| - 1      | 343N0330-13   |               | PUMP ASSY-<br>POSITION DATA:<br>LH SIDE<br>FOR NHA/OTHER SYS DET SEE:<br>28-22-03-01B                              | 103106                     | RF             |
| - 5      | 343N0330-2    |               | PUMP ASSY-<br>POSITION DATA:<br>RH SIDE, AFT<br>FOR NHA/OTHER SYS DET SEE:<br>28-22-03-01C                         | 101101                     | RF             |
| - 5      | 343N0330-8    |               | PUMP ASSY-<br>POSITION DATA:<br>RH SIDE<br>FOR NHA/OTHER SYS DET SEE:<br>28-22-03-01B                              | 102102<br>108120<br>504903 | RF             |
| - 5      | 343N0330-14   |               | PUMP ASSY-<br>POSITION DATA:<br>RH SIDE<br>FOR NHA/OTHER SYS DET SEE:<br>28-22-03-01B                              | 103106                     | RF             |
| 10       | BACS12GU4K12D |               | .SCREW   | 101106<br>108120<br>504903 | 6              |
| 15       | NAS1149D0463J |               | .WASHER  | 101106<br>108120<br>504903 | 6              |
| 20       | PLH54CD       |               | .NUT<br>SUPPLIER CODE:<br>VF0224<br>SPECIFICATION NUMBER:<br>BACN10YR4CD<br>OPTIONAL PART:<br>H52732-4CD<br>V15653 | 101106<br>108120<br>504903 | 6              |

MISSING ITEM NUMBERS NOT APPLICABLE

- ITEM NOT ILLUSTRATED

28-22-08-01

28-22-08  
FIG. 01  
PAGE 1  
JAN 20/09

BRI



**757  
PARTS CATALOG (MAINTENANCE)**

| FIG<br>ITEM | PART NUMBER | 1 2 3 4 5 6 7 | NOMENCLATURE  | EFFECT<br>FROM TO                    | UNITS<br>PER<br>ASSY |
|-------------|-------------|---------------|---|--------------------------------------|----------------------|
| 1           |             |               |   |                                      |                      |
| 25          | MS29513-231 | .             | PACKING   | 101106<br>108120                     | 1                    |
| 30          | 2660608M2   | .             | VALVE-BOOST PUMP<br>REMOVAL CHK<br>SUPPLIER CODE:<br>V92003<br>FUNCTIONAL DESCRIPTION:<br>PERMITS REMOVAL OF FUEL<br>PUMP WITHOUT EMPTYING<br>FUEL TANK<br>SPECIFICATION NUMBER:<br>60B92405-3<br>COMPONENT MAINT MANUAL REF:<br>28-10-21 | 504903<br>101106<br>108120<br>504903 | 1                    |

MISSING ITEM NUMBERS NOT APPLICABLE

— ITEM NOT ILLUSTRATED

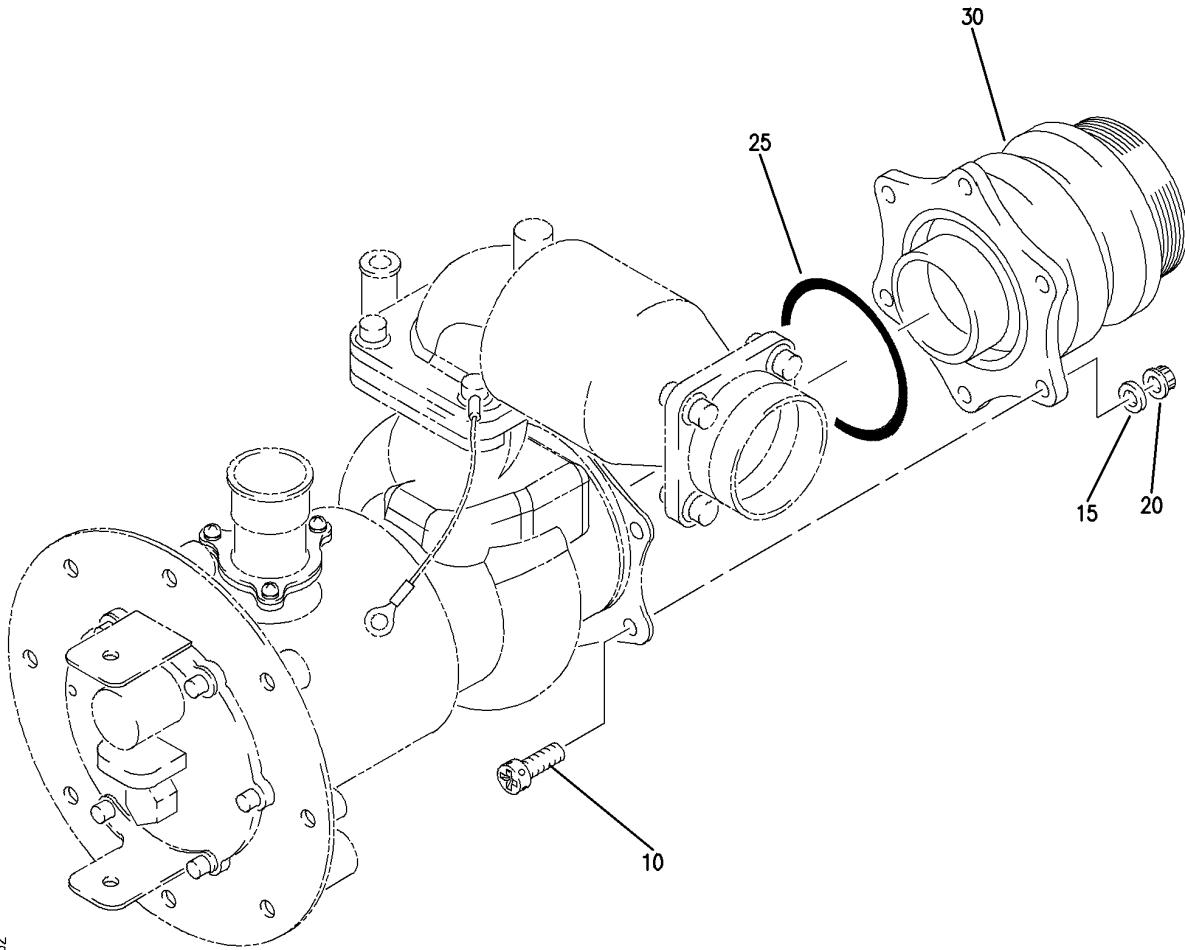
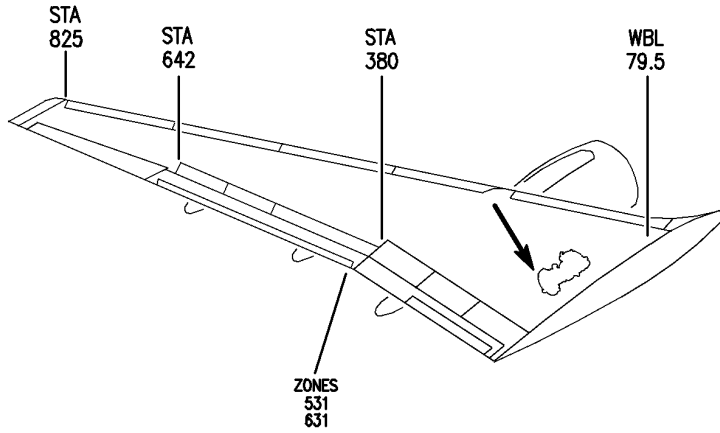
BRI

# 28-22-08-01

BOEING PROPRIETARY - Copyright © - Unpublished Work - See title page for details.

28-22-08  
FIG. 01  
PAGE 2  
JAN 20/09

**BOEING**  
757  
PARTS CATALOG (MAINTENANCE)



Y 28220801A REV 232

PUMP ASSY-ENGINE FEED SYSTEM (REMOVAL CHECK VALVE)  
FIGURE 1A

**28-22-08-01A**

BRI  
MAY 28/07

28-22-08-01A  
PAGE 0



757

PARTS CATALOG (MAINTENANCE)

| FIG ITEM | PART NUMBER   | 1 2 3 4 5 6 7 | NOMENCLATURE   | EFFECT FROM TO             | UNITS PER ASSY |
|----------|---------------|---------------|--|----------------------------|----------------|
| 1 A      |               |               | PUMP ASSY-ENGINE FEED SYSTEM<br>(REMOVAL CHECK VALVE)  | 101106<br>108120<br>504903 |                |
| - 1      | 343N0330-1    |               | PUMP ASSY-<br>POSITION DATA:<br>LH SIDE, AFT<br>FOR NHA/OTHER SYS DET SEE:<br>28-22-03-02C                         | 101101                     | RF             |
| - 1      | 343N0330-7    |               | PUMP ASSY-<br>POSITION DATA:<br>LH SIDE<br>FOR NHA/OTHER SYS DET SEE:<br>28-22-03-02B                              | 102102<br>108120<br>504903 | RF             |
| - 1      | 343N0330-13   |               | PUMP ASSY-<br>POSITION DATA:<br>LH SIDE<br>FOR NHA/OTHER SYS DET SEE:<br>28-22-03-02B                              | 103106                     | RF             |
| - 5      | 343N0330-2    |               | PUMP ASSY-<br>POSITION DATA:<br>RH SIDE, AFT<br>FOR NHA/OTHER SYS DET SEE:<br>28-22-03-02C                         | 101101                     | RF             |
| - 5      | 343N0330-8    |               | PUMP ASSY-<br>POSITION DATA:<br>RH SIDE<br>FOR NHA/OTHER SYS DET SEE:<br>28-22-03-02B                              | 102102<br>108120<br>504903 | RF             |
| - 5      | 343N0330-14   |               | PUMP ASSY-<br>POSITION DATA:<br>RH SIDE<br>FOR NHA/OTHER SYS DET SEE:<br>28-22-03-02B                              | 103106                     | RF             |
| 10       | BACS12GU4K12D |               | .SCREW   | 101106<br>108120<br>504903 | 6              |
| 15       | NAS1149D0463J |               | .WASHER  | 101106<br>108120<br>504903 | 6              |
| 20       | PLH54CD       |               | .NUT<br>SUPPLIER CODE:<br>VF0224<br>SPECIFICATION NUMBER:<br>BACN10YR4CD<br>OPTIONAL PART:<br>H52732-4CD<br>V15653 | 101106<br>108120<br>504903 | 6              |

MISSING ITEM NUMBERS NOT APPLICABLE

- ITEM NOT ILLUSTRATED

28-22-08-01A

28-22-08  
FIG. 01A  
PAGE 1  
JAN 20/09

BRI

BOEING PROPRIETARY - Copyright © - Unpublished Work - See title page for details.



757

PARTS CATALOG (MAINTENANCE)

| FIG ITEM | PART NUMBER | 1 2 3 4 5 6 7 | NOMENCLATURE  | EFFECT FROM TO             | UNITS PER ASSY |
|----------|-------------|---------------|---|----------------------------|----------------|
| 1 A      |             |               |   |                            |                |
| 25       | MS29513-231 | .             | PACKING   | 101106<br>108120<br>504903 | 1              |
| 30       | 2660608M2   | .             | VALVE-BOOST PUMP<br>REMOVAL CHK<br>SUPPLIER CODE:<br>V92003<br>FUNCTIONAL DESCRIPTION:<br>PERMITS REMOVAL OF FUEL<br>PUMP WITHOUT EMPTYING<br>FUEL TANK<br>SPECIFICATION NUMBER:<br>60B92405-3<br>COMPONENT MAINT MANUAL REF:<br>28-10-21 | 101106<br>108120<br>504903 | 1              |

MISSING ITEM NUMBERS NOT APPLICABLE

- ITEM NOT ILLUSTRATED

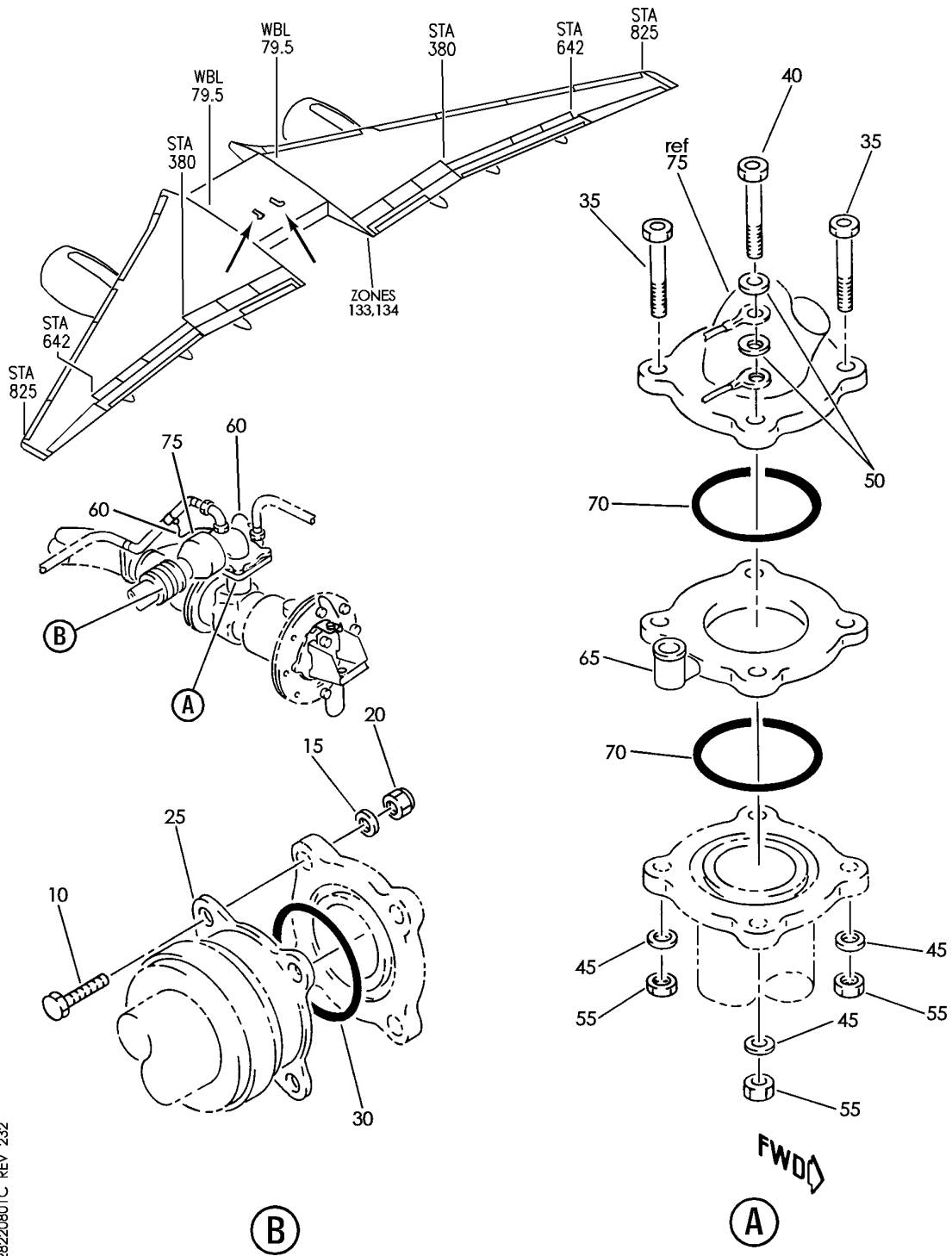
BRI

28-22-08-01A

BOEING PROPRIETARY - Copyright © - Unpublished Work - See title page for details.

28-22-08  
FIG. 01A  
PAGE 2  
JAN 20/09

**BOEING**  
757  
**PARTS CATALOG (MAINTENANCE)**



Y 28220801C REV 232

PUMP ASSY-ENGINE FEED SYSTEM (REMOVAL CHECK VALVE ONLY)  
FIGURE 1C

**28-22-08-01C**

BRI  
MAY 28/07

28-22-08-01C  
PAGE 0



757

PARTS CATALOG (MAINTENANCE)

| FIG ITEM | PART NUMBER   | 1 2 3 4 5 6 7 | NOMENCLATURE   | EFFECT FROM TO             | UNITS PER ASSY |
|----------|---------------|---------------|--|----------------------------|----------------|
| 1 C      |               |               | PUMP ASSY-ENGINE FEED SYSTEM<br>(REMOVAL CHECK VALVE ONLY)   | 101106<br>108120<br>504903 | RF             |
| - 1      | 343N0330-5    |               | PUMP ASSY-(REMOVAL CHECK VALVE ONLY)<br>POSITION DATA:<br>LH SIDE CTR<br>FOR NHA/OTHER SYS DET SEE:<br>28-22-05-03 | 101101                     | RF             |
| - 1      | 343N0330-11   |               | PUMP ASSY-(REMOVAL CHECK VALVE ONLY)<br>POSITION DATA:<br>LH SIDE CTR<br>FOR NHA/OTHER SYS DET SEE:<br>28-22-05-03 | 102102<br>108120<br>504903 | RF             |
| - 1      | 343N0330-17   |               | PUMP ASSY-(REMOVAL CHECK VALVE ONLY)<br>POSITION DATA:<br>LH SIDE CTR<br>FOR NHA/OTHER SYS DET SEE:<br>28-22-05-03 | 103106                     | RF             |
| - 5      | 343N0330-6    |               | PUMP ASSY-(REMOVAL CHECK VALVE ONLY)<br>POSITION DATA:<br>RH SIDE CTR<br>FOR NHA/OTHER SYS DET SEE:<br>28-22-05-03 | 101101                     | RF             |
| - 5      | 343N0330-12   |               | PUMP ASSY-(REMOVAL CHECK VALVE ONLY)<br>POSITION DATA:<br>RH SIDE CTR<br>FOR NHA/OTHER SYS DET SEE:<br>28-22-05-03 | 102102<br>108120<br>504903 | RF             |
| - 5      | 343N0330-18   |               | PUMP ASSY-(REMOVAL CHECK VALVE ONLY)<br>POSITION DATA:<br>RH SIDE CTR<br>FOR NHA/OTHER SYS DET SEE:<br>28-22-05-03 | 103106                     | RF             |
| 10       | BACS12GU4K12D |               | .SCREW   | 101106<br>108120<br>504903 | 4              |
| 15       | NAS1149D0463J |               | .WASHER  | 101106<br>108120<br>504903 | 4              |

MISSING ITEM NUMBERS NOT APPLICABLE

- ITEM NOT ILLUSTRATED

28-22-08-01C

28-22-08  
FIG. 01C  
PAGE 1  
JAN 20/09

BRI

BOEING PROPRIETARY - Copyright © - Unpublished Work - See title page for details.





757

PARTS CATALOG (MAINTENANCE)

| FIG ITEM | PART NUMBER   | 1 2 3 4 5 6 7 | NOMENCLATURE   | EFFECT FROM TO             | UNITS PER ASSY |
|----------|---------------|---------------|--|----------------------------|----------------|
| 1C       |               |               |  |                            |                |
| 20       | PLH54CD       | .NUT          | SUPPLIER CODE:<br>VF0224<br>SPECIFICATION NUMBER:<br>BACN10YR4CD<br>OPTIONAL PART:<br>H52732-4CD<br>V15653 | 101106<br>108120<br>504903 | 4              |
| 25       | 73531B123S24  | .COUPLING-    | SUPPLIER CODE:<br>V79326   | 101106<br>108120<br>504903 | 1              |
| 30       | MS29513-223   | .PACKING      |  | 101106<br>108120<br>504903 | 1              |
| 35       | BACS12GU4K18D | .SCREW        |  | 101106<br>108120<br>504903 | 3              |
| 40       | BACB30LJ4U13  | .BOLT         |  | 101106<br>108120<br>504903 | 1              |
| 45       | NAS1149D0463J | .WASHER       |  | 101106<br>108120<br>504903 | 4              |
| 50       | NAS1149D0416J | .WASHER       |  | 101106<br>108120<br>504903 | 2              |
| 55       | PLH54CD       | .NUT          | SUPPLIER CODE:<br>VF0224<br>SPECIFICATION NUMBER:<br>BACN10YR4CD<br>OPTIONAL PART:<br>H52732-4CD<br>V15653 | 101106<br>108120<br>504903 | 4              |
| 60       | BACJ40A21-6   | .JUMPER ASSY  |  | 101106<br>108120<br>504903 | 2              |
| 65       | 69B92317-1    | .ADAPTER ASSY |  | 101106<br>108120<br>504903 | 1              |
| 70       | MS29513-228   | .PACKING      |  | 101106<br>108120<br>504903 | 2              |

MISSING ITEM NUMBERS NOT APPLICABLE

- ITEM NOT ILLUSTRATED

28-22-08-01C

28-22-08  
FIG. 01C  
PAGE 2  
JAN 20/09

BRI

BOEING PROPRIETARY - Copyright © - Unpublished Work - See title page for details.



757

PARTS CATALOG (MAINTENANCE)

| FIG<br>ITEM | PART NUMBER | 1 2 3 4 5 6 7 | NOMENCLATURE   | EFFECT<br>FROM TO          | UNITS<br>PER<br>ASSY |
|-------------|-------------|---------------|--|----------------------------|----------------------|
| 1C<br>75    | 20C144-5    |               | . VALVE-CHECK<br>SUPPLIER CODE:<br>V82829<br>FUNCTIONAL DESCRIPTION:<br>ALLOWS FUEL FLOW THE<br>BOOST PUMP TO THE ENGINE<br>AND PREVENTS REVERSE<br>FLOW THROUGH THE PUMP<br>SPECIFICATION NUMBER:<br>10-60526-15<br>COMPONENT MAINT MANUAL REF:<br>28-22-03 | 101106<br>108120<br>504903 | 1                    |

MISSING ITEM NUMBERS NOT APPLICABLE

- ITEM NOT ILLUSTRATED

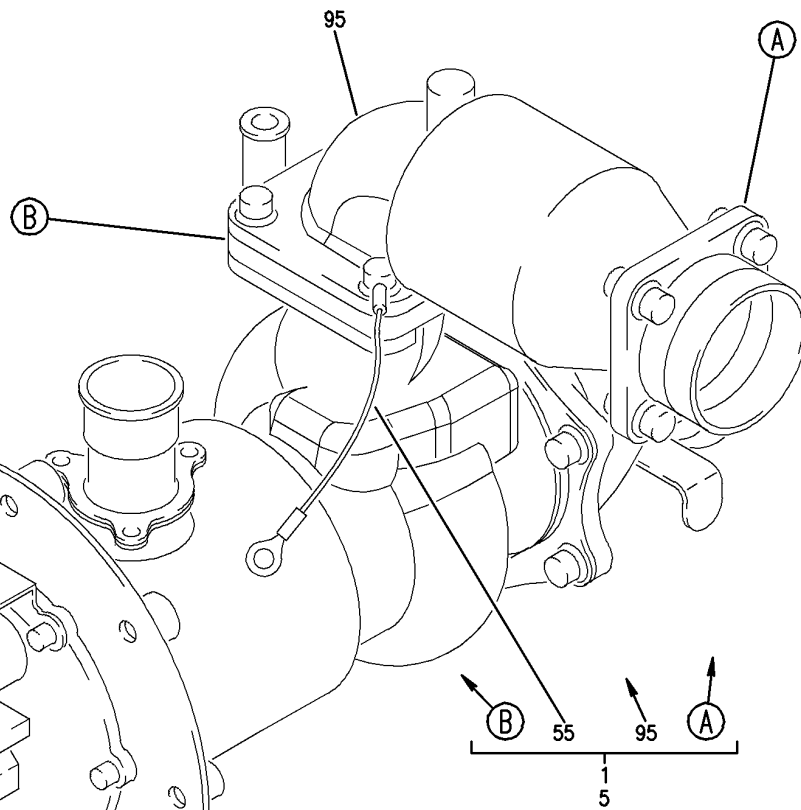
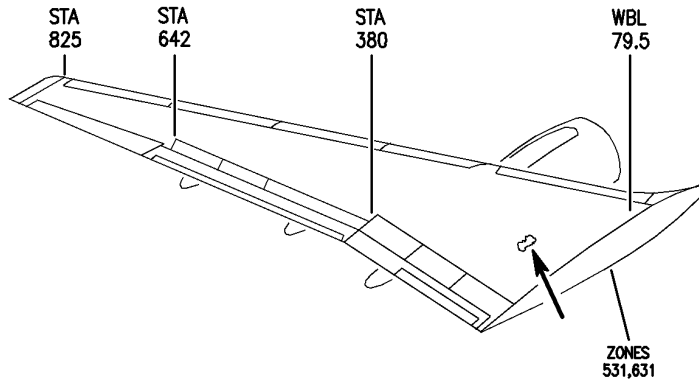
BRI

28-22-08-01C

BOEING PROPRIETARY - Copyright © - Unpublished Work - See title page for details.

28-22-08  
FIG. 01C  
PAGE 3  
JAN 20/09

**BOEING**  
757  
PARTS CATALOG (MAINTENANCE)



Y 28220901 SH1 1 REV 232

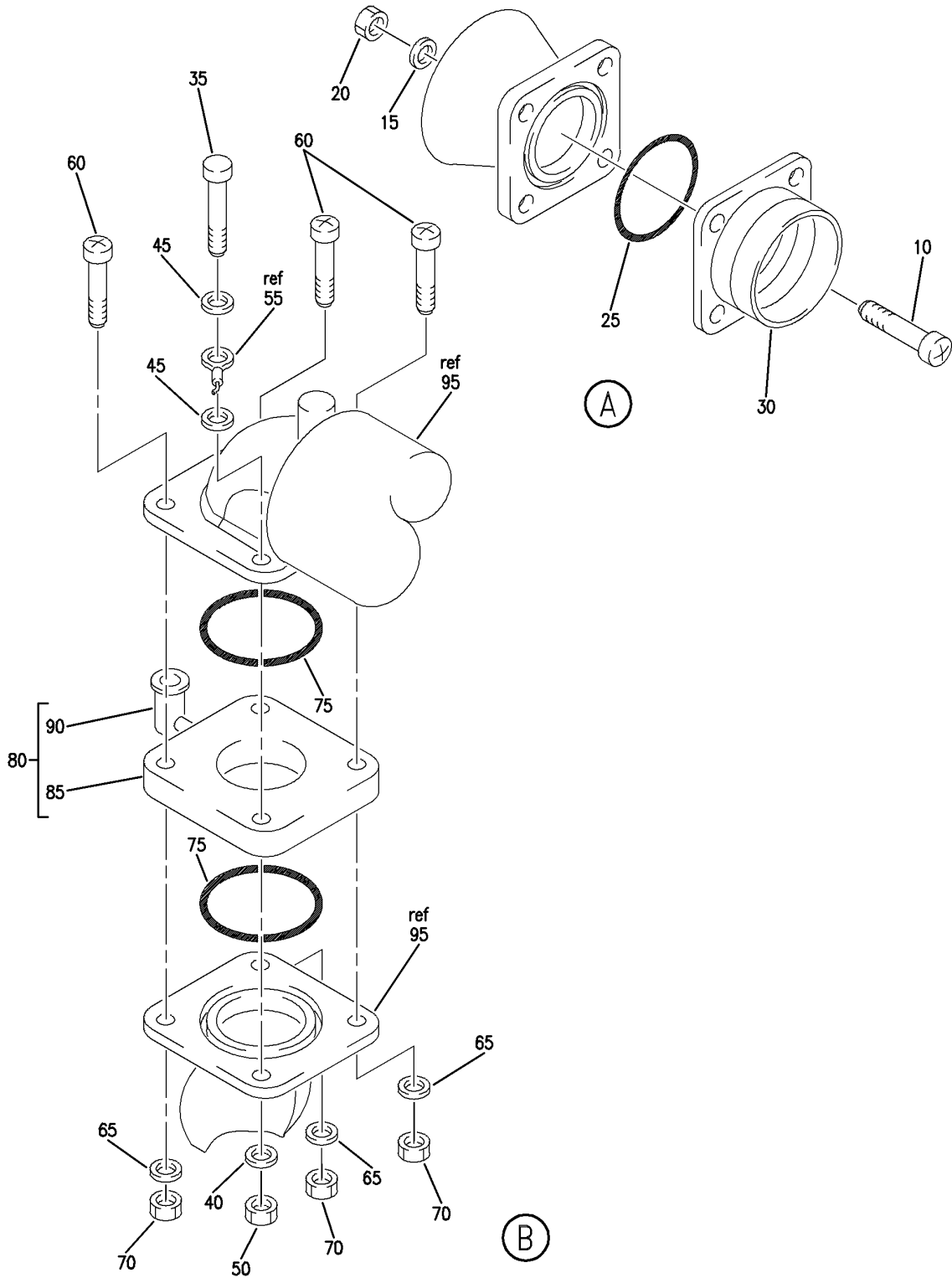
PUMP ASSY-ENGINE FEED SYSTEM (DISCHARGE CHECK VALVE)  
FIGURE 1 (SHEET 1)

**28-22-09-01**

BRI  
MAY 28/07

28-22-09-01  
PAGE 0

**BOEING**  
757  
PARTS CATALOG (MAINTENANCE)



Y 28220901 SHT 2 REV 232

PUMP ASSY-ENGINE FEED SYSTEM (DISCHARGE CHECK VALVE)  
FIGURE 1 (SHEET 2)

**28-22-09-01**

BRI  
MAY 28/07

28-22-09-01  
PAGE 0A



757

PARTS CATALOG (MAINTENANCE)

| FIG ITEM | PART NUMBER   | 1 2 3 4 5 6 7 | NOMENCLATURE   | EFFECT FROM TO             | UNITS PER ASSY |
|----------|---------------|---------------|--|----------------------------|----------------|
| 1        |               |               | PUMP ASSY-ENGINE FEED SYSTEM<br>(DISCHARGE CHECK VALVE)  | 101106<br>108120<br>504903 |                |
| 1        | 343N0330-1    |               | PUMP ASSY-<br>POSITION DATA:<br>LH SIDE, AFT<br>FOR NHA/OTHER SYS DET SEE:<br>28-22-03-01C                         | 101101                     | RF             |
| 1        | 343N0330-7    |               | PUMP ASSY-<br>POSITION DATA:<br>LH SIDE<br>FOR NHA/OTHER SYS DET SEE:<br>28-22-03-01B                              | 102102<br>108120<br>504903 | RF             |
| 1        | 343N0330-13   |               | PUMP ASSY-<br>POSITION DATA:<br>LH SIDE<br>FOR NHA/OTHER SYS DET SEE:<br>28-22-03-01B                              | 103106                     | RF             |
| 5        | 343N0330-2    |               | PUMP ASSY-<br>POSITION DATA:<br>RH SIDE, AFT<br>FOR NHA/OTHER SYS DET SEE:<br>28-22-03-01C                         | 101101                     | RF             |
| 5        | 343N0330-8    |               | PUMP ASSY-<br>POSITION DATA:<br>RH SIDE<br>FOR NHA/OTHER SYS DET SEE:<br>28-22-03-01B                              | 102102<br>108120<br>504903 | RF             |
| 5        | 343N0330-14   |               | PUMP ASSY-<br>POSITION DATA:<br>RH SIDE<br>FOR NHA/OTHER SYS DET SEE:<br>28-22-03-01B                              | 103106                     | RF             |
| 10       | BACS12GU4K12D |               | .SCREW   | 101106<br>108120<br>504903 | 4              |
| 15       | NAS1149D0463J |               | .WASHER  | 101106<br>108120<br>504903 | 4              |
| 20       | PLH54CD       |               | .NUT<br>SUPPLIER CODE:<br>VF0224<br>SPECIFICATION NUMBER:<br>BACN10YR4CD<br>OPTIONAL PART:<br>H52732-4CD<br>V15653 | 101106<br>108120<br>504903 | 4              |

MISSING ITEM NUMBERS NOT APPLICABLE

- ITEM NOT ILLUSTRATED

28-22-09-01

28-22-09  
FIG. 01  
PAGE 1  
JAN 20/09

BRI



757

PARTS CATALOG (MAINTENANCE)

| FIG ITEM | PART NUMBER   | 1 2 3 4 5 6 7 | NOMENCLATURE  | EFFECT FROM TO             | UNITS PER ASSY |
|----------|---------------|---------------|---|----------------------------|----------------|
| 1        |               |               |   |                            |                |
| 25       | MS29513-223   | .             | PACKING   | 101106<br>108120<br>504903 | 1              |
| 30       | 73531B123S24  | .             | COUPLING-<br>SUPPLIER CODE:<br>V79326   | 101106<br>108120<br>504903 | 1              |
| 35       | BACB30LJ4U14  | .             | BOLT  | 101106<br>108120<br>504903 | 1              |
| 40       | NAS1149D0463J | .             | WASHER  | 101106<br>108120<br>504903 | 1              |
| 45       | NAS1149D0416J | .             | WASHER  | 101106<br>108120<br>504903 | 2              |
| 50       | PLH54CD       | .             | NUT<br>SUPPLIER CODE:<br>VF0224<br>SPECIFICATION NUMBER:<br>BACN10YR4CD<br>OPTIONAL PART:<br>H52732-4CD<br>V15653 | 101106<br>108120<br>504903 | 1              |
| 55       | BACJ40A21-6   | .             | JUMPER ASSY   | 101106<br>108120<br>504903 | 1              |
| 60       | BACS12GU4K18D | .             | SCREW   | 101106<br>108120<br>504903 | 3              |
| 65       | NAS1149D0463J | .             | WASHER  | 101106<br>108120<br>504903 | 3              |
| 70       | PLH54CD       | .             | NUT<br>SUPPLIER CODE:<br>VF0224<br>SPECIFICATION NUMBER:<br>BACN10YR4CD<br>OPTIONAL PART:<br>H52732-4CD<br>V15653 | 101106<br>108120<br>504903 | 3              |
| 75       | MS29513-228   | .             | PACKING   | 101106<br>108120<br>504903 | 2              |
| 80       | 69B92317-1    | .             | ADAPTER ASSY  | 101106<br>108120<br>504903 | 1              |
| 85       | 69B92318-1    | ..            | PLATE   | 101106<br>108120<br>504903 | 1              |

MISSING ITEM NUMBERS NOT APPLICABLE

- ITEM NOT ILLUSTRATED

28-22-09-01

28-22-09  
FIG. 01  
PAGE 2  
JAN 20/09

BRI



757

PARTS CATALOG (MAINTENANCE)

| FIG<br>ITEM | PART NUMBER   | 1 2 3 4 5 6 7 | NOMENCLATURE  | EFFECT<br>FROM TO          | UNITS<br>PER<br>ASSY |
|-------------|---------------|---------------|---|----------------------------|----------------------|
| 1           | 90 69B92319-1 |               | . . FITTING   | 101106<br>108120<br>504903 | 1                    |
|             | 95 20C144-5   |               | . VALVE-<br>SUPPLIER CODE:<br>V82829<br>FUNCTIONAL DESCRIPTION:<br>ALLOWS FUEL FLOW FROM<br>THE BOOST PUMP TO THE<br>ENGINE AND PREVENTS<br>REVERSE FLOW THROUGH<br>THE PUMP<br>SPECIFICATION NUMBER:<br>10-60526-15<br>COMPONENT MAINT MANUAL REF:<br>28-22-03 | 101106<br>108120<br>504903 | 1                    |

MISSING ITEM NUMBERS NOT APPLICABLE

- ITEM NOT ILLUSTRATED

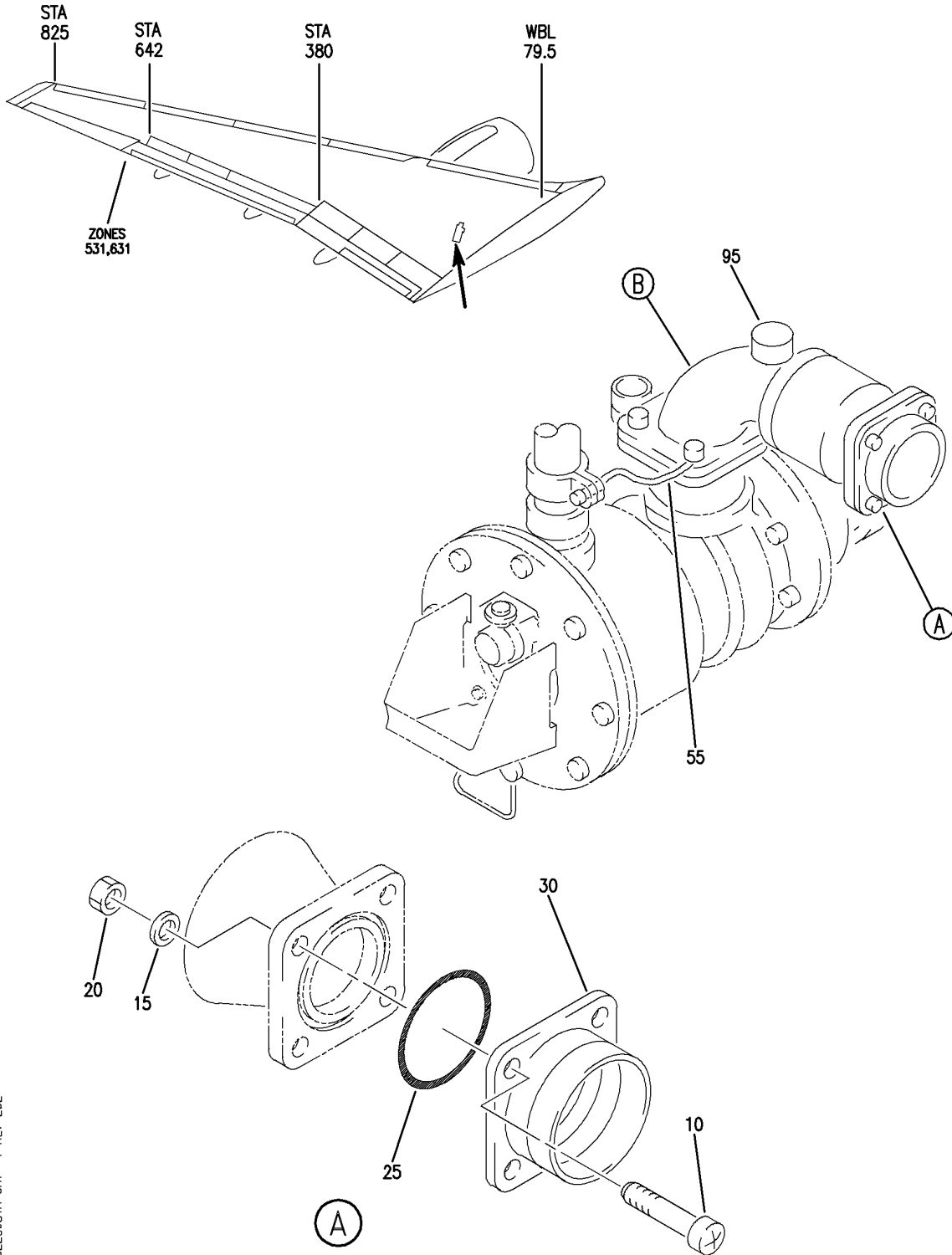
BRI

28-22-09-01

BOEING PROPRIETARY - Copyright © - Unpublished Work - See title page for details.

28-22-09  
FIG. 01  
PAGE 3  
JAN 20/09

**BOEING**  
757  
PARTS CATALOG (MAINTENANCE)



Y 28220901A SHT 1 REV 232

PUMP ASSY-ENGINE FEED SYSTEM (DISCHARGE CHECK VALVE)  
FIGURE 1A (SHEET 1)

**28-22-09-01A**

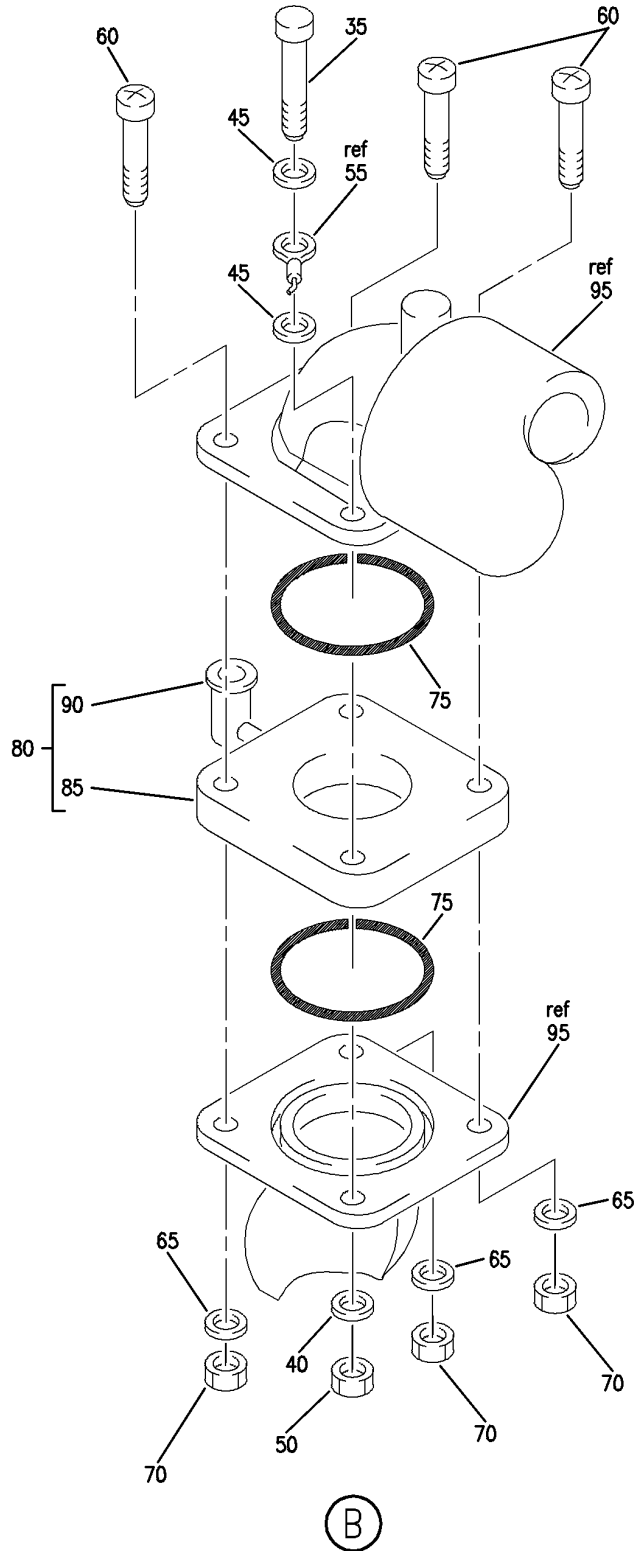
BRI  
MAY 28/07

28-22-09-01A  
PAGE 0

BOEING PROPRIETARY - Copyright © - Unpublished Work - See title page for details.



**BOEING**  
757  
**PARTS CATALOG (MAINTENANCE)**



Y 28220901A SHT 2 REV 232

PUMP ASSY-ENGINE FEED SYSTEM (DISCHARGE CHECK VALVE)  
FIGURE 1A (SHEET 2)

**28-22-09-01A**

BRI  
MAY 28/07

28-22-09-01A  
PAGE 0A



757

PARTS CATALOG (MAINTENANCE)

| FIG ITEM | PART NUMBER   | 1 2 3 4 5 6 7 | NOMENCLATURE   | EFFECT FROM TO             | UNITS PER ASSY |
|----------|---------------|---------------|--|----------------------------|----------------|
| 1 A      |               |               | PUMP ASSY-ENGINE FEED SYSTEM<br>(DISCHARGE CHECK VALVE)  | 101106<br>108120<br>504903 |                |
| 1        | 343N0330-1    |               | PUMP ASSY-<br>POSITION DATA:<br>LH SIDE, AFT<br>FOR NHA/OTHER SYS DET SEE:<br>28-22-03-02C                         | 101101                     | RF             |
| 1        | 343N0330-7    |               | PUMP ASSY-<br>POSITION DATA:<br>LH SIDE<br>FOR NHA/OTHER SYS DET SEE:<br>28-22-03-02B                              | 102102<br>108120<br>504903 | RF             |
| 1        | 343N0330-13   |               | PUMP ASSY-<br>POSITION DATA:<br>LH SIDE<br>FOR NHA/OTHER SYS DET SEE:<br>28-22-03-02B                              | 103106                     | RF             |
| 5        | 343N0330-2    |               | PUMP ASSY-<br>POSITION DATA:<br>RH SIDE, AFT<br>FOR NHA/OTHER SYS DET SEE:<br>28-22-03-02C                         | 101101                     | RF             |
| 5        | 343N0330-8    |               | PUMP ASSY-<br>POSITION DATA:<br>RH SIDE<br>FOR NHA/OTHER SYS DET SEE:<br>28-22-03-02B                              | 102102<br>108120<br>504903 | RF             |
| 5        | 343N0330-14   |               | PUMP ASSY-<br>POSITION DATA:<br>RH SIDE<br>FOR NHA/OTHER SYS DET SEE:<br>28-22-03-02B                              | 103106                     | RF             |
| 10       | BACS12GU4K12D |               | .SCREW   | 101106<br>108120<br>504903 | 4              |
| 15       | NAS1149D0463J |               | .WASHER  | 101106<br>108120<br>504903 | 4              |
| 20       | PLH54CD       |               | .NUT<br>SUPPLIER CODE:<br>VF0224<br>SPECIFICATION NUMBER:<br>BACN10YR4CD<br>OPTIONAL PART:<br>H52732-4CD<br>V15653 | 101106<br>108120<br>504903 | 4              |

MISSING ITEM NUMBERS NOT APPLICABLE

- ITEM NOT ILLUSTRATED

28-22-09-01A

28-22-09  
FIG. 01A  
PAGE 1  
JAN 20/09

BRI

BOEING PROPRIETARY - Copyright © - Unpublished Work - See title page for details.



757

PARTS CATALOG (MAINTENANCE)

| FIG ITEM | PART NUMBER   | 1 2 3 4 5 6 7 | NOMENCLATURE  | EFFECT FROM TO             | UNITS PER ASSY |
|----------|---------------|---------------|---|----------------------------|----------------|
| 1 A      |               |               |   |                            |                |
| 25       | MS29513-223   | .             | PACKING   | 101106<br>108120<br>504903 | 1              |
| 30       | 73531B123S24  | .             | COUPLING-<br>SUPPLIER CODE:<br>V79326   | 101106<br>108120<br>504903 | 1              |
| 35       | BACB30LJ4U14  | .             | BOLT  | 101106<br>108120<br>504903 | 1              |
| 40       | NAS1149D0463J | .             | WASHER  | 101106<br>108120<br>504903 | 1              |
| 45       | NAS1149D0416J | .             | WASHER  | 101106<br>108120<br>504903 | 2              |
| 50       | PLH54CD       | .             | NUT<br>SUPPLIER CODE:<br>VF0224<br>SPECIFICATION NUMBER:<br>BACN10YR4CD<br>OPTIONAL PART:<br>H52732-4CD<br>V15653 | 101106<br>108120<br>504903 | 1              |
| 55       | BACJ40A21-6   | .             | JUMPER ASSY   | 101106<br>108120<br>504903 | 1              |
| 60       | BACS12GU4K18D | .             | SCREW   | 101106<br>108120<br>504903 | 3              |
| 65       | NAS1149D0463J | .             | WASHER  | 101106<br>108120<br>504903 | 3              |
| 70       | PLH54CD       | .             | NUT<br>SUPPLIER CODE:<br>VF0224<br>SPECIFICATION NUMBER:<br>BACN10YR4CD<br>OPTIONAL PART:<br>H52732-4CD<br>V15653 | 101106<br>108120<br>504903 | 3              |
| 75       | MS29513-228   | .             | PACKING   | 101106<br>108120<br>504903 | 2              |
| 80       | 69B92317-1    | .             | ADAPTER ASSY  | 101106<br>108120<br>504903 | 1              |
| 85       | 69B92318-1    | ..            | PLATE   | 101106<br>108120<br>504903 | 1              |

MISSING ITEM NUMBERS NOT APPLICABLE

- ITEM NOT ILLUSTRATED

28-22-09-01A

28-22-09  
FIG. 01A  
PAGE 2  
JAN 20/09

BRI

BOEING PROPRIETARY - Copyright © - Unpublished Work - See title page for details.



**757  
PARTS CATALOG (MAINTENANCE)**

| FIG<br>ITEM | PART NUMBER | 1 2 3 4 5 6 7 | NOMENCLATURE  | EFFECT<br>FROM TO          | UNITS<br>PER<br>ASSY |
|-------------|-------------|---------------|---|----------------------------|----------------------|
| 1 A         |             |               |   |                            |                      |
| 90          | 69B92319-1  |               | . . FITTING   | 101106<br>108120<br>504903 | 1                    |
| 95          | 20C144-5    |               | . VALVE-<br>SUPPLIER CODE:<br>V82829<br>FUNCTIONAL DESCRIPTION:<br>ALLOWS FUEL FLOW FROM<br>THE BOOST PUMP TO THE<br>ENGINE AND PREVENTS<br>REVERSE FLOW THROUGH<br>THE PUMP<br>SPECIFICATION NUMBER:<br>10-60526-15<br>COMPONENT MAINT MANUAL REF:<br>28-22-03 | 101106<br>108120<br>504903 | 1                    |

MISSING ITEM NUMBERS NOT APPLICABLE

— ITEM NOT ILLUSTRATED

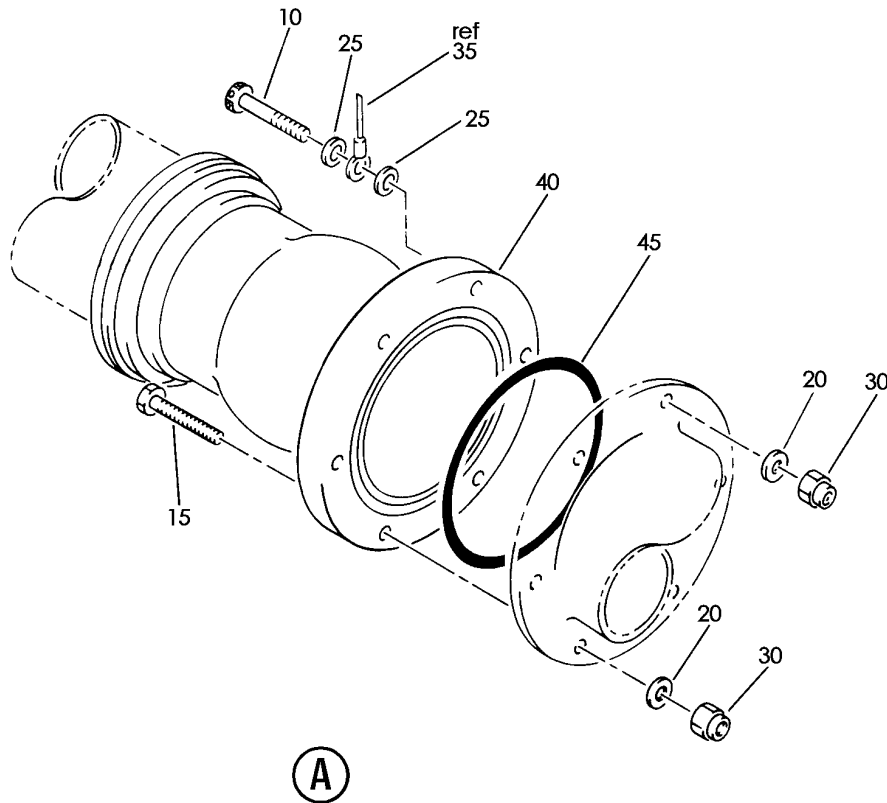
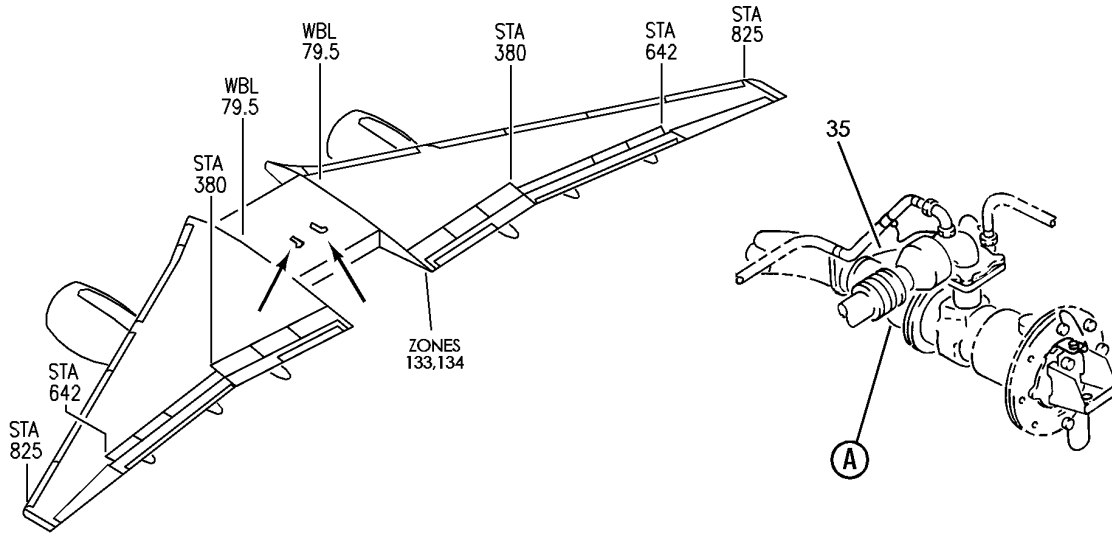
BRI

# 28-22-09-01A

BOEING PROPRIETARY - Copyright © - Unpublished Work - See title page for details.

28-22-09  
FIG. 01A  
PAGE 3  
JAN 20/09

**BOEING**  
757  
PARTS CATALOG (MAINTENANCE)



Y 28220901C REV 232

PUMP ASSY-ENGINE FEED SYSTEM (DISCHARGE CHECK VALVE ONLY)  
FIGURE 1C

BRI  
MAY 28/07

**28-22-09-01C**

28-22-09-01C  
PAGE 0



757

PARTS CATALOG (MAINTENANCE)

| FIG ITEM | PART NUMBER   | 1 2 3 4 5 6 7 | NOMENCLATURE   | EFFECT FROM TO             | UNITS PER ASSY |
|----------|---------------|---------------|--|----------------------------|----------------|
| 1 C      |               |               | PUMP ASSY-ENGINE FEED SYSTEM<br>(DISCHARGE CHECK VALVE ONLY)   | 101106<br>108120<br>504903 | RF             |
| - 1      | 343N0330-5    |               | PUMP ASSY-(DISCHARGE CHECK VALVE ONLY)<br>POSITION DATA:<br>LH SIDE CTR<br>FOR NHA/OTHER SYS DET SEE:<br>28-22-05-03 | 101101                     | RF             |
| - 1      | 343N0330-11   |               | PUMP ASSY-(DISCHARGE CHECK VALVE ONLY)<br>POSITION DATA:<br>LH SIDE CTR<br>FOR NHA/OTHER SYS DET SEE:<br>28-22-05-03 | 102102<br>108120<br>504903 | RF             |
| - 1      | 343N0330-17   |               | PUMP ASSY-(DISCHARGE CHECK VALVE ONLY)<br>POSITION DATA:<br>LH SIDE CTR<br>FOR NHA/OTHER SYS DET SEE:<br>28-22-05-03 | 103106                     | RF             |
| - 5      | 343N0330-6    |               | PUMP ASSY-(DISCHARGE CHECK VALVE ONLY)<br>POSITION DATA:<br>RH SIDE CTR<br>FOR NHA/OTHER SYS DET SEE:<br>28-22-05-03 | 101101                     | RF             |
| - 5      | 343N0330-12   |               | PUMP ASSY-(DISCHARGE CHECK VALVE ONLY)<br>POSITION DATA:<br>RH SIDE CTR<br>FOR NHA/OTHER SYS DET SEE:<br>28-22-05-03 | 102102<br>108120<br>504903 | RF             |
| - 5      | 343N0330-18   |               | PUMP ASSY-(DISCHARGE CHECK VALVE ONLY)<br>POSITION DATA:<br>RH SIDE CTR<br>FOR NHA/OTHER SYS DET SEE:<br>28-22-05-03 | 103106                     | RF             |
| 10       | NAS1801-4-14  |               | .SCREW   | 101106<br>108120<br>504903 | 1              |
| 15       | BACS12GU4K12D |               | .SCREW   | 101106<br>108120<br>504903 | 5              |
| 20       | NAS1149D0463J |               | .WASHER  | 101106<br>108120<br>504903 | 6              |

MISSING ITEM NUMBERS NOT APPLICABLE

- ITEM NOT ILLUSTRATED

28-22-09-01C

28-22-09  
FIG. 01C  
PAGE 1  
JAN 20/09

BRI



757

PARTS CATALOG (MAINTENANCE)

| FIG ITEM | PART NUMBER   | 1 2 3 4 5 6 7 | NOMENCLATURE   | EFFECT FROM TO             | UNITS PER ASSY |
|----------|---------------|---------------|--|----------------------------|----------------|
| 1C       |               |               |  |                            |                |
| 25       | NAS1149D0416J | .             | WASHER   | 101106<br>108120<br>504903 | 2              |
| 30       | PLH54CD       | .             | NUT<br>SUPPLIER CODE:<br>VF0224<br>SPECIFICATION NUMBER:<br>BACN10YR4CD<br>OPTIONAL PART:<br>H52732-4CD<br>V15653  | 101106<br>108120<br>504903 | 6              |
| 35       | BACJ40A21-6   | .             | JUMPER ASSY  | 101106<br>108120<br>504903 | 1              |
| 40       | 2660608M2     | .             | VALVE-<br>SUPPLIER CODE:<br>V92003<br>FUNCTIONAL DESCRIPTION:<br>PERMITS REMOVAL OF FUEL<br>PUMP WITHOUT EMPTYING<br>FUEL TANK<br>SPECIFICATION NUMBER:<br>60B92405-3<br>COMPONENT MAINT MANUAL REF:<br>28-10-21 | 101106<br>108120<br>504903 | 1              |
| 45       | MS29513-231   | .             | PACKING  | 101106<br>108120<br>504903 | 1              |

MISSING ITEM NUMBERS NOT APPLICABLE

- ITEM NOT ILLUSTRATED

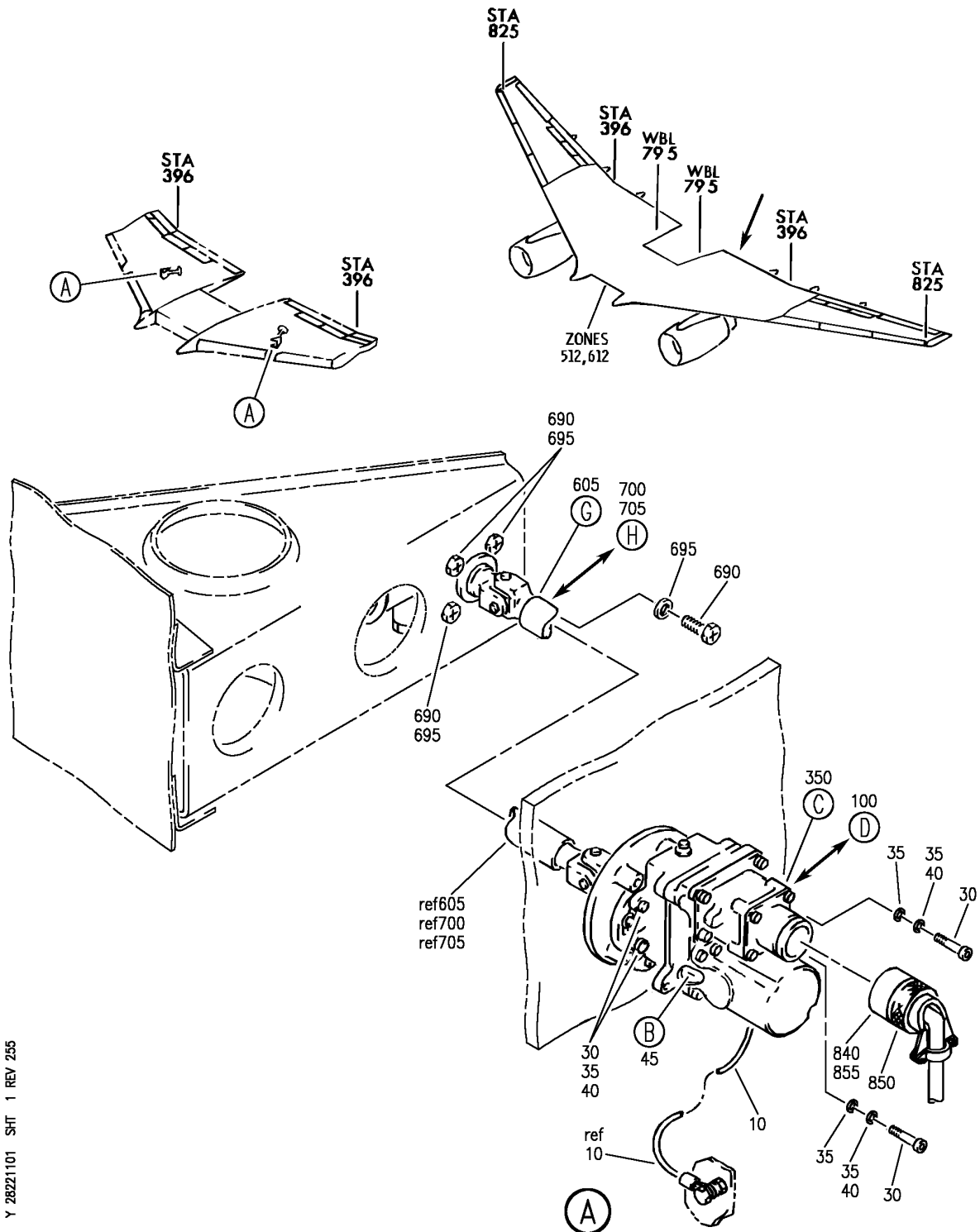
BRI

28-22-09-01C

BOEING PROPRIETARY - Copyright © - Unpublished Work - See title page for details.

28-22-09  
FIG. 01C  
PAGE 2  
JAN 20/09

**BOEING**  
757  
PARTS CATALOG (MAINTENANCE)



Y 28221101 SHT 1 REV 255

VALVE INSTL-ENG FUEL FEED SYS (ENGINE FUEL SHUTOFF VALVE ACTUATOR ONLY)  
FIGURE 1 (SHEET 1)

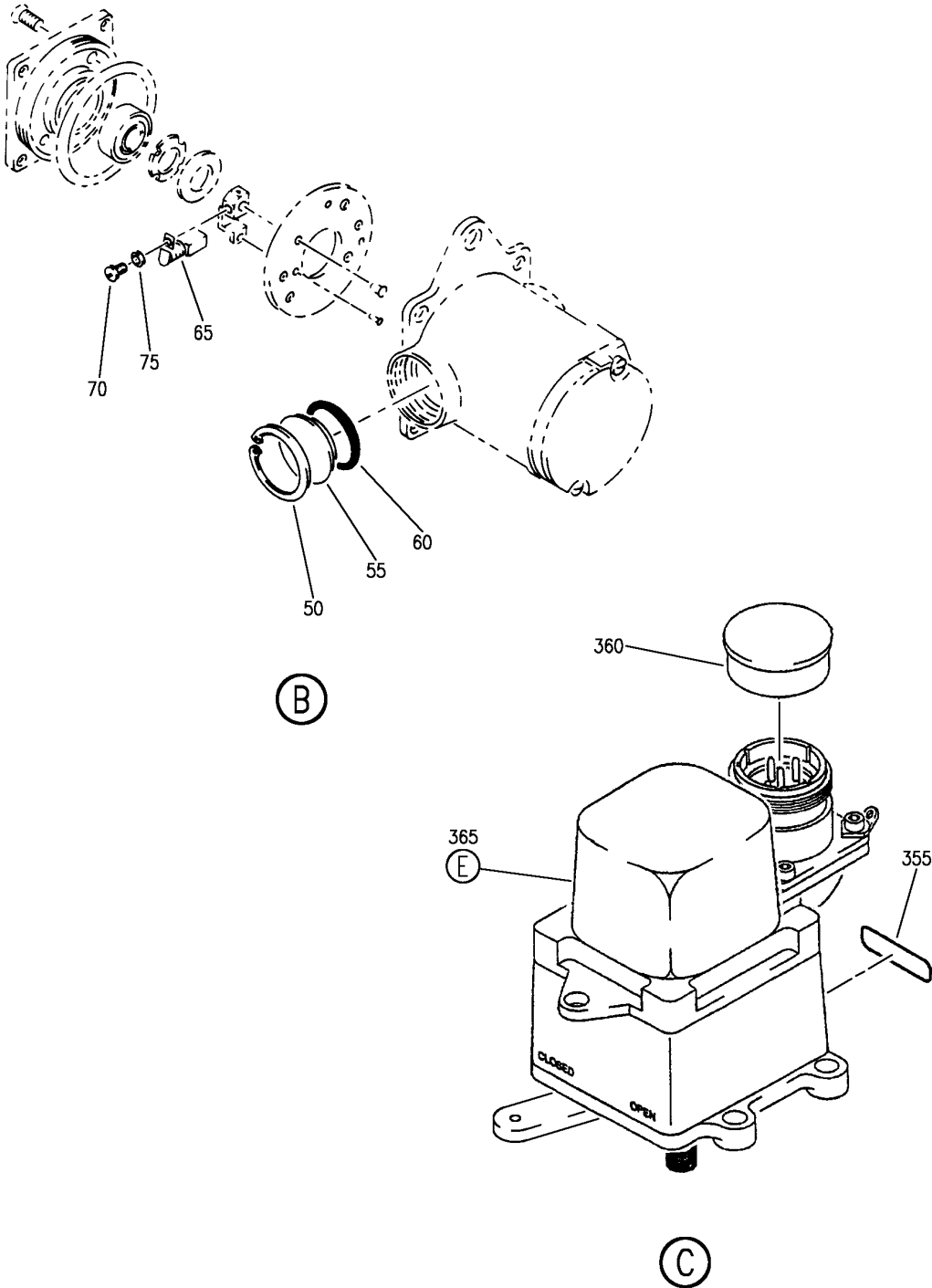
**28-22-11-01**

BRI  
MAY 28/07

28-22-11-01  
PAGE 0



**BOEING**  
757  
PARTS CATALOG (MAINTENANCE)



Y 28221101 SH1 2 REV 255

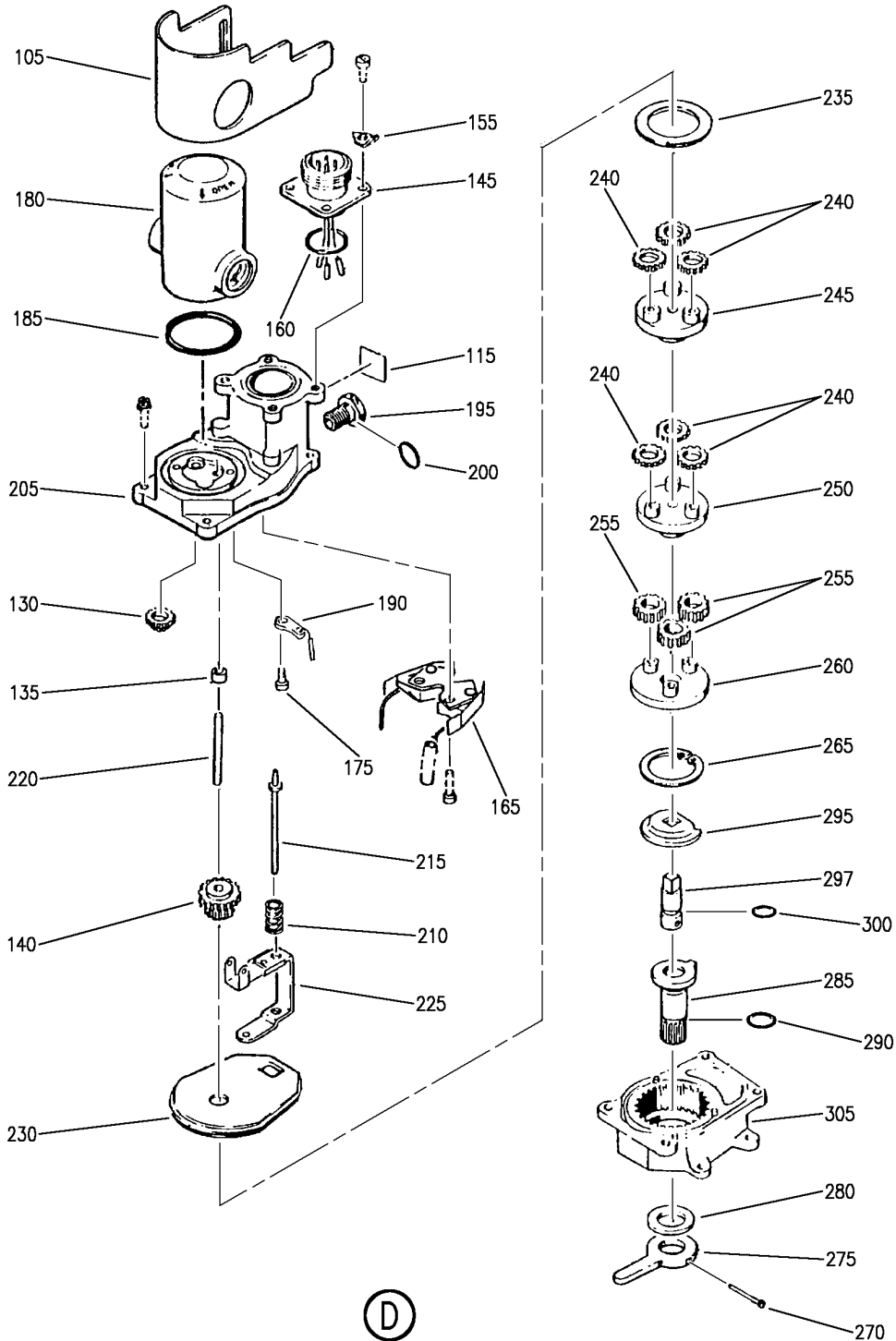
VALVE INSTL-ENG FUEL FEED SYS (ENGINE FUEL SHUTOFF VALVE ACTUATOR ONLY)  
FIGURE 1 (SHEET 2)

**28-22-11-01**

BRI  
MAY 28/07

28-22-11-01  
PAGE 0A

**BOEING**  
757  
PARTS CATALOG (MAINTENANCE)



Y 28221101 SHT 3 REV 255

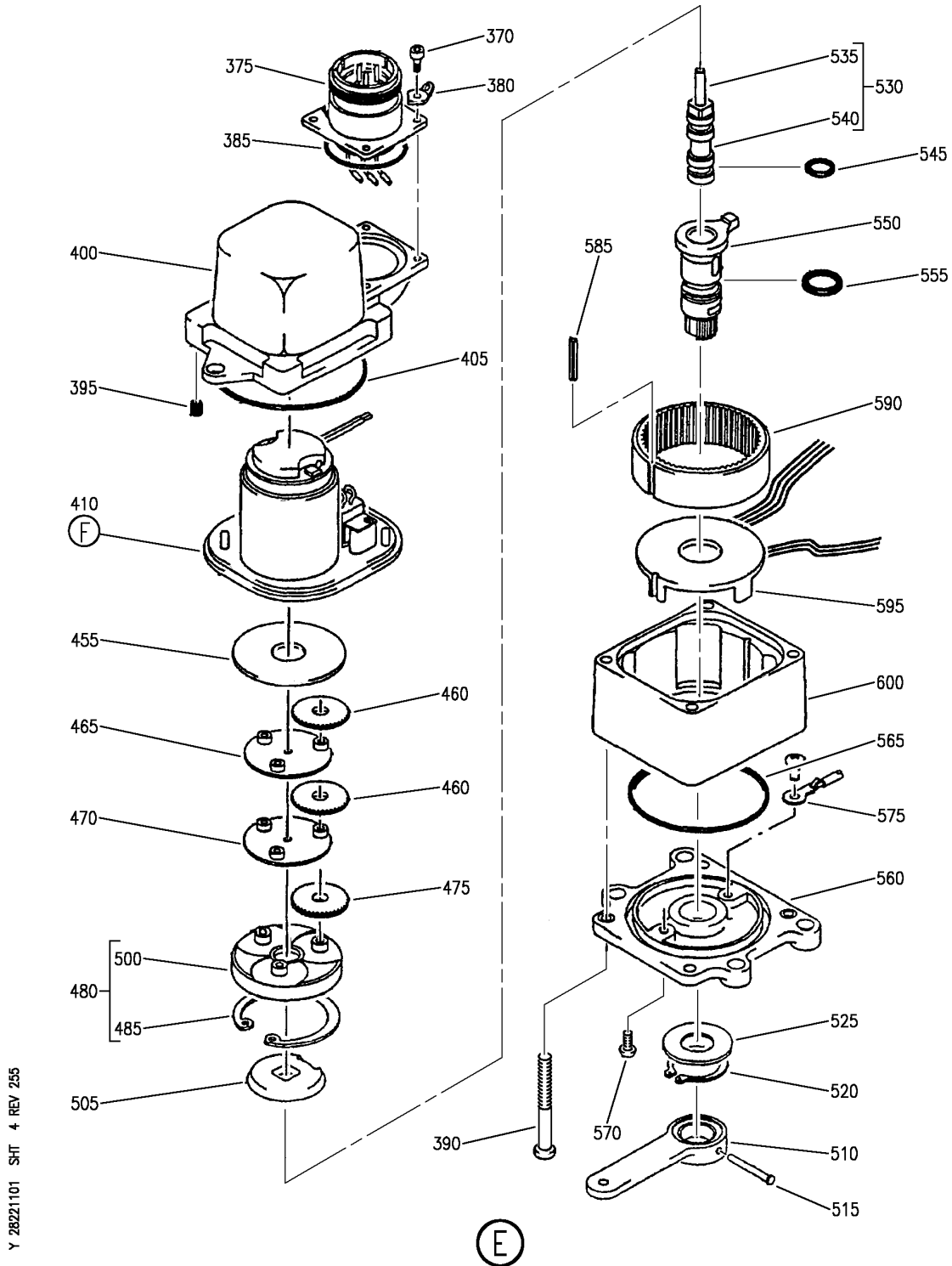
VALVE INSTL-ENG FUEL FEED SYS (ENGINE FUEL SHUTOFF VALVE ACTUATOR ONLY)  
FIGURE 1 (SHEET 3)

**28-22-11-01**

BRI  
MAY 28/07

28-22-11-01  
PAGE 0B

**BOEING**  
757  
PARTS CATALOG (MAINTENANCE)



Y 28221101 SH1 4 REV 255

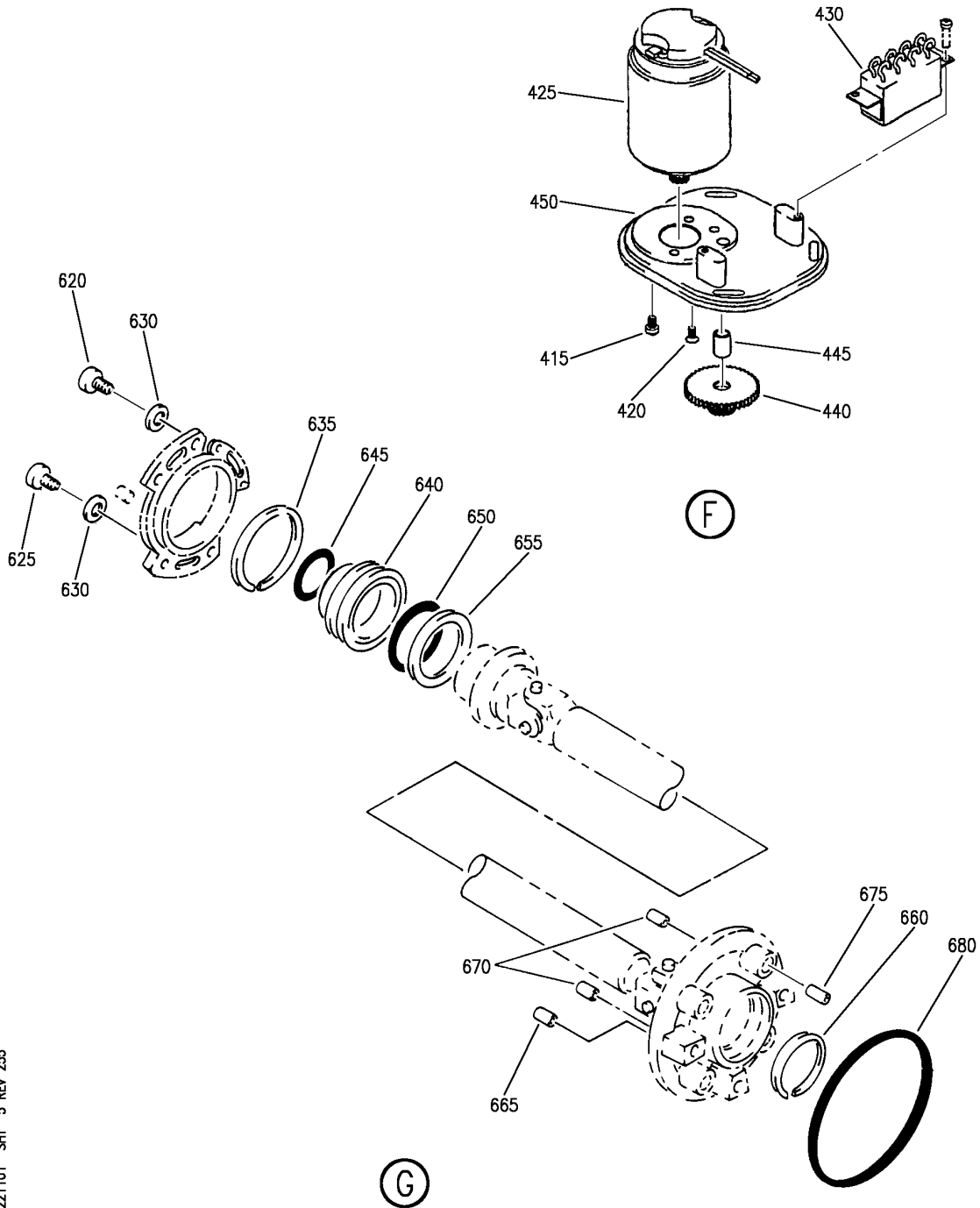
VALVE INSTL-ENG FUEL FEED SYS (ENGINE FUEL SHUTOFF VALVE ACTUATOR ONLY)  
FIGURE 1 (SHEET 4)

**28-22-11-01**

BRI  
MAY 28/07

28-22-11-01  
PAGE 0C

**BOEING**  
757  
PARTS CATALOG (MAINTENANCE)



Y 28221101 SH1 5 REV 255

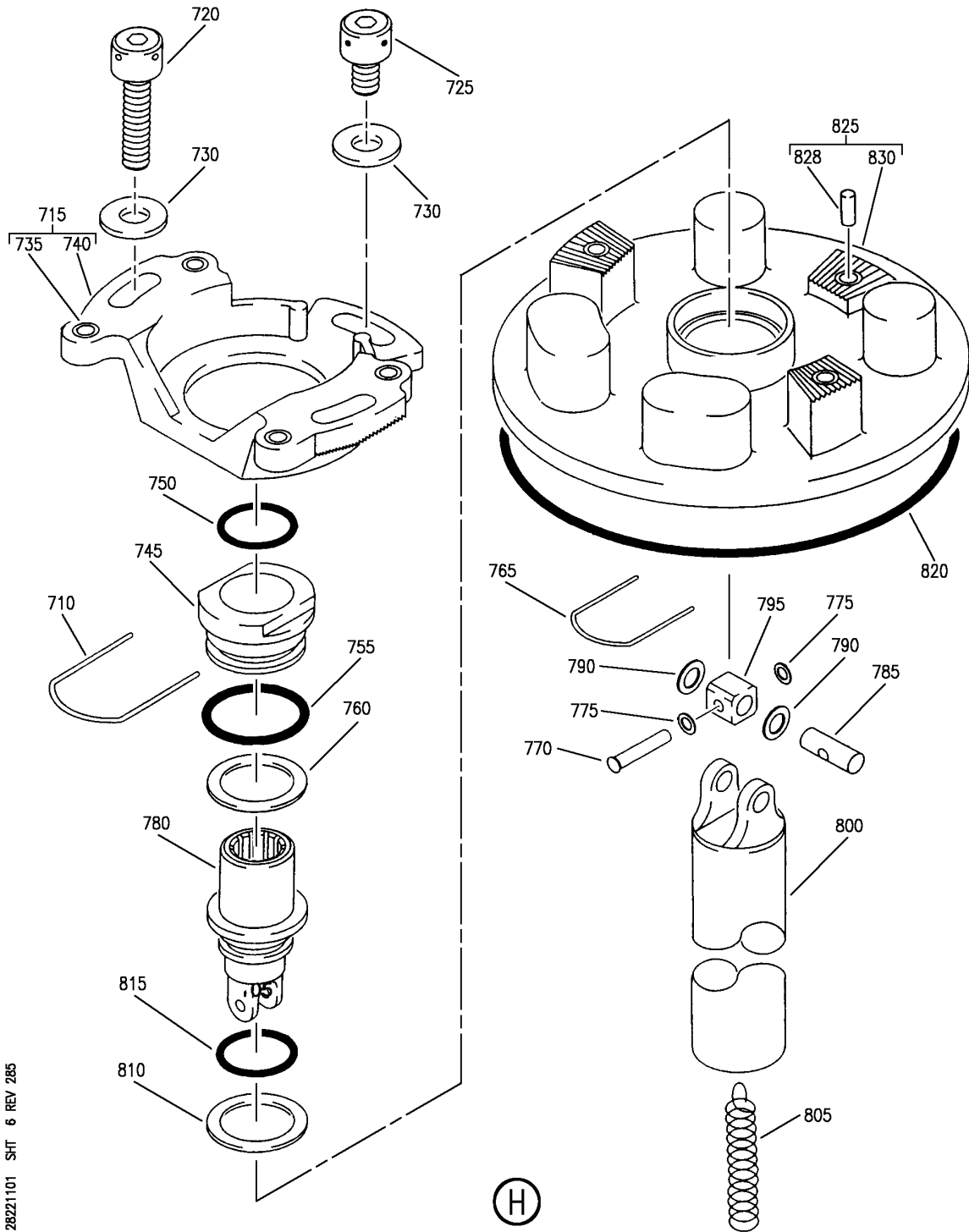
VALVE INSTL-ENG FUEL FEED SYS (ENGINE FUEL SHUTOFF VALVE ACTUATOR ONLY)  
FIGURE 1 (SHEET 5)

**28-22-11-01**

BRI  
MAY 28/07

28-22-11-01  
PAGE 0D

**BOEING**  
757  
PARTS CATALOG (MAINTENANCE)



Y 28221101 SH-T 6 REV 285

VALVE INSTL-ENG FUEL FEED SYS (ENGINE FUEL SHUTOFF VALVE ACTUATOR ONLY)  
FIGURE 1 (SHEET 6)

**28-22-11-01**

BRI  
MAY 28/07

28-22-11-01  
PAGE 0E



757

PARTS CATALOG (MAINTENANCE)

| FIG ITEM | PART NUMBER | 1 2 3 4 5 6 7 | NOMENCLATURE   | EFFECT FROM TO             | UNITS PER ASSY |
|----------|-------------|---------------|--|----------------------------|----------------|
| 1        |             |               | VALVE INSTL-ENG FUEL FEED<br>SYS<br>(ENGINE FUEL SHUTOFF<br>VALVE ACTUATOR ONLY)   | 002004<br>006999           |                |
| - 1      | 343N3101-1  |               | VALVE INSTL-ENG FUEL FEED<br>SYS (ENGINE FUEL<br>SHUTOFF VALVE<br>ACTUATOR ONLY)<br>POSITION DATA:<br>LH<br>FOR NHA/ADDITIONAL DET SEE:<br>28-22-00-01 | 107107<br>904949           | RF             |
| - 1      | 343N3101-12 |               | VALVE INSTL-ENG FUEL FEED<br>SYS (ENGINE FUEL<br>SHUTOFF VALVE<br>ACTUATOR ONLY)<br>POSITION DATA:<br>LH<br>FOR NHA/ADDITIONAL DET SEE:<br>28-22-00-01 | 002004<br>121503           | RF             |
| - 1      | 343N3101-13 |               | VALVE INSTL-ENG FUEL FEED<br>SYS (ENGINE FUEL<br>SHUTOFF VALVE<br>ACTUATOR ONLY)<br>POSITION DATA:<br>LH<br>FOR NHA/ADDITIONAL DET SEE:<br>28-22-00-01 | 006100<br>950951<br>953999 | RF             |
| - 1      | 343N3101-15 |               | VALVE INSTL-ENG FUEL FEED<br>SYS (ENGINE FUEL<br>SHUTOFF VALVE<br>ACTUATOR ONLY)<br>POSITION DATA:<br>LH<br>FOR NHA/ADDITIONAL DET SEE:<br>28-22-00-01 | 101102<br>504504           | RF             |
| - 1      | 343N3101-19 |               | VALVE INSTL-ENG FUEL FEED<br>SYS (ENGINE FUEL<br>SHUTOFF VALVE<br>ACTUATOR ONLY)<br>POSITION DATA:<br>LH<br>FOR NHA/ADDITIONAL DET SEE:<br>28-00-00-05 | 108120<br>505903           | RF             |

MISSING ITEM NUMBERS NOT APPLICABLE

- ITEM NOT ILLUSTRATED

BRI

28-22-11-01

28-22-11  
FIG. 01  
PAGE 1  
JAN 20/09



757

PARTS CATALOG (MAINTENANCE)

| FIG ITEM | PART NUMBER  | 1 2 3 4 5 6 7 | NOMENCLATURE   | EFFECT FROM TO   | UNITS PER ASSY |
|----------|--------------|---------------|--|------------------|----------------|
| 1        |              |               |  |                  |                |
| - 1      | MODREF13609  |               | VALVE INSTL-ENG FUEL FEED<br>SYS (ENGINE FUEL<br>SHUTOFF VALVE<br>ACTUATOR ONLY)<br>MODULE NUMBER:<br>343N3101-19 REV A<br>POSITION DATA:<br>LH<br>FOR ADDITIONAL DETAILS SEE:<br>28-22-01-05<br>28-22-02-01 | 103103           | 1              |
| - 1      | MODREF28177  |               | VALVE INSTL-ENG FUEL FEED<br>SYS (ENGINE FUEL<br>SHUTOFF VALVE<br>ACTUATOR ONLY)<br>MODULE NUMBER:<br>343N3101-19 REV B<br>POSITION DATA:<br>LH<br>FOR ADDITIONAL DETAILS SEE:<br>28-22-01-05<br>28-22-02-01 | 104105           | 1              |
| - 1      | 343N3101-7   |               | VALVE INSTL-ENG FUEL FEED<br>SYS (ENGINE FUEL<br>SHUTOFF VALVE<br>ACTUATOR ONLY)<br>POSITION DATA:<br>LH<br>FOR NHA/ADDITIONAL DET SEE:<br>28-22-00-01   | 952952           | RF             |
| - 2      | MODREF100722 |               | VALVE INSTL-ENG FUEL FEED<br>SYS (ENGINE FUEL<br>SHUTOFF VALVE<br>ACTUATOR ONLY)<br>MODULE NUMBER:<br>343N3101-19 REV C<br>POSITION DATA:<br>LH<br>FOR ADDITIONAL DETAILS SEE:<br>28-22-01-05<br>28-22-02-01 | 106106           | 1              |
| - 5      | 343N3101-10  |               | VALVE INSTL-ENG FUEL FEED<br>SYS (ENGINE FUEL<br>SHUTOFF VALVE<br>ACTUATOR ONLY)<br>POSITION DATA:<br>RH<br>FOR NHA/ADDITIONAL DET SEE:<br>28-22-00-01   | 002004<br>121503 | RF             |

MISSING ITEM NUMBERS NOT APPLICABLE

- ITEM NOT ILLUSTRATED

28-22-11-01

28-22-11  
FIG. 01  
PAGE 2  
JAN 20/09

BRI



757

PARTS CATALOG (MAINTENANCE)

| FIG ITEM | PART NUMBER | 1 2 3 4 5 6 7 | NOMENCLATURE  | EFFECT FROM TO             | UNITS PER ASSY |
|----------|-------------|---------------|---|----------------------------|----------------|
| 1        |             |               |   |                            |                |
| - 5      | 343N3101-14 |               | VALVE INSTL-ENG FUEL FEED<br>SYS (ENGINE FUEL<br>SHUTOFF VALVE<br>ACTUATOR ONLY)<br>POSITION DATA:<br>RH<br>FOR NHA/ADDITIONAL DET SEE:<br>28-22-00-01  | 006100<br>950951<br>953999 | RF             |
| - 5      | 343N3101-16 |               | VALVE INSTL-ENG FUEL FEED<br>SYS (ENGINE FUEL<br>SHUTOFF VALVE<br>ACTUATOR ONLY)<br>POSITION DATA:<br>RH<br>FOR NHA/ADDITIONAL DET SEE:<br>28-00-00-05  | 101102<br>504504           | RF             |
| - 5      | 343N3101-20 |               | VALVE INSTL-ENG FUEL FEED<br>SYS (ENGINE FUEL<br>SHUTOFF VALVE<br>ACTUATOR ONLY)<br>POSITION DATA:<br>RH<br>FOR NHA/ADDITIONAL DET SEE:<br>28-00-00-05  | 108120<br>505903           | RF             |
| - 5      | MODREF13610 |               | VALVE INSTL-ENG FUEL FEED<br>SYS (ENGINE FUEL<br>SHUTOFF VALVE<br>ACTUATOR ONLY)<br>MODULE NUMBER:<br>343N3101-20 REV A<br>POSITION DATA:<br>RH<br>FOR ADDITIONAL DETAILS SEE:<br>28-22-01-05 | 103103                     | 1              |
| - 5      | MODREF28178 |               | VALVE INSTL-ENG FUEL FEED<br>SYS (ENGINE FUEL<br>SHUTOFF VALVE<br>ACTUATOR ONLY)<br>MODULE NUMBER:<br>343N3101-20 REV B<br>POSITION DATA:<br>RH<br>FOR ADDITIONAL DETAILS SEE:<br>28-22-01-05 | 104105                     | 1              |

MISSING ITEM NUMBERS NOT APPLICABLE

- ITEM NOT ILLUSTRATED

28-22-11-01

28-22-11  
FIG. 01  
PAGE 3  
JAN 20/09

BRI





757

PARTS CATALOG (MAINTENANCE)

| FIG ITEM | PART NUMBER  | 1 2 3 4 5 6 7 | NOMENCLATURE  | EFFECT FROM TO                                 | UNITS PER ASSY |
|----------|--------------|---------------|---|--|----------------|
| 1        |              |               |   |  |                |
| - 5      | 343N3101-2   |               | VALVE INSTL-ENG FUEL FEED<br>SYS (ENGINE FUEL<br>SHUTOFF VALVE<br>ACTUATOR ONLY)<br>POSITION DATA:<br>RH<br>FOR NHA/ADDITIONAL DET SEE:<br>28-22-00-01  | 107107<br>904949                               | RF             |
| - 5      | 343N3101-6   |               | VALVE INSTL-ENG FUEL FEED<br>SYS (ENGINE FUEL<br>SHUTOFF VALVE<br>ACTUATOR ONLY)<br>POSITION DATA:<br>RH<br>FOR NHA/ADDITIONAL DET SEE:<br>28-22-00-01  | 952952   | RF             |
| - 5      | MODREF100723 |               | VALVE INSTL-ENG FUEL FEED<br>SYS (ENGINE FUEL<br>SHUTOFF VALVE<br>ACTUATOR ONLY)<br>MODULE NUMBER:<br>343N3101-20 REV C<br>POSITION DATA:<br>RH<br>FOR ADDITIONAL DETAILS SEE:<br>28-22-01-05 | 106106   | 1              |
| 10       | 740A20-3     |               | . JUMPER ASSY<br>SUPPLIER CODE:<br>V91812<br>SPECIFICATION NUMBER:<br>BACJ40A20-3<br>OPTIONAL PART:<br>TJEJ40A20-3<br>V33483<br>RBEJ20-3<br>V1GK47  | 002004<br>006100<br>107107<br>121503<br>904999 | 1              |
| 10       | 740A20-6     |               | . JUMPER ASSY<br>SUPPLIER CODE:<br>V91812<br>SPECIFICATION NUMBER:<br>BACJ40A20-6<br>OPTIONAL PART:<br>TJEJ40A20-6<br>V33483<br>RBEJ20-6<br>V1GK47  | 101106<br>108120<br>504903                     | 1              |
| - 15     | NAS6603-2    |               | ATTACHING PARTS<br>.BOLT  | 002004<br>006999                               | 2              |

MISSING ITEM NUMBERS NOT APPLICABLE

- ITEM NOT ILLUSTRATED

28-22-11-01

28-22-11  
FIG. 01  
PAGE 4  
JAN 20/09

BRI



757

PARTS CATALOG (MAINTENANCE)

| FIG ITEM | PART NUMBER    | 1 2 3 4 5 6 7 | NOMENCLATURE  | EFFECT FROM TO                                 | UNITS PER ASSY |
|----------|----------------|---------------|---|--|----------------|
| 1        |                |               |   |  |                |
| - 20     | AN960PD10L     | .             | WASHER  | 002004<br>006100<br>107107<br>121503<br>904999 | 6              |
| - 20     | NAS1149D03316H | .             | WASHER  | 101106<br>108120<br>504903                     | 6              |
| - 25     | BRH10A3        | .             | NUT<br>SUPPLIER CODE:<br>V52828<br>SPECIFICATION NUMBER:<br>BACN10JC3<br>OPTIONAL PART:<br>H10-3BAC<br>V15653<br>NS202101-02<br>V80539<br>RMLH9075-3W<br>V72962<br>VN303A02<br>V92215<br>96-02<br>V80539<br>T6S1032J<br>V11815  | 002004<br>006999                               | 2              |
| 30       | NAS1352C08H6   | -----*-----   | . SCREW-<br>MISCELLANEOUS DATA:<br>(S343T003-7 (AZ48-3)<br>T/W 4 EA NAS1352C08H8<br>SCREWS AND 4 EA<br>AN960PD8L WASHERS I/W<br>S343T003-20 (125329B7)<br>T/W 4 EA NAS1352C08H6<br>SCREWS AND 4 EA<br>NAS620A08L WASHERS)<br>(S343T003-8 (AZ48-4)<br>T/W 4 EA NAS1352C08H8<br>SCREWS AND 4 EA<br>AN960PD8L WASHERS I/W<br>S343T003-21 (125329B8)<br>T/W 4 EA NAS1352C08H6<br>SCREWS AND 4 EA<br>NAS620A08L WASHERS)<br>USED ON:<br>343N3101-4 | 002004<br>006100<br>121503<br>950999           | 4              |

MISSING ITEM NUMBERS NOT APPLICABLE

- ITEM NOT ILLUSTRATED

BRI

28-22-11-01

28-22-11  
FIG. 01  
PAGE 5  
JAN 20/09



757

PARTS CATALOG (MAINTENANCE)

| FIG ITEM         | PART NUMBER | 1 2 3 4 5 6 7 | NOMENCLATURE  | EFFECT FROM TO             | UNITS PER ASSY |
|------------------|-------------|---------------|---|----------------------------|----------------|
| 1<br>R<br>R<br>R | 30          | NAS1352C08H8  | .SCREW-<br>MISCELLANEOUS DATA:<br>(S343T003-7 (AZ48-3)<br>T/W 4 EA NAS1352C08H8<br>SCREWS AND 4 EA<br>AN960PD8L WASHERS I/W<br>S343T003-20 (125329B7)<br>T/W 4 EA NAS1352C08H6<br>SCREWS AND 4 EA<br>NAS620A08L WASHERS)<br>(S343T003-8 (AZ48-4)<br>T/W 4 EA NAS1352C08H8<br>SCREWS AND 4 EA<br>AN960PD8L WASHERS I/W.<br>S343T003-21 (125329B8)<br>T/W 4 EA NAS1352C08H6<br>SCREWS AND 4 EA<br>NAS620A08L WASHERS)<br>OPTIONAL PART:<br>MS24677-15 | 107107<br>904949           | 4              |
|                  | 30          | MS24677-15    | .SCREW-<br>OPTIONAL PART:<br>NAS1352C08H8   | 107107<br>904949           | 4              |
|                  | 30          | BACS12HM08H8  | .SCREW  | 101106<br>108120<br>504903 | 4              |
|                  | 35          | BACW10BP2NDP  | .WASHER   | 101106<br>108120<br>504903 | 8              |
|                  | 40          | AN960PD8L     | .WASHER-<br>MISCELLANEOUS DATA:<br>(S343T003-7 (AZ48-3)<br>T/W 4 EA NAS1352C08H8<br>SCREWS AND 4 EA<br>AN960PD8L WASHERS I/W<br>S343T003-20 (125329B7)<br>T/W 4 EA NAS1352C08H6<br>SCREWS AND 4 EA<br>NAS620A08L WASHERS)<br>(S343T003-8 (AZ48-4)<br>T/W 4 EA NAS1352C08H8<br>SCREWS AND 4 EA<br>AN960PD8L WASHERS I/W<br>S343T003-21 (125329B8)<br>T/W 4 EA NAS1352C08H6<br>SCREWS AND 4 EA<br>NAS620A08L WASHERS)                                 | 107107<br>904949           | 4              |

MISSING ITEM NUMBERS NOT APPLICABLE

- ITEM NOT ILLUSTRATED

28-22-11-01

28-22-11  
FIG. 01  
PAGE 6  
MAY 20/09

BRI



757

PARTS CATALOG (MAINTENANCE)

| FIG ITEM | PART NUMBER   | 1 2 3 4 5 6 7 | NOMENCLATURE  | EFFECT FROM TO                                 | UNITS PER ASSY |
|----------|---------------|---------------|---|--|----------------|
| 1        | 40 NAS620A08L |               | .WASHER-<br>MISCELLANEOUS DATA:<br>(S343T003-7 (AZ48-3)<br>T/W 4 EA NAS1352C08H8<br>SCREWS AND 4 EA<br>AN960PD8L WASHERS I/W<br>S343T003-20 (125329B7)<br>T/W 4 EA NAS1352C08H6<br>SCREWS AND 4 EA<br>NAS620A08L WASHERS)<br>(S343T003-8 (AZ48-4)<br>T/W 4 EA NAS1352C08H8<br>SCREWS AND 4 EA<br>AN960PD8L WASHERS I/W<br>S343T003-21 (125329B8)<br>T/W 4 EA NAS1352C08H6<br>SCREWS AND 4 EA<br>NAS620A08L WASHERS) | 002004<br>121503<br>952952                     | 4              |
|          | 40 NAS620A8L  |               | .WASHER   | 006106<br>108120<br>504903<br>950951<br>953999 | 4              |
|          | 45 AV31-1     |               | .ACTUATOR ASSY-<br>SUPPLIER CODE:<br>V35840<br>SPECIFICATION NUMBER:<br>S343T003-111<br>MISCELLANEOUS DATA:<br>ELEC EQMT NO. V00024<br>AND V00025<br>ELECTRICAL EQUIP NUMBER:<br>V00024<br>V00025<br>COMPONENT MAINT MANUAL REF:<br>28-20-01<br>FOR SPARES PROCURE:<br>S343T003-41<br>POST ALERT SB:<br>28A0018<br>POST SERVICE BULLETIN:<br>AV-31-28-1<br>V35840   | 002004<br>121503<br>904949                     | 1              |

MISSING ITEM NUMBERS NOT APPLICABLE

- ITEM NOT ILLUSTRATED

BRI

28-22-11-01

28-22-11  
FIG. 01  
PAGE 7  
JAN 20/09



**BOEING**  
757  
**PARTS CATALOG (MAINTENANCE)**

| FIG ITEM   | PART NUMBER | 1 2 3 4 5 6 7 | NOMENCLATURE  | EFFECT FROM TO                       | UNITS PER ASSY |
|--|-------------|---------------|---|--------------------------------------|----------------|
| 1<br>45  | MA11A1265   |               | .ACTUATOR ASSY-<br>SUPPLIER CODE:<br>V73760<br>SPECIFICATION NUMBER:<br>S343T003-14<br>SB DATA FROM A CMM:<br>PRE MA11A1265-28-01<br>MISCELLANEOUS DATA:<br>ELEC EQMT NO. V00024<br>AND V00025<br>MA11A1265-1 SAME AS<br>MA11A1265 EXCEPT NOTCHED<br>HANDLE FOR CLEARANCE.<br>ELECTRICAL EQUIP NUMBER:<br>V00024<br>V00025<br>COMPONENT MAINT MANUAL REF:<br>28-15-12<br>FOR SPARES PROCURE:<br>MA11A1265-1<br>V73760   | 002004<br>107107<br>121503<br>904949 | 1              |
| R<br>R<br>R<br>R<br>R<br>R<br>R<br>R<br>R<br>R<br>R<br>R<br>R<br>R<br>R<br>R<br>R<br>R<br>R<br>R<br>R<br>R | 45          |               | .ACTUATOR ASSY-<br>SUPPLIER CODE:<br>V73760<br>SPECIFICATION NUMBER:<br>S343T003-41<br>SB DATA FROM A CMM:<br>POST MA11A1265-28-01<br>QUALIFIED I/W DATA:<br>MA30A1001 AND<br>MA11A1265-1 ARE TWO WAY<br>INTERCHANGEABLE ON THE<br>757 AND 767 ONLY.<br>MA11A1265-1 MAY REPLACE<br>MA20A1001-1 ONE WAY ON<br>757 AND 767 AIRPLANES<br>ONLY.<br>MA20A2027 AND<br>MA11A1265-1 ARE TWO WA<br>INTERCHANGEABLE ON 757<br>AND 767 AIR PLANES ONLY.<br>S.B. 757-28A0088 AND<br>767-28A0090 MUST BE<br>COMPLETED TO INSTALL<br>PART NUMBER MA20A2027. | 002004<br>006999                     | 1              |

MISSING ITEM NUMBERS NOT APPLICABLE

— ITEM NOT ILLUSTRATED

BRI

# 28-22-11-01

BOEING PROPRIETARY - Copyright © - Unpublished Work - See title page for details.

28-22-11  
FIG. 01  
PAGE 9  
MAY 20/09



**757**  
PARTS CATALOG (MAINTENANCE)

| FIG<br>ITEM | PART NUMBER | 1 2 3 4 5 6 7<br>NOMENCLATURE   | EFFECT<br>FROM TO                    | UNITS<br>PER<br>ASSY |
|-------------|-------------|---|--------------------------------------|----------------------|
| 1<br>45     | MA20A2027   | <p>.ACTUATOR ASSY-<br/>SUPPLIER CODE:<br/>V73760<br/>FUNCTIONAL DESCRIPTION:<br/>PROVIDES ELECTRIC<br/>ACTUATION FOR REMOTE<br/>CONTROL OF VARIOUS<br/>VALVES<br/>SPECIFICATION NUMBER:<br/>S343T003-56<br/>MISCELLANEOUS DATA:<br/>CUSTOMER SHOULD REVIEW<br/>BOEING FLEET TEAM<br/>DIGEST ARTICLE<br/>737NG-FTD-28-06003 FOR<br/>STATUS OF RELIABILITY<br/>CONCERNS ASSOCIATED<br/>WITH THIS PART. SEE ALSO<br/>737-SL-28-069.<br/>SERVICE LETTERS<br/>737-SL-28-069 AND<br/>757-SL-28-042/<br/>767-SL-28-039/<br/>777-SL-28-020 ALL<br/>PROVIDE MORE INFORMATION<br/>ABOUT THE FUEL SYSTEM<br/>MOTOR OPERATED VALVE<br/>ACTUATORS.<br/>ELECTRICAL EQUIP NUMBER:<br/>V00024<br/>V00025<br/>QUALIFIED I/W DATA:<br/>MA20A2027 AND<br/>MA11A1265-1 ARE TWO WAY<br/>INTERCHANGEABLE ON 757<br/>AND 767 AIR PLANES ONLY.<br/>S.B. 757-28A0088 AND<br/>767-28A0090 MUST BE<br/>COMPLETED TO INSTALL<br/>PART NUMBER MA20A2027.</p> | 002004<br>107107<br>121503<br>904949 | 1                    |

R  
R  
R  
R  
R  
R  
R  
R  
R  
R  
R  
R  
R  
R  
R  
R  
R  
R  
R  
R  
R  
R  
R  
R  
R  
R  
R  
R

MISSING ITEM NUMBERS NOT APPLICABLE

— ITEM NOT ILLUSTRATED

BRI

**28-22-11-01**

BOEING PROPRIETARY - Copyright © - Unpublished Work - See title page for details.



757

PARTS CATALOG (MAINTENANCE)

| FIG ITEM   | PART NUMBER                         | 1 2 3 4 5 6 7 | NOMENCLATURE  | EFFECT FROM TO   | UNITS PER ASSY |
|--|-------------------------------------|---------------|---|------------------|----------------|
| R<br>R<br>R<br>R<br>R<br>R<br>R<br>R<br>R<br>R<br>R<br>R | 1 45                                | MA30A1001     | .ACTUATOR ASSY-<br>SUPPLIER CODE:<br>V73760<br>FUNCTIONAL DESCRIPTION:<br>ACTUATOR ASSEMBLY OPENS<br>AND CLOSES A FUEL VALVE<br>SPECIFICATION NUMBER:<br>S343T003-66<br>ELECTRICAL EQUIP NUMBER:<br>V00024<br>V00025<br>QUALIFIED I/W DATA:<br>MA30A1001 AND<br>MA11A1265-1 ARE TWO WAY<br>INTERCHANGEABLE ON THE<br>757 AND 767 ONLY.<br>MA30A1001 MAY REPLACE<br>MA20A1001-1 SUBJECT<br>TO INCORPORATION OF<br>S.B. 757-28A0088.<br>POST ALERT SB:<br>28A0088 | 002004<br>006999 | 1              |
|  | 50                                  | NAS669-68     | ..RING-<br>USED ON:<br>AV31   | 002004<br>006999 | 2              |
|  | 55                                  | L010D816H01   | ..CAP-<br>SUPPLIER CODE:<br>VS0319<br>USED ON:<br>AV31  | 002004<br>006999 | 2              |
|  | 60                                  | L010C815H03   | ..PACKING-0 RING<br>SUPPLIER CODE:<br>VS0319<br>USED ON:<br>AV31  | 002004<br>006999 | 2              |
|  | 65                                  | L010C807G51   | ..BRUSH ASSY-<br>SUPPLIER CODE:<br>VS0319<br>USED ON:<br>AV31<br>ATTACHING PARTS  | 002004<br>006999 | 2              |
|  | 70                                  | MS35275-202   | ..SCREW-<br>USED ON:<br>AV31  | 002004<br>006999 | 2              |
|  | 75                                  | MS35338-134   | ..WASHER<br><br>-----*-----   | 002004<br>006999 | 2              |
|  | MISSING ITEM NUMBERS NOT APPLICABLE |               |   |                  |                |

- ITEM NOT ILLUSTRATED

BRI

28-22-11-01

BOEING PROPRIETARY - Copyright © - Unpublished Work - See title page for details.

28-22-11  
FIG. 01  
PAGE 11  
MAY 20/09



 **BOEING**  
757  
**PARTS CATALOG (MAINTENANCE)**

| FIG ITEM | PART NUMBER  | 1 2 3 4 5 6 7 | NOMENCLATURE  | EFFECT FROM TO   | UNITS PER ASSY |
|----------|--------------|---------------|---|------------------|----------------|
| 1<br>605 | AZ48-3       |               | . ADAPTER-SHAFT<br>SUPPLIER CODE:<br>VS0319<br>SPECIFICATION NUMBER:<br>S343T003-7<br>MISCELLANEOUS DATA:<br>(S343T003-7 (AZ48-3)<br>T/W 4 EA NAS1352C08H8<br>SCREWS AND 4 EA<br>AN960PD8L WASHERS I/W<br>S343T003-20 (125329B7)<br>T/W 4 EA NAS1352C08H6<br>SCREWS AND 4 EA<br>NAS620A08L WASHERS)<br>COMPONENT MAINT MANUAL REF:<br>28-20-03<br>ATTACHING PARTS | 107107<br>904949 | 1              |
| - 610    | NAS6604-12   |               | . BOLT-   | 107107<br>904949 | 4              |
| - 615    | AN960PD416   |               | . WASHER-   | 107107<br>904949 | 4              |
|          |              |               | -----*-----   |                  |                |
| 620      | L901D040H01  |               | .. SCREW-<br>SUPPLIER CODE:<br>VS0319<br>ALTERED FROM PART NUMBER:<br>MS24678-9   | 107107<br>904949 | 1              |
| 625      | L901D041H01  |               | .. SCREW-<br>SUPPLIER CODE:<br>VS0319<br>ALTERED FROM PART NUMBER:<br>MS24678-10  | 107107<br>904949 | 2              |
| 630      | AN960C10L    |               | .. WASHER   | 107107<br>904949 | 3              |
| 635      | MS16627-4112 |               | .. RING   | 107107<br>904949 | 1              |
| 640      | L010C721H01  |               | .. RETAINER-<br>SUPPLIER CODE:<br>VS0319  | 107107<br>904949 | 1              |
| 645      | MS29513-015  |               | .. PACKING  | 107107<br>904949 | 1              |
| 650      | MS29513-019  |               | .. PACKING  | 107107<br>904949 | 1              |
| 655      | L913D021H01  |               | .. WASHER-THRUST<br>SUPPLIER CODE:<br>VS0319  | 107107<br>904949 | 1              |
| 660      | MS16626-4050 |               | .. RING   | 107107<br>904949 | 1              |

MISSING ITEM NUMBERS NOT APPLICABLE

- ITEM NOT ILLUSTRATED

BRI

# 28-22-11-01

28-22-11  
FIG. 01  
PAGE 12  
MAY 20/09



757

PARTS CATALOG (MAINTENANCE)

| FIG ITEM | PART NUMBER   | 1 2 3 4 5 6 7 | NOMENCLATURE   | EFFECT FROM TO                                 | UNITS PER ASSY |
|----------|---------------|---------------|--|--|----------------|
| 1        |               |               |  |  |                |
| 665      | MS21209F1-10  | ..            | INSERT   | 107107<br>904949                               | 1              |
| 670      | MS21209F1-15  | ..            | INSERT   | 107107<br>904949                               | 2              |
| 675      | MS21209F4-15  | ..            | INSERT   | 107107<br>904949                               | 4              |
| 680      | M25988-1-151  | ..            | PACKING  | 107107<br>904949                               | 1              |
| 690      | NAS6604-12    | .             | BOLT   | 002004<br>006100<br>107107<br>121503<br>904999 | 4              |
| 690      | NAS6604-11    | .             | BOLT   | 101106<br>108120<br>504903                     | 4              |
| 695      | AN960PD416    | .             | WASHER   | 002004<br>006100<br>107107<br>121503<br>904999 | 4              |
| 695      | NAS1149D0463J | .             | WASHER   | 101106<br>108120<br>504903                     | 4              |
| 700      | 125329B7      | .             | ADAPTER ASSY-SHAFT<br>SUPPLIER CODE:<br>V73760<br>SPECIFICATION NUMBER:<br>S343T003-20<br>COMPONENT MAINT MANUAL REF:<br>28-25-13<br>QUALIFIED I/W DATA:<br>S343T003-7 AZ48-3 T/W<br>4 EA NAS1352C08H8 SCREWS<br>AND 4 EA AN960PD8L<br>WASHERS I/W S343T003-20<br>125329B7 T/W 4 EA<br>NAS1352C08H6 SCREWS AND<br>4 EA NAS620A8L WASHERS | 002004<br>006100<br>121503<br>950999           | 1              |
| 700      | 125329B51     | .             | ADAPTER ASSY-SHAFT<br>SUPPLIER CODE:<br>V73760<br>FUNCTIONAL DESCRIPTION:<br>CONNECTS MOTOR TO<br>ACTUATOR<br>SPECIFICATION NUMBER:<br>S343T003-51<br>COMPONENT MAINT MANUAL REF:<br>28-25-20  | 002004<br>006106<br>108903<br>950999           | 1              |

MISSING ITEM NUMBERS NOT APPLICABLE

- ITEM NOT ILLUSTRATED

28-22-11-01

28-22-11  
FIG. 01  
PAGE 13  
MAY 20/09

BRI



757

PARTS CATALOG (MAINTENANCE)

| FIG ITEM | PART NUMBER  | 1 2 3 4 5 6 7 | NOMENCLATURE   | EFFECT FROM TO                       | UNITS PER ASSY |
|----------|--------------|---------------|--|--------------------------------------|----------------|
| 1        |              |               |  |                                      |                |
| 710      | 62055C       |               | ..KEEPER-<br>SUPPLIER CODE:<br>V73760<br>USED ON:<br>125329B7  | 002004<br>006100<br>121503<br>950999 | 1              |
| 710      | 62055V       |               | ..KEEPER-<br>SUPPLIER CODE:<br>V73760<br>USED ON:<br>125329B51 | 002004<br>006106<br>108903<br>950999 | 1              |
| 715      | 125586F      |               | ..PLATE ASSY-INDEX<br>SUPPLIER CODE:<br>V73760                 | 002004<br>006106<br>108903<br>950999 | 1              |
|          |              |               | ATTACHING PARTS  |                                      |                |
| 720      | NAS1351C3H8P |               | ..SCREW  | 002004<br>006106<br>108903<br>950999 | 2              |
| 725      | 63241B       |               | ..SCREW-CAP<br>SUPPLIER CODE:<br>V73760                        | 002004<br>006106<br>108903<br>950999 | 1              |
| 730      | AN960PD10L   |               | ..WASHER   | 002004<br>006106<br>108903<br>950999 | 3              |
|          |              |               | -----*-----  |                                      |                |
| 735      | MS21209C0810 |               | ...INSERT  | 002004<br>006106<br>108903<br>950999 | 4              |
| 740      | 63238A01     |               | ...PLATE-<br>SUPPLIER CODE:<br>V73760                          | 002004<br>006106<br>108903<br>950999 | 1              |
| 745      | 63240A       |               | ..RETAINER-<br>SUPPLIER CODE:<br>V73760                        | 002004<br>006106<br>108903<br>950999 | 1              |
| 750      | M259881-014  |               | ..PACKING  | 002004<br>006106<br>108903<br>950999 | 1              |
| 755      | M259881-015  |               | ..PACKING  | 002004<br>006106<br>108903<br>950999 | 1              |

MISSING ITEM NUMBERS NOT APPLICABLE

- ITEM NOT ILLUSTRATED

BRI

28-22-11-01

28-22-11  
FIG. 01  
PAGE 14  
MAY 20/09



757

PARTS CATALOG (MAINTENANCE)

| FIG ITEM | PART NUMBER | 1 2 3 4 5 6 7 | NOMENCLATURE   | EFFECT FROM TO                       | UNITS PER ASSY |
|----------|-------------|---------------|--|--------------------------------------|----------------|
| 1        |             |               |  |                                      |                |
| 760      | 15607DF     |               | .. WASHER-<br>SUPPLIER CODE:<br>V73760   | 002004<br>006106<br>108903<br>950999 | 1              |
| 765      | 62055B      |               | .. CLIP-<br>SUPPLIER CODE:<br>V73760<br>USED ON:<br>125329B7                         | 002004<br>006100<br>121503<br>950999 | 1              |
| 765      | 62055U      |               | .. CLIP-<br>SUPPLIER CODE:<br>V73760<br>USED ON:<br>125329B51                        | 002004<br>006106<br>108903<br>950999 | 1              |
| 770      | 63229A      |               | .. PIN-RTNR<br>SUPPLIER CODE:<br>V73760  | 002004<br>006106<br>108903<br>950999 | 1              |
| 775      | 63226A      |               | .. SHIM-0.001-0.003 INCH<br>THICK<br>SUPPLIER CODE:<br>V73760<br>SELECT FROM ITEM.   | 002004<br>006106<br>108903<br>950999 | AR             |
| 775      | 63226B      |               | .. SHIM-0.002-0.004 INCH<br>THICK<br>SUPPLIER CODE:<br>V73760<br>SELECT FROM ITEM.   | 002004<br>006106<br>108903<br>950999 | AR             |
| 775      | 63226C      |               | .. SHIM-0.004-0.006 INCH<br>THICK<br>SUPPLIER CODE:<br>V73760<br>SELECT FROM ITEM.   | 002004<br>006106<br>108903<br>950999 | AR             |
| 780      | 42046A      |               | .. SHAFT-DRIVE<br>SUPPLIER CODE:<br>V73760   | 002004<br>006106<br>108903<br>950999 | 1              |
| 785      | 63227D      |               | .. PIN-SWIVEL<br>SUPPLIER CODE:<br>V73760  | 002004<br>006106<br>108903<br>950999 | 1              |
| 790      | 63226D      |               | .. SHIM-0.0019-0.0021 INCH<br>THICK<br>SUPPLIER CODE:<br>V73760<br>SELECT FROM ITEM. | 002004<br>006106<br>108903<br>950999 | AR             |

MISSING ITEM NUMBERS NOT APPLICABLE

- ITEM NOT ILLUSTRATED

BRI

28-22-11-01

28-22-11  
FIG. 01  
PAGE 15  
MAY 20/09



757

PARTS CATALOG (MAINTENANCE)

| FIG ITEM | PART NUMBER  | 1 2 3 4 5 6 7 | NOMENCLATURE   | EFFECT FROM TO                       | UNITS PER ASSY |
|----------|--------------|---------------|--|--------------------------------------|----------------|
| 1        |              |               |  |                                      |                |
| 790      | 63226E       | ..            | SHIM-0.002-0.004 INCH THICK<br>SUPPLIER CODE:<br>V73760<br>SELECT FROM ITEM. | 002004<br>006106<br>108903<br>950999 | AR             |
| 790      | 63226F       | ..            | SHIM-0.004-0.006 INCH THICK<br>SUPPLIER CODE:<br>V73760<br>SELECT FROM ITEM. | 002004<br>006106<br>108903<br>950999 | AR             |
| 795      | 63228E       | ..            | CONNECTOR-SWIVEL<br>SUPPLIER CODE:<br>V73760                                 | 002004<br>006106<br>108903<br>950999 | 1              |
| 800      | 125327DA7    | ..            | SHAFT-DRIVE<br>SUPPLIER CODE:<br>V73760                                      | 002004<br>006106<br>108903<br>950999 | 1              |
| 805      | 63237A       | ..            | SPRING-CPRSN<br>SUPPLIER CODE:<br>V73760                                     | 002004<br>006106<br>108903<br>950999 | 1              |
| 810      | 15607DF      | ..            | WASHER-<br>SUPPLIER CODE:<br>V73760  | 002004<br>006106<br>108903<br>950999 | 1              |
| 815      | M259881-012  | ..            | PACKING  | 002004<br>006106<br>108903<br>950999 | 1              |
| 820      | M259881-151  | ..            | PACKING  | 002004<br>006106<br>108903<br>950999 | 1              |
| 825      | 125587C      | ..            | PLATE ASSY-<br>SUPPLIER CODE:<br>V73760<br>USED ON:<br>125329B7              | 002004<br>006100<br>121503<br>950999 | 1              |
| 825      | 125587E      | ..            | PLATE ASSY-<br>SUPPLIER CODE:<br>V73760<br>USED ON:<br>125329B51             | 002004<br>006106<br>108903<br>950999 | 1              |
| 828      | MS21209F4-15 | ...           | INSERT   | 002004<br>006106<br>108903<br>950999 | 3              |

MISSING ITEM NUMBERS NOT APPLICABLE

- ITEM NOT ILLUSTRATED

28-22-11-01

28-22-11  
FIG. 01  
PAGE 16  
MAY 20/09

BRI



757

PARTS CATALOG (MAINTENANCE)

| FIG ITEM | PART NUMBER   | 1 2 3 4 5 6 7 | NOMENCLATURE  | EFFECT FROM TO   | UNITS PER ASSY |
|----------|---------------|---------------|---|--|----------------|
| 1        |               |               |   |  |                |
| 830      | 63239BA       | ...           | PLATE-ADPTR<br>SUPPLIER CODE:<br>V73760<br>USED ON:<br>125587C  | 002004<br>006100<br>121503<br>950999                     | 1              |
| 830      | 63239D        | ...           | PLATE-ADPTR<br>SUPPLIER CODE:<br>V73760<br>USED ON:<br>125587E  | 002004<br>006106<br>108903<br>950999                     | 1              |
| - 835    | 286N3306-003  |               | WIRE BUNDLE ASSY  | 107107<br>904949   | RF             |
| - 835    | 286N3306-005  |               | WIRE BUNDLE ASSY  | 002004<br>006100<br>103106<br>950999                     | RF             |
| - 835    | 286N3306-006  |               | WIRE BUNDLE ASSY  | 121503   | RF             |
| 840      | BACC45FS14B7S | .             | CONNECTOR-<br>ELECTRICAL EQUIP NUMBER:<br>D02142<br>WIRING DIAGRAM REF:<br>282221   | 002004<br>006100<br>103107<br>121503<br>904999           | 1              |
| - 845    | 286N2231-007  |               | WIRE BUNDLE ASSY  | 950951   | RF             |
| - 845    | 286N2231      |               | WIRE BUNDLE ASSY  | 002004<br>006100<br>107107<br>121503<br>904949<br>952999 | RF             |
| 850      | GS3418-14CD   | .             | CLAMP-<br>SUPPLIER CODE:<br>V06324<br>SPECIFICATION NUMBER:<br>BACC10HG14<br>OPTIONAL PART:<br>S2126-14-8<br>V07418<br>ELECTRICAL EQUIP NUMBER:<br>D02144T<br>WIRING DIAGRAM REF:<br>282231 | 002004<br>006100<br>107107<br>121503<br>904999           | 1              |

MISSING ITEM NUMBERS NOT APPLICABLE

- ITEM NOT ILLUSTRATED

BRI

28-22-11-01

28-22-11  
FIG. 01  
PAGE 17  
MAY 20/09



**757  
PARTS CATALOG (MAINTENANCE)**

| FIG<br>ITEM | PART NUMBER  | 1 2 3 4 5 6 7<br>NOMENCLATURE  | EFFECT<br>FROM TO                              | UNITS<br>PER<br>ASSY |
|-------------|--------------|--|--|----------------------|
| 1<br>855    | R071014R7SNL | .CONNECTOR-<br>SUPPLIER CODE:<br>V41118<br>SPECIFICATION NUMBER:<br>BACC63BP14R7SNL<br>MISCELLANEOUS DATA:<br>OPTIONAL PART NUMBERS:<br>BACC63BP14R7SN (81205)<br>BACC63BP14A7SN (81205)<br>BACC63BP14A7SNL (81205)<br>ELECTRICAL EQUIP NUMBER:<br>D02144<br>WIRING DIAGRAM REF:<br>282231 | 002004<br>006100<br>107107<br>121503<br>904999 | 1                    |

MISSING ITEM NUMBERS NOT APPLICABLE

— ITEM NOT ILLUSTRATED

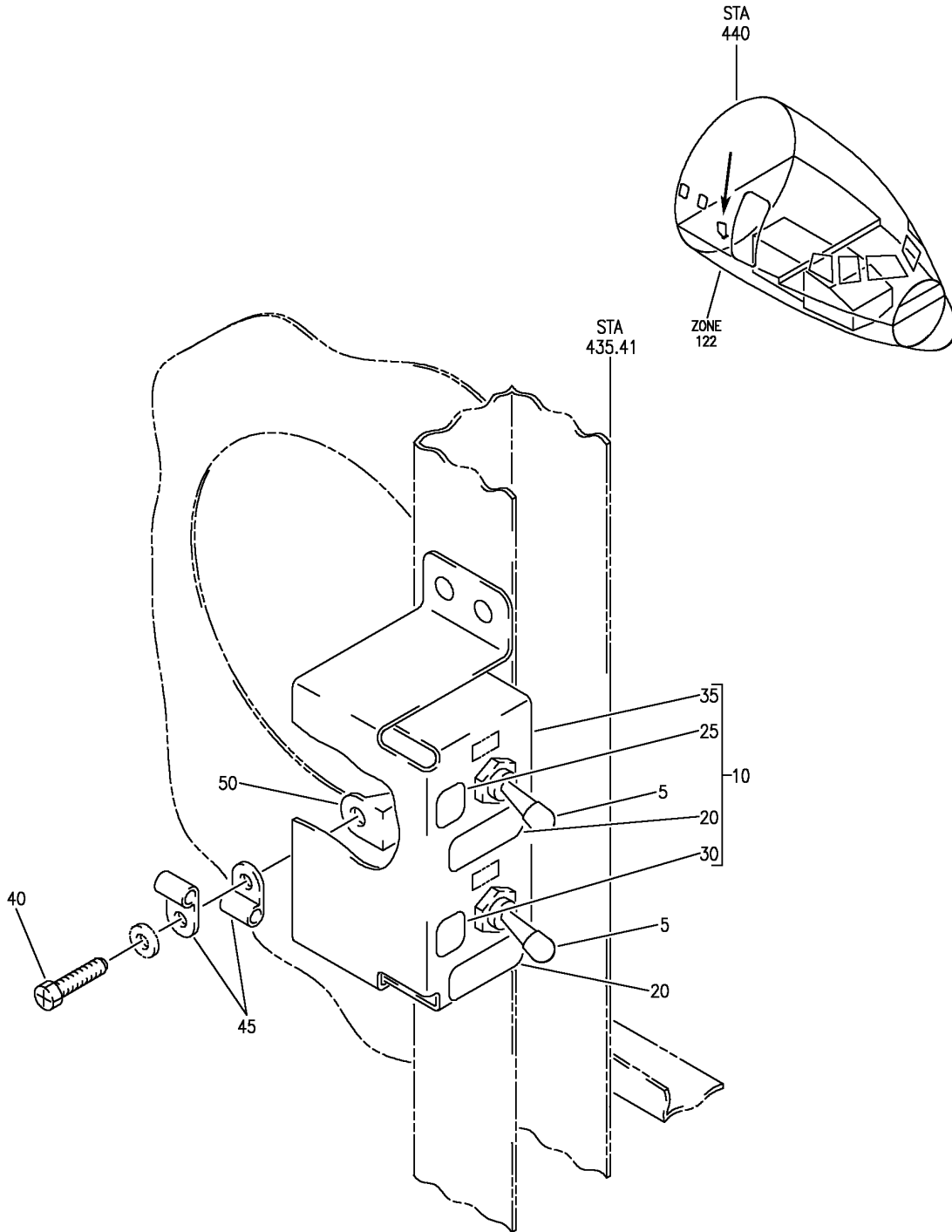
BRI

# 28-22-11-01

BOEING PROPRIETARY - Copyright © - Unpublished Work - See title page for details.

28-22-11  
FIG. 01  
PAGE 18  
MAY 20/09

**BOEING**  
757  
PARTS CATALOG (MAINTENANCE)



Y 28221102A REV 299

KIT INSTL-SWITCH AUTO SHUTOFF  
FIGURE 2A

**28-22-11-02A**

BRI  
MAY 28/07

28-22-11-02A  
PAGE 0





757

PARTS CATALOG (MAINTENANCE)

| FIG ITEM | PART NUMBER  | 1 2 3 4 5 6 7 | NOMENCLATURE   | EFFECT FROM TO   | UNITS PER ASSY |
|----------|--------------|---------------|--|------------------|----------------|
| 2A       |              |               | KIT INSTL-SWITCH AUTO SHUTOFF  | 002004<br>006999 |                |
| - 1      | 284N1208-21  |               | KIT INSTL-SWITCH AUTO SHUTOFF  | 002004<br>006999 | 1              |
|          |              |               | POST ALERT SB:<br>28A0081  |                  |                |
| 5        | 64AT34-7E    |               | .SWITCH-TG   | 002004<br>006999 | 2              |
|          |              |               | SUPPLIER CODE:<br>V91929   |                  |                |
|          |              |               | ELECTRICAL EQUIP NUMBER:<br>S10711<br>S10712                                     |                  |                |
| 10       | 284N1016-92  |               | .BRACKET ASSY-SWITCH SPRT  | 002004<br>006999 | 1              |
|          |              |               | FUNCTIONAL REFERENCE:<br>PLACARDS AND MARKINGS<br>FOR DETAILS SEE<br>11-36-02-11 |                  |                |
|          |              |               | ATTACHING PARTS  |                  |                |
| - 15     | BACR15BB5DD5 |               | .RIVET-  | 002004<br>006999 | 4              |
|          |              |               | SIZE DETERMINED ON INSTL.<br>-----*-----   |                  |                |
| 20       | BAC27NEX3253 |               | ..MARKER-  | 002004<br>006999 | 2              |
|          |              |               | PLACARD CONTENT:<br>FUEL TEST AUTO SHUTOFF                                       |                  |                |
| 25       | BAC27NEX3254 |               | ..MARKER-  | 002004<br>006999 | 1              |
|          |              |               | PLACARD CONTENT:<br>S10712 LEFT  |                  |                |
| 30       | BAC27NEX3255 |               | ..MARKER-  | 002004<br>006999 | 1              |
|          |              |               | PLACARD CONTENT:<br>S10711 RIGHT   |                  |                |
| 35       | 284N1016-90  |               | ..BRACKET  | 002004<br>006999 | 1              |
| 40       | BACS12GU3K11 |               | .SCREW   | 002004<br>006999 | 1              |
| 45       | BACC10DK2    |               | .CLAMP   | 002004<br>006999 | 2              |
| 50       | CB4022G3CR12 |               | .STANDOFF-   | 002004<br>006999 | 1              |
|          |              |               | SUPPLIER CODE:<br>V66530   |                  |                |

MISSING ITEM NUMBERS NOT APPLICABLE

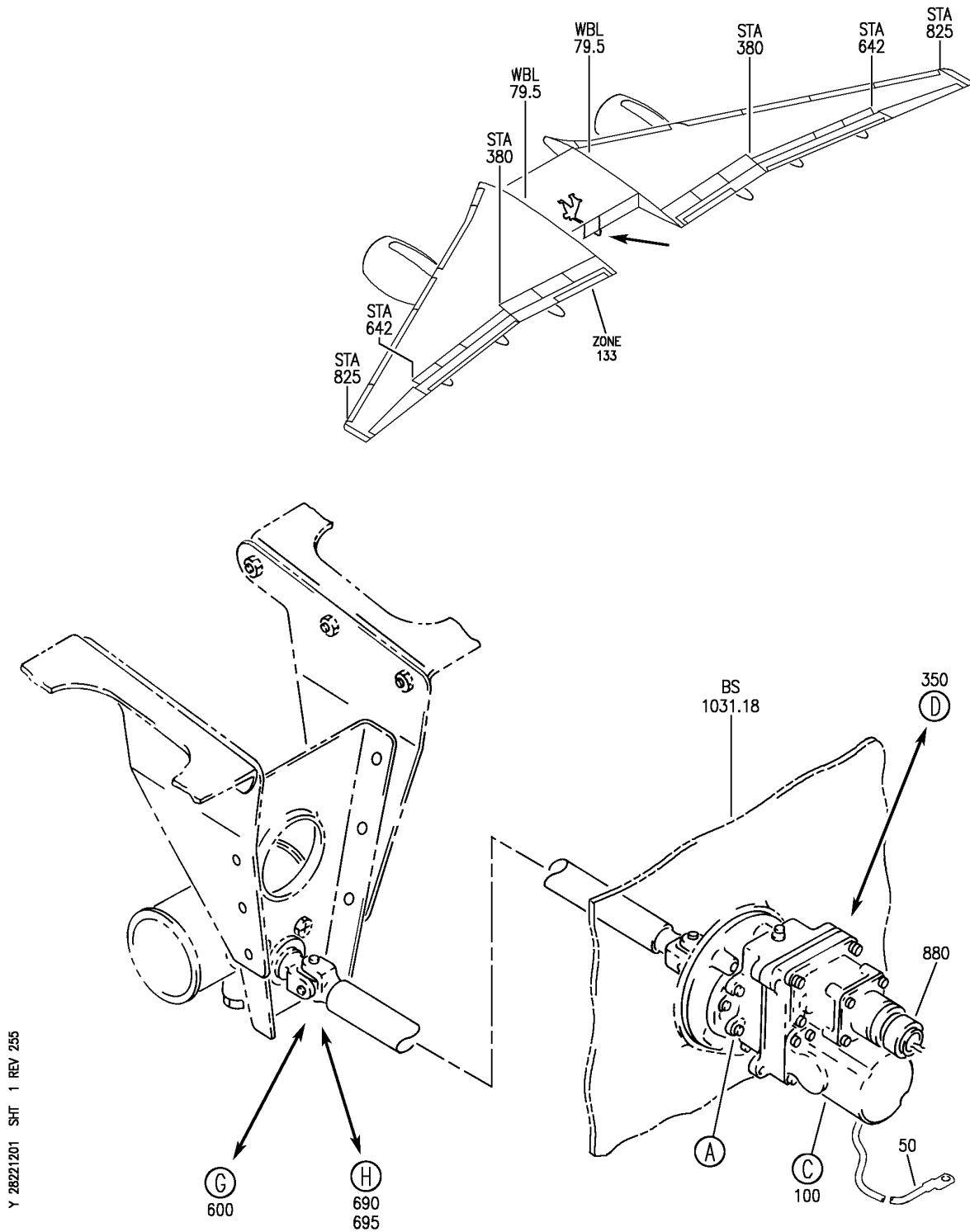
- ITEM NOT ILLUSTRATED

28-22-11-02A

28-22-11  
FIG. 02A  
PAGE 1  
SEP 20/08

BRI

**BOEING**  
757  
**PARTS CATALOG (MAINTENANCE)**



Y 28221201 SHT 1 REV 255

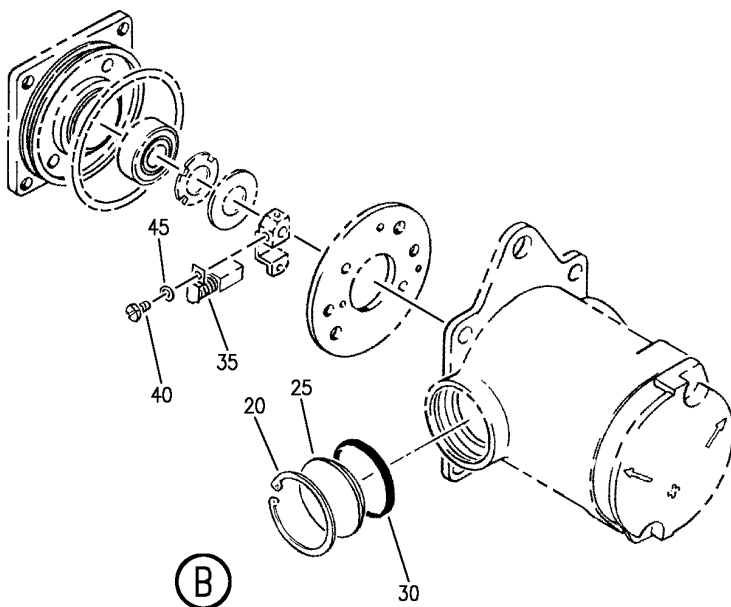
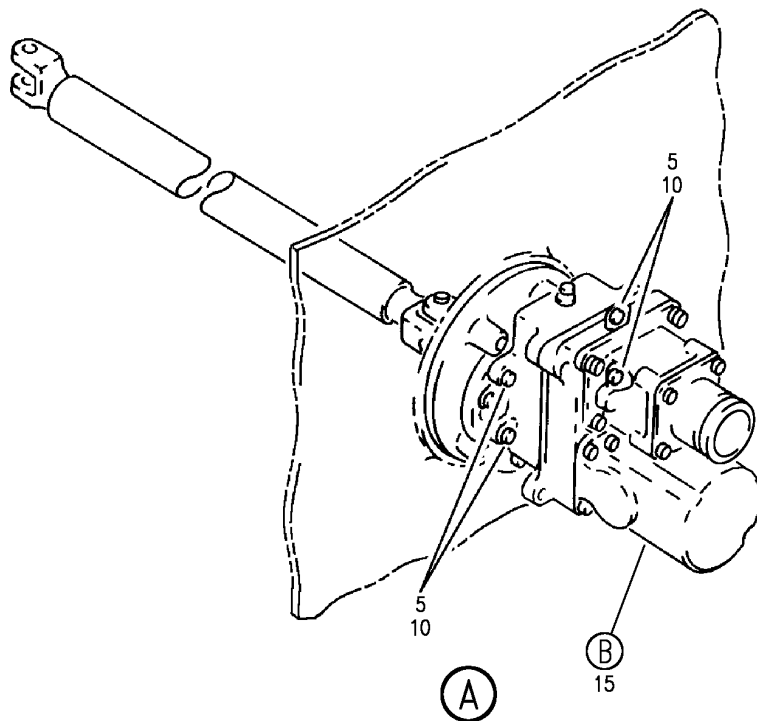
VALVE INSTL-ENG FUEL FEED SYS (ENGINE CROSSFEED VALVE ACTUATOR ONLY)  
FIGURE 1 (SHEET 1)

**28-22-12-01**

BRI  
MAY 28/07

28-22-12-01  
PAGE 0

**BOEING**  
757  
PARTS CATALOG (MAINTENANCE)



Y 28221201 SH1 2 REV 255

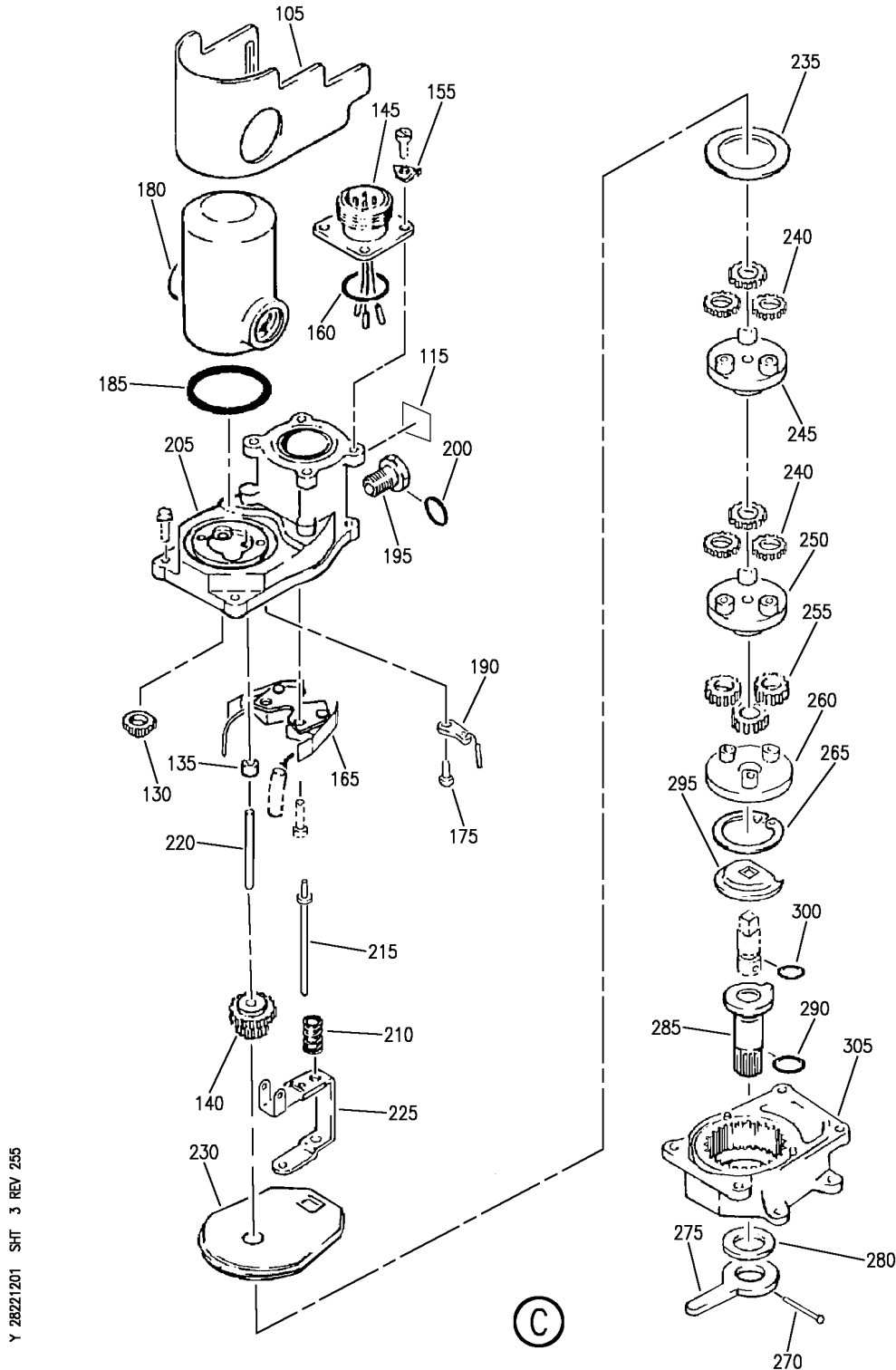
VALVE INSTL-ENG FUEL FEED SYS (ENGINE CROSSFEED VALVE ACTUATOR ONLY)  
FIGURE 1 (SHEET 2)

BRI  
MAY 28/07

**28-22-12-01**

28-22-12-01  
PAGE 0A

**BOEING**  
757  
**PARTS CATALOG (MAINTENANCE)**



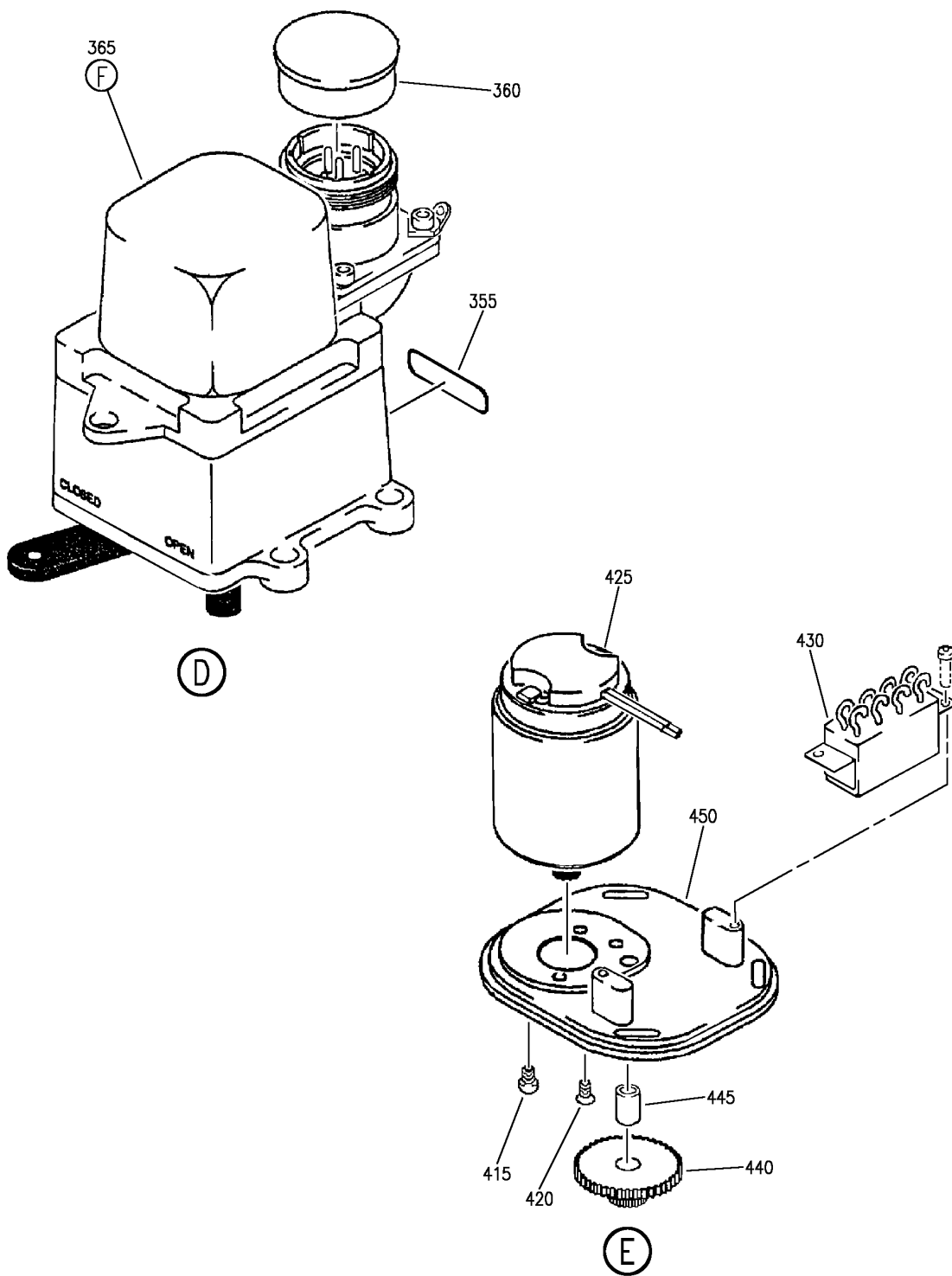
VALVE INSTL-ENG FUEL FEED SYS (ENGINE CROSSFEED VALVE ACTUATOR ONLY)  
FIGURE 1 (SHEET 3)

BRI  
MAY 28/07

**28-22-12-01**

28-22-12-01  
PAGE 0B

**BOEING**  
757  
PARTS CATALOG (MAINTENANCE)



Y 28221201 SH1 4 REV 255

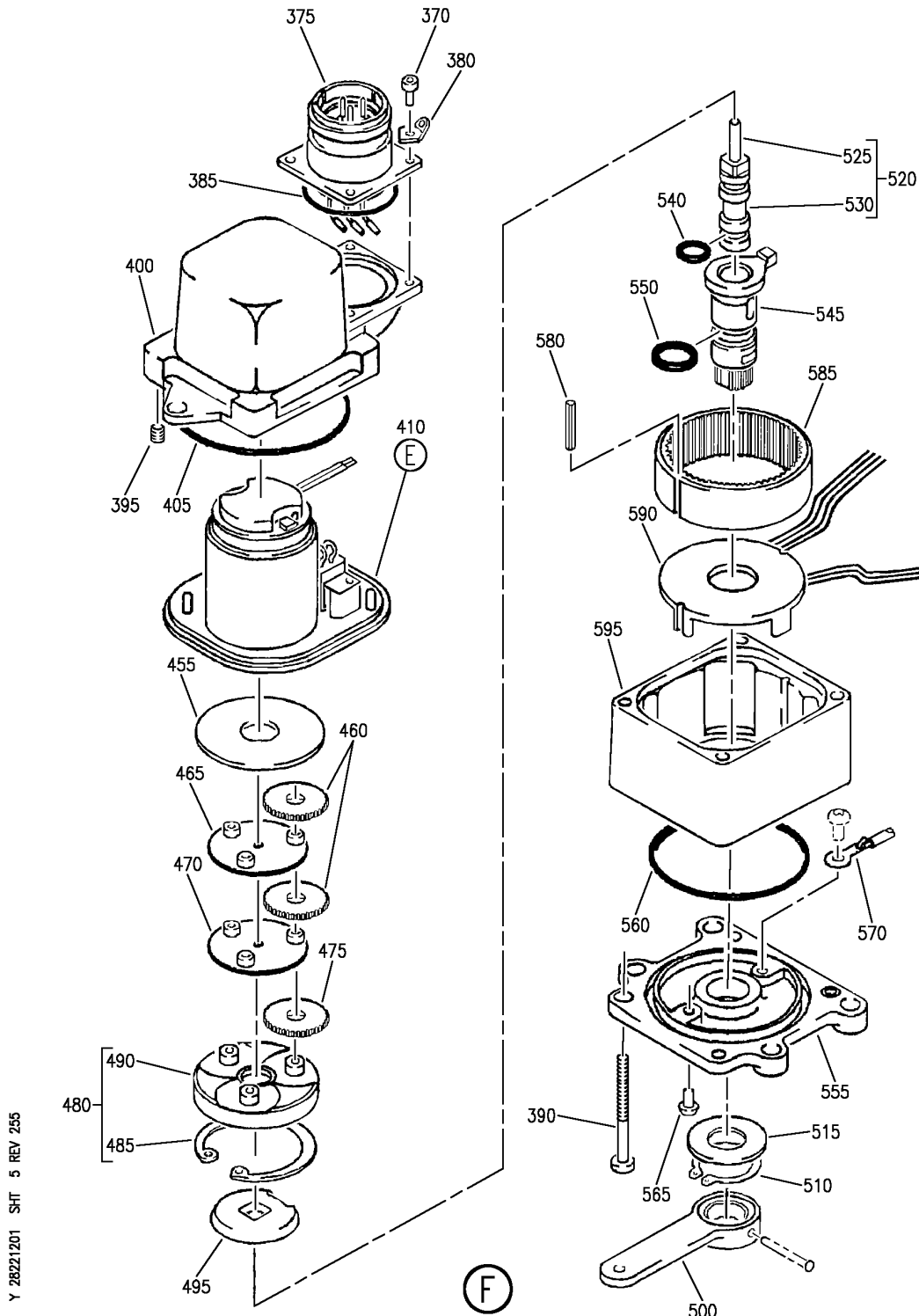
VALVE INSTL-ENG FUEL FEED SYS (ENGINE CROSSFEED VALVE ACTUATOR ONLY)  
FIGURE 1 (SHEET 4)

**28-22-12-01**

BRI  
MAY 28/07

28-22-12-01  
PAGE 0C


**BOEING**  
 757  
**PARTS CATALOG (MAINTENANCE)**



Y 28221201 SHT 5 REV 255

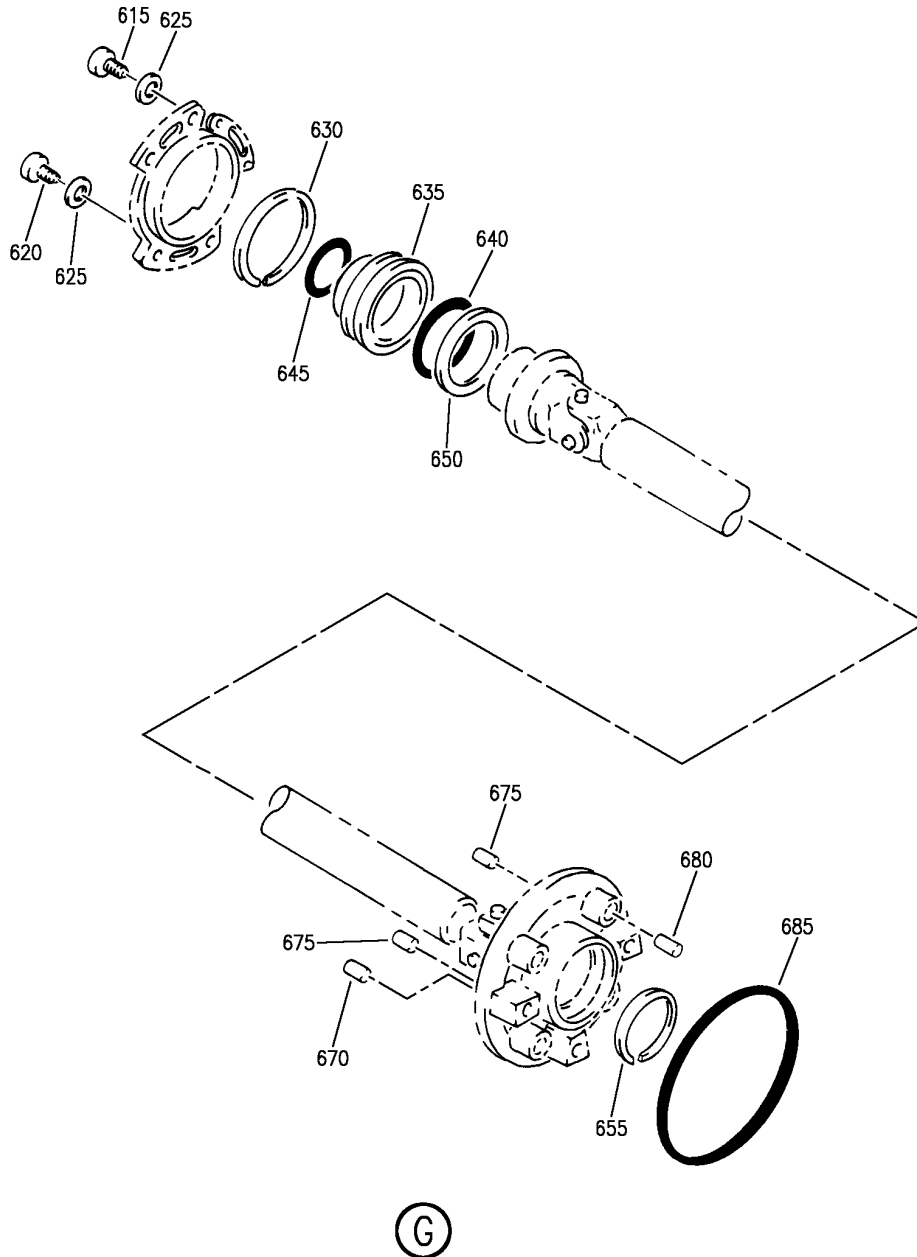
VALVE INSTL-ENG FUEL FEED SYS (ENGINE CROSSFEED VALVE ACTUATOR ONLY)  
 FIGURE 1 (SHEET 5)

**28-22-12-01**

BRI  
MAY 28/07

28-22-12-01  
 PAGE 0D

**BOEING**  
757  
PARTS CATALOG (MAINTENANCE)



Y 28221201 SH1 6 REV 255

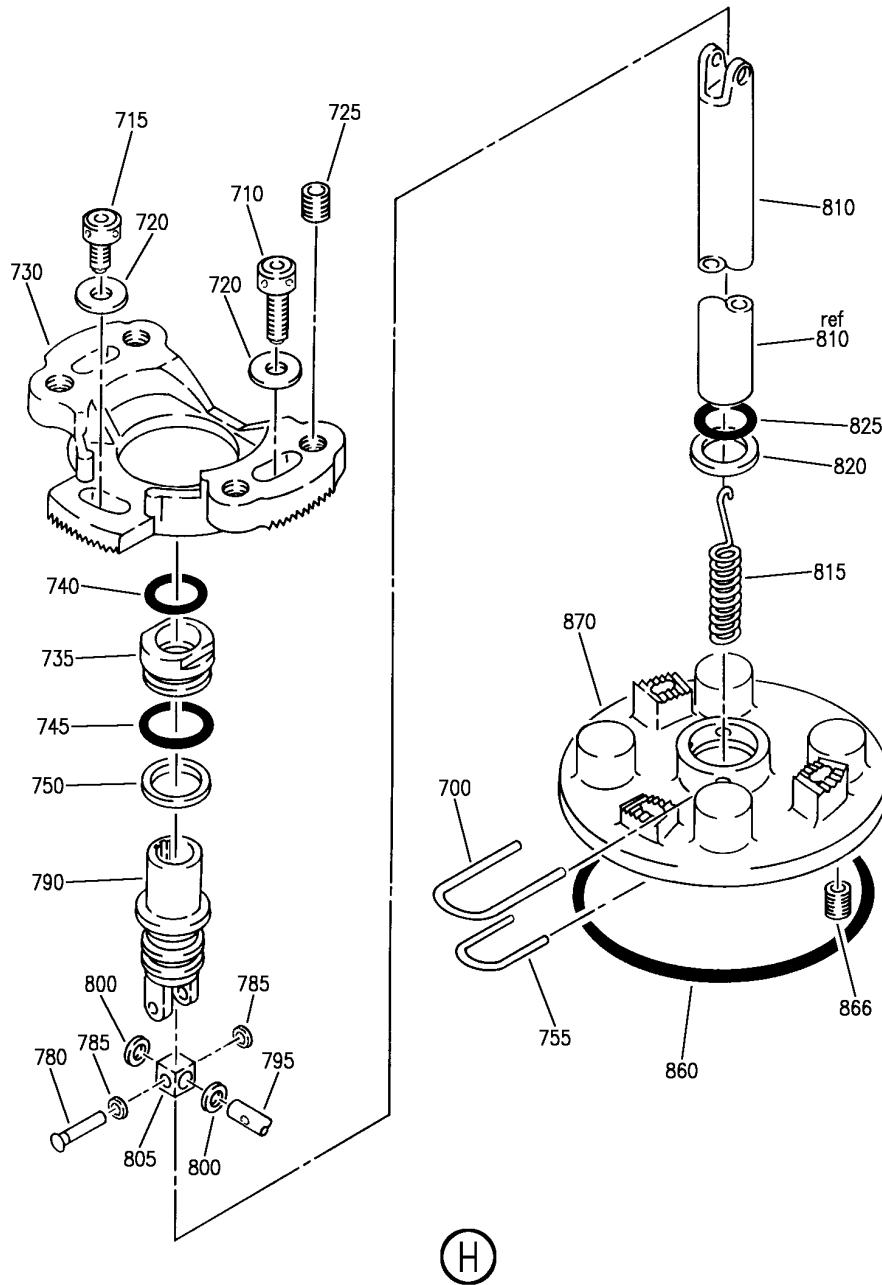
VALVE INSTL-ENG FUEL FEED SYS (ENGINE CROSSFEED VALVE ACTUATOR ONLY)  
FIGURE 1 (SHEET 6)

**28-22-12-01**

BRI  
MAY 28/07

28-22-12-01  
PAGE 0E

**BOEING**  
757  
PARTS CATALOG (MAINTENANCE)



Y 28221201 SH1 7 REV 255

VALVE INSTL-ENG FUEL FEED SYS (ENGINE CROSSFEED VALVE ACTUATOR ONLY)  
FIGURE 1 (SHEET 7)

**28-22-12-01**

BRI  
MAY 28/07

28-22-12-01  
PAGE OF





757

PARTS CATALOG (MAINTENANCE)

| FIG ITEM | PART NUMBER | 1 2 3 4 5 6 7 | NOMENCLATURE  | EFFECT FROM TO                                 | UNITS PER ASSY |
|----------|-------------|---------------|---|--|----------------|
| 1        |             |               | VALVE INSTL-ENG FUEL FEED<br>SYS<br>(ENGINE CROSSFEED<br>VALVE ACTUATOR ONLY)   | 002004<br>107107<br>121503<br>904949<br>952952 |                |
| - 1      | 343N3101-1  |               | VALVE INSTL-ENG FUEL FEED<br>SYS<br>(ENGINE CROSSFEED<br>VALVE ACTUATOR ONLY)<br>POSITION DATA:<br>LH<br>FOR NHA/ADDITIONAL DET SEE:<br>28-22-00-01 | 107107<br>904949                               | RF             |
| - 1      | 343N3101-12 |               | VALVE INSTL-ENG FUEL FEED<br>SYS<br>(ENGINE CROSSFEED<br>VALVE ACTUATOR ONLY)<br>POSITION DATA:<br>LH<br>FOR NHA/ADDITIONAL DET SEE:<br>28-22-00-01 | 002004<br>121503                               | RF             |
| - 1      | 343N3101-7  |               | VALVE INSTL-ENG FUEL FEED<br>SYS<br>(ENGINE CROSSFEED<br>VALVE ACTUATOR ONLY)<br>POSITION DATA:<br>LH<br>FOR NHA/ADDITIONAL DET SEE:<br>28-22-00-01 | 952952   | RF             |

MISSING ITEM NUMBERS NOT APPLICABLE

- ITEM NOT ILLUSTRATED

BRI

28-22-12-01

BOEING PROPRIETARY - Copyright © - Unpublished Work - See title page for details.

28-22-12  
FIG. 01  
PAGE 1  
JAN 20/09



757

PARTS CATALOG (MAINTENANCE)

| FIG ITEM | PART NUMBER  | 1 2 3 4 5 6 7 | NOMENCLATURE  | EFFECT FROM TO                                 | UNITS PER ASSY |
|----------|--------------|---------------|---|--|----------------|
| 1        |              |               | ATTACHING PARTS   |  |                |
| 5        | NAS1352C08H6 |               | .SCREW-<br>MISCELLANEOUS DATA:<br>(S343T003-7 (AZ48-3)<br>T/W 4 EA NAS1352C08H8<br>SCREWS AND 4 EA<br>AN960PD8L WASHERS I/W<br>S343T003-20 (125329B7)<br>T/W 4 EA NAS1352C08H6<br>SCREWS AND 4 EA<br>NAS620A08L WASHERS)<br>(S343T003-8 (AZ48-4)<br>T/W 4 EA NAS1352C08H8<br>SCREWS AND 4 EA<br>AN960PD8L WASHERS I/W<br>S343T003-21 (125329B8)<br>T/W 4 EA NAS1352C08H6<br>SCREWS AND 4 EA<br>NAS620A08L WASHERS)<br>USED ON:<br>343N3101-5<br>-----*----- | 002004<br>121503<br>952952                     | 4              |
| 5        | NAS1352C08H8 |               | .SCREW-<br>MISCELLANEOUS DATA:<br>(S343T003-7 (AZ48-3)<br>T/W 4 EA NAS1352C08H8<br>SCREWS AND 4 EA<br>AN960PD8L WASHERS I/W<br>S343T003-20 (125329B7)<br>T/W 4 EA NAS1352C08H6<br>SCREWS AND 4 EA<br>NAS620A08L WASHERS)<br>(S343T003-8 (AZ48-4)<br>T/W 4 EA NAS1352C08H8<br>SCREWS AND 4 EA<br>AN960PD8L WASHERS I/W<br>S343T003-21 (125329B8)<br>T/W 4 EA NAS1352C08H6<br>SCREWS AND 4 EA<br>NAS620A08L WASHERS)<br>OPTIONAL PART:<br>MS24677-15          | 107107<br>904949                               | 4              |
| 5        | MS24677-15   |               | .SCREW-<br>OPTIONAL PART:<br>NAS1352C08H8   | 002004<br>107107<br>121503<br>904949<br>952952 | 4              |

MISSING ITEM NUMBERS NOT APPLICABLE

- ITEM NOT ILLUSTRATED

28-22-12-01

28-22-12  
FIG. 01  
PAGE 2  
JAN 20/09

BRI

 **BOEING**  
757  
**PARTS CATALOG (MAINTENANCE)**

| FIG<br>ITEM | PART NUMBER | 1 2 3 4 5 6 7 | NOMENCLATURE   | EFFECT<br>FROM TO          | UNITS<br>PER<br>ASSY |
|-------------|-------------|---------------|--|----------------------------|----------------------|
| 1           |             |               |  |                            |                      |
| 10          | AN960PD8L   |               | ATTACHING PARTS<br>.WASHER-<br>MISCELLANEOUS DATA:<br>(S343T003-7 (AZ48-3)<br>T/W 4 EA NAS1352C08H8<br>SCREWS AND 4 EA<br>AN960PD8L WASHERS I/W<br>S343T003-20 (125329B7)<br>T/W 4 EA NAS1352C08H6<br>SCREWS AND 4 EA<br>NAS620A08L WASHERS)<br>(S343T003-8 (AZ48-4)<br>T/W 4 EA NAS1352C08H8<br>SCREWS AND 4 EA<br>AN960PD8L WASHERS I/W<br>S343T003-21 (125329B8)<br>T/W 4 EA NAS1352C08H6<br>SCREWS AND 4 EA<br>NAS620A08L WASHERS) | 107107<br>904949           | 4                    |
| 10          | NAS620A08L  |               | .WASHER-<br>MISCELLANEOUS DATA:<br>(S343T003-7 (AZ48-3)<br>T/W 4 EA NAS1352C08H8<br>SCREWS AND 4 EA<br>AN960PD8L WASHERS I/W<br>S343T003-20 (125329B7)<br>T/W 4 EA NAS1352C08H6<br>SCREWS AND 4 EA<br>NAS620A08L WASHERS)<br>(S343T003-8 (AZ48-4)<br>T/W 4 EA NAS1352C08H8<br>SCREWS AND 4 EA<br>AN960PD8L WASHERS I/W<br>S343T003-21 (125329B8)<br>T/W 4 EA NAS1352C08H6<br>SCREWS AND 4 EA<br>NAS620A08L WASHERS)<br>-----*-----     | 002004<br>121503<br>952952 | 4                    |

MISSING ITEM NUMBERS NOT APPLICABLE

— ITEM NOT ILLUSTRATED

BRI

# 28-22-12-01

BOEING PROPRIETARY - Copyright © - Unpublished Work - See title page for details.

28-22-12  
FIG. 01  
PAGE 3  
JAN 20/09



757

PARTS CATALOG (MAINTENANCE)

| FIG ITEM | PART NUMBER | 1 2 3 4 5 6 7 | NOMENCLATURE  | EFFECT FROM TO                       | UNITS PER ASSY |
|----------|-------------|---------------|---|--------------------------------------|----------------|
| 1<br>15  | AV31-1      |               | .ACTUATOR ASSY-<br>SUPPLIER CODE:<br>V35840<br>SPECIFICATION NUMBER:<br>S343T003-111<br>MISCELLANEOUS DATA:<br>ELEC EQMT NO. V00026<br>ELECTRICAL EQUIP NUMBER:<br>V00026<br>COMPONENT MAINT MANUAL REF:<br>28-20-01<br>FOR SPARES PROCURE:<br>S343T003-41<br>POST ALERT SB:<br>28A0018<br>POST SERVICE BULLETIN:<br>AV-31-28-1<br>V35840 | 002004<br>107107<br>121503<br>904949 | 1              |
| 15       | MA11A1265   |               | .ACTUATOR ASSY-<br>SUPPLIER CODE:<br>V73760<br>SPECIFICATION NUMBER:<br>S343T003-14<br>MISCELLANEOUS DATA:<br>MA11A1265-1 SAME AS<br>MA11A1265 EXCEPT NOTCHED<br>HANDLE FOR CLEARANCE.<br>ELECTRICAL EQUIP NUMBER:<br>V00026<br>COMPONENT MAINT MANUAL REF:<br>28-15-12<br>FOR SPARES PROCURE:<br>MA11A1265-1<br>V73760                   | 002004<br>107107<br>121503<br>904949 | 1              |

MISSING ITEM NUMBERS NOT APPLICABLE

- ITEM NOT ILLUSTRATED

BRI

28-22-12-01

BOEING PROPRIETARY - Copyright © - Unpublished Work - See title page for details.

28-22-12  
FIG. 01  
PAGE 4  
JAN 20/09



**BOEING**  
757  
**PARTS CATALOG (MAINTENANCE)**

| FIG<br>ITEM | PART NUMBER | 1 2 3 4 5 6 7 | NOMENCLATURE   | EFFECT<br>FROM TO                              | UNITS<br>PER<br>ASSY |
|-------------|-------------|---------------|--|--|----------------------|
| 1<br>15     | MA11A1265-1 |               | .ACTUATOR ASSY-<br>SUPPLIER CODE:<br>V73760<br>SPECIFICATION NUMBER:<br>S343T003-41<br>QUALIFIED I/W DATA:<br>MA30A1001 AND<br>MA11A1265-1 ARE TWO WAY<br>INTERCHANGEABLE ON THE<br>757 AND 767 ONLY.<br>MA11A1265-1 MAY REPLACE<br>MA20A1001-1 ONE WAY ON<br>757 AND 767 AIRPLANES<br>ONLY.<br>MA20A2027 AND<br>MA11A1265-1 ARE TWO WAY<br>INTERCHANGEABLE ON 757<br>AND 767 AIR PLANES ONLY.<br>S.B. 757-28A0088 AND<br>767-28A0090 MUST BE<br>COMPLETED TO INSTALL<br>PART NUMBER MA20A2027.<br>POST SERVICE BULLETIN:<br>MA11A1265-28-01<br>V73760 | 002004<br>107107<br>121503<br>904949<br>952952 | 1                    |

R  
R  
R  
R  
R  
R  
R  
R  
R  
R  
R  
R  
R  
R  
R  
R  
R  
R  
R  
R  
R  
R

MISSING ITEM NUMBERS NOT APPLICABLE

- ITEM NOT ILLUSTRATED

28-22-12-01

28-22-12  
FIG. 01  
PAGE 6  
MAY 20/09

BRI





757

PARTS CATALOG (MAINTENANCE)

| FIG ITEM   | PART NUMBER | 1 2 3 4 5 6 7 | NOMENCLATURE  | EFFECT FROM TO                                 | UNITS PER ASSY |
|--|-------------|---------------|---|--|----------------|
| R<br>R<br>R<br>R<br>R<br>R<br>R<br>R<br>R<br>R<br>R<br>R<br>R<br>R<br>R<br>R | 1 15        | MA30A1001     | .ACTUATOR ASSY-<br>SUPPLIER CODE:<br>V73760<br>FUNCTIONAL DESCRIPTION:<br>ACTUATOR ASSEMBLY OPENS<br>AND CLOSES A FUEL VALVE<br>SPECIFICATION NUMBER:<br>S343T003-66<br>ELECTRICAL EQUIP NUMBER:<br>V00026<br>QUALIFIED I/W DATA:<br>MA30A1001 AND<br>MA11A1265-1 ARE TWO WAY<br>INTERCHANGEABLE ON THE<br>757 AND 767 ONLY.<br>MA30A1001 MAY REPLACE<br>MA20A1001-1 SUBJECT<br>TO INCORPORATION OF<br>S.B. 757-28A0088.<br>POST ALERT SB:<br>28A0088 | 002004<br>107107<br>121503<br>904949<br>952952 | 1              |
|  | 20          | NAS669-68     | ..RING-<br>USED ON:<br>AV31   | 002004<br>107107<br>121503<br>904949<br>952952 | 2              |
|  | 25          | L010D816H01   | ..CAP-<br>SUPPLIER CODE:<br>VS0319<br>USED ON:<br>AV31  | 002004<br>107107<br>121503<br>904949<br>952952 | 2              |
|  | 30          | L010C815H03   | ..PACKING-0 RING<br>SUPPLIER CODE:<br>VS0319<br>USED ON:<br>AV31  | 002004<br>107107<br>121503<br>904949<br>952952 | 2              |
|  | 35          | L010C807G51   | ..BRUSH ASSY-<br>SUPPLIER CODE:<br>VS0319<br>USED ON:<br>AV31   | 002004<br>107107<br>121503<br>904949<br>952952 | 2              |
|  | 40          | MS35275-202   | ATTACHING PARTS<br>..SCREW-<br>USED ON:<br>AV31   | 002004<br>107107<br>121503<br>904949<br>952952 | 2              |

MISSING ITEM NUMBERS NOT APPLICABLE

- ITEM NOT ILLUSTRATED

28-22-12-01

28-22-12  
FIG. 01  
PAGE 8  
MAY 20/09

BRI





757

PARTS CATALOG (MAINTENANCE)

| FIG ITEM | PART NUMBER | 1 2 3 4 5 6 7 | NOMENCLATURE  | EFFECT FROM TO                                 | UNITS PER ASSY |
|----------|-------------|---------------|---|--|----------------|
| 1        |             |               |   |  |                |
| 45       | MS35338-134 | . .           | WASHER  | 002004<br>107107<br>121503<br>904949<br>952952 | 2              |
| 50       | 740A20-5    | -----*-----   | . JUMPER ASSY<br>SUPPLIER CODE:<br>V91812<br>SPECIFICATION NUMBER:<br>BACJ40A20-5<br>OPTIONAL PART:<br>TJEJ40A20-5<br>V33483<br>RBEJ20-5<br>V1GK47<br>ATTACHING PARTS   | 002004<br>107107<br>121503<br>904949<br>952952 | 1              |
| - 55     | NAS1801-3-8 | . .           | SCREW   | 002004<br>107107<br>121503<br>904949<br>952952 | 2              |
| - 60     | AN960PD10L  | . .           | WASHER  | 002004<br>107107<br>121503<br>904949<br>952952 | 6              |
| - 65     | BRH10A3     | . .           | NUT<br>SUPPLIER CODE:<br>V52828<br>SPECIFICATION NUMBER:<br>BACN10JC3<br>OPTIONAL PART:<br>H10-3BAC<br>V15653<br>NS202101-02<br>V80539<br>RMLH9075-3W<br>V72962<br>VN303A02<br>V92215<br>96-02<br>V80539<br>T6S1032J<br>V11815<br>-----*----- | 002004<br>107107<br>121503<br>904949<br>952952 | 2              |

MISSING ITEM NUMBERS NOT APPLICABLE

- ITEM NOT ILLUSTRATED

BRI

28-22-12-01

28-22-12  
FIG. 01  
PAGE 9  
MAY 20/09



757

PARTS CATALOG (MAINTENANCE)

| FIG ITEM | PART NUMBER  | 1 2 3 4 5 6 7 | NOMENCLATURE   | EFFECT FROM TO   | UNITS PER ASSY |
|----------|--------------|---------------|--|------------------|----------------|
| 1<br>600 | AZ48-4       |               | . ADAPTER-SHAFT<br>SUPPLIER CODE:<br>VS0319<br>POSITION DATA:<br>LH SIDE<br>SPECIFICATION NUMBER:<br>S343T003-8<br>MISCELLANEOUS DATA:<br>T/W 4 EA NAS1352C08H6<br>COMPONENT MAINT MANUAL REF:<br>28-20-03<br>QUALIFIED I/W DATA:<br>S343TT003-8 AZ48-4 T/W<br>4 EA NAS1352C08H8<br>SCREWS AND 4 EA<br>AN960PD8L WASHERS I/W<br>S343T003-21 125329B8<br>SCREWS AND 4 EA<br>NAS1352C08H6 WASHERS<br>ATTACHING PARTS | 107107<br>904949 | 1              |
| - 605    | NAS6604-4    |               | . BOLT-  | 107107<br>904949 | 4              |
| - 610    | AN960PD416   |               | . WASHER-  | 107107<br>904949 | 4              |
|          |              |               | -----*-----  |                  |                |
| 615      | L901D040H01  |               | .. SCREW-<br>SUPPLIER CODE:<br>VS0319<br>ALTERED FROM PART NUMBER:<br>MS24678-9  | 107107<br>904949 | 1              |
| 620      | L901D041H01  |               | .. SCREW-<br>SUPPLIER CODE:<br>VS0319<br>ALTERED FROM PART NUMBER:<br>MS24678-10   | 107107<br>904949 | 2              |
| 625      | AN960C10L    |               | .. WASHER  | 107107<br>904949 | 3              |
| 630      | MS16627-4112 |               | .. RING  | 107107<br>904949 | 1              |
| 635      | L010C721H01  |               | .. RETAINER-<br>SUPPLIER CODE:<br>VS0319   | 107107<br>904949 | 1              |
| 640      | MS29513-015  |               | .. PACKING   | 107107<br>904949 | 1              |
| 645      | MS29513-019  |               | .. PACKING   | 107107<br>904949 | 1              |
| 650      | L913D021H01  |               | .. WASHER-THRUST<br>SUPPLIER CODE:<br>VS0319   | 107107<br>904949 | 1              |

MISSING ITEM NUMBERS NOT APPLICABLE

- ITEM NOT ILLUSTRATED

28-22-12-01

28-22-12  
FIG. 01  
PAGE 10  
MAY 20/09

BRI



757

PARTS CATALOG (MAINTENANCE)

| FIG ITEM | PART NUMBER   | 1 2 3 4 5 6 7 | NOMENCLATURE  | EFFECT FROM TO             | UNITS PER ASSY |
|----------|---------------|---------------|---|----------------------------|----------------|
| 1        |               |               |   |                            |                |
| 655      | MS16626-4050  | ..            | RING  | 107107<br>904949           | 1              |
| 670      | MS21209F1-10  | ..            | INSERT  | 107107<br>904949           | 1              |
| 675      | MS21209F1-15  | ..            | INSERT  | 107107<br>904949           | 2              |
| 680      | MS21209F4-15  | ..            | INSERT  | 107107<br>904949           | 4              |
| 685      | M25988-1-151  | ..            | PACKING   | 107107<br>904949           | 1              |
| 690      | 125329B8      | .             | ADAPTER ASSY-SHAFT<br>SUPPLIER CODE:<br>V73760<br>POSITION DATA:<br>LH SIDE<br>SPECIFICATION NUMBER:<br>S343T003-21<br>COMPONENT MAINT MANUAL REF:<br>28-25-13<br>QUALIFIED I/W DATA:<br>S343T003-8 AZ48-4<br>T/W 4 EA NAS1352C08H8<br>SCREWS AND 4 EA<br>AN960PD8L WASHERS I/W<br>S343T003-21 125329B8<br>T/W 4 EA NAS1352C08H6<br>SCREWS AND 4 EA<br>NAS620A08L WASHERS | 002004<br>121503<br>952952 | 1              |
| - 875    | 286N3406-005  |               | WIRE BUNDLE ASSY  | 002004<br>952952           | RF             |
| - 875    | 286N3406-006  |               | WIRE BUNDLE ASSY  | 121503                     | RF             |
| 880      | BACC45FS14B7S | .             | CONNECTOR-<br>ELECTRICAL EQUIP NUMBER:<br>D02022<br>WIRING DIAGRAM REF:<br>282221   | 002004<br>121503<br>952952 | 1              |

MISSING ITEM NUMBERS NOT APPLICABLE

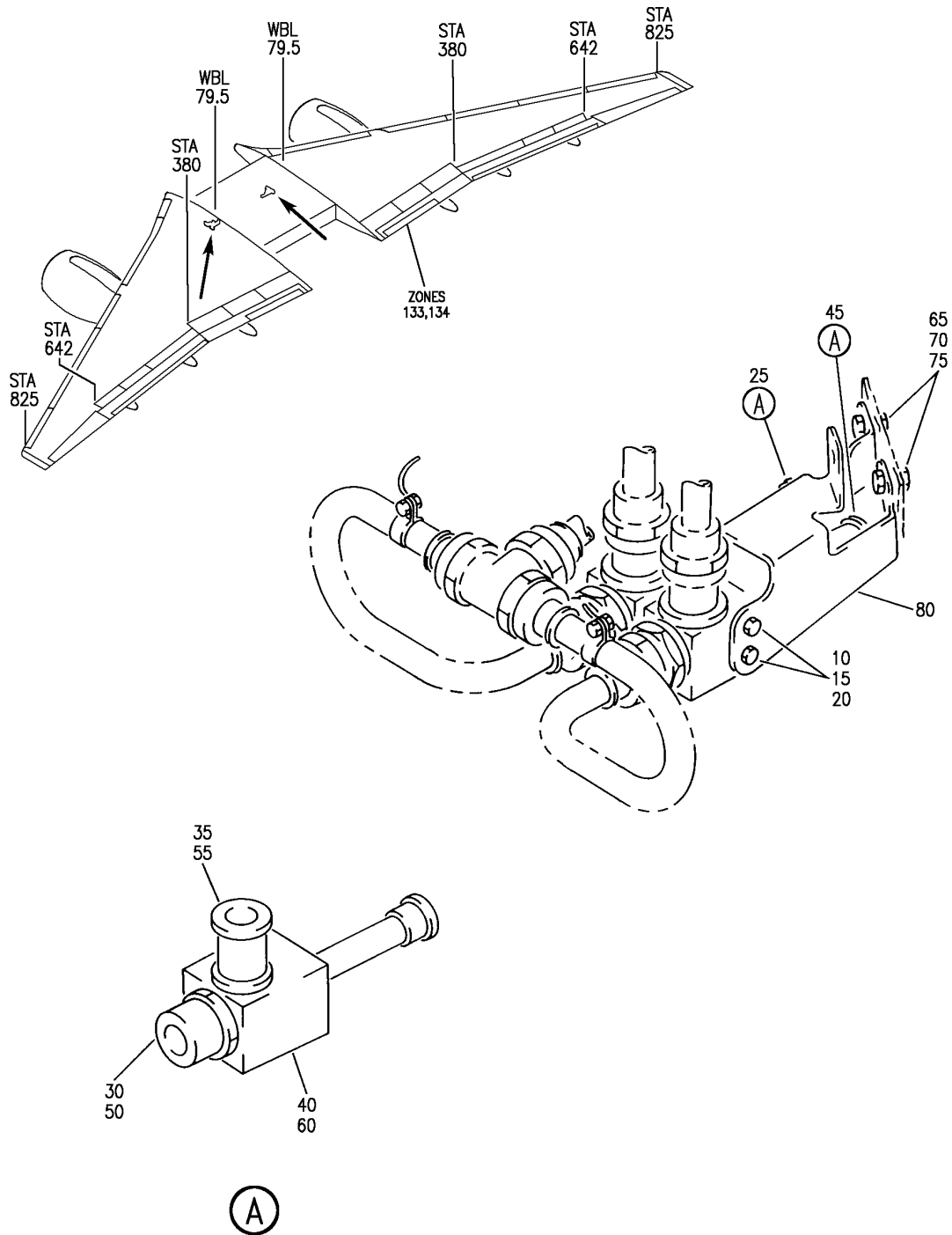
- ITEM NOT ILLUSTRATED

BRI

28-22-12-01

28-22-12  
FIG. 01  
PAGE 11  
MAY 20/09

**BOEING**  
757  
PARTS CATALOG (MAINTENANCE)



Y 28221301 REV 256

PUMP INSTL-ENG FUEL FEED SYS (EJECTOR PUMP ONLY)  
FIGURE 1

**28-22-13-01**

BRI  
MAY 28/07

28-22-13-01  
PAGE 0



757

PARTS CATALOG (MAINTENANCE)

| FIG ITEM | PART NUMBER  | 1 2 3 4 5 6 7 | NOMENCLATURE   | EFFECT FROM TO                                 | UNITS PER ASSY |
|----------|--------------|---------------|--|--|----------------|
| 1        |              |               | PUMP INSTL-ENG FUEL FEED<br>SYS (EJECTOR PUMP ONLY)  | 002004<br>006100<br>107107<br>121503<br>904999 |                |
| - 1      | 343N3301-75  |               | PUMP INSTL-ENG FUEL FEED<br>SYS (EJECTOR PUMP ONLY)<br>POSITION DATA:<br>CTR LH<br>FOR NHA/OTHER SYS DET SEE:<br>28-22-00-01 | 107107   | RF             |
| - 1      | 343N3301-89  |               | PUMP INSTL-ENG FUEL FEED<br>SYS (EJECTOR PUMP ONLY)<br>POSITION DATA:<br>CTR LH<br>FOR NHA/OTHER SYS DET SEE:<br>28-22-00-01 | 003004<br>006100<br>121503<br>904999           | RF             |
| - 5      | 343N3301-76  |               | PUMP INSTL-ENG FUEL FEED<br>SYS (EJECTOR PUMP ONLY)<br>POSITION DATA:<br>CTR RH<br>FOR NHA/OTHER SYS DET SEE:<br>28-22-00-01 | 107107   | RF             |
| - 5      | 343N3301-90  |               | PUMP INSTL-ENG FUEL FEED<br>SYS (EJECTOR PUMP ONLY)<br>POSITION DATA:<br>CTR RH<br>FOR NHA/OTHER SYS DET SEE:<br>28-22-00-01 | 003004<br>006100<br>121503<br>904999           | RF             |
| 10       | NAS1801-3-26 |               | .SCREW-  | 002004<br>006100<br>107107<br>121503<br>904999 | 2              |
| 15       | AN960PD10L   |               | .WASHER-   | 002004<br>006100<br>107107<br>121503<br>904999 | 2              |

MISSING ITEM NUMBERS NOT APPLICABLE

- ITEM NOT ILLUSTRATED

28-22-13-01

28-22-13  
FIG. 01  
PAGE 1  
JAN 20/09

BRI



757

PARTS CATALOG (MAINTENANCE)

| FIG ITEM | PART NUMBER    | 1 2 3 4 5 6 7 | NOMENCLATURE   | EFFECT FROM TO                                 | UNITS PER ASSY |
|----------|----------------|---------------|--|--|----------------|
| 1        | 20 BRH10A3     |               | .NUT-<br>SUPPLIER CODE:<br>V52828<br>SPECIFICATION NUMBER:<br>BACN10JC3<br>OPTIONAL PART:<br>H10-3BAC<br>V15653<br>NS202101-02<br>V80539<br>RMLH9075-3W<br>V72962<br>VN303A02<br>V92215<br>96-02<br>V80539<br>T6S1032J<br>V11815 | 002004<br>006100<br>107107<br>121503<br>904999 | 2              |
|          | 45 68E108      |               | .PUMP ASSY-EJECTOR<br>SUPPLIER CODE:<br>V82829   | 002004<br>006100<br>107107<br>121503<br>904999 | 1              |
|          | 50 68E108C3    |               | ..JET-NOZ<br>SUPPLIER CODE:<br>V82829  | 002004<br>006100<br>107107<br>121503<br>904999 | 1              |
|          | 55 68E108C2    |               | ..FITTING-INDUCED<br>SUPPLIER CODE:<br>V82829  | 002004<br>006100<br>107107<br>121503<br>904999 | 1              |
|          | 60 68E108C1    |               | ..HOUSING-<br>SUPPLIER CODE:<br>V82829   | 002004<br>006100<br>107107<br>121503<br>904999 | 1              |
|          | 65 NAS1801-3-7 |               | .SCREW   | 002004<br>006100<br>107107<br>121503<br>904999 | 2              |
|          | 70 AN960-10L   |               | .WASHER  | 002004<br>006100<br>107107<br>121503<br>904999 | 2              |

MISSING ITEM NUMBERS NOT APPLICABLE

- ITEM NOT ILLUSTRATED

28-22-13-01

28-22-13  
FIG. 01  
PAGE 2  
JAN 20/09

BRI

BOEING PROPRIETARY - Copyright © - Unpublished Work - See title page for details.



757

PARTS CATALOG (MAINTENANCE)

| FIG<br>ITEM | PART NUMBER | 1 2 3 4 5 6 7 | NOMENCLATURE   | EFFECT<br>FROM TO                              | UNITS<br>PER<br>ASSY |
|-------------|-------------|---------------|--|--|----------------------|
| 1<br>75     | BRH10A3     | .             | NUT<br>SUPPLIER CODE:<br>V52828<br>SPECIFICATION NUMBER:<br>BACN10JC3<br>OPTIONAL PART:<br>H10-3BAC<br>V15653<br>NS202101-02<br>V80539<br>RMLH9075-3W<br>V72962<br>VN303A02<br>V92215<br>96-02<br>V80539<br>T6S1032J<br>V11815 | 002004<br>006100<br>107107<br>121503<br>904999 | 2                    |
| 80          | 343N2009-27 | .             | SUPPORT-<br>POSITION DATA:<br>LH SIDE  | 002004<br>006100<br>107107<br>121503<br>904999 | 1                    |
| - 85        | 343N2009-28 | .             | SUPPORT-<br>POSITION DATA:<br>RH SIDE  | 002004<br>006100<br>107107<br>121503<br>904999 | 1                    |

MISSING ITEM NUMBERS NOT APPLICABLE

- ITEM NOT ILLUSTRATED

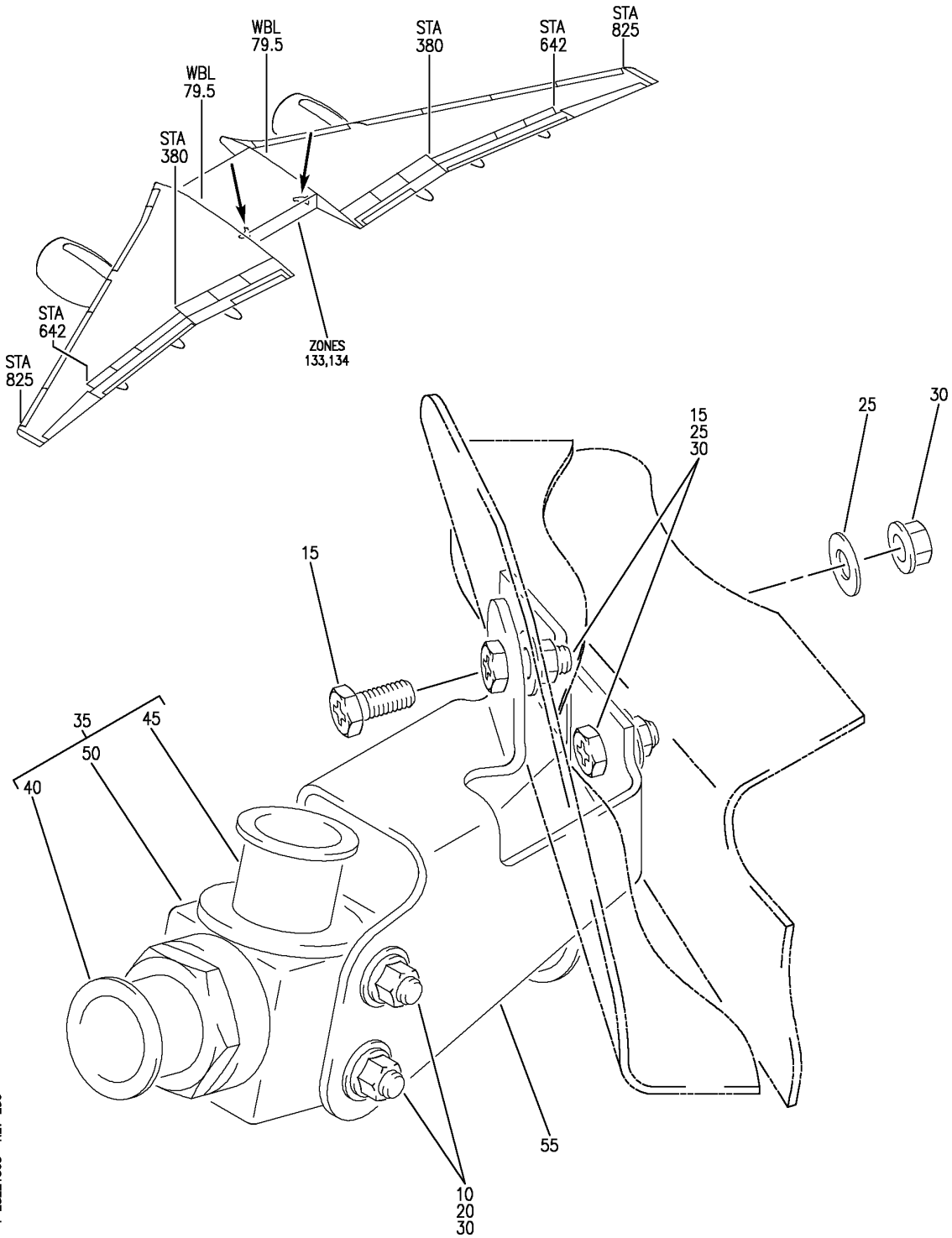
BRI

28-22-13-01

BOEING PROPRIETARY - Copyright © - Unpublished Work - See title page for details.

28-22-13  
FIG. 01  
PAGE 3  
JAN 20/09

**BOEING**  
757  
PARTS CATALOG (MAINTENANCE)



Y 28221303 REV 256

WATER SCAVENGE INST (EJECTOR PUMP ONLY)  
FIGURE 3

**28-22-13-03**

BRI  
MAY 28/07

28-22-13-03  
PAGE 0





757

PARTS CATALOG (MAINTENANCE)

| FIG ITEM | PART NUMBER  | 1 2 3 4 5 6 7 | NOMENCLATURE   | EFFECT FROM TO             | UNITS PER ASSY |
|----------|--------------|---------------|--|----------------------------|----------------|
| 3        |              |               | WATER SCAVENGE INST<br>(EJECTOR PUMP ONLY)   | 101106<br>108120<br>504903 |                |
| - 1      | 343N3301-121 |               | WATER SCAVENGE INSTL-<br>(EJECTOR PUMP ONLY)<br>POSITION DATA:<br>LH<br>FOR NHA SEE:<br>28-00-00-05  | 101102<br>108120<br>504903 | RF             |
| - 1      | MODREF13613  |               | WATER SCAVENGE INSTL-<br>(EJECTOR PUMP ONLY)<br>MODULE NUMBER:<br>343N3301-121 REV A<br>POSITION DATA:<br>LH<br>FOR ADDITIONAL DETAILS SEE:<br>28-22-07-09 | 103103                     | 1              |
| - 1      | MODREF28181  |               | WATER SCAVENGE INSTL-<br>(EJECTOR PUMP ONLY)<br>MODULE NUMBER:<br>343N3301-121 REV B<br>POSITION DATA:<br>LH<br>FOR ADDITIONAL DETAILS SEE:<br>28-22-07-09 | 104106                     | 1              |
| - 5      | 343N3301-122 |               | WATER SCAVENGE INSTL-<br>(EJECTOR PUMP ONLY)<br>POSITION DATA:<br>RH<br>FOR NHA SEE:<br>28-00-00-05  | 101102<br>108120<br>504903 | RF             |
| - 5      | MODREF13614  |               | WATER SCAVENGE INSTL-<br>(EJECTOR PUMP ONLY)<br>MODULE NUMBER:<br>343N3301-122 REV A<br>POSITION DATA:<br>RH<br>FOR ADDITIONAL DETAILS SEE:<br>28-22-07-09 | 103103                     | 1              |
| - 5      | MODREF28182  |               | WATER SCAVENGE INSTL-<br>(EJECTOR PUMP ONLY)<br>MODULE NUMBER:<br>343N3301-122 REV B<br>POSITION DATA:<br>RH<br>FOR ADDITIONAL DETAILS SEE:<br>28-22-07-09 | 104106                     | 1              |

MISSING ITEM NUMBERS NOT APPLICABLE

- ITEM NOT ILLUSTRATED

28-22-13-03

28-22-13  
FIG. 03  
PAGE 1  
JAN 20/09

BRI

 **BOEING**  
757  
**PARTS CATALOG (MAINTENANCE)**

| FIG<br>ITEM | PART NUMBER      | 1 2 3 4 5 6 7 | NOMENCLATURE  | EFFECT<br>FROM TO          | UNITS<br>PER<br>ASSY |
|-------------|------------------|---------------|---|----------------------------|----------------------|
| 3           | 10 NAS1801-3-26  | .             | SCREW   | 101106<br>108120<br>504903 | 2                    |
|             | 15 NAS1801-3-7   | .             | SCREW   | 101106<br>108120<br>504903 | 3                    |
|             | 20 NAS1149D0316J | .             | WASHER  | 101106<br>108120<br>504903 | 2                    |
|             | 25 NAS1149F0332P | .             | WASHER  | 101106<br>108120<br>504903 | 3                    |
|             | 30 PLH53CD       | .             | NUT<br>SUPPLIER CODE:<br>VF0224<br>SPECIFICATION NUMBER:<br>BACN10YR3CD<br>OPTIONAL PART:<br>H52732-3CD<br>V15653 | 101106<br>108120<br>504903 | 5                    |
|             | 35 68E108        | .             | PUMP ASSY-EJECTOR<br>SUPPLIER CODE:<br>V82829   | 101106<br>108120<br>504903 | 1                    |
|             | 40 68E108C3      | ..            | JET-NOZ<br>SUPPLIER CODE:<br>V82829   | 101106<br>108120<br>504903 | 1                    |
|             | 45 68E108C2      | ..            | FITTING-INDUCED<br>SUPPLIER CODE:<br>V82829   | 101106<br>108120<br>504903 | 1                    |
|             | 50 68E108C1      | ..            | HOUSING-<br>SUPPLIER CODE:<br>V82829  | 101106<br>108120<br>504903 | 1                    |
|             | 55 343N2009-27   | .             | SUPPORT-<br>POSITION DATA:<br>LH SIDE   | 101106<br>108120<br>504903 | 1                    |
| -           | 60 343N2009-28   | .             | SUPPORT-<br>POSITION DATA:<br>RH SIDE   | 101106<br>108120<br>504903 | 1                    |

MISSING ITEM NUMBERS NOT APPLICABLE

- ITEM NOT ILLUSTRATED

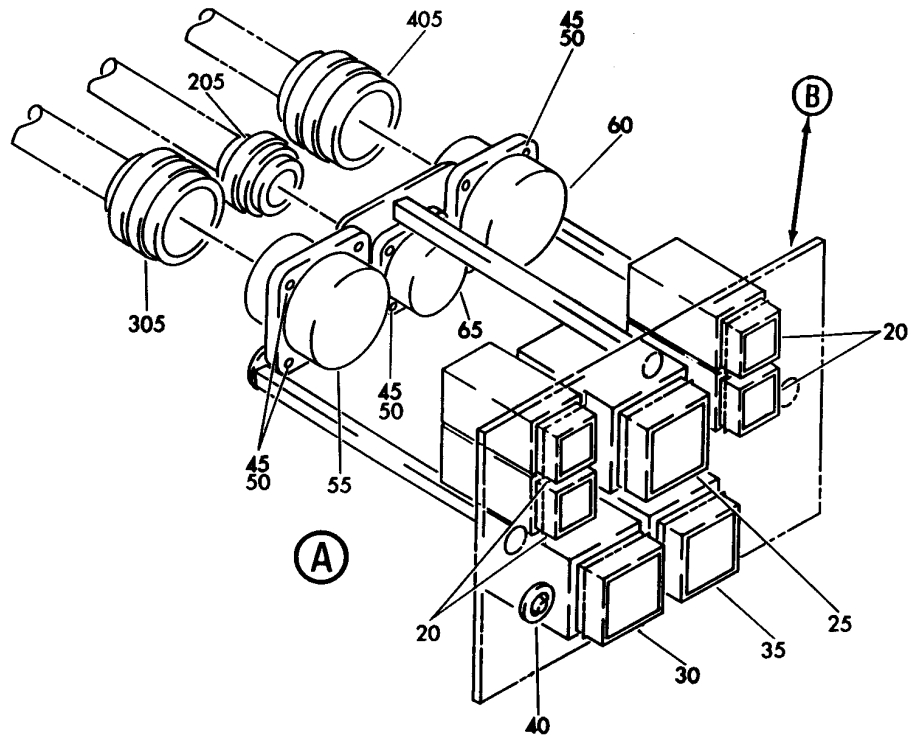
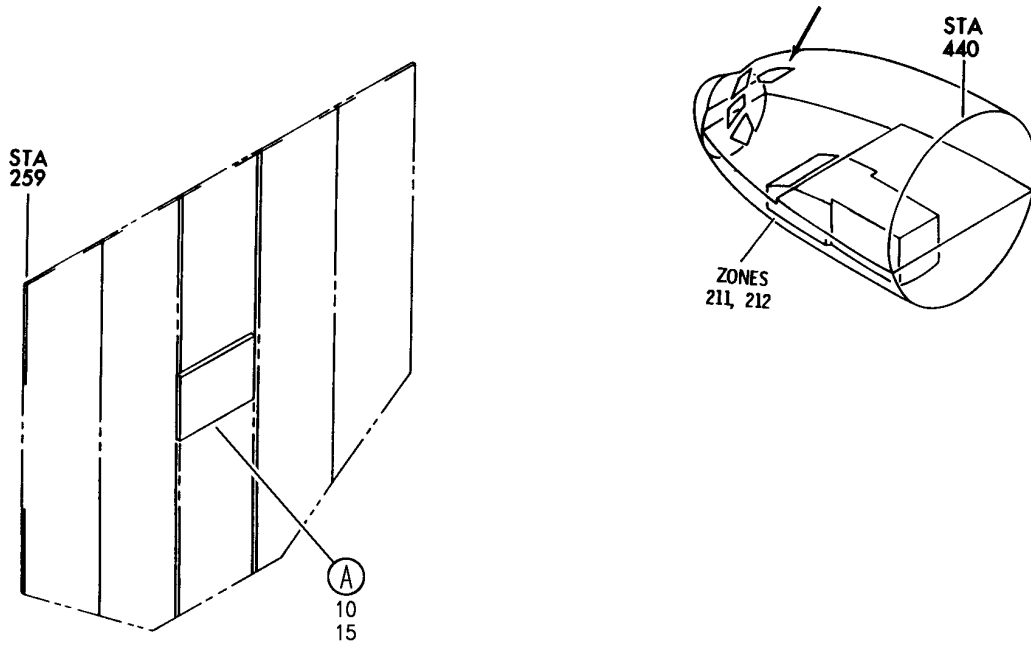
BRI

# 28-22-13-03

BOEING PROPRIETARY - Copyright © - Unpublished Work - See title page for details.

28-22-13  
FIG. 03  
PAGE 2  
JAN 20/09

**BOEING**  
757  
PARTS CATALOG (MAINTENANCE)



Y 28225101 SH1 1 REV 316

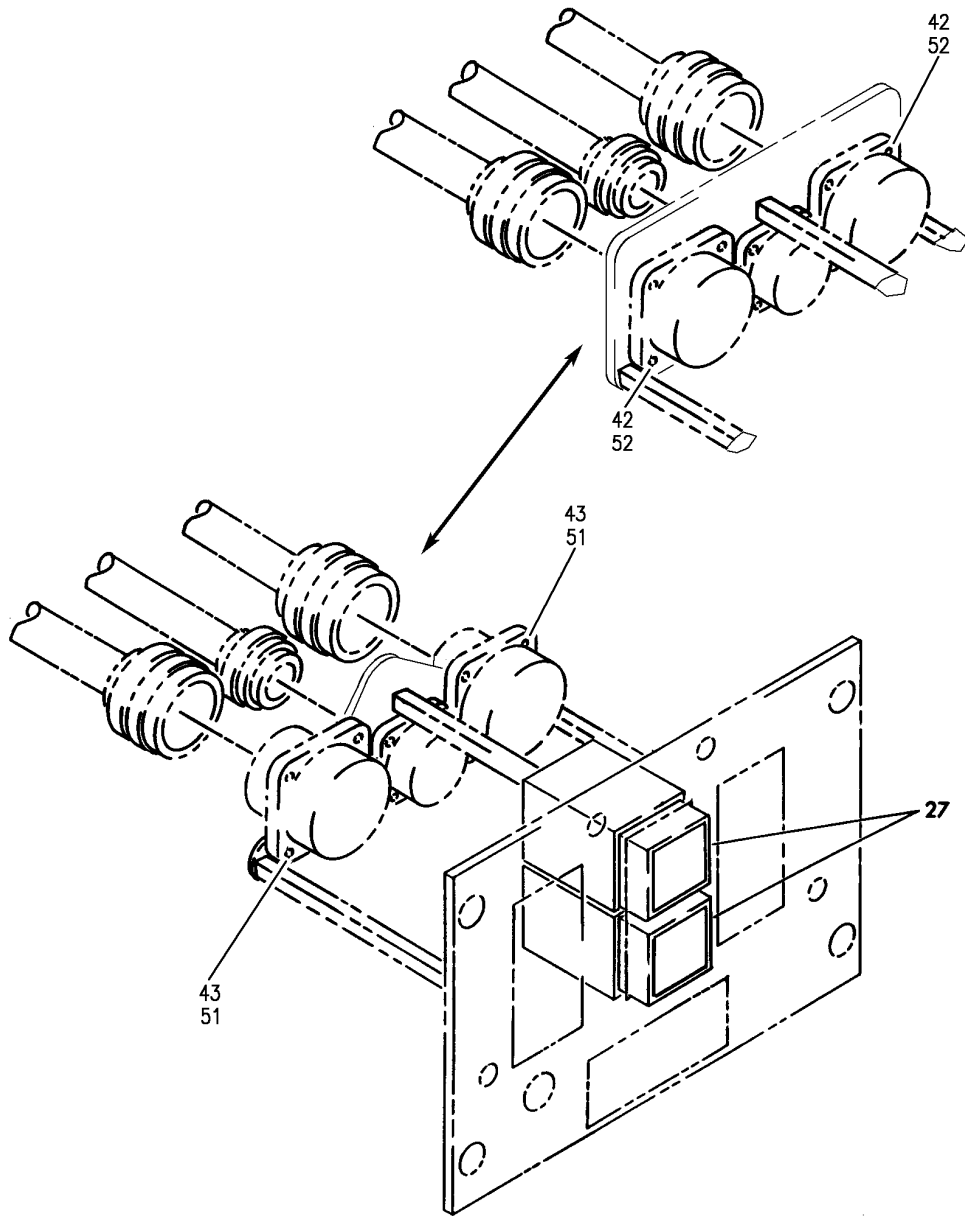
PANEL INSTL-P5 OVHD (ENGINE FUEL FEED SYSTEM ONLY)  
FIGURE 1 (SHEET 1)

**28-22-51-01**

BRI  
JAN 20/08

28-22-51-01  
PAGE 0

**BOEING**  
757  
PARTS CATALOG (MAINTENANCE)



**(B)**

Y 28225101 SH1 2 REV 323

PANEL INSTL-P5 OVHD (ENGINE FUEL FEED SYSTEM ONLY)  
FIGURE 1 (SHEET 2)

**28-22-51-01**

BRI  
MAY 20/08

28-22-51-01  
PAGE 0A

BOEING PROPRIETARY - Copyright © - Unpublished Work - See title page for details.



757

PARTS CATALOG (MAINTENANCE)

| FIG ITEM | PART NUMBER   | 1 2 3 4 5 6 7 | NOMENCLATURE  | EFFECT FROM TO                                 | UNITS PER ASSY |
|----------|---------------|---------------|---|--|----------------|
| 1        |               |               | PANEL INSTL-P5 OVHD<br>(ENGINE FUEL FEED SYSTEM ONLY)   | 002004<br>006010<br>107107<br>121503<br>904999 |                |
| - 5      | 233N3101-1    |               | PANEL INSTL-P5 OVHD<br>(ENGINE FUEL FEED SYSTEM ONLY)<br>VARIABLE DRAWING REF:<br>233N3101-5005<br>233N3101-5025<br>233N3101-5041<br>233N3101-5042<br>233N3101-5045<br>FOR NHA/OTHER SYS DET SEE:<br>25-10-00-05A | 002004<br>006010<br>107107<br>121503<br>904999 | RF             |
| 10       | 233N3206-2013 |               | .PANEL ASSY-FUEL CONT<br>SUPPLIER CODE:<br>V89954<br>ELECTRICAL EQUIP NUMBER:<br>M10055<br>COMPONENT MAINT MANUAL REF:<br>28-41-71<br>POST ALERT SB:<br>28A0105R1<br>POST COMPONENT SB:<br>233N3206-28-03         | 002004<br>107107<br>121503<br>904949<br>952952 | RF             |
| 10       | 233N3206-2014 |               | .PANEL ASSY-FUEL CONT<br>SUPPLIER CODE:<br>V89954<br>ELECTRICAL EQUIP NUMBER:<br>M10055<br>COMPONENT MAINT MANUAL REF:<br>28-41-71<br>POST ALERT SB:<br>28A0105R1<br>POST COMPONENT SB:<br>233N3206-28-03         | 002004<br>107107<br>121503<br>904949<br>952952 | RF             |
| 10       | 233N3206-2015 |               | .PANEL ASSY-FUEL CONT<br>SUPPLIER CODE:<br>V89954<br>ELECTRICAL EQUIP NUMBER:<br>M10055<br>COMPONENT MAINT MANUAL REF:<br>28-41-71<br>POST ALERT SB:<br>28A0105R1<br>POST COMPONENT SB:<br>233N3206-28-03         | 002004<br>107107<br>121503<br>904949<br>952952 | RF             |

MISSING ITEM NUMBERS NOT APPLICABLE

- ITEM NOT ILLUSTRATED

28-22-51-01

28-22-51  
FIG. 01  
PAGE 1  
JAN 20/09

BRI



757

PARTS CATALOG (MAINTENANCE)

| FIG ITEM | PART NUMBER   | 1 2 3 4 5 6 7 | NOMENCLATURE  | EFFECT FROM TO                                 | UNITS PER ASSY |
|----------|---------------|---------------|---|--|----------------|
| 1        |               |               |   |  |                |
| 10       | 233N3206-2016 |               | .PANEL ASSY-FUEL CONT<br>SUPPLIER CODE:<br>V89954<br>ELECTRICAL EQUIP NUMBER:<br>M10055<br>COMPONENT MAINT MANUAL REF:<br>28-41-71<br>POST ALERT SB:<br>28A0105R1<br>POST COMPONENT SB:<br>233N3206-28-03                           | 002004<br>107107<br>121503<br>904949<br>952952 | RF             |
| 10       | 233N3206-3019 |               | .PANEL ASSY-FUEL CONT<br>REPLACES 233N3206-19<br>SUPPLIER CODE:<br>V89954<br>ELECTRICAL EQUIP NUMBER:<br>M10055<br>COMPONENT MAINT MANUAL REF:<br>28-41-71<br>POST ALERT SB:<br>28A0105R1<br>POST COMPONENT SB:<br>233N3206-28-03   | 002004<br>107107<br>121503<br>904949<br>952952 | RF             |
| 10       | 233N3206-3015 |               | .PANEL ASSY-FUEL CONT<br>REPLACES 233N3206-1015<br>SUPPLIER CODE:<br>V89954<br>ELECTRICAL EQUIP NUMBER:<br>M10055<br>COMPONENT MAINT MANUAL REF:<br>28-41-71<br>POST ALERT SB:<br>28A0105R1<br>POST COMPONENT SB:<br>233N3206-28-03 | 002004<br>107107<br>121503<br>904949<br>952952 | RF             |
| 10       | 233N3206-3014 |               | .PANEL ASSY-FUEL CONT<br>REPLACES 233N3206-1014<br>SUPPLIER CODE:<br>V89954<br>ELECTRICAL EQUIP NUMBER:<br>M10055<br>COMPONENT MAINT MANUAL REF:<br>28-41-71<br>POST ALERT SB:<br>28A0105R1<br>POST COMPONENT SB:<br>233N3206-28-03 | 002004<br>107107<br>121503<br>904949<br>952952 | RF             |

MISSING ITEM NUMBERS NOT APPLICABLE

- ITEM NOT ILLUSTRATED

28-22-51-01

28-22-51  
FIG. 01  
PAGE 2  
JAN 20/09

BRI



757

PARTS CATALOG (MAINTENANCE)

| FIG ITEM | PART NUMBER      | 1 2 3 4 5 6 7 | NOMENCLATURE  | EFFECT FROM TO                                 | UNITS PER ASSY |
|----------|------------------|---------------|---|--|----------------|
| 1        | 10 233N3206-3016 |               | .PANEL ASSY-FUEL CONT<br>REPLACES 233N3206-1016<br>SUPPLIER CODE:<br>V89954<br>ELECTRICAL EQUIP NUMBER:<br>M10055<br>COMPONENT MAINT MANUAL REF:<br>28-41-71<br>POST ALERT SB:<br>28A0105R1<br>POST COMPONENT SB:<br>233N3206-28-03 | 002004<br>107107<br>121503<br>904949<br>952952 | RF             |
|          | 10 233N3206-3013 |               | .PANEL ASSY-FUEL CONT<br>REPLACES 233N3206-1013<br>SUPPLIER CODE:<br>V89954<br>ELECTRICAL EQUIP NUMBER:<br>M10055<br>COMPONENT MAINT MANUAL REF:<br>28-41-71<br>POST ALERT SB:<br>28A0105R1<br>POST COMPONENT SB:<br>233N3206-28-03 | 002004<br>107107<br>121503<br>904949<br>952952 | RF             |
|          | 10 233N3206-3017 |               | .PANEL ASSY-FUEL CONT<br>REPLACES 233N3206-1017<br>SUPPLIER CODE:<br>V89954<br>ELECTRICAL EQUIP NUMBER:<br>M10055<br>COMPONENT MAINT MANUAL REF:<br>28-41-71<br>POST ALERT SB:<br>28A0105R1<br>POST COMPONENT SB:<br>233N3206-28-03 | 002004<br>107107<br>121503<br>904949<br>952952 | RF             |
|          | 10 233N3206-2017 |               | .PANEL ASSY-FUEL CONT<br>SUPPLIER CODE:<br>V89954<br>ELECTRICAL EQUIP NUMBER:<br>M10055<br>COMPONENT MAINT MANUAL REF:<br>28-41-71<br>POST ALERT SB:<br>28A0105R1<br>POST COMPONENT SB:<br>233N3206-28-03                           | 002004<br>107107<br>121503<br>904949<br>952952 | RF             |

MISSING ITEM NUMBERS NOT APPLICABLE

- ITEM NOT ILLUSTRATED

BRI

28-22-51-01

28-22-51  
FIG. 01  
PAGE 3  
JAN 20/09



757

PARTS CATALOG (MAINTENANCE)

| FIG ITEM | PART NUMBER    | 1 2 3 4 5 6 7 | NOMENCLATURE   | EFFECT FROM TO                                 | UNITS PER ASSY |
|----------|----------------|---------------|--|--|----------------|
| 1        | 15 233N3206-14 |               | .PANEL ASSY-FUEL CONT<br>SUPPLIER CODE:<br>V89954<br>ELECTRICAL EQUIP NUMBER:<br>M10055<br>COMPONENT MAINT MANUAL REF:<br>28-41-71<br>PRE ALERT SB:<br>33A0044<br>28A0105R1<br>PRE COMPONENT SB:<br>233N3206-28-03   | 002004<br>107107<br>121503<br>904949<br>952952 | RF             |
|          | 15 233N3206-13 |               | .PANEL ASSY-FUEL CONT<br>SUPPLIER CODE:<br>V89954<br>ELECTRICAL EQUIP NUMBER:<br>M10055<br>COMPONENT MAINT MANUAL REF:<br>28-41-71<br>PRE ALERT SB:<br>33A0044R1<br>28A0105R1<br>PRE COMPONENT SB:<br>233N3206-28-03 | 002004<br>107107<br>121503<br>904949<br>952952 | RF             |
|          | 15 233N3206-15 |               | .PANEL ASSY-FUEL CONT<br>SUPPLIER CODE:<br>V89954<br>ELECTRICAL EQUIP NUMBER:<br>M10055<br>COMPONENT MAINT MANUAL REF:<br>28-41-71<br>PRE ALERT SB:<br>33A0044<br>28A0105R1<br>PRE COMPONENT SB:<br>233N3206-28-03   | 002004<br>107107<br>121503<br>904949<br>952952 | RF             |
|          | 15 233N3206-16 |               | .PANEL ASSY-FUEL CONT<br>SUPPLIER CODE:<br>V89954<br>ELECTRICAL EQUIP NUMBER:<br>M10055<br>COMPONENT MAINT MANUAL REF:<br>28-41-71<br>PRE ALERT SB:<br>33A0044<br>28A0105R1<br>PRE COMPONENT SB:<br>233N3206-28-03   | 002004<br>107107<br>121503<br>904949<br>952952 | RF             |

MISSING ITEM NUMBERS NOT APPLICABLE

- ITEM NOT ILLUSTRATED

28-22-51-01

28-22-51  
FIG. 01  
PAGE 4  
JAN 20/09

BRI





757

PARTS CATALOG (MAINTENANCE)

| FIG ITEM | PART NUMBER | 1 2 3 4 5 6 7 | NOMENCLATURE  | EFFECT FROM TO                                 | UNITS PER ASSY |
|----------|-------------|---------------|---|--|----------------|
| 1        | 233N3206-17 |               | .PANEL ASSY-FUEL CONT<br>SUPPLIER CODE:<br>V89954<br>ELECTRICAL EQUIP NUMBER:<br>M10055<br>COMPONENT MAINT MANUAL REF:<br>28-41-71<br>PRE ALERT SB:<br>33A0044R1<br>28A0105R1<br>PRE COMPONENT SB:<br>233N3206-28-03  | 002004<br>107107<br>121503<br>904949<br>952952 | RF             |
| 15       | 233N3206-19 |               | .PANEL ASSY-FUEL CONT<br>SUPPLIER CODE:<br>V89954<br>MISCELLANEOUS DATA:<br>THE 233N3206-19 PANEL IS<br>I/W THE 233N3206-20<br>PANEL, SUBJECT TO<br>CUSTOMER PREFERENCE. THE<br>-19 PANEL CONTAINS KORRY<br>SWITCHES, THE -20<br>CONTAINS MASTER<br>SPECIALTIES SWITCHES<br>ELECTRICAL EQUIP NUMBER:<br>M10055<br>COMPONENT MAINT MANUAL REF:<br>28-41-71<br>QUALIFIED I/W DATA:<br>THE 233N3206-300 PANEL<br>ASSY IS I/W THE<br>233N3206-19 PANEL ASSY<br>T/W THE S233T100-1106<br>LIGHTPLATE<br>PRE ALERT SB:<br>28A0105R1<br>PRE COMPONENT SB:<br>233N3206-28-03 | 006010<br>950951<br>953999                     | RF             |

MISSING ITEM NUMBERS NOT APPLICABLE

- ITEM NOT ILLUSTRATED

BRI

28-22-51-01

BOEING PROPRIETARY - Copyright © - Unpublished Work - See title page for details.

28-22-51  
FIG. 01  
PAGE 5  
JAN 20/09



757

PARTS CATALOG (MAINTENANCE)

| FIG ITEM | PART NUMBER   | 1 2 3 4 5 6 7 | NOMENCLATURE   | EFFECT FROM TO                                 | UNITS PER ASSY |
|----------|---------------|---------------|--|--|----------------|
| 1        | 233N3206-1015 |               | .PANEL ASSY-FUEL CONT<br>SUPPLIER CODE:<br>V89954<br>ELECTRICAL EQUIP NUMBER:<br>M10055<br>COMPONENT MAINT MANUAL REF:<br>28-41-71<br>POST ALERT SB:<br>33A0044<br>PRE ALERT SB:<br>28A0105R1<br>PRE COMPONENT SB:<br>233N3206-28-03 | 002004<br>107107<br>121503<br>904949<br>952952 | RF             |
| 15       | 233N3206-1014 |               | .PANEL ASSY-FUEL CONT<br>SUPPLIER CODE:<br>V89954<br>ELECTRICAL EQUIP NUMBER:<br>M10055<br>COMPONENT MAINT MANUAL REF:<br>28-41-71<br>POST ALERT SB:<br>33A0044<br>PRE ALERT SB:<br>28A0105R1<br>PRE COMPONENT SB:<br>233N3206-28-03 | 002004<br>107107<br>121503<br>904949<br>952952 | RF             |
| 15       | 233N3206-1016 |               | .PANEL ASSY-<br>SUPPLIER CODE:<br>V89954<br>ELECTRICAL EQUIP NUMBER:<br>M10055<br>COMPONENT MAINT MANUAL REF:<br>28-41-71<br>POST ALERT SB:<br>33A0044<br>PRE ALERT SB:<br>28A0105R1<br>PRE COMPONENT SB:<br>233N3206-28-03          | 002004<br>107107<br>121503<br>904949<br>952952 | RF             |

R  
R  
R  
R  
R  
R  
R  
R  
R  
R  
R

MISSING ITEM NUMBERS NOT APPLICABLE

- ITEM NOT ILLUSTRATED

# 28-22-51-01

28-22-51  
FIG. 01  
PAGE 6  
MAY 20/09

BRI



757

PARTS CATALOG (MAINTENANCE)

| FIG ITEM | PART NUMBER   | 1 2 3 4 5 6 7 | NOMENCLATURE   | EFFECT FROM TO                                 | UNITS PER ASSY |
|----------|---------------|---------------|--|--|----------------|
| 1        | 233N3206-1013 |               | .PANEL ASSY-FUEL CONT<br>SUPPLIER CODE:<br>V89954<br>ELECTRICAL EQUIP NUMBER:<br>M10055<br>COMPONENT MAINT MANUAL REF:<br>28-41-71<br>POST ALERT SB:<br>33A0044R1<br>PRE ALERT SB:<br>28A0105R1<br>PRE COMPONENT SB:<br>233N3206-28-03 | 002004<br>107107<br>121503<br>904949<br>952952 | RF             |
| 15       | 233N3206-1017 |               | .PANEL ASSY-FUEL CONT<br>SUPPLIER CODE:<br>V89954<br>ELECTRICAL EQUIP NUMBER:<br>M10055<br>COMPONENT MAINT MANUAL REF:<br>28-41-71<br>POST ALERT SB:<br>33A0044R1<br>PRE ALERT SB:<br>28A0105R1<br>PRE COMPONENT SB:<br>233N3206-28-03 | 002004<br>107107<br>121503<br>904949<br>952952 | RF             |

MISSING ITEM NUMBERS NOT APPLICABLE

- ITEM NOT ILLUSTRATED

BRI

28-22-51-01

BOEING PROPRIETARY - Copyright © - Unpublished Work - See title page for details.

28-22-51  
FIG. 01  
PAGE 7  
JAN 20/09



757

PARTS CATALOG (MAINTENANCE)

| FIG<br>ITEM | PART NUMBER | 1 2 3 4 5 6 7 | NOMENCLATURE   | EFFECT<br>FROM TO                              | UNITS<br>PER<br>ASSY |
|-------------|-------------|---------------|--|--|----------------------|
| 1<br>20     | BCREF7612   |               | .. SWITCH ASSY-LIGHTED PUSH<br>BUTTON IND ON/PRESS<br>SUPPLIER CODE:<br>V81590<br>OVERLENGTH PART NUMBER:<br>433-673-1001-1026<br>SPECIFICATION NUMBER:<br>S231T290-1026<br>OPTIONAL PART:<br>851-30768-3026<br>V96182<br>BCREFA0511<br>V81590<br>BCREFA0508<br>V81590<br>4336731004-4226<br>V81590<br>USED ON:<br>233N3206-14<br>233N3206-16<br>233N3206-1014<br>233N3206-1016<br>POST ALERT SB:<br>28A0105R1<br>POST COMPONENT SB:<br>233N3206-28-03<br>FOR DETAILS SEE:<br>33-13-00-19A | 002004<br>006010<br>107107<br>121503<br>904999 | 4                    |

MISSING ITEM NUMBERS NOT APPLICABLE

- ITEM NOT ILLUSTRATED

BRI

28-22-51-01

BOEING PROPRIETARY - Copyright © - Unpublished Work - See title page for details.

28-22-51  
FIG. 01  
PAGE 8  
JAN 20/09



757

PARTS CATALOG (MAINTENANCE)

| FIG ITEM | PART NUMBER    | 1 2 3 4 5 6 7 | NOMENCLATURE   | EFFECT FROM TO                                 | UNITS PER ASSY |
|----------|----------------|---------------|--|--|----------------|
| 1<br>20  | BCREFA0511     |               | ..SWITCH ASSY-LIGHTED PUSH<br>BUTTON IND<br>SUPPLIER CODE:<br>V81590<br>OVERLENGTH PART NUMBER:<br>433-673-1004-4026<br>SPECIFICATION NUMBER:<br>S231T290-4026<br>OPTIONAL PART:<br>851-35100-5026<br>V96182<br>BCREFA0511<br>V81590<br>USED ON:<br>233N3206-15<br>233N3206-16<br>233N3206-19<br>233N3206-1015<br>233N3206-1016<br>233N3206-2015<br>233N3206-2016<br>233N3206-3015<br>233N3206-3016<br>233N3206-3019<br>FOR DETAILS SEE:<br>33-13-00-49A | 002004<br>006010<br>107107<br>121503<br>904999 | 4              |
| 20       | 851-30768-2026 |               | ..SWITCH ASSY-LIGHTED PUSH<br>BUTTON IND ON/PRESS<br>SUPPLIER CODE:<br>V96182<br>SPECIFICATION NUMBER:<br>S231T290-2026<br>OPTIONAL PART:<br>4336731004-4226<br>V81590<br>USED ON:<br>233N3206-13<br>233N3206-1013<br>233N3206-2013<br>233N3206-3013<br>FOR DETAILS SEE:<br>33-13-00-29A   | 002004<br>006010<br>107107<br>121503<br>904999 | 4              |

MISSING ITEM NUMBERS NOT APPLICABLE

- ITEM NOT ILLUSTRATED

BRI

28-22-51-01

BOEING PROPRIETARY - Copyright © - Unpublished Work - See title page for details.

28-22-51  
FIG. 01  
PAGE 9  
JAN 20/09



757

PARTS CATALOG (MAINTENANCE)

| FIG<br>ITEM | PART NUMBER    | 1 2 3 4 5 6 7 | NOMENCLATURE   | EFFECT<br>FROM TO                              | UNITS<br>PER<br>ASSY |
|-------------|----------------|---------------|--|--|----------------------|
| 1<br>20     | 851-30768-3026 |               | .. SWITCH ASSY-LIGHTED PUSH<br>BUTTON IND ON/PRESS<br>SUPPLIER CODE:<br>V96182<br>SPECIFICATION NUMBER:<br>S231T290-3026<br>OPTIONAL PART:<br>BCREF7612<br>V81590<br>851-35100-5026<br>V96182<br>4336731004-4226<br>V81590<br>USED ON:<br>233N3206-13<br>233N3206-14<br>233N3206-17<br>233N3206-20<br>233N3206-1013<br>233N3206-1014<br>233N3206-1017<br>233N3206-2013<br>233N3206-2014<br>233N3206-2017<br>233N3206-2020<br>233N3206-3013<br>233N3206-3014<br>233N3206-3017<br>FOR DETAILS SEE:<br>33-13-00-39A | 002004<br>006010<br>107107<br>121503<br>904999 | 4                    |

MISSING ITEM NUMBERS NOT APPLICABLE

- ITEM NOT ILLUSTRATED

BRI

28-22-51-01

BOEING PROPRIETARY - Copyright © - Unpublished Work - See title page for details.

28-22-51  
FIG. 01  
PAGE 10  
JAN 20/09



757

PARTS CATALOG (MAINTENANCE)

| FIG<br>ITEM | PART NUMBER    | 1 2 3 4 5 6 7 | NOMENCLATURE  | EFFECT<br>FROM TO                              | UNITS<br>PER<br>ASSY |
|-------------|----------------|---------------|---|--|----------------------|
| 1<br>20     | 851-35100-5026 |               | ..SWITCH ASSY-LIGHTED PUSH<br>BUTTON IND<br>SUPPLIER CODE:<br>V96182<br>SPECIFICATION NUMBER:<br>S231T290-5026<br>OPTIONAL PART:<br>BCREFA0511<br>V81590<br>851-30768-3026<br>V96182<br>4336731004-4226<br>V81590<br>USED ON:<br>233N3206-15<br>233N3206-17<br>233N3206-19<br>233N3206-20<br>233N3206-1015<br>233N3206-1017<br>233N3206-2015<br>233N3206-2017<br>233N3206-3015<br>233N3206-3017<br>233N3206-3019<br>233N3206-2020 | 002004<br>006010<br>107107<br>121503<br>904999 | 4                    |

MISSING ITEM NUMBERS NOT APPLICABLE

- ITEM NOT ILLUSTRATED

BRI

28-22-51-01

BOEING PROPRIETARY - Copyright © - Unpublished Work - See title page for details.

28-22-51  
FIG. 01  
PAGE 11  
JAN 20/09



757

PARTS CATALOG (MAINTENANCE)

| FIG<br>ITEM | PART NUMBER | 1 2 3 4 5 6 7 NOMENCLATURE  | EFFECT<br>FROM TO                              | UNITS<br>PER<br>ASSY |
|-------------|-------------|---|--|----------------------|
| 1<br>25     | BCREF7617   | <p>..SWITCH ASSY-LIGHTED PUSH<br/>           BUTTON IND VALVE<br/>           SUPPLIER CODE:<br/>           V81590<br/>           OVERLENGTH PART NUMBER:<br/>           433-673-1001-1038<br/>           SPECIFICATION NUMBER:<br/>           S231T290-1038<br/>           MISCELLANEOUS DATA:<br/>           WHEN REPLACING THE<br/>           PUSHBUTTON SWITCH ASSY<br/>           OR THE MASTER MODULE<br/>           WITHIN, VERIFY THAT A<br/>           CONFIG D MASTER MODULE<br/>           P/N 13206-001 IS<br/>           INSTALLED IN LIEU OF ANY<br/>           EARLIER CONFIGURATION<br/>           MASTER MODULES.<br/>           OPTIONAL PART:<br/>           851-30768-3038<br/>           V96182<br/>           BCREFA0517<br/>           V81590<br/>           USED ON:<br/>           233N3206-14<br/>           233N3206-16<br/>           233N3206-1014<br/>           233N3206-1016<br/>           233N3206-2014<br/>           233N3206-2016<br/>           233N3206-3014<br/>           233N3206-3016<br/>           REFERENCE SERVICE BULLETIN:<br/>           33A0044<br/>           REWORKED BY SB:<br/>           433-33-05<br/>           V81590<br/>           FOR DETAILS SEE:<br/>           33-13-00-17A</p> | 002004<br>107107<br>121503<br>904949<br>952952 | 1                    |

MISSING ITEM NUMBERS NOT APPLICABLE

- ITEM NOT ILLUSTRATED

BRI

28-22-51-01

BOEING PROPRIETARY - Copyright © - Unpublished Work - See title page for details.

28-22-51  
 FIG. 01  
 PAGE 12  
 JAN 20/09





757

PARTS CATALOG (MAINTENANCE)

| FIG<br>ITEM | PART NUMBER | 1 2 3 4 5 6 7 NOMENCLATURE   | EFFECT<br>FROM TO                              | UNITS<br>PER<br>ASSY |
|-------------|-------------|--|--|----------------------|
| 1<br>25     | BCREFA0517  | <p>.. SWITCH ASSY-LIGHTED PUSH<br/>           BUTTON IND<br/>           SUPPLIER CODE:<br/>           V81590<br/>           OVERLENGTH PART NUMBER:<br/>           433-673-1004-4038<br/>           SPECIFICATION NUMBER:<br/>           S231T290-4038<br/>           MISCELLANEOUS DATA:<br/>           WHEN REPLACING THE<br/>           PUSHBUTTON SWITCH ASSY<br/>           OR THE MASTER MODULE<br/>           WITHIN, VERIFY THAT A<br/>           CONFIG D MASTER MODULE<br/>           P/N 13206-001 IS<br/>           INSTALLED IN LIEU OF ANY<br/>           EARLIER CONFIGURATION<br/>           MASTER MODULES.<br/>           OPTIONAL PART:<br/>           BCREFA7617<br/>           V81590<br/>           851-35100-5038<br/>           V81590<br/>           USED ON:<br/>           233N3206-15<br/>           233N3206-16<br/>           233N3206-1015<br/>           233N3206-1016<br/>           233N3206-2015<br/>           233N3206-2016<br/>           233N3206-3015<br/>           233N3206-3016<br/>           REFERENCE SERVICE BULLETIN:<br/>           33A0044<br/>           REWORKED BY SB:<br/>           433-33-05<br/>           V81590<br/>           FOR DETAILS SEE:<br/>           33-13-00-47A</p> | 002004<br>107107<br>121503<br>904949<br>952952 | 1                    |

MISSING ITEM NUMBERS NOT APPLICABLE

- ITEM NOT ILLUSTRATED

BRI

28-22-51-01

BOEING PROPRIETARY - Copyright © - Unpublished Work - See title page for details.

28-22-51  
 FIG. 01  
 PAGE 13  
 JAN 20/09



757

PARTS CATALOG (MAINTENANCE)

| FIG ITEM | PART NUMBER    | 1 2 3 4 5 6 7 | NOMENCLATURE  | EFFECT FROM TO                                 | UNITS PER ASSY |
|----------|----------------|---------------|---|--|----------------|
| 1<br>25  | 851-30768-2038 |               | ..SWITCH ASSY-LIGHTED PUSH<br>BUTTON IND VALVE<br>SUPPLIER CODE:<br>V96182<br>SPECIFICATION NUMBER:<br>S231T290-2038<br>USED ON:<br>233N3206-13<br>233N3206-1013<br>233N3206-2013<br>233N3206-3013<br>FOR DETAILS SEE:<br>33-13-00-27A  | 002004<br>107107<br>121503<br>904949<br>952952 | 1              |
| 25       | 851-30768-3038 |               | ..SWITCH ASSY-LIGHTED PUSH<br>BUTTON IND VALVE<br>SUPPLIER CODE:<br>V96182<br>SPECIFICATION NUMBER:<br>S231T290-3038<br>OPTIONAL PART:<br>BCREF7617<br>V81590<br>851-35100-5038<br>V96182<br>USED ON:<br>233N3206-13<br>233N3206-14<br>233N3206-17<br>233N3206-1013<br>233N3206-1014<br>233N3206-1017<br>233N3206-2013<br>233N3206-2014<br>233N3206-2017<br>233N3206-3013<br>233N3206-3014<br>233N3206-3017<br>FOR DETAILS SEE:<br>33-13-00-37A | 002004<br>107107<br>121503<br>904949<br>952952 | 1              |

MISSING ITEM NUMBERS NOT APPLICABLE

- ITEM NOT ILLUSTRATED

BRI

28-22-51-01

BOEING PROPRIETARY - Copyright © - Unpublished Work - See title page for details.

28-22-51  
FIG. 01  
PAGE 14  
JAN 20/09



757

PARTS CATALOG (MAINTENANCE)

| FIG<br>ITEM | PART NUMBER     | 1 2 3 4 5 6 7 | NOMENCLATURE   | EFFECT<br>FROM TO                              | UNITS<br>PER<br>ASSY |
|-------------|-----------------|---------------|--|--|----------------------|
| 1<br>25     | 851-35100-5038  |               | ..SWITCH ASSY-LIGHTED PUSH<br>BUTTON IND<br>SUPPLIER CODE:<br>V96182<br>SPECIFICATION NUMBER:<br>S231T290-5038<br>OPTIONAL PART:<br>BCREFA0517<br>V81590<br>851-30768-3038<br>V96182<br>USED ON:<br>233N3206-15<br>233N3206-17<br>233N3206-1015<br>233N3206-1017<br>233N3206-2015<br>233N3206-2017<br>233N3206-3015<br>233N3206-3017               | 002004<br>107107<br>121503<br>904949<br>952952 | 1                    |
| 25          | 4336731004-4238 |               | ..SWITCH ASSY-LIGHTED PUSH<br>BUTTON IND<br>SUPPLIER CODE:<br>V81590<br>SPECIFICATION NUMBER:<br>S231T290-4238<br>OPTIONAL PART:<br>851-35100-5038<br>V96182<br>USED ON:<br>233N3206-2013<br>233N3206-2014<br>233N3206-2015<br>233N3206-2016<br>233N3206-2017<br>233N3206-3013<br>233N3206-3014<br>233N3206-3015<br>233N3206-3016<br>233N3206-3017 | 002004<br>107107<br>121503<br>904949<br>952952 | 1                    |

MISSING ITEM NUMBERS NOT APPLICABLE

- ITEM NOT ILLUSTRATED

BRI

28-22-51-01

BOEING PROPRIETARY - Copyright © - Unpublished Work - See title page for details.

28-22-51  
FIG. 01  
PAGE 15  
JAN 20/09



757

PARTS CATALOG (MAINTENANCE)

| FIG ITEM | PART NUMBER    | 1 2 3 4 5 6 7 | NOMENCLATURE   | EFFECT FROM TO             | UNITS PER ASSY |
|----------|----------------|---------------|--|----------------------------|----------------|
| 1<br>27  | BCREFA0517     |               | ..SWITCH ASSY-LIGHTED PUSH<br>BUTTON IND<br>SUPPLIER CODE:<br>V81590<br>OVERLENGTH PART NUMBER:<br>433-673-1004-4038<br>SPECIFICATION NUMBER:<br>S231T290-4038<br>MISCELLANEOUS DATA:<br>WHEN REPLACING THE<br>PUSHBUTTON SWITCH ASSY<br>OR THE MASTER MODULE<br>WITHIN, VERIFY THAT A<br>CONFIG D MASTER MODULE<br>P/N 13206-001 IS<br>INSTALLED IN LIEU OF ANY<br>EARLIER CONFIGURATION<br>MASTER MODULES.<br>OPTIONAL PART:<br>851-35100-5038<br>V96182<br>USED ON:<br>233N3206-19<br>233N3206-3019<br>FOR DETAILS SEE:<br>33-13-00-47A | 006010<br>950951<br>953999 | 2              |
| 27       | 851-30768-2038 |               | ..SWITCH ASSY-LIGHTED PUSH<br>BUTTON IND VALVE<br>SUPPLIER CODE:<br>V96182<br>SPECIFICATION NUMBER:<br>S231T290-2038<br>FOR DETAILS SEE:<br>33-13-00-27A   | 006010<br>950951<br>953999 | 2              |
| 27       | 851-30768-3038 |               | ..SWITCH ASSY-LIGHTED PUSH<br>BUTTON IND VALVE<br>SUPPLIER CODE:<br>V96182<br>SPECIFICATION NUMBER:<br>S231T290-3038<br>OPTIONAL PART:<br>851-35100-5038<br>V96182<br>USED ON:<br>233N3206-20<br>233N3206-2020<br>FOR DETAILS SEE:<br>33-13-00-37A   | 006010<br>950951<br>953999 | 2              |

MISSING ITEM NUMBERS NOT APPLICABLE

- ITEM NOT ILLUSTRATED

BRI

28-22-51-01

28-22-51  
FIG. 01  
PAGE 16  
JAN 20/09



757

PARTS CATALOG (MAINTENANCE)

| FIG ITEM | PART NUMBER     | 1 2 3 4 5 6 7 | NOMENCLATURE  | EFFECT FROM TO             | UNITS PER ASSY |
|----------|-----------------|---------------|---|----------------------------|----------------|
| 1<br>27  | 851-35100-5038  |               | ..SWITCH ASSY-LIGHTED PUSH<br>BUTTON IND<br>SUPPLIER CODE:<br>V96182<br>SPECIFICATION NUMBER:<br>S231T290-5038<br>OPTIONAL PART:<br>BCREFA0517<br>V81590<br>851-30768-3038<br>V96182<br>4336731004-4238<br>V81590<br>USED ON:<br>233N3206-19<br>233N3206-20<br>233N3206-2020<br>233N3206-3019 | 006010<br>950951<br>953999 | 2              |
| 27       | 4336731004-4238 |               | ..SWITCH ASSY-LIGHTED PUSH<br>BUTTON IND VALVE<br>SUPPLIER CODE:<br>V81590<br>SPECIFICATION NUMBER:<br>S231T290-4238<br>OPTIONAL PART:<br>851-35100-5038<br>V96182<br>USED ON:<br>233N3206-19<br>233N3206-2020<br>233N3206-3019   | 006010<br>950951<br>953999 | 2              |

MISSING ITEM NUMBERS NOT APPLICABLE

- ITEM NOT ILLUSTRATED

BRI

28-22-51-01

BOEING PROPRIETARY - Copyright © - Unpublished Work - See title page for details.

28-22-51  
FIG. 01  
PAGE 17  
JAN 20/09



757

PARTS CATALOG (MAINTENANCE)

| FIG<br>ITEM | PART NUMBER | 1 2 3 4 5 6 7 NOMENCLATURE  | EFFECT<br>FROM TO                              | UNITS<br>PER<br>ASSY |
|-------------|-------------|---|--|----------------------|
| 1<br>27     | BCREF7617   | ..SWITCH ASSY-LIGHTED PUSH<br>BUTTON IND VALVE<br>SUPPLIER CODE:<br>V81590<br>OVERLENGTH PART NUMBER:<br>433-673-1001-1038<br>SPECIFICATION NUMBER:<br>S231T290-1038<br>MISCELLANEOUS DATA:<br>WHEN REPLACING THE<br>PUSHBUTTON SWITCH ASSY<br>OR THE MASTER MODULE<br>WITHIN, VERIFY THAT A<br>CONFIG D MASTER MODULE<br>P/N 13206-001 IS<br>INSTALLED IN LIEU OF ANY<br>EARLIER CONFIGURATION<br>MASTER MODULES.<br>POST ALERT SB:<br>28A0105R1<br>POST COMPONENT SB:<br>233N3206-28-03<br>FOR DETAILS SEE:<br>33-13-00-17A | 002004<br>006010<br>107107<br>121503<br>904999 | 2                    |

MISSING ITEM NUMBERS NOT APPLICABLE

- ITEM NOT ILLUSTRATED

BRI

28-22-51-01

BOEING PROPRIETARY - Copyright © - Unpublished Work - See title page for details.

28-22-51  
FIG. 01  
PAGE 18  
JAN 20/09



757

PARTS CATALOG (MAINTENANCE)

| FIG ITEM | PART NUMBER | 1 2 3 4 5 6 7 | NOMENCLATURE  | EFFECT FROM TO                                 | UNITS PER ASSY |
|----------|-------------|---------------|---|--|----------------|
| 1<br>30  | BCREF7609   |               | .. SWITCH ASSY-LIGHTED PUSH<br>BUTTON IND ON/PRESS<br>SUPPLIER CODE:<br>V81590<br>OVERLENGTH PART NUMBER:<br>433-673-1001-1021<br>SPECIFICATION NUMBER:<br>S231T290-1021<br>OPTIONAL PART:<br>851-30768-3021<br>V96182<br>BCREFA0508<br>V81590<br>4336731004-4221<br>V81590<br>USED ON:<br>233N3206-14<br>233N3206-16<br>233N3206-1014<br>233N3206-1016<br>233N3206-2014<br>233N3206-2016<br>233N3206-3014<br>233N3206-3016<br>POST ALERT SB:<br>28A0105R1<br>POST COMPONENT SB:<br>233N3206-28-03<br>FOR DETAILS SEE:<br>33-13-00-18 | 002004<br>006010<br>107107<br>121503<br>904999 | 1              |

MISSING ITEM NUMBERS NOT APPLICABLE

- ITEM NOT ILLUSTRATED

BRI

28-22-51-01

BOEING PROPRIETARY - Copyright © - Unpublished Work - See title page for details.

28-22-51  
FIG. 01  
PAGE 19  
JAN 20/09



757

PARTS CATALOG (MAINTENANCE)

| FIG ITEM | PART NUMBER    | 1 2 3 4 5 6 7 | NOMENCLATURE  | EFFECT FROM TO                                 | UNITS PER ASSY |
|----------|----------------|---------------|---|--|----------------|
| 1<br>30  | BCREFA0508     |               | ..SWITCH ASSY-LIGHTED PUSH<br>BUTTON IND<br>SUPPLIER CODE:<br>V81590<br>OVERLENGTH PART NUMBER:<br>433-673-1004-4021<br>SPECIFICATION NUMBER:<br>S231T290-4021<br>OPTIONAL PART:<br>851-35100-5021<br>V96182<br>BCREFA0508<br>V81590<br>USED ON:<br>233N3206-15<br>233N3206-16<br>233N3206-19<br>233N3206-1015<br>233N3206-1016<br>233N3206-2015<br>233N3206-2016<br>233N3206-3015<br>233N3206-3016<br>233N3206-3019<br>FOR DETAILS SEE:<br>33-13-00-48 | 002004<br>006010<br>107107<br>121503<br>904999 | 1              |
| 30       | 851-30768-2021 |               | ..SWITCH ASSY-LIGHTED PUSH<br>BUTTON IND ON/PRESS<br>SUPPLIER CODE:<br>V96182<br>SPECIFICATION NUMBER:<br>S231T290-2021<br>OPTIONAL PART:<br>4336731004-4221<br>V81590<br>USED ON:<br>233N3206-13<br>233N3206-1013<br>233N3206-2013<br>233N3206-3013<br>POST ALERT SB:<br>28A0105R1<br>POST COMPONENT SB:<br>233N3206-28-03<br>FOR DETAILS SEE:<br>33-13-00-28  | 002004<br>006010<br>107107<br>121503<br>904999 | 1              |

MISSING ITEM NUMBERS NOT APPLICABLE

- ITEM NOT ILLUSTRATED

BRI

28-22-51-01

BOEING PROPRIETARY - Copyright © - Unpublished Work - See title page for details.

28-22-51  
FIG. 01  
PAGE 20  
JAN 20/09





757

PARTS CATALOG (MAINTENANCE)

| FIG ITEM | PART NUMBER    | 1 2 3 4 5 6 7 | NOMENCLATURE  | EFFECT FROM TO                                 | UNITS PER ASSY |
|----------|----------------|---------------|---|--|----------------|
| 1<br>30  | 851-35100-5021 |               | ..SWITCH ASSY-LIGHTED PUSH<br>BUTTON IND<br>SUPPLIER CODE:<br>V96182<br>SPECIFICATION NUMBER:<br>S231T290-5021<br>OPTIONAL PART:<br>BCREFA0508<br>V81590<br>851-30768-3021<br>V96182<br>4336731004-4221<br>V81590<br>USED ON:<br>233N3206-15<br>233N3206-17<br>233N3206-19<br>233N3206-20<br>233N3206-1015<br>233N3206-1017<br>233N3206-2015<br>233N3206-2017<br>233N3206-2020<br>233N3206-3015<br>233N3206-3017<br>233N3206-3019 | 002004<br>006010<br>107107<br>121503<br>904999 | 1              |

MISSING ITEM NUMBERS NOT APPLICABLE

- ITEM NOT ILLUSTRATED

BRI

28-22-51-01

BOEING PROPRIETARY - Copyright © - Unpublished Work - See title page for details.

28-22-51  
FIG. 01  
PAGE 21  
JAN 20/09



757

PARTS CATALOG (MAINTENANCE)

| FIG<br>ITEM | PART NUMBER     | 1 2 3 4 5 6 7 | NOMENCLATURE   | EFFECT<br>FROM TO                              | UNITS<br>PER<br>ASSY |
|-------------|-----------------|---------------|--|--|----------------------|
| 1<br>30     | 4336731004-4221 |               | .. SWITCH ASSY-LIGHTED PUSH<br>BUTTON IND ON/PRESS<br>SUPPLIER CODE:<br>V81590<br>SPECIFICATION NUMBER:<br>S231T290-4221<br>OPTIONAL PART:<br>851-30768-2021<br>V96182<br>851-30768-3021<br>V96182<br>BCRE7609<br>V81590<br>851-35100-5021<br>V96182<br>USED ON:<br>233N3206-19<br>233N3206-2013<br>233N3206-2014<br>233N3206-2015<br>233N3206-2016<br>233N3206-2020<br>233N3206-3013<br>233N3206-3014<br>233N3206-3015<br>233N3206-3016<br>233N3206-3017<br>233N3206-3019 | 002004<br>006010<br>107107<br>121503<br>904999 | 1                    |

MISSING ITEM NUMBERS NOT APPLICABLE

- ITEM NOT ILLUSTRATED

BRI

28-22-51-01

BOEING PROPRIETARY - Copyright © - Unpublished Work - See title page for details.

28-22-51  
 FIG. 01  
 PAGE 22  
 JAN 20/09



757

PARTS CATALOG (MAINTENANCE)

| FIG ITEM | PART NUMBER    | 1 2 3 4 5 6 7 | NOMENCLATURE  | EFFECT FROM TO                                 | UNITS PER ASSY |
|----------|----------------|---------------|---|--|----------------|
| 1<br>30  | 851-30768-3021 |               | .. SWITCH ASSY-LIGHTED PUSH<br>BUTTON IND ON/PRESS<br>SUPPLIER CODE:<br>V96182<br>SPECIFICATION NUMBER:<br>S231T290-3021<br>OPTIONAL PART:<br>BCREF7609<br>V81590<br>851-35100-5021<br>V96182<br>4336731004-4221<br>V81590<br>USED ON:<br>233N3206-13<br>233N3206-14<br>233N3206-17<br>233N3206-20<br>233N3206-1013<br>233N3206-1014<br>233N3206-1017<br>233N3206-2013<br>233N3206-2014<br>233N3206-2017<br>233N3206-2020<br>233N3206-3013<br>233N3206-3014<br>233N3206-3017<br>FOR DETAILS SEE:<br>33-13-00-38 | 002004<br>006010<br>107107<br>121503<br>904999 | 1              |

MISSING ITEM NUMBERS NOT APPLICABLE

- ITEM NOT ILLUSTRATED

BRI

28-22-51-01

BOEING PROPRIETARY - Copyright © - Unpublished Work - See title page for details.

28-22-51  
FIG. 01  
PAGE 23  
JAN 20/09



757

PARTS CATALOG (MAINTENANCE)

| FIG<br>ITEM | PART NUMBER | 1 2 3 4 5 6 7 NOMENCLATURE  | EFFECT<br>FROM TO                              | UNITS<br>PER<br>ASSY |
|-------------|-------------|---|--|----------------------|
| 1<br>35     | BCREF7610   | .. SWITCH ASSY-LIGHTED PUSH<br>BUTTON IND PRESS/ON<br>SUPPLIER CODE:<br>V81590<br>OVERLENGTH PART NUMBER:<br>433-673-1001-1022<br>SPECIFICATION NUMBER:<br>S231T290-1022<br>OPTIONAL PART:<br>BCREFA0509<br>V81590<br>4336731004-4222<br>V81590<br>USED ON:<br>233N3206-14<br>233N3206-16<br>233N3206-1014<br>233N3206-1016<br>233N3206-2014<br>233N3206-2016<br>233N3206-3014<br>233N3206-3016<br>POST ALERT SB:<br>28A0105R1<br>POST COMPONENT SB:<br>233N3206-28-03<br>FOR DETAILS SEE:<br>33-13-00-18 | 002004<br>006010<br>107107<br>121503<br>904999 | 1                    |

MISSING ITEM NUMBERS NOT APPLICABLE

- ITEM NOT ILLUSTRATED

BRI

28-22-51-01

BOEING PROPRIETARY - Copyright © - Unpublished Work - See title page for details.

28-22-51  
FIG. 01  
PAGE 24  
JAN 20/09



757

PARTS CATALOG (MAINTENANCE)

| FIG ITEM | PART NUMBER    | 1 2 3 4 5 6 7 | NOMENCLATURE  | EFFECT FROM TO                                 | UNITS PER ASSY |
|----------|----------------|---------------|---|--|----------------|
| 1<br>35  | BCREFA0509     |               | ..SWITCH ASSY-LIGHTED PUSH<br>BUTTON IND<br>SUPPLIER CODE:<br>V81590<br>OVERLENGTH PART NUMBER:<br>433-673-1004-4022<br>SPECIFICATION NUMBER:<br>S231T290-4022<br>OPTIONAL PART:<br>851-35100-5022<br>V96182<br>BCREFA0509<br>V81590<br>USED ON:<br>233N3206-15<br>233N3206-16<br>233N3206-19<br>233N3206-1015<br>233N3206-1016<br>233N3206-2015<br>233N3206-2016<br>233N3206-3015<br>233N3206-3016<br>233N3206-3019<br>FOR DETAILS SEE:<br>33-13-00-48 | 002004<br>006010<br>107107<br>121503<br>904999 | 1              |
| 35       | 851-30768-2022 |               | ..SWITCH ASSY-LIGHTED PUSH<br>BUTTON IND PRESS/ON<br>SUPPLIER CODE:<br>V96182<br>SPECIFICATION NUMBER:<br>S231T290-2022<br>OPTIONAL PART:<br>4336731004-4222<br>V81590<br>USED ON:<br>233N3206-13<br>233N3206-1013<br>233N3206-2013<br>233N3206-3013<br>POST ALERT SB:<br>28A0105R1<br>POST COMPONENT SB:<br>233N3206-28-03<br>FOR DETAILS SEE:<br>33-13-00-28  | 002004<br>006010<br>107107<br>121503<br>904999 | 1              |

MISSING ITEM NUMBERS NOT APPLICABLE

- ITEM NOT ILLUSTRATED

BRI

28-22-51-01

BOEING PROPRIETARY - Copyright © - Unpublished Work - See title page for details.

28-22-51  
FIG. 01  
PAGE 25  
JAN 20/09



757

PARTS CATALOG (MAINTENANCE)

| FIG<br>ITEM | PART NUMBER    | 1 2 3 4 5 6 7 NOMENCLATURE   | EFFECT<br>FROM TO                              | UNITS<br>PER<br>ASSY |
|-------------|----------------|--|--|----------------------|
| 1<br>35     | 851-30768-3022 | .. SWITCH ASSY-LIGHTED PUSH<br>BUTTON IND PRESS/ON<br>SUPPLIER CODE:<br>V96182<br>SPECIFICATION NUMBER:<br>S231T290-3022<br>OPTIONAL PART:<br>BCRE7610<br>V81590<br>851-35100-5022<br>V96182<br>4336731004-4222<br>V81590<br>USED ON:<br>233N3206-13<br>233N3206-14<br>233N3206-17<br>233N3206-20<br>233N3206-1013<br>233N3206-1014<br>233N3206-1017<br>233N3206-2013<br>233N3206-2014<br>233N3206-2017<br>233N3206-2020<br>233N3206-3013<br>233N3206-3014<br>233N3206-3017<br>FOR DETAILS SEE:<br>33-13-00-38 | 002004<br>006010<br>107107<br>121503<br>904999 | 1                    |

MISSING ITEM NUMBERS NOT APPLICABLE

- ITEM NOT ILLUSTRATED

BRI

28-22-51-01

BOEING PROPRIETARY - Copyright © - Unpublished Work - See title page for details.

28-22-51  
FIG. 01  
PAGE 26  
JAN 20/09



757

PARTS CATALOG (MAINTENANCE)

| FIG<br>ITEM | PART NUMBER    | 1 2 3 4 5 6 7 | NOMENCLATURE  | EFFECT<br>FROM TO                              | UNITS<br>PER<br>ASSY |
|-------------|----------------|---------------|---|--|----------------------|
| 1<br>35     | 851-35100-5022 |               | ..SWITCH ASSY-LIGHTED PUSH<br>BUTTON IND<br>SUPPLIER CODE:<br>V96182<br>SPECIFICATION NUMBER:<br>S231T290-5022<br>OPTIONAL PART:<br>BCREFA0509<br>V81590<br>851-30768-3022<br>V96182<br>4336731004-4222<br>V81590<br>USED ON:<br>233N3206-15<br>233N3206-17<br>233N3206-19<br>233N3206-20<br>233N3206-1015<br>233N3206-1017<br>233N3206-2015<br>233N3206-2017<br>233N3206-2020<br>233N3206-3015<br>233N3206-3017<br>233N3206-3019 | 002004<br>006010<br>107107<br>121503<br>904999 | 1                    |

MISSING ITEM NUMBERS NOT APPLICABLE

- ITEM NOT ILLUSTRATED

BRI

28-22-51-01

BOEING PROPRIETARY - Copyright © - Unpublished Work - See title page for details.

28-22-51  
FIG. 01  
PAGE 27  
JAN 20/09



757

PARTS CATALOG (MAINTENANCE)

| FIG ITEM | PART NUMBER     | 1 2 3 4 5 6 7 | NOMENCLATURE  | EFFECT FROM TO                                 | UNITS PER ASSY |
|----------|-----------------|---------------|---|--|----------------|
| 1<br>35  | 4336731004-4222 |               | .. SWITCH ASSY-LIGHTED PUSH<br>BUTTON IND PRESS/ON<br>SUPPLIER CODE:<br>V81590<br>SPECIFICATION NUMBER:<br>S231T290-4222<br>OPTIONAL PART:<br>851-30768-2022<br>V96182<br>851-30768-3022<br>V96182<br>BCRE7610<br>V81590<br>851-35100-5022<br>V96182<br>USED ON:<br>233N3206-19<br>233N3206-2013<br>233N3206-2014<br>233N3206-2015<br>233N3206-2016<br>233N3206-2017<br>233N3206-2020<br>233N3206-3013<br>233N3206-3014<br>233N3206-3015<br>233N3206-3016<br>233N3206-3017<br>233N3206-3019 | 002004<br>006010<br>107107<br>121503<br>904999 | 1              |
| 42       | MS51957-14      |               | .. SCREW-<br>USED ON:<br>233N3206-2020<br>233N3206-3019<br>POST ALERT SB:<br>28A0105R1<br>POST COMPONENT SB:<br>233N3206-28-03  | 006010<br>950951<br>953999                     | 6              |
| 43       | NAS1801-04-5    |               | .. SCREW-<br>USED ON:<br>233N3206-2015<br>233N3206-2016<br>233N3206-2017<br>233N3206-3015<br>233N3206-3016<br>233N3206-3017<br>POST ALERT SB:<br>28A0105R1<br>POST COMPONENT SB:<br>233N3206-28-03  | 002004<br>107107<br>121503<br>904949<br>952952 | 6              |

MISSING ITEM NUMBERS NOT APPLICABLE

- ITEM NOT ILLUSTRATED

BRI

28-22-51-01

BOEING PROPRIETARY - Copyright © - Unpublished Work - See title page for details.

28-22-51  
 FIG. 01  
 PAGE 28  
 JAN 20/09





757

PARTS CATALOG (MAINTENANCE)

| FIG<br>ITEM | PART NUMBER  | 1 2 3 4 5 6 7 | NOMENCLATURE  | EFFECT<br>FROM TO                              | UNITS<br>PER<br>ASSY |
|-------------|--------------|---------------|---|--|----------------------|
| 1<br>45     | NAS1801-04-5 |               | . . SCREW-<br>USED ON:<br>233N3206-13<br>233N3206-14<br>233N3206-15<br>233N3206-16<br>233N3206-17<br>233N3206-19<br>233N3206-20<br>233N3206-1013<br>233N3206-1014<br>233N3206-1015<br>233N3206-1016<br>233N3206-1017<br>233N3206-2013<br>233N3206-2014<br>233N3206-3013<br>233N3206-3014<br>PRE ALERT SB:<br>28A0105R1<br>PRE COMPONENT SB:<br>233N3206-28-03 | 002004<br>006010<br>107107<br>121503<br>904999 | 10                   |

MISSING ITEM NUMBERS NOT APPLICABLE

- ITEM NOT ILLUSTRATED

BRI

28-22-51-01

BOEING PROPRIETARY - Copyright © - Unpublished Work - See title page for details.

28-22-51  
FIG. 01  
PAGE 29  
JAN 20/09



757

PARTS CATALOG (MAINTENANCE)

| FIG ITEM | PART NUMBER | 1 2 3 4 5 6 7 | NOMENCLATURE  | EFFECT FROM TO                                 | UNITS PER ASSY |
|----------|-------------|---------------|---|--|----------------|
| 1<br>50  | K19798-04   |               | . . NUT-<br>SUPPLIER CODE:<br>V15653<br>SPECIFICATION NUMBER:<br>BACN10NW1<br>OPTIONAL PART:<br>RMA4812-160-40<br>V72962<br>293162<br>V60119<br>USED ON:<br>233N3206-13<br>233N3206-14<br>233N3206-15<br>233N3206-16<br>233N3206-17<br>233N3206-19<br>233N3206-20<br>233N3206-1013<br>233N3206-1014<br>233N3206-1015<br>233N3206-1016<br>233N3206-1017<br>233N3206-2013<br>233N3206-2014<br>233N3206-3013<br>233N3206-3014<br>PRE ALERT SB:<br>28A0105R1<br>PRE COMPONENT SB:<br>322N3206-28-03 | 002004<br>006010<br>107107<br>121503<br>904999 | 10             |

MISSING ITEM NUMBERS NOT APPLICABLE

- ITEM NOT ILLUSTRATED

BRI

# 28-22-51-01

BOEING PROPRIETARY - Copyright © - Unpublished Work - See title page for details.

28-22-51  
FIG. 01  
PAGE 30  
JAN 20/09



757

PARTS CATALOG (MAINTENANCE)

| FIG ITEM | PART NUMBER | 1 2 3 4 5 6 7 | NOMENCLATURE  | EFFECT FROM TO                                 | UNITS PER ASSY |
|----------|-------------|---------------|---|--|----------------|
| 1<br>51  | K19798-04   |               | ..NUT-<br>SUPPLIER CODE:<br>V15653<br>SPECIFICATION NUMBER:<br>BACN10NW1<br>OPTIONAL PART:<br>RMA4812-160-40<br>V72962<br>293162<br>V60119<br>USED ON:<br>233N3206-2015<br>233N3206-2016<br>233N3206-2017<br>233N3206-3015<br>233N3206-3016<br>233N3206-3017<br>POST ALERT SB:<br>28A0105R1<br>POST COMPONENT SB:<br>322N3206-28-03 | 002004<br>107107<br>121503<br>904949<br>952952 | 6              |
| 52       | K19798-04   |               | ..NUT-<br>SUPPLIER CODE:<br>V15653<br>SPECIFICATION NUMBER:<br>BACN10NW1<br>OPTIONAL PART:<br>RMA4812-160-40<br>V72962<br>293162<br>V60119<br>USED ON:<br>233N3206-2020<br>233N3206-3019<br>POST ALERT SB:<br>28A0105R1<br>POST COMPONENT SB:<br>322N3206-28-03   | 006010<br>950951<br>953999                     | 6              |

MISSING ITEM NUMBERS NOT APPLICABLE

- ITEM NOT ILLUSTRATED

BRI

28-22-51-01

BOEING PROPRIETARY - Copyright © - Unpublished Work - See title page for details.

28-22-51  
FIG. 01  
PAGE 31  
JAN 20/09



757

PARTS CATALOG (MAINTENANCE)

| FIG ITEM | PART NUMBER     | 1 2 3 4 5 6 7 | NOMENCLATURE  | EFFECT FROM TO                                 | UNITS PER ASSY |
|----------|-----------------|---------------|---|--|----------------|
| 1        |                 |               |   |  |                |
| 55       | BACC45FN20-28P7 | ..            | CONNECTOR<br>SUPPLIER CODE:<br>V41118<br>SPECIFICATION NUMBER:<br>BACC45FN20-28P7<br>OPTIONAL PART:<br>C48-10R20-28P7-<br>V13556<br>ZZWAC1720-28P7<br>V49367<br>48-10R20-28P7-3<br>V02660 | 002004<br>006010<br>107107<br>121503<br>904999 | 1              |
| 60       | BACC45FN20-28P8 | ..            | CONNECTOR<br>SUPPLIER CODE:<br>V41118<br>SPECIFICATION NUMBER:<br>BACC45FN20-28P8<br>OPTIONAL PART:<br>C48-10R20-28P8-<br>V13556<br>ZZWAC1720-28P8<br>V49367<br>48-10R20-28P8-3<br>V02660 | 002004<br>006010<br>107107<br>121503<br>904999 | 1              |
| 65       | R071714-15P10   | ..            | CONNECTOR-<br>SUPPLIER CODE:<br>V41118<br>SPECIFICATION NUMBER:<br>BCREF4930<br>OVERLENGTH PART NUMBER:<br>BACC45FN14-15P10   | 002004<br>006010<br>107107<br>121503<br>904999 | 1              |
| - 200    | 286N2078-003    |               | WIRE BUNDLE ASSY-(ENGINE FUEL FEED SYSTEM ONLY)   | 121503<br>904949                               | RF             |
| - 200    | 286N2078-004    |               | WIRE BUNDLE ASSY-(ENGINE FUEL FEED SYSTEM ONLY)   | 107107   | RF             |
| - 200    | 286N2078-005    |               | WIRE BUNDLE ASSY-(ENGINE FUEL FEED SYSTEM ONLY)   | 002004<br>006010<br>950999                     | RF             |

MISSING ITEM NUMBERS NOT APPLICABLE

- ITEM NOT ILLUSTRATED

28-22-51-01

28-22-51  
FIG. 01  
PAGE 32  
JAN 20/09

BRI



757

PARTS CATALOG (MAINTENANCE)

| FIG ITEM | PART NUMBER     | 1 2 3 4 5 6 7 | NOMENCLATURE   | EFFECT FROM TO                                 | UNITS PER ASSY |
|----------|-----------------|---------------|--|--|----------------|
| 1<br>205 | R071614A15S10   |               | .CONNECTOR-<br>SUPPLIER CODE:<br>V41118<br>SPECIFICATION NUMBER:<br>BCREF6350<br>OPTIONAL PART:<br>BMS2426614515S1<br>V11139<br>OVERLENGTH PART NUMBER:<br>BACC45FT14A15S10<br>ELECTRICAL EQUIP NUMBER:<br>D03516<br>WIRING DIAGRAM REF:<br>282231 | 002004<br>006010<br>107107<br>121503<br>904999 | 1              |
| - 300    | 286N2070-003    |               | WIRE BUNDLE ASSY-(ENGINE FUEL FEED SYSTEM ONLY)  | 121503<br>904949                               | RF             |
| - 300    | 286N2070-004    |               | WIRE BUNDLE ASSY-(ENGINE FUEL FEED SYSTEM ONLY)  | 107107   | RF             |
| - 300    | 286N2070-005    |               | WIRE BUNDLE ASSY-(ENGINE FUEL FEED SYSTEM ONLY)  | 002004<br>006010<br>950999                     | RF             |
| 305      | BACC45FT20A28S8 |               | .CONNECTOR-<br>ELECTRICAL EQUIP NUMBER:<br>D03514<br>WIRING DIAGRAM REF:<br>284211   | 002004<br>006010<br>107107<br>121503<br>904999 | 1              |
| - 400    | 286N2066-006    |               | WIRE BUNDLE ASSY-(ENGINE FUEL FEED SYSTEM ONLY)  | 121503<br>904949                               | RF             |
| - 400    | 286N2066-007    |               | WIRE BUNDLE ASSY-(ENGINE FUEL FEED SYSTEM ONLY)  | 107107   | RF             |
| - 400    | 286N2066-008    |               | WIRE BUNDLE ASSY-(ENGINE FUEL FEED SYSTEM ONLY)  | 002004<br>006010<br>950999                     | RF             |
| 405      | BACC45FT20A28S7 |               | .CONNECTOR-<br>ELECTRICAL EQUIP NUMBER:<br>D03512<br>WIRING DIAGRAM REF:<br>284211   | 002004<br>006010<br>107107<br>121503<br>904999 | 1              |

MISSING ITEM NUMBERS NOT APPLICABLE

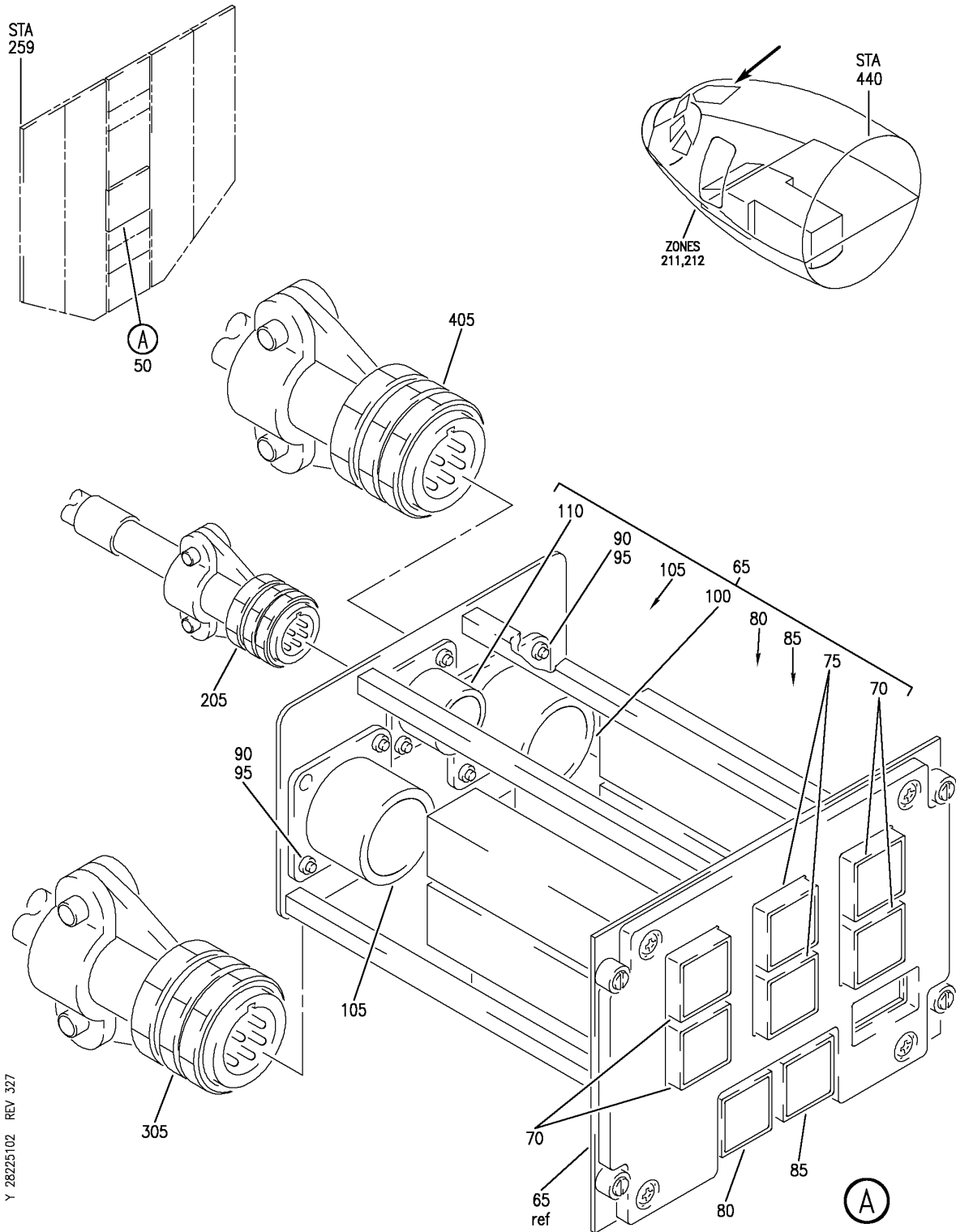
- ITEM NOT ILLUSTRATED

BRI

28-22-51-01

28-22-51  
FIG. 01  
PAGE 33  
JAN 20/09

**BOEING**  
757  
**PARTS CATALOG (MAINTENANCE)**



Y 28225102 REV 327

PANEL INSTL-P5 OVHD (ENGINE FUEL FEED SYSTEM ONLY)  
FIGURE 2

**28-22-51-02**

BRI  
SEP 20/08

28-22-51-02  
PAGE 0



757

**PARTS CATALOG (MAINTENANCE)**

| FIG ITEM | PART NUMBER  | 1 2 3 4 5 6 7 | NOMENCLATURE  | EFFECT FROM TO             | UNITS PER ASSY |
|----------|--------------|---------------|---|----------------------------|----------------|
| 2        |              |               | PANEL INSTL-P5 OVHD (ENGINE FUEL FEED SYSTEM ONLY)  | 011106<br>108120<br>504903 |                |
| - 1      | 233N3101-1   |               | PANEL INSTL-P5 OVHD (ENGINE FUEL FEED SYSTEM ONLY)<br>VARIABLE DRAWING REF:<br>233N3101-5142<br>FOR NHA/OTHER SYS DET SEE:<br>25-10-00-05A  | 011100                     | RF             |
| - 4      | 233N3103-132 |               | PANEL INSTL-P5 OVHD (ENGINE FUEL FEED SYSTEM ONLY)<br>FOR NHA/OTHER SYS DET SEE:<br>25-10-00-15E  | 101102                     | RF             |
| - 5      | 233N3103-136 |               | PANEL INSTL-P5 OVHD (ENGINE FUEL FEED SYSTEM ONLY)<br>FOR NHA/OTHER SYS DET SEE:<br>25-10-00-15E  | 504903                     | RF             |
| - 7      | 233N3103-59  |               | PANEL INSTL-P5 OVHD (ENGINE FUEL FEED SYSTEM ONLY)<br>FOR NHA/OTHER SYS DET SEE:<br>25-10-00-15E  | 108120                     | RF             |
| - 9      | MODREF170180 |               | PANEL INSTL-P5 OVHD (ENGINE FUEL FEED SYSTEM ONLY)<br>MODULE NUMBER:<br>233N3103-353 REV B<br>FOR OTHER SYS DETAILS SEE:<br>11-31-10-12<br>21-25-55-03<br>21-31-01-02<br>21-33-51-03<br>21-51-54-03<br>21-58-19-10<br>21-58-51-03<br>21-61-04-03<br>21-65-51-01<br>22-21-01-04<br>22-24-51-02<br>23-24-01-01<br>23-32-00-11<br>23-42-02-02<br>23-71-05-02<br>24-11-52-05<br>24-22-01-03<br>24-31-01-10<br>24-31-03-09<br>24-33-04-01<br>24-41-51-04<br>24-51-62-01<br>26-18-51-04 | 106106                     | 1              |

MISSING ITEM NUMBERS NOT APPLICABLE

- ITEM NOT ILLUSTRATED

**28-22-51-02**

28-22-51  
FIG. 02  
PAGE 1  
JAN 20/09

BRI



757

PARTS CATALOG (MAINTENANCE)

| FIG ITEM | PART NUMBER | 1 2 3 4 5 6 7 | NOMENCLATURE  | EFFECT FROM TO | UNITS PER ASSY |
|----------|-------------|---------------|---|----------------|----------------|
| 2        |             |               | 27-21-53-02<br>27-41-55-01<br>27-61-51-03<br>27-62-52-02<br>28-41-04-01<br>28-41-51-03<br>29-11-02-03<br>29-11-05-04<br>29-11-52-07<br>29-21-54-03<br>29-31-00-01<br>29-32-51-03<br>29-33-52-03<br>30-11-51-03<br>30-21-51-03<br>30-31-51-02<br>30-32-51-01<br>30-33-51-02<br>30-41-51-03<br>30-42-51-03<br>31-12-11-84<br>31-12-11-84 A<br>32-42-52-03<br>33-11-03-03<br>33-11-51-17<br>33-13-01-65<br>33-13-02-03<br>33-16-51-03<br>33-24-51-02<br>33-41-52-04<br>33-42-01-04<br>33-42-02-04<br>33-42-52-04<br>33-43-51-04<br>33-44-51-05<br>33-45-53-03<br>33-51-08-05<br>34-21-02-01<br>35-21-51-04<br>36-11-04-01<br>36-21-00-01<br>36-21-02-05<br>36-22-51-03<br>49-41-00-02<br>49-52-00-01<br>49-70-00-01<br>52-51-51-03<br>52-71-51-02<br>73-21-52-02 |                |                |

MISSING ITEM NUMBERS NOT APPLICABLE

- ITEM NOT ILLUSTRATED

BRI

28-22-51-02

BOEING PROPRIETARY - Copyright © - Unpublished Work - See title page for details.

28-22-51  
FIG. 02  
PAGE 2  
JAN 20/09





757

PARTS CATALOG (MAINTENANCE)

| FIG ITEM                            | PART NUMBER | 1 2 3 4 5 6 7 | NOMENCLATURE   | EFFECT FROM TO | UNITS PER ASSY |
|-------------------------------------|-------------|---------------|--|----------------|----------------|
| 2                                   |             |               |  |                |                |
| - 11                                | MODREF33760 |               | 74-31-51-05<br>75-32-00-01<br>80-11-09-02<br>PANEL INSTL-P5 OVHD (ENGINE FUEL FEED SYSTEM ONLY)<br>MODULE NUMBER:<br>233N3103-351 REV C<br>FOR OTHER SYS DETAILS SEE:<br>11-31-10-12<br>21-25-55-03<br>21-31-01-02<br>21-33-51-03<br>21-51-54-03<br>21-58-19-10<br>21-58-51-03<br>21-61-04-03<br>21-65-51-01<br>22-21-01-04<br>22-24-51-02<br>23-24-01-01<br>23-32-00-11<br>23-42-02-02<br>23-71-05-02<br>24-11-52-05<br>24-22-01-03<br>24-31-01-10<br>24-31-03-09<br>24-33-04-01<br>24-41-51-04<br>24-51-62-01<br>26-18-51-04<br>27-21-53-02<br>27-41-55-01<br>27-61-51-03<br>27-62-52-02<br>28-41-04-01<br>28-41-51-03<br>29-11-02-03<br>29-11-05-04<br>29-11-52-07<br>29-21-54-03<br>29-31-00-01<br>29-32-51-03<br>29-33-52-03<br>30-11-51-03<br>30-21-51-03<br>30-31-51-02<br>30-32-51-01<br>30-33-51-02 | 103103         | 1              |
| MISSING ITEM NUMBERS NOT APPLICABLE |             |               |  |                |                |

- ITEM NOT ILLUSTRATED

**28-22-51-02**

28-22-51  
 FIG. 02  
 PAGE 3  
 JAN 20/09

BRI



757

PARTS CATALOG (MAINTENANCE)

| FIG ITEM                            | PART NUMBER | 1 2 3 4 5 6 7 | NOMENCLATURE   | EFFECT FROM TO | UNITS PER ASSY |
|-------------------------------------|-------------|---------------|--|----------------|----------------|
| 2                                   |             |               | 30-41-51-03<br>30-42-51-03<br>31-12-11-91<br>31-12-11-91 A<br>32-42-52-03<br>33-11-03-03<br>33-11-51-17<br>33-13-01-65<br>33-13-02-03<br>33-16-51-03<br>33-24-51-02<br>33-41-52-04<br>33-42-01-04<br>33-42-02-04<br>33-42-52-04<br>33-43-51-04<br>33-44-51-05<br>33-45-53-03<br>33-51-08-05<br>34-21-02-01<br>35-21-51-04<br>36-11-04-01<br>36-21-00-01<br>36-21-02-05<br>36-22-51-03<br>49-41-00-02<br>49-52-00-01<br>49-70-00-01<br>52-51-51-03<br>52-71-51-02<br>73-21-52-02<br>74-31-51-05<br>75-32-00-01<br>80-11-09-02 |                |                |
| - 11                                | MODREF34038 |               | PANEL INSTL-P5 OVHD (ENGINE FUEL FEED SYSTEM ONLY)<br>MODULE NUMBER:<br>233N3103-351 REV D<br>FOR OTHER SYS DETAILS SEE:<br>11-31-10-12<br>21-25-55-03<br>21-31-01-02<br>21-33-51-03<br>21-51-54-03<br>21-58-19-10<br>21-58-51-03<br>21-61-04-03<br>21-65-51-01<br>22-21-01-04   | 104105         | 1              |
| MISSING ITEM NUMBERS NOT APPLICABLE |             |               |  |                |                |

- ITEM NOT ILLUSTRATED

BRI

# 28-22-51-02

BOEING PROPRIETARY - Copyright © - Unpublished Work - See title page for details.

28-22-51  
 FIG. 02  
 PAGE 4  
 JAN 20/09



757

PARTS CATALOG (MAINTENANCE)

| FIG ITEM | PART NUMBER | 1 2 3 4 5 6 7 | NOMENCLATURE  | EFFECT FROM TO | UNITS PER ASSY |
|----------|-------------|---------------|---|----------------|----------------|
| 2        |             |               | 22-24-51-02<br>23-24-01-01<br>23-32-00-11<br>23-42-02-02<br>23-71-05-02<br>24-11-52-05<br>24-22-01-03<br>24-31-01-10<br>24-31-03-09<br>24-33-04-01<br>24-41-51-04<br>24-51-62-01<br>26-18-51-04<br>27-21-53-02<br>27-41-55-01<br>27-61-51-03<br>27-62-52-02<br>28-41-04-01<br>28-41-51-03<br>29-11-02-03<br>29-11-05-04<br>29-11-52-07<br>29-21-54-03<br>29-31-00-01<br>29-32-51-03<br>29-33-52-03<br>30-11-51-03<br>30-21-51-03<br>30-31-51-02<br>30-32-51-01<br>30-33-51-02<br>30-41-51-03<br>30-42-51-03<br>31-12-11-91<br>31-12-11-91 A<br>32-42-52-03<br>33-11-03-03<br>33-11-51-17<br>33-13-01-65<br>33-13-02-03<br>33-16-51-03<br>33-24-51-02<br>33-41-52-04<br>33-42-01-04<br>33-42-02-04<br>33-42-52-04<br>33-43-51-04<br>33-44-51-05<br>33-45-53-03 |                |                |

MISSING ITEM NUMBERS NOT APPLICABLE

- ITEM NOT ILLUSTRATED

BRI

# 28-22-51-02

BOEING PROPRIETARY - Copyright © - Unpublished Work - See title page for details.

28-22-51  
FIG. 02  
PAGE 5  
JAN 20/09

**BOEING**  
757  
**PARTS CATALOG (MAINTENANCE)**

| FIG ITEM | PART NUMBER   | 1 2 3 4 5 6 7 | NOMENCLATURE   | EFFECT FROM TO             | UNITS PER ASSY |
|----------|---------------|---------------|--|----------------------------|----------------|
| 2        |               |               | 33-51-08-05<br>34-21-02-01<br>35-21-51-04<br>36-11-04-01<br>36-21-00-01<br>36-21-02-05<br>36-22-51-03<br>49-41-00-02<br>49-52-00-01<br>49-70-00-01<br>52-51-51-03<br>52-71-51-02<br>73-21-52-02<br>74-31-51-05<br>75-32-00-01<br>80-11-09-02   |                            |                |
| 50       | 233N3206-3300 |               | .PANEL ASSY-FUEL CONT<br>REPLACES 233N3206-300<br>SUPPLIER CODE:<br>V89954<br>ELECTRICAL EQUIP NUMBER:<br>M10055<br>COMPONENT MAINT MANUAL REF:<br>28-41-71<br>POST ALERT SB:<br>28A0105R1<br>POST COMPONENT SB:<br>233N3206-28-03   | 011106<br>108120<br>504903 | RF             |
| 50       | 233N3206-300  |               | .PANEL ASSY-FUEL CONT<br>SUPPLIER CODE:<br>V89954<br>ELECTRICAL EQUIP NUMBER:<br>M10055<br>COMPONENT MAINT MANUAL REF:<br>28-41-71<br>QUALIFIED I/W DATA:<br>THE 233N3206-300 PANEL<br>ASSY IS I/W THE<br>233N3206-19 PANEL ASSY<br>T/W THE S233T100-1106<br>LIGHTPLATE<br>PRE ALERT SB:<br>28A0105R1<br>PRE COMPONENT SB:<br>233N3206-28-03 | 011106<br>108120<br>504903 | RF             |

MISSING ITEM NUMBERS NOT APPLICABLE

— ITEM NOT ILLUSTRATED

BRI

# 28-22-51-02

BOEING PROPRIETARY - Copyright © - Unpublished Work - See title page for details.

28-22-51  
FIG. 02  
PAGE 6  
JAN 20/09



757

PARTS CATALOG (MAINTENANCE)

| FIG ITEM | PART NUMBER    | 1 2 3 4 5 6 7 | NOMENCLATURE   | EFFECT FROM TO             | UNITS PER ASSY |
|----------|----------------|---------------|--|----------------------------|----------------|
| 2        |                |               |  |                            |                |
| 65       | 233N3206-3019  |               | ..PANEL ASSY-<br>REPLACES 233N3206-19<br>SUPPLIER CODE:<br>V89954<br>COMPONENT MAINT MANUAL REF:<br>28-41-71<br>POST ALERT SB:<br>28A0105R1<br>POST COMPONENT SB:<br>233N3206-28-03  | 011106<br>108120<br>504903 | 1              |
| 65       | 233N3206-19    |               | ..PANEL ASSY-<br>SUPPLIER CODE:<br>V89954<br>COMPONENT MAINT MANUAL REF:<br>28-41-71<br>QUALIFIED I/W DATA:<br>THE 233N3206-300 PANEL<br>ASSY IS I/W THE<br>233N3206-19 PANEL ASSY<br>T/W THE S233T100-1106<br>LIGHTPLATE<br>PRE ALERT SB:<br>28A0105R1<br>PRE COMPONENT SB:<br>233N3206-28-03 | 011106<br>108120<br>504903 | 1              |
| 70       | BCREFA0511     |               | ...SWITCH ASSY-LIGHTED PUSH<br>BUTTON IND ON/PRESS<br>SUPPLIER CODE:<br>V81590<br>OVERLENGTH PART NUMBER:<br>433-673-1004-4026<br>SPECIFICATION NUMBER:<br>S231T290-4026<br>OPTIONAL PART:<br>851-35100-5026<br>V96182<br>FOR DETAILS SEE:<br>33-13-00-49A                                     | 011106<br>108120<br>504903 | 4              |
| 70       | 851-30768-2026 |               | ...SWITCH ASSY-LIGHTED PUSH<br>BUTTON IND ON/PRESS<br>SUPPLIER CODE:<br>V96182<br>SPECIFICATION NUMBER:<br>S231T290-2026<br>FOR DETAILS SEE:<br>33-13-00-29A   | 011106<br>108120<br>504903 | 4              |

MISSING ITEM NUMBERS NOT APPLICABLE

- ITEM NOT ILLUSTRATED

BRI

28-22-51-02

BOEING PROPRIETARY - Copyright © - Unpublished Work - See title page for details.

28-22-51  
FIG. 02  
PAGE 7  
JAN 20/09



757

PARTS CATALOG (MAINTENANCE)

| FIG ITEM | PART NUMBER     | 1 2 3 4 5 6 7 | NOMENCLATURE   | EFFECT FROM TO             | UNITS PER ASSY |
|----------|-----------------|---------------|--|----------------------------|----------------|
| 2        |                 |               |  |                            |                |
| 70       | 851-30768-3026  |               | ...SWITCH ASSY-LIGHTED PUSH<br>BUTTON IND ON/PRESS<br>SUPPLIER CODE:<br>V96182<br>SPECIFICATION NUMBER:<br>S231T290-3026<br>FOR DETAILS SEE:<br>33-13-00-39A                           | 011106<br>108120<br>504903 | 4              |
| 70       | 851-35100-5026  |               | ...SWITCH ASSY-LIGHTED PUSH<br>BUTTON IND<br>SUPPLIER CODE:<br>V96182<br>SPECIFICATION NUMBER:<br>S231T290-5026<br>OPTIONAL PART:<br>4336731004-4226<br>V81590<br>BCREFA0511<br>V81590 | 011106<br>108120<br>504903 | 4              |
| 70       | 4336731004-4226 |               | ...SWITCH ASSY-LIGHTED PUSH<br>BUTTON IND ON/PRESS<br>SUPPLIER CODE:<br>V81590<br>SPECIFICATION NUMBER:<br>S231T290-4226<br>OPTIONAL PART:<br>851-35100-5026<br>V96182                 | 011106<br>108120<br>504903 | 4              |

MISSING ITEM NUMBERS NOT APPLICABLE

- ITEM NOT ILLUSTRATED

BRI

28-22-51-02

BOEING PROPRIETARY - Copyright © - Unpublished Work - See title page for details.

28-22-51  
FIG. 02  
PAGE 8  
JAN 20/09



757

PARTS CATALOG (MAINTENANCE)

| FIG ITEM | PART NUMBER       | 1 2 3 4 5 6 7 | NOMENCLATURE  | EFFECT FROM TO             | UNITS PER ASSY |
|----------|-------------------|---------------|---|----------------------------|----------------|
| 2        | 75 BCREFA0517     |               | ...SWITCH ASSY-LIGHTED PUSH<br>BUTTON IND VALVE<br>SUPPLIER CODE:<br>V81590<br>OVERLENGTH PART NUMBER:<br>433-673-1004-4038<br>SPECIFICATION NUMBER:<br>S231T290-4038<br>MISCELLANEOUS DATA:<br>WHEN REPLACING THE<br>PUSHBUTTON SWITCH ASSY<br>OR THE MASTER MODULE<br>WITHIN, VERIFY THAT A<br>CONFIG D MASTER MODULE<br>P/N 13206-001 IS<br>INSTALLED IN LIEU OF ANY<br>EARLIER CONFIGURATION<br>MASTER MODULES.<br>OPTIONAL PART:<br>851-35100-5038<br>V96182<br>FOR DETAILS SEE:<br>33-13-00-47A | 011106<br>108120<br>504903 | 2              |
|          | 75 851-30768-2038 |               | ...SWITCH ASSY-LIGHTED PUSH<br>BUTTON IND VALVE<br>SUPPLIER CODE:<br>V96182<br>SPECIFICATION NUMBER:<br>S231T290-2038<br>FOR DETAILS SEE:<br>33-13-00-27A   | 011106<br>108120<br>504903 | 2              |
|          | 75 851-30768-3038 |               | ...SWITCH ASSY-LIGHTED PUSH<br>BUTTON IND VALVE<br>SUPPLIER CODE:<br>V96182<br>SPECIFICATION NUMBER:<br>S231T290-3038<br>FOR DETAILS SEE:<br>33-13-00-37A   | 011106<br>108120<br>504903 | 2              |

MISSING ITEM NUMBERS NOT APPLICABLE

- ITEM NOT ILLUSTRATED

BRI

28-22-51-02

BOEING PROPRIETARY - Copyright © - Unpublished Work - See title page for details.

28-22-51  
FIG. 02  
PAGE 9  
JAN 20/09



757

PARTS CATALOG (MAINTENANCE)

| FIG ITEM | PART NUMBER        | 1 2 3 4 5 6 7 | NOMENCLATURE  | EFFECT FROM TO             | UNITS PER ASSY |
|----------|--------------------|---------------|---|----------------------------|----------------|
| 2        | 75 851-35100-5038  |               | ...SWITCH ASSY-LIGHTED PUSH<br>BUTTON IND VALVE<br>SUPPLIER CODE:<br>V96182<br>SPECIFICATION NUMBER:<br>S231T290-5038<br>OPTIONAL PART:<br>4336731004-4238<br>V81590<br>BCREFA0517<br>V81590  | 011106<br>108120<br>504903 | 2              |
|          | 75 4336731004-4238 |               | ...SWITCH ASSY-LIGHTED PUSH<br>BUTTON IND VALVE<br>SUPPLIER CODE:<br>V81590<br>SPECIFICATION NUMBER:<br>S231T290-4238<br>OPTIONAL PART:<br>851-35100-5038<br>V96182   | 011106<br>108120<br>504903 | 2              |
|          | 80 BCREFA0508      |               | ...SWITCH ASSY-LIGHTED PUSH<br>BUTTON IND ON/PRESS<br>SUPPLIER CODE:<br>V81590<br>OVERLENGTH PART NUMBER:<br>433-673-1004-4021<br>SPECIFICATION NUMBER:<br>S231T290-4021<br>OPTIONAL PART:<br>851-35100-5021<br>V96182<br>FOR DETAILS SEE:<br>33-13-00-48 | 011106<br>108120<br>504903 | 1              |
|          | 80 851-30768-3021  |               | ...SWITCH ASSY-LIGHTED PUSH<br>BUTTON IND ON/PRESS<br>SUPPLIER CODE:<br>V96182<br>SPECIFICATION NUMBER:<br>S231T290-3021<br>FOR DETAILS SEE:<br>33-13-00-38   | 011106<br>108120<br>504903 | 1              |

MISSING ITEM NUMBERS NOT APPLICABLE

- ITEM NOT ILLUSTRATED

BRI

28-22-51-02

BOEING PROPRIETARY - Copyright © - Unpublished Work - See title page for details.

28-22-51  
FIG. 02  
PAGE 10  
JAN 20/09





757

PARTS CATALOG (MAINTENANCE)

| FIG ITEM | PART NUMBER        | 1 2 3 4 5 6 7 | NOMENCLATURE   | EFFECT FROM TO             | UNITS PER ASSY |
|----------|--------------------|---------------|--|----------------------------|----------------|
| 2        | 80 851-35100-5021  | ...           | SWITCH ASSY-LIGHTED PUSH<br>BUTTON IND<br>SUPPLIER CODE:<br>V96182<br>SPECIFICATION NUMBER:<br>S231T290-5021<br>OPTIONAL PART:<br>4336731004-4221<br>V81590<br>BCREFA0508<br>V81590  | 011106<br>108120<br>504903 | 1              |
|          | 80 4336731004-4221 | ...           | SWITCH ASSY-LIGHTED PUSH<br>BUTTON IND ON/PRESS<br>SUPPLIER CODE:<br>V81590<br>SPECIFICATION NUMBER:<br>S231T290-4221<br>OPTIONAL PART:<br>851-35100-5021<br>V96182  | 011106<br>108120<br>504903 | 1              |
|          | 85 BCREFA0509      | ...           | SWITCH ASSY-LIGHTED PUSH<br>BUTTON IND PRESS/ON<br>SUPPLIER CODE:<br>V81590<br>OVERLENGTH PART NUMBER:<br>433-673-1004-4022<br>SPECIFICATION NUMBER:<br>S231T290-4022<br>OPTIONAL PART:<br>851-35100-5022<br>V96182<br>FOR DETAILS SEE:<br>33-13-00-48 | 011106<br>108120<br>504903 | 1              |
|          | 85 851-30768-3022  | ...           | SWITCH ASSY-LIGHTED PUSH<br>BUTTON IND PRESS/ON<br>SUPPLIER CODE:<br>V96182<br>SPECIFICATION NUMBER:<br>S231T290-3022<br>FOR DETAILS SEE:<br>33-13-00-38   | 011106<br>108120<br>504903 | 1              |

MISSING ITEM NUMBERS NOT APPLICABLE

- ITEM NOT ILLUSTRATED

BRI

28-22-51-02

BOEING PROPRIETARY - Copyright © - Unpublished Work - See title page for details.

28-22-51  
FIG. 02  
PAGE 11  
JAN 20/09



757

PARTS CATALOG (MAINTENANCE)

| FIG ITEM | PART NUMBER     | 1 2 3 4 5 6 7 | NOMENCLATURE  | EFFECT FROM TO             | UNITS PER ASSY |
|----------|-----------------|---------------|---|----------------------------|----------------|
| 2        |                 |               |   |                            |                |
| 85       | 851-35100-5022  | ...           | SWITCH ASSY-LIGHTED PUSH<br>BUTTON IND<br>SUPPLIER CODE:<br>V96182<br>SPECIFICATION NUMBER:<br>S231T290-5022<br>OPTIONAL PART:<br>4336731004-4222<br>V81590<br>BCREFA0509<br>V81590       | 011106<br>108120<br>504903 | 1              |
| 85       | 4336731004-4222 | ...           | SWITCH ASSY-LIGHTED PUSH<br>BUTTON IND PRESS/ON<br>SUPPLIER CODE:<br>V81590<br>SPECIFICATION NUMBER:<br>S231T290-4222<br>OPTIONAL PART:<br>851-35100-5022<br>V96182                       | 011106<br>108120<br>504903 | 1              |
| 90       | MS51957-14      | ...           | SCREW   | 011106<br>108120<br>504903 | 6              |
| 95       | K19798-04       | ...           | NUT<br>SUPPLIER CODE:<br>V15653<br>SPECIFICATION NUMBER:<br>BACN10NW1<br>OPTIONAL PART:<br>RMA4812-160-40<br>V72962<br>293162<br>V60119   | 011106<br>108120<br>504903 | 6              |
| 100      | BACC45FN20-28P7 | ...           | CONNECTOR<br>SUPPLIER CODE:<br>V41118<br>SPECIFICATION NUMBER:<br>BACC45FN20-28P7<br>OPTIONAL PART:<br>C48-10R20-28P7-<br>V13556<br>ZZWAC1720-28P7<br>V49367<br>48-10R20-28P7-3<br>V02660 | 011106<br>108120<br>504903 | 1              |

MISSING ITEM NUMBERS NOT APPLICABLE

- ITEM NOT ILLUSTRATED

BRI

28-22-51-02

BOEING PROPRIETARY - Copyright © - Unpublished Work - See title page for details.

28-22-51  
FIG. 02  
PAGE 12  
JAN 20/09



757

PARTS CATALOG (MAINTENANCE)

| FIG ITEM | PART NUMBER     | 1 2 3 4 5 6 7 | NOMENCLATURE  | EFFECT FROM TO             | UNITS PER ASSY |
|----------|-----------------|---------------|---|----------------------------|----------------|
| 2<br>105 | BACC45FN20-28P8 | ...           | CONNECTOR<br>SUPPLIER CODE:<br>V41118<br>SPECIFICATION NUMBER:<br>BACC45FN20-28P8<br>OPTIONAL PART:<br>C48-10R20-28P8-<br>V13556<br>ZZWAC1720-28P8<br>V49367<br>48-10R20-28P8-3<br>V02660   | 011106<br>108120<br>504903 | 1              |
| 110      | R071714-15P10   | ...           | CONNECTOR-<br>SUPPLIER CODE:<br>V41118<br>SPECIFICATION NUMBER:<br>BCREF4930<br>OVERLENGTH PART NUMBER:<br>BACC45FN14-15P10   | 011106<br>108120<br>504903 | 1              |
| - 200    | 286N2078-005    |               | WIRE BUNDLE ASSY  | 011100                     | RF             |
| - 201    | 286N2078-328    |               | WIRE BUNDLE ASSY  | 504903                     | RF             |
| - 201    | 286N2078-330    |               | WIRE BUNDLE ASSY  | 101102                     | RF             |
| - 202    | 286N2078-331    |               | WIRE BUNDLE ASSY  | 108120                     | RF             |
| - 203    | 286N2078-601    |               | WIRE BUNDLE ASSY  | 103106                     | RF             |
| 205      | R071614A15S10   | .             | CONNECTOR-<br>SUPPLIER CODE:<br>V41118<br>SPECIFICATION NUMBER:<br>BCREF6350<br>OPTIONAL PART:<br>BMS2426614515S1<br>V11139<br>OVERLENGTH PART NUMBER:<br>BACC45FT14A15S10<br>ELECTRICAL EQUIP NUMBER:<br>D03516<br>WIRING DIAGRAM REF:<br>282231 | 011106<br>108120<br>504903 | 1              |
| - 300    | 286N2070-005    |               | WIRE BUNDLE ASSY-   | 011100                     | RF             |
| - 302    | 286N2070-335    |               | WIRE BUNDLE ASSY  | 101102                     | RF             |
| -302H    | 286N2070-340    |               | WIRE BUNDLE ASSY  | 504903                     | RF             |
| - 303    | 286N2070-337    |               | WIRE BUNDLE ASSY  | 108120                     | RF             |
| - 306    | 286N2070-601    |               | WIRE BUNDLE ASSY  | 103106                     | RF             |
| 350      | BACC45FT20A28S8 | .             | CONNECTOR-<br>ELECTRICAL EQUIP NUMBER:<br>D03514  | 011106<br>108120<br>504903 | 1              |
| - 400    | 286N2066-008    |               | WIRE BUNDLE ASSY  | 011100                     | RF             |
| - 401    | 286N2066-010    |               | WIRE BUNDLE ASSY  | 504903                     | RF             |
| - 402    | 286N2066-334    |               | WIRE BUNDLE ASSY  | 101102                     | RF             |

MISSING ITEM NUMBERS NOT APPLICABLE

- ITEM NOT ILLUSTRATED

28-22-51-02

28-22-51  
FIG. 02  
PAGE 13  
JAN 20/09

BRI



757

PARTS CATALOG (MAINTENANCE)

| FIG<br>ITEM | PART NUMBER     | 1 2 3 4 5 6 7 | NOMENCLATURE                       | EFFECT<br>FROM TO | UNITS<br>PER<br>ASSY |
|-------------|-----------------|---------------|------------------------------------|-------------------|----------------------|
| 2           |                 |               |                                    |                   |                      |
| - 402       | 286N2066-346    |               | WIRE BUNDLE ASSY                   | 108120            | RF                   |
| - 405       | 286N2066-602    |               | WIRE BUNDLE ASSY                   | 103106            | RF                   |
| 450         | BACC45FT20A28S7 |               | .CONNECTOR-                        | 011106            | 1                    |
|             |                 |               | ELECTRICAL EQUIP NUMBER:<br>D03512 | 108120<br>504903  |                      |

MISSING ITEM NUMBERS NOT APPLICABLE

- ITEM NOT ILLUSTRATED

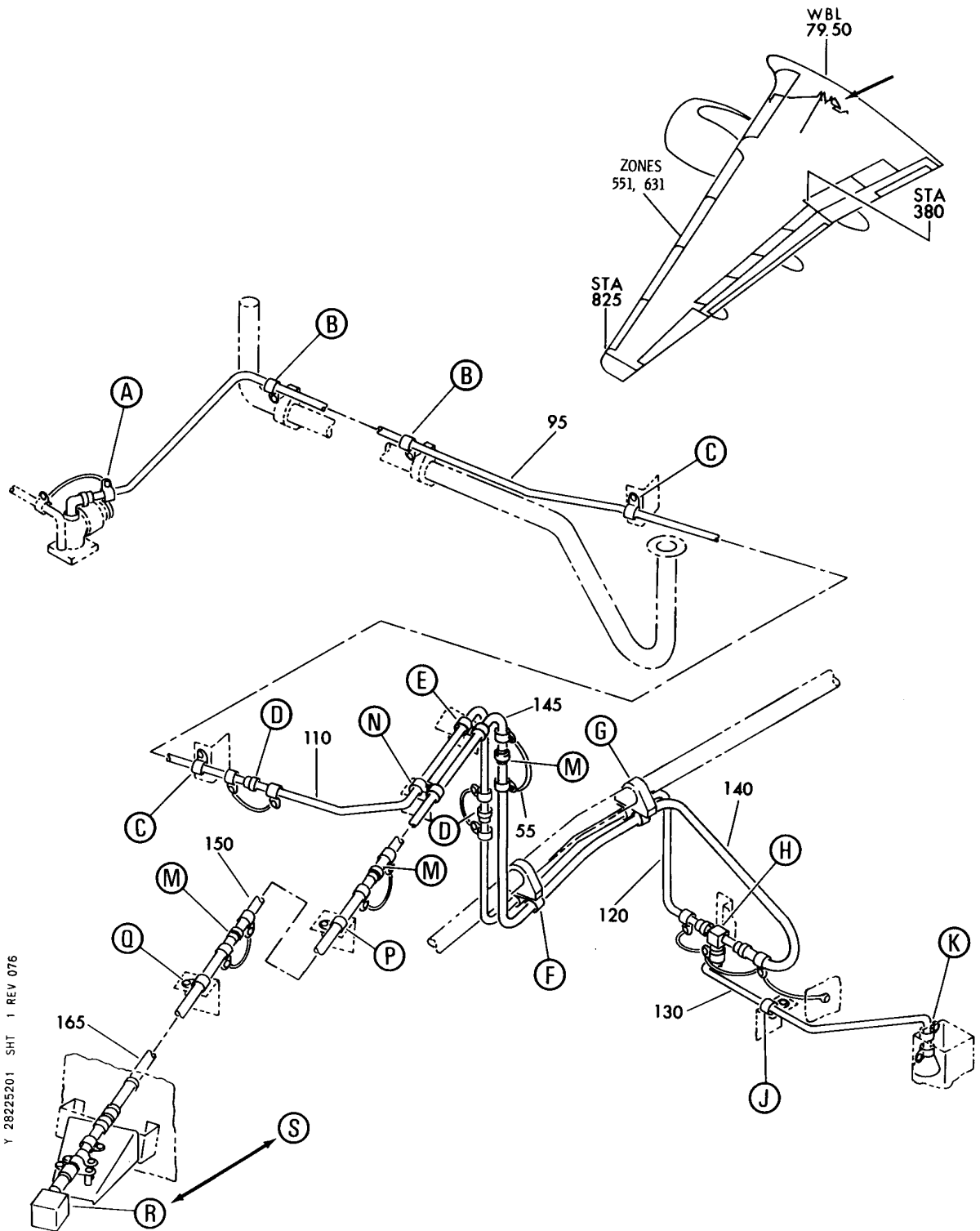
BRI

28-22-51-02

BOEING PROPRIETARY - Copyright © - Unpublished Work - See title page for details.

28-22-51  
FIG. 02  
PAGE 14  
JAN 20/09

**BOEING**  
757  
PARTS CATALOG (MAINTENANCE)



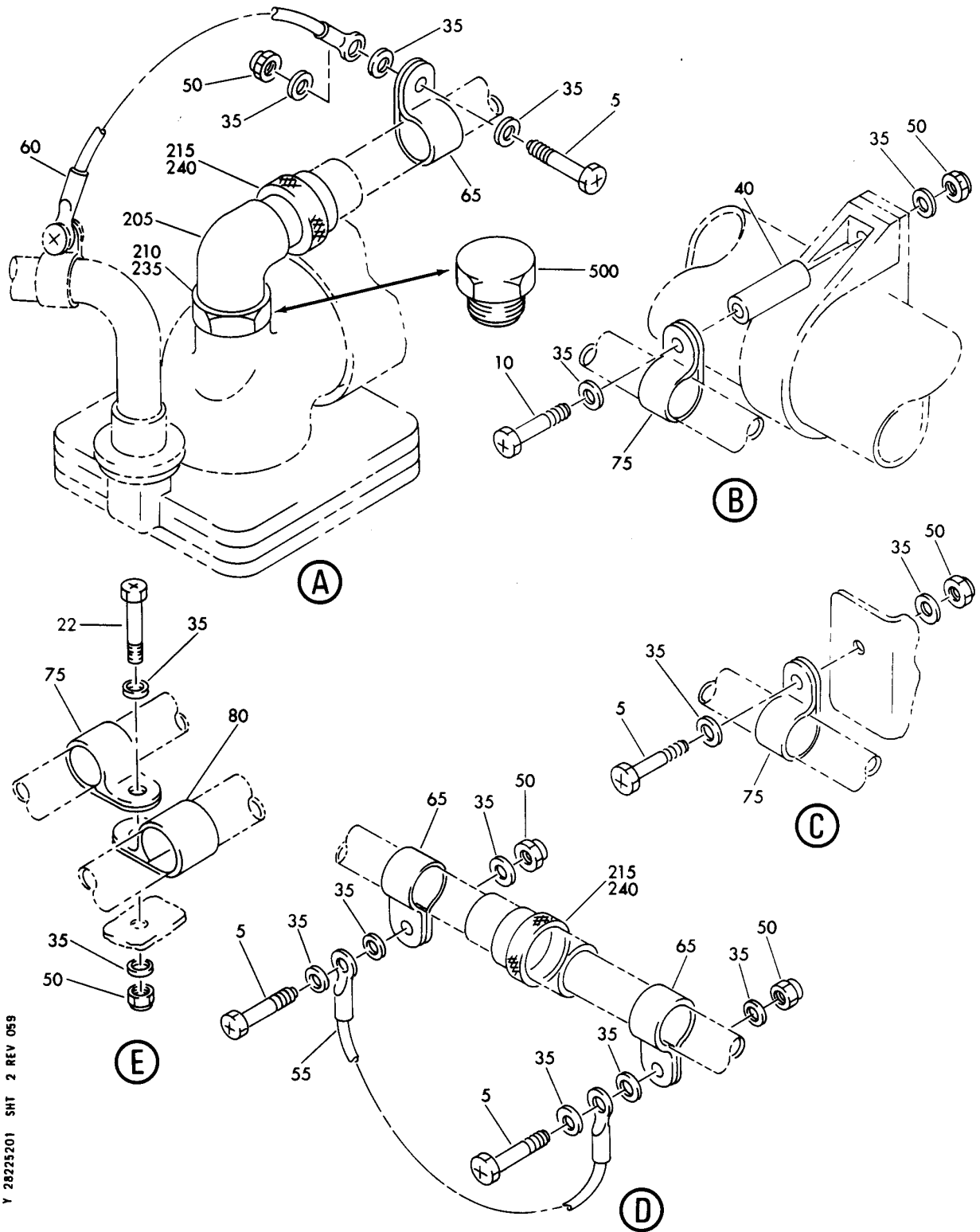
TUBING INSTL-CTR FUEL TANK SCAVENGE SYS  
FIGURE 1 (SHEET 1)

**28-22-52-01**

BRI  
MAY 28/07

28-22-52-01  
PAGE 0


**BOEING**  
 757  
**PARTS CATALOG (MAINTENANCE)**



Y 28225201 SHT 2 REV 059

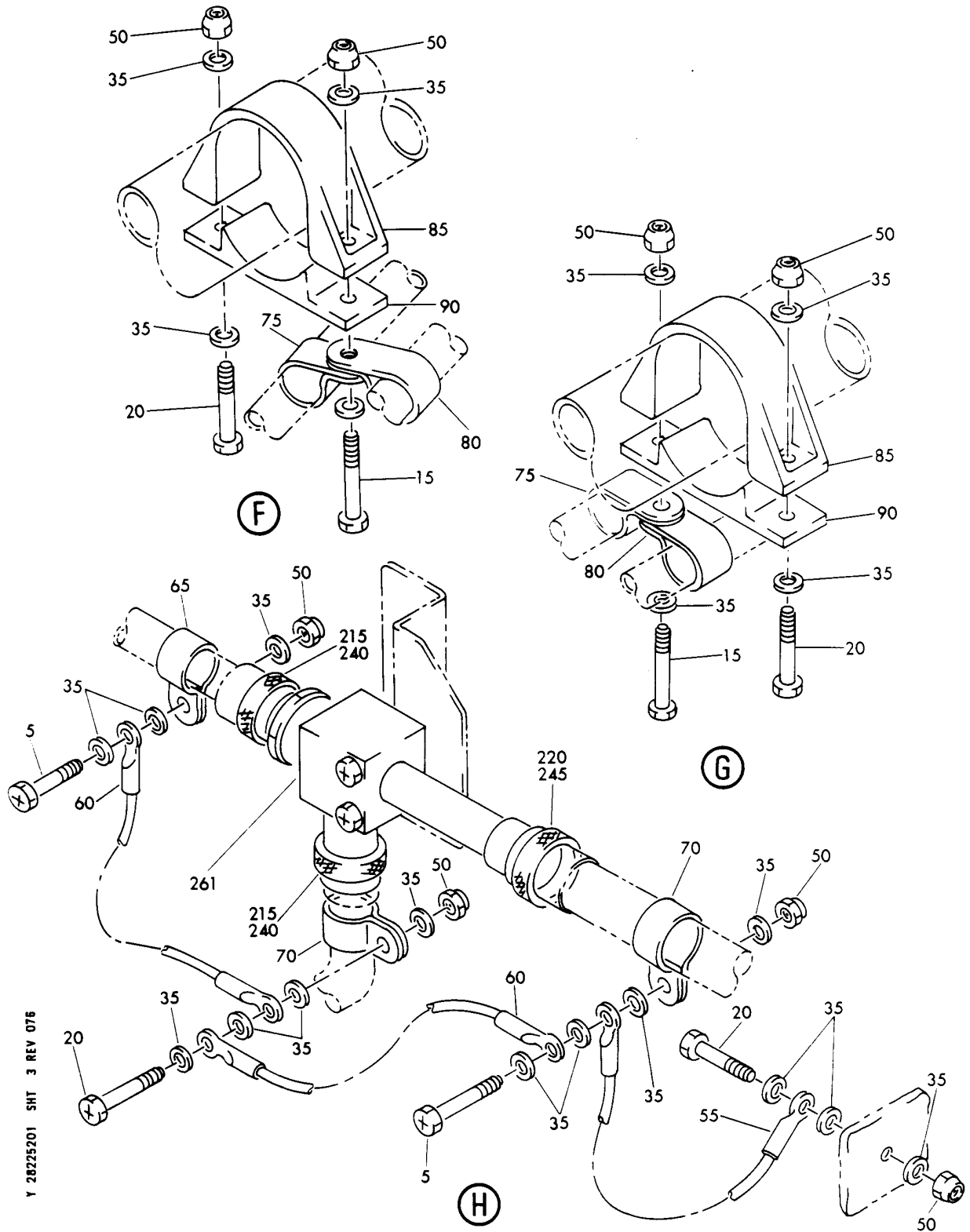
TUBING INSTL-CTR FUEL TANK SCAVENGE SYS  
FIGURE 1 (SHEET 2)

**28-22-52-01**

BRI  
MAY 28/07

28-22-52-01  
PAGE 0A

**BOEING**  
757  
PARTS CATALOG (MAINTENANCE)



Y 28225201 SHT 3 REV 076

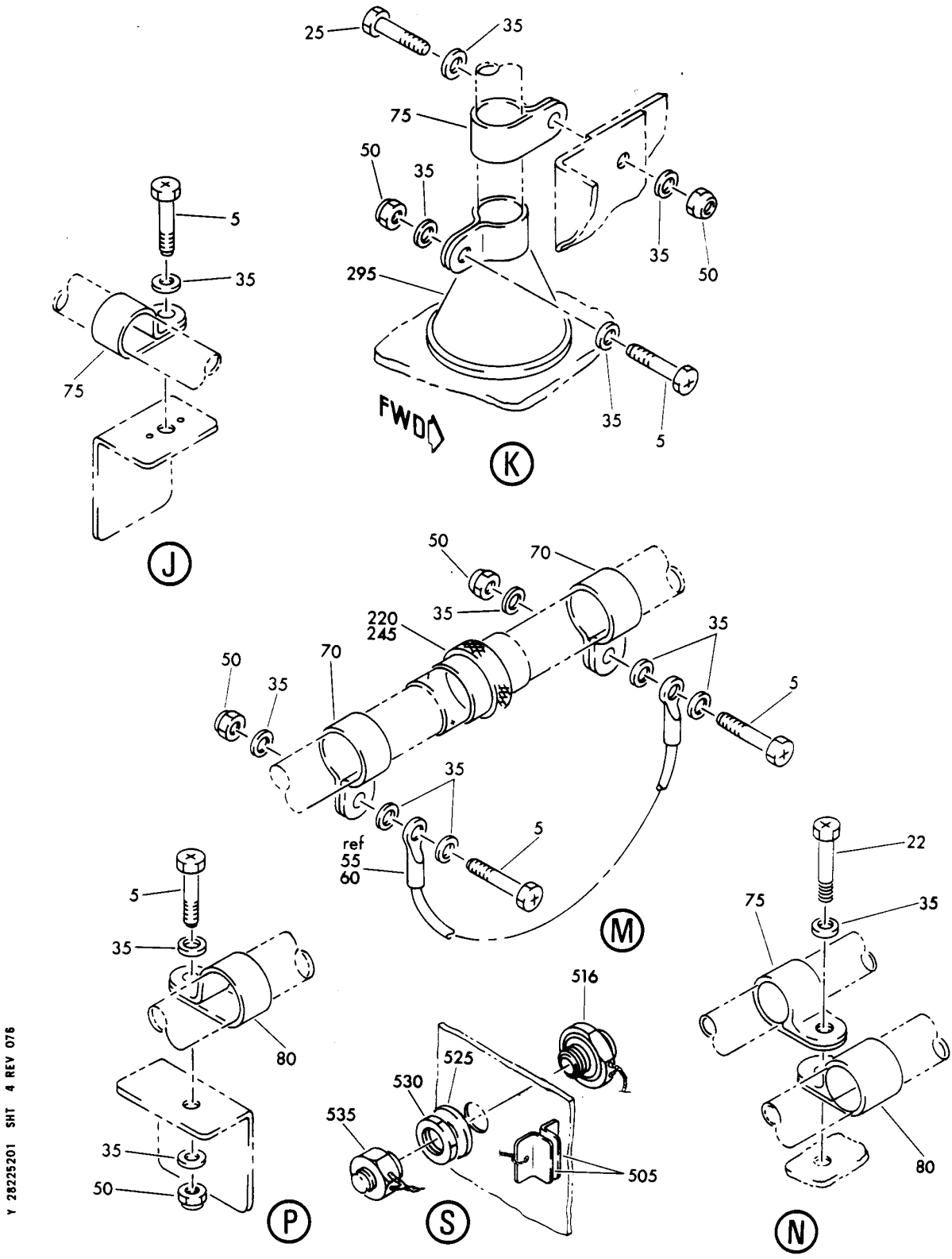
TUBING INSTL-CTR FUEL TANK SCAVENGE SYS  
FIGURE 1 (SHEET 3)

**28-22-52-01**

BRI  
MAY 28/07

28-22-52-01  
PAGE 0B

**BOEING**  
757  
PARTS CATALOG (MAINTENANCE)



Y 28225201 SH1 4 REV 076

TUBING INSTL-CTR FUEL TANK SCAVENGE SYS  
FIGURE 1 (SHEET 4)

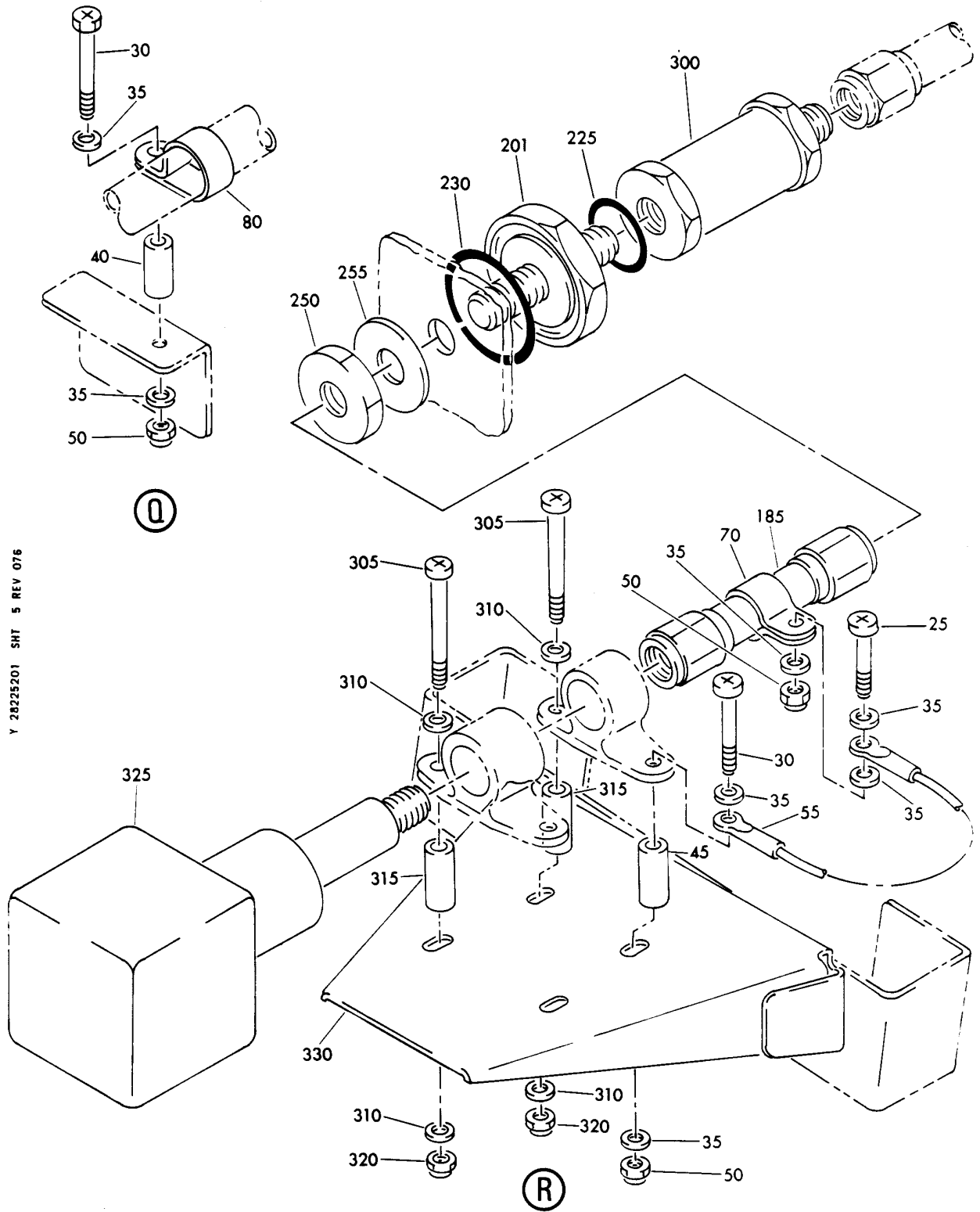
**28-22-52-01**

BRI  
MAY 28/07

28-22-52-01  
PAGE 0C



**BOEING**  
757  
PARTS CATALOG (MAINTENANCE)



Y 2825201 SH1 5 REV 076

TUBING INSTL-CTR FUEL TANK SCAVENGE SYS  
FIGURE 1 (SHEET 5)

**28-22-52-01**

BRI  
MAY 28/07

28-22-52-01  
PAGE 0D



757

PARTS CATALOG (MAINTENANCE)

| FIG ITEM | PART NUMBER  | 1 2 3 4 5 6 7 | NOMENCLATURE  | EFFECT FROM TO                                 | UNITS PER ASSY |
|----------|--------------|---------------|---|--|----------------|
| 1        |              |               | TUBING INSTL-CTR FUEL TANK<br>SCAVENGE SYS                                | 002004<br>006100<br>107107<br>121503<br>904999 |                |
| - 1      | 343N3302-17  |               | TUBING INSTL-CTR FUEL TANK<br>SCAVENGE SYS<br>FOR NHA SEE:<br>28-22-00-01 | 002004<br>006100<br>107107<br>121503<br>904999 | RF             |
| 5        | NAS1801-3-7  | .             | SCREW   | 002004<br>006100<br>107107<br>121503<br>904999 | 20             |
| 10       | NAS1801-3-28 | .             | SCREW   | 002004<br>006100<br>107107<br>121503<br>904999 | 2              |
| 15       | NAS1801-3-15 | .             | SCREW-  | 002004<br>006100<br>107107<br>121503<br>904999 | 2              |
| 20       | NAS1801-3-10 | .             | SCREW   | 002004<br>006100<br>107107<br>121503<br>904999 | 4              |
| 22       | NAS1801-3-11 | .             | SCREW   | 002004<br>006100<br>107107<br>121503<br>904999 | 2              |
| 25       | NAS1801-3-8  | .             | SCREW   | 002004<br>006100<br>107107<br>121503<br>904999 | 2              |
| 30       | NAS1801-3-26 | .             | SCREW   | 002004<br>006100<br>107107<br>121503<br>904999 | 2              |

MISSING ITEM NUMBERS NOT APPLICABLE

- ITEM NOT ILLUSTRATED

BRI

28-22-52-01

28-22-52  
FIG. 01  
PAGE 1  
JAN 20/09



757

PARTS CATALOG (MAINTENANCE)

| FIG ITEM | PART NUMBER   | 1 2 3 4 5 6 7 | NOMENCLATURE | EFFECT FROM TO        | UNITS PER ASSY |
|----------|---------------|---------------|--------------|-----------------------|----------------|
| 1        | 35 AN960PD10L |               | .WASHER      | 002004                | 80             |
|          |               |               |              | 006100                |                |
|          |               |               |              | 107107                |                |
|          |               |               |              | 121503                |                |
| 40       | NAS43DD3-64   |               | .SPACER      | 904999                | 3              |
|          |               |               |              | 002004                |                |
|          |               |               |              | 006100                |                |
|          |               |               |              | 107107                |                |
| 45       | NAS43DD3-47   |               | .SPACER      | 121503                | 1              |
|          |               |               |              | 904999                |                |
|          |               |               |              | 002004                |                |
|          |               |               |              | 006100                |                |
| 50       | BRH10A3       |               | .NUT         | 002004                | 30             |
|          |               |               |              | SUPPLIER CODE:        |                |
|          |               |               |              | V52828                |                |
|          |               |               |              | SPECIFICATION NUMBER: |                |
|          |               |               |              | BACN10JC3             |                |
|          |               |               |              | OPTIONAL PART:        |                |
|          |               |               |              | H10-3BAC              |                |
|          |               |               |              | V15653                |                |
|          |               |               |              | NS202101-02           |                |
|          |               |               |              | V80539                |                |
|          |               |               |              | RMLH9075-3W           |                |
|          |               |               |              | V72962                |                |
|          |               |               |              | VN303A02              |                |
| V92215   |               |               |              |                       |                |
| 96-02    |               |               |              |                       |                |
| V80539   |               |               |              |                       |                |
| T6S1032J |               |               |              |                       |                |
| V11815   |               |               |              |                       |                |
| 55       | 740A20-4      |               | .JUMPER ASSY | 002004                | 5              |
|          |               |               |              | SUPPLIER CODE:        |                |
|          |               |               |              | V91812                |                |
|          |               |               |              | SPECIFICATION NUMBER: |                |
|          |               |               |              | BACJ40A20-4           |                |
|          |               |               |              | OPTIONAL PART:        |                |
|          |               |               |              | TJEJ40A20-4           |                |
|          |               |               |              | V33483                |                |
| RBEJ20-4 |               |               |              |                       |                |
| V1GK47   |               |               |              |                       |                |

MISSING ITEM NUMBERS NOT APPLICABLE

- ITEM NOT ILLUSTRATED

BRI

28-22-52-01

BOEING PROPRIETARY - Copyright © - Unpublished Work - See title page for details.

28-22-52  
FIG. 01  
PAGE 2  
JAN 20/09

 **BOEING**  
757  
**PARTS CATALOG (MAINTENANCE)**

| FIG ITEM | PART NUMBER | 1 2 3 4 5 6 7 | NOMENCLATURE   | EFFECT FROM TO                                 | UNITS PER ASSY |
|----------|-------------|---------------|--|--|----------------|
| 1        |             |               |  |  |                |
| 60       | 740A20-6    | .             | JUMPER ASSY<br>SUPPLIER CODE:<br>V91812<br>SPECIFICATION NUMBER:<br>BACJ40A20-6<br>OPTIONAL PART:<br>TJEJ40A20-6<br>V33483<br>RBEJ20-6<br>V1GK47 | 002004<br>006100<br>107107<br>121503<br>904999 | 5              |
| 65       | AN735D6     | .             | CLAMP  | 002004<br>006100<br>107107<br>121503<br>904999 | 5              |
| 70       | AN735D8     | .             | CLAMP  | 002004<br>006100<br>107107<br>121503<br>904999 | 9              |
| 75       | BACC10DK6   | .             | CLAMP  | 002004<br>006100<br>107107<br>121503<br>904999 | 10             |
| 80       | BACC10DK8A  | .             | CLAMP  | 002004<br>006100<br>107107<br>121503<br>904999 | 6              |
| 85       | BACC10EW32A | .             | CLAMP STRAP  | 002004<br>006100<br>107107<br>121503<br>904999 | 2              |
| 90       | BACC10EW32B | .             | CLAMP SADDLE   | 002004<br>006100<br>107107<br>121503<br>904999 | 2              |
| 95       | 343N3302-2  | .             | TUBE ASSY-<br>TUBING MATERIAL:<br>.375 IN. OD .022 IN.<br>WALL 70.0 IN. LG<br>ALUMINUM   | 002004<br>006100<br>107107<br>121503<br>904999 | 1              |

MISSING ITEM NUMBERS NOT APPLICABLE

— ITEM NOT ILLUSTRATED

BRI

# 28-22-52-01

BOEING PROPRIETARY - Copyright © - Unpublished Work - See title page for details.

28-22-52  
FIG. 01  
PAGE 3  
JAN 20/09



757

PARTS CATALOG (MAINTENANCE)

| FIG ITEM | PART NUMBER | 1 2 3 4 5 6 7 | NOMENCLATURE  | EFFECT FROM TO                                 | UNITS PER ASSY |
|----------|-------------|---------------|---|--|----------------|
| 1        |             |               |   |  |                |
| - 100    | BACC42T6    | ..            | COUPLING<br>SUPPLIER CODE:<br>V79326<br>SPECIFICATION NUMBER:<br>BACC42T6<br>OPTIONAL PART:<br>TC011-6<br>V24984<br>83051-6<br>V79326 | 002004<br>006100<br>107107<br>121503<br>904999 | 1              |
| - 105    | S83052-6    | ..            | FERRULE<br>SUPPLIER CODE:<br>V79326<br>SPECIFICATION NUMBER:<br>BACF32F6<br>OPTIONAL PART:<br>TC010-6<br>V24984                       | 002004<br>006100<br>107107<br>121503<br>904999 | 1              |
| 110      | 343N3302-3  | .TUBE ASSY-   | TUBING MATERIAL:<br>.375 IN. OD .022 IN.<br>WALL 28.0 IN. LG.<br>ALUMINUM   | 002004<br>006100<br>107107<br>121503<br>904999 | 1              |
| - 115    | BACC42T6    | ..            | COUPLING<br>SUPPLIER CODE:<br>V79326<br>SPECIFICATION NUMBER:<br>BACC42T6<br>OPTIONAL PART:<br>TC011-6<br>V24984<br>83051-6<br>V79326 | 002004<br>006100<br>107107<br>121503<br>904999 | 2              |
| 120      | 343N3302-18 | .TUBE ASSY-   | TUBING MATERIAL:<br>.375 IN. OD .022 IN.<br>WALL 49.3 IN. LG<br>WW-7-700/6 6061 T4<br>TUBING  | 002004<br>006100<br>107107<br>121503<br>904999 | 1              |
| - 125    | AS1737D06   | ..            | FERRULE-  | 002004<br>006100<br>107107<br>121503<br>904999 | 1              |
| - 127    | AS1732D06   | ..            | BODY  | 002004<br>006100<br>107107<br>121503<br>904999 | 1              |

MISSING ITEM NUMBERS NOT APPLICABLE

- ITEM NOT ILLUSTRATED

28-22-52-01

28-22-52  
FIG. 01  
PAGE 4  
JAN 20/09

BRI



757

PARTS CATALOG (MAINTENANCE)

| FIG ITEM | PART NUMBER | 1 2 3 4 5 6 7 | NOMENCLATURE  | EFFECT FROM TO                                 | UNITS PER ASSY |
|----------|-------------|---------------|---|--|----------------|
| 1        |             |               |   |  |                |
| 130      | 343N3302-19 |               | .TUBE ASSY-<br>TUBING MATERIAL:<br>.375 IN. OD .022 IN.<br>WALL 27.5 IN. LG<br>WW-T-700/6 6061 T4                                       | 002004<br>006100<br>107107<br>121503<br>904999 | 1              |
| - 135    | BACC42T6    |               | ..COUPLING<br>SUPPLIER CODE:<br>V79326<br>SPECIFICATION NUMBER:<br>BACC42T6<br>OPTIONAL PART:<br>TC011-6<br>V24984<br>83051-6<br>V79326 | 002004<br>006100<br>107107<br>121503<br>904999 | 1              |
| 140      | 343N3302-20 |               | .TUBE ASSY-   | 002004<br>006100<br>107107<br>121503<br>904999 | 1              |
| - 142    | BACC42T8    |               | ..COUPLING<br>SUPPLIER CODE:<br>V79326<br>SPECIFICATION NUMBER:<br>BACC42T8<br>OPTIONAL PART:<br>TC011-8<br>V24984<br>83051-8<br>V79326 | 002004<br>006100<br>107107<br>121503<br>904999 | 1              |
| - 144    | S83052-8    |               | ..FERRULE<br>SUPPLIER CODE:<br>V79326<br>SPECIFICATION NUMBER:<br>BACF32F8<br>OPTIONAL PART:<br>TC010-8<br>V24984                       | 002004<br>006100<br>107107<br>121503<br>904999 | 1              |
| 145      | 343N3302-13 |               | .TUBE ASSY-<br>TUBING MATERIAL:<br>.5 IN. OD .022 IN.<br>WALL 36 IN. LG<br>WW-T-700 /6 6061 T4  | 002004<br>006100<br>107107<br>121503<br>904999 | 1              |
| 150      | 343N3302-14 |               | .TUBE ASSY-<br>TUBING MATERIAL:<br>.5 IN. OD .022 IN.<br>WALL 27 IN. LG<br>WW-T-700/6 6061 T4   | 002004<br>006100<br>107107<br>121503<br>904999 | 1              |

MISSING ITEM NUMBERS NOT APPLICABLE

- ITEM NOT ILLUSTRATED

28-22-52-01

28-22-52  
FIG. 01  
PAGE 5  
JAN 20/09

BRI



757

PARTS CATALOG (MAINTENANCE)

| FIG ITEM | PART NUMBER | 1 2 3 4 5 6 7 | NOMENCLATURE   | EFFECT FROM TO                                 | UNITS PER ASSY |
|----------|-------------|---------------|--|--|----------------|
| 1        |             |               |  |  |                |
| - 155    | AS1737D08   | ..            | COUPLING-FERRULE   | 002004<br>006100<br>107107<br>121503<br>904999 | 1              |
| - 157    | AS1732D08   | ..            | BODY-FERRULE   | 002004<br>006100<br>107107<br>121503<br>904999 | 1              |
| 165      | 343N3302-15 | .TUBE ASSY-   | TUBING MATERIAL:<br>.5 IN. OD .022 IN.<br>WALL 29 IN. LG<br>WW-T-700/6 6061 T4   | 002004<br>006100<br>107107<br>121503<br>904999 | 1              |
| - 170    | AS1732D08   | ..            | BODY-FERRULE   | 002004<br>006100<br>107107<br>121503<br>904999 | 1              |
| - 175    | AP2097HP08  | ..SLEEVE      | SUPPLIER CODE:<br>V01673<br>SPECIFICATION NUMBER:<br>BACS13BX08HP<br>OPTIONAL PART:<br>2-02903-08HP<br>V11328<br>35235VN08<br>V08199<br>AFP175V08P<br>V30974<br>DBOS13BX08HP<br>V14798 | 002004<br>006100<br>107107<br>121503<br>904999 | 1              |
| - 180    | BACN10CS08D | ..            | NUT  | 002004<br>006100<br>107107<br>121503<br>904999 | 1              |
| 185      | 343N3302-10 | .TUBE ASSY-   | TUBING MATERIAL:<br>.5 IN. OD .022 IN.<br>WALL 3.1 IN. LG<br>WW-T-700/6 6061 T4  | 002004<br>006100<br>107107<br>121503<br>904999 | 1              |

MISSING ITEM NUMBERS NOT APPLICABLE

- ITEM NOT ILLUSTRATED

28-22-52-01

28-22-52  
FIG. 01  
PAGE 6  
JAN 20/09

BRI

BOEING PROPRIETARY - Copyright © - Unpublished Work - See title page for details.



757

PARTS CATALOG (MAINTENANCE)

| FIG ITEM | PART NUMBER | 1 2 3 4 5 6 7 | NOMENCLATURE   | EFFECT FROM TO                                 | UNITS PER ASSY |
|----------|-------------|---------------|--|--|----------------|
| 1        |             |               |  |  |                |
| - 190    | AP2097HP08  | ..            | SLEEVE<br>SUPPLIER CODE:<br>V01673<br>SPECIFICATION NUMBER:<br>BACS13BX08HP<br>OPTIONAL PART:<br>2-02903-08HP<br>V11328<br>35235VN08<br>V08199<br>AFP175V08P<br>V30974<br>DBOS13BX08HP<br>V14798 | 002004<br>006100<br>107107<br>121503<br>904999 | 2              |
| - 195    | BACN10CS08D | ..            | NUT  | 002004<br>006100<br>107107<br>121503<br>904999 | 2              |
| 201      | MS21924D8   | .             | UNION-   | 002004<br>006100<br>107107<br>121503<br>904999 | 1              |
| 205      | B86S6       | .             | ELBOW-<br>SUPPLIER CODE:<br>V79326   | 002004<br>006100<br>107107<br>121503<br>904999 | 1              |
| 215      | MS29513-014 | .             | PACKING  | 002004<br>006100<br>107107<br>121503<br>904999 | 5              |
| 220      | MS29513-016 | .             | PACKING  | 002004<br>006100<br>107107<br>121503<br>904999 | 4              |
| 225      | MS29512-08  | .             | PACKING  | 002004<br>006100<br>107107<br>121503<br>904999 | 1              |
| 230      | MS29513-216 | .             | PACKING  | 002004<br>006100<br>107107<br>121503<br>904999 | 1              |

MISSING ITEM NUMBERS NOT APPLICABLE

- ITEM NOT ILLUSTRATED

BRI

28-22-52-01

28-22-52  
FIG. 01  
PAGE 7  
JAN 20/09





757

PARTS CATALOG (MAINTENANCE)

| FIG ITEM | PART NUMBER  | 1 2 3 4 5 6 7                         | NOMENCLATURE | EFFECT FROM TO                                 | UNITS PER ASSY |
|----------|--------------|---------------------------------------|--------------|--|----------------|
| 1        |              |                                       |              |  |                |
| 235      | BACN10DR6D   | .NUT                                  |              | 002004<br>006100<br>107107<br>121503<br>904999 | 1              |
| 240      | BACN10KN6    | .NUT                                  |              | 002004<br>006100<br>107107<br>121503<br>904999 | 5              |
| 245      | BACN10KN8    | .NUT ASSY                             |              | 002004<br>006100<br>107107<br>121503<br>904999 | 4              |
| 250      | BACN10DR8D   | .NUT                                  |              | 002004<br>006100<br>107107<br>121503<br>904999 | 1              |
| 255      | AN960JD1216  | .WASHER                               |              | 002004<br>006100<br>107107<br>121503<br>904999 | 1              |
| 261      | 48E101-11    | .PUMP-JET<br>SUPPLIER CODE:<br>V82829 |              | 002004<br>006100<br>107107<br>121503<br>904999 | 1              |
| 261      | 48E101-12    | .PUMP-JET<br>SUPPLIER CODE:<br>V82829 |              | 002004<br>006100<br>107107<br>121503<br>904999 | 1              |
| - 266    | NAS1801-3D25 | ATTACHING PARTS<br>.SCREW             |              | 002004<br>006100<br>107107<br>121503<br>904999 | 2              |
| - 271    | AN960JD10L   | .WASHER                               |              | 002004<br>006100<br>107107<br>121503<br>904999 | 4              |

MISSING ITEM NUMBERS NOT APPLICABLE

- ITEM NOT ILLUSTRATED

28-22-52-01

28-22-52  
FIG. 01  
PAGE 8  
JAN 20/09

BRI

BOEING PROPRIETARY - Copyright © - Unpublished Work - See title page for details.

 **BOEING**  
757  
**PARTS CATALOG (MAINTENANCE)**

| FIG ITEM   | PART NUMBER  | 1 2 3 4 5 6 7 | NOMENCLATURE   | EFFECT FROM TO                                 | UNITS PER ASSY |
|------------|--------------|---------------|--|--|----------------|
| 1<br>- 276 | MS21042L3    | .             | NUT  | 002004<br>006100<br>107107<br>121503<br>904999 | 2              |
| 295        | 69B92426-2   | -----*-----   | .SCREEN ASSY   | 002004<br>006100<br>107107<br>121503<br>904999 | 1              |
| 300        | 8C228        | .             | VALVE-CHECK<br>SUPPLIER CODE:<br>V82829  | 002004<br>006100<br>107107<br>121503<br>904999 | 1              |
| 305        | NAS1801-3-20 | .             | SCREW  | 002004<br>006100<br>107107<br>121503<br>904999 | 3              |
| 310        | AN960PD10L   | .             | WASHER   | 002004<br>006100<br>107107<br>121503<br>904999 | 6              |
| 315        | NAS43DD3-47  | .             | SPACER   | 002004<br>006100<br>107107<br>121503<br>904999 | 3              |
| 320        | BRH10A3      | .             | NUT<br>SUPPLIER CODE:<br>V52828<br>SPECIFICATION NUMBER:<br>BACN10JC3<br>OPTIONAL PART:<br>H10-3BAC<br>V15653<br>NS202101-02<br>V80539<br>RMLH9075-3W<br>V72962<br>VN303A02<br>V92215<br>96-02<br>V80539<br>T6S1032J<br>V11815 | 002004<br>006100<br>107107<br>121503<br>904999 | 3              |

MISSING ITEM NUMBERS NOT APPLICABLE

- ITEM NOT ILLUSTRATED

BRI

# 28-22-52-01

BOEING PROPRIETARY - Copyright © - Unpublished Work - See title page for details.

28-22-52  
FIG. 01  
PAGE 9  
JAN 20/09

 **BOEING**  
757  
**PARTS CATALOG (MAINTENANCE)**

| FIG ITEM | PART NUMBER     | 1 2 3 4 5 6 7 | NOMENCLATURE   | EFFECT FROM TO                                 | UNITS PER ASSY |
|----------|-----------------|---------------|--|--|----------------|
| 1<br>325 | 2830007-101     |               | .VALVE-FLOAT<br>SUPPLIER CODE:<br>V92003<br>SPECIFICATION NUMBER:<br>S343T005-1<br>COMPONENT MAINT MANUAL REF:<br>28-20-30   | 002004<br>006100<br>107107<br>121503<br>904999 | 1              |
| 330      | 343N2058-19     |               | .BRACKET ASSY-   | 002004<br>006100<br>107107<br>121503<br>904999 | 1              |
| - 335    | NAS1801-3-6     |               | ATTACHING PARTS<br>.SCREW  | 002004<br>006100<br>107107<br>121503<br>904999 | 5              |
| - 340    | AN960PD10L      |               | .WASHER  | 002004<br>006100<br>107107<br>121503<br>904999 | 10             |
| - 345    | BRH10A3         |               | .NUT<br>SUPPLIER CODE:<br>V52828<br>SPECIFICATION NUMBER:<br>BACN10JC3<br>OPTIONAL PART:<br>H10-3BAC<br>V15653<br>NS202101-02<br>V80539<br>RMLH9075-3W<br>V72962<br>VN303A02<br>V92215<br>96-02<br>V80539<br>T6S1032J<br>V11815<br>-----*----- | 002004<br>006100<br>107107<br>121503<br>904999 | 5              |
| 505      | BACB2B012A1B2TY |               | .BRACKET   | 002004<br>006100<br>107107<br>121503<br>904999 | 2              |

MISSING ITEM NUMBERS NOT APPLICABLE

- ITEM NOT ILLUSTRATED

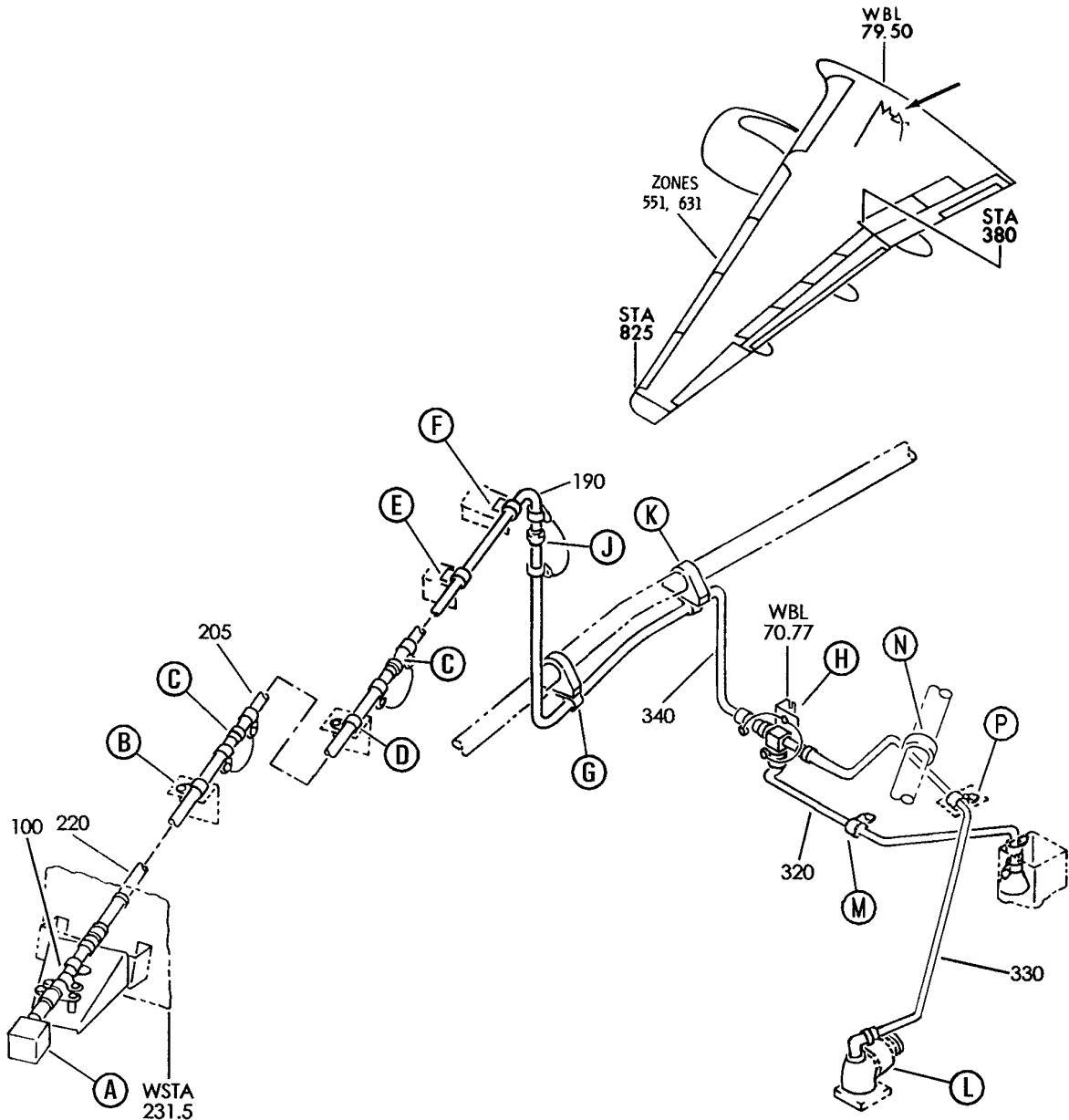
BRI

# 28-22-52-01

BOEING PROPRIETARY - Copyright © - Unpublished Work - See title page for details.

28-22-52  
FIG. 01  
PAGE 10  
JAN 20/09

**BOEING**  
757  
PARTS CATALOG (MAINTENANCE)



Y 28225201A SHT 1 REV 226

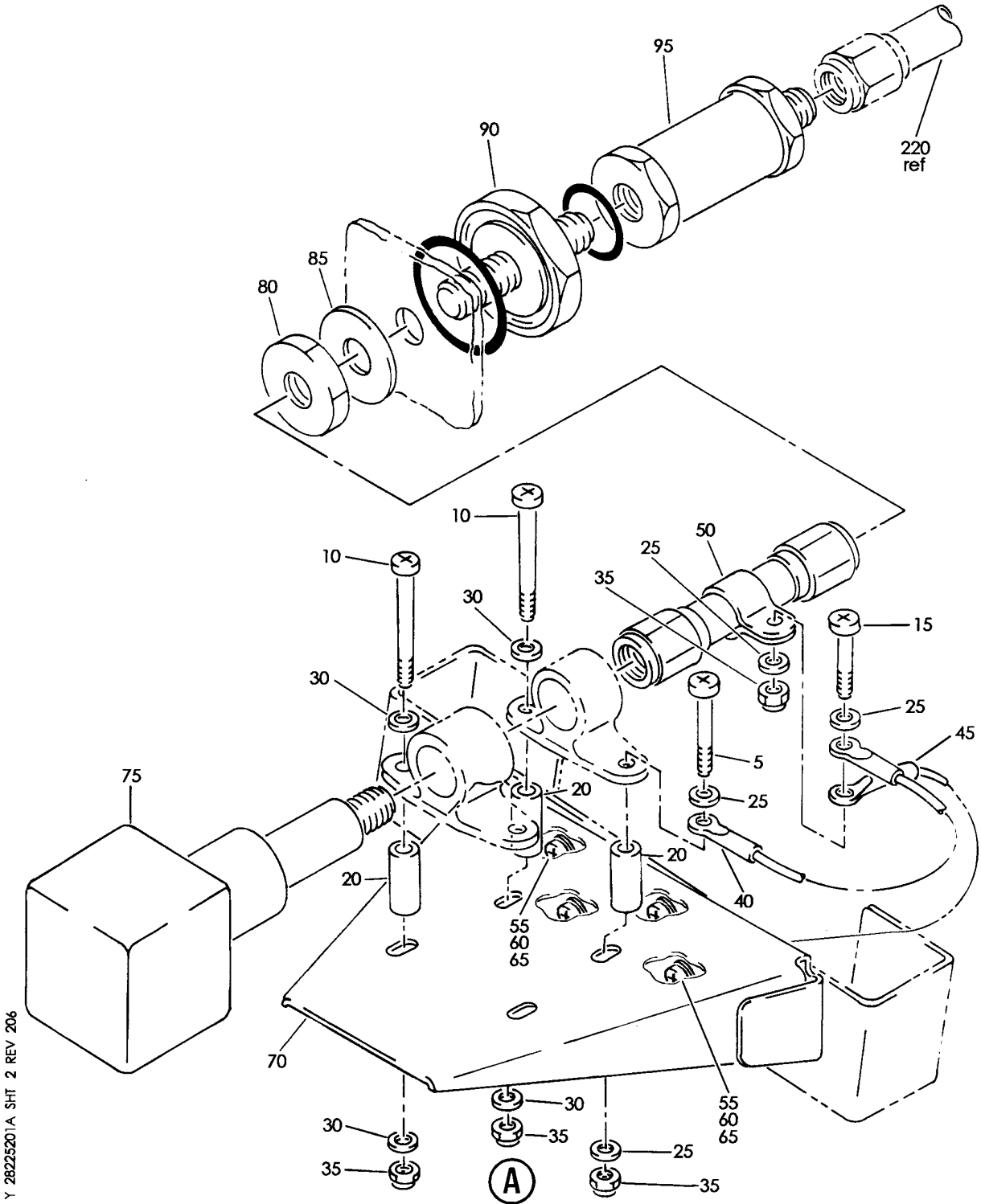
TUBING INSTL-CTR FUEL TANK SCAVENGE SYS  
FIGURE 1A (SHEET 1)

**28-22-52-01A**

BRI  
MAY 28/07

28-22-52-01A  
PAGE 0

**BOEING**  
757  
PARTS CATALOG (MAINTENANCE)



Y 2825201A SHT 2 REV 206

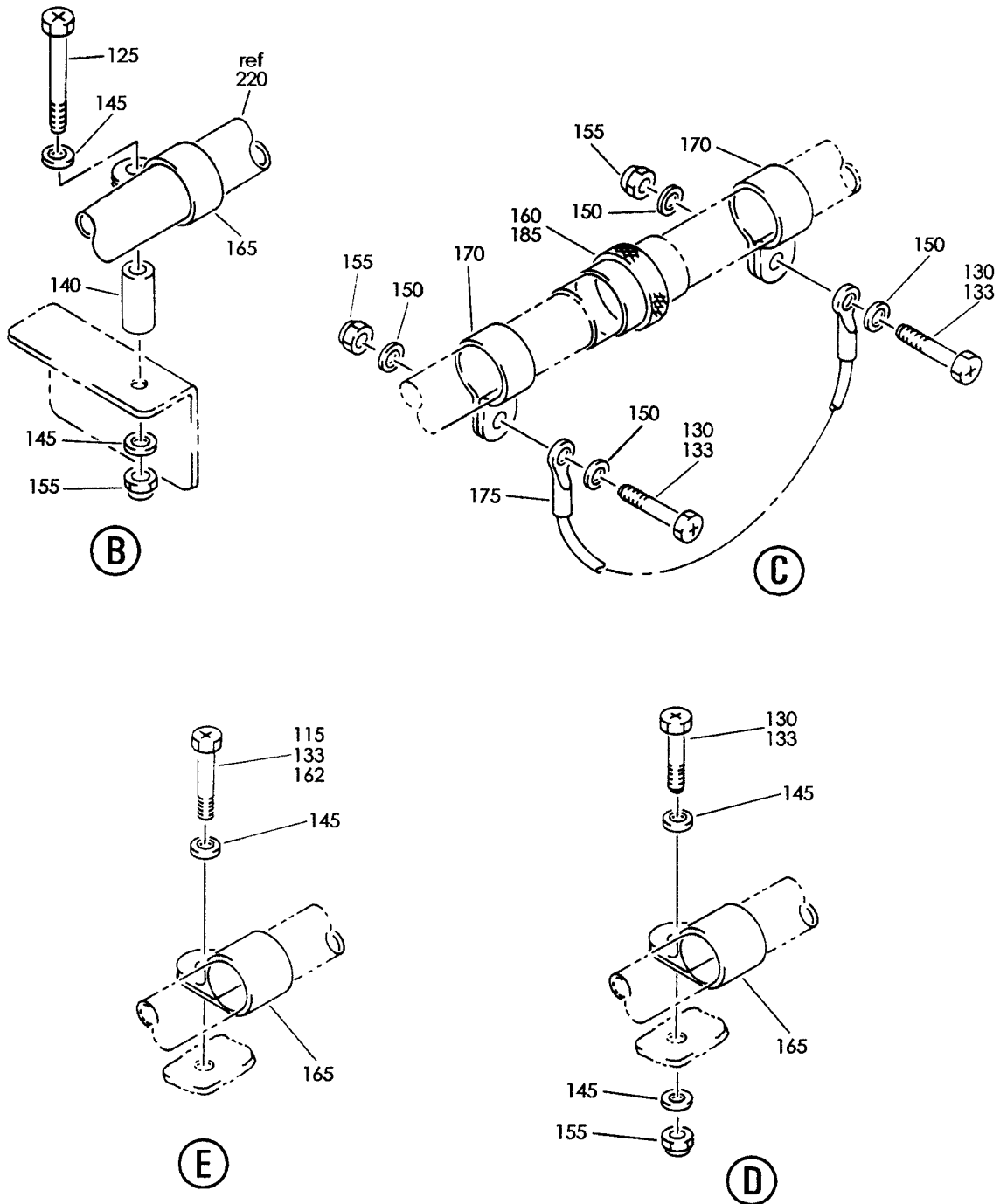
TUBING INSTL-CTR FUEL TANK SCAVENGE SYS  
FIGURE 1A (SHEET 2)

**28-22-52-01A**

BRI  
MAY 28/07

28-22-52-01A  
PAGE 0A

**BOEING**  
757  
PARTS CATALOG (MAINTENANCE)



Y 28225201A SH1 3 REV 226

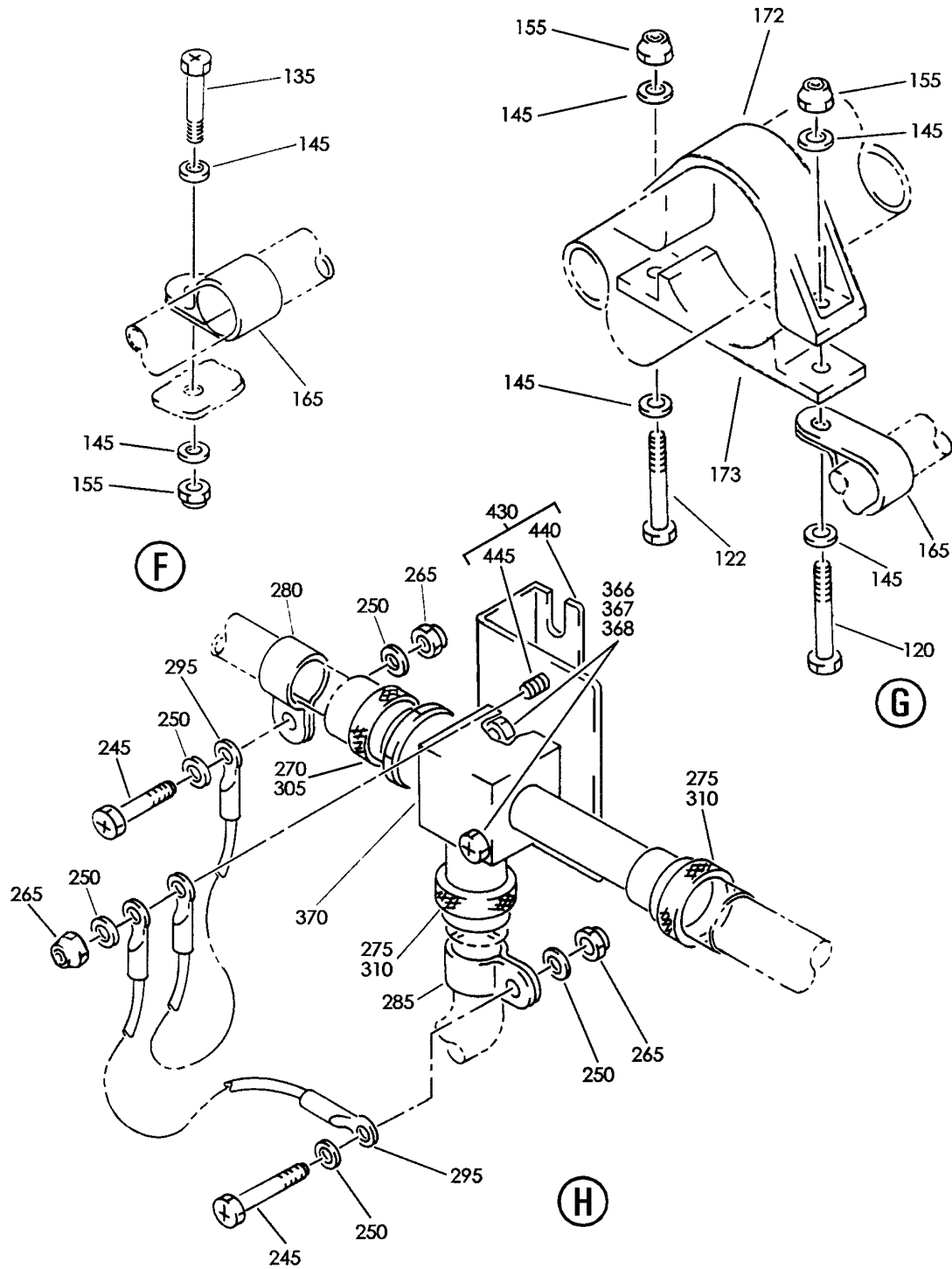
TUBING INSTL-CTR FUEL TANK SCAVENGE SYS  
FIGURE 1A (SHEET 3)

**28-22-52-01A**

BRI  
MAY 28/07

28-22-52-01A  
PAGE 0B

**BOEING**  
757  
PARTS CATALOG (MAINTENANCE)



Y 28225201A SH4 4 REV 226

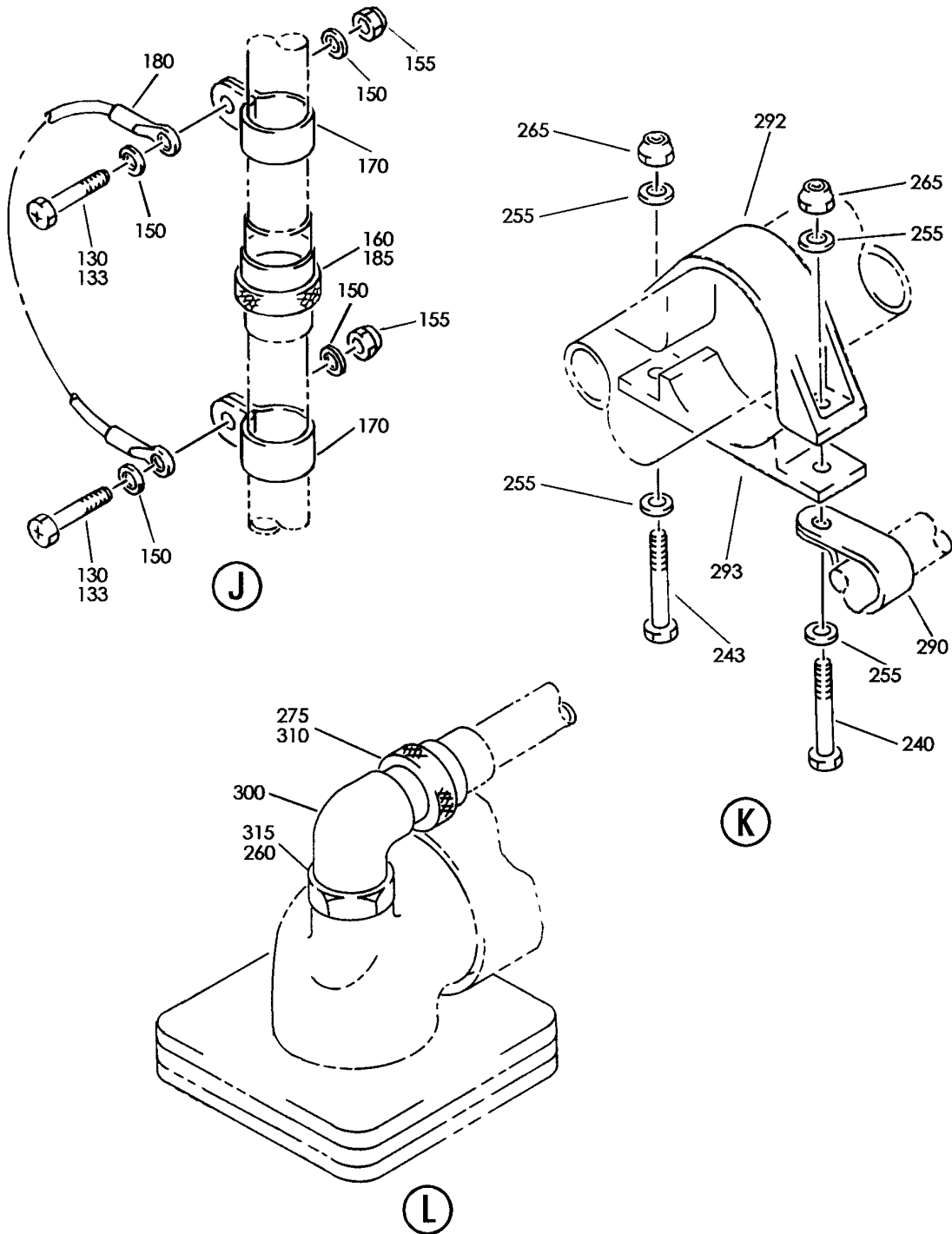
TUBING INSTL-CTR FUEL TANK SCAVENGE SYS  
FIGURE 1A (SHEET 4)

**28-22-52-01A**

BRI  
MAY 28/07

28-22-52-01A  
PAGE 0C

**BOEING**  
757  
PARTS CATALOG (MAINTENANCE)



Y 28225201A SH1 5 REV 226

TUBING INSTL-CTR FUEL TANK SCAVENGE SYS  
FIGURE 1A (SHEET 5)

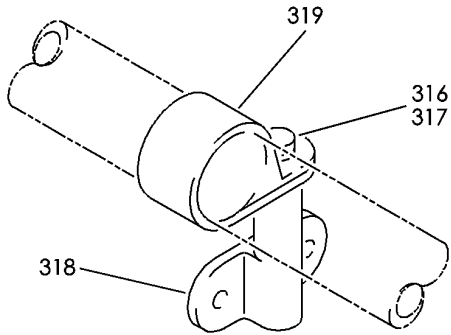
**28-22-52-01A**

BRI  
MAY 28/07

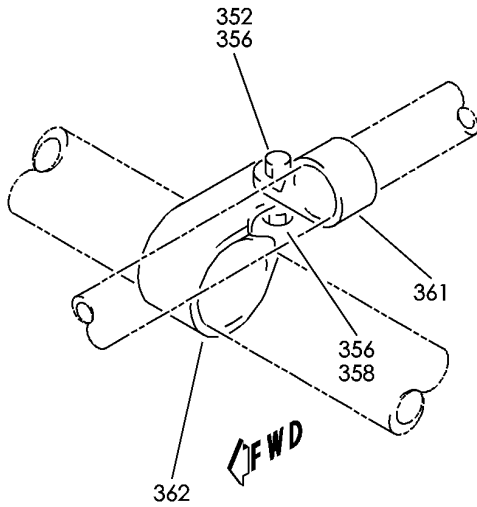
28-22-52-01A  
PAGE 0D



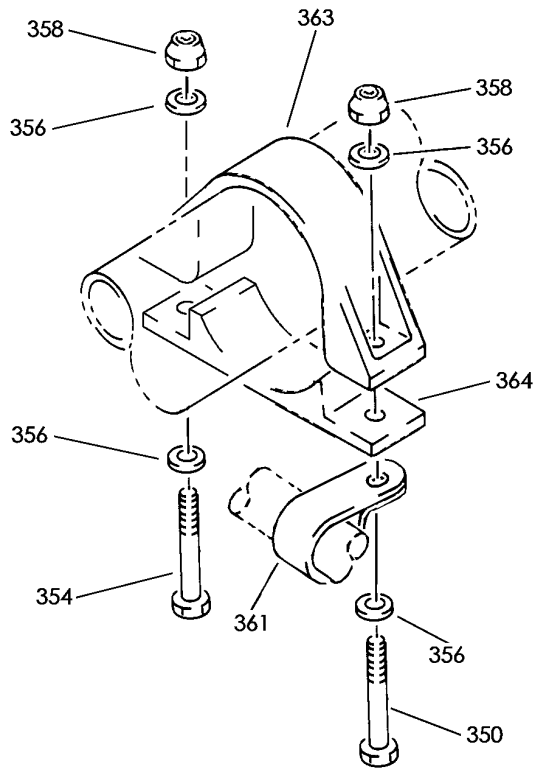
**BOEING**  
757  
PARTS CATALOG (MAINTENANCE)



(M)



(P)



(N)

Y 28225201A SH1 6 REV 226

TUBING INSTL-CTR FUEL TANK SCAVENGE SYS  
FIGURE 1A (SHEET 6)

**28-22-52-01A**

BRI  
MAY 28/07

28-22-52-01A  
PAGE 0E



757

PARTS CATALOG (MAINTENANCE)

| FIG ITEM | PART NUMBER   | 1 2 3 4 5 6 7 | NOMENCLATURE   | EFFECT FROM TO             | UNITS PER ASSY |
|----------|---------------|---------------|--|----------------------------|----------------|
| 1 A      |               |               | TUBING INSTL-CTR FUEL TANK<br>SCAVENGE SYS   | 101106<br>108120<br>504903 |                |
| - 1      | 343N3302-25   |               | TUBING INSTL-CTR FUEL TANK<br>SCAVENGE SYS<br>FOR NHA SEE:<br>28-00-00-05  | 101102<br>504903           | RF             |
| - 1      | 343N3302-26   |               | TUBING INSTL-CTR FUEL TANK<br>SCAVENGE SYS<br>FOR NHA SEE:<br>28-00-00-05  | 108120                     | RF             |
| - 1      | MODREF13704   |               | TUBING INSTL-CTR FUEL TANK<br>SCAVENGE SYS<br>MODULE NUMBER:<br>343N3302-26 REV A                                  | 103106                     | 1              |
| 5        | BACS12GU3K26  |               | .SCREW   | 101106<br>108120<br>504903 | 1              |
| 10       | BACS12GU3K20  |               | ..SCREW  | 101106<br>108120<br>504903 | 3              |
| 15       | BACS12GU3K8   |               | .SCREW   | 101106<br>108120<br>504903 | 1              |
| 20       | NAS43DD3-47FC |               | .SPACER  | 101106<br>108120<br>504903 | 5              |
| 25       | NAS1149D0316H |               | .WASHER  | 101106<br>108120<br>504903 | 4              |
| 30       | NAS1149D0332J |               | .WASHER  | 101106<br>108120<br>504903 | 6              |
| 35       | PLH53CD       |               | .NUT<br>SUPPLIER CODE:<br>VF0224<br>SPECIFICATION NUMBER:<br>BACN10YR3CD<br>OPTIONAL PART:<br>H52732-3CD<br>V15653 | 101106<br>108120<br>504903 | 5              |

MISSING ITEM NUMBERS NOT APPLICABLE

- ITEM NOT ILLUSTRATED

28-22-52-01A

28-22-52  
FIG. 01A  
PAGE 1  
JAN 20/09

BRI

BOEING PROPRIETARY - Copyright © - Unpublished Work - See title page for details.



757

PARTS CATALOG (MAINTENANCE)

| FIG ITEM | PART NUMBER   | 1 2 3 4 5 6 7 | NOMENCLATURE   | EFFECT FROM TO             | UNITS PER ASSY |
|----------|---------------|---------------|--|----------------------------|----------------|
| 1 A      |               |               |  |                            |                |
| 40       | 740A20-4      | .             | JUMPER ASSY<br>SUPPLIER CODE:<br>V91812<br>SPECIFICATION NUMBER:<br>BACJ40A20-4<br>OPTIONAL PART:<br>TJEJ40A20-4<br>V33483<br>RBEJ20-4<br>V1GK47 | 101106<br>108120<br>504903 | 1              |
| 45       | 740A20-6      | .             | JUMPER ASSY<br>SUPPLIER CODE:<br>V91812<br>SPECIFICATION NUMBER:<br>BACJ40A20-6<br>OPTIONAL PART:<br>TJEJ40A20-6<br>V33483<br>RBEJ20-6<br>V1GK47 | 101106<br>108120<br>504903 | 1              |
| 50       | AN735DC8      | .             | CLAMP  | 101106<br>108120<br>504903 | 1              |
| 55       | BACS12GU3K6   | .             | SCREW  | 101106<br>108120<br>504903 | 4              |
| 60       | NAS1149D0332J | .             | WASHER   | 101106<br>108120<br>504903 | 8              |
| 65       | PLH53CD       | .             | NUT<br>SUPPLIER CODE:<br>VF0224<br>SPECIFICATION NUMBER:<br>BACN10YR3CD<br>OPTIONAL PART:<br>H52732-3CD<br>V15653                                | 101106<br>108120<br>504903 | 4              |
| 70       | 343N2058-19   | .             | BRACKET ASSY   | 101106<br>108120<br>504903 | 1              |
| 75       | 2830007-101   | .             | VALVE-FLOAT<br>SUPPLIER CODE:<br>V92003<br>SPECIFICATION NUMBER:<br>S343T005-1<br>COMPONENT MAINT MANUAL REF:<br>28-20-30                        | 101106<br>108120<br>504903 | 1              |

MISSING ITEM NUMBERS NOT APPLICABLE

- ITEM NOT ILLUSTRATED

28-22-52-01A

28-22-52  
FIG. 01A  
PAGE 2  
JAN 20/09

BRI

BOEING PROPRIETARY - Copyright © - Unpublished Work - See title page for details.



757

PARTS CATALOG (MAINTENANCE)

| FIG ITEM | PART NUMBER   | 1 2 3 4 5 6 7 | NOMENCLATURE   | EFFECT FROM TO             | UNITS PER ASSY |
|----------|---------------|---------------|--|----------------------------|----------------|
| 1 A      |               |               |  |                            |                |
| 80       | BACN10DR8D    | .             | NUT  | 101106<br>108120<br>504903 | 1              |
| 85       | NAS1149D1290J | .             | WASHER   | 101106<br>108120<br>504903 | 1              |
| 90       | MS21924D8     | .             | UNION  | 101106<br>108120<br>504903 | 1              |
| 95       | 8C228         | .             | VALVE-CHECK<br>SUPPLIER CODE:<br>V82829  | 101106<br>108120<br>504903 | 1              |
| 100      | 343N3302-10   | .             | TUBE ASSY-<br>TUBING MATERIAL:<br>.5 IN. OD .022 IN.<br>WALL 3.1 IN. LG<br>WW-T-700/6 6061 T4  | 101106<br>108120<br>504903 | 1              |
| - 105    | BACN10CS08D   | ..            | NUT  | 101106<br>108120<br>504903 | 2              |
| - 110    | AP2097HP08    | ..            | SLEEVE<br>SUPPLIER CODE:<br>V01673<br>SPECIFICATION NUMBER:<br>BACS13BX08HP<br>OPTIONAL PART:<br>2-02903-08HP<br>V11328<br>35235VN08<br>V08199<br>AFP175V08P<br>V30974<br>DBOS13BX08HP<br>V14798 | 101106<br>108120<br>504903 | 2              |
| 115      | BACS12GU3K9   | .             | SCREW  | 101102<br>504903           | 1              |
| 120      | BACS12GU3K13  | .             | SCREW  | 101106<br>108120<br>504903 | 1              |
| 122      | BACS12GU3K10  | .             | SCREW  | 101106<br>108120<br>504903 | 1              |
| 125      | BACS12GU3K26  | .             | SCREW  | 101106<br>108120<br>504903 | 1              |
| 130      | BACS12GU3K7   | .             | SCREW  | 101102<br>504903           | 7              |
| 133      | BACS12GU3K7   | .             | SCREW  | 103106<br>108120           | 8              |

MISSING ITEM NUMBERS NOT APPLICABLE

- ITEM NOT ILLUSTRATED

28-22-52-01A

28-22-52  
FIG. 01A  
PAGE 3  
JAN 20/09

BRI

BOEING PROPRIETARY - Copyright © - Unpublished Work - See title page for details.



757

PARTS CATALOG (MAINTENANCE)

| FIG ITEM | PART NUMBER   | 1 2 3 4 5 6 7 | NOMENCLATURE   | EFFECT FROM TO             | UNITS PER ASSY |
|----------|---------------|---------------|--|----------------------------|----------------|
| 1A       |               |               |  |                            |                |
| 135      | BACS12GU3K11  | .             | SCREW  | 101106<br>108120<br>504903 | 1              |
| 140      | NAS43DD3-64   | .             | SPACER   | 101106<br>108120<br>504903 | 1              |
| 145      | NAS1149D0332J | .             | WASHER   | 101106<br>108120<br>504903 | 11             |
| 150      | NAS1149D0316H | .             | WASHER   | 101106<br>108120<br>504903 | 12             |
| 155      | PLH53CD       | .             | NUT<br>SUPPLIER CODE:<br>VF0224<br>SPECIFICATION NUMBER:<br>BACN10YR3CD<br>OPTIONAL PART:<br>H52732-3CD<br>V15653                                | 101106<br>108120<br>504903 | 11             |
| 160      | AS1738-1D08   | .             | NUT ASSY   | 101106<br>108120<br>504903 | 3              |
| 162      | BACN10TL3A3   | .             | NUT  | 103106<br>108120           | 1              |
| 165      | BACC10DK8A    | .             | CLAMP  | 101106<br>108120<br>504903 | 5              |
| 170      | AN735DC8      | .             | CLAMP  | 101106<br>108120<br>504903 | 6              |
| 172      | BACC10EW32A   | .             | CLAMP STRAP  | 101106<br>108120<br>504903 | 1              |
| 173      | BACC10EW32B   | .             | CLAMP SADDLE   | 101106<br>108120<br>504903 | 1              |
| 175      | 740A20-6      | .             | JUMPER ASSY<br>SUPPLIER CODE:<br>V91812<br>SPECIFICATION NUMBER:<br>BACJ40A20-6<br>OPTIONAL PART:<br>TJEJ40A20-6<br>V33483<br>RBEJ20-6<br>V1GK47 | 101106<br>108120<br>504903 | 2              |

MISSING ITEM NUMBERS NOT APPLICABLE

- ITEM NOT ILLUSTRATED

28-22-52-01A

28-22-52  
FIG. 01A  
PAGE 4  
JAN 20/09

BRI

BOEING PROPRIETARY - Copyright © - Unpublished Work - See title page for details.

 **BOEING**  
757  
**PARTS CATALOG (MAINTENANCE)**

| FIG ITEM  | PART NUMBER | 1 2 3 4 5 6 7 | NOMENCLATURE   | EFFECT FROM TO             | UNITS PER ASSY |
|-----------|-------------|---------------|--|----------------------------|----------------|
| 1A<br>180 | 740A20-4    |               | . JUMPER ASSY<br>SUPPLIER CODE:<br>V91812<br>SPECIFICATION NUMBER:<br>BACJ40A20-4<br>OPTIONAL PART:<br>TJEJ40A20-4<br>V33483<br>RBEJ20-4<br>V1GK47 | 101106<br>108120<br>504903 | 1              |
| 185       | MS29513-016 |               | . PACKING  | 101106<br>108120<br>504903 | 3              |
| 190       | 343N3302-13 |               | . TUBE ASSY-<br>TUBING MATERIAL:<br>.5 IN. OD .022 IN.<br>WALL 36 IN. LG<br>WW-T-700 /6 6061 T4  | 101106<br>108120<br>504903 | 1              |
| - 195     | AS1737D08   |               | .. COUPLING-FERRULE  | 101106<br>108120<br>504903 | 1              |
| - 200     | AS1732D08   |               | .. BODY  | 101106<br>108120<br>504903 | 1              |
| 205       | 343N3302-14 |               | . TUBE ASSY-<br>TUBING MATERIAL:<br>.5 IN. OD .022 IN.<br>WALL 27 IN. LG<br>WW-T-700/6 6061 T4   | 101106<br>108120<br>504903 | 1              |
| - 210     | AS1737D08   |               | .. COUPLING-FERRULE  | 101106<br>108120<br>504903 | 1              |
| - 215     | AS1732D08   |               | .. BODY  | 101106<br>108120<br>504903 | 1              |
| 220       | 343N3302-15 |               | . TUBE ASSY-<br>TUBING MATERIAL:<br>.5 IN. OD .022 IN.<br>WALL 29 IN. LG<br>WW-T-700/6 6061 T4   | 101106<br>108120<br>504903 | 1              |
| - 225     | AS1732D08   |               | .. BODY-FERRULE  | 101106<br>108120<br>504903 | 1              |
| - 230     | BACN10CS08D |               | .. NUT   | 101106<br>108120<br>504903 | 1              |

MISSING ITEM NUMBERS NOT APPLICABLE

- ITEM NOT ILLUSTRATED

BRI

# 28-22-52-01A

BOEING PROPRIETARY - Copyright © - Unpublished Work - See title page for details.

28-22-52  
FIG. 01A  
PAGE 5  
JAN 20/09



757

PARTS CATALOG (MAINTENANCE)

| FIG ITEM     | PART NUMBER   | 1 2 3 4 5 6 7 | NOMENCLATURE   | EFFECT FROM TO             | UNITS PER ASSY |
|--------------|---------------|---------------|--|----------------------------|----------------|
| 1 A<br>- 235 | AP2097HP08    | . .           | SLEEVE<br>SUPPLIER CODE:<br>V01673<br>SPECIFICATION NUMBER:<br>BACS13BX08HP<br>OPTIONAL PART:<br>2-02903-08HP<br>V11328<br>35235VN08<br>V08199<br>AFP175V08P<br>V30974<br>DBOS13BX08HP<br>V14798 | 101106<br>108120<br>504903 | 1              |
| 240          | BACS12GU3K13  | . .           | SCREW  | 101106<br>108120<br>504903 | 1              |
| 243          | BACS12GU3K10  | . .           | SCREW  | 101106<br>108120<br>504903 | 1              |
| 245          | BACS12GU3K7   | . .           | SCREW  | 101106<br>108120<br>504903 | 4              |
| 250          | NAS1149D0316H | . .           | WASHER   | 101106<br>108120<br>504903 | 5              |
| 255          | NAS1149D0332J | . .           | WASHER   | 101106<br>108120<br>504903 | 4              |
| 260          | BRH30C6D      | . .           | NUT<br>SUPPLIER CODE:<br>V52828<br>SPECIFICATION NUMBER:<br>BACN10YR6D<br>OPTIONAL PART:<br>H52732-6D<br>V15653<br>PLH56D<br>V62554  | 101106<br>108120<br>504903 | 1              |
| 265          | PLH53CD       | . .           | NUT<br>SUPPLIER CODE:<br>VF0224<br>SPECIFICATION NUMBER:<br>BACN10YR3CD<br>OPTIONAL PART:<br>H52732-3CD<br>V15653  | 101106<br>108120<br>504903 | 5              |

MISSING ITEM NUMBERS NOT APPLICABLE

- ITEM NOT ILLUSTRATED

28-22-52-01A

28-22-52  
FIG. 01A  
PAGE 6  
JAN 20/09

BRI

BOEING PROPRIETARY - Copyright © - Unpublished Work - See title page for details.



757

PARTS CATALOG (MAINTENANCE)

| FIG ITEM | PART NUMBER | 1 2 3 4 5 6 7 | NOMENCLATURE   | EFFECT FROM TO             | UNITS PER ASSY |
|----------|-------------|---------------|--|----------------------------|----------------|
| 1A       |             |               |  |                            |                |
| 270      | AS1738-1D08 | .             | NUT ASSY   | 101106<br>108120<br>504903 | 1              |
| 275      | 83053-06DE  | .             | NUT<br>SUPPLIER CODE:<br>V79326<br>SPECIFICATION NUMBER:<br>AS1738-1D06<br>OPTIONAL PART:<br>TC039-06A<br>V24984                                 | 101106<br>108120<br>504903 | 3              |
| 280      | AN735DC8    | .             | CLAMP  | 101106<br>108120<br>504903 | 1              |
| 285      | AN735DC6    | .             | CLAMP  | 101106<br>108120<br>504903 | 1              |
| 290      | BACC10DK8A  | .             | CLAMP  | 101106<br>108120<br>504903 | 1              |
| 292      | BACC10EW32A | .             | CLAMP STRAP  | 101106<br>108120<br>504903 | 1              |
| 293      | BACC10EW32B | .             | CLAMP SADDLE   | 101106<br>108120<br>504903 | 1              |
| 295      | 740A20-6    | .             | JUMPER ASSY<br>SUPPLIER CODE:<br>V91812<br>SPECIFICATION NUMBER:<br>BACJ40A20-6<br>OPTIONAL PART:<br>TJEJ40A20-6<br>V33483<br>RBEJ20-6<br>V1GK47 | 101106<br>108120<br>504903 | 2              |
| 300      | B86S6       | .             | ELBOW-<br>SUPPLIER CODE:<br>V79326   | 101106<br>108120<br>504903 | 1              |
| 305      | MS29513-016 | .             | PACKING  | 101106<br>108120<br>504903 | 1              |
| 310      | MS29513-014 | .             | PACKING  | 101106<br>108120<br>504903 | 3              |
| 315      | MS29512-06  | .             | PACKING  | 101106<br>108120<br>504903 | 1              |

MISSING ITEM NUMBERS NOT APPLICABLE

- ITEM NOT ILLUSTRATED

28-22-52-01A

28-22-52  
FIG. 01A  
PAGE 7  
JAN 20/09

BRI

BOEING PROPRIETARY - Copyright © - Unpublished Work - See title page for details.





757

PARTS CATALOG (MAINTENANCE)

| FIG ITEM | PART NUMBER   | 1 2 3 4 5 6 7 | NOMENCLATURE   | EFFECT FROM TO             | UNITS PER ASSY |
|----------|---------------|---------------|--|----------------------------|----------------|
| 1A       |               |               |  |                            |                |
| 316      | BACS12GU3K7   | .             | SCREW  | 101106<br>108120<br>504903 | 1              |
| 317      | NAS1149D0332K | .             | WASHER   | 101106<br>108120<br>504903 | 1              |
| 318      | T8059S1032B2  | .             | NUTPLATE<br>SUPPLIER CODE:<br>V52828<br>SPECIFICATION NUMBER:<br>BACN10MK3-65<br>OPTIONAL PART:<br>RM52LHA71-6-02<br>V72962<br>ATTACHING PARTS | 101106<br>108120<br>504903 | 1              |
| -318A    | BACR15BB4AD   | .             | RIVET-<br>SIZE DETERMINED ON INSTL.<br><br>-----*-----   | 101106<br>108120<br>504903 | 2              |
| 319      | BACC10DK6     | .             | CLAMP  | 101106<br>108120<br>504903 | 1              |
| 320      | 343N3302-19   | .             | TUBE ASSY-<br>TUBING MATERIAL:<br>.375 IN. OD .022 IN.<br>WALL 27.5 IN. LG<br>WW-T-700/6 6061 T4   | 101106<br>108120<br>504903 | 1              |
| - 325    | BACC42T6      | ..            | COUPLING<br>SUPPLIER CODE:<br>V79326<br>SPECIFICATION NUMBER:<br>BACC42T6<br>OPTIONAL PART:<br>TC011-6<br>V24984<br>83051-6<br>V79326          | 101106<br>108120<br>504903 | 1              |
| 330      | 343N2039-1    | .             | TUBE ASSY-<br>TUBING MATERIAL:<br>.375 IN. OD .022 IN.<br>WALL 40.89 IN. LG<br>WW-T-700/6 6061 T4<br>TUBING                                    | 101106<br>108120<br>504903 | 1              |
| 340      | 343N2039-2    | .             | TUBE ASSY-<br>TUBING MATERIAL:<br>.5 IN. OD .022 IN.<br>WALL 45.529 IN. LG<br>WW-T-700/6 6061 T4<br>TUBING                                     | 101106<br>108120<br>504903 | 1              |

MISSING ITEM NUMBERS NOT APPLICABLE

- ITEM NOT ILLUSTRATED

28-22-52-01A

28-22-52  
FIG. 01A  
PAGE 8  
JAN 20/09

BRI

BOEING PROPRIETARY - Copyright © - Unpublished Work - See title page for details.



757

PARTS CATALOG (MAINTENANCE)

| FIG ITEM | PART NUMBER   | 1 2 3 4 5 6 7 | NOMENCLATURE  | EFFECT FROM TO             | UNITS PER ASSY |
|----------|---------------|---------------|---|----------------------------|----------------|
| 1 A      |               |               |   |                            |                |
| - 343    | AS1737D08     | . .           | COUPLING  | 101106<br>108120<br>504903 | 1              |
| - 346    | AS1732D08     | . .           | BODY-<br>USED ON:<br>343N2039-2   | 101106<br>108120<br>504903 | 1              |
| - 348    | AS1732D06     | . .           | BODY-<br>USED ON:<br>343N2039-1   | 101106<br>108120<br>504903 | 2              |
| 350      | BACS12GU3K13  | . .           | SCREW   | 101106<br>108120<br>504903 | 1              |
| 352      | BACS12GU3K11  | . .           | SCREW   | 101106<br>108120<br>504903 | 1              |
| 354      | BACS12GU3K10  | . .           | SCREW   | 101106<br>108120<br>504903 | 1              |
| 356      | NAS1149D0332J | . .           | WASHER  | 101106<br>108120<br>504903 | 6              |
| 358      | PLH53CD       | . .           | NUT<br>SUPPLIER CODE:<br>VF0224<br>SPECIFICATION NUMBER:<br>BACN10YR3CD<br>OPTIONAL PART:<br>H52732-3CD<br>V15653 | 101106<br>108120<br>504903 | 3              |
| 361      | BACC10DK6     | . .           | CLAMP   | 101106<br>108120<br>504903 | 2              |
| 362      | BACC10DK16    | . .           | CLAMP   | 101106<br>108120<br>504903 | 1              |
| 363      | BACC10EW32A   | . .           | CLAMP STRAP   | 101106<br>108120<br>504903 | 1              |
| 364      | BACC10EW32B   | . .           | CLAMP SADDLE  | 101106<br>108120<br>504903 | 1              |
| 366      | NAS1801-3D25  | . .           | SCREW   | 101106<br>108120<br>504903 | 2              |
| 367      | NAS1149D0332J | . .           | WASHER  | 101106<br>108120<br>504903 | 4              |

MISSING ITEM NUMBERS NOT APPLICABLE

- ITEM NOT ILLUSTRATED

28-22-52-01A

28-22-52  
FIG. 01A  
PAGE 9  
JAN 20/09

BRI

BOEING PROPRIETARY - Copyright © - Unpublished Work - See title page for details.



757

PARTS CATALOG (MAINTENANCE)

| FIG ITEM  | PART NUMBER  | 1 2 3 4 5 6 7 | NOMENCLATURE   | EFFECT FROM TO             | UNITS PER ASSY |
|-----------|--------------|---------------|--|----------------------------|----------------|
| 1A<br>368 | PLH53CD      |               | .NUT<br>SUPPLIER CODE:<br>VF0224<br>SPECIFICATION NUMBER:<br>BACN10YR3CD<br>OPTIONAL PART:<br>H52732-3CD<br>V15653                 | 101106<br>108120<br>504903 | 2              |
| 370       | 48E101-11    |               | .PUMP-JET<br>SUPPLIER CODE:<br>V82829<br>OPTIONAL PART:<br>48E101-12<br>V82829   | 101106<br>108120<br>504903 | 1              |
| 370       | 48E101-12    |               | .PUMP-JET<br>SUPPLIER CODE:<br>V82829<br>OPTIONAL PART:<br>48E101-11<br>V82829   | 101106<br>108120<br>504903 | 1              |
| - 425     | 343N3302-24  |               | TUBING INSTL-CTR FUEL TANK<br>SCAVENGE SYS<br>FOR NHA SEE:<br>28-00-00-05  | 101102<br>108120<br>504903 | RF             |
| - 425     | MODREF13703  |               | TUBING INSTL-CTR FUEL TANK<br>SCAVENGE SYS<br>MODULE NUMBER:<br>343N3302-24 REV A  | 103106                     | 1              |
| 430       | 343N2058-24  |               | .BRACKET ASSY  | 101106<br>108120<br>504903 | 1              |
| - 435     | L80010K12    |               | ATTACHING PARTS<br>.BOLT<br>SUPPLIER CODE:<br>V06725<br>SPECIFICATION NUMBER:<br>BACB30MY10K12<br>-----*-----                      | 101106<br>108120<br>504903 | 2              |
| 440       | 343N2058-25  |               | ..BRACKET  | 101106<br>108120<br>504903 | 1              |
| 445       | VNS1924CA1-8 |               | ..STUD-GROUNDING<br>SUPPLIER CODE:<br>V5M902<br>SPECIFICATION NUMBER:<br>BACS53B1EA1<br>OPTIONAL PART:<br>VNS1924CA3-1-8<br>V92215 | 101106<br>108120<br>504903 | 1              |

MISSING ITEM NUMBERS NOT APPLICABLE

- ITEM NOT ILLUSTRATED

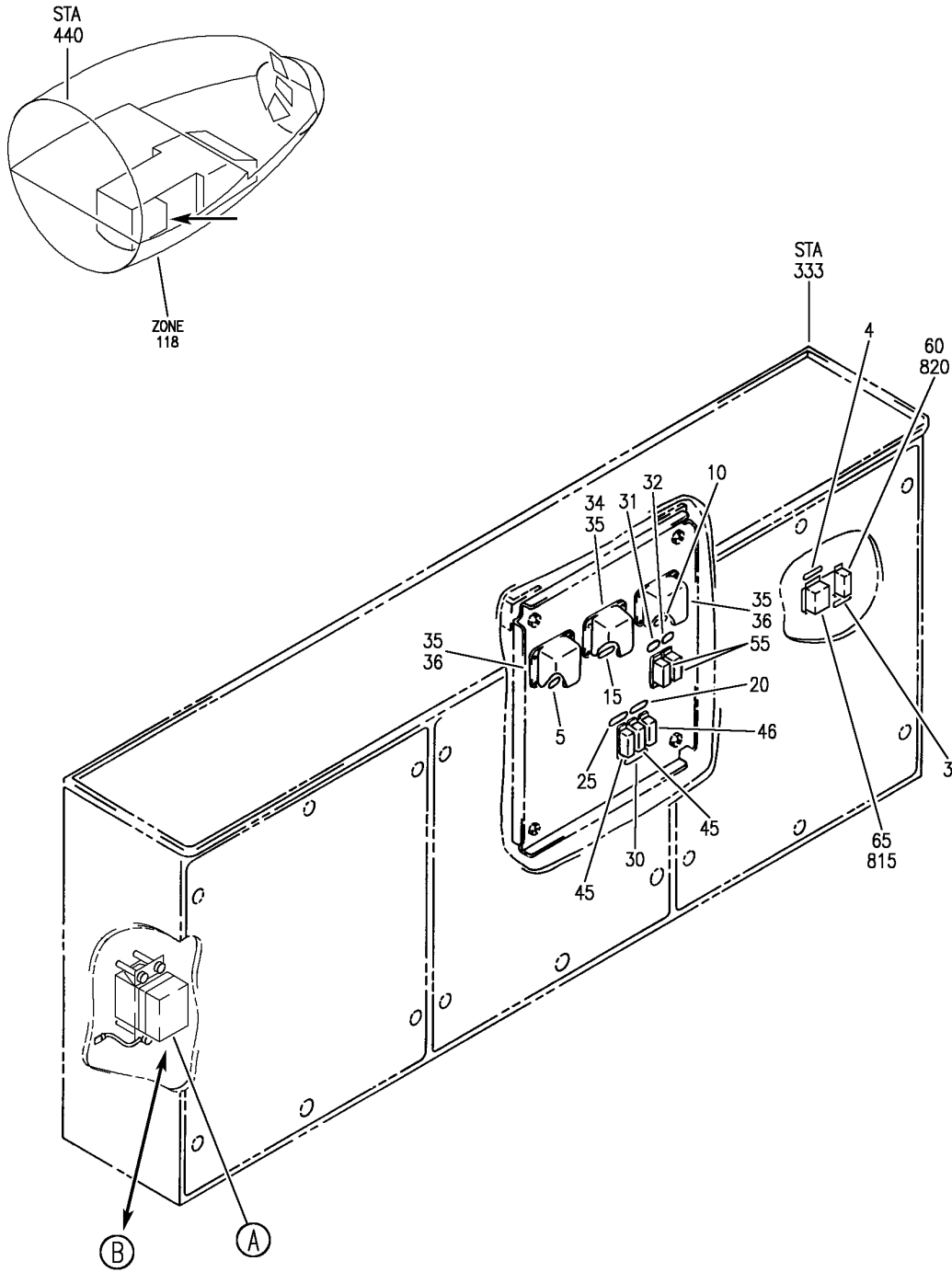
28-22-52-01A

28-22-52  
FIG. 01A  
PAGE 10  
JAN 20/09

BRI

BOEING PROPRIETARY - Copyright © - Unpublished Work - See title page for details.

**BOEING**  
757  
PARTS CATALOG (MAINTENANCE)



Y 28227101 SHT 1 REV 331

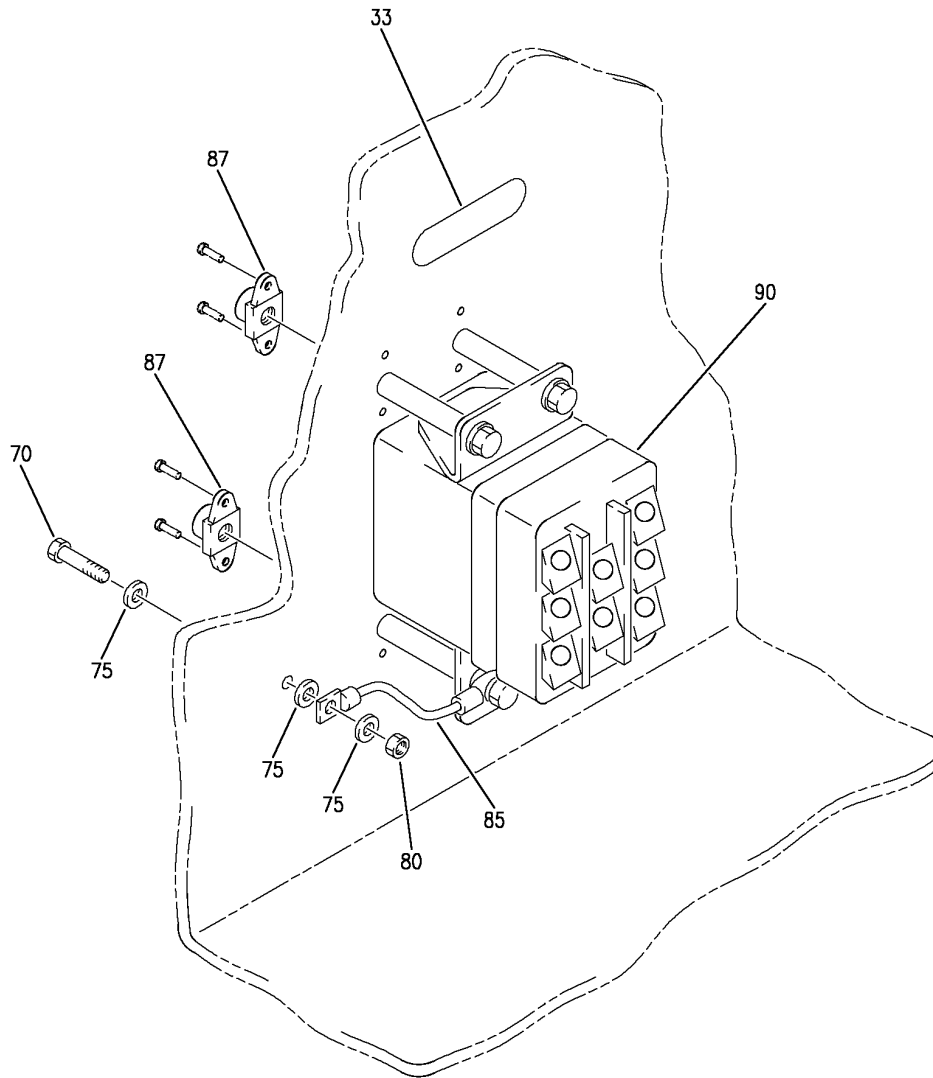
SHIELD ASSY-P33 MISC ELEC EQPT (ENGINE FUEL FEED SYSTEM ONLY)  
FIGURE 1

BRI  
JAN 20/09

**28-22-71-01**

28-22-71-01  
PAGE 0

**BOEING**  
757  
PARTS CATALOG (MAINTENANCE)



(A)

Y 28227101 SHIT 2 REV 323

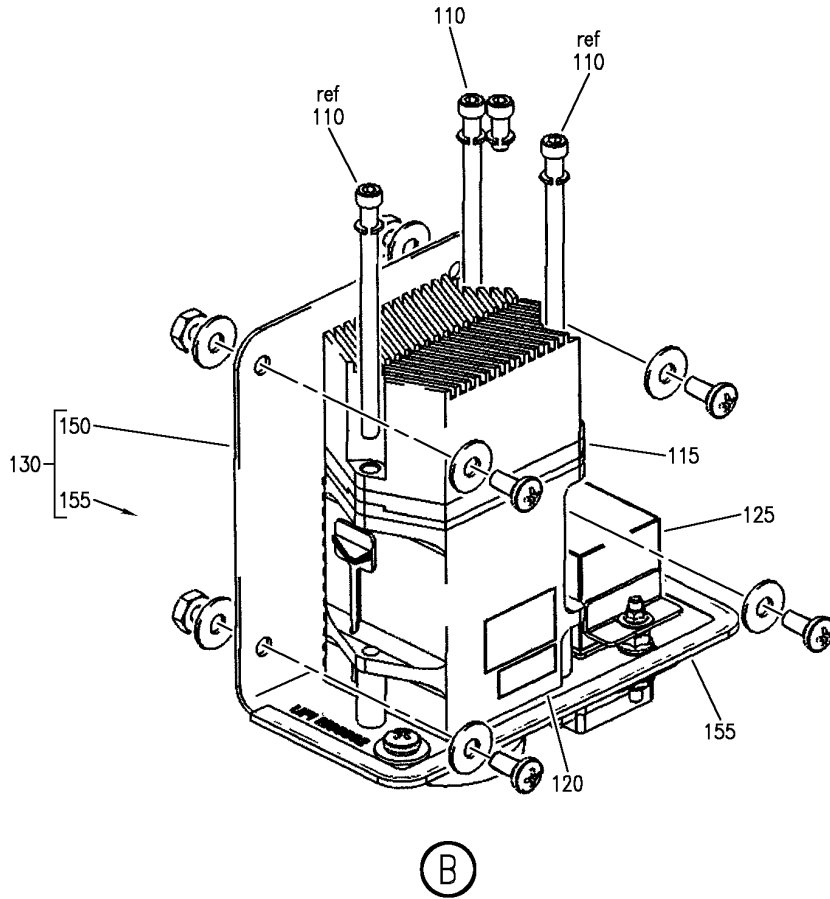
SHIELD ASSY-P33 MISC ELEC EQPT (ENGINE FUEL FEED SYSTEM ONLY)  
FIGURE 1

**28-22-71-01**

BRI  
MAY 20/08

28-22-71-01  
PAGE 0A

**BOEING**  
757  
PARTS CATALOG (MAINTENANCE)



Y 28227101 SH-T 3 REV 315

SHIELD ASSY-P33 MISC ELEC EQPT (ENGINE FUEL FEED SYSTEM ONLY)  
FIGURE 1

BRI  
SEP 28/07

**28-22-71-01**

28-22-71-01  
PAGE 0B



757

PARTS CATALOG (MAINTENANCE)

| FIG ITEM | PART NUMBER  | 1 2 3 4 5 6 7 | NOMENCLATURE   | EFFECT FROM TO                                 | UNITS PER ASSY |
|----------|--------------|---------------|--|--|----------------|
| 1        |              |               | SHIELD ASSY-P33 MISC ELEC<br>EQPT (ENGINE FUEL FEED<br>SYSTEM ONLY)  | 002004<br>006100<br>107107<br>121503<br>904999 |                |
| 1        | 284N1318-1   |               | SHIELD ASSY-P33 MISC ELEC<br>EQPT (ENGINE FUEL FEED<br>SYSTEM ONLY)<br>VARIABLE DRAWING REF:<br>284N1318-5010<br>284N1318-5016<br>284N1318-5019<br>284N1318-5021<br>284N1318-5023<br>REWORKED BY SB:<br>24-0061<br>REWORKED BY ALERT SB:<br>28A0105R1<br>FOR NHA/OTHER SYS DET SEE:<br>31-01-33-03 | 002004<br>006100<br>107107<br>121503<br>904999 | RF             |
| 3        | BAC27NEX3265 |               | .MARKER-<br>PLACARD CONTENT:<br>K10873<br>POST ALERT SB:<br>28A0081  | 002004<br>006100<br>107107<br>121503<br>904999 | 1              |
| 4        | BAC27NEX3264 |               | .MARKER-<br>PLACARD CONTENT:<br>K10872<br>POST ALERT SB:<br>28A0081  | 002004<br>006100<br>107107<br>121503<br>904999 | 1              |
| 5        | BAC27TEX0152 |               | .DECAL-<br>PLACARD CONTENT:<br>K187  | 002004<br>006100<br>107107<br>121503<br>904999 | 1              |
| 10       | BAC27TEX0153 |               | .DECAL-<br>PLACARD CONTENT:<br>K190  | 002004<br>006100<br>107107<br>121503<br>904999 | 1              |
| 15       | BAC27NEX0150 |               | .DECAL-<br>PLACARD CONTENT:<br>K10011  | 002004<br>006100<br>107107<br>121503<br>904999 | 1              |
| 20       | BAC27NEX0158 |               | .DECAL-<br>PLACARD CONTENT:<br>K10094  | 107107<br>121503<br>904949<br>952952           | 1              |

MISSING ITEM NUMBERS NOT APPLICABLE

- ITEM NOT ILLUSTRATED

BRI

28-22-71-01

28-22-71  
FIG. 01  
PAGE 1  
JAN 20/09

**BOEING**  
757  
**PARTS CATALOG (MAINTENANCE)**

| FIG ITEM | PART NUMBER | 1 2 3 4 5 6 7 | NOMENCLATURE   | EFFECT FROM TO                                 | UNITS PER ASSY |
|----------|-------------|---------------|--|--|----------------|
| 1        | 25          | BAC27NEX0164  | .DECAL-<br>PLACARD CONTENT:<br>K10110  | 002004<br>006100<br>107107<br>121503<br>904999 | 1              |
|          | 30          | BAC27NEX0165  | .DECAL-<br>PLACARD CONTENT:<br>K10111  | 002004<br>006100<br>107107<br>121503<br>904999 | 1              |
|          | 31          | BAC27NEX2778  | .DECAL-<br>PLACARD CONTENT:<br>K10714  | 006100<br>950951<br>953999                     | 1              |
|          | 32          | BAC27NEX2779  | .DECAL-<br>PLACARD CONTENT:<br>K10715  | 006100<br>950951<br>953999                     | 1              |
|          | 33          | TTVF6502WE10  | .TAPE-K10875<br>SUPPLIER CODE:<br>VOKW00<br>SPECIFICATION NUMBER:<br>BACT19J2<br>OPTIONAL PART:<br>THT14-437W10<br>V85480<br>POST ALERT SB:<br>28A0105R1<br>PRE AIRLINE MOD:<br>VRNZ | 002004<br>006100<br>107107<br>121503<br>904999 | 1              |
|          | 35          | MS27418-2A    | .RELAY-<br>ELECTRICAL EQUIP NUMBER:<br>K00187<br>K00190<br>K10011<br>ATTACHING PARTS   | 002004<br>006100<br>107107<br>121503<br>904999 | 3              |
| -        | 40          | NAS1801-08-5  | .SCREW-  | 002004<br>006100<br>950999                     | 12             |
| -        | 40          | NAS1801-08-6  | .SCREW-  | 107107<br>121503<br>904949                     | 12             |
| -        | 42          | AN960JD8L     | .WASHER-<br><br>-----*-----  | 107107<br>950999                               | 12             |

MISSING ITEM NUMBERS NOT APPLICABLE

- ITEM NOT ILLUSTRATED

BRI

# 28-22-71-01

BOEING PROPRIETARY - Copyright © - Unpublished Work - See title page for details.

28-22-71  
FIG. 01  
PAGE 2  
JAN 20/09





757

PARTS CATALOG (MAINTENANCE)

| FIG ITEM | PART NUMBER | 1 2 3 4 5 6 7 | NOMENCLATURE  | EFFECT FROM TO                                 | UNITS PER ASSY |
|----------|-------------|---------------|---|--|----------------|
| 1<br>45  | W260F4AM11  |               | .RELAY-<br>SUPPLIER CODE:<br>VF0219<br>SPECIFICATION NUMBER:<br>BACR13CD2<br>OPTIONAL PART:<br>BR16S233<br>V09026<br>EE4AA005<br>V35344<br>3SAV1338A2<br>V01526<br>HFW1206K03<br>V58614<br>HFW1204K01<br>V71482<br>ELECTRICAL EQUIP NUMBER:<br>K10110<br>K10111 | 002004<br>006100<br>107107<br>121503<br>904999 | 2              |
| 46       | W260F4AM11  |               | .RELAY-<br>SUPPLIER CODE:<br>VF0219<br>SPECIFICATION NUMBER:<br>BACR13CD2<br>OPTIONAL PART:<br>BR16S233<br>V09026<br>EE4AA005<br>V35344<br>3SAV1338A2<br>V01526<br>HFW1206K03<br>V58614<br>HFW1204K01<br>V71482<br>ELECTRICAL EQUIP NUMBER:<br>K10094           | 107107<br>121503<br>904949<br>952952           | 1              |

MISSING ITEM NUMBERS NOT APPLICABLE

- ITEM NOT ILLUSTRATED

BRI

28-22-71-01

BOEING PROPRIETARY - Copyright © - Unpublished Work - See title page for details.

28-22-71  
FIG. 01  
PAGE 3  
JAN 20/09



757

PARTS CATALOG (MAINTENANCE)

| FIG ITEM | PART NUMBER   | 1 2 3 4 5 6 7 | NOMENCLATURE  | EFFECT FROM TO                                 | UNITS PER ASSY |
|----------|---------------|---------------|---|--|----------------|
| 1<br>55  | W460F1A       |               | .RELAY-<br>SUPPLIER CODE:<br>VF0219<br>SPECIFICATION NUMBER:<br>BACR13CE2<br>OPTIONAL PART:<br>3SAH5-13-4K1<br>V01526<br>3SAH1326A2<br>V01526<br>ELECTRICAL EQUIP NUMBER:<br>K10714<br>K10715 | 006100<br>950951<br>953999                     | 2              |
| 60       | JAD9F007      |               | .RELAY-<br>SUPPLIER CODE:<br>V58657<br>SPECIFICATION NUMBER:<br>BACR13CJ2<br>ELECTRICAL EQUIP NUMBER:<br>K10873<br>WIRING DIAGRAM REF:<br>282211<br>POST ALERT SB:<br>28A0081                 | 002004<br>006100<br>107107<br>121503<br>904999 | 1              |
| 65       | TDH8116-1502  |               | .RELAY-TIME DELAY<br>SUPPLIER CODE:<br>V58657<br>ELECTRICAL EQUIP NUMBER:<br>K10872<br>WIRING DIAGRAM REF:<br>282211<br>POST ALERT SB:<br>28A0081   | 002004<br>006100<br>107107<br>121503<br>904999 | 1              |
| 70       | BACS12HN3-11  |               | .SCREW-<br>POST ALERT SB:<br>28A0105R1<br>PRE AIRLINE MOD:<br>VRNZ  | 002004<br>006100<br>107107<br>121503<br>904999 | 1              |
| 75       | NAS1149D0316H |               | .WASHER-<br>POST ALERT SB:<br>28A0105R1<br>PRE AIRLINE MOD:<br>VRNZ   | 002004<br>006100<br>107107<br>121503<br>904999 | 3              |

MISSING ITEM NUMBERS NOT APPLICABLE

- ITEM NOT ILLUSTRATED

BRI

28-22-71-01

BOEING PROPRIETARY - Copyright © - Unpublished Work - See title page for details.

28-22-71  
FIG. 01  
PAGE 4  
JAN 20/09



757

PARTS CATALOG (MAINTENANCE)

| FIG ITEM | PART NUMBER | 1 2 3 4 5 6 7 | NOMENCLATURE   | EFFECT FROM TO                                 | UNITS PER ASSY |
|----------|-------------|---------------|--|--|----------------|
| 1<br>80  | PLH53CD     | .NUT-         | SUPPLIER CODE:<br>VF0224<br>SPECIFICATION NUMBER:<br>BACN10YR3CD<br>OPTIONAL PART:<br>H52732-3CD<br>V15653<br>POST ALERT SB:<br>28A0105R1<br>PRE AIRLINE MOD:<br>VRNZ  | 002004<br>006100<br>107107<br>121503<br>904999 | 1              |
| 85       | 940CW20-4   | .JUMPER ASSY- | SUPPLIER CODE:<br>V91812<br>SPECIFICATION NUMBER:<br>BACJ40AB20-4<br>OPTIONAL PART:<br>100220-4<br>V1FF12<br>RBEJ40AB20-4<br>V1GK47<br>POST ALERT SB:<br>28A0105R1<br>PRE AIRLINE MOD:<br>VRNZ   | 002004<br>006100<br>107107<br>121503<br>904999 | 1              |
| 87       | BRF200C08D  | .NUTPLATE-    | SUPPLIER CODE:<br>V52828<br>SPECIFICATION NUMBER:<br>BACN10JR08CFD<br>OPTIONAL PART:<br>NS202476-82<br>V80539<br>102F9201-82<br>V72962<br>T8092C832CD<br>V11815<br>K51602-08BAC<br>V15653<br>POST ALERT SB:<br>28A0105R1<br>PRE AIRLINE MOD:<br>VRNZ | 002004<br>006100<br>107107<br>121503<br>904999 | 4              |

MISSING ITEM NUMBERS NOT APPLICABLE

- ITEM NOT ILLUSTRATED

BRI

28-22-71-01

BOEING PROPRIETARY - Copyright © - Unpublished Work - See title page for details.

28-22-71  
FIG. 01  
PAGE 5  
JAN 20/09



757

PARTS CATALOG (MAINTENANCE)

| FIG ITEM | PART NUMBER    | 1 2 3 4 5 6 7 | NOMENCLATURE  | EFFECT FROM TO                                 | UNITS PER ASSY |
|----------|----------------|---------------|---|--|----------------|
| 1        |                |               | ATTACHING PARTS   |  |                |
| - 88     | AF5141-3C3     |               | .RIVET<br>SUPPLIER CODE:<br>V53551<br>SPECIFICATION NUMBER:<br>BACR15DR3AC3<br>OPTIONAL PART:<br>CCR264CS3-3IT<br>V11815<br>RV541A3C3<br>V98996 | 002004<br>006100<br>107107<br>121503<br>904999 | 8              |
|          |                |               | -----*-----   |  |                |
| 90       | MS27418-2A     |               | .RELAY-<br>ELECTRICAL EQUIP NUMBER:<br>K10875<br>POST ALERT SB:<br>28A0105R1<br>PRE AIRLINE MOD:<br>VRNZ  | 002004<br>006100<br>107107<br>121503<br>904999 | 1              |
|          |                |               | ATTACHING PARTS   |  |                |
| - 95     | BACS12HN08-30  |               | .SCREW-<br>PRE AIRLINE MOD:<br>VRNZ   | 002004<br>006100<br>107107<br>121503<br>904999 | 4              |
|          |                |               | ATTACHING PARTS   |  |                |
| - 100    | NAS43DD3-96FC  |               | .SPACER-<br>PRE AIRLINE MOD:<br>VRNZ  | 002004<br>006100<br>107107<br>121503<br>904999 | 4              |
|          |                |               | ATTACHING PARTS   |  |                |
| - 105    | NAS1149D0316H  |               | .WASHER-<br>PRE AIRLINE MOD:<br>VRNZ  | 002004<br>006100<br>107107<br>121503<br>904999 | 4              |
|          |                |               | -----*-----   |  |                |
| - 800    | 286N1230-002   |               | WIRE BUNDLE ASSY  | 121503<br>904949                               | RF             |
| - 800    | 286N1230-003   |               | WIRE BUNDLE ASSY  | 107107   | RF             |
| - 800    | 286N1230-004   |               | WIRE BUNDLE ASSY  | 002004<br>006100<br>950999                     | RF             |
|          |                |               | ATTACHING PARTS   |  |                |
| - 805    | 280N3356-10502 |               | .TAPE-I.D.<br>PLACARD CONTENT:<br>D11714 M/W K10872<br>RELAY-DELAY AUTO S/O<br>POST ALERT SB:<br>28A0081  | 002004<br>006100<br>107107<br>121503<br>904999 | 1              |

MISSING ITEM NUMBERS NOT APPLICABLE

- ITEM NOT ILLUSTRATED

28-22-71-01

28-22-71  
FIG. 01  
PAGE 6  
JAN 20/09

BRI

BOEING PROPRIETARY - Copyright © - Unpublished Work - See title page for details.



757

PARTS CATALOG (MAINTENANCE)

| FIG ITEM | PART NUMBER    | 1 2 3 4 5 6 7 | NOMENCLATURE  | EFFECT FROM TO                                 | UNITS PER ASSY |
|----------|----------------|---------------|---|--|----------------|
| 1        |                |               |   |  |                |
| - 810    | 280N3356-10503 |               | .TAPE-I.D.<br>PLACARD CONTENT:<br>D11716 M/W K10873<br>RELAY-AUTO S/O ENABLE<br>POST ALERT SB:<br>28A0081   | 002004<br>006100<br>107107<br>121503<br>904999 | 1              |
| 815      | RSF116418      |               | .SOCKET-<br>SUPPLIER CODE:<br>V58982<br>SPECIFICATION NUMBER:<br>BACS16W10A<br>OPTIONAL PART:<br>102-010-2<br>V09922<br>000300-1646<br>V05574<br>ELECTRICAL EQUIP NUMBER:<br>D11714<br>WIRING DIAGRAM REF:<br>282211<br>POST ALERT SB:<br>28A0081 | 002004<br>006100<br>107107<br>121503<br>904999 | 1              |
| 820      | RSF116210      |               | .SOCKET-<br>SUPPLIER CODE:<br>V58982<br>SPECIFICATION NUMBER:<br>BACS16X6A<br>OPTIONAL PART:<br>000300-1652<br>V05574<br>102-005-2<br>V09922<br>ELECTRICAL EQUIP NUMBER:<br>D11716<br>WIRING DIAGRAM REF:<br>282211<br>POST ALERT SB:<br>28A0081  | 002004<br>006100<br>107107<br>121503<br>904999 | 1              |

MISSING ITEM NUMBERS NOT APPLICABLE

- ITEM NOT ILLUSTRATED

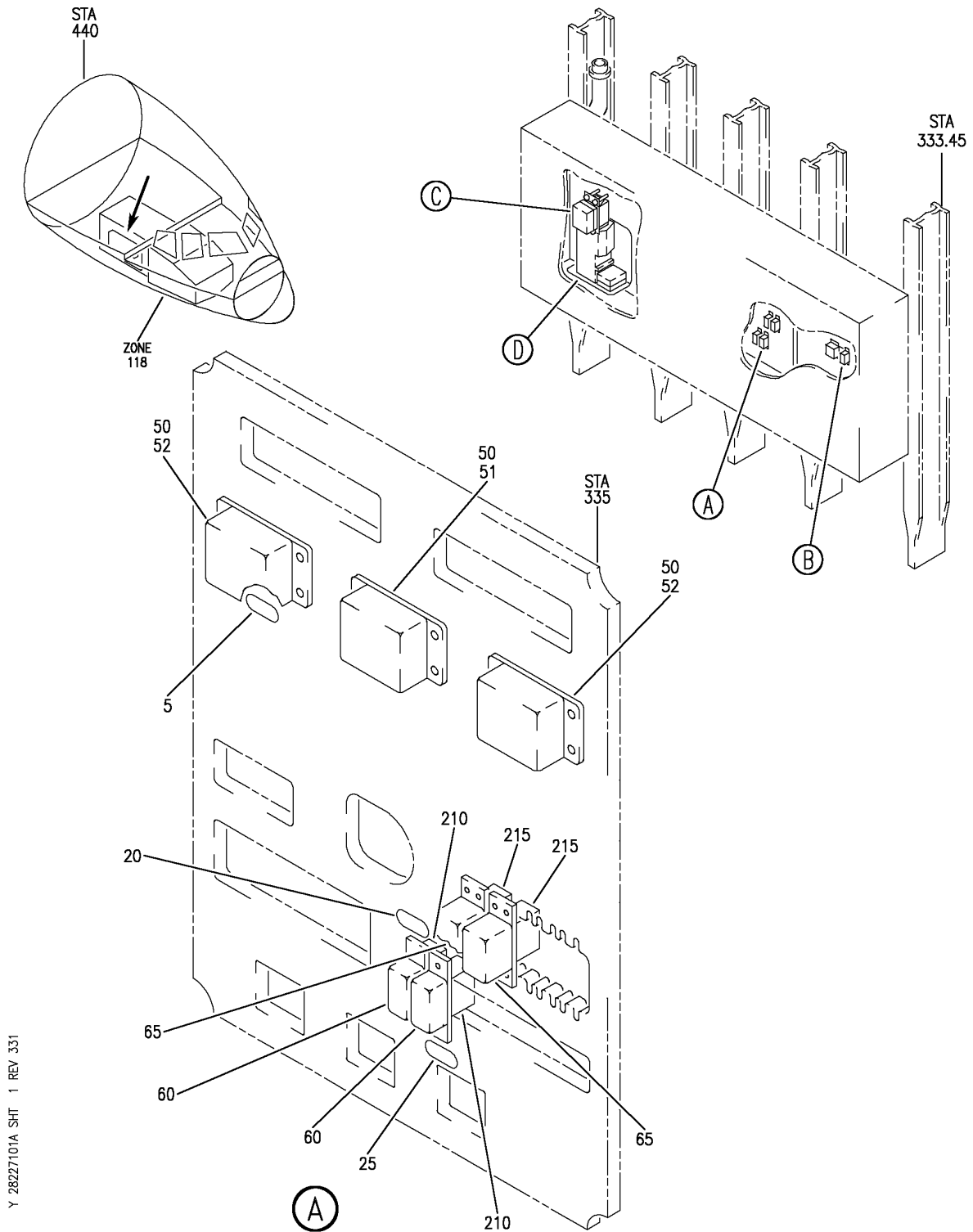
BRI

28-22-71-01

BOEING PROPRIETARY - Copyright © - Unpublished Work - See title page for details.

28-22-71  
FIG. 01  
PAGE 7  
JAN 20/09

**BOEING**  
757  
PARTS CATALOG (MAINTENANCE)



Y 28227101A SHT 1 REV 331

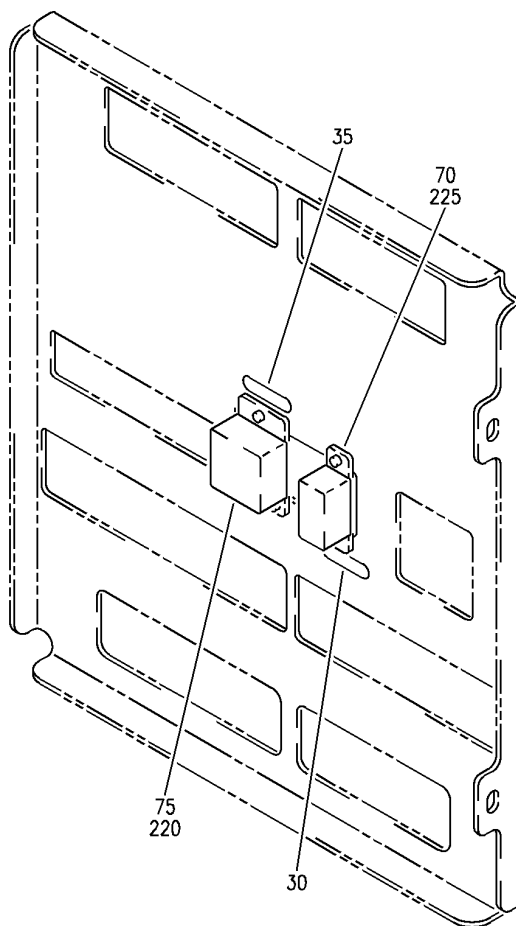
PACKAGE ASSY-OPTION P33 MISC ELECT EQPT (ENGINE FUEL FEED SYSTEM ONLY)  
FIGURE 1A (SHEET 1)

BRI  
JAN 20/09

**28-22-71-01A**

28-22-71-01A  
PAGE 0

**BOEING**  
757  
PARTS CATALOG (MAINTENANCE)



(B)

Y 28227101A SHT 2 REV 299

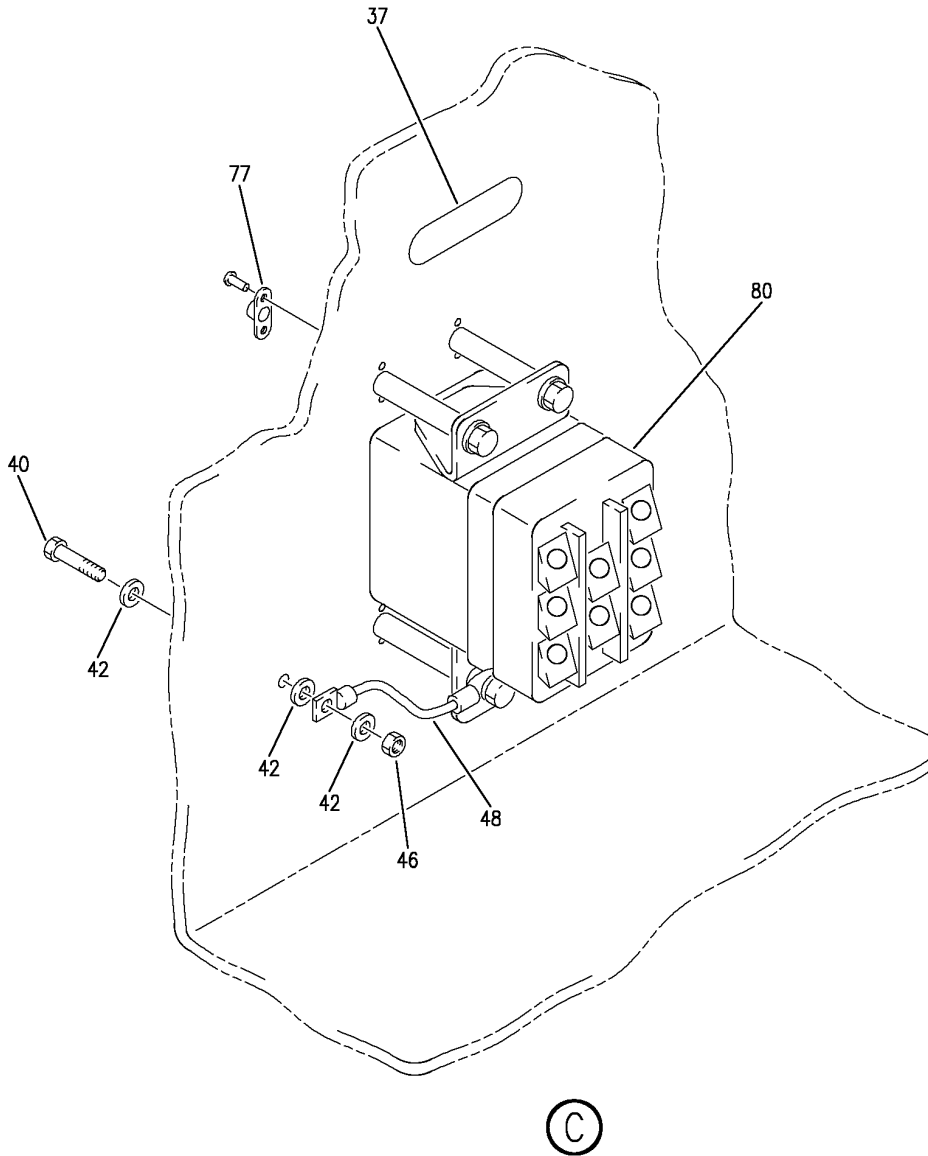
PACKAGE ASSY-OPTION P33 MISC ELECT EQPT (ENGINE FUEL FEED SYSTEM ONLY)  
FIGURE 1A (SHEET 2)

BRI  
MAY 28/07

**28-22-71-01A**

28-22-71-01A  
PAGE 0A

**BOEING**  
757  
PARTS CATALOG (MAINTENANCE)



Y 28227101A SHIT 3 REV 327

PACKAGE ASSY-OPTION P33 MISC ELECT EQPT (ENGINE FUEL FEED SYSTEM ONLY)  
FIGURE 1A (SHEET 3)

BRI  
SEP 20/08

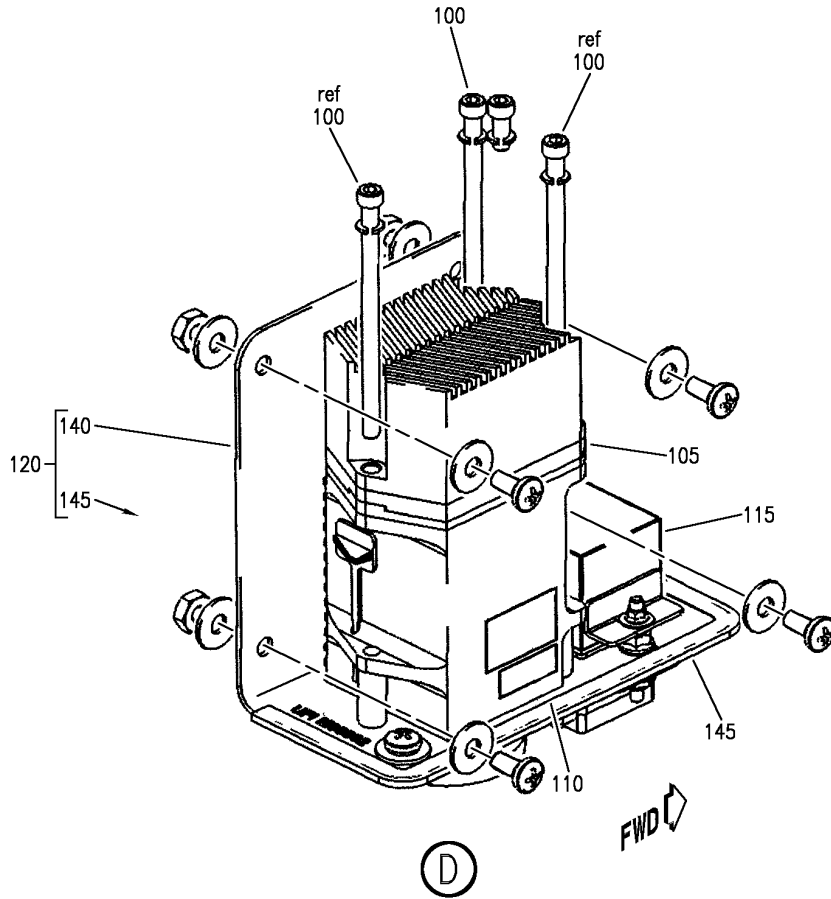
**28-22-71-01A**

28-22-71-01A  
PAGE 0B

BOEING PROPRIETARY - Copyright © - Unpublished Work - See title page for details.



**BOEING**  
757  
PARTS CATALOG (MAINTENANCE)



Y 28227101A SHT 4 REV 315

PACKAGE ASSY-OPTION P33 MISC ELECT EQPT (ENGINE FUEL FEED SYSTEM ONLY)  
FIGURE 1A (SHEET 4)

BRI  
SEP 28/07

**28-22-71-01A**

28-22-71-01A  
PAGE 0C



757

PARTS CATALOG (MAINTENANCE)

| FIG ITEM | PART NUMBER   | 1 2 3 4 5 6 7 | NOMENCLATURE  | EFFECT FROM TO             | UNITS PER ASSY |
|----------|---------------|---------------|---|----------------------------|----------------|
| 1 A      |               |               | PACKAGE ASSY-OPTION P33<br>MISC ELECT EQPT (ENGINE<br>FUEL FEED SYSTEM ONLY)  | 101102<br>108120<br>504903 |                |
| - 1      | 284N1318-1000 |               | PACKAGE ASSY-OPTION P33<br>MISC ELECT EQPT (ENGINE<br>FUEL FEED SYSTEM ONLY)<br>REWORKED BY ALERT SB:<br>28A0105R1<br>FOR NHA/OTHER SYS DET SEE:<br>31-01-33-01 | 101102<br>108120<br>504903 | RF             |
| 5        | BAC27TEX0152  |               | .DECAL-<br>PLACARD CONTENT:<br>K187   | 101102<br>108120<br>504903 | 1              |
| 20       | BAC27NEX0164  |               | .DECAL-<br>PLACARD CONTENT:<br>K10110   | 101102<br>108120<br>504903 | 1              |
| 25       | BAC27NEX0165  |               | .DECAL-<br>PLACARD CONTENT:<br>K10111   | 101102<br>108120<br>504903 | 1              |
| 30       | BAC27NEX3265  |               | .MARKER-<br>PLACARD CONTENT:<br>K10873<br>POST ALERT SB:<br>28A0081   | 101102<br>108120<br>504903 | 1              |
| 35       | BAC27NEX3264  |               | .MARKER-<br>PLACARD CONTENT:<br>K10872<br>POST ALERT SB:<br>28A0081   | 101102<br>108120<br>504903 | 1              |
| 37       | TTVF6502WE10  |               | .TAPE-K10875<br>SUPPLIER CODE:<br>VOKW00<br>SPECIFICATION NUMBER:<br>BACT19J2<br>OPTIONAL PART:<br>THT14-437W10<br>V85480<br>POST ALERT SB:<br>28A0105R1        | 101102<br>108120<br>504903 | 1              |
| 40       | BACS12HN3-11  |               | .SCREW-<br>POST ALERT SB:<br>28A0105R1  | 101102<br>108120<br>504903 | 1              |
| 42       | NAS1149D0316H |               | .WASHER-<br>POST ALERT SB:<br>28A0105R1   | 101102<br>108120<br>504903 | 3              |

MISSING ITEM NUMBERS NOT APPLICABLE

- ITEM NOT ILLUSTRATED

28-22-71-01A

28-22-71  
FIG. 01A  
PAGE 1  
JAN 20/09

BRI

BOEING PROPRIETARY - Copyright © - Unpublished Work - See title page for details.



757

PARTS CATALOG (MAINTENANCE)

| FIG ITEM  | PART NUMBER  | 1 2 3 4 5 6 7 | NOMENCLATURE  | EFFECT FROM TO             | UNITS PER ASSY |
|-----------|--------------|---------------|---|----------------------------|----------------|
| 1 A<br>46 | PLH53CD      |               | .NUT-<br>SUPPLIER CODE:<br>VF0224<br>SPECIFICATION NUMBER:<br>BACN10YR3CD<br>OPTIONAL PART:<br>H52732-3CD<br>V15653<br>POST ALERT SB:<br>28A0105R1                                  | 101102<br>108120<br>504903 | 1              |
| 48        | 940CW20-4    |               | .JUMPER ASSY-<br>SUPPLIER CODE:<br>V91812<br>SPECIFICATION NUMBER:<br>BACJ40AB20-4<br>OPTIONAL PART:<br>100220-4<br>V1FF12<br>RBEJ40AB20-4<br>V1GK47<br>POST ALERT SB:<br>28A0105R1 | 101102<br>108120<br>504903 | 1              |
| 50        | MS27418-2A   |               | .RELAY-<br>ELECTRICAL EQUIP NUMBER:<br>K00187<br>K00190<br>K10011<br>ATTACHING PARTS  | 101102<br>108120<br>504903 | 3              |
| - 55      | NAS1801-08-5 |               | .SCREW<br><br>-----*-----   | 101102<br>108120<br>504903 | 12             |

MISSING ITEM NUMBERS NOT APPLICABLE

- ITEM NOT ILLUSTRATED

28-22-71-01A

28-22-71  
FIG. 01A  
PAGE 2  
JAN 20/09

BRI

BOEING PROPRIETARY - Copyright © - Unpublished Work - See title page for details.



757

PARTS CATALOG (MAINTENANCE)

| FIG ITEM  | PART NUMBER | 1 2 3 4 5 6 7 | NOMENCLATURE  | EFFECT FROM TO             | UNITS PER ASSY |
|-----------|-------------|---------------|---|----------------------------|----------------|
| 1 A<br>60 | W260F4AM11  |               | .RELAY-<br>SUPPLIER CODE:<br>VF0219<br>SPECIFICATION NUMBER:<br>BACR13CD2<br>OPTIONAL PART:<br>BR16S233<br>V09026<br>EE4AA005<br>V35344<br>3SAV1338A2<br>V01526<br>HFW1206K03<br>V58614<br>HFW1204K01<br>V71482<br>ELECTRICAL EQUIP NUMBER:<br>K10110<br>K10111 | 101102<br>108120<br>504903 | 2              |
| 65        | W460F1A     |               | .RELAY-<br>SUPPLIER CODE:<br>VF0219<br>SPECIFICATION NUMBER:<br>BACR13CE2<br>OPTIONAL PART:<br>3SAH5-13-4K1<br>V01526<br>3SAH1326A2<br>V01526<br>ELECTRICAL EQUIP NUMBER:<br>K10714<br>K10715   | 101102<br>108120<br>504903 | 2              |
| 70        | JAD9F007    |               | .RELAY-<br>SUPPLIER CODE:<br>V58657<br>SPECIFICATION NUMBER:<br>BACR13CJ2<br>ELECTRICAL EQUIP NUMBER:<br>K10873<br>WIRING DIAGRAM REF:<br>282211<br>POST ALERT SB:<br>28A0081   | 101102<br>108120<br>504903 | 1              |

MISSING ITEM NUMBERS NOT APPLICABLE

- ITEM NOT ILLUSTRATED

BRI

28-22-71-01A

BOEING PROPRIETARY - Copyright © - Unpublished Work - See title page for details.

28-22-71  
FIG. 01A  
PAGE 3  
JAN 20/09



757

PARTS CATALOG (MAINTENANCE)

| FIG ITEM | PART NUMBER   | 1 2 3 4 5 6 7 | NOMENCLATURE  | EFFECT FROM TO             | UNITS PER ASSY |
|----------|---------------|---------------|---|----------------------------|----------------|
| 1A<br>75 | TDH8116-1502  | .             | RELAY-TIME DELAY<br>SUPPLIER CODE:<br>V58657<br>ELECTRICAL EQUIP NUMBER:<br>K10872<br>WIRING DIAGRAM REF:<br>282211<br>POST ALERT SB:<br>28A0081  | 101102<br>108120<br>504903 | 1              |
| 77       | BRF200C08D    | .             | NUTPLATE-<br>SUPPLIER CODE:<br>V52828<br>SPECIFICATION NUMBER:<br>BACN10JR08CFD<br>OPTIONAL PART:<br>NS202476-82<br>V80539<br>102F9201-82<br>V72962<br>T8092C832CD<br>V11815<br>K51602-08BAC<br>V15653<br>POST ALERT SB:<br>28A0105R1 | 101102<br>108120<br>504903 | 4              |
| - 78     | AF5141-3C3    | .             | ATTACHING PARTS<br>RIVET<br>SUPPLIER CODE:<br>V53551<br>SPECIFICATION NUMBER:<br>BACR15DR3AC3<br>OPTIONAL PART:<br>CCR264CS3-3IT<br>V11815<br>RV541A3C3<br>V98996<br>-----*-----  | 101102<br>108120<br>504903 | 8              |
| 80       | MS27418-2A    | .             | RELAY-<br>ELECTRICAL EQUIP NUMBER:<br>K10875<br>POST ALERT SB:<br>28A0105R1   | 101102<br>108120<br>504903 | 1              |
| - 85     | BACS12HN08-30 | .             | ATTACHING PARTS<br>SCREW  | 101102<br>108120<br>504903 | 4              |
| - 90     | NAS43DD3-96FC | .             | SPACER  | 101102<br>108120<br>504903 | 4              |

MISSING ITEM NUMBERS NOT APPLICABLE

- ITEM NOT ILLUSTRATED

28-22-71-01A

28-22-71  
FIG. 01A  
PAGE 4  
JAN 20/09

BRI

BOEING PROPRIETARY - Copyright © - Unpublished Work - See title page for details.



757

PARTS CATALOG (MAINTENANCE)

| FIG ITEM | PART NUMBER    | 1 2 3 4 5 6 7 | NOMENCLATURE   | EFFECT FROM TO             | UNITS PER ASSY |
|----------|----------------|---------------|--|----------------------------|----------------|
| 1A       |                |               |  |                            |                |
| - 95     | NAS1149D0316H  | .             | WASHER   | 101102<br>108120<br>504903 | 4              |
|          |                | -----*        |  |                            |                |
| - 200    | 286N1230-303   |               | WIRE BUNDLE ASSY   | 101102                     | RF             |
| - 201    | 286N1230-322   |               | WIRE BUNDLE ASSY   | 504903                     | RF             |
| - 201    | 286N1230-323   |               | WIRE BUNDLE ASSY   | 108120                     | RF             |
| - 206    | 280N3356-10502 | .             | TAPE-I.D.<br>PLACARD CONTENT:<br>D11714 M/W K10872<br>RELAY-DELAY AUTO S/O<br>POST ALERT SB:<br>28A0081  | 101102<br>108120<br>504903 | 1              |
| - 208    | 280N3356-10503 | .             | TAPE-I.D.<br>PLACARD CONTENT:<br>D11716 M/W K10873<br>RELAY-AUTO S/O ENABLE<br>POST ALERT SB:<br>28A0081   | 101102<br>108120<br>504903 | 1              |
| 210      | RSE120026      | .             | SOCKET-<br>SUPPLIER CODE:<br>V58982<br>SPECIFICATION NUMBER:<br>BACS16AG1<br>OPTIONAL PART:<br>451120-026<br>V58982<br>ELECTRICAL EQUIP NUMBER:<br>D02020<br>D02140<br>WIRING DIAGRAM REF:<br>282221 | 101102<br>108120<br>504903 | 2              |
| 215      | RSE120027      | .             | SOCKET-<br>SUPPLIER CODE:<br>V58982<br>SPECIFICATION NUMBER:<br>BACS16AF1<br>OPTIONAL PART:<br>451120-027<br>V58982<br>ELECTRICAL EQUIP NUMBER:<br>D07736<br>D07738<br>WIRING DIAGRAM REF:<br>282231 | 101102<br>108120<br>504903 | 2              |

MISSING ITEM NUMBERS NOT APPLICABLE

- ITEM NOT ILLUSTRATED

28-22-71-01A

28-22-71  
FIG. 01A  
PAGE 5  
JAN 20/09

BRI

BOEING PROPRIETARY - Copyright © - Unpublished Work - See title page for details.



757

PARTS CATALOG (MAINTENANCE)

| FIG ITEM  | PART NUMBER | 1 2 3 4 5 6 7 | NOMENCLATURE   | EFFECT FROM TO             | UNITS PER ASSY |
|-----------|-------------|---------------|--|----------------------------|----------------|
| 1A<br>220 | RSF116418   | .             | SOCKET-<br>SUPPLIER CODE:<br>V58982<br>SPECIFICATION NUMBER:<br>BACS16W10A<br>OPTIONAL PART:<br>102-010-2<br>V09922<br>000300-1646<br>V05574<br>ELECTRICAL EQUIP NUMBER:<br>D11714<br>WIRING DIAGRAM REF:<br>282211<br>POST ALERT SB:<br>28A0081 | 101102<br>108120<br>504903 | 1              |
| 225       | RSF116210   | .             | SOCKET-<br>SUPPLIER CODE:<br>V58982<br>SPECIFICATION NUMBER:<br>BACS16X6A<br>OPTIONAL PART:<br>000300-1652<br>V05574<br>102-005-2<br>V09922<br>ELECTRICAL EQUIP NUMBER:<br>D11716<br>WIRING DIAGRAM REF:<br>282211<br>POST ALERT SB:<br>28A0081  | 101102<br>108120<br>504903 | 1              |

MISSING ITEM NUMBERS NOT APPLICABLE

- ITEM NOT ILLUSTRATED

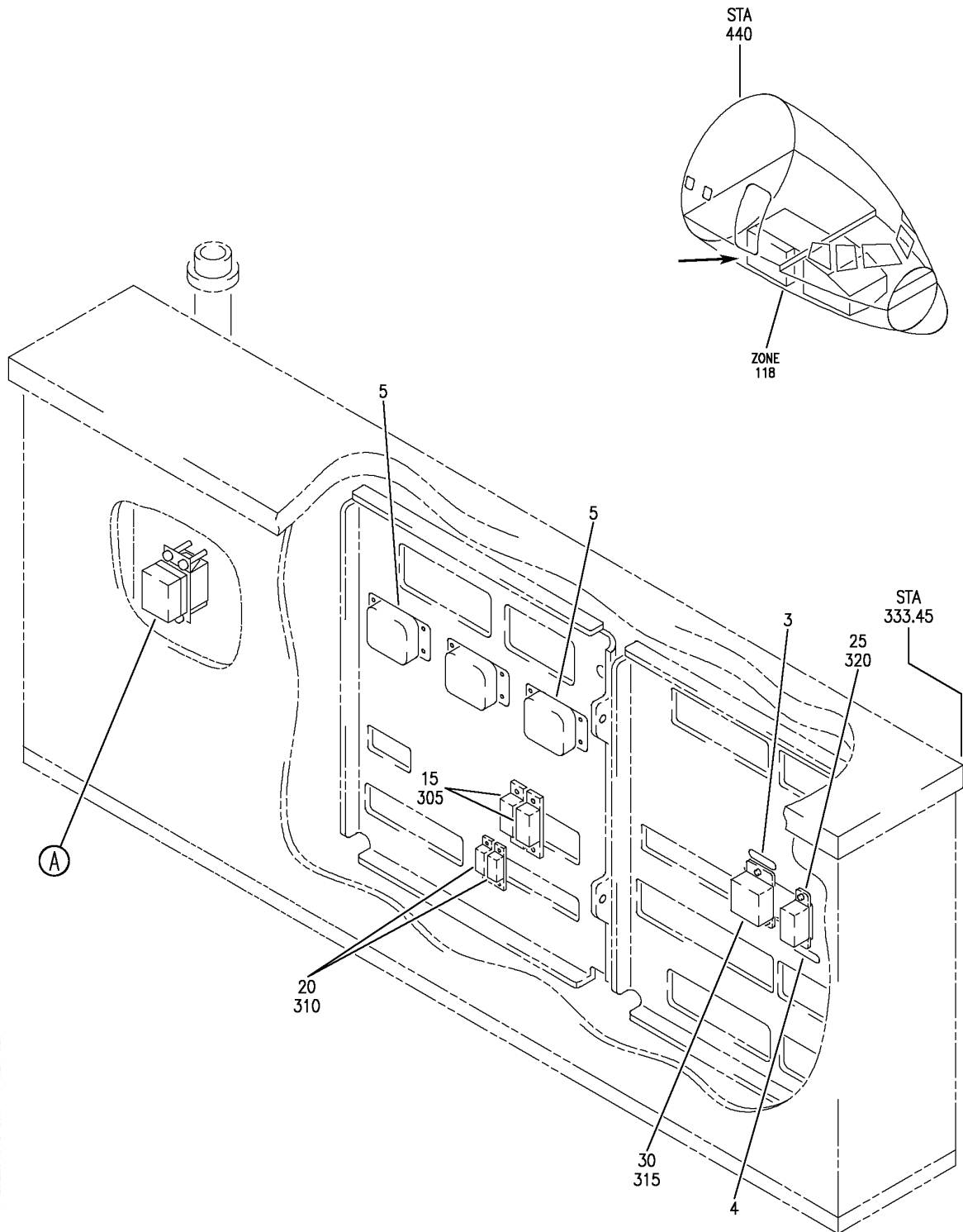
BRI

28-22-71-01A

BOEING PROPRIETARY - Copyright © - Unpublished Work - See title page for details.

28-22-71  
FIG. 01A  
PAGE 6  
JAN 20/09

**BOEING**  
757  
PARTS CATALOG (MAINTENANCE)



Y 28227101B SHT 1 REV 327

SHIELD INSTL-P33 MISC ELEC EQPT (ENGINE FUEL FEED SYSTEM ONLY)  
FIGURE 1B

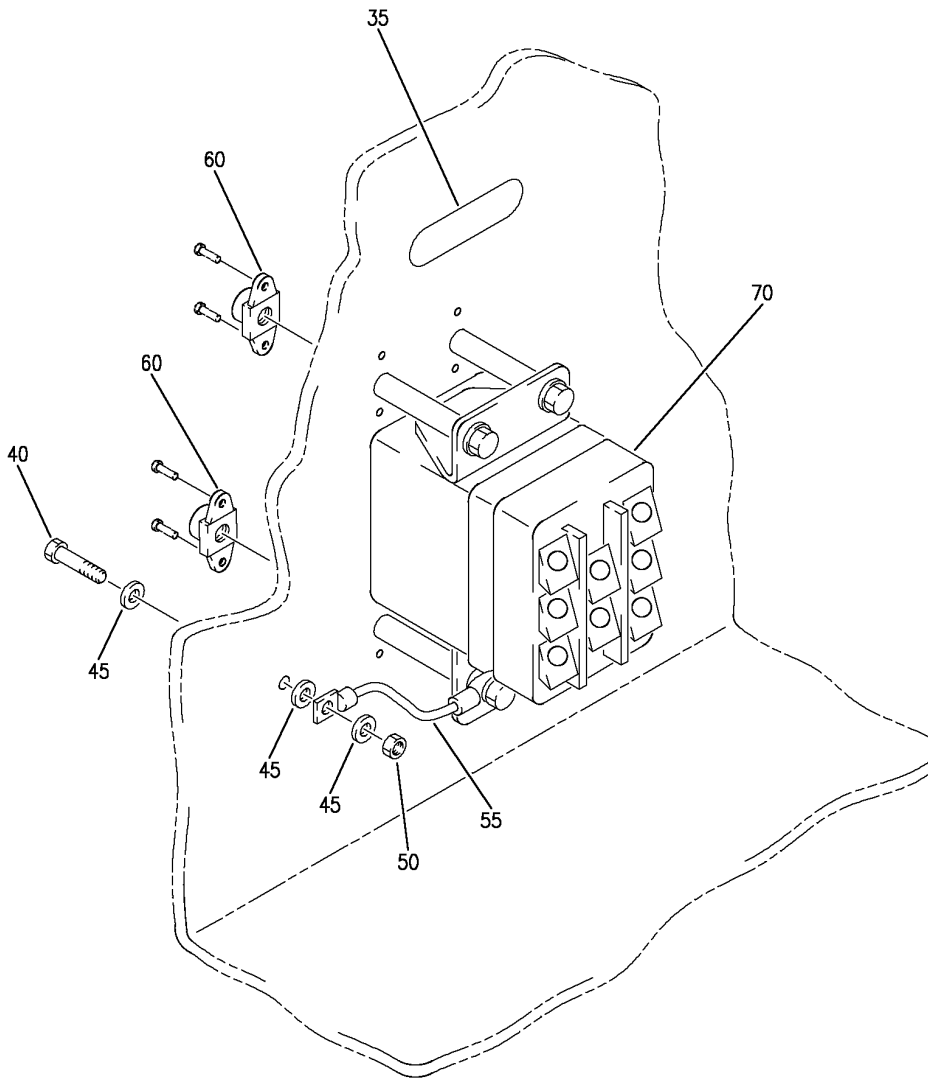
BRI  
JAN 20/09

**28-22-71-01B**

28-22-71-01B  
PAGE 0



**BOEING**  
757  
PARTS CATALOG (MAINTENANCE)



(A)

Y 28227101B SHT 2 REV 327

SHIELD INSTL-P33 MISC ELEC EQPT (ENGINE FUEL FEED SYSTEM ONLY)  
FIGURE 1B

**28-22-71-01B**

BRI  
JAN 20/09

28-22-71-01B  
PAGE 0A



757

**PARTS CATALOG (MAINTENANCE)**

| FIG ITEM | PART NUMBER | 1 2 3 4 5 6 7 | NOMENCLATURE  | EFFECT FROM TO | UNITS PER ASSY |
|----------|-------------|---------------|---|----------------|----------------|
| 1B       |             |               | SHIELD INSTL-P33 MISC ELEC EQPT (ENGINE FUEL FEED SYSTEM ONLY)  | 103106         |                |
| - 1      | MODREF33173 |               | SHIELD INSTL-P33 MISC ELEC EQPT (ENGINE FUEL FEED SYSTEM ONLY)<br>MODULE NUMBER:<br>284N1318-107 REV B<br>REWORKED BY ALERT SB:<br>28A0105R1<br>FOR OTHER SYS DETAILS SEE:<br>11-36-06-01B<br>24-53-71-03B<br>26-15-71-01B<br>27-51-71-01B<br>27-81-71-01B<br>28-21-71-01B<br>28-26-71-01B<br>29-11-71-01B<br>29-21-71-03B<br>29-22-71-01B<br>30-31-71-03B<br>30-32-71-03B<br>31-01-33-10<br>33-42-71-02B | 103105         | 1              |
| - 1      | MODREF34797 |               | SHIELD INSTL-P33 MISC ELEC EQPT (ENGINE FUEL FEED SYSTEM ONLY)<br>MODULE NUMBER:<br>284N1318-107 REV C<br>REWORKED BY ALERT SB:<br>28A0105R1<br>FOR OTHER SYS DETAILS SEE:<br>11-36-06-01B<br>24-53-71-03B<br>26-15-71-01B<br>27-51-71-01B<br>27-81-71-01B<br>28-21-71-01B<br>28-26-71-01B<br>29-11-71-01B<br>29-21-71-03B<br>29-22-71-01B<br>30-31-71-03B<br>30-32-71-03B<br>31-01-33-10<br>33-42-71-02B | 106106         | 1              |

MISSING ITEM NUMBERS NOT APPLICABLE

- ITEM NOT ILLUSTRATED

BRI

**28-22-71-01B**

BOEING PROPRIETARY - Copyright © - Unpublished Work - See title page for details.

28-22-71  
FIG. 01B  
PAGE 1  
JAN 20/09



757

PARTS CATALOG (MAINTENANCE)

| FIG ITEM | PART NUMBER  | 1 2 3 4 5 6 7 | NOMENCLATURE  | EFFECT FROM TO | UNITS PER ASSY |
|----------|--------------|---------------|---|----------------|----------------|
| 1B       |              |               |   |                |                |
| 3        | BAC27NEX3264 |               | .MARKER-<br>PLACARD CONTENT:<br>K10872<br>POST ALERT SB:<br>28A0081   | 103106         | 1              |
| 4        | BAC27NEX3265 |               | .MARKER-<br>PLACARD CONTENT:<br>K10873<br>POST ALERT SB:<br>28A0081   | 103106         | 1              |
| 5        | MS27418-2A   |               | .RELAY-<br>ELECTRICAL EQUIP NUMBER:<br>K00187<br>K00190<br>K10011<br>ATTACHING PARTS  | 103106         | 3              |
| - 10     | NAS1801-08-5 |               | .SCREW-   | 103105         | 12             |
| - 10     | BACS12HN08-5 |               | .SCREW-   | 106106         | 12             |
|          |              |               | -----*-----   |                |                |
| 15       | W460F1A      |               | .RELAY-<br>SUPPLIER CODE:<br>VF0219<br>SPECIFICATION NUMBER:<br>BACR13CE2<br>OPTIONAL PART:<br>3SAH5-13-4K1<br>V01526<br>3SAH1326A2<br>V01526<br>ELECTRICAL EQUIP NUMBER:<br>K10714<br>K10715 | 103106         | 2              |

MISSING ITEM NUMBERS NOT APPLICABLE

- ITEM NOT ILLUSTRATED

28-22-71-01B

28-22-71  
FIG. 01B  
PAGE 2  
JAN 20/09

BRI



757

PARTS CATALOG (MAINTENANCE)

| FIG ITEM | PART NUMBER  | 1 2 3 4 5 6 7 | NOMENCLATURE  | EFFECT FROM TO | UNITS PER ASSY |
|----------|--------------|---------------|---|----------------|----------------|
| 1B<br>20 | W260F4AM11   |               | .RELAY-<br>SUPPLIER CODE:<br>VF0219<br>SPECIFICATION NUMBER:<br>BACR13CD2<br>OPTIONAL PART:<br>BR16S233<br>V09026<br>EE4AA005<br>V35344<br>3SAV1338A2<br>V01526<br>HFW1206K03<br>V58614<br>HFW1204K01<br>V71482<br>ELECTRICAL EQUIP NUMBER:<br>K10110<br>K10111 | 103106         | 2              |
| 25       | JAD9F007     |               | .RELAY-<br>SUPPLIER CODE:<br>V58657<br>SPECIFICATION NUMBER:<br>BACR13CJ2<br>ELECTRICAL EQUIP NUMBER:<br>K10873<br>WIRING DIAGRAM REF:<br>282211<br>POST ALERT SB:<br>28A0081   | 103106         | 1              |
| 30       | TDH8116-1502 |               | .RELAY-TIME DELAY<br>SUPPLIER CODE:<br>V58657<br>ELECTRICAL EQUIP NUMBER:<br>K10872<br>WIRING DIAGRAM REF:<br>282211<br>POST ALERT SB:<br>28A0081   | 103106         | 1              |
| 35       | TTVF6502WE10 |               | .TAPE-K10875<br>SUPPLIER CODE:<br>VOKW00<br>SPECIFICATION NUMBER:<br>BACT19J2<br>OPTIONAL PART:<br>THT14-437W10<br>V85480<br>POST ALERT SB:<br>28A0105R1  | 103106         | 1              |

MISSING ITEM NUMBERS NOT APPLICABLE

- ITEM NOT ILLUSTRATED

**28-22-71-01B**

28-22-71  
FIG. 01B  
PAGE 3  
JAN 20/09

BRI

BOEING PROPRIETARY - Copyright © - Unpublished Work - See title page for details.



757

PARTS CATALOG (MAINTENANCE)

| FIG ITEM | PART NUMBER   | 1 2 3 4 5 6 7 | NOMENCLATURE  | EFFECT FROM TO | UNITS PER ASSY |
|----------|---------------|---------------|---|----------------|----------------|
| 1B       |               |               |   |                |                |
| 40       | BACS12HN3-11  | .             | SCREW-<br>POST ALERT SB:<br>28A0105R1   | 103106         | 1              |
| 45       | NAS1149D0316H | .             | WASHER-<br>POST ALERT SB:<br>28A0105R1  | 103106         | 3              |
| 50       | PLH53CD       | .             | NUT-<br>SUPPLIER CODE:<br>VF0224<br>SPECIFICATION NUMBER:<br>BACN10YR3CD<br>OPTIONAL PART:<br>H52732-3CD<br>V15653<br>POST ALERT SB:<br>28A0105R1   | 103106         | 1              |
| 55       | 940CW20-4     | .             | JUMPER ASSY-<br>SUPPLIER CODE:<br>V91812<br>SPECIFICATION NUMBER:<br>BACJ40AB20-4<br>OPTIONAL PART:<br>100220-4<br>V1FF12<br>RBEJ40AB20-4<br>V1GK47<br>POST ALERT SB:<br>28A0105R1  | 103106         | 1              |
| 60       | BRF200C08D    | .             | NUTPLATE-<br>SUPPLIER CODE:<br>V52828<br>SPECIFICATION NUMBER:<br>BACN10JR08CFD<br>OPTIONAL PART:<br>NS202476-82<br>V80539<br>102F9201-82<br>V72962<br>T8092C832CD<br>V11815<br>K51602-08BAC<br>V15653<br>POST ALERT SB:<br>28A0105R1 | 103106         | 4              |

MISSING ITEM NUMBERS NOT APPLICABLE

- ITEM NOT ILLUSTRATED

BRI

28-22-71-01B

BOEING PROPRIETARY - Copyright © - Unpublished Work - See title page for details.

28-22-71  
FIG. 01B  
PAGE 4  
JAN 20/09



757

PARTS CATALOG (MAINTENANCE)

| FIG ITEM | PART NUMBER    | 1 2 3 4 5 6 7 | NOMENCLATURE  | EFFECT FROM TO | UNITS PER ASSY |
|----------|----------------|---------------|---|----------------|----------------|
| 1B       |                |               |   |                |                |
| - 65     | AF5141-3C3     |               | ATTACHING PARTS<br>.RIVET<br>SUPPLIER CODE:<br>V53551<br>SPECIFICATION NUMBER:<br>BACR15DR3AC3<br>OPTIONAL PART:<br>CCR264CS3-3IT<br>V11815<br>RV541A3C3<br>V98996<br>-----*-----                     | 103106         | 8              |
| 70       | MS27418-2A     |               | .RELAY-<br>ELECTRICAL EQUIP NUMBER:<br>K10875<br>POST ALERT SB:<br>28A0105R1<br>ATTACHING PARTS   | 103106         | 1              |
| - 75     | BACS12HN08-30  |               | .SCREW  | 103106         | 4              |
| - 80     | NAS43DD3-96FC  |               | .SPACER   | 103106         | 4              |
| - 85     | NAS1149D0316H  |               | .WASHER<br>-----*-----  | 103106         | 4              |
| - 300    | 286N1230-701   |               | WIRE BUNDLE ASSY  | 103106         | RF             |
| - 302    | 280N3356-10602 |               | .TAPE-I.D.<br>PLACARD CONTENT:<br>D11714 M/W K10872<br>RELAY-DELAY AUTO S/O<br>POST ALERT SB:<br>28A0081  | 103106         | 1              |
| - 303    | 280N3356-10603 |               | .TAPE-I.D.<br>PLACARD CONTENT:<br>D11716 M/W K10873<br>RELAY-AUTO S/O ENABLE<br>POST ALERT SB:<br>28A0081   | 103106         | 1              |
| 305      | RSE120027      |               | .SOCKET-<br>SUPPLIER CODE:<br>V58982<br>SPECIFICATION NUMBER:<br>BACS16AF1<br>OPTIONAL PART:<br>451120-027<br>V58982<br>ELECTRICAL EQUIP NUMBER:<br>D07736<br>D07738<br>WIRING DIAGRAM REF:<br>282231 | 103106         | 2              |

MISSING ITEM NUMBERS NOT APPLICABLE

- ITEM NOT ILLUSTRATED

28-22-71-01B

28-22-71  
FIG. 01B  
PAGE 5  
JAN 20/09

BRI

BOEING PROPRIETARY - Copyright © - Unpublished Work - See title page for details.



757

PARTS CATALOG (MAINTENANCE)

| FIG ITEM  | PART NUMBER | 1 2 3 4 5 6 7 | NOMENCLATURE  | EFFECT FROM TO | UNITS PER ASSY |
|-----------|-------------|---------------|---|----------------|----------------|
| 1B<br>310 | RSE120026   |               | .SOCKET-<br>SUPPLIER CODE:<br>V58982<br>SPECIFICATION NUMBER:<br>BACS16AG1<br>OPTIONAL PART:<br>451120-026<br>V58982<br>ELECTRICAL EQUIP NUMBER:<br>D02020<br>D02140<br>WIRING DIAGRAM REF:<br>282221   | 103106         | 2              |
| 315       | RSF116418   |               | .SOCKET-<br>SUPPLIER CODE:<br>V58982<br>SPECIFICATION NUMBER:<br>BACS16W10A<br>OPTIONAL PART:<br>102-010-2<br>V09922<br>000300-1646<br>V05574<br>ELECTRICAL EQUIP NUMBER:<br>D11714<br>WIRING DIAGRAM REF:<br>282211<br>POST ALERT SB:<br>28A0081 | 103106         | 1              |
| 320       | RSF116210   |               | .SOCKET-<br>SUPPLIER CODE:<br>V58982<br>SPECIFICATION NUMBER:<br>BACS16X6A<br>OPTIONAL PART:<br>000300-1652<br>V05574<br>102-005-2<br>V09922<br>ELECTRICAL EQUIP NUMBER:<br>D11716<br>WIRING DIAGRAM REF:<br>282211<br>POST ALERT SB:<br>28A0081  | 103106         | 1              |

MISSING ITEM NUMBERS NOT APPLICABLE

- ITEM NOT ILLUSTRATED

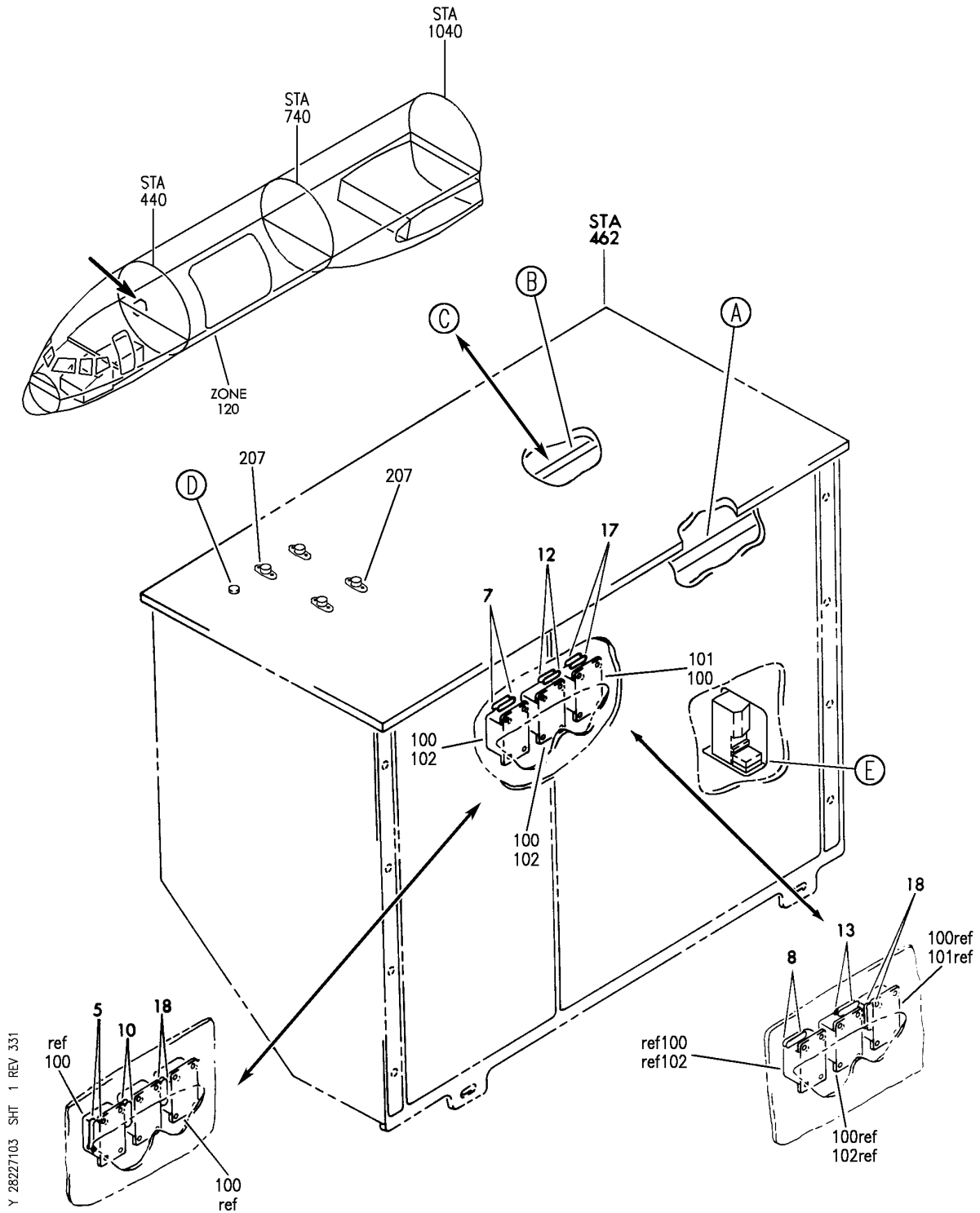
28-22-71-01B

28-22-71  
FIG. 01B  
PAGE 6  
JAN 20/09

BRI

BOEING PROPRIETARY - Copyright © - Unpublished Work - See title page for details.

**BOEING**  
757  
PARTS CATALOG (MAINTENANCE)



PANEL ASSY-P37 MISC RELAY R (FUEL ONLY)  
FIGURE 3 (SHEET 1)

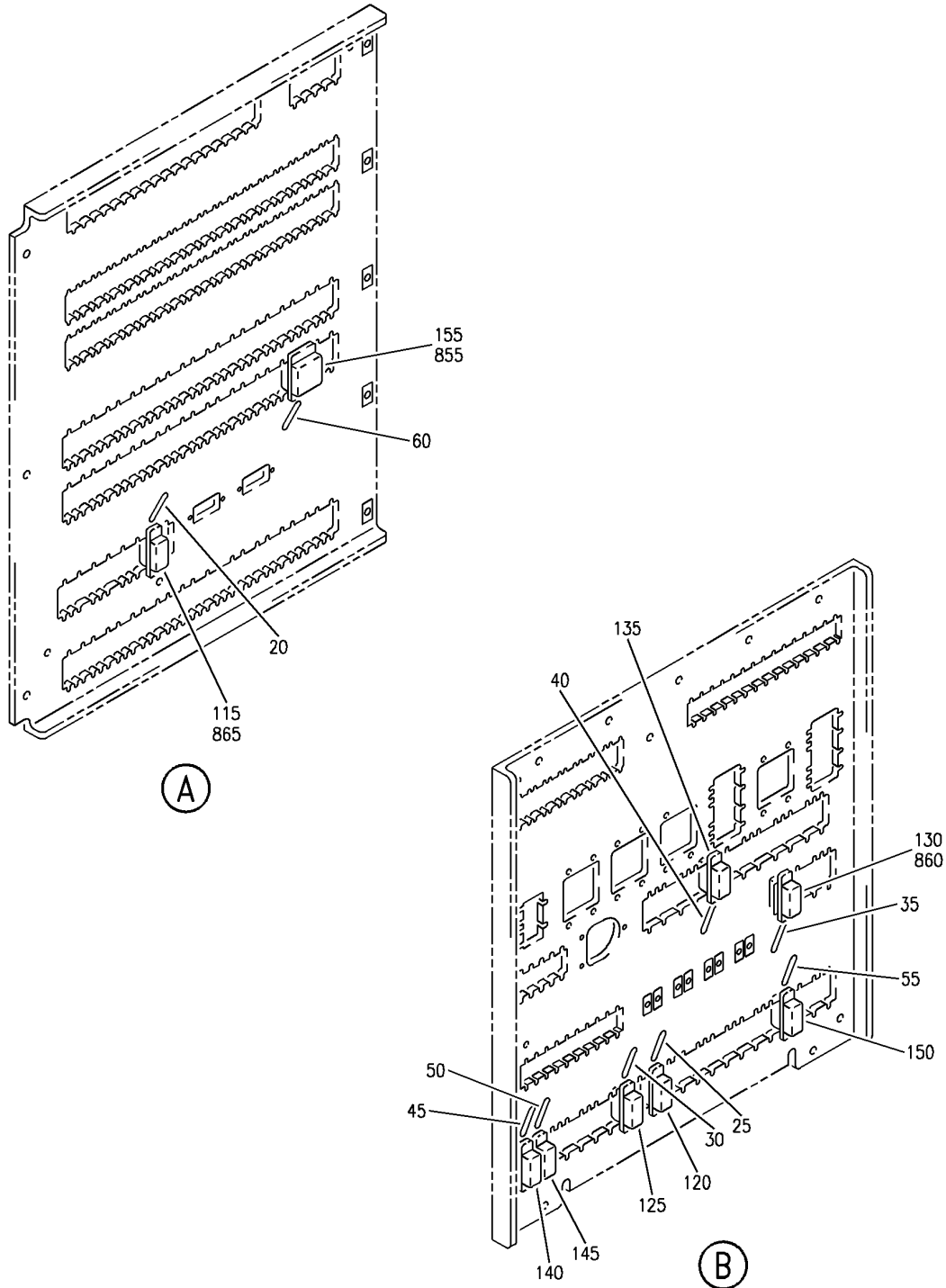
**28-22-71-03**

BRI  
JAN 20/09

28-22-71-03  
PAGE 0



**BOEING**  
757  
PARTS CATALOG (MAINTENANCE)



Y 28227103 SHT 2 REV 299

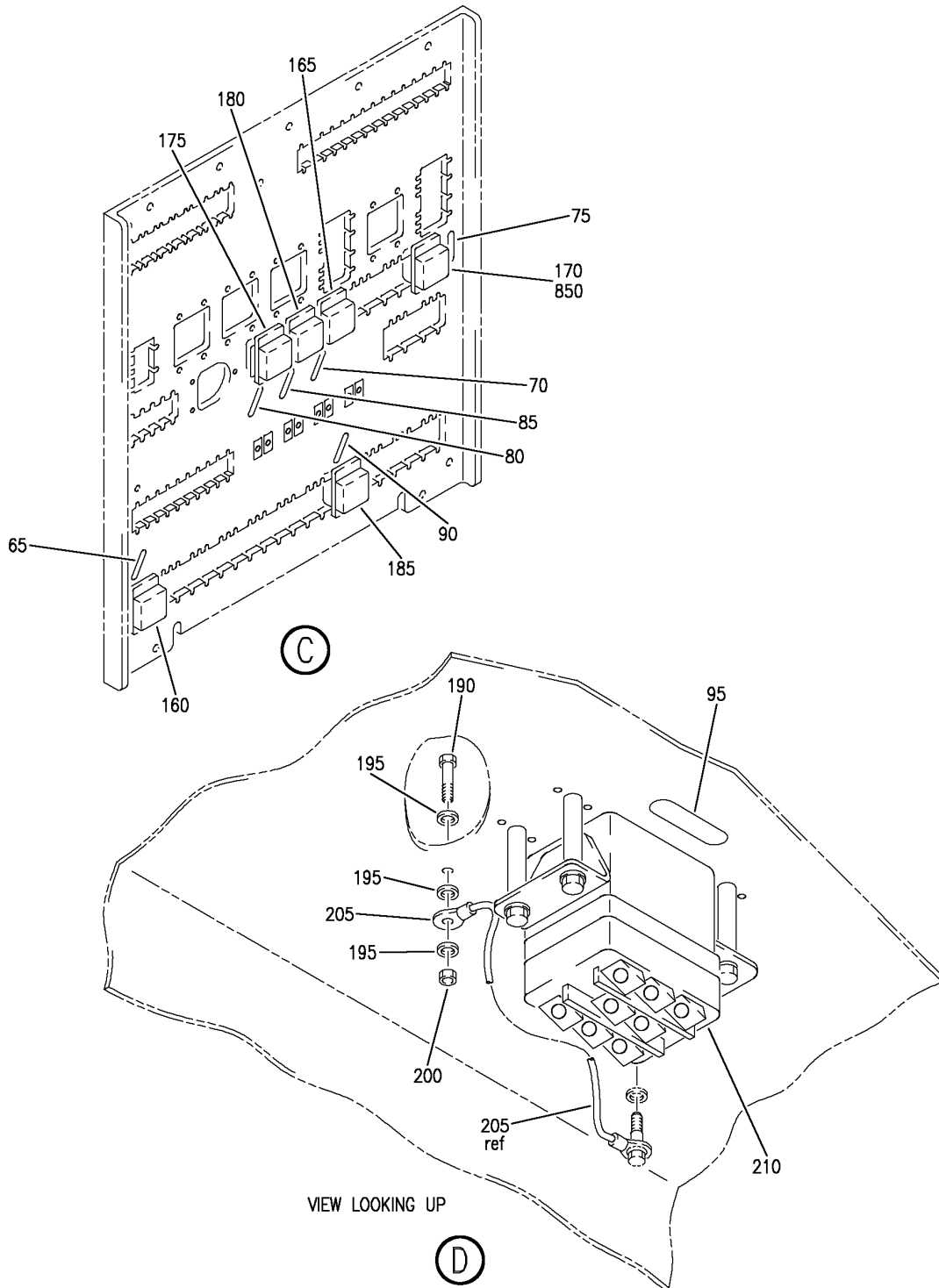
PANEL ASSY-P37 MISC RELAY R (FUEL ONLY)  
FIGURE 3 (SHEET 2)

**28-22-71-03**

BRI  
MAY 28/07

28-22-71-03  
PAGE 0A

**BOEING**  
757  
PARTS CATALOG (MAINTENANCE)



Y 28227103 SH-T 3 REV 312

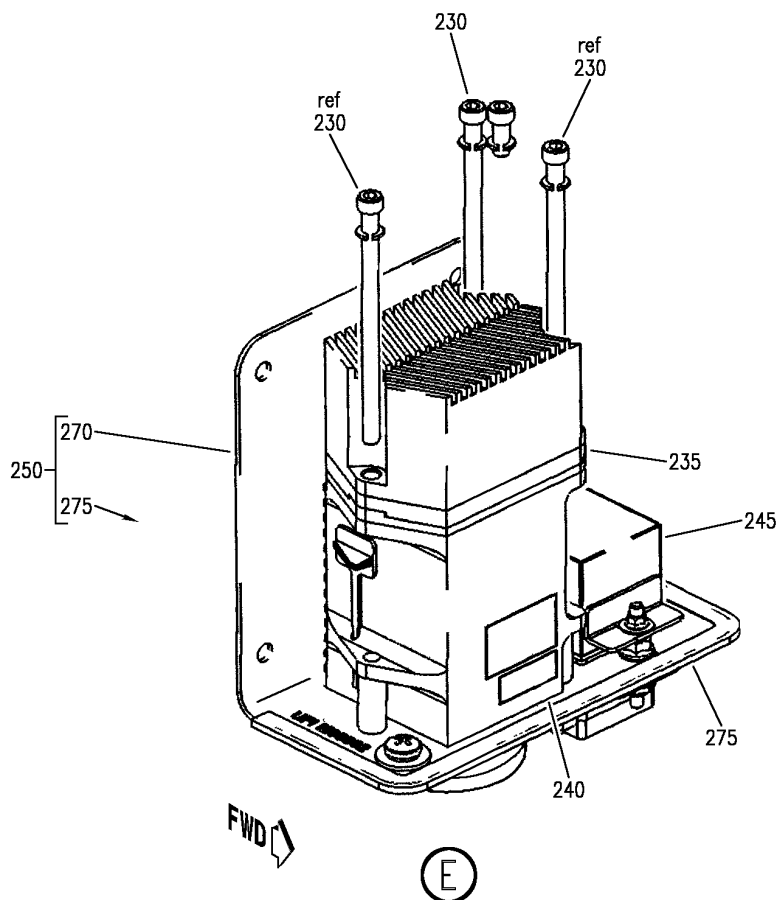
PANEL ASSY-P37 MISC RELAY R (FUEL ONLY)  
FIGURE 3 (SHEET 3)

**28-22-71-03**

BRI  
SEP 28/07

28-22-71-03  
PAGE 0B

**BOEING**  
757  
PARTS CATALOG (MAINTENANCE)



Y 28227103 SH1 4 REV 315

PANEL ASSY-P37 MISC RELAY R (FUEL ONLY)  
FIGURE 3 (SHEET 4)

**28-22-71-03**

BRI  
SEP 28/07

28-22-71-03  
PAGE 0C



757

PARTS CATALOG (MAINTENANCE)

| FIG ITEM | PART NUMBER  | 1 2 3 4 5 6 7 | NOMENCLATURE   | EFFECT FROM TO                                 | UNITS PER ASSY |
|----------|--------------|---------------|--|--|----------------|
| 3        |              |               | PANEL ASSY-P37 MISC<br>RELAY R (FUEL ONLY)   | 002004<br>006100<br>107107<br>121503<br>904999 |                |
| - 1      | 284N1127-1   |               | PANEL ASSY-P37 MISC RELAY R<br>(FUEL ONLY)<br>VARIABLE DRAWING REF:<br>284N1127-5028<br>284N1127-5039<br>284N1127-5063<br>284N1127-5064<br>284N1127-5068<br>REWORKED BY SB:<br>33-0039<br>34-0200<br>REWORKED BY ALERT SB:<br>27A0130<br>28A0105R1<br>FOR NHA/OTHER SYS DET SEE:<br>31-01-37-01B | 002004<br>006100<br>107107<br>121503<br>904999 | RF             |
| 5        | BAC27TEX0733 |               | .DECAL-<br>PLACARD CONTENT:<br>K188  | 107107   | 2              |
| 8        | BAC27TEX0733 |               | .DECAL-<br>PLACARD CONTENT:<br>K188  | 002004<br>006100<br>121503<br>904999           | 2              |
| 10       | BAC27TEX0316 |               | .DECAL-<br>PLACARD CONTENT:<br>K189  | 107107   | 2              |
| 13       | BAC27TEX0316 |               | .DECAL-<br>PLACARD CONTENT:<br>K189  | 002004<br>006100<br>121503<br>904999           | 2              |
| 18       | BAC27NEX0982 |               | .DECAL-<br>PLACARD CONTENT:<br>K10012  | 002004<br>006100<br>107107<br>121503<br>904999 | 2              |
| 35       | BAC27NEX3262 |               | .MARKER-<br>PLACARD CONTENT:<br>K10870<br>POST ALERT SB:<br>28A0081  | 006100<br>950951                               | 1              |

MISSING ITEM NUMBERS NOT APPLICABLE

- ITEM NOT ILLUSTRATED

28-22-71-03

28-22-71  
FIG. 03  
PAGE 1  
JAN 20/09

BRI



757

PARTS CATALOG (MAINTENANCE)

| FIG ITEM | PART NUMBER  | 1 2 3 4 5 6 7 | NOMENCLATURE  | EFFECT FROM TO                                 | UNITS PER ASSY |
|----------|--------------|---------------|---|--|----------------|
| 3        |              |               |   |  |                |
| 50       | BAC27NEX3262 | .             | MARKER-<br>PLACARD CONTENT:<br>K10870<br>POST ALERT SB:<br>28A0081  | 107107   | 1              |
| 55       | BAC27NEX3262 | .             | MARKER-<br>PLACARD CONTENT:<br>K10870<br>POST ALERT SB:<br>28A0081  | 002004<br>121503<br>904949<br>952999           | 1              |
| 75       | BAC27NEX3263 | .             | MARKER-<br>PLACARD CONTENT:<br>K10871<br>POST ALERT SB:<br>28A0081  | 006100<br>950951                               | 1              |
| 80       | BAC27NEX3263 | .             | MARKER-<br>PLACARD CONTENT:<br>K10871<br>POST ALERT SB:<br>28A0081  | 002004<br>107107<br>121503<br>904949<br>952999 | 1              |
| 95       | TTVF6502WE10 | .             | TAPE-K10874<br>SUPPLIER CODE:<br>VOKW00<br>SPECIFICATION NUMBER:<br>BACT19J2<br>OPTIONAL PART:<br>THT14-437W10<br>V85480<br>POST ALERT SB:<br>28A0105R1 | 002004<br>006100<br>107107<br>121503<br>904999 | 1              |
| 100      | MS27418-2A   | .             | RELAY-<br>ELECTRICAL EQUIP NUMBER:<br>K00188<br>K00189<br>K10012  | 002004<br>006100<br>107107<br>121503<br>904999 | 3              |
| - 105    | NAS602-7P    | .             | ATTACHING PARTS<br>SCREW  | 002004<br>006100<br>107107<br>121503<br>904999 | 12             |
|          |              |               | -----*-----   |  |                |

MISSING ITEM NUMBERS NOT APPLICABLE

- ITEM NOT ILLUSTRATED

BRI

28-22-71-03

28-22-71  
FIG. 03  
PAGE 2  
JAN 20/09



757

PARTS CATALOG (MAINTENANCE)

| FIG ITEM | PART NUMBER  | 1 2 3 4 5 6 7 | NOMENCLATURE  | EFFECT FROM TO                       | UNITS PER ASSY |
|----------|--------------|---------------|---|--------------------------------------|----------------|
| 3<br>130 | JAD9F007     |               | .RELAY-<br>SUPPLIER CODE:<br>V58657<br>SPECIFICATION NUMBER:<br>BACR13CJ2<br>ELECTRICAL EQUIP NUMBER:<br>K10870<br>WIRING DIAGRAM REF:<br>282211<br>POST ALERT SB:<br>28A0081 | 006100<br>950951                     | 1              |
| 145      | JAD9F007     |               | .RELAY-<br>SUPPLIER CODE:<br>V58657<br>SPECIFICATION NUMBER:<br>BACR13CJ2<br>ELECTRICAL EQUIP NUMBER:<br>K10870<br>WIRING DIAGRAM REF:<br>282211<br>POST ALERT SB:<br>28A0081 | 107107                               | 1              |
| 150      | JAD9F007     |               | .RELAY-<br>SUPPLIER CODE:<br>V58657<br>SPECIFICATION NUMBER:<br>BACR13CJ2<br>ELECTRICAL EQUIP NUMBER:<br>K10870<br>WIRING DIAGRAM REF:<br>282211<br>POST ALERT SB:<br>28A0081 | 002004<br>121503<br>904949<br>952999 | 1              |
| 170      | TDH8116-1502 |               | .RELAY-TIME DELAY<br>SUPPLIER CODE:<br>V58657<br>ELECTRICAL EQUIP NUMBER:<br>K10871<br>WIRING DIAGRAM REF:<br>282211<br>POST ALERT SB:<br>28A0081                             | 006100<br>950951                     | 1              |

MISSING ITEM NUMBERS NOT APPLICABLE

- ITEM NOT ILLUSTRATED

BRI

28-22-71-03

BOEING PROPRIETARY - Copyright © - Unpublished Work - See title page for details.

28-22-71  
FIG. 03  
PAGE 3  
JAN 20/09



757

PARTS CATALOG (MAINTENANCE)

| FIG ITEM | PART NUMBER   | 1 2 3 4 5 6 7 | NOMENCLATURE  | EFFECT FROM TO                                 | UNITS PER ASSY |
|----------|---------------|---------------|---|--|----------------|
| 3        |               |               |   |  |                |
| 175      | TDH8116-1502  |               | .RELAY-TIME DELAY<br>SUPPLIER CODE:<br>V58657<br>ELECTRICAL EQUIP NUMBER:<br>K10871<br>WIRING DIAGRAM REF:<br>282211<br>POST ALERT SB:<br>28A0081                                   | 002004<br>107107<br>121503<br>904949<br>952999 | 1              |
| 190      | BACS12HN3-11  |               | .SCREW-<br>POST ALERT SB:<br>28A0105R1  | 002004<br>006100<br>107107<br>121503<br>904999 | 1              |
| 195      | NAS1149D0316H |               | .WASHER-<br>POST ALERT SB:<br>28A0105R1   | 002004<br>006100<br>107107<br>121503<br>904999 | 3              |
| 200      | PLH53CD       |               | .NUT-<br>SUPPLIER CODE:<br>VF0224<br>SPECIFICATION NUMBER:<br>BACN10YR3CD<br>OPTIONAL PART:<br>H52732-3CD<br>V15653<br>POST ALERT SB:<br>28A0105R1                                  | 002004<br>006100<br>107107<br>121503<br>904999 | 1              |
| 205      | 940CW20-4     |               | .JUMPER ASSY-<br>SUPPLIER CODE:<br>V91812<br>SPECIFICATION NUMBER:<br>BACJ40AB20-4<br>OPTIONAL PART:<br>100220-4<br>V1FF12<br>RBEJ40AB20-4<br>V1GK47<br>POST ALERT SB:<br>28A0105R1 | 002004<br>006100<br>107107<br>121503<br>904999 | 1              |

MISSING ITEM NUMBERS NOT APPLICABLE

- ITEM NOT ILLUSTRATED

BRI

28-22-71-03

BOEING PROPRIETARY - Copyright © - Unpublished Work - See title page for details.

28-22-71  
FIG. 03  
PAGE 4  
JAN 20/09



757

PARTS CATALOG (MAINTENANCE)

| FIG ITEM | PART NUMBER   | 1 2 3 4 5 6 7 | NOMENCLATURE  | EFFECT FROM TO                                 | UNITS PER ASSY |
|----------|---------------|---------------|---|--|----------------|
| 3<br>207 | BRF200C08D    |               | .NUTPLATE-<br>SUPPLIER CODE:<br>V52828<br>SPECIFICATION NUMBER:<br>BACN10JR08CFD<br>OPTIONAL PART:<br>NS202476-82<br>V80539<br>102F9201-82<br>V72962<br>T8092C832CD<br>V11815<br>K51602-08BAC<br>V15653<br>POST ALERT SB:<br>28A0105R1<br>ATTACHING PARTS | 002004<br>006100<br>107107<br>121503<br>904999 | 4              |
| - 208    | AF5141-3C3    |               | .RIVET<br>SUPPLIER CODE:<br>V53551<br>SPECIFICATION NUMBER:<br>BACR15DR3AC3<br>OPTIONAL PART:<br>CCR264CS3-3IT<br>V11815<br>RV541A3C3<br>V98996<br>-----*-----  | 002004<br>006100<br>107107<br>121503<br>904999 | 8              |
| 210      | MS27418-2A    |               | .RELAY-<br>ELECTRICAL EQUIP NUMBER:<br>K10874<br>POST ALERT SB:<br>28A0105R1<br>ATTACHING PARTS   | 002004<br>006100<br>107107<br>121503<br>904999 | 1              |
| - 215    | BACS12HN08-30 |               | .SCREW  | 002004<br>006100<br>107107<br>121503<br>904999 | 4              |
| - 220    | NAS43DD3-96FC |               | .SPACER   | 002004<br>006100<br>107107<br>121503<br>904999 | 4              |

MISSING ITEM NUMBERS NOT APPLICABLE

- ITEM NOT ILLUSTRATED

28-22-71-03

28-22-71  
FIG. 03  
PAGE 5  
JAN 20/09

BRI





**757  
PARTS CATALOG (MAINTENANCE)**

| FIG<br>ITEM | PART NUMBER    | 1 2 3 4 5 6 7 | NOMENCLATURE  | EFFECT<br>FROM TO                              | UNITS<br>PER<br>ASSY |
|-------------|----------------|---------------|---|--|----------------------|
| 3           |                |               |   |  |                      |
| - 225       | NAS1149D0316H  | .             | WASHER  | 002004<br>006100<br>107107<br>121503<br>904999 | 4                    |
| - 800       | 286N1270-002   | -----*-----   | WIRE BUNDLE ASSY  | 121503<br>904949                               | RF                   |
| - 800       | 286N1270-003   |               | WIRE BUNDLE ASSY  | 107107   | RF                   |
| - 800       | 286N1270-005   |               | WIRE BUNDLE ASSY-   | 002004<br>006100<br>950999                     | RF                   |
| - 805       | 280N3356-10702 | .TAPE-I.D.    | PLACARD CONTENT:<br>D11712 M/W K10871<br>RELAY-DELAY AUTO S/O<br>POST ALERT SB:<br>28A0081  | 002004<br>006100<br>107107<br>121503<br>904999 | 1                    |
| - 815       | 280N3356-10703 | .TAPE-I.D.    | PLACARD CONTENT:<br>D11710 M/W K10870<br>RELAY-AUTO S/O ENABLE<br>POST ALERT SB:<br>28A0081   | 002004<br>006100<br>107107<br>121503<br>904999 | 1                    |
| 850         | RSF116418      | .SOCKET-      | SUPPLIER CODE:<br>V58982<br>SPECIFICATION NUMBER:<br>BACS16W10A<br>OPTIONAL PART:<br>102-010-2<br>V09922<br>000300-1646<br>V05574<br>ELECTRICAL EQUIP NUMBER:<br>D11712<br>WIRING DIAGRAM REF:<br>282211<br>POST ALERT SB:<br>28A0081 | 002004<br>006100<br>107107<br>121503<br>904999 | 1                    |

MISSING ITEM NUMBERS NOT APPLICABLE

- ITEM NOT ILLUSTRATED

BRI

# 28-22-71-03

BOEING PROPRIETARY - Copyright © - Unpublished Work - See title page for details.

28-22-71  
FIG. 03  
PAGE 6  
JAN 20/09



757  
PARTS CATALOG (MAINTENANCE)

| FIG<br>ITEM | PART NUMBER | 1 2 3 4 5 6 7 | NOMENCLATURE  | EFFECT<br>FROM TO                              | UNITS<br>PER<br>ASSY |
|-------------|-------------|---------------|---|--|----------------------|
| 3<br>860    | RSF116210   |               | . SOCKET-<br>SUPPLIER CODE:<br>V58982<br>SPECIFICATION NUMBER:<br>BACS16X6A<br>OPTIONAL PART:<br>000300-1652<br>V05574<br>102-005-2<br>V09922<br>ELECTRICAL EQUIP NUMBER:<br>D11710<br>WIRING DIAGRAM REF:<br>282211<br>POST ALERT SB:<br>28A0081 | 002004<br>006100<br>107107<br>121503<br>904999 | 1                    |

MISSING ITEM NUMBERS NOT APPLICABLE

- ITEM NOT ILLUSTRATED

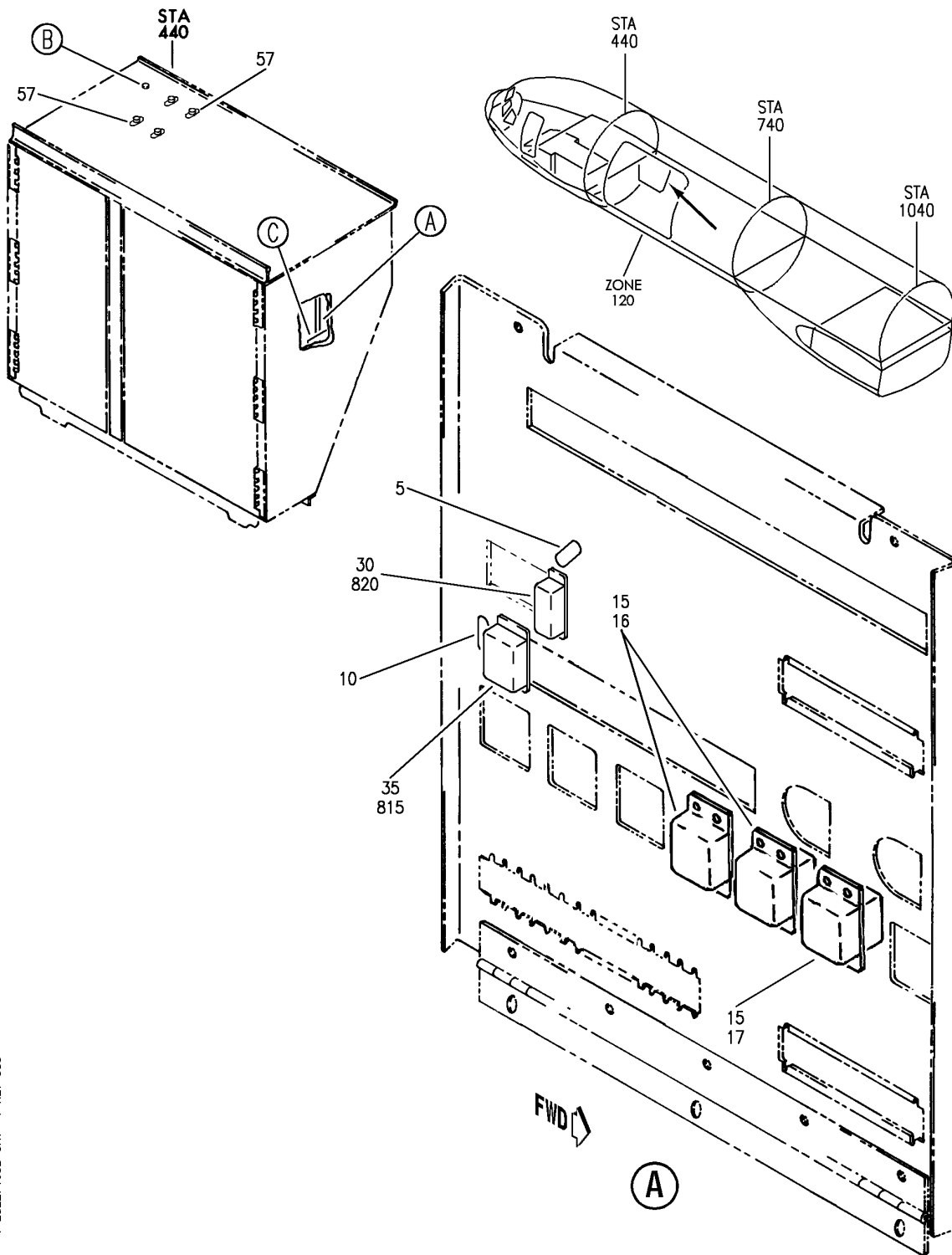
BRI

28-22-71-03

BOEING PROPRIETARY - Copyright © - Unpublished Work - See title page for details.

28-22-71  
FIG. 03  
PAGE 7  
JAN 20/09

**BOEING**  
757  
PARTS CATALOG (MAINTENANCE)



Y 28227103B SHT 1 REV 335

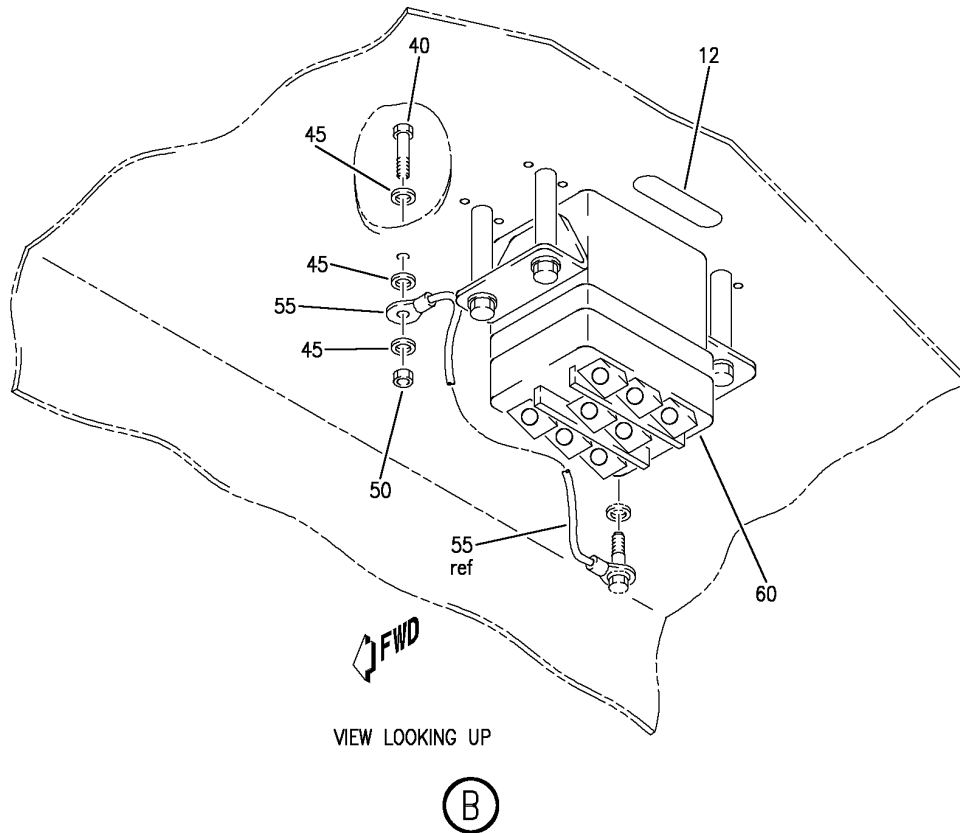
PACKAGE ASSY-OPTION P37 MISC RELAY (FUEL ONLY)  
FIGURE 3B

**28-22-71-03B**

BRI  
MAY 20/09

28-22-71-03B  
PAGE 0

**BOEING**  
757  
PARTS CATALOG (MAINTENANCE)



Y 28227103B SHT 2 REV 312

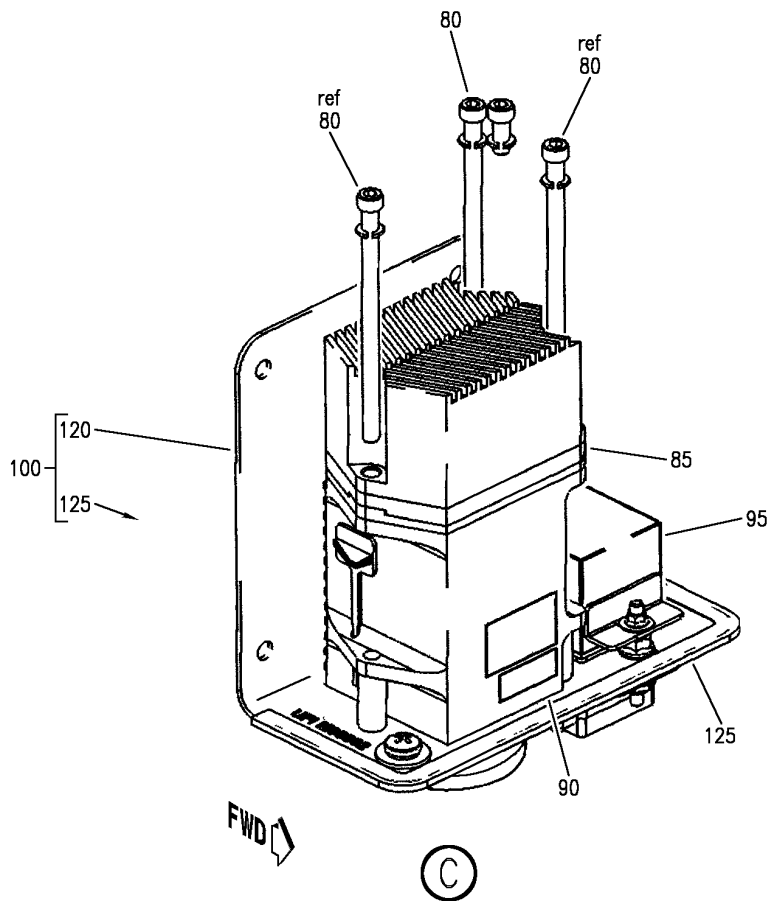
PACKAGE ASSY-OPTION P37 MISC RELAY (FUEL ONLY)  
FIGURE 3B

**28-22-71-03B**

BRI  
SEP 28/07

28-22-71-03B  
PAGE 0A

**BOEING**  
757  
PARTS CATALOG (MAINTENANCE)



Y 28227103B SHT 3 REV 315

PACKAGE ASSY-OPTION P37 MISC RELAY (FUEL ONLY)  
FIGURE 3B

**28-22-71-03B**

BRI  
SEP 28/07

28-22-71-03B  
PAGE 0B



757

PARTS CATALOG (MAINTENANCE)

| FIG ITEM | PART NUMBER   | 1 2 3 4 5 6 7 | NOMENCLATURE   | EFFECT FROM TO   | UNITS PER ASSY |
|----------|---------------|---------------|--|------------------|----------------|
| 3B       |               |               | PACKAGE ASSY-OPTION P37<br>MISC RELAY (FUEL ONLY)  | 101102<br>504903 |                |
| - 1      | 284N1127-1041 |               | PACKAGE ASSY-OPTION P37<br>MISC RELAY<br>(FUEL ONLY)<br>MISCELLANEOUS DATA:<br>757 MAJOR MODEL<br>REWORKED BY ALERT SB:<br>27A0130<br>28A0105R1<br>FOR NHA/OTHER SYS DET SEE:<br>31-01-37-02 | 101102<br>504903 | RF             |
| 5        | BAC27NEX3262  |               | .MARKER-<br>PLACARD CONTENT:<br>K10870<br>POST ALERT SB:<br>28A0081  | 101102<br>504903 | 1              |
| 10       | BAC27NEX3263  |               | .MARKER-<br>PLACARD CONTENT:<br>K10871<br>POST ALERT SB:<br>28A0081  | 101102<br>504903 | 1              |
| 12       | TTVF6502WE10  |               | .TAPE-K10874<br>SUPPLIER CODE:<br>VOKW00<br>SPECIFICATION NUMBER:<br>BACT19J2<br>OPTIONAL PART:<br>THT14-437W10<br>V85480<br>POST ALERT SB:<br>28A0105R1                                     | 101102<br>504903 | 1              |
| 15       | MS27418-2A    |               | .RELAY-<br>ELECTRICAL EQUIP NUMBER:<br>K00188<br>K00189<br>K10012  | 101102<br>504903 | 3              |
| - 20     | NAS602-7P     |               | ATTACHING PARTS<br>.SCREW  | 101102<br>504903 | 12             |
| - 25     | AN960PD8L     |               | .WASHER  | 101102<br>504903 | 12             |
|          |               |               | -----*-----  |                  |                |

MISSING ITEM NUMBERS NOT APPLICABLE

- ITEM NOT ILLUSTRATED

28-22-71-03B

28-22-71  
FIG. 03B  
PAGE 1  
JAN 20/09

BRI

BOEING PROPRIETARY - Copyright © - Unpublished Work - See title page for details.



757

PARTS CATALOG (MAINTENANCE)

| FIG ITEM | PART NUMBER   | 1 2 3 4 5 6 7 | NOMENCLATURE  | EFFECT FROM TO   | UNITS PER ASSY |
|----------|---------------|---------------|---|------------------|----------------|
| 3B<br>30 | JAD9F007      |               | .RELAY-<br>SUPPLIER CODE:<br>V58657<br>SPECIFICATION NUMBER:<br>BACR13CJ2<br>ELECTRICAL EQUIP NUMBER:<br>K10870<br>WIRING DIAGRAM REF:<br>282211<br>POST ALERT SB:<br>28A0081       | 101102<br>504903 | 1              |
| 35       | TDH8116-1502  |               | .RELAY-TIME DELAY<br>SUPPLIER CODE:<br>V58657<br>ELECTRICAL EQUIP NUMBER:<br>K10871<br>WIRING DIAGRAM REF:<br>282211<br>POST ALERT SB:<br>28A0081                                   | 101102<br>504903 | 1              |
| 40       | BACS12HN3-11  |               | .SCREW-<br>POST ALERT SB:<br>28A0105R1  | 101102<br>504903 | 1              |
| 45       | NAS1149D0316H |               | .WASHER-<br>POST ALERT SB:<br>28A0105R1   | 101102<br>504903 | 3              |
| 50       | PLH53CD       |               | .NUT-<br>SUPPLIER CODE:<br>VF0224<br>SPECIFICATION NUMBER:<br>BACN10YR3CD<br>OPTIONAL PART:<br>H52732-3CD<br>V15653<br>POST ALERT SB:<br>28A0105R1                                  | 101102<br>504903 | 1              |
| 55       | 940CW20-4     |               | .JUMPER ASSY-<br>SUPPLIER CODE:<br>V91812<br>SPECIFICATION NUMBER:<br>BACJ40AB20-4<br>OPTIONAL PART:<br>100220-4<br>V1FF12<br>RBEJ40AB20-4<br>V1GK47<br>POST ALERT SB:<br>28A0105R1 | 101102<br>504903 | 1              |

MISSING ITEM NUMBERS NOT APPLICABLE

- ITEM NOT ILLUSTRATED

28-22-71-03B

28-22-71  
FIG. 03B  
PAGE 2  
JAN 20/09

BRI

BOEING PROPRIETARY - Copyright © - Unpublished Work - See title page for details.



757

PARTS CATALOG (MAINTENANCE)

| FIG ITEM | PART NUMBER   | 1 2 3 4 5 6 7 | NOMENCLATURE  | EFFECT FROM TO   | UNITS PER ASSY |
|----------|---------------|---------------|---|------------------|----------------|
| 3B<br>57 | BRF200C08D    |               | .NUTPLATE-<br>SUPPLIER CODE:<br>V52828<br>SPECIFICATION NUMBER:<br>BACN10JR08CFD<br>OPTIONAL PART:<br>NS202476-82<br>V80539<br>102F9201-82<br>V72962<br>T8092C832CD<br>V11815<br>K51602-08BAC<br>V15653<br>POST ALERT SB:<br>28A0105R1<br>ATTACHING PARTS | 101102<br>504903 | 4              |
| - 58     | AF5141-3C3    |               | .RIVET<br>SUPPLIER CODE:<br>V53551<br>SPECIFICATION NUMBER:<br>BACR15DR3AC3<br>OPTIONAL PART:<br>CCR264CS3-3IT<br>V11815<br>RV541A3C3<br>V98996<br>-----*-----  | 101102<br>504903 | 8              |
| 60       | MS27418-2A    |               | .RELAY-<br>ELECTRICAL EQUIP NUMBER:<br>K10874<br>POST ALERT SB:<br>28A0105R1<br>ATTACHING PARTS   | 101102<br>504903 | 1              |
| - 65     | BACS12HN08-30 |               | .SCREW  | 101102<br>504903 | 4              |
| - 70     | NAS43DD3-96FC |               | .SPACER   | 101102<br>504903 | 4              |
| - 75     | NAS1149D0316H |               | .WASHER   | 101102<br>504903 | 4              |
| - 800    | 286N1270-336  |               | WIRE BUNDLE ASSY  | 504903           | RF             |
| - 801    | 286N1270-361  |               | WIRE BUNDLE ASSY  | 101101           | RF             |
| - 801    | 286N1270-399  |               | WIRE BUNDLE ASSY  | 102102           | RF             |

MISSING ITEM NUMBERS NOT APPLICABLE

- ITEM NOT ILLUSTRATED

28-22-71-03B

28-22-71  
FIG. 03B  
PAGE 3  
JAN 20/09

BRI

BOEING PROPRIETARY - Copyright © - Unpublished Work - See title page for details.





757

PARTS CATALOG (MAINTENANCE)

| FIG ITEM    | PART NUMBER    | 1 2 3 4 5 6 7 | NOMENCLATURE  | EFFECT FROM TO   | UNITS PER ASSY |
|-------------|----------------|---------------|---|------------------|----------------|
| 3B<br>- 805 | 280N3356-10702 |               | .TAPE-I.D.<br>PLACARD CONTENT:<br>D11712 M/W K10871<br>RELAY-DELAY AUTO S/O<br>POST ALERT SB:<br>28A0081  | 101102<br>504903 | 1              |
| - 810       | 280N3356-10703 |               | .TAPE-I.D.<br>PLACARD CONTENT:<br>D11710 M/W K10870<br>RELAY-AUTO S/O ENABLE<br>POST ALERT SB:<br>28A0081   | 101102<br>504903 | 1              |
| 815         | RSF116418      |               | .SOCKET-<br>SUPPLIER CODE:<br>V58982<br>SPECIFICATION NUMBER:<br>BACS16W10A<br>OPTIONAL PART:<br>102-010-2<br>V09922<br>000300-1646<br>V05574<br>ELECTRICAL EQUIP NUMBER:<br>D11712<br>WIRING DIAGRAM REF:<br>282211<br>POST ALERT SB:<br>28A0081 | 101102<br>504903 | 1              |
| 820         | RSF116210      |               | .SOCKET-<br>SUPPLIER CODE:<br>V58982<br>SPECIFICATION NUMBER:<br>BACS16X6A<br>OPTIONAL PART:<br>000300-1652<br>V05574<br>102-005-2<br>V09922<br>ELECTRICAL EQUIP NUMBER:<br>D11710<br>WIRING DIAGRAM REF:<br>282211<br>POST ALERT SB:<br>28A0081  | 101102<br>504903 | 1              |

MISSING ITEM NUMBERS NOT APPLICABLE

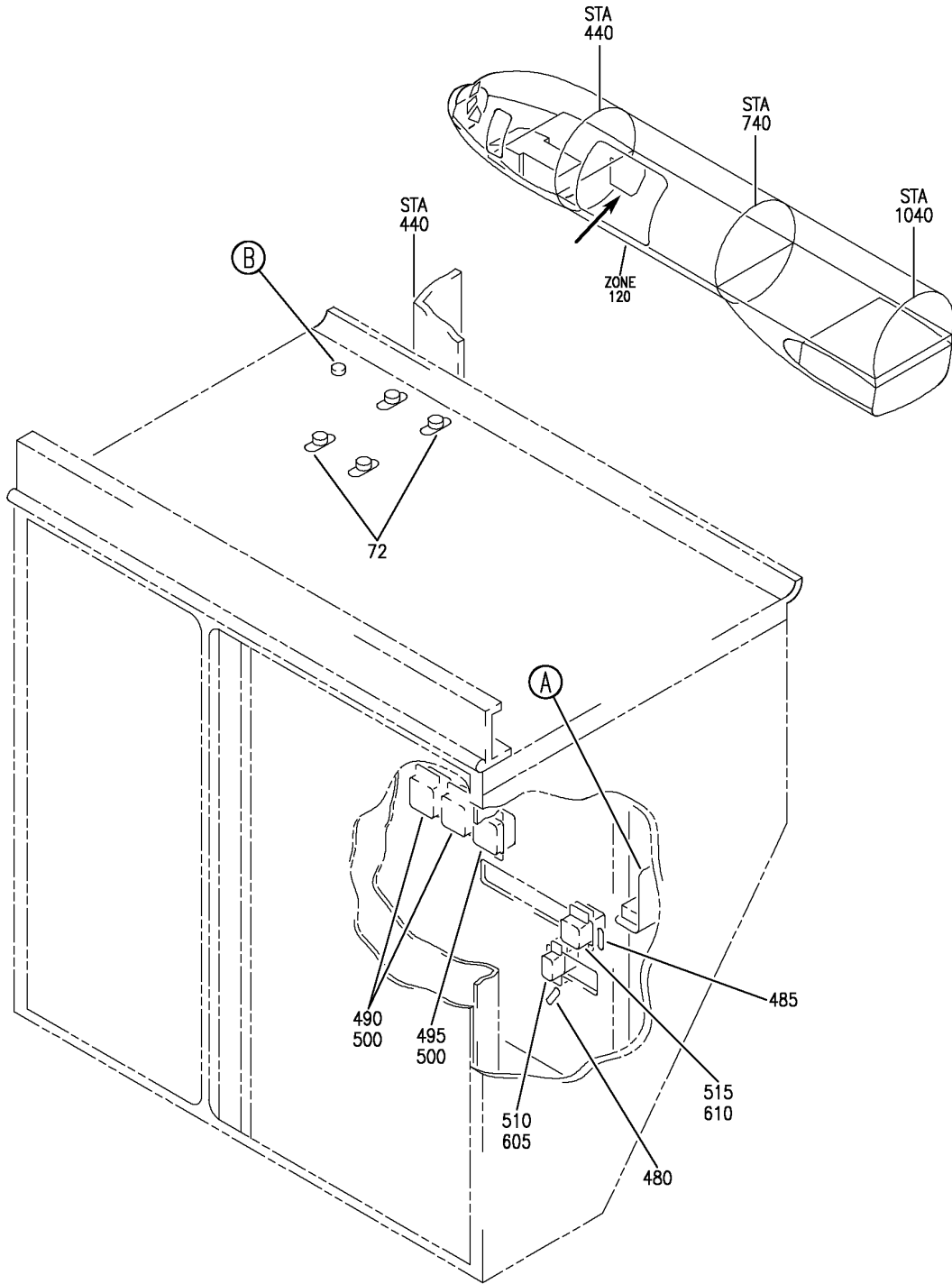
- ITEM NOT ILLUSTRATED

28-22-71-03B

28-22-71  
FIG. 03B  
PAGE 4  
JAN 20/09

BRI

**BOEING**  
**757**  
**PARTS CATALOG (MAINTENANCE)**



Y 28227103D SH1 1 REV 331

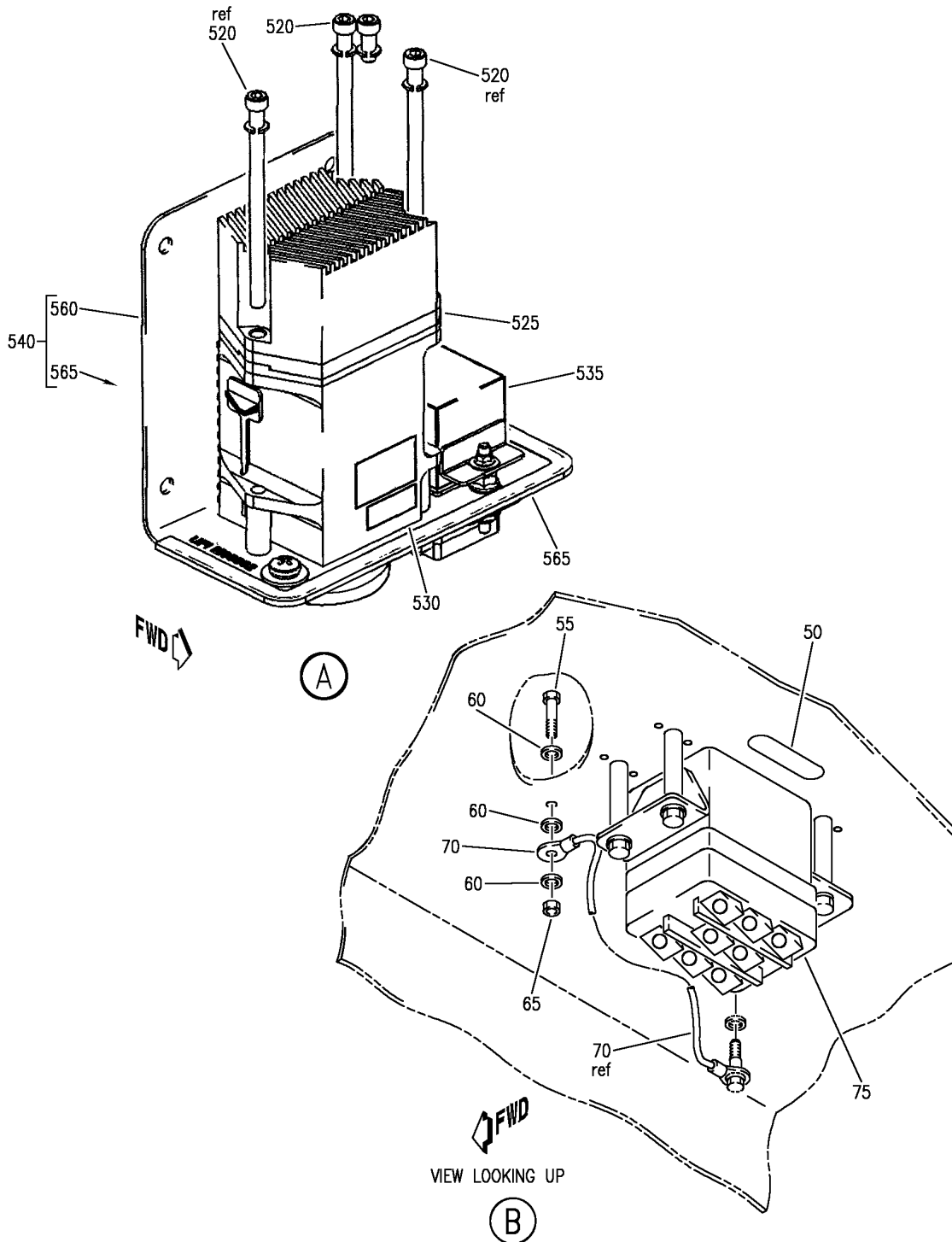
PANEL INSTL-P37 R MISC RELAY (FUEL ONLY)  
 FIGURE 3D

**28-22-71-03D**

BRI  
 JAN 20/09

28-22-71-03D  
 PAGE 0

**BOEING**  
757  
PARTS CATALOG (MAINTENANCE)



Y 28227103D SHT 2 REV 316

PANEL INSTL-P37 R MISC RELAY (FUEL ONLY)  
FIGURE 3D

**28-22-71-03D**

BRI  
JAN 20/09

28-22-71-03D  
PAGE 0A



757

PARTS CATALOG (MAINTENANCE)

| FIG ITEM                            | PART NUMBER  | 1 2 3 4 5 6 7 | NOMENCLATURE   | EFFECT FROM TO   | UNITS PER ASSY |
|-------------------------------------|--------------|---------------|--|------------------|----------------|
| 3D                                  |              |               | PANEL INSTL-P37 R MISC<br>RELAY (FUEL ONLY)  | 103106<br>108120 |                |
| - 1                                 | MODREF185037 |               | PANEL INSTL-P37 R MISC<br>RELAY (FUEL ONLY)<br>MODULE NUMBER:<br>284N1127-169 REV D<br>REWORKED BY ALERT SB:<br>28A0105R1<br>FOR OTHER SYS DETAILS SEE:<br>11-36-12-02A<br>21-25-71-02D<br>21-44-71-02D<br>21-45-31-01D<br>21-51-55-01D<br>21-58-71-02D<br>21-61-71-02D<br>23-31-51-05<br>24-21-51-05<br>24-51-01-02<br>24-51-02-03<br>24-51-58-02D<br>27-62-71-03D<br>29-21-71-01D<br>30-11-71-02D<br>30-21-71-03D<br>30-31-71-02D<br>30-32-71-02D<br>30-33-71-02D<br>30-34-51-01D<br>31-01-37-10<br>31-31-71-02D<br>32-09-02-04D<br>32-42-71-02D<br>32-61-71-02D<br>33-43-55-01D<br>33-51-71-01D<br>34-12-71-02D<br>34-25-50-01D<br>34-61-52-01D<br>35-21-71-02D<br>36-11-71-02D<br>38-15-71-02D<br>73-21-55-01D<br>74-31-71-02D<br>76-11-71-02D<br>77-12-71-01D<br>78-34-71-02D<br>78-36-71-02D<br>80-11-71-02D | 106106           | 1              |
| MISSING ITEM NUMBERS NOT APPLICABLE |              |               |  |                  |                |

- ITEM NOT ILLUSTRATED

**28-22-71-03D**

28-22-71  
FIG. 03D  
PAGE 1  
JAN 20/09

BRI



757

PARTS CATALOG (MAINTENANCE)

| FIG<br>ITEM | PART NUMBER  | 1 2 3 4 5 6 7 | NOMENCLATURE  | EFFECT<br>FROM TO | UNITS<br>PER<br>ASSY |
|-------------|--------------|---------------|---|-------------------|----------------------|
| 3D<br>- 3   | 284N1127-118 |               | PANEL INSTL-P37 R MISC<br>RELAY (FUEL ONLY)<br>REWORKED BY ALERT SB:<br>28A0105R1<br>FOR NHA/OTHER SYS DET SEE:<br>24-00-58-05C | 108108            | RF                   |
| - 4         | 284N1127-139 |               | PANEL INSTL-P37 R MISC<br>RELAY (FUEL ONLY)<br>REWORKED BY ALERT SB:<br>28A0105R1<br>FOR NHA/OTHER SYS DET SEE:<br>24-00-58-05C | 109120            | RF                   |

MISSING ITEM NUMBERS NOT APPLICABLE

- ITEM NOT ILLUSTRATED

BRI

28-22-71-03D

BOEING PROPRIETARY - Copyright © - Unpublished Work - See title page for details.

28-22-71  
FIG. 03D  
PAGE 2  
JAN 20/09



757  
PARTS CATALOG (MAINTENANCE)

| FIG<br>ITEM | PART NUMBER | 1 2 3 4 5 6 7 | NOMENCLATURE   | EFFECT<br>FROM TO | UNITS<br>PER<br>ASSY |
|-------------|-------------|---------------|--|-------------------|----------------------|
| 3D<br>- 8   | MODREF31945 |               | PANEL INSTL-P37 R MISC<br>RELAY (FUEL ONLY)<br>MODULE NUMBER:<br>284N1127-169 REV B<br>REWORKED BY ALERT SB:<br>28A0105R1<br>FOR OTHER SYS DETAILS SEE:<br>11-36-12-02A<br>21-25-71-02D<br>21-44-71-02D<br>21-45-31-01D<br>21-51-55-01D<br>21-58-71-02D<br>21-61-71-02D<br>23-31-51-05<br>24-21-51-05<br>24-51-01-02<br>24-51-02-03<br>24-51-58-02D<br>27-62-71-03D<br>29-21-71-01D<br>30-11-71-02D<br>30-21-71-03D<br>30-31-71-02D<br>30-32-71-02D<br>30-33-71-02D<br>30-34-51-01D<br>31-01-37-10<br>31-31-71-02D<br>32-09-02-04D<br>32-42-71-02D<br>32-61-71-02D<br>33-43-55-01D<br>33-51-71-01D<br>34-12-71-02D<br>34-25-50-01D<br>34-61-52-01D<br>35-21-71-02D<br>36-11-71-02D<br>38-15-71-02D<br>73-21-55-01D<br>74-31-71-02D<br>76-11-71-02D<br>77-12-71-01D<br>78-34-71-02D<br>78-36-71-02D<br>80-11-71-02D | 103103            | 1                    |

MISSING ITEM NUMBERS NOT APPLICABLE

- ITEM NOT ILLUSTRATED

BRI

**28-22-71-03D**

BOEING PROPRIETARY - Copyright © - Unpublished Work - See title page for details.

28-22-71  
FIG. 03D  
PAGE 3  
JAN 20/09



757

PARTS CATALOG (MAINTENANCE)

| FIG ITEM  | PART NUMBER | 1 2 3 4 5 6 7 | NOMENCLATURE   | EFFECT FROM TO | UNITS PER ASSY |
|-----------|-------------|---------------|--|----------------|----------------|
| 3D<br>- 9 | MODREF34305 |               | PANEL INSTL-P37 R MISC<br>RELAY (FUEL ONLY)<br>MODULE NUMBER:<br>284N1127-169 REV C<br>REWORKED BY ALERT SB:<br>28A0105R1<br>FOR OTHER SYS DETAILS SEE:<br>11-36-12-02A<br>21-25-71-02D<br>21-44-71-02D<br>21-45-31-01D<br>21-51-55-01D<br>21-58-71-02D<br>21-61-71-02D<br>23-31-51-05<br>24-21-51-05<br>24-51-01-02<br>24-51-02-03<br>24-51-58-02D<br>27-62-71-03D<br>29-21-71-01D<br>30-11-71-02D<br>30-21-71-03D<br>30-31-71-02D<br>30-32-71-02D<br>30-33-71-02D<br>30-34-51-01D<br>31-01-37-10<br>31-31-71-02D<br>32-09-02-04D<br>32-42-71-02D<br>32-61-71-02D<br>33-43-55-01D<br>33-51-71-01D<br>34-12-71-02D<br>34-25-50-01D<br>34-61-52-01D<br>35-21-71-02D<br>36-11-71-02D<br>38-15-71-02D<br>73-21-55-01D<br>74-31-71-02D<br>76-11-71-02D<br>77-12-71-01D<br>78-34-71-02D<br>78-36-71-02D<br>80-11-71-02D | 104105         | 1              |

MISSING ITEM NUMBERS NOT APPLICABLE

- ITEM NOT ILLUSTRATED

28-22-71-03D

28-22-71  
FIG. 03D  
PAGE 4  
JAN 20/09

BRI



757

PARTS CATALOG (MAINTENANCE)

| FIG ITEM | PART NUMBER   | 1 2 3 4 5 6 7 | NOMENCLATURE   | EFFECT FROM TO   | UNITS PER ASSY |
|----------|---------------|---------------|--|------------------|----------------|
| 3D<br>50 | TTVF6502WE10  | .TAPE-K10874  | SUPPLIER CODE:<br>VOKW00<br>SPECIFICATION NUMBER:<br>BACT19J2<br>OPTIONAL PART:<br>THT14-437W10<br>V85480<br>POST ALERT SB:<br>28A0105R1                           | 103106<br>108120 | 1              |
| 55       | BACS12HN3-11  | .SCREW-       | POST ALERT SB:<br>28A0105R1  | 103106<br>108120 | 1              |
| 60       | NAS1149D0316H | .WASHER-      | POST ALERT SB:<br>28A0105R1  | 103106<br>108120 | 3              |
| 65       | PLH53CD       | .NUT-         | SUPPLIER CODE:<br>VF0224<br>SPECIFICATION NUMBER:<br>BACN10YR3CD<br>OPTIONAL PART:<br>H52732-3CD<br>V15653<br>POST ALERT SB:<br>28A0105R1                          | 103106<br>108120 | 1              |
| 70       | 940CW20-4     | .JUMPER ASSY- | SUPPLIER CODE:<br>V91812<br>SPECIFICATION NUMBER:<br>BACJ40AB20-4<br>OPTIONAL PART:<br>100220-4<br>V1FF12<br>RBEJ40AB20-4<br>V1GK47<br>POST ALERT SB:<br>28A0105R1 | 103106<br>108120 | 1              |

MISSING ITEM NUMBERS NOT APPLICABLE

- ITEM NOT ILLUSTRATED

28-22-71-03D

28-22-71  
FIG. 03D  
PAGE 5  
JAN 20/09

BRI

BOEING PROPRIETARY - Copyright © - Unpublished Work - See title page for details.





757

PARTS CATALOG (MAINTENANCE)

| FIG ITEM | PART NUMBER   | 1 2 3 4 5 6 7 | NOMENCLATURE  | EFFECT FROM TO   | UNITS PER ASSY |
|----------|---------------|---------------|---|------------------|----------------|
| 3D<br>72 | BRF200C08     |               | .NUTPLATE-<br>SUPPLIER CODE:<br>V52828<br>SPECIFICATION NUMBER:<br>BACN10JR08CF<br>OPTIONAL PART:<br>F5031-08BAC<br>V15653<br>NS103203S82<br>V80539<br>VN152B1-82<br>V92215<br>101F9201-82<br>V72962<br>T8093C832<br>V11815<br>POST ALERT SB:<br>28A0105R1<br>ATTACHING PARTS | 103106<br>108120 | 4              |
| - 73     | AF5141-3C3    |               | .RIVET<br>SUPPLIER CODE:<br>V53551<br>SPECIFICATION NUMBER:<br>BACR15DR3AC3<br>OPTIONAL PART:<br>CCR264CS3-3IT<br>V11815<br>RV541A3C3<br>V98996<br>-----*-----  | 103106<br>108120 | 8              |
| 75       | MS27418-2A    |               | .RELAY-<br>ELECTRICAL EQUIP NUMBER:<br>K10874<br>POST ALERT SB:<br>28A0105R1<br>ATTACHING PARTS   | 103106<br>108120 | 1              |
| - 80     | BACS12HN08-30 |               | .SCREW  | 103106<br>108120 | 4              |
| - 85     | NAS43DD3-96FC |               | .SPACER   | 103106<br>108120 | 4              |
| - 90     | NAS1149D0316H |               | .WASHER   | 103106<br>108120 | 4              |
| 480      | BAC27NEX3262  |               | .MARKER-<br>PLACARD CONTENT:<br>K10870<br>POST ALERT SB:<br>28A0081   | 103106<br>108120 | 1              |

MISSING ITEM NUMBERS NOT APPLICABLE

- ITEM NOT ILLUSTRATED

28-22-71-03D

28-22-71  
FIG. 03D  
PAGE 6  
JAN 20/09

BRI

BOEING PROPRIETARY - Copyright © - Unpublished Work - See title page for details.

**BOEING**  
757  
**PARTS CATALOG (MAINTENANCE)**

| FIG ITEM  | PART NUMBER    | 1 2 3 4 5 6 7 | NOMENCLATURE  | EFFECT FROM TO   | UNITS PER ASSY |
|-----------|----------------|---------------|---|------------------|----------------|
| 3D<br>485 | BAC27NEX3263   |               | .MARKER-<br>PLACARD CONTENT:<br>K10871<br>POST ALERT SB:<br>28A0081   | 103106<br>108120 | 1              |
| 500       | MS27418-2A     |               | .RELAY-<br>ELECTRICAL EQUIP NUMBER:<br>K00188<br>K00189<br>K10012<br>ATTACHING PARTS  | 103106<br>108120 | 3              |
| - 505     | NAS602-7P      |               | .SCREW-   | 108120           | 12             |
| - 505     | BACS12CK08-7   |               | .SCREW-   | 103106           | 12             |
|           |                |               | -----*-----   |                  |                |
| 510       | JAD9F007       |               | .RELAY-<br>SUPPLIER CODE:<br>V58657<br>SPECIFICATION NUMBER:<br>BACR13CJ2<br>ELECTRICAL EQUIP NUMBER:<br>K10870<br>WIRING DIAGRAM REF:<br>282211<br>POST ALERT SB:<br>28A0081 | 103106<br>108120 | 1              |
| 515       | TDH8116-1502   |               | .RELAY-<br>SUPPLIER CODE:<br>V58657<br>ELECTRICAL EQUIP NUMBER:<br>K10871<br>WIRING DIAGRAM REF:<br>282211<br>POST ALERT SB:<br>28A0081                                       | 103106<br>108120 | 1              |
| - 600     | 286N1270-360   |               | WIRE BUNDLE ASSY  | 108120           | RF             |
| - 601     | 286N1270-602   |               | WIRE BUNDLE ASSY  | 103106           | RF             |
| - 603     | 280N3356-10702 |               | .TAPE-I.D.<br>PLACARD CONTENT:<br>D11712 M/W K10871<br>RELAY-DELAY AUTO S/O<br>POST ALERT SB:<br>28A0081  | 108120           | 1              |
| - 603     | 280N3356-10802 |               | .TAPE-I.D.<br>PLACARD CONTENT:<br>D11712 M/W K10871<br>RELAY-DELAY AUTO S/O<br>POST ALERT SB:<br>28A0081  | 103106           | 1              |

MISSING ITEM NUMBERS NOT APPLICABLE

- ITEM NOT ILLUSTRATED

BRI

# 28-22-71-03D

BOEING PROPRIETARY - Copyright © - Unpublished Work - See title page for details.

28-22-71  
FIG. 03D  
PAGE 7  
JAN 20/09



757

PARTS CATALOG (MAINTENANCE)

| FIG ITEM    | PART NUMBER    | 1 2 3 4 5 6 7 | NOMENCLATURE   | EFFECT FROM TO   | UNITS PER ASSY |
|-------------|----------------|---------------|--|------------------|----------------|
| 3D<br>- 604 | 280N3356-10703 |               | .TAPE-I.D.<br>PLACARD CONTENT:<br>D11710 M/W K10870<br>RELAY-AUTO S/O ENABLE<br>POST ALERT SB:<br>28A0081  | 108120           | 1              |
| - 604       | 280N3356-10803 |               | .TAPE-I.D.<br>PLACARD CONTENT:<br>D11710 M/W K10870<br>RELAY-AUTO S/O ENABLE<br>POST ALERT SB:<br>28A0081  | 103106           | 1              |
| 605         | RSF116210      |               | .SOCKET-RELAY<br>SUPPLIER CODE:<br>V58982<br>SPECIFICATION NUMBER:<br>BACS16X6A<br>OPTIONAL PART:<br>000300-1652<br>V05574<br>102-005-2<br>V09922<br>ELECTRICAL EQUIP NUMBER:<br>D11710<br>WIRING DIAGRAM REF:<br>282211<br>POST ALERT SB:<br>28A0081  | 103106<br>108120 | 1              |
| 610         | RSF116418      |               | .SOCKET-RELAY<br>SUPPLIER CODE:<br>V58982<br>SPECIFICATION NUMBER:<br>BACS16W10A<br>OPTIONAL PART:<br>102-010-2<br>V09922<br>000300-1646<br>V05574<br>ELECTRICAL EQUIP NUMBER:<br>D11712<br>WIRING DIAGRAM REF:<br>282211<br>POST ALERT SB:<br>28A0081 | 103106<br>108120 | 1              |

MISSING ITEM NUMBERS NOT APPLICABLE

- ITEM NOT ILLUSTRATED

28-22-71-03D

28-22-71  
FIG. 03D  
PAGE 8  
JAN 20/09

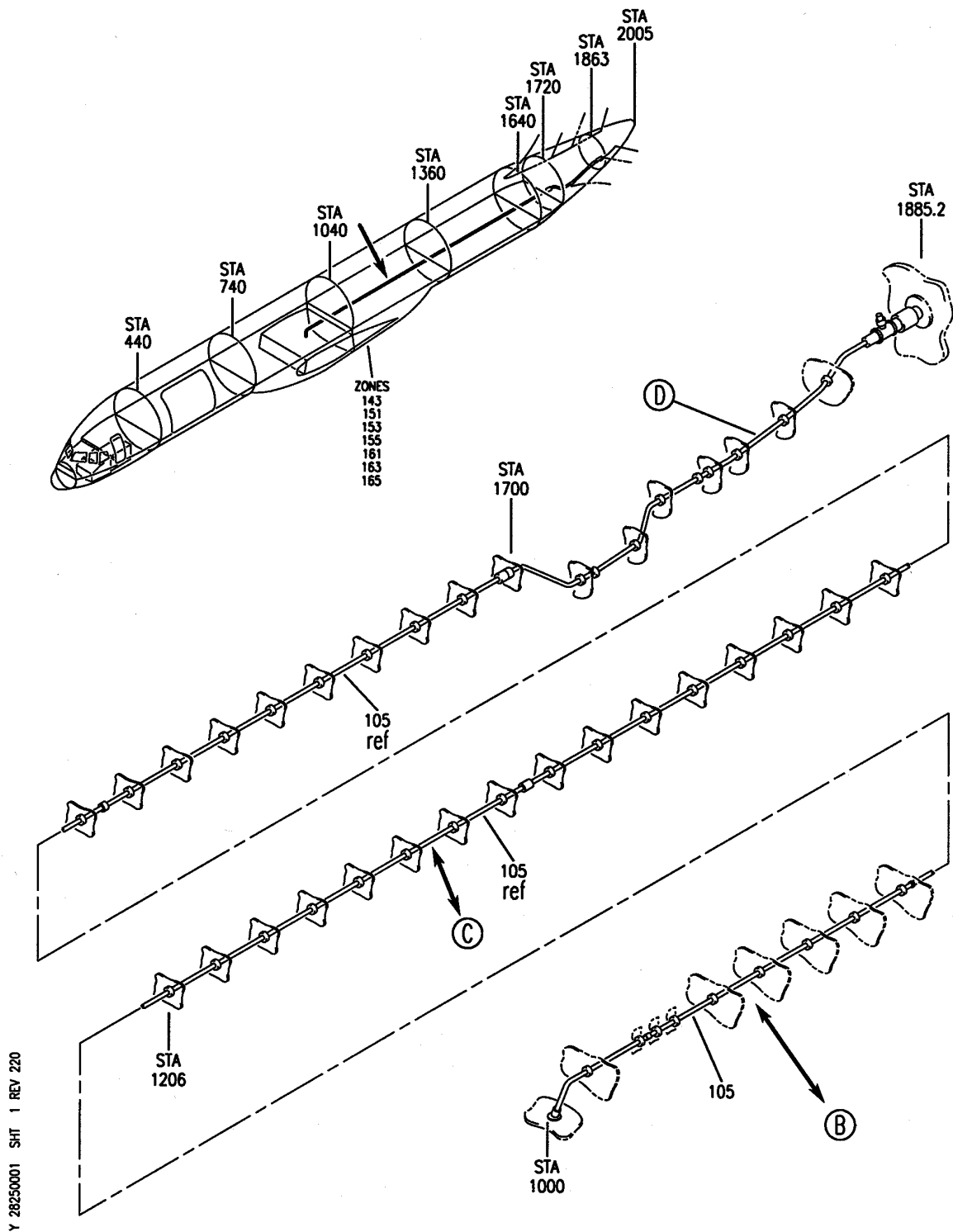
BRI

## APU FUEL FEED SYSTEM

BRI  
MAY 28/07

28-25-00  
SECTION TITLE  
PAGE 1

**BOEING**  
757  
PARTS CATALOG (MAINTENANCE)



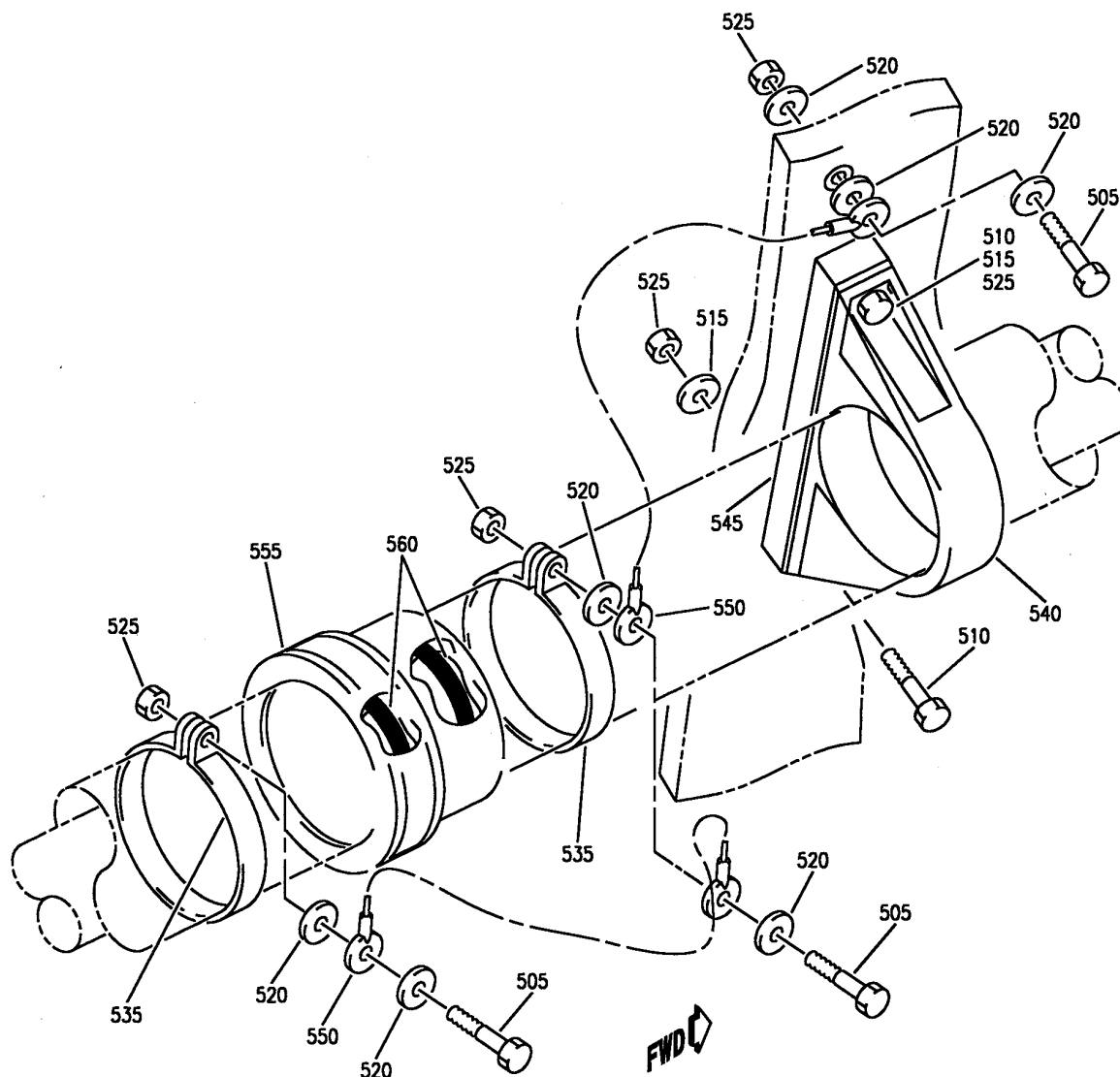
HOSE AND TUBING INSTL APU FUEL FEED SYS SECT. 46, 46 AND 48 757-200 AND -300  
FIGURE 1 (SHEET 1)

BRI  
MAY 28/07

**28-25-00-01**

28-25-00-01  
PAGE 0

**BOEING**  
757  
PARTS CATALOG (MAINTENANCE)



Y 28250001 SH1 2 REV 220

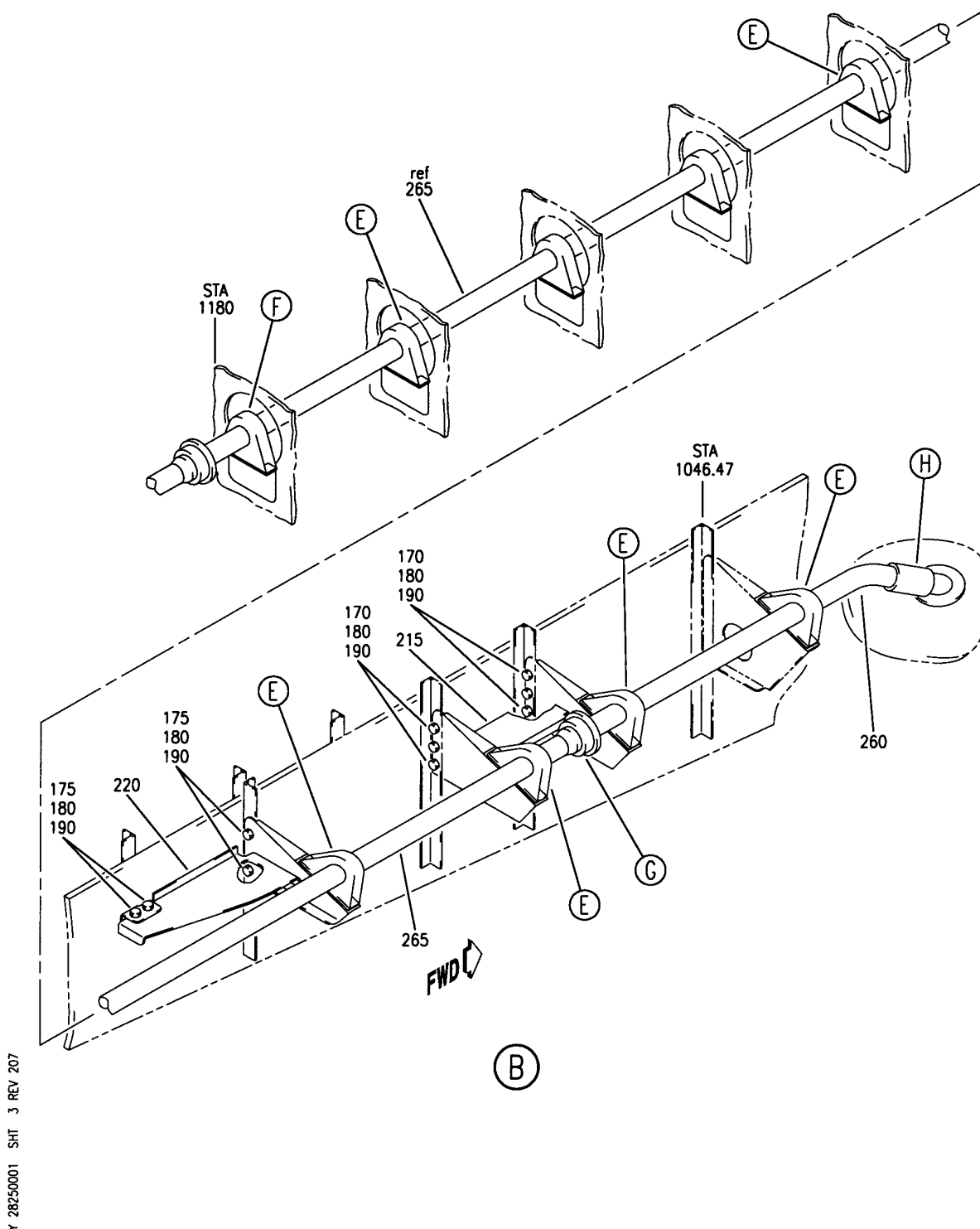
HOSE AND TUBING INSTL APU FUEL FEED SYS SECT. 46, 46 AND 48 757-200 AND -300  
FIGURE 1 (SHEET 2)

**28-25-00-01**

BRI  
MAY 28/07

28-25-00-01  
PAGE 0A

**BOEING**  
757  
PARTS CATALOG (MAINTENANCE)



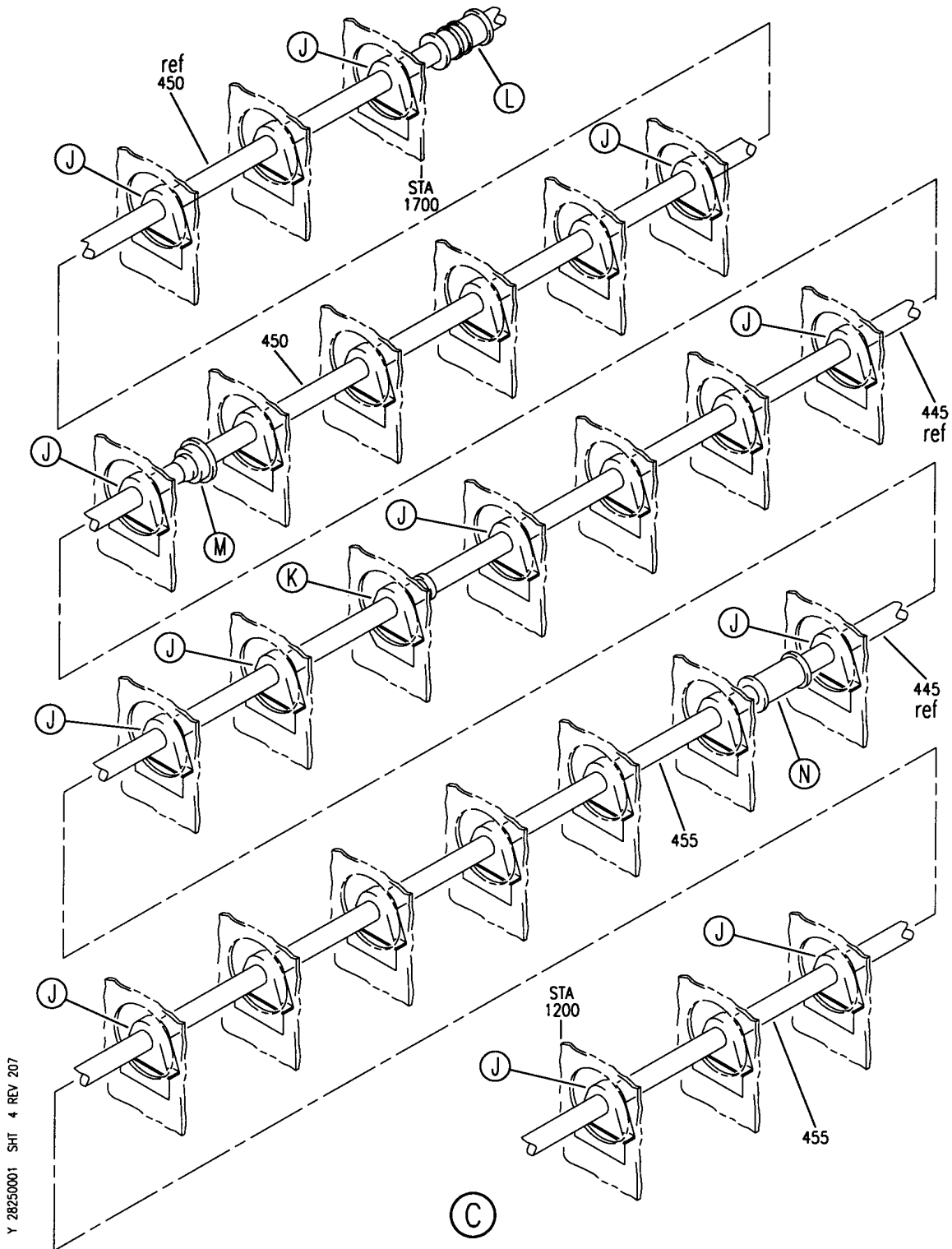
HOSE AND TUBING INSTL APU FUEL FEED SYS SECT. 46, 46 AND 48 757-200 AND -300  
FIGURE 1 (SHEET 3)

BRI  
MAY 28/07

**28-25-00-01**

28-25-00-01  
PAGE 0B

**BOEING**  
757  
PARTS CATALOG (MAINTENANCE)



Y 28250001 SHT 4 REV 207

HOSE AND TUBING INSTL APU FUEL FEED SYS SECT. 46, 46 AND 48 757-200 AND -300  
FIGURE 1 (SHEET 4)

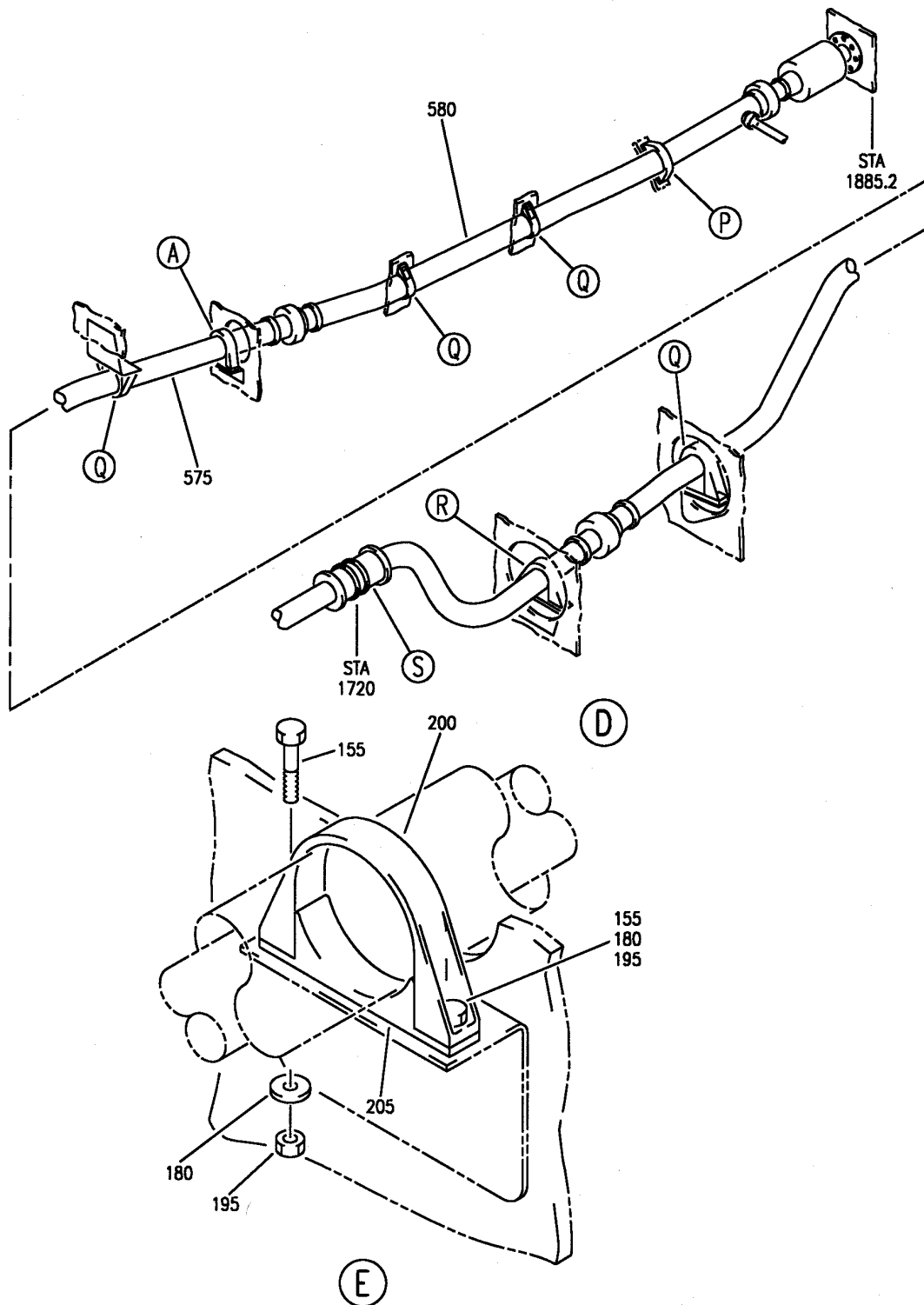
**28-25-00-01**

BRI  
MAY 28/07

28-25-00-01  
PAGE 0C



**BOEING**  
757  
PARTS CATALOG (MAINTENANCE)



Y 28250001 SHT 5 REV 220

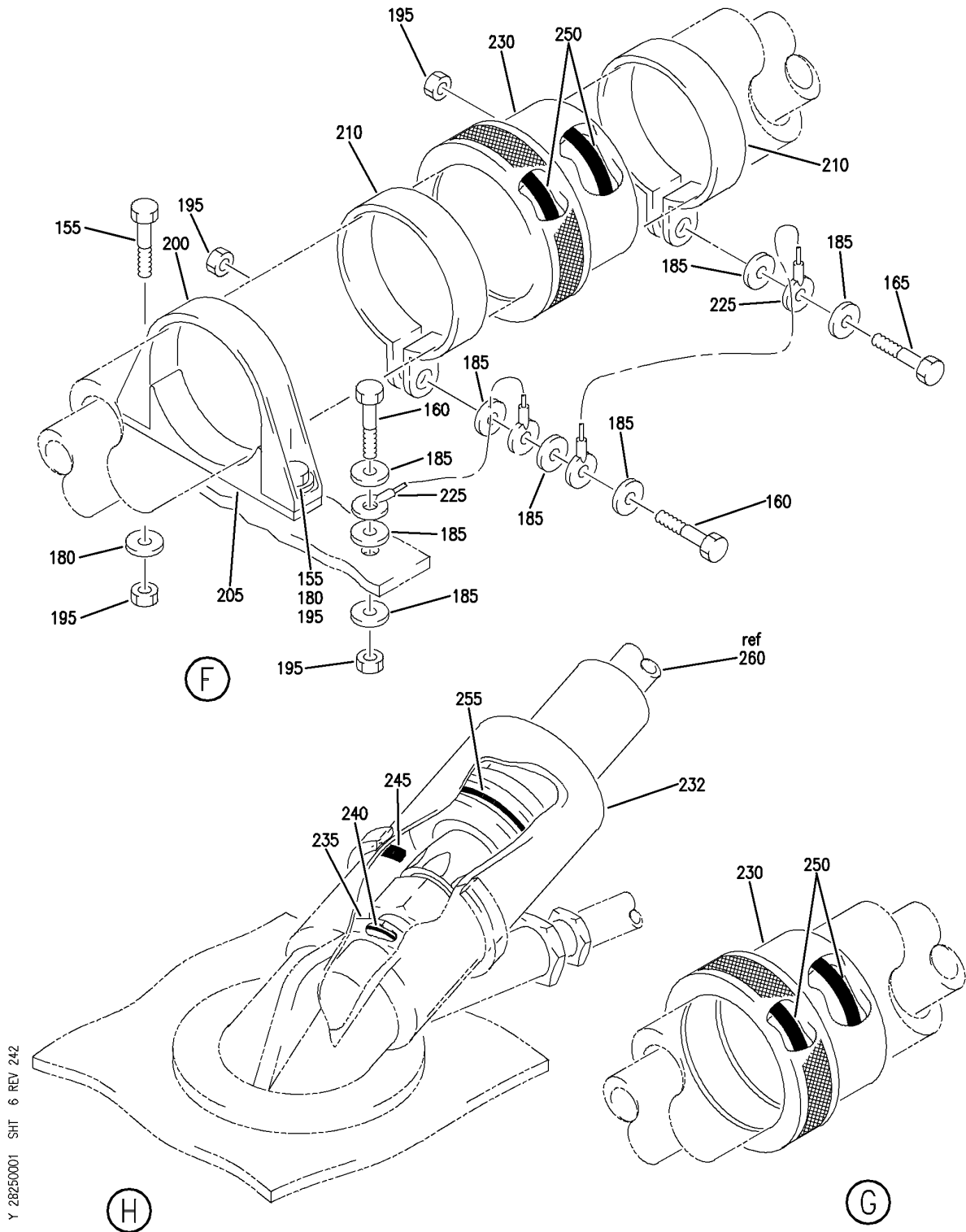
HOSE AND TUBING INSTL APU FUEL FEED SYS SECT. 46, 46 AND 48 757-200 AND -300  
FIGURE 1 (SHEET 5)

BRI  
MAY 28/07

**28-25-00-01**

28-25-00-01  
PAGE 0D

**BOEING**  
757  
PARTS CATALOG (MAINTENANCE)



Y 28250001 SH1 6 REV 242

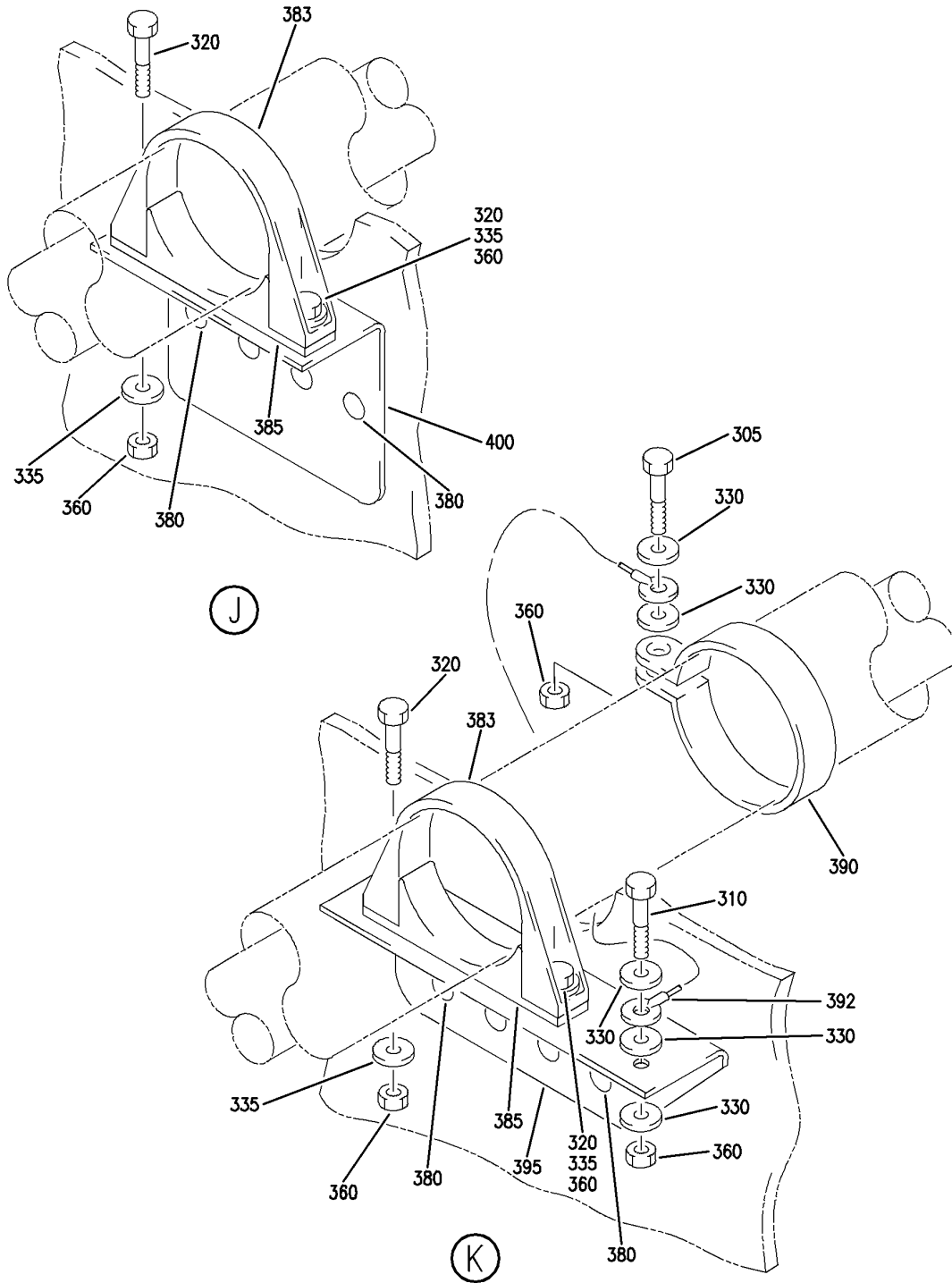
HOSE AND TUBING INSTL APU FUEL FEED SYS SECT. 46, 46 AND 48 757-200 AND -300  
FIGURE 1 (SHEET 6)

BRI  
MAY 28/07

**28-25-00-01**

28-25-00-01  
PAGE 0E

**BOEING**  
757  
PARTS CATALOG (MAINTENANCE)



Y 28250001 SH7 7 REV 243

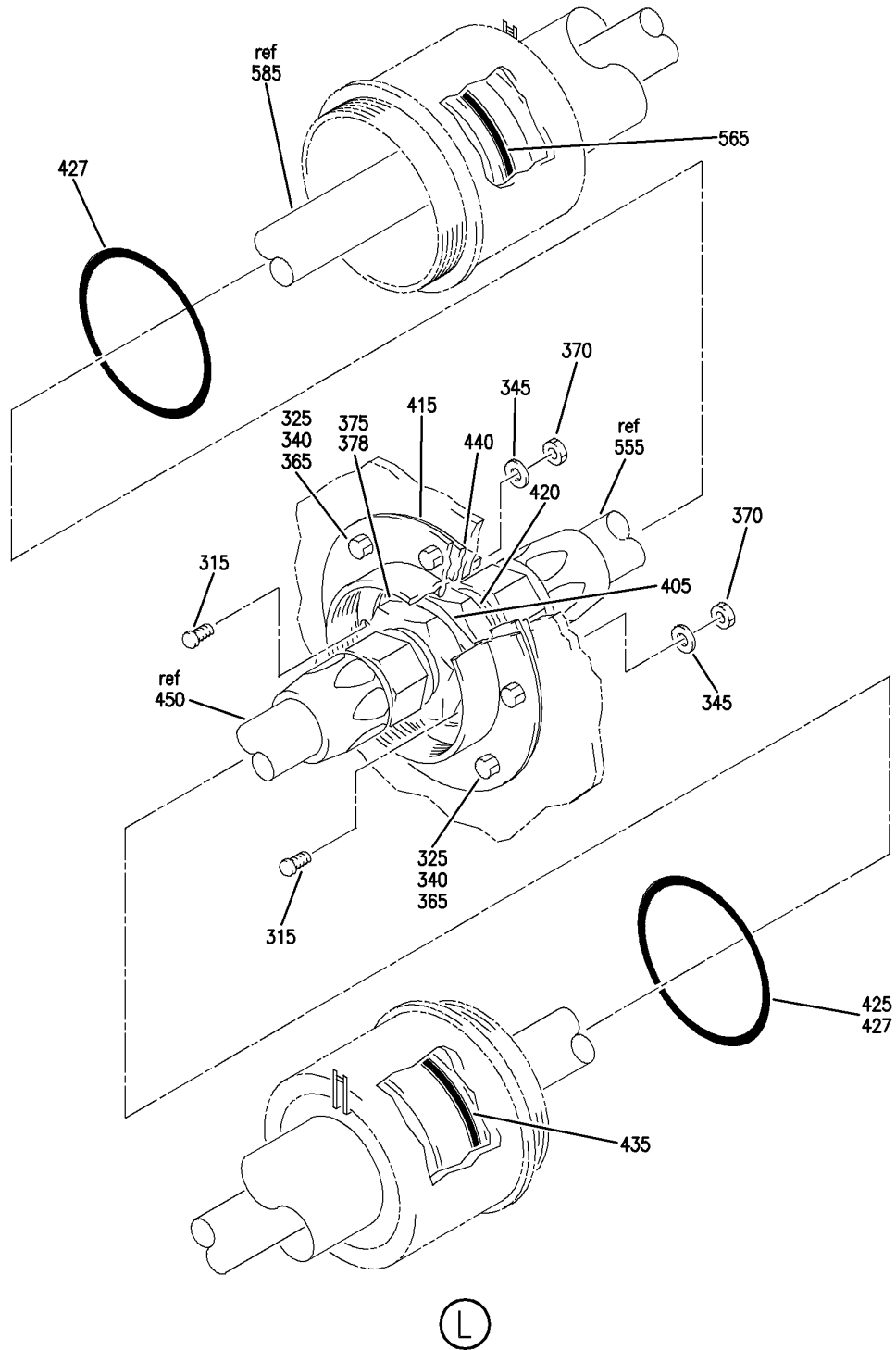
HOSE AND TUBING INSTL APU FUEL FEED SYS SECT. 46, 46 AND 48 757-200 AND -300  
FIGURE 1 (SHEET 7)

BRI  
MAY 28/07

**28-25-00-01**

28-25-00-01  
PAGE OF

**BOEING**  
757  
PARTS CATALOG (MAINTENANCE)



Y 28250001 SH8 8 REV 242

HOSE AND TUBING INSTL APU FUEL FEED SYS SECT. 46, 46 AND 48 757-200 AND -300  
FIGURE 1 (SHEET 8)

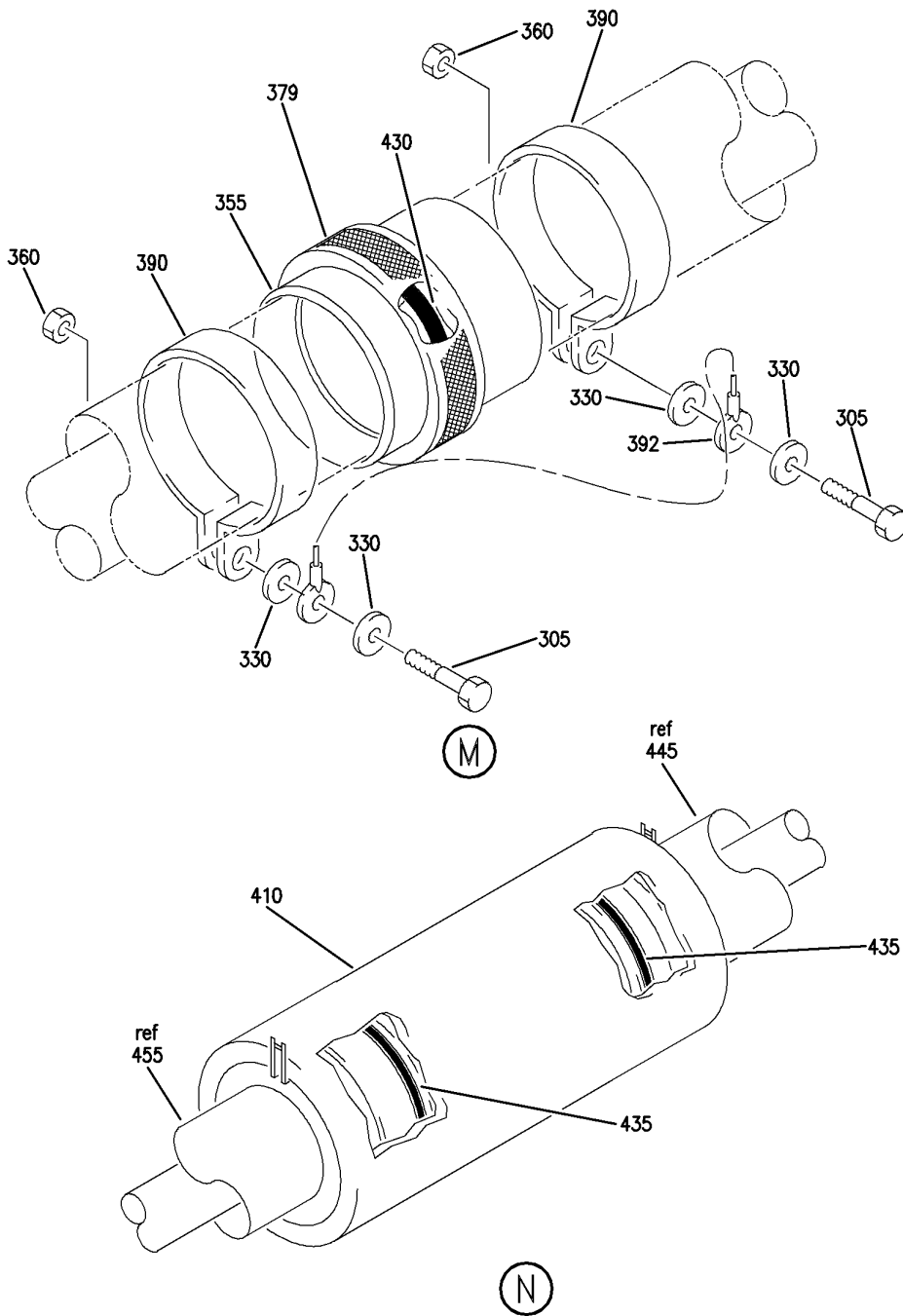
**28-25-00-01**

BRI  
MAY 28/07

28-25-00-01  
PAGE 06

BOEING PROPRIETARY - Copyright © - Unpublished Work - See title page for details.

**BOEING**  
757  
PARTS CATALOG (MAINTENANCE)



Y 28250001 SH1 9 REV 242

HOSE AND TUBING INSTL APU FUEL FEED SYS SECT. 46, 46 AND 48 757-200 AND -300  
FIGURE 1 (SHEET 9)

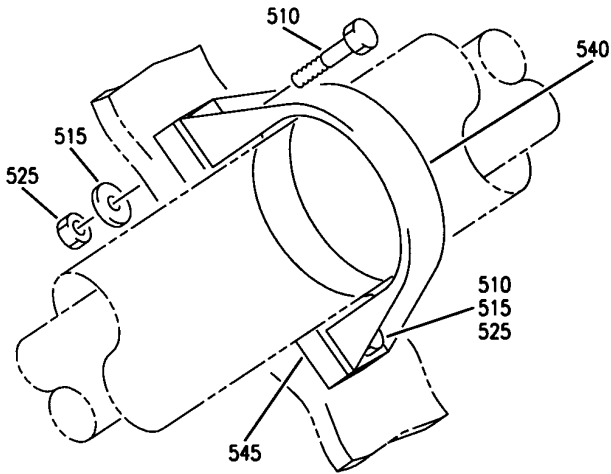
BRI  
MAY 28/07

**28-25-00-01**

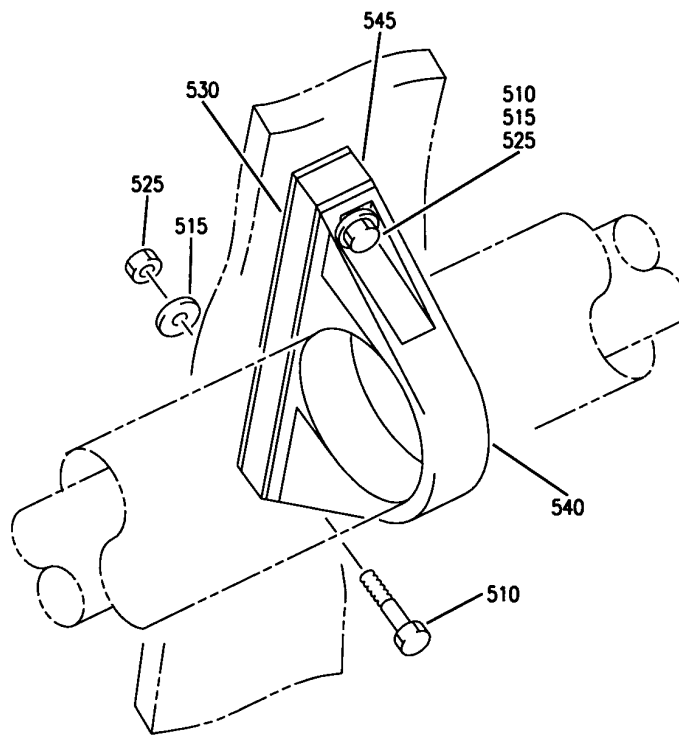
28-25-00-01  
PAGE 0H

BOEING PROPRIETARY - Copyright © - Unpublished Work - See title page for details.

**BOEING**  
757  
PARTS CATALOG (MAINTENANCE)



(P)



(Q)

Y 28250001 SHT 10 REV 209

HOSE AND TUBING INSTL APU FUEL FEED SYS SECT. 46, 46 AND 48 757-200 AND -300  
FIGURE 1 (SHEET 10)

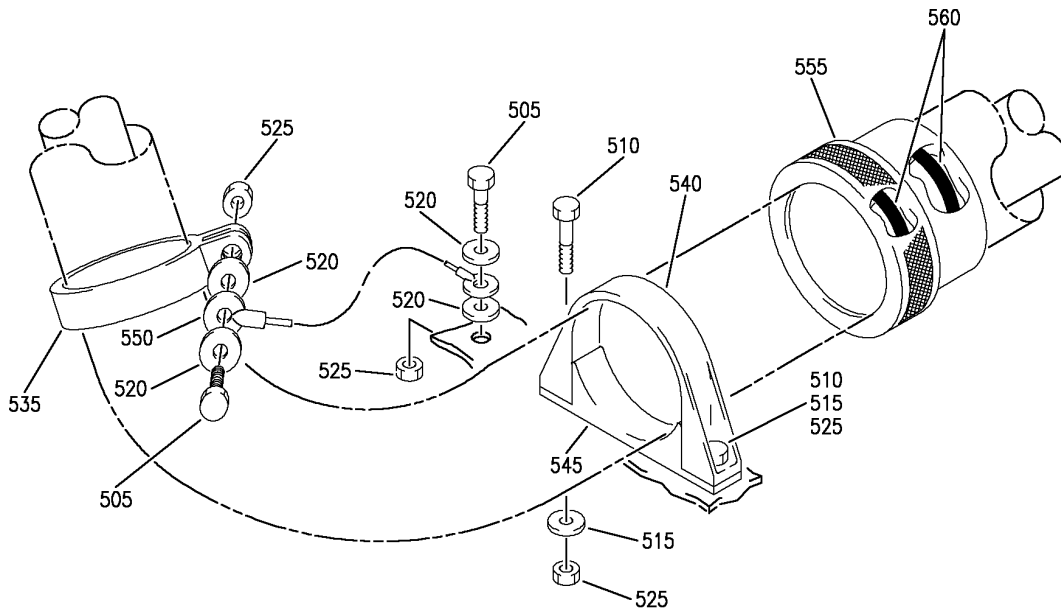
**28-25-00-01**

BRI  
MAY 28/07

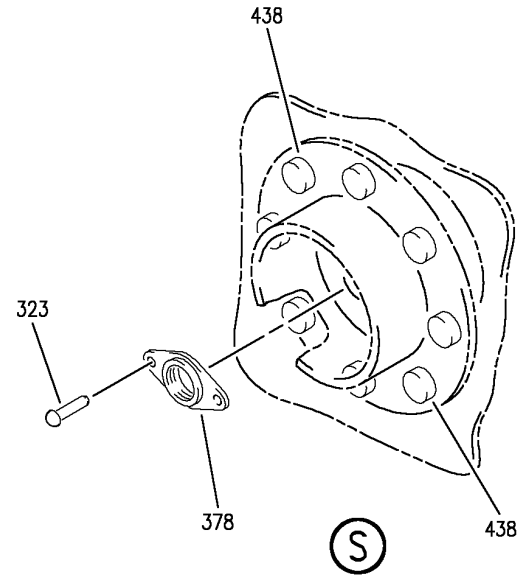
28-25-00-01  
PAGE 01

BOEING PROPRIETARY - Copyright © - Unpublished Work - See title page for details.

**BOEING**  
757  
PARTS CATALOG (MAINTENANCE)



(R)



(S)

Y 28250001 SHT 11 REV 263

HOSE AND TUBING INSTL APU FUEL FEED SYS SECT. 46, 46 AND 48 757-200 AND -300  
FIGURE 1 (SHEET 11)

**28-25-00-01**

BRI  
MAY 28/07

28-25-00-01  
PAGE 0J

BOEING PROPRIETARY - Copyright © - Unpublished Work - See title page for details.



757

PARTS CATALOG (MAINTENANCE)

| FIG ITEM | PART NUMBER  | 1 2 3 4 5 6 7 | NOMENCLATURE  | EFFECT FROM TO             | UNITS PER ASSY |
|----------|--------------|---------------|---|----------------------------|----------------|
| 1        |              |               | HOSE AND TUBING INSTL<br>APU FUEL FEED SYS<br>SECT. 46, 46 AND 48<br>757-200 AND -300                             | 101106<br>108120<br>504903 | RF             |
| - 100    | 346N4001-58  |               | HOSE INSTL-APU<br>FUEL FEED<br>POSITION DATA:<br>SECT. 44 & 46<br>FOR NHA SEE:<br>28-00-00-05                     | 101102<br>108120<br>504903 | RF             |
| - 100    | MODREF20538  |               | HOSE INSTL-APU<br>FUEL FEED<br>MODULE NUMBER:<br>346N4001-73 REV A<br>POSITION DATA:<br>SECT. 44 & 46             | 103106                     | 1              |
| 105      | AE705878-4   |               | .HOSE ASSY-<br>SUPPLIER CODE:<br>V00624<br>SPECIFICATION NUMBER:<br>60B92407-21                                   | 101102<br>108120<br>504903 | 1              |
| 105      | AE705878-54  |               | .HOSE ASSY-<br>SUPPLIER CODE:<br>V00624<br>SPECIFICATION NUMBER:<br>60B92407-54                                   | 103106                     | 1              |
| - 150    | 346N4001-60  |               | TUBING INSTL-APU<br>FUEL FEED, 757-200 &-300<br>POSITION DATA:<br>SECT. 44<br>FOR NHA SEE:<br>28-00-00-05         | 101102<br>108120<br>504903 | RF             |
| - 150    | MODREF13814  |               | TUBING INSTL-APU<br>FUEL FEED, 757-200 &-300<br>MODULE NUMBER:<br>346N4001-71 REV A<br>POSITION DATA:<br>SECT. 44 | 103105                     | 1              |
| - 150    | MODREF99708  |               | TUBING INSTL-APU<br>FUEL FEED, 757-200 &-300<br>MODULE NUMBER:<br>346N4001-71 REV B<br>POSITION DATA:<br>SECT. 44 | 106106                     | 1              |
| 155      | BACS12GU3K10 |               | .SCREW-   | 101102<br>108120<br>504903 | 18             |
| 155      | BACS12GU3K11 |               | .SCREW-   | 103106                     | 18             |

MISSING ITEM NUMBERS NOT APPLICABLE

- ITEM NOT ILLUSTRATED

28-25-00-01

28-25-00  
FIG. 01  
PAGE 1  
JAN 20/09

BRI





757

PARTS CATALOG (MAINTENANCE)

| FIG ITEM | PART NUMBER   | 1 2 3 4 5 6 7 | NOMENCLATURE  | EFFECT FROM TO             | UNITS PER ASSY |
|----------|---------------|---------------|---|----------------------------|----------------|
| 1        |               |               |   |                            |                |
| 160      | BACS12GU3K8   | .             | SCREW   | 101106<br>108120<br>504903 | 2              |
| 165      | BACS12GU3K7   | .             | SCREW   | 101106<br>108120<br>504903 | 1              |
| 170      | NAS6602-3     | .             | BOLT-   | 101102<br>108120<br>504903 | 6              |
| 170      | BACB30LM3-2   | .             | BOLT-   | 103106                     | 6              |
| 175      | NAS6603-2     | .             | BOLT  | 101106<br>108120<br>504903 | 4              |
| 180      | NAS1149D0332J | .             | WASHER  | 101106<br>108120<br>504903 | 28             |
| 185      | NAS1149D0316H | .             | WASHER  | 101106<br>108120<br>504903 | 8              |
| 190      | BRH10C3D      | .             | NUT<br>SUPPLIER CODE:<br>V52828<br>SPECIFICATION NUMBER:<br>BACN10JC3CD<br>OPTIONAL PART:<br>T6C1032JCD<br>V11815<br>NS202486-02<br>V80539<br>102LH9075-3W<br>V72962<br>H51650-3BAC<br>V15653 | 101106<br>108120<br>504903 | 10             |
| 195      | PLH53CD       | .             | NUT<br>SUPPLIER CODE:<br>VF0224<br>SPECIFICATION NUMBER:<br>BACN10YR3CD<br>OPTIONAL PART:<br>H52732-3CD<br>V15653   | 101106<br>108120<br>504903 | 25             |
| 200      | BACC10EW24A   | .             | CLAMP STRAP   | 101106<br>108120<br>504903 | 9              |
| 205      | BACC10EW24B   | .             | CLAMP SADDLE  | 101106<br>108120<br>504903 | 9              |

MISSING ITEM NUMBERS NOT APPLICABLE

- ITEM NOT ILLUSTRATED

28-25-00-01

28-25-00  
FIG. 01  
PAGE 2  
JAN 20/09

BRI



757

PARTS CATALOG (MAINTENANCE)

| FIG ITEM | PART NUMBER   | 1 2 3 4 5 6 7 | NOMENCLATURE   | EFFECT FROM TO             | UNITS PER ASSY |
|----------|---------------|---------------|--|----------------------------|----------------|
| 1        |               |               |  |                            |                |
| 210      | AN735DC24     | .             | CLAMP  | 101106<br>108120<br>504903 | 2              |
| 215      | 346N2007-3    | .             | BRACKET ASSY   | 101106<br>108120<br>504903 | 1              |
| 220      | 346N2007-9    | .             | BRACKET ASSY   | 101106<br>108120<br>504903 | 1              |
| 225      | 740A20-6      | .             | JUMPER ASSY<br>SUPPLIER CODE:<br>V91812<br>SPECIFICATION NUMBER:<br>BACJ40A20-6<br>OPTIONAL PART:<br>TJEJ40A20-6<br>V33483<br>RBEJ20-6<br>V1GK47 | 101106<br>108120<br>504903 | 2              |
| 230      | 12J63-24A     | .             | COUPLING ASSY<br>SUPPLIER CODE:<br>V24984<br>SPECIFICATION NUMBER:<br>AS1712D24<br>OPTIONAL PART:<br>83051-24A<br>V79326                         | 101106<br>108120<br>504903 | 2              |
| 232      | TC016         | .             | FITTING-FLEX<br>SUPPLIER CODE:<br>V24984<br>SPECIFICATION NUMBER:<br>60B92409-12   | 101106<br>108120<br>504903 | 1              |
| 235      | MS21916D12-10 | .             | UNION  | 101106<br>108120<br>504903 | 1              |
| 240      | MS29512-12    | .             | PACKING  | 101106<br>108120<br>504903 | 1              |
| 245      | MS29512-28    | .             | PACKING  | 101106<br>108120<br>504903 | 1              |
| 250      | MS29513-326   | .             | PACKING  | 101106<br>108120<br>504903 | 4              |
| 255      | MS29513-328   | .             | PACKING  | 101106<br>108120<br>504903 | 1              |

MISSING ITEM NUMBERS NOT APPLICABLE

- ITEM NOT ILLUSTRATED

28-25-00-01

28-25-00  
FIG. 01  
PAGE 3  
JAN 20/09

BRI

BOEING PROPRIETARY - Copyright © - Unpublished Work - See title page for details.



757

PARTS CATALOG (MAINTENANCE)

| FIG ITEM | PART NUMBER   | 1 2 3 4 5 6 7 | NOMENCLATURE   | EFFECT FROM TO             | UNITS PER ASSY |
|----------|---------------|---------------|--|----------------------------|----------------|
| 1<br>260 | 346N2002-1    |               | .TUBE ASSY-<br>TUBING MATERIAL:<br>1.5 IN. OD X .025 IN.<br>WALL OPT .035 IN. WALL<br>X 40.0 IN. LG 6061-T4<br>AL ALLOY TUBE PER<br>WW-T-700/6 | 101106<br>108120<br>504903 | 1              |
| 265      | 346N4001-5    |               | .TUBE ASSY-<br>TUBING MATERIAL:<br>1.5 IN. OD X .025 IN.<br>WALL X 138.8 IN. LG<br>WW-T-700/6 6061 T4<br>TUBING                                | 101106<br>108120<br>504903 | 1              |
| - 300    | 346N4001-68   |               | TUBING INSTL-APU<br>FUEL FEED, 757-200 &-300<br>POSITION DATA:<br>SECT. 46<br>FOR NHA SEE:<br>28-00-00-05                                      | 101102<br>108120<br>504903 | RF             |
| - 300    | MODREF13815   |               | TUBING INSTL-APU<br>FUEL FEED, 757-200 &-300<br>MODULE NUMBER:<br>346N4001-72 REV A<br>POSITION DATA:<br>SECT. 46                              | 103106                     | 1              |
| 305      | BACS12GU3K7   |               | .SCREW   | 101106<br>108120<br>504903 | 3              |
| 310      | BACS12GU3K8   |               | .SCREW   | 101106<br>108120<br>504903 | 1              |
| 315      | BACS12GU08K8  |               | .SCREW   | 101106<br>108120<br>504903 | 2              |
| 323      | NAS602-10P    |               | .SCREW   | 101106<br>108120<br>504903 | 2              |
| 325      | BACB30NM4K4   |               | .BOLT  | 101106<br>108120<br>504903 | 8              |
| 330      | NAS1140D0316H |               | .WASHER  | 101106<br>108120<br>504903 | 9              |
| 335      | NAS1149D0316J |               | .WASHER  | 101102<br>108120<br>504903 | 52             |
| 338      | NAS1149D0332J |               | .WASHER  | 103106                     | 104            |

MISSING ITEM NUMBERS NOT APPLICABLE

- ITEM NOT ILLUSTRATED

28-25-00-01

28-25-00  
FIG. 01  
PAGE 4  
JAN 20/09

BRI



757

PARTS CATALOG (MAINTENANCE)

| FIG ITEM | PART NUMBER   | 1 2 3 4 5 6 7 | NOMENCLATURE  | EFFECT FROM TO             | UNITS PER ASSY |
|----------|---------------|---------------|---|----------------------------|----------------|
| 1        |               |               |   |                            |                |
| 340      | NAS1149D0416J | .             | WASHER  | 101106<br>108120<br>504903 | 8              |
| 345      | NAS1149DN832J | .             | WASHER  | 101106<br>108120<br>504903 | 2              |
| 350      | BACW10P59AL   | .             | WASHER  | 101106<br>108120<br>504903 | 1              |
| 355      | TC001-24A     | .             | WASHER<br>SUPPLIER CODE:<br>V24984<br>SPECIFICATION NUMBER:<br>AS1736-24  | 101106<br>108120<br>504903 | 1              |
| 360      | PLH53CD       | .             | NUT<br>SUPPLIER CODE:<br>VF0224<br>SPECIFICATION NUMBER:<br>BACN10YR3CD<br>OPTIONAL PART:<br>H52732-3CD<br>V15653   | 101106<br>108120<br>504903 | 56             |
| 365      | PLH54CD       | .             | NUT<br>SUPPLIER CODE:<br>VF0224<br>SPECIFICATION NUMBER:<br>BACN10YR4CD<br>OPTIONAL PART:<br>H52732-4CD<br>V15653   | 101106<br>108120<br>504903 | 8              |
| 370      | PLH508CD      | .             | NUT<br>SUPPLIER CODE:<br>VF0224<br>SPECIFICATION NUMBER:<br>BACN10YR08CD<br>OPTIONAL PART:<br>H52732-08CD<br>V15653 | 101106<br>108120<br>504903 | 2              |
| 378      | AN924-10J     | .             | NUT   | 101106<br>108120<br>504903 | 1              |
| 379      | 8305-24DE3    | .             | NUT<br>SUPPLIER CODE:<br>V79326<br>SPECIFICATION NUMBER:<br>AS1734D24<br>OPTIONAL PART:<br>TC037-24A<br>V24984      | 101106<br>108120<br>504903 | 1              |

MISSING ITEM NUMBERS NOT APPLICABLE

- ITEM NOT ILLUSTRATED

28-25-00-01

28-25-00  
FIG. 01  
PAGE 5  
JAN 20/09

BRI

BOEING PROPRIETARY - Copyright © - Unpublished Work - See title page for details.



757

PARTS CATALOG (MAINTENANCE)

| FIG ITEM | PART NUMBER | 1 2 3 4 5 6 7 | NOMENCLATURE   | EFFECT FROM TO             | UNITS PER ASSY |
|----------|-------------|---------------|--|----------------------------|----------------|
| 1        |             |               |  |                            |                |
| 380      | BACR15FT5D5 | .             | RIVET  | 101106<br>108120<br>504903 | 104            |
| 383      | BACC10EW24A | .             | CLAMP STRAP  | 101106<br>108120<br>504903 | 26             |
| 385      | BACC10EW24B | .             | CLAMP SADDLE   | 101106<br>108120<br>504903 | 26             |
| 390      | AN735DC24   | .             | CLAMP  | 101106<br>108120<br>504903 | 3              |
| 392      | 740A20-6    | .             | JUMPER ASSY<br>SUPPLIER CODE:<br>V91812<br>SPECIFICATION NUMBER:<br>BACJ40A20-6<br>OPTIONAL PART:<br>TJEJ40A20-6<br>V33483<br>RBEJ20-6<br>V1GK47 | 101106<br>108120<br>504903 | 2              |
| 395      | 346N2013-3  | .             | BRACKET  | 101106<br>108120<br>504903 | 1              |
| 400      | 346N2013-6  | .             | BRACKET  | 101106<br>108120<br>504903 | 25             |
| 405      | 346T0050-1  | .             | RETAINER   | 101106<br>108120<br>504903 | 1              |
| 410      | TC015       | .             | FITTING-FLEX<br>SUPPLIER CODE:<br>V24984<br>SPECIFICATION NUMBER:<br>60B92409-11   | 101106<br>108120<br>504903 | 1              |
| 415      | TC018       | .             | FITTING-FLEX<br>SUPPLIER CODE:<br>V24984<br>SPECIFICATION NUMBER:<br>60B92409-13   | 101106<br>108120<br>504903 | 1              |
| 420      | MS21924J10  | .             | UNION  | 101106<br>108120<br>504903 | 1              |
| 425      | MS29512-28  | .             | PACKING  | 101102<br>108120<br>504903 | 1              |
| 427      | MS29512-28  | .             | PACKING  | 103106                     | 2              |

MISSING ITEM NUMBERS NOT APPLICABLE

- ITEM NOT ILLUSTRATED

BRI

28-25-00-01

28-25-00  
FIG. 01  
PAGE 6  
JAN 20/09



757

PARTS CATALOG (MAINTENANCE)

| FIG ITEM | PART NUMBER   | 1 2 3 4 5 6 7 | NOMENCLATURE  | EFFECT FROM TO             | UNITS PER ASSY |
|----------|---------------|---------------|---|----------------------------|----------------|
| 1        |               |               |   |                            |                |
| 430      | MS29513-030   | .             | PACKING   | 101106<br>108120<br>504903 | 1              |
| 438      | NAS1523AA4R   | .             | PACKING   | 101106<br>108120<br>504903 | 8              |
| 440      | 40345         | .             | SEAL-   | 101106                     | 1              |
|          |               |               | SUPPLIER CODE:<br>V98159  | 108120                     |                |
| 445      | 346N4001-43   | .             | TUBE ASSY-  | 504903                     | 1              |
|          |               |               | TUBING MATERIAL:<br>1.5 IN. OD X .025 IN.<br>WALL LG SHALL BE<br>DETERMINED ON INSTL<br>6061-T4 AL TUBING PER<br>WW-T-700/6 | 101106<br>108120<br>504903 |                |
| 450      | 346N4001-44   | .             | TUBE ASSY-  | 101106                     | 1              |
|          |               |               | TUBING MATERIAL:<br>1.5 IN. OD X .025 IN.<br>WALL LG SHALL BE<br>DETERMINED ON INSTL<br>6061-T4 AL TUBING PER<br>WW-T-700/6 | 108120<br>504903           |                |
| 455      | 346N4001-46   | .             | TUBE ASSY-  | 101106                     | 1              |
|          |               |               | TUBING MATERIAL:<br>1.5 IN. OD X .025 IN.<br>WALL 179.25<br>WW-T-700/6 6061 T4  | 108120<br>504903           |                |
| - 500    | 346N4001-62   |               | TUBING INSTL-APU<br>FUEL FEED, 757-200 &-300<br>POSITION DATA:<br>SECT. 48<br>FOR NHA SEE:<br>28-00-00-05                   | 101102<br>108120<br>504903 | RF             |
| - 500    | MODREF13811   |               | TUBING INSTL-APU<br>FUEL FEED, 757-200 &-300<br>MODULE NUMBER:<br>346N4001-62 REV A<br>POSITION DATA:<br>SECT. 48           | 103106                     | 1              |
| 505      | BACS12GU3K8   | .             | SCREW   | 101106<br>108120<br>504903 | 5              |
| 510      | BACS12GU3K12  | .             | SCREW   | 101106<br>108120<br>504903 | 14             |
| 515      | NAS1149D0332J | .             | WASHER  | 101106<br>108120<br>504903 | 14             |

MISSING ITEM NUMBERS NOT APPLICABLE

- ITEM NOT ILLUSTRATED

28-25-00-01

28-25-00  
FIG. 01  
PAGE 7  
JAN 20/09

BRI

BOEING PROPRIETARY - Copyright © - Unpublished Work - See title page for details.



757

PARTS CATALOG (MAINTENANCE)

| FIG ITEM | PART NUMBER   | 1 2 3 4 5 6 7 | NOMENCLATURE   | EFFECT FROM TO             | UNITS PER ASSY |
|----------|---------------|---------------|--|----------------------------|----------------|
| 1        |               |               |  |                            |                |
| 520      | NAS1149D0316H | .             | WASHER   | 101106<br>108120<br>504903 | 11             |
| 525      | PLH53CD       | .             | NUT<br>SUPPLIER CODE:<br>VF0224<br>SPECIFICATION NUMBER:<br>BACN10YR3CD<br>OPTIONAL PART:<br>H52732-3CD<br>V15653                                | 101106<br>108120<br>504903 | 19             |
| 530      | 346N4001-19   | .             | SHIM   | 101106<br>108120<br>504903 | 3              |
| 535      | AN735DCDC24   | .             | CLAMP  | 101106<br>108120<br>504903 | 3              |
| 540      | BACC10EW24A   | .             | CLAMP STRAP  | 101106<br>108120<br>504903 | 7              |
| 545      | BACC10EW24B   | .             | CLAMP SADDLE   | 101106<br>108120<br>504903 | 7              |
| 550      | 740A20-6      | .             | JUMPER ASSY<br>SUPPLIER CODE:<br>V91812<br>SPECIFICATION NUMBER:<br>BACJ40A20-6<br>OPTIONAL PART:<br>TJEJ40A20-6<br>V33483<br>RBEJ20-6<br>V1GK47 | 101106<br>108120<br>504903 | 3              |
| 555      | 12J63-24A     | .             | COUPLING ASSY<br>SUPPLIER CODE:<br>V24984<br>SPECIFICATION NUMBER:<br>AS1712D24<br>OPTIONAL PART:<br>83051-24A<br>V79326                         | 101106<br>108120<br>504903 | 2              |
| 560      | MS29513-326   | .             | PACKING  | 101106<br>108120<br>504903 | 4              |
| 565      | MS29513-328   | .             | PACKING  | 101106<br>108120<br>504903 | 1              |

MISSING ITEM NUMBERS NOT APPLICABLE

- ITEM NOT ILLUSTRATED

28-25-00-01

28-25-00  
FIG. 01  
PAGE 8  
JAN 20/09

BRI

BOEING PROPRIETARY - Copyright © - Unpublished Work - See title page for details.



757

PARTS CATALOG (MAINTENANCE)

| FIG ITEM | PART NUMBER | 1 2 3 4 5 6 7 | NOMENCLATURE   | EFFECT FROM TO             | UNITS PER ASSY |
|----------|-------------|---------------|--|----------------------------|----------------|
| 1<br>570 | 346N4001-3  | .             | FEED LINE AND SHROUD   | 101106<br>108120<br>504903 | 1              |
| 575      | 346N4001-17 | .             | TUBE ASSY-<br>TUBING MATERIAL:<br>1.5 IN. OD X .025 IN.<br>WALL 65.3 IN. LG<br>WW-T-700/6 6061 T4<br>TUBING        | 101106<br>108120<br>504903 | 1              |
| - 577    | 63052-24    | ..            | FERRULE<br>SUPPLIER CODE:<br>V79326<br>SPECIFICATION NUMBER:<br>AS1716D24<br>OPTIONAL PART:<br>12F63-24A<br>V24984 | 101106<br>108120<br>504903 | 2              |
| 580      | 346N4001-25 | .             | TUBE ASSY-<br>TUBING MATERIAL:<br>1.5 IN. OD X .025 IN.<br>WALL 66.3 LG<br>WW-T-700/6 6061 T4                      | 101106<br>108120<br>504903 | 1              |
| 585      | AE705878-3  | .             | HOSE ASSY-<br>SUPPLIER CODE:<br>V00624<br>SPECIFICATION NUMBER:<br>60B92407-20                                     | 101106<br>108120<br>504903 | 1              |

MISSING ITEM NUMBERS NOT APPLICABLE

- ITEM NOT ILLUSTRATED

BRI

28-25-00-01

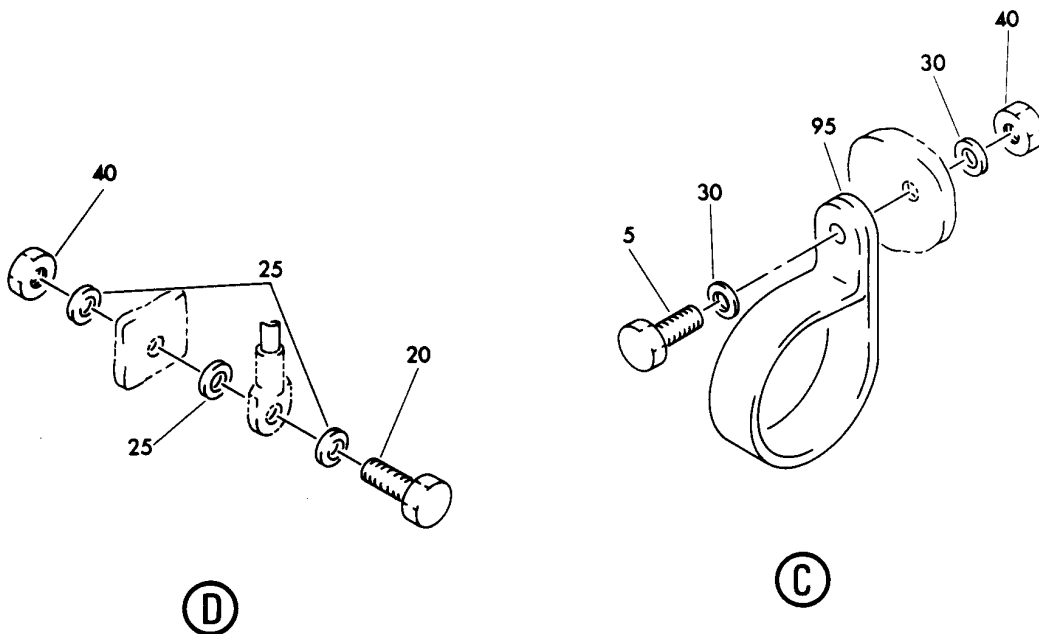
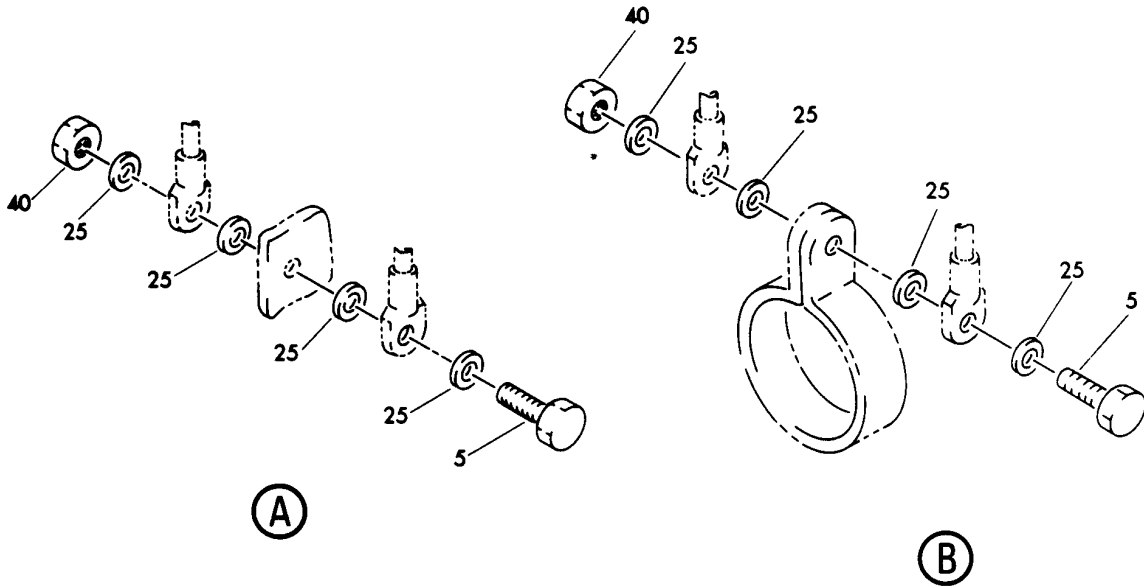
BOEING PROPRIETARY - Copyright © - Unpublished Work - See title page for details.

28-25-00  
FIG. 01  
PAGE 9  
JAN 20/09





**BOEING**  
757  
PARTS CATALOG (MAINTENANCE)



Y 28250101 SHT 2 REV 011

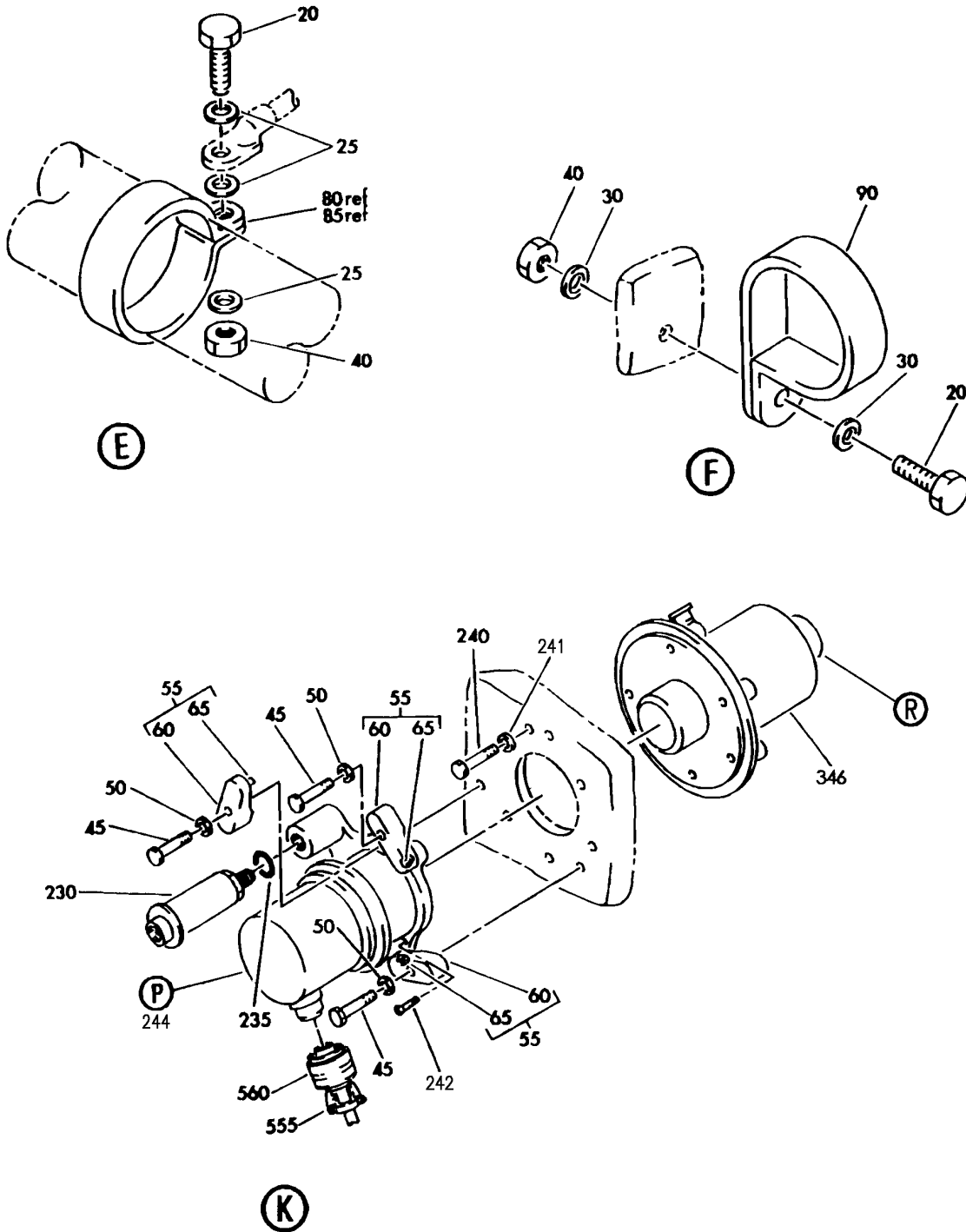
FUEL FEED INSTL-WING APU  
FIGURE 1 (SHEET 2)

**28-25-01-01**

BRI  
MAY 28/07

28-25-01-01  
PAGE 0A

**BOEING**  
757  
PARTS CATALOG (MAINTENANCE)



Y 28250101 SHT 3 REV 306

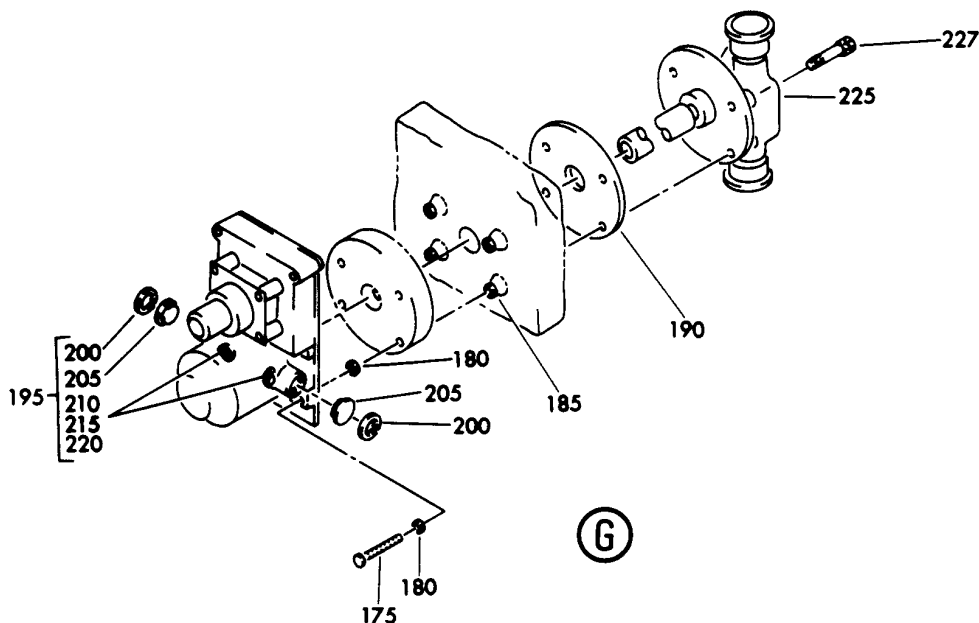
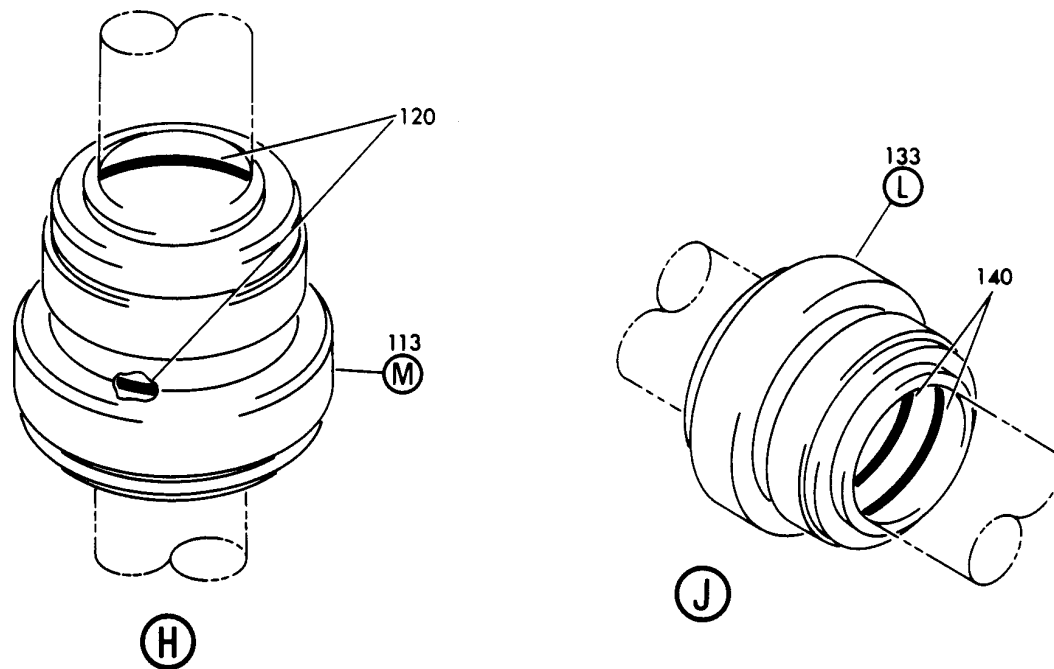
FUEL FEED INSTL-WING APU  
FIGURE 1 (SHEET 3)

**28-25-01-01**

BRI  
MAY 28/07

28-25-01-01  
PAGE 0B

**BOEING**  
757  
PARTS CATALOG (MAINTENANCE)



Y 28250101 SHT 4 REV 094

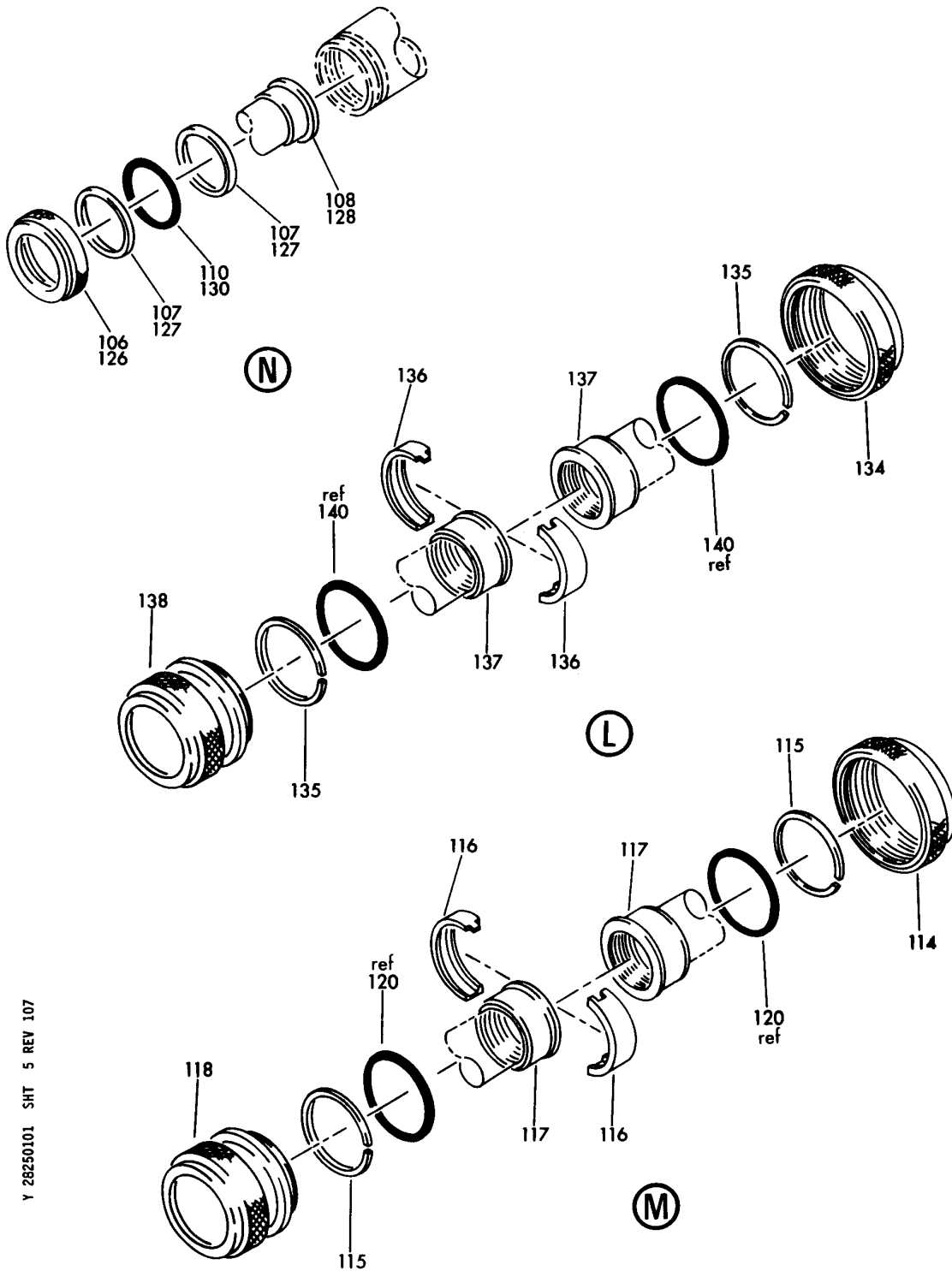
FUEL FEED INSTL-WING APU  
FIGURE 1 (SHEET 4)

**28-25-01-01**

BRI  
MAY 28/07

28-25-01-01  
PAGE 0C

**BOEING**  
757  
PARTS CATALOG (MAINTENANCE)



Y 28250101 SHT 5 REV 107

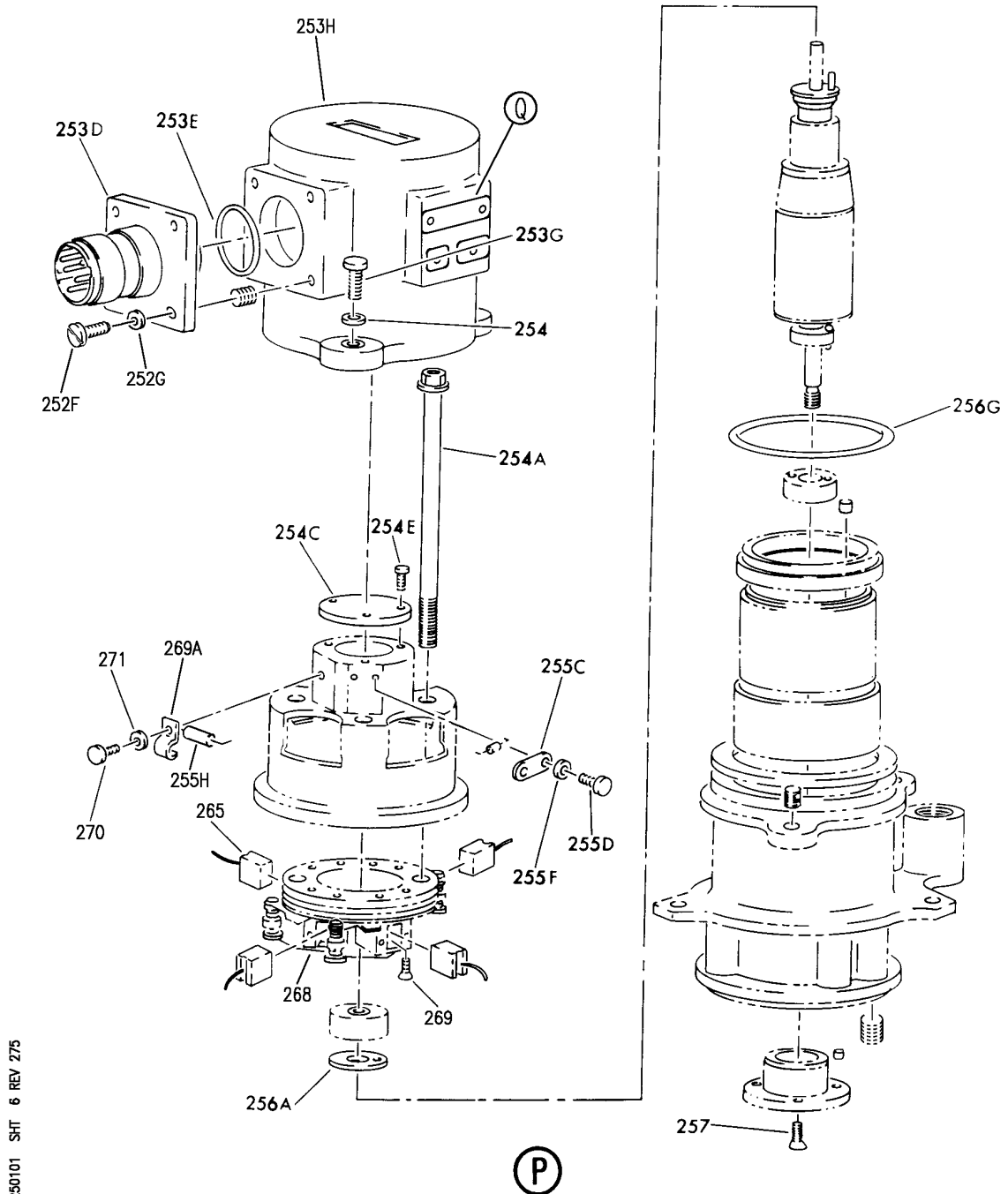
FUEL FEED INSTL-WING APU  
FIGURE 1 (SHEET 5)

**28-25-01-01**

BRI  
MAY 28/07

28-25-01-01  
PAGE 0D

**BOEING**  
757  
PARTS CATALOG (MAINTENANCE)



Y 28250101 SHT 6 REV 275

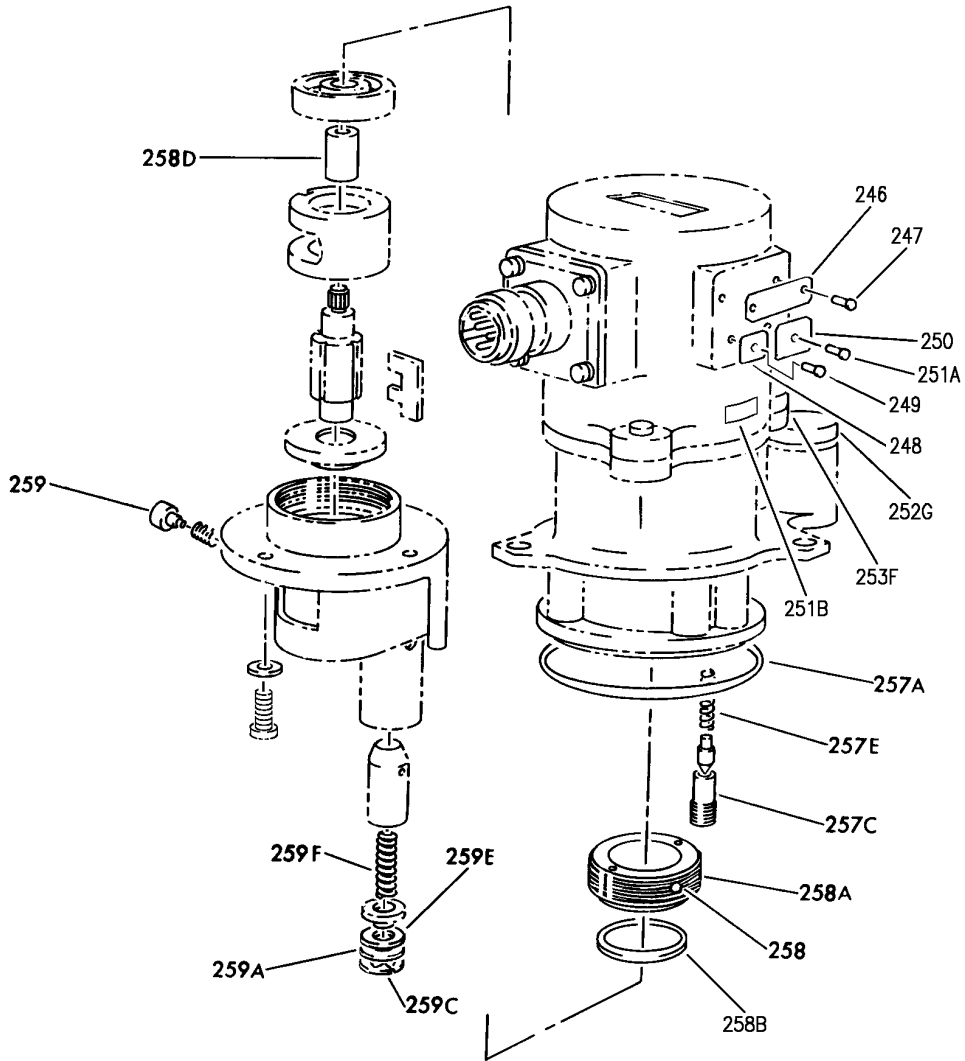
FUEL FEED INSTL-WING APU  
FIGURE 1 (SHEET 6)

**28-25-01-01**

BRI  
MAY 28/07

28-25-01-01  
PAGE 0E

**BOEING**  
757  
PARTS CATALOG (MAINTENANCE)



Y 28250101 SH-7 REV 275

0

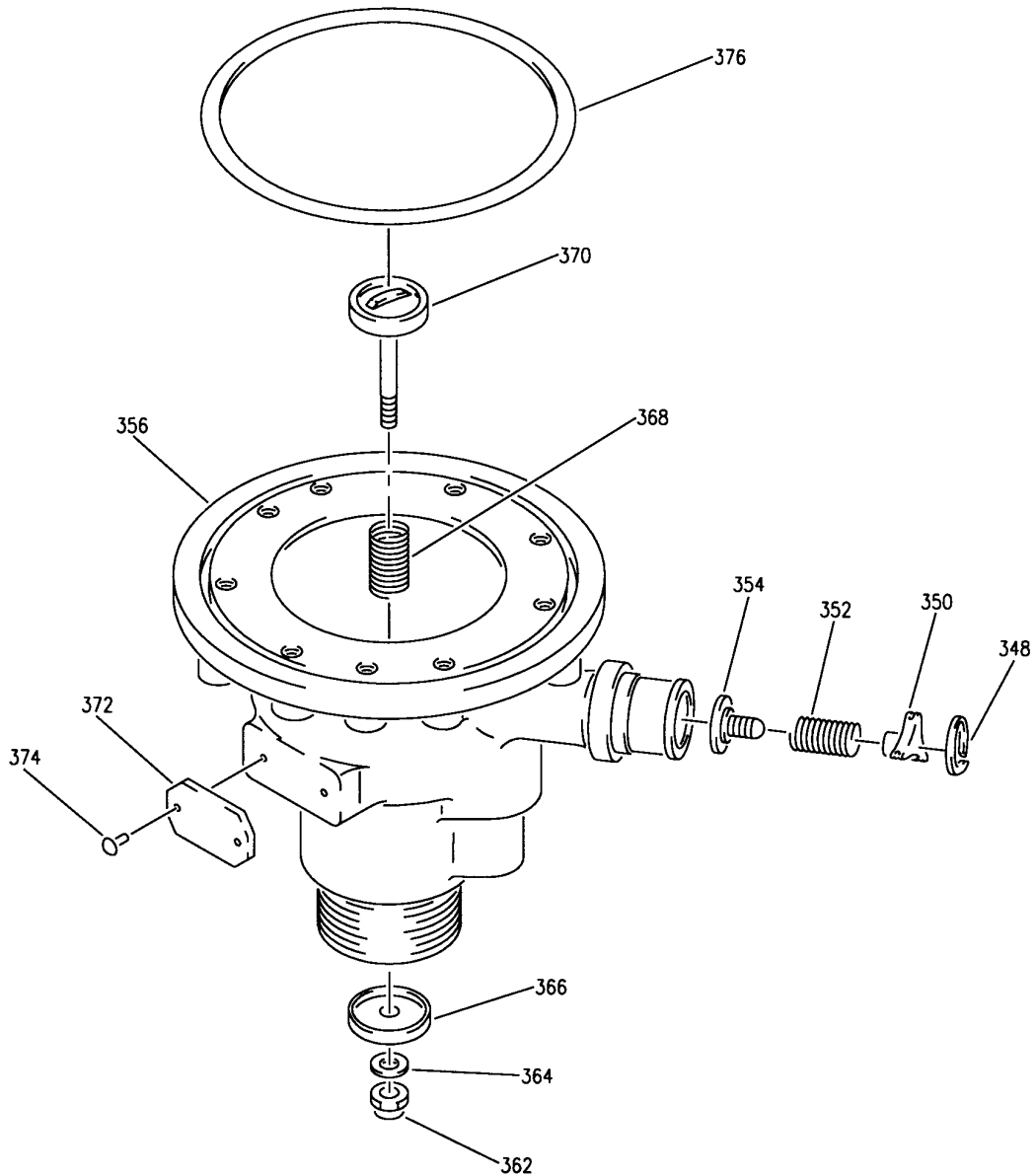
FUEL FEED INSTL-WING APU  
FIGURE 1 (SHEET 7)

**28-25-01-01**

BRI  
MAY 28/07

28-25-01-01  
PAGE OF

**BOEING**  
757  
PARTS CATALOG (MAINTENANCE)



Y 28250101 SHT 8 REV 184



FUEL FEED INSTL-WING APU  
FIGURE 1 (SHEET 8)

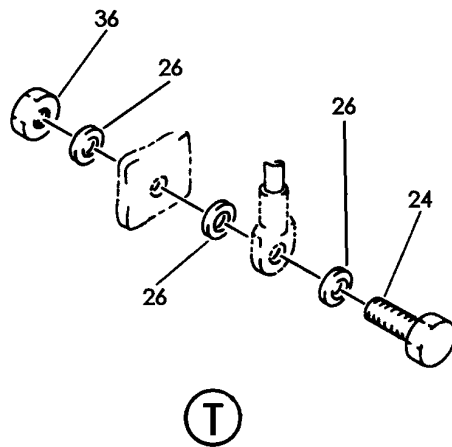
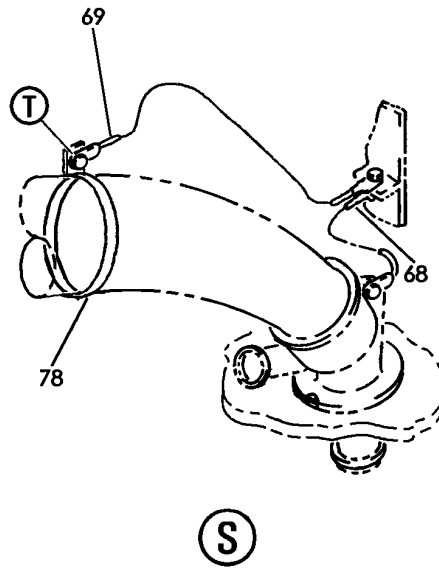
**28-25-01-01**

BRI  
MAY 28/07

28-25-01-01  
PAGE 0G



**BOEING**  
757  
PARTS CATALOG (MAINTENANCE)



Y 28250101 SHT 9 REV 208

FUEL FEED INSTL-WING APU  
FIGURE 1 (SHEET 9)

**28-25-01-01**

BRI  
MAY 28/07

28-25-01-01  
PAGE 0H



757

PARTS CATALOG (MAINTENANCE)

| FIG ITEM | PART NUMBER | 1 2 3 4 5 6 7 | NOMENCLATURE  | EFFECT FROM TO                                 | UNITS PER ASSY |
|----------|-------------|---------------|---|--|----------------|
| 1        |             |               | FUEL FEED INSTL-WING APU                                | 002004<br>006100<br>107107<br>121503<br>904999 |                |
| - 1      | 346N3001-1  |               | FUEL FEED INSTL-WING APU<br>FOR NHA SEE:<br>28-00-00-01 | 107107<br>904949                               | RF             |
| - 1      | 346N3001-12 |               | FUEL FEED INSTL-WING APU<br>FOR NHA SEE:<br>28-00-00-01 | 952952   | RF             |
| - 1      | 346N3001-13 |               | FUEL FEED INSTL-WING APU<br>FOR NHA SEE:<br>28-00-00-01 | 002004<br>006100<br>121503<br>950951<br>953999 | RF             |
| R        | 5           | NAS1801-3-8   | . SCREW   | 002004<br>006100<br>121503<br>950951<br>953999 | 6              |
| R        | 10          | NAS1801-3-8   | . SCREW   | 107107<br>904949<br>952952                     | 1              |
| R        | 10          | NAS1801-3-11  | . SCREW   | 002004<br>006100<br>121503<br>950951<br>953999 | 1              |
| R        | 15          | NAS1801-3-16  | . SCREW   | 002004<br>006100<br>121503<br>950951<br>953999 | 1              |
| R        | 20          | NAS1801-3-7   | . SCREW   | 002004<br>006100<br>121503<br>950951<br>953999 | 18             |
| R        | 23          | NAS1801-3-7   | . SCREW   | 002004<br>006100<br>107107<br>121503<br>904999 | 1              |
| R        | 25          | AN960D10L     | . WASHER  | 002004<br>006100<br>121503<br>950951<br>953999 | 55             |

MISSING ITEM NUMBERS NOT APPLICABLE

- ITEM NOT ILLUSTRATED

28-25-01-01

28-25-01  
FIG. 01  
PAGE 1  
MAY 20/09

BRI



757

PARTS CATALOG (MAINTENANCE)

| FIG ITEM | PART NUMBER    | 1 2 3 4 5 6 7 | NOMENCLATURE  | EFFECT FROM TO                                 | UNITS PER ASSY |
|----------|----------------|---------------|---|--|----------------|
| 1        | 30 AN960PD10L  | .WASHER       |   | 002004<br>006100<br>121503<br>950951<br>953999 | 10             |
|          | 35 NAS43DD3-16 | .SPACER       |   | 002004<br>006100<br>107107<br>121503<br>904999 | 1              |
|          | 40 BRH10A3     | .NUT          | SUPPLIER CODE:<br>V52828<br>SPECIFICATION NUMBER:<br>BACN10JC3<br>OPTIONAL PART:<br>H10-3BAC<br>V15653<br>NS202101-02<br>V80539<br>RMLH9075-3W<br>V72962<br>VN303A02<br>V92215<br>96-02<br>V80539<br>T6S1032J<br>V11815 | 002004<br>006100<br>107107<br>121503<br>904999 | 26             |
| 43       | BRH10A3        | .NUT          | SUPPLIER CODE:<br>V52828<br>SPECIFICATION NUMBER:<br>BACN10JC3<br>OPTIONAL PART:<br>H10-3BAC<br>V15653<br>NS202101-02<br>V80539<br>RMLH9075-3W<br>V72962<br>VN303A02<br>V92215<br>96-02<br>V80539<br>T6S1032J<br>V11815 | 002004<br>006100<br>107107<br>121503<br>904999 | 1              |

MISSING ITEM NUMBERS NOT APPLICABLE

- ITEM NOT ILLUSTRATED

BRI

28-25-01-01

BOEING PROPRIETARY - Copyright © - Unpublished Work - See title page for details.

28-25-01  
FIG. 01  
PAGE 2  
JAN 20/09



757

PARTS CATALOG (MAINTENANCE)

| FIG ITEM | PART NUMBER | 1 2 3 4 5 6 7  | NOMENCLATURE  | EFFECT FROM TO                                 | UNITS PER ASSY |
|----------|-------------|--|---|--|----------------|
| 1        | 45          | NAS6603H22   | .SCREW-   | 002004<br>006100<br>107107<br>121503<br>904999 | 3              |
|          | 50          | AN960D10   | .WASHER-  | 002004<br>006100<br>107107<br>121503<br>904999 |                |
| 55       | 346T0043-1  | .RETAINER ASSY   |   | 002004<br>006100<br>107107<br>121503<br>904999 | 3              |
|          | 60          | MS16562-219  | ..PIN-  | 002004<br>006100<br>107107<br>121503<br>904999 |                |
| 65       | 346T0043-2  | ..RETAINER-  |   | 002004<br>006100<br>107107<br>121503<br>904999 | 1              |
|          | 68          | 740A20-5   | .JUMPER ASSY<br>SUPPLIER CODE:<br>V91812<br>SPECIFICATION NUMBER:<br>BACJ40A20-5<br>OPTIONAL PART:<br>TJEJ40A20-5<br>V33483<br>RBEJ20-5<br>V1GK47 | 002004<br>006100<br>121503<br>950951<br>953999 |                |
| 69       | 740A20-10   | .JUMPER ASSY<br>SUPPLIER CODE:<br>V91812<br>SPECIFICATION NUMBER:<br>BACJ40A20-10<br>OPTIONAL PART:<br>TJEJ40A20-10<br>V33483<br>RBEJ20-10<br>V1GK47 | 002004<br>006100<br>121503<br>950951<br>953999  | 1  |                |

MISSING ITEM NUMBERS NOT APPLICABLE

- ITEM NOT ILLUSTRATED

28-25-01-01

28-25-01  
FIG. 01  
PAGE 3  
JAN 20/09

BRI



757

PARTS CATALOG (MAINTENANCE)

| FIG ITEM | PART NUMBER  | 1 2 3 4 5 6 7 | NOMENCLATURE  | EFFECT FROM TO                                 | UNITS PER ASSY |
|----------|--------------|---------------|---|--|----------------|
| 1        | 70 740A20-6  |               | . JUMPER ASSY<br>SUPPLIER CODE:<br>V91812<br>SPECIFICATION NUMBER:<br>BACJ40A20-6<br>OPTIONAL PART:<br>TJEJ40A20-6<br>V33483<br>RBEJ20-6<br>V1GK47    | 002004<br>006100<br>121503<br>950951<br>953999 | 5              |
|          | 72 740A20-4  |               | . JUMPER ASSY<br>SUPPLIER CODE:<br>V91812<br>SPECIFICATION NUMBER:<br>BACJ40A20-4<br>OPTIONAL PART:<br>TJEJ40A20-4<br>V33483<br>RBEJ20-4<br>V1GK47    | 002004<br>006100<br>121503<br>950951<br>953999 | 2              |
|          | 73 740A20-3  |               | . JUMPER ASSY<br>SUPPLIER CODE:<br>V91812<br>SPECIFICATION NUMBER:<br>BACJ40A20-3<br>OPTIONAL PART:<br>TJEJ40A20-3<br>V33483<br>RBEJ20-3<br>V1GK47    | 002004<br>006100<br>107107<br>121503<br>904999 | 2              |
|          | 77 740A20-12 |               | . JUMPER ASSY<br>SUPPLIER CODE:<br>V91812<br>SPECIFICATION NUMBER:<br>BACJ40A20-12<br>OPTIONAL PART:<br>TJEJ40A20-12<br>V33483<br>RBEJ20-12<br>V1GK47 | 002004<br>006100<br>121503<br>950951<br>953999 | 1              |
|          | 78 AN735DC8  |               | . CLAMP   | 002004<br>006100<br>121503<br>950951<br>953999 | 1              |

MISSING ITEM NUMBERS NOT APPLICABLE

- ITEM NOT ILLUSTRATED

28-25-01-01

28-25-01  
FIG. 01  
PAGE 4  
JAN 20/09

BRI



757

PARTS CATALOG (MAINTENANCE)

| FIG ITEM | PART NUMBER    | 1 2 3 4 5 6 7 | NOMENCLATURE  | EFFECT FROM TO                                 | UNITS PER ASSY |
|----------|----------------|---------------|---|--|----------------|
| 1        | 87 AN735D16    | .             | CLAMP   | 002004<br>006100<br>107107<br>121503<br>904999 | 4              |
|          | 90 BACC10DK12  | .             | CLAMP   | 002004<br>006100<br>121503<br>950951<br>953999 | 1              |
|          | 95 BACC10DK16  | .             | CLAMP   | 002004<br>006100<br>121503<br>950951<br>953999 | 5              |
|          | 100 S258DT28   | .             | CLAMP<br>SUPPLIER CODE:<br>V18076<br>SPECIFICATION NUMBER:<br>BACC10DW28D<br>OPTIONAL PART:<br>TA4C44D28T<br>V84971<br>475-28<br>V83930<br>8084D28T<br>V72285<br>475A28<br>V83930 | 002004<br>006100<br>107107<br>121503<br>904999 | 1              |
|          | 105 BACC42S12  | .             | COUPLING ASSY<br>SUPPLIER CODE:<br>V79326<br>SPECIFICATION NUMBER:<br>BACC42S12   | 002004<br>006100<br>121503<br>950951<br>953999 | 1              |
|          | 106 BACN10KL12 | ..            | NUT ASSY  | 002004<br>006100<br>121503<br>950951<br>953999 | 1              |
|          | 107 BACR12BN12 | ..            | RING  | 002004<br>006100<br>121503<br>950951<br>953999 | 2              |
|          | 108 S3052-12   | ..            | FERRULE<br>SUPPLIER CODE:<br>V79326<br>SPECIFICATION NUMBER:<br>BACF32E12   | 002004<br>006100<br>121503<br>950951<br>953999 | 1              |

MISSING ITEM NUMBERS NOT APPLICABLE

- ITEM NOT ILLUSTRATED

BRI

28-25-01-01

28-25-01  
FIG. 01  
PAGE 5  
JAN 20/09



757

PARTS CATALOG (MAINTENANCE)

| FIG ITEM | PART NUMBER | 1 2 3 4 5 6 7 | NOMENCLATURE  | EFFECT FROM TO                                 | UNITS PER ASSY |
|----------|-------------|---------------|---|--|----------------|
| 1        |             |               |   |  |                |
| 110      | MS29513-212 | .             | PACKING   | 002004<br>006100<br>107107<br>121503<br>904999 | 1              |
| 120      | MS29513-212 | .             | PACKING-  | 002004<br>006100<br>107107<br>121503<br>904999 | 4              |
| 128      | S3052-16    | ..            | FERRULE<br>SUPPLIER CODE:<br>V79326<br>SPECIFICATION NUMBER:<br>BACF32E16 | 002004<br>006100<br>107107<br>121503<br>904999 | 1              |
| 130      | MS29513-216 | .             | PACKING   | 002004<br>006100<br>107107<br>121503<br>904999 | 1              |
| 140      | MS29513-342 | .             | PACKING   | 002004<br>006100<br>107107<br>121503<br>904999 | 6              |
| 150      | BACN10DR20  | .             | NUT   | 002004<br>006100<br>107107<br>121503<br>904999 | 1              |
| 155      | 7366B354S12 | .             | FITTING-<br>SUPPLIER CODE:<br>V79326                                      | 002004<br>006100<br>107107<br>121503<br>904999 | 1              |
| 160      | MS29512-12  | .             | PACKING   | 002004<br>006100<br>107107<br>121503<br>904999 | 1              |
| 165      | 346N2001-1  | .             | FITTING-ADPTR   | 002004<br>006100<br>107107<br>121503<br>904999 | 1              |

MISSING ITEM NUMBERS NOT APPLICABLE

- ITEM NOT ILLUSTRATED

BRI

28-25-01-01

BOEING PROPRIETARY - Copyright © - Unpublished Work - See title page for details.

28-25-01  
FIG. 01  
PAGE 6  
JAN 20/09

 **BOEING**  
757  
**PARTS CATALOG (MAINTENANCE)**

| FIG ITEM                                       | PART NUMBER                         | 1 2 3 4 5 6 7 | NOMENCLATURE   | EFFECT FROM TO                                 | UNITS PER ASSY |
|--|-------------------------------------|---------------|--|--|----------------|
| R<br>R<br>R<br>R<br>R<br>R<br>R<br>R<br>R<br>R | 170                                 | MS29513-238   | .PACKING   | 002004<br>006100<br>107107<br>121503<br>904999 | 1              |
|  | 175                                 | MS24677-15    | .SCREW   | 002004<br>006100<br>107107<br>121503<br>904999 | 4              |
|  | 180                                 | AN960D8L      | .WASHER  | 002004<br>006100<br>107107<br>121503<br>904999 | 8              |
|  | 185                                 | AN960D416L    | .WASHER-   | 002004<br>006100<br>107107<br>121503<br>904999 | 4              |
|  | 190                                 | 4607          | .SEAL-<br>SUPPLIER CODE:<br>V98159<br>OPTIONAL PART:<br>678246<br>V83259   | 002004<br>006100<br>107107<br>121503<br>904999 | 1              |
|  | 190                                 | 678246        | .SEAL-<br>SUPPLIER CODE:<br>V83259<br>OPTIONAL PART:<br>4607<br>V98159   | 002004<br>006100<br>107107<br>121503<br>904999 | 1              |
|  | 195                                 | AV31-1        | .ACTUATOR ASSY-<br>SUPPLIER CODE:<br>V35840<br>SPECIFICATION NUMBER:<br>S343T003-111<br>COMPONENT MAINT MANUAL REF:<br>28-20-01<br>FOR SPARES PROCURE:<br>S343T003-41<br>POST ALERT SB:<br>28A0018<br>POST SERVICE BULLETIN:<br>AV-31-28-1<br>V35840 | 107107<br>904949                               | 1              |
|  | MISSING ITEM NUMBERS NOT APPLICABLE |               |  |  |                |
|  | - ITEM NOT ILLUSTRATED              |               |  |  |                |

BRI

# 28-25-01-01

BOEING PROPRIETARY - Copyright © - Unpublished Work - See title page for details.

28-25-01  
FIG. 01  
PAGE 7  
MAY 20/09





757

PARTS CATALOG (MAINTENANCE)

| FIG ITEM | PART NUMBER | 1 2 3 4 5 6 7 | NOMENCLATURE  | EFFECT FROM TO                                 | UNITS PER ASSY |
|----------|-------------|---------------|---|--|----------------|
| 1<br>195 | MA11A1265   |               | .ACTUATOR ASSY-<br>SUPPLIER CODE:<br>V73760<br>FUNCTIONAL DESCRIPTION:<br>PROVIDES ELECTRIC<br>ACTUATION FOR REMOTE<br>CONTROL OF VARIOUS<br>VALVES<br>SPECIFICATION NUMBER:<br>S343T003-14<br>MISCELLANEOUS DATA:<br>SERVICE LETTERS<br>737-SL-28-069 AND<br>757-SL-28-042/<br>767-SL-28-039/<br>777-SL-28-020 ALL<br>PROVIDE MORE INFORMATION<br>ABOUT THE FUEL SYSTEM<br>MOTOR OPERATED VALVE<br>ACTUATORS.<br>COMPONENT MAINT MANUAL REF:<br>28-15-12   | 107107<br>904949                               | 1              |
| 195      | MA20A1001-1 |               | .ACTUATOR ASSY-<br>SUPPLIER CODE:<br>V73760<br>FUNCTIONAL DESCRIPTION:<br>PROVIDES ELECTRIC<br>ACTUATION FOR REMOTE<br>CONTROL OF VARIOUS<br>VALVES<br>SPECIFICATION NUMBER:<br>S343T003-39<br>MISCELLANEOUS DATA:<br>SERVICE LETTERS<br>737-SL-28-069 AND<br>757-SL-28-042/<br>767-SL-28-039/<br>777-SL-28-020 ALL<br>PROVIDE MORE INFORMATION<br>ABOUT THE FUEL SYSTEM<br>MOTOR OPERATED VALVE<br>ACTUATORS.<br>COMPONENT MAINT MANUAL REF:<br>28-25-17<br>FOR SPARES PROCURE:<br>S343T003-41<br>PRE ALERT SB:<br>28A0088 | 002004<br>006100<br>107107<br>121503<br>904999 | 1              |

MISSING ITEM NUMBERS NOT APPLICABLE

- ITEM NOT ILLUSTRATED

BRI

28-25-01-01

28-25-01  
FIG. 01  
PAGE 8  
JAN 20/09

**BOEING**  
757  
**PARTS CATALOG (MAINTENANCE)**

| FIG ITEM                        | PART NUMBER | 1 2 3 4 5 6 7 | NOMENCLATURE  | EFFECT FROM TO                                 | UNITS PER ASSY |
|---------------------------------|-------------|---------------|---|--|----------------|
| R<br>R<br>R<br>R<br>R<br>R<br>R | 195         | MA30A1001     | .ACTUATOR ASSY-<br>SUPPLIER CODE:<br>V73760<br>FUNCTIONAL DESCRIPTION:<br>ACTUATOR ASSEMBLY OPENS<br>AND CLOSES A FUEL VALVE<br>SPECIFICATION NUMBER:<br>S343T003-66<br>POST ALERT SB:<br>28A0088 | 002004<br>006100<br>121503<br>950999           | 1              |
|                                 | 200         | NAS669-68     | ..RING-   | 002004<br>006100<br>107107<br>121503<br>904999 | 2              |
|                                 | 205         | L010D816H01   | ..CAP-<br>SUPPLIER CODE:<br>VS0319  | 002004<br>006100<br>107107<br>121503<br>904999 | 2              |
|                                 | 210         | L010C807G51   | ..BRUSH ASSY-<br>SUPPLIER CODE:<br>VS0319   | 002004<br>006100<br>107107<br>121503<br>904999 | 2              |
|                                 | 215         | MS35275-202   | ATTACHING PARTS<br>..SCREW-   | 002004<br>006100<br>107107<br>121503<br>904999 | 2              |
|                                 | 220         | MS35338-134   | ..WASHER  | 002004<br>006100<br>107107<br>121503<br>904999 | 2              |
|                                 | 225         | AV33          | -----*-----<br>.BODY-ELEC ACTUATED ROTARY<br>TYPE VALVE<br>SUPPLIER CODE:<br>VS0319<br>SPECIFICATION NUMBER:<br>S343T003-6<br>COMPONENT MAINT MANUAL REF:<br>28-20-04                             | 002004<br>006100<br>107107<br>121503<br>904999 | 1              |

MISSING ITEM NUMBERS NOT APPLICABLE

— ITEM NOT ILLUSTRATED

BRI

# 28-25-01-01

BOEING PROPRIETARY - Copyright © - Unpublished Work - See title page for details.

28-25-01  
FIG. 01  
PAGE 9  
MAY 20/09



757

PARTS CATALOG (MAINTENANCE)

| FIG ITEM | PART NUMBER | 1 2 3 4 5 6 7 | NOMENCLATURE  | EFFECT FROM TO                                 | UNITS PER ASSY |
|----------|-------------|---------------|---|--|----------------|
| 1<br>225 | AV33-1      |               | .BODY-ELEC ACTUATED ROTARY<br>TYPE VALVE<br>SUPPLIER CODE:<br>VS0319<br>SPECIFICATION NUMBER:<br>S343T003-10<br>COMPONENT MAINT MANUAL REF:<br>28-20-04   | 002004<br>006100<br>107107<br>121503<br>904999 | 1              |
| 225      | 125770G     |               | .BODY-ELEC ACTUATED ROTARY<br>TYPE VALVE<br>SUPPLIER CODE:<br>V73760<br>SPECIFICATION NUMBER:<br>S343T003-19<br>COMPONENT MAINT MANUAL REF:<br>28-25-16   | 002004<br>006100<br>107107<br>121503<br>904999 | 1              |
| 227      | L901D023H01 |               | ..SCREW-<br>SUPPLIER CODE:<br>VS0319  | 002004<br>006100<br>107107<br>121503<br>904999 | 4              |
| 230      | 7G110-3     |               | .SWITCH-PRESSURE FUEL PUMP<br>DISCH<br>SUPPLIER CODE:<br>V09049<br>SPECIFICATION NUMBER:<br>60B92400-3<br>ELECTRICAL EQUIP NUMBER:<br>S00074<br>COMPONENT MAINT MANUAL REF:<br>28-40-05   | 002004<br>006100<br>107107<br>121503<br>904999 | 1              |
| 230      | 21C1-3-21   |               | .SWITCH-PRESSURE FUEL PUMP<br>DISCH<br>SUPPLIER CODE:<br>V02750<br>FUNCTIONAL DESCRIPTION:<br>SENSES LOW FLOW PUMP<br>DISCHARGE TO THE ENGINES<br>SPECIFICATION NUMBER:<br>60B92400-10<br>ELECTRICAL EQUIP NUMBER:<br>S00074<br>COMPONENT MAINT MANUAL REF:<br>28-42-01 | 002004<br>006100<br>107107<br>121503<br>904999 | 1              |
| 235      | MS29512-04  |               | .PACKING  | 002004<br>006100<br>107107<br>121503<br>904999 | 1              |

MISSING ITEM NUMBERS NOT APPLICABLE

- ITEM NOT ILLUSTRATED

BRI

28-25-01-01

28-25-01  
FIG. 01  
PAGE 10  
JAN 20/09



757

PARTS CATALOG (MAINTENANCE)

| FIG ITEM | PART NUMBER  | 1 2 3 4 5 6 7 | NOMENCLATURE  | EFFECT FROM TO                                 | UNITS PER ASSY |
|----------|--------------|---------------|---|--|----------------|
| 1        |              |               |   |  |                |
| 240      | NAS6603H13   | .             | BOLT-   | 002004<br>006100<br>107107<br>121503<br>904999 | 5              |
| 242      | BACB30LH3U13 | .             | BOLT  | 002004<br>006100<br>107107<br>121503<br>904999 | 1              |
| 243      | 346N2017-1   | .             | SPACER  | 002004<br>006100<br>107107<br>121503<br>904999 | 1              |
| 244      | 218387       | .             | MOTOR ASSY-PUMP<br>SUPPLIER CODE:<br>VF0553<br>FUNCTIONAL DESCRIPTION:<br>PROVIDES FUEL TO THE APU<br>SPECIFICATION NUMBER:<br>60B92403-10<br>ELECTRICAL EQUIP NUMBER:<br>M00336<br>COMPONENT MAINT MANUAL REF:<br>28-20-02 | 002004<br>006100<br>107107<br>121503<br>904999 | 1              |
| 246      | 218445       | ..            | PLATE-IDENT<br>SUPPLIER CODE:<br>VF0553   | 002004<br>006100<br>107107<br>121503<br>904999 | 1              |
| 248      | 241386       | ..            | PLATE-AMENDMENT<br>SUPPLIER CODE:<br>VF0553   | 002004<br>006100<br>107107<br>121503<br>904999 | 1              |
| 250      | 218455       | ..            | PLATE-WIRING<br>SUPPLIER CODE:<br>VF0553  | 002004<br>006100<br>107107<br>121503<br>904999 | 1              |
| 251B     | 218689       | ..            | PLATE-CURE DATE<br>SUPPLIER CODE:<br>VF0553   | 002004<br>006100<br>107107<br>121503<br>904999 | 1              |

R  
R  
R  
R  
R

MISSING ITEM NUMBERS NOT APPLICABLE

- ITEM NOT ILLUSTRATED

28-25-01-01

28-25-01  
FIG. 01  
PAGE 11  
MAY 20/09

BRI

**BOEING**  
757  
**PARTS CATALOG (MAINTENANCE)**

| FIG ITEM   | PART NUMBER   | 1 2 3 4 5 6 7 | NOMENCLATURE   | EFFECT FROM TO                                 | UNITS PER ASSY |
|------------|---------------|---------------|--|--|----------------|
| 1<br>252 F | MS35275-214   | ..            | SCREW  | 002004<br>006100<br>107107<br>121503<br>904999 | 4              |
| 253 D      | P100381       | ..            | CONNECTOR-RCPT<br>SUPPLIER CODE:<br>VF0225                               | 002004<br>006100<br>107107<br>121503<br>904999 | 1              |
| 253 E      | MS29513-023   | ..            | PACKING  | 002004<br>006100<br>107107<br>121503<br>904999 | 1              |
| 253 F      | NAS818-4      | ..            | PLUG   | 002004<br>006100<br>107107<br>121503<br>904999 | 1              |
| 253 G      | MS35275-243   | ..            | ATTACHING PARTS<br>SCREW   | 002004<br>006100<br>107107<br>121503<br>904999 | 3              |
| 254        | JFCC040UPA    | ..            | WASHER-FLAT<br>SUPPLIER CODE:<br>VF0110                                  | 002004<br>006100<br>107107<br>121503<br>904999 | 3              |
| 254 A      | 218597        | ..            | -----*-----<br>SCREW-<br>SUPPLIER CODE:<br>VF0553                        | 002004<br>006100<br>107107<br>121503<br>904999 | 2              |
| 254 C      | 218590        | ..            | COVER-<br>SUPPLIER CODE:<br>VF0553                                       | 002004<br>006100<br>107107<br>121503<br>904999 | 1              |
| 254 E      | BHQ1CC016006T | ..            | ATTACHING PARTS<br>SCREW-<br>SUPPLIER CODE:<br>VF0110<br><br>-----*----- | 002004<br>006100<br>107107<br>121503<br>904999 | 3              |

MISSING ITEM NUMBERS NOT APPLICABLE

— ITEM NOT ILLUSTRATED

BRI

# 28-25-01-01

28-25-01  
FIG. 01  
PAGE 12  
JAN 20/09



757

PARTS CATALOG (MAINTENANCE)

| FIG ITEM  | PART NUMBER   | 1 2 3 4 5 6 7 | NOMENCLATURE   | EFFECT FROM TO                                 | UNITS PER ASSY |
|-----------|---------------|---------------|--|--|----------------|
| 1<br>255C | 217           |               | .. LINK-<br>SUPPLIER CODE:<br>VF0553                     | 002004<br>006100<br>107107<br>121503<br>904999 | 1              |
| 255D      | LHQ1CC025008T |               | ATTACHING PARTS<br>.. SCREW-<br>SUPPLIER CODE:<br>VF0110 | 002004<br>006100<br>107107<br>121503<br>904999 | 2              |
| 255F      | KACC025TPA    |               | .. WASHER-LOCK<br>SUPPLIER CODE:<br>VF0110               | 002004<br>006100<br>107107<br>121503<br>904999 | 2              |
| 255H      | 218596        |               | -----*-----<br>.. FUSE-<br>SUPPLIER CODE:<br>VF0553      | 002004<br>006100<br>107107<br>121503<br>904999 | 1              |
| 256A      | 218598        |               | .. WASHER-SHIM<br>SUPPLIER CODE:<br>VF0553               | 002004<br>006100<br>107107<br>121503<br>904999 | AR             |
| -256B     | 218625        |               | .. WASHER-SHIM<br>SUPPLIER CODE:<br>VF0553               | 002004<br>006100<br>107107<br>121503<br>904999 | AR             |
| -256C     | 218599        |               | .. WASHER-SHIM<br>SUPPLIER CODE:<br>VF0553               | 002004<br>006100<br>107107<br>121503<br>904999 | AR             |
| 256G      | MS29513-140   |               | .. PACKING   | 002004<br>006100<br>107107<br>121503<br>904999 | 1              |
| 257       | MS51959-2     |               | .. SCREW   | 002004<br>006100<br>107107<br>121503<br>904999 | 3              |

MISSING ITEM NUMBERS NOT APPLICABLE

- ITEM NOT ILLUSTRATED

BRI

28-25-01-01

28-25-01  
FIG. 01  
PAGE 13  
JAN 20/09



757

PARTS CATALOG (MAINTENANCE)

| FIG ITEM | PART NUMBER | 1 2 3 4 5 6 7 | NOMENCLATURE   | EFFECT FROM TO                                 | UNITS PER ASSY |
|----------|-------------|---------------|--|--|----------------|
| 1        |             |               |  |  |                |
| 257A     | MS29513-145 | ..            | PACKING  | 002004<br>006100<br>107107<br>121503<br>904999 | 1              |
| 257C     | 218437      | ..            | SLEEVE-<br>SUPPLIER CODE:<br>VF0553                  | 002004<br>006100<br>107107<br>121503<br>904999 | 1              |
| 257E     | 218414      | ..            | SPRING-<br>SUPPLIER CODE:<br>VF0553                  | 002004<br>006100<br>107107<br>121503<br>904999 | 1              |
| -257G    | 218421      | ..            | LOCK ASSY-THREADED SCREW<br>SUPPLIER CODE:<br>VF0553 | 002004<br>006100<br>107107<br>121503<br>904999 | 1              |
| 258      | 305220      | ...           | PIN-<br>SUPPLIER CODE:<br>VF0553                     | 002004<br>006100<br>107107<br>121503<br>904999 | 2              |
| 258A     | 218420      | ...           | SCREW-LOCK<br>SUPPLIER CODE:<br>VF0553               | 002004<br>006100<br>107107<br>121503<br>904999 | 1              |
| 258B     | 218673      | ..            | WASHER-<br>SUPPLIER CODE:<br>VF0553                  | 002004<br>006100<br>107107<br>121503<br>904999 | 1              |
| 258D     | 218451      | ..            | COUPLING-SPLINED<br>SUPPLIER CODE:<br>VF0553         | 002004<br>006100<br>107107<br>121503<br>904999 | 1              |
| -258G    | 218440      | ..            | SLEEVE-<br>SUPPLIER CODE:<br>VF0553                  | 002004<br>006100<br>107107<br>121503<br>904999 | 1              |

MISSING ITEM NUMBERS NOT APPLICABLE

- ITEM NOT ILLUSTRATED

28-25-01-01

28-25-01  
FIG. 01  
PAGE 14  
JAN 20/09

BRI



757

PARTS CATALOG (MAINTENANCE)

| FIG ITEM | PART NUMBER | 1 2 3 4 5 6 7 | NOMENCLATURE   | EFFECT FROM TO                                 | UNITS PER ASSY |
|----------|-------------|---------------|--|--|----------------|
| 1<br>259 | 218305      |               | .. SCREW-<br>SUPPLIER CODE:<br>VF0553  | 002004<br>006100<br>107107<br>121503<br>904999 | 1              |
| 259A     | 218686      |               | .. WASHER-<br>SUPPLIER CODE:<br>VF0553   | 002004<br>006100<br>107107<br>121503<br>904999 | 1              |
| 259C     | 800140-09   |               | .. RING-RETAINING<br>SUPPLIER CODE:<br>VF0349                                    | 002004<br>006100<br>107107<br>121503<br>904999 | 1              |
| 259E     | 218418-1    |               | .. SHIM-<br>SUPPLIER CODE:<br>VF0553   | 002004<br>006100<br>107107<br>121503<br>904999 | AR             |
| 259F     | 218447      |               | .. SPRING-VALVE<br>SUPPLIER CODE:<br>VF0553                                      | 002004<br>006100<br>107107<br>121503<br>904999 | 1              |
| -259G    | 218418-2    |               | .. SHIM-<br>SUPPLIER CODE:<br>VF0553   | 002004<br>006100<br>107107<br>121503<br>904999 | AR             |
| - 260    | 218418-3    |               | .. SHIM-<br>SUPPLIER CODE:<br>VF0553   | 002004<br>006100<br>107107<br>121503<br>904999 | AR             |
| 265      | 218648      |               | .. BRUSH-<br>SUPPLIER CODE:<br>VF0553  | 002004<br>006100<br>107107<br>121503<br>904999 | 4              |
| - 267    | KACCO20TPA  |               | ATTACHING PARTS<br>.. WASHER-LOCK<br>SUPPLIER CODE:<br>VF0110<br><br>-----*----- | 002004<br>006100<br>107107<br>121503<br>904999 | 4              |

MISSING ITEM NUMBERS NOT APPLICABLE

- ITEM NOT ILLUSTRATED

BRI

28-25-01-01

28-25-01  
FIG. 01  
PAGE 15  
JAN 20/09



 **BOEING**  
757  
**PARTS CATALOG (MAINTENANCE)**

| FIG ITEM  | PART NUMBER | 1 2 3 4 5 6 7 | NOMENCLATURE  | EFFECT FROM TO                                 | UNITS PER ASSY |
|-----------|-------------|---------------|---|--|----------------|
| 1<br>269A | 1142        |               | .. STRAP-<br>SUPPLIER CODE:<br>VF1595   | 002004<br>006100<br>107107<br>121503<br>904999 | 1              |
| 274       | 73521-12    |               | . TEE-<br>SUPPLIER CODE:<br>V79326<br>OPTIONAL PART:<br>73526-12<br>V79326  | 002004<br>006100<br>107107<br>121503<br>904999 | 1              |
| 274       | 73526-12    |               | . TEE-<br>SUPPLIER CODE:<br>V79326<br>OPTIONAL PART:<br>73521-12<br>V79326  | 002004<br>006100<br>121503<br>950951<br>953999 | 1              |
| 275       | MS29513-212 |               | . PACKING   | 002004<br>006100<br>107107<br>121503<br>904999 | 2              |
| 280       | 69B92410-1  |               | . SCREEN ASSY   | 002004<br>006100<br>107107<br>121503<br>904999 | 1              |
| 285       | 69B92411-1  |               | . BELLMOUTH ASSY  | 107107<br>904949<br>952952                     | 1              |
| 285       | 69B92411-5  |               | . BELLMOUTH ASSY  | 002004<br>006100<br>121503<br>950951<br>953999 | 1              |
| 290       | BACC42T16   |               | .. COUPLING<br>SUPPLIER CODE:<br>V79326<br>SPECIFICATION NUMBER:<br>BACC42T16<br>OPTIONAL PART:<br>TC011-16<br>V24984<br>83051-16<br>V79326 | 002004<br>006100<br>107107<br>121503<br>904999 | 1              |

R  
R  
R  
R  
R  
R  
R

MISSING ITEM NUMBERS NOT APPLICABLE

- ITEM NOT ILLUSTRATED

BRI

# 28-25-01-01

BOEING PROPRIETARY - Copyright © - Unpublished Work - See title page for details.

28-25-01  
FIG. 01  
PAGE 16  
MAY 20/09



757

PARTS CATALOG (MAINTENANCE)

| FIG ITEM | PART NUMBER | 1 2 3 4 5 6 7 | NOMENCLATURE   | EFFECT FROM TO                                 | UNITS PER ASSY |
|----------|-------------|---------------|--|--|----------------|
| 1        |             |               |  |  |                |
| 295      | 69B92411-2  | ..            | BRAZED ASSY  | 002004<br>006100<br>107107<br>121503<br>904999 | 1              |
| 305      | MS29513-024 | .             | PACKING  | 002004<br>006100<br>107107<br>121503<br>904999 | 1              |
| 310      | 346N3001-4  | .             | TUBE ASSY-<br>TUBING MATERIAL:<br>.750 IN. OD .022 IN.<br>WALL 44.0 IN. LG<br>ALUMINUM                     | 002004<br>006100<br>107107<br>121503<br>904999 | 1              |
| - 313    | S3052-12    | ..            | FERRULE<br>SUPPLIER CODE:<br>V79326<br>SPECIFICATION NUMBER:<br>BACF32E12                                  | 002004<br>006100<br>107107<br>121503<br>904999 | 2              |
| 315      | 346N3001-3  | .             | TUBE ASSY-<br>TUBING MATERIAL:<br>.750 IN. OD .022 IN.<br>WALL 24.0 IN. LG<br>ALUMINUM                     | 002004<br>006100<br>107107<br>121503<br>904999 | 1              |
| - 320    | S3052-12    | ..            | FERRULE<br>SUPPLIER CODE:<br>V79326<br>SPECIFICATION NUMBER:<br>BACF32E12                                  | 002004<br>006100<br>107107<br>121503<br>904999 | 2              |
| 325      | 346N3001-9  | .             | TUBE ASSY-<br>TUBING MATERIAL:<br>1.00 IN. OD .022 IN.<br>WALL 95.7 IN. LG<br>ALUMINUM                     | 002004<br>006100<br>107107<br>121503<br>904999 | 1              |
| 330      | 346N3001-8  | .             | TUBE ASSY-<br>TUBING MATERIAL:<br>1.00 IN. OD .022 IN.<br>WALL 40.8 IN. LG<br>WW-T-700/6 6061 T4<br>TUBING | 002004<br>006100<br>107107<br>121503<br>904999 | 1              |
| - 332    | S3052-16    | ..            | FERRULE<br>SUPPLIER CODE:<br>V79326<br>SPECIFICATION NUMBER:<br>BACF32E16                                  | 002004<br>006100<br>107107<br>121503<br>904999 | 2              |

MISSING ITEM NUMBERS NOT APPLICABLE

- ITEM NOT ILLUSTRATED

28-25-01-01

28-25-01  
FIG. 01  
PAGE 17  
JAN 20/09

BRI



757

PARTS CATALOG (MAINTENANCE)

| FIG ITEM | PART NUMBER     | 1 2 3 4 5 6 7 | NOMENCLATURE  | EFFECT FROM TO                                 | UNITS PER ASSY |
|----------|-----------------|---------------|---|--|----------------|
| 1        | 335 346N3001-11 | .             | TUBE ASSY-<br>TUBING MATERIAL:<br>1.00 IN. OD .022 IN.<br>WALL OPTIONAL 1.0 IN.<br>OD X .035 WALL 21.3 IN.<br>LG WW-T-700/6 6064 T4<br>TUBING | 002004<br>006100<br>107107<br>121503<br>904999 | 1              |
| - 340    | S3052-16        | ..            | FERRULE<br>SUPPLIER CODE:<br>V79326<br>SPECIFICATION NUMBER:<br>BACF32E16   | 002004<br>006100<br>107107<br>121503<br>904999 | 1              |
| - 345    | S83052-16       | ..            | FERRULE<br>SUPPLIER CODE:<br>V79326<br>SPECIFICATION NUMBER:<br>BACF32F16<br>OPTIONAL PART:<br>TC010-16<br>V24984                             | 002004<br>006100<br>107107<br>121503<br>904999 | 1              |
| 346      | 218813          | .             | HOUSING ASSY-PUMP<br>SUPPLIER CODE:<br>VF0553<br>SPECIFICATION NUMBER:<br>60B92403-17<br>COMPONENT MAINT MANUAL REF:<br>28-25-02              | 002004<br>006100<br>107107<br>121503<br>904999 | 1              |
| 348      | 218422          | ..            | RING-RETAINING<br>SUPPLIER CODE:<br>VF0553  | 002004<br>006100<br>107107<br>121503<br>904999 | 1              |
| 350      | 218423          | ..            | GUIDE-<br>SUPPLIER CODE:<br>VF0553  | 002004<br>006100<br>107107<br>121503<br>904999 | 1              |
| 352      | 203646          | ..            | SPRING-<br>SUPPLIER CODE:<br>VF0553   | 002004<br>006100<br>107107<br>121503<br>904999 | 1              |
| 354      | 218428          | ..            | VALVE-<br>SUPPLIER CODE:<br>VF0553  | 002004<br>006100<br>107107<br>121503<br>904999 | 1              |

MISSING ITEM NUMBERS NOT APPLICABLE

- ITEM NOT ILLUSTRATED

BRI

28-25-01-01

28-25-01  
FIG. 01  
PAGE 18  
JAN 20/09



757

PARTS CATALOG (MAINTENANCE)

| FIG ITEM | PART NUMBER  | 1 2 3 4 5 6 7 | NOMENCLATURE  | EFFECT FROM TO                                 | UNITS PER ASSY |
|----------|--------------|---------------|---|--|----------------|
| 1        |              |               |   |  |                |
| 356      | 218841       |               | ..HOUSING ASSY-EQUIPPED<br>SUPPLIER CODE:<br>VF0553 | 002004<br>006100<br>107107<br>121503<br>904999 | 1              |
| - 358    | 218837       |               | ...HOUSING-<br>SUPPLIER CODE:<br>VF0553             | 002004<br>006100<br>107107<br>121503<br>904999 | 1              |
| - 360    | 3591-3CN0285 |               | ...INSERT-THREAD SCREW<br>SUPPLIER CODE:<br>V01556  | 002004<br>006100<br>107107<br>121503<br>904999 | 9              |
| 362      | 79NM50       |               | ..NUT-SELF-LOCKING<br>SUPPLIER CODE:<br>V72962      | 002004<br>006100<br>107107<br>121503<br>904999 | 1              |
| 364      | AN960-6L     |               | ..WASHER  | 002004<br>006100<br>107107<br>121503<br>904999 | 1              |
| 366      | 218424       |               | ..VALVE-<br>SUPPLIER CODE:<br>VF0553                | 002004<br>006100<br>107107<br>121503<br>904999 | 1              |
| 368      | 218429       |               | ..SPRING-<br>SUPPLIER CODE:<br>VF0553               | 002004<br>006100<br>107107<br>121503<br>904999 | 1              |
| 370      | 218839       |               | ..PLUNGER-<br>SUPPLIER CODE:<br>VF0553              | 002004<br>006100<br>107107<br>121503<br>904999 | 1              |
| 372      | 218842       |               | ..PLATE-IDENT<br>SUPPLIER CODE:<br>VF0553           | 002004<br>006100<br>107107<br>121503<br>904999 | 1              |

MISSING ITEM NUMBERS NOT APPLICABLE

- ITEM NOT ILLUSTRATED

BRI

28-25-01-01

BOEING PROPRIETARY - Copyright © - Unpublished Work - See title page for details.

28-25-01  
FIG. 01  
PAGE 19  
JAN 20/09



757

PARTS CATALOG (MAINTENANCE)

| FIG ITEM | PART NUMBER  | 1 2 3 4 5 6 7 | NOMENCLATURE   | EFFECT FROM TO                                 | UNITS PER ASSY |
|----------|--------------|---------------|--|--|----------------|
| 1        |              |               |  |  |                |
| 372      | AP63-106     |               | .. PLATE-IDENT<br>SUPPLIER CODE:<br>VF0553   | 002004<br>006100<br>107107<br>121503<br>904999 | 1              |
| 374      | ZVFO14003SPA |               | ATTACHING PARTS<br>.. PIN-GROOVED HEADED<br>SUPPLIER CODE:<br>VF0110<br>POSITION DATA:<br>CTR<br>-----*----- | 002004<br>006100<br>107107<br>121503<br>904999 | 2              |
| 376      | MS29513-245  |               | .. PACKING   | 002004<br>006100<br>107107<br>121503<br>904999 | 1              |
| - 378    | N100-240     |               | .. CAP-<br>SUPPLIER CODE:<br>VF2521<br>CONFIG CHG DATA FROM A CMM:<br>SUPSD BY G899013                       | 002004<br>006100<br>107107<br>121503<br>904999 | 1              |
| - 378    | G899013      |               | .. CAP-<br>SUPPLIER CODE:<br>VF0553<br>CONFIG CHG DATA FROM A CMM:<br>SUPERSEDES N100-240                    | 002004<br>006100<br>107107<br>121503<br>904999 | 1              |
| - 379    | N100-690     |               | .. CAP-<br>SUPPLIER CODE:<br>VF0553  | 002004<br>006100<br>107107<br>121503<br>904999 | 1              |
| - 380    | NAS817-20    |               | .. PLUG  | 002004<br>006100<br>107107<br>121503<br>904999 | 1              |
| - 382    | 690          |               | .. CAP-<br>SUPPLIER CODE:<br>VF2521<br>CONFIG CHG DATA FROM A CMM:<br>SUPSD BY G899062                       | 002004<br>006100<br>107107<br>121503<br>904999 | 1              |
| - 382    | G899062      |               | .. CAP-<br>SUPPLIER CODE:<br>VF0553<br>CONFIG CHG DATA FROM A CMM:<br>SUPERSEDES 690                         | 002004<br>006100<br>107107<br>121503<br>904999 | 1              |

MISSING ITEM NUMBERS NOT APPLICABLE

- ITEM NOT ILLUSTRATED

28-25-01-01

28-25-01  
FIG. 01  
PAGE 20  
JAN 20/09

BRI



757

PARTS CATALOG (MAINTENANCE)

| FIG ITEM | PART NUMBER   | 1 2 3 4 5 6 7 | NOMENCLATURE  | EFFECT FROM TO                                 | UNITS PER ASSY |
|----------|---------------|---------------|---|--|----------------|
| 1        |               |               |   |  |                |
| - 550    | 286N2416-003  |               | WIRE BUNDLE ASSY  | 002004<br>006100<br>950999                     | RF             |
| - 550    | 286N2416-004  |               | WIRE BUNDLE ASSY  | 107107<br>121503<br>904949                     | RF             |
| 555      | GS3417-14C    |               | .CLAMP-<br>SUPPLIER CODE:<br>V06324<br>SPECIFICATION NUMBER:<br>BACC10HF14<br>OPTIONAL PART:<br>S2125-14-8<br>V07418<br>ELECTRICAL EQUIP NUMBER:<br>D02386T<br>WIRING DIAGRAM REF:<br>282511                                | 002004<br>006100<br>121503<br>950951<br>953999 | 1              |
| 560      | C0909A10-05SN |               | .CONNECTOR-<br>SUPPLIER CODE:<br>V13556<br>SPECIFICATION NUMBER:<br>BACC63BN10-5S<br>OPTIONAL PART:<br>48-63N10-5S<br>V02660<br>R071210-5S<br>V41118<br>ELECTRICAL EQUIP NUMBER:<br>D02386<br>WIRING DIAGRAM REF:<br>282511 | 002004<br>006100<br>121503<br>950951<br>953999 | 1              |

MISSING ITEM NUMBERS NOT APPLICABLE

- ITEM NOT ILLUSTRATED

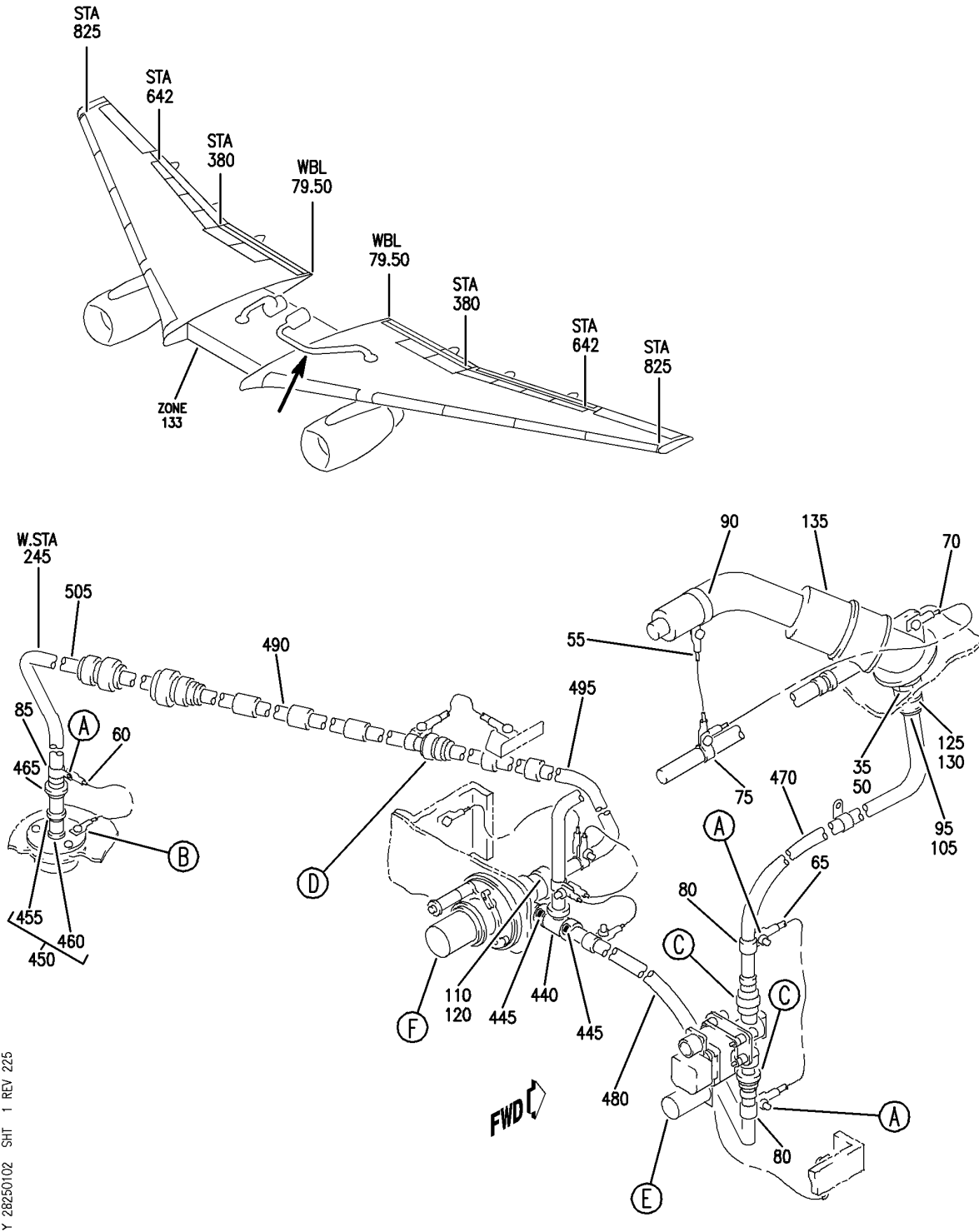
BRI

28-25-01-01

BOEING PROPRIETARY - Copyright © - Unpublished Work - See title page for details.

28-25-01  
FIG. 01  
PAGE 21  
JAN 20/09


**BOEING**  
 757  
**PARTS CATALOG (MAINTENANCE)**



Y 28250102 SHT 1 REV 225

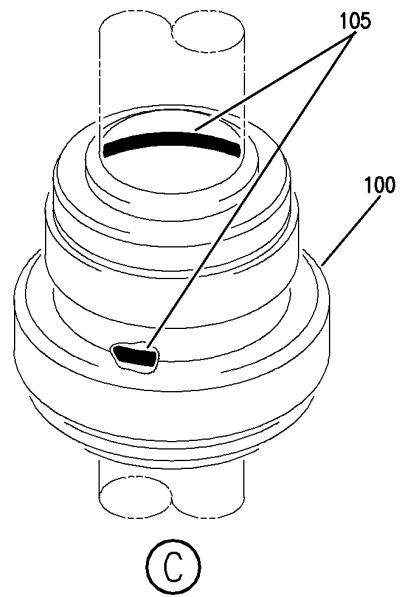
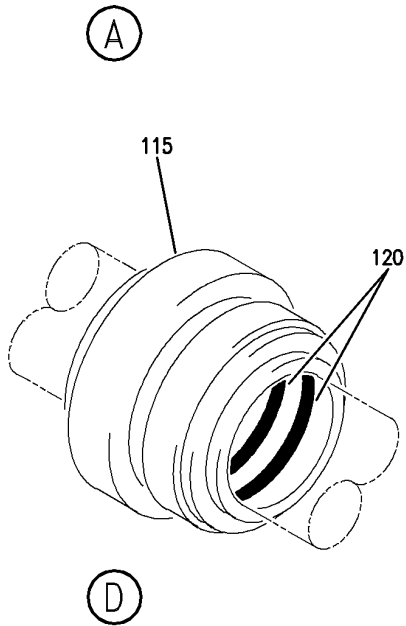
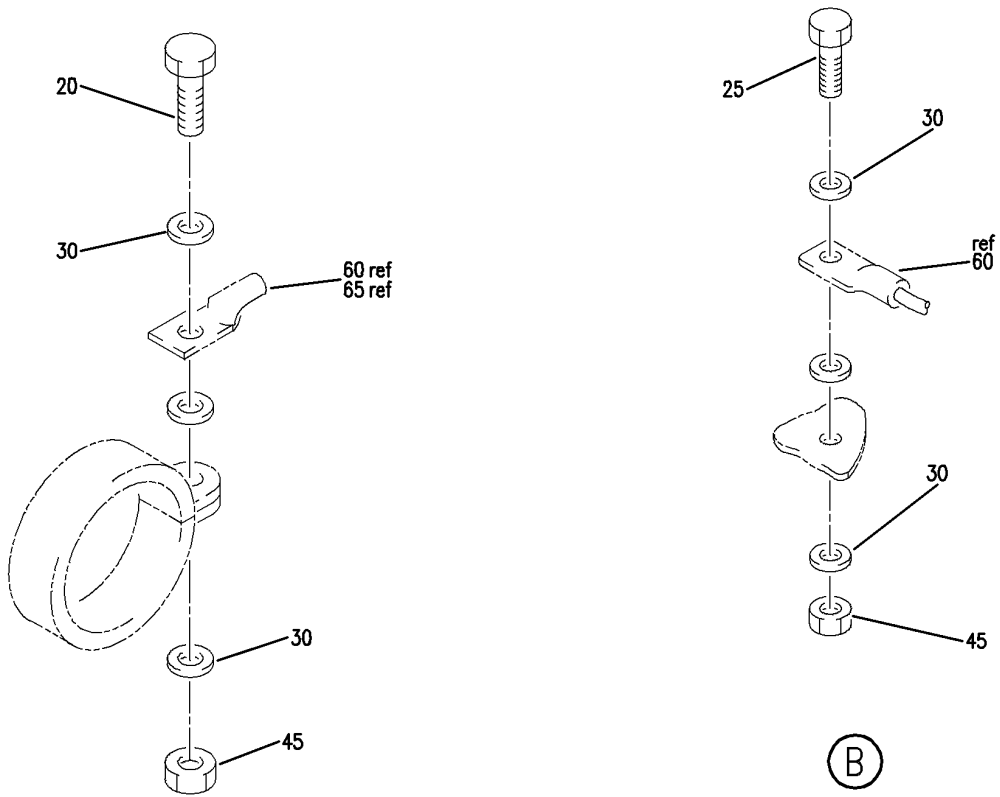
FUEL FEED INSTL-WING APU  
 FIGURE 2 (SHEET 1)

**28-25-01-02**

BRI  
 MAY 28/07

28-25-01-02  
 PAGE 0

**BOEING**  
757  
PARTS CATALOG (MAINTENANCE)



Y 28250102 SHT 2 REV 225

FUEL FEED INSTL-WING APU  
FIGURE 2 (SHEET 2)

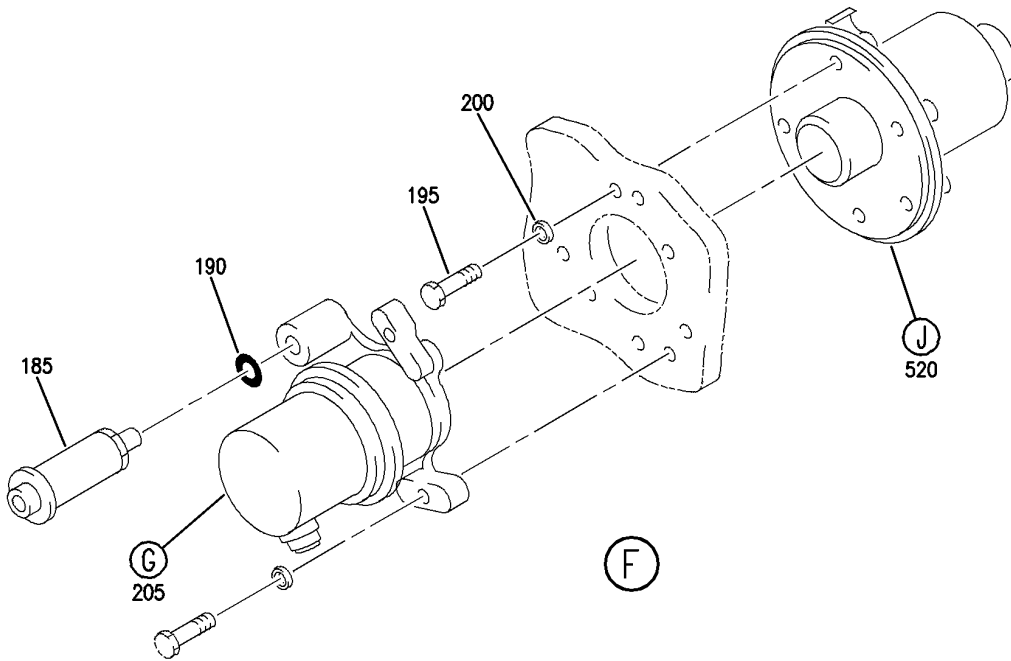
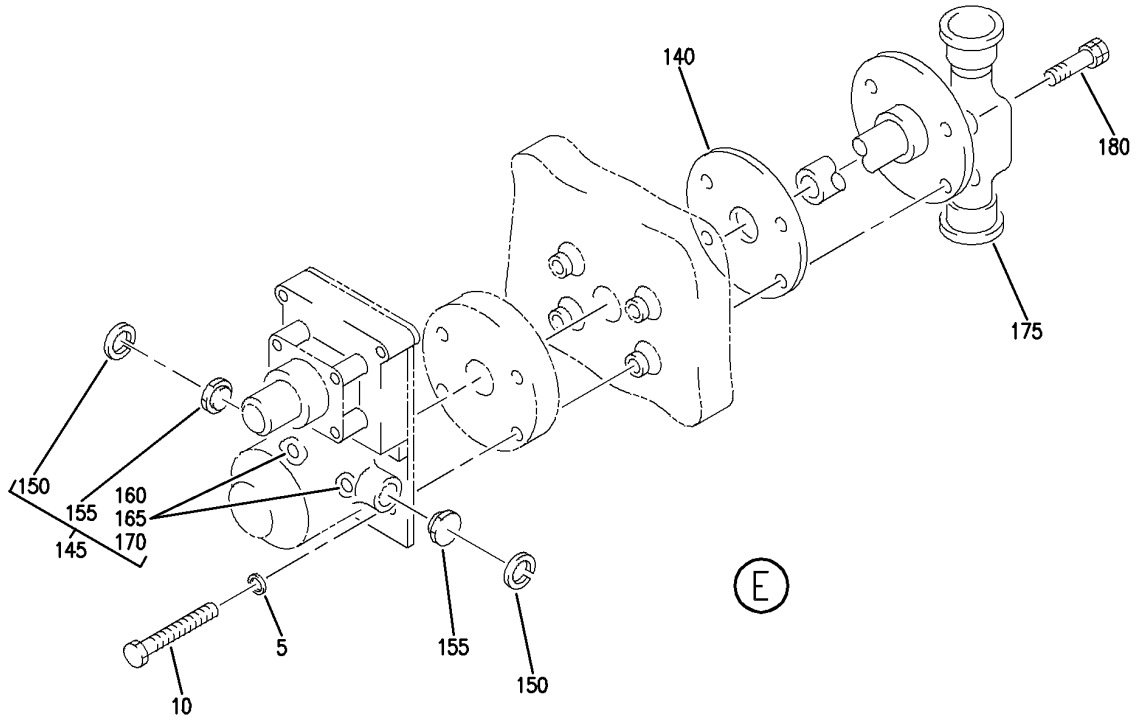
**28-25-01-02**

BRI  
MAY 28/07

28-25-01-02  
PAGE 0A



**BOEING**  
757  
PARTS CATALOG (MAINTENANCE)



Y 28250102 SHT 3 REV 225

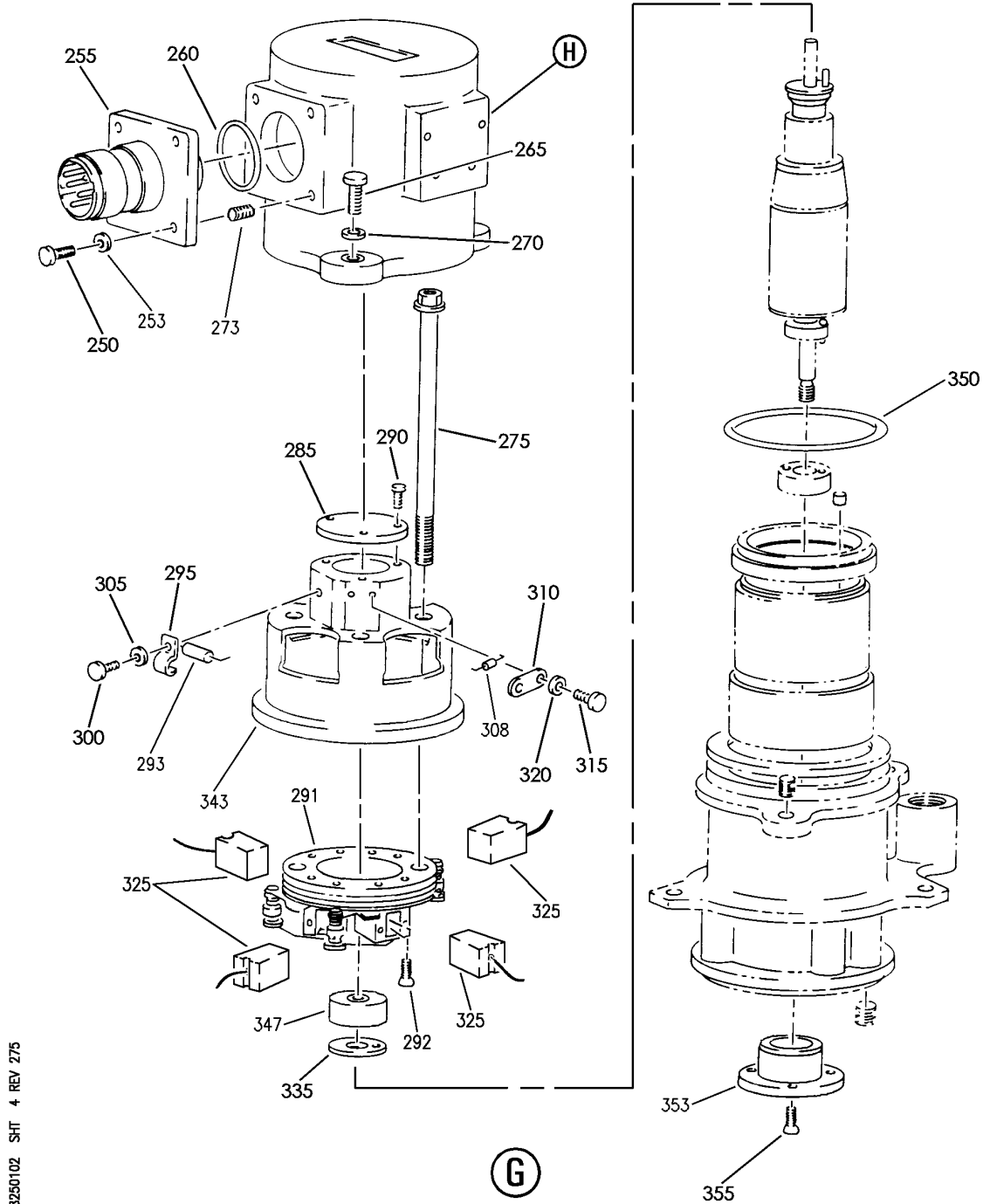
FUEL FEED INSTL-WING APU  
FIGURE 2 (SHEET 3)

**28-25-01-02**

BRI  
MAY 28/07

28-25-01-02  
PAGE 0B

**BOEING**  
757  
PARTS CATALOG (MAINTENANCE)



Y 28250102 SH1 4 REV 275

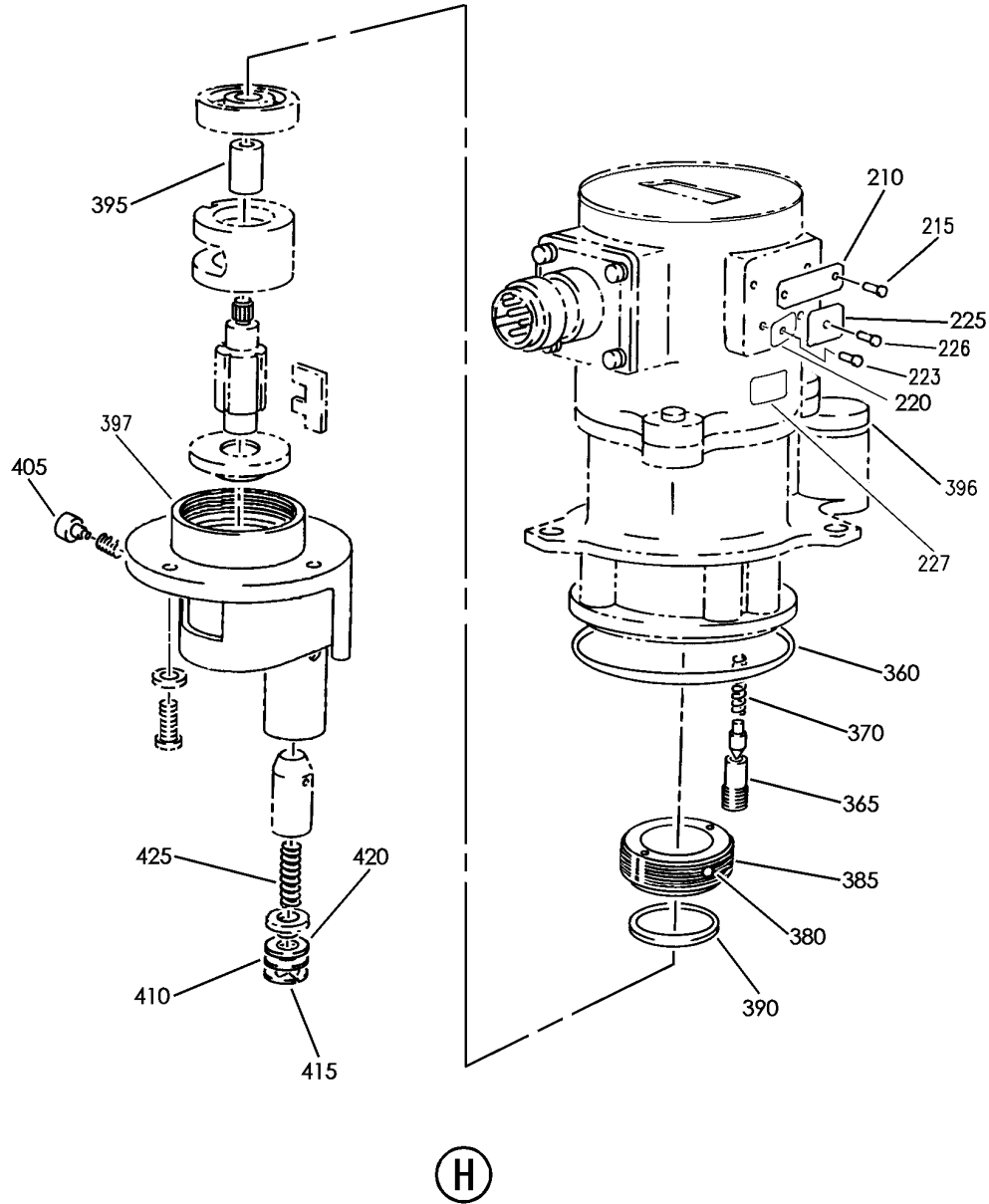
FUEL FEED INSTL-WING APU  
FIGURE 2 (SHEET 4)

**28-25-01-02**

BRI  
MAY 28/07

28-25-01-02  
PAGE 0C

**BOEING**  
757  
PARTS CATALOG (MAINTENANCE)



Y 28250102 SH1 5 REV 254

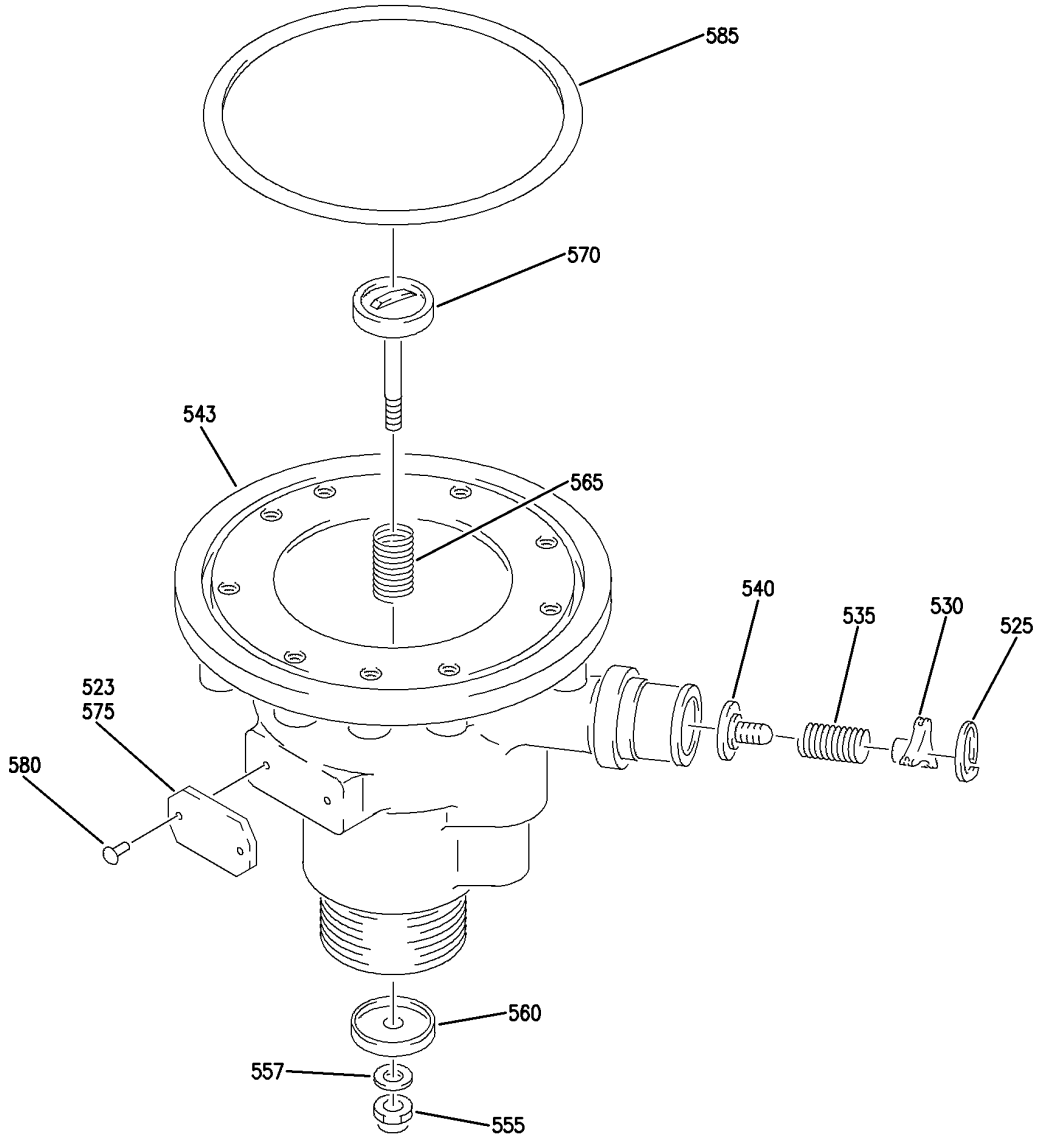
FUEL FEED INSTL-WING APU  
FIGURE 2 (SHEET 5)

**28-25-01-02**

BRI  
MAY 28/07

28-25-01-02  
PAGE 0D

**BOEING**  
757  
PARTS CATALOG (MAINTENANCE)



J

Y 28250102 SH1 6 REV 252

FUEL FEED INSTL-WING APU  
FIGURE 2 (SHEET 6)

**28-25-01-02**

BRI  
MAY 28/07

28-25-01-02  
PAGE 0E



757

PARTS CATALOG (MAINTENANCE)

| FIG ITEM | PART NUMBER   | 1 2 3 4 5 6 7 | NOMENCLATURE  | EFFECT FROM TO             | UNITS PER ASSY |
|----------|---------------|---------------|---|----------------------------|----------------|
| 2        |               |               | FUEL FEED INSTL-WING APU  | 101106<br>108120<br>504903 |                |
| - 1      | 346N3001-14   |               | FUEL FEED INSTL-WING APU<br>FOR NHA SEE:<br>28-00-00-05   | 101102<br>108120<br>504903 | RF             |
| - 1      | MODREF13808   |               | FUEL FEED INSTL-WING APU<br>MODULE NUMBER:<br>346N3001-16 REV A   | 103106                     | 1              |
| 5        | NAS1149DN816H |               | .WASHER   | 101106<br>108120<br>504903 | 4              |
| 10       | MS24677-15    |               | .SCREW  | 101106<br>108120<br>504903 | 4              |
| 20       | BACS12GU3K7   |               | .SCREW  | 101106<br>108120<br>504903 | 3              |
| 25       | BACS1GU3K11   |               | .SCREW  | 101106<br>108120<br>504903 | 1              |
| 30       | NAS1149D0316H |               | .WASHER   | 101106<br>108120<br>504903 | 12             |
| 35       | NAS1149F2632P |               | .WASHER   | 101106<br>108120<br>504903 | 1              |
| 45       | PLH53CD       |               | .NUT<br>SUPPLIER CODE:<br>VF0224<br>SPECIFICATION NUMBER:<br>BACN10YR3CD<br>OPTIONAL PART:<br>H52732-3CD<br>V15653                                | 101106<br>108120<br>504903 | 4              |
| 50       | BACN10DR20    |               | .NUT  | 101106<br>108120<br>504903 | 1              |
| 55       | 740A20-5      |               | .JUMPER ASSY<br>SUPPLIER CODE:<br>V91812<br>SPECIFICATION NUMBER:<br>BACJ40A20-5<br>OPTIONAL PART:<br>TJEJ40A20-5<br>V33483<br>RBEJ20-5<br>V1GK47 | 101106<br>108120<br>504903 | 1              |

MISSING ITEM NUMBERS NOT APPLICABLE

- ITEM NOT ILLUSTRATED

BRI

28-25-01-02

28-25-01  
FIG. 02  
PAGE 1  
JAN 20/09



757

PARTS CATALOG (MAINTENANCE)

| FIG ITEM | PART NUMBER | 1 2 3 4 5 6 7 | NOMENCLATURE  | EFFECT FROM TO             | UNITS PER ASSY |
|----------|-------------|---------------|---|----------------------------|----------------|
| 2        |             |               |   |                            |                |
| 60       | 740A20-6    | .             | JUMPER ASSY<br>SUPPLIER CODE:<br>V91812<br>SPECIFICATION NUMBER:<br>BACJ40A20-6<br>OPTIONAL PART:<br>TJEJ40A20-6<br>V33483<br>RBEJ20-6<br>V1GK47    | 101106<br>108120<br>504903 | 1              |
| 65       | BACJ40A20-8 | .             | JUMPER ASSY   | 101106<br>108120<br>504903 | 1              |
| 70       | 740A20-10   | .             | JUMPER ASSY<br>SUPPLIER CODE:<br>V91812<br>SPECIFICATION NUMBER:<br>BACJ40A20-10<br>OPTIONAL PART:<br>TJEJ40A20-10<br>V33483<br>RBEJ20-10<br>V1GK47 | 101106<br>108120<br>504903 | 1              |
| 75       | AN735DC8    | .             | CLAMP   | 101106<br>108120<br>504903 | 1              |
| 80       | AN735DC12   | .             | CLAMP   | 101106<br>108120<br>504903 | 2              |
| 85       | AN735DC16   | .             | CLAMP   | 101106<br>108120<br>504903 | 1              |
| 90       | AN735DC24   | .             | CLAMP   | 101106<br>108120<br>504903 | 1              |
| 95       | AS1713D12   | .             | COUPLING ASSY   | 101106<br>108120<br>504903 | 1              |
| 100      | 12J63-12A   | .             | COUPLING ASSY<br>SUPPLIER CODE:<br>V24984<br>SPECIFICATION NUMBER:<br>AS1712D12<br>OPTIONAL PART:<br>83051-12A<br>V79326                            | 101106<br>108120<br>504903 | 2              |
| 105      | MS29513-212 | .             | PACKING   | 101106<br>108120<br>504903 | 5              |

MISSING ITEM NUMBERS NOT APPLICABLE

- ITEM NOT ILLUSTRATED

28-25-01-02

28-25-01  
FIG. 02  
PAGE 2  
JAN 20/09

BRI



757

PARTS CATALOG (MAINTENANCE)

| FIG ITEM | PART NUMBER | 1 2 3 4 5 6 7 | NOMENCLATURE   | EFFECT FROM TO             | UNITS PER ASSY |
|----------|-------------|---------------|--|----------------------------|----------------|
| 2        |             |               |  |                            |                |
| 110      | AS1713D16   | .             | COUPLING ASSY  | 101106<br>108120<br>504903 | 1              |
| 115      | 12J63-16A   | .             | COUPLING ASSY<br>SUPPLIER CODE:<br>V24984<br>SPECIFICATION NUMBER:<br>AS1712D16<br>OPTIONAL PART:<br>83051-16A<br>V79326 | 101106<br>108120<br>504903 | 1              |
| 120      | MS29513-216 | .             | PACKING  | 101106<br>108120<br>504903 | 2              |
| 125      | 7366B354S12 | .             | FITTING-<br>SUPPLIER CODE:<br>V79326   | 101106<br>108120<br>504903 | 1              |
| 130      | MS29512-12  | .             | PACKING  | 101106<br>108120<br>504903 | 1              |
| 135      | 346N2001-1  | .             | FITTING-ADPTR  | 101106<br>108120<br>504903 | 1              |
| 140      | 4607        | .             | SEAL-<br>SUPPLIER CODE:<br>V98159<br>OPTIONAL PART:<br>678246<br>V83259  | 101106<br>108120<br>504903 | 1              |
| 140      | 678246      | .             | SEAL-<br>SUPPLIER CODE:<br>V83259<br>OPTIONAL PART:<br>4607<br>V98159  | 101106<br>108120<br>504903 | 1              |

MISSING ITEM NUMBERS NOT APPLICABLE

- ITEM NOT ILLUSTRATED

BRI

28-25-01-02

BOEING PROPRIETARY - Copyright © - Unpublished Work - See title page for details.

28-25-01  
FIG. 02  
PAGE 3  
JAN 20/09

 **BOEING**  
757  
**PARTS CATALOG (MAINTENANCE)**

| FIG ITEM   | PART NUMBER | 1 2 3 4 5 6 7 | NOMENCLATURE  | EFFECT FROM TO             | UNITS PER ASSY |
|--|-------------|---------------|---|----------------------------|----------------|
| R<br>R<br>R<br>R<br>R<br>R<br>R<br>R<br>R<br>R<br>R<br>R<br>R<br>R<br>R<br>R<br>R<br>R<br>R<br>R<br>R<br>R<br>R<br>R | 2<br>145    | MA20A1001-1   | .ACTUATOR ASSY-<br>SUPPLIER CODE:<br>V73760<br>FUNCTIONAL DESCRIPTION:<br>PROVIDES ELECTRIC<br>ACTUATION FOR REMOTE<br>CONTROL OF VARIOUS<br>VALVES<br>SPECIFICATION NUMBER:<br>S343T003-39<br>MISCELLANEOUS DATA:<br>CUSTOMER SHOULD REVIEW<br>BOEING FLEET TEAM<br>DIGEST ARTICLE<br>737NG-FTD-28-06003 FOR<br>STATUS OF RELIABILITY<br>CONCERNS ASSOCIATED<br>WITH THIS PART.<br>SERVICE LETTERS<br>737-SL-28-069 AND<br>757-SL-28-042/<br>767-SL-28-039/<br>777-SL-28-020 ALL<br>PROVIDE MORE INFORMATION<br>ABOUT THE FUEL SYSTEM<br>MOTOR OPERATED VALVE<br>ACTUATORS.<br>COMPONENT MAINT MANUAL REF:<br>28-25-17<br>PRE ALERT SB:<br>28A0088 | 101106<br>108120<br>504903 | 1              |
|  | 145         | MA30A1001     | .ACTUATOR ASSY-<br>SUPPLIER CODE:<br>V73760<br>FUNCTIONAL DESCRIPTION:<br>ACTUATOR ASSEMBLY OPENS<br>AND CLOSES A FUEL VALVE<br>SPECIFICATION NUMBER:<br>S343T003-66<br>POST ALERT SB:<br>28A0088   | 101106<br>108120<br>504903 | 1              |
|  | 150         | NAS669-68     | ..RING  | 101106<br>108120<br>504903 | 2              |
|  | 155         | L010D816H01   | ..CAP-<br>SUPPLIER CODE:<br>VS0319  | 101106<br>108120<br>504903 | 2              |
| MISSING ITEM NUMBERS NOT APPLICABLE  |             |               |   |                            |                |

— ITEM NOT ILLUSTRATED

# 28-25-01-02

28-25-01  
FIG. 02  
PAGE 4  
MAY 20/09

BRI





757

PARTS CATALOG (MAINTENANCE)

| FIG ITEM | PART NUMBER | 1 2 3 4 5 6 7   | NOMENCLATURE   | EFFECT FROM TO             | UNITS PER ASSY |
|----------|-------------|---|--|----------------------------|----------------|
| 2        |             |   |  |                            |                |
| 160      | L010C807G51 | ..  | BRUSH ASSY-<br>SUPPLIER CODE:<br>VS0319<br>ATTACHING PARTS   | 101106<br>108120<br>504903 | 2              |
| 165      | MS35275-202 | ..  | SCREW  | 101106<br>108120<br>504903 | 2              |
| 170      | MS35338-134 | ..  | WASHER   | 101106<br>108120<br>504903 | 2              |
| 175      | 125770G     | -----*-----   | .BODY-ELECT ACTUATED ROTARY<br>TYPE VALVE<br>SUPPLIER CODE:<br>V73760<br>SPECIFICATION NUMBER:<br>S343T003-19<br>COMPONENT MAINT MANUAL REF:<br>28-25-16 | 101106<br>108120<br>504903 | 1              |
| 180      | L901D023H01 | ..  | SCREW-<br>SUPPLIER CODE:<br>VS0319   | 101106<br>108120<br>504903 | 4              |
| 185      | 7G110-3     | .SWITCH-PRESSURE FUEL PUMP<br>DISCH<br>SUPPLIER CODE:<br>V09049<br>SPECIFICATION NUMBER:<br>60B92400-3<br>ELECTRICAL EQUIP NUMBER:<br>S00074<br>COMPONENT MAINT MANUAL REF:<br>28-40-05   | 101106<br>108120<br>504903   | 1                          |                |
| 185      | 21C1-3-21   | .SWITCH-PRESSURE FUEL PUMP<br>DISCH<br>SUPPLIER CODE:<br>V02750<br>FUNCTIONAL DESCRIPTION:<br>SENSES LOW FLOW PUMP<br>DISCHARGE TO THE ENGINES<br>SPECIFICATION NUMBER:<br>60B92400-10<br>ELECTRICAL EQUIP NUMBER:<br>S00074<br>COMPONENT MAINT MANUAL REF:<br>28-42-01 | 101106<br>108120<br>504903   | 1                          |                |
| 190      | MS29512-04  | .   | PACKING  | 101106<br>108120<br>504903 | 1              |

MISSING ITEM NUMBERS NOT APPLICABLE

- ITEM NOT ILLUSTRATED

28-25-01-02

28-25-01  
FIG. 02  
PAGE 5  
MAY 20/09

BRI



757

PARTS CATALOG (MAINTENANCE)

| FIG ITEM | PART NUMBER    | 1 2 3 4 5 6 7 | NOMENCLATURE  | EFFECT FROM TO             | UNITS PER ASSY |
|----------|----------------|---------------|---|----------------------------|----------------|
| 2        |                |               |   |                            |                |
| 195      | NAS6603H13     | .             | BOLT-   | 101106<br>108120<br>504903 | 5              |
| 200      | NAS1149D0316H  | .             | WASHER  | 101106<br>108120<br>504903 | 5              |
| 205      | 218387         | .             | MOTOR ASSY-PUMP<br>SUPPLIER CODE:<br>VF0553<br>FUNCTIONAL DESCRIPTION:<br>PROVIDES FUEL TO APU<br>SPECIFICATION NUMBER:<br>60B92403-10<br>COMPONENT MAINT MANUAL REF:<br>28-20-02 | 101106<br>108120<br>504903 | 1              |
| 210      | 218445         | ..            | PLATE-IDENT<br>SUPPLIER CODE:<br>VF0553<br>ATTACHING PARTS  | 101106<br>108120<br>504903 | 1              |
| 215      | ZV FV014003SPA | ..            | PIN-GROOVED CTR1<br>SUPPLIER CODE:<br>VF0110<br>-----*-----   | 101106<br>108120<br>504903 | 2              |
| 220      | 241386         | ..            | PLATE-AMENDMENT<br>SUPPLIER CODE:<br>VF0553<br>ATTACHING PARTS  | 101106<br>108120<br>504903 | 1              |
| 223      | ZV FV014003SPA | ..            | PIN-GROOVED CTR1<br>SUPPLIER CODE:<br>VF0110<br>-----*-----   | 101106<br>108120<br>504903 | 1              |
| 225      | 218455         | ..            | PLATE-WIRING<br>SUPPLIER CODE:<br>VF0553<br>ATTACHING PARTS   | 101106<br>108120<br>504903 | 1              |
| 226      | ZV FV014003SPA | ..            | PIN-GROOVED CTR1<br>SUPPLIER CODE:<br>VF0110<br>-----*-----   | 101106<br>108120<br>504903 | 1              |
| 227      | 218689         | ..            | PLATE-CURE DATE<br>SUPPLIER CODE:<br>VF0553   | 101106<br>108120<br>504903 | 1              |
| 250      | MS35275-214    | ..            | SCREW   | 101106<br>108120<br>504903 | 4              |
| 253      | J FCC030UPA    | ..            | WASHER-FLAT<br>SUPPLIER CODE:<br>VF0110   | 101106<br>108120<br>504903 | 4              |

MISSING ITEM NUMBERS NOT APPLICABLE

- ITEM NOT ILLUSTRATED

28-25-01-02

28-25-01  
FIG. 02  
PAGE 6  
MAY 20/09

BRI



757

PARTS CATALOG (MAINTENANCE)

| FIG ITEM | PART NUMBER     | 1 2 3 4 5 6 7 | NOMENCLATURE  | EFFECT FROM TO             | UNITS PER ASSY |
|----------|-----------------|---------------|---|----------------------------|----------------|
| 2        |                 |               |   |                            |                |
| 255      | P100381         |               | .. CONNECTOR-RCPT<br>SUPPLIER CODE:<br>VF0225               | 101106<br>108120<br>504903 | 1              |
| - 257    | RNF100-3-32-0   |               | .. SLEEVE-INSULATION<br>(10 MM)<br>SUPPLIER CODE:<br>VF0286 | 101106<br>108120<br>504903 | 4              |
| 260      | MS29513-023     |               | .. PACKING  | 101106<br>108120<br>504903 | 1              |
| - 263    | 218606          |               | .. COVER-<br>SUPPLIER CODE:<br>VF0553                       | 101106<br>108120<br>504903 | 1              |
| 265      | MS35275-243     |               | .. SCREW  | 101106<br>108120<br>504903 | 3              |
| 270      | JFCC040UPA      |               | .. WASHER-FLAT<br>SUPPLIER CODE:<br>VF0110                  | 101106<br>108120<br>504903 | 3              |
| 273      | 3585-04CN0168   |               | .. INSERT-SCREW THREAD<br>SUPPLIER CODE:<br>V96906          | 101106<br>108120<br>504903 | 4              |
| 275      | 218597          |               | .. SCREW-<br>SUPPLIER CODE:<br>VF0553                       | 101106<br>108120<br>504903 | 2              |
| 285      | 218590          |               | .. COVER-<br>SUPPLIER CODE:<br>VF0553                       | 101106<br>108120<br>504903 | 1              |
| 290      | BHQ1CC016006T   |               | ATTACHING PARTS<br>.. SCREW-<br>SUPPLIER CODE:<br>VF0110    | 101106<br>108120<br>504903 | 3              |
| 291      | 218877          |               | -----*-----<br>.. BRUSH-HOLDER<br>SUPPLIER CODE:<br>VF0553  | 101106<br>108120<br>504903 | 1              |
| 292      | BJQ1CC020008UPA |               | ATTACHING PARTS<br>.. SCREW-<br>SUPPLIER CODE:<br>VF0110    | 101106<br>108120<br>504903 | 2              |
| 293      | 218596          |               | -----*-----<br>.. FUSE-<br>SUPPLIER CODE:<br>VF0553         | 101106<br>108120<br>504903 | 1              |
| 295      | 1142            |               | .. STRAP-<br>SUPPLIER CODE:<br>VF1595                       | 101106<br>108120<br>504903 | 1              |

MISSING ITEM NUMBERS NOT APPLICABLE

- ITEM NOT ILLUSTRATED

28-25-01-02

28-25-01  
FIG. 02  
PAGE 7  
MAY 20/09

BRI



757

PARTS CATALOG (MAINTENANCE)

| FIG ITEM | PART NUMBER     | 1 2 3 4 5 6 7 | NOMENCLATURE  | EFFECT FROM TO             | UNITS PER ASSY |
|----------|-----------------|---------------|---|----------------------------|----------------|
| 2        |                 |               | ATTACHING PARTS   |                            |                |
| 300      | LHQ1CC020004UPA | ..            | SCREW-<br>SUPPLIER CODE:<br>VF0110                            | 101106<br>108120<br>504903 | 1              |
| 305      | KACC020TPA      | ..            | WASHER-LOCK DI DIA2<br>Z12CN18-10<br>SUPPLIER CODE:<br>VF0110 | 101106<br>108120<br>504903 | 1              |
| 308      | EC10ZD0105M     | ..            | CAPACITOR-<br>SUPPLIER CODE:<br>VF0350                        | 101106<br>108120<br>504903 | 1              |
|          |                 |               | -----*-----   |                            |                |
| 310      | 217             | ..            | LINK-<br>SUPPLIER CODE:<br>VF0553                             | 101106<br>108120<br>504903 | 1              |
|          |                 |               | ATTACHING PARTS   |                            |                |
| 315      | LHQ1CC025008T   | ..            | SCREW-<br>SUPPLIER CODE:<br>VF0110                            | 101106<br>108120<br>504903 | 2              |
| 320      | KACC025TPA      | ..            | WASHER-LOCK<br>SUPPLIER CODE:<br>VF0110                       | 101106<br>108120<br>504903 | 2              |
|          |                 |               | -----*-----   |                            |                |
| 325      | 218648          | ..            | BRUSH-<br>SUPPLIER CODE:<br>VF0553                            | 101106<br>108120<br>504903 | 4              |
|          |                 |               | ATTACHING PARTS   |                            |                |
| - 330    | LHQ1CC020005UPA | ..            | SCREW-<br>SUPPLIER CODE:<br>VF0110                            | 101106<br>108120<br>504903 | 4              |
| - 333    | KACC020TPA      | ..            | WASHER-<br>SUPPLIER CODE:<br>VF0110                           | 101106<br>108120<br>504903 | 4              |
|          |                 |               | -----*-----   |                            |                |
| 335      | 218598          | ..            | WASHER-SHIM<br>SUPPLIER CODE:<br>VF0553                       | 101106<br>108120<br>504903 | AR             |
| - 340    | 218625          | ..            | WASHER-SHIM<br>SUPPLIER CODE:<br>VF0553                       | 101106<br>108120<br>504903 | AR             |
| - 343    | 218584A         | ..            | FLANGE-<br>SUPPLIER CODE:<br>VF0553                           | 101106<br>108120<br>504903 | 1              |
| - 345    | 218599          | ..            | WASHER-SHIM<br>SUPPLIER CODE:<br>VF0553                       | 101106<br>108120<br>504903 | AR             |
| 347      | 218621          | ..            | DISK-REAR<br>SUPPLIER CODE:<br>VF0553                         | 101106<br>108120<br>504903 | 1              |

MISSING ITEM NUMBERS NOT APPLICABLE

- ITEM NOT ILLUSTRATED

28-25-01-02

28-25-01  
FIG. 02  
PAGE 8  
MAY 20/09

BRI



757

PARTS CATALOG (MAINTENANCE)

| FIG ITEM | PART NUMBER | 1 2 3 4 5 6 7 | NOMENCLATURE   | EFFECT FROM TO             | UNITS PER ASSY |
|----------|-------------|---------------|--|----------------------------|----------------|
| 2        |             |               |  |                            |                |
| 350      | MS29513-140 | ..            | PACKING-PREFORMED                                    | 101106<br>108120<br>504903 | 1              |
| 353      | 218561      | ..            | BEARING-FRONT<br>SUPPLIER CODE:<br>VF0553            | 101106<br>108120<br>504903 | 1              |
| 355      | MS51959-14  | ..            | SCREW-<br><br>-----*-----                            | 101106<br>108120<br>504903 | 3              |
| 360      | MS29513-145 | ..            | PACKING-PREFORMED                                    | 101106<br>108120<br>504903 | 1              |
| 365      | 218437      | ..            | SLEEVE-<br>SUPPLIER CODE:<br>VF0553                  | 101106<br>108120<br>504903 | 1              |
| 370      | 218414      | ..            | SPRING-<br>SUPPLIER CODE:<br>VF0553                  | 101106<br>108120<br>504903 | 1              |
| - 375    | 218421      | ..            | LOCK ASSY-THREADED SCREW<br>SUPPLIER CODE:<br>VF0553 | 101106<br>108120<br>504903 | 1              |
| 380      | 305220      | ...           | PIN-<br>SUPPLIER CODE:<br>VF0553                     | 101106<br>108120<br>504903 | 2              |
| 385      | 218420      | ...           | SCREW-LOCK<br>SUPPLIER CODE:<br>VF0553               | 101106<br>108120<br>504903 | 1              |
| 390      | 218673      | ..            | WASHER-<br>SUPPLIER CODE:<br>VF0553                  | 101106<br>108120<br>504903 | 1              |
| 395      | 218451      | ..            | COUPLING-SPLINED<br>SUPPLIER CODE:<br>VF0553         | 101106<br>108120<br>504903 | 1              |
| 396      | NAS818-4    | ...           | PLUG   | 101106<br>108120<br>504903 | 1              |
| 397      | 218443      | ..            | HOUSING ASSY-<br>SUPPLIER CODE:<br>VF0553            | 101106<br>108120<br>504903 | 1              |
| - 400    | 218440      | ...           | SLEEVE-<br>SUPPLIER CODE:<br>VF0553                  | 101106<br>108120<br>504903 | 1              |
| 405      | 218305      | ..            | SCREW-<br>SUPPLIER CODE:<br>VF0553                   | 101106<br>108120<br>504903 | 1              |

MISSING ITEM NUMBERS NOT APPLICABLE

- ITEM NOT ILLUSTRATED

28-25-01-02

28-25-01  
FIG. 02  
PAGE 9  
MAY 20/09

BRI



757

PARTS CATALOG (MAINTENANCE)

| FIG ITEM | PART NUMBER | 1 2 3 4 5 6 7 | NOMENCLATURE   | EFFECT FROM TO             | UNITS PER ASSY |
|----------|-------------|---------------|--|----------------------------|----------------|
| 2        |             |               |  |                            |                |
| 410      | 218686      | ..            | WASHER-<br>SUPPLIER CODE:<br>VF0553  | 101106<br>108120<br>504903 | 1              |
| 415      | 800140-09   | ..            | RING-RETAINING<br>SUPPLIER CODE:<br>VF0349   | 101106<br>108120<br>504903 | 1              |
| 420      | 218418-1    | ..            | SHIM-<br>0.2 MM<br>SUPPLIER CODE:<br>VF0553  | 101106<br>108120<br>504903 | AR             |
| 425      | 218447      | ..            | SPRING-VALVE<br>SUPPLIER CODE:<br>VF0553   | 101106<br>108120<br>504903 | 1              |
| - 430    | 218418-2    | ..            | SHIM-<br>0.5 MM<br>SUPPLIER CODE:<br>VF0553  | 101106<br>108120<br>504903 | AR             |
| - 435    | 218418-3    | ..            | SHIM-<br>1 MM<br>SUPPLIER CODE:<br>VF0553  | 101106<br>108120<br>504903 | AR             |
| 440      | 73521-12    | .TEE-         | SUPPLIER CODE:<br>V79326   | 101106<br>108120<br>504903 | 1              |
| 445      | MS29513-212 | .PACKING      |  | 101106<br>108120<br>504903 | 2              |
| 450      | 69B92410-1  | .SCREEN ASSY  |  | 101106<br>108120<br>504903 | 1              |
| 455      | BACC42T16   | ..            | COUPLING<br>SUPPLIER CODE:<br>V79326<br>SPECIFICATION NUMBER:<br>BACC42T16<br>OPTIONAL PART:<br>TC011-16<br>V24984<br>83051-16<br>V79326 | 101106<br>108120<br>504903 | 1              |
| 460      | 69B92411-2  | ..            | BRAZED ASSY  | 101106<br>108120<br>504903 | 1              |
| 465      | MS29513-024 | .PACKING      |  | 101106<br>108120<br>504903 | 1              |

MISSING ITEM NUMBERS NOT APPLICABLE

- ITEM NOT ILLUSTRATED

BRI

28-25-01-02

BOEING PROPRIETARY - Copyright © - Unpublished Work - See title page for details.

28-25-01  
FIG. 02  
PAGE 10  
MAY 20/09



757

PARTS CATALOG (MAINTENANCE)

| FIG ITEM | PART NUMBER | 1 2 3 4 5 6 7 | NOMENCLATURE   | EFFECT FROM TO             | UNITS PER ASSY |
|----------|-------------|---------------|--|----------------------------|----------------|
| 2<br>470 | 346N3001-4  |               | .TUBE ASSY-<br>TUBING MATERIAL:<br>.75 IN. OD X .022 IN.<br>WALL LG TO BE DETERMINED<br>ON FIRST AIRPLANE<br>6061-T4 AL TUBING PER<br>WW-T-700/6 | 101106<br>108120<br>504903 | 1              |
| - 475    | S3052-12    |               | ..FERRULE<br>SUPPLIER CODE:<br>V79326<br>SPECIFICATION NUMBER:<br>BACF32E12  | 101106<br>108120<br>504903 | 2              |
| 480      | 346N3001-3  |               | .TUBE ASSY-<br>TUBING MATERIAL:<br>.75 IN. OD X .022 IN.<br>WALL LG TO BE DETERMINED<br>ON FIRST AIRPLANE<br>6061-T4 AL TUBING PER<br>WW-T-700/6 | 101106<br>108120<br>504903 | 1              |
| - 485    | S3052-12    |               | ..FERRULE<br>SUPPLIER CODE:<br>V79326<br>SPECIFICATION NUMBER:<br>BACF32E12  | 101106<br>108120<br>504903 | 2              |
| 490      | 346N3001-9  |               | .TUBE ASSY-<br>TUBING MATERIAL:<br>1.0 IN. OD X .022 IN.<br>WALL 95.7 IN. LG<br>ALUMINUM   | 101106<br>108120<br>504903 | 1              |
| 495      | 346N3001-8  |               | .TUBE ASSY-<br>TUBING MATERIAL:<br>1.0 IN. OD X .022 IN.<br>WALL 40.8 IN. LG<br>WW-T-700/6 6061 T4<br>TUBING                                     | 101106<br>108120<br>504903 | 1              |
| - 500    | S3052-16    |               | ..FERRULE<br>SUPPLIER CODE:<br>V79326<br>SPECIFICATION NUMBER:<br>BACF32E16  | 101106<br>108120<br>504903 | 2              |
| 505      | 346N3001-11 |               | .TUBE ASSY-<br>TUBING MATERIAL:<br>1.0 IN. OD X .022 IN.<br>WALL OPTIONAL 1.0 IN.<br>OD X .035 WALL 21.3 IN.<br>LG WW-T-700/6 6064 T4<br>TUBING  | 101106<br>108120<br>504903 | 1              |

MISSING ITEM NUMBERS NOT APPLICABLE

- ITEM NOT ILLUSTRATED

28-25-01-02

28-25-01  
FIG. 02  
PAGE 11  
MAY 20/09

BRI



757

PARTS CATALOG (MAINTENANCE)

| FIG ITEM | PART NUMBER  | 1 2 3 4 5 6 7 | NOMENCLATURE   | EFFECT FROM TO             | UNITS PER ASSY |
|----------|--------------|---------------|--|----------------------------|----------------|
| 2        |              |               |  |                            |                |
| - 510    | S3052-16     | ..            | FERRULE<br>SUPPLIER CODE:<br>V79326<br>SPECIFICATION NUMBER:<br>BACF32E16  | 101106<br>108120<br>504903 | 1              |
| - 515    | S83052-16    | ..            | FERRULE<br>SUPPLIER CODE:<br>V79326<br>SPECIFICATION NUMBER:<br>BACF32F16<br>OPTIONAL PART:<br>TC010-16<br>V24984                | 101106<br>108120<br>504903 | 1              |
| 520      | 218813       | .H            | HOUSING ASSY-PUMP<br>SUPPLIER CODE:<br>VF0553<br>SPECIFICATION NUMBER:<br>60B92403-17<br>COMPONENT MAINT MANUAL REF:<br>28-25-02 | 101106<br>108120<br>504903 | 1              |
| 523      | 218842       | ..            | PLATE-ID<br>SUPPLIER CODE:<br>VF0553   | 101106<br>108120<br>504903 | 1              |
| 523      | AP63-106     | ..            | PLATE-IDENT<br>SUPPLIER CODE:<br>VF0553  | 101106<br>108120<br>504903 | 1              |
| 525      | 218422       | ..            | RING-RETAINING<br>SUPPLIER CODE:<br>VF0553   | 101106<br>108120<br>504903 | 1              |
| 530      | 218423       | ..            | GUIDE-<br>SUPPLIER CODE:<br>VF0553   | 101106<br>108120<br>504903 | 1              |
| 535      | 203646       | ..            | SPRING-<br>SUPPLIER CODE:<br>VF0553  | 101106<br>108120<br>504903 | 1              |
| 540      | 218428       | ..            | VALVE-<br>SUPPLIER CODE:<br>VF0553   | 101106<br>108120<br>504903 | 1              |
| 543      | 218841       | ..            | HOUSING ASSY-EQUIPPED<br>SUPPLIER CODE:<br>VF0553  | 101106<br>108120<br>504903 | 1              |
| - 545    | 218837       | ...           | HOUSING-<br>SUPPLIER CODE:<br>VF0553   | 101106<br>108120<br>504903 | 1              |
| - 550    | 3591-3CN0285 | ...           | INSERT-THREAD SCREW<br>SUPPLIER CODE:<br>V01556  | 101106<br>108120<br>504903 | 9              |

MISSING ITEM NUMBERS NOT APPLICABLE

- ITEM NOT ILLUSTRATED

28-25-01-02

28-25-01  
FIG. 02  
PAGE 12  
MAY 20/09

BRI





757

PARTS CATALOG (MAINTENANCE)

| FIG ITEM | PART NUMBER  | 1 2 3 4 5 6 7 | NOMENCLATURE  | EFFECT FROM TO             | UNITS PER ASSY |
|----------|--------------|---------------|---|----------------------------|----------------|
| 2        |              |               |   |                            |                |
| 555      | 79NM50       |               | ..NUT-SELF-LOCKING<br>SUPPLIER CODE:<br>V72962  | 101106<br>108120<br>504903 | 1              |
| 557      | AN960-6L     |               | ..WASHER  | 101106<br>108120<br>504903 | 1              |
| 560      | 218424       |               | ..VALVE-<br>SUPPLIER CODE:<br>VF0553  | 101106<br>108120<br>504903 | 1              |
| 565      | 218429       |               | ..SPRING-<br>SUPPLIER CODE:<br>VF0553   | 101106<br>108120<br>504903 | 1              |
| 570      | 218839       |               | ..PLUNGER-<br>SUPPLIER CODE:<br>VF0553  | 101106<br>108120<br>504903 | 1              |
| 575      | 218842       |               | ..PLATE-IDENT<br>SUPPLIER CODE:<br>VF0553   | 101106<br>108120<br>504903 | 1              |
| 580      | ZVFO14003SPA |               | ATTACHING PARTS<br>..PIN-GROOVED HEADED<br>SUPPLIER CODE:<br>VF0110<br>POSITION DATA:<br>CTR<br>-----*----- | 101106<br>108120<br>504903 | 2              |
| 585      | MS29513-245  |               | ..PACKING   | 101106<br>108120<br>504903 | 1              |
| - 590    | N100-240     |               | ..CAP-<br>SUPPLIER CODE:<br>VF2521  | 101106<br>108120<br>504903 | 1              |
| - 595    | NAS817-20    |               | ..PLUG  | 101106<br>108120<br>504903 | 1              |
| - 597    | N100-690     |               | ..CAP-<br>SUPPLIER CODE:<br>VF0553  | 101106<br>108120<br>504903 | 1              |

MISSING ITEM NUMBERS NOT APPLICABLE

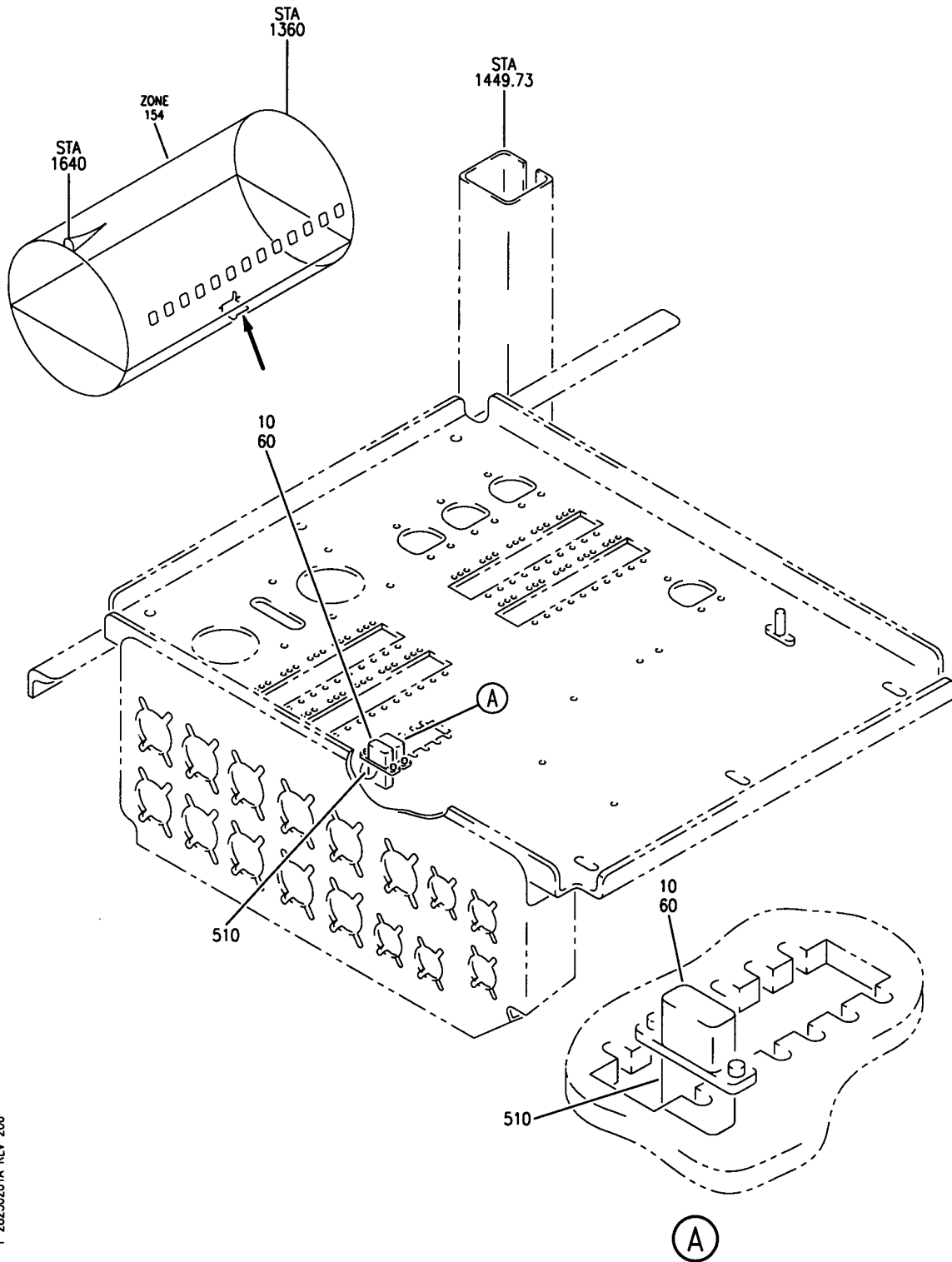
- ITEM NOT ILLUSTRATED

BRI

28-25-01-02

28-25-01  
FIG. 02  
PAGE 13  
MAY 20/09

**BOEING**  
757  
PARTS CATALOG (MAINTENANCE)



Y 28250201A REV 206

EQUIPMENT ASSY-E6 AFT EQPT CTR RELAY PNL OPTION PKG (FUEL DISTRIBUTION ONLY)  
FIGURE 1A

BRI  
MAY 28/07

**28-25-02-01A**

28-25-02-01A  
PAGE 0



757

PARTS CATALOG (MAINTENANCE)

| FIG ITEM | PART NUMBER   | 1 2 3 4 5 6 7 | NOMENCLATURE  | EFFECT FROM TO   | UNITS PER ASSY |
|----------|---------------|---------------|---|------------------|----------------|
| 1 A      |               |               | EQUIPMENT ASSY-E6 AFT EQPT<br>CTR RELAY PNL OPTION PKG<br>(FUEL DISTRIBUTION ONLY)  | 101102<br>504903 |                |
| - 1      | 284N1554-1000 |               | EQUIPMENT ASSY-E6 EQPT CTR<br>RELAY PNL OPTION PKG<br>(FUEL DISTRIBUTION ONLY)  | 101102<br>504903 | RF             |
| 10       | W260F4AM11    |               | POSITION DATA:<br>AFT<br>MISCELLANEOUS DATA:<br>MINOR MODEL 757-200<br>FOR NHA/OTHER SYS DET SEE:<br>31-01-86-02<br>.RELAY-<br>SUPPLIER CODE:<br>VF0219<br>SPECIFICATION NUMBER:<br>BACR13CD2<br>OPTIONAL PART:<br>BR16S233<br>V09026<br>EE4AA005<br>V35344<br>3SAV1338A2<br>V01526<br>HFW1206K03<br>V58614<br>HFW1204K01<br>V71482<br>ELECTRICAL EQUIP NUMBER:<br>K10160<br>K10162 | 101102<br>504903 | 2              |
| - 501    | 286N1024-325  |               | WIRE BUNDLE ASSY  | 504903           | RF             |
| - 501    | 286N1024-327  |               | WIRE BUNDLE ASSY  | 101102           | RF             |
| 510      | RSE120026     |               | .SOCKET-<br>SUPPLIER CODE:<br>V58982<br>SPECIFICATION NUMBER:<br>BACS16AG1<br>OPTIONAL PART:<br>451120-026<br>V58982<br>ELECTRICAL EQUIP NUMBER:<br>D02410<br>D02414<br>WIRING DIAGRAM REF:<br>282521   | 101102<br>504903 | 2              |

MISSING ITEM NUMBERS NOT APPLICABLE

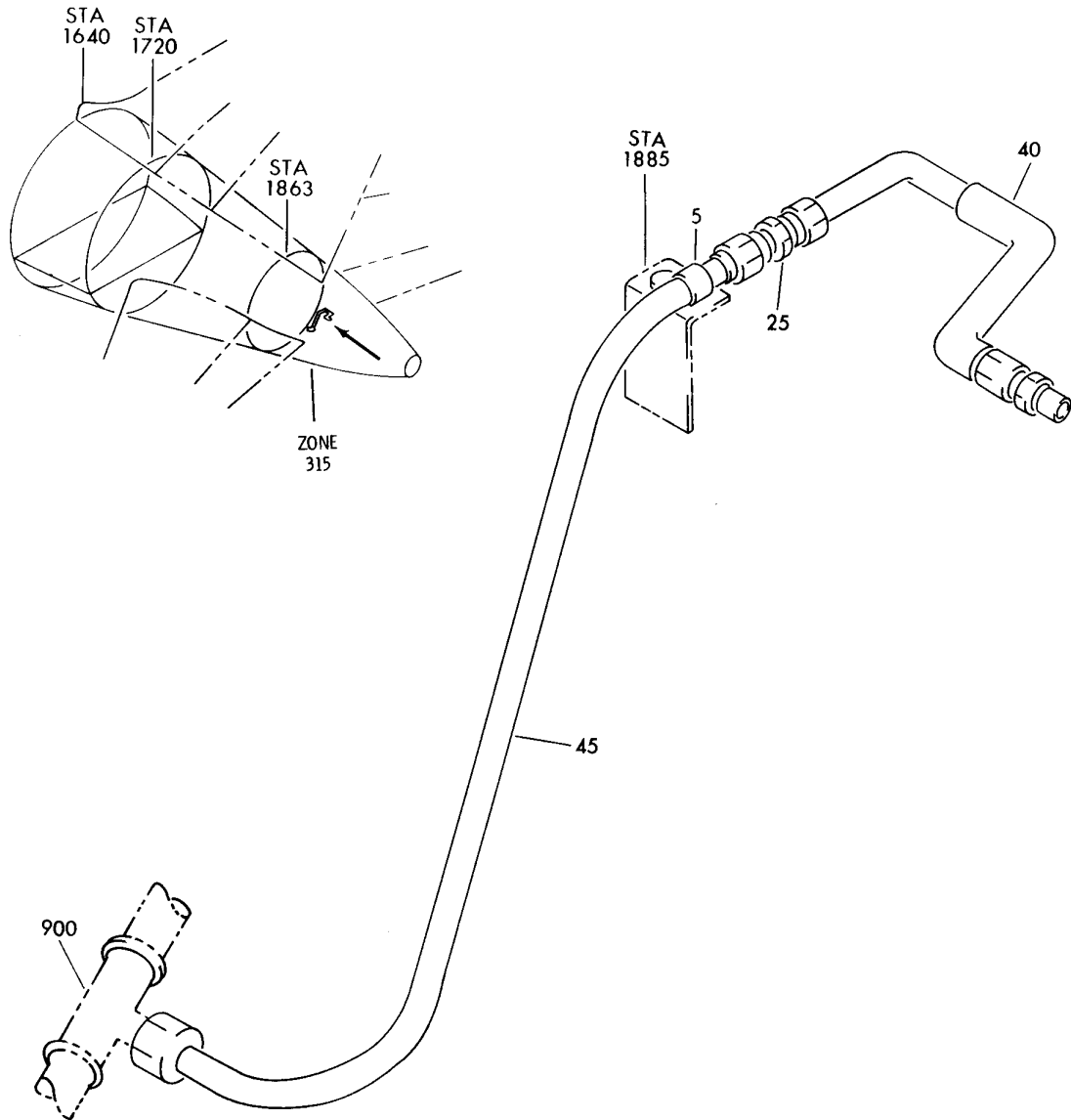
- ITEM NOT ILLUSTRATED

28-25-02-01A

28-25-02  
FIG. 01A  
PAGE 1  
JAN 20/09

BRI

**BOEING**  
757  
PARTS CATALOG (MAINTENANCE)



Y 28250501 REV 192

LINE INSTL-AUX PWR SYS FUEL  
FIGURE 1

**28-25-05-01**

BRI  
MAY 28/07

28-25-05-01  
PAGE 0



757

PARTS CATALOG (MAINTENANCE)

| FIG ITEM | PART NUMBER | 1 2 3 4 5 6 7 | NOMENCLATURE  | EFFECT FROM TO             | UNITS PER ASSY |
|----------|-------------|---------------|---|----------------------------|----------------|
| 1        |             |               | LINE INSTL-AUX PWR SYS FUEL   | 002004<br>006999           |                |
| - 1      | 355N4001-1  |               | LINE INSTL-AUX PWR SYS FUEL<br>FOR NHA SEE:<br>49-00-51-01<br>49-00-00-01   | 002004<br>006102<br>107999 | RF             |
| - 1      | MODREF13911 |               | LINE INSTL-AUX PWR SYS FUEL<br>MODULE NUMBER:<br>355N4001-1 REV A   | 103106                     | 1              |
| 5        | 025029-10   |               | .CLAMP-<br>SUPPLIER CODE:<br>V84971<br>SPECIFICATION NUMBER:<br>BACC10HS10<br>OPTIONAL PART:<br>490-10RPB<br>V83930<br>S500-10<br>V18076<br>44LC17H10PB<br>V22175   | 002004<br>006999           | 1              |
| - 10     | NAS6603-3   |               | ATTACHING PARTS<br>.BOLT  | 002004<br>006999           | 1              |
| - 15     | AN960D10L   |               | .WASHER   | 002004<br>006999           | 1              |
| - 20     | BRH10A3     |               | .NUT<br>SUPPLIER CODE:<br>V52828<br>SPECIFICATION NUMBER:<br>BACN10JC3<br>OPTIONAL PART:<br>H10-3BAC<br>V15653<br>NS202101-02<br>V80539<br>RMLH9075-3W<br>V72962<br>VN303A02<br>V92215<br>96-02<br>V80539<br>T6S1032J<br>V11815 | 002004<br>006999           | 1              |
| 25       | MS21902-10S |               | -----*-----<br>.UNION   | 002004<br>006999           | 1              |

MISSING ITEM NUMBERS NOT APPLICABLE

- ITEM NOT ILLUSTRATED

BRI

28-25-05-01

BOEING PROPRIETARY - Copyright © - Unpublished Work - See title page for details.

28-25-05  
FIG. 01  
PAGE 1  
JAN 20/09



757

PARTS CATALOG (MAINTENANCE)

| FIG ITEM | PART NUMBER   | 1 2 3 4 5 6 7 | NOMENCLATURE  | EFFECT FROM TO   | UNITS PER ASSY |
|----------|---------------|---------------|---|------------------|----------------|
| 1        |               |               |   |                  |                |
| 40       | AS118J0134DVF |               | .HOSE ASSY-<br>SUPPLIER CODE:<br>V00624<br>SPECIFICATION NUMBER:<br>BACH5S0134DVF<br>OPTIONAL PART:<br>95850S0134DVF<br>V78570<br>R89180134DVF<br>V06851<br>R89180134DVF<br>V50599<br>R89190134DVF<br>V06851<br>R89190134DVF<br>V50599<br>95850S0134DVY<br>V78570 | 002004<br>006999 | 1              |
| 40       | 95850S0134DVY |               | .HOSE ASSY-<br>SUPPLIER CODE:<br>V78570<br>OPTIONAL PART:<br>BACH5S0134DVF  | 002004<br>006999 | 1              |
| 45       | 355N4001-2    |               | .TUBE ASSY-<br>TUBING MATERIAL:<br>.625 IN OD .035 IN.<br>WALL 28 IN. LG  | 002004<br>006999 | 1              |
| - 50     | MS21921-10S   |               | ..NUT-<br>OPTIONAL PART:<br>MS21921-10J   | 002004<br>006999 | 2              |
| - 50     | MS21921-10J   |               | ..NUT-<br>OPTIONAL PART:<br>MS21921-10S   | 002004<br>006999 | 2              |
| - 55     | AP2097H10     |               | ..SLEEVE<br>SUPPLIER CODE:<br>V01673<br>SPECIFICATION NUMBER:<br>BACS13BX10H<br>OPTIONAL PART:<br>2-02903-10H<br>V11328<br>35235V10<br>V08199<br>AFP175V10<br>V30974<br>DB0S13BX10H<br>V14798   | 002004<br>006999 | 2              |

MISSING ITEM NUMBERS NOT APPLICABLE

- ITEM NOT ILLUSTRATED

28-25-05-01

28-25-05  
FIG. 01  
PAGE 2  
SEP 20/08

BRI



757

PARTS CATALOG (MAINTENANCE)

| FIG<br>ITEM | PART NUMBER | 1 2 3 4 5 6 7 | NOMENCLATURE   | EFFECT<br>FROM TO                              | UNITS<br>PER<br>ASSY |
|-------------|-------------|---------------|--|--|----------------------|
| 1<br>900    |             |               | ILLUSTRATION REFERENCE:<br>FEED LINE AND SHROUD INSTL-<br>757 BODY APU (APU FUEL<br>SUPPLY LINE AND SHROUD<br>ONLY)<br>28-25-05-02 | 002004<br>006100<br>107107<br>121503<br>904999 | RF                   |

MISSING ITEM NUMBERS NOT APPLICABLE

- ITEM NOT ILLUSTRATED

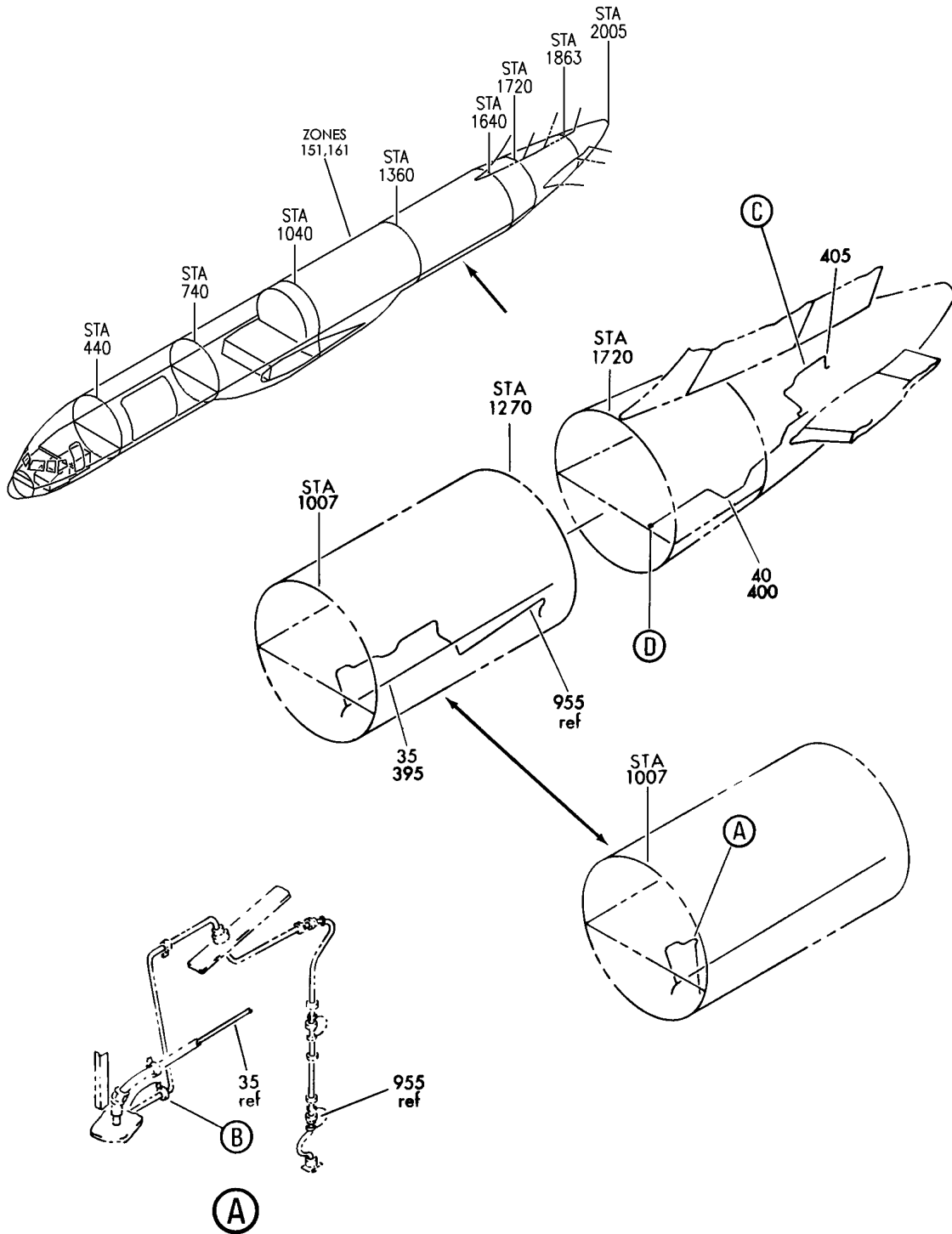
BRI

28-25-05-01

BOEING PROPRIETARY - Copyright © - Unpublished Work - See title page for details.

28-25-05  
FIG. 01  
PAGE 3  
JAN 20/09

**BOEING**  
757  
PARTS CATALOG (MAINTENANCE)



Y 28250502 SHT 1 REV 229

FEED LINE AND SHROUD INSTL-757 BODY APU (APU FUEL SUPPLY LINE AND SHROUD ONLY)  
FIGURE 2 (SHEET 1)

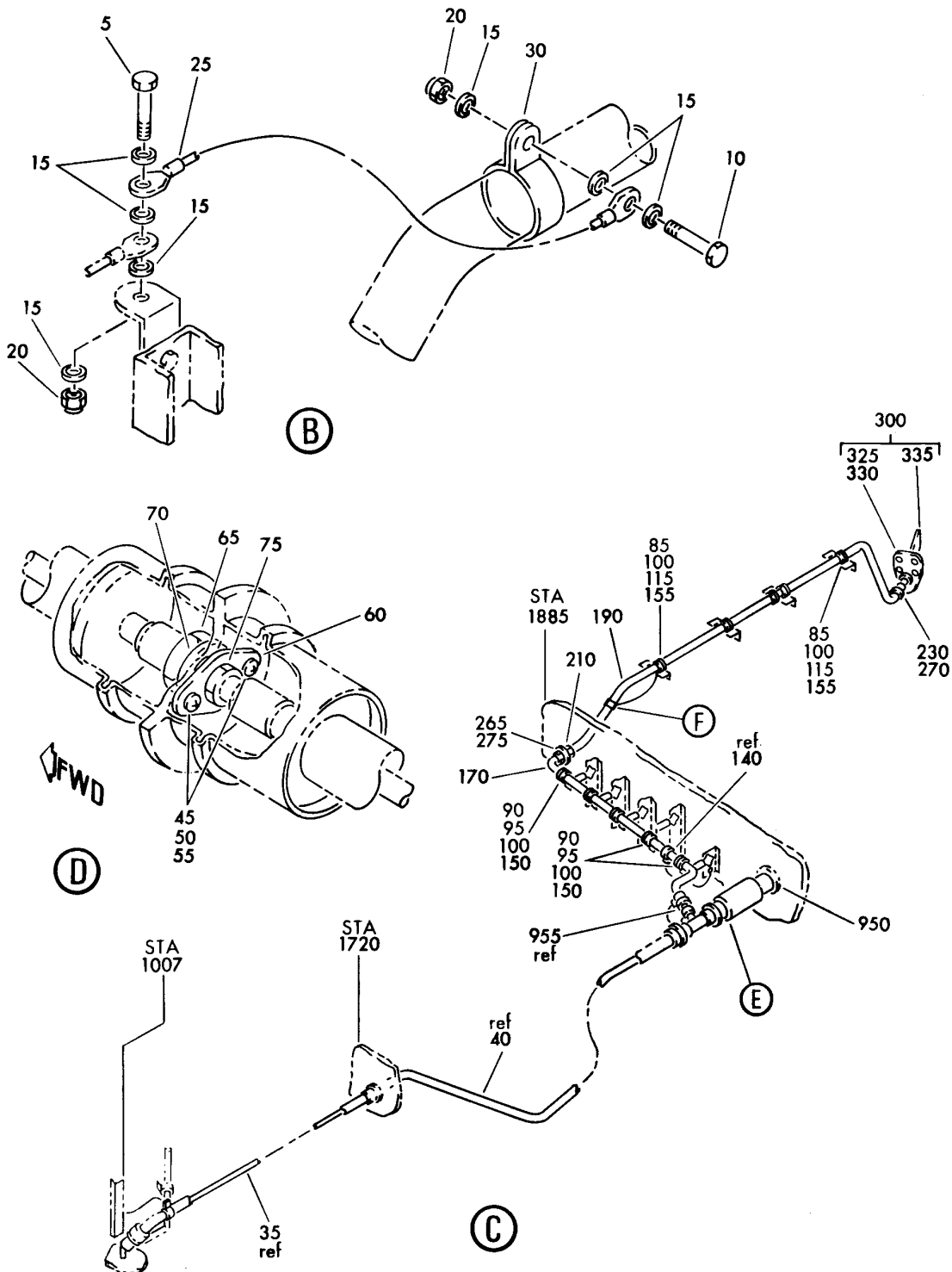
BRI  
MAY 28/07

**28-25-05-02**

28-25-05-02  
PAGE 0




**BOEING**  
 757  
**PARTS CATALOG (MAINTENANCE)**



Y 28250502 SHT 2 REV 182

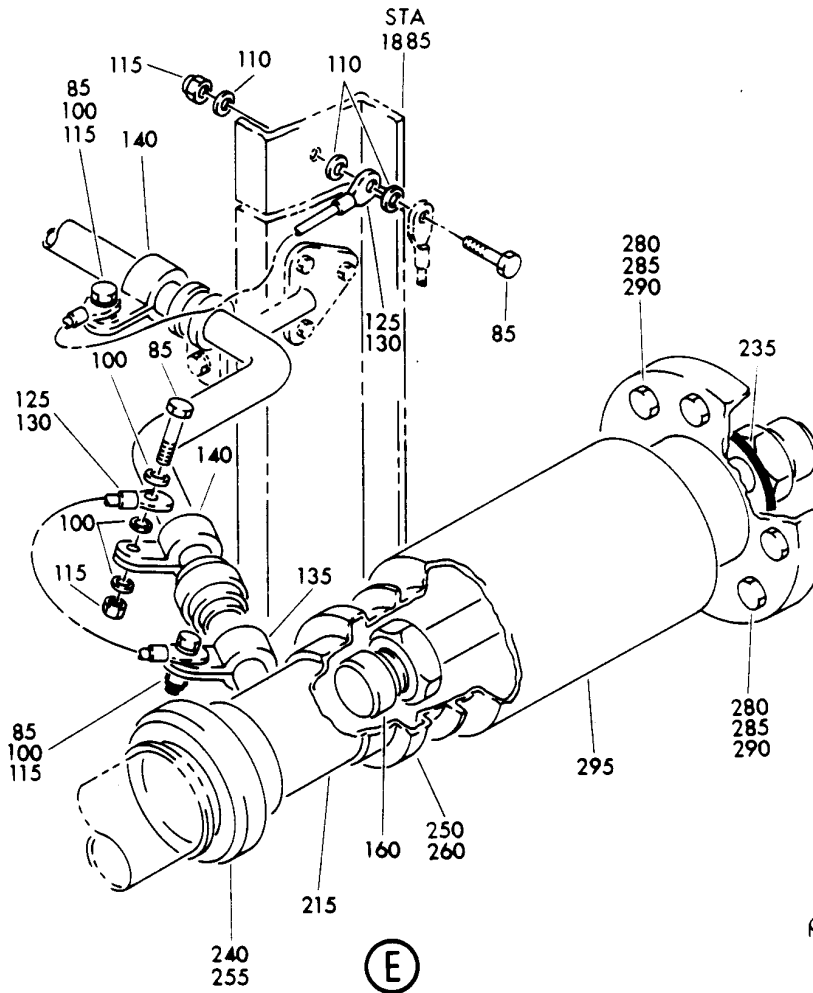
FEED LINE AND SHROUD INSTL-757 BODY APU (APU FUEL SUPPLY LINE AND SHROUD ONLY)  
 FIGURE 2 (SHEET 2)

BRI  
MAY 28/07

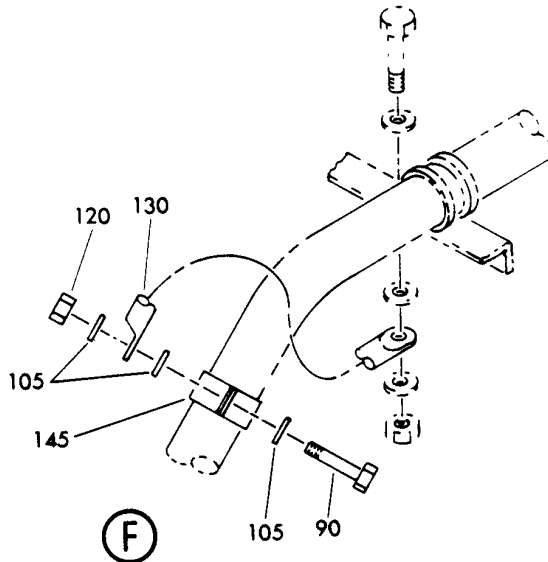
**28-25-05-02**

28-25-05-02  
 PAGE 0A

**BOEING**  
757  
PARTS CATALOG (MAINTENANCE)



(E)



(F)

Y 28250502 SHT 3 REV 083

FEED LINE AND SHROUD INSTL-757 BODY APU (APU FUEL SUPPLY LINE AND SHROUD ONLY)  
FIGURE 2 (SHEET 3)

**28-25-05-02**

BRI  
MAY 28/07

28-25-05-02  
PAGE 0B



**757  
PARTS CATALOG (MAINTENANCE)**

| FIG<br>ITEM | PART NUMBER  | 1 2 3 4 5 6 7 | NOMENCLATURE  | EFFECT<br>FROM TO                              | UNITS<br>PER<br>ASSY |
|-------------|--------------|---------------|---|--|----------------------|
| 2           |              |               | FEED LINE AND SHROUD INSTL-<br>757 BODY APU (APU FUEL<br>SUPPLY LINE AND SHROUD<br>ONLY)  | 002004<br>006100<br>107107<br>121503<br>904999 |                      |
| - 1         | 346N4001-29  |               | FEED LINE AND SHROUD INST-F<br>757 BODY APU (APU FUEL<br>SUPPLY LINE AND SHROUD<br>ONLY)<br>FOR NHA/OTHER SYS DET SEE:<br>28-00-00-01   | 002004<br>006100<br>107107<br>121503<br>904999 | RF                   |
| 5           | NAS1801-3-11 |               | .SCREW  | 002004<br>006100<br>107107<br>121503<br>904999 | 1                    |
| 10          | NAS1801-3-10 |               | .SCREW  | 002004<br>006100<br>107107<br>121503<br>904999 | 1                    |
| 15          | AN960D10L    |               | .WASHER   | 002004<br>006100<br>107107<br>121503<br>904999 | 7                    |
| 20          | BRH10A3      |               | .NUT<br>SUPPLIER CODE:<br>V52828<br>SPECIFICATION NUMBER:<br>BACN10JC3<br>OPTIONAL PART:<br>H10-3BAC<br>V15653<br>NS202101-02<br>V80539<br>RMLH9075-3W<br>V72962<br>VN303A02<br>V92215<br>96-02<br>V80539<br>T6S1032J<br>V11815 | 002004<br>006100<br>107107<br>121503<br>904999 | 2                    |

MISSING ITEM NUMBERS NOT APPLICABLE

- ITEM NOT ILLUSTRATED

BRI

# 28-25-05-02

BOEING PROPRIETARY - Copyright © - Unpublished Work - See title page for details.

28-25-05  
FIG. 02  
PAGE 1  
JAN 20/09



757

PARTS CATALOG (MAINTENANCE)

| FIG ITEM | PART NUMBER   | 1 2 3 4 5 6 7 | NOMENCLATURE  | EFFECT FROM TO                                 | UNITS PER ASSY |
|----------|---------------|---------------|---|--|----------------|
| 2        | 25 740A20-12  |               | . JUMPER ASSY<br>SUPPLIER CODE:<br>V91812<br>SPECIFICATION NUMBER:<br>BACJ40A20-12<br>OPTIONAL PART:<br>TJEJ40A20-12<br>V33483<br>RBEJ20-12<br>V1GK47 | 002004<br>006100<br>107107<br>121503<br>904999 | 1              |
|          | 30 AN735D24   |               | . CLAMP   | 002004<br>006100<br>107107<br>121503<br>904999 | 1              |
|          | 35 AE705878-4 |               | . HOSE ASSY-<br>SUPPLIER CODE:<br>V00624<br>SPECIFICATION NUMBER:<br>60B92407-21  | 002004<br>006100<br>107107<br>121503<br>904999 | 1              |
|          | 40 AE705878-3 |               | . HOSE ASSY-<br>SUPPLIER CODE:<br>V00624<br>SPECIFICATION NUMBER:<br>60B92407-20  | 002004<br>006100<br>107107<br>121503<br>904999 | 1              |
|          | 45 NAS602-8   |               | . SCREW   | 002004<br>006100<br>107107<br>121503<br>904999 | 2              |
|          | 50 AN960PD08L |               | . WASHER  | 002004<br>006100<br>107107<br>121503<br>904999 | 2              |

MISSING ITEM NUMBERS NOT APPLICABLE

- ITEM NOT ILLUSTRATED

28-25-05-02

28-25-05  
FIG. 02  
PAGE 2  
JAN 20/09

BRI



757

PARTS CATALOG (MAINTENANCE)

| FIG ITEM | PART NUMBER     | 1 2 3 4 5 6 7 | NOMENCLATURE   | EFFECT FROM TO                                 | UNITS PER ASSY |
|----------|-----------------|---------------|--|--|----------------|
| 2        | 55 BRH10A08     | .             | NUT<br>SUPPLIER CODE:<br>V52828<br>SPECIFICATION NUMBER:<br>BACN10JC08<br>OPTIONAL PART:<br>H10-08BAC<br>V15653<br>NS202101-82<br>V80539<br>RMLH9075-82W<br>V72962<br>VN303A82<br>V92215<br>96-82<br>V80539<br>T6S832J<br>V11815 | 002004<br>006100<br>107107<br>121503<br>904999 | 2              |
|          | 60 346T0050-1   | .             | RETAINER   | 002004<br>006100<br>107107<br>121503<br>904999 | 1              |
|          | 65 MS21924D10   | .             | UNION  | 002004<br>006100<br>107107<br>121503<br>904999 | 1              |
|          | 70 BACW10P59AL  | .             | WASHER   | 002004<br>006100<br>107107<br>121503<br>904999 | 1              |
|          | 75 BACN10DR10D  | .             | NUT  | 002004<br>006100<br>107107<br>121503<br>904999 | 1              |
| -        | 80 346N4005-4   | .             | TUBE INSTL-DRAIN   | 002004<br>006100<br>107107<br>121503<br>904999 | 1              |
|          | 85 NAS1801-3-10 | ..            | SCREW  | 002004<br>006100<br>107107<br>121503<br>904999 | 9              |

MISSING ITEM NUMBERS NOT APPLICABLE

- ITEM NOT ILLUSTRATED

28-25-05-02

28-25-05  
FIG. 02  
PAGE 3  
JAN 20/09

BRI

BOEING PROPRIETARY - Copyright © - Unpublished Work - See title page for details.



757

PARTS CATALOG (MAINTENANCE)

| FIG ITEM | PART NUMBER    | 1 2 3 4 5 6 7 | NOMENCLATURE   | EFFECT FROM TO                                 | UNITS PER ASSY |
|----------|----------------|---------------|--|--|----------------|
| 2        | 90 NAS1801-3-9 | . .           | SCREW  | 002004<br>006100<br>107107<br>121503<br>904999 | 6              |
| 100      | AN960C10L      | . .           | WASHER   | 002004<br>006100<br>107107<br>121503<br>904999 | 9              |
| 105      | AN960C10L      | . .           | WASHER   | 002004<br>006100<br>107107<br>121503<br>904999 | 3              |
| 110      | AN960D10L      | . .           | WASHER   | 002004<br>006100<br>107107<br>121503<br>904999 | 3              |
| 120      | BRH10C3        | . .           | NUT<br>SUPPLIER CODE:<br>V52828<br>SPECIFICATION NUMBER:<br>BACN10JC3C<br>OPTIONAL PART:<br>T6C1032J<br>V11815<br>97-02<br>V80539<br>101LH9075-3W<br>V72962<br>VN303B02<br>V92215<br>NS202101S02<br>V80539<br>H31-3BAC<br>V15653 | 002004<br>006100<br>107107<br>121503<br>904999 | 1              |
| 130      | 740A20-6       | . .           | JUMPER ASSY<br>SUPPLIER CODE:<br>V91812<br>SPECIFICATION NUMBER:<br>BACJ40A20-6<br>OPTIONAL PART:<br>TJEJ40A20-6<br>V33483<br>RBEJ20-6<br>V1GK47   | 002004<br>006100<br>107107<br>121503<br>904999 | 3              |

MISSING ITEM NUMBERS NOT APPLICABLE

- ITEM NOT ILLUSTRATED

28-25-05-02

28-25-05  
FIG. 02  
PAGE 4  
JAN 20/09

BRI



757

PARTS CATALOG (MAINTENANCE)

| FIG ITEM | PART NUMBER | 1 2 3 4 5 6 7 | NOMENCLATURE   | EFFECT FROM TO                                 | UNITS PER ASSY |
|----------|-------------|---------------|--|--|----------------|
| 2        |             |               |  |  |                |
| 135      | AN735D8     | ..            | CLAMP  | 002004<br>006100<br>107107<br>121503<br>904999 | 1              |
| 140      | AN735-8     | ..            | CLAMP  | 002004<br>006100<br>107107<br>121503<br>904999 | 2              |
| 145      | AN735-6     | ..            | CLAMP  | 002004<br>006100<br>107107<br>121503<br>904999 | 1              |
| 150      | BACC10EP8   | ..            | CLAMP  | 002004<br>006100<br>107107<br>121503<br>904999 | 5              |
| 155      | BACC10EP6   | ..            | CLAMP  | 002004<br>006100<br>107107<br>121503<br>904999 | 5              |
| 160      | 346T0044-4  | ..            | TUBE ASSY  | 002004<br>006100<br>107107<br>121503<br>904999 | 1              |
| - 165    | 346T0044-3  | ...           | FITTING  | 002004<br>006100<br>107107<br>121503<br>904999 | 2              |
| 170      | 346N4005-2  | ..            | TUBE ASSY-<br>TUBING MATERIAL:<br>.5 IN. OD X .028 IN.<br>WALL X 62.8 IN. LG<br>MIL-T-8808 321<br>ANNEALED TUBING<br>MIL-T-8808 347<br>ANNEALED TUBING | 002004<br>006100<br>107107<br>121503<br>904999 | 1              |

MISSING ITEM NUMBERS NOT APPLICABLE

- ITEM NOT ILLUSTRATED

28-25-05-02

28-25-05  
FIG. 02  
PAGE 5  
JAN 20/09

BRI



757

PARTS CATALOG (MAINTENANCE)

| FIG ITEM   | PART NUMBER | 1 2 3 4 5 6 7 | NOMENCLATURE   | EFFECT FROM TO                                 | UNITS PER ASSY |
|------------|-------------|---------------|--|--|----------------|
| 2<br>- 175 | AP2097HP08  | ...           | SLEEVE<br>SUPPLIER CODE:<br>V01673<br>SPECIFICATION NUMBER:<br>BACS13BX08HP<br>OPTIONAL PART:<br>2-02903-08HP<br>V11328<br>35235VN08<br>V08199<br>AFP175V08P<br>V30974<br>DB0S13BX08HP<br>V14798 | 002004<br>006100<br>107107<br>121503<br>904999 | 1              |
| - 180      | MS21921-8S  | ...           | NUT  | 002004<br>006100<br>107107<br>121503<br>904999 | 1              |
| - 185      | S3052-8     | ...           | FERRULE<br>SUPPLIER CODE:<br>V79326<br>SPECIFICATION NUMBER:<br>BACF32E8<br>OPTIONAL PART:<br>63052-8<br>V79326  | 002004<br>006100<br>107107<br>121503<br>904999 | 1              |
| 190        | 346N4005-3  | ..            | TUBE ASSY-<br>TUBING MATERIAL:<br>.375 IN. OD X .02 IN.<br>WALL X 96.0 IN. LG<br>MIL-T-8808 321<br>ANNEALED TUBING<br>MIL-T-8808 347<br>ANNEALED TUBING  | 002004<br>006100<br>107107<br>121503<br>904999 | 1              |
| - 195      | AP2097HP06  | ...           | SLEEVE<br>SUPPLIER CODE:<br>V01673<br>SPECIFICATION NUMBER:<br>BACS13BX06HP<br>OPTIONAL PART:<br>2-02903-06HP<br>V11328<br>35235VN06<br>V08199<br>AFP175V06P<br>V30974<br>DB0S13BX06HP<br>V14798 | 002004<br>006100<br>107107<br>121503<br>904999 | 1              |

MISSING ITEM NUMBERS NOT APPLICABLE

- ITEM NOT ILLUSTRATED

28-25-05-02

28-25-05  
FIG. 02  
PAGE 6  
JAN 20/09

BRI





757

PARTS CATALOG (MAINTENANCE)

| FIG ITEM | PART NUMBER | 1 2 3 4 5 6 7 | NOMENCLATURE   | EFFECT FROM TO                                 | UNITS PER ASSY |
|----------|-------------|---------------|--|--|----------------|
| 2        |             |               |  |  |                |
| - 200    | MS21921-6S  |               | ...NUT   | 002004<br>006100<br>107107<br>121503<br>904999 | 1              |
| - 205    | S83052-6    |               | ... FERRULE-<br>SUPPLIER CODE:<br>V79326<br>SPECIFICATION NUMBER:<br>BACF32F6<br>OPTIONAL PART:<br>TC010-6<br>V24984<br>83152-6<br>V79326  | 002004<br>006100<br>107107<br>121503<br>904999 | 1              |
| 210      | APX832S0806 |               | .. UNION-<br>SUPPLIER CODE:<br>V01673<br>SPECIFICATION NUMBER:<br>BACU24AA0806S<br>OPTIONAL PART:<br>LER832-0806S<br>V11328<br>2-010890806S<br>V11328<br>AFP238-0806S<br>V30974<br>APX832-0806S<br>V01673<br>DBOU24AA0806S<br>V61498<br>FER1579-0806S<br>V14397<br>US2113-0806S<br>V50808<br>ER832-0806S<br>V50948 | 002004<br>006100<br>107107<br>121503<br>904999 | 1              |
| 215      | 346N2019-1  |               | .. TEE ASSY  | 002004<br>006100<br>107107<br>121503<br>904999 | 1              |

MISSING ITEM NUMBERS NOT APPLICABLE

- ITEM NOT ILLUSTRATED

BRI

28-25-05-02

BOEING PROPRIETARY - Copyright © - Unpublished Work - See title page for details.

28-25-05  
FIG. 02  
PAGE 7  
JAN 20/09



757

PARTS CATALOG (MAINTENANCE)

| FIG ITEM | PART NUMBER | 1 2 3 4 5 6 7 | NOMENCLATURE  | EFFECT FROM TO                                 | UNITS PER ASSY |
|----------|-------------|---------------|---|--|----------------|
| 2        |             |               |   |  |                |
| - 220    | BACC42T24   | ...           | CONNECTOR<br>SUPPLIER CODE:<br>V79326<br>SPECIFICATION NUMBER:<br>BACC42T24<br>OPTIONAL PART:<br>TC011-24<br>V24984<br>83051-24<br>V79326 | 002004<br>006100<br>107107<br>121503<br>904999 | 2              |
| - 225    | S3052-8     | ...           | FERRULE<br>SUPPLIER CODE:<br>V79326<br>SPECIFICATION NUMBER:<br>BACF32E8<br>OPTIONAL PART:<br>63052-8<br>V79326                           | 002004<br>006100<br>107107<br>121503<br>904999 | 1              |
| 230      | MS29513-014 | ..            | PACKING   | 002004<br>006100<br>107107<br>121503<br>904999 | 1              |
| 235      | U701618     | ..            | PACKING-<br>SUPPLIER CODE:<br>V56257  | 002004<br>006100<br>107107<br>121503<br>904999 | 1              |
| 240      | MS29513-030 | ..            | PACKING   | 002004<br>006100<br>107107<br>121503<br>904999 | 1              |
| 250      | MS29513-032 | ..            | PACKING   | 002004<br>006100<br>107107<br>121503<br>904999 | 1              |
| 255      | BACN10KN24  | ..            | NUT ASSY  | 002004<br>006100<br>107107<br>121503<br>904999 | 1              |
| 260      | BACN10KN28  | ..            | NUT ASSY  | 002004<br>006100<br>107107<br>121503<br>904999 | 1              |

MISSING ITEM NUMBERS NOT APPLICABLE

- ITEM NOT ILLUSTRATED

28-25-05-02

28-25-05  
FIG. 02  
PAGE 8  
JAN 20/09

BRI



757

PARTS CATALOG (MAINTENANCE)

| FIG ITEM | PART NUMBER | 1 2 3 4 5 6 7 | NOMENCLATURE   | EFFECT FROM TO                                 | UNITS PER ASSY |
|----------|-------------|---------------|--|--|----------------|
| 2        |             |               |  |  |                |
| 265      | AN924-8J    | . .           | NUT  | 002004<br>006100<br>107107<br>121503<br>904999 | 1              |
| 270      | BACN10KN6   | . .           | NUT  | 002004<br>006100<br>107107<br>121503<br>904999 | 1              |
| 275      | AN960C1216  | . .           | WASHER   | 002004<br>006100<br>107107<br>121503<br>904999 | 1              |
| 280      | BACB30LJ4-8 | . .           | BOLT   | 002004<br>006100<br>107107<br>121503<br>904999 | 8              |
| 285      | AN960C416L  | . .           | WASHER   | 002004<br>006100<br>107107<br>121503<br>904999 | 8              |
| 290      | BRH10C4     | . .           | NUT<br>SUPPLIER CODE:<br>V52828<br>SPECIFICATION NUMBER:<br>BACN10JC4C<br>OPTIONAL PART:<br>T6C428J<br>V11815<br>97-048<br>V80539<br>101LH9075-4W<br>V72962<br>VN303B048<br>V92215<br>NS202101S048<br>V80539<br>H31-4BAC<br>V15653 | 002004<br>006100<br>107107<br>121503<br>904999 | 8              |

MISSING ITEM NUMBERS NOT APPLICABLE

- ITEM NOT ILLUSTRATED

BRI

28-25-05-02

28-25-05  
FIG. 02  
PAGE 9  
JAN 20/09



757

PARTS CATALOG (MAINTENANCE)

| FIG ITEM | PART NUMBER  | 1 2 3 4 5 6 7 | NOMENCLATURE   | EFFECT FROM TO                                 | UNITS PER ASSY |
|----------|--------------|---------------|--|--|----------------|
| 2<br>295 | 200-163-0001 | ..            | SHROUD-<br>SUPPLIER CODE:<br>V07649<br>SPECIFICATION NUMBER:<br>60B92408-1<br>OPTIONAL PART:<br>1220010001<br>V07649                           | 002004<br>006100<br>107107<br>121503<br>904999 | 1              |
| 295      | 1220010001   | ..            | SHROUD-<br>SUPPLIER CODE:<br>V07649<br>SPECIFICATION NUMBER:<br>60B92408-1<br>OPTIONAL PART:<br>17335<br>V07649<br>200-163-0001<br>V07649      | 002004<br>006100<br>107107<br>121503<br>904999 | 1              |
| 295      | 17335        | ..            | SHROUD-<br>SUPPLIER CODE:<br>V07649<br>SPECIFICATION NUMBER:<br>60B92408-1<br>OPTIONAL PART:<br>200-163-0001<br>V07649<br>1220010001<br>V07649 | 002004<br>006100<br>107107<br>121503<br>904999 | 1              |
| 300      | 346N2021-1   | ..            | MAST ASSY-DRAIN  | 002004<br>006100<br>107107<br>121503<br>904999 | 1              |
| 300      | 346N2023-1   | ..            | MAST ASSY-DRAIN  | 002004<br>006100<br>107107<br>121503<br>904999 | 1              |
| - 305    | BACB30NN5K20 | ..            | ATTACHING PARTS<br>BOLT  | 002004<br>006100<br>107107<br>121503<br>904999 | 2              |
| - 310    | BACB30NN5K25 | ..            | BOLT   | 002004<br>006100<br>107107<br>121503<br>904999 | 2              |

MISSING ITEM NUMBERS NOT APPLICABLE

- ITEM NOT ILLUSTRATED

28-25-05-02

28-25-05  
FIG. 02  
PAGE 10  
JAN 20/09

BRI

BOEING PROPRIETARY - Copyright © - Unpublished Work - See title page for details.



757

PARTS CATALOG (MAINTENANCE)

| FIG ITEM | PART NUMBER | 1 2 3 4 5 6 7 | NOMENCLATURE  | EFFECT FROM TO                                 | UNITS PER ASSY |
|----------|-------------|---------------|---|--|----------------|
| 2        |             |               |   |  |                |
| - 315    | AS46-5      |               | .. WASHER-<br>SUPPLIER CODE:<br>V10630<br>SPECIFICATION NUMBER:<br>BACW10AU5<br>OPTIONAL PART:<br>K19701P5<br>V15653<br>53488W524<br>V56878<br>6073-05<br>V72962<br>TLN1020L5W<br>V08524  | 002004<br>006100<br>107107<br>121503<br>904999 | 4              |
| - 320    | BACN10MT5   |               | .. NUT-<br>SUPPLIER CODE:<br>V15653<br>SPECIFICATION NUMBER:<br>BACN10MT5<br>OPTIONAL PART:<br>52LH6073-054<br>V72962<br>53488N524<br>V56878<br>TLN1020L5N<br>V97928  | 002004<br>006100<br>107107<br>121503<br>904999 | 4              |
|          |             |               | -----*-----   |  |                |
| 325      | 346N2021-2  |               | ... WELD ASSY-<br>USED ON:<br>346N2021-1  | 002004<br>006100<br>107107<br>121503<br>904999 | 1              |
| 330      | 346N2021-10 |               | .... MAST-  | 002004<br>006100<br>107107<br>121503<br>904999 | 1              |
| 335      | 346N2023-3  |               | ... TUBE ASSY-<br>TUBING MATERIAL:<br>.375 IN. OD .022 IN.<br>WALL 24.00 IN. LG<br>MIL-T-8808 321<br>ANNEALED TUBING<br>.375 IN. OD .02 IN.<br>WALL 24.00 IN. LG<br>MIL-T-8808 347<br>ANNEALED TUBING<br>USED ON:<br>346N2023-1 | 002004<br>006100<br>107107<br>121503<br>904999 | 1              |

MISSING ITEM NUMBERS NOT APPLICABLE

- ITEM NOT ILLUSTRATED

28-25-05-02

28-25-05  
FIG. 02  
PAGE 11  
JAN 20/09

BRI



757

PARTS CATALOG (MAINTENANCE)

| FIG ITEM   | PART NUMBER | 1 2 3 4 5 6 7 | NOMENCLATURE   | EFFECT FROM TO                                 | UNITS PER ASSY |
|------------|-------------|---------------|--|--|----------------|
| 2<br>- 340 | 83151-6     |               | ....FERRULE-<br>SUPPLIER CODE:<br>V79326   | 002004<br>006100<br>107107<br>121503<br>904999 | 1              |
| 395        | 346N4001-2  |               | .FEED INSTL-APU<br>POSITION DATA:<br>BODY SECT. 44<br>FOR DETAILS SEE:<br>28-25-05-03                              | 002004<br>006100<br>107107<br>121503<br>904999 | 1              |
| 400        | 346N4001-45 |               | .FEED INSTL-APU<br>POSITION DATA:<br>BODY SECT. 46<br>FOR DETAILS SEE:<br>28-25-05-04                              | 002004   | 1              |
| 400        | 346N4001-24 |               | .FEED INSTL-APU<br>POSITION DATA:<br>BODY SECT. 46<br>FOR DETAILS SEE:<br>28-25-05-04                              | 107107<br>904949<br>952952                     | 1              |
| 400        | 346N4001-42 |               | .FEED INSTL-APU<br>POSITION DATA:<br>BODY SECT. 46<br>FOR DETAILS SEE:<br>28-25-05-04                              | 006100<br>121503<br>950951<br>953999           | 1              |
| 405        | 346N4001-23 |               | .FEED INSTL-APU<br>POSITION DATA:<br>BODY SECT. 48<br>FOR DETAILS SEE:<br>28-25-05-05                              | 002004<br>006100<br>107107<br>121503<br>904999 | 1              |
| 950        |             |               | ILLUSTRATION REFERENCE:<br>LINE INSTL-AUX PWR SYS FUEL<br>28-25-05-01  | 002004<br>006100<br>107107<br>121503<br>904999 | RF             |
| 955        |             |               | ILLUSTRATION REFERENCE:<br>FEED LINE AND SHROUD INSTL-<br>757 BODY APU (APU FLAME<br>ARRESTOR ONLY)<br>28-25-07-01 | 002004<br>006100<br>107107<br>121503<br>904999 | RF             |

MISSING ITEM NUMBERS NOT APPLICABLE

- ITEM NOT ILLUSTRATED

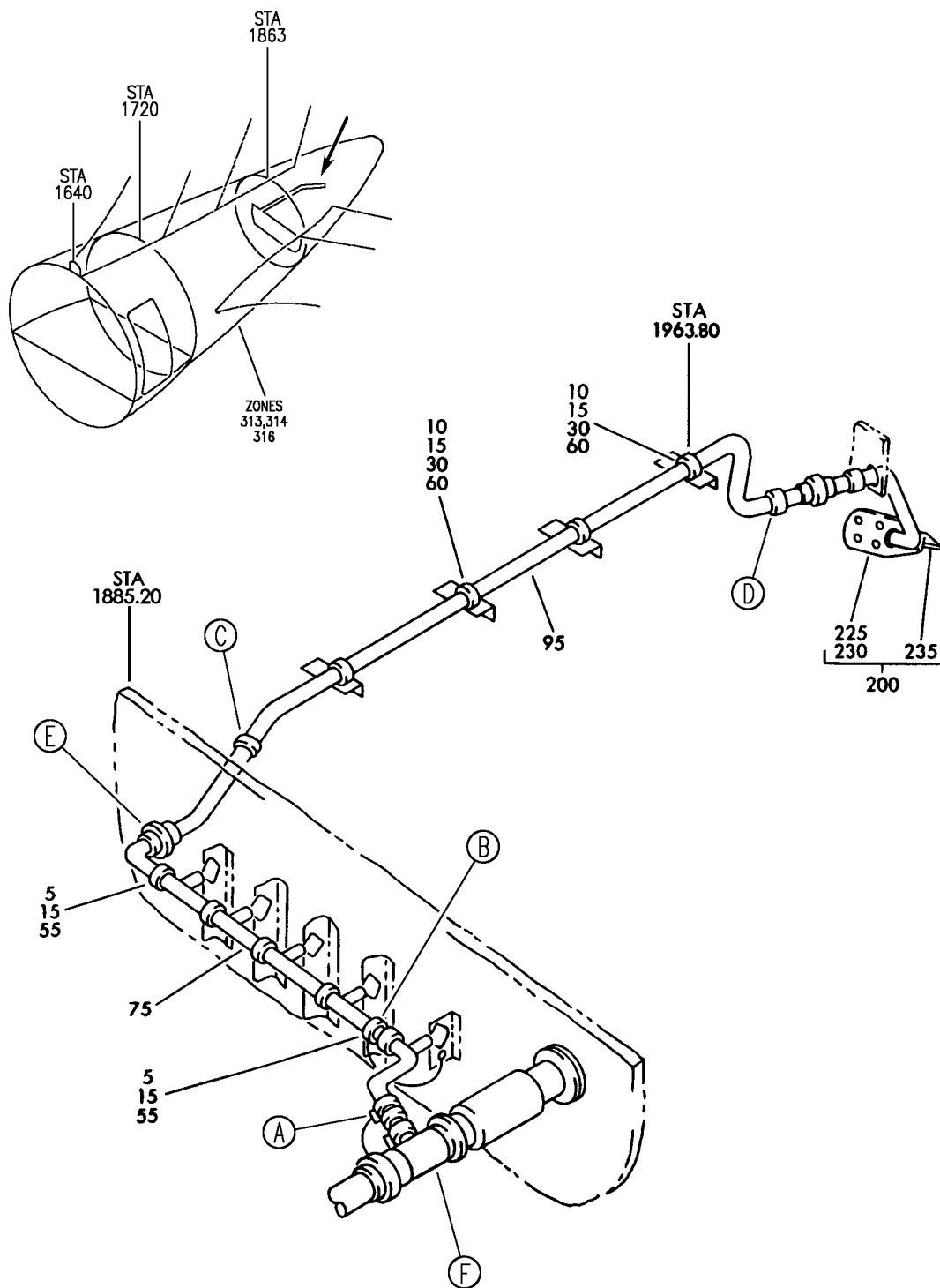
BRI

28-25-05-02

BOEING PROPRIETARY - Copyright © - Unpublished Work - See title page for details.

28-25-05  
FIG. 02  
PAGE 12  
JAN 20/09

**BOEING**  
757  
PARTS CATALOG (MAINTENANCE)



Y 28250502A SHT 1 REV 270

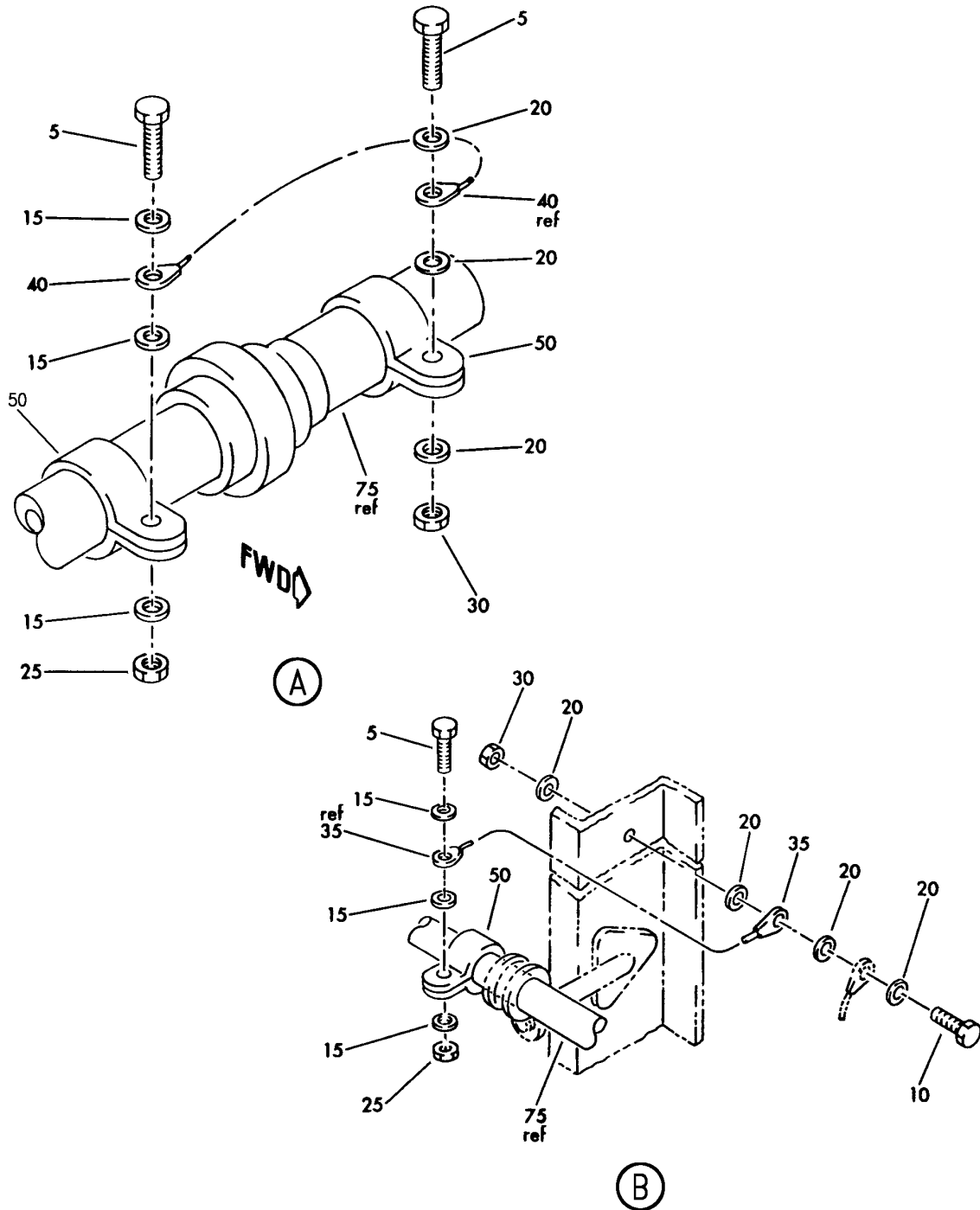
TUBE INSTL (APU FUEL LINE SUPPLY AND SHROUD ONLY)  
FIGURE 2A (SHEET 1)

**28-25-05-02A**

BRI  
MAY 28/07

28-25-05-02A  
PAGE 0

**BOEING**  
757  
PARTS CATALOG (MAINTENANCE)



Y 28250502A SHT 2 REV 270

TUBE INSTL (APU FUEL LINE SUPPLY AND SHROUD ONLY)  
FIGURE 2A (SHEET 2)

**28-25-05-02A**

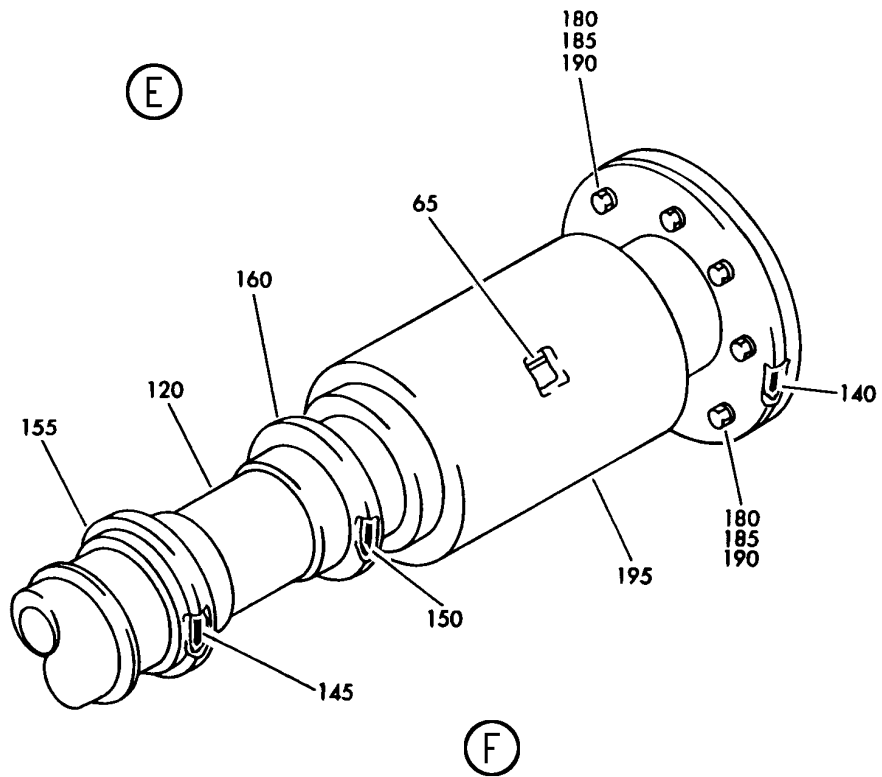
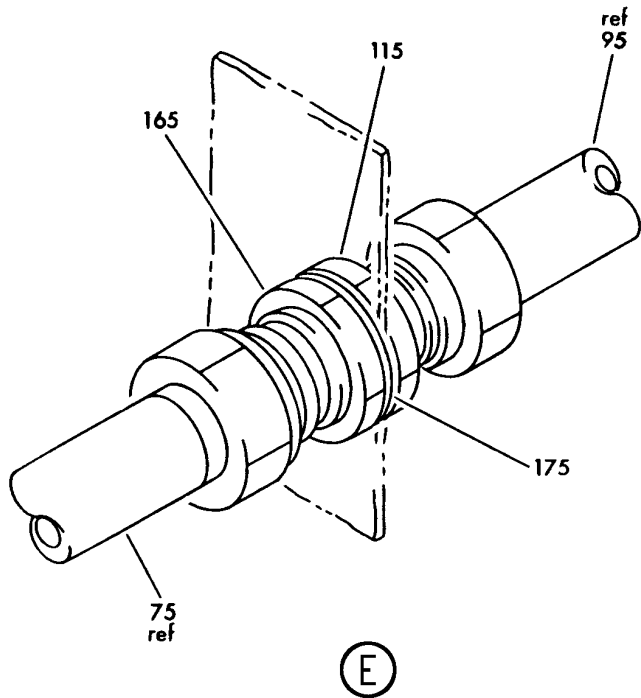
BRI  
MAY 28/07

28-25-05-02A  
PAGE 0A





**BOEING**  
757  
PARTS CATALOG (MAINTENANCE)



Y 28250502A SHT 4 REV 270

TUBE INSTL (APU FUEL LINE SUPPLY AND SHROUD ONLY)  
FIGURE 2A (SHEET 4)

**28-25-05-02A**

BRI  
MAY 28/07

28-25-05-02A  
PAGE 0C



757

PARTS CATALOG (MAINTENANCE)

| FIG ITEM | PART NUMBER   | 1 2 3 4 5 6 7 | NOMENCLATURE   | EFFECT FROM TO             | UNITS PER ASSY |
|----------|---------------|---------------|--|----------------------------|----------------|
| 2A       |               |               | TUBE INSTL<br>(APU FUEL LINE SUPPLY AND SHROUD ONLY)       | 101106<br>108120<br>504903 |                |
| - 1      | 346N4005-5    |               | TUBE INSTL-DRAIN<br>(APU FUEL LINE SUPPLY AND SHROUD ONLY) | 101102<br>108120<br>504903 | RF             |
|          |               |               | FOR NHA/ADDITIONAL DET SEE:<br>28-00-00-05                 |                            |                |
| - 1      | MODREF13816   |               | TUBE INSTL-DRAIN<br>(APU FUEL LINE SUPPLY AND SHROUD ONLY) | 103106                     | 1              |
|          |               |               | MODULE NUMBER:<br>346N4005-5 REV A                         |                            |                |
| 5        | NAS1801-3-9   |               | .SCREW   | 101106<br>108120<br>504903 | 11             |
| 10       | NAS1801-3-10  |               | .SCREW   | 101106<br>108120<br>504903 | 5              |
| 15       | NAS1149C0332R |               | .WASHER  | 101106<br>108120<br>504903 | 23             |
| 20       | NAS1149D0332J |               | .WASHER  | 101106<br>108120<br>504903 | 10             |
| 25       | BRH10C3       |               | .NUT   | 101106<br>108120<br>504903 | 5              |
|          |               |               | SUPPLIER CODE:<br>V52828                                   |                            |                |
|          |               |               | SPECIFICATION NUMBER:<br>BACN10JC3C                        |                            |                |
|          |               |               | OPTIONAL PART:<br>T6C1032J                                 |                            |                |
|          |               |               | V11815   |                            |                |
|          |               |               | 97-02  |                            |                |
|          |               |               | V80539   |                            |                |
|          |               |               | 101LH9075-3W   |                            |                |
|          |               |               | V72962   |                            |                |
|          |               |               | VN303B02   |                            |                |
|          |               |               | V92215   |                            |                |
|          |               |               | NS202101S02  |                            |                |
|          |               |               | V80539   |                            |                |
|          |               |               | H31-3BAC   |                            |                |
|          |               |               | V15653   |                            |                |

MISSING ITEM NUMBERS NOT APPLICABLE

- ITEM NOT ILLUSTRATED

28-25-05-02A

28-25-05  
FIG. 02A  
PAGE 1  
JAN 20/09

BRI



757

PARTS CATALOG (MAINTENANCE)

| FIG ITEM | PART NUMBER | 1 2 3 4 5 6 7 | NOMENCLATURE  | EFFECT FROM TO             | UNITS PER ASSY |
|----------|-------------|---------------|---|----------------------------|----------------|
| 2A<br>30 | BRH10C3D    | .NUT          | SUPPLIER CODE:<br>V52828<br>SPECIFICATION NUMBER:<br>BACN10JC3D<br>OPTIONAL PART:<br>T6C1032JCD<br>V11815<br>NS202486-02<br>V80539<br>102LH9075-3W<br>V72962<br>H51650-3BAC<br>V15653 | 101106<br>108120<br>504903 | 6              |
| 35       | 740A20-6    | .JUMPER ASSY  | SUPPLIER CODE:<br>V91812<br>SPECIFICATION NUMBER:<br>BACJ40A20-6<br>OPTIONAL PART:<br>TJEJ40A20-6<br>V33483<br>RBEJ20-6<br>V1GK47   | 101106<br>108120<br>504903 | 3              |
| 40       | 740A20-4    | .JUMPER ASSY  | SUPPLIER CODE:<br>V91812<br>SPECIFICATION NUMBER:<br>BACJ40A20-4<br>OPTIONAL PART:<br>TJEJ40A20-4<br>V33483<br>RBEJ20-4<br>V1GK47   | 101106<br>108120<br>504903 | 1              |
| 45       | AN735C6     | .CLAMP        |   | 101106<br>108120<br>504903 | 3              |
| 50       | AN735C8     | .CLAMP        |   | 101106<br>108120<br>504903 | 3              |

MISSING ITEM NUMBERS NOT APPLICABLE

- ITEM NOT ILLUSTRATED

28-25-05-02A

28-25-05  
FIG. 02A  
PAGE 2  
JAN 20/09

BRI

BOEING PROPRIETARY - Copyright © - Unpublished Work - See title page for details.



757

PARTS CATALOG (MAINTENANCE)

| FIG ITEM | PART NUMBER | 1 2 3 4 5 6 7 | NOMENCLATURE  | EFFECT FROM TO             | UNITS PER ASSY |
|----------|-------------|---------------|---|----------------------------|----------------|
| 2A<br>55 | S500-8      | .CLAMP        | SUPPLIER CODE:<br>V18076<br>SPECIFICATION NUMBER:<br>BACC10HS08<br>OPTIONAL PART:<br>025029-08<br>V84971<br>44LC17H8PB<br>V22175<br>490-08RPB<br>V83930 | 101106<br>108120<br>504903 | 5              |
| 60       | S500-6      | .CLAMP        | SUPPLIER CODE:<br>V18076<br>SPECIFICATION NUMBER:<br>BACC10HS06<br>OPTIONAL PART:<br>490-06RPB<br>V83930<br>025029-06<br>V84971<br>44LC17H6PB<br>V22175 | 101106<br>108120<br>504903 | 4              |
| 65       | 346T0044-4  | .TUBE ASSY    |   | 101106<br>108120<br>504903 | 1              |
| - 70     | 346T0044-3  | ..FITTING     |   | 101106<br>108120<br>504903 | 2              |
| 75       | 346N4005-2  | .TUBE ASSY-   | TUBING MATERIAL:<br>.5 IN. OD X .028 IN.<br>WALL X 62.8 IN. LG<br>MIL-T-8808 321<br>ANNEALED TUBING<br>MIL-T-8808 347<br>ANNEALED TUBING                | 101106<br>108120<br>504903 | 1              |

MISSING ITEM NUMBERS NOT APPLICABLE

- ITEM NOT ILLUSTRATED

28-25-05-02A

28-25-05  
FIG. 02A  
PAGE 3  
JAN 20/09

BRI



757

PARTS CATALOG (MAINTENANCE)

| FIG ITEM   | PART NUMBER | 1 2 3 4 5 6 7 | NOMENCLATURE   | EFFECT FROM TO             | UNITS PER ASSY |
|------------|-------------|---------------|--|----------------------------|----------------|
| 2A<br>- 80 | AP2097HP08  | ..            | SLEEVE<br>SUPPLIER CODE:<br>V01673<br>SPECIFICATION NUMBER:<br>BACS13BX08HP<br>OPTIONAL PART:<br>2-02903-08HP<br>V11328<br>35235VN08<br>V08199<br>AFP175V08P<br>V30974<br>DBOS13BX08HP<br>V14798 | 101106<br>108120<br>504903 | 1              |
| - 90       | S3052-8     | ..            | FERRULE<br>SUPPLIER CODE:<br>V79326<br>SPECIFICATION NUMBER:<br>BACF32E8<br>OPTIONAL PART:<br>63052-8<br>V79326  | 101106<br>108120<br>504903 | 1              |
| 95         | 346N4005-3  | .TUBE ASSY-   | TUBING MATERIAL:<br>.375 IN. OD X .02 IN.<br>WALL X 96.0 IN. LG<br>MIL-T-8808 321<br>ANNEALED TUBING<br>MIL-T-8808 347<br>ANNEALED TUBING  | 101106<br>108120<br>504903 | 1              |
| - 100      | AP2097HP06  | ..            | SLEEVE<br>SUPPLIER CODE:<br>V01673<br>SPECIFICATION NUMBER:<br>BACS13BX06HP<br>OPTIONAL PART:<br>2-02903-06HP<br>V11328<br>35235VN06<br>V08199<br>AFP175V06P<br>V30974<br>DBOS13BX06HP<br>V14798 | 101106<br>108120<br>504903 | 1              |
| - 105      | MS21921-6S  | ..            | NUT  | 101106<br>108120<br>504903 | 1              |

MISSING ITEM NUMBERS NOT APPLICABLE

- ITEM NOT ILLUSTRATED

28-25-05-02A

28-25-05  
FIG. 02A  
PAGE 4  
JAN 20/09

BRI

BOEING PROPRIETARY - Copyright © - Unpublished Work - See title page for details.

 **BOEING**  
757  
**PARTS CATALOG (MAINTENANCE)**

| FIG ITEM    | PART NUMBER   | 1 2 3 4 5 6 7 | NOMENCLATURE  | EFFECT FROM TO             | UNITS PER ASSY |
|-------------|---------------|---------------|---|----------------------------|----------------|
| 2A<br>- 110 | S83052-6      | ..            | FERRULE-<br>SUPPLIER CODE:<br>V79326<br>SPECIFICATION NUMBER:<br>BACF32F6<br>OPTIONAL PART:<br>TC010-6<br>V24984<br>83152-6<br>V79326     | 101106<br>108120<br>504903 | 1              |
| - 110       | 83152-6       | ..            | FERRULE-<br>SUPPLIER CODE:<br>V79326<br>OPTIONAL PART:<br>BACF32F6  | 101106<br>108120<br>504903 | 1              |
| 115         | BACU24AA0806R | .             | UNION   | 101106<br>108120<br>504903 | 1              |
| 120         | 346N2019-1    | .             | TEE ASSY  | 101106<br>108120<br>504903 | 1              |
| - 125       | BACC42T24     | ..            | CONNECTOR<br>SUPPLIER CODE:<br>V79326<br>SPECIFICATION NUMBER:<br>BACC42T24<br>OPTIONAL PART:<br>TC011-24<br>V24984<br>83051-24<br>V79326 | 101106<br>108120<br>504903 | 2              |
| - 130       | S3052-8       | ..            | FERRULE<br>SUPPLIER CODE:<br>V79326<br>SPECIFICATION NUMBER:<br>BACF32E8<br>OPTIONAL PART:<br>63052-8<br>V79326                           | 101106<br>108120<br>504903 | 1              |
| 135         | MS29513-014   | .             | PACKING   | 101106<br>108120<br>504903 | 1              |
| 140         | U701618       | .             | PACKING-<br>SUPPLIER CODE:<br>V56257  | 101106<br>108120<br>504903 | 1              |
| 145         | MS29513-030   | .             | PACKING   | 101106<br>108120<br>504903 | 1              |

MISSING ITEM NUMBERS NOT APPLICABLE

- ITEM NOT ILLUSTRATED

BRI

# 28-25-05-02A

BOEING PROPRIETARY - Copyright © - Unpublished Work - See title page for details.

28-25-05  
FIG. 02A  
PAGE 5  
JAN 20/09



757

PARTS CATALOG (MAINTENANCE)

| FIG ITEM  | PART NUMBER   | 1 2 3 4 5 6 7 | NOMENCLATURE   | EFFECT FROM TO             | UNITS PER ASSY |
|-----------|---------------|---------------|--|----------------------------|----------------|
| 2A<br>150 | MS29513-032   | .             | PACKING  | 101106<br>108120<br>504903 | 1              |
| 155       | 83053-24DE    | .             | COUPLING ASSY<br>SUPPLIER CODE:<br>V79326<br>SPECIFICATION NUMBER:<br>AS1738-1D24<br>OPTIONAL PART:<br>TC039-24A<br>V24984 | 101106<br>108120<br>504903 | 1              |
| 160       | 83053-28DE    | .             | NUT ASSY<br>SUPPLIER CODE:<br>V79326<br>SPECIFICATION NUMBER:<br>AS1738-1D28<br>OPTIONAL PART:<br>TC039-28A<br>V24984      | 101106<br>108120<br>504903 | 1              |
| 165       | AN924-8J      | .             | NUT  | 101106<br>108120<br>504903 | 1              |
| 170       | 83053-06DE    | .             | NUT<br>SUPPLIER CODE:<br>V79326<br>SPECIFICATION NUMBER:<br>AS1738-1D06<br>OPTIONAL PART:<br>TC039-06A<br>V24984           | 101106<br>108120<br>504903 | 1              |
| 175       | NAS1149C1290R | .             | WASHER   | 101106<br>108120<br>504903 | 1              |
| 180       | BACB30LJ4-8   | .             | BOLT   | 101106<br>108120<br>504903 | 8              |
| 185       | NAS1149C0432R | .             | WASHER   | 101106<br>108120<br>504903 | 8              |

MISSING ITEM NUMBERS NOT APPLICABLE

- ITEM NOT ILLUSTRATED

28-25-05-02A

28-25-05  
FIG. 02A  
PAGE 6  
JAN 20/09

BRI





757

PARTS CATALOG (MAINTENANCE)

| FIG ITEM  | PART NUMBER  | 1 2 3 4 5 6 7    | NOMENCLATURE   | EFFECT FROM TO             | UNITS PER ASSY |
|-----------|--------------|------------------|--|----------------------------|----------------|
| 2A<br>190 | BRH10C4D     | .NUT             | SUPPLIER CODE:<br>V52828<br>SPECIFICATION NUMBER:<br>BACN10JC4CD<br>OPTIONAL PART:<br>T6C428JCD<br>V11815<br>NS202486-048<br>V80539<br>102LH9075-4W<br>V72962<br>H51650-4BAC<br>V15653 | 101106<br>108120<br>504903 | 8              |
| 195       | 200-163-0001 | .SHROUD-         | SUPPLIER CODE:<br>V07649<br>SPECIFICATION NUMBER:<br>60B92408-1<br>OPTIONAL PART:<br>17335<br>V07649<br>1220010001<br>V07649   | 101106<br>108120<br>504903 | 1              |
| 195       | 1220010001   | .SHROUD-         | SUPPLIER CODE:<br>V07649<br>SPECIFICATION NUMBER:<br>60B92408-1<br>OPTIONAL PART:<br>17335<br>V07649<br>200-163-0001<br>V07649   | 101106<br>108120<br>504903 | 1              |
| 195       | 17335        | .SHROUD-         | SUPPLIER CODE:<br>V07649<br>SPECIFICATION NUMBER:<br>60B92408-1<br>OPTIONAL PART:<br>200-163-0001<br>V07649<br>1220010001<br>V07649  | 101106<br>108120<br>504903 | 1              |
| 200       | 346N2021-1   | .MAST ASSY-DRAIN |  | 101106<br>108120<br>504903 | 1              |

MISSING ITEM NUMBERS NOT APPLICABLE

- ITEM NOT ILLUSTRATED

28-25-05-02A

28-25-05  
FIG. 02A  
PAGE 7  
JAN 20/09

BRI



**757  
PARTS CATALOG (MAINTENANCE)**

| FIG ITEM  | PART NUMBER  | 1 2 3 4 5 6 7 | NOMENCLATURE   | EFFECT FROM TO             | UNITS PER ASSY |
|-----------|--------------|---------------|--|----------------------------|----------------|
| 2A<br>200 | 346N2023-1   | .             | MAST ASSY-DRAIN  | 101106<br>108120<br>504903 | 1              |
| - 205     | BACB30NN5K20 | .             | ATTACHING PARTS<br>BOLT  | 101106<br>108120<br>504903 | 2              |
| - 210     | BACB30NN5K25 | .             | BOLT   | 101106<br>108120<br>504903 | 2              |
| - 215     | AS46-5       | .             | WASHER<br>SUPPLIER CODE:<br>V10630<br>SPECIFICATION NUMBER:<br>BACW10AU5<br>OPTIONAL PART:<br>K19701P5<br>V15653<br>53488W524<br>V56878<br>6073-05<br>V72962<br>TLN1020L5W<br>V08524 | 101106<br>108120<br>504903 | 4              |
| - 220     | BACN10MT5    | .             | NUT<br>SUPPLIER CODE:<br>V15653<br>SPECIFICATION NUMBER:<br>BACN10MT5<br>OPTIONAL PART:<br>52LH6073-054<br>V72962<br>53488N524<br>V56878<br>TLN1020L5N<br>V97928<br>-----*-----      | 101106<br>108120<br>504903 | 4              |
| 225       | 346N2021-2   | ..            | WELD ASSY-<br>USED ON:<br>346N2021-1   | 101106<br>108120<br>504903 | 1              |
| 230       | 346N2021-10  | ...           | MAST   | 101106<br>108120<br>504903 | 1              |

MISSING ITEM NUMBERS NOT APPLICABLE

- ITEM NOT ILLUSTRATED

# 28-25-05-02A

28-25-05  
FIG. 02A  
PAGE 8  
JAN 20/09

BRI

BOEING PROPRIETARY - Copyright © - Unpublished Work - See title page for details.



757

PARTS CATALOG (MAINTENANCE)

| FIG ITEM  | PART NUMBER | 1 2 3 4 5 6 7 | NOMENCLATURE  | EFFECT FROM TO             | UNITS PER ASSY |
|-----------|-------------|---------------|---|----------------------------|----------------|
| 2A<br>235 | 346N2023-3  |               | ..TUBE ASSY-<br>TUBING MATERIAL:<br>.375 IN. OD .022 IN.<br>WALL 24.00 IN. LG<br>MIL-T-8808 321<br>ANNEALED TUBING<br>.375 IN. OD .02 IN.<br>WALL 24.00 IN. LG<br>MIL-T-8808 347<br>ANNEALED TUBING<br>USED ON:<br>346N2023-1 | 101106<br>108120<br>504903 | 1              |
| - 240     | 83151-6     |               | ...FERRULE-<br>SUPPLIER CODE:<br>V79326   | 101106<br>108120<br>504903 | 1              |

MISSING ITEM NUMBERS NOT APPLICABLE

- ITEM NOT ILLUSTRATED

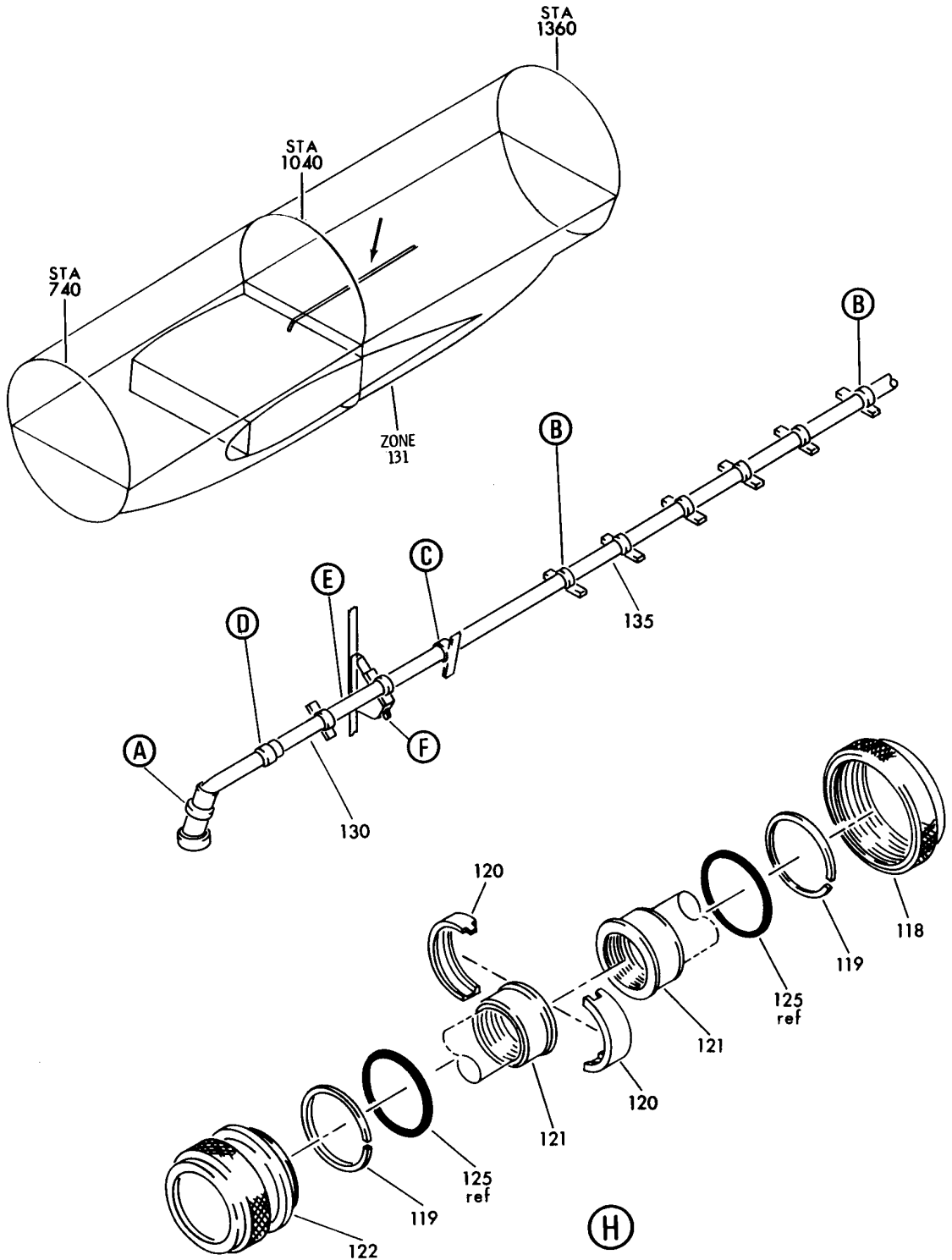
BRI

# 28-25-05-02A

BOEING PROPRIETARY - Copyright © - Unpublished Work - See title page for details.

28-25-05  
FIG. 02A  
PAGE 9  
JAN 20/09

**BOEING**  
757  
PARTS CATALOG (MAINTENANCE)



Y 28250503 SH1 1 REV 124

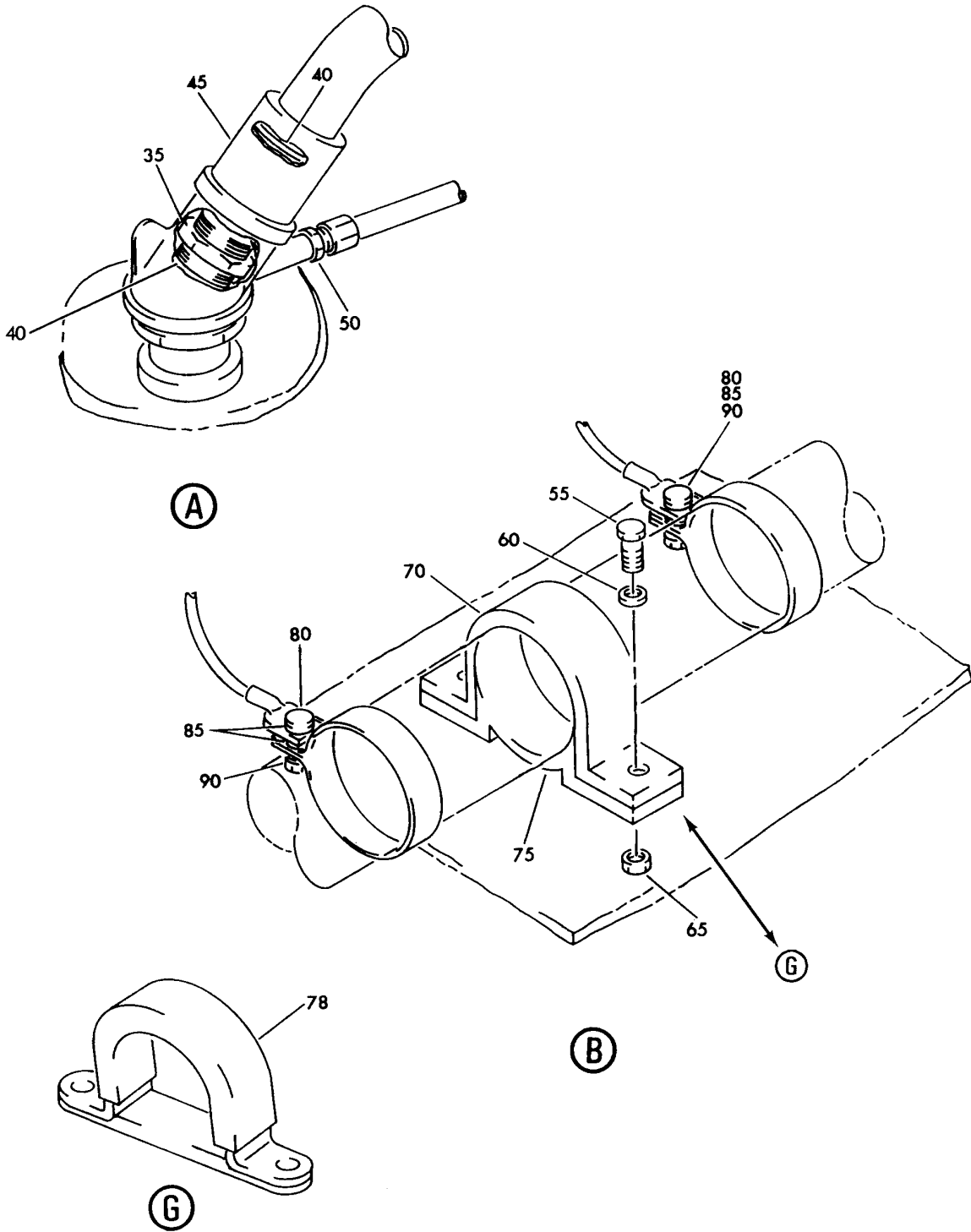
FEED INSTL-BODY SECT. 44 APU  
FIGURE 3 (SHEET 1)

**28-25-05-03**

BRI  
MAY 28/07

28-25-05-03  
PAGE 0

**BOEING**  
757  
PARTS CATALOG (MAINTENANCE)



Y 28250503 SHT 2 REV 201

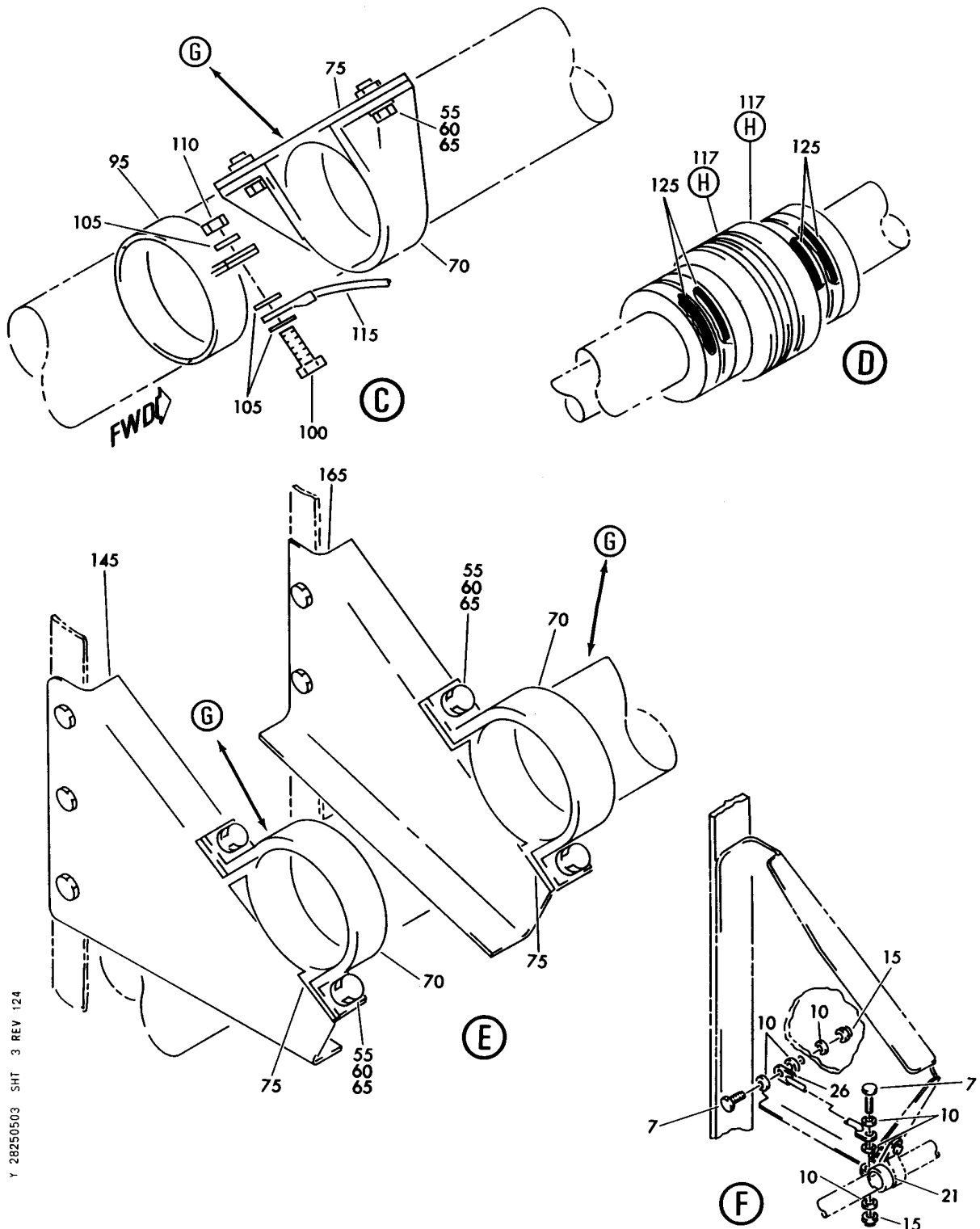
FEED INSTL-BODY SECT. 44 APU  
FIGURE 3 (SHEET 2)

**28-25-05-03**

BRI  
MAY 28/07

28-25-05-03  
PAGE 0A

**BOEING**  
757  
PARTS CATALOG (MAINTENANCE)



Y 28250503 SHT 3 REV 124

FEED INSTL-BODY SECT. 44 APU  
FIGURE 3 (SHEET 3)

**28-25-05-03**

BRI  
MAY 28/07

28-25-05-03  
PAGE 0B



757

PARTS CATALOG (MAINTENANCE)

| FIG ITEM | PART NUMBER | 1 2 3 4 5 6 7 | NOMENCLATURE  | EFFECT FROM TO                                 | UNITS PER ASSY |
|----------|-------------|---------------|---|--|----------------|
| 3        |             |               | FEED INSTL-BODY SECT. 44<br>APU   | 002004<br>006100<br>107107<br>121503<br>904999 |                |
| - 1      | 346N4001-2  |               | FEED INSTL-APU<br>POSITION DATA:<br>BODY SECT. 44<br>FOR NHA SEE:<br>28-25-05-02  | 002004<br>006100<br>107107<br>121503<br>904999 | RF             |
| 7        | NAS1801-3-8 |               | .SCREW-   | 002004<br>006100<br>107107<br>121503<br>904999 | 2              |
| 10       | AN960D10L   |               | .WASHER   | 002004<br>006100<br>107107<br>121503<br>904999 | 6              |
| 15       | BRH10A3     |               | .NUT<br>SUPPLIER CODE:<br>V52828<br>SPECIFICATION NUMBER:<br>BACN10JC3<br>OPTIONAL PART:<br>H10-3BAC<br>V15653<br>NS202101-02<br>V80539<br>RMLH9075-3W<br>V72962<br>VN303A02<br>V92215<br>96-02<br>V80539<br>T6S1032J<br>V11815 | 002004<br>006100<br>107107<br>121503<br>904999 | 2              |
| 21       | AN735D8     |               | .CLAMP  | 002004<br>006100<br>107107<br>121503<br>904999 | 1              |

MISSING ITEM NUMBERS NOT APPLICABLE

- ITEM NOT ILLUSTRATED

BRI

28-25-05-03

28-25-05  
FIG. 03  
PAGE 1  
JAN 20/09



757

PARTS CATALOG (MAINTENANCE)

| FIG ITEM | PART NUMBER | 1 2 3 4 5 6 7 | NOMENCLATURE   | EFFECT FROM TO                                 | UNITS PER ASSY |
|----------|-------------|---------------|--|--|----------------|
| 3        | 26          | 740A20-3      | . JUMPER ASSY<br>SUPPLIER CODE:<br>V91812<br>SPECIFICATION NUMBER:<br>BACJ40A20-3<br>OPTIONAL PART:<br>TJEJ40A20-3<br>V33483<br>RBEJ20-3<br>V1GK47 | 002004<br>006100<br>107107<br>121503<br>904999 | 1              |
|          | 35          | MS21916D12-10 | . UNION  | 002004<br>006100<br>107107<br>121503<br>904999 | 1              |
|          | 40          | MS29512-12    | . PACKING  | 002004<br>006100<br>107107<br>121503<br>904999 | 1              |
|          | 45          | TC016         | . FITTING-FLEX<br>SUPPLIER CODE:<br>V24984<br>SPECIFICATION NUMBER:<br>60B92409-12   | 002004<br>006100<br>107107<br>121503<br>904999 | 1              |
|          | 50          | MS21916D8-6   | . REDUCER  | 002004<br>006100<br>107107<br>121503<br>904999 | 1              |
|          | 55          | NAS1801-3-8   | . SCREW-   | 002004<br>006100<br>107107<br>121503<br>904999 | 18             |
|          | 60          | AN960PD10L    | . WASHER   | 002004<br>006100<br>107107<br>121503<br>904999 | 18             |

MISSING ITEM NUMBERS NOT APPLICABLE

- ITEM NOT ILLUSTRATED

BRI

28-25-05-03

28-25-05  
FIG. 03  
PAGE 2  
JAN 20/09





757

PARTS CATALOG (MAINTENANCE)

| FIG ITEM | PART NUMBER  | 1 2 3 4 5 6 7  | NOMENCLATURE  | EFFECT FROM TO                                 | UNITS PER ASSY |
|----------|--------------|----------------|---|--|----------------|
| 3<br>65  | BRH10A3      | .NUT           | SUPPLIER CODE:<br>V52828<br>SPECIFICATION NUMBER:<br>BACN10JC3<br>OPTIONAL PART:<br>H10-3BAC<br>V15653<br>NS202101-02<br>V80539<br>RMLH9075-3W<br>V72962<br>VN303A02<br>V92215<br>96-02<br>V80539<br>T6S1032J<br>V11815   | 002004<br>006100<br>107107<br>121503<br>904999 | 18             |
| 70       | BACC10EW24A  | .CLAMP STRAP-  | QUALIFIED OPTIONAL DATA:<br>(BACC10EW24A TOGETHER<br>WITH BACC10EW24B ARE<br>OPTIONAL TO BACC10CC24)  | 002004<br>006100<br>107107<br>121503<br>904999 | 9              |
| 75       | BACC10EW24B  | .CLAMP SADDLE- | QUALIFIED OPTIONAL DATA:<br>(BACC10EW24A TOGETHER<br>WITH BACC10EW24B ARE<br>OPTIONAL TO BACC10CC24)  | 002004<br>006100<br>107107<br>121503<br>904999 | 9              |
| 78       | 421-24       | .CLAMP-        | SUPPLIER CODE:<br>V83930<br>SPECIFICATION NUMBER:<br>BACC10CC24<br>OPTIONAL PART:<br>JM44SC15D24T<br>V22175<br>TA04C36-03<br>V84971<br>421A24<br>V83930<br>QUALIFIED OPTIONAL DATA:<br>(BACC10EW24A TOGETHER<br>WITH BACC10EW24B ARE<br>OPTIONAL TO BACC10CC24) | 002004<br>006100<br>107107<br>121503<br>904999 | 9              |
| 80       | NAS1801-3-11 | .SCREW         |   | 002004<br>006100<br>107107<br>121503<br>904999 | 1              |

MISSING ITEM NUMBERS NOT APPLICABLE

- ITEM NOT ILLUSTRATED

28-25-05-03

28-25-05  
FIG. 03  
PAGE 3  
JAN 20/09

BRI



757

PARTS CATALOG (MAINTENANCE)

| FIG ITEM | PART NUMBER | 1 2 3 4 5 6 7 | NOMENCLATURE  | EFFECT FROM TO                                 | UNITS PER ASSY |
|----------|-------------|---------------|---|--|----------------|
| 3        | 85          | AN960D10L     | .WASHER   | 002004<br>006100<br>107107<br>121503<br>904999 | 4              |
|          | 90          | BRH10A3       | .NUT<br>SUPPLIER CODE:<br>V52828<br>SPECIFICATION NUMBER:<br>BACN10JC3<br>OPTIONAL PART:<br>H10-3BAC<br>V15653<br>NS202101-02<br>V80539<br>RMLH9075-3W<br>V72962<br>VN303A02<br>V92215<br>96-02<br>V80539<br>T6S1032J<br>V11815 | 002004<br>006100<br>107107<br>121503<br>904999 | 1              |
|          | 95          | AN735D24      | .CLAMP  | 002004<br>006100<br>107107<br>121503<br>904999 | 1              |
|          | 100         | NAS1801-3-10  | .SCREW  | 002004<br>006100<br>107107<br>121503<br>904999 | 1              |
|          | 105         | AN960PD10L    | .WASHER   | 002004<br>006100<br>107107<br>121503<br>904999 | 3              |

MISSING ITEM NUMBERS NOT APPLICABLE

- ITEM NOT ILLUSTRATED

28-25-05-03

28-25-05  
FIG. 03  
PAGE 4  
JAN 20/09

BRI



757

PARTS CATALOG (MAINTENANCE)

| FIG ITEM | PART NUMBER | 1 2 3 4 5 6 7 | NOMENCLATURE   | EFFECT FROM TO                                 | UNITS PER ASSY |
|----------|-------------|---------------|--|--|----------------|
| 3<br>110 | BRH10A3     | .             | NUT<br>SUPPLIER CODE:<br>V52828<br>SPECIFICATION NUMBER:<br>BACN10JC3<br>OPTIONAL PART:<br>H10-3BAC<br>V15653<br>NS202101-02<br>V80539<br>RMLH9075-3W<br>V72962<br>VN303A02<br>V92215<br>96-02<br>V80539<br>T6S1032J<br>V11815 | 002004<br>006100<br>107107<br>121503<br>904999 | 1              |
| 115      | 740A20-6    | .             | JUMPER ASSY<br>SUPPLIER CODE:<br>V91812<br>SPECIFICATION NUMBER:<br>BACJ40A20-6<br>OPTIONAL PART:<br>TJEJ40A20-6<br>V33483<br>RBEJ20-6<br>V1GK47   | 002004<br>006100<br>107107<br>121503<br>904999 | 1              |
| 117      | BACC42R24   | .             | COUPLING ASSY<br>SUPPLIER CODE:<br>V79326<br>SPECIFICATION NUMBER:<br>BACC42R24  | 002004<br>006100<br>107107<br>121503<br>904999 | 2              |
| 118      | BACN10KL24  | ..            | NUT ASSY   | 002004<br>006100<br>107107<br>121503<br>904999 | 1              |
| 119      | BACR12BN24  | ..            | RING   | 002004<br>006100<br>107107<br>121503<br>904999 | 2              |
| 120      | BACR10AD24  | ..            | RETAINER   | 002004<br>006100<br>107107<br>121503<br>904999 | 2              |

MISSING ITEM NUMBERS NOT APPLICABLE

- ITEM NOT ILLUSTRATED

28-25-05-03

28-25-05  
FIG. 03  
PAGE 5  
JAN 20/09

BRI

BOEING PROPRIETARY - Copyright © - Unpublished Work - See title page for details.



757

PARTS CATALOG (MAINTENANCE)

| FIG ITEM | PART NUMBER | 1 2 3 4 5 6 7 | NOMENCLATURE  | EFFECT FROM TO                                 | UNITS PER ASSY |
|----------|-------------|---------------|---|--|----------------|
| 3        |             |               |   |  |                |
| 121      | S3052-24    | ..            | FERRULE<br>SUPPLIER CODE:<br>V79326<br>SPECIFICATION NUMBER:<br>BACF32E24<br>OPTIONAL PART:<br>63052-24<br>V79326 | 002004<br>006100<br>107107<br>121503<br>904999 | 2              |
| 122      | BACC42P24   | ..            | BODY  | 002004<br>006100<br>107107<br>121503<br>904999 | 1              |
| 125      | MS29513-326 | .             | PACKING   | 002004<br>006100<br>107107<br>121503<br>904999 | 4              |
| 130      | 346N2002-1  | .             | TUBE ASSY   | 002004<br>006100<br>107107<br>121503<br>904999 | 1              |
| 135      | 346N4001-5  | .             | TUBE ASSY-<br>TUBING MATERIAL:<br>1.5 IN. OD .025 IN.<br>WALL 138.8 IN. LG<br>WW-T-700/6 6061 T4<br>TUBING        | 002004<br>006100<br>107107<br>121503<br>904999 | 1              |
| 145      | 346N2007-3  | .             | BRACKET ASSY  | 002004<br>006100<br>107107<br>121503<br>904999 | 1              |
| - 150    | NAS6603-2   |               | ATTACHING PARTS<br>.BOLT-   | 002004<br>006100<br>107107<br>121503<br>904999 | 6              |
| - 155    | AN960PD10L  | .             | WASHER  | 002004<br>006100<br>107107<br>121503<br>904999 | 6              |

MISSING ITEM NUMBERS NOT APPLICABLE

- ITEM NOT ILLUSTRATED

BRI

28-25-05-03

28-25-05  
FIG. 03  
PAGE 6  
JAN 20/09



757

PARTS CATALOG (MAINTENANCE)

| FIG ITEM   | PART NUMBER | 1 2 3 4 5 6 7 | NOMENCLATURE   | EFFECT FROM TO                                 | UNITS PER ASSY |
|------------|-------------|---------------|--|--|----------------|
| 3<br>- 160 | BRH10A3     |               | .NUT<br>SUPPLIER CODE:<br>V52828<br>SPECIFICATION NUMBER:<br>BACN10JC3<br>OPTIONAL PART:<br>H10-3BAC<br>V15653<br>NS202101-02<br>V80539<br>RMLH9075-3W<br>V72962<br>VN303A02<br>V92215<br>96-02<br>V80539<br>T6S1032J<br>V11815<br>-----*----- | 002004<br>006100<br>107107<br>121503<br>904999 | 6              |
| 165        | 346N2007-9  |               | .BRACKET ASSY  | 002004<br>006100<br>107107<br>121503<br>904999 | 1              |
| - 170      | NAS6603-2   |               | ATTACHING PARTS<br>.BOLT-  | 002004<br>006100<br>107107<br>121503<br>904999 | 2              |
| - 175      | AN960PD10L  |               | .WASHER  | 002004<br>006100<br>107107<br>121503<br>904999 | 2              |

MISSING ITEM NUMBERS NOT APPLICABLE

- ITEM NOT ILLUSTRATED

28-25-05-03

28-25-05  
FIG. 03  
PAGE 7  
JAN 20/09

BRI



757

PARTS CATALOG (MAINTENANCE)

| FIG<br>ITEM | PART NUMBER | 1 2 3 4 5 6 7<br>NOMENCLATURE  | EFFECT<br>FROM TO                              | UNITS<br>PER<br>ASSY |
|-------------|-------------|--|--|----------------------|
| 3<br>- 180  | BRH10A3     | .NUT<br>SUPPLIER CODE:<br>V52828<br>SPECIFICATION NUMBER:<br>BACN10JC3<br>OPTIONAL PART:<br>H10-3BAC<br>V15653<br>NS202101-02<br>V80539<br>RMLH9075-3W<br>V72962<br>VN303A02<br>V92215<br>96-02<br>V80539<br>T6S1032J<br>V11815<br>-----*----- | 002004<br>006100<br>107107<br>121503<br>904999 | 2                    |

MISSING ITEM NUMBERS NOT APPLICABLE

- ITEM NOT ILLUSTRATED

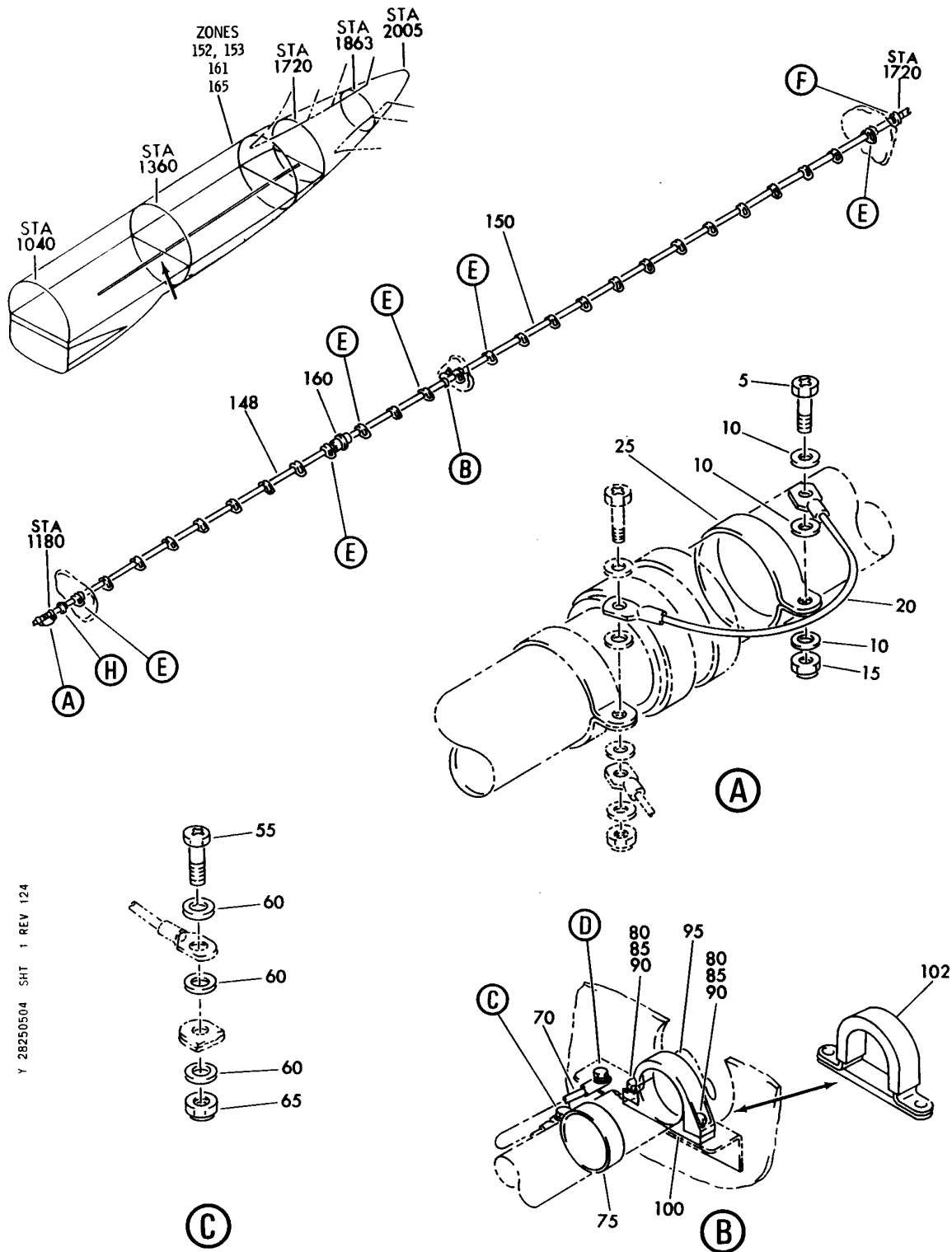
BRI

28-25-05-03

BOEING PROPRIETARY - Copyright © - Unpublished Work - See title page for details.

28-25-05  
FIG. 03  
PAGE 8  
JAN 20/09

**BOEING**  
757  
PARTS CATALOG (MAINTENANCE)



Y 28250504 SHT 1 REV 124

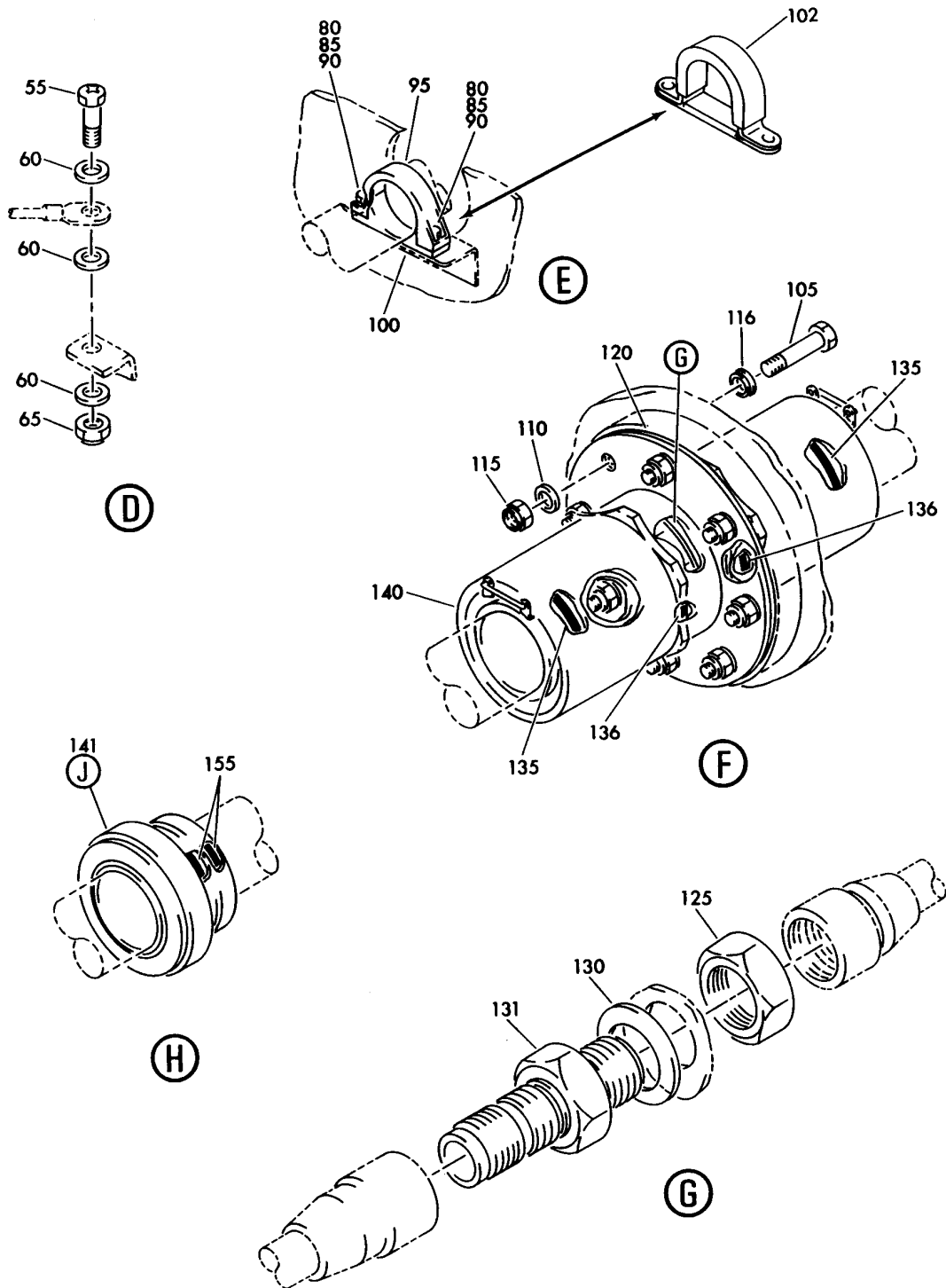
FEED INSTL-BODY SECT. 46 APU  
FIGURE 4 (SHEET 1)

**28-25-05-04**

BRI  
MAY 28/07

28-25-05-04  
PAGE 0

**BOEING**  
757  
PARTS CATALOG (MAINTENANCE)



Y 28250504 SHT 2 REV 124

FEED INSTL-BODY SECT. 46 APU  
FIGURE 4 (SHEET 2)

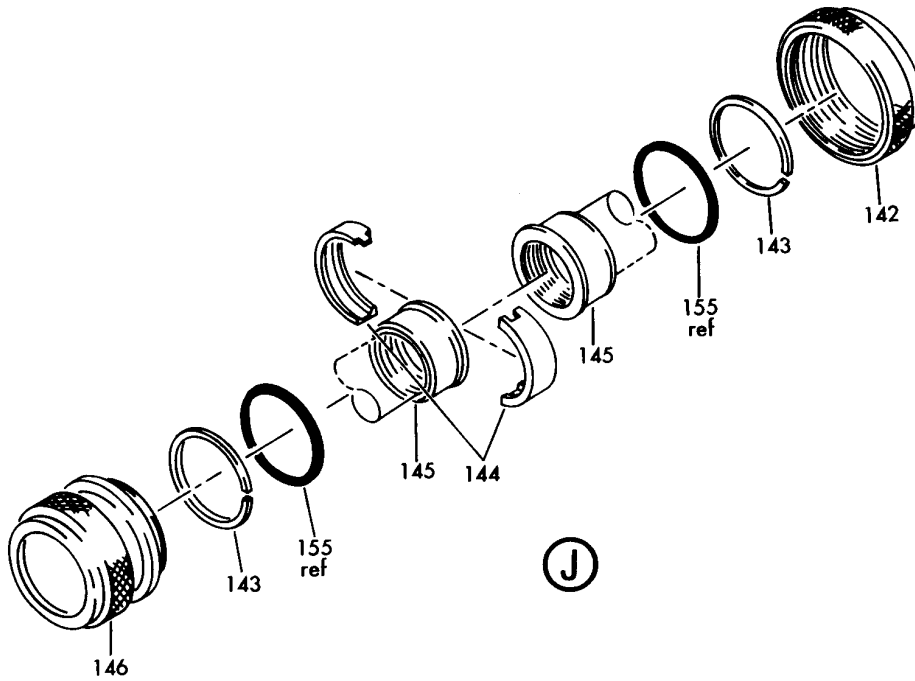
**28-25-05-04**

BRI  
MAY 28/07

28-25-05-04  
PAGE 0A



**BOEING**  
757  
PARTS CATALOG (MAINTENANCE)



Y 28250504 SHT 3 REV 124

FEED INSTL-BODY SECT. 46 APU  
FIGURE 4 (SHEET 3)

**28-25-05-04**

BRI  
MAY 28/07

28-25-05-04  
PAGE 0B



757

PARTS CATALOG (MAINTENANCE)

| FIG ITEM | PART NUMBER  | 1 2 3 4 5 6 7 | NOMENCLATURE  | EFFECT FROM TO                                 | UNITS PER ASSY |
|----------|--------------|---------------|---|--|----------------|
| 4        |              |               | FEED INSTL-BODY SECT. 46<br>APU   | 002004<br>006100<br>107107<br>121503<br>904999 |                |
| - 1      | 346N4001-42  |               | FEED INSTL-APU<br>POSITION DATA:<br>BODY SECT. 46<br>FOR NHA SEE:<br>28-25-05-02  | 006100<br>121503<br>950951<br>953999           | RF             |
| - 1      | 346N4001-24  |               | FEED INSTL-APU<br>POSITION DATA:<br>BODY SECT. 46<br>FOR NHA SEE:<br>28-25-05-02  | 107107<br>904949<br>952952                     | RF             |
| - 1      | 346N4001-45  |               | FEED INSTL-APU<br>POSITION DATA:<br>BODY SECT. 46<br>FOR NHA SEE:<br>28-25-05-02  | 002004   | RF             |
| 5        | NAS1801-3-10 |               | .SCREW  | 002004<br>006100<br>107107<br>121503<br>904999 | 1              |
| 10       | AN960PD10L   |               | .WASHER   | 002004<br>006100<br>107107<br>121503<br>904999 | 3              |
| 15       | BRH10A3      |               | .NUT<br>SUPPLIER CODE:<br>V52828<br>SPECIFICATION NUMBER:<br>BACN10JC3<br>OPTIONAL PART:<br>H10-3BAC<br>V15653<br>NS202101-02<br>V80539<br>RMLH9075-3W<br>V72962<br>VN303A02<br>V92215<br>96-02<br>V80539<br>T6S1032J<br>V11815 | 002004<br>006100<br>107107<br>121503<br>904999 | 1              |

MISSING ITEM NUMBERS NOT APPLICABLE

- ITEM NOT ILLUSTRATED

28-25-05-04

28-25-05  
FIG. 04  
PAGE 1  
JAN 20/09

BRI



757

PARTS CATALOG (MAINTENANCE)

| FIG ITEM | PART NUMBER | 1 2 3 4 5 6 7 | NOMENCLATURE   | EFFECT FROM TO                                 | UNITS PER ASSY |
|----------|-------------|---------------|--|--|----------------|
| 4        | 20          | 740A20-6      | . JUMPER ASSY<br>SUPPLIER CODE:<br>V91812<br>SPECIFICATION NUMBER:<br>BACJ40A20-6<br>OPTIONAL PART:<br>TJEJ40A20-6<br>V33483<br>RBEJ20-6<br>V1GK47   | 002004<br>006100<br>107107<br>121503<br>904999 | 1              |
|          | 25          | AN735D24      | . CLAMP  | 002004<br>006100<br>107107<br>121503<br>904999 | 1              |
|          | 55          | NAS1801-3-10  | . SCREW  | 002004<br>006100<br>107107<br>121503<br>904999 | 2              |
|          | 60          | AN960PD10L    | . WASHER   | 002004<br>006100<br>107107<br>121503<br>904999 | 6              |
|          | 65          | BRH10A3       | . NUT<br>SUPPLIER CODE:<br>V52828<br>SPECIFICATION NUMBER:<br>BACN10JC3<br>OPTIONAL PART:<br>H10-3BAC<br>V15653<br>NS202101-02<br>V80539<br>RMLH9075-3W<br>V72962<br>VN303A02<br>V92215<br>96-02<br>V80539<br>T6S1032J<br>V11815 | 002004<br>006100<br>107107<br>121503<br>904999 | 2              |

MISSING ITEM NUMBERS NOT APPLICABLE

- ITEM NOT ILLUSTRATED

BRI

28-25-05-04

28-25-05  
FIG. 04  
PAGE 2  
JAN 20/09



757

PARTS CATALOG (MAINTENANCE)

| FIG ITEM | PART NUMBER    | 1 2 3 4 5 6 7 | NOMENCLATURE   | EFFECT FROM TO                                 | UNITS PER ASSY |
|----------|----------------|---------------|--|--|----------------|
| 4        | 70 740A20-6    |               | . JUMPER ASSY<br>SUPPLIER CODE:<br>V91812<br>SPECIFICATION NUMBER:<br>BACJ40A20-6<br>OPTIONAL PART:<br>TJEJ40A20-6<br>V33483<br>RBEJ20-6<br>V1GK47   | 002004<br>006100<br>107107<br>121503<br>904999 | 1              |
|          | 75 AN735D24    |               | . CLAMP  | 002004<br>006100<br>107107<br>121503<br>904999 | 1              |
|          | 80 NAS1801-3-8 |               | . SCREW-   | 002004<br>006100<br>107107<br>121503<br>904999 | 52             |
|          | 85 AN960PD10L  |               | . WASHER   | 002004<br>006100<br>107107<br>121503<br>904999 | 52             |
|          | 90 BRH10A3     |               | . NUT<br>SUPPLIER CODE:<br>V52828<br>SPECIFICATION NUMBER:<br>BACN10JC3<br>OPTIONAL PART:<br>H10-3BAC<br>V15653<br>NS202101-02<br>V80539<br>RMLH9075-3W<br>V72962<br>VN303A02<br>V92215<br>96-02<br>V80539<br>T6S1032J<br>V11815 | 002004<br>006100<br>107107<br>121503<br>904999 | 52             |
|          | 95 BACC10EW24A |               | . CLAMP STRAP-<br>QUALIFIED OPTIONAL DATA:<br>(BACC10EW24A TOGETHER<br>WITH BACC10EW24B ARE<br>OPTIONAL TO BACC10CC24)   | 002004<br>006100<br>107107<br>121503<br>904999 | 26             |

MISSING ITEM NUMBERS NOT APPLICABLE

- ITEM NOT ILLUSTRATED

28-25-05-04

28-25-05  
FIG. 04  
PAGE 3  
JAN 20/09

BRI



757

PARTS CATALOG (MAINTENANCE)

| FIG ITEM | PART NUMBER | 1 2 3 4 5 6 7 | NOMENCLATURE   | EFFECT FROM TO                                 | UNITS PER ASSY |
|----------|-------------|---------------|--|--|----------------|
| 4<br>100 | BACC10EW24B |               | .CLAMP SADDLE-<br>QUALIFIED OPTIONAL DATA:<br>(BACC10EW24A TOGETHER<br>WITH BACC10EW24B ARE<br>OPTIONAL TO BACC10CC24)   | 002004<br>006100<br>107107<br>121503<br>904999 | 26             |
| 102      | 421-24      |               | .CLAMP-<br>SUPPLIER CODE:<br>V83930<br>SPECIFICATION NUMBER:<br>BACC10CC24<br>OPTIONAL PART:<br>JM44SC15D24T<br>V22175<br>TA04C36-03<br>V84971<br>421A24<br>V83930<br>QUALIFIED OPTIONAL DATA:<br>(BACC10EW24A TOGETHER<br>WITH BACC10EW24B ARE<br>OPTIONAL TO BACC10CC24) | 002004<br>006100<br>107107<br>121503<br>904999 | 26             |
| 105      | NAS6604-4   |               | .BOLT-   | 002004<br>006100<br>107107<br>121503<br>904999 | 8              |
| 110      | AN960PD416L |               | .WASHER  | 002004<br>006100<br>107107<br>121503<br>904999 | 8              |
| 115      | BRH10A4     |               | .NUT<br>SUPPLIER CODE:<br>V52828<br>SPECIFICATION NUMBER:<br>BACN10JC4<br>OPTIONAL PART:<br>T6S428J<br>V11815<br>96-048<br>V80539<br>VN303A048<br>V92215<br>RMLH9075-4W<br>V72962<br>NS202101-048<br>V80539<br>H10-4BAC<br>V15653  | 002004<br>006100<br>107107<br>121503<br>904999 | 8              |

MISSING ITEM NUMBERS NOT APPLICABLE

- ITEM NOT ILLUSTRATED

28-25-05-04

28-25-05  
FIG. 04  
PAGE 4  
JAN 20/09

BRI

 **BOEING**  
757  
**PARTS CATALOG (MAINTENANCE)**

| FIG<br>ITEM | PART NUMBER | 1 2 3 4 5 6 7 | NOMENCLATURE  | EFFECT<br>FROM TO                              | UNITS<br>PER<br>ASSY |
|-------------|-------------|---------------|---|--|----------------------|
| 4<br>116    | NAS1523C4R  |               | .PACKING WITH RETAINER  | 002004<br>006100<br>107107<br>121503<br>904999 | 8                    |
| 120         | 40345       |               | .SEAL-<br>SUPPLIER CODE:<br>V98159<br>OPTIONAL PART:<br>678782<br>V83259          | 002004<br>006100<br>107107<br>121503<br>904999 | 1                    |
| 120         | 678782      |               | .SEAL-<br>SUPPLIER CODE:<br>V83259<br>OPTIONAL PART:<br>40345<br>V98159           | 002004<br>006100<br>107107<br>121503<br>904999 | 1                    |
| 125         | BACN10DR10D |               | .NUT  | 002004<br>006100<br>107107<br>121503<br>904999 | 1                    |
| 130         | BACW10P59AL |               | .WASHER   | 002004<br>006100<br>107107<br>121503<br>904999 | 1                    |
| 131         | MS21924D10  |               | .UNION  | 002004<br>006100<br>107107<br>121503<br>904999 | 1                    |
| 135         | MS29513-328 |               | .PACKING  | 002004<br>006100<br>107107<br>121503<br>904999 | 2                    |
| 136         | MS29512-28  |               | .PACKING-   | 002004<br>006100<br>107107<br>121503<br>904999 | 2                    |
| 140         | TC018       |               | .FITTING-FLEX<br>SUPPLIER CODE:<br>V24984<br>SPECIFICATION NUMBER:<br>60B92409-13 | 002004<br>006100<br>107107<br>121503<br>904999 | 1                    |

MISSING ITEM NUMBERS NOT APPLICABLE

— ITEM NOT ILLUSTRATED

BRI

# 28-25-05-04

BOEING PROPRIETARY - Copyright © - Unpublished Work - See title page for details.

28-25-05  
FIG. 04  
PAGE 5  
JAN 20/09



757

PARTS CATALOG (MAINTENANCE)

| FIG ITEM | PART NUMBER | 1 2 3 4 5 6 7 | NOMENCLATURE   | EFFECT FROM TO                                 | UNITS PER ASSY |
|----------|-------------|---------------|--|--|----------------|
| 4        |             |               |  |  |                |
| 141      | BACC42R24   | .             | COUPLING ASSY-<br>SUPPLIER CODE:<br>V79326<br>SPECIFICATION NUMBER:<br>BACC42R24   | 002004<br>006100<br>107107<br>121503<br>904999 | 1              |
| 142      | BACN10KL24  | ..            | NUT ASSY   | 002004<br>006100<br>107107<br>121503<br>904999 | 1              |
| 143      | BACR12BN24  | ..            | RING   | 002004<br>006100<br>107107<br>121503<br>904999 | 2              |
| 144      | BACR10AD24  | ..            | RETAINER   | 002004<br>006100<br>107107<br>121503<br>904999 | 2              |
| 145      | S3052-24    | ..            | FERRULE<br>SUPPLIER CODE:<br>V79326<br>SPECIFICATION NUMBER:<br>BACF32E24<br>OPTIONAL PART:<br>63052-24<br>V79326              | 002004<br>006100<br>107107<br>121503<br>904999 | 2              |
| 146      | BACC42P24   | ..            | BODY   | 002004<br>006100<br>107107<br>121503<br>904999 | 1              |
| 148      | 346N4001-6  | .             | TUBE ASSY-<br>OPTIONAL PART:<br>346N4001-39  | 107107<br>904949<br>952952                     | 1              |
| 148      | 346N4001-39 | .             | TUBE ASSY-<br>TUBING MATERIAL:<br>1.5 IN. OD X .025 IN.<br>WALL 179.3 LG<br>WW-T-700/6 6061 T4<br>OPTIONAL PART:<br>346N4001-6 | 006100<br>107107<br>121503<br>904999           | 1              |
| 148      | 346N4001-46 | .             | TUBE ASSY-<br>TUBING MATERIAL:<br>1.5 IN. OD X .025 IN.<br>WALL 179.25<br>WW-T-700/6 6061 T4                                   | 002004   | 1              |

MISSING ITEM NUMBERS NOT APPLICABLE

- ITEM NOT ILLUSTRATED

28-25-05-04

28-25-05  
FIG. 04  
PAGE 6  
JAN 20/09

BRI



757

PARTS CATALOG (MAINTENANCE)

| FIG ITEM | PART NUMBER | 1 2 3 4 5 6 7         | NOMENCLATURE | EFFECT FROM TO | UNITS PER ASSY |
|----------|-------------|-----------------------|--------------|----------------|----------------|
| 4        |             |                       |              |                |                |
| 150      | 346N4001-7  | . TUBE ASSY-          |              | 107107         | 1              |
|          |             | OPTIONAL PART:        |              | 904949         |                |
|          |             | 346N4001-40           |              | 952952         |                |
| 150      | 346N4001-40 | . TUBE ASSY-          |              | 107107         | 1              |
|          |             | OPTIONAL PART:        |              | 904949         |                |
|          |             | 346N4001-7            |              | 952952         |                |
| 150      | 346N4001-43 | . TUBE ASSY           |              | 006100         | 1              |
|          |             |                       |              | 121503         |                |
|          |             |                       |              | 950951         |                |
|          |             |                       |              | 953999         |                |
| 150      | 346N4001-44 | . TUBE ASSY-          |              | 006100         | 1              |
|          |             |                       |              | 121503         |                |
|          |             |                       |              | 950951         |                |
|          |             |                       |              | 953999         |                |
| 150      | 346N4001-47 | . TUBE ASSY-          |              | 002004         | 1              |
| 150      | 346N4001-56 | . TUBE ASSY           |              | 002004         | 1              |
|          |             |                       |              | 107107         |                |
|          |             |                       |              | 904949         |                |
|          |             |                       |              | 952952         |                |
| 155      | MS29513-326 | . PACKING-            |              | 002004         | 2              |
|          |             |                       |              | 006100         |                |
|          |             |                       |              | 107107         |                |
|          |             |                       |              | 121503         |                |
|          |             |                       |              | 904999         |                |
| 160      | TC015       | . FITTING-FLEX        |              | 002004         | 1              |
|          |             | SUPPLIER CODE:        |              | 006100         |                |
|          |             | V24984                |              | 107107         |                |
|          |             | SPECIFICATION NUMBER: |              | 121503         |                |
|          |             | 60B92409-11           |              | 904999         |                |

MISSING ITEM NUMBERS NOT APPLICABLE

- ITEM NOT ILLUSTRATED

BRI

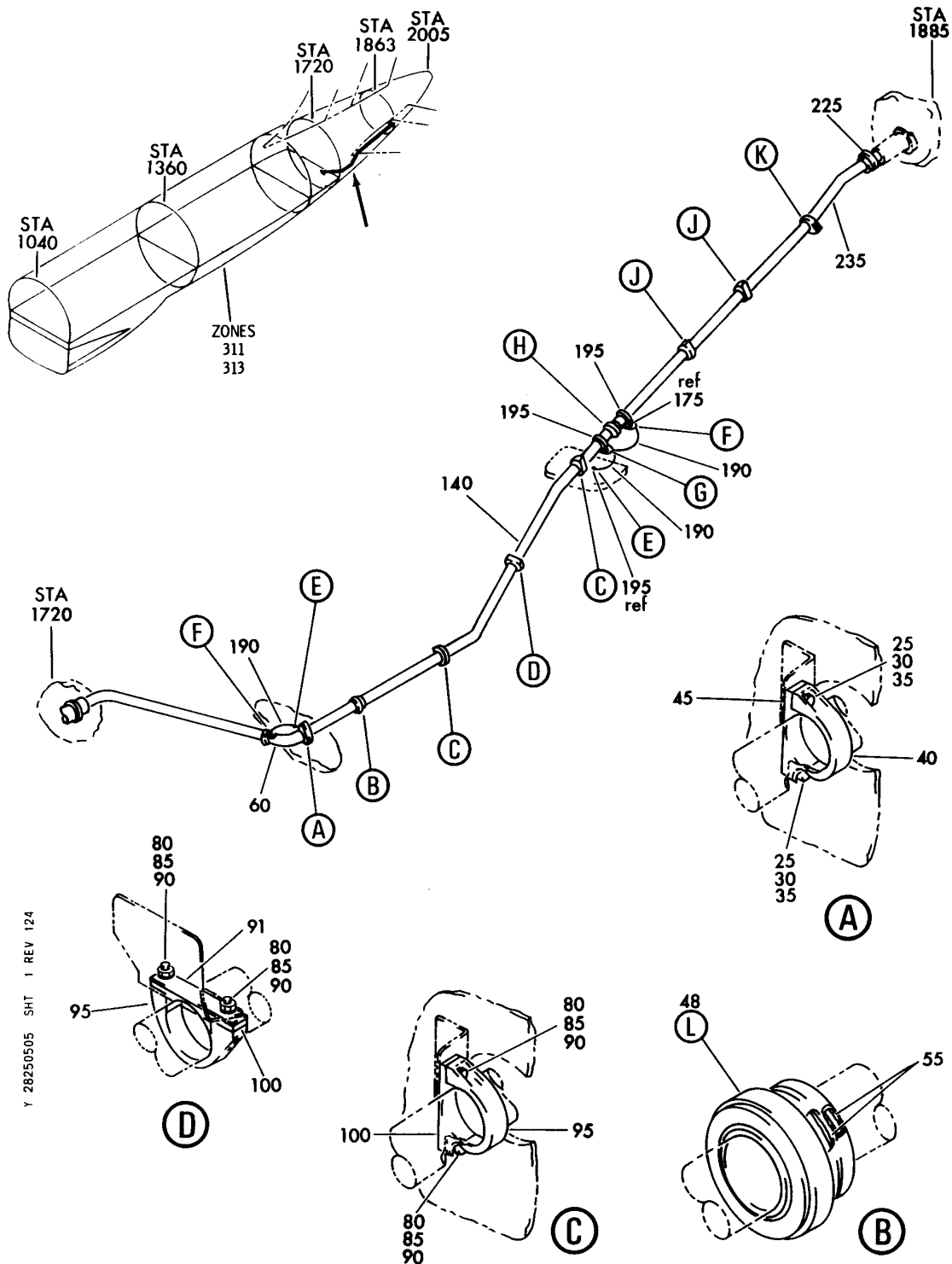
28-25-05-04

BOEING PROPRIETARY - Copyright © - Unpublished Work - See title page for details.

28-25-05  
FIG. 04  
PAGE 7  
JAN 20/09



**BOEING**  
757  
PARTS CATALOG (MAINTENANCE)



Y 28250505 SHT 1 REV 124

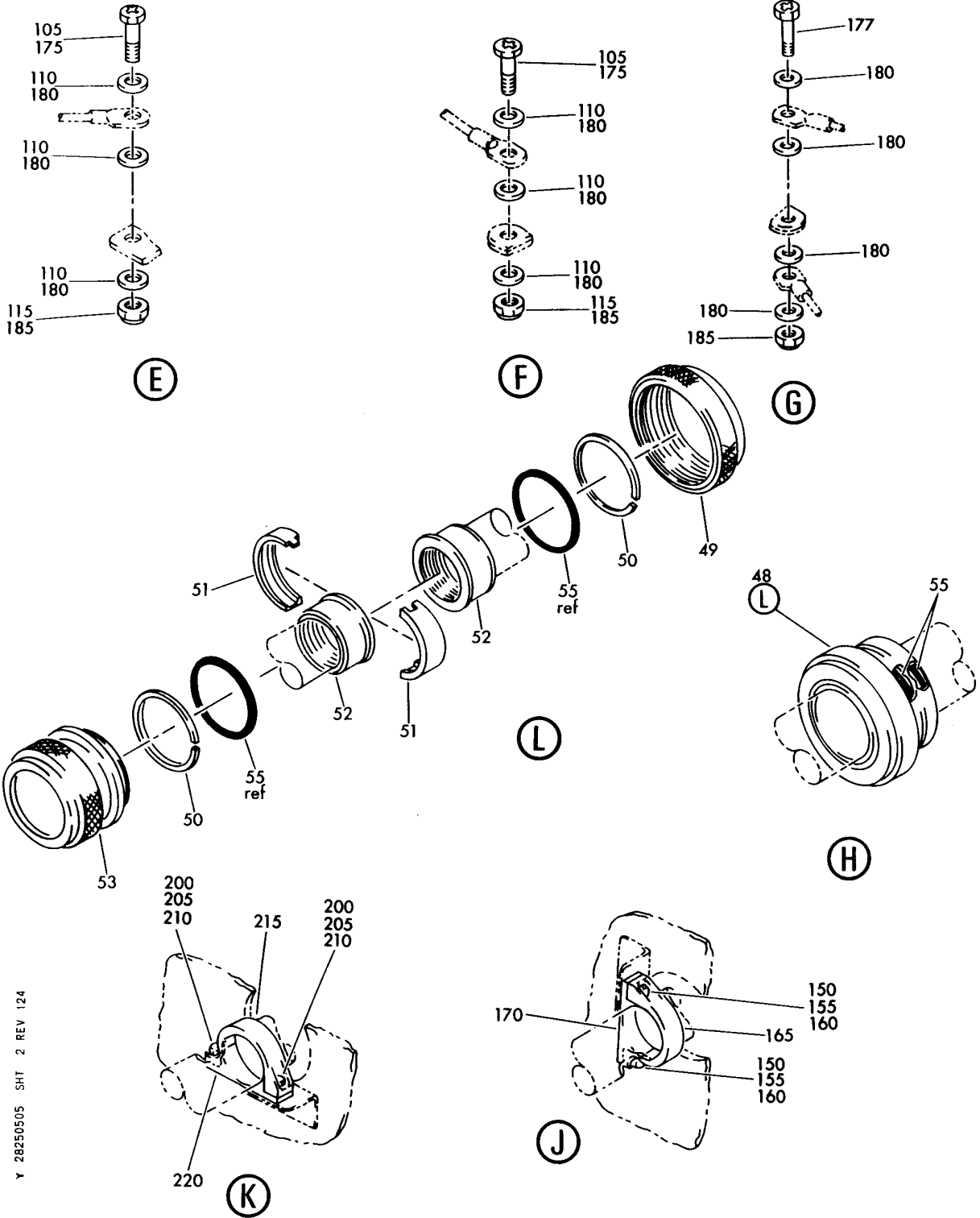
FEED INSTL-BODY SECT. 48 APU  
FIGURE 5 (SHEET 1)

**28-25-05-05**

BRI  
MAY 28/07

28-25-05-05  
PAGE 0

**BOEING**  
757  
PARTS CATALOG (MAINTENANCE)



Y 28250505 SH1 2 REV 124

FEED INSTL-BODY SECT. 48 APU  
FIGURE 5 (SHEET 2)

**28-25-05-05**

BRI  
MAY 28/07

28-25-05-05  
PAGE 0A



757

PARTS CATALOG (MAINTENANCE)

| FIG ITEM | PART NUMBER  | 1 2 3 4 5 6 7 | NOMENCLATURE  | EFFECT FROM TO                                 | UNITS PER ASSY |
|----------|--------------|---------------|---|--|----------------|
| 5        |              |               | FEED INSTL-BODY SECT. 48<br>APU   | 002004<br>006100<br>107107<br>121503<br>904999 |                |
| - 1      | 346N4001-23  |               | FEED INSTL-BODY APU<br>POSITION DATA:<br>SECT. 48<br>FOR NHA SEE:<br>28-25-05-02  | 002004<br>006100<br>107107<br>121503<br>904999 | RF             |
| 25       | NAS1801-3-11 |               | .SCREW  | 002004<br>006100<br>107107<br>121503<br>904999 | 2              |
| 30       | AN960PD10L   |               | .WASHER   | 002004<br>006100<br>107107<br>121503<br>904999 | 2              |
| 35       | BRH10A3      |               | .NUT<br>SUPPLIER CODE:<br>V52828<br>SPECIFICATION NUMBER:<br>BACN10JC3<br>OPTIONAL PART:<br>H10-3BAC<br>V15653<br>NS202101-02<br>V80539<br>RMLH9075-3W<br>V72962<br>VN303A02<br>V92215<br>96-02<br>V80539<br>T6S1032J<br>V11815 | 002004<br>006100<br>107107<br>121503<br>904999 | 2              |
| 40       | BACC10EW24A  |               | .CLAMP STRAP  | 002004<br>006100<br>107107<br>121503<br>904999 | 1              |
| 45       | BACC10EW24B  |               | .CLAMP SADDLE   | 002004<br>006100<br>107107<br>121503<br>904999 | 1              |

MISSING ITEM NUMBERS NOT APPLICABLE

- ITEM NOT ILLUSTRATED

28-25-05-05

28-25-05  
FIG. 05  
PAGE 1  
JAN 20/09

BRI



757

PARTS CATALOG (MAINTENANCE)

| FIG ITEM | PART NUMBER | 1 2 3 4 5 6 7 | NOMENCLATURE   | EFFECT FROM TO                                 | UNITS PER ASSY |
|----------|-------------|---------------|--|--|----------------|
| 5        | 48          | BACC42R24     | . COUPLING ASSY<br>SUPPLIER CODE:<br>V79326<br>SPECIFICATION NUMBER:<br>BACC42R24                                    | 002004<br>006100<br>107107<br>121503<br>904999 | 2              |
|          | 49          | BACN10KL24    | .. NUT ASSY  | 002004<br>006100<br>107107<br>121503<br>904999 | 1              |
|          | 50          | BACR12BN24    | .. RING  | 002004<br>006100<br>107107<br>121503<br>904999 | 2              |
|          | 51          | BACR10AD24    | .. RETAINER  | 002004<br>006100<br>107107<br>121503<br>904999 | 2              |
|          | 52          | S3052-24      | .. FERRULE<br>SUPPLIER CODE:<br>V79326<br>SPECIFICATION NUMBER:<br>BACF32E24<br>OPTIONAL PART:<br>63052-24<br>V79326 | 002004<br>006100<br>107107<br>121503<br>904999 | 2              |
|          | 53          | BACC42P24     | .. BODY  | 002004<br>006100<br>107107<br>121503<br>904999 | 1              |
|          | 55          | MS29513-326   | . PACKING  | 002004<br>006100<br>107107<br>121503<br>904999 | 4              |
|          | 60          | 346N2003-3    | . TUBE ASSY-   | 002004<br>006100<br>107107<br>121503<br>904999 | 1              |

MISSING ITEM NUMBERS NOT APPLICABLE

- ITEM NOT ILLUSTRATED

BRI

28-25-05-05

28-25-05  
FIG. 05  
PAGE 2  
JAN 20/09



**757  
PARTS CATALOG (MAINTENANCE)**

| FIG ITEM | PART NUMBER  | 1 2 3 4 5 6 7 | NOMENCLATURE   | EFFECT FROM TO                                 | UNITS PER ASSY |
|----------|--------------|---------------|--|--|----------------|
| 5        |              |               |  |  |                |
| - 65     | S83052-24    | ..            | FERRULE<br>SUPPLIER CODE:<br>V79326<br>SPECIFICATION NUMBER:<br>BACF32F24<br>OPTIONAL PART:<br>TC010-24<br>V24984  | 002004<br>006100<br>107107<br>121503<br>904999 | 1              |
| - 70     | B356S28-24   | ..            | FERRULE-REDUCING<br>SUPPLIER CODE:<br>V79326   | 002004<br>006100<br>107107<br>121503<br>904999 | 1              |
| 80       | NAS1801-3-11 | .             | SCREW  | 002004<br>006100<br>107107<br>121503<br>904999 | 6              |
| 85       | AN960PD10L   | .             | WASHER   | 002004<br>006100<br>107107<br>121503<br>904999 | 6              |
| 90       | BRH10A3      | .             | NUT<br>SUPPLIER CODE:<br>V52828<br>SPECIFICATION NUMBER:<br>BACN10JC3<br>OPTIONAL PART:<br>H10-3BAC<br>V15653<br>NS202101-02<br>V80539<br>RMLH9075-3W<br>V72962<br>VN303A02<br>V92215<br>96-02<br>V80539<br>T6S1032J<br>V11815 | 002004<br>006100<br>107107<br>121503<br>904999 | 6              |
| 91       | 346N4001-19  | .             | SHIM   | 002004<br>006100<br>107107<br>121503<br>904999 | 1              |

MISSING ITEM NUMBERS NOT APPLICABLE

- ITEM NOT ILLUSTRATED

BRI

# 28-25-05-05

BOEING PROPRIETARY - Copyright © - Unpublished Work - See title page for details.

28-25-05  
FIG. 05  
PAGE 3  
JAN 20/09



757

PARTS CATALOG (MAINTENANCE)

| FIG ITEM | PART NUMBER | 1 2 3 4 5 6 7  | NOMENCLATURE  | EFFECT FROM TO                                 | UNITS PER ASSY |   |   |   |
|----------|-------------|--|---|--|----------------|---|---|---|
| 5        | 95          | BACC10EW24A  | .CLAMP STRAP  | 002004<br>006100<br>107107<br>121503<br>904999 | 3              |   |   |   |
|          | 100         | BACC10EW24B  | .CLAMP SADDLE   | 002004<br>006100<br>107107<br>121503<br>904999 |                | 3 |   |   |
|          | 105         | NAS1801-3-10   | .SCREW  | 002004<br>006100<br>107107<br>121503<br>904999 |                |   | 2 |   |
|          | 110         | AN960PD10L   | .WASHER   | 002004<br>006100<br>107107<br>121503<br>904999 |                |   |   | 6 |
|          | 115         | BRH10A3  | .NUT<br>SUPPLIER CODE:<br>V52828<br>SPECIFICATION NUMBER:<br>BACN10JC3<br>OPTIONAL PART:<br>H10-3BAC<br>V15653<br>NS202101-02<br>V80539<br>RMLH9075-3W<br>V72962<br>VN303A02<br>V92215<br>96-02<br>V80539<br>T6S1032J<br>V11815 | 002004<br>006100<br>107107<br>121503<br>904999 |                |   |   |   |
| 140      | 346N4001-17 | .TUBE ASSY-<br>TUBING MATERIAL:<br>1.5 IN. OD X .025 IN.<br>WALL 65.3 IN. LG<br>WW-T-700/6 6061 T4<br>TUBING | 002004<br>006100<br>107107<br>121503<br>904999  | 1  |                |   |   |   |

MISSING ITEM NUMBERS NOT APPLICABLE

- ITEM NOT ILLUSTRATED

BRI

28-25-05-05

BOEING PROPRIETARY - Copyright © - Unpublished Work - See title page for details.

28-25-05  
FIG. 05  
PAGE 4  
JAN 20/09



757

PARTS CATALOG (MAINTENANCE)

| FIG ITEM   | PART NUMBER  | 1 2 3 4 5 6 7 | NOMENCLATURE   | EFFECT FROM TO                                 | UNITS PER ASSY |
|------------|--------------|---------------|--|--|----------------|
| 5<br>- 142 | 63052-24     | . .           | FERRULE-<br>SUPPLIER CODE:<br>V79326<br>SPECIFICATION NUMBER:<br>AS1716D24<br>OPTIONAL PART:<br>12F63-24A<br>V24984  | 002004<br>006100<br>107107<br>121503<br>904999 | 2              |
| 150        | NAS1801-3-11 | . .           | SCREW  | 002004<br>006100<br>107107<br>121503<br>904999 | 4              |
| 155        | AN960PD10L   | . .           | WASHER   | 002004<br>006100<br>107107<br>121503<br>904999 | 4              |
| 160        | BRH10A3      | . .           | NUT<br>SUPPLIER CODE:<br>V52828<br>SPECIFICATION NUMBER:<br>BACN10JC3<br>OPTIONAL PART:<br>H10-3BAC<br>V15653<br>NS202101-02<br>V80539<br>RMLH9075-3W<br>V72962<br>VN303A02<br>V92215<br>96-02<br>V80539<br>T6S1032J<br>V11815 | 002004<br>006100<br>107107<br>121503<br>904999 | 4              |
| 165        | BACC10EW24A  | . .           | CLAMP STRAP  | 002004<br>006100<br>107107<br>121503<br>904999 | 2              |
| 170        | BACC10EW24B  | . .           | CLAMP SADDLE   | 002004<br>006100<br>107107<br>121503<br>904999 | 2              |

MISSING ITEM NUMBERS NOT APPLICABLE

- ITEM NOT ILLUSTRATED

28-25-05-05

28-25-05  
FIG. 05  
PAGE 5  
JAN 20/09

BRI



757

PARTS CATALOG (MAINTENANCE)

| FIG ITEM | PART NUMBER  | 1 2 3 4 5 6 7 | NOMENCLATURE   | EFFECT FROM TO                                 | UNITS PER ASSY |
|----------|--------------|---------------|--|--|----------------|
| 5        |              |               |  |  |                |
| 175      | NAS1801-3-10 | .             | SCREW  | 002004<br>006100<br>107107<br>121503<br>904999 | 2              |
| 177      | NAS1801-3-11 | .             | SCREW  | 002004<br>006100<br>107107<br>121503<br>904999 | 1              |
| 180      | AN960PD10L   | .             | WASHER   | 002004<br>006100<br>107107<br>121503<br>904999 | 10             |
| 185      | BRH10A3      | .             | NUT<br>SUPPLIER CODE:<br>V52828<br>SPECIFICATION NUMBER:<br>BACN10JC3<br>OPTIONAL PART:<br>H10-3BAC<br>V15653<br>NS202101-02<br>V80539<br>RMLH9075-3W<br>V72962<br>VN303A02<br>V92215<br>96-02<br>V80539<br>T6S1032J<br>V11815 | 002004<br>006100<br>107107<br>121503<br>904999 | 3              |
| 190      | 740A20-6     | .             | JUMPER ASSY<br>SUPPLIER CODE:<br>V91812<br>SPECIFICATION NUMBER:<br>BACJ40A20-6<br>OPTIONAL PART:<br>TJEJ40A20-6<br>V33483<br>RBEJ20-6<br>V1GK47   | 002004<br>006100<br>107107<br>121503<br>904999 | 3              |
| 195      | AN735D24     | .             | CLAMP  | 002004<br>006100<br>107107<br>121503<br>904999 | 2              |

MISSING ITEM NUMBERS NOT APPLICABLE

- ITEM NOT ILLUSTRATED

28-25-05-05

28-25-05  
FIG. 05  
PAGE 6  
JAN 20/09

BRI

BOEING PROPRIETARY - Copyright © - Unpublished Work - See title page for details.





757

PARTS CATALOG (MAINTENANCE)

| FIG ITEM | PART NUMBER  | 1 2 3 4 5 6 7 | NOMENCLATURE   | EFFECT FROM TO                                 | UNITS PER ASSY |
|----------|--------------|---------------|--|--|----------------|
| 5        |              |               |  |  |                |
| 200      | NAS1801-3-10 | .             | SCREW  | 002004<br>006100<br>107107<br>121503<br>904999 | 2              |
| 205      | AN960PD10L   | .             | WASHER   | 002004<br>006100<br>107107<br>121503<br>904999 | 2              |
| 210      | BRH10A3      | .             | NUT<br>SUPPLIER CODE:<br>V52828<br>SPECIFICATION NUMBER:<br>BACN10JC3<br>OPTIONAL PART:<br>H10-3BAC<br>V15653<br>NS202101-02<br>V80539<br>RMLH9075-3W<br>V72962<br>VN303A02<br>V92215<br>96-02<br>V80539<br>T6S1032J<br>V11815 | 002004<br>006100<br>107107<br>121503<br>904999 | 2              |
| 215      | BACC10EW24A  | .             | CLAMP STRAP  | 002004<br>006100<br>107107<br>121503<br>904999 | 1              |
| 220      | BACC10EW24B  | .             | CLAMP SADDLE   | 002004<br>006100<br>107107<br>121503<br>904999 | 1              |
| 225      | BACN10KN28   | .             | NUT ASSY   | 002004<br>006100<br>107107<br>121503<br>904999 | 1              |
| 235      | 346N4001-25  | .             | TUBE ASSY-<br>TUBING MATERIAL:<br>1.5 IN. OD X .025 IN.<br>WALL 66.3 LG<br>WW-T-700/6 6061 T4  | 002004<br>006100<br>107107<br>121503<br>904999 | 1              |

MISSING ITEM NUMBERS NOT APPLICABLE

- ITEM NOT ILLUSTRATED

28-25-05-05

28-25-05  
FIG. 05  
PAGE 7  
JAN 20/09

BRI



757

PARTS CATALOG (MAINTENANCE)

| FIG<br>ITEM | PART NUMBER | 1 2 3 4 5 6 7 | NOMENCLATURE   | EFFECT<br>FROM TO                              | UNITS<br>PER<br>ASSY |
|-------------|-------------|---------------|--|--|----------------------|
| 5<br>- 237  | S3052-24    |               | .. FERRULE<br>SUPPLIER CODE:<br>V79326<br>SPECIFICATION NUMBER:<br>BACF32E24<br>OPTIONAL PART:<br>63052-24<br>V79326 | 002004<br>006100<br>107107<br>121503<br>904999 | 1                    |
| - 238       | S83052-24   |               | .. FERRULE<br>SUPPLIER CODE:<br>V79326<br>SPECIFICATION NUMBER:<br>BACF32F24<br>OPTIONAL PART:<br>TC010-24<br>V24984 | 002004<br>006100<br>107107<br>121503<br>904999 | 1                    |

MISSING ITEM NUMBERS NOT APPLICABLE

- ITEM NOT ILLUSTRATED

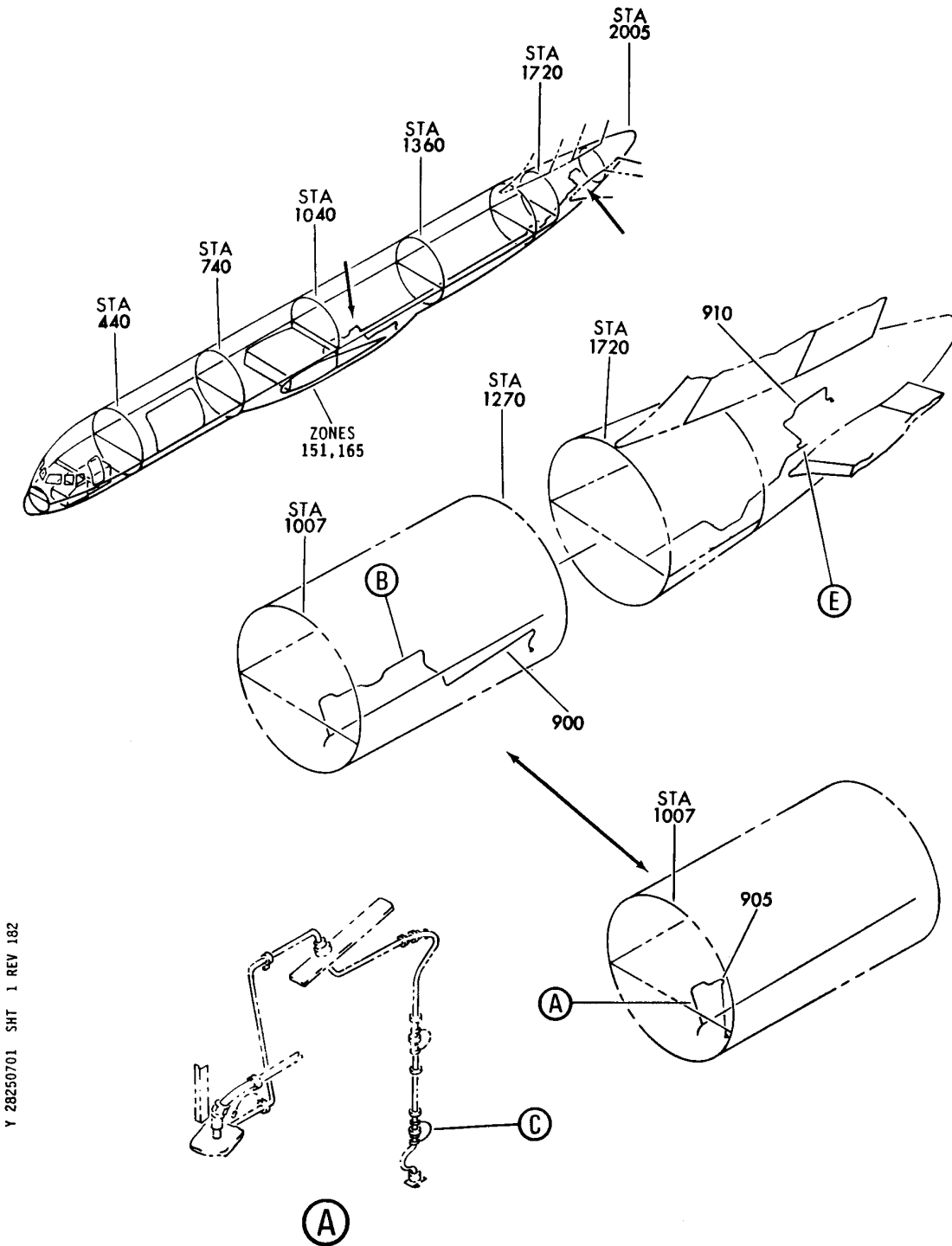
BRI

28-25-05-05

BOEING PROPRIETARY - Copyright © - Unpublished Work - See title page for details.

28-25-05  
FIG. 05  
PAGE 8  
JAN 20/09

**BOEING**  
757  
PARTS CATALOG (MAINTENANCE)



Y 28250701 SHT 1 REV 182

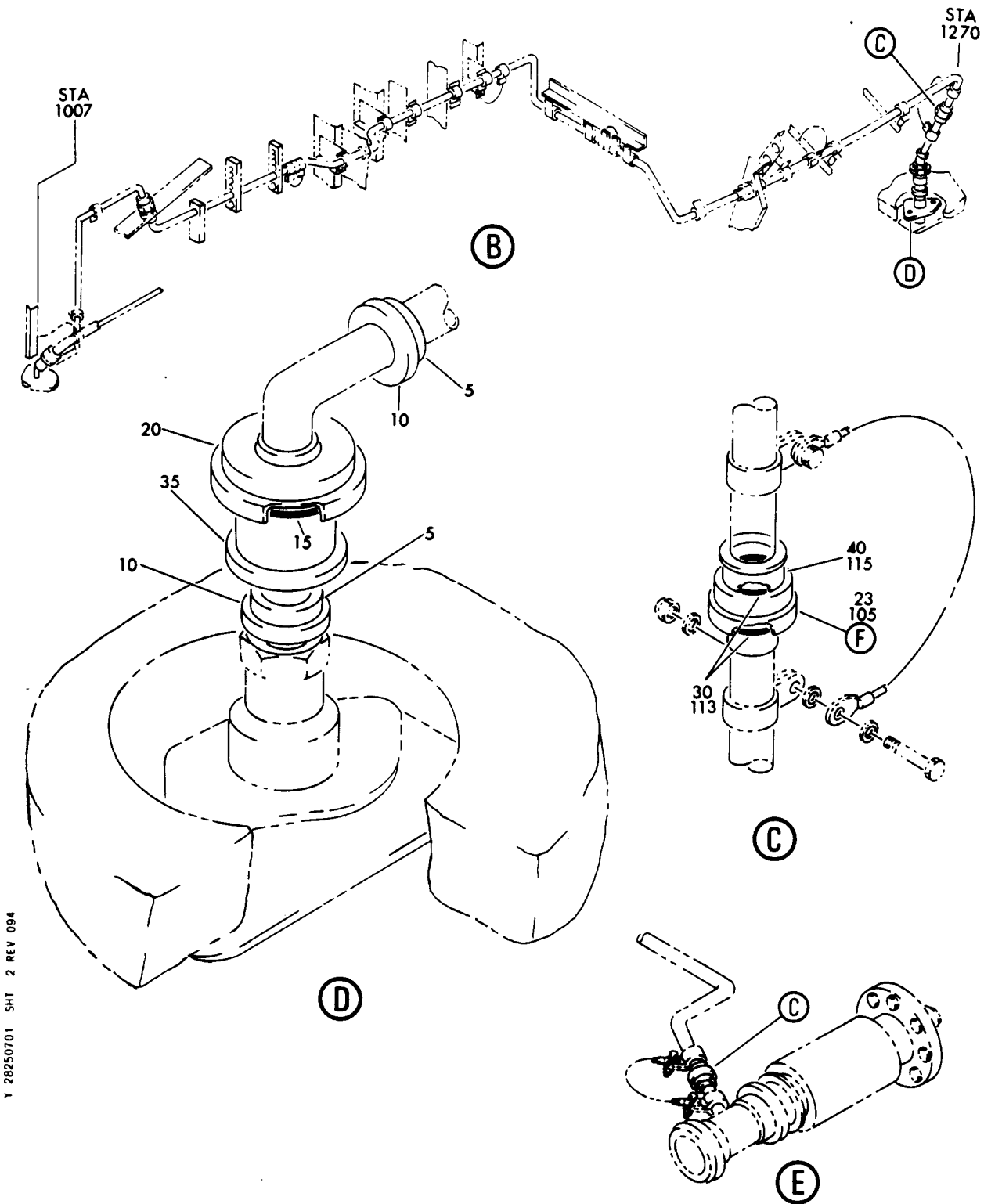
FEED LINE AND SHROUD INSTL-757 BODY APU (APU FLAME ARRESTOR ONLY)  
FIGURE 1 (SHEET 1)

**28-25-07-01**

BRI  
MAY 28/07

28-25-07-01  
PAGE 0

**BOEING**  
757  
PARTS CATALOG (MAINTENANCE)



Y 28250701 SHT 2 REV 094

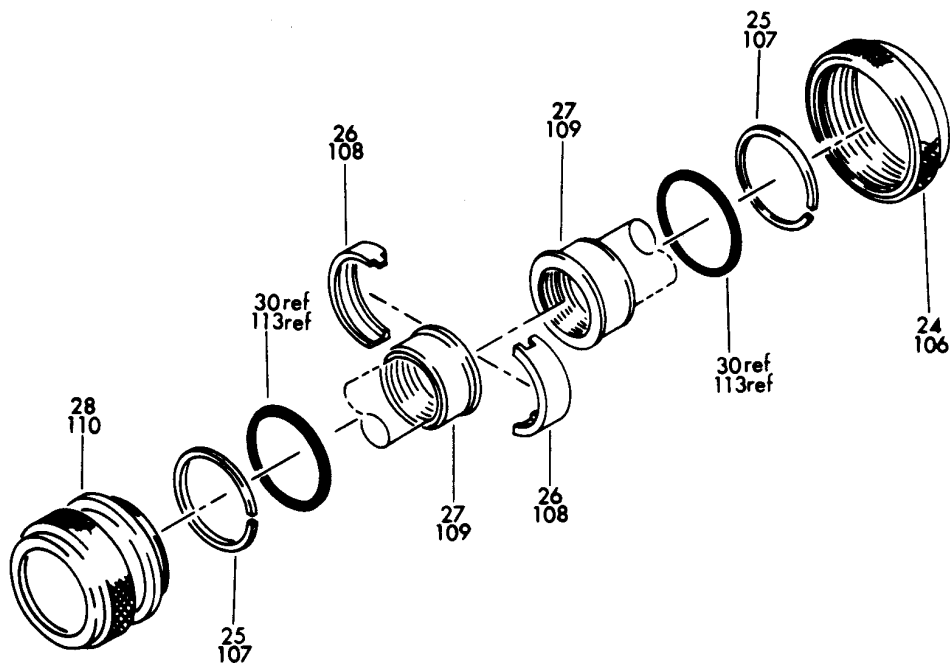
FEED LINE AND SHROUD INSTL-757 BODY APU (APU FLAME ARRESTOR ONLY)  
FIGURE 1 (SHEET 2)

**28-25-07-01**

BRI  
MAY 28/07

28-25-07-01  
PAGE 0A

**BOEING**  
757  
PARTS CATALOG (MAINTENANCE)



(F)

Y 28250701 SHI 3 REV 094

FEED LINE AND SHROUD INSTL-757 BODY APU (APU FLAME ARRESTOR ONLY)  
FIGURE 1 (SHEET 3)

**28-25-07-01**

BRI  
MAY 28/07

28-25-07-01  
PAGE 0B



757

PARTS CATALOG (MAINTENANCE)

| FIG ITEM | PART NUMBER | 1 2 3 4 5 6 7 | NOMENCLATURE  | EFFECT FROM TO                                 | UNITS PER ASSY |
|----------|-------------|---------------|---|--|----------------|
| 1        |             |               | FEED LINE AND SHROUD INSTL-<br>757 BODY APU (APU FLAME<br>ARRESTOR ONLY)  | 002004<br>006100<br>107107<br>121503<br>904999 |                |
| - 1      | 346N4001-29 |               | FEED LINE AND SHROUD INST-F<br>757 BODY APU (APU FLAME<br>ARRESTOR ONLY)<br>FOR NHA/OTHER SYS DET SEE:<br>28-00-00-01 | 002004<br>006100<br>107107<br>121503<br>904999 | RF             |
| 23       | BACC42R8    |               | . COUPLING ASSY<br>SUPPLIER CODE:<br>V79326<br>SPECIFICATION NUMBER:<br>BACC42R8                                      | 002004<br>006100<br>107107<br>121503<br>904999 | 1              |
| 24       | BACN10KL8   |               | .. NUT ASSY   | 002004<br>006100<br>107107<br>121503<br>904999 | 1              |
| 25       | BACR12BN8   |               | .. RING   | 002004<br>006100<br>107107<br>121503<br>904999 | 2              |
| 26       | BACR10AD8   |               | .. RETAINER   | 002004<br>006100<br>107107<br>121503<br>904999 | 2              |
| 27       | S3052-8     |               | .. FERRULE<br>SUPPLIER CODE:<br>V79326<br>SPECIFICATION NUMBER:<br>BACF32E8<br>OPTIONAL PART:<br>63052-8<br>V79326    | 002004<br>006100<br>107107<br>121503<br>904999 | 2              |
| 28       | BACC42P8    |               | .. BODY   | 002004<br>006100<br>107107<br>121503<br>904999 | 1              |
| 30       | MS29513-114 |               | . PACKING   | 002004<br>006100<br>107107<br>121503<br>904999 | 2              |

MISSING ITEM NUMBERS NOT APPLICABLE

- ITEM NOT ILLUSTRATED

28-25-07-01

28-25-07  
FIG. 01  
PAGE 1  
JAN 20/09

BRI



757

PARTS CATALOG (MAINTENANCE)

| FIG ITEM | PART NUMBER | 1 2 3 4 5 6 7 | NOMENCLATURE  | EFFECT FROM TO                                 | UNITS PER ASSY |
|----------|-------------|---------------|---|--|----------------|
| 1        | 40 L1763    |               | . ARRESTER-FLAME<br>SUPPLIER CODE:<br>V81983  | 002004<br>006100<br>107107<br>121503<br>904999 | 1              |
| - 100    | 346N4005-4  |               | . TUBE INSTL-DRAIN  | 002004<br>006100<br>107107<br>121503<br>904999 | 1              |
| 105      | BACC42R8    |               | .. COUPLING ASSY<br>SUPPLIER CODE:<br>V79326<br>SPECIFICATION NUMBER:<br>BACC42R8                                   | 002004<br>006100<br>107107<br>121503<br>904999 | 1              |
| 106      | BACN10KL8   |               | ... NUT ASSY  | 002004<br>006100<br>107107<br>121503<br>904999 | 1              |
| 107      | BACR12BN8   |               | ... RING  | 002004<br>006100<br>107107<br>121503<br>904999 | 2              |
| 108      | BACR10AD8   |               | ... RETAINER  | 002004<br>006100<br>107107<br>121503<br>904999 | 2              |
| 109      | S3052-8     |               | ... FERRULE<br>SUPPLIER CODE:<br>V79326<br>SPECIFICATION NUMBER:<br>BACF32E8<br>OPTIONAL PART:<br>63052-8<br>V79326 | 002004<br>006100<br>107107<br>121503<br>904999 | 2              |
| 110      | BACC42P8    |               | ... BODY  | 002004<br>006100<br>107107<br>121503<br>904999 | 1              |
| 113      | MS29513-114 |               | .. PACKING  | 002004<br>006100<br>107107<br>121503<br>904999 | 2              |

MISSING ITEM NUMBERS NOT APPLICABLE

- ITEM NOT ILLUSTRATED

BRI

28-25-07-01

28-25-07  
FIG. 01  
PAGE 2  
JAN 20/09



757

PARTS CATALOG (MAINTENANCE)

| FIG<br>ITEM | PART NUMBER | 1 2 3 4 5 6 7 | NOMENCLATURE   | EFFECT<br>FROM TO                              | UNITS<br>PER<br>ASSY |
|-------------|-------------|---------------|--|--|----------------------|
| 1<br>115    | L1763       |               | .. ARRESTER-FLAME<br>SUPPLIER CODE:<br>V81983  | 002004<br>006100<br>107107<br>121503<br>904999 | 1                    |
| 905         |             |               | ILLUSTRATION REFERENCE:<br>FEED LINE AND SHROUD INSTL-<br>757 BODY APU (APU SUMP<br>DRAIN VALVE ONLY)<br>28-25-09-01               | 002004<br>006100<br>107107<br>121503<br>904999 | RF                   |
| 910         |             |               | ILLUSTRATION REFERENCE:<br>FEED LINE AND SHROUD INSTL-<br>757 BODY APU (APU FUEL<br>SUPPLY LINE AND SHROUD<br>ONLY)<br>28-25-05-02 | 002004<br>006100<br>107107<br>121503<br>904999 | RF                   |

MISSING ITEM NUMBERS NOT APPLICABLE

- ITEM NOT ILLUSTRATED

BRI

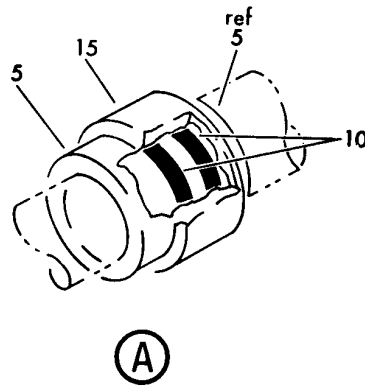
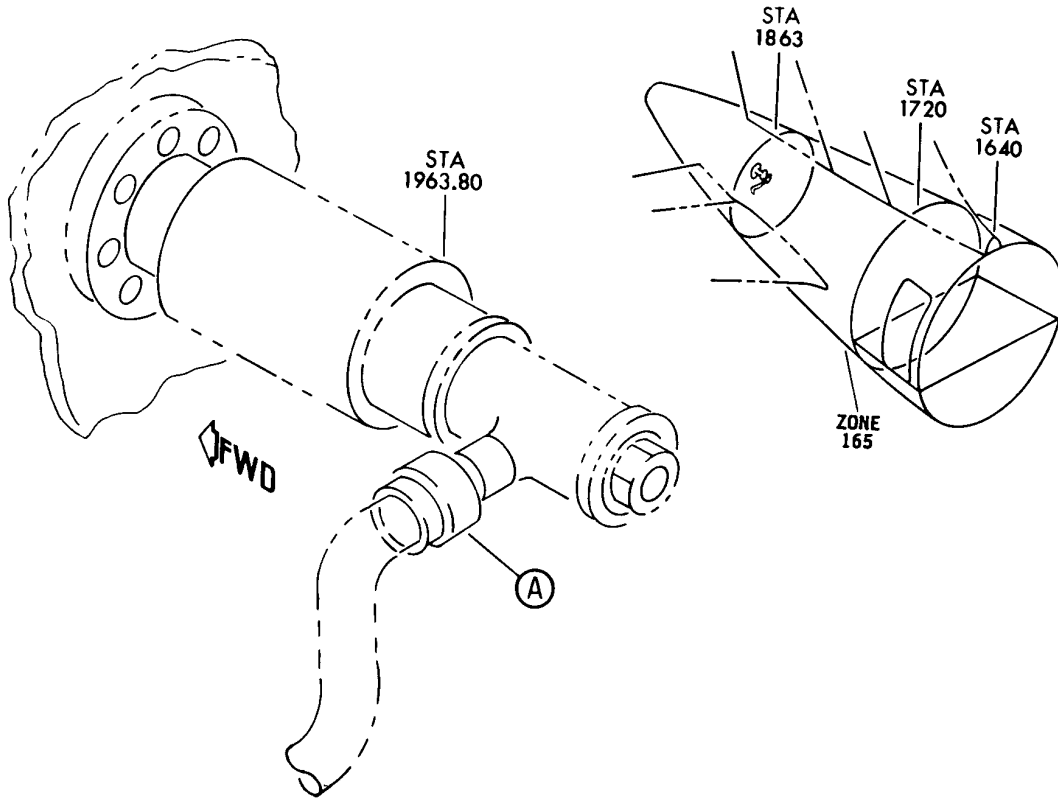
**28-25-07-01**

BOEING PROPRIETARY - Copyright © - Unpublished Work - See title page for details.

28-25-07  
FIG. 01  
PAGE 3  
JAN 20/09



**BOEING**  
757  
PARTS CATALOG (MAINTENANCE)



Y 28250701A REV 184

TUBE INSTL-DRAIN (APU FLAME ARRESTOR ONLY)  
FIGURE 1A

**28-25-07-01A**

BRI  
MAY 28/07

28-25-07-01A  
PAGE 0



757

PARTS CATALOG (MAINTENANCE)

| FIG ITEM | PART NUMBER | 1 2 3 4 5 6 7 | NOMENCLATURE   | EFFECT FROM TO             | UNITS PER ASSY |
|----------|-------------|---------------|--|----------------------------|----------------|
| 1 A      |             |               | TUBE INSTL-DRAIN<br>(APU FLAME ARRESTOR ONLY)  | 101106<br>108120<br>504903 |                |
| - 1      | 346N4005-5  |               | TUBE INSTL-DRAIN<br>(APU FLAME ARRESTOR ONLY)<br>FOR NHA/ADDITIONAL DET SEE:<br>28-00-00-05                                | 101102<br>108120<br>504903 | RF             |
| - 1      | MODREF13816 |               | TUBE INSTL-DRAIN<br>(APU FLAME ARRESTOR ONLY)<br>MODULE NUMBER:<br>346N4005-5 REV A  | 103106                     | 1              |
| 5        | 12J63-08A   |               | . COUPLING ASSY<br>SUPPLIER CODE:<br>V24984<br>SPECIFICATION NUMBER:<br>AS1712D08<br>OPTIONAL PART:<br>83051-08A<br>V79326 | 101106<br>108120<br>504903 | 1              |
| 10       | MS29513-114 |               | . PACKING  | 101106<br>108120<br>504903 | 2              |
| 15       | L1763       |               | . ARRESTER-FLAME<br>SUPPLIER CODE:<br>V81983   | 101106<br>108120<br>504903 | 1              |

MISSING ITEM NUMBERS NOT APPLICABLE

- ITEM NOT ILLUSTRATED

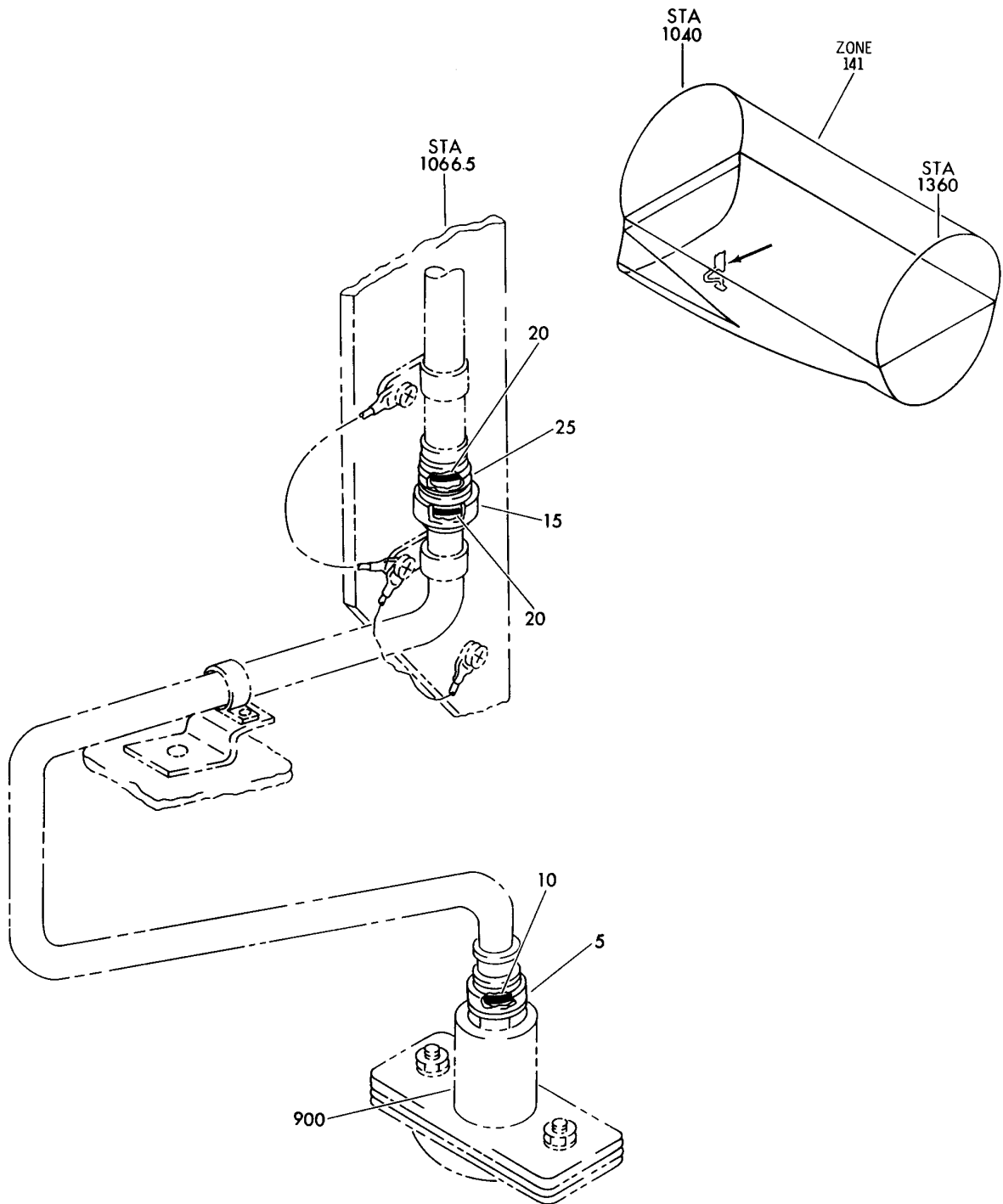
BRI

28-25-07-01A

BOEING PROPRIETARY - Copyright © - Unpublished Work - See title page for details.

28-25-07  
FIG. 01A  
PAGE 1  
JAN 20/09

**BOEING**  
757  
PARTS CATALOG (MAINTENANCE)



Y 28250701B REV 191

FEED LINE AND SHROUD INSTL-757 BODY APU (APU FLAME ARRESTOR ONLY)  
FIGURE 1B

BRI  
MAY 28/07

**28-25-07-01B**

28-25-07-01B  
PAGE 0



757

PARTS CATALOG (MAINTENANCE)

| FIG ITEM | PART NUMBER | 1 2 3 4 5 6 7 | NOMENCLATURE  | EFFECT FROM TO             | UNITS PER ASSY |
|----------|-------------|---------------|---|----------------------------|----------------|
| 1B       |             |               | FEED LINE AND SHROUD INSTL-<br>757 BODY APU (APU FLAME<br>ARRESTOR ONLY)  | 101106<br>108120<br>504903 |                |
| - 1      | 346N4001-67 |               | TUBING INSTL-<br>757 BODY APU (APU SUMP<br>DRAIN VALVE ONLY)<br>FOR NHA/ADDITIONAL DET SEE:<br>28-00-00-05                | 101102<br>108120<br>504903 | RF             |
| - 1      | MODREF13813 |               | TUBING INSTL-<br>757 BODY APU (APU SUMP<br>DRAIN VALVE ONLY)<br>MODULE NUMBER:<br>346N4001-70 REV A                       | 103106                     | 1              |
| 5        | 83053-06DE  |               | .NUT<br>SUPPLIER CODE:<br>V79326<br>SPECIFICATION NUMBER:<br>AS1738-1D06<br>OPTIONAL PART:<br>TC039-06A<br>V24984         | 101106<br>108120<br>504903 | 1              |
| 10       | MS29513-014 |               | .PACKING  | 101106<br>108120<br>504903 | 1              |
| 15       | 12J63-08A   |               | .COUPLING ASSY<br>SUPPLIER CODE:<br>V24984<br>SPECIFICATION NUMBER:<br>AS1712D08<br>OPTIONAL PART:<br>83051-08A<br>V79326 | 101106<br>108120<br>504903 | 1              |
| 20       | MS29513-114 |               | .PACKING  | 101106<br>108120<br>504903 | 2              |
| 25       | L1763       |               | .ARRESTER-FLAME<br>SUPPLIER CODE:<br>V81983   | 101106<br>108120<br>504903 | 1              |

MISSING ITEM NUMBERS NOT APPLICABLE

- ITEM NOT ILLUSTRATED

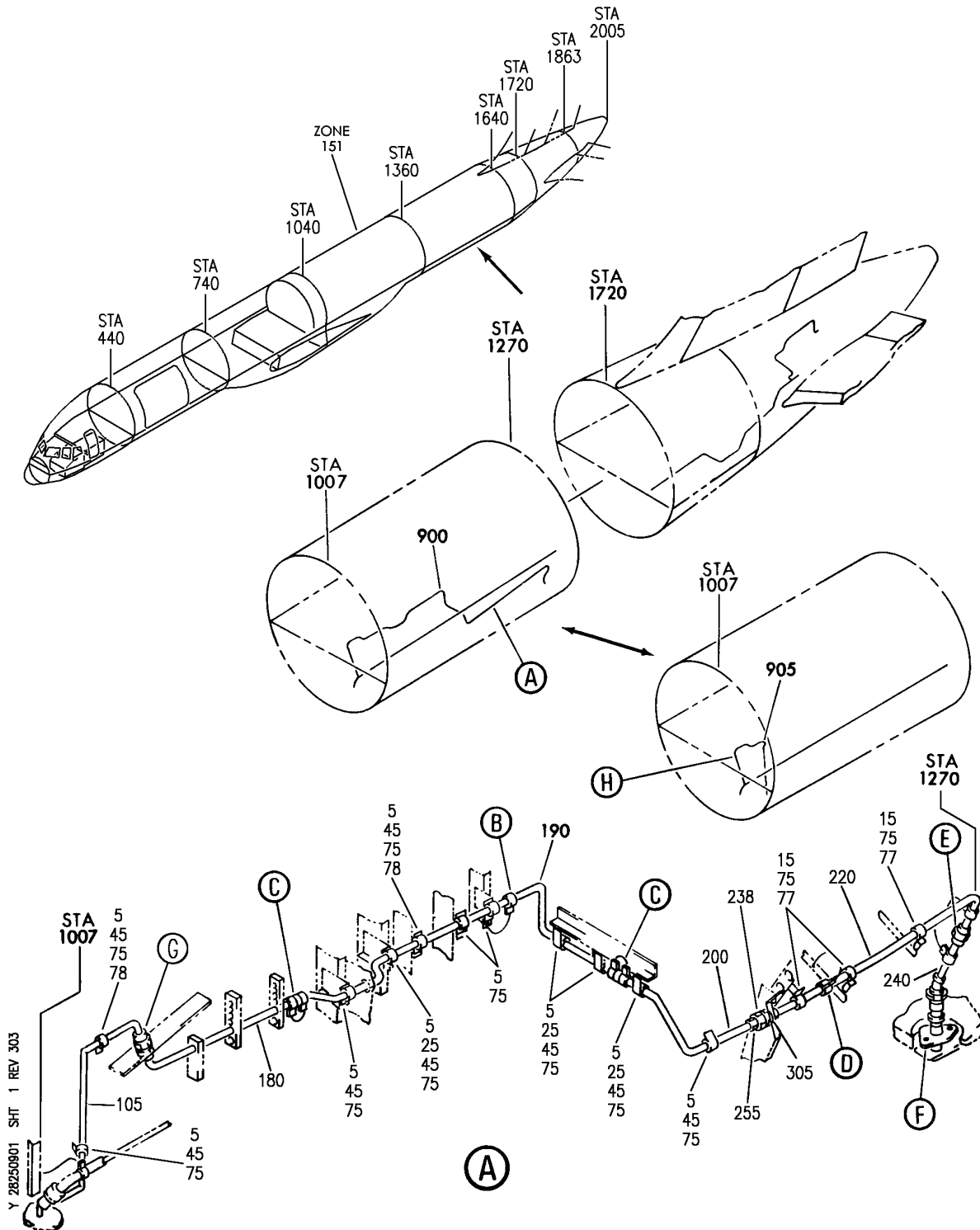
28-25-07-01B

28-25-07  
FIG. 01B  
PAGE 1  
JAN 20/09

BRI

BOEING PROPRIETARY - Copyright © - Unpublished Work - See title page for details.

**BOEING**  
757  
PARTS CATALOG (MAINTENANCE)



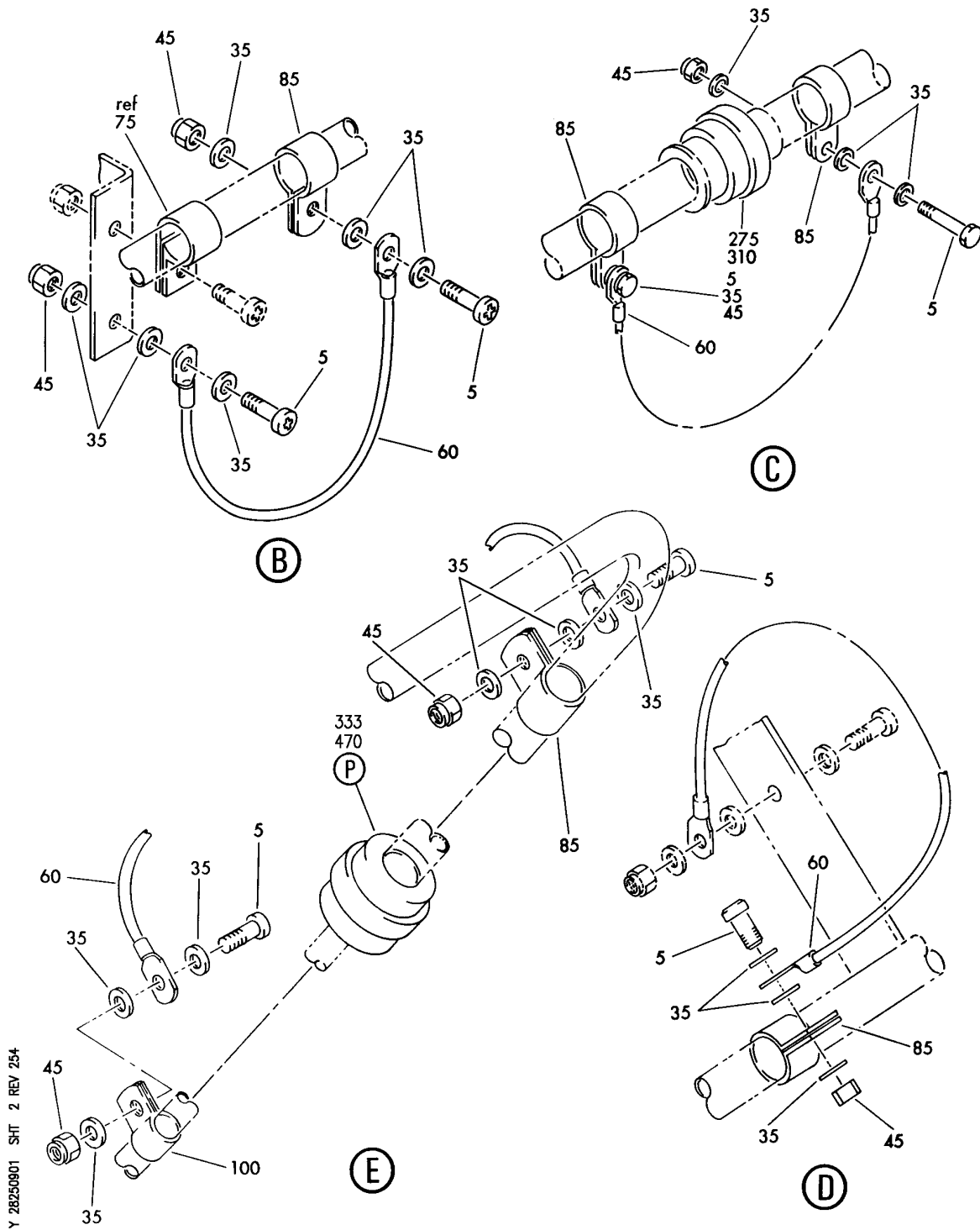
FEED LINE AND SHROUD INSTL-757 BODY APU (APU SUMP DRAIN VALVE ONLY)  
FIGURE 1 (SHEET 1)

BRI  
MAY 28/07

**28-25-09-01**

28-25-09-01  
PAGE 0

**BOEING**  
757  
PARTS CATALOG (MAINTENANCE)



Y 28250901 SHT 2 REV 254

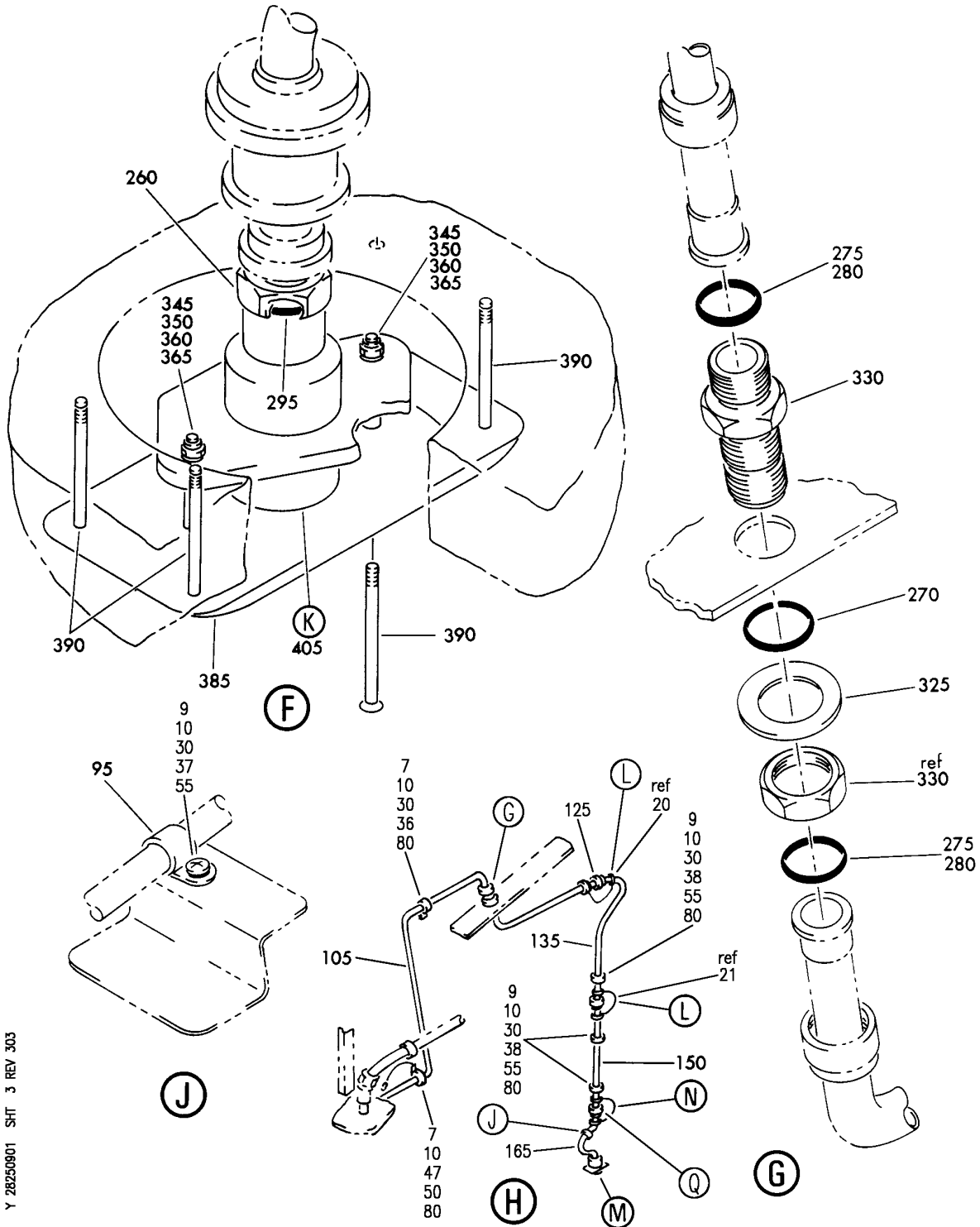
FEED LINE AND SHROUD INSTL-757 BODY APU (APU SUMP DRAIN VALVE ONLY)  
FIGURE 1 (SHEET 2)

**28-25-09-01**

BRI  
MAY 28/07

28-25-09-01  
PAGE 0A

**BOEING**  
757  
PARTS CATALOG (MAINTENANCE)



Y 28250901 SH1 3 REV 303

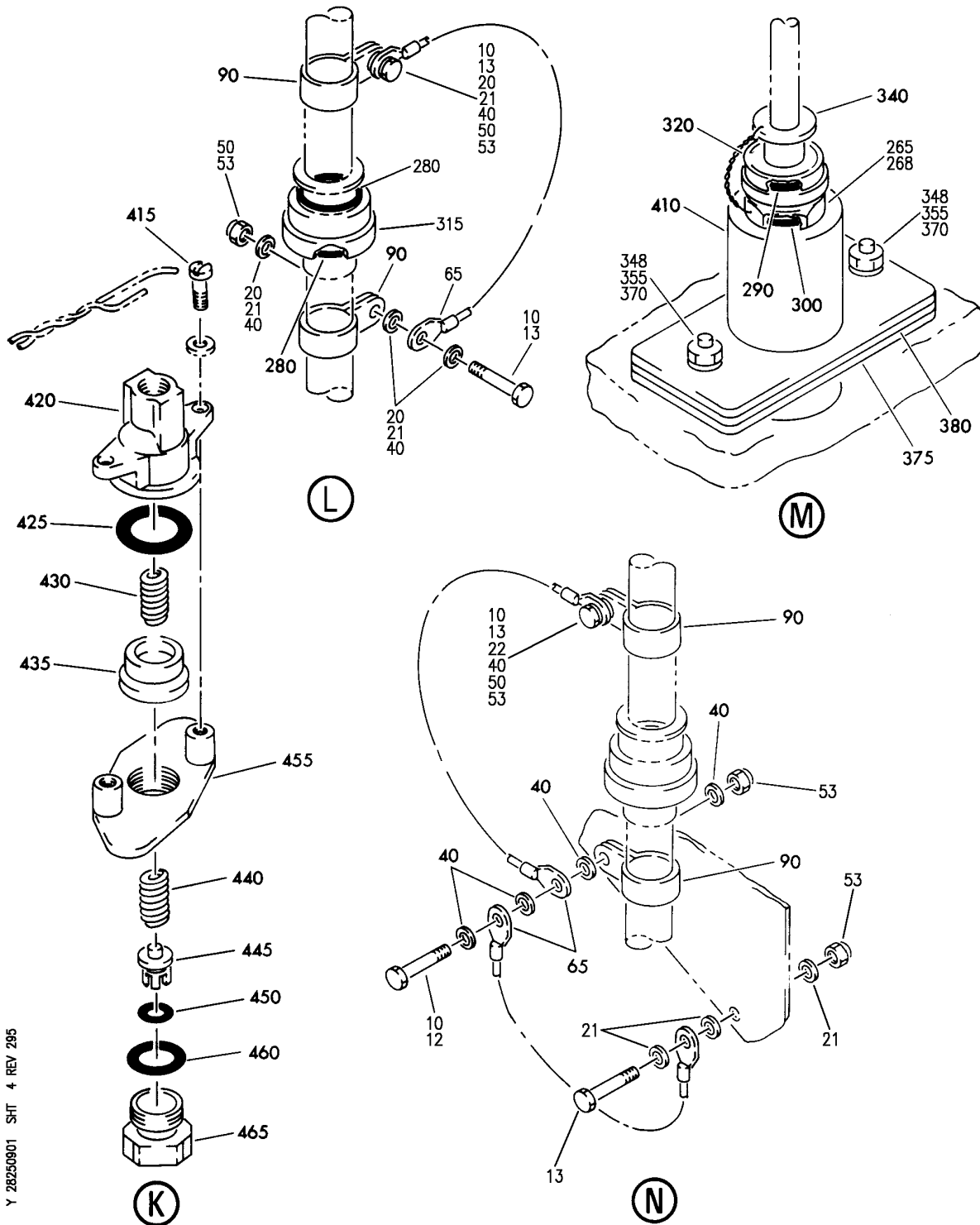
FEED LINE AND SHROUD INSTL-757 BODY APU (APU SUMP DRAIN VALVE ONLY)  
FIGURE 1 (SHEET 3)

**28-25-09-01**

BRI  
MAY 28/07

28-25-09-01  
PAGE 0B

**BOEING**  
757  
PARTS CATALOG (MAINTENANCE)



Y 28250901 SHT 4 REV 295

FEED LINE AND SHROUD INSTL-757 BODY APU (APU SUMP DRAIN VALVE ONLY)  
FIGURE 1 (SHEET 4)

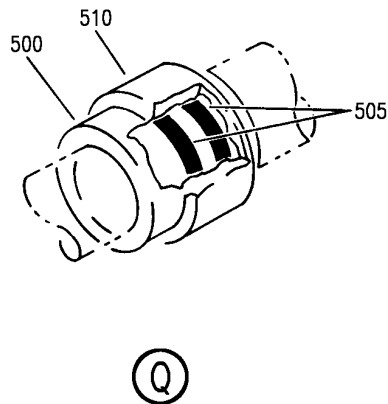
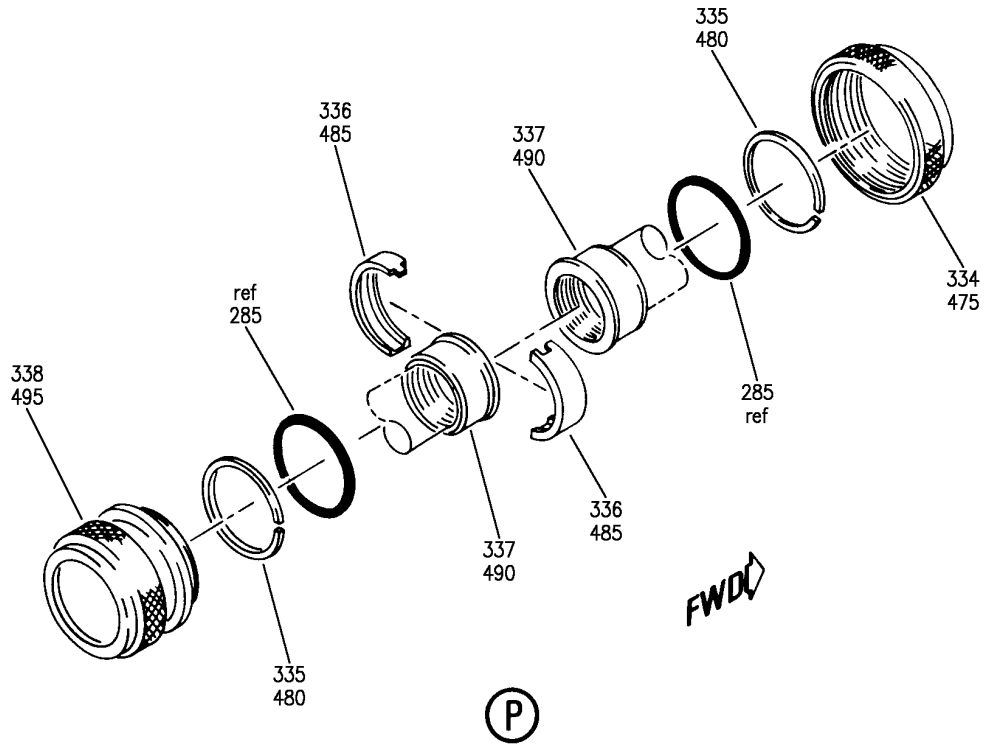
**28-25-09-01**

BRI  
MAY 28/07

28-25-09-01  
PAGE 0C



**BOEING**  
757  
PARTS CATALOG (MAINTENANCE)



Y 28250901 SH 5 REV 295

FEED LINE AND SHROUD INSTL-757 BODY APU (APU SUMP DRAIN VALVE ONLY)  
FIGURE 1 (SHEET 5)

**28-25-09-01**

BRI  
MAY 28/07

28-25-09-01  
PAGE 0D



757

PARTS CATALOG (MAINTENANCE)

| FIG ITEM | PART NUMBER  | 1 2 3 4 5 6 7 | NOMENCLATURE  | EFFECT FROM TO                                 | UNITS PER ASSY |
|----------|--------------|---------------|---|--|----------------|
| 1        |              |               | FEED LINE AND SHROUD INSTL-<br>757 BODY APU (APU SUMP<br>DRAIN VALVE ONLY)  | 002004<br>006100<br>107107<br>121503<br>904999 |                |
| - 1      | 346N4001-29  |               | FEED LINE AND SHROUD INST-F<br>757 BODY APU (APU SUMP<br>DRAIN VALVE ONLY)<br>FOR NHA/OTHER SYS DET SEE:<br>28-00-00-01   | 002004<br>006100<br>107107<br>121503<br>904999 | RF             |
| 10       | NAS1801-3-10 |               | .SCREW  | 002004<br>006100<br>107107<br>121503<br>904999 | 12             |
| 30       | AN960PD10L   |               | .WASHER   | 002004<br>006100<br>107107<br>121503<br>904999 | 5              |
| 40       | AN960D10L    |               | .WASHER   | 002004<br>006100<br>107107<br>121503<br>904999 | 14             |
| 50       | BRH10A3      |               | .NUT<br>SUPPLIER CODE:<br>V52828<br>SPECIFICATION NUMBER:<br>BACN10JC3<br>OPTIONAL PART:<br>H10-3BAC<br>V15653<br>NS202101-02<br>V80539<br>RMLH9075-3W<br>V72962<br>VN303A02<br>V92215<br>96-02<br>V80539<br>T6S1032J<br>V11815 | 002004<br>006100<br>107107<br>121503<br>904999 | 8              |

MISSING ITEM NUMBERS NOT APPLICABLE

- ITEM NOT ILLUSTRATED

BRI

28-25-09-01

28-25-09  
FIG. 01  
PAGE 1  
JAN 20/09



757

PARTS CATALOG (MAINTENANCE)

| FIG ITEM | PART NUMBER | 1 2 3 4 5 6 7 | NOMENCLATURE  | EFFECT FROM TO                                 | UNITS PER ASSY |
|----------|-------------|---------------|---|--|----------------|
| 1        |             |               |   |  |                |
| 55       | BRC500-10-3 | .             | NUT<br>SUPPLIER CODE:<br>V52828<br>SPECIFICATION NUMBER:<br>BACN10FX22<br>OPTIONAL PART:<br>F49322-3-22<br>V15653<br>SL241-3-1<br>V97393<br>130062<br>V60119<br>A11330-10-3<br>V72962 | 002004<br>006100<br>107107<br>121503<br>904999 | 4              |
| 65       | 740A20-6    | .             | JUMPER ASSY-<br>SUPPLIER CODE:<br>V91812<br>SPECIFICATION NUMBER:<br>BACJ40A20-6<br>OPTIONAL PART:<br>TJEJ40A20-6<br>V33483<br>RBEJ20-6<br>V1GK47                                     | 002004<br>006100<br>107107<br>121503<br>904999 | 4              |
| 80       | BACC10DK8A  | .             | CLAMP-  | 002004<br>006100<br>107107<br>121503<br>904999 | 5              |
| 90       | AN735D8     | .             | CLAMP-  | 002004<br>006100<br>107107<br>121503<br>904999 | 6              |
| 95       | BACC10DK6   | .             | CLAMP-  | 002004<br>006100<br>107107<br>121503<br>904999 | 1              |
| 105      | 346N4001-8  | .             | TUBE ASSY-  | 107107   | 1              |
| 105      | 346N4001-41 | .             | TUBE ASSY-  | 002004<br>006100<br>121503<br>904999           | 1              |

MISSING ITEM NUMBERS NOT APPLICABLE

- ITEM NOT ILLUSTRATED

BRI

28-25-09-01

BOEING PROPRIETARY - Copyright © - Unpublished Work - See title page for details.

28-25-09  
FIG. 01  
PAGE 2  
JAN 20/09



757

PARTS CATALOG (MAINTENANCE)

| FIG ITEM | PART NUMBER  | 1 2 3 4 5 6 7 | NOMENCLATURE   | EFFECT FROM TO                                 | UNITS PER ASSY |
|----------|--------------|---------------|--|--|----------------|
| 1        |              |               |  |  |                |
| - 110    | AP2097HP08   | ..            | SLEEVE<br>SUPPLIER CODE:<br>V01673<br>SPECIFICATION NUMBER:<br>BACS13BX08HP<br>OPTIONAL PART:<br>2-02903-08HP<br>V11328<br>35235VN08<br>V08199<br>AFP175V08P<br>V30974<br>DBOS13BX08HP<br>V14798 | 002004<br>006100<br>107107<br>121503<br>904999 | 1              |
| - 115    | BACN10CS08DN | ..            | NUT  | 002004<br>006100<br>107107<br>121503<br>904999 | 1              |
| - 120    | S83052-8     | ..            | FERRULE<br>SUPPLIER CODE:<br>V79326<br>SPECIFICATION NUMBER:<br>BACF32F8<br>OPTIONAL PART:<br>TC010-8<br>V24984  | 002004<br>006100<br>107107<br>121503<br>904999 | 1              |
| 125      | 346N4001-32  | .             | TUBE ASSY-   | 002004<br>006100<br>107107<br>121503<br>904999 | 1              |
| - 130    | S83052-8     | ..            | FERRULE<br>SUPPLIER CODE:<br>V79326<br>SPECIFICATION NUMBER:<br>BACF32F8<br>OPTIONAL PART:<br>TC010-8<br>V24984  | 002004<br>006100<br>107107<br>121503<br>904999 | 2              |
| 135      | 346N4001-38  | .             | TUBE ASSY-   | 002004<br>006100<br>107107<br>121503<br>904999 | 1              |

MISSING ITEM NUMBERS NOT APPLICABLE

- ITEM NOT ILLUSTRATED

BRI

28-25-09-01

28-25-09  
FIG. 01  
PAGE 3  
JAN 20/09



757

PARTS CATALOG (MAINTENANCE)

| FIG ITEM | PART NUMBER | 1 2 3 4 5 6 7 | NOMENCLATURE  | EFFECT FROM TO                                 | UNITS PER ASSY |
|----------|-------------|---------------|---|--|----------------|
| 1        |             |               |   |  |                |
| - 140    | BACC42T8    | ..            | COUPLING<br>SUPPLIER CODE:<br>V79326<br>SPECIFICATION NUMBER:<br>BACC42T8<br>OPTIONAL PART:<br>TC011-8<br>V24984<br>83051-8<br>V79326 | 002004<br>006100<br>107107<br>121503<br>904999 | 1              |
| - 145    | S83052-8    | ..            | FERRULE-<br>SUPPLIER CODE:<br>V79326<br>SPECIFICATION NUMBER:<br>BACF32F8<br>OPTIONAL PART:<br>TC010-8<br>V24984                      | 002004<br>006100<br>107107<br>121503<br>904999 | 1              |
| 150      | 346N4001-30 | .             | TUBE ASSY-  | 002004<br>006100<br>107107<br>121503<br>904999 | 1              |
| - 155    | BACC42T8    | ..            | COUPLING<br>SUPPLIER CODE:<br>V79326<br>SPECIFICATION NUMBER:<br>BACC42T8<br>OPTIONAL PART:<br>TC011-8<br>V24984<br>83051-8<br>V79326 | 002004<br>006100<br>107107<br>121503<br>904999 | 1              |
| - 160    | S3052-8     | ..            | FERRULE<br>SUPPLIER CODE:<br>V79326<br>SPECIFICATION NUMBER:<br>BACF32E8<br>OPTIONAL PART:<br>63052-8<br>V79326                       | 002004<br>006100<br>107107<br>121503<br>904999 | 1              |
| 165      | 346N4001-31 | .             | TUBE ASSY-  | 002004<br>006100<br>107107<br>121503<br>904999 | 1              |

MISSING ITEM NUMBERS NOT APPLICABLE

- ITEM NOT ILLUSTRATED

BRI

28-25-09-01

28-25-09  
FIG. 01  
PAGE 4  
JAN 20/09



757

PARTS CATALOG (MAINTENANCE)

| FIG<br>ITEM | PART NUMBER | 1 2 3 4 5 6 7 | NOMENCLATURE                                | EFFECT<br>FROM TO                              | UNITS<br>PER<br>ASSY |
|-------------|-------------|---------------|---|--|----------------------|
| 1           |             |               |   |  |                      |
| - 170       | 63152-6-8   |               | .. FERRULE-<br>SUPPLIER CODE:<br>V79326     | 002004<br>006100<br>107107<br>121503<br>904999 | 1                    |
| - 175       | 83152-6     |               | .. FERRULE-<br>SUPPLIER CODE:<br>V79326     | 002004<br>006100<br>107107<br>121503<br>904999 | 1                    |
| 265         | 83661-6     |               | . ADAPTER ASSY-<br>SUPPLIER CODE:<br>V79326 | 002004<br>006100<br>107107<br>121503<br>904999 | 1                    |
| 270         | MS29513-023 |               | . PACKING                                   | 002004<br>006100<br>107107<br>121503<br>904999 | 1                    |
| 280         | MS29513-016 |               | . PACKING-                                  | 002004<br>006100<br>107107<br>121503<br>904999 | 4                    |
| 290         | MS29513-014 |               | . PACKING-                                  | 002004<br>006100<br>107107<br>121503<br>904999 | 1                    |
| 300         | MS29512-06  |               | . PACKING-                                  | 002004<br>006100<br>107107<br>121503<br>904999 | 1                    |
| 315         | BACN10KN8   |               | . NUT ASSY                                  | 002004<br>006100<br>107107<br>121503<br>904999 | 2                    |
| 320         | BACN10KN6   |               | . NUT                                       | 002004<br>006100<br>107107<br>121503<br>904999 | 1                    |

MISSING ITEM NUMBERS NOT APPLICABLE

- ITEM NOT ILLUSTRATED

28-25-09-01

28-25-09  
FIG. 01  
PAGE 5  
JAN 20/09

BRI

BOEING PROPRIETARY - Copyright © - Unpublished Work - See title page for details.



757

PARTS CATALOG (MAINTENANCE)

| FIG ITEM | PART NUMBER  | 1 2 3 4 5 6 7 | NOMENCLATURE   | EFFECT FROM TO                                 | UNITS PER ASSY |
|----------|--------------|---------------|--|--|----------------|
| 1        |              |               |  |  |                |
| 325      | AN960PD1616L | .             | WASHER   | 002004<br>006100<br>107107<br>121503<br>904999 | 1              |
| 330      | B351S8       | .             | FERRULE-<br>SUPPLIER CODE:<br>V79326   | 002004<br>006100<br>107107<br>121503<br>904999 | 1              |
| 340      | 83152-6      | .             | FERRULE-<br>SUPPLIER CODE:<br>V79326   | 002004<br>006100<br>107107<br>121503<br>904999 | 1              |
| 345      | BACB30NN3K14 | .             | BOLT-  | 002004<br>006100<br>107107<br>121503<br>904999 | 2              |
| 355      | BACW10UC10   | .             | WASHER   | 002004<br>006100<br>107107<br>121503<br>904999 | 2              |
| 370      | BRH10A3      | .             | NUT<br>SUPPLIER CODE:<br>V52828<br>SPECIFICATION NUMBER:<br>BACN10JC3<br>OPTIONAL PART:<br>H10-3BAC<br>V15653<br>NS202101-02<br>V80539<br>RMLH9075-3W<br>V72962<br>VN303A02<br>V92215<br>96-02<br>V80539<br>T6S1032J<br>V11815 | 002004<br>006100<br>107107<br>121503<br>904999 | 2              |
| 375      | 346N4001-33  | .             | SPACER-  | 002004<br>006100<br>107107<br>121503<br>904999 | 1              |

MISSING ITEM NUMBERS NOT APPLICABLE

- ITEM NOT ILLUSTRATED

BRI

28-25-09-01

28-25-09  
FIG. 01  
PAGE 6  
JAN 20/09



757

PARTS CATALOG (MAINTENANCE)

| FIG ITEM | PART NUMBER  | 1 2 3 4 5 6 7 | NOMENCLATURE   | EFFECT FROM TO                                 | UNITS PER ASSY |
|----------|--------------|---------------|--|--|----------------|
| 1        |              |               |  |  |                |
| 380      | 346N4001-34  | .             | SPACER-  | 002004<br>006100<br>107107<br>121503<br>904999 | 1              |
| 410      | 774400-27    | .             | VALVE ASSY-SUMP DRAIN<br>SUPPLIER CODE:<br>V96124<br>SPECIFICATION NUMBER:<br>60B92013-27<br>COMPONENT MAINT MANUAL REF:<br>28-11-04 | 002004<br>006100<br>107107<br>121503<br>904999 | 1              |
| 415      | MS35275-262  | ..            | SCREW  | 002004<br>006100<br>107107<br>121503<br>904999 | 2              |
| 420      | 774422       | ..            | HOUSING-<br>SUPPLIER CODE:<br>V96124   | 002004<br>006100<br>107107<br>121503<br>904999 | 1              |
| 425      | M25988-1-026 | ..            | PACKING-<br>SUPPLIER CODE:<br>V96124   | 002004<br>006100<br>107107<br>121503<br>904999 | 1              |
| 430      | 775006       | ..            | SPRING-<br>SUPPLIER CODE:<br>V96124  | 002004<br>006100<br>107107<br>121503<br>904999 | 1              |
| 435      | 774411       | ..            | POPPET-SECONDARY<br>SUPPLIER CODE:<br>V96124   | 002004<br>006100<br>107107<br>121503<br>904999 | 1              |
| 440      | 770206       | ..            | SPRING-<br>SUPPLIER CODE:<br>V96124  | 002004<br>006100<br>107107<br>121503<br>904999 | 1              |
| 445      | 774410       | ..            | POPPET-PRIMARY<br>SUPPLIER CODE:<br>V96124   | 002004<br>006100<br>107107<br>121503<br>904999 | 1              |

MISSING ITEM NUMBERS NOT APPLICABLE

- ITEM NOT ILLUSTRATED

BRI

28-25-09-01

28-25-09  
FIG. 01  
PAGE 7  
JAN 20/09





757

PARTS CATALOG (MAINTENANCE)

| FIG ITEM | PART NUMBER  | 1 2 3 4 5 6 7 | NOMENCLATURE  | EFFECT FROM TO                                 | UNITS PER ASSY |
|----------|--------------|---------------|---|--|----------------|
| 1        |              |               |   |  |                |
| 450      | M25988-1-011 | ..            | PACKING-  | 002004<br>006100<br>107107<br>121503<br>904999 | 1              |
| 455      | 774425       | ..            | BASE-<br>SUPPLIER CODE:<br>V96124   | 002004<br>006100<br>107107<br>121503<br>904999 | 1              |
| 460      | M25988-1-018 | ..            | PACKING-<br>SUPPLIER CODE:<br>V96124  | 002004<br>006100<br>107107<br>121503<br>904999 | 1              |
| 465      | 774409-1     | ..            | SEAT-<br>SUPPLIER CODE:<br>V96124   | 002004<br>006100<br>107107<br>121503<br>904999 | 1              |
| 470      | BACC42R8     | .             | COUPLING ASSY<br>SUPPLIER CODE:<br>V79326<br>SPECIFICATION NUMBER:<br>BACC42R8                                  | 002004<br>006100<br>107107<br>121503<br>904999 | 1              |
| 475      | BACN10KL8    | ..            | NUT ASSY  | 002004<br>006100<br>107107<br>121503<br>904999 | 1              |
| 480      | BACR12BN8    | ..            | RING  | 002004<br>006100<br>107107<br>121503<br>904999 | 2              |
| 485      | BACR10AD8    | ..            | RETAINER  | 002004<br>006100<br>107107<br>121503<br>904999 | 2              |
| 490      | S3052-8      | ..            | FERRULE<br>SUPPLIER CODE:<br>V79326<br>SPECIFICATION NUMBER:<br>BACF32E8<br>OPTIONAL PART:<br>63052-8<br>V79326 | 002004<br>006100<br>107107<br>121503<br>904999 | 2              |

MISSING ITEM NUMBERS NOT APPLICABLE

- ITEM NOT ILLUSTRATED

28-25-09-01

28-25-09  
FIG. 01  
PAGE 8  
JAN 20/09

BRI



757

PARTS CATALOG (MAINTENANCE)

| FIG<br>ITEM | PART NUMBER | 1 2 3 4 5 6 7 | NOMENCLATURE   | EFFECT<br>FROM TO                              | UNITS<br>PER<br>ASSY |
|-------------|-------------|---------------|--|--|----------------------|
| 1<br>495    | BACC42P8    | .             | BODY   | 002004<br>006100<br>107107<br>121503<br>904999 | 1                    |
| 905         |             |               | ILLUSTRATION REFERENCE:<br>FEED LINE AND SHROUD INSTL-<br>757 BODY APU (APU FLAME<br>ARRESTOR ONLY)<br>28-25-07-01 | 002004<br>006100<br>107107<br>121503<br>904999 | RF                   |

MISSING ITEM NUMBERS NOT APPLICABLE

- ITEM NOT ILLUSTRATED

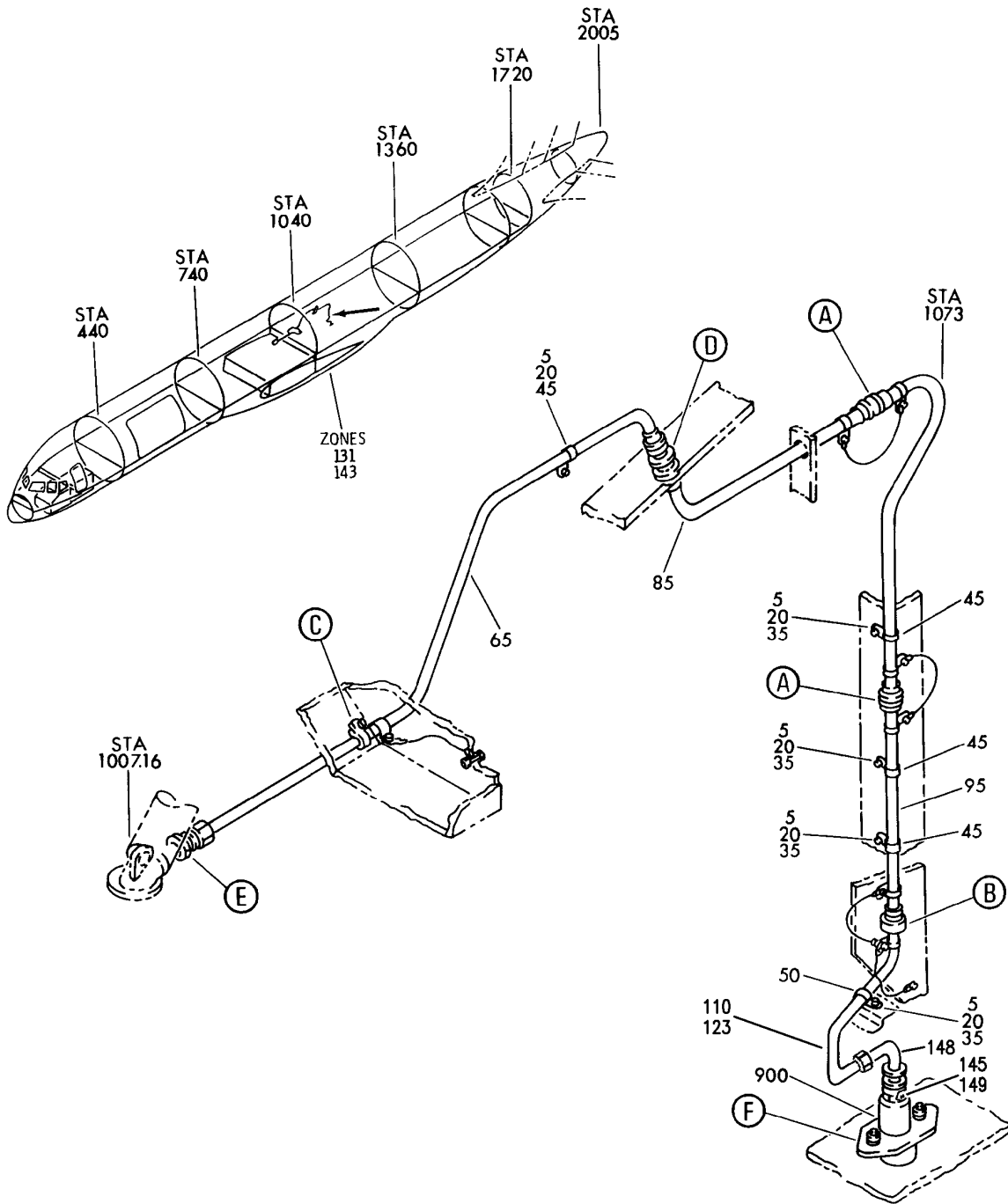
BRI

28-25-09-01

BOEING PROPRIETARY - Copyright © - Unpublished Work - See title page for details.

28-25-09  
FIG. 01  
PAGE 9  
JAN 20/09

**BOEING**  
757  
PARTS CATALOG (MAINTENANCE)



Y 28250901A SHT 1 REV 242

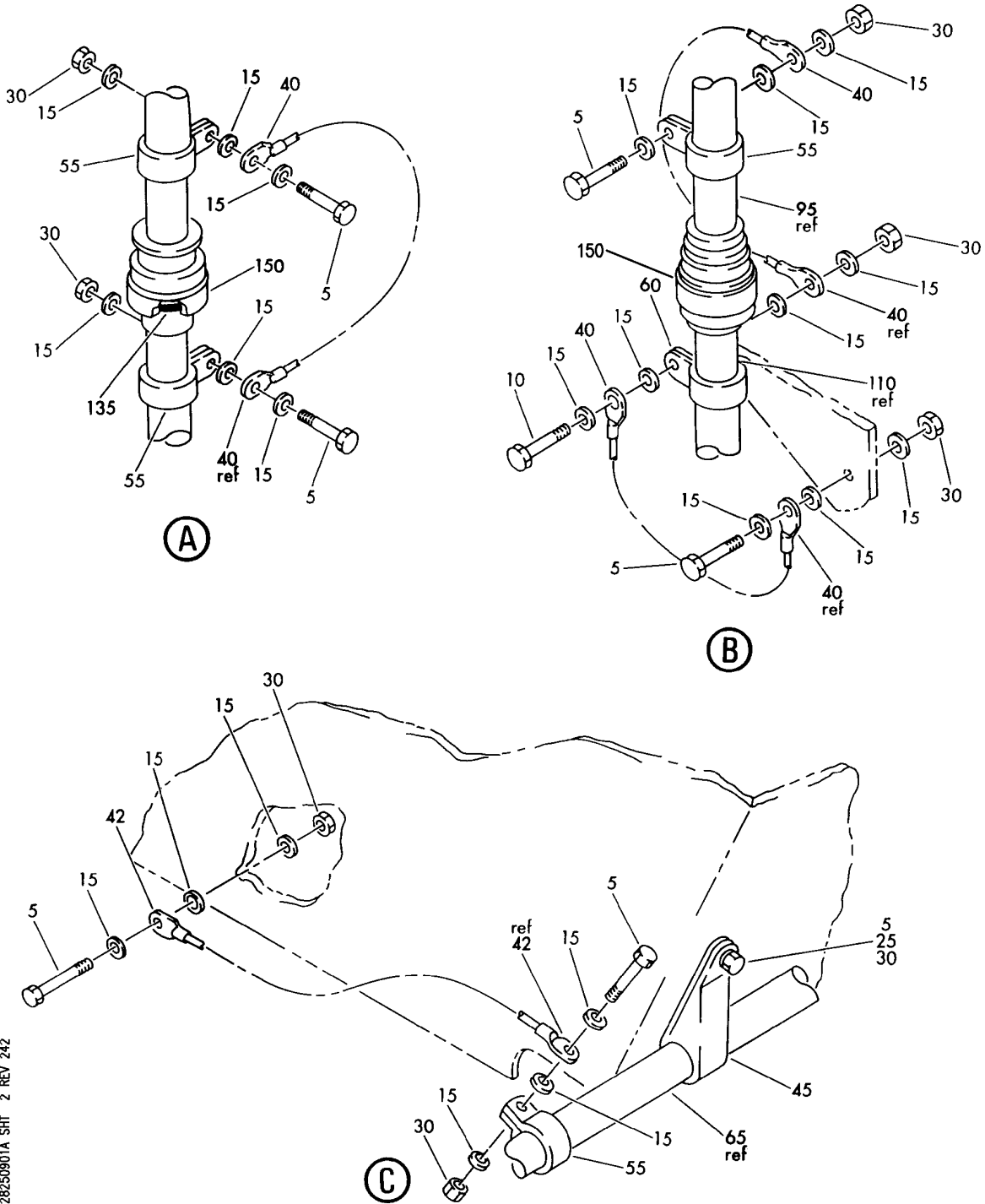
FEED LINE AND SHROUD INSTL-757 BODY APU (APU SUMP DRAIN VALVE ONLY)  
FIGURE 1A (SHEET 1)

BRI  
MAY 28/07

**28-25-09-01A**

28-25-09-01A  
PAGE 0

**BOEING**  
757  
PARTS CATALOG (MAINTENANCE)



Y 28250901A SHT 2 REV 242

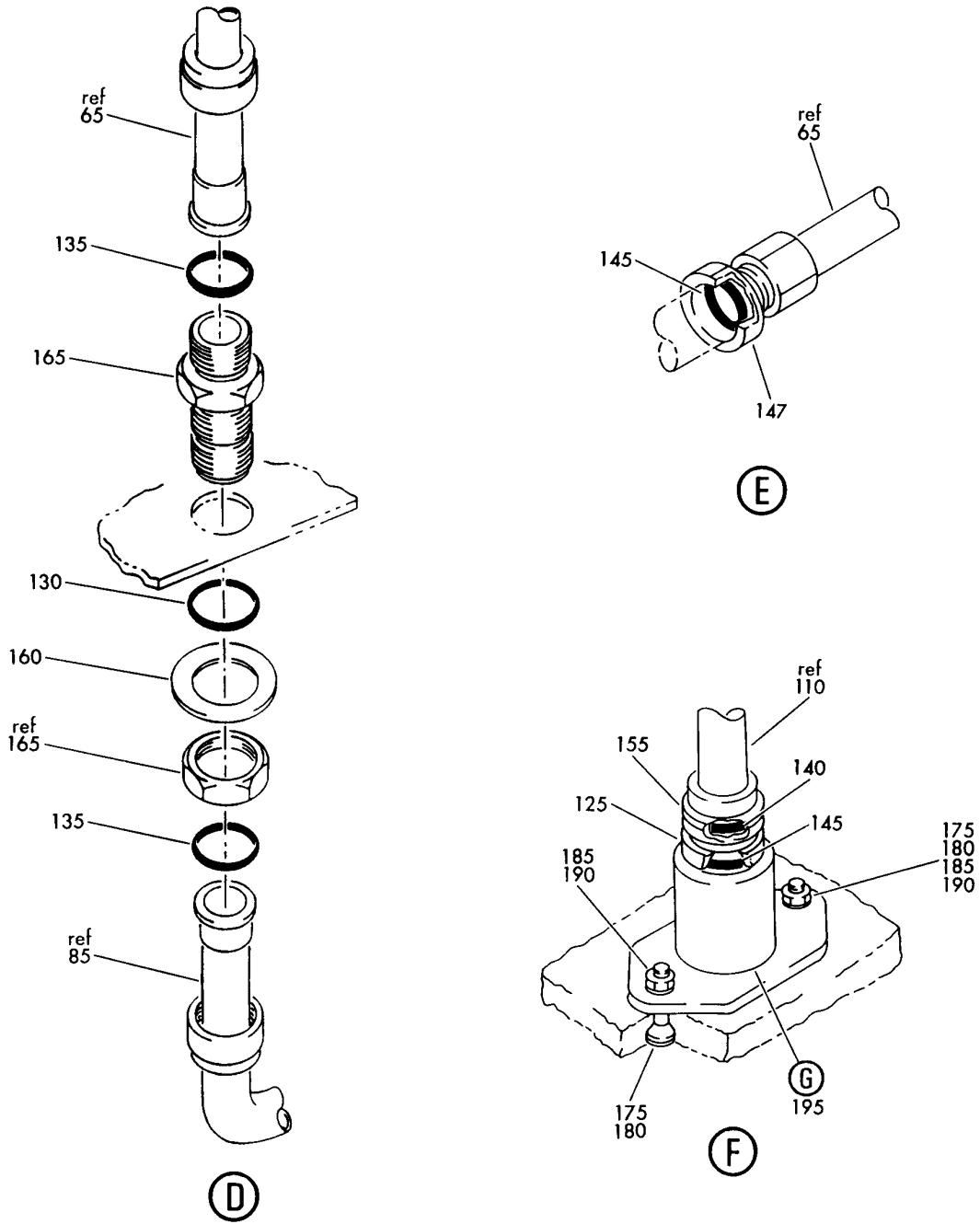
FEED LINE AND SHROUD INSTL-757 BODY APU (APU SUMP DRAIN VALVE ONLY)  
FIGURE 1A (SHEET 2)

BRI  
MAY 28/07

# 28-25-09-01A

28-25-09-01A  
PAGE 0A

**BOEING**  
757  
PARTS CATALOG (MAINTENANCE)



Y 28250901A SHIT 3 REV 191

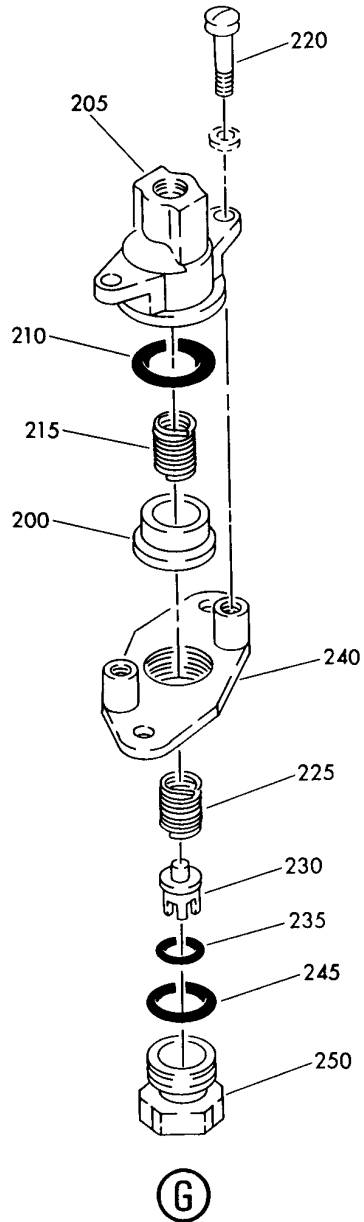
FEED LINE AND SHROUD INSTL-757 BODY APU (APU SUMP DRAIN VALVE ONLY)  
FIGURE 1A (SHEET 3)

**28-25-09-01A**

BRI  
MAY 28/07

28-25-09-01A  
PAGE 0B

**BOEING**  
757  
PARTS CATALOG (MAINTENANCE)



Y 28250901A SHT 4 REV 191

FEED LINE AND SHROUD INSTL-757 BODY APU (APU SUMP DRAIN VALVE ONLY)  
FIGURE 1A (SHEET 4)

BRI  
MAY 28/07

**28-25-09-01A**

28-25-09-01A  
PAGE 0C



757

PARTS CATALOG (MAINTENANCE)

| FIG ITEM | PART NUMBER   | 1 2 3 4 5 6 7 | NOMENCLATURE   | EFFECT FROM TO             | UNITS PER ASSY |
|----------|---------------|---------------|--|----------------------------|----------------|
| 1 A      |               |               | FEED LINE AND SHROUD INSTL-<br>757 BODY APU (APU SUMP<br>DRAIN VALVE ONLY)   | 101106<br>108120<br>504903 |                |
| - 1      | 346N4001-67   |               | TUBING INSTL-<br>757 BODY APU (APU SUMP<br>DRAIN VALVE ONLY)   | 101102<br>108120<br>504903 | RF             |
| - 1      | MODREF13813   |               | FOR NHA/ADDITIONAL DET SEE:<br>28-00-00-05<br>TUBING INSTL-<br>757 BODY APU (APU SUMP<br>DRAIN VALVE ONLY)   | 103106                     | 1              |
| 5        | BACS12GU3K10  |               | .SCREW-  | 101106<br>108120<br>504903 | 14             |
| 10       | BACS12GU3K10  |               | .SCREW-  | 101106<br>108120<br>504903 | 1              |
| 15       | NAS1149D0316H |               | .WASHER  | 101106<br>108120<br>504903 | 28             |
| 20       | NAS1149D0332J |               | .WASHER  | 101106<br>108120<br>504903 | 5              |
| 25       | NAS1149C0332R |               | .WASHER  | 101106<br>108120<br>504903 | 1              |
| 30       | BRH10C3D      |               | .NUT<br>SUPPLIER CODE:<br>V52828<br>SPECIFICATION NUMBER:<br>BACN10JC3CD<br>OPTIONAL PART:<br>T6C1032JCD<br>V11815<br>NS202486-02<br>V80539<br>102LH9075-3W<br>V72962<br>H51650-3BAC<br>V15653 | 101106<br>108120<br>504903 | 10             |

MISSING ITEM NUMBERS NOT APPLICABLE

- ITEM NOT ILLUSTRATED

BRI

28-25-09-01A

BOEING PROPRIETARY - Copyright © - Unpublished Work - See title page for details.

28-25-09  
FIG. 01A  
PAGE 1  
JAN 20/09



757

PARTS CATALOG (MAINTENANCE)

| FIG ITEM | PART NUMBER | 1 2 3 4 5 6 7 | NOMENCLATURE  | EFFECT FROM TO             | UNITS PER ASSY |
|----------|-------------|---------------|---|----------------------------|----------------|
| 1 A      |             |               |   |                            |                |
| 35       | BRC600-10-3 | .NUT          | SUPPLIER CODE:<br>V52828<br>SPECIFICATION NUMBER:<br>BACN10YD2<br>OPTIONAL PART:<br>130121<br>V60119                              | 101106<br>108120<br>504903 | 4              |
| 40       | 740A20-6    | .JUMPER ASSY  | SUPPLIER CODE:<br>V91812<br>SPECIFICATION NUMBER:<br>BACJ40A20-6<br>OPTIONAL PART:<br>TJEJ40A20-6<br>V33483<br>RBEJ20-6<br>V1GK47 | 101106<br>108120<br>504903 | 4              |
| 42       | 740A20-3    | .JUMPER ASSY  | SUPPLIER CODE:<br>V91812<br>SPECIFICATION NUMBER:<br>BACJ40A20-3<br>OPTIONAL PART:<br>TJEJ40A20-3<br>V33483<br>RBEJ20-3<br>V1GK47 | 101106<br>108120<br>504903 | 1              |
| 45       | BACC10DK8A  | .CLAMP        |   | 101106<br>108120<br>504903 | 5              |
| 50       | BACC10DK6   | .CLAMP        |   | 101106<br>108120<br>504903 | 1              |
| 55       | AN735DC8    | .CLAMP        |   | 101106<br>108120<br>504903 | 6              |
| 60       | AN735C6     | .CLAMP-       |   | 101106<br>108120<br>504903 | 1              |
| 65       | 346N2026-2  | .TUBE ASSY-   | TUBING MATERIAL:<br>.5 IN. OD .022 IN.<br>WALL 44.874 IN. LG<br>WW-T-700/6 6061 T4<br>TUBING                                      | 101106<br>108120<br>504903 | 1              |

MISSING ITEM NUMBERS NOT APPLICABLE

- ITEM NOT ILLUSTRATED

BRI

28-25-09-01A

BOEING PROPRIETARY - Copyright © - Unpublished Work - See title page for details.

28-25-09  
FIG. 01A  
PAGE 2  
JAN 20/09





757

PARTS CATALOG (MAINTENANCE)

| FIG ITEM | PART NUMBER  | 1 2 3 4 5 6 7 | NOMENCLATURE   | EFFECT FROM TO             | UNITS PER ASSY |
|----------|--------------|---------------|--|----------------------------|----------------|
| 1 A      |              |               |  |                            |                |
| - 70     | AP2097HP08   | ..            | SLEEVE<br>SUPPLIER CODE:<br>V01673<br>SPECIFICATION NUMBER:<br>BACS13BX08HP<br>OPTIONAL PART:<br>2-02903-08HP<br>V11328<br>35235VN08<br>V08199<br>AFP175V08P<br>V30974<br>DBOS13BX08HP<br>V14798 | 101106<br>108120<br>504903 | 1              |
| - 75     | BACN10YLO8LN | ..            | NUT-   | 101106<br>108120<br>504903 | 1              |
| - 80     | AS1737D08    | ..            | COUPLING-FERRULE   | 101106<br>108120<br>504903 | 1              |
| 85       | 346N4001-32  | .             | TUBE ASSY  | 101106<br>108120<br>504903 | 1              |
| - 90     | S83052-8     | ..            | FERRULE<br>SUPPLIER CODE:<br>V79326<br>SPECIFICATION NUMBER:<br>BACF32F8<br>OPTIONAL PART:<br>TC010-8<br>V24984  | 101106<br>108120<br>504903 | 2              |
| 95       | 346N4001-30  | .             | TUBE ASSY  | 101106<br>108120<br>504903 | 1              |
| - 100    | BACC42T8     | ..            | COUPLING<br>SUPPLIER CODE:<br>V79326<br>SPECIFICATION NUMBER:<br>BACC42T8<br>OPTIONAL PART:<br>TC011-8<br>V24984<br>83051-8<br>V79326  | 101106<br>108120<br>504903 | 1              |

MISSING ITEM NUMBERS NOT APPLICABLE

- ITEM NOT ILLUSTRATED

28-25-09-01A

28-25-09  
FIG. 01A  
PAGE 3  
JAN 20/09

BRI

BOEING PROPRIETARY - Copyright © - Unpublished Work - See title page for details.



757

PARTS CATALOG (MAINTENANCE)

| FIG ITEM    | PART NUMBER | 1 2 3 4 5 6 7  | NOMENCLATURE  | EFFECT FROM TO             | UNITS PER ASSY |
|-------------|-------------|--|---|----------------------------|----------------|
| 1A<br>- 105 | S3052-8     | ..   | FERRULE<br>SUPPLIER CODE:<br>V79326<br>SPECIFICATION NUMBER:<br>BACF32E8<br>OPTIONAL PART:<br>63052-8<br>V79326 | 101106<br>108120<br>504903 | 1              |
| 108         | 346N2009-7  | .BRACKET   |   | 101106<br>108120<br>504903 | 1              |
| 109         | BACR15FT8AD | .RIVET   |   | 101106<br>108120<br>504903 | 2              |
| 110         | 346N2026-1  | .TUBE ASSY-<br>TUBING MATERIAL:<br>.375 IN. OD .02 IN.<br>WALL 22.274 IN. LG<br>WW-T-700/6 6061 T4<br>TUBING   |   | 101106<br>108120<br>504903 | 1              |
| - 115       | 63152-6-8   | .. FERRULE-<br>SUPPLIER CODE:<br>V79326  |   | 101106<br>108120<br>504903 | 1              |
| 123         | AP2097H06   | .. SLEEVE<br>SUPPLIER CODE:<br>V01673<br>SPECIFICATION NUMBER:<br>BACS13BX06H<br>OPTIONAL PART:<br>2-02903-06H<br>V11328<br>35235V06<br>V08199<br>AFP175V06<br>V30974<br>DBOS13BX06H<br>V14798 |   | 101106<br>108120<br>504903 | 1              |
| 130         | MS29513-023 | .PACKING   |   | 101106<br>108120<br>504903 | 1              |
| 135         | MS29513-016 | .PACKING   |   | 101106<br>108120<br>504903 | 4              |
| 145         | MS29512-06  | .PACKING   |   | 101106<br>108120<br>504903 | 2              |
| 147         | MS21916D8-6 | .REDUCER   |   | 101106<br>108120<br>504903 | 1              |

MISSING ITEM NUMBERS NOT APPLICABLE

- ITEM NOT ILLUSTRATED

28-25-09-01A

28-25-09  
FIG. 01A  
PAGE 4  
JAN 20/09

BRI

BOEING PROPRIETARY - Copyright © - Unpublished Work - See title page for details.



757

PARTS CATALOG (MAINTENANCE)

| FIG ITEM  | PART NUMBER   | 1 2 3 4 5 6 7          | NOMENCLATURE  | EFFECT FROM TO             | UNITS PER ASSY |
|-----------|---------------|------------------------|---|----------------------------|----------------|
| 1A<br>148 | AP1042JN0606  | .ELBOW                 | SUPPLIER CODE:<br>V01673<br>SPECIFICATION NUMBER:<br>BACE21BT0606JN   | 101106<br>108120<br>504903 | 1              |
| 149       | MS21902J6     | .UNION                 |   | 101106<br>108120<br>504903 | 1              |
| 150       | AS1738-1D08   | .NUT ASSY              |   | 101106<br>108120<br>504903 | 2              |
| 160       | NAS1149D1616J | .WASHER                |   | 101106<br>108120<br>504903 | 1              |
| 165       | B351S8        | .FERRULE-              | SUPPLIER CODE:<br>V79326  | 101106<br>108120<br>504903 | 1              |
| 175       | BACB30NN3K14  | .BOLT                  |   | 101106<br>108120<br>504903 | 2              |
| 180       | BACW10UC10    | .WASHER                |   | 101106<br>108120<br>504903 | 2              |
| 185       | NAS1149C0332R | .WASHER                |   | 101106<br>108120<br>504903 | 2              |
| 190       | PLH53CD       | .NUT-                  | SUPPLIER CODE:<br>VF0224<br>SPECIFICATION NUMBER:<br>BACN10YR3CD<br>OPTIONAL PART:<br>H52732-3CD<br>V15653  | 101106<br>108120<br>504903 | 2              |
| 195       | 774400-27     | .VALVE ASSY-SUMP DRAIN | SUPPLIER CODE:<br>V96124<br>SPECIFICATION NUMBER:<br>60B92013-27<br>COMPONENT MAINT MANUAL REF:<br>28-11-04 | 101106<br>108120<br>504903 | 1              |
| 200       | MS35275-262   | ..SCREW                |   | 101106<br>108120<br>504903 | 2              |
| 205       | 774422        | ..HOUSING-             | SUPPLIER CODE:<br>V96124  | 101106<br>108120<br>504903 | 1              |

MISSING ITEM NUMBERS NOT APPLICABLE

- ITEM NOT ILLUSTRATED

28-25-09-01A

28-25-09  
FIG. 01A  
PAGE 5  
JAN 20/09

BRI

BOEING PROPRIETARY - Copyright © - Unpublished Work - See title page for details.



757

PARTS CATALOG (MAINTENANCE)

| FIG ITEM | PART NUMBER  | 1 2 3 4 5 6 7 | NOMENCLATURE  | EFFECT FROM TO             | UNITS PER ASSY |
|----------|--------------|---------------|---|----------------------------|----------------|
| 1A       |              |               |   |                            |                |
| 210      | M25988-1-026 | ..            | PACKING-<br>SUPPLIER CODE:<br>V96124  | 101106<br>108120<br>504903 | 1              |
| 215      | 775006       | ..            | SPRING-<br>SUPPLIER CODE:<br>V96124   | 101106<br>108120<br>504903 | 1              |
| 220      | 774411       | ..            | POPPET-SECONDARY<br>SUPPLIER CODE:<br>V96124  | 101106<br>108120<br>504903 | 1              |
| 225      | 770206       | ..            | SPRING-<br>SUPPLIER CODE:<br>V96124   | 101106<br>108120<br>504903 | 1              |
| 230      | 774410       | ..            | POPPET-PRIMARY<br>SUPPLIER CODE:<br>V96124  | 101106<br>108120<br>504903 | 1              |
| 235      | M25988-1-011 | ..            | PACKING-  | 101106<br>108120<br>504903 | 1              |
| 240      | 774425       | ..            | BASE-<br>SUPPLIER CODE:<br>V96124   | 101106<br>108120<br>504903 | 1              |
| 245      | M25988-1-018 | ..            | PACKING-<br>SUPPLIER CODE:<br>V96124  | 101106<br>108120<br>504903 | 1              |
| 250      | 774409-1     | ..            | SEAT-<br>SUPPLIER CODE:<br>V96124   | 101106<br>108120<br>504903 | 1              |
| 900      |              |               | ILLUSTRATION REFERENCE:<br>FEED LINE AND SHROUD INSTL-<br>757 BODY APU (APU FLAME<br>ARRESTOR ONLY)<br>28-25-07-01B | 101106<br>108120<br>504903 | RF             |

MISSING ITEM NUMBERS NOT APPLICABLE

- ITEM NOT ILLUSTRATED

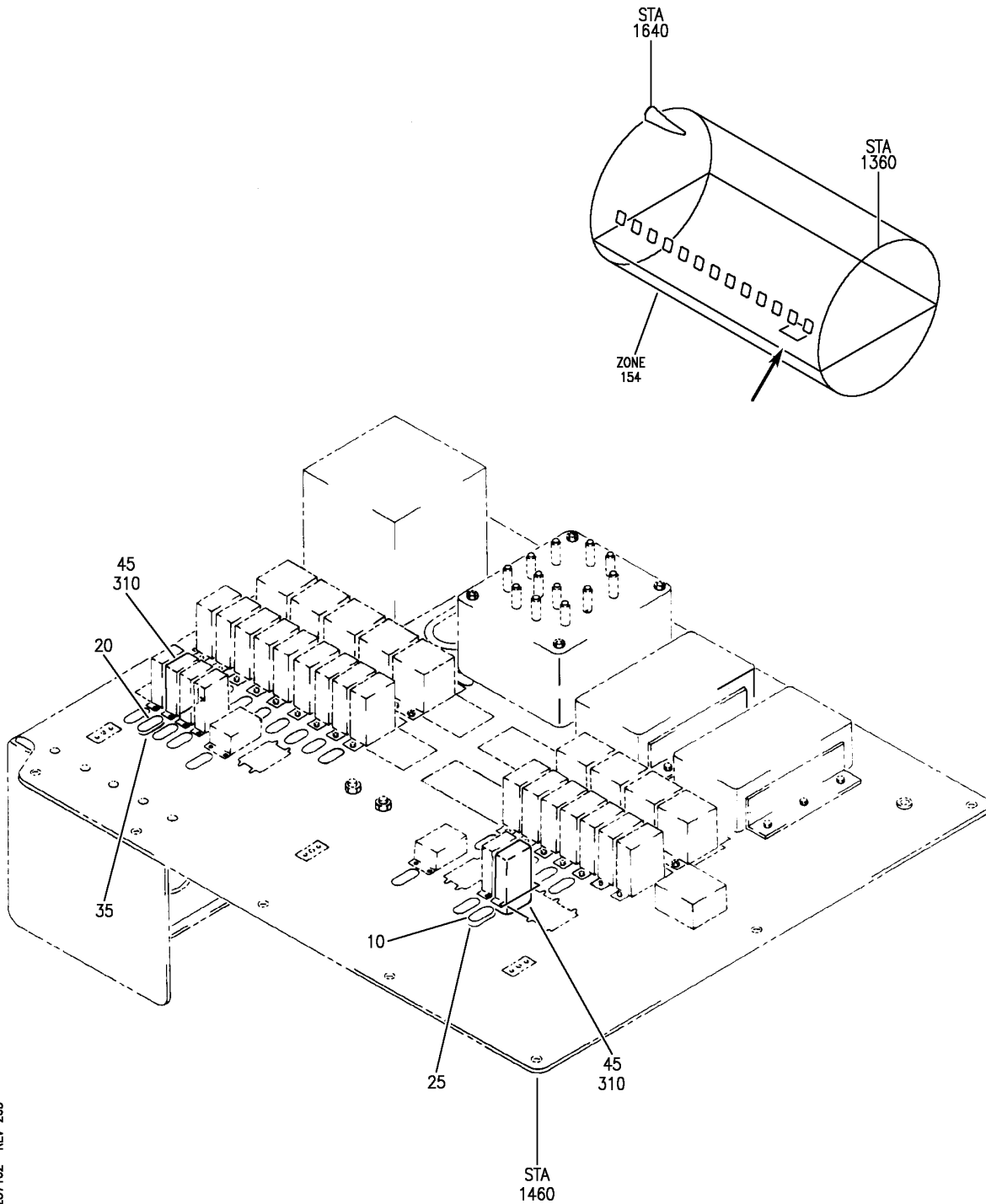
BRI

28-25-09-01A

BOEING PROPRIETARY - Copyright © - Unpublished Work - See title page for details.

28-25-09  
FIG. 01A  
PAGE 6  
JAN 20/09

**BOEING**  
757  
PARTS CATALOG (MAINTENANCE)



Y 28257102 REV 265

EQUIPMENT ASSY-AFT EQPT CTR E6 RELAY (FUEL ONLY)  
FIGURE 2

**28-25-71-02**

BRI  
MAY 28/07

28-25-71-02  
PAGE 0



757

PARTS CATALOG (MAINTENANCE)

| FIG ITEM | PART NUMBER  | 1 2 3 4 5 6 7 | NOMENCLATURE  | EFFECT FROM TO   | UNITS PER ASSY |
|----------|--------------|---------------|---|------------------|----------------|
| 2        |              |               | EQUIPMENT ASSY-AFT EQPT CTR<br>E6 RELAY (FUEL ONLY)   | 121503<br>904949 |                |
| - 1      | 284N1680-1   |               | EQUIPMENT ASSY-EQPT CTR E6<br>RELAY (FUEL ONLY)<br>POSITION DATA:<br>AFT<br>VARIABLE DRAWING REF:<br>284N1680-5009<br>FOR NHA/OTHER SYS DET SEE:<br>25-70-51-53   | 121503<br>904949 | RF             |
| 10       | BAC27NEX0073 |               | .DECAL-<br>PLACARD CONTENT:<br>K10160   | 121503<br>904949 | 1              |
| 20       | BAC27NEX0075 |               | .DECAL-<br>PLACARD CONTENT:<br>K10162   | 121503<br>904949 | 1              |
| 25       | BAC27NEX1266 |               | .DECAL-<br>PLACARD CONTENT:<br>D2410  | 121503<br>904949 | 1              |
| 35       | BAC27NEX1268 |               | .DECAL-<br>PLACARD CONTENT:<br>D2414  | 121503<br>904949 | 1              |
| 45       | W260F4AM11   |               | .RELAY-<br>SUPPLIER CODE:<br>VF0219<br>SPECIFICATION NUMBER:<br>BACR13CD2<br>OPTIONAL PART:<br>BR16S233<br>V09026<br>EE4AA005<br>V35344<br>3SAV1338A2<br>V01526<br>HFW1206K03<br>V58614<br>HFW1204K01<br>V71482<br>ELECTRICAL EQUIP NUMBER:<br>K10160<br>K10162 | 121503<br>904949 | 2              |
| - 300    | 286N1024-002 |               | WIRE BUNDLE ASSY  | 121503<br>904949 | RF             |

MISSING ITEM NUMBERS NOT APPLICABLE

- ITEM NOT ILLUSTRATED

28-25-71-02

28-25-71  
FIG. 02  
PAGE 1  
JAN 20/09

BRI



757

PARTS CATALOG (MAINTENANCE)

| FIG<br>ITEM | PART NUMBER | 1 2 3 4 5 6 7 | NOMENCLATURE   | EFFECT<br>FROM TO | UNITS<br>PER<br>ASSY |
|-------------|-------------|---------------|--|-------------------|----------------------|
| 2<br>310    | RSE120026   |               | . SOCKET-<br>SUPPLIER CODE:<br>V58982<br>SPECIFICATION NUMBER:<br>BACS16AG1<br>OPTIONAL PART:<br>451120-026<br>V58982<br>ELECTRICAL EQUIP NUMBER:<br>D02410<br>D02414<br>WIRING DIAGRAM REF:<br>282521 | 121503<br>904949  | 2                    |

MISSING ITEM NUMBERS NOT APPLICABLE

- ITEM NOT ILLUSTRATED

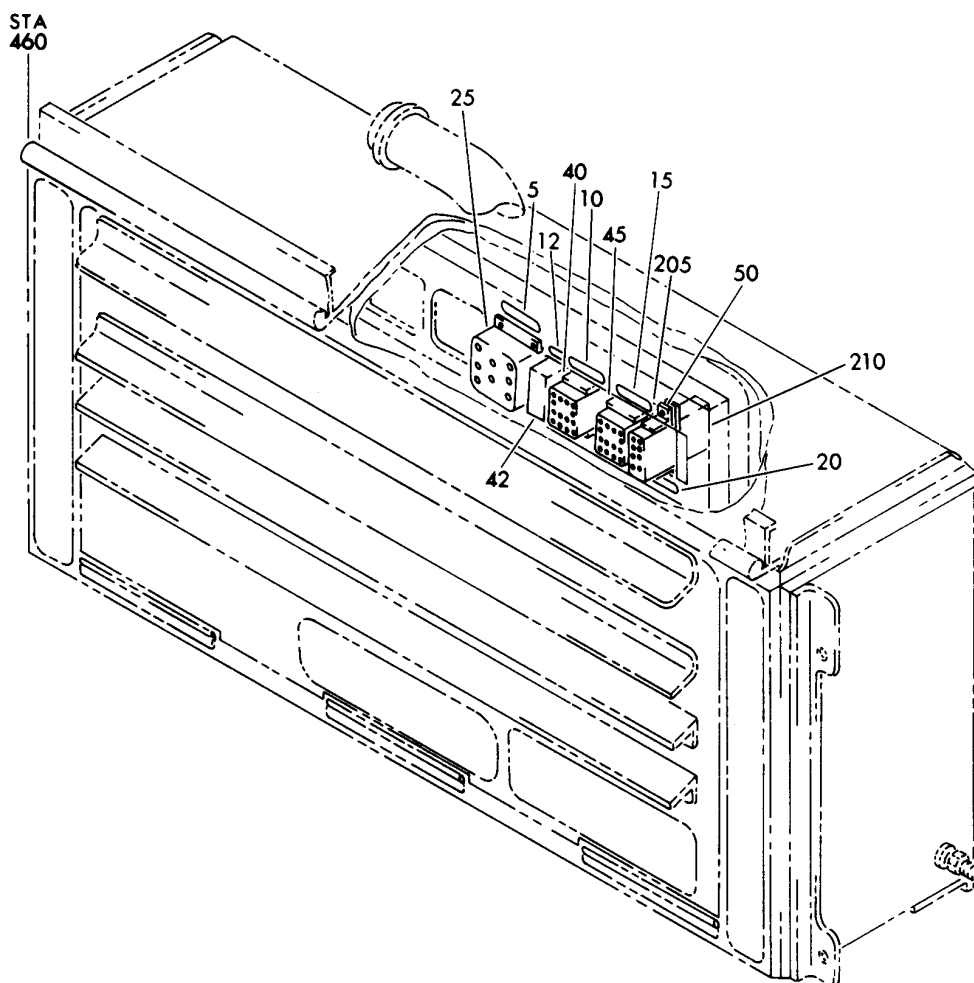
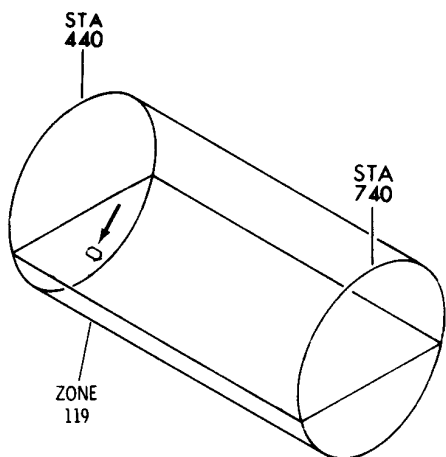
BRI

28-25-71-02

BOEING PROPRIETARY - Copyright © - Unpublished Work - See title page for details.

28-25-71  
FIG. 02  
PAGE 2  
JAN 20/09

**BOEING**  
757  
PARTS CATALOG (MAINTENANCE)



Y 28257104 SHT 1 REV 03E

PANEL ASSY-P70 MISC RELAY (FUEL ONLY)  
FIGURE 4

**28-25-71-04**

BRI  
MAY 28/07

28-25-71-04  
PAGE 0





757

PARTS CATALOG (MAINTENANCE)

| FIG ITEM | PART NUMBER  | 1 2 3 4 5 6 7 | NOMENCLATURE  | EFFECT FROM TO                                 | UNITS PER ASSY |
|----------|--------------|---------------|---|--|----------------|
| 4        |              |               | PANEL ASSY-P70 MISC RELAY<br>(FUEL ONLY)  | 002004<br>006100<br>107107<br>121503<br>904999 |                |
| - 1      | 284N1129-1   |               | PANEL ASSY-P70 MISC RELAY<br>(FUEL ONLY)<br>VARIABLE DRAWING REF:<br>284N1129-5012<br>284N1129-5021<br>284N1129-5035<br>284N1129-5049<br>284N1129-5054<br>FOR NHA/OTHER SYS DET SEE:<br>53-33-00-02 | 002004<br>006100<br>107107<br>121503<br>904999 | RF             |
| 5        | BAC27NEX1523 |               | .DECAL-<br>PLACARD CONTENT:<br>K191   | 002004<br>006100<br>107107<br>121503<br>904999 | 1              |
| 10       | BAC27NEX1526 |               | .DECAL-<br>PLACARD CONTENT:<br>K512   | 107107<br>121503<br>904949                     | 1              |
| 12       | BAC27NEX1526 |               | .DECAL-<br>PLACARD CONTENT:<br>K512   | 002004<br>006100<br>950999                     | 1              |
| 15       | BAC27NEX1525 |               | .DECAL-<br>PLACARD CONTENT:<br>K505   | 002004<br>006100<br>107107<br>121503<br>904999 | 1              |
| 20       | BAC27NEX1524 |               | .DECAL-<br>PLACARD CONTENT:<br>K10159   | 002004<br>006100<br>107107<br>121503<br>904999 | 1              |
| 25       | MS27418-2B   |               | .RELAY-<br>ELECTRICAL EQUIP NUMBER:<br>K00191   | 002004<br>006100<br>107107<br>121503<br>904999 | 1              |
| - 30     | NAS602-8     |               | ATTACHING PARTS<br>.SCREW-  | 002004<br>006100<br>107107<br>121503<br>904999 | 4              |

MISSING ITEM NUMBERS NOT APPLICABLE

- ITEM NOT ILLUSTRATED

28-25-71-04

28-25-71  
FIG. 04  
PAGE 1  
JAN 20/09

BRI

BOEING PROPRIETARY - Copyright © - Unpublished Work - See title page for details.



757

PARTS CATALOG (MAINTENANCE)

| FIG ITEM | PART NUMBER  | 1 2 3 4 5 6 7 | NOMENCLATURE   | EFFECT FROM TO                                 | UNITS PER ASSY |
|----------|--------------|---------------|--|--|----------------|
| 4        |              |               |  |  |                |
| - 30     | NAS602-8P    | .             | SCREW-   | 002004<br>006100<br>107107<br>121503<br>904999 | 4              |
| - 35     | AN960D8L     | .             | WASHER-  | 002004<br>006100<br>107107<br>121503<br>904999 | 4              |
|          |              |               | -----*-----  |  |                |
| 40       | TDH8119-1002 | .             | RELAY-<br>SUPPLIER CODE:<br>V58657<br>ELECTRICAL EQUIP NUMBER:<br>K00512   | 107107<br>121503<br>904949                     | 1              |
| 42       | TDH1852-1002 | .             | RELAY-<br>SUPPLIER CODE:<br>V58657<br>ELECTRICAL EQUIP NUMBER:<br>K00512<br>FOR SPARES PROCURE:<br>600-154-1002<br>600-154-10S0  | 002004<br>006100<br>950999                     | 1              |
| 45       | E410-1537    | .             | RELAY-<br>SUPPLIER CODE:<br>V99699<br>SPECIFICATION NUMBER:<br>BACR13CG2A<br>OPTIONAL PART:<br>E415-1078<br>V99699<br>BR230S0116<br>V56623<br>KD4A017<br>V58687<br>FCA410-62<br>V78290<br>ELECTRICAL EQUIP NUMBER:<br>K00505 | 002004<br>006100<br>107107<br>121503<br>904999 | 1              |
| 50       | JAD9F007     | .             | RELAY-<br>SUPPLIER CODE:<br>V58657<br>SPECIFICATION NUMBER:<br>BACR13CJ2<br>ELECTRICAL EQUIP NUMBER:<br>K10159   | 002004<br>006100<br>107107<br>121503<br>904999 | 1              |
| - 200    | 286N1250-001 |               | WIRE BUNDLE ASSY-(FUEL ONLY)   | 121503<br>904949                               | RF             |

MISSING ITEM NUMBERS NOT APPLICABLE

- ITEM NOT ILLUSTRATED

28-25-71-04

28-25-71  
FIG. 04  
PAGE 2  
JAN 20/09

BRI



757

PARTS CATALOG (MAINTENANCE)

| FIG ITEM | PART NUMBER  | 1 2 3 4 5 6 7 | NOMENCLATURE  | EFFECT FROM TO                                 | UNITS PER ASSY |
|----------|--------------|---------------|---|--|----------------|
| 4        |              |               |   |  |                |
| - 200    | 286N1250-002 |               | WIRE BUNDLE ASSY-(FUEL ONLY)  | 107107   | RF             |
| - 200    | 286N1250-003 |               | WIRE BUNDLE ASSY-(FUEL ONLY)  | 002004<br>006100<br>950999                     | RF             |
| 205      | BACS16W1     |               | .SOCKET-<br>ELECTRICAL EQUIP NUMBER:<br>D04684<br>WIRING DIAGRAM REF:<br>282511   | 002004<br>006100<br>107107<br>121503<br>904999 | 1              |
| 210      | RSF116208    |               | .SOCKET-<br>SUPPLIER CODE:<br>V58982<br>SPECIFICATION NUMBER:<br>BACS16X3A<br>OPTIONAL PART:<br>102-005-1<br>V09922<br>000300-1541<br>V05574<br>ELECTRICAL EQUIP NUMBER:<br>D02408<br>WIRING DIAGRAM REF:<br>282511 | 002004<br>006100<br>107107<br>121503<br>904999 | 1              |

MISSING ITEM NUMBERS NOT APPLICABLE

- ITEM NOT ILLUSTRATED

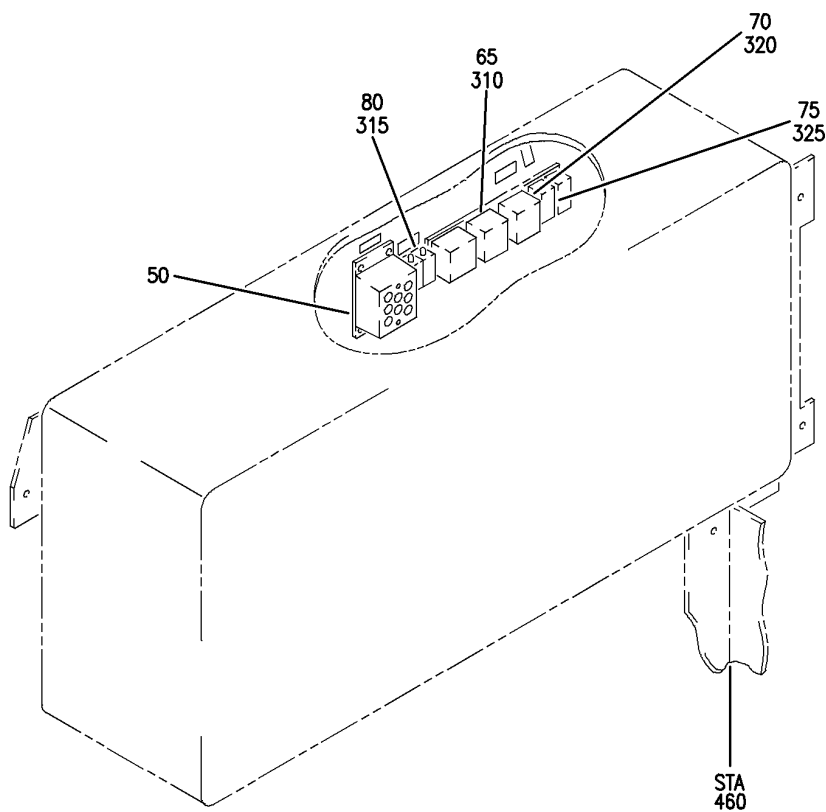
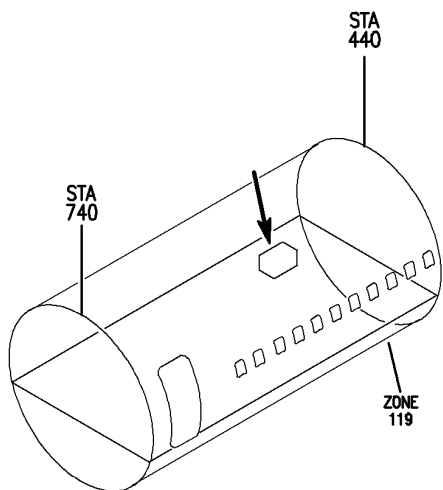
BRI

28-25-71-04

BOEING PROPRIETARY - Copyright © - Unpublished Work - See title page for details.

28-25-71  
FIG. 04  
PAGE 3  
JAN 20/09

**BOEING**  
757  
PARTS CATALOG (MAINTENANCE)



Y 28257104A REV 225

PACKAGE ASSY-OPTION P70 MISC RELAY (FUEL ONLY)  
FIGURE 4A

**28-25-71-04A**

BRI  
MAY 28/07

28-25-71-04A  
PAGE 0



757

PARTS CATALOG (MAINTENANCE)

| FIG ITEM | PART NUMBER   | 1 2 3 4 5 6 7 | NOMENCLATURE   | EFFECT FROM TO   | UNITS PER ASSY |
|----------|---------------|---------------|--|------------------|----------------|
| 4 A      |               |               | PACKAGE ASSY-OPTION P70<br>MISC RELAY<br>(FUEL ONLY)   | 101102<br>504903 |                |
| - 1      | 284N1129-1001 |               | PACKAGE ASSY-OPTION P70<br>MISC RELAY<br>(FUEL ONLY)   | 101102<br>504903 | RF             |
| - 2      | 284N1129-1027 |               | FOR NHA/OTHER SYS DET SEE:<br>31-01-70-01<br>PACKAGE ASSY-OPTION P70<br>MISC RELAY<br>(FUEL ONLY)  | 101102<br>504903 | RF             |
| 50       | MS27418-2B    |               | .RELAY-<br>ELECTRICAL EQUIP NUMBER:<br>K00191<br>USED ON:<br>284N1129-1001<br>284N1129-1045  | 101102<br>504903 | 1              |
| - 55     | NAS602-8P     |               | ATTACHING PARTS<br>.SCREW-<br>USED ON:<br>284N1129-1001<br>284N1129-1045   | 101102<br>504903 | 4              |
| - 60     | NAS1149DN816H |               | .WASHER-<br>USED ON:<br>284N1129-1001<br>284N1129-1045   | 101102<br>504903 | 4              |
| 70       | E410-1537     |               | -----*-----<br>.RELAY-<br>SUPPLIER CODE:<br>V99699<br>SPECIFICATION NUMBER:<br>BACR13CG2A<br>OPTIONAL PART:<br>E415-1078<br>V99699<br>BR230S0116<br>V56623<br>KD4A017<br>V58687<br>FCA410-62<br>V78290<br>ELECTRICAL EQUIP NUMBER:<br>K00505<br>USED ON:<br>284N1129-1001<br>284N1129-1045 | 101102<br>504903 | 1              |

MISSING ITEM NUMBERS NOT APPLICABLE

- ITEM NOT ILLUSTRATED

28-25-71-04A

28-25-71  
FIG. 04A  
PAGE 1  
JAN 20/09

BRI



757

PARTS CATALOG (MAINTENANCE)

| FIG ITEM  | PART NUMBER  | 1 2 3 4 5 6 7 | NOMENCLATURE  | EFFECT FROM TO   | UNITS PER ASSY |
|-----------|--------------|---------------|---|------------------|----------------|
| 4 A<br>75 | JAD9F007     |               | .RELAY-<br>SUPPLIER CODE:<br>V58657<br>SPECIFICATION NUMBER:<br>BACR13CJ2<br>ELECTRICAL EQUIP NUMBER:<br>K10159<br>USED ON:<br>284N1129-1001<br>284N1129-1045                               | 101102<br>504903 | 1              |
| 80        | TDH1852-1002 |               | .RELAY-<br>SUPPLIER CODE:<br>V58657<br>ELECTRICAL EQUIP NUMBER:<br>K00512<br>USED ON:<br>284N1129-1027<br>FOR SPARES PROCURE:<br>600-154-1002<br>600-154-10S0                               | 101102<br>504903 | 1              |
| - 300     | 286N1250-319 |               | WIRE BUNDLE ASSY  | 504903           | RF             |
| - 300     | 286N1250-328 |               | WIRE BUNDLE ASSY  | 101102           | RF             |
| 315       | RSE120028    |               | .SOCKET-<br>SUPPLIER CODE:<br>V58982<br>SPECIFICATION NUMBER:<br>BACS16AH1<br>OPTIONAL PART:<br>451120-028<br>V58982<br>ELECTRICAL EQUIP NUMBER:<br>D04686<br>WIRING DIAGRAM REF:<br>282511 | 101102<br>504903 | 1              |
| 320       | BACS16W1     |               | .SOCKET-<br>ELECTRICAL EQUIP NUMBER:<br>D04684<br>WIRING DIAGRAM REF:<br>282511   | 101102<br>504903 | 1              |

MISSING ITEM NUMBERS NOT APPLICABLE

- ITEM NOT ILLUSTRATED

BRI

28-25-71-04A

BOEING PROPRIETARY - Copyright © - Unpublished Work - See title page for details.

28-25-71  
FIG. 04A  
PAGE 2  
JAN 20/09



757

PARTS CATALOG (MAINTENANCE)

| FIG<br>ITEM | PART NUMBER | 1 2 3 4 5 6 7 | NOMENCLATURE   | EFFECT<br>FROM TO | UNITS<br>PER<br>ASSY |
|-------------|-------------|---------------|--|-------------------|----------------------|
| 4 A<br>325  | RSF116208   |               | . SOCKET-<br>SUPPLIER CODE:<br>V58982<br>SPECIFICATION NUMBER:<br>BACS16X3A<br>OPTIONAL PART:<br>102-005-1<br>V09922<br>000300-1541<br>V05574<br>ELECTRICAL EQUIP NUMBER:<br>D02408<br>WIRING DIAGRAM REF:<br>282511 | 101102<br>504903  | 1                    |

MISSING ITEM NUMBERS NOT APPLICABLE

- ITEM NOT ILLUSTRATED

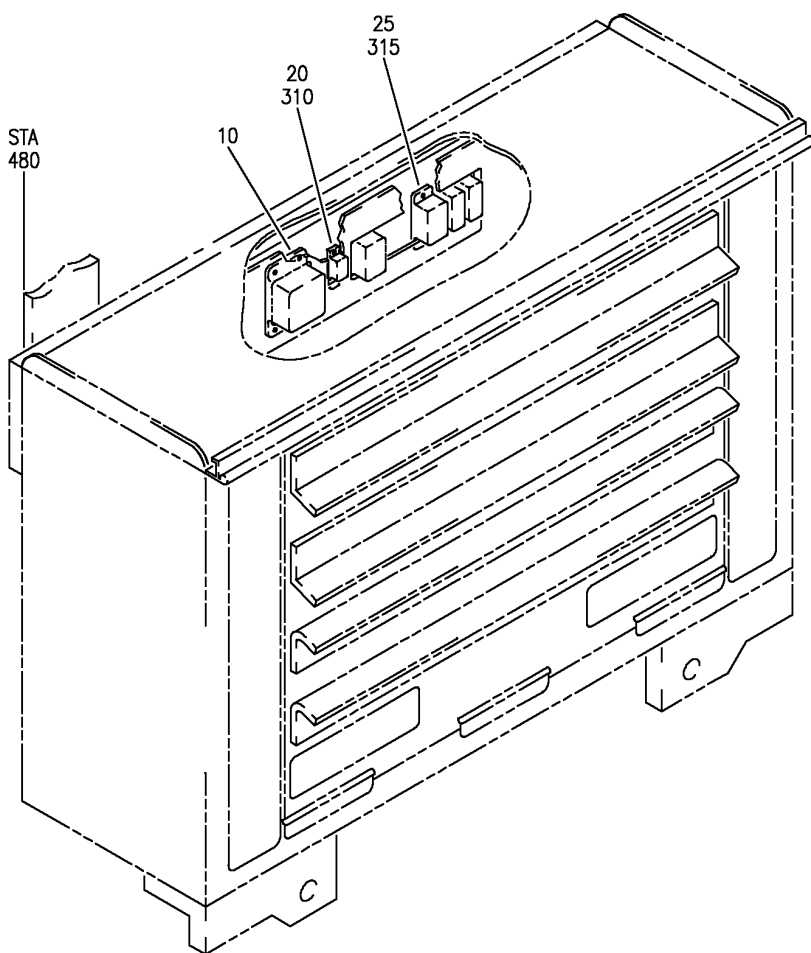
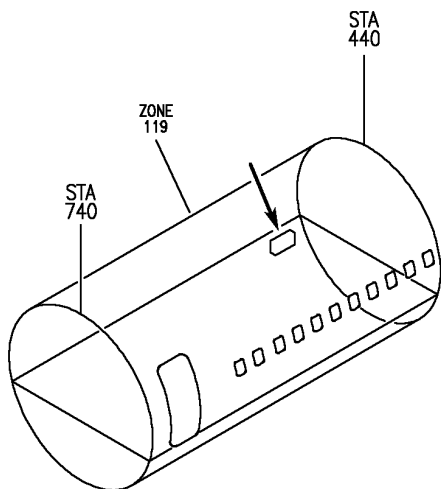
BRI

28-25-71-04A

BOEING PROPRIETARY - Copyright © - Unpublished Work - See title page for details.

28-25-71  
FIG. 04A  
PAGE 3  
JAN 20/09

**BOEING**  
757  
PARTS CATALOG (MAINTENANCE)



Y 28257104B REV 261

PANEL INSTL-P70 MISC RELAY (FUEL ONLY)  
FIGURE 4B

**28-25-71-04B**

BRI  
JAN 20/09

28-25-71-04B  
PAGE 0





**757  
PARTS CATALOG (MAINTENANCE)**

| FIG ITEM | PART NUMBER  | 1 2 3 4 5 6 7 | NOMENCLATURE   | EFFECT FROM TO   | UNITS PER ASSY |
|----------|--------------|---------------|--|------------------|----------------|
| 4B       |              |               | PANEL INSTL-P70 MISC RELAY<br>(FUEL ONLY)  | 103106<br>108120 |                |
| - 2      | 284N1129-423 |               | PANEL INSTL-P70 MISC RELAY<br>(FUEL ONLY)<br>FOR NHA/OTHER SYS DET SEE:<br>24-00-58-05C  | 108120           | RF             |
| - 5      | MODREF31428  |               | PANEL INSTL-P70 MISC RELAY<br>(FUEL ONLY)<br>MODULE NUMBER:<br>284N1129-438 REV A<br>FOR OTHER SYS DETAILS SEE:<br>11-36-10-01B<br>21-25-71-03C<br>21-43-71-02B<br>21-44-71-03B<br>21-45-61-01<br>23-32-55-03B<br>24-51-02-07<br>24-51-04-01<br>24-51-60-04<br>24-53-71-04B<br>27-51-71-04B<br>31-01-70-05<br>33-45-51-02B | 103105           | RF             |
| - 5      | MODREF170991 |               | PANEL INSTL-P70 MISC RELAY<br>(FUEL ONLY)<br>MODULE NUMBER:<br>284N1129-438 REV C<br>FOR OTHER SYS DETAILS SEE:<br>11-36-10-01B<br>21-25-71-03C<br>21-43-71-02B<br>21-44-71-03B<br>21-45-61-01<br>23-32-55-03B<br>24-51-02-07<br>24-51-04-01<br>24-51-60-04<br>24-53-71-04B<br>27-51-71-04B<br>31-01-70-05<br>33-45-51-02B | 106106           | RF             |
| 10       | MS27418-2B   |               | .RELAY-<br>ELECTRICAL EQUIP NUMBER:<br>K00191<br>ATTACHING PARTS   | 103106<br>108120 | 1              |
| - 15     | NAS602-8P    |               | .SCREW-  | 108120           | 4              |
| - 15     | BACS12CK08-8 |               | .SCREW-  | 103106           | 4              |

MISSING ITEM NUMBERS NOT APPLICABLE

- ITEM NOT ILLUSTRATED

# 28-25-71-04B

28-25-71  
FIG. 04B  
PAGE 1  
JAN 20/09

BRI

BOEING PROPRIETARY - Copyright © - Unpublished Work - See title page for details.



757

PARTS CATALOG (MAINTENANCE)

| FIG ITEM | PART NUMBER   | 1 2 3 4 5 6 7 | NOMENCLATURE                        | EFFECT FROM TO   | UNITS PER ASSY |
|----------|---------------|---------------|-------------------------------------|------------------|----------------|
| 4B       |               |               |                                     |                  |                |
| - 17     | NAS1149DN816H | .             | WASHER                              | 103106<br>108120 | 4              |
|          |               | -----*        |                                     |                  |                |
| 20       | TDH1852-1002  | .             | RELAY-                              | 103106<br>108120 | 1              |
|          |               |               | SUPPLIER CODE:<br>V58657            |                  |                |
|          |               |               | ELECTRICAL EQUIP NUMBER:<br>K00512  |                  |                |
| 25       | E410-1537     | .             | RELAY-                              | 103106<br>108120 | 1              |
|          |               |               | SUPPLIER CODE:<br>V99699            |                  |                |
|          |               |               | SPECIFICATION NUMBER:<br>BACR13CG2A |                  |                |
|          |               |               | OPTIONAL PART:<br>E415-1078         |                  |                |
|          |               |               | V99699                              |                  |                |
|          |               |               | BR230S0116                          |                  |                |
|          |               |               | V56623                              |                  |                |
|          |               |               | KD4A017                             |                  |                |
|          |               |               | V58687                              |                  |                |
|          |               |               | FCA410-62                           |                  |                |
|          |               |               | V78290                              |                  |                |
|          |               |               | ELECTRICAL EQUIP NUMBER:<br>K00505  |                  |                |
| - 300    | 286N1250-335  |               | WIRE BUNDLE ASSY-                   | 108120           | RF             |
| - 302    | 286N1250-751  |               | WIRE BUNDLE ASSY-                   | 103106           | RF             |
| 310      | RSE120028     | .             | SOCKET-                             | 103106           | 1              |
|          |               |               | SUPPLIER CODE:<br>V58982            | 108120           |                |
|          |               |               | SPECIFICATION NUMBER:<br>BACS16AH1  |                  |                |
|          |               |               | OPTIONAL PART:<br>451120-028        |                  |                |
|          |               |               | V58982                              |                  |                |
|          |               |               | ELECTRICAL EQUIP NUMBER:<br>D04686  |                  |                |
|          |               |               | WIRING DIAGRAM REF:<br>282511       |                  |                |
| 315      | BACS16W1      | .             | SOCKET-                             | 103106           | 1              |
|          |               |               | ELECTRICAL EQUIP NUMBER:<br>D04684  | 108120           |                |
|          |               |               | WIRING DIAGRAM REF:<br>282511       |                  |                |

MISSING ITEM NUMBERS NOT APPLICABLE

- ITEM NOT ILLUSTRATED

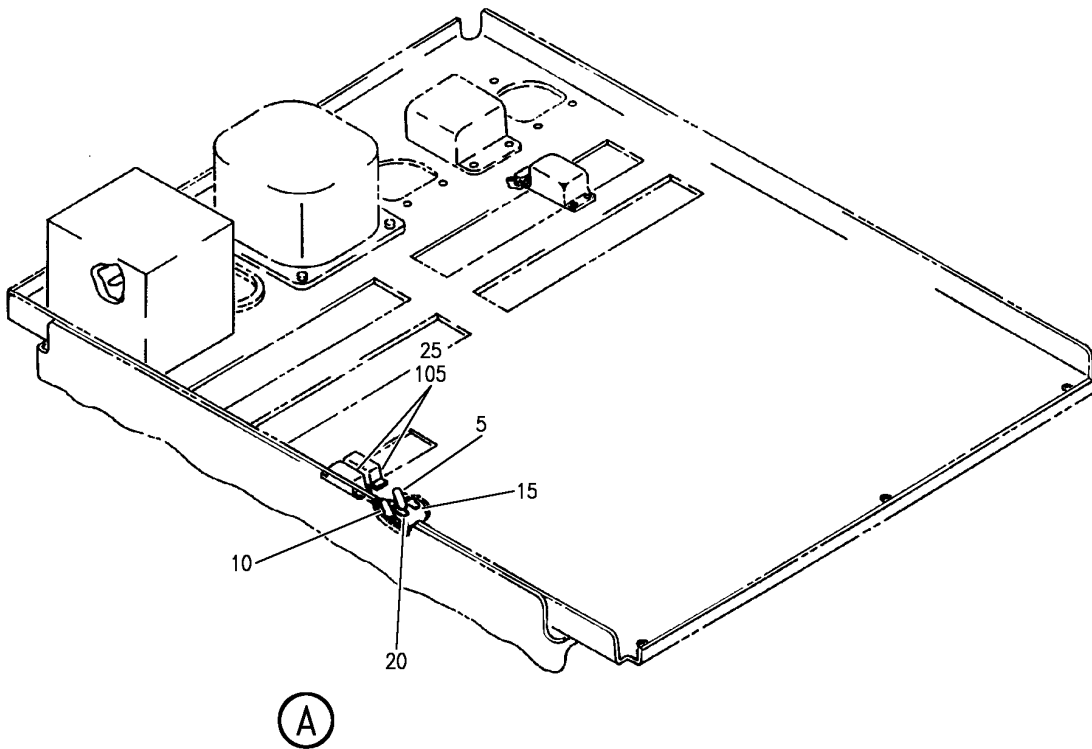
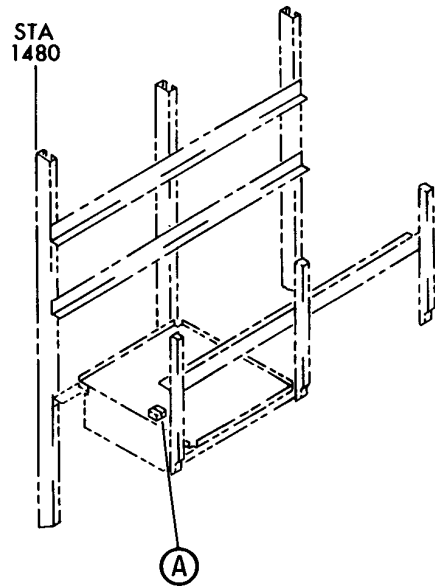
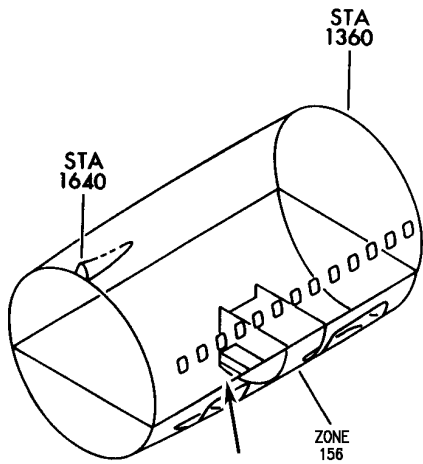
28-25-71-04B

28-25-71  
FIG. 04B  
PAGE 2  
JAN 20/09

BRI

BOEING PROPRIETARY - Copyright © - Unpublished Work - See title page for details.

**BOEING**  
757  
PARTS CATALOG (MAINTENANCE)



Y 28257105 REV 265

EQUIPMENT ASSY-AFT EQPT CTR E6 RELAY (FUEL ONLY)  
FIGURE 5

**28-25-71-05**

BRI  
MAY 28/07

28-25-71-05  
PAGE 0



757

PARTS CATALOG (MAINTENANCE)

| FIG ITEM | PART NUMBER  | 1 2 3 4 5 6 7 | NOMENCLATURE   | EFFECT FROM TO                       | UNITS PER ASSY |
|----------|--------------|---------------|--|--------------------------------------|----------------|
| 5        |              |               | EQUIPMENT ASSY-AFT EQPT CTR<br>E6 RELAY (FUEL ONLY)  | 002004<br>006100<br>107107<br>950999 |                |
| - 1      | 284N1554-1   |               | EQUIPMENT ASSY-EQPT CTR E6<br>RELAY (FUEL ONLY)<br>POSITION DATA:<br>AFT<br>VARIABLE DRAWING REF:<br>284N1554-5004<br>284N1554-5013<br>284N1554-5018<br>284N1554-5027<br>284N1554-5028<br>284N1554-5047<br>REWORKED BY SB:<br>33-0035<br>FOR NHA/OTHER SYS DET SEE:<br>53-61-51-10 | 002004<br>006100<br>107107<br>950999 | RF             |
| 5        | BAC27NEX0073 |               | .DECAL-<br>PLACARD CONTENT:<br>K10160  | 002004<br>006100<br>107107<br>950999 | 1              |
| 10       | BAC27NEX0075 |               | .DECAL-<br>PLACARD CONTENT:<br>K10162  | 002004<br>006100<br>107107<br>950999 | 1              |
| 15       | BAC27NEX1266 |               | .DECAL-<br>PLACARD CONTENT:<br>D2410   | 002004<br>006100<br>107107<br>950999 | 1              |
| 20       | BAC27NEX1268 |               | .DECAL-<br>PLACARD CONTENT:<br>D2414   | 002004<br>006100<br>107107<br>950999 | 1              |

MISSING ITEM NUMBERS NOT APPLICABLE

- ITEM NOT ILLUSTRATED

28-25-71-05

28-25-71  
FIG. 05  
PAGE 1  
JAN 20/09

BRI



757

PARTS CATALOG (MAINTENANCE)

| FIG ITEM | PART NUMBER  | 1 2 3 4 5 6 7 | NOMENCLATURE  | EFFECT FROM TO                       | UNITS PER ASSY |
|----------|--------------|---------------|---|--------------------------------------|----------------|
| 5<br>25  | W260F4AM11   |               | .RELAY-<br>SUPPLIER CODE:<br>VF0219<br>SPECIFICATION NUMBER:<br>BACR13CD2<br>OPTIONAL PART:<br>BR16S233<br>V09026<br>EE4AA005<br>V35344<br>3SAV1338A2<br>V01526<br>HFW1206K03<br>V58614<br>HFW1204K01<br>V71482<br>ELECTRICAL EQUIP NUMBER:<br>K10160<br>K10162 | 002004<br>006100<br>107107<br>950999 | 2              |
| - 100    | 286N1024-007 |               | WIRE BUNDLE ASSY  | 107107                               | RF             |
| - 100    | 286N1024-008 |               | WIRE BUNDLE ASSY  | 002004<br>006008<br>950999           | RF             |
| 105      | RSE120026    |               | .SOCKET-<br>SUPPLIER CODE:<br>V58982<br>SPECIFICATION NUMBER:<br>BACS16AG1<br>OPTIONAL PART:<br>451120-026<br>V58982<br>ELECTRICAL EQUIP NUMBER:<br>D02410<br>D02414<br>WIRING DIAGRAM REF:<br>282521   | 002004<br>006008<br>107107<br>950999 | 2              |

MISSING ITEM NUMBERS NOT APPLICABLE

- ITEM NOT ILLUSTRATED

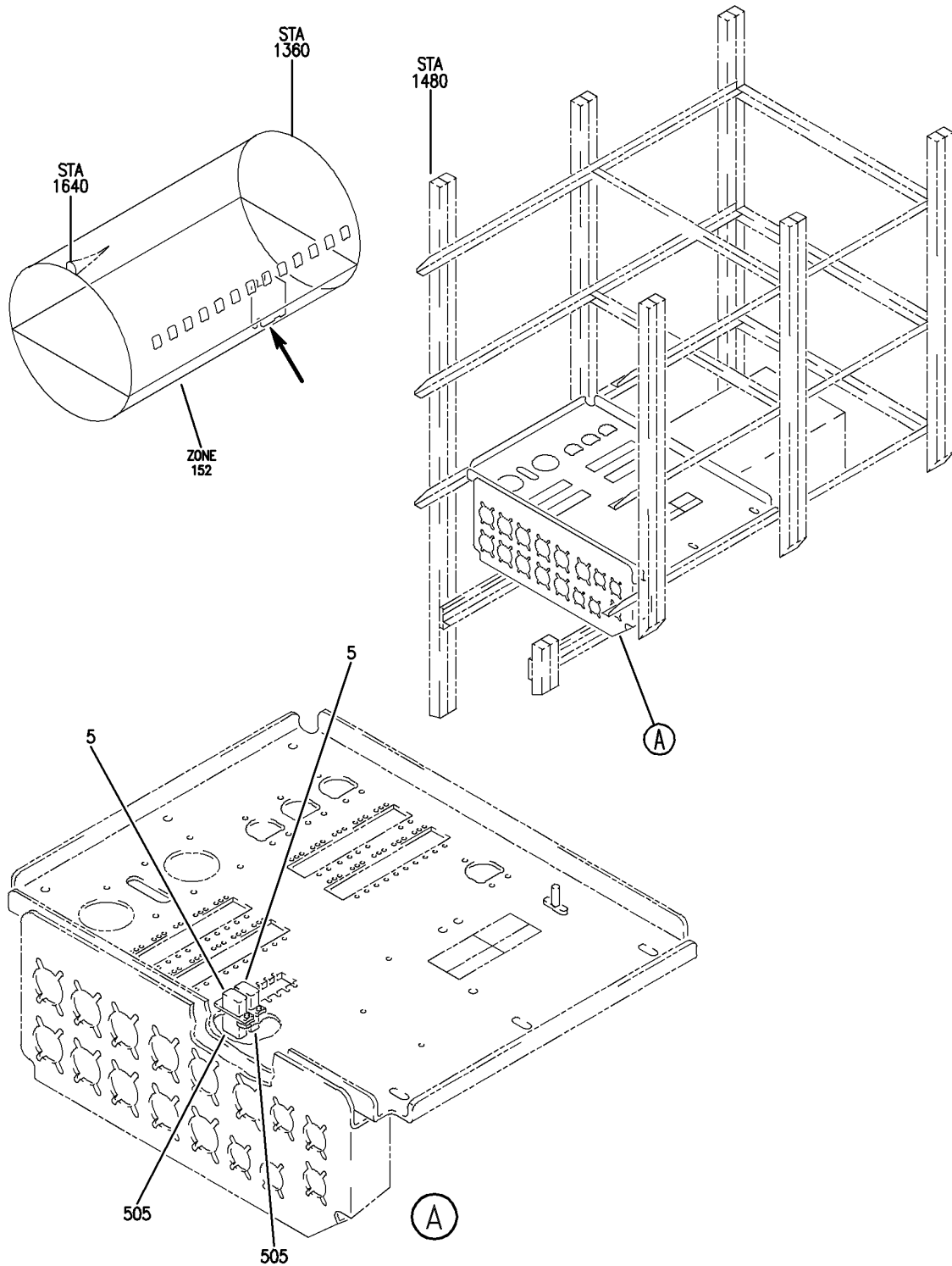
BRI

28-25-71-05

BOEING PROPRIETARY - Copyright © - Unpublished Work - See title page for details.

28-25-71  
FIG. 05  
PAGE 2  
JAN 20/09

**BOEING**  
757  
PARTS CATALOG (MAINTENANCE)



Y 28257106 REV 225

EQUIPMENT ASSY-E6 RELAY PNL AFT EQPT CTR (FUEL ONLY)  
FIGURE 6

**28-25-71-06**

BRI  
JAN 20/09

28-25-71-06  
PAGE 0



757

PARTS CATALOG (MAINTENANCE)

| FIG ITEM | PART NUMBER  | 1 2 3 4 5 6 7 | NOMENCLATURE  | EFFECT FROM TO | UNITS PER ASSY |
|----------|--------------|---------------|---|----------------|----------------|
| 6        |              |               | EQUIPMENT ASSY-E6 RELAY<br>PNL AFT EQPT CTR (FUEL ONLY)   | 108120         |                |
| - 1      | 284N1554-123 |               | EQUIPMENT ASSY-E6 RELAY<br>PNL EQPT CTR (FUEL ONLY)<br>POSITION DATA:<br>AFT<br>FOR NHA/OTHER SYS DET SEE:<br>24-00-58-05D  | 108120         | RF             |
| 5        | W260F4AM11   |               | .RELAY-<br>SUPPLIER CODE:<br>VF0219<br>SPECIFICATION NUMBER:<br>BACR13CD2<br>OPTIONAL PART:<br>BR16S233<br>V09026<br>EE4AA005<br>V35344<br>3SAV1338A2<br>V01526<br>HFW1206K03<br>V58614<br>HFW1204K01<br>V71482<br>ELECTRICAL EQUIP NUMBER:<br>K10160<br>K10162 | 108120         | 2              |
| - 501    | 286N1024-306 |               | WIRE BUNDLE ASSY  | 108120         | RF             |
| 505      | RSE120026    |               | .SOCKET-<br>SUPPLIER CODE:<br>V58982<br>SPECIFICATION NUMBER:<br>BACS16AG1<br>OPTIONAL PART:<br>451120-026<br>V58982<br>ELECTRICAL EQUIP NUMBER:<br>D02410<br>D02414<br>WIRING DIAGRAM REF:<br>282521   | 108120         | 2              |

MISSING ITEM NUMBERS NOT APPLICABLE

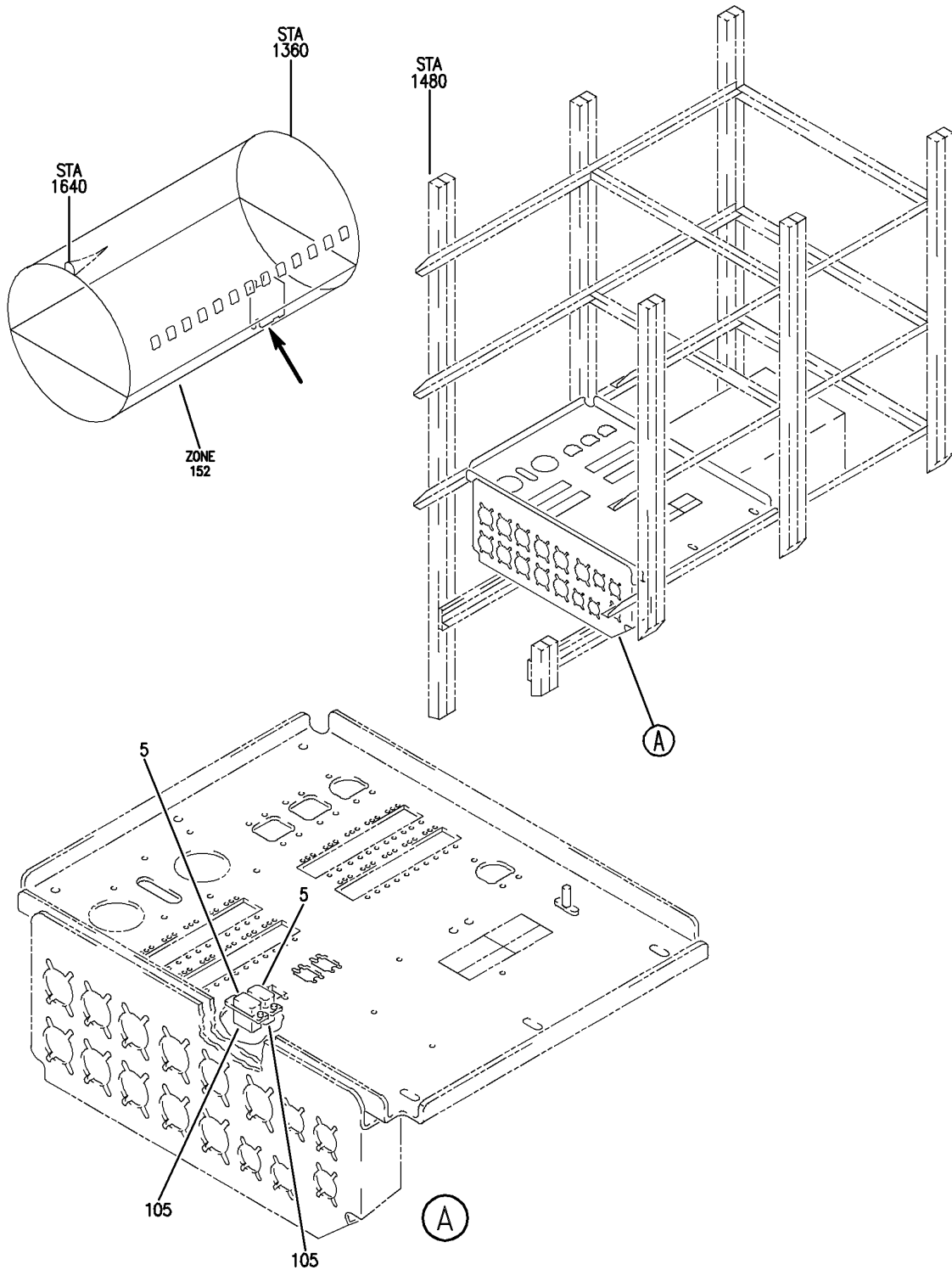
- ITEM NOT ILLUSTRATED

28-25-71-06

28-25-71  
FIG. 06  
PAGE 1  
JAN 20/09

BRI

**BOEING**  
757  
PARTS CATALOG (MAINTENANCE)



Y 28257107 REV 225

EQUIPMENT ASSY-E6 RELAY PNL AFT EQPT CTR (FUEL ONLY)  
FIGURE 7

**28-25-71-07**

BRI  
JAN 20/09

28-25-71-07  
PAGE 0





757

PARTS CATALOG (MAINTENANCE)

| FIG ITEM | PART NUMBER  | 1 2 3 4 5 6 7 | NOMENCLATURE   | EFFECT FROM TO | UNITS PER ASSY |
|----------|--------------|---------------|--|----------------|----------------|
| 7        |              |               | EQUIPMENT ASSY-E6 RELAY<br>PNL AFT EQPT CTR (FUEL ONLY)  | 103106         |                |
| - 1      | MODREF11091  |               | EQUIPMENT ASSY-E6 RELAY<br>PNL AFT EQPT CTR (FUEL ONLY)<br>MODULE NUMBER:<br>284N1554-308 REV A<br>FOR OTHER SYS DETAILS SEE:<br>24-31-71-06<br>24-31-71-07<br>24-32-05-03<br>24-32-06-03<br>24-32-71-06<br>31-01-86-05<br>33-37-71-02<br>49-31-71-02<br>49-41-71-05<br>49-61-71-05<br>52-34-71-02 | 103106         | 1              |
| 5        | W260F4AM11   |               | .RELAY-<br>SUPPLIER CODE:<br>VF0219<br>SPECIFICATION NUMBER:<br>BACR13CD2<br>OPTIONAL PART:<br>BR16S233<br>V09026<br>EE4AA005<br>V35344<br>3SAV1338A2<br>V01526<br>HFW1206K03<br>V58614<br>HFW1204K01<br>V71482<br>ELECTRICAL EQUIP NUMBER:<br>K10160<br>K10162                                    | 103106         | 2              |
| - 100    | 286N1024-602 |               | WIRE BUNDLE ASSY   | 103106         | RF             |

MISSING ITEM NUMBERS NOT APPLICABLE

- ITEM NOT ILLUSTRATED

28-25-71-07

28-25-71  
FIG. 07  
PAGE 1  
JAN 20/09

BRI



757

PARTS CATALOG (MAINTENANCE)

| FIG<br>ITEM | PART NUMBER | 1 2 3 4 5 6 7 | NOMENCLATURE   | EFFECT<br>FROM TO | UNITS<br>PER<br>ASSY |
|-------------|-------------|---------------|--|-------------------|----------------------|
| 7<br>105    | RSE120026   |               | . SOCKET-<br>SUPPLIER CODE:<br>V58982<br>SPECIFICATION NUMBER:<br>BACS16AG1<br>OPTIONAL PART:<br>451120-026<br>V58982<br>ELECTRICAL EQUIP NUMBER:<br>D02410<br>D02414<br>WIRING DIAGRAM REF:<br>282521 | 103106            | 2                    |

MISSING ITEM NUMBERS NOT APPLICABLE

- ITEM NOT ILLUSTRATED

BRI

28-25-71-07

BOEING PROPRIETARY - Copyright © - Unpublished Work - See title page for details.

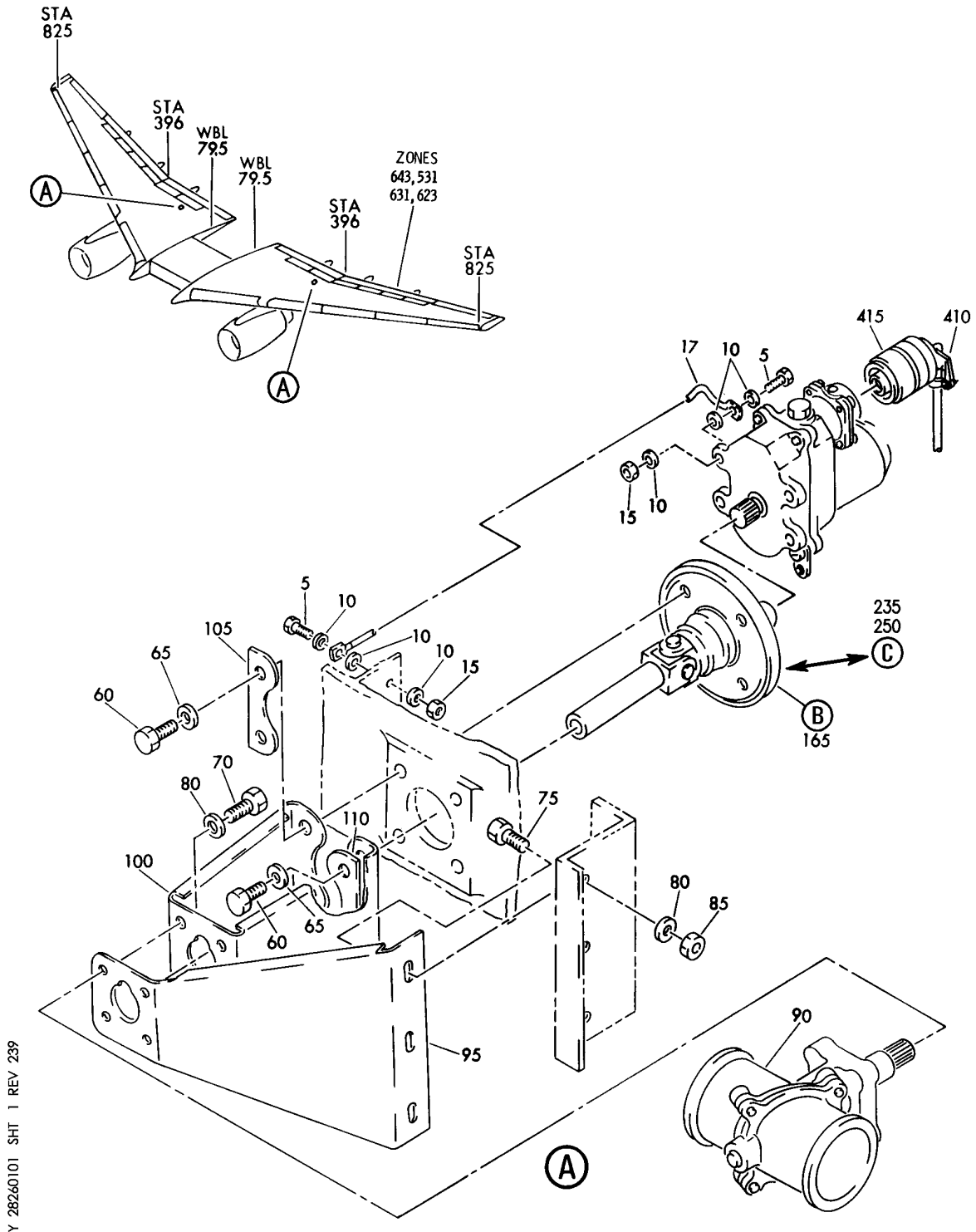
28-25-71  
FIG. 07  
PAGE 2  
JAN 20/09

## **DEFUELING**

**BRI**  
**MAY 28/07**

**28-26-00**  
**SECTION TITLE**  
**PAGE 1**


**BOEING**  
 757  
**PARTS CATALOG (MAINTENANCE)**



Y 28260101 SHT 1 REV 239

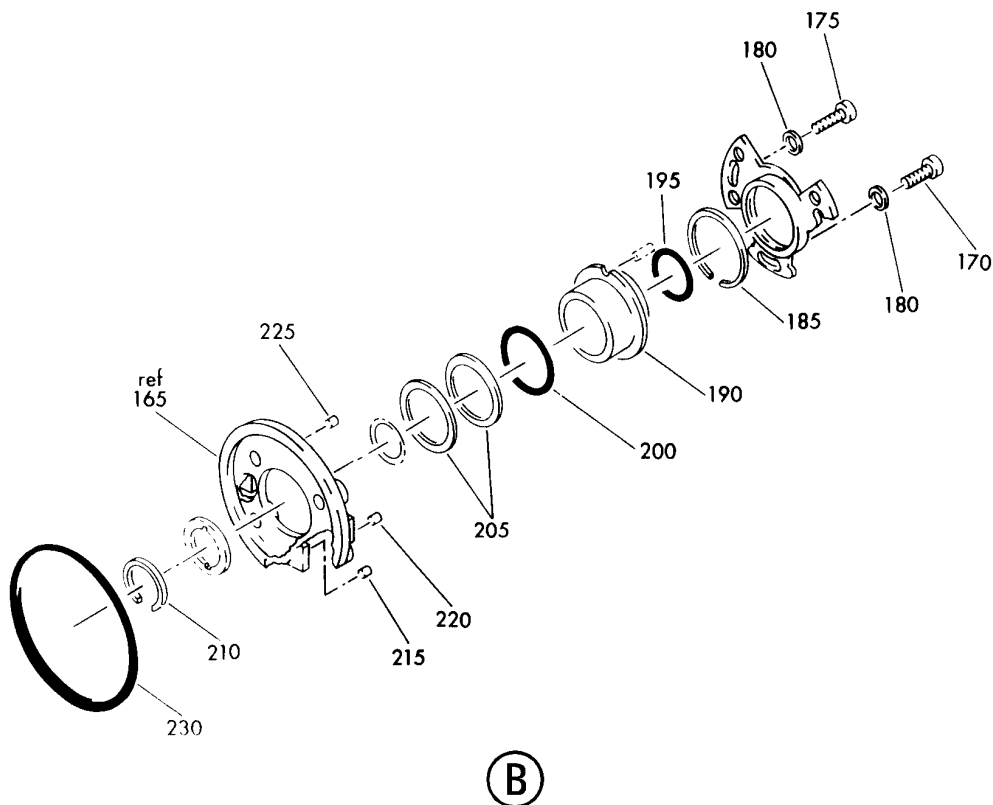
EQUIPMENT INSTL-DEFUELING (DEFUELING VALVE ONLY)  
 FIGURE 1 (SHEET 1)

**28-26-01-01**

BRI  
 MAY 28/07

28-26-01-01  
 PAGE 0

**BOEING**  
757  
PARTS CATALOG (MAINTENANCE)



Y 28260101 SHT 2 REV 239

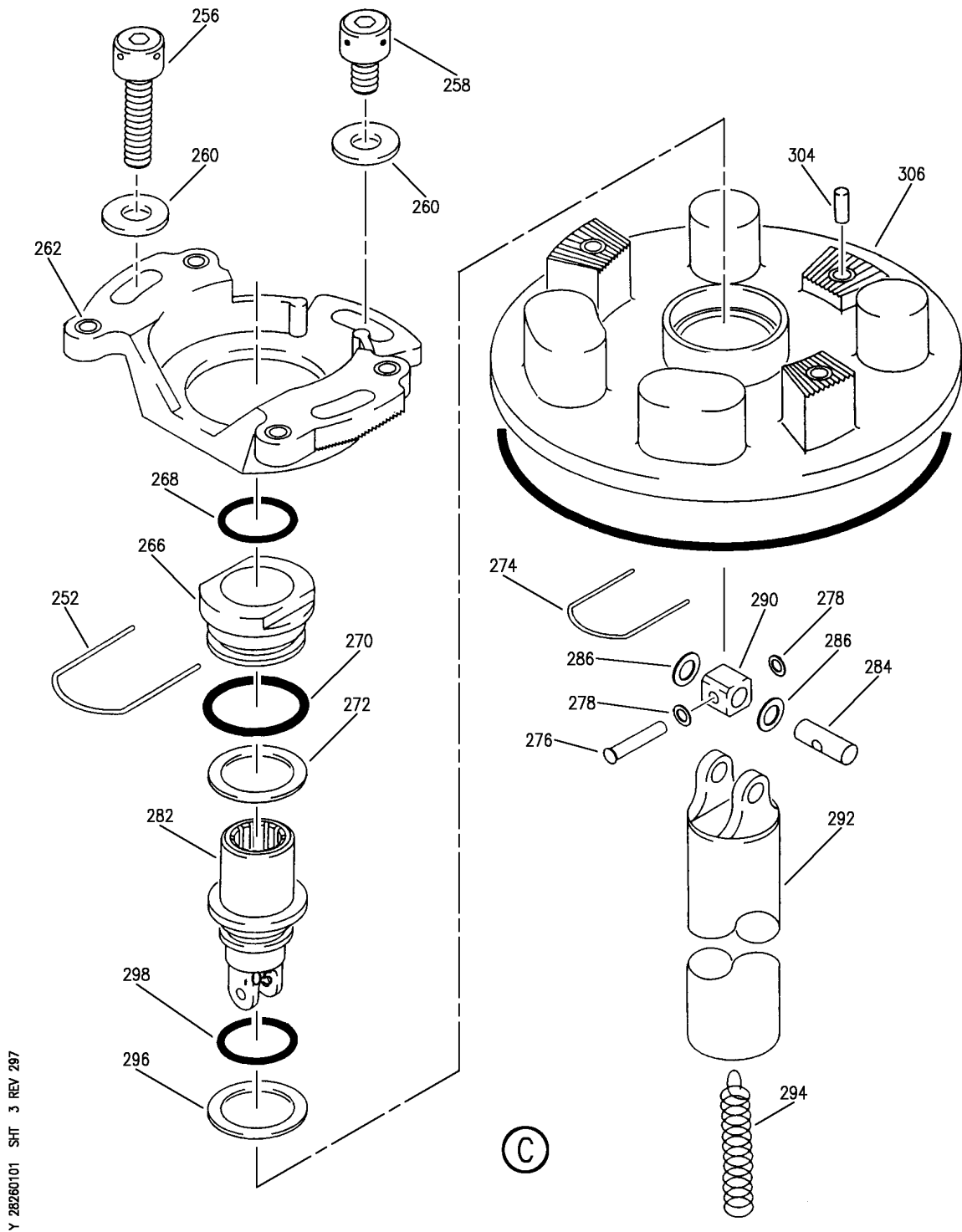
EQUIPMENT INSTL-DEFUELING (DEFUELING VALVE ONLY)  
FIGURE 1 (SHEET 2)

**28-26-01-01**

BRI  
MAY 28/07

28-26-01-01  
PAGE 0A

**BOEING**  
757  
PARTS CATALOG (MAINTENANCE)



Y 28260101 SH-T 3 REV 297

EQUIPMENT INSTL-DEFUELING (DEFUELING VALVE ONLY)  
FIGURE 1 (SHEET 3)

**28-26-01-01**

BRI  
MAY 28/07

28-26-01-01  
PAGE 0B



757

PARTS CATALOG (MAINTENANCE)

| FIG ITEM | PART NUMBER | 1 2 3 4 5 6 7 | NOMENCLATURE  | EFFECT FROM TO                                 | UNITS PER ASSY |
|----------|-------------|---------------|---|--|----------------|
| 1        |             |               | EQUIPMENT INSTL-DEFUELING<br>(DEFUELING VALVE ONLY)   | 002004<br>006100<br>107107<br>121503<br>904999 |                |
| - 1      | 344N3001-2  |               | EQUIPMENT INSTL-DEFUELING<br>(DEFUELING VALVE ONLY)<br>FOR NHA/OTHER SYS DET SEE:<br>28-20-51-01  | 107107<br>904949                               | RF             |
| - 1      | 344N3001-4  |               | EQUIPMENT INSTL-DEFUELING<br>(DEFUELING VALVE ONLY)<br>FOR NHA/OTHER SYS DET SEE:<br>28-20-51-01  | 952952   | RF             |
| - 1      | 344N3001-5  |               | EQUIPMENT INSTL-DEFUELING<br>(DEFUELING VALVE ONLY)<br>FOR NHA/OTHER SYS DET SEE:<br>28-20-51-01  | 003004<br>121503                               | RF             |
| - 1      | 344N3001-6  |               | EQUIPMENT INSTL-DEFUELING<br>(DEFUELING VALVE ONLY)<br>FOR NHA/OTHER SYS DET SEE:<br>28-20-51-01  | 006100<br>950951<br>953999                     | RF             |
| 5        | NAS1801-3-8 |               | .SCREW  | 002004<br>006100<br>107107<br>121503<br>904999 | 4              |
| 10       | AN960PD10L  |               | .WASHER   | 002004<br>006100<br>107107<br>121503<br>904999 | 10             |
| 15       | BRH10A3     |               | .NUT<br>SUPPLIER CODE:<br>V52828<br>SPECIFICATION NUMBER:<br>BACN10JC3<br>OPTIONAL PART:<br>H10-3BAC<br>V15653<br>NS202101-02<br>V80539<br>RMLH9075-3W<br>V72962<br>VN303A02<br>V92215<br>96-02<br>V80539<br>T6S1032J<br>V11815 | 002004<br>006100<br>107107<br>121503<br>904999 | 4              |

MISSING ITEM NUMBERS NOT APPLICABLE

- ITEM NOT ILLUSTRATED

BRI

28-26-01-01

28-26-01  
FIG. 01  
PAGE 1  
JAN 20/09



757

PARTS CATALOG (MAINTENANCE)

| FIG ITEM | PART NUMBER     | 1 2 3 4 5 6 7 | NOMENCLATURE   | EFFECT FROM TO                                 | UNITS PER ASSY |
|----------|-----------------|---------------|--|--|----------------|
| 1        | 17 740A20-5     |               | . JUMPER ASSY<br>SUPPLIER CODE:<br>V91812<br>SPECIFICATION NUMBER:<br>BACJ40A20-5<br>OPTIONAL PART:<br>TJEJ40A20-5<br>V33483<br>RBEJ20-5<br>V1GK47 | 002004<br>006100<br>107107<br>121503<br>904999 | 2              |
|          | 60 BACB30NM4K14 |               | . BOLT   | 002004<br>006100<br>107107<br>121503<br>904999 | 8              |
|          | 65 AN960PD416L  |               | . WASHER-  | 002004<br>006100<br>107107<br>121503<br>904999 | 8              |
|          | 70 BACB30NM3K1  |               | . BOLT-  | 002004<br>006100<br>107107<br>121503<br>904999 | 8              |
|          | 75 BACB30NM3K3  |               | . BOLT   | 002004<br>006100<br>107107<br>121503<br>904999 | 6              |
|          | 80 AN960PD10L   |               | . WASHER-  | 002004<br>006100<br>107107<br>121503<br>904999 | 14             |

MISSING ITEM NUMBERS NOT APPLICABLE

- ITEM NOT ILLUSTRATED

BRI

28-26-01-01

BOEING PROPRIETARY - Copyright © - Unpublished Work - See title page for details.

28-26-01  
FIG. 01  
PAGE 2  
JAN 20/09





757

PARTS CATALOG (MAINTENANCE)

| FIG ITEM | PART NUMBER | 1 2 3 4 5 6 7 | NOMENCLATURE  | EFFECT FROM TO                                 | UNITS PER ASSY |
|----------|-------------|---------------|---|--|----------------|
| 1<br>85  | BRH10A3     | .             | NUT<br>SUPPLIER CODE:<br>V52828<br>SPECIFICATION NUMBER:<br>BACN10JC3<br>OPTIONAL PART:<br>H10-3BAC<br>V15653<br>NS202101-02<br>V80539<br>RMLH9075-3W<br>V72962<br>VN303A02<br>V92215<br>96-02<br>V80539<br>T6S1032J<br>V11815                        | 002004<br>006100<br>107107<br>121503<br>904999 | 6              |
| 90       | AV32        | .             | VALVE BODY-<br>SUPPLIER CODE:<br>VS0319<br>SPECIFICATION NUMBER:<br>S343T003-2<br>COMPONENT MAINT MANUAL REF:<br>28-20-02<br>OPTIONAL PART:<br>125334D1<br>V73760   | 002004<br>006100<br>107107<br>121503<br>904999 | 2              |
| 90       | 125334D     | .             | VALVE BODY-<br>SUPPLIER CODE:<br>V73760<br>SPECIFICATION NUMBER:<br>S343T003-15<br>MISCELLANEOUS DATA:<br>NOT APPROVED FOR ETOPS<br>IN THE ENGINE FUEL<br>SHUT OFF POSITION FOR<br>THE PW2000 ENGINES ONLY<br>COMPONENT MAINT MANUAL REF:<br>28-25-14 | 002004<br>006100<br>107107<br>121503<br>904999 | 2              |

MISSING ITEM NUMBERS NOT APPLICABLE

- ITEM NOT ILLUSTRATED

BRI

28-26-01-01

BOEING PROPRIETARY - Copyright © - Unpublished Work - See title page for details.

28-26-01  
FIG. 01  
PAGE 3  
JAN 20/09



757

PARTS CATALOG (MAINTENANCE)

| FIG ITEM | PART NUMBER | 1 2 3 4 5 6 7 | NOMENCLATURE   | EFFECT FROM TO                                 | UNITS PER ASSY |
|----------|-------------|---------------|--|--|----------------|
| 1<br>90  | 125334D1    |               | .VALVE BODY-2 IN.<br>SUPPLIER CODE:<br>V73760<br>FUNCTIONAL DESCRIPTION:<br>ELECTRICALLY OPERATED<br>VALVE USED FOR<br>CROSSFEED, JETTISON<br>ISOLATION, DEFUEL AND<br>ENGINE SHUTOFF<br>SPECIFICATION NUMBER:<br>S343T003-40<br>COMPONENT MAINT MANUAL REF:<br>28-25-14<br>OPTIONAL PART:<br>AV32<br>VS0319 | 002004<br>006100<br>107107<br>121503<br>904999 | 2              |
| 95       | 344N2002-5  |               | .BRACKET   | 002004<br>006100<br>107107<br>121503<br>904999 | 2              |
| 100      | 344N2002-2  |               | .BRACKET   | 002004<br>006100<br>107107<br>121503<br>904999 | 2              |
| 105      | 344N2002-3  |               | .FILLER  | 002004<br>006100<br>107107<br>121503<br>904999 | 2              |
| 110      | 344N2002-4  |               | .FILLER  | 002004<br>006100<br>107107<br>121503<br>904999 | 2              |

MISSING ITEM NUMBERS NOT APPLICABLE

- ITEM NOT ILLUSTRATED

BRI

28-26-01-01

BOEING PROPRIETARY - Copyright © - Unpublished Work - See title page for details.

28-26-01  
FIG. 01  
PAGE 4  
JAN 20/09



757

PARTS CATALOG (MAINTENANCE)

| FIG ITEM | PART NUMBER  | 1 2 3 4 5 6 7 | NOMENCLATURE  | EFFECT FROM TO   | UNITS PER ASSY |
|----------|--------------|---------------|---|------------------|----------------|
| 1<br>165 | AZ48-5       | .             | ADAPTER ASSY-SHAFT<br>SUPPLIER CODE:<br>VS0319<br>SPECIFICATION NUMBER:<br>S343T003-9<br>COMPONENT MAINT MANUAL REF:<br>28-20-03<br>QUALIFIED I/W DATA:<br>S343T003-9(AZ48-5) T/W 4<br>EA NAS1352C08H8 SCREWS<br>AND 4 EA AN960PD8L<br>WASHERS I/W<br>S343T003-22(125329B9)<br>T/W 4 EA NAS1352C08H6<br>SCREWS AND 4 EA<br>NAS620AD8L WASHERS | 107107<br>904949 | 2              |
| 170      | L901D040H01  | ..            | SCREW-<br>SUPPLIER CODE:<br>VS0319<br>ALTERED FROM PART NUMBER:<br>MS24678-9  | 107107<br>904949 | 1              |
| 175      | L901D041H01  | ..            | SCREW-<br>SUPPLIER CODE:<br>VS0319<br>ALTERED FROM PART NUMBER:<br>MS24678-10   | 107107<br>904949 | 2              |
| 180      | AN960C10L    | ..            | WASHER  | 107107<br>904949 | 3              |
| 185      | MS16627-4112 | ..            | RING  | 107107<br>904949 | 1              |
| 190      | L010C721H01  | ..            | RETAINER-<br>SUPPLIER CODE:<br>VS0319   | 107107<br>904949 | 1              |
| 195      | MS29513-015  | ..            | PACKING   | 107107<br>904949 | 1              |
| 200      | MS29513-019  | ..            | PACKING   | 107107<br>904949 | 1              |
| 205      | L913D021H01  | ..            | WASHER-<br>SUPPLIER CODE:<br>VS0319   | 107107<br>904949 | 2              |
| 210      | MS16626-4050 | ..            | RING  | 107107<br>904949 | 1              |
| 215      | MS21209F1-10 | ..            | INSERT  | 107107<br>904949 | 1              |
| 220      | MS21209F1-15 | ..            | INSERT  | 107107<br>904949 | 1              |
| 225      | MS21209F4-15 | ..            | INSERT  | 107107<br>904949 | 2              |

MISSING ITEM NUMBERS NOT APPLICABLE

- ITEM NOT ILLUSTRATED

BRI

28-26-01-01

28-26-01  
FIG. 01  
PAGE 5  
JAN 20/09



757

PARTS CATALOG (MAINTENANCE)

| FIG ITEM | PART NUMBER  | 1 2 3 4 5 6 7 | NOMENCLATURE   | EFFECT FROM TO                                 | UNITS PER ASSY |
|----------|--------------|---------------|--|--|----------------|
| 1        |              |               |  |  |                |
| 230      | M25988-1-151 |               | ..PACKING-   | 107107<br>904949                               | 1              |
| 235      | 125329B9     |               | .ADAPTER ASSY-SHAFT<br>SUPPLIER CODE:<br>V73760<br>SPECIFICATION NUMBER:<br>S343T003-22<br>COMPONENT MAINT MANUAL REF:<br>28-25-13<br>QUALIFIED I/W DATA:<br>S343T003-9 (AZ48-5 T/W<br>4 EA NAS1352C08H8 SCREWS<br>AND 4 EA AN960PD8L<br>WASHERS I/W S343T003-22<br>125329B9 T/W 4 EA<br>NAS1352C08H6 SCREWS AND<br>4 EA NAS620AD8L<br>WASHERS | 002004<br>006100<br>121503<br>950999           | 2              |
| 235      | 125329B52    |               | .ADAPTOR-SHAFT<br>SUPPLIER CODE:<br>V73760<br>FUNCTIONAL DESCRIPTION:<br>CONNECTS MOTOR TO<br>ACTUATOR<br>SPECIFICATION NUMBER:<br>S343T003-52<br>COMPONENT MAINT MANUAL REF:<br>28-25-20  | 002004<br>006100<br>121503<br>950999           | 2              |
| - 400    | 286N3306-003 |               | WIRE BUNDLE ASSY-(DEFUELING<br>SYSTEM ONLY)  | 107107<br>904949                               | RF             |
| - 400    | 286N3306-005 |               | WIRE BUNDLE ASSY-(DEFUELING<br>SYSTEM ONLY)  | 002004<br>006100<br>950999                     | RF             |
| - 400    | 286N3306-006 |               | WIRE BUNDLE ASSY-(DEFUELING<br>SYSTEM ONLY)  | 121503   | RF             |
| 410      | GS3418-14CD  |               | .CLAMP-<br>SUPPLIER CODE:<br>V06324<br>SPECIFICATION NUMBER:<br>BACC10HG14<br>OPTIONAL PART:<br>S2126-14-8<br>V07418<br>ELECTRICAL EQUIP NUMBER:<br>D01522T<br>D01524T<br>WIRING DIAGRAM REF:<br>282611  | 002004<br>006100<br>107107<br>121503<br>904999 | 1              |

MISSING ITEM NUMBERS NOT APPLICABLE

- ITEM NOT ILLUSTRATED

28-26-01-01

28-26-01  
FIG. 01  
PAGE 6  
JAN 20/09

BRI



757

PARTS CATALOG (MAINTENANCE)

| FIG<br>ITEM | PART NUMBER  | 1 2 3 4 5 6 7 | NOMENCLATURE   | EFFECT<br>FROM TO                              | UNITS<br>PER<br>ASSY |
|-------------|--------------|---------------|--|--|----------------------|
| 1<br>415    | R071014R7SNL |               | .CONNECTOR-<br>SUPPLIER CODE:<br>V41118<br>SPECIFICATION NUMBER:<br>BACC63BP14R7SNL<br>MISCELLANEOUS DATA:<br>OPTIONAL PART NUMBERS:<br>BACC63BP14R7SN (81205)<br>BACC63BP14A7SN (81205)<br>BACC63BP14A7SNL (81205)<br>ELECTRICAL EQUIP NUMBER:<br>D01522<br>D01524<br>WIRING DIAGRAM REF:<br>282611 | 002004<br>006100<br>107107<br>121503<br>904999 | 1                    |

MISSING ITEM NUMBERS NOT APPLICABLE

- ITEM NOT ILLUSTRATED

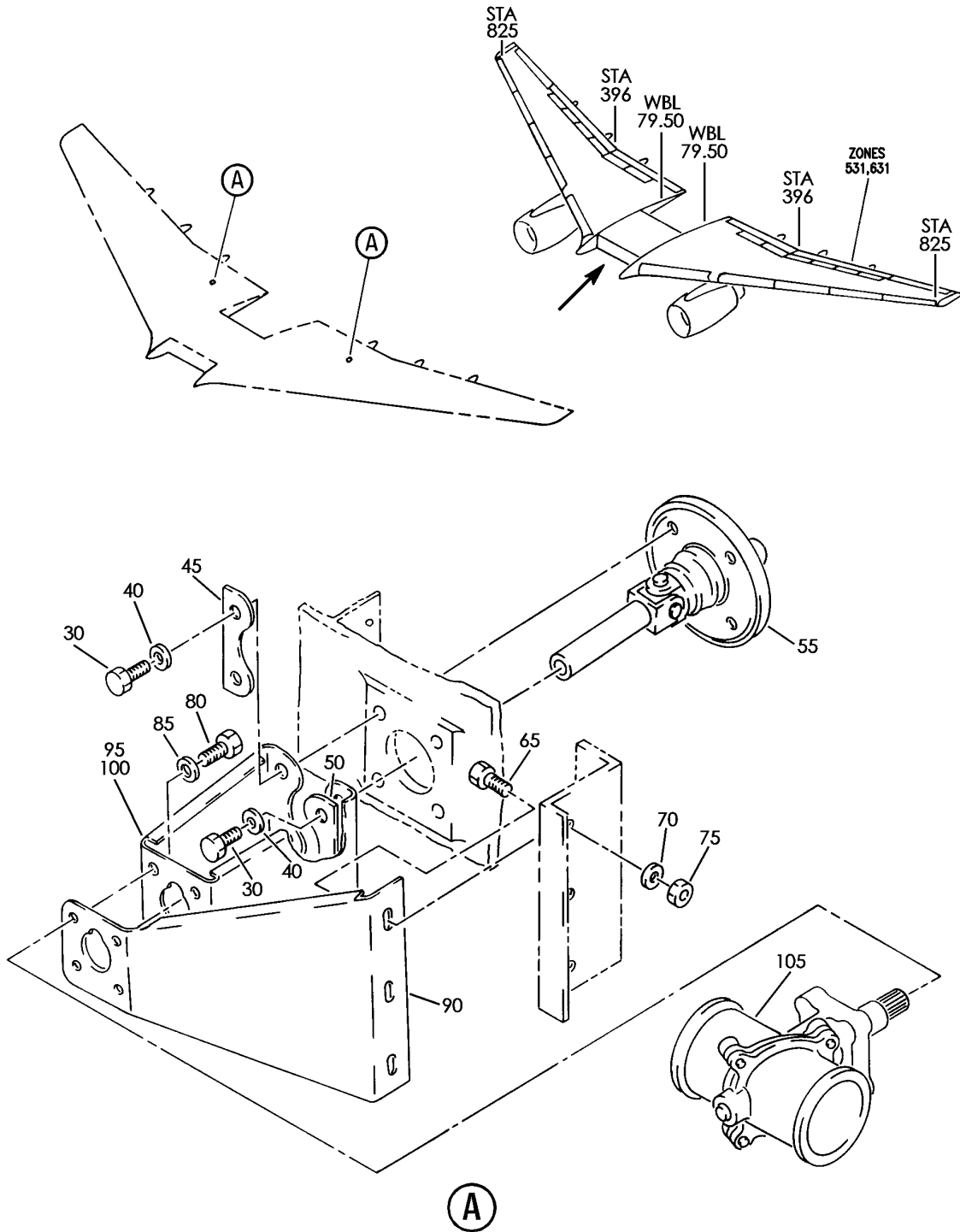
BRI

28-26-01-01

BOEING PROPRIETARY - Copyright © - Unpublished Work - See title page for details.

28-26-01  
FIG. 01  
PAGE 7  
JAN 20/09

**BOEING**  
757  
PARTS CATALOG (MAINTENANCE)



Y 28260102 REV 259

EQUIPMENT INSTL-DEFUEL VALVE  
FIGURE 2

**28-26-01-02**

BRI  
MAY 28/07

28-26-01-02  
PAGE 0



757

PARTS CATALOG (MAINTENANCE)

| FIG ITEM | PART NUMBER   | 1 2 3 4 5 6 7 | NOMENCLATURE   | EFFECT FROM TO             | UNITS PER ASSY |
|----------|---------------|---------------|--|----------------------------|----------------|
| 2        |               |               | EQUIPMENT INSTL-<br>DEFUEL VALVE   | 101106<br>108120<br>504903 |                |
| - 1      | 344N3001-9    |               | EQUIPMENT INSTL-DEFUELING<br>(DEFUELING VALVE ONLY)<br>FOR NHA/ADDITIONAL DET SEE:<br>28-00-00-05  | 101102<br>108120<br>504903 | RF             |
| - 1      | MODREF13718   |               | EQUIPMENT INSTL-DEFUELING<br>(DEFUELING VALVE ONLY)<br>MODULE NUMBER:<br>344N3001-9 REV A<br>FOR ADDITIONAL DETAILS SEE:<br>28-26-02-02  | 103105                     | 1              |
| - 1      | MODREF100728  |               | EQUIPMENT INSTL-DEFUELING<br>(DEFUELING VALVE ONLY)<br>MODULE NUMBER:<br>344N3001-9 REV B<br>FOR ADDITIONAL DETAILS SEE:<br>28-26-02-02  | 106106                     | 1              |
| 15       | BRH10C3D      |               | .NUT<br>SUPPLIER CODE:<br>V52828<br>SPECIFICATION NUMBER:<br>BACN10JC3CD<br>OPTIONAL PART:<br>T6C1032JCD<br>V11815<br>NS202486-02<br>V80539<br>102LH9075-3W<br>V72962<br>H51650-3BAC<br>V15653 | 101106<br>108120<br>504903 | 4              |
| 30       | BACB30NM4K16  |               | .BOLT-   | 101106<br>108120<br>504903 | 8              |
| 40       | NAS1149D0416J |               | .WASHER  | 101106<br>108120<br>504903 | 8              |
| 45       | 344N2002-3    |               | .FILLER  | 101106<br>108120<br>504903 | 2              |
| 50       | 344N2002-4    |               | .FILLER  | 101106<br>108120<br>504903 | 2              |

MISSING ITEM NUMBERS NOT APPLICABLE

- ITEM NOT ILLUSTRATED

BRI

28-26-01-02

28-26-01  
FIG. 02  
PAGE 1  
JAN 20/09



757

PARTS CATALOG (MAINTENANCE)

| FIG ITEM | PART NUMBER   | 1 2 3 4 5 6 7 | NOMENCLATURE   | EFFECT FROM TO             | UNITS PER ASSY |
|----------|---------------|---------------|--|----------------------------|----------------|
| 2        |               |               |  |                            |                |
| 55       | 125329B52     |               | .ADAPTOR-SHAFT<br>SUPPLIER CODE:<br>V73760<br>FUNCTIONAL DESCRIPTION:<br>CONNECTS MOTOR TO<br>ACTUATOR<br>SPECIFICATION NUMBER:<br>S343T003-52<br>COMPONENT MAINT MANUAL REF:<br>28-25-20      | 101106<br>108120<br>504903 | 2              |
| 65       | BACB30NM3K3   |               | .BOLT-   | 101106<br>108120<br>504903 | 6              |
| 70       | NAS1149D0316J |               | .WASHER  | 101106<br>108120<br>504903 | 6              |
| 75       | BRH10C3D      |               | .NUT<br>SUPPLIER CODE:<br>V52828<br>SPECIFICATION NUMBER:<br>BACN10JC3CD<br>OPTIONAL PART:<br>T6C1032JCD<br>V11815<br>NS202486-02<br>V80539<br>102LH9075-3W<br>V72962<br>H51650-3BAC<br>V15653 | 101106<br>108120<br>504903 | 6              |
| 80       | BACB30NM3K1   |               | .BOLT  | 101106<br>108120<br>504903 | 8              |
| 85       | NAS1149D0316J |               | .WASHER  | 101106<br>108120<br>504903 | 8              |
| 90       | 344N2002-5    |               | .BRACKET   | 101106<br>108120<br>504903 | 2              |
| 100      | 344N2002-2    |               | .BRACKET   | 101106<br>108120<br>504903 | 2              |

MISSING ITEM NUMBERS NOT APPLICABLE

- ITEM NOT ILLUSTRATED

BRI

28-26-01-02

28-26-01  
FIG. 02  
PAGE 2  
JAN 20/09





757

PARTS CATALOG (MAINTENANCE)

| FIG<br>ITEM | PART NUMBER | 1 2 3 4 5 6 7 | NOMENCLATURE  | EFFECT<br>FROM TO          | UNITS<br>PER<br>ASSY |
|-------------|-------------|---------------|---|----------------------------|----------------------|
| 2<br>105    | 125334D1    |               | .VALVE BODY-<br>SUPPLIER CODE:<br>V73760<br>FUNCTIONAL DESCRIPTION:<br>ELECTRICALLY OPERATED<br>VALVE USED FOR<br>CROSSFEED, JETTISON<br>ISOLATION, DEFUEL AND<br>ENGINE SHUTOFF<br>SPECIFICATION NUMBER:<br>S343T003-40<br>COMPONENT MAINT MANUAL REF:<br>28-25-14 | 101106<br>108120<br>504903 | 2                    |

MISSING ITEM NUMBERS NOT APPLICABLE

- ITEM NOT ILLUSTRATED

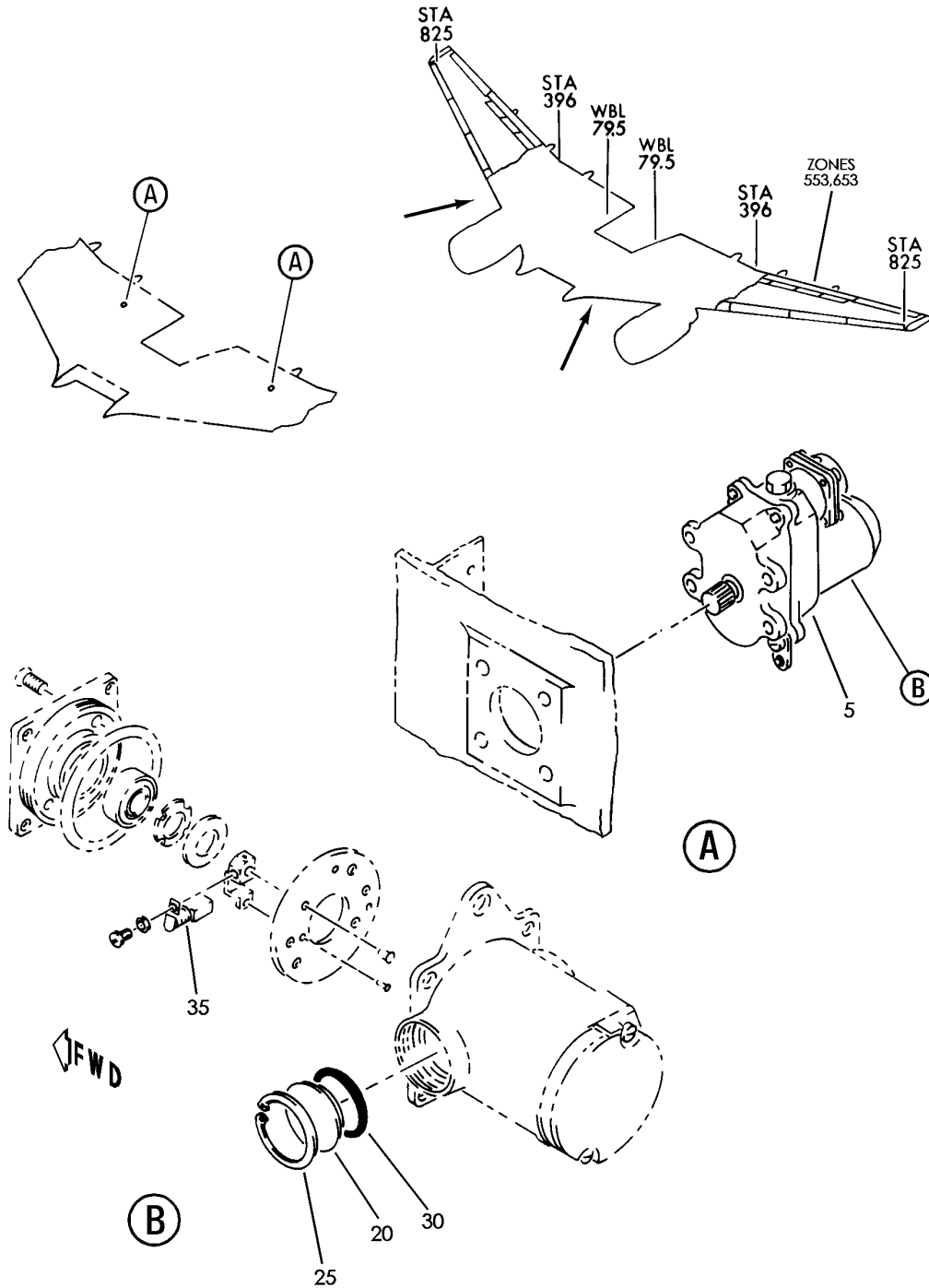
BRI

28-26-01-02

BOEING PROPRIETARY - Copyright © - Unpublished Work - See title page for details.

28-26-01  
FIG. 02  
PAGE 3  
JAN 20/09

**BOEING**  
757  
PARTS CATALOG (MAINTENANCE)



Y 28260201 REV 239

EQUIPMENT INSTL-DEFUELING (DEFUELING VALVE ACTUATOR ONLY)  
FIGURE 1

**28-26-02-01**

BRI  
MAY 28/07

28-26-02-01  
PAGE 0



757

PARTS CATALOG (MAINTENANCE)

| FIG ITEM | PART NUMBER | 1 2 3 4 5 6 7 | NOMENCLATURE   | EFFECT FROM TO   | UNITS PER ASSY |
|----------|-------------|---------------|--|--|----------------|
| 1        |             |               | EQUIPMENT INSTL-DEFUELING<br>(DEFUELING VALVE ACTUATOR ONLY)   | 002004<br>006100<br>107107<br>121503<br>904999           |                |
| - 1      | 344N3001-2  |               | EQUIPMENT INSTL-DEFUELING<br>(DEFUELING VALVE ACTUATOR ONLY)<br>FOR NHA/OTHER SYS DET SEE:<br>28-20-51-01  | 107107<br>904949   | RF             |
| - 1      | 344N3001-4  |               | EQUIPMENT INSTL-DEFUELING<br>(DEFUELING VALVE ACTUATOR ONLY)<br>FOR NHA/OTHER SYS DET SEE:<br>28-20-51-01  | 952952   | RF             |
| - 1      | 344N3001-5  |               | EQUIPMENT INSTL-DEFUELING<br>(DEFUELING VALVE ACTUATOR ONLY)<br>FOR NHA/OTHER SYS DET SEE:<br>28-20-51-01  | 002004<br>121503   | RF             |
| - 1      | 344N3001-6  |               | EQUIPMENT INSTL-DEFUELING<br>(DEFUELING VALVE ACTUATOR ONLY)<br>FOR NHA/OTHER SYS DET SEE:<br>28-20-51-01  | 006100<br>950951<br>953999                               | RF             |
| 5        | AV31-1      |               | .ACTUATOR ASSY-<br>SUPPLIER CODE:<br>V35840<br>SPECIFICATION NUMBER:<br>S343T003-111<br>ELECTRICAL EQUIP NUMBER:<br>V00108<br>V00109<br>COMPONENT MAINT MANUAL REF:<br>28-20-01<br>FOR SPARES PROCURE:<br>S343T003-39<br>POST ALERT SB:<br>28A0018<br>POST SERVICE BULLETIN:<br>AV-31-28-1<br>V35840 | 002004<br>006100<br>107107<br>121503<br>904951<br>953999 | 2              |

MISSING ITEM NUMBERS NOT APPLICABLE

- ITEM NOT ILLUSTRATED

BRI

28-26-02-01

BOEING PROPRIETARY - Copyright © - Unpublished Work - See title page for details.

28-26-02  
FIG. 01  
PAGE 1  
JAN 20/09



**BOEING**  
757  
**PARTS CATALOG (MAINTENANCE)**

| FIG ITEM | PART NUMBER | 1 2 3 4 5 6 7 | NOMENCLATURE  | EFFECT FROM TO                       | UNITS PER ASSY |
|----------|-------------|---------------|---|--------------------------------------|----------------|
| 1        |             |               | <p>SUPPLIER CODE:<br/>V73760</p> <p>FUNCTIONAL DESCRIPTION:<br/>PROVIDES ELECTRIC<br/>ACTUATION FOR REMOTE<br/>CONTROL OF VARIOUS<br/>VALVES</p> <p>SPECIFICATION NUMBER:<br/>S343T003-39</p> <p>MISCELLANEOUS DATA:<br/>CUSTOMER SHOULD REVIEW<br/>BOEING FLEET TEAM<br/>DIGEST ARTICLE<br/>737NG-FTD-28-06003 FOR<br/>STATUS OF RELIABILITY<br/>CONCERNS ASSOCIATED<br/>WITH THIS PART.<br/>SERVICE LETTERS<br/>737-SL-28-069 AND<br/>757-SL-28-042/<br/>767-SL-28-039/<br/>777-SL-28-020 ALL<br/>PROVIDE MORE INFORMATION<br/>ABOUT THE FUEL SYSTEM<br/>MOTOR OPERATED VALVE<br/>ACTUATORS.</p> <p>ELECTRICAL EQUIP NUMBER:<br/>V00108<br/>V00109</p> <p>COMPONENT MAINT MANUAL REF:<br/>28-25-17</p> <p>QUALIFIED I/W DATA:<br/>MA20A2027 MAY REPLACE<br/>BUT NOT BE REPLACED BY<br/>MA20A1001-1 SUBJECT TO<br/>INCORPORATION OF SERVICE<br/>BULLETIN 757-28A0088.<br/>BULLETIN 757-28A0088.<br/>MA30A1001 MAY REPLACE<br/>MA20A1001-1 SUBJECT<br/>TO INCORPORATION<br/>OF S.B. 757-28A0088.<br/>MA11A1265-1 MAY REPLACE<br/>MA20A1001-1 ONE WAY ON<br/>757 AND 767 AIRPLANES<br/>ONLY.</p> <p>FOR SPARES PROCURE:<br/>S343T003-41</p> <p>PRE ALERT SB:</p> | 006100<br>107107<br>121503<br>904999 |                |

MISSING ITEM NUMBERS NOT APPLICABLE

— ITEM NOT ILLUSTRATED

BRI

# 28-26-02-01

28-26-02  
FIG. 01  
PAGE 3  
MAY 20/09





757

PARTS CATALOG (MAINTENANCE)

| FIG ITEM   | PART NUMBER | 1 2 3 4 5 6 7 | NOMENCLATURE   | EFFECT FROM TO                                 | UNITS PER ASSY |
|--|-------------|---------------|--|--|----------------|
| R<br>R<br>R<br>R<br>R<br>R<br>R<br>R<br>R<br>R<br>R<br>R<br>R<br>R<br>R<br>R<br>R<br>R<br>R<br>R<br>R<br>R | 1 5         | MA30A1001     | .ACTUATOR ASSY-<br>SUPPLIER CODE:<br>V73760<br>FUNCTIONAL DESCRIPTION:<br>ACTUATOR ASSEMBLY OPENS<br>AND CLOSES A FUEL VALVE<br>SPECIFICATION NUMBER:<br>S343T003-66<br>ELECTRICAL EQUIP NUMBER:<br>V00108<br>V00109<br>QUALIFIED I/W DATA:<br>MA30A1001 AND<br>MA11A1265-1 ARE TWO WAY<br>INTERCHANGEABLE ON THE<br>757 AND 767 ONLY.<br>MA30A1001 MAY REPLACE<br>MA20A1001-1 SUBJECT<br>TO INCORPORATION OF<br>S.B. 757-28A0088.<br>POST ALERT SB:<br>28A0088<br>ATTACHING PARTS | 002004<br>006100<br>107107<br>121503<br>904999 | 2              |
|  | - 10        | NAS1352C08H8  | .SCREW-<br>OPTIONAL PART:<br>MS24677-15  | 107107<br>904949                               | 8              |
|  | - 10        | MS24677-15    | .SCREW-<br>OPTIONAL PART:<br>NAS1352C08H8  | 107107<br>904949                               | 8              |
|  | - 10        | NAS1352C08H6  | .SCREW   | 002004<br>006100<br>121503<br>950999           | 8              |
|  | - 15        | AN960PD8L     | .WASHER  | 107107<br>904949                               | 8              |
|  | - 15        | NAS960A08L    | .WASHER  | 002004<br>006100<br>121503<br>950999           | 8              |
|  |             |               | -----*-----  |  |                |

MISSING ITEM NUMBERS NOT APPLICABLE

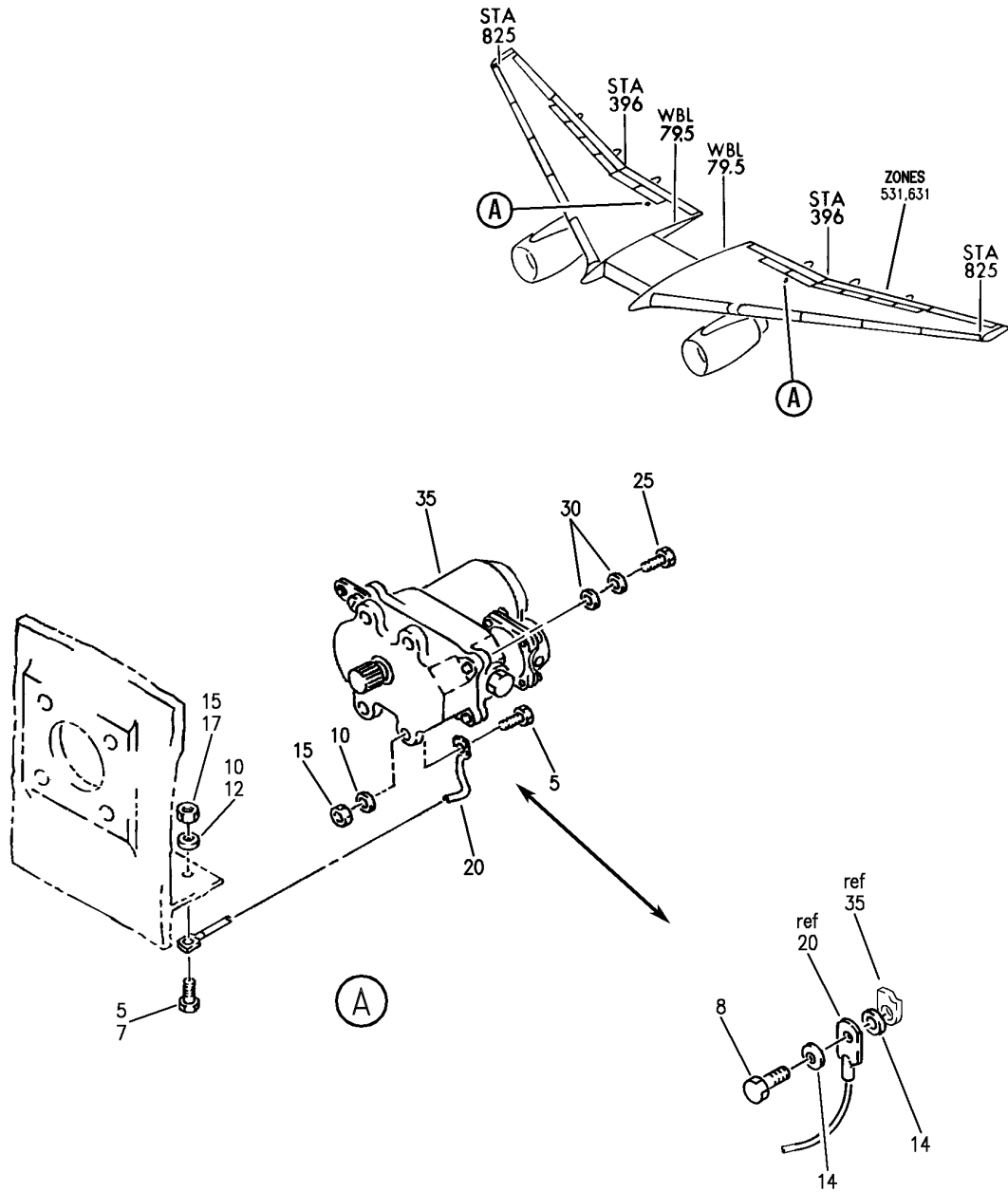
- ITEM NOT ILLUSTRATED

28-26-02-01

28-26-02  
FIG. 01  
PAGE 5  
MAY 20/09

BRI

**BOEING**  
757  
PARTS CATALOG (MAINTENANCE)



Y 28260202 REV 326

EQUIPMENT INSTL-DEFUELING (DEFUELING VALVE ACTUATOR ONLY)  
FIGURE 2

**28-26-02-02**

BRI  
SEP 20/08

28-26-02-02  
PAGE 0





757

PARTS CATALOG (MAINTENANCE)

| FIG ITEM | PART NUMBER   | 1 2 3 4 5 6 7 | NOMENCLATURE   | EFFECT FROM TO             | UNITS PER ASSY |
|----------|---------------|---------------|--|----------------------------|----------------|
| 2        |               |               | EQUIPMENT INSTL-DEFUELING<br>(DEFUELING VALVE ACTUATOR ONLY)   | 101106<br>108120<br>504903 |                |
| - 1      | 344N3001-9    |               | EQUIPMENT INSTL-DEFUELING<br>(DEFUELING VALVE ACTUATOR ONLY)<br>FOR NHA/ADDITIONAL DET SEE:<br>28-00-00-05   | 101102<br>108120<br>504903 | RF             |
| - 1      | MODREF13718   |               | EQUIPMENT INSTL-DEFUELING<br>(DEFUELING VALVE ACTUATOR ONLY)<br>MODULE NUMBER:<br>344N3001-9 REV A<br>FOR ADDITIONAL DETAILS SEE:<br>28-26-01-02   | 103105                     | 1              |
| - 1      | MODREF100728  |               | EQUIPMENT INSTL-DEFUELING<br>(DEFUELING VALVE ACTUATOR ONLY)<br>MODULE NUMBER:<br>344N3001-9 REV B<br>FOR ADDITIONAL DETAILS SEE:<br>28-26-01-02   | 106106                     | 1              |
| 5        | BACS12GU3K8   |               | .SCREW   | 101106<br>108120<br>504903 | 4              |
| 10       | NAS1149D0316H |               | .WASHER  | 101106<br>108120<br>504903 | 4              |
| 15       | BRH10C3D      |               | .NUT<br>SUPPLIER CODE:<br>V52828<br>SPECIFICATION NUMBER:<br>BACN10JC3CD<br>OPTIONAL PART:<br>T6C1032JCD<br>V11815<br>NS202486-02<br>V80539<br>102LH9075-3W<br>V72962<br>H51650-3BAC<br>V15653 | 101106<br>108120<br>504903 | 4              |

MISSING ITEM NUMBERS NOT APPLICABLE

- ITEM NOT ILLUSTRATED

BRI

28-26-02-02

28-26-02  
FIG. 02  
PAGE 1  
JAN 20/09



757

PARTS CATALOG (MAINTENANCE)

| FIG<br>ITEM | PART NUMBER      | 1 2 3 4 5 6 7 | NOMENCLATURE   | EFFECT<br>FROM TO          | UNITS<br>PER<br>ASSY |
|-------------|------------------|---------------|--|----------------------------|----------------------|
| 2           | 20 740A20-5      |               | . JUMPER ASSY<br>SUPPLIER CODE:<br>V91812<br>SPECIFICATION NUMBER:<br>BACJ40A20-5<br>OPTIONAL PART:<br>TJEJ40A20-5<br>V33483<br>RBEJ20-5<br>V1GK47 | 101106<br>108120<br>504903 | 2                    |
|             | 25 NAS1352C08H8P |               | . SCREW  | 101106<br>108120<br>504903 | 8                    |
|             | 30 BACW10BP2NDP  |               | . WASHER   | 101106<br>108120<br>504903 | 16                   |

MISSING ITEM NUMBERS NOT APPLICABLE

- ITEM NOT ILLUSTRATED

BRI

28-26-02-02

BOEING PROPRIETARY - Copyright © - Unpublished Work - See title page for details.

28-26-02  
FIG. 02  
PAGE 2  
MAY 20/09





757

PARTS CATALOG (MAINTENANCE)

| FIG ITEM | PART NUMBER | 1 2 3 4 5 6 7 | NOMENCLATURE   | EFFECT FROM TO             | UNITS PER ASSY |
|----------|-------------|---------------|--|----------------------------|----------------|
| 2<br>35  | MA20A2027   |               | .ACTUATOR ASSY-<br>SUPPLIER CODE:<br>V73760<br>MISCELLANEOUS DATA:<br>SERVICE LETTERS<br>737-SL-28-069 AND<br>757-SL-28-042/<br>767-SL-28-039/<br>777-SL-28-020 ALL<br>PROVIDE MORE INFORMATION<br>ABOUT THE FUEL SYSTEM<br>MOTOR OPERATED VALVE<br>ACTUATORS.<br>ELECTRICAL EQUIP NUMBER:<br>V00108<br>V00109<br>QUALIFIED I/W DATA:<br>MA20A2027 AND<br>MA11A1265-1 ARE TWO WAY<br>INTERCHANGEABLE ON 757<br>AND 767 AIR PLANES ONLY.<br>S.B. 757-28A0088 AND<br>767-28A0090 MUST BE<br>COMPLETED TO INSTALL<br>PART NUMBER MA20A2027.   | 101102                     | 2              |
|          | MA11A1265-1 |               | .ACTUATOR ASSY-<br>SUPPLIER CODE:<br>V73760<br>SPECIFICATION NUMBER:<br>S343T003-41<br>COMPONENT MAINT MANUAL REF:<br>28-15-12<br>QUALIFIED I/W DATA:<br>MA30A1001 AND<br>MA11A1265-1 ARE TWO WAY<br>INTERCHANGEABLE ON THE<br>757 AND 767 ONLY.<br>MA11A1265-1 MAY REPLACE<br>MA20A1001-1 ONE WAY ON<br>757 AND 767 AIRPLANES<br>ONLY.<br>MA20A2027 AND<br>MA11A1265-1 ARE TWO WAY<br>INTERCHANGEABLE ON 757<br>AND 767 AIR PLANES ONLY.<br>S.B. 757-28A0088 AND<br>767-28A0090 MUST BE<br>COMPLETED TO INSTALL<br>PART NUMBER MA20A2027. | 101106<br>108120<br>504903 | 2              |

MISSING ITEM NUMBERS NOT APPLICABLE

- ITEM NOT ILLUSTRATED

28-26-02-02

28-26-02  
FIG. 02  
PAGE 4  
MAY 20/09

BRI



**757  
PARTS CATALOG (MAINTENANCE)**

| FIG<br>ITEM | PART NUMBER | 1 2 3 4 5 6 7 | NOMENCLATURE  | EFFECT<br>FROM TO | UNITS<br>PER<br>ASSY |
|-------------|-------------|---------------|---|-------------------|----------------------|
| 2<br>35     | MA30A1001   |               | .ACTUATOR ASSY-<br>SUPPLIER CODE:<br>V73760<br>FUNCTIONAL DESCRIPTION:<br>ACTUATOR ASSEMBLY OPENS<br>AND CLOSES A FUEL VALVE<br>SPECIFICATION NUMBER:<br>S343T003-66<br>ELECTRICAL EQUIP NUMBER:<br>V00108<br>V00109<br>QUALIFIED I/W DATA:<br>MA30A1001 AND<br>MA11A1265-1 ARE TWO WAY<br>INTERCHANGEABLE ON THE<br>757 AND 767 ONLY.<br>MA30A1001 MAY REPLACE<br>MA20A1001-1 SUBJECT<br>TO INCORPORATION OF<br>S.B. 757-28A0088.<br>POST ALERT SB:<br>28A0088 | 101102            | 2                    |

R  
R  
R  
R  
R  
R  
R  
R  
R  
R  
R  
R  
R  
R  
R  
R  
R  
R  
R  
R  
R  
R

MISSING ITEM NUMBERS NOT APPLICABLE

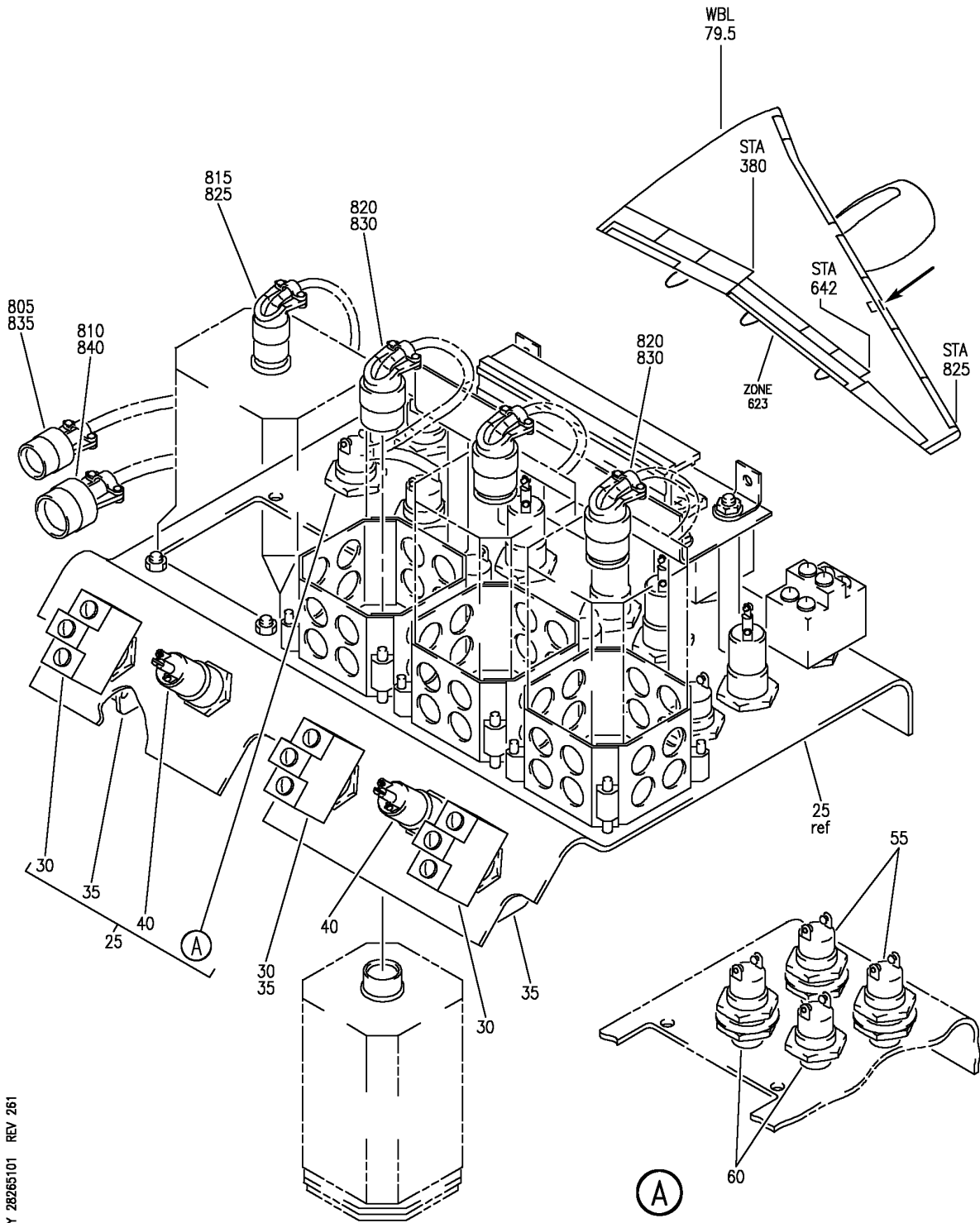
— ITEM NOT ILLUSTRATED

# 28-26-02-02

28-26-02  
FIG. 02  
PAGE 5  
MAY 20/09

BRI

**BOEING**  
757  
PARTS CATALOG (MAINTENANCE)



Y 28265101 REV 261

PANEL INSTL-FUELING CONT (DEFUELING ONLY)  
FIGURE 1

**28-26-51-01**

BRI  
MAY 28/07

28-26-51-01  
PAGE 0



757

PARTS CATALOG (MAINTENANCE)

| FIG ITEM | PART NUMBER | 1 2 3 4 5 6 7 | NOMENCLATURE  | EFFECT FROM TO                       | UNITS PER ASSY |
|----------|-------------|---------------|---|--------------------------------------|----------------|
| 1        |             |               | PANEL INSTL-FUELING CONT<br>(DEFUELING ONLY)  | 002004<br>006999                     |                |
| - 2      | 344N5001-8  |               | PANEL INSTL-FUELING CONT<br>(DEFUELING ONLY)<br>FOR NHA/OTHER SYS DET SEE:<br>28-00-01-01   | 107107<br>904949                     | RF             |
| - 2      | 344N5001-12 |               | PANEL INSTL-FUELING CONT<br>(DEFUELING ONLY)<br>FOR NHA/OTHER SYS DET SEE:<br>28-00-01-01   | 002004<br>952952                     | RF             |
| - 2      | 344N5001-14 |               | PANEL INSTL-FUELING CONT<br>(DEFUELING ONLY)<br>FOR NHA/OTHER SYS DET SEE:<br>28-00-01-01   | 006100<br>121503<br>950951<br>953999 | RF             |
| - 2      | 344N5001-17 |               | PANEL INSTL-FUELING CONT<br>(DEFUELING ONLY)<br>FOR NHA/OTHER SYS DET SEE:<br>28-00-00-05   | 101102<br>504903                     | RF             |
| - 2      | 344N5001-23 |               | PANEL INSTL-FUELING CONT<br>(DEFUELING ONLY)<br>FOR NHA/OTHER SYS DET SEE:<br>28-00-00-05   | 108120                               | RF             |
| - 3      | MODREF13723 |               | PANEL INSTL-FUELING CONT<br>(DEFUELING ONLY)<br>MODULE NUMBER:<br>344N5001-24 REV A<br>FOR OTHER SYS DETAILS SEE:<br>28-14-01-04<br>28-41-06-01<br>28-41-07-01  | 103105                               | 1              |
| - 3      | MODREF34278 |               | PANEL INSTL-FUELING CONT<br>(DEFUELING ONLY)<br>MODULE NUMBER:<br>344N5001-25 REV A<br>FOR OTHER SYS DETAILS SEE:<br>28-14-01-04<br>28-41-06-01<br>28-41-07-01  | 106106                               | 1              |
| 25       | 344N5101-2  |               | .PANEL ASSY-<br>QUALIFIED I/W DATA:<br>MUST REPLACE HONEYWELL<br>MANUFACTURED PARTS WITH<br>HONEYWELL MANUFACTURED<br>PARTS AND SIMMONDS PARTS<br>WITH SIMMONDS WITH THE<br>EXCEPTION OF 344N5101-5<br>WHICH IS A REWORKED<br>SIMMONS TO MATE WITH<br>HONEYWELL | 002004<br>107107<br>904949<br>952952 | RF             |

MISSING ITEM NUMBERS NOT APPLICABLE

- ITEM NOT ILLUSTRATED

28-26-51-01

28-26-51  
FIG. 01  
PAGE 1  
JAN 20/09

BRI



757

PARTS CATALOG (MAINTENANCE)

| FIG ITEM | PART NUMBER  | 1 2 3 4 5 6 7 | NOMENCLATURE   | EFFECT FROM TO                       | UNITS PER ASSY |
|----------|--------------|---------------|--|--------------------------------------|----------------|
| 1        |              |               |  |                                      |                |
| 25       | 344N5101-3   |               | .PANEL ASSY-<br>QUALIFIED I/W DATA:<br>MUST REPLACE HONEYWELL<br>MANUFACTURED PARTS WITH<br>HONEYWELL MANUFACTURED<br>PARTS AND SIMMONDS PARTS<br>WITH SIMMONDS WITH THE<br>EXCEPTION OF 344N5101-5<br>WHICH IS A REWORKED<br>SIMMONDS TO MATE WITH<br>HONEYWELL | 006100<br>121503<br>950951<br>953999 | RF             |
| 25       | 340N1006-201 |               | .PANEL ASSY-<br>POST SERVICE BULLETIN:<br>28-0035  | 002004<br>107107<br>904949<br>952952 | RF             |
| 25       | 344N5101-4   |               | .PANEL ASSY-<br>QUALIFIED I/W DATA:<br>MUST REPLACE HONEYWELL<br>MANUFACTURED PARTS WITH<br>HONEYWELL MANUFACTURED<br>PARTS AND SIMMONDS PARTS<br>WITH SIMMONDS WITH THE<br>EXCEPTION OF 344N5101-5<br>WHICH IS A REWORKED<br>SIMMONDS TO MATE WITH<br>HONEYWELL | 101102<br>504903                     | RF             |
| 25       | 344N5101-6   |               | .PANEL ASSY-<br>QUALIFIED I/W DATA:<br>MUST REPLACE HONEYWELL<br>MANUFACTURED PARTS WITH<br>HONEYWELL MANUFACTURED<br>PARTS AND SIMMONDS PARTS<br>WITH SIMMONDS WITH THE<br>EXCEPTION OF 344N5101-5<br>WHICH IS A REWORKED<br>SIMMONDS TO MATE WITH<br>HONEYWELL | 101102<br>504903                     | RF             |
| 25       | 344N5101-7   |               | .PANEL ASSY  | 108120                               | RF             |
| 25       | 344N5101-8   |               | .PANEL ASSY-   | 103105                               | RF             |
| 25       | 344N5101-9   |               | .PANEL ASSY-   | 106106                               | RF             |
| 30       | MS24523-22   |               | ..SWITCH-<br>ELECTRICAL EQUIP NUMBER:<br>S00350<br>S00351<br>S00345  | 002004<br>006999                     | 3              |
| 35       | MS25224-1    |               | ..GUARD  | 002004<br>006999                     | 3              |

MISSING ITEM NUMBERS NOT APPLICABLE

- ITEM NOT ILLUSTRATED

28-26-51-01

28-26-51  
FIG. 01  
PAGE 2  
JAN 20/09

BRI

BOEING PROPRIETARY - Copyright © - Unpublished Work - See title page for details.





757

PARTS CATALOG (MAINTENANCE)

| FIG ITEM | PART NUMBER | 1 2 3 4 5 6 7 | NOMENCLATURE   | EFFECT FROM TO                       | UNITS PER ASSY |
|----------|-------------|---------------|--|--------------------------------------|----------------|
| 1        |             |               |  |                                      |                |
| 40       | BCREF6926   |               | ..LIGHT ASSY-<br>SUPPLIER CODE:<br>V81590<br>OVERLENGTH PART NUMBER:<br>121-563-1005-005<br>ELECTRICAL EQUIP NUMBER:<br>L00270<br>L00271<br>OPTIONAL PART:<br>BCREF7752<br>V81590<br>FOR DETAILS SEE:<br>33-42-51-10 | 002004<br>006999                     | 2              |
| 40       | BCREF5082   |               | ..LIGHT ASSY-<br>SUPPLIER CODE:<br>V81590<br>OVERLENGTH PART NUMBER:<br>121-563-1005-001<br>ELECTRICAL EQUIP NUMBER:<br>L00270<br>L00271<br>FOR DETAILS SEE:<br>33-42-51-10  | 002004<br>006999                     | 2              |
| 40       | BCREF7752   |               | ..LIGHT ASSY-<br>SUPPLIER CODE:<br>V81590<br>OVERLENGTH PART NUMBER:<br>121-563-1006-004<br>ELECTRICAL EQUIP NUMBER:<br>L00270<br>L00271<br>OPTIONAL PART:<br>BCREF6926<br>V81590<br>FOR DETAILS SEE:<br>33-42-51-10 | 002004<br>006999                     | 2              |
| 55       | MS25089-2CR |               | ..SWITCH-<br>ELECTRICAL EQUIP NUMBER:<br>S00421<br>S00457<br>USED ON:<br>344N5101-4  | 002004<br>006102<br>107107<br>121999 | 2              |

MISSING ITEM NUMBERS NOT APPLICABLE

- ITEM NOT ILLUSTRATED

BRI

28-26-51-01

BOEING PROPRIETARY - Copyright © - Unpublished Work - See title page for details.

28-26-51  
FIG. 01  
PAGE 3  
JAN 20/09



757

PARTS CATALOG (MAINTENANCE)

| FIG<br>ITEM | PART NUMBER  | 1 2 3 4 5 6 7 | NOMENCLATURE  | EFFECT<br>FROM TO                    | UNITS<br>PER<br>ASSY |
|-------------|--------------|---------------|---|--------------------------------------|----------------------|
| 1<br>55     | P8-3000009   |               | .. SWITCH-<br>SUPPLIER CODE:<br>V21649<br>ELECTRICAL EQUIP NUMBER:<br>S00421<br>S00457<br>QUALIFIED I/W DATA:<br>MS25089-2CR AND<br>P8-3000009 ARE IDENTICAL<br>WITH THE EXCEPTION OF<br>WIRE ATTACHING SCREWS.<br>MUST CHANGE CONNECTORS<br>OF ATTACHING WIRE.<br>USED ON:<br>344N5101-6 | 101106<br>108120<br>504903           | 2                    |
| 60          | MS25089-1CR  |               | .. SWITCH-<br>ELECTRICAL EQUIP NUMBER:<br>S00347<br>S00416<br>USED ON:<br>344N5101-4  | 002004<br>006102<br>107107<br>121999 | 2                    |
| 60          | P8-3000007   |               | .. SWITCH-<br>SUPPLIER CODE:<br>V21649<br>ELECTRICAL EQUIP NUMBER:<br>S00347<br>S00416<br>QUALIFIED I/W DATA:<br>MS25089-1CR AND<br>P8-3000007 ARE IDENTICAL<br>WITH THE EXCEPTION OF<br>WIRE ATTACHING SCREWS.<br>MUST CHANGE CONNECTORS<br>OF ATTACHING WIRE.<br>USED ON:<br>344N5101-6 | 101106<br>108120<br>504903           | 2                    |
| - 800       | 286N1500-302 |               | WIRE BUNDLE ASSY  | 101102<br>108120<br>504903           | RF                   |

MISSING ITEM NUMBERS NOT APPLICABLE

- ITEM NOT ILLUSTRATED

BRI

28-26-51-01

BOEING PROPRIETARY - Copyright © - Unpublished Work - See title page for details.

28-26-51  
FIG. 01  
PAGE 4  
JAN 20/09



757

PARTS CATALOG (MAINTENANCE)

| FIG ITEM | PART NUMBER | 1 2 3 4 5 6 7 | NOMENCLATURE  | EFFECT FROM TO             | UNITS PER ASSY |
|----------|-------------|---------------|---|----------------------------|----------------|
| 1<br>805 | GS3417-18C  |               | .CLAMP-<br>SUPPLIER CODE:<br>V06324<br>SPECIFICATION NUMBER:<br>BACC10HF18<br>OPTIONAL PART:<br>S2125-18-8<br>V07418<br>ELECTRICAL EQUIP NUMBER:<br>D40324PQ<br>WIRING DIAGRAM REF:<br>282123   | 101102<br>108120<br>504903 | 1              |
| 810      | GS3417-22C  |               | .CLAMP-<br>SUPPLIER CODE:<br>V06324<br>SPECIFICATION NUMBER:<br>BACC10HF22<br>OPTIONAL PART:<br>S2125-22-8<br>V07418<br>ELECTRICAL EQUIP NUMBER:<br>D40326PQ<br>WIRING DIAGRAM REF:<br>284111   | 101102<br>108120<br>504903 | 1              |
| 815      | G899414     |               | .CLAMP-<br>SUPPLIER CODE:<br>V06324<br>SPECIFICATION NUMBER:<br>BACC10HG14A<br>OPTIONAL PART:<br>G8994M14<br>V06324<br>S2252-14-8<br>V07418<br>6000-124-1014<br>V14283<br>900-555L14-34<br>V31461<br>ELECTRICAL EQUIP NUMBER:<br>D02624T<br>WIRING DIAGRAM REF:<br>282122 | 101102<br>108120<br>504903 | 1              |

MISSING ITEM NUMBERS NOT APPLICABLE

- ITEM NOT ILLUSTRATED

BRI

28-26-51-01

28-26-51  
FIG. 01  
PAGE 5  
JAN 20/09



757

PARTS CATALOG (MAINTENANCE)

| FIG ITEM | PART NUMBER   | 1 2 3 4 5 6 7 | NOMENCLATURE   | EFFECT FROM TO             | UNITS PER ASSY |
|----------|---------------|---------------|--|----------------------------|----------------|
| 1<br>820 | G899420       |               | .CLAMP-<br>SUPPLIER CODE:<br>V06324<br>SPECIFICATION NUMBER:<br>BACC10HG20A<br>OPTIONAL PART:<br>G8994M20<br>V06324<br>S2252-20-8<br>V07418<br>900-555L20-34<br>V31461<br>ELECTRICAL EQUIP NUMBER:<br>D06874T<br>D06876T<br>D06878T<br>WIRING DIAGRAM REF:<br>284111                       | 101102<br>108120<br>504903 | 3              |
| 825      | R071014A7SNL  |               | .CONNECTOR-<br>SUPPLIER CODE:<br>V41118<br>SPECIFICATION NUMBER:<br>BACC63BP14A7SNL<br>MISCELLANEOUS DATA:<br>OPTIONAL PART NUMBERS:<br>BACC63BP14A7SN (81205)<br>BACC63BP14R7SN (81205)<br>BACC63BP14R7SNL (81205)<br>ELECTRICAL EQUIP NUMBER:<br>D02624<br>WIRING DIAGRAM REF:<br>282122 | 101102<br>108120<br>504903 | 1              |
| 830      | R071020A16SNL |               | .CONNECTOR-<br>SUPPLIER CODE:<br>V41118<br>SPECIFICATION NUMBER:<br>BCREF101116<br>OVERLENGTH PART NUMBER:<br>BACC63BP20A16SNL<br>ELECTRICAL EQUIP NUMBER:<br>D06874<br>D06876<br>D06878<br>WIRING DIAGRAM REF:<br>284111  | 101102<br>108120<br>504903 | 3              |

MISSING ITEM NUMBERS NOT APPLICABLE

- ITEM NOT ILLUSTRATED

BRI

28-26-51-01

BOEING PROPRIETARY - Copyright © - Unpublished Work - See title page for details.

28-26-51  
FIG. 01  
PAGE 6  
JAN 20/09



757

PARTS CATALOG (MAINTENANCE)

| FIG ITEM | PART NUMBER | 1 2 3 4 5 6 7 | NOMENCLATURE  | EFFECT FROM TO             | UNITS PER ASSY |
|----------|-------------|---------------|---|----------------------------|----------------|
| 1<br>835 | BCREF110326 | .             | CONNECTOR-<br>OVERLENGTH PART NUMBER:<br>BACC63BP18A31PNL<br>ELECTRICAL EQUIP NUMBER:<br>D40324P<br>WIRING DIAGRAM REF:<br>282123 | 101102<br>108120<br>504903 | 1              |
| 840      | BCREF101134 | .             | CONNECTOR-<br>OVERLENGTH PART NUMBER:<br>BACC63BP22A55P6L<br>ELECTRICAL EQUIP NUMBER:<br>D40326P<br>WIRING DIAGRAM REF:<br>284111 | 101102<br>108120<br>504903 | 1              |
| - 845    | M817141BB3  | .             | BLOCK-MODULAR TERMINAL<br>SUPPLIER CODE:<br>V35344<br>ELECTRICAL EQUIP NUMBER:<br>TB0005A<br>WIRING DIAGRAM REF:<br>282122        | 101102<br>108120<br>504903 | 1              |
| - 850    | M817141BA1  | .             | BLOCK-MODULAR TERMINAL<br>SUPPLIER CODE:<br>V35344<br>ELECTRICAL EQUIP NUMBER:<br>TB0005B<br>WIRING DIAGRAM REF:<br>282123        | 101102<br>108120<br>504903 | 1              |
| - 855    | M817141BB1  | .             | BLOCK-MODULAR TERMINAL<br>SUPPLIER CODE:<br>V35344<br>ELECTRICAL EQUIP NUMBER:<br>TB0005C<br>WIRING DIAGRAM REF:<br>282123        | 101102<br>108120<br>504903 | 1              |
| - 860    | M817142BC1  | .             | BLOCK-MODULAR TERMINAL<br>SUPPLIER CODE:<br>V35344<br>ELECTRICAL EQUIP NUMBER:<br>TB0005P<br>WIRING DIAGRAM REF:<br>284111        | 101102<br>108120<br>504903 | 1              |

MISSING ITEM NUMBERS NOT APPLICABLE

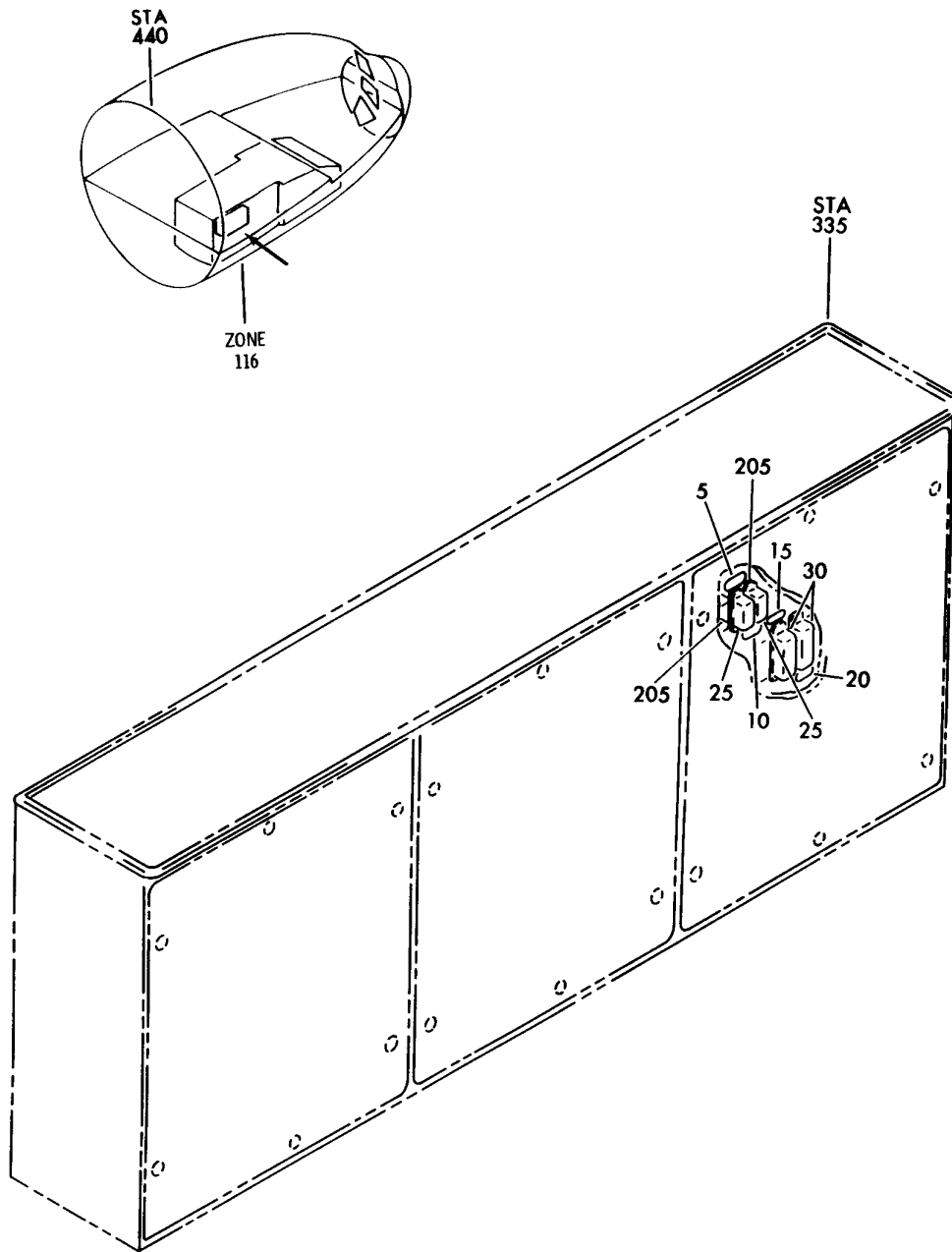
- ITEM NOT ILLUSTRATED

28-26-51-01

28-26-51  
FIG. 01  
PAGE 7  
JAN 20/09

BRI

**BOEING**  
757  
PARTS CATALOG (MAINTENANCE)



Y 28267101 REV 082

SHIELD ASSY-P33 MISC ELEC EQPT (DEFUELING ONLY)

FIGURE 1

**28-26-71-01**

BRI  
MAY 28/07

28-26-71-01  
PAGE 0



757

PARTS CATALOG (MAINTENANCE)

| FIG ITEM | PART NUMBER  | 1 2 3 4 5 6 7 | NOMENCLATURE  | EFFECT FROM TO                                 | UNITS PER ASSY |
|----------|--------------|---------------|---|--|----------------|
| 1        |              |               | SHIELD ASSY-P33 MISC ELEC<br>EQPT (DEFUELING ONLY)  | 002004<br>006100<br>107107<br>121503<br>904999 |                |
| - 1      | 284N1318-1   |               | SHIELD ASSY-P33 MISC ELEC<br>EQPT (DEFUELING ONLY)<br>VARIABLE DRAWING REF:<br>284N1318-5010<br>284N1318-5016<br>284N1318-5019<br>284N1318-5021<br>284N1318-5023<br>FOR NHA/OTHER SYS DET SEE:<br>31-01-33-03 | 002004<br>006100<br>107107<br>121503<br>904999 | RF             |
| 5        | BAC27NEX0592 |               | .DECAL-<br>PLACARD CONTENT:<br>K449   | 002004<br>006100<br>107107<br>121503<br>904999 | 1              |
| 10       | BAC27NEX0146 |               | .DECAL-<br>PLACARD CONTENT:<br>K450   | 002004<br>006100<br>107107<br>121503<br>904999 | 1              |
| 15       | BAC27TEX0168 |               | .DECAL-<br>PLACARD CONTENT:<br>K452   | 002004<br>006100<br>107107<br>121503<br>904999 | 1              |
| 20       | BAC27NEX0147 |               | .DECAL-<br>PLACARD CONTENT:<br>K453   | 002004<br>006100<br>107107<br>121503<br>904999 | 1              |

MISSING ITEM NUMBERS NOT APPLICABLE

- ITEM NOT ILLUSTRATED

BRI

28-26-71-01

BOEING PROPRIETARY - Copyright © - Unpublished Work - See title page for details.

28-26-71  
FIG. 01  
PAGE 1  
JAN 20/09



757

PARTS CATALOG (MAINTENANCE)

| FIG ITEM | PART NUMBER  | 1 2 3 4 5 6 7 | NOMENCLATURE  | EFFECT FROM TO                                 | UNITS PER ASSY |
|----------|--------------|---------------|---|--|----------------|
| 1<br>25  | W260F4AM11   |               | .RELAY-<br>SUPPLIER CODE:<br>VF0219<br>SPECIFICATION NUMBER:<br>BACR13CD2<br>OPTIONAL PART:<br>BR16S233<br>V09026<br>EE4AA005<br>V35344<br>3SAV1338A2<br>V01526<br>HFW1206K03<br>V58614<br>HFW1204K01<br>V71482<br>ELECTRICAL EQUIP NUMBER:<br>K00449<br>K00450                         | 002004<br>006100<br>107107<br>121503<br>904999 | 2              |
| 30       | E210-1631    |               | .RELAY-<br>SUPPLIER CODE:<br>V99699<br>SPECIFICATION NUMBER:<br>BACR13CF2A<br>OPTIONAL PART:<br>BR246S0112<br>V56623<br>FCA210-70<br>V78290<br>E215-1050<br>V99699<br>JD4A017<br>V35344<br>BR64S104<br>V56623<br>61GB19-1A320<br>V98927<br>ELECTRICAL EQUIP NUMBER:<br>K00452<br>K00453 | 002004<br>006100<br>107107<br>121503<br>904999 | 2              |
| - 200    | 286N1230-002 |               | WIRE BUNDLE ASSY-(DEFUELING ONLY)   | 121503<br>904949                               | RF             |
| - 200    | 286N1230-003 |               | WIRE BUNDLE ASSY-(DEFUELING ONLY)   | 107107   | RF             |
| - 200    | 286N1230-004 |               | WIRE BUNDLE ASSY-(DEFUELING ONLY)   | 002004<br>006100<br>950999                     | RF             |

MISSING ITEM NUMBERS NOT APPLICABLE

- ITEM NOT ILLUSTRATED

28-26-71-01

28-26-71  
FIG. 01  
PAGE 2  
JAN 20/09

BRI





757

PARTS CATALOG (MAINTENANCE)

| FIG<br>ITEM | PART NUMBER | 1 2 3 4 5 6 7 | NOMENCLATURE   | EFFECT<br>FROM TO                              | UNITS<br>PER<br>ASSY |
|-------------|-------------|---------------|--|--|----------------------|
| 1<br>205    | BACS16X1    |               | . SOCKET-<br>ELECTRICAL EQUIP NUMBER:<br>D02626<br>D02716<br>WIRING DIAGRAM REF:<br>282611 | 002004<br>006100<br>107107<br>121503<br>904999 | 2                    |

MISSING ITEM NUMBERS NOT APPLICABLE

- ITEM NOT ILLUSTRATED

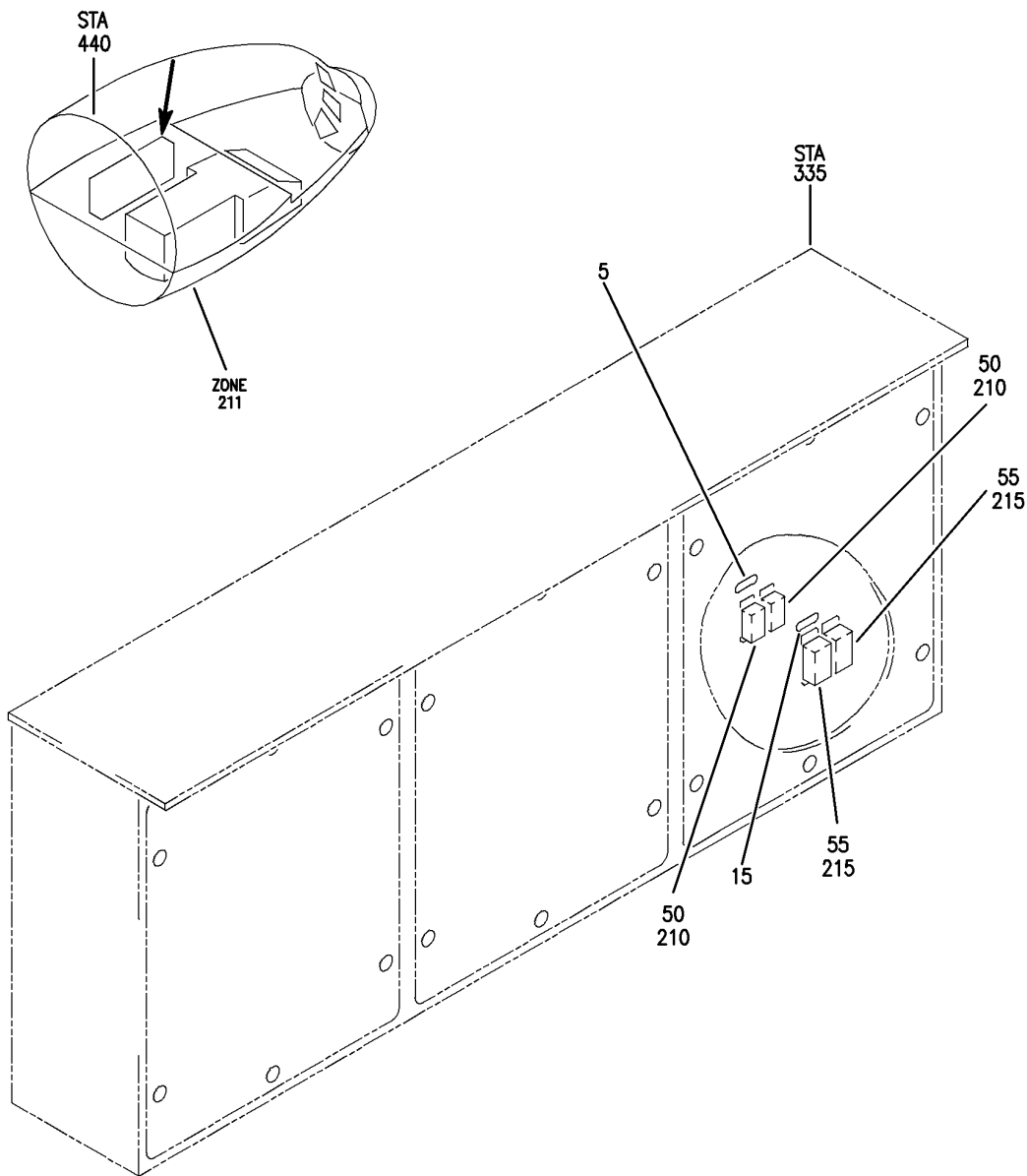
BRI

28-26-71-01

BOEING PROPRIETARY - Copyright © - Unpublished Work - See title page for details.

28-26-71  
FIG. 01  
PAGE 3  
JAN 20/09

**BOEING**  
757  
PARTS CATALOG (MAINTENANCE)



Y 28267101A REV 234

PACKAGE ASSY-OPTION P33 MISC ELECT EQPT (DEFUELING ONLY)  
FIGURE 1A

**28-26-71-01A**

BRI  
MAY 28/07

28-26-71-01A  
PAGE 0



757

PARTS CATALOG (MAINTENANCE)

| FIG ITEM | PART NUMBER   | 1 2 3 4 5 6 7 | NOMENCLATURE               | EFFECT FROM TO | UNITS PER ASSY |
|----------|---------------|---------------|----------------------------|----------------|----------------|
| 1 A      |               |               | PACKAGE ASSY-OPTION P33    | 101102         |                |
|          |               |               | MISC ELECT EQPT            | 108120         |                |
|          |               |               | (DEFUELING ONLY)           | 504903         |                |
| - 1      | 284N1318-1000 |               | PACKAGE ASSY-OPTION P33    | 101102         | RF             |
|          |               |               | MISC ELECT EQPT            | 108120         |                |
|          |               |               | (DEFUELING ONLY)           | 504903         |                |
|          |               |               | FOR NHA/OTHER SYS DET SEE: |                |                |
|          |               |               | 31-01-33-01                |                |                |
| 50       | W260F4AM11    |               | .RELAY-                    | 101102         | 2              |
|          |               |               | SUPPLIER CODE:             | 108120         |                |
|          |               |               | VF0219                     | 504903         |                |
|          |               |               | SPECIFICATION NUMBER:      |                |                |
|          |               |               | BACR13CD2                  |                |                |
|          |               |               | OPTIONAL PART:             |                |                |
|          |               |               | BR16S233                   |                |                |
|          |               |               | V09026                     |                |                |
|          |               |               | EE4AA005                   |                |                |
|          |               |               | V35344                     |                |                |
|          |               |               | 3SAV1338A2                 |                |                |
|          |               |               | V01526                     |                |                |
|          |               |               | HFW1206K03                 |                |                |
|          |               |               | V58614                     |                |                |
|          |               |               | HFW1204K01                 |                |                |
|          |               |               | V71482                     |                |                |
|          |               |               | ELECTRICAL EQUIP NUMBER:   |                |                |
|          |               |               | K00449                     |                |                |
|          |               |               | K00450                     |                |                |
|          |               |               | WIRING DIAGRAM REF:        |                |                |
|          |               |               | 282611                     |                |                |

MISSING ITEM NUMBERS NOT APPLICABLE

- ITEM NOT ILLUSTRATED

BRI

28-26-71-01A

BOEING PROPRIETARY - Copyright © - Unpublished Work - See title page for details.

28-26-71  
FIG. 01A  
PAGE 1  
JAN 20/09



757

PARTS CATALOG (MAINTENANCE)

| FIG ITEM  | PART NUMBER  | 1 2 3 4 5 6 7 | NOMENCLATURE   | EFFECT FROM TO             | UNITS PER ASSY |
|-----------|--------------|---------------|--|----------------------------|----------------|
| 1 A<br>55 | E210-1631    |               | .RELAY-<br>SUPPLIER CODE:<br>V99699<br>SPECIFICATION NUMBER:<br>BACR13CF2A<br>OPTIONAL PART:<br>BR246S0112<br>V56623<br>FCA210-70<br>V78290<br>E215-1050<br>V99699<br>JD4A017<br>V35344<br>BR64S104<br>V56623<br>61GB19-1A320<br>V98927<br>ELECTRICAL EQUIP NUMBER:<br>K00452<br>K00453<br>WIRING DIAGRAM REF:<br>282611 | 101102<br>108120<br>504903 | 2              |
| - 200     | 286N1230-303 |               | WIRE BUNDLE ASSY   | 101102                     | RF             |
| - 201     | 286N1230-322 |               | WIRE BUNDLE ASSY   | 504903                     | RF             |
| - 201     | 286N1230-323 |               | WIRE BUNDLE ASSY   | 108120                     | RF             |
| 210       | RSE120026    |               | .SOCKET-<br>SUPPLIER CODE:<br>V58982<br>SPECIFICATION NUMBER:<br>BACS16AG1<br>OPTIONAL PART:<br>451120-026<br>V58982<br>ELECTRICAL EQUIP NUMBER:<br>D02718<br>D02628<br>WIRING DIAGRAM REF:<br>282611  | 101102<br>108120<br>504903 | 2              |

MISSING ITEM NUMBERS NOT APPLICABLE

- ITEM NOT ILLUSTRATED

28-26-71-01A

28-26-71  
FIG. 01A  
PAGE 2  
JAN 20/09

BRI



757

PARTS CATALOG (MAINTENANCE)

| FIG<br>ITEM | PART NUMBER | 1 2 3 4 5 6 7 | NOMENCLATURE   | EFFECT<br>FROM TO          | UNITS<br>PER<br>ASSY |
|-------------|-------------|---------------|--|----------------------------|----------------------|
| 1 A<br>215  | RSF116200   |               | . SOCKET-<br>SUPPLIER CODE:<br>V58982<br>SPECIFICATION NUMBER:<br>BACS16X1A<br>OPTIONAL PART:<br>102-006-1<br>V09922<br>000300-1538<br>V05574<br>ELECTRICAL EQUIP NUMBER:<br>D02716<br>D02626<br>WIRING DIAGRAM REF:<br>282611 | 101102<br>108120<br>504903 | 2                    |

MISSING ITEM NUMBERS NOT APPLICABLE

- ITEM NOT ILLUSTRATED

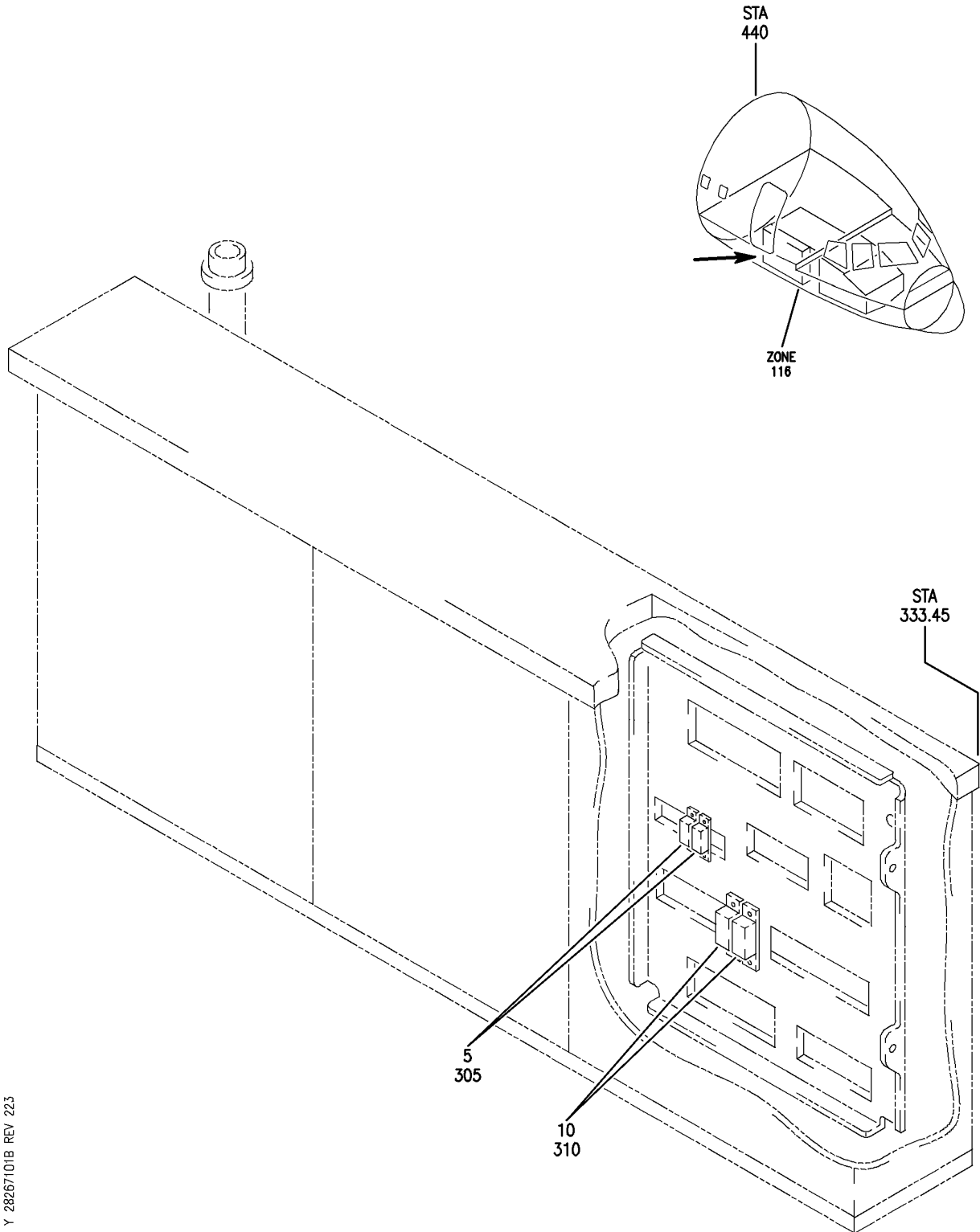
BRI

28-26-71-01A

BOEING PROPRIETARY - Copyright © - Unpublished Work - See title page for details.

28-26-71  
FIG. 01A  
PAGE 3  
JAN 20/09

**BOEING**  
757  
PARTS CATALOG (MAINTENANCE)



Y 28267101B REV 223

SHIELD INSTL-P33 MISC ELEC EQPT (DEFUELING ONLY)  
FIGURE 1B

**28-26-71-01B**

BRI  
JAN 20/09

28-26-71-01B  
PAGE 0



757

PARTS CATALOG (MAINTENANCE)

| FIG ITEM | PART NUMBER | 1 2 3 4 5 6 7 | NOMENCLATURE                                     | EFFECT FROM TO | UNITS PER ASSY |
|----------|-------------|---------------|--|----------------|----------------|
| 1B       |             |               |  |                |                |
| - 1      | MODREF33173 |               | SHIELD INSTL-P33 MISC ELEC EQPT (DEFUELING ONLY) | 103106         |                |
|          |             |               | SHIELD INSTL-P33 MISC ELEC EQPT (DEFUELING ONLY) | 103105         | 1              |
|          |             |               | MODULE NUMBER:<br>284N1318-107 REV B             |                |                |
|          |             |               | FOR OTHER SYS DETAILS SEE:                       |                |                |
|          |             |               | 11-36-06-01B                                     |                |                |
|          |             |               | 24-53-71-03B                                     |                |                |
|          |             |               | 26-15-71-01B                                     |                |                |
|          |             |               | 27-51-71-01B                                     |                |                |
|          |             |               | 27-81-71-01B                                     |                |                |
|          |             |               | 28-21-71-01B                                     |                |                |
|          |             |               | 28-22-71-01B                                     |                |                |
|          |             |               | 29-11-71-01B                                     |                |                |
|          |             |               | 29-21-71-03B                                     |                |                |
|          |             |               | 29-22-71-01B                                     |                |                |
|          |             |               | 30-31-71-03B                                     |                |                |
|          |             |               | 30-32-71-03B                                     |                |                |
|          |             |               | 31-01-33-10                                      |                |                |
|          |             |               | 33-42-71-02B                                     |                |                |
| - 1      | MODREF34797 |               | SHIELD INSTL-P33 MISC ELEC EQPT (DEFUELING ONLY) | 106106         | 1              |
|          |             |               | MODULE NUMBER:<br>284N1318-107 REV C             |                |                |
|          |             |               | FOR OTHER SYS DETAILS SEE:                       |                |                |
|          |             |               | 11-36-06-01B                                     |                |                |
|          |             |               | 24-53-71-03B                                     |                |                |
|          |             |               | 26-15-71-01B                                     |                |                |
|          |             |               | 27-51-71-01B                                     |                |                |
|          |             |               | 27-81-71-01B                                     |                |                |
|          |             |               | 28-21-71-01B                                     |                |                |
|          |             |               | 28-22-71-01B                                     |                |                |
|          |             |               | 29-11-71-01B                                     |                |                |
|          |             |               | 29-21-71-03B                                     |                |                |
|          |             |               | 29-22-71-01B                                     |                |                |
|          |             |               | 30-31-71-03B                                     |                |                |
|          |             |               | 30-32-71-03B                                     |                |                |
|          |             |               | 31-01-33-10                                      |                |                |
|          |             |               | 33-42-71-02B                                     |                |                |

MISSING ITEM NUMBERS NOT APPLICABLE

- ITEM NOT ILLUSTRATED

**28-26-71-01B**

28-26-71  
FIG. 01B  
PAGE 1  
JAN 20/09

BRI



757

PARTS CATALOG (MAINTENANCE)

| FIG ITEM | PART NUMBER  | 1 2 3 4 5 6 7 | NOMENCLATURE  | EFFECT FROM TO | UNITS PER ASSY |
|----------|--------------|---------------|---|----------------|----------------|
| 1B<br>5  | W260F4AM11   |               | .RELAY-<br>SUPPLIER CODE:<br>VF0219<br>SPECIFICATION NUMBER:<br>BACR13CD2<br>OPTIONAL PART:<br>BR16S233<br>V09026<br>EE4AA005<br>V35344<br>3SAV1338A2<br>V01526<br>HFW1206K03<br>V58614<br>HFW1204K01<br>V71482<br>ELECTRICAL EQUIP NUMBER:<br>K00449<br>K00450                         | 103106         | 2              |
| 10       | E210-1631    |               | .RELAY-<br>SUPPLIER CODE:<br>V99699<br>SPECIFICATION NUMBER:<br>BACR13CF2A<br>OPTIONAL PART:<br>BR246S0112<br>V56623<br>FCA210-70<br>V78290<br>E215-1050<br>V99699<br>JD4A017<br>V35344<br>BR64S104<br>V56623<br>61GB19-1A320<br>V98927<br>ELECTRICAL EQUIP NUMBER:<br>K00452<br>K00453 | 103106         | 2              |
| - 300    | 286N1230-701 |               | WIRE BUNDLE ASSY  | 103106         | RF             |

MISSING ITEM NUMBERS NOT APPLICABLE

- ITEM NOT ILLUSTRATED

28-26-71-01B

28-26-71  
FIG. 01B  
PAGE 2  
JAN 20/09

BRI





757

PARTS CATALOG (MAINTENANCE)

| FIG ITEM  | PART NUMBER | 1 2 3 4 5 6 7 | NOMENCLATURE   | EFFECT FROM TO | UNITS PER ASSY |
|-----------|-------------|---------------|--|----------------|----------------|
| 1B<br>305 | RSE120026   | .             | SOCKET-<br>SUPPLIER CODE:<br>V58982<br>SPECIFICATION NUMBER:<br>BACS16AG1<br>OPTIONAL PART:<br>451120-026<br>V58982<br>ELECTRICAL EQUIP NUMBER:<br>D02718<br>D02628<br>WIRING DIAGRAM REF:<br>282611                         | 103106         | 2              |
| 310       | RSF116200   | .             | SOCKET-<br>SUPPLIER CODE:<br>V58982<br>SPECIFICATION NUMBER:<br>BACS16X1A<br>OPTIONAL PART:<br>102-006-1<br>V09922<br>000300-1538<br>V05574<br>ELECTRICAL EQUIP NUMBER:<br>D02716<br>D02626<br>WIRING DIAGRAM REF:<br>282611 | 103106         | 2              |

MISSING ITEM NUMBERS NOT APPLICABLE

- ITEM NOT ILLUSTRATED

**28-26-71-01B**

28-26-71  
FIG. 01B  
PAGE 3  
JAN 20/09

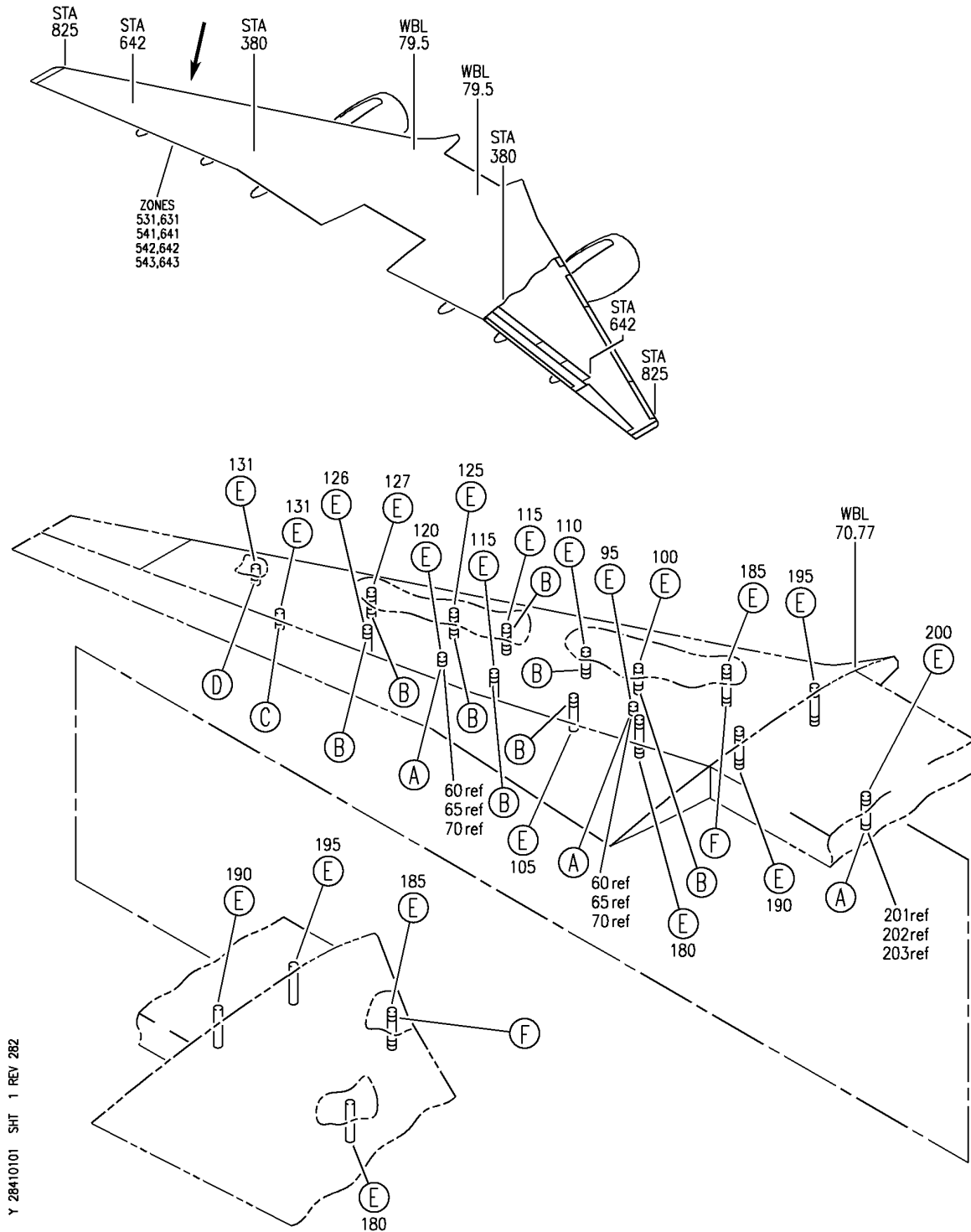
BRI

## FUEL QUANTITY INDICATING SYSTEM (FQIS)

BRI  
MAY 28/07

28-41-00  
SECTION TITLE  
PAGE 1

**BOEING**  
757  
PARTS CATALOG (MAINTENANCE)



Y 28410101 SHT 1 REV 282

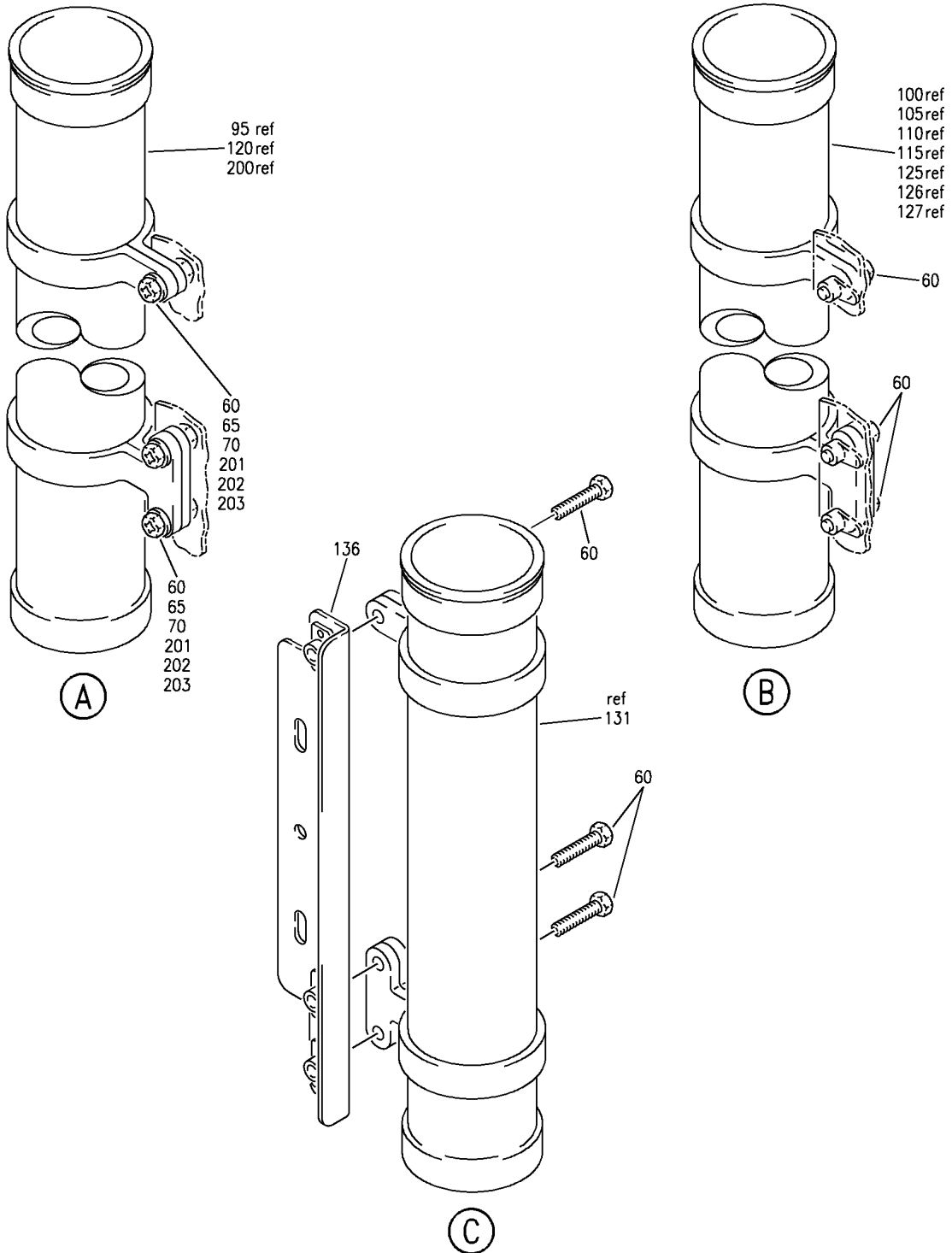
EQUIPMENT INSTL-FUEL QTY INDICATING SYS (TANK UNIT ONLY)  
FIGURE 1 (SHEET 1)

**28-41-01-01**

BRI  
MAY 28/07

28-41-01-01  
PAGE 0

**BOEING**  
757  
PARTS CATALOG (MAINTENANCE)



Y 28410101 SH1 2 REV 282

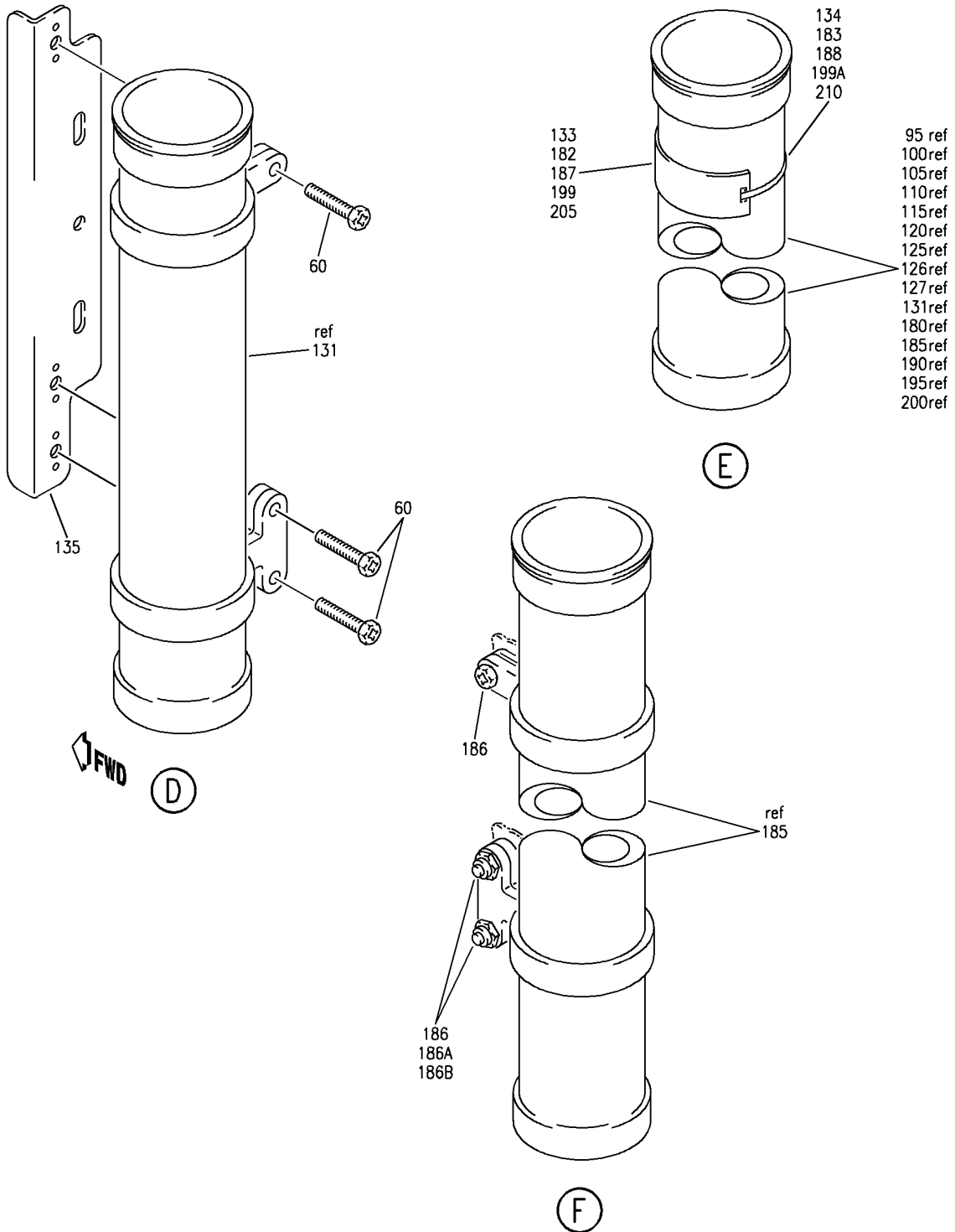
EQUIPMENT INSTL-FUEL QTY INDICATING SYS (TANK UNIT ONLY)  
FIGURE 1 (SHEET 2)

**28-41-01-01**

BRI  
MAY 28/07

28-41-01-01  
PAGE 0A

**BOEING**  
757  
PARTS CATALOG (MAINTENANCE)



Y 28410101 SH1 3 REV 282

EQUIPMENT INSTL-FUEL QTY INDICATING SYS (TANK UNIT ONLY)  
FIGURE 1 (SHEET 3)

**28-41-01-01**

BRI  
MAY 28/07

28-41-01-01  
PAGE 0B



757

PARTS CATALOG (MAINTENANCE)

| FIG ITEM | PART NUMBER  | 1 2 3 4 5 6 7 | NOMENCLATURE   | EFFECT FROM TO   | UNITS PER ASSY |
|----------|--------------|---------------|--|------------------|----------------|
| 1        |              |               | EQUIPMENT INSTL-FUEL QTY<br>INDICATING SYS<br>(TANK UNIT ONLY)   | 107107<br>904949 |                |
| - 1      | 345N2001-1   |               | EQUIPMENT INSTL-FUEL QTY<br>INDICATING SYS<br>(TANK UNIT ONLY)<br>POSITION DATA:<br>LH<br>FOR NHA/OTHER SYS DET SEE:<br>28-00-00-01  | 107107<br>904949 | RF             |
| - 5      | 345N2001-2   |               | EQUIPMENT INSTL-FUEL QTY<br>INDICATING SYS<br>(TANK UNIT ONLY)<br>POSITION DATA:<br>RH<br>FOR NHA/OTHER SYS DET SEE:<br>28-00-00-01  | 107107<br>904949 | RF             |
| 60       | NAS1801-3-12 |               | .SCREW-<br>POSITION DATA:<br>LH/RH SIDE  | 107107<br>904949 | 36             |
| 65       | AN960PD10L   |               | .WASHER-<br>POSITION DATA:<br>LH/RH SIDE   | 107107<br>904949 | 6              |
| 70       | BRH10A3      |               | .NUT-<br>SUPPLIER CODE:<br>V52828<br>SPECIFICATION NUMBER:<br>BACN10JC3<br>OPTIONAL PART:<br>H10-3BAC<br>V15653<br>NS202101-02<br>V80539<br>RMLH9075-3W<br>V72962<br>VN303A02<br>V92215<br>96-02<br>V80539<br>T6S1032J<br>V11815<br>POSITION DATA:<br>LH/RH SIDE | 107107<br>904949 | 6              |

MISSING ITEM NUMBERS NOT APPLICABLE

- ITEM NOT ILLUSTRATED

BRI

28-41-01-01

28-41-01  
FIG. 01  
PAGE 1  
JAN 20/09



757

PARTS CATALOG (MAINTENANCE)

| FIG ITEM | PART NUMBER | 1 2 3 4 5 6 7 | NOMENCLATURE   | EFFECT FROM TO   | UNITS PER ASSY |
|----------|-------------|---------------|--|------------------|----------------|
| 1<br>95  | FG1006AA50  |               | .TANK UNIT ASSY-MAIN TANK<br>NO. 1<br>SUPPLIER CODE:<br>V65507<br>SPECIFICATION NUMBER:<br>S345T002-311<br>ELECTRICAL EQUIP NUMBER:<br>TS0109<br>TS0146<br>COMPONENT MAINT MANUAL REF:<br>28-41-18 | 107107<br>904949 | 1              |
| 100      | FG1006AA51  |               | .TANK UNIT ASSY-MAIN TANK<br>NO. 2<br>SUPPLIER CODE:<br>V65507<br>SPECIFICATION NUMBER:<br>S345T002-312<br>ELECTRICAL EQUIP NUMBER:<br>TS0110<br>TS0147<br>COMPONENT MAINT MANUAL REF:<br>28-41-18 | 107107<br>904949 | 1              |
| 105      | FG1006AA52  |               | .TANK UNIT ASSY-MAIN TANK<br>NO. 3<br>SUPPLIER CODE:<br>V65507<br>SPECIFICATION NUMBER:<br>S345T002-313<br>ELECTRICAL EQUIP NUMBER:<br>TS0111<br>TS0148<br>COMPONENT MAINT MANUAL REF:<br>28-41-18 | 107107<br>904949 | 1              |
| 110      | FG1006AA53  |               | .TANK UNIT ASSY-MAIN TANK<br>NO. 4<br>SUPPLIER CODE:<br>V65507<br>SPECIFICATION NUMBER:<br>S345T002-314<br>ELECTRICAL EQUIP NUMBER:<br>TS0112<br>TS0149<br>COMPONENT MAINT MANUAL REF:<br>28-41-18 | 107107<br>904949 | 1              |

MISSING ITEM NUMBERS NOT APPLICABLE

- ITEM NOT ILLUSTRATED

BRI

28-41-01-01

BOEING PROPRIETARY - Copyright © - Unpublished Work - See title page for details.

28-41-01  
FIG. 01  
PAGE 2  
JAN 20/09



757

PARTS CATALOG (MAINTENANCE)

| FIG ITEM | PART NUMBER | 1 2 3 4 5 6 7 | NOMENCLATURE   | EFFECT FROM TO   | UNITS PER ASSY |
|----------|-------------|---------------|--|------------------|----------------|
| 1<br>115 | FG1006AA54  |               | .TANK UNIT ASSY-MAIN TANK<br>NO. 5 AND 6<br>SUPPLIER CODE:<br>V65507<br>SPECIFICATION NUMBER:<br>S345T002-315<br>ELECTRICAL EQUIP NUMBER:<br>TS0113<br>TS0114<br>TS0150<br>TS0151<br>COMPONENT MAINT MANUAL REF:<br>28-41-18 | 107107<br>904949 | 2              |
| 120      | FG1006AA55  |               | .TANK UNIT ASSY-MAIN TANK<br>NO. 7<br>SUPPLIER CODE:<br>V65507<br>SPECIFICATION NUMBER:<br>S345T002-316<br>ELECTRICAL EQUIP NUMBER:<br>TS0115<br>TS0152<br>COMPONENT MAINT MANUAL REF:<br>28-41-18                           | 107107<br>904949 | 1              |
| 125      | FG1006AA56  |               | .TANK UNIT ASSY-MAIN TANK<br>NO. 8<br>SUPPLIER CODE:<br>V65507<br>SPECIFICATION NUMBER:<br>S345T002-317<br>ELECTRICAL EQUIP NUMBER:<br>TS0115<br>TS0153<br>COMPONENT MAINT MANUAL REF:<br>28-41-18                           | 107107<br>904949 | 1              |
| 126      | FG1006AA57  |               | .TANK UNIT ASSY-MAIN TANK<br>NO. 9<br>SUPPLIER CODE:<br>V65507<br>SPECIFICATION NUMBER:<br>S345T002-318<br>ELECTRICAL EQUIP NUMBER:<br>TS0117<br>TS0154<br>COMPONENT MAINT MANUAL REF:<br>28-41-18                           | 107107<br>904949 | 1              |

MISSING ITEM NUMBERS NOT APPLICABLE

- ITEM NOT ILLUSTRATED

28-41-01-01

28-41-01  
FIG. 01  
PAGE 3  
JAN 20/09

BRI





757

PARTS CATALOG (MAINTENANCE)

| FIG ITEM | PART NUMBER  | 1 2 3 4 5 6 7 | NOMENCLATURE   | EFFECT FROM TO   | UNITS PER ASSY |
|----------|--------------|---------------|--|------------------|----------------|
| 1<br>127 | FG1006AA58   |               | .TANK UNIT ASSY-MAIN TANK<br>NO. 10<br>SUPPLIER CODE:<br>V65507<br>SPECIFICATION NUMBER:<br>S345T002-319<br>ELECTRICAL EQUIP NUMBER:<br>TS0118<br>TS0155<br>COMPONENT MAINT MANUAL REF:<br>28-41-18                            | 107107<br>904949 | 1              |
| 131      | FG1006AA59   |               | .TANK UNIT ASSY-MAIN TANK<br>NO. 11 AND 12<br>SUPPLIER CODE:<br>V65507<br>SPECIFICATION NUMBER:<br>S345T002-320<br>ELECTRICAL EQUIP NUMBER:<br>TS5196<br>TS5197<br>TS5198<br>TS5199<br>COMPONENT MAINT MANUAL REF:<br>28-41-18 | 107107<br>904949 | 2              |
| - 132    | NAS1801-3-12 |               | ATTACHING PARTS<br>.SCREW  | 107107<br>904949 | 6              |
| 133      | 423322       |               | -----*-----<br>..PLATE-IDENT<br>SUPPLIER CODE:<br>V94580<br>USED ON:<br>FG1006AA50<br>FG1006AA51<br>FG1006AA52<br>FG1006AA53<br>FG1006AA54<br>FG1006AA55<br>FG1006AA56<br>FG1006AA57<br>FG1006AA58                             | 107107<br>904949 | 1              |
| 133      | 423322       |               | ..PLATE-IDENT<br>SUPPLIER CODE:<br>V94580<br>USED ON:<br>FG1006AA59  | 107107<br>904949 | 1              |

MISSING ITEM NUMBERS NOT APPLICABLE

- ITEM NOT ILLUSTRATED

28-41-01-01

28-41-01  
FIG. 01  
PAGE 4  
JAN 20/09

BRI



757

PARTS CATALOG (MAINTENANCE)

| FIG ITEM | PART NUMBER | 1 2 3 4 5 6 7 | NOMENCLATURE  | EFFECT FROM TO   | UNITS PER ASSY |
|----------|-------------|---------------|---|------------------|----------------|
| 1<br>134 | 439342-1    |               | .. STRAP-<br>SUPPLIER CODE:<br>V94580<br>USED ON:<br>FG1006AA50<br>FG1006AA51<br>FG1006AA52<br>FG1006AA53<br>FG1006AA54<br>FG1006AA55<br>FG1006AA56<br>FG1006AA57<br>FG1006AA58   | 107107<br>904949 | 1              |
| 134      | 139342-1    |               | .. STRAP-<br>SUPPLIER CODE:<br>V94580<br>USED ON:<br>FG1006AA59   | 107107<br>904949 | 1              |
| 135      | 345N2121-19 |               | .BRACKET ASSY-  | 107107<br>904949 | 1              |
| 136      | 345N2121-20 |               | .BRACKET ASSY-  | 107107<br>904949 | 1              |
| - 139    | NAS1801-3-6 |               | ATTACHING PARTS<br>.SCREW   | 107107<br>904949 | 6              |
| - 179    | 345N2001-3  |               | -----*-----<br>EQUIPMENT INSTL-FUEL QTY<br>INDICATING SYS<br>(TANK UNIT ONLY)<br>POSITION DATA:<br>CTR<br>FOR NHA/OTHER SYS DET SEE:<br>28-00-00-01   | 107107<br>904949 | RF             |
| 180      | FG1006AA60  |               | .TANK UNIT ASSY-TANK NO. 5<br>AND NO. 9<br>SUPPLIER CODE:<br>V65507<br>POSITION DATA:<br>CENTER<br>SPECIFICATION NUMBER:<br>S345T002-331<br>ELECTRICAL EQUIP NUMBER:<br>TS5015<br>TS5076<br>COMPONENT MAINT MANUAL REF:<br>28-41-18 | 107107<br>904949 | 2              |

MISSING ITEM NUMBERS NOT APPLICABLE

- ITEM NOT ILLUSTRATED

BRI

28-41-01-01

BOEING PROPRIETARY - Copyright © - Unpublished Work - See title page for details.

28-41-01  
FIG. 01  
PAGE 5  
JAN 20/09



757

PARTS CATALOG (MAINTENANCE)

| FIG ITEM | PART NUMBER  | 1 2 3 4 5 6 7 | NOMENCLATURE  | EFFECT FROM TO   | UNITS PER ASSY |
|----------|--------------|---------------|---|------------------|----------------|
| 1        |              |               | ATTACHING PARTS   |                  |                |
| - 181    | NAS1801-3-12 |               | .SCREW  | 107107<br>904949 | 6              |
|          |              |               | -----*-----   |                  |                |
| 182      | 423322       |               | ..PLATE-IDENT<br>SUPPLIER CODE:<br>V94580   | 107107<br>904949 | 1              |
| 183      | 139342-1     |               | ..STRAP-<br>SUPPLIER CODE:<br>V94580  | 107107<br>904949 | 1              |
| 185      | FG1006AA61   |               | .TANK UNIT ASSY-TANK NO. 4<br>AND NO. 8<br>SUPPLIER CODE:<br>V65507<br>POSITION DATA:<br>CENTER<br>SPECIFICATION NUMBER:<br>S345T002-332<br>ELECTRICAL EQUIP NUMBER:<br>TS5014<br>TS5075<br>COMPONENT MAINT MANUAL REF:<br>28-41-18 | 107107<br>904949 | 2              |
|          |              |               | ATTACHING PARTS   |                  |                |
| 186      | NAS1801-3-12 |               | .SCREW  | 107107<br>904949 | 6              |
| 186A     | AN960PD10L   |               | .WASHER   | 107107<br>904949 | 4              |
| 186B     | BRH10A3      |               | .NUT<br>SUPPLIER CODE:<br>V52828<br>SPECIFICATION NUMBER:<br>BACN10JC3<br>OPTIONAL PART:<br>H10-3BAC<br>V15653<br>NS202101-02<br>V80539<br>RMLH9075-3W<br>V72962<br>VN303A02<br>V92215<br>96-02<br>V80539<br>T6S1032J<br>V11815     | 107107<br>904949 | 4              |
|          |              |               | -----*-----   |                  |                |

MISSING ITEM NUMBERS NOT APPLICABLE

- ITEM NOT ILLUSTRATED

BRI

28-41-01-01

28-41-01  
FIG. 01  
PAGE 6  
JAN 20/09



757

PARTS CATALOG (MAINTENANCE)

| FIG ITEM | PART NUMBER  | 1 2 3 4 5 6 7 | NOMENCLATURE   | EFFECT FROM TO   | UNITS PER ASSY |
|----------|--------------|---------------|--|------------------|----------------|
| 1        |              |               |  |                  |                |
| 187      | 423322       |               | .. PLATE-IDENT<br>SUPPLIER CODE:<br>V94580   | 107107<br>904949 | 1              |
| 188      | 139342-1     |               | .. STRAP-<br>SUPPLIER CODE:<br>V94580  | 107107<br>904949 | 1              |
| 190      | FG1006AA63   |               | . TANK UNIT ASSY-TANK NO. 3<br>AND NO. 7<br>SUPPLIER CODE:<br>V65507<br>POSITION DATA:<br>CENTER<br>SPECIFICATION NUMBER:<br>S345T002-334<br>ELECTRICAL EQUIP NUMBER:<br>TS5013<br>TS5017<br>COMPONENT MAINT MANUAL REF:<br>28-41-18 | 107107<br>904949 | 2              |
| 195      | FG1006AA62   |               | . TANK UNIT ASSY-TANK NO. 2<br>AND NO. 6<br>SUPPLIER CODE:<br>V65507<br>POSITION DATA:<br>CENTER<br>SPECIFICATION NUMBER:<br>S345T002-333<br>ELECTRICAL EQUIP NUMBER:<br>TS5012<br>TS5016<br>COMPONENT MAINT MANUAL REF:<br>28-41-18 | 107107<br>904949 | 2              |
| - 196    | NAS1801-3-12 |               | ATTACHING PARTS<br>. SCREW   | 107107<br>904949 | 6              |
| - 197    | AN960PD10L   |               | . WASHER   | 107107<br>904949 | 6              |

MISSING ITEM NUMBERS NOT APPLICABLE

- ITEM NOT ILLUSTRATED

BRI

28-41-01-01

28-41-01  
FIG. 01  
PAGE 7  
JAN 20/09



757

PARTS CATALOG (MAINTENANCE)

| FIG ITEM   | PART NUMBER  | 1 2 3 4 5 6 7 | NOMENCLATURE   | EFFECT FROM TO   | UNITS PER ASSY |
|------------|--------------|---------------|--|------------------|----------------|
| 1<br>- 198 | BRH10A3      | .             | NUT<br>SUPPLIER CODE:<br>V52828<br>SPECIFICATION NUMBER:<br>BACN10JC3<br>OPTIONAL PART:<br>H10-3BAC<br>V15653<br>NS202101-02<br>V80539<br>RMLH9075-3W<br>V72962<br>VN303A02<br>V92215<br>96-02<br>V80539<br>T6S1032J<br>V11815<br>-----*-----  | 107107<br>904949 | 6              |
| 199        | 423322       | ..            | PLATE-IDENT<br>SUPPLIER CODE:<br>V94580  | 107107<br>904949 | 1              |
| 199A       | 139342-1     | ..            | STRAP-<br>SUPPLIER CODE:<br>V94580   | 107107<br>904949 | 1              |
| 200        | FG1006AA64   | .             | TANK UNIT ASSY-TANK NO. 1<br>SUPPLIER CODE:<br>V65507<br>POSITION DATA:<br>CENTER<br>SPECIFICATION NUMBER:<br>S345T002-335<br>ELECTRICAL EQUIP NUMBER:<br>TS5011<br>COMPONENT MAINT MANUAL REF:<br>28-41-18<br>QUALIFIED I/W DATA:<br>S345N001-144 /<br>20128-0125 MAY REPLACE<br>S345T002-335 /<br>FG1006AA64 WITH THE<br>INCORPORATION OF SERVICE<br>BULLETIN 757-28-0035<br>ATTACHING PARTS | 107107<br>904949 | 1              |
| 201        | NAS1801-3-12 | .             | SCREW-   | 107107<br>904949 | 3              |
| 202        | AN960PD10L   | .             | WASHER-  | 107107<br>904949 | 3              |

MISSING ITEM NUMBERS NOT APPLICABLE

- ITEM NOT ILLUSTRATED

28-41-01-01

28-41-01  
FIG. 01  
PAGE 8  
JAN 20/09

BRI



757

PARTS CATALOG (MAINTENANCE)

| FIG ITEM | PART NUMBER    | 1 2 3 4 5 6 7 | NOMENCLATURE   | EFFECT FROM TO   | UNITS PER ASSY |
|----------|----------------|---------------|--|------------------|----------------|
| 1<br>203 | BRH10A3        |               | .NUT-<br>SUPPLIER CODE:<br>V52828<br>SPECIFICATION NUMBER:<br>BACN10JC3<br>OPTIONAL PART:<br>H10-3BAC<br>V15653<br>NS202101-02<br>V80539<br>RMLH9075-3W<br>V72962<br>VN303A02<br>V92215<br>96-02<br>V80539<br>T6S1032J<br>V11815<br>-----*-----                            | 107107<br>904949 | 3              |
| 205      | 423322         |               | ..PLATE-IDENT<br>SUPPLIER CODE:<br>V94580  | 107107<br>904949 | 1              |
| 210      | 139342-1       |               | ..STRAP-<br>SUPPLIER CODE:<br>V94580   | 107107<br>904949 | 1              |
| - 310    | CN096616R10SNL |               | .CONNECTOR-<br>SUPPLIER CODE:<br>V13556<br>SPECIFICATION NUMBER:<br>BCREF5954<br>OPTIONAL PART:<br>ZZY16R10SNL<br>V49367<br>48-06R16R10SNL<br>V02660<br>OVERLENGTH PART NUMBER:<br>BACC63BP16R10SNL<br>ELECTRICAL EQUIP NUMBER:<br>D02790<br>WIRING DIAGRAM REF:<br>284121 | 107107<br>904949 | 1              |

MISSING ITEM NUMBERS NOT APPLICABLE

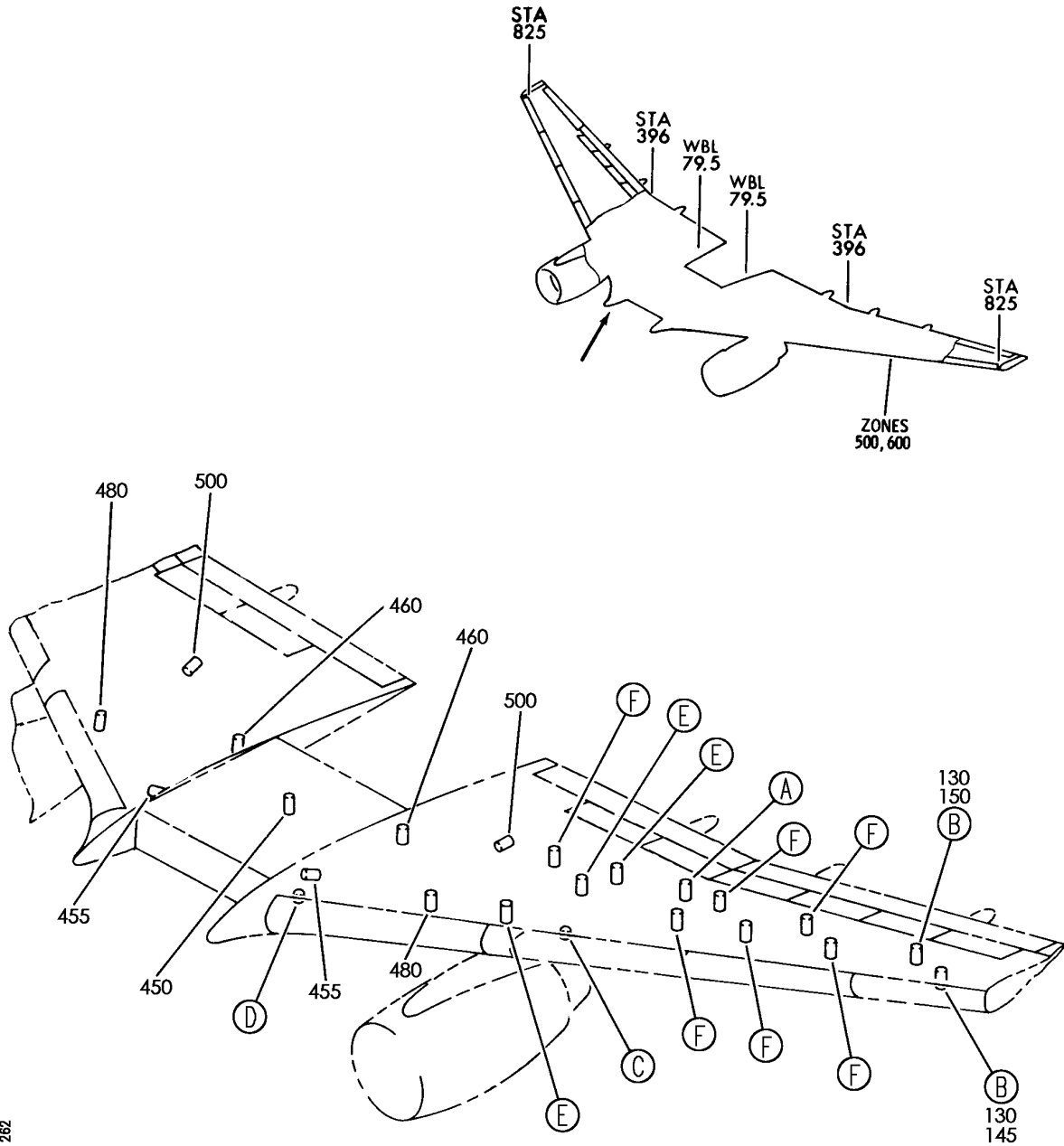
- ITEM NOT ILLUSTRATED

BRI

28-41-01-01

28-41-01  
FIG. 01  
PAGE 9  
JAN 20/09

**BOEING**  
757  
PARTS CATALOG (MAINTENANCE)



Y 28410110 SHT 1 REV 262

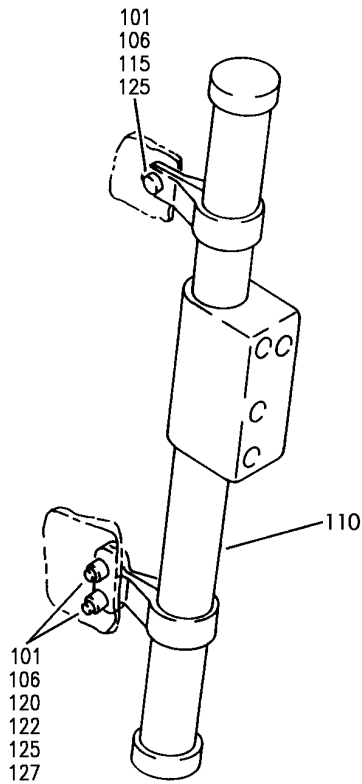
EQUIPMENT INSTL-SIMMONDS FUEL QTY INDICATING SYS (TANK UNIT ONLY)  
FIGURE 10 (SHEET 1)

**28-41-01-10**

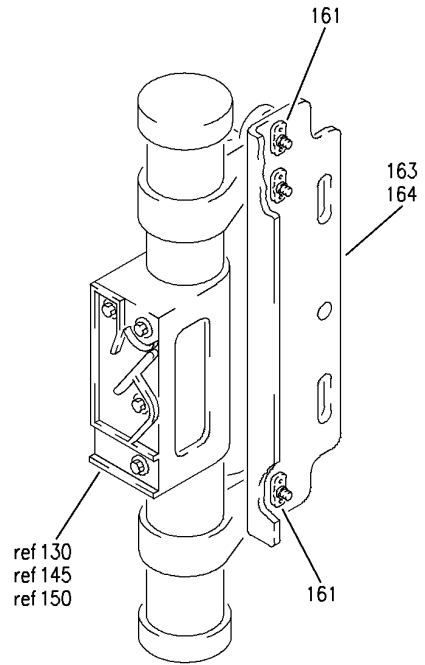
BRI  
MAY 28/07

28-41-01-10  
PAGE 0

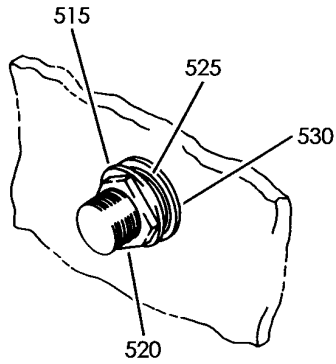

**BOEING**  
 757  
**PARTS CATALOG (MAINTENANCE)**



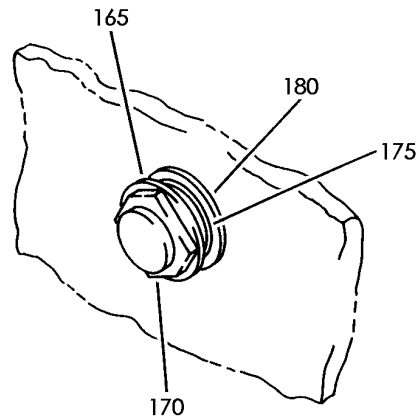
(A)



(B)



(D)



(C)

Y 28410110 SH1 2 REV 262

EQUIPMENT INSTL-SIMMONDS FUEL QTY INDICATING SYS (TANK UNIT ONLY)  
 FIGURE 10 (SHEET 2)

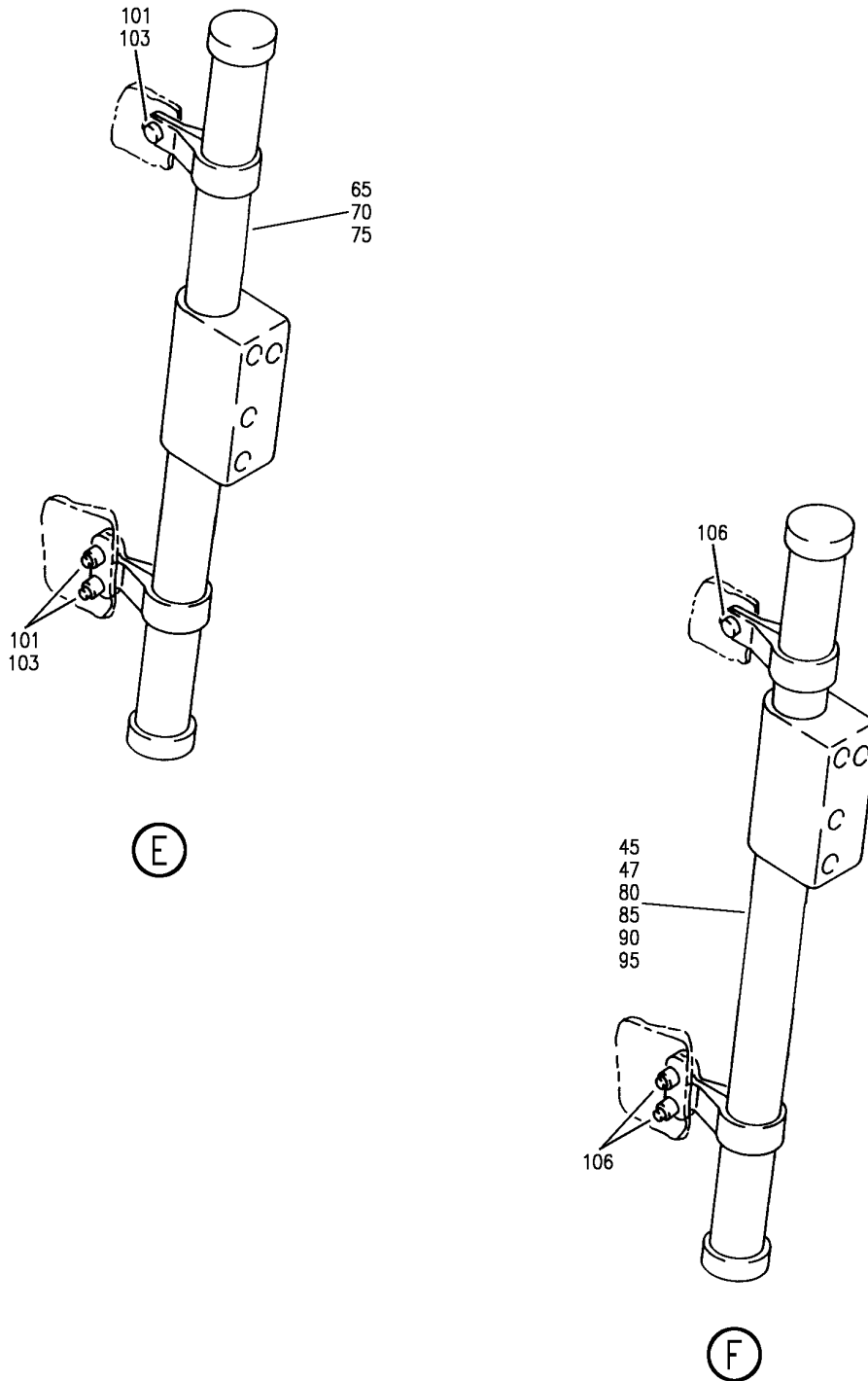
**28-41-01-10**

BRI  
 MAY 28/07

28-41-01-10  
 PAGE 0A



**BOEING**  
757  
PARTS CATALOG (MAINTENANCE)



Y 28410110 SH1 3 REV 262

EQUIPMENT INSTL-SIMMONDS FUEL QTY INDICATING SYS (TANK UNIT ONLY)  
FIGURE 10 (SHEET 3)

**28-41-01-10**

BRI  
MAY 28/07

28-41-01-10  
PAGE 0B



757

PARTS CATALOG (MAINTENANCE)

| FIG ITEM | PART NUMBER | 1 2 3 4 5 6 7 | NOMENCLATURE   | EFFECT FROM TO                       | UNITS PER ASSY |
|----------|-------------|---------------|--|--------------------------------------|----------------|
| 10       |             |               | EQUIPMENT INSTL-SIMMONDS<br>FUEL QTY INDICATING SYS<br>(TANK UNIT ONLY)  | 002004<br>006106<br>108903<br>950999 |                |
| - 1      | 345N0201-1  |               | EQUIPMENT INSTL-SIMMONDS<br>FUEL QTY INDICATING<br>SYS<br>POSITION DATA:<br>LH<br>FOR NHA/OTHER SYS DET SEE:<br>28-00-00-01  | 002004<br>006100<br>121503<br>950999 | RF             |
| - 1      | 345N0201-5  |               | EQUIPMENT INSTL-SIMMONDS<br>FUEL QTY INDICATING SYS<br>(TANK UNIT ONLY)<br>POSITION DATA:<br>LH<br>FOR NHA/OTHER SYS DET SEE:<br>28-00-00-05   | 101102<br>504903                     | RF             |
| - 1      | 345N0201-7  |               | EQUIPMENT INSTL-SIMMONDS<br>FUEL QTY INDICATING SYS<br>(TANK UNIT ONLY)<br>POSITION DATA:<br>LH<br>FOR NHA/OTHER SYS DET SEE:<br>28-00-00-05   | 108120                               | RF             |
| - 1      | MODREF13725 |               | EQUIPMENT INSTL-SIMMONDS<br>FUEL QTY INDICATING SYS<br>(TANK UNIT ONLY)<br>MODULE NUMBER:<br>345N0201-7 REV A<br>POSITION DATA:<br>LH<br>FOR ADDITIONAL DETAILS SEE:<br>28-41-02-03<br>28-41-03-04 | 103105                               | 1              |
| - 1      | MODREF34250 |               | EQUIPMENT INSTL-SIMMONDS<br>FUEL QTY INDICATING SYS<br>(TANK UNIT ONLY)<br>MODULE NUMBER:<br>345N0201-9 REV A<br>POSITION DATA:<br>LH<br>FOR ADDITIONAL DETAILS SEE:<br>28-41-02-03<br>28-41-03-04 | 106106                               | 1              |

MISSING ITEM NUMBERS NOT APPLICABLE

- ITEM NOT ILLUSTRATED

28-41-01-10

28-41-01  
FIG. 10  
PAGE 1  
JAN 20/09

BRI



757

PARTS CATALOG (MAINTENANCE)

| FIG ITEM | PART NUMBER | 1 2 3 4 5 6 7 | NOMENCLATURE  | EFFECT FROM TO                       | UNITS PER ASSY |
|----------|-------------|---------------|---|--------------------------------------|----------------|
| 10       |             |               |   |                                      |                |
| - 5      | 345N0201-2  |               | EQUIPMENT INSTL-SIMMONDS<br>FUEL QTY INDICATING SYS<br>(TANK UNIT ONLY)<br>POSITION DATA:<br>RH<br>FOR NHA/OTHER SYS DET SEE:<br>28-00-00-01  | 002004<br>006100<br>121503<br>950999 | RF             |
| - 5      | 345N0201-6  |               | EQUIPMENT INSTL-SIMMONDS<br>FUEL QTY INDICATING SYS<br>(TANK UNIT ONLY)<br>POSITION DATA:<br>RH   | 101102<br>504903                     | RF             |
| - 5      | 345N0201-8  |               | EQUIPMENT INSTL-SIMMONDS<br>FUEL QTY INDICATING SYS<br>(TANK UNIT ONLY)<br>POSITION DATA:<br>RH<br>FOR NHA/OTHER SYS DET SEE:<br>28-00-00-05  | 108120                               | RF             |
| - 5      | MODREF13726 |               | EQUIPMENT INSTL-SIMMONDS<br>FUEL QTY INDICATING SYS<br>(TANK UNIT ONLY)<br>MODULE NUMBER:<br>345N0201-8 REV A<br>POSITION DATA:<br>RH<br>FOR ADDITIONAL DETAILS SEE:<br>28-41-02-03<br>28-41-03-04  | 103105                               | 1              |
| - 5      | MODREF34248 |               | EQUIPMENT INSTL-SIMMONDS<br>FUEL QTY INDICATING SYS<br>(TANK UNIT ONLY)<br>MODULE NUMBER:<br>345N0201-10 REV A<br>POSITION DATA:<br>RH<br>FOR ADDITIONAL DETAILS SEE:<br>28-41-02-03<br>28-41-03-04 | 106106                               | 1              |

MISSING ITEM NUMBERS NOT APPLICABLE

- ITEM NOT ILLUSTRATED

28-41-01-10

28-41-01  
FIG. 10  
PAGE 2  
JAN 20/09

BRI



757

PARTS CATALOG (MAINTENANCE)

| FIG ITEM | PART NUMBER   | 1 2 3 4 5 6 7 | NOMENCLATURE  | EFFECT FROM TO                       | UNITS PER ASSY |
|----------|---------------|---------------|---|--------------------------------------|----------------|
| 10       |               |               |   |                                      |                |
| 45       | 20128-0108    |               | .TANK UNIT ASSY-<br>SUPPLIER CODE:<br>V89305<br>POSITION DATA:<br>MAIN TANK NO. 7<br>SPECIFICATION NUMBER:<br>S345N001-135<br>ELECTRICAL EQUIP NUMBER:<br>TS0115<br>TS0152<br>COMPONENT MAINT MANUAL REF:<br>28-40-62 | 002004<br>006106<br>108903<br>950999 | 1              |
| 47       | 20128-0118    |               | .TANK UNIT ASSY-<br>SUPPLIER CODE:<br>V89305<br>POSITION DATA:<br>MAIN TANK NO. 1<br>SPECIFICATION NUMBER:<br>S345N001-130<br>ELECTRICAL EQUIP NUMBER:<br>TS0109<br>TS0146<br>COMPONENT MAINT MANUAL REF:<br>28-40-62 | 002004<br>006106<br>108903<br>950999 | 1              |
| - 50     | NAS1801-3-12  |               | ATTACHING PARTS<br>.SCREW-  | 002004<br>006102<br>121903<br>950999 | 6              |
| - 50     | BACS12GU3K13  |               | .SCREW  | 106106                               | 6              |
| - 52     | NAS1801-3-12  |               | .SCREW-   | 103105<br>108120                     | 5              |
| - 55     | AN960PD10L    |               | .WASHER-  | 002004<br>006102<br>121903<br>950999 | 12             |
| - 56     | NAS1149D0332J |               | .WASHER   | 106106                               | 12             |
| - 57     | NAS1149D0316J |               | .WASHER-  | 103105<br>108120                     | 10             |

MISSING ITEM NUMBERS NOT APPLICABLE

- ITEM NOT ILLUSTRATED

28-41-01-10

28-41-01  
FIG. 10  
PAGE 3  
JAN 20/09

BRI



757

PARTS CATALOG (MAINTENANCE)

| FIG ITEM   | PART NUMBER | 1 2 3 4 5 6 7 | NOMENCLATURE  | EFFECT FROM TO                       | UNITS PER ASSY |
|------------|-------------|---------------|---|--------------------------------------|----------------|
| 10<br>- 60 | BRH10A3     | .NUT-         | SUPPLIER CODE:<br>V52828<br>SPECIFICATION NUMBER:<br>BACN10JC3<br>OPTIONAL PART:<br>H10-3BAC<br>V15653<br>NS202101-02<br>V80539<br>RMLH9075-3W<br>V72962<br>VN303A02<br>V92215<br>96-02<br>V80539<br>T6S1032J<br>V11815 | 002004<br>006102<br>121903<br>950999 | 6              |
| - 60       | BRH10C3D    | .NUT          | SUPPLIER CODE:<br>V52828<br>SPECIFICATION NUMBER:<br>BACN10JC3CD<br>OPTIONAL PART:<br>T6C1032JCD<br>V11815<br>NS202486-02<br>V80539<br>102LH9075-3W<br>V72962<br>H51650-3BAC<br>V15653                                  | 106106                               | 6              |
| - 62       | BRH10C3D    | .NUT-         | SUPPLIER CODE:<br>V52828<br>SPECIFICATION NUMBER:<br>BACN10JC3CD<br>OPTIONAL PART:<br>T6C1032JCD<br>V11815<br>NS202486-02<br>V80539<br>102LH9075-3W<br>V72962<br>H51650-3BAC<br>V15653<br>-----*-----                   | 103105<br>108120                     | 5              |

MISSING ITEM NUMBERS NOT APPLICABLE

- ITEM NOT ILLUSTRATED

BRI

28-41-01-10

BOEING PROPRIETARY - Copyright © - Unpublished Work - See title page for details.

28-41-01  
FIG. 10  
PAGE 4  
JAN 20/09



757

PARTS CATALOG (MAINTENANCE)

| FIG ITEM | PART NUMBER | 1 2 3 4 5 6 7 | NOMENCLATURE  | EFFECT FROM TO                       | UNITS PER ASSY |
|----------|-------------|---------------|---|--------------------------------------|----------------|
| 10<br>65 | 20128-0117  | .             | TANK UNIT ASSY-<br>SUPPLIER CODE:<br>V89305<br>POSITION DATA:<br>MAIN TANK NO. 2<br>SPECIFICATION NUMBER:<br>S345N001-131<br>ELECTRICAL EQUIP NUMBER:<br>TS0110<br>TS0147<br>COMPONENT MAINT MANUAL REF:<br>28-40-62  | 002004<br>006106<br>108903<br>950999 | 1              |
| 70       | 20128-0115  | .             | TANK UNIT ASSY-<br>SUPPLIER CODE:<br>V89305<br>POSITION DATA:<br>MAIN TANK NO. 3<br>SPECIFICATION NUMBER:<br>S345N001-132<br>ELECTRICAL EQUIP NUMBER:<br>TS0111<br>TS0148<br>COMPONENT MAINT MANUAL REF:<br>28-40-62  | 002004<br>006106<br>108903<br>950999 | 1              |
| 75       | 20128-0113  | .             | TANK UNIT ASSY-<br>SUPPLIER CODE:<br>V89305<br>POSITION DATA:<br>MAIN TANK NO. 4<br>FUNCTIONAL DESCRIPTION:<br>MEASURES THE FUEL LEVEL<br>IN EACH FUEL TANK<br>SPECIFICATION NUMBER:<br>S345N001-133<br>ELECTRICAL EQUIP NUMBER:<br>TS0112<br>TS0149<br>COMPONENT MAINT MANUAL REF:<br>28-40-62 | 002004<br>006106<br>108903<br>950999 | 1              |

MISSING ITEM NUMBERS NOT APPLICABLE

- ITEM NOT ILLUSTRATED

BRI

28-41-01-10

28-41-01  
FIG. 10  
PAGE 5  
JAN 20/09



757

PARTS CATALOG (MAINTENANCE)

| FIG ITEM | PART NUMBER | 1 2 3 4 5 6 7 | NOMENCLATURE   | EFFECT FROM TO                       | UNITS PER ASSY |
|----------|-------------|---------------|--|--------------------------------------|----------------|
| 10<br>80 | 20128-0110  |               | .TANK UNIT ASSY-<br>SUPPLIER CODE:<br>V89305<br>POSITION DATA:<br>MAIN TANK NO. 6<br>FUNCTIONAL DESCRIPTION:<br>MEASURES THE FUEL LEVEL<br>IN EACH FUEL TANK<br>SPECIFICATION NUMBER:<br>S345N001-134<br>ELECTRICAL EQUIP NUMBER:<br>TS0114<br>TS0151<br>COMPONENT MAINT MANUAL REF:<br>28-40-62 | 002004<br>006106<br>108903<br>950999 | 1              |
| 85       | 20128-0107  |               | .TANK UNIT ASSY-<br>SUPPLIER CODE:<br>V89305<br>POSITION DATA:<br>MAIN TANK NO. 8<br>SPECIFICATION NUMBER:<br>S345N001-136<br>ELECTRICAL EQUIP NUMBER:<br>TS0116<br>TS0153<br>COMPONENT MAINT MANUAL REF:<br>28-40-62  | 002004<br>006106<br>108903<br>950999 | 1              |
| 90       | 20128-0105  |               | .TANK UNIT ASSY-<br>SUPPLIER CODE:<br>V89305<br>POSITION DATA:<br>MAIN TANK NO. 9<br>FUNCTIONAL DESCRIPTION:<br>MEASURES THE FUEL LEVEL<br>IN EACH FUEL TANK<br>SPECIFICATION NUMBER:<br>S345N001-137<br>ELECTRICAL EQUIP NUMBER:<br>TS0117<br>TS0154<br>COMPONENT MAINT MANUAL REF:<br>28-40-62 | 002004<br>006106<br>108903<br>950999 | 1              |

MISSING ITEM NUMBERS NOT APPLICABLE

- ITEM NOT ILLUSTRATED

28-41-01-10

28-41-01  
FIG. 10  
PAGE 6  
JAN 20/09

BRI



757

PARTS CATALOG (MAINTENANCE)

| FIG ITEM | PART NUMBER   | 1 2 3 4 5 6 7 | NOMENCLATURE  | EFFECT FROM TO                       | UNITS PER ASSY |
|----------|---------------|---------------|---|--------------------------------------|----------------|
| 10       |               |               |   |                                      |                |
| 95       | 20128-0103    |               | .TANK UNIT ASSY-<br>SUPPLIER CODE:<br>V89305<br>POSITION DATA:<br>MAIN TANK NO. 10<br>SPECIFICATION NUMBER:<br>S345N001-138<br>ELECTRICAL EQUIP NUMBER:<br>TS0118<br>TS0155<br>COMPONENT MAINT MANUAL REF:<br>28-40-62<br>ATTACHING PARTS   | 002004<br>006106<br>108903<br>950999 | 1              |
| - 100    | NAS1801-3-12  |               | .SCREW-   | 002004<br>006102<br>121903<br>950999 | 39             |
| 101      | BACS12GU3K13  |               | .SCREW  | 106106                               | 12             |
| - 102    | NAS1801-3-12  |               | .SCREW-   | 103105<br>108120                     | 14             |
| 103      | BACS12GU3K14  |               | .SCREW  | 106106                               | 9              |
| - 105    | AN960PD10L    |               | .WASHER   | 002004<br>006102<br>121903<br>950999 | 39             |
| 106      | NAS1149D0332J |               | .WASHER   | 106106                               | 21             |
| - 107    | NAS1149D0316J |               | .WASHER   | 103105<br>108120                     | 14             |
|          |               |               | -----*-----   |                                      |                |
| 110      | 20128-0110    |               | .TANK UNIT ASSY-<br>SUPPLIER CODE:<br>V89305<br>POSITION DATA:<br>MAIN TANK NO. 5<br>FUNCTIONAL DESCRIPTION:<br>MEASURES THE FUEL LEVEL<br>IN EACH FUEL TANK<br>SPECIFICATION NUMBER:<br>S345N001-134<br>ELECTRICAL EQUIP NUMBER:<br>TS0113<br>TS0150<br>COMPONENT MAINT MANUAL REF:<br>28-40-62<br>ATTACHING PARTS | 002004<br>006106<br>108903<br>950999 | 1              |
| 115      | NAS1801-3-1   |               | .SCREW  | 002004<br>006102<br>121903<br>950999 | 1              |

MISSING ITEM NUMBERS NOT APPLICABLE

- ITEM NOT ILLUSTRATED

28-41-01-10

28-41-01  
FIG. 10  
PAGE 7  
JAN 20/09

BRI





757

PARTS CATALOG (MAINTENANCE)

| FIG ITEM | PART NUMBER   | 1 2 3 4 5 6 7 | NOMENCLATURE                | EFFECT FROM TO | UNITS PER ASSY |
|----------|---------------|---------------|-----------------------------|----------------|----------------|
| 10       |               |               |                             |                |                |
| - 117    | BACS12GU3K13  | .             | SCREW                       | 106106         | 6              |
| 120      | NAS1801-3-12  | .             | SCREW-                      | 002004         | 2              |
|          |               |               |                             | 006102         |                |
|          |               |               |                             | 121903         |                |
|          |               |               |                             | 950999         |                |
| 122      | NAS1801-3-12  | .             | SCREW-                      | 103105         | 2              |
|          |               |               |                             | 108120         |                |
| 125      | AN960PD10L    | .             | WASHER-                     | 002004         | 3              |
|          |               |               |                             | 006102         |                |
|          |               |               |                             | 121903         |                |
|          |               |               |                             | 950999         |                |
| 125      | NAS1149D0332J | .             | WASHER                      | 106106         | 3              |
| 127      | NAS1149D0316J | .             | WASHER-                     | 103105         | 2              |
|          |               |               |                             | 108120         |                |
|          |               |               | -----*-----                 |                |                |
| 130      | 20128-0101    | .             | TANK UNIT ASSY-             | 002004         | 2              |
|          |               |               | SUPPLIER CODE:              | 006106         |                |
|          |               |               | V89305                      | 108903         |                |
|          |               |               | POSITION DATA:              | 950999         |                |
|          |               |               | MAIN TANK NO. 11 AND 12     |                |                |
|          |               |               | FUNCTIONAL DESCRIPTION:     |                |                |
|          |               |               | MEASURES THE FUEL LEVEL     |                |                |
|          |               |               | IN EACH FUEL TANK           |                |                |
|          |               |               | SPECIFICATION NUMBER:       |                |                |
|          |               |               | S345N001-139                |                |                |
|          |               |               | ELECTRICAL EQUIP NUMBER:    |                |                |
|          |               |               | TS5196                      |                |                |
|          |               |               | TS5197                      |                |                |
|          |               |               | TS5198                      |                |                |
|          |               |               | TS5199                      |                |                |
|          |               |               | COMPONENT MAINT MANUAL REF: |                |                |
|          |               |               | 28-40-62                    |                |                |
|          |               |               | ATTACHING PARTS             |                |                |
| - 135    | NAS1801-3-12  | .             | SCREW                       | 002004         | 9              |
|          |               |               |                             | 006102         |                |
|          |               |               |                             | 121903         |                |
|          |               |               |                             | 950999         |                |
| - 137    | NAS1801-3-12  | .             | SCREW                       | 103105         | 4              |
|          |               |               |                             | 108120         |                |
| - 138    | BACS12GU3K13  | .             | SCREW                       | 106106         | 6              |
| - 140    | AN960PD10L    | .             | WASHER-                     | 002004         | 9              |
|          |               |               |                             | 006102         |                |
|          |               |               |                             | 121903         |                |
|          |               |               |                             | 950999         |                |
| - 141    | NAS1149D0332J | .             | WASHER                      | 106106         | 6              |
| - 142    | NAS1149D0316J | .             | WASHER-                     | 103105         | 4              |
|          |               |               |                             | 108120         |                |
|          |               |               | -----*-----                 |                |                |

MISSING ITEM NUMBERS NOT APPLICABLE

- ITEM NOT ILLUSTRATED

28-41-01-10

28-41-01  
FIG. 10  
PAGE 8  
JAN 20/09

BRI



**757  
PARTS CATALOG (MAINTENANCE)**

| FIG ITEM | PART NUMBER   | 1 2 3 4 5 6 7 | NOMENCLATURE  | EFFECT FROM TO                       | UNITS PER ASSY |
|----------|---------------|---------------|---|--------------------------------------|----------------|
| 10       |               |               |   |                                      |                |
| 145      | 345N2121-19   | .             | BRACKET ASSY  | 002004<br>006106<br>108903<br>950999 | 1              |
| 150      | 345N2121-20   | .             | BRACKET ASSY  | 002004<br>006106<br>108903<br>950999 | 1              |
| - 152    | NAS1801-3-6   | .             | ATTACHING PARTS<br>SCREW  | 103105<br>108120                     | 4              |
| - 153    | BACS12GU3K13  | .             | SCREW   | 106106                               | 6              |
| - 155    | NAS1801-3-6   | .             | SCREW   | 002004<br>006102<br>121903<br>950999 | 9              |
| - 157    | NAS1149D0316J | .             | WASHER-   | 103105<br>108120                     | 4              |
| - 158    | NAS1149D0332J | .             | WASHER  | 106106                               | 6              |
| - 160    | AN960PD10L    | .             | WASHER-   | 002004<br>006102<br>121903<br>950999 | 9              |
| 161      | MF53049-3     | -----*        | .. NUTPLATE<br>SUPPLIER CODE:<br>V15653<br>SPECIFICATION NUMBER:<br>BACN10JN3<br>OPTIONAL PART:<br>BRFM20A3<br>V52828<br>MF1000-3BAC<br>V15653<br>NS103218-02<br>V80539<br>RMF9201M3<br>V72962<br>VN252A02<br>V92215<br>T8124S3S<br>V11815<br>ATTACHING PARTS | 002004<br>006106<br>108903<br>950999 | 3              |
| - 162    | BACR15BA3AD   | ..            | RIVET-<br>SIZE DETERMINED ON INSTL.<br>-----*   | 002004<br>006106<br>108903<br>950999 | 6              |

MISSING ITEM NUMBERS NOT APPLICABLE

- ITEM NOT ILLUSTRATED

# 28-41-01-10

28-41-01  
FIG. 10  
PAGE 9  
JAN 20/09

BRI



757

PARTS CATALOG (MAINTENANCE)

| FIG ITEM | PART NUMBER  | 1 2 3 4 5 6 7 | NOMENCLATURE  | EFFECT FROM TO                       | UNITS PER ASSY |
|----------|--------------|---------------|---|--------------------------------------|----------------|
| 10       |              |               |   |                                      |                |
| 163      | 345N2121-21  |               | ..BRACKET-<br>USED ON:<br>345N2121-19   | 002004<br>006106<br>108903<br>950999 | 1              |
| 164      | 345N2121-22  |               | ..BRACKET-<br>USED ON:<br>345N2121-20   | 002004<br>006106<br>108903<br>950999 | 1              |
| 165      | AN960JD2616L |               | .WASHER   | 002004<br>006100<br>121503<br>950999 | 1              |
| 170      | 345T0025-2   |               | .NUT-JAM  | 002004<br>006100<br>121503<br>950999 | 1              |
| 175      | MS29513-225  |               | .PACKING-   | 002004<br>006100<br>121503<br>950999 | 1              |
| 180      | 345N2202-2   |               | .PLUG-SPAR<br>POSITION DATA:<br>LH/RH SIDE  | 002004<br>006100<br>121503<br>950999 | 1              |
| - 400    | 345N0201-3   |               | EQUIPMENT INSTL-SIMMONDS<br>FUEL QTY INDICATING<br>SYS<br>POSITION DATA:<br>CTR<br>FOR NHA SEE:<br>28-00-00-01  | 002004<br>006100<br>121503<br>950999 | RF             |
| - 400    | 345N0201-4   |               | EQUIPMENT INSTL-SIMMONDS<br>FUEL QTY INDICATING SYS<br>POSITION DATA:<br>CTR<br>FOR NHA SEE:<br>28-00-00-05   | 101102<br>108120<br>504903           | RF             |
| - 400    | MODREF13724  |               | EQUIPMENT INSTL-SIMMONDS<br>FUEL QTY INDICATING SYS<br>MODULE NUMBER:<br>345N0201-4 REV A<br>POSITION DATA:<br>CTR<br>FOR ADDITIONAL DETAILS SEE:<br>28-41-02-03<br>28-41-03-04 | 103105                               | 1              |

MISSING ITEM NUMBERS NOT APPLICABLE

- ITEM NOT ILLUSTRATED

BRI

28-41-01-10

28-41-01  
FIG. 10  
PAGE 10  
JAN 20/09



757

PARTS CATALOG (MAINTENANCE)

| FIG ITEM    | PART NUMBER | 1 2 3 4 5 6 7 | NOMENCLATURE   | EFFECT FROM TO                       | UNITS PER ASSY |
|-------------|-------------|---------------|--|--------------------------------------|----------------|
| 10<br>- 400 | MODREF34249 |               | EQUIPMENT INSTL-SIMMONDS<br>FUEL QTY INDICATING SYS<br>MODULE NUMBER:<br>345N0201-11 REV A<br>POSITION DATA:<br>CTR<br>FOR ADDITIONAL DETAILS SEE:<br>28-41-02-03<br>28-41-03-04   | 106106                               | 1              |
| 450         | 20128-0125  |               | .TANK UNIT ASSY-<br>SUPPLIER CODE:<br>V89305<br>POSITION DATA:<br>CENTER TANK NO. 1<br>FUNCTIONAL DESCRIPTION:<br>MEASURES THE FUEL LEVEL<br>IN EACH FUEL TANK<br>SPECIFICATION NUMBER:<br>S345N001-144<br>ELECTRICAL EQUIP NUMBER:<br>TS5011<br>COMPONENT MAINT MANUAL REF:<br>28-40-62<br>QUALIFIED I/W DATA:<br>S345N001-144 /<br>20128-0125 MAY REPLACE<br>S345T002-335 /<br>FG1006AA64 WITH THE<br>INCORPORATION OF SERVICE<br>BULLETIN 757-28-0035 | 002004<br>006106<br>108903<br>950999 | 1              |
| 455         | 20128-0128  |               | .TANK UNIT ASSY-<br>SUPPLIER CODE:<br>V89305<br>POSITION DATA:<br>CENTER TANK NO. 2 AND 6<br>SPECIFICATION NUMBER:<br>S345N001-142<br>ELECTRICAL EQUIP NUMBER:<br>TS5012<br>TS5016<br>COMPONENT MAINT MANUAL REF:<br>28-40-62  | 002004<br>006106<br>108903<br>950999 | 2              |

MISSING ITEM NUMBERS NOT APPLICABLE

- ITEM NOT ILLUSTRATED

28-41-01-10

28-41-01  
FIG. 10  
PAGE 11  
JAN 20/09

BRI



757

PARTS CATALOG (MAINTENANCE)

| FIG ITEM  | PART NUMBER   | 1 2 3 4 5 6 7 | NOMENCLATURE   | EFFECT FROM TO                       | UNITS PER ASSY |
|-----------|---------------|---------------|--|--------------------------------------|----------------|
| 10<br>460 | 20128-0124    |               | .TANK UNIT ASSY-<br>SUPPLIER CODE:<br>V89305<br>POSITION DATA:<br>CENTER TANK NO. 3 AND 7<br>SPECIFICATION NUMBER:<br>S345N001-143<br>ELECTRICAL EQUIP NUMBER:<br>TS5013<br>TS5017<br>COMPONENT MAINT MANUAL REF:<br>28-40-62<br>ATTACHING PARTS | 002004<br>006106<br>108903<br>950999 | 2              |
| - 465     | NAS1801-3-12  |               | .SCREW-  | 002004<br>006105<br>108903<br>950999 | 15             |
| - 465     | BACS12GU3K13  |               | .SCREW-  | 106106                               | 15             |
| - 470     | AN960PD10L    |               | .WASHER-   | 002004<br>006105<br>108903<br>950999 | 30             |
| - 470     | NAS1149D0332J |               | .WASHER-   | 106106                               | 30             |
| - 475     | BRH10A3       |               | .NUT-<br>SUPPLIER CODE:<br>V52828<br>SPECIFICATION NUMBER:<br>BACN10JC3<br>OPTIONAL PART:<br>H10-3BAC<br>V15653<br>NS202101-02<br>V80539<br>RMLH9075-3W<br>V72962<br>VN303A02<br>V92215<br>96-02<br>V80539<br>T6S1032J<br>V11815                 | 002004<br>006105<br>108903<br>950999 | 15             |

MISSING ITEM NUMBERS NOT APPLICABLE

- ITEM NOT ILLUSTRATED

28-41-01-10

28-41-01  
FIG. 10  
PAGE 12  
JAN 20/09

BRI



757

PARTS CATALOG (MAINTENANCE)

| FIG ITEM    | PART NUMBER   | 1 2 3 4 5 6 7 | NOMENCLATURE  | EFFECT FROM TO                       | UNITS PER ASSY |
|-------------|---------------|---------------|---|--------------------------------------|----------------|
| 10<br>- 475 | PLH53CD       |               | .NUT-<br>SUPPLIER CODE:<br>VF0224<br>SPECIFICATION NUMBER:<br>BACN10YR3CD<br>OPTIONAL PART:<br>H52732-3CD<br>V15653   | 106106                               | 15             |
| 480         | 20128-0120    |               | -----*-----<br>.TANK UNIT ASSY-<br>SUPPLIER CODE:<br>V89305<br>POSITION DATA:<br>CENTER TANK NO. 4 AND 8<br>SPECIFICATION NUMBER:<br>S345N001-141<br>ELECTRICAL EQUIP NUMBER:<br>TS5014<br>TS5075<br>COMPONENT MAINT MANUAL REF:<br>28-40-62<br>ATTACHING PARTS | 002004<br>006106<br>108903<br>950999 | 2              |
| - 485       | NAS1801-3-12  |               | .SCREW-   | 002004<br>006105<br>108903<br>950999 | 6              |
| - 485       | BACS12GU3K13  |               | .SCREW-   | 106106                               | 6              |
| - 490       | AN960PD10L    |               | .WASHER-  | 002004<br>006105<br>108903<br>950999 | 5              |
| - 491       | NAS1149D0332J |               | .WASHER   | 106106                               | 6              |

MISSING ITEM NUMBERS NOT APPLICABLE

- ITEM NOT ILLUSTRATED

BRI

28-41-01-10

BOEING PROPRIETARY - Copyright © - Unpublished Work - See title page for details.

28-41-01  
FIG. 10  
PAGE 13  
JAN 20/09



757

PARTS CATALOG (MAINTENANCE)

| FIG ITEM    | PART NUMBER  | 1 2 3 4 5 6 7                   | NOMENCLATURE   | EFFECT FROM TO                       | UNITS PER ASSY |
|-------------|--------------|---------------------------------|--|--------------------------------------|----------------|
| 10<br>- 495 | BRH10A3      | .NUT-                           | SUPPLIER CODE:<br>V52828<br>SPECIFICATION NUMBER:<br>BACN10JC3<br>OPTIONAL PART:<br>H10-3BAC<br>V15653<br>NS202101-02<br>V80539<br>RMLH9075-3W<br>V72962<br>VN303A02<br>V92215<br>96-02<br>V80539<br>T6S1032J<br>V11815      | 002004<br>006105<br>108903<br>950999 | 4              |
| - 495       | PLH53CD      | .NUT-                           | SUPPLIER CODE:<br>VF0224<br>SPECIFICATION NUMBER:<br>BACN10YR3CD<br>OPTIONAL PART:<br>H52732-3CD<br>V15653   | 106106                               | 4              |
| 500         | 20128-0119   | -----*-----<br>.TANK UNIT ASSY- | SUPPLIER CODE:<br>V89305<br>POSITION DATA:<br>CENTER TANK NO. 5 AND 9<br>SPECIFICATION NUMBER:<br>S345N001-140<br>ELECTRICAL EQUIP NUMBER:<br>TS5015<br>TS5076<br>COMPONENT MAINT MANUAL REF:<br>28-40-62<br>ATTACHING PARTS | 002004<br>006106<br>108903<br>950999 | 2              |
| - 505       | NAS1801-3-12 | .SCREW-                         |  | 002004<br>006105<br>108903<br>950999 | 6              |
| - 505       | BACS12GU3K13 | .SCREW-                         |  | 106106                               | 6              |
| - 510       | AN960PD10L   | .WASHER-                        |  | 002004<br>006105<br>108903<br>950999 | 6              |

MISSING ITEM NUMBERS NOT APPLICABLE

- ITEM NOT ILLUSTRATED

28-41-01-10

28-41-01  
FIG. 10  
PAGE 14  
JAN 20/09

BRI



757

PARTS CATALOG (MAINTENANCE)

| FIG ITEM | PART NUMBER   | 1 2 3 4 5 6 7 | NOMENCLATURE                       | EFFECT FROM TO                       | UNITS PER ASSY |
|----------|---------------|---------------|------------------------------------|--------------------------------------|----------------|
| 10       |               |               |                                    |                                      |                |
| - 510    | NAS1149D0332J | .             | WASHER-                            | 106106                               | 6              |
|          |               | -----*        | -----                              |                                      |                |
| 515      | AN960JD1816L  | .             | WASHER                             | 002004<br>006100<br>121503<br>950999 | 2              |
| 520      | 345T0025-1    | .             | NUT-JAM                            | 002004<br>006100<br>121503<br>950999 | 2              |
| 525      | MS29513-221   | .             | PACKING                            | 002004<br>006100<br>121503<br>950999 | 2              |
| 530      | 345N2202-1    | .             | PLUG-SPAR<br>POSITION DATA:<br>CTR | 002004<br>006100<br>121503<br>950999 | 2              |

MISSING ITEM NUMBERS NOT APPLICABLE

- ITEM NOT ILLUSTRATED

BRI

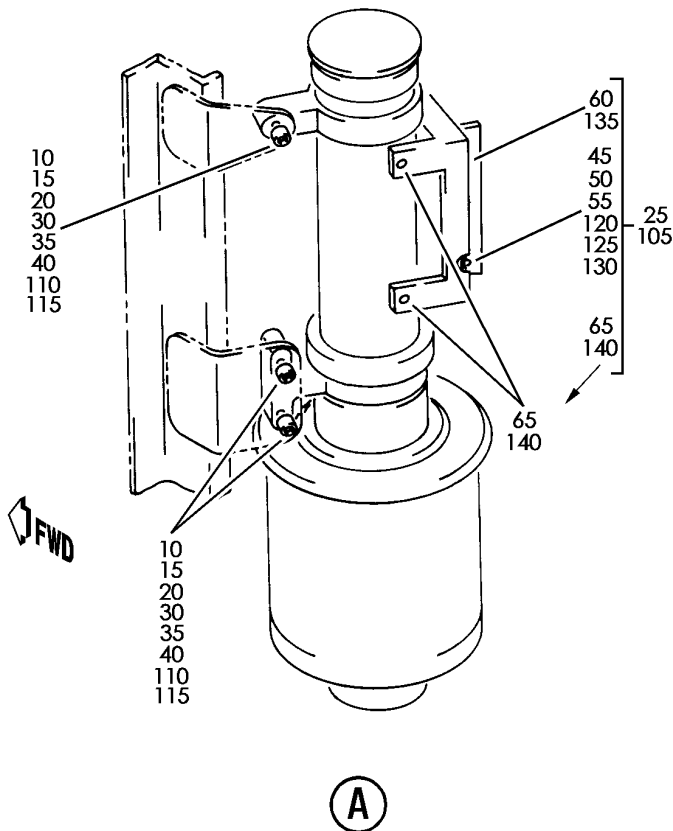
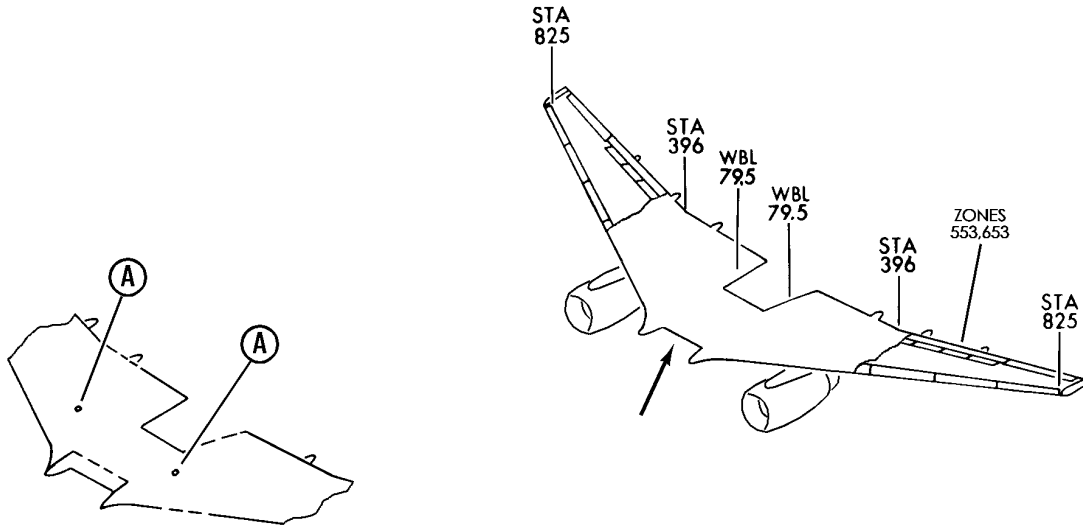
28-41-01-10

BOEING PROPRIETARY - Copyright © - Unpublished Work - See title page for details.

28-41-01  
FIG. 10  
PAGE 15  
JAN 20/09



**BOEING**  
757  
PARTS CATALOG (MAINTENANCE)



Y 28410202 REV 239

EQUIPMENT INSTL-FUEL QTY INDICATING SYS (COMPENSATOR ONLY)  
FIGURE 2

**28-41-02-02**

BRI  
MAY 28/07

28-41-02-02  
PAGE 0



757

PARTS CATALOG (MAINTENANCE)

| FIG ITEM | PART NUMBER  | 1 2 3 4 5 6 7 | NOMENCLATURE  | EFFECT FROM TO   | UNITS PER ASSY |
|----------|--------------|---------------|---|------------------|----------------|
| 2        |              |               | EQUIPMENT INSTL-FUEL QTY INDICATING SYS (COMPENSATOR ONLY)  | 107107<br>904949 |                |
| - 1      | 345N2001-1   |               | EQUIPMENT INSTL-FUEL QTY INDICATING SYS (COMPENSATOR ONLY)<br>POSITION DATA:<br>LH<br>FOR NHA/OTHER SYS DET SEE:<br>28-00-00-01   | 107107<br>904949 | RF             |
| - 5      | 345N2001-2   |               | EQUIPMENT INSTL-FUEL QTY INDICATING SYS (COMPENSATOR ONLY)<br>POSITION DATA:<br>LH<br>FOR NHA/OTHER SYS DET SEE:<br>28-00-00-01   | 107107<br>904949 | RF             |
| 10       | NAS1801-3-12 |               | .SCREW  | 107107<br>904949 | 3              |
| 15       | AN960PD10L   |               | .WASHER   | 107107<br>904949 | 3              |
| 20       | BRH10A3      |               | .NUT<br>SUPPLIER CODE:<br>V52828<br>SPECIFICATION NUMBER:<br>BACN10JC3<br>OPTIONAL PART:<br>H10-3BAC<br>V15653<br>NS202101-02<br>V80539<br>RMLH9075-3W<br>V72962<br>VN303A02<br>V92215<br>96-02<br>V80539<br>T6S1032J<br>V11815 | 107107<br>904949 | 3              |
| 25       | FG1007AA04   |               | .COMPENSATOR ASSY-<br>SUPPLIER CODE:<br>V65507<br>SPECIFICATION NUMBER:<br>S345T002-307<br>ELECTRICAL EQUIP NUMBER:<br>TS0108<br>TS0119<br>COMPONENT MAINT MANUAL REF:<br>28-41-09  | 107107<br>904949 | 1              |

MISSING ITEM NUMBERS NOT APPLICABLE

- ITEM NOT ILLUSTRATED

28-41-02-02

28-41-02  
FIG. 02  
PAGE 1  
JAN 20/09

BRI



757

PARTS CATALOG (MAINTENANCE)

| FIG ITEM | PART NUMBER  | 1 2 3 4 5 6 7 | NOMENCLATURE                              | EFFECT FROM TO   | UNITS PER ASSY |
|----------|--------------|---------------|---|------------------|----------------|
| 2        |              |               | ATTACHING PARTS                           |                  |                |
| 30       | NAS1801-3-12 | .             | SCREW                                     | 107107<br>904949 | 3              |
| 35       | AN960PD10L   | .             | WASHER                                    | 107107<br>904949 | 3              |
| 40       | BRH10A3      | .             | NUT                                       | 107107<br>904949 | 3              |
|          |              |               | SUPPLIER CODE:<br>V52828                  |                  |                |
|          |              |               | SPECIFICATION NUMBER:<br>BACN10JC3        |                  |                |
|          |              |               | OPTIONAL PART:<br>H10-3BAC                |                  |                |
|          |              |               | V15653                                    |                  |                |
|          |              |               | NS202101-02                               |                  |                |
|          |              |               | V80539                                    |                  |                |
|          |              |               | RMLH9075-3W                               |                  |                |
|          |              |               | V72962                                    |                  |                |
|          |              |               | VN303A02                                  |                  |                |
|          |              |               | V92215                                    |                  |                |
|          |              |               | 96-02                                     |                  |                |
|          |              |               | V80539                                    |                  |                |
|          |              |               | T6S1032J                                  |                  |                |
|          |              |               | V11815                                    |                  |                |
|          |              |               | -----*-----                               |                  |                |
| 45       | NAS1635-02-4 | ..            | SCREW                                     | 107107<br>904949 | 1              |
| 50       | MS35338-134  | ..            | WASHER                                    | 107107<br>904949 | 1              |
| 55       | NAS1291-02   | ..            | NUT                                       | 107107<br>904949 | 1              |
| 60       | 10075765-102 | ..            | BLOCK ASSY-TERM.                          | 107107<br>904949 | 1              |
|          |              |               | SUPPLIER CODE:<br>V94580                  |                  |                |
|          |              |               | ATTACHING PARTS                           |                  |                |
| 65       | AAP32        | ..            | RIVET-BLIND                               | 107107<br>904949 | 4              |
|          |              |               | SUPPLIER CODE:<br>V80647                  |                  |                |
|          |              |               | -----*-----                               |                  |                |
| - 100    | 345N2001-3   |               | EQUIPMENT INSTL-FUEL QTY                  | 107107<br>904949 | RF             |
|          |              |               | INDICATING SYS<br>(COMPENSATOR ONLY)      |                  |                |
|          |              |               | POSITION DATA:<br>CTR                     |                  |                |
|          |              |               | FOR NHA/OTHER SYS DET SEE:<br>28-00-00-01 |                  |                |

MISSING ITEM NUMBERS NOT APPLICABLE

- ITEM NOT ILLUSTRATED

28-41-02-02

28-41-02  
FIG. 02  
PAGE 2  
JAN 20/09

BRI



757

PARTS CATALOG (MAINTENANCE)

| FIG ITEM | PART NUMBER  | 1 2 3 4 5 6 7 | NOMENCLATURE   | EFFECT FROM TO   | UNITS PER ASSY |
|----------|--------------|---------------|--|------------------|----------------|
| 2<br>105 | FG1007AA04   |               | .COMPENSATOR ASSY-<br>SUPPLIER CODE:<br>V65507<br>POSITION DATA:<br>CTR<br>SPECIFICATION NUMBER:<br>S345T002-307<br>ELECTRICAL EQUIP NUMBER:<br>TS5010<br>COMPONENT MAINT MANUAL REF:<br>28-41-09<br>ATTACHING PARTS                           | 107107<br>904949 | 1              |
| 110      | NAS1801-3-12 |               | .SCREW   | 107107<br>904949 | 3              |
| 115      | BRH10A3      |               | .NUT<br>SUPPLIER CODE:<br>V52828<br>SPECIFICATION NUMBER:<br>BACN10JC3<br>OPTIONAL PART:<br>H10-3BAC<br>V15653<br>NS202101-02<br>V80539<br>RMLH9075-3W<br>V72962<br>VN303A02<br>V92215<br>96-02<br>V80539<br>T6S1032J<br>V11815<br>-----*----- | 107107<br>904949 | 3              |
| 120      | NAS1635-02-4 |               | ..SCREW  | 107107<br>904949 | 1              |
| 125      | MS35338-134  |               | ..WASHER   | 107107<br>904949 | 1              |
| 130      | NAS1291-02   |               | ..NUT  | 107107<br>904949 | 1              |
| 135      | 10075765-102 |               | ..BLOCK ASSY-TERM.<br>SUPPLIER CODE:<br>V94580<br>ATTACHING PARTS  | 107107<br>904949 | 1              |
| 140      | AAP32        |               | ..RIVET-BLIND<br>SUPPLIER CODE:<br>V80647<br>-----*-----   | 107107<br>904949 | 4              |

MISSING ITEM NUMBERS NOT APPLICABLE

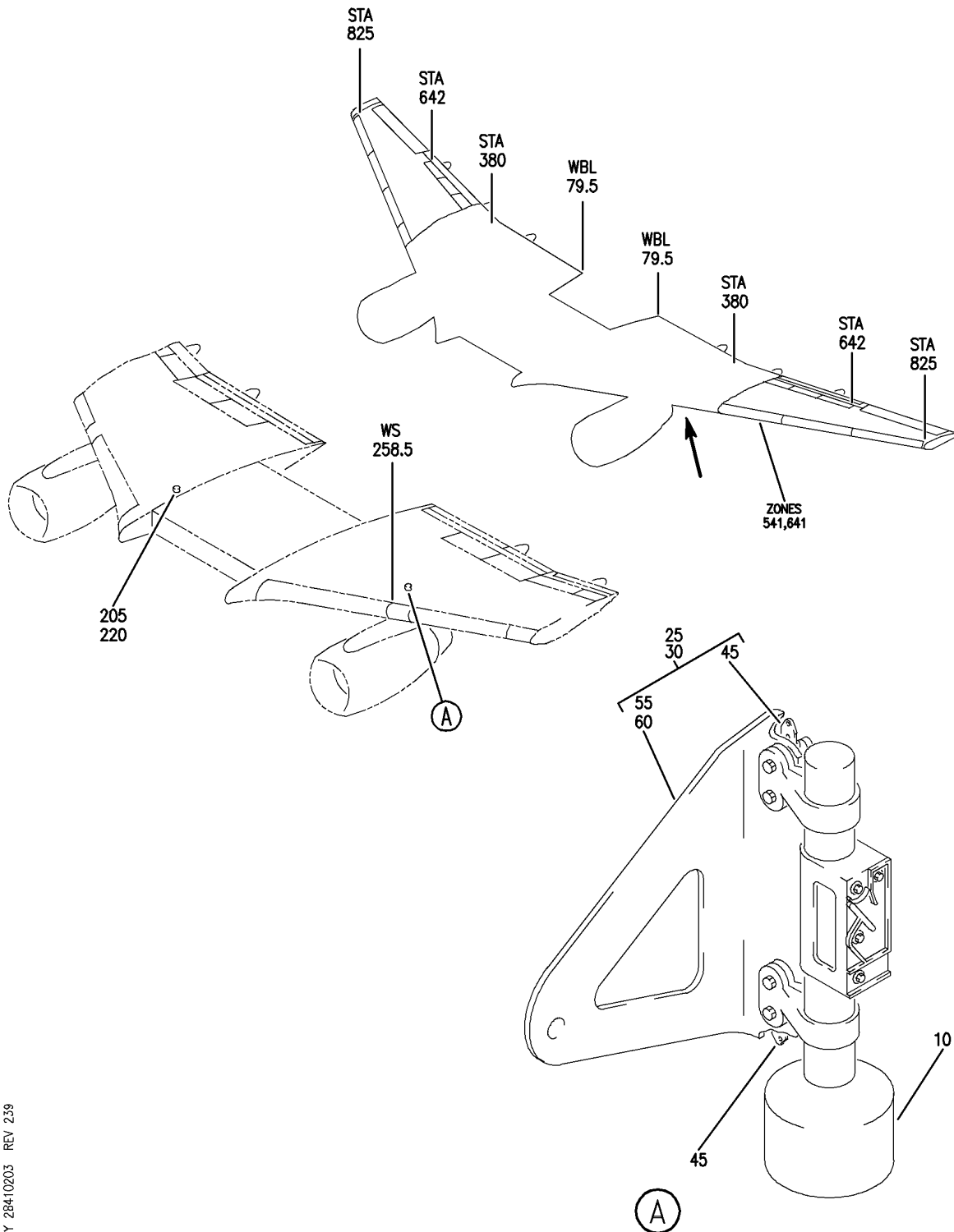
- ITEM NOT ILLUSTRATED

BRI

28-41-02-02

28-41-02  
FIG. 02  
PAGE 3  
JAN 20/09

**BOEING**  
757  
PARTS CATALOG (MAINTENANCE)



Y 28410203 REV 259

EQUIPMENT INSTL-FUEL QTY INDICATING SYS (COMPENSATOR ONLY)  
FIGURE 3

**28-41-02-03**

BRI  
MAY 28/07

28-41-02-03  
PAGE 0



757

PARTS CATALOG (MAINTENANCE)

| FIG ITEM | PART NUMBER | 1 2 3 4 5 6 7 | NOMENCLATURE   | EFFECT FROM TO                       | UNITS PER ASSY |
|----------|-------------|---------------|--|--------------------------------------|----------------|
| 3        |             |               | EQUIPMENT INSTL-FUEL QTY INDICATING SYS (COMPENSATOR ONLY)   | 002004<br>006106<br>108903<br>950999 |                |
| - 1      | 345N0201-1  |               | EQUIPMENT INSTL-SIMMONDS FUEL QTY INDICATING SYS (COMPENSATOR ONLY)<br>POSITION DATA:<br>LH<br>FOR NHA/OTHER SYS DET SEE:<br>28-00-00-01   | 002004<br>006100<br>121503<br>950999 | RF             |
| - 1      | 345N0201-5  |               | EQUIPMENT INSTL-SIMMONDS FUEL QTY INDICATING SYS (COMPENSATOR ONLY)<br>POSITION DATA:<br>LH<br>FOR NHA/OTHER SYS DET SEE:<br>28-00-00-05   | 101102<br>504903                     | RF             |
| - 1      | 345N0201-7  |               | EQUIPMENT INSTL-SIMMONDS FUEL QTY INDICATING SYS (COMPENSATOR ONLY)<br>POSITION DATA:<br>LH<br>FOR NHA/OTHER SYS DET SEE:<br>28-00-00-05   | 108120                               | RF             |
| - 1      | MODREF13725 |               | EQUIPMENT INSTL-SIMMONDS FUEL QTY INDICATING SYS (COMPENSATOR ONLY)<br>MODULE NUMBER:<br>345N0201-7 REV A<br>POSITION DATA:<br>LH<br>FOR ADDITIONAL DETAILS SEE:<br>28-41-01-10<br>28-41-03-04 | 103105                               | 1              |
| - 1      | MODREF34250 |               | EQUIPMENT INSTL-SIMMONDS FUEL QTY INDICATING SYS (COMPENSATOR ONLY)<br>MODULE NUMBER:<br>345N0201-9 REV A<br>POSITION DATA:<br>LH<br>FOR ADDITIONAL DETAILS SEE:<br>28-41-01-10<br>28-41-03-04 | 106106                               | 1              |

MISSING ITEM NUMBERS NOT APPLICABLE

- ITEM NOT ILLUSTRATED

28-41-02-03

28-41-02  
FIG. 03  
PAGE 1  
JAN 20/09

BRI



757

PARTS CATALOG (MAINTENANCE)

| FIG ITEM | PART NUMBER | 1 2 3 4 5 6 7 | NOMENCLATURE  | EFFECT FROM TO                       | UNITS PER ASSY |
|----------|-------------|---------------|---|--------------------------------------|----------------|
| 3        |             |               |   |                                      |                |
| - 5      | 345N0201-2  |               | EQUIPMENT INSTL-SIMMONDS<br>FUEL QTY INDICATING SYS<br>(COMPENSATOR ONLY)<br>POSITION DATA:<br>RH<br>FOR NHA/OTHER SYS DET SEE:<br>28-00-00-01  | 002004<br>006100<br>121503<br>950999 | RF             |
| - 5      | 345N0201-6  |               | EQUIPMENT INSTL-SIMMONDS<br>FUEL QTY INDICATING SYS<br>(COMPENSATOR ONLY)<br>POSITION DATA:<br>RH<br>FOR NHA/OTHER SYS DET SEE:<br>28-00-00-05  | 101102<br>504903                     | RF             |
| - 5      | 345N0201-8  |               | EQUIPMENT INSTL-SIMMONDS<br>FUEL QTY INDICATING SYS<br>(COMPENSATOR ONLY)<br>POSITION DATA:<br>RH<br>FOR NHA/OTHER SYS DET SEE:<br>28-00-00-05  | 108120                               | RF             |
| - 5      | MODREF13726 |               | EQUIPMENT INSTL-SIMMONDS<br>FUEL QTY INDICATING SYS<br>(COMPENSATOR ONLY)<br>MODULE NUMBER:<br>345N0201-8 REV A<br>POSITION DATA:<br>RH<br>FOR ADDITIONAL DETAILS SEE:<br>28-41-01-10<br>28-41-03-04  | 103105                               | 1              |
| - 5      | MODREF34248 |               | EQUIPMENT INSTL-SIMMONDS<br>FUEL QTY INDICATING SYS<br>(COMPENSATOR ONLY)<br>MODULE NUMBER:<br>345N0201-10 REV A<br>POSITION DATA:<br>RH<br>FOR ADDITIONAL DETAILS SEE:<br>28-41-01-10<br>28-41-03-04 | 106106                               | 1              |

MISSING ITEM NUMBERS NOT APPLICABLE

- ITEM NOT ILLUSTRATED

28-41-02-03

28-41-02  
FIG. 03  
PAGE 2  
JAN 20/09

BRI



757

PARTS CATALOG (MAINTENANCE)

| FIG ITEM | PART NUMBER     | 1 2 3 4 5 6 7 | NOMENCLATURE   | EFFECT FROM TO                       | UNITS PER ASSY |
|----------|-----------------|---------------|--|--------------------------------------|----------------|
| 3        |                 |               |  |                                      |                |
| 10       | 20081-0000-0202 |               | .COMPENSATOR ASSY-<br>SUPPLIER CODE:<br>V89305<br>POSITION DATA:<br>LH/RH SIDE<br>FUNCTIONAL DESCRIPTION:<br>ONE COMPENSTOR IN EACH<br>TANK SENSES THE<br>DIELECTRIC CONSTANT OF<br>THE FUEL<br>SPECIFICATION NUMBER:<br>60B92018-56<br>ELECTRICAL EQUIP NUMBER:<br>TS0108<br>TS0119<br>COMPONENT MAINT MANUAL REF:<br>28-40-56<br>ATTACHING PARTS | 002004<br>006106<br>108903<br>950999 | 1              |
| - 15     | NAS1801-3-12    |               | .SCREW-  | 002004<br>006105<br>108903<br>950999 | 4              |
| - 15     | BACS12GU3K14    |               | .SCREW-  | 106106                               | 4              |
| - 20     | AN960PD10L      |               | .WASHER  | 002004<br>006102<br>121903<br>950999 | 4              |
| - 20     | NAS1149D0316J   |               | .WASHER-   | 103105<br>108120                     | 4              |
| - 20     | NAS1149D0332J   |               | .WASHER-   | 106106                               | 4              |
| 25       | 345N2201-17     |               | -----*-----<br>.BRACKET ASSY-<br>POSITION DATA:<br>LH SIDE<br>POST SERVICE BULLETIN:<br>28-0057<br>28-0057R1   | 002004<br>006106<br>108903<br>950999 | 1              |
| 30       | 345N2201-18     |               | .BRACKET ASSY-<br>POSITION DATA:<br>RH SIDE<br>POST SERVICE BULLETIN:<br>28-0057<br>28-0057R1<br>ATTACHING PARTS   | 002004<br>006106<br>108903<br>950999 | 1              |
| - 35     | NAS1801-3-8     |               | .SCREW-<br>POST SERVICE BULLETIN:<br>28-0057R1<br>28-0057  | 002004<br>006105<br>108903<br>950999 | 4              |
| - 35     | BACS12GU3K9     |               | .SCREW-  | 106106                               | 4              |

MISSING ITEM NUMBERS NOT APPLICABLE

- ITEM NOT ILLUSTRATED

28-41-02-03

28-41-02  
FIG. 03  
PAGE 3  
JAN 20/09

BRI





757

PARTS CATALOG (MAINTENANCE)

| FIG ITEM | PART NUMBER   | 1 2 3 4 5 6 7 | NOMENCLATURE  | EFFECT FROM TO                       | UNITS PER ASSY |
|----------|---------------|---------------|---|--------------------------------------|----------------|
| 3        |               |               |   |                                      |                |
| - 40     | NAS1149D0316J |               | .WASHER-<br>POST SERVICE BULLETIN:<br>28-0057R1<br>28-0057  | 002004<br>006105<br>108903<br>950999 | 4              |
| - 40     | NAS1149D0332J |               | .WASHER-<br>-----*-----   | 106106                               | 4              |
| 45       | BRFR120A3-2   |               | ..NUTPLATE<br>SUPPLIER CODE:<br>V52828<br>SPECIFICATION NUMBER:<br>BACN10KE3E2<br>OPTIONAL PART:<br>RMF9216-2-3<br>V72962<br>F51752-3-2<br>V15653<br>NS103194-02-2<br>V80539<br>ATTACHING PARTS | 002004<br>006106<br>108903<br>950999 | 4              |
| - 50     | BACR15BA3D    |               | ..RIVET-<br>SIZE DETERMINED ON INSTL.<br><br>-----*-----  | 002004<br>006106<br>108903<br>950999 | 8              |
| 55       | 345N2201-19   |               | ..BRACKET-<br>POSITION DATA:<br>LH SIDE   | 002004<br>006106<br>108903<br>950999 | 1              |
| 60       | 345N2201-20   |               | ..BRACKET-<br>POSITION DATA:<br>RH SIDE   | 002004<br>006106<br>108903<br>950999 | 1              |
| - 200    | 345N0201-3    |               | EQUIPMENT INSTL-SIMMONDS<br>FUEL QTY INDICATING SYS<br>(COMPENSATOR ONLY)<br>POSITION DATA:<br>CTR<br>FOR NHA/OTHER SYS DET SEE:<br>28-00-00-01   | 002004<br>006100<br>121503<br>950999 | RF             |
| - 200    | 345N0201-4    |               | EQUIPMENT INSTL-SIMMONDS<br>FUEL QTY INDICATING SYS<br>(COMPENSATOR ONLY)<br>POSITION DATA:<br>CTR<br>FOR NHA/OTHER SYS DET SEE:<br>28-00-00-05   | 101102<br>108120<br>504903           | RF             |

MISSING ITEM NUMBERS NOT APPLICABLE

- ITEM NOT ILLUSTRATED

28-41-02-03

28-41-02  
FIG. 03  
PAGE 4  
JAN 20/09

BRI



757

PARTS CATALOG (MAINTENANCE)

| FIG ITEM | PART NUMBER     | 1 2 3 4 5 6 7 | NOMENCLATURE   | EFFECT FROM TO                       | UNITS PER ASSY |
|----------|-----------------|---------------|--|--------------------------------------|----------------|
| 3        |                 |               |  |                                      |                |
| - 200    | MODREF13724     |               | EQUIPMENT INSTL-SIMMONDS<br>FUEL QTY INDICATING SYS<br>(COMPENSATOR ONLY)<br>MODULE NUMBER:<br>345N0201-4 REV A<br>POSITION DATA:<br>CTR<br>FOR ADDITIONAL DETAILS SEE:<br>28-41-01-10<br>28-41-03-04  | 103105                               | 1              |
| - 200    | MODREF34249     |               | EQUIPMENT INSTL-SIMMONDS<br>FUEL QTY INDICATING SYS<br>(COMPENSATOR ONLY)<br>MODULE NUMBER:<br>345N0201-11 REV A<br>POSITION DATA:<br>CTR<br>FOR ADDITIONAL DETAILS SEE:<br>28-41-01-10<br>28-41-03-04   | 106106                               | 1              |
| 205      | 20081-0000-0202 | .             | COMPENSATOR ASSY-(CTR)<br>SUPPLIER CODE:<br>V89305<br>FUNCTIONAL DESCRIPTION:<br>ONE COMPENSTOR IN EACH<br>TANK SENSES THE<br>DIELECTRIC CONSTANT OF<br>THE FUEL<br>SPECIFICATION NUMBER:<br>60B92018-56<br>ELECTRICAL EQUIP NUMBER:<br>M10903<br>COMPONENT MAINT MANUAL REF:<br>28-40-56<br>ATTACHING PARTS | 002004<br>006106<br>108903<br>950999 | 1              |
| - 210    | NAS1801-3-12    | .             | SCREW-   | 002004<br>006105<br>108903<br>950999 | 4              |
| - 210    | BACS12GU3K14    | .             | SCREW-   | 106106                               | 4              |
| - 215    | AN960PD10L      | .             | WASHER-  | 002004<br>006105<br>108903<br>950999 | 4              |
| - 215    | NAS1149D0332J   | .             | WASHER-<br>-----*-----   | 106106                               | 4              |

MISSING ITEM NUMBERS NOT APPLICABLE

- ITEM NOT ILLUSTRATED

28-41-02-03

28-41-02  
FIG. 03  
PAGE 5  
JAN 20/09

BRI



757

PARTS CATALOG (MAINTENANCE)

| FIG<br>ITEM | PART NUMBER | 1 2 3 4 5 6 7 | NOMENCLATURE              | EFFECT<br>FROM TO                    | UNITS<br>PER<br>ASSY |
|-------------|-------------|---------------|---------------------------|--------------------------------------|----------------------|
| 3<br>220    | 345N2201-7  |               | .BRACKET                  | 002004<br>006106<br>108903<br>950999 | 1                    |
| - 225       | NAS1801-3-6 |               | ATTACHING PARTS<br>.SCREW | 002004<br>006106<br>108903<br>950999 | 2                    |
| - 230       | AN960PD10L  |               | .WASHER                   | 002004<br>006106<br>108903<br>950999 | 4                    |
|             |             |               | -----*                    |                                      |                      |

MISSING ITEM NUMBERS NOT APPLICABLE

- ITEM NOT ILLUSTRATED

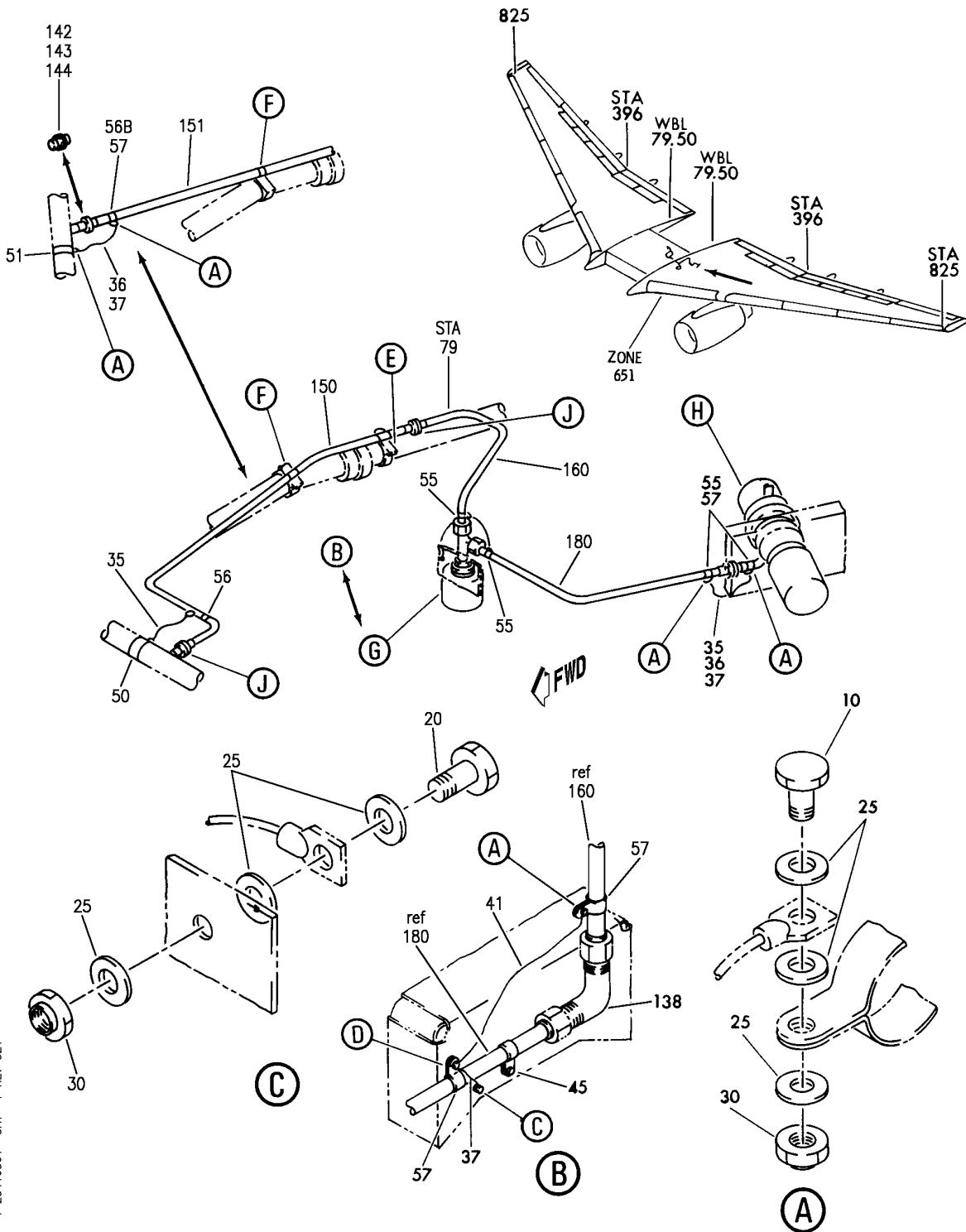
BRI

28-41-02-03

BOEING PROPRIETARY - Copyright © - Unpublished Work - See title page for details.

28-41-02  
FIG. 03  
PAGE 6  
JAN 20/09


**BOEING**  
 757  
**PARTS CATALOG (MAINTENANCE)**



Y 28410301 SHT 1 REV 321

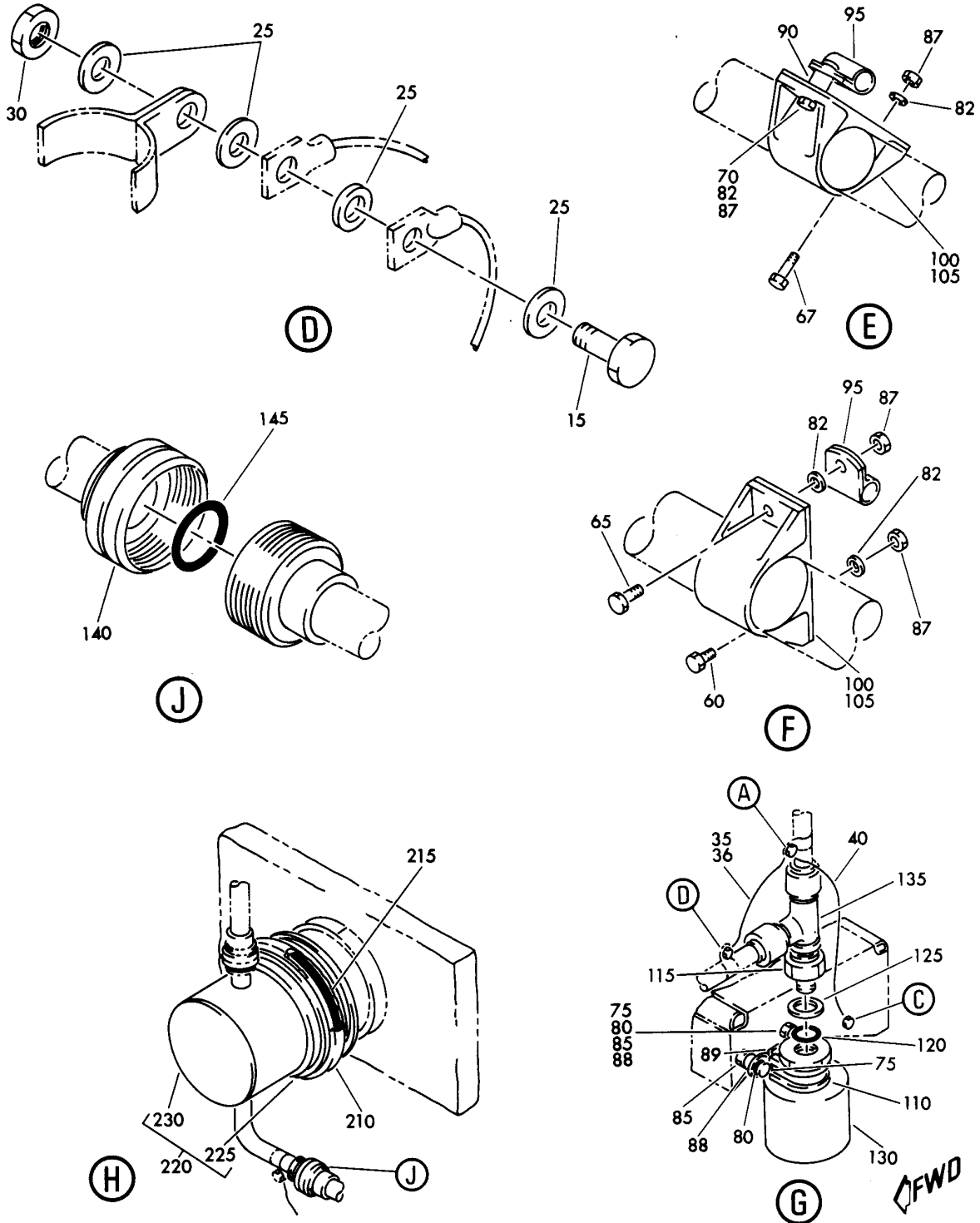
DENSITOMETER INSTL-FUEL RETENSION SYS  
FIGURE 1 (SHEET 1)

**28-41-03-01**

BRI  
MAY 20/08

28-41-03-01  
PAGE 0

**BOEING**  
757  
PARTS CATALOG (MAINTENANCE)



Y 28410301 SH1 2 REV 057

DENSITOMETER INSTL-FUEL RETENSION SYS  
FIGURE 1 (SHEET 2)

**28-41-03-01**

BRI  
MAY 28/07

28-41-03-01  
PAGE 0A



757

PARTS CATALOG (MAINTENANCE)

| FIG ITEM | PART NUMBER | 1 2 3 4 5 6 7 | NOMENCLATURE   | EFFECT FROM TO   | UNITS PER ASSY |
|----------|-------------|---------------|--|------------------|----------------|
| 1        |             |               | DENSITOMETER INSTL-FUEL<br>RETENSION SYS   | 107107<br>904949 |                |
| - 1      | 344N4002-11 |               | DENSITOMETER INSTL-FUEL<br>RETENSION SYS<br>FOR NHA SEE:<br>28-21-05-01  | 107107<br>904949 | RF             |
| 10       | NAS1801-3-8 |               | .SCREW-  | 107107<br>904949 | 5              |
| 15       | NAS1801-3-9 |               | .SCREW-  | 107107<br>904949 | 1              |
| 20       | NAS1801-3-6 |               | .SCREW-  | 107107<br>904949 | 1              |
| 25       | AN960D10L   |               | .WASHER-   | 107107<br>904949 | 22             |
| 30       | BRH10A3     |               | .NUT-<br>SUPPLIER CODE:<br>V52828<br>SPECIFICATION NUMBER:<br>BACN10JC3<br>OPTIONAL PART:<br>H10-3BAC<br>V15653<br>NS202101-02<br>V80539<br>RMLH9075-3W<br>V72962<br>VN303A02<br>V92215<br>96-02<br>V80539<br>T6S1032J<br>V11815 | 107107<br>904949 | 7              |
| 37       | 740A20-4    |               | .JUMPER ASSY-<br>SUPPLIER CODE:<br>V91812<br>SPECIFICATION NUMBER:<br>BACJ40A20-4<br>OPTIONAL PART:<br>TJEJ40A20-4<br>V33483<br>RBEJ20-4<br>V1GK47   | 107107<br>904949 | 3              |
| 41       | BACJ40A20-8 |               | .JUMPER ASSY-  | 107107<br>904949 | 1              |
| 45       | BACC10DK8A  |               | .CLAMP-  | 107107<br>904949 | 1              |
| - 46     | NAS1801-3-8 |               | ATTACHING PARTS<br>.SCREW-   | 107107<br>904949 | 1              |

MISSING ITEM NUMBERS NOT APPLICABLE

- ITEM NOT ILLUSTRATED

28-41-03-01

28-41-03  
FIG. 01  
PAGE 1  
JAN 20/09

BRI



757

PARTS CATALOG (MAINTENANCE)

| FIG ITEM | PART NUMBER  | 1 2 3 4 5 6 7 | NOMENCLATURE                       | EFFECT FROM TO   | UNITS PER ASSY |
|----------|--------------|---------------|------------------------------------|------------------|----------------|
| 1        |              |               |                                    |                  |                |
| - 47     | AN960PD10L   | .             | WASHER-                            | 107107<br>904949 | 2              |
| - 48     | BRH10A3      | .             | NUT-                               | 107107<br>904949 | 1              |
|          |              |               | SUPPLIER CODE:<br>V52828           |                  |                |
|          |              |               | SPECIFICATION NUMBER:<br>BACN10JC3 |                  |                |
|          |              |               | OPTIONAL PART:<br>H10-3BAC         |                  |                |
|          |              |               | V15653                             |                  |                |
|          |              |               | NS202101-02                        |                  |                |
|          |              |               | V80539                             |                  |                |
|          |              |               | RMLH9075-3W                        |                  |                |
|          |              |               | V72962                             |                  |                |
|          |              |               | VN303A02                           |                  |                |
|          |              |               | V92215                             |                  |                |
|          |              |               | 96-02                              |                  |                |
|          |              |               | V80539                             |                  |                |
|          |              |               | T6S1032J                           |                  |                |
|          |              |               | V11815                             |                  |                |
|          |              |               | -----*-----                        |                  |                |
| 55       | AN735D8      | .             | CLAMP-                             | 107107<br>904949 | 4              |
| 57       | AN735D8      | .             | CLAMP-                             | 107107<br>904949 | 5              |
| 60       | NAS1801-3-10 | .             | SCREW-                             | 107107<br>904949 | 1              |
| 65       | NAS1801-3-12 | .             | SCREW-                             | 107107<br>904949 | 1              |
| 67       | NAS1801-3-10 | .             | SCREW-                             | 107107<br>904949 | 1              |
| 70       | NAS1801-3-16 | .             | SCREW-                             | 107107<br>904949 | 1              |
| 82       | AN960PD10L   | .             | WASHER-                            | 107107<br>904949 | 4              |

MISSING ITEM NUMBERS NOT APPLICABLE

- ITEM NOT ILLUSTRATED

28-41-03-01

28-41-03  
FIG. 01  
PAGE 2  
JAN 20/09

BRI

BOEING PROPRIETARY - Copyright © - Unpublished Work - See title page for details.



757

PARTS CATALOG (MAINTENANCE)

| FIG ITEM | PART NUMBER | 1 2 3 4 5 6 7 | NOMENCLATURE  | EFFECT FROM TO   | UNITS PER ASSY |
|----------|-------------|---------------|---|------------------|----------------|
| 1<br>87  | BRH10A3     | .             | NUT-<br>SUPPLIER CODE:<br>V52828<br>SPECIFICATION NUMBER:<br>BACN10JC3<br>OPTIONAL PART:<br>H10-3BAC<br>V15653<br>NS202101-02<br>V80539<br>RMLH9075-3W<br>V72962<br>VN303A02<br>V92215<br>96-02<br>V80539<br>T6S1032J<br>V11815 | 107107<br>904949 | 4              |
| 90       | NAS43DD3-20 | .             | SPACER-   | 107107<br>904949 | 1              |
| 95       | BACC10DK8A  | .             | CLAMP-  | 107107<br>904949 | 2              |
| 100      | BACC10EW28A | .             | CLAMP STRAP-  | 107107<br>904949 | 2              |
| 105      | BACC10EW28B | .             | CLAMP SADDLE-   | 107107<br>904949 | 2              |
| 138      | MS21904D8   | .             | ELBOW-  | 107107<br>904949 | 1              |
| 140      | BACN10KN8   | .             | NUT ASSY-   | 107107<br>904949 | 3              |
| 145      | MS29513-016 | .             | PACKING-  | 107107<br>904949 | 3              |
| 151      | 344N2039-5  | .             | TUBE ASSY-  | 107107<br>904949 | 1              |
| - 155    | BACC42T8    | ..            | COUPLING<br>SUPPLIER CODE:<br>V79326<br>SPECIFICATION NUMBER:<br>BACC42T8<br>OPTIONAL PART:<br>TC011-8<br>V24984<br>83051-8<br>V79326   | 107107<br>904949 | 2              |
| 160      | 344N4002-9  | .             | TUBE ASSY-  | 107107<br>904949 | 1              |

MISSING ITEM NUMBERS NOT APPLICABLE

- ITEM NOT ILLUSTRATED

28-41-03-01

28-41-03  
FIG. 01  
PAGE 3  
JAN 20/09

BRI





757

PARTS CATALOG (MAINTENANCE)

| FIG ITEM | PART NUMBER  | 1 2 3 4 5 6 7 | NOMENCLATURE   | EFFECT FROM TO   | UNITS PER ASSY |
|----------|--------------|---------------|--|------------------|----------------|
| 1        |              |               |  |                  |                |
| - 165    | AP2097HP08   | ..            | SLEEVE<br>SUPPLIER CODE:<br>V01673<br>SPECIFICATION NUMBER:<br>BACS13BX08HP<br>OPTIONAL PART:<br>2-02903-08HP<br>V11328<br>35235VN08<br>V08199<br>AFP175V08P<br>V30974<br>DBOS13BX08HP<br>V14798 | 107107<br>904949 | 1              |
| - 170    | BACN10CS08DH | ..            | NUT-   | 107107<br>904949 | 1              |
| - 175    | S83052-8     | ..            | FERRULE<br>SUPPLIER CODE:<br>V79326<br>SPECIFICATION NUMBER:<br>BACF32F8<br>OPTIONAL PART:<br>TC010-8<br>V24984  | 107107<br>904949 | 1              |
| 180      | 344N4002-8   | .             | TUBE ASSY-   | 107107<br>904949 | 1              |
| - 185    | AP2097HP08   | ..            | SLEEVE<br>SUPPLIER CODE:<br>V01673<br>SPECIFICATION NUMBER:<br>BACS13BX08HP<br>OPTIONAL PART:<br>2-02903-08HP<br>V11328<br>35235VN08<br>V08199<br>AFP175V08P<br>V30974<br>DBOS13BX08HP<br>V14798 | 107107<br>904949 | 1              |
| - 190    | BACN10CS08DH | ..            | NUT-   | 107107<br>904949 | 1              |

MISSING ITEM NUMBERS NOT APPLICABLE

- ITEM NOT ILLUSTRATED

28-41-03-01

28-41-03  
FIG. 01  
PAGE 4  
JAN 20/09

BRI

BOEING PROPRIETARY - Copyright © - Unpublished Work - See title page for details.



757

PARTS CATALOG (MAINTENANCE)

| FIG ITEM   | PART NUMBER | 1 2 3 4 5 6 7 | NOMENCLATURE  | EFFECT FROM TO   | UNITS PER ASSY |
|------------|-------------|---------------|---|------------------|----------------|
| 1<br>- 195 | BACC42T8    |               | .. COUPLING<br>SUPPLIER CODE:<br>V79326<br>SPECIFICATION NUMBER:<br>BACC42T8<br>OPTIONAL PART:<br>TC011-8<br>V24984<br>83051-8<br>V79326    | 107107<br>904949 | 1              |
| 210        | BACN10KN56  |               | .NUT-   | 107107<br>904949 | 1              |
| 215        | MS29513-044 |               | .PACKING-   | 107107<br>904949 | 1              |
| 220        | 345N2123-9  |               | .SHROUD ASSY-   | 107107<br>904949 | 1              |
| 225        | BACC42T56   |               | .. COUPLING<br>SUPPLIER CODE:<br>V79326<br>SPECIFICATION NUMBER:<br>BACC42T56<br>OPTIONAL PART:<br>TC011-56<br>V24984<br>83051-56<br>V79326 | 107107<br>904949 | 1              |
| 230        | 345N2123-10 |               | ..WELD ASSY-  | 107107<br>904949 | 1              |

MISSING ITEM NUMBERS NOT APPLICABLE

- ITEM NOT ILLUSTRATED

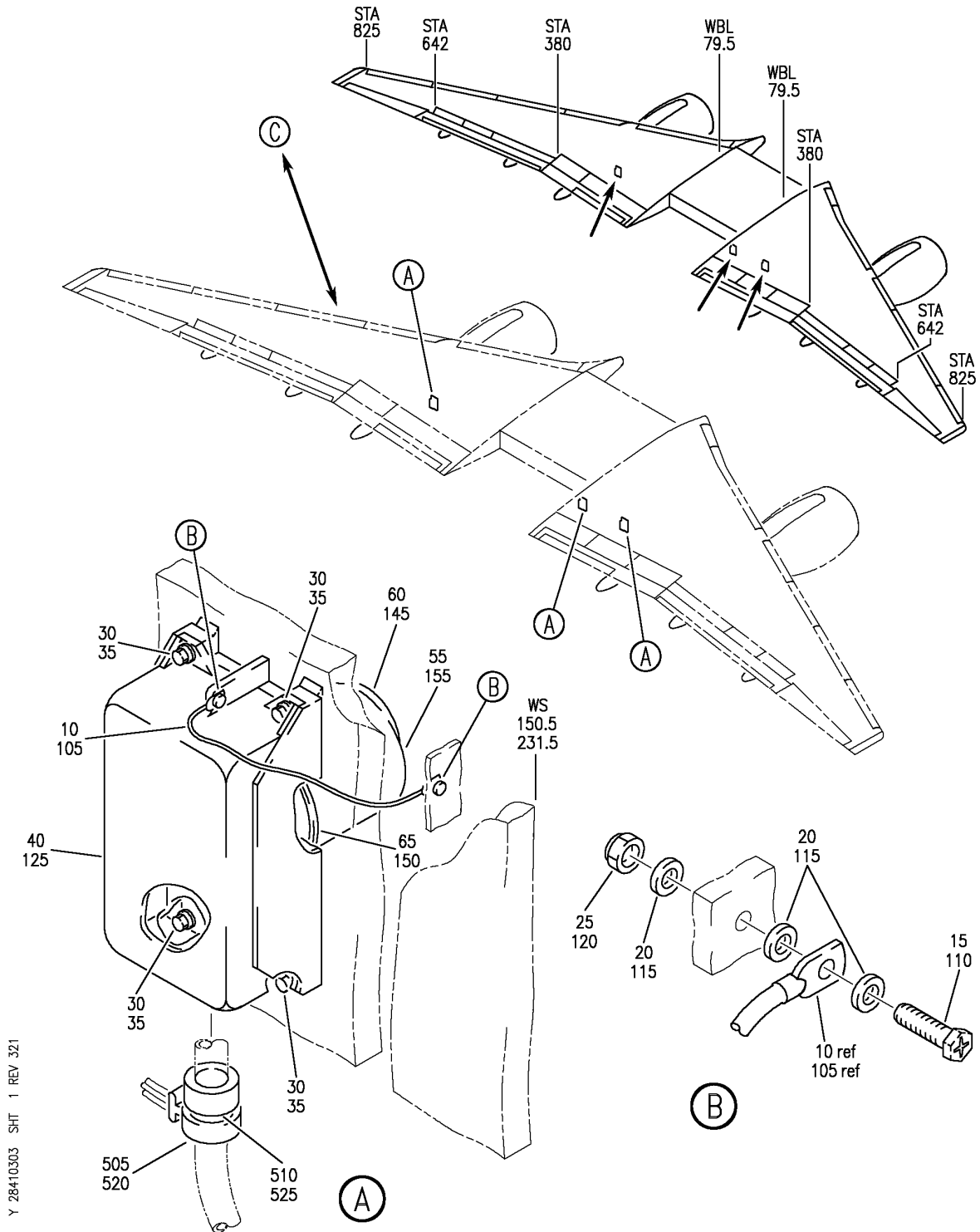
BRI

28-41-03-01

BOEING PROPRIETARY - Copyright © - Unpublished Work - See title page for details.

28-41-03  
FIG. 01  
PAGE 5  
JAN 20/09

**BOEING**  
757  
**PARTS CATALOG (MAINTENANCE)**



Y 28410303 SH-T 1 REV 321

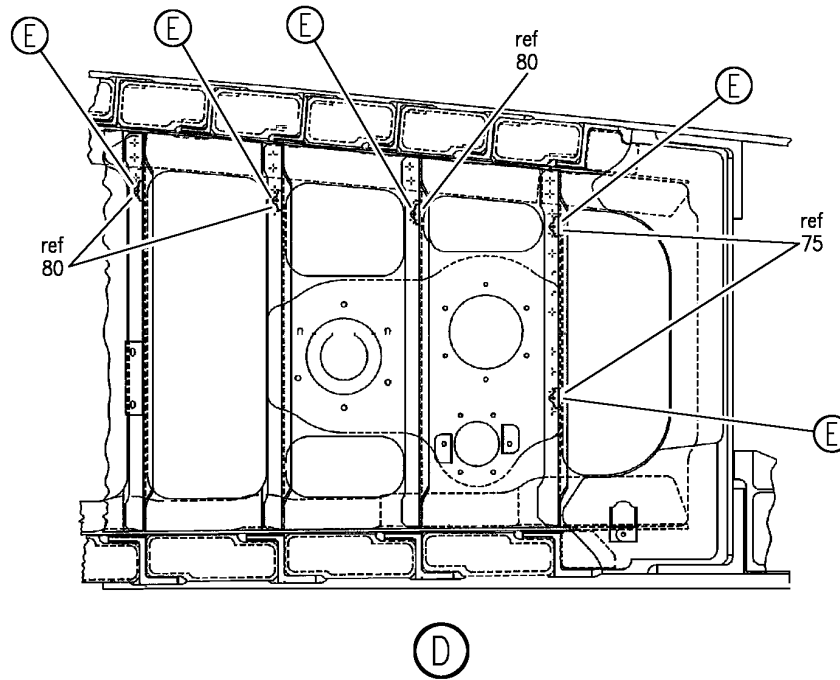
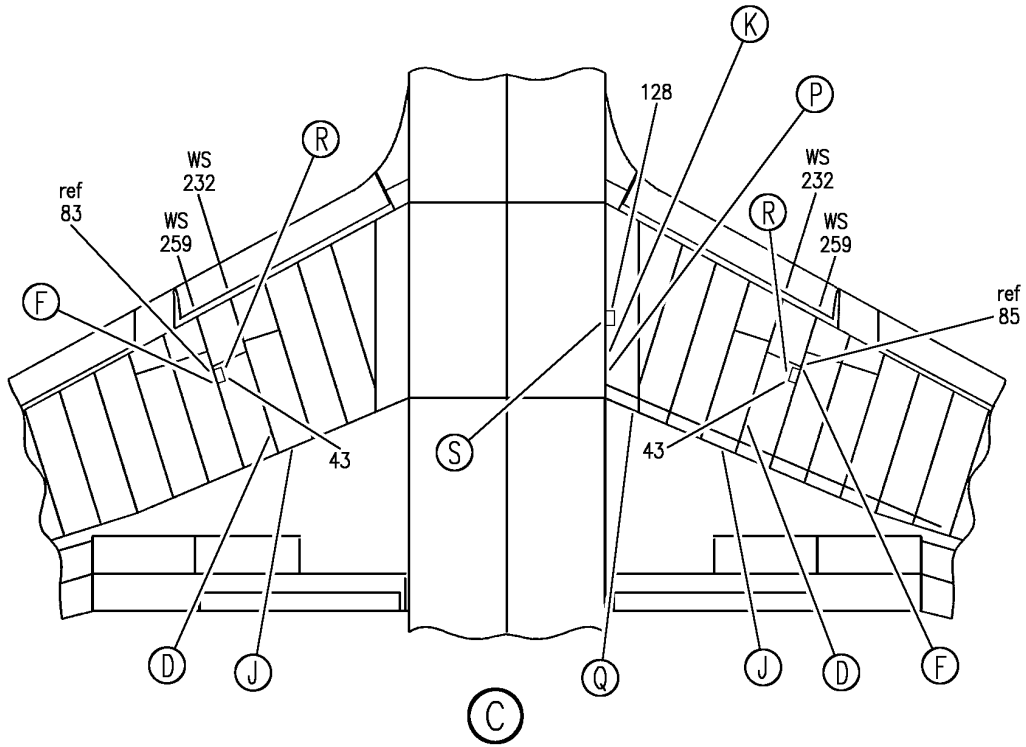
EQUIPMENT INSTL-FUEL QTY INDICATING SYS (DENSITOMETER ONLY)  
FIGURE 3

**28-41-03-03**

BRI  
MAY 20/08

28-41-03-03  
PAGE 0


**BOEING**  
 757  
**PARTS CATALOG (MAINTENANCE)**



Y 28410303 SH1 2 REV 321

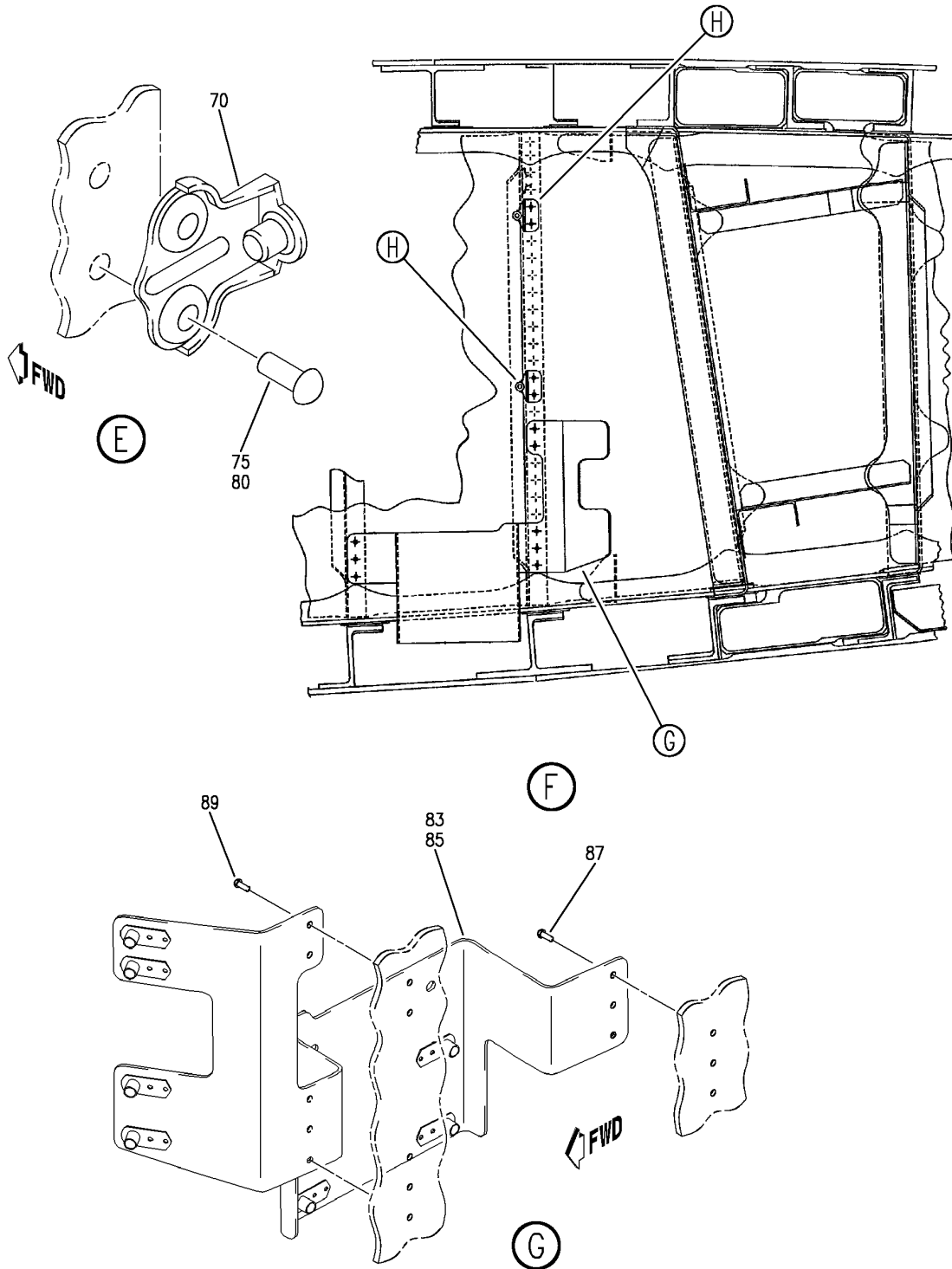
EQUIPMENT INSTL-FUEL QTY INDICATING SYS (DENSITOMETER ONLY)  
 FIGURE 3

**28-41-03-03**

BRI  
 MAY 20/08

28-41-03-03  
 PAGE 0A

**BOEING**  
757  
PARTS CATALOG (MAINTENANCE)



Y 28410303 SH-T 3 REV 321

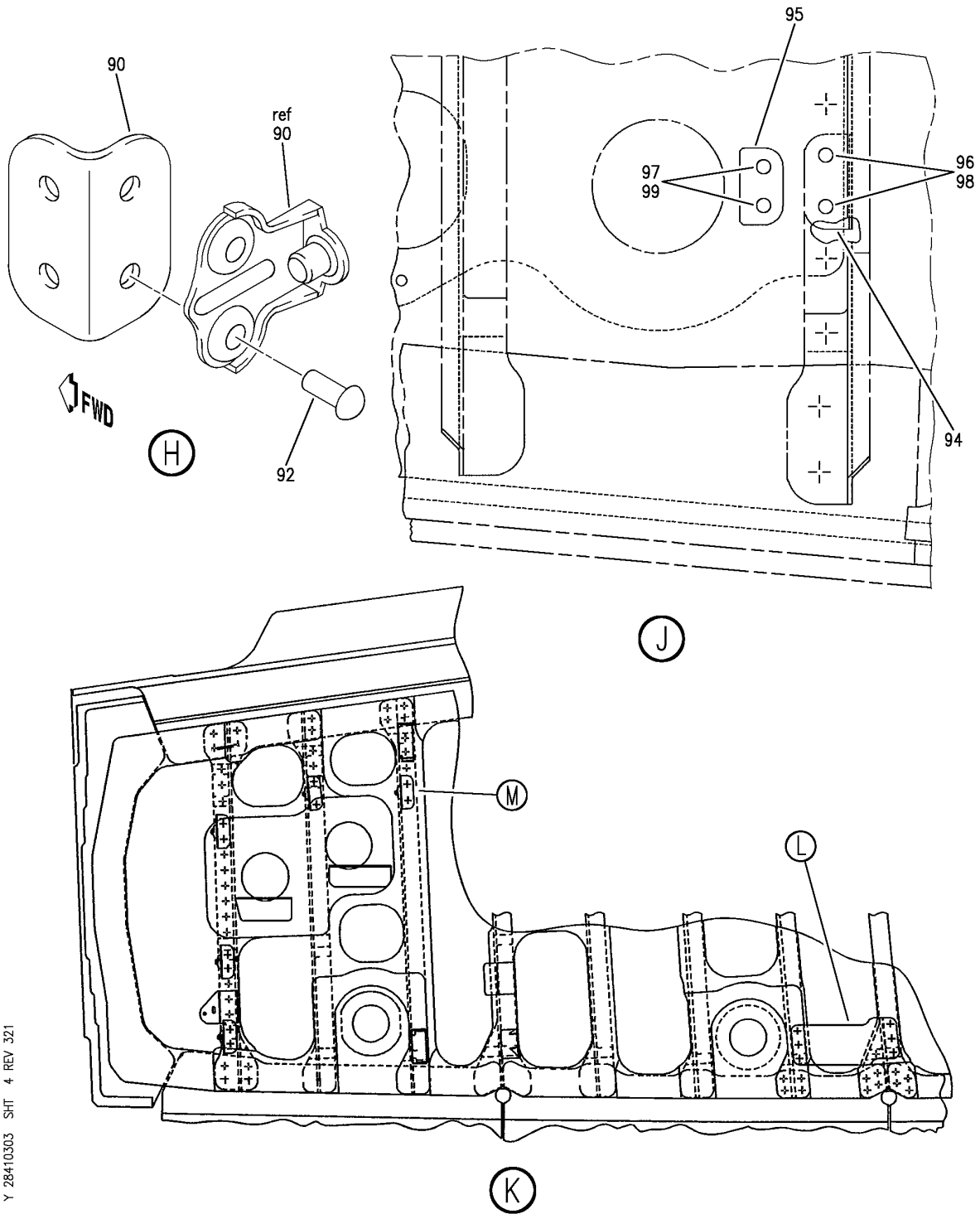
EQUIPMENT INSTL-FUEL QTY INDICATING SYS (DENSITOMETER ONLY)  
FIGURE 3

**28-41-03-03**

BRI  
MAY 20/08

28-41-03-03  
PAGE 0B

**BOEING**  
757  
PARTS CATALOG (MAINTENANCE)



Y 28410303 SH1 4 REV 321

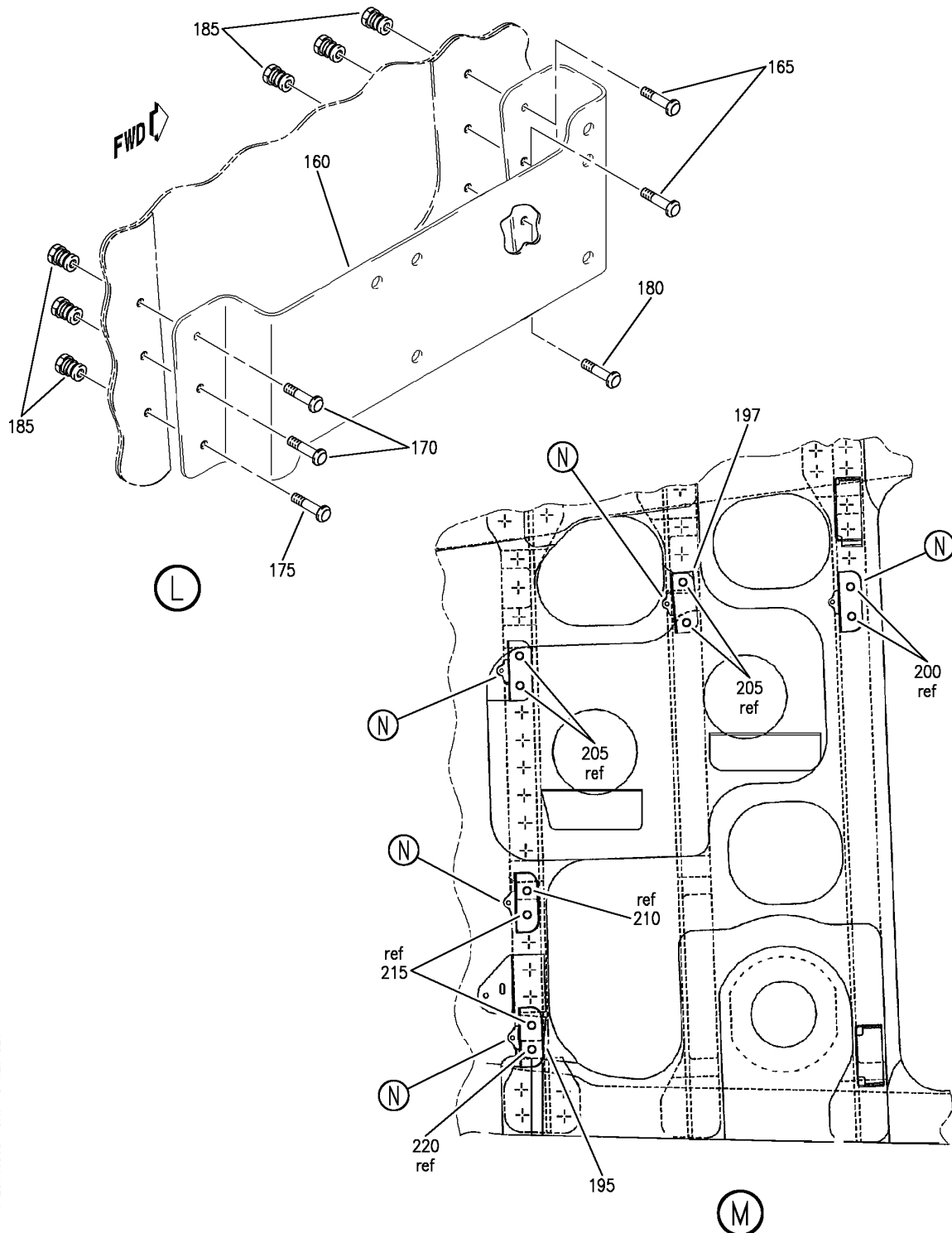
EQUIPMENT INSTL-FUEL QTY INDICATING SYS (DENSITOMETER ONLY)  
FIGURE 3

**28-41-03-03**

BRI  
MAY 20/08

28-41-03-03  
PAGE 0C

**BOEING**  
757  
PARTS CATALOG (MAINTENANCE)



Y 28410303 SHT 5 REV 321

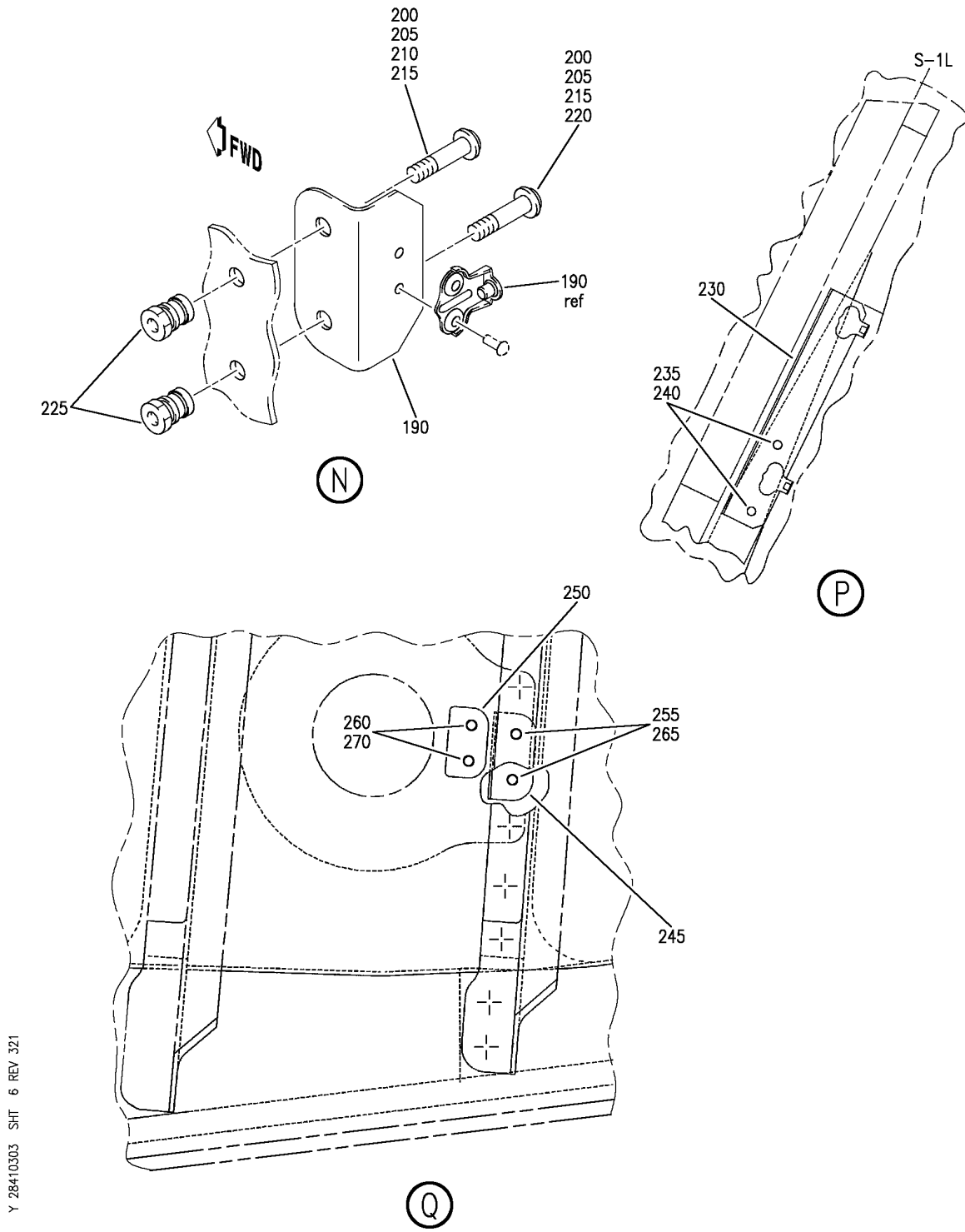
EQUIPMENT INSTL-FUEL QTY INDICATING SYS (DENSITOMETER ONLY)  
FIGURE 3

**28-41-03-03**

BRI  
MAY 20/08

28-41-03-03  
PAGE 0D

**BOEING**  
757  
PARTS CATALOG (MAINTENANCE)



Y 28410303 SH-T 6 REV 321

EQUIPMENT INSTL-FUEL QTY INDICATING SYS (DENSITOMETER ONLY)  
FIGURE 3

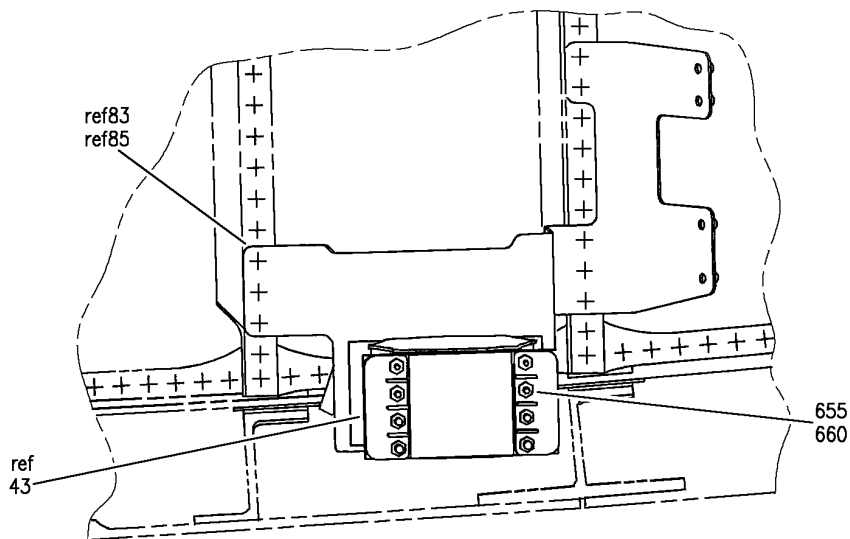
**28-41-03-03**

BRI  
MAY 20/08

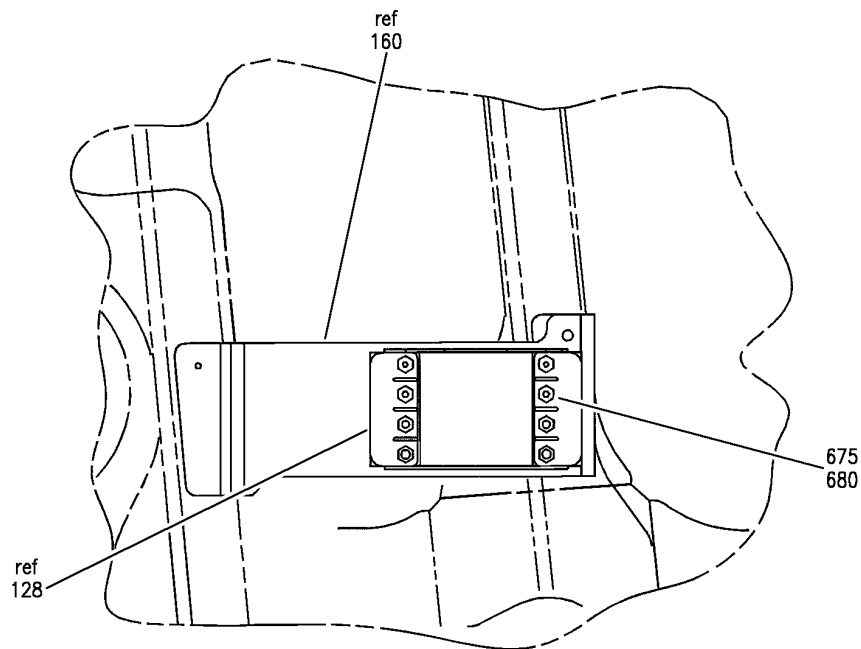
28-41-03-03  
PAGE 0E



**BOEING**  
757  
PARTS CATALOG (MAINTENANCE)



(R)



(S)

Y 28410303 SH-T 7 REV 321

EQUIPMENT INSTL-FUEL QTY INDICATING SYS (DENSITOMETER ONLY)  
FIGURE 3

**28-41-03-03**

BRI  
MAY 20/08

28-41-03-03  
PAGE OF



757

PARTS CATALOG (MAINTENANCE)

| FIG ITEM | PART NUMBER | 1 2 3 4 5 6 7 | NOMENCLATURE  | EFFECT FROM TO   | UNITS PER ASSY |
|----------|-------------|---------------|---|------------------|----------------|
| 3        |             |               | EQUIPMENT INSTL-FUEL QTY INDICATING SYS (DENSITOMETER ONLY)   | 107107<br>904949 |                |
| - 1      | 345N2001-1  |               | EQUIPMENT INSTL-FUEL QTY INDICATING SYS (DENSITOMETER ONLY)<br>POSITION DATA:<br>LH<br>FOR NHA/OTHER SYS DET SEE:<br>28-00-00-01                    | 107107<br>904949 | RF             |
| - 5      | 345N2001-2  |               | EQUIPMENT INSTL-FUEL QTY INDICATING SYS (DENSITOMETER ONLY)<br>POSITION DATA:<br>RH<br>FOR NHA/OTHER SYS DET SEE:<br>28-00-00-01                    | 107107<br>904949 | RF             |
| 10       | 740A20-6    |               | . JUMPER ASSY-<br>SUPPLIER CODE:<br>V91812<br>SPECIFICATION NUMBER:<br>BACJ40A20-6<br>OPTIONAL PART:<br>TJEJ40A20-6<br>V33483<br>RBEJ20-6<br>V1GK47 | 107107<br>904949 | 1              |
| 15       | NAS1801-3-8 |               | ATTACHING PARTS<br>. SCREW-   | 107107<br>904949 | 2              |
| 20       | AN960D10L   |               | . WASHER-   | 107107<br>904949 | 6              |

MISSING ITEM NUMBERS NOT APPLICABLE

- ITEM NOT ILLUSTRATED

28-41-03-03

28-41-03  
FIG. 03  
PAGE 1  
JAN 20/09

BRI



**757  
PARTS CATALOG (MAINTENANCE)**

| FIG<br>ITEM | PART NUMBER | 1 2 3 4 5 6 7 | NOMENCLATURE  | EFFECT<br>FROM TO | UNITS<br>PER<br>ASSY |
|-------------|-------------|---------------|---|-------------------|----------------------|
| 3           | 25          | BRH10A3       | .NUT-<br>SUPPLIER CODE:<br>V52828<br>SPECIFICATION NUMBER:<br>BACN10JC3<br>OPTIONAL PART:<br>H10-3BAC<br>V15653<br>NS202101-02<br>V80539<br>RMLH9075-3W<br>V72962<br>VN303A02<br>V92215<br>96-02<br>V80539<br>T6S1032J<br>V11815<br>-----*----- | 107107<br>904949  | 2                    |
|             | 30          | NAS1805-4     | .NUT-   | 107107<br>904949  | 4                    |
|             | 35          | NAS620-416L   | .WASHER-  | 107107<br>904949  | 4                    |
|             | 40          | LG1136AA01    | .DENSITOMETER-<br>SUPPLIER CODE:<br>V94580<br>SPECIFICATION NUMBER:<br>S345T002-27<br>ELECTRICAL EQUIP NUMBER:<br>M00596<br>M00597  | 107107<br>904949  | 1                    |

MISSING ITEM NUMBERS NOT APPLICABLE

— ITEM NOT ILLUSTRATED

# 28-41-03-03

28-41-03  
FIG. 03  
PAGE 2  
JAN 20/09

BRI



757

PARTS CATALOG (MAINTENANCE)

| FIG ITEM | PART NUMBER | 1 2 3 4 5 6 7 | NOMENCLATURE   | EFFECT FROM TO   | UNITS PER ASSY |
|----------|-------------|---------------|--|------------------|----------------|
| 3<br>60  | WG1136AA01  |               | . DENSITOMETER-EMITTER<br>SUPPLIER CODE:<br>V94580<br>POSITION DATA:<br>LH/RH SIDE<br>SPECIFICATION NUMBER:<br>S345T002-6<br>MISCELLANEOUS DATA:<br>(S345T002-6 OPTIONAL TO<br>S345T002-309 FOR SPARES<br>ONLY. REMOVE COLLIMATOR<br>SLEEVE FROM S345T002-6<br>AND DISCARD WHEN USING<br>AS A SPARE TO<br>S345T002-309)<br>ELECTRICAL EQUIP NUMBER:<br>M00596<br>M00597<br>QUALIFIED I/W DATA:<br>S345T002-6 (WG1136AA01)<br>OPTIONAL TO S345T002-309<br>(WG1136AA02). REMOVE<br>COLLIMATOR SLEEVE FROM<br>S345T002-6 (WG1136AA01)<br>AND DISCARD WHEN USING<br>AS A SPARE TO<br>S345T002-309<br>(WG1136AA02). | 107107<br>904949 | 1              |
| 65       | MS29513-237 |               | .. PACKING-  | 107107<br>904949 | 1              |
| - 100    | 345N2001-3  |               | EQUIPMENT INSTL-FUEL QTY<br>INDICATING SYS<br>(DENSITOMETER ONLY)<br>POSITION DATA:<br>CTR<br>FOR NHA/OTHER SYS DET SEE:<br>28-00-00-01  | 107107<br>904949 | RF             |
| 105      | 740A20-6    |               | . JUMPER ASSY-<br>SUPPLIER CODE:<br>V91812<br>SPECIFICATION NUMBER:<br>BACJ40A20-6<br>OPTIONAL PART:<br>TJEJ40A20-6<br>V33483<br>RBEJ20-6<br>V1GK47  | 107107<br>904949 | 1              |

MISSING ITEM NUMBERS NOT APPLICABLE

- ITEM NOT ILLUSTRATED

28-41-03-03

28-41-03  
FIG. 03  
PAGE 3  
JAN 20/09

BRI



757

PARTS CATALOG (MAINTENANCE)

| FIG ITEM | PART NUMBER | 1 2 3 4 5 6 7 | NOMENCLATURE                         | EFFECT FROM TO   | UNITS PER ASSY |
|----------|-------------|---------------|--------------------------------------|------------------|----------------|
| 3        |             |               | ATTACHING PARTS                      |                  |                |
| 110      | NAS1801-3-8 |               | .SCREW-                              | 107107<br>904949 | 2              |
| 115      | AN960D10L   |               | .WASHER-                             | 107107<br>904949 | 6              |
| 120      | BRH10A3     |               | .NUT-                                | 107107<br>904949 | 2              |
|          |             |               | SUPPLIER CODE:<br>V52828             |                  |                |
|          |             |               | SPECIFICATION NUMBER:<br>BACN10JC3   |                  |                |
|          |             |               | OPTIONAL PART:<br>H10-3BAC           |                  |                |
|          |             |               | V15653                               |                  |                |
|          |             |               | NS202101-02                          |                  |                |
|          |             |               | V80539                               |                  |                |
|          |             |               | RMLH9075-3W                          |                  |                |
|          |             |               | V72962                               |                  |                |
|          |             |               | VN303A02                             |                  |                |
|          |             |               | V92215                               |                  |                |
|          |             |               | 96-02                                |                  |                |
|          |             |               | V80539                               |                  |                |
|          |             |               | T6S1032J                             |                  |                |
|          |             |               | V11815                               |                  |                |
|          |             |               | -----*-----                          |                  |                |
| 125      | LG1136AA01  |               | .DENSITOMETER-                       | 107107           | 1              |
|          |             |               | SUPPLIER CODE:<br>V94580             | 904949           |                |
|          |             |               | POSITION DATA:<br>CTR                |                  |                |
|          |             |               | SPECIFICATION NUMBER:<br>S345T002-27 |                  |                |
|          |             |               | ELECTRICAL EQUIP NUMBER:<br>M10138   |                  |                |
|          |             |               | ATTACHING PARTS                      |                  |                |
| - 130    | NAS1805-4   |               | .NUT-                                | 107107<br>904949 | 4              |
| - 140    | NAS620-416L |               | .WASHER-                             | 107107<br>904949 | 4              |
|          |             |               | -----*-----                          |                  |                |

MISSING ITEM NUMBERS NOT APPLICABLE

- ITEM NOT ILLUSTRATED

28-41-03-03

28-41-03  
FIG. 03  
PAGE 4  
JAN 20/09

BRI

BOEING PROPRIETARY - Copyright © - Unpublished Work - See title page for details.



757

PARTS CATALOG (MAINTENANCE)

| FIG<br>ITEM | PART NUMBER  | 1 2 3 4 5 6 7 | NOMENCLATURE   | EFFECT<br>FROM TO | UNITS<br>PER<br>ASSY |
|-------------|--------------|---------------|--|-------------------|----------------------|
| 3<br>145    | WG1136AA02   |               | .DENSITOMETER-EMITTER<br>SUPPLIER CODE:<br>V94580<br>POSITION DATA:<br>CTR<br>SPECIFICATION NUMBER:<br>S345T002-309<br>MISCELLANEOUS DATA:<br>(S345T002-6 OPTIONAL TO<br>S345T002-309 FOR SPARES<br>ONLY. REMOVE COLLIMATOR<br>SLEEVE FROM S345T002-6<br>AND DISCARD WHEN USING<br>AS A SPARE TO<br>S345T002-309)<br>ELECTRICAL EQUIP NUMBER:<br>M10138<br>QUALIFIED I/W DATA:<br>S345T002-6 (WG1136AA01)<br>OPTIONAL TO S345T002-309<br>(WG1136AA02). REMOVE<br>COLLIMATOR SLEEVE FROM<br>S345T002-6 (WG1136AA01)<br>AND DISCARD WHEN USING<br>AS A SPARE TO<br>S345T002-309<br>(WG1136AA02). | 107107<br>904949  | 1                    |
| 150         | MS29513-237  |               | ..PACKING-   | 107107<br>904949  | 1                    |
| 155         | 345N2122-2   |               | .COLLIMATOR-   | 107107<br>904949  | 1                    |
| - 500       | 286N3306-003 |               | WIRE BUNDLE ASSY   | 107107<br>904949  | RF                   |
| 505         | BACC10GH16   |               | .CLAMP-<br>ELECTRICAL EQUIP NUMBER:<br>D02790T<br>WIRING DIAGRAM REF:<br>284121  | 107107<br>904949  | 1                    |

MISSING ITEM NUMBERS NOT APPLICABLE

- ITEM NOT ILLUSTRATED

BRI

28-41-03-03

BOEING PROPRIETARY - Copyright © - Unpublished Work - See title page for details.

28-41-03  
FIG. 03  
PAGE 5  
JAN 20/09



757

PARTS CATALOG (MAINTENANCE)

| FIG<br>ITEM | PART NUMBER    | 1 2 3 4 5 6 7 | NOMENCLATURE   | EFFECT<br>FROM TO | UNITS<br>PER<br>ASSY |
|-------------|----------------|---------------|--|-------------------|----------------------|
| 3<br>510    | CN096616R10SNL |               | .CONNECTOR-<br>SUPPLIER CODE:<br>V13556<br>SPECIFICATION NUMBER:<br>BCREF5954<br>OPTIONAL PART:<br>ZZY16R10SNL<br>V49367<br>48-06R16R10SNL<br>V02660<br>OVERLENGTH PART NUMBER:<br>BACC63BP16R10SNL<br>ELECTRICAL EQUIP NUMBER:<br>D02790<br>WIRING DIAGRAM REF:<br>284121 | 107107<br>904949  | 1                    |
| - 515       | 286N3406-003   |               | WIRE BUNDLE ASSY   | 107107<br>904949  | RF                   |
| 520         | GS3418-16CD    |               | .CLAMP-<br>SUPPLIER CODE:<br>V06324<br>SPECIFICATION NUMBER:<br>BACC10HG16<br>OPTIONAL PART:<br>S2126-16-8<br>V07418<br>ELECTRICAL EQUIP NUMBER:<br>D02810T<br>D02816T<br>WIRING DIAGRAM REF:<br>284131<br>284141  | 107107<br>904949  | 2                    |

MISSING ITEM NUMBERS NOT APPLICABLE

- ITEM NOT ILLUSTRATED

28-41-03-03

28-41-03  
FIG. 03  
PAGE 6  
JAN 20/09

BRI



**757  
PARTS CATALOG (MAINTENANCE)**

| FIG<br>ITEM | PART NUMBER    | 1 2 3 4 5 6 7<br>NOMENCLATURE   | EFFECT<br>FROM TO | UNITS<br>PER<br>ASSY |
|-------------|----------------|---|-------------------|----------------------|
| 3<br>525    | CN096616R10SNL | .CONNECTOR-<br>SUPPLIER CODE:<br>V13556<br>SPECIFICATION NUMBER:<br>BCREF5954<br>OPTIONAL PART:<br>ZZY16R10SNL<br>V49367<br>48-06R16R10SNL<br>V02660<br>OVERLENGTH PART NUMBER:<br>BACC63BP16R10SNL<br>MISCELLANEOUS DATA:<br>FOR D02810, D02816 SEE<br>ITEMS 600, 605, 610, 615,<br>620<br>ELECTRICAL EQUIP NUMBER:<br>D02810<br>D02816<br>WIRING DIAGRAM REF:<br>284131<br>284141 | 107107<br>904949  | 2                    |

MISSING ITEM NUMBERS NOT APPLICABLE

— ITEM NOT ILLUSTRATED

BRI

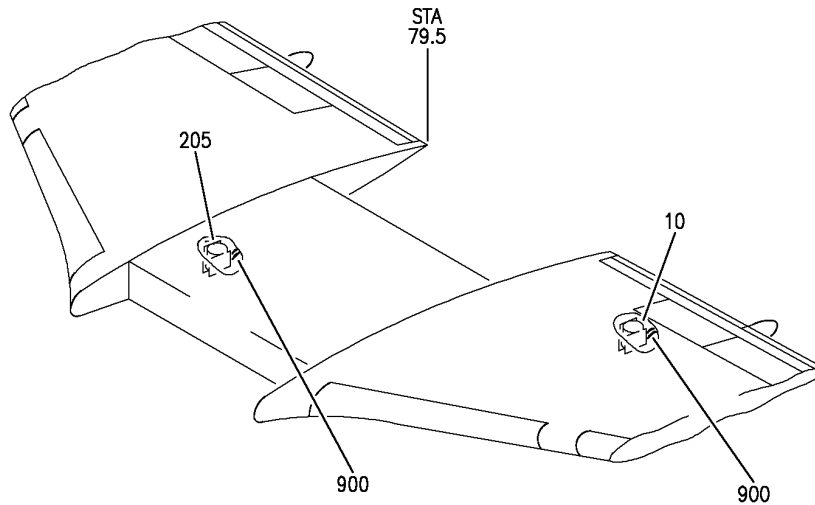
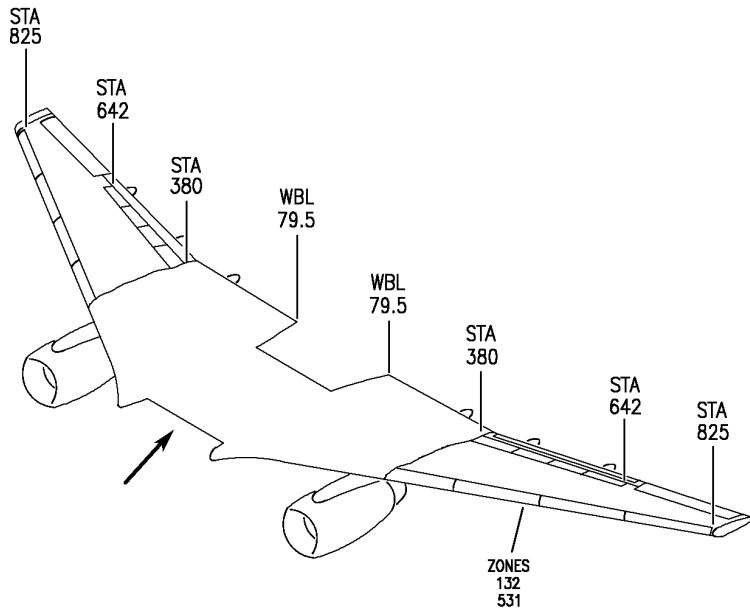
# 28-41-03-03

BOEING PROPRIETARY - Copyright © - Unpublished Work - See title page for details.

28-41-03  
FIG. 03  
PAGE 7  
JAN 20/09



**BOEING**  
757  
PARTS CATALOG (MAINTENANCE)



Y 28410304 REV 260

EQUIPMENT INSTL-FUEL QTY INDICATING SYS (DENSITOMETER ONLY)  
FIGURE 4

**28-41-03-04**

BRI  
MAY 28/07

28-41-03-04  
PAGE 0



757

PARTS CATALOG (MAINTENANCE)

| FIG ITEM | PART NUMBER | 1 2 3 4 5 6 7 | NOMENCLATURE  | EFFECT FROM TO                       | UNITS PER ASSY |
|----------|-------------|---------------|---|--------------------------------------|----------------|
| 4        |             |               | EQUIPMENT INSTL-FUEL QTY INDICATING SYS (DENSITOMETER ONLY)   | 002004<br>006106<br>108903<br>950999 |                |
| - 1      | 345N0201-1  |               | EQUIPMENT INSTL-SIMMONDS FUEL QTY INDICATING SYS (DENSITOMETER ONLY)<br>POSITION DATA:<br>LH<br>FOR NHA/OTHER SYS DET SEE:<br>28-00-00-01   | 002004<br>006100<br>121503<br>950999 | RF             |
| - 1      | 345N0201-5  |               | EQUIPMENT INSTL-SIMMONDS FUEL QTY INDICATING SYS (DENSITOMETER ONLY)<br>POSITION DATA:<br>LH<br>FOR NHA/OTHER SYS DET SEE:<br>28-00-00-05   | 101102<br>504903                     | RF             |
| - 1      | 345N0201-7  |               | EQUIPMENT INSTL-SIMMONDS FUEL QTY INDICATING SYS (DENSITOMETER ONLY)<br>POSITION DATA:<br>LH<br>FOR NHA/OTHER SYS DET SEE:<br>28-00-00-05   | 108120                               | RF             |
| - 1      | MODREF13725 |               | EQUIPMENT INSTL-SIMMONDS FUEL QTY INDICATING SYS (DENSITOMETER ONLY)<br>MODULE NUMBER:<br>345N0201-7 REV A<br>POSITION DATA:<br>LH<br>FOR ADDITIONAL DETAILS SEE:<br>28-41-01-10<br>28-41-02-03 | 103105                               | 1              |
| - 1      | MODREF34250 |               | EQUIPMENT INSTL-SIMMONDS FUEL QTY INDICATING SYS (DENSITOMETER ONLY)<br>MODULE NUMBER:<br>345N0201-9 REV A<br>POSITION DATA:<br>LH<br>FOR ADDITIONAL DETAILS SEE:<br>28-41-01-10<br>28-41-02-03 | 106106                               | 1              |

MISSING ITEM NUMBERS NOT APPLICABLE

- ITEM NOT ILLUSTRATED

28-41-03-04

28-41-03  
FIG. 04  
PAGE 1  
JAN 20/09

BRI



757

PARTS CATALOG (MAINTENANCE)

| FIG ITEM | PART NUMBER | 1 2 3 4 5 6 7 | NOMENCLATURE   | EFFECT FROM TO                       | UNITS PER ASSY |
|----------|-------------|---------------|--|--------------------------------------|----------------|
| 4        |             |               |  |                                      |                |
| - 5      | 345N0201-2  |               | EQUIPMENT INSTL-SIMMONDS<br>FUEL QTY INDICATING SYS<br>(DENSITOMETER ONLY)<br>POSITION DATA:<br>RH<br>FOR NHA/OTHER SYS DET SEE:<br>28-00-00-01  | 002004<br>006100<br>121503<br>950999 | RF             |
| - 5      | 345N0201-6  |               | EQUIPMENT INSTL-SIMMONDS<br>FUEL QTY INDICATING SYS<br>(DENSITOMETER ONLY)<br>POSITION DATA:<br>RH<br>FOR NHA/OTHER SYS DET SEE:<br>28-00-00-05  | 101102<br>504903                     | RF             |
| - 5      | 345N0201-8  |               | EQUIPMENT INSTL-SIMMONDS<br>FUEL QTY INDICATING SYS<br>(DENSITOMETER ONLY)<br>POSITION DATA:<br>RH<br>FOR NHA/OTHER SYS DET SEE:<br>28-00-00-05  | 108120                               | RF             |
| - 5      | MODREF13726 |               | EQUIPMENT INSTL-SIMMONDS<br>FUEL QTY INDICATING SYS<br>(DENSITOMETER ONLY)<br>MODULE NUMBER:<br>345N0201-8 REV A<br>POSITION DATA:<br>RH<br>FOR ADDITIONAL DETAILS SEE:<br>28-41-01-10<br>28-41-02-03  | 103105                               | 1              |
| - 5      | MODREF34248 |               | EQUIPMENT INSTL-SIMMONDS<br>FUEL QTY INDICATING SYS<br>(DENSITOMETER ONLY)<br>MODULE NUMBER:<br>345N0201-10 REV A<br>POSITION DATA:<br>RH<br>FOR ADDITIONAL DETAILS SEE:<br>28-41-01-10<br>28-41-02-03 | 106106                               | 1              |

MISSING ITEM NUMBERS NOT APPLICABLE

- ITEM NOT ILLUSTRATED

28-41-03-04

28-41-03  
FIG. 04  
PAGE 2  
JAN 20/09

BRI



757

PARTS CATALOG (MAINTENANCE)

| FIG ITEM | PART NUMBER      | 1 2 3 4 5 6 7 | NOMENCLATURE  | EFFECT FROM TO                       | UNITS PER ASSY |
|----------|------------------|---------------|---|--------------------------------------|----------------|
| 4        | 10 10065-5000-01 |               | .DENSITOMETER-<br>SUPPLIER CODE:<br>V89305<br>SPECIFICATION NUMBER:<br>60B92018-30<br>ELECTRICAL EQUIP NUMBER:<br>M10901<br>M10902<br>COMPONENT MAINT MANUAL REF:<br>28-40-59<br>OPTIONAL PART:<br>10065-5000-02<br>V89305  | 002004<br>006106<br>108903<br>950999 | 1              |
|          | 10 10065-5000-02 |               | .DENSITOMETER-<br>SUPPLIER CODE:<br>V89305<br>FUNCTIONAL DESCRIPTION:<br>DENSITOMETER SENSES FUEL<br>DENSITY<br>SPECIFICATION NUMBER:<br>60B92018-30<br>ELECTRICAL EQUIP NUMBER:<br>M10901<br>M10902<br>COMPONENT MAINT MANUAL REF:<br>28-40-59<br>OPTIONAL PART:<br>10065-5000-01<br>V89305<br>ATTACHING PARTS | 002004<br>006106<br>108903<br>950999 | 1              |
| - 15     | NAS1801-3-12     |               | .SCREW  | 002004<br>006102<br>121903<br>950999 | 4              |
| - 15     | NAS1801-3-6      |               | .SCREW-   | 103105<br>108120                     | 4              |
| - 15     | BACS12GU3K14     |               | .SCREW-   | 106106                               | 4              |
| - 20     | AN960PD10L       |               | .WASHER   | 002004<br>006102<br>121903<br>950999 | 4              |
| - 20     | NAS1149D0316J    |               | .WASHER-  | 103105<br>108120                     | 4              |
| - 20     | NAS1149D0332J    |               | .WASHER-<br>-----*-----   | 106106                               | 4              |

MISSING ITEM NUMBERS NOT APPLICABLE

- ITEM NOT ILLUSTRATED

28-41-03-04

28-41-03  
FIG. 04  
PAGE 3  
JAN 20/09

BRI



757

PARTS CATALOG (MAINTENANCE)

| FIG ITEM | PART NUMBER   | 1 2 3 4 5 6 7 | NOMENCLATURE  | EFFECT FROM TO                       | UNITS PER ASSY |
|----------|---------------|---------------|---|--------------------------------------|----------------|
| 4        |               |               |   |                                      |                |
| - 200    | 345N0201-3    |               | EQUIPMENT INSTL-SIMMONDS<br>FUEL QTY INDICATING SYS<br>(DENSITOMETER ONLY)<br>POSITION DATA:<br>CTR<br>FOR NHA/OTHER SYS DET SEE:<br>28-00-00-01  | 002004<br>006100<br>121503<br>950999 | RF             |
| - 200    | 345N0201-4    |               | EQUIPMENT INSTL-SIMMONDS<br>FUEL QTY INDICATING SYS<br>(DENSITOMETER ONLY)<br>POSITION DATA:<br>CTR<br>FOR NHA/OTHER SYS DET SEE:<br>28-00-00-05  | 101102<br>108120<br>504903           | RF             |
| - 200    | MODREF13724   |               | EQUIPMENT INSTL-SIMMONDS<br>FUEL QTY INDICATING SYS<br>(DENSITOMETER ONLY)<br>MODULE NUMBER:<br>345N0201-4 REV A<br>POSITION DATA:<br>CTR<br>FOR ADDITIONAL DETAILS SEE:<br>28-41-01-10<br>28-41-02-03                                    | 103105                               | 1              |
| - 200    | MODREF34249   |               | EQUIPMENT INSTL-SIMMONDS<br>FUEL QTY INDICATING SYS<br>(DENSITOMETER ONLY)<br>MODULE NUMBER:<br>345N0201-11 REV A<br>POSITION DATA:<br>CTR<br>FOR ADDITIONAL DETAILS SEE:<br>28-41-01-10<br>28-41-02-03                                   | 106106                               | 1              |
| 205      | 10065-5000-01 |               | .DENSITOMETER-<br>SUPPLIER CODE:<br>V89305<br>POSITION DATA:<br>CTR<br>SPECIFICATION NUMBER:<br>60B92018-30<br>ELECTRICAL EQUIP NUMBER:<br>TS5010<br>COMPONENT MAINT MANUAL REF:<br>28-40-59<br>OPTIONAL PART:<br>10065-5000-02<br>V89305 | 002004<br>006106<br>108903<br>950999 | 1              |

MISSING ITEM NUMBERS NOT APPLICABLE

- ITEM NOT ILLUSTRATED

28-41-03-04

28-41-03  
FIG. 04  
PAGE 4  
JAN 20/09

BRI



757

PARTS CATALOG (MAINTENANCE)

| FIG ITEM | PART NUMBER   | 1 2 3 4 5 6 7 | NOMENCLATURE   | EFFECT FROM TO                       | UNITS PER ASSY |
|----------|---------------|---------------|--|--------------------------------------|----------------|
| 4<br>205 | 10065-5000-02 |               | .DENSITOMETER-<br>SUPPLIER CODE:<br>V89305<br>POSITION DATA:<br>CTR<br>FUNCTIONAL DESCRIPTION:<br>DENSITOMETER SENSES FUEL<br>DENSITY<br>SPECIFICATION NUMBER:<br>60B92018-30<br>ELECTRICAL EQUIP NUMBER:<br>TS5010<br>COMPONENT MAINT MANUAL REF:<br>28-40-59<br>OPTIONAL PART:<br>10065-5000-01<br>V89305<br>ATTACHING PARTS | 002004<br>006106<br>108903<br>950999 | 1              |
| - 210    | NAS1801-3-12  |               | .SCREW-  | 002004<br>006105<br>108903<br>950999 | 4              |
| - 210    | BACS12GU3K9   |               | .SCREW-  | 106106                               | 4              |
| - 215    | AN960PD10L    |               | .WASHER-   | 002004<br>006105<br>108903<br>950999 | 4              |
| - 215    | NAS1149D0332J |               | .WASHER-<br>-----*-----  | 106106                               | 4              |
| 900      |               |               | ILLUSTRATION REFERENCE:<br>SUPPORT INSTL-FUEL QTY IND<br>SYS INSPAR WIRE<br>28-41-09-01  | 002004<br>006106<br>108903<br>950999 | RF             |

MISSING ITEM NUMBERS NOT APPLICABLE

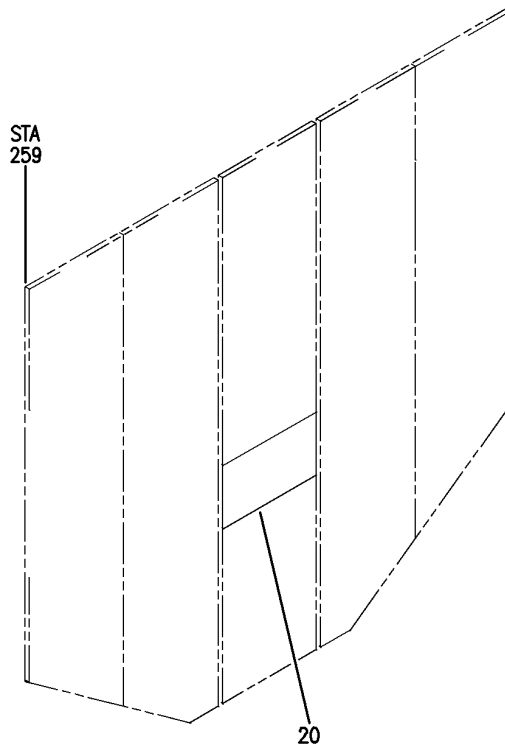
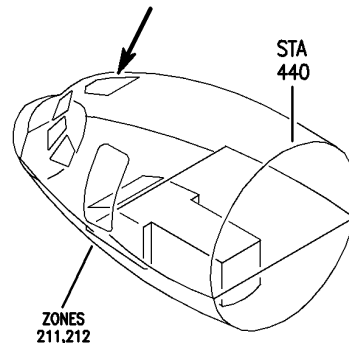
- ITEM NOT ILLUSTRATED

28-41-03-04

28-41-03  
FIG. 04  
PAGE 5  
JAN 20/09

BRI

**BOEING**  
757  
PARTS CATALOG (MAINTENANCE)



Y 28410401 REV 256

PANEL INSTL-P5 OVHD (FQIS FUEL QUANTITY INDICATOR ONLY)

FIGURE 1

**28-41-04-01**

BRI  
MAY 28/07

28-41-04-01  
PAGE 0



757

PARTS CATALOG (MAINTENANCE)

| FIG ITEM | PART NUMBER  | 1 2 3 4 5 6 7 | NOMENCLATURE   | EFFECT FROM TO             | UNITS PER ASSY |
|----------|--------------|---------------|--|----------------------------|----------------|
| 1        |              |               | PANEL INSTL-P5 OVHD (FQIS FUEL QUANTITY INDICATOR ONLY)  | 101106<br>108120<br>504903 |                |
| - 3      | 233N3103-59  |               | PANEL INSTL-P5 OVHD (FQIS FUEL QUANTITY INDICATOR ONLY)<br>FOR NHA/OTHER SYS DET SEE:<br>25-10-00-15E  | 108120                     | RF             |
| - 5      | 233N3103-132 |               | PANEL INSTL-P5 OVHD (FQIS FUEL QUANTITY INDICATOR ONLY)<br>FOR NHA/OTHER SYS DET SEE:<br>25-10-00-15E  | 101102                     | RF             |
| - 5      | 233N3103-136 |               | PANEL INSTL-P5 OVHD (FQIS FUEL QUANTITY INDICATOR ONLY)<br>FOR NHA/OTHER SYS DET SEE:<br>25-10-00-15E  | 504903                     | RF             |
| - 8      | MODREF170180 |               | PANEL INSTL-P5 OVHD (FQIS FUEL QUANTITY INDICATOR ONLY)<br>MODULE NUMBER:<br>233N3103-353 REV B<br>FOR OTHER SYS DETAILS SEE:<br>11-31-10-12<br>21-25-55-03<br>21-31-01-02<br>21-33-51-03<br>21-51-54-03<br>21-58-19-10<br>21-58-51-03<br>21-61-04-03<br>21-65-51-01<br>22-21-01-04<br>22-24-51-02<br>23-24-01-01<br>23-32-00-11<br>23-42-02-02<br>23-71-05-02<br>24-11-52-05<br>24-22-01-03<br>24-31-01-10<br>24-31-03-09<br>24-33-04-01<br>24-41-51-04<br>24-51-62-01<br>26-18-51-04<br>27-21-53-02<br>27-41-55-01 | 106106                     | 1              |

MISSING ITEM NUMBERS NOT APPLICABLE

- ITEM NOT ILLUSTRATED

28-41-04-01

28-41-04  
FIG. 01  
PAGE 1  
JAN 20/09

BRI





757

PARTS CATALOG (MAINTENANCE)

| FIG<br>ITEM | PART NUMBER | 1 2 3 4 5 6 7 NOMENCLATURE  | EFFECT<br>FROM TO | UNITS<br>PER<br>ASSY |
|-------------|-------------|---|-------------------|----------------------|
| 1           |             | 27-61-51-03<br>27-62-52-02<br>28-22-51-02<br>29-11-02-03<br>29-11-05-04<br>29-11-52-07<br>29-21-54-03<br>29-31-00-01<br>29-32-51-03<br>29-33-52-03<br>30-11-51-03<br>30-21-51-03<br>30-31-51-02<br>30-32-51-01<br>30-33-51-02<br>30-41-51-03<br>30-42-51-03<br>31-12-11-84<br>31-12-11-84 A<br>32-42-52-03<br>33-11-03-03<br>33-11-51-17<br>33-13-01-65<br>33-13-02-03<br>33-16-51-03<br>33-24-51-02<br>33-41-52-04<br>33-42-01-04<br>33-42-02-04<br>33-42-52-04<br>33-43-51-04<br>33-44-51-05<br>33-45-53-03<br>33-51-08-05<br>34-21-02-01<br>35-21-51-04<br>36-11-04-01<br>36-21-00-01<br>36-21-02-05<br>36-22-51-03<br>49-41-00-02<br>49-52-00-01<br>49-70-00-01<br>52-51-51-03<br>52-71-51-02<br>73-21-52-02<br>74-31-51-05<br>75-32-00-01<br>80-11-09-02 |                   |                      |

MISSING ITEM NUMBERS NOT APPLICABLE

- ITEM NOT ILLUSTRATED

28-41-04-01

28-41-04  
FIG. 01  
PAGE 2  
JAN 20/09

BR I



757

PARTS CATALOG (MAINTENANCE)

| FIG ITEM                            | PART NUMBER | 1 2 3 4 5 6 7 | NOMENCLATURE   | EFFECT FROM TO | UNITS PER ASSY |
|-------------------------------------|-------------|---------------|--|----------------|----------------|
| 1                                   |             |               |  |                |                |
| - 10                                | MODREF33760 |               | FOR ADDITIONAL DETAILS SEE:<br>28-41-51-03<br>PANEL INSTL-P5 OVHD (FQIS<br>FUEL QUANTITY INDICATOR<br>ONLY)<br>MODULE NUMBER:<br>233N3103-351 REV C<br>FOR OTHER SYS DETAILS SEE:<br>11-31-10-12<br>21-25-55-03<br>21-31-01-02<br>21-33-51-03<br>21-51-54-03<br>21-58-19-10<br>21-58-51-03<br>21-61-04-03<br>21-65-51-01<br>22-21-01-04<br>22-24-51-02<br>23-24-01-01<br>23-32-00-11<br>23-42-02-02<br>23-71-05-02<br>24-11-52-05<br>24-22-01-03<br>24-31-01-10<br>24-31-03-09<br>24-33-04-01<br>24-41-51-04<br>24-51-62-01<br>26-18-51-04<br>27-21-53-02<br>27-41-55-01<br>27-61-51-03<br>27-62-52-02<br>28-22-51-02<br>29-11-02-03<br>29-11-05-04<br>29-11-52-07<br>29-21-54-03<br>29-31-00-01<br>29-32-51-03<br>29-33-52-03<br>30-11-51-03<br>30-21-51-03<br>30-31-51-02<br>30-32-51-01<br>30-33-51-02<br>30-41-51-03 | 103103         | 1              |
| MISSING ITEM NUMBERS NOT APPLICABLE |             |               |  |                |                |

- ITEM NOT ILLUSTRATED

# 28-41-04-01

28-41-04  
 FIG. 01  
 PAGE 3  
 JAN 20/09

BRI



757

PARTS CATALOG (MAINTENANCE)

| FIG<br>ITEM | PART NUMBER | 1 2 3 4 5 6 7 NOMENCLATURE   | EFFECT<br>FROM TO | UNITS<br>PER<br>ASSY |
|-------------|-------------|--|-------------------|----------------------|
| 1           |             | 30-42-51-03<br>31-12-11-91<br>31-12-11-91A<br>32-42-52-03<br>33-11-03-03<br>33-11-51-17<br>33-13-01-65<br>33-13-02-03<br>33-16-51-03<br>33-24-51-02<br>33-41-52-04<br>33-42-01-04<br>33-42-02-04<br>33-42-52-04<br>33-43-51-04<br>33-44-51-05<br>33-45-53-03<br>33-51-08-05<br>34-21-02-01<br>35-21-51-04<br>36-11-04-01<br>36-21-00-01<br>36-21-02-05<br>36-22-51-03<br>49-41-00-02<br>49-52-00-01<br>49-70-00-01<br>52-51-51-03<br>52-71-51-02<br>73-21-52-02<br>74-31-51-05<br>75-32-00-01<br>80-11-09-02 |                   |                      |
| - 10        | MODREF34038 | FOR ADDITIONAL DETAILS SEE:<br>28-41-51-03<br>PANEL INSTL-P5 OVHD (FQIS<br>FUEL QUANTITY INDICATOR<br>ONLY)<br>MODULE NUMBER:<br>233N3103-351 REV D<br>FOR OTHER SYS DETAILS SEE:<br>11-31-10-12<br>21-25-55-03<br>21-31-01-02<br>21-33-51-03<br>21-51-54-03<br>21-58-19-10<br>21-58-51-03<br>21-61-04-03  | 104105            | 1                    |

MISSING ITEM NUMBERS NOT APPLICABLE

- ITEM NOT ILLUSTRATED

BRI

28-41-04-01

BOEING PROPRIETARY - Copyright © - Unpublished Work - See title page for details.

28-41-04  
 FIG. 01  
 PAGE 4  
 JAN 20/09



757

PARTS CATALOG (MAINTENANCE)

| FIG ITEM | PART NUMBER | 1 2 3 4 5 6 7 | NOMENCLATURE  | EFFECT FROM TO | UNITS PER ASSY |
|----------|-------------|---------------|---|----------------|----------------|
| 1        |             |               | 21-65-51-01<br>22-21-01-04<br>22-24-51-02<br>23-24-01-01<br>23-32-00-11<br>23-42-02-02<br>23-71-05-02<br>24-11-52-05<br>24-22-01-03<br>24-31-01-10<br>24-31-03-09<br>24-33-04-01<br>24-41-51-04<br>24-51-62-01<br>26-18-51-04<br>27-21-53-02<br>27-41-55-01<br>27-61-51-03<br>27-62-52-02<br>28-22-51-02<br>29-11-02-03<br>29-11-05-04<br>29-11-52-07<br>29-21-54-03<br>29-31-00-01<br>29-32-51-03<br>29-33-52-03<br>30-11-51-03<br>30-21-51-03<br>30-31-51-02<br>30-32-51-01<br>30-33-51-02<br>30-41-51-03<br>30-42-51-03<br>31-12-11-91<br>31-12-11-91 A<br>32-42-52-03<br>33-11-03-03<br>33-11-51-17<br>33-13-01-65<br>33-13-02-03<br>33-16-51-03<br>33-24-51-02<br>33-41-52-04<br>33-42-01-04<br>33-42-02-04<br>33-42-52-04<br>33-43-51-04<br>33-44-51-05 |                |                |

MISSING ITEM NUMBERS NOT APPLICABLE

- ITEM NOT ILLUSTRATED

BR I

# 28-41-04-01

BOEING PROPRIETARY - Copyright © - Unpublished Work - See title page for details.

28-41-04  
FIG. 01  
PAGE 5  
JAN 20/09



757

PARTS CATALOG (MAINTENANCE)

| FIG<br>ITEM | PART NUMBER | 1 2 3 4 5 6 7 NOMENCLATURE  | EFFECT<br>FROM TO          | UNITS<br>PER<br>ASSY |
|-------------|-------------|---|----------------------------|----------------------|
| 1           |             | 33-45-53-03<br>33-51-08-05<br>34-21-02-01<br>35-21-51-04<br>36-11-04-01<br>36-21-00-01<br>36-21-02-05<br>36-22-51-03<br>49-41-00-02<br>49-52-00-01<br>49-70-00-01<br>52-51-51-03<br>52-71-51-02<br>73-21-52-02<br>74-31-51-05<br>75-32-00-01<br>80-11-09-02<br>FOR ADDITIONAL DETAILS SEE:<br>28-41-51-03<br>.INDICATOR ASSY-FUEL QTY<br>SUPPLIER CODE:<br>V89305<br>SPECIFICATION NUMBER:<br>S345N001-001<br>ELECTRICAL EQUIP NUMBER:<br>M10054<br>COMPONENT MAINT MANUAL REF:<br>28-42-08<br>OPTIONAL PART:<br>10080-0201<br>V89305<br>OPTIONAL PART:<br>10080-0201<br>V89305 | 101102<br>108120<br>504903 | 1                    |
| 20          | 10080-0101  |   |                            |                      |

MISSING ITEM NUMBERS NOT APPLICABLE

- ITEM NOT ILLUSTRATED

BRI

**28-41-04-01**

BOEING PROPRIETARY - Copyright © - Unpublished Work - See title page for details.

28-41-04  
 FIG. 01  
 PAGE 6  
 JAN 20/09



757

PARTS CATALOG (MAINTENANCE)

| FIG<br>ITEM | PART NUMBER | 1 2 3 4 5 6 7 | NOMENCLATURE   | EFFECT<br>FROM TO          | UNITS<br>PER<br>ASSY |
|-------------|-------------|---------------|--|----------------------------|----------------------|
| 1<br>20     | 10080-0201  |               | .INDICATOR ASSY-FUEL QTY<br>SUPPLIER CODE:<br>V89305<br>FUNCTIONAL DESCRIPTION:<br>MODULE DISPLAYS<br>INDIVIDUAL TANK<br>QUANTITY, TOTAL QUANTITY<br>& TEMPERATURE OF MAIN<br>TANK<br>SPECIFICATION NUMBER:<br>S345N001-001<br>ELECTRICAL EQUIP NUMBER:<br>M10054<br>COMPONENT MAINT MANUAL REF:<br>28-42-08<br>OPTIONAL PART:<br>10080-0101<br>V89305<br>OPTIONAL PART:<br>10080-0101<br>V89305 | 101106<br>108120<br>504903 | 1                    |

MISSING ITEM NUMBERS NOT APPLICABLE

- ITEM NOT ILLUSTRATED

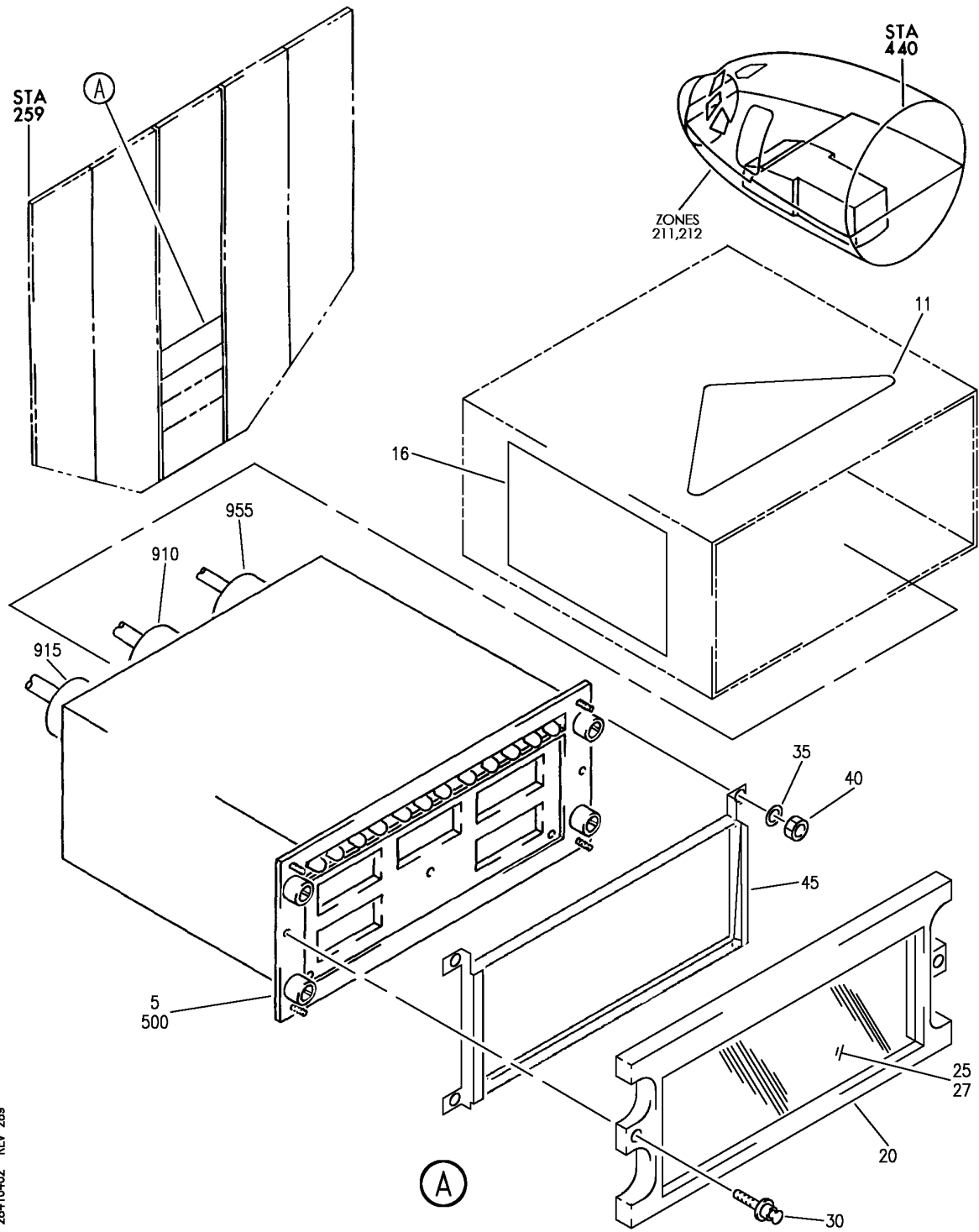
BRI

28-41-04-01

BOEING PROPRIETARY - Copyright © - Unpublished Work - See title page for details.

28-41-04  
FIG. 01  
PAGE 7  
JAN 20/09

**BOEING**  
757  
PARTS CATALOG (MAINTENANCE)



Y 28410402 REV 289

PANEL INSTL-P5 OVHD (FQIS FUEL QUANTITY INDICATOR ONLY)  
FIGURE 2

**28-41-04-02**

BRI  
MAY 28/07

28-41-04-02  
PAGE 0



757

PARTS CATALOG (MAINTENANCE)

| FIG ITEM | PART NUMBER | 1 2 3 4 5 6 7 | NOMENCLATURE  | EFFECT FROM TO                                 | UNITS PER ASSY |
|----------|-------------|---------------|---|--|----------------|
| 2        |             |               | PANEL INSTL-P5 OVHD (FQIS FUEL QUANTITY INDICATOR ONLY)   | 002004<br>006100<br>107107<br>121503<br>904999 |                |
| - 1      | 233N3101-1  |               | PANEL INSTL-P5 OVHD (FQIS FUEL QUANTITY INDICATOR ONLY)<br>VARIABLE DRAWING REF:<br>233N3101-5005<br>233N3101-5025<br>233N3101-5041<br>233N3101-5042<br>233N3101-5045<br>233N3101-5142<br>FOR NHA/OTHER SYS DET SEE:<br>25-10-00-05A  | 002004<br>006100<br>107107<br>121503<br>904999 | RF             |
| 5        | 20-212-07   |               | .INDICATOR-INTEGRATED FUEL QTY<br>SUPPLIER CODE:<br>V35012<br>SPECIFICATION NUMBER:<br>S345N011-8<br>ELECTRICAL EQUIP NUMBER:<br>M10054<br>WIRING DIAGRAM REF:<br>284111<br>COMPONENT MAINT MANUAL REF:<br>28-41-60<br>POST SERVICE BULLETIN:<br>31-0173<br>28-0116<br>FUNCTIONAL REFERENCE:<br>LIGHTS<br>FOR DETAILS SEE<br>33-13-51-50G | 107107<br>904949                               | 1              |

MISSING ITEM NUMBERS NOT APPLICABLE

- ITEM NOT ILLUSTRATED

BRI

28-41-04-02

BOEING PROPRIETARY - Copyright © - Unpublished Work - See title page for details.

28-41-04  
FIG. 02  
PAGE 1  
JAN 20/09





757

PARTS CATALOG (MAINTENANCE)

| FIG<br>ITEM | PART NUMBER | 1 2 3 4 5 6 7 | NOMENCLATURE   | EFFECT<br>FROM TO | UNITS<br>PER<br>ASSY |
|-------------|-------------|---------------|--|-------------------|----------------------|
| 2           |             |               |  |                   |                      |
| 5           | 20-212-09   |               | .INDICATOR-INTEGRATED FUEL<br>QTY<br>SUPPLIER CODE:<br>V35012<br>SPECIFICATION NUMBER:<br>S345N011-7<br>ELECTRICAL EQUIP NUMBER:<br>M10054<br>WIRING DIAGRAM REF:<br>284111<br>COMPONENT MAINT MANUAL REF:<br>28-41-60<br>PRE SERVICE BULLETIN:<br>31-0173<br>FUNCTIONAL REFERENCE:<br>LIGHTS<br>FOR DETAILS SEE<br>33-13-51-50G | 107107            | 1                    |
| 11          | 102417-001  |               | ..LABEL-CAUTION ESE<br>SUPPLIER CODE:<br>V35012  | 107107<br>904949  | 1                    |
| 16          | 102331-001  |               | ..NAMEPLATE-<br>SUPPLIER CODE:<br>V35012   | 107107<br>904949  | 1                    |
| 20          | 102843-001  |               | ..BEZEL ASSY-<br>SUPPLIER CODE:<br>V35012  | 107107<br>904949  | 1                    |
| 25          | 102205-001  |               | ..BEZEL-CSTG<br>SUPPLIER CODE:<br>V35012   | 107107<br>904949  | 1                    |
| 27          | 102842-001  |               | ..BEZEL-<br>SUPPLIER CODE:<br>V35012   | 107107<br>904949  | 1                    |
| 30          | PS10-440-40 |               | ..SCREW-<br>SUPPLIER CODE:<br>V35012   | 107107<br>904949  | 2                    |
| 35          | NAS620C2    |               | ..WASHER   | 107107<br>904949  | 16                   |
| 40          | NAS1291C02M |               | ..NUT  | 107107<br>904949  | 4                    |
| 45          | 102838-001  |               | ..BRACKET-<br>SUPPLIER CODE:<br>V35012   | 107107<br>904949  | 1                    |

MISSING ITEM NUMBERS NOT APPLICABLE

- ITEM NOT ILLUSTRATED

28-41-04-02

28-41-04  
FIG. 02  
PAGE 2  
JAN 20/09

BRI



757

PARTS CATALOG (MAINTENANCE)

| FIG ITEM | PART NUMBER     | 1 2 3 4 5 6 7 | NOMENCLATURE  | EFFECT FROM TO                       | UNITS PER ASSY |
|----------|-----------------|---------------|---|--------------------------------------|----------------|
| 2<br>500 | 10080-0101      | .             | INDICATOR ASSY-FUEL QTY<br>SUPPLIER CODE:<br>V89305<br>SPECIFICATION NUMBER:<br>S345N001-001<br>ELECTRICAL EQUIP NUMBER:<br>M10054<br>COMPONENT MAINT MANUAL REF:<br>28-42-08<br>OPTIONAL PART:<br>10080-0201<br>V89305   | 002004<br>006100<br>121503<br>950999 | 1              |
| 500      | 10080-0201      | .             | INDICATOR ASSY-FUEL QTY<br>SUPPLIER CODE:<br>V89305<br>FUNCTIONAL DESCRIPTION:<br>MODULE DISPLAYS<br>INDIVIDUAL TANK<br>QUANTITY, TOTAL QUANTITY<br>& TEMPERATURE OF MAIN<br>TANK<br>SPECIFICATION NUMBER:<br>S345N001-001<br>ELECTRICAL EQUIP NUMBER:<br>M10054<br>COMPONENT MAINT MANUAL REF:<br>28-42-08<br>OPTIONAL PART:<br>10080-0101<br>V89305 | 002004<br>006100<br>121503<br>950999 | 1              |
| - 900    | 286N2066-006    |               | WIRE BUNDLE ASSY-   | 904949                               | RF             |
| - 900    | 286N2066-007    |               | WIRE BUNDLE ASSY  | 107107                               | RF             |
| 910      | BACC45FT20A39S  | .             | CONNECTOR-<br>ELECTRICAL EQUIP NUMBER:<br>D03510<br>WIRING DIAGRAM REF:<br>284111   | 107107<br>904949                     | 1              |
| 915      | BACC45FT14A15S9 | .             | CONNECTOR-<br>ELECTRICAL EQUIP NUMBER:<br>D03584<br>WIRING DIAGRAM REF:<br>284111   | 107107<br>904949                     | 1              |
| - 950    | 286N2070-003    |               | WIRE BUNDLE ASSY-   | 904949                               | RF             |
| - 950    | 286N2070-004    |               | WIRE BUNDLE ASSY  | 107107                               | RF             |
| 955      | BACC45FT20A39S6 | .             | CONNECTOR-<br>ELECTRICAL EQUIP NUMBER:<br>D03536<br>WIRING DIAGRAM REF:<br>284111   | 107107<br>904949                     | 1              |

MISSING ITEM NUMBERS NOT APPLICABLE

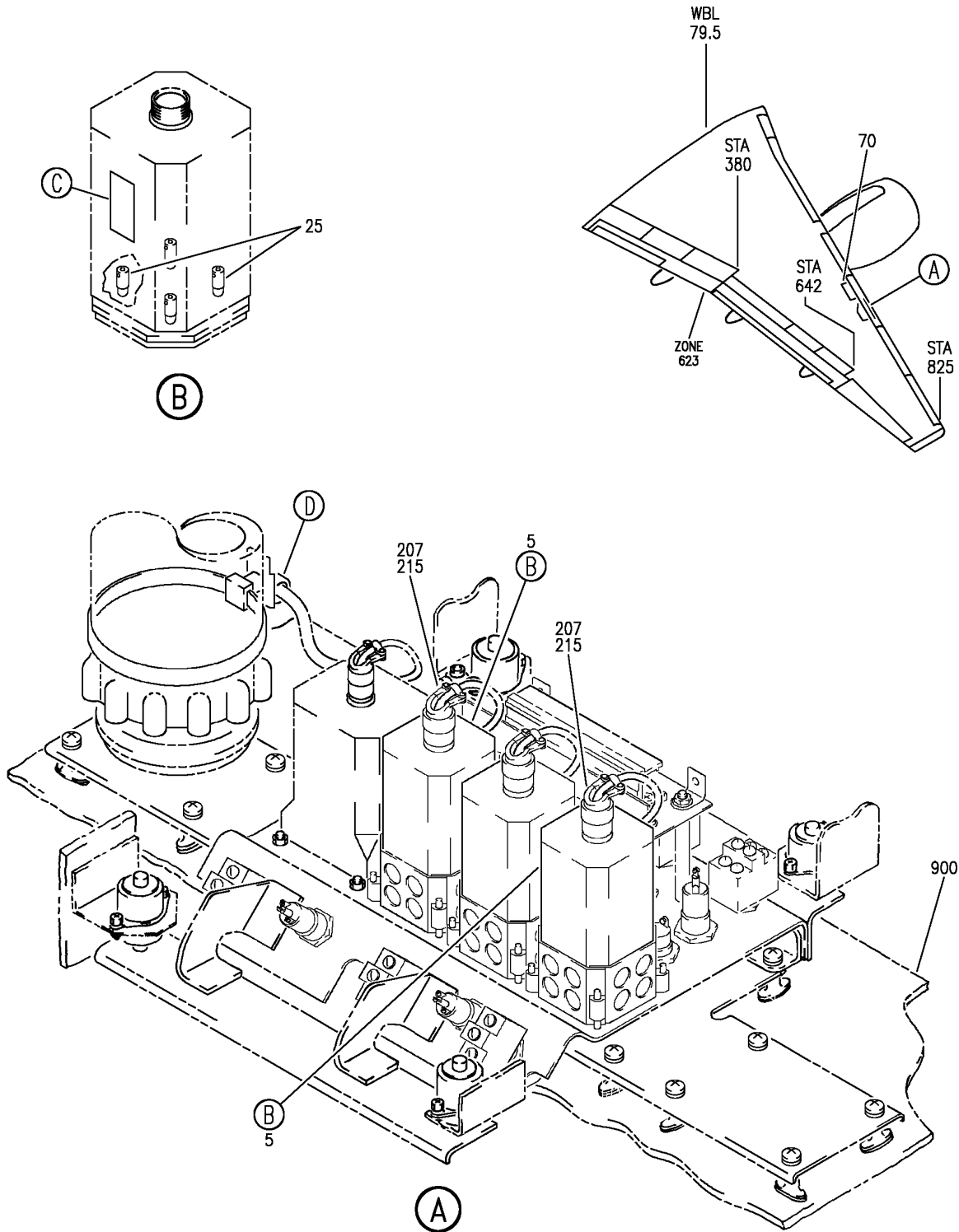
- ITEM NOT ILLUSTRATED

28-41-04-02

28-41-04  
FIG. 02  
PAGE 3  
JAN 20/09

BRI

**BOEING**  
757  
PARTS CATALOG (MAINTENANCE)



Y 28410601 SHT 1 REV 274

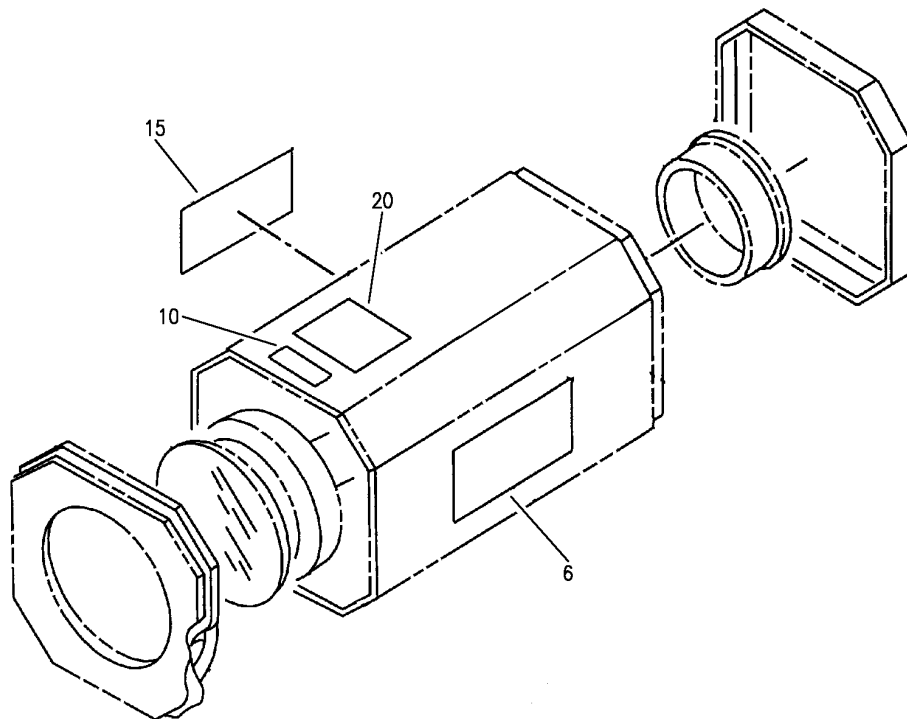
PANEL INSTL-FUELING CONT (FQIS LOAD SELECT INDICATOR ONLY)  
FIGURE 1 (SHEET 1)

**28-41-06-01**

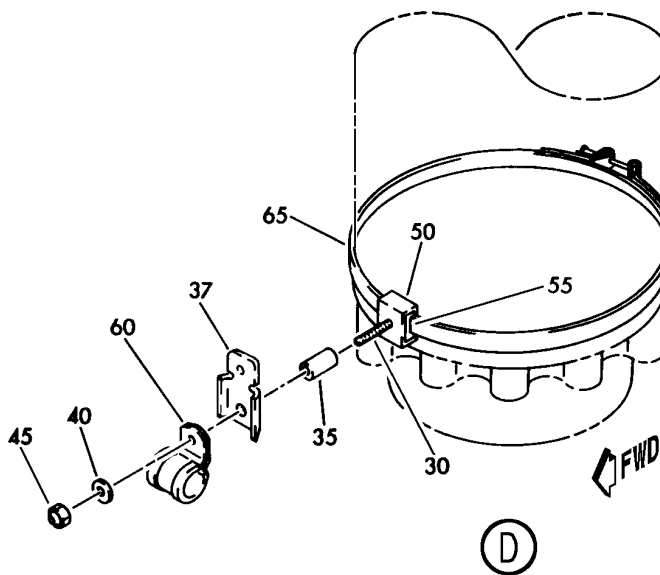
BRI  
MAY 28/07

28-41-06-01  
PAGE 0

**BOEING**  
757  
PARTS CATALOG (MAINTENANCE)



(C)



(D)

Y 28410601 SH1 2 REV 274

PANEL INSTL-FUELING CONT (FQIS LOAD SELECT INDICATOR ONLY)  
FIGURE 1 (SHEET 2)

**28-41-06-01**

BRI  
MAY 28/07

28-41-06-01  
PAGE 0A



757

PARTS CATALOG (MAINTENANCE)

| FIG ITEM | PART NUMBER | 1 2 3 4 5 6 7 | NOMENCLATURE   | EFFECT FROM TO                       | UNITS PER ASSY |
|----------|-------------|---------------|--|--------------------------------------|----------------|
| 1        |             |               | PANEL INSTL-FUELING CONT<br>(FQIS LOAD SELECT INDICATOR ONLY)  | 002004<br>006999                     |                |
| - 1      | 344N5001-8  |               | PANEL INSTL-FUELING CONT<br>(FUEL QUANTITY INDICATING SYSTEM ONLY)<br>FOR NHA/OTHER SYS DET SEE:<br>28-00-01-01  | 107107<br>904949                     | RF             |
| - 1      | 344N5001-12 |               | PANEL INSTL-FUELING CONT<br>(FQIS LOAD SELECT INDICATOR ONLY)<br>FOR NHA/OTHER SYS DET SEE:<br>28-00-01-01   | 002004<br>952952                     | RF             |
| - 1      | 344N5001-14 |               | PANEL INSTL-FUELING CONT<br>(FQIS LOAD SELECT INDICATOR ONLY)<br>FOR NHA/OTHER SYS DET SEE:<br>28-00-01-01   | 006100<br>121503<br>950951<br>953999 | RF             |
| - 1      | 344N5001-17 |               | PANEL INSTL-FUELING CONT<br>(FQIS LOAD SELECT INDICATOR ONLY)<br>FOR NHA/OTHER SYS DET SEE:<br>28-00-00-05   | 101102<br>504903                     | RF             |
| - 2      | 344N5001-23 |               | PANEL INSTL-FUELING CONT<br>(FQIS LOAD SELECT INDICATOR ONLY)<br>FOR NHA/OTHER SYS DET SEE:<br>28-00-00-05   | 108120                               | RF             |
| - 2      | MODREF13723 |               | PANEL INSTL-FUELING CONT<br>(FQIS LOAD SELECT INDICATOR ONLY)<br>MODULE NUMBER:<br>344N5001-24 REV A<br>FOR OTHER SYS DETAILS SEE:<br>28-14-01-04<br>28-26-51-01<br>FOR ADDITIONAL DETAILS SEE:<br>28-41-07-01 | 103105                               | 1              |
| - 2      | MODREF34278 |               | PANEL INSTL-FUELING CONT<br>(FQIS LOAD SELECT INDICATOR ONLY)<br>MODULE NUMBER:<br>344N5001-25 REV A<br>FOR OTHER SYS DETAILS SEE:<br>28-14-01-04<br>28-26-51-01<br>FOR ADDITIONAL DETAILS SEE:<br>28-41-07-01 | 106106                               | 1              |

MISSING ITEM NUMBERS NOT APPLICABLE

- ITEM NOT ILLUSTRATED

28-41-06-01

28-41-06  
FIG. 01  
PAGE 1  
JAN 20/09

BRI



757

PARTS CATALOG (MAINTENANCE)

| FIG ITEM | PART NUMBER  | 1 2 3 4 5 6 7 | NOMENCLATURE  | EFFECT FROM TO   | UNITS PER ASSY |
|----------|--------------|---------------|---|------------------|----------------|
| 1        | 5 JG1208CA01 |               | .INDICATOR ASSY-<br>SUPPLIER CODE:<br>V65507<br>SPECIFICATION NUMBER:<br>S345T002-123<br>ELECTRICAL EQUIP NUMBER:<br>N00092<br>N00093<br>N10011<br>WIRING DIAGRAM REF:<br>284111<br>COMPONENT MAINT MANUAL REF:<br>28-41-38<br>OPTIONAL PART:<br>JG1208AA02<br>V65507<br>POST SERVICE BULLETIN:<br>31-0173<br>28-0116   | 107107<br>904949 | 3              |
|          | 5 JG1208AA02 |               | .INDICATOR-<br>SUPPLIER CODE:<br>V65507<br>SPECIFICATION NUMBER:<br>S345T002-123<br>SB DATA FROM A CMM:<br>PRE JG1208AA-28-01<br>ELECTRICAL EQUIP NUMBER:<br>N00092<br>N00093<br>N10011<br>WIRING DIAGRAM REF:<br>284111<br>COMPONENT MAINT MANUAL REF:<br>28-41-05<br>OPTIONAL PART:<br>JG1208CA01<br>V65507<br>POST SERVICE BULLETIN:<br>31-0173<br>28-0116 | 107107<br>904949 | 3              |

MISSING ITEM NUMBERS NOT APPLICABLE

- ITEM NOT ILLUSTRATED

BRI

28-41-06-01

BOEING PROPRIETARY - Copyright © - Unpublished Work - See title page for details.

28-41-06  
FIG. 01  
PAGE 2  
JAN 20/09



757

PARTS CATALOG (MAINTENANCE)

| FIG ITEM | PART NUMBER  | 1 2 3 4 5 6 7 | NOMENCLATURE   | EFFECT FROM TO | UNITS PER ASSY |
|----------|--------------|---------------|--|----------------|----------------|
| 1        | 5 JG1208AK01 |               | .INDICATOR-<br>SUPPLIER CODE:<br>V65507<br>SPECIFICATION NUMBER:<br>S345T002-53<br>SB DATA FROM A CMM:<br>PRE JG1208AA-28-01<br>ELECTRICAL EQUIP NUMBER:<br>N00092<br>N00093<br>N10011<br>WIRING DIAGRAM REF:<br>284111<br>COMPONENT MAINT MANUAL REF:<br>28-41-05<br>OPTIONAL PART:<br>JG1208CK01<br>V65507<br>PRE SERVICE BULLETIN:<br>31-0173 | 107107         | 3              |
|          | 5 JG1208CK01 |               | .INDICATOR ASSY-<br>SUPPLIER CODE:<br>V65507<br>SPECIFICATION NUMBER:<br>S345T002-53<br>ELECTRICAL EQUIP NUMBER:<br>N00092<br>N00093<br>N10011<br>WIRING DIAGRAM REF:<br>284111<br>COMPONENT MAINT MANUAL REF:<br>28-41-38<br>OPTIONAL PART:<br>JG1208AK01<br>V65507<br>PRE SERVICE BULLETIN:<br>31-0173   | 107107         | 3              |

MISSING ITEM NUMBERS NOT APPLICABLE

- ITEM NOT ILLUSTRATED

BRI

28-41-06-01

BOEING PROPRIETARY - Copyright © - Unpublished Work - See title page for details.

28-41-06  
FIG. 01  
PAGE 3  
JAN 20/09



757

PARTS CATALOG (MAINTENANCE)

| FIG ITEM | PART NUMBER    | 1 2 3 4 5 6 7 | NOMENCLATURE   | EFFECT FROM TO                       | UNITS PER ASSY |
|----------|----------------|---------------|--|--------------------------------------|----------------|
| 1        | 5 10078-0101   |               | . INDICATOR ASSY-<br>SUPPLIER CODE:<br>V89305<br>FUNCTIONAL DESCRIPTION:<br>THREE INDICATORS AT THE<br>FUELING STATION,<br>PROVIDES FUEL QUANTITY<br>FOR EACH TANK & LOAD<br>SELECTION FOR FUELING<br>SPECIFICATION NUMBER:<br>S345N001-010<br>ELECTRICAL EQUIP NUMBER:<br>N10038<br>N10039<br>N10040<br>COMPONENT MAINT MANUAL REF:<br>28-42-09 | 002004<br>006106<br>108903<br>950999 | 3              |
|          | 6 26009630-101 |               | .. PLATE-IDENT<br>SUPPLIER CODE:<br>V65507<br>OPTIONAL PART:<br>10077201-108<br>V65507<br>USED ON:<br>JG1208AA02<br>POST SERVICE BULLETIN:<br>31-0173  | 107107<br>904949                     | 1              |
|          | 6 26009630-103 |               | .. PLATE-IDENT<br>SUPPLIER CODE:<br>V65507<br>OPTIONAL PART:<br>10077201-108<br>V65507<br>USED ON:<br>JG1208AK01<br>PRE SERVICE BULLETIN:<br>31-0173   | 107107                               | 1              |
|          | 6 26009630-102 |               | .. PLATE-IDENT<br>SUPPLIER CODE:<br>V65507<br>OPTIONAL PART:<br>10077201-108<br>V65507<br>USED ON:<br>JG1208CA01<br>POST SERVICE BULLETIN:<br>31-0173  | 107107<br>904949                     | 1              |

MISSING ITEM NUMBERS NOT APPLICABLE

- ITEM NOT ILLUSTRATED

28-41-06-01

28-41-06  
FIG. 01  
PAGE 4  
JAN 20/09

BRI





757

PARTS CATALOG (MAINTENANCE)

| FIG ITEM | PART NUMBER  | 1 2 3 4 5 6 7 | NOMENCLATURE   | EFFECT FROM TO   | UNITS PER ASSY |
|----------|--------------|---------------|--|------------------|----------------|
| 1        |              |               |  |                  |                |
| 6        | 26009630-104 | ..            | PLATE-IDENT<br>SUPPLIER CODE:<br>V65507<br>OPTIONAL PART:<br>10077201-108<br>V65507<br>USED ON:<br>JG1208CK01<br>PRE SERVICE BULLETIN:<br>31-0173  | 107107           | 1              |
| 6        | 10077201-108 | ..            | PLATE-IDENT<br>SUPPLIER CODE:<br>V65507<br>OPTIONAL PART:<br>26009630-101<br>V65507<br>26009630-102<br>V65507<br>26009630-103<br>V65507<br>26009630-104<br>V65507                          | 107107<br>904949 | 1              |
| 10       | 10080601-107 | ..            | PLATE-DESIGNATION<br>SUPPLIER CODE:<br>V65507  | 107107<br>904949 | 1              |
| 15       | 10050113-101 | ..            | PLATE-IDENT<br>SUPPLIER CODE:<br>V65507  | 107107<br>904949 | 1              |
| 20       | 10041596-101 | ..            | PLATE-DESIGNATION<br>SUPPLIER CODE:<br>V65507  | 107107<br>904949 | 1              |
| 25       | 6838         | ..            | LAMP-INCANDESCENT<br>SUPPLIER CODE:<br>V05464<br>MISCELLANEOUS DATA:<br>HONEYWELL CONT PART NO<br>961963-1<br>USED ON:<br>JG1208AA02<br>JG1208AK01<br>USED ON:<br>JG1208AA02<br>JG1208AK01 | 107107<br>904949 | 4              |

MISSING ITEM NUMBERS NOT APPLICABLE

- ITEM NOT ILLUSTRATED

BRI

28-41-06-01

BOEING PROPRIETARY - Copyright © - Unpublished Work - See title page for details.

28-41-06  
FIG. 01  
PAGE 5  
JAN 20/09



757

PARTS CATALOG (MAINTENANCE)

| FIG ITEM | PART NUMBER  | 1 2 3 4 5 6 7      | NOMENCLATURE  | EFFECT FROM TO   | UNITS PER ASSY |
|----------|--------------|--------------------|---|------------------|----------------|
| 1        |              |                    |   |                  |                |
| 25       | 10033705-104 | ..                 | LAMP-INCANDESCENT<br>SUPPLIER CODE:<br>V65507<br>OPTIONAL PART:<br>10033705-102<br>V65507<br>USED ON:<br>JG1208CA01<br>JG1208CK01   | 107107<br>904949 | 4              |
| 25       | 10033705-102 | ..                 | LAMP-INCANDESCENT<br>SUPPLIER CODE:<br>V65507<br>OPTIONAL PART:<br>10033705-104<br>V65507<br>USED ON:<br>JG1208CA01<br>JG1208CK01   | 107107<br>904949 | 4              |
| 30       | NAS6703-14   | .BOLT-             | POST SERVICE BULLETIN:<br>28-0023   | 107107           | 1              |
| 35       | NAS42DD6-40  | .SPACER-           | POST SERVICE BULLETIN:<br>28-0023   | 107107           | 1              |
| 37       | BACS18AF4    | .SPACER            |   | 107107           | 1              |
| 40       | AN960JD10L   | .WASHER-           | POST SERVICE BULLETIN:<br>28-0023   | 107107           | 1              |
| 45       | MS21042L3    | .NUT-              | POST SERVICE BULLETIN:<br>28-0023   | 107107           | 1              |
| 50       | BACC15AN10   | .CLIP-             | POST SERVICE BULLETIN:<br>28-0023   | 107107           | 1              |
| 55       | BACB19F10S   | .BLOCK-            | POST SERVICE BULLETIN:<br>28-0023   | 107107           | 1              |
| 60       | S717-105     | .CLAMP-WIRE BUNDLE | SUPPLIER CODE:<br>V18076<br>SPECIFICATION NUMBER:<br>BACC10GU105<br>OPTIONAL PART:<br>534CS105<br>V83930<br>JM44LC39S105RG<br>V22175<br>POST SERVICE BULLETIN:<br>28-0023 | 107107           | 1              |

MISSING ITEM NUMBERS NOT APPLICABLE

- ITEM NOT ILLUSTRATED

28-41-06-01

28-41-06  
FIG. 01  
PAGE 6  
JAN 20/09

BRI



757

PARTS CATALOG (MAINTENANCE)

| FIG ITEM | PART NUMBER   | 1 2 3 4 5 6 7     | NOMENCLATURE  | EFFECT FROM TO   | UNITS PER ASSY |
|----------|---------------|-------------------|---|------------------|----------------|
| 1<br>65  | BACC10BN450LM | .                 | CLAMP-HOSE<br>SUPPLIER CODE:<br>V98625<br>SPECIFICATION NUMBER:<br>BACC10BN450LM<br>OPTIONAL PART:<br>3078C450LM<br>V94581<br>1044450LM<br>V94581<br>BC1080S450LZ<br>V14242<br>MBC5825450LM<br>V00624<br>19396N450LM<br>V00624<br>POST SERVICE BULLETIN:<br>28-0023 | 107107           | 1              |
| - 200    | 286N1500-001  | WIRE BUNDLE ASSY- | (FUEL QUANTITY INDICATING SYSTEM ONLY)  | 107107<br>904949 | RF             |
| 207      | GS3418-16CD   | .                 | CLAMP-<br>SUPPLIER CODE:<br>V06324<br>SPECIFICATION NUMBER:<br>BACC10HG16<br>OPTIONAL PART:<br>S2126-16-8<br>V07418<br>ELECTRICAL EQUIP NUMBER:<br>D01544T<br>D01546T<br>D01548T<br>WIRING DIAGRAM REF:<br>284111   | 107107<br>904949 | 3              |
| 215      | R071016A10SNL | .                 | CONNECTOR-<br>SUPPLIER CODE:<br>V41118<br>SPECIFICATION NUMBER:<br>BCREF10545<br>OVERLENGTH PART NUMBER:<br>BACC63BP16A10SNL<br>ELECTRICAL EQUIP NUMBER:<br>D01544<br>D01546<br>D01548<br>WIRING DIAGRAM REF:<br>284111   | 107107<br>904949 | 3              |

MISSING ITEM NUMBERS NOT APPLICABLE

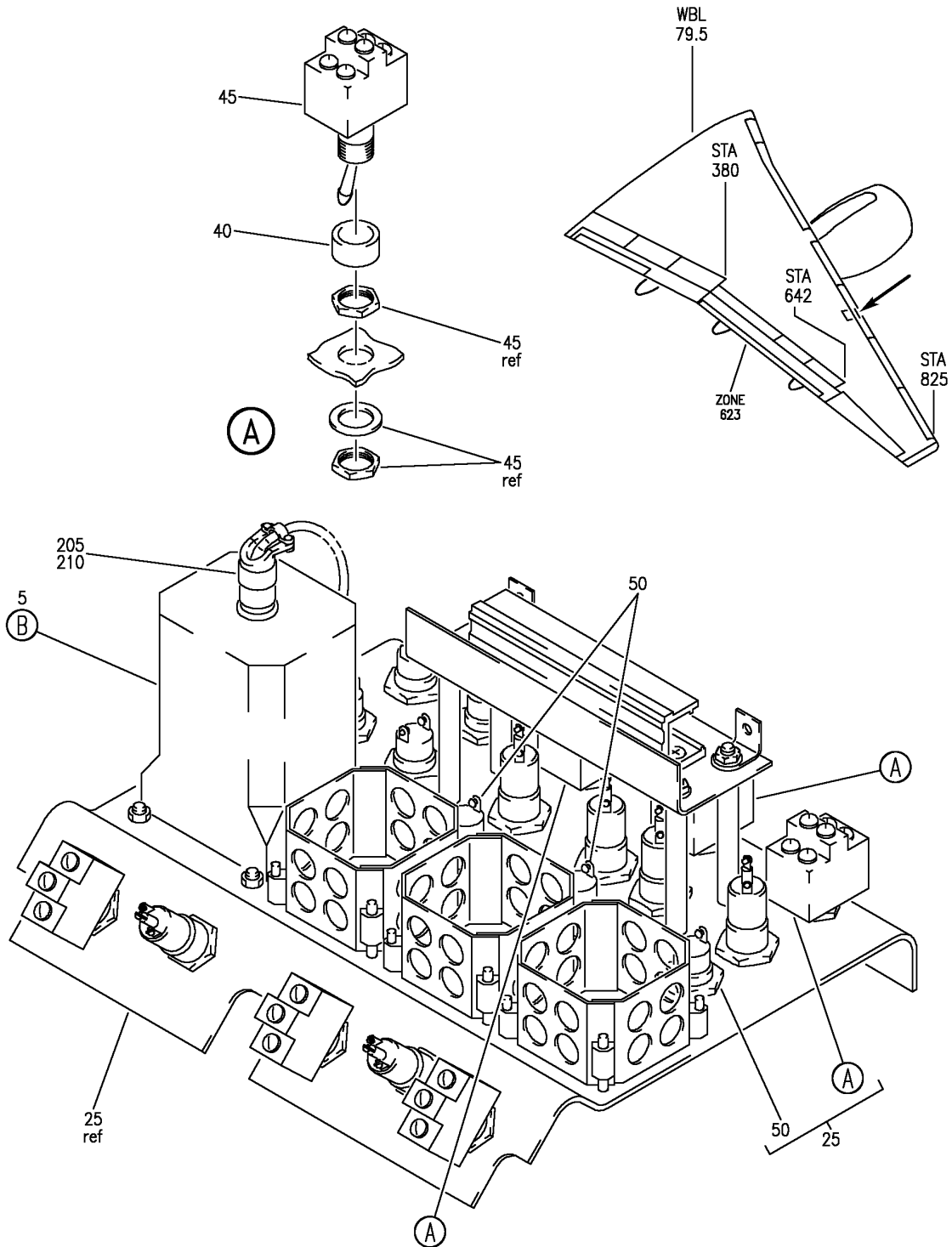
- ITEM NOT ILLUSTRATED

28-41-06-01

28-41-06  
FIG. 01  
PAGE 7  
JAN 20/09

BRI

**BOEING**  
757  
PARTS CATALOG (MAINTENANCE)



Y 28410701 SHT 1 REV 267

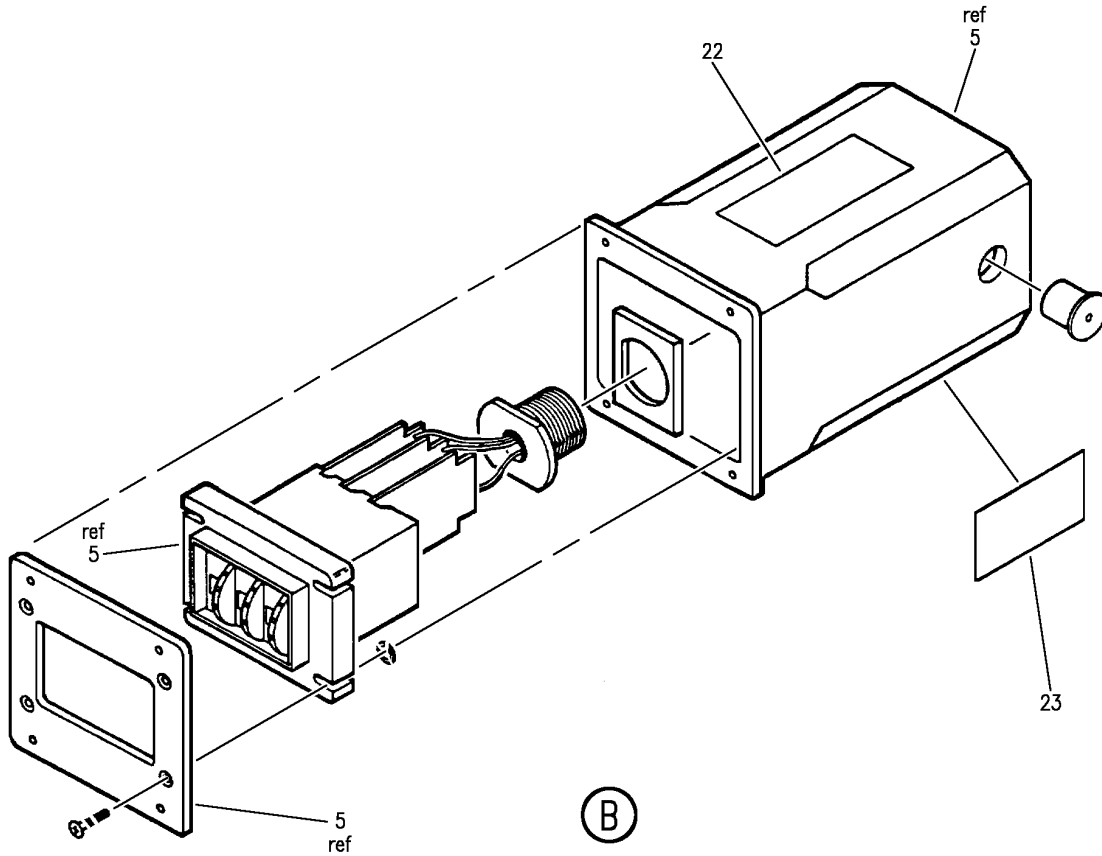
PANEL INSTL-FUELING CONT (FQIS LOAD SELECT CONTROL ONLY)  
FIGURE 1 (SHEET 1)

**28-41-07-01**

BRI  
MAY 28/07

28-41-07-01  
PAGE 0

**BOEING**  
757  
PARTS CATALOG (MAINTENANCE)



Y 28410701 SH1 2 REV 267

PANEL INSTL-FUELING CONT (FQIS LOAD SELECT CONTROL ONLY)  
FIGURE 1 (SHEET 2)

**28-41-07-01**

BRI  
MAY 28/07

28-41-07-01  
PAGE 0A



757

PARTS CATALOG (MAINTENANCE)

| FIG ITEM | PART NUMBER | 1 2 3 4 5 6 7 | NOMENCLATURE  | EFFECT FROM TO                       | UNITS PER ASSY |
|----------|-------------|---------------|---|--------------------------------------|----------------|
| 1        |             |               | PANEL INSTL-FUELING CONT<br>(FQIS LOAD SELECT<br>CONTROL ONLY)  | 002004<br>006999                     |                |
| - 1      | 344N5001-8  |               | PANEL INSTL-FUELING CONT<br>(FQIS LOAD SELECT<br>CONTROL ONLY)<br>FOR NHA/OTHER SYS DET SEE:<br>28-00-01-01   | 107107<br>904949                     | RF             |
| - 1      | 344N5001-12 |               | PANEL INSTL-FUELING CONT<br>(FQIS LOAD SELECT<br>CONTROL ONLY)<br>FOR NHA/OTHER SYS DET SEE:<br>28-00-01-01   | 002004<br>952952                     | RF             |
| - 1      | 344N5001-14 |               | PANEL INSTL-FUELING CONT<br>(FQIS LOAD SELECT<br>CONTROL ONLY)<br>FOR NHA/OTHER SYS DET SEE:<br>28-00-01-01   | 006100<br>121503<br>950951<br>953999 | RF             |
| - 1      | 344N5001-17 |               | PANEL INSTL-FUELING CONT<br>(FQIS LOAD SELECT<br>CONTROL ONLY)<br>FOR NHA/OTHER SYS DET SEE:<br>28-00-00-05   | 101102<br>504903                     | RF             |
| - 2      | 344N5001-23 |               | PANEL INSTL-FUELING CONT<br>(FQIS LOAD SELECT<br>CONTROL ONLY)<br>FOR NHA/OTHER SYS DET SEE:<br>28-00-00-05   | 108120                               | RF             |
| - 2      | MODREF13723 |               | PANEL INSTL-FUELING CONT<br>(FQIS LOAD SELECT<br>CONTROL ONLY)<br>MODULE NUMBER:<br>344N5001-24 REV A<br>FOR OTHER SYS DETAILS SEE:<br>28-14-01-04<br>28-26-51-01<br>FOR ADDITIONAL DETAILS SEE:<br>28-41-06-01 | 103105                               | 1              |
| - 2      | MODREF34278 |               | PANEL INSTL-FUELING CONT<br>(FQIS LOAD SELECT<br>CONTROL ONLY)<br>MODULE NUMBER:<br>344N5001-25 REV A<br>FOR OTHER SYS DETAILS SEE:<br>28-14-01-04<br>28-26-51-01<br>FOR ADDITIONAL DETAILS SEE:<br>28-41-06-01 | 106106                               | 1              |

MISSING ITEM NUMBERS NOT APPLICABLE

- ITEM NOT ILLUSTRATED

28-41-07-01

28-41-07  
FIG. 01  
PAGE 1  
JAN 20/09

BRI



757

PARTS CATALOG (MAINTENANCE)

| FIG ITEM | PART NUMBER   | 1 2 3 4 5 6 7 | NOMENCLATURE   | EFFECT FROM TO                       | UNITS PER ASSY |
|----------|---------------|---------------|--|--------------------------------------|----------------|
| 1<br>5   | 10079-01      |               | .CONTROL-LOAD SELECT<br>SUPPLIER CODE:<br>V89305<br>FUNCTIONAL DESCRIPTION:<br>CONTROL PERMITS FUELING<br>CREW TO SELECT THE<br>AMOUNT OF FUEL TO BE<br>LOADED INTO EACH TANK<br>SPECIFICATION NUMBER:<br>S345N001-020<br>ELECTRICAL EQUIP NUMBER:<br>M00638<br>COMPONENT MAINT MANUAL REF:<br>28-41-66<br>OPTIONAL PART:<br>10079-02<br>V89305  | 002004<br>006106<br>108903<br>950999 | 1              |
| 5        | 10079-02      |               | .CONTROL-LOAD SELECT<br>SUPPLIER CODE:<br>V89305<br>FUNCTIONAL DESCRIPTION:<br>CONTROL PERMITS FUELING<br>CREW TO SELECT THE<br>AMOUNT OF FUEL TO BE<br>LOADED INTO EACH TANK.<br>SPECIFICATION NUMBER:<br>S345N001-020<br>ELECTRICAL EQUIP NUMBER:<br>M00638<br>COMPONENT MAINT MANUAL REF:<br>28-41-66<br>OPTIONAL PART:<br>10079-01<br>V89305<br>OPTIONAL PART:<br>10079-01<br>V89305 | 101102<br>504903                     | 1              |
| 5        | RG1017AA02    |               | .CONTROL-LOAD SELECT<br>SUPPLIER CODE:<br>V94580<br>SPECIFICATION NUMBER:<br>S345T002-50<br>ELECTRICAL EQUIP NUMBER:<br>M00638<br>COMPONENT MAINT MANUAL REF:<br>28-41-06  | 107107<br>904949                     | 1              |
| - 10     | BACS12CK08-10 |               | ATTACHING PARTS<br>.SCREW  | 002004<br>006999                     | 4              |

MISSING ITEM NUMBERS NOT APPLICABLE

- ITEM NOT ILLUSTRATED

BRI

28-41-07-01

28-41-07  
FIG. 01  
PAGE 2  
JAN 20/09



757

PARTS CATALOG (MAINTENANCE)

| FIG ITEM | PART NUMBER   | 1 2 3 4 5 6 7 | NOMENCLATURE   | EFFECT FROM TO                                 | UNITS PER ASSY |
|----------|---------------|---------------|--|--|----------------|
| 1        |               |               |  |  |                |
| - 15     | AN960PD6L     | .             | WASHER   | 002004<br>006100<br>107107<br>121503<br>904999 | 4              |
| - 15     | NAS1149DN616J | .             | WASHER   | 103105<br>108120<br>504506                     | 4              |
| - 20     | BRH10A08      | .             | NUT<br>SUPPLIER CODE:<br>V52828<br>SPECIFICATION NUMBER:<br>BACN10JCO8<br>OPTIONAL PART:<br>H10-08BAC<br>V15653<br>NS202101-82<br>V80539<br>RMLH9075-82W<br>V72962<br>VN303A82<br>V92215<br>96-82<br>V80539<br>T6S832J<br>V11815 | 002004<br>006100<br>107107<br>121503<br>904999 | 4              |
| - 20     | PLH53CD       | .             | NUT<br>SUPPLIER CODE:<br>VF0224<br>SPECIFICATION NUMBER:<br>BACN10YR3CD<br>OPTIONAL PART:<br>H52732-3CD<br>V15653  | 101106<br>108120<br>504903                     | 4              |
| 22       | 10077201-105  | ..            | NAMEPLATE-<br>SUPPLIER CODE:<br>V94580<br>USED ON:<br>RG1017AA02   | 107107<br>904949                               | 1              |
| 23       | 10050113-101  | ..            | PLATE-IDENT<br>SUPPLIER CODE:<br>V94580<br>USED ON:<br>RG1017AA02  | 107107<br>904949                               | 1              |

MISSING ITEM NUMBERS NOT APPLICABLE

- ITEM NOT ILLUSTRATED

28-41-07-01

28-41-07  
FIG. 01  
PAGE 3  
JAN 20/09

BRI





757

PARTS CATALOG (MAINTENANCE)

| FIG ITEM | PART NUMBER | 1 2 3 4 5 6 7 | NOMENCLATURE   | EFFECT FROM TO                       | UNITS PER ASSY |
|----------|-------------|---------------|--|--------------------------------------|----------------|
| 1        |             |               |  |                                      |                |
| 25       | 344N5101-2  |               | .PANEL ASSY-<br>QUALIFIED I/W DATA:<br>MUST REPLACE HONEYWELL<br>MANUFACTURED PARTS WITH<br>HONEYWELL MANUFACTURED<br>PARTS AND SIMMONDS PARTS<br>WITH SIMMONDS WITH THE<br>EXCEPTION OF 344N5101-5<br>WHICH IS A REWORKED<br>SIMMONS TO MATE WITH<br>HONEYWELL  | 002004<br>107107<br>904949<br>952952 | RF             |
| 25       | 344N5101-3  |               | .PANEL ASSY-<br>QUALIFIED I/W DATA:<br>MUST REPLACE HONEYWELL<br>MANUFACTURED PARTS WITH<br>HONEYWELL MANUFACTURED<br>PARTS AND SIMMONDS PARTS<br>WITH SIMMONDS WITH THE<br>EXCEPTION OF 344N5101-5<br>WHICH IS A REWORKED<br>SIMMONDS TO MATE WITH<br>HONEYWELL | 006100<br>121503<br>950951<br>953999 | RF             |
| 25       | 344N5101-4  |               | .PANEL ASSY-<br>QUALIFIED I/W DATA:<br>MUST REPLACE HONEYWELL<br>MANUFACTURED PARTS WITH<br>HONEYWELL MANUFACTURED<br>PARTS AND SIMMONDS PARTS<br>WITH SIMMONDS WITH THE<br>EXCEPTION OF 344N5101-5<br>WHICH IS A REWORKED<br>SIMMONDS TO MATE WITH<br>HONEYWELL | 101102<br>504903                     | RF             |
| 25       | 344N5101-6  |               | .PANEL ASSY-<br>QUALIFIED I/W DATA:<br>MUST REPLACE HONEYWELL<br>MANUFACTURED PARTS WITH<br>HONEYWELL MANUFACTURED<br>PARTS AND SIMMONDS PARTS<br>WITH SIMMONDS WITH THE<br>EXCEPTION OF 344N5101-5<br>WHICH IS A REWORKED<br>SIMMONDS TO MATE WITH<br>HONEYWELL | 101102<br>504903                     | RF             |
| 25       | 344N5101-7  |               | .PANEL ASSY  | 108120                               | RF             |
| 25       | 344N5101-8  |               | .PANEL ASSY-   | 103106                               | RF             |
| 25       | 344N5101-9  |               | .PANEL ASSY-   | 106106                               | RF             |

MISSING ITEM NUMBERS NOT APPLICABLE

- ITEM NOT ILLUSTRATED

28-41-07-01

28-41-07  
FIG. 01  
PAGE 4  
JAN 20/09

BRI

 **BOEING**  
757  
**PARTS CATALOG (MAINTENANCE)**

| FIG<br>ITEM | PART NUMBER   | 1 2 3 4 5 6 7 | NOMENCLATURE  | EFFECT<br>FROM TO                              | UNITS<br>PER<br>ASSY |
|-------------|---------------|---------------|---|--|----------------------|
| 1           |               |               | ATTACHING PARTS   |  |                      |
| - 30        | NAS1801-3-8   |               | .SCREW  | 002004<br>006100<br>107107<br>121503<br>904999 | 2                    |
| - 30        | BACS12GU3K8   |               | .SCREW  | 101106<br>108120<br>504903                     | 2                    |
| - 35        | AN960PD10L    |               | .WASHER-  | 103105<br>108120<br>504506                     | 2                    |
| - 35        | NAS1149D0332J |               | .WASHER-  | 002004<br>006100<br>106107<br>121503<br>904999 | 2                    |
|             |               |               | -----*-----   |  |                      |
| 40          | NAS43DD8-8    |               | ..SPACER  | 002004<br>006017<br>107107<br>121503<br>904999 | 3                    |
| 45          | 2TL82-3       |               | ..SWITCH-<br>SUPPLIER CODE:<br>V91929<br>ELECTRICAL EQUIP NUMBER:<br>S00348<br>S00349<br>S00417 | 002004<br>006999                               | 3                    |
| 50          | MS25089-2CR   |               | ..SWITCH-<br>ELECTRICAL EQUIP NUMBER:<br>S00418<br>S00419<br>S00420<br>USED ON:<br>344N5101-4   | 002004<br>006102<br>107107<br>121999           | 3                    |

MISSING ITEM NUMBERS NOT APPLICABLE

- ITEM NOT ILLUSTRATED

BRI

# 28-41-07-01

BOEING PROPRIETARY - Copyright © - Unpublished Work - See title page for details.

28-41-07  
FIG. 01  
PAGE 5  
JAN 20/09



757

PARTS CATALOG (MAINTENANCE)

| FIG ITEM | PART NUMBER  | 1 2 3 4 5 6 7 | NOMENCLATURE  | EFFECT FROM TO                       | UNITS PER ASSY |
|----------|--------------|---------------|---|--------------------------------------|----------------|
| 1<br>50  | P8-3000009   |               | .. SWITCH-<br>SUPPLIER CODE:<br>V21649<br>ELECTRICAL EQUIP NUMBER:<br>S00418<br>S00419<br>S00420<br>QUALIFIED I/W DATA:<br>MS25089-2CR AND<br>P8-3000009 ARE IDENTICAL<br>WITH THE EXCEPTION OF<br>WIRE ATTACHING SCREWS.<br>MUST CHANGE CONNECTORS<br>OF ATTACHING WIRE.<br>USED ON:<br>344N5101-6 | 101106<br>108120<br>504903           | 3              |
| - 200    | 286N1500-001 |               | WIRE BUNDLE ASSY-<br>(FUEL QUANTITY INDICATING<br>SYSTEM ONLY)  | 107107<br>904949                     | RF             |
| - 200    | 286N1500-003 |               | WIRE BUNDLE ASSY-<br>(FUEL QUANTITY INDICATING<br>SYSTEM ONLY)  | 002004<br>006100<br>121503<br>950999 | RF             |
| - 200    | 286N1500-302 |               | WIRE BUNDLE ASSY-<br>(FUEL QUANTITY INDICATING<br>SYSTEM ONLY)  | 101102<br>504903                     | RF             |
| - 200    | 286N1500-305 |               | WIRE BUNDLE ASSY-<br>(FUEL QUANTITY INDICATING<br>SYSTEM ONLY)  | 108120                               | RF             |
| - 200    | 286N1500-701 |               | WIRE BUNDLE ASSY-<br>(FUEL QUANTITY INDICATING<br>SYSTEM ONLY)  | 103106                               | RF             |
| 205      | GS3418-16CD  |               | .CLAMP-<br>SUPPLIER CODE:<br>V06324<br>SPECIFICATION NUMBER:<br>BACC10HG16<br>OPTIONAL PART:<br>S2126-16-8<br>V07418<br>ELECTRICAL EQUIP NUMBER:<br>D02624T<br>WIRING DIAGRAM REF:<br>282122  | 107107<br>904949                     | 1              |

MISSING ITEM NUMBERS NOT APPLICABLE

- ITEM NOT ILLUSTRATED

BRI

28-41-07-01

BOEING PROPRIETARY - Copyright © - Unpublished Work - See title page for details.

28-41-07  
FIG. 01  
PAGE 6  
JAN 20/09



757

PARTS CATALOG (MAINTENANCE)

| FIG ITEM | PART NUMBER   | 1 2 3 4 5 6 7 | NOMENCLATURE  | EFFECT FROM TO                       | UNITS PER ASSY |
|----------|---------------|---------------|---|--------------------------------------|----------------|
| 1<br>205 | 620AA028NF14L |               | .CLAMP-<br>SUPPLIER CODE:<br>V06324<br>SPECIFICATION NUMBER:<br>BACC10KE14<br>OPTIONAL PART:<br>S3820-14-65<br>V07418<br>ELECTRICAL EQUIP NUMBER:<br>D02624T<br>WIRING DIAGRAM REF:<br>282122   | 103106                               | 1              |
| 205      | G899414       |               | .CLAMP-<br>SUPPLIER CODE:<br>V06324<br>SPECIFICATION NUMBER:<br>BACC10HG14A<br>OPTIONAL PART:<br>G8994M14<br>V06324<br>S2252-14-8<br>V07418<br>6000-124-1014<br>V14283<br>900-555L14-34<br>V31461<br>ELECTRICAL EQUIP NUMBER:<br>D02624T<br>WIRING DIAGRAM REF:<br>282122 | 002004<br>006102<br>108903<br>950999 | 1              |
| 210      | R071014A7SNL  |               | .CONNECTOR-<br>SUPPLIER CODE:<br>V41118<br>SPECIFICATION NUMBER:<br>BACC63BP14A7SNL<br>ELECTRICAL EQUIP NUMBER:<br>D02624<br>WIRING DIAGRAM REF:<br>282122  | 002004<br>006106<br>108903<br>950999 | 1              |
| 210      | BCREFA1996    |               | .CONNECTOR-<br>OVERLENGTH PART NUMBER:<br>BACC63BP16A10S6L<br>ELECTRICAL EQUIP NUMBER:<br>D02624<br>WIRING DIAGRAM REF:<br>282122   | 107107<br>904949                     | 1              |

MISSING ITEM NUMBERS NOT APPLICABLE

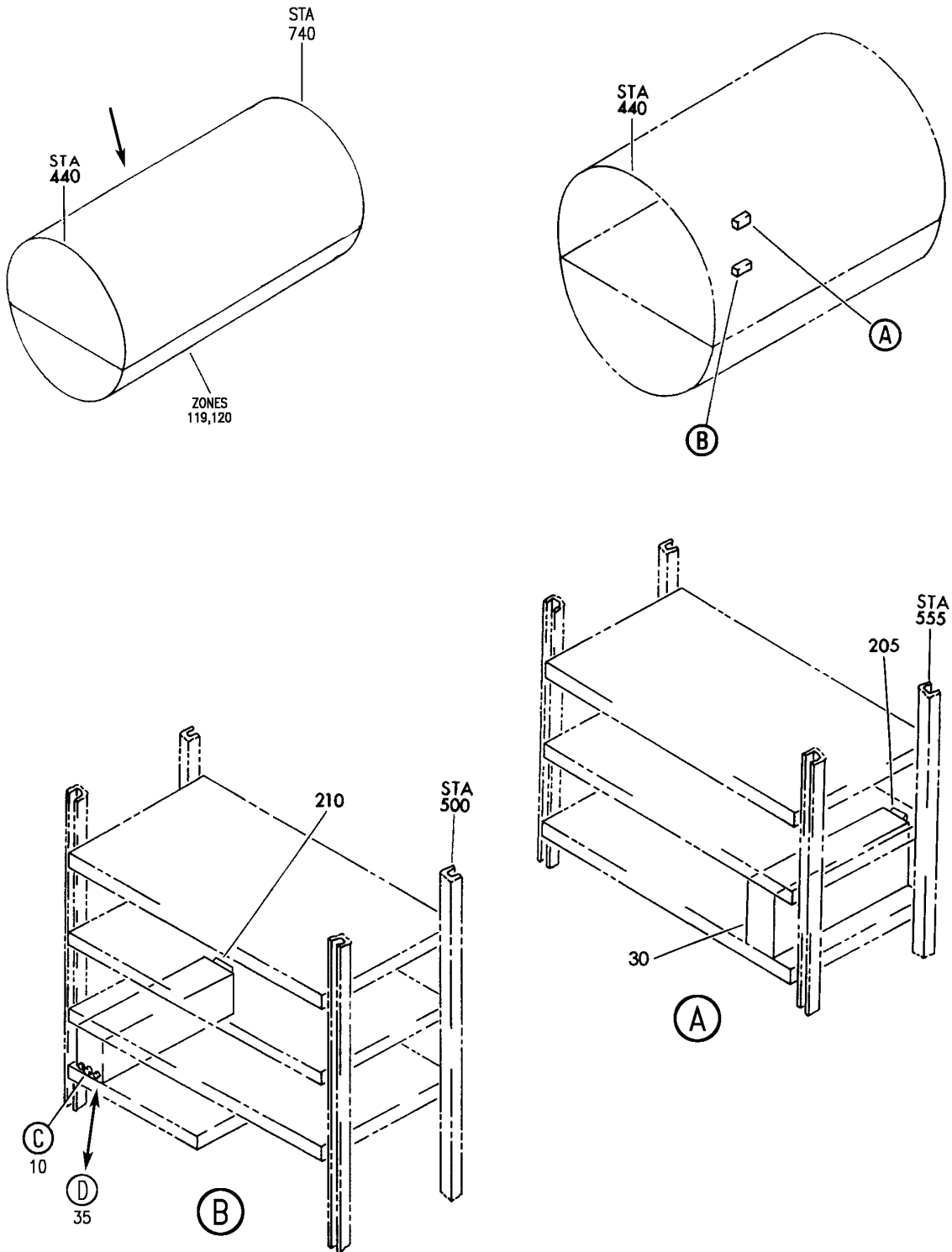
- ITEM NOT ILLUSTRATED

28-41-07-01

28-41-07  
FIG. 01  
PAGE 7  
JAN 20/09

BRI

**BOEING**  
757  
PARTS CATALOG (MAINTENANCE)



Y 28410801\_SHT 1 REV 306

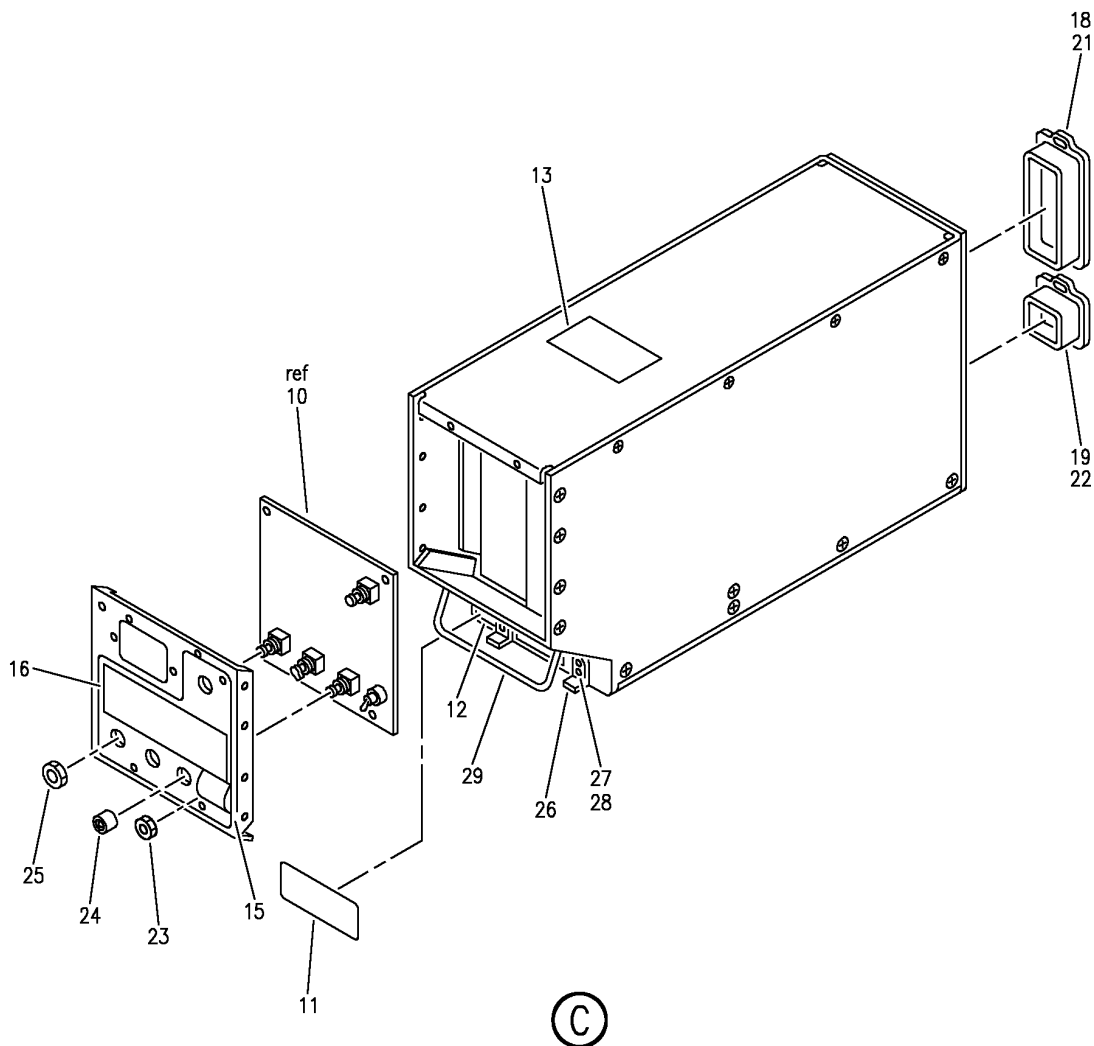
EQUIPMENT INSTL-MAIN ELECTRONIC EQPT CTR (FUEL QUANTITY INDICATING SYSTEM ONLY)  
FIGURE 1 (SHEET 1)

BRI  
MAY 28/07

**28-41-08-01**

28-41-08-01  
PAGE 0

**BOEING**  
757  
PARTS CATALOG (MAINTENANCE)



Y 28410801 SH1 2 REV 284

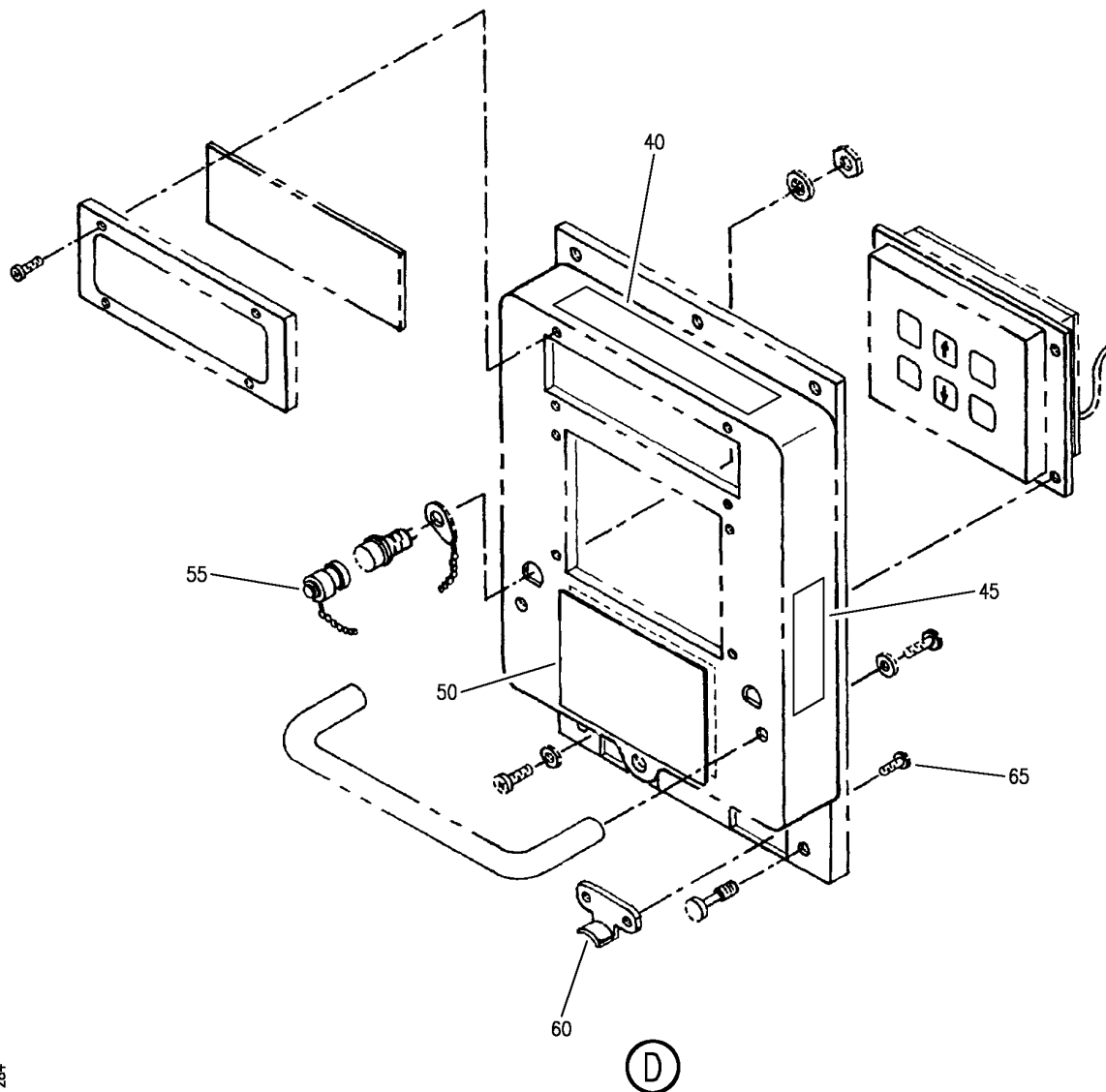
EQUIPMENT INSTL-MAIN ELECTRONIC EQPT CTR (FUEL QUANTITY INDICATING SYSTEM ONLY)  
FIGURE 1 (SHEET 2)

BRI  
MAY 28/07

**28-41-08-01**

28-41-08-01  
PAGE 0A

**BOEING**  
757  
PARTS CATALOG (MAINTENANCE)



Y 28410801 SH1 3 REV 284

EQUIPMENT INSTL-MAIN ELECTRONIC EQPT CTR (FUEL QUANTITY INDICATING SYSTEM ONLY)  
FIGURE 1 (SHEET 3)

BRI  
MAY 28/07

**28-41-08-01**

28-41-08-01  
PAGE 08



757

**PARTS CATALOG (MAINTENANCE)**

| FIG ITEM | PART NUMBER  | 1 2 3 4 5 6 7 | NOMENCLATURE  | EFFECT FROM TO                       | UNITS PER ASSY |
|----------|--------------|---------------|---|--------------------------------------|----------------|
| 1        |              |               | EQUIPMENT INSTL-MAIN<br>ELECTRONIC EQPT CTR (FUEL<br>QUANTITY INDICATING<br>SYSTEM ONLY)  | 002004<br>006100<br>107107<br>121999 |                |
| - 2      | 284N1307-33  |               | EQUIPMENT INSTL-MAIN<br>ELECTRONIC EQPT CTR (FUEL<br>QUANTITY INDICATING<br>SYSTEM ONLY)<br>FOR NHA/OTHER SYS DET SEE:<br>24-00-58-01   | 107107                               | RF             |
| - 2      | 284N1800-32  |               | EQUIPMENT INSTL-MAIN<br>ELECTRONIC EQPT CTR<br>(FUEL QUANTITY INDICATING<br>SYSTEM ONLY)<br>FOR NHA/OTHER SYS DET SEE:<br>24-00-58-01   | 952999                               | RF             |
| - 4      | 284N1800-16  |               | EQUIPMENT INSTL-MAIN<br>ELECTRONIC EQPT CTR<br>(FUEL QUANTITY INDICATING<br>SYSTEM ONLY)<br>FOR NHA/OTHER SYS DET SEE:<br>24-00-58-01   | 121503<br>904949                     | RF             |
| - 5      | 284N1800-34  |               | EQUIPMENT INSTL-MAIN<br>ELECTRONIC EQPT CTR<br>(FUEL QUANTITY INDICATING<br>SYSTEM ONLY)<br>FOR NHA/OTHER SYS DET SEE:<br>24-00-58-01   | 002004<br>006100                     | RF             |
| - 5      | 284N1800-38  |               | EQUIPMENT INSTL-MAIN<br>ELECTRONIC EQPT CTR<br>(FUEL QUANTITY INDICATING<br>SYSTEM ONLY)  | 950951                               | RF             |
| - 7      | 284N1800-88  |               | EQUIPMENT INSTL-MAIN<br>ELECTRONICS EQPT CTR<br>(FUEL QUANTITY INDICATING<br>SYSTEM ONLY)<br>FOR NHA/OTHER SYS DET SEE:<br>24-00-58-05E | 505505                               | RF             |
| - 7      | 284N1800-190 |               | EQUIPMENT INSTL-MAIN<br>ELECTRONICS EQPT CTR<br>(FUEL QUANTITY INDICATING<br>SYSTEM ONLY)<br>FOR NHA/OTHER SYS DET SEE:<br>24-00-58-05E | 504504<br>506903                     | RF             |

MISSING ITEM NUMBERS NOT APPLICABLE

- ITEM NOT ILLUSTRATED

BRI

**28-41-08-01**

28-41-08  
FIG. 01  
PAGE 1  
JAN 20/09





757

PARTS CATALOG (MAINTENANCE)

| FIG ITEM | PART NUMBER     | 1 2 3 4 5 6 7 | NOMENCLATURE   | EFFECT FROM TO | UNITS PER ASSY |
|----------|-----------------|---------------|--|----------------|----------------|
| 1        | 10 HG1064AA06   |               | .PROCESSOR UNIT ASSY-<br>SUPPLIER CODE:<br>V58960<br>SPECIFICATION NUMBER:<br>S345T002-360<br>ELECTRICAL EQUIP NUMBER:<br>M00121<br>COMPONENT MAINT MANUAL REF:<br>28-41-37<br>QUALIFIED I/W DATA:<br>HG1064AA05 I/W<br>HG1064AA06 EXCEPT FOR<br>ETOPS WHERE HG1064AA06<br>MUST BE INSTALLED | 904949         | 1              |
|          | 10 HG1064AA07   |               | .PROCESSOR UNIT ASSY-<br>SUPPLIER CODE:<br>V58960<br>SPECIFICATION NUMBER:<br>S345T002-361<br>COMPONENT MAINT MANUAL REF:<br>28-41-37<br>POST SERVICE BULLETIN:<br>28-0037<br>POST SERVICE BULLETIN:<br>HG1064AA-28-104<br>V94580  | 107107         | 1              |
|          | 11 10077201-107 |               | ..PLATE-IDENT<br>SUPPLIER CODE:<br>V58960<br>CONFIG CHG DATA FROM A CMM:<br>REPLD BY 4065516-62<br>USED ON:<br>HG1064AA06  | 904949         | 1              |
|          | 11 10077201-112 |               | ..PLATE-IDENT<br>SUPPLIER CODE:<br>V58960<br>CONFIG CHG DATA FROM A CMM:<br>REPLD BY 4065516-62<br>USED ON:<br>HG1064AA06  | 904949         | 1              |
|          | 11 4065516-62   |               | ..PLATE-IDENT<br>SUPPLIER CODE:<br>V58960<br>CONFIG CHG DATA FROM A CMM:<br>REPLACES 10077201-107<br>REPLACES 10077201-112<br>USED ON:<br>HG1064AA06   | 904949         | 1              |

MISSING ITEM NUMBERS NOT APPLICABLE

- ITEM NOT ILLUSTRATED

28-41-08-01

28-41-08  
FIG. 01  
PAGE 2  
JAN 20/09

BRI



757

PARTS CATALOG (MAINTENANCE)

| FIG ITEM | PART NUMBER  | 1 2 3 4 5 6 7 | NOMENCLATURE  | EFFECT FROM TO   | UNITS PER ASSY |
|----------|--------------|---------------|---|------------------|----------------|
| 1        |              |               |   |                  |                |
| 11       | 4078256-14   | ..            | PLATE-IDENT<br>SUPPLIER CODE:<br>V58960<br>USED ON:<br>HG1064AA07                                     | 107107           | 1              |
| 12       | 4062214-101  | ..            | PLATE-MOD<br>SUPPLIER CODE:<br>V58960<br>USED ON:<br>HG1064AA06<br>HG1064AA07                         | 107107<br>904949 | 1              |
| 13       | 10090567-101 | ..            | PLATE-DESIGNATION<br>SUPPLIER CODE:<br>V58960<br>USED ON:<br>HG1064AA06<br>HG1064AA07                 | 107107<br>904949 | 1              |
| - 14     | 10080601-102 | ..            | PLATE-DESIGNATION<br>SUPPLIER CODE:<br>V58960   | 107107<br>904949 | 2              |
| - 14A    | 10080601-102 | ..            | PLATE-DESIGNATION<br>SUPPLIER CODE:<br>V58960<br>CONFIG CHG DATA FROM A CMM:<br>REPLD BY 4065516-261  | 107107<br>904949 | 2              |
| - 14B    | 4065516-261  | ..            | PLATE-IDENTIFICATION<br>SUPPLIER CODE:<br>V58960<br>CONFIG CHG DATA FROM A CMM:<br>REPLS 10080601-102 | 107107<br>904949 | 2              |
| - 14C    | 10080601-102 | ..            | PLATE-DESIGNATION<br>SUPPLIER CODE:<br>V58960<br>CONFIG CHG DATA FROM A CMM:<br>REPLD BY 4065516-261  | 107107<br>904949 | 2              |
| - 14D    | 4065516-261  | ..            | PLATE-IDENTIFICATION<br>SUPPLIER CODE:<br>V58960<br>CONFIG CHG DATA FROM A CMM:<br>REPLS 10080601-102 | 107107<br>904949 | 2              |
| - 14E    | 10080601-106 | ..            | PLATE-DESIGNATION<br>SUPPLIER CODE:<br>V58960   | 107107<br>904949 | 2              |
| - 14F    | 10080601-107 | ..            | PLATE-DESIGNATION<br>SUPPLIER CODE:<br>V58960<br>CONFIG CHG DATA FROM A CMM:<br>REPLD BY 4039590-34   | 107107<br>904949 | 2              |

MISSING ITEM NUMBERS NOT APPLICABLE

- ITEM NOT ILLUSTRATED

28-41-08-01

28-41-08  
FIG. 01  
PAGE 3  
JAN 20/09

BRI



757

PARTS CATALOG (MAINTENANCE)

| FIG ITEM | PART NUMBER  | 1 2 3 4 5 6 7 | NOMENCLATURE  | EFFECT FROM TO   | UNITS PER ASSY |
|----------|--------------|---------------|---|------------------|----------------|
| 1        |              |               |   |                  |                |
| - 14G    | 4039590-34   |               | ..DECAL-<br>SUPPLIER CODE:<br>V58960<br>CONFIG CHG DATA FROM A CMM:<br>REPLS 10080601-107 | 107107<br>904949 | 2              |
| - 14H    | 10080601-101 |               | ..PLATE-IDENTIFICATION<br>SUPPLIER CODE:<br>V58960  | 107107<br>904949 | 2              |
| 15       | 10090691-101 |               | ..PLATE-INSTRUCTION<br>SUPPLIER CODE:<br>V58960<br>USED ON:<br>HG1064AA06<br>HG1064AA07   | 107107<br>904949 | 1              |
| 16       | 26000361-101 |               | ..PLATE-INSTRUCTION<br>SUPPLIER CODE:<br>V58960<br>USED ON:<br>HG1064AA06                 | 904949           | 1              |
| 16       | 26000361-102 |               | ..PLATE-INSTRUCTION<br>SUPPLIER CODE:<br>V58960<br>USED ON:<br>HG1064AA07                 | 107107           | 1              |
| - 17     | 10080601-101 |               | ..PLATE-IDENTIFICATION<br>SUPPLIER CODE:<br>V58960  | 107107<br>904949 | 2              |
| - 17A    | 10091541-101 |               | ..PLATE-IDENTIFICATION<br>SUPPLIER CODE:<br>V58960  | 107107<br>904949 | 2              |
| 18       | 025-1157-001 |               | ..CAP-DUST<br>SUPPLIER CODE:<br>V71468<br>OPTIONAL PART:<br>4041437-5<br>V58960           | 107107<br>904949 | 1              |
| 19       | 025-1158-001 |               | ..CAP-DUST<br>SUPPLIER CODE:<br>V71468<br>OPTIONAL PART:<br>4041437-6<br>V58960           | 107107<br>904949 | 1              |
| 21       | 025-1157-000 |               | ..CAP-PROTECTIVE<br>SUPPLIER CODE:<br>V58960<br>USED ON:<br>HG1064AA06                    | 904949           | 1              |

MISSING ITEM NUMBERS NOT APPLICABLE

- ITEM NOT ILLUSTRATED

28-41-08-01

28-41-08  
FIG. 01  
PAGE 4  
JAN 20/09

BRI



757

PARTS CATALOG (MAINTENANCE)

| FIG ITEM | PART NUMBER  | 1 2 3 4 5 6 7 | NOMENCLATURE  | EFFECT FROM TO   | UNITS PER ASSY |
|----------|--------------|---------------|---|------------------|----------------|
| 1        |              |               |   |                  |                |
| 21       | 025-1157-001 | ..            | CAP-PROTECTIVE<br>SUPPLIER CODE:<br>V71468<br>OPTIONAL PART:<br>4041437-5<br>V58960<br>USED ON:<br>HG1064AA06 | 904949           | 1              |
| 22       | 025-1158-000 | ..            | CAP-PROTECTIVE<br>SUPPLIER CODE:<br>V71468<br>USED ON:<br>HG1064AA06  | 904949           | 1              |
| 22       | 025-1158-001 | ..            | CAP-PROTECTIVE<br>SUPPLIER CODE:<br>V71468<br>OPTIONAL PART:<br>4041437-6<br>V58960<br>USED ON:<br>HG1064AA06 | 904949           | 1              |
| 23       | MS25082-14   | ..            | NUT-<br>USED ON:<br>HG1064AA04<br>HG1064AA05  | 107107<br>904949 | 1              |
| 24       | G15          | ..            | GUARD-SWITCH<br>SUPPLIER CODE:<br>V56501  | 107107<br>904949 | 1              |
| 25       | MS25082-8    | ..            | NUT   | 107107<br>904949 | 4              |
| 26       | NAS622CT2    | ..            | HOOK-<br>USED ON:<br>HG1064AA06<br>ATTACHING PARTS  | 904949           | 2              |
| 27       | MS24693C28   | ..            | SCREW-<br>USED ON:<br>HG1064AA06  | 904949           | 4              |
| 28       | 97NM62       | ..            | NUT-<br>SUPPLIER CODE:<br>V72962<br>OPTIONAL PART:<br>955616-4<br>V58960<br>USED ON:<br>HG1064AA06            | 904949           | 4              |

MISSING ITEM NUMBERS NOT APPLICABLE

- ITEM NOT ILLUSTRATED

28-41-08-01

28-41-08  
FIG. 01  
PAGE 5  
JAN 20/09

BRI



757

PARTS CATALOG (MAINTENANCE)

| FIG ITEM | PART NUMBER   | 1 2 3 4 5 6 7 | NOMENCLATURE   | EFFECT FROM TO                                 | UNITS PER ASSY |
|----------|---------------|---------------|--|--|----------------|
| 1        |               |               |  |  |                |
| 29       | 12145SS2528-7 |               | ..CAP-PROTECTIVE<br>SUPPLIER CODE:<br>V06540<br>OPTIONAL PART:<br>10075805-101<br>V58960<br>USED ON:<br>HG1064AA06   | 904949   | 1              |
| 35       | 30071-0101    |               | .PROCESSOR UNIT ASSY-<br>SUPPLIER CODE:<br>V89305<br>SPECIFICATION NUMBER:<br>S345N001-030<br>ELECTRICAL EQUIP NUMBER:<br>M00121<br>COMPONENT MAINT MANUAL REF:<br>28-41-68<br>PRE SERVICE BULLETIN:<br>V89305 | 002004<br>006008<br>011100<br>121903<br>950999 | 1              |
| 35       | 30071-0202    |               | .PROCESSOR UNIT ASSY-<br>SUPPLIER CODE:<br>V89305<br>SPECIFICATION NUMBER:<br>S345N001-031<br>ELECTRICAL EQUIP NUMBER:<br>M00121<br>COMPONENT MAINT MANUAL REF:<br>28-41-68<br>PRE SERVICE BULLETIN:<br>V89305 | 002004<br>006008<br>011100<br>121903<br>950999 | 1              |

MISSING ITEM NUMBERS NOT APPLICABLE

- ITEM NOT ILLUSTRATED

28-41-08-01

28-41-08  
FIG. 01  
PAGE 6  
JAN 20/09

BRI



757

PARTS CATALOG (MAINTENANCE)

| FIG ITEM | PART NUMBER     | 1 2 3 4 5 6 7 | NOMENCLATURE   | EFFECT FROM TO                                 | UNITS PER ASSY |
|----------|-----------------|---------------|--|--|----------------|
| 1<br>35  | 30071-0404      |               | .PROCESSOR UNIT ASSY-<br>SUPPLIER CODE:<br>V89305<br>SPECIFICATION NUMBER:<br>S345N001-033<br>ELECTRICAL EQUIP NUMBER:<br>M00121<br>COMPONENT MAINT MANUAL REF:<br>28-41-68<br>QUALIFIED I/W DATA:<br>S345N001-033/30071-0404<br>AND S345N001-034/<br>30071-0505 ARE FULLY<br>INTERCHANGEABLE, EXCEPT<br>757-200+ (INCREASED FUEL<br>QUANTITY) AND<br>757-300 MUST USE<br>S345N001-034.<br>PRE SERVICE BULLETIN:<br>V89305 | 002004<br>006008<br>011100<br>121903<br>950999 | 1              |
| 40       | 30071-1101-01   |               | ..PLATE-IDENT<br>SUPPLIER CODE:<br>V89305<br>CONFIG CHG DATA FROM A CMM:<br>REPLD BY 058339-12   | 002004<br>006008<br>011100<br>121903<br>950999 | 1              |
| 40       | 058339-2        |               | ..LABEL-PRINTABLE<br>SUPPLIER CODE:<br>V89305<br>CONFIG CHG DATA FROM A CMM:<br>REPLACES 30071-1101-01   | 002004<br>006008<br>011100<br>121903<br>950999 | 1              |
| 45       | 90011-0000-0107 |               | ..PLATE-WARNING<br>SUPPLIER CODE:<br>V89305  | 002004<br>006008<br>011100<br>121903<br>950999 | 1              |
| 50       | 30071-1108-01   |               | ..PLATE-INFORMATION<br>SUPPLIER CODE:<br>V89305  | 002004<br>006008<br>011100<br>121903<br>950999 | 1              |
| 55       | KC89-233MC7     |               | ..CONNECTOR-COVER<br>SUPPLIER CODE:<br>V89305  | 002004<br>006008<br>011100<br>121903<br>950999 | 3              |

MISSING ITEM NUMBERS NOT APPLICABLE

- ITEM NOT ILLUSTRATED

28-41-08-01

28-41-08  
FIG. 01  
PAGE 7  
JAN 20/09

BRI

BOEING PROPRIETARY - Copyright © - Unpublished Work - See title page for details.

 **BOEING**  
757  
**PARTS CATALOG (MAINTENANCE)**

| FIG<br>ITEM | PART NUMBER   | 1 2 3 4 5 6 7 | NOMENCLATURE   | EFFECT<br>FROM TO                              | UNITS<br>PER<br>ASSY |
|-------------|---------------|---------------|--|--|----------------------|
| 1           |               |               |  |  |                      |
| 60          | 30071-1110-01 | ..            | H00K-SPRT<br>SUPPLIER CODE:<br>V89305  | 002004<br>006008<br>011100<br>121903<br>950999 | 2                    |
| 65          | NAS514P632-5P | ..            | ATTACHING PARTS<br>SCREW   | 002004<br>006008<br>011100<br>121903<br>950999 | 4                    |
| - 200       | 286N1280-001  |               | -----*-----<br>WIRE BUNDLE ASSY-   | 904949   | RF                   |
| - 200       | 286N1280-003  |               | WIRE BUNDLE ASSY-<br>REWORKED BY SB:<br>31-0127R1  | 950951   | RF                   |
| - 202       | 286N1280-354  |               | WIRE BUNDLE ASSY-<br>REWORKED BY SB:<br>31-0093<br>31-0124   | 504903   | RF                   |
| 210         | BCREF10380    | .C            | CONNECTOR-<br>OVERLENGTH PART NUMBER:<br>BACC66H26C80AA00<br>ELECTRICAL EQUIP NUMBER:<br>D02440<br>WIRING DIAGRAM REF:<br>284121<br>REWORKED BY SB:<br>31-0127 | 504903<br>950951                               | 1                    |
| 210         | BCREF101730   | .P            | PLUG-<br>SUPPLIER CODE:<br>V71468<br>OVERLENGTH PART NUMBER:<br>BKAC2-67403-2256<br>ELECTRICAL EQUIP NUMBER:<br>D02440<br>WIRING DIAGRAM REF:<br>284121        | 904949   | 1                    |

MISSING ITEM NUMBERS NOT APPLICABLE

- ITEM NOT ILLUSTRATED

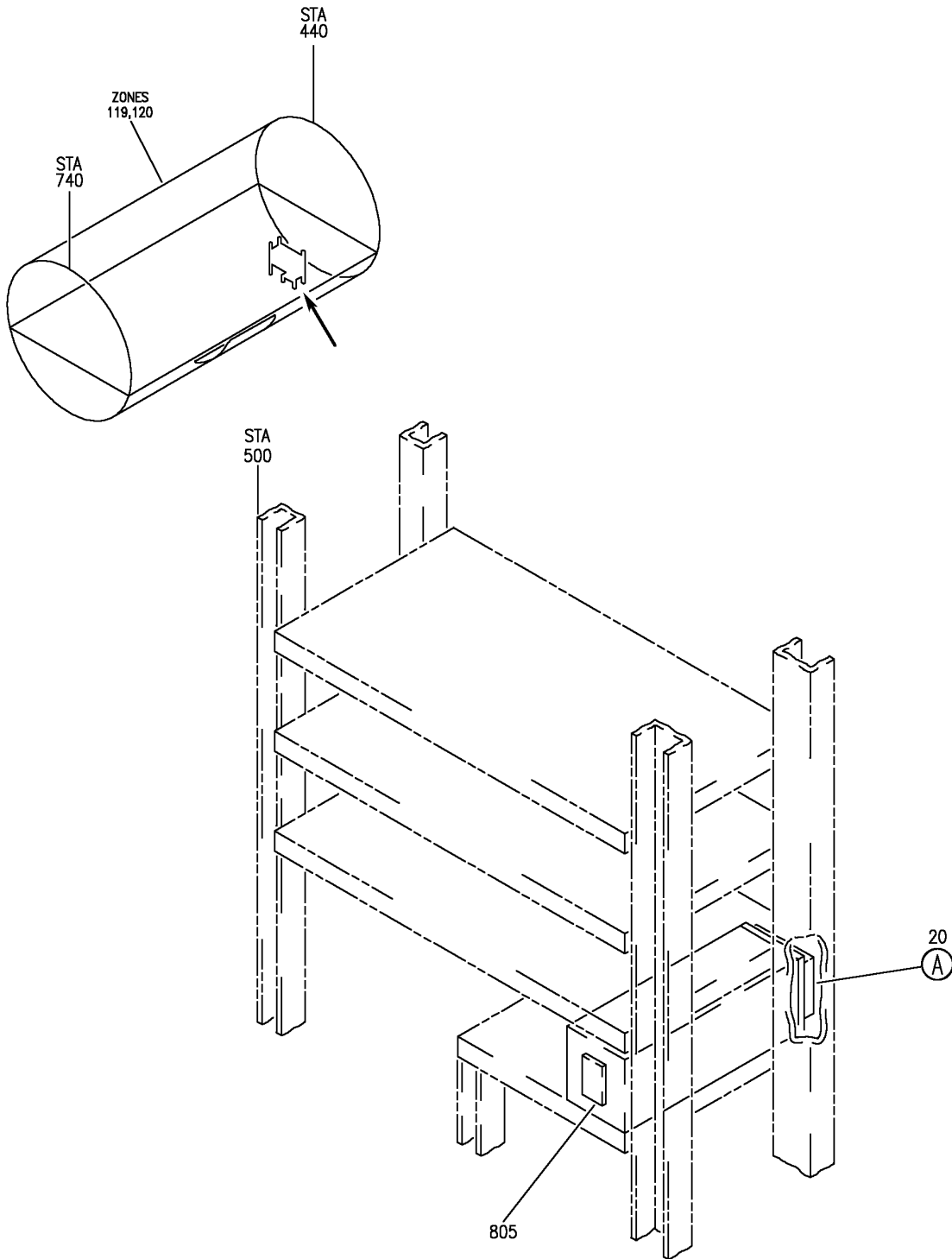
BRI

# 28-41-08-01

BOEING PROPRIETARY - Copyright © - Unpublished Work - See title page for details.

28-41-08  
FIG. 01  
PAGE 8  
JAN 20/09

**BOEING**  
757  
PARTS CATALOG (MAINTENANCE)



Y 28410801B SHT 1 REV 279

EQUIPMENT INSTL-MAIN ELECTRONICS EQPT CTR (FUEL QUANTITY INDICATING SYSTEM ONLY)  
FIGURE 1B (SHEET 1)

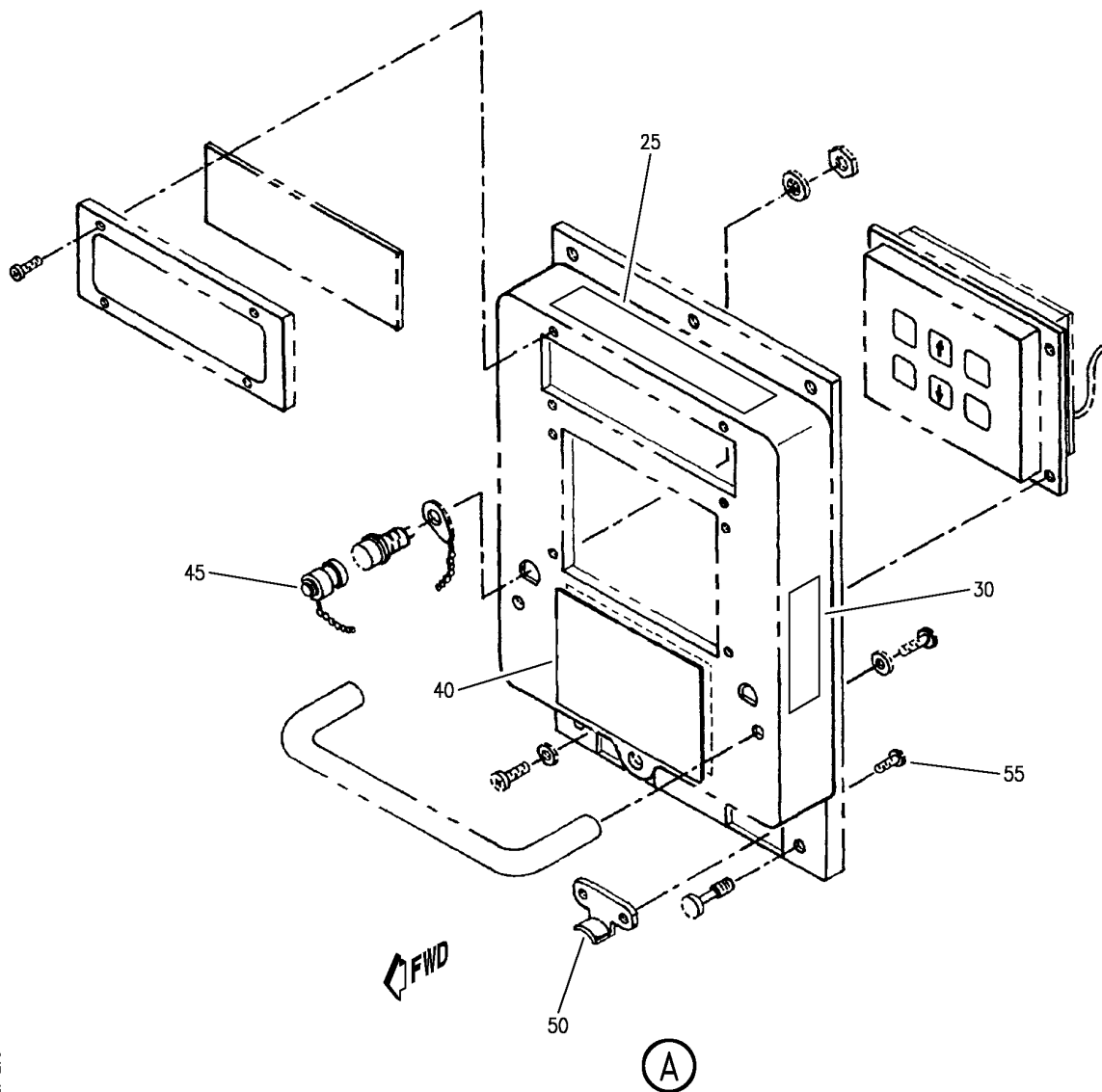
BRI  
MAY 28/07

**28-41-08-01B**

28-41-08-01B  
PAGE 0



**BOEING**  
757  
PARTS CATALOG (MAINTENANCE)



Y 28410801B SHT 2 REV 279

EQUIPMENT INSTL-MAIN ELECTRONICS EQPT CTR (FUEL QUANTITY INDICATING SYSTEM ONLY)  
FIGURE 1B (SHEET 2)

BRI  
MAY 28/07

**28-41-08-01B**

28-41-08-01B  
PAGE 0A



757

PARTS CATALOG (MAINTENANCE)

| FIG ITEM | PART NUMBER  | 1 2 3 4 5 6 7 | NOMENCLATURE  | EFFECT FROM TO | UNITS PER ASSY |
|----------|--------------|---------------|---|----------------|----------------|
| 1B       |              |               | EQUIPMENT INSTL-MAIN<br>ELECTRONICS EQPT CTR<br>(FUEL QUANTITY INDICATING<br>SYSTEM ONLY)   | 101102         |                |
| - 2      | 284N1800-140 |               | EQUIPMENT INSTL-MAIN<br>ELECTRONICS EQPT CTR<br>(FUEL QUANTITY INDICATING<br>SYSTEM ONLY)   | 101101         | RF             |
| - 2      | 284N1800-141 |               | FOR NHA/OTHER SYS DET SEE:<br>24-00-58-05E  |                |                |
|          |              |               | EQUIPMENT INSTL-MAIN<br>ELECTRONICS EQPT CTR<br>(FUEL QUANTITY INDICATING<br>SYSTEM ONLY)   | 102102         | RF             |
|          |              |               | FOR NHA/OTHER SYS DET SEE:<br>24-00-58-05E  |                |                |
| 20       | 30071-0404   |               | .PROCESSOR UNIT ASSY-<br>SUPPLIER CODE:<br>V89305<br>SPECIFICATION NUMBER:<br>S345N001-033<br>SB DATA FROM A CMM:<br>POST 30071-28-3<br>CONFIG CHG DATA FROM A CMM:<br>REPLD BY 30071-0505<br>ELECTRICAL EQUIP NUMBER:<br>M00121<br>COMPONENT MAINT MANUAL REF:<br>28-41-68<br>QUALIFIED I/W DATA:<br>S345N001-033/30071-0404<br>AND S345N001-034/<br>30071-0505 ARE FULLY<br>INTERCHANGEABLE, EXCEPT<br>757-200+ (INCREASED FUEL<br>QUANTITY) AND<br>757-300 MUST USE<br>S345N001-034. | 101102         | 1              |

MISSING ITEM NUMBERS NOT APPLICABLE

- ITEM NOT ILLUSTRATED

**28-41-08-01B**

28-41-08  
FIG. 01B  
PAGE 1  
JAN 20/09

BRI



757

PARTS CATALOG (MAINTENANCE)

| FIG ITEM | PART NUMBER     | 1 2 3 4 5 6 7 | NOMENCLATURE   | EFFECT FROM TO | UNITS PER ASSY |
|----------|-----------------|---------------|--|----------------|----------------|
| 1B<br>20 | 30071-0202      | .             | PROCESSOR UNIT ASSY-<br>SUPPLIER CODE:<br>V89305<br>SPECIFICATION NUMBER:<br>S345N001-031<br>SB DATA FROM A CMM:<br>POST 30071-28-1<br>CONFIG CHG DATA FROM A CMM:<br>REPLACES 30071-0101<br>ELECTRICAL EQUIP NUMBER:<br>M00121<br>COMPONENT MAINT MANUAL REF:<br>28-41-68 | 101102         | 1              |
| 20       | 30071-0101      | .             | PROCESSOR UNIT ASSY-<br>SUPPLIER CODE:<br>V89305<br>SPECIFICATION NUMBER:<br>S345N001-030<br>SB DATA FROM A CMM:<br>PRE 30071-28-1<br>CONFIG CHG DATA FROM A CMM:<br>REPLD BY 30071-0202<br>ELECTRICAL EQUIP NUMBER:<br>M00121<br>COMPONENT MAINT MANUAL REF:<br>28-41-68  | 101102         | 1              |
| 25       | 30071-1101-01   | ..            | PLATE-IDENT<br>SUPPLIER CODE:<br>V89305<br>CONFIG CHG DATA FROM A CMM:<br>REPLD BY 058339-12   | 101102         | 1              |
| 25       | 058339-2        | ..            | LABEL-PRINTABLE<br>SUPPLIER CODE:<br>V89305<br>CONFIG CHG DATA FROM A CMM:<br>REPLACES 30071-1101-01   | 101102         | 1              |
| 30       | 90011-0000-0107 | ..            | PLATE-WARNING<br>SUPPLIER CODE:<br>V89305  | 101102         | 1              |
| 40       | 30071-1108-01   | ..            | PLATE-INFORMATION<br>SUPPLIER CODE:<br>V89305  | 101102         | 1              |
| 45       | KC89-233MC7     | ..            | CONNECTOR-COVER<br>SUPPLIER CODE:<br>V89305  | 101102         | 3              |
| 50       | 30071-1110-01   | ..            | H00K-SPRT<br>SUPPLIER CODE:<br>V89305  | 101102         | 2              |

MISSING ITEM NUMBERS NOT APPLICABLE

- ITEM NOT ILLUSTRATED

**28-41-08-01B**

28-41-08  
FIG. 01B  
PAGE 2  
JAN 20/09

BRI

BOEING PROPRIETARY - Copyright © - Unpublished Work - See title page for details.



757

PARTS CATALOG (MAINTENANCE)

| FIG ITEM | PART NUMBER   | 1 2 3 4 5 6 7 | NOMENCLATURE                                | EFFECT FROM TO | UNITS PER ASSY |
|----------|---------------|---------------|---|----------------|----------------|
| 1B       |               |               | ATTACHING PARTS                             |                |                |
| 55       | NAS514P632-5P |               | .. SCREW                                    | 101102         | 4              |
|          |               |               | -----*-----                                 |                |                |
| - 801    | 286N1280-351  |               | WIRE BUNDLE ASSY                            | 101102         | RF             |
| 805      | BCREF10380    |               | .CONNECTOR-                                 | 101102         | 1              |
|          |               |               | OVERLENGTH PART NUMBER:<br>BACC66H26C80AA00 |                |                |
|          |               |               | ELECTRICAL EQUIP NUMBER:<br>D02440          |                |                |
|          |               |               | WIRING DIAGRAM REF:<br>284121               |                |                |

MISSING ITEM NUMBERS NOT APPLICABLE

- ITEM NOT ILLUSTRATED

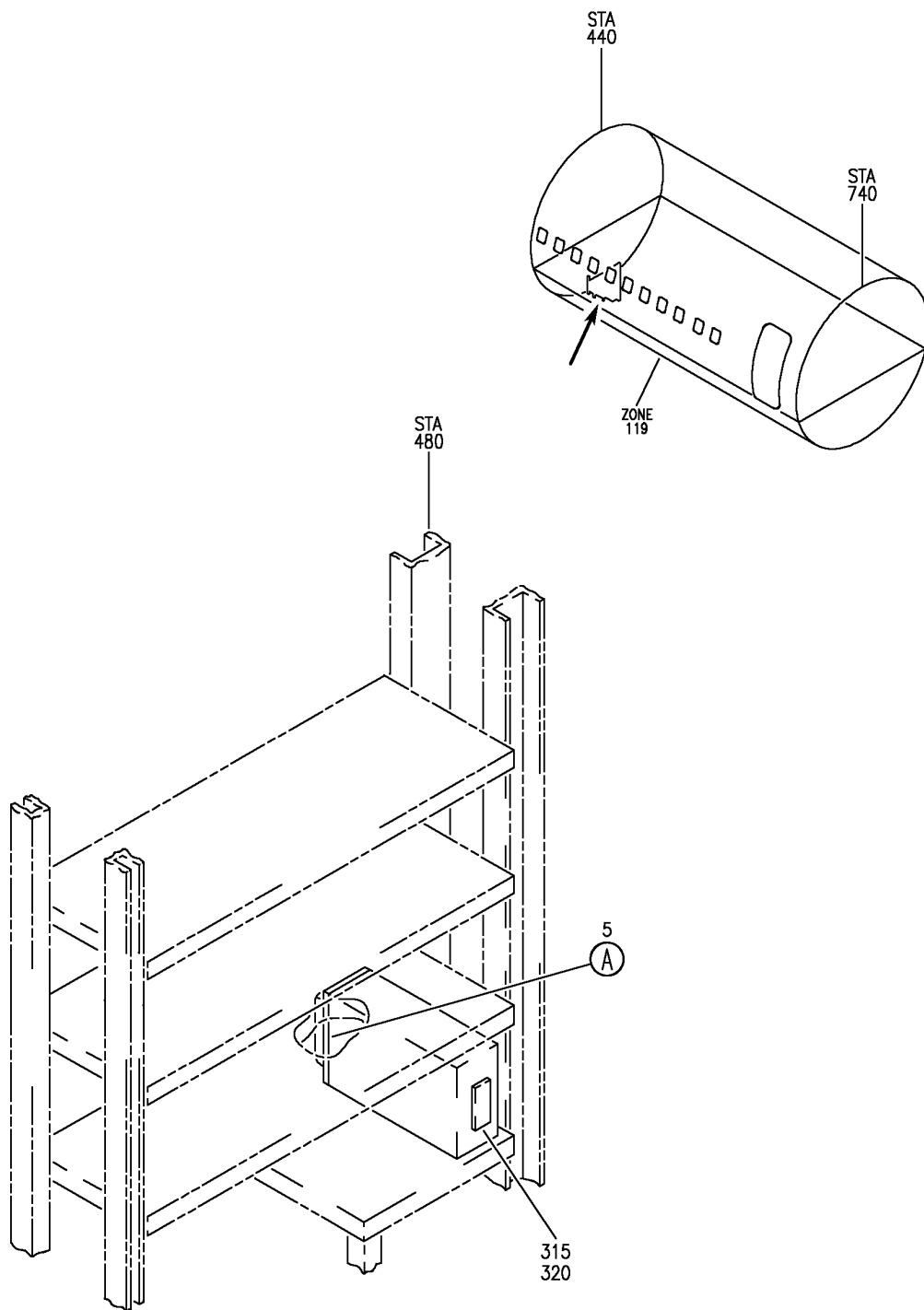
**28-41-08-01B**

28-41-08  
FIG. 01B  
PAGE 3  
JAN 20/09

BRI

BOEING PROPRIETARY - Copyright © - Unpublished Work - See title page for details.

**BOEING**  
757  
PARTS CATALOG (MAINTENANCE)



Y 28410808 SH1 1 REV 279

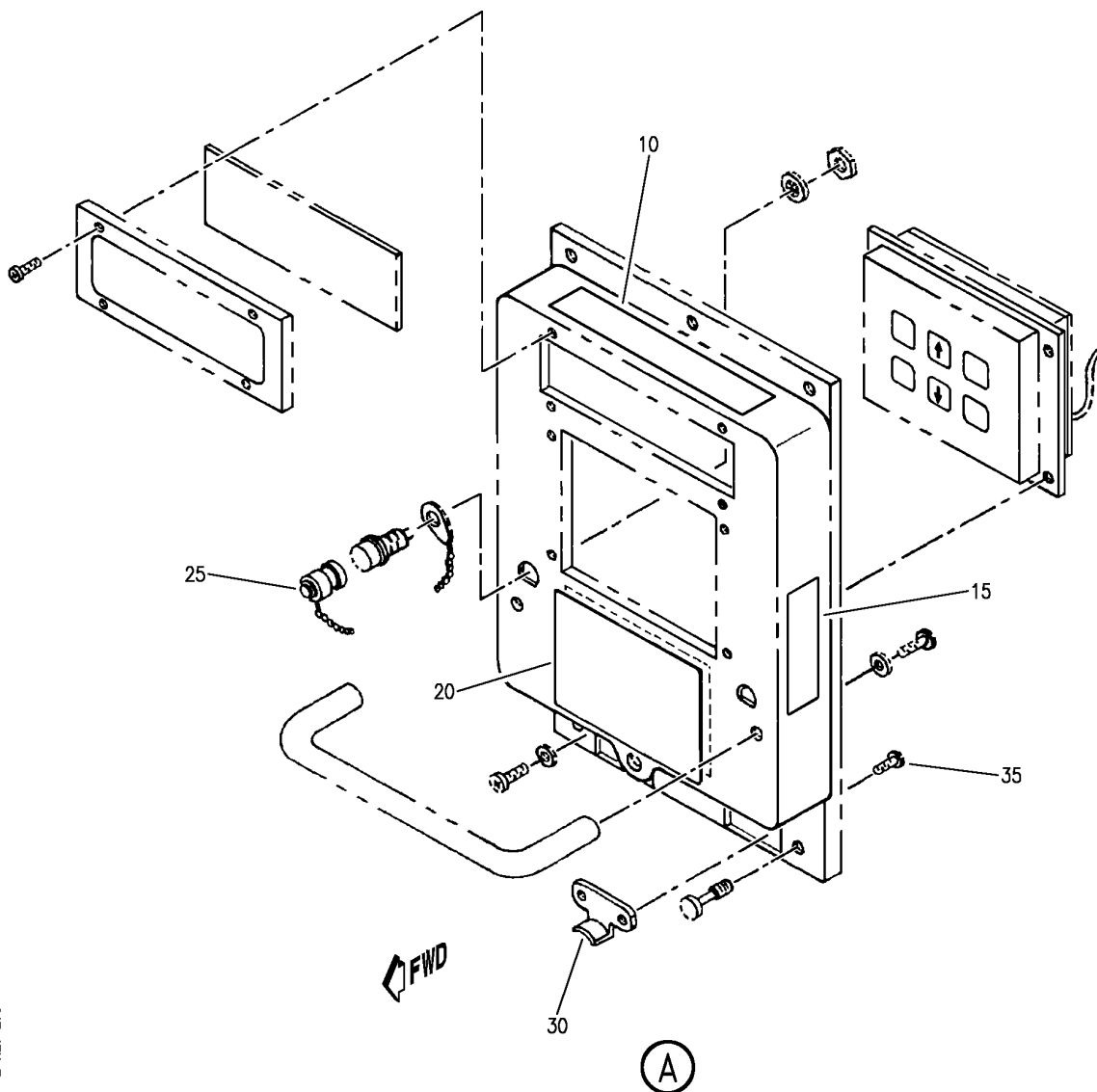
EQUIPMENT INSTL-MAIN ELECTRONICS EQPT CTR PROCESSOR FUEL QTY  
FIGURE 8 (SHEET 1)

**28-41-08-08**

BRI  
JAN 20/09

28-41-08-08  
PAGE 0

**BOEING**  
757  
PARTS CATALOG (MAINTENANCE)



Y 28410808 SH1 2 REV 279

EQUIPMENT INSTL-MAIN ELECTRONICS EQPT CTR PROCESSOR FUEL QTY  
FIGURE 8 (SHEET 2)

**28-41-08-08**

BRI  
JAN 20/09

28-41-08-08  
PAGE 0A



757

PARTS CATALOG (MAINTENANCE)

| FIG ITEM | PART NUMBER     | 1 2 3 4 5 6 7 | NOMENCLATURE   | EFFECT FROM TO   | UNITS PER ASSY |
|----------|-----------------|---------------|--|------------------|----------------|
| 8        |                 |               | EQUIPMENT INSTL-MAIN<br>ELECTRONICS EQPT CTR<br>PROCESSOR FUEL QTY   | 103106<br>108120 |                |
| - 1      | 284N4000-280000 |               | EQUIPMENT INSTL-MAIN<br>ELECTRONICS EQPT CTR<br>PROCESSOR FUEL QTY   | 108120           | RF             |
| - 1      | MODREF10045     |               | FOR NHA SEE:<br>24-00-58-05F   |                  |                |
|          |                 |               | EQUIPMENT INSTL-MAIN<br>ELECTRONICS EQPT CTR<br>PROCESSOR FUEL QTY   | 103106           | 1              |
| 5        | 30071-0404      |               | MODULE NUMBER:<br>284N4000-280001 REV A<br>.PROCESSOR UNIT ASSY-<br>SUPPLIER CODE:<br>V89305<br>SPECIFICATION NUMBER:<br>S345N001-033<br>SB DATA FROM A CMM:<br>POST 30071-28-3<br>CONFIG CHG DATA FROM A CMM:<br>REPLD BY 30071-0505<br>ELECTRICAL EQUIP NUMBER:<br>M00121<br>COMPONENT MAINT MANUAL REF:<br>28-41-68<br>QUALIFIED I/W DATA:<br>S345N001-033/30071-0404<br>AND S345N001-034/30071-0505 ARE FULLY<br>INTERCHANGEABLE, EXCEPT<br>757-200+ (INCREASED FUEL<br>QUANTITY) AND 757-300<br>MUST USE S345N001-034 | 108120           | 1              |

MISSING ITEM NUMBERS NOT APPLICABLE

- ITEM NOT ILLUSTRATED

28-41-08-08

28-41-08  
FIG. 08  
PAGE 1  
JAN 20/09

BRI



757

PARTS CATALOG (MAINTENANCE)

| FIG ITEM | PART NUMBER     | 1 2 3 4 5 6 7 | NOMENCLATURE  | EFFECT FROM TO   | UNITS PER ASSY |
|----------|-----------------|---------------|---|------------------|----------------|
| 8        |                 |               |   |                  |                |
| 5        | 30071-0505      |               | .PROCESSOR UNIT ASSY-<br>SUPPLIER CODE:<br>V89305<br>SPECIFICATION NUMBER:<br>S345N001-034<br>CONFIG CHG DATA FROM A CMM:<br>REPLACES 30071-0404<br>ELECTRICAL EQUIP NUMBER:<br>M00121<br>COMPONENT MAINT MANUAL REF:<br>28-41-68<br>QUALIFIED I/W DATA:<br>S345N001-033/30071-0404<br>AND S345N001-034/30071-<br>0505 ARE FULLY<br>INTERCHANGEABLE, EXCEPT<br>757-200+ (INCREASED FUEL<br>QUANTITY) AND 757-300<br>MUST USE S345N001-034 | 103106           | 1              |
| 10       | 30071-1101-01   |               | ..PLATE-IDENT<br>SUPPLIER CODE:<br>V89305<br>CONFIG CHG DATA FROM A CMM:<br>REPLD BY 058339-12  | 103106<br>108120 | 1              |
| 10       | 058339-12       |               | ..LABEL-PRINTABLE<br>SUPPLIER CODE:<br>V89305<br>CONFIG CHG DATA FROM A CMM:<br>REPLACES 30071-1101-01  | 103106<br>108120 | 1              |
| 15       | 90011-0000-0107 |               | ..PLATE-WARNING<br>SUPPLIER CODE:<br>V89305   | 103106<br>108120 | 1              |
| 20       | 30071-1108-01   |               | ..PLATE-INFORMATION<br>SUPPLIER CODE:<br>V89305   | 103106<br>108120 | 1              |
| 25       | KC89-233MC7     |               | ..CONNECTOR-COVER<br>SUPPLIER CODE:<br>V89305   | 103106<br>108120 | 3              |
| 30       | 30071-1110-01   |               | ..HOOK-SPRT<br>SUPPLIER CODE:<br>V89305   | 103106<br>108120 | 2              |
| 35       | NAS514P632-5P   |               | ATTACHING PARTS<br>..SCREW  | 103106<br>108120 | 4              |
|          |                 |               | -----*-----   |                  |                |
| - 201    | 286N1280-602    |               | WIRE BUNDLE ASSY  | 103106           | RF             |
| - 202    | 286N1280-393    |               | WIRE BUNDLE ASSY  | 108120           | RF             |

MISSING ITEM NUMBERS NOT APPLICABLE

- ITEM NOT ILLUSTRATED

28-41-08-08

28-41-08  
FIG. 08  
PAGE 2  
JAN 20/09

BRI





757

PARTS CATALOG (MAINTENANCE)

| FIG<br>ITEM | PART NUMBER | 1 2 3 4 5 6 7 | NOMENCLATURE  | EFFECT<br>FROM TO | UNITS<br>PER<br>ASSY |
|-------------|-------------|---------------|---|-------------------|----------------------|
| 8<br>- 315  | B cref10380 |               | .CONNECTOR-<br>OVERLENGTH PART NUMBER:<br>BACC66H26C80AA00<br>ELECTRICAL EQUIP NUMBER:<br>D02440<br>WIRING DIAGRAM REF:<br>284121<br>REWORKED BY SB:<br>34-0227 | 103106<br>108120  | 1                    |
| 320         | RBGP48-116N |               | .BLOCK-<br>SUPPLIER CODE:<br>V09922<br>SPECIFICATION NUMBER:<br>S280W601-116<br>ELECTRICAL EQUIP NUMBER:<br>D02440T<br>WIRING DIAGRAM REF:<br>284121<br>346114  | 103106            | 1                    |

MISSING ITEM NUMBERS NOT APPLICABLE

- ITEM NOT ILLUSTRATED

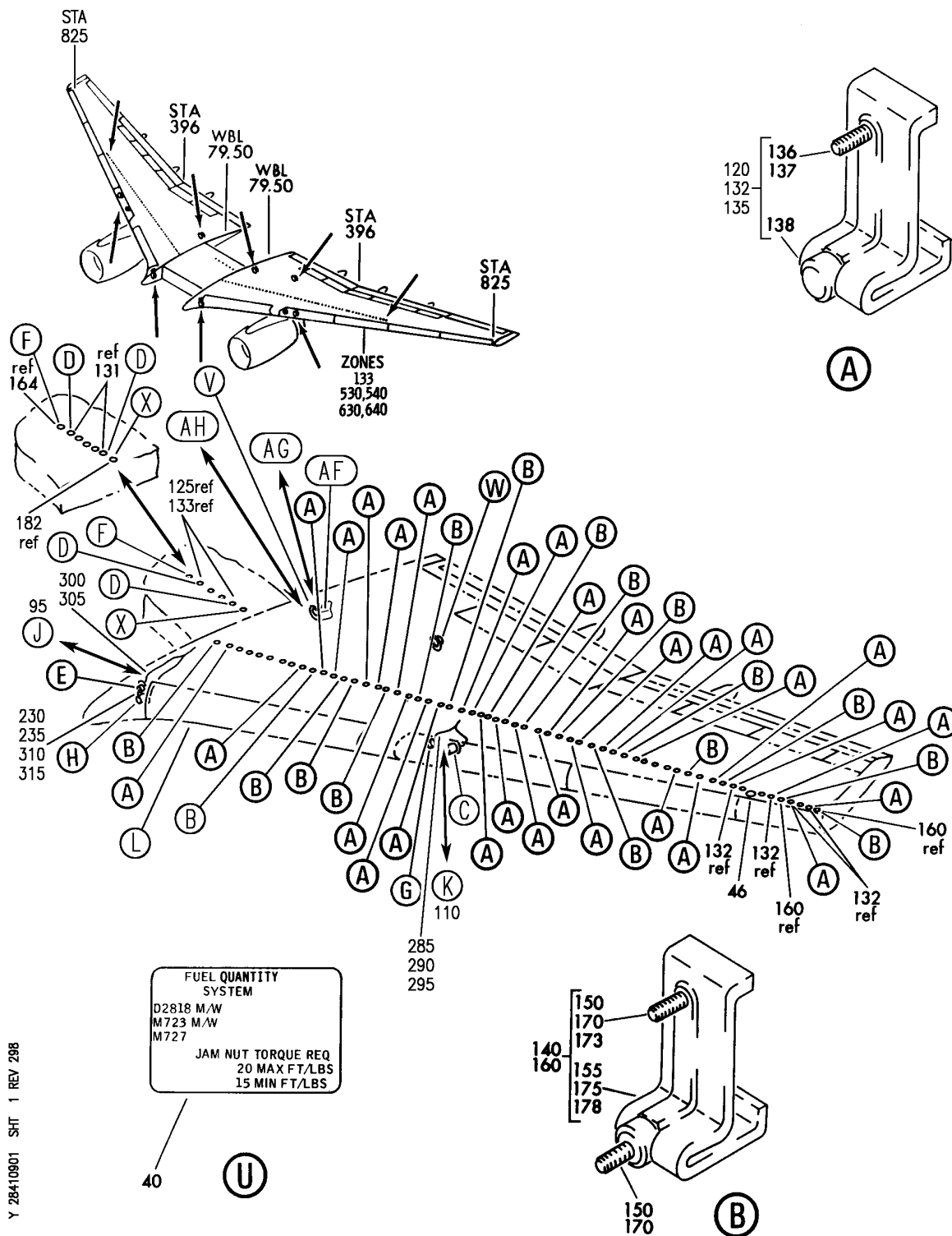
BRI

28-41-08-08

BOEING PROPRIETARY - Copyright © - Unpublished Work - See title page for details.

28-41-08  
FIG. 08  
PAGE 3  
JAN 20/09

**BOEING**  
757  
**PARTS CATALOG (MAINTENANCE)**



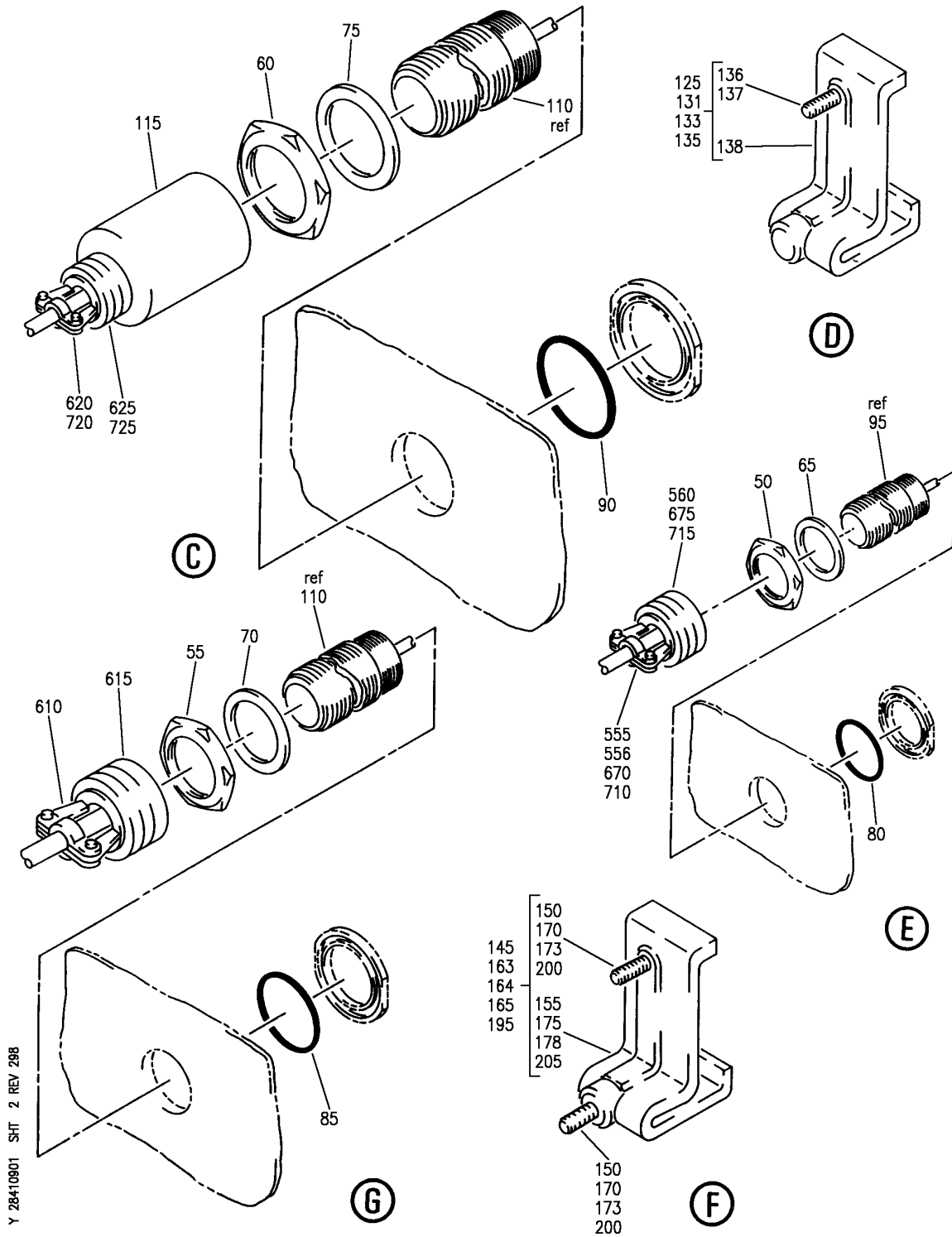
SUPPORT INSTL-FUEL QTY IND SYS INSPAR WIRE  
FIGURE 1 (SHEET 1)

**28-41-09-01**

BRI  
MAY 28/07

28-41-09-01  
PAGE 0

**BOEING**  
757  
PARTS CATALOG (MAINTENANCE)



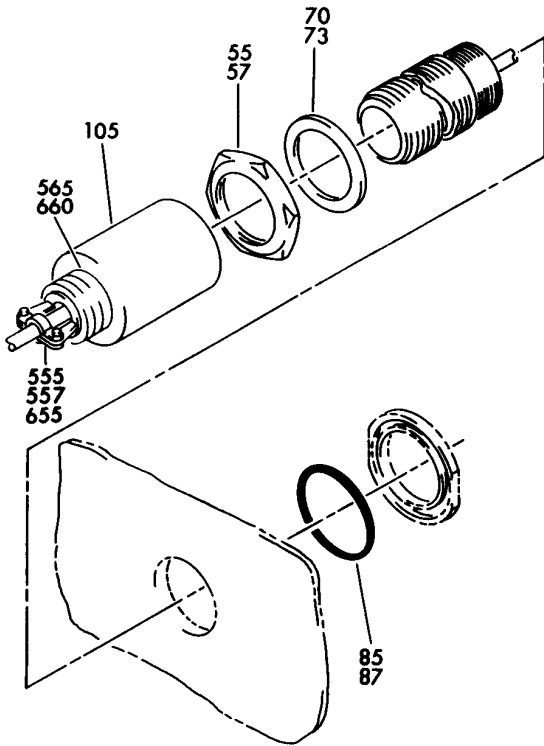
SUPPORT INSTL-FUEL QTY IND SYS INSPAR WIRE  
FIGURE 1 (SHEET 2)

**28-41-09-01**

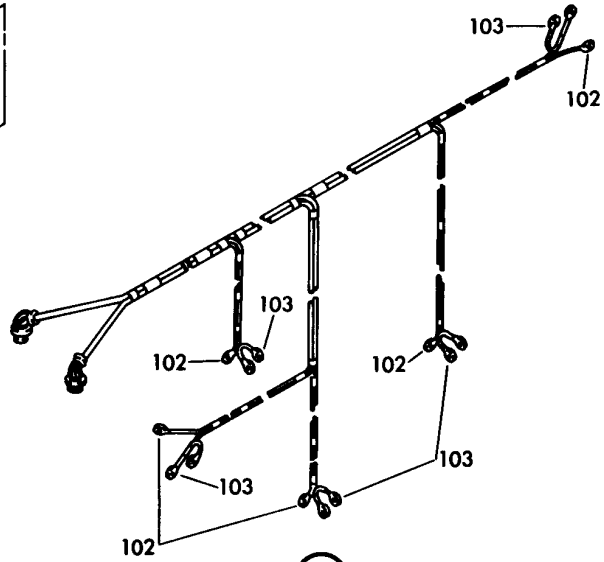
BRI  
MAY 28/07

28-41-09-01  
PAGE 0A

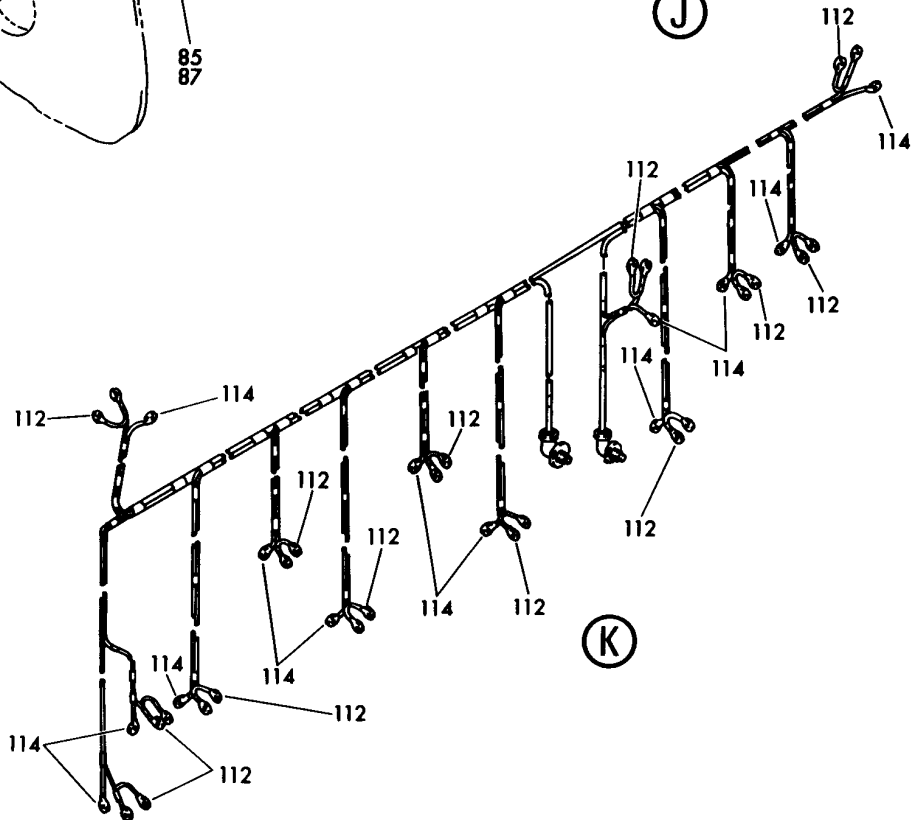
**BOEING**  
757  
PARTS CATALOG (MAINTENANCE)



(H)



(J)



(K)

Y 28410901 SHT 3 REV 225

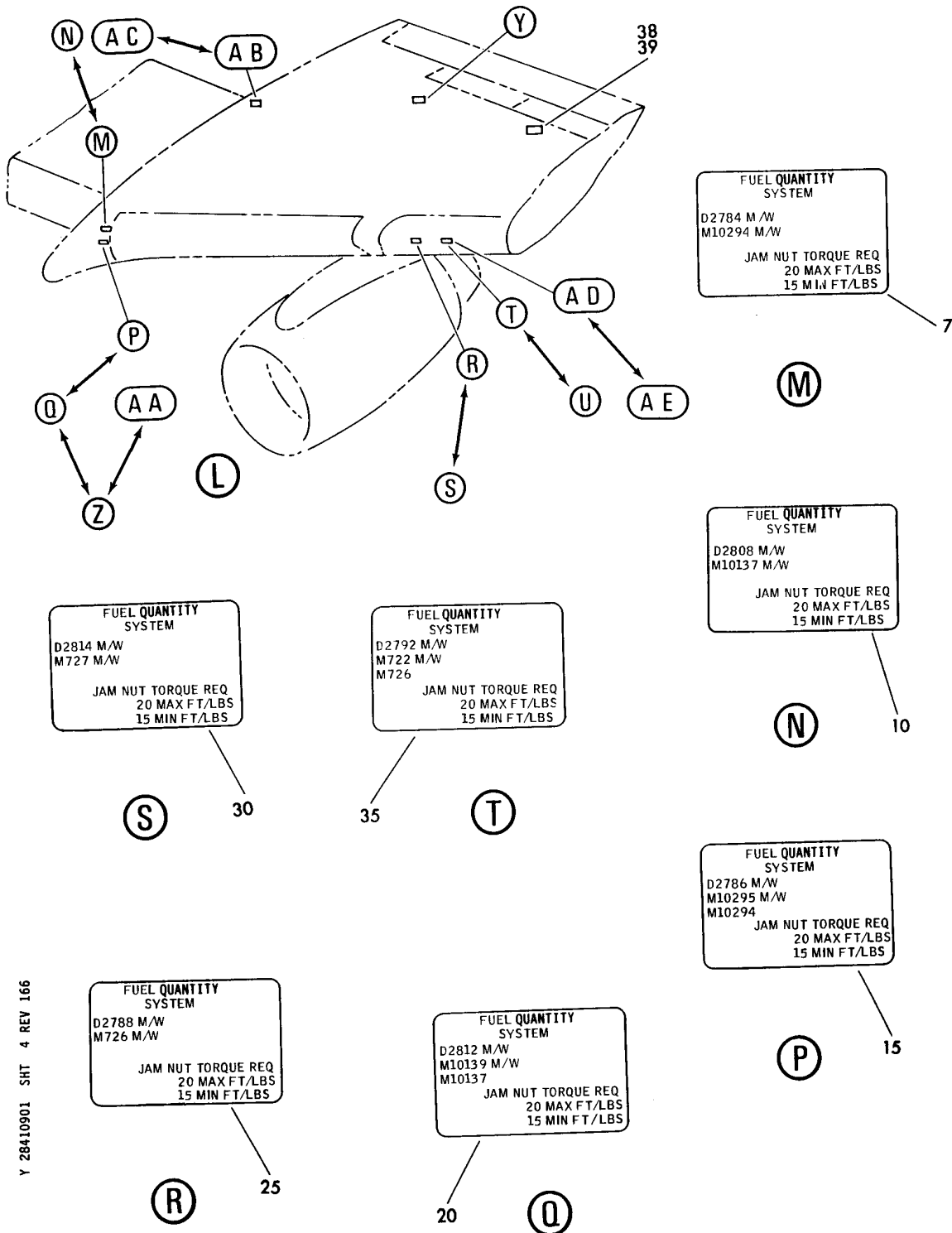
SUPPORT INSTL-FUEL QTY IND SYS INSPAR WIRE  
FIGURE 1 (SHEET 3)

**28-41-09-01**

BRI  
MAY 28/07

28-41-09-01  
PAGE 0B

**BOEING**  
757  
PARTS CATALOG (MAINTENANCE)

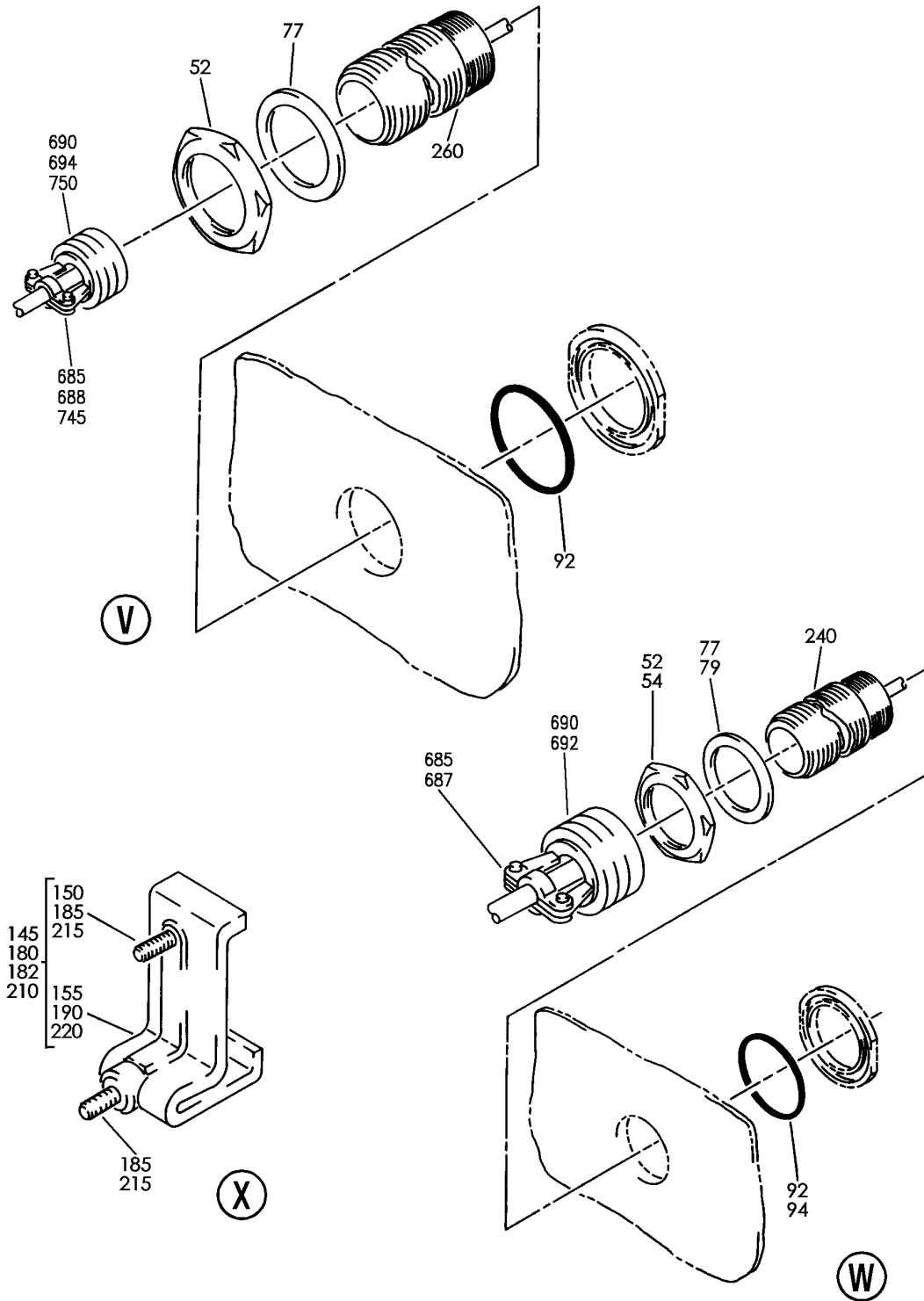


Y 28410901 SHT 4 REV 166

SUPPORT INSTL-FUEL QTY IND SYS INSPAR WIRE  
FIGURE 1 (SHEET 4)

**28-41-09-01**

**BOEING**  
757  
PARTS CATALOG (MAINTENANCE)



Y 28410901 SH-T 5 REV 297

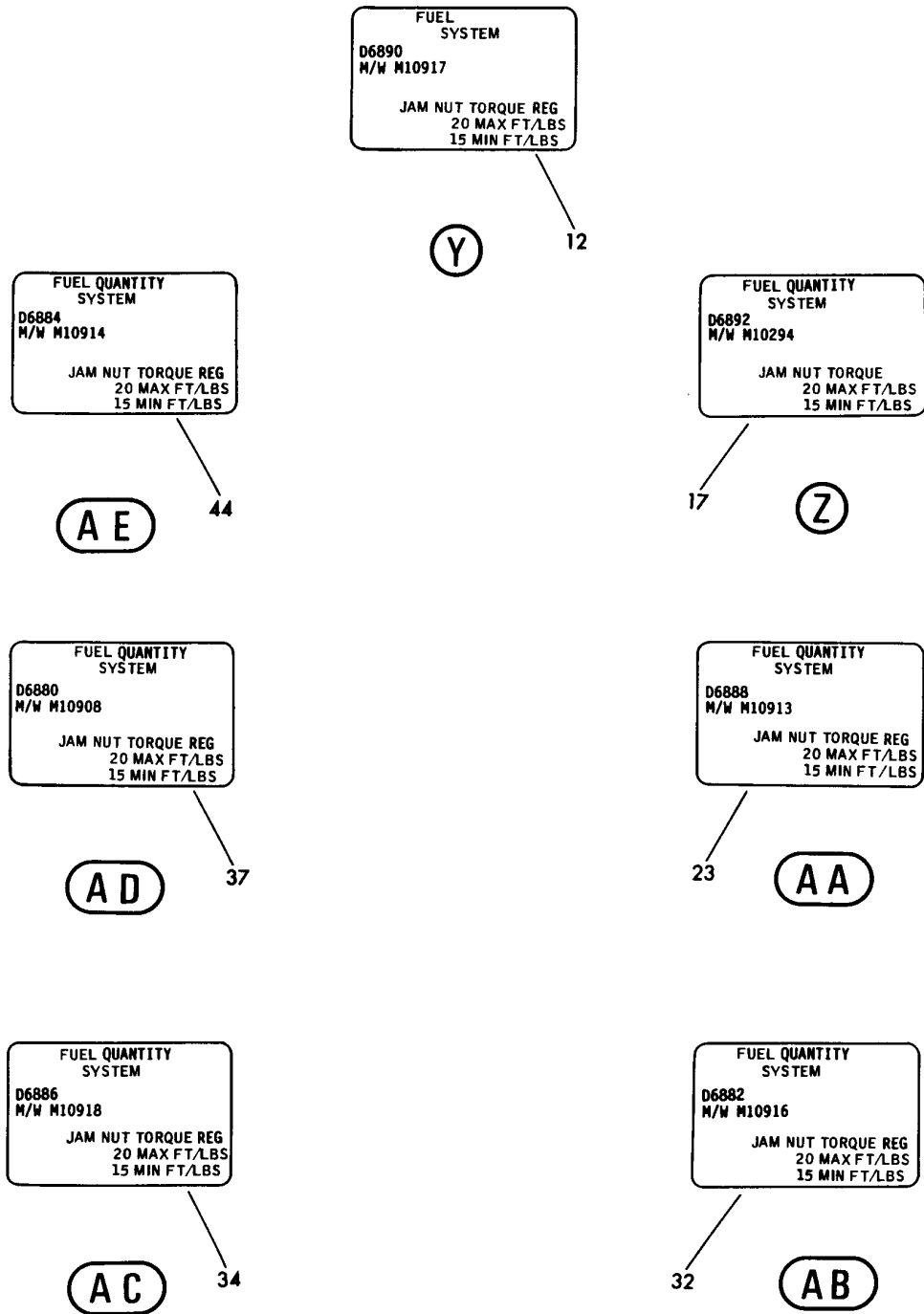
SUPPORT INSTL-FUEL QTY IND SYS INSPAR WIRE  
FIGURE 1 (SHEET 5)

**28-41-09-01**

BRI  
MAY 28/07

28-41-09-01  
PAGE 0D


**BOEING**  
 757  
**PARTS CATALOG (MAINTENANCE)**



Y 28410901 SHT 6 REV 123

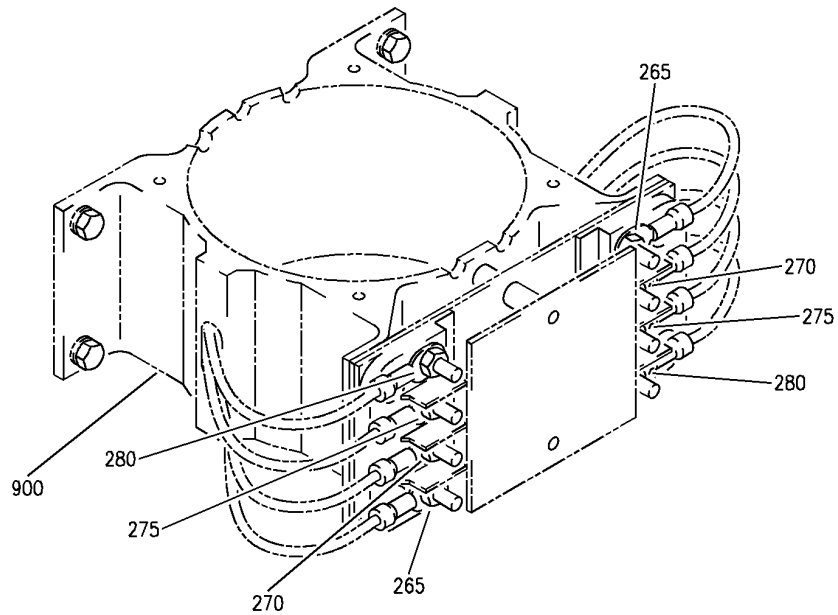
SUPPORT INSTL-FUEL QTY IND SYS INSPAR WIRE  
FIGURE 1 (SHEET 6)

**28-41-09-01**

BRI  
MAY 28/07

28-41-09-01  
PAGE 0E

**BOEING**  
757  
PARTS CATALOG (MAINTENANCE)



AF

Y 28-41-09-01 SH 7 REV 297

SUPPORT INSTL-FUEL QTY IND SYS INSPAR WIRE  
FIGURE 1 (SHEET 7)

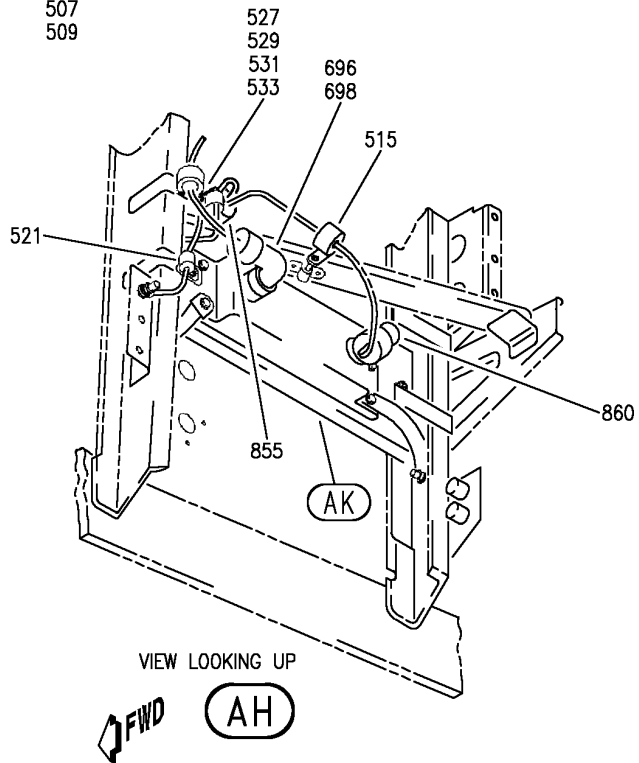
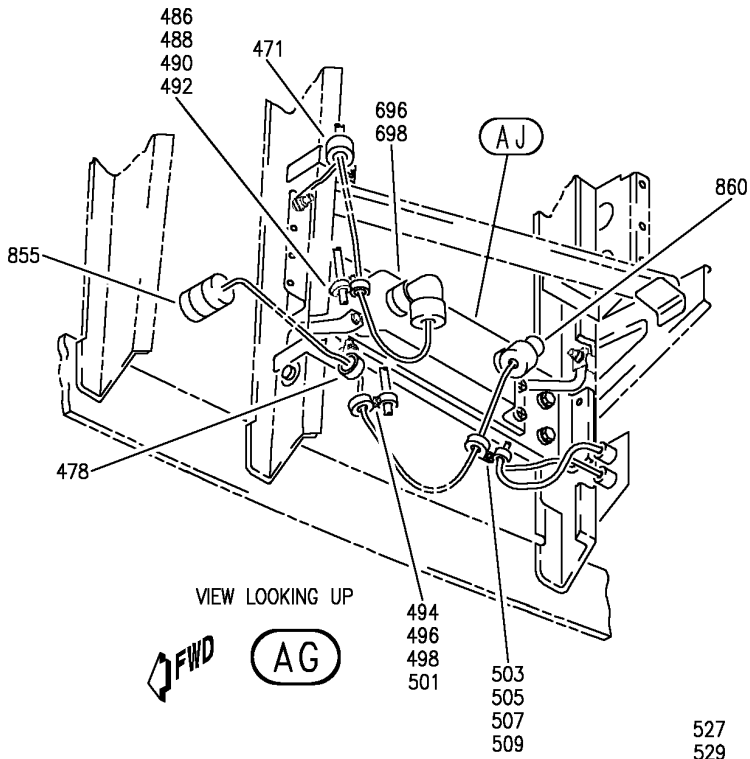
**28-41-09-01**

BRI  
MAY 28/07

28-41-09-01  
PAGE OF



**BOEING**  
757  
**PARTS CATALOG (MAINTENANCE)**



Y 28410901 SH8 8 REV 307

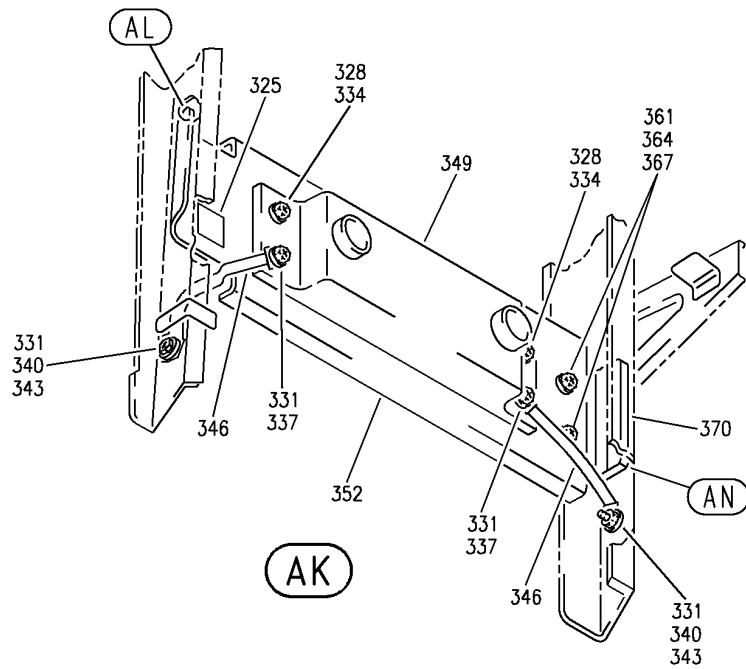
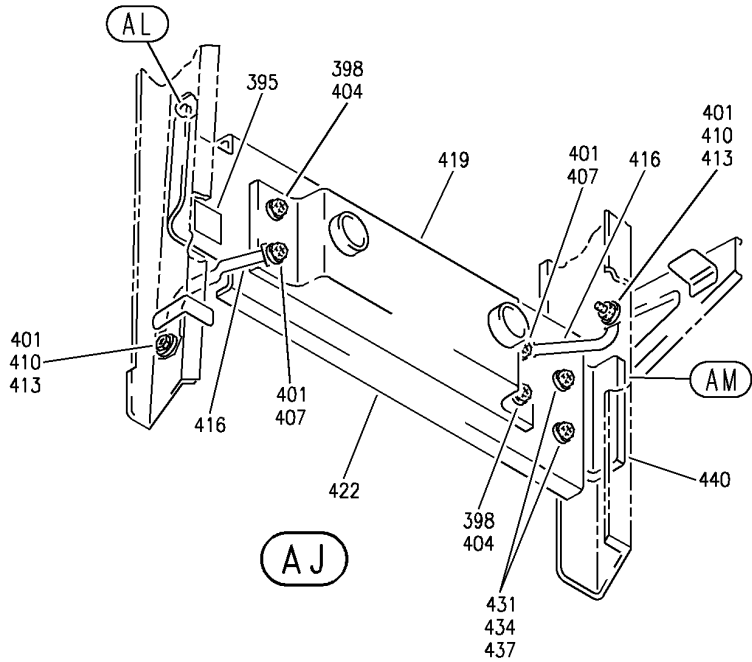
SUPPORT INSTL-FUEL QTY IND SYS INSPAR WIRE  
FIGURE 1 (SHEET 8)

**28-41-09-01**

BRI  
MAY 28/07

28-41-09-01  
PAGE 08

**BOEING**  
757  
PARTS CATALOG (MAINTENANCE)



Y 28-41-09-01 SH 9 REV 297

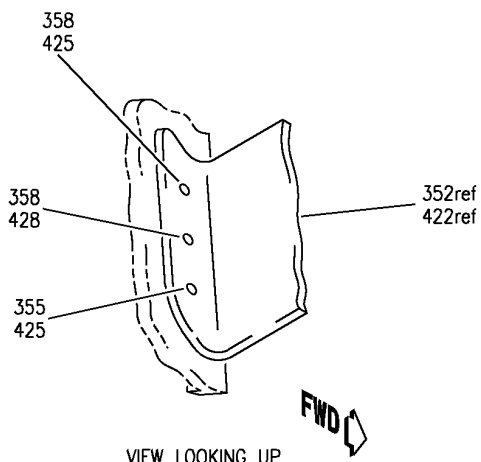
SUPPORT INSTL-FUEL QTY IND SYS INSPAR WIRE  
FIGURE 1 (SHEET 9)

**28-41-09-01**

BRI  
MAY 28/07

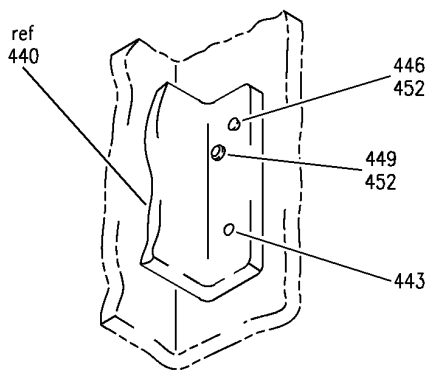
28-41-09-01  
PAGE 0H

**BOEING**  
757  
PARTS CATALOG (MAINTENANCE)



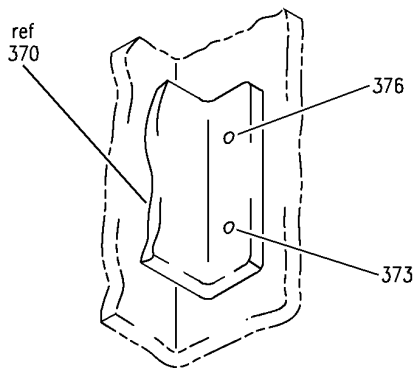
VIEW LOOKING UP

AL



VIEW LOOKING UP

AM



VIEW LOOKING UP

AN

Y 28410901 SH1 10 REV 297

SUPPORT INSTL-FUEL QTY IND SYS INSPAR WIRE  
FIGURE 1 (SHEET 10)

**28-41-09-01**

BRI  
MAY 28/07

28-41-09-01  
PAGE 01



757

PARTS CATALOG (MAINTENANCE)

| FIG ITEM | PART NUMBER | 1 2 3 4 5 6 7 | NOMENCLATURE               | EFFECT FROM TO | UNITS PER ASSY |
|----------|-------------|---------------|----------------------------|----------------|----------------|
| 1        |             |               | SUPPORT INSTL-FUEL QTY IND | 002004         |                |
| - 1      | 287N1201-1  |               | SYS INSPAR WIRE            | 006999         |                |
|          |             |               | SUPPORT INSTL-FUEL QTY IND | 107107         | RF             |
|          |             |               | SYS INSPAR WIRE            | 904949         |                |
|          |             |               | POSITION DATA:             |                |                |
|          |             |               | LH                         |                |                |
|          |             |               | FOR NHA SEE:               |                |                |
|          |             |               | 57-00-52-01                |                |                |
| - 1      | 287N1201-3  |               | SUPPORT INSTL-FUEL QTY IND | 952952         | RF             |
|          |             |               | SYS INSPAR WIRE            |                |                |
|          |             |               | POSITION DATA:             |                |                |
|          |             |               | LH                         |                |                |
|          |             |               | FOR NHA SEE:               |                |                |
|          |             |               | 57-00-52-01                |                |                |
| - 1      | 287N1201-5  |               | SUPPORT INSTL-FUEL QTY IND | 002004         | RF             |
|          |             |               | SYS INSPAR WIRE            | 121503         |                |
|          |             |               | POSITION DATA:             |                |                |
|          |             |               | LH                         |                |                |
|          |             |               | FOR NHA SEE:               |                |                |
|          |             |               | 57-00-52-01                |                |                |
| - 1      | 287N1201-9  |               | SUPPORT INSTL-FUEL QTY IND | 006100         | RF             |
|          |             |               | SYS INSPAR WIRE            | 950951         |                |
|          |             |               | POSITION DATA:             | 953999         |                |
|          |             |               | LH                         |                |                |
|          |             |               | FOR NHA SEE:               |                |                |
|          |             |               | 57-00-52-01                |                |                |
| - 1      | 287N1201-13 |               | SUPPORT INSTL-FUEL QTY IND | 101102         | RF             |
|          |             |               | SYS INSPAR WIRE            | 108120         |                |
|          |             |               | POSITION DATA:             | 504903         |                |
|          |             |               | LH                         |                |                |
|          |             |               | FOR NHA SEE:               |                |                |
|          |             |               | 24-00-60-20                |                |                |
| - 1      | MODREF11034 |               | SUPPORT INSTL-FUEL QTY IND | 103103         | 1              |
|          |             |               | SYS INSPAR WIRE            |                |                |
|          |             |               | MODULE NUMBER:             |                |                |
|          |             |               | 287N1201-13 REV A          |                |                |
|          |             |               | POSITION DATA:             |                |                |
|          |             |               | LH                         |                |                |
| - 1      | MODREF27806 |               | SUPPORT INSTL-FUEL QTY IND | 104105         | 1              |
|          |             |               | SYS INSPAR WIRE            |                |                |
|          |             |               | MODULE NUMBER:             |                |                |
|          |             |               | 287N1201-13 REV B          |                |                |
|          |             |               | POSITION DATA:             |                |                |
|          |             |               | LH                         |                |                |

MISSING ITEM NUMBERS NOT APPLICABLE

- ITEM NOT ILLUSTRATED

28-41-09-01

28-41-09  
FIG. 01  
PAGE 1  
JAN 20/09

BRI



757

PARTS CATALOG (MAINTENANCE)

| FIG ITEM | PART NUMBER  | 1 2 3 4 5 6 7 | NOMENCLATURE   | EFFECT FROM TO             | UNITS PER ASSY |
|----------|--------------|---------------|--|----------------------------|----------------|
| 1        |              |               |  |                            |                |
| - 1      | MODREF100544 |               | SUPPORT INSTL-FUEL QTY IND<br>SYS INSPAR WIRE<br>MODULE NUMBER:<br>287N1201-13 REV C<br>POSITION DATA:<br>LH | 106106                     | 1              |
| - 5      | 287N1201-2   |               | SUPPORT INSTL-FUEL QTY IND<br>SYS INSPAR WIRE<br>POSITION DATA:<br>RH<br>FOR NHA SEE:<br>57-00-52-01         | 107107<br>904949           | RF             |
| - 5      | 287N1201-4   |               | SUPPORT INSTL-FUEL QTY IND<br>SYS INSPAR WIRE<br>POSITION DATA:<br>RH<br>FOR NHA SEE:<br>57-00-52-01         | 952952                     | RF             |
| - 5      | 287N1201-6   |               | SUPPORT INSTL-FUEL QTY IND<br>SYS INSPAR WIRE<br>POSITION DATA:<br>RH<br>FOR NHA SEE:<br>57-00-52-01         | 002004<br>121503           | RF             |
| - 5      | 287N1201-10  |               | SUPPORT INSTL-FUEL QTY IND<br>SYS INSPAR WIRE<br>POSITION DATA:<br>RH<br>FOR NHA SEE:<br>57-00-52-01         | 006100<br>950951<br>953999 | RF             |
| - 5      | 287N1201-14  |               | SUPPORT INSTL-FUEL QTY IND<br>SYS SPAR WIRE<br>POSITION DATA:<br>RH<br>FOR NHA SEE:<br>24-00-60-20           | 101102<br>108120<br>504903 | RF             |
| - 5      | MODREF11035  |               | SUPPORT INSTL-FUEL QTY IND<br>SYS SPAR WIRE<br>MODULE NUMBER:<br>287N1201-14 REV A<br>POSITION DATA:<br>RH   | 103103                     | 1              |
| - 5      | MODREF29921  |               | SUPPORT INSTL-FUEL QTY IND<br>SYS SPAR WIRE<br>MODULE NUMBER:<br>287N1201-14 REV B<br>POSITION DATA:<br>RH   | 104105                     | 1              |

MISSING ITEM NUMBERS NOT APPLICABLE

- ITEM NOT ILLUSTRATED

28-41-09-01

28-41-09  
FIG. 01  
PAGE 2  
JAN 20/09

BRI



757

PARTS CATALOG (MAINTENANCE)

| FIG ITEM | PART NUMBER  | 1 2 3 4 5 6 7 | NOMENCLATURE   | EFFECT FROM TO                       | UNITS PER ASSY |
|----------|--------------|---------------|--|--------------------------------------|----------------|
| 1        |              |               |  |                                      |                |
| - 5      | MODREF100545 |               | SUPPORT INSTL-FUEL QTY IND<br>SYS SPAR WIRE<br>MODULE NUMBER:<br>287N1201-14 REV C<br>POSITION DATA:<br>RH | 106106                               | 1              |
| 7        | BAC27NEL0177 |               | .MARKER-ALUMINUM FOIL-<br>POSITION DATA:<br>LH SIDE  | 107107<br>904949                     | 1              |
| 10       | BAC27NEL0175 |               | .MARKER-ALUMINUM FOIL-<br>POSITION DATA:<br>RH SIDE  | 107107<br>904949                     | 1              |
| 12       | BAC27NEX2698 |               | .MARKER-ALUMINUM FOIL-<br>POSITION DATA:<br>RH SIDE  | 002004<br>006106<br>108903<br>950999 | 1              |
| 15       | BAC27NEL0176 |               | .MARKER-ALUMINUM FOIL-<br>POSITION DATA:<br>LH SIDE  | 107107<br>904949                     | 1              |
| 17       | BAC27NEX2699 |               | .MARKER-ALUMINUM FOIL-<br>POSITION DATA:<br>LH SIDE  | 002004<br>006106<br>108903<br>950999 | 1              |
| 20       | BAC27NEL0174 |               | .MARKER-ALUMINUM FOIL-<br>POSITION DATA:<br>RH SIDE  | 107107<br>904949                     | 1              |
| 23       | BAC27NEX2697 |               | .MARKER-ALUMINUM FOIL-<br>POSITION DATA:<br>RH SIDE  | 002004<br>006106<br>108903<br>950999 | 1              |
| 25       | BAC27NEL0181 |               | .MARKER-ALUMINUM FOIL-<br>POSITION DATA:<br>LH SIDE  | 107107<br>904949                     | 1              |
| 30       | BAC27NEL0179 |               | .MARKER-ALUMINUM FOIL-<br>POSITION DATA:<br>RH SIDE  | 107107<br>904949                     | 1              |
| 32       | BAC27NEX2674 |               | .MARKER-ALUMINUM FOIL-<br>POSITION DATA:<br>LH SIDE  | 006017<br>950951<br>953999           | 1              |
| 34       | BAC27NEX2696 |               | .MARKER-ALUMINUM FOIL-<br>POSITION DATA:<br>RH SIDE  | 006017<br>950951<br>953999           | 1              |
| 35       | BAC27NEL0180 |               | .MARKER-ALUMINUM FOIL-<br>POSITION DATA:<br>LH SIDE  | 107107<br>904949                     | 1              |
| 37       | BAC27NEX2673 |               | .MARKER-ALUMINUM FOIL-<br>POSITION DATA:<br>LH SIDE  | 002004<br>006106<br>108903<br>950999 | 1              |

MISSING ITEM NUMBERS NOT APPLICABLE

- ITEM NOT ILLUSTRATED

28-41-09-01

28-41-09  
FIG. 01  
PAGE 3  
JAN 20/09

BRI



757

PARTS CATALOG (MAINTENANCE)

| FIG ITEM | PART NUMBER  | 1 2 3 4 5 6 7 | NOMENCLATURE                                       | EFFECT FROM TO                       | UNITS PER ASSY |
|----------|--------------|---------------|--|--------------------------------------|----------------|
| 1        |              |               |  |                                      |                |
| 38       | BAC27NEX3000 | .             | MARKER-ALUMINUM FOIL-<br>POSITION DATA:<br>LH SIDE | 002004<br>006106<br>108903<br>950999 | 1              |
| 39       | BAC27NEX3001 | .             | MARKER-ALUMINUM FOIL-<br>POSITION DATA:<br>RH SIDE | 002004<br>006106<br>108903<br>950999 | 1              |
| 40       | BAC27NEL0178 | .             | MARKER-ALUMINUM FOIL-<br>POSITION DATA:<br>RH SIDE | 107107<br>904949                     | 1              |
| 44       | BAC27NEX2675 | .             | MARKER-ALUMINUM FOIL-<br>POSITION DATA:<br>RH SIDE | 002004<br>006106<br>108903<br>950999 | 1              |
| 50       | 345T0025-1   | .             | NUT-DRILLED JAM                                    | 107107<br>904949                     | 1              |
| 52       | BACN10DR40D  | .             | NUT-DRILLED JAM-<br>POSITION DATA:<br>RH SIDE      | 002004<br>006106<br>108903<br>950999 | 2              |
| 54       | BACN10DR40D  | .             | NUT-DRILLED JAM-<br>POSITION DATA:<br>LH SIDE      | 002004<br>006106<br>108903<br>950999 | 1              |
| 55       | 345T0025-2   | .             | NUT-DRILLED JAM                                    | 107107<br>904949                     | 2              |
| 57       | 345T0025-4   | .             | NUT-DRILLED JAM                                    | 002004<br>006106<br>108903<br>950999 | 1              |
| 60       | 345T0025-3   | .             | NUT-DRILLED JAM                                    | 107107<br>904949                     | 1              |
| 60       | BACN10DR32D  | .             | NUT-DRILLED JAM                                    | 002004<br>006106<br>108903<br>950999 | 1              |
| 65       | AN960JD1816L | .             | WASHER-  | 107107<br>904949                     | 1              |
| 70       | AN960JD2616L | .             | WASHER-  | 107107<br>904949                     | 2              |
| 73       | AN960JD2616L | .             | WASHER-  | 002004<br>006100<br>121503<br>950999 | 1              |

MISSING ITEM NUMBERS NOT APPLICABLE

- ITEM NOT ILLUSTRATED

28-41-09-01

28-41-09  
FIG. 01  
PAGE 4  
JAN 20/09

BRI



757

PARTS CATALOG (MAINTENANCE)

| FIG ITEM | PART NUMBER | 1 2 3 4 5 6 7 | NOMENCLATURE   | EFFECT FROM TO                                 | UNITS PER ASSY |
|----------|-------------|---------------|--|--|----------------|
| 1        | 75          | AN960JD4016L  | .WASHER-   | 002004<br>006100<br>107107<br>121503<br>904999 | 1              |
|          | 77          | 345N2002-1    | .WASHER-<br>POSITION DATA:<br>RH SIDE  | 002004<br>006100<br>121503<br>950999           | 2              |
|          | 79          | 345N2002-1    | .WASHER-<br>POSITION DATA:<br>LH SIDE  | 002004<br>006100<br>121503<br>950999           | 1              |
|          | 80          | MS29513-221   | .PACKING-  | 107107<br>904949                               | 1              |
|          | 85          | MS29513-225   | .PACKING-  | 101120<br>504949                               | 2              |
|          | 87          | MS29513-225   | .PACKING-  | 002004<br>006106<br>108903<br>950999           | 1              |
|          | 90          | MS29513-233   | .PACKING-  | 002004<br>006999                               | 1              |
|          | 92          | MS29513-236   | .PACKING-<br>POSITION DATA:<br>RH SIDE   | 002004<br>006106<br>108903<br>950999           | 2              |
|          | 94          | MS29513-236   | .PACKING-<br>POSITION DATA:<br>LH SIDE   | 002004<br>006106<br>108903<br>950999           | 1              |
|          | 95          | AG1029AA03    | .HARNES ASSY-TANK<br>SUPPLIER CODE:<br>V94580<br>POSITION DATA:<br>CTR LH SIDE<br>SPECIFICATION NUMBER:<br>S345T002-353<br>NOT APPROVED FOR ETOPS.<br>ELECTRICAL EQUIP NUMBER:<br>M10294 | 107107<br>904949                               | 1              |

MISSING ITEM NUMBERS NOT APPLICABLE

- ITEM NOT ILLUSTRATED

28-41-09-01

28-41-09  
FIG. 01  
PAGE 5  
JAN 20/09

BRI





757

PARTS CATALOG (MAINTENANCE)

| FIG ITEM | PART NUMBER   | 1 2 3 4 5 6 7 | NOMENCLATURE  | EFFECT FROM TO   | UNITS PER ASSY |
|----------|---------------|---------------|---|------------------|----------------|
| 1        | 95 AG1029AB03 |               | .HARNES ASSY-TANK<br>SUPPLIER CODE:<br>V94580<br>POSITION DATA:<br>CTR LH SIDE<br>SPECIFICATION NUMBER:<br>S345T002-363<br>ELECTRICAL EQUIP NUMBER:<br>M10294<br>OPTIONAL PART:<br>9040245<br>V59501  | 107107<br>904949 | 1              |
|          | 95 9040245    |               | .HARNES ASSY-TANK<br>SUPPLIER CODE:<br>V59501<br>POSITION DATA:<br>CTR LH SIDE<br>SPECIFICATION NUMBER:<br>S345T002-363<br>MISCELLANEOUS DATA:<br>S345T002-363/9040245 MAY<br>BE REPLACED BY RETROFIT<br>PART NUMBER S283T025-405<br>/CN1156-405 DEPENDENT ON<br>CUSTOMER EFFECTIVITY.<br>SEE SERVICE LETTERS<br>757-28-031 AND<br>767-28-031 FOR RETROFIT<br>INFORMATION<br>ELECTRICAL EQUIP NUMBER:<br>M10294<br>OPTIONAL PART:<br>AG1029AB03<br>V94580 | 107107<br>904949 | 1              |
| - 100    | AG1029AA04    |               | .HARNES ASSY-TANK<br>SUPPLIER CODE:<br>V94580<br>POSITION DATA:<br>CTR RH SIDE<br>SPECIFICATION NUMBER:<br>S345T002-354<br>NOT APPROVED FOR ETOPS.<br>ELECTRICAL EQUIP NUMBER:<br>M10137  | 107107<br>904949 | 1              |

MISSING ITEM NUMBERS NOT APPLICABLE

- ITEM NOT ILLUSTRATED

BRI

28-41-09-01

28-41-09  
FIG. 01  
PAGE 6  
JAN 20/09



757

PARTS CATALOG (MAINTENANCE)

| FIG ITEM | PART NUMBER  | 1 2 3 4 5 6 7 | NOMENCLATURE  | EFFECT FROM TO   | UNITS PER ASSY |
|----------|--------------|---------------|---|------------------|----------------|
| 1        |              |               |   |                  |                |
| - 100    | 9040240      |               | .HARNES ASSY-TANK<br>SUPPLIER CODE:<br>V59501<br>POSITION DATA:<br>CTR RH SIDE<br>SPECIFICATION NUMBER:<br>S345T002-364<br>MISCELLANEOUS DATA:<br>S345T002-364/9040240 MAY<br>BE REPLACED BY RETROFIT<br>PART NUMBER S283T025-406<br>/CN1156-406 DEPENDENT ON<br>CUSTOMER EFFECTIVITY.<br>SEE SERVICE LETTERS<br>757-28-029 AND<br>767-28-031 FOR RETROFIT<br>INFORMATION<br>ELECTRICAL EQUIP NUMBER:<br>M10137<br>OPTIONAL PART:<br>AG1029AB04<br>V94580 | 107107<br>904949 | 1              |
| - 100    | AG1029AB04   |               | .HARNES ASSY-TANK<br>SUPPLIER CODE:<br>V94580<br>POSITION DATA:<br>CTR RH SIDE<br>SPECIFICATION NUMBER:<br>S345T002-364<br>ELECTRICAL EQUIP NUMBER:<br>M10137<br>OPTIONAL PART:<br>9040240<br>V59501  | 107107<br>904949 | 1              |
| 102      | 10076935-102 |               | TEMPORARY BREAKDOWN FOR:<br>AG1029AB03<br>AG1029AB04<br>..CONNECTOR-TERM.<br>SUPPLIER CODE:<br>V94580<br>USED ON:<br>AG1029AA01<br>AG1029AA02<br>AG1029AA03<br>AG1029AA04   | 107107<br>904949 | 5              |

MISSING ITEM NUMBERS NOT APPLICABLE

- ITEM NOT ILLUSTRATED

BRI

28-41-09-01

BOEING PROPRIETARY - Copyright © - Unpublished Work - See title page for details.

28-41-09  
FIG. 01  
PAGE 7  
JAN 20/09



757

PARTS CATALOG (MAINTENANCE)

| FIG ITEM | PART NUMBER  | 1 2 3 4 5 6 7 | NOMENCLATURE   | EFFECT FROM TO   | UNITS PER ASSY |
|----------|--------------|---------------|--|------------------|----------------|
| 1        |              |               |  |                  |                |
| 103      | 10076934-104 |               | .. CONNECTOR-TERM.<br>SUPPLIER CODE:<br>V94580<br>USED ON:<br>AG1029AA01<br>AG1029AA02<br>AG1029AA03<br>AG1029AA04   | 107107<br>904949 | 5              |
| - 104    | 9040081      |               | .. CONNECTOR ASSY-<br>SUPPLIER CODE:<br>V59501<br>USED ON:<br>9040240<br>9040245   | 107107<br>904949 | AR             |
| -104A    | 169-187      |               | ... PACKING-<br>SUPPLIER CODE:<br>V59501   | 107107<br>904949 | AR             |
| -104B    | 9040080-106  |               | .. CONNECTOR ASSY-<br>SUPPLIER CODE:<br>V59501<br>USED ON:<br>9040240<br>9040245   | 107107<br>904949 | AR             |
| -104C    | 169-189      |               | ... PACKING-<br>SUPPLIER CODE:<br>V59501   | 107107<br>904949 | AR             |
| 105      | 9040107      |               | . PLUG-AUX TANK BUSSING<br>SUPPLIER CODE:<br>V59501<br>SPECIFICATION NUMBER:<br>S345T002-157<br>MISCELLANEOUS DATA:<br>S345T002-157/9040107 MAY<br>BE REPLACED BY RETROFIT<br>PART NUMBER S283T025-562<br>/CN1156-562 DEPENDENT ON<br>CUSTOMER EFFECTIVITY.<br>SEE SERVICE LETTERS<br>757-28-029 AND<br>767-28-031 FOR RETROFIT<br>INFORMATION<br>ELECTRICAL EQUIP NUMBER:<br>M10139<br>M10295<br>OPTIONAL PART:<br>AG1024AB02<br>V94580 | 107107<br>904949 | 1              |

MISSING ITEM NUMBERS NOT APPLICABLE

- ITEM NOT ILLUSTRATED

28-41-09-01

28-41-09  
FIG. 01  
PAGE 8  
JAN 20/09

BRI





757

PARTS CATALOG (MAINTENANCE)

| FIG ITEM | PART NUMBER  | 1 2 3 4 5 6 7 | NOMENCLATURE   | EFFECT FROM TO   | UNITS PER ASSY |
|----------|--------------|---------------|--|------------------|----------------|
| 1        |              |               |  |                  |                |
| 112      | 10076933-102 |               | .. CONNECTOR-TERM.<br>SUPPLIER CODE:<br>V94580<br>USED ON:<br>AG1028AA01<br>AG1028AA03<br>AG1028AB03 | 107107<br>904949 | 12             |
| 114      | 10076934-103 |               | .. CONNECTOR-TERM.<br>SUPPLIER CODE:<br>V94580<br>USED ON:<br>AG1028AA01<br>AG1028AA03<br>AG1028AB03 | 107107<br>904949 | 12             |
| -114A    | 9040120      |               | .. CONNECTOR ASSY-<br>SUPPLIER CODE:<br>V59501<br>USED ON:<br>9040244                                | 107107<br>904949 | AR             |
| -114B    | 50031582     |               | ... PACKING-<br>SUPPLIER CODE:<br>V59501   | 107107<br>904949 | AR             |
| -114C    | 9040080-102  |               | .. CONNECTOR ASSY-<br>SUPPLIER CODE:<br>V59501<br>USED ON:<br>9040244                                | 107107<br>904949 | AR             |
| -114D    | 169-189      |               | ... PACKING-<br>SUPPLIER CODE:<br>V59501   | 107107<br>904949 | AR             |

MISSING ITEM NUMBERS NOT APPLICABLE

- ITEM NOT ILLUSTRATED

BRI

28-41-09-01

BOEING PROPRIETARY - Copyright © - Unpublished Work - See title page for details.

28-41-09  
FIG. 01  
PAGE 10  
JAN 20/09



757

PARTS CATALOG (MAINTENANCE)

| FIG ITEM | PART NUMBER | 1 2 3 4 5 6 7 | NOMENCLATURE   | EFFECT FROM TO                                 | UNITS PER ASSY |
|----------|-------------|---------------|--|--|----------------|
| 1<br>115 | 9040106     |               | .PLUG-MAIN TANK BUSSING<br>SUPPLIER CODE:<br>V59501<br>SPECIFICATION NUMBER:<br>S345T002-153<br>MISCELLANEOUS DATA:<br>S345T002-153/9040106 MAY<br>BE REPLACED BY RETROFIT<br>PART NUMBER S283T025-561<br>/CN1156-561 DEPENDENT ON<br>CUSTOMER EFFECTIVITY.<br>SEE SERVICE LETTERS<br>757-28-029 AND<br>767-28-031 FOR RETROFIT<br>INFORMATION<br>ELECTRICAL EQUIP NUMBER:<br>M00722<br>M00723<br>OPTIONAL PART:<br>AG1204AA02<br>V94580 | 107107<br>904949                               | 1              |
| 131      | 287N1204-4  |               | .CLIP ASSY-<br>POSITION DATA:<br>LH SIDE   | 006106<br>108120<br>504903<br>950951<br>953999 | 5              |
| 131      | 345T0020-1  |               | .CLIP ASSY-<br>POSITION DATA:<br>LH SIDE   | 006106<br>108120<br>504903<br>950951<br>953999 | 5              |
| 131      | 287N1204-1  |               | .CLIP ASSY-<br>POSITION DATA:<br>LH SIDE   | 006106<br>108120<br>504903<br>950951<br>953999 | 5              |
| 132      | 287N1204-1  |               | .CLIP ASSY-  | 107107<br>904949<br>952952                     | 42             |
| 132      | 287N1204-4  |               | .CLIP ASSY-  | 107107<br>904949<br>952952                     | 42             |
| 132      | 345T0020-1  |               | .CLIP ASSY-  | 107107<br>904949<br>952952                     | 42             |

MISSING ITEM NUMBERS NOT APPLICABLE

- ITEM NOT ILLUSTRATED

28-41-09-01

28-41-09  
FIG. 01  
PAGE 11  
JAN 20/09

BRI



757

PARTS CATALOG (MAINTENANCE)

| FIG ITEM | PART NUMBER | 1 2 3 4 5 6 7 | NOMENCLATURE                                     | EFFECT FROM TO                                 | UNITS PER ASSY |
|----------|-------------|---------------|--|--|----------------|
| 1        |             |               |  |  |                |
| 133      | 287N1204-1  |               | .CLIP ASSY-<br>POSITION DATA:<br>LH SIDE         | 002004<br>107107<br>121503<br>904949<br>952952 | 4              |
| 133      | 287N1204-4  |               | .CLIP ASSY-<br>POSITION DATA:<br>LH SIDE         | 002004<br>107107<br>121503<br>904949<br>952952 | 4              |
| 133      | 345T0020-1  |               | .CLIP ASSY-<br>POSITION DATA:<br>LH SIDE         | 002004<br>107107<br>121503<br>904949<br>952952 | 4              |
| 135      | 287N1204-1  |               | .CLIP ASSY-                                      | 002004<br>006106<br>108903<br>950951<br>953999 | 40             |
| 135      | 345T0020-1  |               | .CLIP ASSY-                                      | 002004<br>006106<br>108903<br>950951<br>953999 | 40             |
| 135      | 287N1204-4  |               | .CLIP ASSY-                                      | 002004<br>006106<br>108903<br>950951<br>953999 | 40             |
| 136      | NAS6603-3   |               | ..BOLT-<br>USED ON:<br>345T0020-1                | 006106<br>108120<br>504903<br>950951<br>953999 | 1              |
| 136      | NAS1801-3-9 |               | ..SCREW-<br>USED ON:<br>287N1204-1<br>287N1204-4 | 006106<br>108120<br>504903<br>950951<br>953999 | 1              |
| 137      | NAS1801-3-9 |               | ..SCREW-<br>USED ON:<br>345T0020-1               | 107107<br>904949<br>952952                     | 1              |
| 137      | NAS1801-3-9 |               | ..SCREW-<br>USED ON:<br>287N1204-1<br>287N1204-4 | 002004<br>121503                               | 1              |

MISSING ITEM NUMBERS NOT APPLICABLE

- ITEM NOT ILLUSTRATED

28-41-09-01

28-41-09  
FIG. 01  
PAGE 12  
JAN 20/09

BRI



757

PARTS CATALOG (MAINTENANCE)

| FIG ITEM | PART NUMBER | 1 2 3 4 5 6 7 | NOMENCLATURE                    | EFFECT FROM TO                                 | UNITS PER ASSY |
|----------|-------------|---------------|---------------------------------|--|----------------|
| 1        |             |               |                                 |  |                |
| 137      | NAS6603-3   | ..            | BOLT-<br>USED ON:<br>345T0020-1 | 002004<br>121503                               | 1              |
| 137      | NAS6603-3   | ..            | BOLT-<br>USED ON:<br>345T0020-1 | 107107<br>904949<br>952952                     | 1              |
| 138      | 287N1204-3  | ..            | CLIP-<br>USED ON:<br>287N1204-1 | 002004<br>121503                               | 1              |
| 138      | 287N1204-3  | ..            | CLIP-<br>USED ON:<br>287N1204-1 | 107107<br>904949<br>952952                     | 1              |
| 138      | 287N1204-6  | ..            | CLIP-<br>USED ON:<br>287N1204-4 | 107107<br>904949<br>952952                     | 1              |
| 138      | 287N1204-6  | ..            | CLIP-<br>USED ON:<br>287N1204-4 | 006106<br>108120<br>504903<br>950951<br>953999 | 1              |
| 138      | 287N1204-3  | ..            | CLIP-<br>USED ON:<br>287N1204-1 | 006106<br>108120<br>504903<br>950951<br>953999 | 1              |
| 138      | 345T0020-3  | ..            | CLIP-<br>USED ON:<br>345T0020-1 | 006106<br>108120<br>504903<br>950951<br>953999 | 1              |
| 138      | 345T0020-3  | ..            | CLIP-<br>USED ON:<br>345T0020-1 | 002004<br>121503                               | 1              |
| 138      | 287N1204-6  | ..            | CLIP-<br>USED ON:<br>287N1204-4 | 002004<br>121503                               | 1              |
| 138      | 345T0020-3  | ..            | CLIP-<br>USED ON:<br>345T0020-1 | 107107<br>904949<br>952952                     | 1              |
| 160      | 287N1204-2  | .             | CLIP ASSY-                      | 107107<br>904949<br>952952                     | 16             |
| 160      | 287N1204-5  | .             | CLIP ASSY-                      | 002004<br>006100<br>121503<br>950951<br>953999 | 16             |

MISSING ITEM NUMBERS NOT APPLICABLE

- ITEM NOT ILLUSTRATED

28-41-09-01

28-41-09  
FIG. 01  
PAGE 13  
JAN 20/09

BRI

BOEING PROPRIETARY - Copyright © - Unpublished Work - See title page for details.





757

PARTS CATALOG (MAINTENANCE)

| FIG ITEM | PART NUMBER | 1 2 3 4 5 6 7 | NOMENCLATURE                            | EFFECT FROM TO                                 | UNITS PER ASSY |
|----------|-------------|---------------|---|--|----------------|
| 1        |             |               |   |  |                |
| 160      | 345T0020-4  | .             | CLIP ASSY-                              | 107107<br>904949<br>952952                     | 16             |
| 163      | 287N1204-5  | .             | CLIP ASSY-<br>POSITION DATA:<br>LH SIDE | 002004<br>121503                               | 1              |
| 164      | 287N1204-5  | .             | CLIP ASSY-<br>POSITION DATA:<br>LH SIDE | 006106<br>108120<br>504903<br>950951<br>953999 | 1              |
| 165      | 287N1204-2  | .             | CLIP ASSY-<br>POSITION DATA:<br>LH SIDE | 107107<br>904949<br>952952                     | 1              |
| 165      | 287N1204-5  | .             | CLIP ASSY-<br>POSITION DATA:<br>LH SIDE | 002004<br>006100<br>121503<br>950951<br>953999 | 1              |
| 165      | 345T0020-4  | .             | CLIP ASSY-<br>POSITION DATA:<br>LH SIDE | 107107<br>904949<br>952952                     | 1              |
| 170      | NAS1801-3-9 | ..            | SCREW                                   | 107107<br>904949<br>952952                     | 2              |
| 173      | NAS1801-3-9 | ..            | SCREW                                   | 002004<br>006100<br>121503<br>950951<br>953999 | 2              |
| 175      | 287N1204-3  | ..            | CLIP-                                   | 107107<br>904949<br>952952                     | 1              |
| 178      | 287N1204-6  | ..            | CLIP                                    | 002004<br>006100<br>121503<br>950951<br>953999 | 1              |
| 180      | 287N1204-2  | .             | CLIP ASSY-<br>POSITION DATA:<br>LH SIDE | 107107<br>904949<br>952952                     | 1              |
| 180      | 345T0020-4  | .             | CLIP ASSY-<br>POSITION DATA:<br>LH SIDE | 107107<br>904949<br>952952                     | 1              |
| 180      | 287N1204-5  | .             | CLIP ASSY-<br>POSITION DATA:<br>LH SIDE | 002004<br>121503                               | 1              |

MISSING ITEM NUMBERS NOT APPLICABLE

- ITEM NOT ILLUSTRATED

28-41-09-01

28-41-09  
FIG. 01  
PAGE 14  
JAN 20/09

BRI

BOEING PROPRIETARY - Copyright © - Unpublished Work - See title page for details.

 **BOEING**  
757  
**PARTS CATALOG (MAINTENANCE)**

| FIG ITEM | PART NUMBER | 1 2 3 4 5 6 7 | NOMENCLATURE              | EFFECT FROM TO   | UNITS PER ASSY |
|----------|-------------|---------------|---------------------------|--|----------------|
| 1        |             |               |                           |  |                |
| 182      | 287N1204-5  | .CLIP ASSY-   | POSITION DATA:<br>LH SIDE | 006106<br>108120<br>504903<br>950951<br>953999           | 1              |
| 185      | NAS1801-3-9 | ..SCREW-      |                           | 002004<br>006999   | 2              |
| 185      | NAS6603-3   | ..BOLT-       |                           | 002004<br>006999   | 2              |
| 190      | 287N1204-3  | ..CLIP-       |                           | 107107<br>904949<br>952952                               | 1              |
| 190      | 345T0020-3  | ..CLIP-       |                           | 107107<br>904949<br>952952                               | 1              |
| 190      | 287N1204-6  | ..CLIP-       |                           | 002004<br>006100<br>121503<br>950951<br>953999<br>952952 | 1              |
| 195      | 287N1204-2  | .CLIP ASSY-   | POSITION DATA:<br>RH SIDE | 952952   | 1              |
| 195      | 345T0020-4  | .CLIP ASSY-   | POSITION DATA:<br>RH SIDE | 952952   | 1              |
| 200      | NAS1801-3-9 | ..SCREW       |                           | 952952   | 2              |
| 205      | 287N1204-3  | ..CLIP        |                           | 952952   | 1              |
| 210      | 345T0020-4  | .CLIP ASSY-   | POSITION DATA:<br>RH SIDE | 952952   | 1              |
| 210      | 287N1204-2  | .CLIP ASSY-   | POSITION DATA:<br>RH SIDE | 952952   | 1              |
| 215      | NAS6603-3   | ..BOLT        |                           | 952952   | 2              |
| 220      | 345T0020-3  | ..CLIP        |                           | 952952   | 1              |

MISSING ITEM NUMBERS NOT APPLICABLE

— ITEM NOT ILLUSTRATED

BRI

# 28-41-09-01

BOEING PROPRIETARY - Copyright © - Unpublished Work - See title page for details.

28-41-09  
FIG. 01  
PAGE 15  
JAN 20/09



757

PARTS CATALOG (MAINTENANCE)

| FIG ITEM | PART NUMBER | 1 2 3 4 5 6 7 | NOMENCLATURE  | EFFECT FROM TO                                 | UNITS PER ASSY |
|----------|-------------|---------------|---|--|----------------|
| 1<br>230 | CN1156-205  |               | .HARNES ASSY-TANK<br>SUPPLIER CODE:<br>V13556<br>POSITION DATA:<br>CTR LH SIDE<br>SPECIFICATION NUMBER:<br>S283T025-205<br>QUALIFIED I/W DATA:<br>S283T025-205<br>(CN1156-205) CAN REPLACE<br>BUT CAN NOT BE REPLACED<br>BY S283T025-203<br>(CN1156-203) T/W<br>S283T025-212<br>(CN1156-212). | 006106<br>108120<br>504903<br>950951<br>953999 | 1              |
| 230      | CN1156-605  |               | .HARNES ASSY-TANK<br>SUPPLIER CODE:<br>V13556<br>POSITION DATA:<br>CTR LH SIDE<br>SPECIFICATION NUMBER:<br>S283T025-605<br>QUALIFIED I/W DATA:<br>S283T025-605<br>(CN1156-605) CAN REPLACE<br>BUT CAN NOT BE REPLACED<br>BY S283T025-203<br>(CN1156-203) T/W<br>S283T025-212<br>(CN1156-212). | 006106<br>108120<br>504903<br>950951<br>953999 | 1              |
| 235      | CN1156-206  |               | .HARNES ASSY-TANK<br>SUPPLIER CODE:<br>V13556<br>POSITION DATA:<br>CTR RH SIDE<br>SPECIFICATION NUMBER:<br>S283T025-206<br>QUALIFIED I/W DATA:<br>S283T025-206<br>(CN1156-206) CAN REPLACE<br>BUT CAN NOT BE REPLACED<br>BY S283T025-204<br>(CN1156-204) T/W<br>S283T025-213<br>(CN1156-213). | 006106<br>108120<br>504903<br>950951<br>953999 | 1              |

MISSING ITEM NUMBERS NOT APPLICABLE

- ITEM NOT ILLUSTRATED

28-41-09-01

28-41-09  
FIG. 01  
PAGE 16  
JAN 20/09

BRI



757

PARTS CATALOG (MAINTENANCE)

| FIG ITEM | PART NUMBER | 1 2 3 4 5 6 7 | NOMENCLATURE  | EFFECT FROM TO                                 | UNITS PER ASSY |
|----------|-------------|---------------|---|--|----------------|
| 1<br>235 | CN1156-606  |               | .HARNES ASSY-TANK<br>SUPPLIER CODE:<br>V13556<br>POSITION DATA:<br>CTR RH SIDE<br>SPECIFICATION NUMBER:<br>S283T025-606<br>QUALIFIED I/W DATA:<br>S283T025-606<br>(CN1156-606) CAN REPLACE<br>BUT CAN NOT BE REPLACED<br>BY S283T025-204<br>(CN1156-204) T/W<br>S283T025-213<br>(CN1156-213). | 006106<br>108120<br>504903<br>950951<br>953999 | 1              |
| 240      | CN1156-202  |               | .HARNES ASSY-<br>SUPPLIER CODE:<br>V13556<br>SPECIFICATION NUMBER:<br>S283T025-202<br>ELECTRICAL EQUIP NUMBER:<br>M10916<br>M10918  | 002004<br>006100<br>103106<br>121503<br>950999 | 1              |
| 240      | CN1156-602  |               | .HARNES ASSY-TANK<br>SUPPLIER CODE:<br>V13556<br>SPECIFICATION NUMBER:<br>S283T025-602  | 002004<br>006106<br>108903<br>950999           | 1              |
| 260      | CN1156-207  |               | .HARNES ASSY-TANK<br>SUPPLIER CODE:<br>V13556<br>POSITION DATA:<br>CTR RH SIDE<br>SPECIFICATION NUMBER:<br>S283T025-207<br>ELECTRICAL EQUIP NUMBER:<br>M10917   | 002004<br>006100<br>103106<br>121503<br>950999 | 1              |
| 260      | CN1156-607  |               | .HARNES ASSY-TANK<br>SUPPLIER CODE:<br>V13556<br>POSITION DATA:<br>CTR RH SIDE<br>SPECIFICATION NUMBER:<br>S283T025-607<br>USED ON:<br>287N1201-14  | 002004<br>006106<br>108903<br>950999           | 1              |

MISSING ITEM NUMBERS NOT APPLICABLE

- ITEM NOT ILLUSTRATED

28-41-09-01

28-41-09  
FIG. 01  
PAGE 17  
JAN 20/09

BRI



757

PARTS CATALOG (MAINTENANCE)

| FIG ITEM | PART NUMBER | 1 2 3 4 5 6 7 | NOMENCLATURE  | EFFECT FROM TO                       | UNITS PER ASSY |
|----------|-------------|---------------|---|--------------------------------------|----------------|
| 1        |             |               |   |                                      |                |
| 265      | MS21042L3   | .             | NUT   | 002004<br>006106<br>108903<br>950999 | 2              |
| 270      | MS21042L08  | .             | NUT   | 002004<br>006106<br>108903<br>950999 | 2              |
| 275      | MS21042L06  | .             | NUT   | 002004<br>006106<br>108903<br>950999 | 2              |
| 280      | MS21042L04  | .             | NUT   | 002004<br>006106<br>108903<br>950999 | 2              |
| 285      | CN1156-211  | .             | HARNESS ASSY-<br>SUPPLIER CODE:<br>V13556<br>SPECIFICATION NUMBER:<br>S283T025-211<br>ELECTRICAL EQUIP NUMBER:<br>M10908<br>M10914<br>QUALIFIED I/W DATA:<br>S283T025-208<br>(CN1156-208) CAN REPLACE<br>BUT CAN NOT BE REPLACED<br>BY S283T025-201<br>(CN1156-201) T/W<br>S283T025-211<br>(CN1156-211).<br>S283T025-608<br>(CN1156-608) CAN REPLACE<br>BUT CAN NOT BE REPLACED<br>BY S283T025-201<br>(CN1156-201) T/W<br>S283T025-211<br>(CN1156-211). | 002004<br>121503<br>952952           | 1              |

MISSING ITEM NUMBERS NOT APPLICABLE

- ITEM NOT ILLUSTRATED

BRI

28-41-09-01

BOEING PROPRIETARY - Copyright © - Unpublished Work - See title page for details.

28-41-09  
FIG. 01  
PAGE 18  
JAN 20/09



757

PARTS CATALOG (MAINTENANCE)

| FIG ITEM | PART NUMBER | 1 2 3 4 5 6 7 | NOMENCLATURE   | EFFECT FROM TO             | UNITS PER ASSY |
|----------|-------------|---------------|--|----------------------------|----------------|
| 1<br>290 | CN1156-201  |               | .HARNES ASSY-<br>SUPPLIER CODE:<br>V13556<br>SPECIFICATION NUMBER:<br>S283T025-201<br>ELECTRICAL EQUIP NUMBER:<br>M10908<br>M10914<br>QUALIFIED I/W DATA:<br>S283T025-608<br>(CN1156-608) CAN REPLACE<br>BUT CAN NOT BE REPLACED<br>BY S283T025-201<br>(CN1156-201) T/W<br>S283T025-211<br>(CN1156-211).<br>S283T025-208<br>(CN1156-208) CAN REPLACE<br>BUT CAN NOT BE REPLACED<br>BY S283T025-201<br>(CN1156-201) T/W<br>S283T025-211<br>(CN1156-211) | 002004<br>121503<br>952952 | 1              |
| 295      | CN1156-208  |               | .HARNES ASSY-<br>SUPPLIER CODE:<br>V13556<br>SPECIFICATION NUMBER:<br>S283T025-208<br>ELECTRICAL EQUIP NUMBER:<br>M10955<br>M10956<br>QUALIFIED I/W DATA:<br>S283T025-208<br>(CN1156-208) CAN REPLACE<br>BUT CAN NOT BE REPLACED<br>BY S283T025-201<br>(CN1156-201) T/W<br>S283T025-211<br>(CN1156-211).   | 006100<br>950951<br>953999 | 1              |

MISSING ITEM NUMBERS NOT APPLICABLE

- ITEM NOT ILLUSTRATED

28-41-09-01

28-41-09  
FIG. 01  
PAGE 19  
JAN 20/09

BRI



757

PARTS CATALOG (MAINTENANCE)

| FIG ITEM | PART NUMBER | 1 2 3 4 5 6 7 | NOMENCLATURE   | EFFECT FROM TO                                 | UNITS PER ASSY |
|----------|-------------|---------------|--|--|----------------|
| 1<br>295 | CN1156-608  |               | .HARNES ASSY-TANK<br>SUPPLIER CODE:<br>V13556<br>SPECIFICATION NUMBER:<br>S283T025-608<br>ELECTRICAL EQUIP NUMBER:<br>M10955<br>M10956<br>QUALIFIED I/W DATA:<br>S283T025-608<br>(CN1156-608) CAN REPLACE<br>BUT CAN NOT BE REPLACED<br>BY S283T025-201<br>(CN1156-201) T/W<br>S283T025-211<br>(CN1156-211).   | 006106<br>108120<br>504903<br>950951<br>953999 | 1              |
| 300      | CN1156-212  |               | .HARNES ASSY-TANK<br>CTR LH SIDE<br>SUPPLIER CODE:<br>V13556<br>SPECIFICATION NUMBER:<br>S283T025-212<br>ELECTRICAL EQUIP NUMBER:<br>M10294<br>QUALIFIED I/W DATA:<br>S283T025-205<br>(CN1156-205) CAN REPLACE<br>BUT CAN NOT BE REPLACED<br>BY S283T025-203<br>(CN1156-203) T/W<br>S283T025-212<br>(CN1156-212).<br>S283T025-605<br>(CN1156-605) CAN REPLACE<br>BUT CAN NOT BE REPLACED<br>BY S283T025-203<br>(CN1156-203) T/W<br>S283T025-212<br>(CN1156-212). | 002004<br>121503<br>952952                     | 1              |

MISSING ITEM NUMBERS NOT APPLICABLE

- ITEM NOT ILLUSTRATED

BRI

28-41-09-01

BOEING PROPRIETARY - Copyright © - Unpublished Work - See title page for details.

28-41-09  
FIG. 01  
PAGE 20  
JAN 20/09



757

PARTS CATALOG (MAINTENANCE)

| FIG ITEM | PART NUMBER | 1 2 3 4 5 6 7 | NOMENCLATURE   | EFFECT FROM TO             | UNITS PER ASSY |
|----------|-------------|---------------|--|----------------------------|----------------|
| 1<br>305 | CN1156-203  |               | .HARNES ASSY-TANK<br>SUPPLIER CODE:<br>V13556<br>POSITION DATA:<br>CTR LH SIDE<br>SPECIFICATION NUMBER:<br>S283T025-203<br>ELECTRICAL EQUIP NUMBER:<br>M10294<br>QUALIFIED I/W DATA:<br>S283T025-205<br>(CN1156-205) CAN REPLACE<br>BUT CAN NOT BE REPLACED<br>BY S283T025-203<br>(CN1156-203) T/W<br>S283T025-212<br>(CN1156-212).  | 002004<br>121503<br>952952 | 1              |
| 310      | CN1156-204  |               | .HARNES ASSY-TANK<br>SUPPLIER CODE:<br>V13556<br>POSITION DATA:<br>CTR RH SIDE<br>SPECIFICATION NUMBER:<br>S283T025-204<br>ELECTRICAL EQUIP NUMBER:<br>W10912<br>QUALIFIED I/W DATA:<br>S283T025-206<br>(CN1156-206) CAN REPLACE<br>BUT CAN NOT BE REPLACED<br>BY S283T025-204<br>(CN1156-204) T/W<br>S283T025-213<br>(CN1156-213).<br>S283T025-606<br>(CN1156-606) CAN REPLACE<br>BUT CAN NOT BE REPLACED<br>BY S283T025-204<br>(CN1156-204) T/W<br>S283T025-213<br>(CN1156-213). | 002004<br>121503<br>952952 | 1              |

MISSING ITEM NUMBERS NOT APPLICABLE

- ITEM NOT ILLUSTRATED

BRI

28-41-09-01

BOEING PROPRIETARY - Copyright © - Unpublished Work - See title page for details.

28-41-09  
FIG. 01  
PAGE 21  
JAN 20/09





757

PARTS CATALOG (MAINTENANCE)

| FIG ITEM | PART NUMBER   | 1 2 3 4 5 6 7 | NOMENCLATURE  | EFFECT FROM TO             | UNITS PER ASSY |
|----------|---------------|---------------|---|----------------------------|----------------|
| 1<br>315 | CN1156-213    |               | .HARNASS ASSY-TANK<br>SUPPLIER CODE:<br>V13556<br>POSITION DATA:<br>CTR RH SIDE<br>SPECIFICATION NUMBER:<br>S283T025-213<br>ELECTRICAL EQUIP NUMBER:<br>M10913<br>QUALIFIED I/W DATA:<br>S283T025-206<br>(CN1156-206) CAN REPLACE<br>BUT CAN NOT BE REPLACED<br>BY S283T025-204<br>(CN1156-204) T/W<br>S283T025-213<br>(CN1156-213).<br>S283T025-606<br>(CN1156-606) CAN REPLACE<br>BUT CAN NOT BE REPLACED<br>BY S283T025-204<br>(CN1156-204) T/W<br>S283T025-213<br>(CN1156-213). | 002004<br>121503<br>952952 | 1              |
| - 320    | 284N0006-1    |               | KIT INSTL-HOT SHORT<br>PROTECTOR<br>POSITION DATA:<br>STA 1060, R, WBL 95.0<br>POST ALERT SB:<br>28A0085  | 101106<br>108120<br>504903 | RF             |
| 325      | BAC27NEX3270  |               | .MARKER-ALUMINUM FOIL<br>PLACARD CONTENT:<br>M11872 HOT SHORT<br>PROTECTOR  | 101106<br>108120<br>504903 | 1              |
| 328      | BACS12HN3-10  |               | .SCREW  | 101106<br>108120<br>504903 | 2              |
| 331      | BACS12HN3-12  |               | .SCREW  | 101106<br>108120<br>504903 | 4              |
| 334      | NAS1149D0332J |               | .WASHER   | 101106<br>108120<br>504903 | 2              |
| 337      | NAS1149D0332H |               | .WASHER   | 101106<br>108120<br>504903 | 4              |
| 340      | NAS1149D0316H |               | .WASHER   | 101106<br>108120<br>504903 | 6              |

MISSING ITEM NUMBERS NOT APPLICABLE

- ITEM NOT ILLUSTRATED

28-41-09-01

28-41-09  
FIG. 01  
PAGE 22  
JAN 20/09

BRI



757

PARTS CATALOG (MAINTENANCE)

| FIG ITEM | PART NUMBER   | 1 2 3 4 5 6 7 | NOMENCLATURE  | EFFECT FROM TO             | UNITS PER ASSY |
|----------|---------------|---------------|---|----------------------------|----------------|
| 1<br>343 | PLH53CD       |               | .NUT<br>SUPPLIER CODE:<br>VF0224<br>SPECIFICATION NUMBER:<br>BACN10YR3CD<br>OPTIONAL PART:<br>H52732-3CD<br>V15653                  | 101106<br>108120<br>504903 | 2              |
| 346      | RBEJ40D10-24  |               | .JUMPER ASSY<br>SUPPLIER CODE:<br>V1GK47<br>SPECIFICATION NUMBER:<br>BACJ40D10-24<br>OPTIONAL PART:<br>4E24E<br>V79550              | 101106<br>108120<br>504903 | 2              |
| 349      | 30283-0101    |               | .PROTECTOR-<br>SUPPLIER CODE:<br>V89305<br>ELECTRICAL EQUIP NUMBER:<br>M11872<br>SERVICE BULLETIN OPT DATA:<br>30283-0201<br>V89305 | 101106<br>108120<br>504903 | 1              |
| 349      | 30283-0201    |               | .PROTECTOR-<br>SUPPLIER CODE:<br>V89305<br>ELECTRICAL EQUIP NUMBER:<br>M11872<br>SERVICE BULLETIN OPT DATA:<br>30283-0101<br>V89305 | 101106<br>108120<br>504903 | 1              |
| 352      | 284N0007-1    |               | .BRACKET ASSY   | 101106<br>108120<br>504903 | 1              |
| 355      | BACR15BB6AD5C |               | ATTACHING PARTS<br>.RIVET   | 101106<br>108120<br>504903 | 1              |
| 358      | BACR15BB5AD5C |               | .RIVET  | 101106<br>108120<br>504903 | 2              |
| 361      | BACS12HN3-8   |               | .SCREW  | 101106<br>108120<br>504903 | 2              |
| 364      | NAS1149D0332J |               | .WASHER   | 101106<br>108120<br>504903 | 4              |

MISSING ITEM NUMBERS NOT APPLICABLE

- ITEM NOT ILLUSTRATED

28-41-09-01

28-41-09  
FIG. 01  
PAGE 23  
JAN 20/09

BRI

BOEING PROPRIETARY - Copyright © - Unpublished Work - See title page for details.



757

PARTS CATALOG (MAINTENANCE)

| FIG ITEM | PART NUMBER   | 1 2 3 4 5 6 7 | NOMENCLATURE  | EFFECT FROM TO                       | UNITS PER ASSY |
|----------|---------------|---------------|---|--------------------------------------|----------------|
| 1<br>367 | BRH10C3D      |               | .NUT<br>SUPPLIER CODE:<br>V52828<br>SPECIFICATION NUMBER:<br>BACN10JC3CD<br>OPTIONAL PART:<br>T6C1032JCD<br>V11815<br>NS202486-02<br>V80539<br>102LH9075-3W<br>V72962<br>H51650-3BAC<br>V15653<br>-----*----- | 101106<br>108120<br>504903           | 2              |
| 370      | 284N0007-3    |               | .BRACKET<br><br>ATTACHING PARTS   | 101106<br>108120<br>504903           | 1              |
| 373      | BACR15BB6AD5C |               | .RIVET  | 101106<br>108120<br>504903           | 1              |
| 376      | BACR15BB5AD5C |               | .RIVET  | 101106<br>108120<br>504903           | 1              |
| - 390    | 284N0006-2    |               | KIT INSTL-HOT SHORT<br>PROTECTOR<br>POSITION DATA:<br>STA 1060, R, WBL 95.0<br>POST ALERT SB:<br>28A0085  | 002004<br>006100<br>121503<br>950999 | RF             |
| 395      | BAC27NEX3270  |               | .MARKER-ALUMINUM FOIL<br>PLACARD CONTENT:<br>M11872 HOT SHORT<br>PROTECTOR  | 002004<br>006100<br>121503<br>950999 | 1              |
| 398      | BACS12HN3-10  |               | .SCREW  | 002004<br>006100<br>121503<br>950999 | 2              |
| 401      | BACS12HN3-12  |               | .SCREW  | 002004<br>006100<br>121503<br>950999 | 4              |
| 404      | NAS1149D0332J |               | .WASHER   | 002004<br>006100<br>121503<br>950999 | 2              |

MISSING ITEM NUMBERS NOT APPLICABLE

- ITEM NOT ILLUSTRATED

28-41-09-01

28-41-09  
FIG. 01  
PAGE 24  
JAN 20/09

BRI

BOEING PROPRIETARY - Copyright © - Unpublished Work - See title page for details.



757

PARTS CATALOG (MAINTENANCE)

| FIG ITEM | PART NUMBER   | 1 2 3 4 5 6 7 | NOMENCLATURE   | EFFECT FROM TO                       | UNITS PER ASSY |
|----------|---------------|---------------|--|--------------------------------------|----------------|
| 1        |               |               |  |                                      |                |
| 407      | NAS1149D0332H | .             | WASHER   | 002004<br>006100<br>121503<br>950999 | 4              |
| 410      | NAS1149D0316H | .             | WASHER   | 002004<br>006100<br>121503<br>950999 | 6              |
| 413      | PLH53CD       | .             | NUT<br>SUPPLIER CODE:<br>VF0224<br>SPECIFICATION NUMBER:<br>BACN10YR3CD<br>OPTIONAL PART:<br>H52732-3CD<br>V15653                  | 002004<br>006100<br>121503<br>950999 | 2              |
| 416      | RBEJ40D10-24  | .             | JUMPER ASSY<br>SUPPLIER CODE:<br>V1GK47<br>SPECIFICATION NUMBER:<br>BACJ40D10-24<br>OPTIONAL PART:<br>4E24E<br>V79550              | 002004<br>006100<br>121503<br>950999 | 2              |
| 419      | 30283-0101    | .             | PROTECTOR-<br>SUPPLIER CODE:<br>V89305<br>ELECTRICAL EQUIP NUMBER:<br>M11872<br>SERVICE BULLETIN OPT DATA:<br>30283-0201<br>V89305 | 002004<br>006100<br>121503<br>950999 | 1              |
| 419      | 30283-0201    | .             | PROTECTOR-<br>SUPPLIER CODE:<br>V89305<br>ELECTRICAL EQUIP NUMBER:<br>M11872<br>SERVICE BULLETIN OPT DATA:<br>30283-0101<br>V89305 | 002004<br>006100<br>121503<br>950999 | 1              |
| 422      | 284N0007-5    | .             | BRACKET ASSY   | 002004<br>006100<br>121503<br>950999 | 1              |
| 425      | BACR15BB6AD7C | .             | ATTACHING PARTS<br>RIVET   | 002004<br>006100<br>121503<br>950999 | 2              |

MISSING ITEM NUMBERS NOT APPLICABLE

- ITEM NOT ILLUSTRATED

28-41-09-01

28-41-09  
FIG. 01  
PAGE 25  
JAN 20/09

BRI



757

PARTS CATALOG (MAINTENANCE)

| FIG ITEM | PART NUMBER   | 1 2 3 4 5 6 7 | NOMENCLATURE   | EFFECT FROM TO                       | UNITS PER ASSY |
|----------|---------------|---------------|--|--------------------------------------|----------------|
| 1<br>428 | BACR15BB5AD7C | .             | RIVET  | 002004<br>006100<br>121503<br>950999 | 1              |
| 431      | BACS12HN3-8   | .             | SCREW  | 002004<br>006100<br>121503<br>950999 | 2              |
| 434      | NAS1149D0332J | .             | WASHER   | 002004<br>006100<br>121503<br>950999 | 4              |
| 437      | BRH10C3D      | .             | NUT<br>SUPPLIER CODE:<br>V52828<br>SPECIFICATION NUMBER:<br>BACN10JC3CD<br>OPTIONAL PART:<br>T6C1032JCD<br>V11815<br>NS202486-02<br>V80539<br>102LH9075-3W<br>V72962<br>H51650-3BAC<br>V15653<br>-----*----- | 002004<br>006100<br>121503<br>950999 | 2              |
| 440      | 284N0007-4    | .             | BRACKET  | 002004<br>006100<br>121503<br>950999 | 1              |
| 443      | BACR15BB6AD7C | .             | ATTACHING PARTS<br>RIVET   | 002004<br>006100<br>121503<br>950999 | 1              |

MISSING ITEM NUMBERS NOT APPLICABLE

- ITEM NOT ILLUSTRATED

28-41-09-01

28-41-09  
FIG. 01  
PAGE 26  
JAN 20/09

BRI



757

PARTS CATALOG (MAINTENANCE)

| FIG ITEM | PART NUMBER | 1 2 3 4 5 6 7 | NOMENCLATURE   | EFFECT FROM TO                       | UNITS PER ASSY |
|----------|-------------|---------------|--|--------------------------------------|----------------|
| 1<br>446 | HL111VAZ6-3 |               | .BOLT<br>SUPPLIER CODE:<br>V60516<br>SPECIFICATION NUMBER:<br>BACB30NW6K3X<br>OPTIONAL PART:<br>HL11VAZ6-3X<br>VOPTK6<br>HL11VAZ6-3X<br>V97928<br>B30NW6K3X<br>V97928<br>L803-6K3X<br>V06725<br>HL11VAZ6-3X<br>V92215<br>HL11VAZ6-3X<br>V73197<br>HL11VAZ6-3X<br>V56878<br>HL11VAZ6-3X<br>V60516 | 002004<br>006100<br>121503<br>950999 | 1              |

MISSING ITEM NUMBERS NOT APPLICABLE

- ITEM NOT ILLUSTRATED

BRI

28-41-09-01

BOEING PROPRIETARY - Copyright © - Unpublished Work - See title page for details.

28-41-09  
FIG. 01  
PAGE 27  
JAN 20/09

 **BOEING**  
757  
**PARTS CATALOG (MAINTENANCE)**

| FIG<br>ITEM | PART NUMBER | 1 2 3 4 5 6 7 | NOMENCLATURE   | EFFECT<br>FROM TO                    | UNITS<br>PER<br>ASSY |
|-------------|-------------|---------------|--|--------------------------------------|----------------------|
| 1<br>449    | HL1022AZ6-4 |               | .BOLT<br>SUPPLIER CODE:<br>V97928<br>SPECIFICATION NUMBER:<br>BACB30NX6K4X<br>OPTIONAL PART:<br>HL1022AZ6-4<br>V06725<br>HL1022AZ6-4<br>V56878<br>HL1022AZ6-4<br>V73197<br>HL112VAZ6-4<br>V06725<br>HL112VAZ6-4<br>V56878<br>HL112VAZ6-4<br>V73197<br>HL112VAZ6-4<br>V92215<br>HL112VAZ6-4<br>V97928<br>HL1022AZ6-4<br>V06950<br>HL1022AZ6-4<br>V17446<br>HL1022AZ6-4<br>V56878<br>HL1022AZ6-4<br>V73197 | 002004<br>006100<br>121503<br>950999 | 1                    |
| 452         | HL79-6      |               | .COLLAR<br>SUPPLIER CODE:<br>V5M902<br>SPECIFICATION NUMBER:<br>BACC30M6<br>OPTIONAL PART:<br>HL79-6<br>V73197<br>HL79-6<br>V92215<br>66014-6<br>V56878<br>HL79-6<br>V56878<br>-----*-----   | 002004<br>006100<br>121503<br>950999 | 2                    |

MISSING ITEM NUMBERS NOT APPLICABLE

— ITEM NOT ILLUSTRATED

BRI

# 28-41-09-01

BOEING PROPRIETARY - Copyright © - Unpublished Work - See title page for details.

28-41-09  
FIG. 01  
PAGE 28  
JAN 20/09



757

PARTS CATALOG (MAINTENANCE)

| FIG ITEM | PART NUMBER   | 1 2 3 4 5 6 7 | NOMENCLATURE   | EFFECT FROM TO                       | UNITS PER ASSY |
|----------|---------------|---------------|--|--------------------------------------|----------------|
| 1        |               |               |  |                                      |                |
| - 465    | 287N7571-1    |               | SUBKIT INSTL-CLAMP SPRT<br>POSITION DATA:<br>IRSS 164.95 TO 179.2, R<br>POST ALERT SB:<br>28A0085  | 002004<br>006106<br>108903<br>950999 | RF             |
| 471      | S717-106      |               | .CLAMP<br>SUPPLIER CODE:<br>V18076<br>SPECIFICATION NUMBER:<br>BACC10GU106<br>OPTIONAL PART:<br>534CS106<br>V83930<br>JM44LC39S106RG<br>V22175<br>ATTACHING PARTS                | 002004<br>006100<br>121503<br>950999 | 1              |
| - 473    | BACS12GU3K10  |               | .SCREW   | 002004<br>006100<br>121503<br>950999 | 1              |
| - 476    | 293163        |               | .NUT<br>SUPPLIER CODE:<br>V60119<br>SPECIFICATION NUMBER:<br>BACN10FX5D<br>OPTIONAL PART:<br>F19594-3-1<br>V15653  | 002004<br>006100<br>121503<br>950999 | 1              |
| 478      | S717-106      |               | -----*-----<br>.CLAMP<br>SUPPLIER CODE:<br>V18076<br>SPECIFICATION NUMBER:<br>BACC10GU106<br>OPTIONAL PART:<br>534CS106<br>V83930<br>JM44LC39S106RG<br>V22175<br>ATTACHING PARTS | 002004<br>006100<br>121503<br>950999 | 1              |
| - 480    | BACS12GU3K42  |               | .SCREW   | 002004<br>006100<br>121503<br>950999 | 1              |
| - 482    | NAS43DD3-64FC |               | .SPACER  | 002004<br>006100<br>121503<br>950999 | 2              |

MISSING ITEM NUMBERS NOT APPLICABLE

- ITEM NOT ILLUSTRATED

28-41-09-01

28-41-09  
FIG. 01  
PAGE 29  
JAN 20/09

BRI





757

PARTS CATALOG (MAINTENANCE)

| FIG ITEM   | PART NUMBER  | 1 2 3 4 5 6 7 | NOMENCLATURE   | EFFECT FROM TO                       | UNITS PER ASSY |
|------------|--------------|---------------|--|--------------------------------------|----------------|
| 1<br>- 484 | 293163       |               | .NUT<br>SUPPLIER CODE:<br>V60119<br>SPECIFICATION NUMBER:<br>BACN10FX5D<br>OPTIONAL PART:<br>F19594-3-1<br>V15653<br>-----*-----               | 002004<br>006100<br>121503<br>950999 | 1              |
| 486        | BACS12GU3K10 |               | .SCREW   | 002004<br>006100<br>121503<br>950999 | 1              |
| 488        | PLH53CD      |               | .NUT<br>SUPPLIER CODE:<br>VF0224<br>SPECIFICATION NUMBER:<br>BACN10YR3CD<br>OPTIONAL PART:<br>H52732-3CD<br>V15653                             | 002004<br>006100<br>121503<br>950999 | 1              |
| 490        | S717-103     |               | .CLAMP<br>SUPPLIER CODE:<br>V18076<br>SPECIFICATION NUMBER:<br>BACC10GU103<br>OPTIONAL PART:<br>534CS103<br>V83930<br>JM44LC39S103RG<br>V22175 | 002004<br>006100<br>121503<br>950999 | 1              |
| 492        | M85052-2-8   |               | .CLAMP   | 002004<br>006100<br>121503<br>950999 | 1              |
| 494        | BACS12GU3K10 |               | .SCREW   | 002004<br>006100<br>121503<br>950999 | 1              |
| 496        | PLH53CD      |               | .NUT<br>SUPPLIER CODE:<br>VF0224<br>SPECIFICATION NUMBER:<br>BACN10YR3CD<br>OPTIONAL PART:<br>H52732-3CD<br>V15653                             | 002004<br>006100<br>121503<br>950999 | 1              |

MISSING ITEM NUMBERS NOT APPLICABLE

- ITEM NOT ILLUSTRATED

28-41-09-01

28-41-09  
FIG. 01  
PAGE 30  
JAN 20/09

BRI



757

PARTS CATALOG (MAINTENANCE)

| FIG ITEM | PART NUMBER  | 1 2 3 4 5 6 7 | NOMENCLATURE   | EFFECT FROM TO                       | UNITS PER ASSY |
|----------|--------------|---------------|--|--------------------------------------|----------------|
| 1<br>498 | S717-106     |               | .CLAMP<br>SUPPLIER CODE:<br>V18076<br>SPECIFICATION NUMBER:<br>BACC10GU106<br>OPTIONAL PART:<br>534CS106<br>V83930<br>JM44LC39S106RG<br>V22175 | 002004<br>006100<br>121503<br>950999 | 1              |
| 501      | M85052-2-8   |               | .CLAMP   | 002004<br>006100<br>121503<br>950999 | 1              |
| 503      | BACS12GU3K10 |               | .SCREW   | 002004<br>006100<br>121503<br>950999 | 1              |
| 505      | PLH53CD      |               | .NUT<br>SUPPLIER CODE:<br>VF0224<br>SPECIFICATION NUMBER:<br>BACN10YR3CD<br>OPTIONAL PART:<br>H52732-3CD<br>V15653                             | 002004<br>006100<br>121503<br>950999 | 1              |
| 507      | S717-104S    |               | .CLAMP<br>SUPPLIER CODE:<br>V18076<br>SPECIFICATION NUMBER:<br>BACC10GU104<br>OPTIONAL PART:<br>534CS104<br>V83930<br>JM44LC39S104RG<br>V22175 | 002004<br>006100<br>121503<br>950999 | 1              |
| 509      | S717-107     |               | .CLAMP<br>SUPPLIER CODE:<br>V18076<br>SPECIFICATION NUMBER:<br>BACC10GU107<br>OPTIONAL PART:<br>534CS107<br>V83930<br>JM44LC39S107RG<br>V22175 | 002004<br>006100<br>121503<br>950999 | 1              |

MISSING ITEM NUMBERS NOT APPLICABLE

- ITEM NOT ILLUSTRATED

BRI

28-41-09-01

BOEING PROPRIETARY - Copyright © - Unpublished Work - See title page for details.

28-41-09  
FIG. 01  
PAGE 31  
JAN 20/09



**757  
PARTS CATALOG (MAINTENANCE)**

| FIG ITEM | PART NUMBER   | 1 2 3 4 5 6 7 | NOMENCLATURE  | EFFECT FROM TO             | UNITS PER ASSY |
|----------|---------------|---------------|---|----------------------------|----------------|
| 1<br>515 | S717-106      |               | .CLAMP<br>SUPPLIER CODE:<br>V18076<br>SPECIFICATION NUMBER:<br>BACC10GU106<br>OPTIONAL PART:<br>534CS106<br>V83930<br>JM44LC39S106RG<br>V22175<br>ATTACHING PARTS | 101106<br>108120<br>504903 | 1              |
| - 517    | BACS12GU3K10  |               | .SCREW  | 101106<br>108120<br>504903 | 1              |
| - 519    | NAS1149D0332J |               | .WASHER   | 101106<br>108120<br>504903 | 1              |
|          |               |               | -----*-----   |                            |                |
| 521      | S717-101      |               | .CLAMP<br>SUPPLIER CODE:<br>V18076<br>SPECIFICATION NUMBER:<br>BACC10GU101<br>OPTIONAL PART:<br>534CS101<br>V83930<br>JM44LC39S101RG<br>V22175<br>ATTACHING PARTS | 101106<br>108120<br>504903 | 1              |
| - 523    | BACS12GU3K8   |               | .SCREW  | 101106<br>108120<br>504903 | 1              |
| - 525    | 293163        |               | .NUT<br>SUPPLIER CODE:<br>V60119<br>SPECIFICATION NUMBER:<br>BACN10FX5D<br>OPTIONAL PART:<br>F19594-3-1<br>V15653   | 101106<br>108120<br>504903 | 1              |
|          |               |               | -----*-----   |                            |                |
| 527      | BACS12GU3K8   |               | .SCREW  | 101106<br>108120<br>504903 | 1              |

MISSING ITEM NUMBERS NOT APPLICABLE

- ITEM NOT ILLUSTRATED

# 28-41-09-01

28-41-09  
FIG. 01  
PAGE 32  
JAN 20/09

BRI

BOEING PROPRIETARY - Copyright © - Unpublished Work - See title page for details.



757

PARTS CATALOG (MAINTENANCE)

| FIG ITEM | PART NUMBER  | 1 2 3 4 5 6 7 | NOMENCLATURE   | EFFECT FROM TO             | UNITS PER ASSY |
|----------|--------------|---------------|--|----------------------------|----------------|
| 1<br>529 | 293163       | .             | NUT<br>SUPPLIER CODE:<br>V60119<br>SPECIFICATION NUMBER:<br>BACN10FX5D<br>OPTIONAL PART:<br>F19594-3-1<br>V15653   | 101106<br>108120<br>504903 | 1              |
| 531      | S717-101     | .             | CLAMP<br>SUPPLIER CODE:<br>V18076<br>SPECIFICATION NUMBER:<br>BACC10GU101<br>OPTIONAL PART:<br>534CS101<br>V83930<br>JM44LC39S101RG<br>V22175  | 101106<br>108120<br>504903 | 1              |
| 533      | S717-106     | .             | CLAMP<br>SUPPLIER CODE:<br>V18076<br>SPECIFICATION NUMBER:<br>BACC10GU106<br>OPTIONAL PART:<br>534CS106<br>V83930<br>JM44LC39S106RG<br>V22175  | 101106<br>108120<br>504903 | 1              |
| - 550    | 286N4218-005 |               | WIRE BUNDLE ASSY-(FUEL ONLY)   | 107107                     | RF             |
| - 550    | 286N4218-012 |               | WIRE BUNDLE ASSY-(FUEL ONLY)   | 121503<br>904949           | RF             |
| - 551    | 286N4218-301 |               | WIRE BUNDLE ASSY-(FUEL ONLY)   | 108120                     | RF             |
| 555      | GS3417-14C   | .             | CLAMP-<br>SUPPLIER CODE:<br>V06324<br>SPECIFICATION NUMBER:<br>BACC10HF14<br>OPTIONAL PART:<br>S2125-14-8<br>V07418<br>ELECTRICAL EQUIP NUMBER:<br>D02808T<br>D02812T<br>WIRING DIAGRAM REF:<br>284141 | 107107<br>904949           | 2              |

MISSING ITEM NUMBERS NOT APPLICABLE

- ITEM NOT ILLUSTRATED

BRI

28-41-09-01

28-41-09  
FIG. 01  
PAGE 33  
JAN 20/09



757

PARTS CATALOG (MAINTENANCE)

| FIG ITEM | PART NUMBER  | 1 2 3 4 5 6 7 | NOMENCLATURE   | EFFECT FROM TO                                 | UNITS PER ASSY |
|----------|--------------|---------------|--|--|----------------|
| 1<br>560 | R071014A7SNL |               | .CONNECTOR-<br>SUPPLIER CODE:<br>V41118<br>SPECIFICATION NUMBER:<br>BACC63BP14A7SNL<br>MISCELLANEOUS DATA:<br>OPTIONAL PART NUMBERS:<br>BACC63BP14A7SN (81205)<br>BACC63BP14R7SN (81205)<br>BACC63BP14R7SNL (81205)<br>ELECTRICAL EQUIP NUMBER:<br>D02808<br>WIRING DIAGRAM REF:<br>284141 | 107107<br>904949                               | 1              |
| 565      | R071014A3SNL |               | .CONNECTOR-<br>SUPPLIER CODE:<br>V41118<br>SPECIFICATION NUMBER:<br>BACC63BP14A3SNL<br>ELECTRICAL EQUIP NUMBER:<br>D02812<br>WIRING DIAGRAM REF:<br>284141   | 107107<br>904949                               | 1              |
| - 600    | 286N3326-004 |               | WIRE BUNDLE ASSY-(FUEL ONLY)   | 002004<br>006100<br>107107<br>121503<br>904999 | RF             |
| - 600    | 286N3326-303 |               | WIRE BUNDLE ASSY-(FUEL ONLY)   | 108120   | RF             |
| - 605    | 286N3462-001 |               | WIRE BUNDLE ASSY-(FUEL ONLY)   | 107107<br>904949                               | RF             |
| 610      | GS3417-20C   |               | .CLAMP-<br>SUPPLIER CODE:<br>V06324<br>SPECIFICATION NUMBER:<br>BACC10HF20<br>OPTIONAL PART:<br>S2125-20-8<br>V07418<br>ELECTRICAL EQUIP NUMBER:<br>D02788T<br>D02814T<br>WIRING DIAGRAM REF:<br>284121<br>284131  | 107107<br>904949                               | 1              |

MISSING ITEM NUMBERS NOT APPLICABLE

- ITEM NOT ILLUSTRATED

28-41-09-01

28-41-09  
FIG. 01  
PAGE 34  
JAN 20/09

BRI



757

PARTS CATALOG (MAINTENANCE)

| FIG ITEM | PART NUMBER  | 1 2 3 4 5 6 7 | NOMENCLATURE   | EFFECT FROM TO   | UNITS PER ASSY |
|----------|--------------|---------------|--|------------------|----------------|
| 1<br>615 | BCREF5957    |               | .CONNECTOR-<br>OVERLENGTH PART NUMBER:<br>BACC63BP20R16SNL<br>ELECTRICAL EQUIP NUMBER:<br>D02788<br>D02814<br>WIRING DIAGRAM REF:<br>284121<br>284131                          | 107107<br>904949 | 1              |
| - 616    | 286N4206-301 |               | WIRE BUNDLE ASSY-(FUEL ONLY)   | 108120           | RF             |
| - 617    | 286N3426-302 |               | WIRE BUNDLE ASSY-(FUEL ONLY)   | 108120           | RF             |
| - 617    | 286N4206-005 |               | WIRE BUNDLE ASSY-(FUEL ONLY)   | 107107<br>904949 | RF             |
| - 617    | 286N3326-303 |               | WIRE BUNDLE ASSY-(FUEL ONLY)   | 108120           | RF             |
| - 618    | 286N4218-005 |               | WIRE BUNDLE ASSY-(FUEL ONLY)   | 107107           | RF             |
| - 618    | 286N4218-012 |               | WIRE BUNDLE ASSY-(FUEL ONLY)   | 121503<br>904949 | RF             |
| - 619    | 286N4218-301 |               | WIRE BUNDLE ASSY-(FUEL ONLY)   | 108120           | RF             |
| 620      | S2408-13-8   |               | .CLAMP-<br>SUPPLIER CODE:<br>V07418<br>ELECTRICAL EQUIP NUMBER:<br>D02818T<br>WIRING DIAGRAM REF:<br>284131  | 107107<br>904949 | 1              |
| - 622    | S2408-13-8   |               | .CLAMP-<br>SUPPLIER CODE:<br>V07418<br>ELECTRICAL EQUIP NUMBER:<br>D02792T<br>WIRING DIAGRAM REF:<br>284121  | 107107<br>904949 | 1              |
| 625      | R071014R3SNL |               | .CONNECTOR-<br>SUPPLIER CODE:<br>V41118<br>SPECIFICATION NUMBER:<br>BACC63BP14R3SNL<br>ELECTRICAL EQUIP NUMBER:<br>D02792<br>D02818<br>WIRING DIAGRAM REF:<br>284121<br>284131 | 107107<br>904949 | 1              |

MISSING ITEM NUMBERS NOT APPLICABLE

- ITEM NOT ILLUSTRATED

28-41-09-01

28-41-09  
FIG. 01  
PAGE 35  
JAN 20/09

BRI



757

PARTS CATALOG (MAINTENANCE)

| FIG ITEM | PART NUMBER  | 1 2 3 4 5 6 7 | NOMENCLATURE   | EFFECT FROM TO   | UNITS PER ASSY |
|----------|--------------|---------------|--|------------------|----------------|
| 1        |              |               |  |                  |                |
| - 650    | 286N4206-005 |               | WIRE BUNDLE ASSY-(FUEL ONLY)   | 107107<br>904949 | RF             |
| - 650    | 286N4206-301 |               | WIRE BUNDLE ASSY-(FUEL ONLY)   | 108120           | RF             |
| 655      | S2408-13-8   |               | .CLAMP-<br>SUPPLIER CODE:<br>V07418<br>ELECTRICAL EQUIP NUMBER:<br>D02786T<br>WIRING DIAGRAM REF:<br>284141  | 107107<br>904949 | 1              |
| 660      | R071014R3SNL |               | .CONNECTOR-<br>SUPPLIER CODE:<br>V41118<br>SPECIFICATION NUMBER:<br>BACC63BP14R3SNL<br>ELECTRICAL EQUIP NUMBER:<br>D02786<br>WIRING DIAGRAM REF:<br>284141   | 107107<br>904949 | 1              |
| 670      | GS3417-14C   |               | .CLAMP-<br>SUPPLIER CODE:<br>V06324<br>SPECIFICATION NUMBER:<br>BACC10HF14<br>OPTIONAL PART:<br>S2125-14-8<br>V07418<br>ELECTRICAL EQUIP NUMBER:<br>D02784T<br>WIRING DIAGRAM REF:<br>284141   | 107107<br>904949 | 1              |
| 675      | R071014R7SNL |               | .CONNECTOR-<br>SUPPLIER CODE:<br>V41118<br>SPECIFICATION NUMBER:<br>BACC63BP14R7SNL<br>MISCELLANEOUS DATA:<br>OPTIONAL PART NUMBERS:<br>BACC63BP14R7SN (81205)<br>BACC63BP14A7SN (81205)<br>BACC63BP14A7SNL (81205)<br>ELECTRICAL EQUIP NUMBER:<br>D02784<br>WIRING DIAGRAM REF:<br>284141 | 107107<br>904949 | 1              |

MISSING ITEM NUMBERS NOT APPLICABLE

- ITEM NOT ILLUSTRATED

28-41-09-01

28-41-09  
FIG. 01  
PAGE 36  
JAN 20/09

BRI



**757  
PARTS CATALOG (MAINTENANCE)**

| FIG ITEM | PART NUMBER  | 1 2 3 4 5 6 7 | NOMENCLATURE  | EFFECT FROM TO                       | UNITS PER ASSY |
|----------|--------------|---------------|---|--------------------------------------|----------------|
| 1        |              |               |   |                                      |                |
| - 680    | 286N4022-001 |               | WIRE BUNDLE ASSY-(FUEL ONLY)  | 002004<br>006010<br>121503<br>950999 | RF             |
| - 680    | 286N4022-002 |               | WIRE BUNDLE ASSY-(FUEL ONLY)  | 011100                               | RF             |
| - 680    | 286N4022-003 |               | WIRE BUNDLE ASSY-(FUEL ONLY)  | 504903                               | RF             |
| - 680    | 286N4022-301 |               | WIRE BUNDLE ASSY-(FUEL ONLY)  | 101102<br>108120                     | RF             |
| - 680    | 286N4022-601 |               | WIRE BUNDLE ASSY  | 103106                               | RF             |
| 687      | G899318A     |               | .CLAMP-<br>SUPPLIER CODE:<br>V06324<br>SPECIFICATION NUMBER:<br>BACC10HF18A<br>OPTIONAL PART:<br>G8993M18<br>V06324<br>S2251-18-8<br>V07418<br>6000-123-0018<br>V14283<br>900-555F18-34<br>V31461<br>ELECTRICAL EQUIP NUMBER:<br>D06886T<br>WIRING DIAGRAM REF:<br>284131                             | 002004<br>006100<br>121503<br>950999 | 1              |
| 688      | G899318A     |               | .CLAMP-<br>SUPPLIER CODE:<br>V06324<br>SPECIFICATION NUMBER:<br>BACC10HF18A<br>OPTIONAL PART:<br>G8993M18<br>V06324<br>S2251-18-8<br>V07418<br>6000-123-0018<br>V14283<br>900-555F18-34<br>V31461<br>ELECTRICAL EQUIP NUMBER:<br>D06890T<br>WIRING DIAGRAM REF:<br>284141<br>PRE ALERT SB:<br>28A0085 | 002004<br>006100<br>121503<br>950999 | 1              |

MISSING ITEM NUMBERS NOT APPLICABLE

- ITEM NOT ILLUSTRATED

BRI

# 28-41-09-01

BOEING PROPRIETARY - Copyright © - Unpublished Work - See title page for details.

28-41-09  
FIG. 01  
PAGE 37  
JAN 20/09





757

PARTS CATALOG (MAINTENANCE)

| FIG ITEM | PART NUMBER     | 1 2 3 4 5 6 7 | NOMENCLATURE   | EFFECT FROM TO                                 | UNITS PER ASSY |
|----------|-----------------|---------------|--|--|----------------|
| 1<br>692 | CN1156-4        |               | .PLUG-<br>SUPPLIER CODE:<br>V13556<br>ELECTRICAL EQUIP NUMBER:<br>D06886<br>WIRING DIAGRAM REF:<br>284131  | 002004<br>006100<br>121503<br>950999           | 1              |
| 694      | CN1156-4        |               | .PLUG-<br>SUPPLIER CODE:<br>V13556<br>ELECTRICAL EQUIP NUMBER:<br>D06890<br>WIRING DIAGRAM REF:<br>284141<br>PRE ALERT SB:<br>28A0085                        | 002004<br>006100<br>121503<br>950999           | 1              |
| 696      | M83723-91G1415N |               | .PLUG-<br>ELECTRICAL EQUIP NUMBER:<br>D11720<br>WIRING DIAGRAM REF:<br>284141<br>POST ALERT SB:<br>28A0085   | 002004<br>006106<br>108903<br>950999           | 1              |
| 698      | BCREF120508     |               | .CLAMP-<br>OVERLENGTH PART NUMBER:<br>387AA020Z114AD342<br>ELECTRICAL EQUIP NUMBER:<br>D11720T<br>WIRING DIAGRAM REF:<br>284141<br>POST ALERT SB:<br>28A0085 | 002004<br>006106<br>108903<br>950999           | 1              |
| - 700    | 286N4024-001    |               | WIRE BUNDLE ASSY-(FUEL ONLY)   | 107107   | RF             |
| - 700    | 286N4024-002    |               | WIRE BUNDLE ASSY-(FUEL ONLY)   | 952952   | RF             |
| - 700    | 286N4024-003    |               | WIRE BUNDLE ASSY-(FUEL ONLY)   | 002004<br>006010<br>121503<br>950951<br>953999 | RF             |
| - 700    | 286N4024-301    |               | WIRE BUNDLE ASSY-(FUEL ONLY)   | 108120   | RF             |
| - 705    | 286N4026-001    |               | WIRE BUNDLE ASSY-(FUEL ONLY)   | 002004<br>006100<br>107107<br>121503<br>904999 | RF             |

MISSING ITEM NUMBERS NOT APPLICABLE

- ITEM NOT ILLUSTRATED

28-41-09-01

28-41-09  
FIG. 01  
PAGE 38  
JAN 20/09

BRI



757

PARTS CATALOG (MAINTENANCE)

| FIG ITEM | PART NUMBER  | 1 2 3 4 5 6 7 | NOMENCLATURE   | EFFECT FROM TO                       | UNITS PER ASSY |
|----------|--------------|---------------|--|--------------------------------------|----------------|
| 1        |              |               |  |                                      |                |
| - 705    | 286N4026-002 |               | WIRE BUNDLE ASSY-(FUEL ONLY)   | 011100                               | RF             |
| - 705    | 286N4026-301 |               | WIRE BUNDLE ASSY-(FUEL ONLY)   | 108120                               | RF             |
| 710      | G899318A     |               | .CLAMP-<br>SUPPLIER CODE:<br>V06324<br>SPECIFICATION NUMBER:<br>BACC10HF18A<br>OPTIONAL PART:<br>G8993M18<br>V06324<br>S2251-18-8<br>V07418<br>6000-123-0018<br>V14283<br>900-555F18-34<br>V31461<br>ELECTRICAL EQUIP NUMBER:<br>D06888T<br>D06892T<br>WIRING DIAGRAM REF:<br>284141 | 002004<br>006100<br>121503<br>950999 | 1              |
| 715      | CN1156-4     |               | .PLUG-<br>SUPPLIER CODE:<br>V13556<br>ELECTRICAL EQUIP NUMBER:<br>D06888<br>D06892<br>WIRING DIAGRAM REF:<br>284141  | 002004<br>006100<br>121503<br>950999 | 1              |
| 720      | G899324      |               | .CLAMP-<br>SUPPLIER CODE:<br>V06324<br>SPECIFICATION NUMBER:<br>BACC10HF24A<br>OPTIONAL PART:<br>G8993M24<br>V06324<br>S2251-24-8<br>V07418<br>900-555F24-34<br>V31461<br>ELECTRICAL EQUIP NUMBER:<br>D06880T<br>D06884T<br>WIRING DIAGRAM REF:<br>284121<br>284131                  | 002004<br>006100<br>121503<br>950999 | 1              |

MISSING ITEM NUMBERS NOT APPLICABLE

- ITEM NOT ILLUSTRATED

28-41-09-01

28-41-09  
FIG. 01  
PAGE 39  
JAN 20/09

BRI

 **BOEING**  
757  
**PARTS CATALOG (MAINTENANCE)**

| FIG ITEM | PART NUMBER  | 1 2 3 4 5 6 7 | NOMENCLATURE  | EFFECT FROM TO                       | UNITS PER ASSY |
|----------|--------------|---------------|---|--------------------------------------|----------------|
| 1<br>725 | CN1156-2     |               | .PLUG-<br>SUPPLIER CODE:<br>V13556<br>ELECTRICAL EQUIP NUMBER:<br>D06880<br>D06884<br>WIRING DIAGRAM REF:<br>284121<br>284131   | 002004<br>006100<br>121503<br>950999 | 1              |
| - 740    | 286N4020-001 |               | WIRE BUNDLE ASSY-(FUEL ONLY)  | 002004<br>006010<br>121503<br>950999 | RF             |
| - 740    | 286N4020-002 |               | WIRE BUNDLE ASSY-(FUEL ONLY)  | 011100                               | RF             |
| - 740    | 286N4020-301 |               | WIRE BUNDLE ASSY-(FUEL ONLY)  | 108120                               | RF             |
| 745      | G899318A     |               | .CLAMP-<br>SUPPLIER CODE:<br>V06324<br>SPECIFICATION NUMBER:<br>BACC10HF18A<br>OPTIONAL PART:<br>G8993M18<br>V06324<br>S2251-18-8<br>V07418<br>6000-123-0018<br>V14283<br>900-555F18-34<br>V31461<br>ELECTRICAL EQUIP NUMBER:<br>D06882T<br>WIRING DIAGRAM REF:<br>284121 | 002004<br>006100<br>121503<br>950999 | 1              |
| 750      | CN1156-4     |               | .PLUG-<br>SUPPLIER CODE:<br>V13556<br>ELECTRICAL EQUIP NUMBER:<br>D06882<br>WIRING DIAGRAM REF:<br>284121   | 002004<br>006100<br>121503<br>950999 | 1              |
| - 850    | 286N4030-002 |               | WIRE BUNDLE ASSY-<br>POST ALERT SB:<br>28A0085  | 002004<br>006100<br>121503<br>950999 | RF             |
| - 850    | 286N4030-003 |               | WIRE BUNDLE ASSY-<br>POST ALERT SB:<br>28A0085  | 101106<br>108120<br>504903           | RF             |

MISSING ITEM NUMBERS NOT APPLICABLE

- ITEM NOT ILLUSTRATED

BRI

# 28-41-09-01

BOEING PROPRIETARY - Copyright © - Unpublished Work - See title page for details.

28-41-09  
FIG. 01  
PAGE 40  
JAN 20/09



757

PARTS CATALOG (MAINTENANCE)

| FIG<br>ITEM | PART NUMBER     | 1 2 3 4 5 6 7 | NOMENCLATURE  | EFFECT<br>FROM TO                    | UNITS<br>PER<br>ASSY |
|-------------|-----------------|---------------|---|--------------------------------------|----------------------|
| 1<br>855    | CN1156-4        |               | .PLUG-<br>SUPPLIER CODE:<br>V13556<br>ELECTRICAL EQUIP NUMBER:<br>D06890<br>WIRING DIAGRAM REF:<br>284141   | 002004<br>006106<br>108903<br>950999 | 1                    |
| 860         | M83723-91G14156 |               | .PLUG-<br>ELECTRICAL EQUIP NUMBER:<br>D11718<br>WIRING DIAGRAM REF:<br>284141                               | 002004<br>006106<br>108903<br>950999 | 1                    |
| 900         |                 |               | ILLUSTRATION REFERENCE:<br>EQUIPMENT INSTL-FUEL QTY<br>INDICATING SYS<br>(DENSITOMETER ONLY)<br>28-41-03-04 | 002004<br>006106<br>108903<br>950999 | RF                   |

MISSING ITEM NUMBERS NOT APPLICABLE

- ITEM NOT ILLUSTRATED

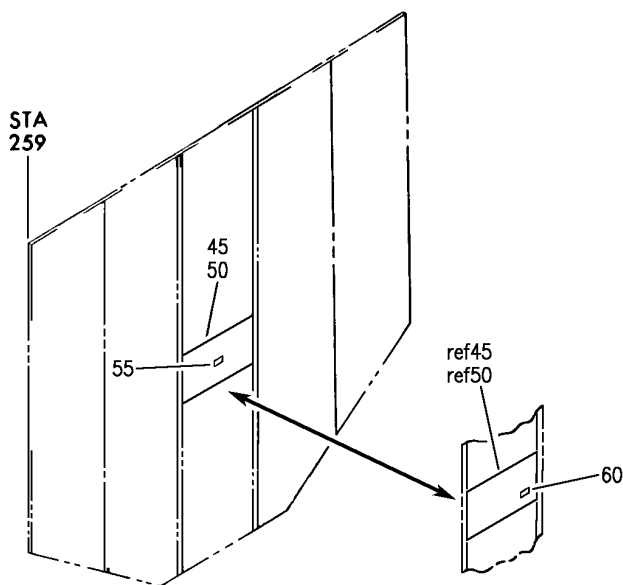
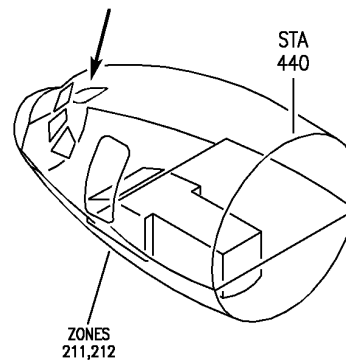
BRI

28-41-09-01

BOEING PROPRIETARY - Copyright © - Unpublished Work - See title page for details.

28-41-09  
FIG. 01  
PAGE 41  
JAN 20/09

**BOEING**  
757  
PARTS CATALOG (MAINTENANCE)



Y 28415101 REV 316

PANEL INSTL-P5 OVHD (FUEL QUANTITY INDICATING SYSTEM ONLY)

FIGURE 1

**28-41-51-01**

BRI  
JAN 20/08

28-41-51-01  
PAGE 0

**BOEING**  
757  
**PARTS CATALOG (MAINTENANCE)**

| FIG ITEM   | PART NUMBER                         | 1 2 3 4 5 6 7 | NOMENCLATURE  | EFFECT FROM TO                                 | UNITS PER ASSY |  |
|--|-------------------------------------|---------------|---|--|----------------|--|
| R<br>R<br>R<br>R<br>R<br>R<br>R<br>R<br>R<br>R<br>R<br>R | 1                                   |               | PANEL INSTL-P5 OVHD<br>(FUEL QUANTITY INDICATING SYSTEM ONLY)   | 002004<br>006010<br>107107<br>121503<br>904999 |                |  |
|  | - 5                                 | 233N3101-1    | PANEL INSTL-P5 OVERHEAD<br>(FUEL QUANTITY INDICATING SYSTEM ONLY)<br>VARIABLE DRAWING REF:<br>233N3101-5005<br>233N3101-5025<br>233N3101-5041<br>233N3101-5042<br>233N3101-5045<br>FOR NHA/OTHER SYS DET SEE:<br>25-10-00-05A | 002004<br>006010<br>107107<br>121503<br>904999 | RF             |  |
|  | 45                                  | 233N3206-2013 | .PANEL ASSY-FUEL CONT<br>SUPPLIER CODE:<br>V89954<br>ELECTRICAL EQUIP NUMBER:<br>M10055<br>COMPONENT MAINT MANUAL REF:<br>28-41-71<br>POST ALERT SB:<br>28A0105R1<br>POST COMPONENT SB:<br>233N3206-28-03                     | 002004<br>107107<br>121503<br>904949<br>952952 | RF             |  |
|  | 45                                  | 233N3206-2014 | .PANEL ASSY-FUEL CONT<br>SUPPLIER CODE:<br>V89954<br>ELECTRICAL EQUIP NUMBER:<br>M10055<br>COMPONENT MAINT MANUAL REF:<br>28-41-71<br>POST ALERT SB:<br>28A0105R1<br>POST COMPONENT SB:<br>233N3206-28-03                     | 002004<br>107107<br>121503<br>904949<br>952952 | RF             |  |
|  | 45                                  | 233N3206-2015 | .PANEL ASSY-FUEL CONT<br>SUPPLIER CODE:<br>V89954<br>ELECTRICAL EQUIP NUMBER:<br>M10055<br>COMPONENT MAINT MANUAL REF:<br>28-41-71<br>POST ALERT SB:<br>28A0105R1<br>POST COMPONENT SB:<br>233N3206-28-03                     | 002004<br>107107<br>121503<br>904949<br>952952 | RF             |  |
|  | MISSING ITEM NUMBERS NOT APPLICABLE |               |   |  |                |  |

- ITEM NOT ILLUSTRATED

BRI

# 28-41-51-01

BOEING PROPRIETARY - Copyright © - Unpublished Work - See title page for details.

28-41-51  
FIG. 01  
PAGE 1  
MAY 20/09





757

PARTS CATALOG (MAINTENANCE)

| FIG ITEM   | PART NUMBER | 1 2 3 4 5 6 7 | NOMENCLATURE  | EFFECT FROM TO                                 | UNITS PER ASSY |
|--|-------------|---------------|---|--|----------------|
| R<br>R<br>R<br>R<br>R<br>R<br>R<br>R<br>R<br>R<br>R<br>R<br>R<br>R<br>R<br>R | 1<br>45     | 233N3206-3016 | .PANEL ASSY-FUEL CONT<br>REPLACES 233N3206-1016<br>SUPPLIER CODE:<br>V89954<br>ELECTRICAL EQUIP NUMBER:<br>M10055<br>COMPONENT MAINT MANUAL REF:<br>28-41-71<br>POST ALERT SB:<br>28A0105R1<br>POST COMPONENT SB:<br>233N3206-28-03 | 002004<br>107107<br>121503<br>904949<br>952952 | RF             |
|  | 45          | 233N3206-3013 | .PANEL ASSY-FUEL CONT<br>REPLACES 233N3206-1013<br>SUPPLIER CODE:<br>V89954<br>ELECTRICAL EQUIP NUMBER:<br>M10055<br>COMPONENT MAINT MANUAL REF:<br>28-41-71<br>POST ALERT SB:<br>28A0105R1<br>POST COMPONENT SB:<br>233N3206-28-03 | 002004<br>107107<br>121503<br>904949<br>952952 | RF             |
|  | 45          | 233N3206-3017 | .PANEL ASSY-FUEL CONT<br>REPLACES 233N3206-1017<br>SUPPLIER CODE:<br>V89954<br>ELECTRICAL EQUIP NUMBER:<br>M10055<br>COMPONENT MAINT MANUAL REF:<br>28-41-71<br>POST ALERT SB:<br>28A0105R1<br>POST COMPONENT SB:<br>233N3206-28-03 | 002004<br>107107<br>121503<br>904949           | RF             |
|  | 45          | 233N3206-2017 | .PANEL ASSY-FUEL CONT<br>SUPPLIER CODE:<br>V89954<br>ELECTRICAL EQUIP NUMBER:<br>M10055<br>COMPONENT MAINT MANUAL REF:<br>28-41-71<br>POST ALERT SB:<br>28A0105R1<br>POST COMPONENT SB:<br>233N3206-28-03                           | 002004<br>107107<br>121503<br>904949<br>952952 | RF             |

MISSING ITEM NUMBERS NOT APPLICABLE

- ITEM NOT ILLUSTRATED

28-41-51-01

28-41-51  
FIG. 01  
PAGE 3  
MAY 20/09

BRI





757

PARTS CATALOG (MAINTENANCE)

| FIG ITEM   | PART NUMBER | 1 2 3 4 5 6 7 | NOMENCLATURE   | EFFECT FROM TO                                 | UNITS PER ASSY |
|--|-------------|---------------|--|--|----------------|
| R<br>R<br>R<br>R<br>R<br>R<br>R<br>R<br>R<br>R<br>R<br>R<br>R<br>R<br>R<br>R | 1           |               |  |  |                |
|  | 50          | 233N3206-13   | .PANEL ASSY-FUEL CONT<br>SUPPLIER CODE:<br>V89954<br>ELECTRICAL EQUIP NUMBER:<br>M10055<br>COMPONENT MAINT MANUAL REF:<br>28-41-71<br>PRE ALERT SB:<br>33A0044R1<br>28A0105R1<br>PRE COMPONENT SB:<br>233N3206-28-03 | 002004<br>107107<br>121503<br>904949<br>952952 | RF             |
|  | 50          | 233N3206-14   | .PANEL ASSY-FUEL CONT<br>SUPPLIER CODE:<br>V89954<br>ELECTRICAL EQUIP NUMBER:<br>M10055<br>COMPONENT MAINT MANUAL REF:<br>28-41-71<br>PRE ALERT SB:<br>33A0044<br>28A0105R1<br>PRE COMPONENT SB:<br>233N3206-28-03   | 002004<br>107107<br>121503<br>904949<br>952952 | RF             |
|  | 50          | 233N3206-15   | .PANEL ASSY-FUEL CONT<br>SUPPLIER CODE:<br>V89954<br>ELECTRICAL EQUIP NUMBER:<br>M10055<br>COMPONENT MAINT MANUAL REF:<br>28-41-71<br>PRE ALERT SB:<br>33A0044<br>28A0105R1<br>PRE COMPONENT SB:<br>233N3206-28-03   | 002004<br>107107<br>121503<br>904949<br>952952 | RF             |
|  | 50          | 233N3206-16   | .PANEL ASSY-FUEL CONT<br>SUPPLIER CODE:<br>V89954<br>ELECTRICAL EQUIP NUMBER:<br>M10055<br>COMPONENT MAINT MANUAL REF:<br>28-41-71<br>PRE ALERT SB:<br>33A0044<br>28A0105R1<br>PRE COMPONENT SB:<br>233N3206-28-03   | 002004<br>107107<br>121503<br>904949<br>952952 | RF             |

MISSING ITEM NUMBERS NOT APPLICABLE

- ITEM NOT ILLUSTRATED

28-41-51-01

28-41-51  
FIG. 01  
PAGE 4  
MAY 20/09

BRI

**BOEING**  
757  
**PARTS CATALOG (MAINTENANCE)**

| FIG ITEM                                       | PART NUMBER | 1 2 3 4 5 6 7 | NOMENCLATURE   | EFFECT FROM TO                                 | UNITS PER ASSY |
|--|-------------|---------------|--|--|----------------|
| R<br>R<br>R<br>R<br>R<br>R<br>R<br>R<br>R<br>R | 1<br>50     | 233N3206-17   | .PANEL ASSY-FUEL CONT<br>SUPPLIER CODE:<br>V89954<br>ELECTRICAL EQUIP NUMBER:<br>M10055<br>COMPONENT MAINT MANUAL REF:<br>28-41-71<br>PRE ALERT SB:<br>33A0044R1<br>28A0105R1<br>PRE COMPONENT SB:<br>233N3206-28-03   | 002004<br>107107<br>121503<br>904949<br>952952 | RF             |
|  | 50          | 233N3206-19   | .PANEL ASSY-FUEL CONT<br>SUPPLIER CODE:<br>V89954<br>MISCELLANEOUS DATA:<br>(THE 233N3206-19 PANEL IS I/W THE 233N3206-20 PANEL, SUBJECT TO CUSTOMER PREFERENCE. THE -19 PANEL CONTAINS KORRY SWITCHES, THE -20 CONTAINS MASTER SPECIALTIES SWITCHES)<br>ELECTRICAL EQUIP NUMBER:<br>M10055<br>COMPONENT MAINT MANUAL REF:<br>28-41-71<br>QUALIFIED I/W DATA:<br>THE 233N3206-300 PANEL ASSY IS I/W THE 233N3206-19 PANEL ASSY T/W THE S233T100-1106 LIGHTPLATE<br>PRE ALERT SB:<br>28A0105R1<br>PRE COMPONENT SB:<br>233N3206-28-03 | 006010<br>950951<br>953999                     | RF             |
| R<br>R<br>R<br>R<br>R<br>R<br>R<br>R<br>R      | 50          | 233N3206-1015 | .PANEL ASSY-FUEL CONT<br>SUPPLIER CODE:<br>V89954<br>ELECTRICAL EQUIP NUMBER:<br>M10055<br>COMPONENT MAINT MANUAL REF:<br>28-41-71<br>POST ALERT SB:<br>33A0044<br>PRE ALERT SB:<br>28A0105R1  | 002004<br>107107<br>121503<br>904949<br>952952 | RF             |

MISSING ITEM NUMBERS NOT APPLICABLE

— ITEM NOT ILLUSTRATED

BRI

# 28-41-51-01

BOEING PROPRIETARY - Copyright © - Unpublished Work - See title page for details.

28-41-51  
FIG. 01  
PAGE 5  
MAY 20/09



757

PARTS CATALOG (MAINTENANCE)

| FIG ITEM   | PART NUMBER                         | 1 2 3 4 5 6 7 | NOMENCLATURE   | EFFECT FROM TO                                 | UNITS PER ASSY |
|--|-------------------------------------|---------------|--|--|----------------|
| R<br>R<br>R<br>R<br>R<br>R<br>R<br>R<br>R<br>R<br>R<br>R<br>R<br>R<br>R<br>R<br>R<br>R<br>R<br>R<br>R<br>R | 1<br>50                             | 233N3206-1014 | .PANEL ASSY-FUEL CONT<br>SUPPLIER CODE:<br>V89954<br>ELECTRICAL EQUIP NUMBER:<br>M10055<br>COMPONENT MAINT MANUAL REF:<br>28-41-71<br>POST ALERT SB:<br>33A0044<br>PRE ALERT SB:<br>28A0105R1<br>PRE COMPONENT SB:<br>233N3206-28-03   | 002004<br>107107<br>121503<br>904949<br>952952 | 1              |
|  | 50                                  | 233N3206-1016 | .PANEL ASSY-FUEL CONT<br>SUPPLIER CODE:<br>V89954<br>ELECTRICAL EQUIP NUMBER:<br>M10055<br>COMPONENT MAINT MANUAL REF:<br>28-41-71<br>POST ALERT SB:<br>33A0044<br>PRE ALERT SB:<br>28A0105R1<br>PRE COMPONENT SB:<br>233N3206-28-03   | 002004<br>107107<br>121503<br>904949<br>952952 | 1              |
|  | 50                                  | 233N3206-1013 | .PANEL ASSY-FUEL CONT<br>SUPPLIER CODE:<br>V89954<br>ELECTRICAL EQUIP NUMBER:<br>M10055<br>COMPONENT MAINT MANUAL REF:<br>28-41-71<br>POST ALERT SB:<br>33A0044R1<br>PRE ALERT SB:<br>28A0105R1<br>PRE COMPONENT SB:<br>233N3206-28-03 | 002004<br>107107<br>121503<br>904949<br>952952 | RF             |
|  | MISSING ITEM NUMBERS NOT APPLICABLE |               |  |  |                |

- ITEM NOT ILLUSTRATED

28-41-51-01

28-41-51  
FIG. 01  
PAGE 6  
MAY 20/09

BRI

**BOEING**  
757  
**PARTS CATALOG (MAINTENANCE)**

| FIG ITEM | PART NUMBER | 1 2 3 4 5 6 7 | NOMENCLATURE   | EFFECT FROM TO                                 | UNITS PER ASSY |
|----------|-------------|---------------|--|--|----------------|
| 1        | 50          | 233N3206-1017 | .PANEL ASSY-FUEL CONT<br>SUPPLIER CODE:<br>V89954<br>ELECTRICAL EQUIP NUMBER:<br>M10055<br>COMPONENT MAINT MANUAL REF:<br>28-41-71<br>POST ALERT SB:<br>33A0044R1<br>PRE ALERT SB:<br>28A0105R1<br>PRE COMPONENT SB:<br>233N3206-28-03   | 002004<br>107107<br>121503<br>904949<br>952952 | RF             |
|          | 55          | BCREF6367     | ..LIGHT ASSY-FUEL CONFIG<br>SUPPLIER CODE:<br>V81590<br>OVERLENGTH PART NUMBER:<br>434-674-1005-1293<br>SPECIFICATION NUMBER:<br>S231T300-1293<br>OPTIONAL PART:<br>BCREF8595<br>V81590<br>USED ON:<br>233N3206-13<br>233N3206-14<br>233N3206-15<br>233N3206-16<br>233N3206-17<br>233N3206-1013<br>233N3206-1014<br>233N3206-1015<br>233N3206-1016<br>233N3206-1017<br>233N3206-2013<br>233N3206-2014<br>233N3206-2015<br>233N3206-2016<br>233N3206-2017<br>233N3206-3013<br>233N3206-3014<br>233N3206-3015<br>233N3206-3016<br>233N3206-3017<br>FOR DETAILS SEE:<br>33-14-70-02 | 002004<br>107107<br>121503<br>904949<br>952952 | 1              |

MISSING ITEM NUMBERS NOT APPLICABLE

— ITEM NOT ILLUSTRATED

BRI

# 28-41-51-01

BOEING PROPRIETARY - Copyright © - Unpublished Work - See title page for details.

28-41-51  
FIG. 01  
PAGE 7  
MAY 20/09



757

PARTS CATALOG (MAINTENANCE)

| FIG ITEM | PART NUMBER | 1 2 3 4 5 6 7 | NOMENCLATURE   | EFFECT FROM TO                                 | UNITS PER ASSY |
|----------|-------------|---------------|--|--|----------------|
| 1<br>55  | BCREF8595   |               | ..LIGHT ASSY-FUEL CONFIG<br>SUPPLIER CODE:<br>V81590<br>OVERLENGTH PART NUMBER:<br>434-674-1031-2293<br>SPECIFICATION NUMBER:<br>S231T300-2293<br>OPTIONAL PART:<br>BCREf6367<br>V81590<br>USED ON:<br>233N3206-13<br>233N3206-14<br>233N3206-15<br>233N3206-16<br>233N3206-17<br>233N3206-1013<br>233N3206-1014<br>233N3206-1015<br>233N3206-1016<br>233N3206-1017<br>233N3206-2013<br>233N3206-2014<br>233N3206-2015<br>233N3206-2016<br>233N3206-2017<br>233N3206-3013<br>233N3206-3014<br>233N3206-3015<br>233N3206-3016<br>233N3206-3017<br>FOR DETAILS SEE:<br>33-14-70-02 | 002004<br>107107<br>121503<br>904949<br>952952 | 1              |
|          | 60          | BCREF6367     | ..LIGHT ASSY-FUEL CONFIG<br>SUPPLIER CODE:<br>V81590<br>OVERLENGTH PART NUMBER:<br>434-674-1005-1293<br>SPECIFICATION NUMBER:<br>S231T300-1293<br>OPTIONAL PART:<br>BCREf5895<br>V81590<br>USED ON:<br>233N3206-20<br>233N3206-2020<br>FOR DETAILS SEE:<br>33-14-70-02   | 006010<br>950951<br>953999                     | 1              |

MISSING ITEM NUMBERS NOT APPLICABLE

- ITEM NOT ILLUSTRATED

BRI

28-41-51-01

BOEING PROPRIETARY - Copyright © - Unpublished Work - See title page for details.

28-41-51  
FIG. 01  
PAGE 8  
MAY 20/09



757

PARTS CATALOG (MAINTENANCE)

| FIG<br>ITEM | PART NUMBER | 1 2 3 4 5 6 7 | NOMENCLATURE   | EFFECT<br>FROM TO          | UNITS<br>PER<br>ASSY |
|-------------|-------------|---------------|--|----------------------------|----------------------|
| 1<br>60     | BCREF8595   |               | ..LIGHT ASSY-FUEL CONFIG<br>SUPPLIER CODE:<br>V81590<br>OVERLENGTH PART NUMBER:<br>434-674-1031-2293<br>SPECIFICATION NUMBER:<br>S231T300-2293<br>OPTIONAL PART:<br>BCREF6367<br>V81590<br>USED ON:<br>233N3206-19<br>233N3206-20<br>233N3206-2020<br>233N3206-3019<br>FOR DETAILS SEE:<br>33-14-70-02 | 006010<br>950951<br>953999 | 1                    |

MISSING ITEM NUMBERS NOT APPLICABLE

- ITEM NOT ILLUSTRATED

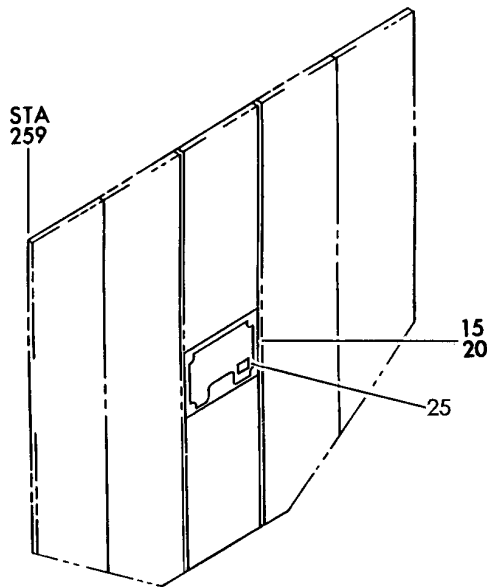
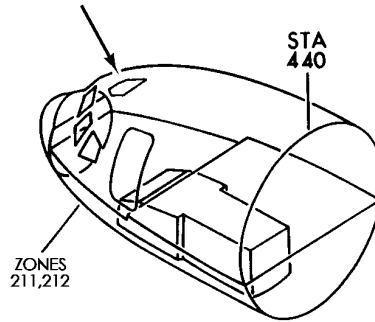
BRI

# 28-41-51-01

BOEING PROPRIETARY - Copyright © - Unpublished Work - See title page for details.

28-41-51  
FIG. 01  
PAGE 9  
JAN 20/09

**BOEING**  
757  
PARTS CATALOG (MAINTENANCE)



Y 28415102 REV 243

PANEL INSTL-P5 OVHD (FUEL QUANTITY INDICATING SYSTEM ONLY)  
FIGURE 2

**28-41-51-02**

BRI  
MAY 28/07

28-41-51-02  
PAGE 0



757

PARTS CATALOG (MAINTENANCE)

| FIG ITEM | PART NUMBER   | 1 2 3 4 5 6 7 | NOMENCLATURE  | EFFECT FROM TO | UNITS PER ASSY |
|----------|---------------|---------------|---|----------------|----------------|
| 2        |               |               | PANEL INSTL-P5 OVHD<br>(FUEL QUANTITY INDICATING SYSTEM ONLY)   | 011100         |                |
| - 1      | 233N3101-1    |               | PANEL INSTL-P5 OVERHEAD<br>(FUEL QUANTITY INDICATING SYSTEM ONLY)<br>VARIABLE DRAWING REF:<br>233N3101-5142<br>FOR NHA/OTHER SYS DET SEE:<br>25-10-00-05A   | 011100         | RF             |
| 15       | 233N3206-300  |               | .PANEL ASSY-FUEL CONT<br>SUPPLIER CODE:<br>V89954<br>COMPONENT MAINT MANUAL REF:<br>28-41-71<br>QUALIFIED I/W DATA:<br>THE 233N3206-300 PANEL ASSY IS I/W THE<br>233N3206-19 PANEL ASSY T/W THE S233T100-1106 LIGHTPLATE<br>PRE ALERT SB:<br>28A0105R1<br>PRE COMPONENT SB:<br>233N3206-28-03 | 011100         | RF             |
| 15       | 233N3206-3300 |               | .PANEL ASSY-FUEL CONT<br>SUPPLIER CODE:<br>V89954<br>ELECTRICAL EQUIP NUMBER:<br>M10055<br>COMPONENT MAINT MANUAL REF:<br>28-41-71<br>POST ALERT SB:<br>28A0105R1<br>POST COMPONENT SB:<br>233N3206-28-03   | 011100         | RF             |
| 20       | 233N3206-19   |               | ..PANEL ASSY-FUEL CONT<br>SUPPLIER CODE:<br>V89954<br>COMPONENT MAINT MANUAL REF:<br>28-41-71<br>PRE ALERT SB:<br>28A0105R1<br>PRE COMPONENT SB:<br>233N3206-28-03  | 011100         | RF             |

MISSING ITEM NUMBERS NOT APPLICABLE

- ITEM NOT ILLUSTRATED

BRI

28-41-51-02

BOEING PROPRIETARY - Copyright © - Unpublished Work - See title page for details.

28-41-51  
FIG. 02  
PAGE 1  
JAN 20/09





757

PARTS CATALOG (MAINTENANCE)

| FIG ITEM | PART NUMBER   | 1 2 3 4 5 6 7 | NOMENCLATURE   | EFFECT FROM TO | UNITS PER ASSY |
|----------|---------------|---------------|--|----------------|----------------|
| 2<br>20  | 233N3206-3019 |               | ..PANEL ASSY-<br>SUPPLIER CODE:<br>V89954<br>COMPONENT MAINT MANUAL REF:<br>28-41-71<br>POST ALERT SB:<br>28A0105R1<br>POST COMPONENT SB:<br>233N3206-28-03                        | 011100         | 1              |
| 25       | BCREF6367     |               | ...LIGHT ASSY-FUEL CONFIG<br>SUPPLIER CODE:<br>V81590<br>OVERLENGTH PART NUMBER:<br>434-674-1005-1293<br>SPECIFICATION NUMBER:<br>S231T300-1293<br>FOR DETAILS SEE:<br>33-14-70-02 | 011100         | 1              |
| 25       | BCREF8595     |               | ...LIGHT ASSY-FUEL CONFIG<br>SUPPLIER CODE:<br>V81590<br>OVERLENGTH PART NUMBER:<br>434-674-1031-2293<br>SPECIFICATION NUMBER:<br>S231T300-2293<br>FOR DETAILS SEE:<br>33-14-70-02 | 011100         | 1              |

MISSING ITEM NUMBERS NOT APPLICABLE

- ITEM NOT ILLUSTRATED

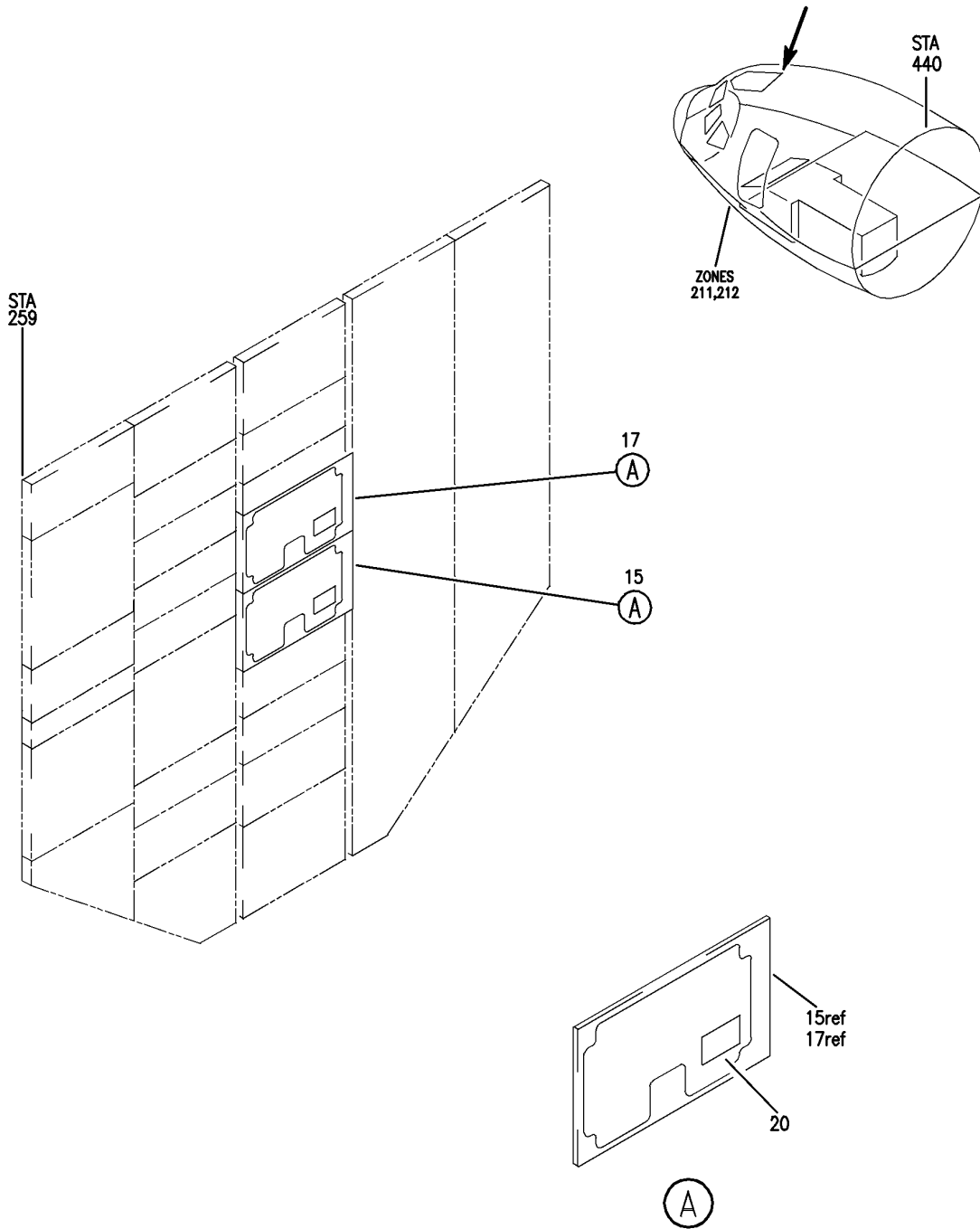
BRI

28-41-51-02

BOEING PROPRIETARY - Copyright © - Unpublished Work - See title page for details.

28-41-51  
FIG. 02  
PAGE 2  
JAN 20/09

**BOEING**  
757  
PARTS CATALOG (MAINTENANCE)



Y 28415103 REV 242

PANEL INSTL-P5 OVHD (FUEL QUANTITY INDICATING SYSTEM ONLY)  
FIGURE 3

**28-41-51-03**

BRI  
MAY 28/07

28-41-51-03  
PAGE 0



757

PARTS CATALOG (MAINTENANCE)

| FIG ITEM | PART NUMBER  | 1 2 3 4 5 6 7 | NOMENCLATURE  | EFFECT FROM TO             | UNITS PER ASSY |
|----------|--------------|---------------|---|----------------------------|----------------|
| 3        |              |               | PANEL INSTL-P5 OVHD (FUEL QUANTITY INDICATING SYSTEM ONLY)  | 101106<br>108120<br>504903 |                |
| - 3      | 233N3103-132 |               | PANEL INSTL-P5 OVHD (FUEL QUANTITY INDICATING SYSTEM ONLY)<br>FOR NHA/OTHER SYS DET SEE:<br>25-10-00-15E  | 101102                     | RF             |
| - 3      | 233N3103-136 |               | PANEL INSTL-P5 OVHD (FUEL QUANTITY INDICATING SYSTEM ONLY)<br>FOR NHA/OTHER SYS DET SEE:<br>25-10-00-15E  | 504903                     | RF             |
| - 6      | 233N3103-59  |               | PANEL INSTL-P5 OVHD (FUEL QUANTITY INDICATING SYSTEM ONLY)<br>FOR NHA/OTHER SYS DET SEE:<br>25-10-00-15E  | 108120                     | RF             |
| - 8      | MODREF170180 |               | PANEL INSTL-P5 OVHD (FUEL QUANTITY INDICATING SYSTEM ONLY)<br>MODULE NUMBER:<br>233N3103-353 REV B<br>FOR OTHER SYS DETAILS SEE:<br>11-31-10-12<br>21-25-55-03<br>21-31-01-02<br>21-33-51-03<br>21-51-54-03<br>21-58-19-10<br>21-58-51-03<br>21-61-04-03<br>21-65-51-01<br>22-21-01-04<br>22-24-51-02<br>23-24-01-01<br>23-32-00-11<br>23-42-02-02<br>23-71-05-02<br>24-11-52-05<br>24-22-01-03<br>24-31-01-10<br>24-31-03-09<br>24-33-04-01<br>24-41-51-04<br>24-51-62-01<br>26-18-51-04<br>27-21-53-02<br>27-41-55-01 | 106106                     | 1              |

MISSING ITEM NUMBERS NOT APPLICABLE

- ITEM NOT ILLUSTRATED

28-41-51-03

28-41-51  
FIG. 03  
PAGE 1  
JAN 20/09

BRI



757

PARTS CATALOG (MAINTENANCE)

| FIG<br>ITEM | PART NUMBER | 1 2 3 4 5 6 7 NOMENCLATURE  | EFFECT<br>FROM TO | UNITS<br>PER<br>ASSY |
|-------------|-------------|---|-------------------|----------------------|
| 3           |             | 27-61-51-03<br>27-62-52-02<br>28-22-51-02<br>29-11-02-03<br>29-11-05-04<br>29-11-52-07<br>29-21-54-03<br>29-31-00-01<br>29-32-51-03<br>29-33-52-03<br>30-11-51-03<br>30-21-51-03<br>30-31-51-02<br>30-32-51-01<br>30-33-51-02<br>30-41-51-03<br>30-42-51-03<br>31-12-11-84<br>31-12-11-84 A<br>32-42-52-03<br>33-11-03-03<br>33-11-51-17<br>33-13-01-65<br>33-13-02-03<br>33-16-51-03<br>33-24-51-02<br>33-41-52-04<br>33-42-01-04<br>33-42-02-04<br>33-42-52-04<br>33-43-51-04<br>33-44-51-05<br>33-45-53-03<br>33-51-08-05<br>34-21-02-01<br>35-21-51-04<br>36-11-04-01<br>36-21-00-01<br>36-21-02-05<br>36-22-51-03<br>49-41-00-02<br>49-52-00-01<br>49-70-00-01<br>52-51-51-03<br>52-71-51-02<br>73-21-52-02<br>74-31-51-05<br>75-32-00-01<br>80-11-09-02 |                   |                      |

MISSING ITEM NUMBERS NOT APPLICABLE

- ITEM NOT ILLUSTRATED

28-41-51-03

28-41-51  
FIG. 03  
PAGE 2  
JAN 20/09

BRI



757

PARTS CATALOG (MAINTENANCE)

| FIG ITEM                            | PART NUMBER | 1 2 3 4 5 6 7 | NOMENCLATURE   | EFFECT FROM TO | UNITS PER ASSY |
|-------------------------------------|-------------|---------------|--|----------------|----------------|
| 3                                   |             |               |  |                |                |
| - 10                                | MODREF33760 |               | <p>FOR ADDITIONAL DETAILS SEE:<br/> 28-41-04-01<br/> PANEL INSTL-P5 OVHD (FUEL<br/> QUANTITY INDICATING<br/> SYSTEM ONLY)<br/> MODULE NUMBER:<br/> 233N3103-351 REV C<br/> FOR OTHER SYS DETAILS SEE:<br/> 11-31-10-12<br/> 21-25-55-03<br/> 21-31-01-02<br/> 21-33-51-03<br/> 21-51-54-03<br/> 21-58-19-10<br/> 21-58-51-03<br/> 21-61-04-03<br/> 21-65-51-01<br/> 22-21-01-04<br/> 22-24-51-02<br/> 23-24-01-01<br/> 23-32-00-11<br/> 23-42-02-02<br/> 23-71-05-02<br/> 24-11-52-05<br/> 24-22-01-03<br/> 24-31-01-10<br/> 24-31-03-09<br/> 24-33-04-01<br/> 24-41-51-04<br/> 24-51-62-01<br/> 26-18-51-04<br/> 27-21-53-02<br/> 27-41-55-01<br/> 27-61-51-03<br/> 27-62-52-02<br/> 28-22-51-02<br/> 29-11-02-03<br/> 29-11-05-04<br/> 29-11-52-07<br/> 29-21-54-03<br/> 29-31-00-01<br/> 29-32-51-03<br/> 29-33-52-03<br/> 30-11-51-03<br/> 30-21-51-03<br/> 30-31-51-02<br/> 30-32-51-01<br/> 30-33-51-02<br/> 30-41-51-03</p> | 103103         | 1              |
| MISSING ITEM NUMBERS NOT APPLICABLE |             |               |  |                |                |

- ITEM NOT ILLUSTRATED

# 28-41-51-03

28-41-51  
FIG. 03  
PAGE 3  
JAN 20/09

BRI



757

PARTS CATALOG (MAINTENANCE)

| FIG<br>ITEM | PART NUMBER | 1 2 3 4 5 6 7 NOMENCLATURE   | EFFECT<br>FROM TO | UNITS<br>PER<br>ASSY |
|-------------|-------------|--|-------------------|----------------------|
| 3           |             | 30-42-51-03<br>31-12-11-91<br>31-12-11-91A<br>32-42-52-03<br>33-11-03-03<br>33-11-51-17<br>33-13-01-65<br>33-13-02-03<br>33-16-51-03<br>33-24-51-02<br>33-41-52-04<br>33-42-01-04<br>33-42-02-04<br>33-42-52-04<br>33-43-51-04<br>33-44-51-05<br>33-45-53-03<br>33-51-08-05<br>34-21-02-01<br>35-21-51-04<br>36-11-04-01<br>36-21-00-01<br>36-21-02-05<br>36-22-51-03<br>49-41-00-02<br>49-52-00-01<br>49-70-00-01<br>52-51-51-03<br>52-71-51-02<br>73-21-52-02<br>74-31-51-05<br>75-32-00-01<br>80-11-09-02<br>FOR ADDITIONAL DETAILS SEE:<br>28-41-04-01 |                   |                      |
| - 10        | MODREF34038 | PANEL INSTL-P5 OVHD (FUEL<br>QUANTITY INDICATING<br>SYSTEM ONLY)<br>MODULE NUMBER:<br>233N3103-351 REV D<br>FOR OTHER SYS DETAILS SEE:<br>11-31-10-12<br>21-25-55-03<br>21-31-01-02<br>21-33-51-03<br>21-51-54-03<br>21-58-19-10<br>21-58-51-03<br>21-61-04-03<br>MISSING ITEM NUMBERS NOT APPLICABLE  | 104105            | 1                    |

- ITEM NOT ILLUSTRATED

**28-41-51-03**

28-41-51  
 FIG. 03  
 PAGE 4  
 JAN 20/09

BRI



757

PARTS CATALOG (MAINTENANCE)

| FIG ITEM | PART NUMBER | 1 2 3 4 5 6 7 | NOMENCLATURE  | EFFECT FROM TO | UNITS PER ASSY |
|----------|-------------|---------------|---|----------------|----------------|
| 3        |             |               | 21-65-51-01<br>22-21-01-04<br>22-24-51-02<br>23-24-01-01<br>23-32-00-11<br>23-42-02-02<br>23-71-05-02<br>24-11-52-05<br>24-22-01-03<br>24-31-01-10<br>24-31-03-09<br>24-33-04-01<br>24-41-51-04<br>24-51-62-01<br>26-18-51-04<br>27-21-53-02<br>27-41-55-01<br>27-61-51-03<br>27-62-52-02<br>28-22-51-02<br>29-11-02-03<br>29-11-05-04<br>29-11-52-07<br>29-21-54-03<br>29-31-00-01<br>29-32-51-03<br>29-33-52-03<br>30-11-51-03<br>30-21-51-03<br>30-31-51-02<br>30-32-51-01<br>30-33-51-02<br>30-41-51-03<br>30-42-51-03<br>31-12-11-91<br>31-12-11-91 A<br>32-42-52-03<br>33-11-03-03<br>33-11-51-17<br>33-13-01-65<br>33-13-02-03<br>33-16-51-03<br>33-24-51-02<br>33-41-52-04<br>33-42-01-04<br>33-42-02-04<br>33-42-52-04<br>33-43-51-04<br>33-44-51-05 |                |                |

MISSING ITEM NUMBERS NOT APPLICABLE

- ITEM NOT ILLUSTRATED

BR I

28-41-51-03

BOEING PROPRIETARY - Copyright © - Unpublished Work - See title page for details.

28-41-51  
FIG. 03  
PAGE 5  
JAN 20/09



757

PARTS CATALOG (MAINTENANCE)

| FIG ITEM | PART NUMBER   | 1 2 3 4 5 6 7 | NOMENCLATURE   | EFFECT FROM TO             | UNITS PER ASSY |
|----------|---------------|---------------|--|----------------------------|----------------|
| 3        |               |               | 33-45-53-03<br>33-51-08-05<br>34-21-02-01<br>35-21-51-04<br>36-11-04-01<br>36-21-00-01<br>36-21-02-05<br>36-22-51-03<br>49-41-00-02<br>49-52-00-01<br>49-70-00-01<br>52-51-51-03<br>52-71-51-02<br>73-21-52-02<br>74-31-51-05<br>75-32-00-01<br>80-11-09-02<br>FOR ADDITIONAL DETAILS SEE:<br>28-41-04-01                                    |                            |                |
| - 11     | 233N3206-300  |               | .PANEL ASSY-FUEL CONT<br>SUPPLIER CODE:<br>V89954<br>ELECTRICAL EQUIP NUMBER:<br>M10055<br>COMPONENT MAINT MANUAL REF:<br>28-41-71<br>QUALIFIED I/W DATA:<br>THE 233N3206-300 PANEL<br>ASSY IS I/W THE<br>233N3206-19 PANEL ASSY<br>T/W THE S233T100-1106<br>LIGHTPLATE<br>PRE ALERT SB:<br>28A0105R1<br>PRE COMPONENT SB:<br>233N3206-28-03 | 101106<br>108120<br>504903 | RF             |
| - 11     | 233N3206-3300 |               | .PANEL ASSY-FUEL CONT<br>SUPPLIER CODE:<br>V89954<br>ELECTRICAL EQUIP NUMBER:<br>M10055<br>COMPONENT MAINT MANUAL REF:<br>28-41-71<br>POST ALERT SB:<br>28A0105R1<br>POST COMPONENT SB:<br>233N3206-28-03  | 101106<br>108120<br>504903 | RF             |

MISSING ITEM NUMBERS NOT APPLICABLE

- ITEM NOT ILLUSTRATED

28-41-51-03

28-41-51  
FIG. 03  
PAGE 6  
JAN 20/09

BRI





757

PARTS CATALOG (MAINTENANCE)

| FIG ITEM | PART NUMBER   | 1 2 3 4 5 6 7 | NOMENCLATURE   | EFFECT FROM TO             | UNITS PER ASSY |
|----------|---------------|---------------|--|----------------------------|----------------|
| 3        |               |               |  |                            |                |
| 15       | 233N3206-19   |               | ..PANEL ASSY-<br>SUPPLIER CODE:<br>V89954<br>COMPONENT MAINT MANUAL REF:<br>28-41-71<br>QUALIFIED I/W DATA:<br>THE 233N3206-300 PANEL<br>ASSY IS I/W THE<br>233N3206-19 PANEL ASSY<br>T/W THE S233T100-1106<br>LIGHTPLATE<br>PRE ALERT SB:<br>28A0105R1<br>PRE COMPONENT SB:<br>233N3206-28-03 | 101106<br>108120<br>504903 | RF             |
| 15       | 233N3206-3019 |               | ..PANEL ASSY-<br>SUPPLIER CODE:<br>V89954<br>COMPONENT MAINT MANUAL REF:<br>28-41-71<br>POST ALERT SB:<br>28A0105R1<br>POST COMPONENT SB:<br>233N3206-28-03  | 101106<br>108120<br>504903 | RF             |
| 20       | BCREF8595     |               | ...LIGHT ASSY-FUEL CONFIG<br>SUPPLIER CODE:<br>V81590<br>OVERLENGTH PART NUMBER:<br>434-674-1031-2293<br>SPECIFICATION NUMBER:<br>S231T300-2293<br>FOR DETAILS SEE:<br>33-14-70-02   | 101106<br>108120<br>504903 | 1              |
| 20       | BCREF6367     |               | ...LIGHT ASSY-FUEL CONFIG<br>SUPPLIER CODE:<br>V81590<br>OVERLENGTH PART NUMBER:<br>434-674-1005-1293<br>SPECIFICATION NUMBER:<br>S231T300-1293<br>FOR DETAILS SEE:<br>33-14-70-02   | 101106<br>108120<br>504903 | 1              |

MISSING ITEM NUMBERS NOT APPLICABLE

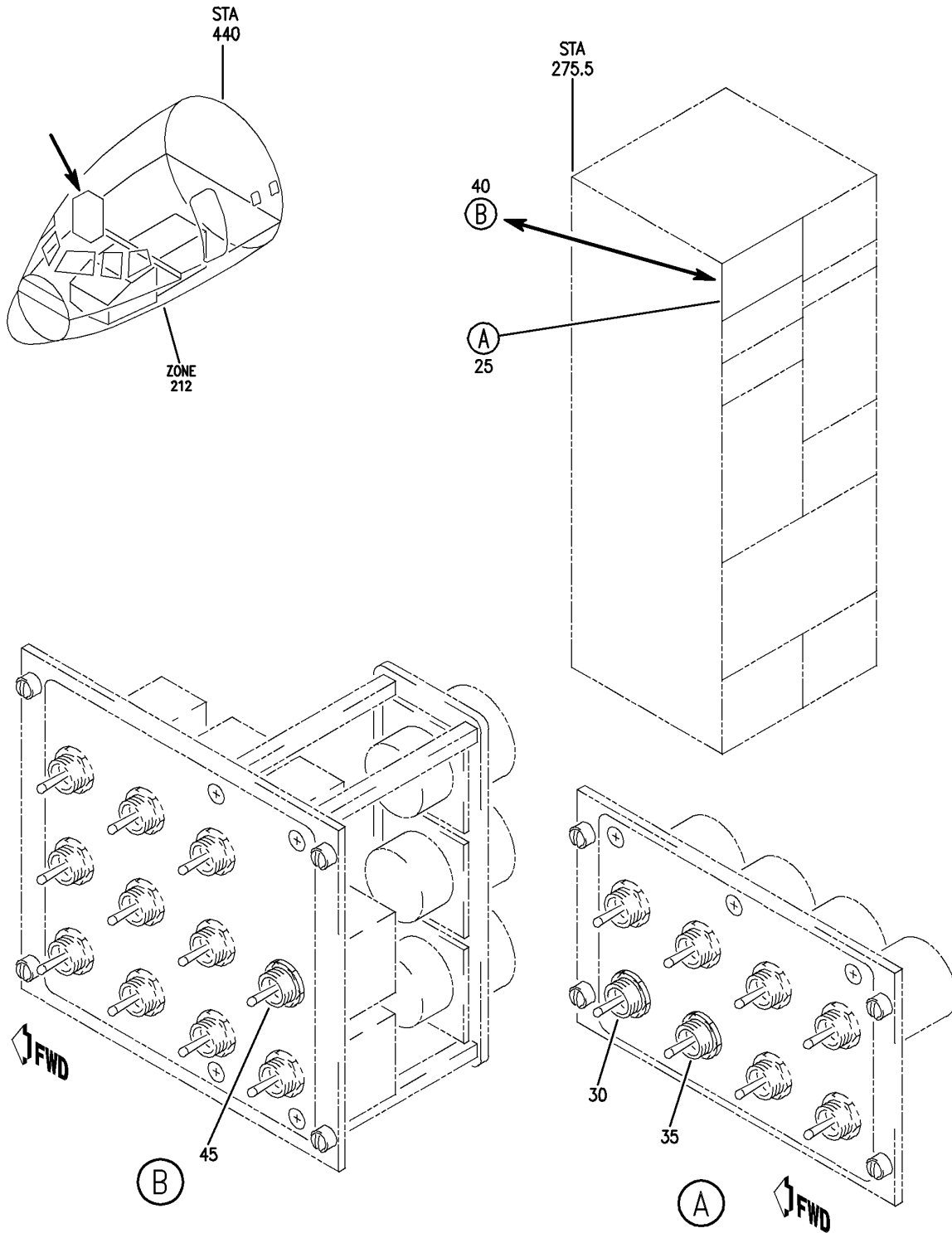
- ITEM NOT ILLUSTRATED

28-41-51-03

28-41-51  
FIG. 03  
PAGE 7  
JAN 20/09

BRI

**BOEING**  
757  
PARTS CATALOG (MAINTENANCE)



Y 28415104 REV 231

PANEL INSTL-P61 R SIDEWALL (FUEL ONLY)  
FIGURE 4

**28-41-51-04**

BRI  
MAY 28/07

28-41-51-04  
PAGE 0



757

PARTS CATALOG (MAINTENANCE)

| FIG ITEM | PART NUMBER  | 1 2 3 4 5 6 7 | NOMENCLATURE   | EFFECT FROM TO                                 | UNITS PER ASSY |
|----------|--------------|---------------|--|--|----------------|
| 4        |              |               | PANEL INSTL-P61 R SIDEWALL<br>(FUEL ONLY)  | 002004<br>006999                               |                |
| - 1      | 233N7401-1   |               | PANEL INSTL-P61 SIDEWALL<br>(FUEL ONLY)<br>POSITION DATA:<br>R<br>VARIABLE DRAWING REF:<br>233N7401-5004<br>233N7401-5005<br>233N7401-5036<br>233N7401-5038<br>233N7401-5042<br>FOR NHA/OTHER SYS DET SEE:<br>25-10-00-05A | 002004<br>006100<br>107107<br>121503<br>904999 | RF             |
| - 2      | 233N7403-28  |               | PANEL INSTL-P61 SIDEWALL<br>(FUEL ONLY)<br>POSITION DATA:<br>R<br>FOR NHA/OTHER SYS DET SEE:<br>25-10-00-15B   | 101101   | RF             |
| - 3      | 233N7403-117 |               | PANEL INSTL-P61 SIDEWALL<br>(FUEL ONLY)<br>POSITION DATA:<br>R<br>FOR NHA/OTHER SYS DET SEE:<br>25-10-00-15B   | 504903   | RF             |
| - 4      | 233N7403-128 |               | PANEL INSTL-P61 SIDEWALL<br>(FUEL ONLY)<br>POSITION DATA:<br>R<br>FOR NHA/OTHER SYS DET SEE:<br>25-10-00-15B   | 102102   | RF             |
| - 5      | 233N7403-158 |               | PANEL INSTL-P61 SIDEWALL<br>(FUEL ONLY)<br>POSITION DATA:<br>R<br>FOR NHA/OTHER SYS DET SEE:<br>25-10-00-15B   | 108120   | RF             |

MISSING ITEM NUMBERS NOT APPLICABLE

- ITEM NOT ILLUSTRATED

28-41-51-04

28-41-51  
FIG. 04  
PAGE 1  
JAN 20/09

BRI



**757  
PARTS CATALOG (MAINTENANCE)**

| FIG<br>ITEM | PART NUMBER | 1 2 3 4 5 6 7 | NOMENCLATURE   | EFFECT<br>FROM TO          | UNITS<br>PER<br>ASSY |
|-------------|-------------|---------------|--|----------------------------|----------------------|
| 4<br>- 8    | MODREF33342 |               | PANEL INSTL-<br>(FUEL ONLY)<br>MODULE NUMBER:<br>233N7403-171 REV A<br>FOR OTHER SYS DETAILS SEE:<br>11-32-01-98<br>21-58-51-04<br>22-21-51-01<br>23-41-52-01<br>24-22-73-02<br>26-18-53-02<br>26-21-52-01<br>26-22-52-01<br>26-23-52-03<br>27-23-51-02<br>29-22-52-01<br>30-11-52-01<br>30-41-51-04<br>31-14-16-87<br>31-31-04-01<br>31-41-53-01<br>31-51-51-01<br>34-12-54-01<br>34-21-51-02<br>34-46-51-05<br>34-61-53-03 | 103106                     | 1                    |
| 25          | 233N7501-23 |               | .PANEL ASSY-TEST<br>SUPPLIER CODE:<br>V89954<br>NOT APPROVED FOR ETOPS.<br>SB DATA FROM A CMM:<br>PRE 233N7501-31-01<br>PRE 233N7501-31-03<br>ELECTRICAL EQUIP NUMBER:<br>M10398<br>COMPONENT MAINT MANUAL REF:<br>31-51-61  | 504903<br>950951           | RF                   |
| 25          | 233N7501-35 |               | .PANEL ASSY-TEST<br>SUPPLIER CODE:<br>V89954<br>ELECTRICAL EQUIP NUMBER:<br>M10398<br>COMPONENT MAINT MANUAL REF:<br>31-51-61<br>POST SERVICE BULLETIN:<br>24-0048   | 107107<br>904949<br>952952 | RF                   |

MISSING ITEM NUMBERS NOT APPLICABLE

- ITEM NOT ILLUSTRATED

BRI

# 28-41-51-04

BOEING PROPRIETARY - Copyright © - Unpublished Work - See title page for details.

28-41-51  
FIG. 04  
PAGE 2  
JAN 20/09



757

PARTS CATALOG (MAINTENANCE)

| FIG ITEM | PART NUMBER | 1 2 3 4 5 6 7 | NOMENCLATURE  | EFFECT FROM TO                                 | UNITS PER ASSY |
|----------|-------------|---------------|---|--|----------------|
| 4<br>25  | 233N7501-36 |               | .PANEL ASSY-TEST<br>SUPPLIER CODE:<br>V89954<br>SB DATA FROM A CMM:<br>POST 233N7501-31-03<br>ELECTRICAL EQUIP NUMBER:<br>M10398<br>COMPONENT MAINT MANUAL REF:<br>31-51-61<br>QUALIFIED I/W DATA:<br>233N7501-36 CAN REPLACE<br>233N7501-35,BUT<br>233N7501-35 CANNOT<br>REPLACE 233N7501-36<br>IF VICKER HMG, 520850<br>OR 3022008-000 IS<br>INSTALLED. | 002004<br>006102<br>107503<br>904949<br>952999 | RF             |
| 35       | 64AT22-7    |               | ..SWITCH<br>SUPPLIER CODE:<br>V91929<br>SPECIFICATION NUMBER:<br>BACS30EM44<br>OPTIONAL PART:<br>64AT11-7<br>V91929<br>A3-1110-04-1<br>V81640<br>A3-1110-04<br>V81640   | 002004<br>006102<br>107999                     | RF             |
| 40       | 233N7501-41 |               | .PANEL ASSY-TEST<br>SUPPLIER CODE:<br>V89954<br>ELECTRICAL EQUIP NUMBER:<br>M10398<br>COMPONENT MAINT MANUAL REF:<br>31-51-61   | 103106   | RF             |
| 45       | 64AT22-7    |               | ..SWITCH-TG<br>SUPPLIER CODE:<br>V91929<br>ELECTRICAL EQUIP NUMBER:<br>S00006   | 103106   | RF             |

MISSING ITEM NUMBERS NOT APPLICABLE

- ITEM NOT ILLUSTRATED

BRI

28-41-51-04

BOEING PROPRIETARY - Copyright © - Unpublished Work - See title page for details.

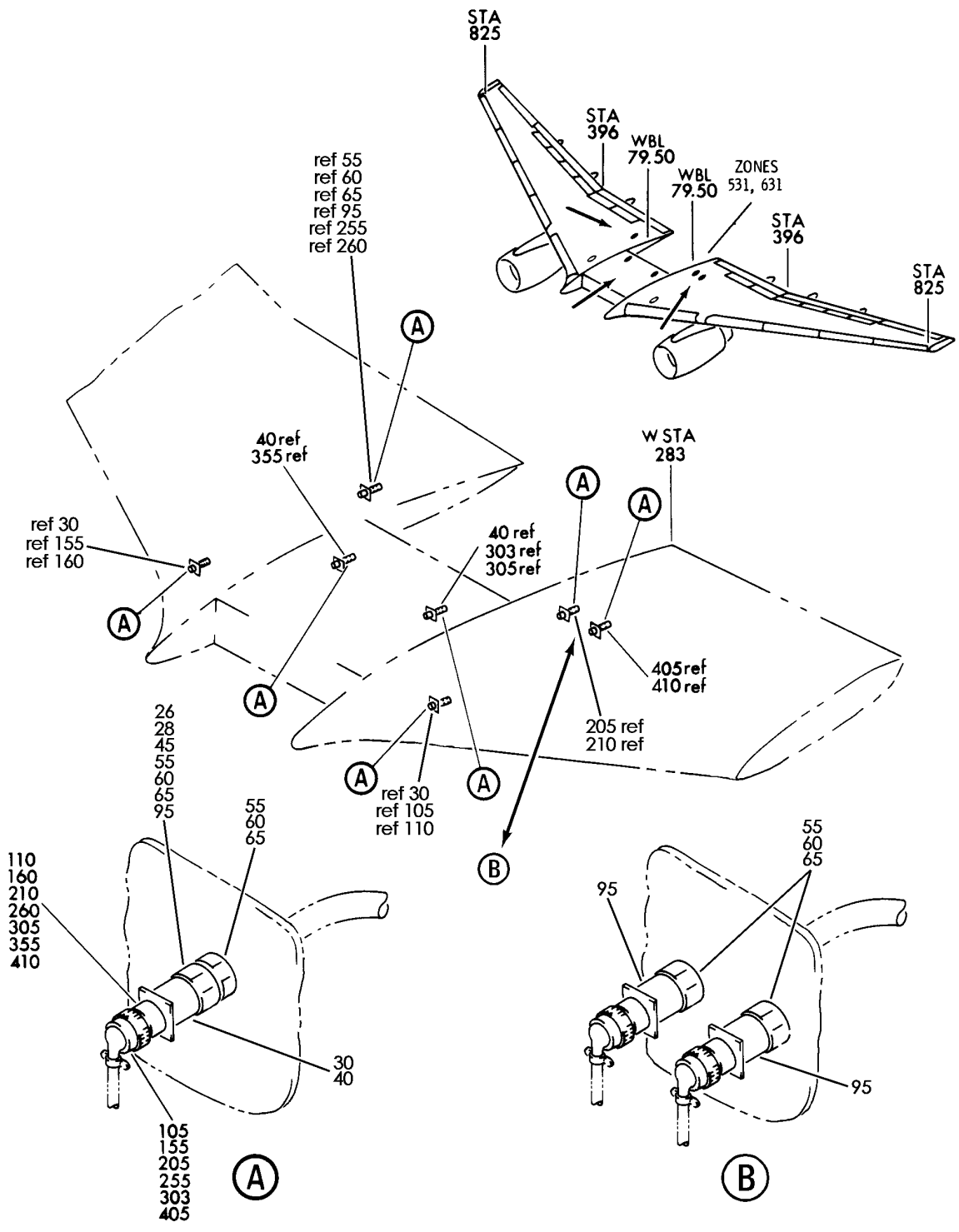
28-41-51  
FIG. 04  
PAGE 3  
JAN 20/09

## FUEL PRESSURE INDICATING SYSTEM

BRI  
MAY 28/07

28-42-00  
SECTION TITLE  
PAGE 1

**BOEING**  
757  
PARTS CATALOG (MAINTENANCE)



Y 28420101 REV 226

PUMP INSTL-ENG FUEL FEED SYS (INDICATING ONLY)  
FIGURE 1

**28-42-01-01**

BRI  
MAY 28/07

28-42-01-01  
PAGE 0



757

PARTS CATALOG (MAINTENANCE)

| FIG ITEM | PART NUMBER | 1 2 3 4 5 6 7 | NOMENCLATURE   | EFFECT FROM TO                                 | UNITS PER ASSY |
|----------|-------------|---------------|--|--|----------------|
| 1        |             |               | PUMP INSTL-ENG FUEL FEED<br>SYS (INDICATING ONLY)  | 002004<br>006100<br>107107<br>121503<br>904999 |                |
| - 1      | 343N3301-71 |               | PUMP INSTL-ENG FUEL FEED<br>SYS (INDICATING ONLY)<br>POSITION DATA:<br>AFT LH<br>FOR NHA/OTHER SYS DET SEE:<br>28-22-00-01 | 107107   | RF             |
| - 1      | 343N3301-87 |               | PUMP INSTL-ENG FUEL FEED<br>SYS (INDICATING ONLY)<br>POSITION DATA:<br>AFT LH<br>FOR NHA/OTHER SYS DET SEE:<br>28-22-00-01 | 002004<br>121503<br>904949<br>952952           | RF             |
| - 1      | 343N3301-95 |               | PUMP INSTL-ENG FUEL FEED<br>SYS (INDICATING ONLY)<br>POSITION DATA:<br>AFT LH<br>FOR NHA/OTHER SYS DET SEE:<br>28-22-00-01 | 006100<br>950951<br>953999                     | RF             |
| - 5      | 343N3301-72 |               | PUMP INSTL-ENG FUEL FEED<br>SYS (INDICATING ONLY)<br>POSITION DATA:<br>AFT RH<br>FOR NHA/OTHER SYS DET SEE:<br>28-22-00-01 | 107107   | RF             |
| - 5      | 343N3301-88 |               | PUMP INSTL-ENG FUEL FEED<br>SYS (INDICATING ONLY)<br>POSITION DATA:<br>AFT RH<br>FOR NHA/OTHER SYS DET SEE:<br>28-22-00-01 | 002004<br>121503<br>904949<br>952952           | RF             |
| - 5      | 343N3301-96 |               | PUMP INSTL-ENG FUEL FEED<br>SYS (INDICATING ONLY)<br>POSITION DATA:<br>AFT RH<br>FOR NHA/OTHER SYS DET SEE:<br>28-22-00-01 | 006100<br>950951<br>953999                     | RF             |
| - 10     | 343N3301-77 |               | PUMP INSTL-ENG FUEL FEED<br>SYS (INDICATING ONLY)<br>POSITION DATA:<br>FWD LH<br>FOR NHA/OTHER SYS DET SEE:<br>28-22-00-01 | 107107   | RF             |

MISSING ITEM NUMBERS NOT APPLICABLE

- ITEM NOT ILLUSTRATED

28-42-01-01

28-42-01  
FIG. 01  
PAGE 1  
JAN 20/09

BRI





757

PARTS CATALOG (MAINTENANCE)

| FIG ITEM | PART NUMBER | 1 2 3 4 5 6 7 | NOMENCLATURE   | EFFECT FROM TO                       | UNITS PER ASSY |
|----------|-------------|---------------|--|--------------------------------------|----------------|
| 1        |             |               |  |                                      |                |
| - 10     | 343N3301-91 |               | PUMP INSTL-ENG FUEL FEED<br>SYS (INDICATING ONLY)<br>POSITION DATA:<br>FWD LH<br>FOR NHA/OTHER SYS DET SEE:<br>28-22-00-01 | 002004<br>006100<br>121503<br>904999 | RF             |
| - 15     | 343N3301-78 |               | PUMP INSTL-ENG FUEL FEED<br>SYS (INDICATING ONLY)<br>POSITION DATA:<br>FWD RH<br>FOR NHA/OTHER SYS DET SEE:<br>28-22-00-01 | 107107                               | RF             |
| - 15     | 343N3301-92 |               | PUMP INSTL-ENG FUEL FEED<br>SYS (INDICATING ONLY)<br>POSITION DATA:<br>FWD RH<br>FOR NHA/OTHER SYS DET SEE:<br>28-22-00-01 | 002004<br>006100<br>121503<br>904999 | RF             |
| - 20     | 343N3301-75 |               | PUMP INSTL-ENG FUEL FEED<br>SYS (INDICATING ONLY)<br>POSITION DATA:<br>CTR LH<br>FOR NHA/OTHER SYS DET SEE:<br>28-22-00-01 | 107107                               | RF             |
| - 20     | 343N3301-89 |               | PUMP INSTL-ENG FUEL FEED<br>SYS (INDICATING ONLY)<br>POSITION DATA:<br>CTR LH<br>FOR NHA/OTHER SYS DET SEE:<br>28-22-00-01 | 003004<br>006100<br>121503<br>904999 | RF             |
| - 25     | 343N3301-76 |               | PUMP INSTL-ENG FUEL FEED<br>SYS (INDICATING ONLY)<br>POSITION DATA:<br>CTR RH<br>FOR NHA/OTHER SYS DET SEE:<br>28-22-00-01 | 107107                               | RF             |
| - 25     | 343N3301-90 |               | PUMP INSTL-ENG FUEL FEED<br>SYS (INDICATING ONLY)<br>POSITION DATA:<br>CTR RH<br>FOR NHA/OTHER SYS DET SEE:<br>28-22-00-01 | 003004<br>006100<br>121503<br>904999 | RF             |

MISSING ITEM NUMBERS NOT APPLICABLE

- ITEM NOT ILLUSTRATED

28-42-01-01

28-42-01  
FIG. 01  
PAGE 2  
JAN 20/09

BRI



757

PARTS CATALOG (MAINTENANCE)

| FIG ITEM | PART NUMBER | 1 2 3 4 5 6 7 | NOMENCLATURE  | EFFECT FROM TO                                 | UNITS PER ASSY |
|----------|-------------|---------------|---|--|----------------|
| 1<br>26  | BACN10DR8D  |               | .NUT-<br>USED ON:<br>343N3301-3<br>343N3301-4<br>343N3301-77<br>343N3301-78<br>343N3301-85<br>343N3301-86<br>343N3301-91<br>343N3301-92<br>343N3301-97<br>343N3301-98<br>343N3301-101<br>343N3301-102<br>343N3301-5<br>343N3301-6<br>343N3301-75<br>343N3301-76<br>343N3301-89<br>343N3301-90<br>343N3301-103<br>343N3301-104 | 002004<br>006100<br>107107<br>121503<br>904999 | 1              |
| 28       | AN960D1216L |               | .WASHER-  | 002004<br>006100<br>107107<br>121503<br>904999 | 1              |

MISSING ITEM NUMBERS NOT APPLICABLE

- ITEM NOT ILLUSTRATED

BRI

28-42-01-01

BOEING PROPRIETARY - Copyright © - Unpublished Work - See title page for details.

28-42-01  
FIG. 01  
PAGE 3  
JAN 20/09



757

PARTS CATALOG (MAINTENANCE)

| FIG ITEM | PART NUMBER | 1 2 3 4 5 6 7 | NOMENCLATURE  | EFFECT FROM TO                                 | UNITS PER ASSY |
|----------|-------------|---------------|---|--|----------------|
| 1<br>30  | 7G110-3     |               | .SWITCH-FUEL PUMP DISCH<br>PRESSURE<br>SUPPLIER CODE:<br>V09049<br>SPECIFICATION NUMBER:<br>60B92400-3<br>ELECTRICAL EQUIP NUMBER:<br>S00070<br>S00072<br>COMPONENT MAINT MANUAL REF:<br>28-40-05<br>USED ON:<br>343N3301-3<br>343N3301-4<br>343N3301-101<br>343N3301-102<br>343N3301-77<br>343N3301-85<br>343N3301-91<br>343N3301-97<br>343N3301-78<br>343N3301-86<br>343N3301-92<br>343N3301-98 | 002004<br>006100<br>107107<br>121503<br>904999 | 1              |
| 30       | 21C1-3-21   |               | .SWITCH-FUEL PUMP DISCH<br>SUPPLIER CODE:<br>V02750<br>FUNCTIONAL DESCRIPTION:<br>SENSES LOW FLOW PUMP<br>DISCHARGE TO THE ENGINES<br>SPECIFICATION NUMBER:<br>60B92400-10<br>COMPONENT MAINT MANUAL REF:<br>28-42-01   | 002004<br>006100<br>107107<br>121503<br>904999 | 1              |

MISSING ITEM NUMBERS NOT APPLICABLE

- ITEM NOT ILLUSTRATED

BRI

28-42-01-01

BOEING PROPRIETARY - Copyright © - Unpublished Work - See title page for details.

28-42-01  
FIG. 01  
PAGE 4  
JAN 20/09



757

PARTS CATALOG (MAINTENANCE)

| FIG ITEM | PART NUMBER | 1 2 3 4 5 6 7 | NOMENCLATURE  | EFFECT FROM TO                                 | UNITS PER ASSY |
|----------|-------------|---------------|---|--|----------------|
| 1<br>40  | 7G110-5     |               | .SWITCH-FUEL PUMP DISCH<br>PRESSURE<br>SUPPLIER CODE:<br>V09049<br>SPECIFICATION NUMBER:<br>60B92400-5<br>COMPONENT MAINT MANUAL REF:<br>28-42-01<br>USED ON:<br>343N3301-5<br>343N3301-6<br>343N3301-75<br>343N3301-76<br>343N3301-89<br>343N3301-103<br>343N3301-90<br>343N3301-104 | 002004<br>006100<br>107107<br>121503<br>904999 | 1              |
| 45       | MS29512-04  |               | .PACKING  | 002004<br>006100<br>107107<br>121503<br>904999 | 1              |
| 55       | BACN10DR8D  |               | .NUT-<br>POSITION DATA:<br>AFT LH/RH<br>USED ON:<br>343N3301-1<br>343N3301-2<br>343N3301-71<br>343N3301-72<br>343N3301-87<br>343N3301-88<br>343N3301-95<br>343N3301-96<br>343N3301-99<br>343N3301-100   | 002004<br>006100<br>107107<br>121503<br>904999 | 2              |
| 60       | AN960D1216L |               | .WASHER-<br>POSITION DATA:<br>AFT LH/RH<br>USED ON:<br>343N3301-1<br>343N3301-2<br>343N3301-71<br>343N3301-72<br>343N3301-87<br>343N3301-88<br>343N3301-95<br>343N3301-96   | 002004<br>006100<br>107107<br>121503<br>904999 | 2              |

MISSING ITEM NUMBERS NOT APPLICABLE

- ITEM NOT ILLUSTRATED

28-42-01-01

28-42-01  
FIG. 01  
PAGE 5  
JAN 20/09

BRI



757

PARTS CATALOG (MAINTENANCE)

| FIG ITEM | PART NUMBER   | 1 2 3 4 5 6 7 | NOMENCLATURE  | EFFECT FROM TO                                 | UNITS PER ASSY |
|----------|---------------|---------------|---|--|----------------|
| 1        |               |               |   |  |                |
| 95       | MS29512-04    |               | .PACKING-<br>POSITION DATA:<br>AFT LH/RH<br>USED ON:<br>343N3301-1<br>343N3301-2<br>343N3301-71<br>343N3301-72<br>343N3301-87<br>343N3301-88<br>343N3301-95<br>343N3301-96<br>343N3301-99<br>343N3301-100                   | 002004<br>006100<br>107107<br>121503<br>904999 | 2              |
| - 100    | 286N3300-003  |               | WIRE BUNDLE ASSY-<br>(INDICATING ONLY)  | 002004<br>006100<br>950999                     | RF             |
| - 100    | 286N3300-005  |               | WIRE BUNDLE ASSY-<br>(INDICATING ONLY)  | 107107<br>121503<br>904949                     | RF             |
| 105      | MS27559-2     |               | .SUPPORT-<br>ELECTRICAL EQUIP NUMBER:<br>D01756T<br>WIRING DIAGRAM REF:<br>284211   | 002004<br>006100<br>107107<br>121503<br>904999 | 1              |
| 110      | C0909A10-05SN |               | .CONNECTOR-<br>SUPPLIER CODE:<br>V13556<br>SPECIFICATION NUMBER:<br>BACC63BN10-5S<br>OPTIONAL PART:<br>48-63N10-5S<br>V02660<br>R071210-5S<br>V41118<br>ELECTRICAL EQUIP NUMBER:<br>D01756<br>WIRING DIAGRAM REF:<br>284211 | 002004<br>006100<br>107107<br>121503<br>904999 | 1              |
| - 200    | 286N3400-003  |               | WIRE BUNDLE ASSY-<br>(INDICATING ONLY)  | 002004<br>006100<br>950999                     | RF             |
| - 200    | 286N3400-005  |               | WIRE BUNDLE ASSY-<br>(INDICATING ONLY)  | 107107<br>121503<br>904949                     | RF             |

MISSING ITEM NUMBERS NOT APPLICABLE

- ITEM NOT ILLUSTRATED

28-42-01-01

28-42-01  
FIG. 01  
PAGE 6  
JAN 20/09

BRI



757

PARTS CATALOG (MAINTENANCE)

| FIG ITEM | PART NUMBER   | 1 2 3 4 5 6 7 | NOMENCLATURE  | EFFECT FROM TO                                 | UNITS PER ASSY |
|----------|---------------|---------------|---|--|----------------|
| 1        |               |               |   |  |                |
| 205      | MS27559-2     | .             | SUPPORT-<br>ELECTRICAL EQUIP NUMBER:<br>D01830T<br>WIRING DIAGRAM REF:<br>284211  | 002004<br>006100<br>107107<br>121503<br>904999 | 1              |
| 210      | C0909A10-05SN | .             | CONNECTOR-<br>SUPPLIER CODE:<br>V13556<br>SPECIFICATION NUMBER:<br>BACC63BN10-5S<br>OPTIONAL PART:<br>48-63N10-5S<br>V02660<br>R071210-5S<br>V41118<br>ELECTRICAL EQUIP NUMBER:<br>D01830<br>WIRING DIAGRAM REF:<br>284211    | 002004<br>006100<br>107107<br>121503<br>904999 | 1              |
| - 300    | 286N2414-005  |               | WIRE BUNDLE ASSY-<br>(INDICATING ONLY)  | 107107<br>121503<br>904949                     | RF             |
| - 300    | 286N2414-006  |               | WIRE BUNDLE ASSY-<br>(INDICATING ONLY)  | 107107<br>121503<br>904949                     | RF             |
| 305      | C0909A10C05S7 | .             | CONNECTOR-<br>SUPPLIER CODE:<br>V13556<br>SPECIFICATION NUMBER:<br>BACC63BN10C5S7<br>OPTIONAL PART:<br>48-63N10C5S7<br>V02660<br>R071210C5S7<br>V41118<br>ELECTRICAL EQUIP NUMBER:<br>D01760<br>WIRING DIAGRAM REF:<br>284211 | 002004<br>006100<br>107107<br>121503<br>904999 | 1              |
| - 350    | 286N2510-004  |               | WIRE BUNDLE ASSY-<br>(INDICATING ONLY)  | 002004<br>006100<br>950999                     | RF             |
| - 350    | 286N2510-005  |               | WIRE BUNDLE ASSY-<br>(INDICATING ONLY)  | 107107<br>121503<br>904949                     | RF             |

MISSING ITEM NUMBERS NOT APPLICABLE

- ITEM NOT ILLUSTRATED

28-42-01-01

28-42-01  
FIG. 01  
PAGE 7  
JAN 20/09

BRI



757

PARTS CATALOG (MAINTENANCE)

| FIG ITEM | PART NUMBER   | 1 2 3 4 5 6 7 | NOMENCLATURE   | EFFECT FROM TO                                 | UNITS PER ASSY |
|----------|---------------|---------------|--|--|----------------|
| 1<br>355 | C0909A10B05S7 |               | .CONNECTOR-<br>SUPPLIER CODE:<br>V13556<br>SPECIFICATION NUMBER:<br>BACC63BN10B5S7<br>OPTIONAL PART:<br>48-63N10B5S7<br>V02660<br>R071210B5S7<br>V41118<br>ELECTRICAL EQUIP NUMBER:<br>D01828<br>WIRING DIAGRAM REF:<br>284211 | 002004<br>006100<br>107107<br>121503<br>904999 | 1              |
| - 400    | 286N2416-003  |               | WIRE BUNDLE ASSY-<br>(INDICATING ONLY)   | 002004<br>006100<br>950999                     | RF             |
| - 400    | 286N2416-004  |               | WIRE BUNDLE ASSY-<br>(INDICATING ONLY)   | 107107<br>121503<br>904949                     | RF             |
| 405      | MS27559-2     |               | .SUPPORT-<br>ELECTRICAL EQUIP NUMBER:<br>D02376T<br>WIRING DIAGRAM REF:<br>284221  | 002004<br>006100<br>107107<br>121503<br>904999 | 1              |
| 410      | C0909A10-05SN |               | .CONNECTOR-<br>SUPPLIER CODE:<br>V13556<br>SPECIFICATION NUMBER:<br>BACC63BN10-5S<br>OPTIONAL PART:<br>48-63N10-5S<br>V02660<br>R071210-5S<br>V41118<br>ELECTRICAL EQUIP NUMBER:<br>D02376<br>WIRING DIAGRAM REF:<br>284221    | 002004<br>006100<br>107107<br>121503<br>904999 | 1              |

MISSING ITEM NUMBERS NOT APPLICABLE

- ITEM NOT ILLUSTRATED

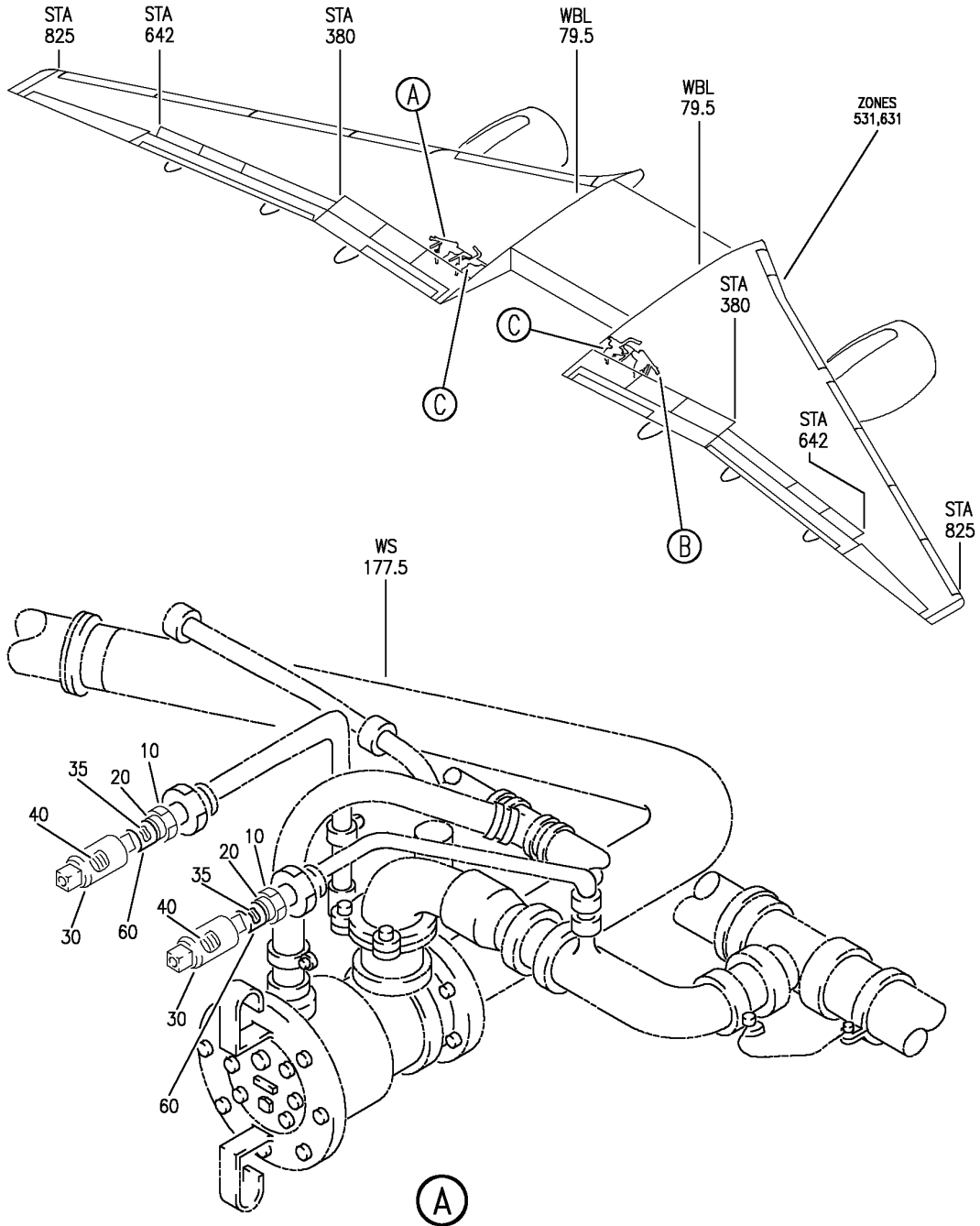
BRI

28-42-01-01

BOEING PROPRIETARY - Copyright © - Unpublished Work - See title page for details.

28-42-01  
FIG. 01  
PAGE 8  
JAN 20/09

**BOEING**  
757  
PARTS CATALOG (MAINTENANCE)



Y 28420101A SHT 1 REV 247

PUMP INSTL-ENG FUEL FEED SYS (INDICATING ONLY) AFT,FWD  
FIGURE 1A (SHEET 1)

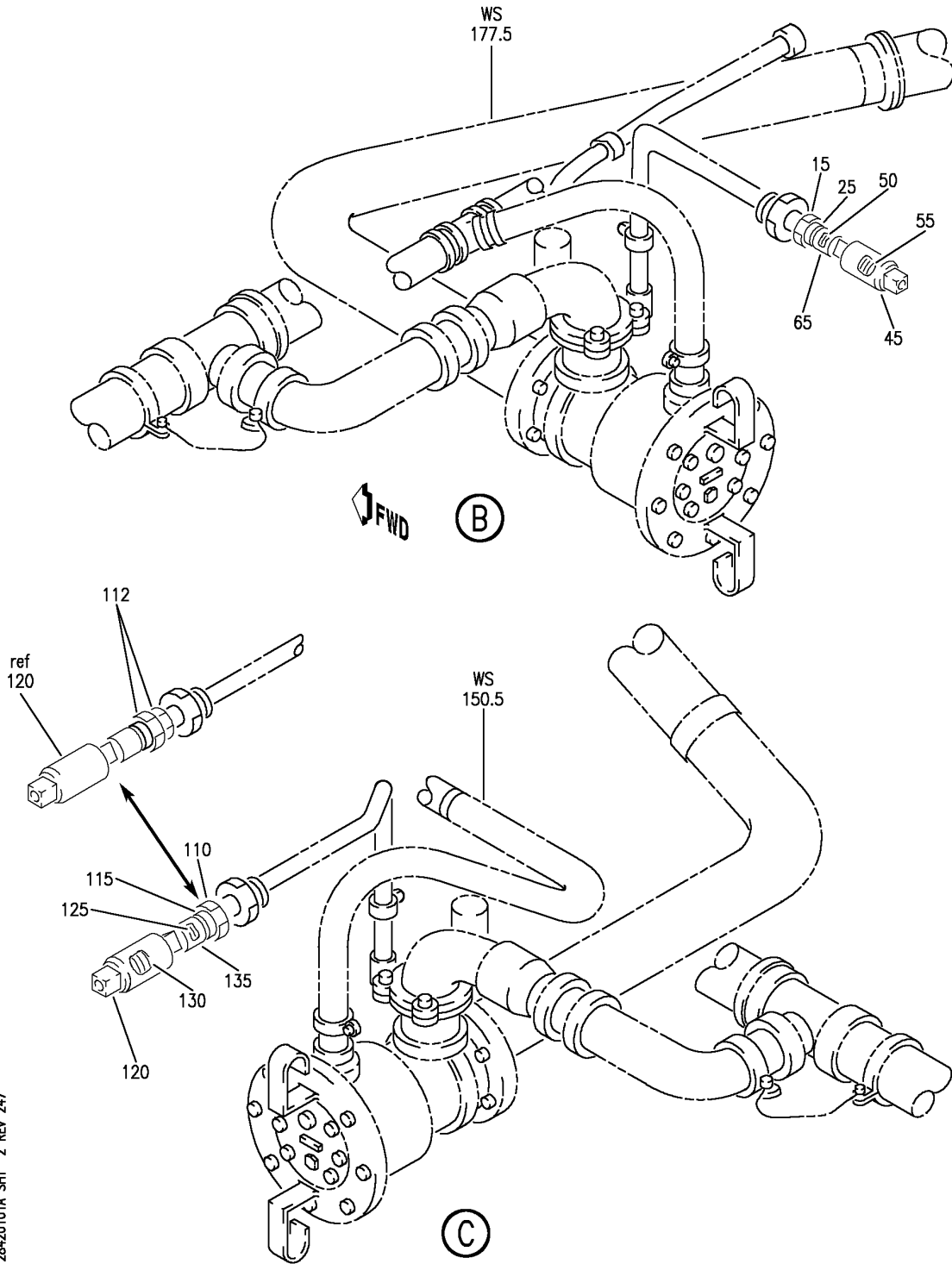
**28-42-01-01A**

BRI  
MAY 28/07

28-42-01-01A  
PAGE 0



**BOEING**  
757  
PARTS CATALOG (MAINTENANCE)



Y 28420101A SHT 2 REV 247

PUMP INSTL-ENG FUEL FEED SYS (INDICATING ONLY) AFT,FWD  
FIGURE 1A (SHEET 2)

**28-42-01-01A**

BRI  
MAY 28/07

28-42-01-01A  
PAGE 0A



757

PARTS CATALOG (MAINTENANCE)

| FIG ITEM | PART NUMBER   | 1 2 3 4 5 6 7 | NOMENCLATURE  | EFFECT FROM TO             | UNITS PER ASSY |
|----------|---------------|---------------|---|----------------------------|----------------|
| 1 A      |               |               | PUMP INSTL-ENG FUEL FEED<br>SYS (INDICATING ONLY)<br>AFT, FWD   | 102106<br>108120<br>504903 |                |
| - 1      | 343N3301-129  |               | PUMP INSTL-ENG FUEL FEED<br>SYS (INDICATION ONLY)<br>POSITION DATA:<br>AFT, LH SIDE<br>FOR NHA/OTHER SYS DET SEE:<br>28-00-00-05                                    | 102102<br>108120<br>504903 | RF             |
| - 1      | MODREF21943   |               | PUMP INSTL-ENG FUEL FEED<br>SYS (INDICATION ONLY)<br>MODULE NUMBER:<br>343N3301-141 REV A<br>POSITION DATA:<br>AFT LH<br>FOR OTHER SYS DETAILS SEE:<br>28-22-03-01B | 103106                     | 1              |
| - 5      | 343N3301-130  |               | PUMP INSTL-ENG FUEL FEEL<br>SYS (INDICATING ONLY)<br>POSITION DATA:<br>AFT, RH SIDE<br>FOR NHA/OTHER SYS DET SEE:<br>28-00-00-05                                    | 102102<br>108120<br>504903 | RF             |
| - 5      | MODREF22803   |               | PUMP INSTL-ENG FUEL FEED<br>SYS (INDICATING ONLY)<br>MODULE NUMBER:<br>343N3301-142 REV B<br>POSITION DATA:<br>AFT RH<br>FOR OTHER SYS DETAILS SEE:<br>28-22-03-01B | 103106                     | 1              |
| 10       | BACN10DR8D    |               | .NUT-<br>POSITION DATA:<br>LH   | 102106<br>108120<br>504903 | 2              |
| 15       | BACN10DR8D    |               | .NUT-<br>POSITION DATA:<br>RH   | 102106<br>108120<br>504903 | 1              |
| 20       | NAS1149D1216J |               | .WASHER-<br>POSITION DATA:<br>LH  | 102106<br>108120<br>504903 | 2              |
| 25       | NAS1149D1216J |               | .WASHER-<br>POSITION DATA:<br>RH  | 102106<br>108120<br>504903 | 1              |

MISSING ITEM NUMBERS NOT APPLICABLE

- ITEM NOT ILLUSTRATED

28-42-01-01A

28-42-01  
FIG. 01A  
PAGE 1  
JAN 20/09

BRI

BOEING PROPRIETARY - Copyright © - Unpublished Work - See title page for details.



757

PARTS CATALOG (MAINTENANCE)

| FIG ITEM | PART NUMBER | 1 2 3 4 5 6 7 | NOMENCLATURE   | EFFECT FROM TO             | UNITS PER ASSY |
|----------|-------------|---------------|--|----------------------------|----------------|
| 1 A      |             |               |  |                            |                |
| 30       | 21C1-3-21   |               | .SWITCH-PRESSURE<br>SUPPLIER CODE:<br>V02750<br>POSITION DATA:<br>LH<br>FUNCTIONAL DESCRIPTION:<br>SENSES LOW FLOW PUMP<br>DISCHARGE TO THE ENGINES<br>SPECIFICATION NUMBER:<br>60B92400-10<br>COMPONENT MAINT MANUAL REF:<br>28-42-01 | 102106<br>108120<br>504903 | 2              |
| 30       | 7G110-3     |               | .SWITCH-PRESSURE<br>SUPPLIER CODE:<br>V09049<br>POSITION DATA:<br>LH<br>SPECIFICATION NUMBER:<br>60B92400-3<br>COMPONENT MAINT MANUAL REF:<br>28-40-05   | 102106<br>108120<br>504903 | 2              |
| 35       | MS29513-121 |               | .PACKING-<br>POSITION DATA:<br>LH  | 102106<br>108120<br>504903 | 2              |
| 40       | MS29512-04  |               | .PACKING-<br>POSITION DATA:<br>LH  | 102106<br>108120<br>504903 | 2              |
| 45       | 21C1-3-21   |               | .SWITCH-PRESSURE<br>SUPPLIER CODE:<br>V02750<br>POSITION DATA:<br>RH<br>FUNCTIONAL DESCRIPTION:<br>SENSES LOW FLOW PUMP<br>DISCHARGE TO THE ENGINES<br>SPECIFICATION NUMBER:<br>60B92400-10<br>COMPONENT MAINT MANUAL REF:<br>28-42-01 | 102106<br>108120<br>504903 | 1              |
| 45       | 7G110-3     |               | .SWITCH-PRESSURE<br>SUPPLIER CODE:<br>V09049<br>POSITION DATA:<br>RH<br>SPECIFICATION NUMBER:<br>60B92400-3<br>COMPONENT MAINT MANUAL REF:<br>28-40-05   | 102106<br>108120<br>504903 | 2              |

MISSING ITEM NUMBERS NOT APPLICABLE

- ITEM NOT ILLUSTRATED

28-42-01-01A

28-42-01  
FIG. 01A  
PAGE 2  
JAN 20/09

BRI



757

PARTS CATALOG (MAINTENANCE)

| FIG ITEM | PART NUMBER  | 1 2 3 4 5 6 7 | NOMENCLATURE  | EFFECT FROM TO             | UNITS PER ASSY |
|----------|--------------|---------------|---|----------------------------|----------------|
| 1 A      |              |               |   |                            |                |
| 50       | MS29513-121  |               | .PACKING-<br>POSITION DATA:<br>RH   | 102106<br>108120<br>504903 | 1              |
| 55       | MS29512-04   |               | .PACKING-<br>POSITION DATA:<br>RH   | 102106<br>108120<br>504903 | 1              |
| 60       | 8366B484S6   |               | .VALVE-CHECK<br>SUPPLIER CODE:<br>V79326<br>POSITION DATA:<br>LH  | 102106<br>108120<br>504903 | 2              |
| 65       | 8366B484S6   |               | .VALVE-CHECK<br>SUPPLIER CODE:<br>V79326<br>POSITION DATA:<br>RH  | 102106<br>108120<br>504903 | 1              |
| - 100    | 343N3301-131 |               | PUMP INSTL-ENG FUEL FEED<br>SYS (INDICATING ONLY)<br>POSITION DATA:<br>FWD, LH SIDE<br>FOR NHA/OTHER SYS DET SEE:<br>28-00-00-05                                    | 102102<br>108120<br>504903 | RF             |
| - 100    | MODREF22804  |               | PUMP INSTL-ENG FUEL FEED<br>SYS (INDICATING ONLY)<br>MODULE NUMBER:<br>343N3301-143 REV B<br>POSITION DATA:<br>AFT RH<br>FOR OTHER SYS DETAILS SEE:<br>28-22-03-02B | 103106                     | 1              |
| - 105    | 343N3301-132 |               | PUMP INSTL-ENG FUEL FEED<br>SYS (INDICATING ONLY)<br>POSITION DATA:<br>FWD, RH SIDE<br>FOR NHA/OTHER SYS DET SEE:<br>28-00-00-05                                    | 102102<br>108120<br>504903 | RF             |
| - 105    | MODREF22805  |               | PUMP INSTL-ENG FUEL FEED<br>SYS (INDICATING ONLY)<br>MODULE NUMBER:<br>343N3301-144 REV B<br>POSITION DATA:<br>FWD RH<br>FOR OTHER SYS DETAILS SEE:<br>28-22-03-02B | 103106                     | 1              |
| 112      | BACN10DR8D   |               | .NUT  | 102106<br>108120<br>504903 | 2              |

MISSING ITEM NUMBERS NOT APPLICABLE

- ITEM NOT ILLUSTRATED

28-42-01-01A

28-42-01  
FIG. 01A  
PAGE 3  
JAN 20/09

BRI

BOEING PROPRIETARY - Copyright © - Unpublished Work - See title page for details.



757

PARTS CATALOG (MAINTENANCE)

| FIG ITEM  | PART NUMBER   | 1 2 3 4 5 6 7 | NOMENCLATURE  | EFFECT FROM TO             | UNITS PER ASSY |
|-----------|---------------|---------------|---|----------------------------|----------------|
| 1A<br>115 | NAS1149D1216J | .             | WASHER  | 102106<br>108120<br>504903 | 1              |
| 120       | 21C1-3-21     | .             | SWITCH-PRESSURE<br>SUPPLIER CODE:<br>V02750<br>FUNCTIONAL DESCRIPTION:<br>SENSES LOW FLOW PUMP<br>DISCHARGE TO THE ENGINES<br>SPECIFICATION NUMBER:<br>60B92400-10<br>COMPONENT MAINT MANUAL REF:<br>28-42-01 | 102106<br>108120<br>504903 | 1              |
| 120       | 7G110-3       | .             | SWITCH-PRESSURE<br>SUPPLIER CODE:<br>V09049<br>SPECIFICATION NUMBER:<br>60B92400-3<br>COMPONENT MAINT MANUAL REF:<br>28-40-05   | 102106<br>108120<br>504903 | 1              |
| 125       | MS29513-121   | .             | PACKING   | 102106<br>108120<br>504903 | 1              |
| 130       | MS29512-04    | .             | PACKING   | 102106<br>108120<br>504903 | 1              |
| 135       | 8366B484S6    | .             | VALVE-CHECK<br>SUPPLIER CODE:<br>V79326   | 102106<br>108120<br>504903 | 1              |

MISSING ITEM NUMBERS NOT APPLICABLE

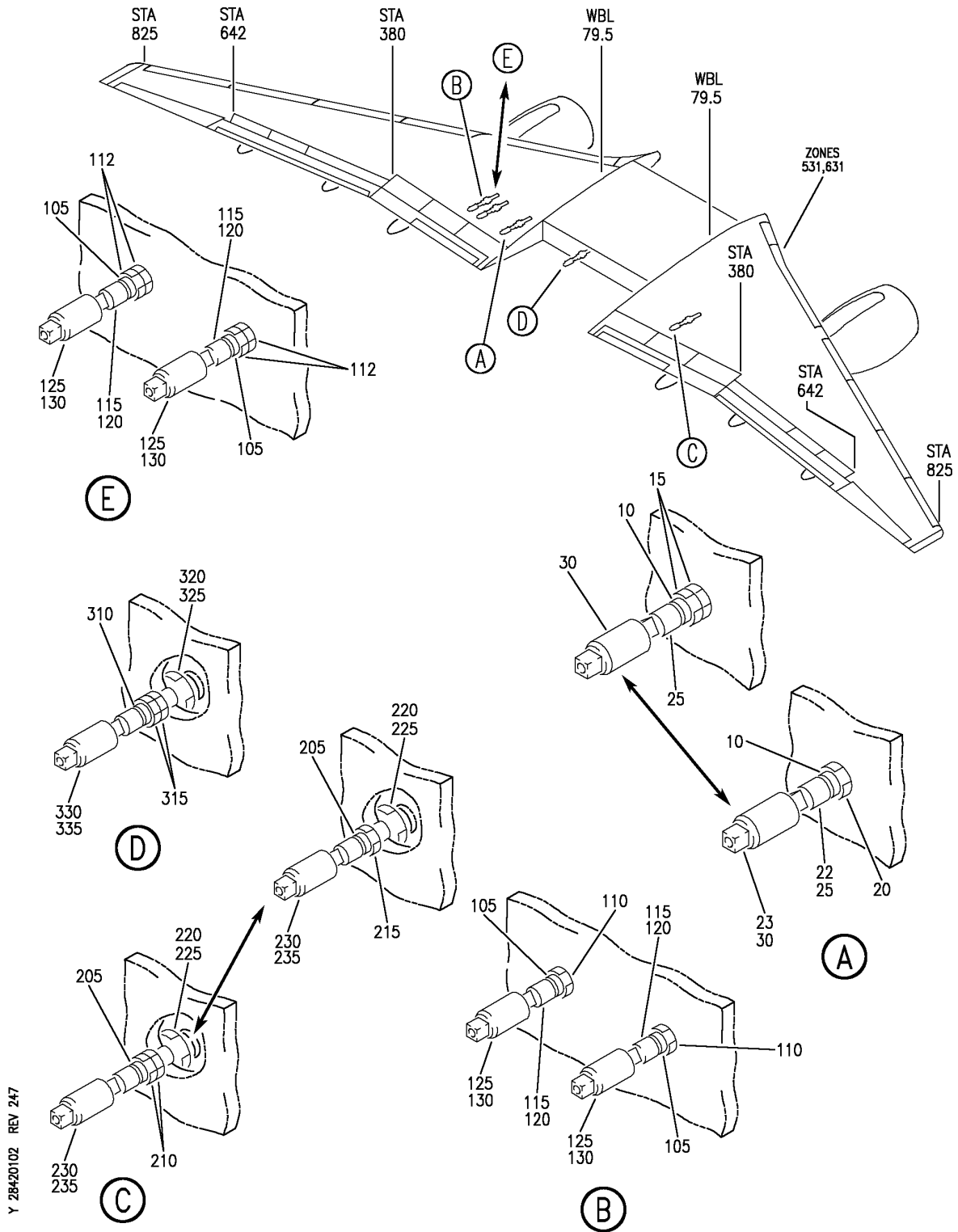
- ITEM NOT ILLUSTRATED

28-42-01-01A

28-42-01  
FIG. 01A  
PAGE 4  
JAN 20/09

BRI

**BOEING**  
757  
**PARTS CATALOG (MAINTENANCE)**



PUMP INSTL-ENG. FUEL FEED SYS (INDICATING ONLY)  
FIGURE 2

**28-42-01-02**

BRI  
MAY 28/07

28-42-01-02  
PAGE 0



757

PARTS CATALOG (MAINTENANCE)

| FIG ITEM | PART NUMBER   | 1 2 3 4 5 6 7 | NOMENCLATURE   | EFFECT FROM TO             | UNITS PER ASSY |
|----------|---------------|---------------|--|----------------------------|----------------|
| 2        |               |               | PUMP INSTL-ENG. FUEL FEED<br>SYS (INDICATING ONLY)   | 101106<br>108120<br>504903 |                |
| - 1      | 343N3301-107  |               | PUMP INSTL-ENG FUEL FEED<br>SYS (INDICATING ONLY)<br>POSITION DATA:<br>FWD LH<br>FOR NHA/OTHER SYS DET SEE:<br>28-00-00-05   | 101101                     | RF             |
| - 5      | 343N3301-108  |               | PUMP INSTL-ENG FUEL FEED<br>SYS (INDICATING ONLY)<br>POSITION DATA:<br>FWD RH<br>FOR NHA/OTHER SYS DET SEE:<br>28-00-00-05   | 101101                     | RF             |
| 10       | NAS1149D1216J |               | .WASHER  | 101101                     | 1              |
| 15       | BACN10DR8D    |               | .NUT   | 101101                     | 2              |
| 22       | MS29513-121   |               | .PACKING   | 101101                     | 1              |
| 23       | MS29512-04    |               | .PACKING   | 101101                     | 1              |
| 25       | 8366B484S6    |               | .VALVE-FRANGIBLE<br>SUPPLIER CODE:<br>V02750   | 101101                     | 1              |
| 30       | 21C1-3-21     |               | .SWITCH-PRESSURE<br>SUPPLIER CODE:<br>V02750<br>FUNCTIONAL DESCRIPTION:<br>SENSES LOW FLOW PUMP<br>DISCHARGE TO THE<br>ENGINES.<br>SPECIFICATION NUMBER:<br>60B92400-10<br>COMPONENT MAINT MANUAL REF:<br>28-42-01 | 101101                     | 1              |
| 30       | 7G110-3       |               | .SWITCH-PRESSURE<br>SUPPLIER CODE:<br>V09049<br>SPECIFICATION NUMBER:<br>60B92400-3<br>COMPONENT MAINT MANUAL REF:<br>28-40-05   | 101101                     | 1              |
| - 100    | 343N3301-105  |               | PUMP INSTL-ENG FUEL FEED<br>SYS (INDICATING ONLY)<br>POSITION DATA:<br>AFT LH<br>FOR NHA/OTHER SYS DET SEE:<br>28-00-00-05   | 101101                     | RF             |
| 105      | NAS1149D1216J |               | .WASHER  | 101101                     | 2              |
| 110      | BACN10DR8D    |               | .NUT   | 101101                     | 2              |

MISSING ITEM NUMBERS NOT APPLICABLE

- ITEM NOT ILLUSTRATED

28-42-01-02

28-42-01  
FIG. 02  
PAGE 1  
JAN 20/09

BRI



757

PARTS CATALOG (MAINTENANCE)

| FIG ITEM | PART NUMBER   | 1 2 3 4 5 6 7 | NOMENCLATURE   | EFFECT FROM TO | UNITS PER ASSY |
|----------|---------------|---------------|--|----------------|----------------|
| 2        |               |               |  |                |                |
| 115      | 8366B484S6    |               | .VALVE-FRANGIBLE<br>SUPPLIER CODE:<br>V02750   | 101101         | 2              |
| 120      | MS29513-121   |               | .PACKING   | 101101         | 2              |
| 125      | 21C1-3-21     |               | .SWITCH-PRESSURE<br>SUPPLIER CODE:<br>V02750<br>FUNCTIONAL DESCRIPTION:<br>SENSES LOW FLOW PUMP<br>DISCHARGE TO THE<br>ENGINES.<br>SPECIFICATION NUMBER:<br>60B92400-10<br>COMPONENT MAINT MANUAL REF:<br>28-42-01 | 101101         | 2              |
| 125      | 7G110-3       |               | .SWITCH-PRESSURE<br>SUPPLIER CODE:<br>V09049<br>SPECIFICATION NUMBER:<br>60B92400-3<br>COMPONENT MAINT MANUAL REF:<br>28-40-05   | 101101         | 2              |
| 130      | MS29512-04    |               | .PACKING   | 101101         | 2              |
| - 200    | 343N3301-106  |               | PUMP INSTL-ENG FUEL FEED<br>SYS (INDICATING ONLY)<br>POSITION DATA:<br>AFT RH<br>FOR NHA/OTHER SYS DET SEE:<br>28-00-00-05   | 101101         | RF             |
| 205      | NAS1149D1216J |               | .WASHER  | 101101         | 1              |
| 210      | BACN10DR8D    |               | .NUT   | 101101         | 2              |
| 220      | 8366B484S6    |               | .VALVE-FRANGIBLE<br>SUPPLIER CODE:<br>V02750   | 101101         | 1              |
| 225      | MS29513-121   |               | .PACKING   | 101101         | 1              |
| 230      | 21C1-3-21     |               | .SWITCH-PRESSURE<br>SUPPLIER CODE:<br>V02750<br>FUNCTIONAL DESCRIPTION:<br>SENSES LOW FLOW PUMP<br>DISCHARGE TO THE<br>ENGINES.<br>SPECIFICATION NUMBER:<br>60B92400-10<br>COMPONENT MAINT MANUAL REF:<br>28-42-01 | 101101         | 1              |

MISSING ITEM NUMBERS NOT APPLICABLE

- ITEM NOT ILLUSTRATED

28-42-01-02

28-42-01  
FIG. 02  
PAGE 2  
MAY 28/07

BRI





757

PARTS CATALOG (MAINTENANCE)

| FIG ITEM     | PART NUMBER                | 1 2 3 4 5 6 7 | NOMENCLATURE  | EFFECT FROM TO             | UNITS PER ASSY |
|--------------|----------------------------|---------------|---|----------------------------|----------------|
| 2<br>230     | 7G110-3                    |               | .SWITCH-PRESSURE<br>SUPPLIER CODE:<br>V09049<br>SPECIFICATION NUMBER:<br>60B92400-3<br>COMPONENT MAINT MANUAL REF:<br>28-40-05  | 101101                     | 1              |
| 235<br>- 300 | MS29512-04<br>343N3301-119 |               | .PACKING<br>PUMP INSTL-ENG FUEL FEED<br>SYS (INDICATING ONLY)<br>POSITION DATA:<br>CTR LH<br>FOR NHA/OTHER SYS DET SEE:<br>28-00-00-05                                    | 101101<br>101101           | 1<br>RF        |
| - 300        | 343N3301-133               |               | PUMP INSTL-ENG FUEL FEED<br>SYS (INDICATING ONLY)<br>POSITION DATA:<br>CTR LH<br>FOR NHA/OTHER SYS DET SEE:<br>28-00-00-05  | 102102<br>108120<br>504903 | RF             |
| - 300        | MODREF21947                |               | PUMP INSTL-FUEL FEED<br>SYS (INDICATING ONLY)<br>MODULE NUMBER:<br>343N3301-145 REV A<br>POSITION DATA:<br>LH<br>FOR OTHER SYS DETAILS SEE:<br>28-22-05-03<br>28-22-07-09 | 103103                     | 1              |
| - 300        | MODREF28185                |               | PUMP INSTL-FUEL FEED<br>SYS (INDICATING ONLY)<br>MODULE NUMBER:<br>343N3301-145 REV B<br>POSITION DATA:<br>LH<br>FOR OTHER SYS DETAILS SEE:<br>28-22-05-03<br>28-22-07-09 | 104106                     | 1              |
| - 305        | 343N3301-120               |               | PUMP INSTL-ENG FUEL FEED<br>SYS (INDICATING ONLY)<br>POSITION DATA:<br>CTR RH<br>FOR NHA/OTHER SYS DET SEE:<br>28-00-00-05  | 101101                     | RF             |

MISSING ITEM NUMBERS NOT APPLICABLE

- ITEM NOT ILLUSTRATED

28-42-01-02

28-42-01  
FIG. 02  
PAGE 3  
JAN 20/09

BRI



757

PARTS CATALOG (MAINTENANCE)

| FIG ITEM | PART NUMBER   | 1 2 3 4 5 6 7 | NOMENCLATURE  | EFFECT FROM TO             | UNITS PER ASSY |
|----------|---------------|---------------|---|----------------------------|----------------|
| 2        |               |               |   |                            |                |
| - 305    | 343N3301-134  |               | PUMP INSTL-ENG FUEL FEED<br>SYS (INDICATING ONLY)<br>POSITION DATA:<br>CTR RH<br>FOR NHA/OTHER SYS DET SEE:<br>28-00-00-05  | 102102<br>108120<br>504903 | RF             |
| - 305    | MODREF21948   |               | PUMP INSTL-FUEL FEED<br>SYS (INDICATING ONLY)<br>MODULE NUMBER:<br>343N3301-146 REV A<br>POSITION DATA:<br>RH<br>FOR OTHER SYS DETAILS SEE:<br>28-22-05-03<br>28-22-07-09 | 103103                     | 1              |
| - 305    | MODREF28186   |               | PUMP INSTL-FUEL FEED<br>SYS (INDICATING ONLY)<br>MODULE NUMBER:<br>343N3301-146 REV B<br>POSITION DATA:<br>RH<br>FOR OTHER SYS DETAILS SEE:<br>28-22-05-03<br>28-22-07-09 | 104106                     | 1              |
| 310      | NAS1149D1216J |               | .WASHER   | 101106<br>108120<br>504903 | 1              |
| 315      | BACN10DR8D    |               | .NUT  | 101106<br>108120<br>504903 | 2              |
| 320      | 8366B484S6    |               | .VALVE-FRANGIBLE<br>SUPPLIER CODE:<br>V02750  | 101106<br>108120<br>504903 | 1              |
| 325      | MS29513-121   |               | .PACKING  | 101106<br>108120<br>504903 | 1              |
| 330      | 7G110-5       |               | .SWITCH-PRESSURE<br>SUPPLIER CODE:<br>V09049<br>SPECIFICATION NUMBER:<br>60B92400-5<br>COMPONENT MAINT MANUAL REF:<br>28-42-01  | 101106<br>108120<br>504903 | 1              |
| 335      | MS29512-04    |               | .PACKING  | 101106<br>108120<br>504903 | 1              |

MISSING ITEM NUMBERS NOT APPLICABLE

- ITEM NOT ILLUSTRATED

BRI

28-42-01-02

BOEING PROPRIETARY - Copyright © - Unpublished Work - See title page for details.

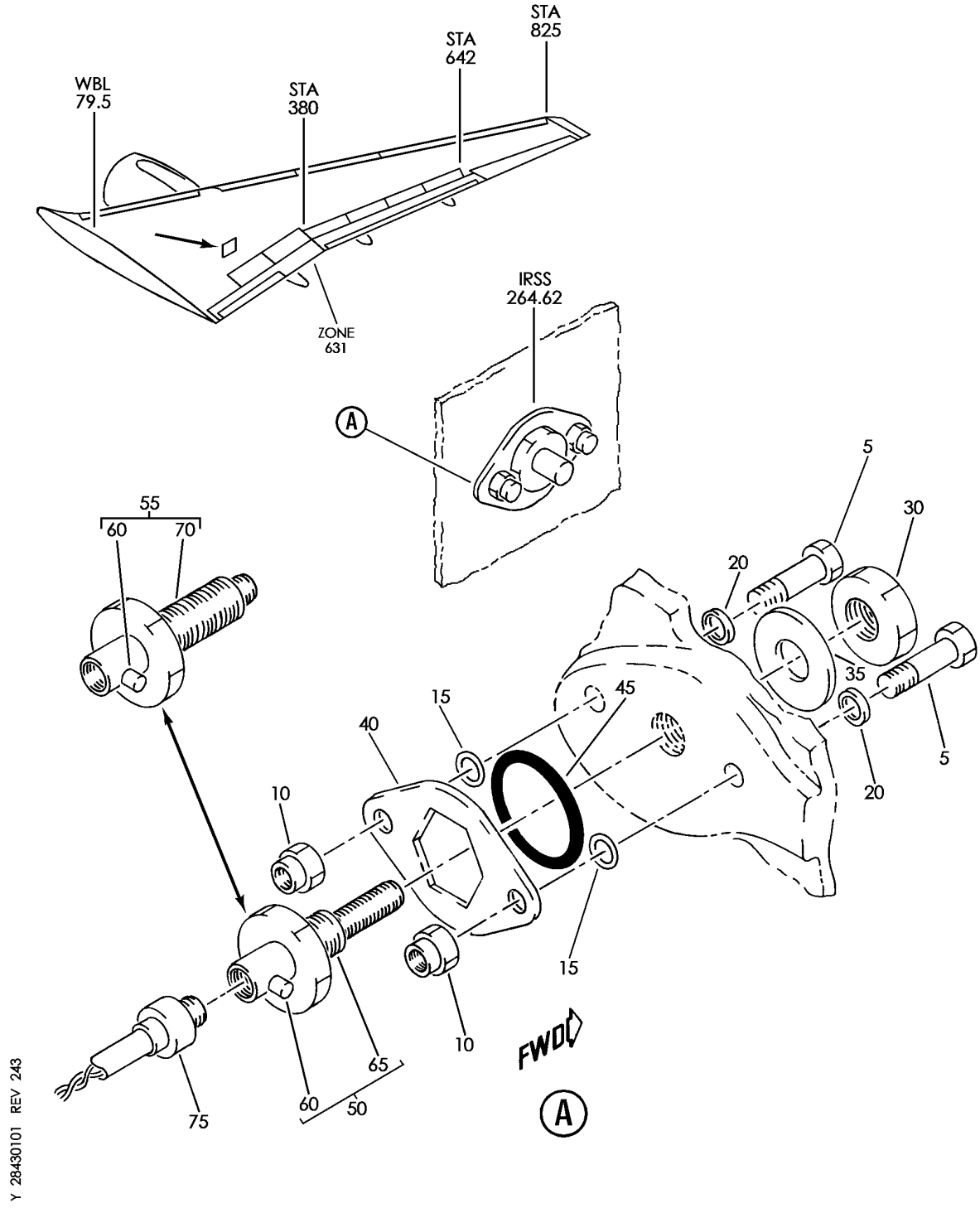
28-42-01  
FIG. 02  
PAGE 4  
JAN 20/09

## FUEL TEMPERATURE INDICATING SYSTEM

BRI  
MAY 28/07

28-43-00  
SECTION TITLE  
PAGE 1

**BOEING**  
757  
PARTS CATALOG (MAINTENANCE)



EQUIPMENT INSTL 200 AND 300 TEMP PROBE  
FIGURE 1

**28-43-01-01**

BRI  
MAY 28/07

28-43-01-01  
PAGE 0



757

PARTS CATALOG (MAINTENANCE)

| FIG ITEM | PART NUMBER   | 1 2 3 4 5 6 7 | NOMENCLATURE   | EFFECT FROM TO             | UNITS PER ASSY |
|----------|---------------|---------------|--|----------------------------|----------------|
| 1        |               |               | EQUIPMENT INSTL<br>200 AND 300 TEMP PROBE  | 101106<br>108120<br>504903 |                |
| - 1      | 341N0001-11   |               | EQUIPMENT INSTL-200 TEMP<br>PROBE<br>FOR NHA SEE:<br>28-00-00-05   | 101102<br>108120<br>504903 | RF             |
| - 1      | MODREF13603   |               | EQUIPMENT INSTL-200 TEMP<br>PROBE<br>MODULE NUMBER:<br>341N0001-11 REV A   | 103106                     | 1              |
| 5        | NAS6604H12    |               | .BOLT  | 101106<br>108120<br>504903 | 2              |
| 10       | BRH10C4D      |               | .NUT<br>SUPPLIER CODE:<br>V52828<br>SPECIFICATION NUMBER:<br>BACN10JC4CD<br>OPTIONAL PART:<br>T6C428JCD<br>V11815<br>NS202486-048<br>V80539<br>102LH9075-4W<br>V72962<br>H51650-4BAC<br>V15653 | 101106<br>108120<br>504903 | 2              |
| 15       | NAS1523-4Y    |               | .PACKING WITH RETAINER   | 101106<br>108120<br>504903 | 2              |
| 20       | NAS1149D0463H |               | .WASHER  | 101106<br>108120<br>504903 | 2              |
| 30       | BACN10DR6D    |               | .NUT   | 101106<br>108120<br>504903 | 1              |
| 35       | NAS1149D0963J |               | .WASHER  | 101106<br>108120<br>504903 | 1              |
| 40       | BACR10Y6D     |               | .RETAINER  | 101106<br>108120<br>504903 | 1              |
| 45       | MS29513-212   |               | .PACKING   | 101106<br>108120<br>504903 | 1              |

MISSING ITEM NUMBERS NOT APPLICABLE

- ITEM NOT ILLUSTRATED

28-43-01-01

28-43-01  
FIG. 01  
PAGE 1  
JAN 20/09

BRI



757

PARTS CATALOG (MAINTENANCE)

| FIG ITEM | PART NUMBER | 1 2 3 4 5 6 7 | NOMENCLATURE  | EFFECT FROM TO             | UNITS PER ASSY |
|----------|-------------|---------------|---|----------------------------|----------------|
| 1        |             |               |   |                            |                |
| 50       | 69-40362-10 |               | .ADAPTER ASSY-<br>USED ON:<br>341N0001-11<br>MODREF13603                            | 101106<br>108120<br>504903 | 1              |
| 50       | 69-40362-4  |               | .ADAPTER ASSY-  | 101106<br>108120<br>504903 | 1              |
| 50       | 69-40362-6  |               | .ADAPTER ASSY-  | 101106<br>108120<br>504903 | 1              |
| 55       | 69-40362-11 |               | .ADAPTOR ASSY-  | 101106<br>108120<br>504903 | 1              |
| 60       | 69-40362-8  |               | ..PIN-<br>USED ON:<br>69-40362-10<br>69-40362-11<br>69-40362-6                      | 101106<br>108120<br>504903 | 1              |
| 60       | 69-40362-2  |               | ..PIN-<br>USED ON:<br>69-40362-4  | 101106<br>108120<br>504903 | 1              |
| 65       | 69-40362-12 |               | ..ADAPTOR-TEMP BULB<br>USED ON:<br>69-40362-11                                      | 101106<br>108120<br>504903 | 1              |
| 70       | 69-40362-7  |               | ..ADAPTOR-TEMP BULB<br>USED ON:<br>69-40362-10<br>69-40362-6                        | 101106<br>108120<br>504903 | 1              |
| 70       | 69-40362-5  |               | ..ADAPTOR-TEMP BULB<br>USED ON:<br>69-40362-4                                       | 101106<br>108120<br>504903 | 1              |
| 75       | 102-00099   |               | .BULB-RESISTANCE<br>SUPPLIER CODE:<br>V64375<br>SPECIFICATION NUMBER:<br>10-62247-1 | 101106<br>108120<br>504903 | 1              |

MISSING ITEM NUMBERS NOT APPLICABLE

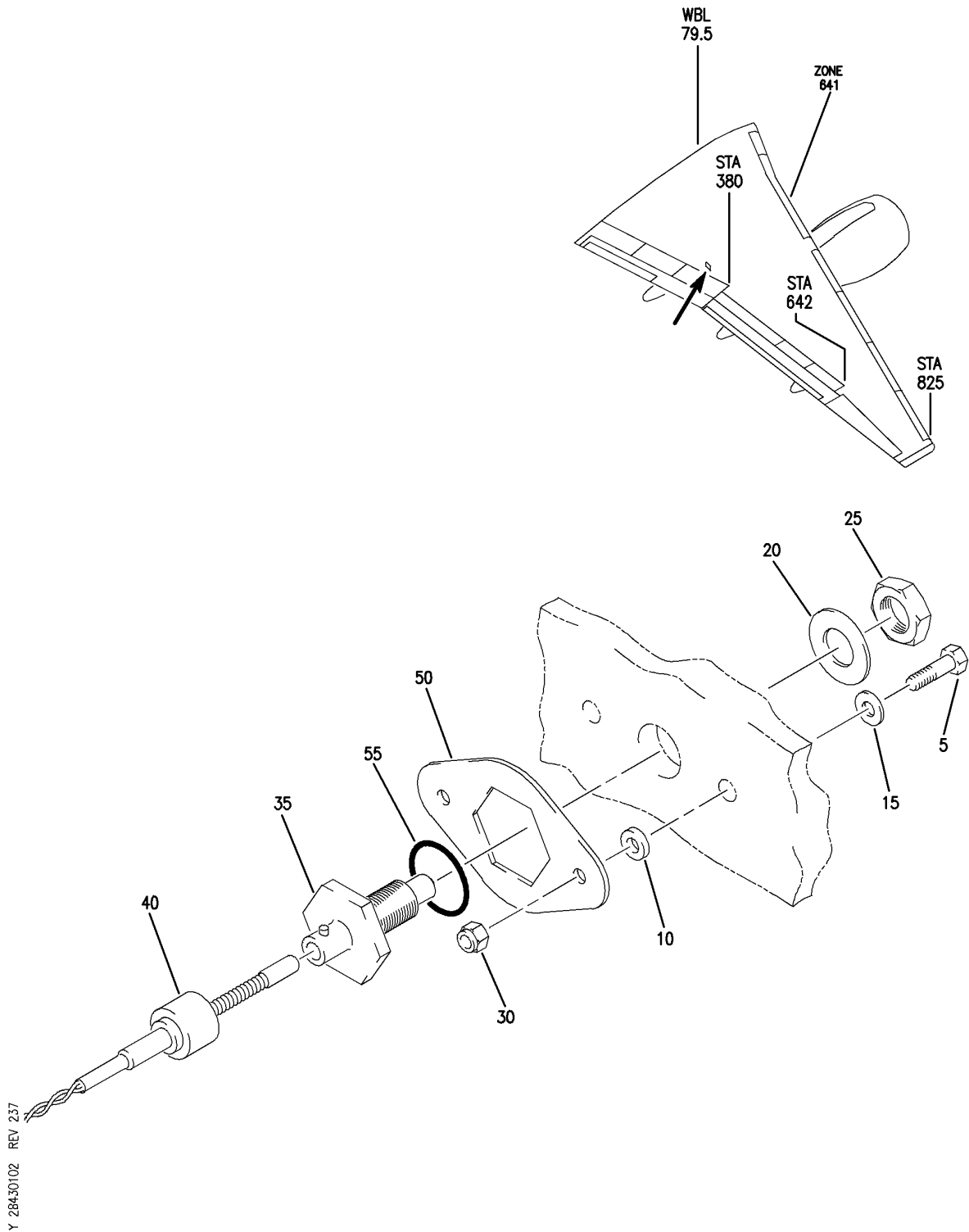
- ITEM NOT ILLUSTRATED

28-43-01-01

28-43-01  
FIG. 01  
PAGE 2  
JAN 20/09

BRI

**BOEING**  
757  
PARTS CATALOG (MAINTENANCE)



Y 28430102 REV 237

EQUIPMENT INSTL-FUEL TANK MAIN (FUEL TEMP SENSOR ONLY)  
FIGURE 2

**28-43-01-02**

BRI  
MAY 28/07

28-43-01-02  
PAGE 0



757

PARTS CATALOG (MAINTENANCE)

| FIG ITEM | PART NUMBER | 1 2 3 4 5 6 7 | NOMENCLATURE   | EFFECT FROM TO                                 | UNITS PER ASSY |
|----------|-------------|---------------|--|--|----------------|
| 2        |             |               | EQUIPMENT INSTL-FUEL TANK<br>MAIN (FUEL TEMP SENSOR<br>ONLY)   | 002004<br>006100<br>107107<br>121503<br>904999 |                |
| - 1      | 341N0001-2  |               | EQUIPMENT INSTL-FUEL TANK<br>MAIN (FUEL TEMP SENSOR<br>ONLY)<br>POSITION DATA:<br>R<br>FOR NHA/OTHER SYS DET SEE:<br>28-00-00-01 | 002004<br>006100<br>107107<br>121503<br>904999 | RF             |
| 5        | NAS1304-12H |               | .BOLT  | 002004<br>006100<br>107107<br>121503<br>904999 | 2              |
| 10       | BACS11W4    |               | .WASHER  | 002004<br>006100<br>107107<br>121503<br>904999 | 2              |
| 15       | AN960D416   |               | .WASHER  | 002004<br>006100<br>107107<br>121503<br>904999 | 2              |
| 20       | AN960PD916  |               | .WASHER  | 002004<br>006100<br>107107<br>121503<br>904999 | 1              |
| 25       | BACN10DR6D  |               | .NUT   | 002004<br>006100<br>107107<br>121503<br>904999 | 1              |

MISSING ITEM NUMBERS NOT APPLICABLE

- ITEM NOT ILLUSTRATED

BRI

28-43-01-02

BOEING PROPRIETARY - Copyright © - Unpublished Work - See title page for details.

28-43-01  
FIG. 02  
PAGE 1  
JAN 20/09





757

PARTS CATALOG (MAINTENANCE)

| FIG ITEM | PART NUMBER | 1 2 3 4 5 6 7 | NOMENCLATURE   | EFFECT FROM TO                                 | UNITS PER ASSY |
|----------|-------------|---------------|--|--|----------------|
| 2        | 30 BRH10A4  | .             | NUT<br>SUPPLIER CODE:<br>V52828<br>SPECIFICATION NUMBER:<br>BACN10JC4<br>OPTIONAL PART:<br>T6S428J<br>V11815<br>96-048<br>V80539<br>VN303A048<br>V92215<br>RMLH9075-4W<br>V72962<br>NS202101-048<br>V80539<br>H10-4BAC<br>V15653 | 002004<br>006100<br>107107<br>121503<br>904999 | 2              |
| 35       | 69-40362-10 | .             | ADAPTER ASSY-<br>POSITION DATA:<br>RH  | 002004<br>006100<br>107107<br>121503<br>904999 | 1              |
| 35       | 69-40362-4  | .             | ADAPTER ASSY-FUEL TEMP   | 002004<br>006100<br>107107<br>121503<br>904999 | 1              |
| 35       | 69-40362-6  | .             | ADAPTER ASSY-FUEL TEMP   | 002004<br>006100<br>107107<br>121503<br>904999 | 1              |
| 35       | 69-40362-11 | .             | ADAPTOR ASSY-  | 002004<br>006100<br>107107<br>121503<br>904999 | 1              |
| 40       | 57B28A      | .             | BULB-RESISTANCE<br>SUPPLIER CODE:<br>V35918  | 002004<br>006100<br>107107<br>121503<br>904999 | 1              |
| 40       | 102-00099   | .             | BULB-RESISTANCE<br>SUPPLIER CODE:<br>V64375<br>SPECIFICATION NUMBER:<br>10-62247-1   | 002004<br>006100<br>107107<br>121503<br>904999 | 1              |

MISSING ITEM NUMBERS NOT APPLICABLE

- ITEM NOT ILLUSTRATED

28-43-01-02

28-43-01  
FIG. 02  
PAGE 2  
JAN 20/09

BRI



757

PARTS CATALOG (MAINTENANCE)

| FIG<br>ITEM | PART NUMBER  | 1 2 3 4 5 6 7 | NOMENCLATURE | EFFECT<br>FROM TO                              | UNITS<br>PER<br>ASSY |
|-------------|--------------|---------------|--------------|--|----------------------|
| 2           | 50 BACR10Y6D | .             | RETAINER     | 002004<br>006100<br>107107<br>121503<br>904999 | 1                    |
| 55          | MS29513-212  | .             | PACKING      | 002004<br>006100<br>107107<br>121503<br>904999 | 1                    |

MISSING ITEM NUMBERS NOT APPLICABLE

- ITEM NOT ILLUSTRATED

BRI

28-43-01-02

BOEING PROPRIETARY - Copyright © - Unpublished Work - See title page for details.

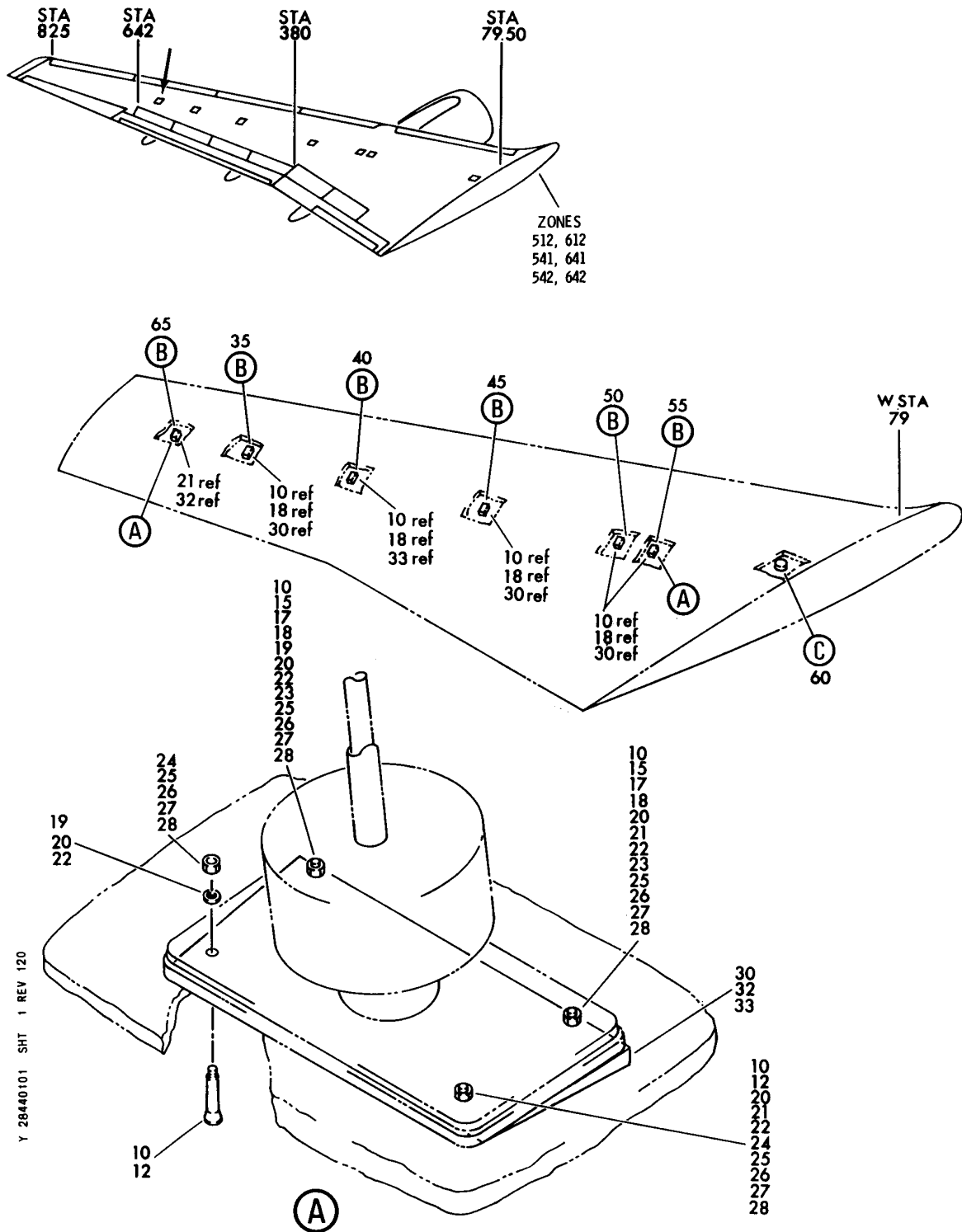
28-43-01  
FIG. 02  
PAGE 3  
JAN 20/09

## FUEL QUANTITY MEASURING STICKS

BRI  
MAY 28/07

28-44-00  
SECTION TITLE  
PAGE 1

**BOEING**  
757  
PARTS CATALOG (MAINTENANCE)



Y 28440101 SHT 1 REV 120

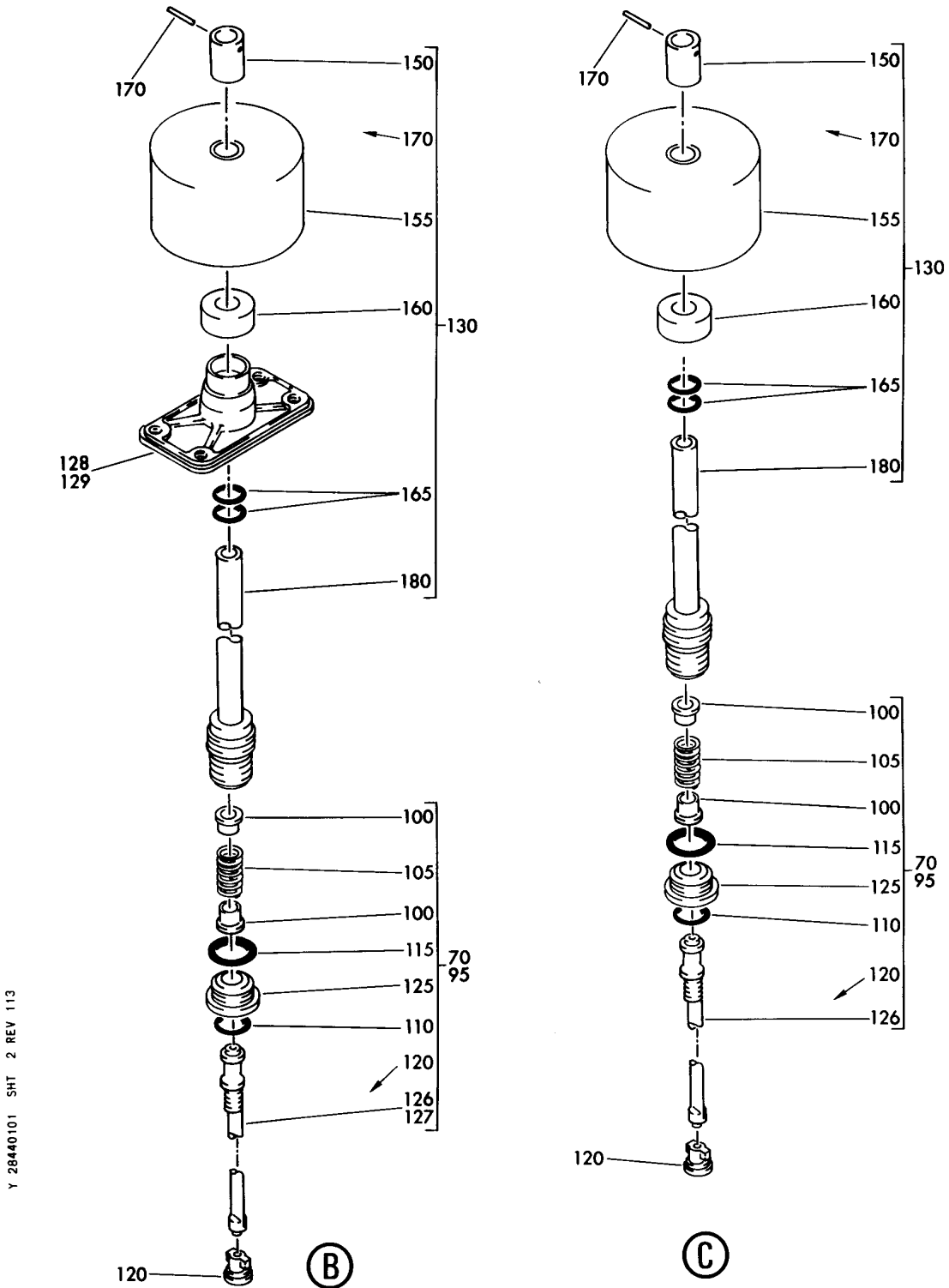
STICK INSTL-FUEL QTY MEASURING  
FIGURE 1 (SHEET 1)

**28-44-01-01**

BRI  
JAN 20/09

28-44-01-01  
PAGE 0

**BOEING**  
757  
PARTS CATALOG (MAINTENANCE)



Y 28440101 SHT 2 REV 113

STICK INSTL-FUEL QTY MEASURING  
FIGURE 1 (SHEET 2)

**28-44-01-01**

BRI  
JAN 20/09

28-44-01-01  
PAGE 0A



757

PARTS CATALOG (MAINTENANCE)

| FIG ITEM | PART NUMBER  | 1 2 3 4 5 6 7 | NOMENCLATURE   | EFFECT FROM TO | UNITS PER ASSY |
|----------|--------------|---------------|--|----------------|----------------|
| 1        |              |               | STICK INSTL-FUEL QTY MEASURING   | 107107         |                |
| - 1      | 345N3001-21  |               | STICK INSTL-FUEL QTY MEASURING LITERS<br>POSITION DATA:<br>LH<br>FOR NHA SEE:<br>28-00-01-01   | 107107         | RF             |
| - 5      | 345N3001-22  |               | STICK INSTL-FUEL QTY MEASURING LITERS<br>POSITION DATA:<br>RH<br>FOR NHA SEE:<br>28-00-01-01   | 107107         | RF             |
| 10       | BACB30LR3-6  |               | .BOLT-<br>OPTIONAL PART:<br>BACB30NN3K6<br>V06725  | 107107         | 20             |
| 10       | BACB30NN3K6  |               | .BOLT-<br>OPTIONAL PART:<br>BACB30LR3-6  | 107107         | 20             |
| 12       | 345N0301-1   |               | .BOLT-<br>POST SERVICE BULLETIN:<br>28-0019  | 107107         | 2              |
| 15       | BACB30LR3-11 |               | .BOLT-<br>OPTIONAL PART:<br>BACB30NN3K11<br>V06725   | 107107         | 10             |
| 15       | BACB30NN3K11 |               | .BOLT-<br>OPTIONAL PART:<br>BACB30LR3-11   | 107107         | 10             |
| 17       | 345N0301-1   |               | .BOLT-<br>POST SERVICE BULLETIN:<br>28-0019  | 107107         | 2              |
| 20       | AS46-3       |               | .WASHER-<br>SUPPLIER CODE:<br>V10630<br>SPECIFICATION NUMBER:<br>BACW10AU3<br>OPTIONAL PART:<br>K19701P3<br>V15653<br>53488W1032<br>V56878<br>6073-0<br>V72962<br>TLN1020L3W<br>V08524 | 107107         | 20             |

MISSING ITEM NUMBERS NOT APPLICABLE

- ITEM NOT ILLUSTRATED

BRI

28-44-01-01

28-44-01  
FIG. 01  
PAGE 1  
JAN 20/09



757

PARTS CATALOG (MAINTENANCE)

| FIG ITEM | PART NUMBER   | 1 2 3 4 5 6 7 | NOMENCLATURE   | EFFECT FROM TO | UNITS PER ASSY |
|----------|---------------|---------------|--|----------------|----------------|
| 1        |               |               |  |                |                |
| 23       | 345N0300-1    |               | .WASHER-<br>POST SERVICE BULLETIN:<br>28-0019  | 107107         | 2              |
| 24       | 345N0300-2    |               | .WASHER-<br>POST SERVICE BULLETIN:<br>28-0019  | 107107         | 2              |
| 25       | H19700P3      |               | .NUT-<br>SUPPLIER CODE:<br>V15653<br>SPECIFICATION NUMBER:<br>BACN10MT3<br>OPTIONAL PART:<br>52LH6073-02<br>V72962<br>TLN1020L3N<br>V97928<br>53488N1032<br>V56878 | 107107         | 20             |
| 26       | NAS1080D06    |               | .COLLAR-<br>POST SERVICE BULLETIN:<br>28-0019  | 107107         | 4              |
| 30       | 345T0006-7    |               | .SHIM-<br>POST SERVICE BULLETIN:<br>28-0019  | 107107         | 4              |
| 32       | 345T0006-3    |               | .SHIM-   | 107107         | 1              |
| 33       | 345T0006-4    |               | .SHIM-   | 107107         | 1              |
| 35       | 1140-0110-211 |               | .STICK ASSY-<br>SUPPLIER CODE:<br>V86831<br>SPECIFICATION NUMBER:<br>S345T001-211<br>COMPONENT MAINT MANUAL REF:<br>28-40-06<br>POST SERVICE BULLETIN:<br>31-0173  | 107107         | 1              |
| 35       | 1140-0110-231 |               | .STICK ASSY-<br>SUPPLIER CODE:<br>V86831<br>SPECIFICATION NUMBER:<br>S345T001-231<br>COMPONENT MAINT MANUAL REF:<br>28-40-06<br>PRE SERVICE BULLETIN:<br>31-0173   | 107107         | 1              |

MISSING ITEM NUMBERS NOT APPLICABLE

- ITEM NOT ILLUSTRATED

BRI

28-44-01-01

28-44-01  
FIG. 01  
PAGE 2  
JAN 20/09



757

PARTS CATALOG (MAINTENANCE)

| FIG ITEM | PART NUMBER   | 1 2 3 4 5 6 7 | NOMENCLATURE  | EFFECT FROM TO | UNITS PER ASSY |
|----------|---------------|---------------|---|----------------|----------------|
| 1<br>40  | 1140-0110-212 |               | .STICK ASSY-<br>SUPPLIER CODE:<br>V86831<br>SPECIFICATION NUMBER:<br>S345T001-212<br>COMPONENT MAINT MANUAL REF:<br>28-40-06<br>POST SERVICE BULLETIN:<br>31-0173 | 107107         | 1              |
| 40       | 1140-0110-232 |               | .STICK ASSY-<br>SUPPLIER CODE:<br>V86831<br>SPECIFICATION NUMBER:<br>S345T001-232<br>COMPONENT MAINT MANUAL REF:<br>28-40-06<br>PRE SERVICE BULLETIN:<br>31-0173  | 107107         | 1              |
| 45       | 1140-0110-213 |               | .STICK ASSY-<br>SUPPLIER CODE:<br>V86831<br>SPECIFICATION NUMBER:<br>S345T001-213<br>COMPONENT MAINT MANUAL REF:<br>28-40-06<br>POST SERVICE BULLETIN:<br>31-0173 | 107107         | 1              |
| 45       | 1140-0110-233 |               | .STICK ASSY-<br>SUPPLIER CODE:<br>V86831<br>SPECIFICATION NUMBER:<br>S345T001-233<br>COMPONENT MAINT MANUAL REF:<br>28-40-06<br>PRE SERVICE BULLETIN:<br>31-0173  | 107107         | 1              |
| 50       | 1140-0110-214 |               | .STICK ASSY-<br>SUPPLIER CODE:<br>V86831<br>SPECIFICATION NUMBER:<br>S345T001-214<br>COMPONENT MAINT MANUAL REF:<br>28-40-06<br>POST SERVICE BULLETIN:<br>31-0173 | 107107         | 1              |

MISSING ITEM NUMBERS NOT APPLICABLE

- ITEM NOT ILLUSTRATED

BRI

28-44-01-01

BOEING PROPRIETARY - Copyright © - Unpublished Work - See title page for details.

28-44-01  
FIG. 01  
PAGE 3  
JAN 20/09





757

PARTS CATALOG (MAINTENANCE)

| FIG ITEM | PART NUMBER   | 1 2 3 4 5 6 7 | NOMENCLATURE  | EFFECT FROM TO | UNITS PER ASSY |
|----------|---------------|---------------|---|----------------|----------------|
| 1<br>50  | 1140-0110-234 |               | .STICK ASSY-<br>SUPPLIER CODE:<br>V86831<br>SPECIFICATION NUMBER:<br>S345T001-234<br>COMPONENT MAINT MANUAL REF:<br>28-40-06<br>PRE SERVICE BULLETIN:<br>31-0173  | 107107         | 1              |
| 55       | 1140-0110-235 |               | .STICK ASSY-<br>SUPPLIER CODE:<br>V86831<br>SPECIFICATION NUMBER:<br>S345T001-235<br>COMPONENT MAINT MANUAL REF:<br>28-40-06<br>PRE SERVICE BULLETIN:<br>31-0173  | 107107         | 1              |
| 55       | 1140-0110-215 |               | .STICK ASSY-<br>SUPPLIER CODE:<br>V86831<br>SPECIFICATION NUMBER:<br>S345T001-215<br>COMPONENT MAINT MANUAL REF:<br>28-40-06<br>POST SERVICE BULLETIN:<br>31-0173 | 107107         | 1              |
| 60       | 1140-0110-236 |               | .STICK ASSY-<br>SUPPLIER CODE:<br>V86831<br>SPECIFICATION NUMBER:<br>S345T001-236<br>COMPONENT MAINT MANUAL REF:<br>28-40-06<br>PRE SERVICE BULLETIN:<br>31-0173  | 107107         | 1              |
| 60       | 1140-0110-216 |               | .STICK ASSY-<br>SUPPLIER CODE:<br>V86831<br>SPECIFICATION NUMBER:<br>S345T001-216<br>COMPONENT MAINT MANUAL REF:<br>28-40-06<br>POST SERVICE BULLETIN:<br>31-0173 | 107107         | 1              |

MISSING ITEM NUMBERS NOT APPLICABLE

- ITEM NOT ILLUSTRATED

BRI

# 28-44-01-01

BOEING PROPRIETARY - Copyright © - Unpublished Work - See title page for details.

28-44-01  
FIG. 01  
PAGE 4  
JAN 20/09



757

PARTS CATALOG (MAINTENANCE)

| FIG ITEM | PART NUMBER   | 1 2 3 4 5 6 7 | NOMENCLATURE   | EFFECT FROM TO | UNITS PER ASSY |
|----------|---------------|---------------|--|----------------|----------------|
| 1<br>65  | 1140-0110-217 | .             | STICK ASSY-<br>SUPPLIER CODE:<br>V86831<br>SPECIFICATION NUMBER:<br>S345T001-217<br>COMPONENT MAINT MANUAL REF:<br>28-40-06<br>POST SERVICE BULLETIN:<br>31-0173 | 107107         | 1              |
| 65       | 1140-0110-237 | .             | STICK ASSY-<br>SUPPLIER CODE:<br>V86831<br>SPECIFICATION NUMBER:<br>S345T001-237<br>COMPONENT MAINT MANUAL REF:<br>28-40-06<br>PRE SERVICE BULLETIN:<br>31-0173  | 107107         | 1              |
| 70       | 4177-0146-211 | ..            | STICK ASSY-<br>SUPPLIER CODE:<br>V86831<br>USED ON:<br>1140-0110-211   | 107107         | 1              |
| 70       | 4177-0146-231 | ..            | STICK ASSY-<br>SUPPLIER CODE:<br>V86831<br>USED ON:<br>1140-0110-231   | 107107         | 1              |
| 70       | 4177-0146-212 | ..            | STICK ASSY-<br>SUPPLIER CODE:<br>V86831<br>USED ON:<br>1140-0110-212   | 107107         | 1              |
| 70       | 4177-0146-232 | ..            | STICK ASSY-<br>SUPPLIER CODE:<br>V86831<br>USED ON:<br>1140-0110-232   | 107107         | 1              |
| 70       | 4177-0146-213 | ..            | STICK ASSY-<br>SUPPLIER CODE:<br>V86831<br>USED ON:<br>1140-0110-213   | 107107         | 1              |
| 70       | 4177-0146-233 | ..            | STICK ASSY-<br>SUPPLIER CODE:<br>V86831<br>USED ON:<br>1140-0110-233   | 107107         | 1              |

MISSING ITEM NUMBERS NOT APPLICABLE

- ITEM NOT ILLUSTRATED

28-44-01-01

28-44-01  
FIG. 01  
PAGE 5  
JAN 20/09

BRI



757

PARTS CATALOG (MAINTENANCE)

| FIG ITEM | PART NUMBER   | 1 2 3 4 5 6 7 | NOMENCLATURE  | EFFECT FROM TO | UNITS PER ASSY |
|----------|---------------|---------------|---|----------------|----------------|
| 1        |               |               |   |                |                |
| 70       | 4177-0146-214 | ..            | STICK ASSY-<br>SUPPLIER CODE:<br>V86831<br>USED ON:<br>1140-0110-214          | 107107         | 1              |
| 70       | 4177-0146-234 | ..            | STICK ASSY-<br>SUPPLIER CODE:<br>V86831<br>USED ON:<br>1140-0110-234          | 107107         | 1              |
| 70       | 4177-0146-215 | ..            | STICK ASSY-<br>SUPPLIER CODE:<br>V86831<br>USED ON:<br>1140-0110-215          | 107107         | 1              |
| 70       | 4177-0146-235 | ..            | STICK ASSY-<br>SUPPLIER CODE:<br>V86831<br>USED ON:<br>1140-0110-235          | 107107         | 1              |
| 95       | 4177-0146-236 | ..            | STICK ASSY-<br>SUPPLIER CODE:<br>V86831<br>USED ON:<br>1140-0110-236          | 107107         | 1              |
| 95       | 4177-0146-216 | ..            | STICK ASSY-<br>SUPPLIER CODE:<br>V86831<br>USED ON:<br>1140-0110-216          | 107107         | 1              |
| 95       | 4177-0146-217 | ..            | STICK ASSY-<br>SUPPLIER CODE:<br>V86831<br>USED ON:<br>1140-0110-217          | 107107         | 1              |
| 95       | 4177-0146-237 | ..            | STICK ASSY-<br>SUPPLIER CODE:<br>V86831<br>USED ON:<br>1140-0110-237          | 107107         | 1              |
| 100      | 2078-0058     | ...           | GUIDE-<br>SUPPLIER CODE:<br>V86831<br>OPTIONAL PART:<br>2078-0058-1<br>V86831 | 107107         | 2              |

MISSING ITEM NUMBERS NOT APPLICABLE

- ITEM NOT ILLUSTRATED

28-44-01-01

28-44-01  
FIG. 01  
PAGE 6  
JAN 20/09

BRI



757

PARTS CATALOG (MAINTENANCE)

| FIG ITEM | PART NUMBER   | 1 2 3 4 5 6 7 | NOMENCLATURE   | EFFECT FROM TO | UNITS PER ASSY |
|----------|---------------|---------------|--|----------------|----------------|
| 1<br>100 | 2078-0058-1   |               | ...GUIDE-<br>SUPPLIER CODE:<br>V86831<br>OPTIONAL PART:<br>2078-0058<br>V86831 | 107107         | 2              |
| 105      | 2161-0210     |               | ...SPRING-<br>SUPPLIER CODE:<br>V86831   | 107107         | 1              |
| 110      | RS900BS015    |               | ...PACKING-<br>SUPPLIER CODE:<br>V86831<br>OPTIONAL PART:<br>MS29513-015       | 107107         | 1              |
| 110      | MS29513-015   |               | ...PACKING-<br>OPTIONAL PART:<br>RS900BS015<br>V86831                          | 107107         | 1              |
| 115      | RS900BS022    |               | ...PACKING-<br>SUPPLIER CODE:<br>V86831<br>OPTIONAL PART:<br>MS29513-022       | 107107         | 1              |
| 115      | MS29513-022   |               | ...PACKING-<br>OPTIONAL PART:<br>RS900BS022<br>V86831                          | 107107         | 1              |
| 120      | 4115-0001     |               | ...LATCH ASSY-<br>SUPPLIER CODE:<br>V86831                                     | 107107         | 1              |
| 125      | 2144-0074     |               | ...RETAINER-<br>SUPPLIER CODE:<br>V86831                                       | 107107         | 1              |
| 126      | 4177-0169-211 |               | ...STICK SUB ASSY-<br>SUPPLIER CODE:<br>V86831<br>USED ON:<br>4177-0146-211    | 107107         | 1              |
| 126      | 4177-0169-231 |               | ...STICK SUB ASSY-<br>SUPPLIER CODE:<br>V86831<br>USED ON:<br>4177-0146-231    | 107107         | 1              |
| 126      | 4177-0169-212 |               | ...STICK SUB ASSY-<br>SUPPLIER CODE:<br>V86831<br>USED ON:<br>4177-0146-212    | 107107         | 1              |

MISSING ITEM NUMBERS NOT APPLICABLE

- ITEM NOT ILLUSTRATED

28-44-01-01

28-44-01  
FIG. 01  
PAGE 7  
JAN 20/09

BRI



757

PARTS CATALOG (MAINTENANCE)

| FIG ITEM | PART NUMBER   | 1 2 3 4 5 6 7 | NOMENCLATURE   | EFFECT FROM TO | UNITS PER ASSY |
|----------|---------------|---------------|--|----------------|----------------|
| 1        |               |               |  |                |                |
| 126      | 4177-0169-232 | ...           | STICK SUB ASSY-<br>SUPPLIER CODE:<br>V86831<br>USED ON:<br>4177-0146-232 | 107107         | 1              |
| 126      | 4177-0169-213 | ...           | STICK SUB ASSY-<br>SUPPLIER CODE:<br>V86831<br>USED ON:<br>4177-0146-213 | 107107         | 1              |
| 126      | 4177-0169-233 | ...           | STICK SUB ASSY-<br>SUPPLIER CODE:<br>V86831<br>USED ON:<br>4177-0146-233 | 107107         | 1              |
| 126      | 4177-0169-214 | ...           | STICK SUB ASSY-<br>SUPPLIER CODE:<br>V86831<br>USED ON:<br>4177-0146-214 | 107107         | 1              |
| 126      | 4177-0169-234 | ...           | STICK SUB ASSY-<br>SUPPLIER CODE:<br>V86831<br>USED ON:<br>4177-0146-234 | 107107         | 1              |
| 126      | 4177-0169-215 | ...           | STICK SUB ASSY-<br>SUPPLIER CODE:<br>V86831<br>USED ON:<br>4177-0146-215 | 107107         | 1              |
| 126      | 4177-0169-235 | ...           | STICK SUB ASSY-<br>SUPPLIER CODE:<br>V86831<br>USED ON:<br>4177-0146-235 | 107107         | 1              |
| 126      | 4177-0169-216 | ...           | STICK SUB ASSY-<br>SUPPLIER CODE:<br>V86831<br>USED ON:<br>4177-0146-216 | 107107         | 1              |
| 127      | 4177-0169-236 | ...           | STICK SUB ASSY-<br>SUPPLIER CODE:<br>V86831<br>USED ON:<br>4177-0146-236 | 107107         | 1              |

MISSING ITEM NUMBERS NOT APPLICABLE

- ITEM NOT ILLUSTRATED

28-44-01-01

28-44-01  
FIG. 01  
PAGE 8  
JAN 20/09

BRI



757

PARTS CATALOG (MAINTENANCE)

| FIG ITEM | PART NUMBER   | 1 2 3 4 5 6 7 | NOMENCLATURE  | EFFECT FROM TO | UNITS PER ASSY |
|----------|---------------|---------------|---|----------------|----------------|
| 1        |               |               |   |                |                |
| 127      | 4177-0169-217 | ...           | STICK SUB ASSY-<br>SUPPLIER CODE:<br>V86831<br>USED ON:<br>4177-0146-217  | 107107         | 1              |
| 127      | 4177-0169-237 | ...           | STICK SUB ASSY-<br>SUPPLIER CODE:<br>V86831<br>USED ON:<br>4177-0146-237  | 107107         | 1              |
| 128      | 2011-0012     | ..            | BASE-<br>SUPPLIER CODE:<br>V86831<br>CONFIG CHG DATA FROM A CMM:<br>SUPERSEDES<br>2011-0012-209<br>USED ON:<br>1140-0110-211<br>1140-0110-212<br>1140-0110-213<br>1140-0110-214<br>1140-0110-215<br>1140-0110-217<br>1140-0110-221<br>1140-0110-222<br>1140-0110-223<br>1140-0110-224<br>1140-0110-225<br>1140-0110-227<br>1140-0110-231<br>1140-0110-232<br>1140-0110-233<br>1140-0110-234<br>1140-0110-235<br>1140-0110-237<br>1140-0110-241<br>1140-0110-242<br>1140-0110-243<br>1140-0110-244<br>1140-0110-245<br>1140-0110-247 | 107107         | 1              |

MISSING ITEM NUMBERS NOT APPLICABLE

- ITEM NOT ILLUSTRATED

BRI

28-44-01-01

BOEING PROPRIETARY - Copyright © - Unpublished Work - See title page for details.

28-44-01  
FIG. 01  
PAGE 9  
JAN 20/09



757

PARTS CATALOG (MAINTENANCE)

| FIG ITEM | PART NUMBER   | 1 2 3 4 5 6 7 | NOMENCLATURE   | EFFECT FROM TO | UNITS PER ASSY |
|----------|---------------|---------------|--|----------------|----------------|
| 1<br>128 | 2011-0012-209 |               | ..BASE-<br>SUPPLIER CODE:<br>V86831<br>CONFIG CHG DATA FROM A CMM:<br>SUPSD BY 2011-0012<br>USED ON:<br>1140-0110-211<br>1140-0110-212<br>1140-0110-213<br>1140-0110-214<br>1140-0110-215<br>1140-0110-217<br>1140-0110-221<br>1140-0110-222<br>1140-0110-223<br>1140-0110-224<br>1140-0110-225<br>1140-0110-227<br>1140-0110-231<br>1140-0110-232<br>1140-0110-233<br>1140-0110-234<br>1140-0110-235<br>1140-0110-237<br>1140-0110-241<br>1140-0110-242<br>1140-0110-243<br>1140-0110-244<br>1140-0110-245<br>1140-0110-247 | 107107         | 1              |
| 129      | 2011-0012-209 |               | ..BASE-<br>SUPPLIER CODE:<br>V86831<br>USED ON:<br>1140-0110-216<br>1140-0110-226<br>1140-0110-236<br>1140-0110-246  | 107107         | 1              |
| 130      | 4090-0033-201 |               | ..HOUSING ASSY-<br>SUPPLIER CODE:<br>V86831<br>USED ON:<br>1140-0110-211<br>1140-0110-221<br>1140-0110-231<br>1140-0110-241  | 107107         | 1              |

MISSING ITEM NUMBERS NOT APPLICABLE

- ITEM NOT ILLUSTRATED

28-44-01-01

28-44-01  
 FIG. 01  
 PAGE 10  
 JAN 20/09

BRI



757

PARTS CATALOG (MAINTENANCE)

| FIG ITEM | PART NUMBER   | 1 2 3 4 5 6 7 | NOMENCLATURE  | EFFECT FROM TO | UNITS PER ASSY |
|----------|---------------|---------------|---|----------------|----------------|
| 1        |               |               |   |                |                |
| 130      | 4090-0033-202 |               | ..HOUSING ASSY-<br>SUPPLIER CODE:<br>V86831<br>USED ON:<br>1140-0110-212<br>1140-0110-222<br>1140-0110-232<br>1140-0110-242   | 107107         | 1              |
| 130      | 4090-0033-203 |               | ..HOUSING ASSY-<br>SUPPLIER CODE:<br>V86831<br>USED ON:<br>1140-0110-213<br>1140-0110-223<br>1140-0110-233<br>1140-0110-243   | 107107         | 1              |
| 130      | 4090-0033-204 |               | ..HOUSING ASSY-<br>SUPPLIER CODE:<br>V86831<br>USED ON:<br>1140-0110-214<br>1140-0110-215<br>1140-0110-224<br>1140-0110-225<br>1140-0110-226<br>1140-0110-234<br>1140-0110-235<br>1140-0110-236<br>1140-0110-216<br>1140-0110-244<br>1140-0110-245<br>1140-0110-246 | 107107         | 1              |
| 130      | 4090-0033-207 |               | ..HOUSING ASSY-<br>SUPPLIER CODE:<br>V86831<br>USED ON:<br>1140-0110-217<br>1140-0110-227<br>1140-0110-237<br>1140-0110-247   | 107107         | 1              |
| 150      | 2222-0018     |               | ...STOP-<br>SUPPLIER CODE:<br>V86831  | 107107         | 1              |
| 155      | 4066-0053     |               | ...FLOAT ASSY-<br>SUPPLIER CODE:<br>V86831<br>CONFIG CHG DATA FROM A CMM:<br>SUPSD BY 4066-0053-1   | 107107         | 1              |

MISSING ITEM NUMBERS NOT APPLICABLE

- ITEM NOT ILLUSTRATED

28-44-01-01

28-44-01  
FIG. 01  
PAGE 11  
JAN 20/09

BRI





757

PARTS CATALOG (MAINTENANCE)

| FIG ITEM | PART NUMBER   | 1 2 3 4 5 6 7 | NOMENCLATURE   | EFFECT FROM TO | UNITS PER ASSY |
|----------|---------------|---------------|--|----------------|----------------|
| 1        |               |               |  |                |                |
| 155      | 4066-0053-1   | ...           | FLOAT ASSY-<br>SUPPLIER CODE:<br>V86831<br>CONFIG CHG DATA FROM A CMM:<br>SUPERSEDES 4066-0053                               | 107107         | 1              |
| 160      | 2220-0011     | ...           | BUMPER-<br>SUPPLIER CODE:<br>V86831<br>CONFIG CHG DATA FROM A CMM:<br>SUPSD BY 2020-0011                                     | 107107         | 1              |
| 160      | 2020-0011     | ...           | BUMPER-<br>SUPPLIER CODE:<br>V86831<br>CONFIG CHG DATA FROM A CMM:<br>SUPERSEDES 2220-0011                                   | 107107         | 1              |
| 165      | RS900BS016    | ...           | PACKING-<br>SUPPLIER CODE:<br>V86831<br>OPTIONAL PART:<br>MS29513-016  | 107107         | 2              |
| 165      | MS29513-016   | ...           | PACKING-<br>OPTIONAL PART:<br>RS900BS016<br>V86831   | 107107         | 2              |
| 170      | RS299-1       | ...           | PIN-<br>SUPPLIER CODE:<br>V86831   | 107107         | 1              |
| 180      | 4177-0160-201 | ...           | TUBE-<br>SUPPLIER CODE:<br>V86831<br>CONFIG CHG DATA FROM A CMM:<br>SUPERSEDES<br>2177-0237-211<br>USED ON:<br>4090-0033-201 | 107107         | 1              |
| 180      | 4177-0160-202 | ...           | TUBE-<br>SUPPLIER CODE:<br>V86831<br>CONFIG CHG DATA FROM A CMM:<br>SUPERSEDES<br>2177-0237-212<br>USED ON:<br>4090-0033-202 | 107107         | 1              |

MISSING ITEM NUMBERS NOT APPLICABLE

- ITEM NOT ILLUSTRATED

BRI

28-44-01-01

28-44-01  
FIG. 01  
PAGE 12  
JAN 20/09



757

PARTS CATALOG (MAINTENANCE)

| FIG ITEM | PART NUMBER   | 1 2 3 4 5 6 7 | NOMENCLATURE   | EFFECT FROM TO | UNITS PER ASSY |
|----------|---------------|---------------|--|----------------|----------------|
| 1<br>180 | 4177-0160-203 | ...           | TUBE-<br>SUPPLIER CODE:<br>V86831<br>CONFIG CHG DATA FROM A CMM:<br>SUPERSEDES<br>2177-0237-213<br>USED ON:<br>4090-0033-203 | 107107         | 1              |
| 180      | 4177-0160-204 | ...           | TUBE-<br>SUPPLIER CODE:<br>V86831<br>CONFIG CHG DATA FROM A CMM:<br>SUPERSEDES<br>2177-0237-214<br>USED ON:<br>4090-0033-204 | 107107         | 1              |
| 180      | 4177-0160-207 | ...           | TUBE-<br>SUPPLIER CODE:<br>V86831<br>USED ON:<br>4090-0033-207   | 107107         | 1              |
| - 185    | 2177-0237-211 | ...           | TUBE-<br>SUPPLIER CODE:<br>V86831<br>CONFIG CHG DATA FROM A CMM:<br>SUPSD BY 4177-0160-201<br>USED ON:<br>4090-0033-201      | 107107         | 1              |
| - 185    | 2177-0237-212 | ...           | TUBE-<br>SUPPLIER CODE:<br>V86831<br>CONFIG CHG DATA FROM A CMM:<br>SUPSD BY 4177-0160-202<br>USED ON:<br>4090-0033-202      | 107107         | 1              |
| - 185    | 2177-0237-213 | ...           | TUBE-<br>SUPPLIER CODE:<br>V86831<br>CONFIG CHG DATA FROM A CMM:<br>SUPDS BY 4177-160-203<br>USED ON:<br>4090-0033-203       | 107107         | 1              |
| - 185    | 2177-0237-214 | ...           | TUBE-<br>SUPPLIER CODE:<br>V86831<br>CONFIG CHG DATA FROM A CMM:<br>SUPSD BY 4177-0160-204<br>USED ON:<br>4090-0033-204      | 107107         | 1              |

MISSING ITEM NUMBERS NOT APPLICABLE

- ITEM NOT ILLUSTRATED

28-44-01-01

28-44-01  
FIG. 01  
PAGE 13  
JAN 20/09

BRI



757

PARTS CATALOG (MAINTENANCE)

| FIG ITEM | PART NUMBER   | 1 2 3 4 5 6 7 | NOMENCLATURE  | EFFECT FROM TO | UNITS PER ASSY |
|----------|---------------|---------------|---|----------------|----------------|
| 1        |               |               |   |                |                |
| - 185    | 2177-0237-207 | ...           | TUBE-<br>SUPPLIER CODE:<br>V86831<br>CONFIG CHG DATA FROM A CMM:<br>SUPSD BY 4177-0160-207<br>USED ON:<br>4090-0033-207   | 107107         | 1              |
| - 185    | 4177-0160-207 | ...           | TUBE-<br>SUPPLIER CODE:<br>V86831<br>CONFIG CHG DATA FROM A CMM:<br>SUPERSEDES 2177-0237-207<br>USED ON:<br>4090-0033-207 | 107107         | 1              |
| - 190    | 2177-0237-211 | ...           | TUBE-<br>SUPPLIER CODE:<br>V86831<br>USED ON:<br>4090-0033-202<br>4090-0033-203<br>4090-0033-204<br>4090-0033-207         | 107107         | 1              |
| - 195    | 2177-0237-212 | ...           | TUBE-<br>SUPPLIER CODE:<br>V86831<br>USED ON:<br>4090-0033-201<br>4090-0033-203<br>4090-0033-204<br>4090-0033-207         | 107107         | 1              |
| - 200    | 2177-0237-213 | ...           | TUBE-<br>SUPPLIER CODE:<br>V86831<br>USED ON:<br>4090-0033-201<br>4090-0033-202<br>4090-0033-204<br>4090-0033-207         | 107107         | 1              |
| - 205    | 2177-0237-214 | ...           | TUBE-<br>SUPPLIER CODE:<br>V86831<br>USED ON:<br>4090-0033-201<br>4090-0033-202<br>4090-0033-203<br>4090-0033-207         | 107107         | 1              |

MISSING ITEM NUMBERS NOT APPLICABLE

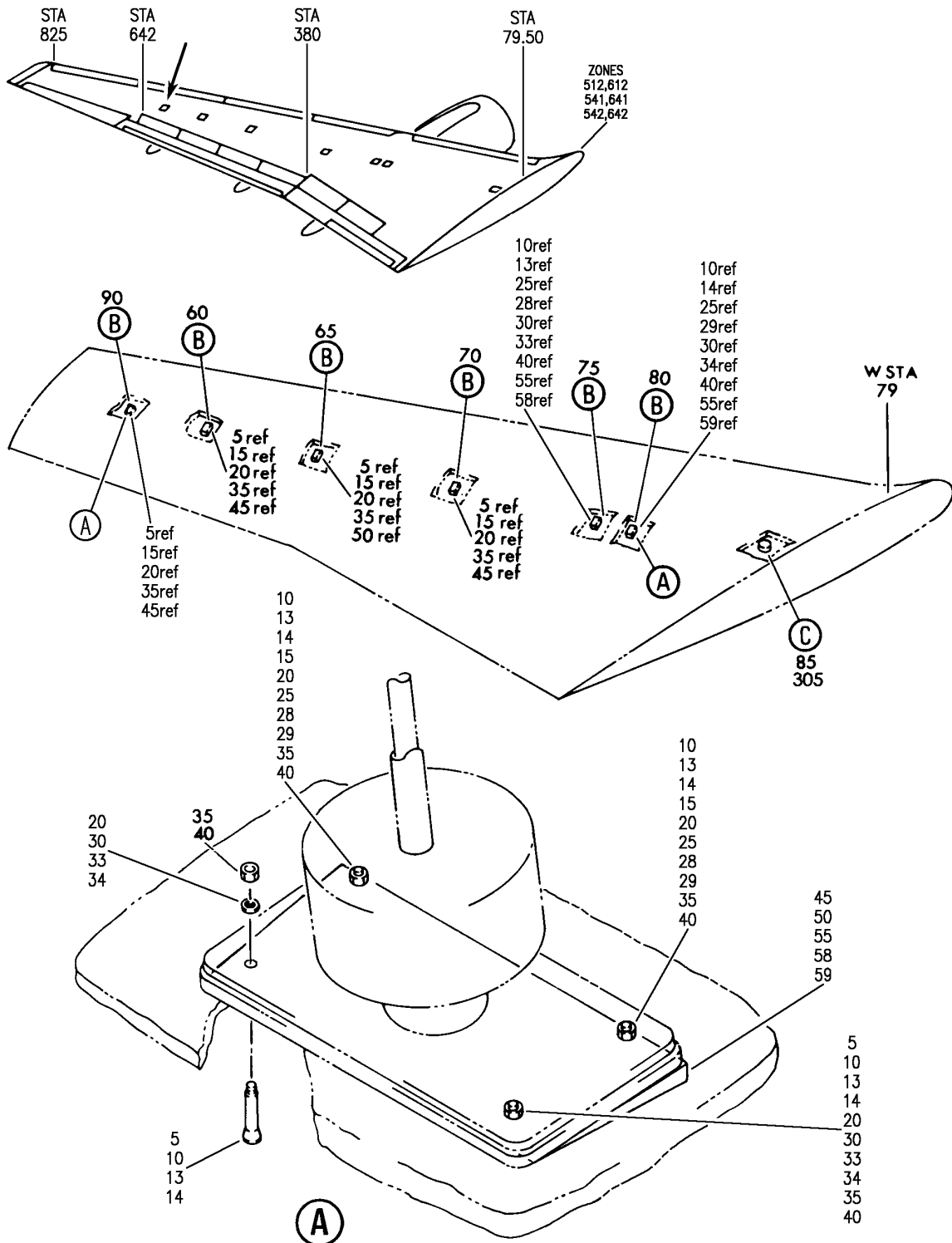
- ITEM NOT ILLUSTRATED

28-44-01-01

28-44-01  
FIG. 01  
PAGE 14  
JAN 20/09

BRI

**BOEING**  
757  
PARTS CATALOG (MAINTENANCE)



Y 28440102 SHT 1 REV 299

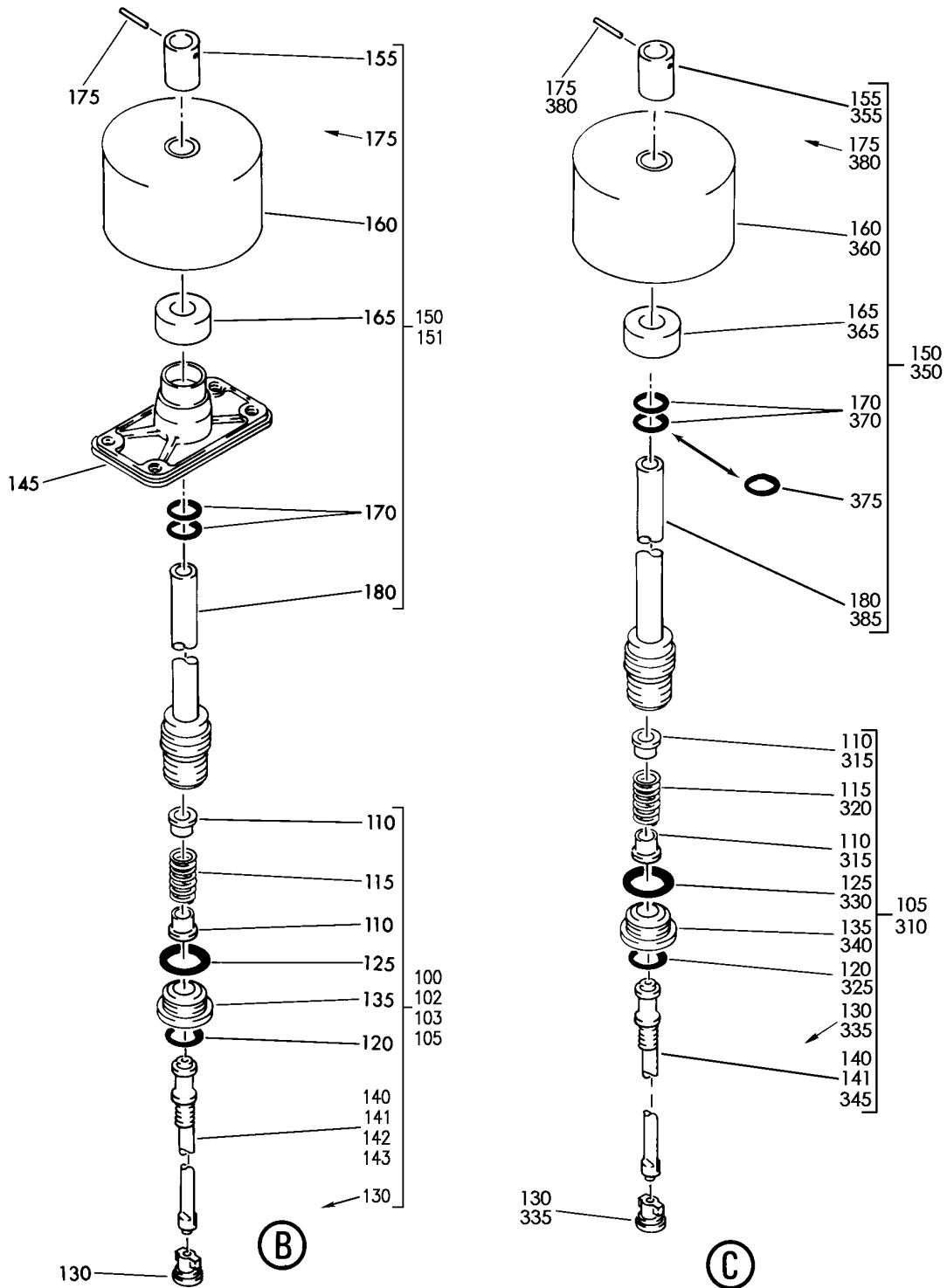
STICK INSTL-FUEL QTY MEASURING  
FIGURE 2 (SHEET 1)

**28-44-01-02**

BRI  
MAY 28/07

28-44-01-02  
PAGE 0


**BOEING**  
 757  
**PARTS CATALOG (MAINTENANCE)**



Y 28440102 SH1 2 REV 326

STICK INSTL-FUEL QTY MEASURING  
FIGURE 2 (SHEET 2)

**28-44-01-02**

BRI  
SEP 20/08

28-44-01-02  
PAGE 0A



757

PARTS CATALOG (MAINTENANCE)

| FIG ITEM | PART NUMBER  | 1 2 3 4 5 6 7 | NOMENCLATURE  | EFFECT FROM TO                       | UNITS PER ASSY |
|----------|--------------|---------------|---|--------------------------------------|----------------|
| 2        |              |               | STICK INSTL-FUEL QTY<br>MEASURING   | 002004<br>006106<br>108999           |                |
| - 1      | 345N3001-33  |               | STICK INSTL-FUEL QTY<br>MEASURING INCHES<br>POSITION DATA:<br>L/R CTR TANK<br>FOR NHA SEE:<br>28-00-01-01   | 952999                               | RF             |
| - 1      | 345N3001-34  |               | STICK INSTL-FUEL QTY<br>MEASURING POUNDS<br>POSITION DATA:<br>L/R CTR TANK<br>FOR NHA SEE:<br>28-00-01-01   | 950951                               | RF             |
| - 1      | 345N3001-35  |               | STICK INSTL-FUEL QTY<br>MEASURING LITERS<br>POSITION DATA:<br>L/R CTR TANK<br>FOR NHA SEE:<br>28-00-01-01   | 121503<br>904949                     | RF             |
| - 1      | 345N3001-36  |               | STICK INSTL-FUEL QTY<br>MEASURING KILOGRAM<br>POSITION DATA:<br>L/R CTR TANK<br>FOR NHA SEE:<br>28-00-01-01 | 002004<br>006100                     | RF             |
| 5        | BACB30NN3K6  |               | .BOLT-  | 002004<br>006100<br>121503<br>904999 | 16             |
| 10       | 345N0301-1   |               | .BOLT-  | 002004<br>006100<br>121503<br>904999 | 16             |
| 15       | BACB30NN3K11 |               | .BOLT-  | 002004<br>006100<br>121503<br>904999 | 16             |

MISSING ITEM NUMBERS NOT APPLICABLE

- ITEM NOT ILLUSTRATED

28-44-01-02

28-44-01  
FIG. 02  
PAGE 1  
JAN 20/09

BRI



757

PARTS CATALOG (MAINTENANCE)

| FIG ITEM | PART NUMBER | 1 2 3 4 5 6 7 | NOMENCLATURE   | EFFECT FROM TO                       | UNITS PER ASSY |
|----------|-------------|---------------|--|--------------------------------------|----------------|
| 2        |             |               |  |                                      |                |
| 20       | AS46-3      |               | .WASHER-<br>SUPPLIER CODE:<br>V10630<br>SPECIFICATION NUMBER:<br>BACW10AU3<br>OPTIONAL PART:<br>K19701P3<br>V15653<br>53488W1032<br>V56878<br>6073-0<br>V72962<br>TLN1020L3W<br>V08524 | 002004<br>006100<br>121503<br>904999 | 32             |
| 25       | 345N0300-1  |               | .WASHER-   | 002004<br>006100<br>121503<br>904999 | 8              |
| 30       | 345N0300-2  |               | .WASHER-   | 002004<br>006100<br>121503<br>904999 | 8              |
| 35       | H19700P3    |               | .NUT-<br>SUPPLIER CODE:<br>V15653<br>SPECIFICATION NUMBER:<br>BACN10MT3<br>OPTIONAL PART:<br>52LH6073-02<br>V72962<br>TLN1020L3N<br>V97928<br>53488N1032<br>V56878                     | 002004<br>006100<br>121503<br>904999 | 32             |
| 40       | NAS1080D06  |               | .COLLAR-   | 002004<br>006100<br>121503<br>904999 | 16             |
| 45       | 345T0006-3  |               | .SHIM-   | 002004<br>006100<br>121503<br>904999 | 6              |
| 50       | 345T0006-4  |               | .SHIM-   | 002004<br>006100<br>121503<br>904999 | 2              |

MISSING ITEM NUMBERS NOT APPLICABLE

- ITEM NOT ILLUSTRATED

28-44-01-02

28-44-01  
FIG. 02  
PAGE 2  
JAN 20/09

BRI



757

PARTS CATALOG (MAINTENANCE)

| FIG ITEM | PART NUMBER   | 1 2 3 4 5 6 7 | NOMENCLATURE  | EFFECT FROM TO                       | UNITS PER ASSY |
|----------|---------------|---------------|---|--------------------------------------|----------------|
| 2        |               |               |   |                                      |                |
| 55       | 345T0006-7    | .             | SHIM-   | 002004<br>006100<br>121503<br>904999 | 4              |
| 60       | 1140-0110-211 | .             | STICK ASSY-<br>SUPPLIER CODE:<br>V86831<br>SPECIFICATION NUMBER:<br>S345T001-211<br>COMPONENT MAINT MANUAL REF:<br>28-40-06<br>POST SERVICE BULLETIN:<br>31-0173R1<br>31-0173R2 | 009009<br>015015<br>952999           | 2              |
| 60       | 1140-0110-221 | .             | STICK ASSY-<br>SUPPLIER CODE:<br>V86831<br>SPECIFICATION NUMBER:<br>S345T001-221<br>COMPONENT MAINT MANUAL REF:<br>28-40-06<br>POST SERVICE BULLETIN:<br>28-0116                | 904949                               | 2              |
| 60       | 1140-0110-231 | .             | STICK ASSY-<br>SUPPLIER CODE:<br>V86831<br>SPECIFICATION NUMBER:<br>S345T001-231<br>COMPONENT MAINT MANUAL REF:<br>28-40-06<br>POST SERVICE BULLETIN:<br>31-0127                | 121503<br>950951                     | 2              |
| 60       | 1140-0110-246 | .             | STICK ASSY-<br>SUPPLIER CODE:<br>V86831<br>SPECIFICATION NUMBER:<br>S345T001-246<br>COMPONENT MAINT MANUAL REF:<br>28-40-06<br>PRE SERVICE BULLETIN:<br>31-0173R1<br>31-0173R2  | 002004<br>006100                     | 2              |

R  
R  
R  
R  
R  
R  
R  
R  
R

R  
R  
R  
R  
R  
R  
R  
R

MISSING ITEM NUMBERS NOT APPLICABLE

- ITEM NOT ILLUSTRATED

28-44-01-02

28-44-01  
FIG. 02  
PAGE 3  
MAY 20/09

BRI





 **BOEING**  
757  
**PARTS CATALOG (MAINTENANCE)**

| FIG ITEM | PART NUMBER      | 1 2 3 4 5 6 7 | NOMENCLATURE   | EFFECT FROM TO             | UNITS PER ASSY |
|----------|------------------|---------------|--|----------------------------|----------------|
| 2        | 70 1140-0110-223 |               | .STICK ASSY-<br>SUPPLIER CODE:<br>V86831<br>SPECIFICATION NUMBER:<br>S345T001-223<br>COMPONENT MAINT MANUAL REF:<br>28-40-06<br>POST SERVICE BULLETIN:<br>28-0116                | 904949                     | 2              |
|          | 70 1140-0110-233 |               | .STICK ASSY-<br>SUPPLIER CODE:<br>V86831<br>SPECIFICATION NUMBER:<br>S345T001-233<br>COMPONENT MAINT MANUAL REF:<br>28-40-06<br>POST SERVICE BULLETIN:<br>28-0116                | 121503<br>950951           | 2              |
|          | 70 1140-0110-244 |               | .STICK ASSY-<br>SUPPLIER CODE:<br>V86831<br>SPECIFICATION NUMBER:<br>S345T001-244<br>COMPONENT MAINT MANUAL REF:<br>28-40-06<br>PRE SERVICE BULLETIN:<br>31-0173R1<br>31-0173R2  | 002004<br>006100           | 2              |
|          | 75 1140-0110-214 |               | .STICK ASSY-<br>SUPPLIER CODE:<br>V86831<br>SPECIFICATION NUMBER:<br>S345T001-214<br>COMPONENT MAINT MANUAL REF:<br>28-40-06<br>POST SERVICE BULLETIN:<br>31-0173R1<br>31-0173R2 | 009009<br>015015<br>952999 | 2              |
|          | 75 1140-0110-224 |               | .STICK ASSY-<br>SUPPLIER CODE:<br>V86831<br>SPECIFICATION NUMBER:<br>S345T001-224<br>COMPONENT MAINT MANUAL REF:<br>28-40-06<br>POST SERVICE BULLETIN:<br>28-0116                | 904949                     | 2              |

R  
R  
R  
R  
R  
R  
R  
R  
R  
R  
R  
R  
R  
R  
R  
R

MISSING ITEM NUMBERS NOT APPLICABLE

- ITEM NOT ILLUSTRATED

BRI

28-44-01-02

28-44-01  
FIG. 02  
PAGE 5  
MAY 20/09



757

PARTS CATALOG (MAINTENANCE)

| FIG ITEM | PART NUMBER   | 1 2 3 4 5 6 7 | NOMENCLATURE   | EFFECT FROM TO   | UNITS PER ASSY |
|----------|---------------|---------------|--|------------------|----------------|
| 2        |               |               |  |                  |                |
| 75       | 1140-0110-234 |               | .STICK ASSY-<br>SUPPLIER CODE:<br>V86831<br>SPECIFICATION NUMBER:<br>S345T001-234<br>COMPONENT MAINT MANUAL REF:<br>28-40-06<br>POST SERVICE BULLETIN:<br>31-0127                | 121503<br>950951 | 2              |
| 75       | 1140-0110-243 |               | .STICK ASSY-<br>SUPPLIER CODE:<br>V86831<br>SPECIFICATION NUMBER:<br>S345T001-243<br>COMPONENT MAINT MANUAL REF:<br>28-40-06<br>PRE SERVICE BULLETIN:<br>31-0173R1<br>31-0173R2  | 002004<br>006100 | 2              |
| 80       | 1140-0110-215 |               | .STICK ASSY-<br>SUPPLIER CODE:<br>V86831<br>SPECIFICATION NUMBER:<br>S345T001-215<br>COMPONENT MAINT MANUAL REF:<br>28-40-06<br>POST SERVICE BULLETIN:<br>31-0173R1<br>31-0173R2 | 952999           | 2              |
| 80       | 1140-0110-225 |               | .STICK ASSY-<br>SUPPLIER CODE:<br>V86831<br>SPECIFICATION NUMBER:<br>S345T001-225<br>COMPONENT MAINT MANUAL REF:<br>28-40-06<br>POST SERVICE BULLETIN:<br>28-0116                | 904949           | 2              |
| 80       | 1140-0110-235 |               | .STICK ASSY-<br>SUPPLIER CODE:<br>V86831<br>SPECIFICATION NUMBER:<br>S345T001-235<br>COMPONENT MAINT MANUAL REF:<br>28-40-06<br>POST SERVICE BULLETIN:<br>31-0127                | 121503<br>950951 | 2              |

R  
R  
R  
R  
R  
R  
R  
R  
R  
R  
R  
R  
R  
R  
R  
R  
R  
R  
R  
R  
R  
R

MISSING ITEM NUMBERS NOT APPLICABLE

- ITEM NOT ILLUSTRATED

28-44-01-02

28-44-01  
FIG. 02  
PAGE 6  
MAY 20/09

BRI





757

PARTS CATALOG (MAINTENANCE)

| FIG ITEM | PART NUMBER   | 1 2 3 4 5 6 7 | NOMENCLATURE   | EFFECT FROM TO             | UNITS PER ASSY |
|----------|---------------|---------------|--|----------------------------|----------------|
| 2        |               |               |  |                            |                |
| 90       | 1140-0110-227 | .             | STICK ASSY-<br>SUPPLIER CODE:<br>V86831<br>SPECIFICATION NUMBER:<br>S345T001-227<br>COMPONENT MAINT MANUAL REF:<br>28-40-06<br>POST SERVICE BULLETIN:<br>28-0116               | 904949                     | 2              |
| 90       | 1140-0110-237 | .             | STICK ASSY-<br>SUPPLIER CODE:<br>V86831<br>SPECIFICATION NUMBER:<br>S345T001-237<br>COMPONENT MAINT MANUAL REF:<br>28-40-06<br>POST SERVICE BULLETIN:<br>28-0116               | 121503<br>950951           | 2              |
| 90       | 1140-0110-247 | .             | STICK ASSY-<br>SUPPLIER CODE:<br>V86831<br>SPECIFICATION NUMBER:<br>S345T001-247<br>COMPONENT MAINT MANUAL REF:<br>28-40-06<br>PRE SERVICE BULLETIN:<br>31-0173R1<br>31-0173R2 | 002004<br>006100           | 2              |
| 100      | 4177-0146-211 | ..            | STICK ASSY-<br>SUPPLIER CODE:<br>V86831<br>USED ON:<br>1140-0110-211   | 009009<br>015015<br>952999 | 1              |
| 100      | 4177-0146-221 | ..            | STICK ASSY-<br>SUPPLIER CODE:<br>V86831<br>USED ON:<br>1140-0110-221   | 904949                     | 1              |
| 100      | 4177-0146-231 | ..            | STICK ASSY-<br>SUPPLIER CODE:<br>V86831<br>USED ON:<br>1140-0110-231   | 121503<br>950951           | 1              |
| 100      | 4177-0146-212 | ..            | STICK ASSY-<br>SUPPLIER CODE:<br>V86831<br>USED ON:<br>1140-0110-212   | 009009<br>015015<br>952999 | 1              |

MISSING ITEM NUMBERS NOT APPLICABLE

- ITEM NOT ILLUSTRATED

28-44-01-02

28-44-01  
FIG. 02  
PAGE 8  
MAY 20/09

BRI



757

PARTS CATALOG (MAINTENANCE)

| FIG ITEM | PART NUMBER   | 1 2 3 4 5 6 7 | NOMENCLATURE   | EFFECT FROM TO             | UNITS PER ASSY |
|----------|---------------|---------------|--|----------------------------|----------------|
| 2        |               |               |  |                            |                |
| 100      | 4177-0146-222 | ..            | STICK ASSY-<br>SUPPLIER CODE:<br>V86831<br>USED ON:<br>1140-0110-222 | 904949                     | 1              |
| 100      | 4177-0146-232 | ..            | STICK ASSY-<br>SUPPLIER CODE:<br>V86831<br>USED ON:<br>1140-0110-232 | 121503<br>950951           | 1              |
| 100      | 4177-0146-213 | ..            | STICK ASSY-<br>SUPPLIER CODE:<br>V86831<br>USED ON:<br>1140-0110-213 | 009009<br>015015<br>952999 | 1              |
| 100      | 4177-0146-223 | ..            | STICK ASSY-<br>SUPPLIER CODE:<br>V86831<br>USED ON:<br>1140-0110-223 | 904949                     | 1              |
| 100      | 4177-0146-233 | ..            | STICK ASSY-<br>SUPPLIER CODE:<br>V86831<br>USED ON:<br>1140-0110-233 | 121503<br>950951           | 1              |
| 100      | 4177-0146-214 | ..            | STICK ASSY-<br>SUPPLIER CODE:<br>V86831<br>USED ON:<br>1140-0110-214 | 009009<br>015015<br>952999 | 1              |
| 100      | 4177-0146-224 | ..            | STICK ASSY-<br>SUPPLIER CODE:<br>V86831<br>USED ON:<br>1140-0110-224 | 904949                     | 1              |
| 100      | 4177-0146-234 | ..            | STICK ASSY-<br>SUPPLIER CODE:<br>V86831<br>USED ON:<br>1140-0110-234 | 121503<br>950951           | 1              |
| 100      | 4177-0146-215 | ..            | STICK ASSY-<br>SUPPLIER CODE:<br>V86831<br>USED ON:<br>1140-0110-215 | 015015<br>952999           | 1              |

R  
R  
R  
R  
R

R  
R  
R  
R  
R

R  
R  
R  
R  
R

MISSING ITEM NUMBERS NOT APPLICABLE

- ITEM NOT ILLUSTRATED

28-44-01-02

28-44-01  
FIG. 02  
PAGE 9  
MAY 20/09

BRI



757

PARTS CATALOG (MAINTENANCE)

| FIG ITEM | PART NUMBER   | 1 2 3 4 5 6 7 | NOMENCLATURE   | EFFECT FROM TO             | UNITS PER ASSY |
|----------|---------------|---------------|--|----------------------------|----------------|
| 2        |               |               |  |                            |                |
| 100      | 4177-0146-225 | ..            | STICK ASSY-<br>SUPPLIER CODE:<br>V86831<br>USED ON:<br>1140-0110-225 | 904949                     | 1              |
| 100      | 4177-0146-235 | ..            | STICK ASSY-<br>SUPPLIER CODE:<br>V86831<br>USED ON:<br>1140-0110-235 | 121503<br>950951           | 1              |
| 105      | 4177-0146-216 | ..            | STICK ASSY-<br>SUPPLIER CODE:<br>V86831<br>USED ON:<br>1140-0110-235 | 015015<br>952999           | 1              |
| 105      | 4177-0146-236 | ..            | STICK ASSY-<br>SUPPLIER CODE:<br>V86831<br>USED ON:<br>1140-0110-216 | 121503<br>950951           | 1              |
| 105      | 4177-0146-217 | ..            | STICK ASSY-<br>SUPPLIER CODE:<br>V86831<br>USED ON:<br>1140-0110-236 | 009009<br>015015<br>952999 | 1              |
| 105      | 4177-0146-227 | ..            | STICK ASSY-<br>SUPPLIER CODE:<br>V86831<br>USED ON:<br>1140-0110-217 | 904949                     | 1              |
| 105      | 4177-0146-237 | ..            | STICK ASSY-<br>SUPPLIER CODE:<br>V86831<br>USED ON:<br>1140-0110-227 | 121503<br>950951           | 1              |
| 105      | 4177-0146-241 | ..            | STICK ASSY-<br>SUPPLIER CODE:<br>V86831<br>USED ON:<br>1140-0110-237 | 002004<br>006100           | 1              |
| 105      | 4177-0146-242 | ..            | STICK ASSY-<br>SUPPLIER CODE:<br>V86831<br>USED ON:<br>1140-0110-241 | 002004<br>006100           | 1              |

MISSING ITEM NUMBERS NOT APPLICABLE

- ITEM NOT ILLUSTRATED

28-44-01-02

28-44-01  
FIG. 02  
PAGE 10  
MAY 20/09

BRI



757

PARTS CATALOG (MAINTENANCE)

| FIG ITEM | PART NUMBER   | 1 2 3 4 5 6 7 | NOMENCLATURE  | EFFECT FROM TO                       | UNITS PER ASSY |
|----------|---------------|---------------|---|--------------------------------------|----------------|
| 2        |               |               |   |                                      |                |
| 105      | 4177-0146-243 | ..            | STICK ASSY-<br>SUPPLIER CODE:<br>V86831<br>USED ON:<br>1140-0110-243          | 002004<br>006100                     | 1              |
| 105      | 4177-0146-244 | ..            | STICK ASSY-<br>SUPPLIER CODE:<br>V86831<br>USED ON:<br>1140-0110-244          | 002004<br>006100                     | 1              |
| 105      | 4177-0146-245 | ..            | STICK ASSY-<br>SUPPLIER CODE:<br>V86831<br>USED ON:<br>1140-0110-245          | 002004<br>006100                     | 1              |
| 105      | 4177-0146-246 | ..            | STICK ASSY-<br>SUPPLIER CODE:<br>V86831<br>USED ON:<br>1140-0110-246          | 002004<br>006100                     | 1              |
| 105      | 4177-0146-247 | ..            | STICK ASSY-<br>SUPPLIER CODE:<br>V86831<br>USED ON:<br>1140-0110-247          | 002004<br>006100                     | 1              |
| 110      | 2078-0058     | ...           | GUIDE-<br>SUPPLIER CODE:<br>V86831<br>OPTIONAL PART:<br>2078-0058-1<br>V86831 | 002004<br>006100<br>121503<br>904999 | 2              |
| 110      | 2078-0058-1   | ...           | GUIDE-<br>SUPPLIER CODE:<br>V86831<br>OPTIONAL PART:<br>2078-0058<br>V86831   | 002004<br>006100<br>121503<br>904999 | 2              |
| 115      | 2161-0210     | ...           | SPRING-<br>SUPPLIER CODE:<br>V86831   | 002004<br>006100<br>121503<br>904999 | 1              |
| 120      | RS900BS015    | ...           | PACKING-<br>SUPPLIER CODE:<br>V86831<br>OPTIONAL PART:<br>MS29513-015         | 002004<br>006100<br>121503<br>904999 | 1              |

MISSING ITEM NUMBERS NOT APPLICABLE

- ITEM NOT ILLUSTRATED

28-44-01-02

28-44-01  
FIG. 02  
PAGE 11  
MAY 20/09

BRI





757

PARTS CATALOG (MAINTENANCE)

| FIG ITEM | PART NUMBER | 1 2 3 4 5 6 7 | NOMENCLATURE  | EFFECT FROM TO   | UNITS PER ASSY             |   |
|----------|-------------|---------------|---|--|----------------------------|---|
| 2        |             |               |   |  |                            |   |
| 120      | MS29513-015 | ...           | PACKING-<br>OPTIONAL PART:<br>RS900BS015<br>V86831                    | 002004<br>006100<br>121503<br>904999                                     | 1                          |   |
| 125      | RS900BS022  | ...           | PACKING-<br>SUPPLIER CODE:<br>V86831<br>OPTIONAL PART:<br>MS29513-022 | 002004<br>006100<br>121503<br>904999                                     | 1                          |   |
| 125      | MS29513-022 | ...           | PACKING-<br>OPTIONAL PART:<br>RS900BS022<br>V86831                    | 002004<br>006100<br>121503<br>904999                                     | 1                          |   |
| 130      | 4115-0001   | ...           | LATCH ASSY-<br>SUPPLIER CODE:<br>V86831                               | 002004<br>006100<br>121503<br>904999                                     | 1                          |   |
| 135      | 2144-0074   | ...           | RETAINER-<br>SUPPLIER CODE:<br>V86831                                 | 002004<br>006100<br>121503<br>904999                                     | 1                          |   |
| R        | 140         | 4177-0169-211 | ...   | STICK SUB ASSY-<br>SUPPLIER CODE:<br>V86831<br>USED ON:<br>4177-0146-211 | 009009<br>015015<br>952999 | 1 |
| R        | 140         | 4177-0169-221 | ...   | STICK SUB ASSY-<br>SUPPLIER CODE:<br>V86831<br>USED ON:<br>4177-0146-221 | 904949                     | 1 |
| R        | 140         | 4177-0169-231 | ...   | STICK SUB ASSY-<br>SUPPLIER CODE:<br>V86831<br>USED ON:<br>4177-0146-231 | 121503<br>950951           | 1 |
| R        | 140         | 4177-0169-212 | ...   | STICK SUB ASSY-<br>SUPPLIER CODE:<br>V86831<br>USED ON:<br>4177-0146-212 | 009009<br>015015<br>952999 | 1 |
| R        | 140         | 4177-0169-222 | ...   | STICK SUB ASSY-<br>SUPPLIER CODE:<br>V86831<br>USED ON:<br>4177-0146-222 | 904949                     | 1 |

MISSING ITEM NUMBERS NOT APPLICABLE

- ITEM NOT ILLUSTRATED

28-44-01-02

28-44-01  
FIG. 02  
PAGE 12  
MAY 20/09

BRI

**BOEING**  
757  
**PARTS CATALOG (MAINTENANCE)**

| FIG ITEM | PART NUMBER   | 1 2 3 4 5 6 7 | NOMENCLATURE  | EFFECT FROM TO             | UNITS PER ASSY |
|----------|---------------|---------------|---|----------------------------|----------------|
| 2        |               |               |   |                            |                |
| 140      | 4177-0169-232 |               | ...STICK SUB ASSY-<br>SUPPLIER CODE:<br>V86831<br>USED ON:<br>4177-0146-232 | 121503<br>950951           | 1              |
| R        | 140           |               | ...STICK SUB ASSY-<br>SUPPLIER CODE:<br>V86831<br>USED ON:<br>4177-0146-213 | 009009<br>015015<br>952999 | 1              |
| R        | 140           |               | ...STICK SUB ASSY-<br>SUPPLIER CODE:<br>V86831<br>USED ON:<br>4177-0146-223 | 904949                     | 1              |
| R        | 140           |               | ...STICK SUB ASSY-<br>SUPPLIER CODE:<br>V86831<br>USED ON:<br>4177-0146-233 | 121503<br>950951           | 1              |
| R        | 140           |               | ...STICK SUB ASSY-<br>SUPPLIER CODE:<br>V86831<br>USED ON:<br>4177-0146-214 | 009009<br>015015<br>952999 | 1              |
| R        | 140           |               | ...STICK SUB ASSY-<br>SUPPLIER CODE:<br>V86831<br>USED ON:<br>4177-0146-224 | 904949                     | 1              |
| R        | 140           |               | ...STICK SUB ASSY-<br>SUPPLIER CODE:<br>V86831<br>USED ON:<br>4177-0146-234 | 121503<br>950951           | 1              |
| R        | 140           |               | ...STICK SUB ASSY-<br>SUPPLIER CODE:<br>V86831<br>USED ON:<br>4177-0146-215 | 015015<br>952999           | 1              |
| R        | 140           |               | ...STICK SUB ASSY-<br>SUPPLIER CODE:<br>V86831<br>USED ON:<br>4177-0146-225 | 904949                     | 1              |

MISSING ITEM NUMBERS NOT APPLICABLE

— ITEM NOT ILLUSTRATED

BRI

**28-44-01-02**

BOEING PROPRIETARY - Copyright © - Unpublished Work - See title page for details.

28-44-01  
FIG. 02  
PAGE 13  
MAY 20/09



757

PARTS CATALOG (MAINTENANCE)

| FIG ITEM | PART NUMBER   | 1 2 3 4 5 6 7 | NOMENCLATURE  | EFFECT FROM TO             | UNITS PER ASSY |
|----------|---------------|---------------|---|----------------------------|----------------|
| 2        |               |               |   |                            |                |
| 140      | 4177-0169-235 |               | ...STICK SUB ASSY-<br>SUPPLIER CODE:<br>V86831<br>USED ON:<br>4177-0146-235 | 121503<br>950951           | 1              |
| R        | 140           |               | ...STICK SUB ASSY-<br>SUPPLIER CODE:<br>V86831<br>USED ON:<br>4177-0146-216 | 015015<br>952999           | 1              |
| R        |               |               |   |                            |                |
| R        | 141           |               | ...STICK SUB ASSY-<br>SUPPLIER CODE:<br>V86831<br>USED ON:<br>4177-0146-236 | 121503<br>950951           | 1              |
| R        |               |               |   |                            |                |
| R        | 141           |               | ...STICK SUB ASSY-<br>SUPPLIER CODE:<br>V86831<br>USED ON:<br>4177-0146-217 | 009009<br>015015<br>952999 | 1              |
| R        |               |               |   |                            |                |
| R        | 141           |               | ...STICK SUB ASSY-<br>SUPPLIER CODE:<br>V86831<br>USED ON:<br>4177-0146-227 | 904949                     | 1              |
|          |               |               |   |                            |                |
|          | 141           |               | ...STICK SUB ASSY-<br>SUPPLIER CODE:<br>V86831<br>USED ON:<br>4177-0146-237 | 121503<br>950951           | 1              |
|          |               |               |   |                            |                |
|          | 141           |               | ...STICK SUB ASSY-<br>SUPPLIER CODE:<br>V86831<br>USED ON:<br>4177-0146-241 | 002004<br>006100           | 1              |
|          |               |               |   |                            |                |
|          | 141           |               | ...STICK SUB ASSY-<br>SUPPLIER CODE:<br>V86831<br>USED ON:<br>4177-0146-242 | 002004<br>006100           | 1              |
|          |               |               |   |                            |                |
|          | 141           |               | ...STICK SUB ASSY-<br>SUPPLIER CODE:<br>V86831<br>USED ON:<br>4177-0146-243 | 002004<br>006100           | 1              |

MISSING ITEM NUMBERS NOT APPLICABLE

- ITEM NOT ILLUSTRATED

28-44-01-02

28-44-01  
FIG. 02  
PAGE 14  
MAY 20/09

BRI



757

PARTS CATALOG (MAINTENANCE)

| FIG ITEM | PART NUMBER   | 1 2 3 4 5 6 7 | NOMENCLATURE   | EFFECT FROM TO   | UNITS PER ASSY |
|----------|---------------|---------------|--|------------------|----------------|
| 2        |               |               |  |                  |                |
| 141      | 4177-0169-244 | ...           | STICK SUB ASSY-<br>SUPPLIER CODE:<br>V86831<br>USED ON:<br>4177-0146-244 | 002004<br>006100 | 1              |
| 141      | 4177-0169-245 | ...           | STICK SUB ASSY-<br>SUPPLIER CODE:<br>V86831<br>USED ON:<br>4177-0146-245 | 002004<br>006100 | 1              |
| 141      | 4177-0169-246 | ...           | STICK SUB ASSY-<br>SUPPLIER CODE:<br>V86831<br>USED ON:<br>4177-0146-246 | 002004<br>006100 | 1              |
| 141      | 4177-0169-247 | ...           | STICK SUB ASSY-<br>SUPPLIER CODE:<br>V86831<br>USED ON:<br>4177-0146-247 | 002004<br>006100 | 1              |

MISSING ITEM NUMBERS NOT APPLICABLE

- ITEM NOT ILLUSTRATED

28-44-01-02

28-44-01  
FIG. 02  
PAGE 15  
MAY 20/09

BRI



757

PARTS CATALOG (MAINTENANCE)

| FIG ITEM | PART NUMBER | 1 2 3 4 5 6 7 | NOMENCLATURE   | EFFECT FROM TO                       | UNITS PER ASSY |
|----------|-------------|---------------|--|--------------------------------------|----------------|
| 2<br>145 | 2011-0012   |               | . . BASE-<br>SUPPLIER CODE:<br>V86831<br>CONFIG CHG DATA FROM A CMM:<br>SUPERSEDES<br>2011-0012-209<br>USED ON:<br>1140-0110-211<br>1140-0110-212<br>1140-0110-213<br>1140-0110-214<br>1140-0110-215<br>1140-0110-217<br>1140-0110-218<br>1140-0110-221<br>1140-0110-222<br>1140-0110-223<br>1140-0110-224<br>1140-0110-225<br>1140-0110-227<br>1140-0110-228<br>1140-0110-231<br>1140-0110-232<br>1140-0110-233<br>1140-0110-234<br>1140-0110-235<br>1140-0110-237<br>1140-0110-241<br>1140-0110-242<br>1140-0110-243<br>1140-0110-244<br>1140-0110-245<br>1140-0110-247<br>1140-0110-248 | 002004<br>006100<br>121503<br>904999 | 1              |

MISSING ITEM NUMBERS NOT APPLICABLE

- ITEM NOT ILLUSTRATED

BRI

28-44-01-02

BOEING PROPRIETARY - Copyright © - Unpublished Work - See title page for details.

28-44-01  
FIG. 02  
PAGE 16  
MAY 20/09



757

PARTS CATALOG (MAINTENANCE)

| FIG ITEM | PART NUMBER   | 1 2 3 4 5 6 7 | NOMENCLATURE  | EFFECT FROM TO                       | UNITS PER ASSY |
|----------|---------------|---------------|---|--------------------------------------|----------------|
| 2<br>145 | 2011-0012-209 |               | ..BASE-<br>SUPPLIER CODE:<br>V86831<br>CONFIG CHG DATA FROM A CMM:<br>SUPSD BY 2011-0012<br>USED ON:<br>1140-0110-211<br>1140-0110-212<br>1140-0110-213<br>1140-0110-214<br>1140-0110-215<br>1140-0110-217<br>1140-0110-218<br>1140-0110-221<br>1140-0110-222<br>1140-0110-223<br>1140-0110-224<br>1140-0110-225<br>1140-0110-227<br>1140-0110-228<br>1140-0110-231<br>1140-0110-232<br>1140-0110-233<br>1140-0110-234<br>1140-0110-235<br>1140-0110-237<br>1140-0110-241<br>1140-0110-242<br>1140-0110-243<br>1140-0110-244<br>1140-0110-245<br>1140-0110-247<br>1140-0110-248 | 002004<br>006100<br>121503<br>904999 | 1              |
| - 148    | 2011-0012-209 |               | ..BASE-<br>SUPPLIER CODE:<br>V86831<br>USED ON:<br>1140-0110-216<br>1140-0110-226<br>1140-0110-236<br>1140-0110-246   | 002004<br>006100<br>121503<br>904999 | 1              |
| 150      | 4090-0033-201 |               | ..HOUSING ASSY-<br>SUPPLIER CODE:<br>V86831<br>USED ON:<br>1140-0110-211<br>1140-0110-221<br>1140-0110-231<br>1140-0110-241   | 002004<br>006100<br>121503<br>904999 | 1              |

MISSING ITEM NUMBERS NOT APPLICABLE

- ITEM NOT ILLUSTRATED

28-44-01-02

28-44-01  
FIG. 02  
PAGE 17  
MAY 20/09

BRI



757

PARTS CATALOG (MAINTENANCE)

| FIG ITEM | PART NUMBER   | 1 2 3 4 5 6 7 | NOMENCLATURE  | EFFECT FROM TO                       | UNITS PER ASSY |
|----------|---------------|---------------|---|--------------------------------------|----------------|
| 2        |               |               |   |                                      |                |
| 150      | 4090-0033-202 |               | ..HOUSING ASSY-<br>SUPPLIER CODE:<br>V86831<br>USED ON:<br>1140-0110-212<br>1140-0110-222<br>1140-0110-232<br>1140-0110-242   | 002004<br>006100<br>121503<br>904999 | 1              |
| 150      | 4090-0033-203 |               | ..HOUSING ASSY-<br>SUPPLIER CODE:<br>V86831<br>USED ON:<br>1140-0110-213<br>1140-0110-223<br>1140-0110-233<br>1140-0110-243   | 002004<br>006100<br>121503<br>904999 | 1              |
| 150      | 4090-0033-204 |               | ..HOUSING ASSY-<br>SUPPLIER CODE:<br>V86831<br>USED ON:<br>1140-0110-214<br>1140-0110-215<br>1140-0110-216<br>1140-0110-224<br>1140-0110-225<br>1140-0110-226<br>1140-0110-234<br>1140-0110-235<br>1140-0110-236<br>1140-0110-244<br>1140-0110-245<br>1140-0110-246 | 002004<br>006100<br>121503<br>904999 | 1              |
| 150      | 4090-0033-207 |               | ..HOUSING ASSY-<br>SUPPLIER CODE:<br>V86831<br>USED ON:<br>1140-0110-217<br>1140-0110-227<br>1140-0110-237<br>1140-0110-247   | 002004<br>006100<br>121503<br>904999 | 1              |
| 155      | 2222-0018     |               | ...STOP-<br>SUPPLIER CODE:<br>V86831  | 002004<br>006100<br>121503<br>904999 | 1              |
| 160      | 4066-0053     |               | ...FLOAT ASSY-<br>SUPPLIER CODE:<br>V86831<br>CONFIG CHG DATA FROM A CMM:<br>SUPSD BY 4066-0053-1   | 002004<br>006100<br>121503<br>904999 | 1              |

MISSING ITEM NUMBERS NOT APPLICABLE

- ITEM NOT ILLUSTRATED

28-44-01-02

28-44-01  
FIG. 02  
PAGE 18  
MAY 20/09

BRI



757

PARTS CATALOG (MAINTENANCE)

| FIG ITEM | PART NUMBER   | 1 2 3 4 5 6 7 | NOMENCLATURE   | EFFECT FROM TO                       | UNITS PER ASSY |
|----------|---------------|---------------|--|--------------------------------------|----------------|
| 2        |               |               |  |                                      |                |
| 160      | 4066-0053-1   | ...           | FLOAT ASSY-<br>SUPPLIER CODE:<br>V86831<br>CONFIG CHG DATA FROM A CMM:<br>SUPSDS 4066-0053   | 002004<br>006100<br>121503<br>904999 | 1              |
| 165      | 2020-0011     | ...           | BUMPER-<br>SUPPLIER CODE:<br>V86831<br>CONFIG CHG DATA FROM A CMM:<br>SUPERSEDES 2220-0011   | 002004<br>006100<br>121503<br>904999 | 1              |
| 165      | 2220-0011     | ...           | BUMPER-<br>SUPPLIER CODE:<br>V86831<br>CONFIG CHG DATA FROM A CMM:<br>SUPERSEDED BY<br>2020-0011                                   | 002004<br>006100<br>121503<br>904999 | 1              |
| 170      | RS900BS016    | ...           | PACKING-<br>SUPPLIER CODE:<br>V86831<br>CONFIG CHG DATA FROM A CMM:<br>SUPERSEDED BY<br>RS900J016<br>OPTIONAL PART:<br>MS29513-016 | 002004<br>006100<br>121503<br>904999 | 2              |
| 170      | MS29513-016   | ...           | PACKING-<br>OPTIONAL PART:<br>RS900BS016<br>V86831   | 002004<br>006100<br>121503<br>904999 | 2              |
| 175      | RS299-1       | ...           | PIN-<br>SUPPLIER CODE:<br>V86831   | 002004<br>006100<br>121503<br>904999 | 1              |
| 180      | 4177-0160-201 | ...           | TUBE-<br>SUPPLIER CODE:<br>V86831<br>CONFIG CHG DATA FROM A CMM:<br>SUPERSEDES<br>2177-0237-211<br>USED ON:<br>4090-0033-201       | 002004<br>006100<br>121503<br>904999 | 1              |
| 180      | 4177-0160-202 | ...           | TUBE-<br>SUPPLIER CODE:<br>V86831<br>CONFIG CHG DATA FROM A CMM:<br>SUPERSEDES<br>2177-0237-212<br>USED ON:<br>4090-0033-202       | 002004<br>006100<br>121503<br>904999 | 1              |

MISSING ITEM NUMBERS NOT APPLICABLE

- ITEM NOT ILLUSTRATED

28-44-01-02

28-44-01  
FIG. 02  
PAGE 19  
MAY 20/09

BRI





757

PARTS CATALOG (MAINTENANCE)

| FIG ITEM | PART NUMBER   | 1 2 3 4 5 6 7 | NOMENCLATURE   | EFFECT FROM TO                       | UNITS PER ASSY |
|----------|---------------|---------------|--|--------------------------------------|----------------|
| 2<br>180 | 4177-0160-203 | ...           | TUBE-<br>SUPPLIER CODE:<br>V86831<br>CONFIG CHG DATA FROM A CMM:<br>SUPERSEDES<br>2177-0237-213<br>USED ON:<br>4090-0033-203 | 002004<br>006100<br>121503<br>904999 | 1              |
| 180      | 4177-0160-204 | ...           | TUBE-<br>SUPPLIER CODE:<br>V86831<br>CONFIG CHG DATA FROM A CMM:<br>SUPERSEDES<br>2177-0237-214<br>USED ON:<br>4090-0033-204 | 002004<br>006100<br>121503<br>904999 | 1              |
| 180      | 4177-0160-207 | ...           | TUBE-<br>SUPPLIER CODE:<br>V86831<br>USED ON:<br>4090-0033-207   | 002004<br>006100<br>121503<br>904999 | 1              |
| - 185    | 2177-0237-211 | ...           | TUBE-<br>SUPPLIER CODE:<br>V86831<br>CONFIG CHG DATA FROM A CMM:<br>SUPSD BY 4177-0160-201<br>USED ON:<br>4090-0033-201      | 002004<br>006100<br>121503<br>904999 | 1              |
| - 185    | 2177-0237-212 | ...           | TUBE-<br>SUPPLIER CODE:<br>V86831<br>CONFIG CHG DATA FROM A CMM:<br>SUPSD BY 4177-0160-202<br>USED ON:<br>4090-0033-202      | 002004<br>006100<br>121503<br>904999 | 1              |
| - 185    | 2177-0237-213 | ...           | TUBE-<br>SUPPLIER CODE:<br>V86831<br>CONFIG CHG DATA FROM A CMM:<br>SUPSD BY 4177-0160-203<br>USED ON:<br>4090-0033-203      | 002004<br>006100<br>121503<br>904999 | 1              |
| - 185    | 2177-0237-214 | ...           | TUBE-<br>SUPPLIER CODE:<br>V86831<br>CONFIG CHG DATA FROM A CMM:<br>SUPSD BY 4177-0160-204<br>USED ON:<br>4090-0033-204      | 002004<br>006100<br>121503<br>904999 | 1              |

MISSING ITEM NUMBERS NOT APPLICABLE

- ITEM NOT ILLUSTRATED

28-44-01-02

28-44-01  
FIG. 02  
PAGE 20  
MAY 20/09

BRI



757

PARTS CATALOG (MAINTENANCE)

| FIG ITEM | PART NUMBER   | 1 2 3 4 5 6 7 | NOMENCLATURE  | EFFECT FROM TO                       | UNITS PER ASSY |
|----------|---------------|---------------|---|--------------------------------------|----------------|
| 2        |               |               |   |                                      |                |
| - 185    | 2177-0237-207 | ...           | TUBE-<br>SUPPLIER CODE:<br>V86831<br>CONFIG CHG DATA FROM A CMM:<br>SUPSD BY 4177-0160-207                        | 002004<br>006100<br>121503<br>904999 | 1              |
| - 185    | 2177-0237-208 | ...           | TUBE-<br>SUPPLIER CODE:<br>V86831<br>CONFIG CHG DATA FROM A CMM:<br>SUPSD BY 4177-0160-208                        | 002004<br>006100<br>121503<br>904999 | 1              |
| - 190    | 2177-0237-211 | ...           | TUBE-<br>SUPPLIER CODE:<br>V86831<br>USED ON:<br>4090-0033-202<br>4090-0033-203<br>4090-0033-204<br>4090-0033-207 | 002004<br>006100<br>121503<br>904999 | 1              |
| - 195    | 2177-0237-212 | ...           | TUBE-<br>SUPPLIER CODE:<br>V86831<br>USED ON:<br>4090-0033-201<br>4090-0033-203<br>4090-0033-204<br>4090-0033-207 | 002004<br>006100<br>121503<br>904999 | 1              |
| - 200    | 2177-0237-213 | ...           | TUBE-<br>SUPPLIER CODE:<br>V86831<br>USED ON:<br>4090-0033-201<br>4090-0033-202<br>4090-0033-204<br>4090-0033-207 | 002004<br>006100<br>121503<br>904999 | 1              |
| - 205    | 2177-0237-214 | ...           | TUBE-<br>SUPPLIER CODE:<br>V86831<br>USED ON:<br>4090-0033-201<br>4090-0033-202<br>4090-0033-203<br>4090-0033-207 | 002004<br>006100<br>121503<br>904999 | 1              |
| - 300    | 345N3001-39   |               | STICK INSTL-FUEL QTY<br>MEASURING INCHES<br>POSITION DATA:<br>L/R CTR TANK<br>FOR NHA SEE:<br>28-00-00-05         | 108120                               | RF             |

MISSING ITEM NUMBERS NOT APPLICABLE

- ITEM NOT ILLUSTRATED

28-44-01-02

28-44-01  
FIG. 02  
PAGE 21  
MAY 20/09

BRI



757

PARTS CATALOG (MAINTENANCE)

| FIG ITEM | PART NUMBER   | 1 2 3 4 5 6 7 | NOMENCLATURE   | EFFECT FROM TO   | UNITS PER ASSY |
|----------|---------------|---------------|--|------------------|----------------|
| 2        |               |               |  |                  |                |
| - 300    | 345N3001-41   |               | STICK INSTL-FUEL QTY<br>MEASURING POUNDS<br>POSITION DATA:<br>L/R CTR TANK<br>FOR NHA SEE:<br>28-00-00-05  | 504903           | RF             |
| - 300    | 345N3001-42   |               | STICK INSTL-FUEL QTY<br>MEASURING POUNDS<br>POSITION DATA:<br>L/R CTR TANK<br>FOR NHA SEE:<br>28-00-00-05  | 101102           | RF             |
| - 300    | MODREF13727   |               | STICK INSTL-FUEL QTY<br>MEASURING INCHES<br>MODULE NUMBER:<br>345N3001-39 REV A<br>POSITION DATA:<br>L/R CTR TANK  | 103106           | 1              |
| 305      | 1140-0110-216 |               | .STICK ASSY-MEASURING<br>SUPPLIER CODE:<br>V86831<br>SPECIFICATION NUMBER:<br>S345T001-216<br>COMPONENT MAINT MANUAL REF:<br>28-40-06  | 103106<br>108120 | 2              |
| 305      | 1140-0110-236 |               | .STICK ASSY-MEASURING<br>SUPPLIER CODE:<br>V86831<br>SPECIFICATION NUMBER:<br>S345T001-236<br>COMPONENT MAINT MANUAL REF:<br>28-40-06<br>POST SERVICE BULLETIN:<br>31-0124<br>PRE SERVICE BULLETIN:<br>31-0093 | 504903           | 2              |
| 305      | 1140-0110-241 |               | .STICK ASSY-MEASURING<br>SUPPLIER CODE:<br>V86831<br>SPECIFICATION NUMBER:<br>S345T001-241<br>COMPONENT MAINT MANUAL REF:<br>28-40-06  | 101102           | 2              |
| 310      | 4177-0146-216 |               | ..STICK ASSY-<br>SUPPLIER CODE:<br>V86831  | 103106<br>108120 | 1              |

MISSING ITEM NUMBERS NOT APPLICABLE

- ITEM NOT ILLUSTRATED

BRI

28-44-01-02

28-44-01  
FIG. 02  
PAGE 22  
MAY 20/09



757

PARTS CATALOG (MAINTENANCE)

| FIG ITEM | PART NUMBER   | 1 2 3 4 5 6 7 | NOMENCLATURE   | EFFECT FROM TO             | UNITS PER ASSY |
|----------|---------------|---------------|--|----------------------------|----------------|
| 2        |               |               |  |                            |                |
| 310      | 4177-0146-236 | ..            | STICK ASSY-<br>SUPPLIER CODE:<br>V86831<br>POST SERVICE BULLETIN:<br>31-0124<br>PRE SERVICE BULLETIN:<br>31-0093 | 504903                     | 1              |
| 310      | 4177-0146-241 | ..            | STICK ASSY-<br>SUPPLIER CODE:<br>V86831  | 101102                     | 1              |
| 315      | 2078-0058     | ...           | GUIDE-<br>SUPPLIER CODE:<br>V86831<br>OPTIONAL PART:<br>2078-0058-1<br>V86831                                    | 101106<br>108120<br>504903 | 2              |
| 315      | 2078-0058-1   | ...           | GUIDE-<br>SUPPLIER CODE:<br>V86831<br>OPTIONAL PART:<br>2078-0058<br>V86831                                      | 101106<br>108120<br>504903 | 2              |
| 320      | 2161-0210     | ...           | SPRING-<br>SUPPLIER CODE:<br>V86831  | 101106<br>108120<br>504903 | 1              |
| 325      | RS900BS015    | ...           | PACKING-<br>SUPPLIER CODE:<br>V86831<br>OPTIONAL PART:<br>MS29513-015  | 101106<br>108120<br>504903 | 1              |
| 325      | MS29513-015   | ...           | PACKING-<br>OPTIONAL PART:<br>RS900BS015<br>V86831   | 101106<br>108120<br>504903 | 1              |
| 330      | RS900BS022    | ...           | PACKING-<br>SUPPLIER CODE:<br>V86831<br>OPTIONAL PART:<br>MS29513-022  | 101106<br>108120<br>504903 | 1              |
| 330      | MS29513-022   | ...           | PACKING-<br>OPTIONAL PART:<br>RS900BS022<br>V86831   | 101106<br>108120<br>504903 | 1              |
| 335      | 4115-0001     | ...           | LATCH ASSY-<br>SUPPLIER CODE:<br>V86831  | 101106<br>108120<br>504903 | 1              |
| 340      | 2144-0074     | ...           | RETAINER-<br>SUPPLIER CODE:<br>V86831  | 101106<br>108120<br>504903 | 1              |

MISSING ITEM NUMBERS NOT APPLICABLE

- ITEM NOT ILLUSTRATED

28-44-01-02

28-44-01  
FIG. 02  
PAGE 23  
MAY 20/09

BRI



757

PARTS CATALOG (MAINTENANCE)

| FIG ITEM | PART NUMBER   | 1 2 3 4 5 6 7 | NOMENCLATURE   | EFFECT FROM TO             | UNITS PER ASSY |
|----------|---------------|---------------|--|----------------------------|----------------|
| 2        |               |               |  |                            |                |
| 345      | 4177-0169-216 | ...           | STICK SUB ASSY-<br>SUPPLIER CODE:<br>V86831  | 103106<br>108120           | 1              |
| 345      | 4177-0169-236 | ...           | STICK SUB ASSY-<br>SUPPLIER CODE:<br>V86831<br>POST SERVICE BULLETIN:<br>31-0124<br>PRE SERVICE BULLETIN:<br>31-0093 | 504903                     | 1              |
| 345      | 4177-0169-241 | ...           | STICK SUB ASSY-<br>SUPPLIER CODE:<br>V86831  | 101102                     | 1              |
| 350      | 4090-0033-204 | ..            | HOUSING ASSY-<br>SUPPLIER CODE:<br>V86831  | 108120<br>504903           | 1              |
| 350      | 4090-0033-201 | ..            | HOUSING ASSY-<br>SUPPLIER CODE:<br>V86831  | 101102                     | 1              |
| 355      | 2222-0018     | ...           | STOP-<br>SUPPLIER CODE:<br>V86831  | 101106<br>108120<br>504903 | 1              |
| 360      | 4066-0053     | ...           | FLOAT ASSY-<br>SUPPLIER CODE:<br>V86831<br>CONFIG CHG DATA FROM A CMM:<br>SUPSD BY 4066-0053-1                       | 101106<br>108120<br>504903 | 1              |
| 360      | 4066-0053-1   | ...           | FLOAT ASSY-<br>SUPPLIER CODE:<br>V86831<br>CONFIG CHG DATA FROM A CMM:<br>SUPERSEDES 4066-0053                       | 101106<br>108120<br>504903 | 1              |
| 365      | 2220-0011     | ...           | BUMPER-<br>SUPPLIER CODE:<br>V86831<br>CONFIG CHG DATA FROM A CMM:<br>SUPSD BY 2020-0011                             | 101106<br>108120<br>504903 | 1              |
| 365      | 2020-0011     | ...           | BUMPER-<br>SUPPLIER CODE:<br>V86831<br>CONFIG CHG DATA FROM A CMM:<br>SUPERSEDES 2220-0011                           | 101106<br>108120<br>504903 | 1              |
| 370      | RS900BS016    | ...           | PACKING-<br>SUPPLIER CODE:<br>V86831   | 101106<br>108120<br>504903 | 2              |
| 375      | RS900BS016    | ...           | PACKING-<br>SUPPLIER CODE:<br>V86831   | 101106<br>108120<br>504903 | 1              |

MISSING ITEM NUMBERS NOT APPLICABLE

- ITEM NOT ILLUSTRATED

28-44-01-02

28-44-01  
FIG. 02  
PAGE 24  
MAY 20/09

BRI



757

PARTS CATALOG (MAINTENANCE)

| FIG<br>ITEM | PART NUMBER   | 1 2 3 4 5 6 7 | NOMENCLATURE                         | EFFECT<br>FROM TO          | UNITS<br>PER<br>ASSY |
|-------------|---------------|---------------|--------------------------------------|----------------------------|----------------------|
| 2<br>380    | RS299-1       |               | ...PIN-<br>SUPPLIER CODE:<br>V86831  | 101106<br>108120<br>504903 | 1                    |
| 385         | 4177-0160-204 |               | ...TUBE-<br>SUPPLIER CODE:<br>V86831 | 108120<br>504903           | 1                    |
| 385         | 4177-0160-201 |               | ...TUBE-<br>SUPPLIER CODE:<br>V86831 | 101102                     | 1                    |

MISSING ITEM NUMBERS NOT APPLICABLE

- ITEM NOT ILLUSTRATED

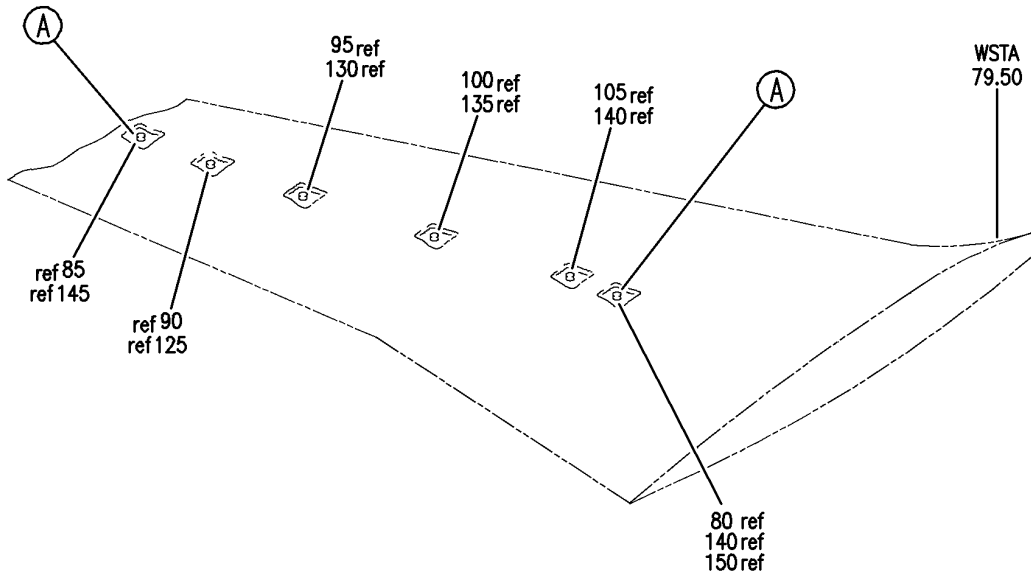
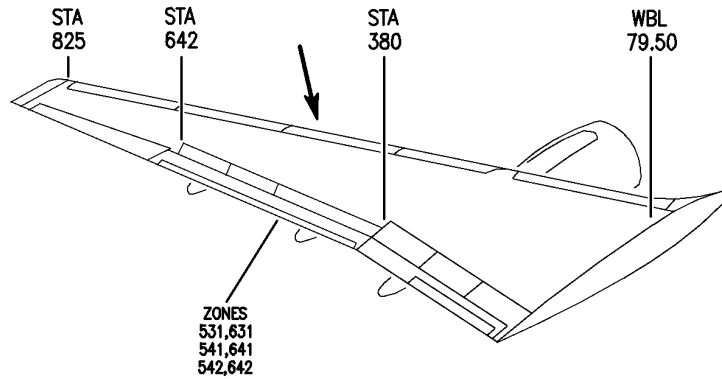
BRI

28-44-01-02

BOEING PROPRIETARY - Copyright © - Unpublished Work - See title page for details.

28-44-01  
FIG. 02  
PAGE 25  
MAY 20/09

**BOEING**  
757  
PARTS CATALOG (MAINTENANCE)



Y 28440103 SHT 1 REV 224

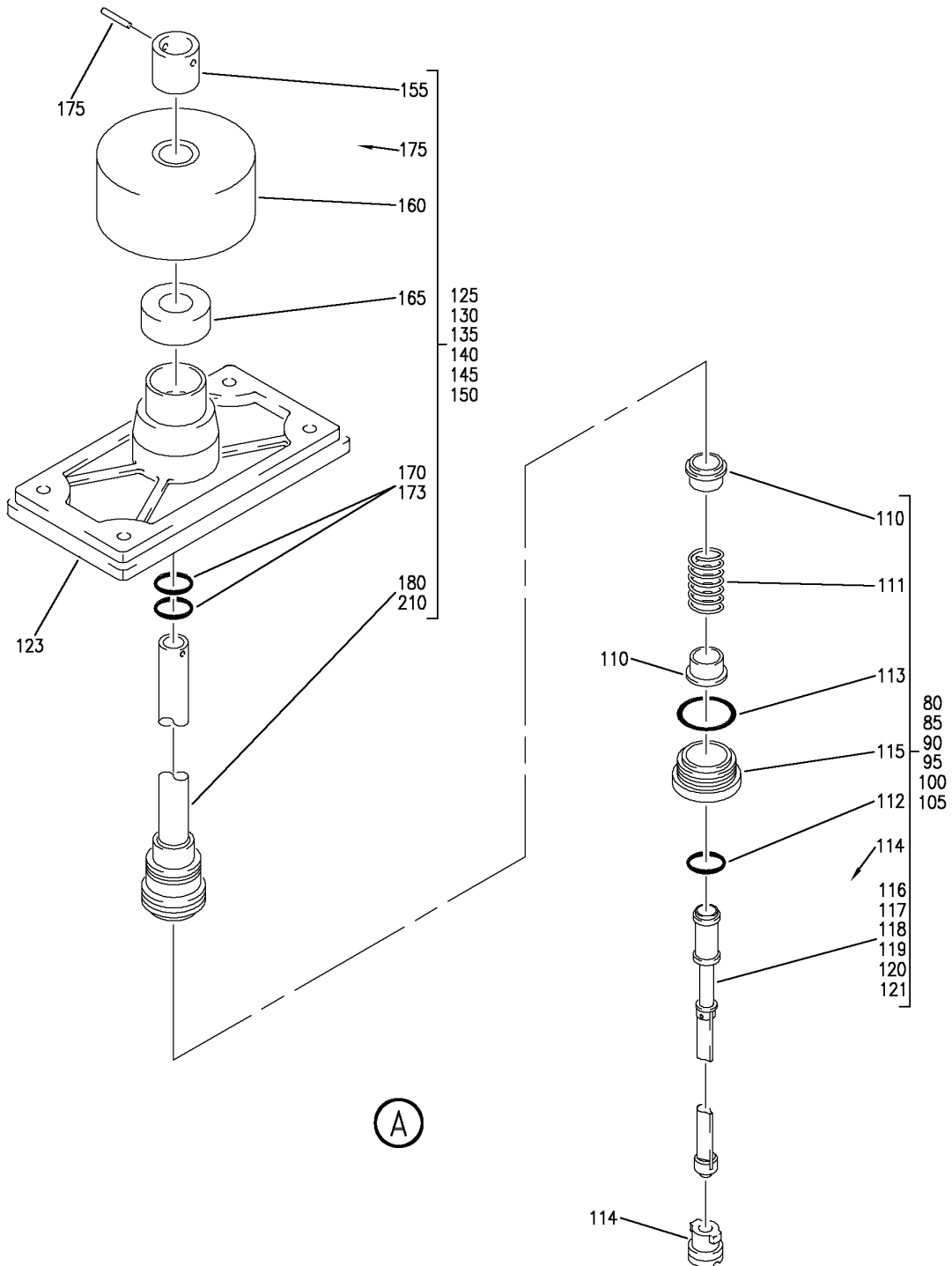
STICK ASSY-FUEL QTY MEASURING  
FIGURE 3 (SHEET 1)

**28-44-01-03**

BRI  
MAY 28/07

28-44-01-03  
PAGE 0

**BOEING**  
757  
PARTS CATALOG (MAINTENANCE)



Y 28440103 SH1 2 REV 306

STICK ASSY-FUEL QTY MEASURING  
FIGURE 3 (SHEET 2)

**28-44-01-03**

BRI  
MAY 28/07

28-44-01-03  
PAGE 0A





757

PARTS CATALOG (MAINTENANCE)

| FIG ITEM | PART NUMBER   | 1 2 3 4 5 6 7 | NOMENCLATURE  | EFFECT FROM TO   | UNITS PER ASSY |
|----------|---------------|---------------|---|------------------|----------------|
| 3        |               |               | STICK ASSY-FUEL QTY<br>MEASURING  | 101106<br>108120 |                |
| - 1      | 1140-0110-215 |               | STICK ASSY-FUEL QTY<br>MEASURING<br>SUPPLIER CODE:<br>V86831<br>SPECIFICATION NUMBER:<br>S345T001-215<br>COMPONENT MAINT MANUAL REF:<br>28-40-06<br>FOR NHA SEE:<br>28-11-01-01D  | 504903<br>108120 | RF             |
| - 1      | 1140-0110-235 |               | STICK ASSY-FUEL QTY<br>MEASURING<br>SUPPLIER CODE:<br>V86831<br>SPECIFICATION NUMBER:<br>S345T001-235<br>COMPONENT MAINT MANUAL REF:<br>28-40-06<br>POST SERVICE BULLETIN:<br>31-0124<br>PRE SERVICE BULLETIN:<br>31-0093<br>FOR NHA SEE:<br>28-11-01-01D | 504903           | RF             |
| - 1      | 1140-0110-242 |               | STICK ASSY-FUEL QTY<br>MEASURING<br>SUPPLIER CODE:<br>V86831<br>SPECIFICATION NUMBER:<br>S345T001-242<br>COMPONENT MAINT MANUAL REF:<br>28-40-06<br>FOR NHA SEE:<br>28-11-01-01D  | 101102           | RF             |
| - 1      | 1140-0110-218 |               | STICK ASSY-FUEL QTY<br>MEASURING<br>SUPPLIER CODE:<br>V86831<br>SPECIFICATION NUMBER:<br>S345T001-218<br>COMPONENT MAINT MANUAL REF:<br>28-40-06<br>FOR NHA SEE:<br>28-11-01-01D  | 103106           | RF             |

MISSING ITEM NUMBERS NOT APPLICABLE

- ITEM NOT ILLUSTRATED

28-44-01-03

28-44-01  
FIG. 03  
PAGE 1  
JAN 20/09

BRI



757

PARTS CATALOG (MAINTENANCE)

| FIG ITEM | PART NUMBER   | 1 2 3 4 5 6 7 | NOMENCLATURE  | EFFECT FROM TO   | UNITS PER ASSY |
|----------|---------------|---------------|---|------------------|----------------|
| 3<br>- 5 | 1140-0110-217 |               | STICK ASSY-FUEL QTY<br>MEASURING<br>SUPPLIER CODE:<br>V86831<br>SPECIFICATION NUMBER:<br>S345T001-217<br>COMPONENT MAINT MANUAL REF:<br>28-40-06<br>FOR NHA SEE:<br>28-11-01-01D  | 103106<br>108120 | RF             |
| - 5      | 1140-0110-237 |               | STICK ASSY-FUEL QTY<br>MEASURING<br>SUPPLIER CODE:<br>V86831<br>SPECIFICATION NUMBER:<br>S345T001-237<br>COMPONENT MAINT MANUAL REF:<br>28-40-06<br>POST SERVICE BULLETIN:<br>31-0124<br>PRE SERVICE BULLETIN:<br>31-0093<br>FOR NHA SEE:<br>28-11-01-01D | 504903           | RF             |
| - 5      | 1140-0110-247 |               | STICK ASSY-FUEL QTY<br>MEASURING<br>SUPPLIER CODE:<br>V86831<br>SPECIFICATION NUMBER:<br>S345T001-247<br>COMPONENT MAINT MANUAL REF:<br>28-40-06<br>FOR NHA SEE:<br>28-11-01-01D  | 101102           | RF             |
| - 10     | 1140-0110-211 |               | STICK ASSY-FUEL QTY<br>MEASURING<br>SUPPLIER CODE:<br>V86831<br>SPECIFICATION NUMBER:<br>S345T001-211<br>COMPONENT MAINT MANUAL REF:<br>28-40-06<br>FOR NHA SEE:<br>28-11-01-01D  | 103106<br>108120 | RF             |

MISSING ITEM NUMBERS NOT APPLICABLE

- ITEM NOT ILLUSTRATED

28-44-01-03

28-44-01  
FIG. 03  
PAGE 2  
JAN 20/09

BRI



757

PARTS CATALOG (MAINTENANCE)

| FIG ITEM  | PART NUMBER   | 1 2 3 4 5 6 7 | NOMENCLATURE  | EFFECT FROM TO   | UNITS PER ASSY |
|-----------|---------------|---------------|---|------------------|----------------|
| 3<br>- 10 | 1140-0110-231 |               | STICK ASSY-FUEL QTY<br>MEASURING<br>SUPPLIER CODE:<br>V86831<br>SPECIFICATION NUMBER:<br>S345T001-231<br>COMPONENT MAINT MANUAL REF:<br>28-40-06<br>POST SERVICE BULLETIN:<br>31-0124<br>PRE SERVICE BULLETIN:<br>31-0093<br>FOR NHA SEE:<br>28-11-01-01D | 504903           | RF             |
| - 10      | 1140-0110-246 |               | STICK ASSY-FUEL QTY<br>MEASURING<br>SUPPLIER CODE:<br>V86831<br>SPECIFICATION NUMBER:<br>S345T001-246<br>COMPONENT MAINT MANUAL REF:<br>28-40-06<br>FOR NHA SEE:<br>28-11-01-01D  | 101102           | RF             |
| - 15      | 1140-0110-212 |               | STICK ASSY-FUEL QTY<br>MEASURING<br>SUPPLIER CODE:<br>V86831<br>SPECIFICATION NUMBER:<br>S345T001-212<br>COMPONENT MAINT MANUAL REF:<br>28-40-06<br>FOR NHA SEE:<br>28-11-01-01D  | 103106<br>108120 | RF             |
| - 15      | 1140-0110-232 |               | STICK ASSY-FUEL QTY<br>MEASURING<br>SUPPLIER CODE:<br>V86831<br>SPECIFICATION NUMBER:<br>S345T001-232<br>COMPONENT MAINT MANUAL REF:<br>28-40-06<br>POST SERVICE BULLETIN:<br>31-0124<br>PRE SERVICE BULLETIN:<br>31-0093<br>FOR NHA SEE:<br>28-11-01-01D | 504903           | RF             |

MISSING ITEM NUMBERS NOT APPLICABLE

- ITEM NOT ILLUSTRATED

28-44-01-03

28-44-01  
FIG. 03  
PAGE 3  
JAN 20/09

BRI



757

PARTS CATALOG (MAINTENANCE)

| FIG ITEM  | PART NUMBER   | 1 2 3 4 5 6 7 | NOMENCLATURE  | EFFECT FROM TO   | UNITS PER ASSY |
|-----------|---------------|---------------|---|------------------|----------------|
| 3<br>- 15 | 1140-0110-245 |               | STICK ASSY-FUEL QTY<br>MEASURING<br>SUPPLIER CODE:<br>V86831<br>SPECIFICATION NUMBER:<br>S345T001-245<br>COMPONENT MAINT MANUAL REF:<br>28-40-06<br>FOR NHA SEE:<br>28-11-01-01D  | 101102           | RF             |
| - 20      | 1140-0110-213 |               | STICK ASSY-FUEL QTY<br>MEASURING<br>SUPPLIER CODE:<br>V86831<br>SPECIFICATION NUMBER:<br>S345T001-213<br>COMPONENT MAINT MANUAL REF:<br>28-40-06<br>FOR NHA SEE:<br>28-11-01-01D  | 103106<br>108120 | RF             |
| - 20      | 1140-0110-233 |               | STICK ASSY-FUEL QTY<br>MEASURING<br>SUPPLIER CODE:<br>V86831<br>SPECIFICATION NUMBER:<br>S345T001-233<br>COMPONENT MAINT MANUAL REF:<br>28-40-06<br>POST SERVICE BULLETIN:<br>31-0124<br>PRE SERVICE BULLETIN:<br>31-0093<br>FOR NHA SEE:<br>28-11-01-01D | 504903           | RF             |
| - 20      | 1140-0110-244 |               | STICK ASSY-FUEL QTY<br>MEASURING<br>SUPPLIER CODE:<br>V86831<br>SPECIFICATION NUMBER:<br>S345T001-244<br>COMPONENT MAINT MANUAL REF:<br>28-40-06<br>FOR NHA SEE:<br>28-11-01-01D  | 101102           | RF             |

MISSING ITEM NUMBERS NOT APPLICABLE

- ITEM NOT ILLUSTRATED

28-44-01-03

28-44-01  
FIG. 03  
PAGE 4  
JAN 20/09

BRI



757

PARTS CATALOG (MAINTENANCE)

| FIG ITEM  | PART NUMBER   | 1 2 3 4 5 6 7 | NOMENCLATURE  | EFFECT FROM TO   | UNITS PER ASSY |
|-----------|---------------|---------------|---|------------------|----------------|
| 3<br>- 25 | 1140-0110-214 |               | STICK ASSY-FUEL QTY<br>MEASURING<br>SUPPLIER CODE:<br>V86831<br>SPECIFICATION NUMBER:<br>S345T001-214<br>COMPONENT MAINT MANUAL REF:<br>28-40-06<br>FOR NHA SEE:<br>28-11-01-01D  | 103106<br>108120 | RF             |
| - 25      | 1140-0110-234 |               | STICK ASSY-FUEL QTY<br>MEASURING<br>SUPPLIER CODE:<br>V86831<br>SPECIFICATION NUMBER:<br>S345T001-234<br>COMPONENT MAINT MANUAL REF:<br>28-40-06<br>POST SERVICE BULLETIN:<br>31-0124<br>PRE SERVICE BULLETIN:<br>31-0093<br>FOR NHA SEE:<br>28-11-01-01D | 504903           | RF             |
| - 25      | 1140-0110-243 |               | STICK ASSY-FUEL QTY<br>MEASURING<br>SUPPLIER CODE:<br>V86831<br>SPECIFICATION NUMBER:<br>S345T001-243<br>COMPONENT MAINT MANUAL REF:<br>28-40-06<br>FOR NHA SEE:<br>28-11-01-01D  | 101102           | RF             |
| 80        | 4177-0146-215 |               | .STICK ASSY-<br>SUPPLIER CODE:<br>V86831<br>USED ON:<br>1140-0110-215   | 108120           | 1              |
| 80        | 4177-0146-218 |               | .STICK ASSY-<br>SUPPLIER CODE:<br>V86831<br>USED ON:<br>1140-0110-218   | 103106           | 1              |

MISSING ITEM NUMBERS NOT APPLICABLE

- ITEM NOT ILLUSTRATED

28-44-01-03

28-44-01  
FIG. 03  
PAGE 5  
JAN 20/09

BRI



757

PARTS CATALOG (MAINTENANCE)

| FIG ITEM | PART NUMBER   | 1 2 3 4 5 6 7 | NOMENCLATURE   | EFFECT FROM TO   | UNITS PER ASSY |
|----------|---------------|---------------|--|------------------|----------------|
| 3        |               |               |  |                  |                |
| 80       | 4177-0146-235 |               | .STICK ASSY-<br>SUPPLIER CODE:<br>V86831<br>USED ON:<br>1140-0110-235<br>POST SERVICE BULLETIN:<br>31-0124<br>PRE SERVICE BULLETIN:<br>31-0093 | 504903           | 1              |
| 80       | 4177-0146-242 |               | .STICK ASSY-<br>SUPPLIER CODE:<br>V86831<br>USED ON:<br>1140-0110-242  | 101102           | 1              |
| 85       | 4177-0146-217 |               | .STICK ASSY-<br>SUPPLIER CODE:<br>V86831<br>USED ON:<br>1140-0110-217  | 103106<br>108120 | 1              |
| 85       | 4177-0146-237 |               | .STICK ASSY-<br>SUPPLIER CODE:<br>V86831<br>USED ON:<br>1140-0110-237<br>POST SERVICE BULLETIN:<br>31-0124<br>PRE SERVICE BULLETIN:<br>31-0093 | 504903           | 1              |
| 85       | 4177-0146-247 |               | .STICK ASSY-<br>SUPPLIER CODE:<br>V86831<br>USED ON:<br>1140-0110-247  | 101102           | 1              |
| 90       | 4177-0146-211 |               | .STICK ASSY-<br>SUPPLIER CODE:<br>V86831<br>USED ON:<br>1140-0110-211  | 103106<br>108120 | 1              |
| 90       | 4177-0146-231 |               | .STICK ASSY-<br>SUPPLIER CODE:<br>V86831<br>USED ON:<br>1140-0110-231<br>POST SERVICE BULLETIN:<br>31-0124<br>PRE SERVICE BULLETIN:<br>31-0093 | 504903           | 1              |

MISSING ITEM NUMBERS NOT APPLICABLE

- ITEM NOT ILLUSTRATED

28-44-01-03

28-44-01  
FIG. 03  
PAGE 6  
JAN 20/09

BRI



757

PARTS CATALOG (MAINTENANCE)

| FIG ITEM | PART NUMBER   | 1 2 3 4 5 6 7 | NOMENCLATURE   | EFFECT FROM TO   | UNITS PER ASSY |
|----------|---------------|---------------|--|------------------|----------------|
| 3        |               |               |  |                  |                |
| 90       | 4177-0146-246 |               | .STICK ASSY-<br>SUPPLIER CODE:<br>V86831<br>USED ON:<br>1140-0110-246  | 101102           | 1              |
| 95       | 4177-0146-212 |               | .STICK ASSY-<br>SUPPLIER CODE:<br>V86831<br>USED ON:<br>1140-0110-212  | 103106<br>108120 | 1              |
| 95       | 4177-0146-232 |               | .STICK ASSY-<br>SUPPLIER CODE:<br>V86831<br>USED ON:<br>1140-0110-232<br>POST SERVICE BULLETIN:<br>31-0124<br>PRE SERVICE BULLETIN:<br>31-0093 | 504903           | 1              |
| 95       | 4177-0146-245 |               | .STICK ASSY-<br>SUPPLIER CODE:<br>V86831<br>USED ON:<br>1140-0110-245  | 101102           | 1              |
| 100      | 4177-0146-213 |               | .STICK ASSY-<br>SUPPLIER CODE:<br>V86831<br>USED ON:<br>1140-0110-213  | 103106<br>108120 | 1              |
| 100      | 4177-0146-233 |               | .STICK ASSY-<br>SUPPLIER CODE:<br>V86831<br>USED ON:<br>1140-0110-233<br>POST SERVICE BULLETIN:<br>31-0124<br>PRE SERVICE BULLETIN:<br>31-0093 | 504903           | 1              |
| 100      | 4177-0146-244 |               | .STICK ASSY-<br>SUPPLIER CODE:<br>V86831<br>USED ON:<br>1140-0110-244  | 101102           | 1              |
| 105      | 4177-0146-214 |               | .STICK ASSY-<br>SUPPLIER CODE:<br>V86831<br>USED ON:<br>1140-0110-214  | 103106<br>108120 | 1              |

MISSING ITEM NUMBERS NOT APPLICABLE

- ITEM NOT ILLUSTRATED

28-44-01-03

28-44-01  
FIG. 03  
PAGE 7  
JAN 20/09

BRI



757

PARTS CATALOG (MAINTENANCE)

| FIG ITEM | PART NUMBER   | 1 2 3 4 5 6 7 | NOMENCLATURE   | EFFECT FROM TO                       | UNITS PER ASSY |
|----------|---------------|---------------|--|--------------------------------------|----------------|
| 3<br>105 | 4177-0146-234 |               | .STICK ASSY-<br>SUPPLIER CODE:<br>V86831<br>USED ON:<br>1140-0110-234<br>POST SERVICE BULLETIN:<br>31-0124<br>PRE SERVICE BULLETIN:<br>31-0093 | 504903                               | 1              |
| 105      | 4177-0146-243 |               | .STICK ASSY-<br>SUPPLIER CODE:<br>V86831<br>USED ON:<br>1140-0110-243  | 101102                               | 1              |
| 110      | 2078-0058     |               | ..GUIDE-<br>SUPPLIER CODE:<br>V86831<br>OPTIONAL PART:<br>2078-0058-1<br>V86831  | 101106<br>108120<br>504504<br>506506 | 2              |
| 110      | 2078-0058     |               | ..GUIDE-<br>SUPPLIER CODE:<br>V86831<br>OPTIONAL PART:<br>2078-0058-1<br>V86831  | 505505<br>507903                     | 2              |
| 110      | 2078-0058-1   |               | ..GUIDE-<br>SUPPLIER CODE:<br>V86831<br>OPTIONAL PART:<br>2078-0058<br>V86831  | 101106<br>108120<br>504504<br>506506 | 2              |
| 110      | 2078-0058-1   |               | ..GUIDE-<br>SUPPLIER CODE:<br>V86831<br>OPTIONAL PART:<br>2078-0058<br>V86831  | 505505<br>507903                     | 2              |
| 111      | 2161-0210     |               | ..SPRING-<br>SUPPLIER CODE:<br>V86831  | 101106<br>108120<br>504504<br>506506 | 1              |
| 111      | 2161-0210     |               | ..SPRING-<br>SUPPLIER CODE:<br>V86831  | 505505<br>507903                     | 1              |

MISSING ITEM NUMBERS NOT APPLICABLE

- ITEM NOT ILLUSTRATED

28-44-01-03

28-44-01  
FIG. 03  
PAGE 8  
JAN 20/09

BRI

BOEING PROPRIETARY - Copyright © - Unpublished Work - See title page for details.





757

PARTS CATALOG (MAINTENANCE)

| FIG ITEM | PART NUMBER | 1 2 3 4 5 6 7 | NOMENCLATURE  | EFFECT FROM TO                       | UNITS PER ASSY |
|----------|-------------|---------------|---|--------------------------------------|----------------|
| 3        |             |               |   |                                      |                |
| 112      | RS900BS015  | ..            | PACKING-<br>SUPPLIER CODE:<br>V86831<br>OPTIONAL PART:<br>MS29513-015 | 101106<br>108120<br>504504<br>506506 | 1              |
| 112      | RS900BS015  | ..            | PACKING-<br>SUPPLIER CODE:<br>V86831<br>OPTIONAL PART:<br>MS29513-015 | 505505<br>507903                     | 1              |
| 112      | MS29513-015 | ..            | PACKING-<br>OPTIONAL PART:<br>RS900BS015<br>V86831                    | 101106<br>108120<br>504504<br>506506 | 1              |
| 112      | MS29513-015 | ..            | PACKING-<br>OPTIONAL PART:<br>RS900BS015<br>V86831                    | 505505<br>507903                     | 1              |
| 113      | RS900BS022  | ..            | PACKING-<br>SUPPLIER CODE:<br>V86831<br>OPTIONAL PART:<br>MS29513-022 | 101106<br>108120<br>504504<br>506506 | 1              |
| 113      | RS900BS022  | ..            | PACKING-<br>SUPPLIER CODE:<br>V86831<br>OPTIONAL PART:<br>MS29513-022 | 505505<br>507903                     | 1              |
| 113      | MS29513-022 | ..            | PACKING-<br>OPTIONAL PART:<br>RS900BS022<br>V86831                    | 101106<br>108120<br>504504<br>506506 | 1              |
| 113      | MS29513-022 | ..            | PACKING-<br>OPTIONAL PART:<br>RS900BS022<br>V86831                    | 505505<br>507903                     | 1              |
| 114      | 4115-0001   | ..            | LATCH ASSY-<br>SUPPLIER CODE:<br>V86831                               | 101106<br>108120<br>504504<br>506506 | 1              |
| 114      | 4115-0001   | ..            | LATCH ASSY-<br>SUPPLIER CODE:<br>V86831                               | 505505<br>507903                     | 1              |
| 115      | 2144-0074   | ..            | RETAINER-<br>SUPPLIER CODE:<br>V86831                                 | 101106<br>108120<br>504504<br>506506 | 1              |

MISSING ITEM NUMBERS NOT APPLICABLE

- ITEM NOT ILLUSTRATED

28-44-01-03

28-44-01  
FIG. 03  
PAGE 9  
JAN 20/09

BRI

BOEING PROPRIETARY - Copyright © - Unpublished Work - See title page for details.



757

PARTS CATALOG (MAINTENANCE)

| FIG ITEM | PART NUMBER   | 1 2 3 4 5 6 7 | NOMENCLATURE  | EFFECT FROM TO   | UNITS PER ASSY |
|----------|---------------|---------------|---|------------------|----------------|
| 3        |               |               |   |                  |                |
| 115      | 2144-0074     |               | ..RETAINER-<br>SUPPLIER CODE:<br>V86831   | 505505<br>507903 | 1              |
| 116      | 4177-0169-214 |               | ..STICK SUB ASSY-<br>SUPPLIER CODE:<br>V86831<br>USED ON:<br>4177-0146-214  | 103106<br>108120 | 1              |
| 116      | 4177-0169-231 |               | ..STICK SUB ASSY-<br>SUPPLIER CODE:<br>V86831<br>USED ON:<br>4177-0146-231<br>POST SERVICE BULLETIN:<br>31-0124<br>PRE SERVICE BULLETIN:<br>31-0093 | 504903           | 1              |
| 116      | 4177-0169-242 |               | ..STICK SUB ASSY-<br>SUPPLIER CODE:<br>V86831<br>USED ON:<br>4177-0146-242  | 101102           | 1              |
| 117      | 4177-0169-211 |               | ..STICK SUB ASSY-<br>SUPPLIER CODE:<br>V86831<br>USED ON:<br>4177-0146-211  | 103106<br>108120 | 1              |
| 117      | 4177-0169-232 |               | ..STICK SUB ASSY-<br>SUPPLIER CODE:<br>V86831<br>USED ON:<br>4177-0146-232<br>POST SERVICE BULLETIN:<br>31-0124<br>PRE SERVICE BULLETIN:<br>31-0093 | 504903           | 1              |
| 117      | 4177-0169-243 |               | ..STICK SUB ASSY-<br>SUPPLIER CODE:<br>V86831<br>USED ON:<br>4177-0146-243  | 101102           | 1              |
| 118      | 4177-0169-212 |               | ..STICK SUB ASSY-<br>SUPPLIER CODE:<br>V86831<br>USED ON:<br>4177-0146-212  | 103106<br>108120 | 1              |

MISSING ITEM NUMBERS NOT APPLICABLE

- ITEM NOT ILLUSTRATED

28-44-01-03

28-44-01  
FIG. 03  
PAGE 10  
JAN 20/09

BRI

BOEING PROPRIETARY - Copyright © - Unpublished Work - See title page for details.



757

PARTS CATALOG (MAINTENANCE)

| FIG ITEM | PART NUMBER   | 1 2 3 4 5 6 7 | NOMENCLATURE  | EFFECT FROM TO   | UNITS PER ASSY |
|----------|---------------|---------------|---|------------------|----------------|
| 3        |               |               |   |                  |                |
| 118      | 4177-0169-233 | ..            | STICK SUB ASSY-<br>SUPPLIER CODE:<br>V86831<br>USED ON:<br>4177-0146-233<br>POST SERVICE BULLETIN:<br>31-0124<br>PRE SERVICE BULLETIN:<br>31-0093 | 504903           | 1              |
| 118      | 4177-0169-244 | ..            | STICK SUB ASSY-<br>SUPPLIER CODE:<br>V86831<br>USED ON:<br>4177-0146-244  | 101102           | 1              |
| 119      | 4177-0169-213 | ..            | STICK SUB ASSY-<br>SUPPLIER CODE:<br>V86831<br>USED ON:<br>4177-0146-213  | 103106<br>108120 | 1              |
| 119      | 4177-0169-234 | ..            | STICK SUB ASSY-<br>SUPPLIER CODE:<br>V86831<br>USED ON:<br>4177-0146-234<br>POST SERVICE BULLETIN:<br>31-0124<br>PRE SERVICE BULLETIN:<br>31-0093 | 504903           | 1              |
| 119      | 4177-0169-245 | ..            | STICK SUB ASSY-<br>SUPPLIER CODE:<br>V86831<br>USED ON:<br>4177-0146-245  | 101102           | 1              |
| 120      | 4177-0169-215 | ..            | STICK SUB ASSY-<br>SUPPLIER CODE:<br>V86831<br>USED ON:<br>4177-0146-215  | 108120           | 1              |
| 120      | 4177-0169-218 | ..            | STICK SUB ASSY-<br>SUPPLIER CODE:<br>V86831<br>USED ON:<br>4177-0146-218  | 103106           | 1              |

MISSING ITEM NUMBERS NOT APPLICABLE

- ITEM NOT ILLUSTRATED

28-44-01-03

28-44-01  
FIG. 03  
PAGE 11  
JAN 20/09

BRI



757

PARTS CATALOG (MAINTENANCE)

| FIG ITEM | PART NUMBER   | 1 2 3 4 5 6 7 | NOMENCLATURE  | EFFECT FROM TO                       | UNITS PER ASSY |
|----------|---------------|---------------|---|--------------------------------------|----------------|
| 3        |               |               |   |                                      |                |
| 120      | 4177-0169-335 | ..            | STICK SUB ASSY-<br>SUPPLIER CODE:<br>V86831<br>USED ON:<br>4177-0146-235<br>POST SERVICE BULLETIN:<br>31-0124<br>PRE SERVICE BULLETIN:<br>31-0093 | 504903                               | 1              |
| 120      | 4177-0169-246 | ..            | STICK SUB ASSY-<br>SUPPLIER CODE:<br>V86831<br>USED ON:<br>4177-0146-246  | 101102                               | 1              |
| 121      | 4177-0169-217 | ..            | STICK SUB ASSY-<br>SUPPLIER CODE:<br>V86831<br>USED ON:<br>4177-0146-217  | 103106<br>108120                     | 1              |
| 121      | 4177-0169-237 | ..            | STICK SUB ASSY-<br>SUPPLIER CODE:<br>V86831<br>USED ON:<br>4177-0146-237<br>POST SERVICE BULLETIN:<br>31-0124<br>PRE SERVICE BULLETIN:<br>31-0093 | 504903                               | 1              |
| 121      | 4177-0169-247 | ..            | STICK SUB ASSY-<br>SUPPLIER CODE:<br>V86831<br>USED ON:<br>4177-0146-247  | 101102                               | 1              |
| 123      | 2011-0012     | .BASE-        | SUPPLIER CODE:<br>V86831<br>CONFIG CHG DATA FROM A CMM:<br>SUPSDS 2011-0012-209   | 101106<br>108120<br>504504<br>506506 | 1              |
| 123      | 2011-0012-209 | .BASE-        | SUPPLIER CODE:<br>V86831<br>CONFIG CHG DATA FROM A CMM:<br>SUPSD BY 2011-0012   | 101106<br>108120<br>504504<br>506506 | 1              |
| 123      | 2011-0012     | .BASE-        | SUPPLIER CODE:<br>V86831<br>CONFIG CHG DATA FROM A CMM:<br>SUPSDS 2011-0012-209   | 505505<br>507903                     | 1              |

MISSING ITEM NUMBERS NOT APPLICABLE

- ITEM NOT ILLUSTRATED

28-44-01-03

28-44-01  
FIG. 03  
PAGE 12  
JAN 20/09

BRI



757

PARTS CATALOG (MAINTENANCE)

| FIG ITEM | PART NUMBER   | 1 2 3 4 5 6 7 | NOMENCLATURE   | EFFECT FROM TO                       | UNITS PER ASSY |
|----------|---------------|---------------|--|--------------------------------------|----------------|
| 3        |               |               |  |                                      |                |
| 123      | 2011-0012-209 |               | .BASE-<br>SUPPLIER CODE:<br>V86831<br>CONFIG CHG DATA FROM A CMM:<br>SUPSD BY 2011-0012                                    | 505505<br>507903                     | 1              |
| 125      | 4090-0033-201 |               | .HOUSING ASSY-<br>SUPPLIER CODE:<br>V86831<br>USED ON:<br>1140-0110-221<br>1140-0110-231<br>1140-0110-246<br>1140-0110-211 | 101106<br>108120<br>504504<br>506506 | 1              |
| 125      | 4090-0033-201 |               | .HOUSING ASSY-<br>SUPPLIER CODE:<br>V86831<br>USED ON:<br>1140-0110-221<br>1140-0110-231                                   | 505505<br>507903                     | 1              |
| 130      | 4090-0033-202 |               | .HOUSING ASSY-<br>SUPPLIER CODE:<br>V86831<br>USED ON:<br>1140-0110-222<br>1140-0110-232<br>1140-0110-245<br>1140-0110-212 | 101106<br>108120<br>504504<br>506506 | 1              |
| 130      | 4090-0033-202 |               | .HOUSING ASSY-<br>SUPPLIER CODE:<br>V86831<br>USED ON:<br>1140-0110-222<br>1140-0110-232                                   | 505505<br>507903                     | 1              |
| 135      | 4090-0033-203 |               | .HOUSING ASSY-<br>SUPPLIER CODE:<br>V86831<br>USED ON:<br>1140-0110-223<br>1140-0110-233<br>1140-0110-244<br>1140-0110-213 | 101106<br>108120<br>504504<br>506506 | 1              |
| 135      | 4090-0033-203 |               | .HOUSING ASSY-<br>SUPPLIER CODE:<br>V86831<br>USED ON:<br>1140-0110-223<br>1140-0110-233                                   | 505505<br>507903                     | 1              |

MISSING ITEM NUMBERS NOT APPLICABLE

- ITEM NOT ILLUSTRATED

28-44-01-03

28-44-01  
FIG. 03  
PAGE 13  
JAN 20/09

BRI



757

PARTS CATALOG (MAINTENANCE)

| FIG ITEM | PART NUMBER   | 1 2 3 4 5 6 7 | NOMENCLATURE   | EFFECT FROM TO                       | UNITS PER ASSY |
|----------|---------------|---------------|--|--------------------------------------|----------------|
| 3        |               |               |  |                                      |                |
| 140      | 4090-0033-204 |               | .HOUSING ASSY-<br>SUPPLIER CODE:<br>V86831<br>USED ON:<br>1140-0110-214<br>1140-0110-215<br>1140-0110-224<br>1140-0110-225<br>1140-0110-234<br>1140-0110-235<br>1140-0110-242<br>1140-0110-243 | 101102<br>108120<br>504504<br>506506 | 1              |
| 140      | 4090-0033-204 |               | .HOUSING ASSY-<br>SUPPLIER CODE:<br>V86831<br>USED ON:<br>1140-0110-214<br>1140-0110-243   | 103106                               | 1              |
| 140      | 4090-0033-204 |               | .HOUSING ASSY-<br>SUPPLIER CODE:<br>V86831<br>USED ON:<br>1140-0110-224<br>1140-0110-225<br>1140-0110-234<br>1140-0110-235   | 505505<br>507903                     | 1              |
| 145      | 4090-0033-207 |               | .HOUSING ASSY-<br>SUPPLIER CODE:<br>V86831<br>USED ON:<br>1140-0110-227<br>1140-0110-237<br>1140-0110-247<br>1140-0110-217   | 101106<br>108120<br>504504<br>506506 | 1              |
| 145      | 4090-0033-207 |               | .HOUSING ASSY-<br>SUPPLIER CODE:<br>V86831<br>USED ON:<br>1140-0110-227<br>1140-0110-237   | 505505<br>507903                     | 1              |
| 150      | 4090-0033-208 |               | .HOUSING ASSY-<br>SUPPLIER CODE:<br>V86831<br>USED ON:<br>1140-0110-218<br>1140-0110-248   | 103106                               | 1              |

MISSING ITEM NUMBERS NOT APPLICABLE

- ITEM NOT ILLUSTRATED

28-44-01-03

28-44-01  
FIG. 03  
PAGE 14  
JAN 20/09

BRI



757

PARTS CATALOG (MAINTENANCE)

| FIG ITEM | PART NUMBER | 1 2 3 4 5 6 7 | NOMENCLATURE   | EFFECT FROM TO                       | UNITS PER ASSY |
|----------|-------------|---------------|--|--------------------------------------|----------------|
| 3        |             |               |  |                                      |                |
| 155      | 2222-0018   | ..            | STOP-<br>SUPPLIER CODE:<br>V86831  | 101106<br>108120<br>504504<br>506506 | 1              |
| 155      | 2222-0018   | ..            | STOP-<br>SUPPLIER CODE:<br>V86831  | 505505<br>507903                     | 1              |
| 160      | 4066-0053   | ..            | FLOAT ASSY-<br>SUPPLIER CODE:<br>V86831<br>CONFIG CHG DATA FROM A CMM:<br>SUPSD BY 4066-0053-1 | 101106<br>108120<br>504504<br>506506 | 1              |
| 160      | 4066-0053   | ..            | FLOAT ASSY-<br>SUPPLIER CODE:<br>V86831<br>CONFIG CHG DATA FROM A CMM:<br>SUPSD BY 4066-0053-1 | 505505<br>507903                     | 1              |
| 160      | 4066-0053-1 | ..            | FLOAT ASSY-<br>SUPPLIER CODE:<br>V86831<br>CONFIG CHG DATA FROM A CMM:<br>SUPSD BY 4066-0053-1 | 101106<br>108120<br>504504<br>506506 | 1              |
| 160      | 4066-0053-1 | ..            | FLOAT ASSY-<br>SUPPLIER CODE:<br>V86831<br>CONFIG CHG DATA FROM A CMM:<br>SUPERSEDES 4066-0053 | 505505<br>507903                     | 1              |
| 165      | 2220-0011   | ..            | BUMPER-<br>SUPPLIER CODE:<br>V86831<br>CONFIG CHG DATA FROM A CMM:<br>SUPSD BY 2020-0011       | 101106<br>108120<br>504504<br>506506 | 1              |
| 165      | 2220-0011   | ..            | BUMPER-<br>SUPPLIER CODE:<br>V86831<br>CONFIG CHG DATA FROM A CMM:<br>SUPSD BY 2020-0011       | 505505<br>507903                     | 1              |
| 165      | 2020-0011   | ..            | BUMPER-<br>SUPPLIER CODE:<br>V86831<br>CONFIG CHG DATA FROM A CMM:<br>SUPERSEDES 2220-0011     | 101106<br>108120<br>504504<br>506506 | 1              |
| 165      | 2020-0011   | ..            | BUMPER-<br>SUPPLIER CODE:<br>V86831<br>CONFIG CHG DATA FROM A CMM:<br>SUPERSEDES 2220-0011     | 505505<br>507903                     | 1              |

MISSING ITEM NUMBERS NOT APPLICABLE

- ITEM NOT ILLUSTRATED

28-44-01-03

28-44-01  
FIG. 03  
PAGE 15  
JAN 20/09

BRI

BOEING PROPRIETARY - Copyright © - Unpublished Work - See title page for details.



757

PARTS CATALOG (MAINTENANCE)

| FIG ITEM | PART NUMBER | 1 2 3 4 5 6 7 | NOMENCLATURE   | EFFECT FROM TO                       | UNITS PER ASSY |
|----------|-------------|---------------|--|--------------------------------------|----------------|
| 3        |             |               |  |                                      |                |
| 170      | RS900BS016  | ..            | PACKING-<br>SUPPLIER CODE:<br>V86831<br>CONFIG CHG DATA FROM A CMM:<br>SUPSD BY RS900J016<br>OPTIONAL PART:<br>MS29513-016 | 101106<br>108120<br>504504<br>506506 | AR             |
| 170      | RS900BS016  | ..            | PACKING-<br>SUPPLIER CODE:<br>V86831<br>CONFIG CHG DATA FROM A CMM:<br>SUPSD BY RS900J016<br>OPTIONAL PART:<br>MS29513-016 | 505505<br>507903                     | AR             |
| 170      | MS29513-016 | ..            | PACKING-<br>OPTIONAL PART:<br>RS900BS016<br>V86831   | 101106<br>108120<br>504504<br>506506 | AR             |
| 170      | MS29513-016 | ..            | PACKING-<br>OPTIONAL PART:<br>RS900BS016<br>V86831   | 505505<br>507903                     | AR             |
| 170      | RS900J016   | ..            | PACKING-<br>SUPPLIER CODE:<br>V86831<br>CONFIG CHG DATA FROM A CMM:<br>SUPERSEDES RS900BS016                               | 101106<br>108120<br>504504<br>506506 | AR             |
| 170      | RS900J016   | ..            | PACKING-<br>SUPPLIER CODE:<br>V86831<br>CONFIG CHG DATA FROM A CMM:<br>SUPERSEDES RS900BS016                               | 505505<br>507903                     | AR             |
| 173      | RS900BS016  | ..            | PACKING-<br>SUPPLIER CODE:<br>V86831<br>CONFIG CHG DATA FROM A CMM:<br>SUPSD BY RS900J016<br>OPTIONAL PART:<br>MS29513-016 | 101106<br>108120<br>504504<br>506506 | AR             |
| 173      | RS900BS016  | ..            | PACKING-<br>SUPPLIER CODE:<br>V86831<br>CONFIG CHG DATA FROM A CMM:<br>SUPSD BY RS900J016<br>OPTIONAL PART:<br>MS29513-016 | 505505<br>507903                     | AR             |

MISSING ITEM NUMBERS NOT APPLICABLE

- ITEM NOT ILLUSTRATED

28-44-01-03

28-44-01  
FIG. 03  
PAGE 16  
JAN 20/09

BRI





757

PARTS CATALOG (MAINTENANCE)

| FIG ITEM | PART NUMBER   | 1 2 3 4 5 6 7 | NOMENCLATURE  | EFFECT FROM TO                       | UNITS PER ASSY |
|----------|---------------|---------------|---|--------------------------------------|----------------|
| 3        |               |               |   |                                      |                |
| 173      | MS29513-016   | ..            | PACKING-<br>OPTIONAL PART:<br>RS900BS016<br>V86831  | 101106<br>108120<br>504504<br>506506 | AR             |
| 173      | MS29513-016   | ..            | PACKING-<br>OPTIONAL PART:<br>RS900BS016<br>V86831  | 101102<br>108120<br>504903           | AR             |
| 173      | RS900J016     | ..            | PACKING-<br>SUPPLIER CODE:<br>V86831<br>CONFIG CHG DATA FROM A CMM:<br>SUPERSEDES RS900BS016                            | 101106<br>108120<br>504504<br>506506 | AR             |
| 173      | RS900J016     | ..            | PACKING-<br>SUPPLIER CODE:<br>V86831<br>CONFIG CHG DATA FROM A CMM:<br>SUPERSEDES RS900BS016                            | 505505<br>507903                     | AR             |
| 175      | RS299-1       | ..            | PIN-<br>SUPPLIER CODE:<br>V86831  | 101106<br>108120<br>504504<br>506506 | 1              |
| 175      | RS299-1       | ..            | PIN-<br>SUPPLIER CODE:<br>V86831  | 505505<br>507903                     | 1              |
| 180      | 2177-0237-211 | ..            | TUBE-<br>SUPPLIER CODE:<br>V86831<br>CONFIG CHG DATA FROM A CMM:<br>SUPSD BY 4177-0160-201<br>USED ON:<br>4090-0033-201 | 101106<br>108120<br>504504<br>506506 | 1              |
| 180      | 2177-0237-211 | ..            | TUBE-<br>SUPPLIER CODE:<br>V86831<br>CONFIG CHG DATA FROM A CMM:<br>SUPSD BY 4177-0160-201<br>USED ON:<br>4090-0033-201 | 505505<br>507903                     | 1              |
| - 185    | 2177-0237-212 | ..            | TUBE-<br>SUPPLIER CODE:<br>V86831<br>CONFIG CHG DATA FROM A CMM:<br>SUPSD BY 4177-0160-202<br>USED ON:<br>4090-0033-202 | 101106<br>108120<br>504504<br>506506 | 1              |

MISSING ITEM NUMBERS NOT APPLICABLE

- ITEM NOT ILLUSTRATED

28-44-01-03

28-44-01  
FIG. 03  
PAGE 17  
JAN 20/09

BRI



757

PARTS CATALOG (MAINTENANCE)

| FIG ITEM | PART NUMBER   | 1 2 3 4 5 6 7 | NOMENCLATURE  | EFFECT FROM TO                       | UNITS PER ASSY |
|----------|---------------|---------------|---|--------------------------------------|----------------|
| 3        |               |               |   |                                      |                |
| - 185    | 2177-0237-212 | ..            | TUBE-<br>SUPPLIER CODE:<br>V86831<br>CONFIG CHG DATA FROM A CMM:<br>SUPSD BY 4177-0160-202<br>USED ON:<br>4090-0033-202 | 505505<br>507903                     | 1              |
| - 190    | 2177-0237-213 | ..            | TUBE-<br>SUPPLIER CODE:<br>V86831<br>CONFIG CHG DATA FROM A CMM:<br>SUPSD BY 4177-0160-203<br>USED ON:<br>4090-0033-203 | 101106<br>108120<br>504504<br>506506 | 1              |
| - 190    | 2177-0237-213 | ..            | TUBE-<br>SUPPLIER CODE:<br>V86831<br>CONFIG CHG DATA FROM A CMM:<br>SUPSD BY 4177-0160-203<br>USED ON:<br>4090-0033-203 | 505505<br>507903                     | 1              |
| - 195    | 2177-0237-214 | ..            | TUBE-<br>SUPPLIER CODE:<br>V86831<br>CONFIG CHG DATA FROM A CMM:<br>SUPSD BY 4177-0160-204<br>USED ON:<br>4090-0033-204 | 101102<br>108120<br>504504<br>506506 | 1              |
| - 195    | 2177-0237-214 | ..            | TUBE-<br>SUPPLIER CODE:<br>V86831<br>CONFIG CHG DATA FROM A CMM:<br>SUPSD BY 4177-0160-204<br>USED ON:<br>4090-0033-204 | 103106                               | 1              |
| - 195    | 2177-0237-214 | ..            | TUBE-<br>SUPPLIER CODE:<br>V86831<br>CONFIG CHG DATA FROM A CMM:<br>SUPSD BY 4177-0160-204<br>USED ON:<br>4090-0033-204 | 505505<br>507903                     | 1              |
| - 200    | 2177-0237-207 | ..            | TUBE-<br>SUPPLIER CODE:<br>V86831<br>CONFIG CHG DATA FROM A CMM:<br>SUPSD BY 4177-0160-207<br>USED ON:<br>4090-0033-207 | 101106<br>108120<br>504504<br>506506 | 1              |

MISSING ITEM NUMBERS NOT APPLICABLE

- ITEM NOT ILLUSTRATED

28-44-01-03

28-44-01  
FIG. 03  
PAGE 18  
JAN 20/09

BRI



757

PARTS CATALOG (MAINTENANCE)

| FIG ITEM | PART NUMBER   | 1 2 3 4 5 6 7 | NOMENCLATURE  | EFFECT FROM TO                       | UNITS PER ASSY |
|----------|---------------|---------------|---|--------------------------------------|----------------|
| 3        |               |               |   |                                      |                |
| - 200    | 2177-0237-207 | ..            | TUBE-<br>SUPPLIER CODE:<br>V86831<br>CONFIG CHG DATA FROM A CMM:<br>SUPSD BY 4177-0160-207<br>USED ON:<br>4090-0033-207   | 505505<br>507903                     | 1              |
| - 205    | 2177-0237-208 | ..            | TUBE-<br>SUPPLIER CODE:<br>V86831<br>CONFIG CHG DATA FROM A CMM:<br>SUPSD BY 4177-0160-208<br>USED ON:<br>4090-0033-208   | 103106                               | 1              |
| 210      | 4177-0160-201 | ..            | TUBE-<br>SUPPLIER CODE:<br>V86831<br>CONFIG CHG DATA FROM A CMM:<br>SUPERSEDES 2177-0237-211<br>USED ON:<br>4090-0033-201 | 101106<br>108120<br>504504<br>506506 | 1              |
| 210      | 4177-0160-201 | ..            | TUBE-<br>SUPPLIER CODE:<br>V86831<br>CONFIG CHG DATA FROM A CMM:<br>SUPERSEDES 2177-0237-211<br>USED ON:<br>4090-0033-201 | 505505<br>507903                     | 1              |
| - 215    | 4177-0160-202 | ..            | TUBE-<br>SUPPLIER CODE:<br>V86831<br>CONFIG CHG DATA FROM A CMM:<br>SUPERSEDES 2177-0237-212<br>USED ON:<br>4090-0033-202 | 101106<br>108120<br>504504<br>506506 | 1              |
| - 215    | 4177-0160-202 | ..            | TUBE-<br>SUPPLIER CODE:<br>V86831<br>CONFIG CHG DATA FROM A CMM:<br>SUPERSEDES 2177-0237-212<br>USED ON:<br>4090-0033-202 | 505505<br>507903                     | 1              |
| - 220    | 4177-0160-203 | ..            | TUBE-<br>SUPPLIER CODE:<br>V86831<br>CONFIG CHG DATA FROM A CMM:<br>SUPERSEDES 2177-0237-213<br>USED ON:<br>4090-0033-203 | 101106<br>108120<br>504504<br>506506 | 1              |

MISSING ITEM NUMBERS NOT APPLICABLE

- ITEM NOT ILLUSTRATED

28-44-01-03

28-44-01  
FIG. 03  
PAGE 19  
JAN 20/09

BRI



757

PARTS CATALOG (MAINTENANCE)

| FIG ITEM | PART NUMBER   | 1 2 3 4 5 6 7 | NOMENCLATURE  | EFFECT FROM TO                       | UNITS PER ASSY |
|----------|---------------|---------------|---|--------------------------------------|----------------|
| 3        |               |               |   |                                      |                |
| - 220    | 4177-0160-203 | ..            | TUBE-<br>SUPPLIER CODE:<br>V86831<br>CONFIG CHG DATA FROM A CMM:<br>SUPERSEDES 2177-0237-213<br>USED ON:<br>4090-0033-203 | 505505<br>507903                     | 1              |
| - 225    | 4177-0160-204 | ..            | TUBE-<br>SUPPLIER CODE:<br>V86831<br>CONFIG CHG DATA FROM A CMM:<br>SUPERSEDES 2177-0237-214<br>USED ON:<br>4090-0033-204 | 101102<br>108120<br>504504<br>506506 | 1              |
| - 225    | 4177-0160-204 | ..            | TUBE-<br>SUPPLIER CODE:<br>V86831<br>CONFIG CHG DATA FROM A CMM:<br>SUPERSEDES 2177-0237-214<br>USED ON:<br>4090-0033-204 | 103106                               | 1              |
| - 225    | 4177-0160-204 | ..            | TUBE-<br>SUPPLIER CODE:<br>V86831<br>CONFIG CHG DATA FROM A CMM:<br>SUPERSEDES 2177-0237-214<br>USED ON:<br>4090-0033-204 | 505505<br>507903                     | 1              |
| - 230    | 4177-0160-207 | ..            | TUBE-<br>SUPPLIER CODE:<br>V86831<br>CONFIG CHG DATA FROM A CMM:<br>SUPERSEDES 2177-0237-207<br>USED ON:<br>4090-0033-207 | 101106<br>108120<br>504504<br>506506 | 1              |
| - 230    | 4177-0160-207 | ..            | TUBE-<br>SUPPLIER CODE:<br>V86831<br>CONFIG CHG DATA FROM A CMM:<br>SUPERSEDES 2177-0237-207<br>USED ON:<br>4090-0033-207 | 505505<br>507903                     | 1              |
| - 235    | 4177-0160-208 | ..            | TUBE-<br>SUPPLIER CODE:<br>V86831<br>CONFIG CHG DATA FROM A CMM:<br>SUPERSEDES 2177-0237-208<br>USED ON:<br>4090-0033-208 | 103106                               | 1              |

MISSING ITEM NUMBERS NOT APPLICABLE

- ITEM NOT ILLUSTRATED

28-44-01-03

28-44-01  
FIG. 03  
PAGE 20  
JAN 20/09

BRI